

Vehicle & Engine Controls
 Engine Controls
 Accelerator Pedal 1/4

Discovery (FA393361-WA799999)

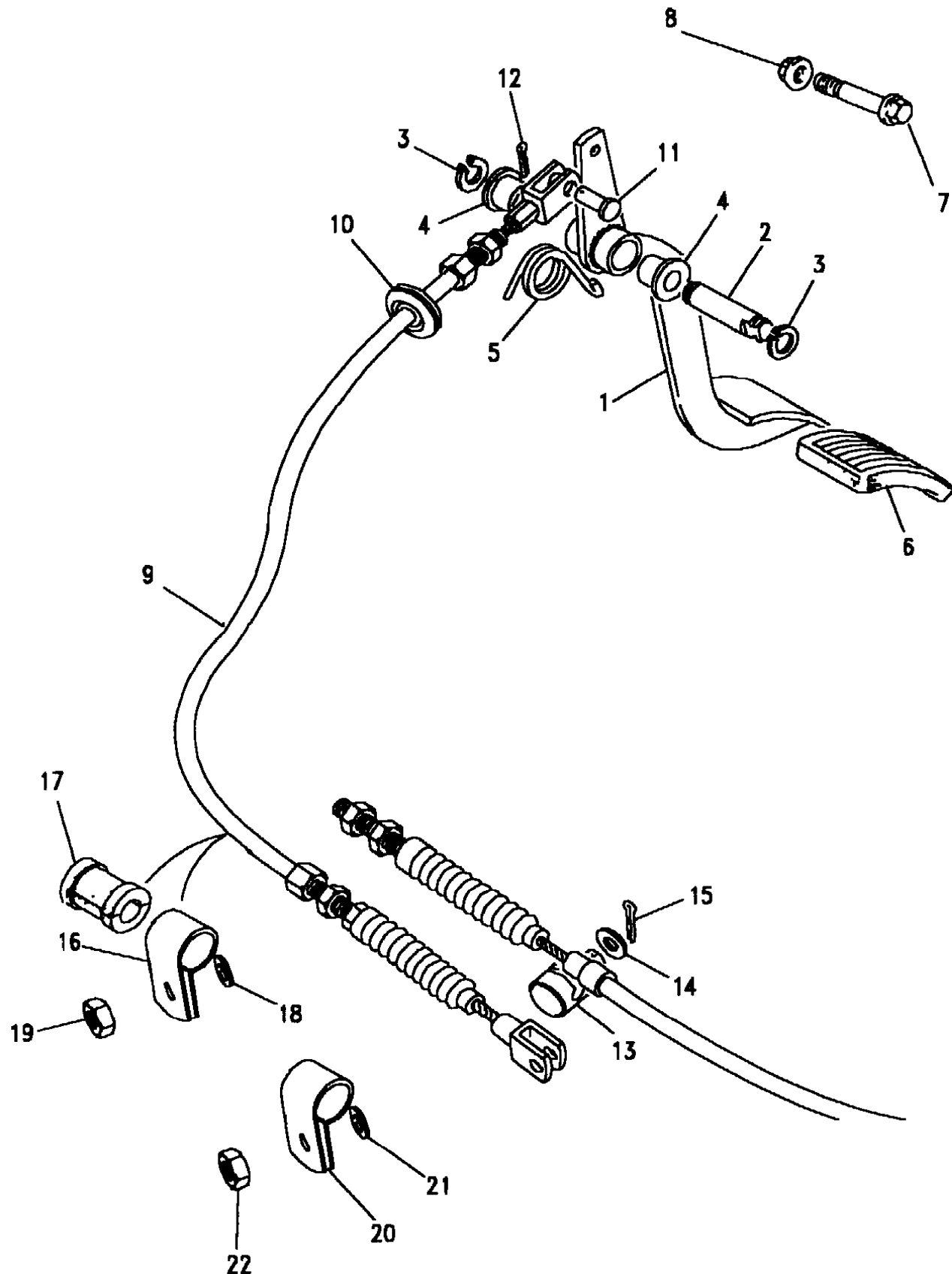
(CAGXAA1A)

Discovery (FA393361-WA799999)

Vehicle & Engine Controls
 Engine Controls
 Accelerator Pedal

V8 Twin Carb Petrol, V8 EFI Petrol, 4 Cyl TDi Diesel

Callout	Name	Application	Remarks & Restrictions	Service No.	Qty
1	Pedal assembly accelerator	Change point - VIN begin TA531680, RHD Change point - VIN begin TA700854, RHD Change point - VIN begin TA531680, LHD Change point - VIN begin TA700854, LHD		STC900 STC900 STC899 STC899	1 1 1 1
2	Shaft-pedal-accelerator	Change point - VIN end GA458875		572493	1
3	Circlip	Change point - VIN begin GA394352, Change point - VIN end GA456980 Change point - VIN begin HA456981, Change point - VIN end HA458875 Change point - VIN begin JA012333 Change point - VIN begin HA000001, Change point - VIN end HA012332 Change point - VIN begin HA458876, Change point - VIN end HA486551		575633 575633 CR120115L CR120115L CR120115L	2 2 2 2 2
4	Bush	Change point - VIN end JA031011		572466 STC898	2 1
5	Spring-return			NTC6949	1
6	Pad-pedal lever accelerator	Change point - VIN begin GA394352, Change point - VIN end GA456980, RHD Change point - VIN begin HA000001, Change point - VIN end HA002570, RHD Change point - VIN begin HA456981, Change point - VIN end HA486551, RHD Change point - VIN begin JA012333 Change point - VIN begin HA002571, Change point - VIN end HA012332		592840 592840 592840 11H1781L 11H1781L	1 1 1 1 1
7	Bolt	Change point - VIN end JA031011	Long, M10 x 60	BH110121L	1
8	Nut - Hex.	Change point - VIN end JA031011		STC295	1
9	Cable assembly accelerator	V8 Twin Carb, RHD		NTC7126	1



Vehicle & Engine Controls
 Engine Controls
 Accelerator Pedal 2/4

Discovery (FA393361-WA799999)

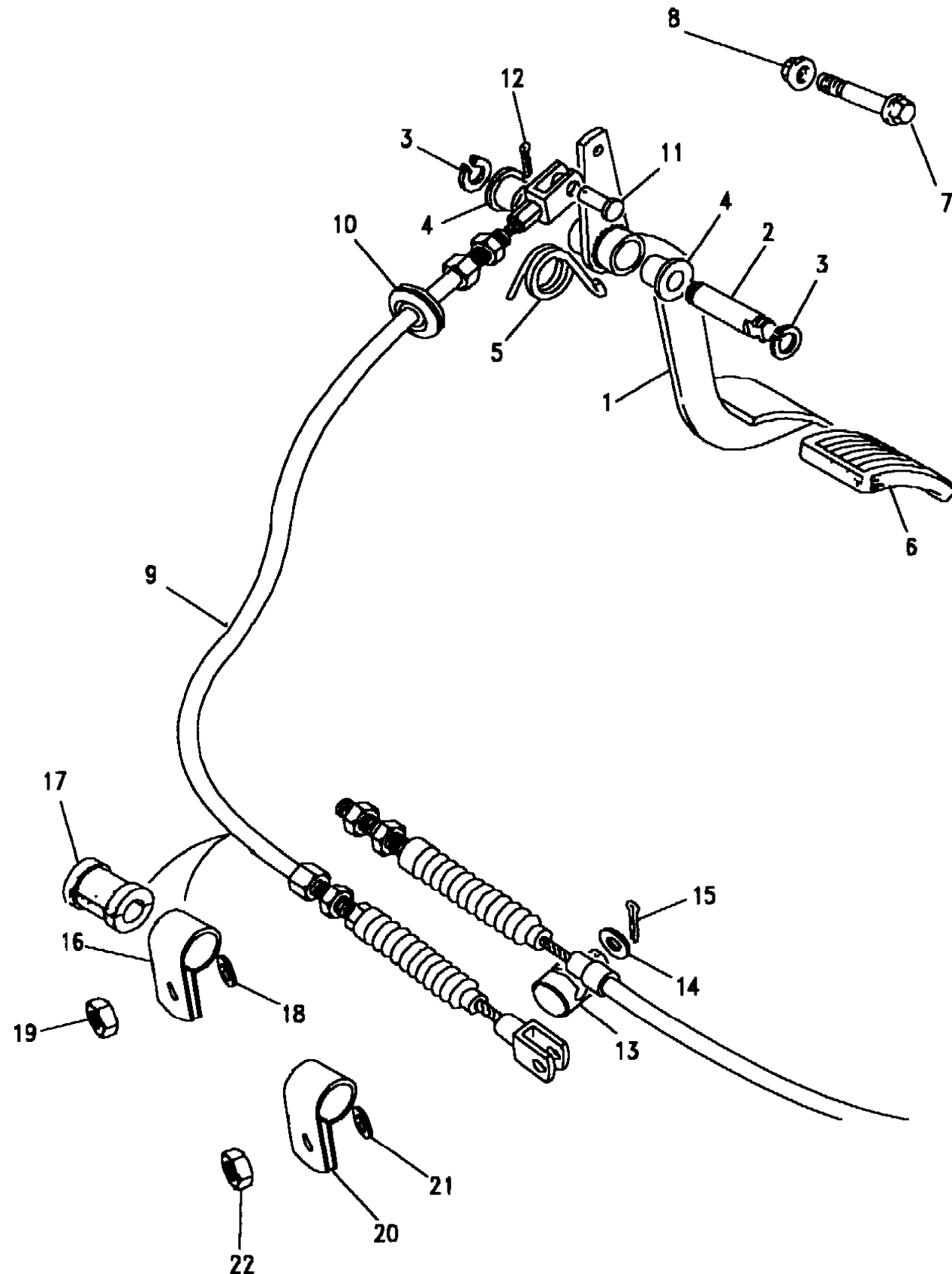
(CAGXAA1A)

Discovery (FA393361-WA799999)

Vehicle & Engine Controls
 Engine Controls
 Accelerator Pedal

V8 Twin Carb Petrol, V8 EFI Petrol, 4 Cyl TDi Diesel

Callout	Name	Application	Remarks & Restrictions	Service No.	Qty
9	Cable assembly accelerator	V8 Twin Carb, LHD		NTC7535	1
		Change point - VIN end JA031011, V8 EFI, RHD		NTC7366	1
		Change point - VIN begin JA031012, Change point - VIN end TA531679, V8 EFI, RHD		ANR1632	1
		Change point - VIN begin JA031012, Change point - VIN end TA700853, V8 EFI, RHD		ANR1632	1
		Change point - VIN begin MA531680, V8 EFI, RHD		ANR5328	1
		Change point - VIN begin TA700854, V8 EFI, RHD		ANR5328	1
		V8 EFI, RHD		SBB104300	1
		Change point - VIN end JA031011, V8 EFI, LHD		NTC7484	1
		Change point - VIN begin JA031012, Change point - VIN end TA199999, V8 EFI, LHD		ANR1631	1
		Change point - VIN begin TA500000, Change point - VIN end TA531679, V8 EFI, LHD		ANR1631	1
		Change point - VIN begin TA700000, Change point - VIN end TA700853, V8 EFI, LHD		ANR1631	1
		Change point - VIN begin TA531680, V8 EFI, LHD		ANR5327	1
		Change point - VIN begin TA700854, V8 EFI, LHD		ANR5327	1
		Change point - VIN end JA031012, 2.5L 4 Cyl TDi, RHD		NTC7226	1
		Change point - VIN begin JA031013, Change point - VIN end KA042238, 2.5L 4 Cyl TDi, RHD		ANR1634	1
		Change point - VIN begin KA042239, Change point - VIN end LA081991, 2.5L 4 Cyl TDi, RHD		ANR2359	1
		Change point - VIN begin MA081992, 2.5L 4 Cyl TDi, RHD		ANR3606	1
		Change point - VIN end JA031011, 2.5L 4 Cyl TDi, LHD		NTC7227	1
		Change point - VIN begin JA031012, Change point - VIN end KA042238, 2.5L 4 Cyl TDi, LHD		ANR1633	1
		Change point - VIN begin KA042239, Change point - VIN end LA081991, 2.5L 4 Cyl TDi, LHD		ANR2359	1



Vehicle & Engine Controls
 Engine Controls
 Accelerator Pedal 3/4

Discovery (FA393361-WA799999)

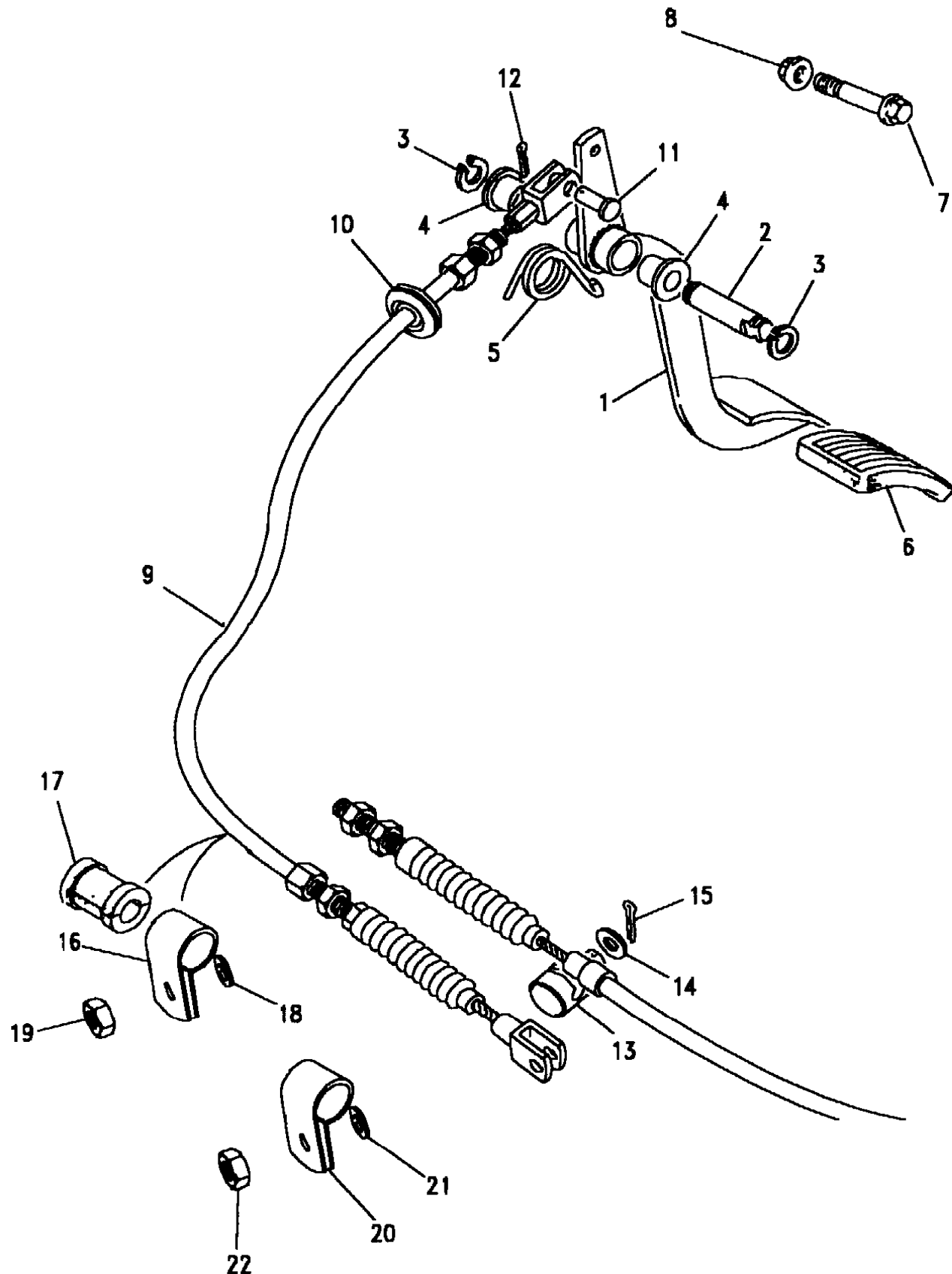
(CAGXAA1A)

Discovery (FA393361-WA799999)

Vehicle & Engine Controls
 Engine Controls
 Accelerator Pedal

V8 Twin Carb Petrol, V8 EFI Petrol, 4 Cyl TDi Diesel

Callout	Name	Application	Remarks & Restrictions	Service No.	Qty		
9	Cable assembly accelerator	Change point - VIN begin MA081992, 2.5L 4 Cyl TDi, LHD		ANR3606	1		
		Change point - VIN begin TA163104, 2.5L TDi, RHD, EDC, Less Cruise Control		ANR5096	1		
		Change point - VIN begin TA501919, 2.5L TDi, RHD, EDC, Less Cruise Control		ANR5096	1		
		Change point - VIN begin TA501919, 2.5L TDi, RHD, EDC, Less Cruise Control		SBB104250	1		
		Change point - VIN begin TA163104, 2.5L TDi, LHD, EDC, Less Cruise Control		ANR4617	1		
		Change point - VIN begin TA501919, 2.5L TDi, LHD, EDC, Less Cruise Control		ANR4617	1		
		Change point - VIN begin TA163104, 2.5L TDi, LHD, Less EDC, With Cruise Control		ANR4513	1		
		Change point - VIN begin TA501919, 2.5L TDi, LHD, Less EDC, With Cruise Control		ANR4513	1		
		2.5L TDi, LHD, Less EDC, With Cruise Control		SBB104320	1		
		Change point - VIN begin TA163104, 2.5L TDi, RHD, Less EDC, With Cruise Control		ANR4514	1		
		Change point - VIN begin TA501919, 2.5L TDi, RHD, Less EDC, With Cruise Control		ANR4514	1		
		2.5L TDi, RHD, Less EDC, With Cruise Control		SBB104330	1		
		10	Grommet			562106	1
		11	Pin-clevis/pivot	Change point - VIN end MA087363		NTC6916	2
Change point - VIN begin MA087364				ANR3660	2		
12	Pin-split			PS603041L	2		
13	Pin-clevis/pivot	With Petrol Engines, LHD		90577449	1		
14	Washer	With Petrol Engines, LHD		WA702101L	1		
15	Pin-split	With Petrol Engines, LHD		PS603041	1		
16	Clip-Hose	With Petrol Engines, RHD	Steel, 14.5MM, 25/64" hole	240407	1		
17	Grommet	With Petrol Engines, RHD	Rubber, 17/64" hole	6860L	1		



Vehicle & Engine Controls
 Engine Controls
 Accelerator Pedal 4/4

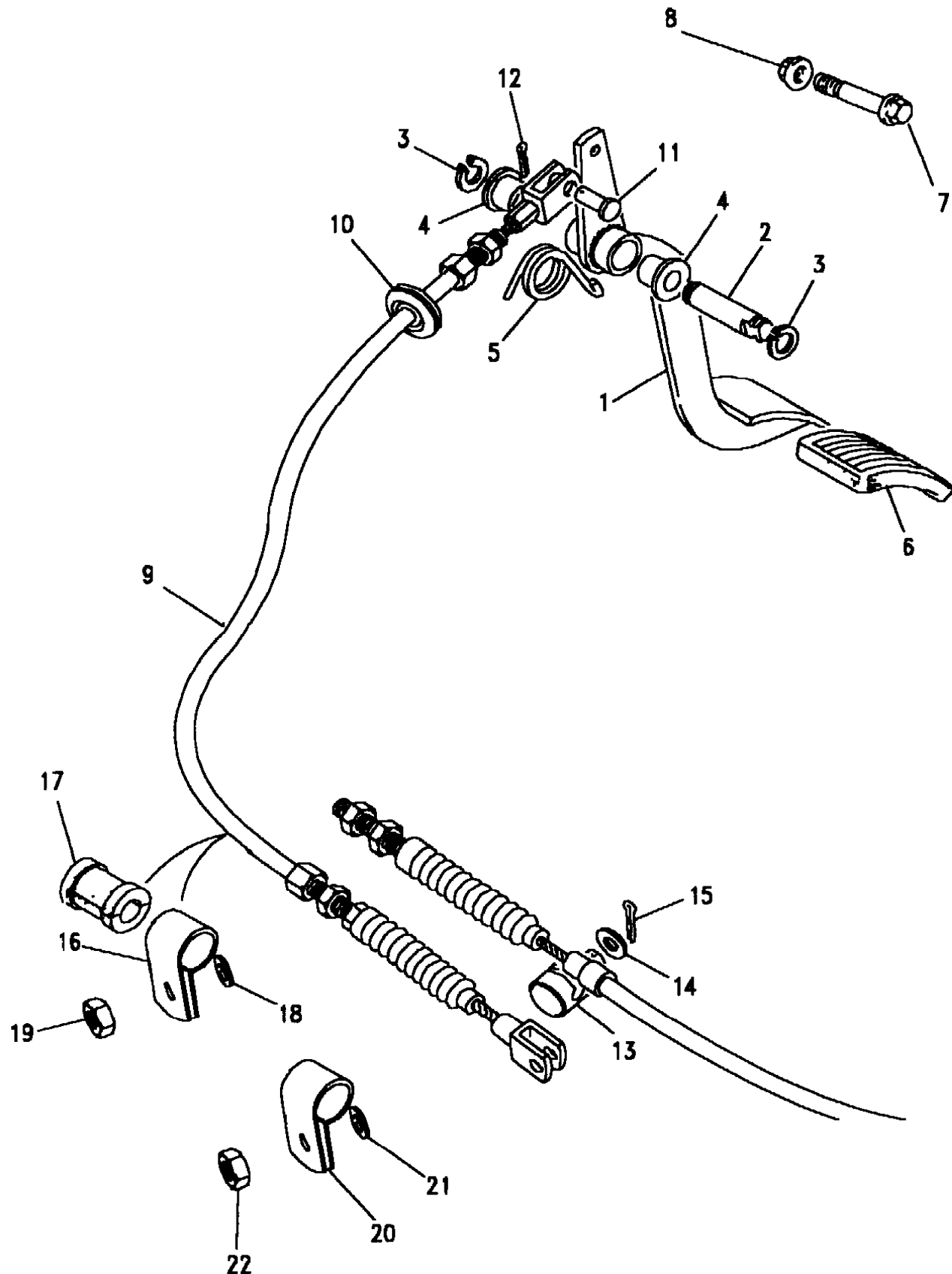
Discovery (FA393361-WA799999)
 (CAGXAA1A)

Discovery (FA393361-WA799999)

Vehicle & Engine Controls
 Engine Controls
 Accelerator Pedal

V8 Twin Carb Petrol, V8 EFI Petrol, 4 Cyl TDi Diesel

Callout	Name	Application	Remarks & Restrictions	Service No.	Qty
18	Washer	With Petrol Engines, RHD	8MM	WA108051L	1
19	Nut - Hex.	With Petrol Engines, RHD	M8, hexagonal head	NH108041L	1
20	Clip-p	With Diesel Engines		CP108101L	1
21	Washer	With Diesel Engines	8MM	WA108051L	1
22	Nut - Hex.	With Diesel Engines	M8, hexagonal head	NH108041L	1
23	Link-lever accelerator	Change point - Engine end 19L01106A, With Diesel Engines Change point - Engine begin 19L01107A, With Diesel Engines		ANR1902 ANR5093	1 1
[901]	Clip-spring-push on	Change point - VIN begin MA087364		ANR3661	2



Vehicle & Engine Controls
 Engine Controls
 Accelerator Pedal Cont. 1/1

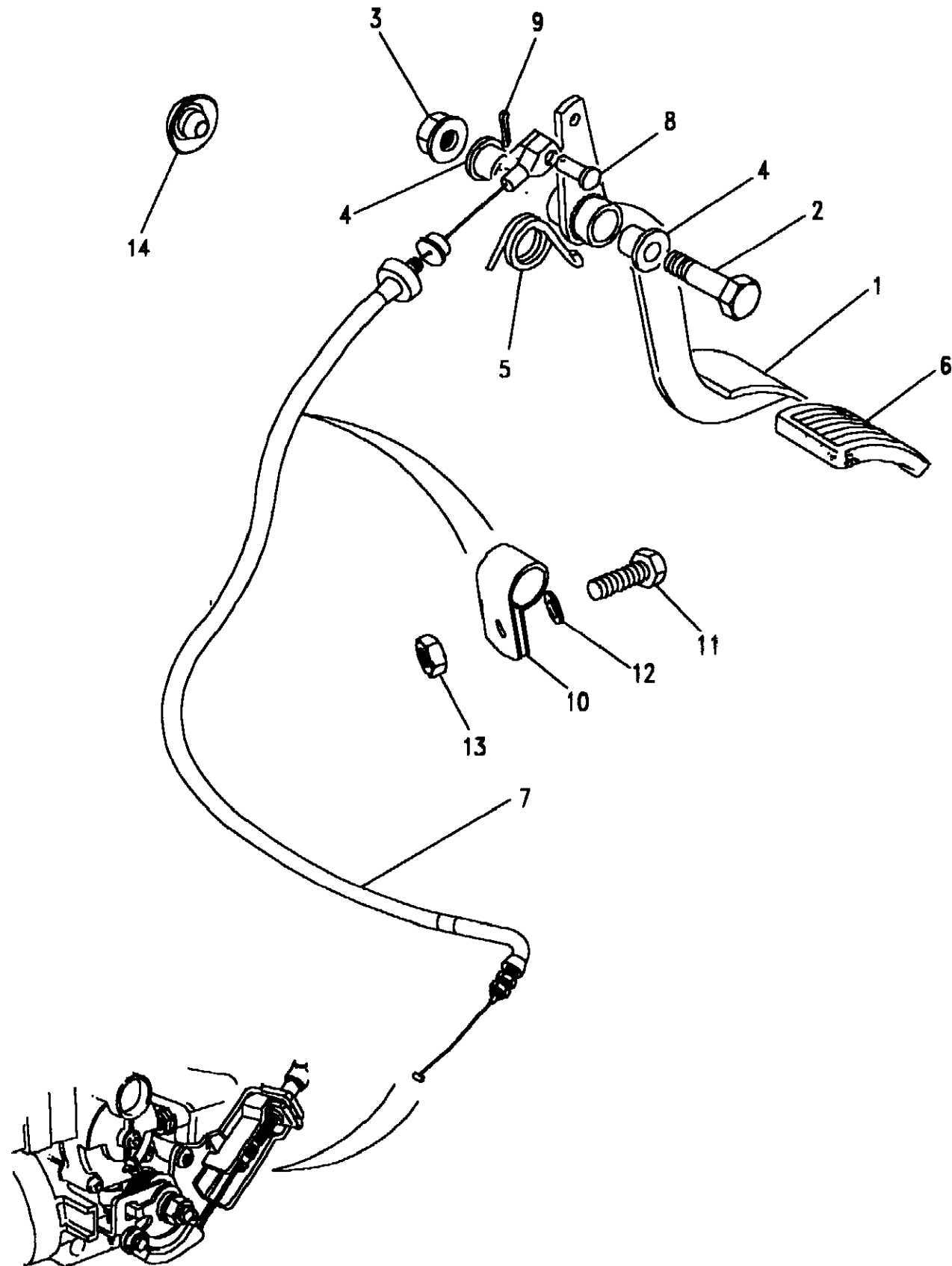
Discovery (FA393361-WA799999)
 (CAGXAA2A)

Discovery (FA393361-WA799999)

Vehicle & Engine Controls
 Engine Controls
 Accelerator Pedal Cont.

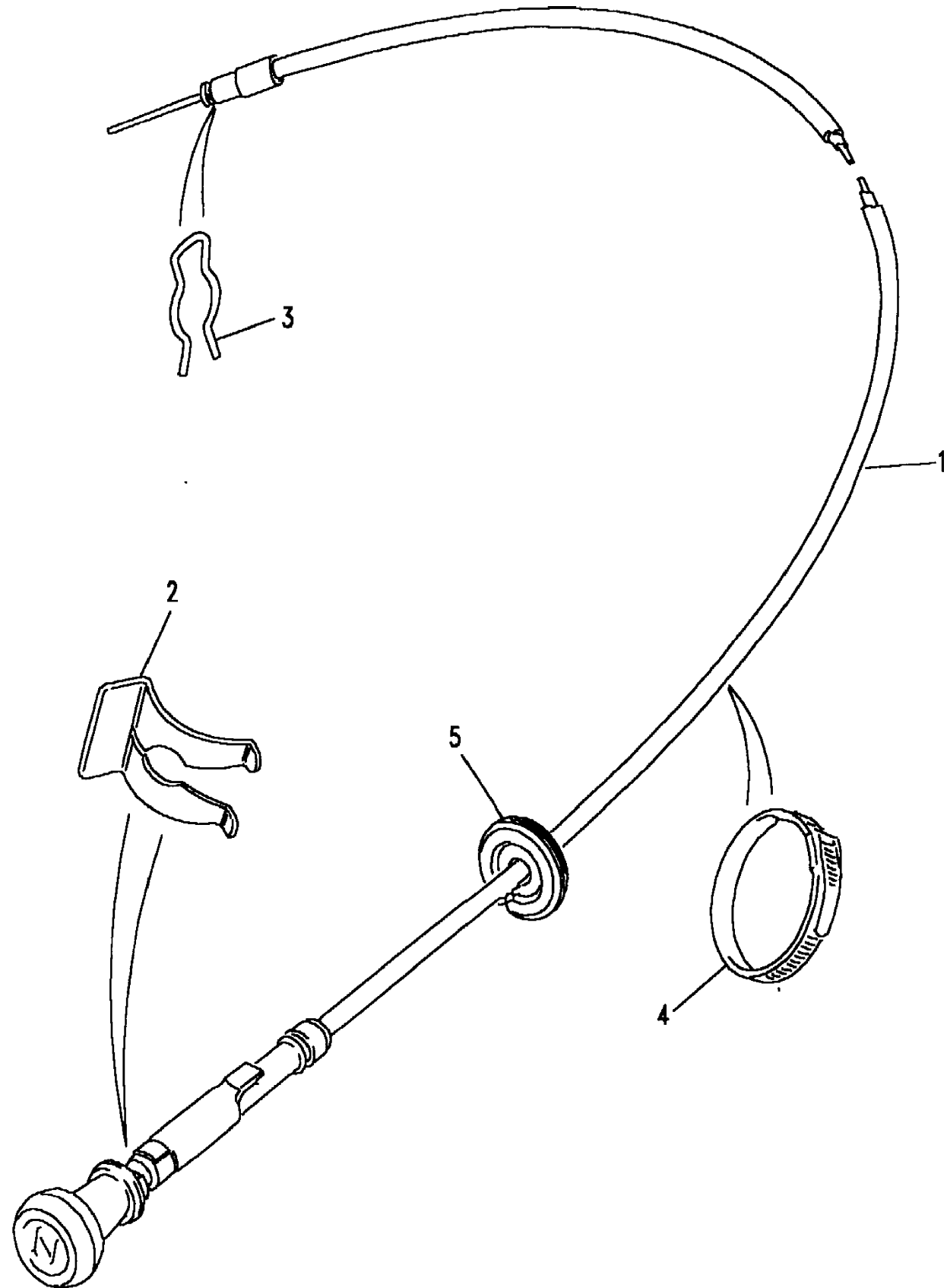
4 Cylinder MPi T Series Petrol

Callout	Name	Application	Remarks & Restrictions	Service No.	Qty
1	Pedal assembly accelerator	MPi		NTC6944	1
2	Bolt	MPi	split cable to pedal, Long, M10 x 60	BH110121L	1
3	Nut - Hex.	MPi		STC295	1
4	Bush	MPi		572466	2
5	Spring-return	MPi		NTC6949	1
6	Pad-lever-pedal	MPi		11H1781L	1
7	Cable assembly accelerator	MPi, LHD MPi, RHD		ANR2078 ANR2057	1 1
8	Pin-clevis/pivot	Change point - VIN end LA081991, MPi Change point - VIN begin MA081992, MPi		NTC6916 ANR3660	1 1
9	Pin-split	Change point - VIN end LA081991, MPi		PS603041L	1
10	Clip-p	MPi, RHD	M12	CP105121L	1
11	Screw	MPi, RHD	hexagonal head, M5 x 12	SH105121L	1
12	Washer	MPi, RHD	M5, Plain, Standard	WA105001L	1
13	Nut-hexagonal	MPi, RHD	M5	NH105041L	1
14	Plug-blanking	MPi, RHD	Plastic, 13MM	338015	1
[900]	Clip-spring-push on	Change point - VIN begin MA081992, MPi		ANR3661	1



Vehicle & Engine Controls
Engine Controls
Choke Cable 1/1

Discovery (FA393361-WA799999)
(CAGXGA1A)



Discovery (FA393361-WA799999)

Vehicle & Engine Controls
Engine Controls
Choke Cable

Callout	Name	Application	Remarks & Restrictions	Service No.	Qty
1	Cable assembly choke			NTC7723	1
2	Clip-cable			ADU5065L	1
3	Clip			538890L	1
4	Clip			MXC3176	1
5	Grommet			235113	1

Vehicle & Engine Controls
 Engine Controls
 Clutch Master Cylinder & Pipes 1/2

Discovery (FA393361-WA799999)

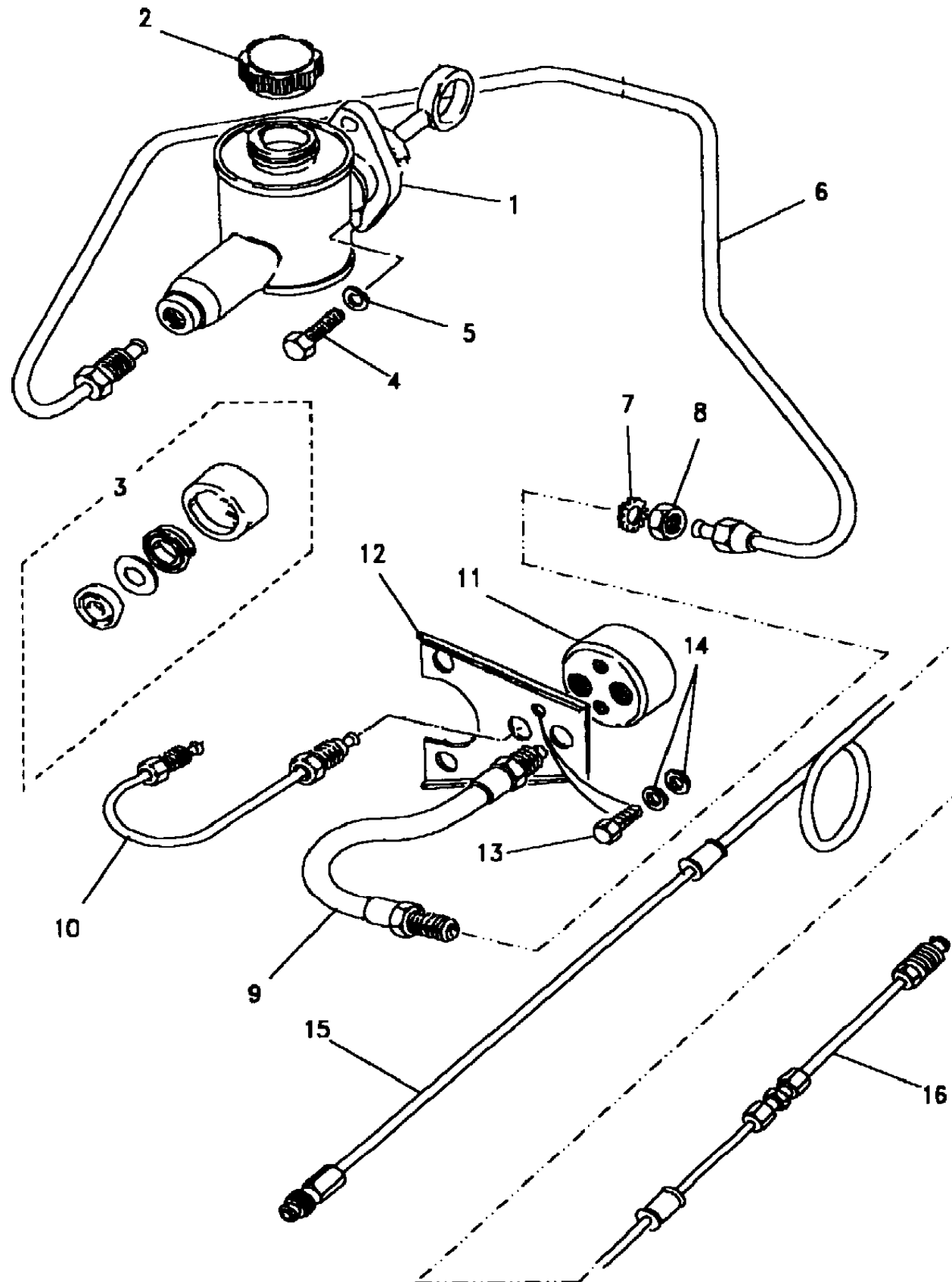
(CAGXEC1A)

Discovery (FA393361-WA799999)

Vehicle & Engine Controls
 Engine Controls
 Clutch Master Cylinder & Pipes

With Diesel Engines

Callout	Name	Application	Remarks & Restrictions	Service No.	Qty
1	Master cylinder clutch	Change point - VIN end LA081990 Change point - VIN begin LA081991	Also serviced as part of a kit Also serviced as part of a kit	AEU1714 ANR2651	1 1
2	Cap assembly-tank clutch	Change point - VIN end LA081990 Change point - VIN begin LA081991	Also serviced as part of a kit Also serviced as part of a kit	513123 STC1646	1 1
3	Kit-repair clutch master cylinder			STC1126	1
4	Screw		clutch master cylinder to mounting plate, Flanged Head, M8 x 20 clutch master cylinder to mounting plate, Flanged Head, M8 x 20	FS108201L FS108207L	2 2
5	Washer		M8, sprung	WL108001L WL108007	2 2
6	Pipe Clutch	RHD Change point - VIN end JA034313, LHD Change point - VIN begin MA081992, Change point - VIN end MA091471, LHD Change point - VIN begin MA091472, LHD	master cylinder to damper master cylinder to damper master cylinder to damper master cylinder to damper	NTC7573 NTC7627 ANR2697 ANR3772	1 1 1 1
7	Washer-starlock			WE600071L	1
8	Nut-hexagonal-thin		7/16UNF	NT607041L	1
9	Hose clutch			NTC3400	1
10	Pipe Clutch	Change point - VIN end KA046332 Change point - VIN begin KA046333, Change point - VIN end KA052663 Change point - VIN begin KA046333, Change point - VIN end MA106179 Change point - VIN begin MA106180	damper to slave cylinder damper to slave cylinder damper to slave cylinder damper to slave cylinder	NTC3401 ANR2004 ANR2498 ANR3508	1 1 1 1
11	Damper assembly clutch	Change point - VIN end MA083648 Change point - VIN begin MA083648		NTC9959 STD10002L	1 1
12	Bracket-damper clutch			NTC7553	1



Vehicle & Engine Controls
 Engine Controls
 Clutch Master Cylinder & Pipes 2/2

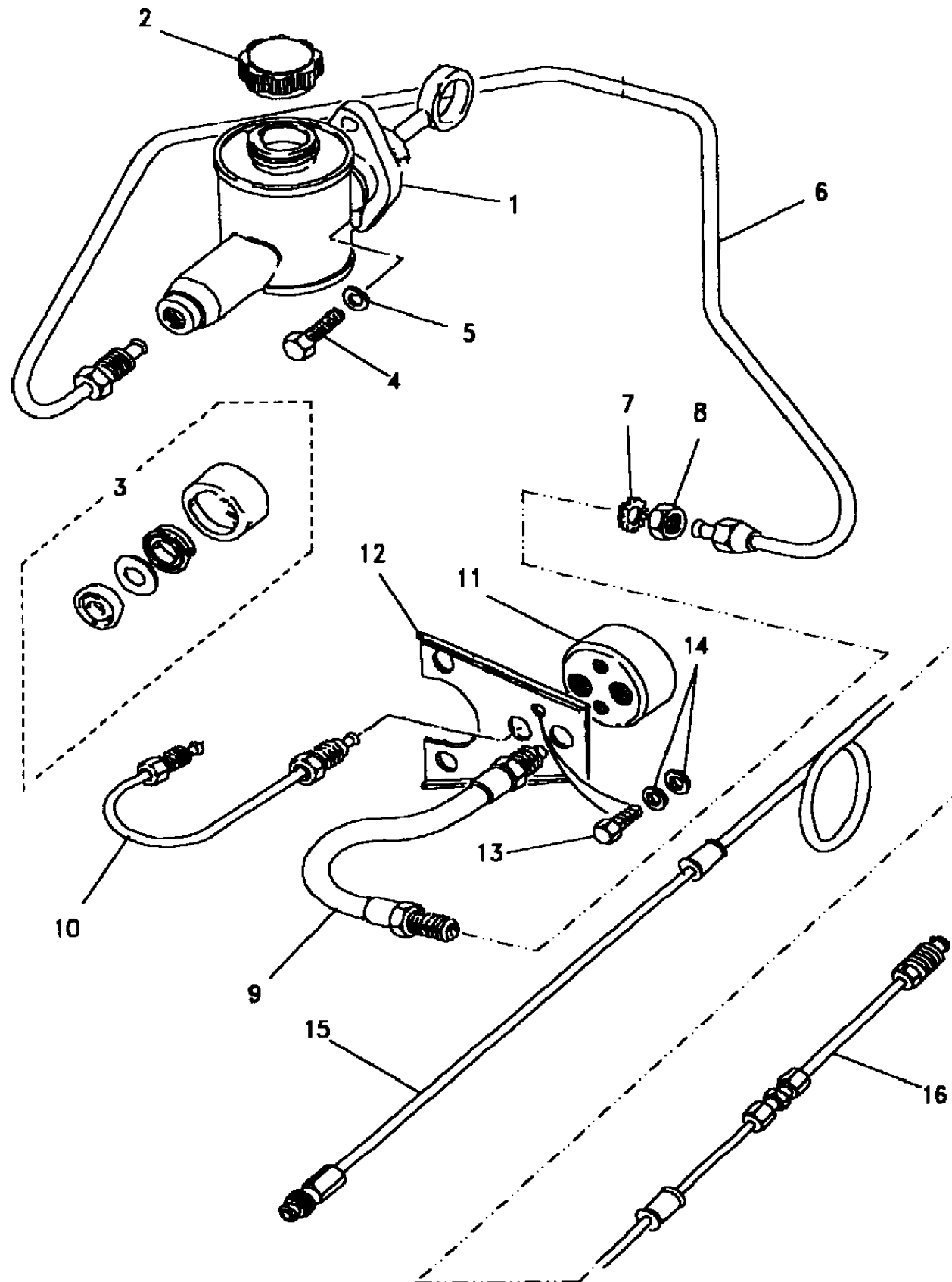
Discovery (FA393361-WA799999)
 (CAGXEC1A)

Discovery (FA393361-WA799999)

Vehicle & Engine Controls
 Engine Controls
 Clutch Master Cylinder & Pipes

With Diesel Engines

Callout	Name	Application	Remarks & Restrictions	Service No.	Qty
13	Screw		clutch damper to bracket, hexagonal head, M6 X 14	SH106141L	2
14	Washer		6MM	WA106041L	4
15	Pipe Clutch	Change point - VIN begin KA034314, Change point - VIN end LA081991, RHD Change point - VIN begin KA034314, Change point - VIN end LA081991, LHD	master cylinder to damper master cylinder to damper	ANR1675 ANR2040	1 1
16	Pipe Clutch	Change point - VIN begin KA034314, Change point - VIN end LA081991, RHD Change point - VIN begin KA034314, Change point - VIN end LA081991, LHD	damper/slave damper/slave	ANR2498 ANR2039	1 1
[901]	Rod assembly-push clutch master cylinder	Change point - VIN begin MA081992		STC1647	1



Vehicle & Engine Controls
 Engine Controls
 Clutch Master Cylinder & Pipes 1/1

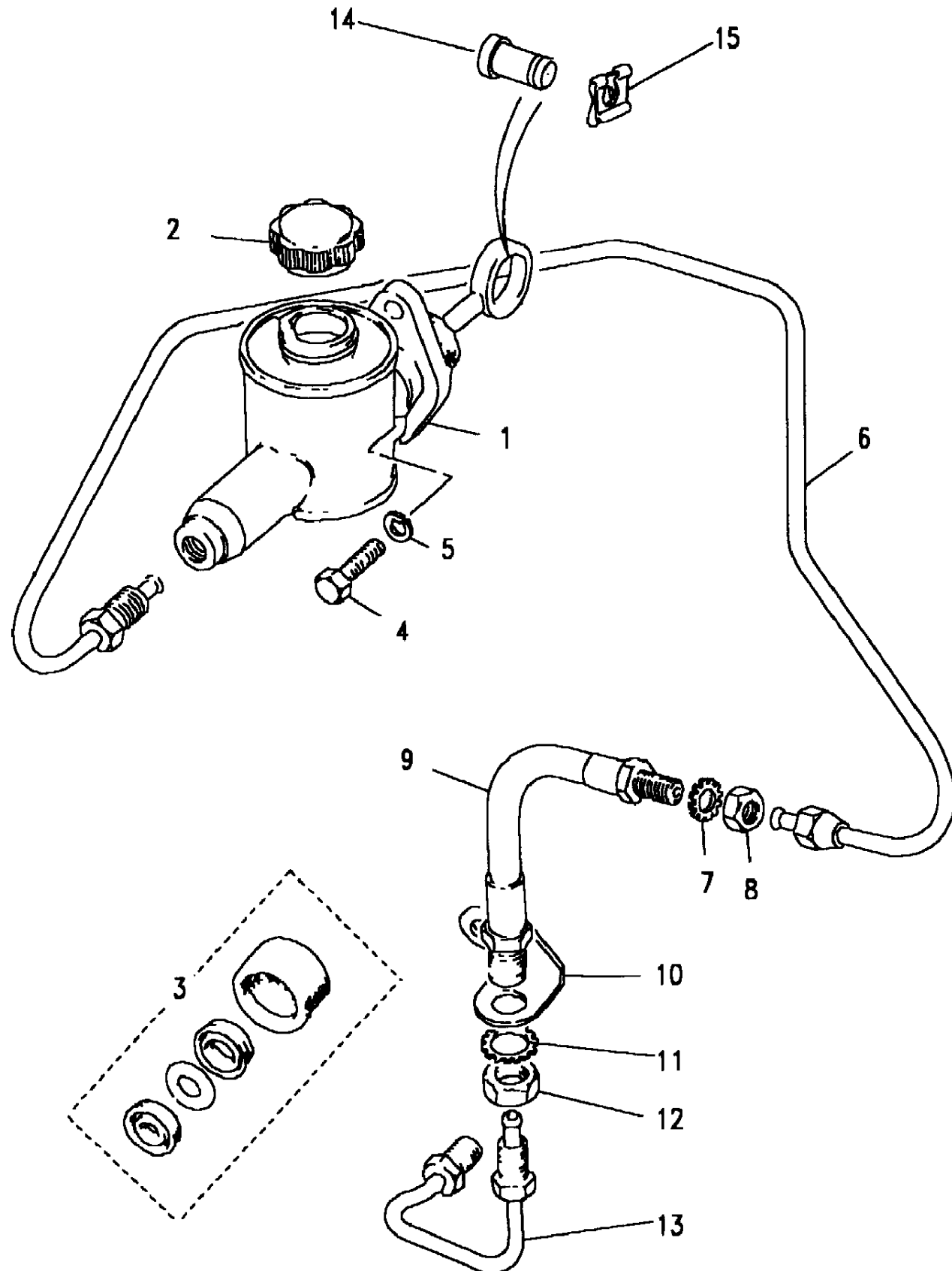
Discovery (FA393361-WA799999)
 (CAGXE1A)

Discovery (FA393361-WA799999)

Vehicle & Engine Controls
 Engine Controls
 Clutch Master Cylinder & Pipes

With Petrol Engines

Callout	Name	Application	Remarks & Restrictions	Service No.	Qty
1	Master cylinder clutch	Change point - VIN end LA081991	(-) MPI, Also serviced as part of a kit	AEU1714	1
		Change point - VIN begin MA081992	(-) MPI, Also serviced as part of a kit	ANR2186	1
		MPi Petrol	Also serviced as part of a kit	ANR2651	1
2	Cap assembly-tank clutch	Change point - VIN end LA081991	(-) MPI, Also serviced as part of a kit	513123	1
		Change point - VIN begin MA081992	(-) MPI, Also serviced as part of a kit	STC1646	1
		MPi Petrol	Also serviced as part of a kit	STC1646	1
3	Kit-repair clutch master cylinder	MPi Petrol		STC1126	1
4	Screw	MPi Petrol	Flanged Head, M8 x 20	FS108201L	2
		MPi Petrol	Flanged Head, M8 x 20	FS108207L	2
5	Washer	MPi Petrol	M8, sprung	WL108001L	2
				WL108007	2
6	Pipe Clutch	Change point - VIN end LA081990, RHD		NTC3466	1
		Change point - VIN begin MA081991, Change point - VIN end MA091471, RHD		ANR2738	1
		Change point - VIN begin MA091472, RHD		ANR3771	1
		Change point - VIN end LA081991, LHD		NTC1856	1
		Change point - VIN begin MA081992, LHD		ANR3386	1
7	Washer-starlock			WE600071L	1
8	Nut-hexagonal-thin		7/16UNF	NT607041L	1
9	Hose clutch			NRC2211	1
10	Bracket			90577642	1
11	Washer-starlock			WE600101L	1
12	Nut - Hex.			2K8686L	1
13	Pipe Clutch	Change point - VIN end KA046332		NRC8975	1
		Change point - VIN begin KA046333		ANR2183	1
14	Pin-clevis/pivot			FRC8547	1
15	Pin-split			FRC8548	1



Vehicle & Engine Controls
 Engine Controls
 Cruise Control 1/1

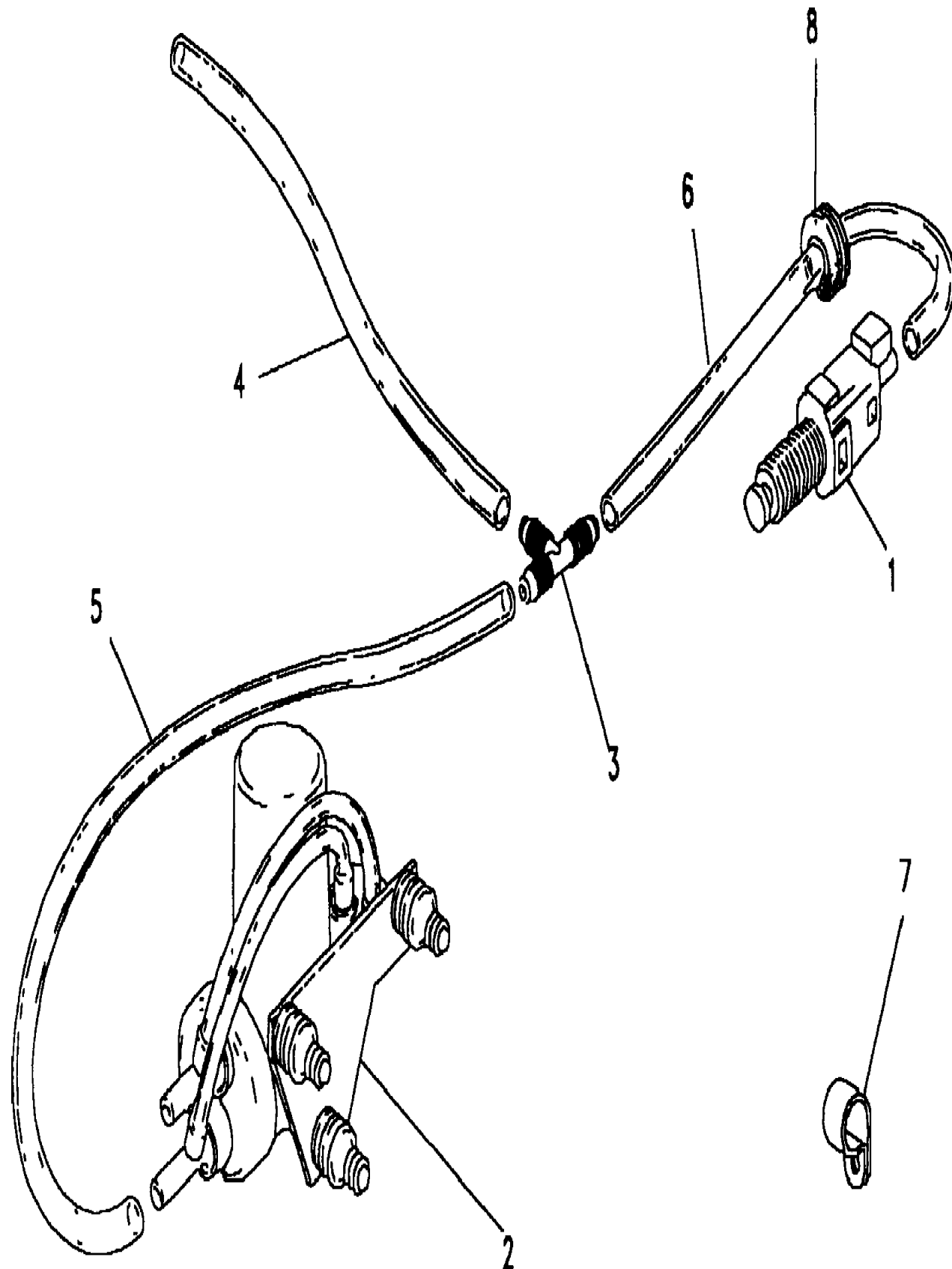
Discovery (FA393361-WA799999)
 (CAGXDA1A)

Discovery (FA393361-WA799999)

Vehicle & Engine Controls
 Engine Controls
 Cruise Control

With Cruise Control

Callout	Name	Application	Remarks & Restrictions	Service No.	Qty
1	Switch-cruise control pedal vent	Change point - VIN begin MA081992		ERR2622	2
2	Pump-cruise control vacuum	Change point - VIN begin MA081992		PRC6260	1
3	T Piece	Change point - VIN begin MA081992		AMR1114	1
4	Hose-vacuum cruise control	Change point - VIN begin MA081992, Change point - VIN end MA163103	pump to T-piece	AMR1886	1
		Change point - VIN begin MA500000, Change point - VIN end MA501919	pump to T-piece	AMR1886	1
		Change point - VIN begin TA163104	pump to T-piece	ANR4907	1
		Change point - VIN begin TA501920	pump to T-piece	ANR4907	1
5	Hose-vacuum cruise control	Change point - VIN begin MA081992, Change point - VIN end MA163103	T-piece to actuator	NTC8232	1
		Change point - VIN begin MA500000, Change point - VIN end MA501919	T-piece to actuator	NTC8232	1
		Change point - VIN begin TA163104	T-piece to actuator	ANR4906	1
		Change point - VIN begin TA501920	T-piece to actuator	ANR4906	1
6	Hose-vacuum cruise control	Change point - VIN begin MA081992, Change point - VIN end MA163103	T-piece to vent valve	AMR1888	1
		Change point - VIN begin MA500000, Change point - VIN end MA501919	T-piece to vent valve	AMR1888	1
		Change point - VIN begin TA163104	T-piece to vent valve	ANR4905	1
		Change point - VIN begin TA501920	T-piece to vent valve	ANR4905	1
7	Clip-p	Change point - VIN begin MA081992, Change point - VIN end MA163103	M12	CP105121L	2
		Change point - VIN begin MA500000, Change point - VIN end MA501919	M12	CP105121L	2
		Change point - VIN begin TA163104		ANR4981	3
		Change point - VIN begin TA501920		ANR4981	3
8	Grommet	Change point - VIN begin MA081992	Black, 11 x 19mm	NTC4238	1
[900]	Plug-blanking	Change point - VIN begin MA081992	14MM, Plastic	338017	1



Vehicle & Engine Controls
 Engine Controls
 Pedal Box Assy 1/2

Discovery (FA393361-WA799999)

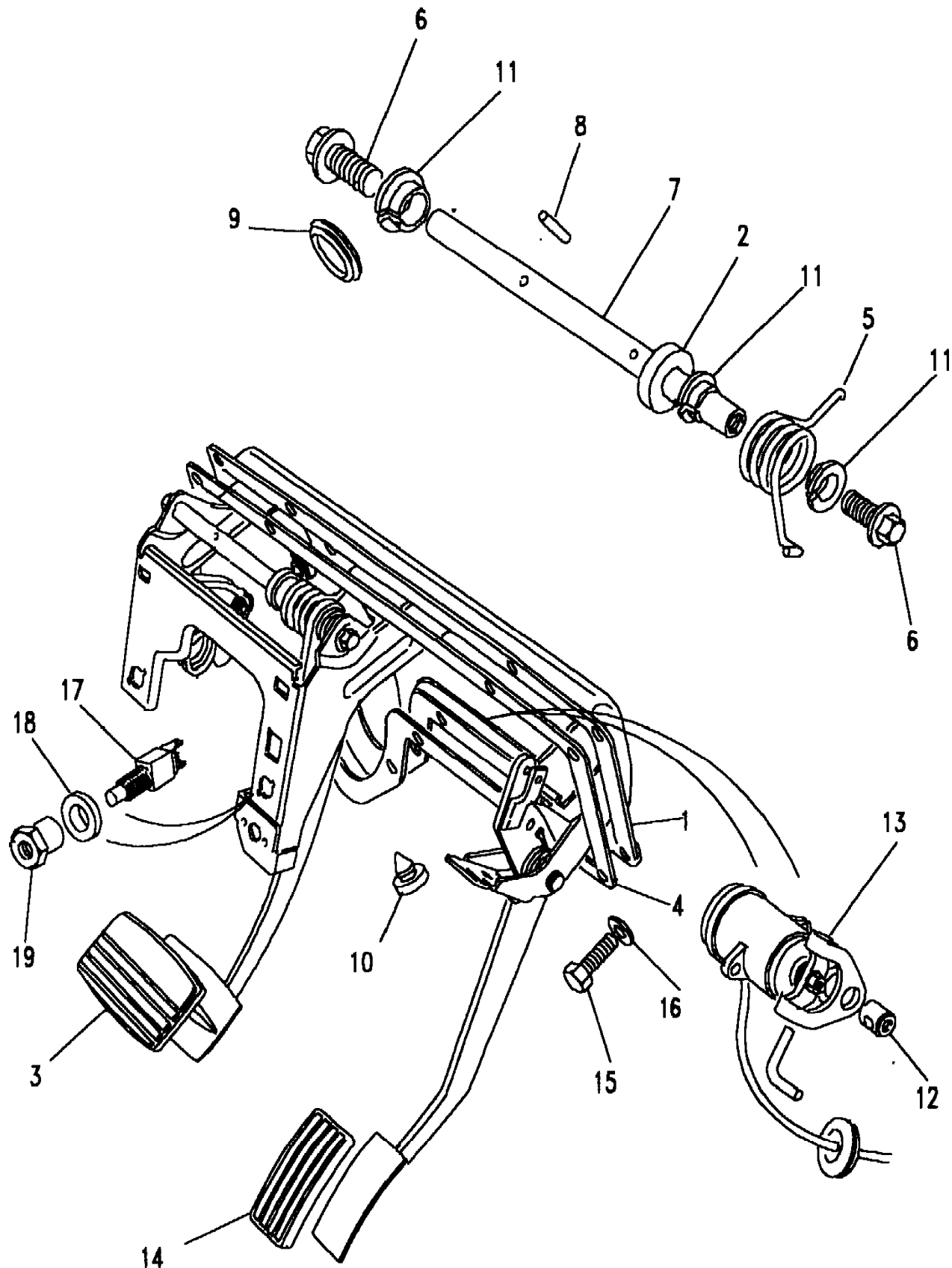
(CAGXCA2B)

Discovery (FA393361-WA799999)

Vehicle & Engine Controls
 Engine Controls
 Pedal Box Assy

Change point - VIN begin MA081992, Automatic Transmission

Callout	Name	Application	Remarks & Restrictions	Service No.	Qty
1	Pedal & bracket assembly brake/accelerator	Change point - VIN begin MA081992, Change point - VIN end MA163103, RHD, Less Cruise Control	without DBW	ANR3500	1
		Change point - VIN begin MA500000, Change point - VIN end MA501919, RHD, Less Cruise Control	without DBW	ANR3500	1
		Change point - VIN begin MA081992, Change point - VIN end MA163103, LHD, Less Cruise Control	without DBW	ANR3501	1
		Change point - VIN begin MA500000, Change point - VIN end MA501919, LHD, Less Cruise Control	without DBW	ANR3501	1
		Change point - VIN begin TA163104, RHD, Less Cruise Control	without DBW	ANR4958	1
		Change point - VIN begin TA501920, RHD, Less Cruise Control	without DBW	ANR4958	1
		Change point - VIN begin TA163104, LHD, Less Cruise Control	without DBW	ANR4959	1
		Change point - VIN begin TA501920, LHD, Less Cruise Control	without DBW	ANR4959	1
		Change point - VIN begin MA081992, Change point - VIN end MA163103, RHD, Less Cruise Control	with DBW	ANR3790	1
		Change point - VIN begin MA500000, Change point - VIN end MA501919, RHD, Less Cruise Control	with DBW	ANR3790	1
		Change point - VIN begin MA081992, Change point - VIN end MA163103, LHD, Less Cruise Control	with DBW	ANR3789	1
		Change point - VIN begin MA500000, Change point - VIN end MA501919, LHD, Less Cruise Control	with DBW	ANR3789	1
		Change point - VIN begin TA163104, RHD, Less Cruise Control	with DBW	ANR4965	1
		Change point - VIN begin TA501920, RHD, Less Cruise Control	with DBW	ANR4965	1
		Change point - VIN begin TA163104, LHD, Less Cruise Control	with DBW	ANR4964	1
		Change point - VIN begin TA501920, LHD, Less Cruise Control	with DBW	ANR4964	1
		Change point - VIN begin TA163104, RHD, With Cruise Control	with DBW	ANR4516	1
		Change point - VIN begin TA501920, RHD, With Cruise Control	with DBW	ANR4516	1



Vehicle & Engine Controls
 Engine Controls
 Pedal Box Assy 2/2

Discovery (FA393361-WA799999)

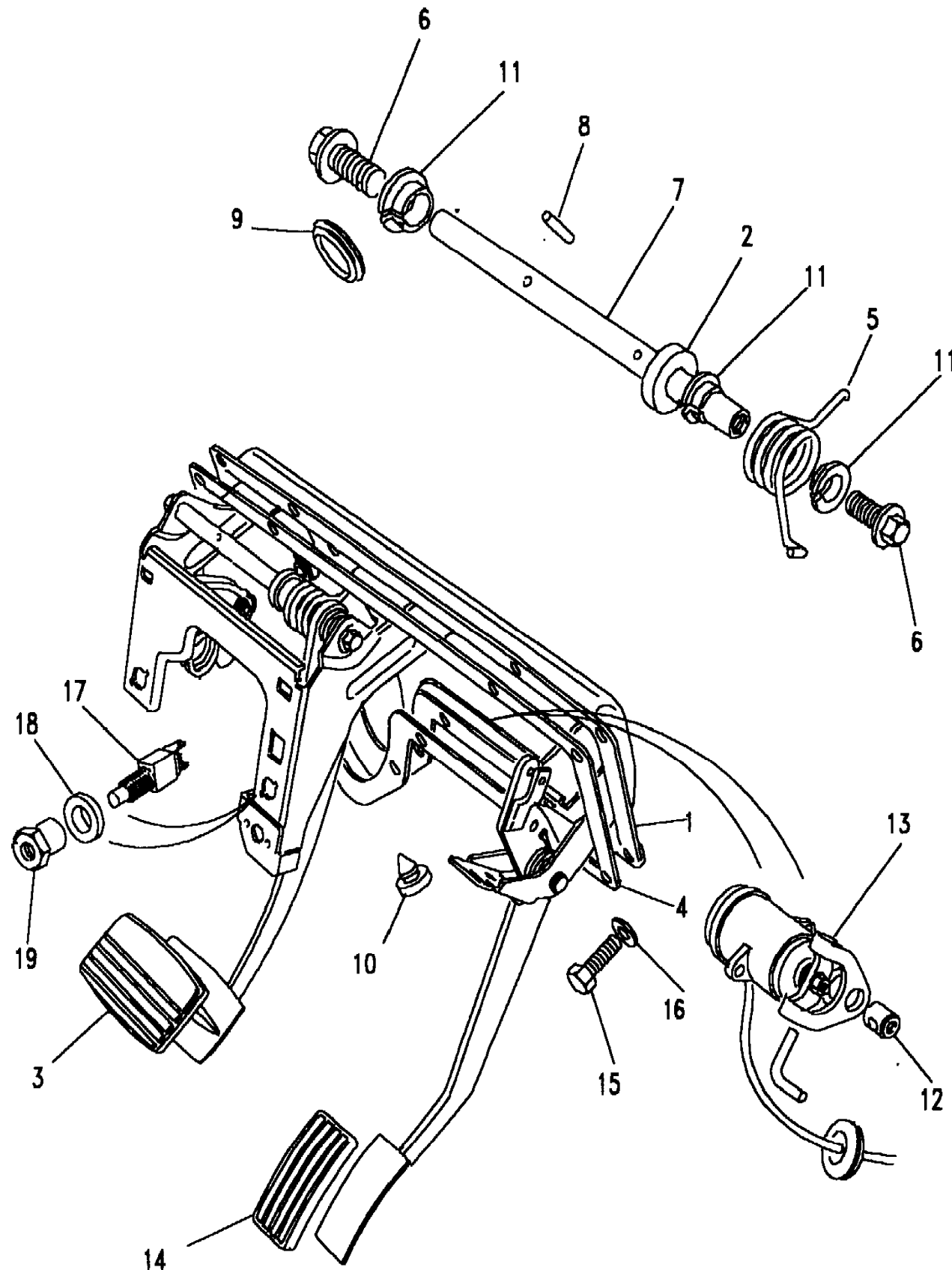
(CAGXCA2B)

Discovery (FA393361-WA799999)

Vehicle & Engine Controls
 Engine Controls
 Pedal Box Assy

Change point - VIN begin MA081992, Automatic Transmission

Callout	Name	Application	Remarks & Restrictions	Service No.	Qty
1	Pedal & bracket assembly brake/accelerator	Change point - VIN begin TA163104, LHD, With Cruise Control Change point - VIN begin TA501920, LHD, With Cruise Control	with DBW with DBW	ANR4515 ANR4515	1 1
2	Bush			STC1710	1
3	Pad-lever-pedal			ANR2941	1
4	Seal-pedal box to bulkhead			ANR1212	1
5	Spring-return brake			STC1706	1
6	Bolt			STC1707	2
7	Pin-clevis/pivot			STC1708	1
8	Pin-roll			STC1709	X
9	Grommet			STC1711	1
10	Stopper pads			STC1712	1
11	Bush			STC1730	2
12	Pin			STC1733	1
13	Transducer speed			STC1734	1
14	Pad-lever-pedal			11H1781L	1
15	Screw			GG108301	10
16	Washer		8MM	WA108051L	10
17	Switch Assy - Stop Light	Change point - VIN begin MA081992, All Wheel Anti-Lock Braking System Change point - VIN begin MA081992, Less Anti-Lock Braking System Change point - VIN begin MA081992, Less Anti-Lock Braking System		AMR2010 560864 13H3735L	1 1 1
18	Spacer	Less Anti-Lock Braking System		NTC7280	1
19	Nut - Hex.			NTC4564	1



Vehicle & Engine Controls
 Engine Controls
 Pedal Box Assy 1/3

Discovery (FA393361-WA799999)

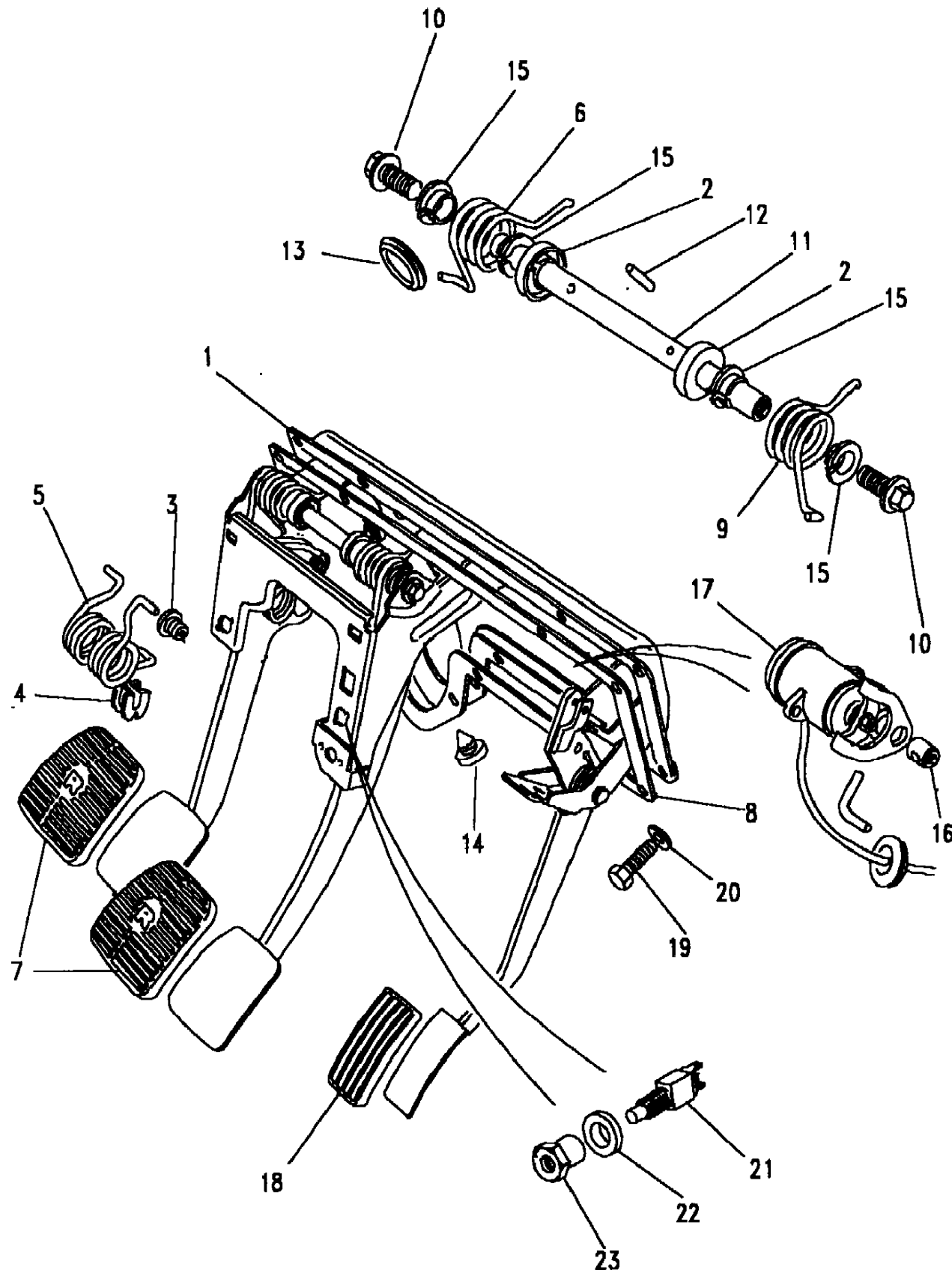
(CAGXCA1B)

Discovery (FA393361-WA799999)

Vehicle & Engine Controls
 Engine Controls
 Pedal Box Assy

Change point - VIN begin MA081992, Manual Transmission

Callout	Name	Application	Remarks & Restrictions	Service No.	Qty
1	Pedal & bracket assembly brake/clutch/accelerator	Change point - VIN begin MA081992, Change point - VIN end MA163103, RHD	(-) MPI, without DBW	ANR3502	1
		Change point - VIN begin MA500000, Change point - VIN end MA501919, RHD	(-) MPI, without DBW	ANR3502	1
		Change point - VIN begin MA081992, Change point - VIN end MA163103, LHD	(-) MPI, without DBW	ANR3503	1
		Change point - VIN begin MA500000, Change point - VIN end MA501919, LHD	(-) MPI, without DBW	ANR3503	1
		Change point - VIN begin TA163104, RHD	(-) MPI, without DBW	ANR4960	1
		Change point - VIN begin TA501920, RHD	(-) MPI, without DBW	ANR4960	1
		Change point - VIN begin TA163104, LHD	(-) MPI, without DBW	ANR4961	1
		Change point - VIN begin TA501920, LHD	(-) MPI, without DBW	ANR4961	1
		Change point - VIN begin MA081992, Change point - VIN end MA163103, MPi, RHD	without DBW	ANR3504	1
		Change point - VIN begin MA500000, Change point - VIN end MA501919, MPi, RHD	without DBW	ANR3504	1
		Change point - VIN begin MA081992, Change point - VIN end MA163103, MPi, LHD	without DBW	ANR3505	1
		Change point - VIN begin MA500000, Change point - VIN end MA501919, MPi, LHD	without DBW	ANR3505	1
		Change point - VIN begin TA163104, MPi, RHD	without DBW	ANR4962	1
		Change point - VIN begin TA501920, MPi, RHD	without DBW	ANR4962	1
		Change point - VIN begin TA163104, MPi, LHD	without DBW	ANR4963	1
		Change point - VIN begin TA501920, MPi, LHD	without DBW	ANR4963	1
		Change point - VIN begin MA081992, Change point - VIN end MA163103, RHD	(-) MPI, with DBW	ANR3792	1
		Change point - VIN begin MA500000, Change point - VIN end MA501919, RHD	(-) MPI, with DBW	ANR3792	1
		Change point - VIN begin MA081992, Change point - VIN end MA163103, LHD	(-) MPI, with DBW	ANR3791	1



Vehicle & Engine Controls
 Engine Controls
 Pedal Box Assy 2/3

Discovery (FA393361-WA799999)

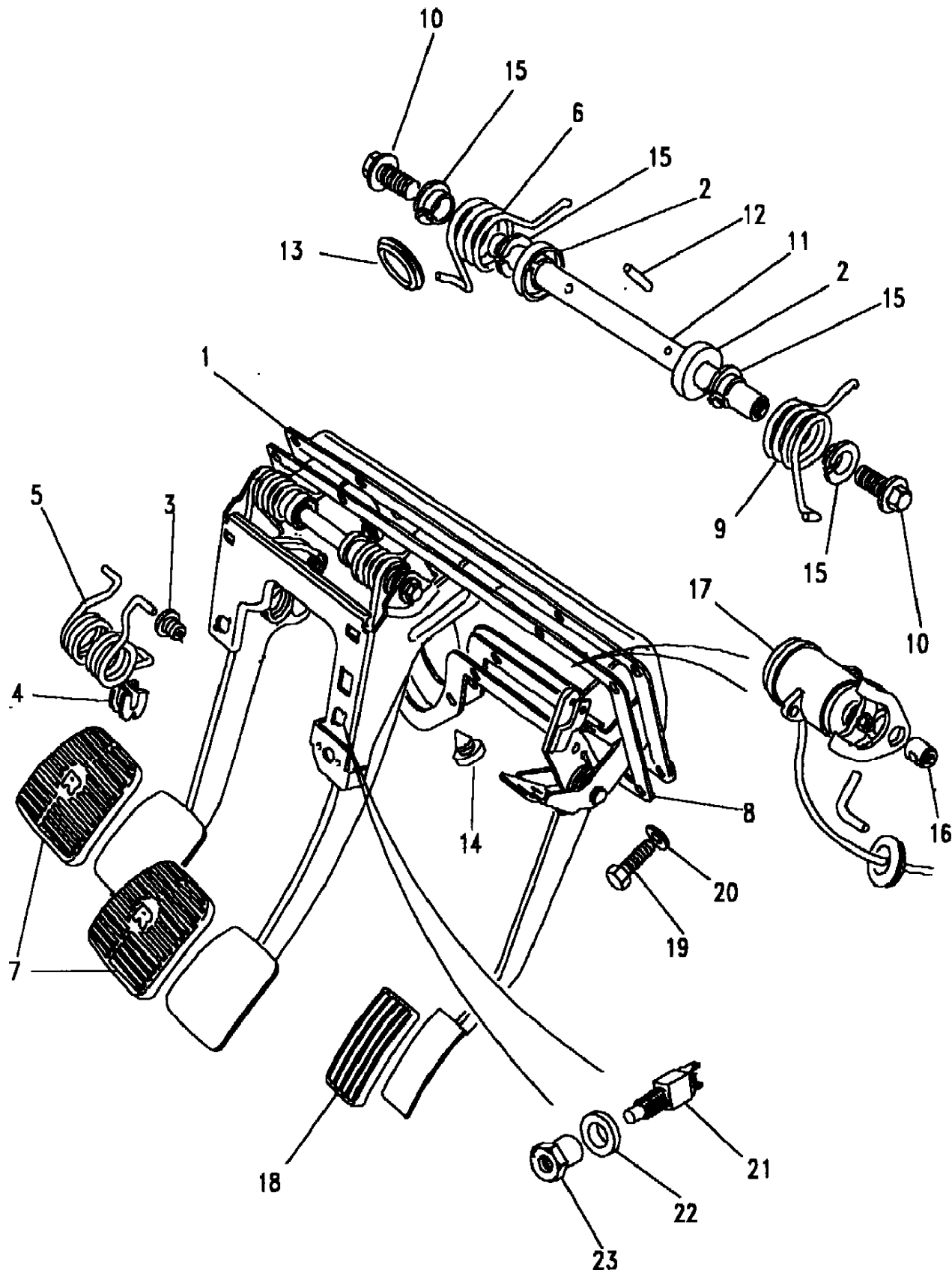
(CAGXCA1B)

Discovery (FA393361-WA799999)

Vehicle & Engine Controls
 Engine Controls
 Pedal Box Assy

Change point - VIN begin MA081992, Manual Transmission

Callout	Name	Application	Remarks & Restrictions	Service No.	Qty
1	Pedal & bracket assembly brake/clutch/accelerator	Change point - VIN begin MA500000, Change point - VIN end MA501919, LHD Change point - VIN begin TA163104, RHD Change point - VIN begin TA501920, RHD Change point - VIN begin TA163104, LHD Change point - VIN begin TA501920, LHD	(-) MPI, with DBW (-) MPI, with DBW (-) MPI, with DBW (-) MPI, with DBW (-) MPI, with DBW	ANR3791 ANR4967 ANR4967 ANR4966 ANR4966	1 1 1 1 1
2	Bush	MPI		STC1710	2
3	Bush	MPI		STC1731	2
4	Bush	MPI		STC1732	1
5	Spring-clutch assist	MPI		STC1704	1
6	Spring-return clutch	MPI		STC1705	1
7	Pad-lever-pedal	MPI		575818	2
8	Seal-pedal box to bulkhead			ANR1212	1
9	Spring-return brake			STC1706	1
10	Bolt			STC1707	2
11	Pin-clevis/pivot			STC1708	1
12	Pin-roll			STC1709	X
13	Grommet			STC1711	1
14	Stopper pads			STC1712	1
15	Bush			STC1730	2
16	Pin			STC1733	1
17	Transducer speed			STC1734	1
18	Pad-lever-pedal			11H1781L	1
19	Screw			GG108301	10
20	Washer		8MM	WA108051L	10
21	Switch Assy - Stop Light	Change point - VIN begin MA081992, All Wheel Anti-Lock Braking System		AMR2010	1



Vehicle & Engine Controls
 Engine Controls
 Pedal Box Assy 3/3

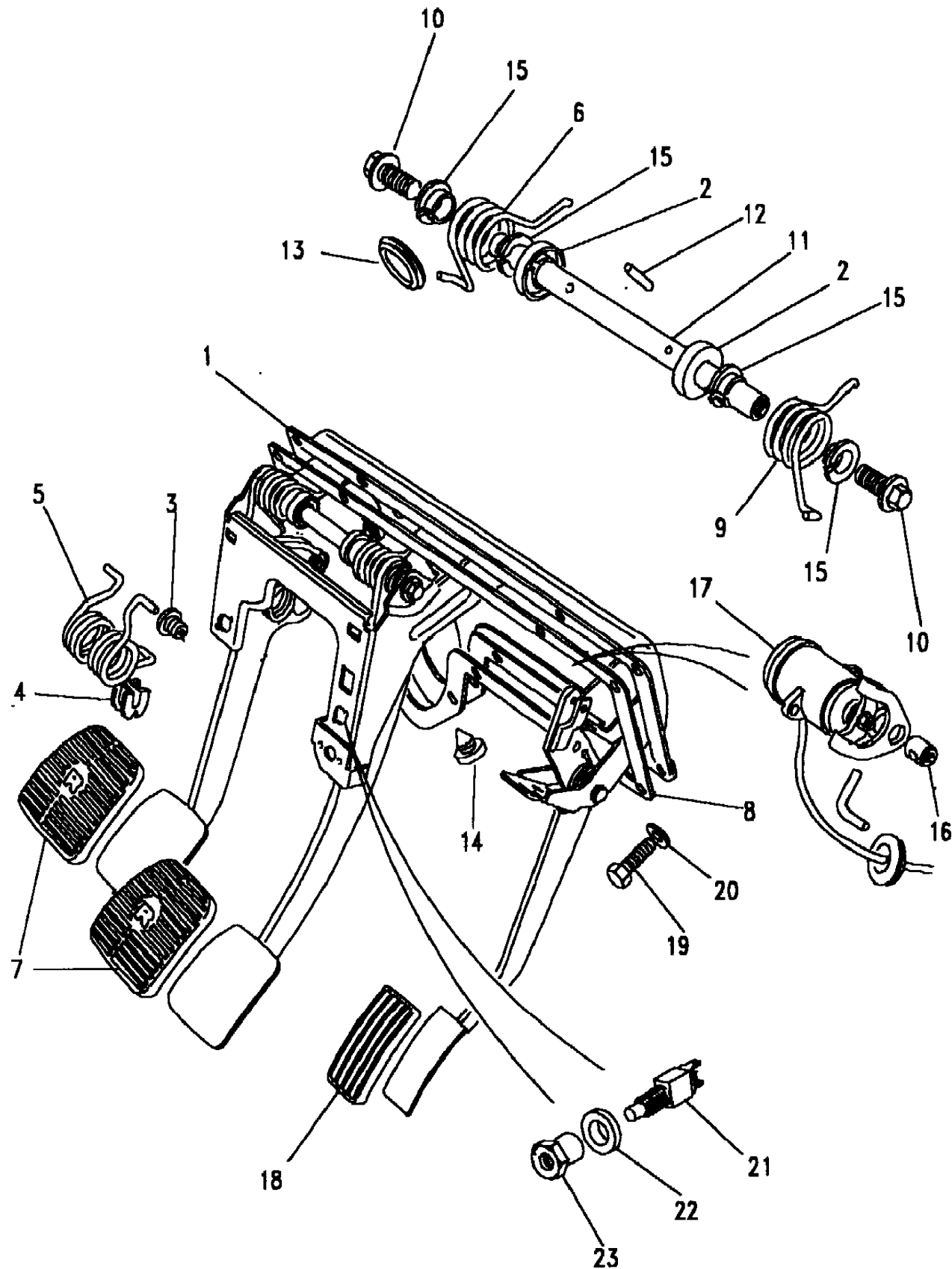
Discovery (FA393361-WA799999)
 (CAGXCA1B)

Discovery (FA393361-WA799999)

Vehicle & Engine Controls
 Engine Controls
 Pedal Box Assy

Change point - VIN begin MA081992, Manual Transmission

Callout	Name	Application	Remarks & Restrictions	Service No.	Qty
21	Switch Assy - Stop Light	Change point - VIN begin MA081992 Change point - VIN begin MA081992, Less Anti-Lock Braking System		560864 13H3735L	1 1
22	Spacer			NTC7280	1
23	Nut - Hex.			NTC4564	1



Vehicle & Engine Controls
 Engine Controls
 Pedal Box Assy 1/2

Discovery (FA393361-WA799999)

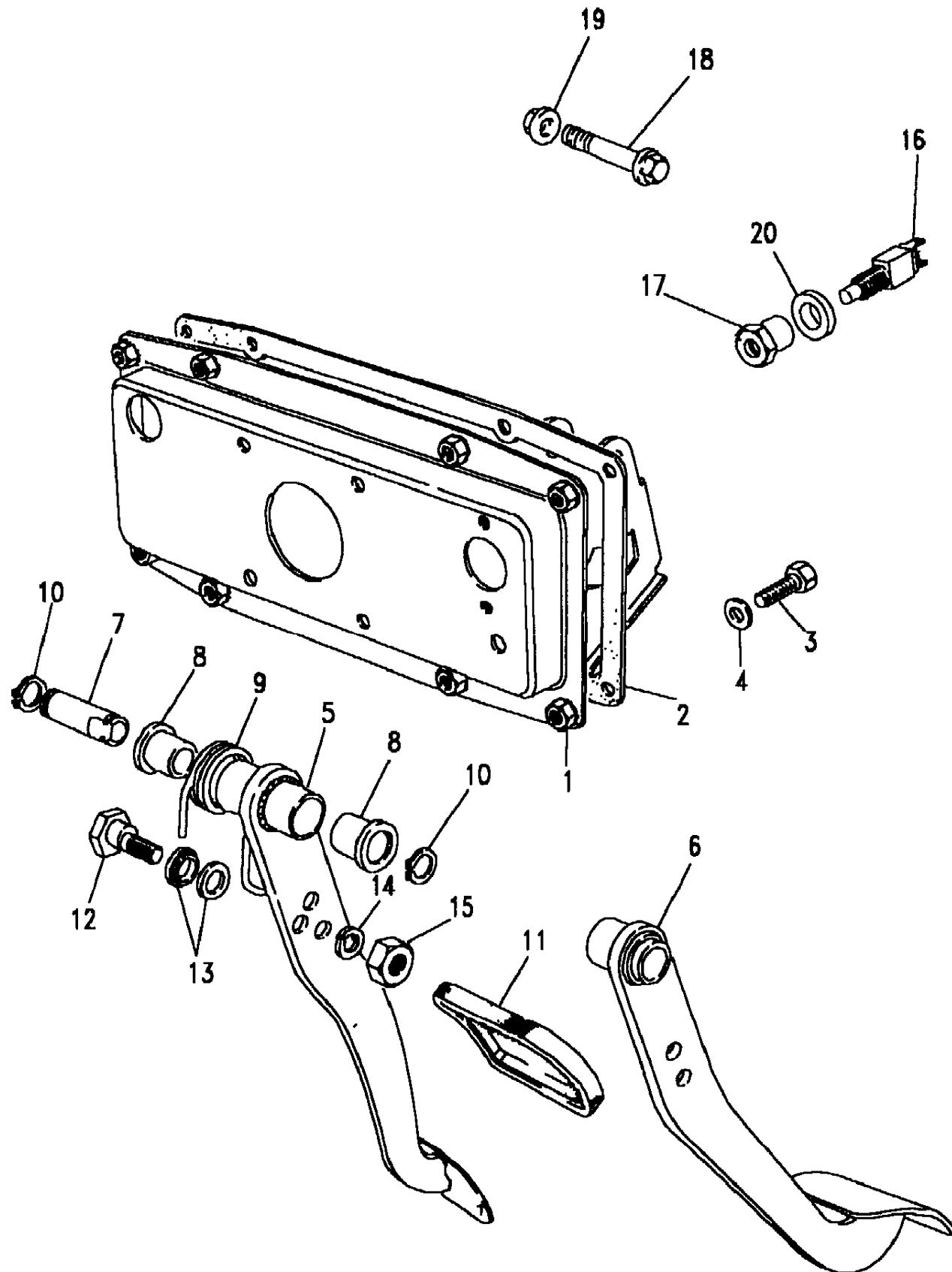
(CAGXCA1A)

Discovery (FA393361-WA799999)

Vehicle & Engine Controls
 Engine Controls
 Pedal Box Assy

Change point - VIN end LA081991

Callout	Name	Application	Remarks & Restrictions	Service No.	Qty
1	Plate-mounting pedal			NTC6811	1
2	Gasket-clutch pedal box to bulkhead			NTC8113	1
3	Screw		M8 X 30, Flanged Head M8 X 30, Flanged Head	FS108301L FS108307L	8 8
4	Washer		8MM	WA108051L	8
5	Pedal assembly	Manual Transmission, RHD Manual Transmission, LHD Automatic Transmission, RHD Automatic Transmission, LHD		STC802 NTC4173 NTC4172 STC798	1 1 1 1
6	Pedal assembly	Manual Transmission, RHD Manual Transmission, LHD	Also serviced as part of a kit Also serviced as part of a kit	575816 575815	1 1
7	Shaft-pivot pedal	Change point - VIN begin GA394352, Change point - VIN end GA456980		572467	2
8	Bush	Change point - VIN begin JA012333 Change point - VIN begin HA000001, Change point - VIN end HA012332 Change point - VIN begin HA456981, Change point - VIN end HA486551	brake and clutch pedal brake and clutch pedal brake and clutch pedal	CAC7815 CAC7815 CAC7815	2 2 2
9	Spring-return brake	Change point - VIN end KA049863 Change point - VIN begin KA049864		NTC4563 ANR2559	2 2
10	Circlip	Change point - VIN begin GA394352, Change point - VIN end GA456980		CCN110L	4
11	Pad-lever-pedal	Manual Transmission Automatic Transmission		575818 ANR2941	2 1
12	Bolt			90575807	2
13	Bush-pedal pivot-brake			575806	4
14	Washer		3/8", Square	WM600061L	2
15	Locknut		M10	NT110041L	2



Vehicle & Engine Controls
 Engine Controls
 Pedal Box Assy 2/2

Discovery (FA393361-WA799999)
 (CAGXCA1A)

Discovery (FA393361-WA799999)

Vehicle & Engine Controls
 Engine Controls
 Pedal Box Assy

Change point - VIN end LA081991

Callout	Name	Application	Remarks & Restrictions	Service No.	Qty
16	Switch Assy - Stop Light	Change point - VIN end LA081991		13H3735L	1
17	Nut - Hex.			NTC4564	1
18	Bolt		Long, M10 x 60	BH110121L	1
19	Nut - Hex.			STC295	1
20	Spacer			NTC7280	1

