

Braking Systems  
 Brake Actuation  
 ABS Modulator 1/1

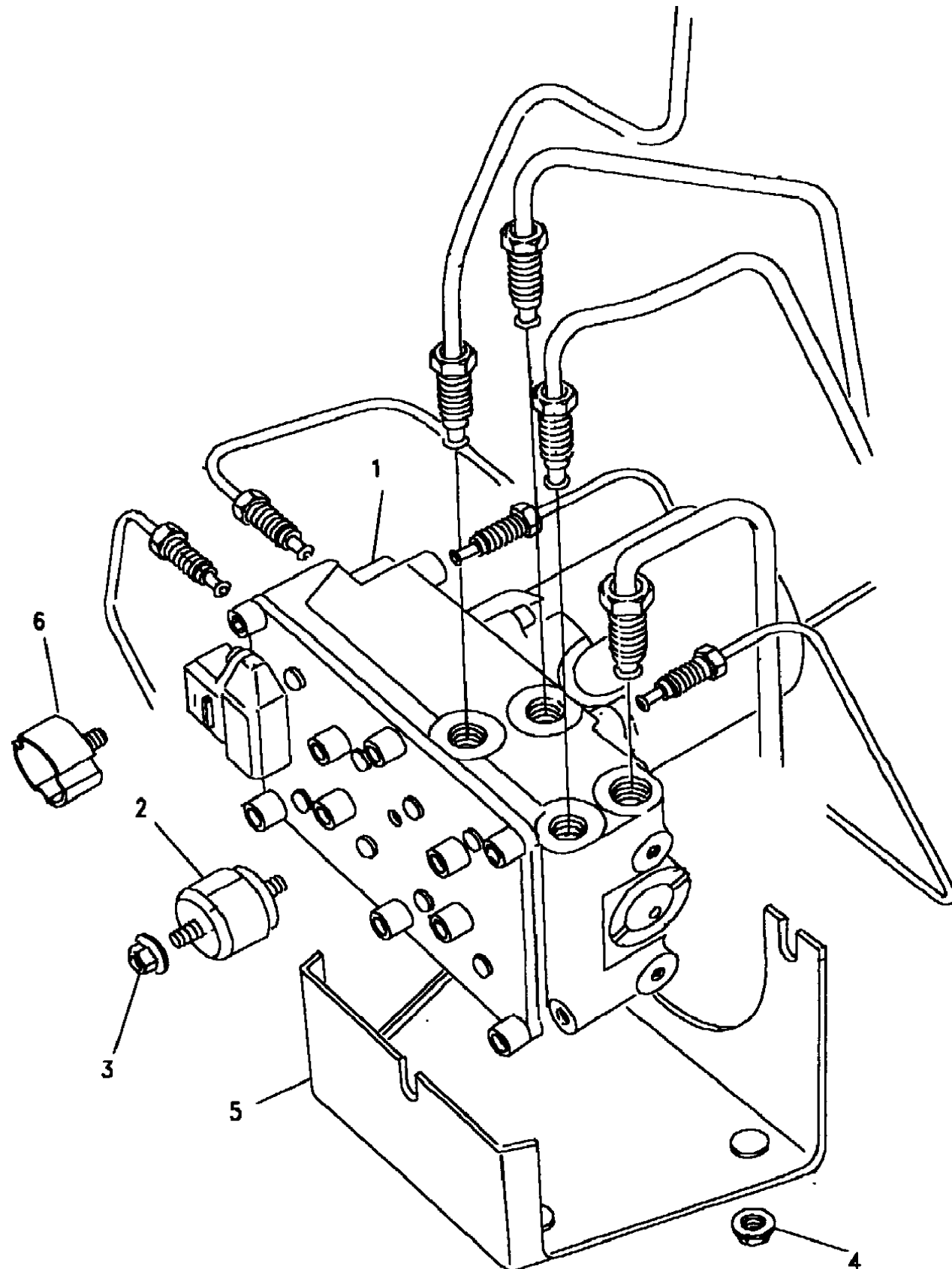
Discovery (FA393361-WA799999)  
 (CAHXAC1A)

Discovery (FA393361-WA799999)

Braking Systems  
 Brake Actuation  
 ABS Modulator

All Wheel Anti-Lock Braking System

Callout	Name	Application	Remarks & Restrictions	Service No.	Qty	
1	Modulator antilock brakes	Change point - VIN end MA163103		STC1651	1	
		Change point - VIN begin TA700000		STC3129	1	
2	Bush-rubber-modulator antilock brakes	Change point - VIN end TA508779	Hexagonal	ANR3108	3	
		Change point - VIN end TA180925	Hexagonal	ANR3108	3	
		Change point - VIN begin TA180926		ANR5265	3	
		Change point - VIN begin TA508780		ANR5265	3	
3	Nut-flange		M6	FN106047L	1	
4	Nut - Hex.		M6, nyloc, flange	NY106041	4	
5	Bracket-modulator antilock brakes	Change point - VIN end MA163103		ANR2514	1	
		Change point - VIN begin TA163104, Change point - VIN end TA180925		ANR4634	1	
		Change point - VIN begin TA501920, Change point - VIN end TA508779		ANR4634	1	
		Change point - VIN begin TA700000		ANR5262	1	
		Change point - VIN begin TA180926, Change point - VIN end TA199999		ANR5262	1	
		Change point - VIN begin TA508780, Change point - VIN end VA558898		ANR5262	1	
6	Washer-cup			ANR3107	3	



Braking Systems  
 Brake Actuation  
 Master Cylinder & Servo 1/2

Discovery (FA393361-WA799999)

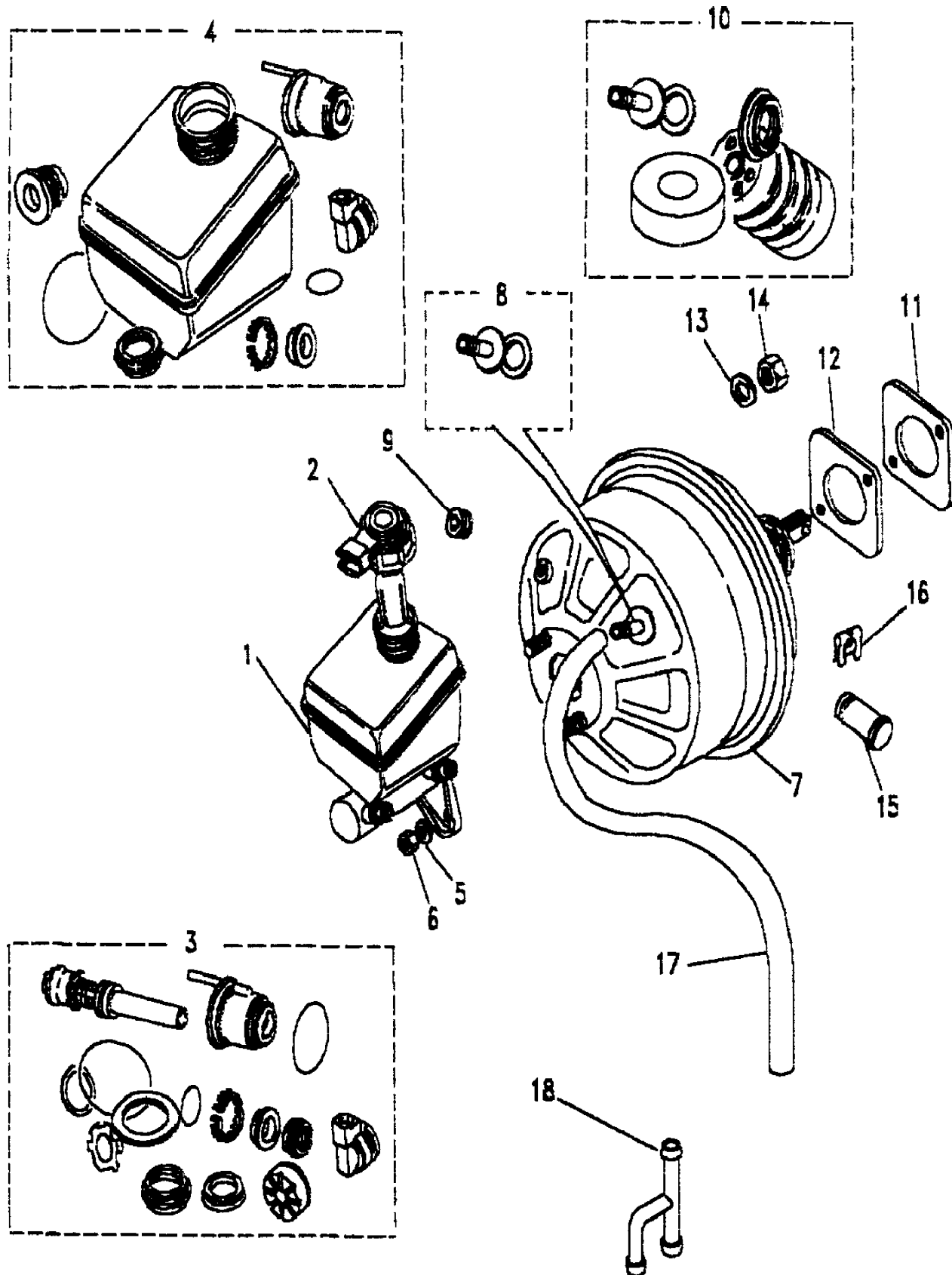
(CAHXAA1A)

Discovery (FA393361-WA799999)

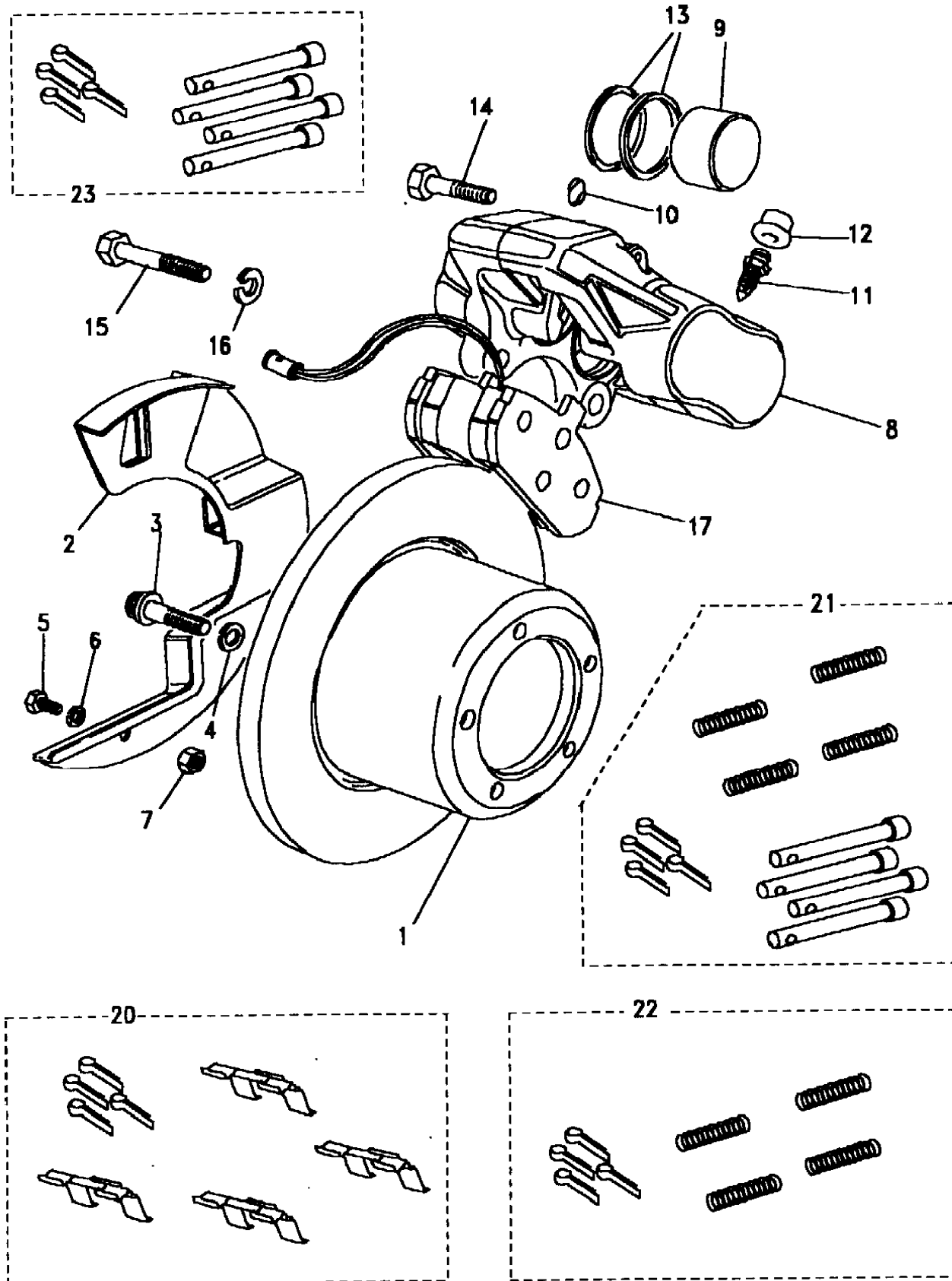
Braking Systems  
 Brake Actuation  
 Master Cylinder & Servo

With Servo Assisted Braking System

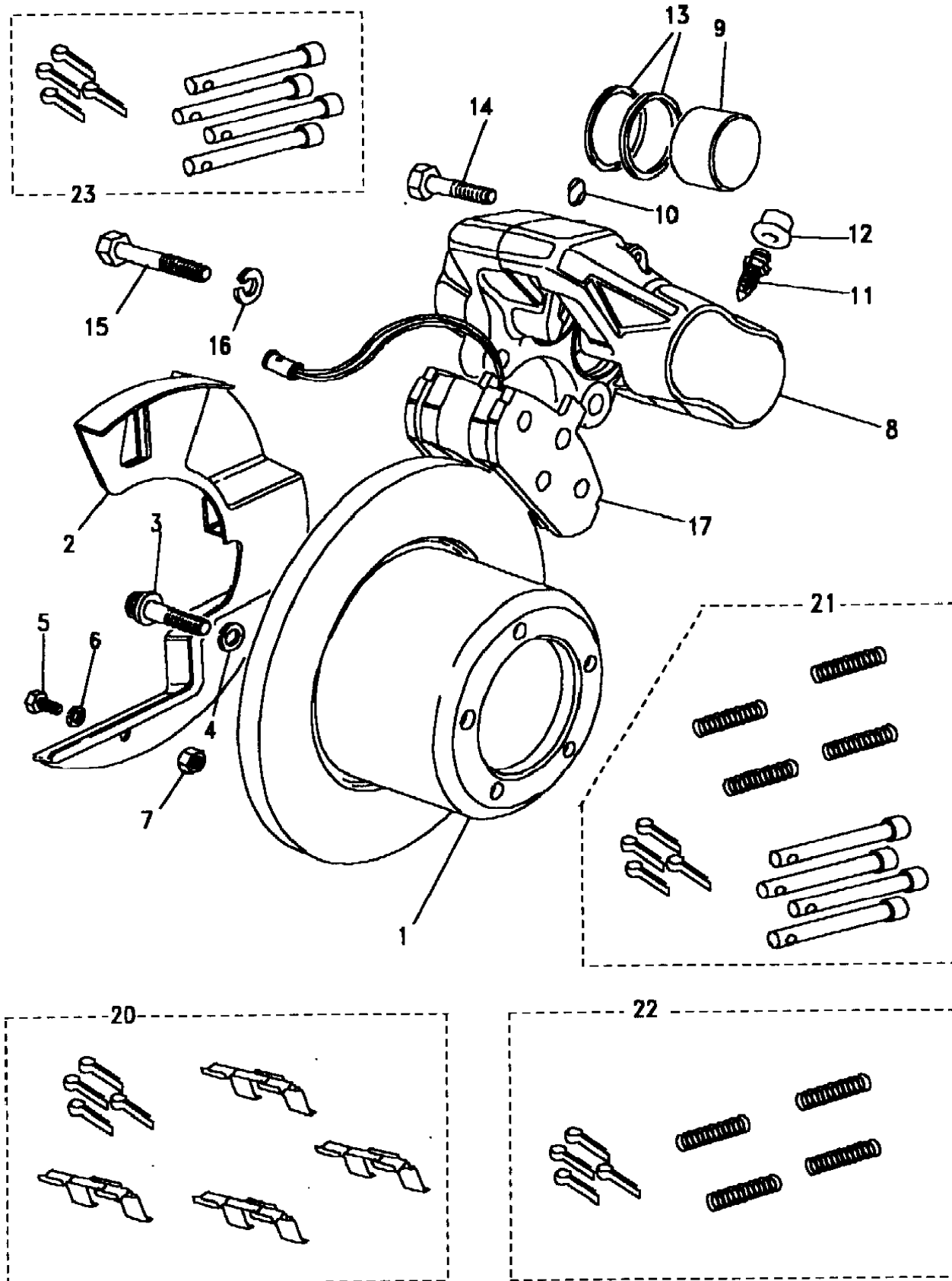
Callout	Name	Application	Remarks & Restrictions	Service No.	Qty
1	Master cylinder assembly brake	Change point - VIN end LA081991, Less Anti-Lock Braking System Change point - VIN begin MA081992, Less Anti-Lock Braking System All Wheel Anti-Lock Braking System	Also serviced as part of a kit	NTC4991	1
			Also serviced as part of a kit	STC1285	1
			Also serviced as part of a kit	STC1284	1
2	Cap-fluid level warning reservoir indicator	Change point - VIN end LA081991, Less Anti-Lock Braking System	Also serviced as part of a kit	RTC5831	1
3	Kit-repair brake master cylinder	Change point - VIN end LA081991, Less Anti-Lock Braking System Change point - VIN begin MA081992, Less Anti-Lock Braking System All Wheel Anti-Lock Braking System	Also serviced as part of a kit	RTC5834	1
			Also serviced as part of a kit	STC2901	1
			Also serviced as part of a kit	STC2903	1
4	Kit-master cylinder/reservoir & seal brake	Change point - VIN end LA081991, Less Anti-Lock Braking System Change point - VIN begin MA081992, Less Anti-Lock Braking System All Wheel Anti-Lock Braking System	Also serviced as part of a kit	RTC5833	1
			Also serviced as part of a kit	STC2902	1
			Also serviced as part of a kit	STC2904	1
5	Washer	Change point - VIN begin MA081992	master cylinder to servo, 8MM	WA108051L	2
6	Nut - Hex.		master cylinder to servo, M8, nyloc	NY108041L	2
7	Servo assembly brake	Change point - VIN end LA081991 Change point - VIN begin MA081992	Also serviced as part of a kit	NTC4294	1
			Also serviced as part of a kit	STC1286	1
8	Valve-non return brake vacuum	Change point - VIN end LA081991	Also serviced as part of a kit	STC780	1
9	Plug	Change point - VIN end LA081991	Also serviced as part of a kit	90577611	1
10	Kit-repair brake servo	Change point - VIN end LA081991	Also serviced as part of a kit	RTC5832	1
11	Washer-sealing	Change point - VIN begin MA081992	Also serviced as part of a kit	ANR3608	1
12	Spacer			NTC4099	1
13	Washer		8MM	WA108051L	2
14	Nut - Hex.		M8, hexagonal head	NH108041L	2







Callout	Name	Application	Remarks & Restrictions	Service No.	Qty
1	Disc-brake.	Disc Brakes Front, Less Ft And Rr Vented Brake Discs	Front	FRC7329	2
		Disc Brakes Front, With Front Vented Brake Discs	Front	FTC902	2
2	Shield-disc front brake		RH	577176	1
			RH	FTC4838	1
			LH	577177	1
			LH	FTC4839	1
3	Bolt		M10	AFU1180	10
			M10	FTC1368	10
4	Washer		3/8", Square	WM600061L	10
5	Screw		(-) MPI	255204	2
			Shouldered, hexagonal head, M12 x 50	SH112505	2
6	Washer-Spring		1/4 dia, Square	WM600041L	2
7	Nut - Hex.		hexagonal head, 3/8UNF	NH606041L	2
			M12	NT112041L	2
8	Caliper assembly-front brake	Change point - Axle begin 38L00001B, Change point - Axle end 38L03120B, Disc Brakes Front, With Front Vented Brake Discs	RH, Caliper Seals Are Not A Servicable Item - Replace Caliper, vented	RTC6776	1
		Change point - Axle begin 39L00001B, Change point - Axle end 39L05552B, Disc Brakes Front, With Front Vented Brake Discs	RH, Caliper Seals Are Not A Servicable Item - Replace Caliper, vented	RTC6776	1
		Change point - Axle begin 42L00001B, Change point - Axle end 42L00521B, Disc Brakes Front, With Front Vented Brake Discs	RH, Caliper Seals Are Not A Servicable Item - Replace Caliper, vented	RTC6776	1
		Change point - Axle begin 43L00001B, Change point - Axle end 43L18579B, Disc Brakes Front, With Front Vented Brake Discs	RH, Caliper Seals Are Not A Servicable Item - Replace Caliper, vented	RTC6776	1
		Change point - VIN end KA034313	RH, Caliper Seals Are Not A Servicable Item - Replace Caliper, Solid	AEU1718	1
		Change point - VIN end KA034313	LH, Caliper Seals Are Not A Servicable Item - Replace Caliper, Solid	AEU1719	1
		Change point - Axle begin 38L00001B, Change point - Axle end 38L03120B, Disc Brakes Front, With Front Vented Brake Discs	Caliper Seals Are Not A Servicable Item - Replace Caliper, vented, LH	RTC6777	1
		Change point - Axle begin 39L00001B, Change point - Axle end 39L05552B, Disc Brakes Front, With Front Vented Brake Discs	Caliper Seals Are Not A Servicable Item - Replace Caliper, vented, LH	RTC6777	1

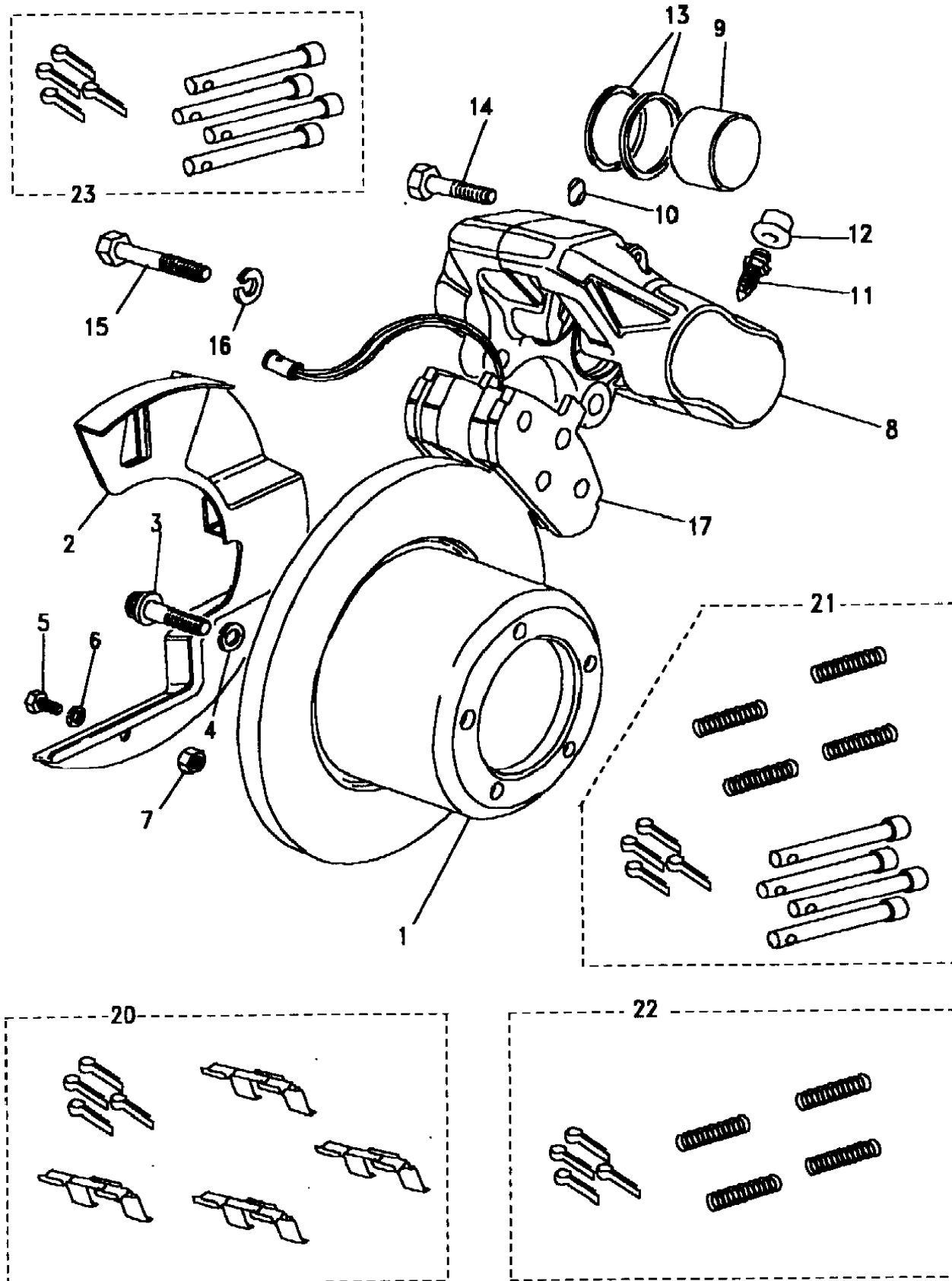


Callout	Name	Application	Remarks & Restrictions	Service No.	Qty
8	Caliper assembly-front brake	Change point - Axle begin 42L00001B, Change point - Axle end 42L00521B, Disc Brakes Front, With Front Vented Brake Discs	Caliper Seals Are Not A Servicable Item - Replace Caliper, vented, LH	RTC6777	1
		Change point - Axle begin 43L00001B, Change point - Axle end 43L18579B, Disc Brakes Front, With Front Vented Brake Discs	Caliper Seals Are Not A Servicable Item - Replace Caliper, vented, LH	RTC6777	1
		Change point - Axle begin 38L03121B, Change point - VIN end LA081991, Disc Brakes Front, Less Ft And Rr Vented Brake Discs	Caliper Seals Are Not A Servicable Item - Replace Caliper, RH, Solid	STC1258	1
		Change point - Axle begin 39L05553B, Change point - VIN end LA081991, Disc Brakes Front, Less Ft And Rr Vented Brake Discs	Caliper Seals Are Not A Servicable Item - Replace Caliper, RH, Solid	STC1258	1
		Change point - Axle begin 42L00522B, Change point - VIN end LA081991, Disc Brakes Front, Less Ft And Rr Vented Brake Discs	Caliper Seals Are Not A Servicable Item - Replace Caliper, RH, Solid	STC1258	1
		Change point - Axle begin 43L18580B, Change point - VIN end LA081991, Disc Brakes Front, Less Ft And Rr Vented Brake Discs	Caliper Seals Are Not A Servicable Item - Replace Caliper, RH, Solid	STC1258	1
		Change point - Axle begin 38L03121B, Change point - VIN end LA081991, Disc Brakes Front, Less Ft And Rr Vented Brake Discs	Caliper Seals Are Not A Servicable Item - Replace Caliper, Solid, LH	STC1259	1
		Change point - Axle begin 39L05553B, Change point - VIN end LA081991, Disc Brakes Front, Less Ft And Rr Vented Brake Discs	Caliper Seals Are Not A Servicable Item - Replace Caliper, Solid, LH	STC1259	1
		Change point - Axle begin 42L00522B, Change point - VIN end LA081991, Disc Brakes Front, Less Ft And Rr Vented Brake Discs	Caliper Seals Are Not A Servicable Item - Replace Caliper, Solid, LH	STC1259	1
		Change point - Axle begin 43L18580B, Change point - VIN end LA081991, Disc Brakes Front, Less Ft And Rr Vented Brake Discs	Caliper Seals Are Not A Servicable Item - Replace Caliper, Solid, LH	STC1259	1
		Change point - VIN begin MA081992, Disc Brakes Front, Less Ft And Rr Vented Brake Discs	Caliper Seals Are Not A Servicable Item - Replace Caliper, RH, Solid	STC1962	1
		Change point - VIN begin MA081992, Disc Brakes Front, Less Ft And Rr Vented Brake Discs	Caliper Seals Are Not A Servicable Item - Replace Caliper, Solid, LH	STC1963	1
		9	Piston front caliper	Disc Brakes Front, Less Ft And Rr Vented Brake Discs	Caliper Seals Are Not A Servicable Item - Replace Caliper

Braking Systems  
Front & Rear  
Front Disc Brakes 3/6

Discovery (FA393361-WA799999)

(CAHXGA1A)

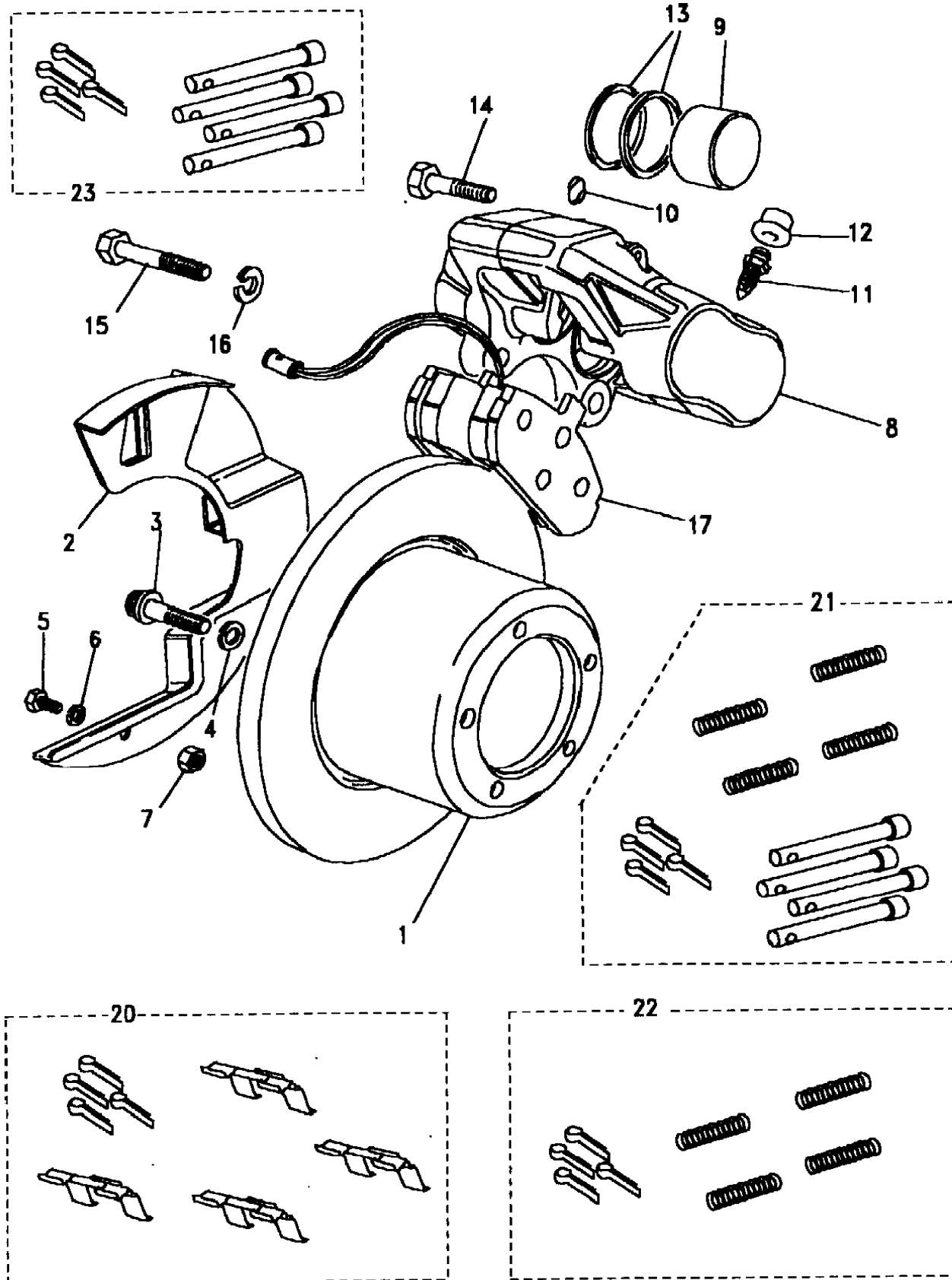


Discovery (FA393361-WA799999)

Braking Systems  
Front & Rear  
Front Disc Brakes

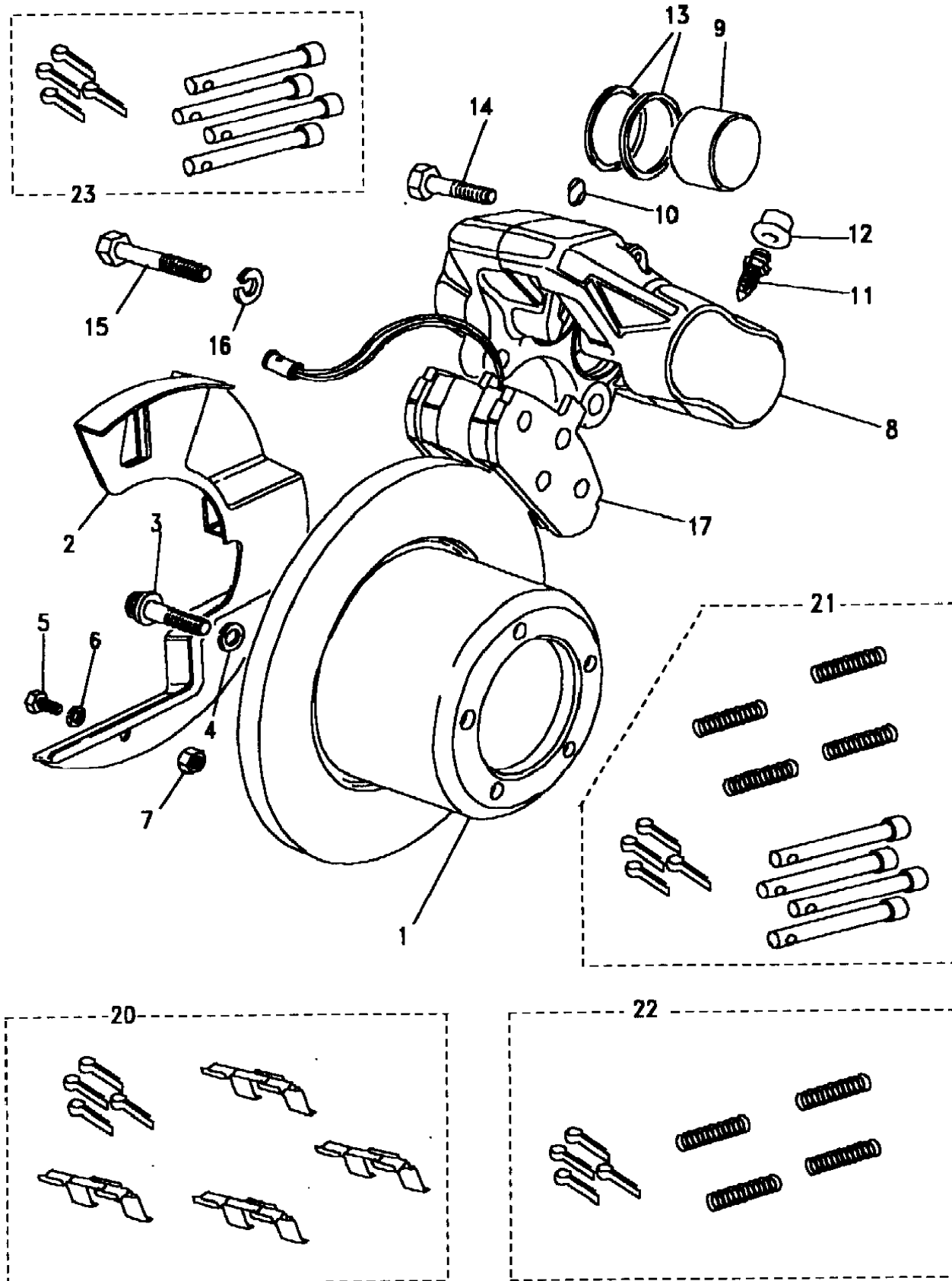
Callout	Name	Application	Remarks & Restrictions	Service No.	Qty
10	Seal	Change point - VIN end KA034313, Disc Brakes Front, Less Ft And Rr Vented Brake Discs	Caliper Seals Are Not A Servicable Item - Replace Caliper	17H8764L	4
11	Screw-bleed brake	Change point - VIN end KA034313, Disc Brakes Front, Less Ft And Rr Vented Brake Discs	Caliper Seals Are Not A Servicable Item - Replace Caliper	RTC1526	6
12	Cap-protective	Change point - VIN end KA034313, Disc Brakes Front, Less Ft And Rr Vented Brake Discs	Caliper Seals Are Not A Servicable Item - Replace Caliper	594091	6
13	Kit-brake caliper piston seal	Change point - VIN end KA034313, Disc Brakes Front, Less Ft And Rr Vented Brake Discs	Caliper Seals Are Not A Servicable Item - Replace Caliper	AEU1547	4
14	Bolt	Change point - VIN end KA034313, Disc Brakes Front, Less Ft And Rr Vented Brake Discs	Caliper Seals Are Not A Servicable Item - Replace Caliper	RTC1136	8
15	Bolt	Change point - Axle end 39L05552B, Disc Brakes Front, Less Ft And Rr Vented Brake Discs	caliper fixing, 7/16", UNF	571910	4
		Change point - Axle end 43L18579B, Disc Brakes Front, Less Ft And Rr Vented Brake Discs	caliper fixing, 7/16", UNF	571910	4
		Change point - Axle end 42L00521B, Disc Brakes Front, Less Ft And Rr Vented Brake Discs	caliper fixing, 7/16", UNF	571910	4
		Change point - Axle end 38L03120B, Disc Brakes Front, Less Ft And Rr Vented Brake Discs	caliper fixing, 7/16", UNF	571910	4
		Change point - Axle begin 38L03121B, Disc Brakes Front, With Front Vented Brake Discs	caliper fixing, M12 x 35	FTC3375	4
		Change point - Axle begin 39L05553B, Disc Brakes Front, With Front Vented Brake Discs	caliper fixing, M12 x 35	FTC3375	4
		Change point - Axle begin 42L00522B, Disc Brakes Front, With Front Vented Brake Discs	caliper fixing, M12 x 35	FTC3375	4
		Change point - Axle begin 43L18580B, Disc Brakes Front, With Front Vented Brake Discs	caliper fixing, M12 x 35	FTC3375	4
16	Washer		7/16", sprung	WM600071L	4





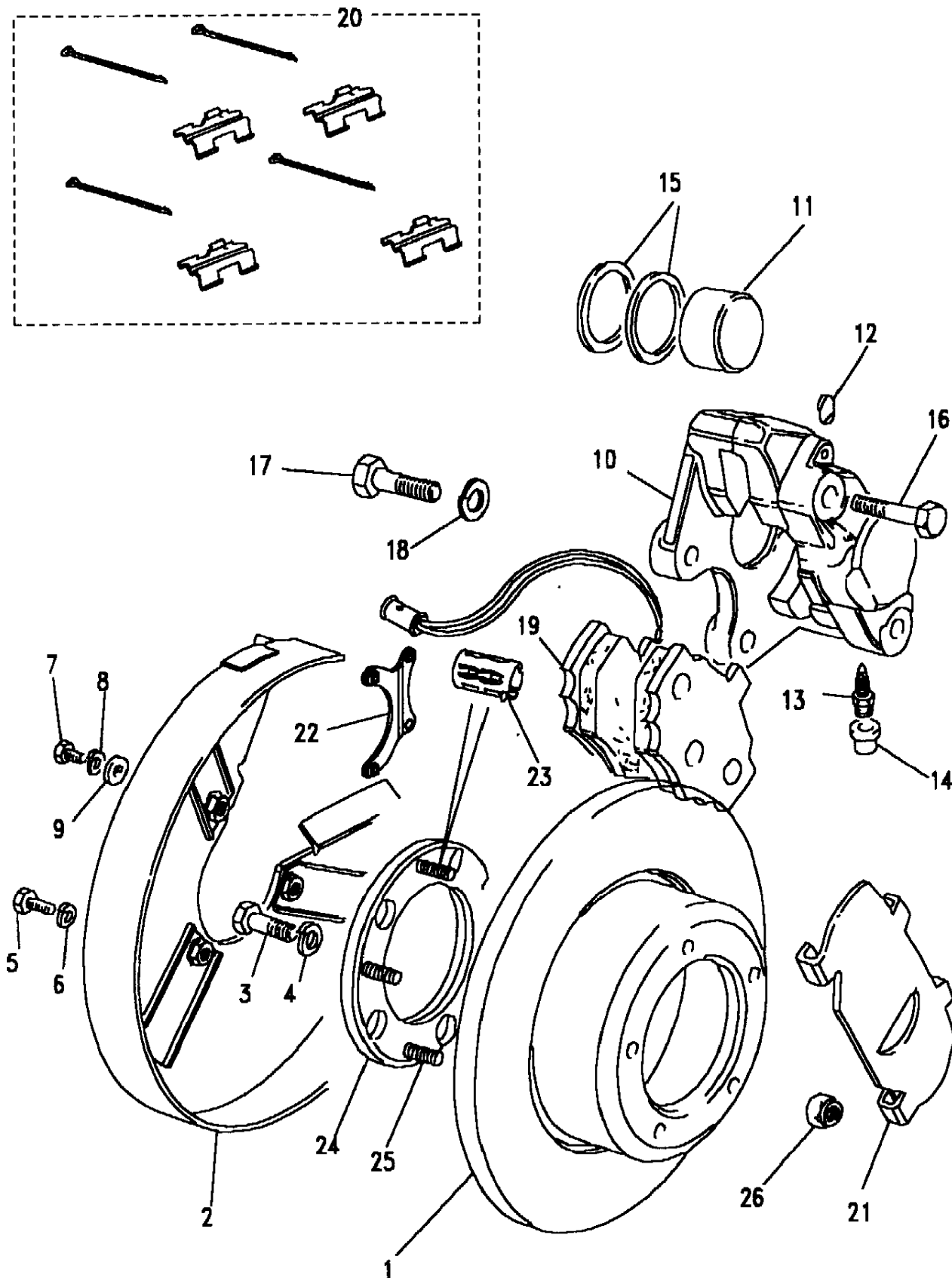
Callout	Name	Application	Remarks & Restrictions	Service No.	Qty
21	Kit-brake pad retaining	Change point - Axle begin 39L00001B, Change point - Axle end 39L05552B, Disc Brakes Front, With Front Vented Brake Discs	Front	STC8575	1
		Change point - Axle begin 42L00001B, Change point - Axle end 42L00521B, Disc Brakes Front, With Front Vented Brake Discs	Front	STC8575	1
		Change point - Axle begin 43L00001B, Change point - Axle end 43L18579B, Disc Brakes Front, With Front Vented Brake Discs	Front	STC8575	1
22	Kit-brake pad retaining	Change point - Axle begin 38L03121B, Change point - Axle end 38L99999B, Disc Brakes Front, Less Ft And Rr Vented Brake Discs	Front, Solid	STC8576	1
		Change point - Axle begin 39L05553B, Change point - Axle end 39L99999B, Disc Brakes Front, Less Ft And Rr Vented Brake Discs	Front, Solid	STC8576	1
		Change point - Axle begin 42L00522B, Change point - Axle end 42L99999B, Disc Brakes Front, Less Ft And Rr Vented Brake Discs	Front, Solid	STC8576	1
		Change point - Axle begin 43L18580B, Change point - Axle end 43L99999B, Disc Brakes Front, Less Ft And Rr Vented Brake Discs	Front, Solid	STC8576	1
		Change point - VIN begin MA081992, Disc Brakes Front, Less Ft And Rr Vented Brake Discs	Front, Solid	STC8576	1
23	Kit-brake pad retaining	Change point - Axle begin 38L03121B, Change point - Axle end 38L99999B, Disc Brakes Front, Less Ft And Rr Vented Brake Discs	Front, Solid	RTC5001	1
		Change point - Axle begin 39L05553B, Change point - Axle end 39L99999B, Disc Brakes Front, Less Ft And Rr Vented Brake Discs	Front, Solid	RTC5001	1
		Change point - Axle begin 42L00522B, Change point - Axle end 42L99999B, Disc Brakes Front, Less Ft And Rr Vented Brake Discs	Front, Solid	RTC5001	1





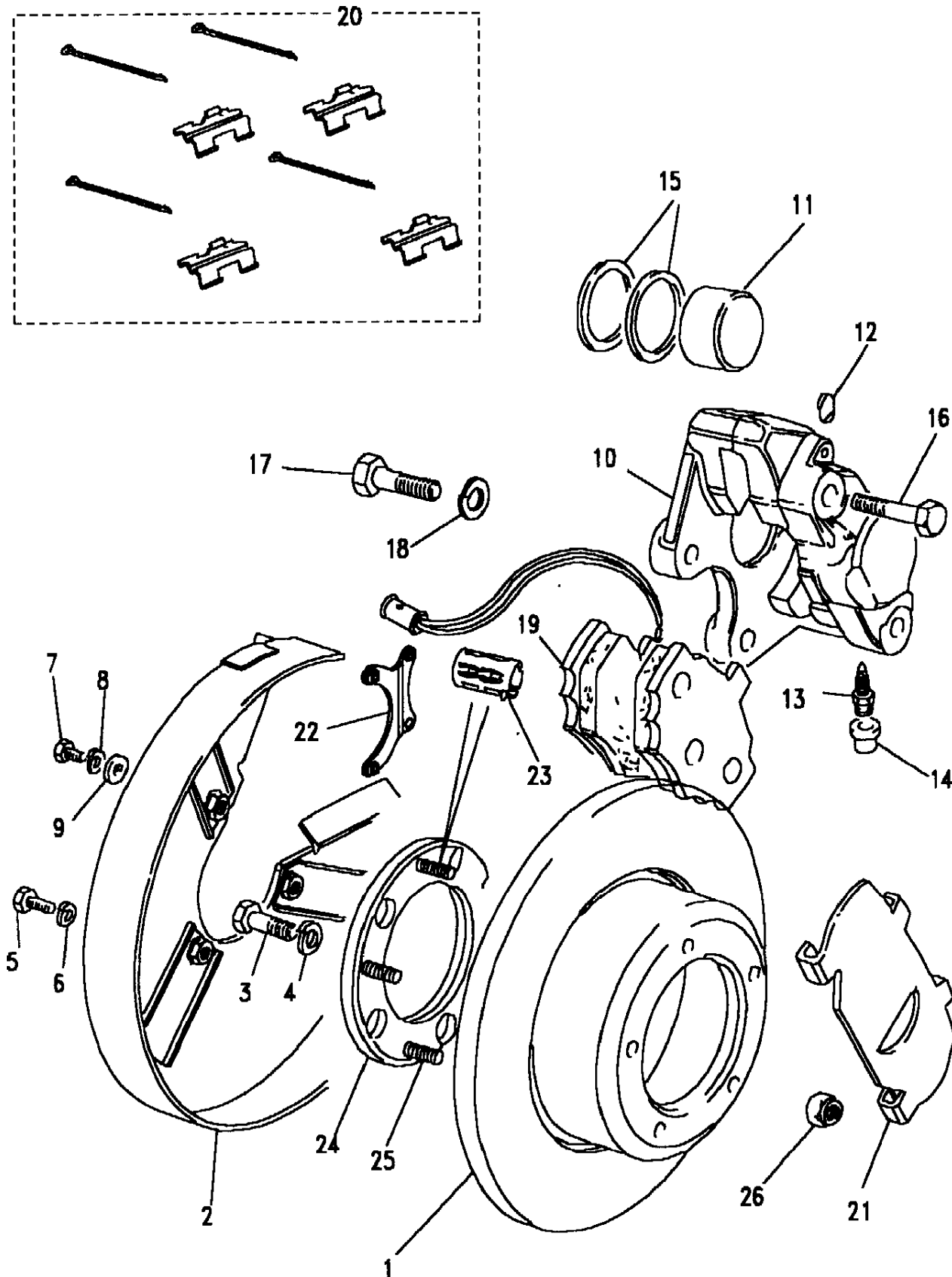
Callout	Name	Application	Remarks & Restrictions	Service No.	Qty
23	Kit-brake pad retaining	Change point - Axle begin 43L 18580B, Change point - Axle end 43L99999B, Disc Brakes Front, Less Ft And Rr Vented Brake Discs	Front, Solid	RTC5001	1
		Change point - VIN begin MA081992, Disc Brakes Front, Less Ft And Rr Vented Brake Discs	Front, Solid	RTC5001	1
[901]	Kit-brake piston seal	Change point - VIN end KA034313, Disc Brakes Front, Less Ft And Rr Vented Brake Discs	Caliper Seals Are Not A Servicable Item - Replace Caliper, Also serviced as part of a kit, Front	STC1278	2

With 4 Wheel Disc-Brake, Less Anti-Lock Braking System, Less Ft And Rr Vented Brake Discs



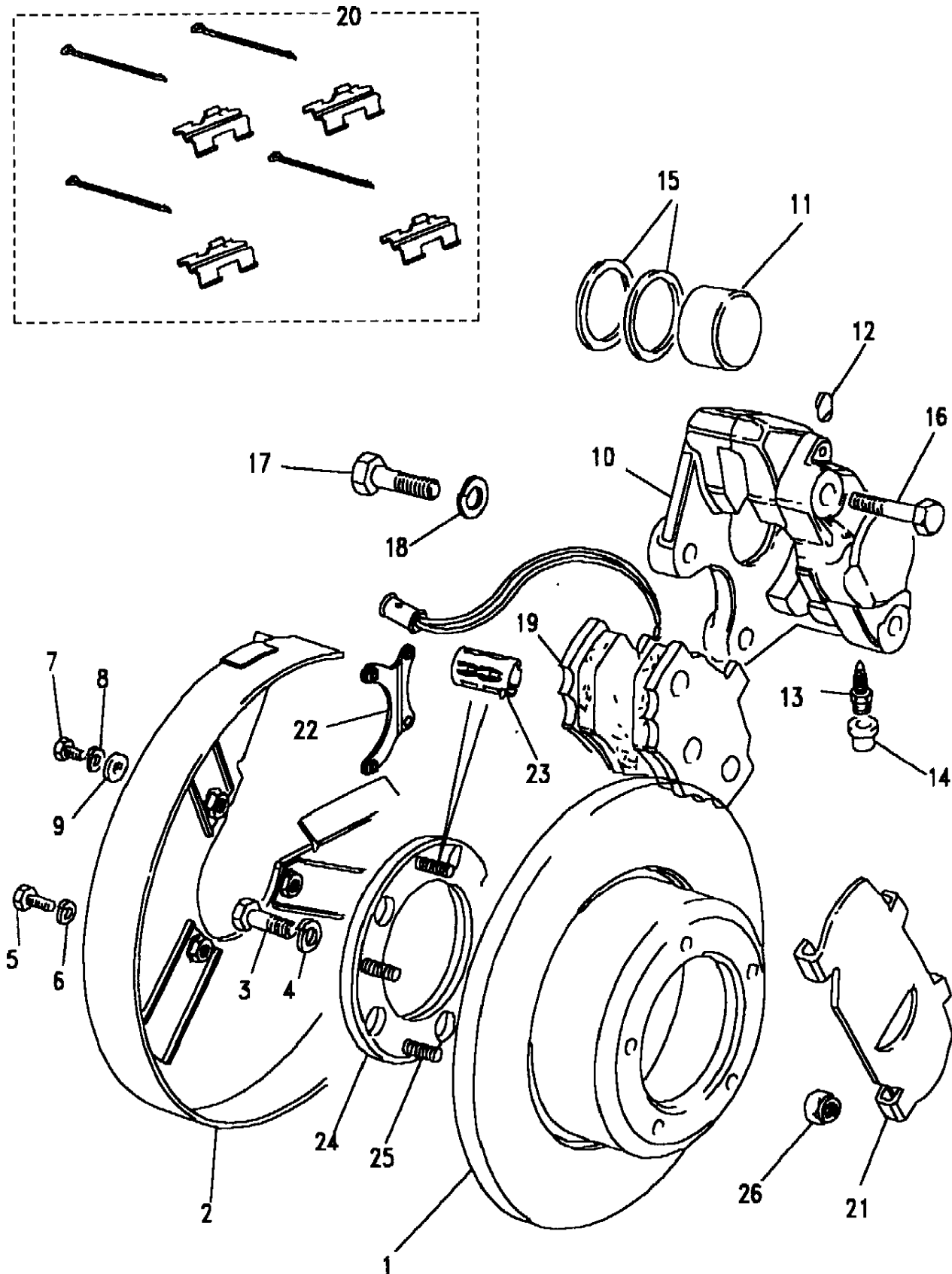
Callout	Name	Application	Remarks & Restrictions	Service No.	Qty		
1	Disc-solid brake		Rear	FTC1381	1		
2	Shield-disc rear brake	Change point - Axle end 32S2118B	RH	FTC2600	1		
		Change point - Axle end 28S44171D	RH	FTC2600	1		
		Change point - Axle end 32S2118B	LH	FTC2601	1		
		Change point - Axle end 28S44171D	LH	FTC2601	1		
		Change point - Axle begin 28S44172D	RH	FTC3320	1		
		Change point - Axle begin 32S2119B	RH	FTC3320	1		
		Change point - Axle begin 28S44172D	LH	FTC3321	1		
		Change point - Axle begin 32S2119B	LH	FTC3321	1		
		3	Bolt	M10		AFU1180	10
				M10		FTC1368	10
4	Washer		3/8", Square	WM600061L	10		
5	Screw		1/4UNF x 3/4	255207	2		
6	Washer-Spring		1/4 dia, Square	WM600041L	2		
7	Screw		hexagonal head, 1/4UNF x 7/8	SH604071L	8		
8	Washer		M6, sprung	WL106001L	8		
9	Washer		6MM	WA106041L	8		
10	Caliper assembly-rear brake	Change point - Axle end 32S2118B	RH	RTC5889	1		
		Change point - Axle end 28S44171D	RH	RTC5889	1		
		Change point - Axle end 32S2118B	LH	RTC5890	1		
		Change point - Axle end 28S44171D	LH	RTC5890	1		
		Change point - Axle begin 28S44172D	RH	STC1264	1		
		Change point - Axle begin 32S2119B	RH	STC1264	1		
		Change point - Axle begin 28S44172D	LH	STC1265	1		
		Change point - Axle begin 32S2119B	LH	STC1265	1		
		11	Piston-rear caliper brake	Change point - Axle end 32S2118B	Also serviced as part of a kit	606696	4
				Change point - Axle end 28S44171D	Also serviced as part of a kit	606696	4

With 4 Wheel Disc-Brake, Less Anti-Lock Braking System, Less Ft And Rr Vented Brake Discs



Callout	Name	Application	Remarks & Restrictions	Service No.	Qty
12	Seal	Change point - Axle end 32S2118B	Also serviced as part of a kit	RTC1137	2
		Change point - Axle end 28S44171D	Also serviced as part of a kit	RTC1137	2
13	Screw-bleed brake	Change point - Axle end 32S2118B	Also serviced as part of a kit	RTC1526	2
		Change point - Axle end 28S44171D	Also serviced as part of a kit	RTC1526	2
14	Cap-protective	Change point - Axle end 32S2118B	Also serviced as part of a kit	594091	2
		Change point - Axle end 28S44171D	Also serviced as part of a kit	594091	2
15	Kit-brake caliper piston seal	Change point - Axle end 32S2118B	Also serviced as part of a kit	AEU1547	2
		Change point - Axle end 28S44171D	Also serviced as part of a kit	AEU1547	2
16	Bolt	Change point - Axle end 32S2118B	Also serviced as part of a kit	27H4353L	2
		Change point - Axle end 28S44171D	Also serviced as part of a kit	27H4353L	2
17	Bolt	Change point - Axle end 32S2118B	caliper fixing, 7/16", UNF	591065	4
		Change point - Axle end 28S44171D	caliper fixing, 7/16", UNF	591065	4
		Change point - Axle begin 28S44172D	caliper fixing, M12 x 35	FTC3375	4
		Change point - Axle begin 32S2119B	caliper fixing, M12 x 35	FTC3375	4
18	Washer		7/16", sprung	WM600071L	4
19	Set-pad rear brake system		with sensor	STC8570	1
			less sensor	STC8569	1
			less sensor	STC9188	1
20	Kit-brake pad retaining		Use With STC8569 And STC8570, Rear	STC8574	1
21	Shim		inner RH, outer LH	591628	2
			Not Required With STC8569 And STC8570, inner LH, outer RH	591629	2
22	Bracket-shield rear brake	Change point - Axle begin 28S44172D		FTC3299	2
		Change point - Axle begin 32S29119B		FTC3299	2
		Change point - Axle begin 28S44172D		FTC3299	2
		Change point - Axle begin 32S2119B		FTC3299	2

With 4 Wheel Disc-Brake, Less Anti-Lock Braking System, Less Ft And Rr Vented Brake Discs



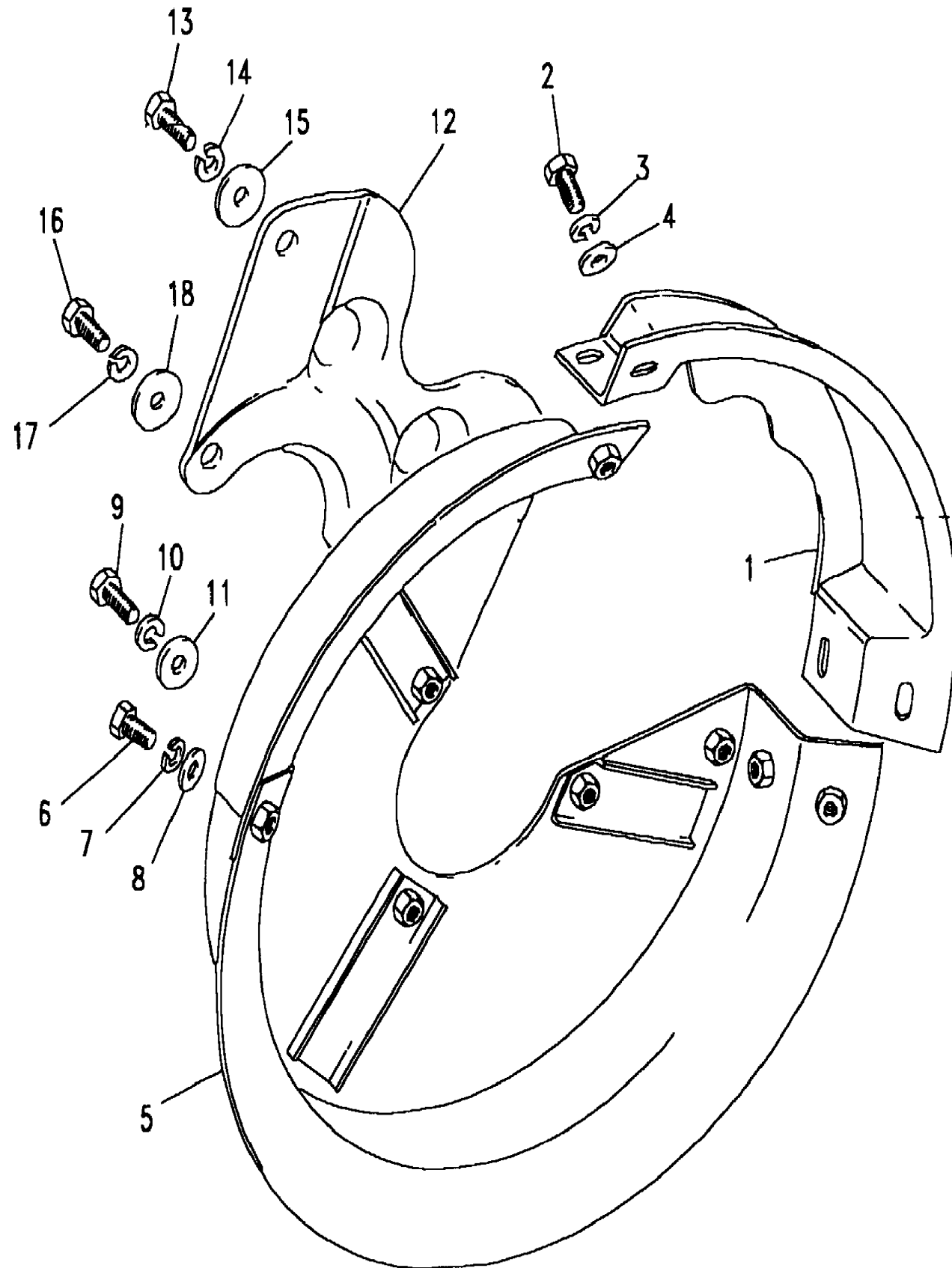
Callout	Name	Application	Remarks & Restrictions	Service No.	Qty
23	Bush		antilock brake system sensor	FTC1374	2
24	Ring-pulsar antilock brakes		Also serviced as part of a kit	FTC1379	2
25	Stud			TD106041	
26	Nut - Hex.		M6, nyloc, flange	NY106041	10
[902]	Piston-rear caliper brake	Change point - Axle end 32S2118B	Also serviced as part of a kit	STC1279	1
		Change point - Axle end 28S44171D	Also serviced as part of a kit	STC1279	1
[903]	Set-pad rear brake system		less sensor	STC9147	1

Braking Systems  
Front & Rear  
Splash Shield 1/1

Discovery (FA393361-WA799999)  
(CAHXKA1A)

Discovery (FA393361-WA799999)

Braking Systems  
Front & Rear  
Splash Shield

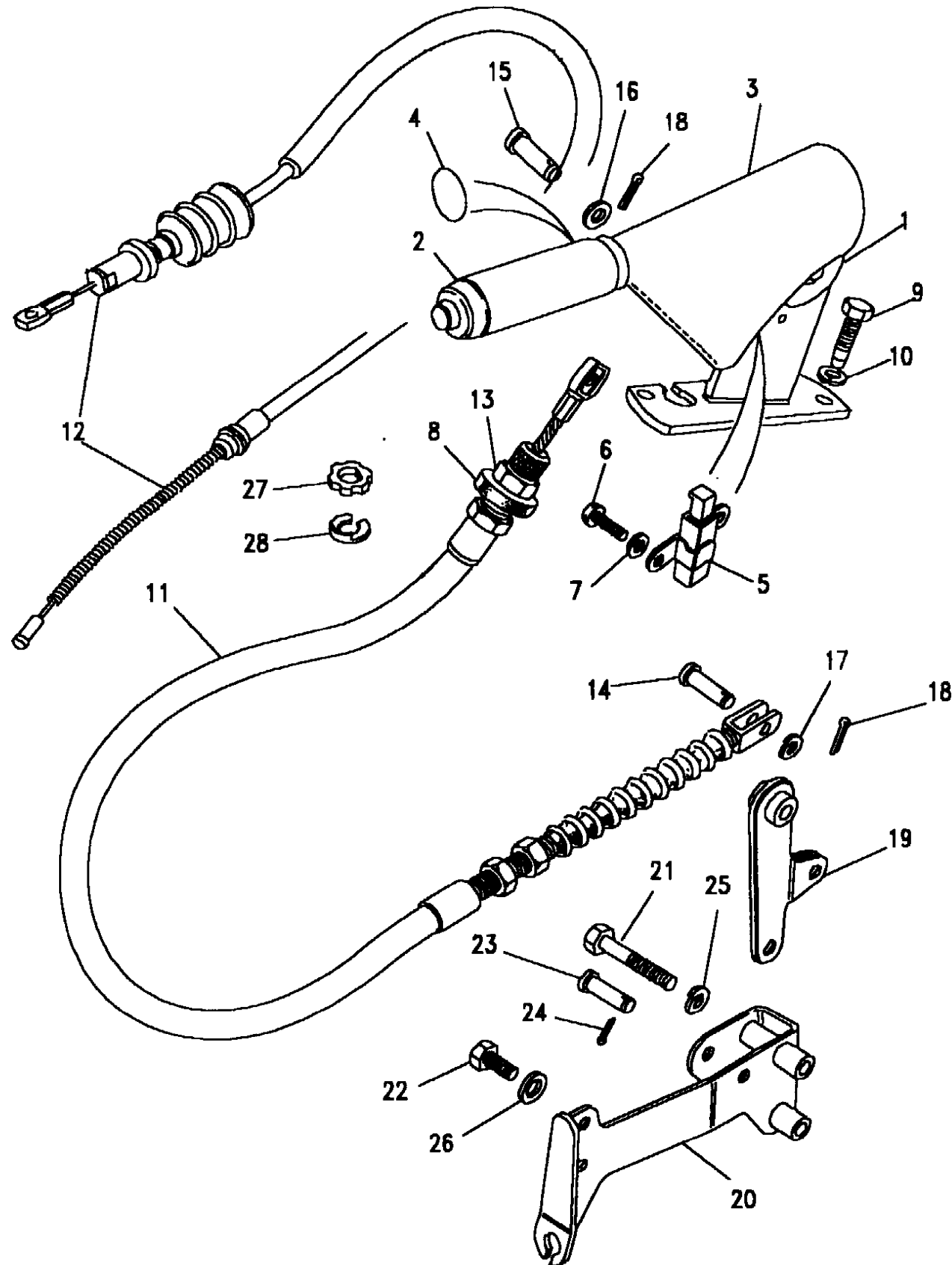


(+)"SF"

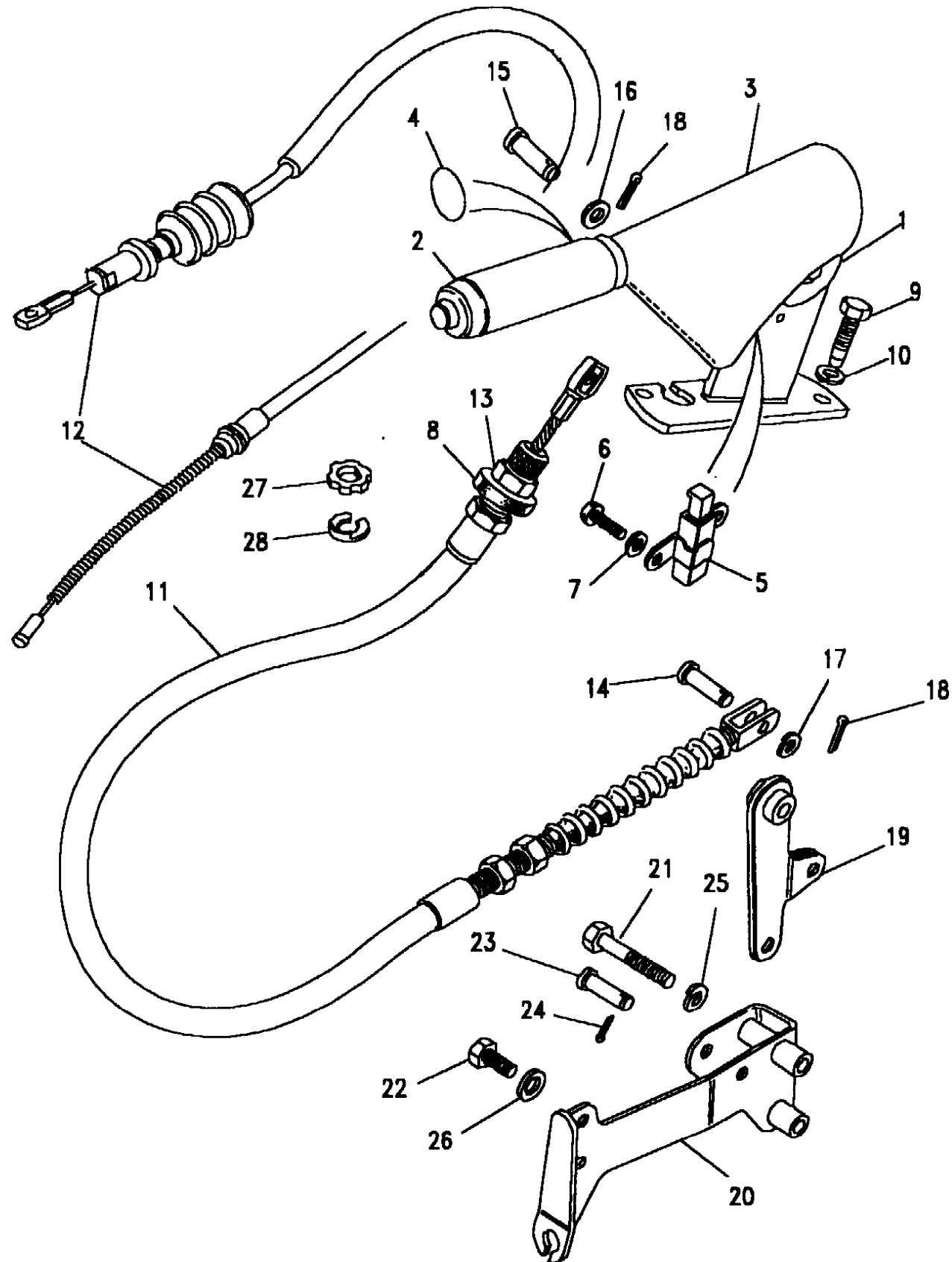
Callout	Name	Application	Remarks & Restrictions	Service No.	Qty
1	Cover-caliper brake		RH, top top, LH	NTC3360 NTC3361	1 1
2	Screw		hexagonal head, 1/4UNF x 1/2	SH604047	8
3	Washer-Spring		1/4 dia, Square	WM600041L	8
4	Washer		Standard	3900L	8
5	Shield-disc rear brake		RH LH	624208 90624209	1 1
6	Screw		hexagonal head, 1/4UNF x 1/2	SH604041L	4
7	Washer-Spring		1/4 dia, Square	WM600041L	4
8	Washer		6MM	WA106041L	4
9	Screw		hexagonal head, 1/4UNF x 1/2	SH604047	2
10	Washer-Spring		1/4 dia, Square	WM600041L	2
11	Washer		Standard	3900L	2
12	Cover-caliper brake		RH, Side Side, LH	NRC8416 NRC8417	1 1
13	Screw		hexagonal head, 1/4UNF x 1/2	SH604047	4
14	Washer-Spring		1/4 dia, Square	WM600041L	4
15	Washer-Plain			2215L	4
16	Screw		hexagonal head, 1/4UNF x 3/4	SH604061L	4
17	Washer-Spring		1/4 dia, Square	WM600041L	4
18	Washer-Plain			2215L	4

EFI, TDi, Twin Carb

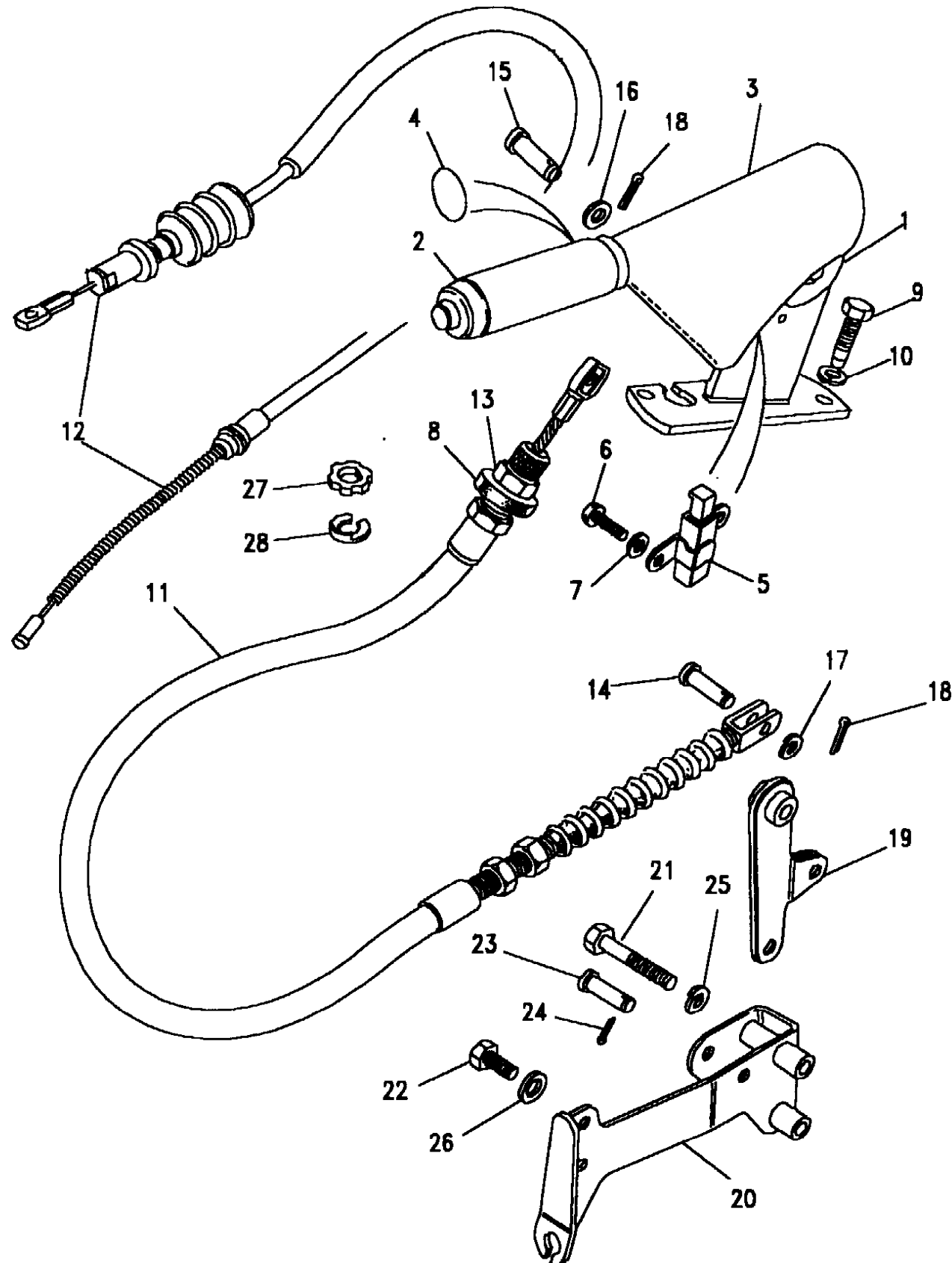
Callout	Name	Application	Remarks & Restrictions	Service No.	Qty		
1	Lever assembly handbrake	Change point - VIN end KA034313	(-) MPI/LTI, Also serviced as part of a kit, Grey	ANR2260LUN	1		
		Change point - VIN begin KA034314, Change point - VIN end KA037912	(-) MPI/LTI, Also serviced as part of a kit, Ash Grey	NTC9399LNF	1		
		Change point - VIN begin KA037913, Change point - VIN end KA063555	(-) MPI/LTI, Also serviced as part of a kit, Ash Grey	ANR2260LNF	1		
		Change point - VIN begin KA063556, Change point - VIN end LA081991	(-) MPI/LTI, Also serviced as part of a kit, Ash Grey	ANR2165LNF	1		
		Change point - VIN begin MA081992, Change point - VIN end VA741829	(-) MPI/LTI, Also serviced as part of a kit, Ash Grey	ANR3243LNF	1		
		Change point - VIN begin VA741830	(-) MPI/LTI, Also serviced as part of a kit, Black	SNB100350PMA	1		
		2	Grip handbrake	Change point - VIN end KA034313	(-) MPI/LTI, Also serviced as part of a kit, Grey	NTC8122LUN	1
				Change point - VIN begin KA034314, Change point - VIN end KA037912	(-) MPI/LTI, Also serviced as part of a kit, Ash Grey	NTC8122LNF	1
Change point - VIN begin MA081992, Change point - VIN end VA741829	(-) MPI/LTI, Also serviced as part of a kit, Ash Grey			NTC8122LNF	1		
Change point - VIN begin VA741830	(-) MPI/LTI, Also serviced as part of a kit, Black			SNE100090PMA	1		
3	Gaiter-handbrake			Change point - VIN end KA034313	(-) MPI/LTI, Also serviced as part of a kit, Grey	MXC7387LUN	1
		Change point - VIN begin KA034314, Change point - VIN end KA037912	(-) MPI/LTI, Also serviced as part of a kit, Ash Grey	MXC7387LNF	1		
		Change point - VIN begin MA081992, Change point - VIN end VA741829	(-) MPI/LTI, Also serviced as part of a kit, Ash Grey	BTR8835LNF	1		
		Change point - VIN begin VA741830	(-) MPI/LTI, Also serviced as part of a kit, Black	FJL101710PMA	1		
		4	Ring-Snap	Change point - VIN end KA034313	(-) MPI/LTI, Also serviced as part of a kit	MXC5333	1
Change point - VIN begin KA034314, Change point - VIN end KA037912	(-) MPI/LTI, Also serviced as part of a kit			MXC5333	1		
Change point - VIN begin MA081992, Change point - VIN end VA741829	(-) MPI/LTI, Also serviced as part of a kit			MXC5333	1		
5	Switch handbrake unit			Change point - VIN end KA035614	(-) MPI/LTI	ADU2888L	1
		Change point - VIN begin KA035615	(-) MPI/LTI	CLP8699L	1		
6	Screw		(-) MPI/LTI, M8 X 16	SE104161L	2		
7	Washer- shakeproof		(-) MPI/LTI, M4	WE104001L	2		
8	Pad-cable sealing handbrake	Change point - VIN end MA112692	(-) MPI/LTI	NTC1340	1		



Callout	Name	Application	Remarks & Restrictions	Service No.	Qty
8	Pad-cable sealing handbrake	Change point - VIN begin MA112693	(-) MPI/LTI	ANR3838	1
9	Screw		(-) MPI/LTI	GG108351L	2
10	Washer		(-) MPI/LTI, M8, sprung	WL108001L	2
11	Cable assembly handbrake	Change point - VIN end JA020500 Change point - VIN begin JA020501, Change point - VIN end KA055568 Change point - VIN begin KA055569, Change point - VIN end LA081991	(-) MPI/LTI (-) MPI/LTI (-) MPI/LTI	NTC3414 NTC9400 NTC6125	1 1 1
12	Cable assembly handbrake	Change point - VIN begin MA081992	(-) MPI/LTI	STC1528	1
13	Locknut		(-) MPI/LTI	NTC2796	1
14	Pin-clevis/pivot	Change point - VIN end JA017305 Change point - VIN begin JA017306, Change point - VIN end KA049862 Change point - VIN begin KA048963, Change point - VIN end LA081991 Change point - VIN begin MA081992	(-) MPI/LTI (-) MPI/LTI (-) MPI/LTI (-) MPI/LTI	FRC8547 SYT10004 ANR2734 ANR3593	1 1 1 1
15	Pin-clevis/pivot		(-) MPI/LTI	PC108728L	1
16	Washer		(-) MPI/LTI, 8MM	WA108051L	1
17	Washer		(-) MPI/LTI, M8, sprung	WL108001L	6
18	Pin-split	Change point - VIN end JA017305 Change point - VIN begin JA017306, Change point - VIN end KA049862	(-) MPI/LTI (-) MPI/LTI	FRC8548 EDP7864L	4 4
19	Lever-handbrake cable relay		(-) MPI/LTI	NTC3340	1
20	Bracket-handbrake cable relay lever		(-) MPI/LTI	NTC3341	1
21	Bolt		(-) MPI/LTI, hexagonal head, M8 x 70	BH108141L	2
22	Screw		(-) MPI/LTI, Flanged Head, M8 x 20	FS108201L	2
23	Pin-clevis/pivot		(-) MPI/LTI	PC108728L	1



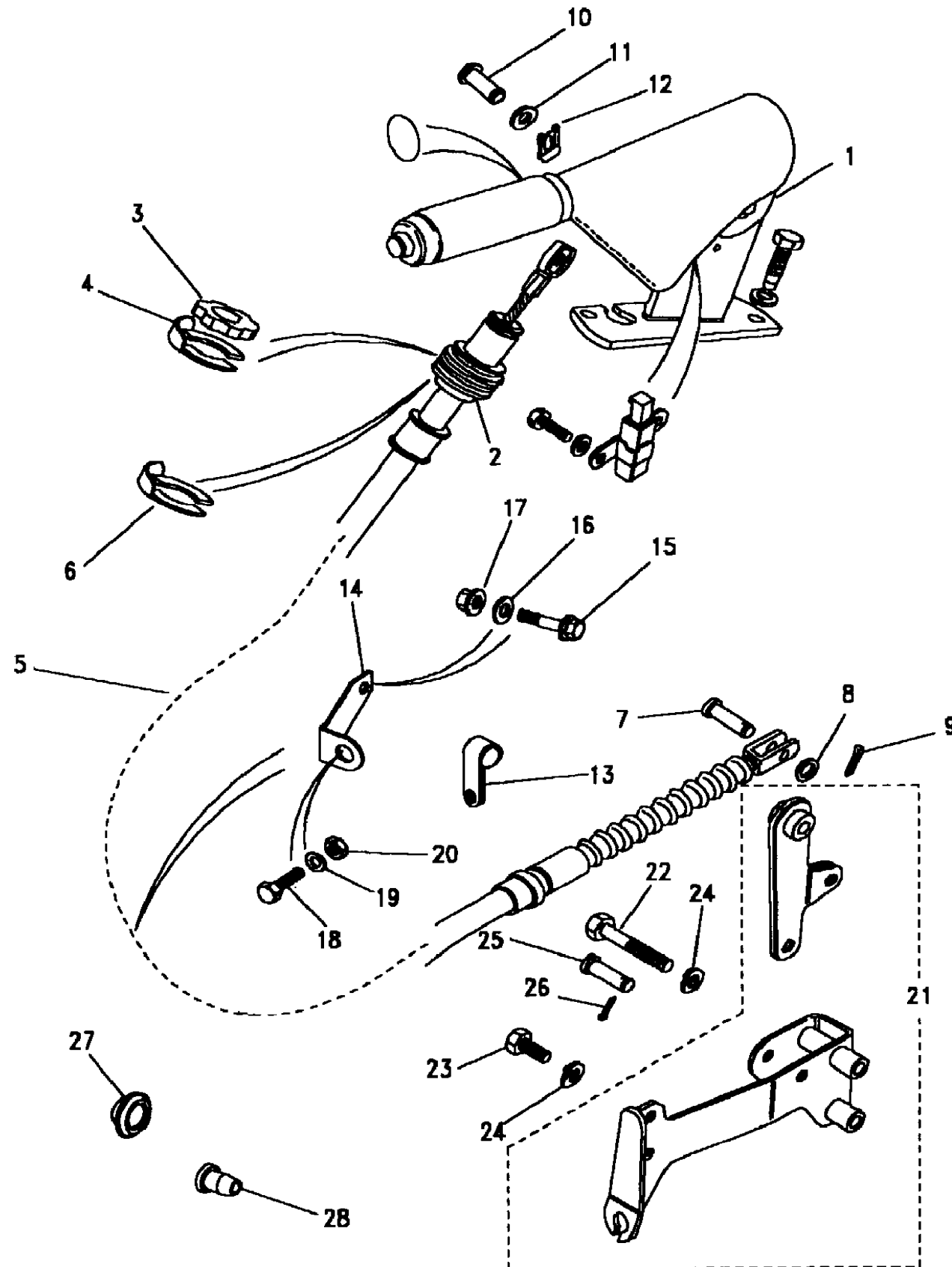
Callout	Name	Application	Remarks & Restrictions	Service No.	Qty
24	Pin-split		(-) MPI/LTI	PS104127L	1
25	Washer		(-) MPI/LTI, M8, sprung	WL108001L	1
26	Washer		M8, sprung	WL108001L	1
27	Knob-handbrake cable adjusting		(-) MPI/LTI	NTC5009	1
28	Clip		(-) MPI/LTI	NTC5147	1
[900]	Sleeve		(-) MPI/LTI, Rubber	STC1418	1





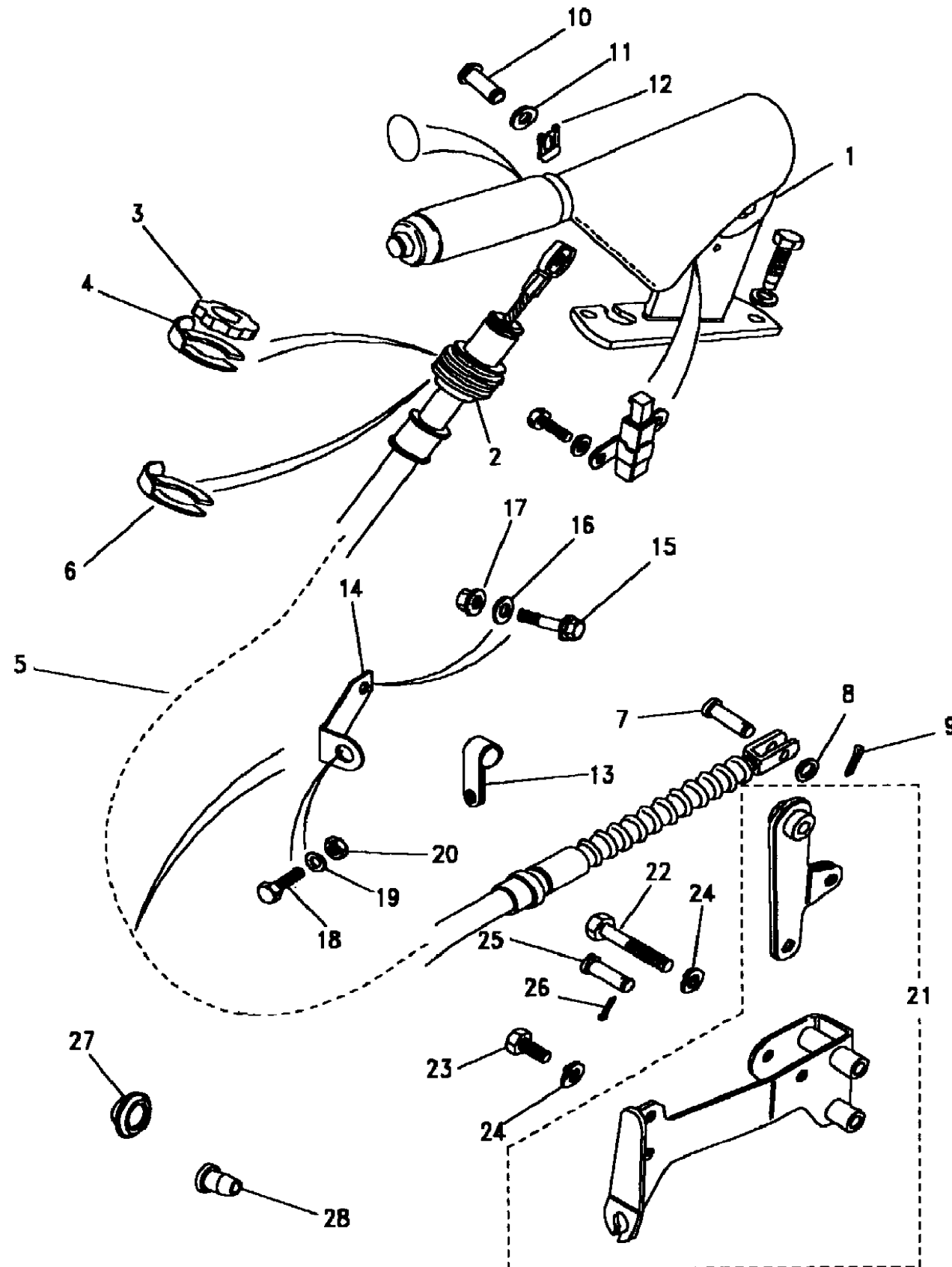
Change point - VIN begin KA038822, MPi

Callout	Name	Application	Remarks & Restrictions	Service No.	Qty
1	Lever assembly handbrake	Change point - VIN begin KA037913, Change point - VIN end KA063555 Change point - VIN begin KA063556, Change point - VIN end LA081991 Change point - VIN begin MA081992	Also serviced as part of a kit, Ash Grey Also serviced as part of a kit, Ash Grey Also serviced as part of a kit, Ash Grey Also serviced as part of a kit, Black	ANR2260LNF ANR2165LNF ANR3243LNF SNB100350PMA	1 1 1 1
2	Seal-handbrake lever/body			NTC5026	2
3	Knob-handbrake cable adjusting			NTC5009	1
4	Clip			NTC5147	1
5	Cable assembly handbrake			NTC6125	1
6	Clip			NTC5147	1
7	Pin-clevis/pivot			PC108321L	1
8	Washer	8MM		WA108051L	1
9	Pin-split			PS104127L	1
10	Pin-clevis/pivot			FRC8547	1
11	Washer-Plain	M8		WB108051L	1
12	Pin-split	safety		FRC8548	1
13	Clip-Pipe	Double		CP108161L	1
14	Bracket-handbrake cable mounting clip			NTC5690	1
15	Screw	M8 X 16, Flanged Head		FS108161L	1
16	Washer	8MM		WA108051L	1
17	Nut - Hex.	M8, flange		FN108041L	1
18	Screw	hexagonal head, M10 x 35		SH110351L	1
19	Washer	M10		WA110061L	1
20	Nut - Hex.	M10, flange M10, flange		FN110041L FN110047	1 1
21	Bracket-handbrake cable relay lever	Change point - VIN end JA055568		STC1157	1



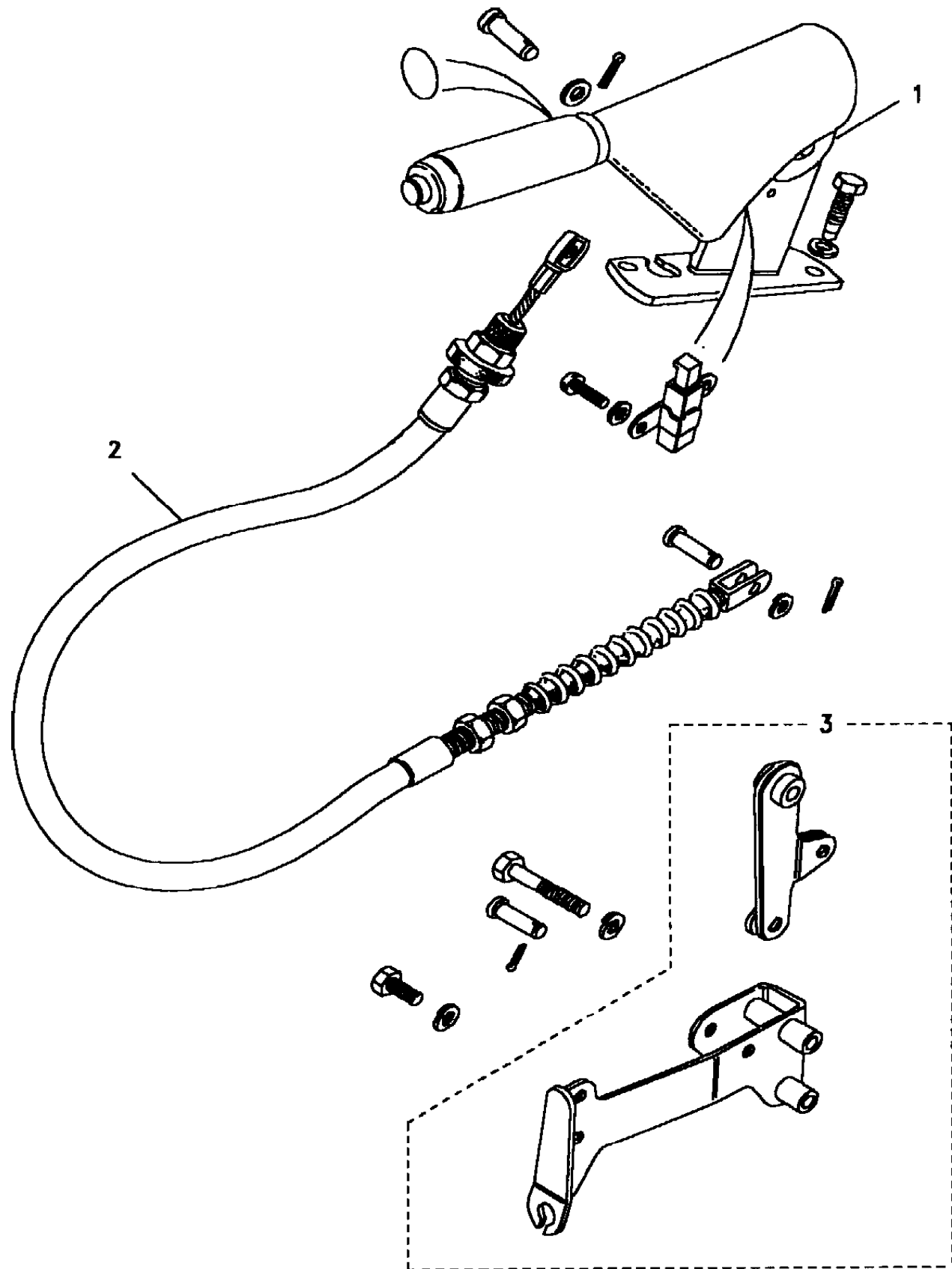
Change point - VIN begin KA038822, MPi

Callout	Name	Application	Remarks & Restrictions	Service No.	Qty
21	Bracket-handbrake cable relay lever	Change point - VIN begin KA055569		ANR2672	1
22	Bolt		Flanged Head, M8 x 70	FB108141L	2
23	Screw		Flanged Head, M8 x 20 Flanged Head, M8 x 20	FS108201L FS108207L	2 2
24	Washer		M8, sprung	WL108001L	4
25	Pin-clevis/pivot			PC108241L	2
26	Pin-split			PS104127L	2
27	Grommet			MUC6384	1
28	Plug			MXC8709	1
[902]	Grip handbrake	Change point - VIN begin KA037913, Change point - VIN end KA063555 Change point - VIN begin MA081992	Also serviced as part of a kit, Ash Grey Also serviced as part of a kit, Ash Grey Also serviced as part of a kit, Black	NTC8122LNF NTC8122LNF SNE100090PMA	1 1 1
[903]	Gaiter-handbrake	Change point - VIN begin KA037913, Change point - VIN end KA063555 Change point - VIN begin MA081992	Also serviced as part of a kit, Ash Grey Also serviced as part of a kit, Ash Grey Also serviced as part of a kit, Black	MXC7387LNF BTR8835LNF FJL101710PMA	1 1 1
[904]	Ring-Snap	Change point - VIN begin KA037913, Change point - VIN end KA063555 Change point - VIN begin MA081992	Also serviced as part of a kit Also serviced as part of a kit	MXC5333 MXC5333	1 1



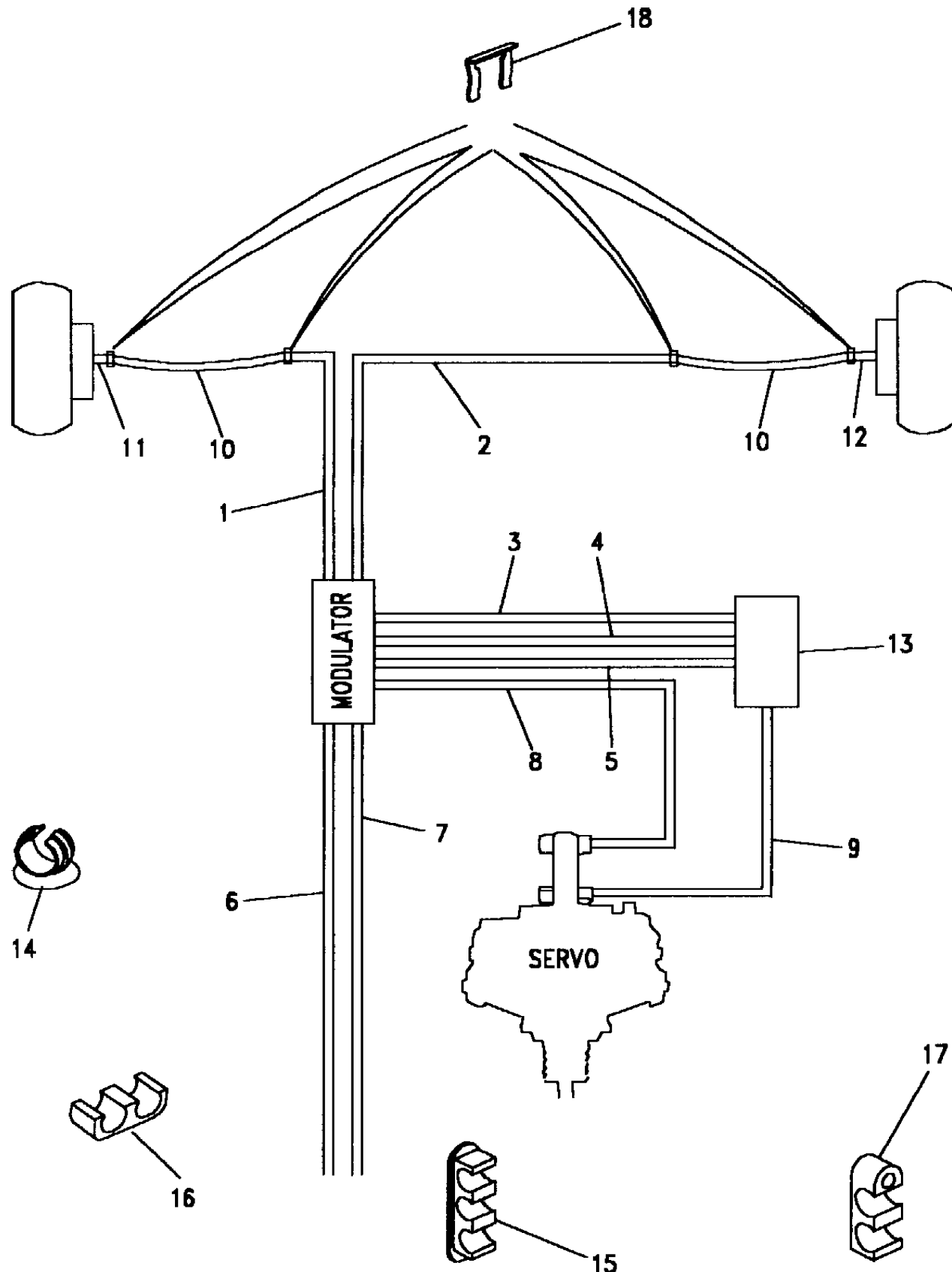
Change point - VIN end KA038821, MPi

Callout	Name	Application	Remarks & Restrictions	Service No.	Qty
1	Lever assembly handbrake		Also serviced as part of a kit, Ash Grey	ANR2260LNF	1
2	Grip handbrake		Also serviced as part of a kit, Ash Grey	NTC8122LNF	1
3	Gaiter-handbrake		Also serviced as part of a kit, Ash Grey	MXC7387LNF	1
4	Ring-Snap		Also serviced as part of a kit	MXC5333	1
5	Cable assembly handbrake			NTC6125	1
6	Bracket-handbrake cable relay lever			STC1157	1
7	Lever-handbrake cable relay			ANR3054	1
8	Pin assembly-clevis			PC108648	1



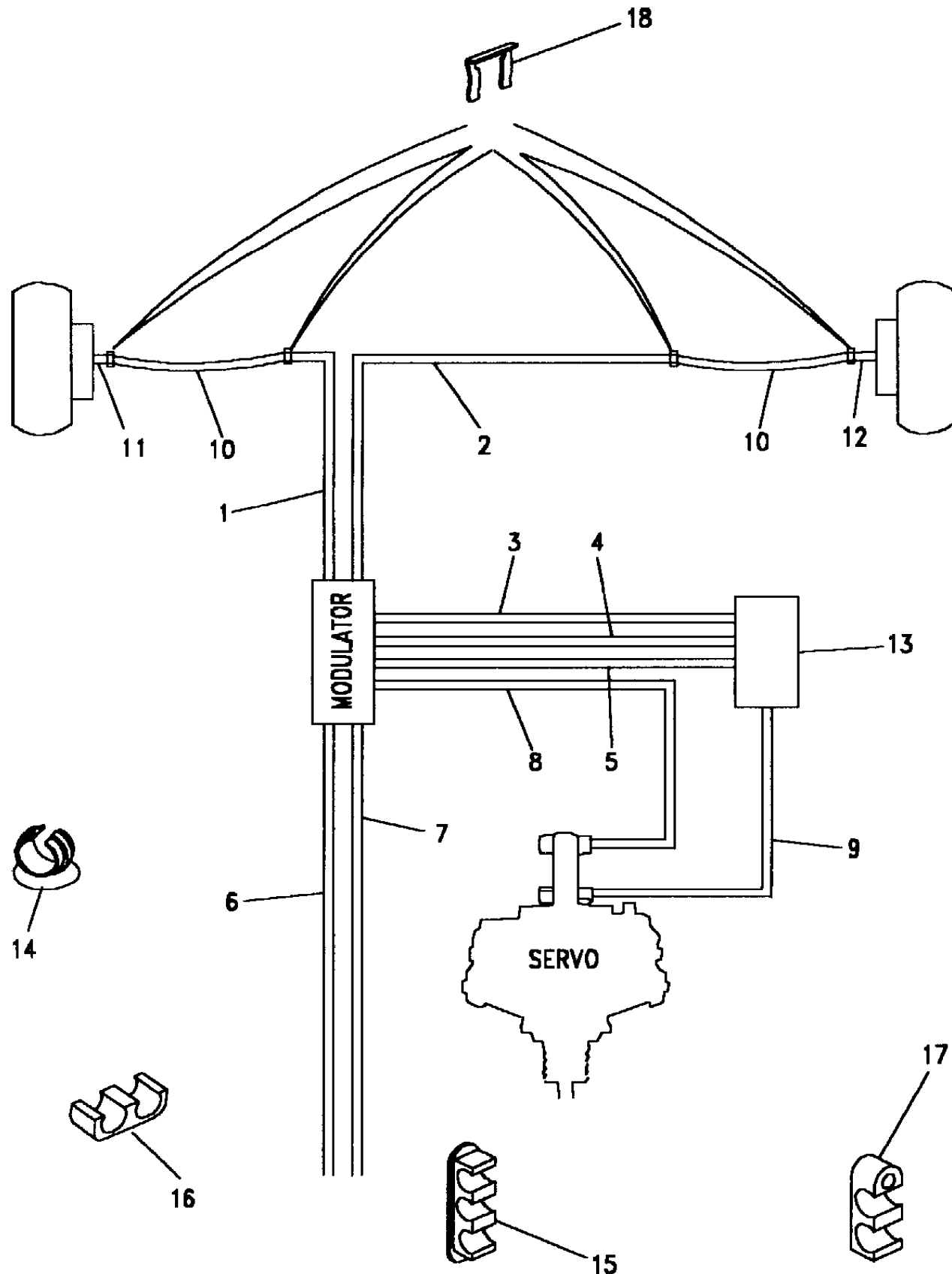
Change point - VIN begin MA081992, All Wheel Anti-Lock Braking System

Callout	Name	Application	Remarks & Restrictions	Service No.	Qty
1	Pipe assembly-antilock brakes		modulator to front hose, Front, LH	ANR2016	1
2	Pipe assembly-antilock brakes	RHD	modulator to front hose, Front, RH	ANR2407	1
		LHD	modulator to front hose, Front, RH	ANR2406	1
3	Pipe assembly-antilock brakes		valve to modulator, Front	ANR2023	1
4	Pipe assembly-antilock brakes		valve to modulator, Centre	ANR2024	1
5	Pipe assembly-antilock brakes		valve to separator	ANR2893	1
6	Pipe assembly-antilock brakes		modulator to rear connector	ANR3180	1
7	Pipe assembly-antilock brakes		modulator to rear connector	ANR3181	1
8	Pipe assembly-antilock brakes	RHD	Master Cylinder To Modulator	ANR2892	1
		LHD	Master Cylinder To Modulator	ANR3165	1
9	Pipe assembly brake	RHD	master cylinder to valve	ANR2410	1
		LHD	master cylinder to valve	ANR2411	1
10	Hose brake		Front	ANR1765	1
11	Pipe assembly brake		jump hose to caliper, Front, RH	ANR1769	1
12	Pipe assembly brake		jump hose to caliper, Front, LH	ANR1767	1
13	Valve Brake			ANR3194	1
14	Clip - Brake Pipe	Change point - VIN begin MA081992, RHD		NTC9543L	3
		Change point - VIN begin MA081992, LHD		NTC1176	4
15	Clip-brake pipe treble	RHD		ADU8846L	3
		RHD	4.75MM	AFU1217	2



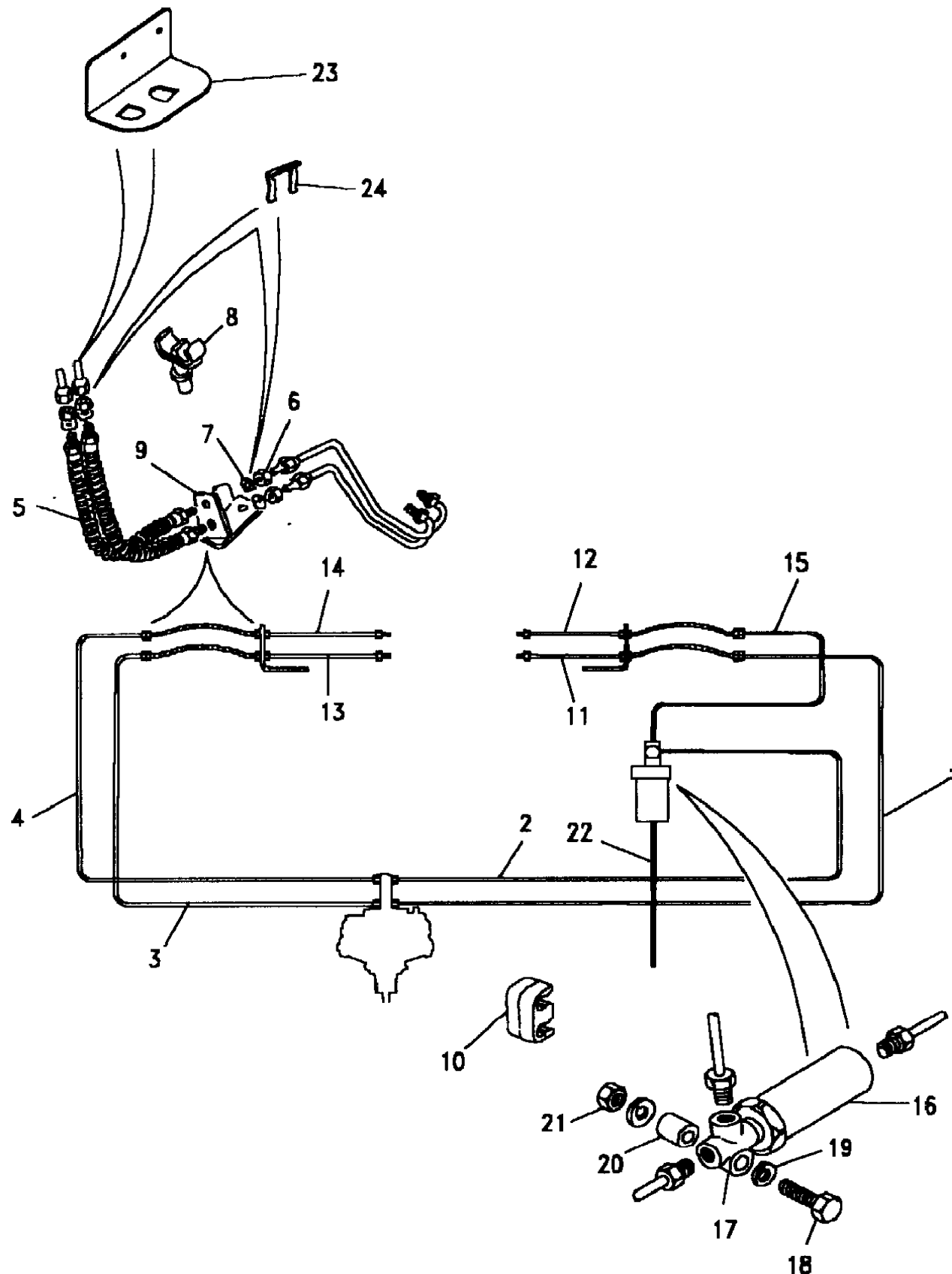
Change point - VIN begin MA081992, All Wheel Anti-Lock Braking System

Callout	Name	Application	Remarks & Restrictions	Service No.	Qty
16	Clip-brake pipe double			AAU7803	3
17	Clip-brake pipe double			NTC9530	3
18	Clip			BNP2227L	4
[900]	Bracket-hose brake	LHD	Front, RH hose to axle bracket, Front, LH	FTC4045 FTC4046	1 1
		LHD	BRACKET TO BODY, Front, LH	ANR1795	2
		RHD	Front, RH	ANR1796	2
[901]	Nut - Hex.		M6, nyloc, flange	NY106041	2
[902]	Washer		6MM	WA106041L	2
[903]	Screw		valve to body, Flanged Head	SE106551	1
[904]	Nut-flange		valve to body, M6	FN106047L	1
[905]	Clip		2 Holes	NTC9531	7
[906]	Clip-brake pipe treble	RHD		SGK100990	3



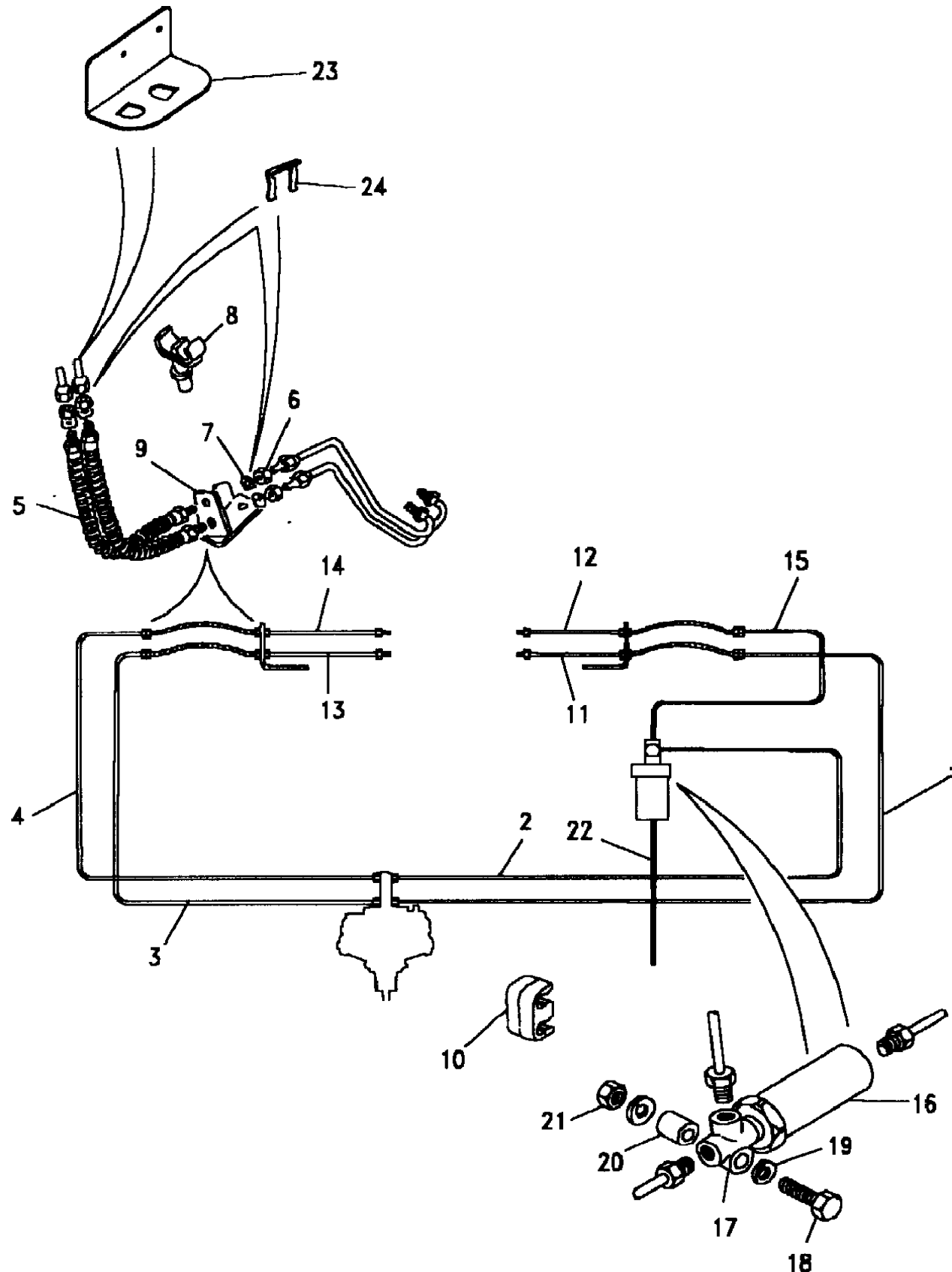
Change point - VIN end LA081991, LHD

Callout	Name	Application	Remarks & Restrictions	Service No.	Qty
1	Pipe assembly brake	Change point - VIN end JA034313, Less Anti-Lock Braking System	master cylinder (primary) to jump hose, RH	NTC7242	1
		Change point - VIN begin KA034313, Change point - VIN end LA081991, Less Anti-Lock Braking System	master cylinder (primary) to jump hose, RH	ANR1763	1
2	Pipe assembly brake	Change point - VIN end JA034313, Less Anti-Lock Braking System	master cylinder (secondary) to valve, RH	NTC7243	1
		Change point - VIN begin KA034313, Change point - VIN end LA081991, Less Anti-Lock Braking System	master cylinder (secondary) to valve, RH	ANR1805	1
3	Pipe assembly brake	Change point - VIN end JA034313, Less Anti-Lock Braking System	master cylinder (primary) to jump hose, LH	NTC7940	1
		Change point - VIN begin KA034313, Change point - VIN end LA081991, Less Anti-Lock Braking System	master cylinder (primary) to jump hose, LH	ANR1762	1
4	Pipe assembly brake	Change point - VIN end JA034313, Less Anti-Lock Braking System	master cylinder (secondary) to jump hose, LH	NTC7941	1
		Change point - VIN begin KA034313, Change point - VIN end LA081991, Less Anti-Lock Braking System	master cylinder (secondary) to jump hose, LH	ANR1764	1
5	Hose brake	Change point - VIN end JA034313, Less Anti-Lock Braking System	Front	NRC4401	4
		Change point - VIN begin KA034313, Change point - VIN end LA081991, Less Anti-Lock Braking System	Front	ANR1765	4
6	Nut - Hex.	Less Anti-Lock Braking System		CRC1487	8
7	Washer-starlock	Less Anti-Lock Braking System		WE110001L	8
8	Clip-brake pipe double	Less Anti-Lock Braking System		79127	11
9	Bracket-hose brake	Change point - VIN end JA034313, Less Anti-Lock Braking System	Front, RH	FRC8854	1
		Change point - VIN begin KA034313, Change point - VIN end LA081991, Less Anti-Lock Braking System	Front, RH	FTC3142	1
		Change point - VIN end JA034313, Less Anti-Lock Braking System	Front, LH	FRC8855	1



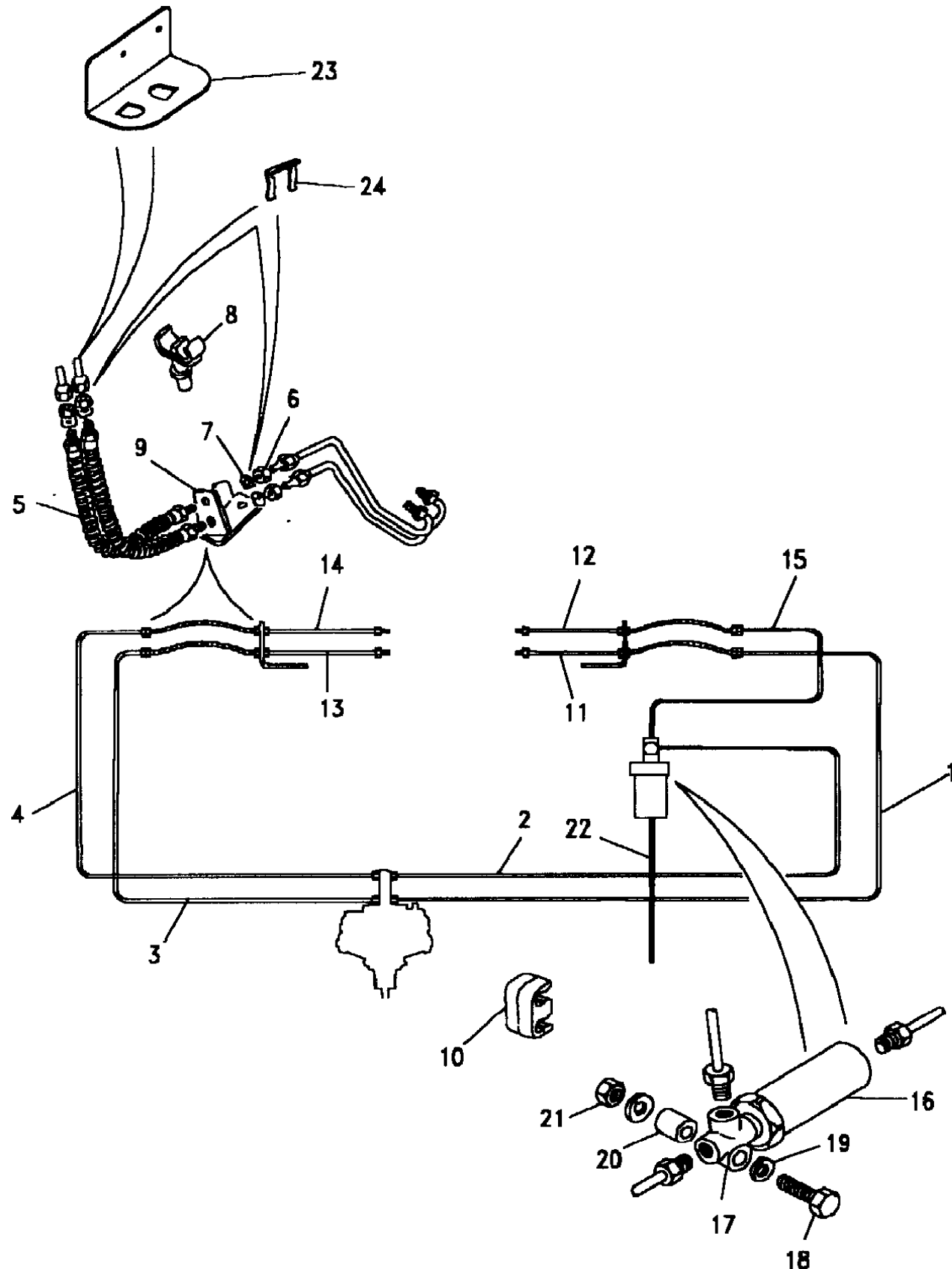
Change point - VIN end LA081991, LHD

Callout	Name	Application	Remarks & Restrictions	Service No.	Qty
9	Bracket-hose brake	Change point - VIN begin KA034313, Change point - VIN end LA081991, Less Anti-Lock Braking System	Front, LH	FTC3143	1
10	Clip-brake pipe double	Less Anti-Lock Braking System		AAU7803	1
11	Pipe assembly brake	Change point - VIN end JA034313, Less Anti-Lock Braking System	jump hose (primary) to caliper, Front, RH	NTC8096	1
		Change point - VIN begin KA034314, Change point - VIN end LA081991, Less Anti-Lock Braking System	jump hose (primary) to caliper, Front, RH	ANR1768	1
12	Pipe assembly brake	Change point - VIN end JA034313, Less Anti-Lock Braking System	jump hose (secondary) to caliper, Front, RH	NTC8097	1
		Change point - VIN begin KA034314, Change point - VIN end LA081991, Less Anti-Lock Braking System	jump hose (secondary) to caliper, Front, RH	ANR1769	1
13	Pipe assembly brake	Change point - VIN end JA034313, Less Anti-Lock Braking System	jump hose (primary) to caliper, Front, LH	NTC8098	1
		Change point - VIN begin KA034314, Change point - VIN end LA081991, Less Anti-Lock Braking System	jump hose (primary) to caliper, Front, LH	ANR1766	1
14	Pipe assembly brake	Change point - VIN end JA034313, Less Anti-Lock Braking System	jump hose (secondary) to caliper, Front, LH	NTC8099	1
		Change point - VIN begin KA034314, Change point - VIN end LA081991, Less Anti-Lock Braking System	jump hose (secondary) to caliper, Front, LH	ANR1767	1
15	Pipe assembly brake	Change point - VIN end JA034313, Less Anti-Lock Braking System	jump hose to PCR, Front, RH	NTC7246	1
		Change point - VIN begin KA034314, Change point - VIN end LA081991, Less Anti-Lock Braking System	jump hose to PCR, Front, RH	ANR1761	1
16	Pressure control release valve-brake	Less Anti-Lock Braking System		NTC6868L	1
17	T Piece	Less Anti-Lock Braking System	Rear	NRC4251	1
18	Bolt	Less Anti-Lock Braking System	M6 X 40MM, Flanged Head	FB106081L	1
19	Washer	Less Anti-Lock Braking System	M6, oversize	WC106041L	1



Change point - VIN end LA081991, LHD

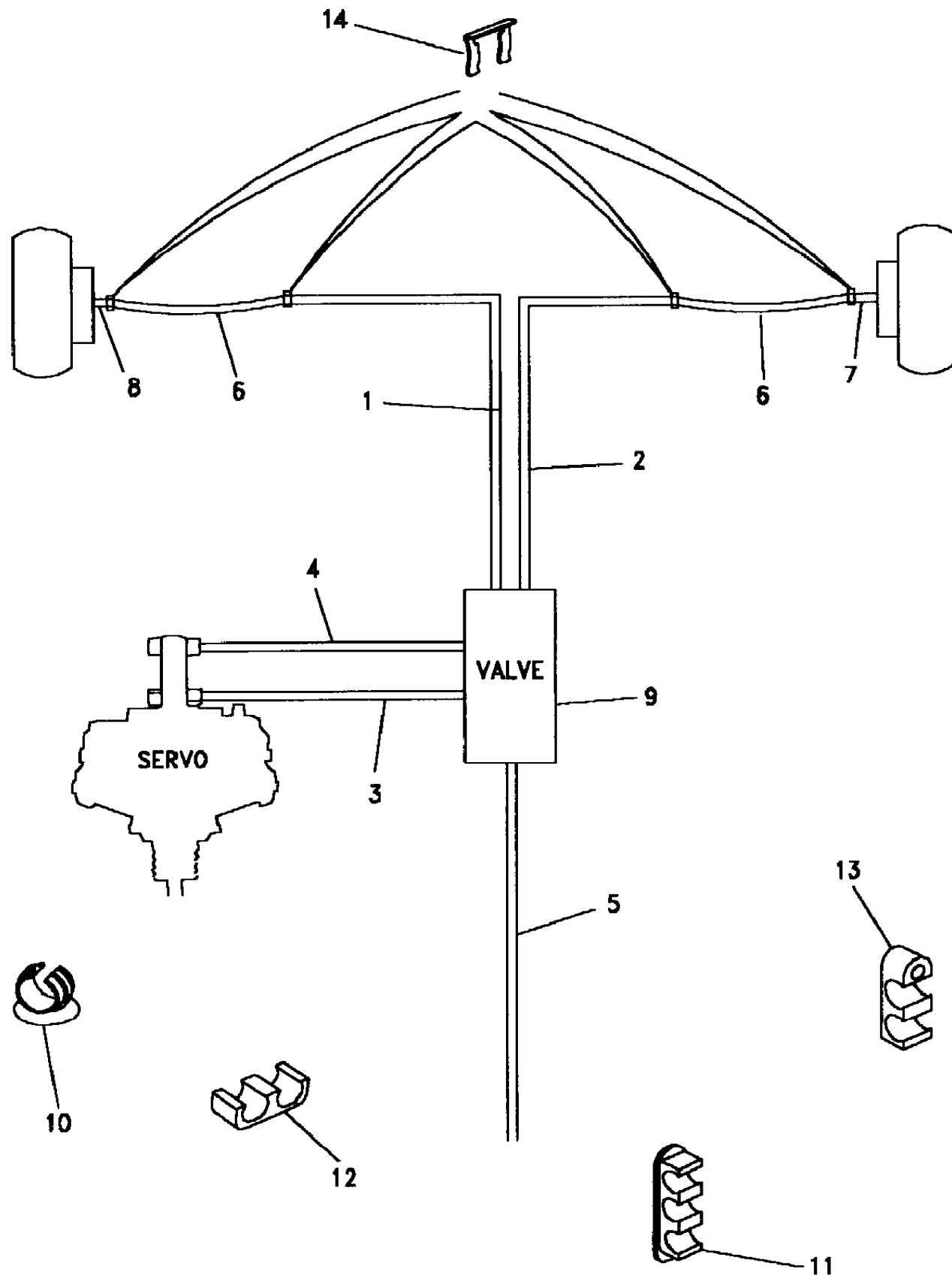
Callout	Name	Application	Remarks & Restrictions	Service No.	Qty
20	Bush	Less Anti-Lock Braking System		390939	1
21	Nut - Hex.	Less Anti-Lock Braking System	M6, nyloc, Hexagonal	NH106041L	1
22	Pipe assembly brake	Change point - VIN end JA034313, Less Anti-Lock Braking System Change point - VIN begin KA034314, Change point - VIN end LA081991, Less Anti-Lock Braking System	Front Front	NTC7613 NTC9013	1 1
23	Bracket-hose brake	Less Anti-Lock Braking System	Front, LH Front, RH	ANR1795 ANR1796	1 1
24	Clip	Change point - VIN begin KA034314, Change point - VIN end LA081991, Less Anti-Lock Braking System		BNP2227L	4





Change point - VIN begin MA081992, Less Anti-Lock Braking System

Callout	Name	Application	Remarks & Restrictions	Service No.	Qty
1	Pipe assembly brake		valve to front hose, Front, LH	ANR2414	1
2	Pipe assembly brake	RHD	valve to front hose, Front, RH	ANR2412	1
		LHD	valve to front hose, Front, RH	ANR2413	1
3	Pipe assembly brake	RHD	valve to master cylinder	ANR2408	1
		LHD	valve to master cylinder	ANR2409	1
4	Pipe assembly brake	RHD	valve to master cylinder	ANR2410	1
		LHD	valve to master cylinder	ANR2411	1
5	Pipe assembly brake		valve to rear connector	ANR3363	1
6	Hose brake		Front	ANR1765	1
7	Pipe assembly brake		jump hose to caliper, Front, RH	ANR1769	1
8	Pipe assembly brake		jump hose to caliper, Front, LH	ANR1767	1
9	Valve Brake			ANR3194	1
10	Clip - Brake Pipe	Change point - VIN begin MA081992		NTC9543L	9
		Change point - VIN begin MA142745		79124	1
11	Clip-brake pipe treble		4.75MM	AFU1217 ADU8846L ADU8846	2 1 1
12	Clip-brake pipe double			AAU7803 79127	4 8
13	Clip-brake pipe double			NTC9530	3
14	Clip			BNP2227L	4
[900]	Clip-brake pipe treble			SGK100990	1
[901]	Bracket-hose brake		Front, RH	ANR1796	1
[902]	Nut - Hex.		M6, nyloc, flange	NY106041	2
[903]	Washer		6MM	WA106041L	2
[904]	Bolt-flanged head		valve to body	FB106115L	1
[905]	Nut-flange		valve to body, M6	FN106047L	1



SEP 04

571

Braking Systems  
Hoses & Pipes  
Front Brakes 1/3

Discovery (FA393361-WA799999)  
(CAHXCA1B)

571

SEP 04

Discovery (FA393361-WA799999)

Braking Systems  
Hoses & Pipes  
Front Brakes

Change point - VIN end LA081991, RHD

Callout	Name	Application	Remarks & Restrictions	Service No.	Qty
1	Pipe assembly brake	Change point - VIN end JA034313, Less Anti-Lock Braking System	master cylinder (primary) to jump hose, RH	NTC7241	1
		Change point - VIN begin KA034314, Change point - VIN end LA081991, Less Anti-Lock Braking System	master cylinder (primary) to jump hose, RH	ANR1759	1
2	Pipe assembly brake	Change point - VIN end JA034313, Less Anti-Lock Braking System	master cylinder (secondary) to jump hose, RH	NTC4095	1
		Change point - VIN begin KA034314, Change point - VIN end LA081991, Less Anti-Lock Braking System	master cylinder (secondary) to valve, RH	ANR1806	1
3	Pipe assembly brake	Change point - VIN end JA034313, Less Anti-Lock Braking System	master cylinder (primary) to jump hose, LH	NTC4097	1
		Change point - VIN begin KA034314, Change point - VIN end LA081991, Less Anti-Lock Braking System	master cylinder (primary) to jump hose, LH	ANR1758	1
4	Pipe assembly brake	Change point - VIN end JA034313, Less Anti-Lock Braking System	master cylinder (secondary) to jump hose, LH	NTC4096	1
		Change point - VIN begin KA034314, Change point - VIN end LA081991, Less Anti-Lock Braking System	master cylinder (secondary) to jump hose, LH	ANR1760	1
5	Hose brake	Change point - VIN end JA034313, Less Anti-Lock Braking System	Front	NRC4401	4
		Change point - VIN begin KA034314, Change point - VIN end LA081991, Less Anti-Lock Braking System	Front	ANR1765	4
6	Nut - Hex.	Less Anti-Lock Braking System		CRC1487	8
7	Washer-starlock	Less Anti-Lock Braking System		WE110001L	8
8	Clip-brake pipe double	Less Anti-Lock Braking System		79127	8
9	Bracket-hose brake	Change point - VIN end JA034313, Less Anti-Lock Braking System	Front, RH	FRC8854	1
		Change point - VIN begin KA034314, Change point - VIN end LA081991, Less Anti-Lock Braking System	Front, RH	FTC3142	1
		Change point - VIN end JA034313, Less Anti-Lock Braking System	Front, LH	FRC8855	1

Braking Systems  
Hoses & Pipes  
Front Brakes 2/3

Discovery (FA393361-WA799999)  
(CAHXCA1B)

Discovery (FA393361-WA799999)

Braking Systems  
Hoses & Pipes  
Front Brakes

Change point - VIN end LA081991, RHD

Callout	Name	Application	Remarks & Restrictions	Service No.	Qty
9	Bracket-hose brake	Change point - VIN begin KA034314, Change point - VIN end LA081991, Less Anti-Lock Braking System	Front, LH	FTC3143	1
10	Clip-brake pipe double	Less Anti-Lock Braking System		AAU7803	2
11	Pipe assembly brake	Change point - VIN end JA034313, Less Anti-Lock Braking System	jump hose (primary) to caliper, Front, RH	NTC8096	1
		Change point - VIN begin KA034313, Change point - VIN end LA081991, Less Anti-Lock Braking System	jump hose (primary) to caliper, Front, RH	ANR1768	1
12	Pipe assembly brake	Change point - VIN end JA034313, Less Anti-Lock Braking System	jump hose (secondary) to caliper, Front, RH	NTC8097	1
		Change point - VIN begin KA034313, Change point - VIN end LA081991, Less Anti-Lock Braking System	jump hose (secondary) to caliper, Front, RH	ANR1769	1
13	Pipe assembly brake	Change point - VIN end JA034313, Less Anti-Lock Braking System	jump hose (primary) to caliper, Front, LH	NTC8098	1
		Change point - VIN begin KA034313, Change point - VIN end LA081991, Less Anti-Lock Braking System	jump hose (primary) to caliper, Front, LH	ANR1766	1
14	Pipe assembly brake	Change point - VIN end JA034313, Less Anti-Lock Braking System	jump hose (secondary) to caliper, Front, LH	NTC8099	1
		Change point - VIN begin KA034313, Change point - VIN end LA081991, Less Anti-Lock Braking System	jump hose (secondary) to caliper, Front, LH	ANR1767	1
15	Pipe assembly brake	Change point - VIN end JA034313, Less Anti-Lock Braking System	jump hose to PCR, Front, RH	NTC7246	1
		Change point - VIN begin KA034313, Change point - VIN end LA081991, Less Anti-Lock Braking System	jump hose to PCR, Front, RH	ANR1761	1
16	Pressure control release valve-brake	Less Anti-Lock Braking System		NTC6868L	1
17	T Piece	Less Anti-Lock Braking System	Rear	NRC4251	1
18	Bolt	Less Anti-Lock Braking System	M6 X 40MM, Flanged Head	FB106081L	1
19	Washer	Less Anti-Lock Braking System	M6, oversize	WC106041L	1

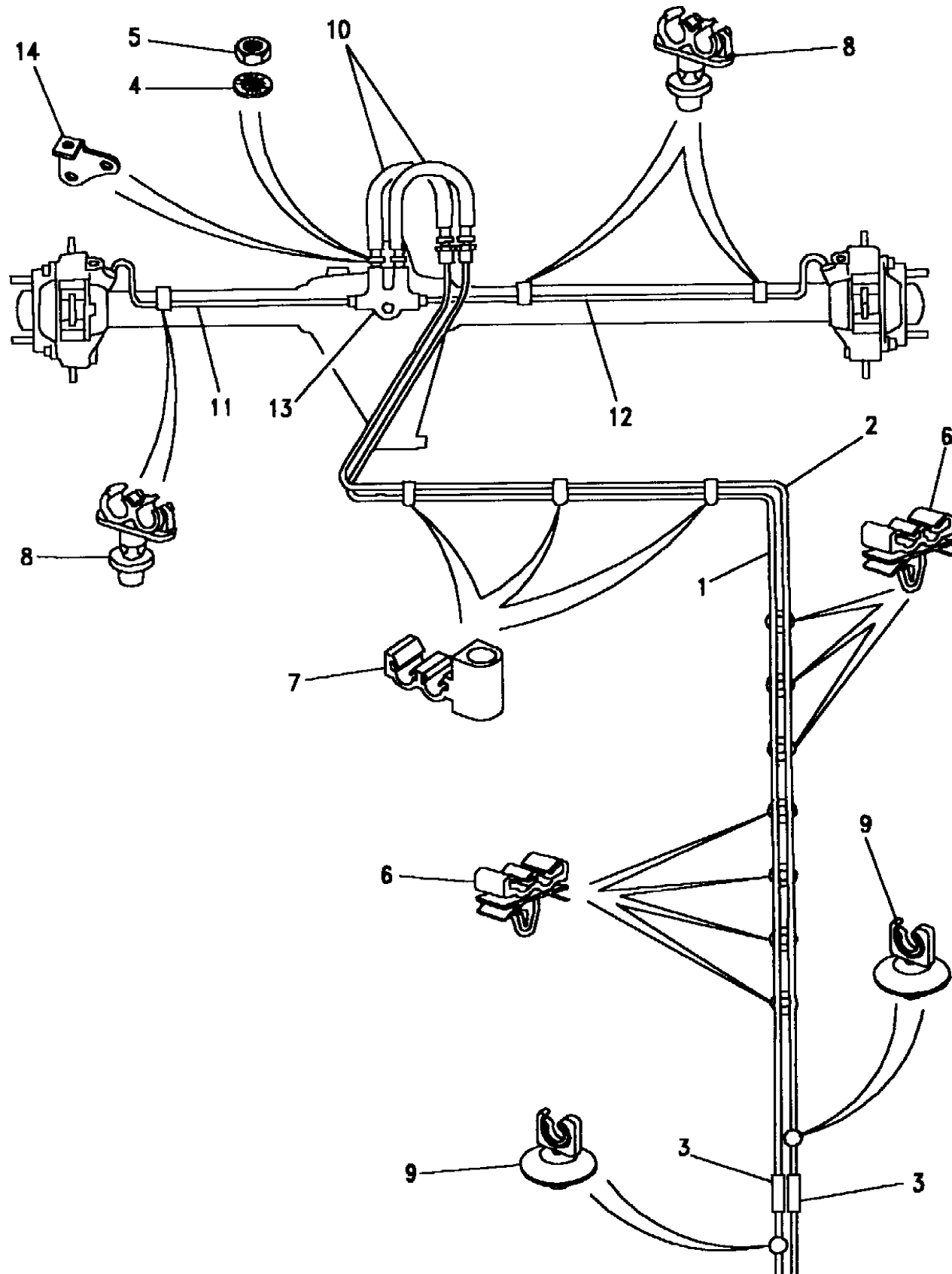
**SEP 04****573**Braking Systems  
Hoses & Pipes  
Front Brakes 3/3**Discovery (FA393361-WA799999)**  
(CAHXCA1B)**573****SEP 04****Discovery (FA393361-WA799999)**Braking Systems  
Hoses & Pipes  
Front Brakes

Change point - VIN end LA081991, RHD

Callout	Name	Application	Remarks & Restrictions	Service No.	Qty
20	Bush	Less Anti-Lock Braking System		390939	1
21	Nut - Hex.	Less Anti-Lock Braking System	M6, nyloc, Hexagonal	NH106041L	1
22	Pipe assembly brake	Change point - VIN end JA034313, Less Anti-Lock Braking System Change point - VIN begin KA034313, Change point - VIN end LA081991, Less Anti-Lock Braking System	Front	NTC7613	1
			Front	NTC9013	1
23	Bracket-hose brake	Less Anti-Lock Braking System Less Anti-Lock Braking System	Front, RH	ANR1796	1
			Front, LH	ANR1795	1
24	Clip	Change point - VIN begin KA034313, Change point - VIN end LA081991, Less Anti-Lock Braking System		BNP2227L	4

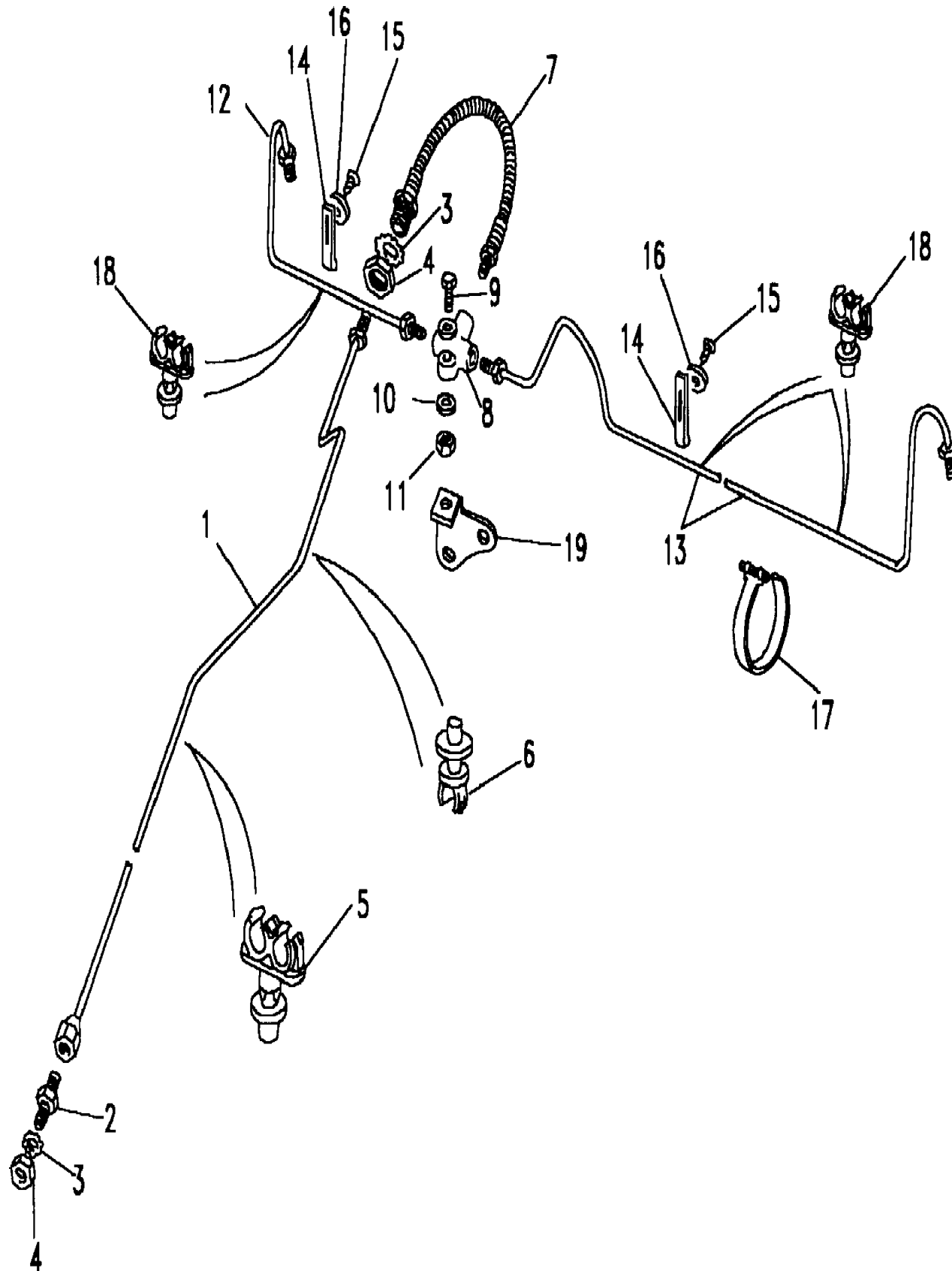
All Wheel Anti-Lock Braking System

Callout	Name	Application	Remarks & Restrictions	Service No.	Qty
1	Pipe assembly brake		Rear, LH	NTC8872	1
2	Pipe assembly brake		Rear, RH	NTC8874	1
3	Connector brake			BMK2466	1
4	Washer-starlock			WE110001L	2
5	Nut - Hex.			CRC1487	2
6	Clip-brake pipe double			NTC9531	4
7	Clip-brake pipe double			NTC9530	3
8	Clip-brake pipe double			79127	2
9	Clip - Brake Pipe			CRC1250L	1
10	Hose brake		Rear	NTC3458	1
11	Pipe assembly brake		Rear, RH	NTC7688	1
12	Pipe assembly brake		Rear, LH	NTC7689	1
13	Connector brake			NTC7291	1
14	Bracket-brake pipe tee connector			FRC8775 FTC4889	1 1



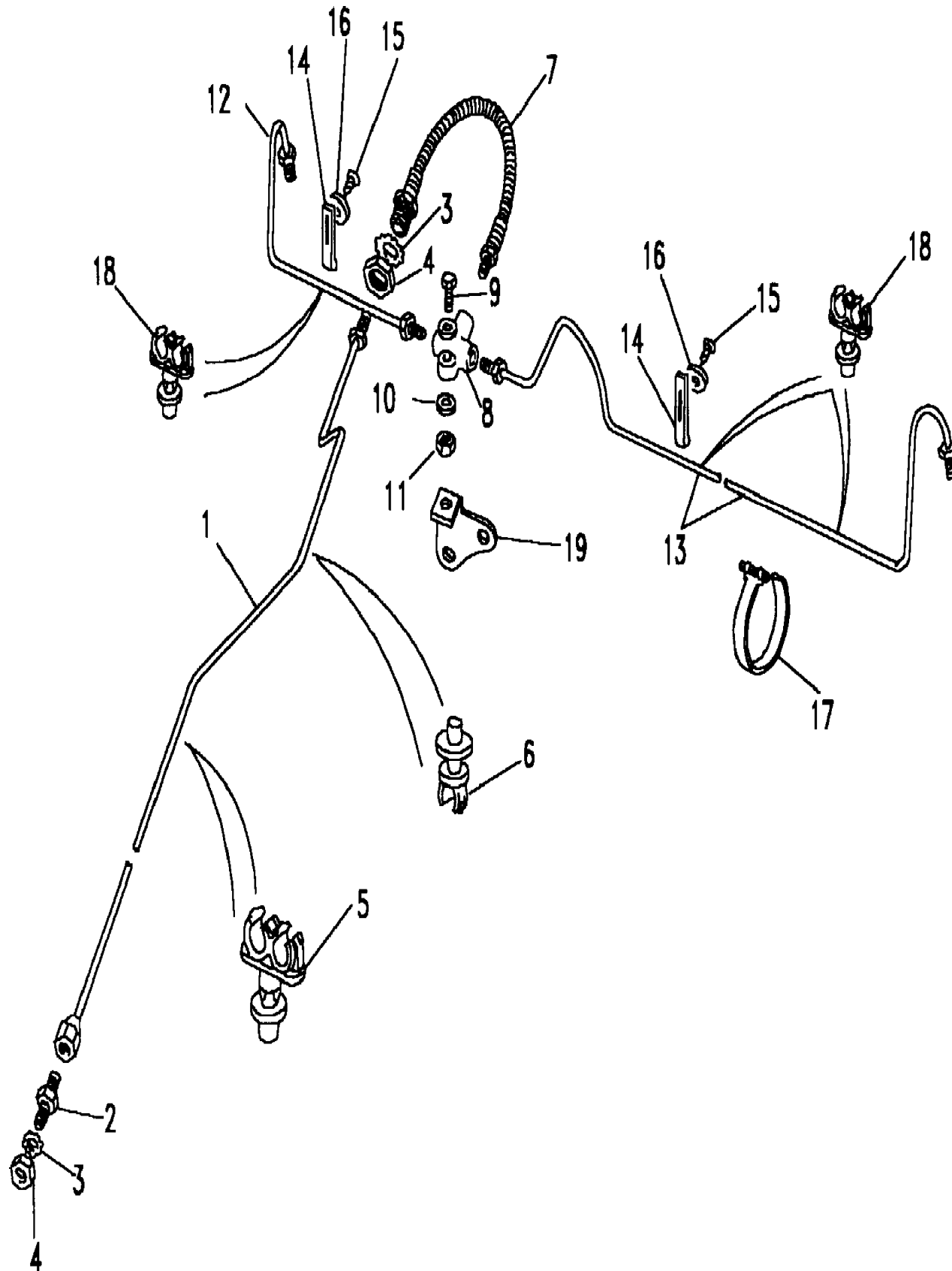
Less Anti-Lock Braking System

Callout	Name	Application	Remarks & Restrictions	Service No.	Qty		
1	Pipe assembly brake	Change point - VIN end GA441789	Rear	NTC2003	1		
		Change point - VIN begin GA441789, Change point - VIN end GA456980	Rear	NTC8028	1		
		Change point - VIN begin HA000001, Change point - VIN end HA002174	Rear	NTC8028	1		
		Change point - VIN begin HA456981, Change point - VIN end HA486551	Rear	NTC8028	1		
		Change point - VIN begin HA002175, Change point - VIN end HA012332	Rear	NTC9273	1		
		Change point - VIN begin JA012333, Change point - VIN end JA034313	Rear	NTC9273	1		
		Change point - VIN begin KA034314, Change point - VIN end LA081991	Rear	NTC9293	1		
		Change point - VIN begin MA081992	Rear, RH	NTC8874	1		
		2	Connector brake	Change point - VIN end JA034313	Rear	NRC4403	1
				Change point - VIN begin JA034314		BMK2466	1
		3	Washer-starlock			WE110001L	2
		4	Nut - Hex.			CRC1487	2
5	Clip-brake pipe double		(-) MPI	79125	4		
		MPI MPI	stud fixing	NTC9530 NTC8242	3 2		
6	Clip - Brake Pipe		(-) MPI	CRC1250L NTC9543L	1 9		
		MPI					
7	Hose brake		Rear	NTC3458	1		
8	T Piece		Rear	NRC4251	1		
9	Bolt		hexagonal head, M6 x 30	BH106061L	1		
10	Washer		6MM	WA106041L	1		
11	Nut - Hex.		M6, nyloc, Hexagonal	NH106041L	1		
12	Pipe assembly brake	Change point - VIN begin GA394352, Change point - VIN end GA456980	Rear, RH	NRC4419	1		
		Change point - VIN begin HA000001, Change point - VIN end HA012332	Rear, RH	NTC7676	1		



Less Anti-Lock Braking System

Callout	Name	Application	Remarks & Restrictions	Service No.	Qty
12	Pipe assembly brake	Change point - VIN begin HA456981, Change point - VIN end HA486551	Rear, RH	NTC7676	1
		Change point - VIN begin JA012333, Change point - VIN end LA081991	Rear, RH	NTC7676	1
		Change point - VIN begin MA081992	Rear, RH	NTC7688	1
13	Pipe assembly brake	Change point - VIN begin HA002175, Change point - VIN end HA012332	Rear, LH	NTC3071	1
		Change point - VIN begin JA012333, Change point - VIN end JA034313	Rear, LH	NTC3071	1
		Change point - VIN begin KA034514	Rear, LH	NTC7689	1
14	Clip-p			577873	2
15	Screw			SL510031	2
16	Washer-Plain			WC702101L	2
17	Clip			11820L	1
18	Clip-brake pipe double			NTC8242	3
				FRC8775	1
19	Bracket-brake pipe tee connector			FTC4889	1
				NTC9603	1
[900]	Clip-brake pipe treble				



Braking Systems  
Hoses & Pipes  
Vacuum Hose 1/1

Discovery (FA393361-WA799999)  
(CAHXAA2A)

Discovery (FA393361-WA799999)

Braking Systems  
Hoses & Pipes  
Vacuum Hose

Callout	Name	Application	Remarks & Restrictions	Service No.	Qty
1	Hose brake vacuum		to inlet manifold	NTC9677	1
2	Clip-edge pipe swivel			NTC7260	2
3	Clip-Hose			572548 CN100168L	1 1
4	Valve-inlet manifold non return			RTC5907	1
5	Washer-sealing			232043	1

