

Cooling & Heating
Air Conditioning
Ancillary Components 1/2

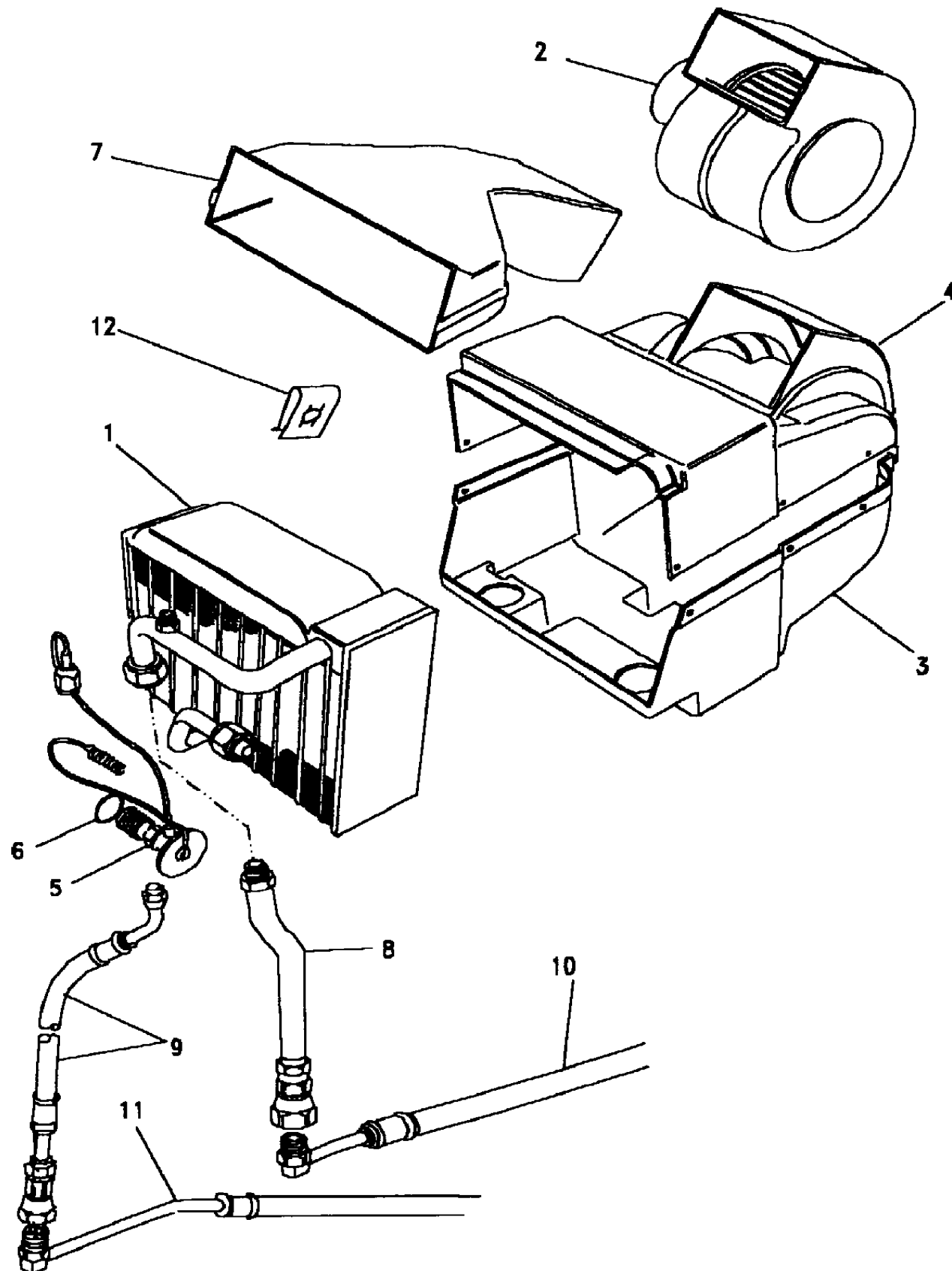
Discovery (FA393361-WA799999)

(CALXKA2A)

Discovery (FA393361-WA799999)

Cooling & Heating
Air Conditioning
Ancillary Components

With Rear Air Conditioning, With Air Conditioning



Callout	Name	Application	Remarks & Restrictions	Service No.	Qty
1	Evaporator air conditioning	Change point - VIN end LA081991		BTR5258	1
2	Blower assembly-air conditioning	Change point - VIN end LA081991		BTR5263	1
3	Case-lower evaporator-air conditioning	Change point - VIN end LA081991		BTR5250	1
4	Case-upper evaporator-air conditioning	Change point - VIN end LA081991	Rear	BTR5255	1
5	Valve-expansion evaporator-air conditioning	Change point - VIN end LA081991	Rear	BTR5269	1
6	O Ring	Change point - VIN end LA081991	5/16" 11.2mm OD, 7.6mm ID, 1.8mm thick	AEU1626 STC3191	1 1
7	Case-heater with air conditioning	Change point - VIN end LA081991		BTR6100	1
8	Pipe-suction air conditioning	Change point - VIN end LA081991	Rear	BTR5272	1
9	Pipe-fluid air conditioning	Change point - VIN end LA081991	Rear	BTR5274	1
10	Hose-suction.	Change point - VIN end LA081991, With Petrol Engines, RHD Change point - VIN end LA081991, With Petrol Engines, LHD Change point - VIN end LA081991, With Diesel Engines, RHD Change point - VIN end LA081991, With Diesel Engines, LHD		BTR6032 BTR6031 BTR6092 BTR6093	1 1 1 1
11	Hose-liquid	Change point - VIN end LA081991, RHD Change point - VIN end LA081991, LHD		BTR6034 BTR6033	1 1
12	Nut-spring-u type	Change point - VIN end LA081991		ANR1583	2
13	Sleeve-air conditioning pipe protection	Change point - VIN end LA081991	liquid	BTR6087	1
		Change point - VIN end LA081991	suction	BTR6088	1

Cooling & Heating
Air Conditioning
Ancillary Components 2/2

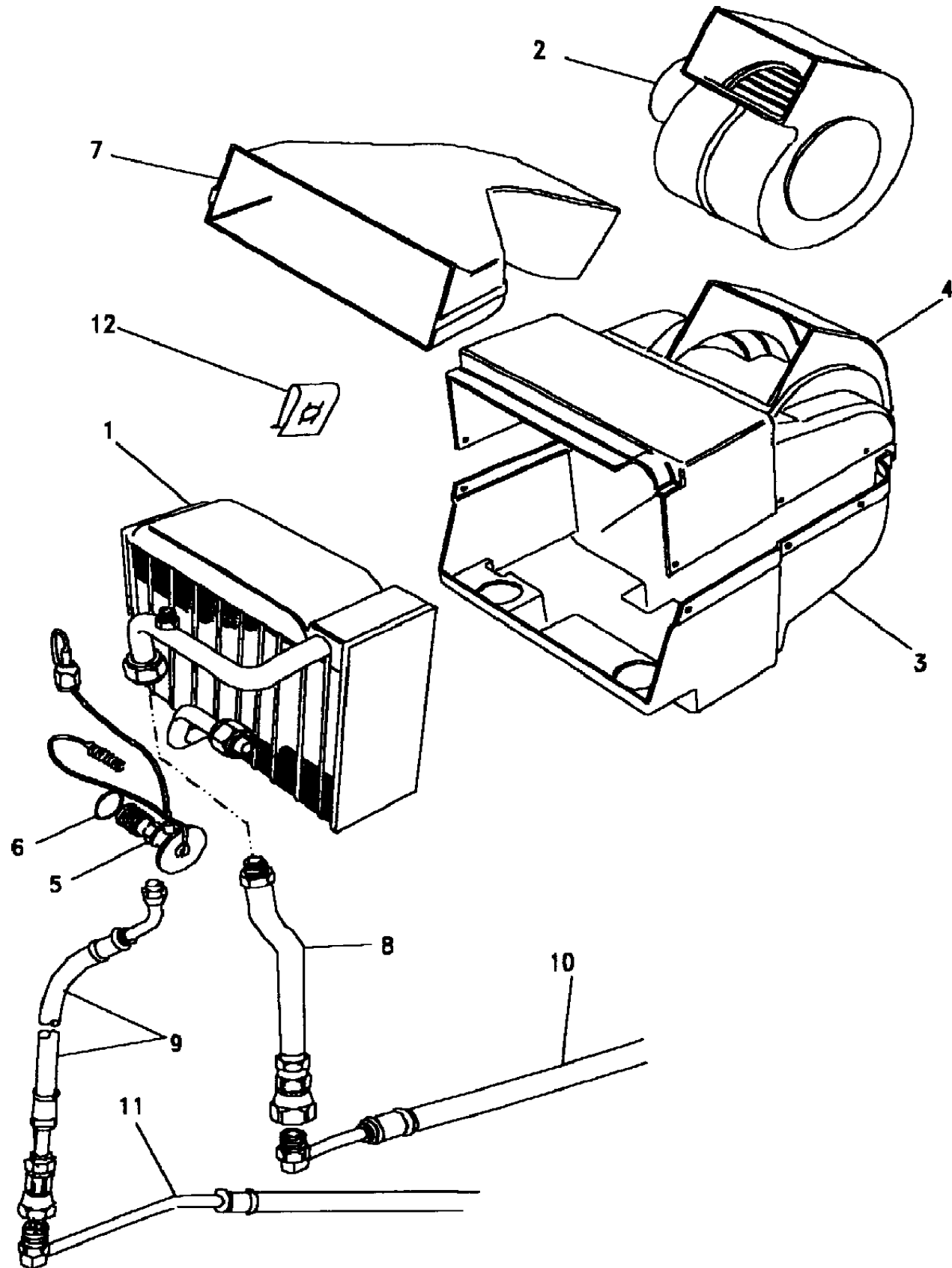
Discovery (FA393361-WA799999)
(CALXKA2A)

Discovery (FA393361-WA799999)

Cooling & Heating
Air Conditioning
Ancillary Components

With Rear Air Conditioning, With Air Conditioning

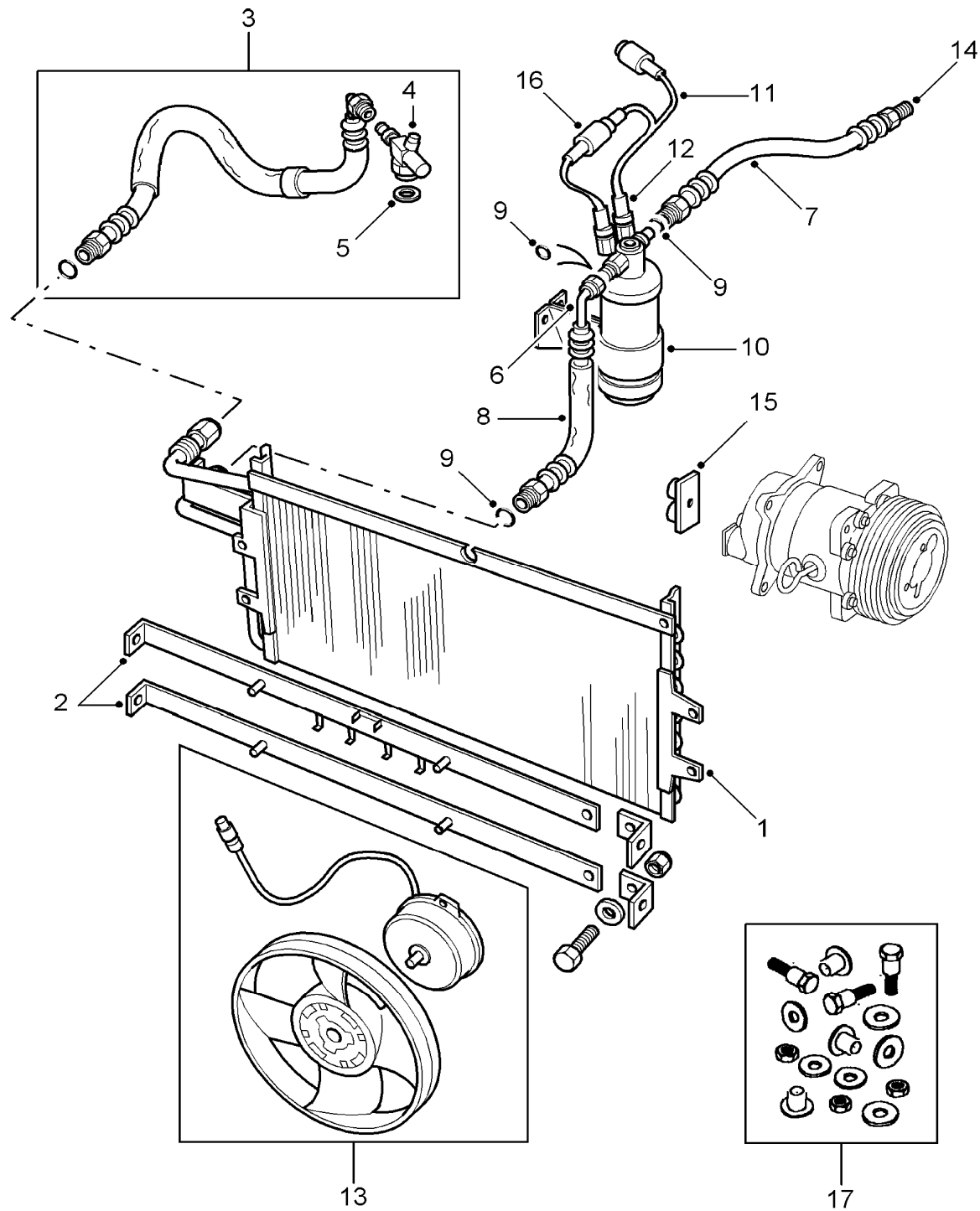
Callout	Name	Application	Remarks & Restrictions	Service No.	Qty
14	Coupling	Change point - VIN end LA081991	Female	BTR6078	1
15	Coupling	Change point - VIN end LA081991	Male, Large	BTR6079	1
16	O Ring	Change point - VIN end LA081991	Large	BTR6080	1
17	Coupling	Change point - VIN end LA081991	Female	BTR6081	1
18	Coupling	Change point - VIN end LA081991	Male, Small	BTR6082	1
19	O Ring	Change point - VIN end LA081991	Large	BTR6095	1



Cooling & Heating
Air Conditioning
Condenser & Principal Components 1/3

Discovery (FA393361-WA799999)

(CALXMA1B)



F01.010
02-2004
L4
CALXMA1B

Discovery (FA393361-WA799999)

Cooling & Heating
Air Conditioning
Condenser & Principal Components

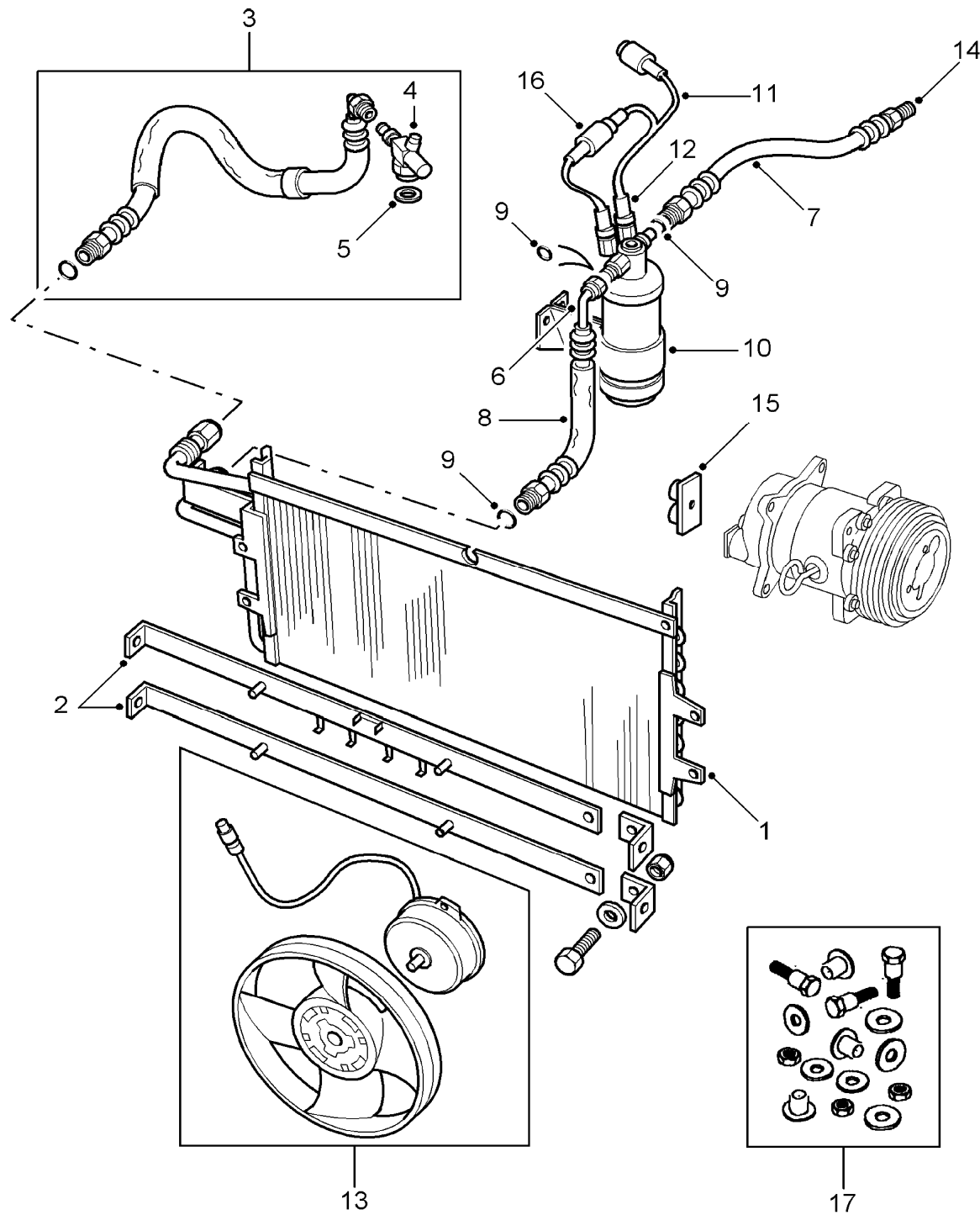
With Air Conditioning

Callout	Name	Application	Remarks & Restrictions	Service No.	Qty		
1	Condenser air conditioning	Change point - VIN end JA020960		MXC7252	1		
		Change point - VIN begin JA020961, Change point - VIN end LA081991		BTR3698	1		
2	Bracket Condenser	Change point - VIN begin JA020961, Change point - VIN end LA081991	Also serviced as part of a kit, Upper	MUC6542	1		
		Change point - VIN begin JA020961, Change point - VIN end LA081991	Also serviced as part of a kit, Lower	MUC6543	1		
3	Hose-compressor/condenser air conditioning	Change point - VIN end JA020960, With Diesel Engines	Also serviced as part of a kit	MXC6270	1		
		Change point - VIN begin JA020961, Change point - VIN end LA081991, With Diesel Engines	Also serviced as part of a kit, without service valve	BTR3809	1		
		Change point - VIN end GA440946, With Petrol Engines		MUC6643	1		
		Change point - VIN begin GA440947, Change point - VIN end LA081991, With Petrol Engines		MXC7254	1		
		Change point - VIN begin JA012333, Change point - VIN end JA020960, With Petrol Engines	Also serviced as part of a kit	BTR2548	1		
		Change point - VIN begin JA020961, Change point - VIN end LA081991, With Petrol Engines	Also serviced as part of a kit, with service valve	BTR3710	1		
		Change point - VIN begin JA031614, Change point - VIN end LA081991, With Petrol Engines	Also serviced as part of a kit	BTR5524	1		
			Also serviced as part of a kit, with service valve	BTR3710	1		
		4	Valve-charging air conditioning	Change point - VIN end JA020960, With Diesel Engines	Also serviced as part of a kit	MXC6269	1
				Change point - VIN begin JA020961, Change point - VIN end LA081991, With Diesel Engines	Also serviced as part of a kit	MXC6269	1
Change point - VIN begin JA012333, Change point - VIN end JA020960, With Petrol Engines	Also serviced as part of a kit			MXC6269	1		
Change point - VIN begin JA020961, Change point - VIN end LA081991, With Petrol Engines	Also serviced as part of a kit			MXC6269	1		
Change point - VIN begin JA020961, Change point - VIN end LA081991, With Petrol Engines	Also serviced as part of a kit			MXC6275	1		

Cooling & Heating
Air Conditioning
Condenser & Principal Components 2/3

Discovery (FA393361-WA799999)

(CALXMA1B)



F01.010
02-2004
L4
CALXMA1B

Discovery (FA393361-WA799999)

Cooling & Heating
Air Conditioning
Condenser & Principal Components

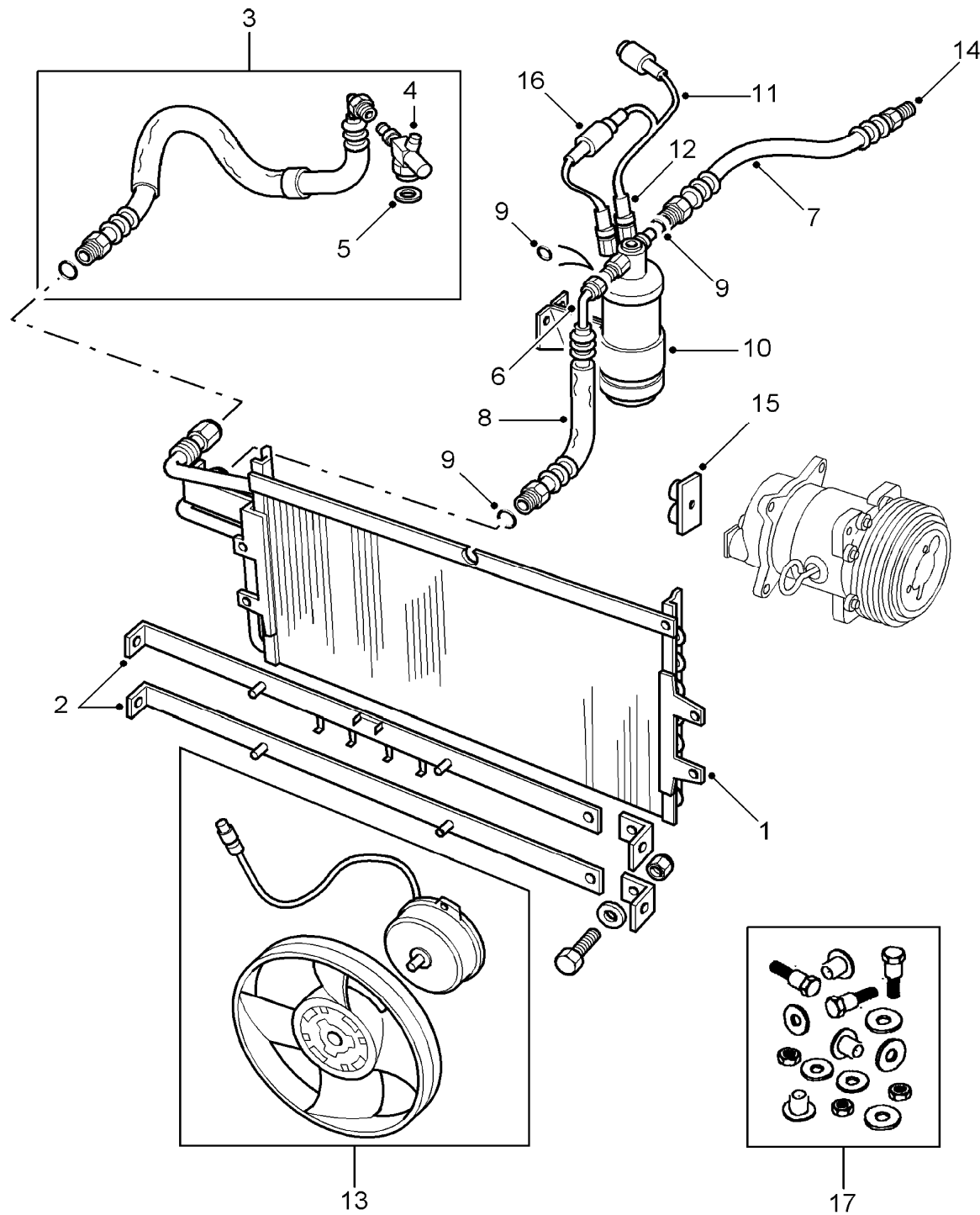
With Air Conditioning

Callout	Name	Application	Remarks & Restrictions	Service No.	Qty
4	Valve-charging air conditioning	Change point - VIN begin JA031614, Change point - VIN end LA081991, With Petrol Engines Change point - VIN end LA081991	Also serviced as part of a kit	MXC6269	1
			Also serviced as part of a kit	MXC6269	1
			Also serviced as part of a kit	MXC6275	1
			Also serviced as part of a kit	MXC6269	1
5	O Ring	Change point - VIN end JA020960, With Diesel Engines Change point - VIN begin JA020961, Change point - VIN end LA081991, With Diesel Engines Change point - VIN begin JA012333, Change point - VIN end JA020960, With Petrol Engines Change point - VIN begin JA020961, Change point - VIN end LA081991, With Petrol Engines Change point - VIN begin JA031614, Change point - VIN end LA081991, With Petrol Engines Change point - VIN begin JA031614, Change point - VIN end LA081991 Change point - VIN end LA081991	Also serviced as part of a kit	RRC1463	1
			Also serviced as part of a kit, 1.8mm thick, 14.5mm OD, 10.8mm ID	STC3192	1
			Also serviced as part of a kit	RRC1463	1
			13/32" 1.8mm thick, 14.5mm OD, 10.8mm ID	AEU1627 STC3192	1 1
			Also serviced as part of a kit, 1.8mm thick, 14.5mm OD, 10.8mm ID	STC3192	1
			Also serviced as part of a kit, 1.8mm thick, 14.5mm OD, 10.8mm ID	STC3192	1
			Also serviced as part of a kit, 1.8mm thick, 14.5mm OD, 10.8mm ID	RRC1463	1
			Also serviced as part of a kit, 1.8mm thick, 14.5mm OD, 10.8mm ID	STC3192	1
			Also serviced as part of a kit, 1.8mm thick, 14.5mm OD, 10.8mm ID	STC3192	1
			Also serviced as part of a kit, 1.8mm thick, 14.5mm OD, 10.8mm ID	RTC7452	1
6	Hose-receiver dryer/evaporator air conditioning	Change point - VIN end JA020961, With Petrol Engines, LHD Change point - VIN begin JA020961, Change point - VIN end LA081991, With Petrol Engines, LHD	Also serviced as part of a kit	MXC7257	1
			Also serviced as part of a kit	BTR3630	1
7	Hose-condenser/ evaporator air conditioning	Change point - VIN end LA081991, With Petrol Engines, LHD Change point - VIN end LA081991, With Petrol Engines, RHD Change point - VIN end LA081991, With Diesel Engines, LHD Change point - VIN end LA081991, With Diesel Engines, RHD	Also serviced as part of a kit	BTR5527	1
			Also serviced as part of a kit	MXC7256	1
			diesel-LHD, Also serviced as part of a kit	BTR2564	1
			Also serviced as part of a kit	STC221	1

Cooling & Heating
Air Conditioning
Condenser & Principal Components 3/3

Discovery (FA393361-WA799999)

(CALXMA1B)



F01.010
02-2004
L4
CALXMA1B

Discovery (FA393361-WA799999)

Cooling & Heating
Air Conditioning
Condenser & Principal Components

With Air Conditioning

Callout	Name	Application	Remarks & Restrictions	Service No.	Qty
7	Hose-condenser/evaporator air conditioning	Change point - VIN end LA081991, With Diesel Engines, LHD	Also serviced as part of a kit	BTR2564	1
8	Hose-condenser/receiver dryer air conditioning	Change point - VIN end LA081991, With Diesel Engines, LHD Change point - VIN end LA081991, With Petrol Engines		AEU3064 AEU3064	1 1
9	O Ring	Change point - VIN end LA081991, With Diesel Engines, LHD	11.2mm OD, 7.6mm ID, 1.8mm thick	STC3191	2
10	Receiver dryer assembly R134a-air conditioning	Change point - VIN end HA012332 Change point - VIN begin JA012333, Change point - VIN end JA020960 Change point - VIN begin JA020961, Change point - VIN end LA081991		AEU1220 MXC7258 BTR3717	1 1 1
11	Switch-pressure air conditioning control	Change point - VIN end JA020960	Low Pressure	MXC7261	1
12	Switch-pressure air conditioning control	Change point - VIN end JA020960 Change point - VIN begin JA020961, Change point - VIN end LA081991	High Pressure dual pressure	MXC7260 BTR3720	1 1
13	Motor assembly blower-air conditioning	Change point - VIN end HA012332 Change point - VIN begin JA012333, Change point - VIN end JA020960 Change point - VIN begin JA020961, Change point - VIN end LA081991		RTC6746 MXC7269 BTR3700	2 2 2
14	Adaptor-pipe-dual male	Change point - VIN end LA081991		RTC5905	1
15	Adaptor-air conditioning compressor hose	Change point - VIN end LA081991		MUC4358	1
[16]	Resistor Assy	Change point - VIN end LA081991		BTR3814	1
[17]	Kit-mounting bracket	Change point - VIN begin JA020961, Change point - VIN end LA081991	condenser, Also serviced as part of a kit	BTR5099	1

Cooling & Heating
Air Conditioning
Condenser Assembly 1/1

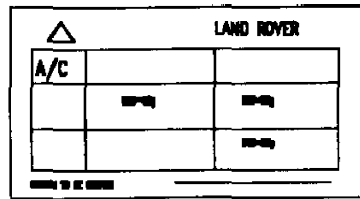
Discovery (FA393361-WA799999)
(CALXKA1D)

Discovery (FA393361-WA799999)

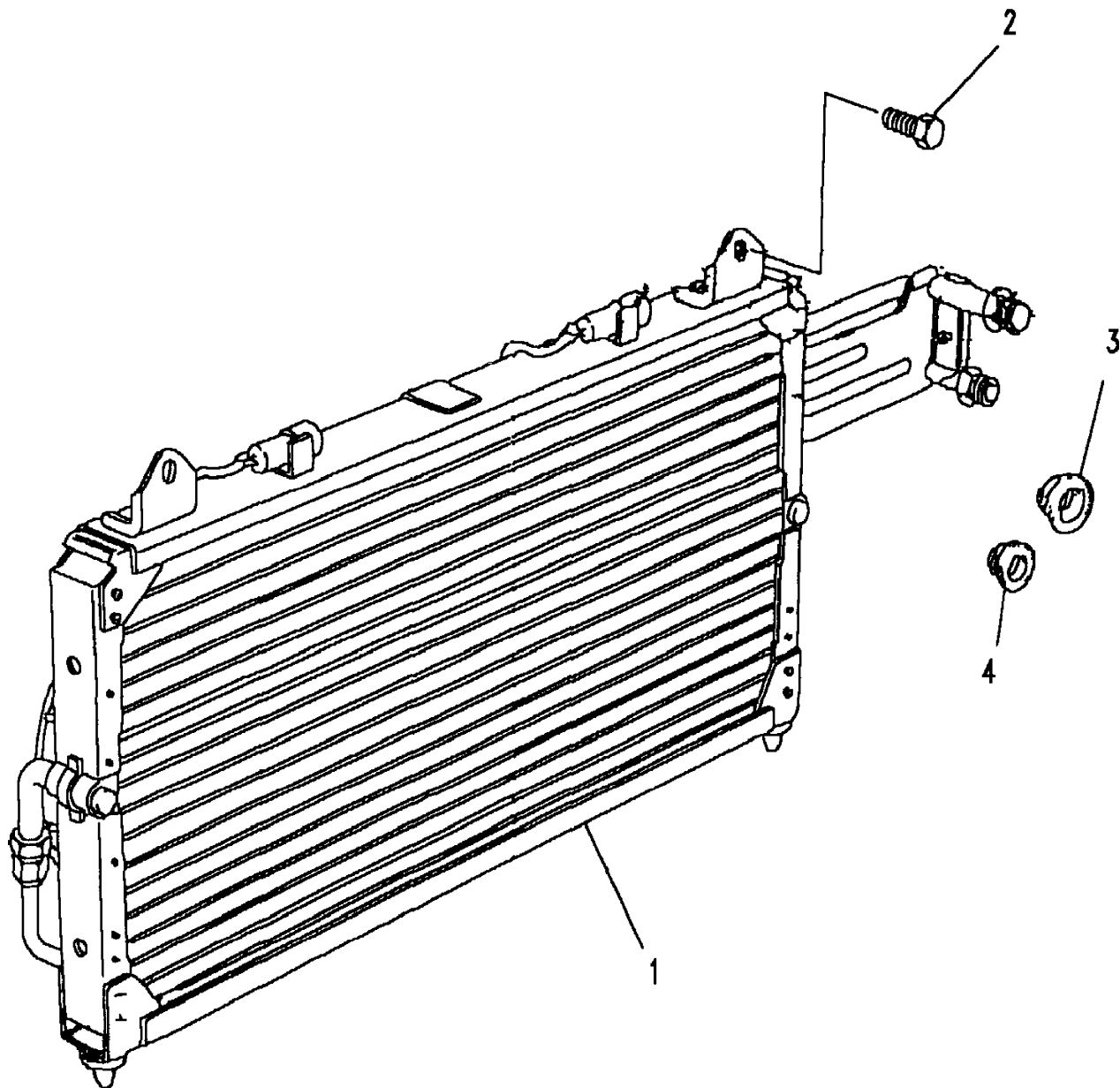
Cooling & Heating
Air Conditioning
Condenser Assembly

With Air Conditioning

Callout	Name	Application	Remarks & Restrictions	Service No.	Qty
1	Condenser assembly air conditioning	Change point - VIN begin MA081992, 4 Cyl MPi Petrol Change point - VIN begin MA081992, 4 Cyl TDi Diesel V8 Petrol	Also serviced as part of a kit	BTR6631	1
			Also serviced as part of a kit	BTR6632	1
			Also serviced as part of a kit	BTR6632	1
2	Bolt-flanged head	Change point - VIN begin MA081992	M8	HYG10014	2
3	Grommet-pipe evaporator-air conditioning	Change point - VIN begin MA081992		CLP6235L	1
4	Grommet	Change point - VIN begin MA081992		CLP6234L	1
5	Label-warning-CFC free	Change point - VIN begin MA081992		AWR1322	1
[900]	Canister-receiver/dryer	Change point - VIN begin MA081992, 4 Cyl MPi Petrol V8 Petrol	Also serviced as part of a kit Also serviced as part of a kit	BTR6633 BTR6633	1 1

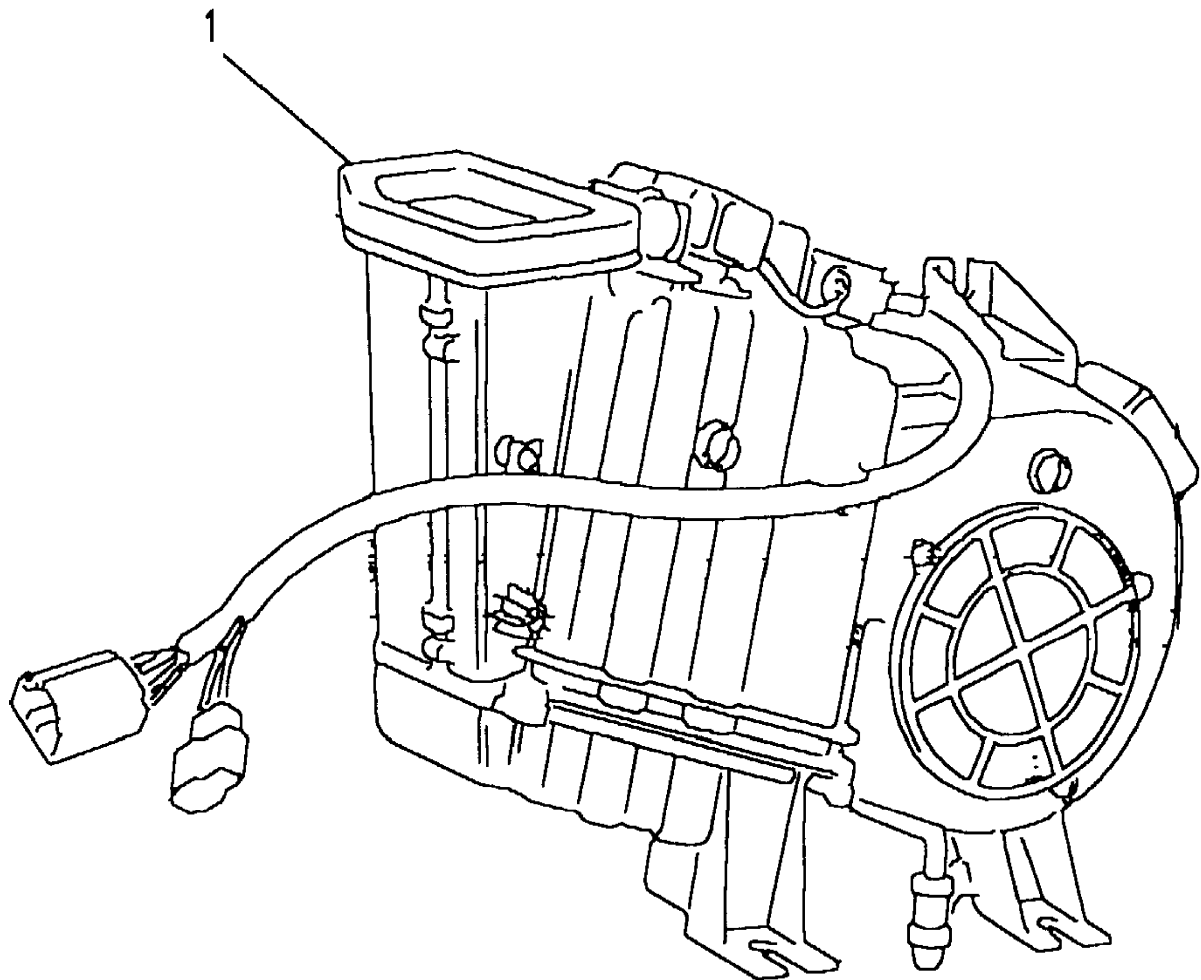
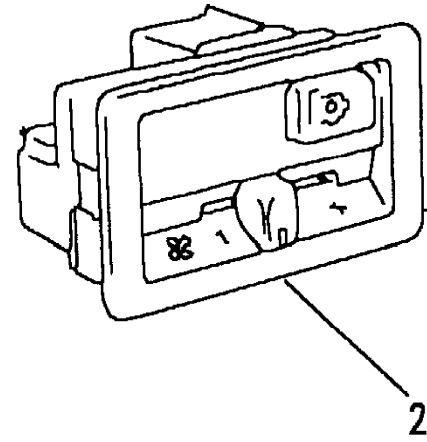


5



Cooling & Heating
Air Conditioning
Control Assembly Rear 1/1

Discovery (FA393361-WA799999)
(CALXKA2B)



Discovery (FA393361-WA799999)

Cooling & Heating
Air Conditioning
Control Assembly Rear

With Air Conditioning

Callout	Name	Application	Remarks & Restrictions	Service No.	Qty
1	Air conditioning sub assembly	Change point - VIN begin MA081992		BTR4048	1
2	Switch pack-air conditioning	Change point - VIN begin MA081992		BTR4049	1

Cooling & Heating
Air Conditioning
Evaporator & Blower Motor 1/2

Discovery (FA393361-WA799999)

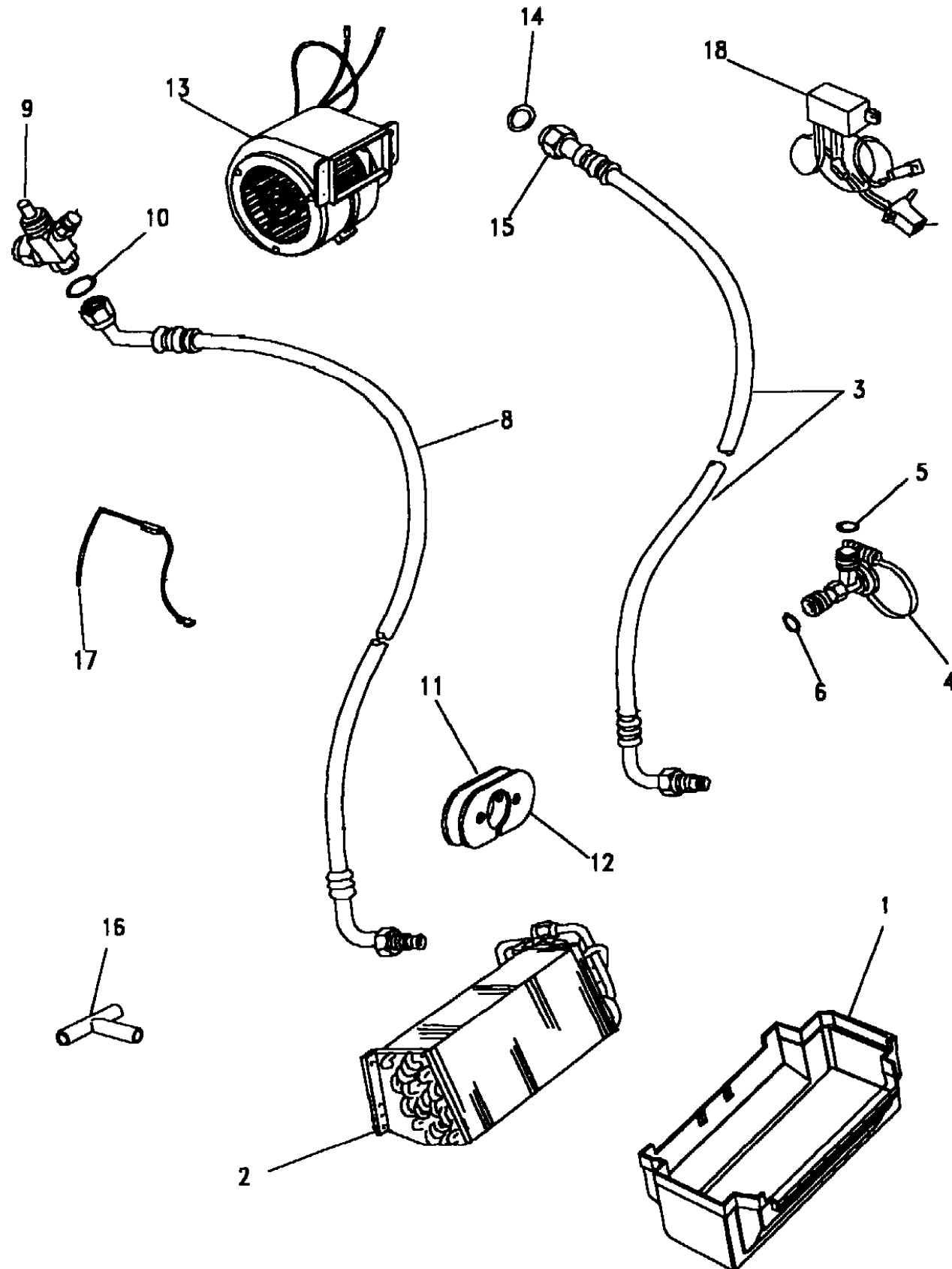
(CALXKA1A)

Discovery (FA393361-WA799999)

Cooling & Heating
Air Conditioning
Evaporator & Blower Motor

With Air Conditioning

Callout	Name	Application	Remarks & Restrictions	Service No.	Qty
1	Case-lower evaporator-air conditioning	Change point - VIN end LA081991, RHD		MXC5063	1
		Change point - VIN end LA081991, LHD		MXC5032	1
2	Evaporator air conditioning	Change point - VIN end LA081991, RHD		RTC6720	1
		Change point - VIN end LA081991, LHD		RTC6721	1
3	Hose-receiver dryer/evaporator air conditioning	Change point - VIN end LA081991, With Petrol Engines, RHD		MXC6022	1
		Change point - VIN end LA081991, With Diesel Engines, RHD		STC222	1
		Change point - VIN end LA081991, With Petrol Engines, LHD		MXC6018	1
		Change point - VIN end LA081991, With Diesel Engines, LHD		MXC6146	1
		Change point - VIN end LA081991, With Diesel Engines, LHD		MXC6146	1
4	Valve-expansion evaporator-air conditioning	Change point - VIN end LA081991		RTC6143	1
5	Hose-condenser/evaporator air conditioning	Change point - VIN end LA081991, With Diesel Engines, RHD		MXC6021	1
6	O Ring	Change point - VIN end LA081991	11.2mm OD, 7.6mm ID, 1.8mm thick	STC3191	1
		Change point - VIN end LA081991		AEU3056	1
8	Hose-condenser/evaporator air conditioning	Change point - VIN end LA081991, With Petrol Engines, RHD		MXC6021	1
		Change point - VIN end LA081991, With Petrol Engines, RHD		BTR3813	1
		Change point - VIN end LA081991, With Diesel Engines, LHD		MXC6147	1
		Change point - VIN end JA020960, With Petrol Engines, LHD		MXC6019	1
		Change point - VIN begin JA020961, Change point - VIN end JA031613, With Petrol Engines, LHD		BTR3812	1
		Change point - VIN begin JA031614, With Petrol Engines, LHD		BTR5527	1
		Change point - VIN end LA081991		MXC6275	1
9	Valve-charging air conditioning	Change point - VIN end LA081991		MXC6275	1



Cooling & Heating
Air Conditioning
Evaporator & Blower Motor 2/2

Discovery (FA393361-WA799999)

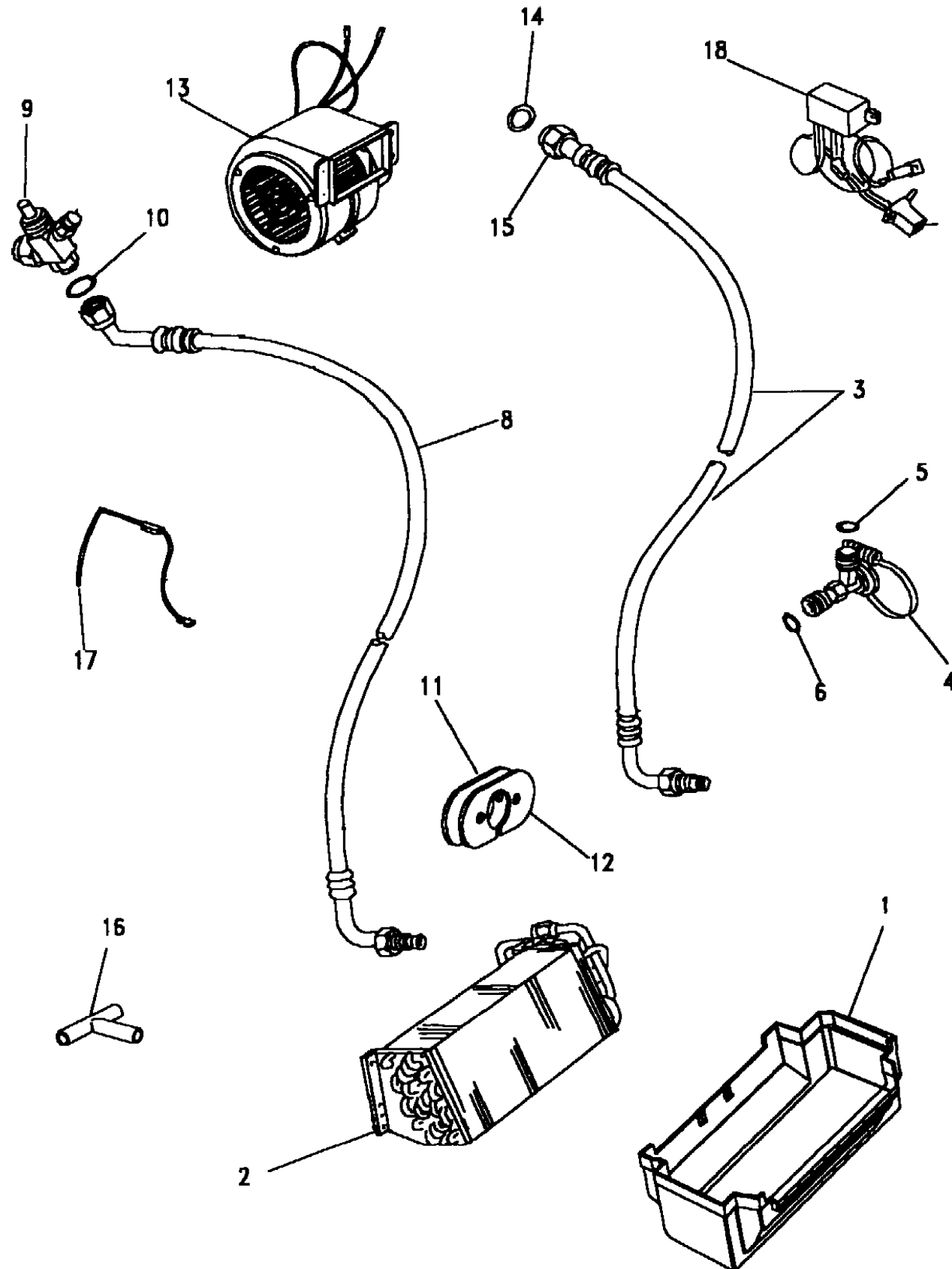
(CALXKA1A)

Discovery (FA393361-WA799999)

Cooling & Heating
Air Conditioning
Evaporator & Blower Motor

With Air Conditioning

Callout	Name	Application	Remarks & Restrictions	Service No.	Qty
10	O Ring	Change point - VIN end LA081991	10MM	STC3171	2
11	Grommet	Change point - VIN end HA012332 Change point - VIN begin JA012333		MXC6015 BTR2298	1 1
12	Plate	Change point - VIN begin JA012333		BTR2458	1
13	Blower assembly-air conditioning	Change point - VIN end KA031613, RHD Change point - VIN end KA031613, LHD Change point - VIN begin KA031614, RHD Change point - VIN begin KA031614, LHD		RTC6744 RTC6745 BTR5322 BTR5321	2 2 2 2
14	O Ring	Change point - VIN end LA081991	5/16" 11.2mm OD, 7.6mm ID, 1.8mm thick	AEU1626 STC3191	1 1
15	Coupling	Change point - VIN end LA081991	Small	MTC8500	1
16	T Piece	Change point - VIN end LA081991		AEU1403	1
17	Sensor-thermostat air conditioning	Change point - VIN end JA034313 Change point - VIN begin KA034314		MXC5707 BTR3753	1 1
18	Thermostat evaporator-air conditioning	Change point - VIN end JA034313 Change point - VIN begin KA034314		MXC5706 STC1799	1 1
[912]	Kit Air Conditioning			JMG100370	1
[913]	Case-upper evaporator-air conditioning	Change point - VIN end LA081991, RHD Change point - VIN end LA081991, LHD		BTR2663 BTR2662	1 1
[914]	Resistor Assy	Change point - VIN end LA081991		STC3168	1
[915]	Bracket air conditioning	Change point - VIN begin JA012333		RRC1492	1



Cooling & Heating
Air Conditioning
Front Air Con-Assembly 1/1

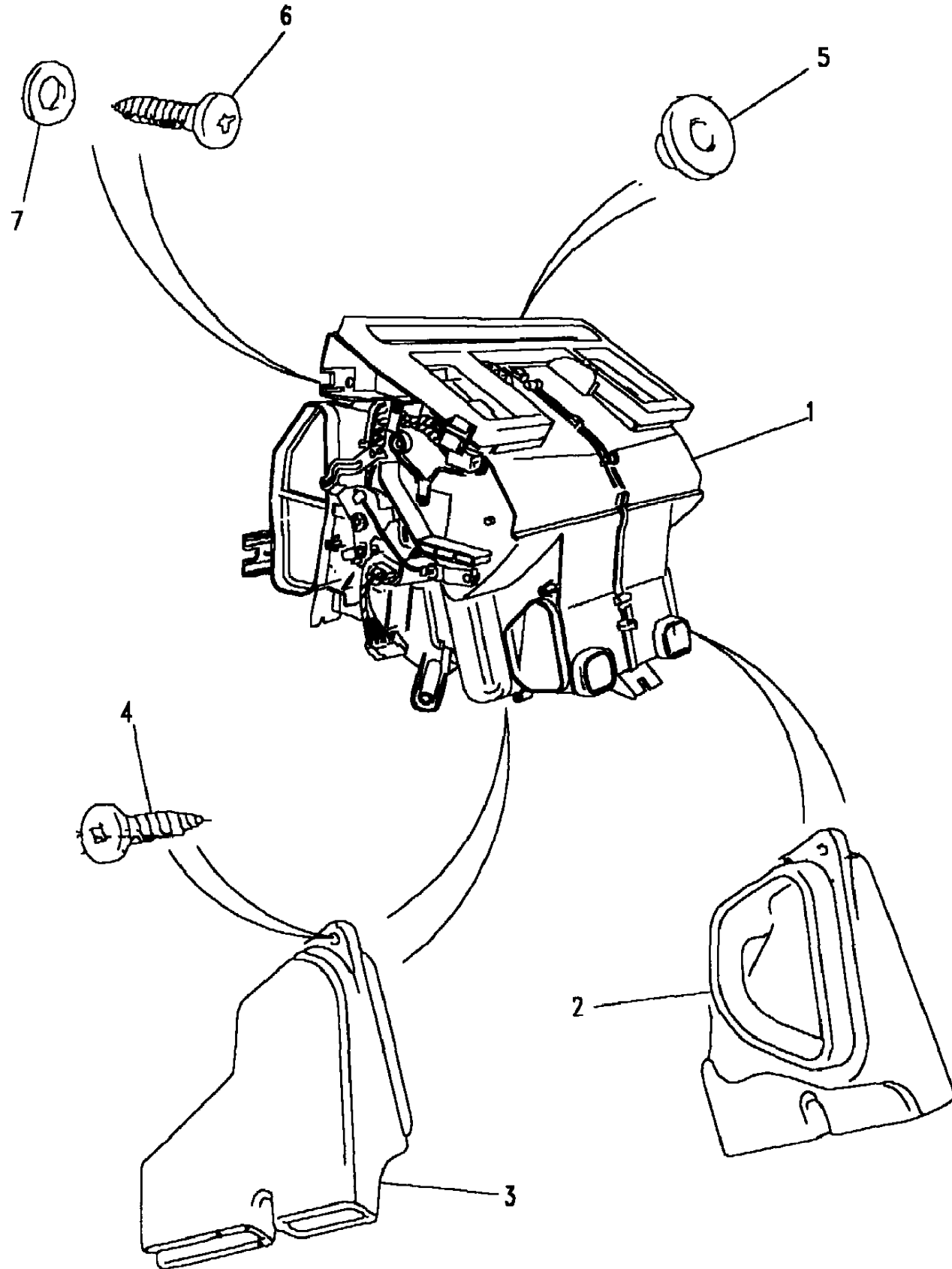
Discovery (FA393361-WA799999)
(CALXKA1B)

Discovery (FA393361-WA799999)

Cooling & Heating
Air Conditioning
Front Air Con-Assembly

With Air Conditioning

Callout	Name	Application	Remarks & Restrictions	Service No.	Qty
1	Heater with air conditioning	Change point - VIN begin MA081992, Change point - VIN end MA148804, RHD		BTR6488	1
		Change point - VIN begin MA081992, Change point - VIN end MA148804, LHD		BTR6489	1
		Change point - VIN begin MA081992, RHD		AWR3013	1
		Change point - VIN begin MA148805, RHD		AWR3013	1
		Change point - VIN begin MA081992, LHD		AWR3014	1
		Change point - VIN begin MA148805, LHD		AWR3014	1
		2	Duct-air floor	Change point - VIN begin MA081992, LHD	RH
3	Duct-air floor	Change point - VIN begin MA081992, LHD	LH	BTR4003	1
4	Screw	Change point - VIN begin MA081992, LHD		CDU3609	2
5	Grommet	Change point - VIN begin MA081992		BTR6741	1
6	Bolt	Change point - VIN begin MA081992	M8 x 25	DCP3970	5
7	Washer	Change point - VIN begin MA081992		WC108051	5



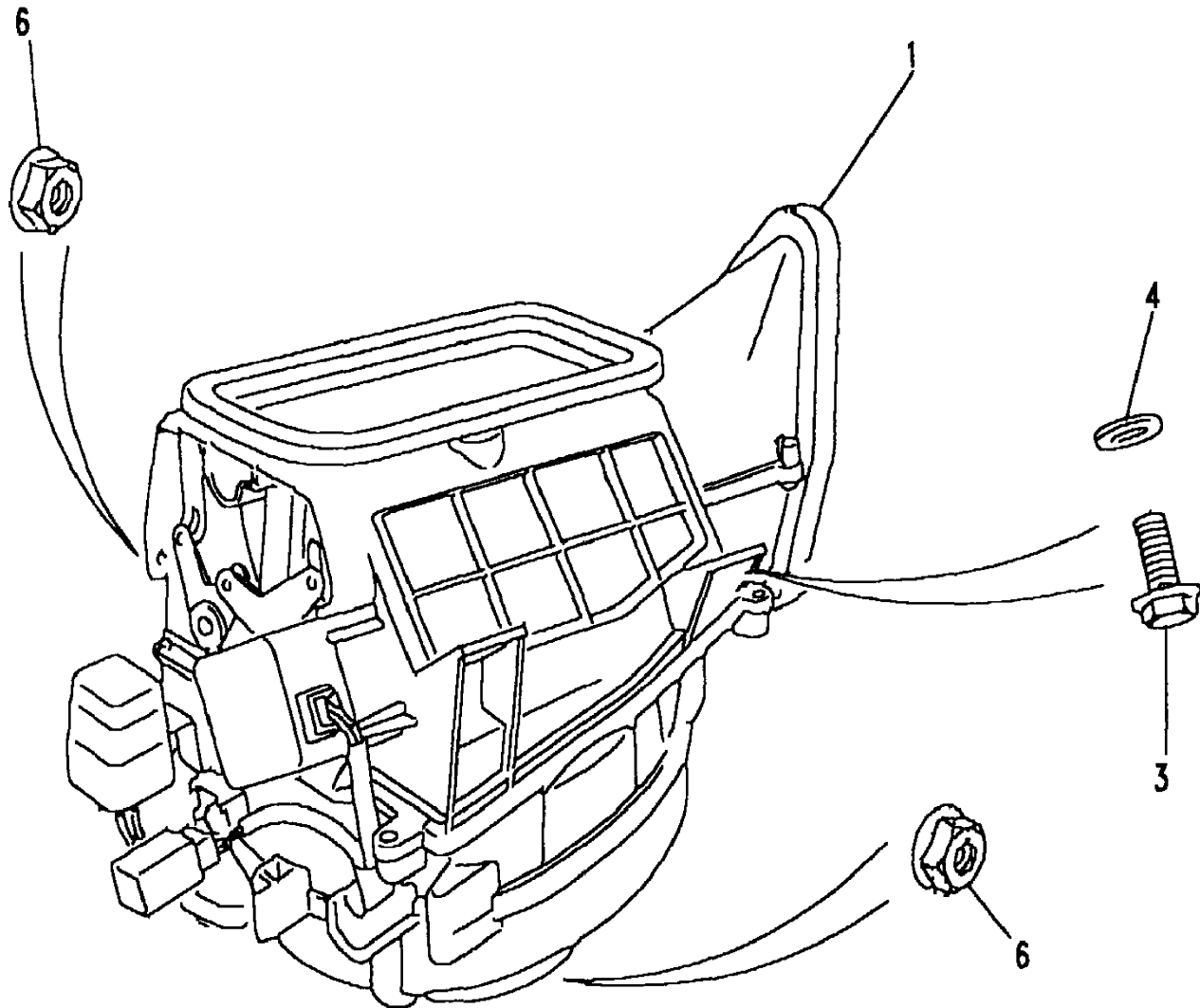
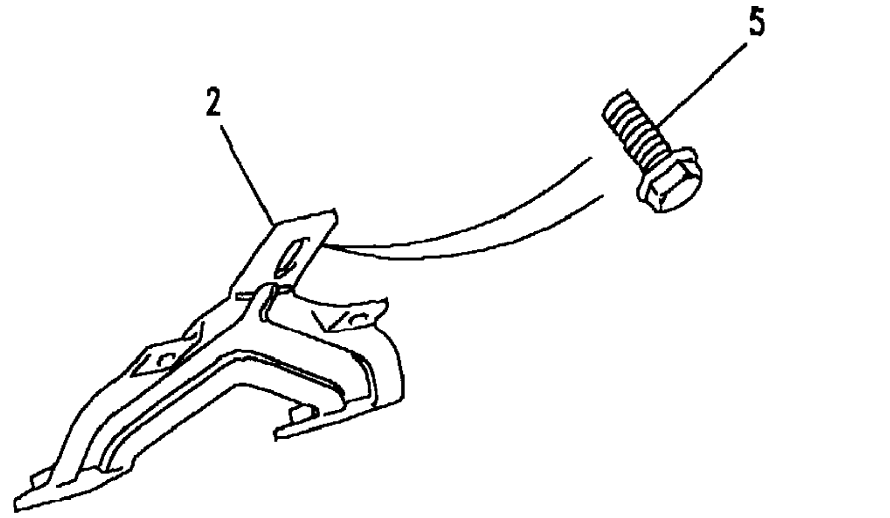
Cooling & Heating
Air Conditioning
Front Air Con-Blower Motor 1/1

Discovery (FA393361-WA799999)
(CALXKA1C)

Discovery (FA393361-WA799999)

Cooling & Heating
Air Conditioning
Front Air Con-Blower Motor

With Air Conditioning



Callout	Name	Application	Remarks & Restrictions	Service No.	Qty
1	Blower assembly heater	Change point - VIN begin MA081992, RHD Change point - VIN begin MA081992, LHD		BTR6484 BTR6485	1 1
2	Bracket-heater blower mounting	Change point - VIN begin MA081992		BTR4884	1
3	Bolt	Change point - VIN begin MA081992	M8 x 25	DCP3970	2
4	Washer	Change point - VIN begin MA081992		WC108051	2
5	Bolt	Change point - VIN begin MA081992	M8 x 25	DCP3970	1
6	Nut-flange	Change point - VIN begin MA081992	M8	ADU7048	2

Cooling & Heating
Air Conditioning
Front Air Con-Control Assembly 1/1

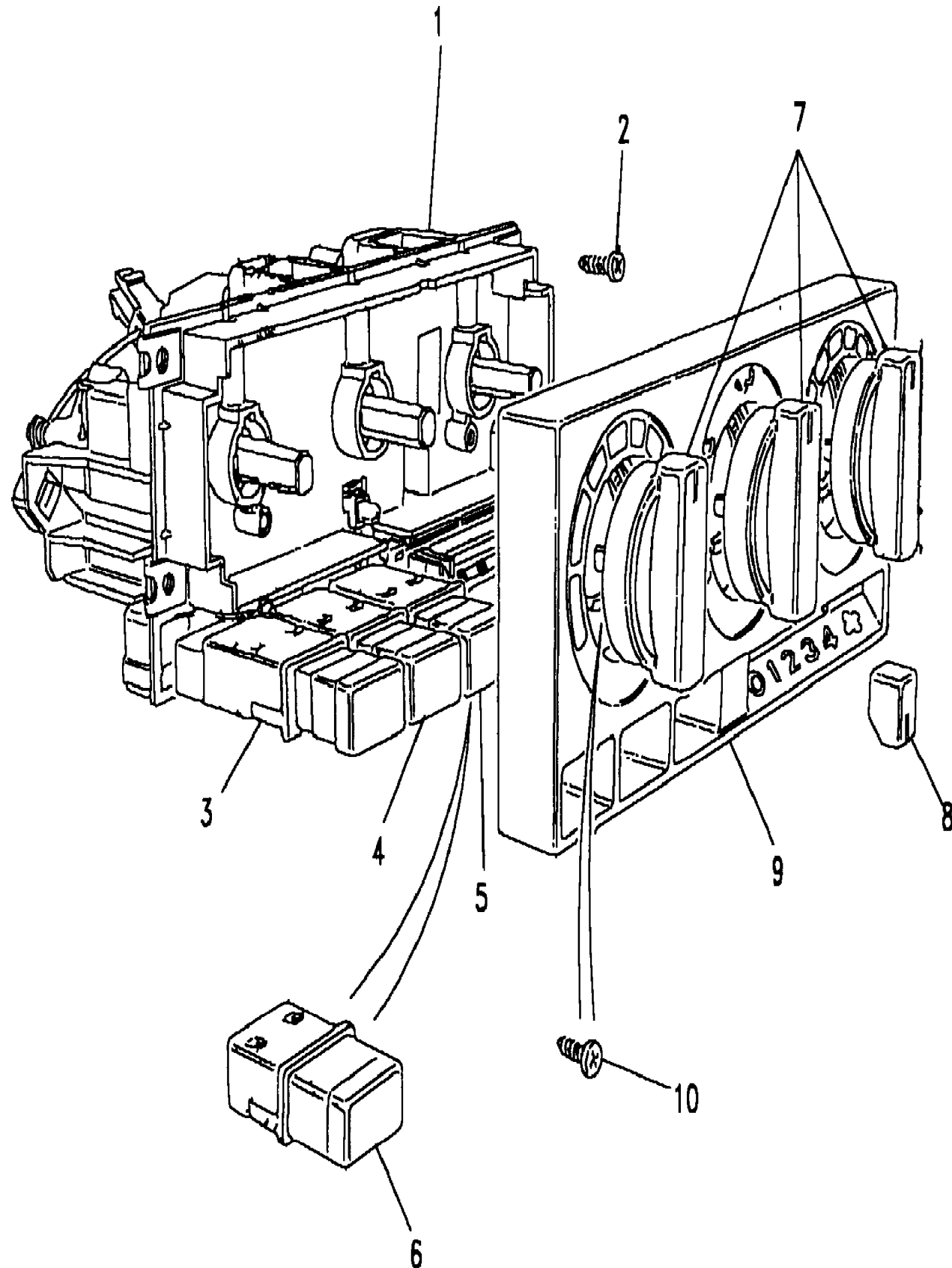
Discovery (FA393361-WA799999)

(CALXKA1E)

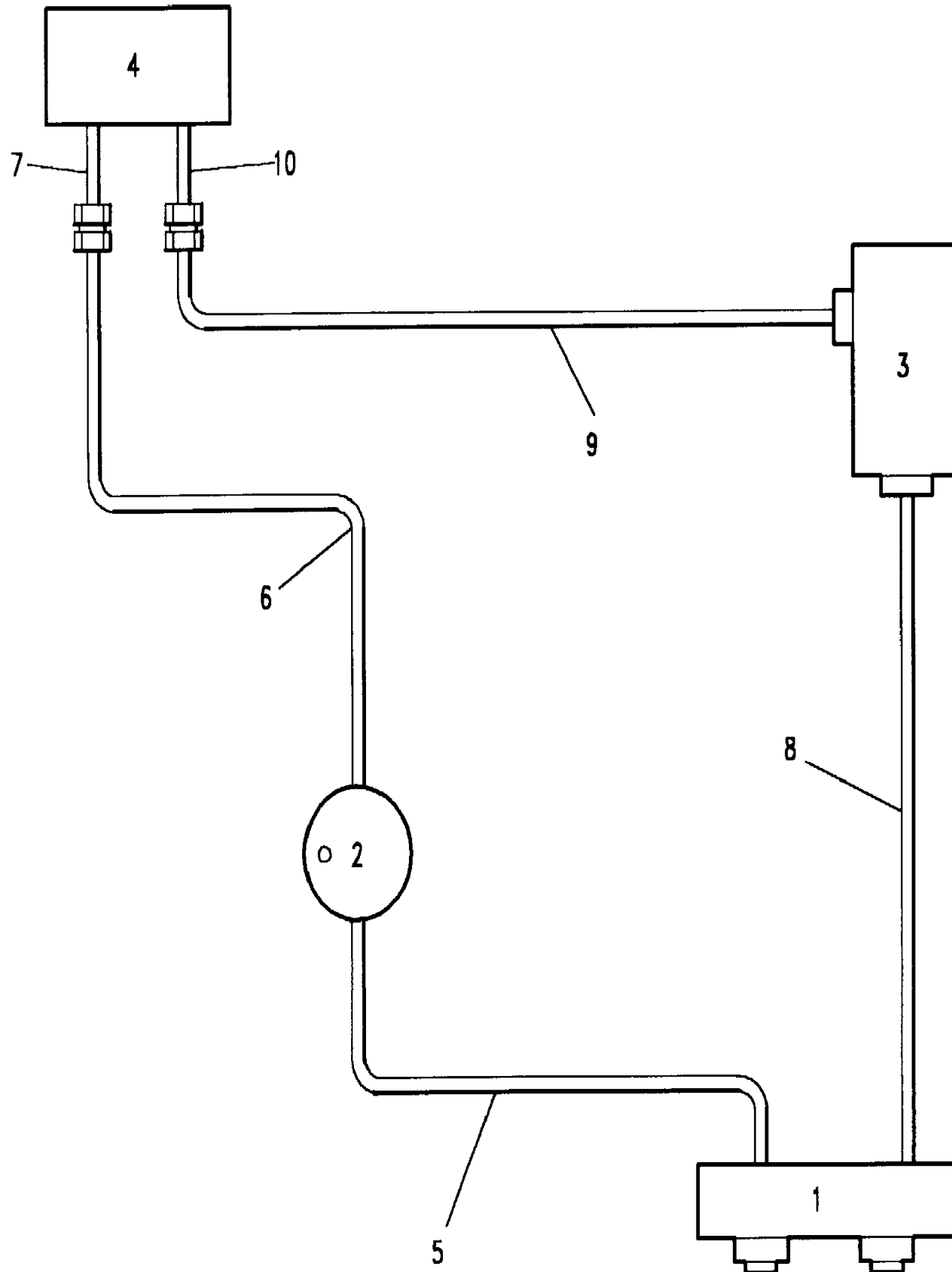
Discovery (FA393361-WA799999)

Cooling & Heating
Air Conditioning
Front Air Con-Control Assembly

With Air Conditioning



Callout	Name	Application	Remarks & Restrictions	Service No.	Qty
1	Control assembly heater	Change point - VIN begin MA081992	Also serviced as part of a kit, with cables	AWR1379	1
		Change point - VIN begin MA081992	Also serviced as part of a kit, less cables	BTR6490	1
2	Screw-self tapping	Change point - VIN begin MA081992	Also serviced as part of a kit	AB608051	4
3	Switch-push push air conditioning recirculating	Change point - VIN begin MA081992	Also serviced as part of a kit	STC1863	1
4	Switch-push push air conditioning	Change point - VIN begin MA081992	Also serviced as part of a kit, Front	BTR6491	1
5	Switch-push push air conditioning	Change point - VIN begin MA081992	Also serviced as part of a kit, Rear	BTR4050	1
6	Plate-blanking air conditioning switch	Change point - VIN begin MA081992	Also serviced as part of a kit	BTR6492	1
7	Knob-control heater	Change point - VIN begin MA081992	Also serviced as part of a kit	BTR8930	3
8	Knob-slider control-heater	Change point - VIN begin MA081992	Also serviced as part of a kit	BTR6494	1
10	Screw	Change point - VIN begin MA081992	Also serviced as part of a kit, Self Tapping, No 6 x 3/8	AB606031	2
			Self Tapping, No 6 x 3/8	AB606031L	X
11	Bulb-wedge illumination	Change point - VIN begin MA081992	Also serviced as part of a kit, 1.2 WATT, 12V	RTC3635	1
[900]	Bulb & holder assembly	Change point - VIN begin MA081992	Also serviced as part of a kit, Orange	STC1877	X
		Change point - VIN begin MA081992	Also serviced as part of a kit, Green	STC1878	X
[901]	Plate-graphics control-heater	Change point - VIN begin MA081992	Also serviced as part of a kit	JFE100640	1



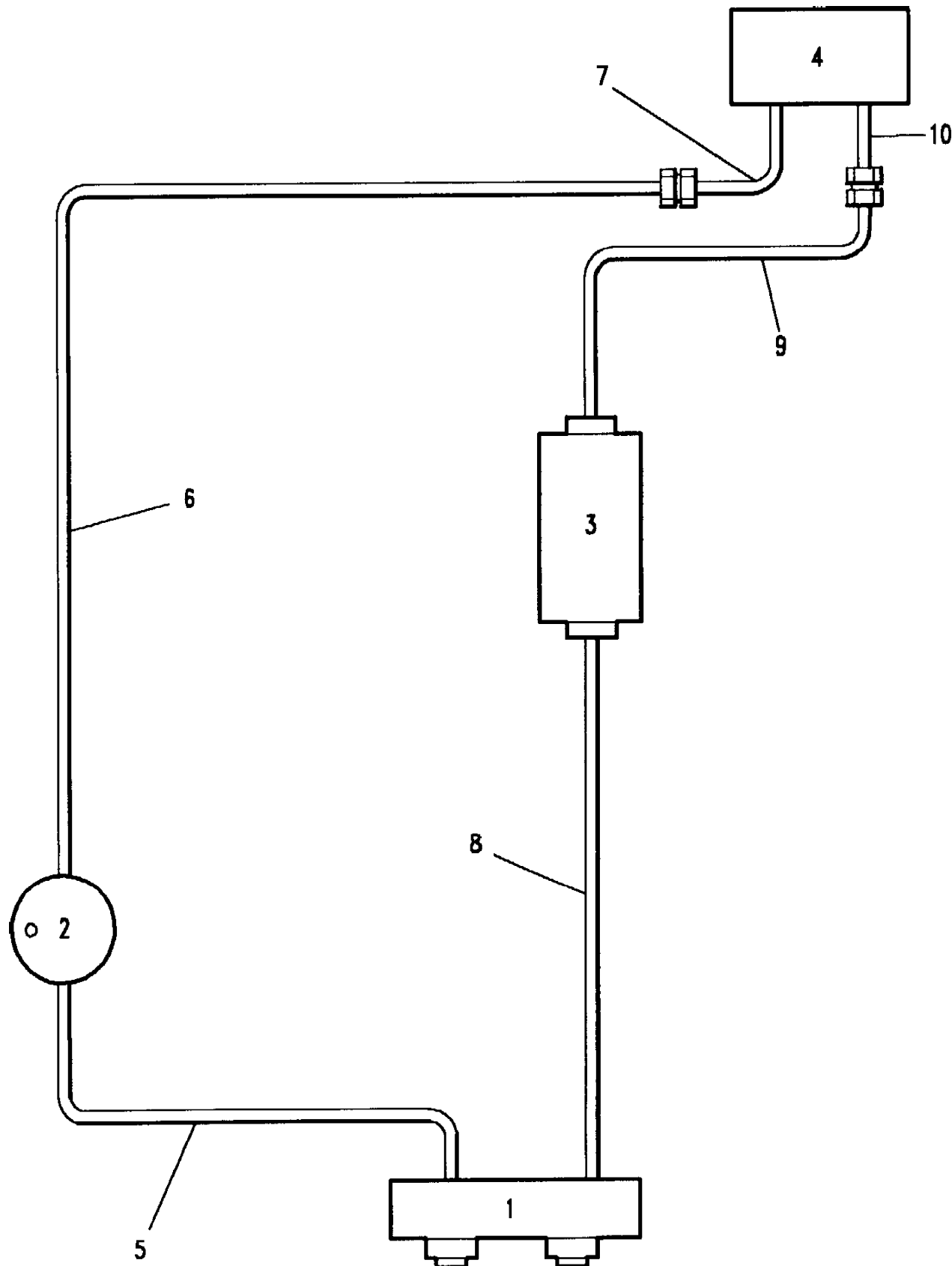
LHD, With Air Conditioning

Callout	Name	Application	Remarks & Restrictions	Service No.	Qty
5	Hose-condenser/evaporator air conditioning	Change point - VIN begin KA034314, Change point - VIN end KA064754	Also serviced as part of a kit	BTR2564	1
6	Hose-liquid	Change point - VIN begin KA034314, Change point - VIN end KA064754	Also serviced as part of a kit	BTR5993	1
7	Hose-receiver dryer/evaporator air conditioning	Change point - VIN begin KA034314, Change point - VIN end KA064754	Also serviced as part of a kit	BTR5981	1
8	Hose-compressor/condenser air conditioning	Change point - VIN begin KA034314, Change point - VIN end KA064754 Change point - VIN begin KA034314, Change point - VIN end KA064754, MPi Change point - VIN begin KA034314, Change point - VIN end KA064754, TDi Diesel	(-) MPI, Also serviced as part of a kit Also serviced as part of a kit, without service valve	BTR5524 BTR5600 BTR3809	1 1 1
9	Hose-suction.	Change point - VIN begin KA034314, Change point - VIN end KA064754 Change point - VIN begin KA034314, Change point - VIN end KA064754, MPi	(-) MPI, Also serviced as part of a kit Also serviced as part of a kit	BTR5973 BTR5975	1 1
10	Hose-evapr/compressor air conditioning	Change point - VIN begin KA034314, Change point - VIN end KA064754	Also serviced as part of a kit	BTR5979	1
[900]	Coupling	Change point - VIN begin KA034314, Change point - VIN end KA064754 Change point - VIN begin KA034314, Change point - VIN end KA064754 Change point - VIN begin KA034314, Change point - VIN end KA064754, MPi Change point - VIN begin KA034314, Change point - VIN end KA064754	Also serviced as part of a kit, Small Also serviced as part of a kit, Small Also serviced as part of a kit, Female Also serviced as part of a kit, Male, Large	MTC8500 BTR6074 BTR6078 BTR6079	1 1 1 1
[901]	O Ring	Change point - VIN begin KA034314, Change point - VIN end KA064754 Change point - VIN begin KA034314, Change point - VIN end KA064754, MPi Change point - VIN begin KA034314, Change point - VIN end KA064754, MPi Change point - VIN begin KA034314, Change point - VIN end KA064754	Also serviced as part of a kit Also serviced as part of a kit, No 10, 1/2" diameter Also serviced as part of a kit, Large Also serviced as part of a kit, Large	AEU3056 AEU1628 BTR6080 BTR6080	1 1 1 1

Cooling & Heating
Air Conditioning
Hose Layout-RHD 1/2

Discovery (FA393361-WA799999)

(CALXMA2A)



Discovery (FA393361-WA799999)

Cooling & Heating
Air Conditioning
Hose Layout-RHD

RHD, With Air Conditioning

Callout	Name	Application	Remarks & Restrictions	Service No.	Qty
5	Hose-condenser/evaporator air conditioning	Change point - VIN begin KA034314, Change point - VIN end KA064754	Also serviced as part of a kit	BTR2564	1
6	Hose-liquid	Change point - VIN begin KA034314, Change point - VIN end KA064754	(-) MPI, Also serviced as part of a kit	BTR5992	1
		Change point - VIN begin KA034314, Change point - VIN end KA064754, MPi	Also serviced as part of a kit	BTR7812	1
7	Hose-receiver dryer/evaporator air conditioning	Change point - VIN begin KA034314, Change point - VIN end LA064754	Also serviced as part of a kit	BTR5982	1
8	Hose-compressor/condenser air conditioning	Change point - VIN begin KA034314, Change point - VIN end KA064754	Also serviced as part of a kit	BTR5524	1
		Change point - VIN begin KA034313, Change point - VIN end KA064754, MPi Petrol	Also serviced as part of a kit, with service valve	BTR3710	1
		Change point - VIN begin KA034313, Change point - VIN end KA064754, TDi Diesel	Also serviced as part of a kit, without service valve	BTR3809	1
9	Hose-suction.	Change point - VIN begin KA034313, Change point - VIN end KA064754, With Petrol Engines	(-) MPI, Also serviced as part of a kit	BTR5972	1
		MPi Petrol	Also serviced as part of a kit	BTR7813	1
		Change point - VIN begin KA034314, Change point - VIN end KA064754, TDi Diesel	Also serviced as part of a kit	BTR5974	1
10	Hose-evapr/compressor air conditioning	Change point - VIN begin KA034314, Change point - VIN end KA064754	Also serviced as part of a kit	BTR5980	1
[900]	Coupling	Change point - VIN begin KA034314, Change point - VIN end KA064754	(-) MPI, Also serviced as part of a kit, Small	MTC8500	1
		Change point - VIN begin KA034314, Change point - VIN end KA064754, MPi	Also serviced as part of a kit, Small	MTC8500	1
		Change point - VIN begin KA034314, Change point - VIN end LA064754	Also serviced as part of a kit, Small	BTR6074	1
		Change point - VIN begin KA034314, Change point - VIN end KA064754, TDi Diesel	Also serviced as part of a kit, Female	BTR6078	1
		Change point - VIN begin KA034314, Change point - VIN end KA064754	Also serviced as part of a kit, Male, Large	BTR6079	1
[901]	O Ring	Change point - VIN begin KA034314, Change point - VIN end KA064754	(-) MPI, Also serviced as part of a kit	AEU3056	1

Cooling & Heating
Air Conditioning
Hose Layout-RHD 2/2

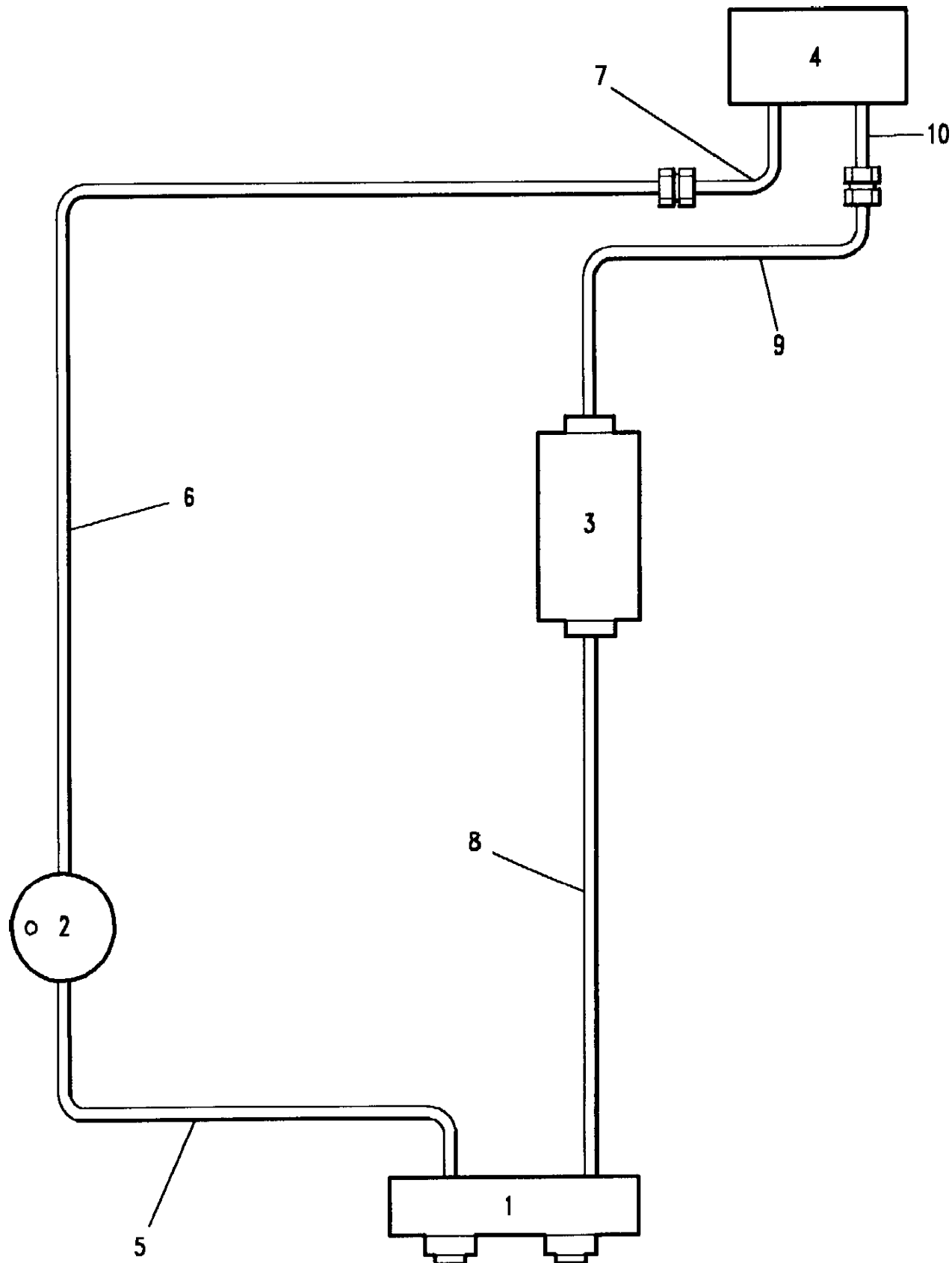
Discovery (FA393361-WA799999)
(CALXMA2A)

Discovery (FA393361-WA799999)

Cooling & Heating
Air Conditioning
Hose Layout-RHD

RHD, With Air Conditioning

Callout	Name	Application	Remarks & Restrictions	Service No.	Qty
[901]	O Ring	Change point - VIN begin KA034314, Change point - VIN end KA064754, MPi	Also serviced as part of a kit	AEU3056	1
		Change point - VIN begin KA034314, Change point - VIN end LA064754	Also serviced as part of a kit	AEU3056	1
		Change point - VIN begin KA034314, Change point - VIN end KA064754	Also serviced as part of a kit, 1.8mm thick, 14.5mm OD, 10.8mm ID	STC3192	1
		Change point - VIN begin KA034313, Change point - VIN end KA064754, TDi Diesel	Also serviced as part of a kit, Large	BTR6080	1
		Change point - VIN begin KA034313, Change point - VIN end KA064754, TDi Diesel	Also serviced as part of a kit, No 10, 1/2" diameter	AEU1628	2
		Change point - VIN begin KA034314, Change point - VIN end KA064754	Also serviced as part of a kit, Large	BTR6080	1
		Change point - VIN begin KA034314, Change point - VIN end KA064754	Also serviced as part of a kit	MXC6269	1
		Change point - VIN begin KA034313, Change point - VIN end KA064754, MPi Petrol	Also serviced as part of a kit	MXC6275	1
		Change point - VIN begin KA034314, Change point - VIN end KA064754, TDi Diesel	Also serviced as part of a kit	MXC6275	1
[902]	Valve-charging air conditioning				



Cooling & Heating
Air Conditioning
Hoses 1/1

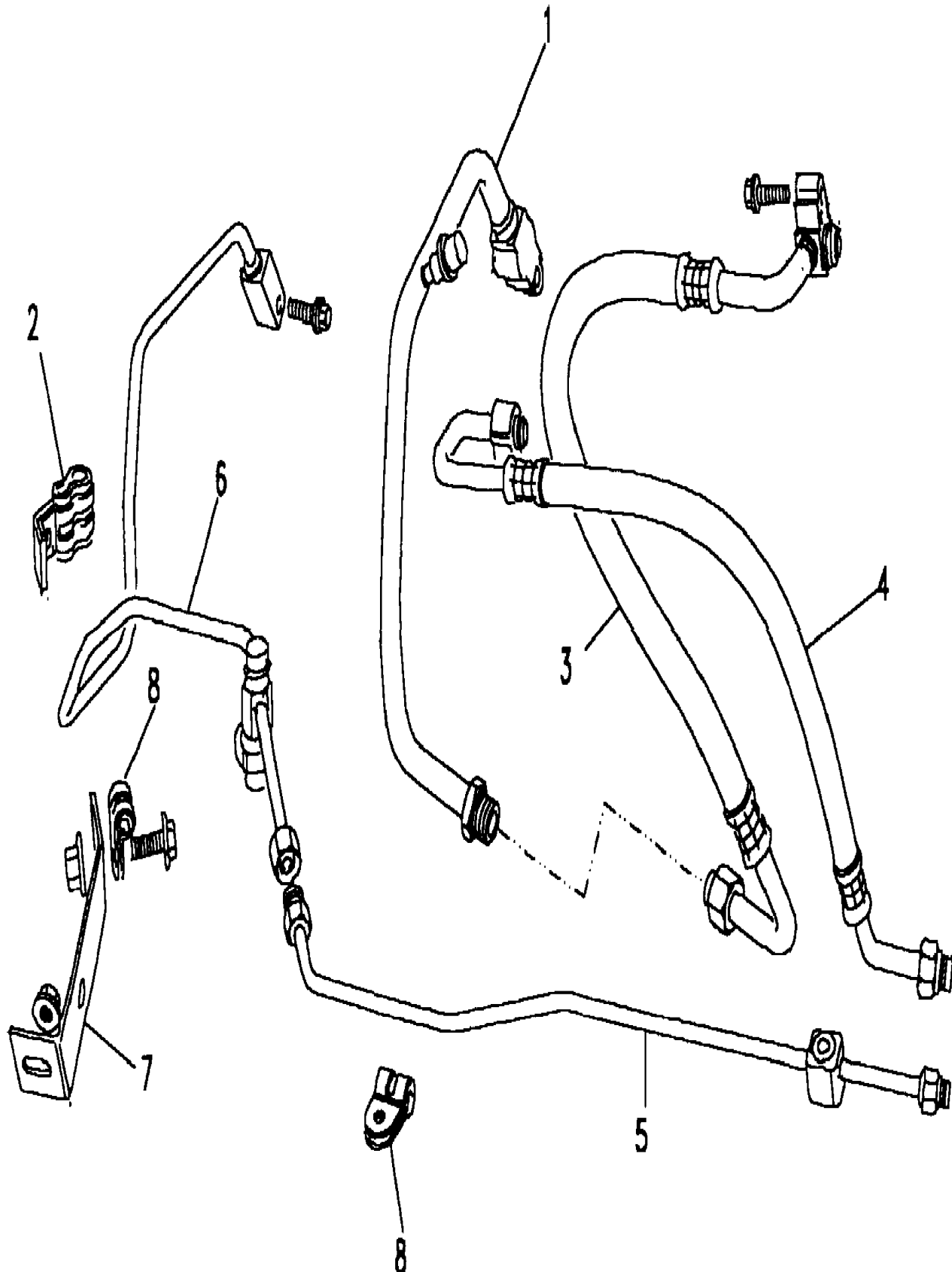
Discovery (FA393361-WA799999)
(CALXMA6A)

Discovery (FA393361-WA799999)

Cooling & Heating
Air Conditioning
Hoses

With Air Conditioning

Callout	Name	Application	Remarks & Restrictions	Service No.	Qty
1	Pipe-evaporator/ compressor air conditioning	Change point - VIN begin MA081992	Also serviced as part of a kit	BTR6727	1
2	Clip-Pipe	Change point - VIN begin MA081992		BTR8921	1
3	Hose-evapr/compressor air conditioning	Change point - VIN begin MA081992, V8 Petrol	Also serviced as part of a kit	BTR4041	1
		Change point - VIN begin MA081992, 4 Cyl MPi Petrol	Also serviced as part of a kit	BTR4042	1
		Change point - VIN begin MA081992, 4 Cyl TDi Diesel	Also serviced as part of a kit	BTR4040	1
4	Hose-compressor/ condenser air conditioning	Change point - VIN begin MA081992, V8 Petrol	Also serviced as part of a kit	BTR4045	1
		Change point - VIN begin MA081992, 4 Cyl MPi Petrol	Also serviced as part of a kit	BTR4046	1
		Change point - VIN begin MA081992, 4 Cyl TDi Diesel	Also serviced as part of a kit	BTR4044	1
5	Pipe-fluid air conditioning	Change point - VIN begin MA081992	Also serviced as part of a kit	BTR7230	1
6	Pipe-fluid air conditioning	Change point - VIN begin MA081992	Also serviced as part of a kit	BTR4038	1
7	Bracket-air charge/body air cooler	Change point - VIN begin MA081992		BTR9613	1
8	Clip-Pipe	Change point - VIN begin MA081992		BTR7301	2
[900]	O Ring	Change point - VIN begin MA081992	Also serviced as part of a kit, 8mm diameter	STC3149	1
		Change point - VIN begin MA081992	Also serviced as part of a kit, 5/8" diameter	STC3151	2
		Change point - VIN begin MA081992, V8 Petrol	Also serviced as part of a kit, 5/8" diameter	STC3151	2
		Change point - VIN begin MA081992, V8 Petrol	Also serviced as part of a kit, 1/2" diameter	STC3150	2



Cooling & Heating
Air Conditioning
Hoses Rear Under Bonnet 1/1

Discovery (FA393361-WA799999)

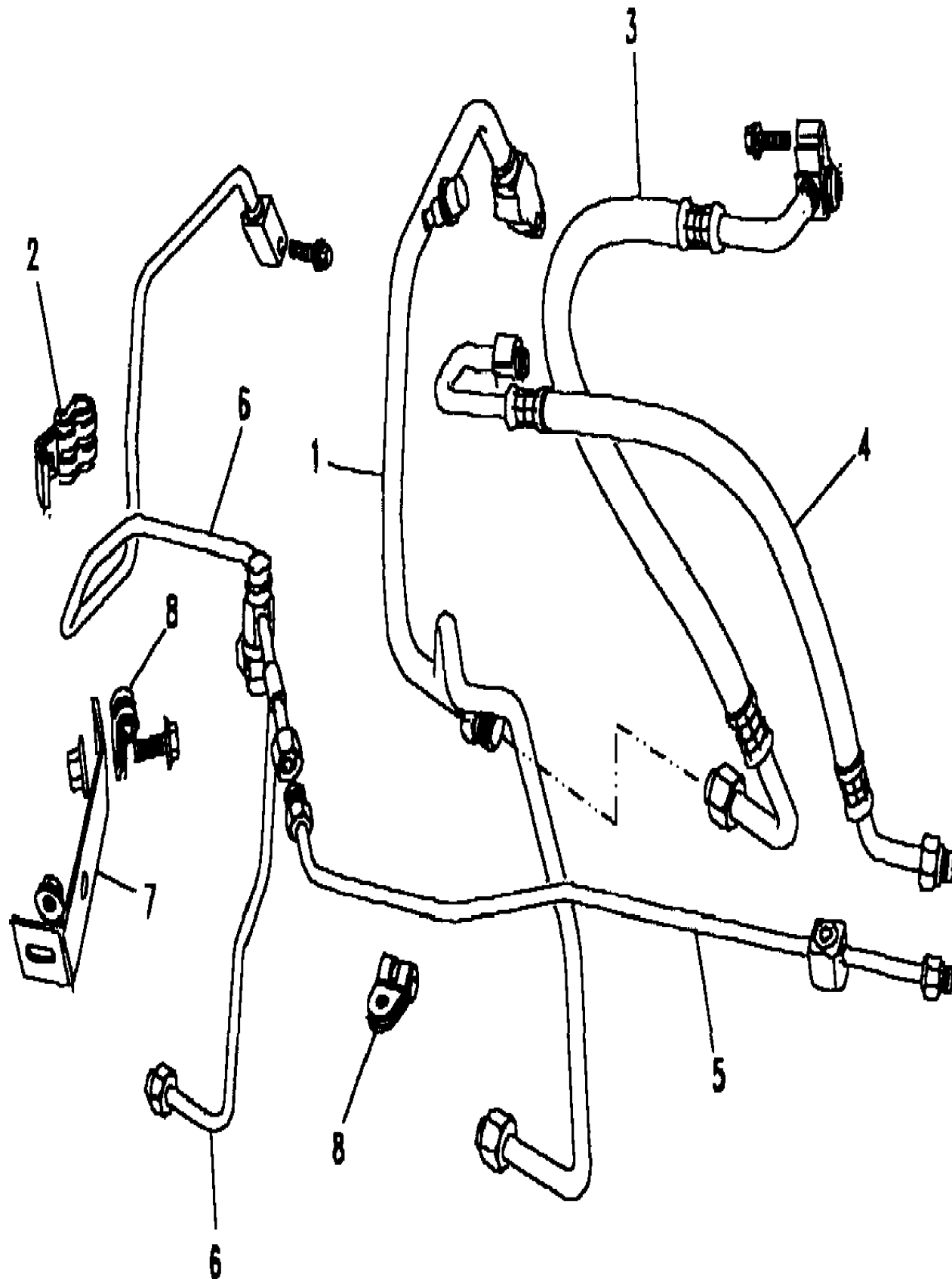
(CALXMA7A)

Discovery (FA393361-WA799999)

Cooling & Heating
Air Conditioning
Hoses Rear Under Bonnet

With Air Conditioning

Callout	Name	Application	Remarks & Restrictions	Service No.	Qty
1	Hose-evapr/compressor air conditioning	Change point - VIN begin MA081992	Rear	BTR7260	1
2	Clip-Pipe	Change point - VIN begin MA081992		BTR8921	1
3	Hose-evapr/compressor air conditioning	Change point - VIN begin MA081992	(-) TDI, Also serviced as part of a kit	BTR4041	1
		Change point - VIN begin MA081992, TDi	Also serviced as part of a kit	BTR4040	1
4	Hose-compressor/condenser air conditioning	Change point - VIN begin MA081992, V8 Petrol	Also serviced as part of a kit	BTR4045	1
		Change point - VIN begin MA081992, TDi Diesel	Also serviced as part of a kit	BTR4044	1
5	Pipe-fluid air conditioning	Change point - VIN begin MA081992	Also serviced as part of a kit	BTR7230	1
6	Pipe-fluid air conditioning	Change point - VIN begin MA081992	Also serviced as part of a kit, Rear	BTR7259	1
7	Bracket-air charge/body air cooler	Change point - VIN begin MA081992		BTR9613	1
8	Clip-Pipe	Change point - VIN begin MA081992		BTR7301	2
[900]	O Ring	Change point - VIN begin MA081992	(-) TDI, Also serviced as part of a kit, 5/8" diameter	STC3151	2
		Change point - VIN begin MA081992, V8 Petrol	Also serviced as part of a kit, 1/2" diameter	STC3150	2
		Change point - VIN begin MA081992	Also serviced as part of a kit, 8mm diameter	STC3149	1
[901]	Bolt-flanged head	Change point - VIN begin MA081992		FB106061M	2



Cooling & Heating
Air Conditioning
Hoses-Rear In Car 1/1

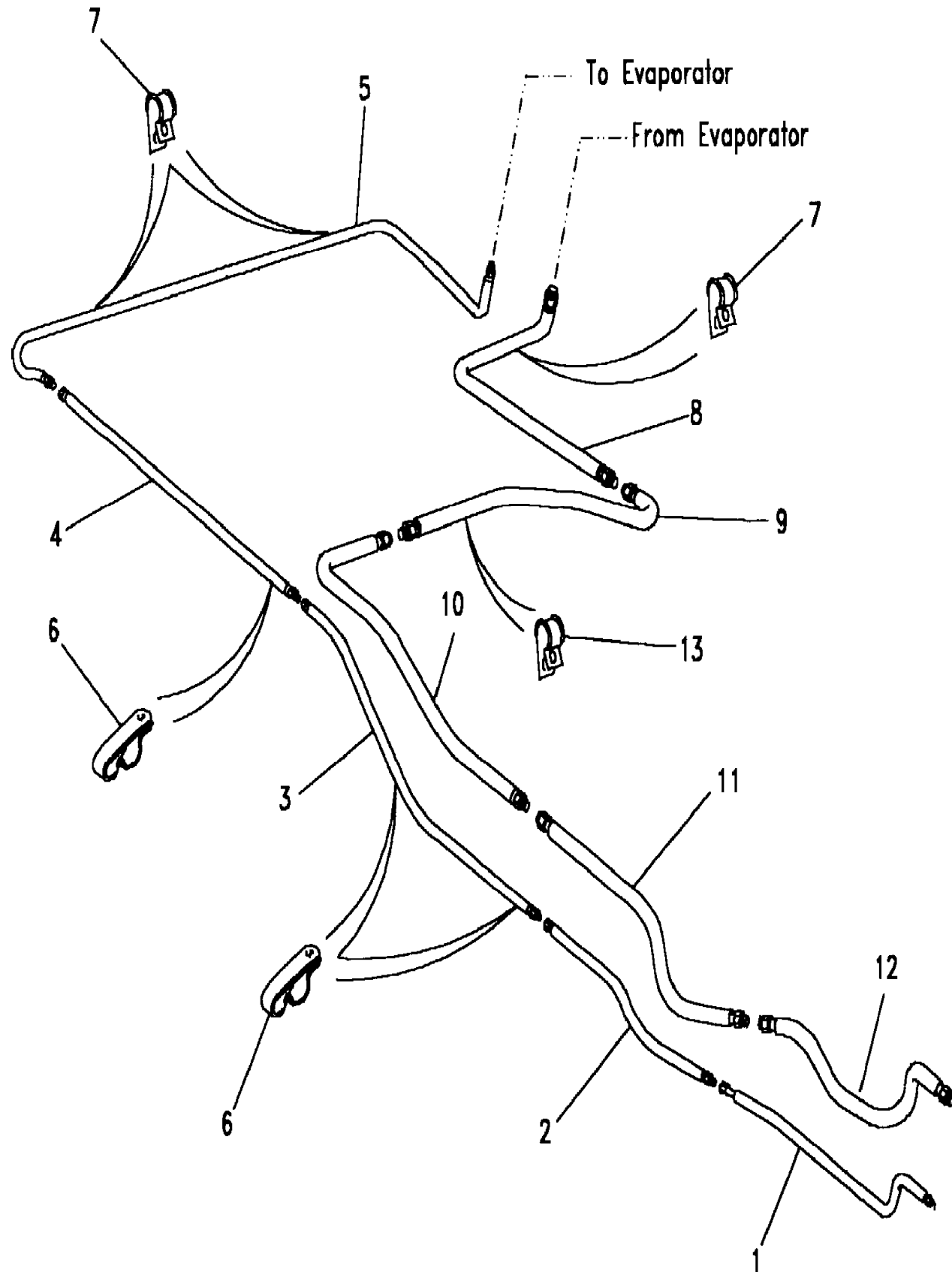
Discovery (FA393361-WA799999)
(CALXMA7B)

Discovery (FA393361-WA799999)

Cooling & Heating
Air Conditioning
Hoses-Rear In Car

With Air Conditioning

Callout	Name	Application	Remarks & Restrictions	Service No.	Qty
1	Hose-receiver dryer/evaporator air conditioning	Change point - VIN begin MA081992		BTR7359	1
2	Hose-receiver dryer/evaporator air conditioning	Change point - VIN begin MA081992	Rear	BTR7360	1
3	Hose-receiver dryer/evaporator air conditioning	Change point - VIN begin MA081992	Rear	BTR7361	1
4	Hose-receiver dryer/evaporator air conditioning	Change point - VIN begin MA081992	Rear	BTR7362	1
5	Hose-receiver dryer/evaporator air conditioning	Change point - VIN begin MA081992		BTR8586	1
6	Clip-Pipe	Change point - VIN begin MA081992		BTR7304	3
7	Clip-Pipe	Change point - VIN begin MA081992		BTR7302	4
8	Hose-evapr/compressor air conditioning	Change point - VIN begin MA081992		BTR8587	1
9	Hose-evapr/compressor air conditioning	Change point - VIN begin MA081992	Rear	BTR7366	1
10	Hose-evapr/compressor air conditioning	Change point - VIN begin MA081992	Rear	BTR7365	1
11	Hose-evapr/compressor air conditioning	Change point - VIN begin MA081992	Rear	BTR7364	1
12	Hose-evapr/compressor air conditioning	Change point - VIN begin MA081992	Rear	BTR7363	1
13	Clip-Pipe	Change point - VIN begin MA081992		BTR7303	3



Cooling & Heating
Air Conditioning
Rear Air Con-Ducts & Vents 1/2

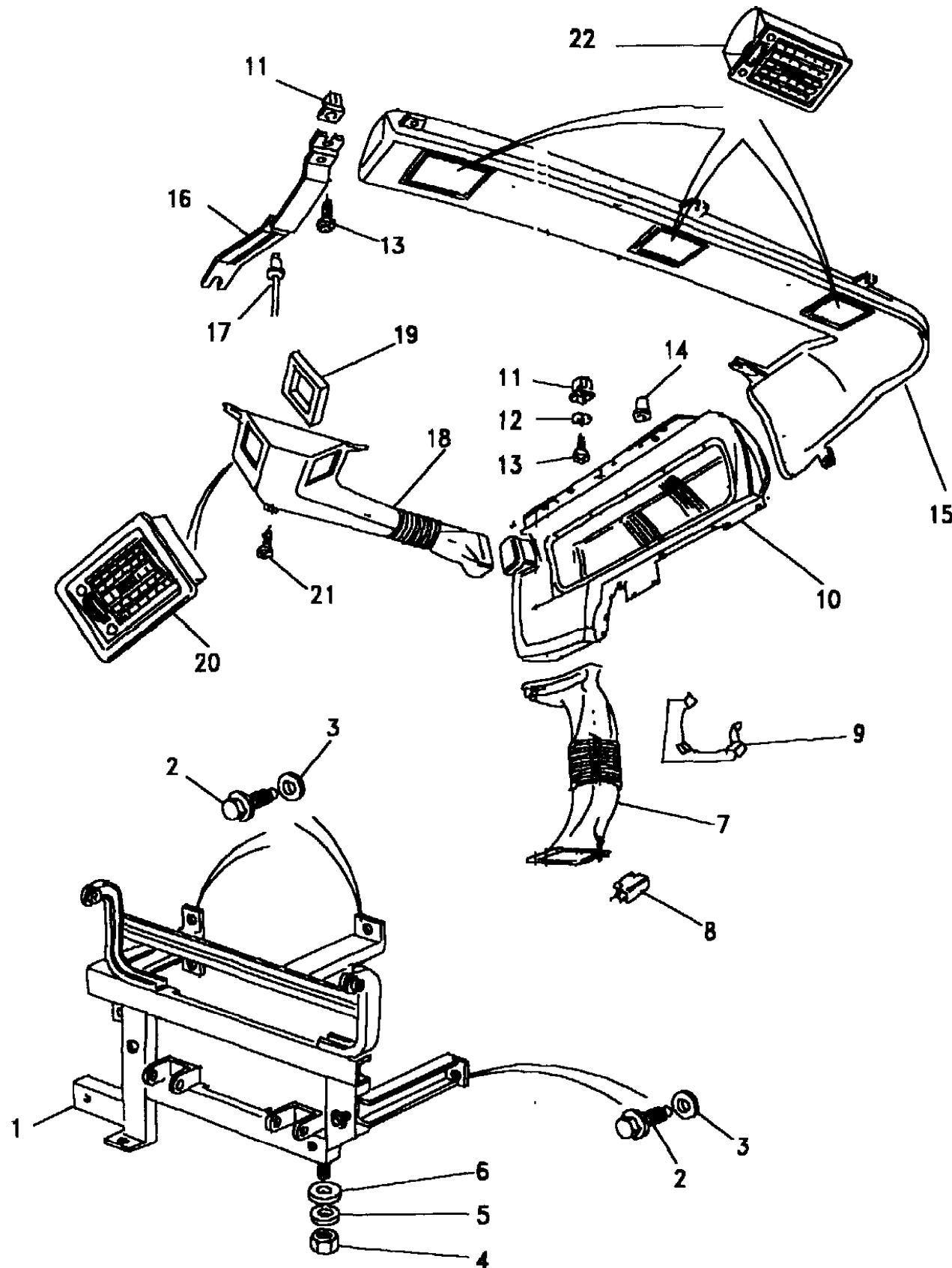
Discovery (FA393361-WA799999)

(CALXKA2C)

Discovery (FA393361-WA799999)

Cooling & Heating
Air Conditioning
Rear Air Con-Ducts & Vents

With Rear Air Conditioning, With Air Conditioning



Callout	Name	Application	Remarks & Restrictions	Service No.	Qty
1	Frame-rear air conditioning unit	Change point - VIN begin MA081992		AWR1258LNF	1
2	Bolt	Change point - VIN begin MA081992	7 Seats, M8 x 25	DCP3970	4
3	Washer	Change point - VIN begin MA081992	7 Seats, 8MM	WA108051L	4
4	Locknut	Change point - VIN begin MA081992	7 Seats	NH108057	1
5	Washer	Change point - VIN begin MA081992	7 Seats, M10	WA110067L	1
6	Washer-rubber	Change point - VIN begin MA081992	7 Seats	BTR8347	1
7	Duct-rear air conditioning	Change point - VIN begin MA081992	7 Seats	BTR4369	1
8	Clip	Change point - VIN begin MA081992	7 Seats	BTR7627	3
9	Bracket	Change point - VIN begin MA081992	speaker/E post, LH	BTR6190	1
10	Panel-alpine light trim	Change point - VIN begin MA081992	7 Seats	BTR4382	1
11	Nutsert-blind	Change point - VIN begin MA081992	7 Seats	CZG1817L	X
12	Washer-Plain	Change point - VIN begin MA081992	7 Seats, M5, Metric, oversize	WJ105001	X
		Change point - VIN begin MA081992	7 Seats, M5, oversize, Plain	WJ105001L	X
13	Screw	Change point - VIN begin MA081992	7 Seats	AB610051	X
14	Retainer-trim	Change point - VIN begin MA081992	7 Seats	MXC7421	X
15	Duct-rear air conditioning	Change point - VIN begin MA081992	7 Seats	BTR4371	1
16	Strap-air conditioning duct	Change point - VIN begin MA081992	7 Seats	BTR6287	1
17	Rivet	Change point - VIN begin MA081992	7 Seats	RU608183	8
18	Duct-rear air conditioning	Change point - VIN begin MA081992	7 Seats	BTR4370	1
19	Seal air conditioning	Change point - VIN begin MA081992	7 Seats	BTR9262	2

Cooling & Heating
Air Conditioning
Rear Air Con-Ducts & Vents 2/2

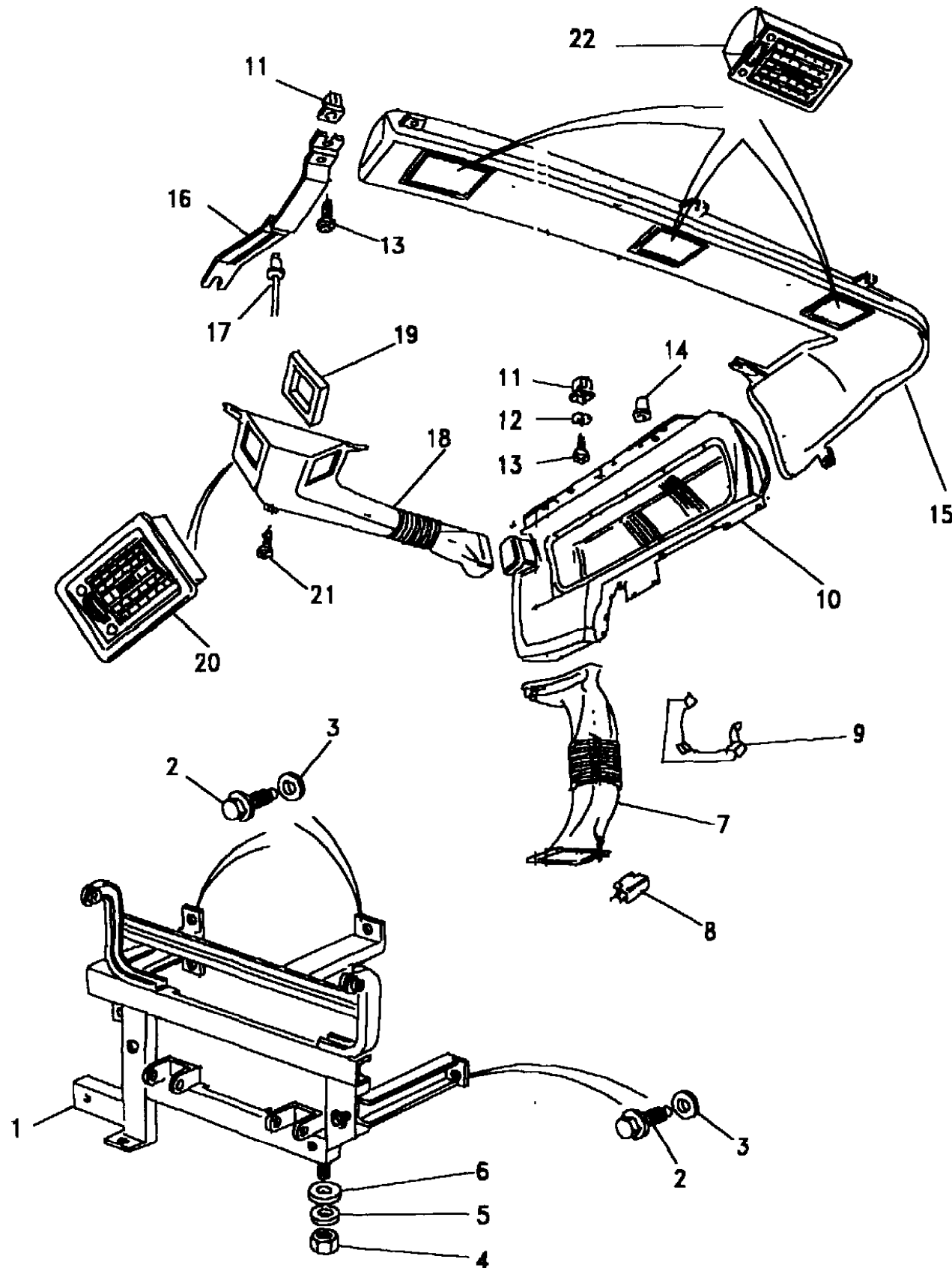
Discovery (FA393361-WA799999)
(CALXKA2C)

Discovery (FA393361-WA799999)

Cooling & Heating
Air Conditioning
Rear Air Con-Ducts & Vents

With Rear Air Conditioning, With Air Conditioning

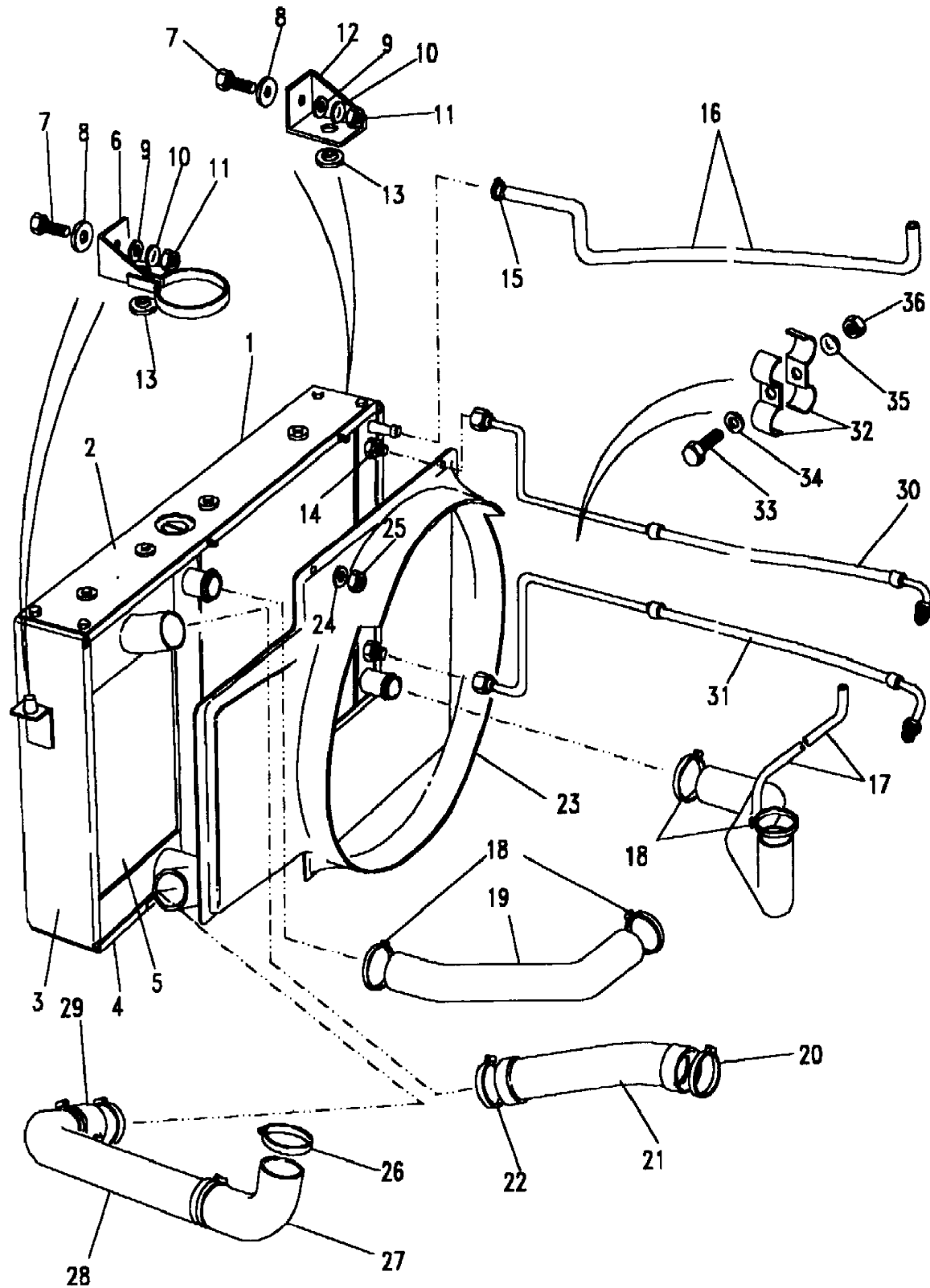
Callout	Name	Application	Remarks & Restrictions	Service No.	Qty
20	Vent-rear air conditioning	Change point - VIN begin MA081992	7 Seats, Ash Grey	BTR9392LNF	2
21	Screw-flanged head	Change point - VIN begin MA081992	7 Seats	DA608084L	1
22	Vent assembly-air conditioning duct	Change point - VIN begin MA081992	7 Seats, Mist Grey	BTR9391LUM	3
[900]	Bracket-air conditioning duct	Change point - VIN begin MA081992	7 Seats	BTR9317	2



Cooling & Heating
Cooling System
Radiator And Cooling System 1/5

Discovery (FA393361-WA799999)

(CALXAC1A)



Discovery (FA393361-WA799999)

Cooling & Heating
Cooling System
Radiator And Cooling System

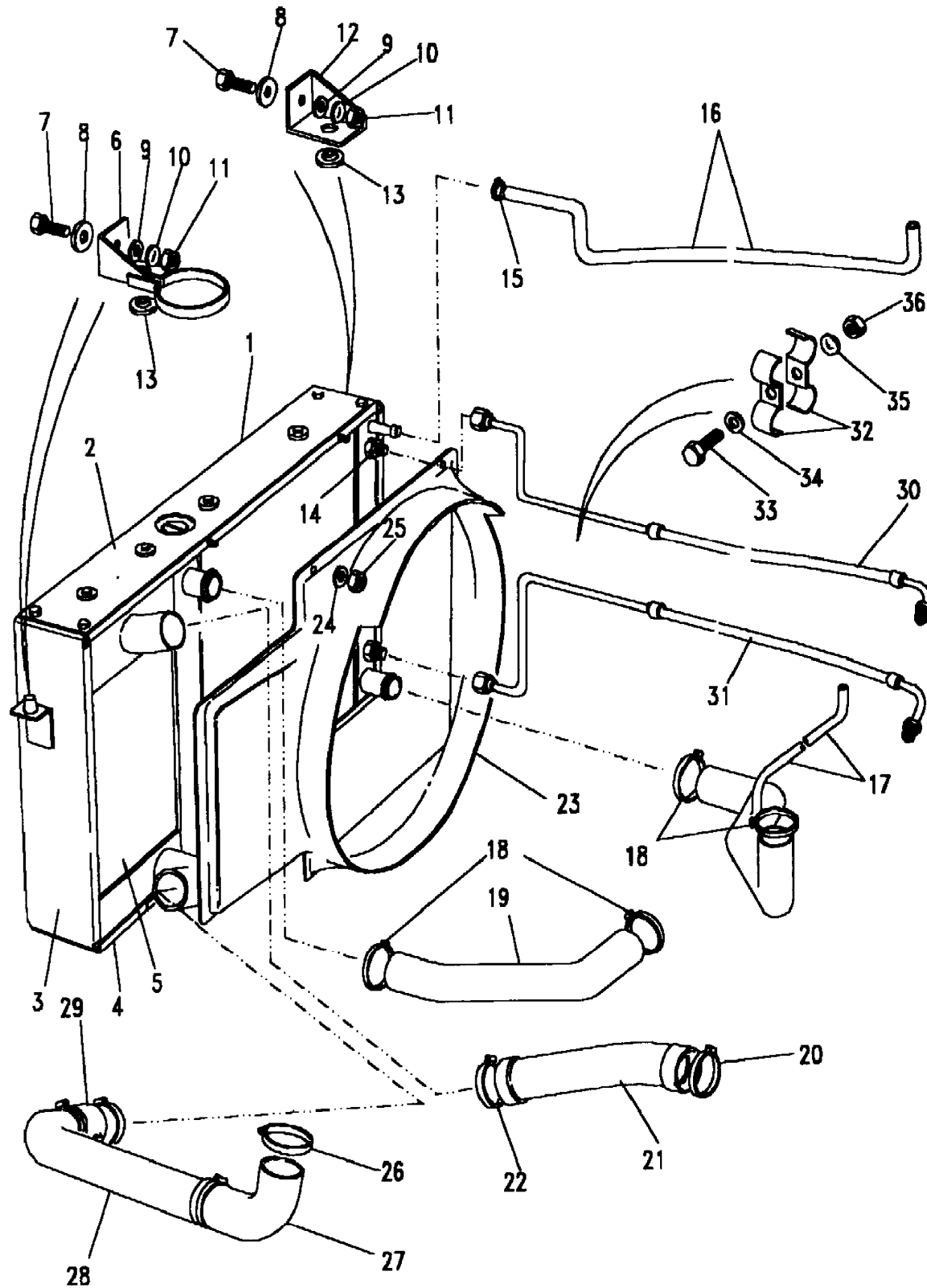
Change point - VIN end LA081991, 2.5L 4 Cyl TDi Diesel

Callout	Name	Application	Remarks & Restrictions	Service No.	Qty
1	Radiator assembly	2.5L I4 200 TDi Turbo Diesel, 5 Speed Manual Transmission, Less Catalyst	Engine Code 12L 2.5 TDI Manual - Gemini	BTP1823S	1
2	Frame-radiator	2.5L I4 200 TDi Turbo Diesel, 5 Speed Manual Transmission, Less Catalyst	Engine Code 12L 2.5 TDI Manual - Gemini, top	BTP1809	1
3	Frame-radiator	2.5L I4 200 TDi Turbo Diesel, 5 Speed Manual Transmission, Less Catalyst	RH, Engine Code 12L 2.5 TDI Manual - Gemini, Side	BTP1811	1
		2.5L I4 200 TDi Turbo Diesel, 5 Speed Manual Transmission, Less Catalyst	Engine Code 12L 2.5 TDI Manual - Gemini, Side, LH	BTP1812	1
4	Frame-radiator	2.5L I4 200 TDi Turbo Diesel, 5 Speed Manual Transmission, Less Catalyst	Engine Code 12L 2.5 TDI Manual - Gemini, bottom	BTP1781	1
5	Intercooler assembly-coolant	2.5L I4 200 TDi Turbo Diesel, 5 Speed Manual Transmission, Less Catalyst	Engine Code 12L 2.5 TDI Manual - Gemini	FTP8015	1
6	Bracket assembly power assisted steering pump & alternator	2.5L I4 200 TDi Turbo Diesel, 5 Speed Manual Transmission, Less Catalyst	Engine Code 12L 2.5 TDI Manual - Gemini	NTC6890	1
7	Screw	2.5L I4 200 TDi Turbo Diesel, 5 Speed Manual Transmission, Less Catalyst	Engine Code 12L 2.5 TDI Manual - Gemini, Flanged Head, M8 x 20	FS108207L	2
8	Washer	2.5L I4 200 TDi Turbo Diesel, 5 Speed Manual Transmission, Less Catalyst	M8, Engine Code 12L 2.5 TDI Manual - Gemini, Large	WJ108001	2
9	Washer	2.5L I4 200 TDi Turbo Diesel, 5 Speed Manual Transmission, Less Catalyst	8MM, Engine Code 12L 2.5 TDI Manual - Gemini	WA108051L	2
10	Washer	2.5L I4 200 TDi Turbo Diesel, 5 Speed Manual Transmission, Less Catalyst	M8, Engine Code 12L 2.5 TDI Manual - Gemini, sprung	WL108001L	2
11	Nut - Hex.	2.5L I4 200 TDi Turbo Diesel, 5 Speed Manual Transmission, Less Catalyst	M8, Engine Code 12L 2.5 TDI Manual - Gemini, flange	FN108041L	2

Cooling & Heating
Cooling System
Radiator And Cooling System 2/5

Discovery (FA393361-WA799999)

(CALXAC1A)



Discovery (FA393361-WA799999)

Cooling & Heating
Cooling System
Radiator And Cooling System

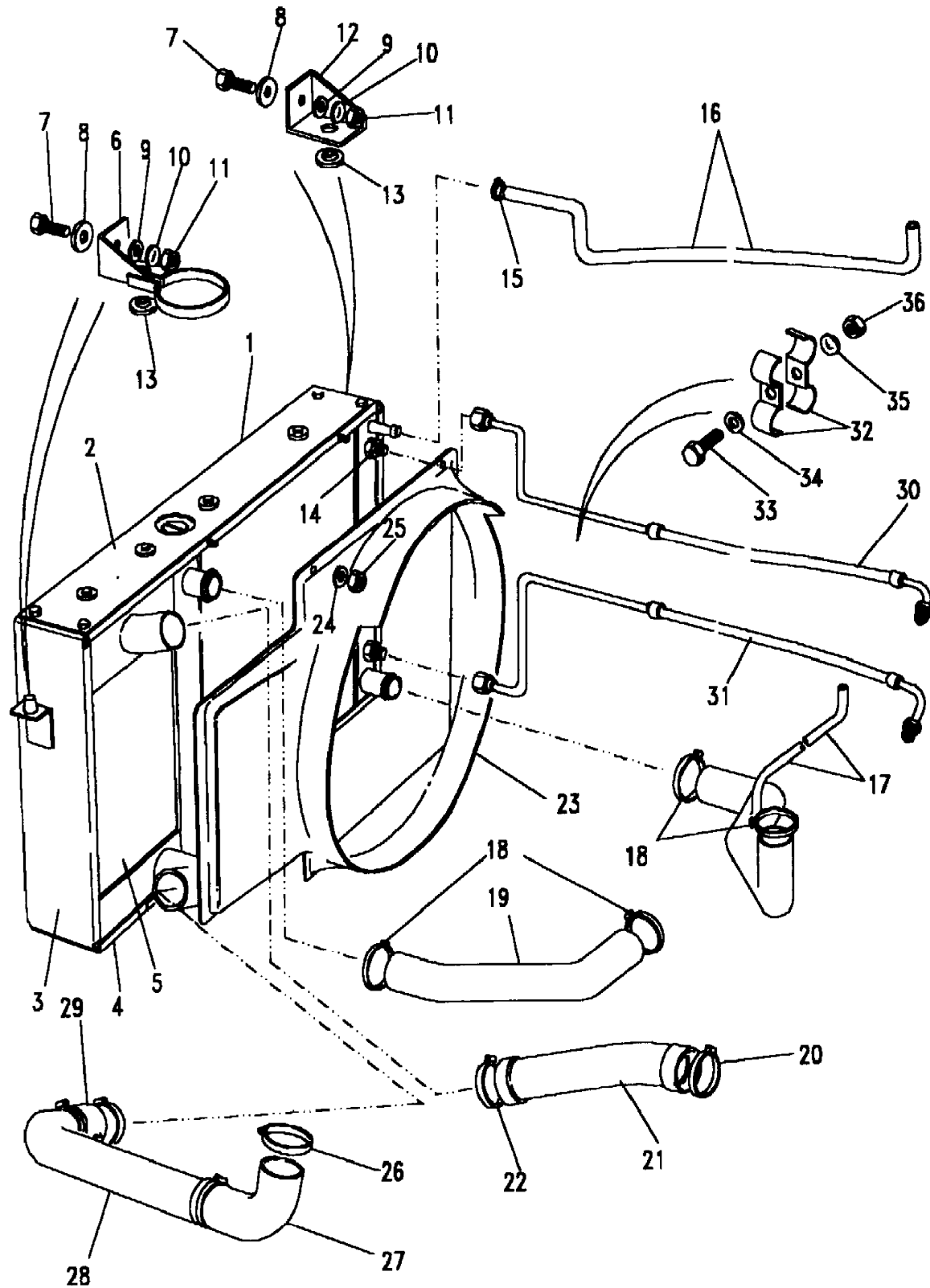
Change point - VIN end LA081991, 2.5L 4 Cyl TDi Diesel

Callout	Name	Application	Remarks & Restrictions	Service No.	Qty
12	Bracket-radiator mounting	2.5L I4 200 TDi Turbo Diesel, 5 Speed Manual Transmission, Less Catalyst	Engine Code 12L 2.5 TDI Manual - Gemini, top	NTC1873	1
13	Bush-radiator mounting	2.5L I4 200 TDi Turbo Diesel, 5 Speed Manual Transmission, Less Catalyst	Engine Code 12L 2.5 TDI Manual - Gemini	572312	4
14	Adaptor-pipe coolant	Change point - VIN end JA034313, 2.5L I4 200 TDi Turbo Diesel, 5 Speed Manual Transmission, Less Catalyst Change point - VIN begin KA034314, 2.5L I4 200 TDi Turbo Diesel, 5 Speed Manual Transmission, Less Catalyst	Engine Code 12L 2.5 TDI Manual - Gemini Engine Code 12L 2.5 TDI Manual - Gemini	NTC3858 ESR1262	2 2
15	Clip-Hose	2.5L I4 200 TDi Turbo Diesel, 5 Speed Manual Transmission, Less Catalyst	20MM, Engine Code 12L 2.5 TDI Manual - Gemini	CN100208L	2
16	Hose-cooling system bleed	2.5L I4 200 TDi Turbo Diesel, 5 Speed Manual Transmission, Less Catalyst	Engine Code 12L 2.5 TDI Manual - Gemini	NTC7308	2
17	Hose-radiator bottom coolant	2.5L I4 200 TDi Turbo Diesel, 5 Speed Manual Transmission, Less Catalyst	Engine Code 12L 2.5 TDI Manual - Gemini	NTC7223	1
18	Clip-Hose	Change point - VIN end MA119367, 2.5L I4 200 TDi Turbo Diesel, 5 Speed Manual Transmission, Less Catalyst Change point - VIN begin MA119368, 2.5L I4 200 TDi Turbo Diesel, 5 Speed Manual Transmission, Less Catalyst	50MM, Engine Code 12L 2.5 TDI Manual - Gemini, less spring assist 50MM, Engine Code 12L 2.5 TDI Manual - Gemini, with spring assist	CN100508L ESR3353	2 2
19	Hose-radiator top coolant	2.5L I4 200 TDi Turbo Diesel, 5 Speed Manual Transmission, Less Catalyst	Engine Code 12L 2.5 TDI Manual - Gemini	NTC4329	1
20	Clip-Hose	2.5L I4 200 TDi Turbo Diesel, 5 Speed Manual Transmission, Less Catalyst	Engine Code 12L 2.5 TDI Manual - Gemini	PYC102350	1

Cooling & Heating
Cooling System
Radiator And Cooling System 3/5

Discovery (FA393361-WA799999)

(CALXAC1A)



Discovery (FA393361-WA799999)

Cooling & Heating
Cooling System
Radiator And Cooling System

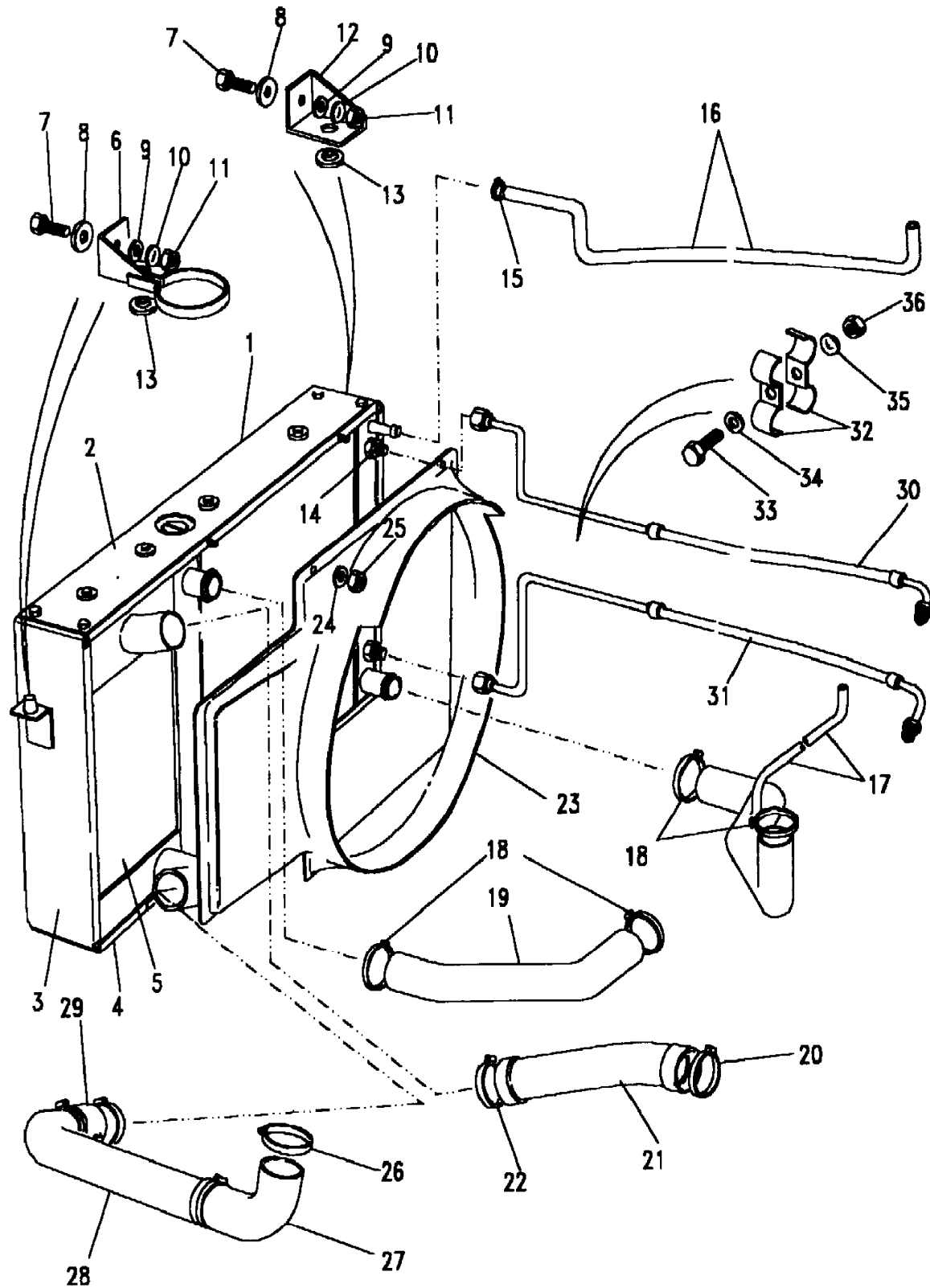
Change point - VIN end LA081991, 2.5L 4 Cyl TDi Diesel

Callout	Name	Application	Remarks & Restrictions	Service No.	Qty
21	Hose-intercooler to inlet manifold air	Change point - VIN end KA038901, 2.5L I4 200 TDi Turbo Diesel, 5 Speed Manual Transmission, Less Catalyst	Engine Code 12L 2.5 TDI Manual - Gemini	NTC5656	1
		Change point - VIN begin KA038902, 2.5L I4 200 TDi Turbo Diesel, 5 Speed Manual Transmission, Less Catalyst	Engine Code 12L 2.5 TDI Manual - Gemini	ESR2263	1
22	Clip-Hose	2.5L I4 200 TDi Turbo Diesel, 5 Speed Manual Transmission, Less Catalyst	Engine Code 12L 2.5 TDI Manual - Gemini	CN100608L	2
		2.5L I4 200 TDi Turbo Diesel, 5 Speed Manual Transmission, Less Catalyst	Engine Code 12L 2.5 TDI Manual - Gemini	PYC101120	2
		2.5L I4 200 TDi Turbo Diesel, 5 Speed Manual Transmission, Less Catalyst	Engine Code 12L 2.5 TDI Manual - Gemini, 60MM	PYC101120L	2
		2.5L I4 200 TDi Turbo Diesel, 5 Speed Manual Transmission, Less Catalyst	Engine Code 12L 2.5 TDI Manual - Gemini, 60MM	PYC101120L	2
23	Cowl-cooling system fan	2.5L I4 200 TDi Turbo Diesel, 5 Speed Manual Transmission, Less Catalyst	Engine Code 12L 2.5 TDI Manual - Gemini	NTC4336	1
24	Washer	2.5L I4 200 TDi Turbo Diesel, 5 Speed Manual Transmission, Less Catalyst	M5, Engine Code 12L 2.5 TDI Manual - Gemini, Plain, Standard	WA105001L	1
25	Nut-hexagonal-nyloc	2.5L I4 200 TDi Turbo Diesel, 5 Speed Manual Transmission, Less Catalyst	M5, Engine Code 12L 2.5 TDI Manual - Gemini	NY105041L	1
26	Clip-Hose	2.5L I4 200 TDi Turbo Diesel, 5 Speed Manual Transmission, Less Catalyst	Engine Code 12L 2.5 TDI Manual - Gemini	CN100608L	2
		2.5L I4 200 TDi Turbo Diesel, 5 Speed Manual Transmission, Less Catalyst	Engine Code 12L 2.5 TDI Manual - Gemini	PYC101120	2
		2.5L I4 200 TDi Turbo Diesel, 5 Speed Manual Transmission, Less Catalyst	Engine Code 12L 2.5 TDI Manual - Gemini, 60MM	PYC101120L	2
		2.5L I4 200 TDi Turbo Diesel, 5 Speed Manual Transmission, Less Catalyst	Engine Code 12L 2.5 TDI Manual - Gemini, 60MM	PYC101120L	2
27	Hose-intercooler turbocharger	Change point - VIN end KA064754, 2.5L I4 200 TDi Turbo Diesel, 5 Speed Manual Transmission, Less Catalyst	Rear, Engine Code 12L 2.5 TDI Manual - Gemini	ESR1905	1
		Change point - VIN begin LA064754, 2.5L I4 200 TDi Turbo Diesel, 5 Speed Manual Transmission, Less Catalyst	Rear, Engine Code 12L 2.5 TDI Manual - Gemini	ESR2932	1

Cooling & Heating
Cooling System
Radiator And Cooling System 4/5

Discovery (FA393361-WA799999)

(CALXAC1A)



Discovery (FA393361-WA799999)

Cooling & Heating
Cooling System
Radiator And Cooling System

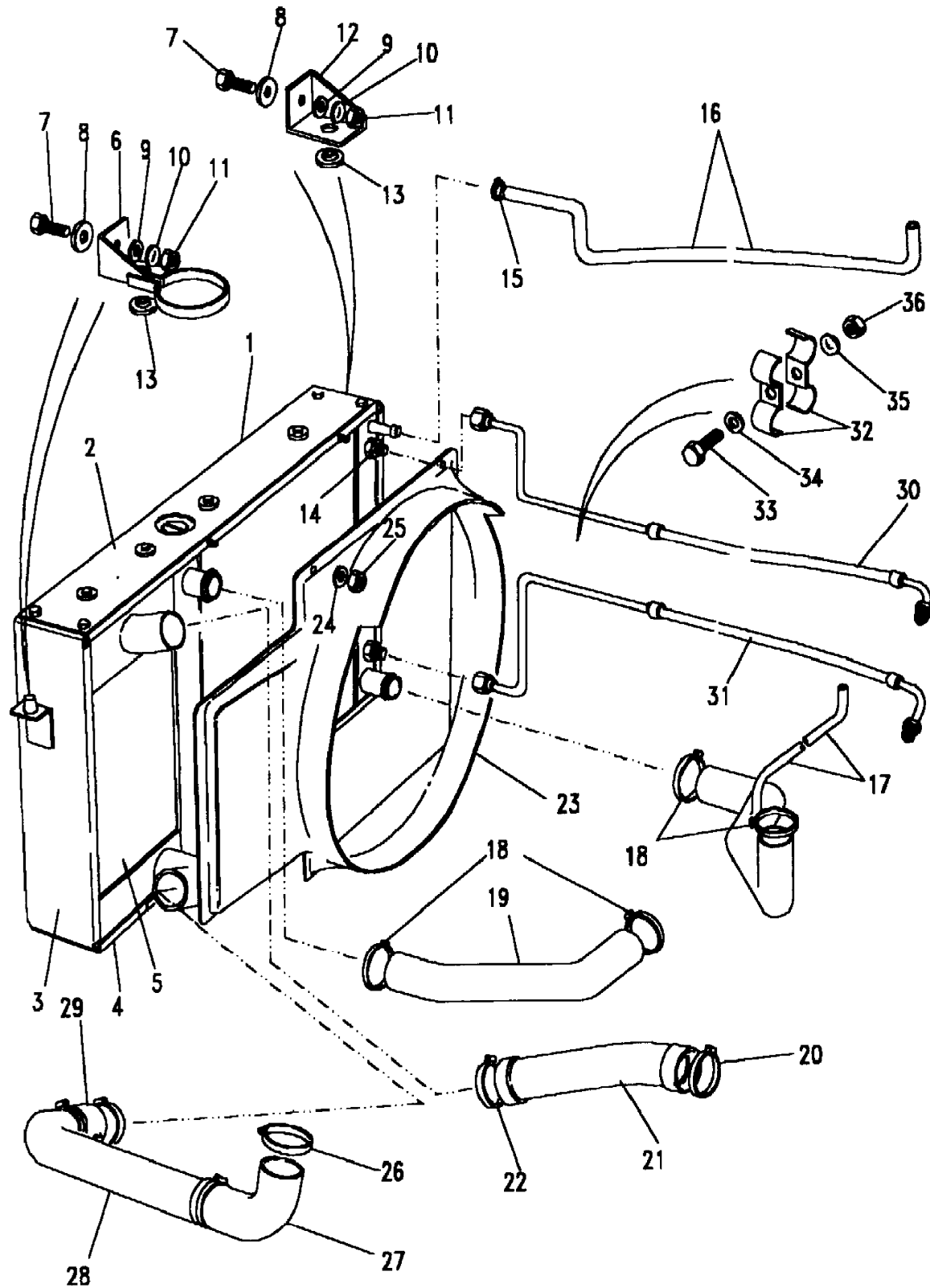
Change point - VIN end LA081991, 2.5L 4 Cyl TDi Diesel

Callout	Name	Application	Remarks & Restrictions	Service No.	Qty
28	Hose-intercooler turbocharger	2.5L I4 200 TDi Turbo Diesel, 5 Speed Manual Transmission, Less Catalyst	Engine Code 12L 2.5 TDI Manual - Gemini, Centre	NTC5655	1
29	Hose-Intercooler	Change point - VIN end KA064754, 2.5L I4 200 TDi Turbo Diesel, 5 Speed Manual Transmission, Less Catalyst Change point - VIN begin LA064754, 2.5L I4 200 TDi Turbo Diesel, 5 Speed Manual Transmission, Less Catalyst	Front, Engine Code 12L 2.5 TDI Manual - Gemini	NTC5175 ESR2943	1 1
30	Pipe-pump to cooler oil	Change point - VIN end JA034313, 2.5L I4 200 TDi Turbo Diesel, Manual Transmission, Less Catalyst Change point - VIN end LA081991, Change point - VIN begin KA034314, 2.5L I4 200 TDi Turbo Diesel, Manual Transmission, Less Catalyst	Engine Code 12L 2.5 TDI Manual - Gemini	NTC4337 ESR1257	1 1
		Change point - VIN end LA081991, 2.5L I4 200 TDi Turbo Diesel, Automatic Transmission, Less Catalyst	Engine Code 12L 2.5 TDI Manual - Gemini	ESR2874	1
		Change point - VIN end LA081991, 2.5L I4 200 TDi Turbo Diesel, 5 Speed Manual Transmission, Less Catalyst	Engine Code 12L 2.5 TDI Manual - Gemini	ESR2874	1
31	Pipe-cooler to pump oil	Change point - VIN end JA034313, 2.5L I4 200 TDi Turbo Diesel, Manual Transmission, Less Catalyst Change point - VIN end LA081991, Change point - VIN begin KA034314, 2.5L I4 200 TDi Turbo Diesel, Manual Transmission, Less Catalyst	Engine Code 12L 2.5 TDI Manual - Gemini	NTC4338 ESR1258	1 1
		Change point - VIN end LA081991, 2.5L I4 200 TDi Turbo Diesel, Automatic Transmission, Less Catalyst	Engine Code 12L 2.5 TDI Manual - Gemini	ESR2875	1
		Change point - VIN end LA081991, 2.5L I4 200 TDi Turbo Diesel, 5 Speed Manual Transmission, Less Catalyst	Engine Code 12L 2.5 TDI Manual - Gemini	ESR2875	1

Cooling & Heating
Cooling System
Radiator And Cooling System 5/5

Discovery (FA393361-WA799999)

(CALXAC1A)



Discovery (FA393361-WA799999)

Cooling & Heating
Cooling System
Radiator And Cooling System

Change point - VIN end LA081991, 2.5L 4 Cyl TDi Diesel

Callout	Name	Application	Remarks & Restrictions	Service No.	Qty
32	Clamp	2.5L I4 200 TDi Turbo Diesel, 5 Speed Manual Transmission, Less Catalyst	Engine Code 12L 2.5 TDI Manual - Gemini	NTC6847	2
33	Screw-flanged head	2.5L I4 200 TDi Turbo Diesel, 5 Speed Manual Transmission, Less Catalyst	M6 X 16, Engine Code 12L 2.5 TDI Manual - Gemini, Flanged Head	FS106167L	2
34	Washer	2.5L I4 200 TDi Turbo Diesel, 5 Speed Manual Transmission, Less Catalyst	M6, Engine Code 12L 2.5 TDI Manual - Gemini	WA106001L	2
35	Washer	2.5L I4 200 TDi Turbo Diesel, 5 Speed Manual Transmission, Less Catalyst	Engine Code 12L 2.5 TDI Manual - Gemini, 6MM	WA106041L	2
36	Nut - Hex.	2.5L I4 200 TDi Turbo Diesel, 5 Speed Manual Transmission, Less Catalyst	M6, Engine Code 12L 2.5 TDI Manual - Gemini, hexagonal head, nyloc	NY106047L	2
[901]	O Ring	Change point - VIN end LA081991, 2.5L I4 200 TDi Turbo Diesel, Manual Transmission, Less Catalyst	Engine Code 12L 2.5 TDI Manual - Gemini	ESR1594L	X
		Change point - VIN end LA081991, 2.5L I4 200 TDi Turbo Diesel, Automatic Transmission, Less Catalyst	Engine Code 12L 2.5 TDI Manual - Gemini	ESR1594L	X
		Change point - VIN end LA081991, 2.5L I4 200 TDi Turbo Diesel, 5 Speed Manual Transmission, Less Catalyst	Engine Code 12L 2.5 TDI Manual - Gemini	ESR1594L	X

Cooling & Heating
Cooling System
Radiator And Cooling System 1/1

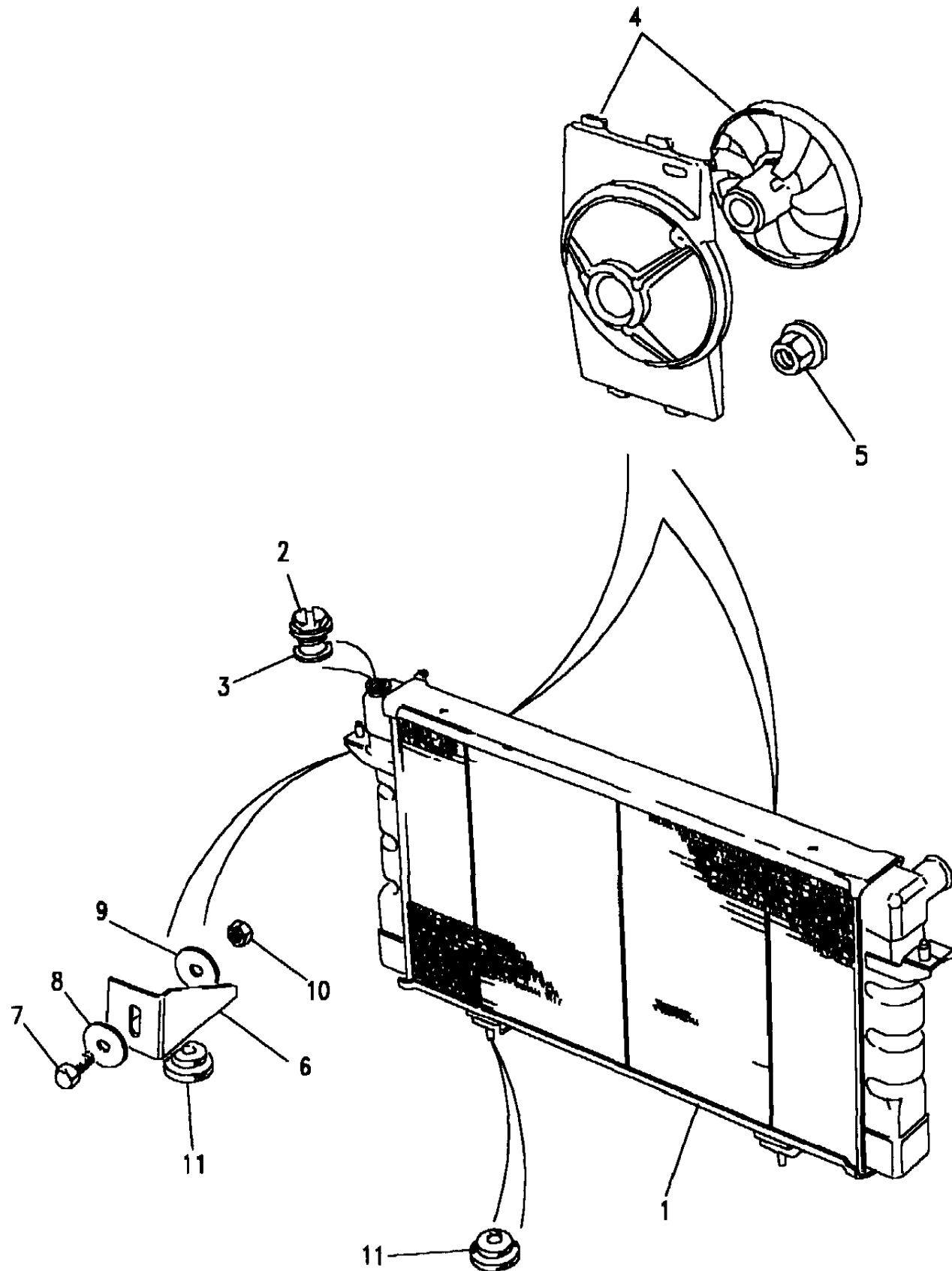
Discovery (FA393361-WA799999)
(CALXAA1B)

Discovery (FA393361-WA799999)

Cooling & Heating
Cooling System
Radiator And Cooling System

2.0L 4 Cyl MPi T Series Petrol

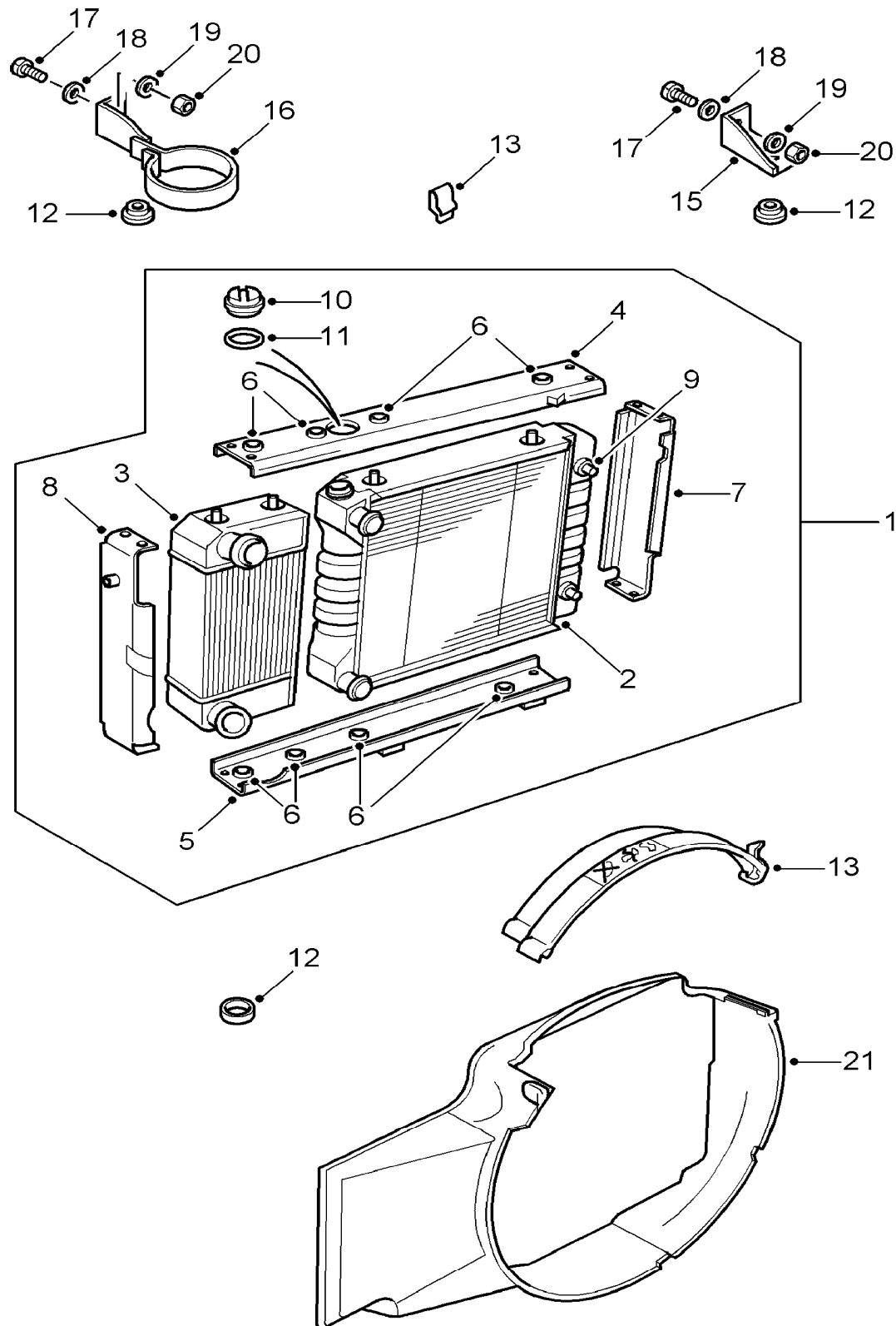
Callout	Name	Application	Remarks & Restrictions	Service No.	Qty
1	Radiator assembly	Change point - VIN end KA038821, MPi Change point - VIN begin KA038822, MPi	Also serviced as part of a kit Also serviced as part of a kit	ESR1721 ESR2595	1 1
2	Plug-drain/filler level	Change point - VIN end KA038821, MPi	Also serviced as part of a kit	NTC4609	1
3	O Ring	Change point - VIN end KA038821, MPi	radiator filler plug, Also serviced as part of a kit	NTC5171	1
4	Motor-cooling system fan	MPi		ESR1722	2
5	Nut-flange	MPi		CDU2958L	8
6	Bracket-radiator mounting	MPi	top	NTC1873	1
7	Screw	MPi	Flanged Head, M8 x 20	FS108207L	1
8	Washer-Plain	MPi		WA108251	1
9	Washer	MPi	8MM	WA108051L	1
10	Nut - Hex.	MPi	M8, flange	FN108041L	1
11	Bush-radiator mounting	MPi		572312	4



Cooling & Heating
Cooling System
Cooling Unit, Fan Cowl & Hoses 1/3

Discovery (FA393361-WA799999)

(LL0105)



F02.015
04-2004
L4
LL0105

Discovery (FA393361-WA799999)

Cooling & Heating
Cooling System
Cooling Unit, Fan Cowl & Hoses

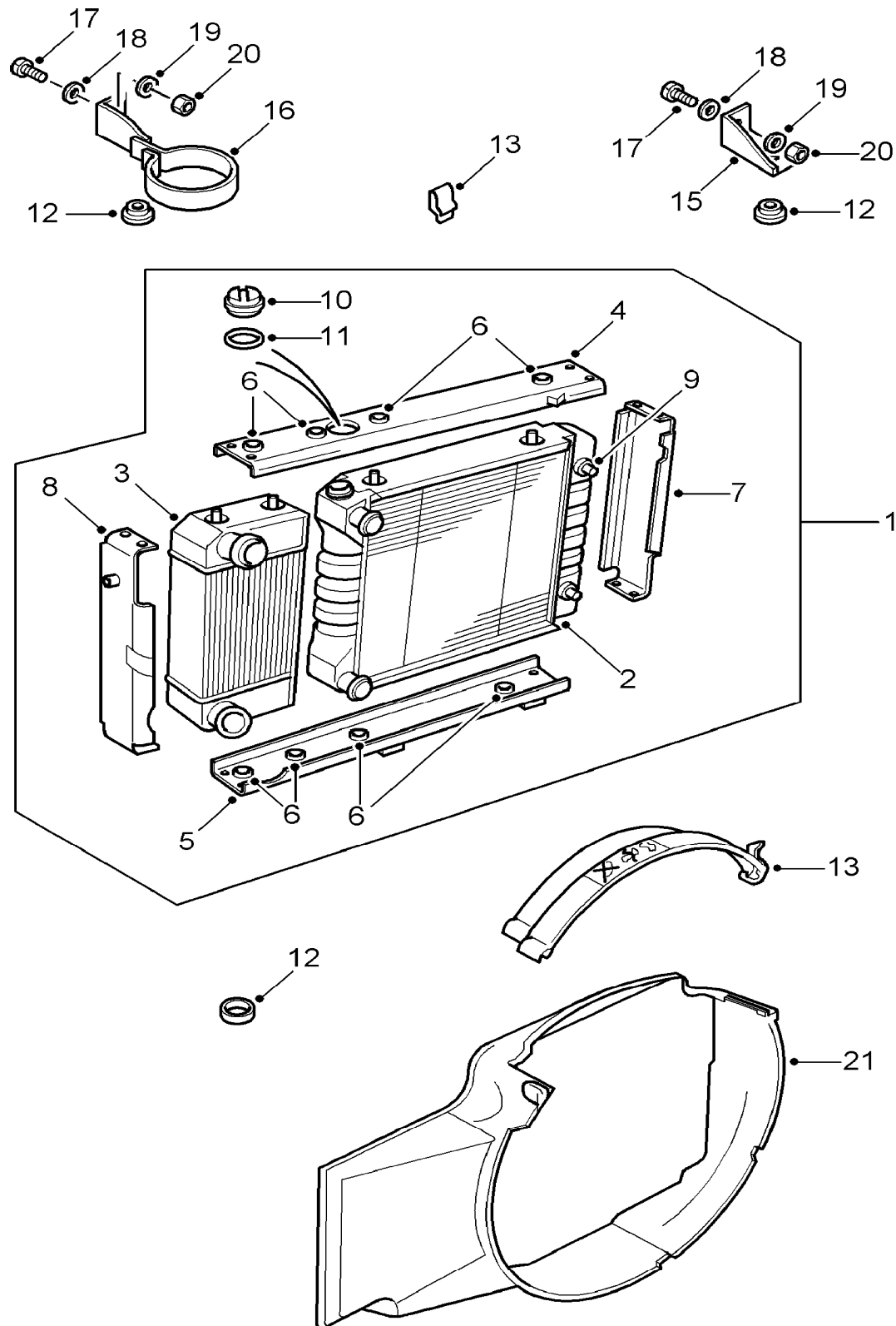
Change point - VIN begin MA081992, 2.5L 4 Cyl TDi Diesel

Callout	Name	Application	Remarks & Restrictions	Service No.	Qty
1	Radiator & intercooler assembly-cooling system	Change point - VIN begin MA096448, 300 Series / 300 TDI Change point - VIN end MA096447, 2.5 4 Cyl 300 Series/TDI Diesel	Also serviced as part of a kit, (-) 12L 2.5 TDI Manual - Gemini Also serviced as part of a kit, (-) 12L 2.5 TDI Manual - Gemini	ESR3275 ESR2592	1 1
2	Radiator assembly	Change point - VIN begin MA096448, 300 Series / 300 TDI Change point - VIN end MA096447, 2.5 4 Cyl 300 Series/TDI Diesel	Also serviced as part of a kit, (-) 12L 2.5 TDI Manual - Gemini Also serviced as part of a kit, (-) 12L 2.5 TDI Manual - Gemini	BTP2275 BTP2275	1 1
3	Intercooler assembly-coolant	Change point - VIN begin MA096448, 300 Series / 300 TDI	Also serviced as part of a kit, (-) 12L 2.5 TDI Manual - Gemini	FTP8030	1
4	Frame-radiator	Change point - VIN begin MA096448, 300 Series / 300 TDI Change point - VIN begin MA081992, Change point - VIN end MA096447, 2.5 4 Cyl 300 Series/TDI Diesel	Also serviced as part of a kit, (-) 12L 2.5 TDI Manual - Gemini, top Also serviced as part of a kit, (-) 12L 2.5 TDI Manual - Gemini	BTP2414 FTP8030	1 1
5	Frame-radiator	Change point - VIN begin MA096448, 300 Series / 300 TDI Change point - VIN end MA096447, 2.5 4 Cyl 300 Series/TDI Diesel Change point - VIN end MA096447, 2.5 4 Cyl 300 Series/TDI Diesel	Also serviced as part of a kit, (-) 12L 2.5 TDI Manual - Gemini Also serviced as part of a kit, (-) 12L 2.5 TDI Manual - Gemini, top Also serviced as part of a kit, (-) 12L 2.5 TDI Manual - Gemini	BTP2278 BTP2414 BTP2278	1 1 1
6	Grommet	Change point - VIN end MA096447, 2.5 4 Cyl 300 Series/TDI Diesel Change point - VIN end MA096447, 2.5 4 Cyl 300 Series/TDI Diesel Change point - VIN begin MA096448, 300 Series / 300 TDI	Also serviced as part of a kit, (-) 12L 2.5 TDI Manual - Gemini Also serviced as part of a kit, (-) 12L 2.5 TDI Manual - Gemini Also serviced as part of a kit, (-) 12L 2.5 TDI Manual - Gemini	PCG10017L PCG10017L PCG10017L	8 8 8
7	Frame-radiator	Change point - VIN end MA096447, 2.5 4 Cyl 300 Series/TDI Diesel Change point - VIN end MA096447, 2.5 4 Cyl 300 Series/TDI Diesel Change point - VIN begin MA096448, 300 Series / 300 TDI Change point - VIN begin MA096448, 300 Series / 300 TDI	Also serviced as part of a kit, RH, (-) 12L 2.5 TDI Manual - Gemini, Side Also serviced as part of a kit, RH, (-) 12L 2.5 TDI Manual - Gemini, Side Also serviced as part of a kit, RH, (-) 12L 2.5 TDI Manual - Gemini, Side Also serviced as part of a kit, RH, (-) 12L 2.5 TDI Manual - Gemini, Side	BTP1811 BTP1811 BTP1811 BTP1811	1 1 1 1

Cooling & Heating
Cooling System
Cooling Unit, Fan Cowl & Hoses 2/3

Discovery (FA393361-WA799999)

(LL0105)



F02.015
04-2004
L4
LL0105

Discovery (FA393361-WA799999)

Cooling & Heating
Cooling System
Cooling Unit, Fan Cowl & Hoses

Change point - VIN begin MA081992, 2.5L 4 Cyl TDi Diesel

Callout	Name	Application	Remarks & Restrictions	Service No.	Qty
8	Frame-radiator	Change point - VIN end MA096447, 2.5 4 Cyl 300 Series/TDI Diesel	Also serviced as part of a kit, (-) 12L 2.5 TDI Manual - Gemini, Side, LH	BTP1812	1
		Change point - VIN end MA096447, 2.5 4 Cyl 300 Series/TDI Diesel	Also serviced as part of a kit, (-) 12L 2.5 TDI Manual - Gemini, Side, LH	BTP1812	1
		Change point - VIN begin MA096448, 300 Series / 300 TDI	Also serviced as part of a kit, (-) 12L 2.5 TDI Manual - Gemini, Side, LH	BTP1812	1
		Change point - VIN begin MA096448, 300 Series / 300 TDI	Also serviced as part of a kit, (-) 12L 2.5 TDI Manual - Gemini, Side, LH	BTP1812	1
9	Adaptor-pipe coolant	Change point - VIN end MA096447, 2.5 4 Cyl 300 Series/TDI Diesel	Also serviced as part of a kit, (-) 12L 2.5 TDI Manual - Gemini	ESR1262	2
		Change point - VIN end MA096447, 2.5 4 Cyl 300 Series/TDI Diesel	Also serviced as part of a kit, (-) 12L 2.5 TDI Manual - Gemini	ESR1262	2
		Change point - VIN begin MA096448, 300 Series / 300 TDI	Also serviced as part of a kit, (-) 12L 2.5 TDI Manual - Gemini	ESR1262	2
		Change point - VIN begin MA096448, 300 Series / 300 TDI	(-) 12L 2.5 TDI Manual - Gemini	ESR1262	2
10	Plug-drain/filler level	Change point - VIN end MA096447, 2.5 4 Cyl 300 Series/TDI Diesel	Also serviced as part of a kit, (-) 12L 2.5 TDI Manual - Gemini	NTC4609	1
		Change point - VIN begin MA096448, 300 Series / 300 TDI	Also serviced as part of a kit, (-) 12L 2.5 TDI Manual - Gemini	NTC4609	1
11	O Ring	Change point - VIN begin MA096448, 300 Series / 300 TDI	Also serviced as part of a kit, (-) 12L 2.5 TDI Manual - Gemini	NTC5171	1
12	Bush-radiator mounting	300 Series / 300 TDI	(-) 12L 2.5 TDI Manual - Gemini	572312	4
13	Cowl-cooling system fan	300 Series / 300 TDI	(-) 12L 2.5 TDI Manual - Gemini, Upper	ESR2848	1
14	Clip	300 Series / 300 TDI	(-) 12L 2.5 TDI Manual - Gemini	ESR2593	2
15	Bracket-radiator mounting	300 Series / 300 TDI	(-) 12L 2.5 TDI Manual - Gemini, top	NTC1873	1
16	Bracket assembly power assisted steering pump & alternator	300 Series / 300 TDI	(-) 12L 2.5 TDI Manual - Gemini	NTC6890	1
17	Screw	300 Series / 300 TDI	(-) 12L 2.5 TDI Manual - Gemini, Flanged Head, M8 x 20	FS108201L	2
18	Washer	300 Series / 300 TDI	M8, (-) 12L 2.5 TDI Manual - Gemini, Large	WJ108001	2

Cooling & Heating
Cooling System
Cooling Unit, Fan Cowl & Hoses 3/3

Discovery (FA393361-WA799999)

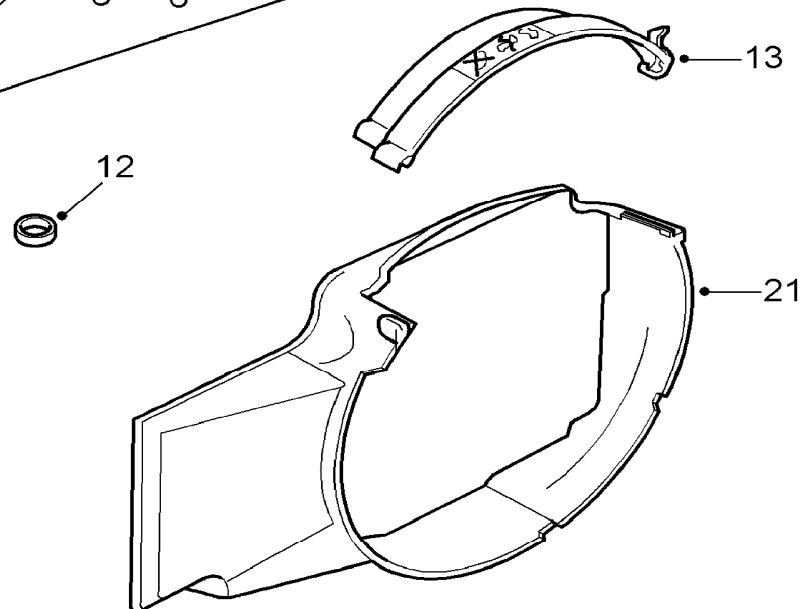
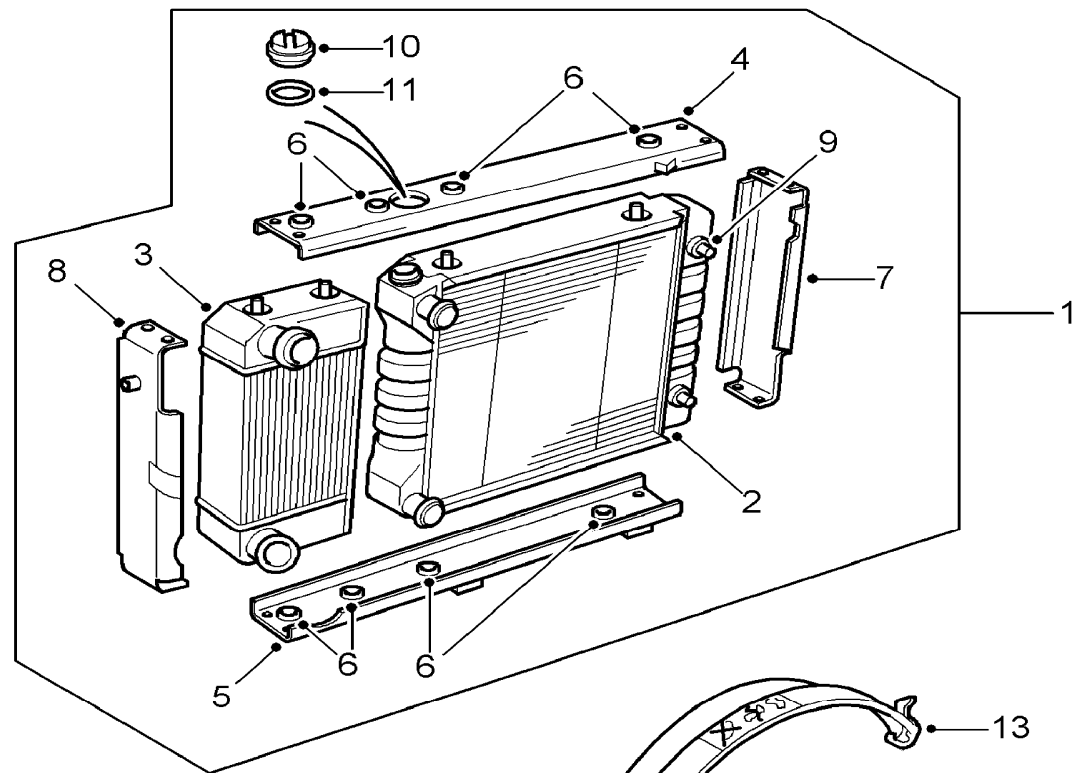
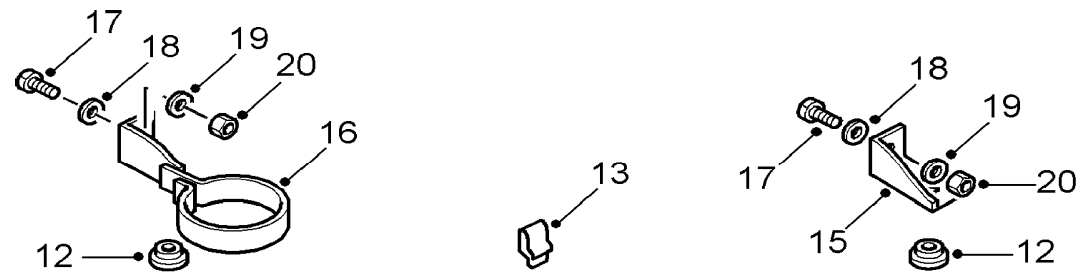
(LL0105)

Discovery (FA393361-WA799999)

Cooling & Heating
Cooling System
Cooling Unit, Fan Cowl & Hoses

Change point - VIN begin MA081992, 2.5L 4 Cyl TDi Diesel

Callout	Name	Application	Remarks & Restrictions	Service No.	Qty
19	Washer	300 Series / 300 TDI	8MM, (-) 12L 2.5 TDI Manual - Gemini	WA108051L	2
20	Nut - Hex.	300 Series / 300 TDI	M8, (-) 12L 2.5 TDI Manual - Gemini, hexagonal head	NH108041L	2
21	Cowl-cooling system fan	Change point - VIN end MA096447, 300 Series / 300 TDI Change point - VIN begin MA096448, 300 Series / 300 TDI	(-) 12L 2.5 TDI Manual - Gemini, Lower (-) 12L 2.5 TDI Manual - Gemini, Lower	ESR2849 ESR3276	1 1
[900]	O Ring	Change point - VIN end MA096447, 2.5 4 Cyl 300 Series/TDI Diesel	Also serviced as part of a kit, (-) 12L 2.5 TDI Manual - Gemini	NTC5171	1

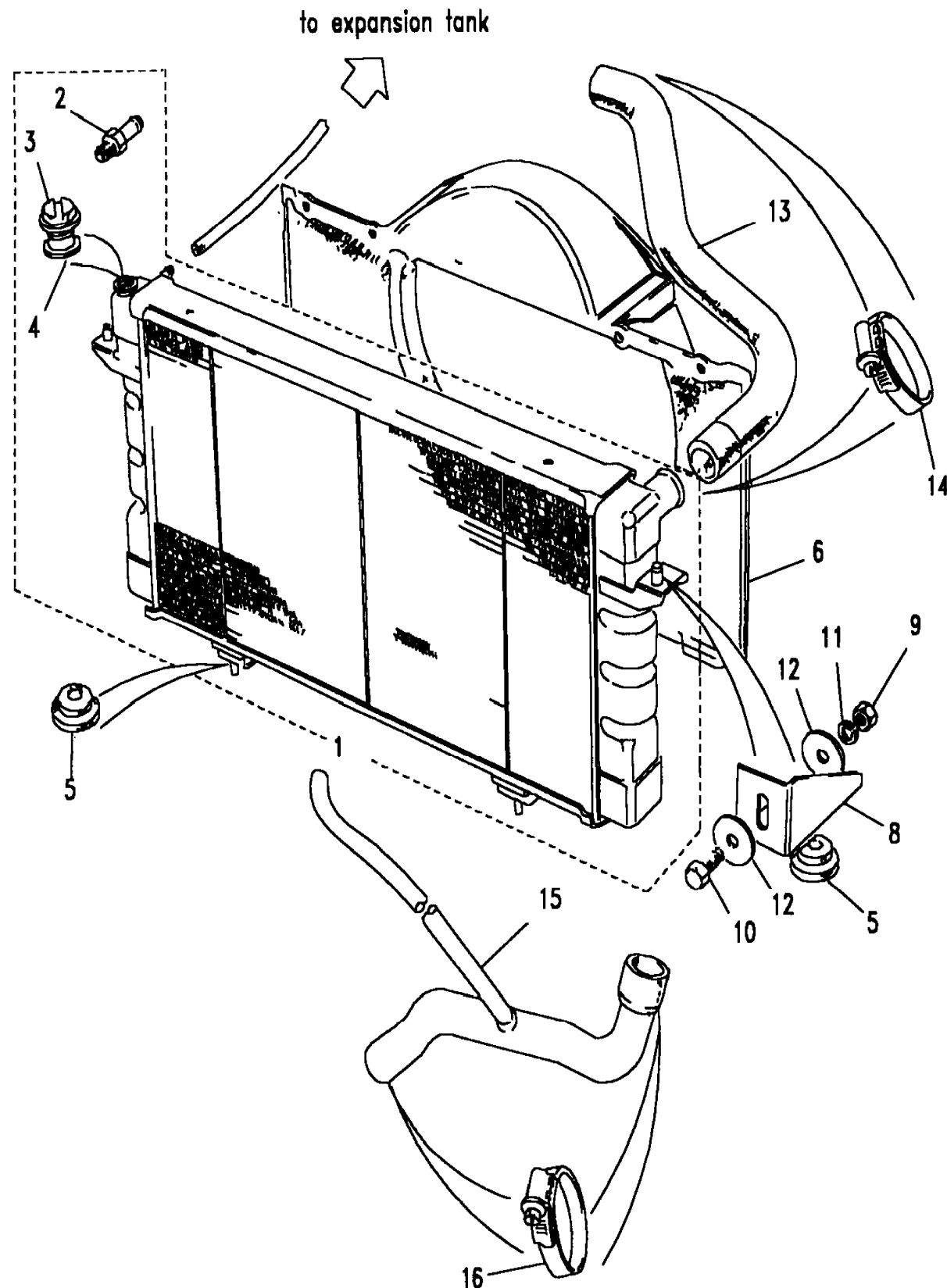


F02.015
04-2004
L4
LL0105

Cooling & Heating
Cooling System
Cooling Unit, Fan Cowl & Hoses 1/3

Discovery (FA393361-WA799999)

(CALXAA2B)



Discovery (FA393361-WA799999)

Cooling & Heating
Cooling System
Cooling Unit, Fan Cowl & Hoses

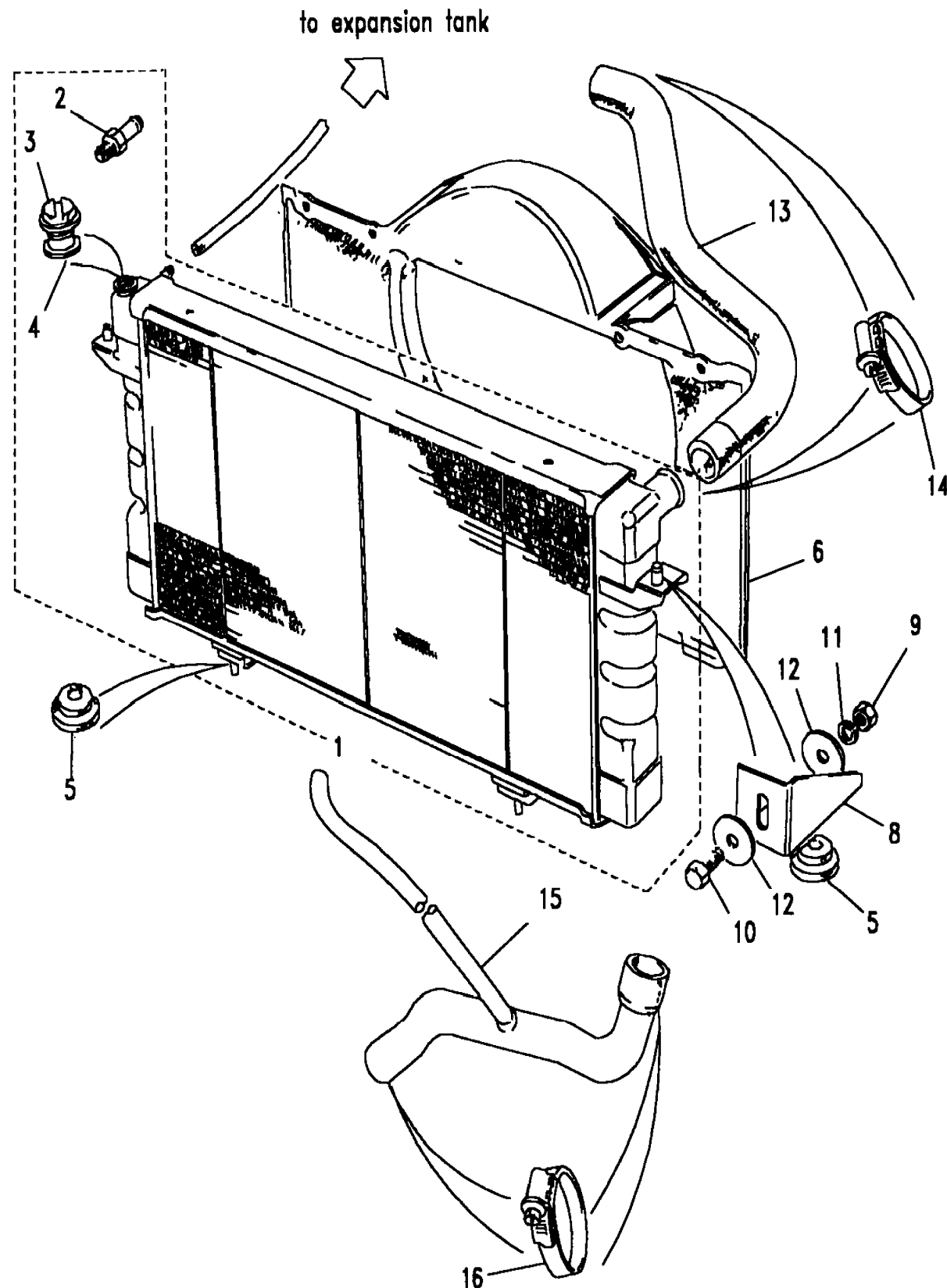
Change point - VIN begin MA081992, V8 Petrol

Callout	Name	Application	Remarks & Restrictions	Service No.	Qty		
1	Radiator assembly	Change point - VIN begin MA500000, Change point - VIN end TA501919, V8, Manual Transmission	Also serviced as part of a kit, Please Refer To Preface For Further Information	ESR2634	1		
		Change point - VIN begin MA081992, Change point - VIN end TA163099, V8, Manual Transmission	Also serviced as part of a kit, Please Refer To Preface For Further Information	ESR2634	1		
		Change point - VIN begin TA501920, V8, Manual Transmission	Also serviced as part of a kit, Please Refer To Preface For Further Information	ESR3688	1		
		Change point - VIN begin TA163100, V8, Manual Transmission	Also serviced as part of a kit, Please Refer To Preface For Further Information	ESR3688	1		
		Change point - VIN begin MA081992, Change point - VIN end TA163099, V8, Automatic Transmission	Also serviced as part of a kit, Please Refer To Preface For Further Information	ESR2630	1		
		Change point - VIN begin MA500000, Change point - VIN end TA501919, V8, Automatic Transmission	Also serviced as part of a kit, Please Refer To Preface For Further Information	ESR2630	1		
		Change point - VIN begin TA163100, V8, Automatic Transmission	Also serviced as part of a kit, Please Refer To Preface For Further Information	ESR3687	1		
		Change point - VIN begin TA501920, V8, Automatic Transmission	Also serviced as part of a kit, Please Refer To Preface For Further Information	ESR3687	1		
		2	Adaptor-pipe coolant	Change point - VIN end TA501919, Change point - VIN begin MA081992, V8, Manual Transmission	Also serviced as part of a kit	ESR1262	2
				Change point - VIN end TA501919, Change point - VIN begin MA081992, V8, Automatic Transmission	Also serviced as part of a kit	ESR1262	2
3	Plug-drain/filler level	Change point - VIN end TA501919, Change point - VIN begin MA081992, V8, Manual Transmission	Also serviced as part of a kit	NTC4609	1		
		Change point - VIN end TA501919, Change point - VIN begin MA081992, V8, Automatic Transmission	Also serviced as part of a kit	NTC4609	1		
4	O Ring	Change point - VIN end TA501919, Change point - VIN begin MA081992, V8, Manual Transmission	radiator filler plug, Also serviced as part of a kit	NTC5171	1		
		Change point - VIN end TA501919, Change point - VIN begin MA081992, V8, Automatic Transmission	radiator filler plug, Also serviced as part of a kit	NTC5171	1		
5	Bush-radiator mounting	Change point - VIN begin MA081992, V8, Automatic Transmission		572312	4		

Cooling & Heating
Cooling System
Cooling Unit, Fan Cowl & Hoses 2/3

Discovery (FA393361-WA799999)

(CALXAA2B)



Discovery (FA393361-WA799999)

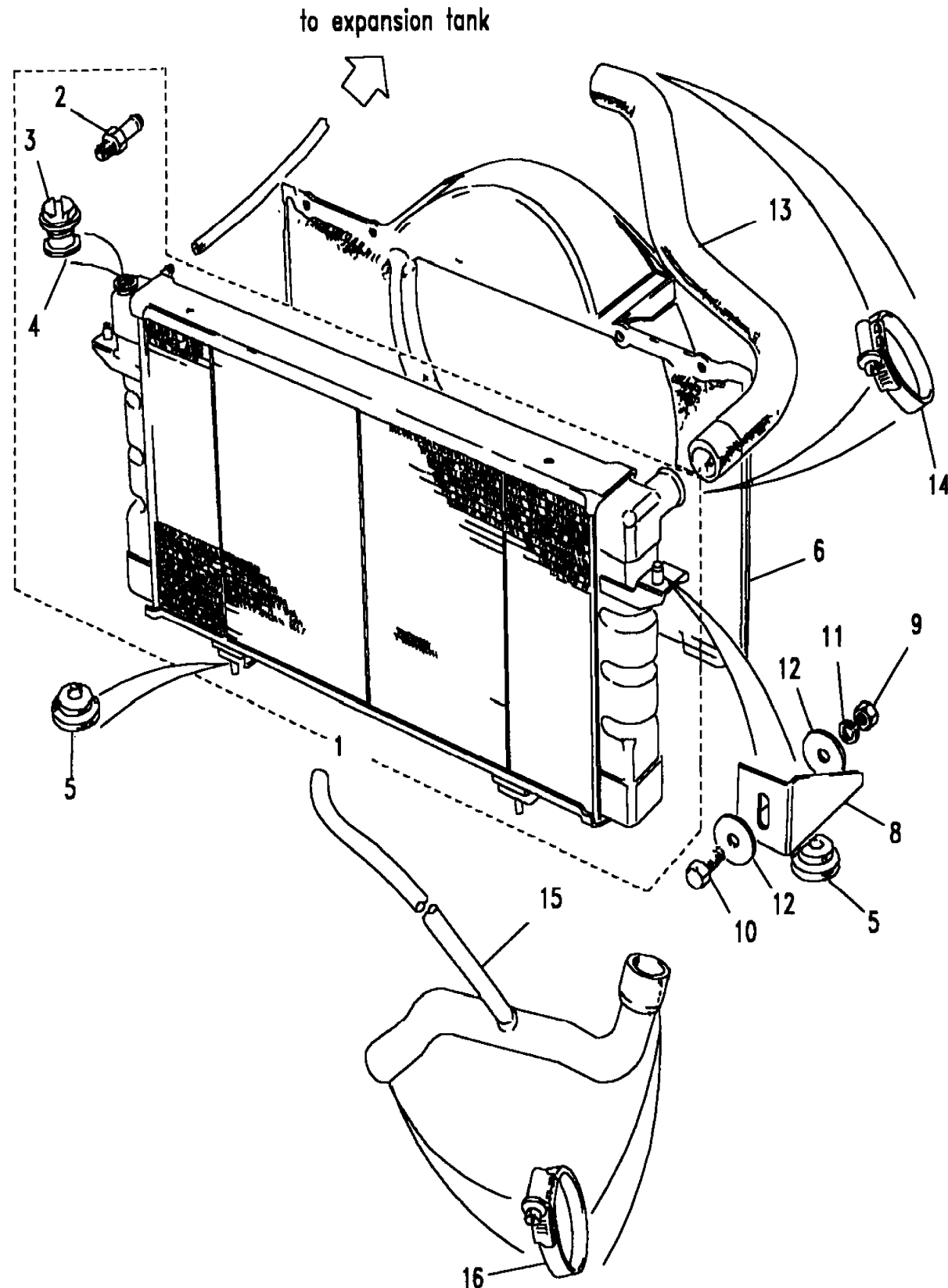
Cooling & Heating
Cooling System
Cooling Unit, Fan Cowl & Hoses

Change point - VIN begin MA081992, V8 Petrol

Callout	Name	Application	Remarks & Restrictions	Service No.	Qty
6	Cowl-cooling system fan	Change point - VIN begin MA081992, V8, Automatic Transmission	Upper	ESR3226	1
		Change point - VIN begin MA081992, V8, Automatic Transmission	Lower	ESR2847	1
7	Clip	Change point - VIN begin MA081992, V8, Automatic Transmission		ESR2593	2
8	Bracket-radiator mounting	Change point - VIN begin MA081992, V8, Automatic Transmission	top	NTC1873	1
9	Nut - Hex.	Change point - VIN begin MA081992, V8, Automatic Transmission	M8, hexagonal head	NH108041L	1
10	Screw	V8, Automatic Transmission	Flanged Head, M8 x 20	FS108207L	1
11	Washer	Change point - VIN begin MA081992, V8, Automatic Transmission	8MM	WA108051L	1
12	Washer	Change point - VIN begin MA081992, V8, Automatic Transmission		WJ108001L	1
13	Hose-radiator top coolant	Change point - VIN begin MA081992, Change point - VIN end MA098379, Automatic Transmission		ESR1052	1
		Change point - VIN begin MA098380, Automatic Transmission		ESR3297	1
14	Clip-Hose	Change point - VIN begin MA081992, Change point - VIN end MA119367, V8		CN100508	2
		Change point - VIN begin MA119368, V8	50MM, with spring assist	ESR3353	2
15	Hose-radiator bottom coolant	Change point - VIN begin MA081992		ESR1819	1
		Change point - VIN begin MA081992		PCH000060	1
		Change point - VIN begin MA081992	evaporator loss control	PCH000070	1
16	Clip-Hose	Change point - VIN begin MA081992, V8		CN100168L	1
17	Clip-Hose	Change point - VIN begin MA081992, V8		CN100308	1

Cooling & Heating
Cooling System
Cooling Unit, Fan Cowl & Hoses 3/3

Discovery (FA393361-WA799999)
(CALXAA2B)



Discovery (FA393361-WA799999)

Cooling & Heating
Cooling System
Cooling Unit, Fan Cowl & Hoses

Change point - VIN begin MA081992, V8 Petrol

Callout	Name	Application	Remarks & Restrictions	Service No.	Qty
18	Clip-Hose	Change point - VIN begin MA081992, Change point - VIN end MA119367, V8	50MM, less spring assist	CN100508L	2
		Change point - VIN begin MA119368, V8	50MM, with spring assist	ESR3353	2

Cooling & Heating
Cooling System
Cooling Unit, Fan Cowl & Hoses 1/2

Discovery (FA393361-WA799999)

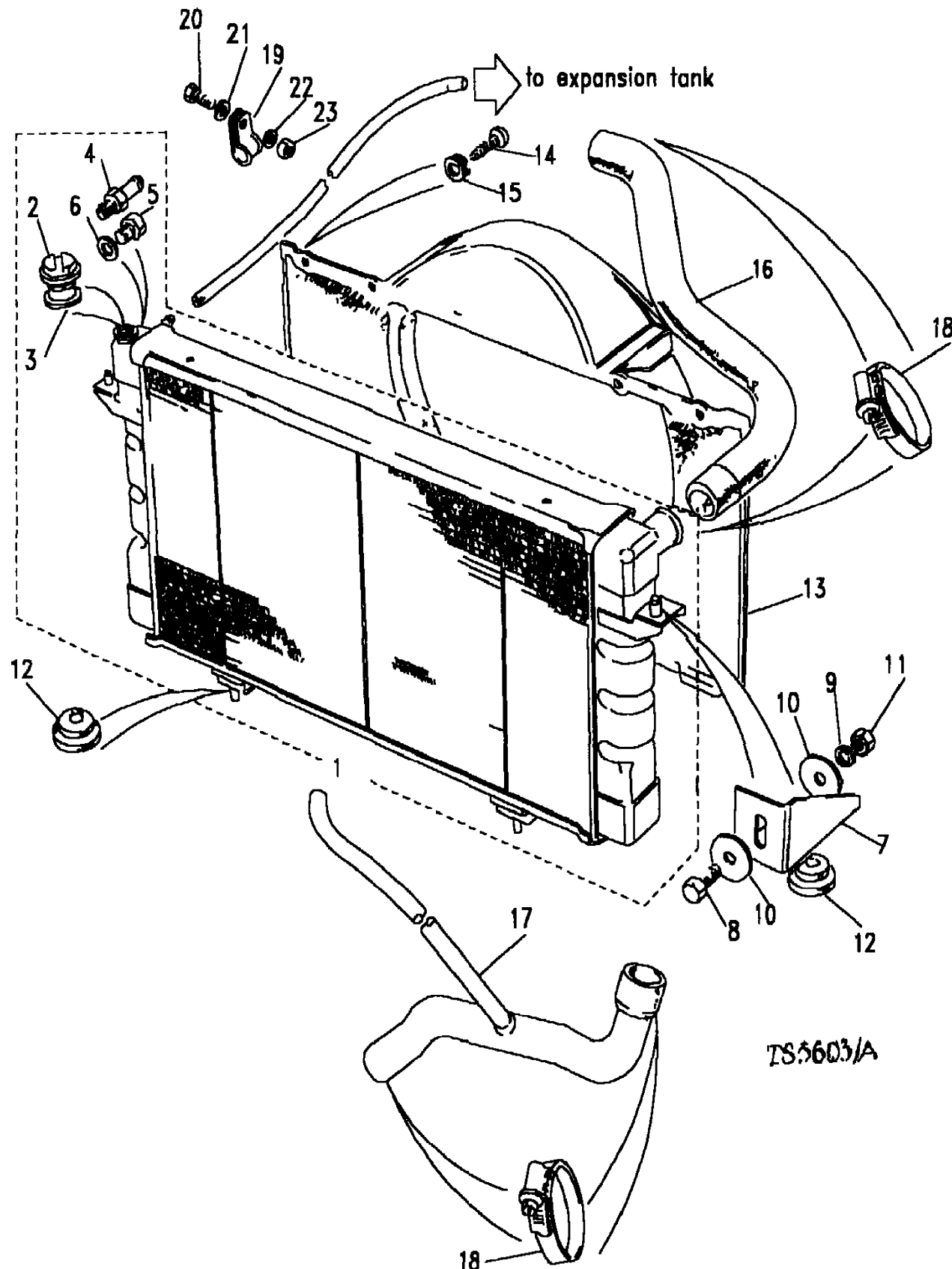
(CALXAA1A)

Discovery (FA393361-WA799999)

Cooling & Heating
Cooling System
Cooling Unit, Fan Cowl & Hoses

Change point - VIN end LA081991, V8 Petrol

Callout	Name	Application	Remarks & Restrictions	Service No.	Qty		
1	Radiator assembly	Change point - VIN begin LA064755, Change point - VIN end LA081991, V8, Manual Transmission	Also serviced as part of a kit	NTC5979	1		
		Change point - VIN begin LA064755, Change point - VIN end LA081991, V8, Automatic Transmission	Also serviced as part of a kit	NTC6725	1		
		Change point - VIN end LA081991, V8	Also serviced as part of a kit	ESR80	1		
		Change point - VIN begin LA064755, Change point - VIN end LA081991, V8, Manual Transmission	Also serviced as part of a kit	ESR1595	1		
		Change point - VIN begin LA064755, Change point - VIN end LA081991, V8, Automatic Transmission	Also serviced as part of a kit	ESR1250	1		
		Change point - VIN end LA081991, V8	Also serviced as part of a kit	NTC6171	1		
		2	Plug-drain/filler level	Change point - VIN begin LA064755, Change point - VIN end LA081991, V8, Manual Transmission	Also serviced as part of a kit	NTC4609	1
				Change point - VIN begin LA064755, Change point - VIN end LA081991, V8, Automatic Transmission	Also serviced as part of a kit	NTC4609	1
		3	O Ring	Change point - VIN begin LA064755, Change point - VIN end LA081991, V8, Manual Transmission	radiator filler plug, Also serviced as part of a kit	NTC5171	1
				Change point - VIN begin LA064755, Change point - VIN end LA081991, V8, Automatic Transmission	radiator filler plug, Also serviced as part of a kit	NTC5171	1
4	Pipe assembly-coolant	Change point - VIN end LA081991, V8	Also serviced as part of a kit	NTC6706	1		
5	Plug-drain/filler level	Change point - VIN end LA081991, V8	Also serviced as part of a kit	RRO2126L	1		
6	Washer	Change point - VIN end LA081991, V8	Also serviced as part of a kit	RRO2125L	1		
7	Bracket-radiator mounting	Change point - VIN end LA081991, V8	top	NTC1873	2		
8	Screw	Change point - VIN end LA081991, V8	Flanged Head, M8 x 20	FS108207L	2		
9	Washer	Change point - VIN end LA081991, V8	M8, sprung	WL108001L	2		
10	Washer	Change point - VIN end LA081991, V8	8MM	WA108051L	2		



Cooling & Heating
Cooling System
Cooling Unit, Fan Cowl & Hoses 2/2

Discovery (FA393361-WA799999)

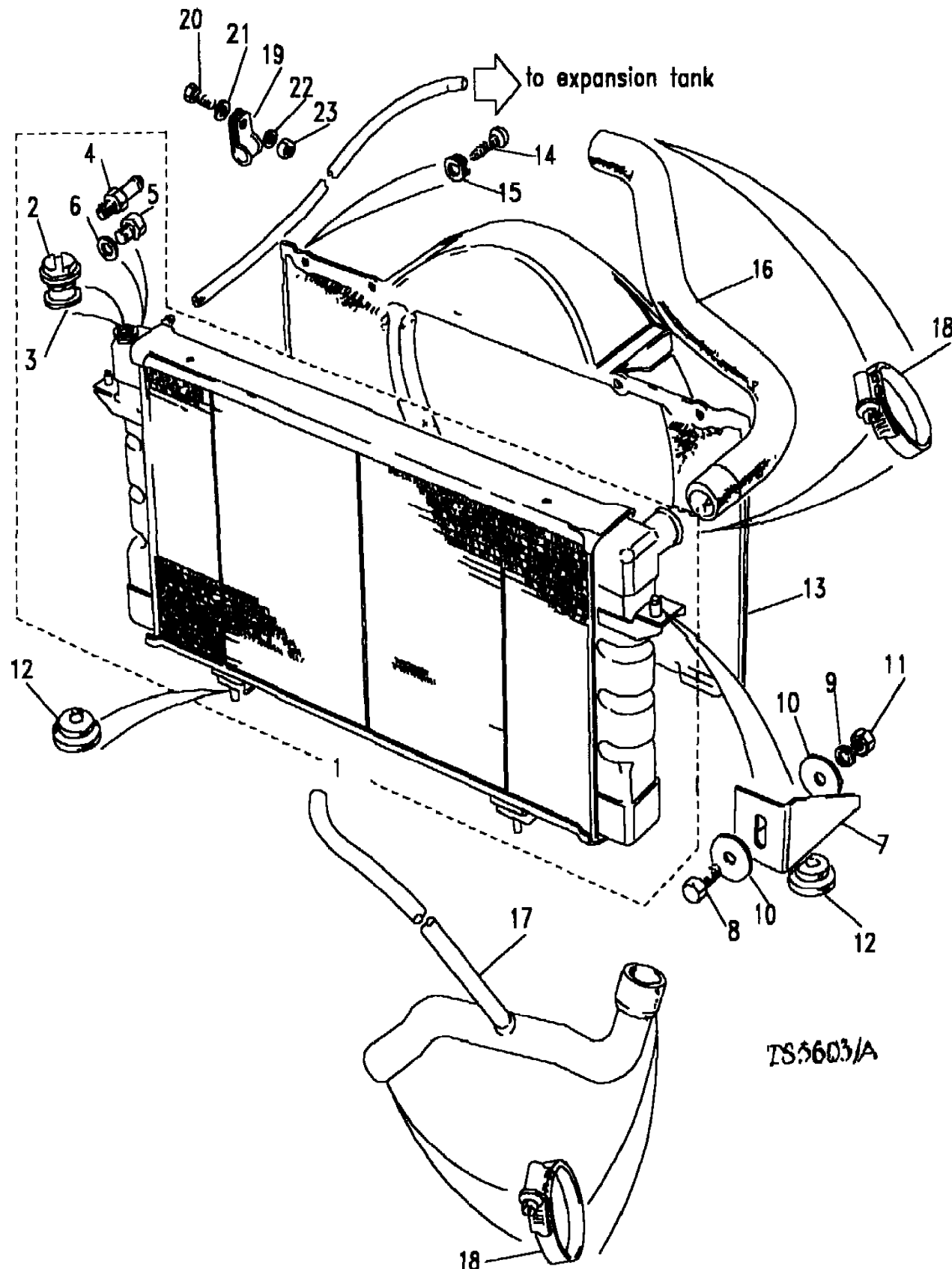
(CALXAA1A)

Discovery (FA393361-WA799999)

Cooling & Heating
Cooling System
Cooling Unit, Fan Cowl & Hoses

Change point - VIN end LA081991, V8 Petrol

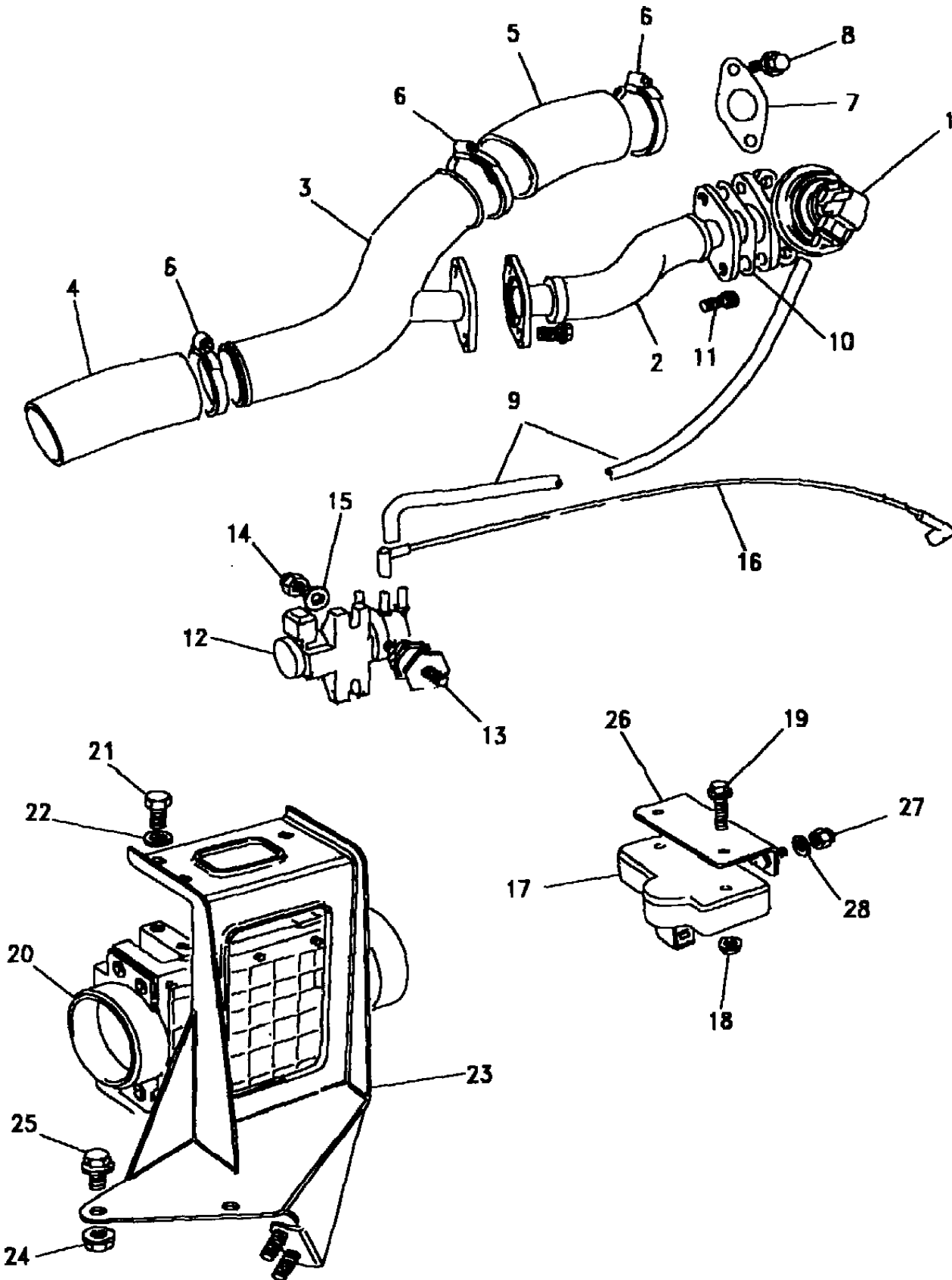
Callout	Name	Application	Remarks & Restrictions	Service No.	Qty
11	Nut - Hex.	Change point - VIN end LA081991, V8	M8, flange	FN108041L	2
12	Bush-radiator mounting	Change point - VIN end LA081991, V8		572312	4
13	Cowl-cooling system fan	Change point - VIN end LA081991, V8		ESR1027	1
14	Screw	Change point - VIN end LA081991, V8	Self Tapping, No 6 x 1/2	AB606041L	4
15	Washer-Spring	Change point - VIN end LA081991, V8	1/4", imperial, double coil	WS600047L	4
16	Hose-radiator top coolant	Change point - VIN end KA064754 Change point - VIN begin LA064755, Change point - VIN end LA081991		NTC1081 ESR1052	1 1
17	Hose-radiator bottom coolant	Change point - VIN end KA064754, V8 Change point - VIN begin LA064755, Change point - VIN end LA081991		NTC5632 NTC7297	1 1
18	Clip-Hose	Change point - VIN end MA119367, V8 Change point - VIN begin MA119368, V8	50MM, with spring assist	CN100508 ESR3353	4 4
19	Clip-Hose	Change point - VIN end LA081991, V8		NRC2383	1
20	Screw	Change point - VIN end LA081991, V8	hexagonal head, 1/4UNF x 3/4	SH604061L	1
21	Washer	Change point - VIN end LA081991, V8	6MM	WA106041L	1
22	Washer-Spring	Change point - VIN end LA081991, V8	1/4 dia, Square	WM600041L	1
23	Nut - Hex.	Change point - VIN end LA081991, V8	hexagonal head, Coarse Thread, 1/4UNF	NH604041L	1



Cooling & Heating
Cooling System
Exhaust Gas Recirculation Hoses 1/2

Discovery (FA393361-WA799999)

(CALXAC4C)



Discovery (FA393361-WA799999)

Cooling & Heating
Cooling System
Exhaust Gas Recirculation Hoses

2.5L 4 Cyl TDi Diesel, 2.5L 6 Cyl BMW Diesel

Callout	Name	Application	Remarks & Restrictions	Service No.	Qty
1	Valve-exhaust gas recirculation engine exhaust	TDi, Less EDC		ERR4047	1
		TDi, EDC		ERR2826	1
2	Pipe-exhaust gas recirculation	Change point - Engine begin 21L46223A, TDi Change point - Engine end 21L46224A, TDi		ERR3583	1
			Also serviced as part of a kit	ERR5731	1
3	Pipe-exhaust gas recirculation	TDi	15 G	ERR3579	1
4	Pipe-exhaust gas recirculation	TDi		ERR3581	1
5	Pipe-exhaust gas recirculation	TDi		ERR3580	1
6	Clip-Hose	TDi		PYC101120	3
		TDi	60MM	PYC101120L	3
7	Gasket-exhaust gas recirculation pipe-inlet manifold engine exhaust	2.5L 4 Cyl Turbo Diesel		ERR7173	1
8	Screw-hexagon socket	TDi	M8 x 25	SS108251	2
9	Pipe-solenoid valve/exhaust gas recirculation diesel	TDi		ERR5055	1
		TDi	Blue.	ESR3533	1
10	Gasket-exhaust gas recirculation valve to pipe	2.5 4 Cyl 300 Series/TDi Diesel	(-) 12L 2.5 TDI Manual - Gemini	ERR3319	1
11	Screw-hexagon socket	TDi	M8 x 20	SS108201	2
12	Valve-solenoid-exhaust gas recirculation diesel	TDi		ERR3314	1
13	Mounting-rubber	TDi	valve solenoid	ERR2337	2
14	Nut - Hex.	TDi	M6, hexagonal head, nyloc	NY106047L	2
15	Washer	TDi	M6	WA106001L	2
16	Hose-modulator valve to air cleaner	TDi	Green, White.	ERR4862	1
17	Sensor-turbocharger boost pressure	TDi		ERR2083	1
18	Nut-hexagonal-nyloc	TDi	M5	NY105041L	2

Cooling & Heating
Cooling System
Exhaust Gas Recirculation Hoses 2/2

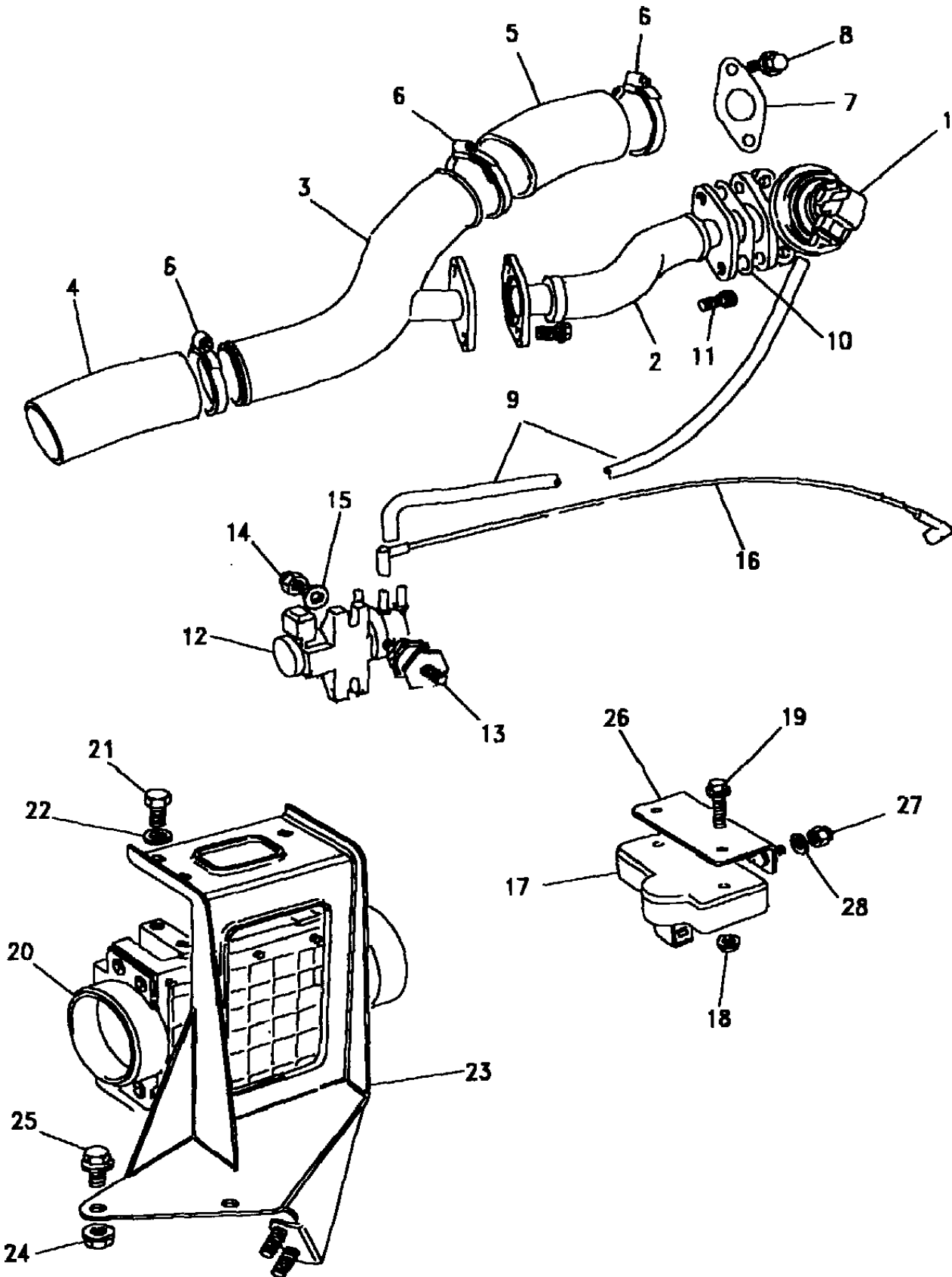
Discovery (FA393361-WA799999)

(CALXAC4C)

Discovery (FA393361-WA799999)

Cooling & Heating
Cooling System
Exhaust Gas Recirculation Hoses

2.5L 4 Cyl TDi Diesel, 2.5L 6 Cyl BMW Diesel



Callout	Name	Application	Remarks & Restrictions	Service No.	Qty
19	Screw	TDi	M5 X 10, hexagonal head	FS105107	2
20	Sensor assembly-airflow multi point injection	TDi		ERR2084	1
21	Screw	TDi	M8 X 15, hexagonal head	SH108151L	3
22	Washer	TDi	M8, Large	WJ108001	3
23	Bracket assembly-mounting air flow meter	TDi		ERR2706	1
24	Nut - Hex.	TDi	M8, flange	FN108041L	4
25	Screw	TDi	M8 X 16, Flanged Head	FS108161L	2
26	Bracket assembly-sensor diesel	TDi		ERR2707	1
27	Nut - Hex.	TDi	M6, hexagonal head, nyloc	NY106047L	2
28	Washer	TDi	M6	WA106001L	2
[29]	Heatshield engine exhaust	TDi		ERR5202	1
[30]	Hose	TDi, (+)"J"	Lower, coolant, EGR	ESR3994	1
[31]	Pipe	TDi, (+)"J"	exhaust gas recirculation	ERR6721	1
[32]	Cooler - EGR	TDi, (+)"J"		ERR6723	1
[33]	Hose	TDi, (+)"J"	EGR Cooler To Water Rail, coolant	ESR3993	1
[34]	Clamp	TDi, (+)"J"		ESR1615	1

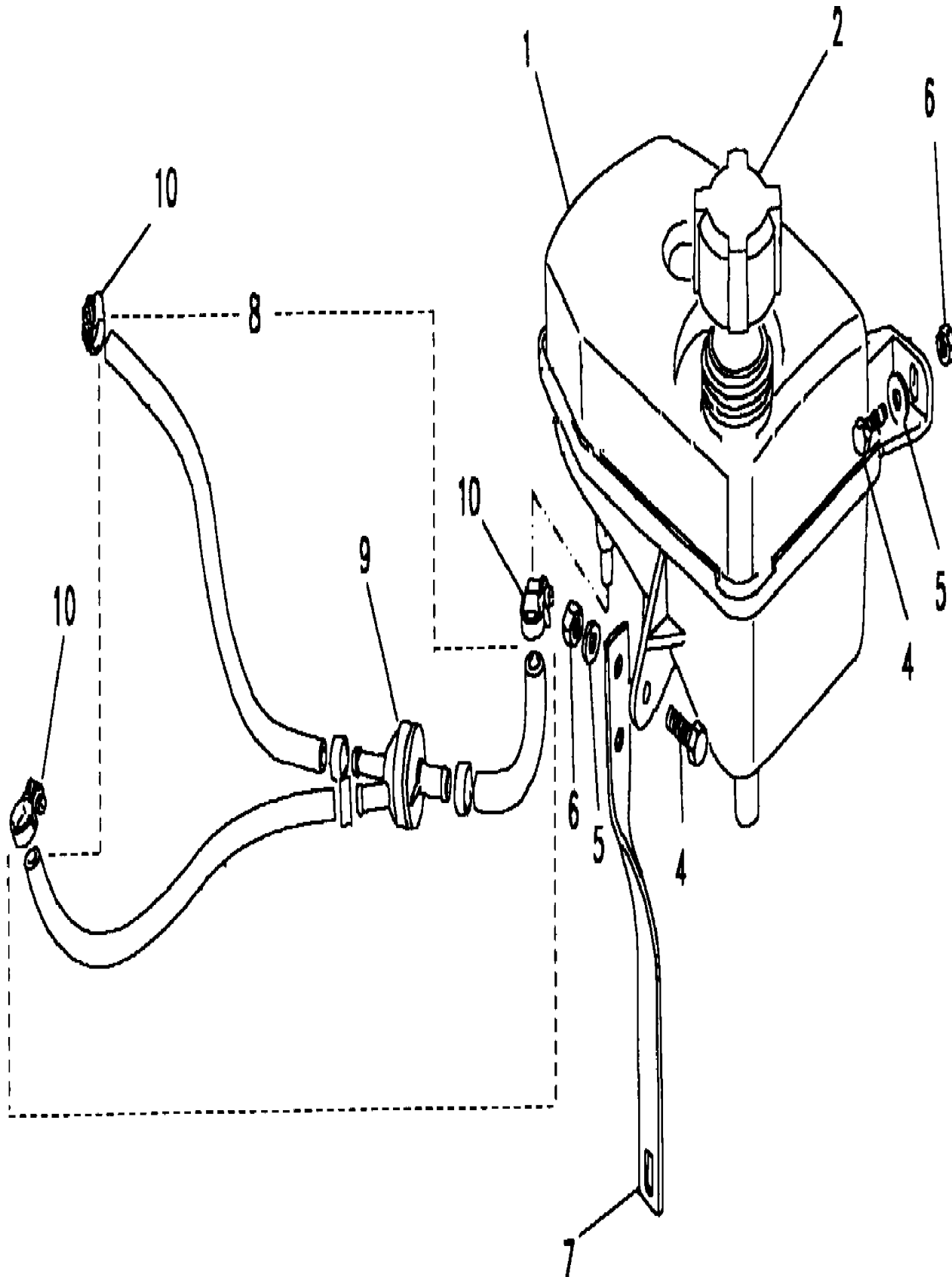
Cooling & Heating
Cooling System
Expansion Tank & Hoses-Diesel Cont. 1/1

Discovery (FA393361-WA799999)

(CALXCC2A)

Discovery (FA393361-WA799999)

Cooling & Heating
Cooling System
Expansion Tank & Hoses-Diesel Cont.
2.5L 4 Cyl TDi Diesel



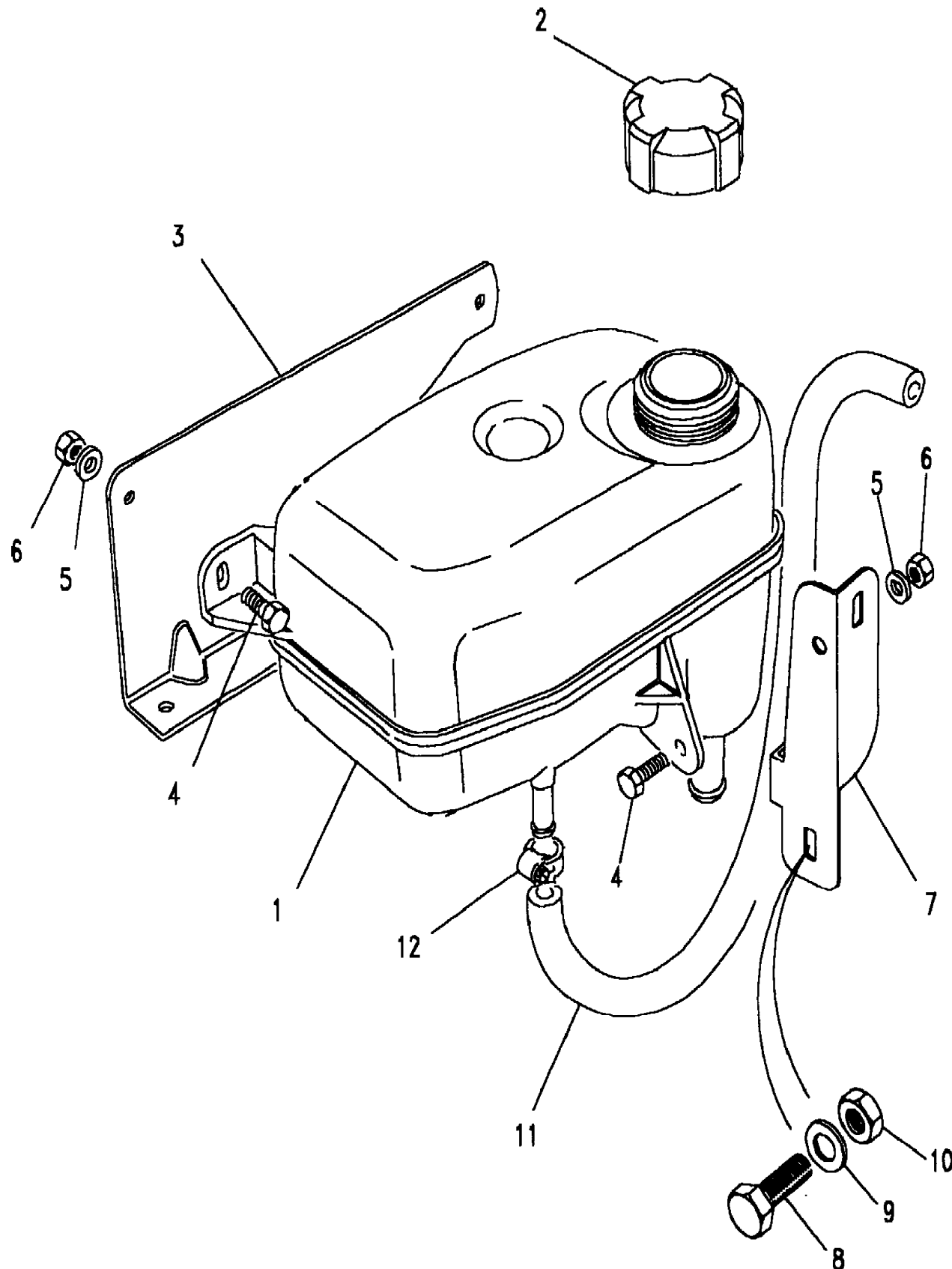
Callout	Name	Application	Remarks & Restrictions	Service No.	Qty
1	Tank-radiator expansion	TDi		ESR63	1
2	Cap-expansion tank pressure	TDi	15psi	NTC7161	1
3	Bracket-expansion tank	TDi		NTC6874	1
4	Screw-flanged head	TDi TDi	M6 X 16, Flanged Head M6 X 16, Flanged Head	FS106161L FS106167L	4 4
5	Washer	TDi	6MM	WA106041L	4
6	Nut - Hex.	TDi	M6, nyloc, Hexagonal	NH106041L	4
7	Bracket-expansion tank	TDi		NTC5844	1
8	Hose-bleed pipe assembly to expansion tank	TDi	Also serviced as part of a kit	ESR3436	1
9	Pump-expansion tank ejector	TDi	Also serviced as part of a kit	ESR2348	1
10	Clip-Hose	TDi		CN100168L	3

Cooling & Heating
Cooling System
Expansion Tank & Hoses-Petrol 1/1

Discovery (FA393361-WA799999)
(CALXCA1B)

Discovery (FA393361-WA799999)

Cooling & Heating
Cooling System
Expansion Tank & Hoses-Petrol
2.0L MPi Petrol



Callout	Name	Application	Remarks & Restrictions	Service No.	Qty
1	Tank-radiator expansion	MPi		ESR63	1
2	Cap-expansion tank pressure	MPi	15psi	NTC7161	1
3	Bracket-expansion tank	MPi		NTC6874	1
4	Screw-flanged head	MPi	M6 X 16, Flanged Head	FS106167L	3
5	Washer	MPi	6MM	WA106041L	3
6	Nut - Hex.	MPi	M6, nyloc, Hexagonal	NH106041L	3
7	Support-expansion tank mounting	MPi		NTC7847	1
8	Screw-flanged head	MPi	M6 X 16, Flanged Head	FS106167L	1
9	Washer	MPi	6MM	WA106041L	1
10	Nut - Hex.	MPi	M6, nyloc, Hexagonal	NH106041L	1
11	Hose-bleed pipe assembly to expansion tank	Change point - VIN begin LA081991, MPi		NTC7298	1
		Change point - VIN begin MA081992, MPi		ESR1305	1
12	Clip-Hose	MPi		CN100168L	2

Cooling & Heating
Cooling System
Expansion Tank & Hoses-Petrol Cont. 1/1

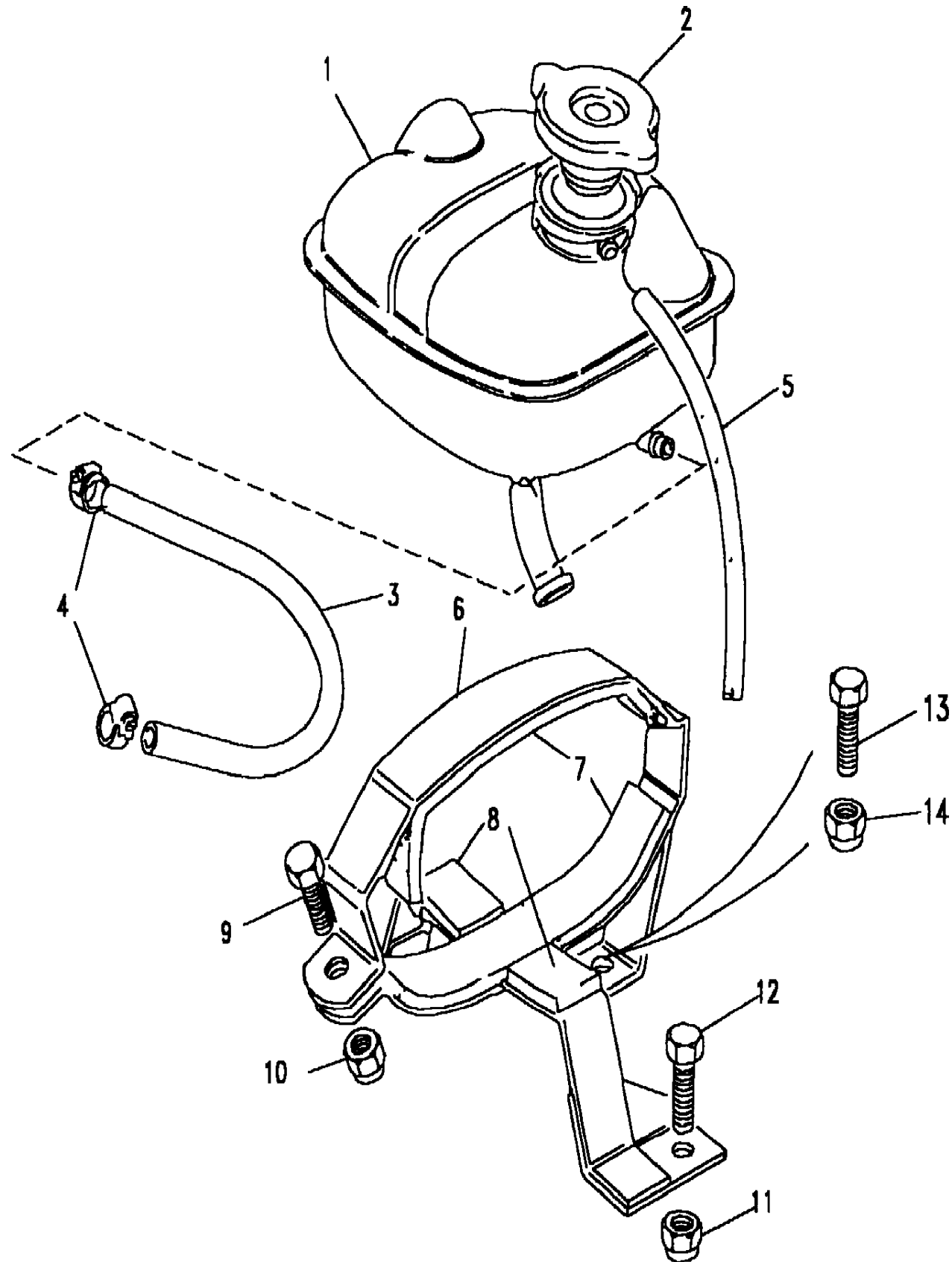
Discovery (FA393361-WA799999)
(CALXCA1A)

Discovery (FA393361-WA799999)

Cooling & Heating
Cooling System
Expansion Tank & Hoses-Petrol Cont.

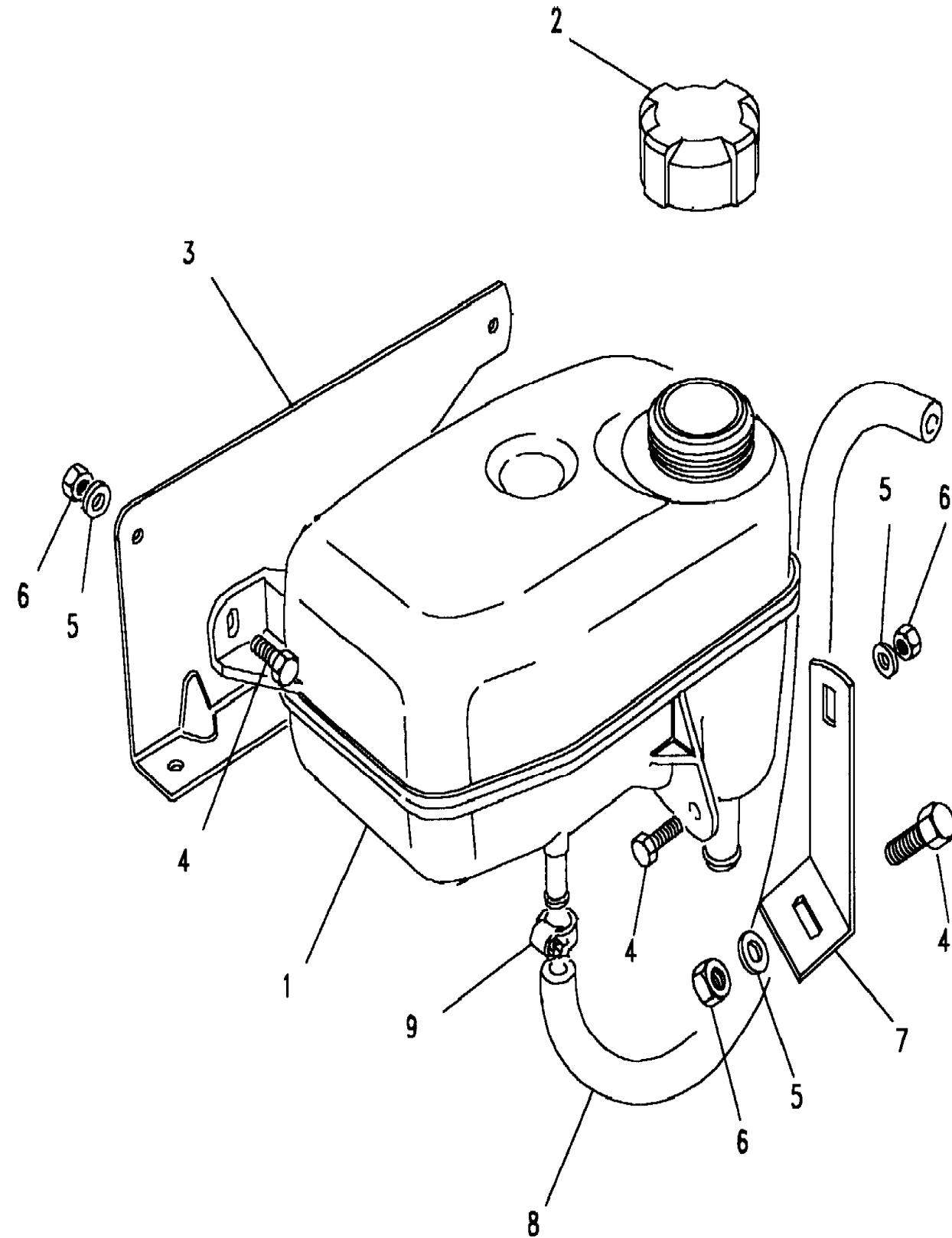
3.5L V8 Twin Carb Petrol

Callout	Name	Application	Remarks & Restrictions	Service No.	Qty
1	Tank-radiator expansion	V8 Twin Carb	Also serviced as part of a kit	NTC7252	1
2	Cap-expansion tank pressure	V8 Twin Carb	Also serviced as part of a kit	565540	1
		V8 Twin Carb		PCD100150	1
3	Hose-radiator to expansion tank	V8 Twin Carb		NTC6858	1
4	Clip-Hose	V8 Twin Carb	20MM	CN100208L	3
5	Hose-expansion tank overflow	V8 Twin Carb		564724	1
6	Bracket-expansion tank	V8 Twin Carb		NTC7124	1
7	Tape-self adhesive-foam	V8 Twin Carb		NRC5294	2
8	Tape-self adhesive-foam	V8 Twin Carb		NRC5295	2
9	Screw	V8 Twin Carb	hexagonal head, 1/4UNF x 7/8	SH604071L	1
10	Nut - Hex.	V8 Twin Carb	1/4", nyloc, Hexagonal	NY604041L	1
11	Screw	V8 Twin Carb V8 Twin Carb	M8 X 16, hexagonal head M8 X 16, Flanged Head	SH108161L FS108161L	2 2
12	Nut - Hex.	V8 Twin Carb	M8	NV108041L	2
13	Screw-flanged head	V8 Twin Carb	M6 X 16, Flanged Head	FS106167L	1
14	Nut - Hex.	V8 Twin Carb	M6	NV106041L	1



Cooling & Heating
Cooling System
Expansion Tank 1/1

Discovery (FA393361-WA799999)
(CALXCC1A)



Discovery (FA393361-WA799999)

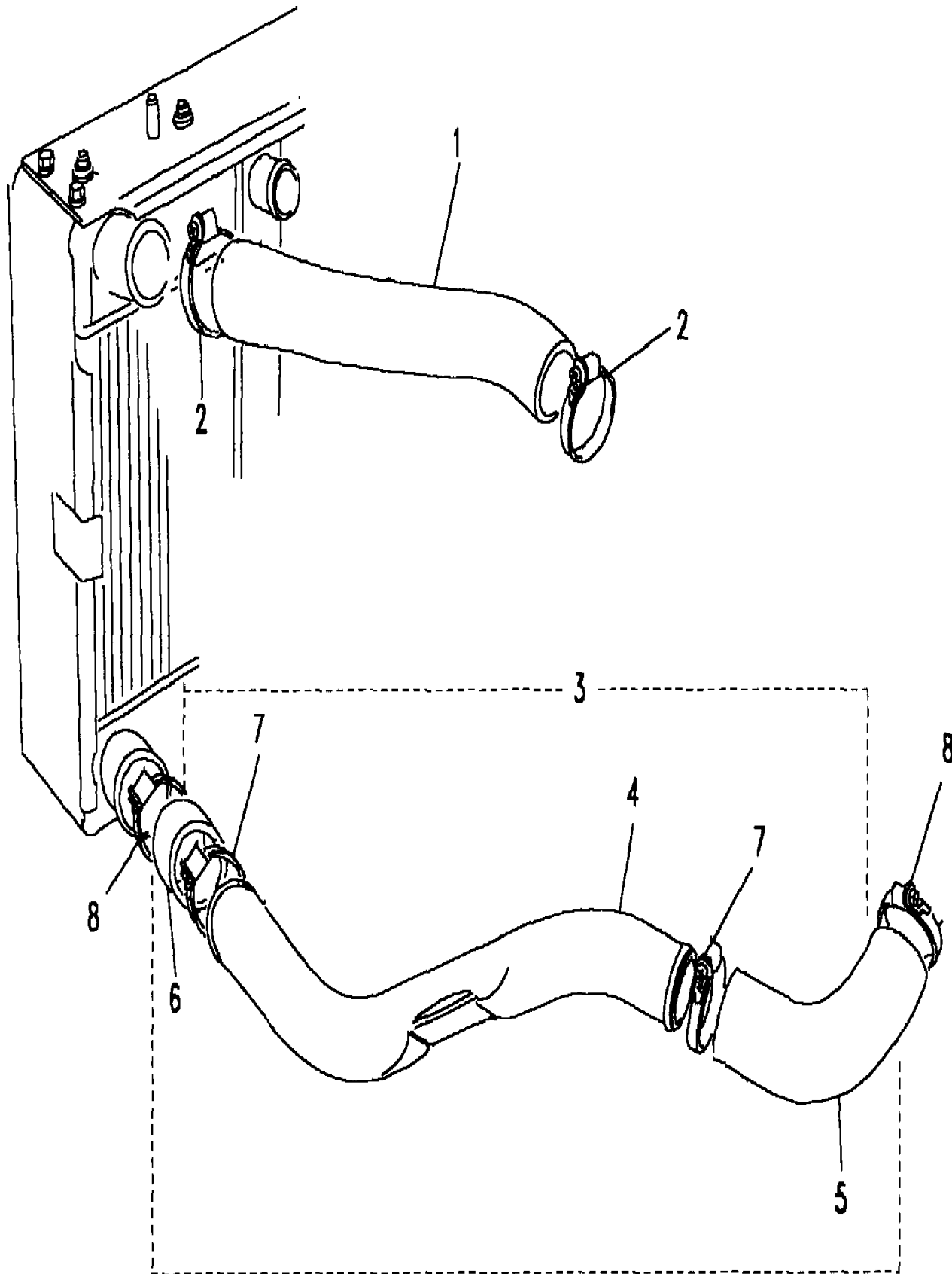
Cooling & Heating
Cooling System
Expansion Tank

4 Cylinder TDi Diesel, Petrol V8 L/R EFI

Callout	Name	Application	Remarks & Restrictions	Service No.	Qty
1	Tank-radiator expansion	V8		ESR63	1
		TDi		ESR63	1
2	Cap-expansion tank pressure	V8	15psi	NTC7161	1
		TDi	15psi	NTC7161	1
3	Bracket-expansion tank	V8		NTC6874	1
		TDi		NTC6874	1
4	Screw-flanged head	V8	M6 X 16, Flanged Head	FS106161L	4
		V8	M6 X 16, Flanged Head	FS106167L	4
		TDi	M6 X 16, Flanged Head	FS106167L	4
		TDi	M6 X 16, Flanged Head	FS106161L	4
5	Washer	V8	6MM	WA106041L	4
		TDi	6MM	WA106041L	4
6	Nut - Hex.	V8	M6, nyloc, Hexagonal	NH106041L	4
		TDi	M6, nyloc, Hexagonal	NH106041L	4
7	Bracket-expansion tank	V8		NTC5844	1
		TDi		NTC5844	1
8	Hose-cooling system bleed	4 Cyl TDi		NTC7308	1
			Change point - VIN end LA081991, V8	NTC7308	1
			Change point - VIN begin MA081992, V8	ESR2344	1
9	Clip-Hose	4 Cyl TDi	20MM	CN100208L	2
			20MM	CN100208L	2
			Change point - VIN begin MA081992, V8	CN100168L	2

2.5L 4 Cyl TDi Diesel

Callout	Name	Application	Remarks & Restrictions	Service No.	Qty
1	Hose-intercooler to inlet manifold air	300 Series / 300 TDI	(-) 12L 2.5 TDI Manual - Gemini	ESR3025	1
2	Clip-Hose	300 Series / 300 TDI	(-) 12L 2.5 TDI Manual - Gemini	STC128	2
3	Hose assembly-intercooler turbocharger	300 Series / 300 TDI	Also serviced as part of a kit, (-) 12L 2.5 TDI Manual - Gemini	ESR2910	1
4	Pipe assembly-intercooler turbocharger	300 Series / 300 TDI	Also serviced as part of a kit, (-) 12L 2.5 TDI Manual - Gemini	ESR2911	1
5	Hose-turbocharger to pipe	300 Series / 300 TDI	Also serviced as part of a kit, (-) 12L 2.5 TDI Manual - Gemini	ESR2912	1
6	Hose-Intercooler	300 Series / 300 TDI	Also serviced as part of a kit, (-) 12L 2.5 TDI Manual - Gemini	ESR2913	1
7	Clip-Hose	300 Series / 300 TDI	Also serviced as part of a kit, (-) 12L 2.5 TDI Manual - Gemini	CN100608	2
		TDi		CN100608L	2
		TDi		PYC101120	X
		TDi	60MM	PYC101120L	X
8	Clip-Hose	TDi		CN100608	2
		TDi		CN100608L	2
		TDi		PYC101120	2
		300 Series / 300 TDI	(-) 12L 2.5 TDI Manual - Gemini, 60MM	PYC101120L	2



Cooling & Heating
Cooling System
Oil Cooler Hoses-300TDi 1/1

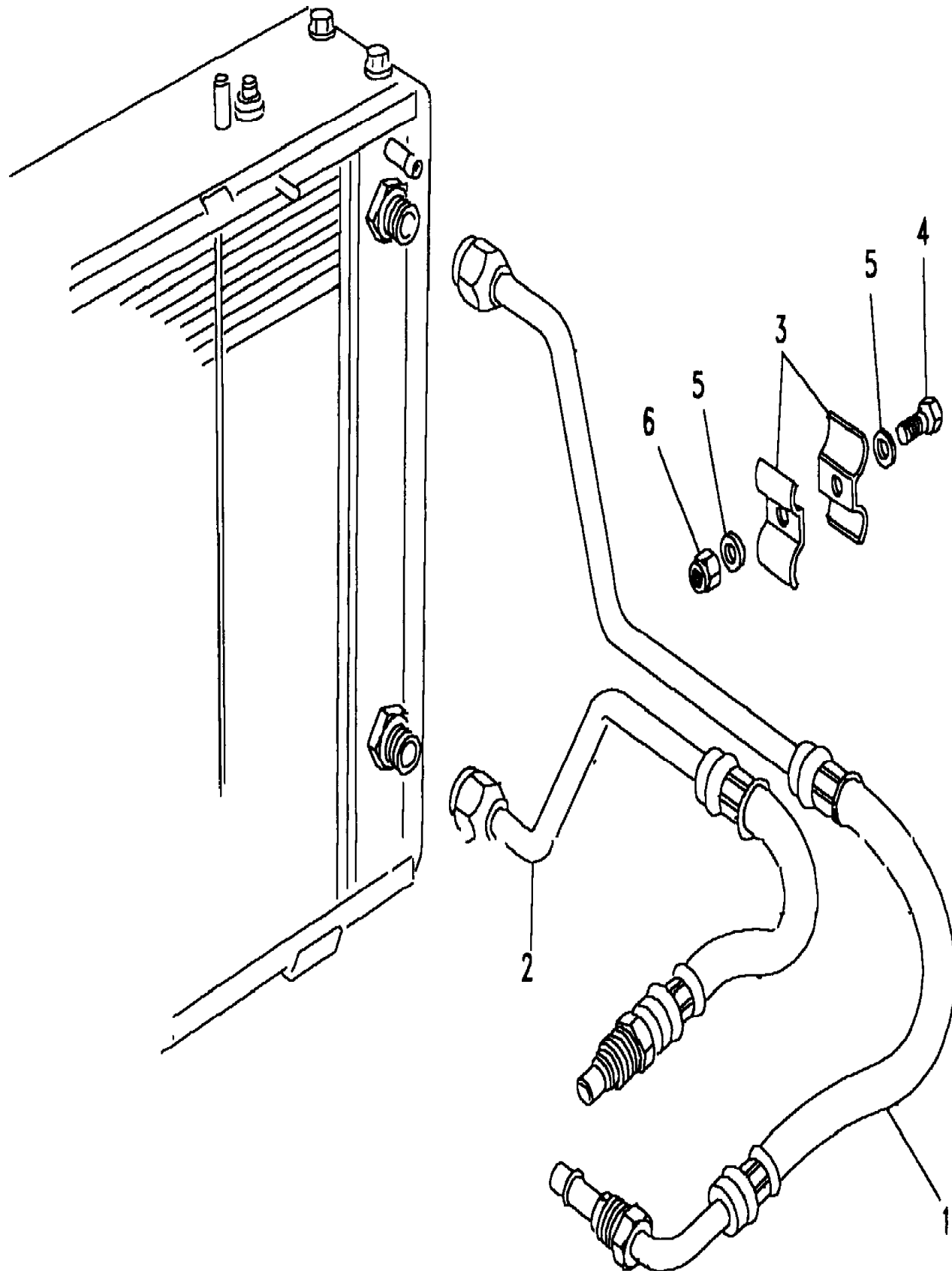
Discovery (FA393361-WA799999)
(CALXAC3D)

Discovery (FA393361-WA799999)

Cooling & Heating
Cooling System
Oil Cooler Hoses-300TDi

Change point - VIN begin MA081992, 4 Cylinder TDi Diesel

Callout	Name	Application	Remarks & Restrictions	Service No.	Qty
1	Pipe-oil cooler to engine	TDi	Also serviced as part of a kit	ESR1931	1
2	Pipe-engine to oil cooler	Change point - VIN end TA508276, TDi Change point - VIN end TA117456, TDi Change point - VIN begin TA177457, TDi Change point - VIN begin TA508277, TDi	Also serviced as part of a kit Also serviced as part of a kit Also serviced as part of a kit Also serviced as part of a kit	ESR2844 ESR2844 ESR3691 ESR3691	1 1 1 1
3	Clamp	TDi		NTC6847	2
4	Screw	TDi TDi	M6 X 16, hexagonal head M6 X 16, Flanged Head	SH106161 FS106167L	1 1
5	Washer	TDi	6MM	WA106041L	2
6	Nut - Hex.	TDi	M6, nyloc, flange	NY106041	1
[900]	O Ring	TDi	Also serviced as part of a kit	ESR1594L	4



Cooling & Heating
Cooling System
Radiator Hoses 1/1

Discovery (FA393361-WA799999)

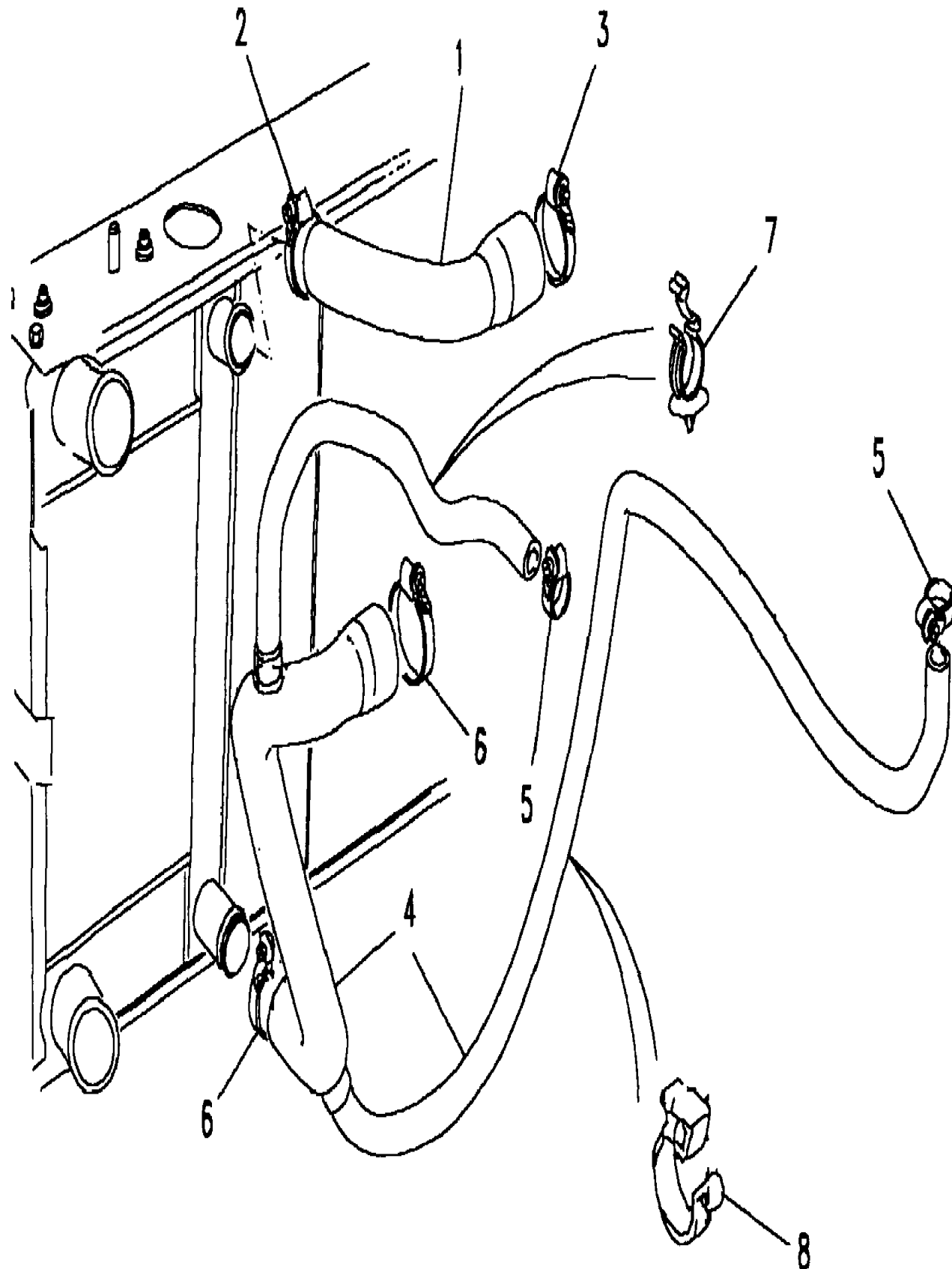
(CALXAC3B)

Discovery (FA393361-WA799999)

Cooling & Heating
Cooling System
Radiator Hoses

2.5L 4 Cyl TDi Diesel

Callout	Name	Application	Remarks & Restrictions	Service No.	Qty
1	Hose-radiator top coolant	4 Cyl 300 Series/TDI Diesel	(-) 12L 2.5 TDI Manual - Gemini	ESR2491	1
2	Clip-Hose	300 Series / 300 TDI	50MM, (-) 12L 2.5 TDI Manual - Gemini, less spring assist	CN100508L	1
3	Clip-Hose	300 Series / 300 TDI	(-) 12L 2.5 TDI Manual - Gemini	CN100608	1
		300 Series / 300 TDI	(-) 12L 2.5 TDI Manual - Gemini	CN100608L	1
		300 Series / 300 TDI	(-) 12L 2.5 TDI Manual - Gemini	PYC101120	1
		300 Series / 300 TDI	(-) 12L 2.5 TDI Manual - Gemini, 60MM	PYC101120L	1
4	Hose-radiator bottom coolant	Change point - VIN end MA098379, 300 Series / 300 TDI	(-) 12L 2.5 TDI Manual - Gemini	ESR3147	1
		Change point - VIN begin MA098380, 300 Series / 300 TDI	(-) 12L 2.5 TDI Manual - Gemini	ESR3296	1
5	Clip-Hose	300 Series / 300 TDI	30MM, (-) 12L 2.5 TDI Manual - Gemini	CN100308L	2
		300 Series / 300 TDI	26MM, (-) 12L 2.5 TDI Manual - Gemini	ESR3607	2
6	Clip-Hose	Change point - VIN end MA119367, 300 Series / 300 TDI	50MM, (-) 12L 2.5 TDI Manual - Gemini, less spring assist	CN100508L	2
		Change point - VIN begin MA119368, 300 Series / 300 TDI	50MM, (-) 12L 2.5 TDI Manual - Gemini, with spring assist	ESR3353	2
7	Clip-Hose	200 Series TDI	(-) 12L 2.5 TDI Manual - Gemini	ESR2662	1
8	Clip-Hose	300 Series / 300 TDI	(-) 12L 2.5 TDI Manual - Gemini	ESR1800	2
[900]	Tie-cable	300 Series / 300 TDI	(-) 12L 2.5 TDI Manual - Gemini, inside serated, 4.6 x 385mm, White.	594594	2



Cooling & Heating
Cooling System
Radiator Hoses 1/1

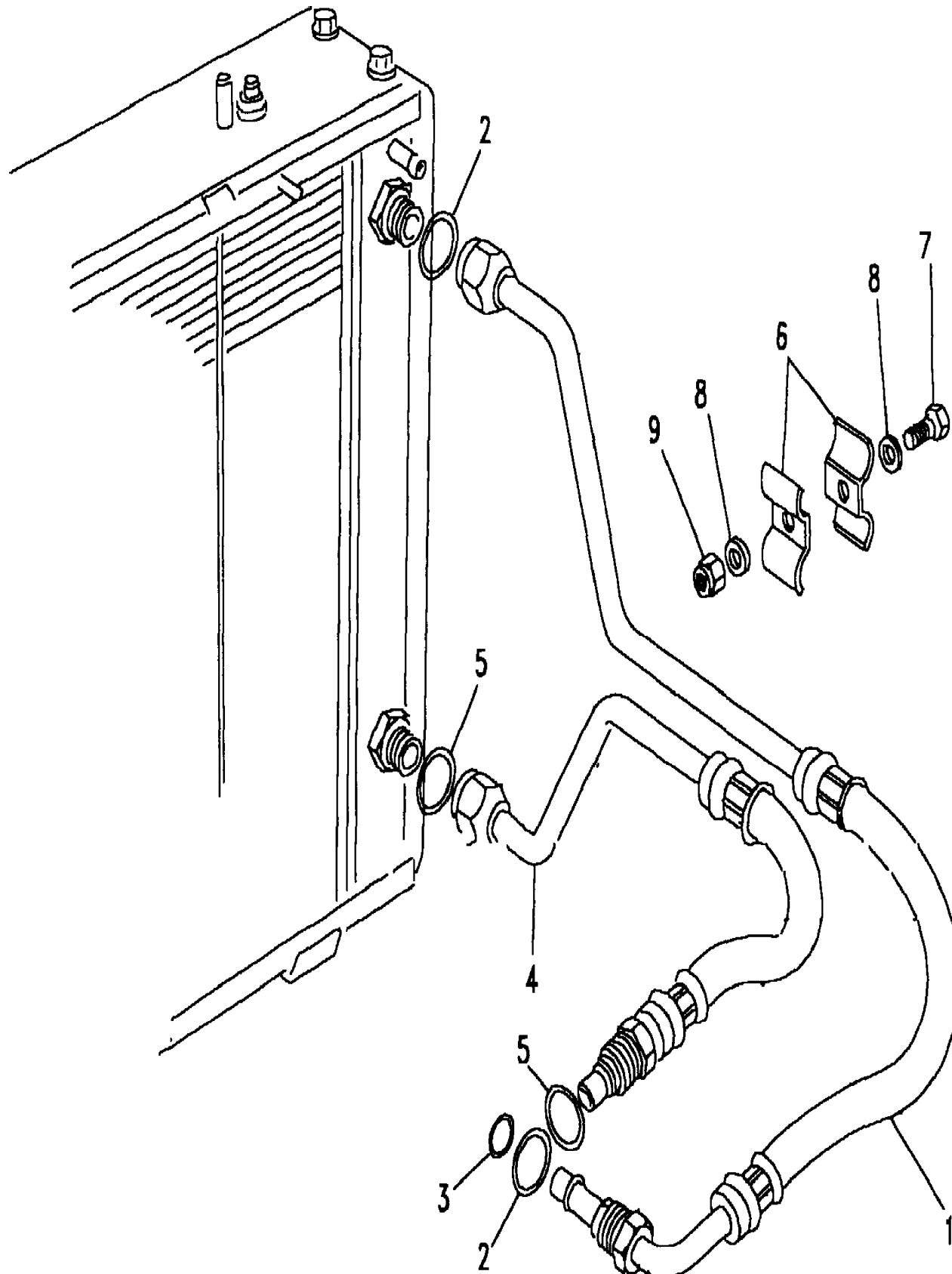
Discovery (FA393361-WA799999)
(CALXAA4B)

Discovery (FA393361-WA799999)

Cooling & Heating
Cooling System
Radiator Hoses

V8 Petrol

Callout	Name	Application	Remarks & Restrictions	Service No.	Qty
1	Pipe-engine to oil cooler	Change point - VIN end MA081991, V8		ESR1671	1
		Change point - VIN begin MA081992, Change point - Engine end 36D52437C, V8		ESR2814	1
		Change point - Engine begin 36D52438C, V8		ESR3693	1
		Change point - VIN begin MA081992, V8		ESR3693	1
2	O Ring	Change point - VIN begin MA081992, V8	oil cooler hose	ESR1594L	2
3	O Ring	Change point - VIN begin MA081992, V8	Small	ESR3098	1
4	Pipe-oil cooler to engine	Change point - VIN end MA081991, V8		ESR1672	1
		Change point - VIN begin MA081992, Change point - Engine end 36D52437C, V8		ESR2813	1
		Change point - Engine begin 36D52438C, V8		ESR3692	1
		Change point - VIN begin MA081992, V8		ESR3692	1
		V8		PBP101000	1
5	O Ring	Change point - VIN begin MA081992, V8	engine oil cooler hose	ESR1594L	2
6	Clamp	Change point - VIN begin MA081992, V8		NTC6847	2
7	Screw	Change point - VIN begin MA081992, V8	M6 X 16, hexagonal head	SH106161	1
			M6 X 16, Flanged Head	FS106167L	1
8	Washer-Plain	Change point - VIN begin MA081992, V8	M6	WA106001	2
9	Nut - Hex.	Change point - VIN begin MA081992, V8	M6, nyloc, flange	NY106041	1



Cooling & Heating
Cooling System
Radiator Hoses 1/2

Discovery (FA393361-WA799999)

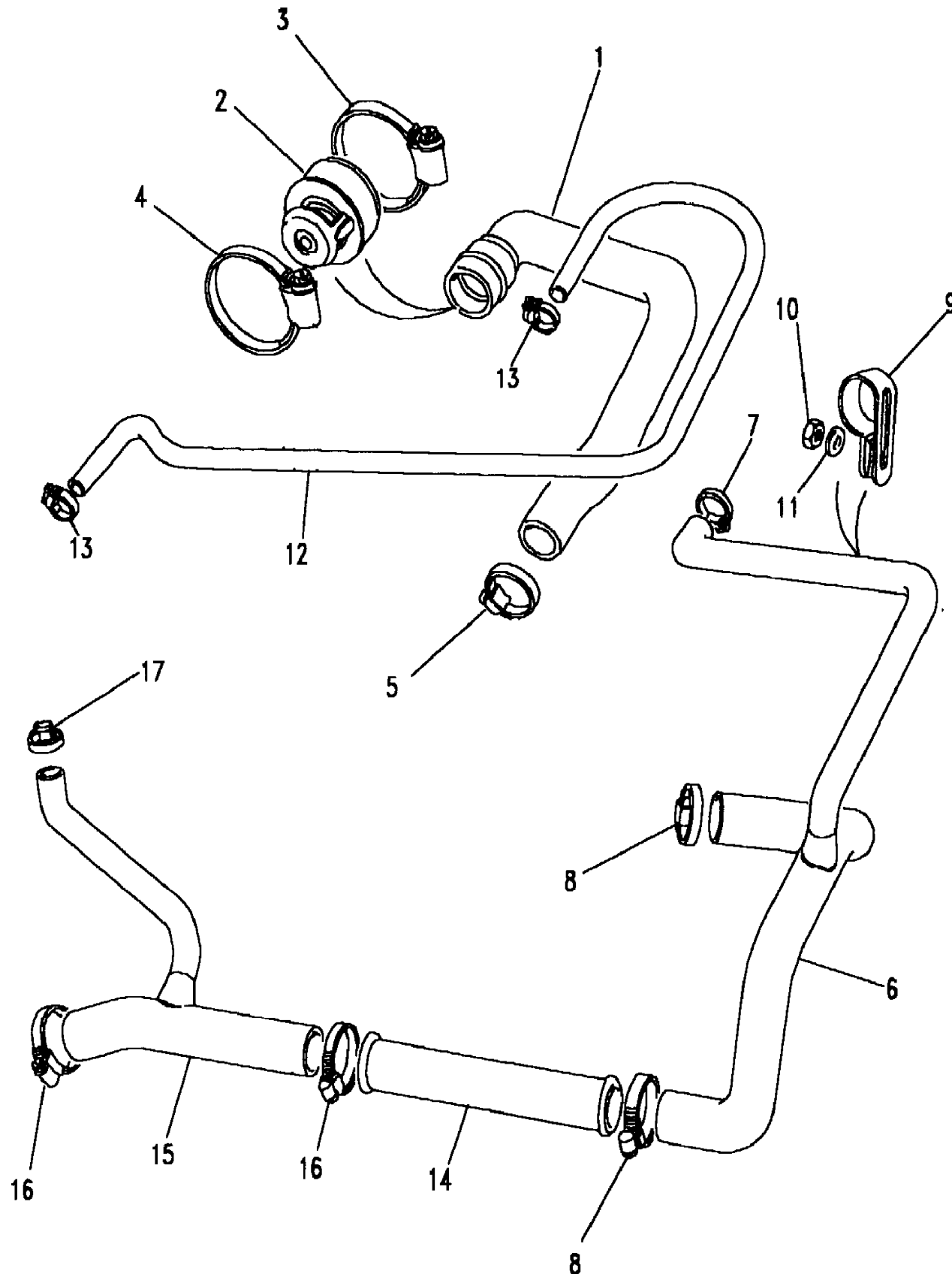
(CALXAA1C)

Discovery (FA393361-WA799999)

Cooling & Heating
Cooling System
Radiator Hoses

2.0L 4 Cyl MPi T Series Petrol, With Petrol Engines

Callout	Name	Application	Remarks & Restrictions	Service No.	Qty
1	Hose-radiator top coolant	Change point - VIN end KA038821, MPi Change point - VIN begin KA038822, MPi		ESR1926 ESR2771	1 1
2	Thermostat-engine	MPi	88 °C	PEL10017	1
3	Clip-Hose	Change point - VIN end KA038821, MPi Change point - VIN begin KA038822, MPi	60MM	CN100608L PYC101120L	1 1
4	Clip-Hose	Change point - VIN end KA038821, MPi Change point - VIN begin KA038822, MPi	60MM	CN100608L PYC101120L	1 1
5	Clip-Hose	MPi	50MM, less spring assist	CN100508L	1
6	Hose-radiator bottom coolant	Change point - VIN end KA038821, MPi Change point - VIN begin KA038822, Change point - VIN end LA081991, MPi Change point - VIN end MA119367, MPi		ESR2245 ESR2587 ESR1789	1 1 1
7	Tie-cable	MPi	inside serated, 4.6 x 385mm, White.	594594	1
8	Clip-Hose	Change point - VIN end MA119367, MPi Change point - VIN begin MA119368, MPi	50MM, with spring assist	CN100508 ESR3353	2 2
9	Clip-p	Change point - VIN end LA081991, MPi	Plastic, Adjustable, White., 4.0/12.0mm	C39377L	1
10	Nut - Hex.	Change point - VIN end LA081991, MPi	M8, flange	FN108041L	1
11	Washer	Change point - VIN end LA081991, MPi	8MM	WA108051L	1
12	Hose-cooling system bleed	Change point - VIN end KA038821, MPi Change point - VIN begin KA038822, MPi		ESR1725 ESR2761	1 1
13	Clip-Hose	MPi		CN100168L	2
14	Pipe-coolant	MPi		ESR1790	1
15	Hose-radiator bottom coolant	Change point - VIN end LA081991, MPi Change point - VIN begin MA081992, 4 Cyl MPi Petrol		ESR2004 ESR3026	1 1



Cooling & Heating
Cooling System
Radiator Hoses 2/2

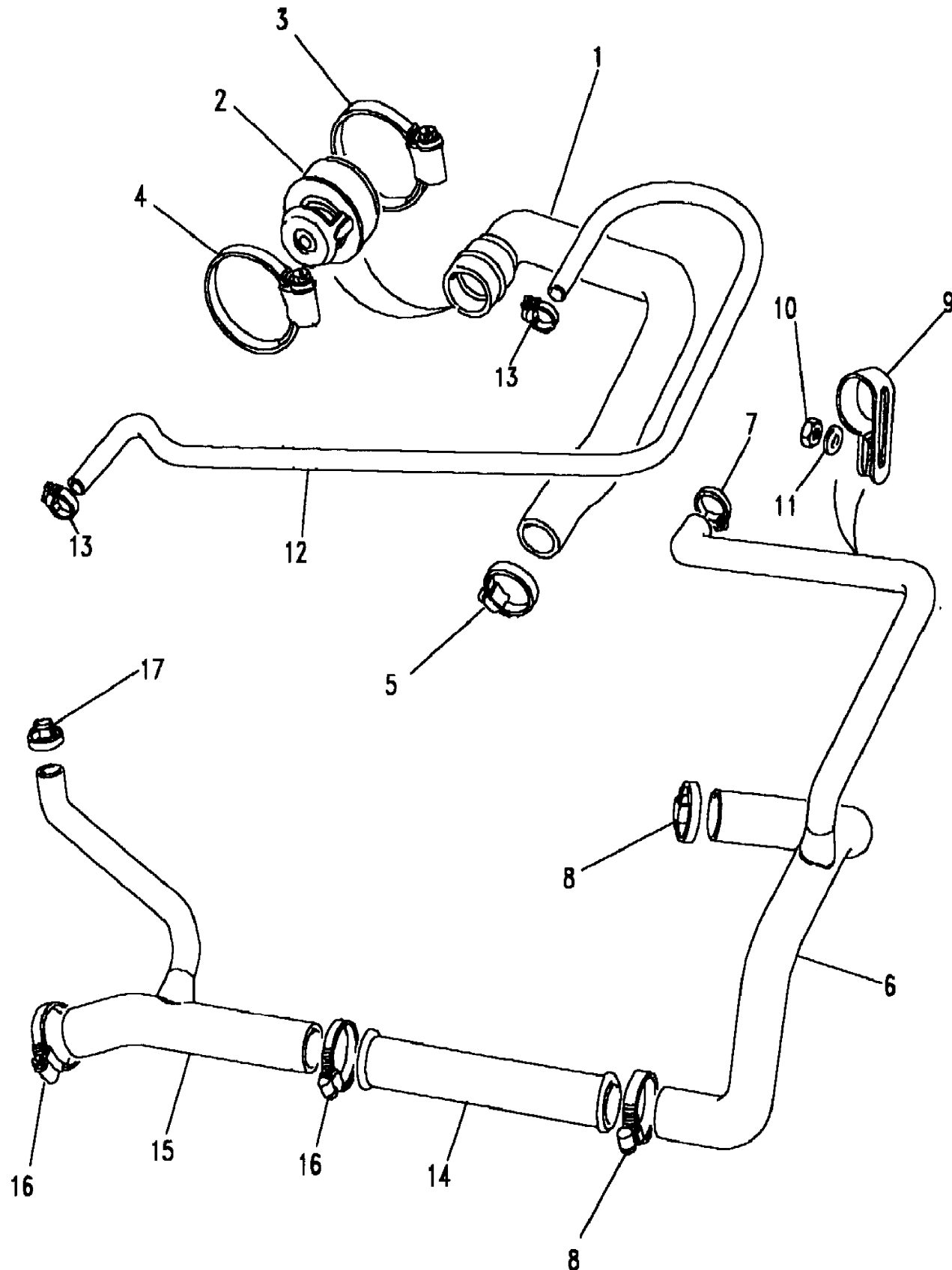
Discovery (FA393361-WA799999)
(CALXAA1C)

Discovery (FA393361-WA799999)

Cooling & Heating
Cooling System
Radiator Hoses

2.0L 4 Cyl MPi T Series Petrol, With Petrol Engines

Callout	Name	Application	Remarks & Restrictions	Service No.	Qty
16	Clip-Hose	Change point - VIN end MA119367, MPi	50MM, with spring assist	CN100508	2
		Change point - VIN begin MA119368, MPi		ESR3353	2
17	Clip-Hose	Change point - VIN end LA081991, MPi		ESR1792	1
[900]	Clip-swivel	Change point - VIN begin KA038822, MPi		ADU9081L	1
		Change point - VIN end KA038821, MPi		ESR2285	1
[901]	Heatshield bottom hose	Change point - VIN end KA038821, MPi	bottom	ESR2286	1

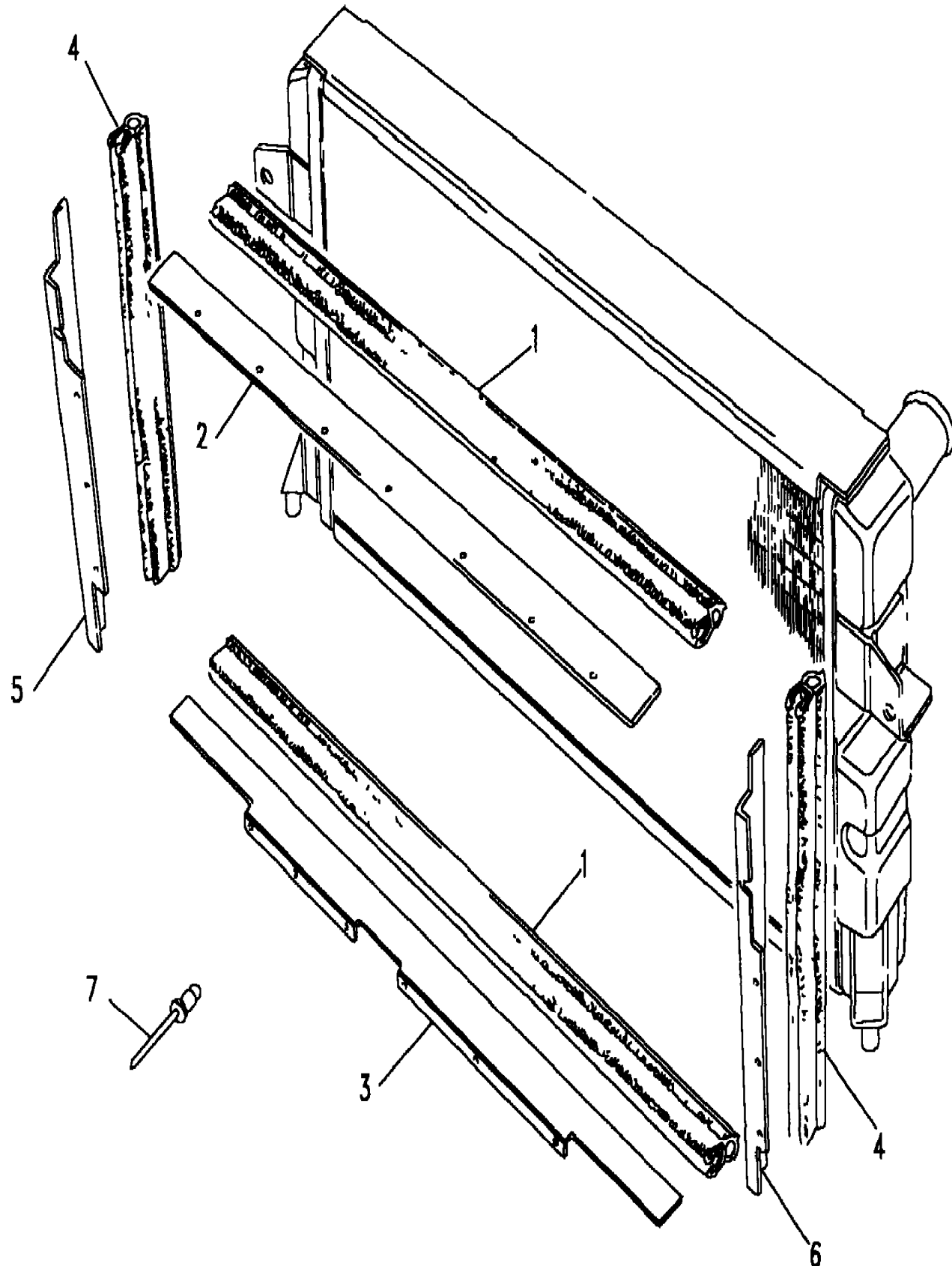


Cooling & Heating
Cooling System
Radiator Seals 1/1

Discovery (FA393361-WA799999)
(CALXAE1A)

Discovery (FA393361-WA799999)

Cooling & Heating
Cooling System
Radiator Seals



Callout	Name	Application	Remarks & Restrictions	Service No.	Qty
1	Seal-body to cooling pack air		top, bottom	MUC6324	2
2	Bracket-radiator upper mounting			MRC218	1
3	Plate-radiator bottom			MRC206	1
4	Seal-body to cooling pack air		Side	MUC4177	2
5	Bracket-radiator mounting	Less Air Conditioning	RH	MUC6320	1
		Change point - VIN end KA061606, With Air Conditioning	RH	MUC6382	1
		Change point - VIN begin KA061607, With Air Conditioning	RH	BTR8266	1
6	Bracket-radiator mounting	With Air Conditioning	LH	MUC6383	1
		Less Air Conditioning	LH	MUC6319	1
7	Rivet-pop-steel	With Air Conditioning		RA608126L	19

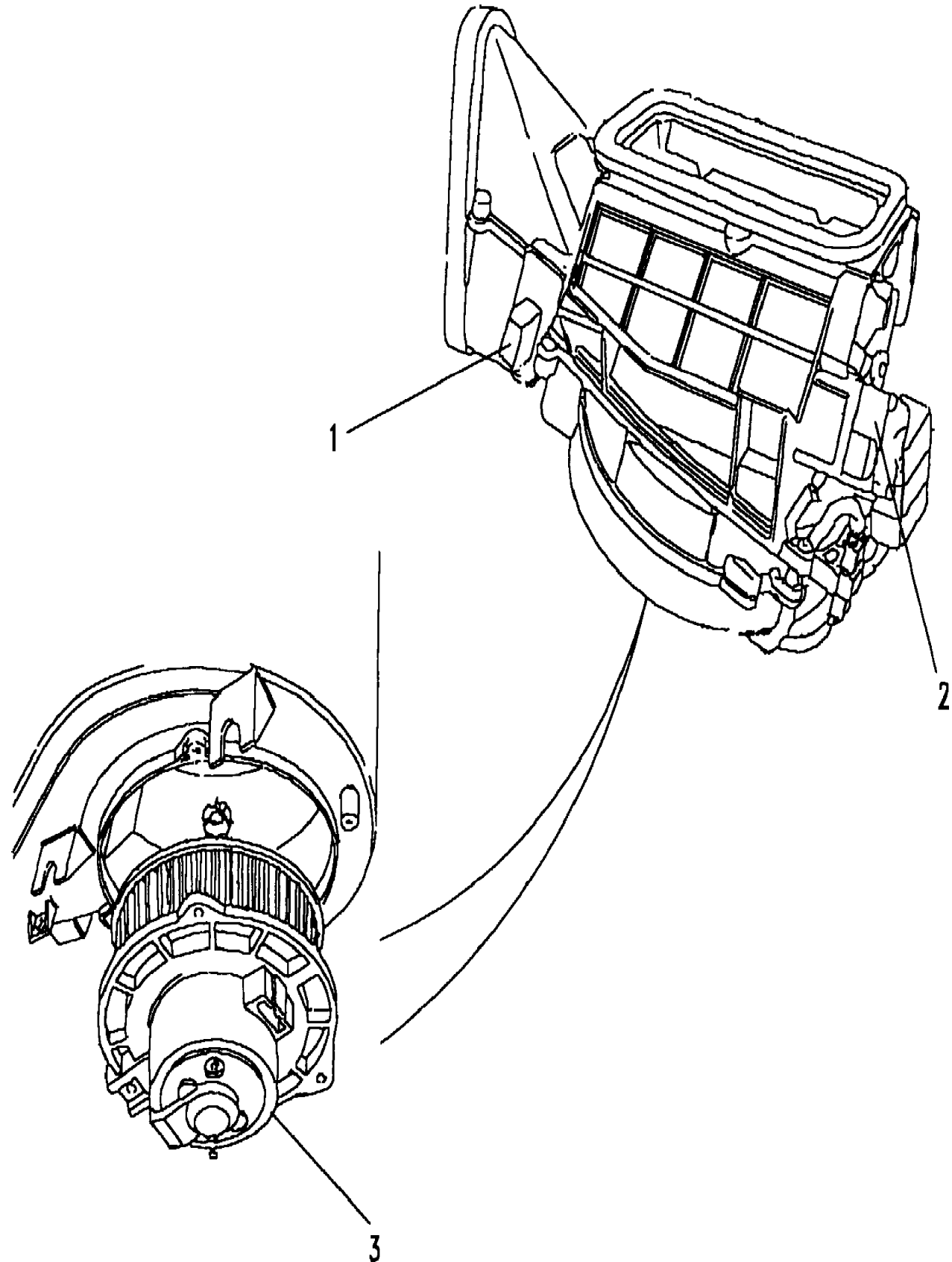
Cooling & Heating
 Heating System
 Ancillary Components-Blower Assembly 1/1

Discovery (FA393361-WA799999)
 (CALXKA2E)

Discovery (FA393361-WA799999)

Cooling & Heating
 Heating System
 Ancillary Components-Blower Assembly
 With Air Conditioning

Callout	Name	Application	Remarks & Restrictions	Service No.	Qty
1	Resistor pack-speed control-blower-heater	Change point - VIN begin MA081992		STC3133	1
2	Relay blower-heater	Change point - VIN begin MA081992		STC3141	1
3	Motor assembly blower-air conditioning	Change point - VIN begin MA081992, RHD	Nippondenso	STC3152	1
		Change point - VIN begin MA081992, LHD	Nippondenso	STC3153	1

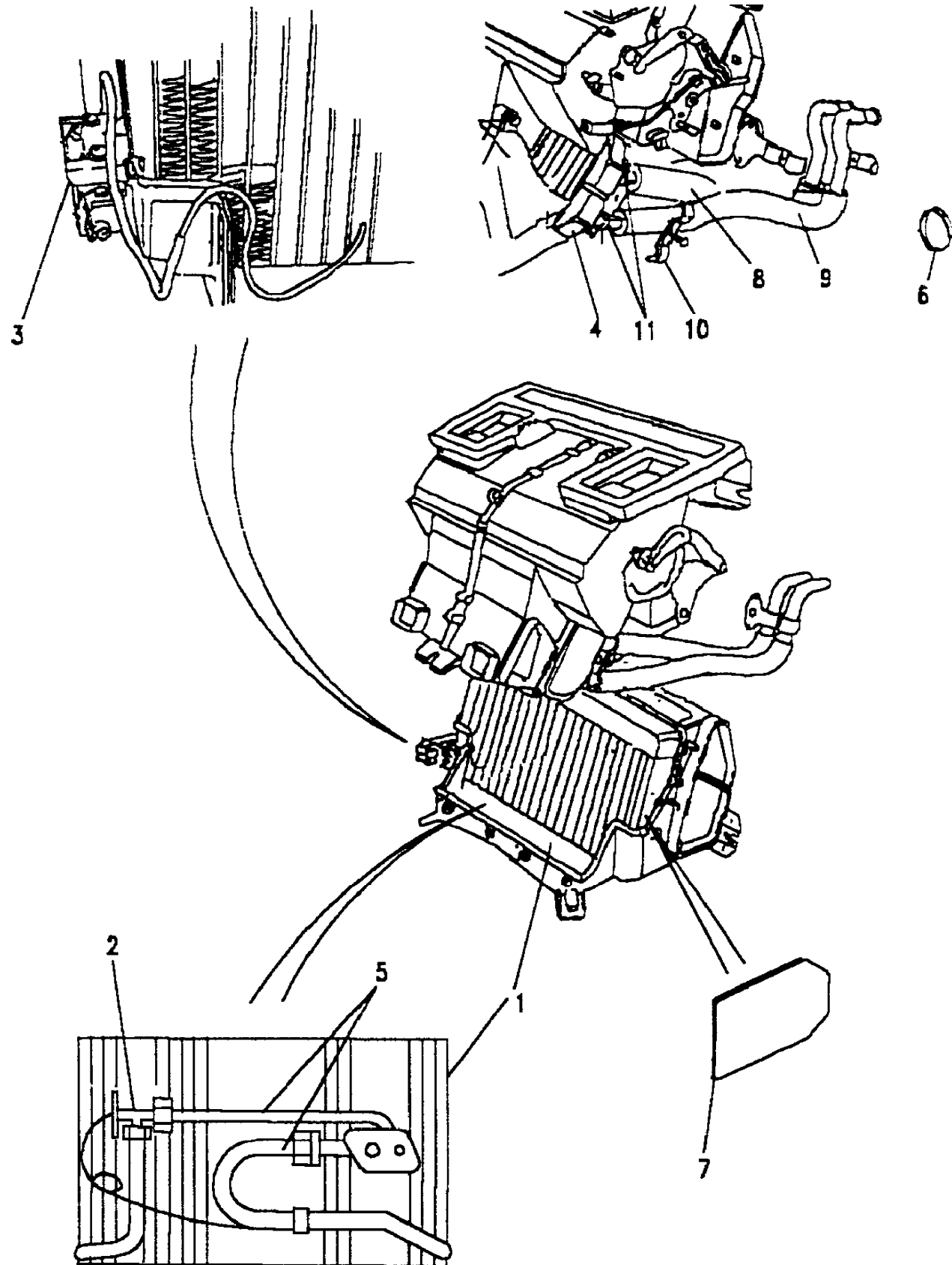


Cooling & Heating
Heating System
Ancillary Components-Front Air-Con 1/1

Discovery (FA393361-WA799999)
(CALXKA2D)

Discovery (FA393361-WA799999)

Cooling & Heating
Heating System
Ancillary Components-Front Air-Con
With Air Conditioning

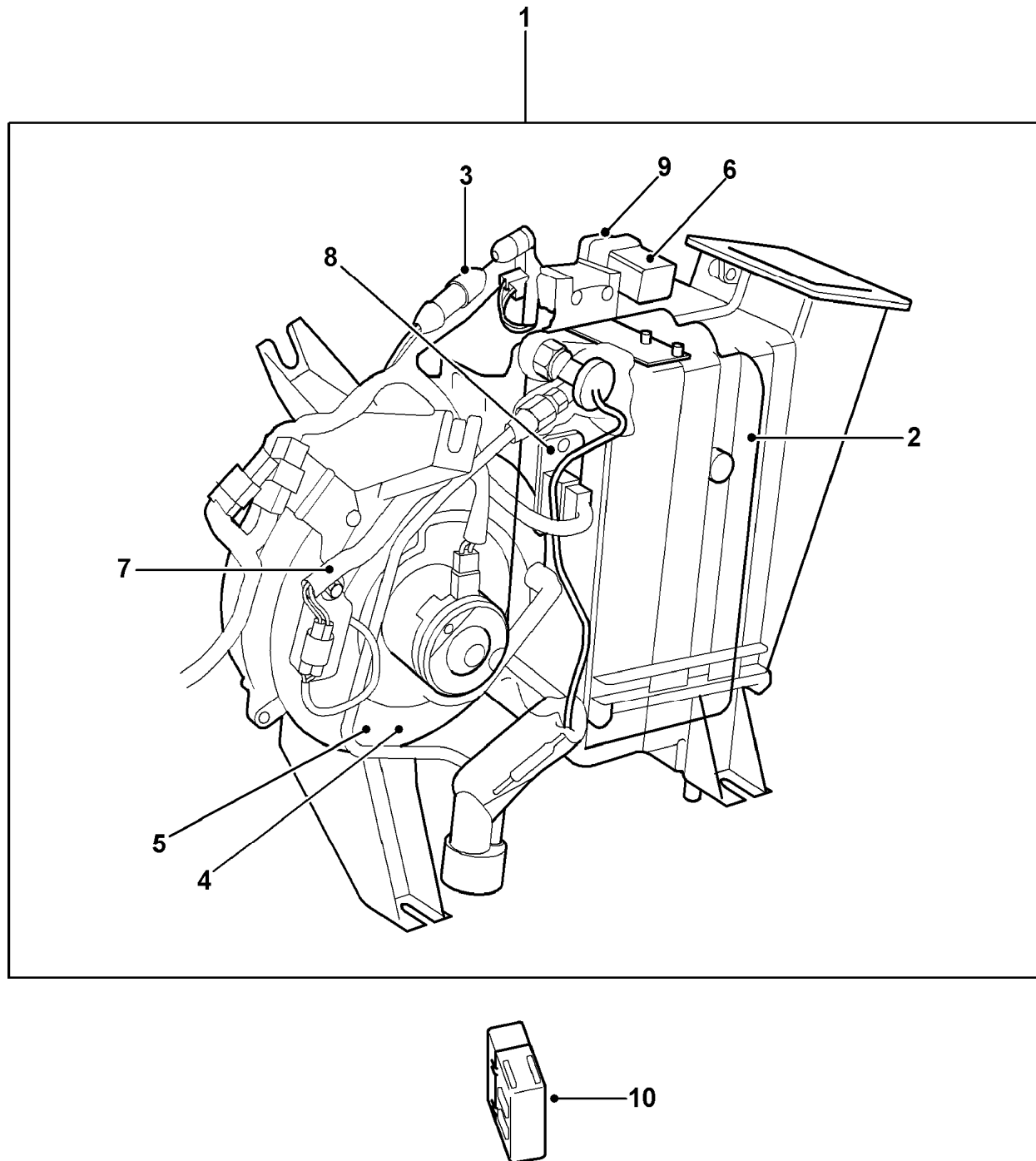


Callout	Name	Application	Remarks & Restrictions	Service No.	Qty
1	Evaporator air conditioning	Change point - VIN begin MA081992		STC3139	1
2	Valve-expansion evaporator-air conditioning	Change point - VIN begin MA081992		STC3140	1
3	Thermostat evaporator-air conditioning	Change point - VIN begin MA081992		STC3134	1
4	Matrix-heater	Change point - VIN begin MA081992		STC3135	1
5	Pipe kit	Change point - VIN begin MA081992		STC3132	1
6	O Ring	Change point - VIN begin MA081992	17mm ID, 18.2mm OD	STC3166	2
7	Foam	Change point - VIN begin MA081992		STC3154	1
8	Kit-pipes etc heater	Change point - VIN begin MA081992	heater inlet	STC3917	1
9	Kit-pipes etc heater		heater outlet	STC3917	1
10	Kit-pipes etc heater			STC3917	1
11	Kit-pipes etc heater			STC3917	1

Cooling & Heating
 Heating System
 Ancillary Components-Rear Air-Con 1/1

Discovery (FA393361-WA799999)

(LL0104)



F03.015
 02-2004
 L4
 LL0104

Discovery (FA393361-WA799999)

Cooling & Heating
 Heating System
 Ancillary Components-Rear Air-Con

With Rear Air Conditioning

Callout	Name	Application	Remarks & Restrictions	Service No.	Qty
1	Evaporator assembly-air conditioning	Change point - VIN begin MA081992, With Air Conditioning		STC3142	1
2	Valve-expansion evaporator-air conditioning	Change point - VIN begin MA081992, With Air Conditioning		STC3143	1
3	Thermostat evaporator-air conditioning	Change point - VIN begin MA081992, With Air Conditioning		STC3144	1
4	Motor assembly blower-air conditioning	Change point - VIN begin MA081992, With Air Conditioning		STC3145	1
5	Fan-cooling/air conditioning	Change point - VIN begin MA081992, With Air Conditioning		STC3146	1
6	Relay	Change point - VIN begin MA081992 Change point - VIN begin MA081992	Black	STC3813 STC3815	1 1
7	Harness air conditioning	Change point - VIN begin MA081992	Rear	STC3814	1
8	Resistor-pack heater	Change point - VIN begin MA081992		STC3816	1
9	Valve assembly-solenoid	Change point - VIN begin MA081992		STC3817	1
10	Electric control unit-air conditioning	Change point - VIN begin MA081992		STC3818	1

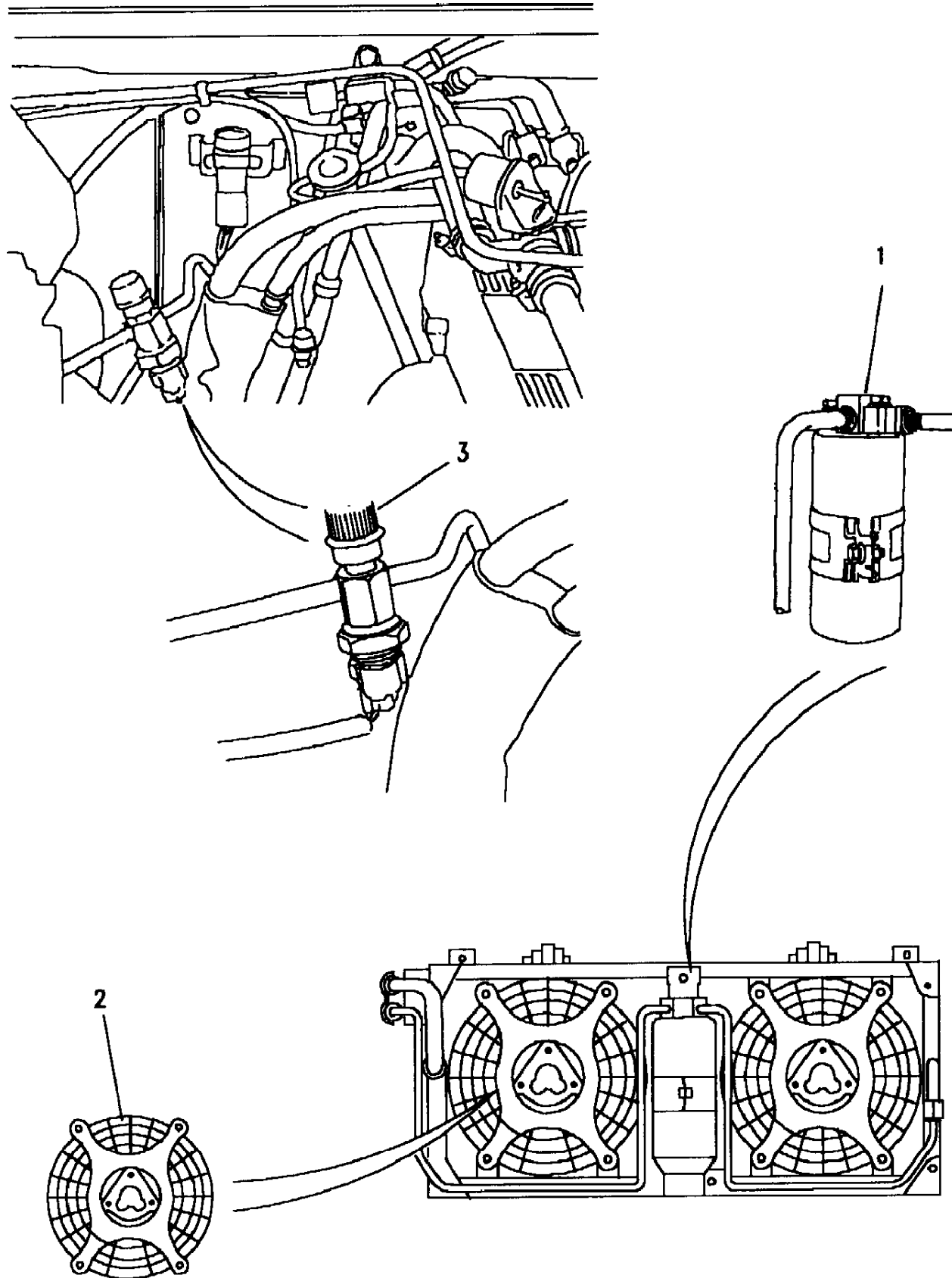
Cooling & Heating
 Heating System
 Ancillary Components-Under Bonnet 1/1

Discovery (FA393361-WA799999)
 (CALXKA2F)

Discovery (FA393361-WA799999)

Cooling & Heating
 Heating System
 Ancillary Components-Under Bonnet

With Air Conditioning



Callout	Name	Application	Remarks & Restrictions	Service No.	Qty
1	Receiver dryer assembly air conditioning	Change point - VIN begin MA081992		STC3148	1
2	Fan-cooling/air conditioning	Change point - VIN begin MA081992		STC3147	1
3	Switch-pressure air conditioning control	Change point - VIN begin MA081992		STC3136	1

Cooling & Heating
 Heating System
 Blower Motor Assembly 1/1

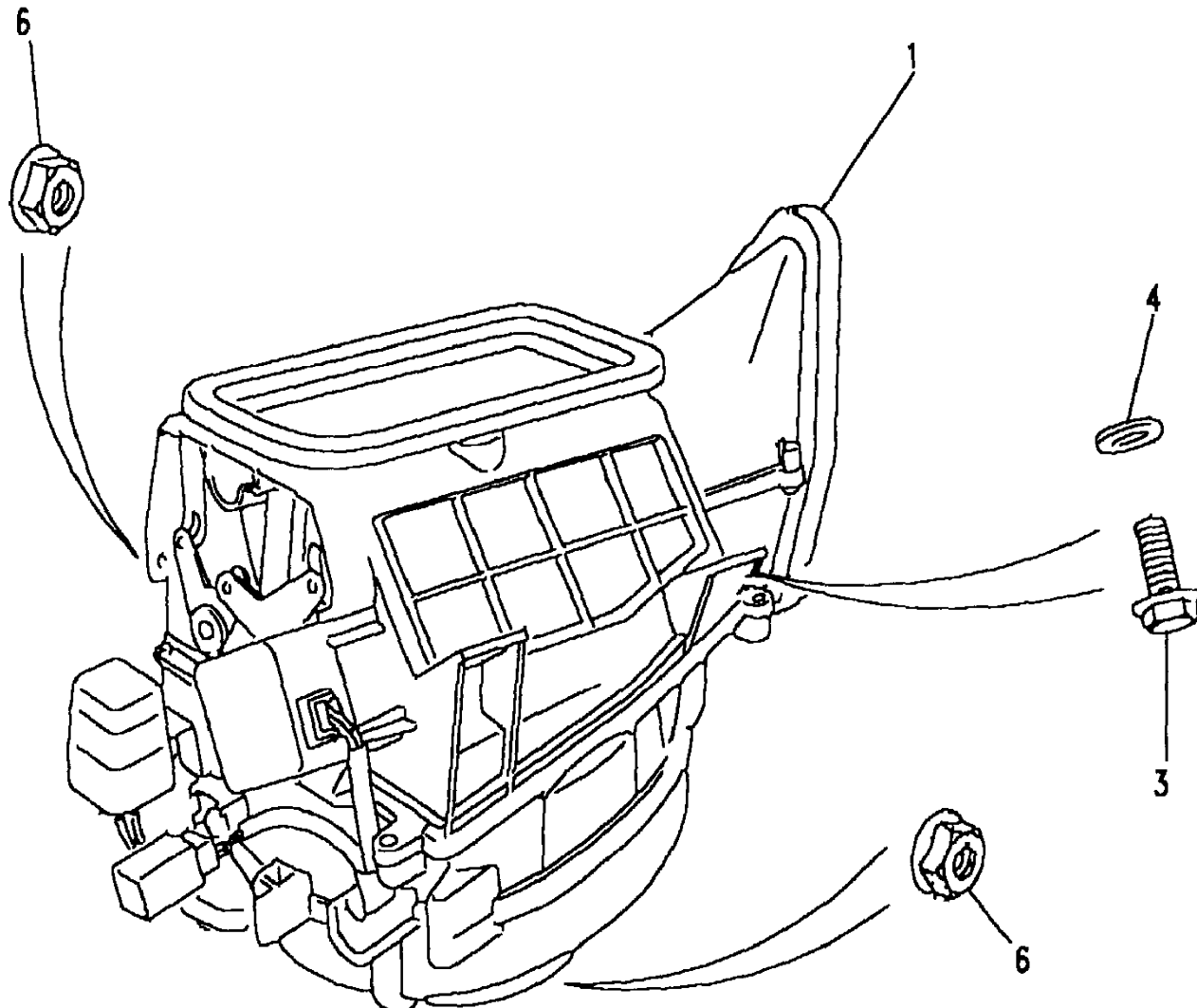
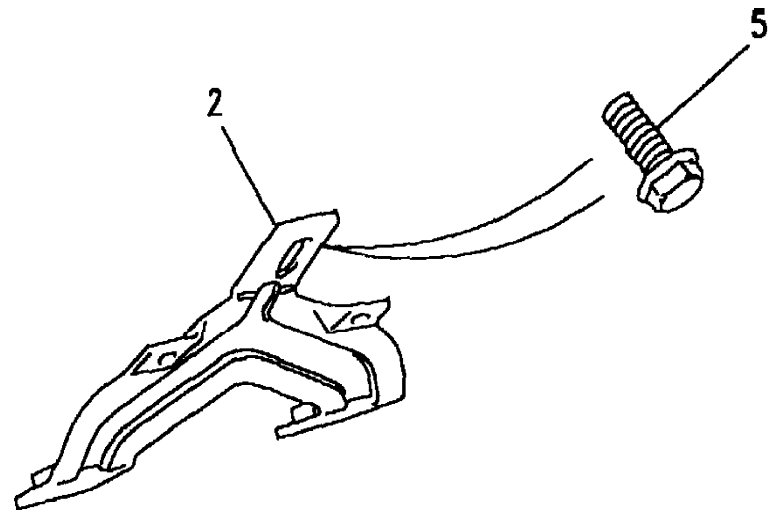
Discovery (FA393361-WA799999)
 (CALXGA1C)

Discovery (FA393361-WA799999)

Cooling & Heating
 Heating System
 Blower Motor Assembly

Change point - VIN begin MA081992

Callout	Name	Application	Remarks & Restrictions	Service No.	Qty
1	Blower assembly heater	RHD		BTR6484	1
		LHD		BTR6485	1
2	Bracket-heater blower mounting			BTR4884	1
3	Bolt		M8 x 25	DCP3970	2
4	Washer			WC108051	2
5	Bolt		M8 x 25	DCP3970	1
6	Nut-flange		M8	ADU7048	2



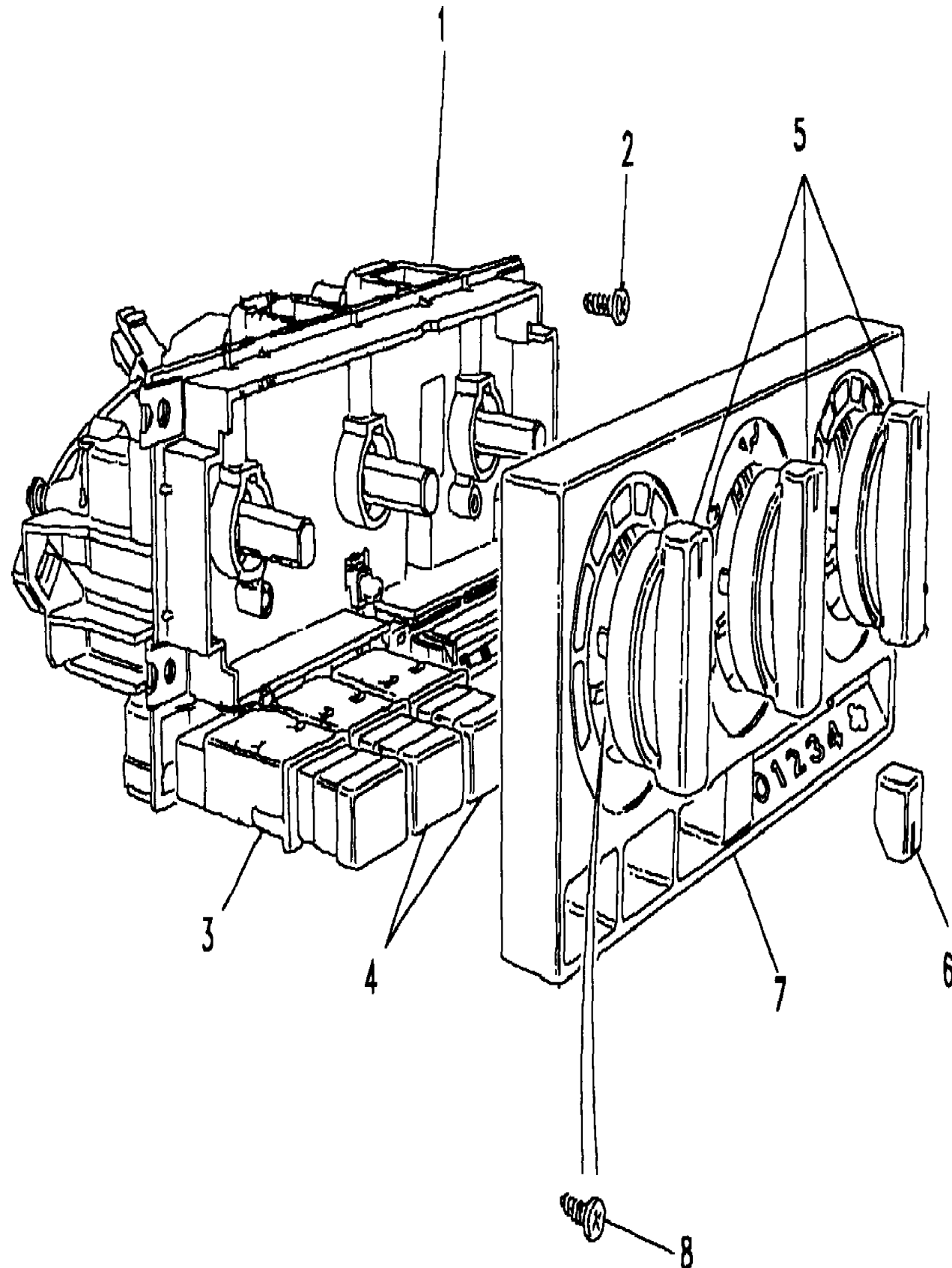
Cooling & Heating
Heating System
Control Assembly Front 1/1

Discovery (FA393361-WA799999)

(CALXGA2B)

Discovery (FA393361-WA799999)

Cooling & Heating
Heating System
Control Assembly Front



Callout	Name	Application	Remarks & Restrictions	Service No.	Qty
1	Control assembly heater	Change point - VIN begin MA081992 Change point - VIN begin MA081992	less cables	BTR6490 AWR7155	1 1
2	Screw-self tapping	Change point - VIN begin MA081992		AB608051	4
3	Switch-push push air conditioning recirculating	Change point - VIN begin MA081992	Also serviced as part of a kit	STC1863	1
4	Plate-blanking air conditioning switch	Change point - VIN begin MA081992		BTR6492	2
5	Knob-control heater	Change point - VIN begin MA081992		BTR8930	3
6	Knob-slider control-heater	Change point - VIN begin MA081992		BTR6494	1
7	Plate-graphics control-heater	Change point - VIN begin MA081992		BTR6495	1
8	Screw	Change point - VIN begin MA081992	Self Tapping, No 6 x 3/8 Self Tapping, No 8 x 3/8	AB606031 AB608031	2 2
9	Bulb-wedge illumination	Change point - VIN begin MA081992	1.2 WATT, 12V	RTC3635	1
[902]	Control assembly heater	Change point - VIN begin MA081992	with cables	AWR1378	1
[903]	Bulb & holder assembly	Change point - VIN begin MA081992 Change point - VIN begin MA081992	Also serviced as part of a kit, Orange Also serviced as part of a kit, Green	STC1877 STC1878	X X

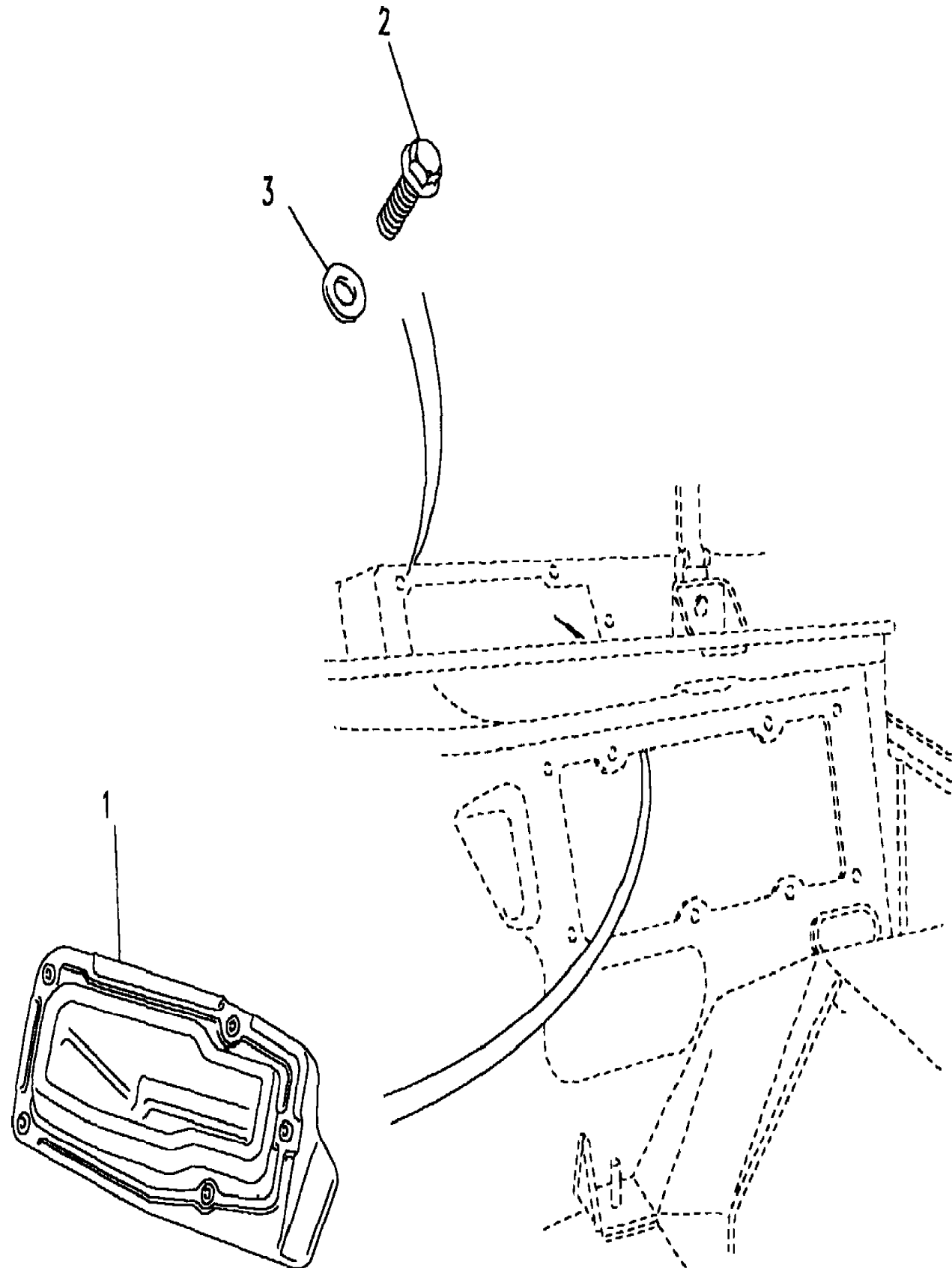
Cooling & Heating
Heating System
Ducting Front 1/1

Discovery (FA393361-WA799999)
(CALXIA2B)

Discovery (FA393361-WA799999)

Cooling & Heating
Heating System
Ducting Front

Callout	Name	Application	Remarks & Restrictions	Service No.	Qty		
1	Duct-air inlet heater	Change point - VIN begin MA081992, Change point - VIN end MA163103, RHD		BTR3998	1		
		Change point - VIN begin MA081992, Change point - VIN end MA163103, LHD		BTR3999	1		
		Change point - VIN begin MA081992, RHD		AWR4125	1		
		Change point - VIN begin TA163104, RHD		AWR4125	1		
		Change point - VIN begin TA501920, RHD		AWR4125	1		
		Change point - VIN begin MA081992, LHD		AWR4126	1		
		Change point - VIN begin TA163104, LHD		AWR4126	1		
		Change point - VIN begin TA501920, LHD		AWR4126	1		
		2	Screw	Change point - VIN begin MA081992	M6	GL106251	5
				3	Washer-Plain	Change point - VIN begin MA081992	M6



Cooling & Heating
 Heating System
 Ducting Rear 1/1

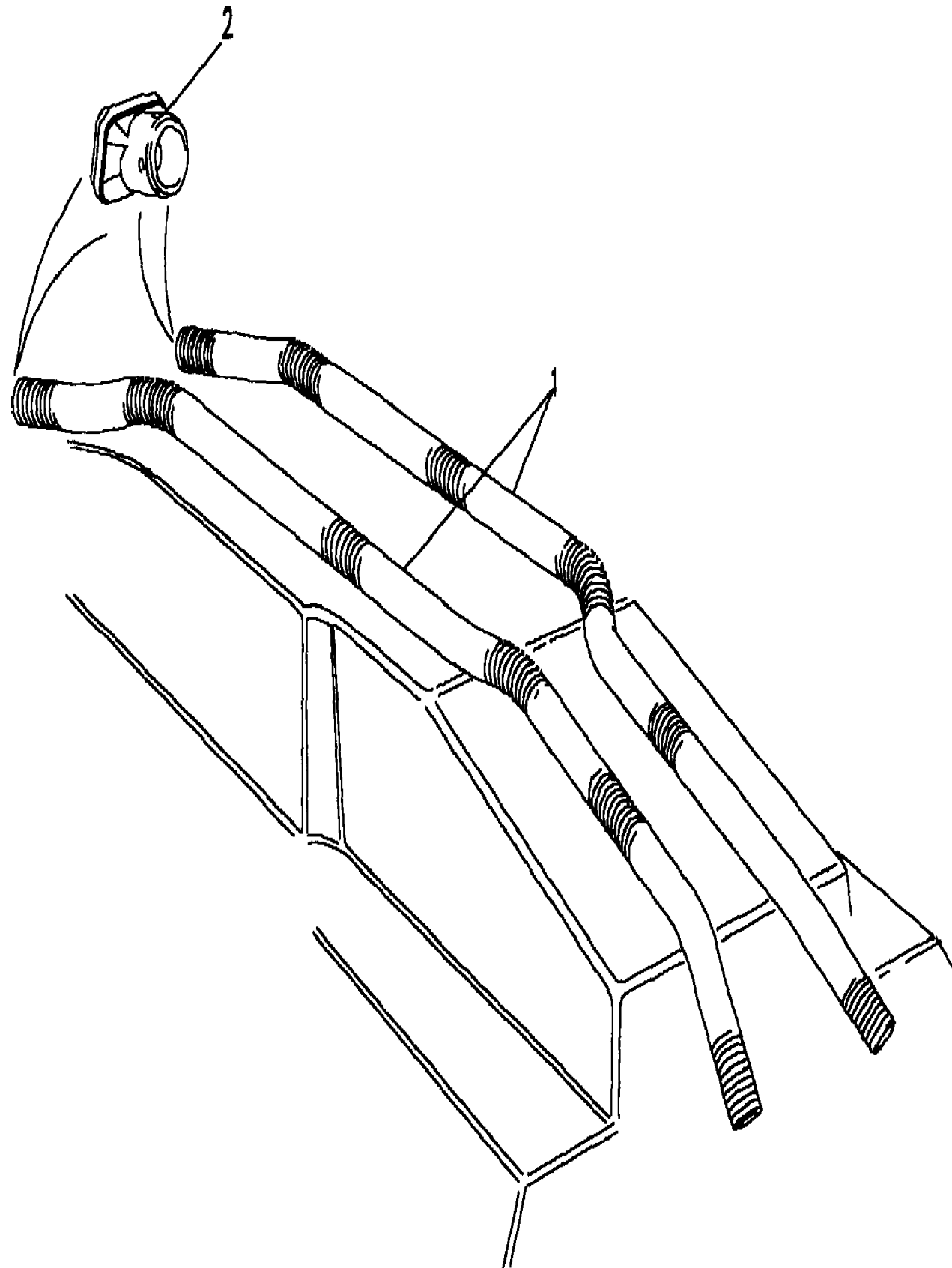
Discovery (FA393361-WA799999)
 (CALXIC1A)

Discovery (FA393361-WA799999)

Cooling & Heating
 Heating System
 Ducting Rear

Change point - VIN end LA081991

Callout	Name	Application	Remarks & Restrictions	Service No.	Qty
1	Duct-air rear floor	Change point - VIN end JA031313		MWC8366	2
		Change point - VIN end LA081991		MWC8366	2
		Change point - VIN begin KA031314, Change point - VIN end LA081991		BTR5027	2
2	Joint-air duct floor			BTR276	2



Cooling & Heating
Heating System
Ducting Rear Cont. 1/1

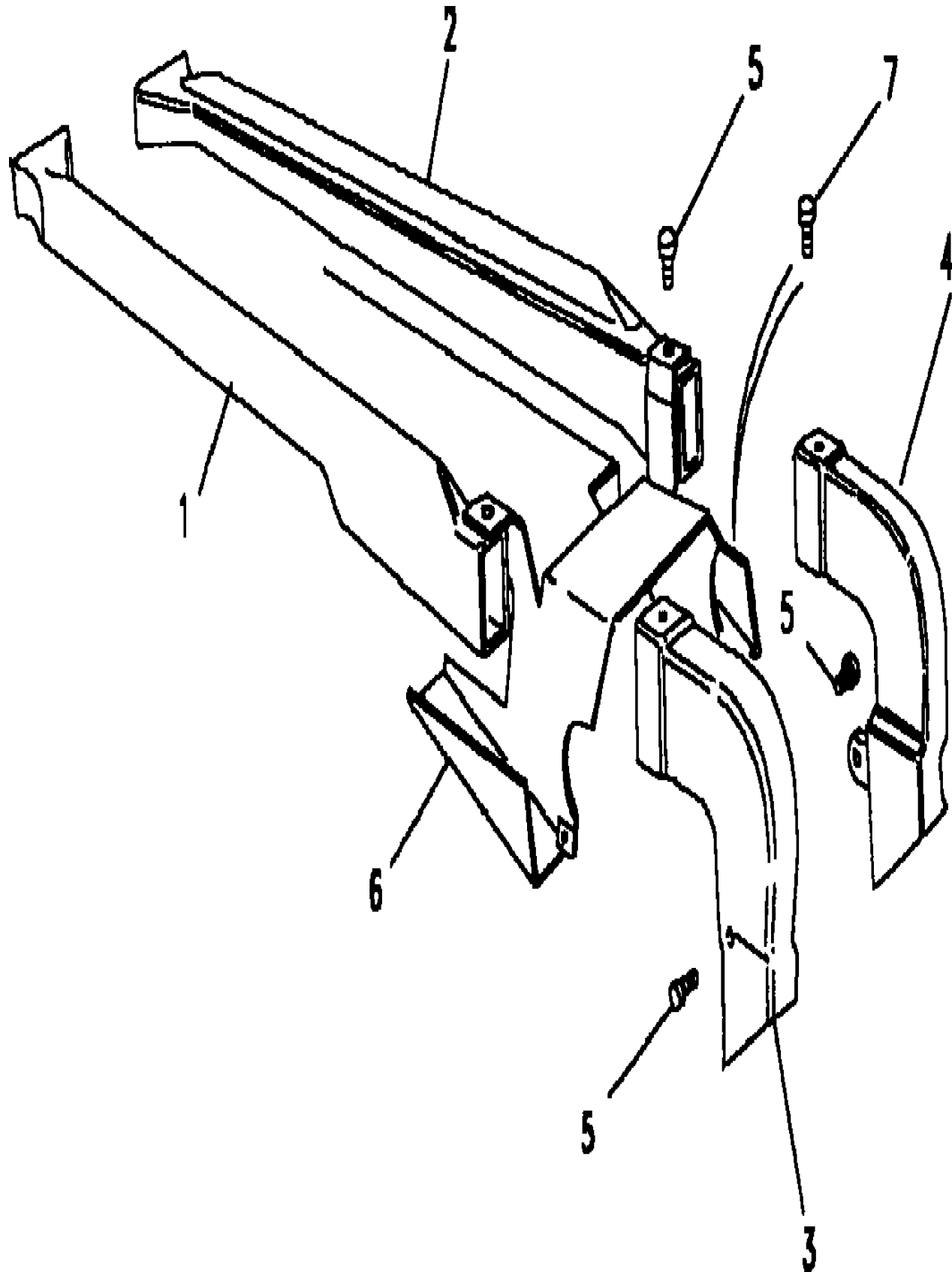
Discovery (FA393361-WA799999)
(CALXIC2A)

Discovery (FA393361-WA799999)

Cooling & Heating
Heating System
Ducting Rear Cont.

Change point - VIN begin MA081992

Callout	Name	Application	Remarks & Restrictions	Service No.	Qty
1	Duct-air floor	Change point - VIN begin MA647645	RH	BTR4430	1
2	Duct-air floor	Change point - VIN begin MA647645	LH	BTR4431	1
3	Duct-air outlet foot	Change point - VIN begin MA647645	RH	BTR4494	1
4	Duct-air outlet foot	Change point - VIN begin MA647645	LH	BTR4495	1
5	Screw	Change point - VIN begin MA647645	Flanged Head, No 10 x 1/2	DA610044	4
6	Bracket-tunnel console mounting	Change point - VIN end VA744994 Change point - VIN begin VA744995		BTR4649 FHC100410	1 1
7	Screw		M6 x 10 M6 x 10	SE106101L FS106101L	4 4



Cooling & Heating
Heating System
Heater Assembly 1/3

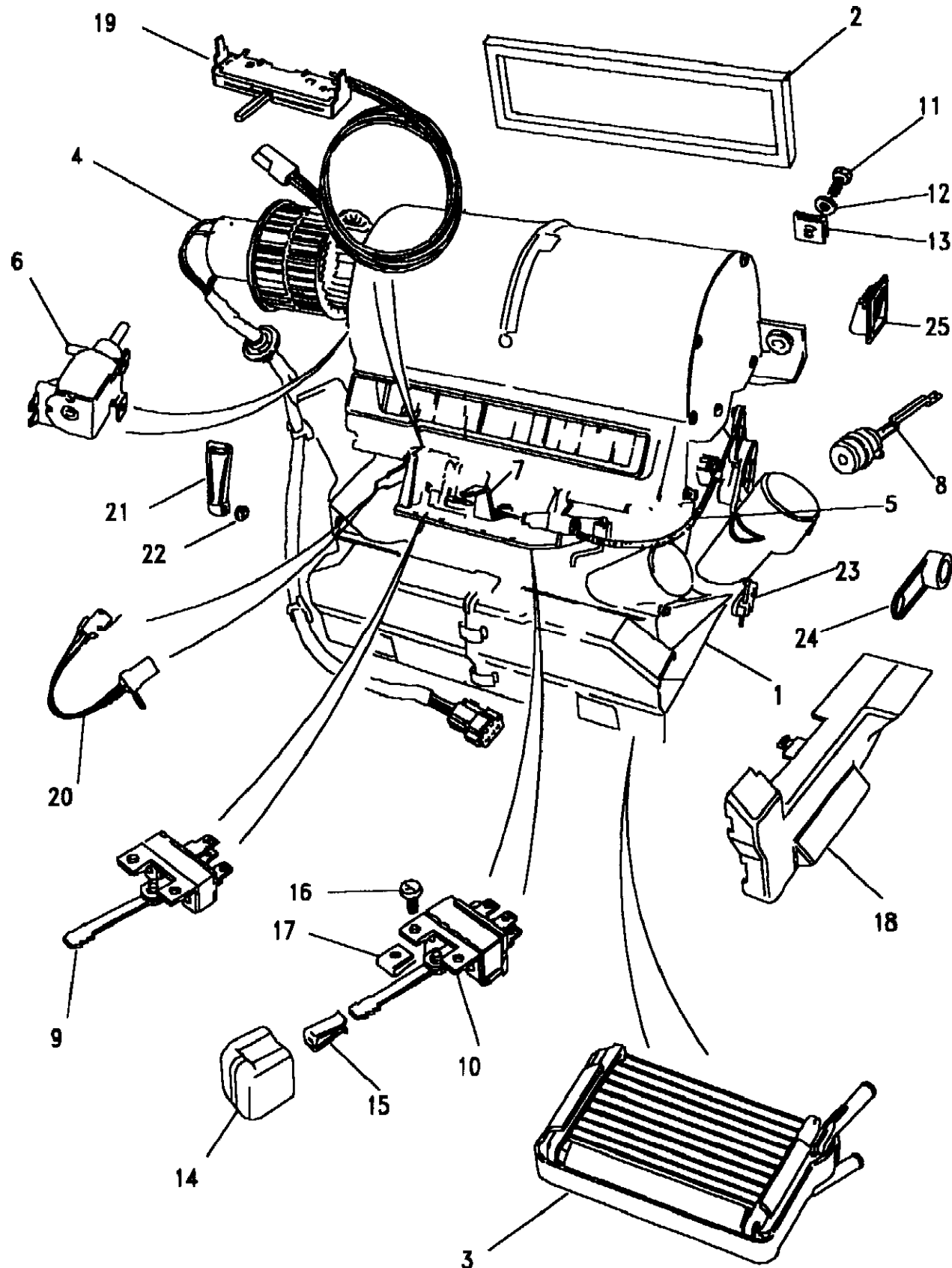
Discovery (FA393361-WA799999)

(CALXGA1A)

Discovery (FA393361-WA799999)

Cooling & Heating
Heating System
Heater Assembly

Change point - VIN end LA081991



Callout	Name	Application	Remarks & Restrictions	Service No.	Qty
1	Heater non air conditioning	Change point - VIN begin JA019137, Change point - VIN end JA027794, Less Air Conditioning	V8, DIESEL, PETROL, Also serviced as part of a kit, VM	BTR858	1
		Change point - VIN begin JA015624, Change point - VIN end JA019136, Less Air Conditioning	V8, DIESEL, PETROL, Also serviced as part of a kit, VM	BTR3429	1
		Change point - VIN begin JA019137, Change point - VIN end JA027794, Less Air Conditioning	V8, DIESEL, PETROL, Also serviced as part of a kit, VM	BTR3885	1
		Change point - VIN begin JA027795, Change point - VIN end LA081991, Less Air Conditioning	V8, DIESEL, PETROL, Also serviced as part of a kit, VM	STC864	1
2	Seal air intake	Change point - VIN begin JA015624, Change point - VIN end LA081991, Less Air Conditioning	V8, DIESEL, PETROL, Also serviced as part of a kit, VM	BTR3761	1
3	Matrix-heater	Change point - VIN end JA019136, Less Air Conditioning	V8, DIESEL, PETROL, Also serviced as part of a kit, VM	RTC6593	1
		Change point - VIN begin JA015624, Change point - VIN end LA081991, Less Air Conditioning	V8, DIESEL, PETROL, Also serviced as part of a kit, VM	RTC6593	1
		Change point - VIN begin JA019137, Change point - VIN end LA081991, Less Air Conditioning	V8, DIESEL, PETROL, Also serviced as part of a kit, VM	STC770	1
4	Motor & fan balance assembly blower-heater	Change point - VIN begin JA015624, Change point - VIN end LA081991, Less Air Conditioning	V8, DIESEL, PETROL, Also serviced as part of a kit, VM, with resistor	RTC6693	1
5	Cable-control mode control-heater	Change point - VIN begin JA015624, Change point - VIN end LA081991, Less Air Conditioning	V8, DIESEL, PETROL, Also serviced as part of a kit, VM	RTC6695	1
6	Solenoid-vacuum blower-heater	Change point - VIN begin JA015624, Change point - VIN end LA081991, Less Air Conditioning	V8, DIESEL, PETROL, Also serviced as part of a kit, VM	RTC6697	1
7	Control assembly heater	Change point - VIN begin JA015624, Change point - VIN end LA081991, Less Air Conditioning	V8, DIESEL, PETROL, Also serviced as part of a kit, VM	RTC6694	1
8	Actuator-vacuum blower-heater	Change point - VIN begin JA015624, Change point - VIN end LA081991, Less Air Conditioning	V8, DIESEL, PETROL, Also serviced as part of a kit, VM	RTC6696	1
9	Switch-slide heat/fan control	With Air Conditioning	V8, DIESEL, PETROL, VM, 4 position	PRC5436	2

Cooling & Heating
Heating System
Heater Assembly 2/3

Discovery (FA393361-WA799999)

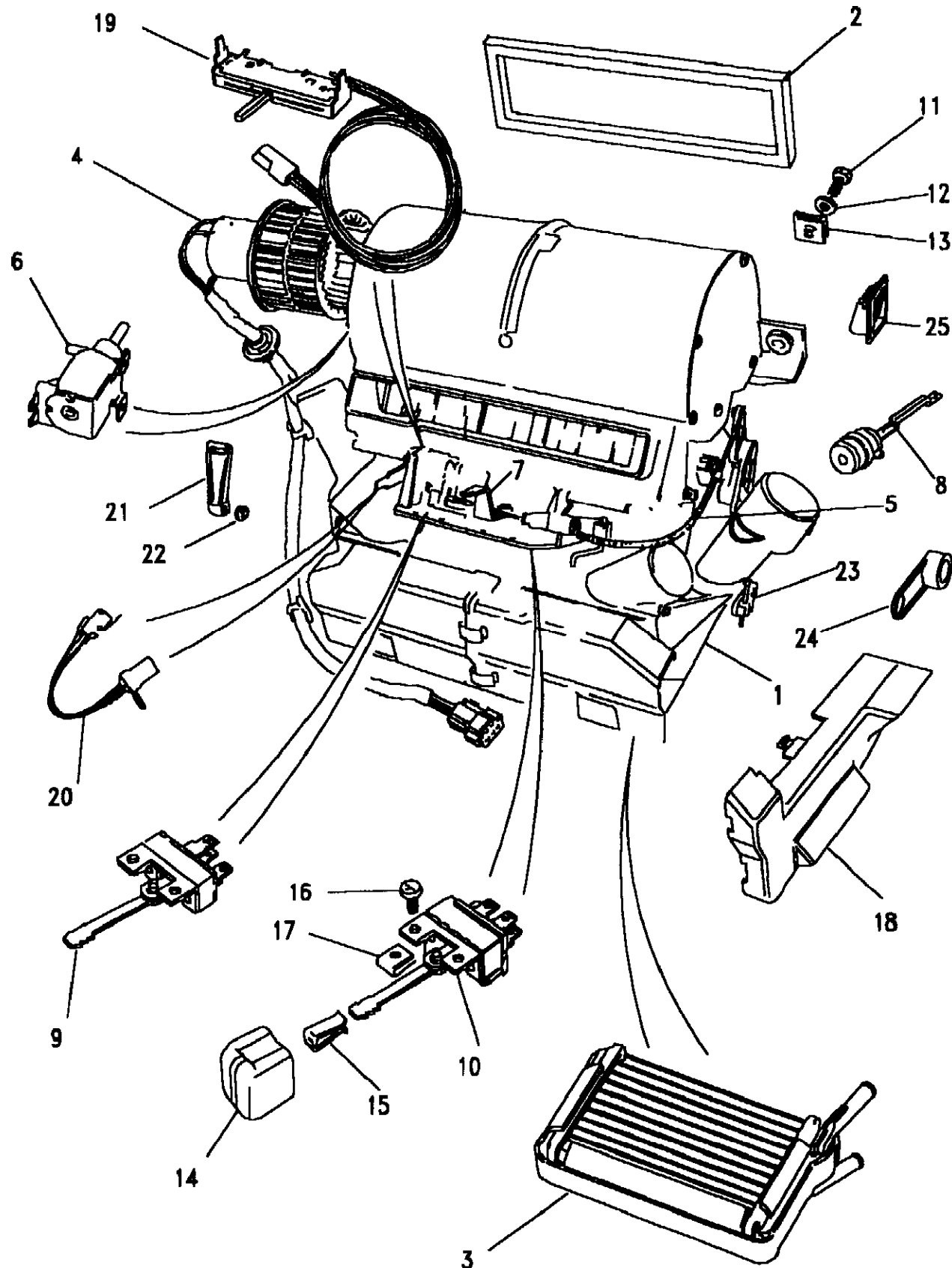
(CALXGA1A)

Discovery (FA393361-WA799999)

Cooling & Heating
Heating System
Heater Assembly

Change point - VIN end LA081991

Callout	Name	Application	Remarks & Restrictions	Service No.	Qty
9	Switch-slide heat/fan control	Less Air Conditioning	V8, DIESEL, PETROL, VM, 4 position	PRC5436	1
10	Switch-rotary heat/fan control	Less Air Conditioning	V8, DIESEL, PETROL, VM, 2 position	PRC6314	1
11	Screw		V8, DIESEL, PETROL, VM, M8	MXC6676	4
12	Washer		V8, DIESEL, PETROL, VM, M8	WC108051L	4
13	Nut-spring-u type		V8, DIESEL, PETROL, VM	AK616011	4
14	Knob-control heater		V8, DIESEL, PETROL, VM	MXC3270	5
15	Clip		V8, DIESEL, PETROL, VM	MUC6529	5
16	Screw		V8, DIESEL, PETROL, VM, Self Tapping, No 8 x 3/8	AB608031L	4
17	Nut-spring-J type		V8, DIESEL, PETROL, VM	79039	2
18	Duct-air outlet foot	Change point - VIN end JA018385, With Diesel Engines	V8, DIESEL, PETROL, VM, RH	MXC5554	1
		Change point - VIN end LA081991, With Diesel Engines	V8, DIESEL, PETROL, VM, RH	MXC5554	1
		Change point - VIN end JA018385, With Diesel Engines	V8, DIESEL, PETROL, VM, LH	MXC5555	1
		Change point - VIN end LA081991, With Diesel Engines	V8, DIESEL, PETROL, VM, LH	MXC5555	1
		Change point - VIN begin JA018386, Change point - VIN end LA081991, With Diesel Engines	V8, DIESEL, PETROL, VM, RH	BTR3780	1
		Change point - VIN begin JA018386, Change point - VIN end LA081991, With Diesel Engines	V8, DIESEL, PETROL, VM, LH	BTR3781	1
19	Potentiometer-air con		V8, DIESEL, PETROL, (-) MPI, VM	MXC5705	1
			V8, DIESEL, PETROL, VM	BTR3721	1
20	Switch assembly-vacuum control-heater		V8, DIESEL, PETROL, VM	PRC8155	1
21	Harness-link		V8, DIESEL, PETROL, VM	MXC5683	1
22	Clip		V8, DIESEL, PETROL, VM	MXC7656	1
23	Clip-case-heater heater		V8, DIESEL, PETROL, VM	STC490	1



Cooling & Heating
 Heating System
 Heater Assembly 3/3

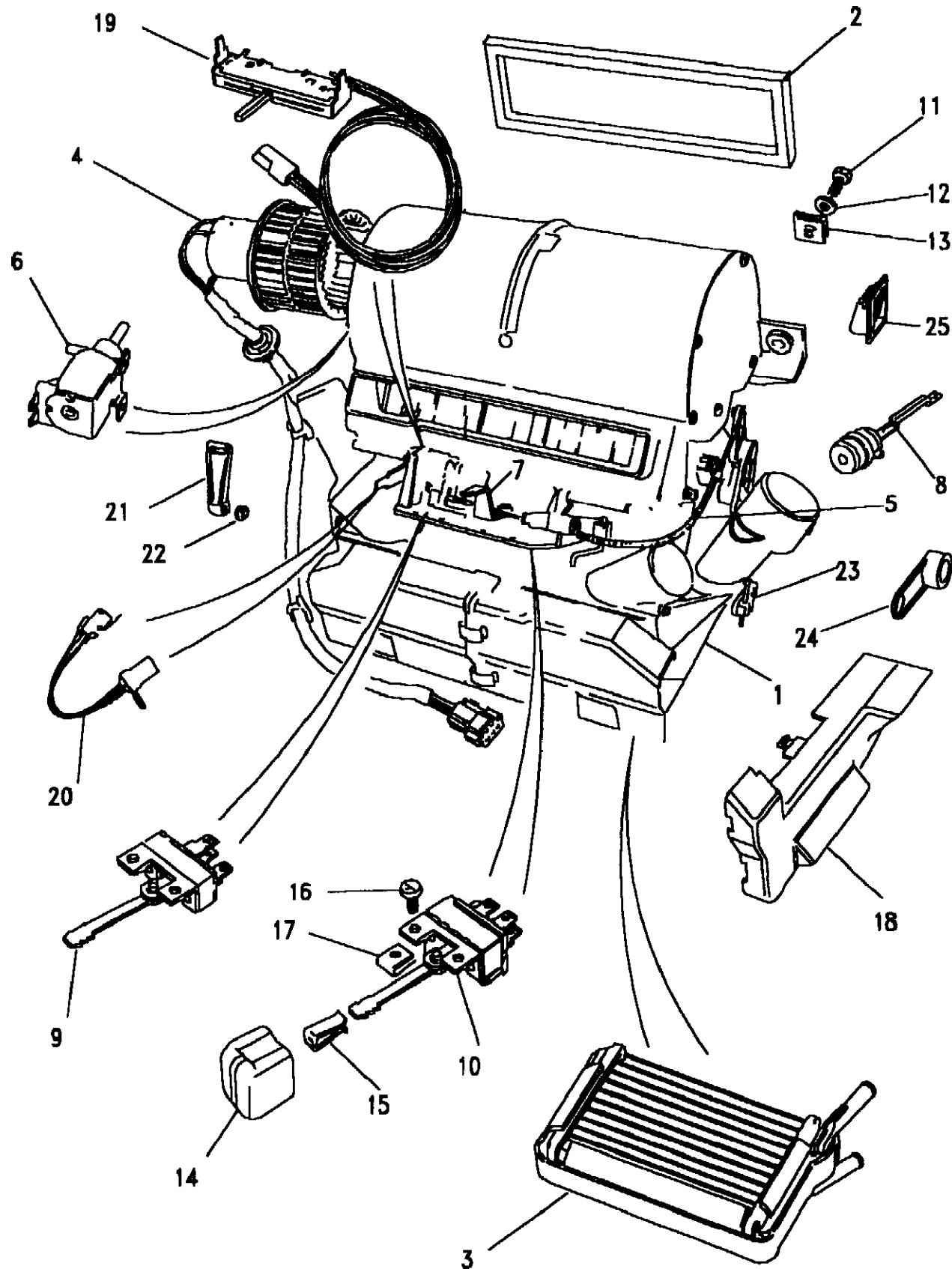
Discovery (FA393361-WA799999)
 (CALXGA1A)

Discovery (FA393361-WA799999)

Cooling & Heating
 Heating System
 Heater Assembly

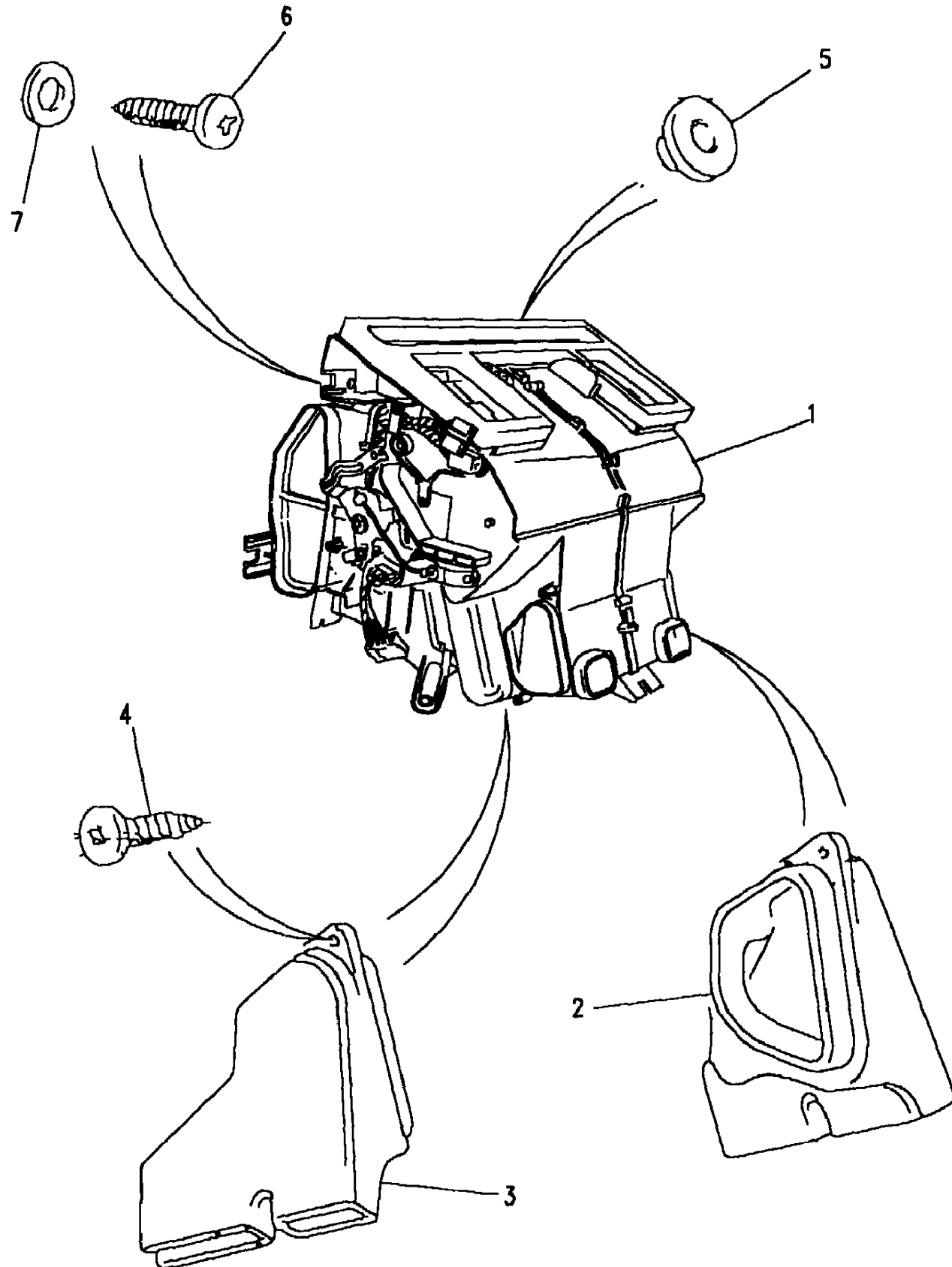
Change point - VIN end LA081991

Callout	Name	Application	Remarks & Restrictions	Service No.	Qty
24	Lever driver vent		V8, DIESEL, PETROL, VM	UTP1519	1
25	Flap & seals assembly blower-heater		V8, DIESEL, PETROL, VM	BTR5201	1

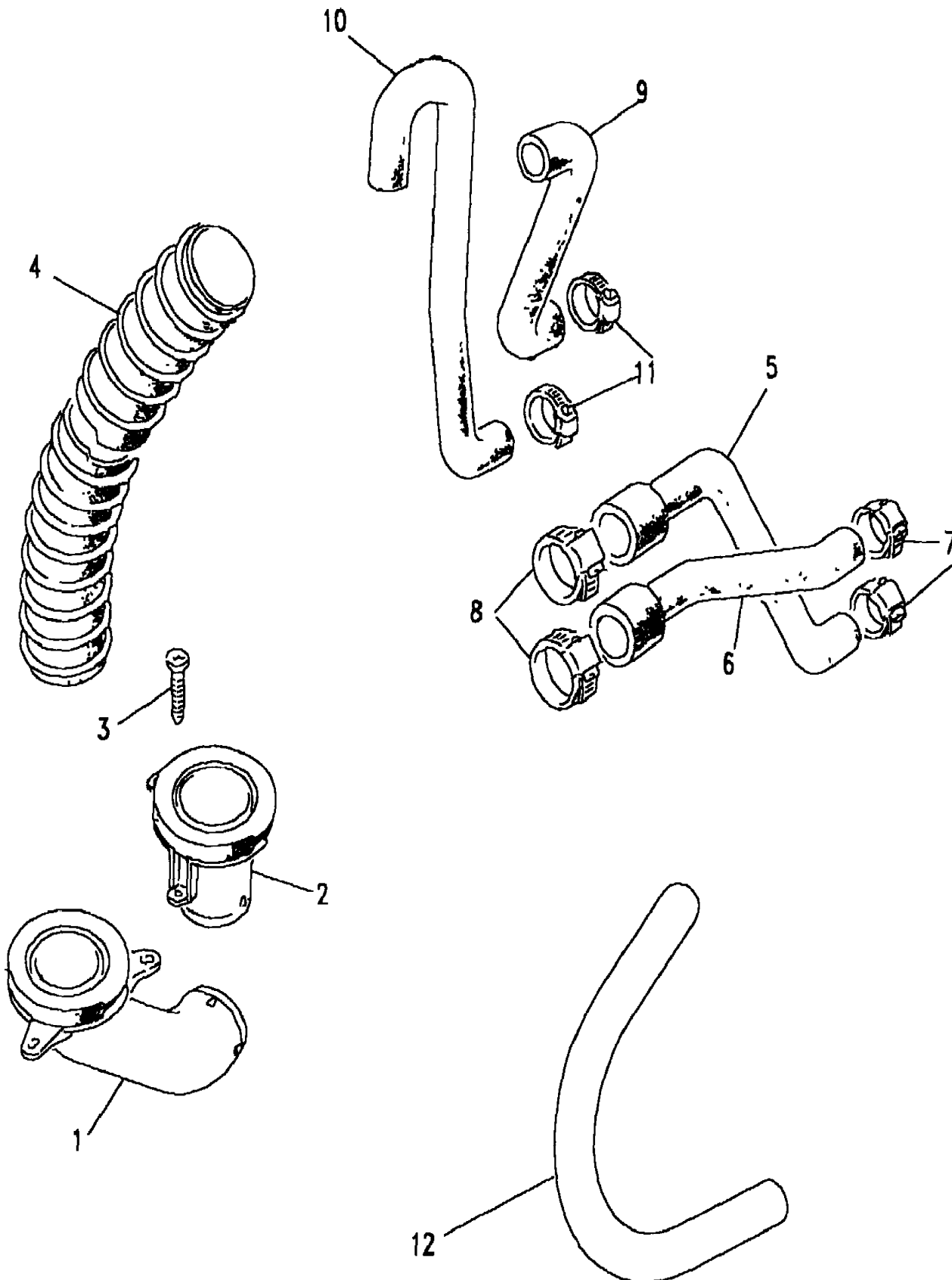


Change point - VIN begin MA081992, TDi

Callout	Name	Application	Remarks & Restrictions	Service No.	Qty
1	Heater assembly non air conditioning	Change point - VIN begin MA081992, Change point - VIN end MA148804, RHD, Less Air Conditioning		BTR6486	1
		Change point - VIN begin MA081992, Change point - VIN end MA148804, LHD, Less Air Conditioning		BTR6487	1
		Change point - VIN begin MA081992, RHD, Less Air Conditioning		AWR3011	1
		Change point - VIN begin MA148805, RHD, Less Air Conditioning		AWR3011	1
		Change point - VIN begin MA081992, LHD, Less Air Conditioning		AWR3012	1
		Change point - VIN begin MA148805, LHD, Less Air Conditioning		AWR3012	1
		LHD, Less Air Conditioning	RH	BTR4002	1
		LHD, Less Air Conditioning	LH	BTR4003	1
		LHD, Less Air Conditioning		CDU3609	2
5	Grommet			BTR6741	1
6	Bolt		M8 x 25	DCP3970	5
7	Washer			WC108051	5
8	Hose-drain pipe			BTR4036	2
9	Valve-drain blower-heater			BTR7399	2



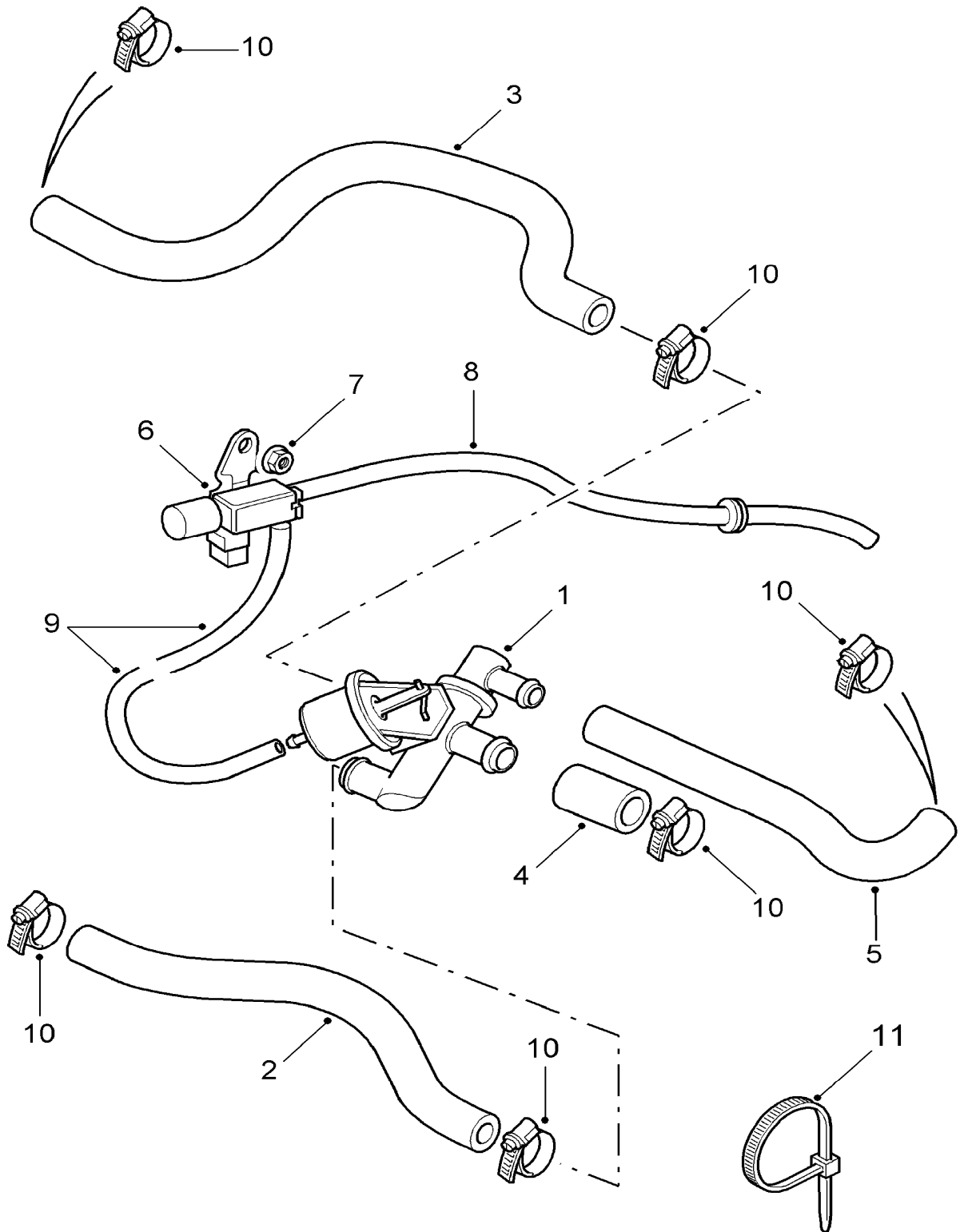
Change point - VIN end LA081991, V8



Callout	Name	Application	Remarks & Restrictions	Service No.	Qty
1	Connector-outer air duct		RH LH	MXC1282 MXC1283	1 1
2	Connector-air duct centre			MWC8340	2
3	Screw-self tapping		M8 x 10	DA608031L	8
4	Hose driver vent			MWC8332	4
5	Hose-heater-inlet	Change point - VIN end GA449987, V8 Twin Carb Change point - VIN begin GA449988, Change point - VIN end LA081991, V8 Twin Carb V8 EFI		NRC2524 BTR215 BTR216	1 1 1
6	Hose-heater-outlet	Change point - VIN end GA461366, V8 Twin Carb V8 EFI		NRC2523 BTR217	1 1
7	Clip-Hose	V8 EFI	25MM	CN100258L	2
8	Clip-Hose	Change point - VIN end MA081991, V8 EFI	26MM	ESR3607	2
9	Hose-heater-inlet	With Diesel Engines		MXC4931	1
10	Hose-heater-outlet	With Diesel Engines		MXC4932	1
11	Clip-Hose	With Diesel Engines	25MM	CN100258L	4
12	Hose-heater-inlet	MPi		BTR5599	1
[900]	Spacer			MXC5716	2

Change point - VIN begin MA081992, Change point - VIN begin MA081992, Change point - VIN begin MA081992, Petrol V8 L/R EFI, TDi, V8 Twin Carb L/R Petrol

Callout	Name	Application	Remarks & Restrictions	Service No.	Qty
1	Valve-coolant by passive heater	V8		BTR4022	1
2	Hose heater/coolant valve	Change point - VIN begin MA081992, Change point - VIN end MA104738, V8 Change point - VIN end MA142696, Change point - VIN begin MA104739, V8 Change point - VIN begin MA142697, Change point - VIN end TA163104, V8 Change point - VIN begin MA500000, Change point - VIN end TA501919, V8 Change point - VIN begin TA163104, V8 Change point - VIN begin TA501920, V8	Replacing Heater Valve	BTR8726 AWR1362 AWR2651 AWR2651 AWR3833 AWR3833 PCH100100	1 2 2 2 2 2 2
3	Hose coolant valve/heater	V8		BTR8727	1
4	Hose-engine to heater valve coolant	V8		BTR4016	1
5	Hose-engine coolant valve	V8		BTR8725	1
6	Solenoid-vacuum blower-heater	V8		BTR4190	1
7	Nut-plastic	V8	M5	CYH10001L	1
8	Valve & pipe assembly-coolant heater	V8	Solenoid To Plenum Chamber	BTR4025	1
9	Pipe assembly-vacuum switch/water valve	V8		BTR4026	1
10	Clip-Hose	V8 V8	30MM	CN100308 CN100308L	X X
11	Tie-cable	Change point - VIN begin MA081992, V8	inside serated, 4.6 x 385mm, White.	594594	X



F03.065
09-2003
L4
LL0102

Cooling & Heating
Heating System
Hoses & Pipes Cont. 2 1/1

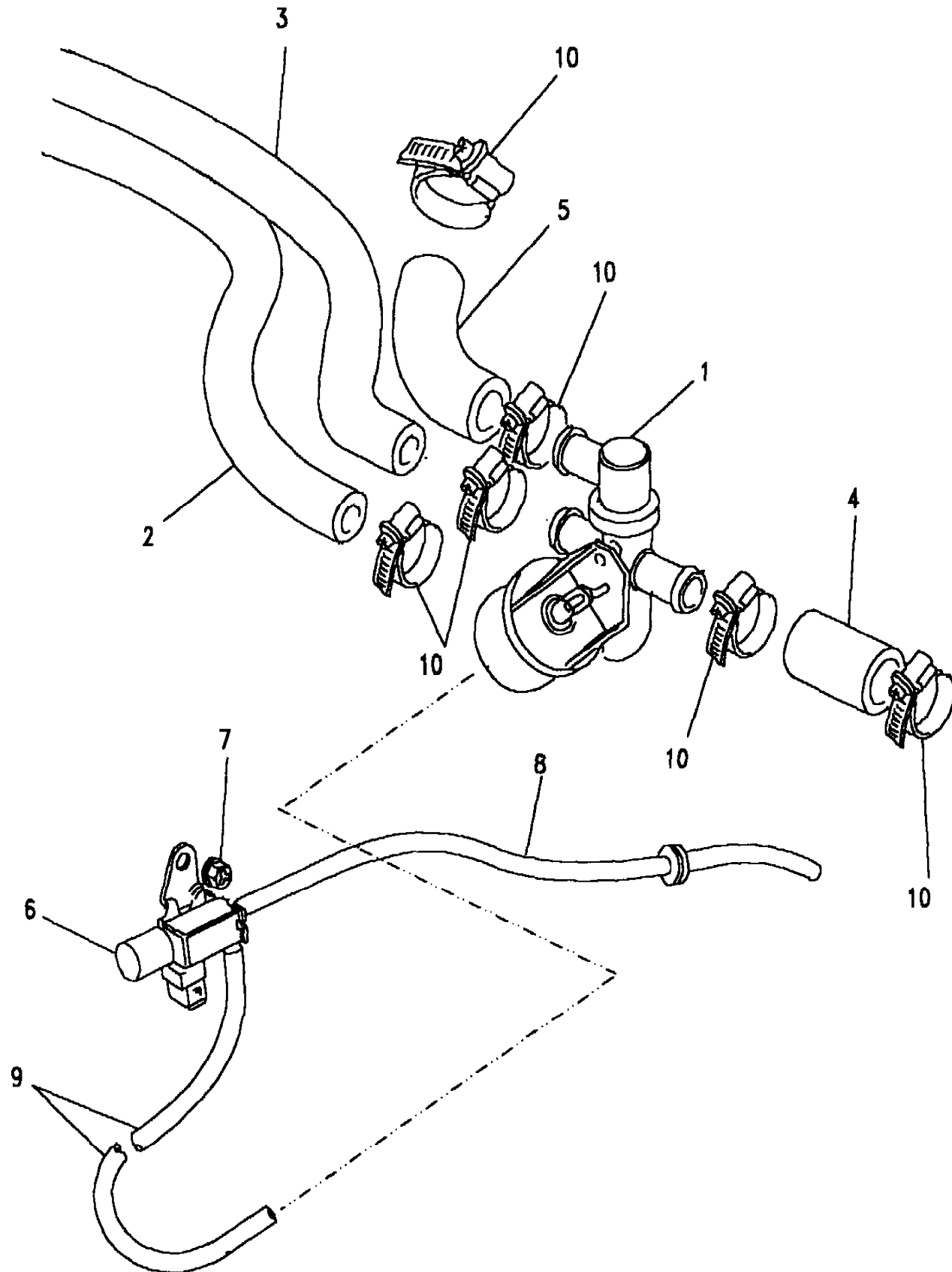
Discovery (FA393361-WA799999)
(CALXIA1C)

Discovery (FA393361-WA799999)

Cooling & Heating
Heating System
Hoses & Pipes Cont. 2

Change point - VIN begin MA081992, 4 Cylinder MPi T Series Petrol

Callout	Name	Application	Remarks & Restrictions	Service No.	Qty
1	Valve-coolant by passive heater	MPi		BTR4023	1
2	Hose heater/coolant valve	MPi		BTR4195	1
3	Hose coolant valve/heater	MPi		BTR4196	1
4	Hose-engine to heater valve coolant	Change point - VIN begin MA081992, Change point - VIN end MA103486, MPi Change point - VIN begin MA081992, MPi Change point - VIN begin MA103487, MPi		BTR4016 AWR1364 AWR1364	1 1 1
5	Hose assembly-engine coolant valve	Change point - VIN begin MA081992, Change point - VIN end MA103486, MPi Change point - VIN begin MA081992, MPi Change point - VIN begin MA103487, MPi		BTR4008 AWR1363 AWR1363	1 1 1
6	Solenoid-vacuum blower-heater	MPi		BTR4190	1
7	Nut-plastic	MPi	M5	NTC7314	1
8	Valve & pipe assembly-coolant heater	MPi		BTR4027	1
9	Pipe assembly-vacuum switch/water valve	MPi		BTR4026	1
10	Clip-Hose	MPi	26MM	ESR3607	X
[900]	Tie-cable	MPi	inside serated, 4.6 x 385mm, White.	594594	X



Cooling & Heating
 Heating System
 Hoses & Pipes Cont. 3 1/1

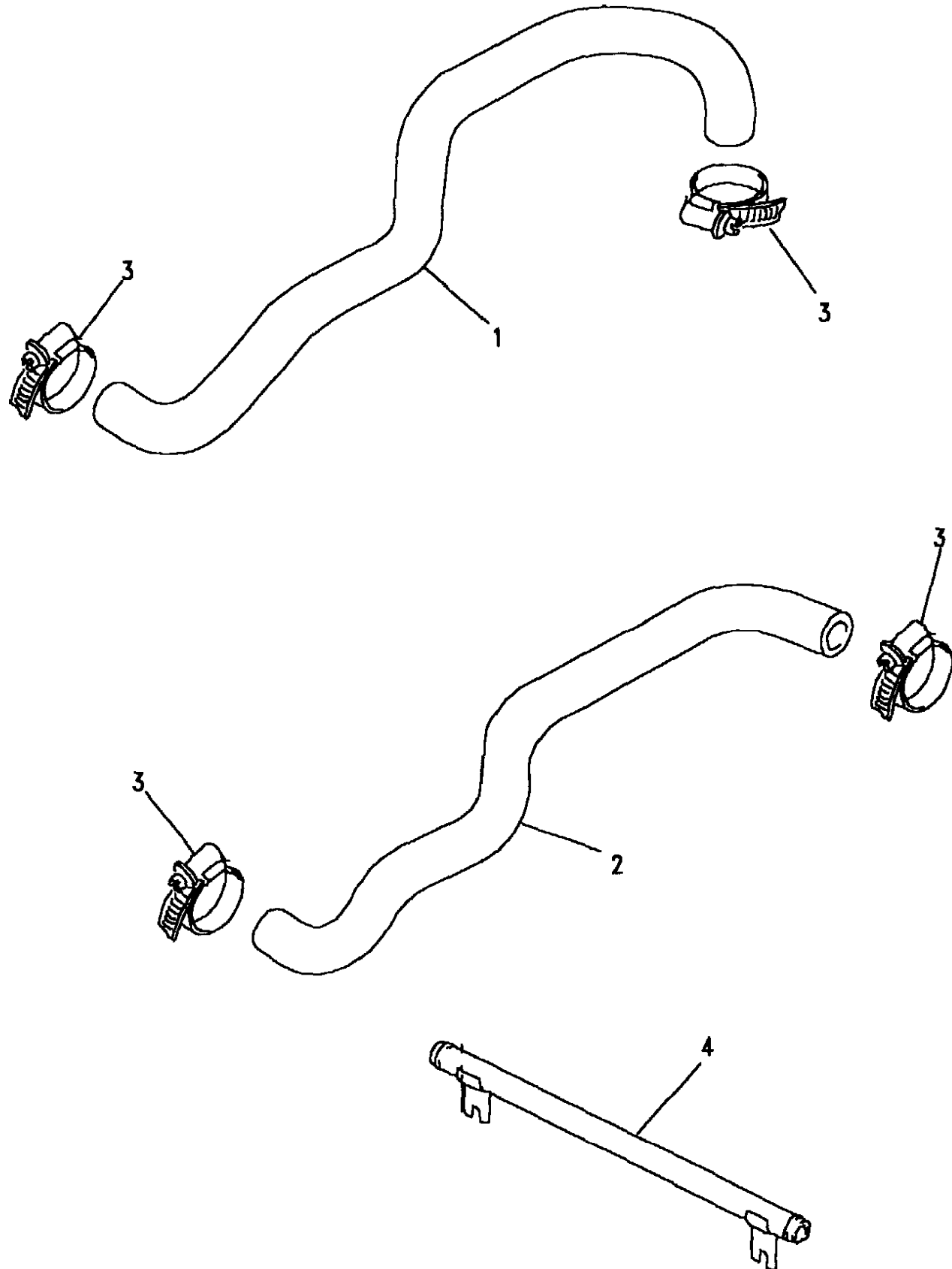
Discovery (FA393361-WA799999)
 (CALXIA1D)

Discovery (FA393361-WA799999)

Cooling & Heating
 Heating System
 Hoses & Pipes Cont. 3

Change point - VIN begin MA081992, 4 Cylinder TDi Diesel

Callout	Name	Application	Remarks & Restrictions	Service No.	Qty
1	Hose-heater-inlet	TDi		BTR9616	1
2	Hose-heater-outlet	TDi		BTR9617	1
3	Tie-cable	TDi	inside serated, 4.6 x 385mm, White.	594594	X
4	Pipe-heater to hose coolant	TDi		ERR4531	1



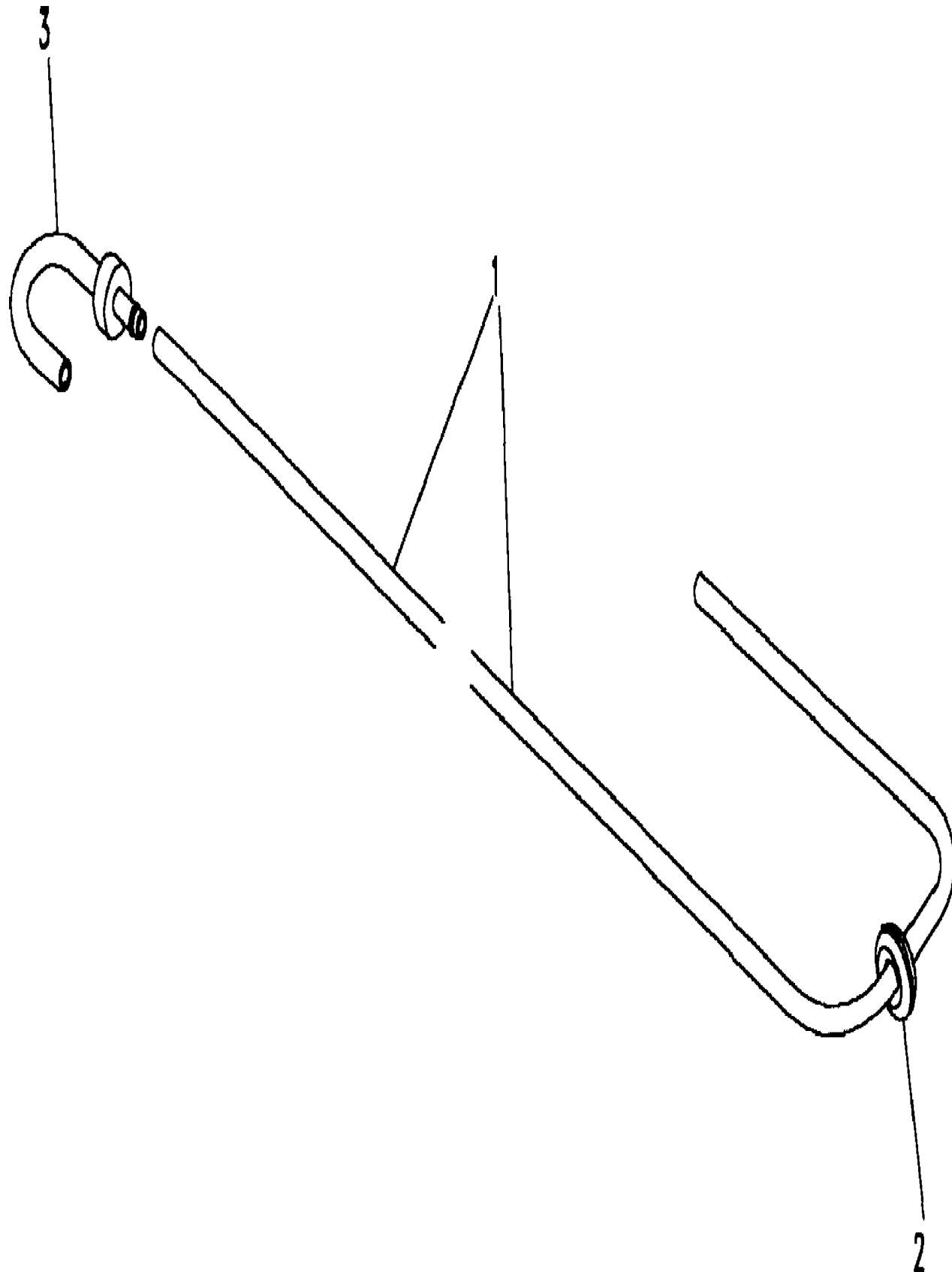
Cooling & Heating
 Heating System
 Vacuum Hoses 1/1

Discovery (FA393361-WA799999)
 (CALXPA2A)

Discovery (FA393361-WA799999)

Cooling & Heating
 Heating System
 Vacuum Hoses

Callout	Name	Application	Remarks & Restrictions	Service No.	Qty
1	Pipe-vacuum heater/air conditioning	Change point - VIN begin LA067124, Change point - VIN end MA081992		MWC4340	1
2	Grommet	Change point - VIN begin LA067124, Change point - VIN end MA081992	Black, cable, 3 x 25.5mm	233243	1
3	Valve-check-vacuum control-heater	Change point - VIN begin LA067124, Change point - VIN end MA081992		BTR5598	1



Cooling & Heating
Heating System
Vacuum Tank & Hoses 1/1

Discovery (FA393361-WA799999)
(CALXPA1A)

Discovery (FA393361-WA799999)

Cooling & Heating
Heating System
Vacuum Tank & Hoses

Callout	Name	Application	Remarks & Restrictions	Service No.	Qty
1	Vacuum tank	Change point - VIN end LA067123		MUC1679	1
2	Pipe-vacuum heater	Change point - VIN end LA067123		MWC3086	1
3	Pipe-vacuum heater	Change point - VIN end LA067123		MWC3088	1
4	Screw-flanged head	Change point - VIN end LA067123	M6 X 16, Flanged Head	FS106167L	2
5	Washer	Change point - VIN end LA067123	6MM	WA106041L	4
6	Washer-Spring	Change point - VIN end LA067123	6MM	WL106041	2
7	Nut - Hex.	Change point - VIN end LA067123	M6, nyloc, Hexagonal	NH106041L	2
8	Grommet	Change point - VIN end LA067123	Black, cable, 3 x 25.5mm	233243	1
[900]	Pipe-vacuum heater/air conditioning	Change point - VIN end LA067123		MWC4340	1

