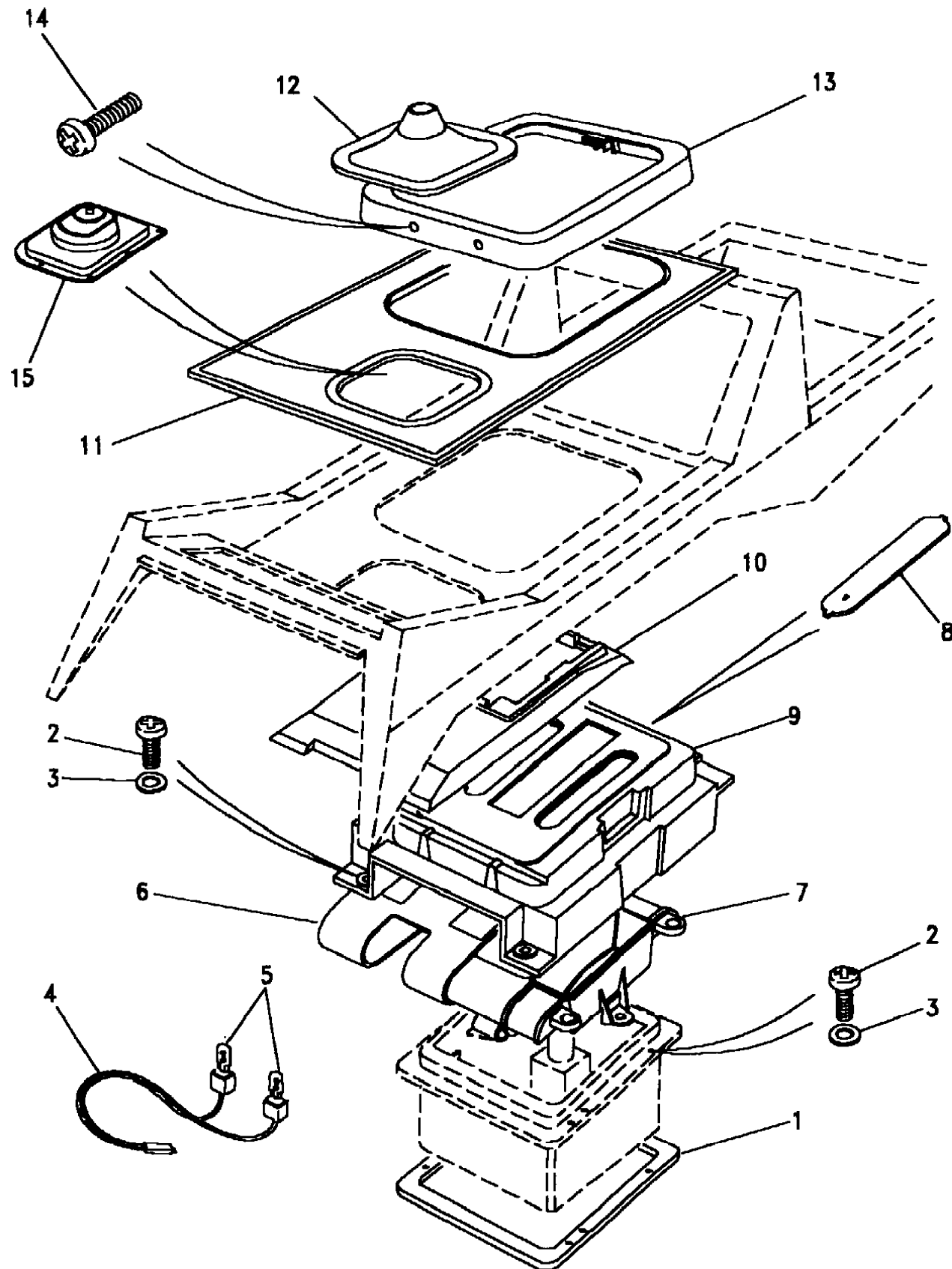


Interior Trim
Trim
Auto & Manual Selector Mounting Assembly 1/1

Discovery (FA393361-WA799999)
(CAPXCA1A)

Discovery (FA393361-WA799999)
Auto & Manual Selector Mounting Assembly

Interior Trim
Trim



Callout	Name	Application	Remarks & Restrictions	Service No.	Qty
1	Gasket selector mechanism	Change point - VIN end KA064754		BTR1515	1
2	Screw	Change point - VIN end KA064754	M8 X 16	SE104161L	8
3	Washer	Change point - VIN end KA064754		WA702101L	1
4	Harness-link-selector illumination selection mechanism	Change point - VIN end KA064754	Also serviced as part of a kit	AMR1192	1
5	Bulb-wedge illumination	Change point - VIN end KA064754		STC881	2
6	Illumination assembly selector mechanism	Change point - VIN end KA064754	Also serviced as part of a kit	BTR4029	1
7	Guide automatic transmission	Change point - VIN end LA071790		MUC8989	1
8	Lens-tunnel console face plate	Change point - VIN end KA064754		BTR1512	1
9	Guide-slide-nacelle selector mechanism	Change point - VIN end KA064754	Ash Grey	BTR1513LNF	1
10	Pad-insulation-front tunnel	Change point - VIN end KA064754		BTR2279	1
11	Mat-centre console	Change point - VIN end KA064754	Black	BTR1510PMA	1
12	Gaiter-hi/low lever	Change point - VIN end KA064754	Ash Grey	MXC2187LNF	1
13	Finisher-front console automatic selector	Change point - VIN end KA064754	Ash Grey	BTR1514LNF	1
14	Screw	Change point - VIN end KA064754		BTR2314	2
15	Gaiter-gear lever assembly inner	Change point - VIN end KA064754	sealing	BTR5503	1
[902]	Bulb-wedge illumination		Also serviced as part of a kit	STC881	2

Interior Trim
Trim
Auto Selector Mounting 1/1

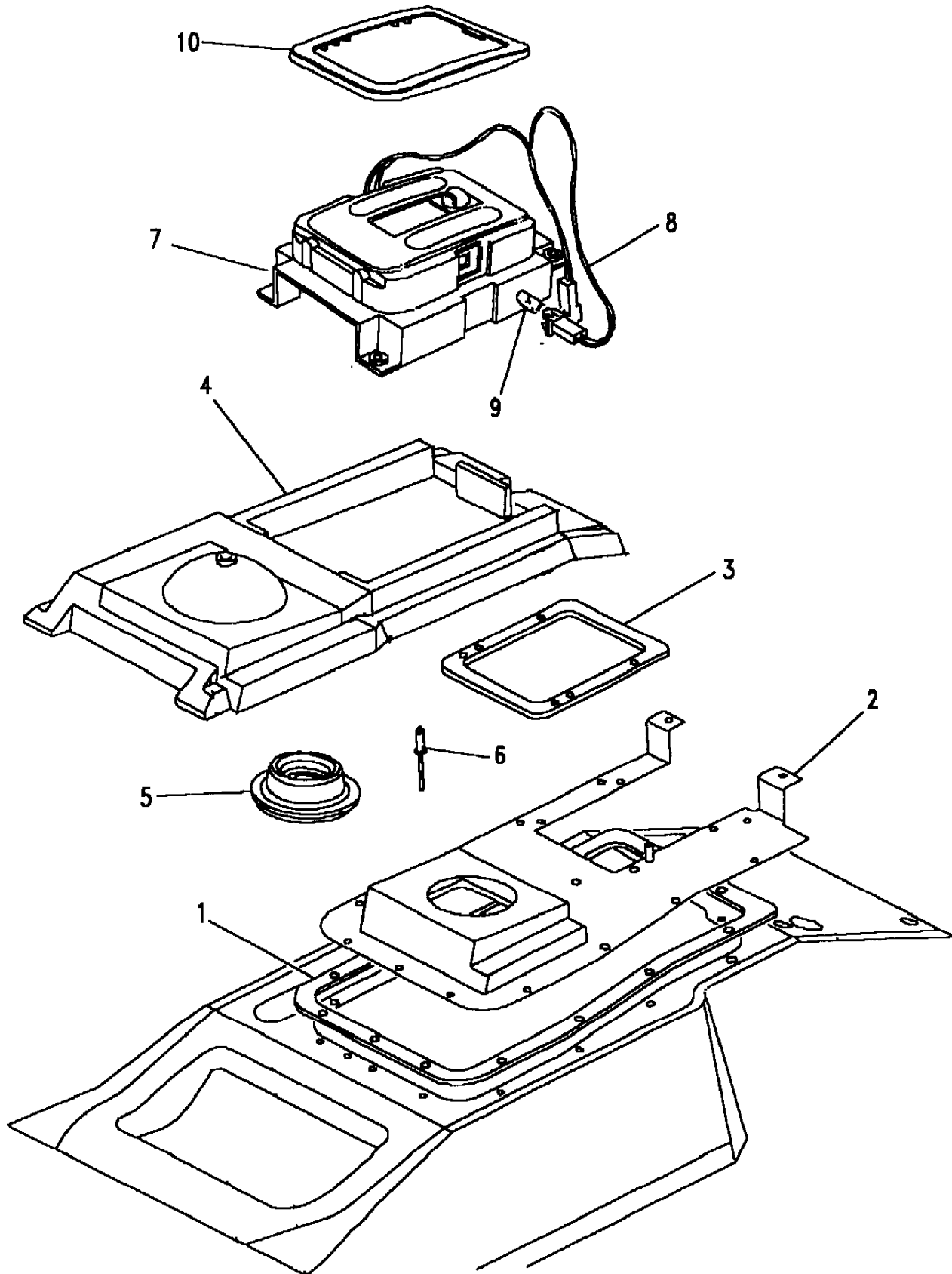
Discovery (FA393361-WA799999)
(CAPXCA2A)

Discovery (FA393361-WA799999)

Interior Trim
Trim
Auto Selector Mounting

Automatic Transmission

Callout	Name	Application	Remarks & Restrictions	Service No.	Qty
1	Seal-tunnel console automatic rubber	Change point - VIN begin LA064755, Change point - VIN end LA081991 Change point - VIN begin MA081992		BTR8324 BTR9816	1 1
2	Panel assembly-tunnel console centre	Change point - VIN begin LA064755, Change point - VIN end LA081991 Change point - VIN begin MA081992		BTR8322 BTR9812	1 1
3	Gasket selector mechanism	Change point - VIN begin LA064755		BTR1515	1
4	Pad-tunnel insulation	Change point - VIN begin LA064755, Change point - VIN end LA081991 Change point - VIN begin MA081992		BTR8330 BTR9815	1 1
5	Gaiter-gear lever assembly inner	Change point - VIN begin LA064755, Change point - VIN end LA081991 Change point - VIN begin MA081992		BTR8323 BTR9813	1 1
6	Rivet	Change point - VIN begin LA064755	4.8mm diameter	BTR8535	12
7	Illumination assembly selector mechanism	Change point - VIN begin MA081992	Also serviced as part of a kit, Ash Grey	BTR9926LNF	1
8	Harness-link-selector illumination selection mechanism	Change point - VIN begin MA081992	Also serviced as part of a kit	AMR1192	1
9	Bulb-wedge illumination	Change point - VIN begin MA081992	Also serviced as part of a kit	STC881	2
10	Finisher-front console automatic selector	Change point - VIN begin MA081992	Ash Grey	BTR3100LNF	1



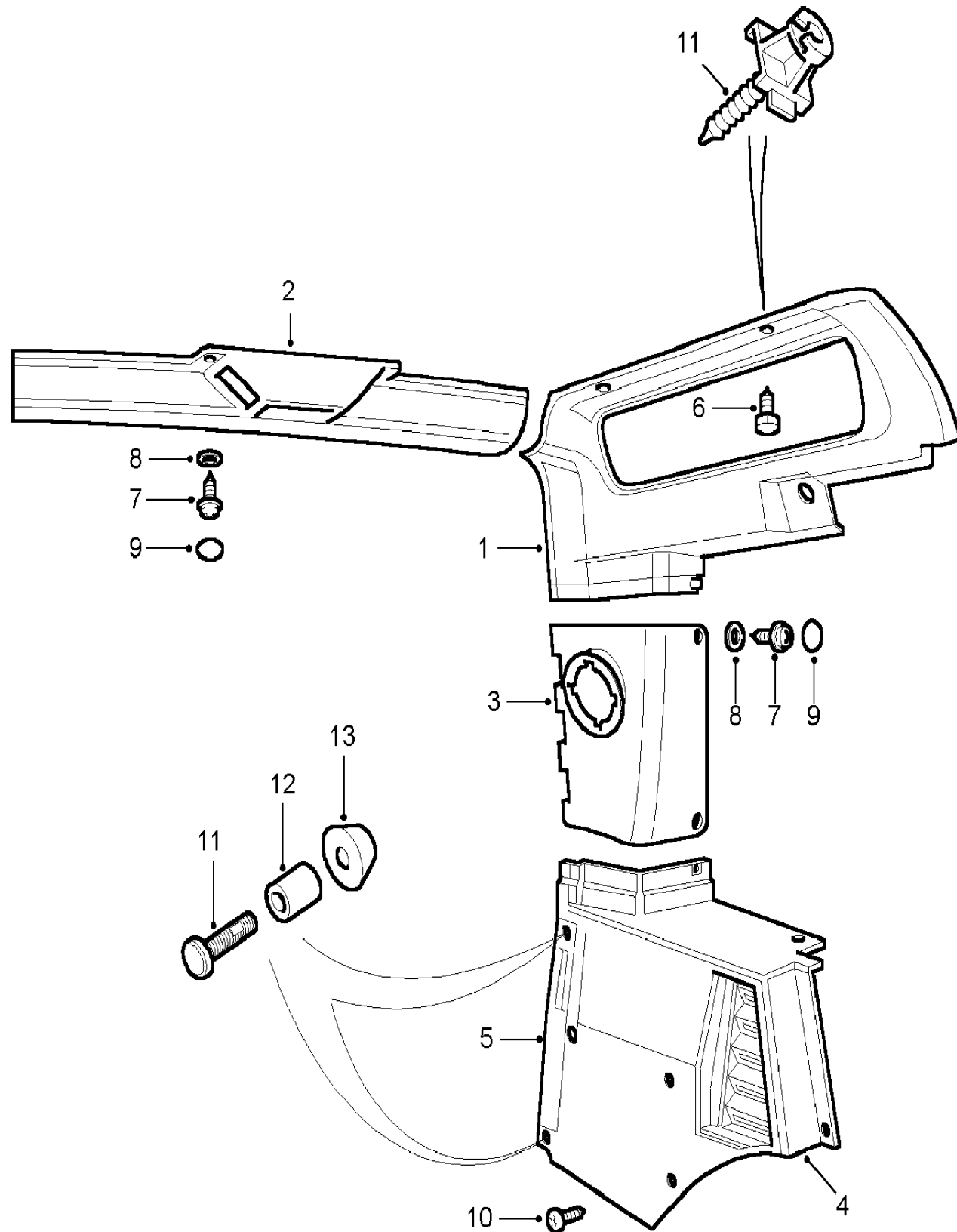
Interior Trim
Trim
Body Trim Rear (Cont) 1/3

Discovery (FA393361-WA799999)

(CAPXGC1D)

Discovery (FA393361-WA799999)

Interior Trim
Trim
Body Trim Rear (Cont)



CAPXGC1D

Callout	Name	Application	Remarks & Restrictions	Service No.	Qty
1	Panel-alpine light trim	Change point - VIN begin MA081992, With Rear Air Conditioning	Dark Granite	BTR4363LOY	1
		Change point - VIN begin MA081992, With Rear Air Conditioning	Bahama Beige	BTR4363SUC	1
2	Finisher-rear header	Change point - VIN begin MA081992, With Rear Air Conditioning	Dark Granite	BTR4381LOY	1
		Change point - VIN begin MA081992, With Rear Air Conditioning	Bahama Beige	BTR4381SUC	1
3	Finisher-E post	Change point - VIN begin MA081992, With Rear Air Conditioning	Dark Granite	BTR4368LOY	1
		Change point - VIN begin MA081992, With Rear Air Conditioning	Bahama Beige	BTR4368SUC	1
4	Moulding assembly-rear end trim load space	Change point - VIN begin MA081992, With Rear Air Conditioning, (-)"AUS"	Dark Granite, 5 seats, LH	BTR6614LOY	1
		Change point - VIN begin MA081992, With Rear Air Conditioning, (-)"NZ"	Dark Granite, 5 seats, LH	BTR6614LOY	1
		Change point - VIN begin MA081992, With Rear Air Conditioning, (-)"AUS"	Bahama Beige, 5 seats, LH	BTR6614SUC	1
		Change point - VIN begin MA081992, With Rear Air Conditioning, (-)"NZ"	Bahama Beige, 5 seats, LH	BTR6614SUC	1
		Change point - VIN begin MA081992, With Rear Air Conditioning, (-)"AUS"	Dark Granite, 7 seats, LH	AWR1535LOY	1
		Change point - VIN begin MA081992, With Rear Air Conditioning, (-)"NZ"	Dark Granite, 7 seats, LH	AWR1535LOY	1
		Change point - VIN begin MA081992, With Rear Air Conditioning, (-)"AUS"	Bahama Beige, 7 seats, LH	AWR1535SUC	1
		Change point - VIN begin MA081992, With Rear Air Conditioning, (-)"NZ"	Bahama Beige, 7 seats, LH	AWR1535SUC	1
		Change point - VIN begin MA081992, With Rear Air Conditioning, (-)"NZ"	Dark Granite, 5 seats, LH	BTR9431LOY	1
		Change point - VIN begin MA081992, With Rear Air Conditioning, (+)"AUS"	Dark Granite, 5 seats, LH	BTR9431LOY	1
		Change point - VIN begin MA081992, With Rear Air Conditioning, (+)"NZ"	Bahama Beige, 5 seats, LH	BTR9431SUC	1
		Change point - VIN begin MA081992, With Rear Air Conditioning, (+)"AUS"	Bahama Beige, 5 seats, LH	BTR9431SUC	1
		Change point - VIN begin MA081992, With Rear Air Conditioning, (+)"NZ"	Dark Granite, 7 seats, LH	BTR9432LOY	1
		Change point - VIN begin MA081992, With Rear Air Conditioning, (+)"AUS"	Dark Granite, 7 seats, LH	BTR9432LOY	1
		Change point - VIN begin MA081992, With Rear Air Conditioning, (+)"NZ"	Dark Granite, 7 seats, LH	BTR9432LOY	1

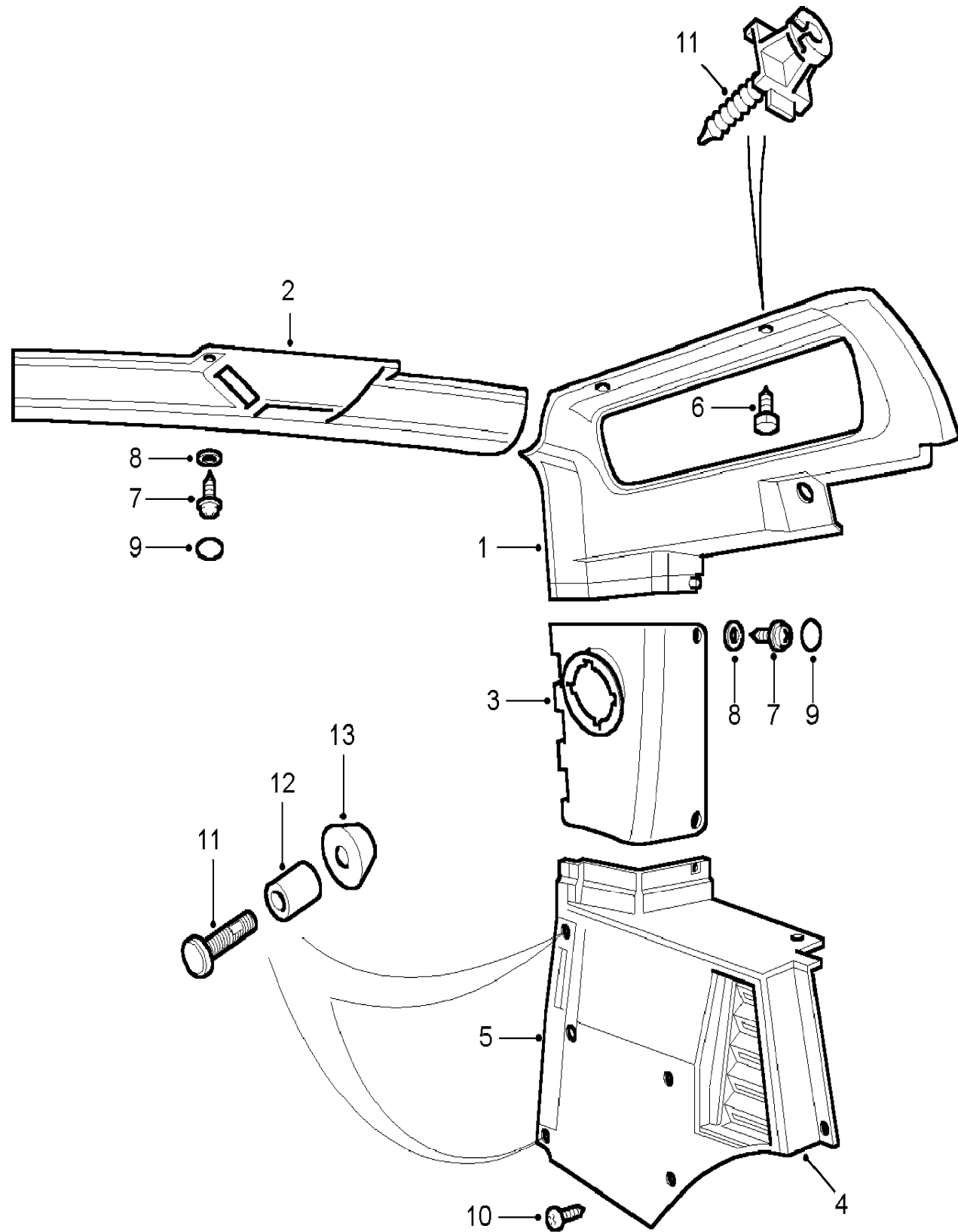
Interior Trim
Trim
Body Trim Rear (Cont) 2/3

Discovery (FA393361-WA799999)

(CAPXGC1D)

Discovery (FA393361-WA799999)

Interior Trim
Trim
Body Trim Rear (Cont)



CAPXGC1D

Callout	Name	Application	Remarks & Restrictions	Service No.	Qty
4	Moulding assembly-rear end trim load space	Change point - VIN begin MA081992, With Rear Air Conditioning, (+)"AUS"	Bahama Beige, 7 seats, LH	BTR9432SUC	1
		Change point - VIN begin MA081992, With Rear Air Conditioning, (+)"NZ"	Bahama Beige, 7 seats, LH	BTR9432SUC	1
5	Cover-rear lamp access	Change point - VIN begin MA081992, With Rear Air Conditioning	Dark Granite, 5 seats	BTR6616LOY	1
		Change point - VIN begin MA081992, With Rear Air Conditioning	Bahama Beige, 5 seats	BTR6616SUC	1
		Change point - VIN begin MA081992, With Rear Air Conditioning	Dark Granite, 7 seats	BTR6615LOY	1
		Change point - VIN begin MA081992, With Rear Air Conditioning	Bahama Beige, 7 seats	BTR6615SUC	1
6	Fastener-drive	Change point - VIN begin MA081992, With Rear Air Conditioning	Dark Granite	MXC5766LOY	2
		Change point - VIN begin MA081992, With Rear Air Conditioning	Bahama Beige	MXC5766SUC	2
7	Screw-flanged head	Change point - VIN begin MA081992, With Rear Air Conditioning		DA608084L	X
8	Washer	Change point - VIN begin MA081992, With Rear Air Conditioning	M5	WC105004	X
9	Capscrew	Change point - VIN begin MA081992, With Rear Air Conditioning	Dark Granite	ADL3029LOY	X
		Change point - VIN begin MA081992, With Rear Air Conditioning	Bahama Beige	ADL3029SUC	X
10	Retainer-trim	Change point - VIN begin MA081992, With Rear Air Conditioning	Yellow	BTR8976	2
11	Stud	Change point - VIN begin MA081992, With Rear Air Conditioning	Dark Granite	JPC2616LOY	2
		Change point - VIN begin MA081992, With Rear Air Conditioning	Bahama Beige	JPC2616SUC	2
12	Washer	With Rear Air Conditioning	anchor retaining	JPC2619L	2
13	Nut-plastic	With Rear Air Conditioning	ratchet stud	JPC2617L	2
14	Fastener-drive	With Rear Air Conditioning	Dark Granite	MXC5451LOY	4

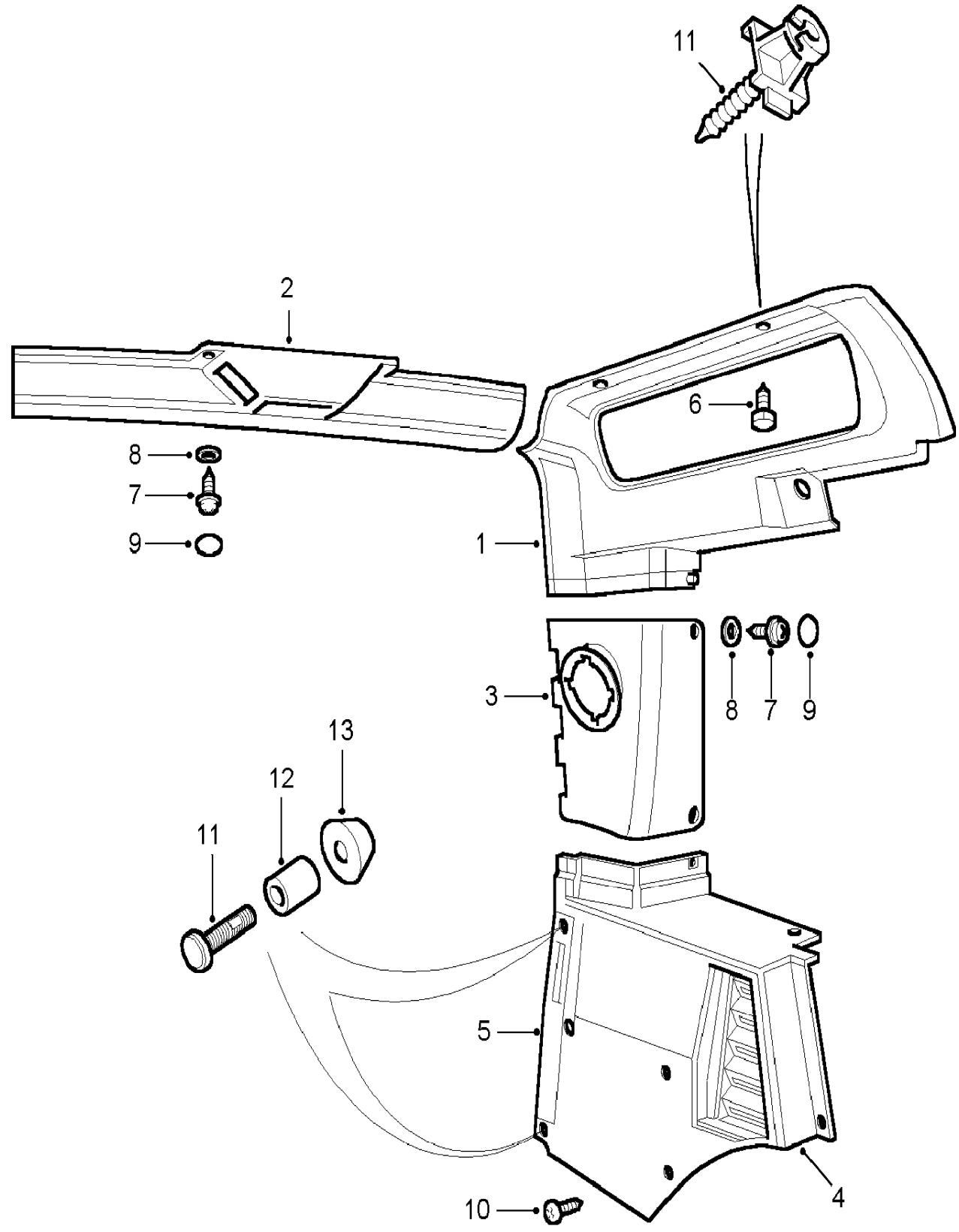
Interior Trim
Trim
Body Trim Rear (Cont) 3/3

Discovery (FA393361-WA799999)
(CAPXGC1D)

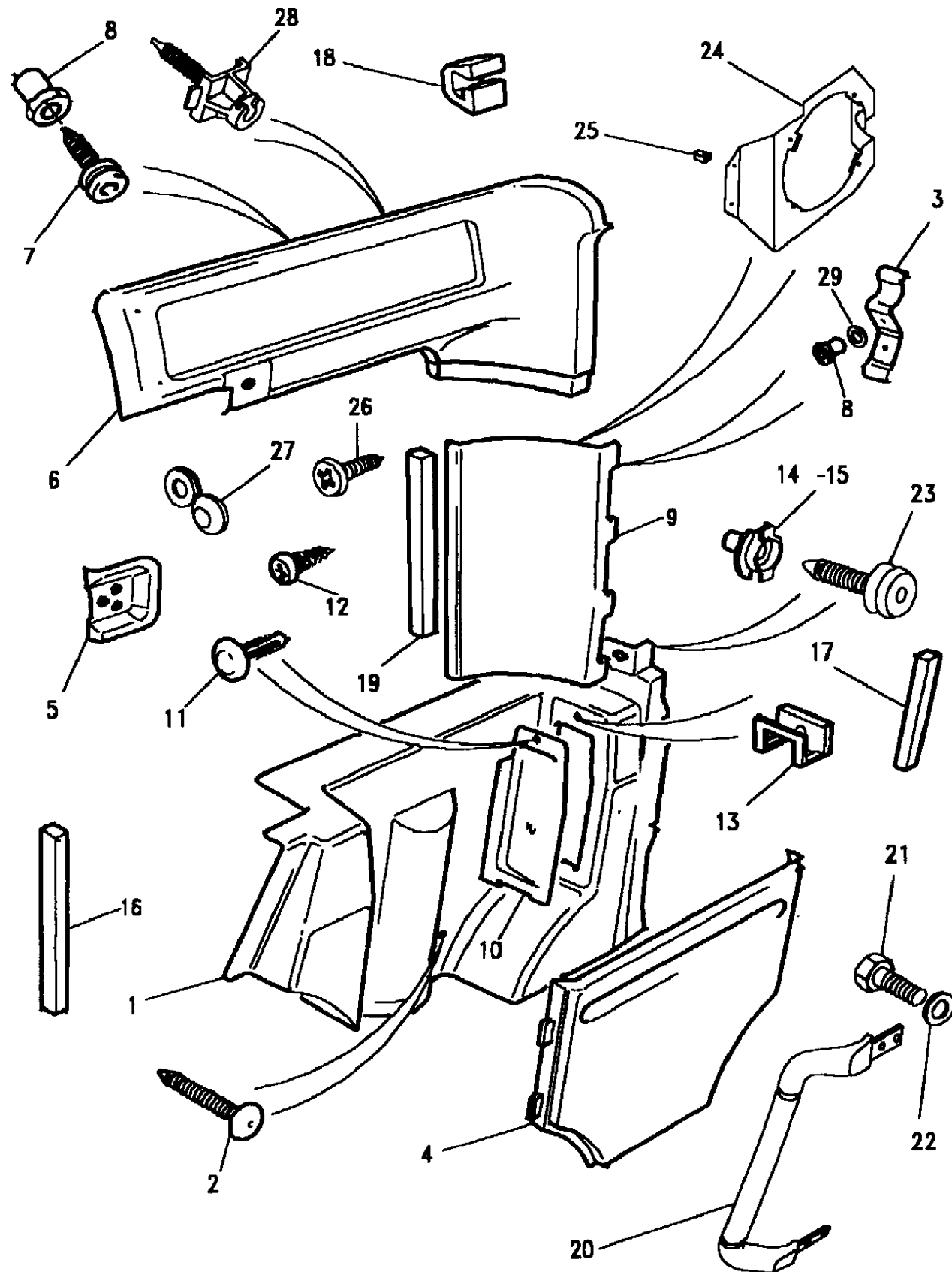
Discovery (FA393361-WA799999)

Interior Trim
Trim
Body Trim Rear (Cont)

Callout	Name	Application	Remarks & Restrictions	Service No.	Qty
14	Fastener-drive	With Rear Air Conditioning	Bahama Beige	MXC5451SUC	4



Callout	Name	Application	Remarks & Restrictions	Service No.	Qty		
1	Moulding-load space side casing	Change point - VIN end LA081991	RH, Sonar Blue, 5 seats	MXC6364JUL	1		
		Change point - VIN end LA081991	RH, Bahama Beige, 5 seats	MXC6364SUC	1		
		Change point - VIN end JA034313	Sonar Blue, 5 seats, LH	MXC6365JUL	1		
		Change point - VIN end JA034313	Bahama Beige, 5 seats, LH	MXC6365SUC	1		
		Change point - VIN begin KA034314, Change point - VIN end KA064754	Sonar Blue, 5 seats, LH	BTR2295JUL	1		
		Change point - VIN begin KA034314, Change point - VIN end KA064754	Bahama Beige, 5 seats, LH	BTR2295SUC	1		
		Change point - VIN begin MA081992	RH, Dark Granite, 5 seats	BTR9484LOY	1		
		Change point - VIN begin MA081992	RH, Bahama Beige, 5 seats	BTR9484SUC	1		
		Change point - VIN begin MA081992	Dark Granite, 5 seats, LH	BTR9485LOY	1		
		Change point - VIN begin MA081992	Bahama Beige, 5 seats, LH	BTR9485SUC	1		
		Change point - VIN end LA081991	RH, Sonar Blue, 7 seats	MXC6362JUL	1		
		Change point - VIN end LA081991	RH, Bahama Beige, 7 seats	MXC6362SUC	1		
		Change point - VIN end JA034313	Sonar Blue, 7 seats, LH	MXC6363JUL	1		
		Change point - VIN end JA034313	Bahama Beige, 7 seats, LH	MXC6363SUC	1		
		Change point - VIN begin KA034314, Change point - VIN end LA081991	Sonar Blue, 7 seats, LH	BTR2297JUL	1		
		Change point - VIN begin KA034314, Change point - VIN end LA081991	Bahama Beige, 7 seats, LH	BTR2297SUC	1		
		Change point - VIN begin MA081992	RH, Dark Granite, 7 seats	BTR9486LOY	1		
		Change point - VIN begin MA081992	RH, Bahama Beige, 7 seats	BTR9486SUC	1		
		Change point - VIN begin MA081992	Dark Granite, 7 seats, LH	BTR9487LOY	1		
		Change point - VIN begin MA081992	Bahama Beige, 7 seats, LH	BTR9487SUC	1		
		2	Fastener-drive		Sonar Blue	MXC5766JUL	4
					Bahama Beige	MXC5766SUC	4
		3	Clip-spring-push on			MXC4687	4
4	Pocket-quarter trim	Change point - VIN end LA081990	Rear, Sonar Blue	MXC6738JUL	2		
		Change point - VIN end WA747499	Bahama Beige	MXC6738SUC	2		
		Change point - VIN begin WA747500	Bahama Beige, LH	ENA100070SUC	1		
		Change point - VIN begin WA747500	RH, Bahama Beige	ENA100060SUC	1		
		Change point - VIN begin LA081991, Change point - VIN end WA746557	Dark Granite	MXC6738LOY	2		



Interior Trim
Trim
Bodyside Front & Rear 2/6

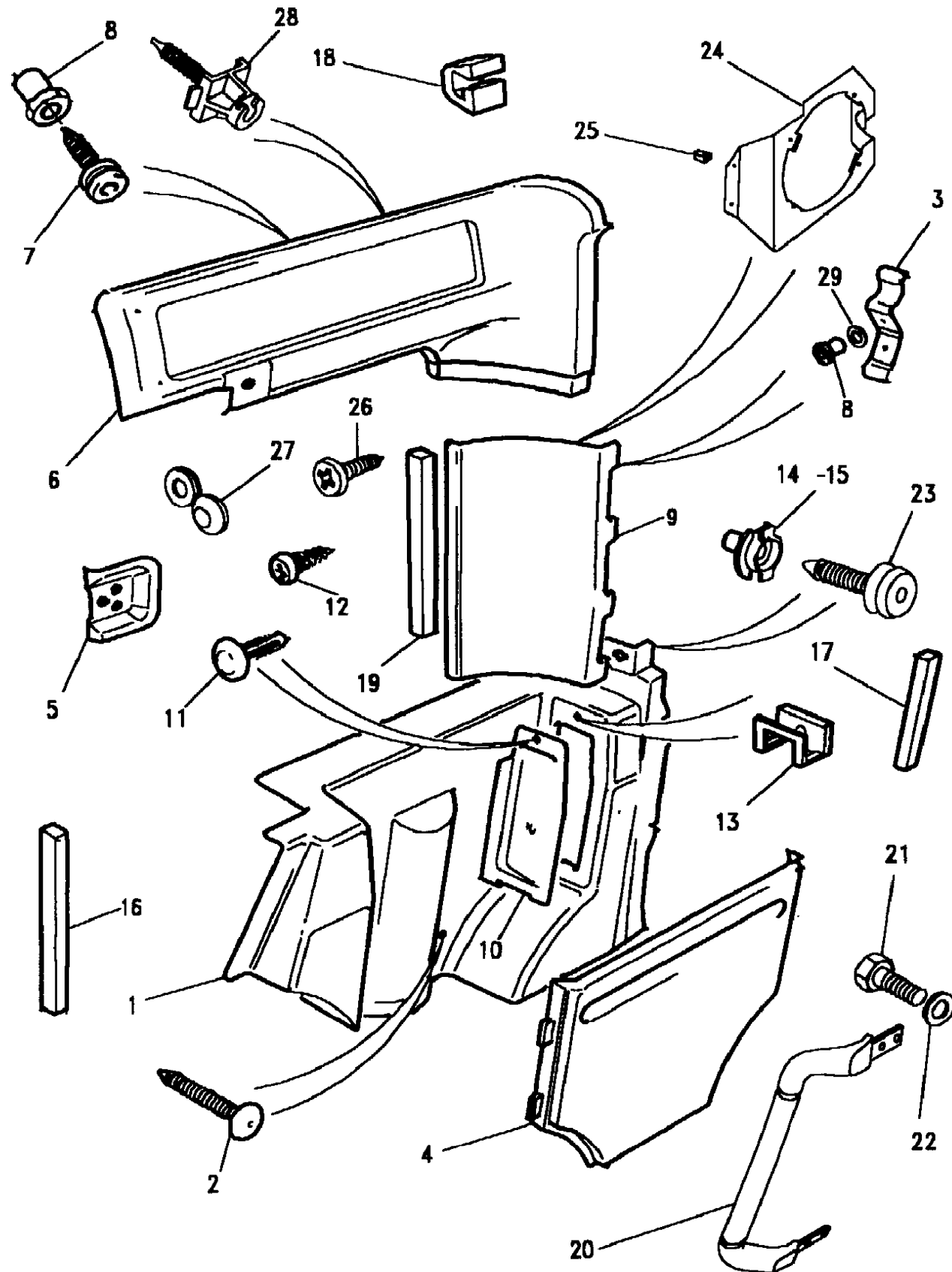
Discovery (FA393361-WA799999)

(CAPXGC1C)

Discovery (FA393361-WA799999)

Interior Trim
Trim

Bodyside Front & Rear



Callout	Name	Application	Remarks & Restrictions	Service No.	Qty
4	Pocket-quarter trim	Change point - VIN begin WA746558	Dark Granite, LH	ENA100070LOY	1
		Change point - VIN begin WA746558	RH, Dark Granite	ENA100060LOY	1
5	Escutcheon-rear quarter window latch		RH, Sonar Blue	MXC1274JUL	1
			RH, Bahama Beige	MXC1274SUC	1
		Change point - VIN begin MA081992	RH, Dark Granite	MXC1274LOY	1
		Change point - VIN begin MA081992	Sonar Blue, LH Bahama Beige, LH Dark Granite, LH	MXC1275JUL MXC1275SUC MXC1275LOY	1 1 1
6	Panel-alpine light trim	Change point - VIN end LA065176	RH, Sonar Blue	BTR3406JUL	1
		Change point - VIN end LA065176	RH, Bahama Beige	BTR3406SUC	1
		Change point - VIN end LA065176	Sonar Blue, LH	BTR3407JUL	1
		Change point - VIN end LA065176	Bahama Beige, LH	BTR3407SUC	1
		Change point - VIN begin LA065177, Change point - VIN end LA081991	RH, Bahama Beige	BTR8345SUC	1
		Change point - VIN begin LA065177, Change point - VIN end LA081991	RH, Sonar Blue	BTR8345JUL	1
		Change point - VIN begin LA065177, Change point - VIN end LA081991	Bahama Beige, LH	BTR8346SUC	1
		Change point - VIN begin LA065177, Change point - VIN end LA081991	Sonar Blue, LH	BTR8346JUL	1
		Change point - VIN begin MA081992, Change point - VIN end VA539327	RH, Dark Granite	BTR8962LOY	1
		Change point - VIN begin MA081992, Change point - VIN end VA708518	RH, Dark Granite	BTR8962LOY	1
		Change point - VIN begin MA081992, Change point - VIN end VA539327	Dark Granite, LH	BTR8963LOY	1
		Change point - VIN begin MA081992, Change point - VIN end VA708518	Dark Granite, LH	BTR8963LOY	1
		Change point - VIN begin VA539328	RH, Dark Granite	AWR6450LOY	1
		Change point - VIN begin VA708519	RH, Dark Granite	AWR6450LOY	1
		Change point - VIN begin VA539328	Dark Granite, LH	AWR6449LOY	1
		Change point - VIN begin VA708519	Dark Granite, LH	AWR6449LOY	1
Change point - VIN begin MA081992, Change point - VIN end VA539615	RH, Bahama Beige	BTR8962SUC	1		
Change point - VIN begin MA081992, Change point - VIN end VA708806	RH, Bahama Beige	BTR8962SUC	1		

Interior Trim
Trim
Bodyside Front & Rear 3/6

Discovery (FA393361-WA799999)

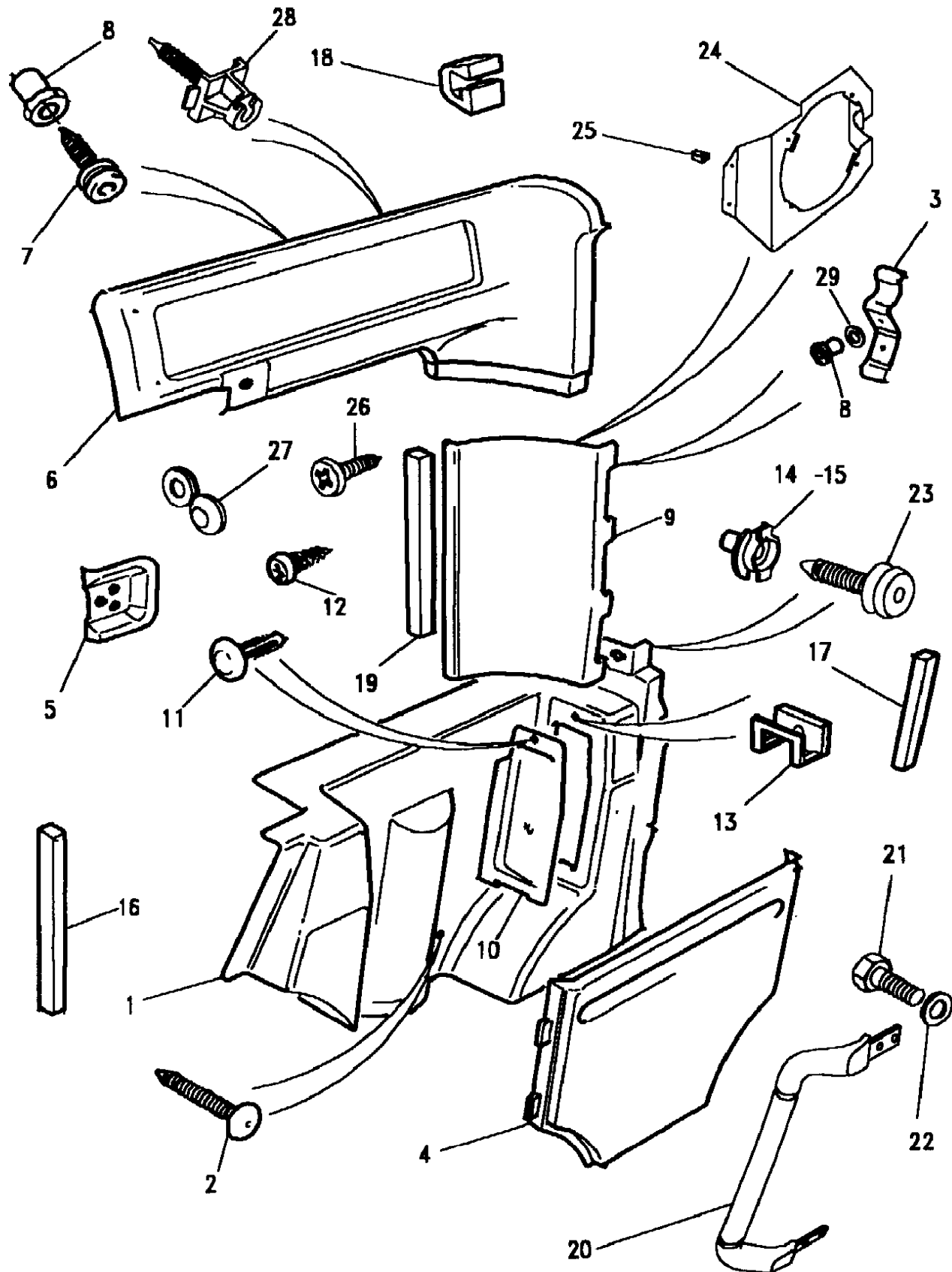
(CAPXGC1C)

Discovery (FA393361-WA799999)

Interior Trim
Trim

Bodyside Front & Rear

Callout	Name	Application	Remarks & Restrictions	Service No.	Qty
6	Panel-alpine light trim	Change point - VIN begin MA081992, Change point - VIN end VA539615	Bahama Beige, LH	BTR8963SUC	1
		Change point - VIN begin MA081992, Change point - VIN end VA708806	Bahama Beige, LH	BTR8963SUC	1
		Change point - VIN begin VA539616	RH, Bahama Beige	AWR6450SUC	1
		Change point - VIN begin VA708807	RH, Bahama Beige	AWR6450SUC	1
		Change point - VIN begin VA539616	Bahama Beige, LH	AWR6449SUC	1
		Change point - VIN begin VA708807	Bahama Beige, LH	AWR6449SUC	1
		7	Fastener-drive	Change point - VIN end LA081991	
7	Fastener-drive	Change point - VIN begin MA081992	Sonar Blue	MXC5766JUL	2
		Change point - VIN begin MA081992	Bahama Beige	MXC5766SUC	2
		Change point - VIN begin MA081992	Dark Granite	MXC5766LOY	2
		8	Clip-snap-sack	Change point - VIN begin MA081992	BTR8978
8	Clip-snap-sack			MWC9136	2
				EYC101460	2
		Less Speaker		BTR8978	4
		9	Finisher-E post upper	Change point - VIN end LA081991	RH, Sonar Blue
9	Finisher-E post upper	Change point - VIN end LA081991	RH, Bahama Beige	MWC9160SUC	1
		Change point - VIN end LA081991	Sonar Blue, LH	MWC9161JUL	1
		Change point - VIN end LA081991	Bahama Beige, LH	MWC9161SUC	1
		Change point - VIN begin MA081992	RH, Dark Granite, without speaker	BTR8964LOY	1
		Change point - VIN begin MA081992	RH, Bahama Beige	BTR8964SUC	1
		Change point - VIN begin MA081992	Dark Granite, LH	BTR8965LOY	1
		Change point - VIN begin MA081992	Bahama Beige, LH	BTR8965SUC	1
		Change point - VIN end JA034313	RH, Sonar Blue	MXC1270JUL	1
		Change point - VIN end JA034313	RH, Bahama Beige	MXC1270SUC	1
		Change point - VIN end JA034313	Sonar Blue, LH	MXC1271JUL	1
		Change point - VIN end JA034313	Bahama Beige, LH	MXC1271SUC	1
		Change point - VIN begin KA034314, Change point - VIN end LA081991	RH, Sonar Blue	BTR1648JUL	1
		Change point - VIN begin KA034314, Change point - VIN end LA081991	RH, Bahama Beige	BTR1648SUC	1



Interior Trim
Trim
Bodyside Front & Rear 4/6

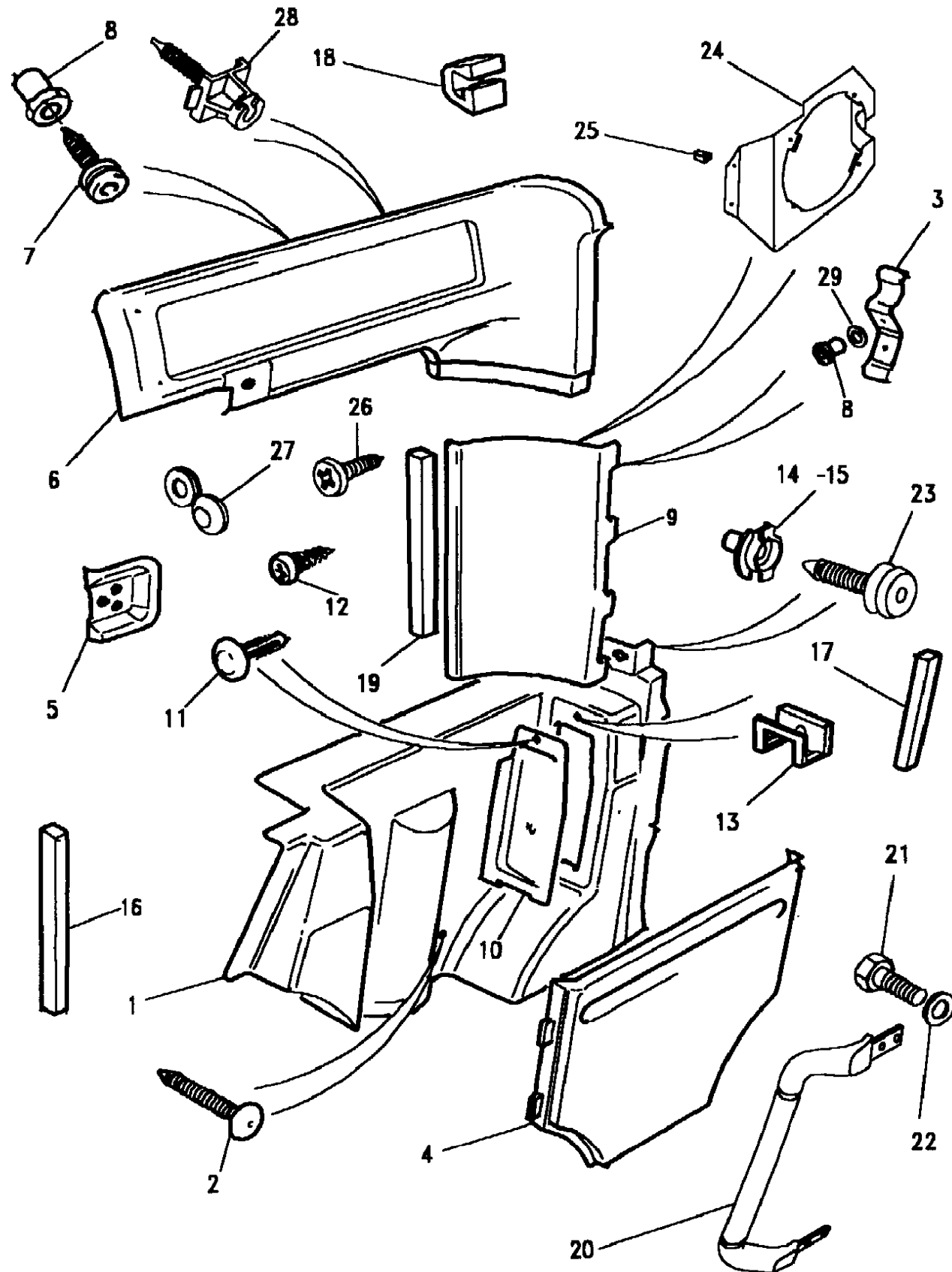
Discovery (FA393361-WA799999)

(CAPXGC1C)

Discovery (FA393361-WA799999)

Interior Trim
Trim
Bodyside Front & Rear

Callout	Name	Application	Remarks & Restrictions	Service No.	Qty
9	Finisher-E post upper	Change point - VIN begin KA034314, Change point - VIN end LA081991	Sonar Blue, LH	BTR1647JUL	1
		Change point - VIN begin KA034314, Change point - VIN end LA081991	Bahama Beige, LH	BTR1647SUC	1
		Change point - VIN begin MA081992, Change point - VIN end VA539327	RH, Dark Granite	BTR8966LOY	1
		Change point - VIN begin MA081992, Change point - VIN end VA708518	RH, Dark Granite	BTR8966LOY	1
		Change point - VIN begin MA081992, Change point - VIN end VA539327	Dark Granite, LH	BTR8967LOY	1
		Change point - VIN begin MA081992, Change point - VIN end VA539327	Dark Granite, LH	BTR8967LOY	1
		Change point - VIN begin MA081992, Change point - VIN end VA708518	Dark Granite, LH	BTR8967LOY	1
		Change point - VIN begin VA539328, With Speaker	RH, Dark Granite	AWR6572LOY	1
		Change point - VIN begin VA708519, With Speaker	RH, Dark Granite	AWR6572LOY	1
		Change point - VIN begin VA539328	Dark Granite, LH	AWR6571LOY	1
		Change point - VIN begin VA708519	Dark Granite, LH	AWR6571LOY	1
		Change point - VIN begin MA081992, Change point - VIN end VA539615	RH, Bahama Beige	BTR8966SUC	1
		Change point - VIN begin MA081992, Change point - VIN end VA708806	RH, Bahama Beige	BTR8966SUC	1
		Change point - VIN begin MA081992, Change point - VIN end VA539615	Bahama Beige, LH	BTR8967SUC	1
		Change point - VIN begin MA081992, Change point - VIN end VA708806	Bahama Beige, LH	BTR8967SUC	1
		Change point - VIN begin VA539616	RH, Bahama Beige	AWR6572SUC	1
		Change point - VIN begin VA708807	RH, Bahama Beige	AWR6572SUC	1
		Change point - VIN begin VA539616	Bahama Beige, LH	AWR6571SUC	1
		Change point - VIN begin VA708807	Bahama Beige, LH	AWR6571SUC	1
		10	Cover-rear lamp access	Change point - VIN begin MA081992	RH, Sonar Blue, 5 seats
Change point - VIN begin MA081992	RH, Bahama Beige, 5 seats			MXC1292SUC	1
Change point - VIN begin MA081992	RH, Dark Granite, 5 seats			MXC1292LOY	1
Change point - VIN begin MA081992	Sonar Blue, 5 seats, LH			MXC1293JUL	1
Change point - VIN begin MA081992	Bahama Beige, 5 seats, LH			MXC1293SUC	1
Change point - VIN begin MA081992	Dark Granite, 5 seats, LH			MXC1293LOY	1
Change point - VIN begin MA081992	RH, Sonar Blue, 7 seats			MXC2006JUL	1
Change point - VIN begin MA081992	RH, Bahama Beige, 7 seats			MXC2006SUC	1
Change point - VIN begin MA081992	RH, Dark Granite, 7 seats			MXC2006LOY	1
Change point - VIN begin MA081992	Sonar Blue, 7 seats, LH			MXC2007JUL	1
Change point - VIN begin MA081992	Bahama Beige, 7 seats, LH	MXC2007SUC	1		



Interior Trim
Trim
Bodyside Front & Rear 5/6

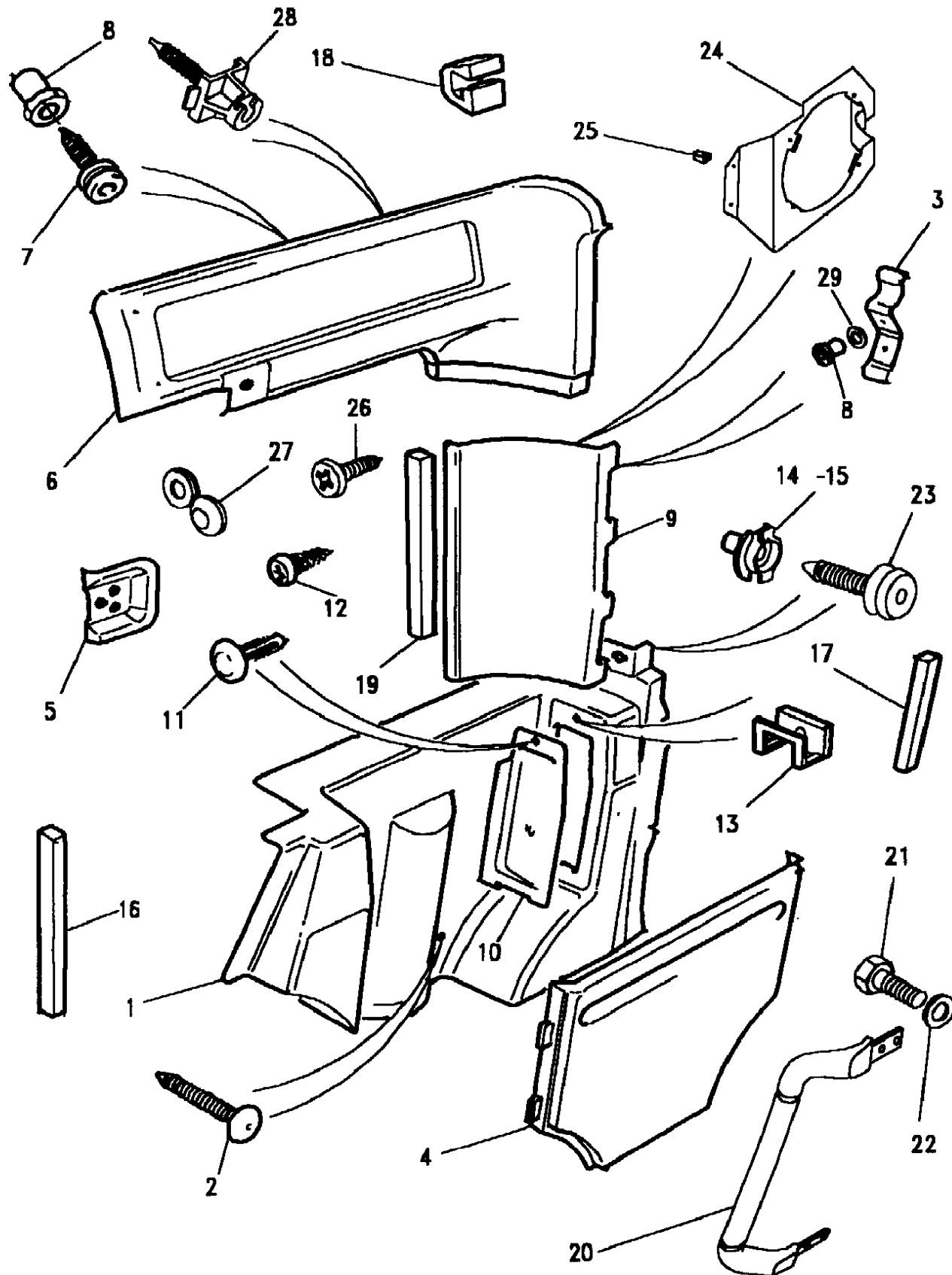
Discovery (FA393361-WA799999)

(CAPXGC1C)

Discovery (FA393361-WA799999)

Interior Trim
Trim

Bodyside Front & Rear



Callout	Name	Application	Remarks & Restrictions	Service No.	Qty
10	Cover-rear lamp access	Change point - VIN begin MA081992	Dark Granite, 7 seats, LH	MXC2007LOY	1
11	Fastener-drive		Sonar Blue Bahama Beige Dark Granite	MXC5451JUL MXC5451SUC MXC5451LOY	2 2 2
12	Screw	Change point - VIN end JA030198 Change point - VIN begin JA030199		MXC7355 BTR4829	2 2
13	Clip			MXC7356	2
14	Retainer-trim		Less Speaker	JPC5949L MXC7421	2 4
15	Clip-snap-sack			MWC3136	4
16	Tube-E post trim support			MXC7432	2
17	Tube-E post trim support			MXC7433	2
18	Tube-E post trim support			MXC7434	2
19	Seal	Change point - VIN end JA015252 Change point - VIN begin JA015253		MXC7435 BTR2913	2 2
20	Handle-E post grab		Sonar Blue Bahama Beige Dark Granite	MXC8295JUL MXC8295SUC MXC8295LOY	1 1 1
21	Screw		hexagonal head, M5 x 20	SH105201L	4
22	Washer		M5, Plain, Standard	WA105001L	4
23	Clip-trim retention			DKP5279L	2
24	Bracket-speaker rear		LH RH	BTR1649 BTR1650	1 1
25	Nut-lokut			BTR6158	8
26	Screw		Self Tapping, No 6 x 40	AB606124	2
27	Capscrew		Black Bahama Beige Dark Granite	ADL3029PUB ADL3029SUC ADL3029LOYL	2 2 2
28	Retainer-trim	Change point - VIN begin MA081992	Yellow	BTR8976	2

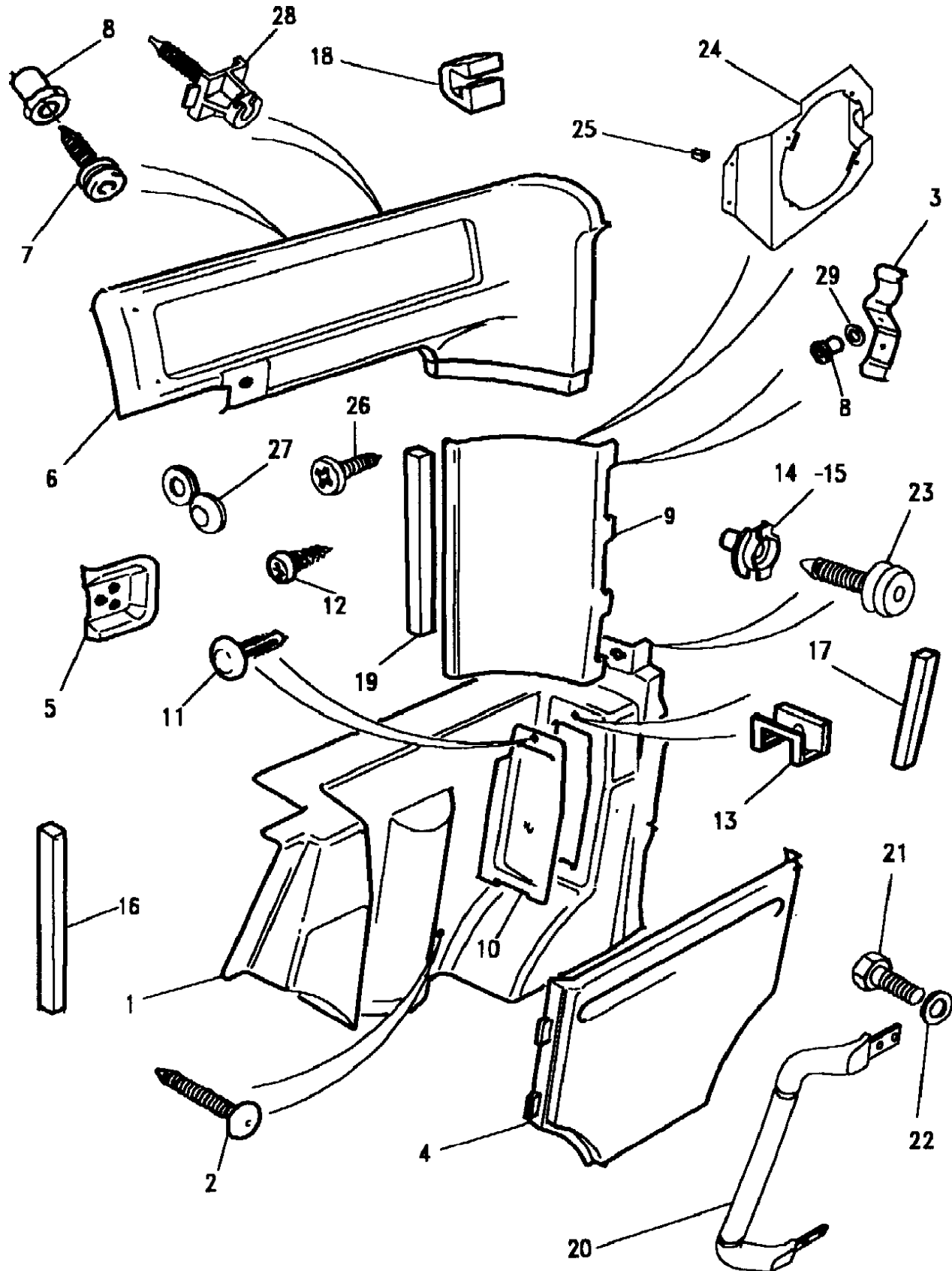
Interior Trim
Trim
Bodyside Front & Rear 6/6

Discovery (FA393361-WA799999)
(CAPXGC1C)

Discovery (FA393361-WA799999)

Interior Trim
Trim
Bodyside Front & Rear

Callout	Name	Application	Remarks & Restrictions	Service No.	Qty
29	Washer		8MM	WA108051L	2
[900]	Clip-spring steel	Less Speaker		BTR9276	4



Interior Trim
Trim
Bodyside Trim Front-3 Door 1/4

Discovery (FA393361-WA799999)

(CAPXGA1B)

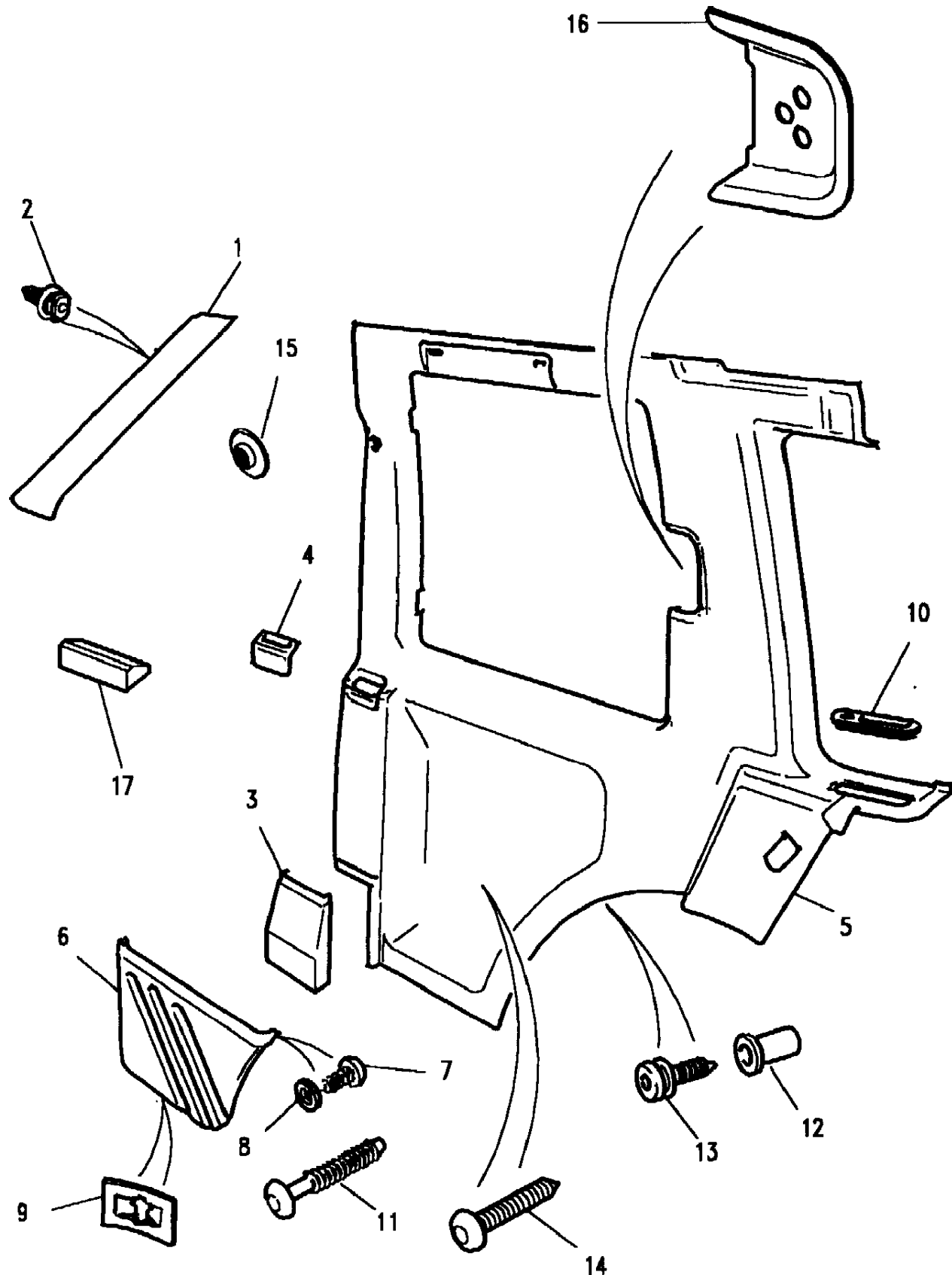
Discovery (FA393361-WA799999)

Interior Trim
Trim

Bodyside Trim Front-3 Door

3 Door Station Wagon

Callout	Name	Application	Remarks & Restrictions	Service No.	Qty		
1	Finisher-A post upper	Change point - VIN end LA081991	RH, Sonar Blue	MWC8920JUL	1		
		Change point - VIN end LA081991	RH, Bahama Beige	MWC8920SUC	1		
		Change point - VIN end LA081991	Sonar Blue, LH	MWC8921JUL	1		
		Change point - VIN end LA081991	Bahama Beige, LH	MWC8921SUC	1		
		Change point - VIN begin MA081992	RH, Mist Grey, without speaker	AWR1442LUM	1		
		Change point - VIN begin MA081992	Mist Grey, without speaker, LH	AWR1443LUM	1		
		Change point - VIN begin TA163104	Also serviced as part of a kit, RH	AWR1444LUM	1		
		Change point - VIN begin TA501920	Also serviced as part of a kit, RH	AWR1444LUM	1		
		Change point - VIN begin TA163104	Also serviced as part of a kit, LH	AWR1445LUM	1		
		Change point - VIN begin TA501920	Also serviced as part of a kit, LH	AWR1445LUM	1		
		2	Clip	Change point - VIN begin TA163104		MUC3186	6
				Change point - VIN begin TA501920		MUC3186	6
3	Finisher-BC post lower	Change point - VIN begin TA163104	RH, Sonar Blue	MXC6386JUL	1		
		Change point - VIN begin TA501920	RH, Sonar Blue	MXC6386JUL	1		
		Change point - VIN begin TA163104	RH, Bahama Beige	MXC6386SUC	1		
		Change point - VIN begin TA501920	RH, Bahama Beige	MXC6386SUC	1		
		Change point - VIN begin TA163104	Sonar Blue, LH	MXC6387JUL	1		
		Change point - VIN begin TA501920	Sonar Blue, LH	MXC6387JUL	1		
		Change point - VIN begin TA163104	Bahama Beige, LH	MXC6387SUC	1		
		Change point - VIN begin TA501920	Bahama Beige, LH	MXC6387SUC	1		
		Change point - VIN begin MA081992	RH, Dark Granite	MXC6386LOY	1		
		Change point - VIN begin MA081992	Dark Granite, LH	MXC6387LOY	1		
		4	Escutcheon- BC post lower	Change point - VIN begin TA163104	Sonar Blue	MWC7844JUL	2
				Change point - VIN begin TA501920	Sonar Blue	MWC7844JUL	2
Change point - VIN begin TA163104	Bahama Beige			MWC7844SUC	2		
Change point - VIN begin TA501920	Bahama Beige			MWC7844SUC	2		
Change point - VIN begin MA081992	Dark Granite			MWC7844LOY	2		
Change point - VIN begin MA081992	Dark Granite			MWC7844LOY	2		



Interior Trim
Trim
Bodyside Trim Front-3 Door 2/4

Discovery (FA393361-WA799999)

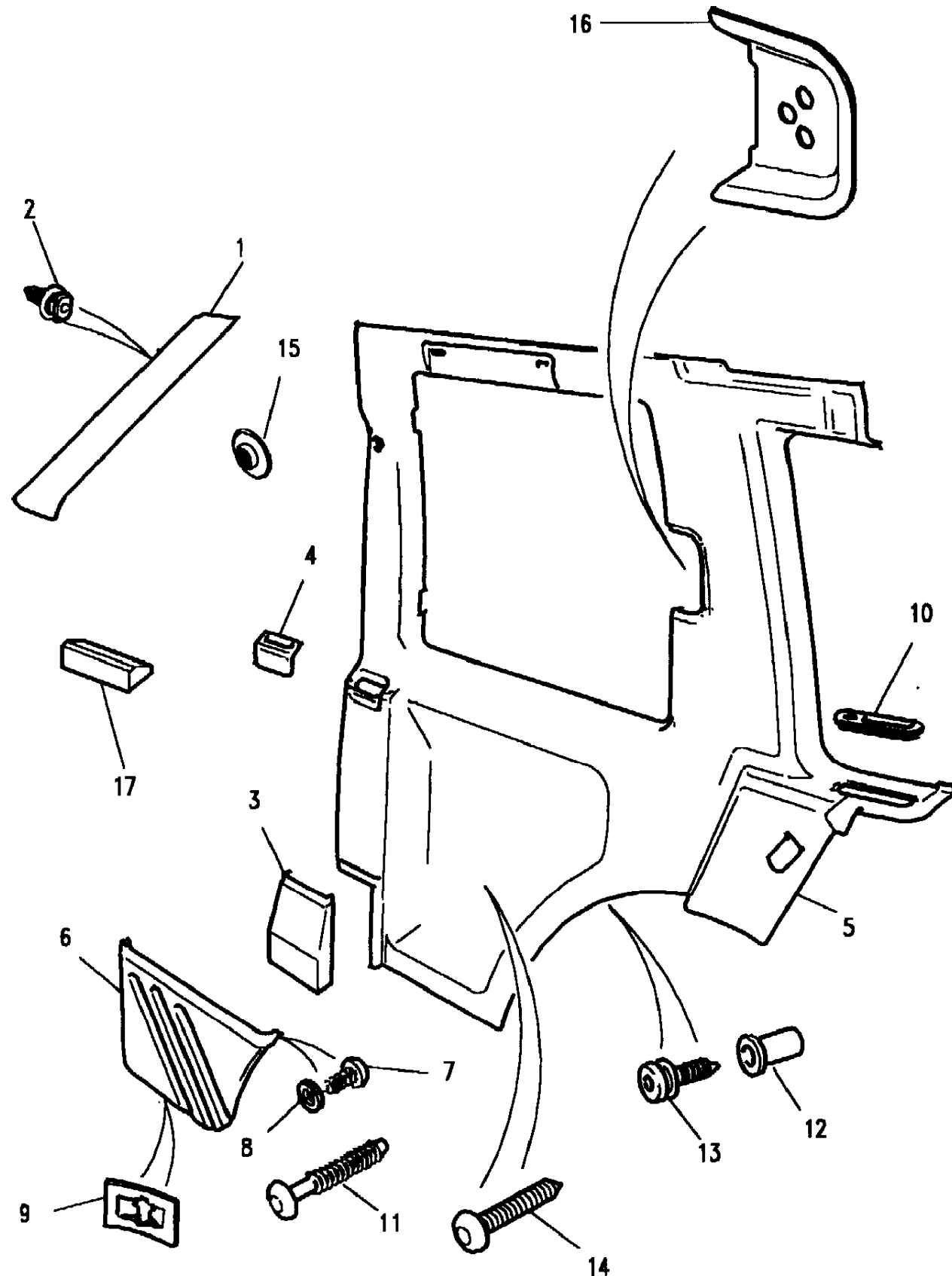
(CAPXGA1B)

Discovery (FA393361-WA799999)

Interior Trim
Trim
Bodyside Trim Front-3 Door

3 Door Station Wagon

Callout	Name	Application	Remarks & Restrictions	Service No.	Qty
5	Panel-bodyside trim	Change point - VIN end KA044131, (-) Leisure	RH, Sonar Blue	MWC7842JUL	1
		Change point - VIN end KA044131, (-) Leisure	Sonar Blue, LH	MWC7843JUL	1
		Change point - VIN begin KA044132, Change point - VIN end LA081991, (-) Leisure	RH, Sonar Blue	BTR6104JUL	1
		Change point - VIN begin KA044132, Change point - VIN end LA081991, (-) Leisure	Sonar Blue, LH	BTR6103JUL	1
		Change point - VIN end KA043967, (-) Leisure	RH, Bahama Beige	MWC7842SUC	1
		Change point - VIN end KA043967, (-) Leisure	Bahama Beige, LH	MWC7843SUC	1
		Change point - VIN begin KA043968, Change point - VIN end TA198148, (-) Leisure	RH, Bahama Beige	BTR6104SUC	1
		Change point - VIN begin KA043968, Change point - VIN end TA198148, (-) Leisure	Bahama Beige, LH	BTR6103SUC	1
		Change point - VIN begin TA198149, (-) Leisure	RH, Bahama Beige	AWR6880SUC	1
		Change point - VIN begin TA198149, (-) Leisure	Bahama Beige, LH	AWR6881SUC	1
		Change point - VIN begin MA081991, Change point - VIN end TA198148, (-) Leisure	RH, Dark Granite	BTR6104LOY	1
		Change point - VIN begin MA081991, Change point - VIN end TA198148, (-) Leisure	Dark Granite, LH	BTR6103LOY	1
		Change point - VIN begin TA198149, (-) Leisure	RH, Dark Granite	AWR6880LOY	1
		Change point - VIN begin TA198149, (-) Leisure	Dark Granite, LH	AWR6881LOY	1
		Change point - VIN end KA044764, Leisure	RH, Sonar Blue	MXC8074JUL	1
		Change point - VIN end KA044764, Leisure	Sonar Blue, LH	MXC8073JUL	1
		Change point - VIN begin KA044765, Change point - VIN end LA081991, Leisure	RH, Sonar Blue	BTR6106JUL	1
		Change point - VIN begin KA044765, Change point - VIN end LA081991, Leisure	Sonar Blue, LH	BTR6105JUL	1
		Change point - VIN end KA044568, Leisure	RH, Bahama Beige	MXC8074SUC	1
		Change point - VIN end KA044568, Leisure	Bahama Beige, LH	MXC8073SUC	1
Change point - VIN begin KA044569, Change point - VIN end TA198148, Leisure	RH, Bahama Beige	BTR6106SUC	1		



Interior Trim
Trim
Bodyside Trim Front-3 Door 3/4

Discovery (FA393361-WA799999)

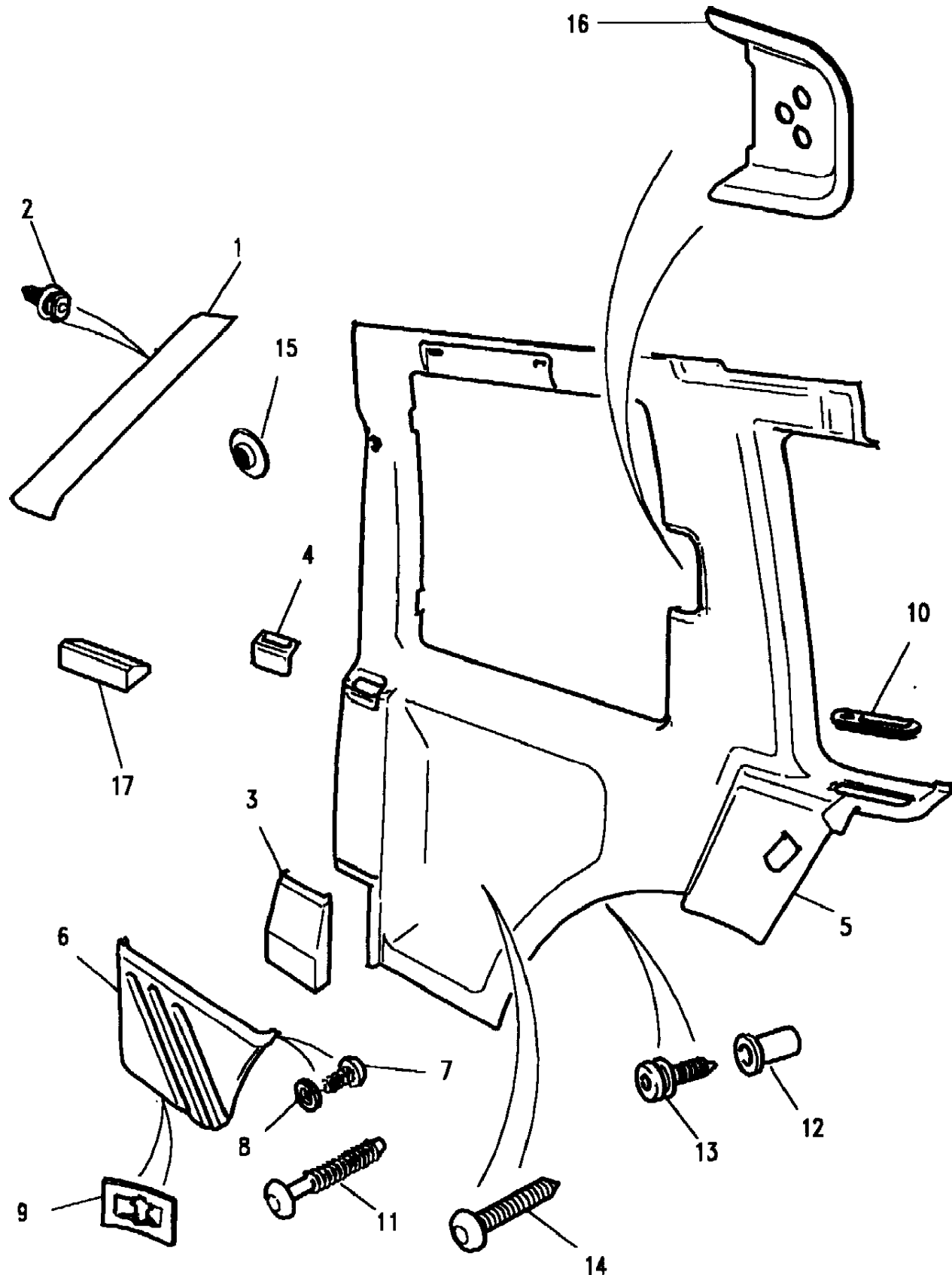
(CAPXGA1B)

Discovery (FA393361-WA799999)

Interior Trim
Trim
Bodyside Trim Front-3 Door

3 Door Station Wagon

Callout	Name	Application	Remarks & Restrictions	Service No.	Qty		
5	Panel-bodyside trim	Change point - VIN begin KA044569, Change point - VIN end TA198148, Leisure	Bahama Beige, LH	BTR6105SUC	1		
		Change point - VIN begin TA198149, Leisure	RH, Bahama Beige	AWR6878SUC	1		
		Change point - VIN begin TA198149, Leisure	Bahama Beige, LH	AWR6879SUC	1		
		Change point - VIN begin MA081991, Change point - VIN end TA198148, Leisure	RH, Dark Granite	BTR6106LOY	1		
		Change point - VIN begin MA081991, Change point - VIN end TA198148, Leisure	Dark Granite, LH	BTR6105LOY	1		
		Change point - VIN begin TA198149, Leisure	RH, Dark Granite	AWR6878LOY	1		
		Change point - VIN begin TA198149, Leisure	Dark Granite, LH	AWR6879LOY	1		
		6	Pocket-bodyside trim		RH, Sonar Blue	MWC7846JUL	1
					RH, Bahama Beige	MWC7846SUC	1
					Sonar Blue, LH	MWC7847JUL	1
	Bahama Beige, LH			MWC7847SUC	1		
		RH, Dark Granite	STC2916LOY	1			
		Change point - VIN begin MA081992	Dark Granite, LH	STC2917LOY	1		
		Change point - VIN begin MA081992					
7	Screw-self tapping B		No 4 x 3/8	AB604031L	2		
8	Washer-Plain			WA103001L	2		
9	Nut-spring-u type			AN104011	8		
10	Escutcheon-rear seat belt		RH, Sonar Blue	MXC5634JUL	1		
			RH, Bahama Beige	MXC5634SUC	1		
			Sonar Blue, LH	MXC5635JUL	1		
			Bahama Beige, LH	MXC5635SUC	1		
			RH, Dark Granite	MXC5634LOY	1		
		Change point - VIN begin MA081992	Dark Granite, LH	MXC5635LOY	1		
		Change point - VIN begin MA081992					
11	Fastener-drive		Sonar Blue	MXC5766JUL	2		
			Bahama Beige	MXC5766SUC	2		
			Dark Granite	MXC5766LOY	2		
		Change point - VIN begin MA081992					
12	Clip-snap-sack			MWC9136	6		
				EYC101460	6		
13	Fastener-drive			MXC4688	6		
14	Fastener-drive		Sonar Blue	MXC5451JUL	2		
			Bahama Beige	MXC5451SUC	2		



Interior Trim
Trim
Bodyside Trim Front-3 Door 4/4

Discovery (FA393361-WA799999)

(CAPXGA1B)

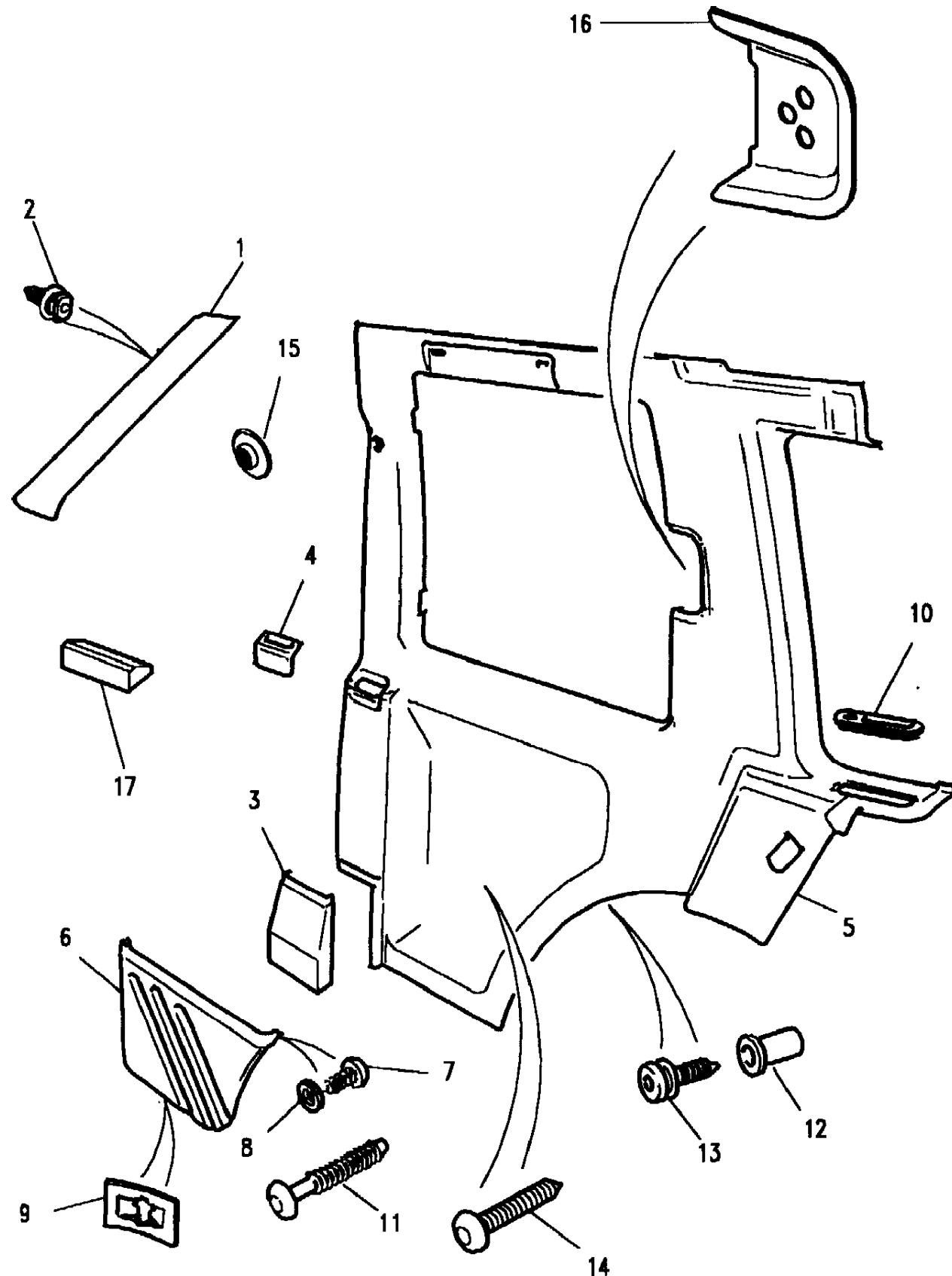
Discovery (FA393361-WA799999)

Interior Trim
Trim

Bodyside Trim Front-3 Door

3 Door Station Wagon

Callout	Name	Application	Remarks & Restrictions	Service No.	Qty
14	Fastener-drive	Change point - VIN begin MA081992	Dark Granite	MXC5451LOY	2
15	Escutcheon- BC post upper adjuster mechanism	Change point - VIN begin KA034314	Sonar Blue	BTR5043JUL	2
		Change point - VIN begin KA034314	Bahama Beige	BTR5043SUC	2
		Change point - VIN begin MA081992	Dark Granite	BTR5043LOY	2
16	Escutcheon-rear quarter window latch		RH, Sonar Blue	MXC1274JUL	2
			RH, Bahama Beige	MXC1274SUC	2
			Sonar Blue, LH	MXC1275JUL	2
			Bahama Beige, LH	MXC1275SUC	2
			RH, Dark Granite	MXC1274LOY	2
	Change point - VIN begin MA081992	Dark Granite, LH	MXC1275LOY	2	
17	Foam	MPi		MUC6426	2
18	Panel-bodyside trim		Bahama Beige	STC7023	1
			Sonar Blue	STC7024	1
			Grey	STC7025	1
[900]	Finisher assembly-A post upper	Change point - VIN begin TA163104, With Speaker	Also serviced as part of a kit, RH, Mist Grey	AWR1450LUM	1
		Change point - VIN begin TA501920, With Speaker	Also serviced as part of a kit, RH, Mist Grey	AWR1450LUM	1
		Change point - VIN begin TA163104, With Speaker	Also serviced as part of a kit, Mist Grey, LH	AWR1449LUM	1
		Change point - VIN begin TA501920, With Speaker	Also serviced as part of a kit, Mist Grey, LH	AWR1449LUM	1
[901]	Clip-trim retention	Change point - VIN begin TA163104	Also serviced as part of a kit	EYC10008L	3
		Change point - VIN begin TA501920	Also serviced as part of a kit	EYC10008L	3
[902]	Fastener-fir tree	Change point - VIN begin TA163104	Ash Grey	MXC3130LUN	4
		Change point - VIN begin TA501920	Ash Grey	MXC3130LUN	4



Interior Trim
Trim
Bodyside Trim Front-5 Door 1/3

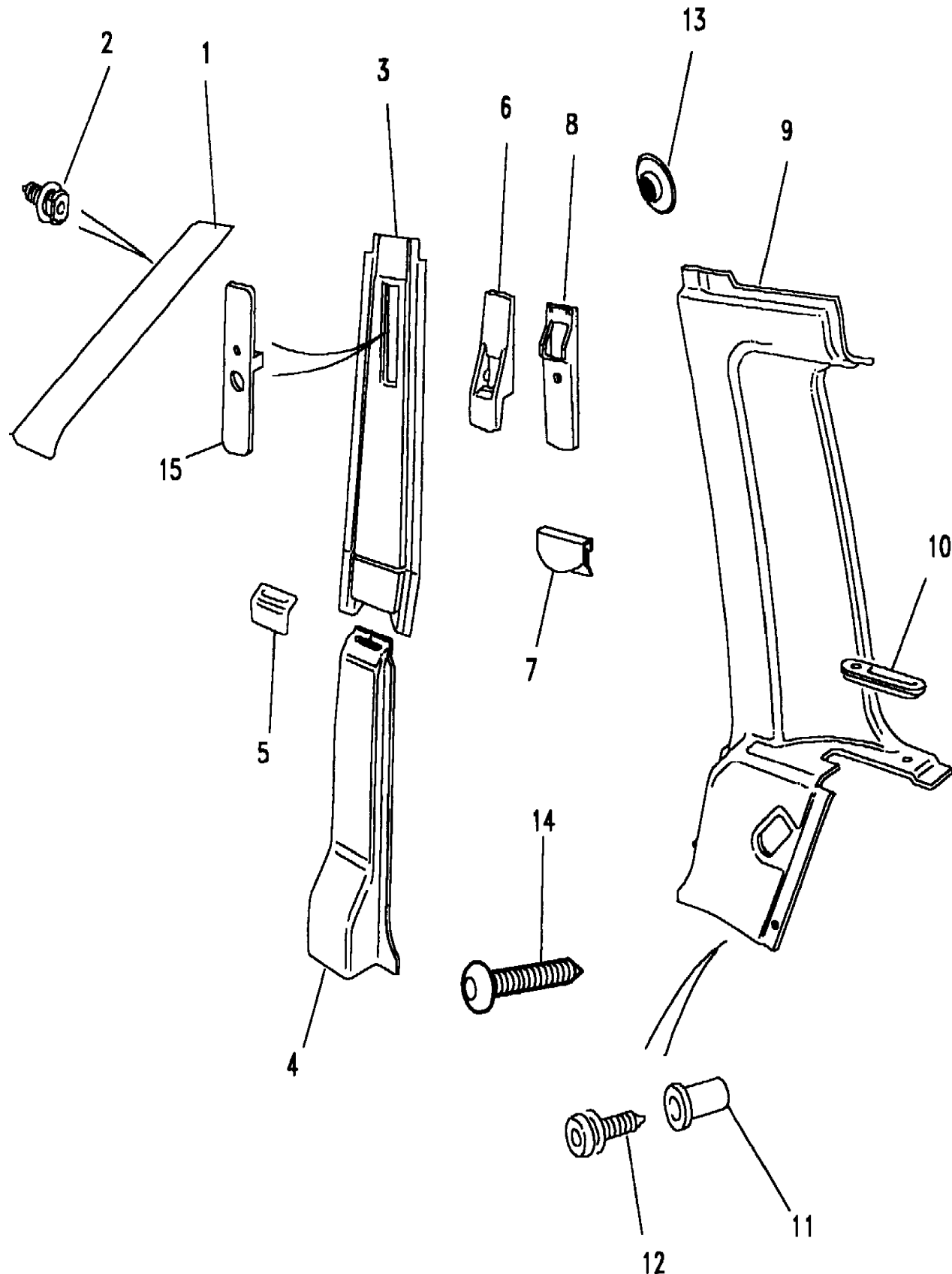
Discovery (FA393361-WA799999)
(CAPXGA2B)

Discovery (FA393361-WA799999)

Interior Trim
Trim
Bodyside Trim Front-5 Door

5 Door Station Wagon

Callout	Name	Application	Remarks & Restrictions	Service No.	Qty
1	Finisher-A post upper	Change point - VIN end LA081991	RH, Sonar Blue	MWC8920JUL	1
		Change point - VIN end LA081991	RH, Bahama Beige	MWC8920SUC	1
		Change point - VIN end LA081991	Sonar Blue, LH	MWC8921JUL	1
		Change point - VIN end LA081991	Bahama Beige, LH	MWC8921SUC	1
		Change point - VIN begin MA081991	RH, Mist Grey, without speaker	AWR1442LUM	1
		Change point - VIN begin MA081991	Mist Grey, without speaker, LH	AWR1443LUM	1
		Change point - VIN begin TA163104	Also serviced as part of a kit, RH	AWR1444LUM	1
		Change point - VIN begin TA501920	Also serviced as part of a kit, RH	AWR1444LUM	1
		Change point - VIN begin TA163104	Also serviced as part of a kit, LH	AWR1445LUM	1
		Change point - VIN begin TA501920	Also serviced as part of a kit, LH	AWR1445LUM	1
		Change point - VIN begin WA746542	less tweeter & housing, Also serviced as part of a kit, RH	AWR1444LUM	1
		Change point - VIN begin WA746542	less tweeter & housing, Also serviced as part of a kit, LH	AWR1445LUM	1
		2	Clip	Change point - VIN begin TA163104	
Change point - VIN begin TA501920				MUC3186	1
3	Finisher-BC post upper	Change point - VIN end JA034313	RH, Sonar Blue	BTR1016JUL	1
		Change point - VIN end JA034313	RH, Bahama Beige	BTR1016SUC	1
		Change point - VIN end JA034313	Sonar Blue, LH	BTR1017JUL	1
		Change point - VIN end JA034313	Bahama Beige, LH	BTR1017SUC	1
		Change point - VIN begin KA034314	RH, Sonar Blue	BTR6044JUL	1
		Change point - VIN begin KA034314	RH, Bahama Beige	BTR6044SUC	1
		Change point - VIN begin KA034314	Sonar Blue, LH	BTR6043JUL	1
		Change point - VIN begin KA034314	Bahama Beige, LH	BTR6043SUC	1
		Change point - VIN begin MA081992	RH, Dark Granite	BTR6044LOY	1
		Change point - VIN begin MA081992	Dark Granite, LH	BTR6043LOY	1
4	Finisher-BC post lower		RH, Sonar Blue	BTR485JUL	1
		Change point - VIN end VA551254	RH, Bahama Beige	BTR485SUC	1
		Change point - VIN end VA718454	RH, Bahama Beige	BTR485SUC	1



Interior Trim
Trim
Bodyside Trim Front-5 Door 2/3

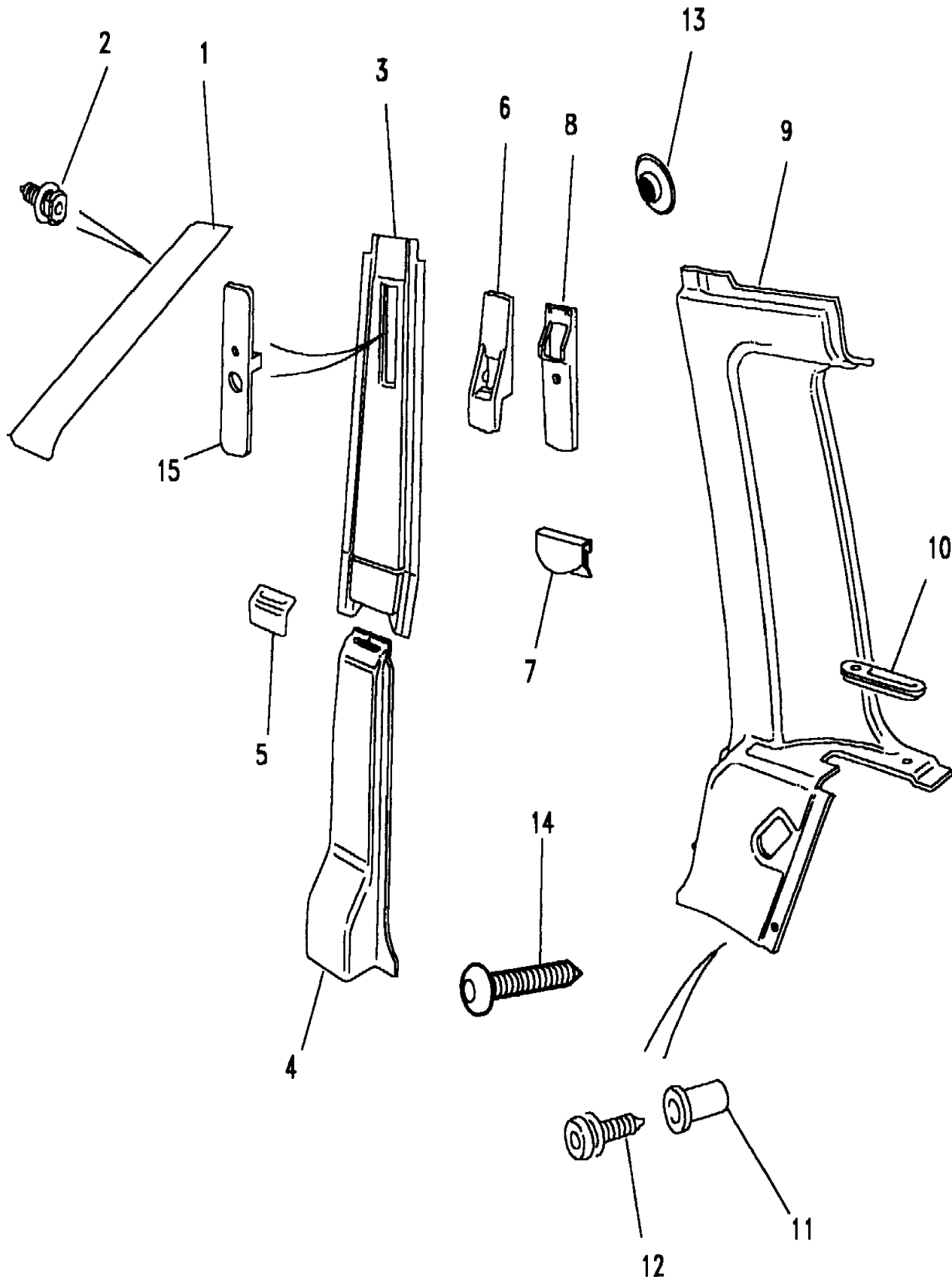
Discovery (FA393361-WA799999)
(CAPXGA2B)

Discovery (FA393361-WA799999)

Interior Trim
Trim
Bodyside Trim Front-5 Door

5 Door Station Wagon

Callout	Name	Application	Remarks & Restrictions	Service No.	Qty
4	Finisher-BC post lower	Change point - VIN begin MA081992, Change point - VIN end VA551254	RH, Dark Granite	BTR485LOY	1
		Change point - VIN begin MA081992, Change point - VIN end VA718454	RH, Dark Granite	BTR485LOY	1
		Change point - VIN begin MA081992, Change point - VIN end VA718454	Sonar Blue, LH Bahama Beige, LH Dark Granite, LH	BTR484JUL BTR484SUC BTR484LOY	1 1 1
		Change point - VIN begin MA081992			
5	Escutcheon- BC post lower	Change point - VIN begin MA081992	Sonar Blue	MWC7844JUL	2
			Bahama Beige Dark Granite	MWC7844SUC MWC7844LOY	2 2
6	Finisher-BC post		Sonar Blue Bahama Beige	MUC1612JUL MUC1612SUC	2 2
7	Clip-Retaining			331071	4
8	Finisher-BC post		Sonar Blue Bahama Beige	MUC1613JUL MUC1613SUC	2 2
9	Finisher-D post upper	Change point - VIN begin MA081992	RH, Sonar Blue RH, Bahama Beige	MWC7826JUL MWC7826SUC	1 1
		Change point - VIN begin MA081992	Sonar Blue, LH Bahama Beige, LH	MWC7827JUL MWC7827SUC	1 1
		Change point - VIN begin MA081992	RH, Dark Granite	MWC7826LOY	1
		Change point - VIN begin MA081992	Dark Granite, LH	MWC7827LOY	1
10	Escutcheon-rear seat belt	Change point - VIN begin MA081992	Sonar Blue, LH	MXC5635JUL	1
		Change point - VIN begin MA081992	Bahama Beige, LH RH, Sonar Blue RH, Bahama Beige	MXC5635SUC MXC5634JUL MXC5634SUC	1 1 1
		Change point - VIN begin MA081992	Dark Granite, LH	MXC5635LOY	1
		Change point - VIN begin MA081992	RH, Dark Granite	MXC5634LOY	1
11	Clip-snap-sack			MWC9136 EYC101460	6 6
12	Fastener-drive			MXC4688	6
13	Escutcheon- BC post upper adjuster mechanism	Change point - VIN begin KA034314	Sonar Blue	BTR5043JUL	2
		Change point - VIN begin KA034314	Bahama Beige	BTR5043SUC	2
		Change point - VIN begin MA081992	Dark Granite	BTR5043LOY	2



Interior Trim
Trim
Bodyside Trim Front-5 Door 3/3

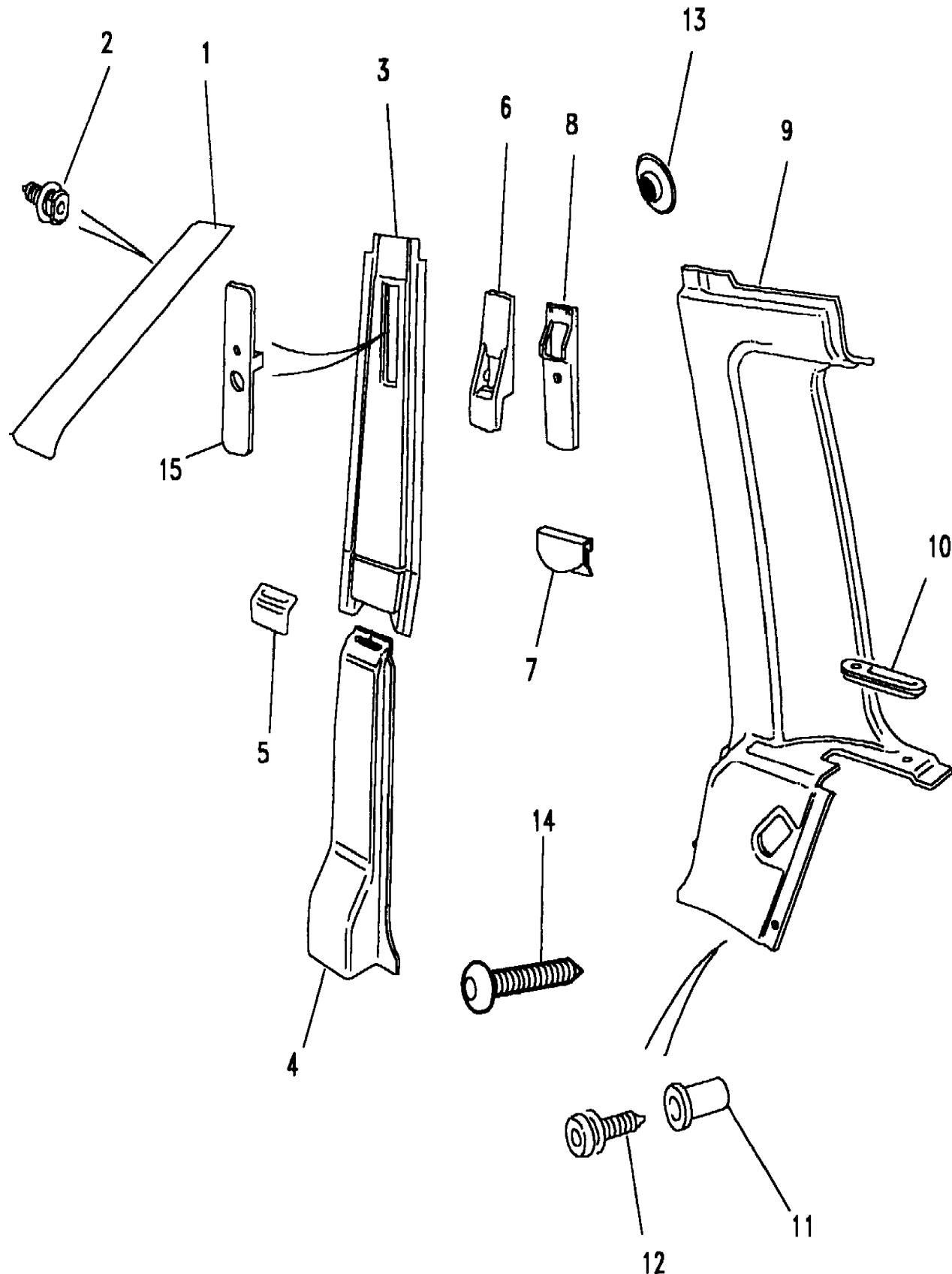
Discovery (FA393361-WA799999)
(CAPXGA2B)

Discovery (FA393361-WA799999)

Interior Trim
Trim
Bodyside Trim Front-5 Door

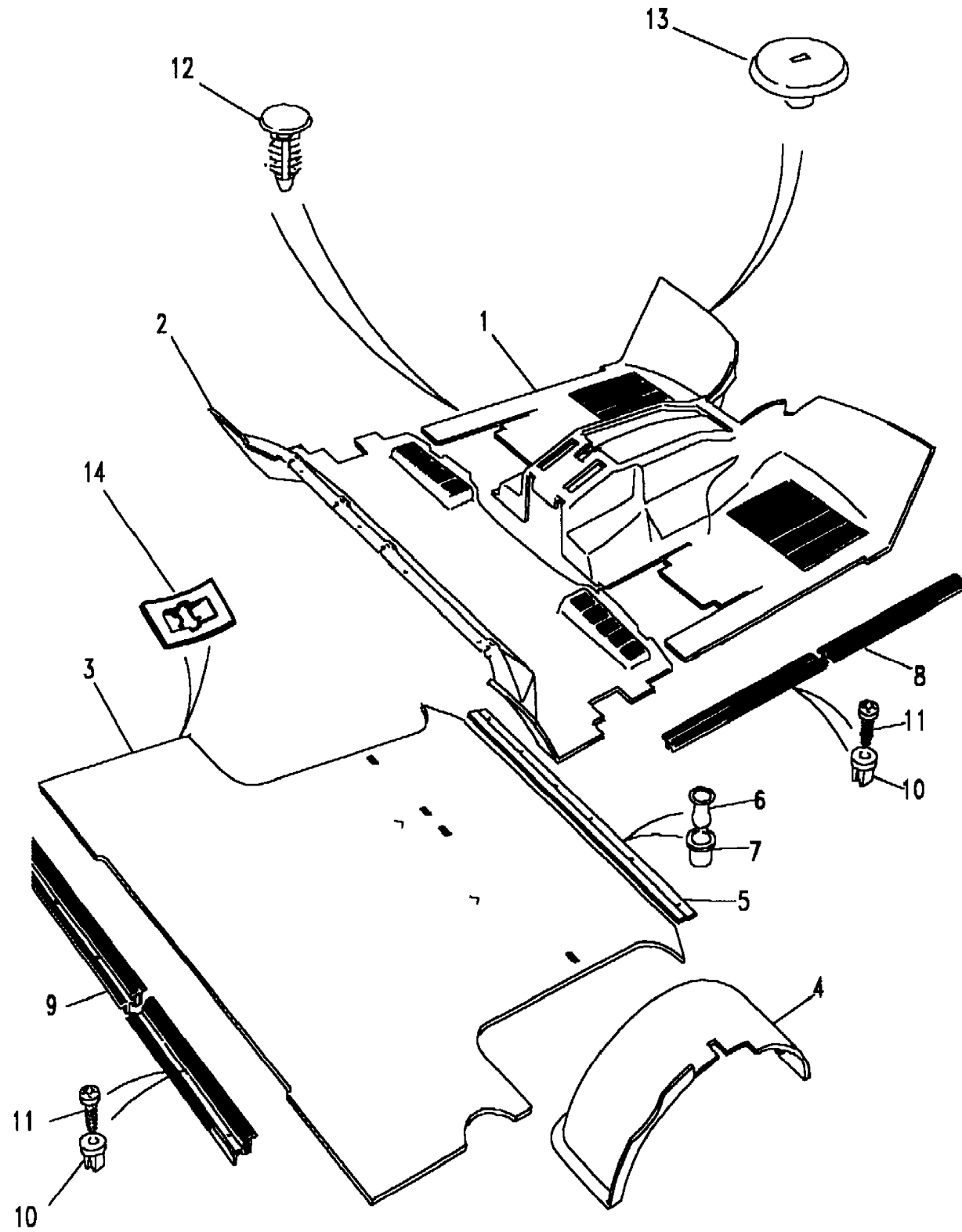
5 Door Station Wagon

Callout	Name	Application	Remarks & Restrictions	Service No.	Qty
14	Fastener-drive		Dark Granite Bahama Beige	MXC5451LOY MXC5451SUC	2 2
15	Cover-front seat belt adjuster mechanism	Change point - VIN end LA081991 Change point - VIN begin MA081992	Sonar Blue Dark Granite, Upper Bahama Beige	BTR2121JUL BTR2121LOY BTR2121SUC	2 2 2
[900]	Finisher assembly-A post upper	Change point - VIN begin TA163104, With Speaker Change point - VIN begin TA501920, With Speaker Change point - VIN begin TA163104, With Speaker Change point - VIN begin TA501920, With Speaker Change point - VIN begin WA746542, With Speaker Change point - VIN begin WA746542, With Speaker	Also serviced as part of a kit, RH, Mist Grey Also serviced as part of a kit, RH, Mist Grey Also serviced as part of a kit, Mist Grey, LH Also serviced as part of a kit, Mist Grey, LH Also serviced as part of a kit, RH, Mist Grey Also serviced as part of a kit, Mist Grey, LH	AWR1450LUM AWR1450LUM AWR1449LUM AWR1449LUM EIE10000LUM EIE100010LUM	1 1 1 1 1 1
[901]	Clip-trim retention	Change point - VIN begin TA163104 Change point - VIN begin TA501920 Change point - VIN begin WA746542	Also serviced as part of a kit Also serviced as part of a kit Also serviced as part of a kit	EYC10008L EYC10008L EYC10008L	3 3 3



Interior Trim
Trim
Carpets & Finishers 1/8

Discovery (FA393361-WA799999)
(CAPXPA1A)



Discovery (FA393361-WA799999)

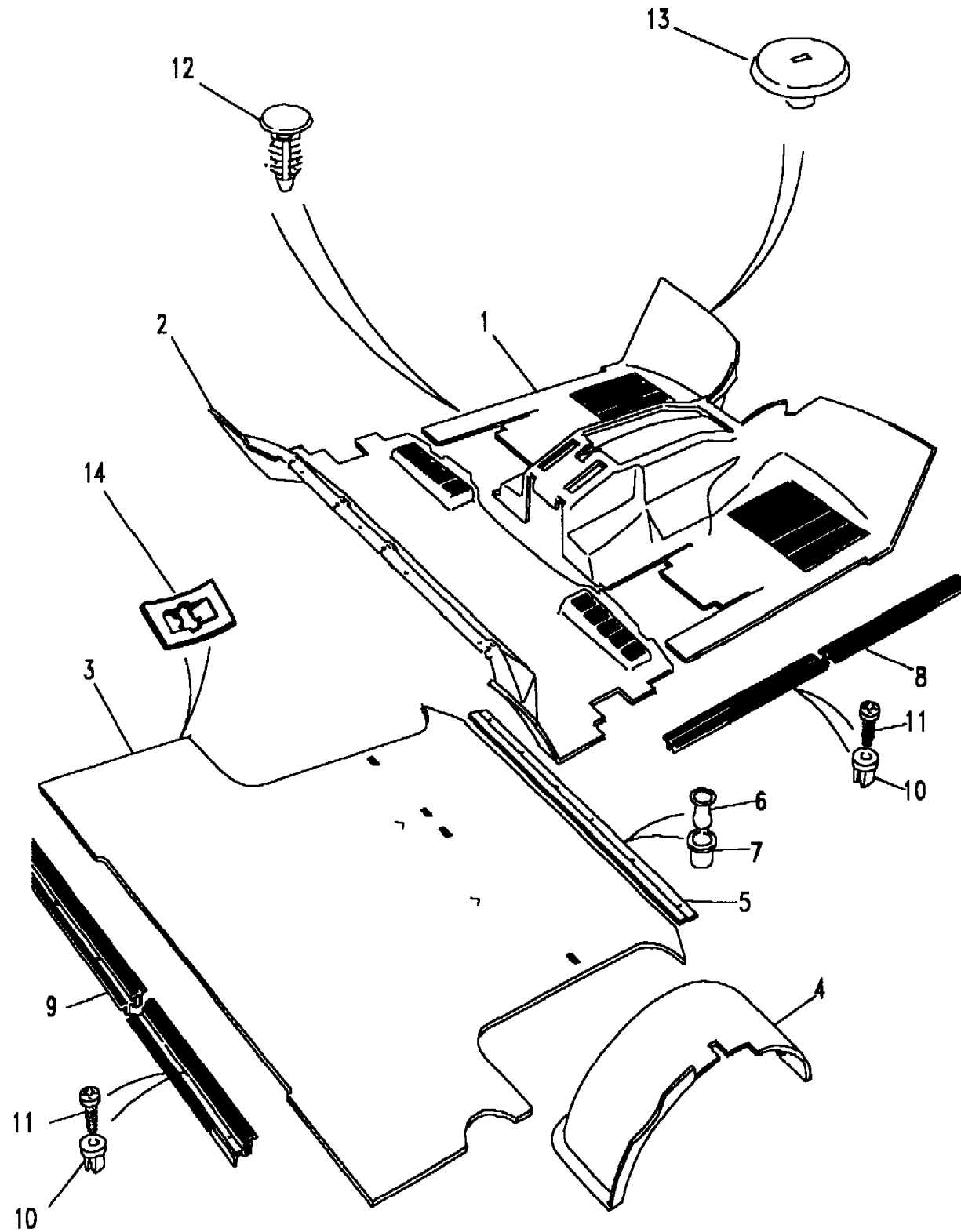
Interior Trim
Trim
Carpets & Finishers

Callout	Name	Application	Remarks & Restrictions	Service No.	Qty
1	Carpet-front floor	Change point - VIN begin GA394352, Change point - VIN end GA456980, Manual Transmission	Sonar Blue	MWC4011JUN	1
		Change point - VIN begin HA000001, Change point - VIN end HA012332, Manual Transmission	Sonar Blue	MXC7281JUN	1
		Change point - VIN begin HA456981, Change point - VIN end HA486551, Manual Transmission	Sonar Blue	MXC7281JUN	1
		Change point - VIN begin JA012333, Change point - VIN end MA163103, Manual Transmission	Sonar Blue	MXC7281JUN	1
		Change point - VIN end KA064754, Manual Transmission	Beige	MXC7281SUD	1
		Change point - VIN begin LA064755, Change point - VIN end MA163103, Manual Transmission, LHD	Beige	BTR8579SUD	1
		Change point - VIN begin LA064755, Change point - VIN end MA163103, Manual Transmission, LHD	Sonar Blue	BTR8579JUN	1
		Change point - VIN begin LA064755, Change point - VIN end MA163103, Manual Transmission, RHD	Beige	BTR8578SUD	1
		Change point - VIN begin LA064755, Change point - VIN end MA163103, Manual Transmission, RHD	Sonar Blue	BTR8578JUN	1
		Change point - VIN begin MA081992, Change point - VIN end MA163103, Manual Transmission, RHD	Charcoal	BTR9358LPZ	1
		Change point - VIN begin MA081992, Change point - VIN end MA163103, Manual Transmission, RHD	Beige	BTR9358SUD	1
		Change point - VIN end KA064754, Automatic Transmission	Sonar Blue	BTR3017JUN	1
		Change point - VIN end KA064754, Automatic Transmission	Beige	BTR3017SUD	1
		Change point - VIN begin LA064755, Change point - VIN end MA163103, Automatic Transmission, LHD	Sonar Blue	BTR8579JUN	1

Interior Trim
Trim
Carpets & Finishers 2/8

Discovery (FA393361-WA799999)

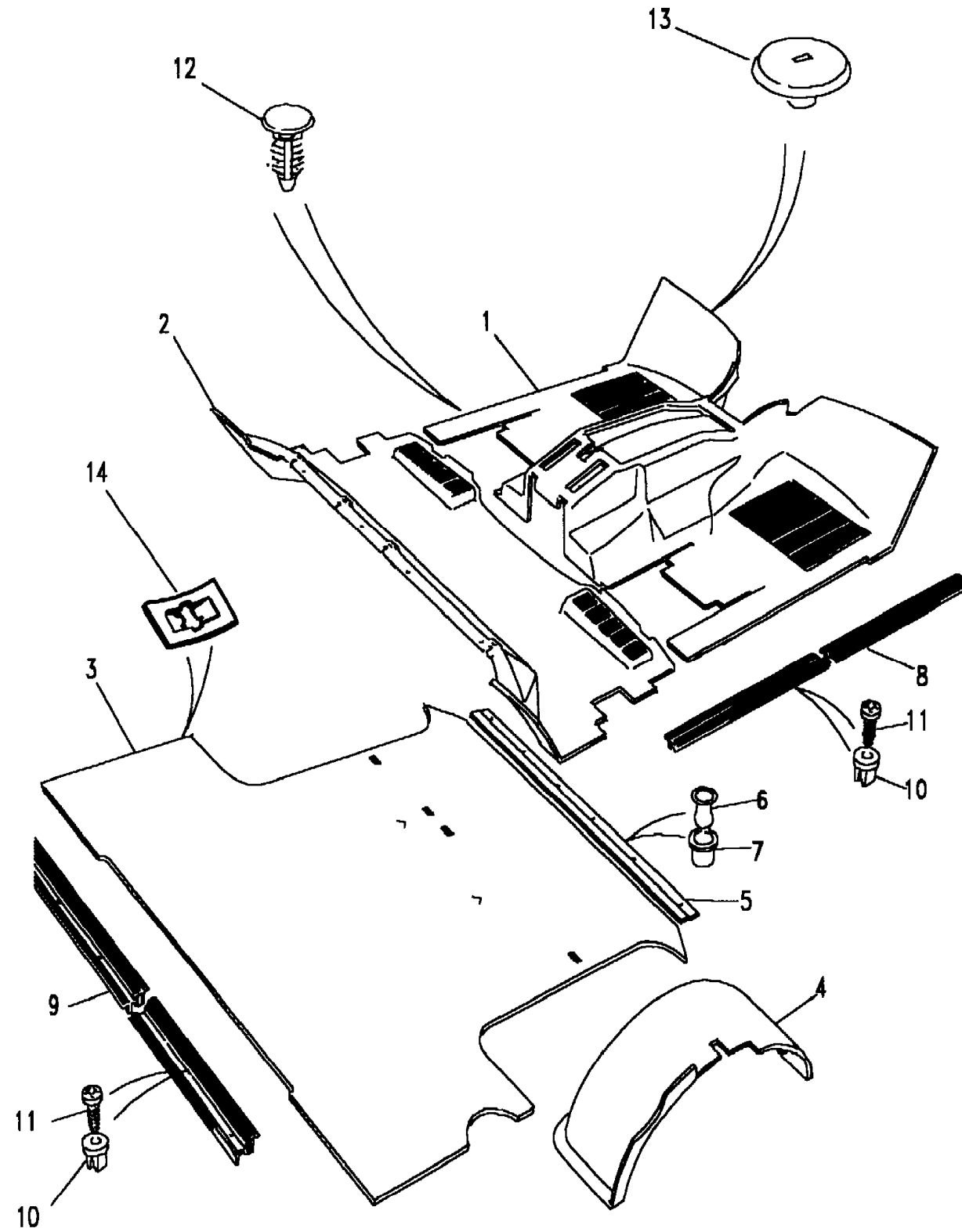
(CAPXPA1A)



Discovery (FA393361-WA799999)

Interior Trim
Trim
Carpets & Finishers

Callout	Name	Application	Remarks & Restrictions	Service No.	Qty
1	Carpet-front floor	Change point - VIN begin LA064755, Change point - VIN end MA163103, Automatic Transmission, LHD	Beige	BTR8579SUD	1
		Change point - VIN begin MA081992, Change point - VIN end MA163103, Automatic Transmission, RHD	Charcoal	BTR9359LPZ	1
		Change point - VIN begin MA081992, Change point - VIN end MA163103, Automatic Transmission, RHD	Beige	BTR9359SUD	1
		Change point - VIN begin LA064755, Change point - VIN end TA163104, Automatic Transmission, RHD	Sonar Blue	BTR8580JUN	1
		Change point - VIN begin LA064755, Change point - VIN end TA163104, Automatic Transmission, RHD	Beige	BTR8580SUD	1
		Change point - VIN begin MA081992, Change point - VIN end MA163103, LHD	Charcoal	BTR9360LPZ	1
		Change point - VIN begin MA081992, Change point - VIN end MA163103, LHD	Beige	BTR9360SUD	1
		Leisure	Flint Grey	BTR192LCG	1
		Change point - VIN end JA034313, Manual Transmission, Leisure	Ash	BTR192LUN	1
		Change point - VIN begin KA034314, Manual Transmission, Leisure	Ash Grey	BTR192LNF	1
		Automatic Transmission, Leisure	Ash Grey	BTR3018LNF	1
		Change point - VIN begin TA163104, 3 Door Station Wagon, Manual Transmission, RHD	Charcoal	BTR9358LPZ	1
		Change point - VIN begin TA501920, 3 Door Station Wagon, Manual Transmission, RHD	Charcoal	BTR9358LPZ	1
		Change point - VIN begin TA163104, 3 Door Station Wagon, Manual Transmission, RHD	Beige	BTR9358SUD	1
		Change point - VIN begin TA501920, 3 Door Station Wagon, Manual Transmission, RHD	Beige	BTR9358SUD	1
		Change point - VIN begin TA163104, 3 Door Station Wagon, Automatic Transmission, RHD	Charcoal	BTR9359LPZ	1

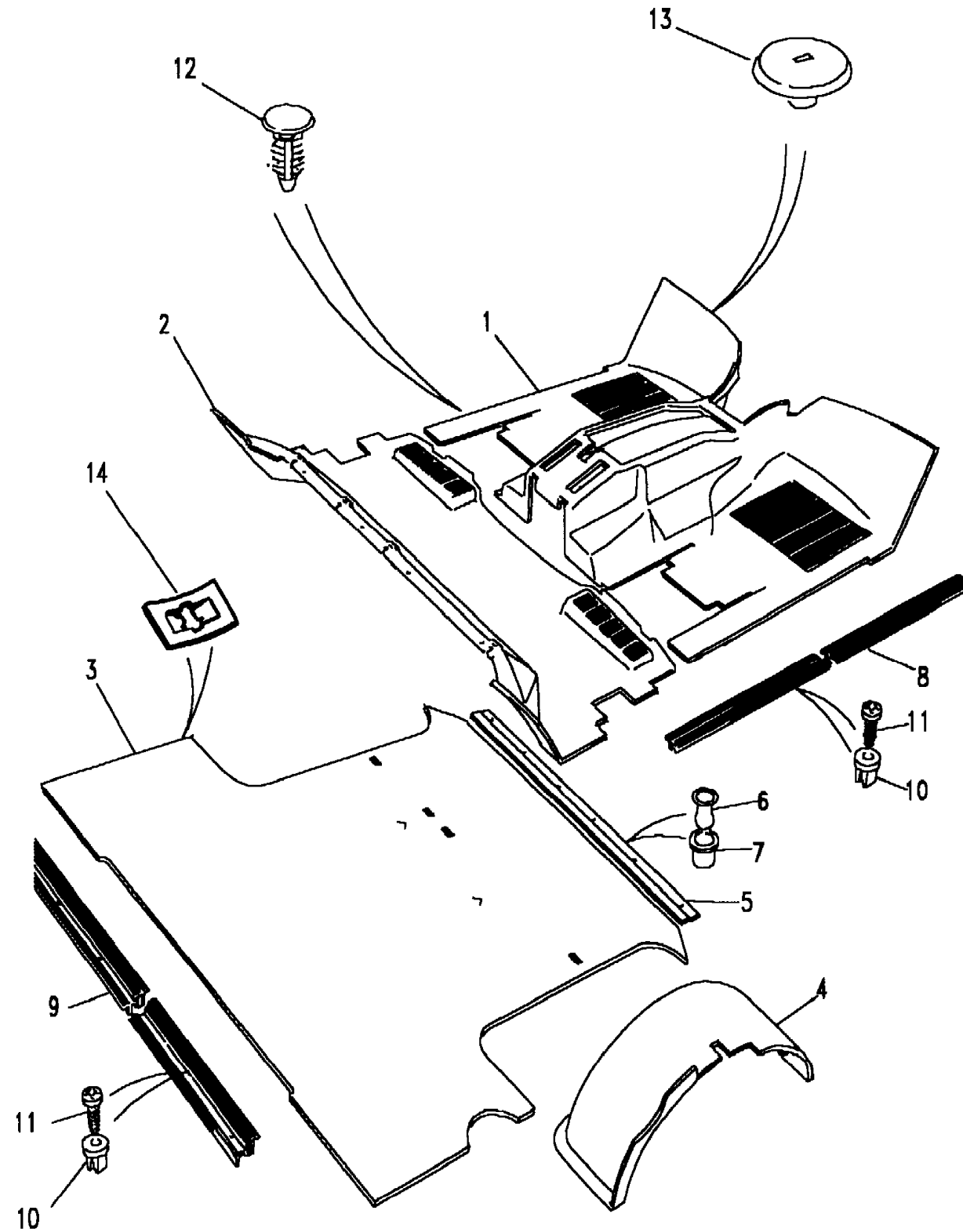


Callout	Name	Application	Remarks & Restrictions	Service No.	Qty		
1	Carpet-front floor	Change point - VIN begin TA501920, 3 Door Station Wagon, Automatic Transmission, RHD	Charcoal	BTR9359LPZ	1		
		Change point - VIN begin TA163104, 3 Door Station Wagon, Automatic Transmission, RHD	Beige	BTR9359SUD	1		
		Change point - VIN begin TA501920, 3 Door Station Wagon, Automatic Transmission, RHD	Beige	BTR9359SUD	1		
		Change point - VIN begin TA163104, 5 Door Station Wagon, Manual Transmission, RHD	Charcoal	AWR3911LPZ	1		
		Change point - VIN begin TA501920, 5 Door Station Wagon, Manual Transmission, RHD	Charcoal	AWR3911LPZ	1		
		Change point - VIN begin TA163104, 5 Door Station Wagon, Manual Transmission, RHD	Beige	AWR3911SUD	1		
		Change point - VIN begin TA501920, 5 Door Station Wagon, Manual Transmission, RHD	Beige	AWR3911SUD	1		
		Change point - VIN begin TA163104, 5 Door Station Wagon, Automatic Transmission, RHD	Charcoal	AWR3912LPZ	1		
		Change point - VIN begin TA501920, 5 Door Station Wagon, Automatic Transmission, RHD	Charcoal	AWR3912LPZ	1		
		Change point - VIN begin TA163104, 5 Door Station Wagon, Automatic Transmission, RHD	Beige	AWR3912SUD	1		
		Change point - VIN begin TA501920, 5 Door Station Wagon, Automatic Transmission, RHD	Beige	AWR3912SUD	1		
		Change point - VIN begin TA163104, LHD	Charcoal	AWR3913LPZ	1		
		Change point - VIN begin TA501920, LHD	Charcoal	AWR3913LPZ	1		
		Change point - VIN begin TA163104, LHD	Beige	AWR3913SUD	1		
		Change point - VIN begin TA501920, LHD	Beige	AWR3913SUD	1		
		2	Carpet-centre floor	Change point - VIN begin GA394352, Change point - VIN end GA456980	Sonar Blue	MWC4007JUN	1
				Change point - VIN begin JA012333	Sonar Blue	BTR815JUN	1
				Change point - VIN begin HA000001, Change point - VIN end HA012332	Sonar Blue	BTR815JUN	1
				Change point - VIN begin HA456981, Change point - VIN end HA486551	Sonar Blue	BTR815JUN	1

Interior Trim
Trim
Carpets & Finishers 4/8

Discovery (FA393361-WA799999)

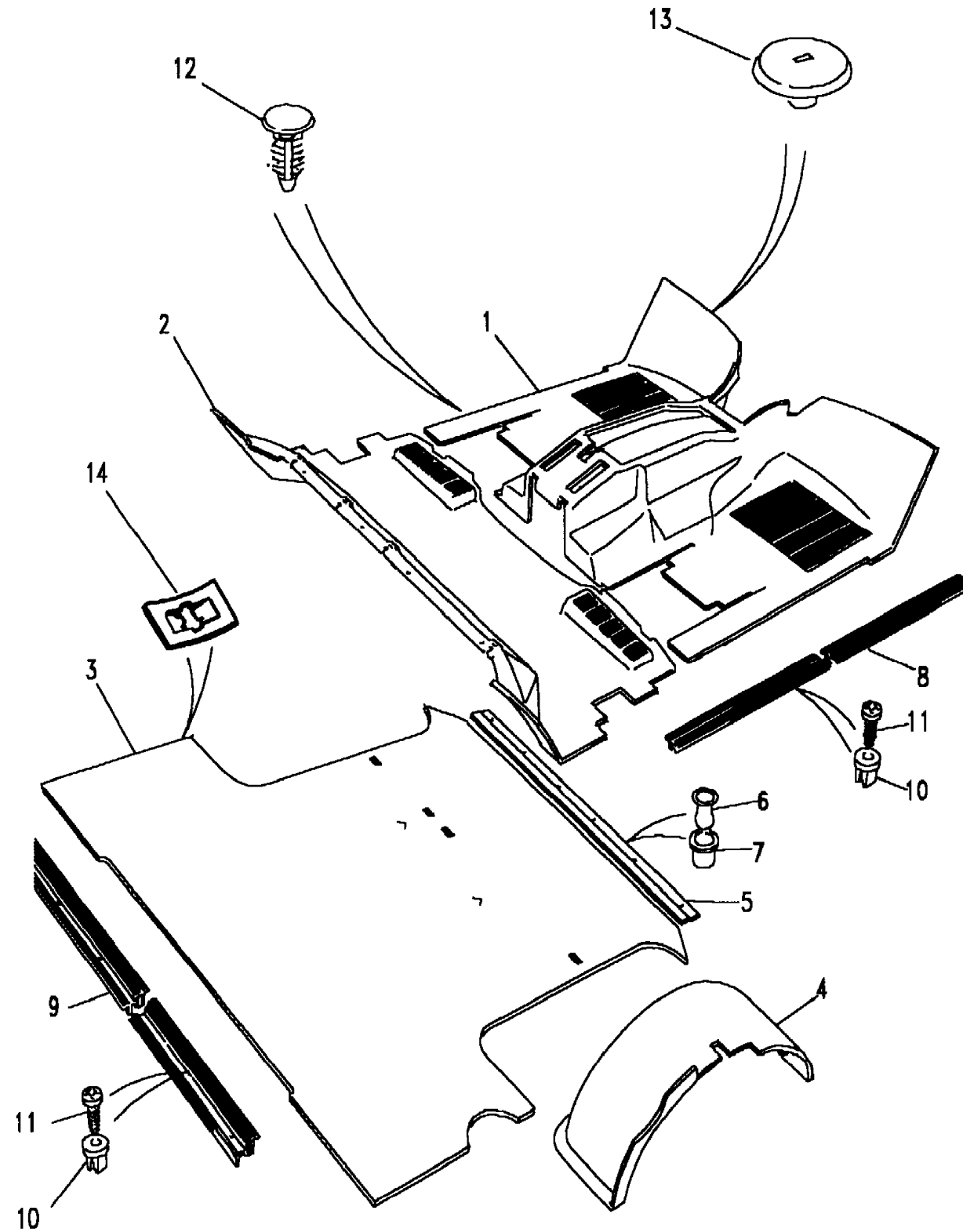
(CAPXPA1A)



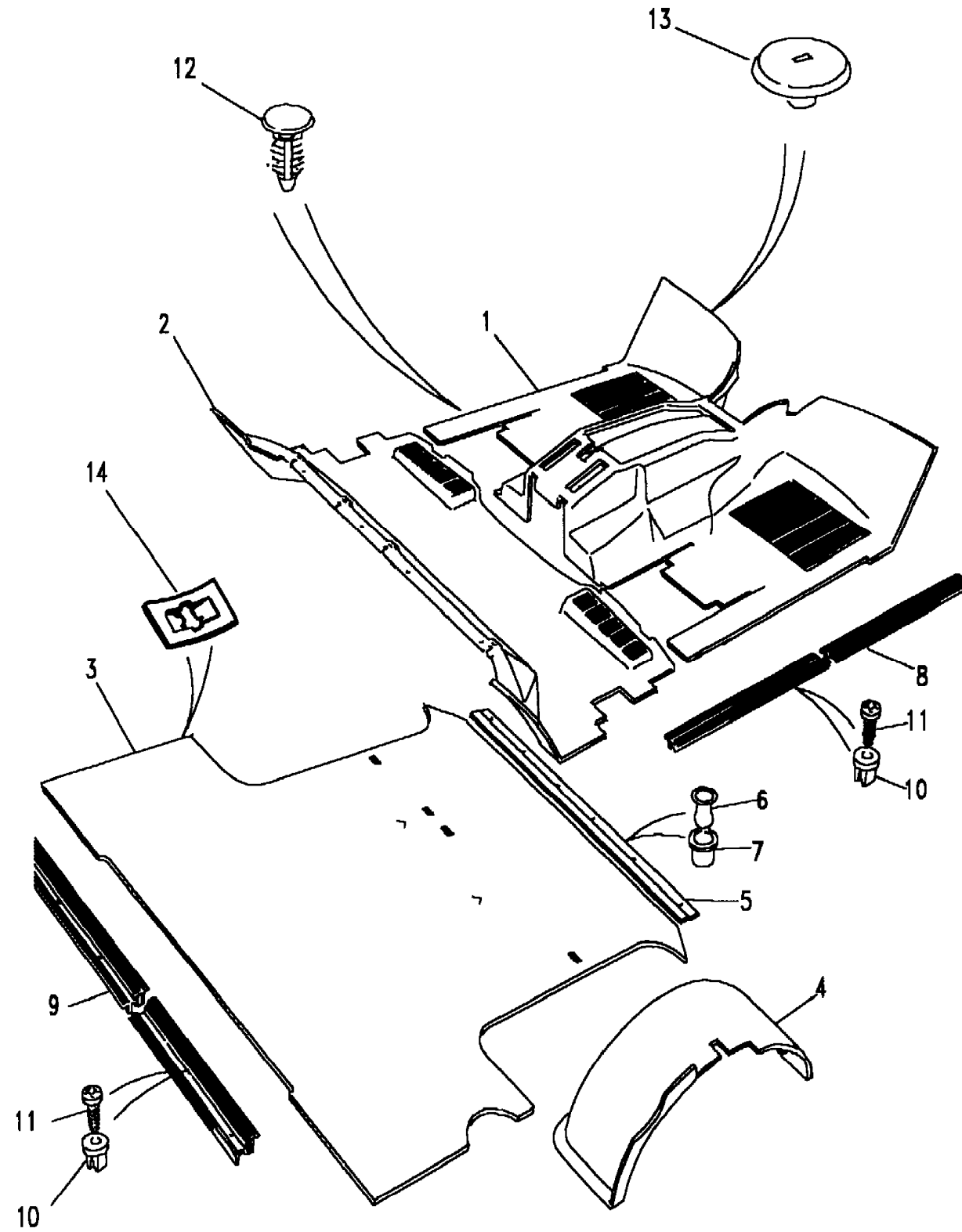
Discovery (FA393361-WA799999)

Interior Trim
Trim
Carpets & Finishers

Callout	Name	Application	Remarks & Restrictions	Service No.	Qty
2	Carpet-centre floor	Change point - VIN end KA064754	Beige	BTR815SUD	1
		Change point - VIN begin LA064755, Change point - VIN end MA163103	Beige	BTR8112SUD	1
		Change point - VIN begin LA064755, Change point - VIN end MA163103	Sonar Blue	BTR8112JUN	1
		Change point - VIN begin MA081992, Change point - VIN end MA163103	Charcoal	BTR9361LPZ	1
		Change point - VIN begin MA081992, Change point - VIN end MA163103	Beige	BTR9361SUD	1
		Change point - VIN begin MA102197, Change point - VIN end MA163103	Charcoal	AWR2008LPZ	1
		Change point - VIN begin MA102197, Change point - VIN end MA163103	Beige	AWR2008SUD	1
		Leisure	Flint Grey	BTR191LCG	1
		Change point - VIN end KA064754	Ash Grey	BTR191LUN	1
		Change point - VIN begin LA064755, Change point - VIN end MA163103	Ash Grey	BTR191LNF	1
		Change point - VIN begin TA163104, Change point - VIN end TA534103, 3 Door Station Wagon	Charcoal	AWR3909LPZ	1
		Change point - VIN begin TA501920, Change point - VIN end TA703236, 3 Door Station Wagon	Charcoal	AWR3909LPZ	1
		Change point - VIN begin TA163104, Change point - VIN end TA534103, 3 Door Station Wagon	Beige	AWR3909SUD	1
		Change point - VIN begin TA501920, Change point - VIN end TA703236, 3 Door Station Wagon	Beige	AWR3909SUD	1
		Change point - VIN begin VA534104, Change point - VIN end VA728294, 3 Door Station Wagon	Charcoal	AWR3298LPZ	1
		Change point - VIN begin VA703237, Change point - VIN end VA728294, 3 Door Station Wagon	Charcoal	AWR3298LPZ	1
		Change point - VIN begin VA534104, Change point - VIN end VA728294, 3 Door Station Wagon	Beige	AWR3298SUD	1
		Change point - VIN begin VA703237, Change point - VIN end VA728294, 3 Door Station Wagon	Beige	AWR3298SUD	1
		Change point - VIN begin VA728295, 3 Door Station Wagon	Charcoal	AWR7035LPZ	1
		Change point - VIN begin VA728295, 3 Door Station Wagon	Beige	AWR7035SUD	1



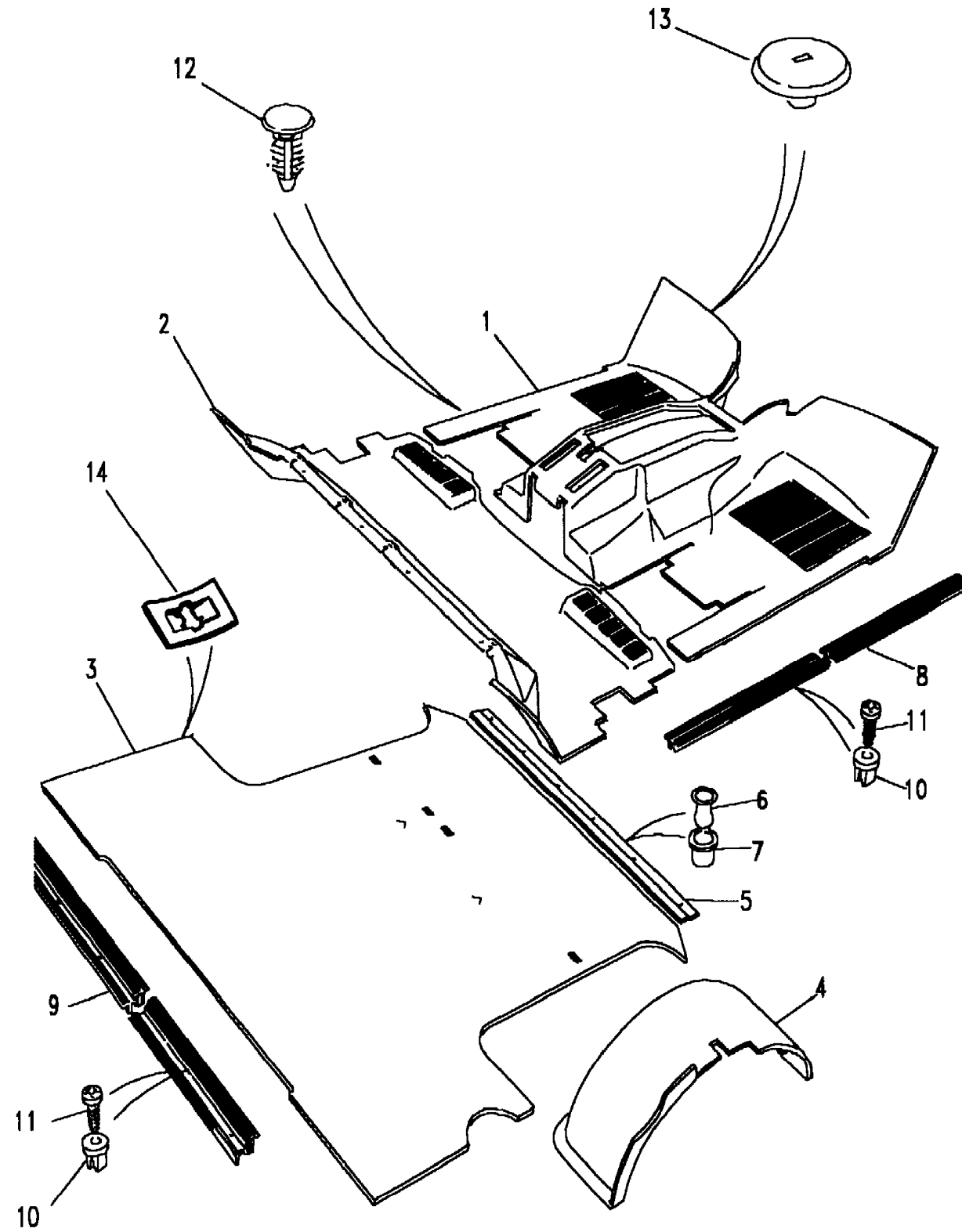
Callout	Name	Application	Remarks & Restrictions	Service No.	Qty
2	Carpet-centre floor	Change point - VIN begin TA163104, 5 Door Station Wagon	Charcoal	AWR3927LPZ	1
		Change point - VIN begin TA501920, 5 Door Station Wagon	Charcoal	AWR3927LPZ	1
		Change point - VIN begin TA163104, 5 Door Station Wagon	Beige	AWR3927SUD	1
		Change point - VIN begin TA501920, 5 Door Station Wagon	Beige	AWR3927SUD	1
3	Carpet-Rear Floor	Change point - VIN begin GA394352, Change point - VIN end GA456980	Sonar Blue	MWC4010JUN	1
		Change point - VIN begin JA012333	Sonar Blue	BTR301JUN	1
		Change point - VIN begin HA000001, Change point - VIN end HA012332	Sonar Blue	BTR301JUN	1
		Change point - VIN begin HA456981, Change point - VIN end HA486551	Sonar Blue	BTR301JUN	1
		Change point - VIN end KA064754	Beige	BTR301SUD	1
		Change point - VIN begin LA064755	Beige	BTR8581SUD	1
		Change point - VIN begin LA064755	Sonar Blue	BTR8581JUN	1
		Change point - VIN begin MA081992	Charcoal	BTR9892LPZ	1
		Change point - VIN begin MA081992	Beige	BTR9892SUD	1
		Leisure	Flint Grey	BTR188LCG	1
		Change point - VIN begin GA394352, Change point - VIN end GA456980	Ash Grey	BTR188LUN	1
		Change point - VIN begin JA012333	Ash Grey	BTR188LNF	1
		Change point - VIN begin HA000001, Change point - VIN end HA012332	Ash Grey	BTR188LNF	1
		Change point - VIN begin HA456981, Change point - VIN end HA486551	Ash Grey	BTR188LNF	1
4	Carpet-centre floor wheelarch	Change point - VIN end KA064754, 5 Door Station Wagon	Rear, RH, Sonar Blue	BTR813JUN	1
		Change point - VIN end KA064754, 5 Door Station Wagon	Beige, Rear, RH	BTR813SUD	1
		Change point - VIN end KA064754, 5 Door Station Wagon	Rear, Sonar Blue, LH	BTR814JUN	1
		Change point - VIN end KA064754, 5 Door Station Wagon	Beige, Rear, LH	BTR814SUD	1
		Change point - VIN begin LA064755, 5 Door Station Wagon	Rear, RH, Sonar Blue	BTR8584JUN	1



Callout	Name	Application	Remarks & Restrictions	Service No.	Qty
4	Carpet-centre floor wheelarch	Change point - VIN begin LA064755, 5 Door Station Wagon	Beige, Rear, RH	BTR8584SUD	1
		Change point - VIN begin LA064755, 5 Door Station Wagon	Beige, Rear, LH	BTR8585SUD	1
		Change point - VIN begin LA064755, 5 Door Station Wagon	Rear, Sonar Blue, LH	BTR8585JUN	1
		Change point - VIN begin MA081992, 5 Door Station Wagon	Charcoal, Rear, RH	BTR9365LPZ	1
		Change point - VIN begin MA081992, 5 Door Station Wagon	Beige, Rear, RH	BTR9365SUD	1
		Change point - VIN begin MA081992, 5 Door Station Wagon	Charcoal, Rear, LH	BTR9366LPZ	1
		Change point - VIN begin MA081992, 5 Door Station Wagon	Beige, Rear, LH	BTR9366SUD	1
		Change point - VIN begin MA081992, 5 Door Station Wagon	Rear, RH, Flint Grey	BTR190LCG	1
		Change point - VIN begin MA081992, 5 Door Station Wagon	Rear, Flint Grey, LH	BTR189LCG	1
		Change point - VIN begin MA081992, 5 Door Station Wagon	Ash Grey, Rear, RH	BTR190LUN	1
		Change point - VIN end JA025549	Ash Grey, Rear, LH	BTR189LUN	1
		Change point - VIN begin JA025550, Change point - VIN end JA034313	Ash Grey, Rear, RH	BTR190LNF	1
		Change point - VIN begin JA025550, Change point - VIN end JA034313	Ash Grey, Rear, LH	BTR189LNF	1
		Change point - VIN end KA064754, 3 Door Station Wagon	Rear, RH, Sonar Blue	MWC4008JUN	1
		Change point - VIN end KA064754, 3 Door Station Wagon	Beige, Rear, RH	MWC4008SUD	1
		Change point - VIN end KA064754, 3 Door Station Wagon	Rear, Sonar Blue, LH	MWC4009JUN	1
		Change point - VIN end KA064754, 3 Door Station Wagon	Beige, Rear, LH	MWC4009SUD	1
		Change point - VIN begin LA064755, 3 Door Station Wagon	Beige, Rear, RH	BTR8582SUD	1
		Change point - VIN begin LA064755, 3 Door Station Wagon	Rear, RH, Sonar Blue	BTR8582JUN	1
		Change point - VIN begin LA064755, 3 Door Station Wagon	Beige, Rear, LH	BTR8583SUD	1
		Change point - VIN begin LA064755, 3 Door Station Wagon	Rear, Sonar Blue, LH	BTR8583JUN	1
		Change point - VIN begin MA081992, 3 Door Station Wagon	Charcoal, Rear, RH	BTR9363LPZ	1
		Change point - VIN begin MA081992, 3 Door Station Wagon	Beige, Rear, RH	BTR9363SUD	1

Interior Trim
Trim
Carpets & Finishers 7/8

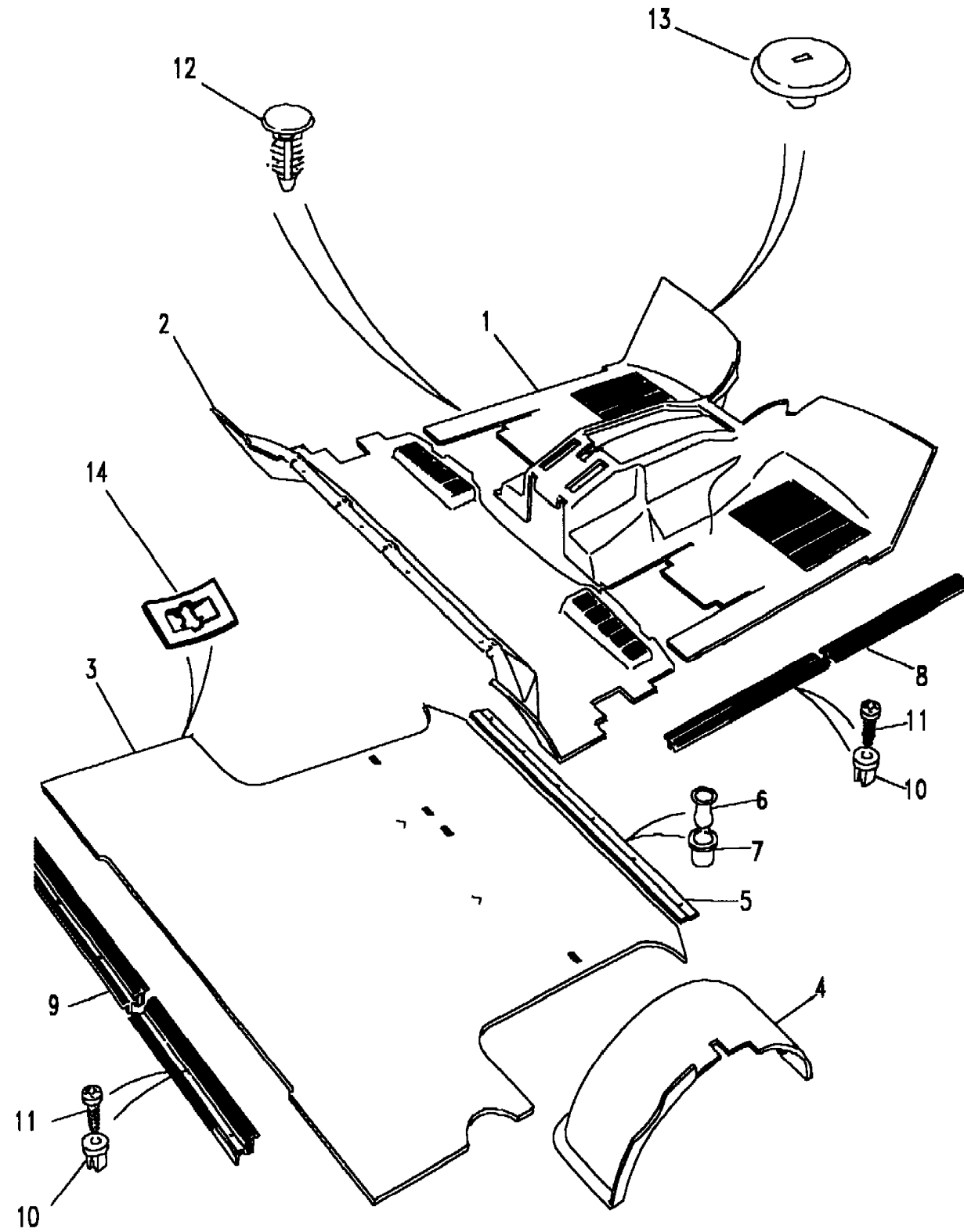
Discovery (FA393361-WA799999)
(CAPXPA1A)



Discovery (FA393361-WA799999)

Interior Trim
Trim
Carpets & Finishers

Callout	Name	Application	Remarks & Restrictions	Service No.	Qty
4	Carpet-center floor wheelarch	Change point - VIN begin MA081992, 3 Door Station Wagon	Charcoal, Rear, LH	BTR9364LPZ	1
		Change point - VIN begin MA081992, 3 Door Station Wagon	Beige, Rear, LH	BTR9364SUD	1
5	Finisher-floor cover carpet/crossbar		Primer	MWC6062P	1
6	Clip-trim retention		Black	YOO4633PMP	4
7	Clip-snap-sack			13H2475L	4
				MWC9136	1
				EYC101460	1
8	Treadstrip	Change point - VIN end JA025549	Front, RH, Ash	BTR1658LUN	1
		Change point - VIN end JA025549	Front, Ash, LH	BTR1659LUN	1
		Change point - VIN begin JA025550, Change point - VIN end JA034313	Front, RH, Ash	BTR4546LUN	1
		Change point - VIN begin JA025550, Change point - VIN end JA034313	Front, Ash, LH	BTR4547LUN	1
		Change point - VIN begin KA034314, Change point - VIN end LA081991	Ash Grey, Front, RH	BTR4546LNF	1
		Change point - VIN begin KA034314, Change point - VIN end LA081991	Ash Grey, Front, LH	BTR4547LNF	1
		Change point - VIN begin MA081991, Change point - VIN end WA746541	Front, RH, Gloss Black	BTR4546PUB	1
		Change point - VIN begin MA081991, Change point - VIN end WA746541	Front, Gloss Black, LH	BTR4547PUB	1
		Change point - VIN begin WA746542	Front, RH, Black/Stainless	EAP100740PDG	1
		Change point - VIN begin WA746542	Front, Black/Stainless, LH	EAP100750PDG	1
		Change point - VIN end JA024658	Rear, RH, Ash	BTR1661LUN	1
		Change point - VIN end JA024658	Rear, Ash, LH	BTR1660LUN	1
		Change point - VIN begin JA024659, Change point - VIN end JA034313	Rear, RH, Ash	BTR4549LUN	1
		Change point - VIN begin JA024659, Change point - VIN end JA034313	Rear, Ash, LH	BTR4548LUN	1
		Change point - VIN begin KA034314	Ash Grey, Rear, RH	BTR4549LNF	1
		Change point - VIN begin KA034314	Ash Grey, Rear, LH	BTR4548LNF	1
Change point - VIN begin MA081991, Change point - VIN end WA746541	Rear, RH, Gloss Black	BTR8222PUB	1		
Change point - VIN begin MA081991, Change point - VIN end WA746541	Rear, Gloss Black, LH	BTR8221PUB	1		



Callout	Name	Application	Remarks & Restrictions	Service No.	Qty
8	Treadstrip	Change point - VIN begin WA746542	Rear, RH, Black/Stainless	EAP100760PDG	1
		Change point - VIN begin WA746542	Rear, Black/Stainless, LH	EAP100770PDG	1
9	Treadstrip	Change point - VIN end JA018151	Ash, rear end	MXC3128LUN	1
		Change point - VIN begin JA018152, Change point - VIN end JA034313	Ash, rear end	BTR3680LUN	1
		Change point - VIN begin JA034314, Change point - VIN end LA081991	Ash Grey, rear end	BTR3680LNF	1
		Change point - VIN begin MA081991, Less Rear Air Conditioning	Gloss Black, rear end	BTR3680PUB	1
		Change point - VIN begin MA081991, With Rear Air Conditioning	Gloss Black, rear end	BTR9886PUB	1
10	Nut - Hex.		tread plate to sill	RTC3746	16
11	Screw		tread plate to sill, Self Tapping, No 8 x 3/4	AB608061L	16
			tread plate to sill, Self Tapping, No 10 x 3/4	AB610064L	16
12	Fastener-drive		Black	MXC3130PUB	2
		Change point - VIN begin TA163104	Dark Granite	MRC4283LOY	4
		Change point - VIN begin TA501920	Dark Granite	MRC4283LOY	4
		Change point - VIN begin TA163104	Bahama Beige	MRC4283SUC	4
		Change point - VIN begin TA501920	Bahama Beige	MRC4283SUC	4
13	Retainer-front/rear carpet		Dark Granite	MXC5616LOY	3
			Beige	MXC5616SUD	3
14	Clip	Change point - VIN begin TA177328	carpet to mudflap bolts	BTR7880	2
		Change point - VIN begin TA508149	carpet to mudflap bolts	BTR7880	2
[900]	Treadstrip		Gloss Black, rear end	BTR3680PUB	1
[901]	Cap-seat belt bolt head	Change point - VIN begin VA728295	Ash Grey	BTR8356LNF	2
[902]	Escutcheon- BC post upper adjuster mechanism	Change point - VIN begin VA728295	Dark Granite	BTR5043LOY	2
		Change point - VIN begin VA728295	Bahama Beige	BTR5043SUC	2

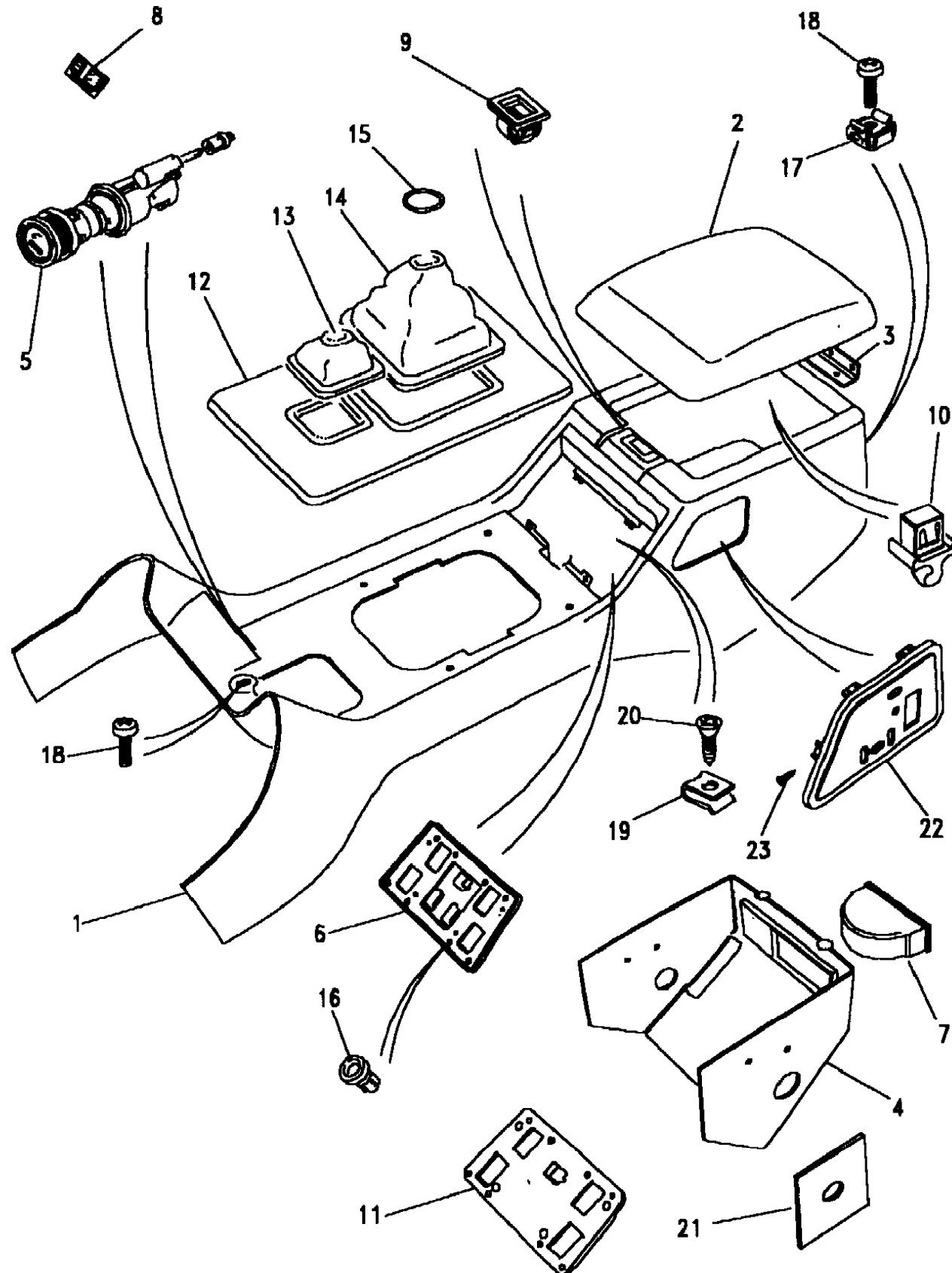
Interior Trim
Trim
Centre Console And Cubby Box 1/2

Discovery (FA393361-WA799999)
(CAPXCC3A)

Discovery (FA393361-WA799999)

Interior Trim
Trim
Centre Console And Cubby Box

Change point - VIN begin MA500000, Change point - VIN end TA501920, Change point - VIN begin TA163104, Change point - VIN end TA199999



Callout	Name	Application	Remarks & Restrictions	Service No.	Qty
1	Console assembly-tunnel	Manual Transmission	Standard Seats, Dark Granite	BTR4285LOY	1
		Manual Transmission	Standard Seats, Bahama Beige	BTR4285SUC	1
		Automatic Transmission	Standard Seats, Bahama Beige	BTR4286SUC	1
		Automatic Transmission	Standard Seats, Dark Granite	BTR4286LOY	1
		Change point - VIN begin TA163104, Manual Transmission	Less Standard Seats, Dark Granite	AWR2210LOY	1
		Change point - VIN begin TA163104, Manual Transmission	Less Standard Seats, Bahama Beige	AWR2210SUC	1
		Change point - VIN begin TA163104, Automatic Transmission	Less Standard Seats, Dark Granite	AWR2209LOY	1
		Change point - VIN begin TA163104, Automatic Transmission	Less Standard Seats, Bahama Beige	AWR2209SUC	1
		2	Lid assembly-tunnel console		Dark Granite
	Bahama Beige, vinyl.			STC1807SUC	1
3	Hinge assembly-tunnel console lid		Ash Grey	BTR9910LNF	1
4	Finisher-tunnel console centre	3 Door Station Wagon	Ash Grey	BTR3089LNF	1
		5 Door Station Wagon	Ash Grey	BTR8409LNF	1
6	Housing-tunnel console switch	Change point - VIN end WA791367, Change point - VIN begin MA081992		AWR1439	1
		Change point - VIN begin WA791368	Black	FHR100500PMA	1
		Change point - VIN begin WA791368	Black	FHR100502	1
7	Ashtray assembly-tunnel console			AWR1399	1
8	Label-warning	Manual Transmission Automatic Transmission		AWR1183 BTR9547	1 1
9	Catch		Ash Grey	BTR8901LNF	1
10	Striker-centre console stowage box lid		Ash Grey	BTR8902LNF	1
11	Housing-tunnel console switch		Less Heated Seats, Ash Grey	BTR3644LNF	1
		Change point - VIN begin VA534104	Heated Seats, Ash Grey	BTR3655LNF	1

Interior Trim
Trim
Centre Console And Cubby Box 2/2

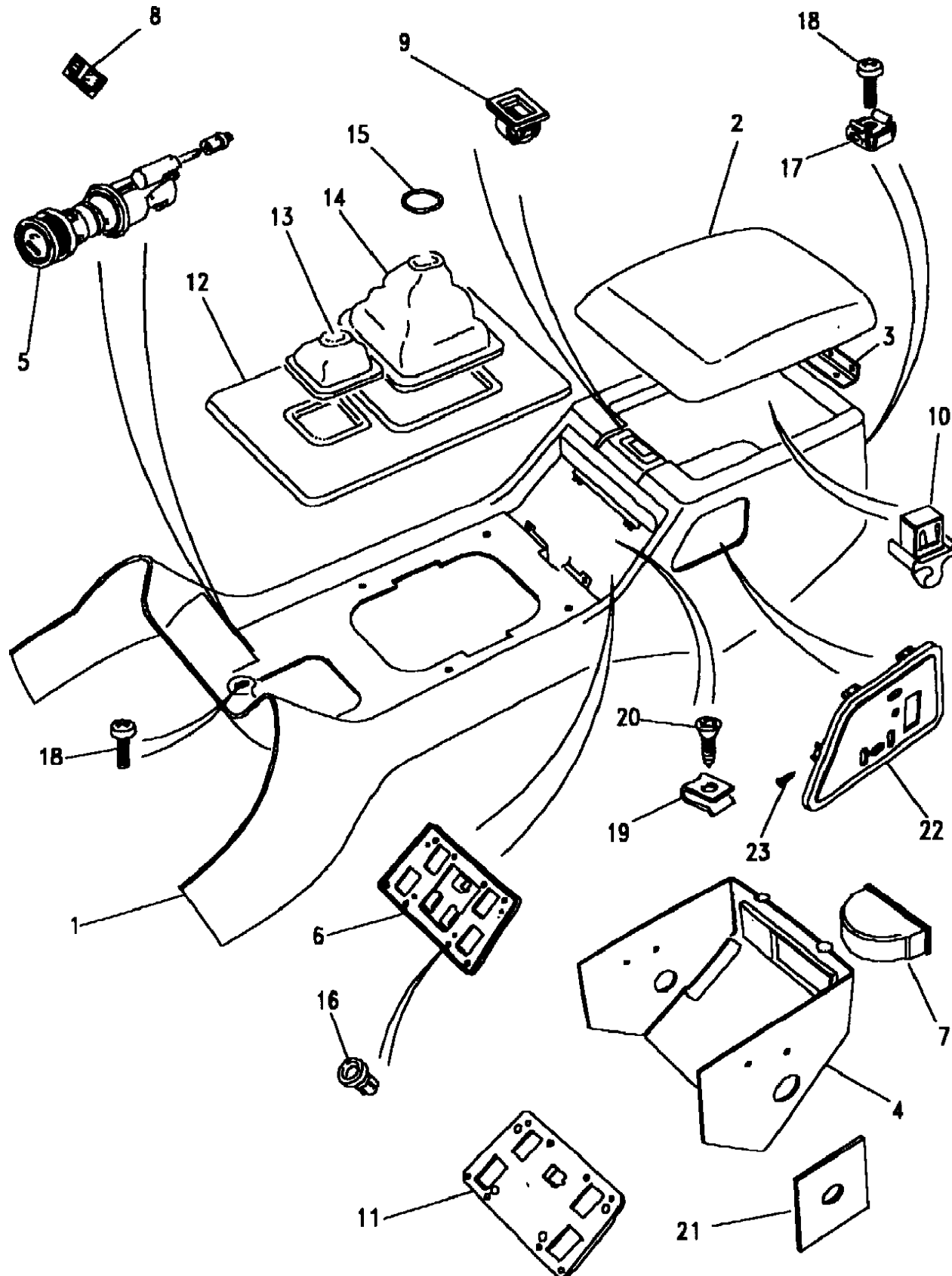
Discovery (FA393361-WA799999)
(CAPXCC3A)

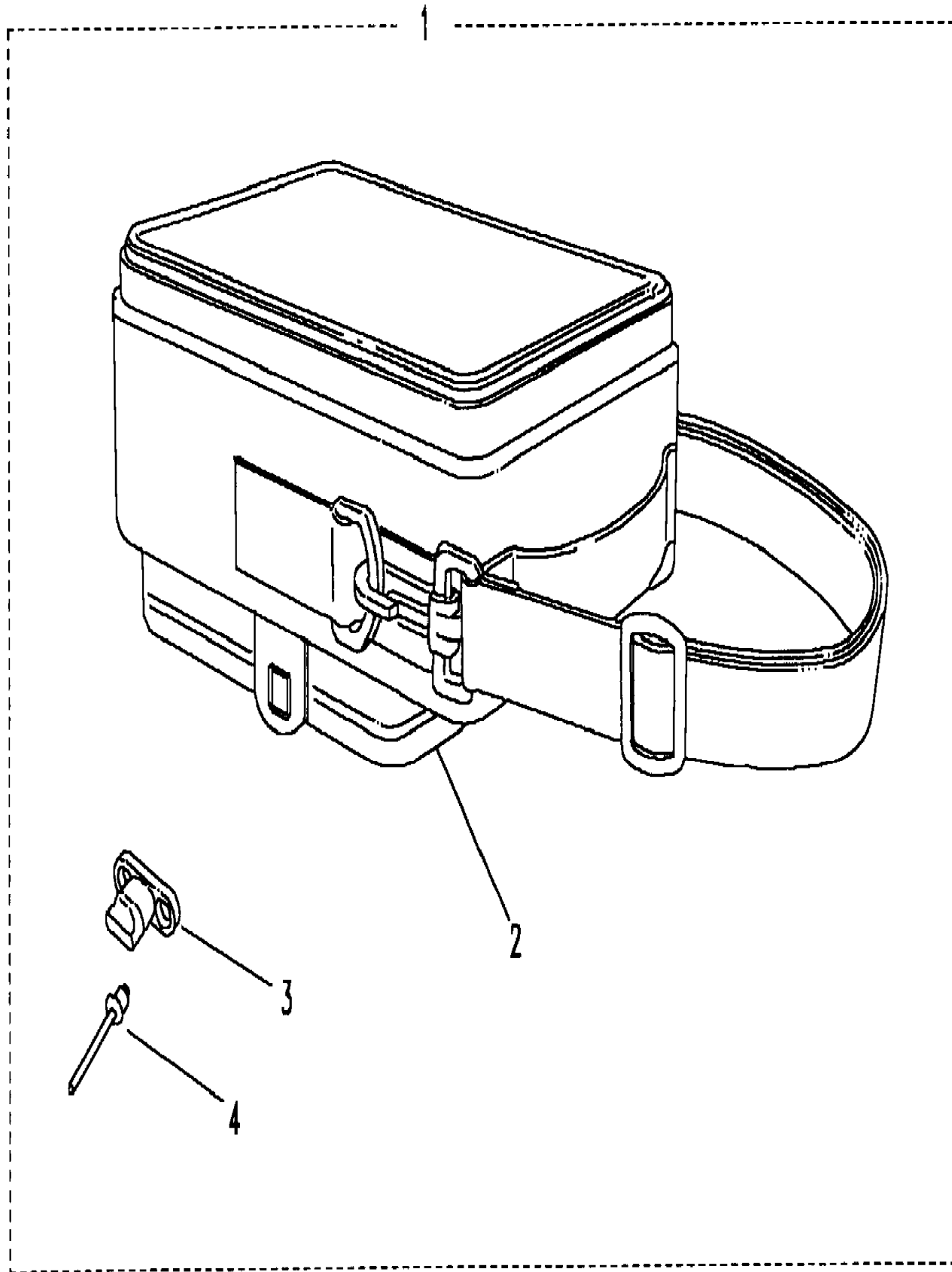
Discovery (FA393361-WA799999)

Interior Trim
Trim
Centre Console And Cubby Box

Change point - VIN begin MA500000, Change point - VIN end TA501920, Change point - VIN begin TA163104, Change point - VIN end TA199999

Callout	Name	Application	Remarks & Restrictions	Service No.	Qty
12	Mat-centre console	Automatic Transmission Manual Transmission	Heated Seats, Black Heated Seats, Black, Plastic	BTR3088PMA BTR3087PMA	1 1
13	Gaiter-hi/low lever	Change point - VIN begin MA081992, Change point - VIN end MA152977 Change point - VIN end VA741829, Change point - VIN begin MA152978 Change point - VIN begin VA741830	Heated Seats, Ash Grey Heated Seats, Ash Grey Heated Seats, Black	BTR9217LNF AWR3247LNF FJL101530PMA	1 1 1
14	Gaiter-gear lever assembly	Change point - VIN begin MA081992, Change point - VIN end MA152977 Change point - VIN begin MA152978, Change point - VIN end VA741829 Change point - VIN begin VA741830	Heated Seats, Ash Grey Heated Seats, Ash Grey Heated Seats, Black	BTR9840LNF AWR3246LNF FJL101680PMA	1 1 1
15	Retainer-gear lever assembly gaiter		Heated Seats, Upper	BTR7958	1
16	Fastener-expanding		Heated Seats	BTR8842	4
17	Nut - Hex.		console to floor	NK105061	2
18	Screw		console to floor, M5 x 16	SE105164L	4
19	Nut-spring-u type		switch panel to console	ADU1670L	4
20	Screw-self tapping		switch panel to console	AC606044	4
21	Pad-anti rattle			MXC5713	X
22	Blank-centre panel switch-tunnel console	Change point - VIN begin TA501920 Change point - VIN begin TA501920	RH LH	AWR2212 AWR2211	1 1
23	Screw-self tapping	Change point - VIN begin TA501920	No 4 x 1/4	AB604021L	4
[903]	Strip-anti rattle	Change point - VIN begin TA501920		STC3095	X





Callout	Name	Application	Remarks & Restrictions	Service No.	Qty
1	Kit-console bag	Change point - VIN end KA064754	Also serviced as part of a kit, Bahama Beige	STC1445	1
		Change point - VIN end KA064754	Also serviced as part of a kit, Sonar Blue	STC1444	1
		Change point - VIN begin LA064755	Also serviced as part of a kit, Bahama Beige	STC1575	1
		Change point - VIN begin LA064755	Also serviced as part of a kit, Sonar Blue	STC1574	1
2	Bag-console	Change point - VIN end KA064754	Also serviced as part of a kit, Bahama Beige	BTR3063SUC	1
		Change point - VIN end KA064754	Also serviced as part of a kit, Sonar Blue	BTR3063JUL	1
		Change point - VIN begin LA064755	Also serviced as part of a kit, Bahama Beige	NSP	X
		Change point - VIN begin LA064755	Also serviced as part of a kit, Sonar Blue	NSP	X
3	Fastener-quarter turn	Change point - VIN begin LA064755	Also serviced as part of a kit, Ash Grey	MXC6292LNF	2
		Change point - VIN end KA064754	Also serviced as part of a kit, Grey	MXC6292LUN	2
		Change point - VIN end KA064754	Also serviced as part of a kit, Ash Grey	MXC6292LNF	2
4	Rivet	Change point - VIN begin LA064755	Also serviced as part of a kit, Ash Grey	MXC6569LNF	4
		Change point - VIN end KA064754	Also serviced as part of a kit, Grey	MXC6569LUN	4
		Change point - VIN begin LA064755	Also serviced as part of a kit, Grey	MXC6569LUN	4

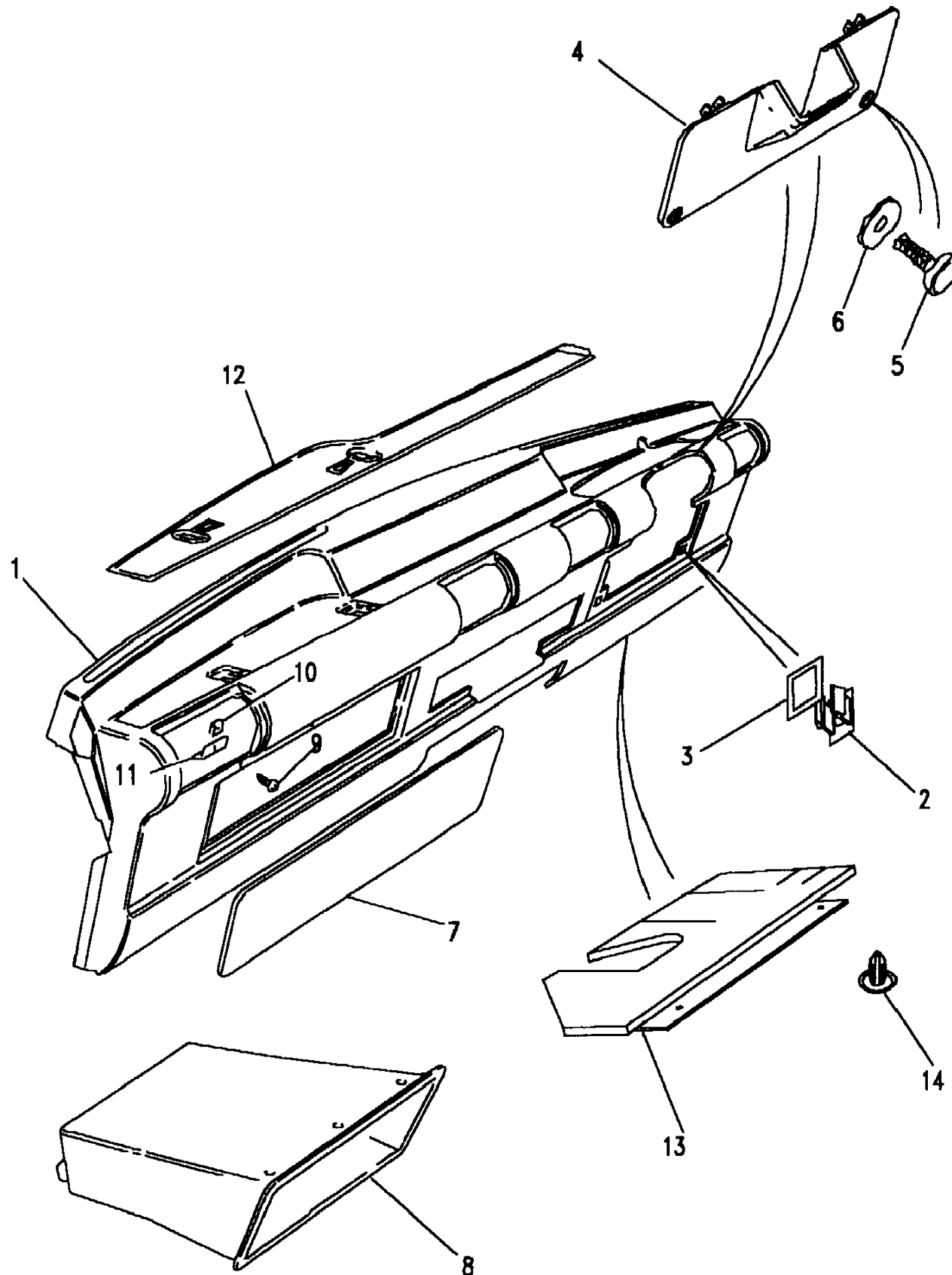
Interior Trim
Trim
Facia Assembly 1/2

Discovery (FA393361-WA799999)

(CAPXAA1C)

Discovery (FA393361-WA799999)

Interior Trim
Trim
Facia Assembly



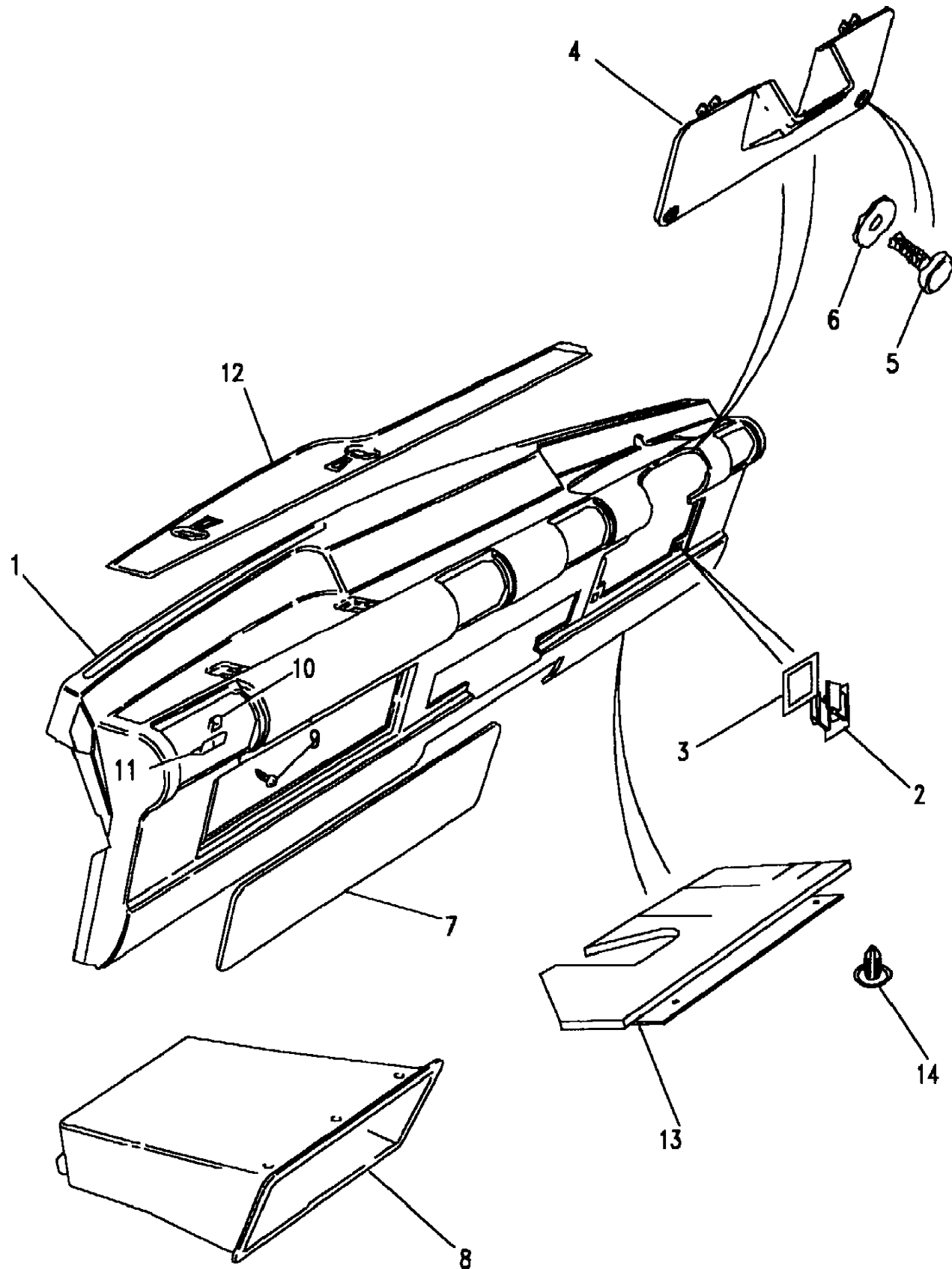
Callout	Name	Application	Remarks & Restrictions	Service No.	Qty
1	Facia assembly	Change point - VIN end LA081991, RHD	Sonar Blue	STC437JUL	1
		Change point - VIN end LA081991, RHD	Bahama Beige	STC437SUC	1
		Change point - VIN end LA081991, LHD	Sonar Blue	STC782JUL	1
		Change point - VIN end JA019560, LHD	Bahama Beige	STC285SUC	1
		Change point - VIN begin JA019561, Change point - VIN end LA081991, LHD	Bahama Beige	STC782SUC	1
		2	Nut-plastic	Change point - VIN end LA081991	
3	Washer	Change point - VIN end LA081991		JPC2619L	2
4	Lid assembly-facia fuse box	Change point - VIN end LA081991	Also serviced as part of a kit, Sonar Blue	MWC4074JUL	1
		Change point - VIN end LA081991	Also serviced as part of a kit, Bahama Beige	MWC4074SUC	1
5	Stud-screw in-plastic	Change point - VIN end LA081991	Also serviced as part of a kit, Sonar Blue	JPC2616JUL	2
		Change point - VIN end LA081991	Also serviced as part of a kit, Bahama Beige	JPC2616SUC	2
6	Washer	Change point - VIN end LA081991	Also serviced as part of a kit	JPC2618L	2
7	Blank-hole air conditioning	Change point - VIN end LA081991	Sonar Blue	MWC4072JUL	1
		Change point - VIN end LA081991	Bahama Beige	MWC4072SUC	1
8	Glovebox-inner	Change point - VIN end LA081991	Sonar Blue	MWC6504JUL	1
		Change point - VIN end LA081991	Bahama Beige	MWC6504SUC	1
9	Screw-self tapping AB	Change point - VIN end LA081991		DA606041	10
10	Nut-spring-u type	Change point - VIN end LA081991		AJ606041	10
11	Bracket-glovebox	Change point - VIN end LA081991		MWC9190	3
12	Mat-facia	Change point - VIN end LA081991, RHD	Black	MWC4093PMA	1
		Change point - VIN end LA081991, LHD	Black	MWC4092PMA	1
14	Cover-facia lower	Change point - VIN end JA018291, With Diesel Engines, RHD	RH	MXC5366	1
		Change point - VIN end JA018291, With Diesel Engines, RHD	LH	MXC5369	1

Interior Trim
Trim
Facia Assembly 2/2

Discovery (FA393361-WA799999)
(CAPXAA1C)

Discovery (FA393361-WA799999)

Interior Trim
Trim
Facia Assembly



Callout	Name	Application	Remarks & Restrictions	Service No.	Qty		
14	Cover-facia lower	Change point - VIN end JA018291, With Diesel Engines, LHD	RH	MXC5368	1		
		Change point - VIN end JA018291, With Diesel Engines, LHD	LH	MXC5367	1		
		Change point - VIN begin JA018292, Change point - VIN end LA081991, With Diesel Engines, RHD	RH	BTR3756	1		
		Change point - VIN begin JA018292, Change point - VIN end LA081991, With Diesel Engines, RHD	LH	BTR3758	1		
		Change point - VIN begin JA018292, Change point - VIN end LA081991, With Diesel Engines, LHD	RH	BTR3759	1		
		Change point - VIN begin JA018292, Change point - VIN end LA081991, With Diesel Engines, LHD	LH	BTR3757	1		
		15	Fastener-drive	Change point - VIN end LA081991, With Diesel Engines	Plastic, Winchester Grey	MRC4283LUL	4

Interior Trim
Trim
Facia Assembly (Cont) 1/5

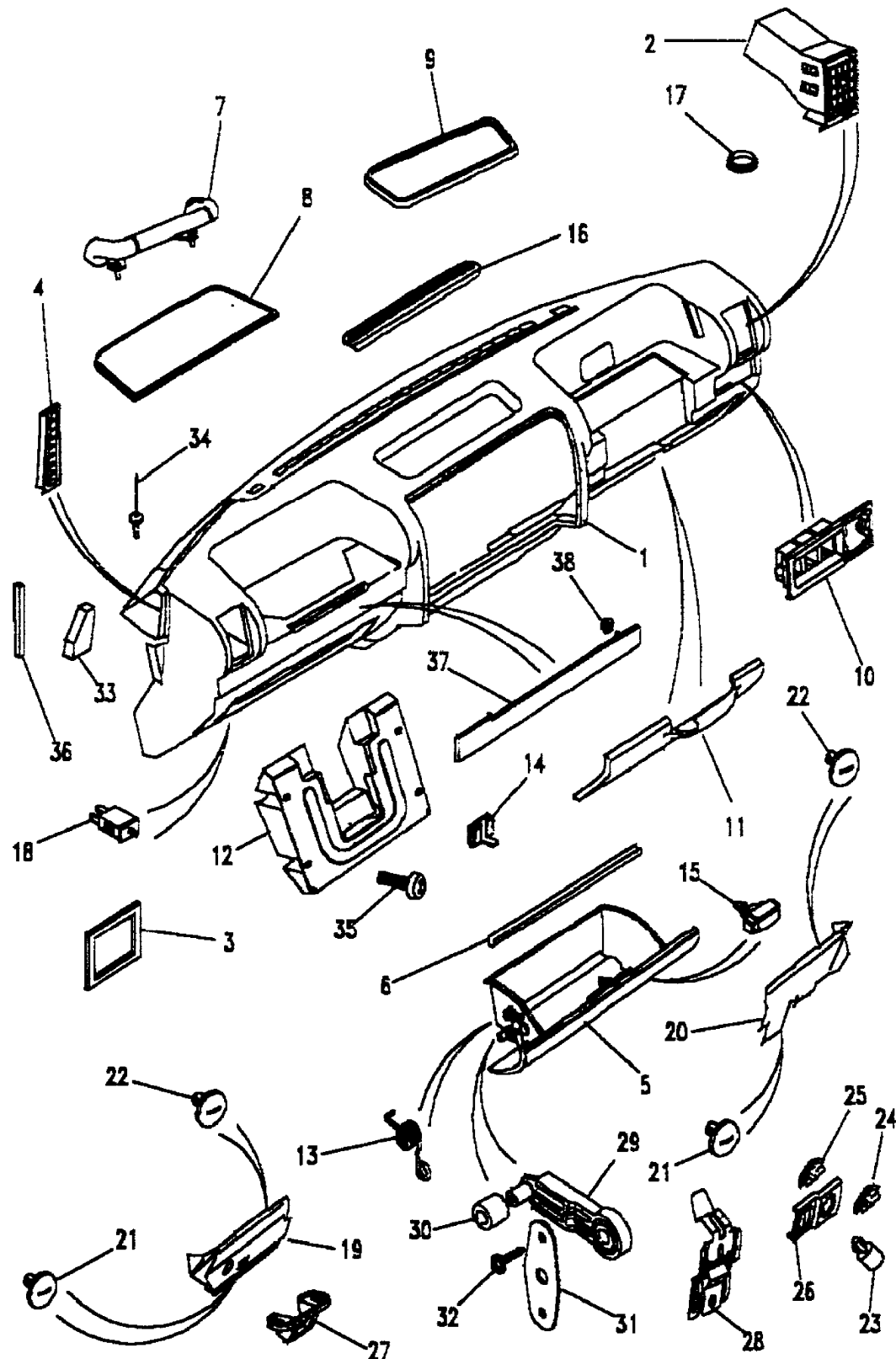
Discovery (FA393361-WA799999)

(CAPXAA6A)

Discovery (FA393361-WA799999)

Interior Trim
Trim

Facia Assembly (Cont)



Callout	Name	Application	Remarks & Restrictions	Service No.	Qty		
1	Facia assembly	Change point - VIN begin MA081992, RHD, Less Passenger Air Bag	Bahama Beige	STC1287SUC	1		
		Change point - VIN begin MA081992, RHD, Less Passenger Air Bag	Dark Granite	STC1287LOY	1		
		Change point - VIN begin MA081992, LHD, Less Passenger Air Bag	Bahama Beige	STC1289SUC	1		
		Change point - VIN begin MA081992, LHD, Less Passenger Air Bag	Dark Granite	STC1288LOY	1		
		Change point - VIN begin MA081992, RHD, With Passenger Air Bag	Bahama Beige	STC1290SUC	1		
		Change point - VIN begin MA081992, RHD, With Passenger Air Bag	Dark Granite	STC1290LOY	1		
		Change point - VIN begin MA081992, LHD, With Passenger Air Bag	Bahama Beige	STC1291SUC	1		
		Change point - VIN begin MA081992, LHD, With Passenger Air Bag	Dark Granite	STC1291LOY	1		
		LHD, (+)"CDN/MEX/USA"	Bahama Beige	STC1292SUC	1		
		LHD, (+)"CDN/MEX/USA"	Dark Granite	STC1292LOY	1		
		2	Vent assembly-face level facia	Change point - VIN begin MA081992, Change point - VIN end 2A999999	Outer, Ash Grey	AWR1194LNF	2
				Change point - VIN begin 3A000000	Black, Outer	AWR1194PUY	2
3	Seal-duct driver/passenger	Change point - VIN begin MA081992	Outer	BTR7174	2		
4	Bezel-side window demist facia	Change point - VIN begin MA081992, Change point - VIN end 2A999999	Ash Grey, LH	BTR3313LNF	1		
		Change point - VIN begin 3A000000	Black, LH	BTR3313PUY	1		
		Change point - VIN begin MA081992, Change point - VIN end 2A999999	Ash Grey, RH	BTR3312LNF	1		
		Change point - VIN begin 3A000000	Black, RH	BTR3312PUY	1		
5	Glovebox assembly-facia	Change point - VIN begin MA081992	Dark Granite	BTR3351LOY	1		
		Change point - VIN end 2A999999	Bahama Beige	FFB101460SUC	1		
		Change point - VIN begin 3A000000	Alpaca	FFB000320SMS	1		
6	Finisher-glovebox	Change point - VIN begin MA081992	Dark Granite	BTR3730LOY	1		
		Change point - VIN begin MA081992	Bahama Beige, less wood trim aperture	BTR3730SUC	1		
7	Handle assembly-grab	Change point - VIN begin MA081992	Dark Granite	BTR3896LOY	1		

Interior Trim
Trim
Facia Assembly (Cont) 2/5

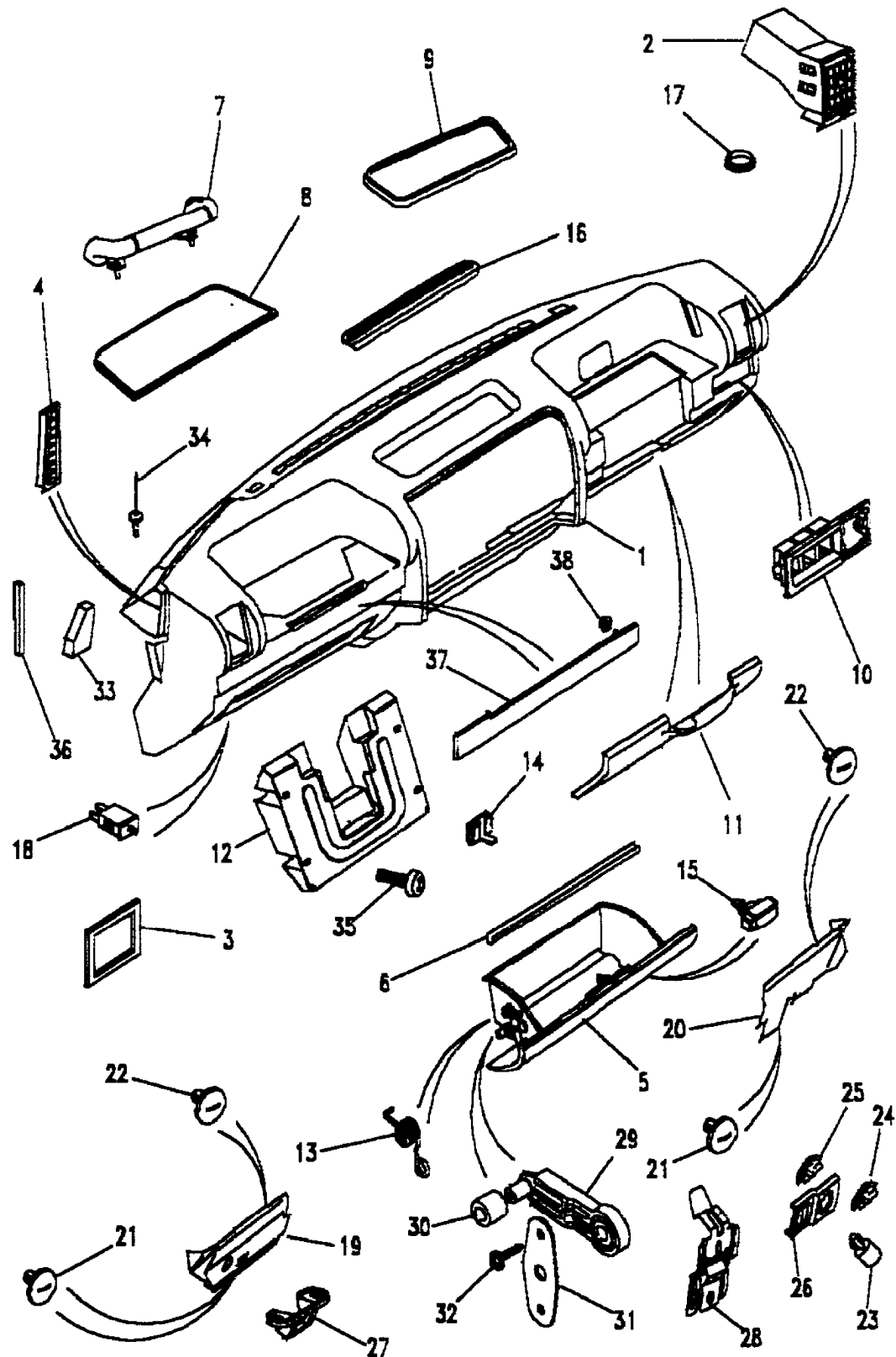
Discovery (FA393361-WA799999)

(CAPXAA6A)

Discovery (FA393361-WA799999)

Interior Trim
Trim

Facia Assembly (Cont)



Callout	Name	Application	Remarks & Restrictions	Service No.	Qty
7	Handle assembly-grab	Change point - VIN begin MA081992	Bahama Beige	BTR3896SUC	1
8	Mat-facia	Change point - VIN begin MA081992	Rubber	BTR4307PMA	1
9	Mat-facia	Change point - VIN begin MA081992, Change point - VIN end 2A99999999	Black, middle	BTR9334PMA	1
		Change point - VIN begin 3A000000	Black, middle	BTR9334PUY	1
11	Lid assembly-facia fuse box	Change point - VIN begin MA081992	Also serviced as part of a kit, Bahama Beige	BTR3723SUC	1
		Change point - VIN begin MA081992	Also serviced as part of a kit, Bahama Beige, LH	BTR3722SUC	1
		Change point - VIN begin MA081992	Dark Granite, LH	BTR3723LOY	1
		Change point - VIN begin MA081992	RH, Dark Granite	BTR3722LOY	1
12	Foam-facia finisher assembly	Change point - VIN begin MA081992		BTR7281	2
13	Spring-glovebox return	Change point - VIN begin MA081992	RH	BTR9908	1
		Change point - VIN begin MA081992	LH	BTR9909	1
14	Clip	Change point - VIN begin MA081992		BTR9515	8
15	Latch-glovebox	Change point - VIN begin MA081992, Change point - VIN end VA539099		BTR3367	1
		Change point - VIN begin MA081992, Change point - VIN end VA708283		BTR3367	1
		Change point - VIN begin VA539100		FNC100080L	1
		Change point - VIN begin VA708284		FNC100080L	1
16	Bezel assembly windscreen demist	Change point - VIN begin MA081992, Change point - VIN end 2A999999	Ash Grey	BTR9333LNF	1
		Change point - VIN begin 3A000000	Black	BTR9333PUY	1
17	Plug-facia blanking	Change point - VIN begin MA081992		BTR7175	2
19	Panel-passenger closure	Change point - VIN begin MA081992, RHD		BTR9888	1
		Change point - VIN begin MA081992, LHD		BTR9890	1
20	Panel-driver closing	Change point - VIN begin MA081992, Change point - VIN end MA162178, RHD		BTR9889	1

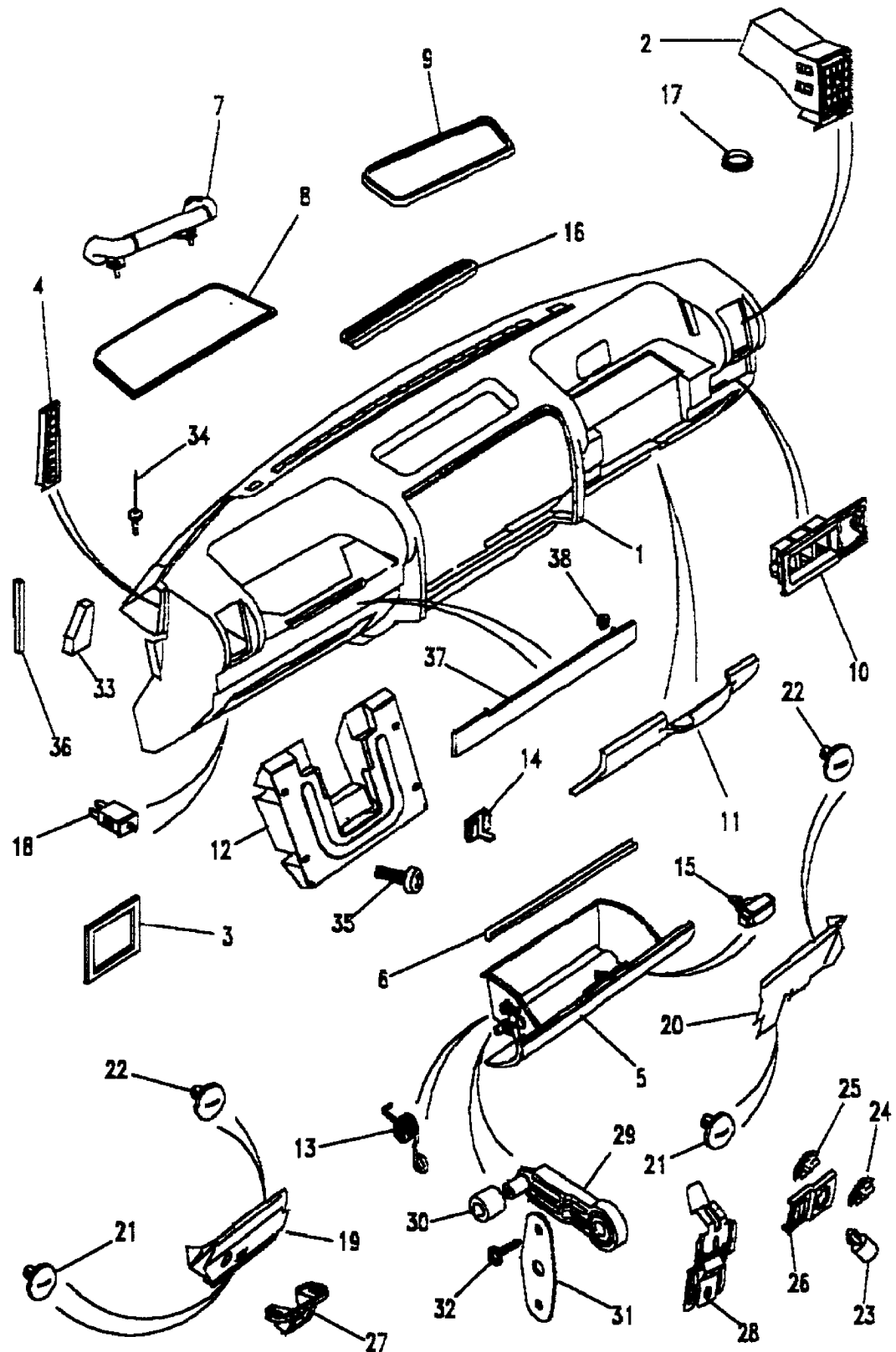
Interior Trim
Trim
Facia Assembly (Cont) 3/5

Discovery (FA393361-WA799999)

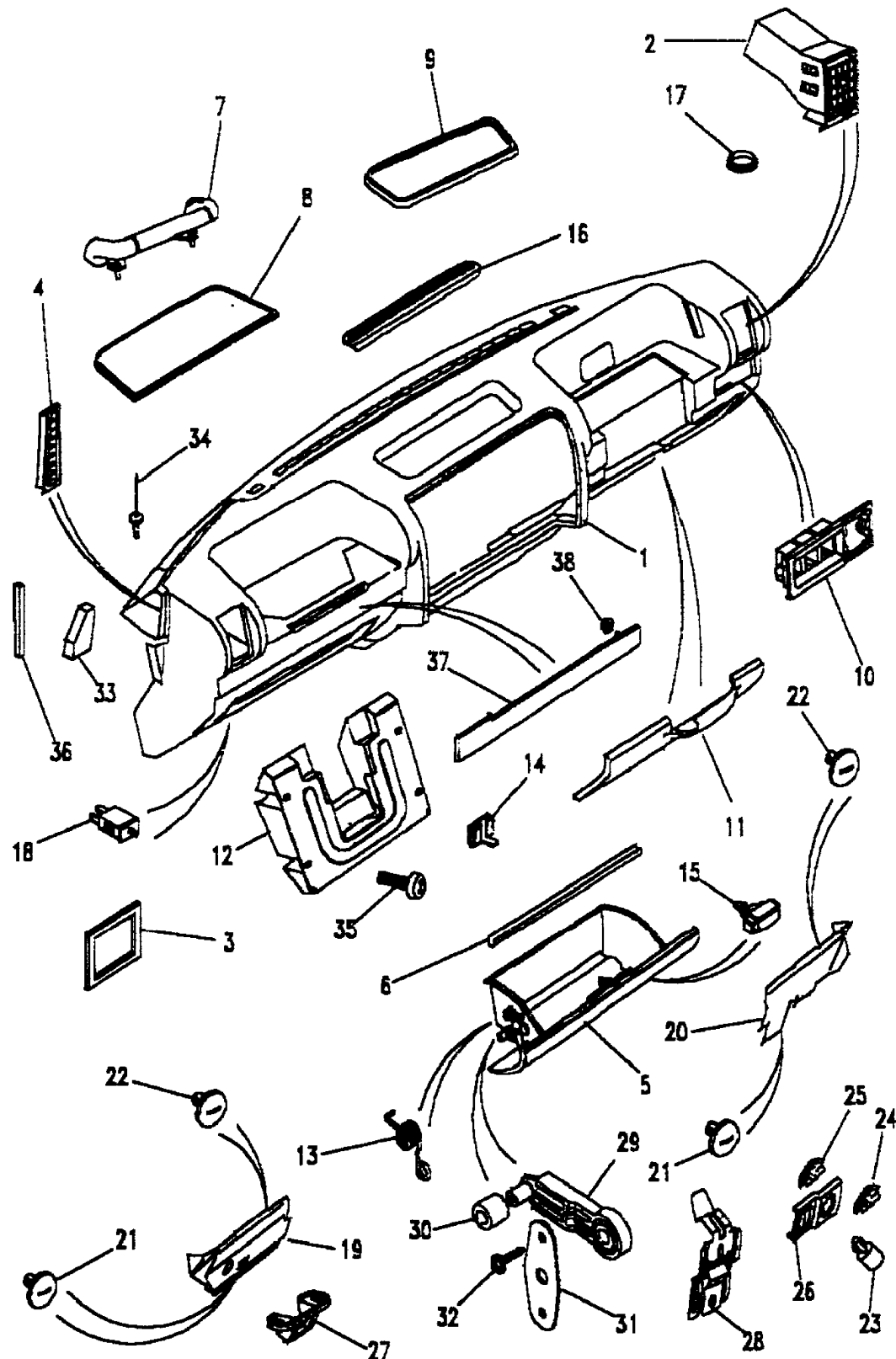
(CAPXAA6A)

Discovery (FA393361-WA799999)

Interior Trim
Trim
Facia Assembly (Cont)



Callout	Name	Application	Remarks & Restrictions	Service No.	Qty
20	Panel-driver closing	Change point - VIN begin MA162179, Change point - VIN end VA542549, RHD		AWR3331	1
		Change point - VIN begin MA162179, Change point - VIN end VA711412, RHD		AWR3331	1
		Change point - VIN begin VA542005, RHD		AWR6200	1
		Change point - VIN begin VA711413, RHD		AWR6200	1
		Change point - VIN end WA763561, RHD		AWR6200	1
		Change point - VIN begin WA763562, RHD		FBS100760	1
		Change point - VIN begin WA763562	RH	FBS100700	1
		Change point - VIN begin MA081992, Change point - VIN end MA162178, LHD		BTR9891	1
		Change point - VIN begin MA162179, Change point - VIN end VA542549, LHD	LH	AWR3332	1
		Change point - VIN begin MA162179, Change point - VIN end VA711412, LHD	LH	AWR3332	1
		Change point - VIN begin VA542005, LHD	LH	AWR6199	1
		Change point - VIN begin VA711413, LHD	LH	AWR6199	1
		Change point - VIN end WA763561, LHD	LH	AWR6199	1
		Change point - VIN begin WA763562, LHD	LH	FBS100770	1
21	Clip-Trim	Change point - VIN begin MA081992		BTR5200	1
				YYH100110	1
22	Fastener-fir tree	Change point - VIN begin MA081992		BTR9437	3
23	Turnbuckle-fuse box lid	Change point - VIN end 2A999999	Also serviced as part of a kit, Bahama Beige	FBR100060SUC	2
		Change point - VIN begin 3A000000	Also serviced as part of a kit, Alpaca	FBR100060SMS	2
		Change point - VIN begin MA081992	Dark Granite	FBR10001LOY	2
		Change point - VIN begin MA081992	Bahama Beige	FBR10001SUC	2
24	Washer	Change point - VIN begin MA081992	Also serviced as part of a kit	MUC6523	X
		Change point - VIN begin MA081992		MUC6523	2
25	Receiver-turnbuckle	Change point - VIN begin MA081992		AFU4131	2



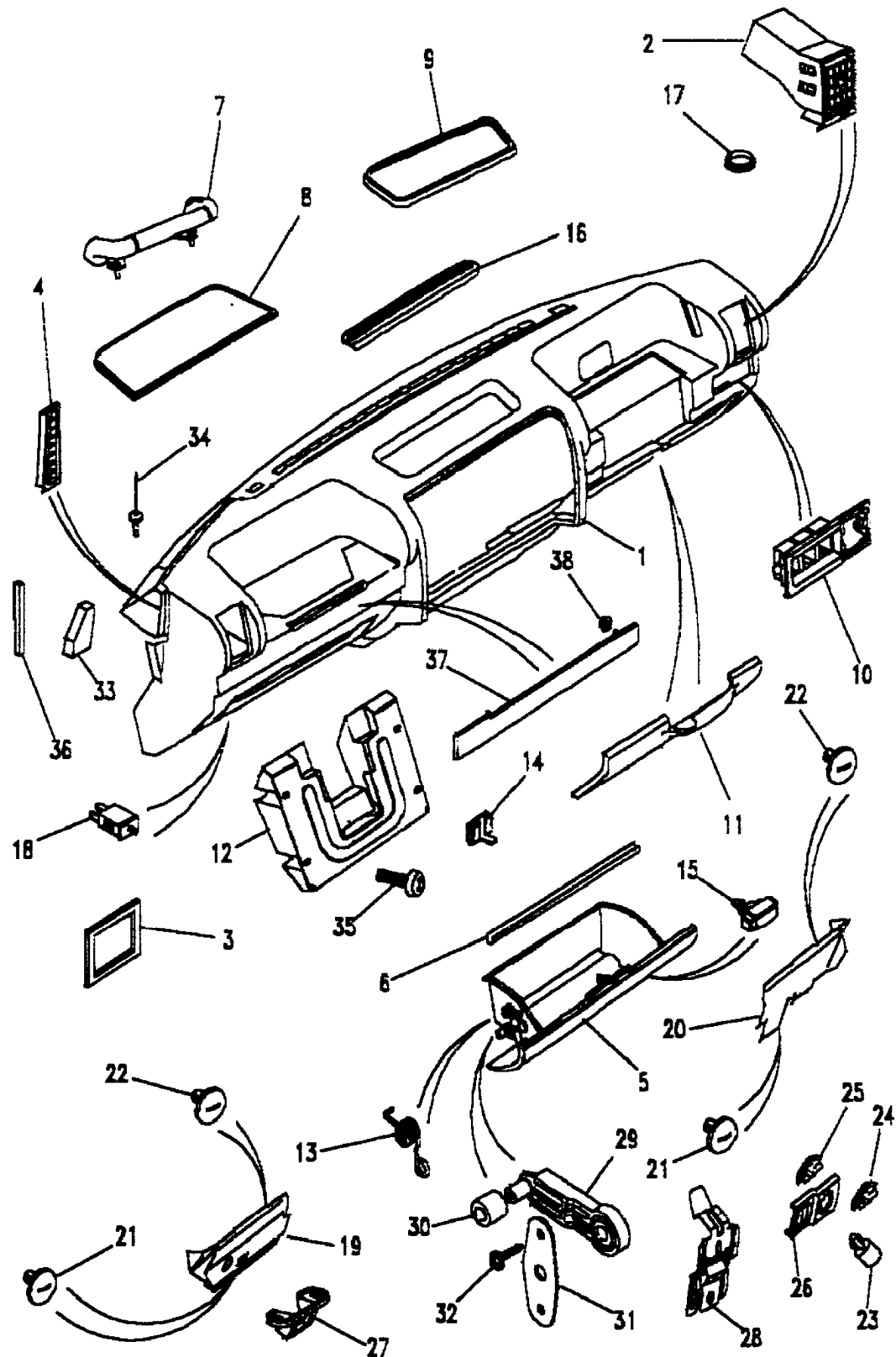
Callout	Name	Application	Remarks & Restrictions	Service No.	Qty
26	Bracket	Change point - VIN begin MA081992	Turnbuckle-fuse box lid	BTR4264	2
27	Striker-facia glovebox	Change point - VIN begin MA081992		BTR3731	1
28	Clip	Change point - VIN begin MA081992, Change point - VIN end TA195772		BTR6836	2
		Change point - VIN begin MA081992, Change point - VIN end TA526563		BTR6836	2
		Change point - VIN begin TA195773		AWR4781	2
		Change point - VIN begin TA526564		AWR4781	2
29	Arm-glovebox stay	Change point - VIN begin MA081992		FFV10002	2
30	Roller	Change point - VIN begin MA081992		FXB10002	2
31	Plate-glovebox stay retaining	Change point - VIN begin MA081992		FFU10004	2
32	Screw-thread forming	Change point - VIN begin MA081992		FYP10003	4
33	Foam	Change point - VIN begin MA081992		MUC6426	2
34	Rivet	Change point - VIN begin MA081992	facia	BTR9284	2
35	Screw-powerlok	Change point - VIN begin MA081992		BTR6656	4
36	Strip-anti rattle	Change point - VIN begin MA081992		STC3096	X
37	Capping-wood-facia	Change point - VIN begin WA746542, RHD, Less Passenger Air Bag		FAE101350	1
		Change point - VIN begin WA746542, LHD, Less Passenger Air Bag		FAE101340	1
38	Nut - Hex.	Change point - VIN begin WA746542		FYH100280	2
[900]	Turnbuckle-fuse box lid		Bahama Beige	FBR10001SUC	2
		Change point - VIN end 2A999999	Bahama Beige	FBR100060SUC	2
		Change point - VIN begin 3A000000	Alpaca	FBR100060SMS	2
			Bahama Beige	FBR100060SUC	2
[901]	Cover fusebox			FBO100260SUC	X

Interior Trim
Trim
Facia Assembly (Cont) 5/5

Discovery (FA393361-WA799999)
(CAPXAA6A)

Discovery (FA393361-WA799999)

Interior Trim
Trim
Facia Assembly (Cont)



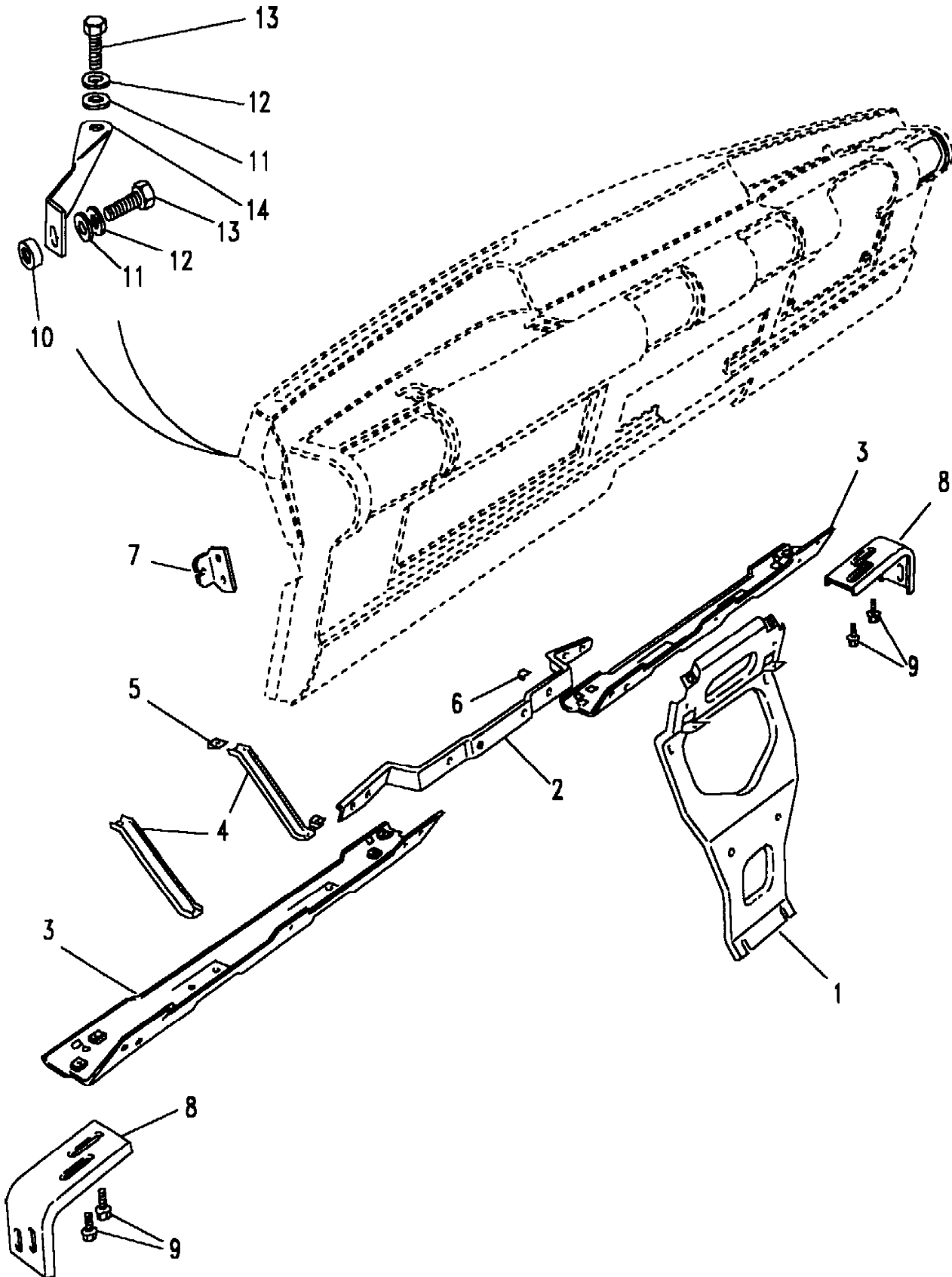
Callout	Name	Application	Remarks & Restrictions	Service No.	Qty
[902]	Fastener-fir tree			EYC101330PMA	3
[903]	Lid assembly-facia fuse box		Bahama Beige	FCM100350SUC	1
			Bahama Beige	FCM100340SUC	1
[904]	Panel-driver closing	RHD LHD		BTR9889 BTR9891	1 1
[905]	Plate-glovebox stay retaining	Change point - VIN begin MA081992		FFU10004L FFU10004L	2 2
[906]	Glovebox assembly-facia		Bahama Beige	FFB000330SUC	1
[908]	Nut-flange-self thread			YYH100110	1
[909]	Seal	Change point - VIN begin MA081992, RHD Change point - VIN begin MA081992 Change point - VIN begin MA081992, RHD	E post child lock	MUC1820 BTR2913 MUC1820	X 1 X
[910]	Panel-closing-facia	Change point - VIN begin MA081992, RHD Change point - VIN begin MA081992, LHD		STC2911 STC2912	1 1
[911]	Template-drilling	Change point - VIN begin WA746542		VUR100260	1

Interior Trim
Trim
Facia Brackets 1/1

Discovery (FA393361-WA799999)
(CAPXAA2C)

Discovery (FA393361-WA799999)

Interior Trim
Trim
Facia Brackets



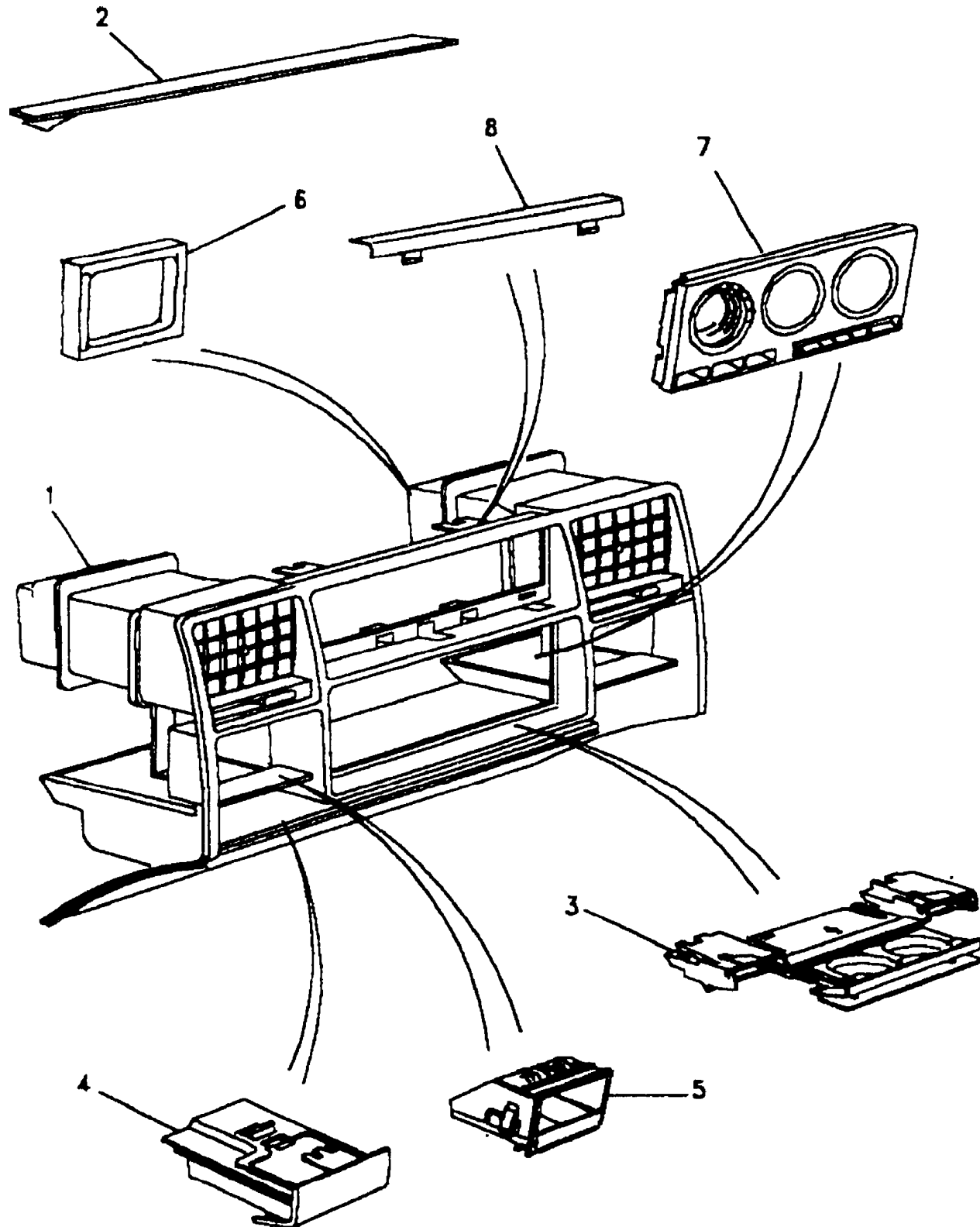
Callout	Name	Application	Remarks & Restrictions	Service No.	Qty
1	Bracket assembly-facia centre support	Change point - VIN end LA081991	Rear	MWC9184	1
2	Bracket assembly-facia centre support	Change point - VIN end LA081991	Front	MWC9183	1
3	Bracket-mounting-facia	Change point - VIN end LA081991		MWC7796	2
4	Bracket-facia support	Change point - VIN end LA081991		MWC8336	2
5	Nut-spring-u type	Change point - VIN end LA081991		AJ606041	10
6	Nut-spring-u type	Change point - VIN end LA081991		AK608121	4
7	Bracket assembly-facia upper end support	Change point - VIN end LA081991		MWC9189	2
8	Bracket-facia end support	Change point - VIN end LA081991		MWC8746	2
9	Screw	Change point - VIN end LA081991	M5 X 10, hexagonal head	FS105107	6
10	Nutsert-blind	Change point - VIN end LA081991		79239	2
11	Washer-Plain	Change point - VIN end LA081991		WC702101L	4
12	Washer-Spring	Change point - VIN end LA081991	3/16 dia, Square	WM702001L	4
13	Screw	Change point - VIN end LA081991		257015	4
14	Bracket	Change point - VIN end LA081991 Change point - VIN end LA081991	Side, LH RH, Side	391461 391462	1 1
[900]	Screw	Change point - VIN end LA081991	M5 X 10, Flanged Head M5 X 10, Flanged Head	FS105107L FS105107L	6 6

Interior Trim
Trim
Facia Centre Console 1/1

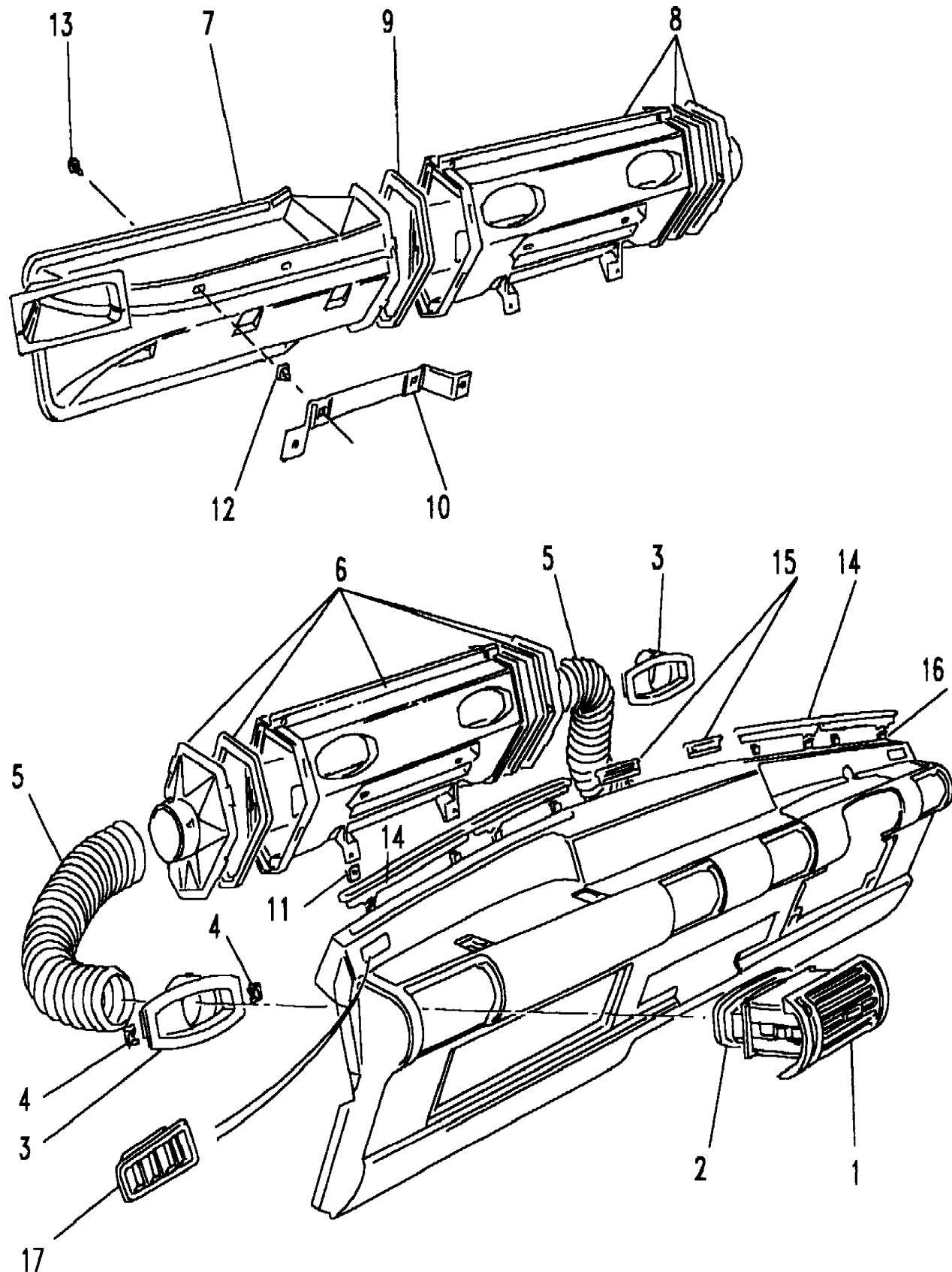
Discovery (FA393361-WA799999)
(CAPXAA7A)

Discovery (FA393361-WA799999)

Interior Trim
Trim
Facia Centre Console

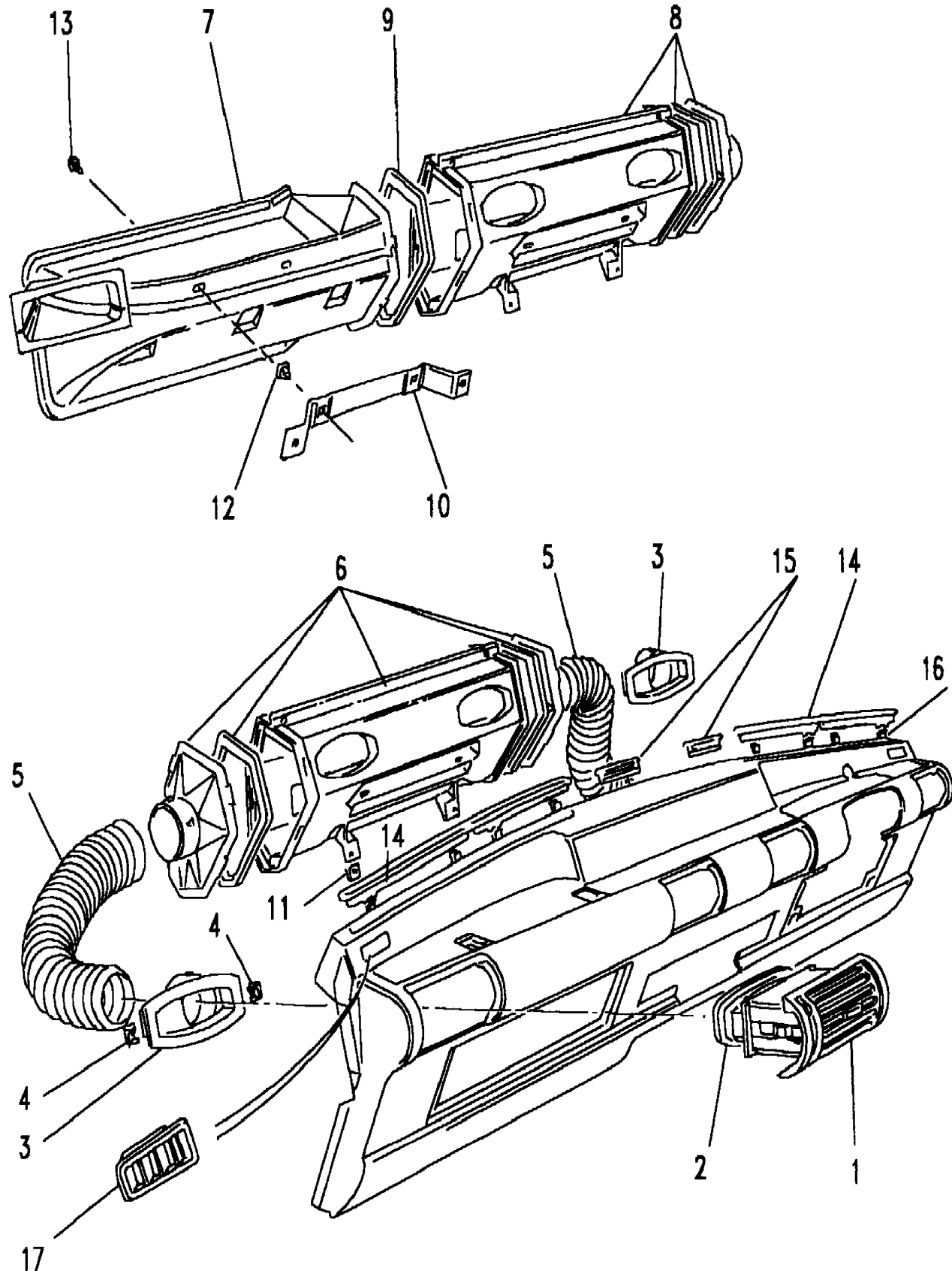


Callout	Name	Application	Remarks & Restrictions	Service No.	Qty
1	Console assembly-facia	Change point - VIN begin MA081992, Change point - VIN end 2A999999	Also serviced as part of a kit, Ash Grey	AWR1383LNF	1
		Change point - VIN begin 3A000000	Also serviced as part of a kit, Black	AWR1383PUY	1
2	Foam-pad-self adhesive	Change point - VIN begin MA081992	Also serviced as part of a kit	AWR7057	1
3	Tray-console picnic	Change point - VIN begin MA081992	Ash Grey, without cupholder	AWR1199LNF	1
		Change point - VIN begin MA081992	Ash Grey, with cupholder	AWR1200LNF	1
			Ash Grey, with cupholder Ash Grey	FJI100170LNF FJI100130LNF	1 1
4	Ashtray assembly-facia	Change point - VIN begin MA081992, Change point - VIN end 2A999999	Ash Grey	AWR1195LNF	1
		Change point - VIN begin 3A000000	Black	AWR1195PUY	1
5	Cointray-facia console	Change point - VIN begin MA081992	Ash Grey	BTR6625LNF	1
6	Seal-duct central facia	Change point - VIN begin MA081992		BTR7173	2
7	Capping	Change point - VIN begin WA746542	Heater controls, wooden	JFE100630	1
8	Finisher-facia console radio	Change point - VIN begin MA081992, Change point - VIN end TA534103	Ash Grey	BTR7714LNF	1
		Change point - VIN begin MA081992, Change point - VIN end TA703236	Ash Grey	BTR7714LNF	1
[901]	Finisher-facia console radio	Change point - VIN begin MA081992, Change point - VIN end WA755117, Less Anti-Theft Alarm	Less Burglar Alarm, Ash Grey	BTR8281LNF	1
		Change point - VIN begin WA755118, Less Anti-Theft Alarm	Less Burglar Alarm, Ash Grey	FHY100290LNF	1



Callout	Name	Application	Remarks & Restrictions	Service No.	Qty
1	Vent assembly-face level facia	Change point - VIN end LA081991, Less Air Conditioning	Ash	MWC4078LUN	4
			Ash Grey	MWC4078LNF	4
2	Seal-duct driver/passenger	Change point - VIN end LA081991, Less Air Conditioning		MWC7821	4
3	Housing-facia vent louvre	Change point - VIN end LA081991, Less Air Conditioning		MWC8334	2
			Change point - VIN end LA081991, With Air Conditioning	MWC8334	1
4	Clip	Change point - VIN end LA081991, With Air Conditioning		MXC1250	2
			Change point - VIN end LA081991, Less Air Conditioning	MXC1250	4
5	Hose driver vent	Change point - VIN end LA081991, Less Air Conditioning		MWC8332	2
			Change point - VIN end LA081991, With Air Conditioning	MWC8332	1
6	Duct-air facia	Change point - VIN end LA081991, Less Air Conditioning		RTC6362	1
7	Duct-air facia	Change point - VIN end LA081991, RHD, With Air Conditioning		MXC2658	1
			Change point - VIN end LA081991, LHD, With Air Conditioning	MXC2657	1
8	Duct-air facia	Change point - VIN end LA081991, With Air Conditioning		MWC8756	1
9	Seal-duct central facia	Change point - VIN end LA081991, With Air Conditioning		MWC9191	2
10	Bracket-vent assembly central facia	Change point - VIN end LA081991, With Air Conditioning		MXC2656	1
11	Nut-spring-u type	Change point - VIN end LA081991, Less Air Conditioning		AK608141L	2
12	Nut - Hex.	Change point - VIN end LA081991, Less Air Conditioning		AFU1216L	2

Callout	Name	Application	Remarks & Restrictions	Service No.	Qty
13	Screw-self tapping	Change point - VIN end LA081991, Less Air Conditioning	Self Tapping, M8 x 13	DA608044L	4
14	Finisher-demist vent windscreen	Change point - VIN end JA034313	RH, Ash	MWC4064LUN	1
		Change point - VIN end JA034313	Ash, LH	MWC4065LUN	1
		Change point - VIN begin KA034314, Change point - VIN end LA081991	Ash Grey, RH	MWC4064LNF	1
		Change point - VIN begin KA034314, Change point - VIN end LA081991	Ash Grey, LH	MWC4065LNF	1
15	Finisher-demist vent windscreen	Change point - VIN end JA034313	Ash, Centre	MXC2476LUN	2
		Change point - VIN begin KA034314, Change point - VIN end LA081991	Ash Grey, Centre	MXC2476LNF	2
16	Clip	Change point - VIN end LA081991		MXC7345	8
17	Bezel-side window demist facia	Change point - VIN end JA034313	RH, Ash	MXC7274LUN	1
		Change point - VIN end JA034313	Ash, LH	MXC7275LUN	1
		Change point - VIN begin KA034314, Change point - VIN end LA081991	Ash Grey, RH	MXC7274LNF	1
		Change point - VIN begin KA034314, Change point - VIN end LA081991	Ash Grey, LH	MXC7275LNF	1

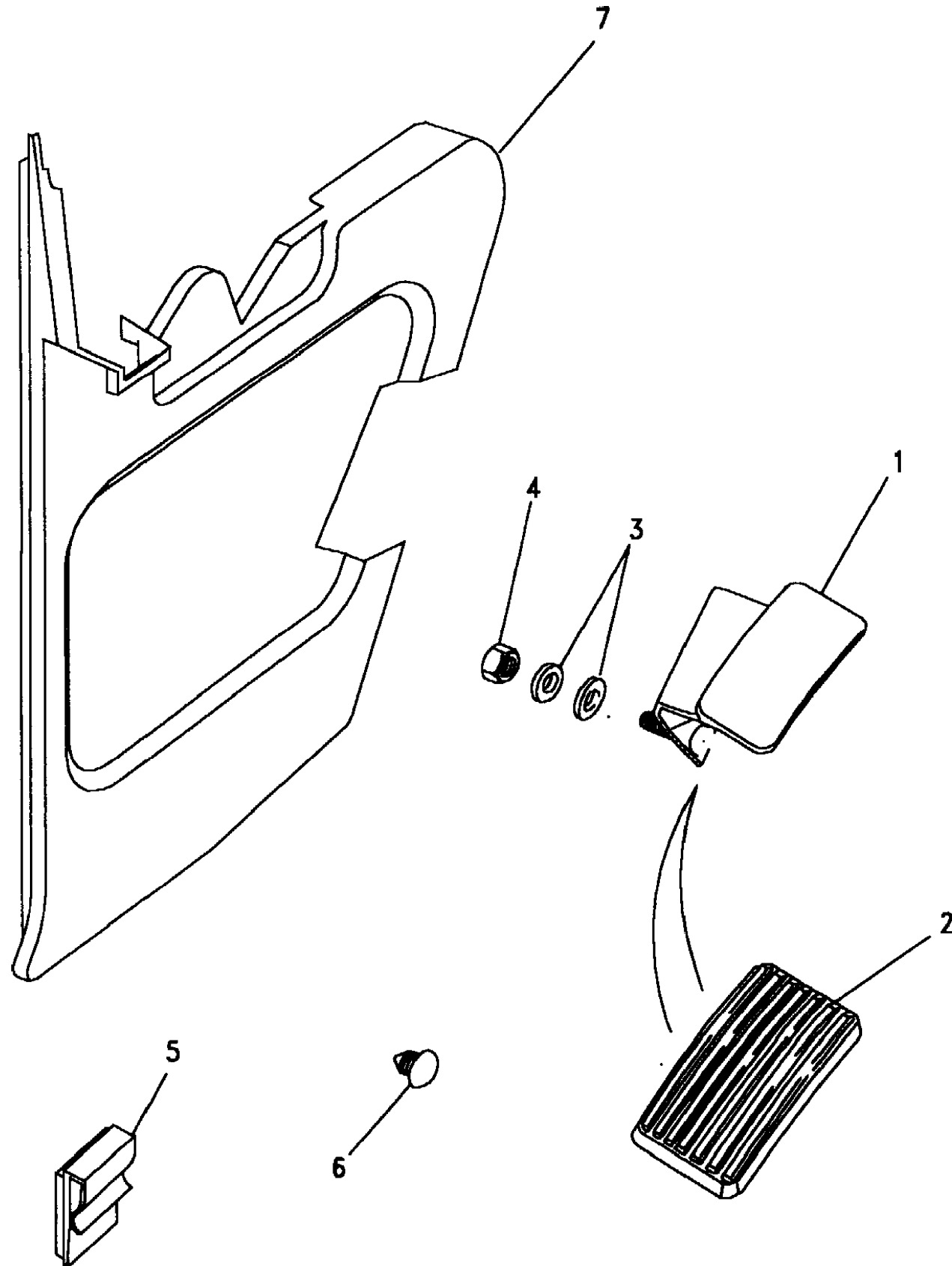


Interior Trim
Trim
Footrest & Toebox Trim 1/3

Discovery (FA393361-WA799999)
(CAPXIA1A)

Discovery (FA393361-WA799999)

Interior Trim
Trim
Footrest & Toebox Trim



Callout	Name	Application	Remarks & Restrictions	Service No.	Qty
1	Footrest assembly-front floor	Change point - VIN end MA081992, Automatic Transmission, RHD		BTR3891	1
		Change point - VIN end MA081992, Automatic Transmission, LHD		BTR6505	1
		Change point - VIN begin MA081992, Automatic Transmission, RHD		AWR1371	1
2	Pad-pedal lever accelerator	Change point - VIN begin MA140600, RHD		592840	1
		Change point - VIN begin MA081992, LHD		BTR9520	1
3	Washer	Change point - VIN end MA081992	6MM	WA106041L	4
4	Nut - Hex.	Change point - VIN end MA081992	M6, nyloc, Hexagonal	NH106041L	2
5	Clip	Change point - VIN end MA081992, MPi		MXC7763	2
6	Fastener-drive	Change point - VIN end MA081990	Sonar Blue	BTR4419JUL	4
		Change point - VIN begin MA081991	Dark Granite	BTR4419LOY	4
		Change point - VIN end LA081990	Bahama Beige	BTR4419SUC	4
		Change point - VIN begin LA081991	Bahama Beige	BTR9297SUC	4
7	Finisher-A post lower	Change point - VIN end GA440844, MPi	RH, Bahama Beige	MXC8094SUC	1
		Change point - VIN end GA440844, MPi	Bahama Beige, LH	BTR4408SUC	1
		Change point - VIN end GA440844, 3 Door Station Wagon, With Diesel Engines	RH, Sonar Blue	MXC7884JUL	1
		Change point - VIN end GA440844, 3 Door Station Wagon, With Diesel Engines	Sonar Blue, LH	MXC7885JUL	1
		Change point - VIN begin GA440845, Change point - VIN end MA081992, 3 Door Station Wagon	LESS EFI, RH, Sonar Blue	MXC8094JUL	1
		Change point - VIN begin GA440845, Change point - VIN end MA081992, 5 Door Station Wagon	LESS EFI, RH, Sonar Blue	MXC8094JUL	1
		Change point - VIN begin GA440845, Change point - VIN end MA081992, 3 Door Station Wagon	LESS EFI, RH, Bahama Beige	MXC8094SUC	1
		Change point - VIN begin GA440845, Change point - VIN end MA081992, 5 Door Station Wagon	RH, Bahama Beige	MXC8094SUC	1

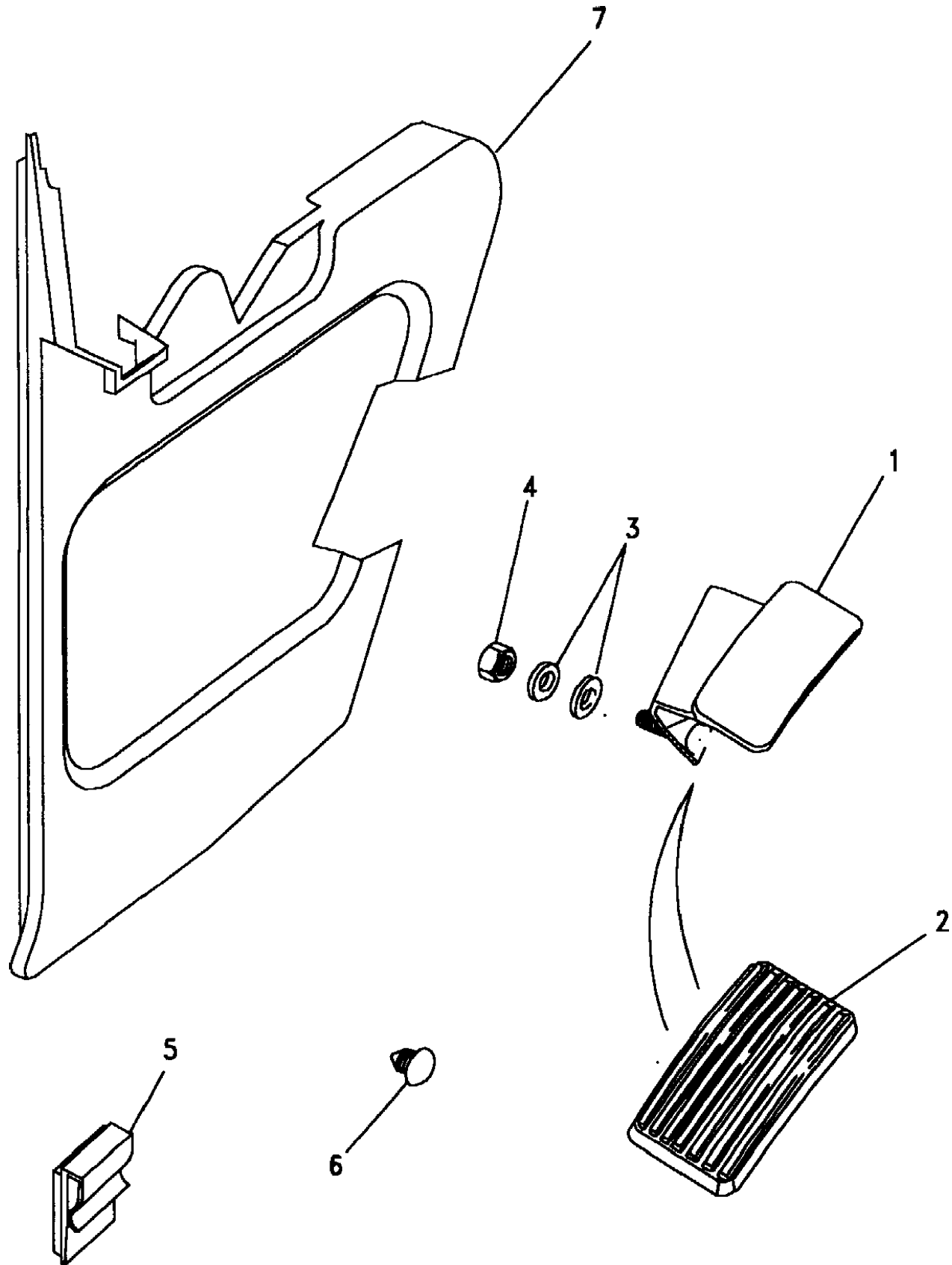
Interior Trim
Trim
Footrest & Toebox Trim 2/3

Discovery (FA393361-WA799999)
(CAPXIA1A)

Discovery (FA393361-WA799999)

Interior Trim
Trim
Footrest & Toebox Trim

Callout	Name	Application	Remarks & Restrictions	Service No.	Qty
7	Finisher-A post lower	Change point - VIN begin GA440845, Change point - VIN end MA081992, 3 Door Station Wagon, EFI	RH, Sonar Blue	MXC8096JUL	1
		Change point - VIN begin GA440845, Change point - VIN end MA081992, 5 Door Station Wagon, EFI	RH, Sonar Blue	MXC8096JUL	1
		Change point - VIN begin GA440845, Change point - VIN end MA081992, 3 Door Station Wagon, EFI	RH, Sonar Blue	MXC8096JUL	1
		Change point - VIN begin GA440845, Change point - VIN end MA081992, 3 Door Station Wagon, EFI	RH, Bahama Beige	MXC8096SUC	1
		Change point - VIN begin GA440845, Change point - VIN end MA081992, 5 Door Station Wagon	RH, Bahama Beige	MXC8096SUC	1
		Change point - VIN begin GA440845, Change point - VIN end JA031545	Sonar Blue, LH	MXC8095JUL	1
		Change point - VIN begin GA440845, Change point - VIN end JA031545	Bahama Beige, LH	MXC8095SUC	1
		Change point - VIN begin JA031546, Change point - VIN end MA081992	Sonar Blue, LH	BTR4408JUL	1
		Change point - VIN begin JA031546, Change point - VIN end MA081992	Bahama Beige, LH	BTR4408SUC	1
		Change point - VIN begin MA081992, Change point - VIN end MA140599	RH, Dark Granite	BTR9298LOY	1
		Change point - VIN begin MA081992, Change point - VIN end MA140599	RH, Bahama Beige	BTR9298SUC	1
		Change point - VIN begin MA081992, Change point - VIN end MA140599, RHD	Dark Granite, LH	AWR1593LOY	1
		Change point - VIN begin MA081992, Change point - VIN end MA140599, RHD	Bahama Beige, LH	AWR1593SUC	1
		Change point - VIN begin MA081992, Change point - VIN end MA140599, LHD	Dark Granite, LH	AWR1594LOY	1
		Change point - VIN begin MA081992, Change point - VIN end MA140599, LHD	Bahama Beige, LH	AWR1594SUC	1
		Change point - VIN begin MA140600	RH, Bahama Beige	AWR3086SUC	1
		Change point - VIN begin MA140600	RH, Dark Granite, without pocket	AWR3086LOY	1
		Change point - VIN begin MA140600, RHD	Dark Granite, without pocket, LH	AWR3085LOY	1
		Change point - VIN begin MA140600, RHD	Bahama Beige, LH	AWR3085SUC	1
		Change point - VIN begin MA140600, LHD	Dark Granite, LH	AWR3087LOY	1



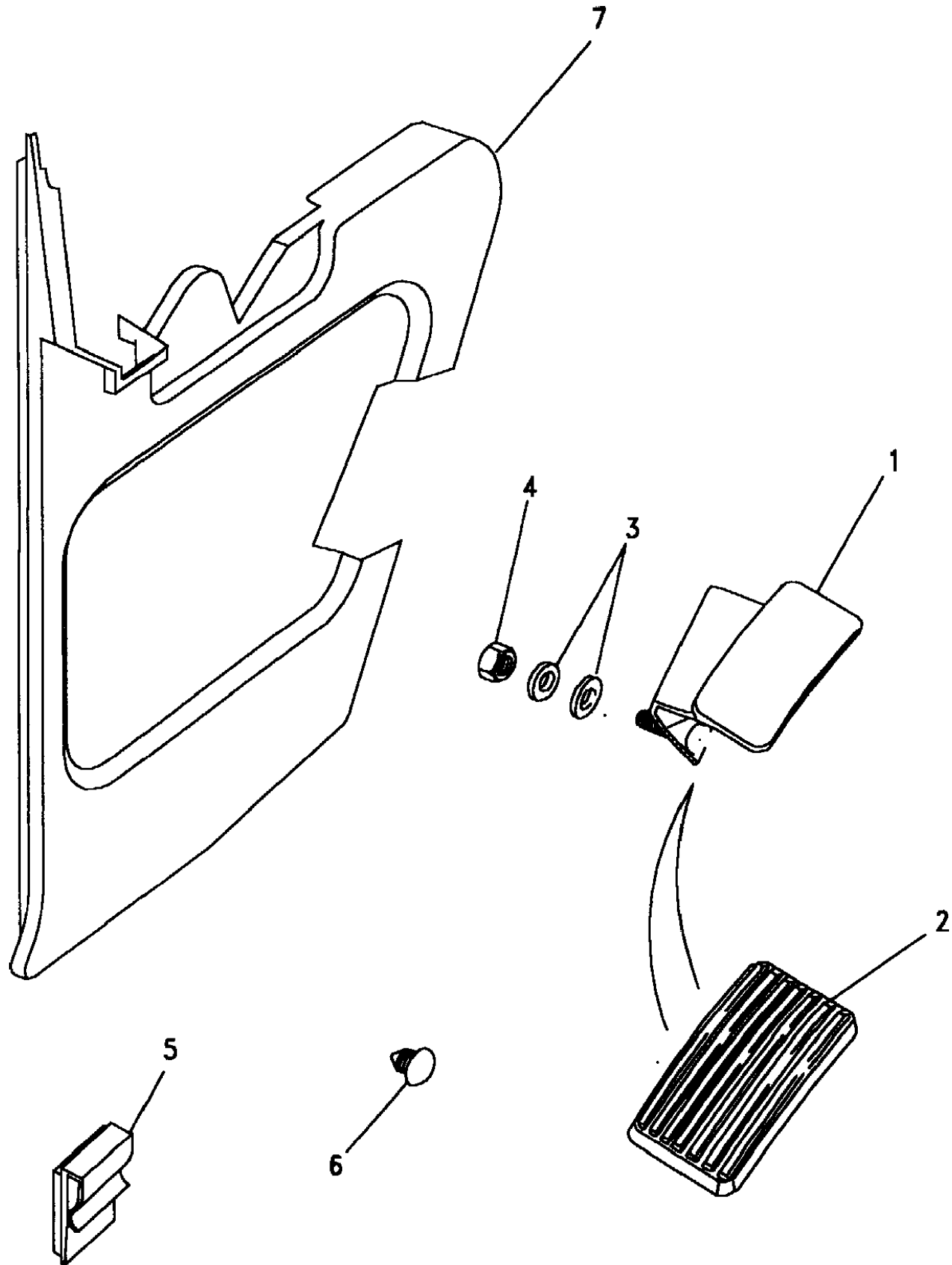
Interior Trim
Trim
Footrest & Toebox Trim 3/3

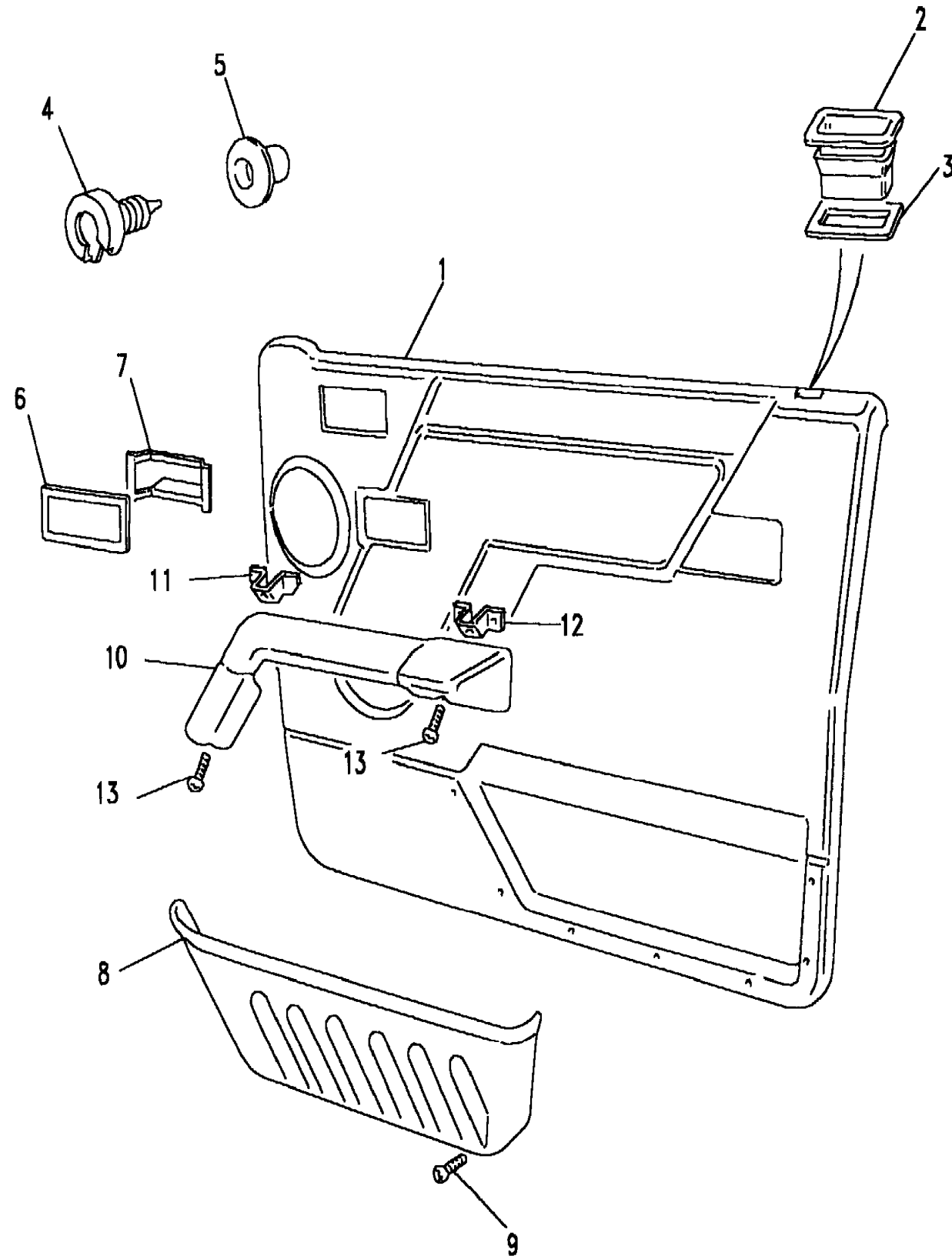
Discovery (FA393361-WA799999)
(CAPXIA1A)

Discovery (FA393361-WA799999)

Interior Trim
Trim
Footrest & Toebox Trim

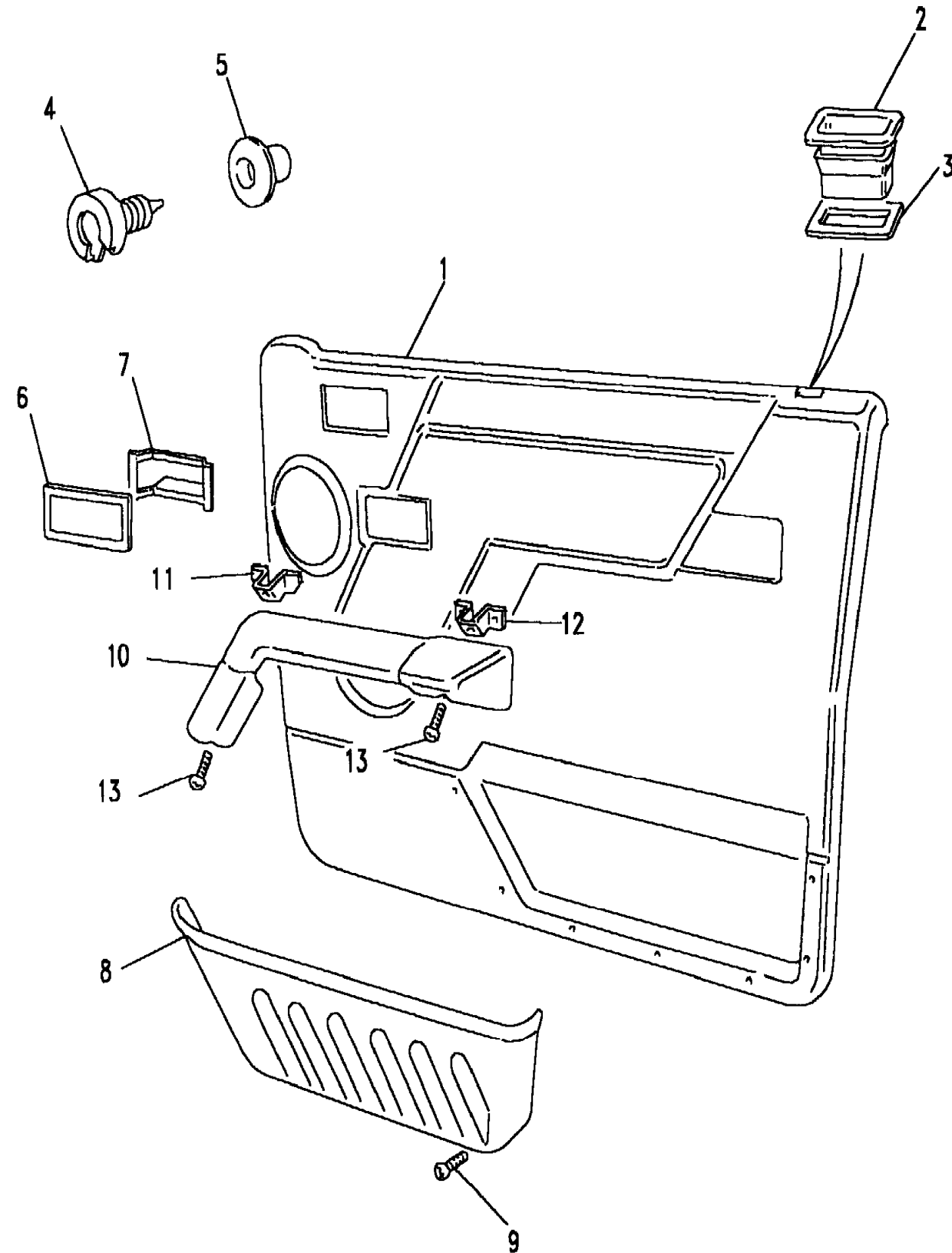
Callout	Name	Application	Remarks & Restrictions	Service No.	Qty
7	Finisher-A post lower	Change point - VIN begin MA140600, LHD	Bahama Beige, LH	AWR3087SUC	1
[900]	Stud			AJU1136	1





Change point - VIN end LA081991

Callout	Name	Application	Remarks & Restrictions	Service No.	Qty
1	Casing-front door	Change point - VIN end KA038901, (-) Leisure	Manual Windows, RH, Sonar Blue, 1 speaker aperture	MWC7754JUL	1
		Change point - VIN end KA038901, (-) Leisure	Manual Windows, RH, Bahama Beige, 1 speaker aperture	MWC7754SUC	1
		Change point - VIN end KA038901, (-) Leisure	Manual Windows, Sonar Blue, 1 speaker aperture, LH	MWC7755JUL	1
		Change point - VIN end KA038901, (-) Leisure	Manual Windows, Bahama Beige, 1 speaker aperture, LH	MWC7755SUC	1
		Change point - VIN begin KA038902, Change point - VIN end LA081991, (-) Leisure	Manual Windows, RH, Sonar Blue, 1 speaker aperture	BTR5924JUL	1
		Change point - VIN begin KA038902, Change point - VIN end LA081991, (-) Leisure	Manual Windows, RH, Bahama Beige, 1 speaker aperture	BTR5924SUC	1
		Change point - VIN begin KA038902, Change point - VIN end LA081991, (-) Leisure	Manual Windows, Sonar Blue, 1 speaker aperture, LH	BTR5925JUL	1
		Change point - VIN begin KA038902, Change point - VIN end LA081991, (-) Leisure	Manual Windows, Bahama Beige, 1 speaker aperture, LH	BTR5925SUC	1
		Change point - VIN end KA038901, With Electric Front Windows	Manual Windows, RH, Sonar Blue, 2 speaker aperture	MXC7590JUL	1
		Change point - VIN end KA038901, With Electric Front Windows	Manual Windows, Beige, RH, 2 speaker aperture	MXC7590SUC	1
		Change point - VIN end KA038901, With Electric Front Windows	Manual Windows, Sonar Blue, 2 speaker aperture, LH	MXC7591JUL	1
		Change point - VIN end KA038901, With Electric Front Windows	Manual Windows, Beige, 2 speaker aperture, LH	MXC7591SUC	1
		Change point - VIN end KA038901, With Electric Front Windows	Sonar Blue, 1 speaker aperture, LH	MWC9279JUL	1
		Change point - VIN end KA038901, With Electric Front Windows	Bahama Beige, 1 speaker aperture, LH	MWC9279SUC	1
		Change point - VIN end KA038901, With Electric Front Windows	RH, Sonar Blue, 1 speaker aperture	MWC9280JUL	1
		Change point - VIN end KA038901, With Electric Front Windows	RH, Bahama Beige, 1 speaker aperture	MWC9280SUC	1
		Change point - VIN begin KA038902, Change point - VIN end LA081991, With Electric Front Windows	Bahama Beige, 1 speaker aperture, LH	BTR5928SUC	1
		Change point - VIN begin KA038902, Change point - VIN end LA081991, With Electric Front Windows	Sonar Blue, 1 speaker aperture, LH	BTR5928JUL	1
		Change point - VIN begin KA038902, Change point - VIN end LA081991, With Electric Front Windows	RH, Sonar Blue, 1 speaker aperture	BTR5929JUL	1



Change point - VIN end LA081991

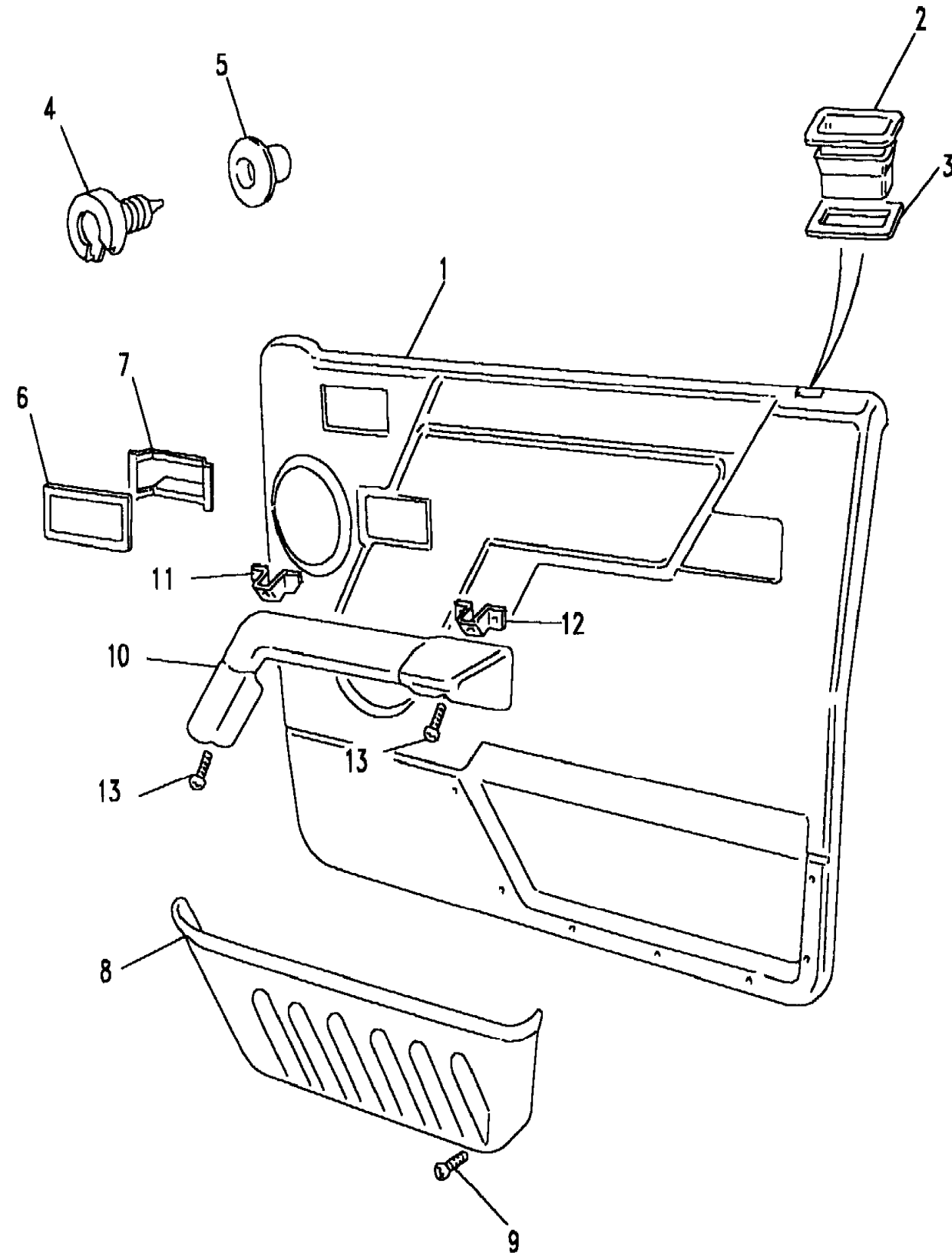
Callout	Name	Application	Remarks & Restrictions	Service No.	Qty
1	Casing-front door	Change point - VIN begin KA038902, Change point - VIN end LA081991, With Electric Front Windows	RH, Bahama Beige, 1 speaker aperture	BTR5929SUC	1
		With Electric Front Windows	RH, Sonar Blue, 2 speaker aperture	MXC7795JUL	1
		With Electric Front Windows	RH, Bahama Beige, 2 speaker aperture	MXC7795SUC	1
		With Electric Front Windows	Sonar Blue, 2 speaker aperture, LH	MXC7796JUL	1
		With Electric Front Windows	Bahama Beige, 2 speaker aperture, LH	MXC7796SUC	1
		Change point - VIN end KA038901, Leisure	Manual Windows, RH, Sonar Blue	MWC9198JUL	1
		Change point - VIN end KA038901, Leisure	Manual Windows, RH, Bahama Beige	MWC9198SUC	1
		Change point - VIN end KA038901, Leisure	Manual Windows, Sonar Blue, LH	MWC9199JUL	1
		Change point - VIN end KA038901, Leisure	Manual Windows, Bahama Beige, LH	MWC9199SUC	1
		Change point - VIN begin KA038902, Change point - VIN end LA081991, Leisure	Manual Windows, RH, Sonar Blue	BTR5926JUL	1
		Change point - VIN begin KA038902, Change point - VIN end LA081991, Leisure	Manual Windows, RH, Bahama Beige	BTR5926SUC	1
		Change point - VIN begin KA038902, Change point - VIN end LA081991, Leisure	Manual Windows, Sonar Blue, LH	BTR5927JUL	1
		Change point - VIN begin KA038902, Change point - VIN end LA081991, Leisure	Manual Windows, Bahama Beige, LH	BTR5927SUC	1
		Change point - VIN end KA038901, Leisure	Electric Windows, Sonar Blue, LH	BTR703JUL	1
		Change point - VIN end KA038901, Leisure	Electric Windows, Bahama Beige, LH	BTR703SUC	1
		Change point - VIN end KA038901, Leisure	Electric Windows, RH, Sonar Blue	BTR704JUL	1
		Change point - VIN end KA038901, Leisure	Electric Windows, RH, Bahama Beige	BTR704SUC	1
		Change point - VIN begin KA038902, Change point - VIN end LA081991, Leisure	Electric Windows, Sonar Blue, LH	BTR5935JUL	1
		Change point - VIN begin KA038902, Change point - VIN end LA081991, Leisure	Electric Windows, Bahama Beige, LH	BTR5935SUC	1
		Change point - VIN begin KA038902, Change point - VIN end LA081991, Leisure	Electric Windows, RH, Sonar Blue	BTR5934JUL	1
		Change point - VIN begin KA038902, Change point - VIN end LA081991, Leisure	Electric Windows, RH, Bahama Beige	BTR5934SUC	1

SEP 04

1081

Interior Trim
Trim
Front Door Casing 3/3

Discovery (FA393361-WA799999)
(CAPXE1A)



1081

SEP 04

Discovery (FA393361-WA799999)

Interior Trim
Trim
Front Door Casing

Change point - VIN end LA081991

Callout	Name	Application	Remarks & Restrictions	Service No.	Qty
2	Grommet	Change point - VIN end JA034313 Change point - VIN begin KA034314, Change point - VIN end LA081991	Grey	CDP1582LUN	2
			Ash Grey	CDP1582LNF	2
3	Clip			BEP6073	2
4	Stud-plastic			MWC9134	14
5	Clip-snap-sack			MWC9136	14
				EYC101460	14
6	Ashtray-door	Change point - VIN end JA034313 Change point - VIN begin KA034314, Change point - VIN end LA081991	Ash Grey	YOO4340LUN	2
			Ash Grey	YOO4340LNF	2
7	Clip			CZA4736L	2
8	Bin assembly-front door		RH, Sonar Blue	MWC7756JUL	1
			from MA Vin, pocket is LH, RH, Bahama Beige	MWC7756SUC	1
			Sonar Blue, LH	MWC7757JUL	1
			from MA Vin pocket is RH, Bahama Beige, LH	MWC7757SUC	1
9	Screw			AB604051L	14
10	Armrest-front door		RH, Sonar Blue	MWC7896JUL	1
			RH, Bahama Beige	MWC7896SUC	1
			Sonar Blue, LH	MWC7897JUL	1
			Bahama Beige, LH	MWC7897SUC	1
11	Bracket-front door pull		Front	MWC6513	2
12	Bracket-front door pull	Change point - VIN end KA045370 Change point - VIN begin KA045371, Change point - VIN end LA081991	Rear	MWC6518	2
			Rear	BTR7935	2
13	Screw		M6 X 12	SE106121	12
[900]	Washer-Lock	Change point - VIN begin KA051162, Change point - VIN end LA081991		WE106001L	2

Interior Trim
Trim
Front Door Casing (Cont) 1/7

Discovery (FA393361-WA799999)

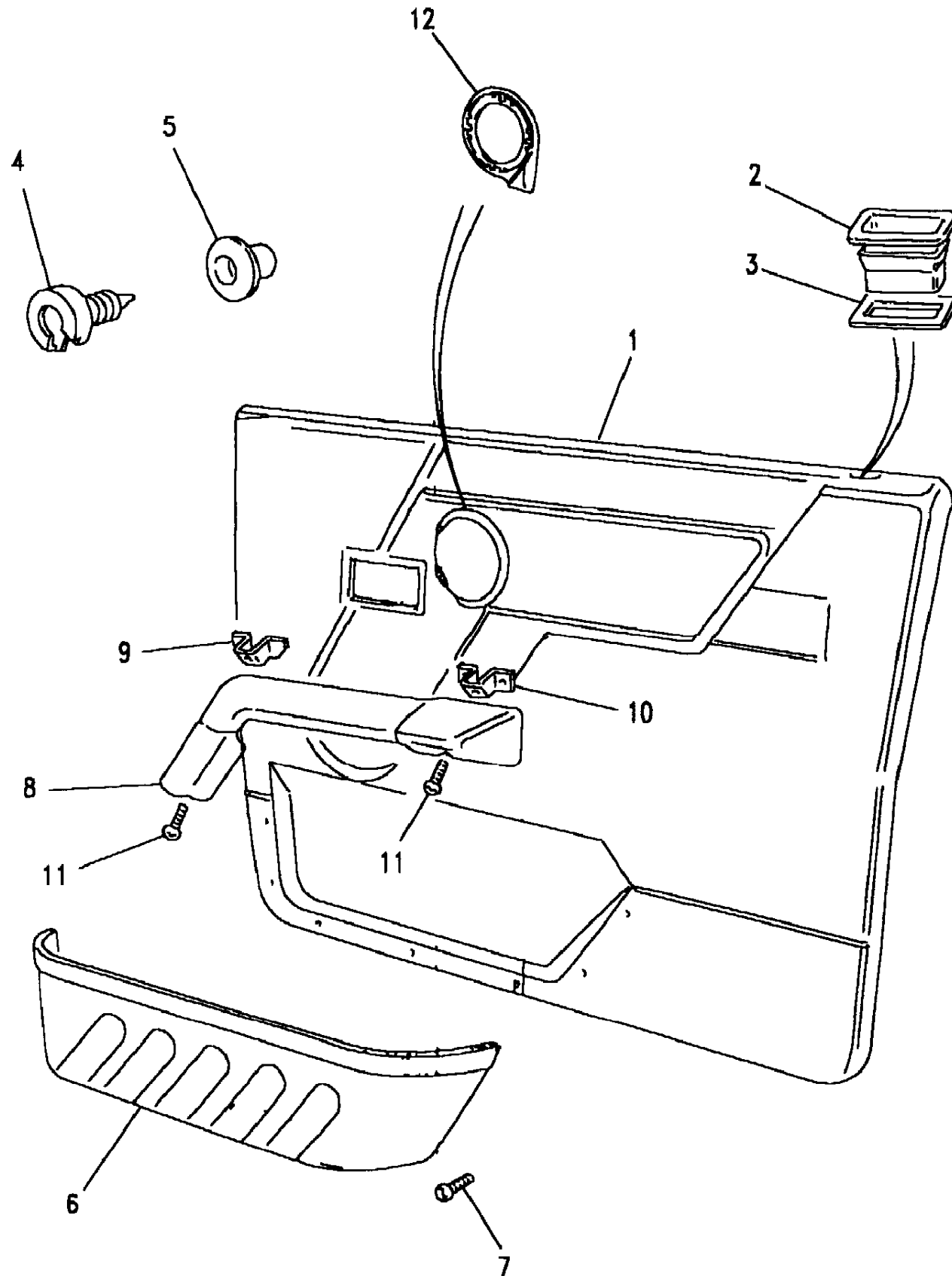
(CAPXEA1B)

Discovery (FA393361-WA799999)

Interior Trim
Trim
Front Door Casing (Cont)

Change point - VIN begin MA081992

Callout	Name	Application	Remarks & Restrictions	Service No.	Qty
1	Casing-front door	Change point - VIN begin WA746542	Manual Windows, Cloth, Bahama Beige, Kestral, less door bin provision, LH	EJB119270SUC	1
		Change point - VIN begin TA163104, Change point - VIN end WA746541	Electric Windows, Cloth, RH, Dark Granite, with door bin provision	AWR2610LOY	1
		Change point - VIN begin TA501920, Change point - VIN end WA746541	Electric Windows, Cloth, RH, Dark Granite, with door bin provision	AWR2610LOY	1
		Change point - VIN begin TA163104, Change point - VIN end WA746541	Electric Windows, Cloth, RH, Bahama Beige, with door bin provision	AWR2610SUC	1
		Change point - VIN begin TA501920, Change point - VIN end WA746541	Electric Windows, Cloth, RH, Bahama Beige, with door bin provision	AWR2610SUC	1
		Change point - VIN begin TA163104, Change point - VIN end WA746541	Electric Windows, Cloth, Dark Granite, with door bin provision, LH	AWR2611LOY	1
		Change point - VIN begin TA501920, Change point - VIN end WA746541	Electric Windows, Cloth, Dark Granite, with door bin provision, LH	AWR2611LOY	1
		Change point - VIN begin TA163104, Change point - VIN end WA746541	Electric Windows, Cloth, Bahama Beige, with door bin provision, LH	AWR2611SUC	1
		Change point - VIN begin TA501920, Change point - VIN end WA746541	Electric Windows, Cloth, Bahama Beige, with door bin provision, LH	AWR2611SUC	1
		Change point - VIN begin WA746542	Electric Windows, Cloth, RH, Dark Granite, Kestral, with door bin provision	EJB119240LOY	1
		Change point - VIN begin WA746542	Electric Windows, Cloth, RH, Bahama Beige, Kestral, with door bin provision	EJB119240SUC	1
		Change point - VIN begin WA746542	Electric Windows, Cloth, Dark Granite, Kestral, with door bin provision, LH	EJB119250LOY	1
		Change point - VIN begin WA746542	Electric Windows, Cloth, Bahama Beige, Kestral, with door bin provision, LH	EJB119250SUC	1
		Change point - VIN begin TA163104	Electric Windows, RH, Dark Granite, leather/cloth, with XS logo	AWR3020LOY	1
		Change point - VIN begin TA501920	Electric Windows, RH, Dark Granite, leather/cloth, with XS logo	AWR3020LOY	1
		Change point - VIN begin TA163104	Electric Windows, Dark Granite, leather/cloth, with XS logo, LH	AWR3019LOY	1
		Change point - VIN begin TA501920	Electric Windows, Dark Granite, leather/cloth, with XS logo, LH	AWR3019LOY	1
		Change point - VIN begin WA746542	Electric Windows, Beige, RH, leather/cloth, with XS logo	AWR3020SUC	1
		Change point - VIN begin WA746542	Electric Windows, Beige, leather/cloth, with XS logo, LH	AWR3019SUC	1
		Change point - VIN begin TA163104	Vinyl, RH, Dark Granite	AWR2608LOY	1
		Change point - VIN begin TA501920	Vinyl, RH, Dark Granite	AWR2608LOY	1



Interior Trim
Trim
Front Door Casing (Cont) 2/7

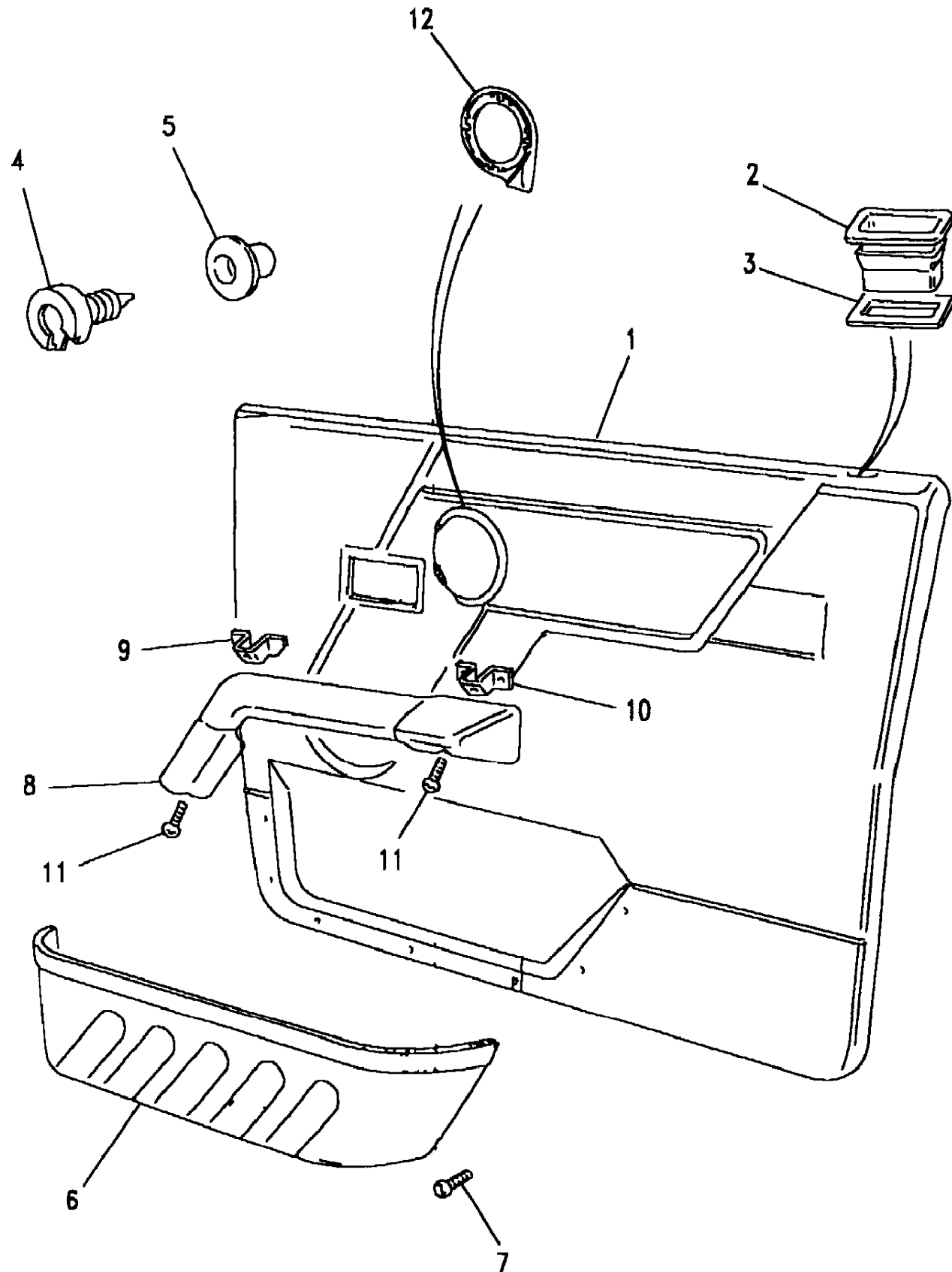
Discovery (FA393361-WA799999)
(CAPXEA1B)

Discovery (FA393361-WA799999)

Interior Trim
Trim
Front Door Casing (Cont)

Change point - VIN begin MA081992

Callout	Name	Application	Remarks & Restrictions	Service No.	Qty
1	Casing-front door	Change point - VIN begin TA163104	Vinyl, RH, Bahama Beige	AWR2608SUC	1
		Change point - VIN begin TA501920	Vinyl, RH, Bahama Beige	AWR2608SUC	1
		Change point - VIN begin TA163104	Vinyl, Dark Granite, LH	AWR2609LOY	1
		Change point - VIN begin TA501920	Vinyl, Dark Granite, LH	AWR2609LOY	1
		Change point - VIN begin TA163104	Vinyl, Bahama Beige, LH	AWR2609SUC	1
		Change point - VIN begin TA501920	Vinyl, Bahama Beige, LH	AWR2609SUC	1
		Change point - VIN begin TA163104, Change point - VIN end WA746541	Manual Windows, Cloth, RH, Dark Granite, less door bin provision	AWR2612LOY	1
		Change point - VIN begin TA501920, Change point - VIN end WA746541	Manual Windows, Cloth, RH, Dark Granite, less door bin provision	AWR2612LOY	1
		Change point - VIN begin TA163104, Change point - VIN end WA746541	Manual Windows, Cloth, RH, Bahama Beige, less door bin provision	AWR2612SUC	1
		Change point - VIN begin TA501920, Change point - VIN end WA746541	Manual Windows, Cloth, RH, Bahama Beige, less door bin provision	AWR2612SUC	1
		Change point - VIN begin TA163104, Change point - VIN end WA746541	Manual Windows, Cloth, Dark Granite, less door bin provision, LH	AWR2613LOY	1
		Change point - VIN begin TA501920, Change point - VIN end WA746541	Manual Windows, Cloth, Dark Granite, less door bin provision, LH	AWR2613LOY	1
		Change point - VIN begin TA163104, Change point - VIN end WA746541	Manual Windows, Cloth, Bahama Beige, less door bin provision, LH	AWR2613SUC	1
		Change point - VIN begin TA501920, Change point - VIN end WA746541	Manual Windows, Cloth, Bahama Beige, less door bin provision, LH	AWR2613SUC	1
		Change point - VIN begin WA746542	Manual Windows, Cloth, RH, Dark Granite, Kestral, less door bin provision	EJB119260LOY	1
		Change point - VIN begin WA746542	Manual Windows, Cloth, RH, Bahama Beige, Kestral, less door bin provision	EJB119260SUC	1
		Change point - VIN begin WA746542	Manual Windows, Cloth, Dark Granite, Kestral, less door bin provision, LH	EJB119270LOY	1
		Change point - VIN begin MA081992, Change point - VIN end MA163103	Electric Windows, Cloth, RH, Dark Granite	BTR7054LOY	1
		Change point - VIN begin MA081992, Change point - VIN end MA501919	Electric Windows, Cloth, RH, Dark Granite	BTR7054LOY	1
		Change point - VIN begin MA081992, Change point - VIN end MA163103	Electric Windows, Cloth, RH, Bahama Beige	BTR7054SUC	1
Change point - VIN begin MA081992, Change point - VIN end MA501919	Electric Windows, Cloth, RH, Bahama Beige	BTR7054SUC	1		
Change point - VIN begin MA081992, Change point - VIN end MA163103	Electric Windows, Cloth, Dark Granite, LH	BTR7055LOY	1		



Interior Trim
Trim
Front Door Casing (Cont) 3/7

Discovery (FA393361-WA799999)

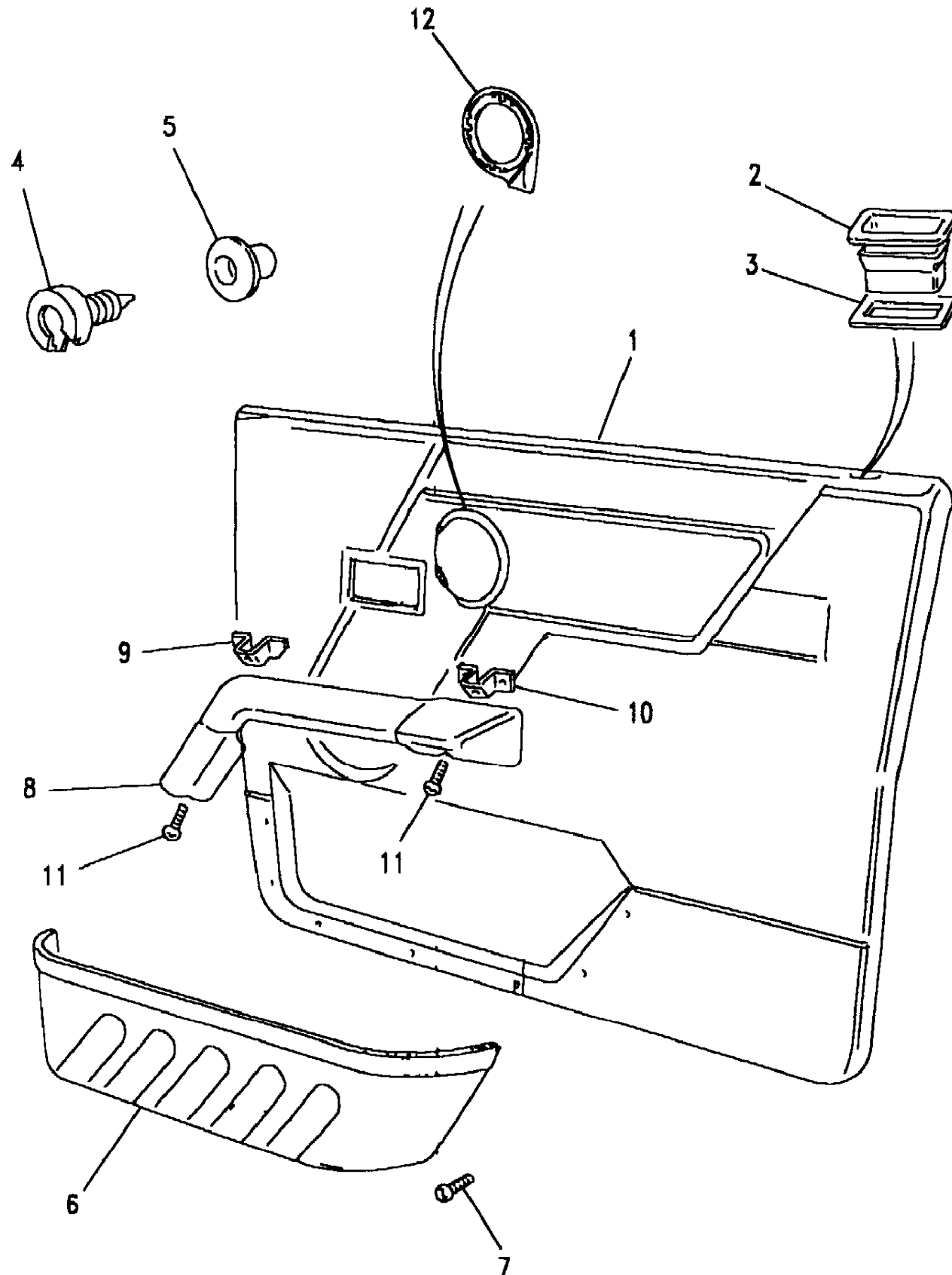
(CAPXE1B)

Discovery (FA393361-WA799999)

Interior Trim
Trim
Front Door Casing (Cont)

Change point - VIN begin MA081992

Callout	Name	Application	Remarks & Restrictions	Service No.	Qty
1	Casing-front door	Change point - VIN begin MA081992, Change point - VIN end MA501919	Electric Windows, Cloth, Dark Granite, LH	BTR7055LOY	1
		Change point - VIN begin MA081992, Change point - VIN end MA163103	Electric Windows, Cloth, Bahama Beige, LH	BTR7055SUC	1
		Change point - VIN begin MA081992, Change point - VIN end MA501919	Electric Windows, Cloth, Bahama Beige, LH	BTR7055SUC	1
		Change point - VIN begin MA081992, Change point - VIN end MA163103	Electric Windows, Vinyl, RH, Dark Granite	BTR7056LOY	1
		Change point - VIN begin MA081992, Change point - VIN end MA501919	Electric Windows, Vinyl, RH, Dark Granite	BTR7056LOY	1
		Change point - VIN begin MA081992, Change point - VIN end MA163103	Electric Windows, Vinyl, RH, Bahama Beige	BTR7056SUC	1
		Change point - VIN begin MA081992, Change point - VIN end MA501919	Electric Windows, Vinyl, RH, Bahama Beige	BTR7056SUC	1
		Change point - VIN begin MA081992, Change point - VIN end MA163103	Electric Windows, Vinyl, LH, Dark Granite	BTR7057LOY	1
		Change point - VIN begin MA081992, Change point - VIN end MA501919	Electric Windows, Vinyl, LH, Dark Granite	BTR7057LOY	1
		Change point - VIN begin MA081992, Change point - VIN end MA163103	Electric Windows, Vinyl, Bahama Beige, LH	BTR7057SUC	1
		Change point - VIN begin MA081992, Change point - VIN end MA501919	Electric Windows, Vinyl, Bahama Beige, LH	BTR7057SUC	1
		Change point - VIN begin MA081992, Change point - VIN end MA163103	Manual Windows, Cloth, RH, Dark Granite	AWR1384LOY	1
		Change point - VIN begin MA081992, Change point - VIN end MA501919	Manual Windows, Cloth, RH, Dark Granite	AWR1384LOY	1
		Change point - VIN begin MA081992, Change point - VIN end MA163103	Manual Windows, Cloth, RH, Bahama Beige	AWR1384SUC	1
		Change point - VIN begin MA081992, Change point - VIN end MA501919	Manual Windows, Cloth, RH, Bahama Beige	AWR1384SUC	1
		Change point - VIN begin MA081992, Change point - VIN end MA163103	Manual Windows, Cloth, LH, Dark Granite	AWR1385LOY	1
		Change point - VIN begin MA081992, Change point - VIN end MA501919	Manual Windows, Cloth, LH, Dark Granite	AWR1385LOY	1
		Change point - VIN begin MA081992, Change point - VIN end MA163103	Manual Windows, Cloth, Bahama Beige, LH	AWR1385SUC	1
		Change point - VIN begin MA081992, Change point - VIN end MA501919	Manual Windows, Cloth, Bahama Beige, LH	AWR1385SUC	1
		2	Grommet	Change point - VIN begin TA163104	Ash Grey



Interior Trim
Trim
Front Door Casing (Cont) 4/7

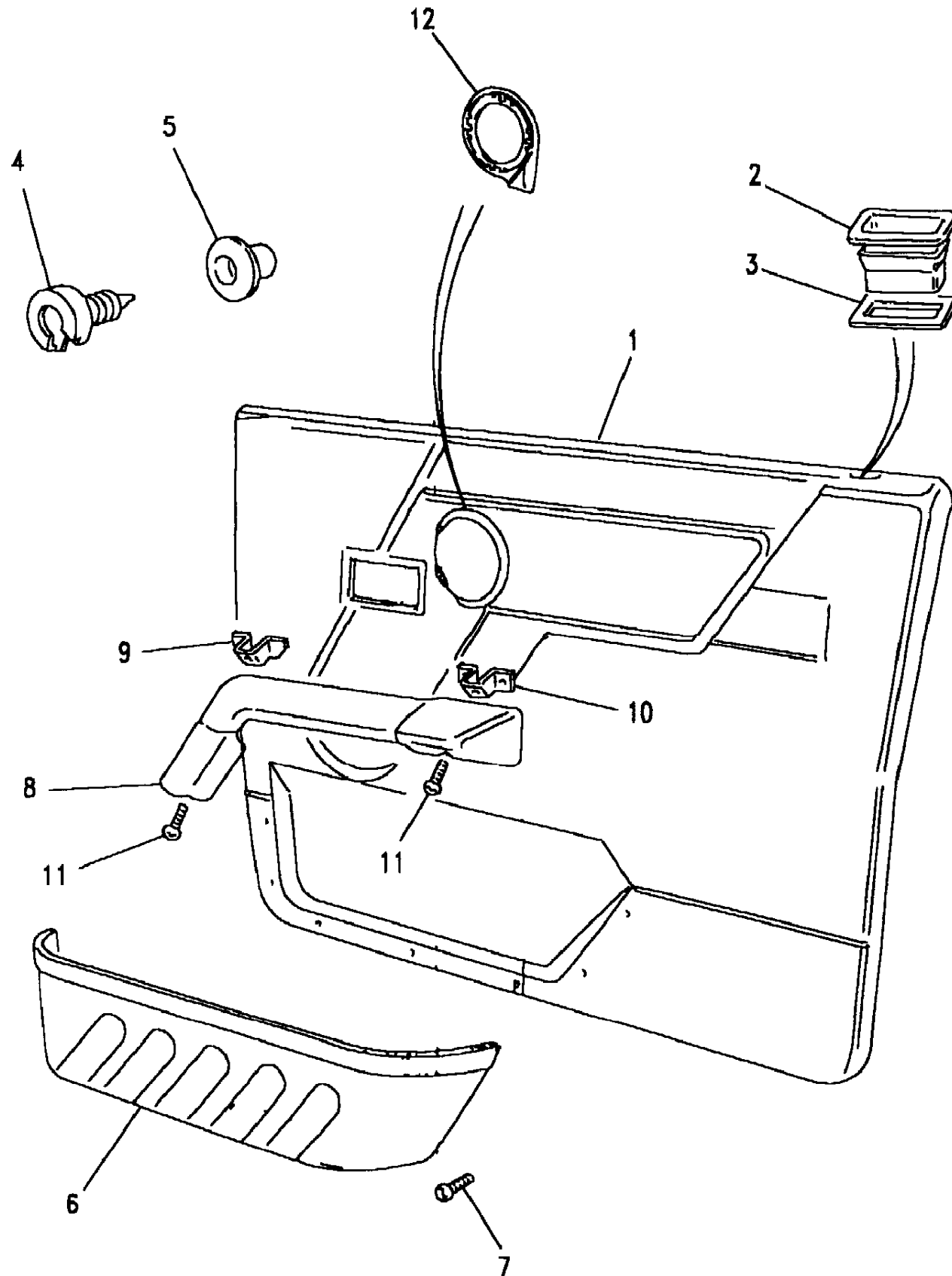
Discovery (FA393361-WA799999)
(CAPXEA1B)

Discovery (FA393361-WA799999)

Interior Trim
Trim
Front Door Casing (Cont)

Change point - VIN begin MA081992

Callout	Name	Application	Remarks & Restrictions	Service No.	Qty
2	Grommet	Change point - VIN begin TA501920	Ash Grey	CDP1582LNF	2
		Change point - VIN begin MA081992, Change point - VIN end MA163103	Ash Grey	CDP1582LNF	2
		Change point - VIN begin MA081992, Change point - VIN end MA501919	Ash Grey	CDP1582LNF	2
3	Clip	Change point - VIN begin TA163104		BEP6073	2
		Change point - VIN begin TA501920		BEP6073	2
		Change point - VIN begin MA081992, Change point - VIN end MA163103		BEP6073	2
		Change point - VIN begin MA081992, Change point - VIN end MA501919		BEP6073	2
4	Stud-plastic	Change point - VIN begin TA163104		MWC9134	14
		Change point - VIN begin TA501920		MWC9134	14
		Change point - VIN begin MA081992, Change point - VIN end MA163103		MWC9134	14
		Change point - VIN begin MA081992, Change point - VIN end MA501919		MWC9134	14
5	Clip-snap-sack	Change point - VIN begin TA163104		MWC9136	14
		Change point - VIN begin TA501920		MWC9136	14
		Change point - VIN begin MA081992, Change point - VIN end MA163103		EYC101460 MWC9136	14 14
		Change point - VIN begin MA081992, Change point - VIN end MA501919		MWC9136	14
6	Bin assembly-front door	Change point - VIN begin TA163104	RH, Dark Granite	AWR2614LOY	1
		Change point - VIN begin TA501920	RH, Dark Granite	AWR2614LOY	1
		Change point - VIN begin TA163104	RH, Bahama Beige	AWR2614SUC	1
		Change point - VIN begin TA501920	RH, Bahama Beige	AWR2614SUC	1
		Change point - VIN begin TA163104	Dark Granite, LH	AWR2615LOY	1
		Change point - VIN begin TA501920	Dark Granite, LH	AWR2615LOY	1
		Change point - VIN begin TA163104	Bahama Beige, LH	AWR2615SUC	1
		Change point - VIN begin TA501920	Bahama Beige, LH	AWR2615SUC	1



Interior Trim
Trim
Front Door Casing (Cont) 5/7

Discovery (FA393361-WA799999)

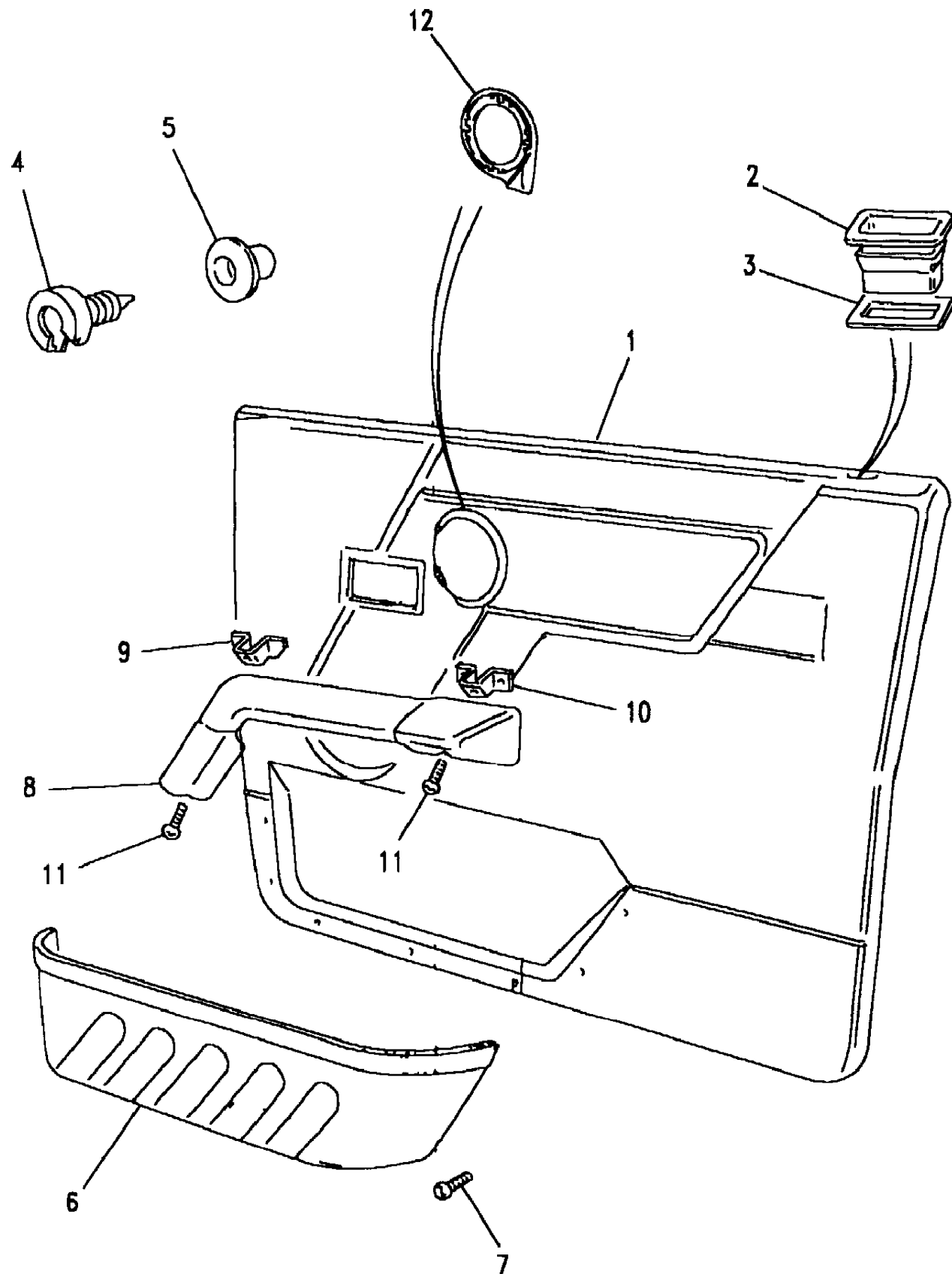
(CAPXEA1B)

Discovery (FA393361-WA799999)

Interior Trim
Trim
Front Door Casing (Cont)

Change point - VIN begin MA081992

Callout	Name	Application	Remarks & Restrictions	Service No.	Qty
6	Bin assembly-front door	Change point - VIN begin MA081992, Change point - VIN end MA163103	from MA Vin, pocket is LH, RH, Bahama Beige	MWC7756SUC	1
		Change point - VIN begin MA081992, Change point - VIN end MA501919	from MA Vin, pocket is LH, RH, Bahama Beige	MWC7756SUC	1
		Change point - VIN begin MA081992, Change point - VIN end MA163103	RH, Dark Granite	MWC7756LOY	1
		Change point - VIN begin MA081992, Change point - VIN end MA501919	RH, Dark Granite	MWC7756LOY	1
		Change point - VIN begin MA081992, Change point - VIN end MA163103	from MA Vin pocket is RH, Bahama Beige, LH	MWC7757SUC	1
		Change point - VIN begin MA081992, Change point - VIN end MA501919	from MA Vin pocket is RH, Bahama Beige, LH	MWC7757SUC	1
		Change point - VIN begin MA081992, Change point - VIN end MA163103	Dark Granite, LH	MWC7757LOY	1
		Change point - VIN begin MA081992, Change point - VIN end MA501919	Dark Granite, LH	MWC7757LOY	1
		Change point - VIN begin TA163104		AWR2632	4
		Change point - VIN begin TA501920		AWR2632	4
		Change point - VIN begin MA081992, Change point - VIN end MA163103		AB604051L	14
		Change point - VIN begin MA081992, Change point - VIN end MA501919		AB604051L	14
		8	Armrest-front door	Change point - VIN begin TA163104	RH, Bahama Beige
Change point - VIN begin TA501920	RH, Bahama Beige			MWC7896SUC	1
Change point - VIN begin TA163104	RH, Dark Granite			MWC7896LOY	1
Change point - VIN begin TA501920	RH, Dark Granite			MWC7896LOY	1
Change point - VIN begin TA163104	Bahama Beige, LH			MWC7897SUC	1
Change point - VIN begin TA501920	Bahama Beige, LH			MWC7897SUC	1
Change point - VIN begin TA163104	Dark Granite, LH			MWC7897LOY	1
Change point - VIN begin TA501920	Dark Granite, LH			MWC7897LOY	1
Change point - VIN begin MA081992, Change point - VIN end MA163103	Bahama Beige, LH			MWC7897SUC	1
Change point - VIN begin MA081992, Change point - VIN end MA501919	Bahama Beige, LH			MWC7897SUC	1



Interior Trim
Trim
Front Door Casing (Cont) 6/7

Discovery (FA393361-WA799999)

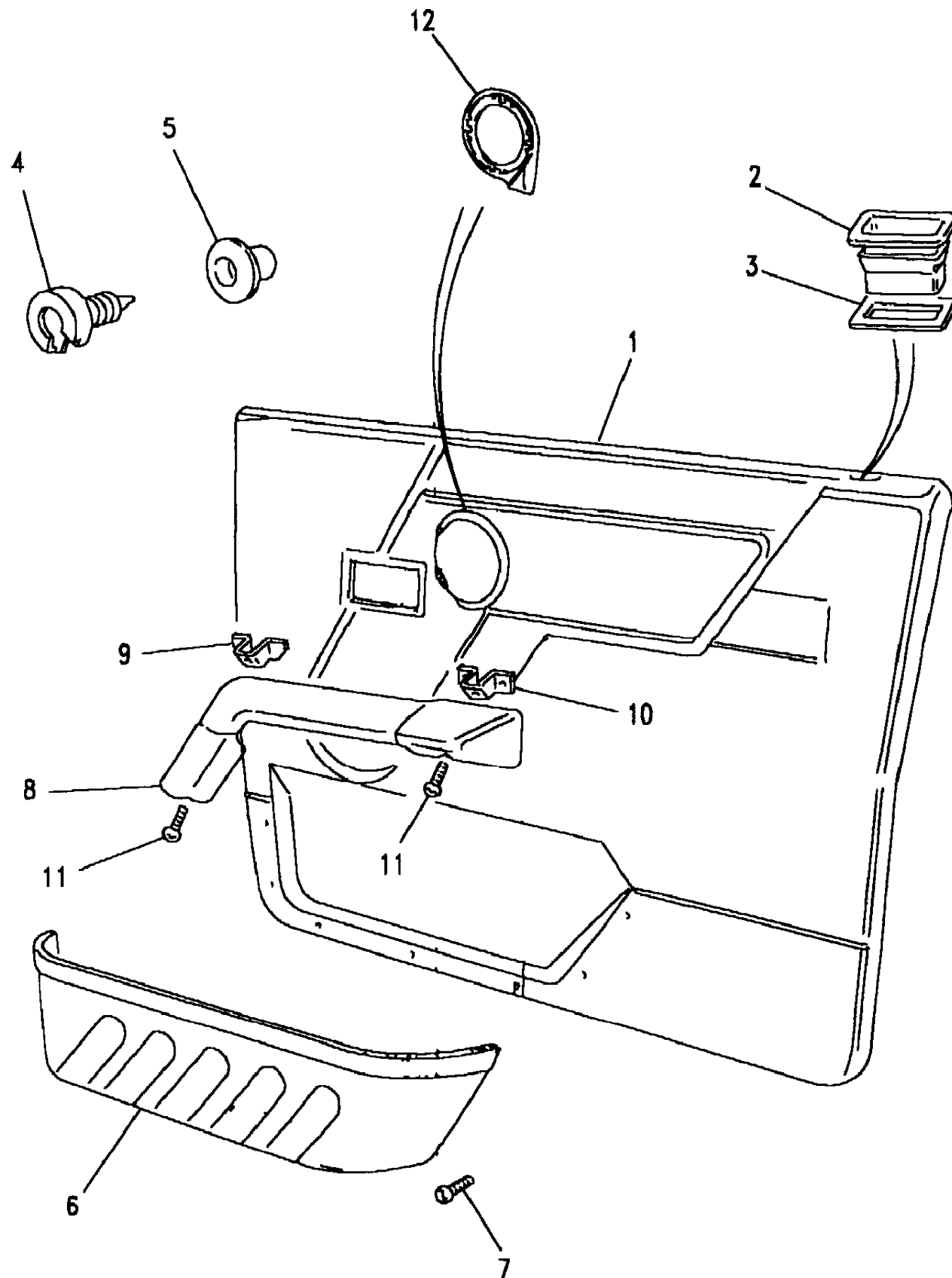
(CAPXEA1B)

Discovery (FA393361-WA799999)

Interior Trim
Trim
Front Door Casing (Cont)

Change point - VIN begin MA081992

Callout	Name	Application	Remarks & Restrictions	Service No.	Qty
8	Armrest-front door	Change point - VIN begin MA081992, Change point - VIN end MA163103	Dark Granite, LH	MWC7897LOY	1
		Change point - VIN begin MA081992, Change point - VIN end MA501919	Dark Granite, LH	MWC7897LOY	1
		Change point - VIN begin MA081992, Change point - VIN end MA163103	RH, Bahama Beige	MWC7896SUC	1
		Change point - VIN begin MA081992, Change point - VIN end MA501919	RH, Bahama Beige	MWC7896SUC	1
		Change point - VIN begin MA081992, Change point - VIN end MA163103	RH, Dark Granite	MWC7896LOY	1
		Change point - VIN begin MA081992, Change point - VIN end MA501919	RH, Dark Granite	MWC7896LOY	1
		Change point - VIN begin MA081992, Change point - VIN end MA163103	RH, Dark Granite	MWC7896LOY	1
		Change point - VIN begin MA081992, Change point - VIN end MA501919	RH, Dark Granite	MWC7896LOY	1
9	Bracket-front door pull	Change point - VIN begin TA163104	Front	MWC6513	2
		Change point - VIN begin TA501920	Front	MWC6513	2
		Change point - VIN begin MA081992, Change point - VIN end MA163103	Front	MWC6513	2
		Change point - VIN begin MA081992, Change point - VIN end MA501919	Front	MWC6513	2
10	Bracket-front door pull	Change point - VIN begin TA163104	Rear	BTR7935	2
		Change point - VIN begin TA501920	Rear	BTR7935	2
		Change point - VIN begin MA081992, Change point - VIN end MA163103	Rear	BTR7935	2
		Change point - VIN begin MA081992, Change point - VIN end MA501919	Rear	BTR7935	2
11	Screw	Change point - VIN begin TA163104	M6 X 12	SE106121	12
		Change point - VIN begin TA501920	M6 X 12	SE106121	12
		Change point - VIN begin MA081992, Change point - VIN end MA163103	M6 X 20	GG106201L	1
		Change point - VIN begin MA081992, Change point - VIN end MA501919	M6 X 20	GG106201L	1
		Change point - VIN begin MA081992, Change point - VIN end MA163103	M6 X 12, hexagonal head	SH106121L	1
		Change point - VIN begin MA081992, Change point - VIN end MA501919	M6 X 12, hexagonal head	SH106121L	1
		Change point - VIN begin MA081992, Change point - VIN end MA501919	M6 X 12, hexagonal head	SH106121L	1
12	Cover-front door speaker	Change point - VIN begin TA163104	Ash Grey, RH	BTR8716LNF	1



Interior Trim
Trim
Front Door Casing (Cont) 7/7

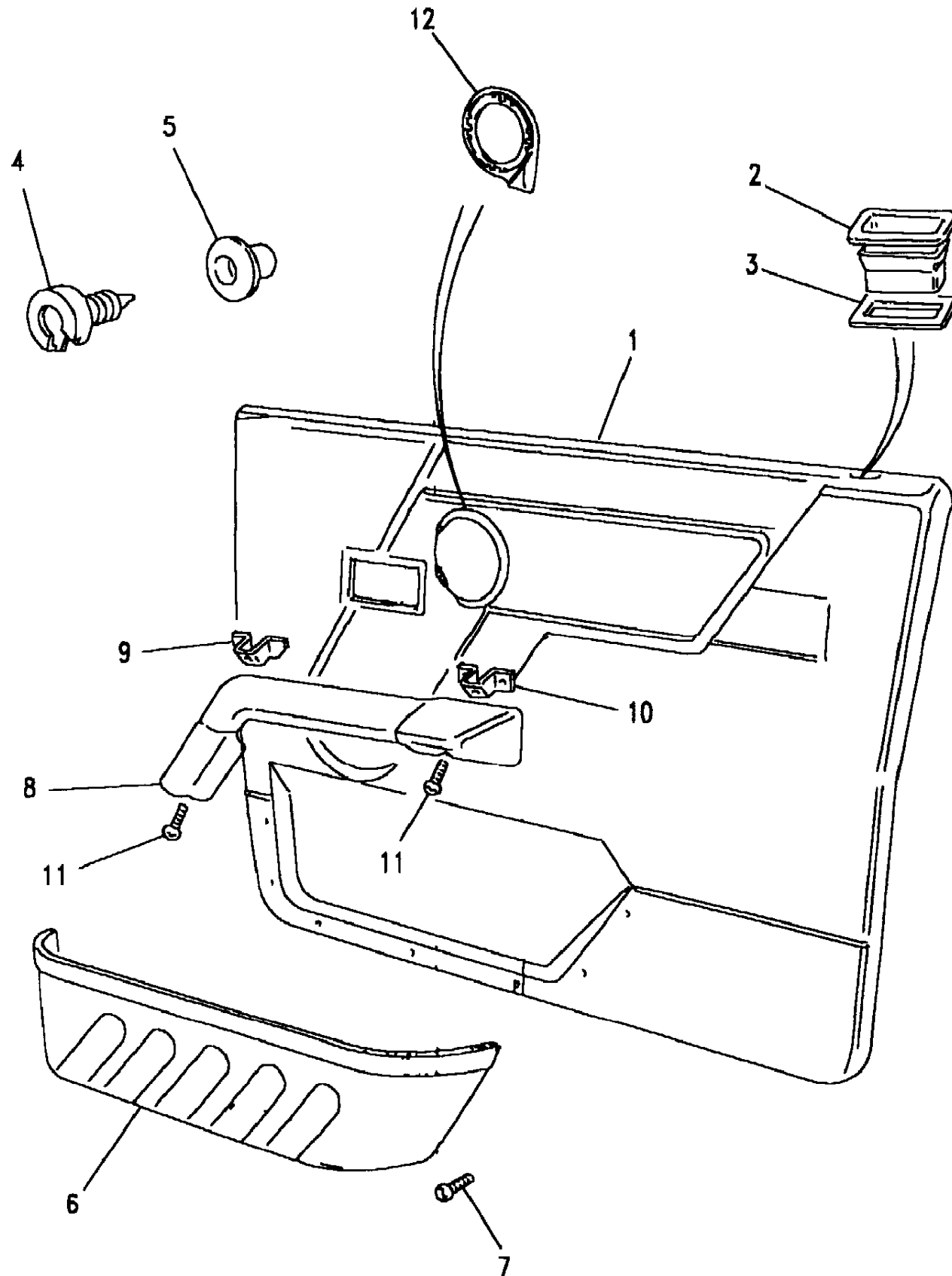
Discovery (FA393361-WA799999)
(CAPXE1B)

Discovery (FA393361-WA799999)

Interior Trim
Trim
Front Door Casing (Cont)

Change point - VIN begin MA081992

Callout	Name	Application	Remarks & Restrictions	Service No.	Qty
12	Cover-front door speaker	Change point - VIN begin TA501920	Ash Grey, RH	BTR8716LNF	1
		Change point - VIN begin TA163104	Ash Grey, LH	BTR8715LNF	1
		Change point - VIN begin TA501920	Ash Grey, LH	BTR8715LNF	1
		Change point - VIN begin MA081992, Change point - VIN end MA163103	Ash Grey, RH	BTR8716LNF	1
		Change point - VIN begin MA081992, Change point - VIN end MA501919	Ash Grey, RH	BTR8716LNF	1
		Change point - VIN begin MA081992, Change point - VIN end MA163103	Ash Grey, LH	BTR8715LNF	1
		Change point - VIN begin MA081992, Change point - VIN end MA163103	Ash Grey, LH	BTR8715LNF	1
		Change point - VIN begin MA081992, Change point - VIN end MA501919	Ash Grey, LH	BTR8715LNF	1
		Change point - VIN begin MA081992, Change point - VIN end MA501919	Ash Grey, LH	BTR8715LNF	1

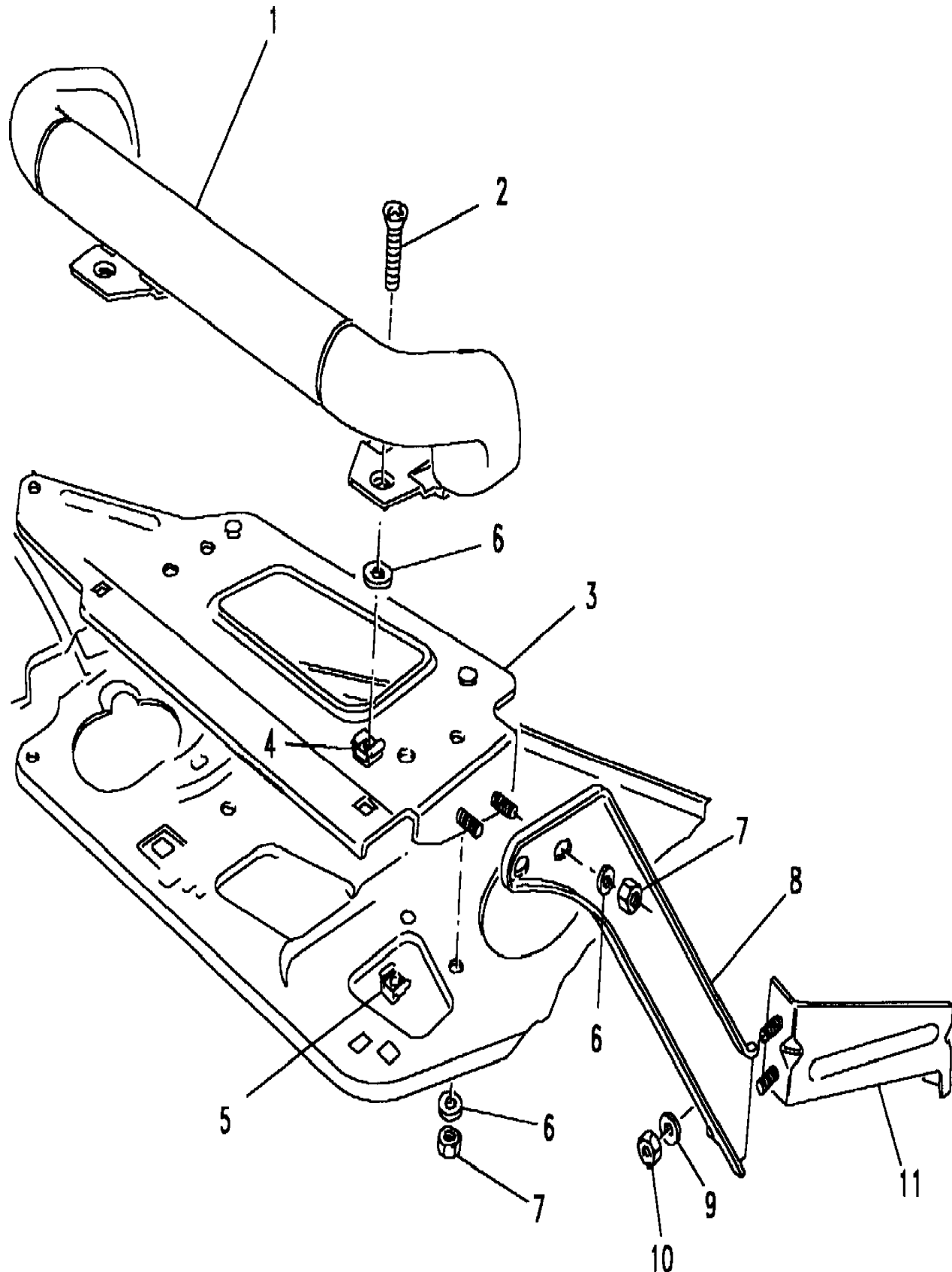


Interior Trim
Trim
Grab Handle Facia 1/1

Discovery (FA393361-WA799999)
(CAPXAA5A)

Discovery (FA393361-WA799999)

Interior Trim
Trim
Grab Handle Facia

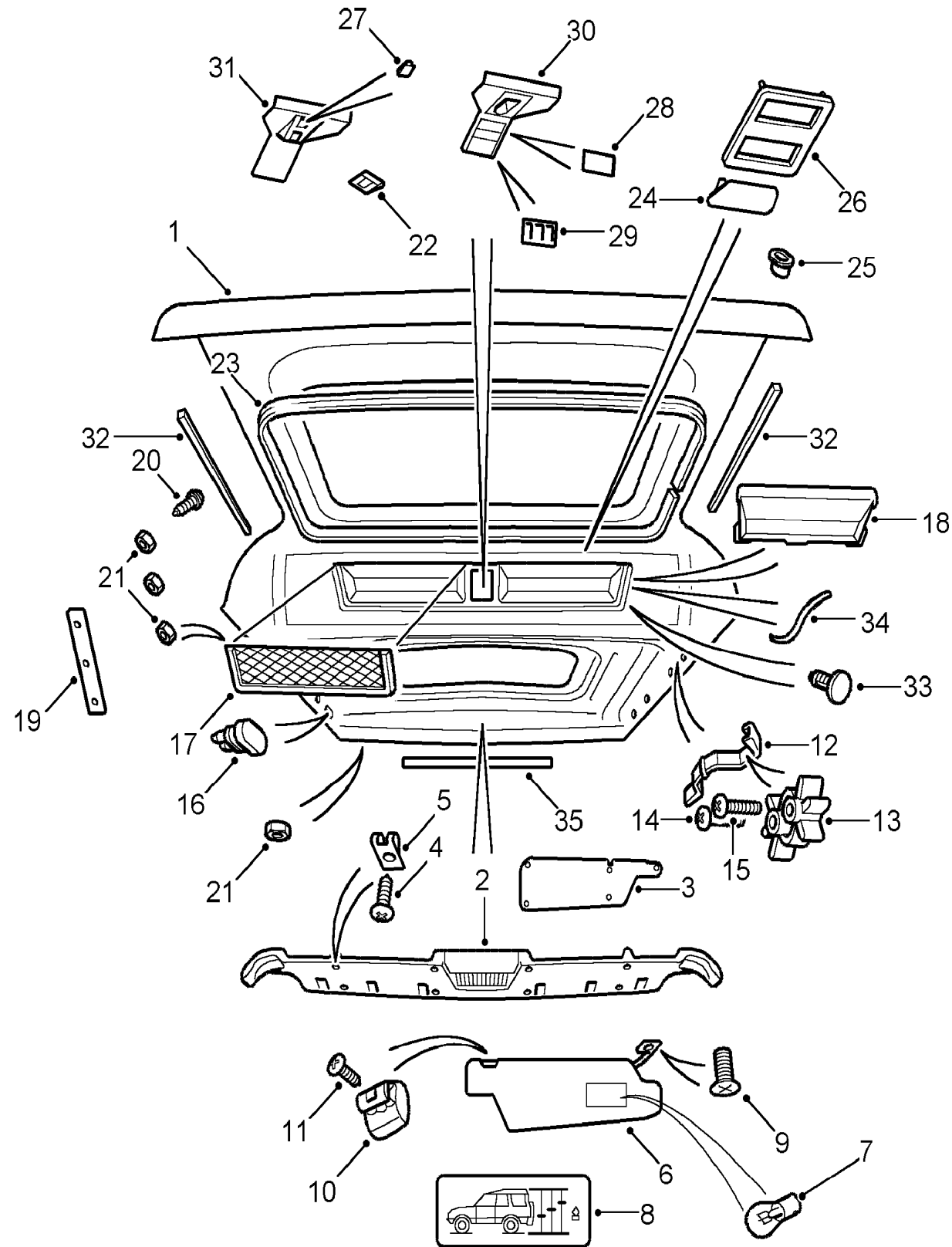


Callout	Name	Application	Remarks & Restrictions	Service No.	Qty
1	Handle assembly-grab	Change point - VIN end HA482391	Sonar Blue	MWC4098JUL	1
		Change point - VIN end HA482391	Bahama Beige	MWC4098SUC	1
		Change point - VIN begin HA482392, Change point - VIN end LA081991	Sonar Blue	BTR1180JUL	1
		Change point - VIN begin HA482392, Change point - VIN end LA081991	Bahama Beige	BTR1180SUC	1
2	Screw	Change point - VIN end LA081991		SF106251L	8
3	Bracket-facia grab handle reinforcement	Change point - VIN end LA081991, RHD		MWC9149	1
		Change point - VIN end LA081991, LHD		MWC9148	1
4	Nut - Hex.	Change point - VIN end LA081991	M6	NK106061L	2
5	Nut-lokut	Change point - VIN end LA081991		NK106081	2
6	Washer	Change point - VIN end LA081991	M5, Plain, Standard	WA105001L	4
7	Nut-hexagonal	Change point - VIN end LA081991	M5	NH105041L	4
8	Bracket-facia grab handle reinforcement	Change point - VIN end LA081991, RHD		MWC8744	1
		Change point - VIN end LA081991, LHD		MWC8745	1
9	Washer	Change point - VIN end LA081991	6MM	WA106041L	2
10	Nut - Hex.	Change point - VIN end LA081991	M6, nyloc, Hexagonal	NH106041L	2
11	Bracket-facia grab handle reinforcement	Change point - VIN end LA081991, RHD		MWC9202	1
		Change point - VIN end LA081991, LHD		MWC9203	1

Interior Trim
Trim
Headlining 1/8

Discovery (FA393361-WA799999)

(CAPXKA1B)



CAPXKA1B

Discovery (FA393361-WA799999)

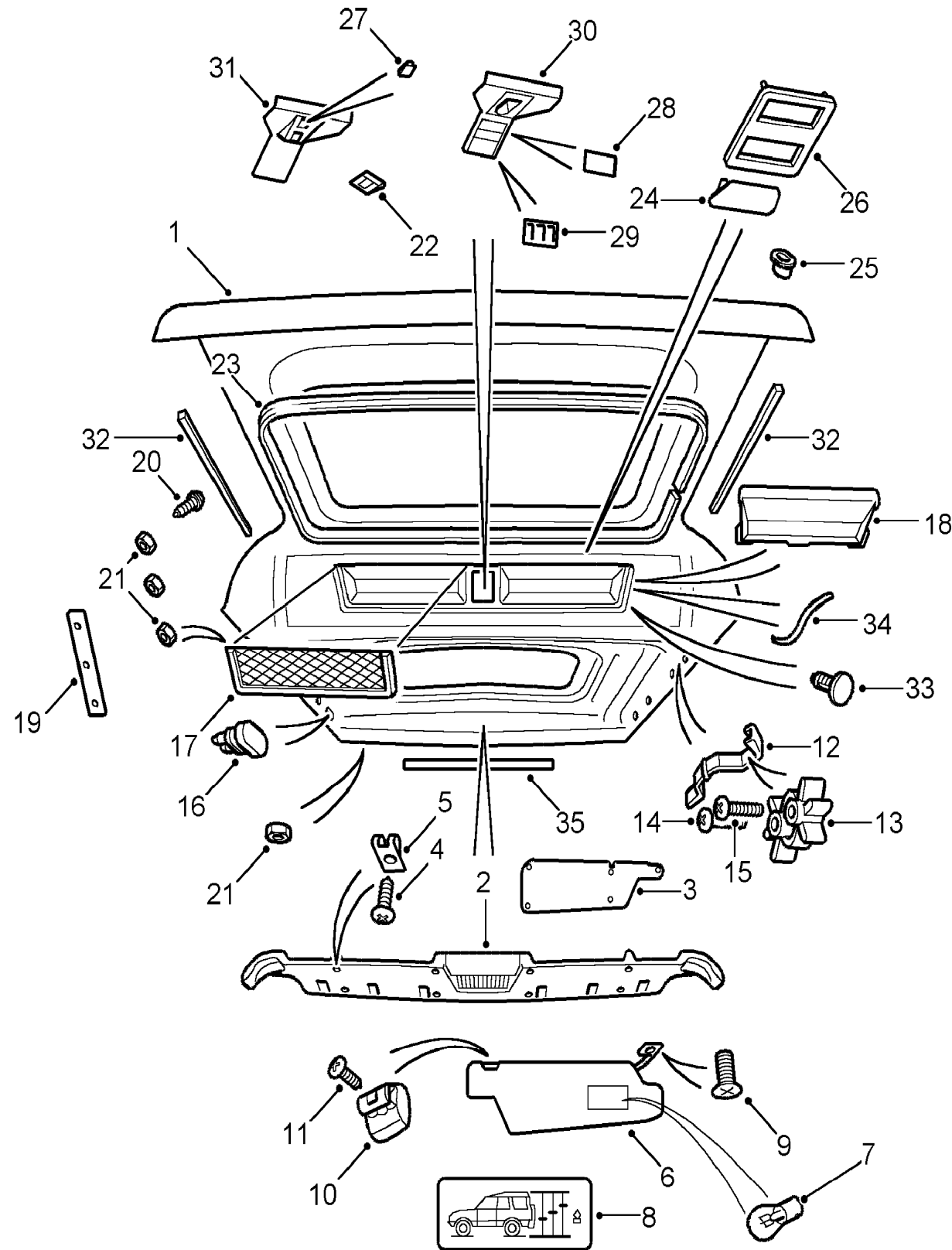
Interior Trim
Trim
Headlining

Callout	Name	Application	Remarks & Restrictions	Service No.	Qty
1	Headlining-roof trim	Change point - VIN end JA034313, (-) Leisure, Less Sun Roof	Aspen Grey	MXC6940LUP	1
		Change point - VIN begin KA034314, Change point - VIN end LA081991, With Rear Air Conditioning, (+)"GCC", (-) Leisure, Less Sun Roof	Aspen Grey	BTR1299LUP	1
		Change point - VIN begin MA081992, Change point - VIN end TA534103, Less Rear Air Conditioning, (-)"GCC", (-) Leisure, Less Sun Roof	Mist Grey	AWR1518LUM	1
		Change point - VIN begin MA081992, Change point - VIN end TA534103, Less Rear Air Conditioning, (-)"GCC", (-) Leisure, Less Twin Sunroof	Mist Grey	AWR1518LUM	1
		Change point - VIN begin VA534104, Less Rear Air Conditioning, (-)"GCC", (-) Leisure, Less Sun Roof	Mist Grey	AWR5214LUM	1
		Change point - VIN begin VA534104, Less Rear Air Conditioning, (-)"GCC", (-) Leisure, Less Twin Sunroof	Mist Grey	AWR5214LUM	1
		Change point - VIN begin MA081992, Change point - VIN end TA534103, With Rear Air Conditioning, (-)"GCC", (-) Leisure, Less Sun Roof	Mist Grey	AWR1521LUM	1
		Change point - VIN begin MA081992, Change point - VIN end TA534103, With Rear Air Conditioning, (-)"GCC", (-) Leisure, Less Twin Sunroof	Mist Grey	AWR1521LUM	1
		Change point - VIN begin VA534104, With Rear Air Conditioning, (-)"GCC", (-) Leisure, Less Sun Roof	Mist Grey	AWR5217LUM	1
		Change point - VIN begin VA534104, With Rear Air Conditioning, (-)"GCC", (-) Leisure, Less Twin Sunroof	Mist Grey	AWR5217LUM	1
		Change point - VIN end JA034313, (-) Leisure, With Twin Sunroof	Aspen Grey	MXC6939LUP	1
		Change point - VIN begin KA034314, Change point - VIN end LA081991, With Rear Air Conditioning, (-)"GCC", (-) Leisure, With Twin Sunroof	Aspen Grey	BTR1300LUP	1

Interior Trim
Trim
Headlining 2/8

Discovery (FA393361-WA799999)

(CAPXKA1B)



Discovery (FA393361-WA799999)

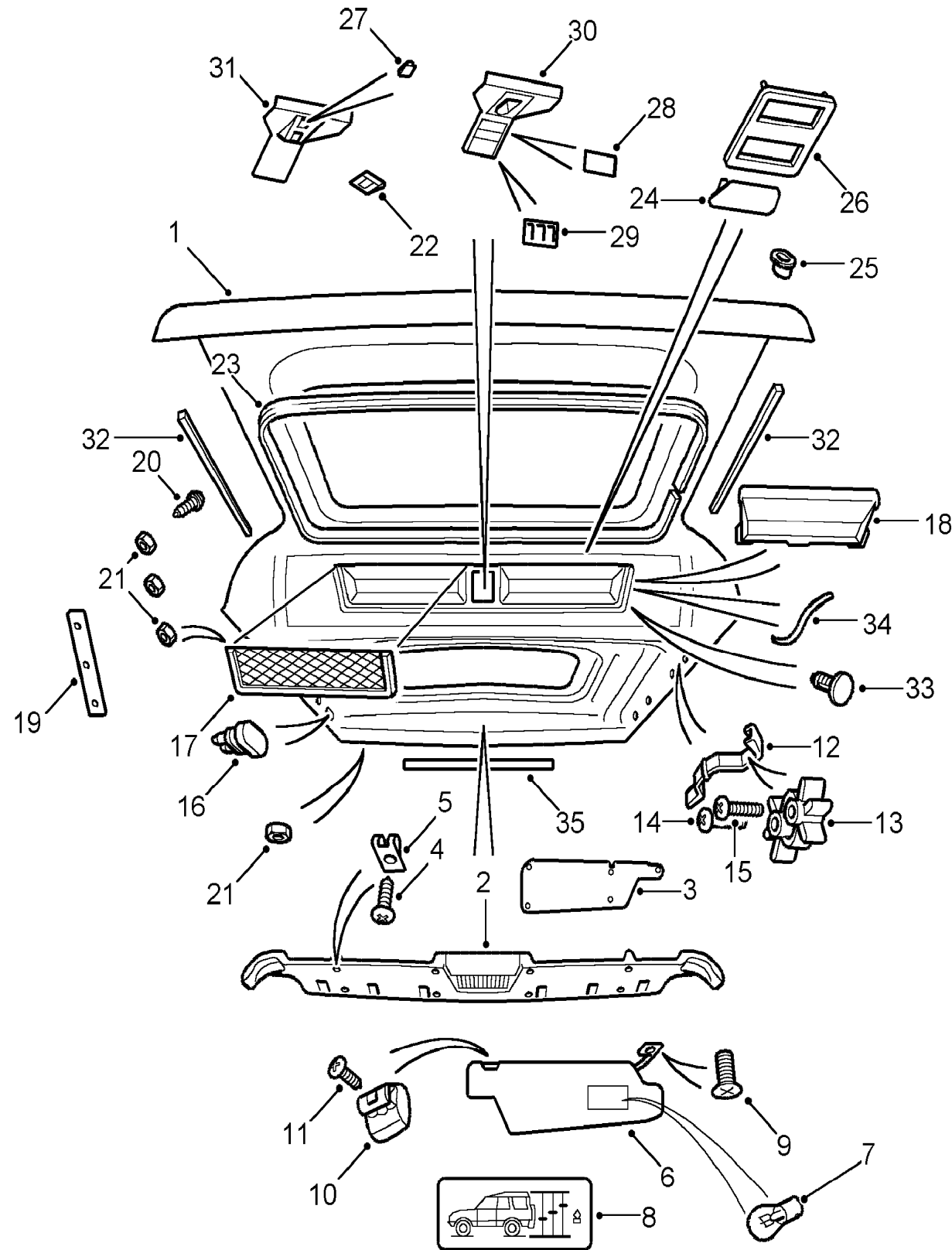
Interior Trim
Trim
Headlining

Callout	Name	Application	Remarks & Restrictions	Service No.	Qty
1	Headlining-roof trim	Change point - VIN begin MA081992, Change point - VIN end TA534103, Less Rear Air Conditioning, (-)"GCC", (-) Leisure, With Twin Sunroof	Mist Grey	AWR1517LUM	1
		Change point - VIN begin MA081992, Change point - VIN end TA703236, Less Rear Air Conditioning, (-)"GCC", (-) Leisure, With Twin Sunroof	Mist Grey	AWR1517LUM	1
		Change point - VIN begin VA534104, Less Rear Air Conditioning, (-)"GCC", (-) Leisure, With Twin Sunroof	Mist Grey	AWR5213LUM	1
		Change point - VIN begin VA703237, Less Rear Air Conditioning, (-)"GCC", (-) Leisure, With Twin Sunroof	Mist Grey	AWR5213LUM	1
		Change point - VIN begin MA081992, Change point - VIN end TA534103, With Rear Air Conditioning, (-)"GCC", (-) Leisure, With Twin Sunroof	Mist Grey	AWR1520LUM	1
		Change point - VIN begin MA081992, Change point - VIN end TA703236, With Rear Air Conditioning, (-)"GCC", (-) Leisure, With Twin Sunroof	Mist Grey	AWR1520LUM	1
		Change point - VIN begin VA534104, With Rear Air Conditioning, (-)"GCC", (-) Leisure, With Twin Sunroof	Mist Grey	AWR5216LUM	1
		Change point - VIN begin VA703237, With Rear Air Conditioning, (-)"GCC", (-) Leisure, With Twin Sunroof	Mist Grey	AWR5216LUM	1
		Change point - VIN end JA034313, Less Air Conditioning, (-)"GCC", Leisure, With Sunroof	Aspen Grey	MXC8065LUP	1
		Change point - VIN begin KA034314, Change point - VIN end LA081991, With Rear Air Conditioning, (+)"GCC", Leisure, With Sunroof	Aspen Grey	BTR1304LUP	1
		Change point - VIN begin MA081992, Change point - VIN end TA534103, Less Air Conditioning, (-)"GCC", Leisure, Less Sun Roof	Mist Grey	AWR1519LUM	1
		Change point - VIN begin MA081992, Change point - VIN end TA703236, Less Air Conditioning, (-)"GCC", Leisure, Less Sun Roof	Mist Grey	AWR1519LUM	1

Interior Trim
Trim
Headlining 3/8

Discovery (FA393361-WA799999)

(CAPXKA1B)



CAPXKA1B

Discovery (FA393361-WA799999)

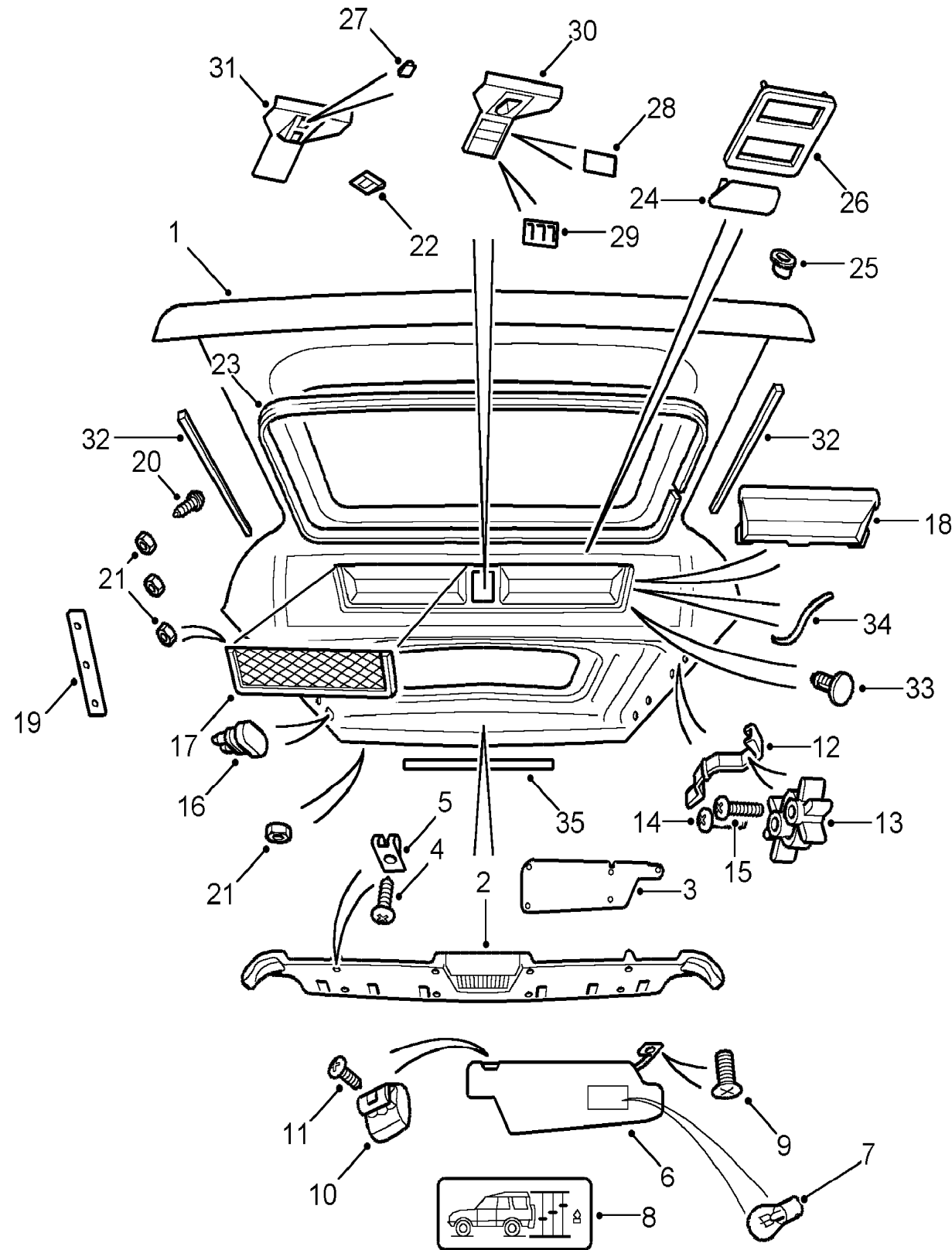
Interior Trim
Trim
Headlining

Callout	Name	Application	Remarks & Restrictions	Service No.	Qty
1	Headlining-roof trim	Change point - VIN begin VA534104, (-)"GCC", Leisure, Less Sun Roof	Mist Grey	AWR5215LUM	1
		Change point - VIN begin VA703237, (-)"GCC", Leisure, Less Sun Roof	Mist Grey	AWR5215LUM	1
2	Pocket-headlining	Change point - VIN end LA081991, Less Anti-Theft Alarm	Less Burglar Alarm, Aspen Grey	MWC9267LUP	1
		Change point - VIN end LA081991, With Anti-Theft Alarm	Burglar Alarm, Front, Aspen Grey	BTR4950LUP	1
		Change point - VIN begin MA081992, Change point - VIN end VA733332, Less Manually Operated Sunroof	Mist Grey	BTR4541LUM	1
		Change point - VIN begin VA733333, Less Manually Operated Sunroof	Mist Grey	EDU100010LUM	1
		Less Manually Operated Sunroof	Mist Grey	EDU100050LUM	1
		Change point - VIN begin MA081992, Change point - VIN end VA733332, With Manual Slide Sunroof	Mist Grey	BTR4540LUM	1
		Change point - VIN begin VA733333, With Manual Slide Sunroof	Mist Grey	EDU100000LUM	1
		With Manual Slide Sunroof	Mist Grey	EDU100040LUM	1
3	Finisher assembly-pocket	Change point - VIN begin MA081992, With Manual Slide Sunroof	RH, Aspen Grey	BTR738LUP	1
		Change point - VIN begin MA081992, With Manual Slide Sunroof	Aspen Grey, LH	BTR739LUP	1
4	Screw	Change point - VIN begin MA081992, With Manual Slide Sunroof	Black, Self Tapping, No8 x 5/8	AB608051L	10
5	Nut-spring-u type	Change point - VIN end GA432254, With Manual Slide Sunroof		AK608021	10
		Change point - VIN begin GA432255, With Manual Slide Sunroof		BTR475	10
6	Sunvisor assembly-front header	Change point - VIN end LA081991, Manual Transmission, RHD, (-)"AUS"	RH, Aspen Grey, less height label, with airbag warning label, with mirror	MXC6097LUP	1
		Change point - VIN end LA081991, Manual Transmission, RHD, (-)"AUS"	Aspen Grey, less height label, less air bag warning label, with mirror, LH	MXC6098LUP	1
		Change point - VIN end LA081991, Manual Transmission, RHD, (-)"AUS"	RH, Aspen Grey, less air bag warning label, With Height Label, less mirror	BTR806LUP	1

Interior Trim
Trim
Headlining 4/8

Discovery (FA393361-WA799999)

(CAPXKA1B)

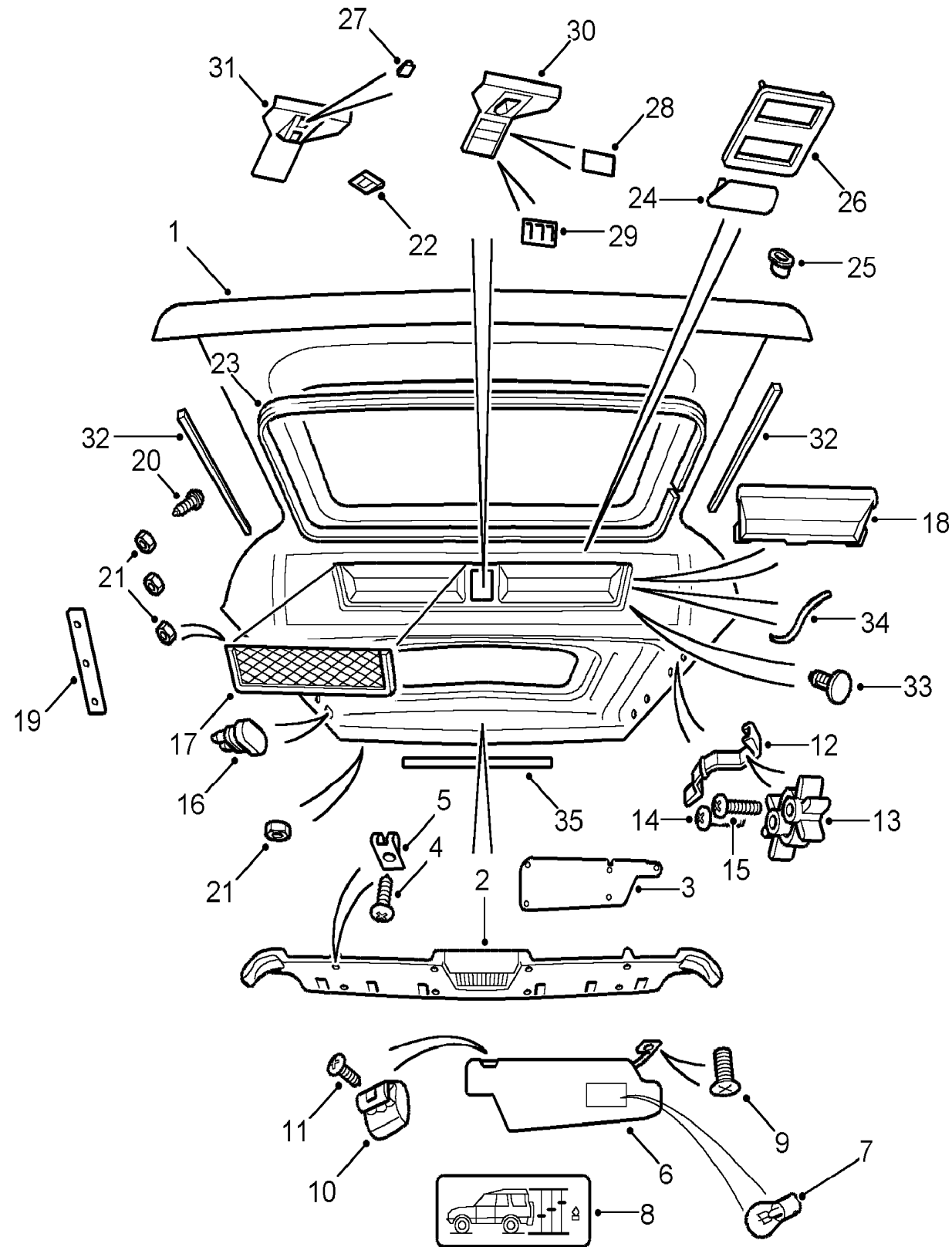


CAPXKA1B

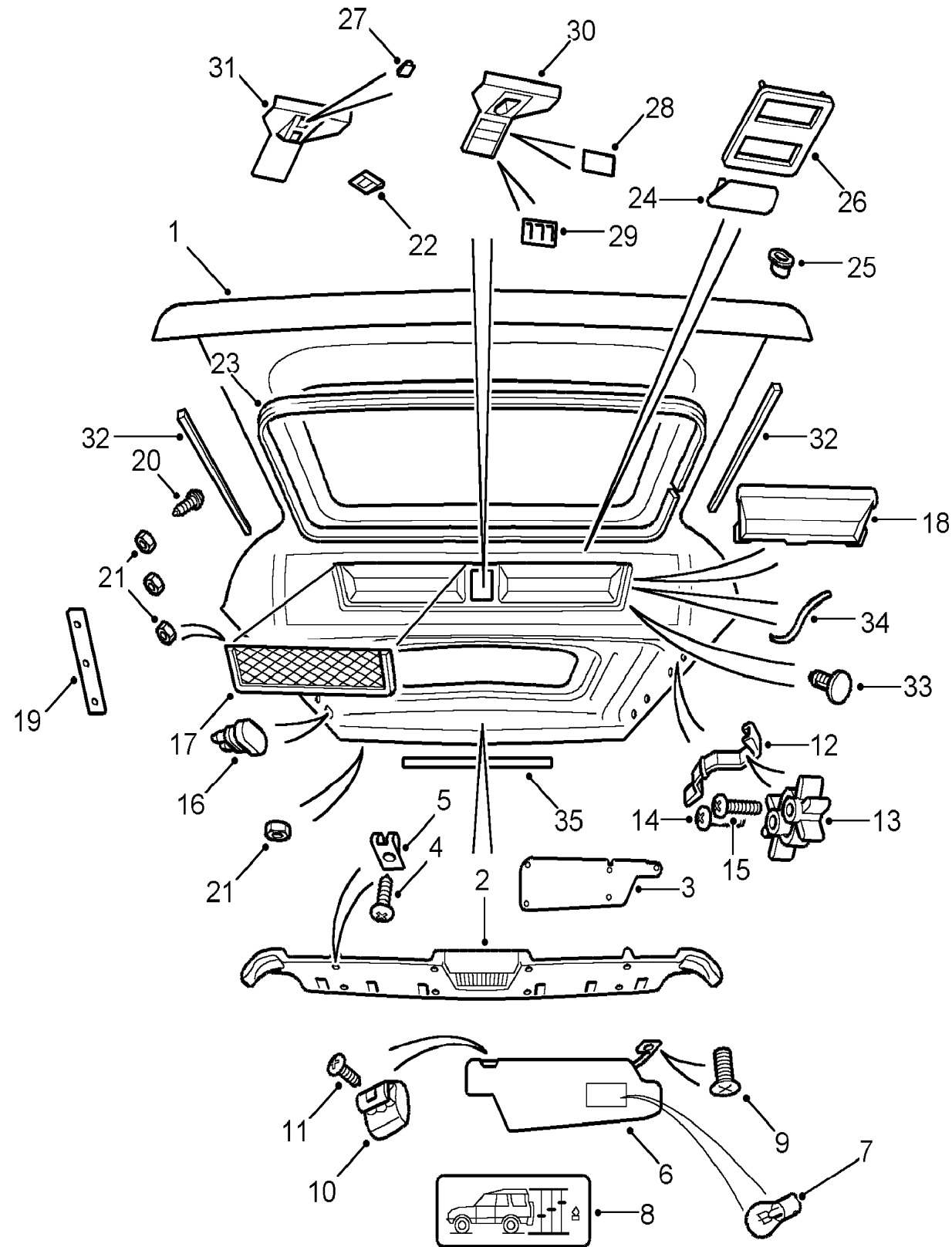
Discovery (FA393361-WA799999)

Interior Trim
Trim
Headlining

Callout	Name	Application	Remarks & Restrictions	Service No.	Qty
6	Sunvisor assembly-front header	Change point - VIN end LA081991, Manual Transmission, RHD, (-)"AUS"	Aspen Grey, less mirror, LH	BTR807LUP	1
		Change point - VIN end LA081991, Manual Transmission, RHD, (+)"AUS"	Aspen Grey, less height label, less air bag warning label, less mirror, LH	BTR1013LUP	1
		Change point - VIN end LA081991, Automatic Transmission, RHD, (-)"AUS"	RH, Aspen Grey, less air bag warning label, With Height Label, less mirror	BTR2560LUP	1
		Change point - VIN end LA081991, Automatic Transmission, RHD, (-)"AUS"	Aspen Grey, less mirror, LH	BTR2561LUP	1
		Change point - VIN begin MA081992, Manual Transmission, RHD, (-)"AUS"	Mist Grey, less height label, less air bag warning label, with mirror, LH	EDQ104820LUM	1
		Change point - VIN begin MA081992, Manual Transmission, RHD, (-)"AUS"	RH, Mist Grey, less air bag warning label, With Height Label, less mirror	EDQ104810LUM	1
		Change point - VIN begin MA081992, Manual Transmission, RHD, (-)"AUS"	Mist Grey, less air bag warning label, With Height Label, LH	EDQ104800LUM	1
		Change point - VIN begin MA081992, RHD	RH, Mist Grey, with airbag warning label, With Height Label	AWR2960LUM	1
		Change point - VIN begin MA081992, Manual Transmission, RHD, (-)"AUS"	RH, Mist Grey, with airbag warning label, With Height Label	EDQ104870LUM	1
		Change point - VIN begin MA081992, Change point - VIN end, Manual Transmission, RHD, (-)"AUS"	Mist Grey, with airbag warning label, With Height Label, with mirror, LH	EDQ104880LUM	1
		Change point - VIN begin VA742062, Manual Transmission, RHD, (-)"AUS"	RH, Mist Grey, with illuminated mirror, with airbag warning label, With Height Label	EDQ104960LUM	1
		Change point - VIN begin VA742062, Manual Transmission, RHD, (-)"AUS"	Mist Grey, with illuminated mirror, less height label, with airbag warning label, LH	EDQ104970LUM	1
		Change point - VIN begin MA081992, LHD	Mist Grey, less height label, less air bag warning label, less mirror, LH	AWR1027LUM	1
		Change point - VIN begin MA081992, LHD	RH, Mist Grey, less height label, less air bag warning label, with mirror.	EDQ104790LUM	1
		Change point - VIN begin MA081992, LHD	RH, Mist Grey, less height label, with airbag warning label, with mirror	EDQ104850LUM	1
		Change point - VIN begin MA081992, LHD	Mist Grey, with airbag warning label, With Height Label, less mirror, LH	EDQ104860LUM	1
		LHD, (+)"CDN"	Mist Grey, with illuminated mirror, less air bag warning label, With Height Label, LH	EDQ104930LUM	1



Callout	Name	Application	Remarks & Restrictions	Service No.	Qty
6	Sunvisor assembly-front header	LHD, (+)"CDN"	Mist Grey, with illuminated mirror, less air bag warning label, With Height Label, LH	STC4752	1
		LHD, (+)"CDN"	RH, Mist Grey, with illuminated mirror, less air bag warning label, With Height Label	STC4753	1
7	Bulb-illumination	Change point - VIN begin TA163100, Change point - VIN end VA543183, LHD	Sunvisor	STC3288	1
8	Label-sunvisor warning		vehicle height	MXC8091	1
9	Screw			SE105201L	6
10	Retainer-roof trim sunshade	Change point - VIN end MA081992	Aspen Grey	PAM5646LUP	2
		Change point - VIN begin MA081992	Mist Grey	PAM5646LUM	2
11	Screw		Black, Self Tapping, No8 x 5/8	AB608051L	2
12	Handle assembly-roof trim grab	Change point - VIN end JA034313	Ash	JPC5641LUN	3
		Change point - VIN begin KA034314	Ash Grey	JPC5641LNF	3
13	Spacer	Change point - VIN end GA432254		MXC1299	6
		Change point - VIN begin GA432255		PAM4356L	6
14	Screw-self tapping B		No 8 x 1 1/4	AB608101L	6
15	Screw		pan head, recessed, M5 x 30	SE105301L	6
16	Plug-roof trim blanking		Aspen Grey	MXC2012LUP	2
17	Net-stowage	Change point - VIN begin MA081992, Change point - VIN end MA160643	Mist Grey	BTR3617LUM	2
		Change point - VIN begin MA160644	Mist Grey	AWR3815LUM	2
18	Finisher-headlining		Aspen Grey	BTR740LUP	2
19	Support-headlining front pocket moulding			MXC6037	6
20	Screw			MXC6834	10
		Change point - VIN begin KA058526		BTR949	10
				BTR8093	10

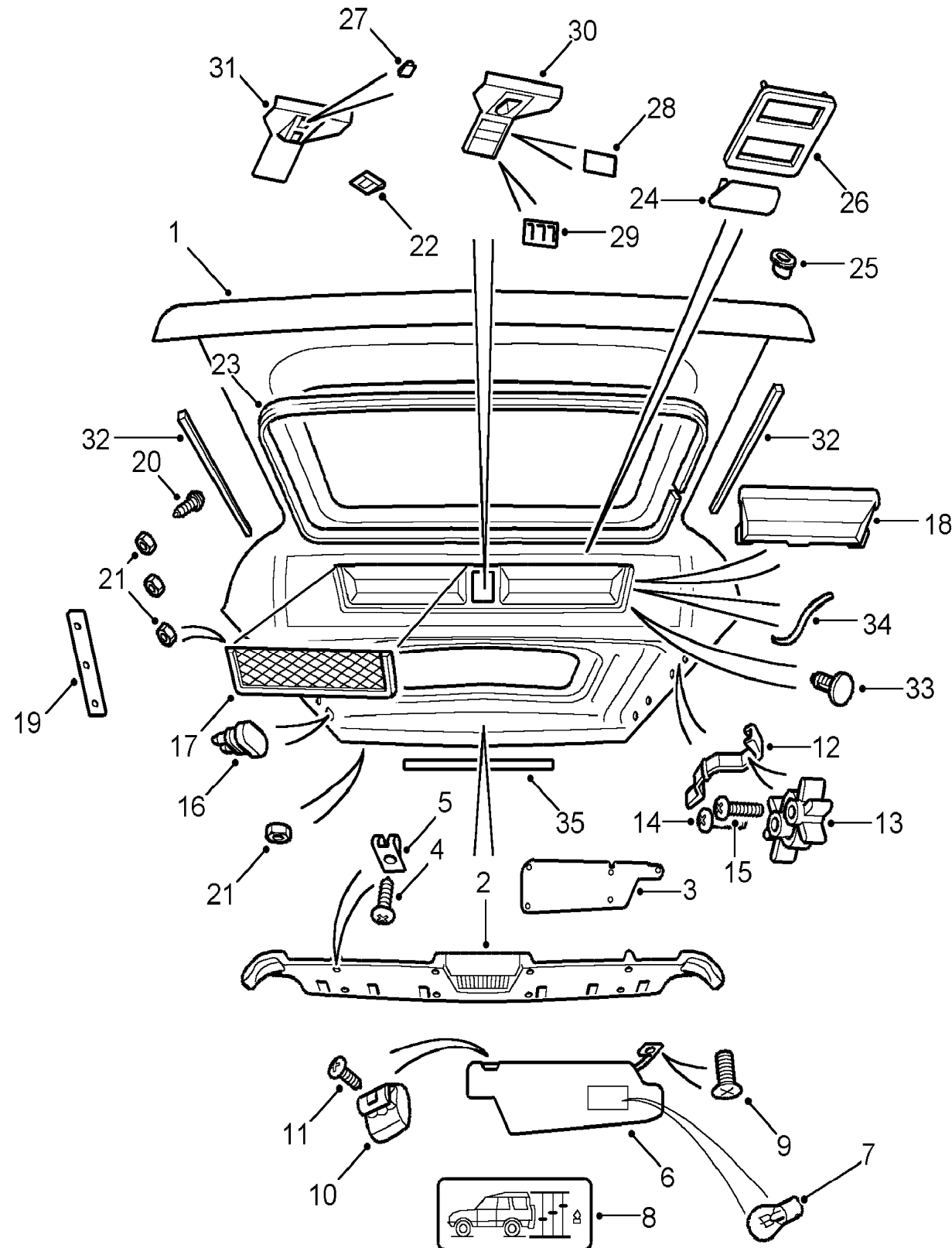


Callout	Name	Application	Remarks & Restrictions	Service No.	Qty
21	Nut - Hex.	Change point - VIN begin MA081992		BTR9905	X
22	Bracket-sunroof mounting	Change point - VIN begin MA081992		AWR1184	1
23	Finisher-sunroof		Mist Grey	BTR7027LUM	1
24	Plate	Change point - VIN begin MA081992	B post alarm, Mist Grey	BTR7006LUM	1
25	Nut-lokut	Change point - VIN begin MA081992		DRC5582	4
26	Moulding-centre roof lamp	Change point - VIN begin MA081992, Less Sun Roof		BTR5351LUM	2
27	Plug-roof trim blanking	Change point - VIN begin MA081992	Mist Grey	BTR6983LUM	1
28	Plate-switch pack blanking	Change point - VIN begin MA081992, Less Electrically Operated Sunroof	Mist Grey	BTR6985LUM	2
29	Bezel	Change point - VIN begin MA081992	Mist Grey	BTR6984LUM	2
30	Moulding-centre roof lamp	Change point - VIN begin LA081991, Change point - VIN end WA746549, Dual Zone Air/Con Manual Control, With Sunroof Change point - VIN begin MA081992, Change point - VIN end WA746549	Mist Grey	BTR5355LUM BTR4542LUM	1 1
31	Bezel-sunroof switch	Change point - VIN begin LA081991, Change point - VIN end WA746549, Dual Zone Air/Con Manual Control, With Sunroof Change point - VIN begin MA081992, Change point - VIN end WA746549	Mist Grey	BTR5356LUM BTR4543LUM	1 1
32	Foam-pad-self adhesive	Change point - VIN begin MA081992		AWR1400	4
33	Fastener-headlining fir tree	Change point - VIN begin MA081992, Less Sun Roof	Mist Grey	JPC4651LUM	2
34	Bracket-headlining support	Change point - VIN begin MA081992, Less Sun Roof		BTR9611	2
35	Seal	Change point - VIN begin MA081992		BTR2913	1

Interior Trim
Trim
Headlining 7/8

Discovery (FA393361-WA799999)

(CAPXKA1B)



CAPXKA1B

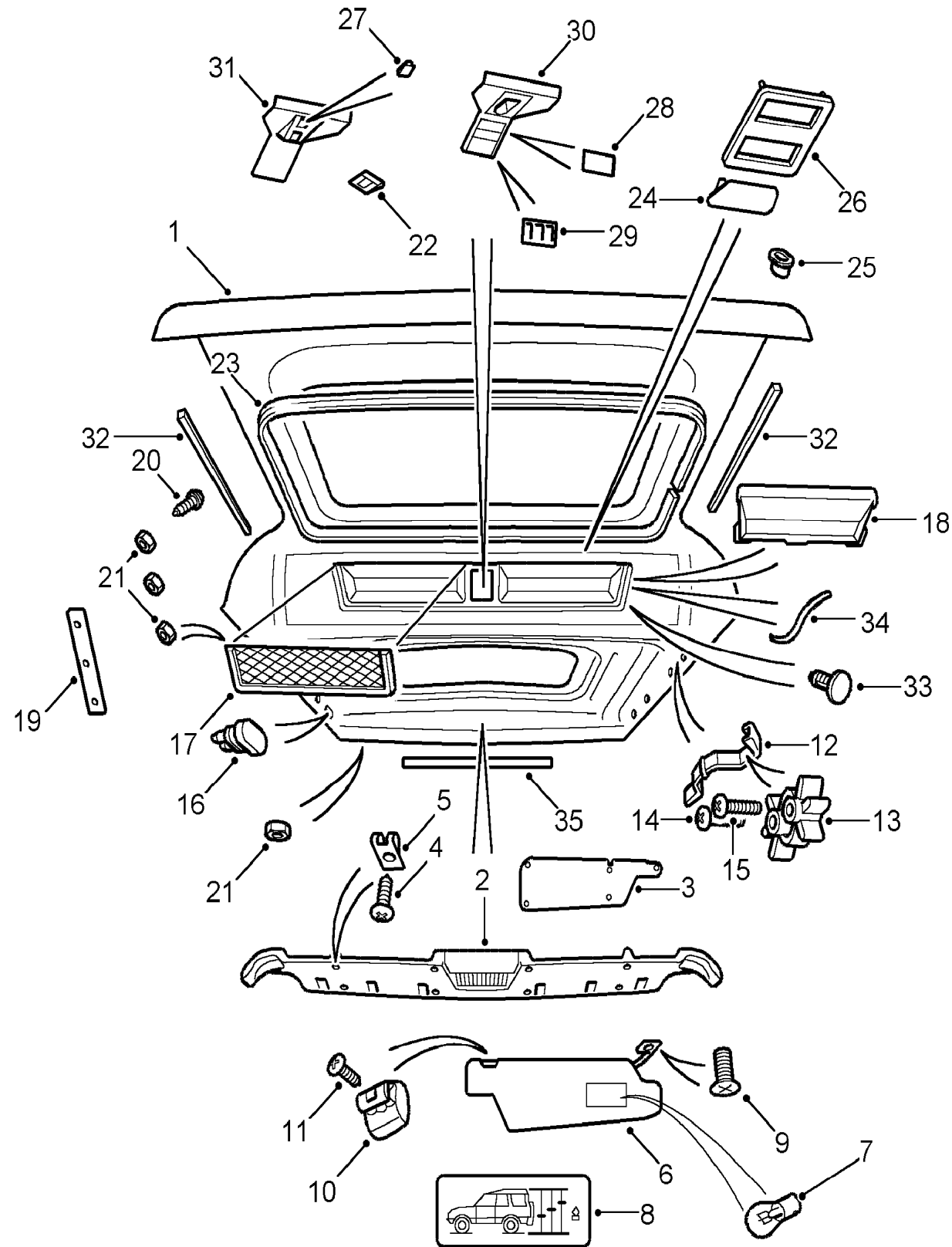
Discovery (FA393361-WA799999)

Interior Trim
Trim
Headlining

Callout	Name	Application	Remarks & Restrictions	Service No.	Qty
[900]	Sunvisor assembly-front header	Change point - VIN begin TA163100, Change point - VIN end VA543183, Manual Transmission, RHD, (-)"AUS"	RH, Mist Grey, with illuminated mirror, less height label, less air bag warning label	AWR2172LUM	1
		Change point - VIN begin TA501920, Change point - VIN end VA712444, Manual Transmission, RHD, (-)"AUS"	RH, Mist Grey, with illuminated mirror, less height label, less air bag warning label	AWR2172LUM	1
		Change point - VIN begin TA163100, Change point - VIN end VA543183, Manual Transmission, RHD, (-)"AUS"	Mist Grey, with illuminated mirror, less height label, less air bag warning label, LH	AWR2171LUM	1
		Change point - VIN begin TA501920, Change point - VIN end VA712444, Manual Transmission, RHD, (-)"AUS"	Mist Grey, with illuminated mirror, less height label, less air bag warning label, LH	AWR2171LUM	1
		Change point - VIN begin TA163100, Change point - VIN end VA543183, LHD	RH, Mist Grey, with illuminated mirror, less height label, less air bag warning label	AWR2170LUM	1
		Change point - VIN begin TA501920, Change point - VIN end VA712444, LHD	RH, Mist Grey, with illuminated mirror, less height label, less air bag warning label	AWR2170LUM	1
		Change point - VIN begin TA163100, Change point - VIN end VA543183, LHD	Also serviced as part of a kit, Mist Grey, with illuminated mirror, less height label, less air bag warning label, LH	AWR2169LUM	1
		Change point - VIN begin TA501920, Change point - VIN end VA712444, LHD	Also serviced as part of a kit, Mist Grey, with illuminated mirror, less height label, less air bag warning label, LH	AWR2169LUM	1
		LHD, With 49 State Emission Requirements	RH, Mist Grey, with airbag warning label, With Height Label, with mirror	EDQ104900LUM	1
		LHD, (+)"CDN"	Mist Grey, with illuminated mirror, with airbag warning label, With Height Label, LH	EDQ104910LUM	1
		LHD, (+)"CDN"	RH, Mist Grey, with illuminated mirror, with airbag warning label, With Height Label	EDQ104920LUM	1
		Change point - VIN begin VA742062, LHD	RH, Mist Grey, with illuminated mirror, less height label, with airbag warning label	EDQ104940LUM	1
		Change point - VIN begin VA742062, LHD	LH	EDQ104950LUM	1
		Change point - VIN begin MA081992, LHD	Mist Grey, less height label, with airbag warning label, less mirror, LH	EDQ104840LUM	1
		[902]	Clip-sunvisor retainer		Mist Grey
[903]	Foam-pad-self adhesive			EEK100280	4
[904]	Moulding lamp interior-map	Less Sun Roof	Mist Grey	EHI100060LUM	2

Interior Trim
Trim
Headlining 8/8

Discovery (FA393361-WA799999)
(CAPXKA1B)



Discovery (FA393361-WA799999)

Interior Trim
Trim
Headlining

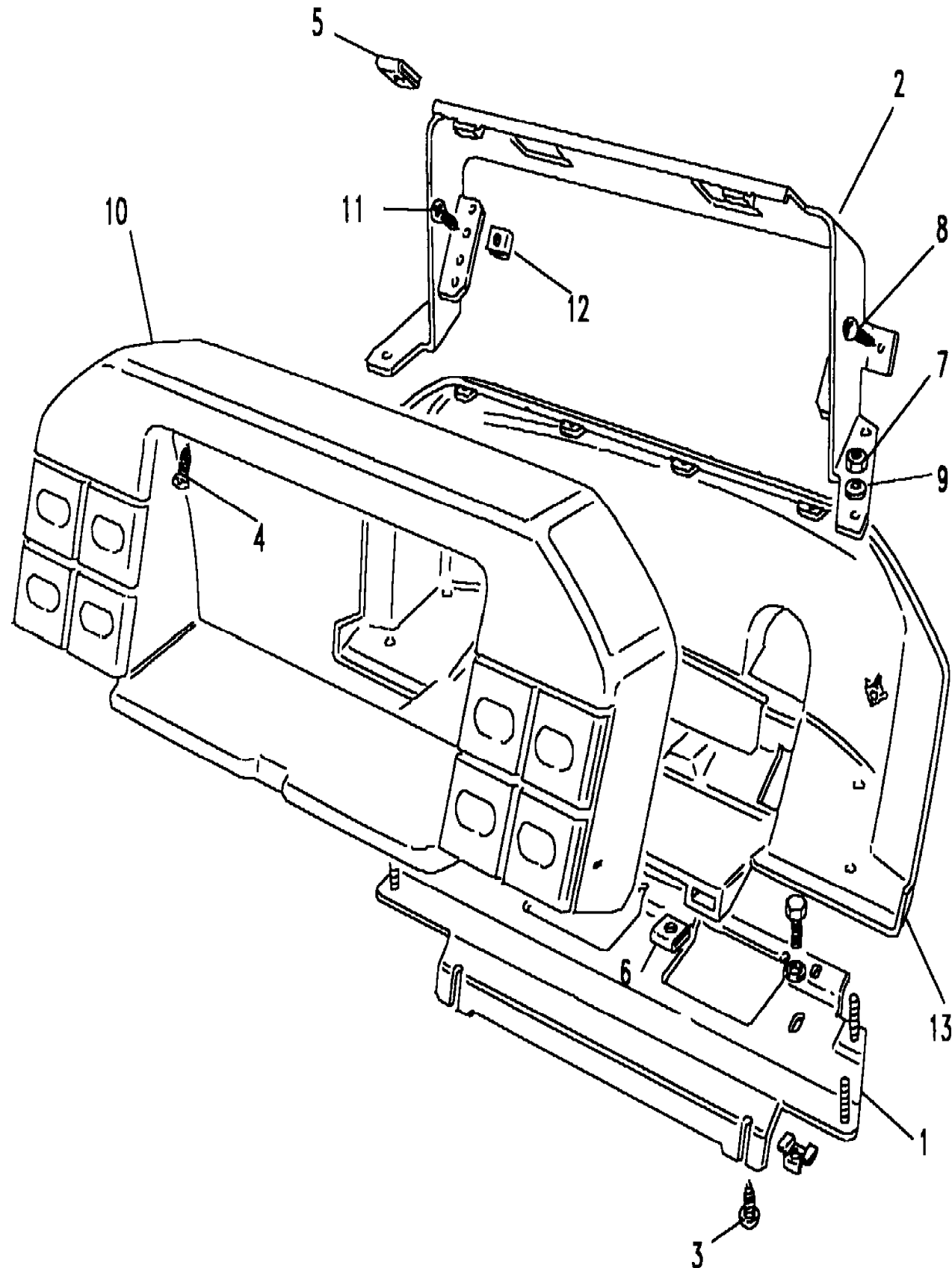
Callout	Name	Application	Remarks & Restrictions	Service No.	Qty
[905]	Velcro-hook	Change point - VIN begin MA081992	Mist Grey	AWR4646LUM	2
[906]	Hexsert	Change point - VIN end JA034313 Change point - VIN begin KA034314		MXC3271 BTR6580	6 6
[907]	Hook-roof trim coat/grab handle		Ash Grey	PAM5522LNF	2
[908]	Kit-trunk tidy net			STC1223	2

Interior Trim
Trim
Instrument Binnacle Mounting 1/1

Discovery (FA393361-WA799999)
(CAPXAA4A)

Discovery (FA393361-WA799999)

Interior Trim
Trim
Instrument Binnacle Mounting



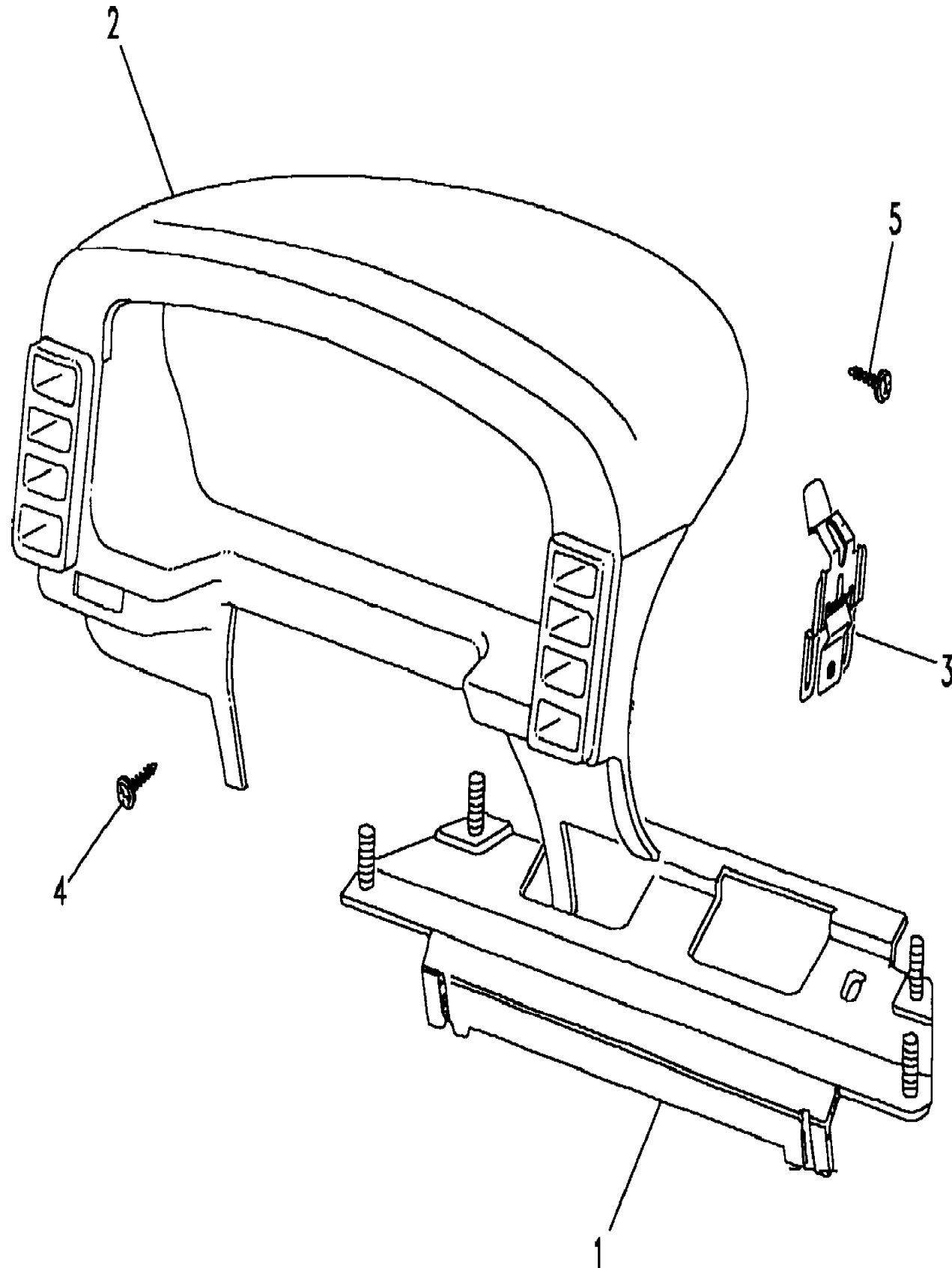
Callout	Name	Application	Remarks & Restrictions	Service No.	Qty
1	Bracket-facia instrument mounting	Change point - VIN end LA081991	Lower	MWC7785	1
2	Bracket-facia instrument mounting	Change point - VIN end LA081991		MXC6185	1
3	Screw	Change point - VIN end LA081991	Self Tapping, No 6 x 1/2	AB606041L	2
4	Screw-self tapping	Change point - VIN end LA081991		AC606034	2
5	Nut-spring-u type	Change point - VIN end LA081991		AK606021L	2
6	Nut-spring-u type	Change point - VIN end LA081991	No 6	AK606031	2
7	Nut-hexagonal	Change point - VIN end LA081991	M5	NH105041L	4
8	Screw		M4 x 12	SE104124L	2
9	Washer	Change point - VIN end LA081991	M5, Plain, Standard	WA105001L	4
10	Cowl assembly instrument pack	Change point - VIN end LA081991	Sonar Blue	MWC9107JUL	1
		Change point - VIN end LA081991	Bahama Beige	MWC9107SUC	1
11	Screw-self tapping	Change point - VIN end LA081991		AC606034	2
12	Nut-spring-u type	Change point - VIN end LA081991		AK606091	2
13	Cover-instrument pack rear	Change point - VIN end JA034313, RHD	Ash Grey	MWC9108LUN	1
		Change point - VIN end JA034313, LHD	Ash Grey	MWC9109LUN	1
		Change point - VIN begin KA034314, Change point - VIN end LA081991, RHD	Ash Grey	MWC9108LNF	1
		Change point - VIN begin KA034314, Change point - VIN end LA081991, LHD	Ash Grey	MWC9109LNF	1

Interior Trim
Trim
Instrument Binnacle Mounting (Cont) 1/1

Discovery (FA393361-WA799999)
(CAPXAA6B)

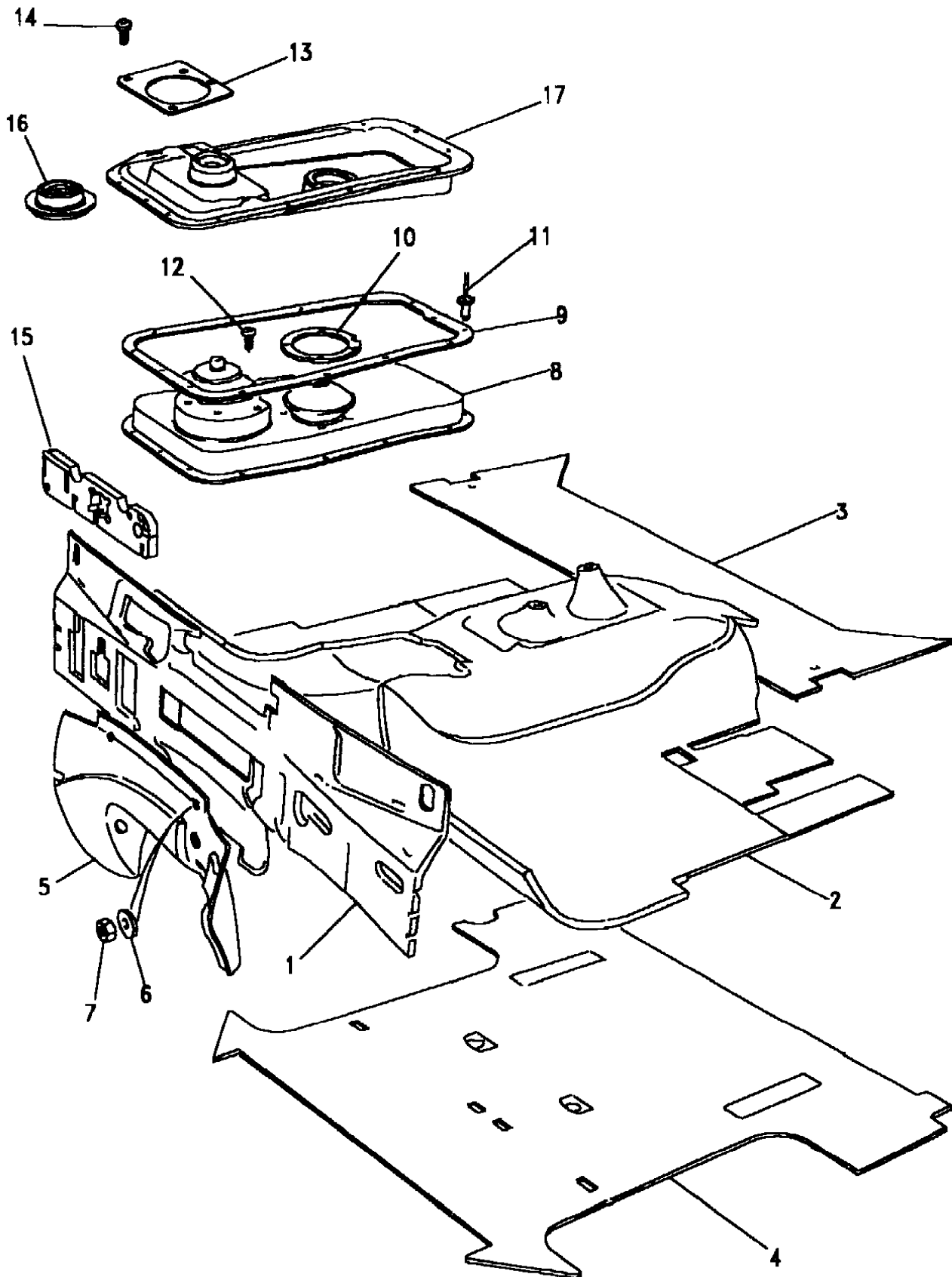
Discovery (FA393361-WA799999)

Interior Trim
Trim
Instrument Binnacle Mounting (Cont)



Callout	Name	Application	Remarks & Restrictions	Service No.	Qty
1	Bracket-facia instrument mounting	Change point - VIN begin MA081992, Change point - VIN end MA146407	NO LONGER AVAILABLE	BTR6837	1
		Change point - VIN begin MA146408		AWR3007	1
				FDR000020	1
2	Cowl assembly instrument pack	Change point - VIN begin MA081992	Dark Granite, without dimmer switch aperture	BTR8731LOY	1
		Change point - VIN begin MA081992	Bahama Beige, without dimmer switch aperture	BTR8731SUC	1
		Change point - VIN begin MA081992	Dark Granite, with dimmer switch aperture	BTR8732LOY	1
		Change point - VIN begin MA081992	Bahama Beige, with dimmer switch aperture	BTR8732SUC	1
3	Clip	Change point - VIN begin MA081992, Change point - VIN end TA195772		BTR6836	2
		Change point - VIN begin MA081992, Change point - VIN end TA526563		BTR6836	2
		Change point - VIN begin TA195773		AWR4781	2
		Change point - VIN begin TA526564		AWR4781	2
4	Screw	Change point - VIN begin MA081992	1/2"	AC608041	4
5	Screw	Change point - VIN begin MA081992	5/8"	AC606054L	2

Callout	Name	Application	Remarks & Restrictions	Service No.	Qty		
1	Pad-front bulkhead insulation	Change point - VIN end HA012332, RHD		BTR298	1		
		Change point - VIN begin JA012333, Change point - VIN end JA018359, RHD		BTR2053	1		
		Change point - VIN begin JA018360, Change point - VIN end KA039423, RHD		BTR3609	1		
		Change point - VIN begin KA039424, Change point - VIN end LA081991, RHD		BTR4552	1		
		Change point - VIN begin MA081992, Change point - VIN end TA532896, RHD		BTR9369	1		
		Change point - VIN begin MA081992, Change point - VIN end TA702052, RHD		BTR9369	1		
		Change point - VIN begin TA532897, RHD		AWR5327	1		
		Change point - VIN begin TA702053, RHD		AWR5327	1		
		Change point - VIN end HA012332, LHD		BTR296	1		
		Change point - VIN begin JA012333, Change point - VIN end JA018803, LHD		BTR2052	1		
		Change point - VIN begin JA018804, Change point - VIN end KA039487, LHD		BTR3608	1		
		Change point - VIN begin KA039488, Change point - VIN end LA081991, LHD		BTR4553	1		
		Change point - VIN begin MA081992, Change point - VIN end TA532896, LHD		BTR9368	1		
		Change point - VIN begin MA081992, Change point - VIN end TA702052, LHD		BTR9368	1		
		Change point - VIN begin TA532897, LHD		AWR5328	1		
		Change point - VIN begin TA702053, LHD		AWR5328	1		
		2	Pad-front floor insulation	Change point - VIN end LA081991		BTR3483	1
				Change point - VIN begin MA081992, Change point - VIN end MA163103		BTR9379	1
				Change point - VIN begin TA163104		AWR3906	1
				Change point - VIN begin TA501920		AWR3906	1
3	Pad-heelboard insulation	Change point - VIN begin TA163104		MXC2685	1		
		Change point - VIN begin TA501920		MXC2685	1		
		Change point - VIN begin MA081992		BTR8111	1		
4	Pad-load floor insulation	Change point - VIN begin TA163104		MXC2686	1		



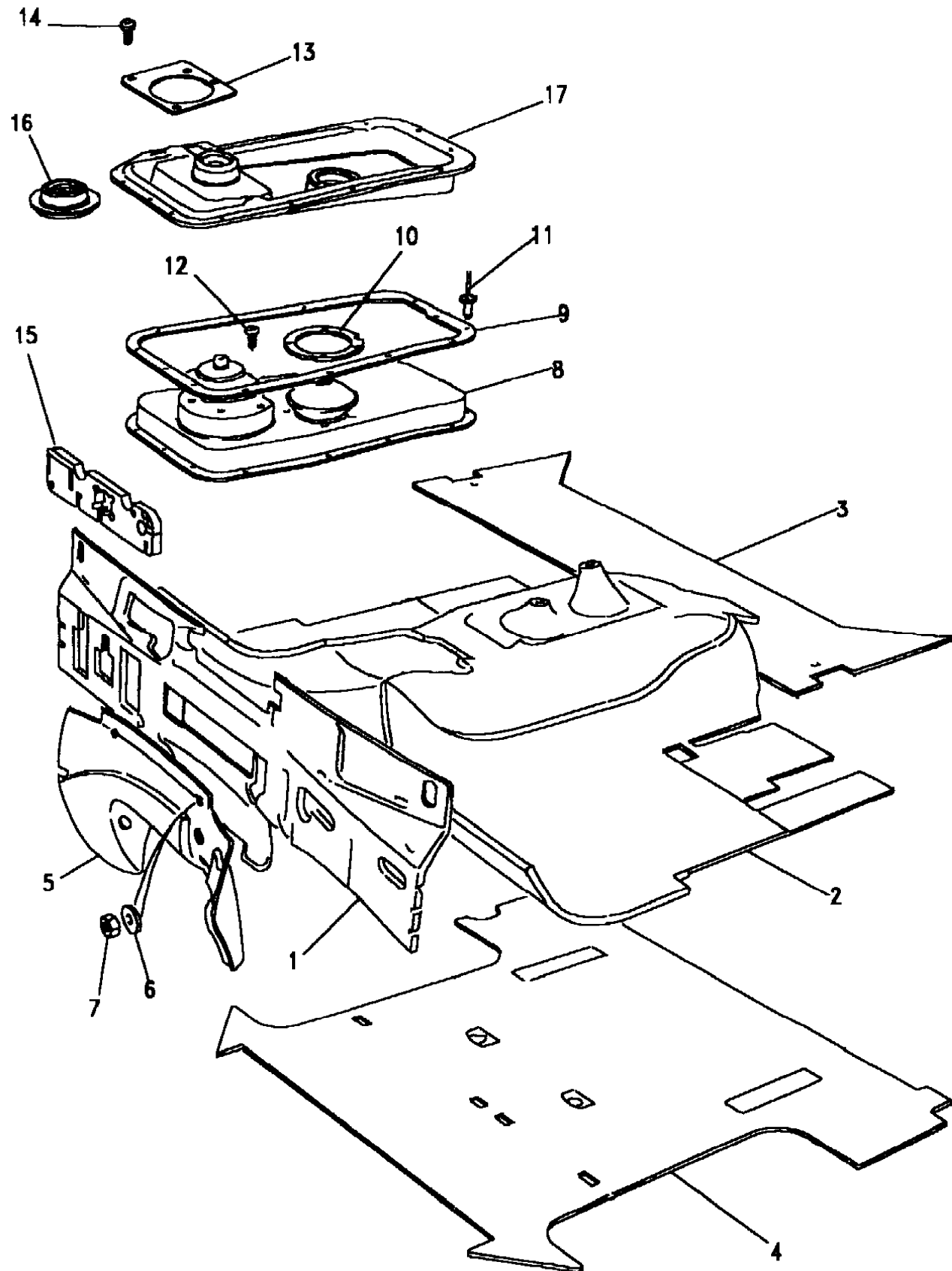
Interior Trim
Trim
Insulation-Front 2/3

Discovery (FA393361-WA799999)
(CAPXMA1A)

Discovery (FA393361-WA799999)

Interior Trim
Trim
Insulation-Front

Callout	Name	Application	Remarks & Restrictions	Service No.	Qty
4	Pad-load floor insulation	Change point - VIN begin TA501920		MXC2686	1
		Change point - VIN end JA018151, 5 Door Station Wagon		BTR302	1
		Change point - VIN begin JA018152		BTR3319	1
		Change point - VIN begin MA081992		BTR8239	1
5	Pad-insulation engine bay	Change point - VIN end JA034313		BTR4228	1
		Change point - VIN begin KA034314		BTR3316	1
		Change point - VIN begin MA081992		BTR8321	1
6	Washer		Also serviced as part of a kit, M5, oversize, Plain	WJ105001L	2
7	Nut-hexagonal		M5	NH105041L	2
8	Gaiter-gear lever assembly inner	Change point - VIN end JA034313		MUC6806	1
		Change point - VIN begin KA034314		BTR2883	1
		Change point - VIN begin MA081992		BTR9218	1
9	Retainer-gear lever assembly gaiter	Change point - VIN end LA081990		MUC9281	1
		Change point - VIN begin MA081992		BTR8907	1
10	Retainer-gear lever assembly gaiter			MUC3664	1
11	Rivet		3/16" x 0.575"Ing 4.8mm diameter	RU612373L	11
		Change point - VIN begin MA081992		BTR8535	12
12	Screw-self tapping		No 12 x 5/8	AB612051L	2
13	Retainer-gear lever assembly gaiter	MPI		MTC7586	1
		Change point - VIN begin MA081992	(-) MPI	BTR9814	1
14	Screw	MPI	M6 X 16	SE106161L	2
15	Pad-front bulkhead insulation	Change point - VIN begin MA081992		BTR8633	1
16	Gaiter-gear lever assembly inner	Change point - VIN end LA081990		BTR8323	1
		Change point - VIN begin MA081992		BTR9813	1
17	Gaiter-gear lever assembly inner	Change point - VIN begin MA081992		BTR9858	1



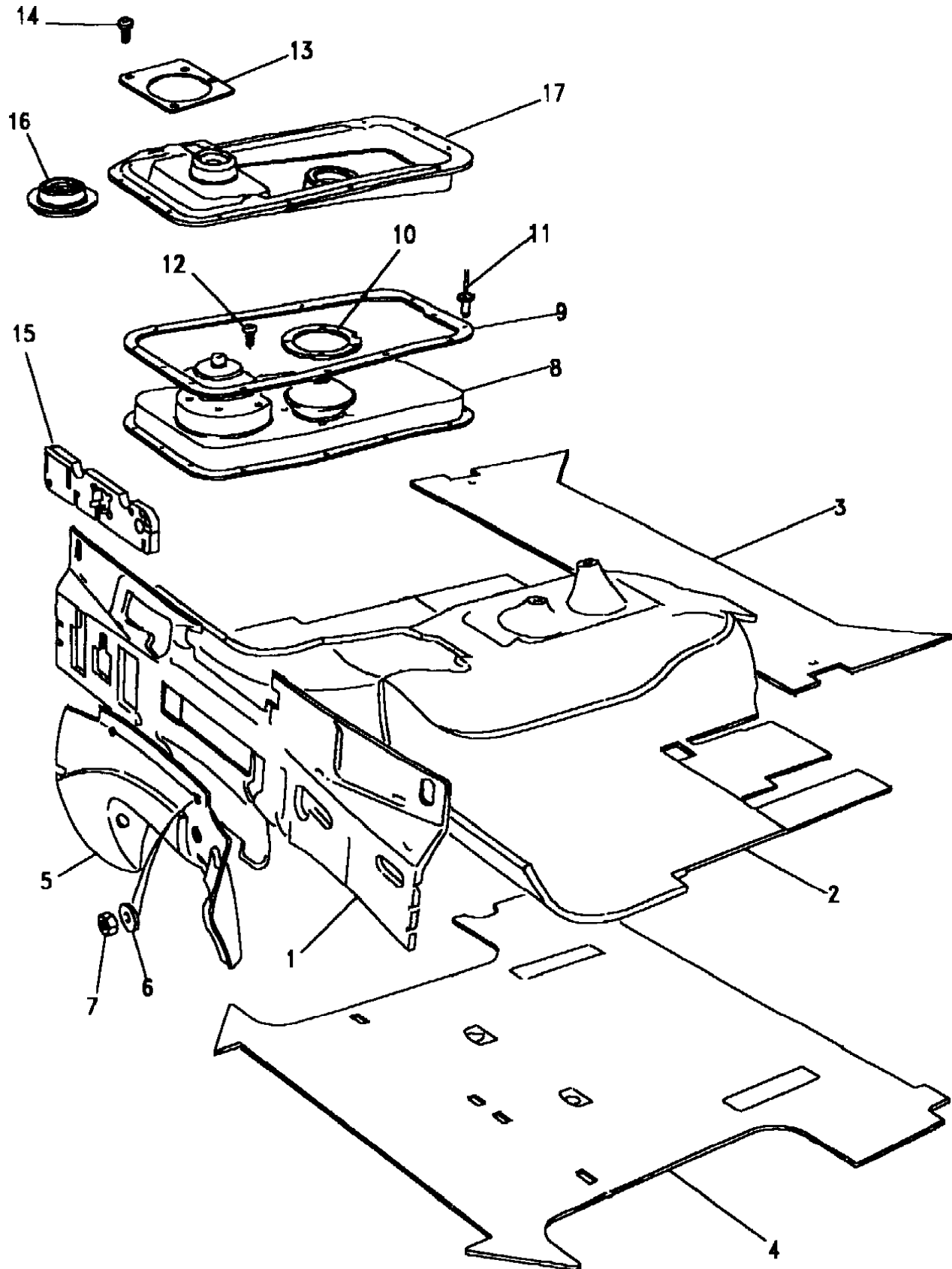
Interior Trim
Trim
Insulation-Front 3/3

Discovery (FA393361-WA799999)
(CAPXMA1A)

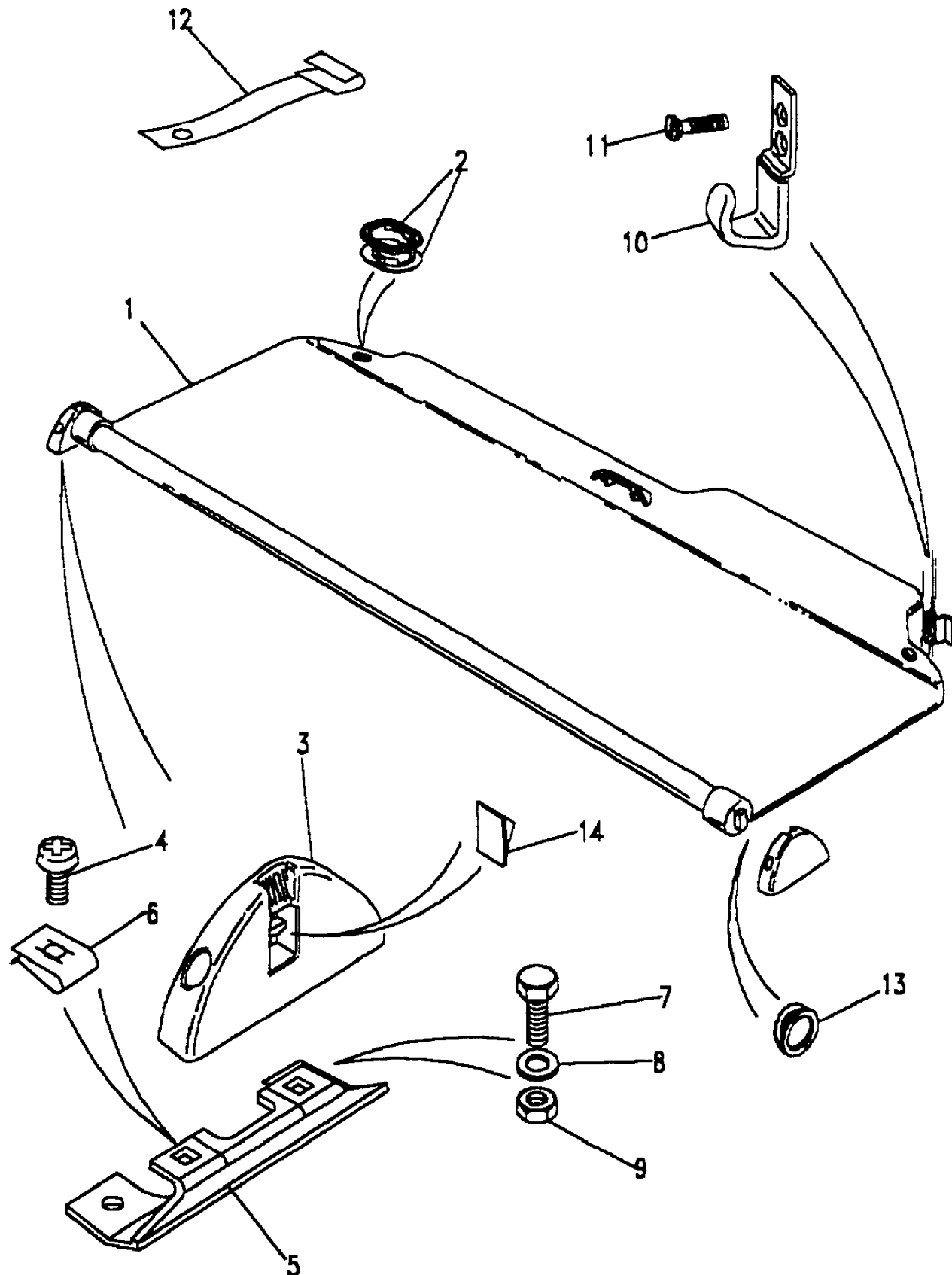
Discovery (FA393361-WA799999)

Interior Trim
Trim
Insulation-Front

Callout	Name	Application	Remarks & Restrictions	Service No.	Qty
[900]	Clip-Trim			BTR5200	4
[901]	Nut-flange-self thread			YYH100110	4



Callout	Name	Application	Remarks & Restrictions	Service No.	Qty		
1	Kit-cover-loadspace	Change point - VIN end LA081991	Also serviced as part of a kit	RTC9561	1		
		Change point - VIN end LA081991	Also serviced as part of a kit, Sonar Blue	RTC9561JUL	1		
		Change point - VIN end LA081991	Also serviced as part of a kit, Bahama Beige	RTC9561SUC	1		
		Change point - VIN begin MA081992, Less Rear Air Conditioning	Also serviced as part of a kit, Dark Granite	RTC9561LOY	1		
		Change point - VIN begin MA081992, Less Rear Air Conditioning	Also serviced as part of a kit, Bahama Beige	RTC9561SUC	1		
		Change point - VIN begin MA081992, Change point - VIN end VA730340, With Rear Air Conditioning	Also serviced as part of a kit, Dark Granite	BTR7248LOY	1		
		Change point - VIN begin MA081992, Change point - VIN end VA731089, With Rear Air Conditioning	Also serviced as part of a kit, Bahama Beige	BTR7248SUC	1		
		Change point - VIN begin VA730341, With Rear Air Conditioning	Dark Granite	ERK100280LOY	1		
		Change point - VIN begin VA731090, With Rear Air Conditioning	Bahama Beige	ERK100280SUC	1		
		2	Grommet	Change point - VIN end LA081991	Also serviced as part of a kit	STC189	1
				3	Block-load space cover-retaining	With Rear Air Conditioning	Ash Grey
		With Rear Air Conditioning	Sonar Blue			MXC6287JUL	2
		Change point - VIN end VA731089, With Rear Air Conditioning	Bahama Beige			MXC6287SUC	2
Change point - VIN begin VA731090, With Rear Air Conditioning	Bahama Beige	ESI100020SUC	2				
Change point - VIN begin MA081992, Change point - VIN end VA730340, With Rear Air Conditioning	Dark Granite	MXC6287LOY	2				
Change point - VIN begin VA730341, With Rear Air Conditioning	Dark Granite	ESI100020LOY	2				
4	Screw	With Rear Air Conditioning	M5			SE105204	4
		5	Bracket-load space cover retaining block	With Rear Air Conditioning	MXC7709	2	
6	Nut-spring-u type			With Rear Air Conditioning	AK608141L	4	
		7	Screw-flanged head	With Rear Air Conditioning	M6 X 16, Flanged Head	FS106167L	4
8	Washer			With Rear Air Conditioning	6MM	WA106041L	8



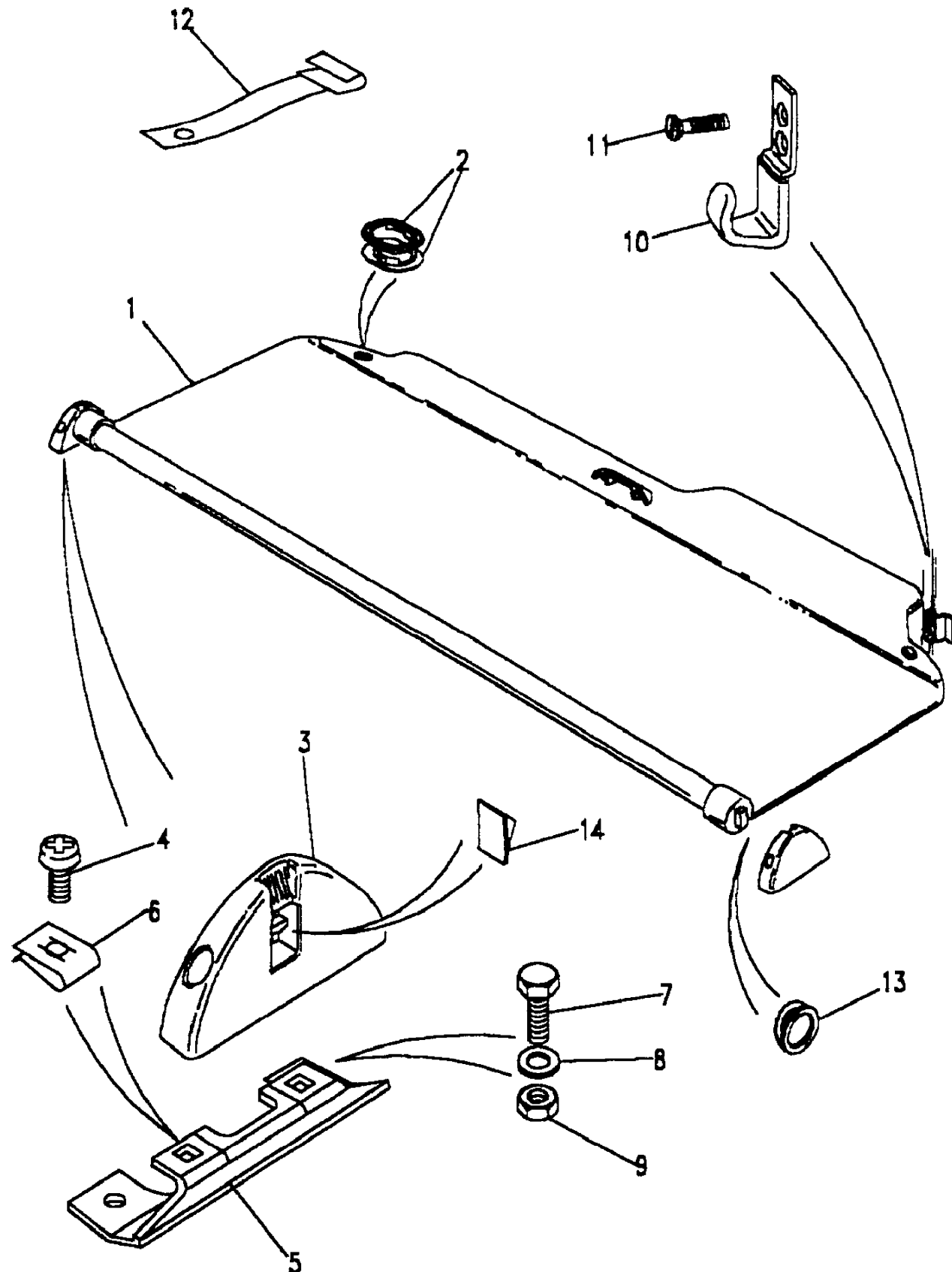
Interior Trim
Trim
Loadspace Cover 2/2

Discovery (FA393361-WA799999)
(CAPXCE1A)

Discovery (FA393361-WA799999)

Interior Trim
Trim
Loadspace Cover

Callout	Name	Application	Remarks & Restrictions	Service No.	Qty
9	Nut - Hex.	With Rear Air Conditioning	M6, nyloc, Hexagonal	NH106041L	4
10	Hook-loadspace cover	Change point - VIN end JA034313 Change point - VIN begin KA034314, Change point - VIN end MA108499 Change point - VIN begin MA108500	Ash Grey Ash Grey	MXC7585LUN MXC7585LNF STC2836	2 2 2
11	Screw			GJ105201	4
12	Strap-load space cover securing	Change point - VIN end JA024683 Change point - VIN begin JA024684 Change point - VIN begin JA024684 Change point - VIN begin MA081992, Change point - VIN end TA193805 Change point - VIN begin MA081992, Change point - VIN end TA524596 Change point - VIN begin TA193806 Change point - VIN begin TA524597	Ash Grey Sonar Blue Bahama Beige Dark Granite Dark Granite Black	MXC8112LUN MXC8112JUL MXC8112SUC MXC8112LOY MXC8112LOY STC3642PMA AWR5219 AWR5219	1 1 1 1 1 1 1 1
13	Pad-anti rattle		loadspace, Velour	AWR6975	1
14	Ring-loadspace anti rattle			EPL100030	1
[900]	Hook-loadspace cover		Ash Grey	MXC7585LNF	2



Interior Trim
Trim
Lower Facia & Centre Console-To (V) LA081991 1/3

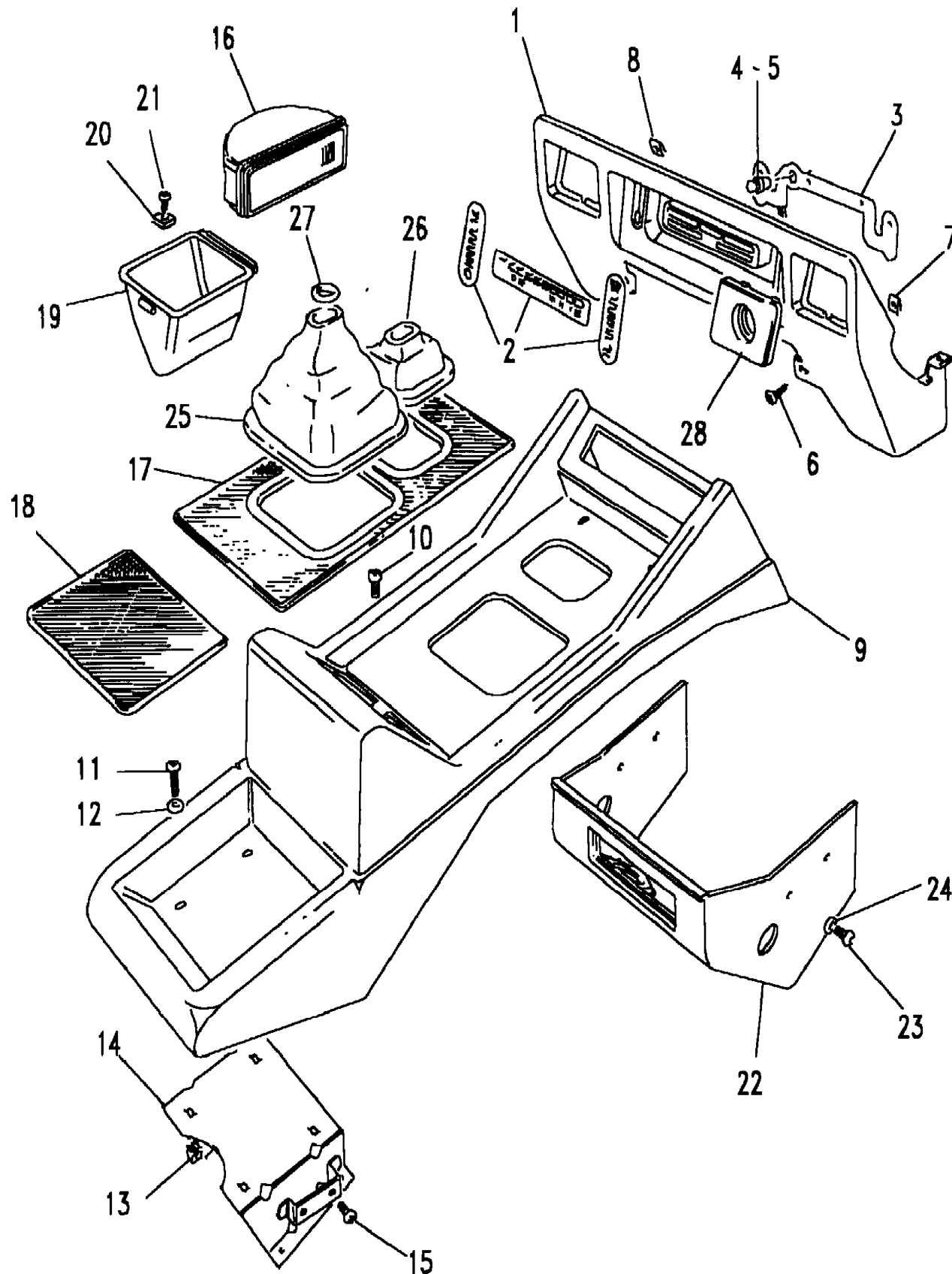
Discovery (FA393361-WA799999)

(CAPXAC1B)

Discovery (FA393361-WA799999)

Interior Trim
Trim

Lower Facia & Centre Console-To (V) LA081991
Change point - VIN end LA081991



Callout	Name	Application	Remarks & Restrictions	Service No.	Qty		
1	Panel assembly-facia console	Less Air Conditioning	Also serviced as part of a kit, Sonar Blue	BTR3672JUL	1		
		Change point - VIN end JA024656, Less Air Conditioning	Also serviced as part of a kit, Bahama Beige	MWC4054SUC	1		
		Change point - VIN begin JA024657, Change point - VIN end LA081991, Less Air Conditioning	Also serviced as part of a kit, Bahama Beige	BTR3672SUC	1		
		Change point - VIN end JA025549, With Air Conditioning	Also serviced as part of a kit, Sonar Blue	MWC8755JUL	1		
		Change point - VIN begin JA025550, Change point - VIN end LA081991, With Air Conditioning	Also serviced as part of a kit, Sonar Blue	BTR3673JUL	1		
		Change point - VIN end JA024656, With Air Conditioning	Also serviced as part of a kit, Bahama Beige	MWC8755SUC	1		
		Change point - VIN begin JA024657, Change point - VIN end LA081991, With Air Conditioning	Also serviced as part of a kit, Bahama Beige	BTR3673SUC	1		
		2	Kit-vehicle label	Change point - VIN begin JA024657, Change point - VIN end LA081991, With Air Conditioning	Also serviced as part of a kit	RTC6548	1
		3	Printed circuit board instrument pack	Change point - VIN begin JA024657, Change point - VIN end LA081991, With Air Conditioning	Also serviced as part of a kit	PRC7394	1
4	Bulb & holder assembly	Change point - VIN begin JA024657, Change point - VIN end LA081991, With Air Conditioning	Also serviced as part of a kit, Brown, Short, with tachometer	PRC7451	3		
5	Bulb-wedge illumination	Change point - VIN begin JA024657, Change point - VIN end LA081991, With Air Conditioning	Also serviced as part of a kit, 1.2 WATT, 12V	RTC3635	3		
6	Screw-self tapping		M8 x 10	DA608031L	6		
7	Nut-spring-u type			AK608051L	2		
8	Nut-spring-u type			AK608051L	2		
9	Console-tunnel base	Manual Transmission, Less Rear Air Conditioning	Sonar Blue	MWC8022JUL	1		
		Manual Transmission, Less Rear Air Conditioning	Bahama Beige	MWC8022SUC	1		
		Manual Transmission, With Rear Air Conditioning	Sonar Blue	BTR5070JUL	1		

Interior Trim
Trim
Lower Facia & Centre Console-To (V) LA081991 2/3

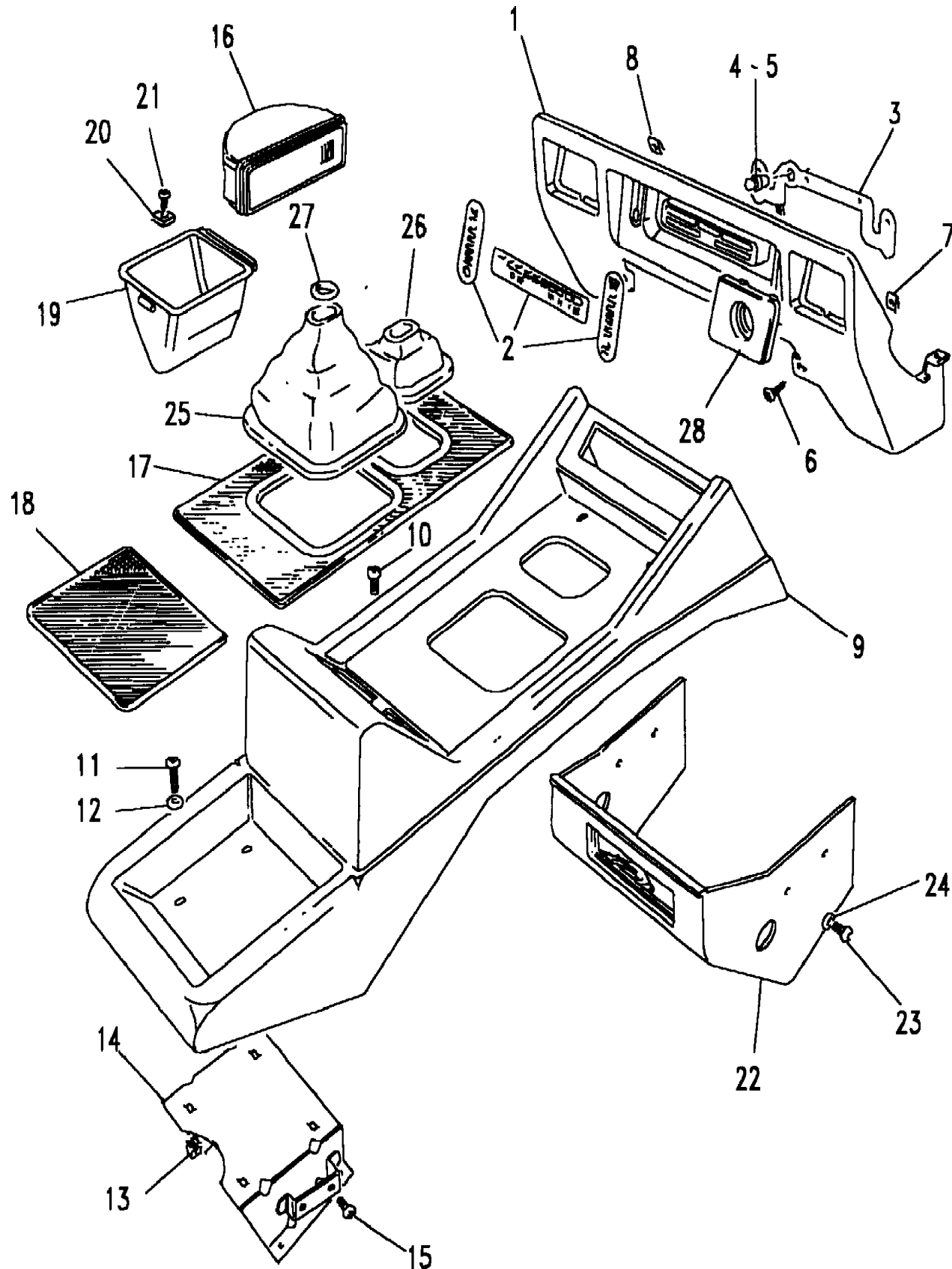
Discovery (FA393361-WA799999)

(CAPXAC1B)

Discovery (FA393361-WA799999)

Interior Trim
Trim

Lower Facia & Centre Console-To (V) LA081991
Change point - VIN end LA081991



Callout	Name	Application	Remarks & Restrictions	Service No.	Qty
9	Console-tunnel base	Manual Transmission, With Rear Air Conditioning	Bahama Beige	BTR5070SUC	1
		Automatic Transmission, Less Rear Air Conditioning	Sonar Blue	BTR1509JUL	1
		Automatic Transmission, Less Rear Air Conditioning	Bahama Beige	BTR1509SUC	1
		Automatic Transmission, With Rear Air Conditioning	Sonar Blue	BTR5071JUL	1
		Automatic Transmission, With Rear Air Conditioning	Bahama Beige	BTR5071SUC	1
10	Screw		M5	SE105101L	1
11	Screw			SE105201L	6
12	Washer		M5, Plain, Large	WC105001L	7
13	Nut - Hex.			NK105061	4
14	Bracket-front seat belt console mounting			MWC9139	1
15	Screw		M5	SE105101L	4
16	Ashtray assembly-facia console			MXC6930	1
17	Mat-center console	Manual Transmission	Black	MWC8028PMA	1
		Automatic Transmission	Black	BTR1510PMA	1
18	Mat-center console		Black	MWC8029PMA	1
19	Bin assembly-tunnel console stowage		Ash	MWC8360LUN	1
			Ash Grey	MWC8360LNF	1
20	Nut-spring-u type			AK606091	2
21	Screw			DA606034L	2
22	Finisher-tunnel console front	(-) Leisure	Sonar Blue	MWC9326JUL	1
			Bahama Beige	MWC9326SUC	1
		Leisure	Sonar Blue	MXC8236JUL	1
23	Screw			SE105104L	4
24	Washer			WC105007L	1

Interior Trim
Trim
Lower Facia & Centre Console-To (V) LA081991 3/3

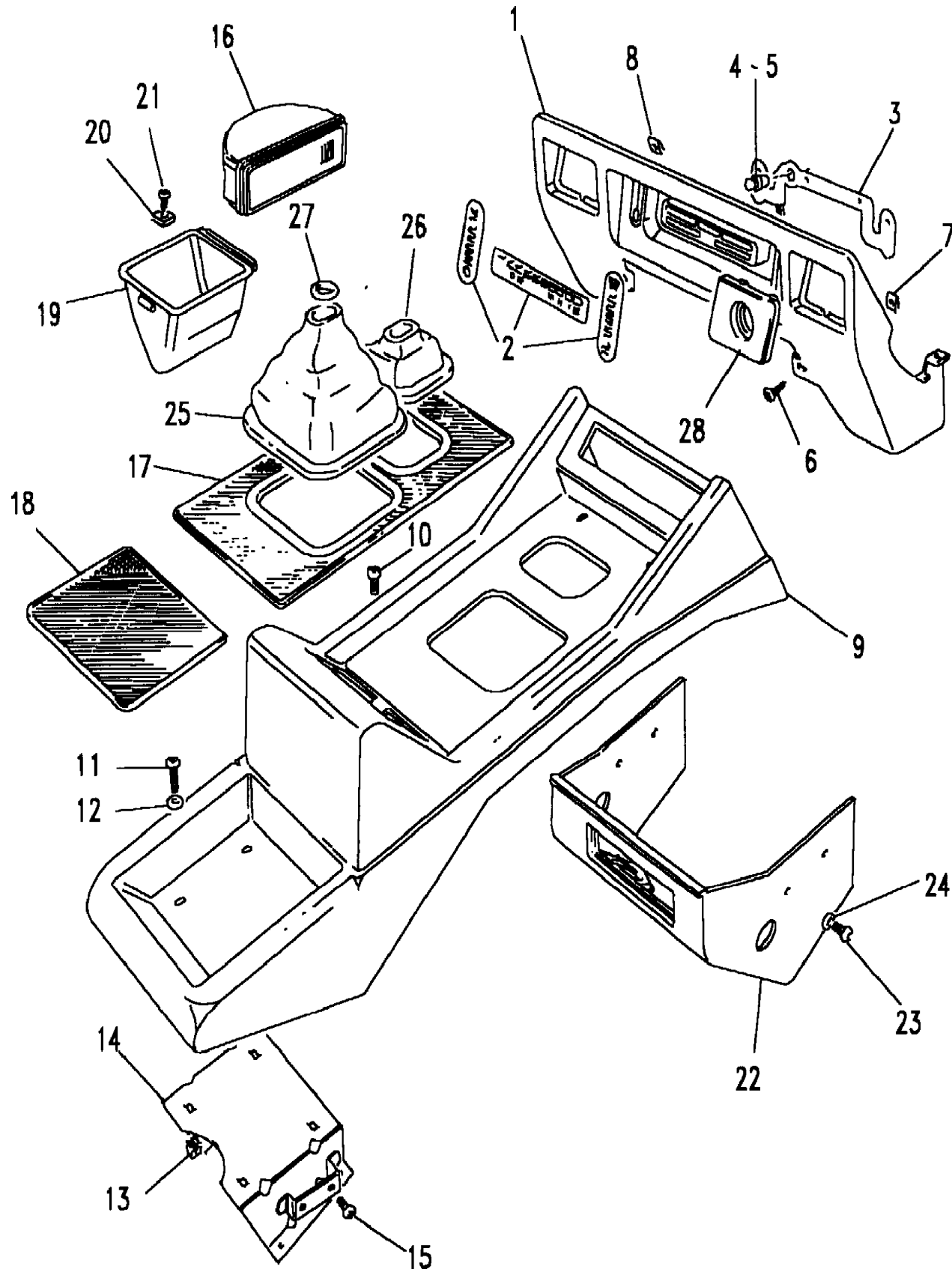
Discovery (FA393361-WA799999)
(CAPXAC1B)

Discovery (FA393361-WA799999)

Interior Trim
Trim

Lower Facia & Centre Console-To (V) LA081991
Change point - VIN end LA081991

Callout	Name	Application	Remarks & Restrictions	Service No.	Qty
25	Gaiter-gear lever assembly	Change point - VIN end JA034313	Ash Grey	MXC2184LUN	1
		Change point - VIN begin KA034314, Change point - VIN end LA081991	Ash Grey	MXC2184LNF	1
26	Gaiter-hi/low lever	Change point - VIN end JA034313	Ash Grey	MXC2187LUN	1
		Change point - VIN begin KA034314, Change point - VIN end LA081991	Ash Grey	MXC2187LNF	1
27	Retainer-gear lever assembly gaiter		Upper	BTR7958	2
28	Bezel-facia instrument		Black	MWC9110PMA	1



Interior Trim
Trim
Rear Air Conditioning 1/1

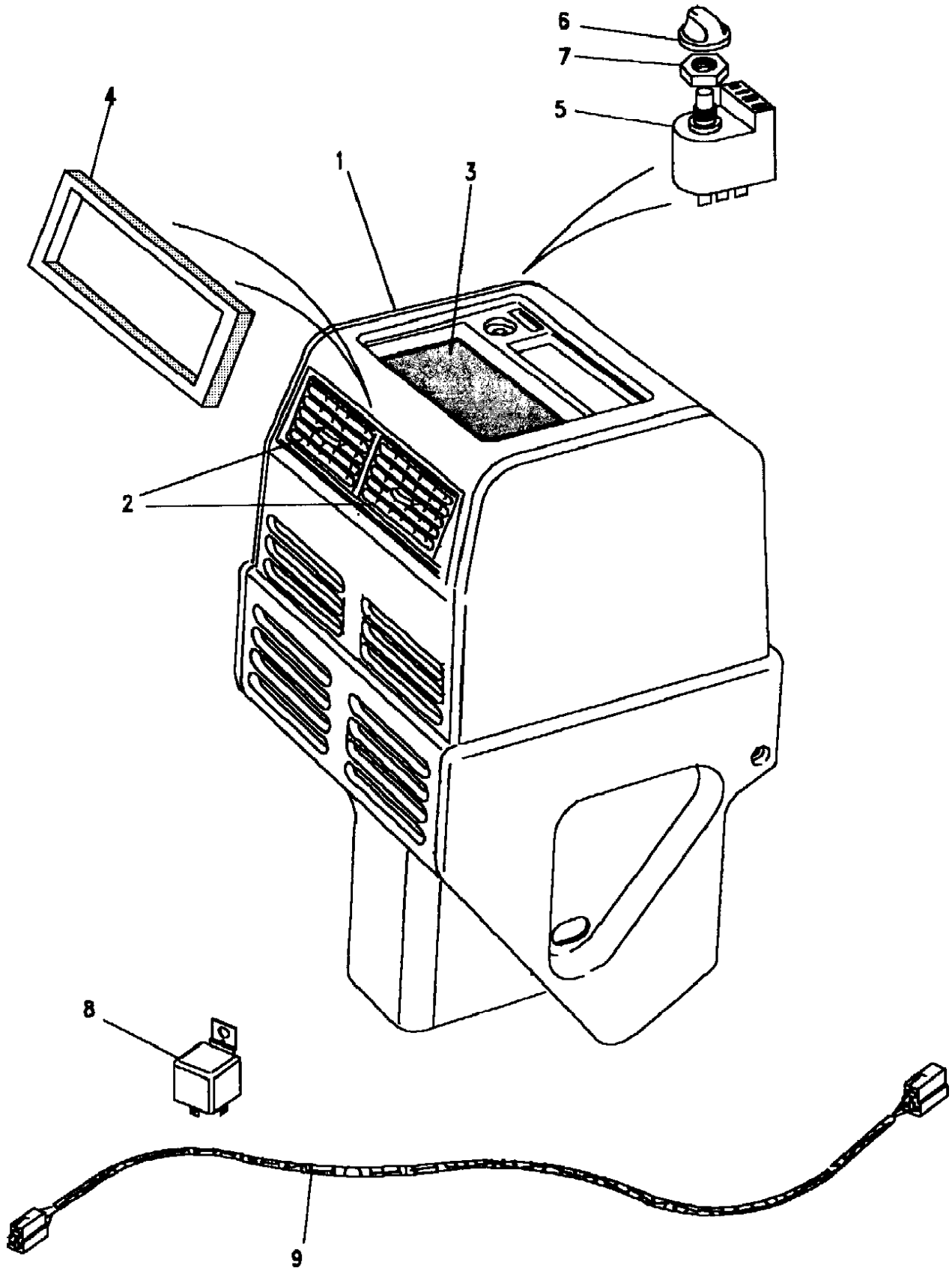
Discovery (FA393361-WA799999)
(CAPXAC2A)

Discovery (FA393361-WA799999)

Interior Trim
Trim
Rear Air Conditioning

With Rear Air Conditioning

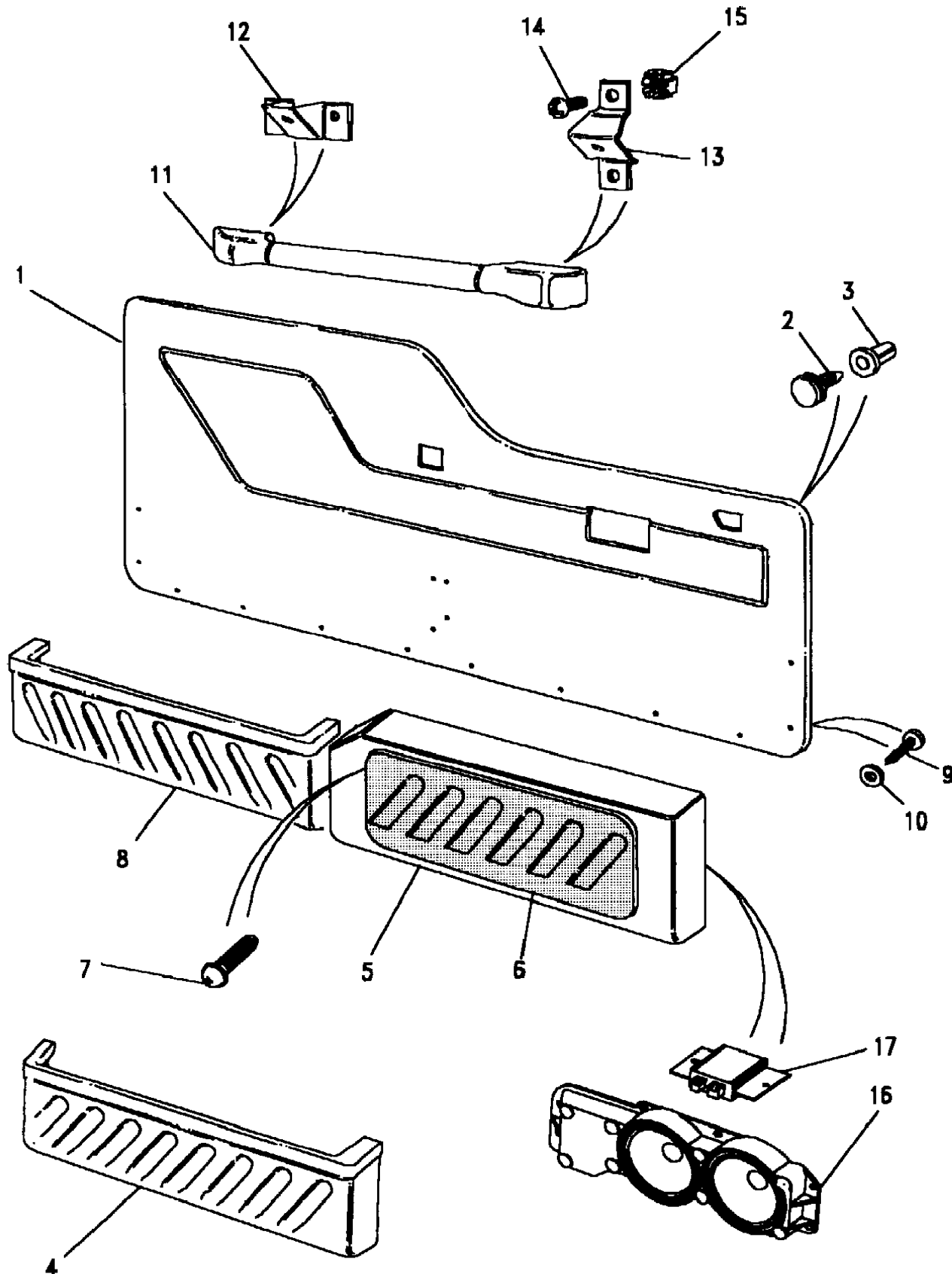
Callout	Name	Application	Remarks & Restrictions	Service No.	Qty
1	Case-heater with air conditioning	Change point - VIN end LA081991	Also serviced as part of a kit, Bahama Beige	BTR5897SUC	1
		Change point - VIN end LA081991	Also serviced as part of a kit, Sonar Blue	BTR5897JUL	1
2	Housing-facia vent louvre	Change point - VIN end LA081991	Black	BTR5994PUB	2
3	Mat-centre console	Change point - VIN end LA081991	Black	BTR5052PMA	1
4	Seal	Change point - VIN end LA081991	Also serviced as part of a kit	BTR5073	1
5	Switch-rotary heat/fan control	Change point - VIN end LA081991	Rear	EEP106	1
6	Knob heater/fan control	Change point - VIN end LA081991		YUM10001L	1
7	Nut - Hex.	Change point - VIN end LA081991		YUN10001L	1
8	Relay assembly air conditioning	Change point - VIN end LA081991		YWB10020L	1
9	Harness air conditioning	Change point - VIN end LA081991	Rear	AMR2019	1



Interior Trim
Trim
Rear End Door Casing 1/2

Discovery (FA393361-WA799999)

(CAPXEG1A)



Discovery (FA393361-WA799999)

Interior Trim
Trim
Rear End Door Casing

Change point - VIN end JA034313

Callout	Name	Application	Remarks & Restrictions	Service No.	Qty
1	Casing assembly-tail door	Change point - VIN end JA012300	Sonar Blue	MXC6943JUL	1
		(-) Leisure	Sonar Blue, less RDS	BTR8654JUL	1
		Change point - VIN end JA012300	Bahama Beige	MXC6943SUC	1
		Change point - VIN begin JA012301, Change point - VIN end JA034313	Bahama Beige, less RDS	BTR8654SUC	1
		Change point - VIN begin JA012301, Change point - VIN end JA034313	Sonar Blue, less RDS	BTR2269JUL	1
		Change point - VIN begin JA012301, Change point - VIN end JA034313	Bahama Beige, less RDS	BTR2269SUC	1
		Leisure	Bahama Beige, less RDS	BTR8264SUC	1
		Leisure	Sonar Blue	MXC8155JUL	1
		Leisure	Sonar Blue	BTR8655JUL	1
		Leisure	Bahama Beige	MXC8155SUC	1
2	Clip-trim retention			DKP5279L	17
3	Clip-snap-sack			MWC9136	17
				EYC101460	17
4	Pocket-tail door		RH, Sonar Blue	MWC9276JUL	1
			RH, Bahama Beige	MWC9276SUC	1
5	Housing-speaker		Sonar Blue	BTR5710JUL	1
			Bahama Beige	BTR5710SUC	1
6	Scrim-load/tail door speaker fret		Ash Grey	BTR5709LNF	1
7	Screw		3.5 x 16	BTR2940	6
			3.5 x 35.	BTR5733	4
8	Pocket-tail door		Sonar Blue, LH	MWC9275JUL	1
			Bahama Beige, LH	MWC9275SUC	1
9	Screw-self tapping B		No 4 x 5/8	AB604051	16
10	Washer-Plain			WA103001L	16
11	Kit-armrest		Also serviced as part of a kit, Sonar Blue	STC8495JUL	1
			Also serviced as part of a kit, Bahama Beige	STC8495SUC	1
12	Bracket-tail door door pull		RH	MWC8016	1
13	Bracket-tail door door pull		LH	MWC8017	1
14	Screw-pan		M6 X 12, pan head	SE106121L	6
15	Nut - Hex.		M6	NK106061L	4

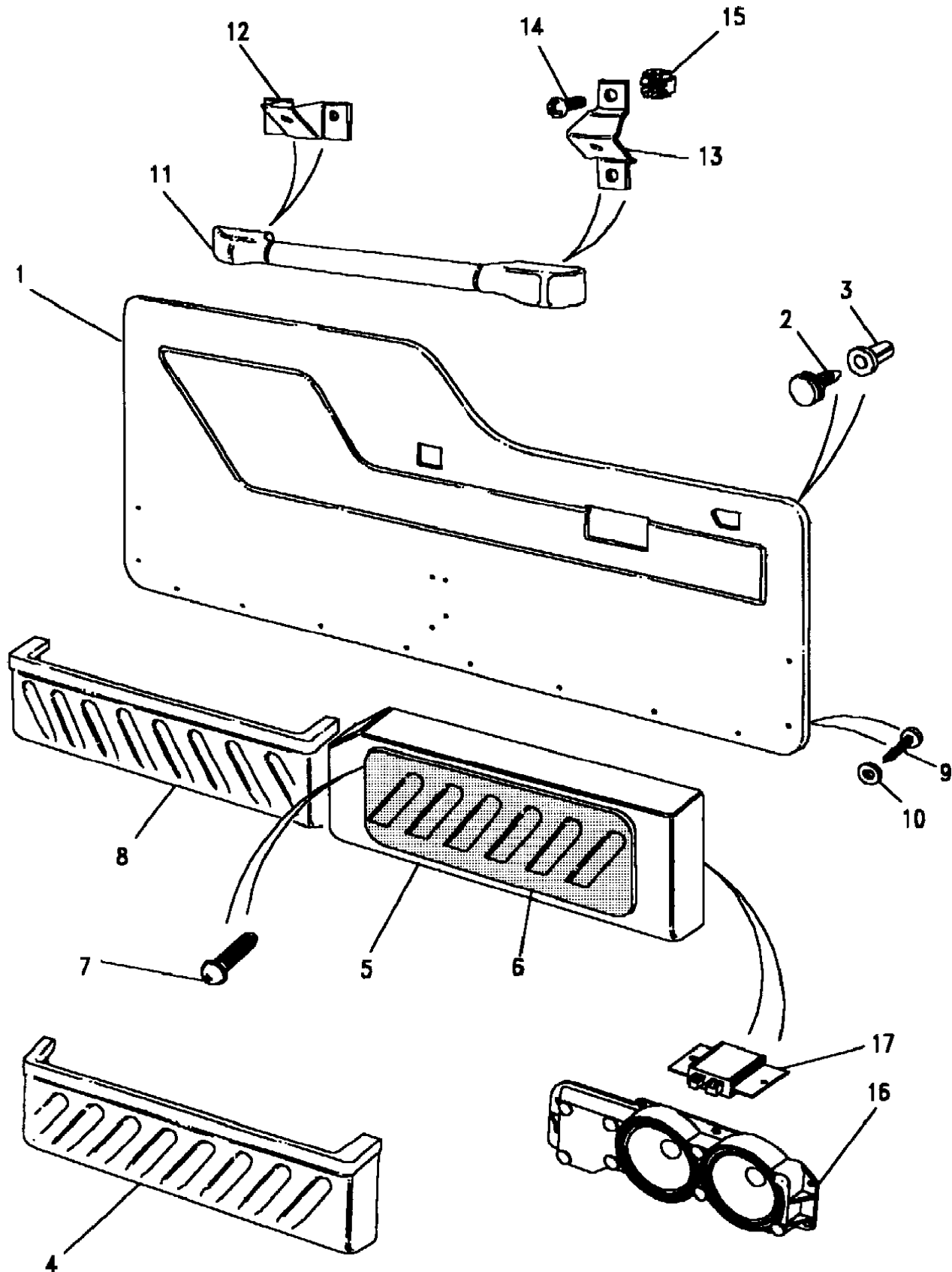
Interior Trim
Trim
Rear End Door Casing 2/2

Discovery (FA393361-WA799999)
(CAPXEG1A)

Discovery (FA393361-WA799999)

Interior Trim
Trim
Rear End Door Casing

Change point - VIN end JA034313

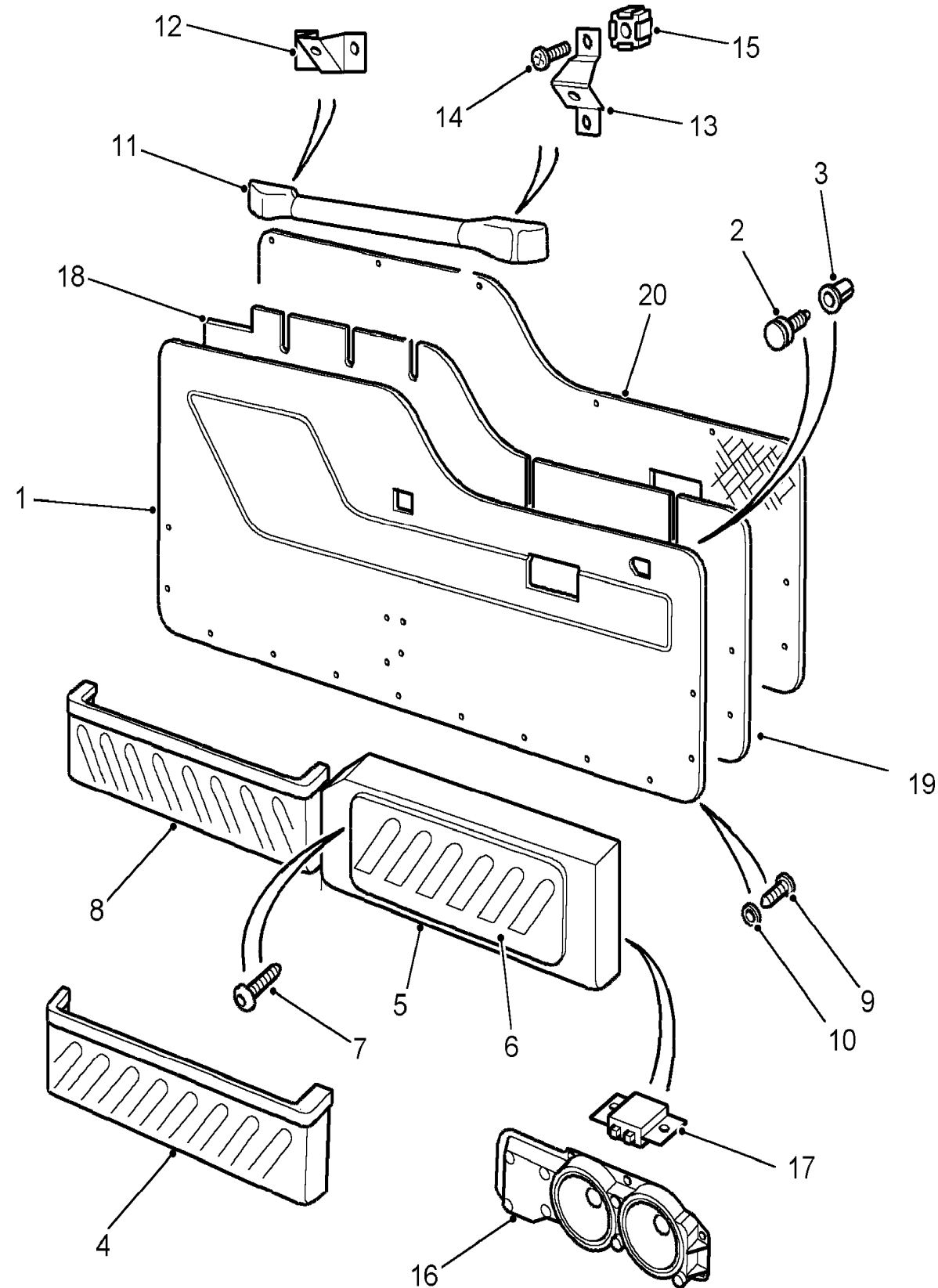


Callout	Name	Application	Remarks & Restrictions	Service No.	Qty
[900]	Casing assembly-tail door		Sonar Blue, less RDS	BTR8264JUL	1

Interior Trim
Trim
Rear End Door Casing (Cont) 1/3

Discovery (FA393361-WA799999)

(CAPXEG2B)



CAPXEG2B

Discovery (FA393361-WA799999)

Interior Trim
Trim
Rear End Door Casing (Cont)

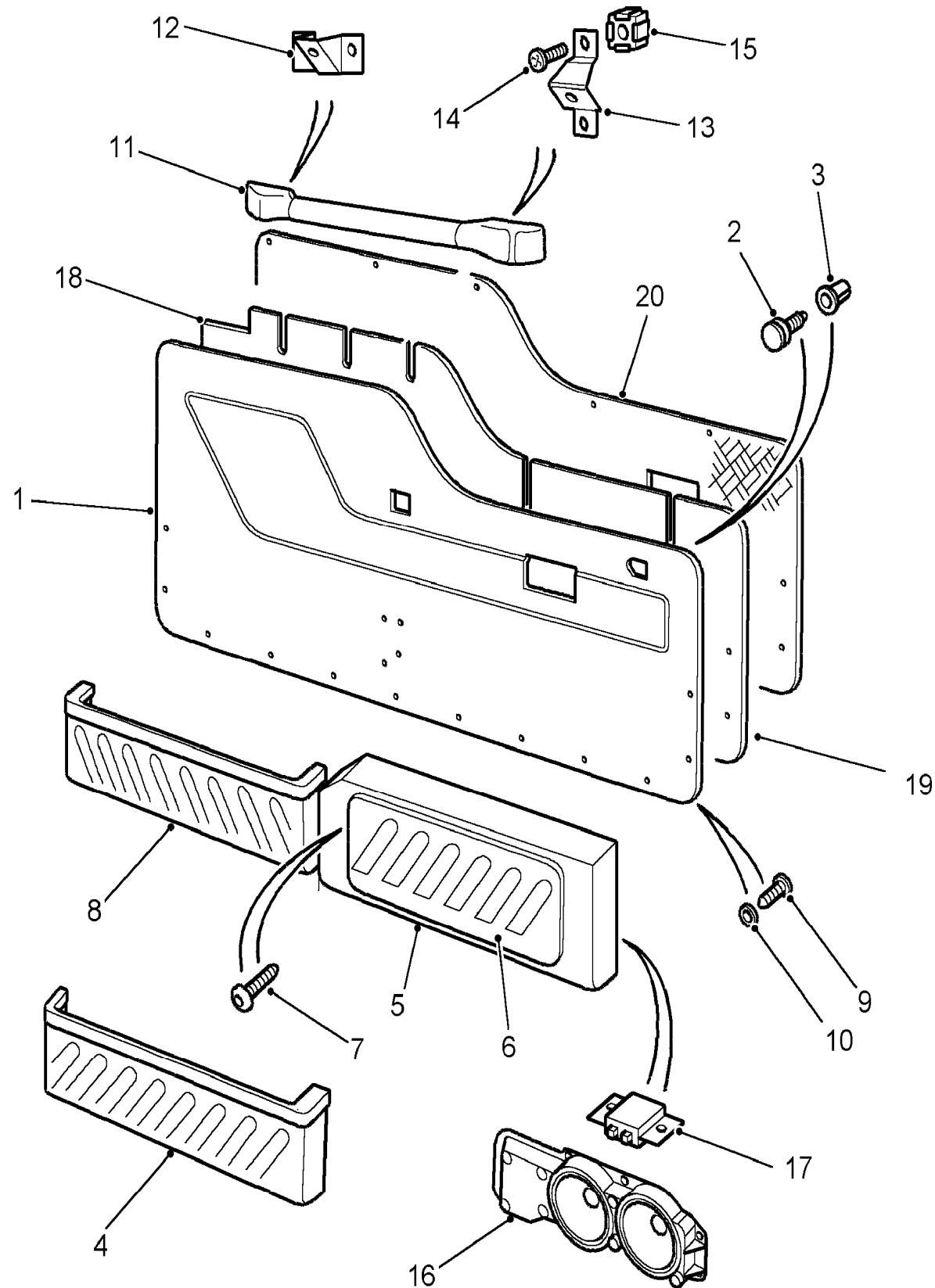
Change point - VIN begin KA034314

Callout	Name	Application	Remarks & Restrictions	Service No.	Qty
1	Casing assembly-tail door	Change point - VIN begin MA081992, (-) Leisure	Dark Granite, less RDS	BTR8654LOY	1
		Change point - VIN begin KA034314, Change point - VIN end KA063712, (-) Leisure	Sonar Blue, with RDS	BTR2615JUL	1
		Change point - VIN begin KA034314, Change point - VIN end KA063712, (-) Leisure	Bahama Beige, with RDS	BTR2615SUC	1
		Change point - VIN begin KA063713, Change point - VIN end LA072327, (-) Leisure	Bahama Beige, with RDS	BTR8263SUC	1
		Change point - VIN begin KA063713, Change point - VIN end LA072327, (-) Leisure	Sonar Blue, with RDS	BTR8263JUL	1
		Change point - VIN begin LA072328, (-) Leisure	Bahama Beige, with RDS	BTR8653SUC	1
		Change point - VIN begin LA072328, (-) Leisure	Sonar Blue, with RDS	BTR8653JUL	1
		Change point - VIN begin MA081992, (-) Leisure	Dark Granite, with RDS	BTR8653LOY	1
		Change point - VIN begin KA034314, Change point - VIN end LA072327, Leisure	Sonar Blue	MXC8155JUL	1
		Change point - VIN begin KA034314, Change point - VIN end LA072327, Leisure	Bahama Beige	MXC8155SUC	1
		Change point - VIN begin LA072328, Leisure	Sonar Blue	BTR8655JUL	1
		Change point - VIN begin LA072328, Leisure	Bahama Beige	BTR8655SUC	1
		Change point - VIN begin MA081992, Leisure	Dark Granite	BTR8655LOY	1
		Change point - VIN begin KA034314, Change point - VIN end KA063712, (-) Leisure	Sonar Blue, less RDS	BTR2269JUL	1
		Change point - VIN begin KA034314, Change point - VIN end KA063712, (-) Leisure	Bahama Beige, less RDS	BTR2269SUC	1
		Change point - VIN begin KA063713, Change point - VIN end LA072327, (-) Leisure	Bahama Beige, less RDS	BTR8264SUC	1
		Change point - VIN begin KA063713, Change point - VIN end LA072327, (-) Leisure	Sonar Blue, less RDS	BTR8264JUL	1
		Change point - VIN begin LA072328, (-) Leisure	Sonar Blue, less RDS	BTR8654JUL	1
		Change point - VIN begin LA072328, (-) Leisure	Bahama Beige, less RDS	BTR8654SUC	1
		2	Clip-trim retention		

Interior Trim
Trim
Rear End Door Casing (Cont) 2/3

Discovery (FA393361-WA799999)

(CAPXEG2B)



CAPXEG2B

Discovery (FA393361-WA799999)

Interior Trim
Trim

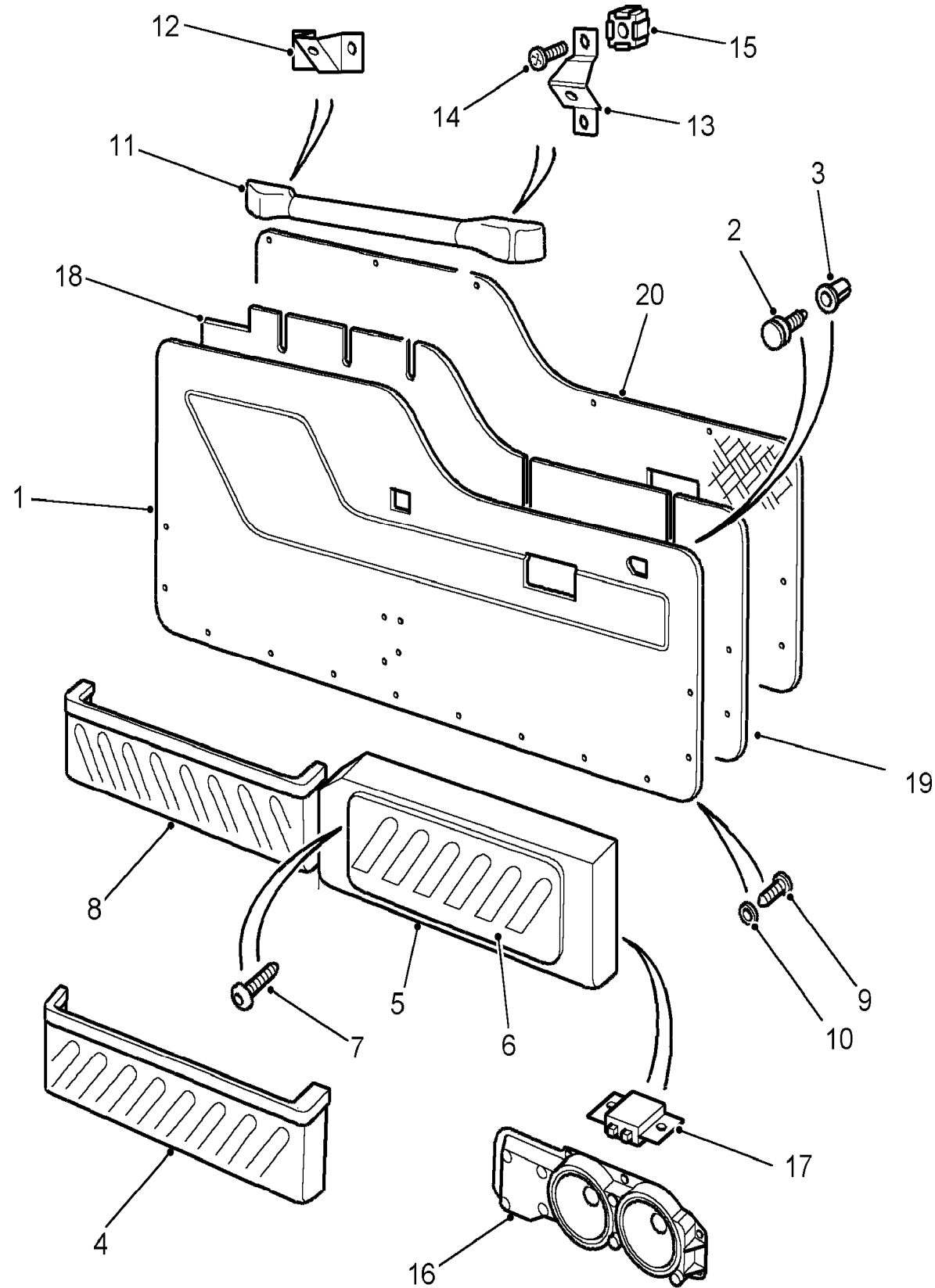
Rear End Door Casing (Cont)

Change point - VIN begin KA034314

Callout	Name	Application	Remarks & Restrictions	Service No.	Qty
3	Clip-snap-sack			MWC9136 EYC101460	18 18
4	Pocket-tail door		RH, Sonar Blue RH, Bahama Beige RH, Dark Granite	MWC9276JUL MWC9276SUC MWC9276LOY	1 1 1
5	Housing-speaker		Bahama Beige Dark Granite Sonar Blue	BTR5710SUC BTR5710LOY BTR5710JUL	1 1 1
6	Scrim-load/tail door speaker fret		Ash Grey	BTR5709LNF	1
7	Screw		3.5 x 16 3.5 x 35.	BTR2940 BTR5733	6 4
8	Pocket-tail door		Sonar Blue, LH Bahama Beige, LH Dark Granite, LH	MWC9275JUL MWC9275SUC MWC9275LOY	1 1 1
9	Screw-self tapping B		No 4 x 5/8	AB604051	16
10	Washer-Plain			WA103001L	16
11	Armrest assembly-rear door		Sonar Blue Bahama Beige, 7 seats Dark Granite	MWC7898JUL MWC7898SUC MWC7898LOY	1 1 1
12	Bracket-tail door door pull		RH	MWC8016	1
13	Bracket-tail door door pull		LH	MWC8017	1
14	Screw-pan		M6 X 12, pan head	SE106121L	6
15	Nut - Hex.		M6	NK106061L	4
18	Pad-anti rattle		LH, Small	ESQ100090	1
19	Pad-anti rattle		RH, Large	ESQ100080	1
20	Protector-tail door		Aluminium	STC7030	1
[900]	Kit-armrest		Also serviced as part of a kit, Sonar Blue Also serviced as part of a kit, Bahama Beige	STC8495JUL STC8495SUC	1 1

Interior Trim
Trim
Rear End Door Casing (Cont) 3/3

Discovery (FA393361-WA799999)
(CAPXEG2B)



CAPXEG2B

Discovery (FA393361-WA799999)

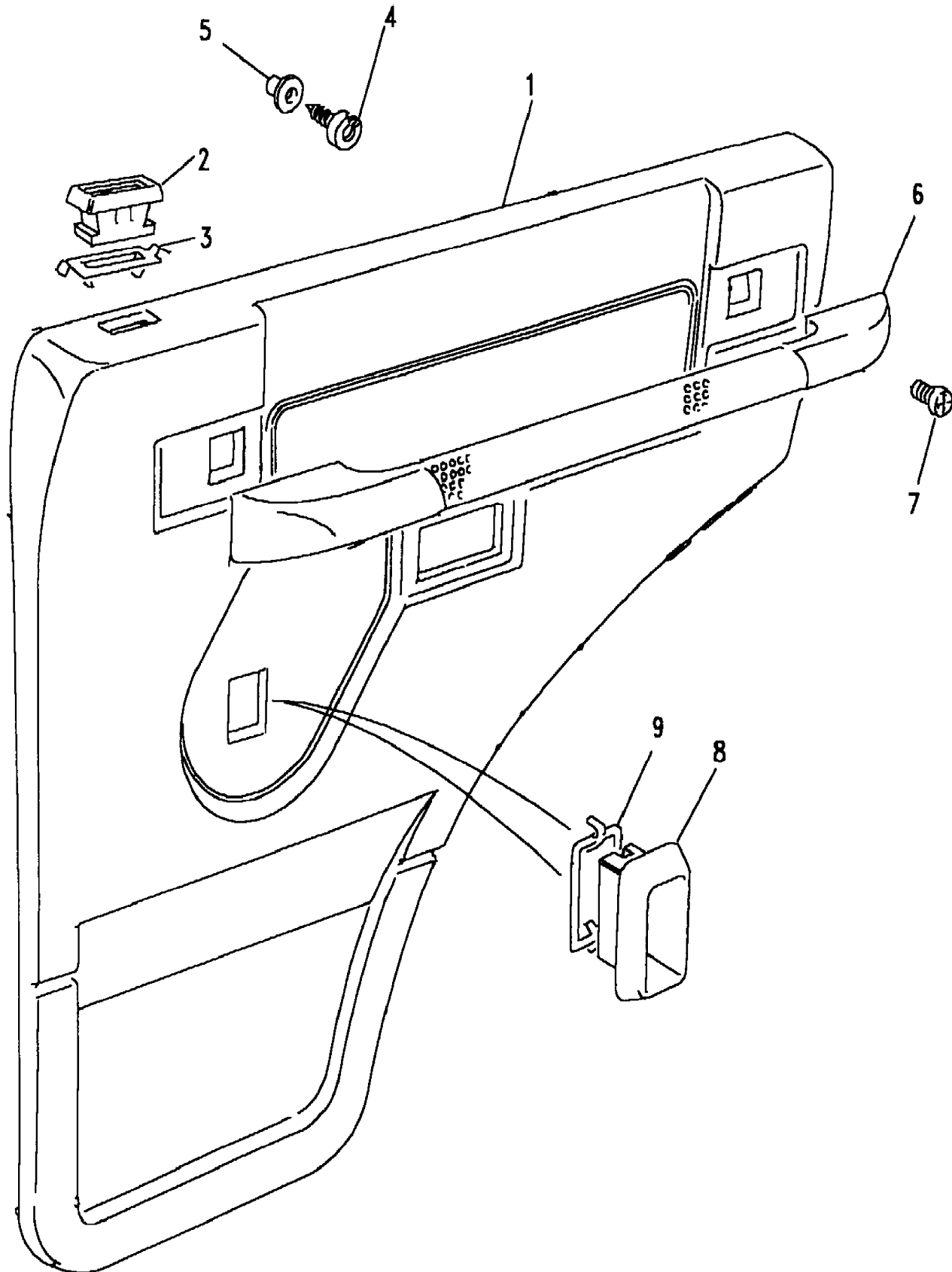
Interior Trim
Trim
Rear End Door Casing (Cont)

Change point - VIN begin KA034314

Callout	Name	Application	Remarks & Restrictions	Service No.	Qty
[901]	Casing assembly-tail door	(-) Leisure	Dark Granite, with RDS	BTR8653LOY	1
[902]	Handle assembly-grab		Bahama Beige, rear door	EST100030SUC	1

Interior Trim
Trim
Rear Side Door Casing 1/5

Discovery (FA393361-WA799999)
(CAPXEE1A)



Discovery (FA393361-WA799999)

Interior Trim
Trim
Rear Side Door Casing

5 Door Station Wagon

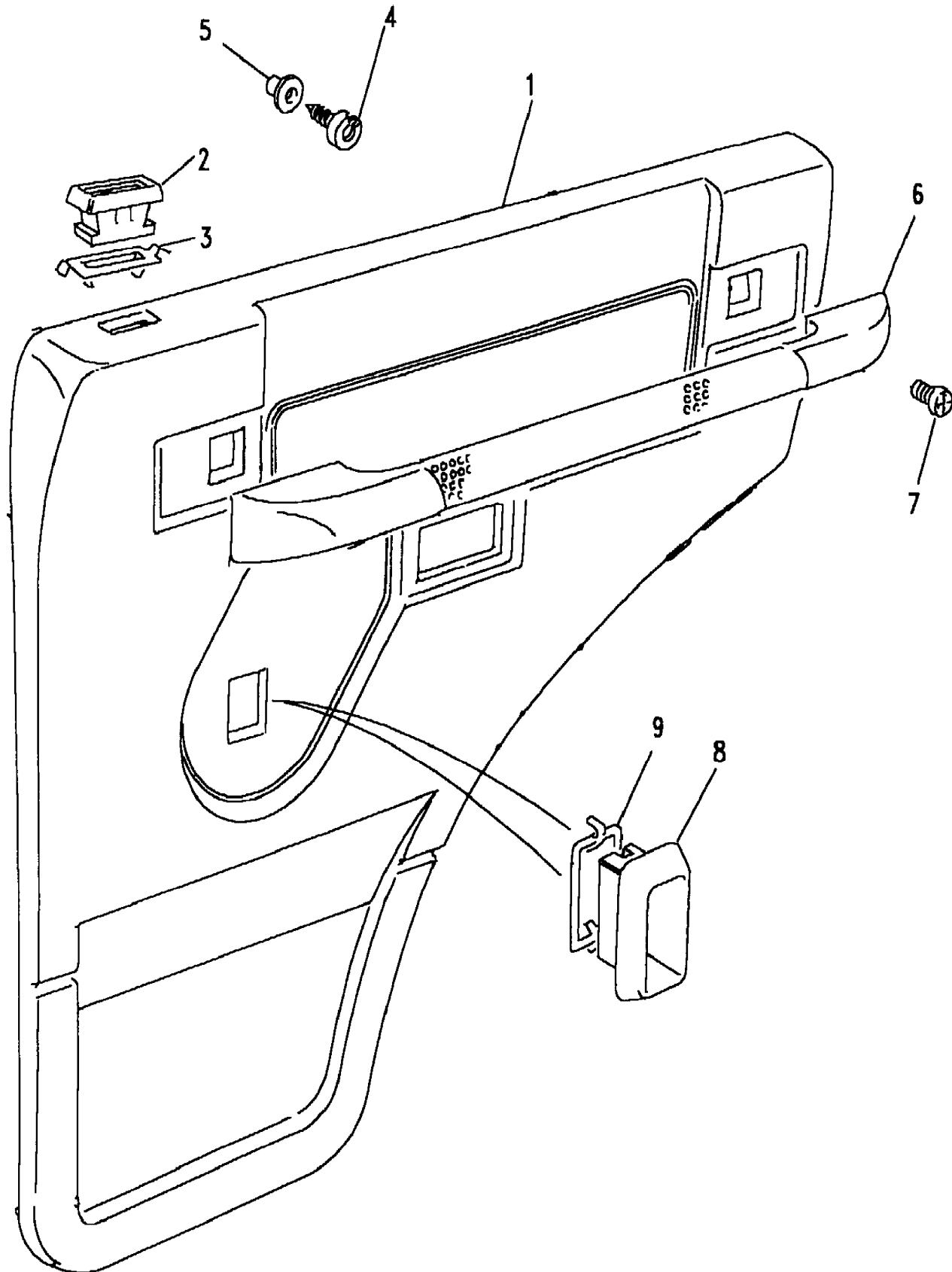
Callout	Name	Application	Remarks & Restrictions	Service No.	Qty
1	Casing rear door	Change point - VIN begin TA163104	Vinyl, RH, Dark Granite	BTR8750LOY	1
		Change point - VIN begin TA501920	Vinyl, RH, Dark Granite	BTR8750LOY	1
		Change point - VIN begin TA163104	Vinyl, RH, Bahama Beige	BTR8750SUC	1
		Change point - VIN begin TA501920	Vinyl, RH, Bahama Beige	BTR8750SUC	1
		Change point - VIN begin TA163104	Vinyl, Dark Granite, LH	BTR8749LOY	1
		Change point - VIN begin TA501920	Vinyl, Dark Granite, LH	BTR8749LOY	1
		Change point - VIN begin TA163104	Vinyl, Bahama Beige, LH	BTR8749SUC	1
		Change point - VIN begin TA501920	Vinyl, Bahama Beige, LH	BTR8749SUC	1
		Change point - VIN begin TA163104, Change point - VIN end WA746541	Cloth, RH, Dark Granite	AWR3050LOY	1
		Change point - VIN begin TA501920, Change point - VIN end WA746541	Cloth, RH, Dark Granite	AWR3050LOY	1
		Change point - VIN begin TA163104, Change point - VIN end WA746541	Cloth, RH, Bahama Beige	AWR3050SUC	1
		Change point - VIN begin TA501920, Change point - VIN end WA746541	Cloth, RH, Bahama Beige	AWR3050SUC	1
		Change point - VIN begin TA163104, Change point - VIN end WA746541	Cloth, Dark Granite, LH	AWR3049LOY	1
		Change point - VIN begin TA501920, Change point - VIN end WA746541	Cloth, Dark Granite, LH	AWR3049LOY	1
		Change point - VIN begin TA163104, Change point - VIN end WA746541	Cloth, Bahama Beige, LH	AWR3049SUC	1
		Change point - VIN begin TA501920, Change point - VIN end WA746541	Cloth, Bahama Beige, LH	AWR3049SUC	1
		Change point - VIN begin WA746542	Cloth, RH, Dark Granite, Kestral	ELB108580LOY	1
		Change point - VIN begin WA746542	Cloth, RH, Bahama Beige, Kestral	ELB108580SUC	1
		Change point - VIN begin WA746542	Cloth, Dark Granite, Kestral, LH	ELB108590LOY	1
		Change point - VIN begin WA746542	Cloth, Bahama Beige, Kestral, LH	ELB108590SUC	1
		Change point - VIN begin TA163104	RH, Dark Granite, leather/cloth, with XS logo	AWR3024LOY	1
		Change point - VIN begin TA501920	RH, Dark Granite, leather/cloth, with XS logo	AWR3024LOY	1
		Change point - VIN begin TA163104	Dark Granite, leather/cloth, with XS logo, LH	AWR3023LOY	1
		Change point - VIN begin TA501920	Dark Granite, leather/cloth, with XS logo, LH	AWR3023LOY	1
		Change point - VIN begin WA746542	Beige, RH, leather/cloth, with XS logo	AWR3024SUC	1
		Change point - VIN begin WA746542	Beige, leather/cloth, with XS logo, LH	AWR3023SUC	1

SEP 04

1115

Interior Trim
Trim
Rear Side Door Casing 2/5

Discovery (FA393361-WA799999)
(CAPXEE1A)



1115

SEP 04

Discovery (FA393361-WA799999)

Interior Trim
Trim
Rear Side Door Casing

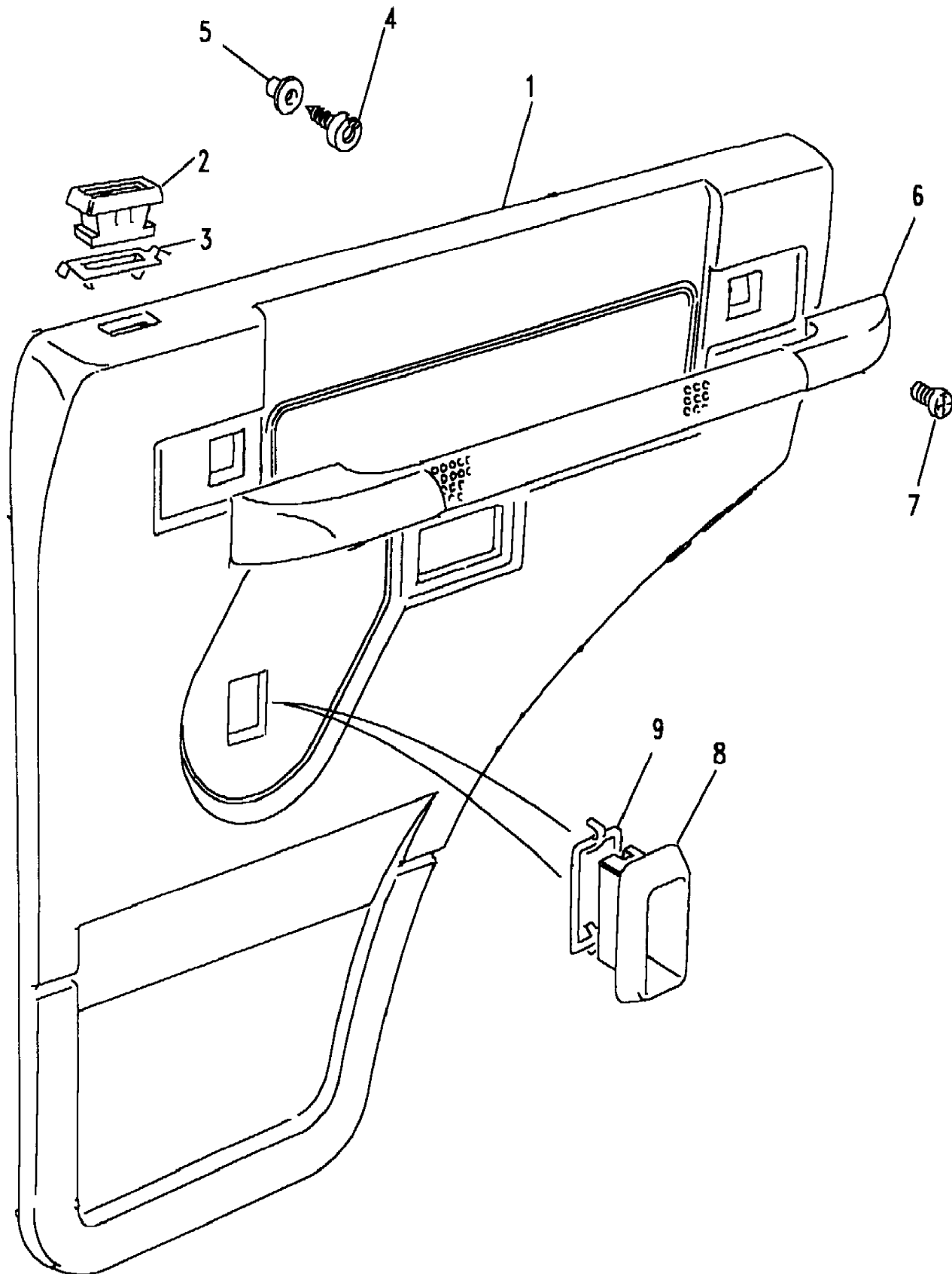
5 Door Station Wagon

Callout	Name	Application	Remarks & Restrictions	Service No.	Qty
1	Casing rear door	Change point - VIN begin MA081992, Change point - VIN end MA163103	Vinyl, RH, Bahama Beige	BTR8750SUC	1
		Change point - VIN begin MA081992, Change point - VIN end MA501919	Vinyl, RH, Bahama Beige	BTR8750SUC	1
		Change point - VIN begin MA081992, Change point - VIN end MA163103	Vinyl, Dark Granite, LH	BTR8749LOY	1
		Change point - VIN begin MA081992, Change point - VIN end MA501919	Vinyl, Dark Granite, LH	BTR8749LOY	1
		Change point - VIN begin MA081992, Change point - VIN end MA163103	Vinyl, Bahama Beige, LH	BTR8749SUC	1
		Change point - VIN begin MA081992, Change point - VIN end MA501919	Vinyl, Bahama Beige, LH	BTR8749SUC	1
		Change point - VIN begin MA081992, Change point - VIN end MA163103	Cloth, RH, Dark Granite	BTR7058LOY	1
		Change point - VIN begin MA081992, Change point - VIN end MA501919	Cloth, RH, Dark Granite	BTR7058LOY	1
		Change point - VIN begin MA081992, Change point - VIN end MA163103	Cloth, RH, Bahama Beige	BTR7058SUC	1
		Change point - VIN begin MA081992, Change point - VIN end MA501919	Cloth, RH, Bahama Beige	BTR7058SUC	1
		Change point - VIN begin MA081992, Change point - VIN end MA163103	Cloth, Dark Granite, LH	BTR7059LOY	1
		Change point - VIN begin MA081992, Change point - VIN end MA501919	Cloth, Dark Granite, LH	BTR7059LOY	1
		Change point - VIN begin MA081992, Change point - VIN end MA163103	Cloth, Bahama Beige, LH	BTR7059SUC	1
		Change point - VIN begin MA081992, Change point - VIN end MA501919	Cloth, Bahama Beige, LH	BTR7059SUC	1
		Change point - VIN end LA081991, Less Electric Rear Windows	RH, Sonar Blue	MWC7888JUL	1
		Change point - VIN end LA081991, Less Electric Rear Windows	RH, Bahama Beige	MWC7888SUC	1
		Change point - VIN end LA081991, Less Electric Rear Windows	Sonar Blue, LH	MWC7889JUL	1
		Change point - VIN end LA081991, Less Electric Rear Windows	Bahama Beige, LH	MWC7889SUC	1
		Change point - VIN end LA081991, With Electric Rear Windows	RH, Sonar Blue	MWC7892JUL	1
		Change point - VIN end LA081991, With Electric Rear Windows	RH, Bahama Beige	MWC7892SUC	1

Interior Trim
Trim
Rear Side Door Casing 3/5

Discovery (FA393361-WA799999)

(CAPXEE1A)



Discovery (FA393361-WA799999)

Interior Trim
Trim
Rear Side Door Casing

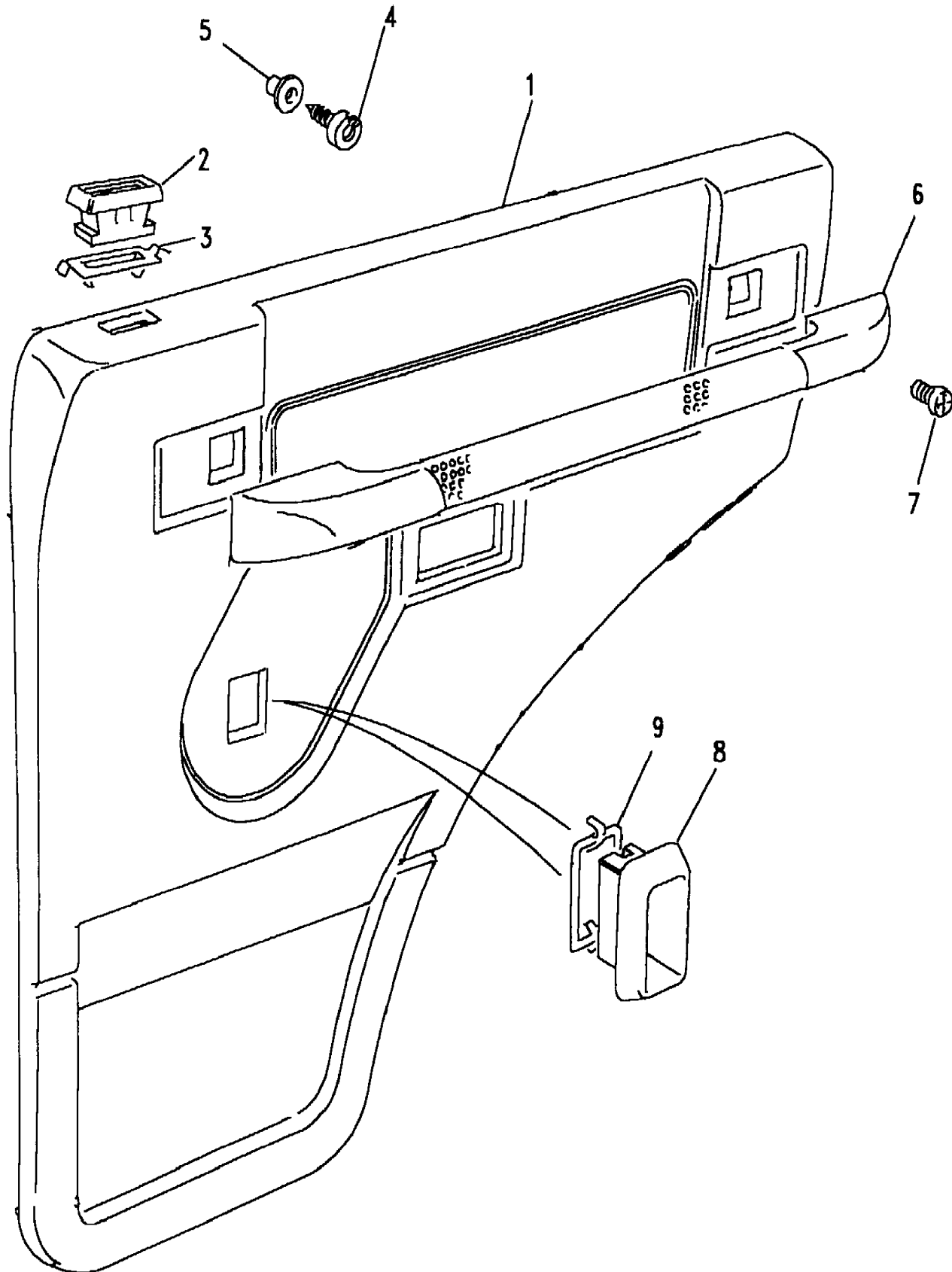
5 Door Station Wagon

Callout	Name	Application	Remarks & Restrictions	Service No.	Qty
1	Casing rear door	Change point - VIN end LA081991, With Electric Rear Windows	Sonar Blue, LH	MWC7893JUL	1
		Change point - VIN end LA081991, With Electric Rear Windows	Bahama Beige, LH	MWC7893SUC	1
		Change point - VIN begin MA081992, Change point - VIN end MA163103	Vinyl, RH, Dark Granite	BTR8750LOY	1
		Change point - VIN begin MA081992, Change point - VIN end MA501919	Vinyl, RH, Dark Granite	BTR8750LOY	1
2	Grommet	Change point - VIN begin TA163104	Ash Grey	CDP1582LNF	2
		Change point - VIN begin TA501920	Ash Grey	CDP1582LNF	2
		Change point - VIN end JA034313	Grey	CDP1582LUN	2
		Change point - VIN begin KA034314, Change point - VIN end MA163103	Ash Grey	CDP1582LNF	2
		Change point - VIN begin KA034314, Change point - VIN end MA501919	Ash Grey	CDP1582LNF	2
3	Clip	Change point - VIN begin TA163104		BEP6073	2
		Change point - VIN begin TA501920		BEP6073	2
		Change point - VIN end MA501919		BEP6073	2
		Change point - VIN end MA163103		BEP6073	2
4	Stud-plastic	Change point - VIN begin TA163104		MWC9134	12
		Change point - VIN begin TA501920		MWC9134	12
		Change point - VIN end MA501919		MWC9134	14
		Change point - VIN end MA163103		MWC9134	14
5	Clip-snap-sack	Change point - VIN begin TA163104		MWC9136	12
		Change point - VIN begin TA501920		MWC9136	12
		Change point - VIN end MA501919		EYC101460 MWC9136	12 14
		Change point - VIN end MA163103		MWC9136	14
6	Armrest assembly-rear door	Change point - VIN begin TA163104	Dark Granite	MWC7898LOY	2
		Change point - VIN begin TA501920	Dark Granite	MWC7898LOY	2

Interior Trim
Trim
Rear Side Door Casing 4/5

Discovery (FA393361-WA799999)

(CAPXEE1A)



Discovery (FA393361-WA799999)

Interior Trim
Trim
Rear Side Door Casing

5 Door Station Wagon

Callout	Name	Application	Remarks & Restrictions	Service No.	Qty		
6	Armrest assembly-rear door	Change point - VIN begin TA163104	Bahama Beige, 7 seats	MWC7898SUC	2		
		Change point - VIN begin TA501920	Bahama Beige, 7 seats	MWC7898SUC	2		
		Change point - VIN end MA501919	Sonar Blue	MWC7898JUL	2		
		Change point - VIN end MA163103	Sonar Blue	MWC7898JUL	2		
		Change point - VIN end MA501919	Bahama Beige, 7 seats	MWC7898SUC	2		
		Change point - VIN end MA163103	Bahama Beige, 7 seats	MWC7898SUC	2		
		Change point - VIN begin MA081992, Change point - VIN end MA163103	Dark Granite	MWC7898LOY	2		
		Change point - VIN begin MA081992, Change point - VIN end MA501919	Dark Granite	MWC7898LOY	2		
		7	Screw	Change point - VIN begin TA501920	M6 X 12, Flanged Head	FS106125L	4
Change point - VIN end MA501919	M6 X 12, pan head			SE106121L	4		
Change point - VIN begin MA081992, Change point - VIN end MA501919	M6 X 12, Flanged Head			FS106125L	4		
8	Escutcheon-rear door window regulator	Change point - VIN begin TA163104, Change point - VIN end TA533740	Ash Grey	MXC7628LNF	2		
		Change point - VIN begin TA501920, Change point - VIN end TA702894	Ash Grey	MXC7628LNF	2		
		Change point - VIN begin TA533741	Ash Grey	AWR6240LNF	2		
		Change point - VIN begin TA702895	Ash Grey	AWR6240LNF	2		
		Change point - VIN end JA034313	Ash Grey	MXC7628LUN	2		
		Change point - VIN begin KA034314, Change point - VIN end MA163103	Ash Grey	MXC7628LNF	2		
		Change point - VIN begin KA034314, Change point - VIN end MA501919	Ash Grey	MXC7628LNF	2		
		9	Clip	Change point - VIN begin TA163104		AWR2233	2
				Change point - VIN begin TA501920		AWR2233	2
Change point - VIN end MA501919				BTR404	2		
Change point - VIN end MA163103				BTR404	2		
[900]	Kit-armrest	Change point - VIN end MA501919	Also serviced as part of a kit, Sonar Blue	STC8495JUL	2		
		Change point - VIN end MA163103	Also serviced as part of a kit, Sonar Blue	STC8495JUL	2		

SEP 04

1118

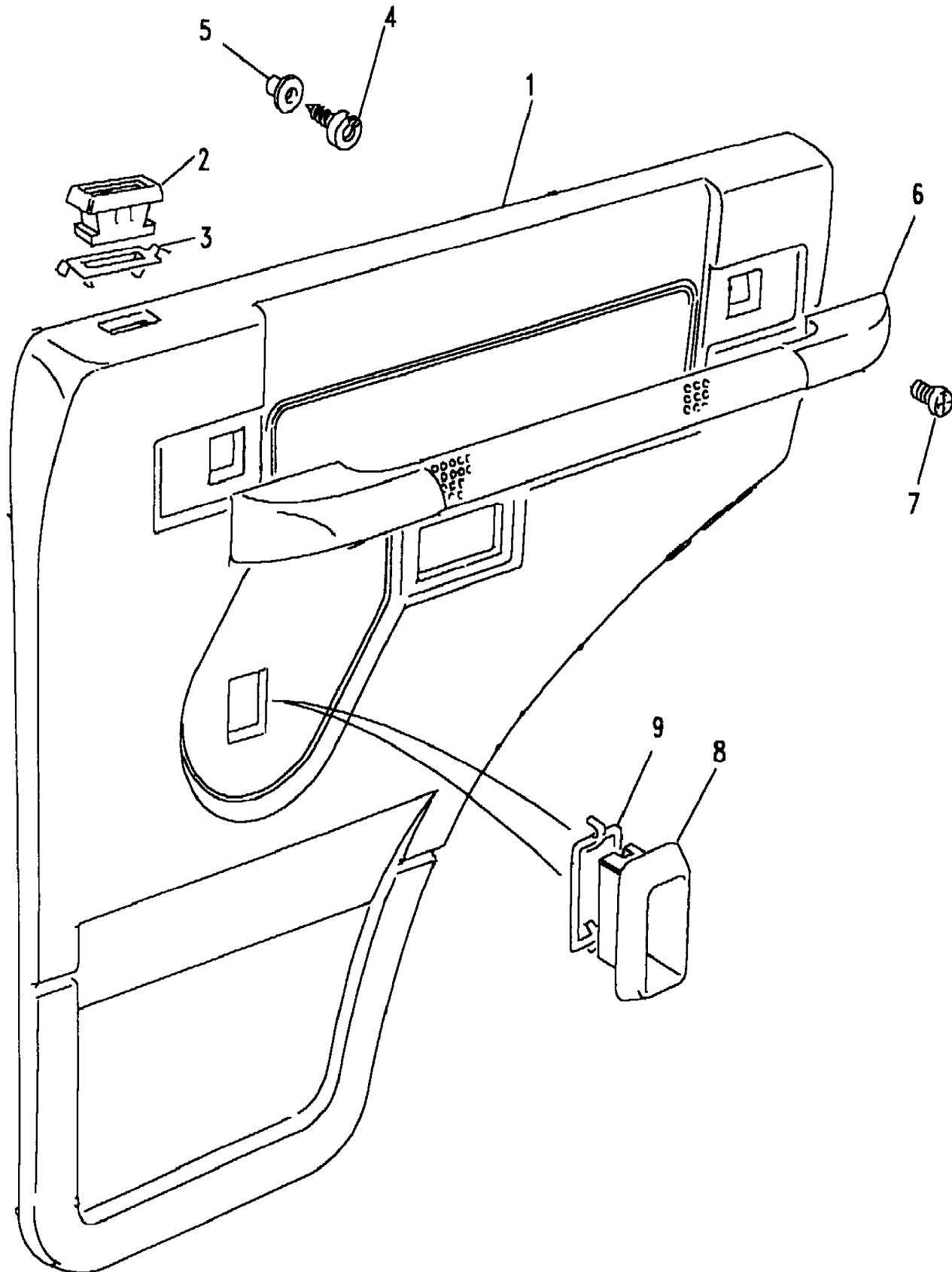
Interior Trim

Discovery (FA393361-WA799999)

Trim

Rear Side Door Casing 5/5

(CAPXEE1A)



1118

SEP 04

Discovery (FA393361-WA799999)

Interior Trim

Trim

Rear Side Door Casing

5 Door Station Wagon

Callout	Name	Application	Remarks & Restrictions	Service No.	Qty
[900]	Kit-armrest	Change point - VIN end MA501919 Change point - VIN end MA163103	Also serviced as part of a kit, Bahama Beige Also serviced as part of a kit, Bahama Beige	STC8495SUC STC8495SUC	2 2
[901]	Handle assembly-grab		Bahama Beige, rear door	EST100030SUC	2

SEP 04

1119

Interior Trim

Discovery (FA393361-WA799999)

Trim

Sunroof Roller Blind 1/1

(CAPXKA1A)

SEP 04

1119

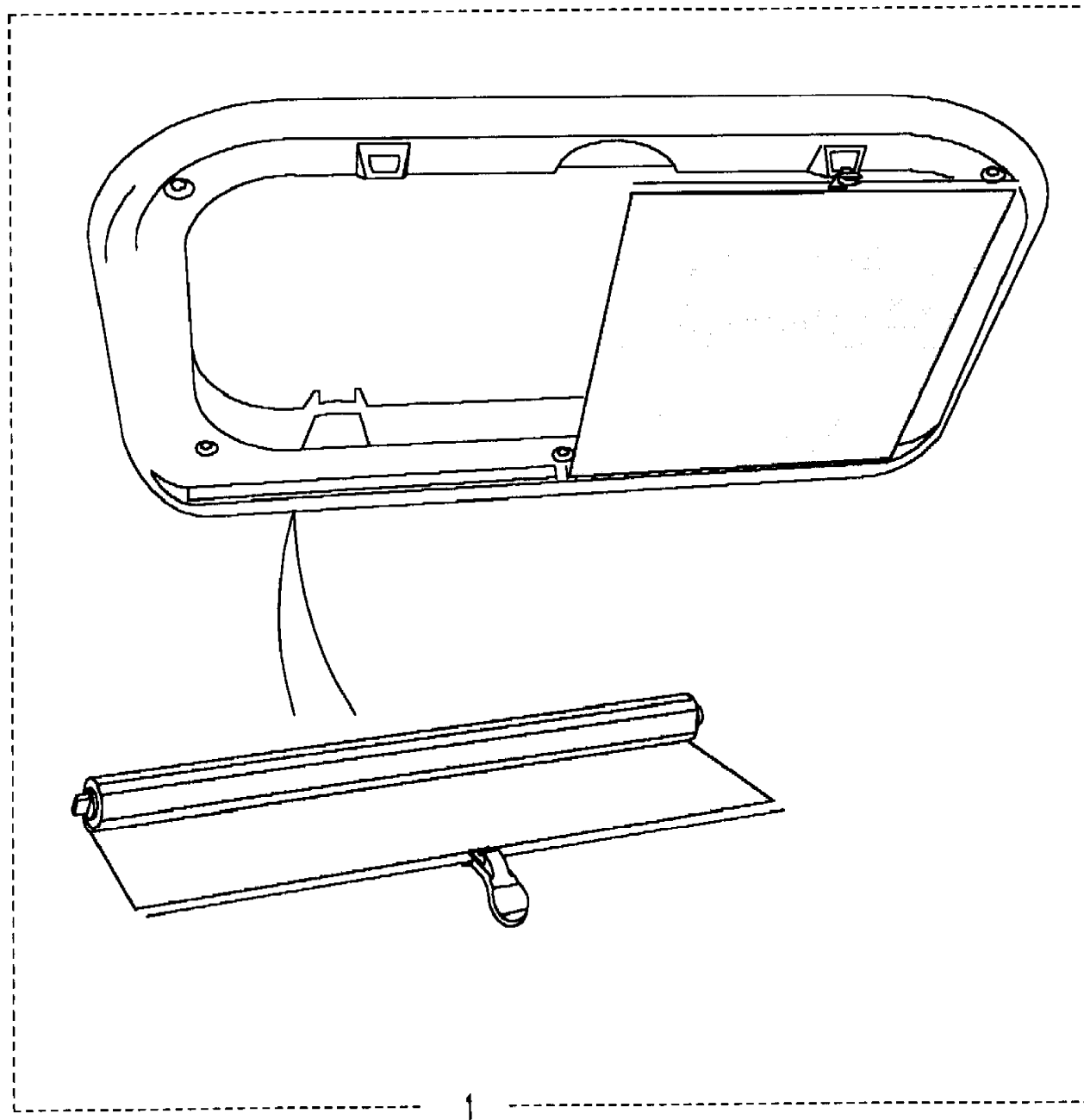
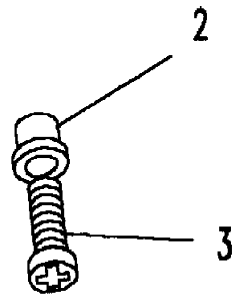
Discovery (FA393361-WA799999)

Interior Trim

Trim

Sunroof Roller Blind

With Sunroof



Callout	Name	Application	Remarks & Restrictions	Service No.	Qty
1	Kit-sunroof roller blind	Change point - VIN end LA081991		STC8158	X
2	Spacer	Change point - VIN end LA081991		BTR4518	6
3	Screw	Change point - VIN end LA081991		AB606071L	6