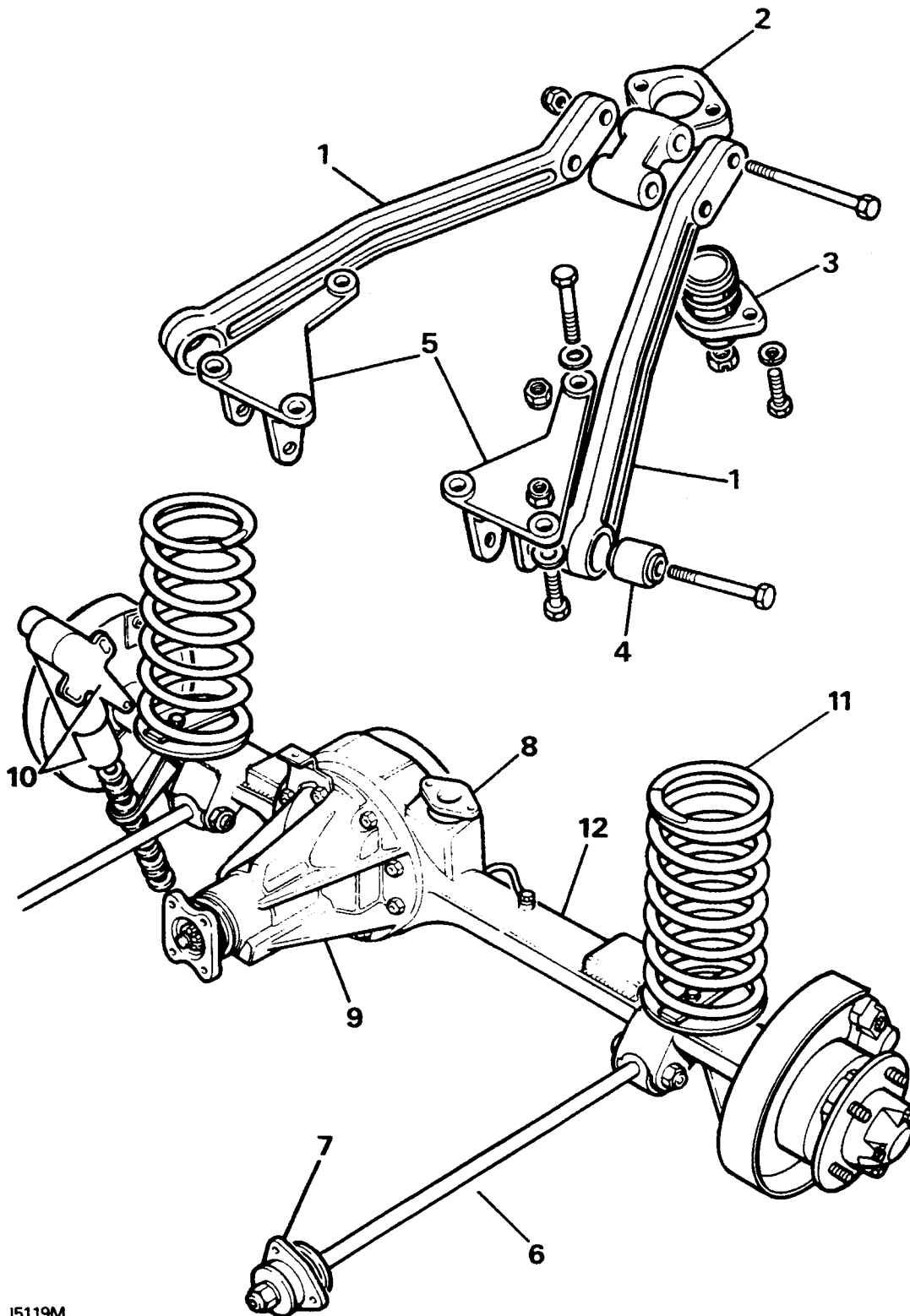


REAR SUSPENSION



J5119M

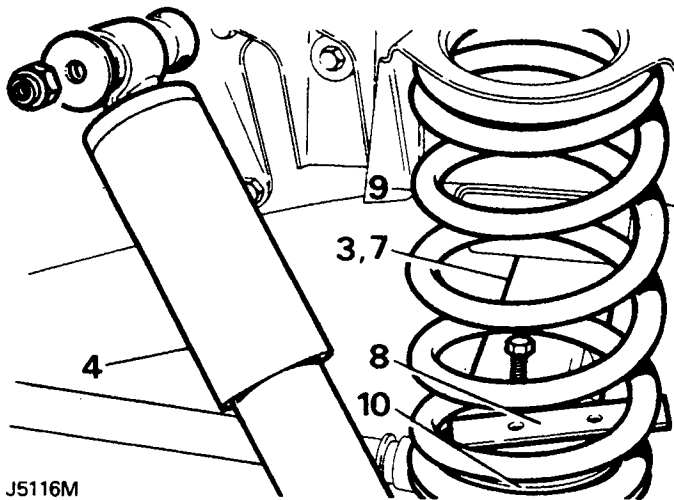
- | | |
|---------------------------------|---------------------------------|
| 1. Top links | 7. Lower link mounting bushes |
| 2. Ball joint bracket | 8. Ball joint axle bracket |
| 3. Ball joint | 9. Differential pinion housing |
| 4. Top link bushes | 10. Shock absorbers and bracket |
| 5. Top linking mounting bracket | 11. Coil springs |
| 6. Lower links | 12. Fully floating rear axle |

SELF LOCKING NUTS

Many steering and suspension items are secured using self locking nuts. Where self locking nuts have been removed, they **MUST** be replaced with new items of the correct type.

REAR ROAD SPRING**Remove and refit****Removing**

1. Loosen the rear road wheel retaining nuts.
2. Raise the rear of the vehicle using a suitable hydraulic floor jack. Support the chassis on stands and remove the wheels.
3. Support the rear axle weight with the floor jack.
4. Disconnect the shock absorbers at one end.



J5116M

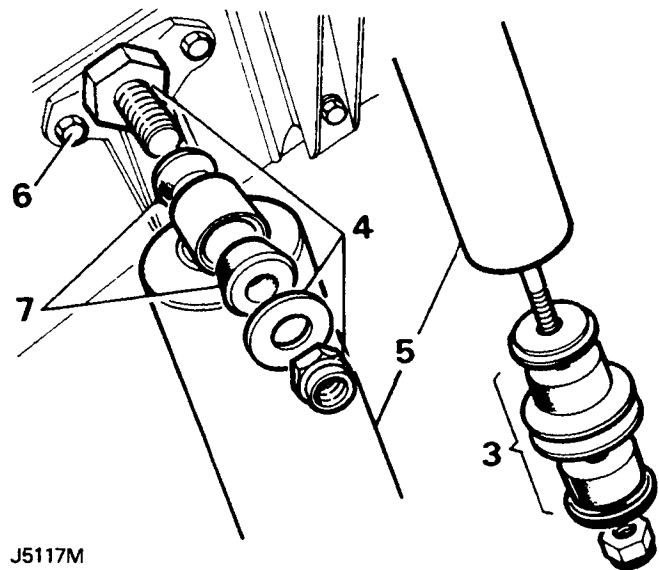
5. Position a suitable coil spring compressor correctly on the road spring.
6. Compress the spring evenly to facilitate removal.
7. Lower the axle sufficient to free the road spring from the upper seat.
8. Remove the spring retainer plate.
9. Withdraw the road spring.
10. Lift off the spring seat.

Refitting

11. Reverse 1 to 10.

REAR SHOCK ABSORBER**Remove and refit****Removing**

1. Loosen the road wheel retaining nuts and raise the rear of the vehicle using a suitable hydraulic floor jack.
2. Support the chassis on stands. Remove the road wheels and support the rear axle weight with the floor jack.
3. Remove the fixings and withdraw the shock absorber from the axle bracket.



J5117M

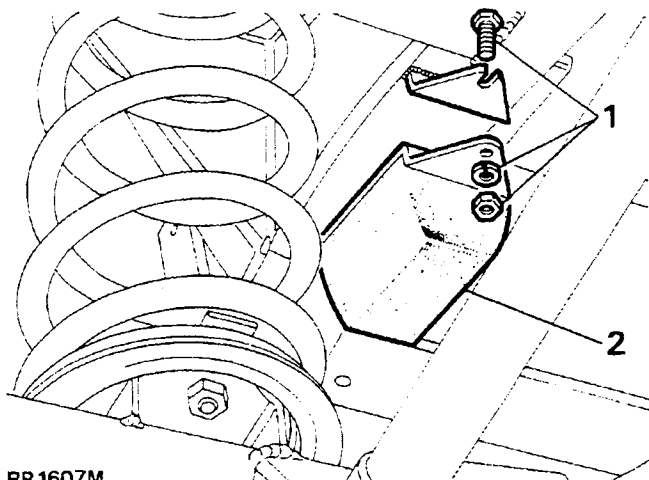
4. Remove upper fixings.
5. Withdraw the shock absorber.
6. If required, remove the mounting bracket at the chassis side member.
7. If required, lift out the mounting rubbers at the upper end.

Refitting

8. Reverse items 7 and 6 as applicable.
9. Reverse items 1 to 5.

BUMP STOP**Remove and refit****Removing**

1. Remove the fixings.
2. Withdraw the bump stop assembly.



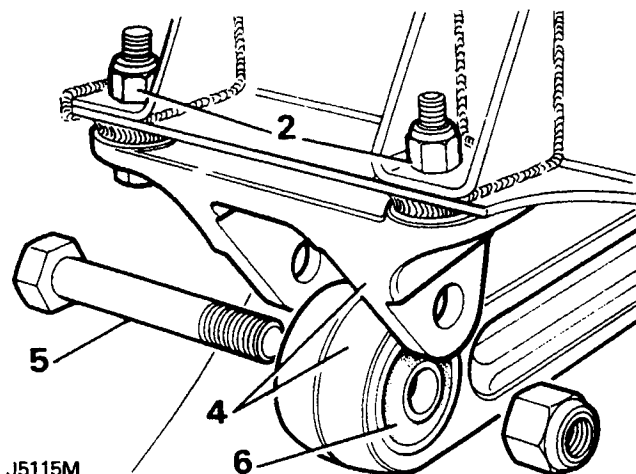
RR1607M

Refitting

3. Position the fixing bolts in the slots in the chassis brackets.
4. Fit the bump stop assembly, position the shoulder on the carrier to suit the chassis configuration.

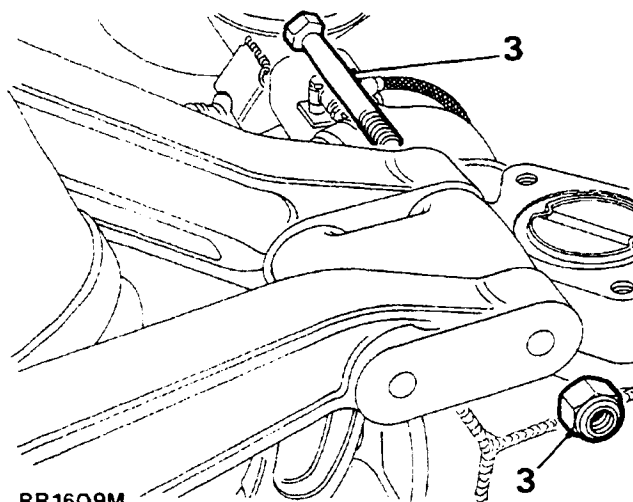
UPPER SUSPENSION LINK**Remove and refit 1 to 6 and 9****BUSH****Remove and refit 7 and 8****Removing**

1. Raise the rear of the vehicle using a suitable hydraulic floor jack. Support the rear of the chassis on stands allowing the axle to be freely suspended.
2. Remove the fixings, upper link bracket to frame.



J5115M

3. Remove the fixings, upper links to pivot bracket.
4. Withdraw the upper link complete with frame bracket.
5. Remove the fixing bolt.
6. Separate link and bush assembly from bracket.



RR1609M

Replacing the bush

7. Using a suitable hydraulic or bench press and a piece of metal tubing slightly smaller than the outside diameter of the bush, press out the rubber mounted bushes. Ensure the steel tubing locates on the outer edge of the bush and not on the rubber inner.
8. Fit the replacement bush assembly centrally in the housing.

CAUTION: When pressing in the new bushes ensure that pressure is applied to the outer edge of the bush only and not to the rubber inner.

Refitting

9. Reverse 1 to 6. Do not fully tighten the fixings until all components are in position.
10. Finally tighten all fixings to the correct torque (See Section 06 Torque Values).

LOWER SUSPENSION LINK

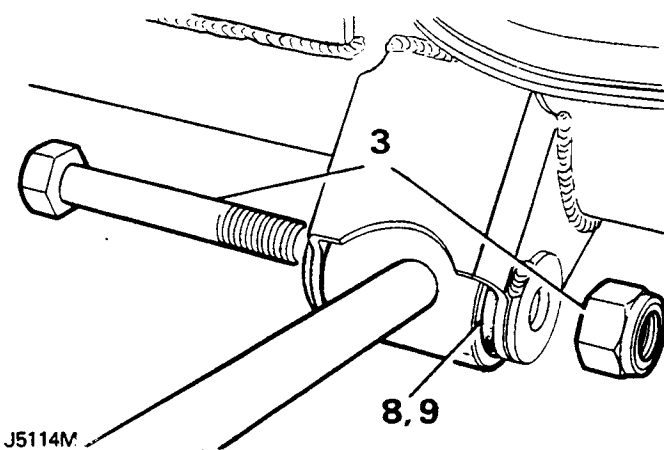
Remove and refit 1 to 7, 10 to 12

BUSH

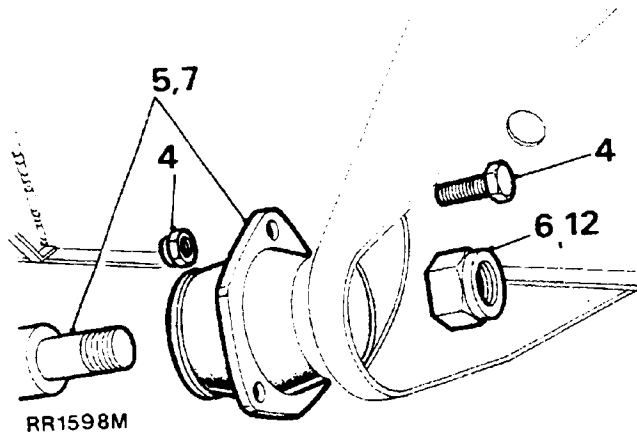
Remove and refit 8 and 9

Removing

1. Place the vehicle on a suitable hydraulic hoist for accessibility.
2. Alternatively, raise the rear of the vehicle using a suitable hydraulic floor jack and support the vehicle using stands placed under the axle.
3. Remove the link rear fixings.



4. Remove the mounting bracket fixings at the side member bracket.
5. Withdraw lower link complete with mounting bracket.
6. Remove the locknut.
7. Withdraw the mounting bracket from the lower link.



Replacing the bush

8. Using a suitable hydraulic or bench press and a piece of metal tubing slightly smaller than the outside diameter of the bush, press out the rubber mounted bushes. Ensure the steel tubing locates on the outer edge of the bush and not on the rubber inner.
9. Fit the replacement bush assembly centrally in the housing.

CAUTION: When pressing in the new bush ensure that pressure is applied to the outer edge of the bush only and not to the rubber inner.

Refitting

10. Reverse items 6 and 7. Do not tighten the locknut at this stage.
11. Reverse items 3 to 5.
12. Lower the vehicle, remove the jack and allow the axle to take up its static laden position. Finally tighten the locknut to the correct torque (see section 06-Torque values).