

Maintenance Schedules - Maintenance Schedules - Diesel Engines

Description and Operation

- **NOTE: Some variation in the illustrations may occur, but the essential information is always correct.**

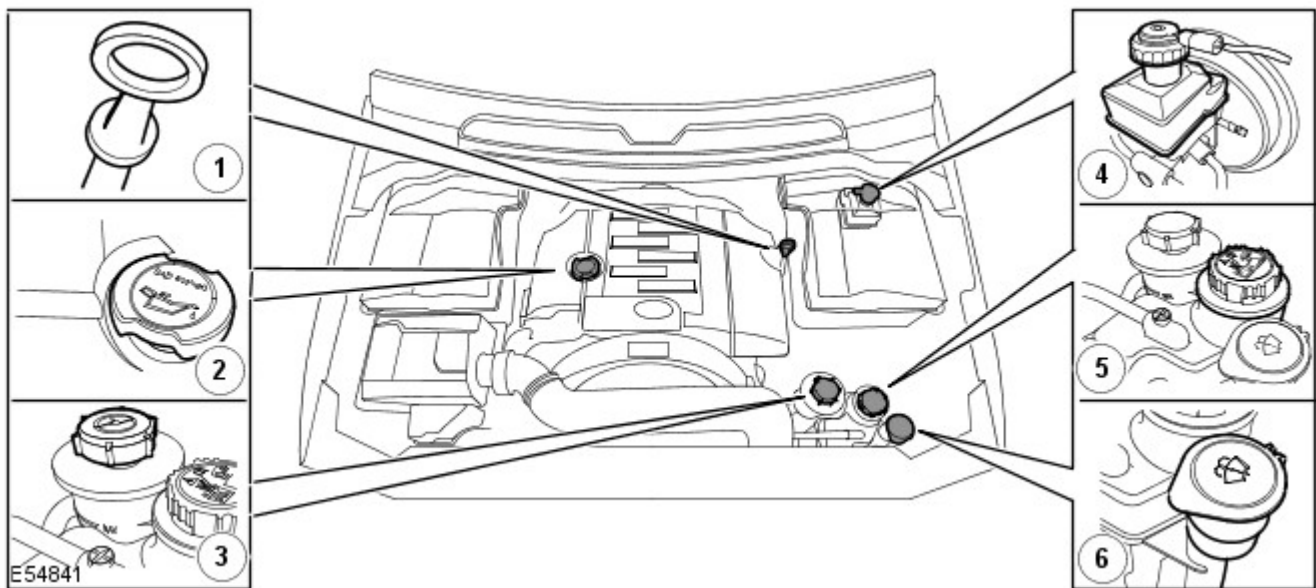
Torque Specifications

Description	Nm	lb-ft
Seat frame fixing Torx screws	40	30
Seat belt fixing Torx screws	40	30
Road wheel nuts	140	103



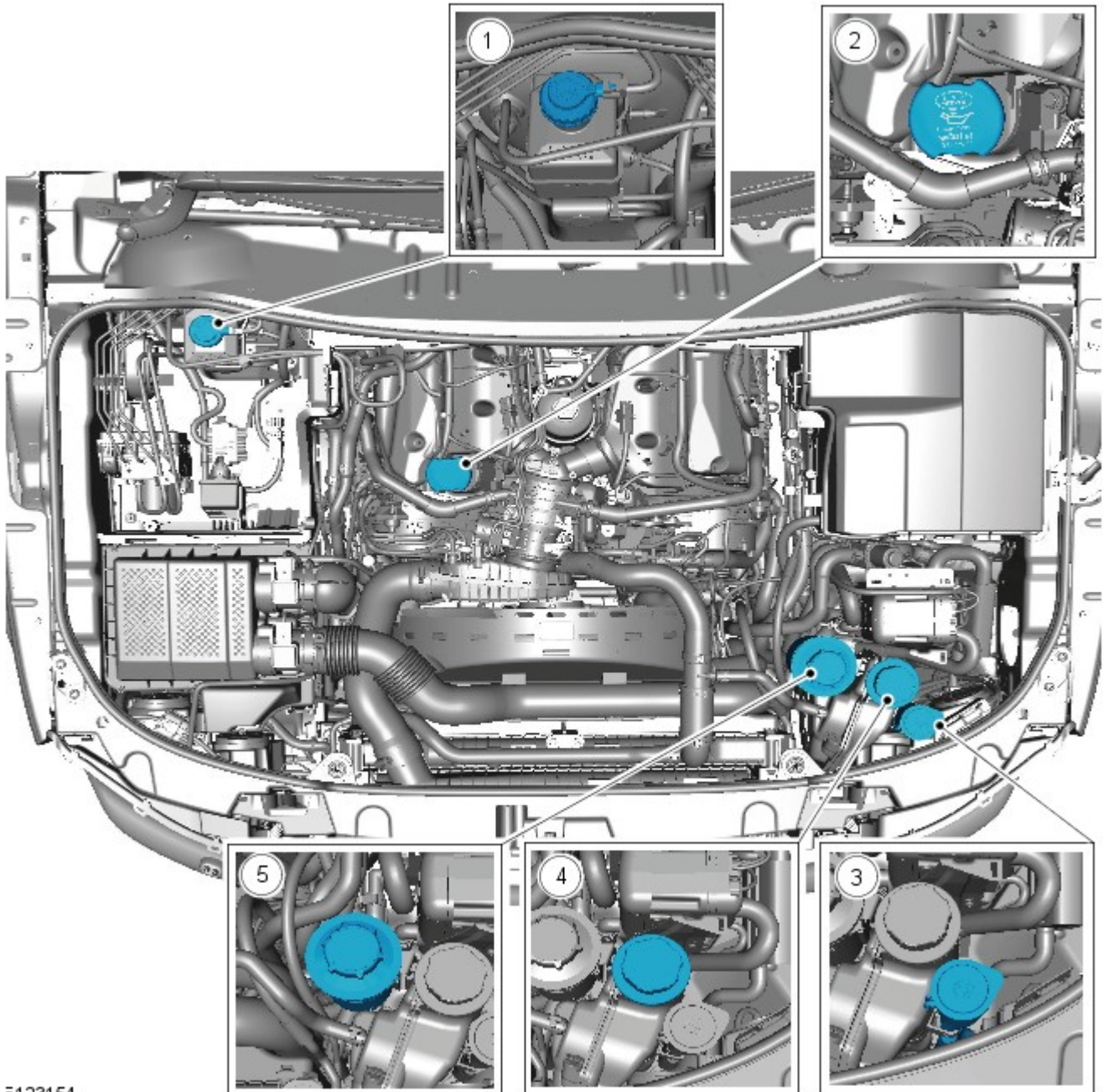
CAUTION: Unless stated otherwise, the following operations must be carried out at every service interval. Note that the A and B Services listed on the Maintenance Check Sheet, applicable to vehicles operating under arduous conditions, vary both in period and mileage (kilometres) to the intervals specified for those vehicles operating under normal conditions. Reference must therefore, always be made to the 'Arduous Conditions Maintenance Check Sheet' for vehicles operating under these conditions.

Underbonnet View - 2.7 Litre



- 1. Engine oil level indicator
- 2. Engine oil filler cap
- 3. Power steering fluid reservoir
- 4. Brake/clutch fluid reservoir (LH drive illustrated - RH drive on opposite side)
- 5. Coolant expansion tank
- 6. Windshield washer reservoir

Underbonnet View - 3.0 Litre

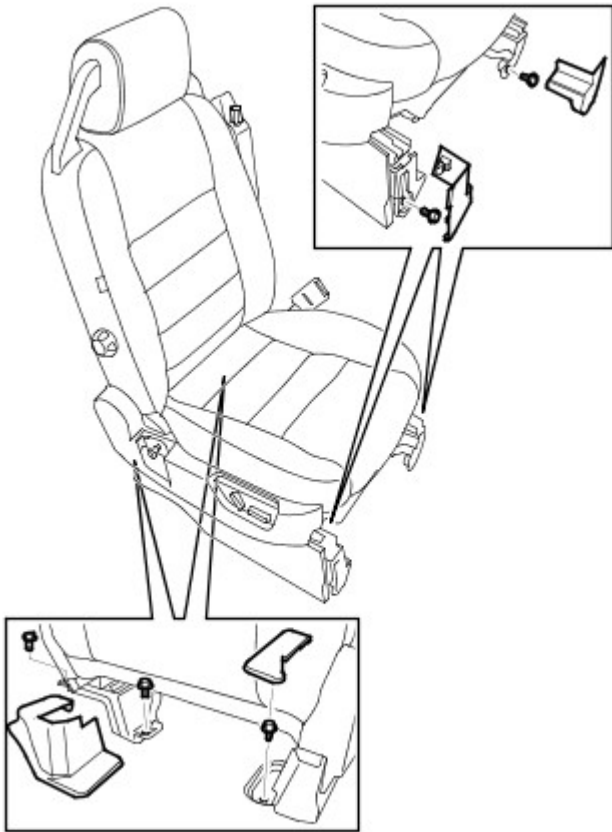


E123154

- 1. Brake/clutch fluid reservoir (LH drive illustrated - RH drive on opposite side)
- 2. Engine oil filler cap
- 3. Windshield washer reservoir
- 4. Coolant expansion tank
- 5. Power steering fluid reservoir

Maintenance Operations

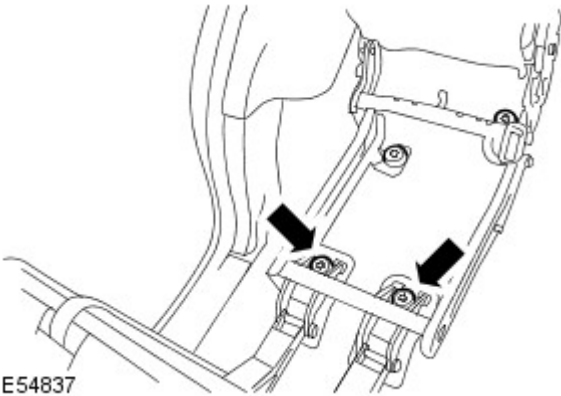
Seats and Safety Belts



E45101

Front seat frame fixings - Every 2 years or 30,000 miles (48,000 km) - vehicles with 2.7L diesel. Or 32,000 miles (52,000 km) - vehicles with 3.0L diesel

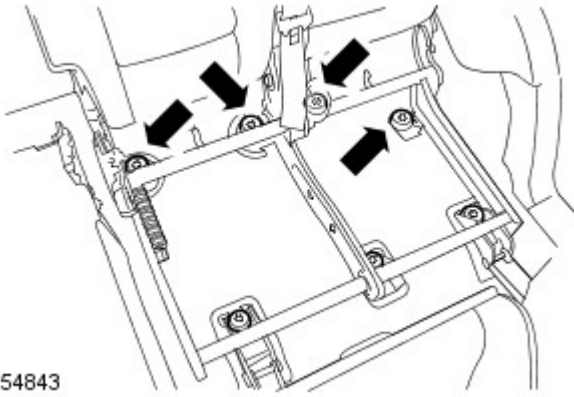
1. Carefully remove the trim panels covering the seat frame fixing Torx screws.
2. Check that the front seat frame fixing Torx screws are secure and that the seat frames show no signs of movement.
3. Reinstall the trim panels on completion.



E54837

Front seat frame fixings - Every 2 years or 30,000 miles (48,000 km) - vehicles with 2.7L diesel. Or 32,000 miles (52,000 km) - vehicles with 3.0L diesel

4. Check that the rear seat frame front fixings are secure and that the seat frames show no signs of movement.

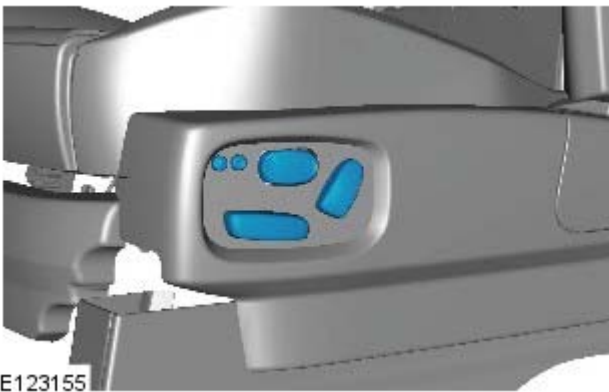


E54843

Front seat frame fixings - Every 2 years or 30,000 miles (48,000 km) - vehicles with 2.7L diesel. Or 32,000 miles (52,000 km) - vehicles with 3.0L diesel

5. Fold the seat cushions forwards and check that the rear seat frame rear fixings are secure and that the seat frames show no signs of movement.

6. Fold the seat cushions back on completion.



E123155

Front seat controls

7. Check operation of all seat controls.

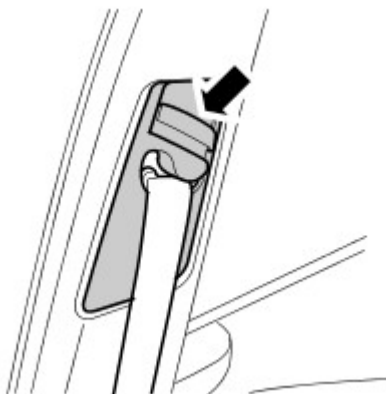
Safety belts - Every 2 years or 30,000 miles (48,000 km) - vehicles with 2.7L diesel. Or 32,000 miles (52,000 km) - vehicles with 3.0L diesel

8. Fully extend each safety belt and check that it returns unassisted; repeat for all belts.

9. Check entire length of safety belt webbing for signs of fraying or damage; repeat for all belts.

10. Connect each safety belt to the correct buckle, check safety belt buckle and tongue are secure; check that buckle releases tongue correctly.

11. Check all safety belt and buckle mountings and fixings for security.



E54871

12. Check front safety belt height adjusters for correct operation.

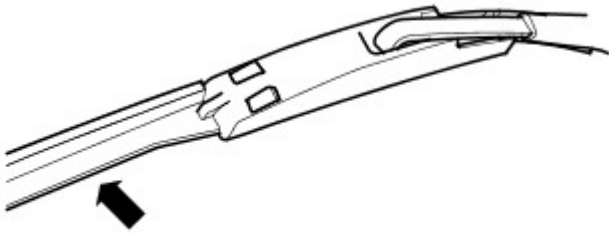
Lamps, Horns and Warning Indicators

1. Check side, head, fog, reversing and tail lamps for correct operation.

2. Check operation of headlamp automatic levelling system - if installed.

3. Check turn signals and hazard warning lamps for correct operation.
4. Check brake (stop) lamps for correct operation.
5. Check all exterior lamp lenses for clarity and condition; pay particular attention to headlamp and fog lamp lenses for stone chips or damage.
6. Check horn for loud, clear sound.
7. Switch on headlamps and check that side/headlamp reminder warning sounds when door is opened.
8. Check operation of interior courtesy lamps.
9. Check operation of all instrument pack warning and indicator lamps.

Washers and Wipers



E54838

1. Check all wiper blades for condition and signs of splits or damage.
2. Check security of wiper arms.
3. Operate front and rear windshield washers, check that jets are clear and correctly aimed.
4. Operate front and rear wipers at all speeds and check for smooth, smear free operation.

Check High/Low Gear Engagement

1. Select LOW range gear, drive vehicle forwards 3 to 4 vehicle lengths, stop vehicle and select HIGH range gear - gears must engage smoothly.

Pollen Filter

1. Replace pollen filter.
For additional information, refer to: [Pollen Filter](#) (412-01 Air Distribution and Filtering, Removal and Installation).

Corrosion/Cosmetic Inspection

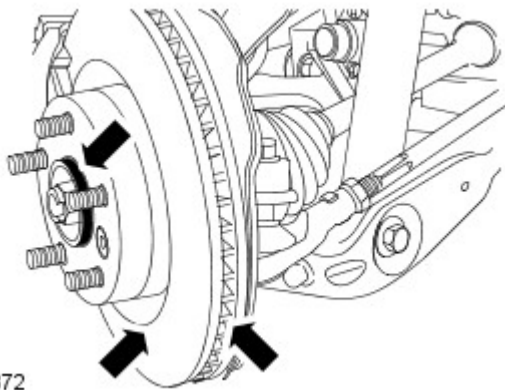
1. Carry out the annual corrosion/cosmetic inspection using the Annual Corrosion Inspection Sheet.

Wheels and Tires

1. Check that tires comply with manufacturer's specification.
For additional information, refer to: [Wheels and Tires](#) (204-04 Wheels and Tires, Description and Operation).
2. Check/adjust tire pressures including spare.
For additional information, refer to: [Wheels and Tires](#) (204-04 Wheels and Tires, Description and Operation).
3. **Vehicles with Uni-directional tires installed:** Mark the wheel to stud relationship of each road wheel and note location of each road wheel to its respective hub.
4. Loosen road wheel nuts. Raise vehicle to a wheel free condition.
For additional information, refer to: [Lifting](#) (100-02 Jacking and Lifting, Description and Operation).
5. Remove the road wheels.
6. Visually check tires for condition, lumps or bulges. Check tread depth across the width of the tire and around the circumference; make sure that remaining tread depth does not contravene local legislative requirements.

• **NOTE:** Do not install wheels at this stage.

Braking System



E54872

⚠ CAUTION: When vehicles are operating under arduous conditions, the following service items must be carried out:

- **Every 3 months or 3,750 miles (6,000 km) - vehicles with 2.7L diesel**
- **Every 3 months or 4,000 miles (6,500 km) - vehicles with 3.0L diesel**

1. Inspect front brake pads for wear.
For additional information, refer to: [Specifications](#) (206-03 Front Disc Brake, Specifications).
2. Inspect rear brake pads for wear.
For additional information, refer to: [Specifications](#) (206-04 Rear Disc Brake, Specifications).
3. Check brake calipers for signs of fluid leaks.
4. Check brake discs for condition.
5. Check all brake booster and brake system pipes and hoses for condition, chafing and leaks.
6. Clean road wheel hub spigots and apply grease, Land Rover Part Number RYL 105020 to the wheel mating surface of each spigot.
7. **Vehicles with Uni-directional tires installed:** Install road wheels to their respective hubs ensuring that stud to wheel relationship is maintained.
8. **Vehicles with NON uni-directional tires installed:** Install wheels on the opposite side of the vehicle but make sure that they on the same axle as they were originally installed.
9. Install road wheel nuts and tighten to 140 Nm (103 lb-ft).

⚠ CAUTION: When vehicles are operating under arduous conditions, the following service items must be carried out:

- **Every 2 years or 30,000 miles (48,000 km) - vehicles with 2.7L diesel**
- **Every 2 years or 32,000 miles (52,000 km) - vehicles with 3.0L diesel**

10. **Every 2 years or 30,000 miles (48,000 km) - vehicles with 2.7L diesel. Or 32,000 miles (52,000 km) - vehicles with 3.0L diesel:** Replace brake fluid.
For additional information, refer to: [Brake System Bleeding](#) (206-00 Brake System - General Information, General Procedures).
11. **Every 6 years or 90,000 miles (144,000 km) - vehicles with 2.7L diesel. Or 96,000 miles (156,000 km) - vehicles with 3.0L diesel:** Replace all flexible brake hoses.

Electric Parking Brake

⚠ CAUTION: When vehicles are operating under arduous conditions, the following service items must be carried out:

- **Every 3 months or 3,750 miles (6,000 km) - vehicles with 2.7L diesel**
- **Every 3 months or 4,000 miles (6,500 km) - vehicles with 3.0L diesel**

1. Check the adjustment of the electric parking brake.
For additional information, refer to: [Parking Brake Shoe and Lining Adjustment](#) (206-05 Parking Brake and Actuation, General Procedures).
2. **Vehicles operating under arduous conditions:** Check the condition of the electric parking brake system.

Road Wheel Speed Sensors

⚠ CAUTION: When vehicles are operating under arduous conditions, the following service items must be carried out:

- **Every 3 months or 3,750 miles (6,000 km) - vehicles with 2.7L diesel**
- **Every 3 months or 4,000 miles (6,500 km) - vehicles with 3.0L diesel**

1. Inspect the road wheel speed sensor harnesses for damage.

Fuel Filter Element

- CAUTIONS:



When vehicles are operating under arduous conditions, the following service item must be carried out:

- Every 12 months or 15,000 miles (24,000 km) - vehicles with 2.7L diesel
- Every 12 months or 16,000 miles (26,000 km) - vehicles with 3.0L diesel



China and India markets only: The following service item must be carried out:

- Every 6 months or 7,500 miles (12,000 km) - vehicles with 2.7L diesel
- Every 6 months or 8,000 miles (13,000 km) - vehicles with 3.0L diesel

1. Every 2 years or 30,000 miles (48,000 km) - vehicles with 2.7L diesel. Or 32,000 miles (52,000 km) - vehicles with 3.0L diesel: Replace fuel filter element. For additional information, refer to:

[Fuel Filter Element - VIN Range: SALLA000304->END_OF_06MY](#) (310-01A Fuel Tank and Lines - TDV6 2.7L Diesel, Removal and Installation),

[Fuel Filter Element](#) (310-01B Fuel Tank and Lines - TDV6 3.0L Diesel, Removal and Installation).

Fuel Sedimentor



CAUTION: When vehicles are operating under arduous conditions, the following service items must be carried out:

- Every 3 months or 3,750 miles (6,000 km) - vehicles with 2.7L diesel
- Every 3 months or 4,000 miles (6,500 km) - vehicles with 3.0L diesel

1. Drain the fuel sedimentor.

For additional information, refer to: [Diesel Filter Water Drain-Off](#) (310-00 Fuel System - General Information, General Procedures).

Radiator/intercooler and Cooling Fan



CAUTION: Vehicles operating under arduous conditions:

1. Visually check the radiator/intercooler for external obstructions, check cooling fan blades for damage.
2. Remove any debris from the intercooler using a low pressure hose.

Air Suspension

1. Every 5 years or 75,000 miles (120,000 km) - vehicles with 2.7L diesel. Or 80,000 miles (129,000 km) - vehicles with 3.0L diesel - On vehicles operating under arduous conditions: Replace the air suspension compressor filter. For additional information, refer to: [Air Suspension Air Filter](#) (204-05 Vehicle Dynamic Suspension, Removal and Installation).

Door Locks and Hinges

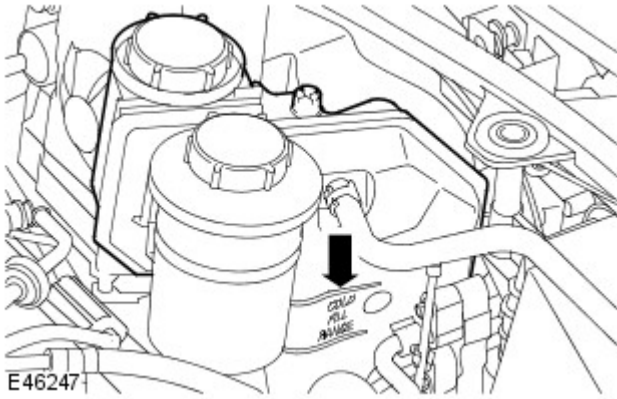
1. Check operation of all door locks, bonnet lock and fuel filler flap.
2. Lubricate all door check straps, bonnet catch and fuel filler flap catch.

Cooling System

1. Check specific gravity of coolant using a hydrometer.
 - NOTE: A suitable hydrometer is available from the Equipment Programme under Part Number 511 3302 001 00.
2. Top-up cooling system if necessary. For additional information, refer to: [Specifications](#) (303-03A Engine Cooling - TDV6 2.7L Diesel, Specifications) / [Specifications](#) (303-03B Engine Cooling - TDV6 3.0L Diesel, Specifications).



CAUTION: Anti-freeze concentration must be maintained at 50%.



Cooling system - Check/Top-up



WARNING: Since injury such as scalding could be caused by escaping steam or coolant, do not remove the filler cap from the coolant expansion tank whilst the system is hot.



CAUTION: Engine coolant will damage the paint finished surfaces. If coolant is spilled, immediately remove the coolant and wash the area with water.

1. Check the level of coolant in the expansion tank. With the engine cold, the coolant level must be to the '**UPPER LEVEL**' indicator mark above the '**COLD FILL RANGE**' text on the side of the expansion tank. Ignore any coolant which may be visible in the top section of the tank.
2. If topping-up is required, remove expansion tank filler cap and top-up coolant level to the '**UPPER LEVEL**' indicator mark.
For additional information, refer to: [Specifications](#) (303-03A Engine Cooling - TDV6 2.7L Diesel, Specifications) / [Specifications](#) (303-03B Engine Cooling - TDV6 3.0L Diesel, Specifications).



CAUTION: Always top-up with a 50% mixture of anti-freeze and water.

3. Fit expansion tank filler cap, tighten cap until ratchet is heard to 'click'.

Coolant - Replace

1. **Every 10 years or 150,000 miles (240,000 km) - vehicles with 2.7L diesel. Or 160,000 miles (258,000 km) - vehicles with 3.0L diesel:** Replace the coolant.
For additional information, refer to: [Cooling System Draining, Filling and Bleeding](#) (303-03A Engine Cooling - TDV6 2.7L Diesel, General Procedures) / [Cooling System Draining, Filling and Bleeding](#) (303-03B Engine Cooling - TDV6 3.0L Diesel, General Procedures).

Air Filtering



CAUTION: When vehicles are operating under arduous conditions, the following service item must be carried out:

- Every 12 months or 15,000 miles (24,000 km) - vehicles with 2.7L diesel
- Every 12 months or 16,000 miles (26,000 km) - vehicles with 3.0L diesel

1. **Every 3 years or 45,000 miles (72,000 km) - vehicles with 2.7L diesel. Or 48,000 miles (77,000 km) - vehicles with 3.0L diesel:** Replace the air filter element.
For additional information, refer to: [Air Cleaner Element](#) (303-12A Intake Air Distribution and Filtering - TDV6 2.7L Diesel, Removal and Installation) / [Air Cleaner Element](#) (303-12B Intake Air Distribution and Filtering - TDV6 3.0L Diesel, Removal and Installation).

Ancillary Drive Belt

1. Check the condition of the ancillary drive belt.
2. Remove all traces of mud and dirt from the drive belt and pulleys.
3. Check the drive belt for signs of splitting and wear.



CAUTION: When vehicles are operating under arduous conditions, the following service items must be carried out:

- Every 5 years or 75,000 miles (120,000 km) - vehicles with 2.7L diesel
- Every 5 years or 80,000 miles (129,000 km) - vehicles with 3.0L diesel

2. **Every 10 years or 150,000 miles (241,000 km) - vehicles with 2.7L diesel. Or 160,000 miles (258,000 km) - vehicles with 3.0L diesel:** Replace the ancillary drive belt.
For additional information, refer to: [Accessory Drive Belt](#) (303-05A Accessory Drive - TDV6 2.7L Diesel, Removal and Installation) / [Accessory Drive Belt](#) (303-05B Accessory Drive - TDV6 3.0L Diesel, Removal and Installation).

Camshaft Timing Belt and High Pressure Fuel Pump Drive Belt/Rear End Accessory Drive (READ) Belt



CAUTION: When vehicles are operating under arduous conditions, the following service item must be carried out:

- Every 4 years or 60,000 miles (96,000 km) - vehicles with 2.7L diesel
- Every 4 years or 56,000 miles (90,000 km) - vehicles with 3.0L diesel

3. Every 7 years or 105,000 miles (168,000 km) - vehicles with 2.7L diesel. Or 112,000 miles (180,000 km) - vehicles with 3.0L diesel: Replace camshaft timing belt.

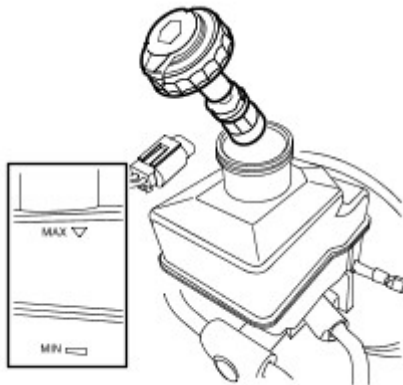
For additional information, refer to: [Timing Belt](#) (303-01A Engine - TDV6 2.7L Diesel, In-vehicle Repair) / [Timing Belt](#) (303-01B Engine - TDV6 3.0L Diesel, Removal and Installation).

Replace the High pressure fuel pump drive belt.

For additional information, refer to: [Fuel Injection Pump Belt - VIN Range: SALLA000304->END OF 06 MY](#) (303-05A Accessory Drive - TDV6 2.7L Diesel, Removal and Installation) / [Rear End Accessory Drive \(READ\)](#) (303-05B Accessory Drive - TDV6 3.0L Diesel, Removal and Installation).

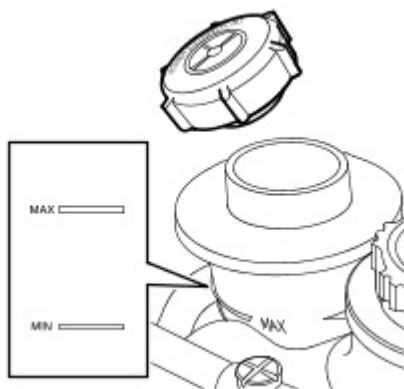
Fluid Levels

Brake/clutch fluid reservoir



1. Remove the auxiliary battery box cover.
2. Check the fluid level in the brake/clutch fluid reservoir, the level must be to the '**MAX**' mark on the reservoir; top-up if necessary.
3. Clean the area around the reservoir filler cap, remove the cap.
4. If necessary, top-up using the recommended fluid to the '**MAX**' mark on the reservoir.
For additional information, refer to: [Specifications](#) (206-00 Brake System - General Information, Specifications).
5. Reinstall the reservoir filler cap.
6. Install the auxiliary battery box cover.

Power steering fluid reservoir



CAUTION: To prevent over filling, check/top-up the system with the engine switched off and the system cold. Make sure that the steering wheel is in the straight ahead position, do not turn the steering wheel prior to checking the fluid level.

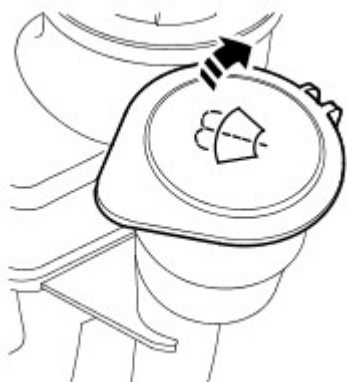
1. Check that the fluid level is to the mid-way mark between the '**MAX**' and '**MIN**' marks on the fluid reservoir, top-up if necessary.
2. Clean the area around the reservoir filler cap, remove the cap.

3. If necessary, top-up using the recommended fluid to the mid-way mark on the reservoir. For additional information, refer to: [Specifications](#) (211-02 Power Steering, Specifications).

 **CAUTION: Do not fill reservoir above the 'MAX' mark.**

4. Reinstall the reservoir filler cap.

Windshield washer reservoir



E54847

1. Remove the windshield washer reservoir filler cap.

2. Top-up the reservoir using a mixture of an approved windshield washer fluid and water until the level is to the bottom of the gauze filter in the reservoir filler neck.

3. Reinstall the reservoir filler cap.

Engine Oil and Filter

• CAUTIONS:

 **When vehicles are operating under arduous conditions, the following service items must be carried out:**

- Every 3 months or 3,750 miles (6,000 km) - vehicles with 2.7L diesel
- Every 3 months or 4,000 miles (6,500 km) - vehicles with 3.0L diesel

 **Rest of World Vehicles - Not UK and Europe: The following service items must be carried out:**

- Every 6 months or 7,500 miles (12,000 km) - vehicles with 2.7L diesel
- Every 6 months or 8,000 miles (13,000 km) - vehicles with 3.0L diesel

1. Renew engine oil and filter.

For additional information, refer to: [Engine Oil Draining and Filling](#) (303-01A Engine - TDV6 2.7L Diesel, General Procedures) / [Engine Oil Draining and Filling](#) (303-01B Engine - TDV6 3.0L Diesel, General Procedures).

Automatic Transmission

1. Every 10 years or 150,000 miles (241,000 km) - vehicles with 2.7L diesel: Renew automatic transmission fluid.

For additional information, refer to: [Specifications](#) (307-01A Automatic Transmission/Transaxle - TDV6 2.7L Diesel, Specifications) / [Transmission Fluid Drain and Refill](#) (307-01A Automatic Transmission/Transaxle - TDV6 2.7L Diesel, General Procedures).

1. Every 9 years or 144,000 miles (232,000 km) - vehicles with 3.0L diesel: Renew automatic transmission fluid.

For additional information, refer to: [Specifications](#) (307-01D, Specifications) / [Transmission Fluid Drain and Refill](#) (307-01D Automatic Transmission/Transaxle - V8 5.0L Petrol/TDV6 3.0L Diesel, General Procedures).

Transfer Case

1. Every 5 years or 75,000 miles (120,000 km) - vehicles with 2.7L diesel. Or 80,000 miles (129,000 km) - vehicles with 3.0L diesel: Renew transfer case fluid.

For additional information, refer to: [Specifications](#) (308-07B Transfer Case, Specifications) / [Transfer Case Draining and Filling](#) (308-07B Transfer Case, General Procedures).

Differential Assemblies

1. Every 10 years or 150,000 miles (241,000 km) - vehicles with 2.7L diesel. Or 160,000 miles (258,000 km) - vehicles with 3.0L diesel: Renew front differential oil.

For additional information, refer to: [Specifications](#) (205-03 Front Drive Axle/Differential, Specifications) / [Differential Draining and Filling](#) (205-03 Front Drive Axle/Differential, General Procedures).

2. Every 5 years or 75,000 miles (120,000 km) - vehicles with 2.7L diesel. Or 80,000 miles (129,000 km) - vehicles

with 3.0L diesel: Renew rear 'Electronic Torque Managed (ETM)' differential oil.
For additional information, refer to: [Specifications](#) (205-02 Rear Drive Axle/Differential, Specifications) / [Differential Draining and Filling](#) (205-02 Rear Drive Axle/Differential, General Procedures).

3. Every 10 years or 150,000 miles (241,000 km) - vehicles with 2.7L diesel. Or 160,000 miles (258,000 km) - vehicles with 3.0L diesel: Renew rear 'OPEN' differential oil.
For additional information, refer to: [Specifications](#) (205-02 Rear Drive Axle/Differential, Specifications) / [Differential Draining and Filling](#) (205-02 Rear Drive Axle/Differential, General Procedures).

Suspension and Body Mountings

1. Check for free play in all suspension and body mounting rubbers.
2. Check condition of suspension rubber boots and gaiters.
3. Lift the vehicle so that front wheels are clear of ground/ramp to enable insertion of a suitable lever (e.g. a 1200mm long steel tube). Check the lower ball joints for free play by placing the lever between the ground/ramp and the tire, and lifting the wheel assembly with the lever. A second person will be required to check simultaneously for any ball joint lift. If free play (knock) is noted in the ball joint, replacement is required.

Fuel System

1. Check fuel system pipes, hoses and unions for chafing, leaks and corrosion.

Electrical Harnesses

1. Check all electrical harnesses for chafing.

Oil/Fluid Leaks

1. Check for oil/fluid leaks.

Exhaust System

1. Check exhaust system for leaks, security and damage.

Power Steering

1. Check power steering rod ball joint fixings, gaiters and condition of ball joints and dust covers.
2. Check power steering pipes, hoses and unions for chafing, leaks and corrosion.

Clutch

1. Check clutch pipes and unions for chafing, leaks and corrosion.

Fault Lamp(s)

1. If fault lamp(s) are illuminated, test the associated system using approved Land Rover diagnostic equipment and report findings.

Road Test

1. Carry out road test of vehicle.
For additional information, refer to: [Road/Roller Testing](#) (100-00 General Information, Description and Operation).

General

1. Endorse Service Record.
2. Report any unusual features of vehicle condition and any additional work required.

Additional Items That May Require Attention

It is recommended that:

1. **Every 6 years:** All brake fluid hydraulic seals are replaced.
 - NOTE: This is in addition to the maintenance requirement that flexible brake hoses MUST be replaced at this service interval.
2. **After 50 miles (80 km) continuous use in severe off-road conditions i.e. wading, deep mud and abrasive grit/slurry:** The electric parking brake should be cleaned and inspected.
3. **After 50 miles (80 km) continuous use in severe off-road conditions i.e. wading, deep mud and abrasive grit/slurry:** The ancillary drive belt should be cleaned and inspected.
4. **Vehicles with air suspension installed:** Vehicles used extensively in arduous or off road conditions will require the compressor air inlet filter to be renewed more frequently.
5. **Vehicles used in dusty or field conditions or deep wading:** More frequent attention to the air cleaner will be required.

6. Vehicles used in areas where fuel quality is poor: Where vehicles are used in these areas, the fuel sedimentor may require draining at more frequent intervals.