



Electrical Wiring Diagrams



DISCOVERY 4 - LR4 (LHD)

(1b) VIN: 524545 >

ABBREVIATIONS

..... viii

USING THIS PUBLICATION

Health and safety ix
Using this publication ix
Section numbering x
Circuit sheet numbering x
Understanding the circuit diagrams x

204-04 - WHEELS AND TIRES

Tire pressure monitoring system 1

204-05 - VEHICLE DYNAMIC SUSPENSION

Air suspension 2

205-02 - REAR DRIVE AXLE AND DIFFERENTIAL

..... 4

206-05 - PARKING BRAKE AND ACTUATION

..... 6

206-09 - ANTI-LOCK CONTROL

..... 7

211-04 - STEERING COLUMN

Adjustable 9

Clock spring 10

303-06 - STARTING SYSTEM

Ignition 12

303-14 - ELECTRONIC ENGINE CONTROLS

PV8 (5.0L) 13

PV6 18

DV6 (2.7L) 24

DV6 (3.0L) 30

307-01 - AUTOMATIC TRANSMISSION

DV6 (3.0L) and PV8 35

DV6 (2.7L) and PV6 37

308-00 - MANUAL TRANSMISSION

..... 39

308-07 - FOUR WHEEL DRIVE SYSTEMS

Transfer box 40

310-01 - FUEL TANK AND FUEL LINES

..... 43

412-01 - CLIMATE CONTROL

..... 45

Rear 48

412-02 - AUXILIARY CLIMATE CONTROL

Heated screen and washer jets 50

Fuel fired booster heater 51

413-00 - INSTRUMENT CLUSTER AND PANEL ILLUMINATION

..... 52

413-06 - HORN

..... 54

413-07 - CLOCK

..... 55

413-08 - INFORMATION AND MESSAGE CENTER	56
413-13 - PARKING AID	58
Multiple cameras	60
Rear view camera	61
414-01 - BATTERY, MOUNTING AND CABLES	62
Engine junction box	70
Central junction box	81
Ground distribution	81
414-02 - GENERATOR AND REGULATOR	89
Petrol	90
Diesel	90
415-00 - INFORMATION AND ENTERTAINMENT SYSTEM	91
Low line	93
Mid-Line	96
High line	105
Portable audio interface	105
417-01 - EXTERIOR LIGHTING	106
Head, side, tail and number plate lamps	111
Headlamps - adaptive front lighting system	113
Lighting control switch	114
Auxiliary	115
Trailer socket - NAS	116
Trailer socket - Europe	116
417-02 - INTERIOR LIGHTING	117
Ambient lighting	120
418-00 - MODULE COMMUNICATIONS NETWORK	121
CAN bus - medium speed	122
CAN bus - high speed	124
MOST	130
Diagnostic socket	130
419-01 - ANTI-THEFT SYSTEM	131
Keyless Entry	135
Passive start	137
Active	137
501-09 - REAR VIEW MIRRORS	139
Interior	140
Door	140
501-10 - SEATING	141
Non memory	143
Memory	146
Heated - front	147
Heated - rear	147
501-11 - GLASS, FRAMES AND MECHANISMS	148
Window lift	148
501-12 - INSTRUMENT PANEL AND CONSOLE	150
Accessory socket(s)	151
Cool box	151
501-14 - HANDLES, LOCKS, LATCHES AND ENTRY SYSTEMS	152
Central locking system	152
501-16 - WIPERS AND WASHERS	156

501-17 - ROOF OPENING PANEL

158

501-20B - SUPPLEMENTAL RESTRAINT SYSTEM

159

ABBREVIATIONS

Abbreviation	Description
ABS	Anti-lock braking system
ADRC	Adaptive damping
AFS	Adaptive front lighting system
AMP	Audio amplifier
AUTO	Automatic transmission
AUU	Portable audio interface
BSM	Blind spot monitoring
CAN	Controller area network
CVD	Continuously variable damping
DAB	Digital audio broadcasting
DSC	Dynamic stability control
D4	Diesel engine - Straight-four
DPF	Diesel particulate filter
DV6	Diesel engine - V6
DV8	Diesel engine - V8
EGR	Exhaust gas recirculation
EMS	Engine management system
ETS	Electronic transmission shift
FET	Field effect transistor
GPS	Global positioning system
HID	High intensity discharge
HS CAN	High speed controller area network bus
IC	Instrument cluster
IMT	Intake manifold tuning
IP	Instrument panel
PV6	Petrol engine - V6
PV8	Petrol engine - V8
PV8NA	Naturally aspirated engine - V8
PV8SC	Super charged engine - V8
LH	Left-hand
LIN	Local interconnect network
MAF/IAT	Mass air flow / intake air temperature
MS CAN	Medium speed controller area network bus
MMM	Navigation system module
N/A	Normally aspirated
NAS	North American specification
PDC	Park distance control
RF	Radio frequency
RH	Right-hand
SAI	Secondary air injection
SCL	Steering column locking
SDARS	Satellite digital audio receiver system
TPMS	Tire pressure monitoring system
TSD	Touch screen display
TV	Television
ULEV	Ultra low emission vehicle
USB	Universal serial bus
VICS	Vehicle information control system

Health and safety

Always follow health and safety guidelines, specifically those detailed in the Workshop Manual.

Using this publication

The information provided in this publication is for use only by competent, qualified auto-electricians. Good product knowledge is assumed, as well as the ability to access and use recommended test equipment and other reference material provided.

Test equipment and other reference material

The information in this publication should be used in conjunction with the recommended test equipment; refer to Workshop Manual. Other reference material includes: Technical Service Bulletins (TSB) and the Workshop Manual.

The Electrical Reference Library (ERL) may also prove useful since it provides detailed connector information.

Battery disconnection and reconnection

It is imperative that any information relating to battery disconnection and reconnection is followed; refer to the appropriate sections in the Workshop Manual.

Fault Diagnosis

Always use the recommended test equipment for correct and reliable fault diagnosis, refer to the Workshop Manual.

Harness Repair

Repairs should only be undertaken for connectors where a Service Repair Kit is available; refer to the appropriate Electrical Reference Library (ERL).

Note: Fibre Optic circuits cannot be repaired; refer to the Workshop Manual.

Health and safety

Always follow health and safety guidelines, specifically those detailed in the Workshop Manual.

Using this publication

The information provided in this publication is for use only by competent, qualified auto-electricians. Good product knowledge is assumed, as well as the ability to access and use recommended test equipment and other reference material provided.

Test equipment and other reference material

The information in this publication should be used in conjunction with the recommended test equipment; refer to Workshop Manual. Other reference material includes: Technical Service Bulletins (TSB) and the Workshop Manual.

The Electrical Reference Library (ERL) may also prove useful since it provides detailed connector information.

Battery disconnection and reconnection

It is imperative that any information relating to battery disconnection and reconnection is followed; refer to the appropriate sections in the Workshop Manual.

Fault Diagnosis

Always use the recommended test equipment for correct and reliable fault diagnosis, refer to the Workshop Manual.

Harness Repair

Repairs should only be undertaken for connectors where a Service Repair Kit is available; refer to the appropriate Electrical Reference Library (ERL).

Note: Fibre Optic circuits cannot be repaired; refer to the Workshop Manual.

USING THIS PUBLICATION

Section numbering

The sections in this publication are ordered to match the Global Outline numbering system as found in the current Workshop Manual. The Power and Ground distribution circuits can be found under section 414-01, BATTERY, MOUNTING AND CABLES.

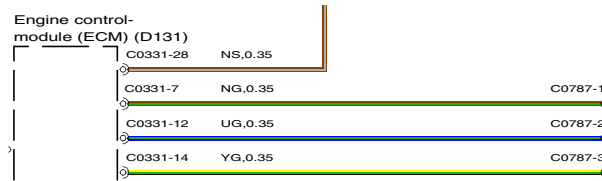
Note: Where circuit diagrams show more than one sub-system, the circuit will be located in the section that carries the first-named sub-system, for example: Starting and Charging will be located under section 303-06 Starting System, since 'Starting' is the first-named sub-system.

Circuit sheet numbering

The figures in brackets to the left of the page number indicate a circuit sheet number and the total number of sheets per circuit, for example (01 / 05) represents sheet 1 of 5.

Understanding the circuit diagrams

Components



After each component description, a translation code is displayed in brackets, for example: Starter relay (R102), Engine control-module (ECM)(D131). The codes can be ignored.

Note: A dotted outline indicates that the component identified is not shown in its entirety.

Connectors

Connectors and header joints are identified by their corresponding connector number with a numbered suffix to indicate the pin-out detail of the wire, i.e. C0292-1 identifies connector 292, pin number 1. Wire insulation colours are listed in a table at the end of this section. Where wires have a predominant colour with a secondary colour tracer, the main colour is identified first, i.e. WH-BK - white with a black tracer.

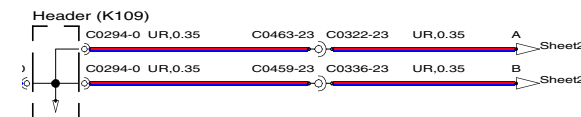
Wire length (Power and Ground Distribution only)

The wire length (in millimetres) is displayed after the colour and cross sectional area; for example, SR,0.35,480. In this example, the figure, 480 indicates the approximate position of the harness splice is 480mm from connector C2335.

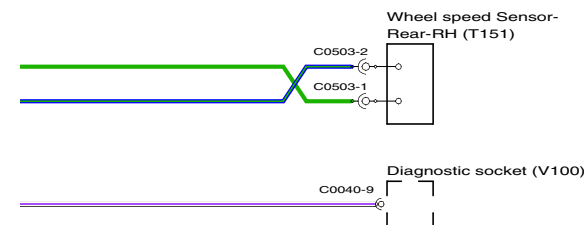
Line Types



Crossed wires as illustrated above show an example of how a twisted pair of wires may be represented on the circuits.



The arrows illustrated above show an example of the page break symbols, identifying that the circuit continues at the corresponding letter on the sheet number indicated.



The cup and ball symbol represents the male and female halves of connector. Most connectors plug directly into a component but some are wired directly to the component using a 'flylead' as with C503 above.

Ground points

Ground points are identified with an eyelet symbol and a connector number, except where components are grounded through its fixings, when only the eyelet is shown.

Colour Codes

CODE	COLOUR
BK or B	BLACK
BN or N	BROWN
BU or U	BLUE
GN or G	GREEN
GY or S	GREY (slate)
OG or O	ORANGE
PK or K	PINK
RD or R	RED
VT or P	PURPLE
WH or W	WHITE
YE or Y	YELLOW

USING THIS PUBLICATION

Section numbering

The sections in this publication are ordered to match the Global Outline numbering system as found in the current Workshop Manual. The Power and Ground distribution circuits can be found under section 414-01, BATTERY, MOUNTING AND CABLES.

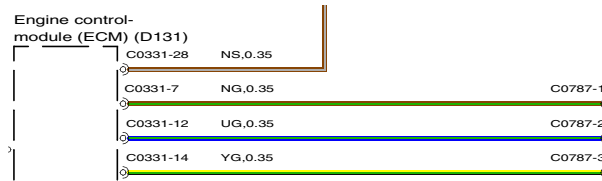
Note: Where circuit diagrams show more than one sub-system, the circuit will be located in the section that carries the first-named sub-system, for example: Starting and Charging will be located under section 303-06 Starting System, since 'Starting' is the first-named sub-system.

Circuit sheet numbering

The figures in brackets to the left of the page number indicate a circuit sheet number and the total number of sheets per circuit, for example (01 / 05) represents sheet 1 of 5.

Understanding the circuit diagrams

Components



After each component description, a translation code is displayed in brackets, for example: Starter relay (R102), Engine control-module (ECM)(D131). The codes can be ignored.

Note: A dotted outline indicates that the component identified is not shown in its entirety.

Connectors

Connectors and header joints are identified by their corresponding connector number with a numbered suffix to indicate the pin-out detail of the wire, i.e. C0292-1 identifies connector 292, pin number 1. Wire insulation colours are listed in a table at the end of this section. Where wires have a predominant colour with a secondary colour tracer, the main colour is identified first, i.e. WH-BK - white with a black tracer.

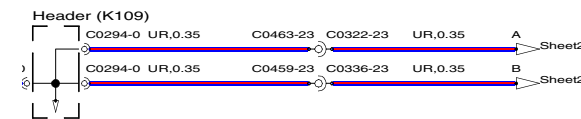
Wire length (Power and Ground Distribution only)

The wire length (in millimetres) is displayed after the colour and cross sectional area; for example, SR,0.35,480. In this example, the figure, 480 indicates the approximate position of the harness splice is 480mm from connector C2335.

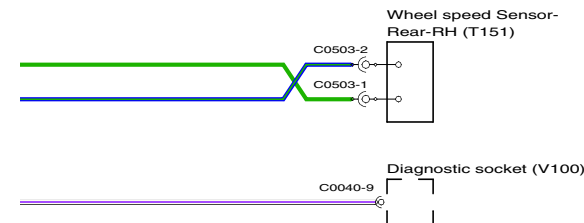
Line Types



Crossed wires as illustrated above show an example of how a twisted pair of wires may be represented on the circuits.



The arrows illustrated above show an example of the page break symbols, identifying that the circuit continues at the corresponding letter on the sheet number indicated.



The cup and ball symbol represents the male and female halves of connector. Most connectors plug directly into a component but some are wired directly to the component using a 'flylead' as with C503 above.

Ground points

Ground points are identified with an eyelet symbol and a connector number, except where components are grounded through its fixings, when only the eyelet is shown.

Colour Codes

CODE	COLOUR
BK or B	BLACK
BN or N	BROWN
BU or U	BLUE
GN or G	GREEN
GY or S	GREY (slate)
OG or O	ORANGE
PK or K	PINK
RD or R	RED
VT or P	PURPLE
WH or W	WHITE
YE or Y	YELLOW

USING THIS PUBLICATION

Section numbering

The sections in this publication are ordered to match the Global Outline numbering system as found in the current Workshop Manual. The Power and Ground distribution circuits can be found under section 414-01, BATTERY, MOUNTING AND CABLES.

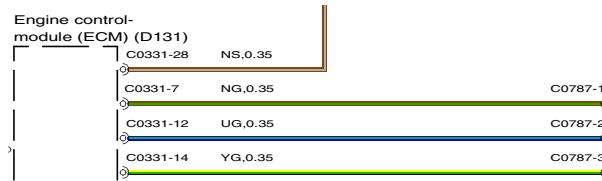
Note: Where circuit diagrams show more than one sub-system, the circuit will be located in the section that carries the first-named sub-system, for example: Starting and Charging will be located under section 303-06 Starting System, since 'Starting' is the first-named sub-system.

Circuit sheet numbering

The figures in brackets to the left of the page number indicate a circuit sheet number and the total number of sheets per circuit, for example (01 / 05) represents sheet 1 of 5.

Understanding the circuit diagrams

Components



After each component description, a translation code is displayed in brackets, for example: Starter relay (R102), Engine control module (ECM)(D131). The codes can be ignored.

Note: A dotted outline indicates that the component identified is not shown in its entirety.

Connectors

Connectors and header joints are identified by their corresponding connector number with a numbered suffix to indicate the pin-out detail of the wire, i.e. C0292-1 identifies connector 292, pin number 1. Wire insulation colours are listed in a table at the end of this section. Where wires have a predominant colour with a secondary colour tracer, the main colour is identified first, i.e. WH-BK - white with a black tracer.

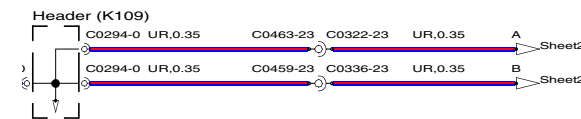
Wire length (Power and Ground Distribution only)

The wire length (in millimetres) is displayed after the colour and cross sectional area; for example, SR,0.35,480. In this example, the figure, 480 indicates the approximate position of the harness splice is 480mm from connector C2335.

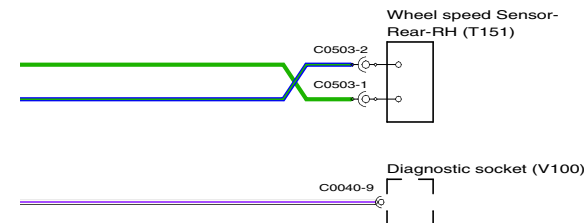
Line Types



Crossed wires as illustrated above show an example of how a twisted pair of wires may be represented on the circuits.



The arrows illustrated above show an example of the page break symbols, identifying that the circuit continues at the corresponding letter on the sheet number indicated.



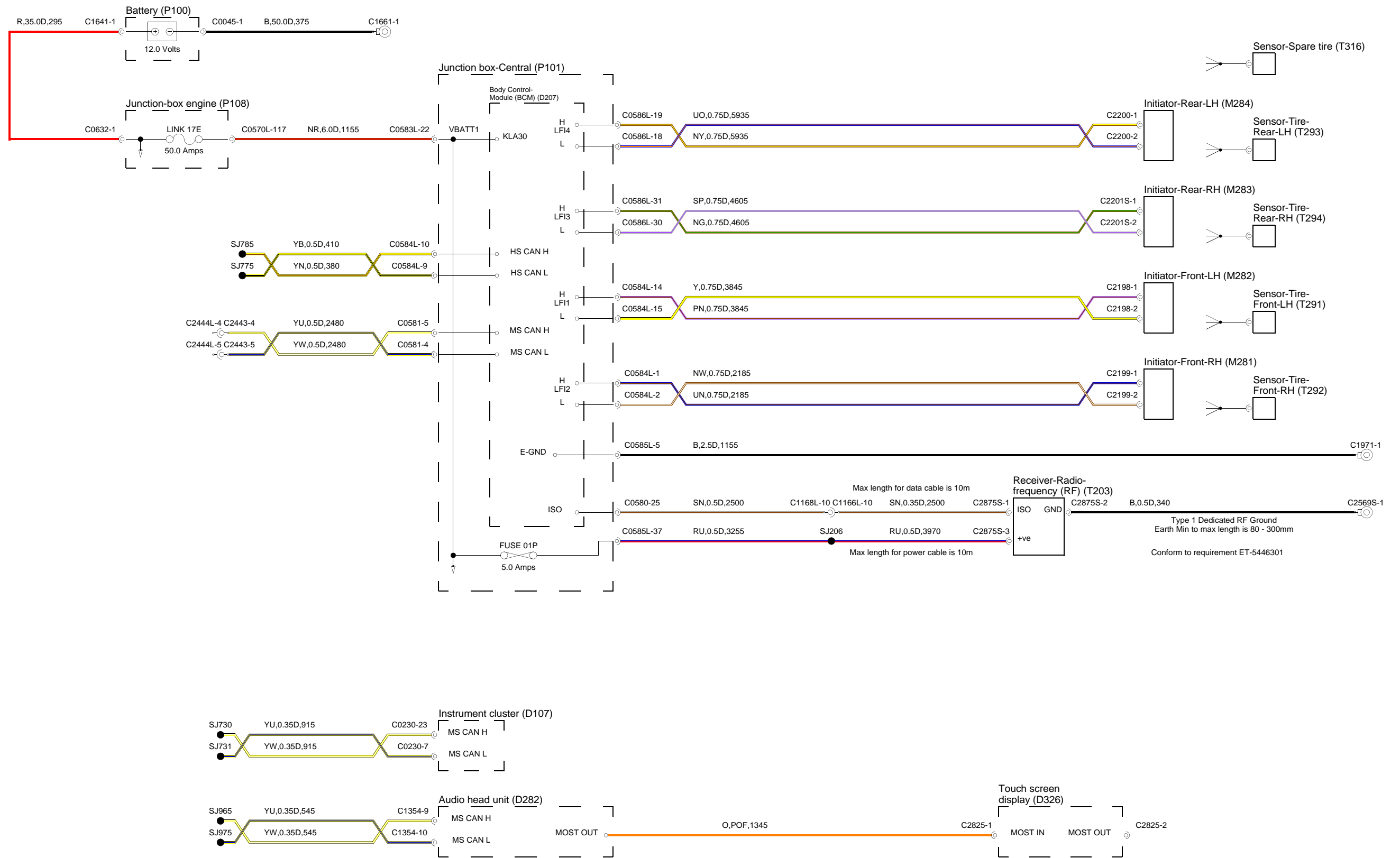
The cup and ball symbol represents the male and female halves of connector. Most connectors plug directly into a component but some are wired directly to the component using a 'flylead' as with C503 above.

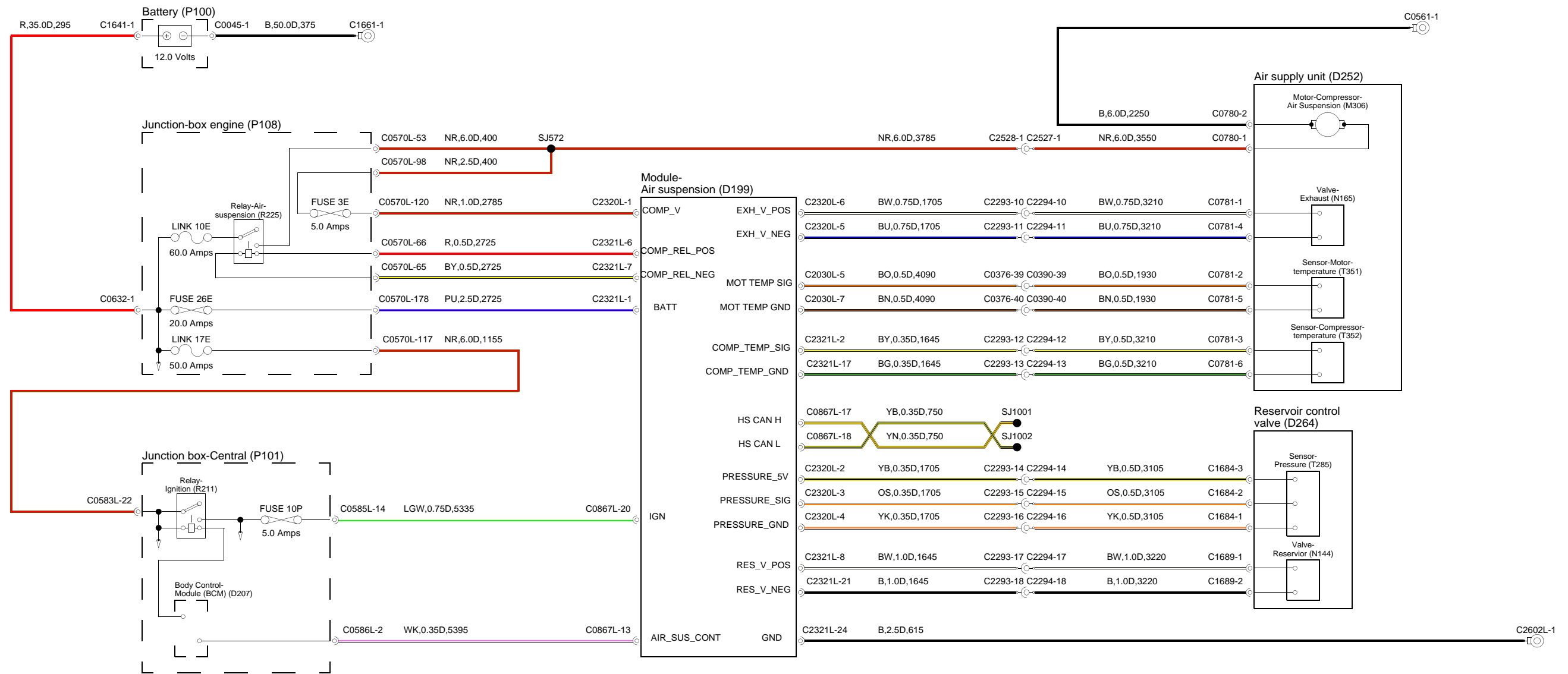
Ground points

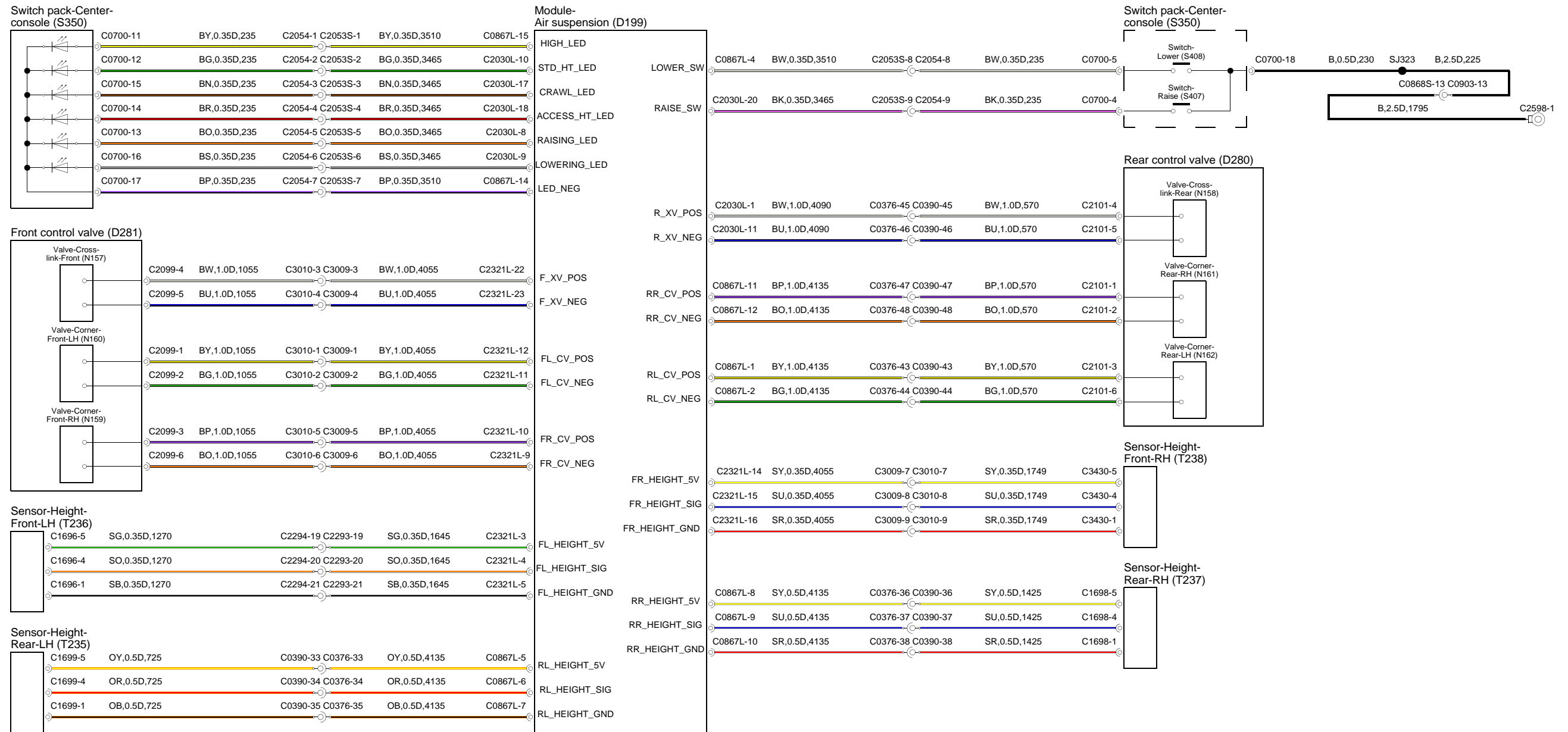
Ground points are identified with an eyelet symbol and a connector number, except where components are grounded through its fixings, when only the eyelet is shown.

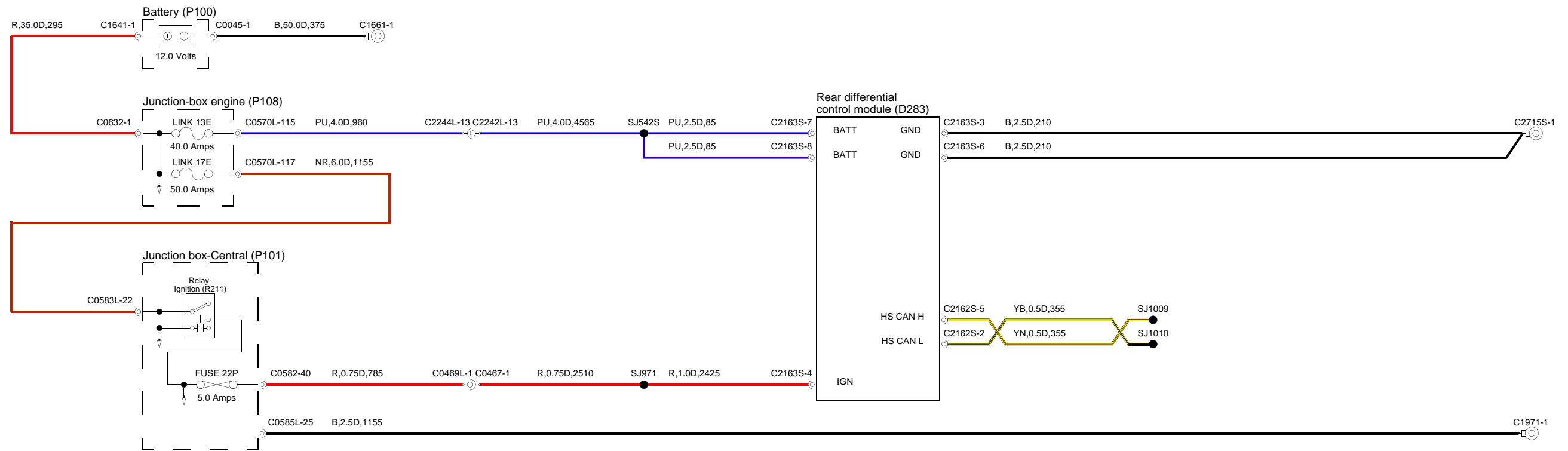
Colour Codes

CODE	COLOUR
BK or B	BLACK
BN or N	BROWN
BU or U	BLUE
GN or G	GREEN
GY or S	GREY (slate)
OG or O	ORANGE
PK or K	PINK
RD or R	RED
VT or P	PURPLE
WH or W	WHITE
YE or Y	YELLOW

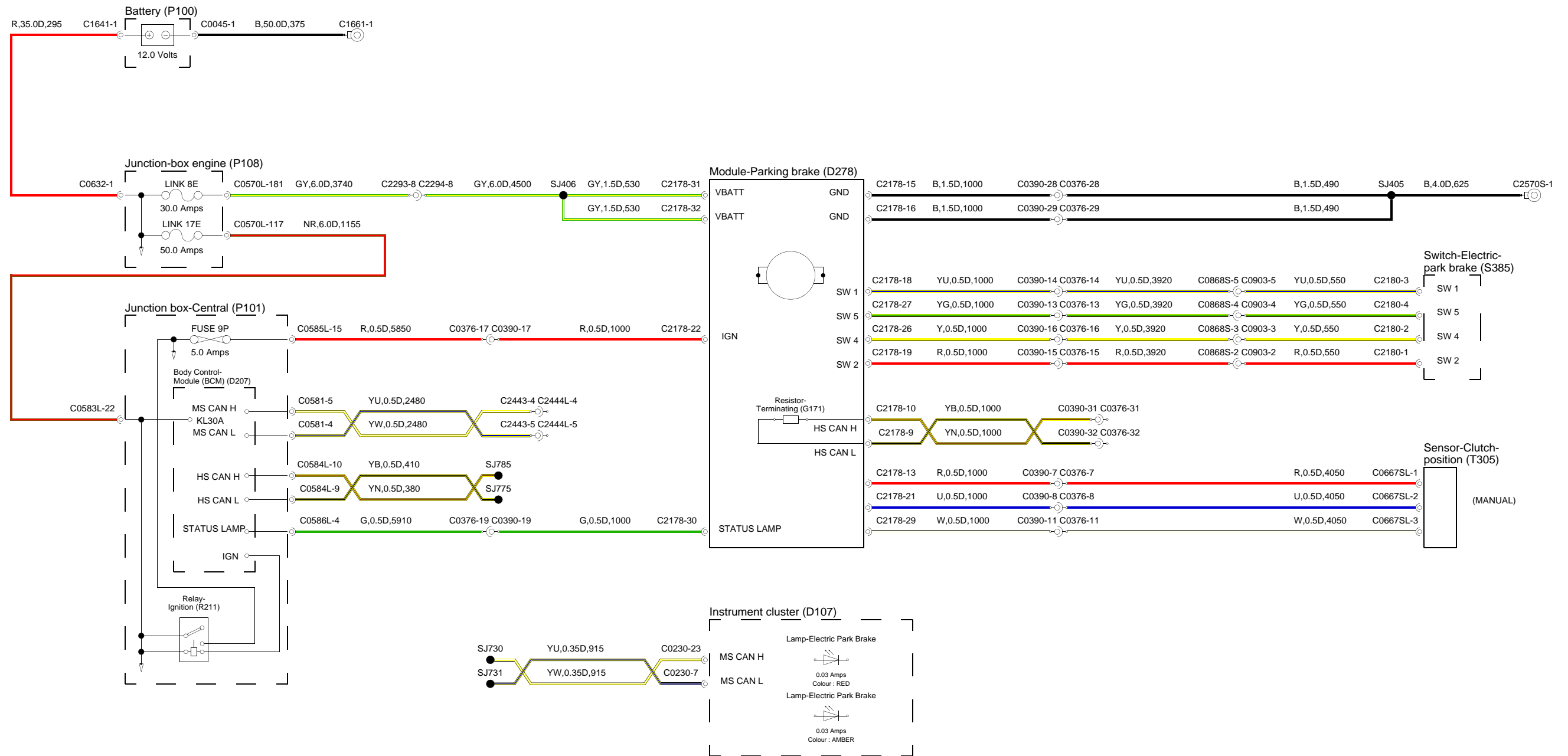


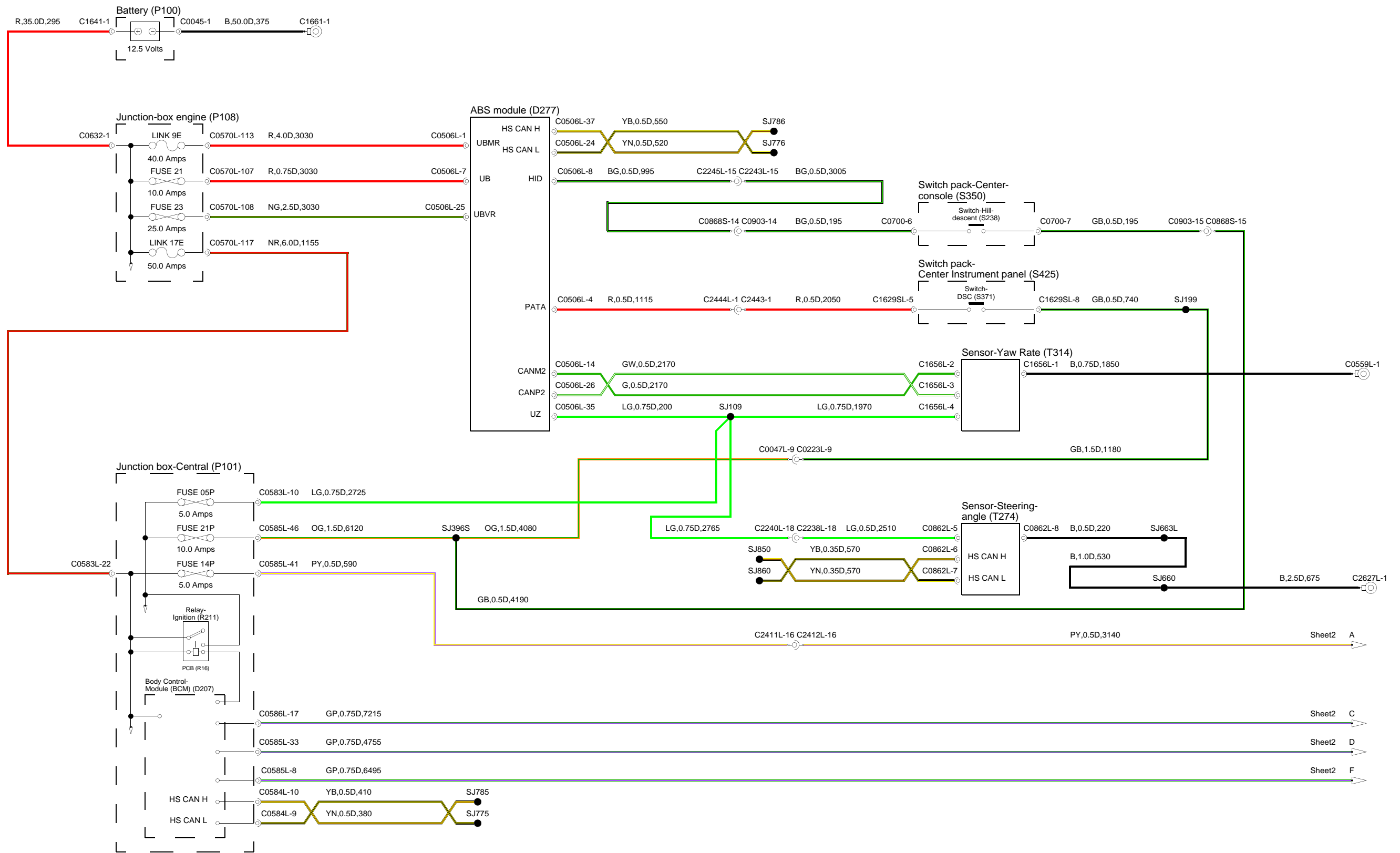


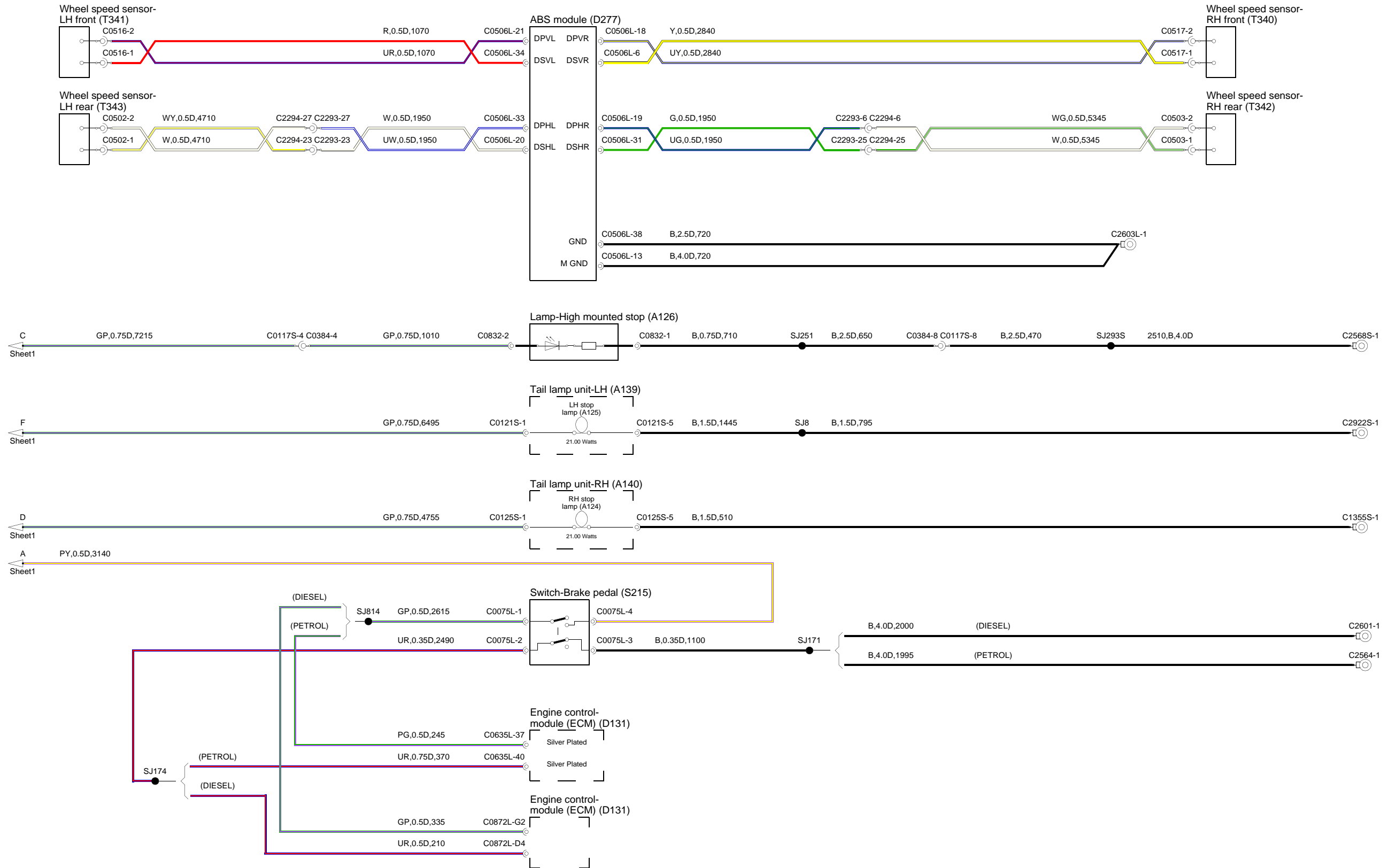


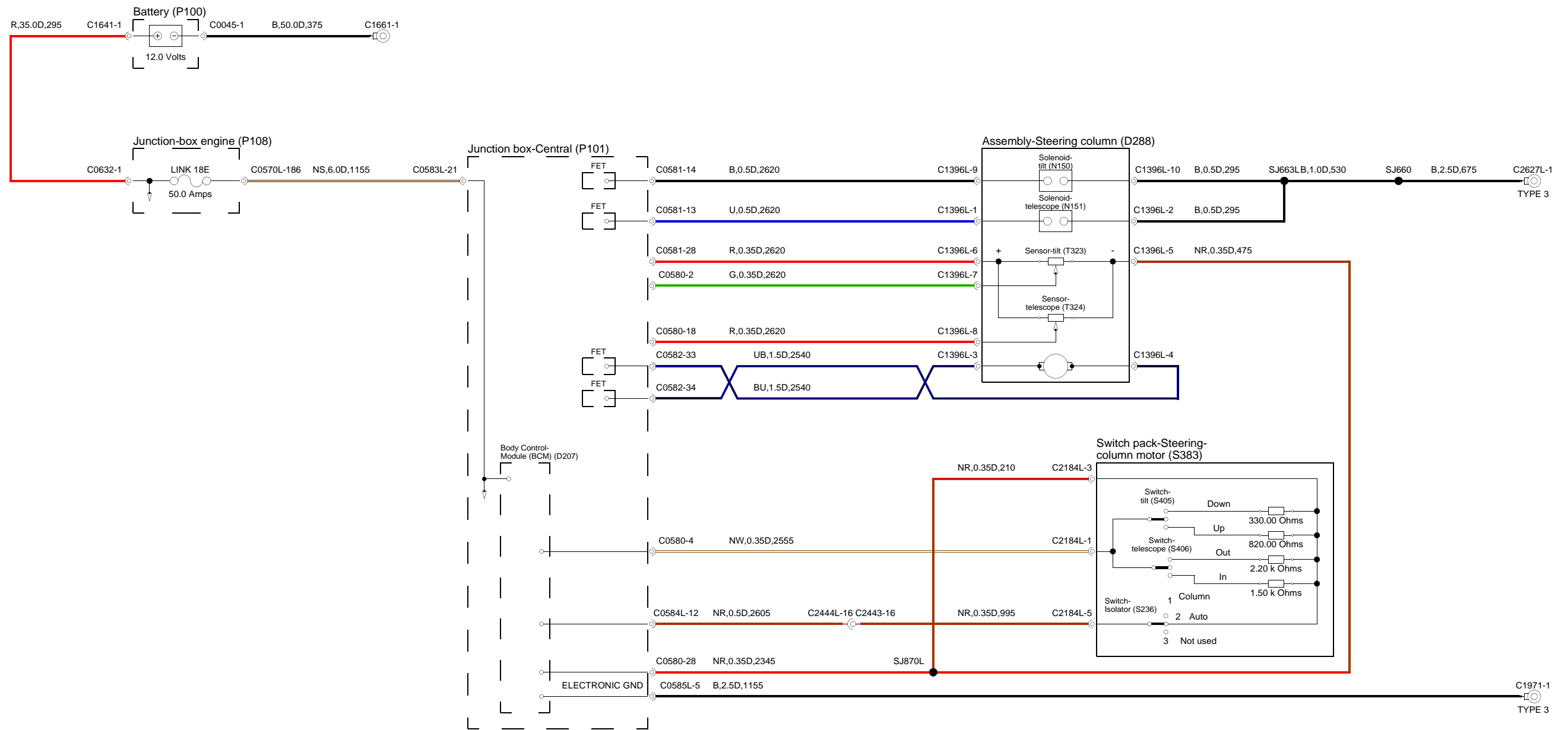


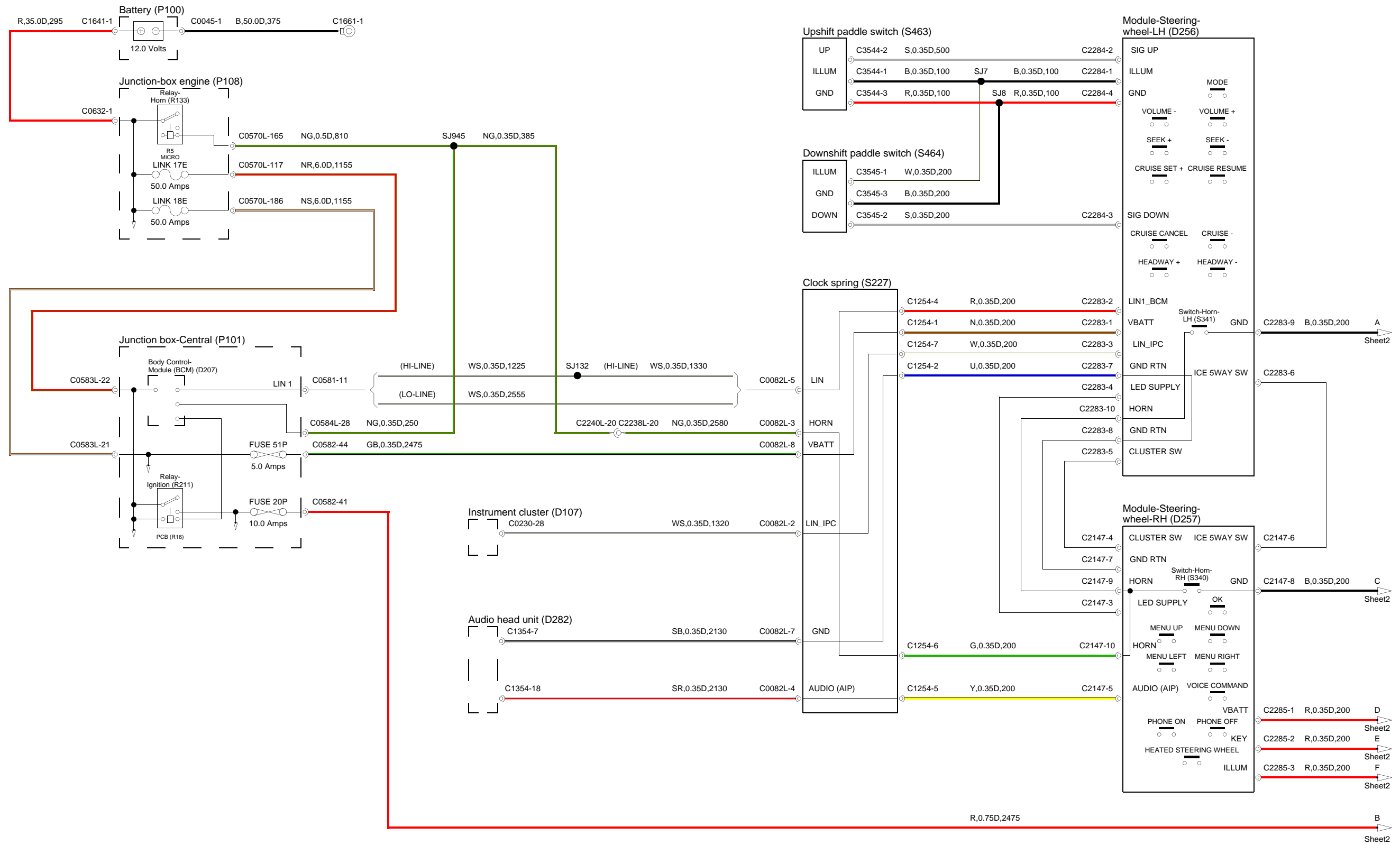


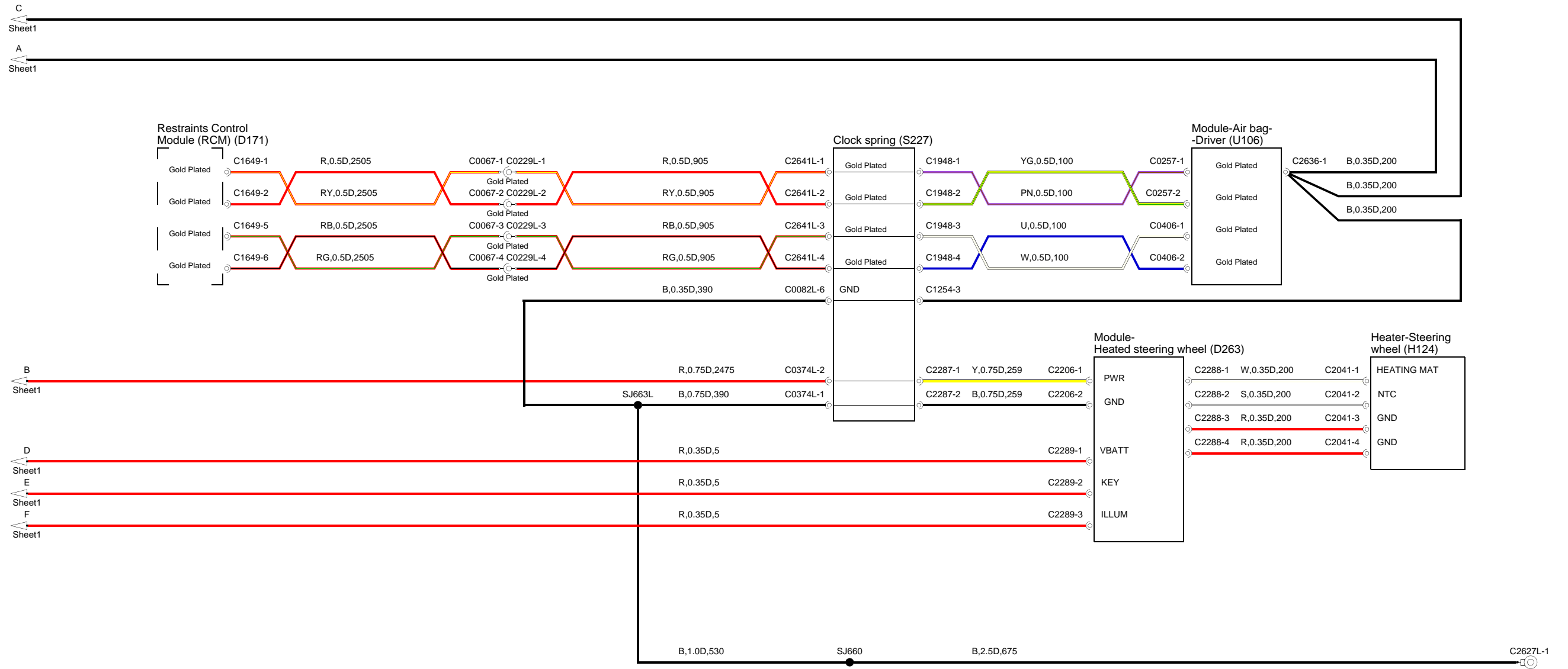


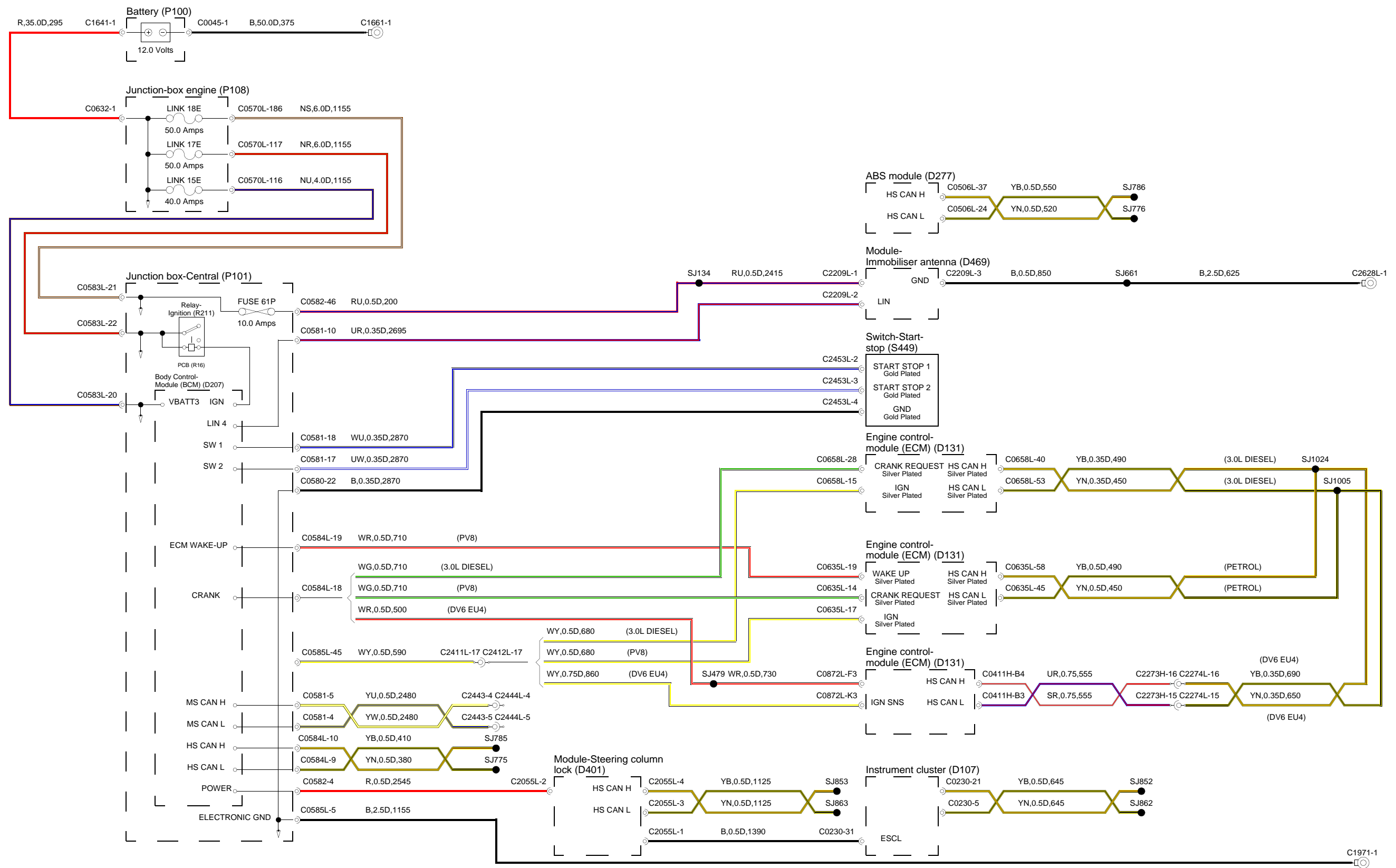


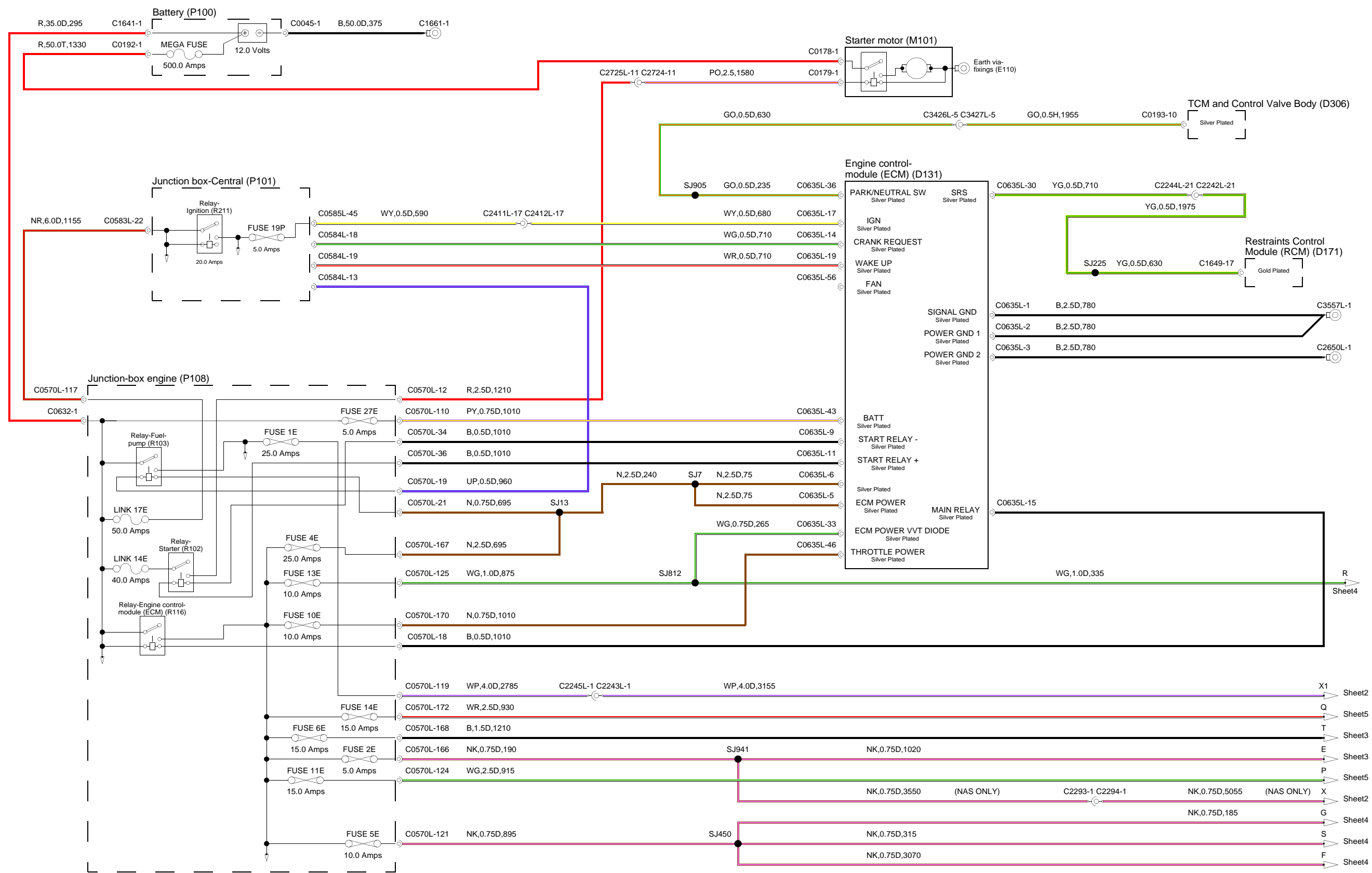


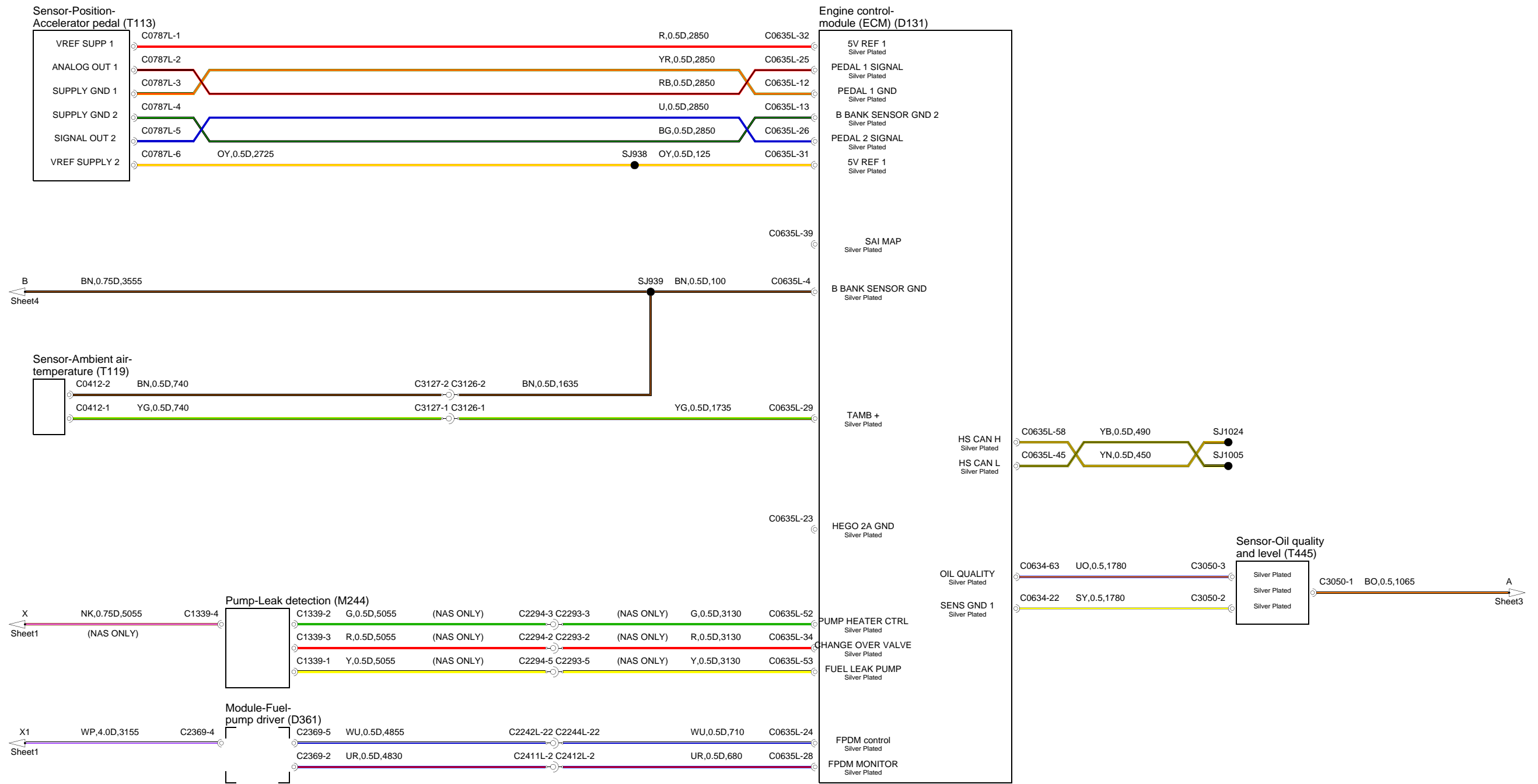


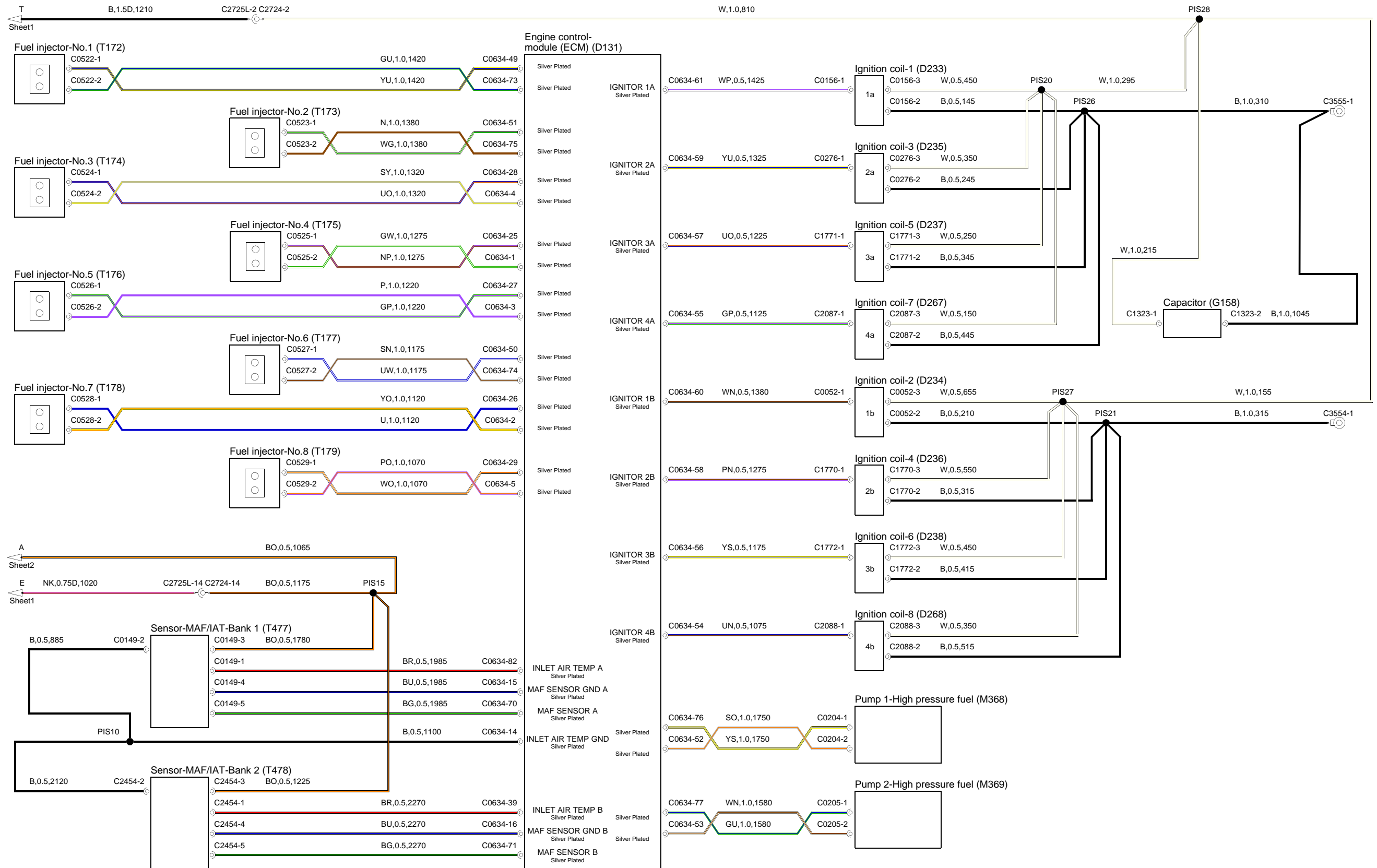


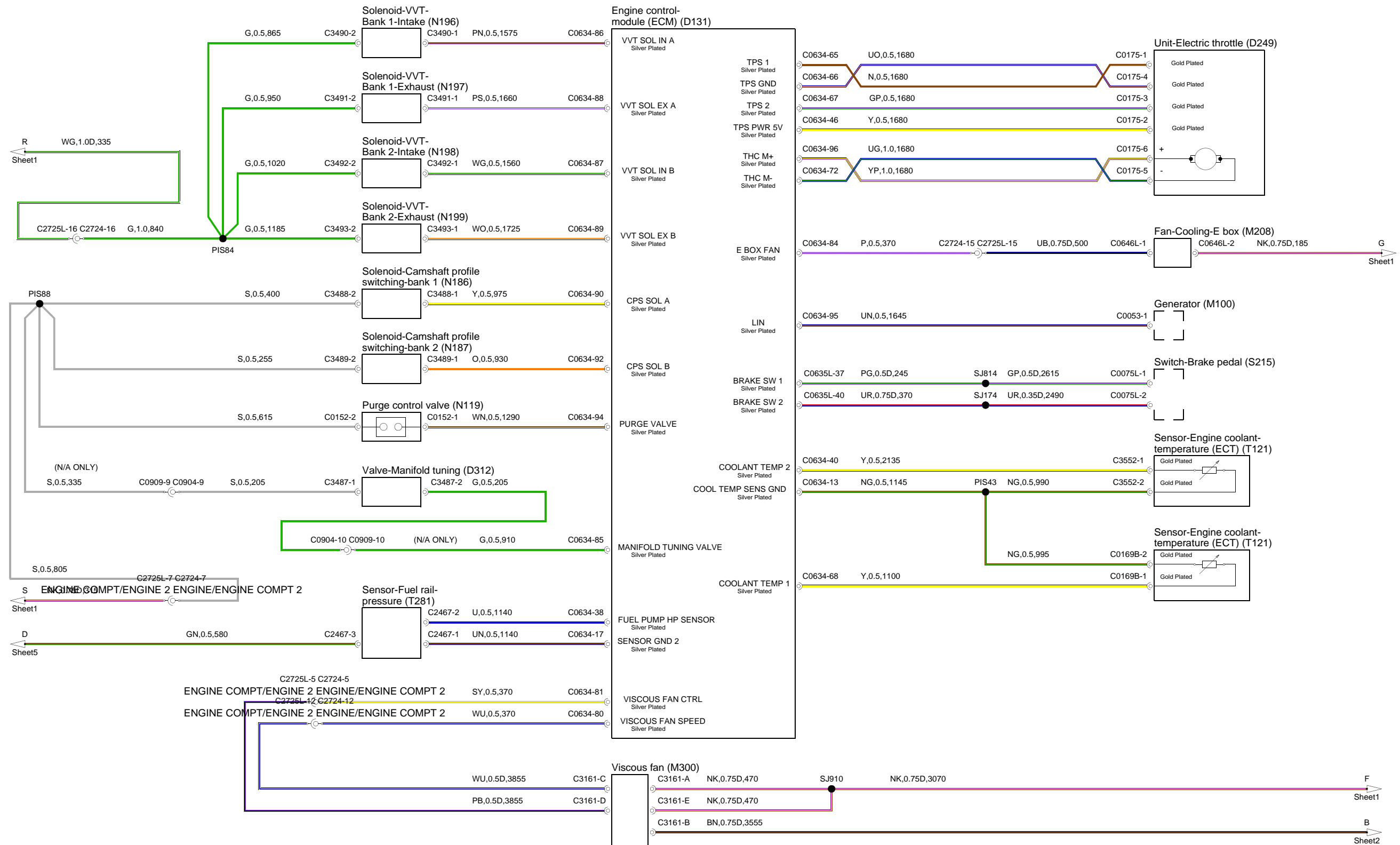


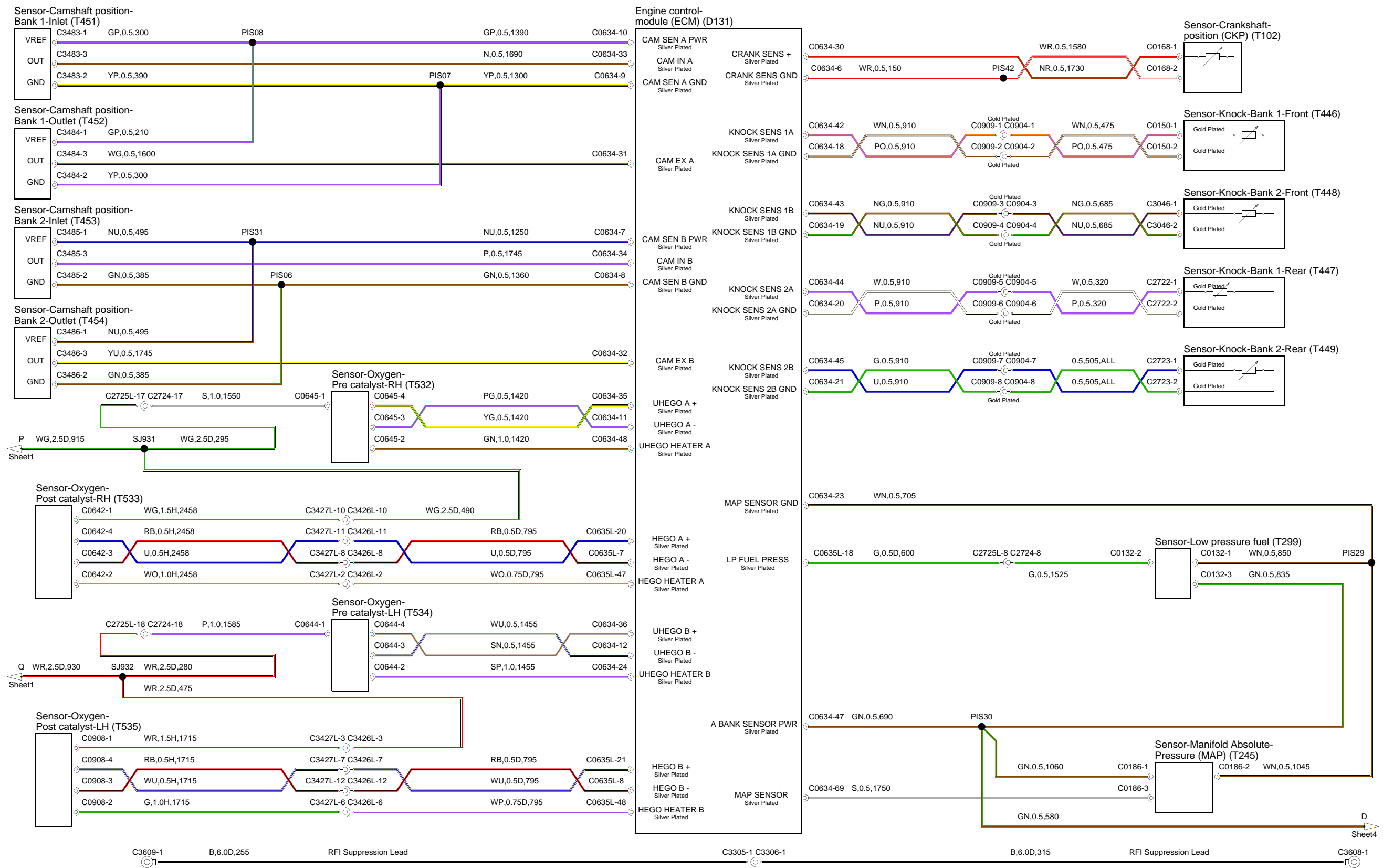


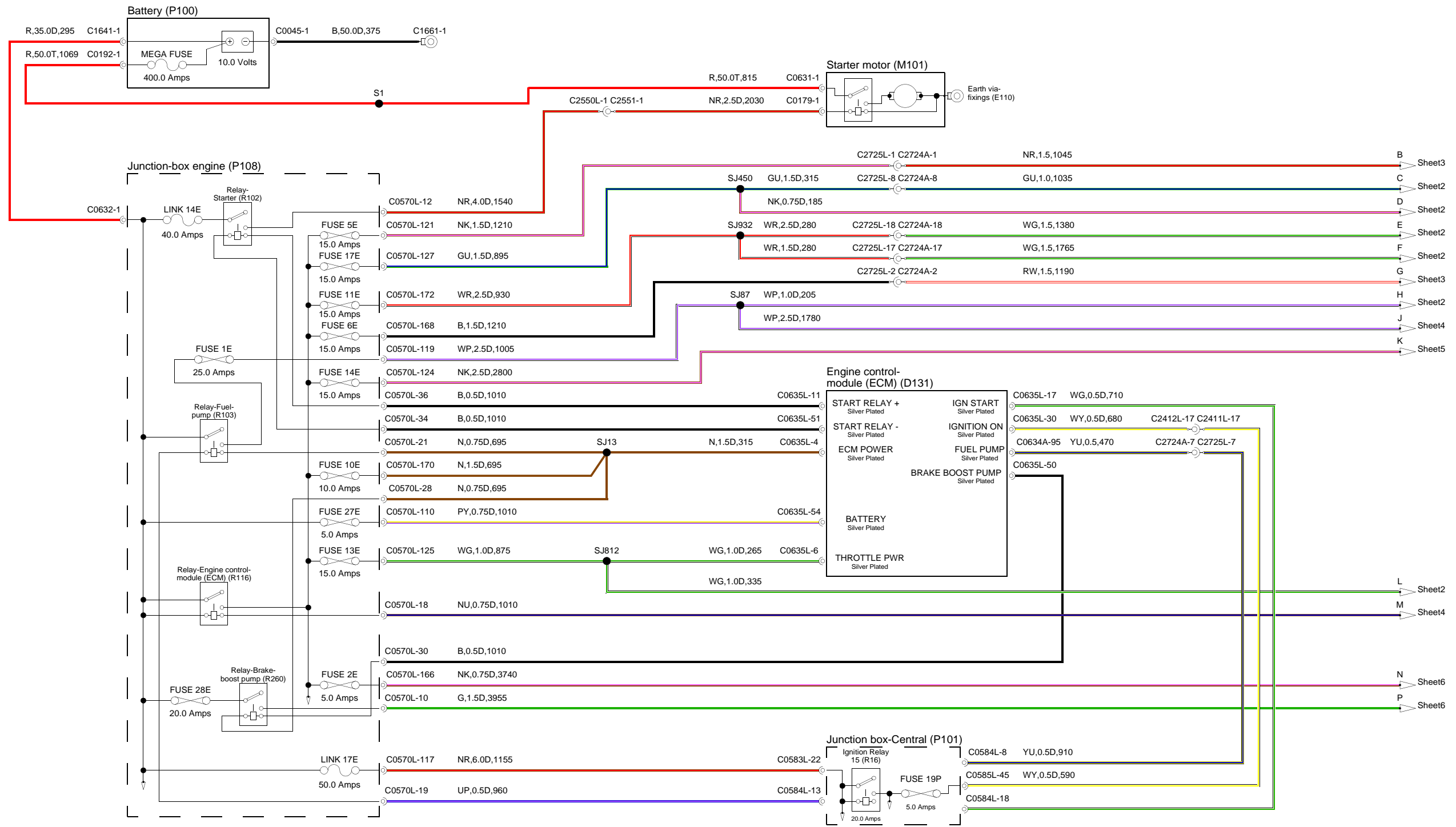


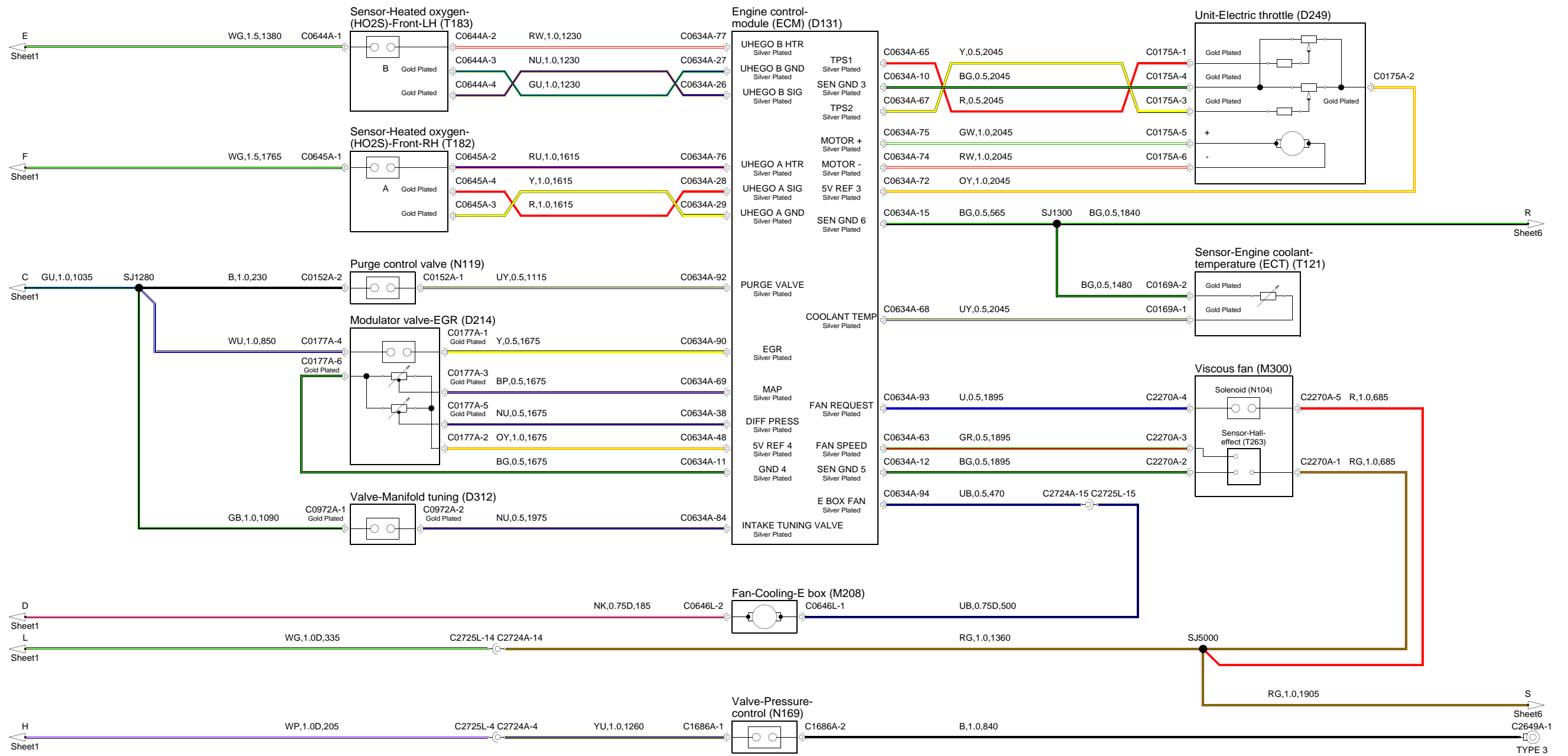


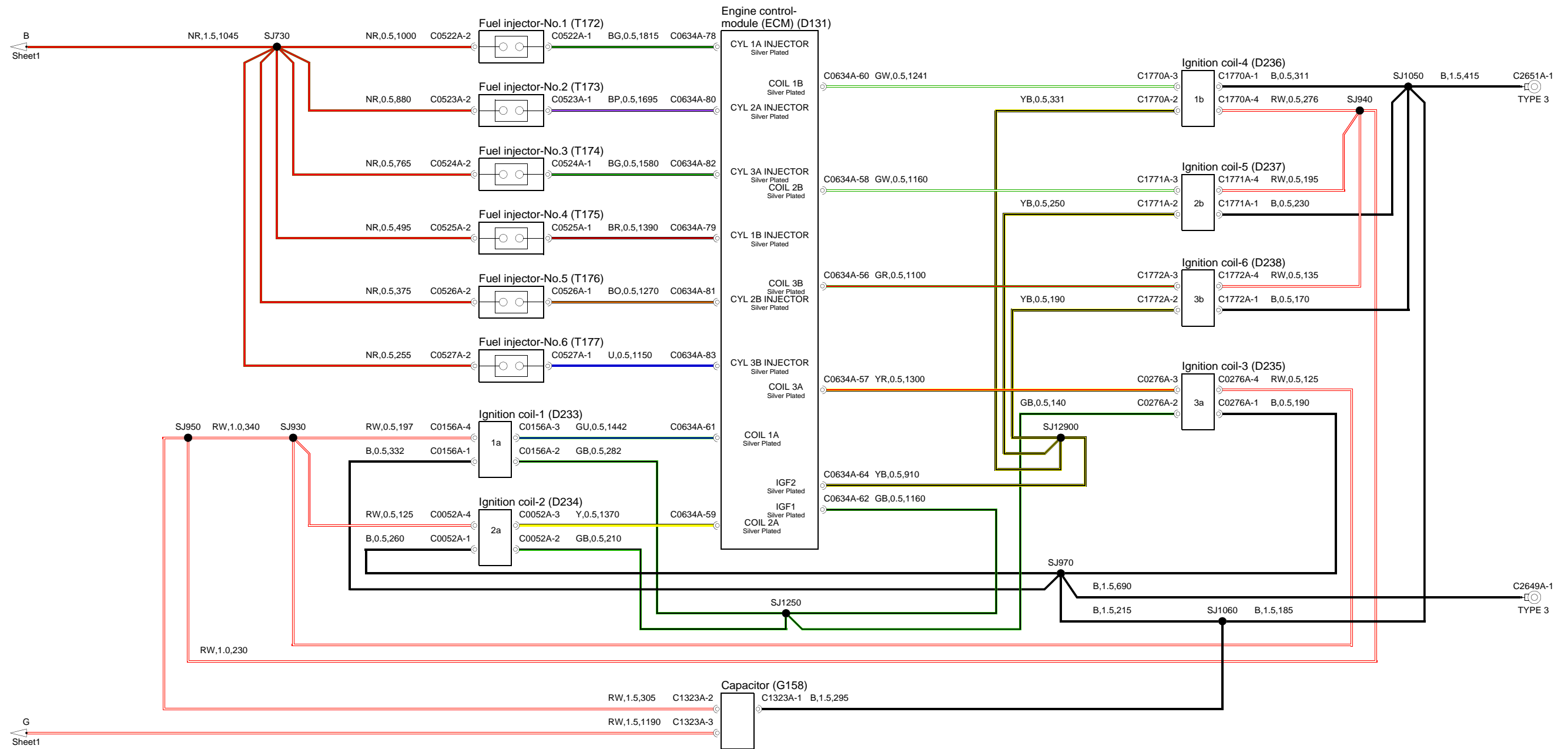


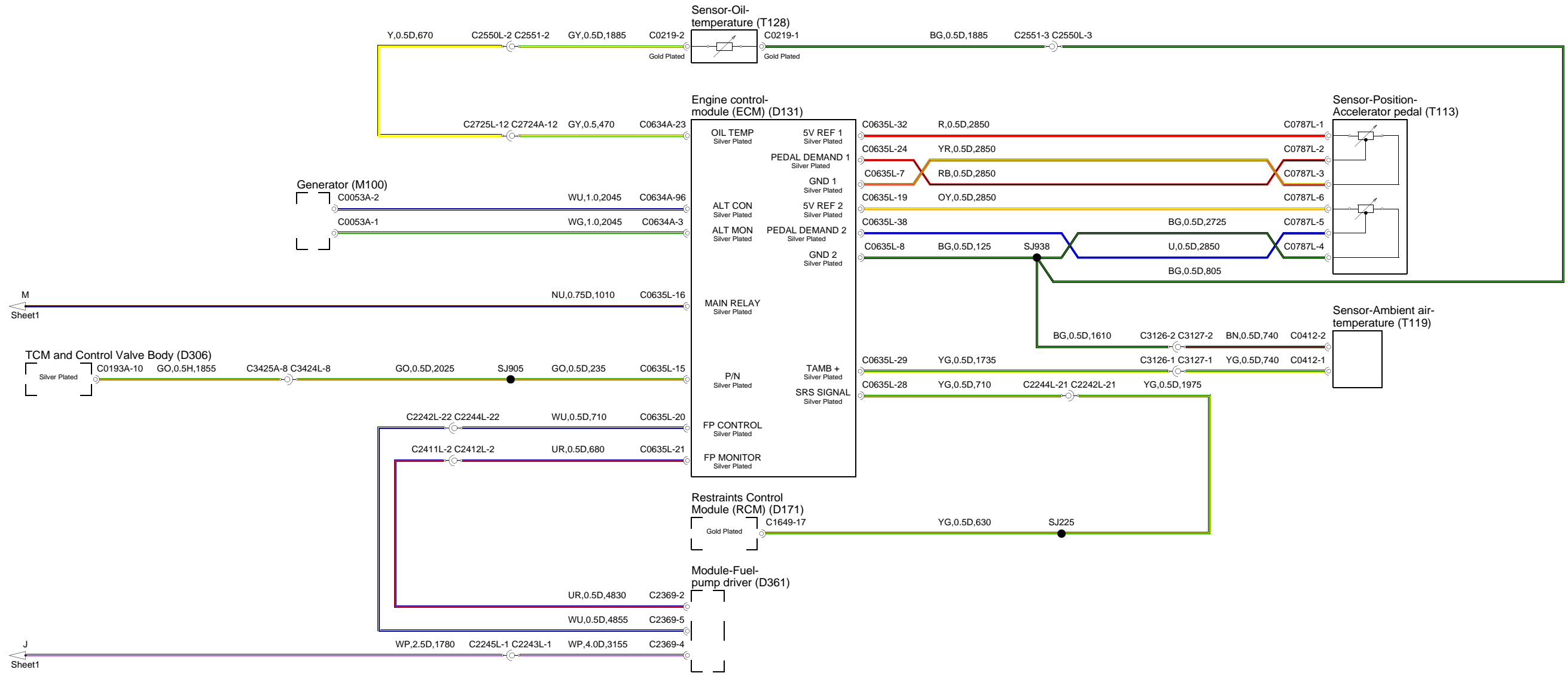


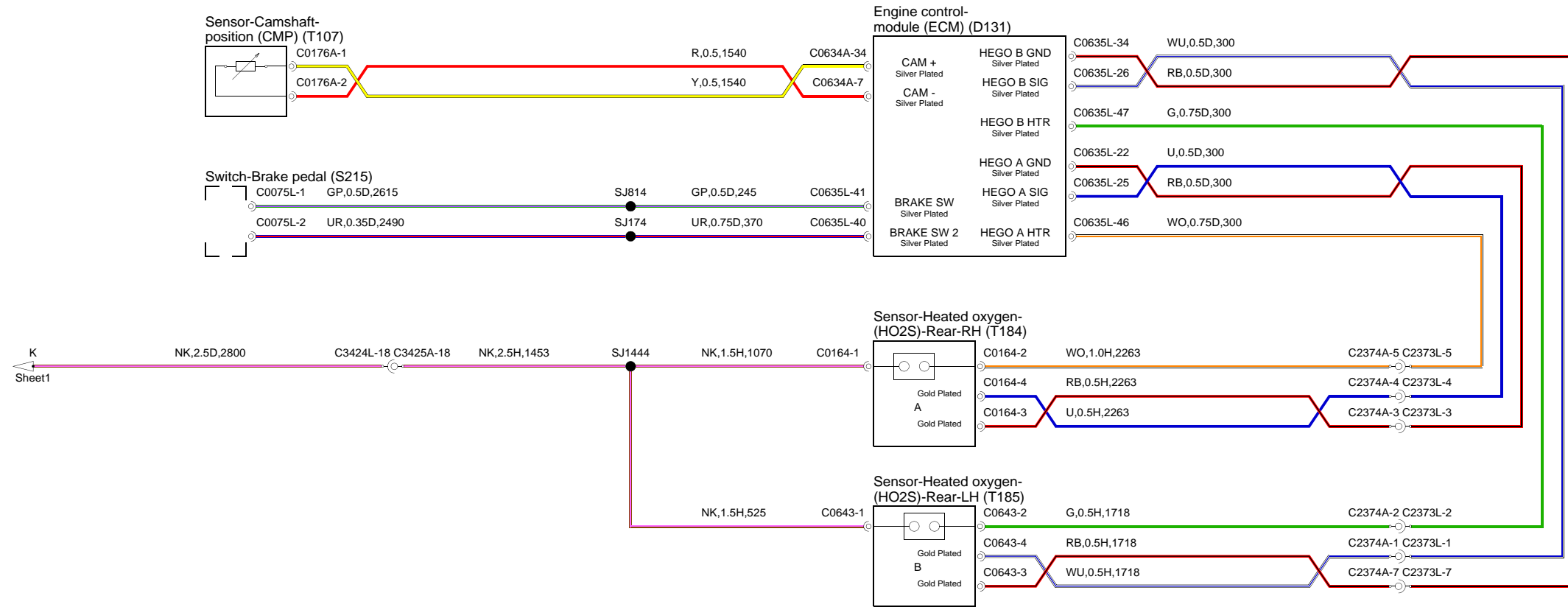


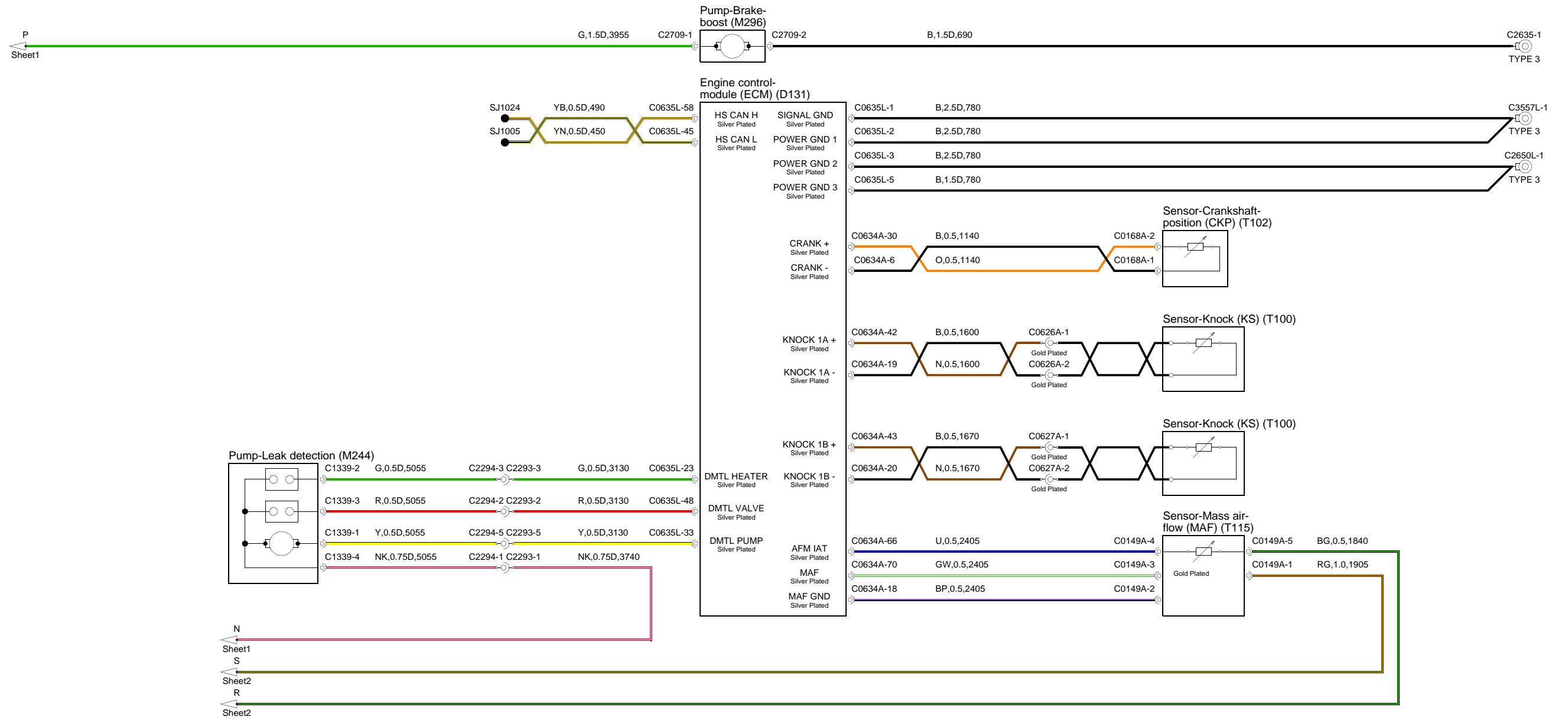


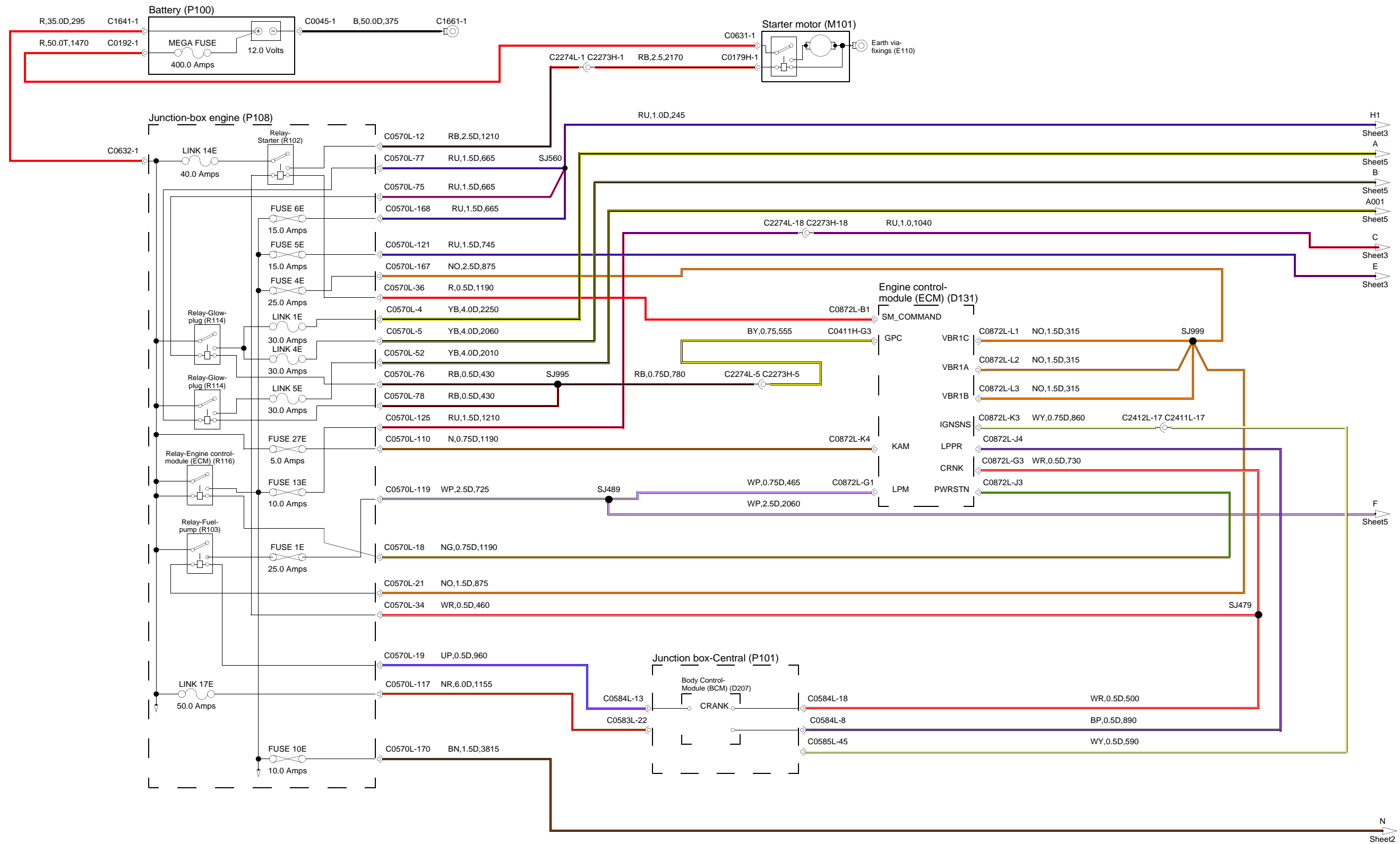


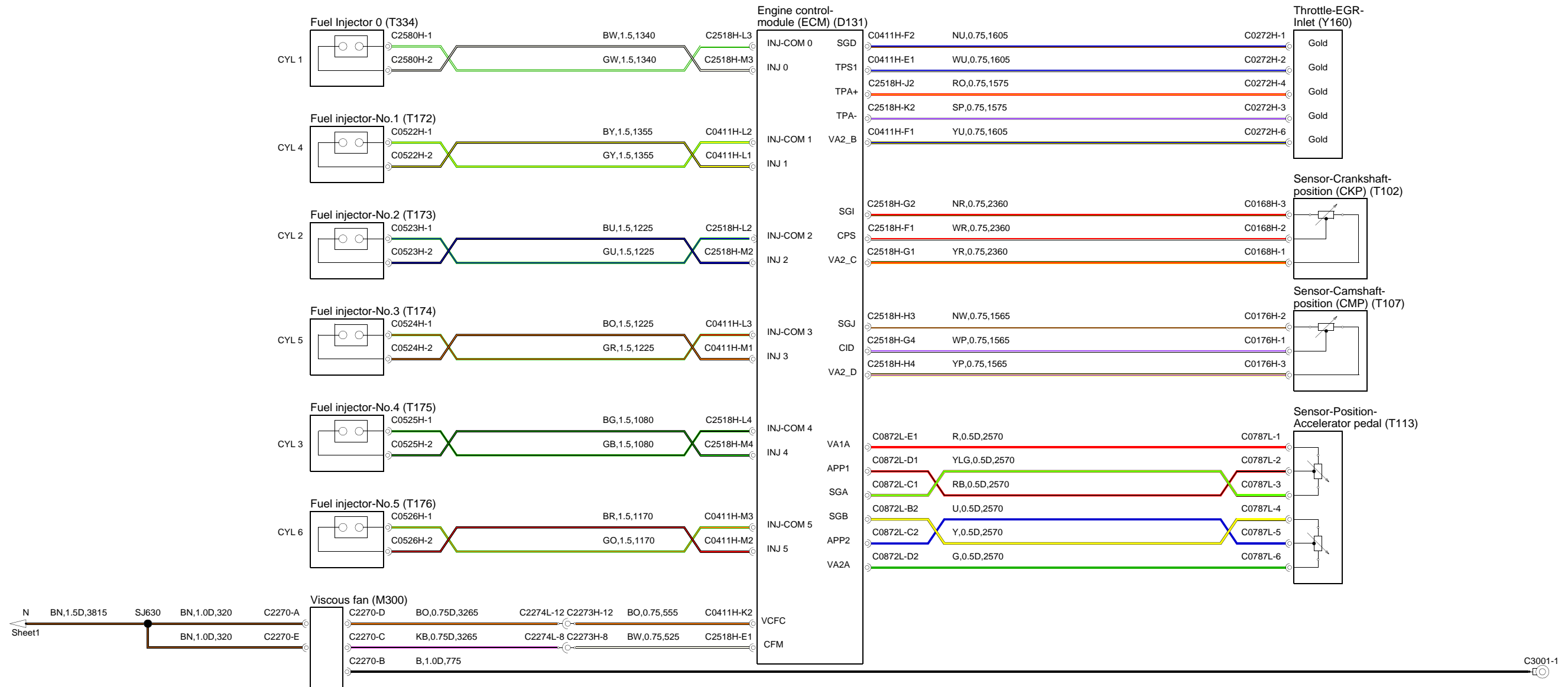


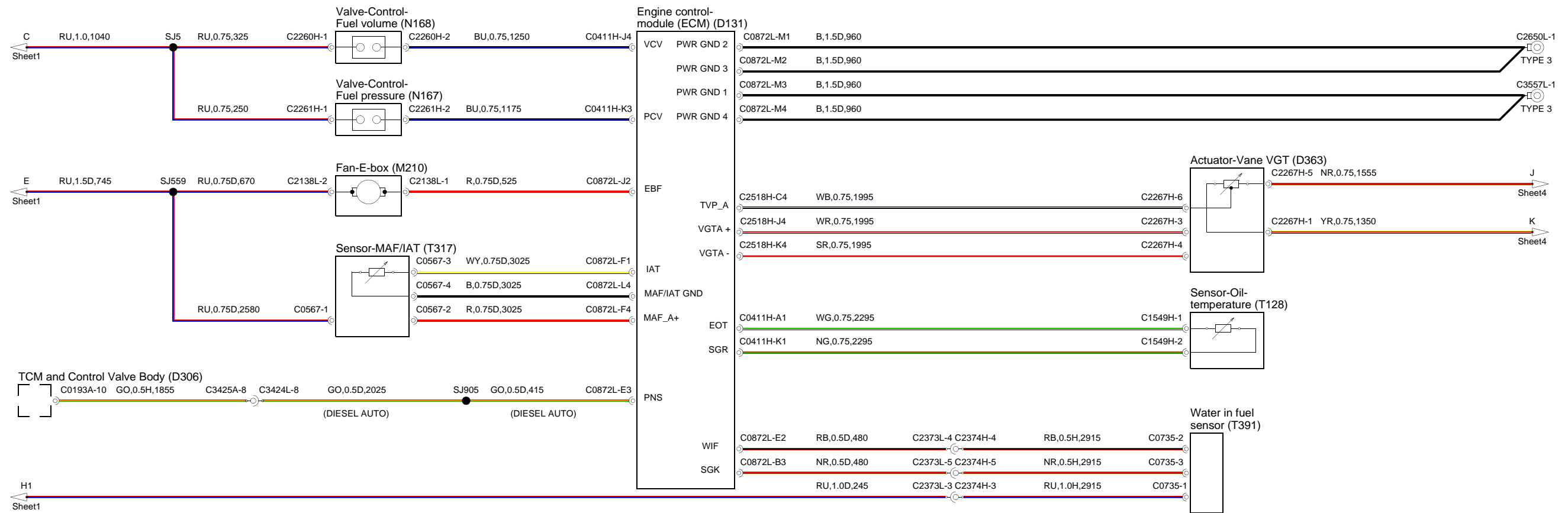


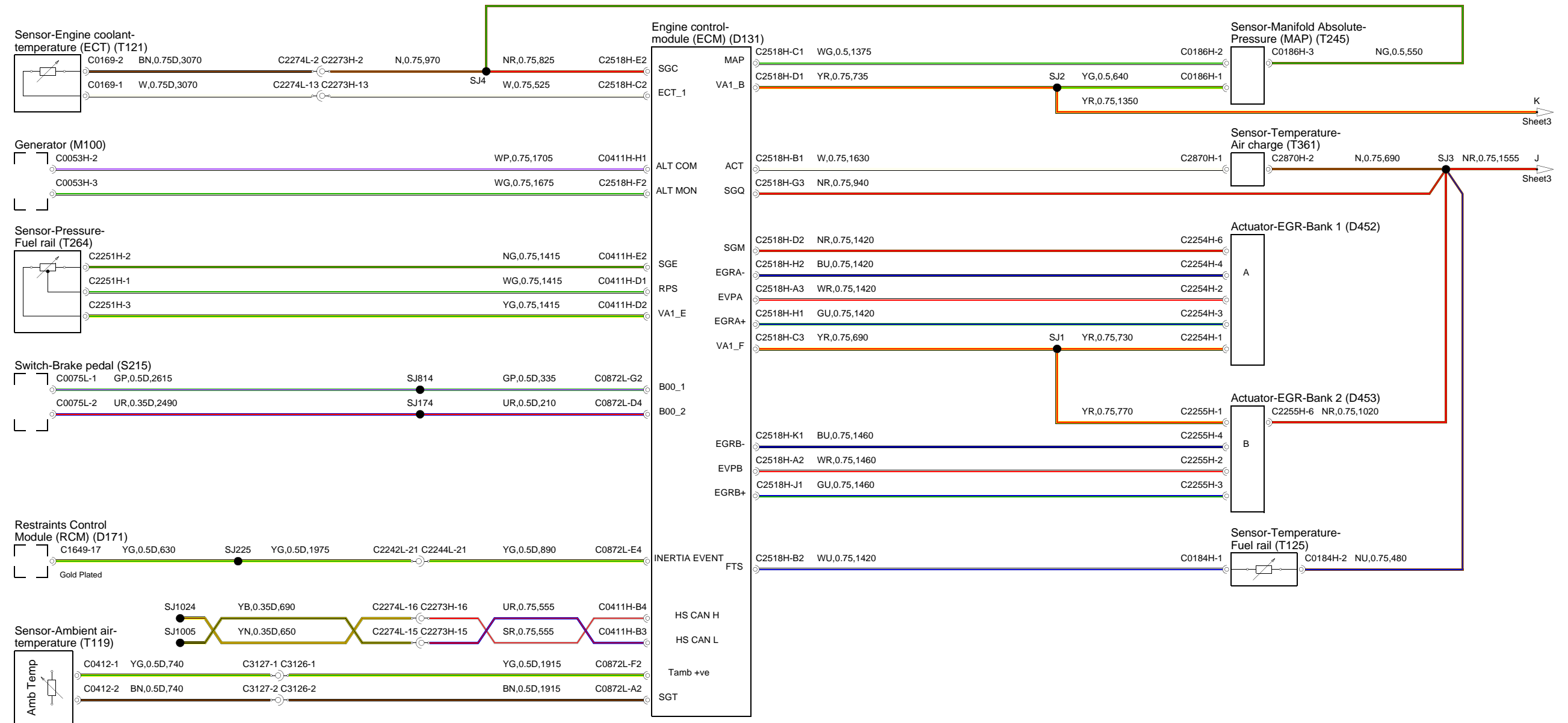


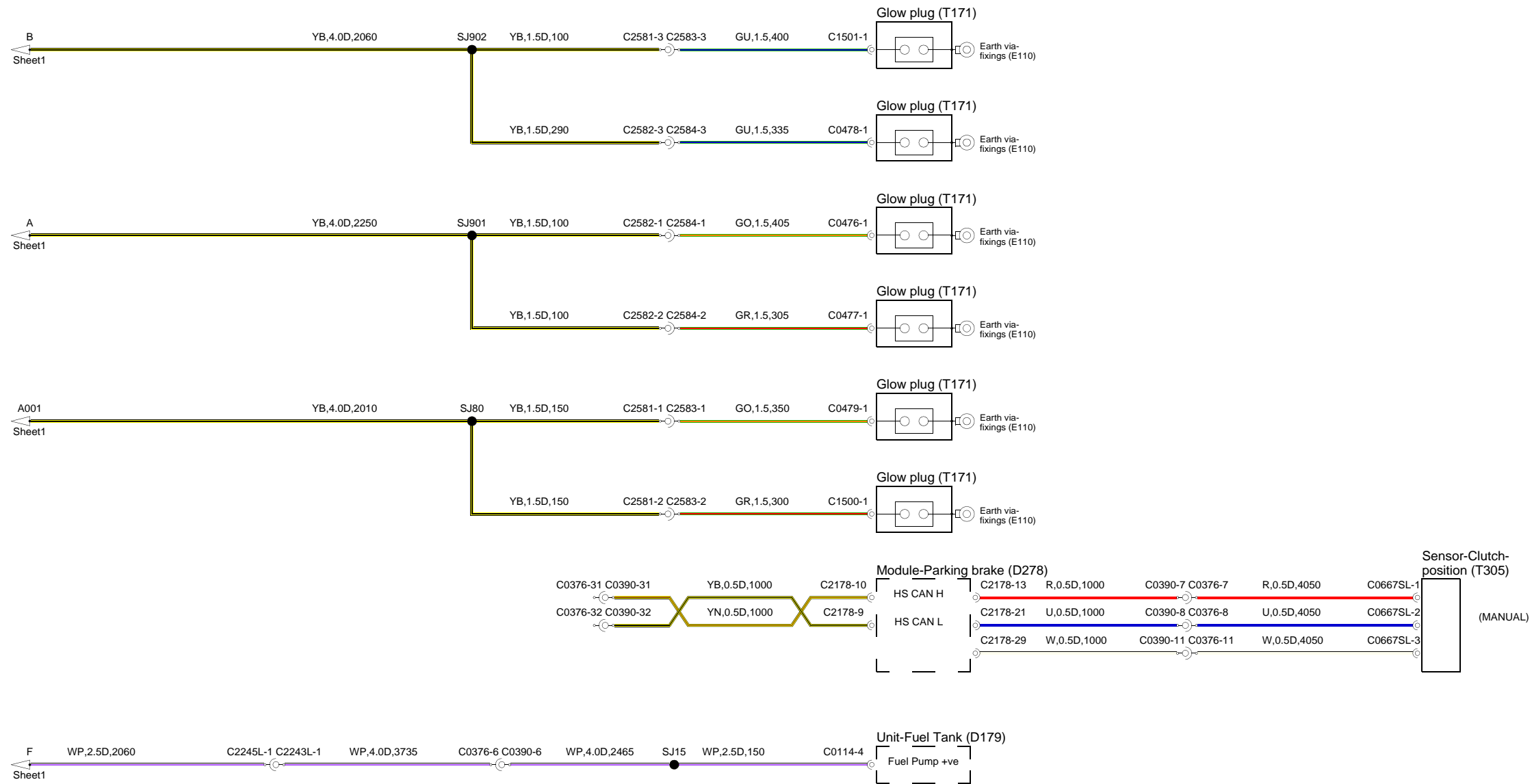


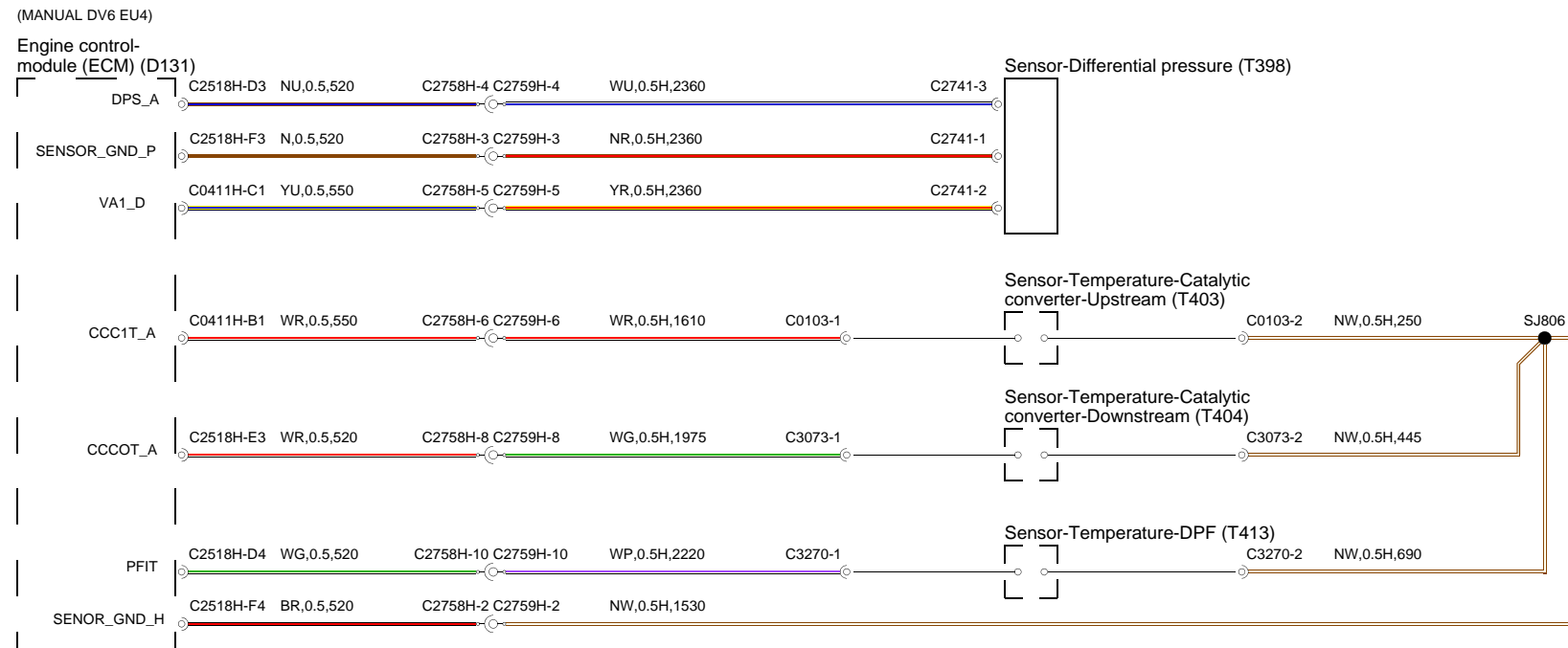
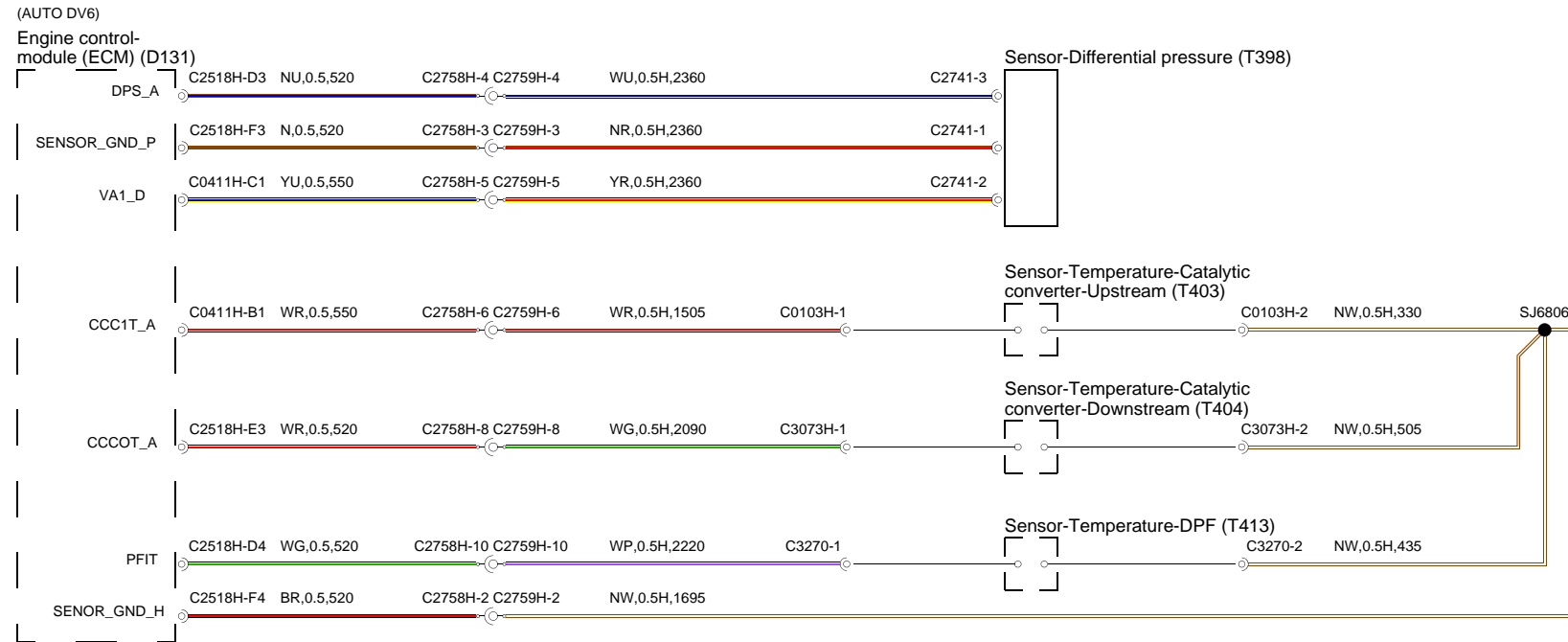


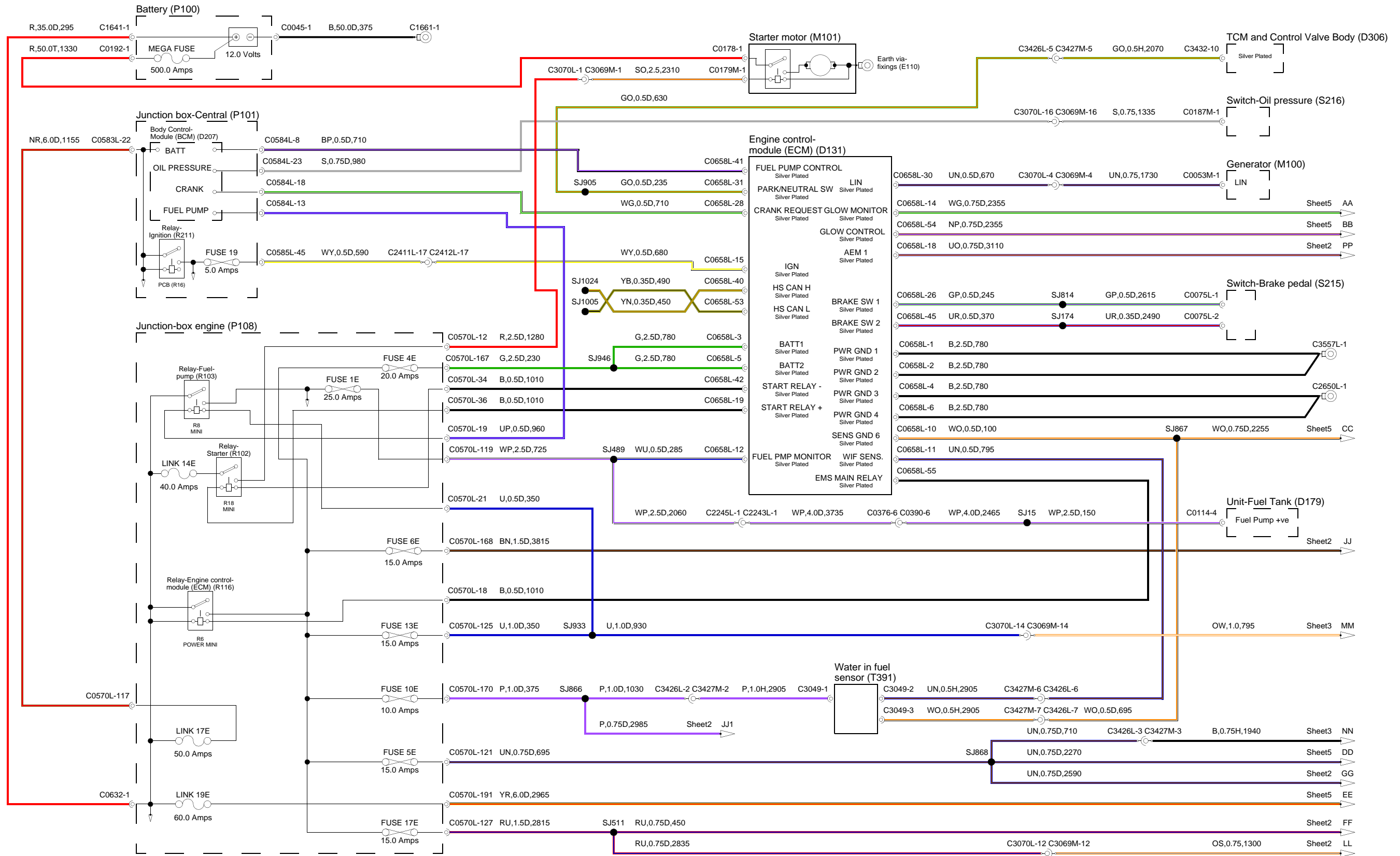


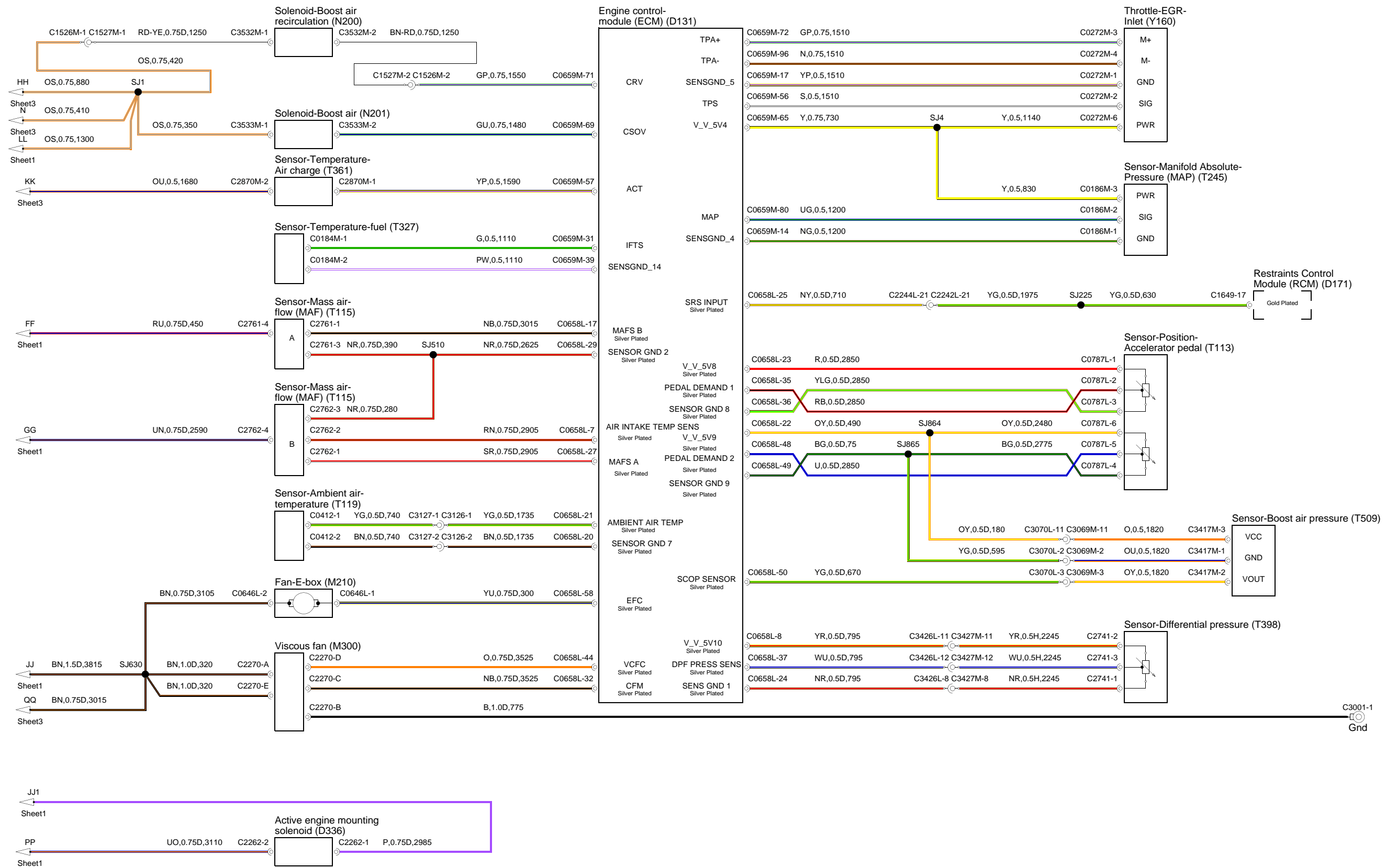


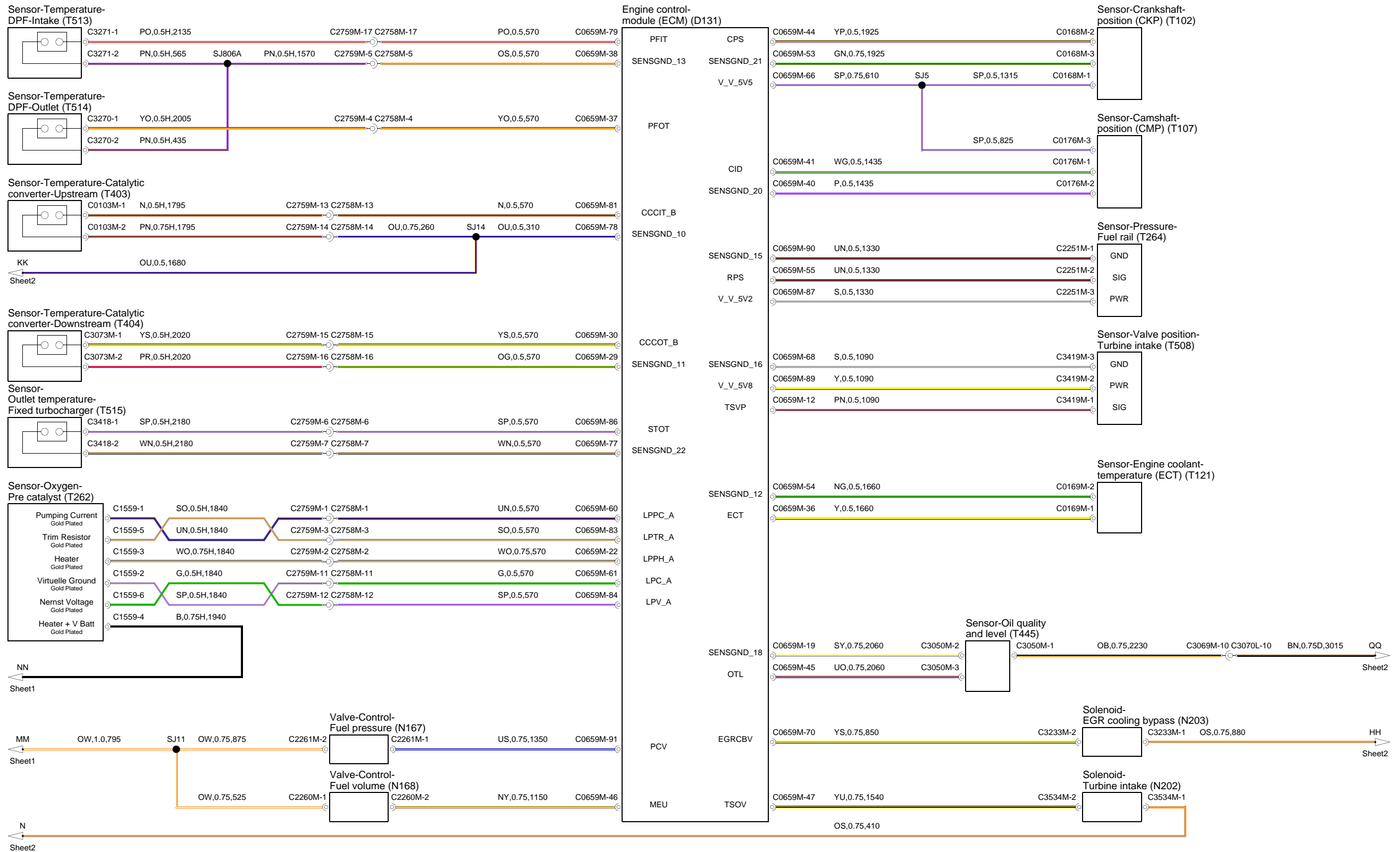


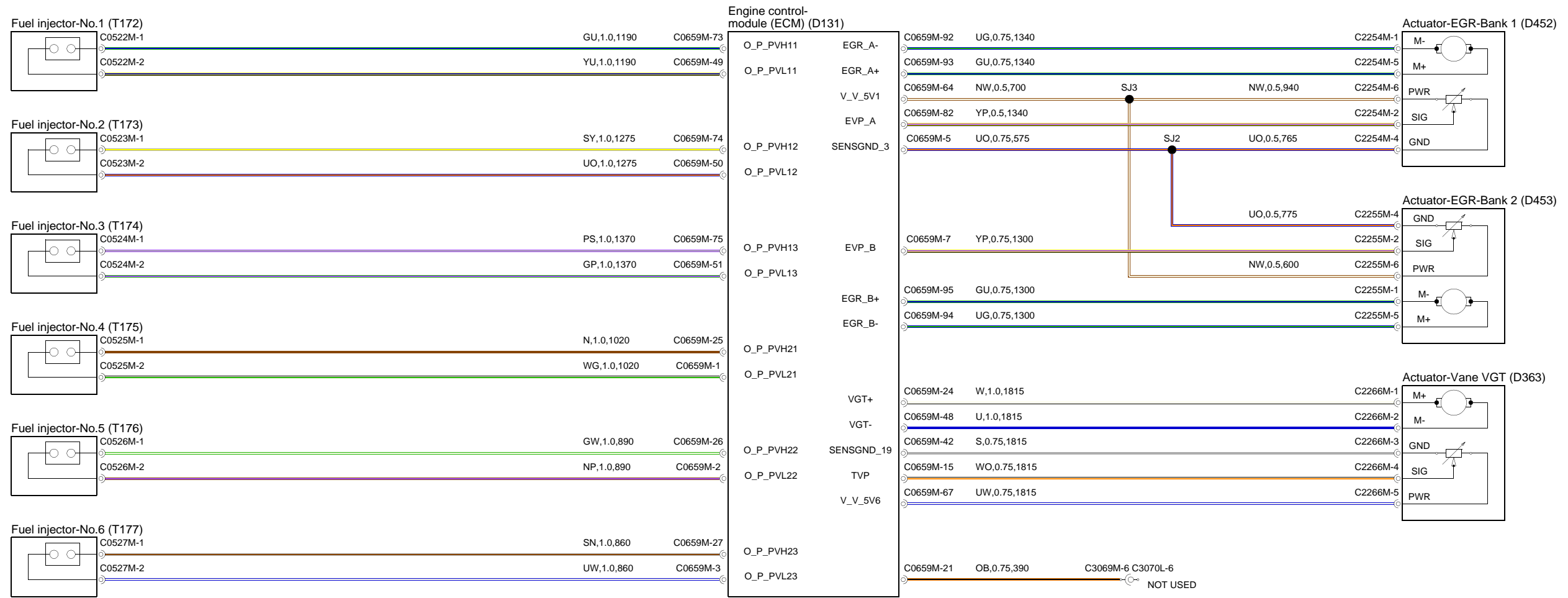


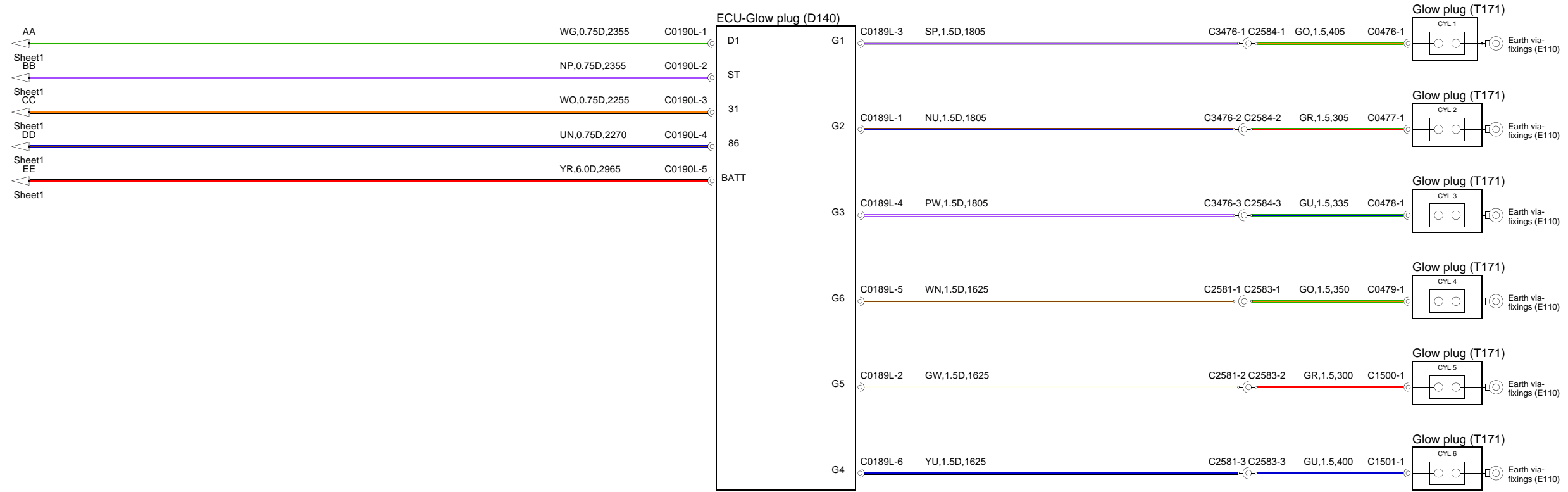


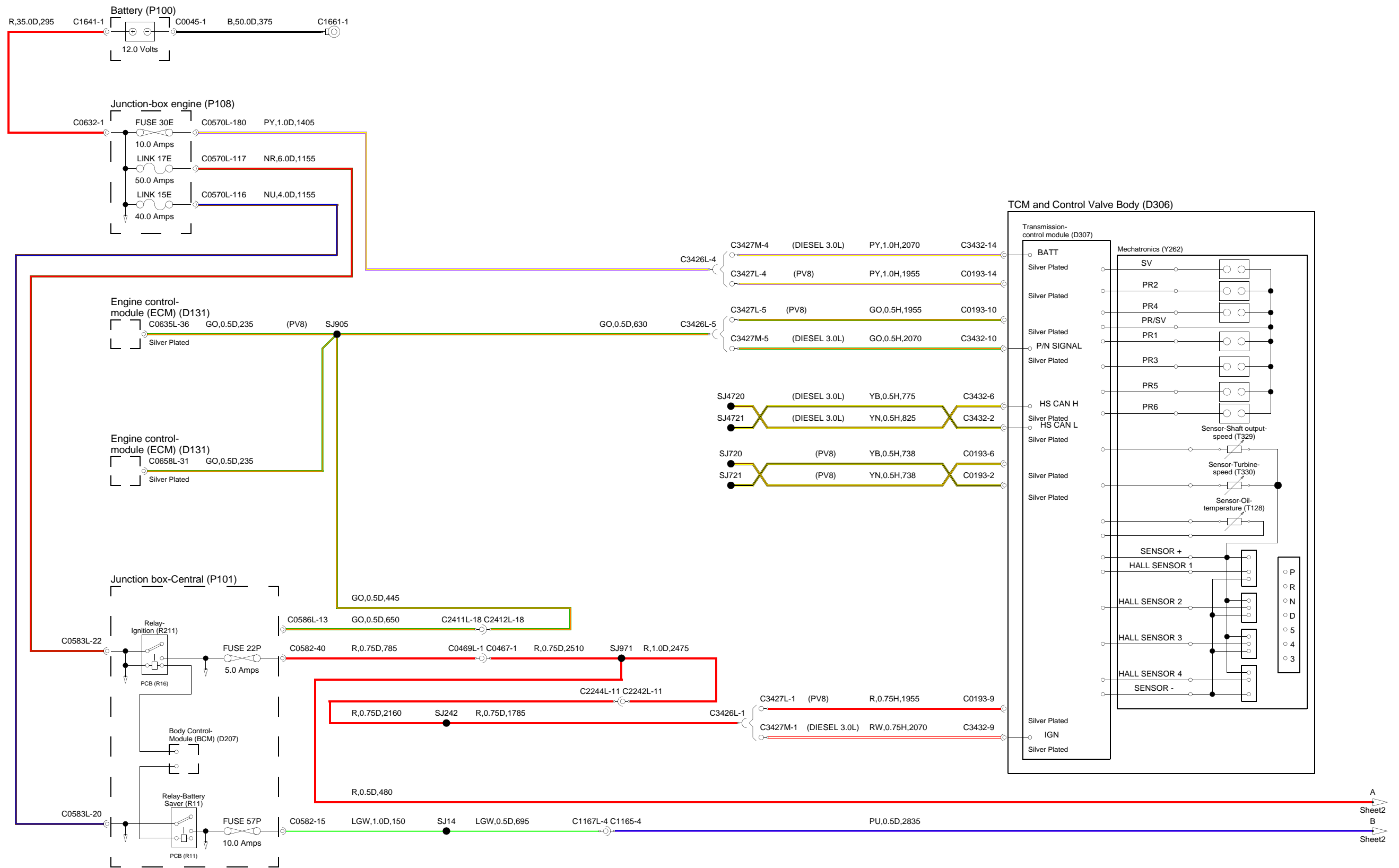


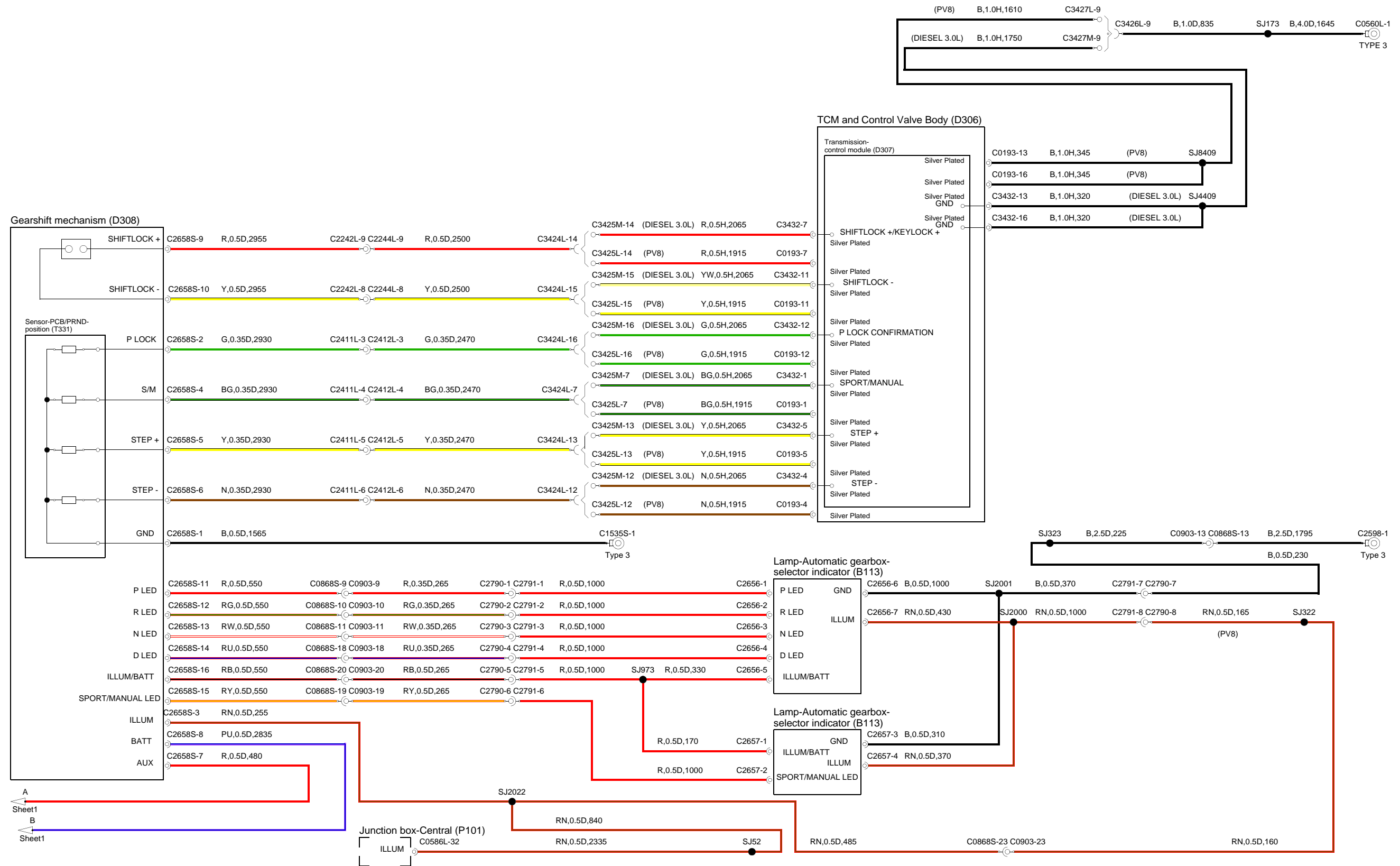


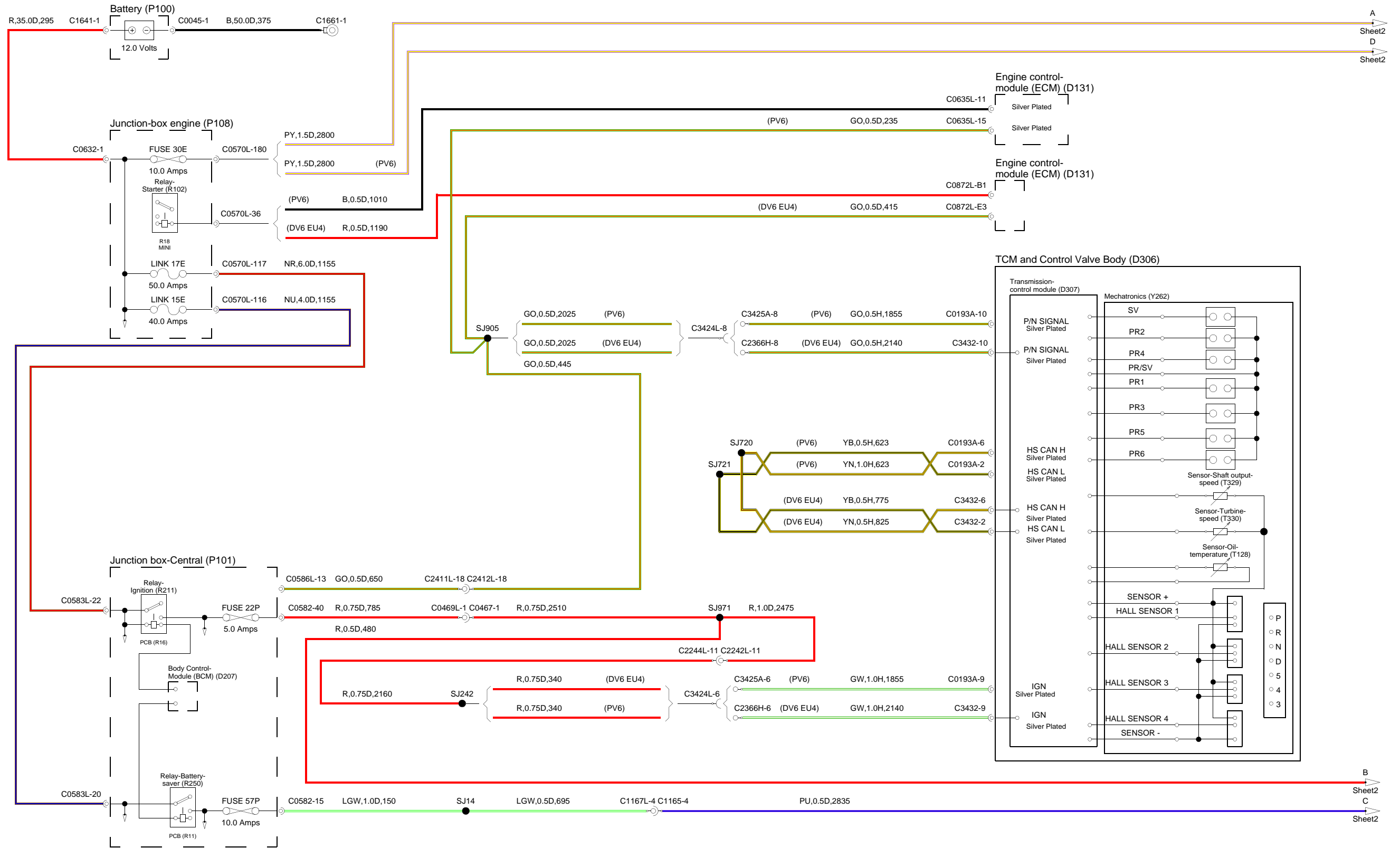


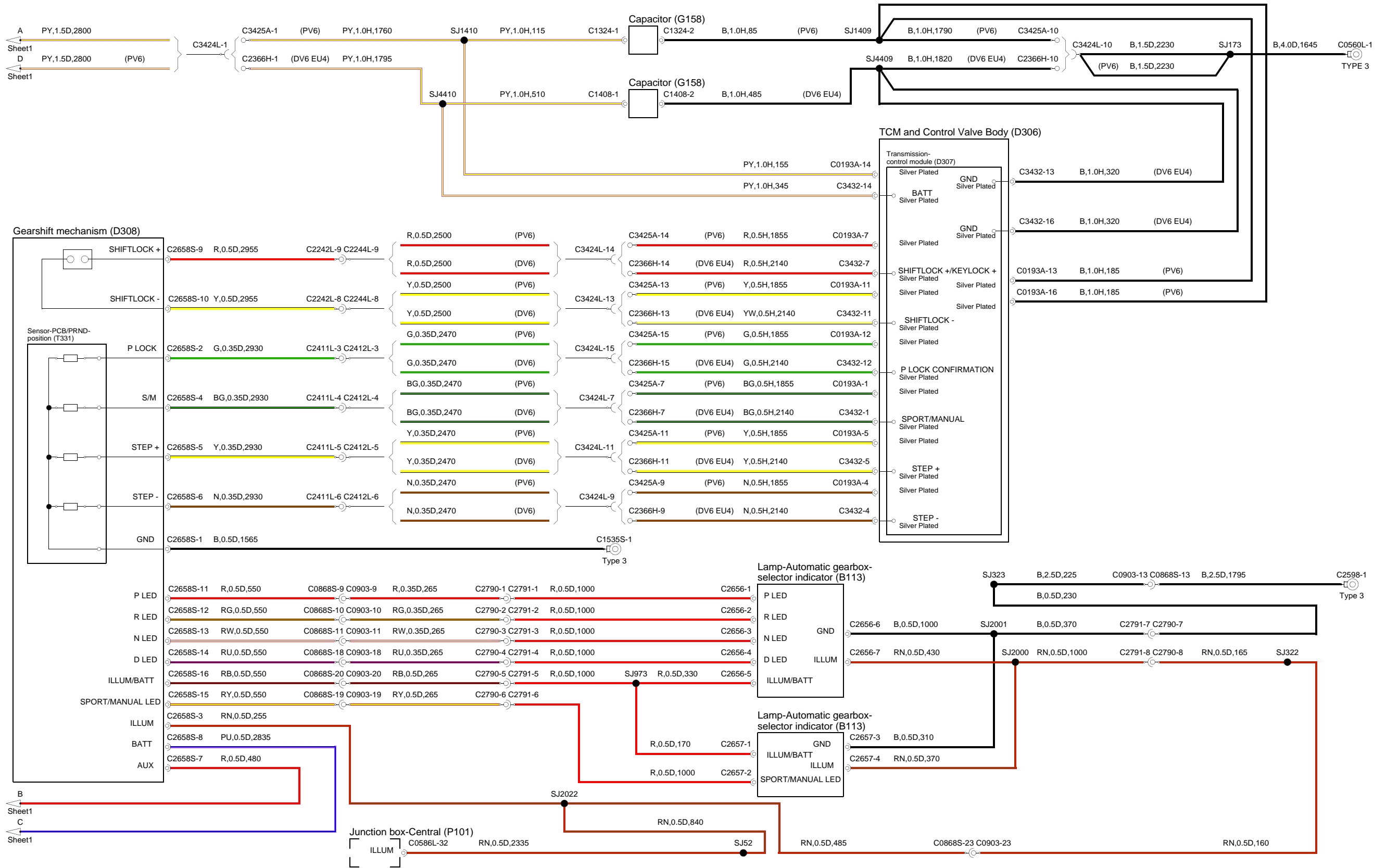


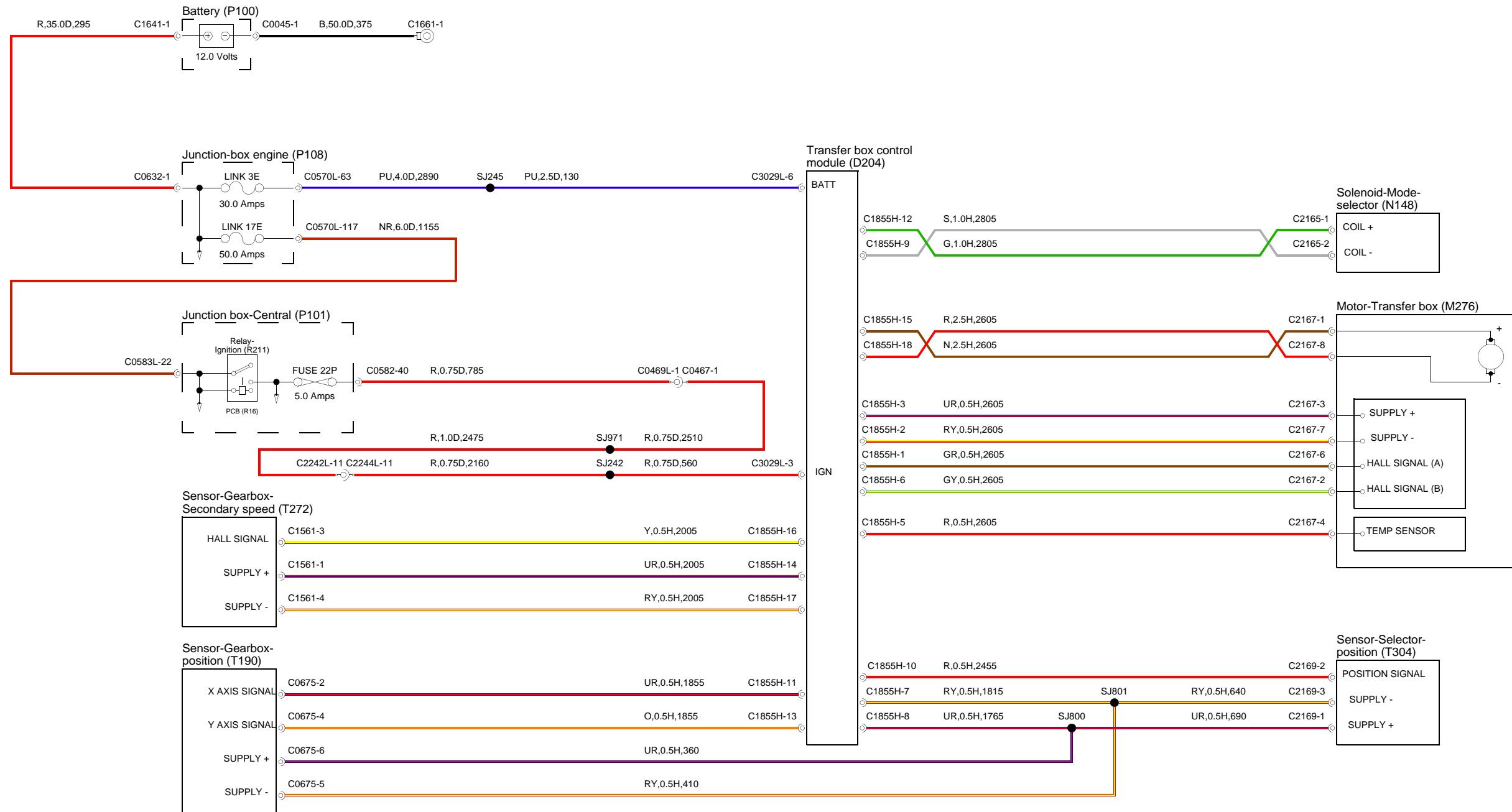


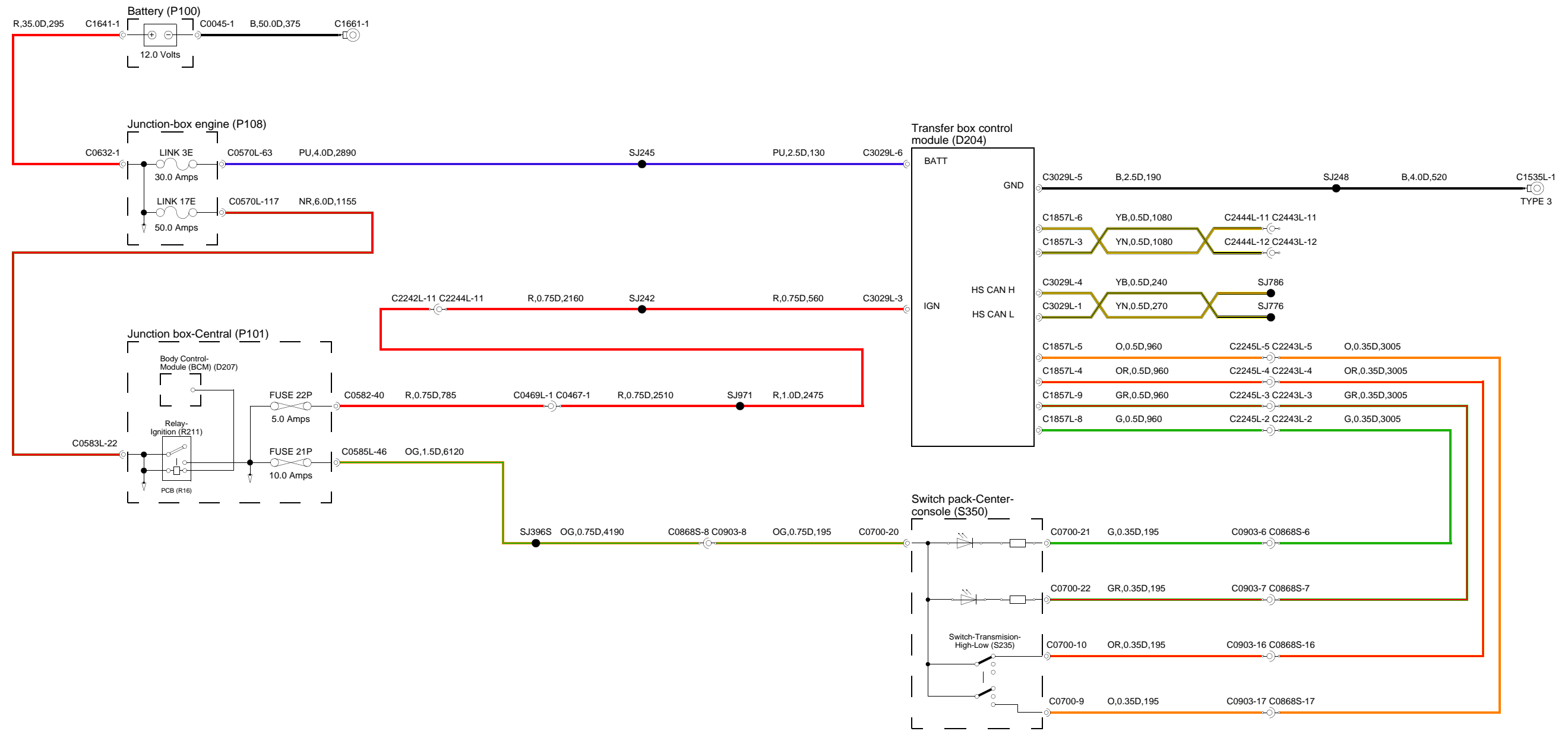


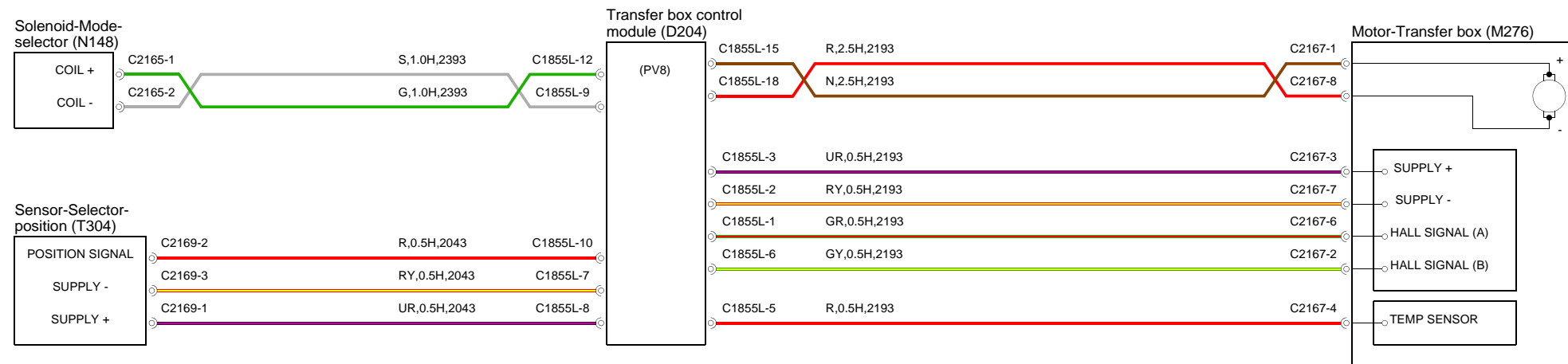
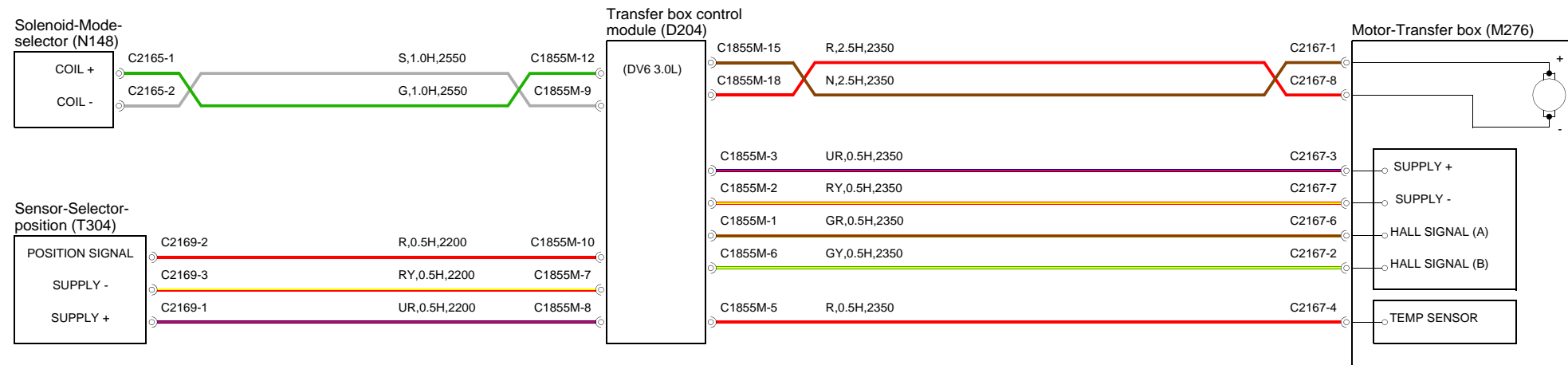


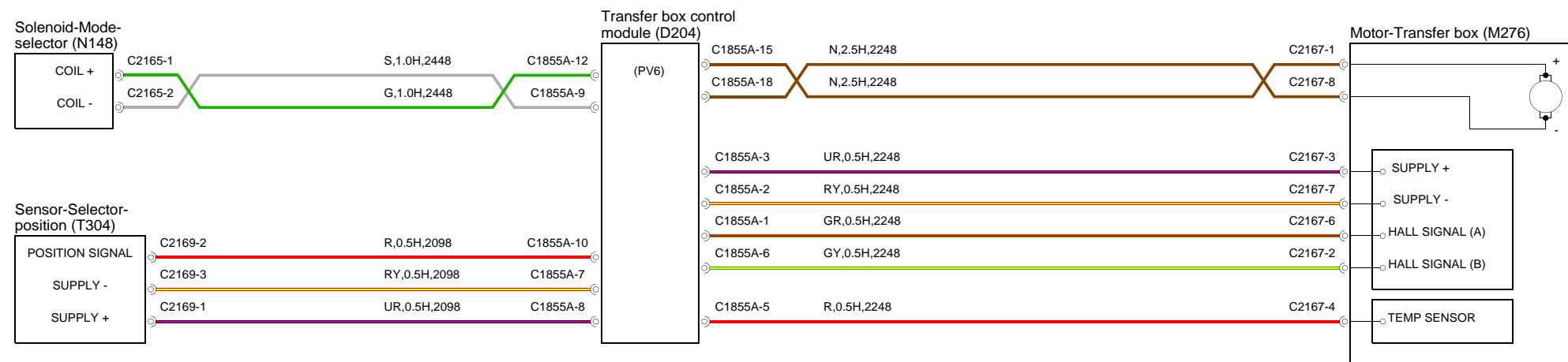
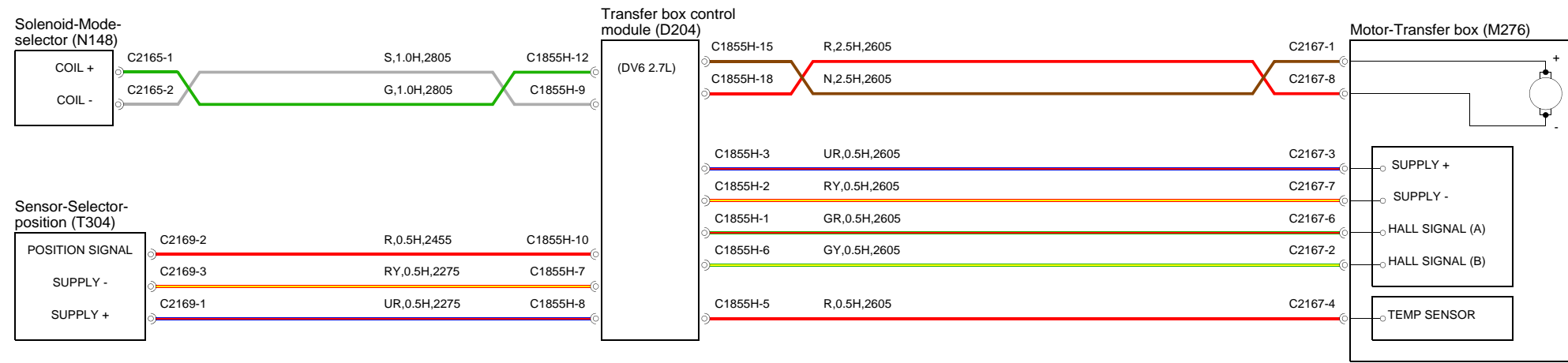


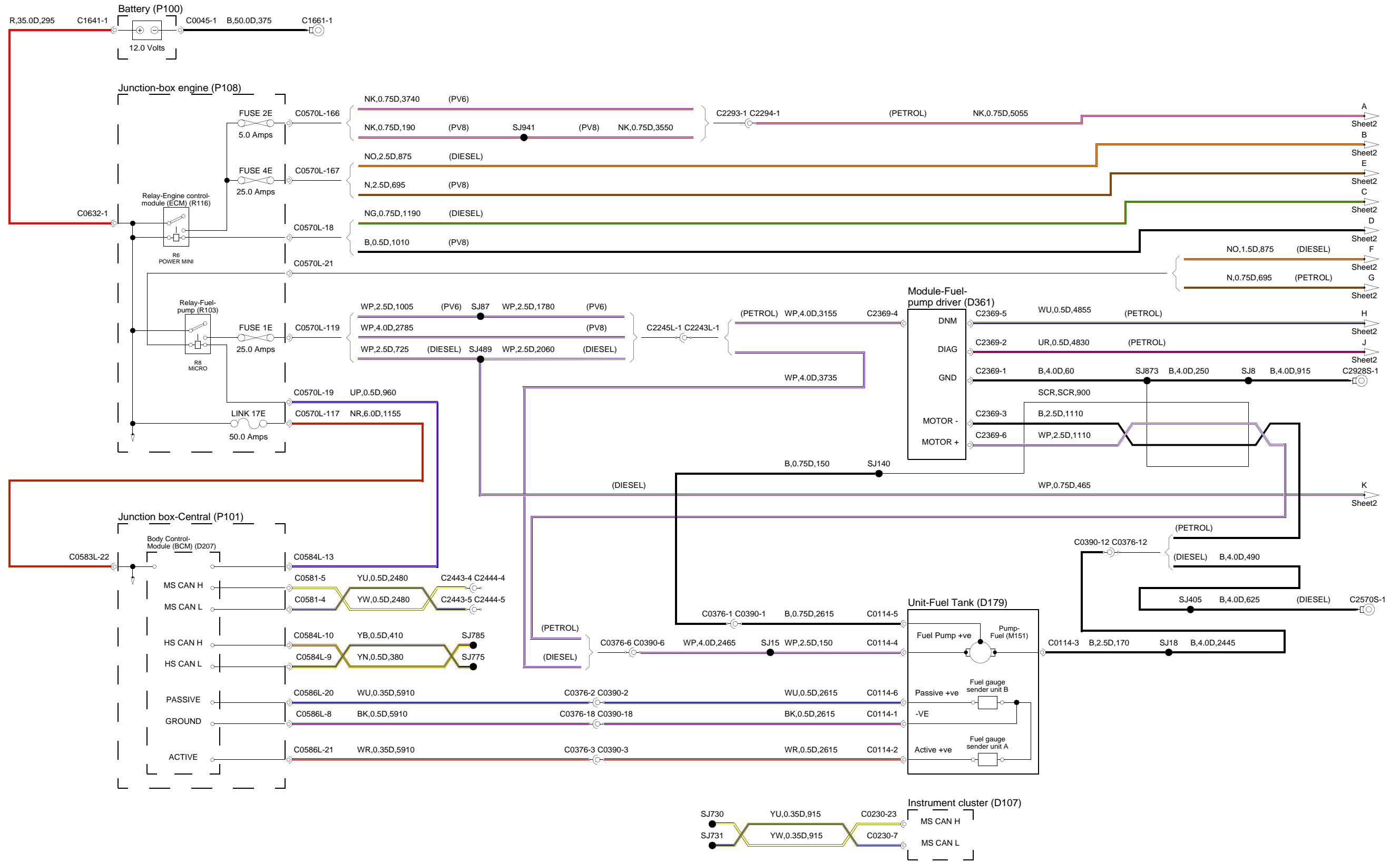


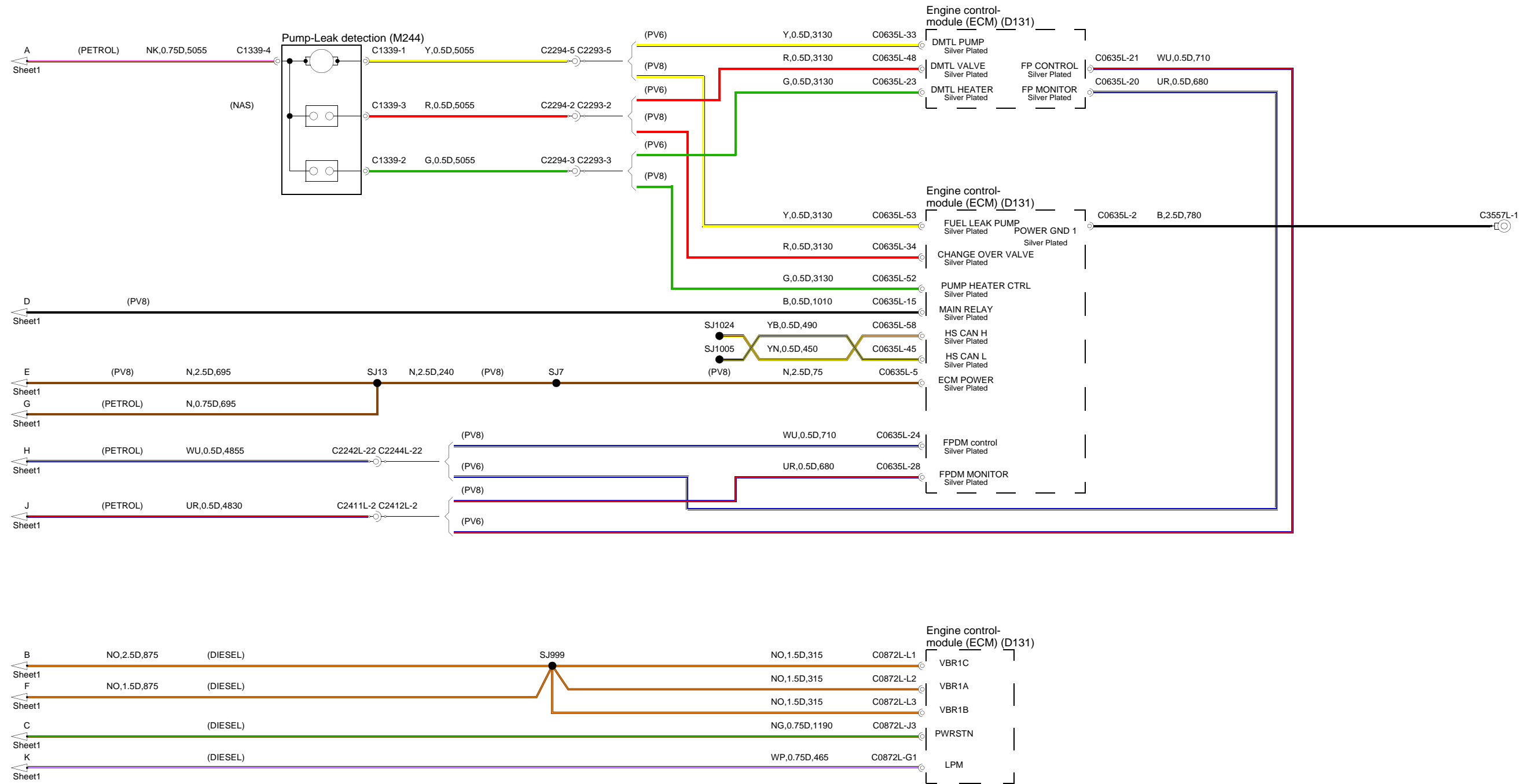


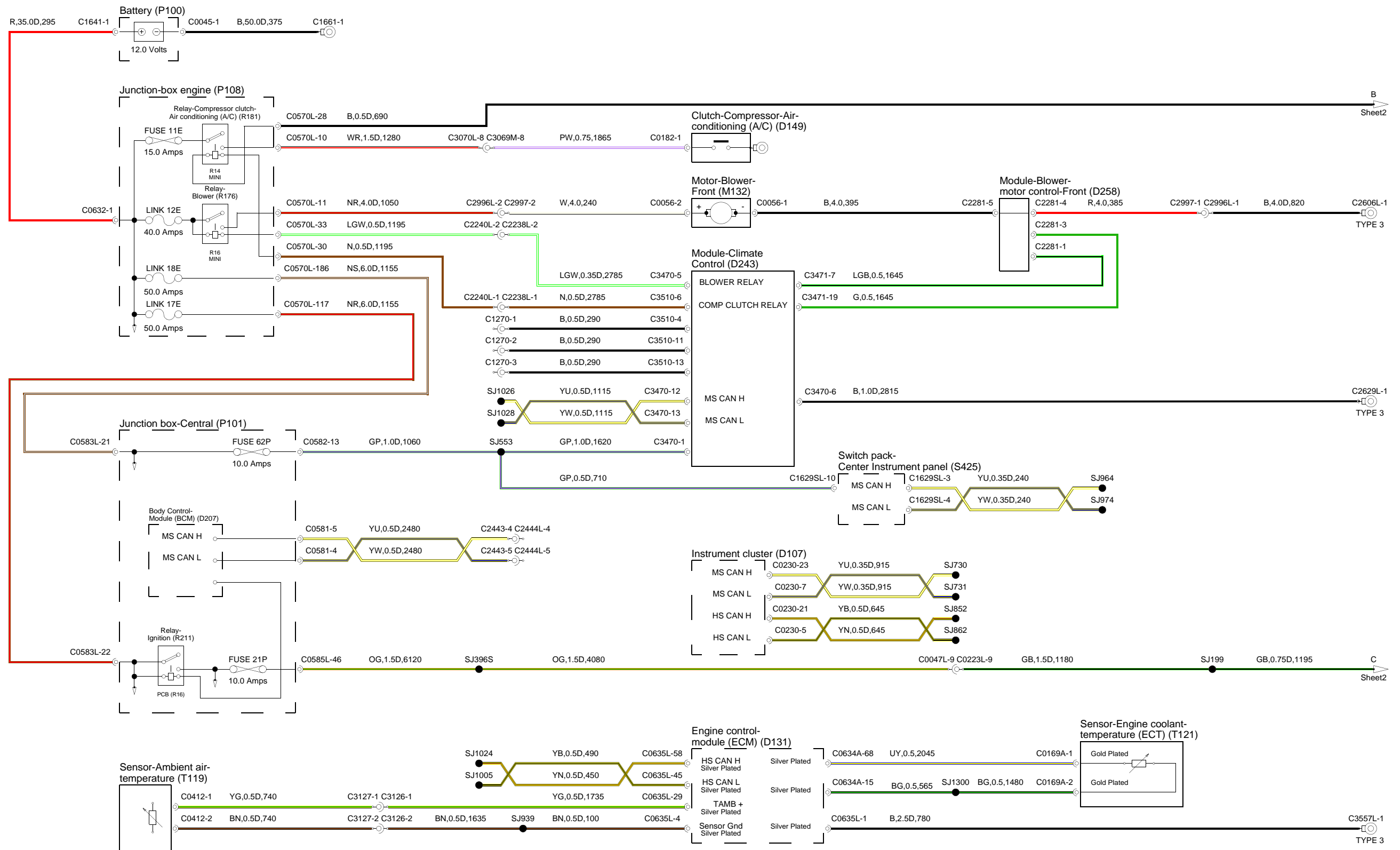


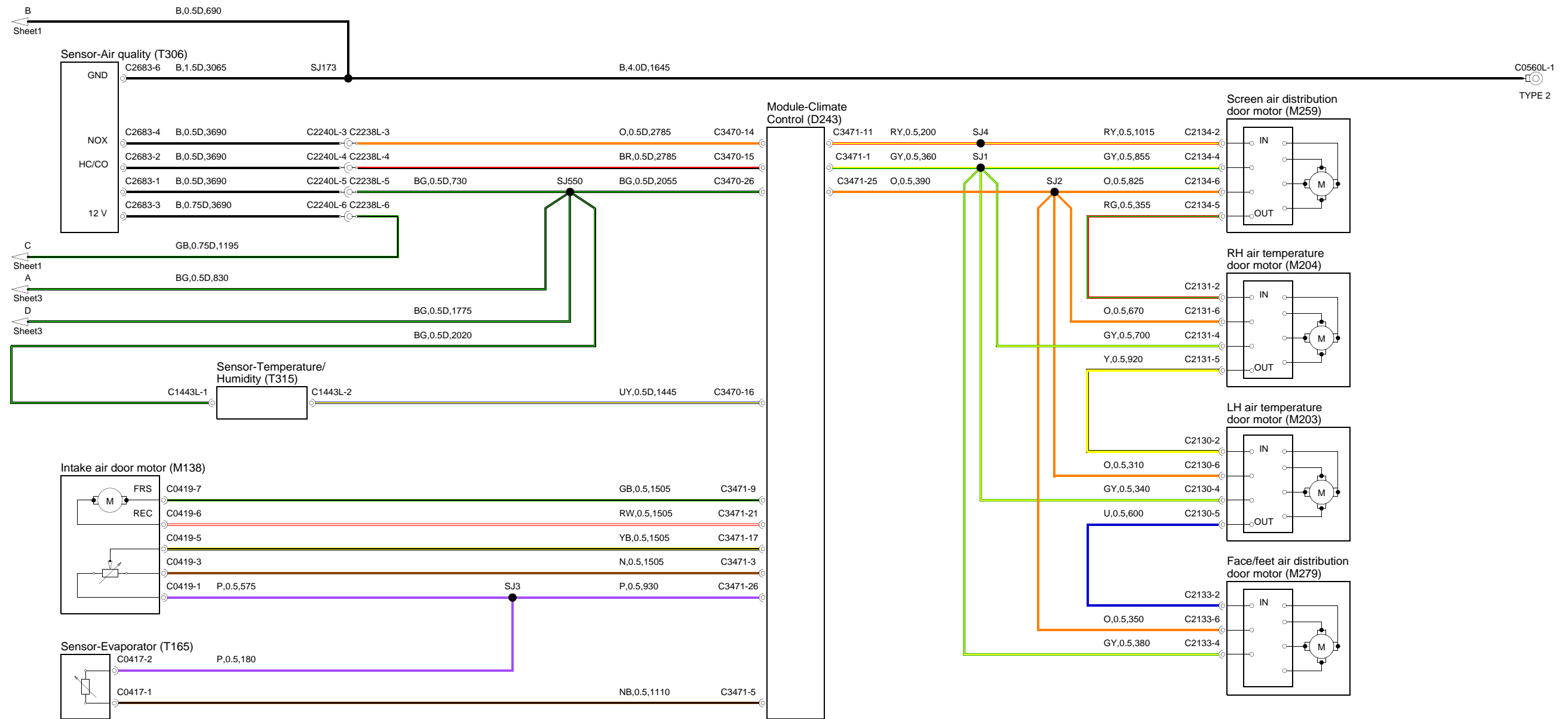


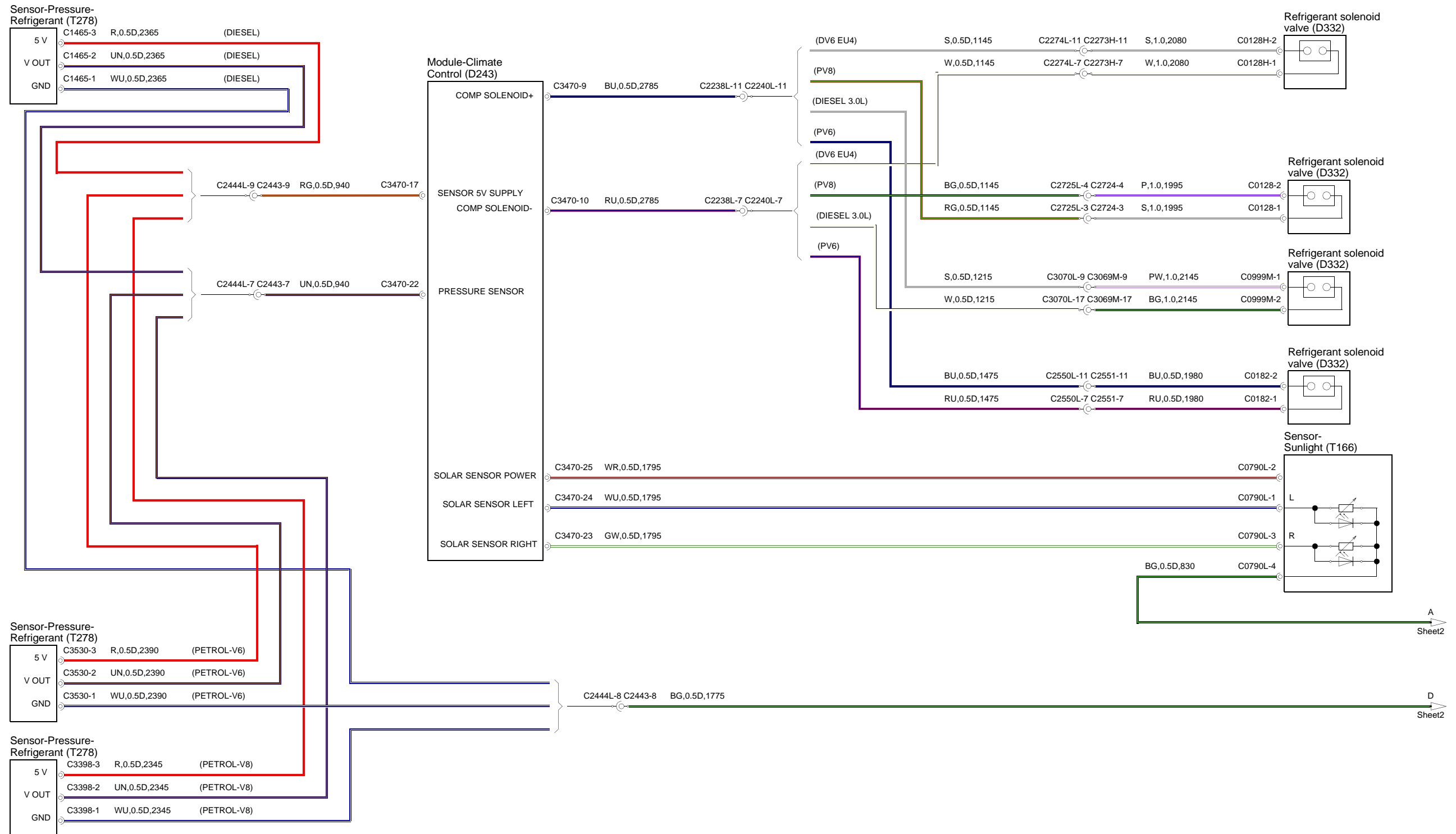


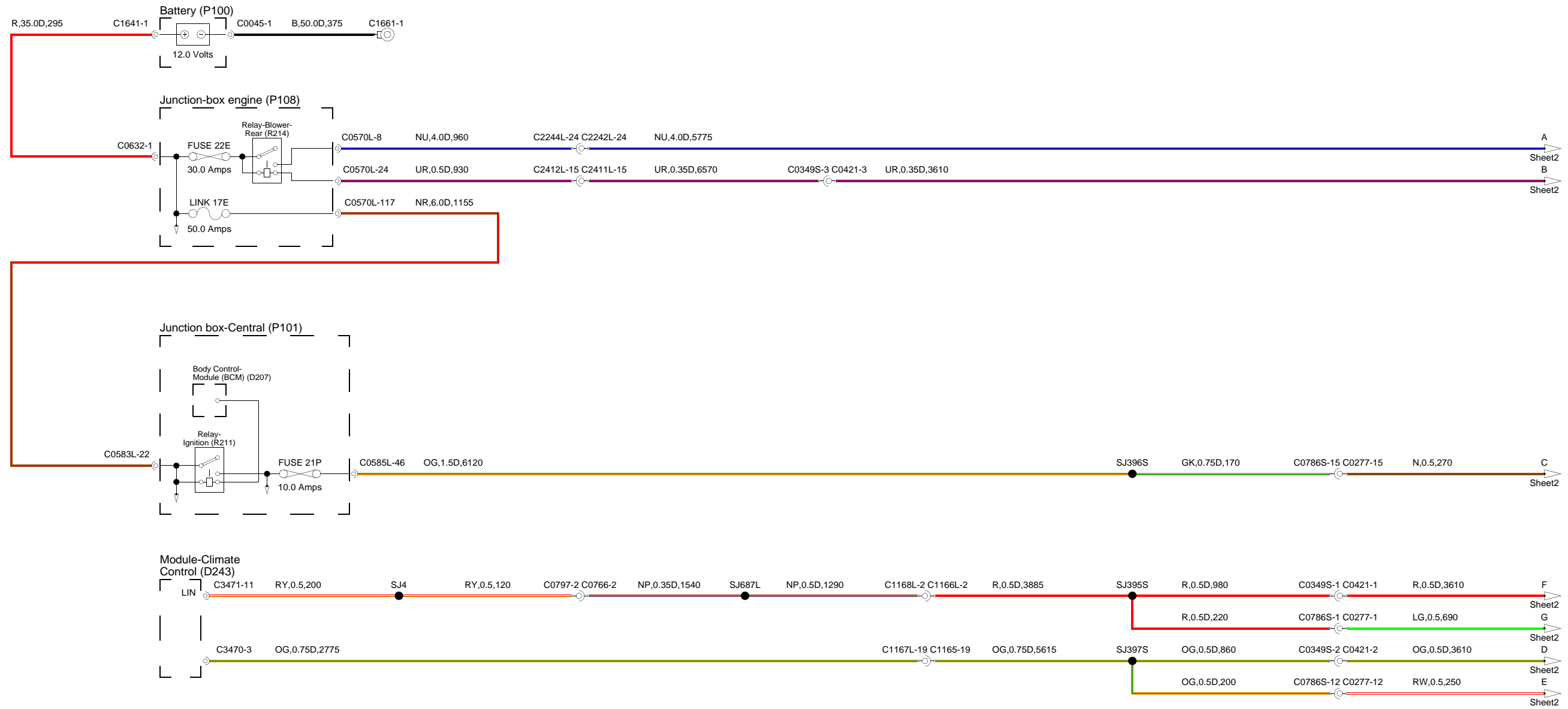


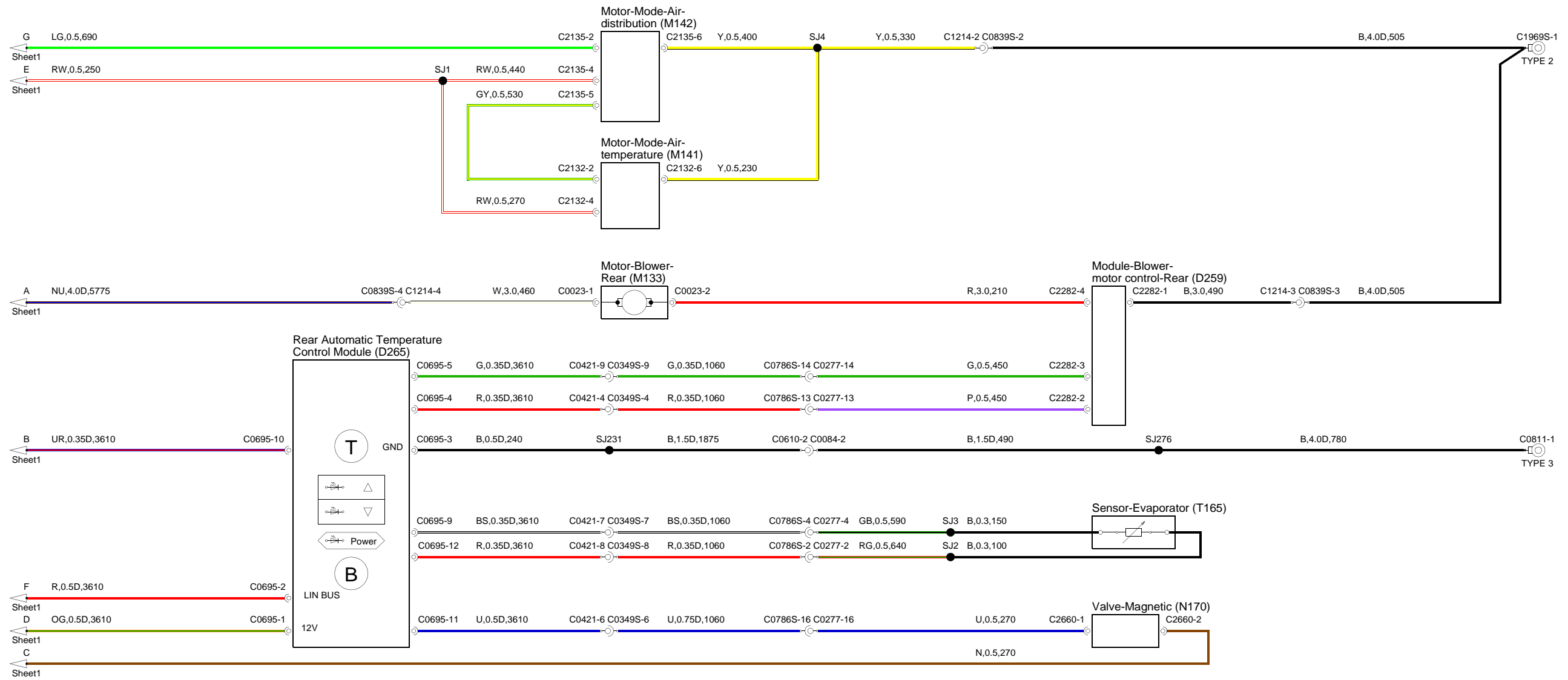


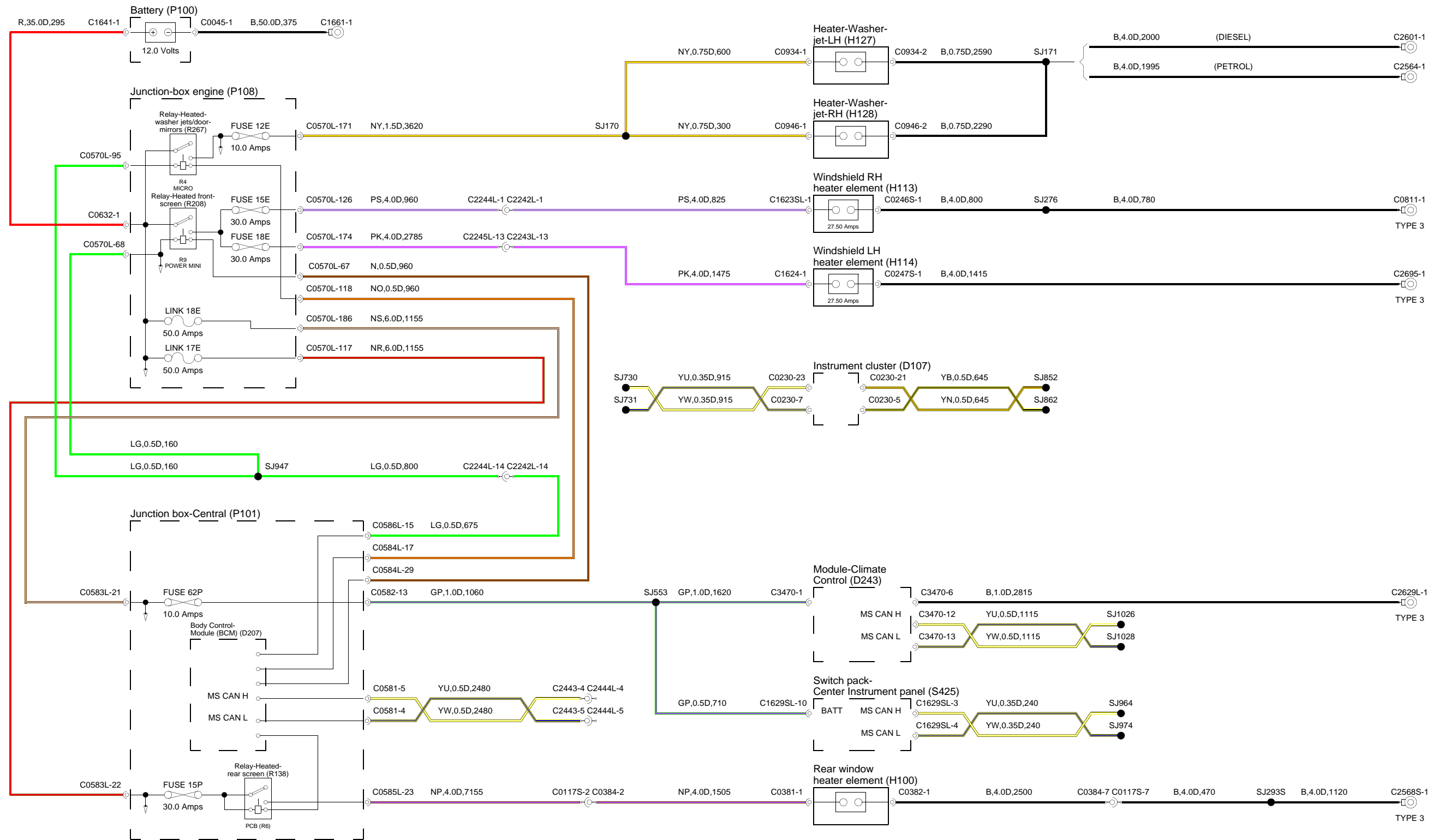


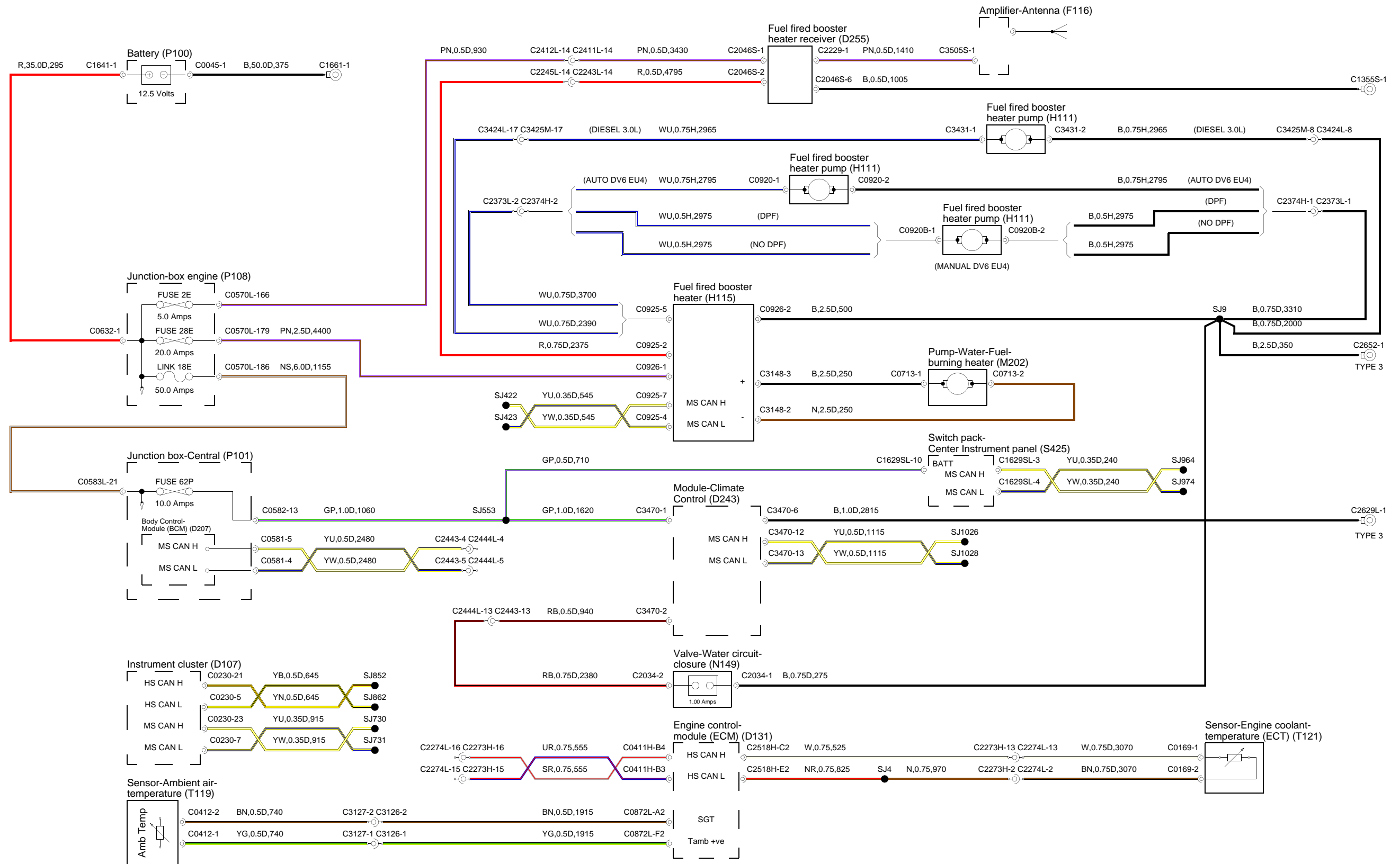


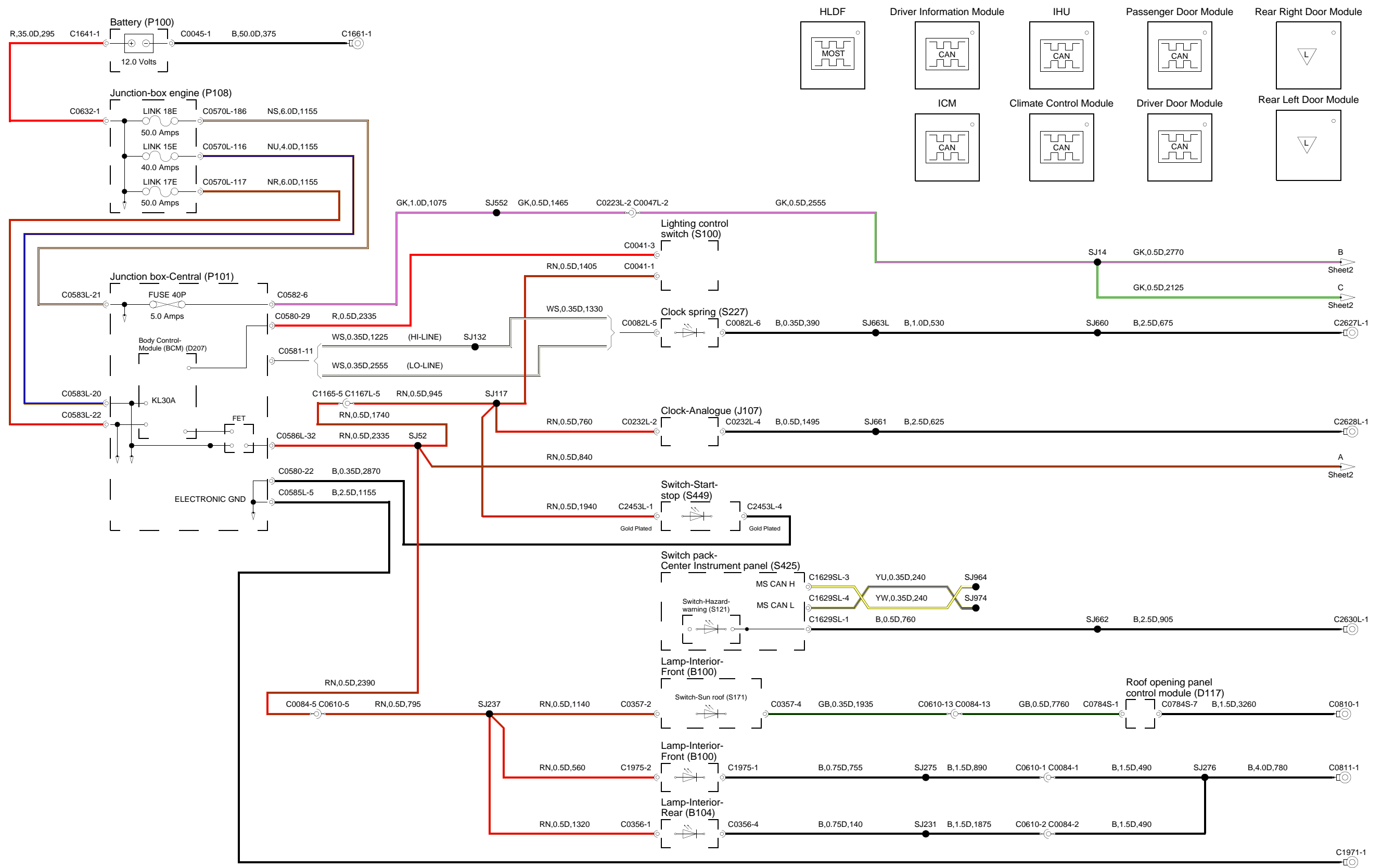


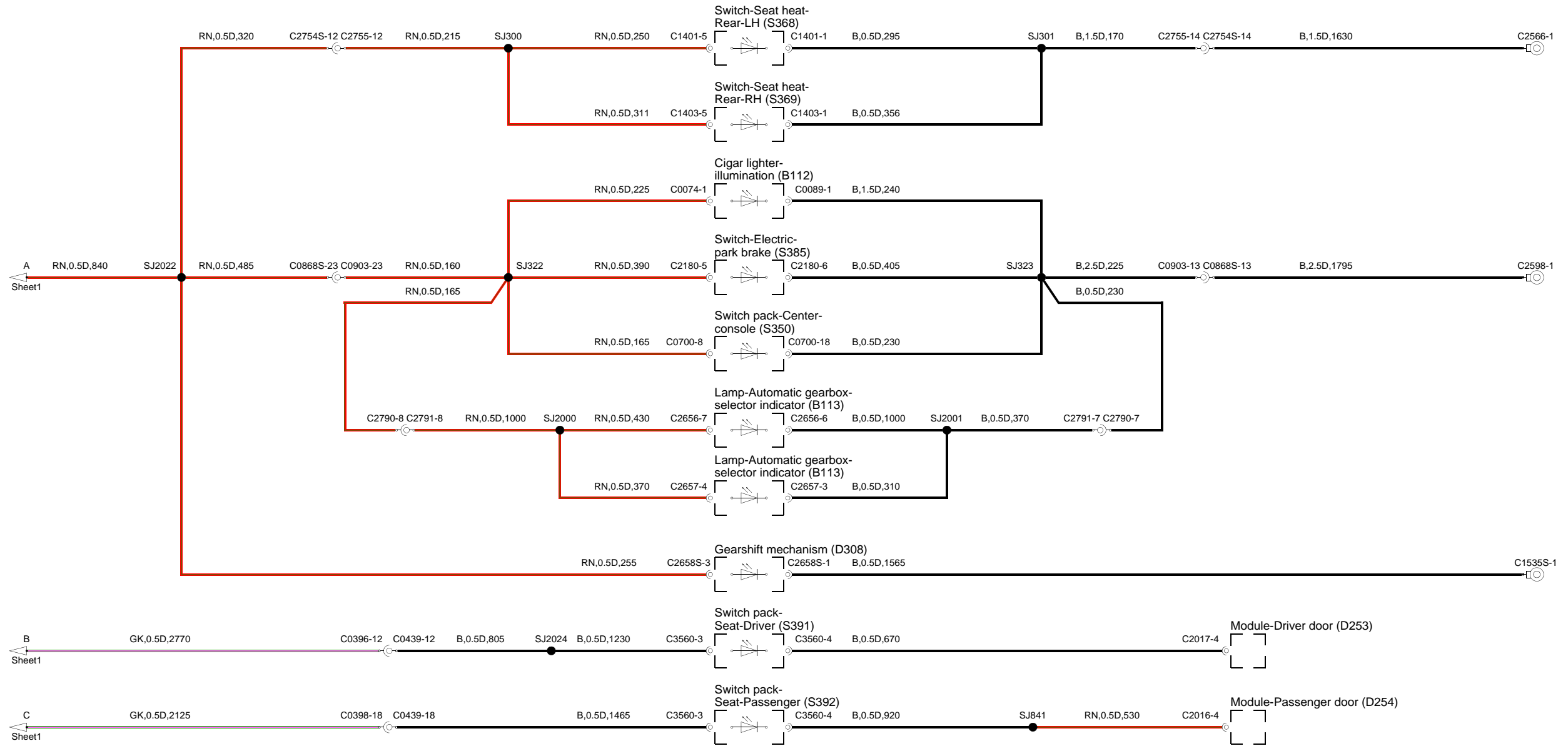


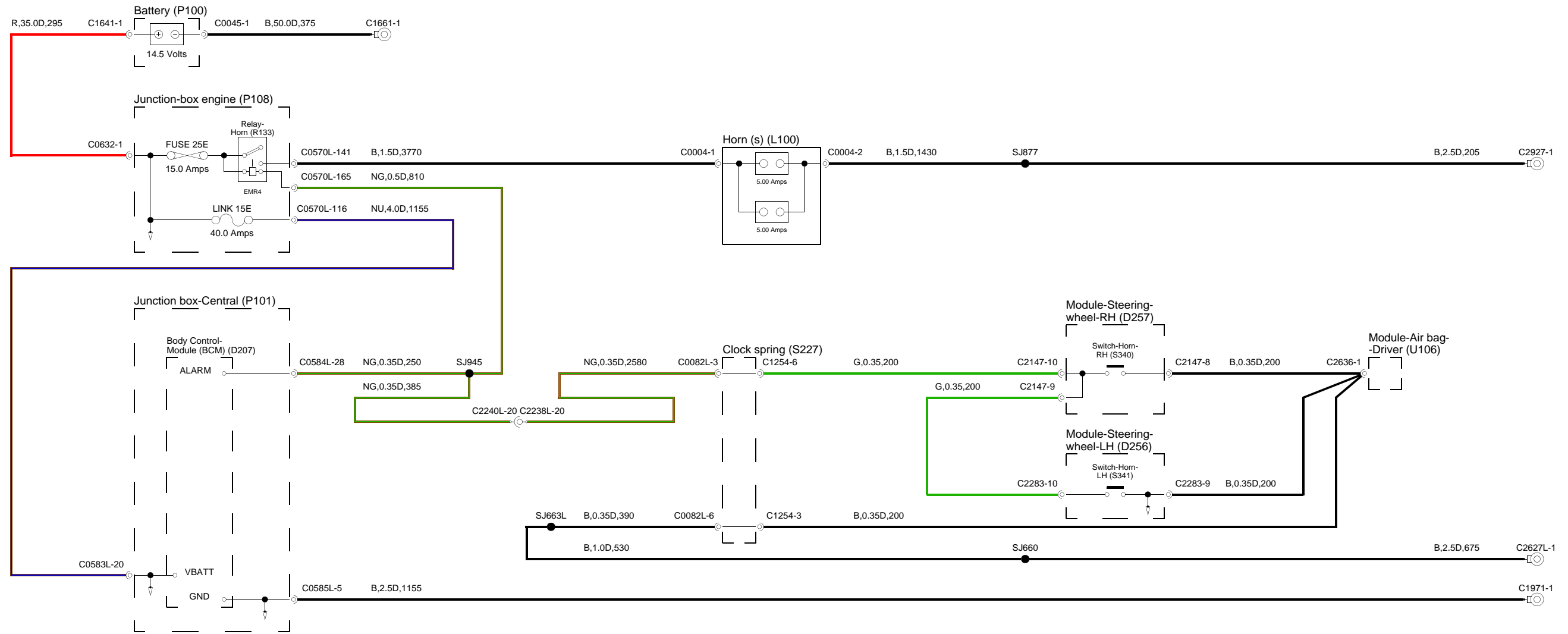


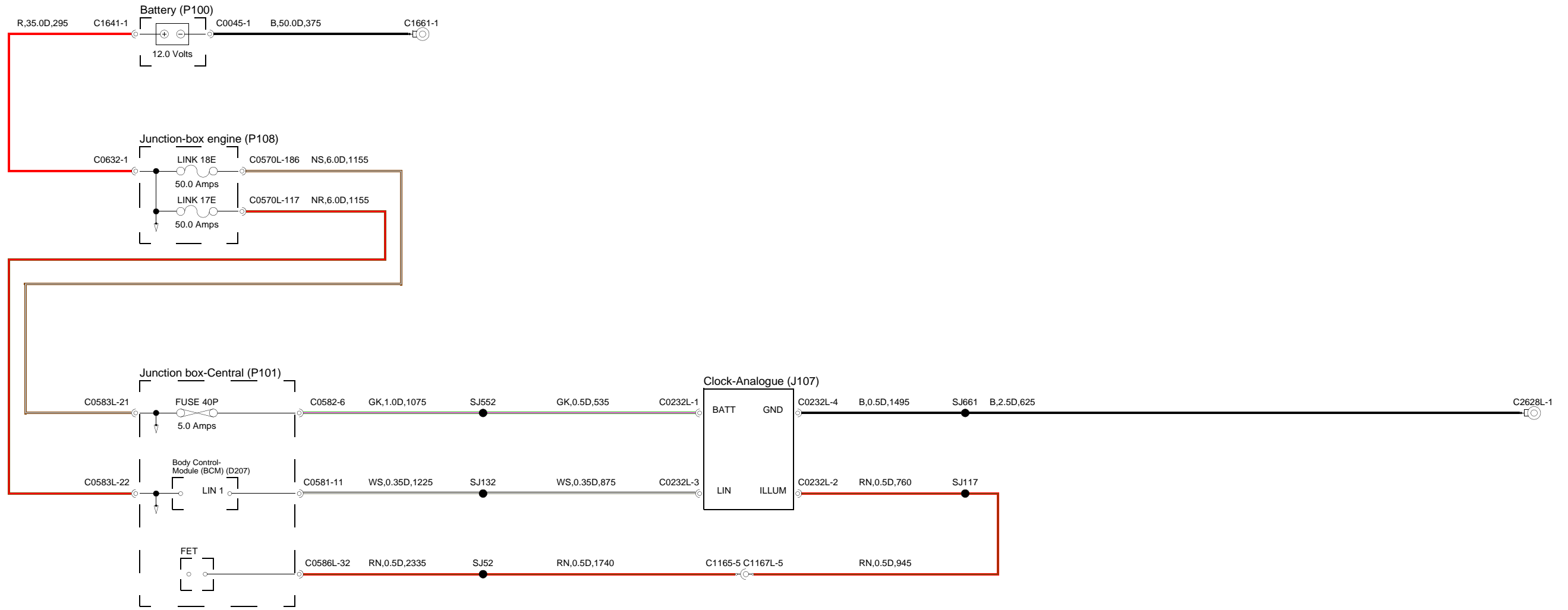


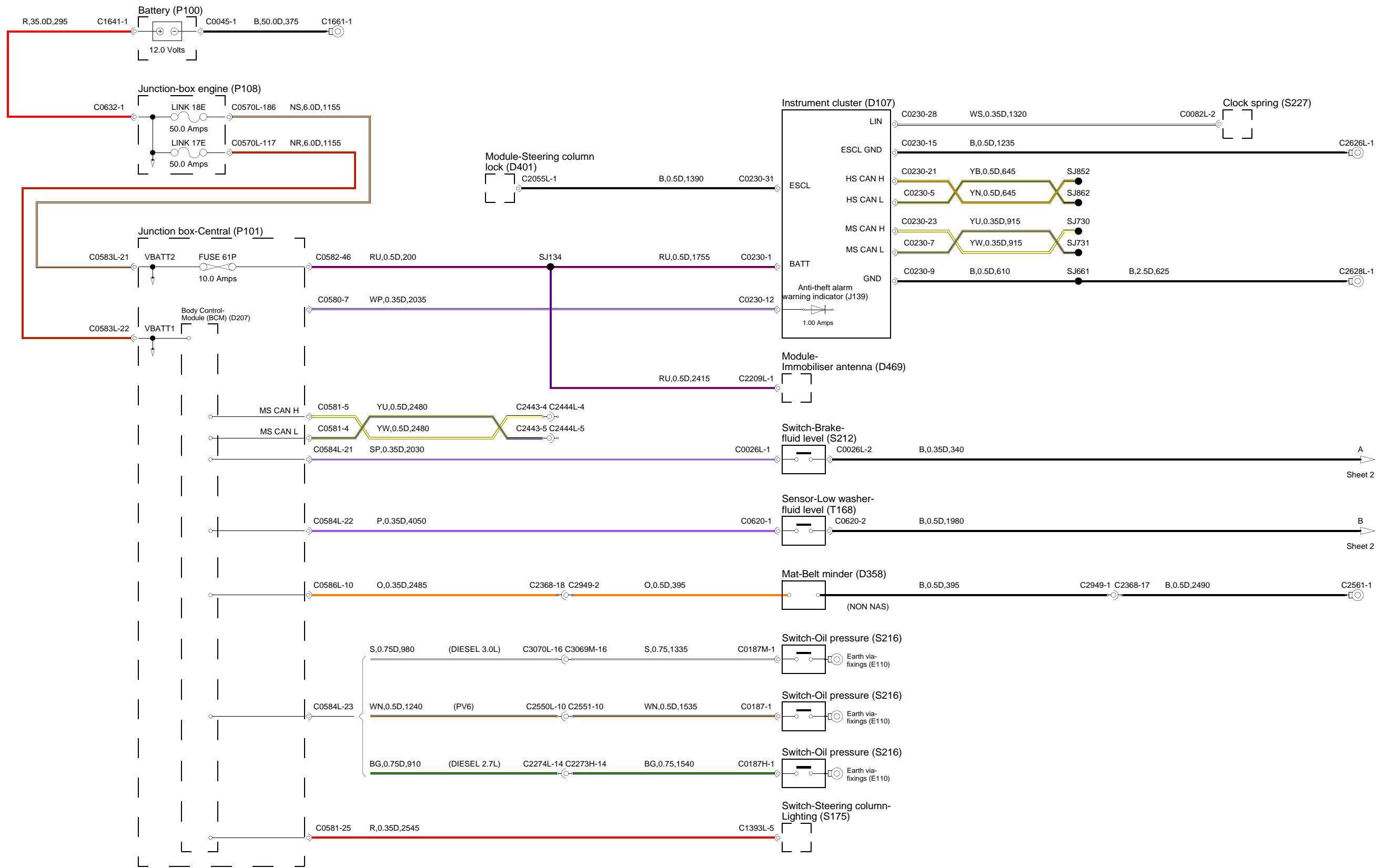


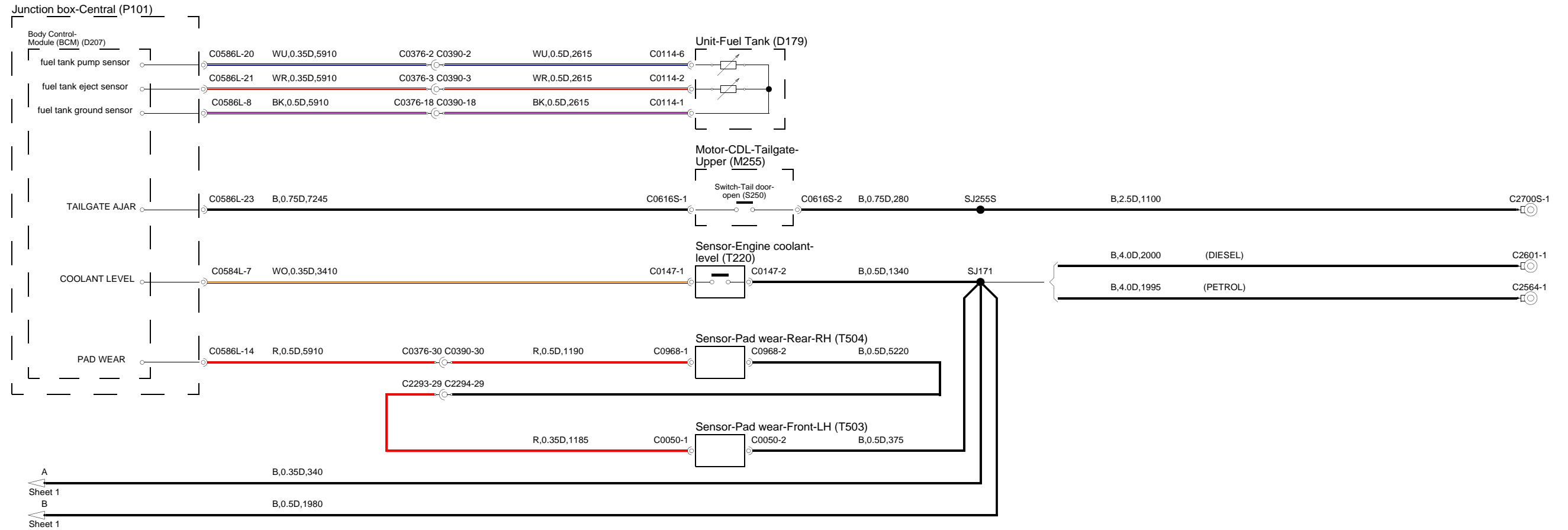


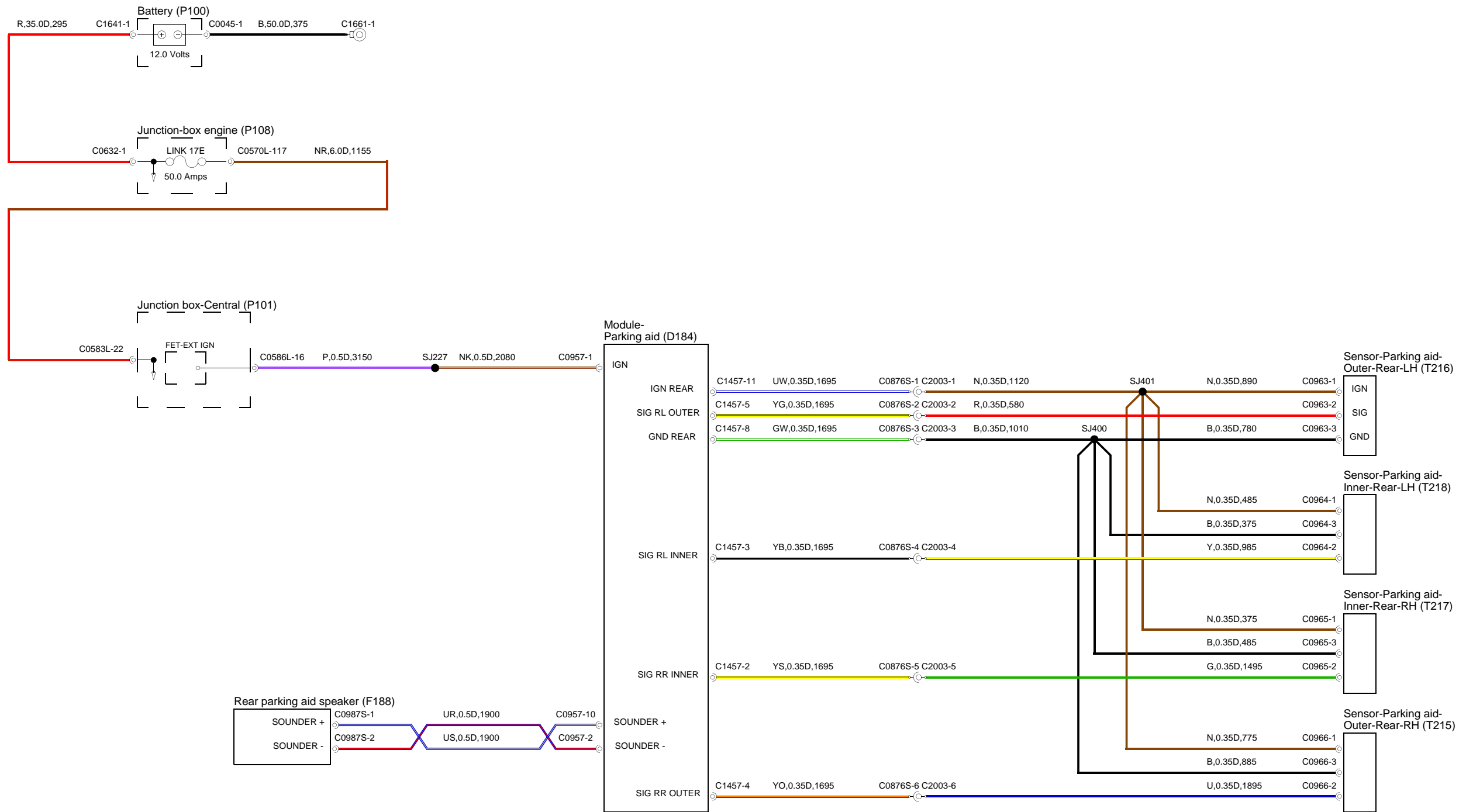


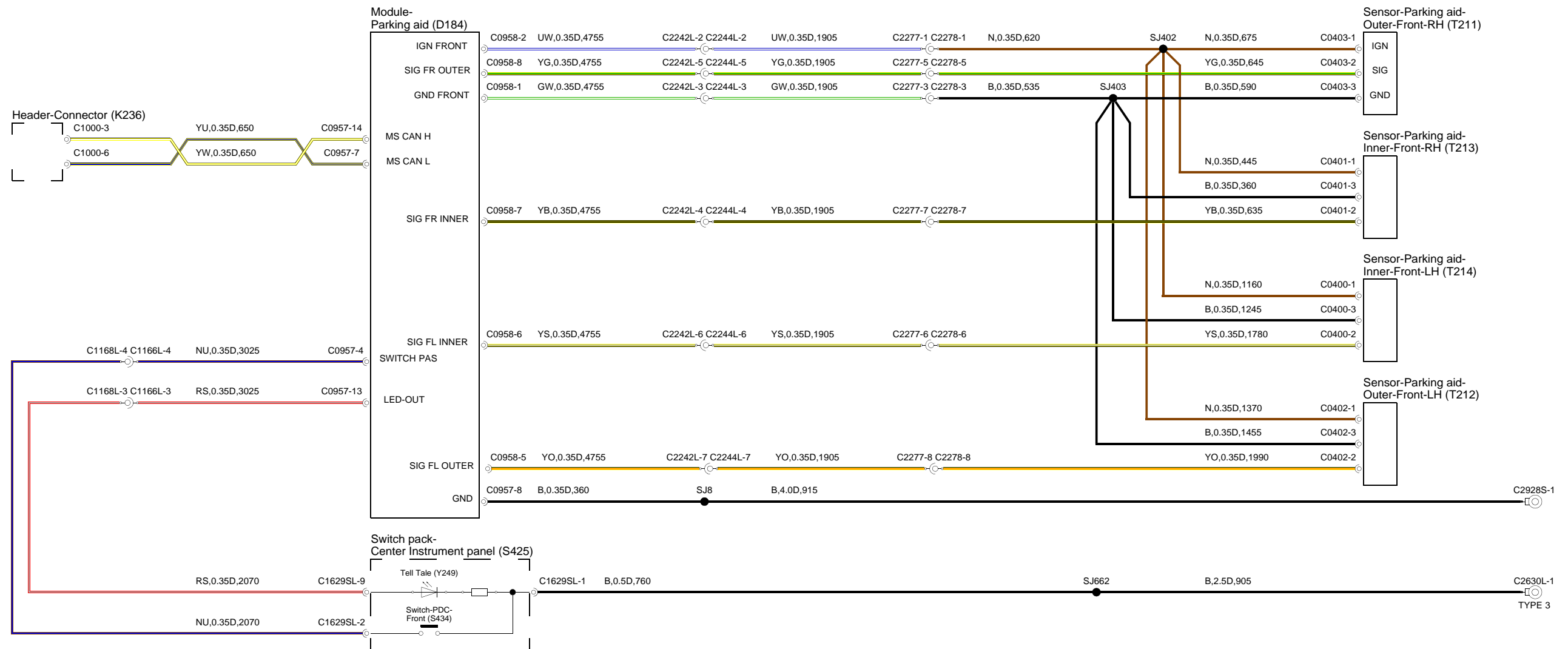


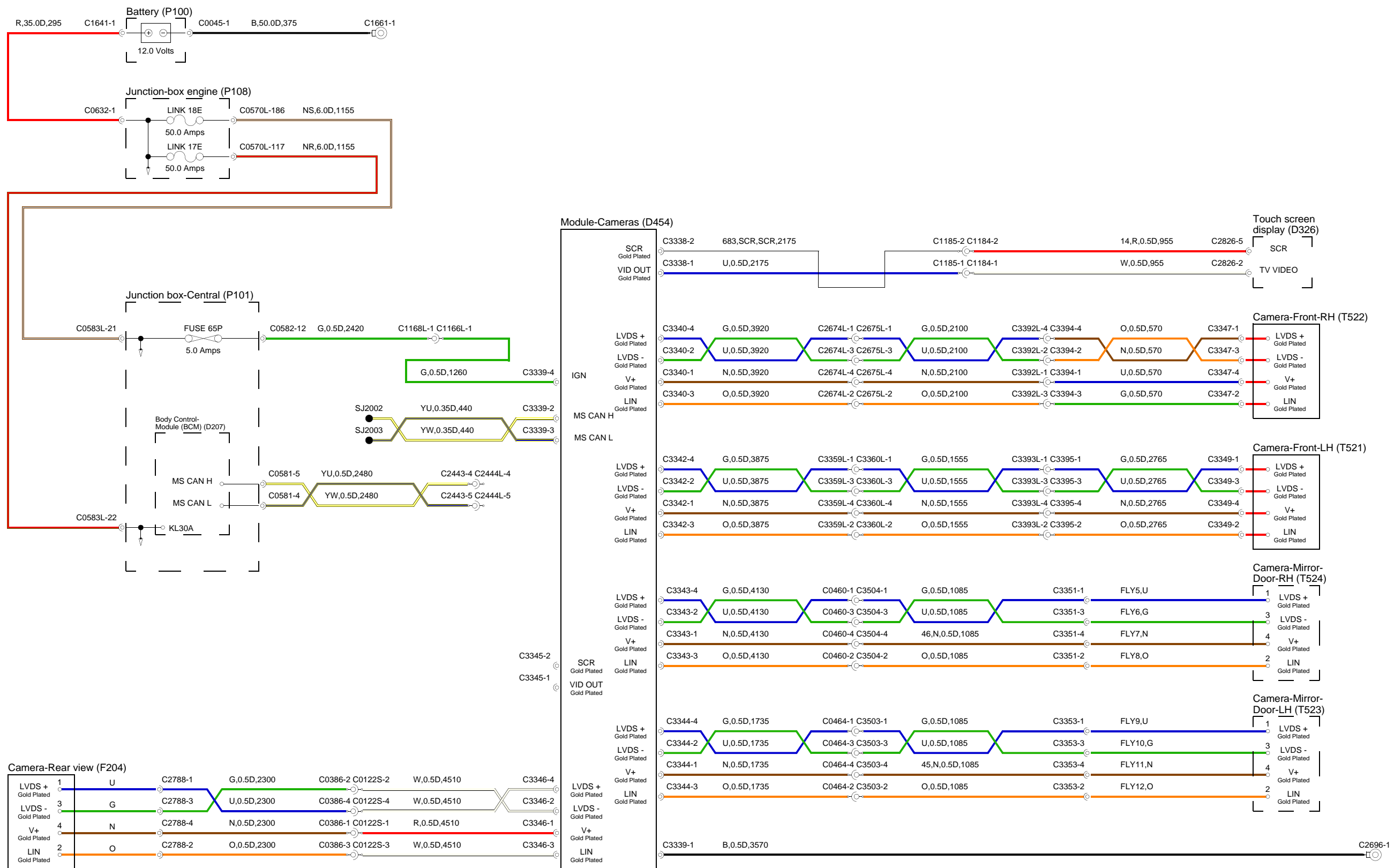


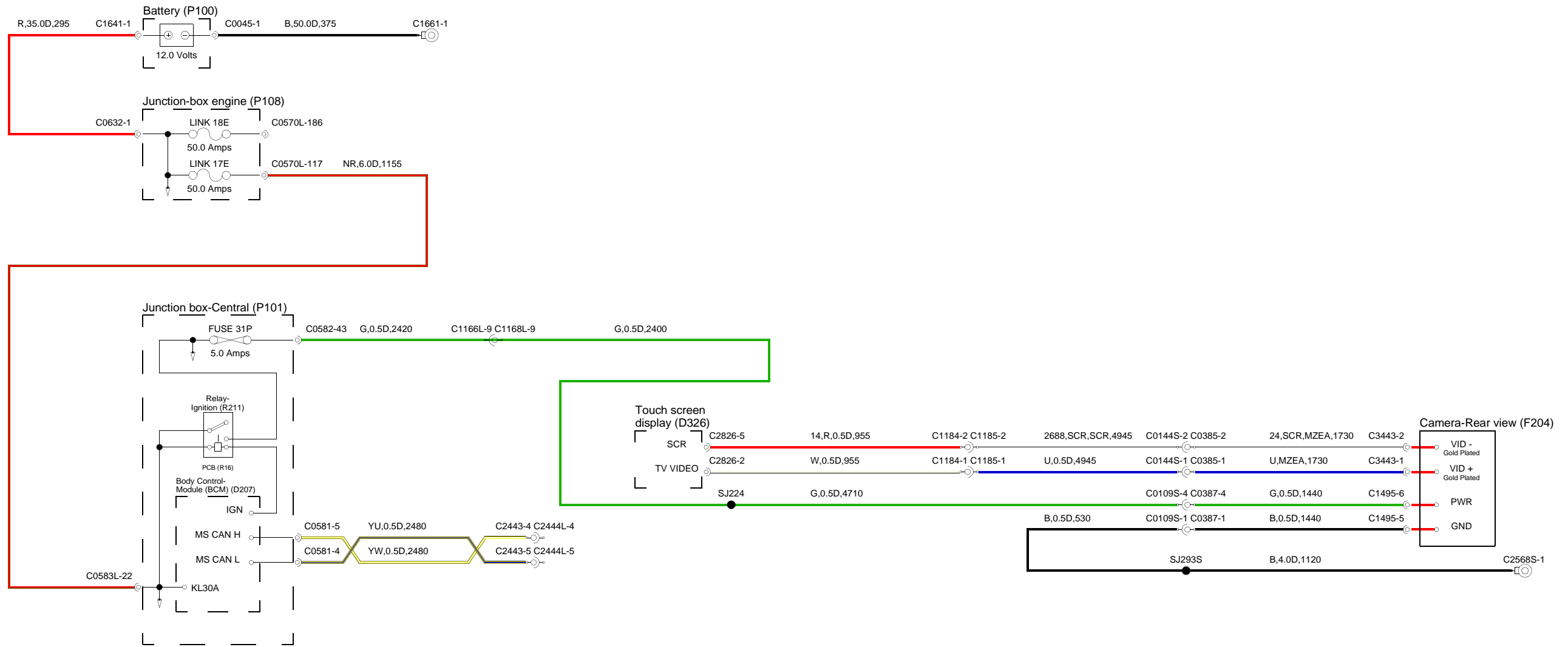


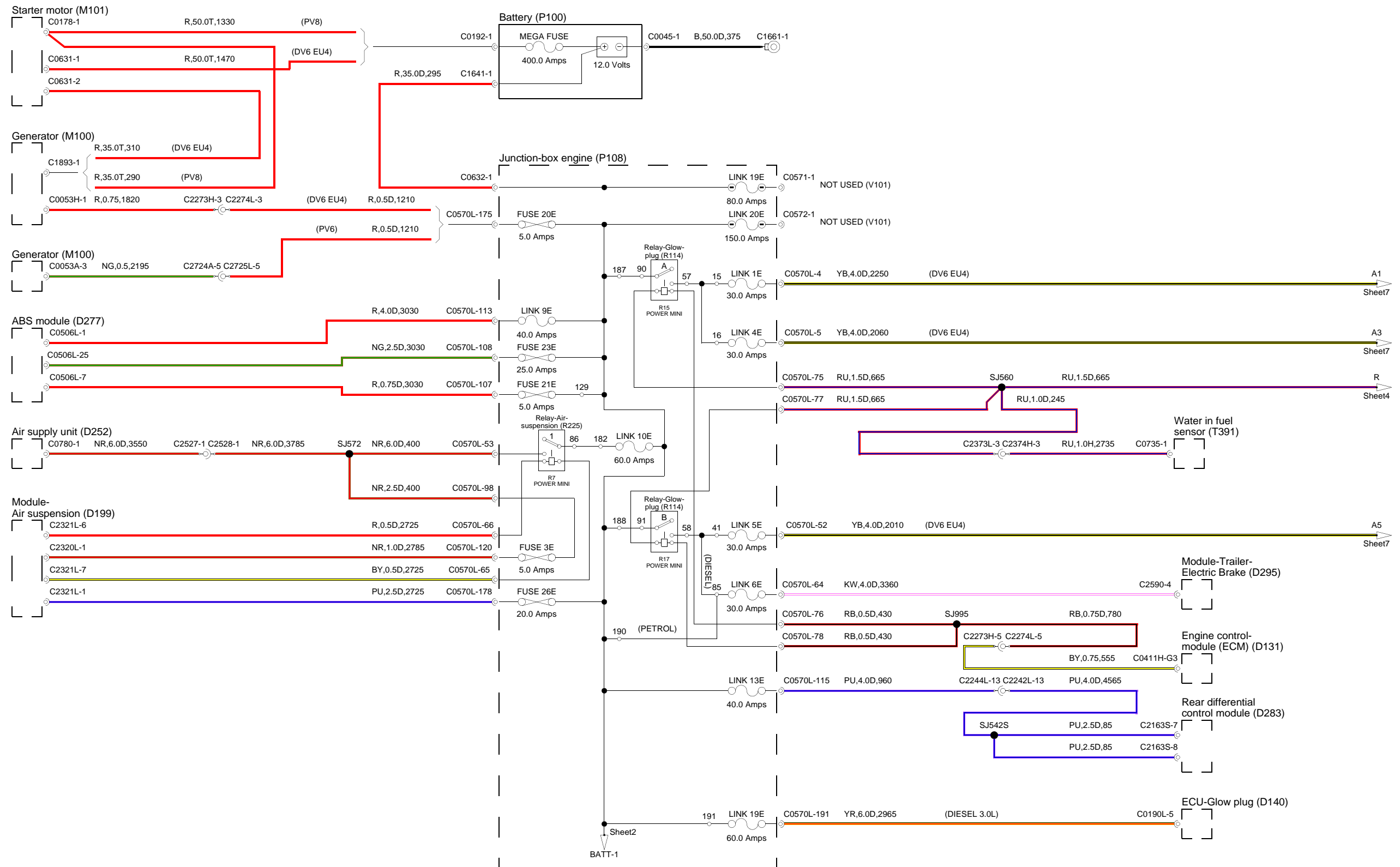


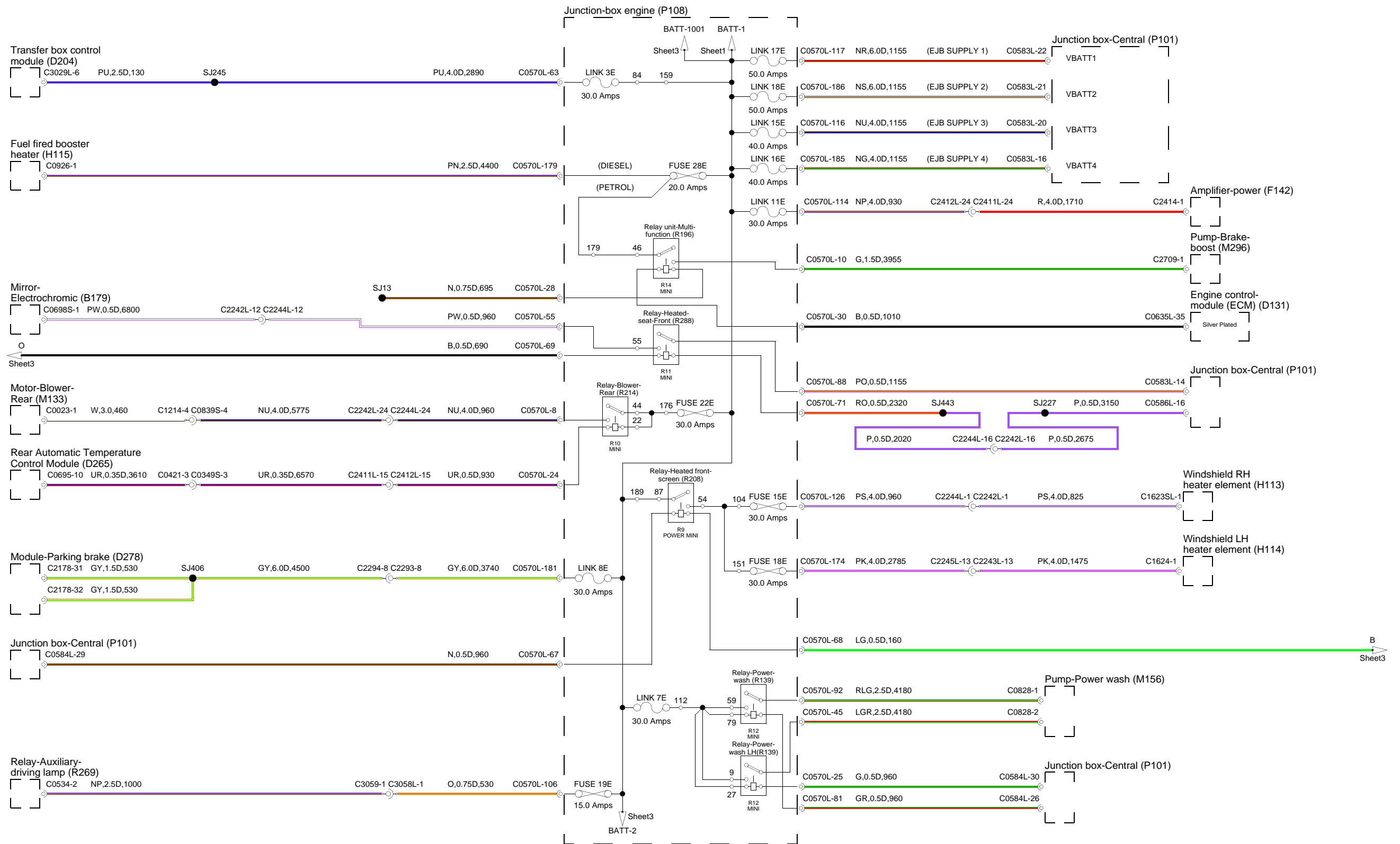


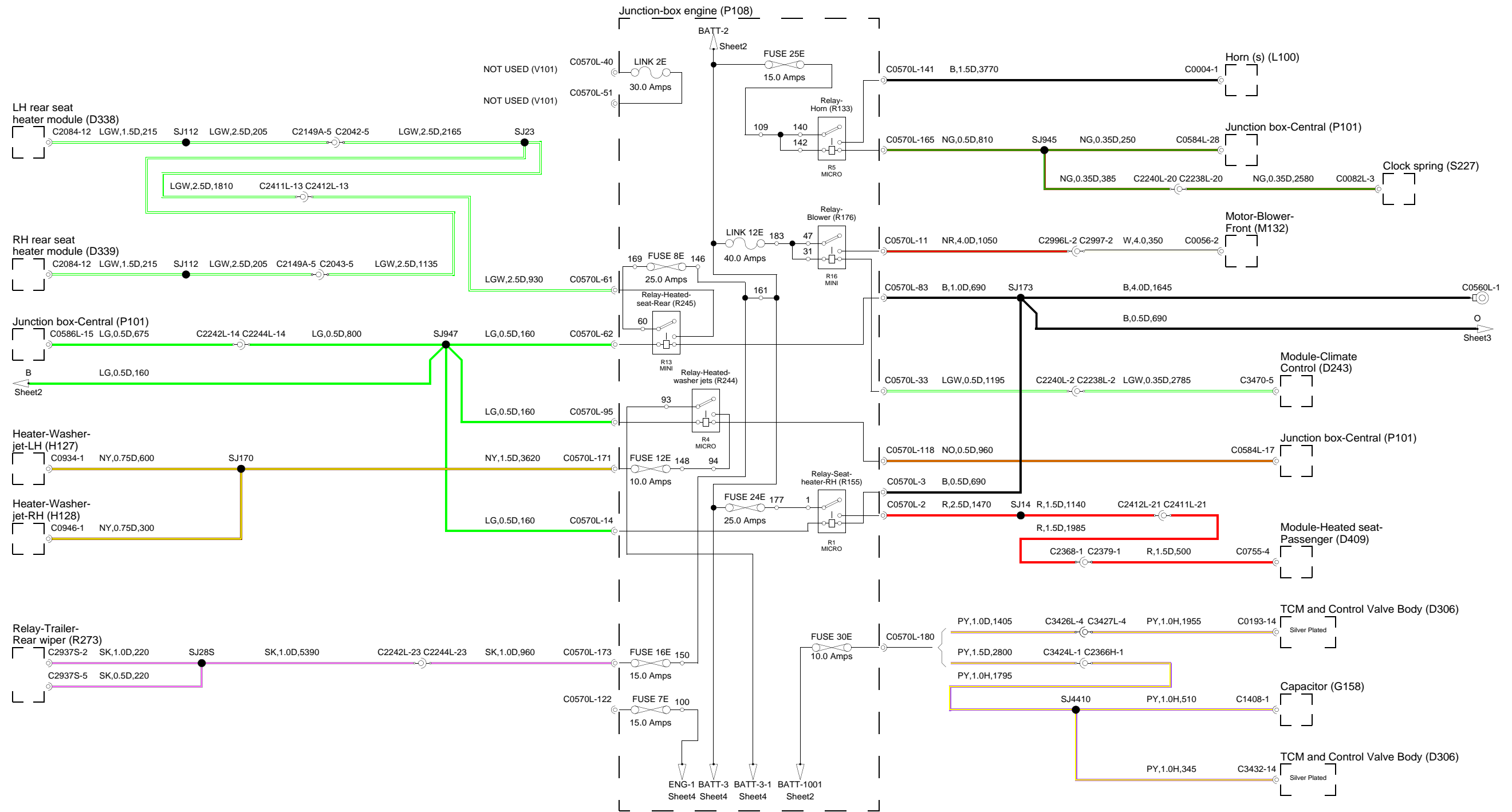


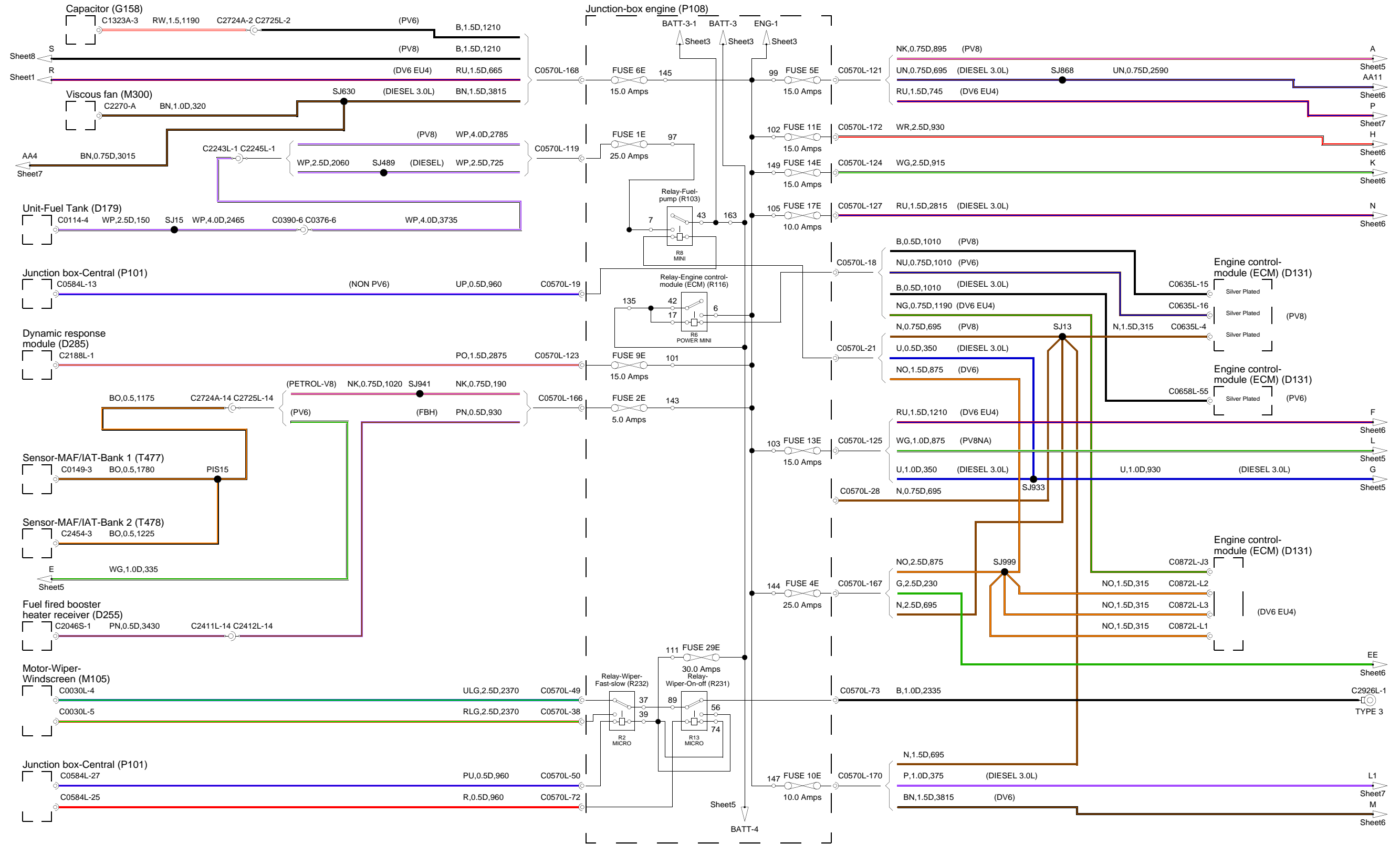


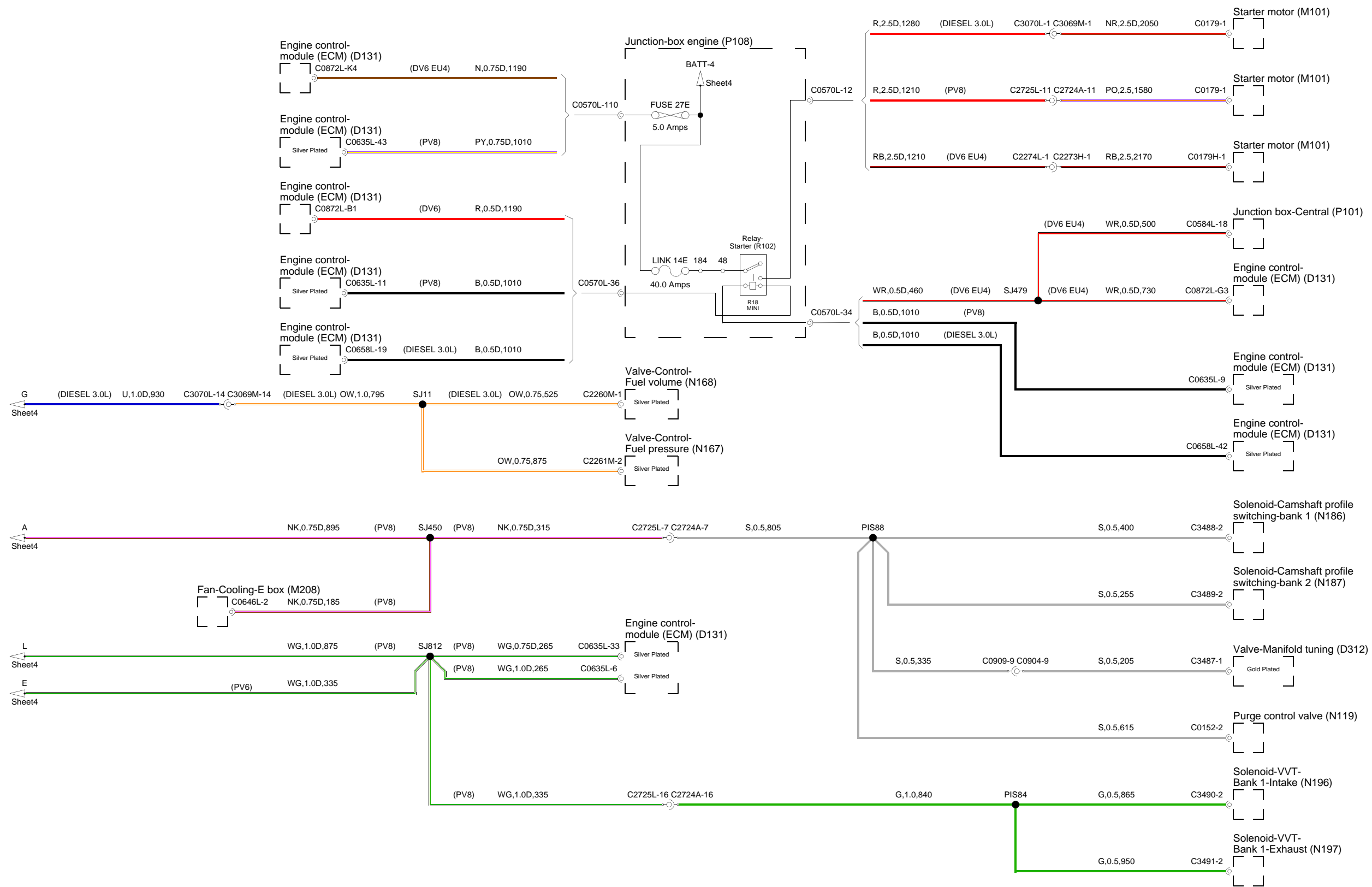


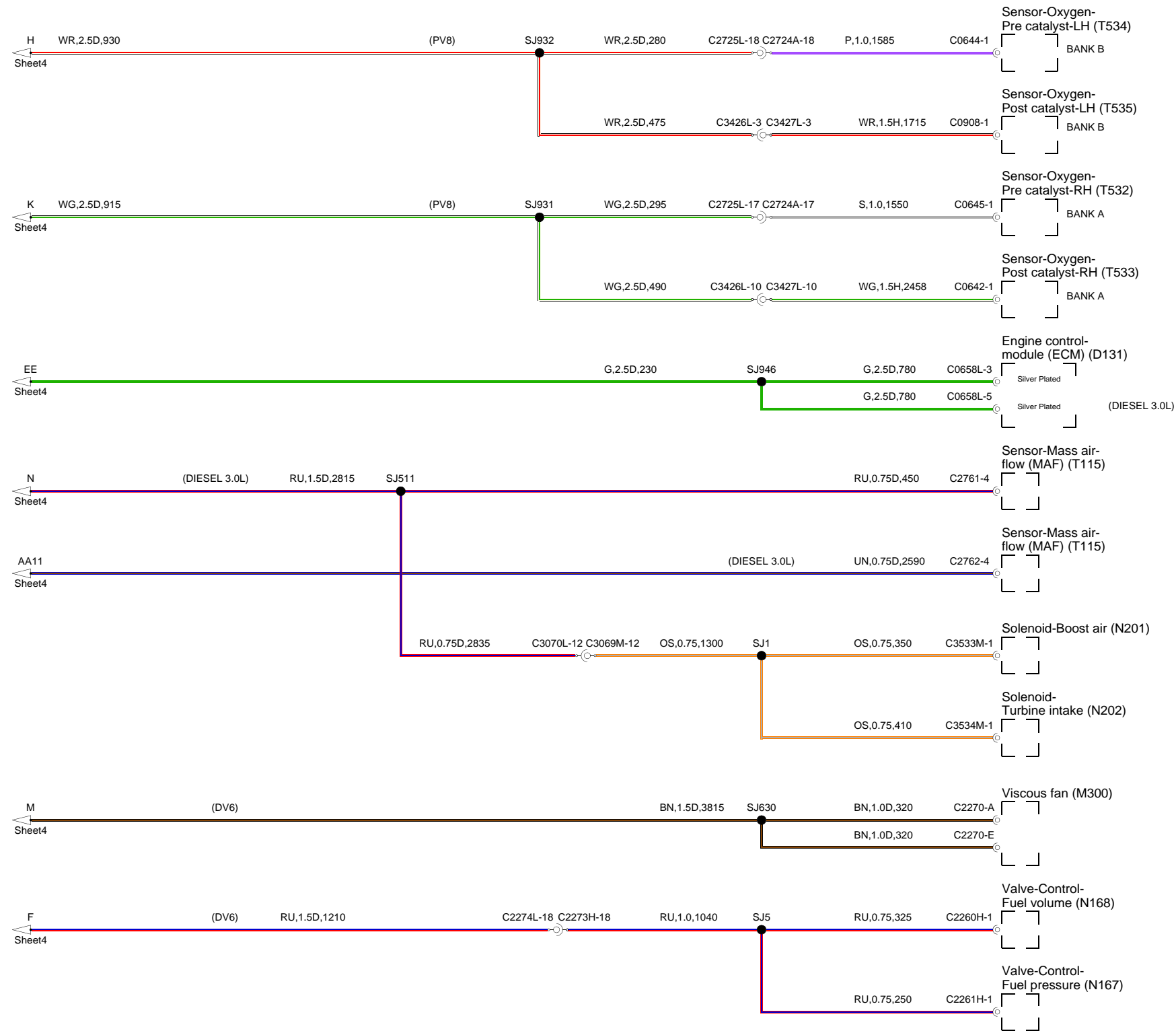


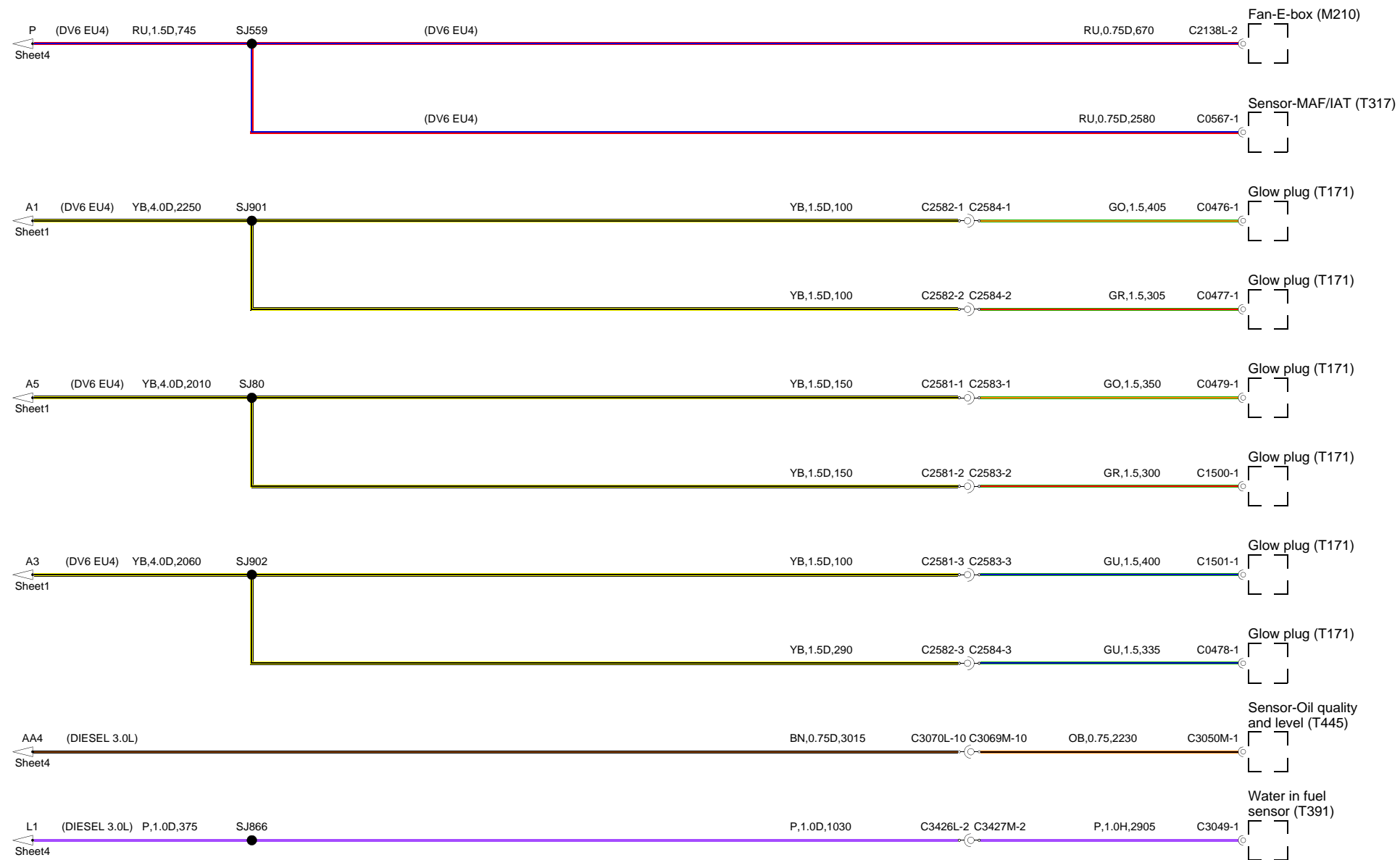


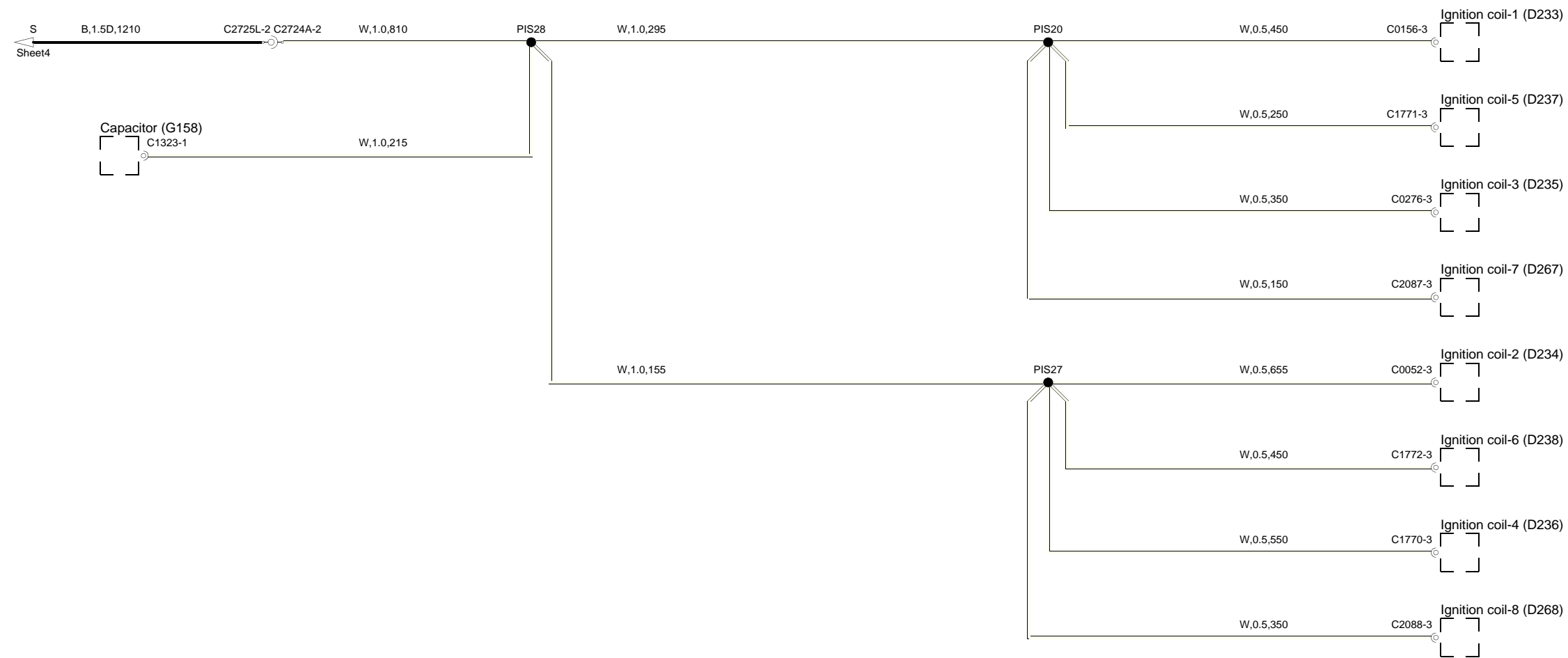


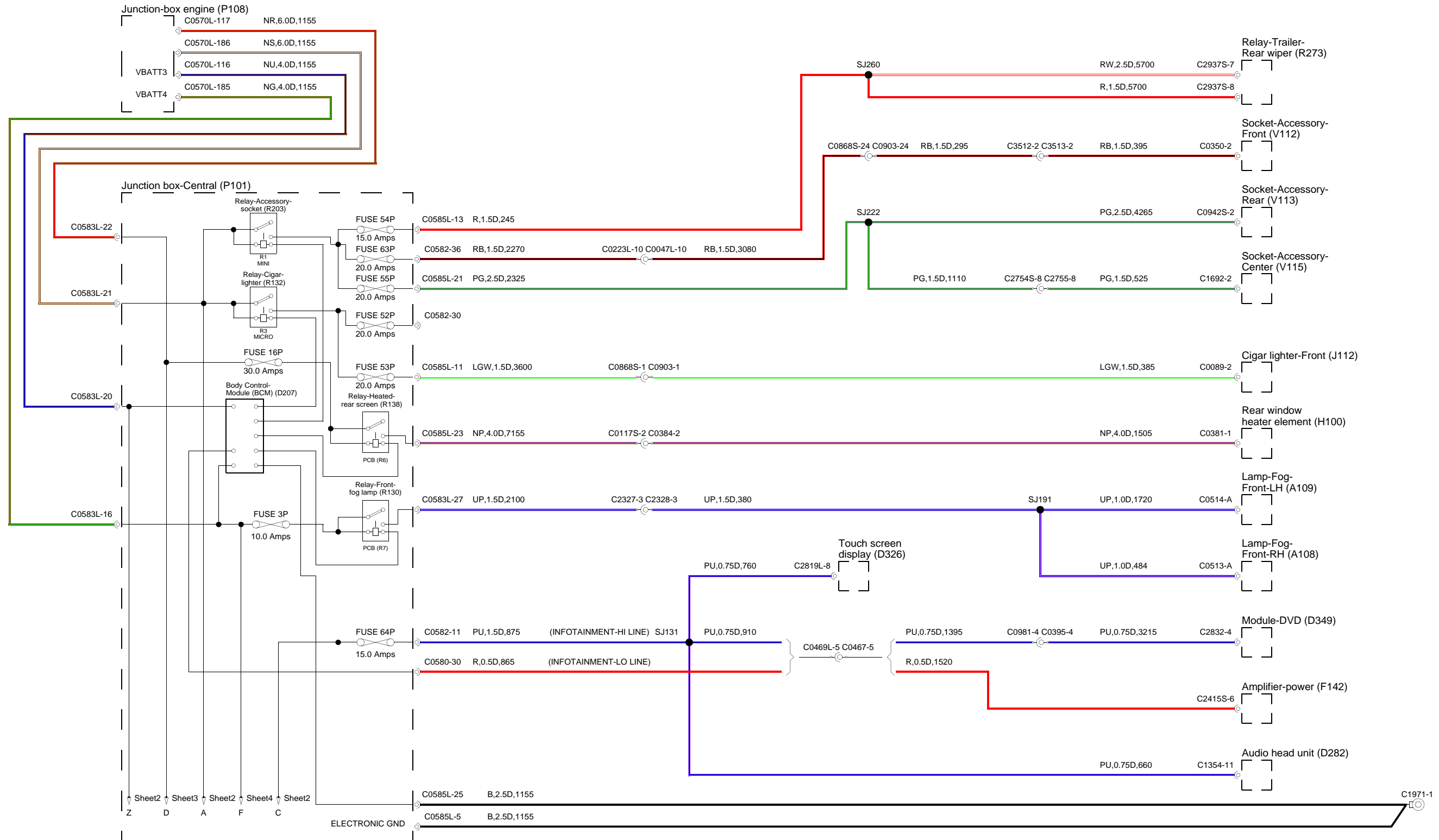


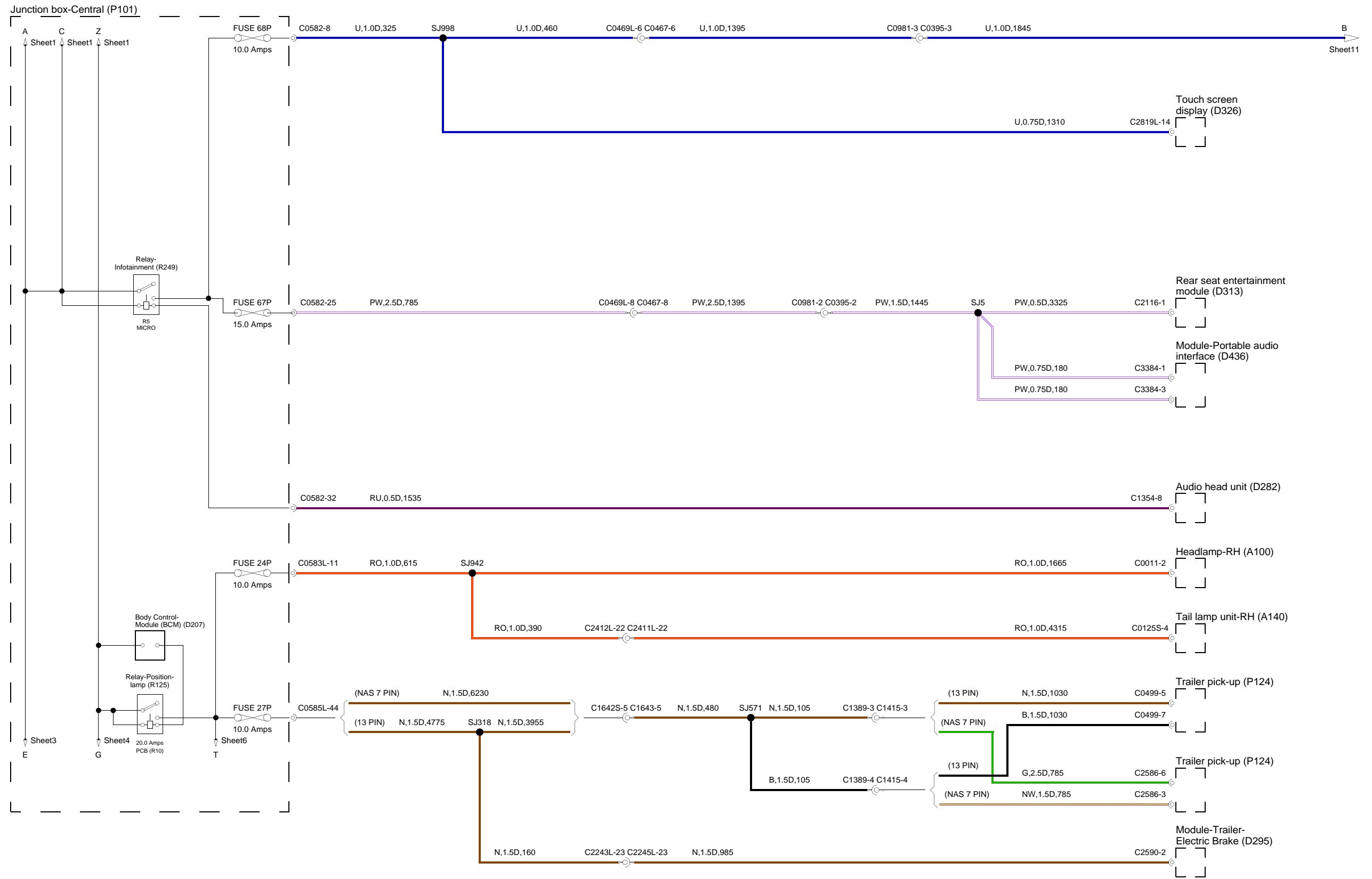


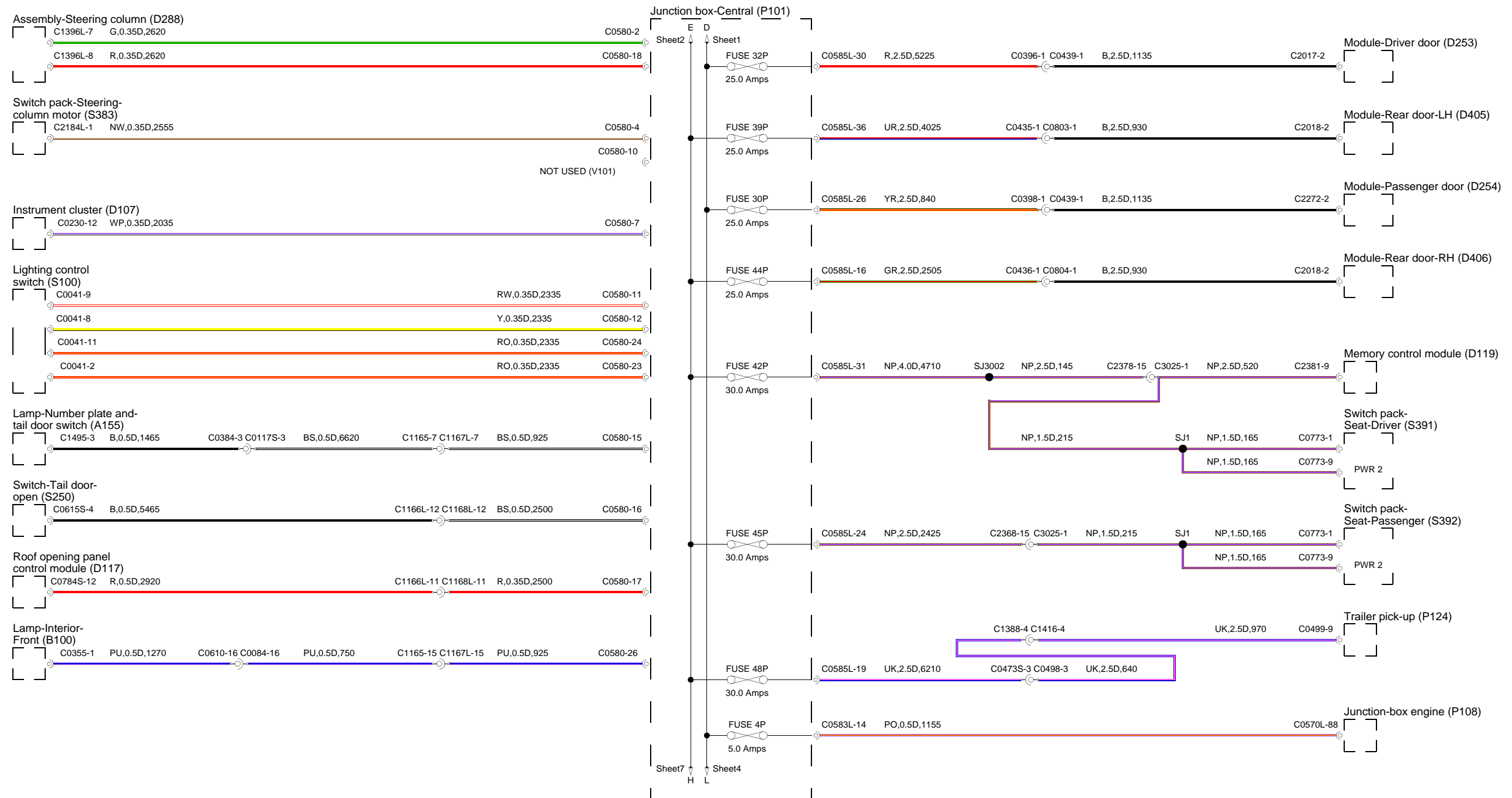


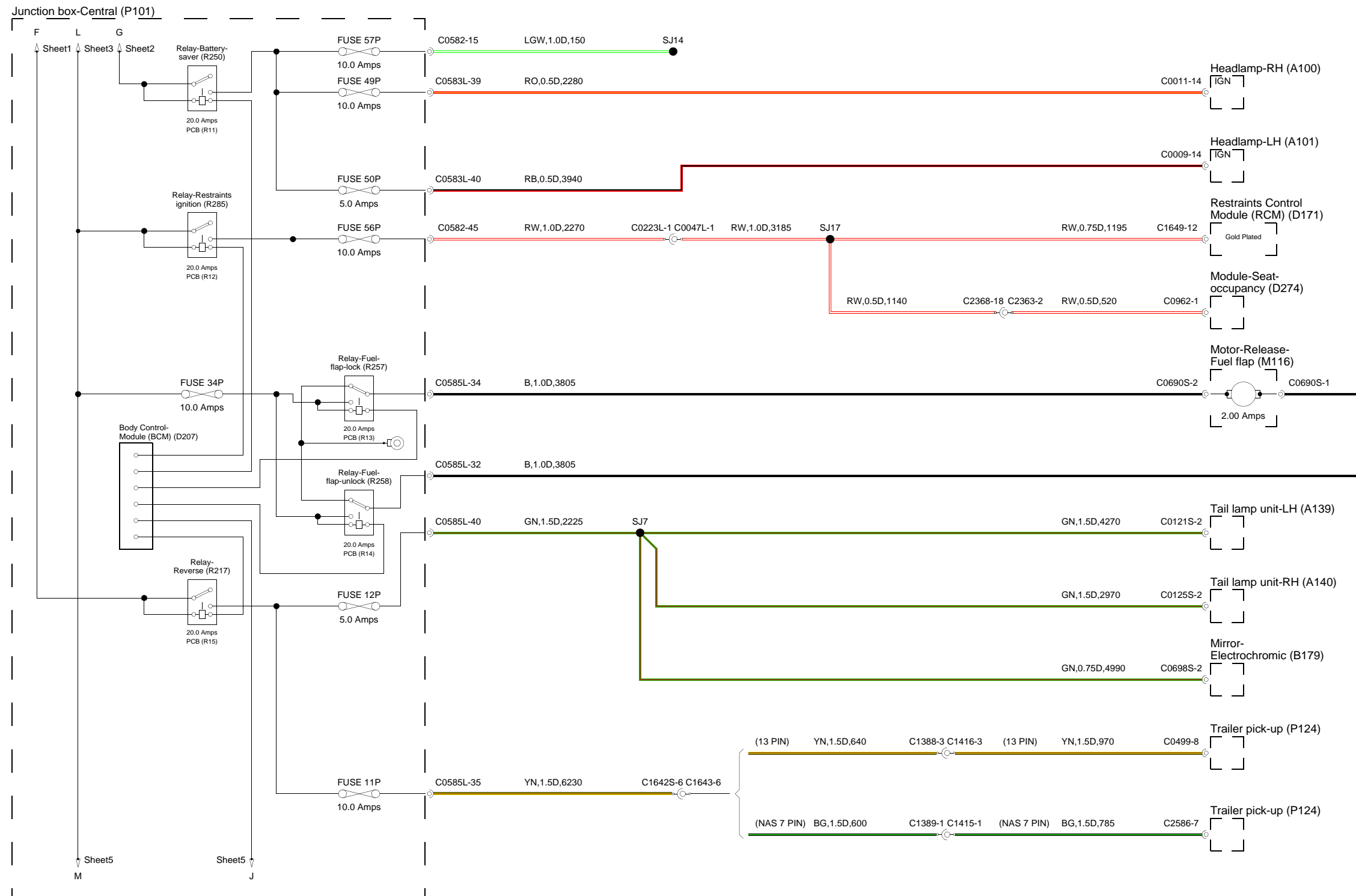


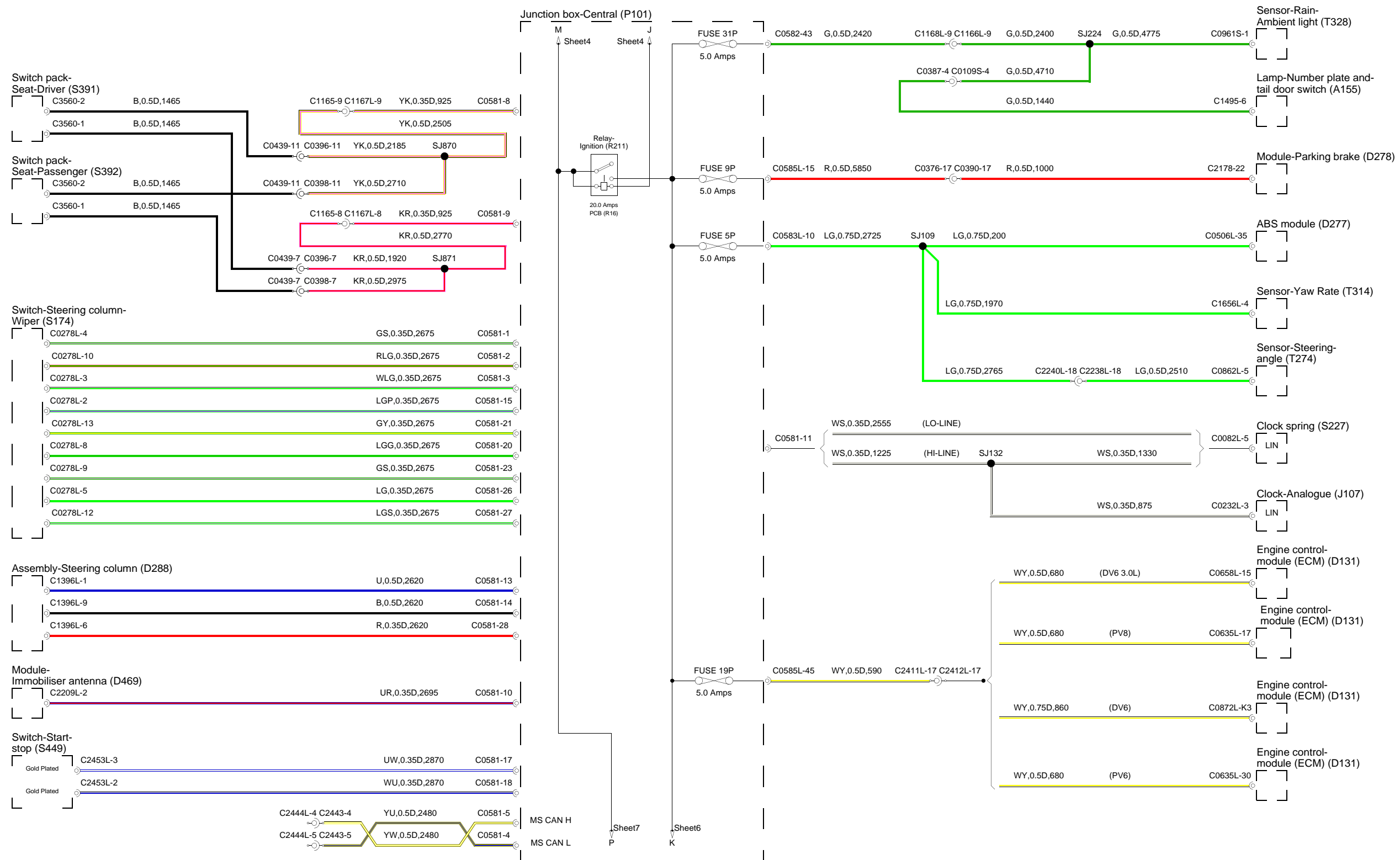


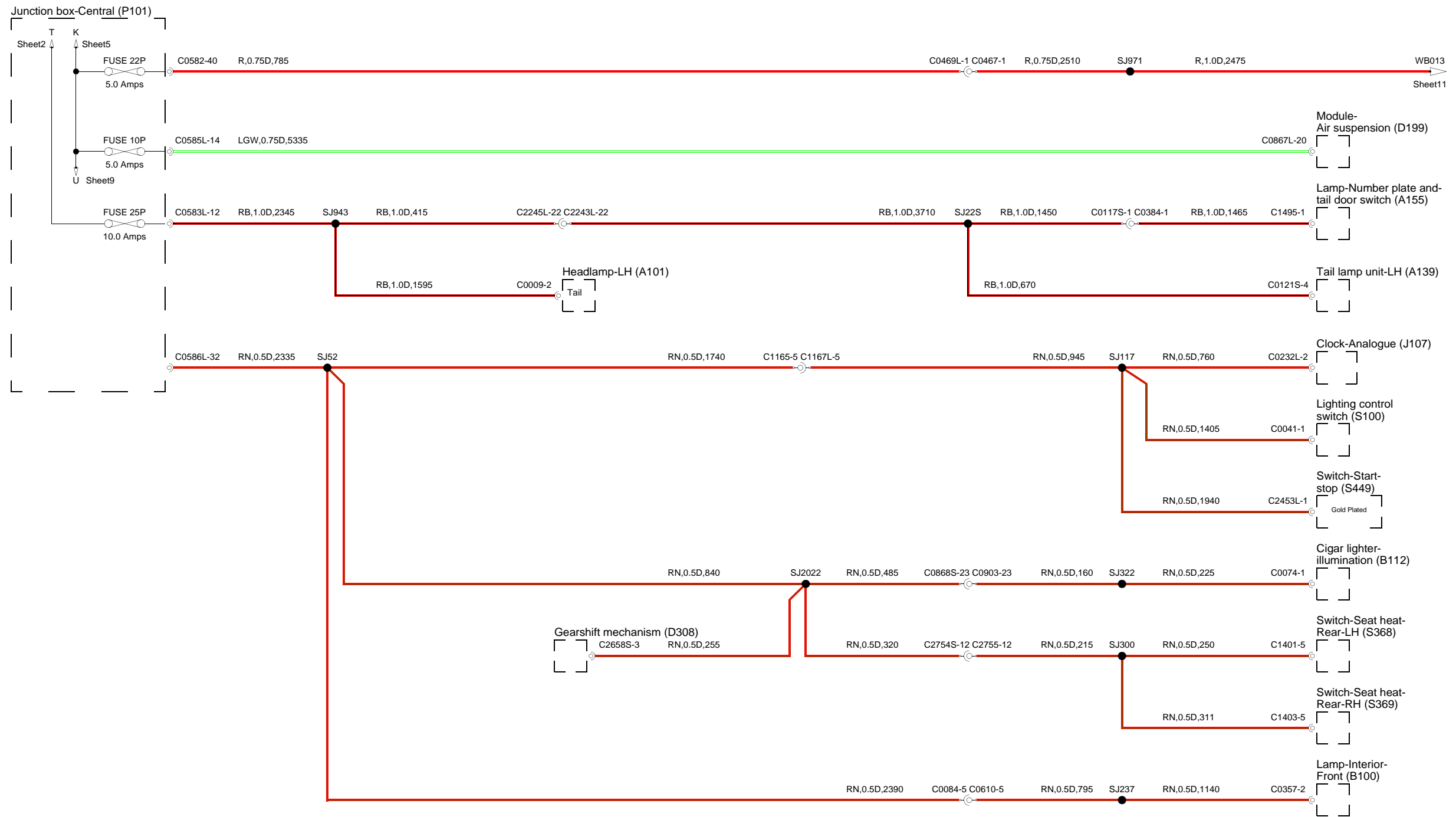


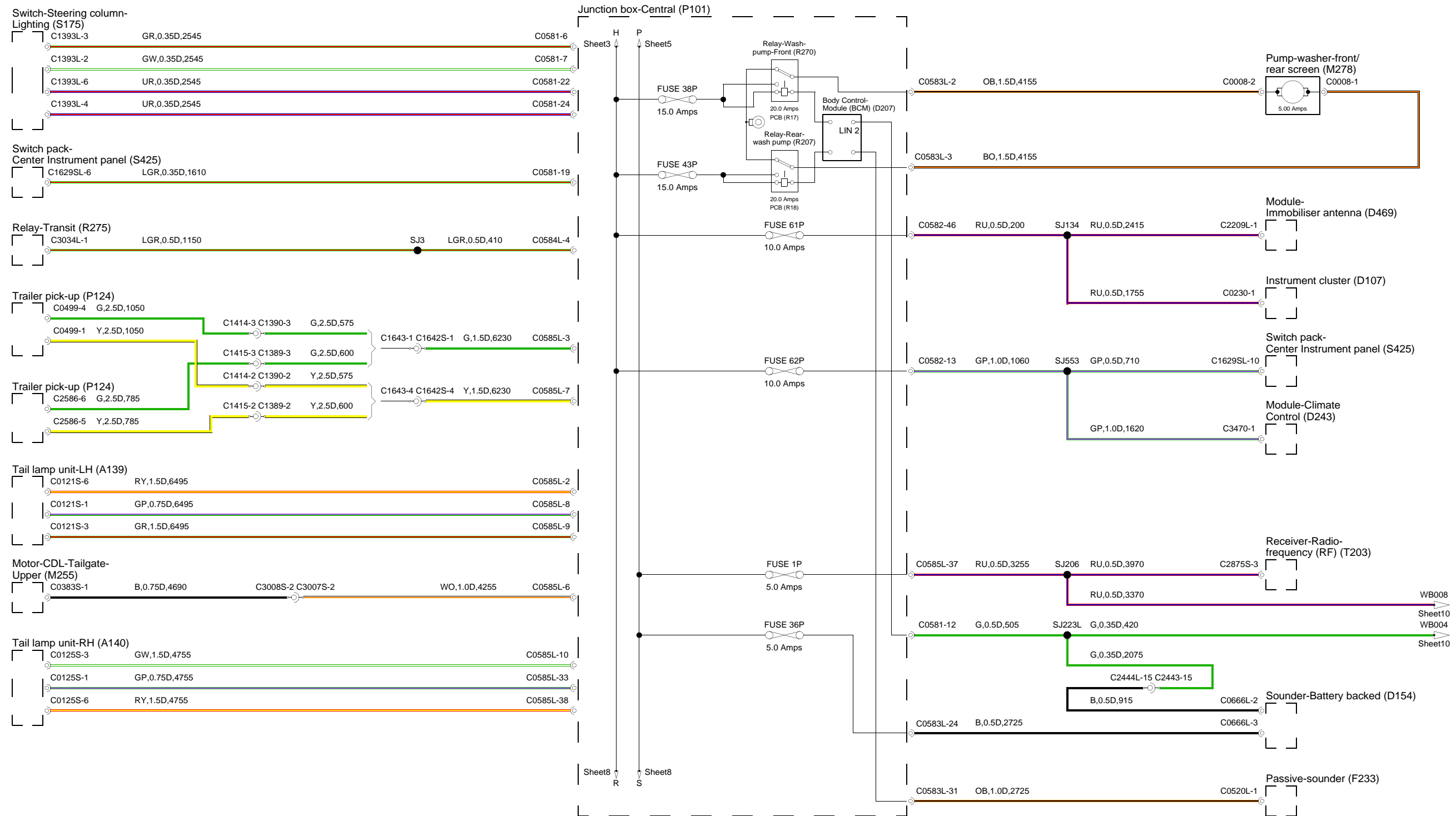


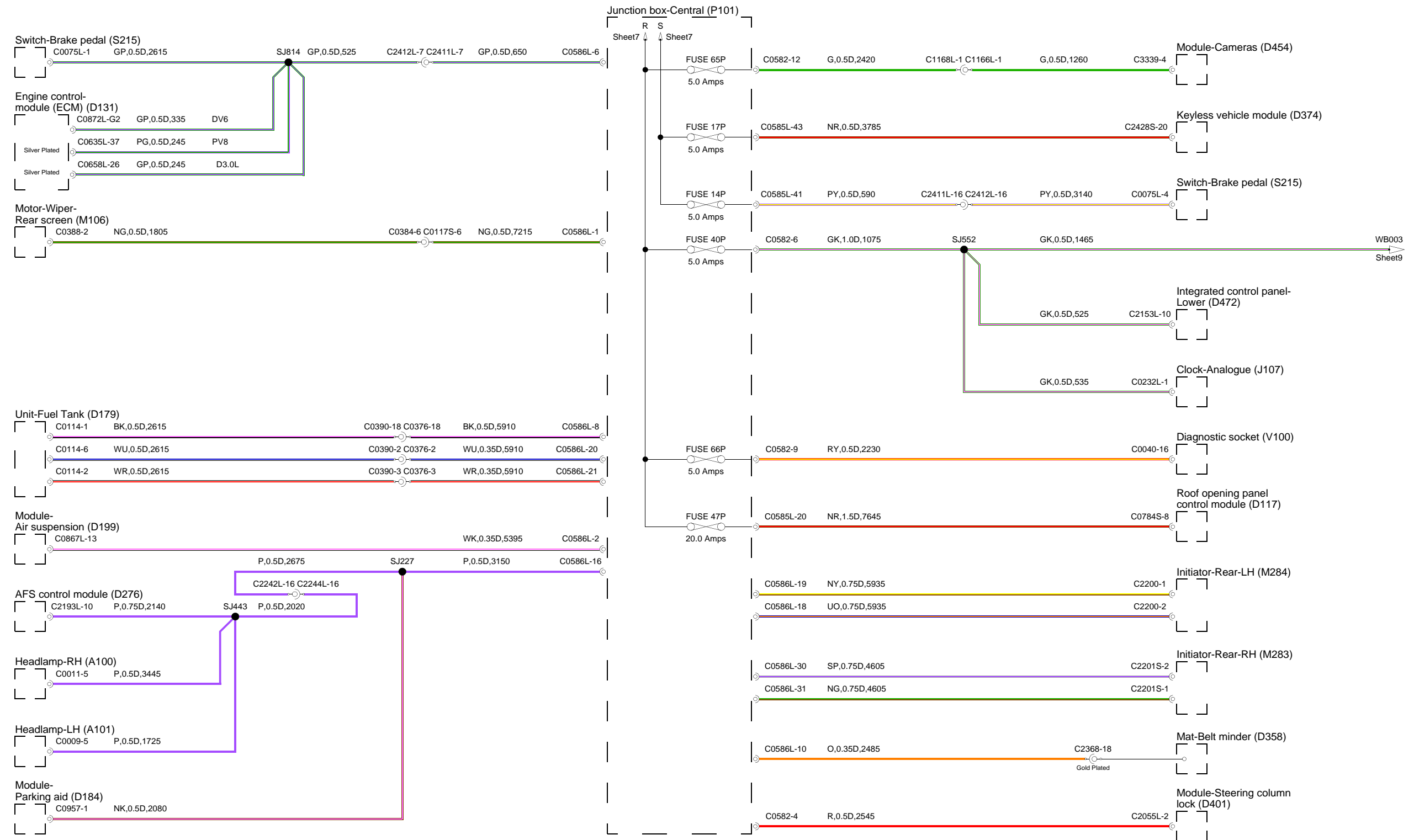


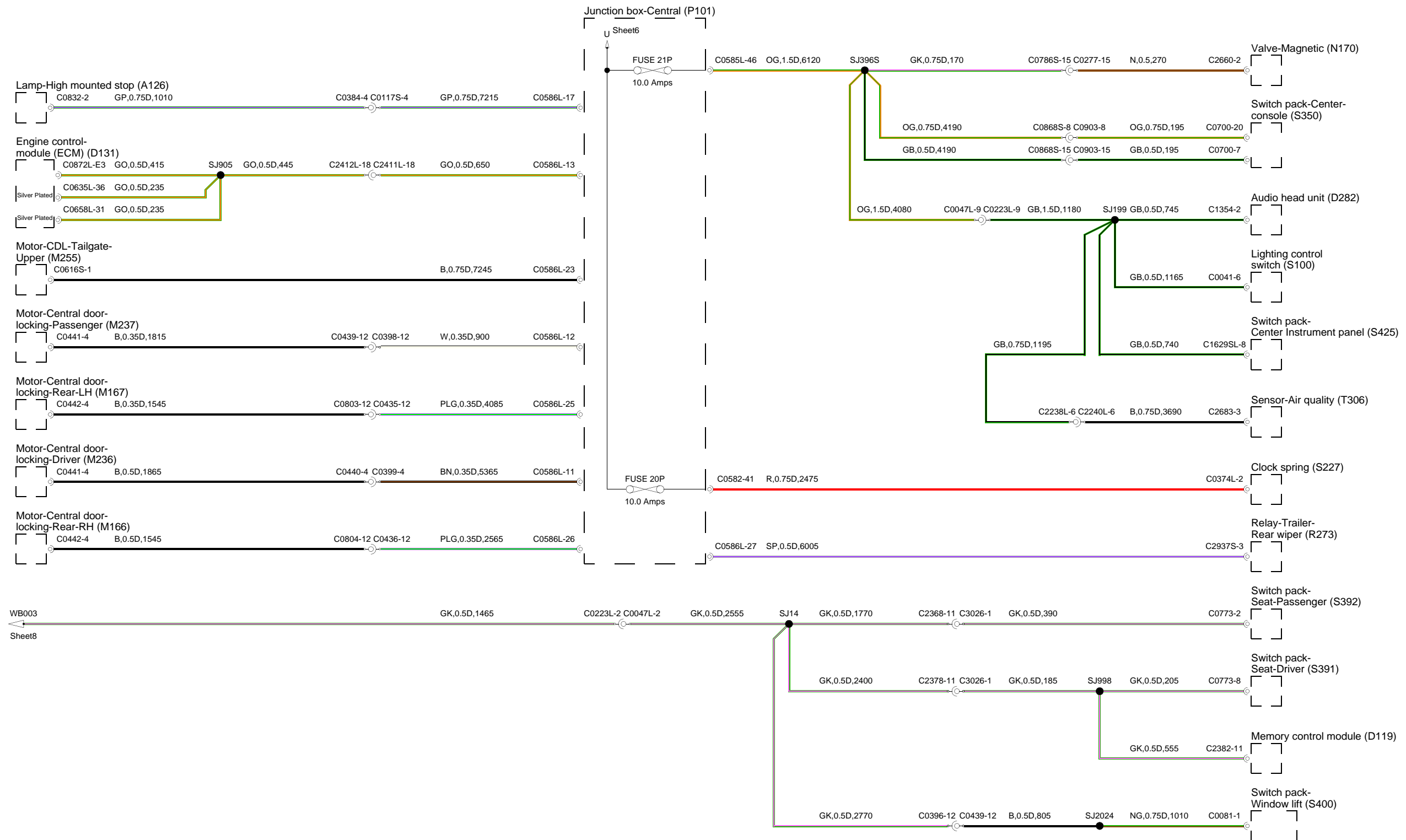


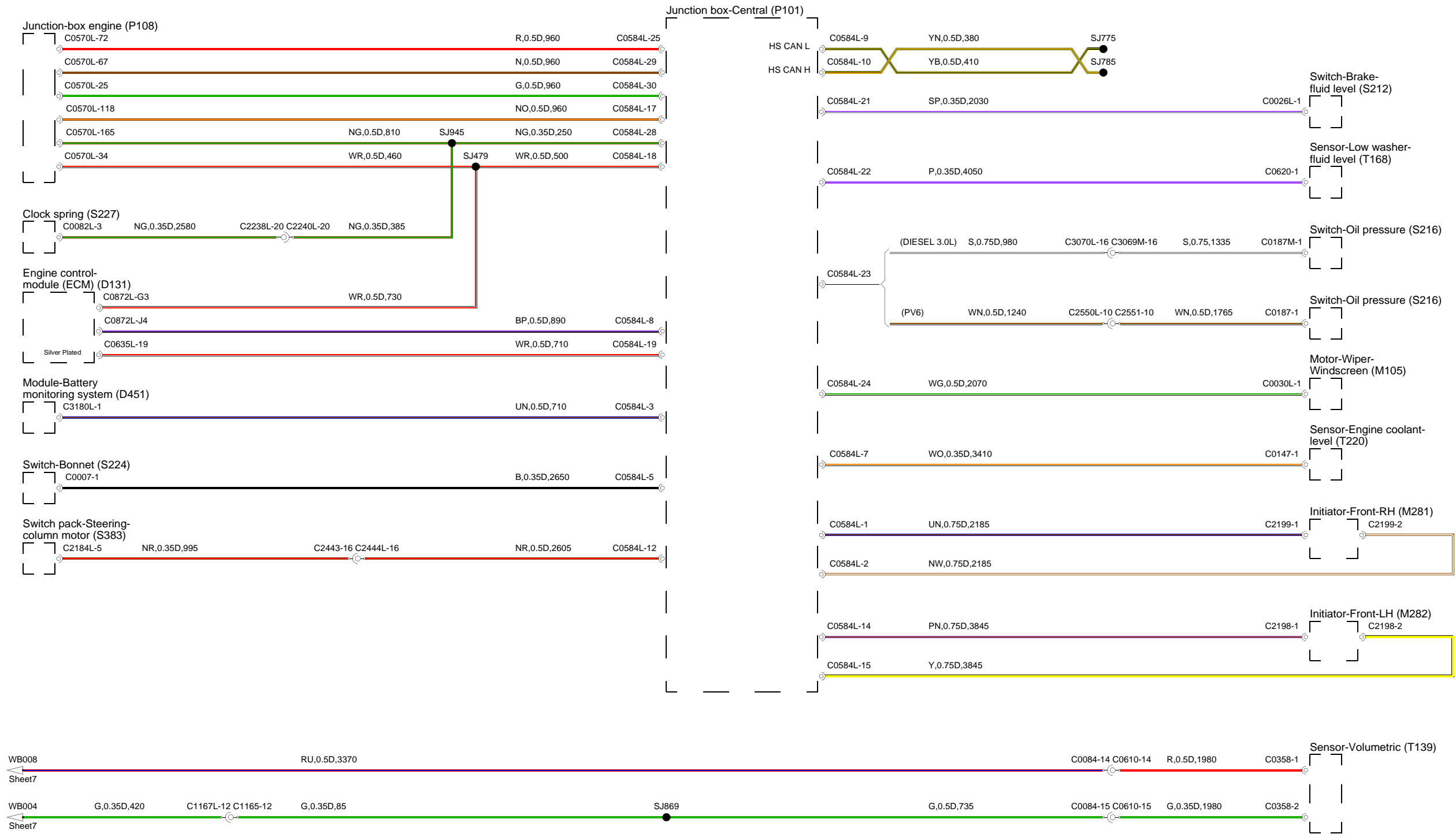


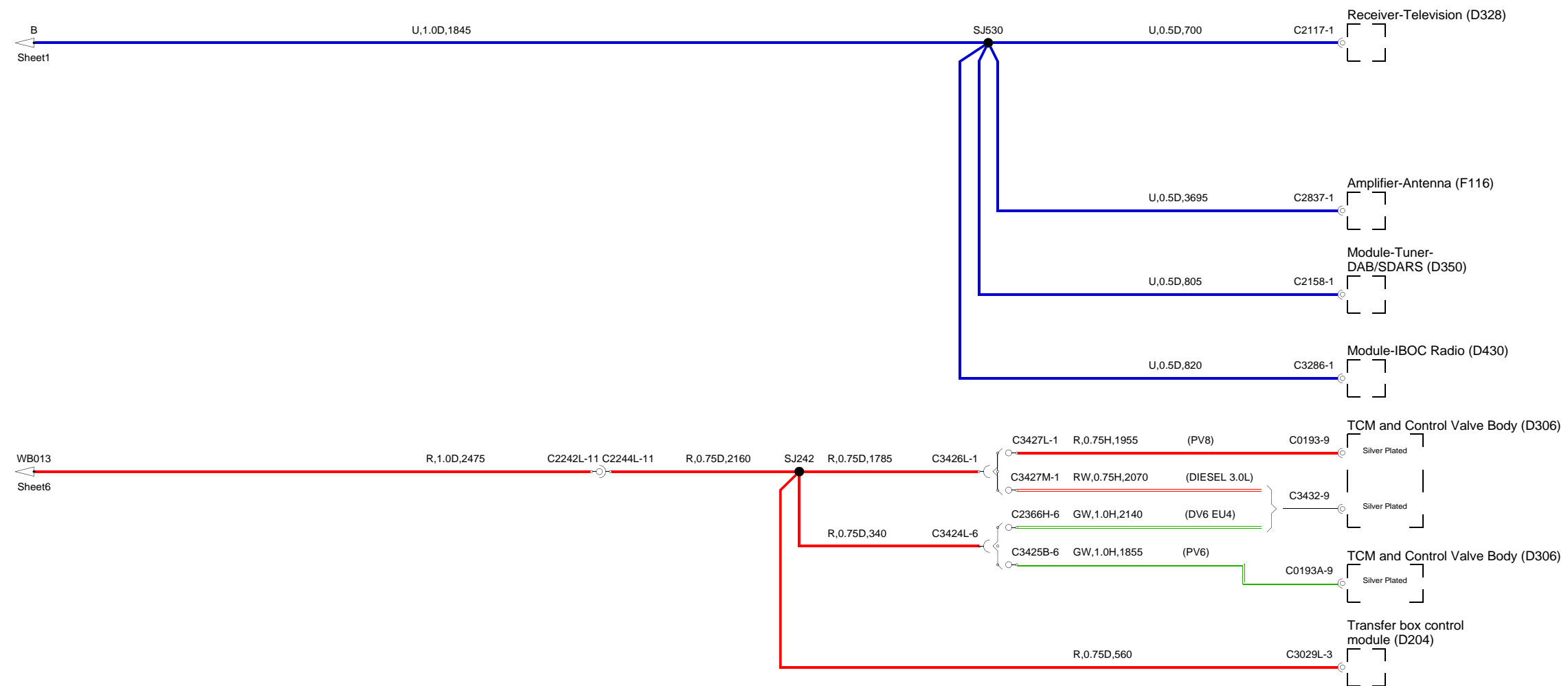


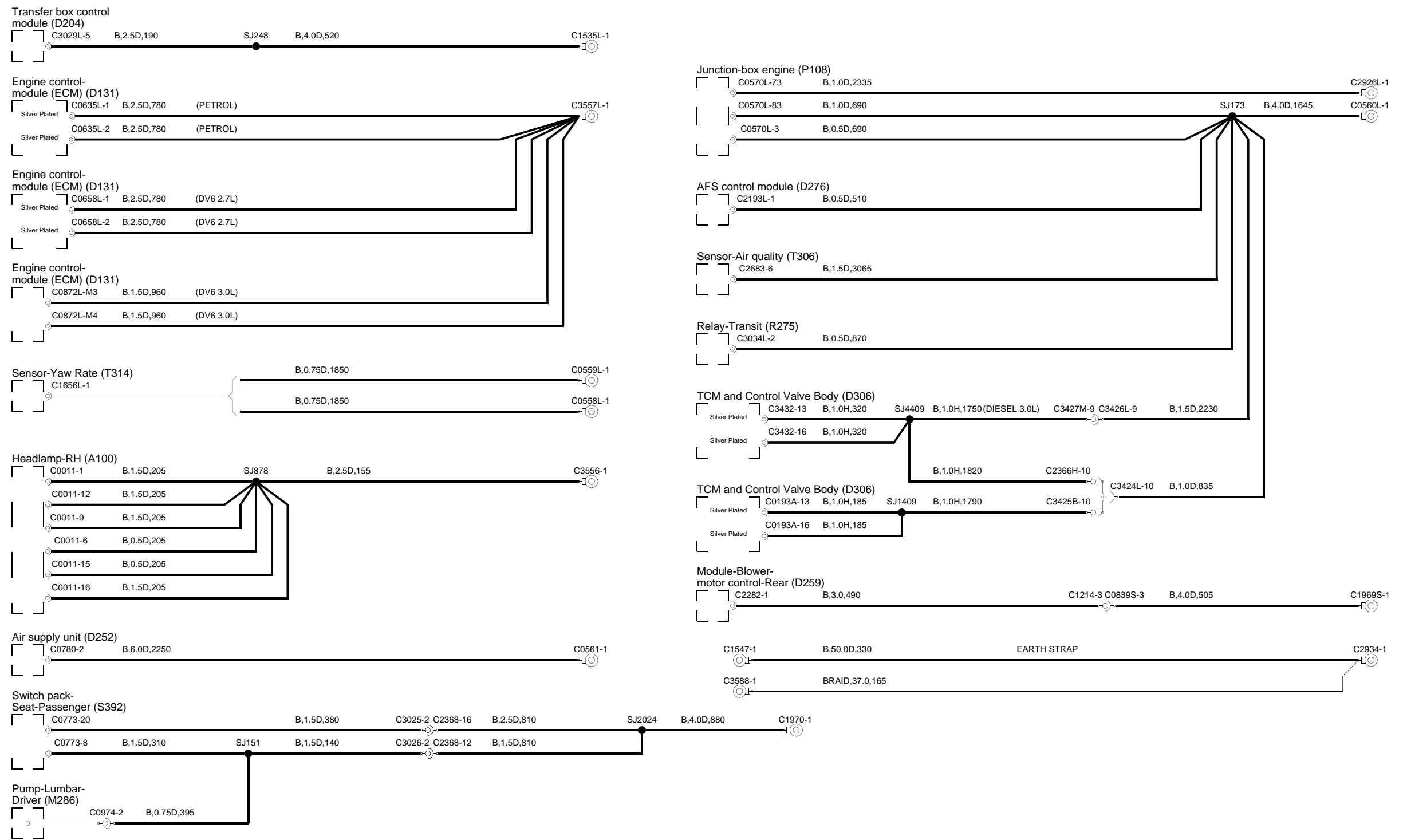


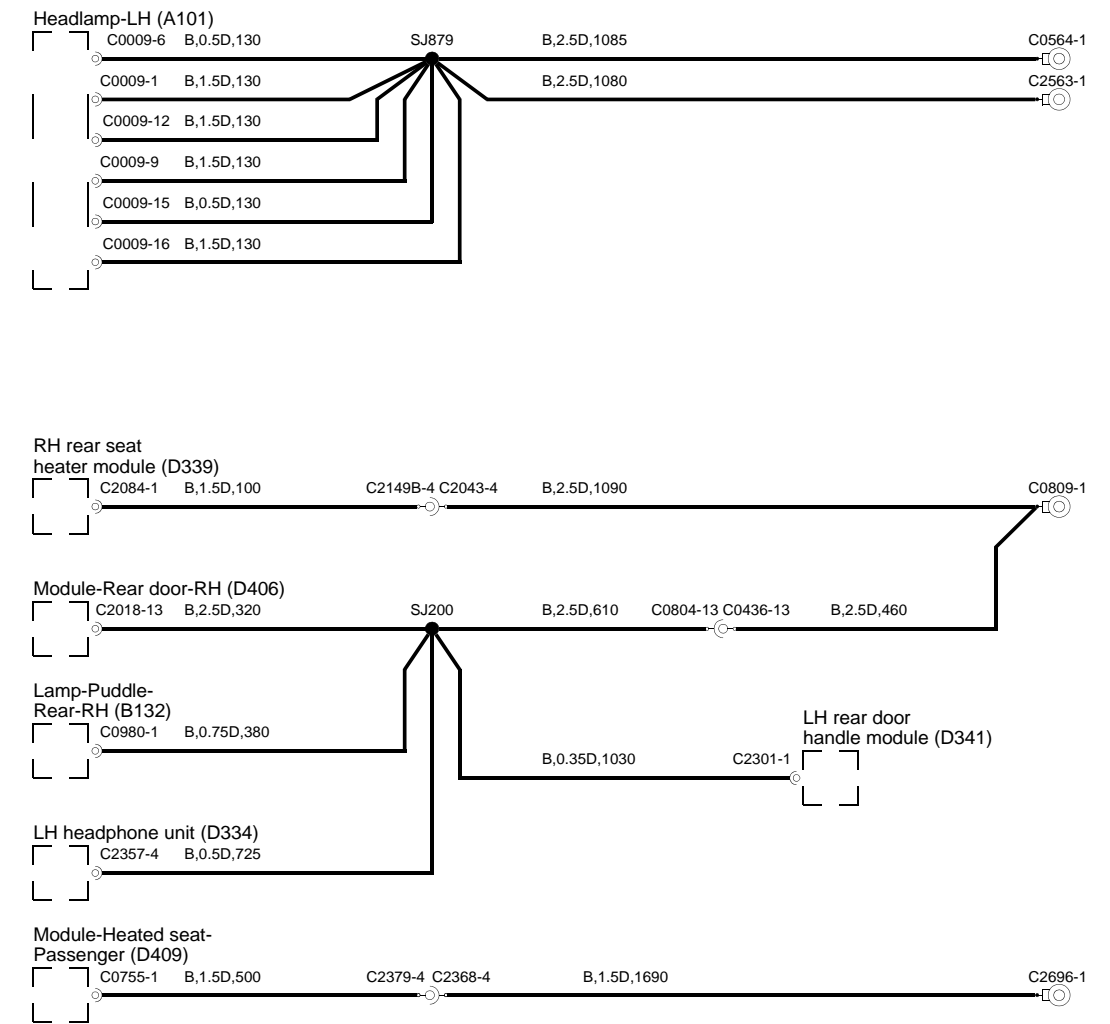
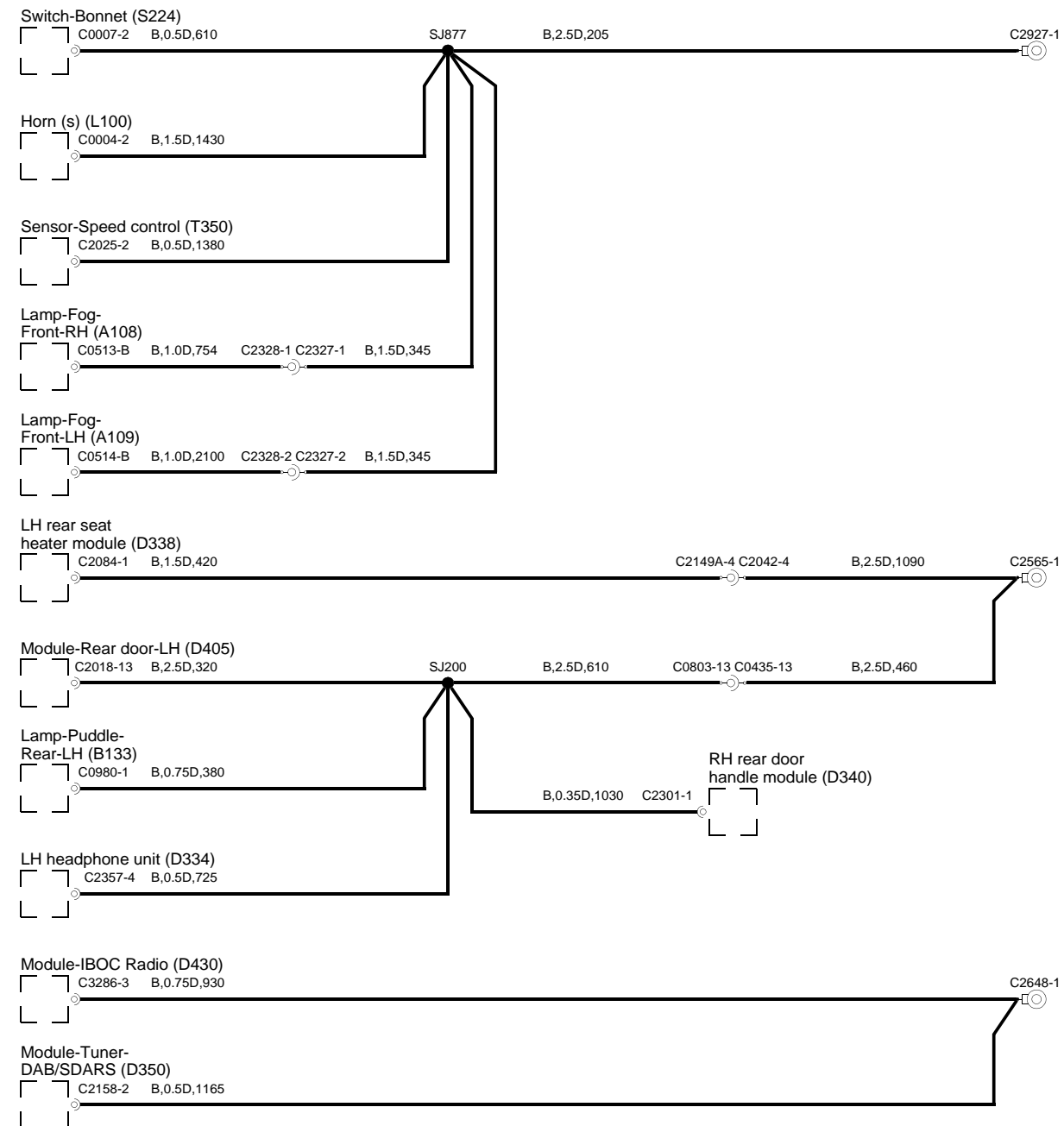


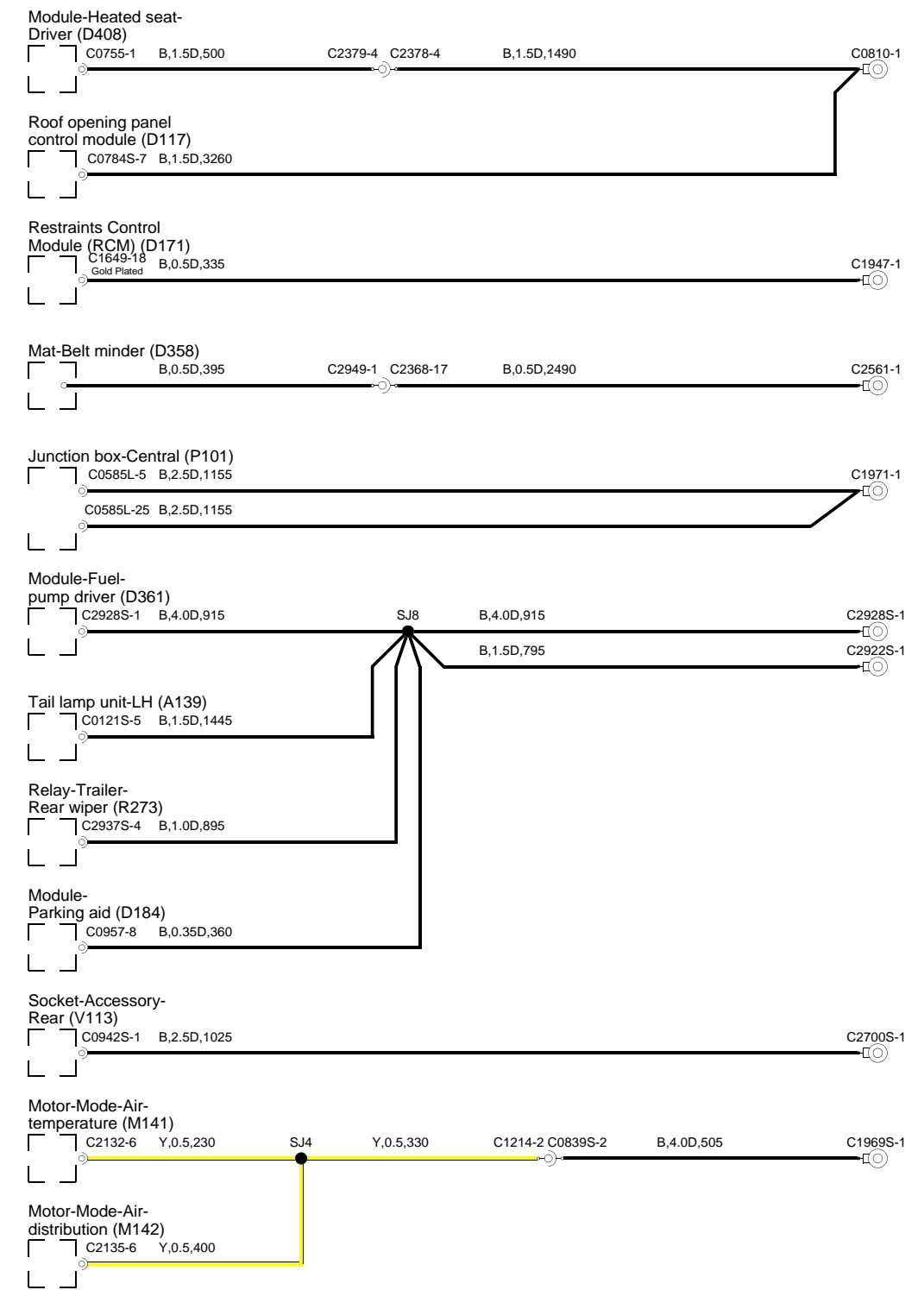
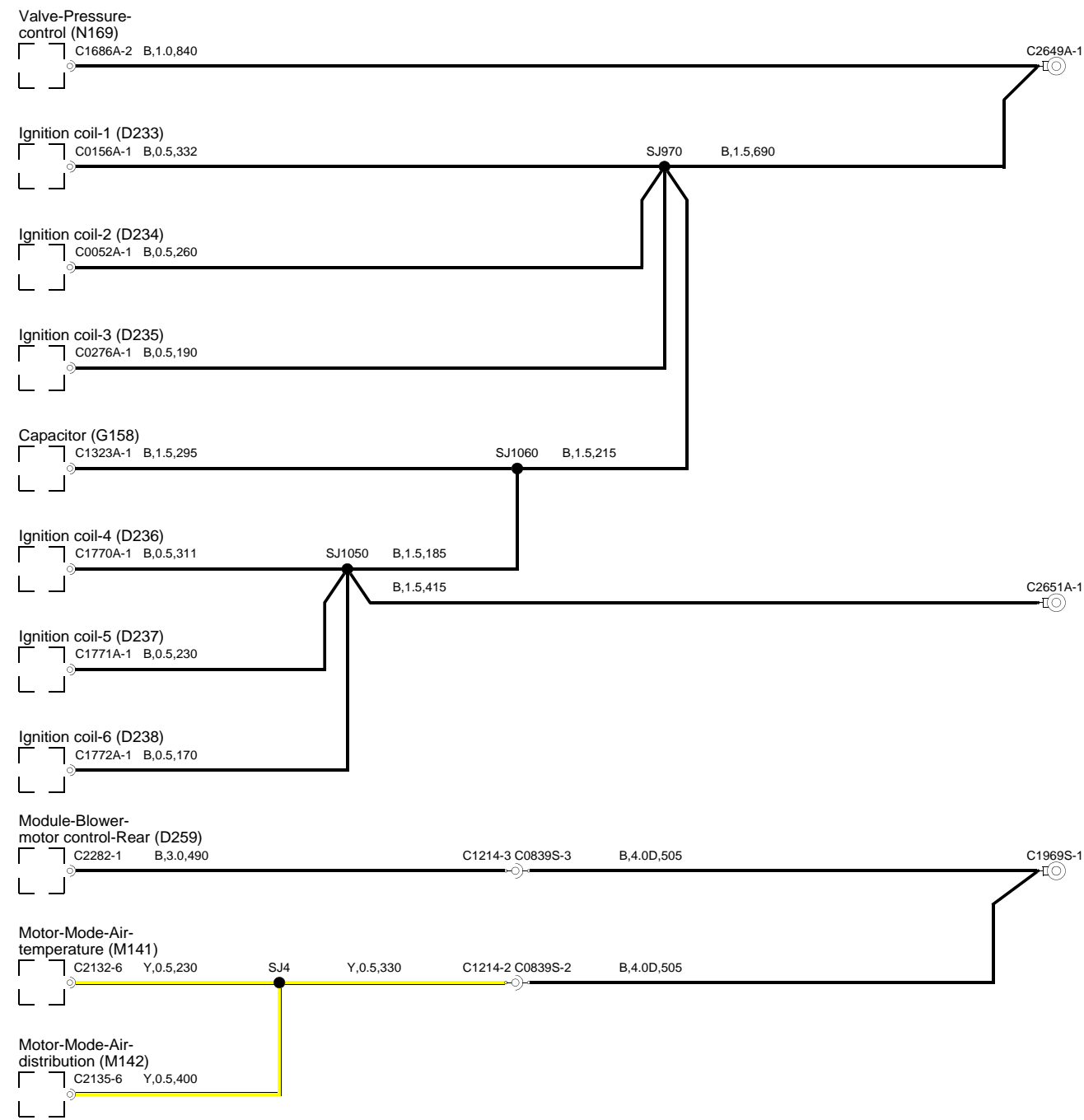


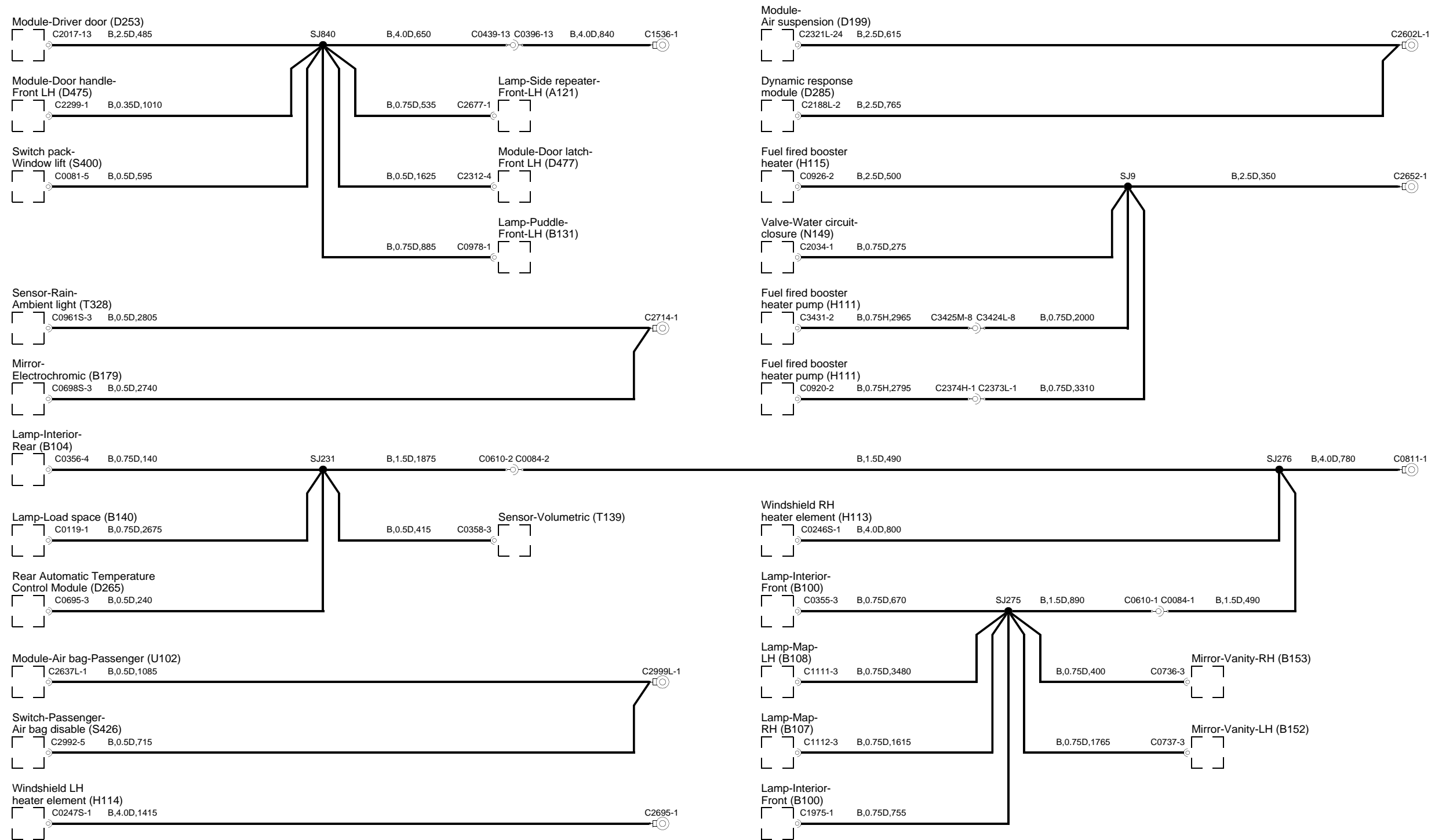


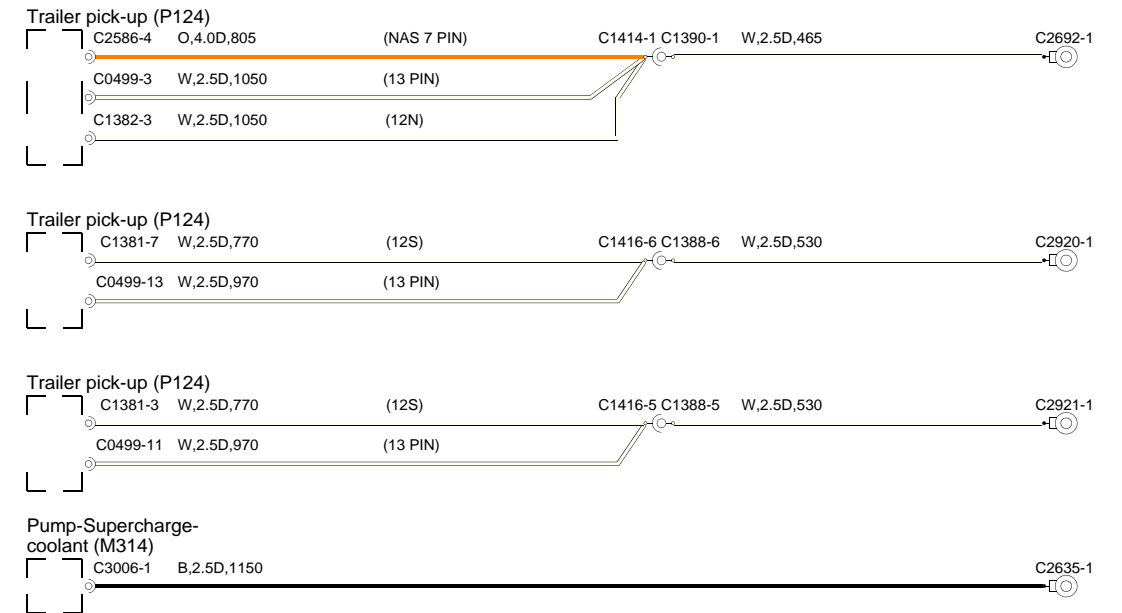
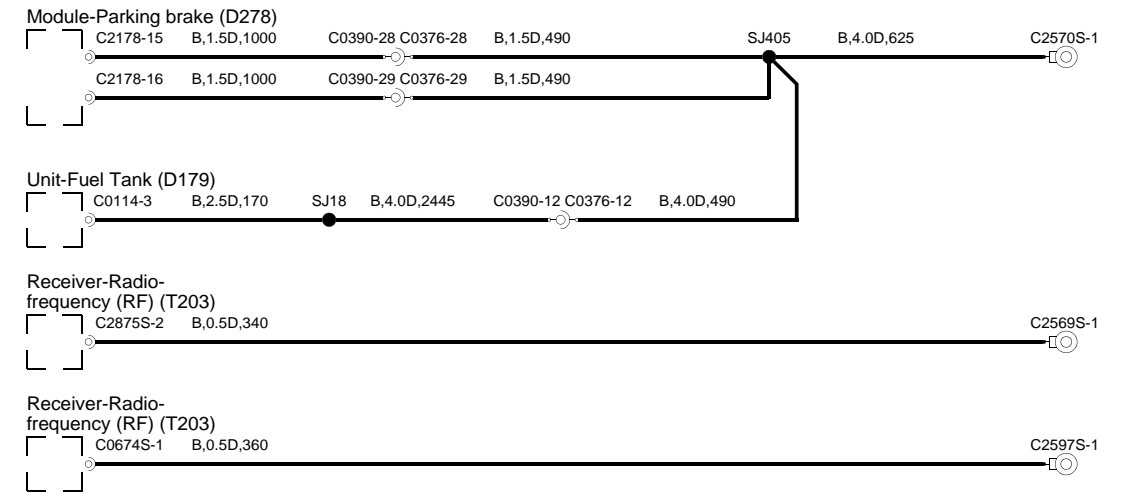
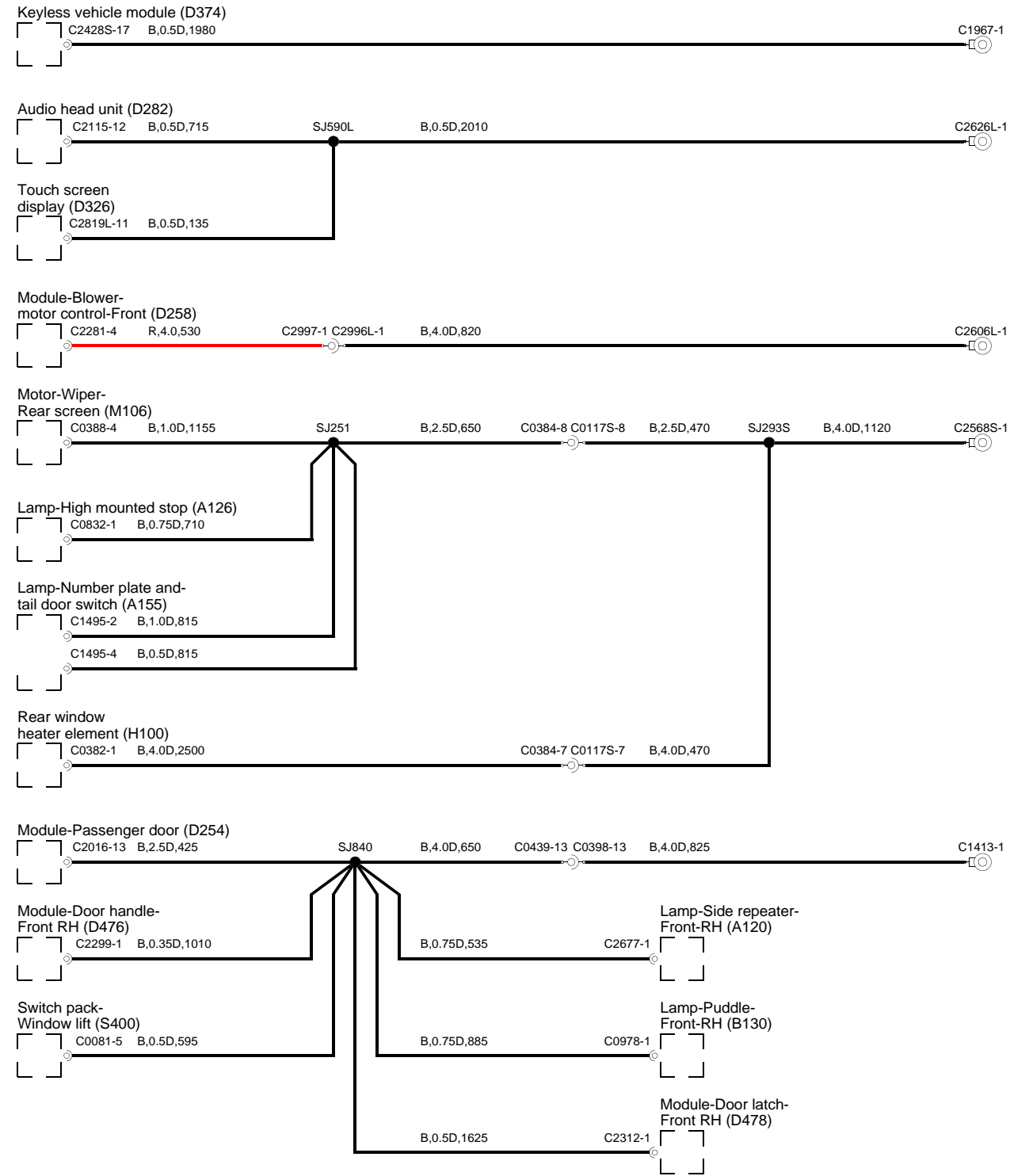


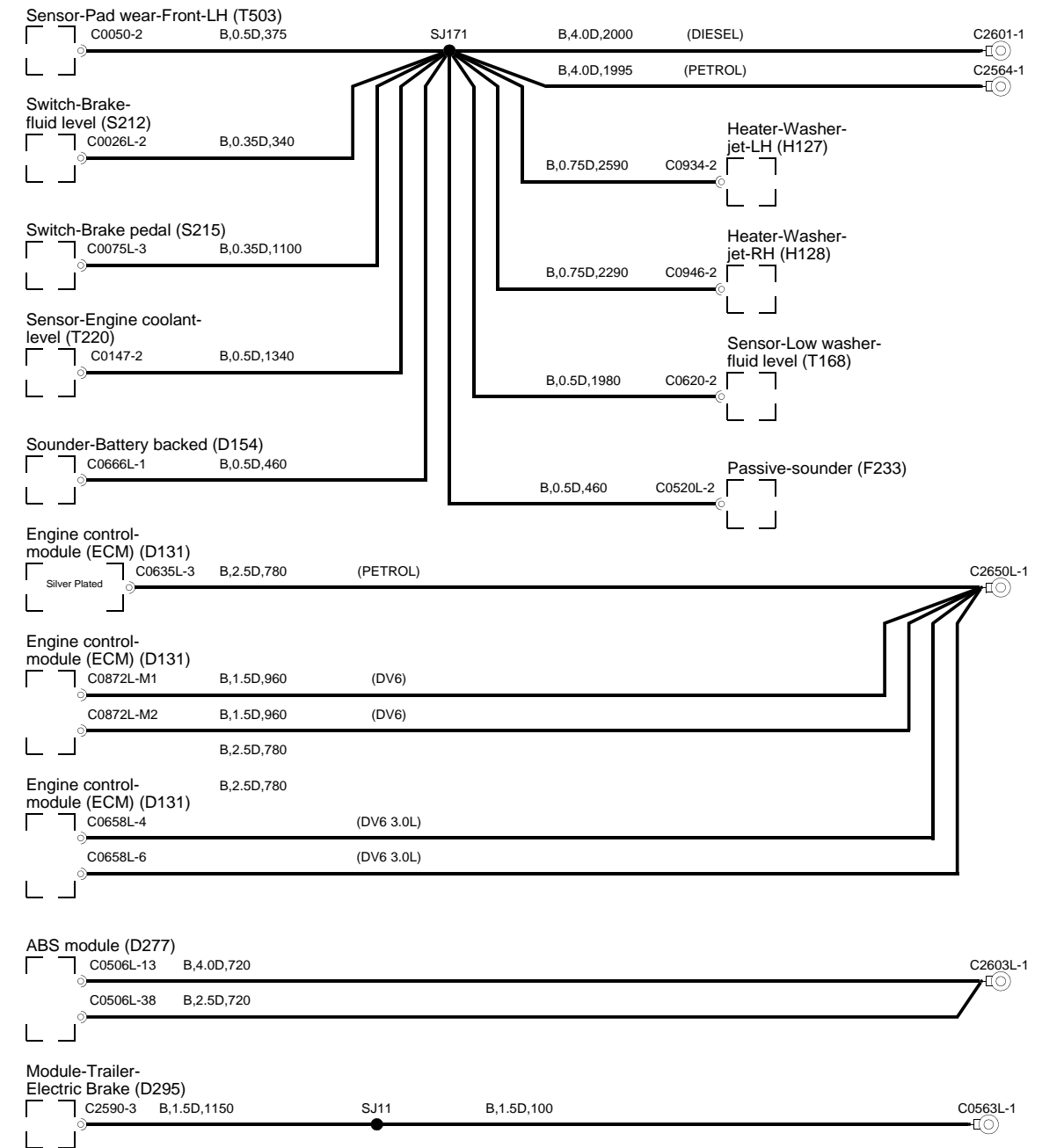
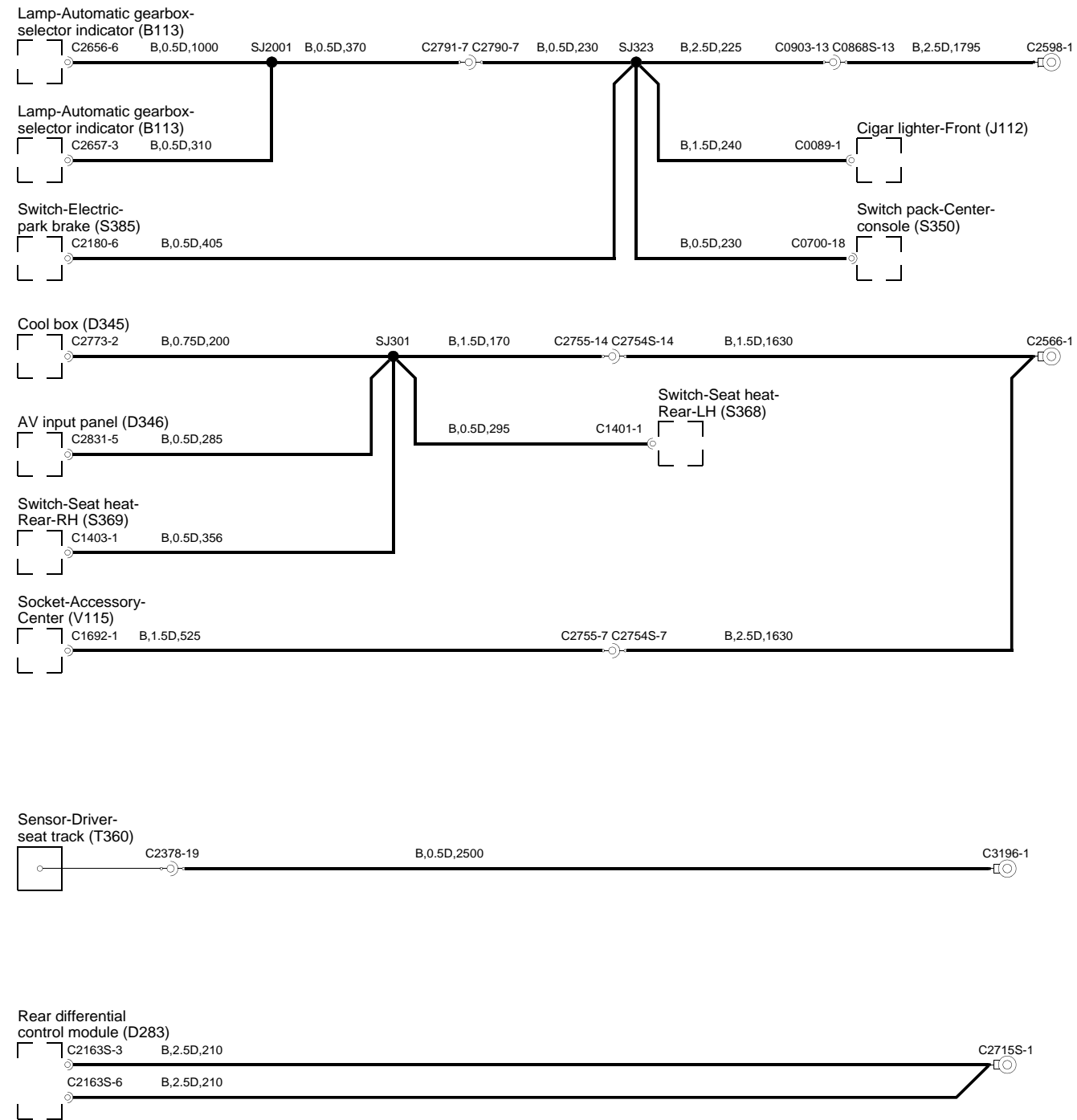


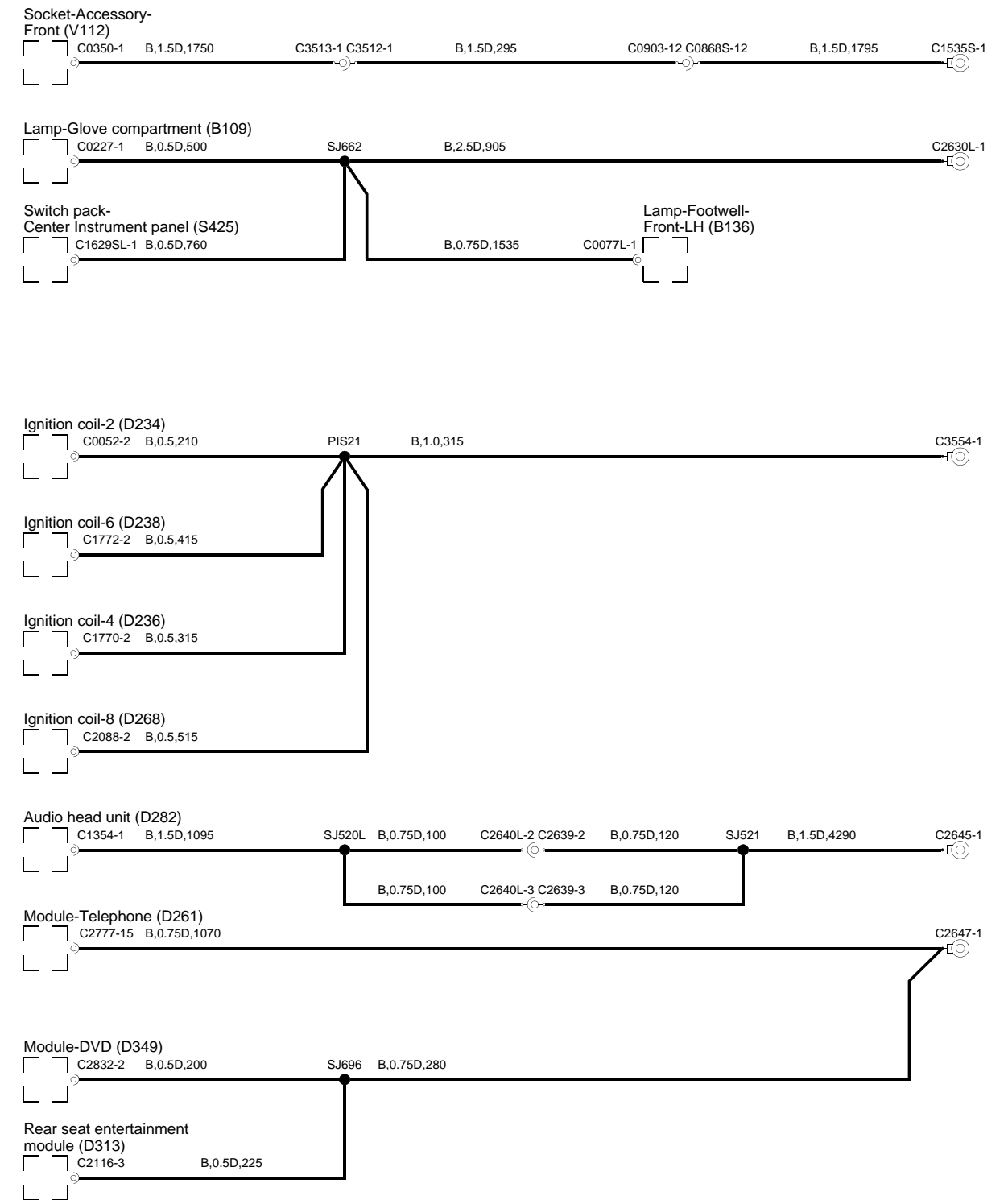
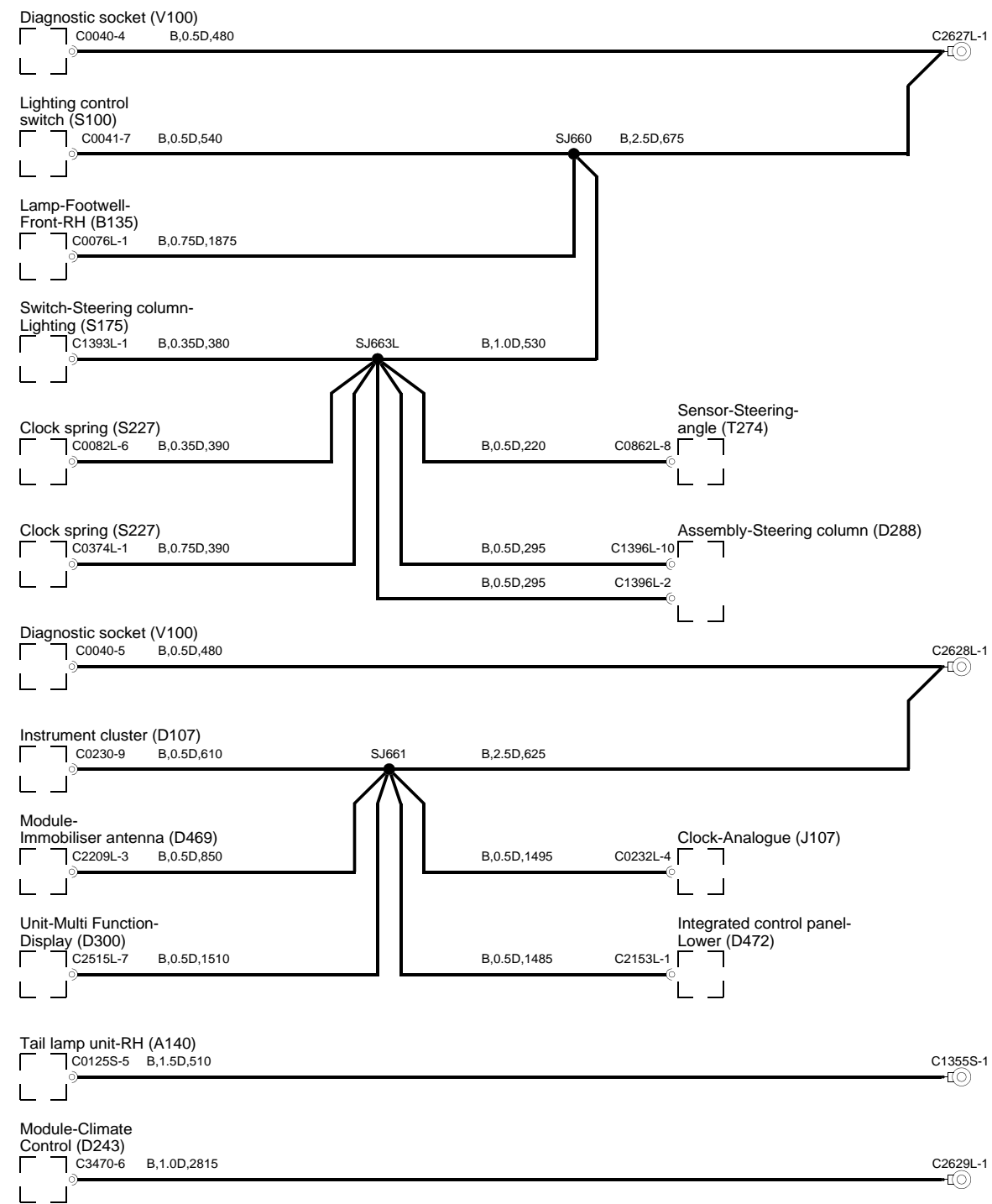


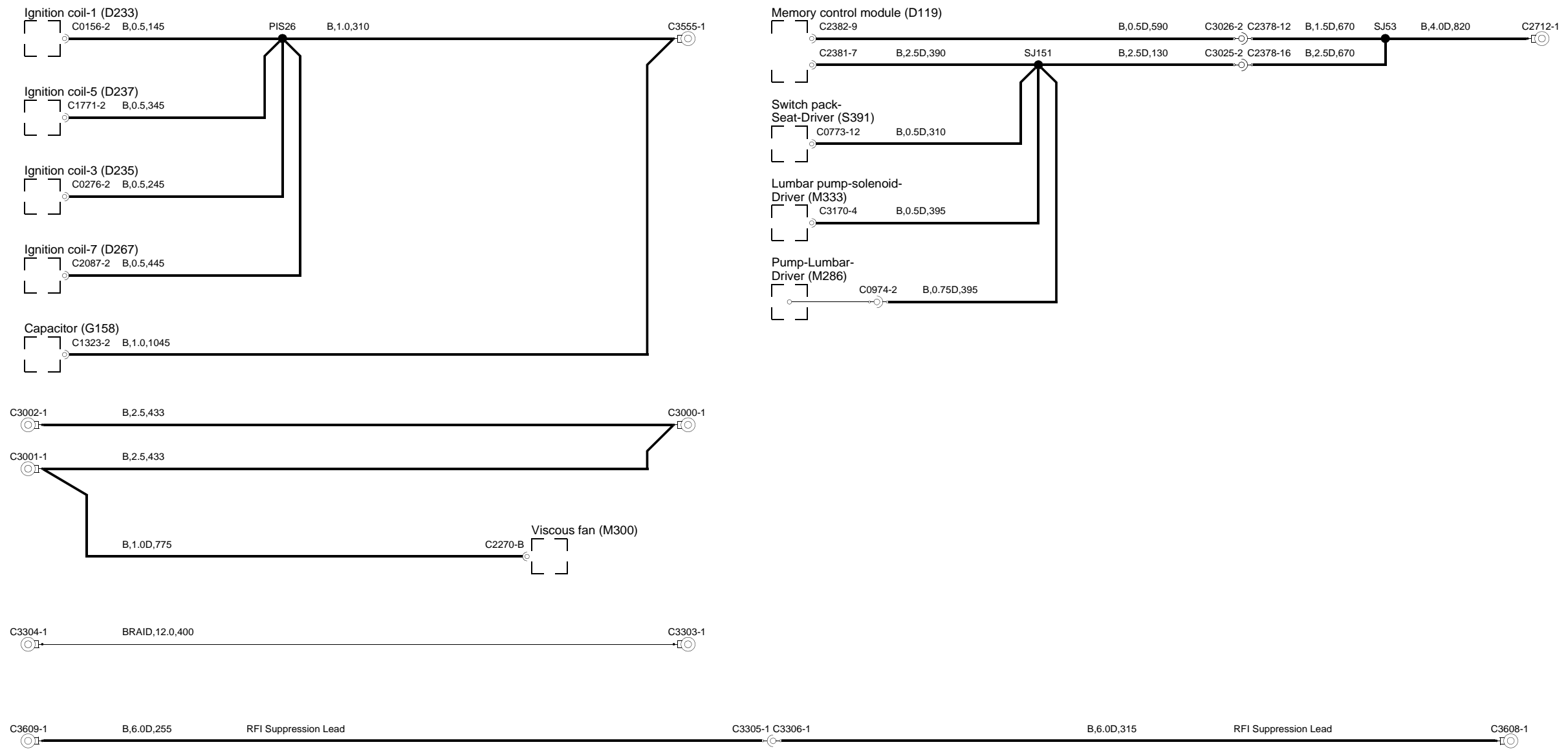


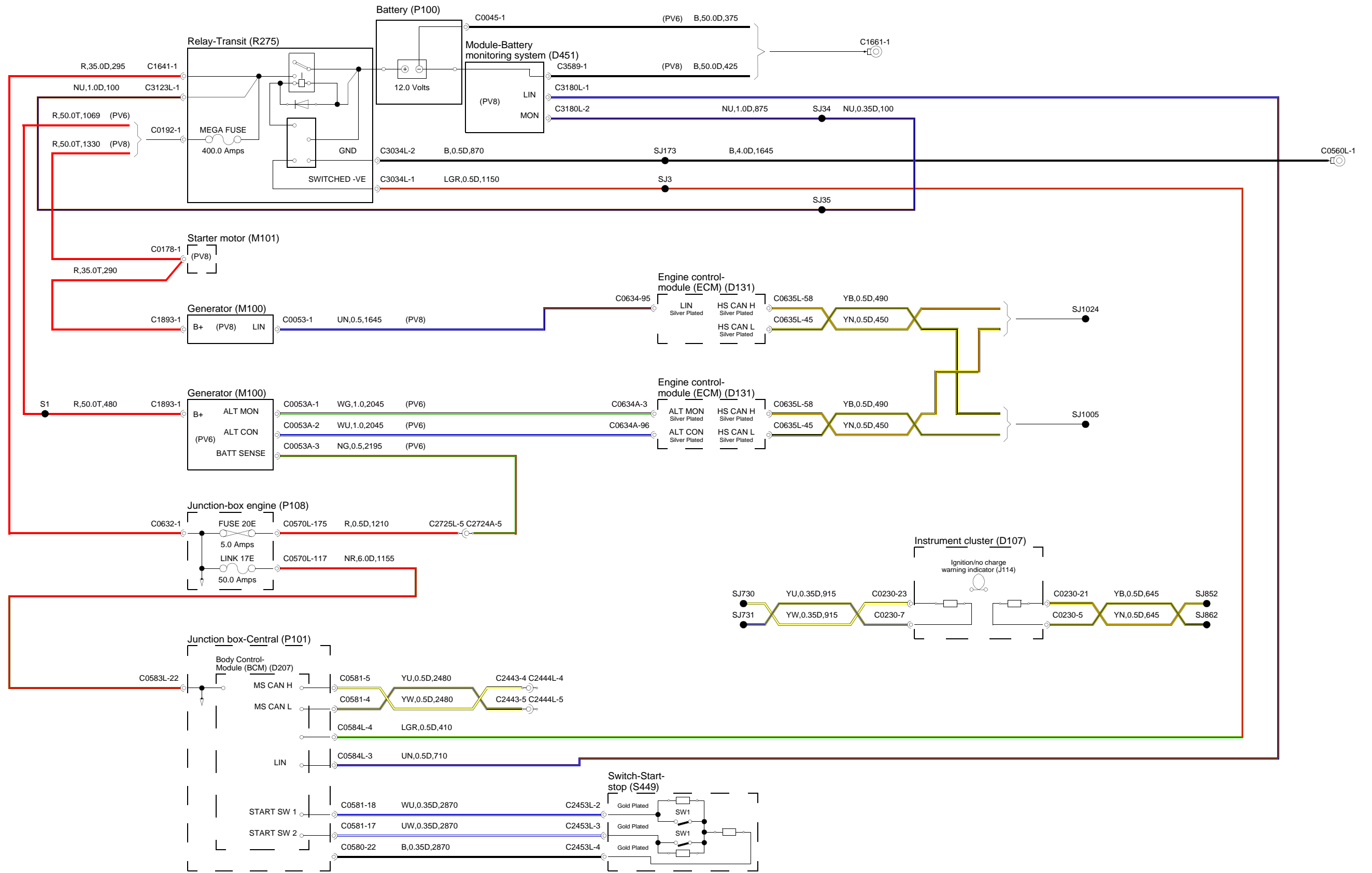


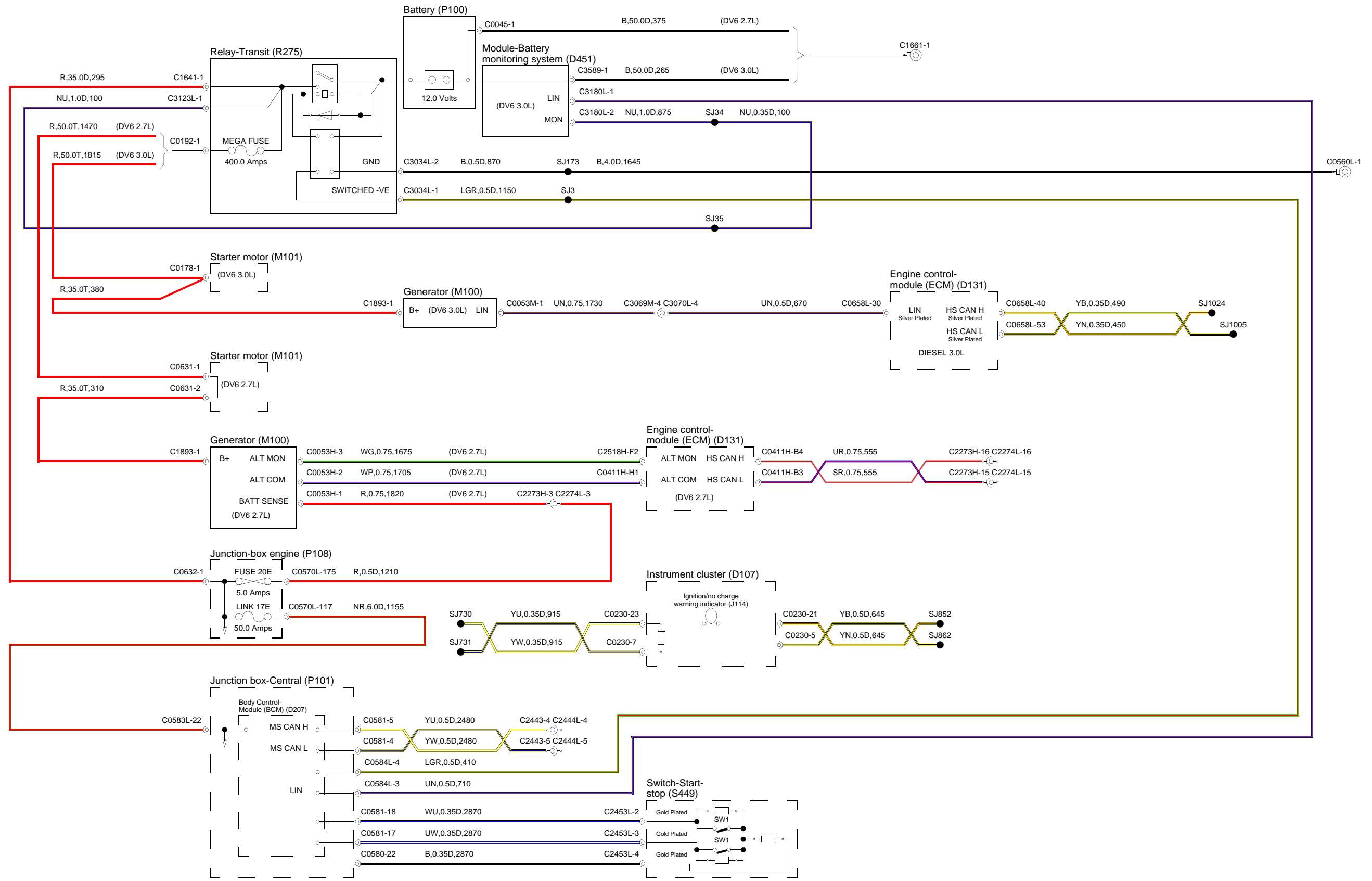


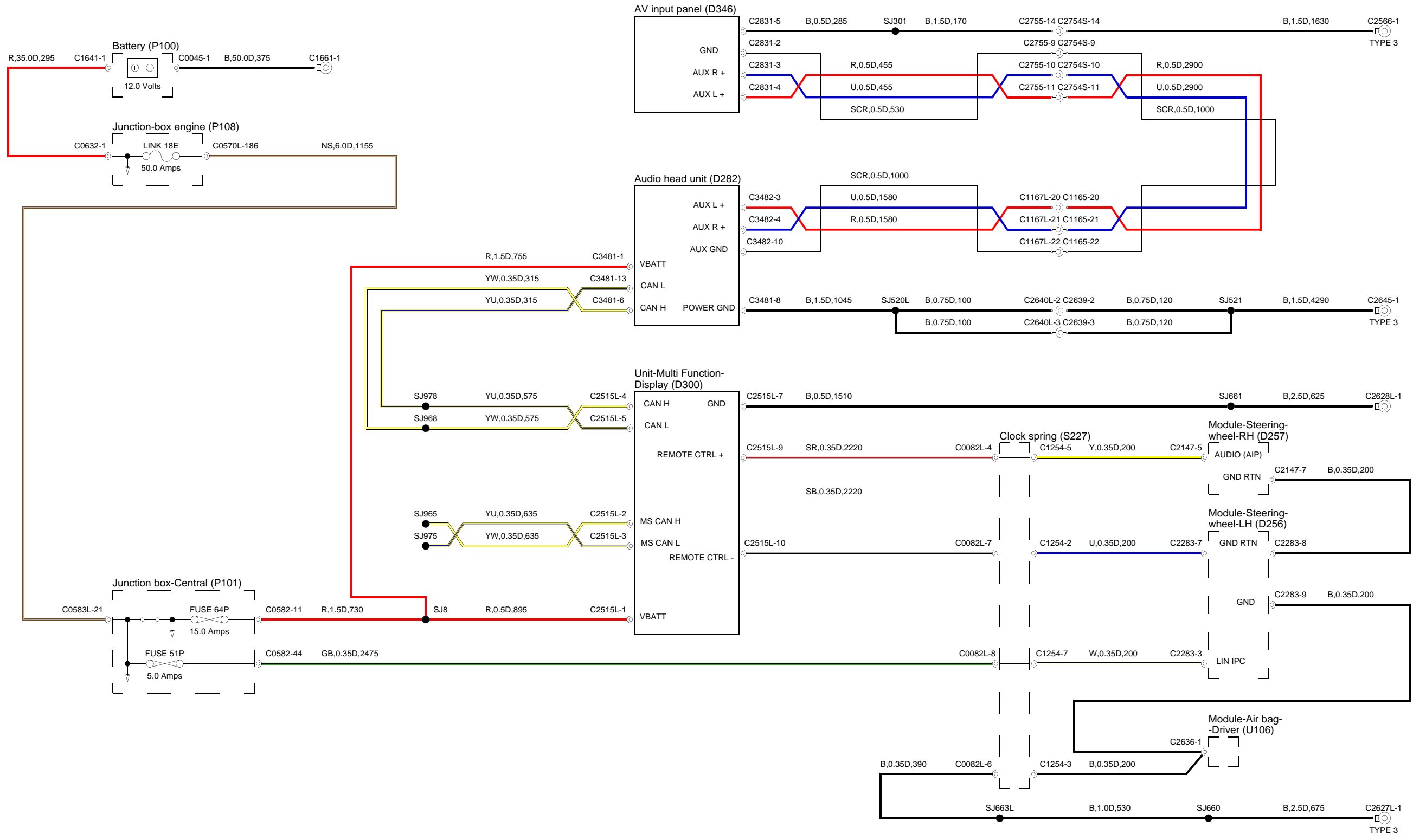


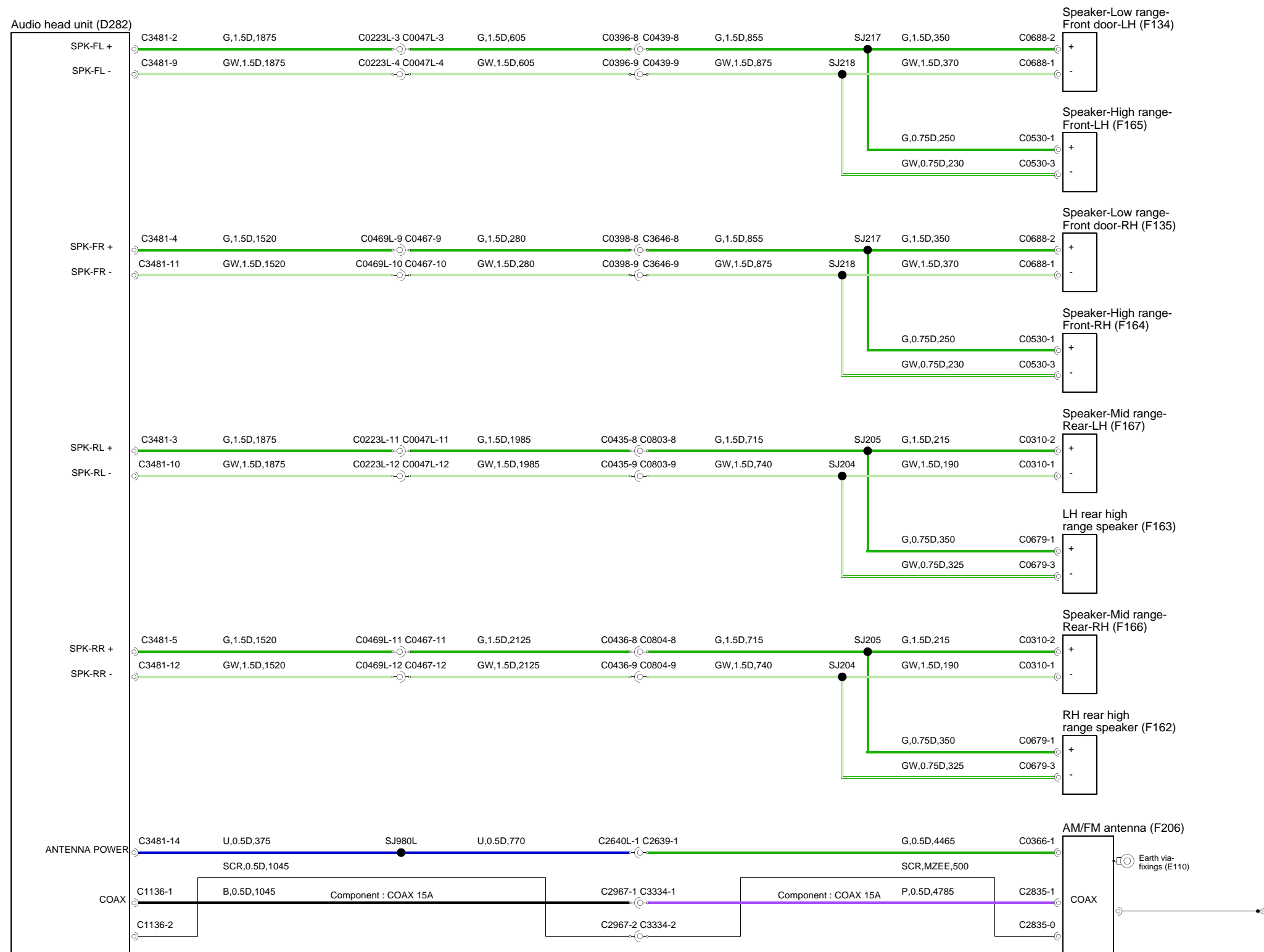


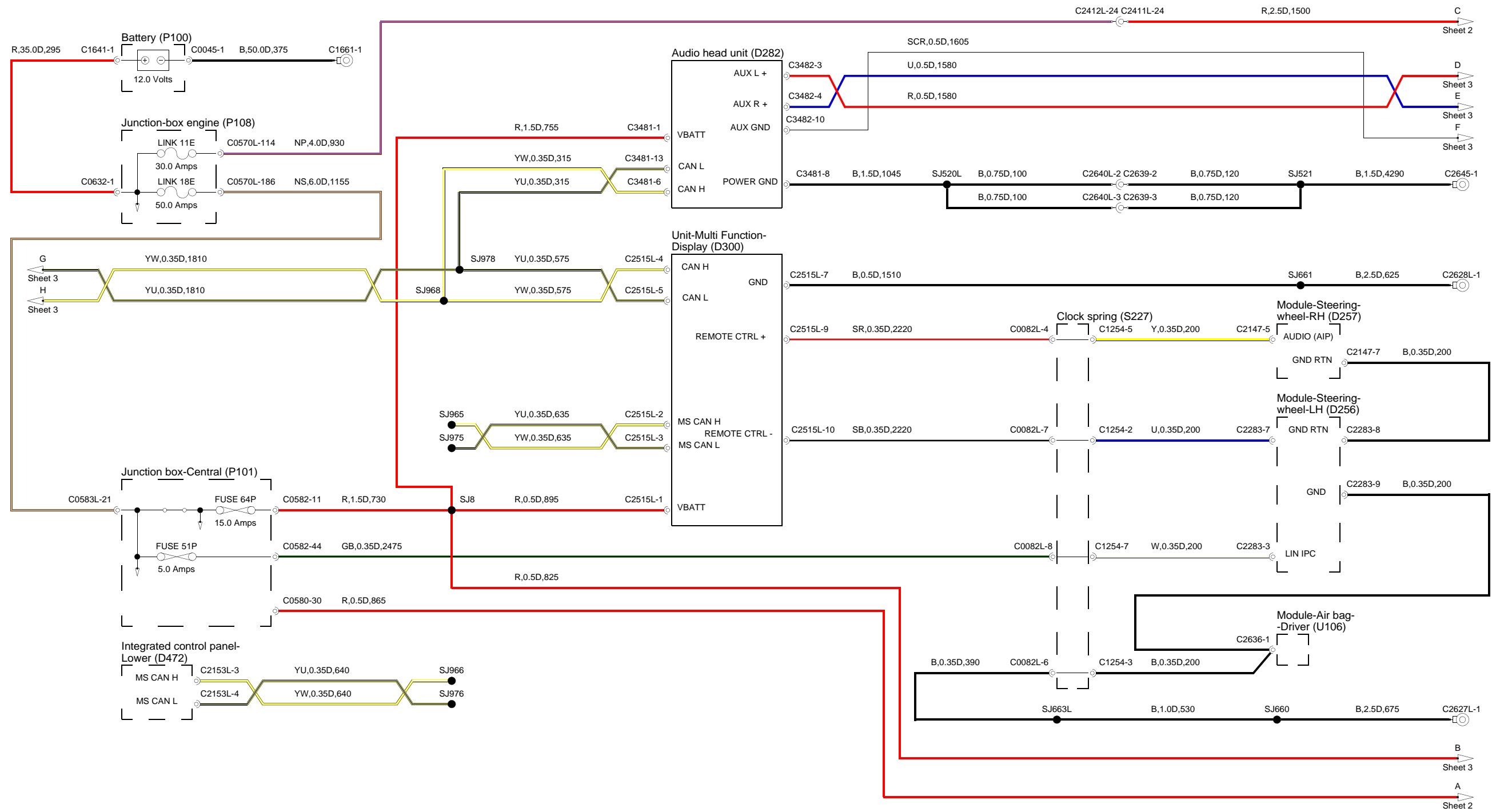


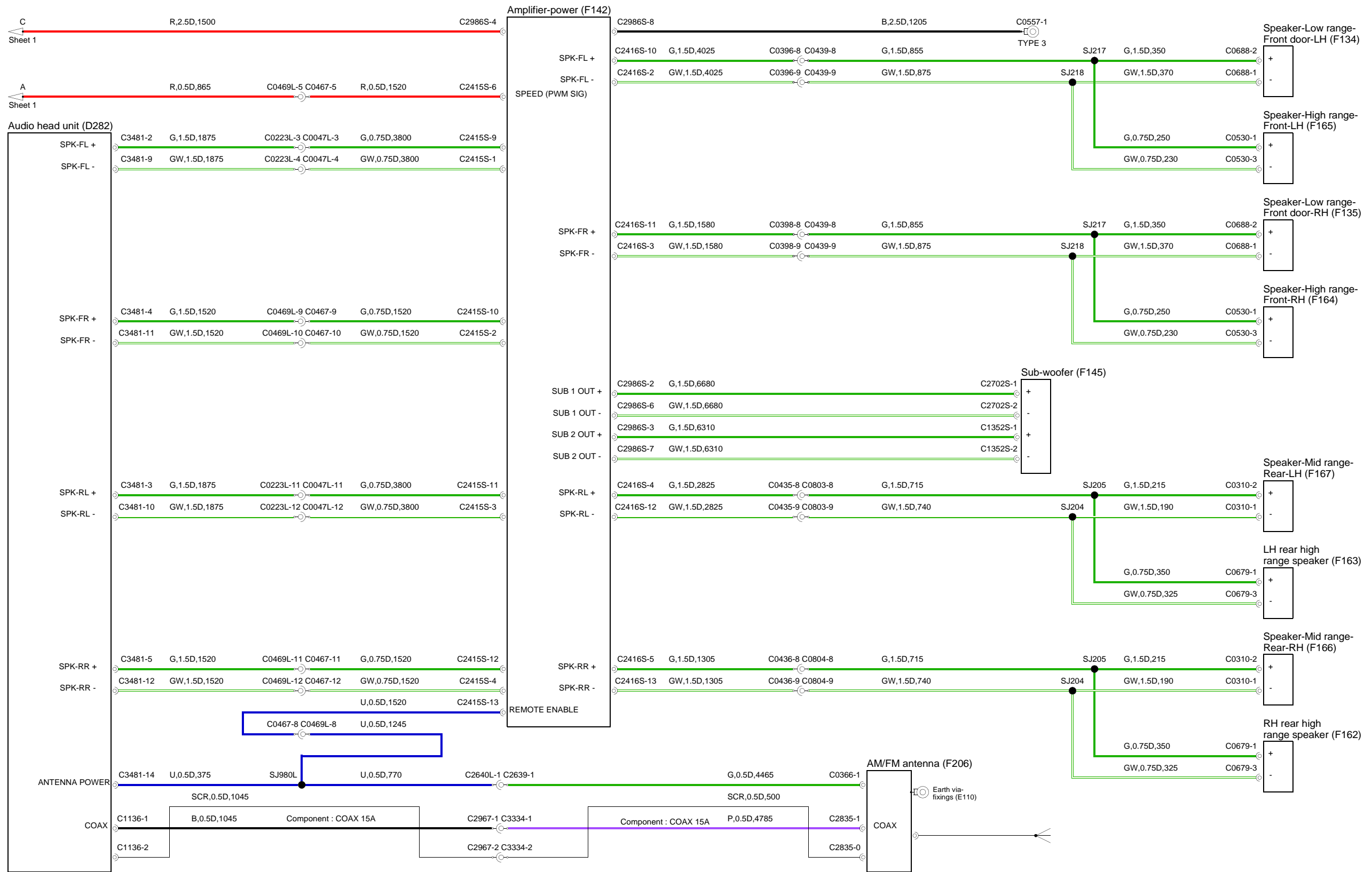


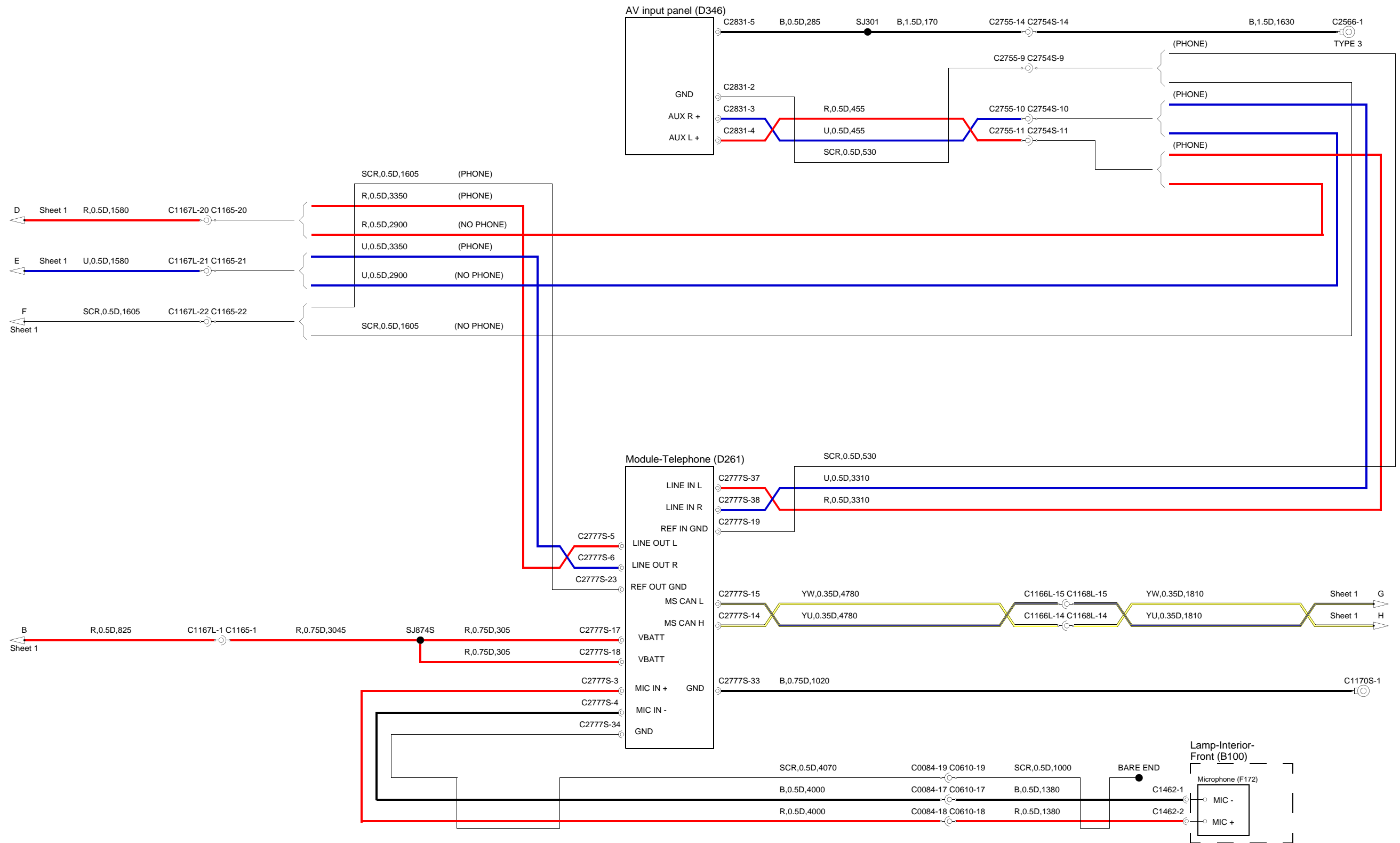


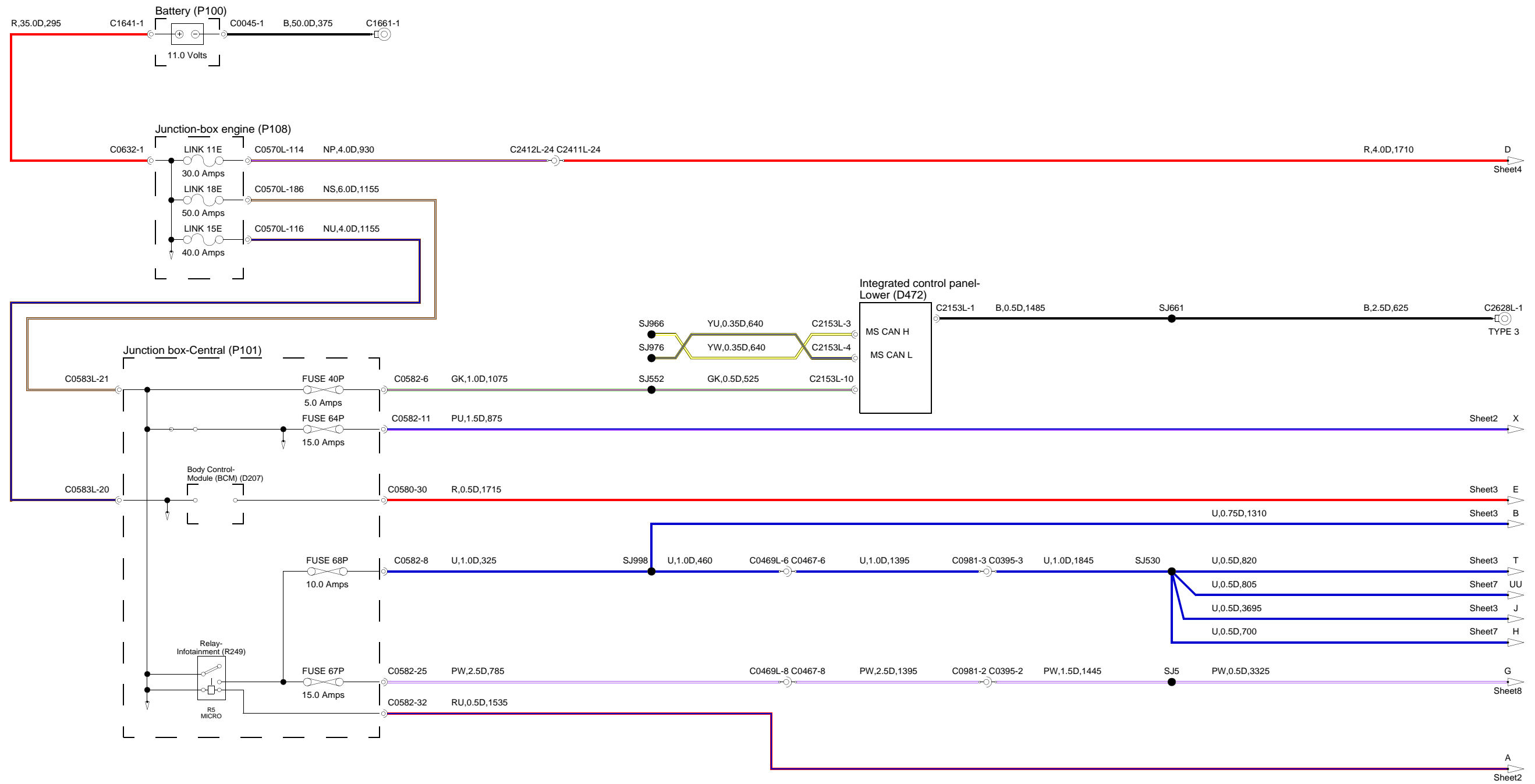


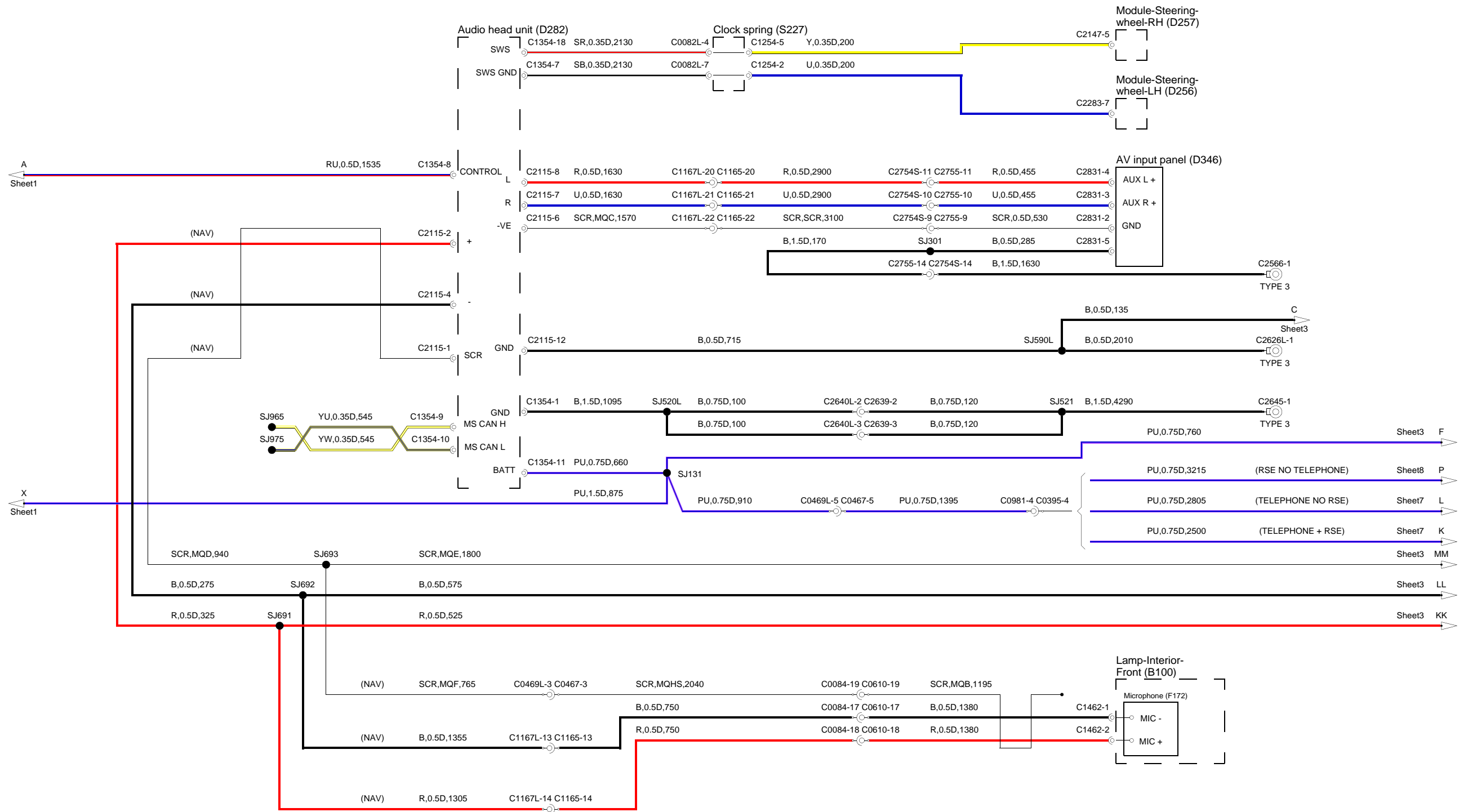


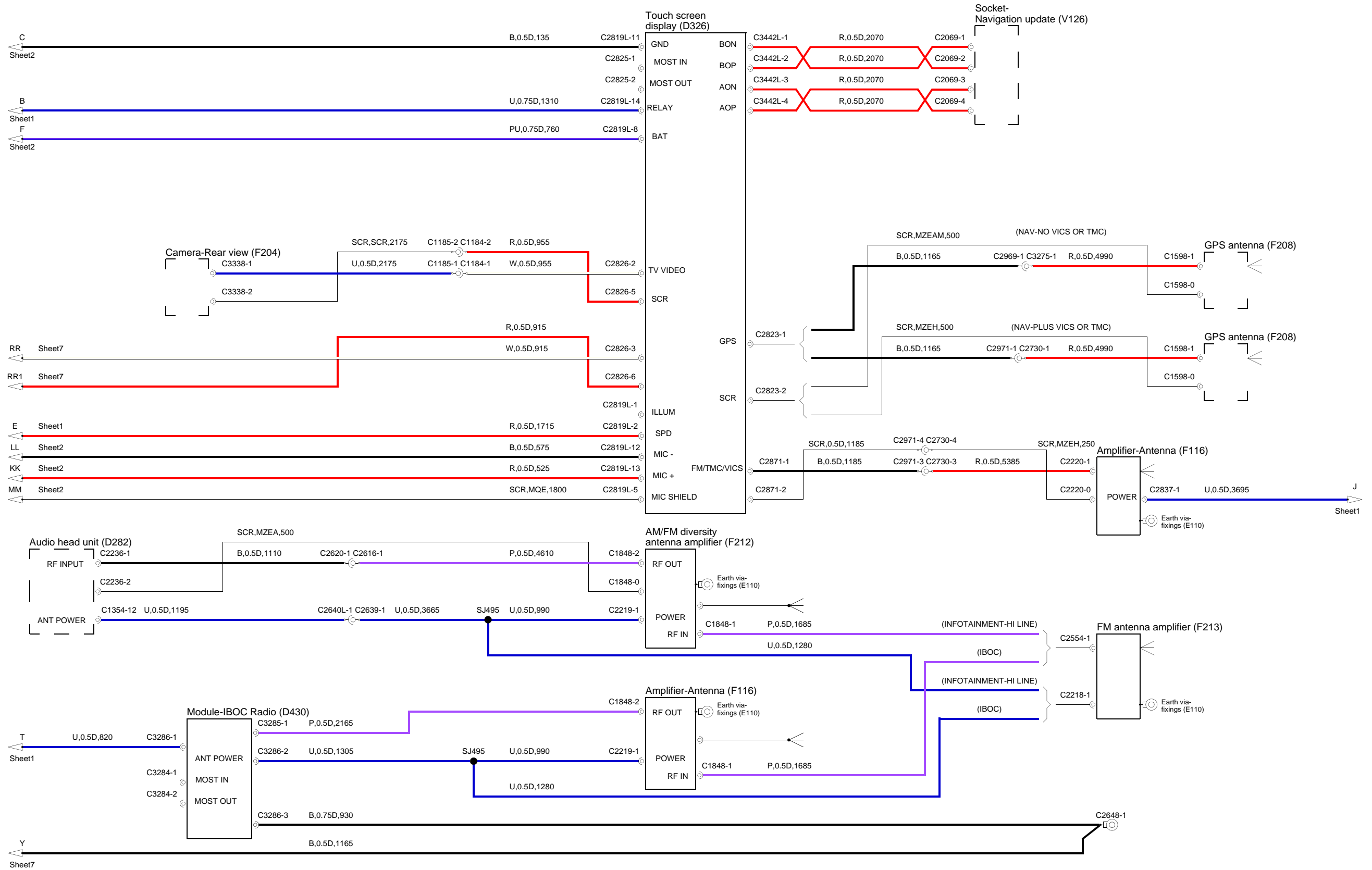


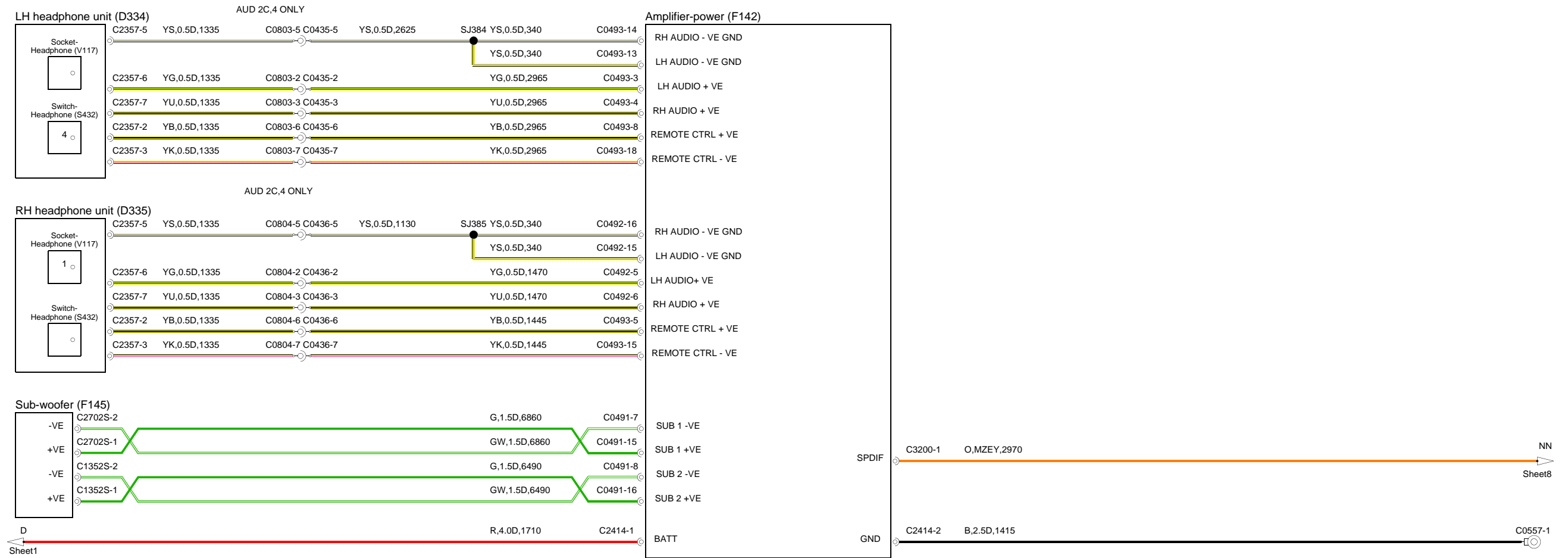


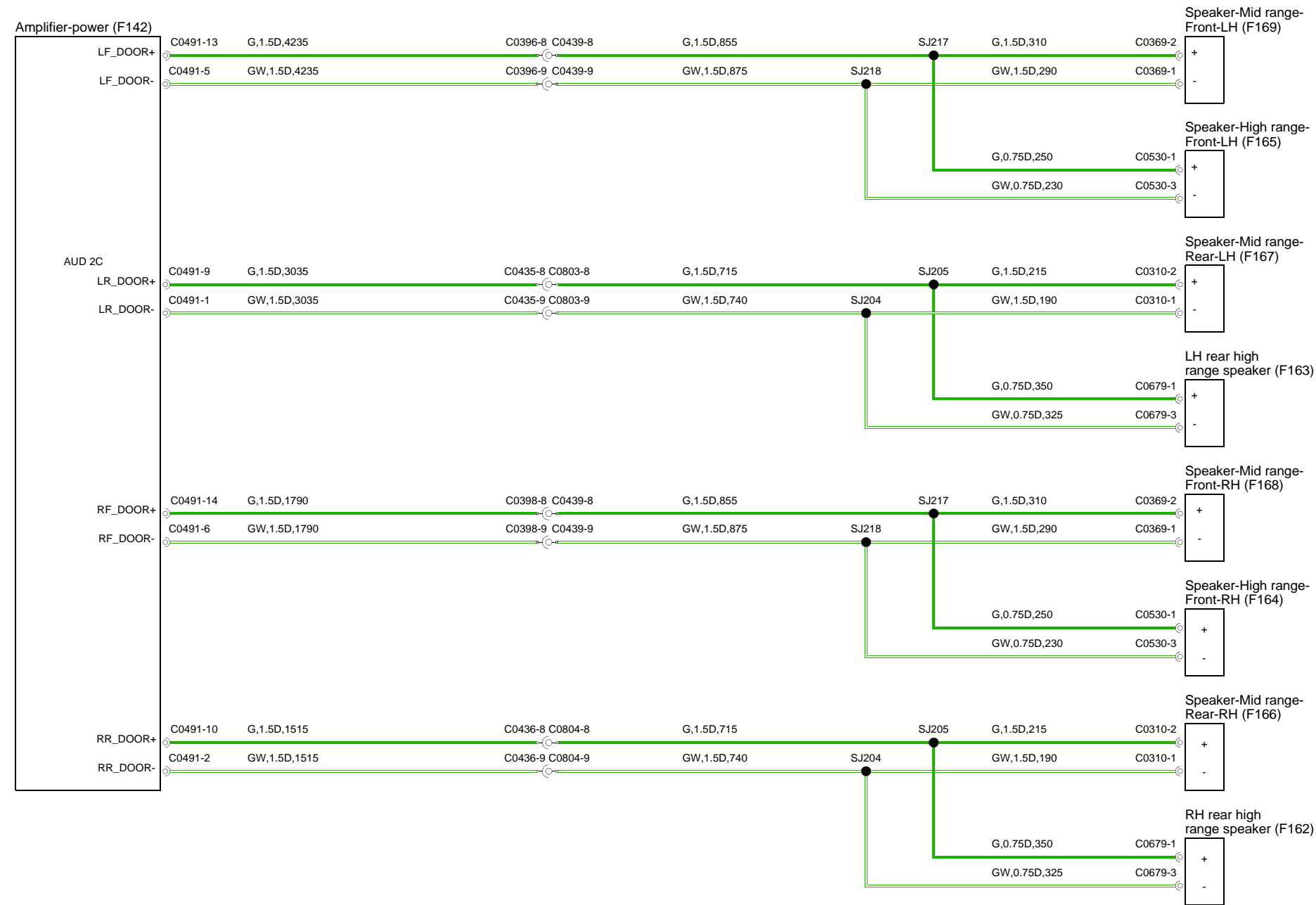


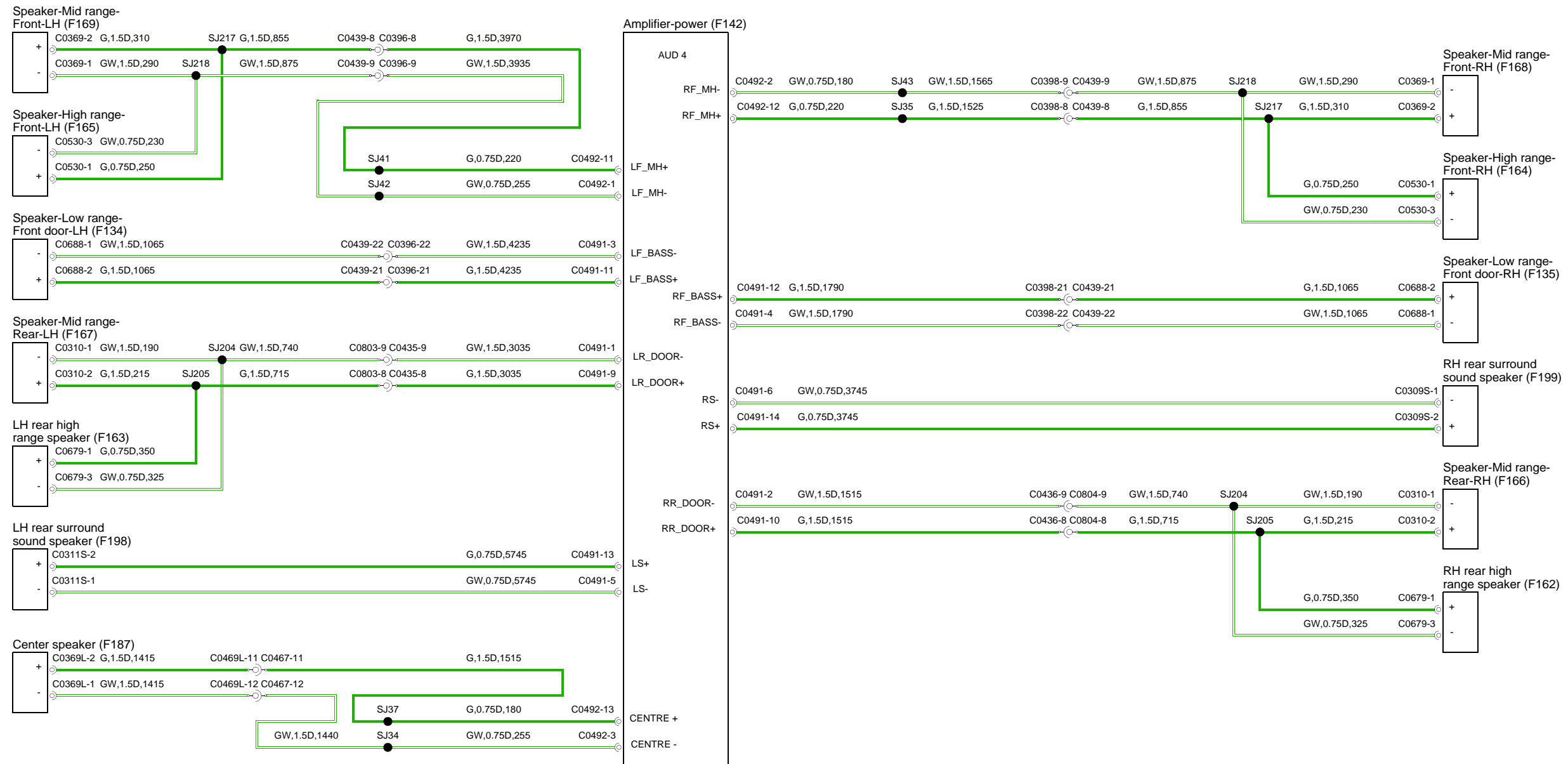


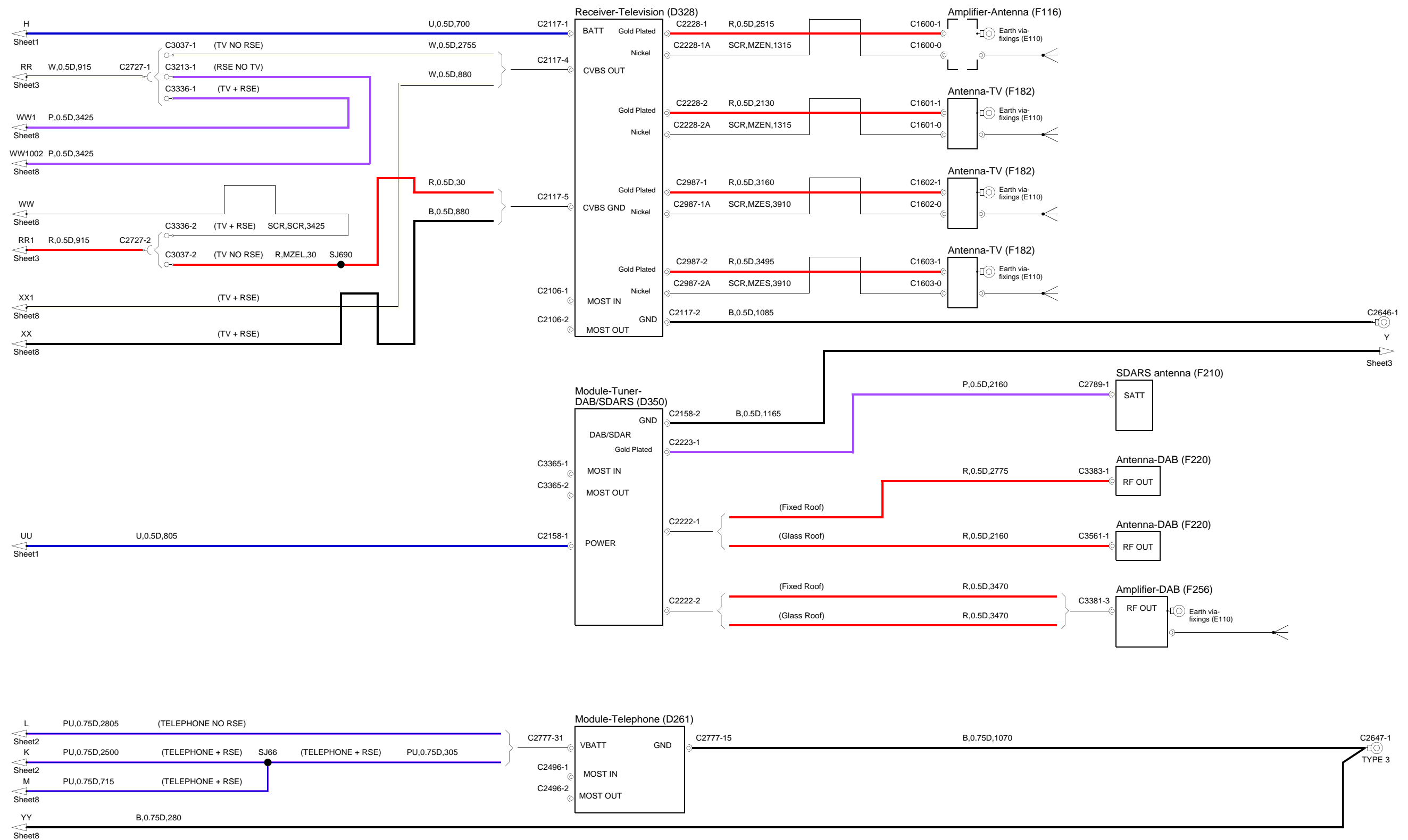


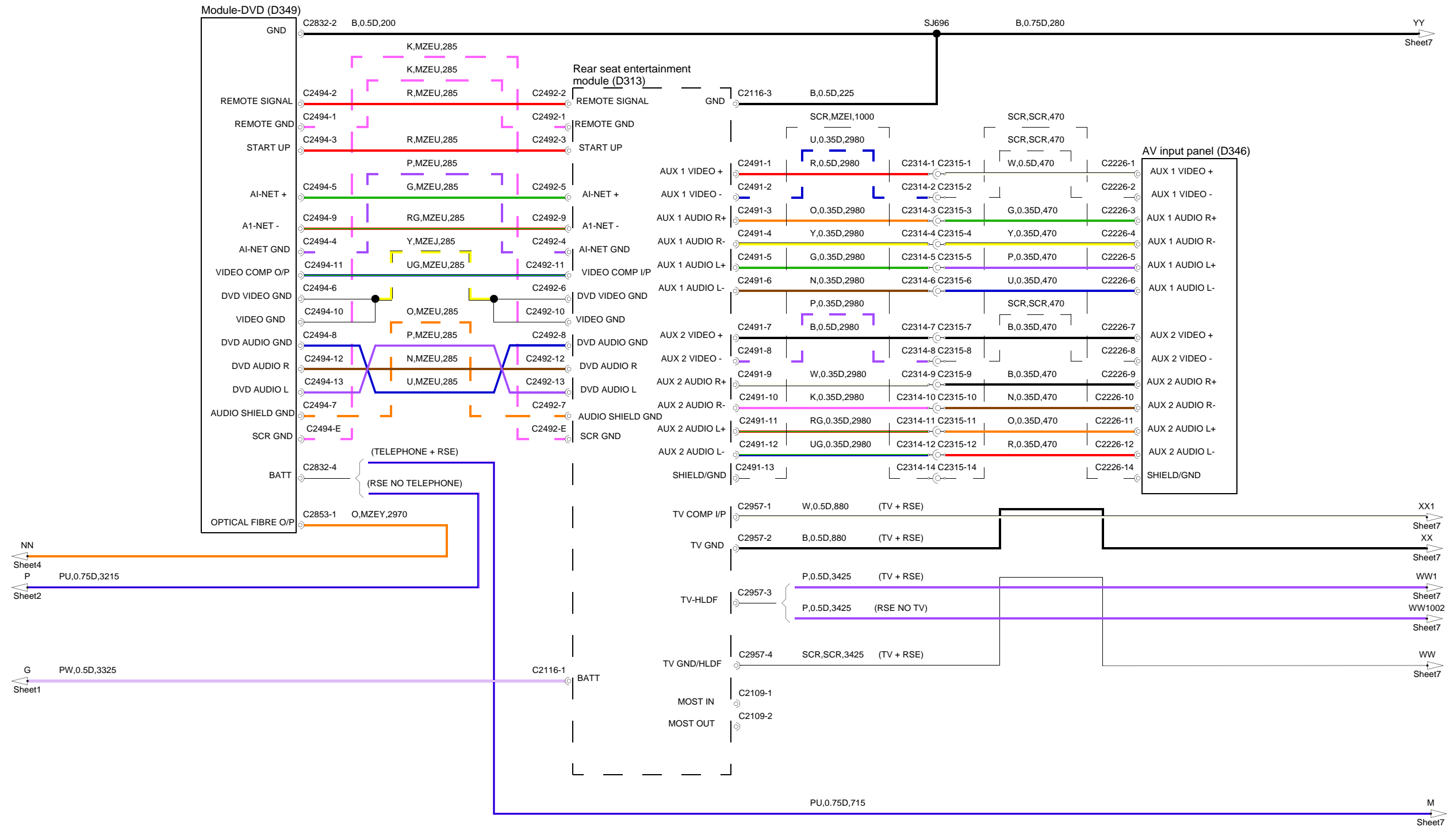


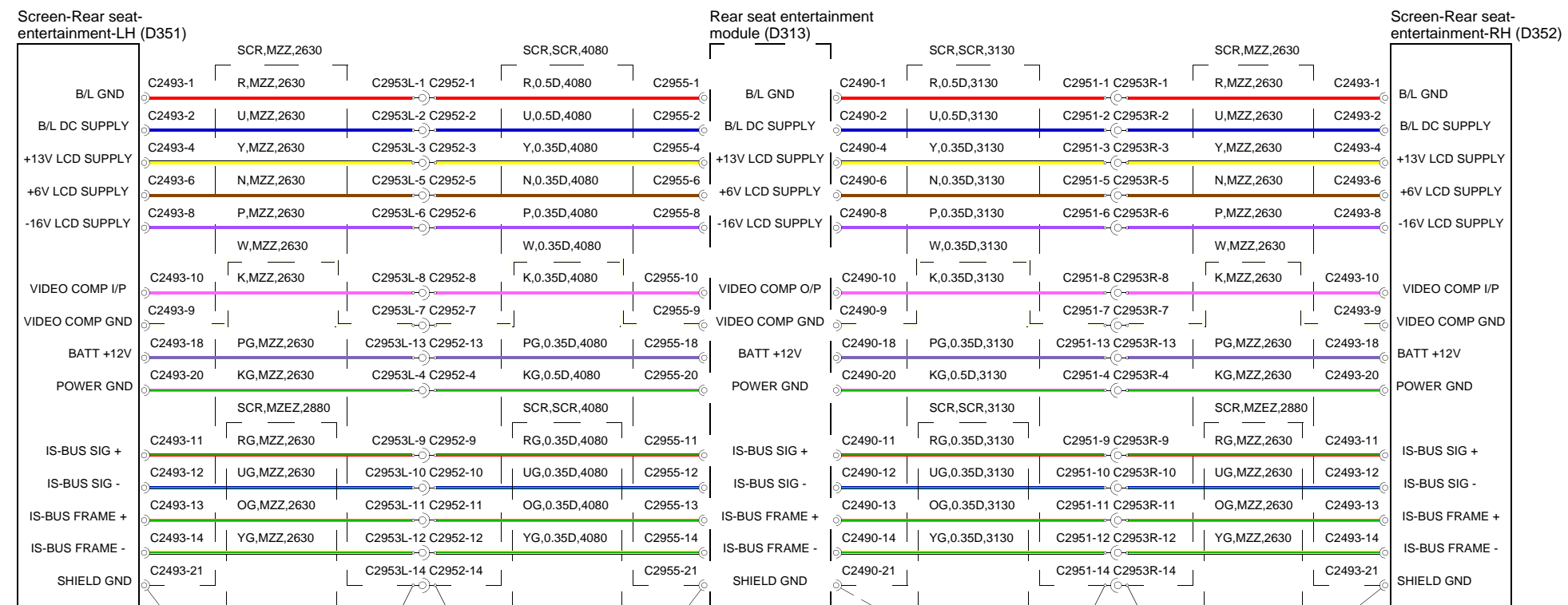


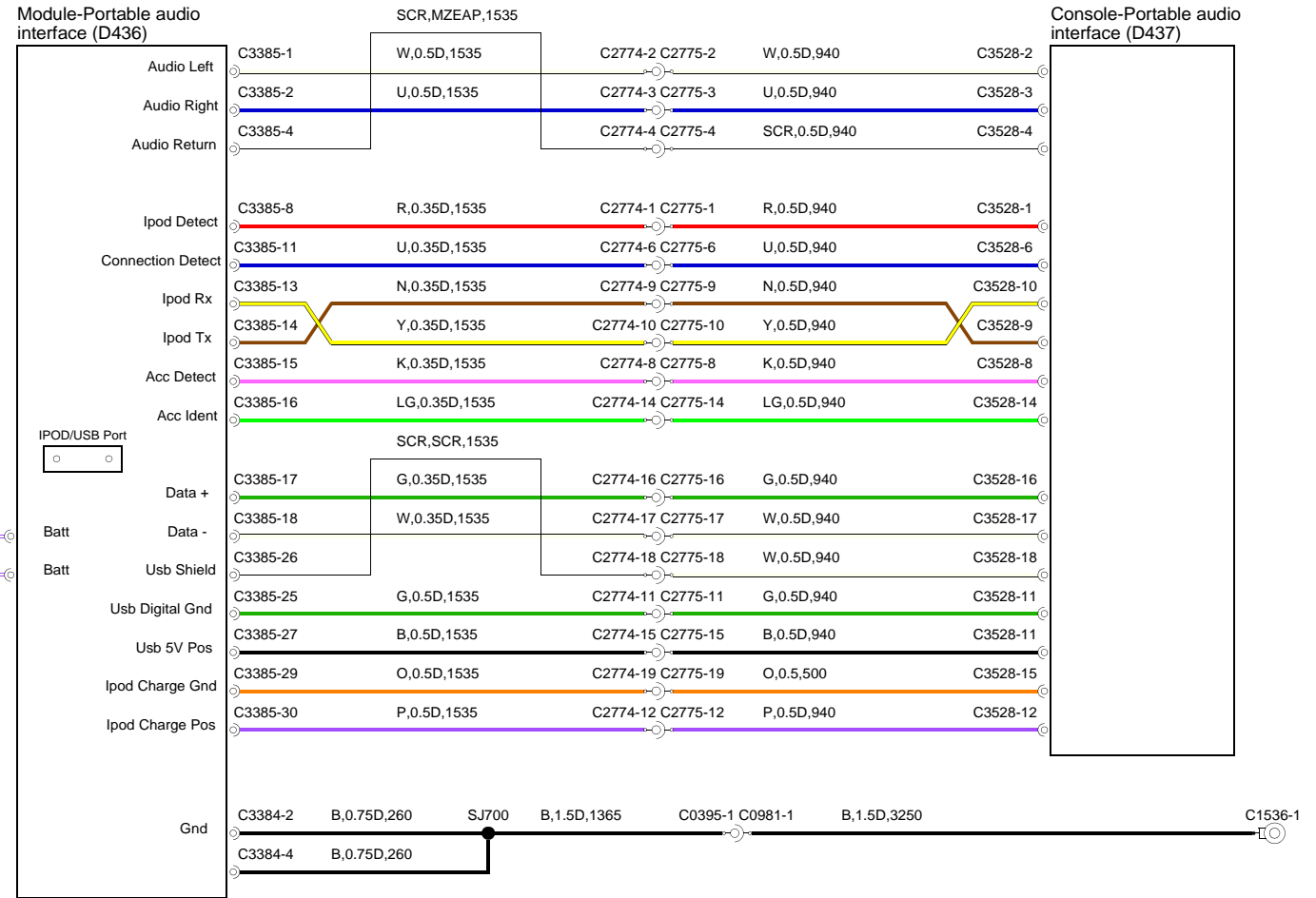
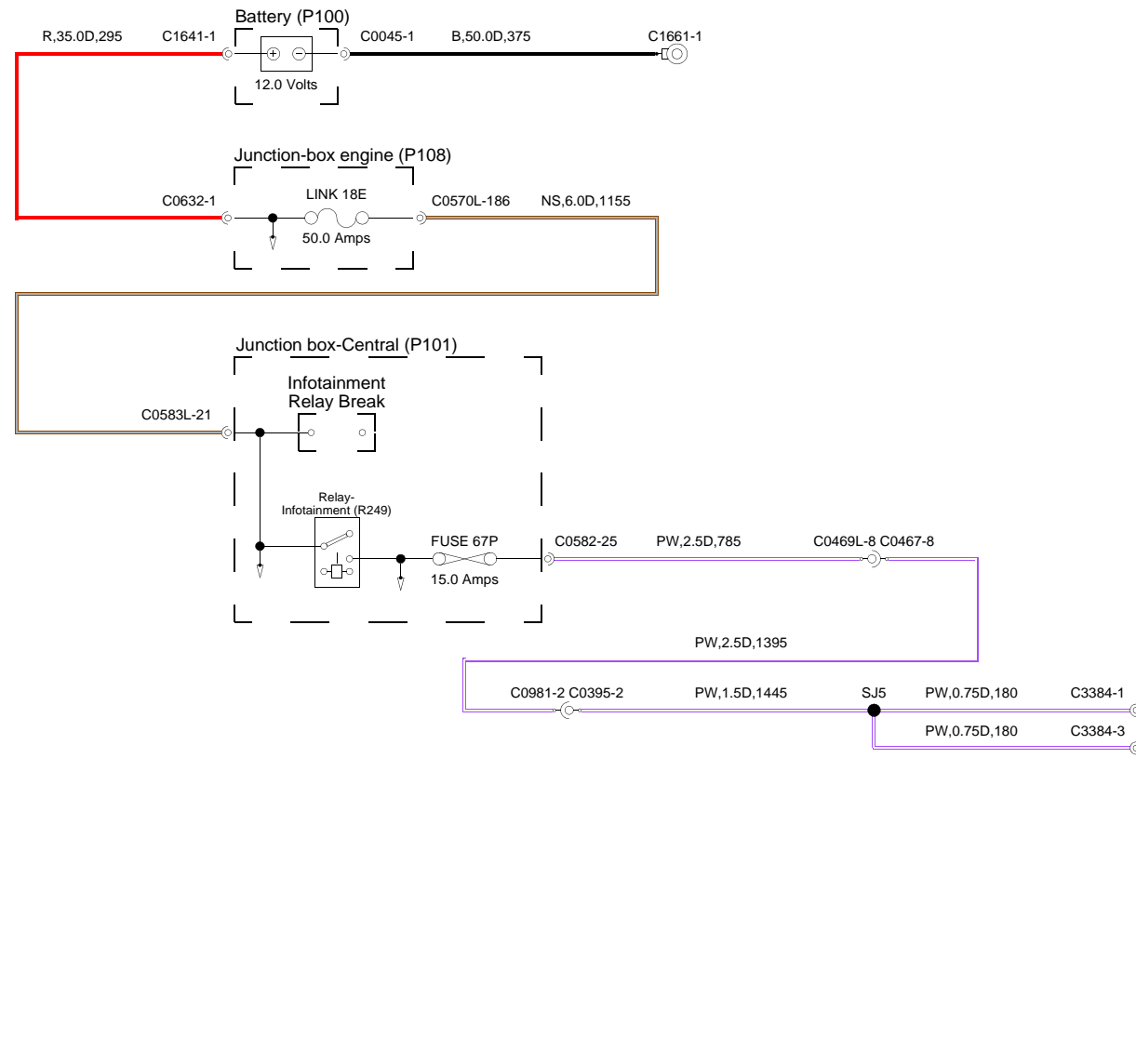


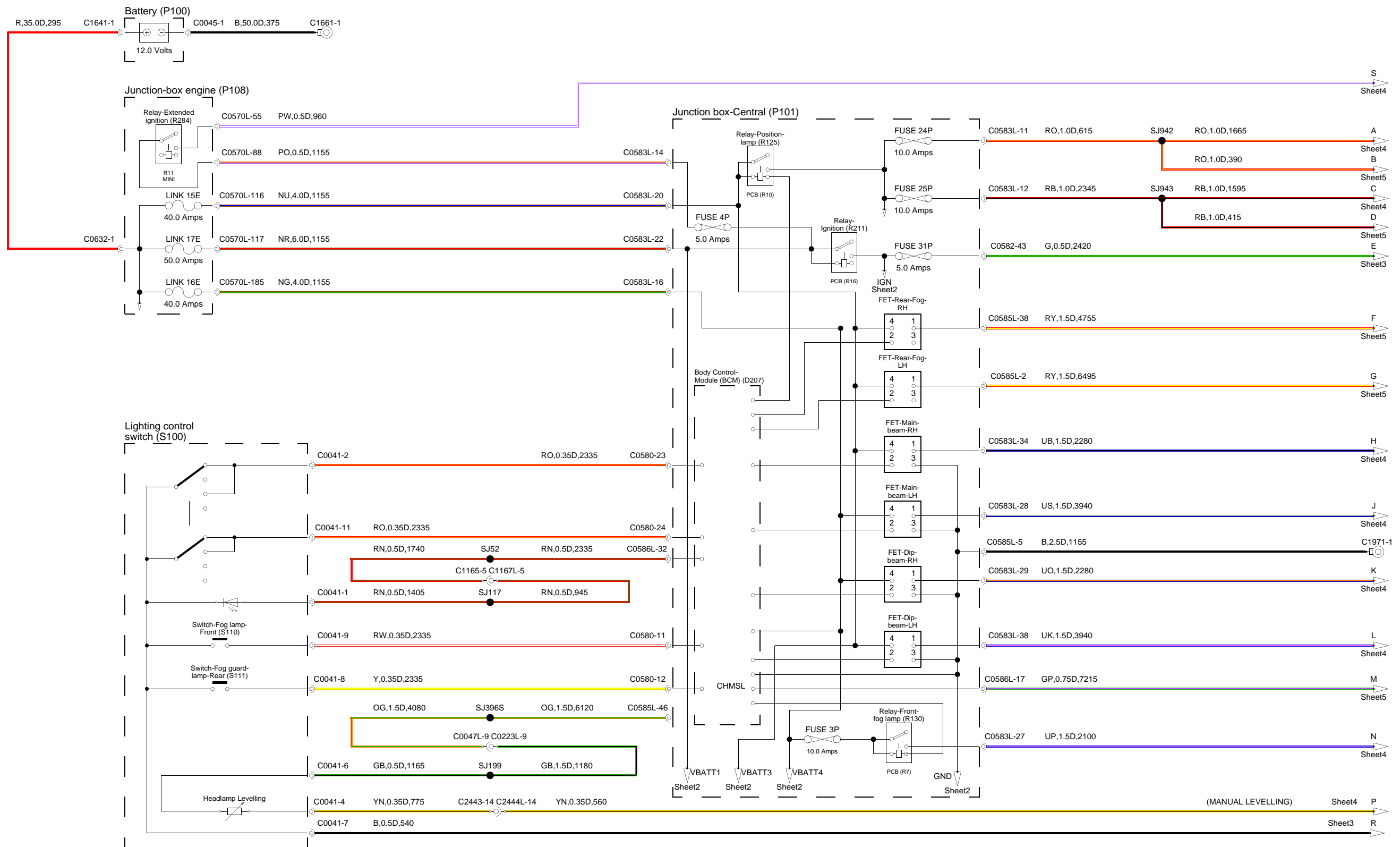


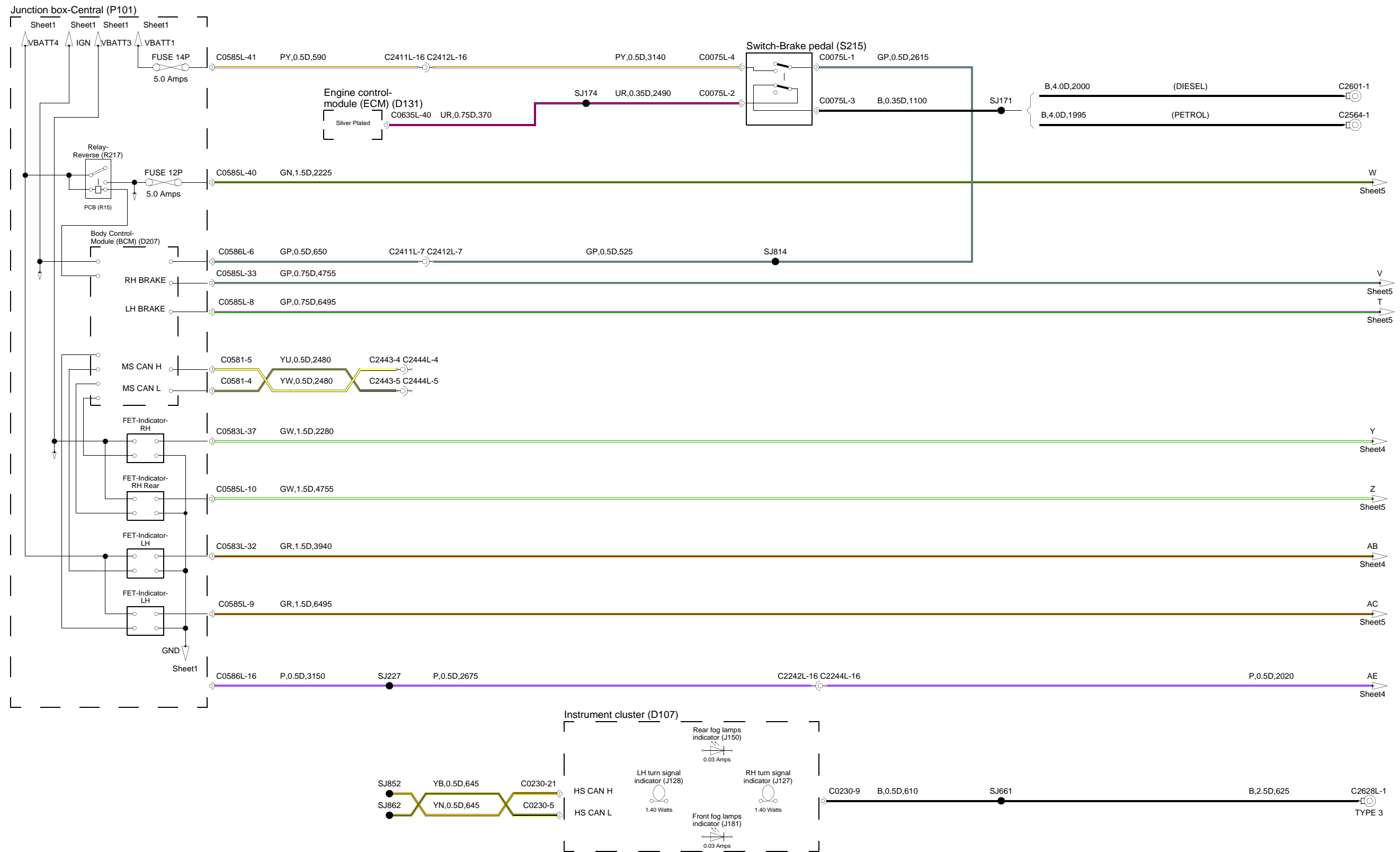


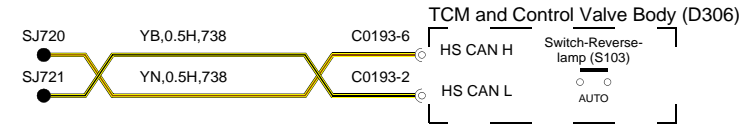
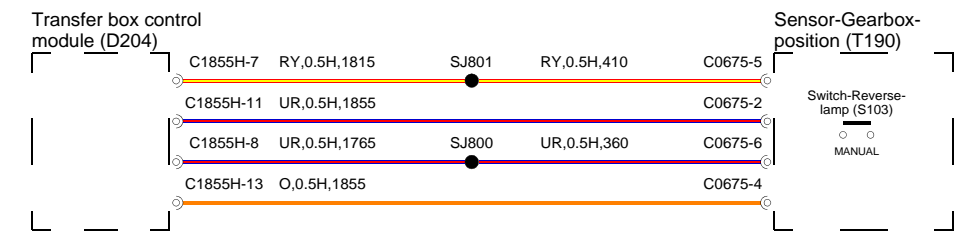
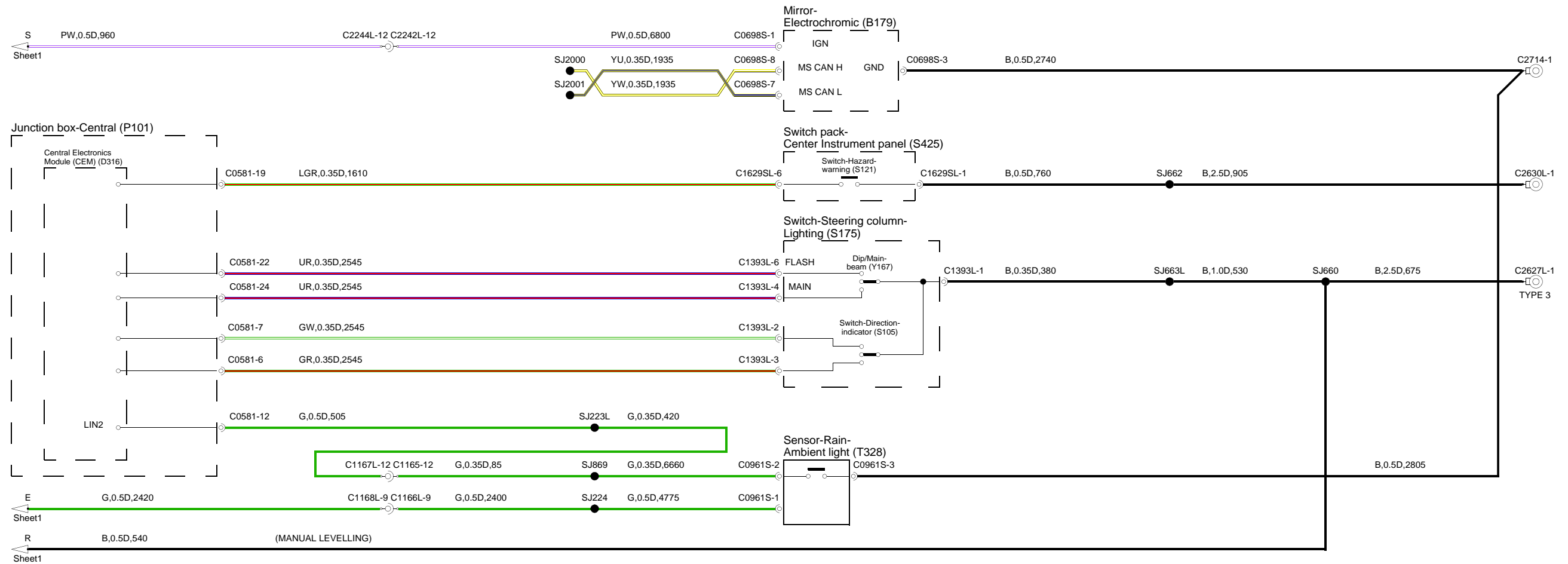


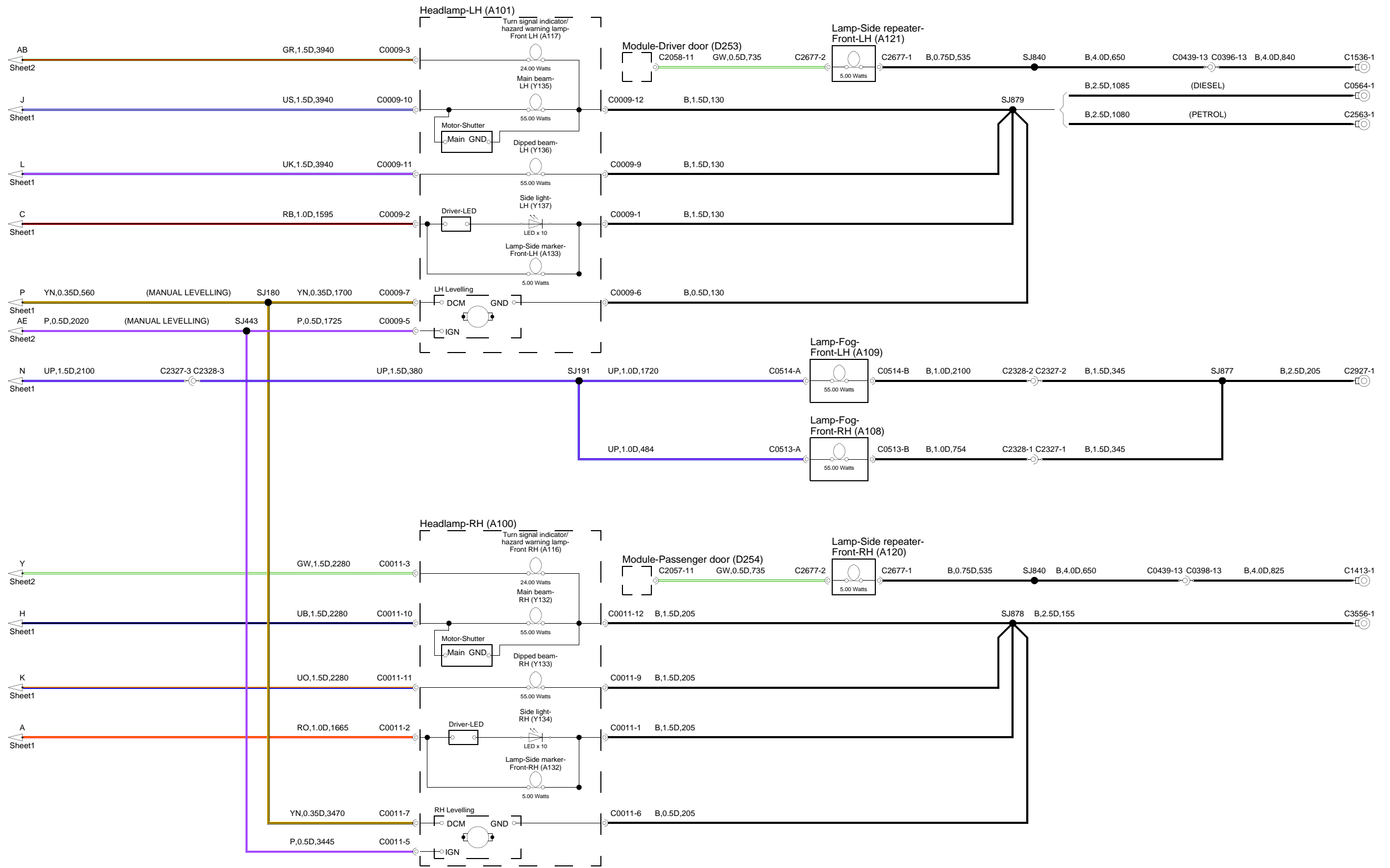


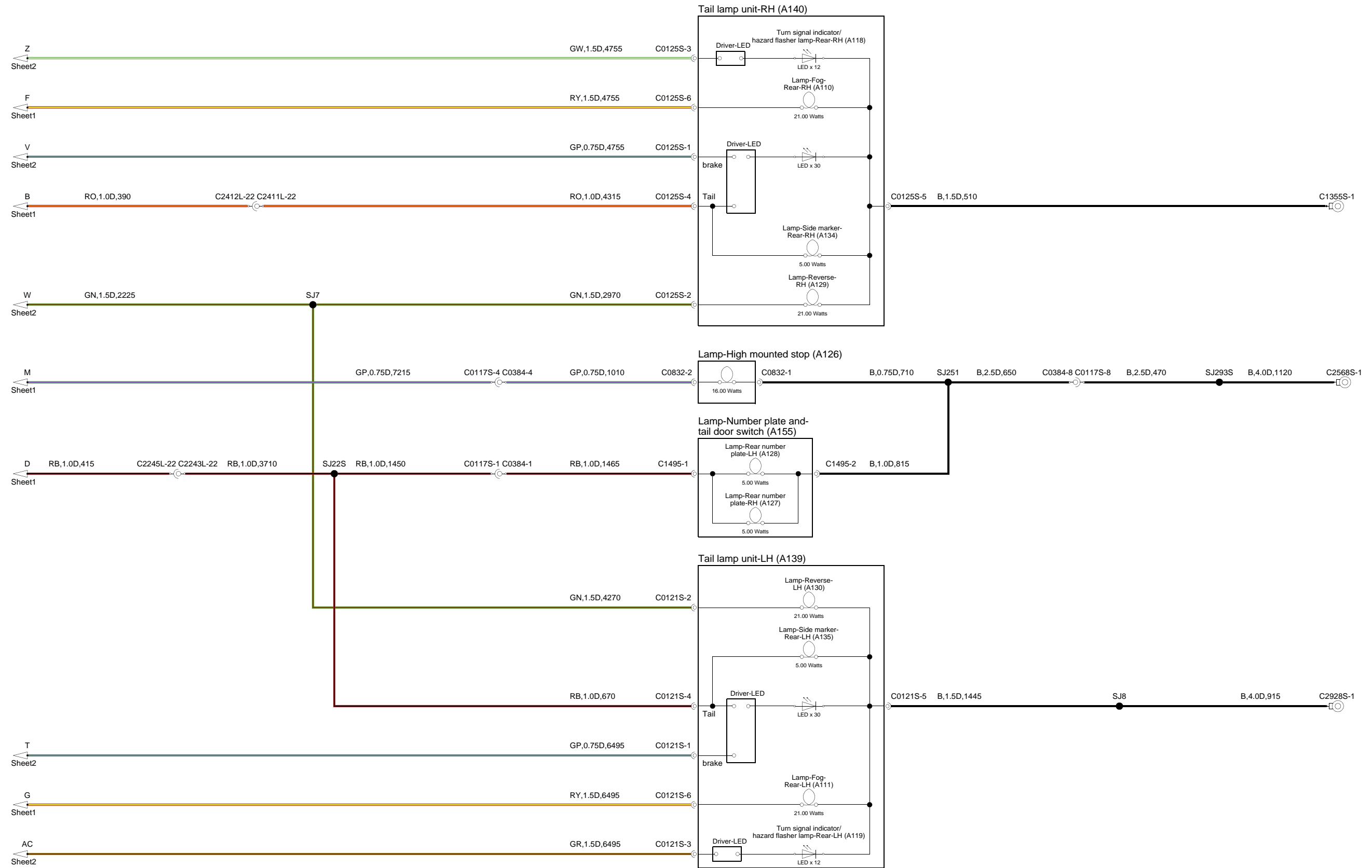


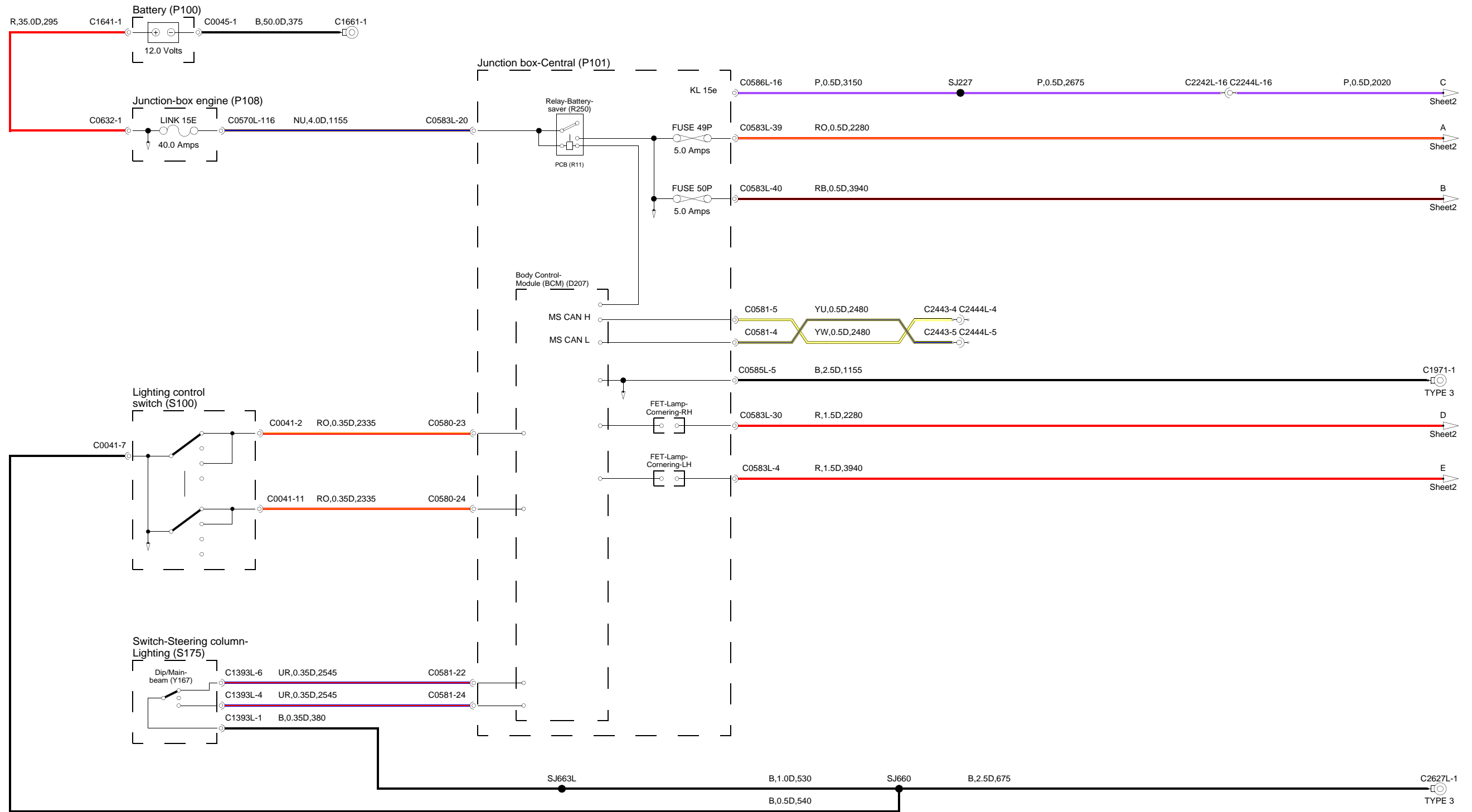


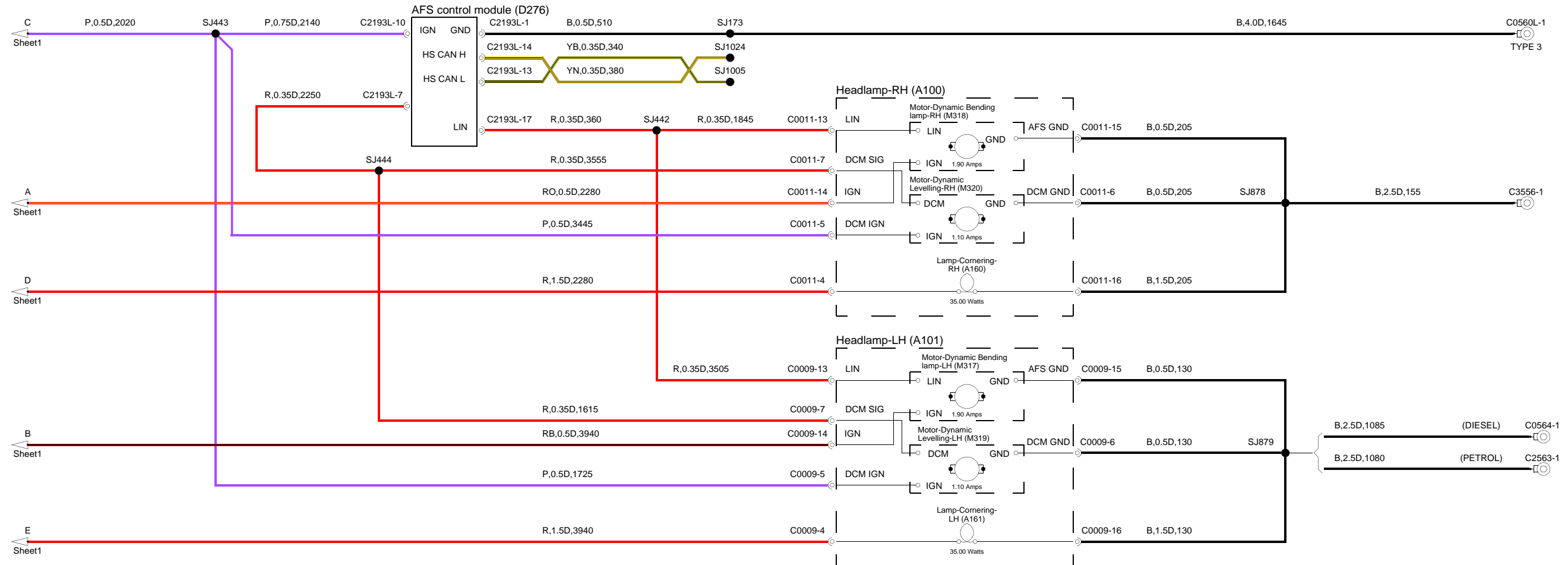


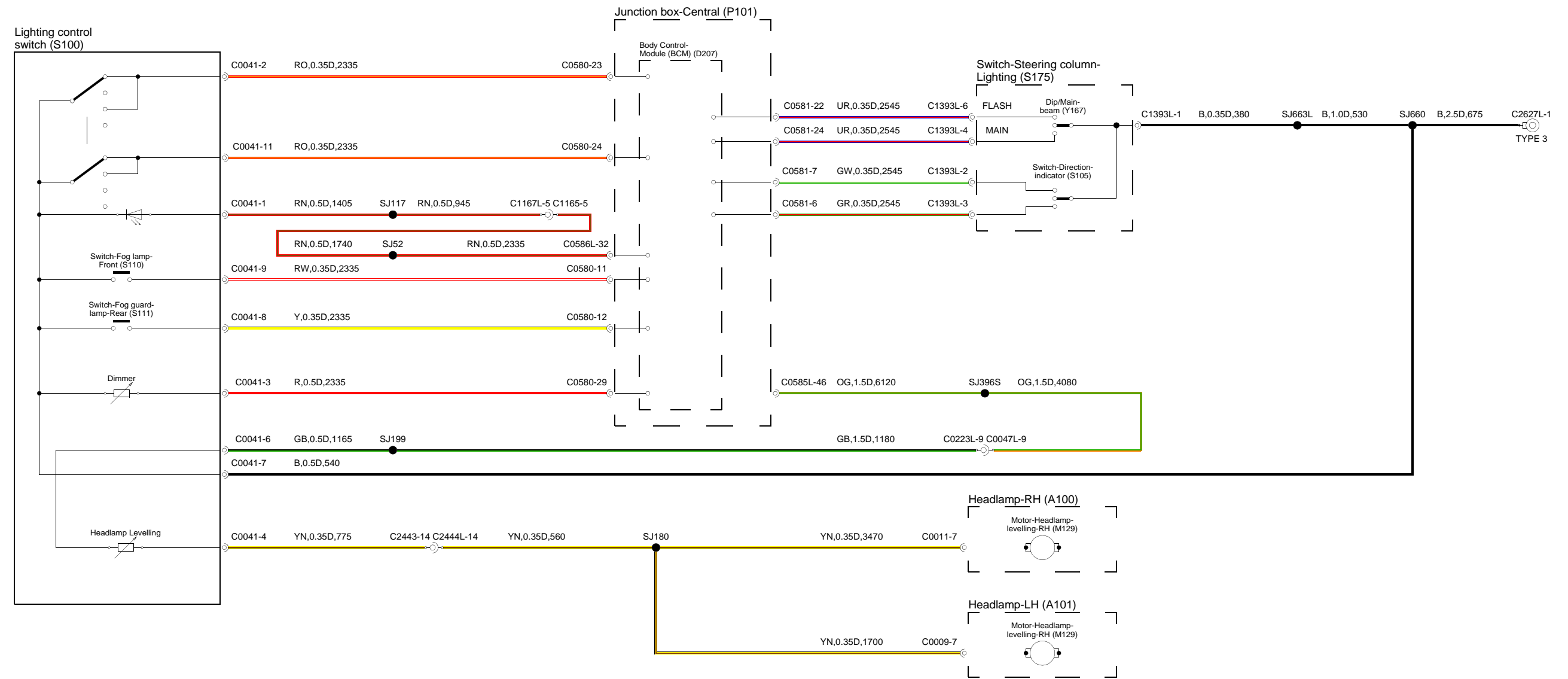


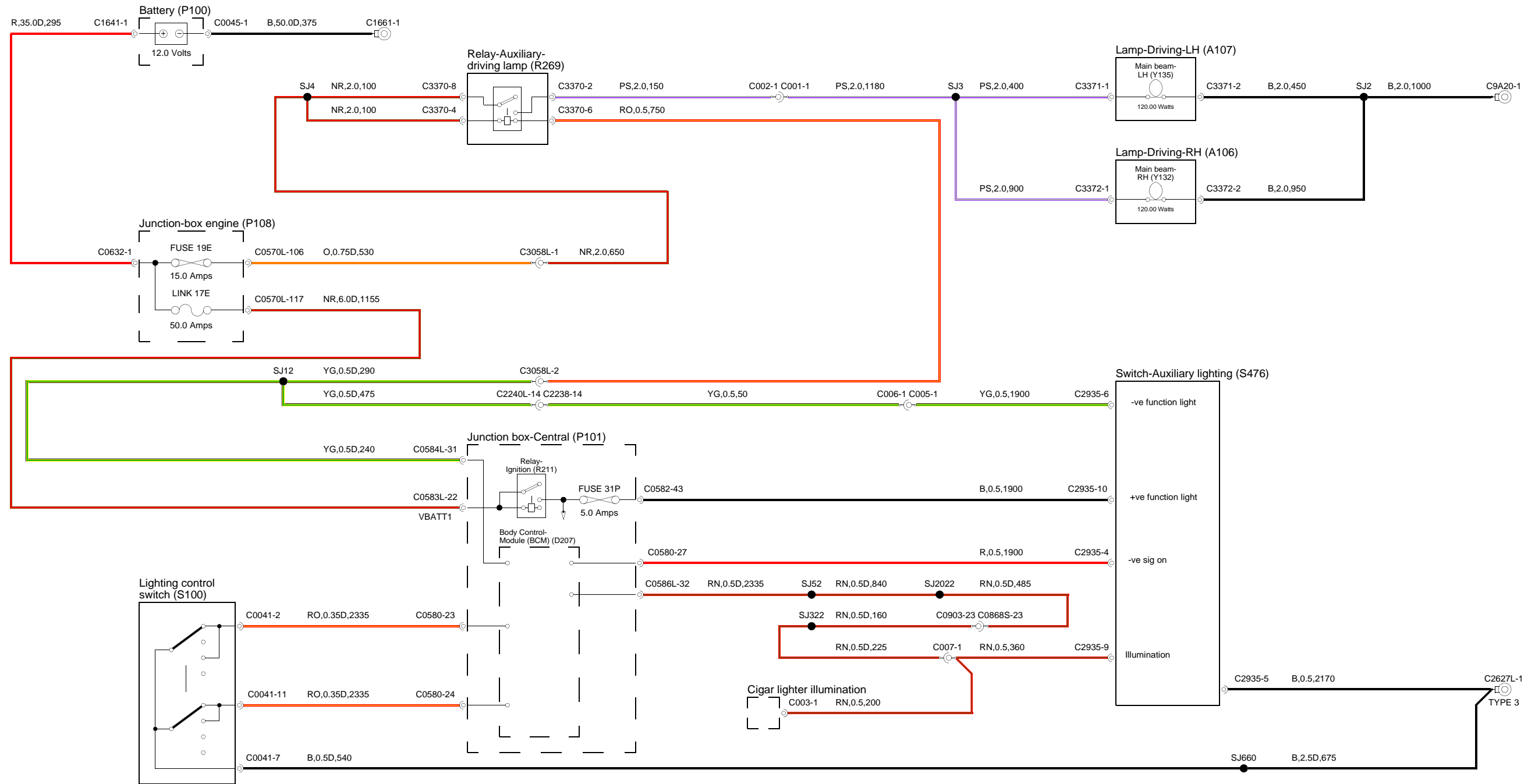


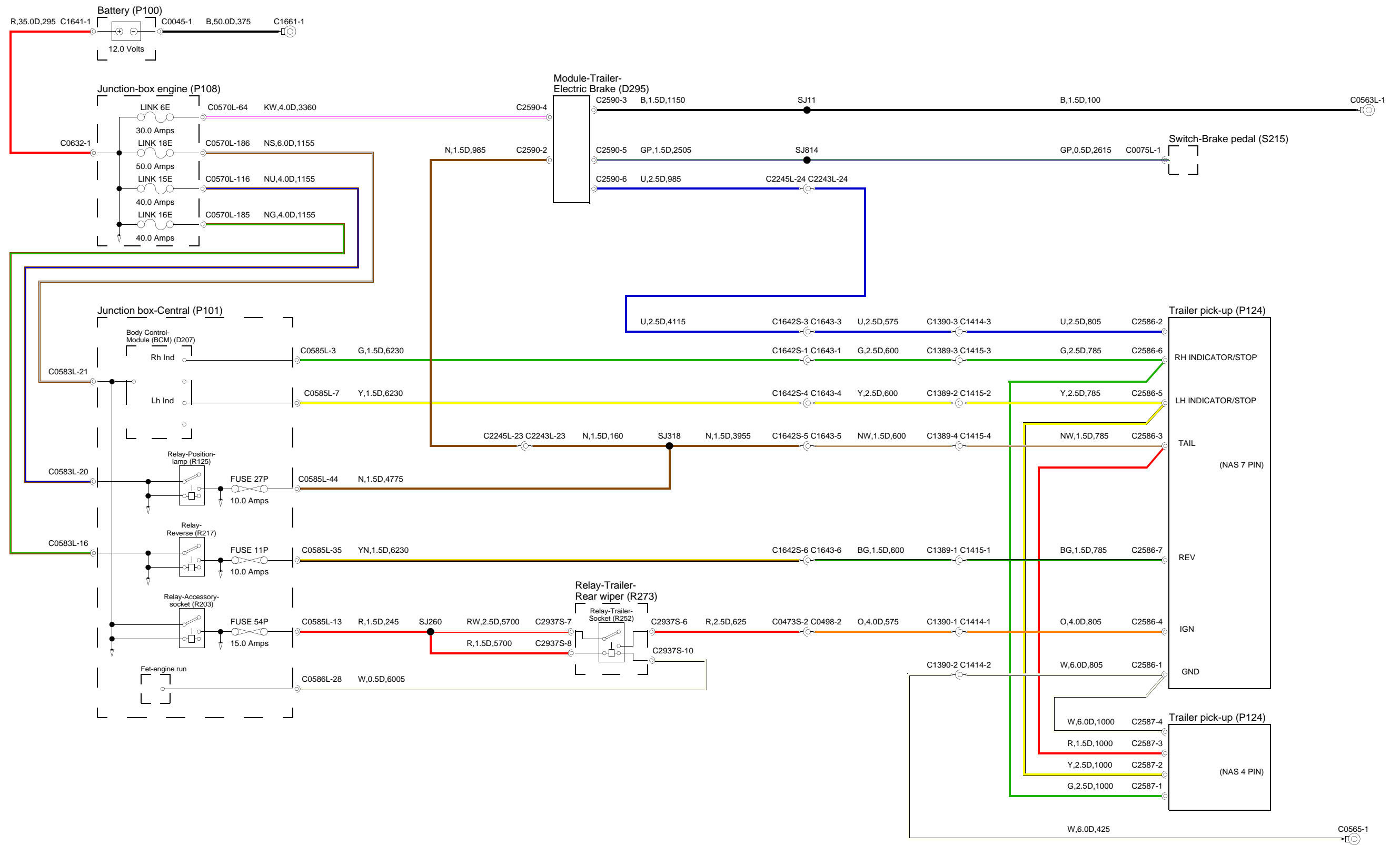


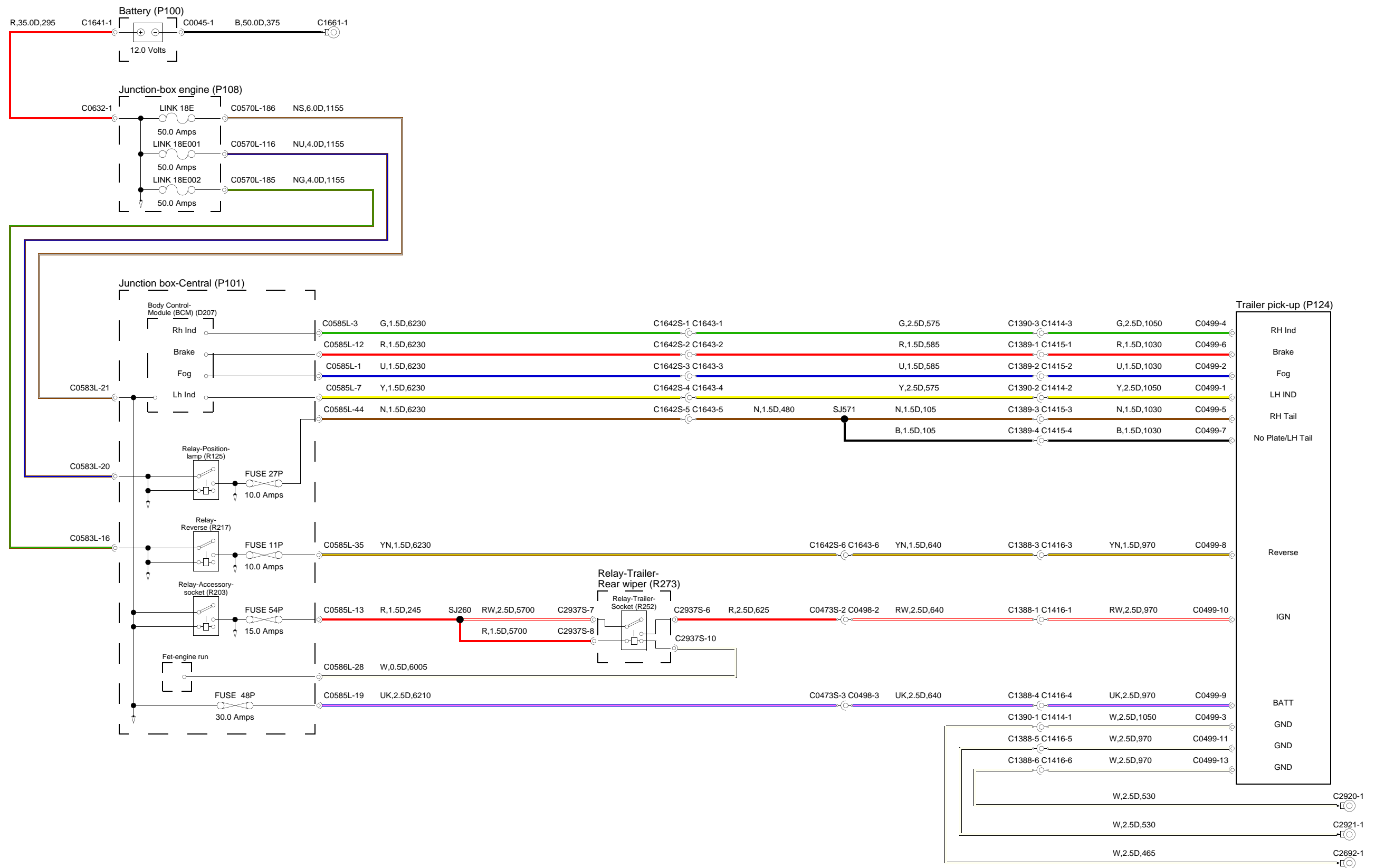


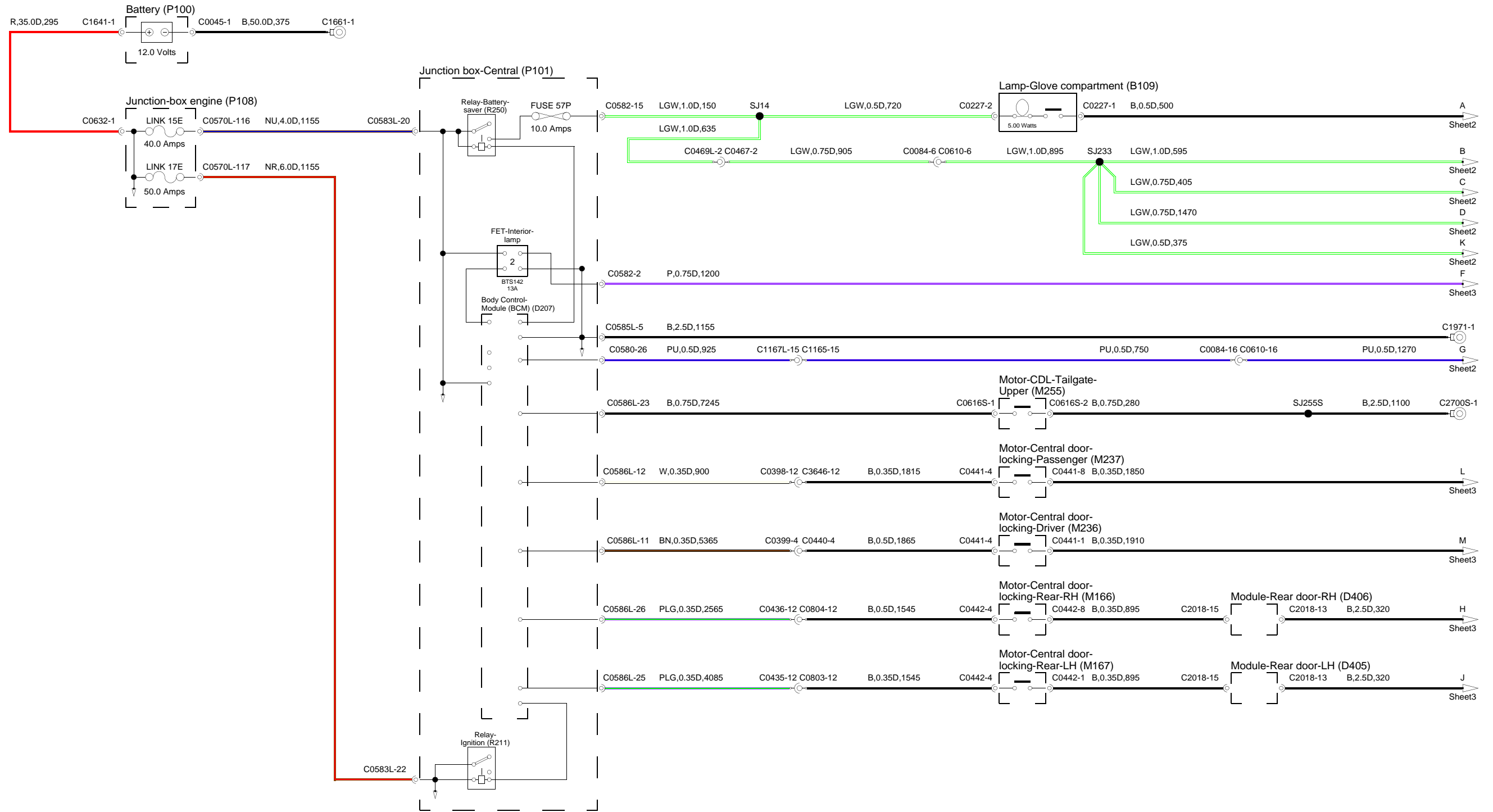


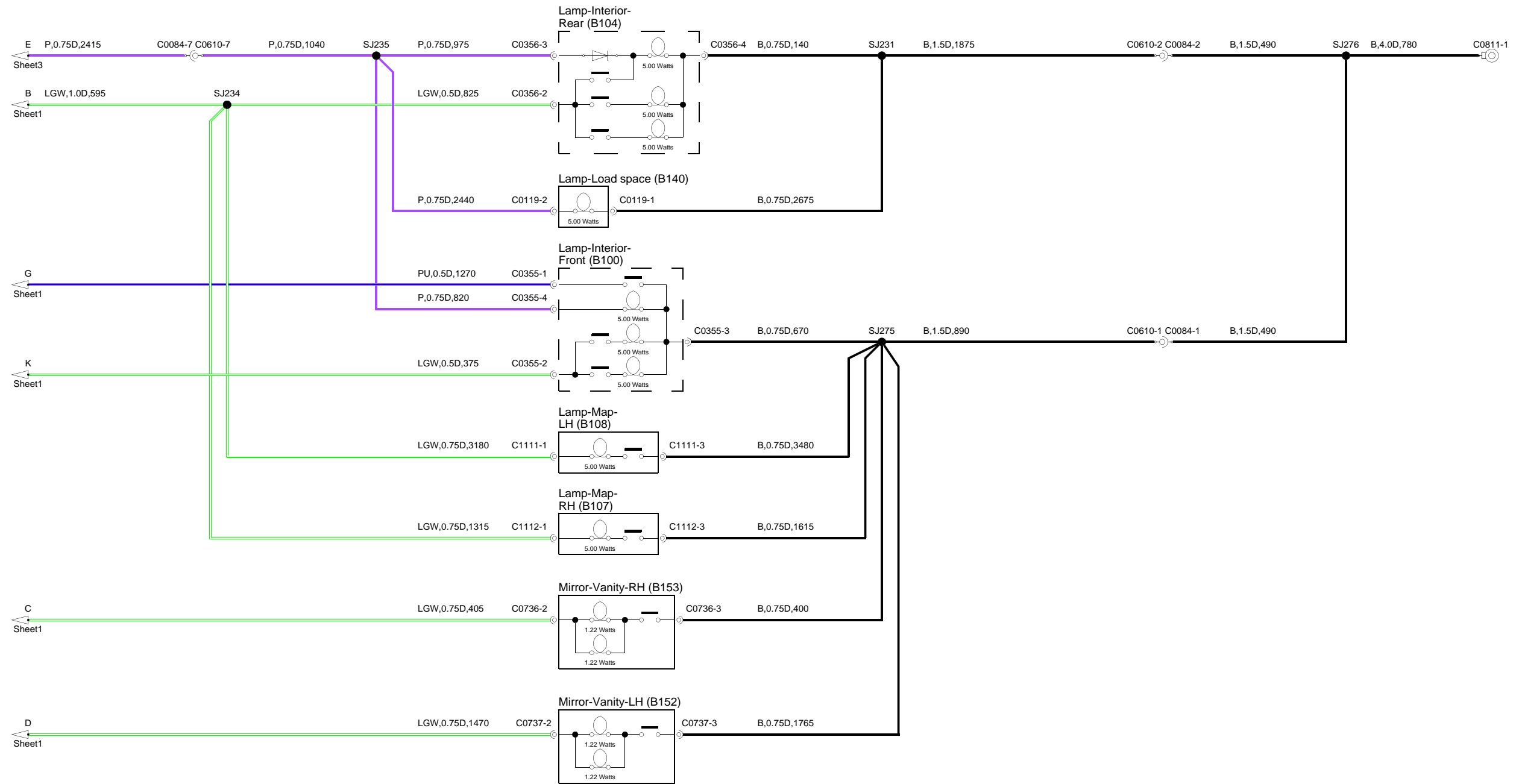


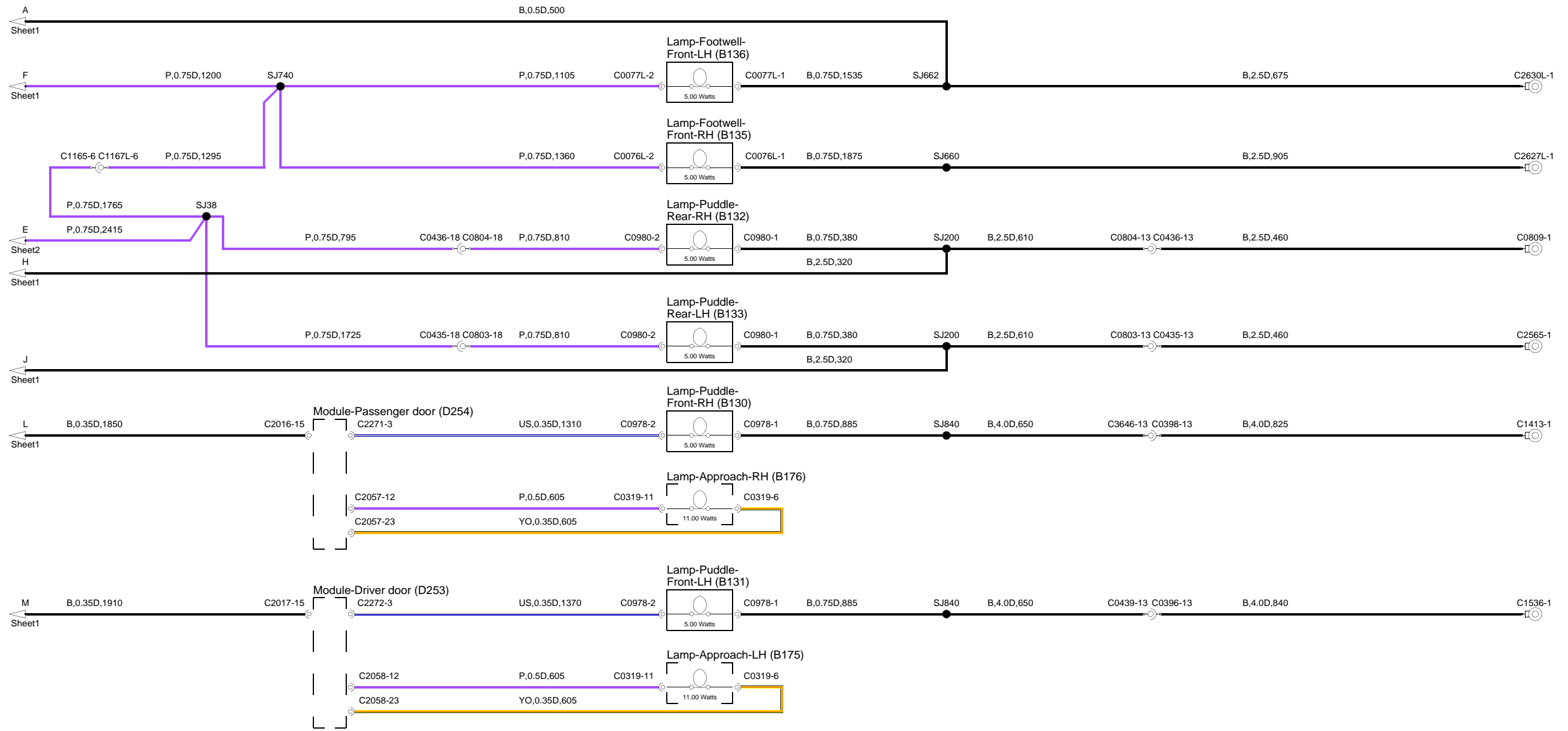


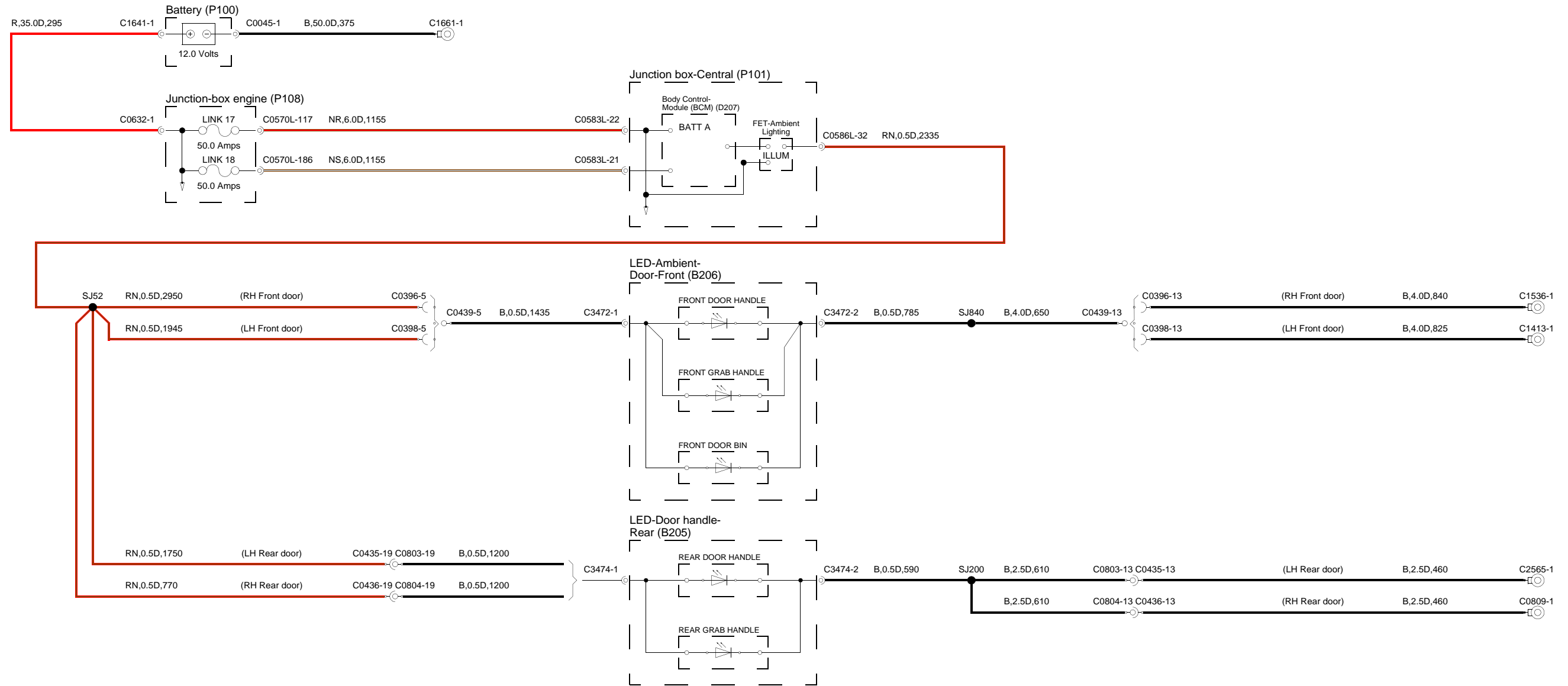


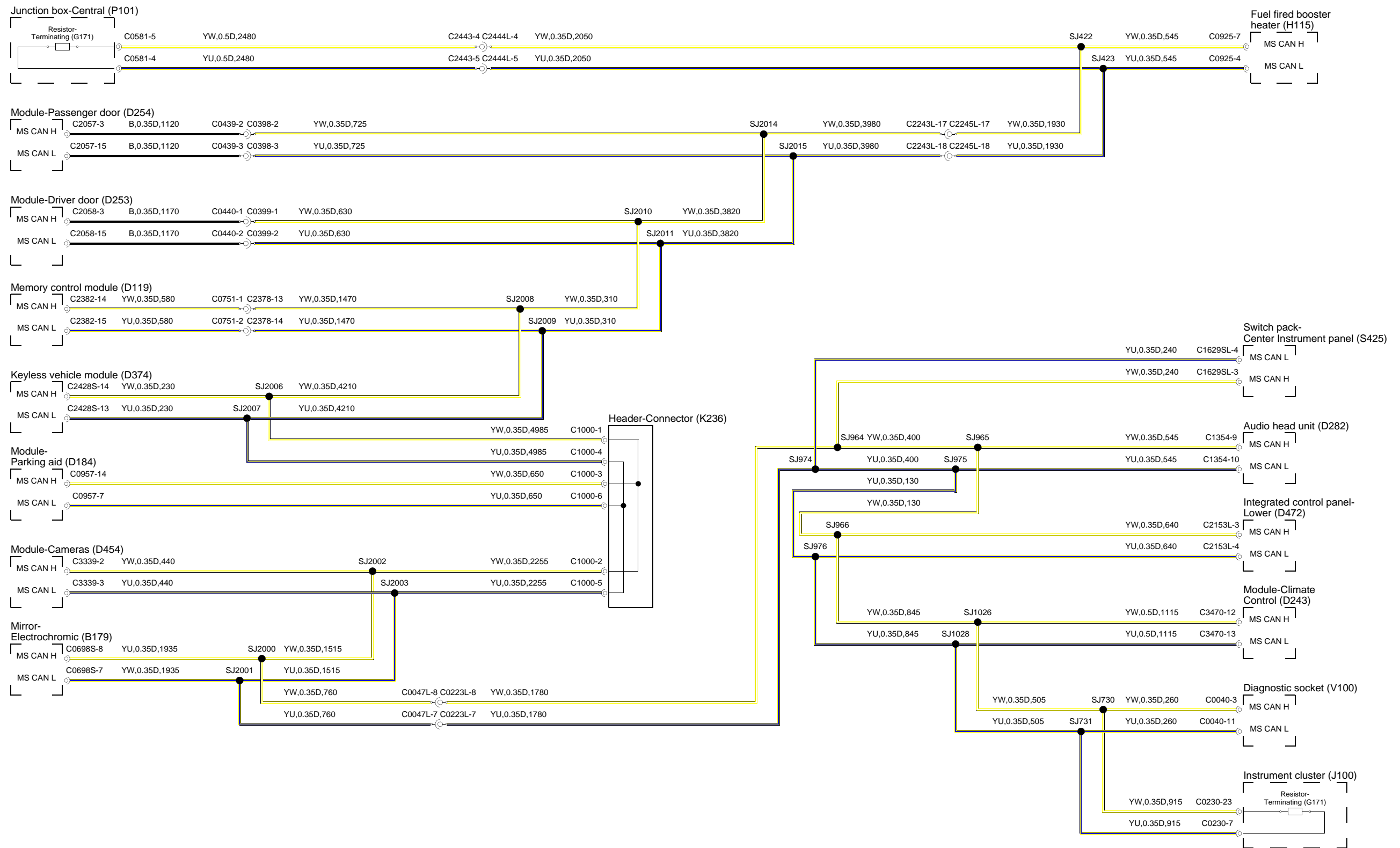


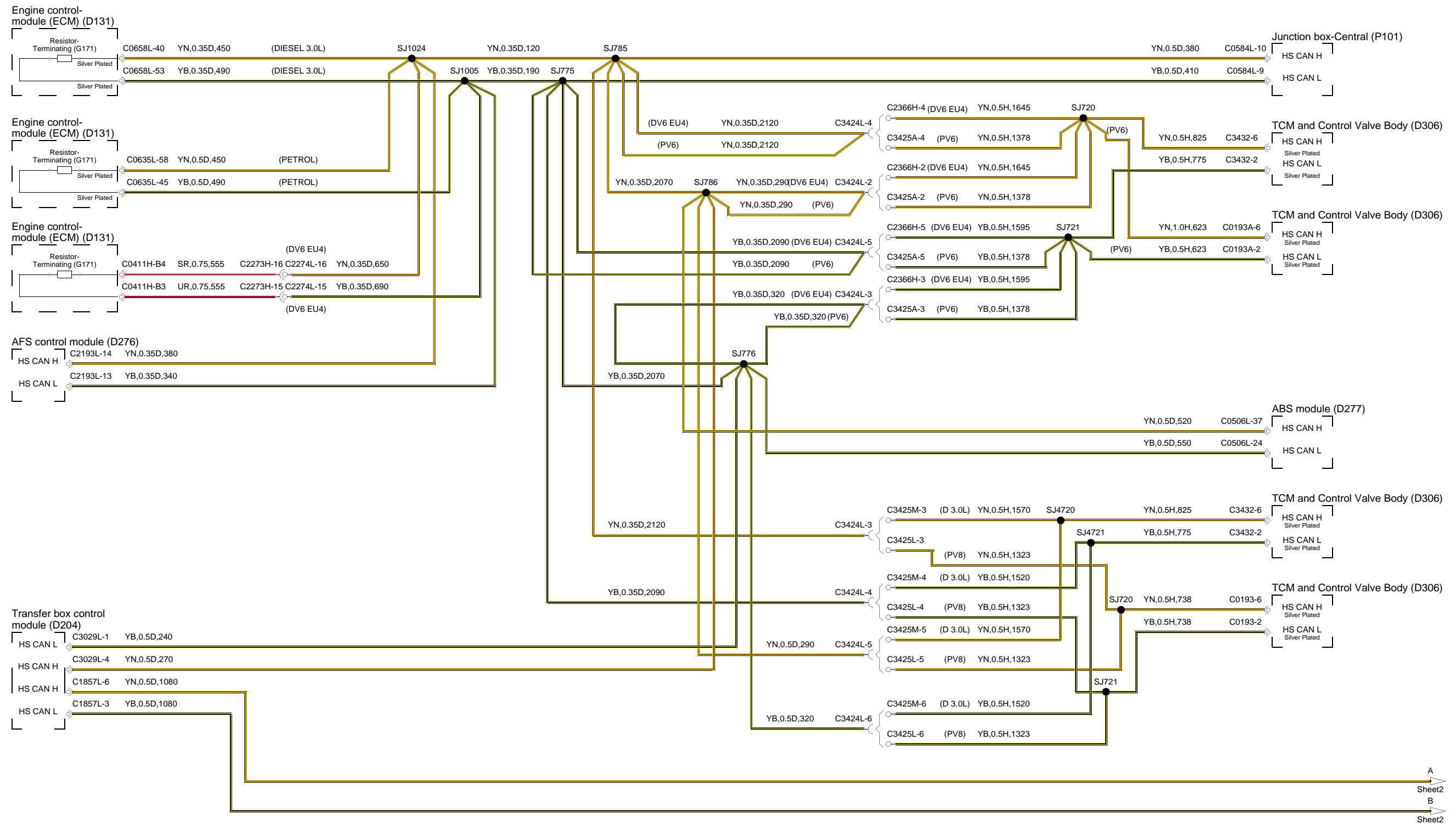




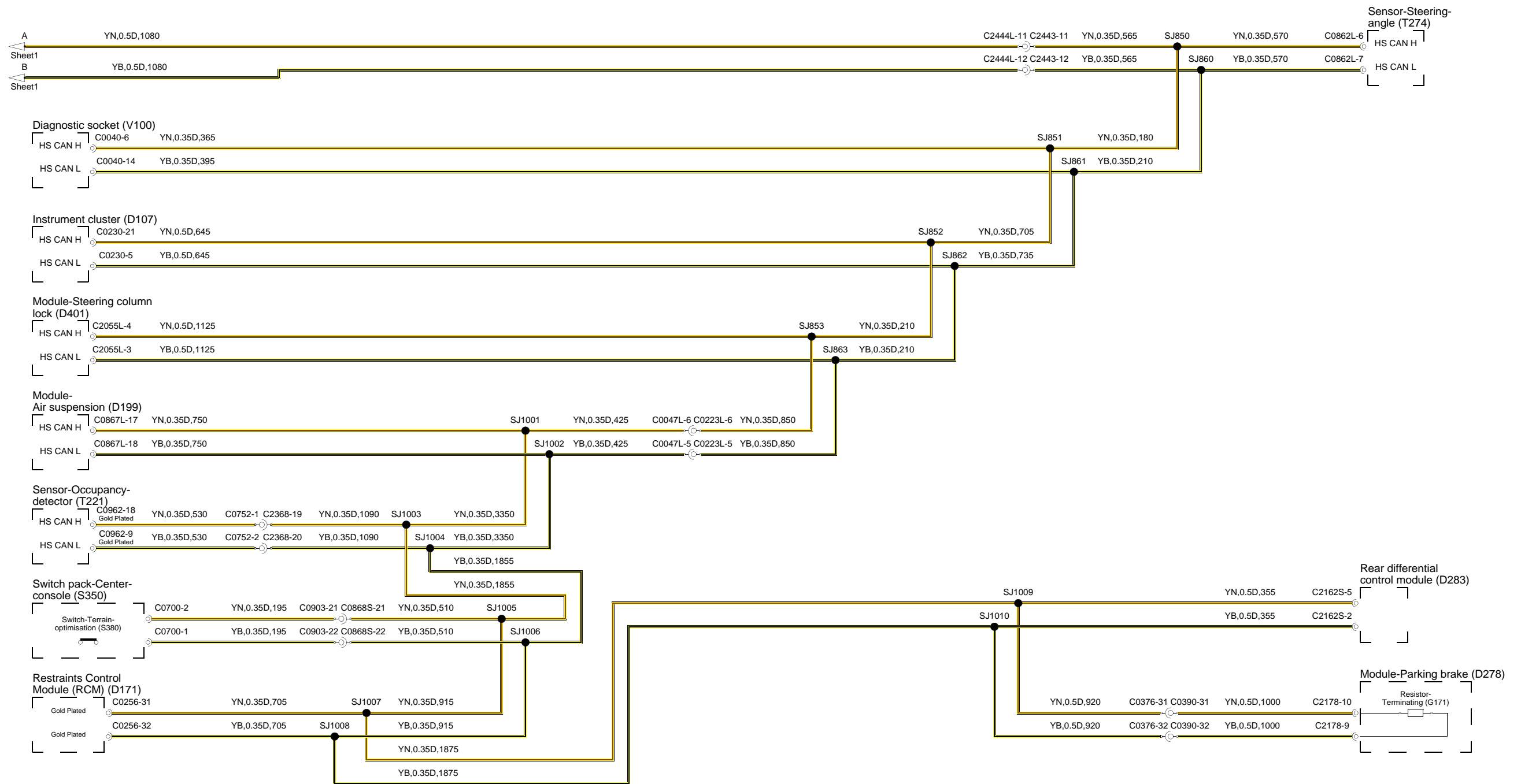


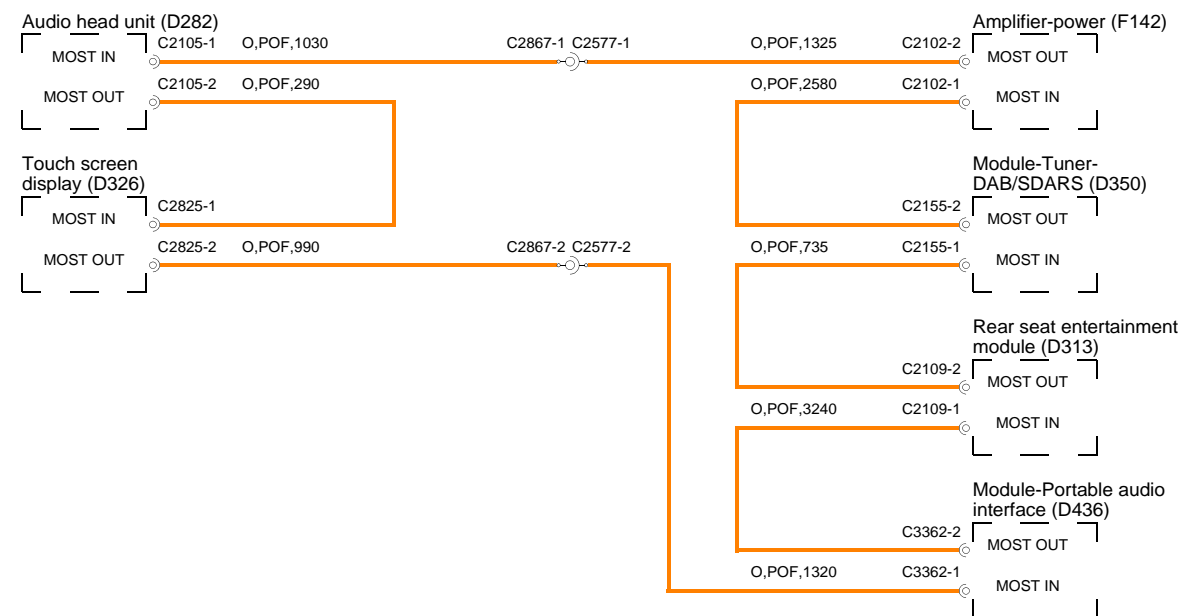
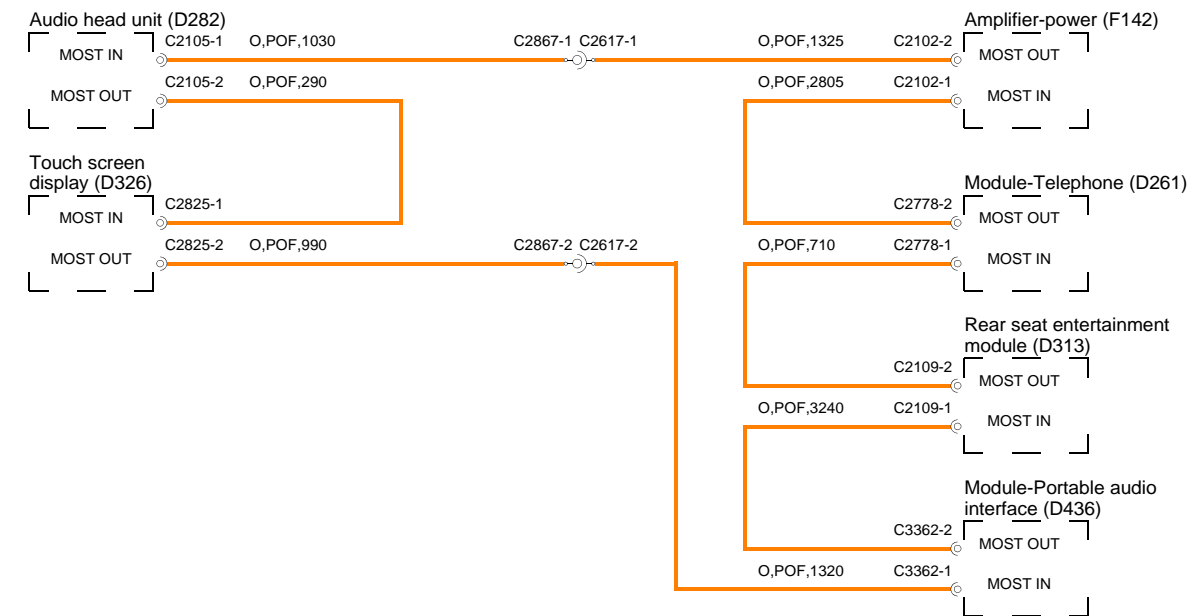
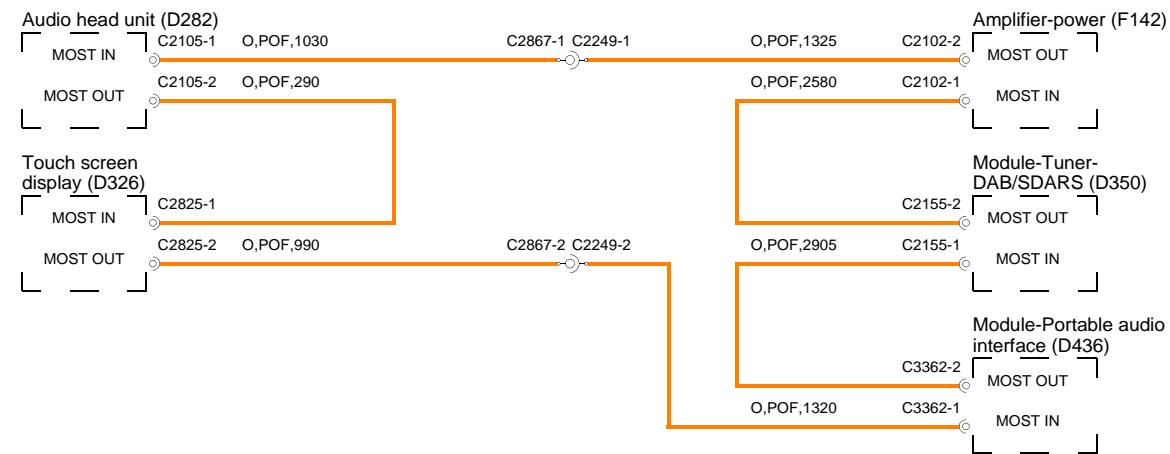
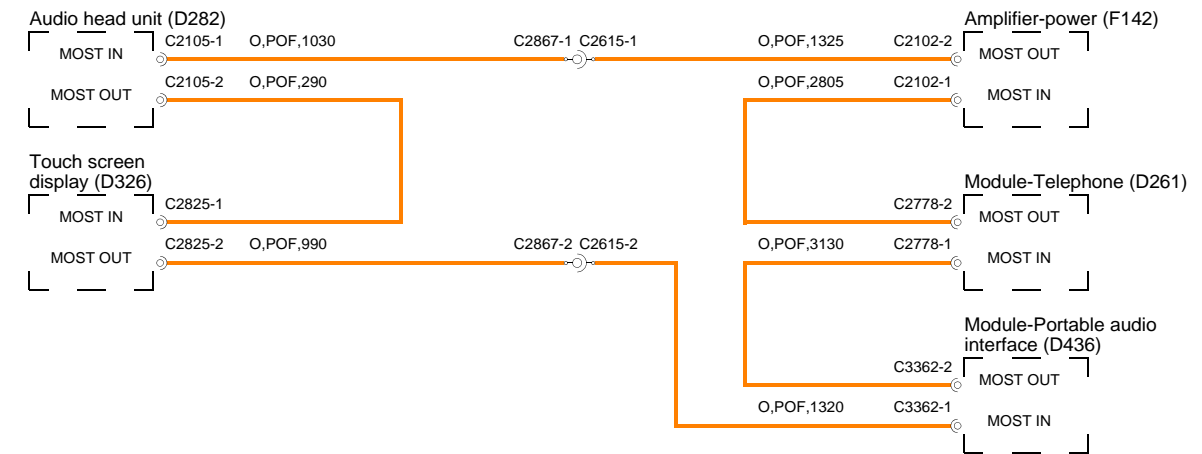
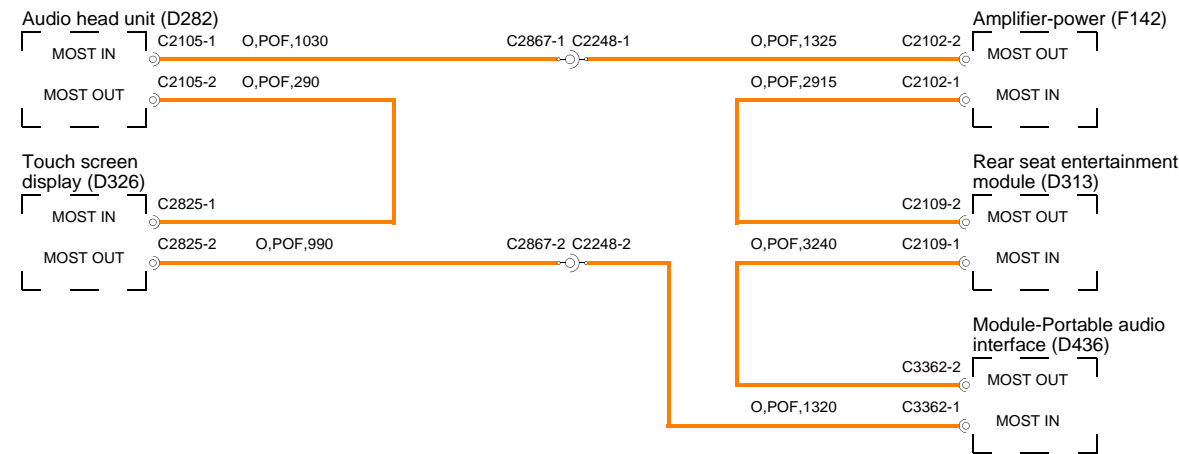


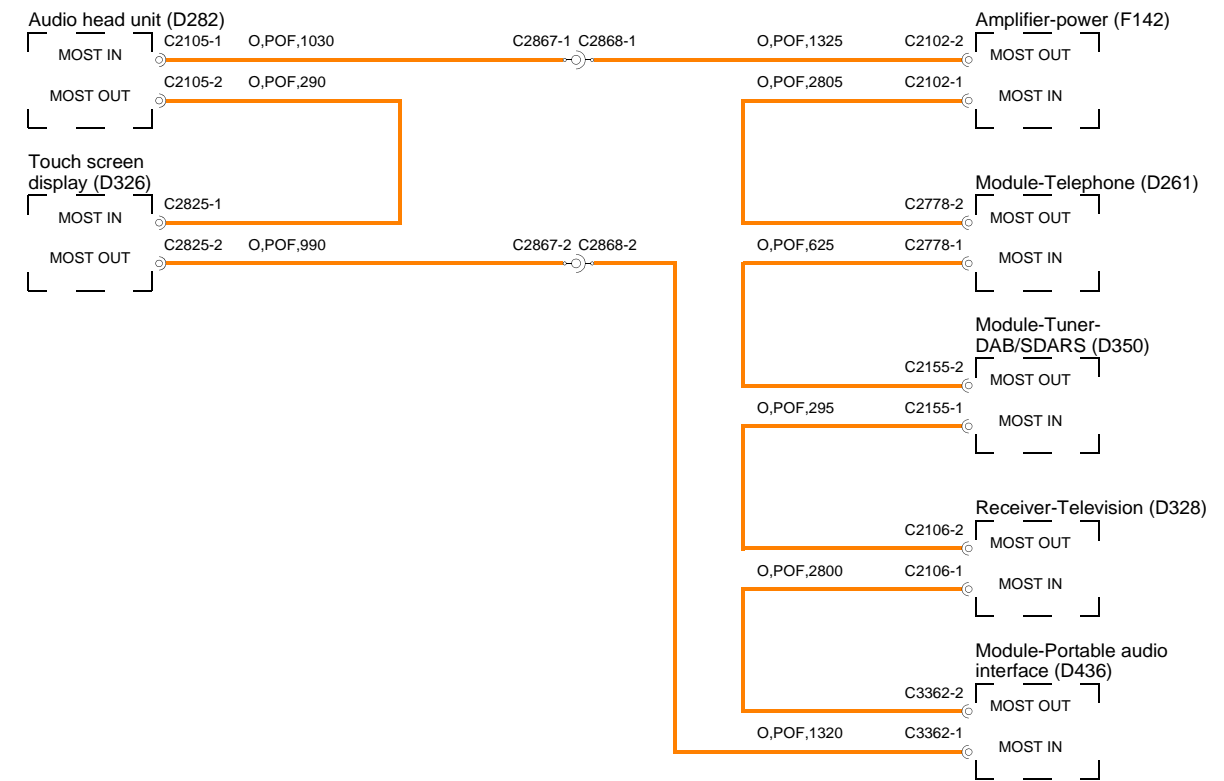
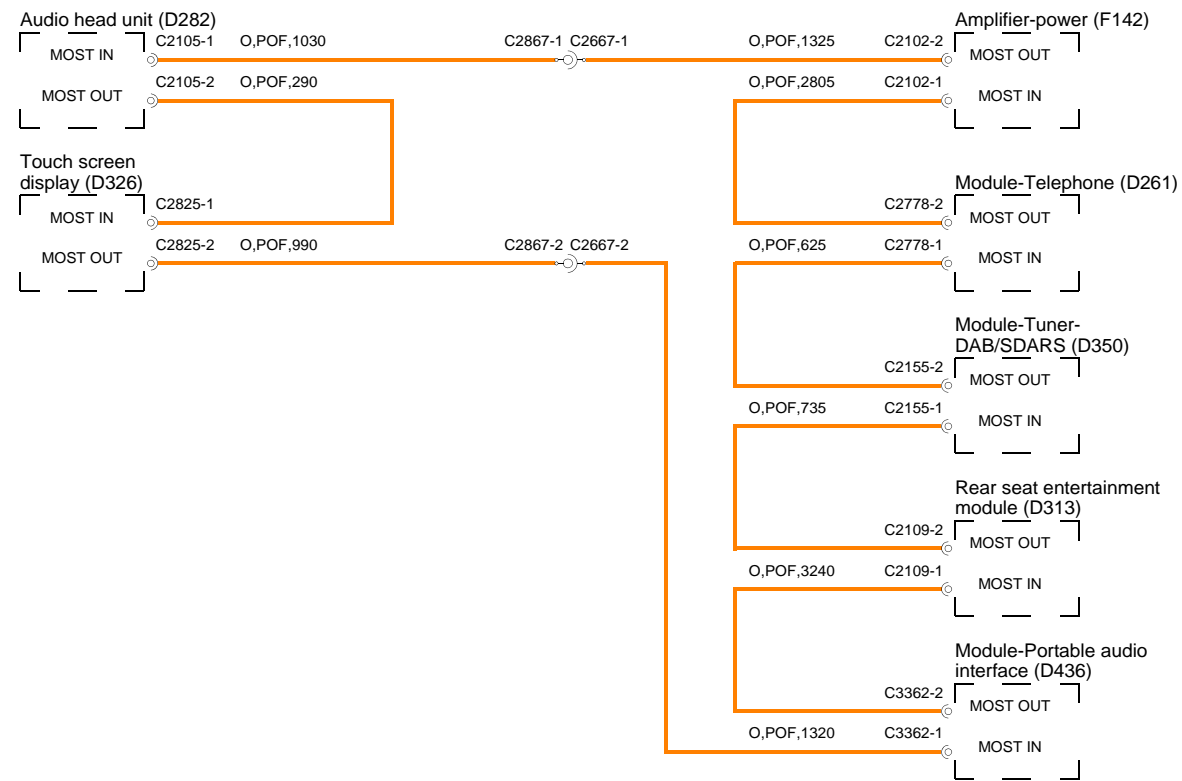
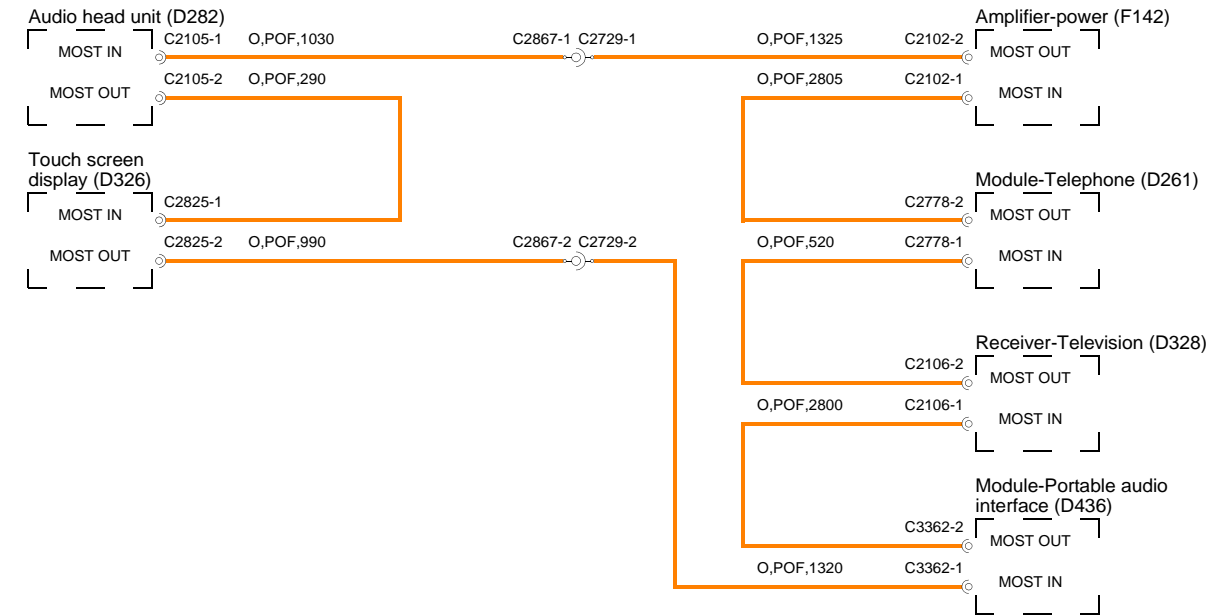
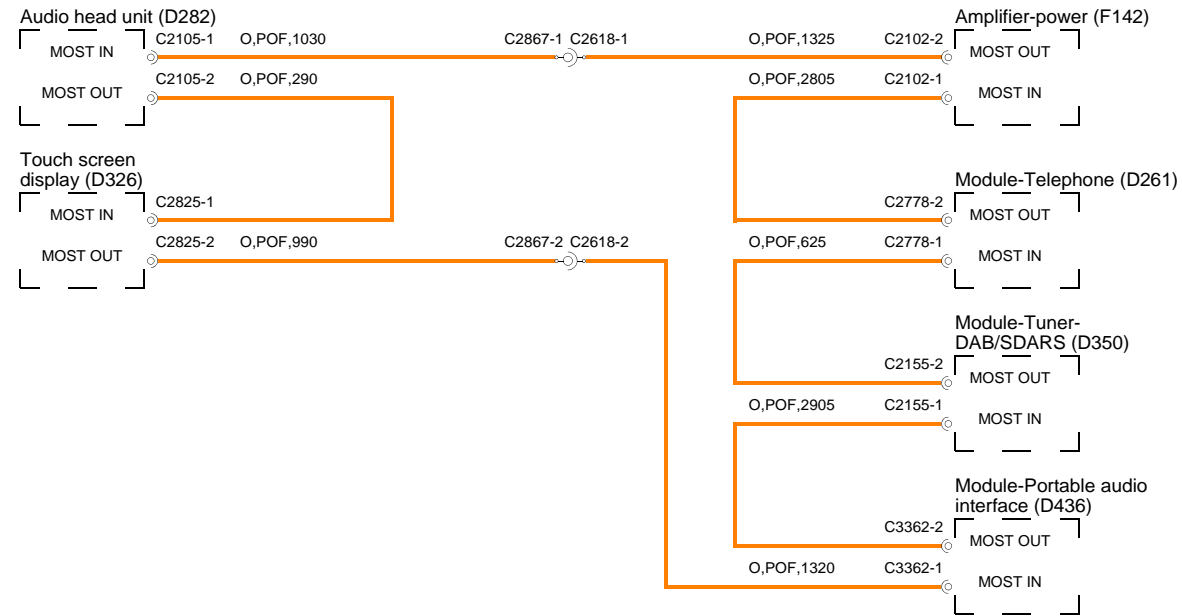


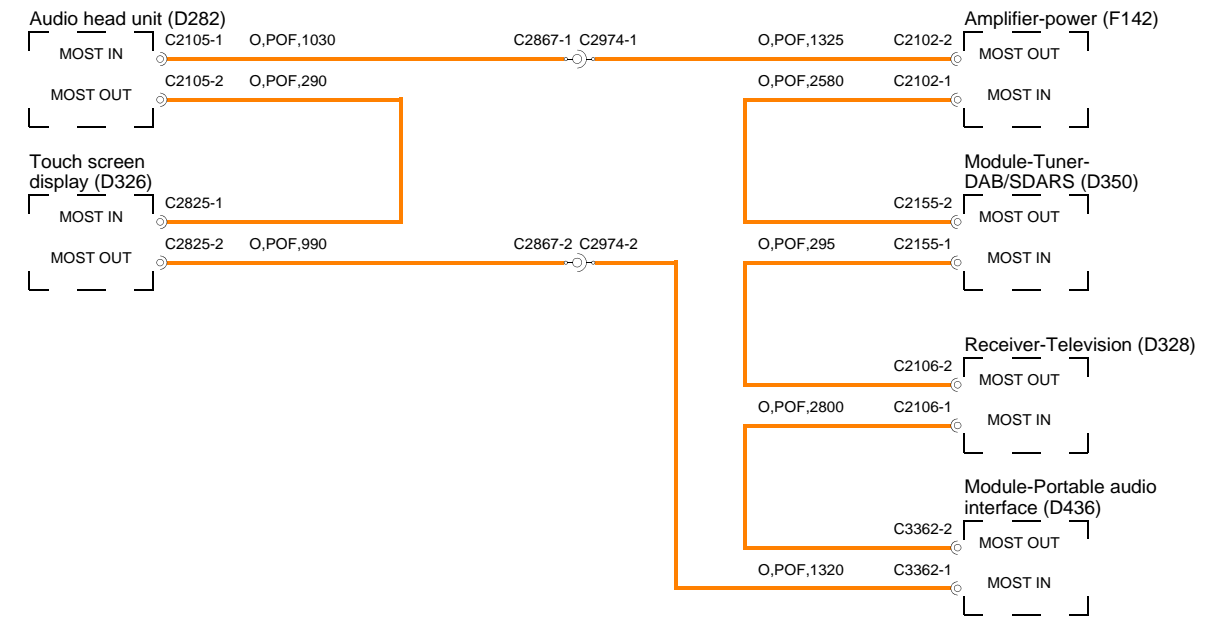
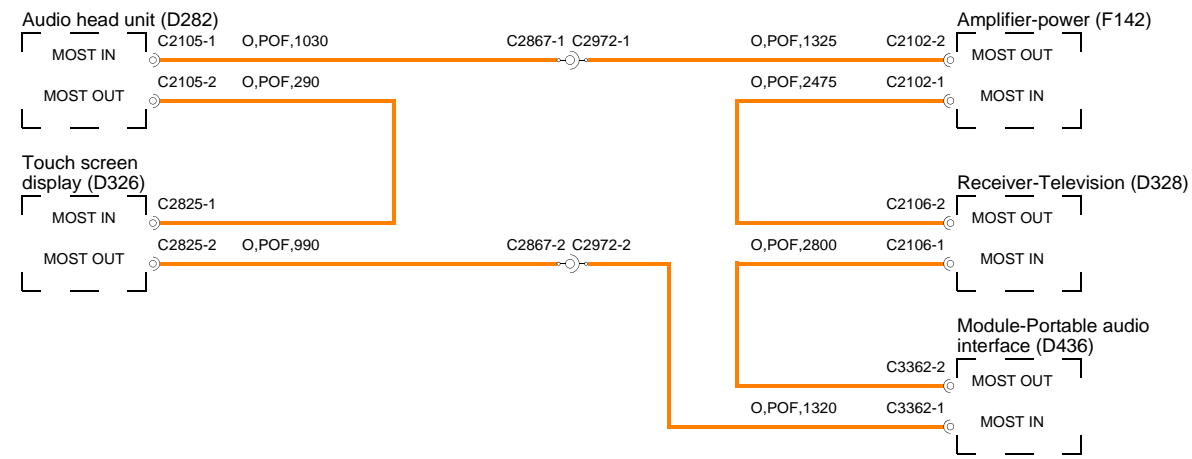
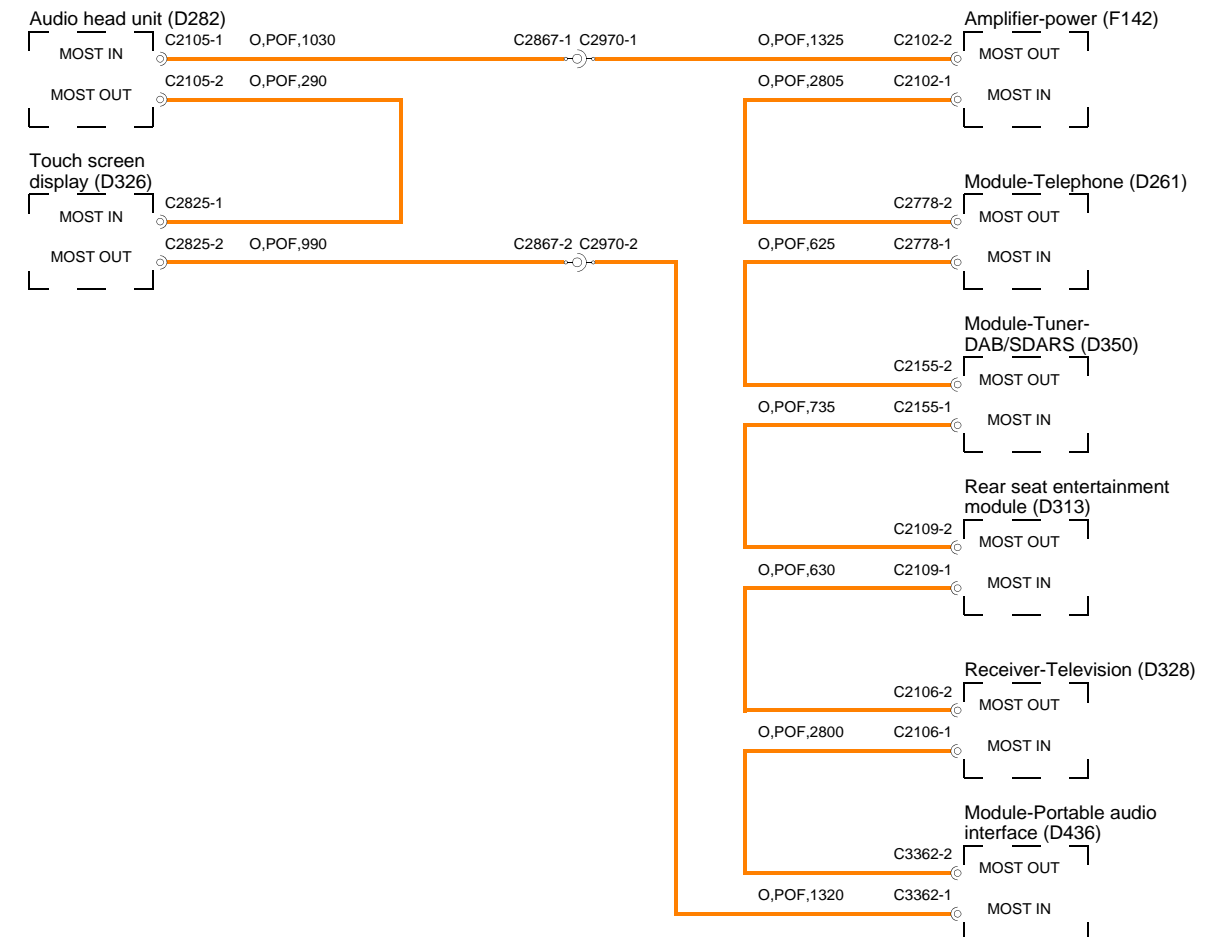
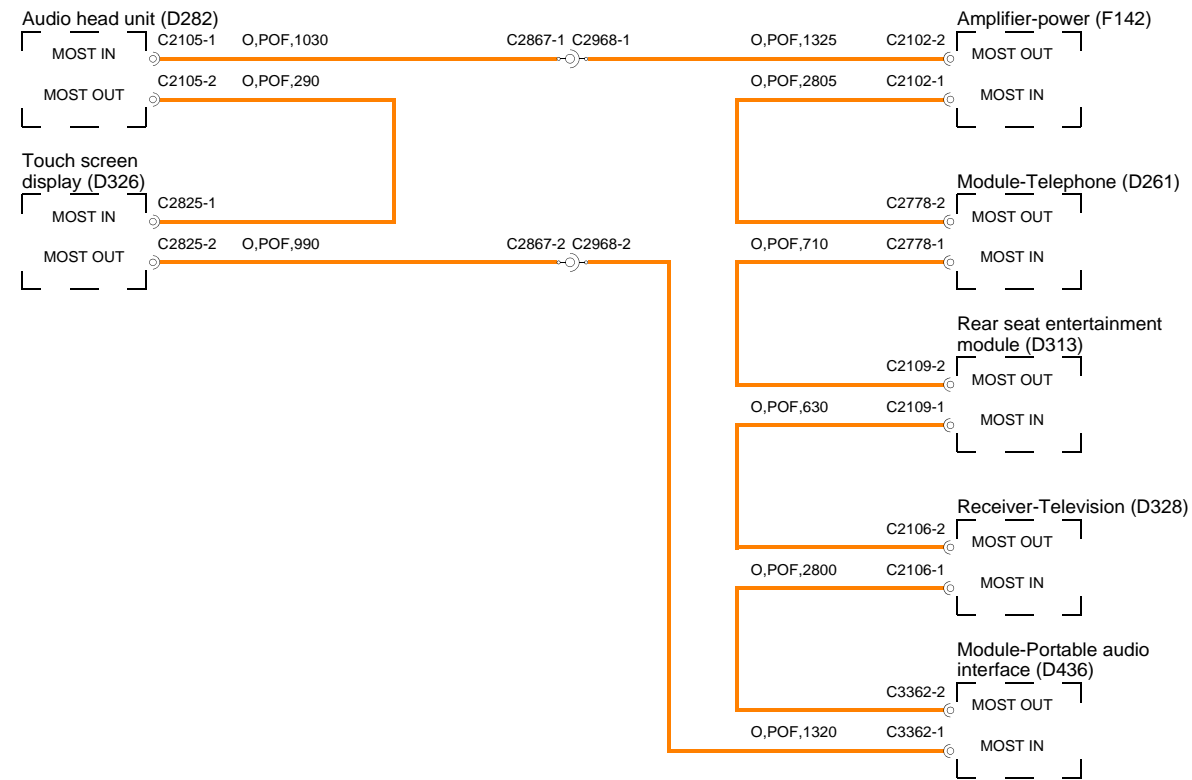


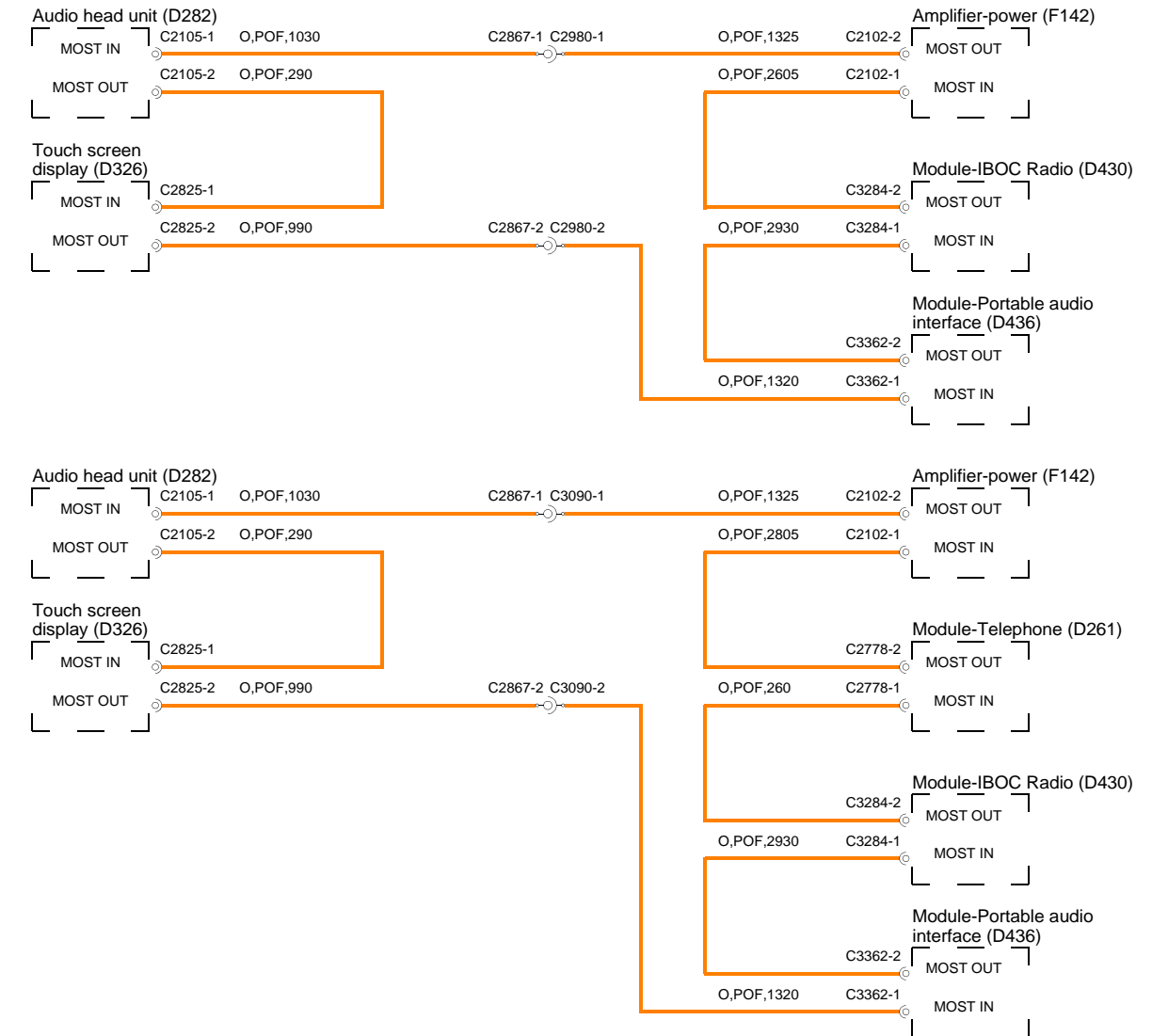
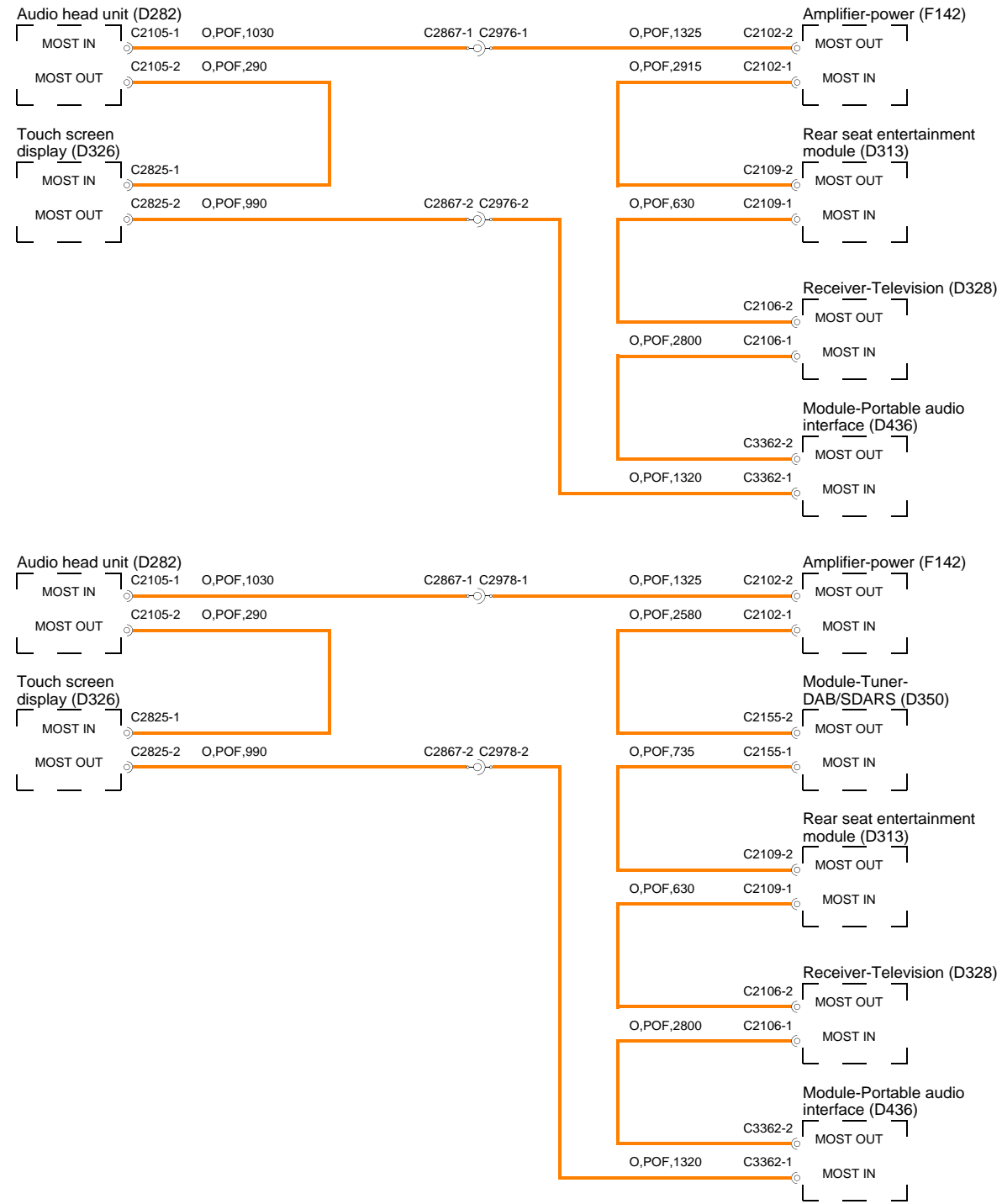
A
Sheet2
B
Sheet2

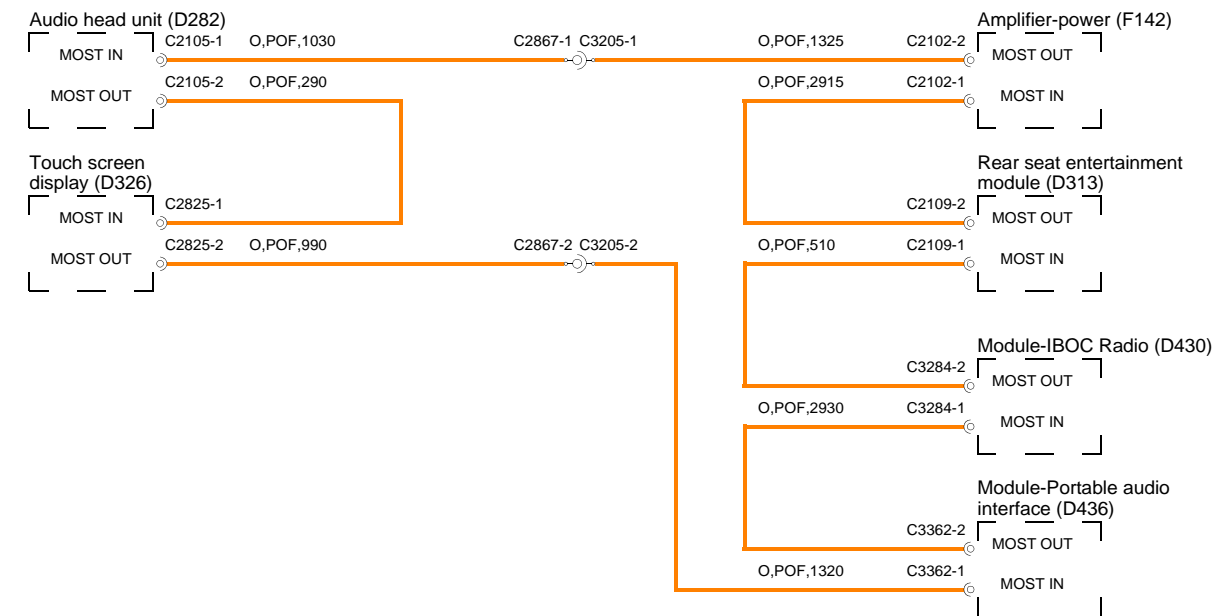
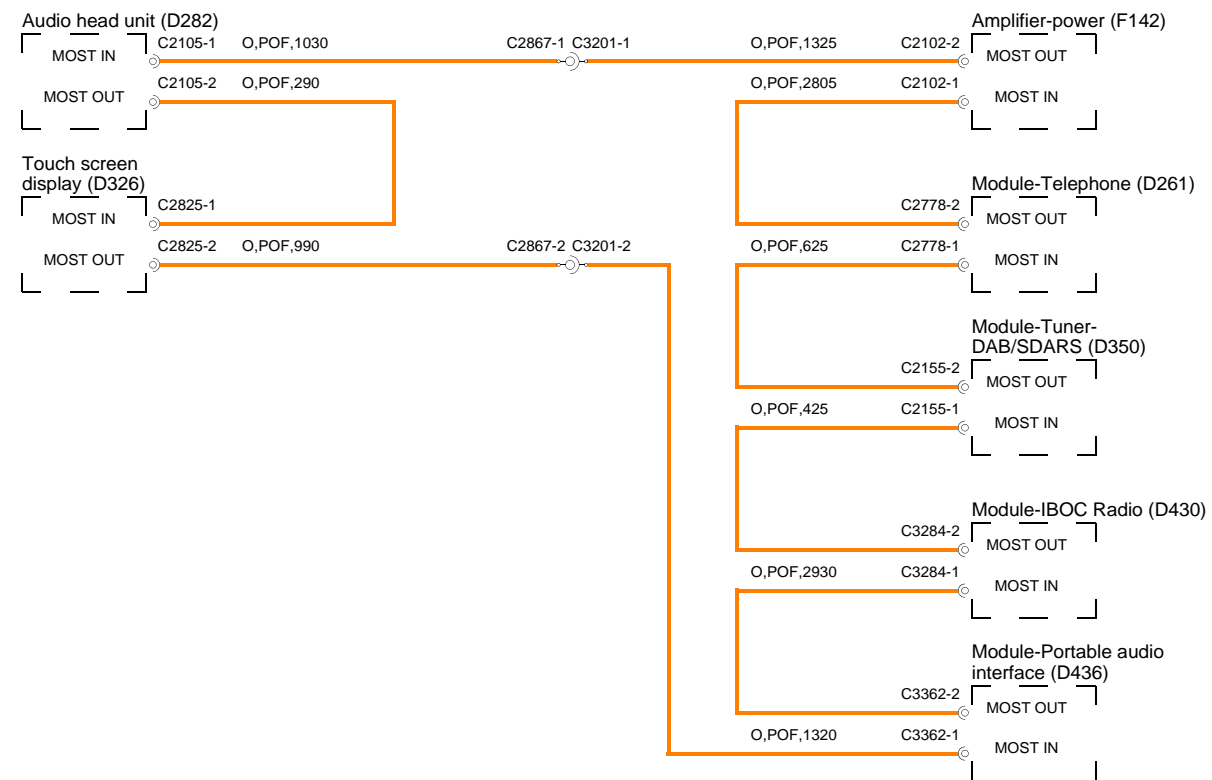
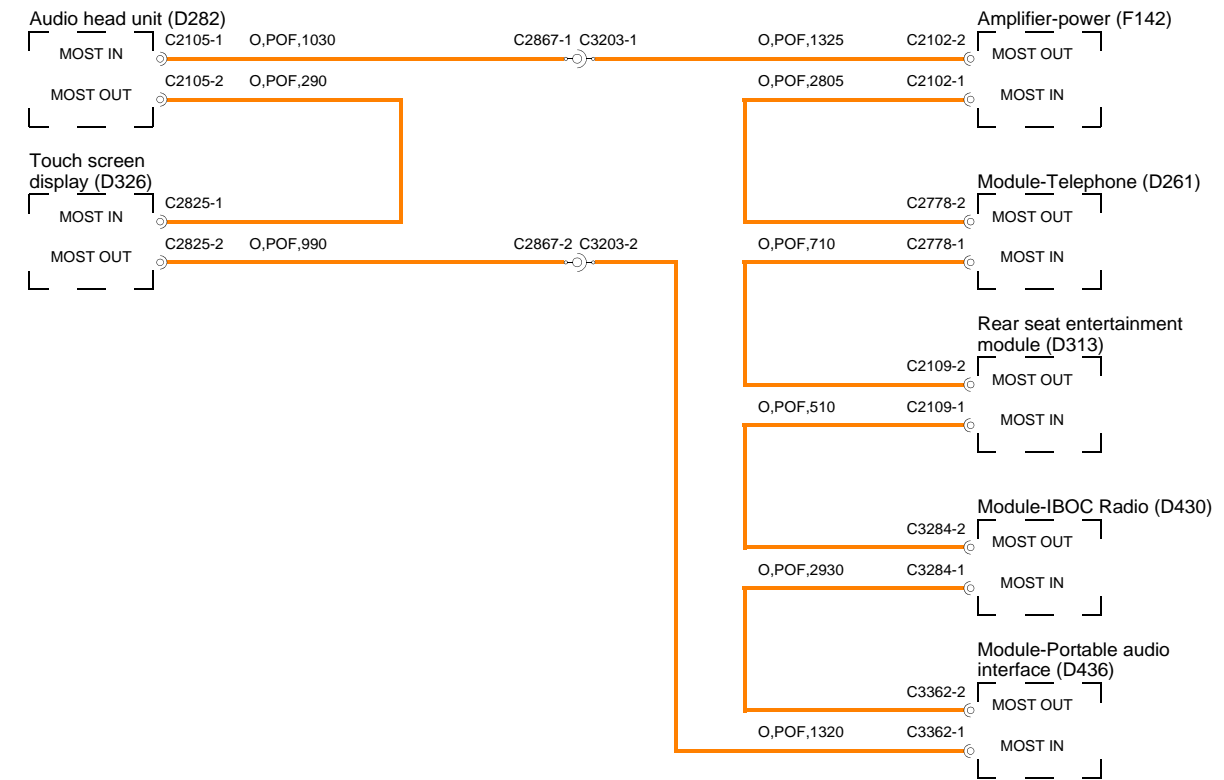
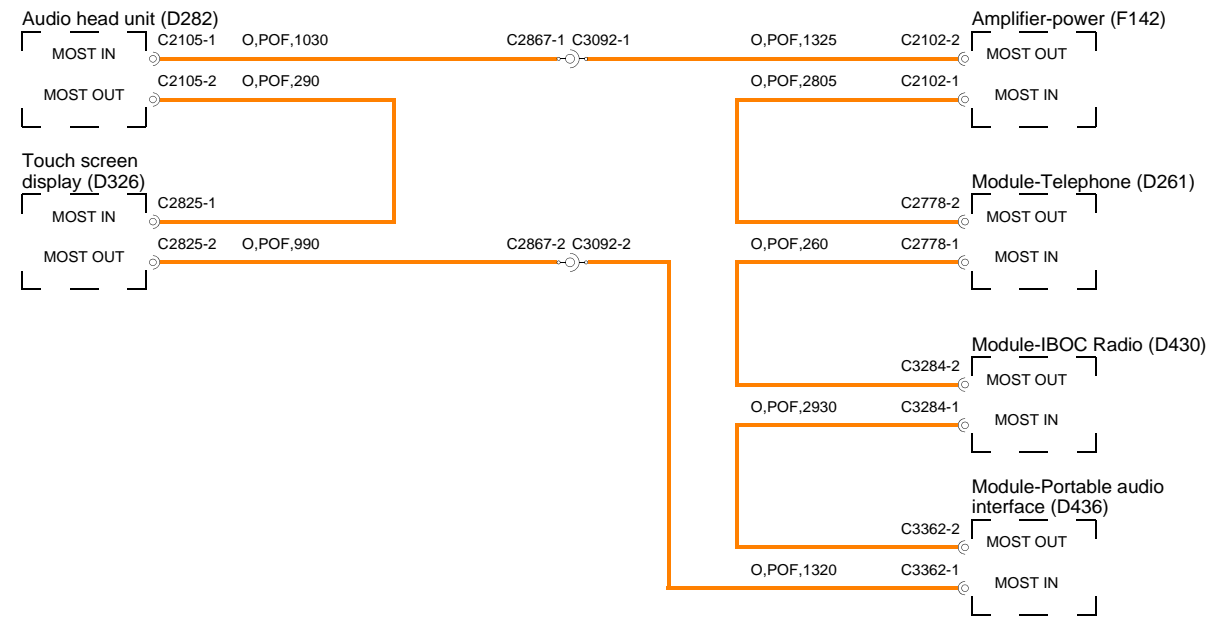


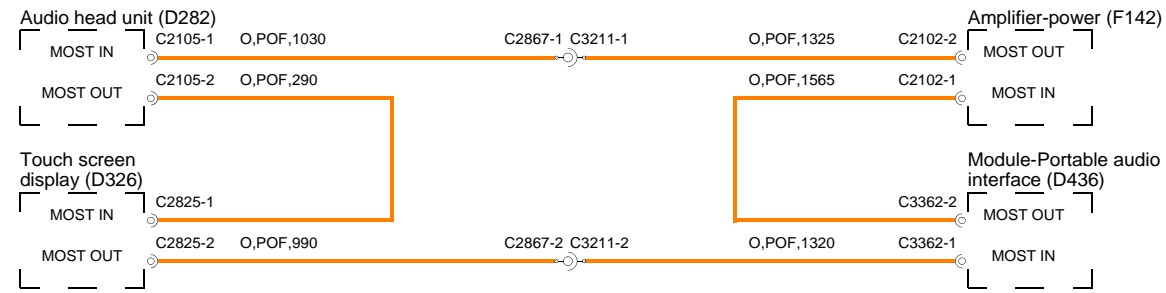
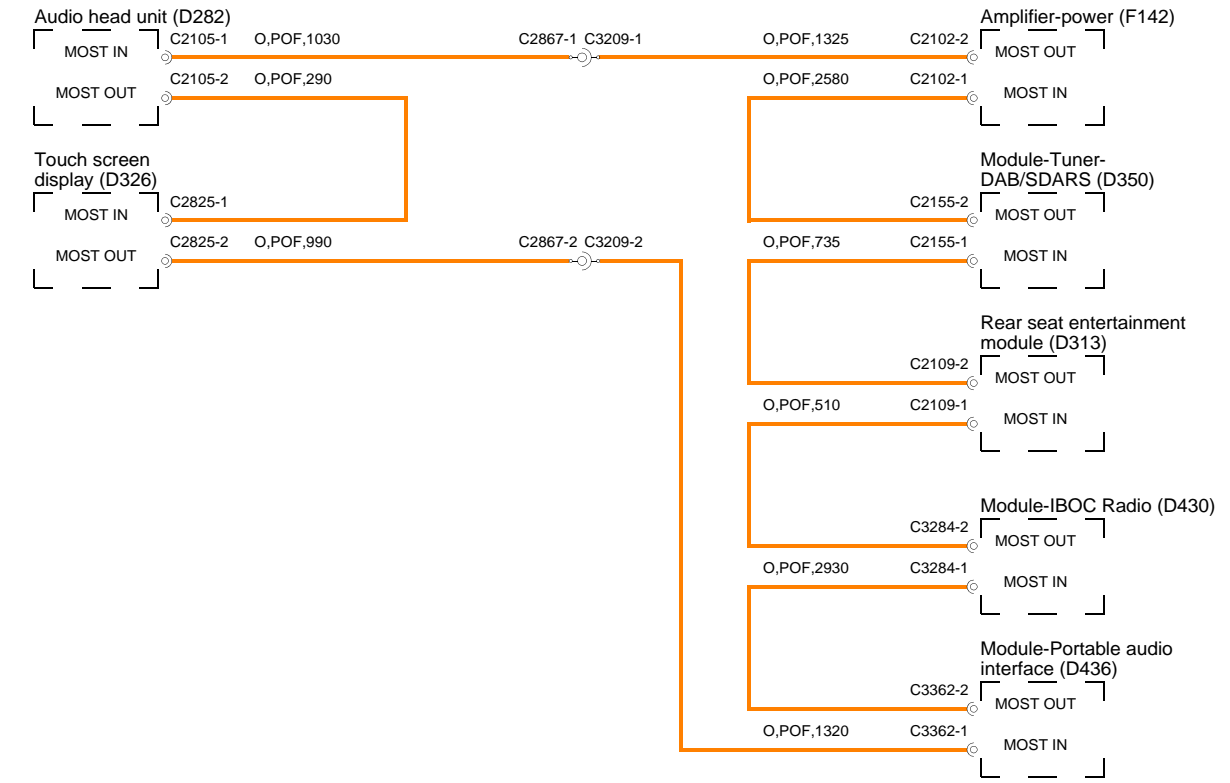
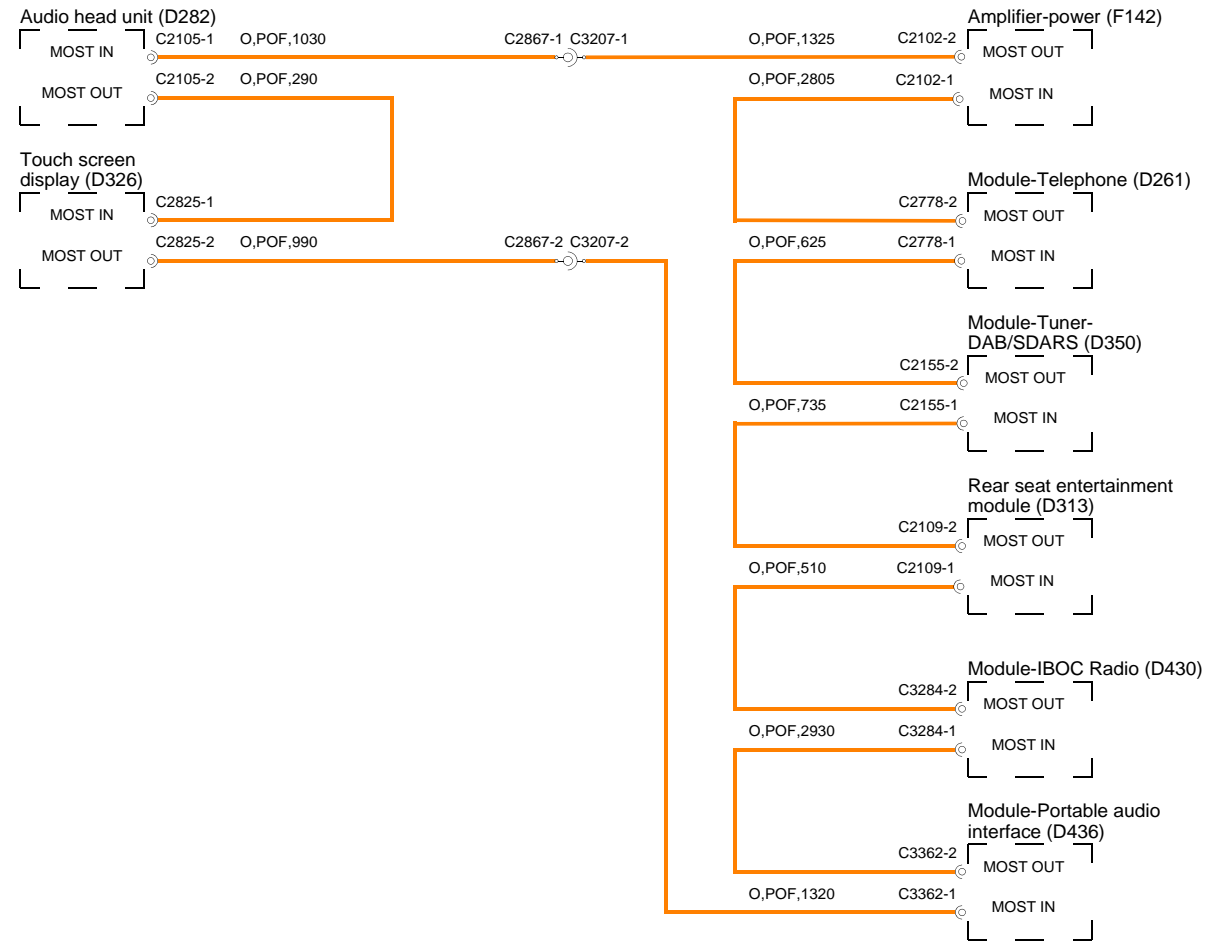


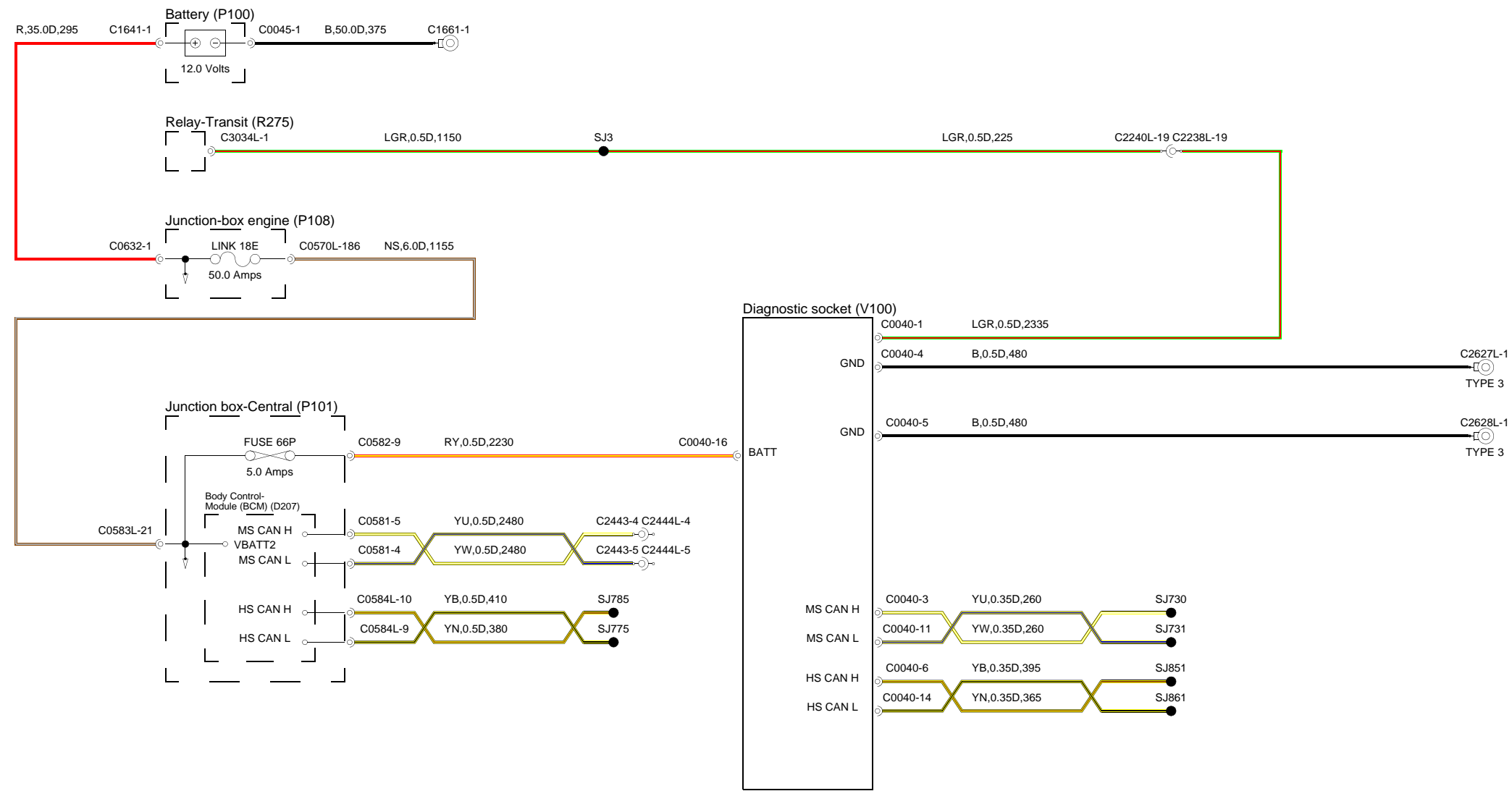


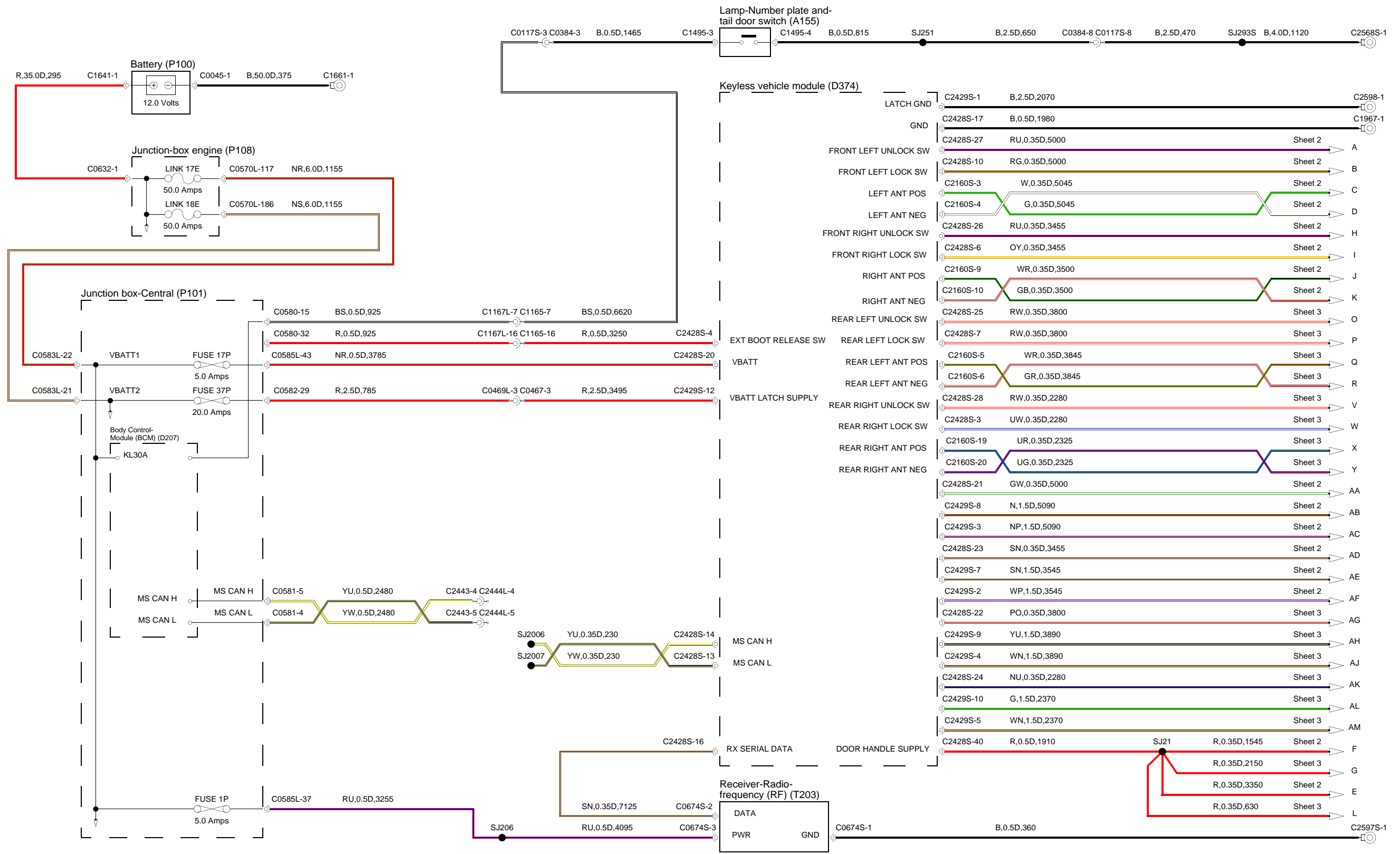


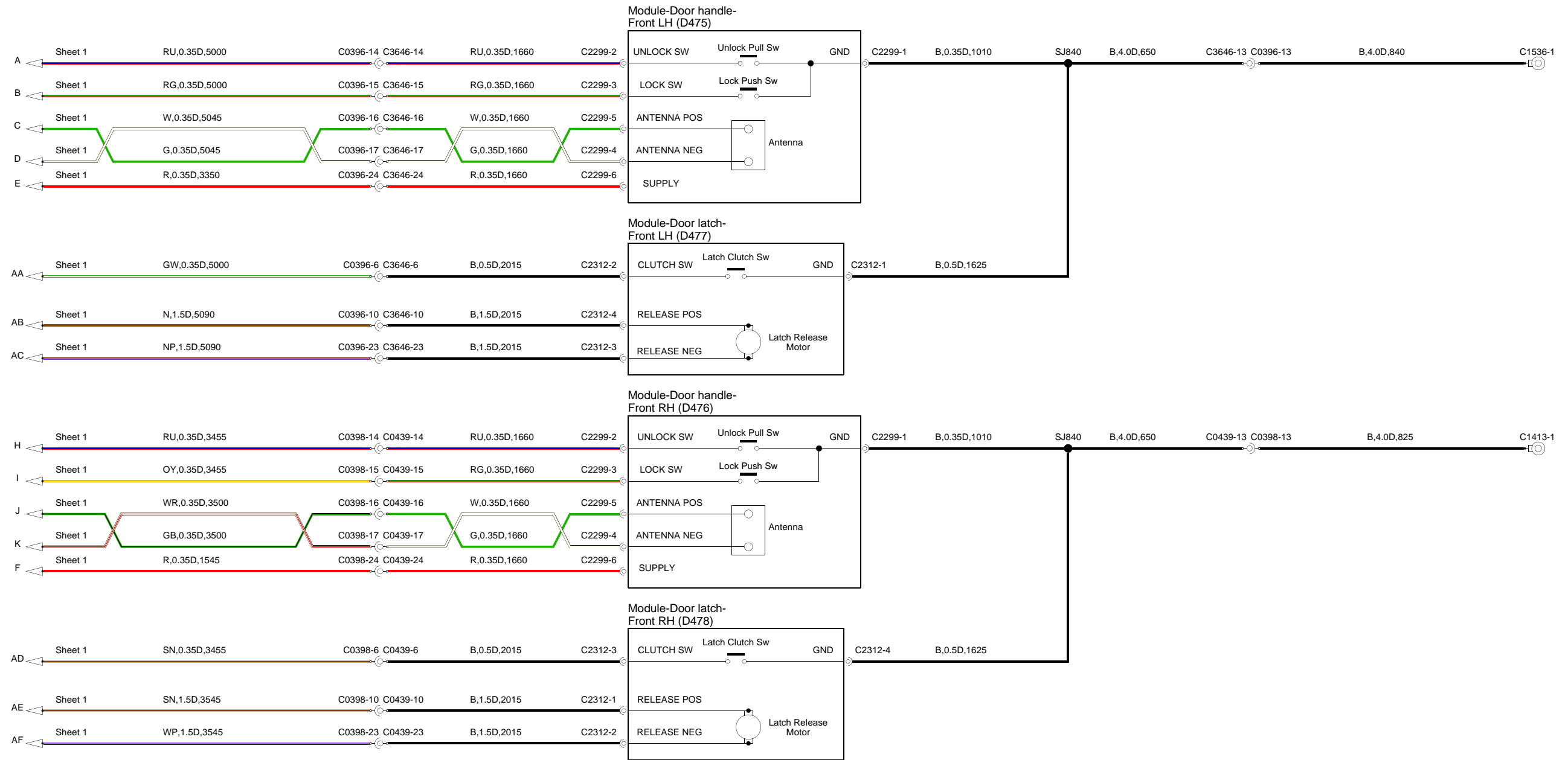


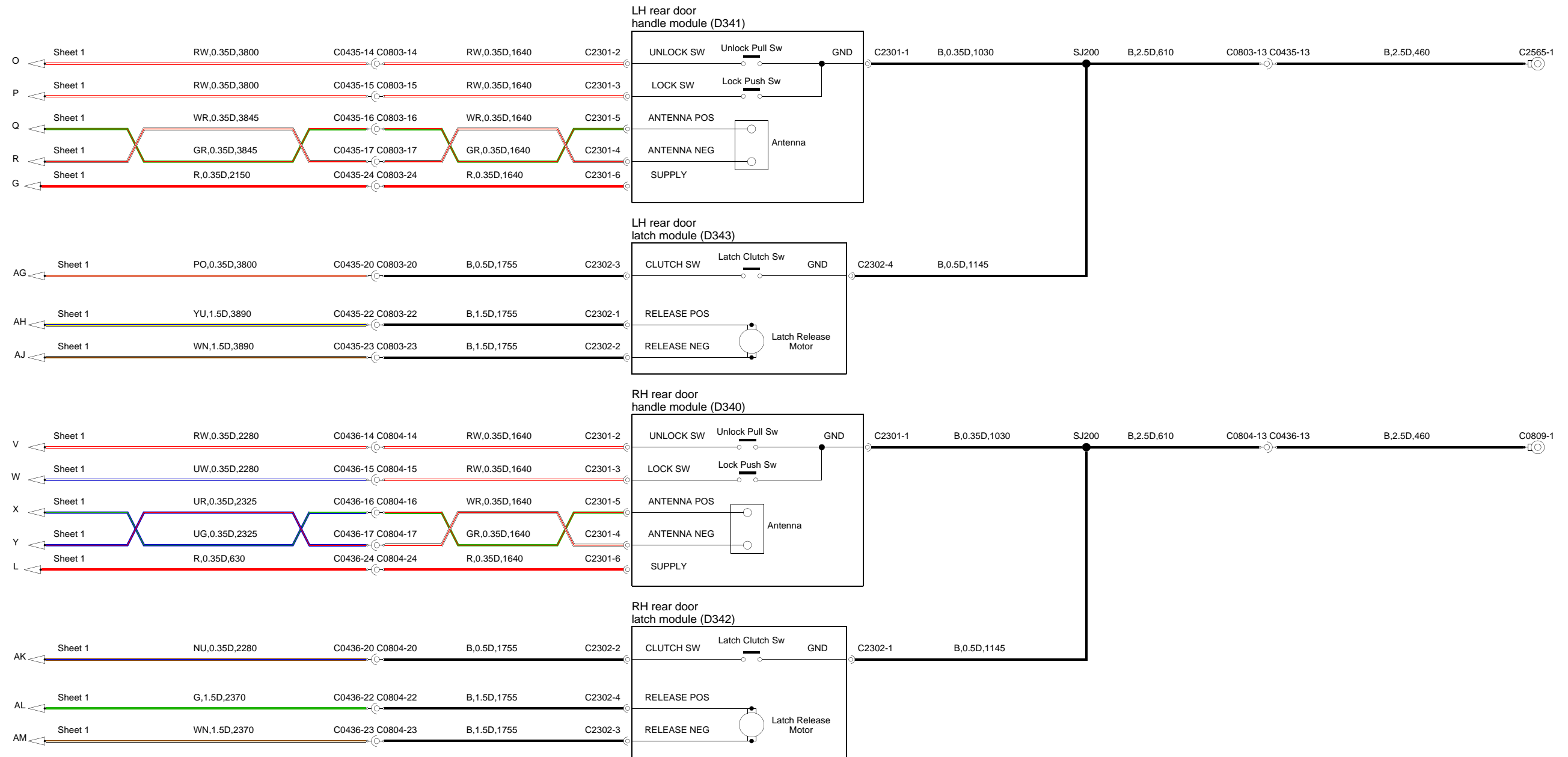


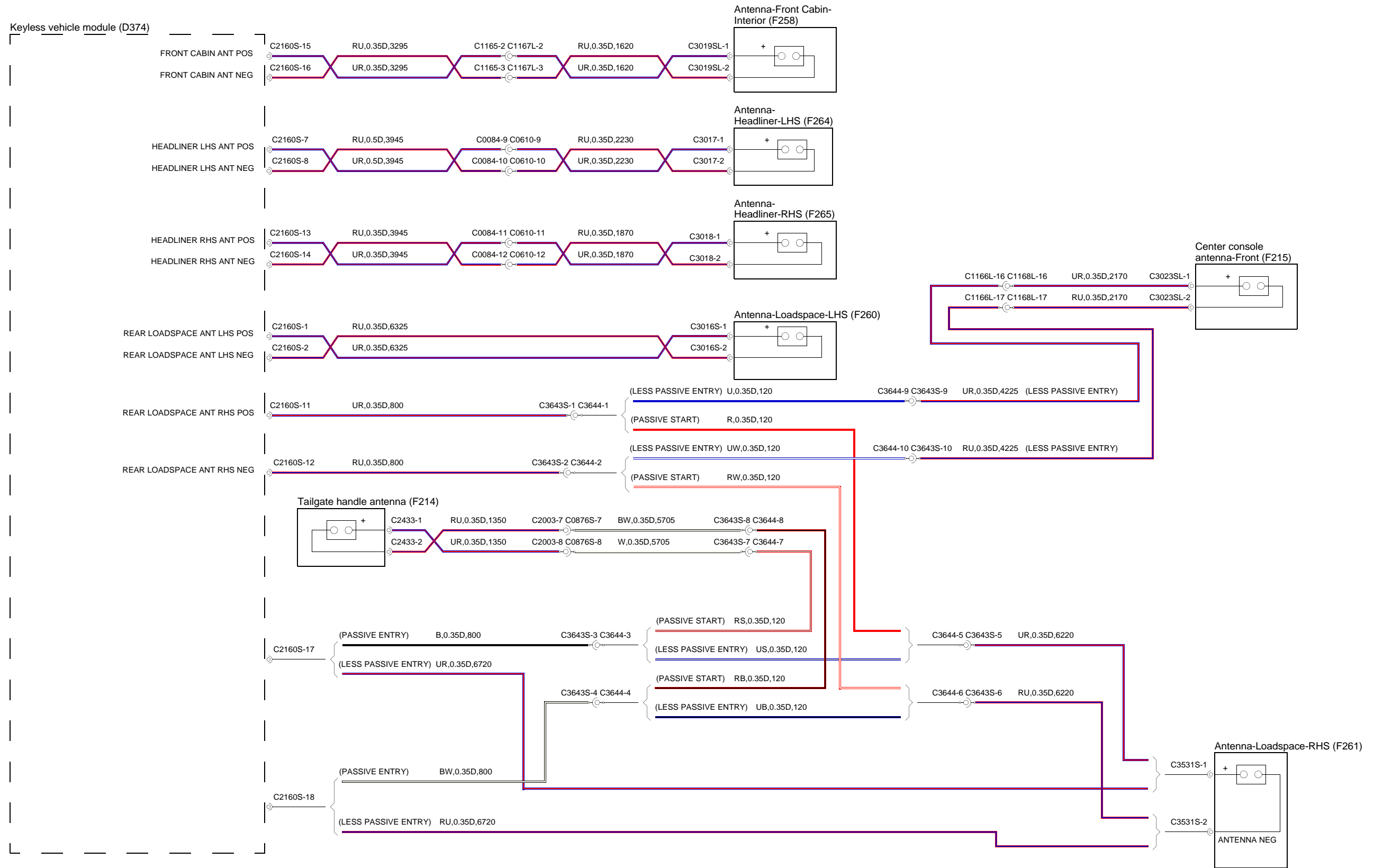


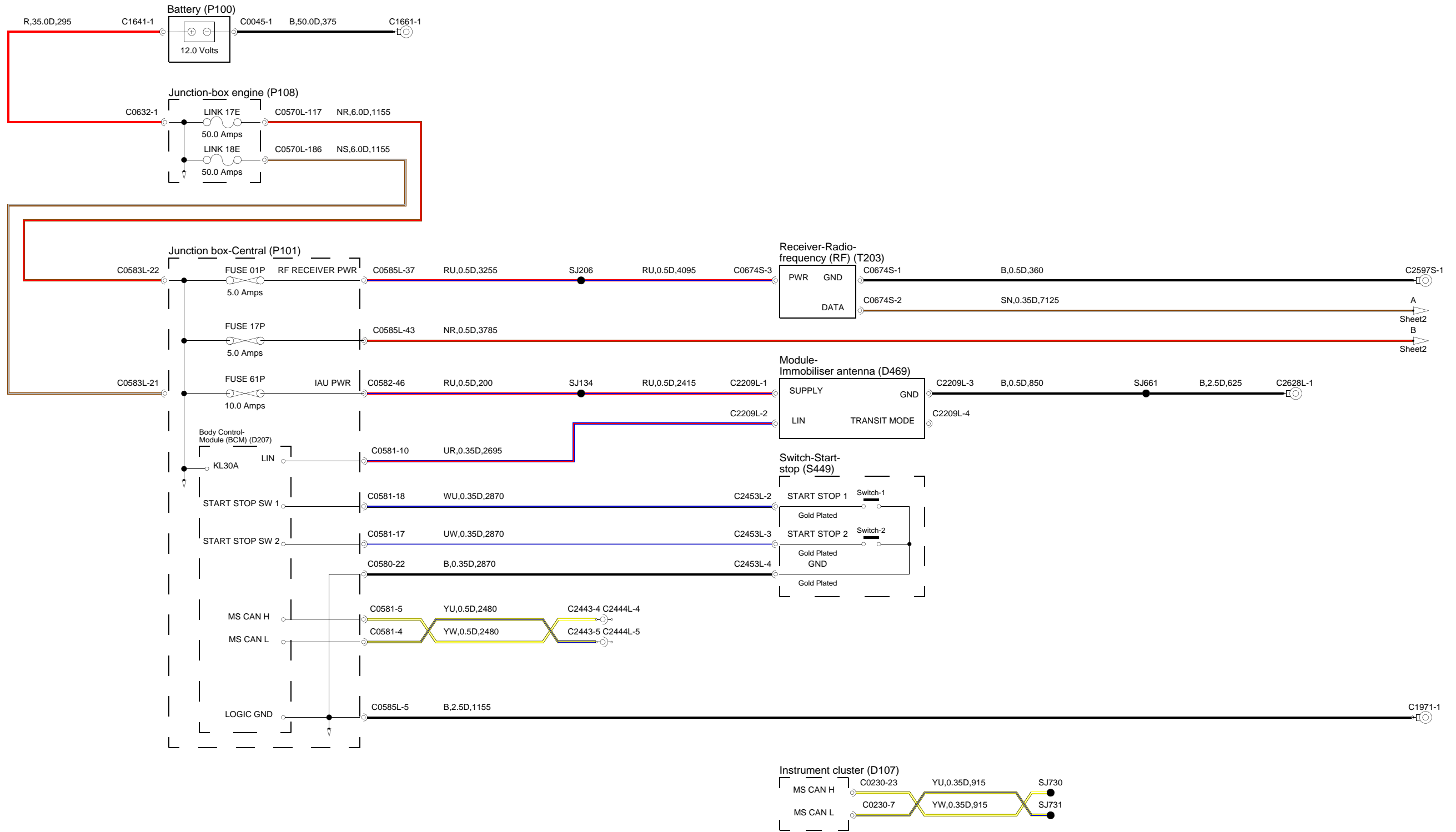


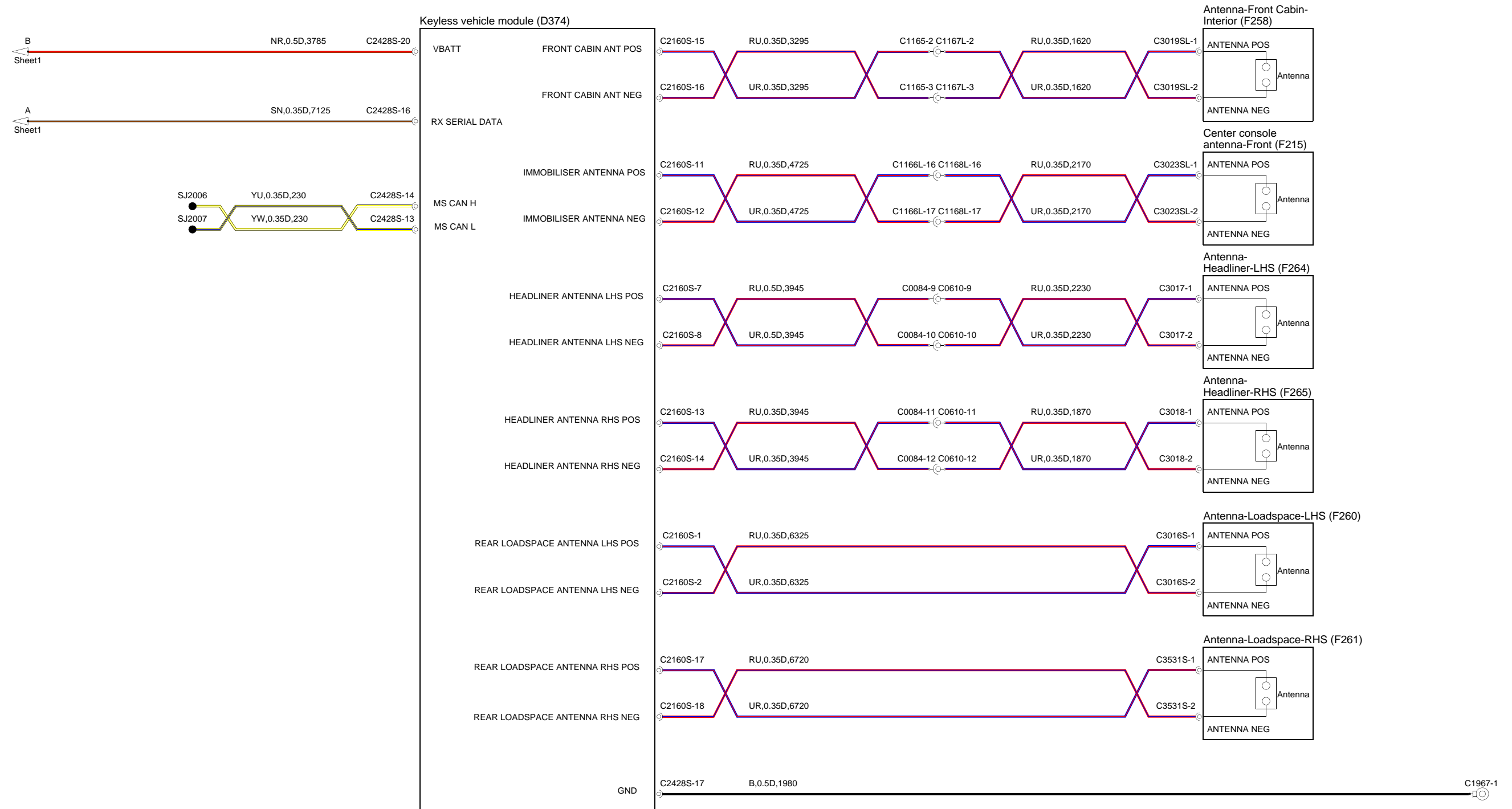


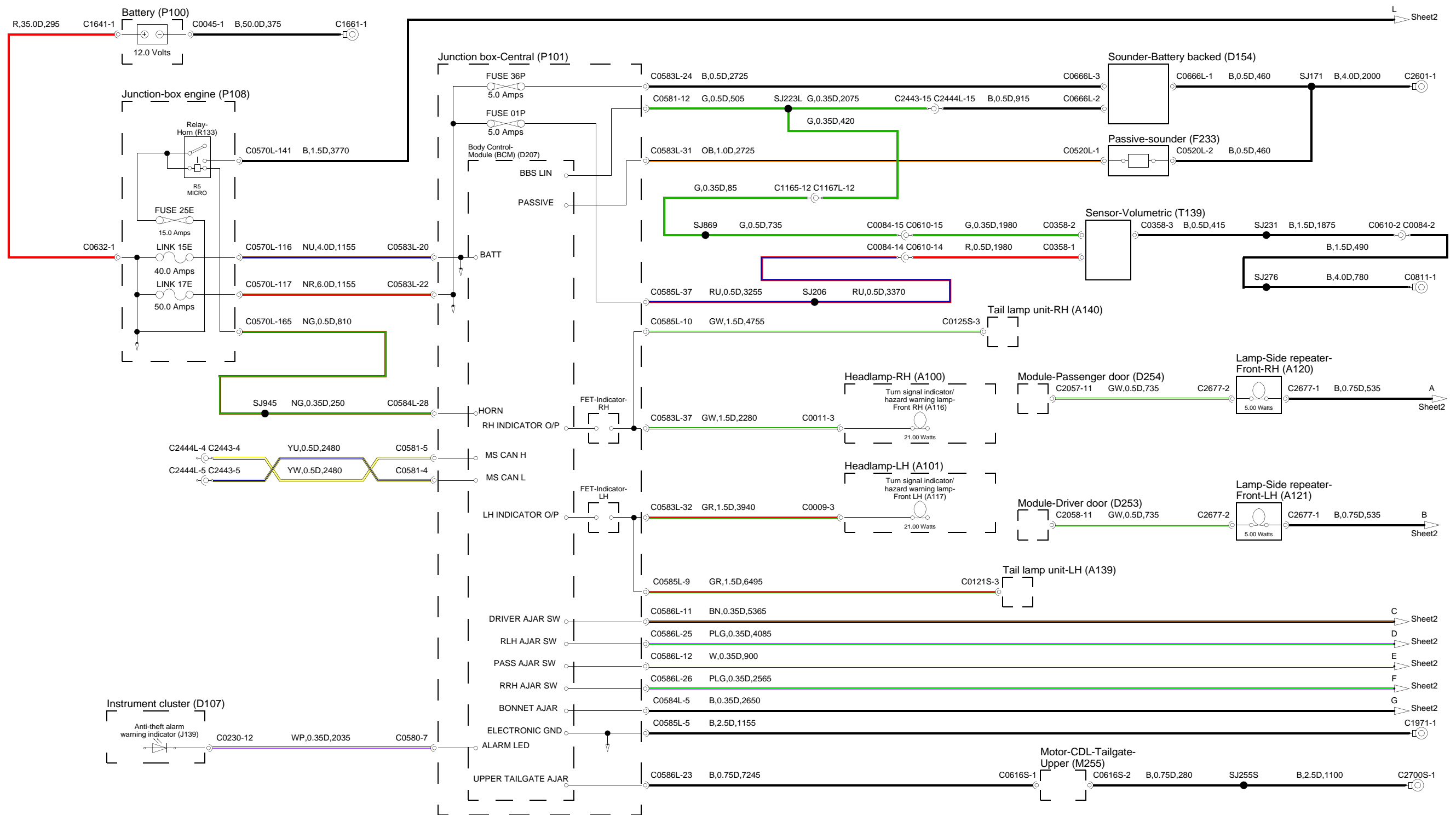


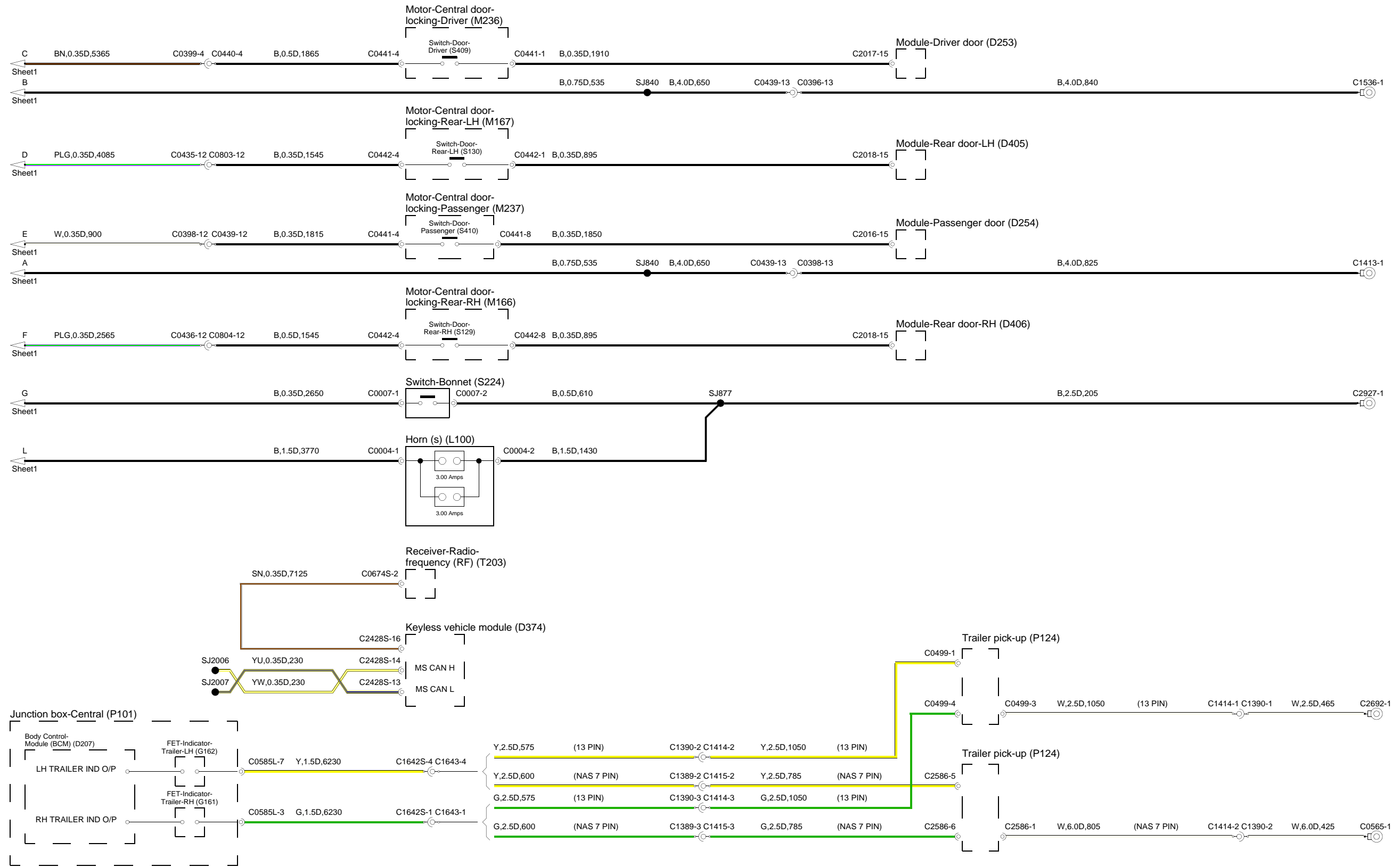


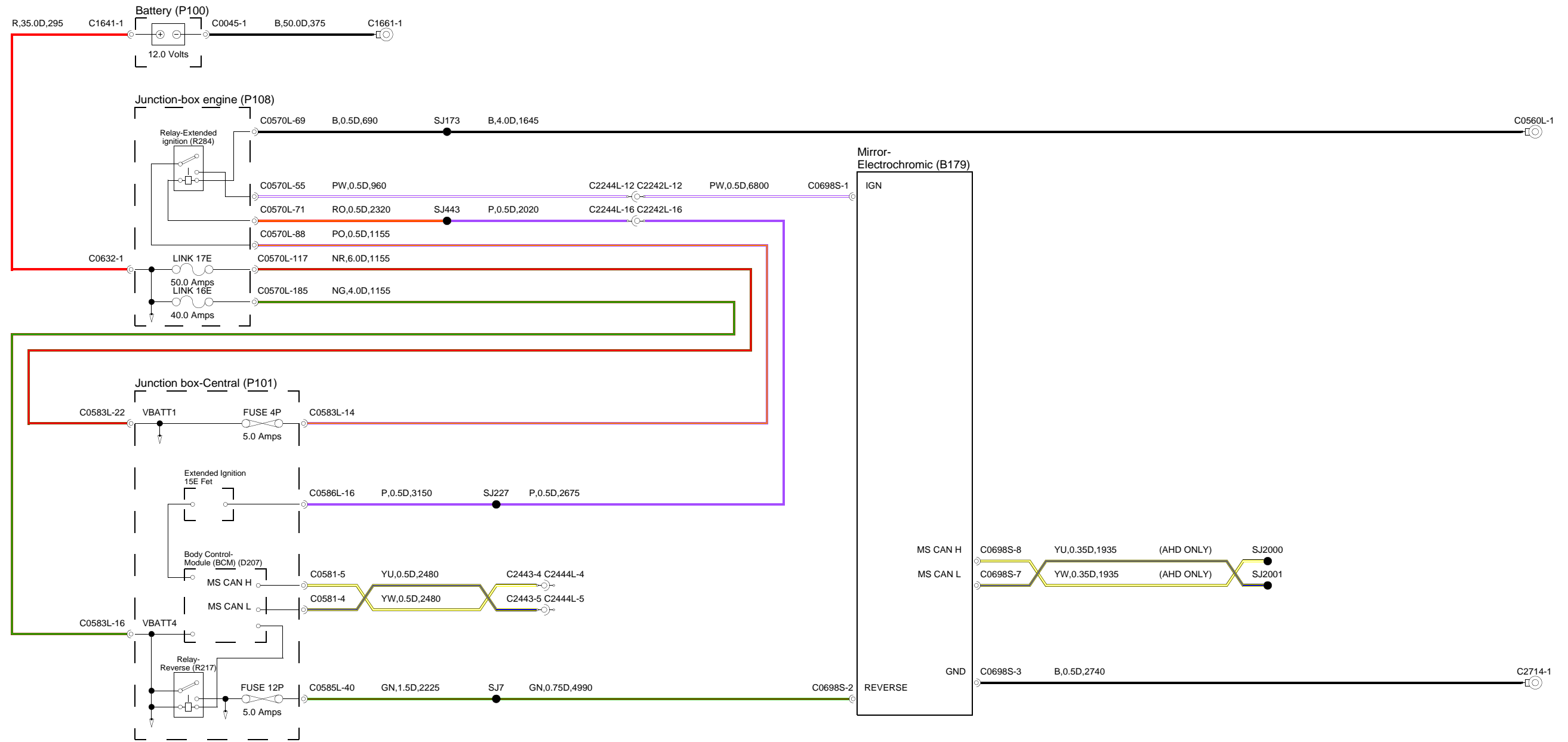


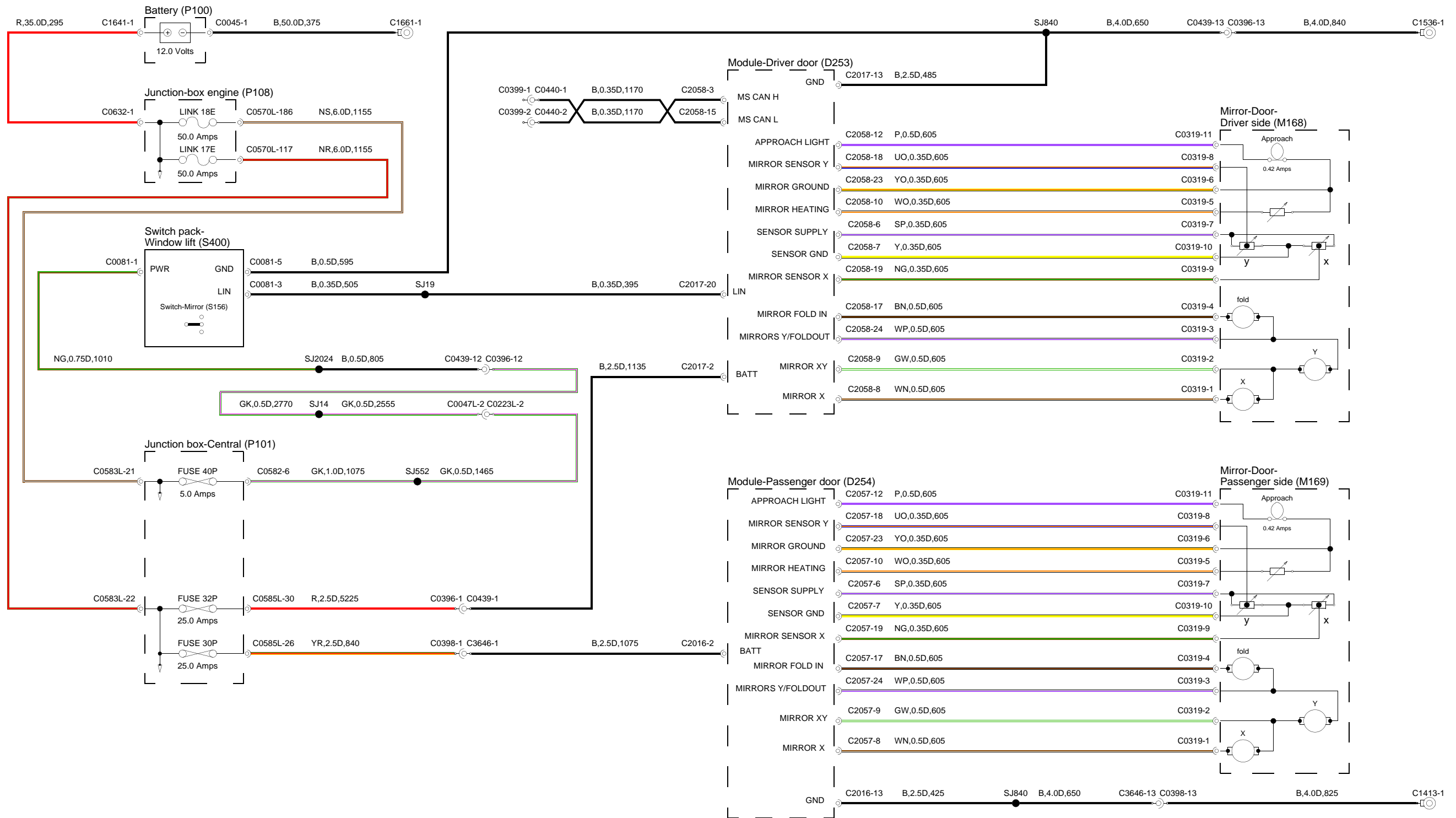


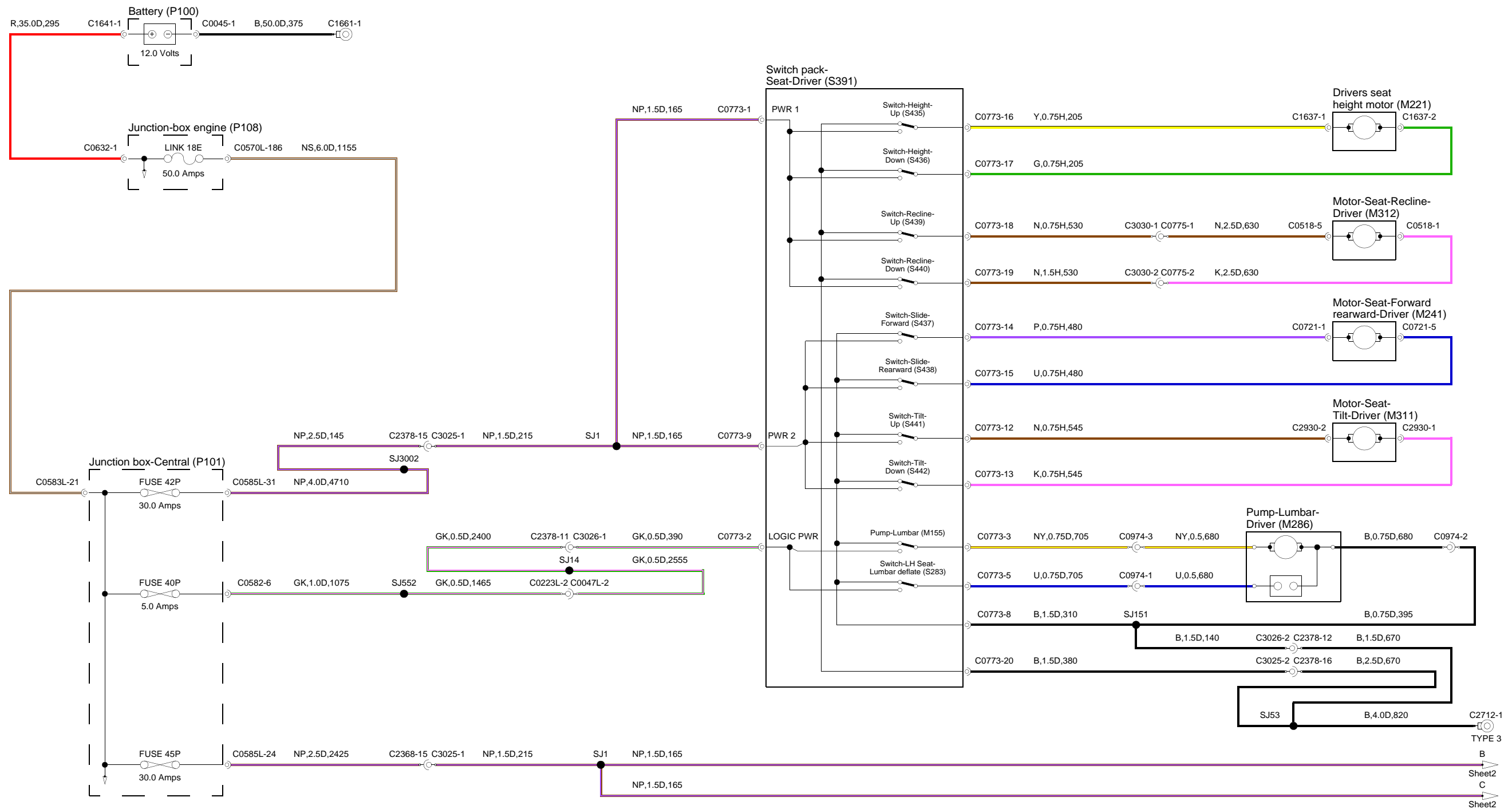


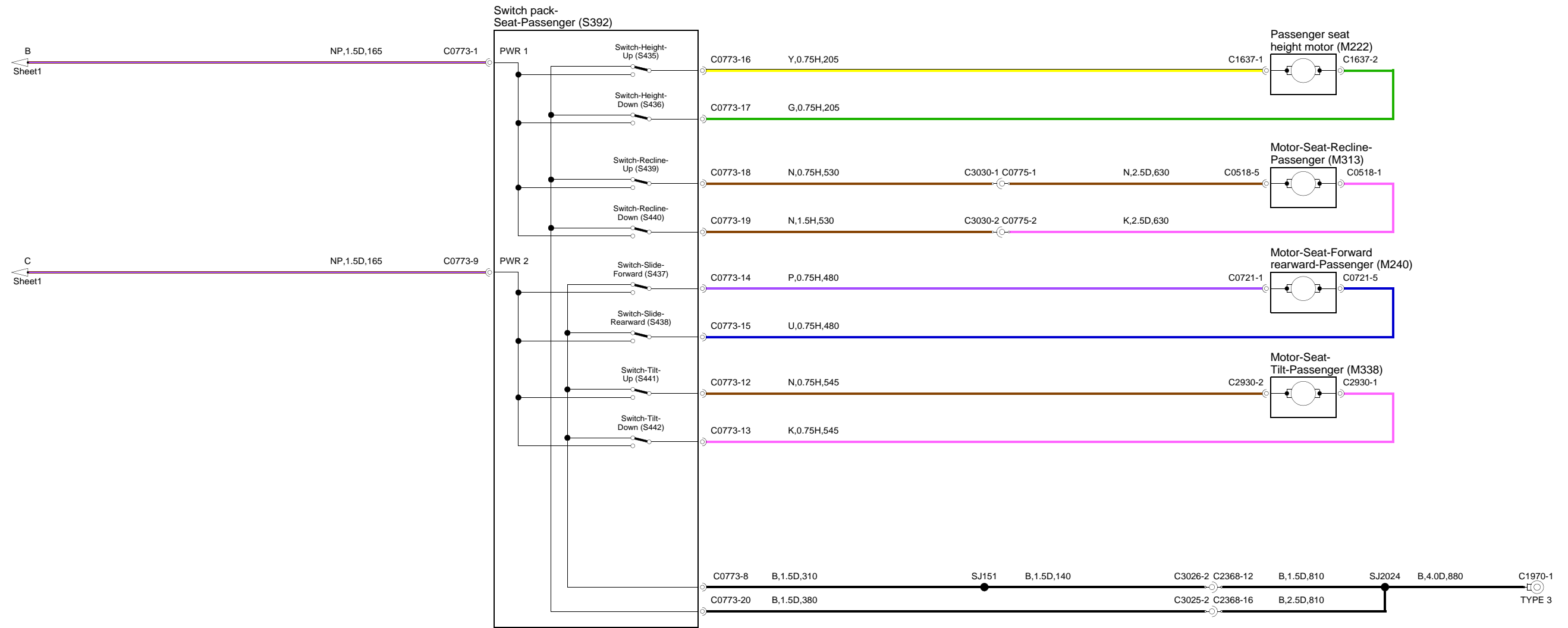


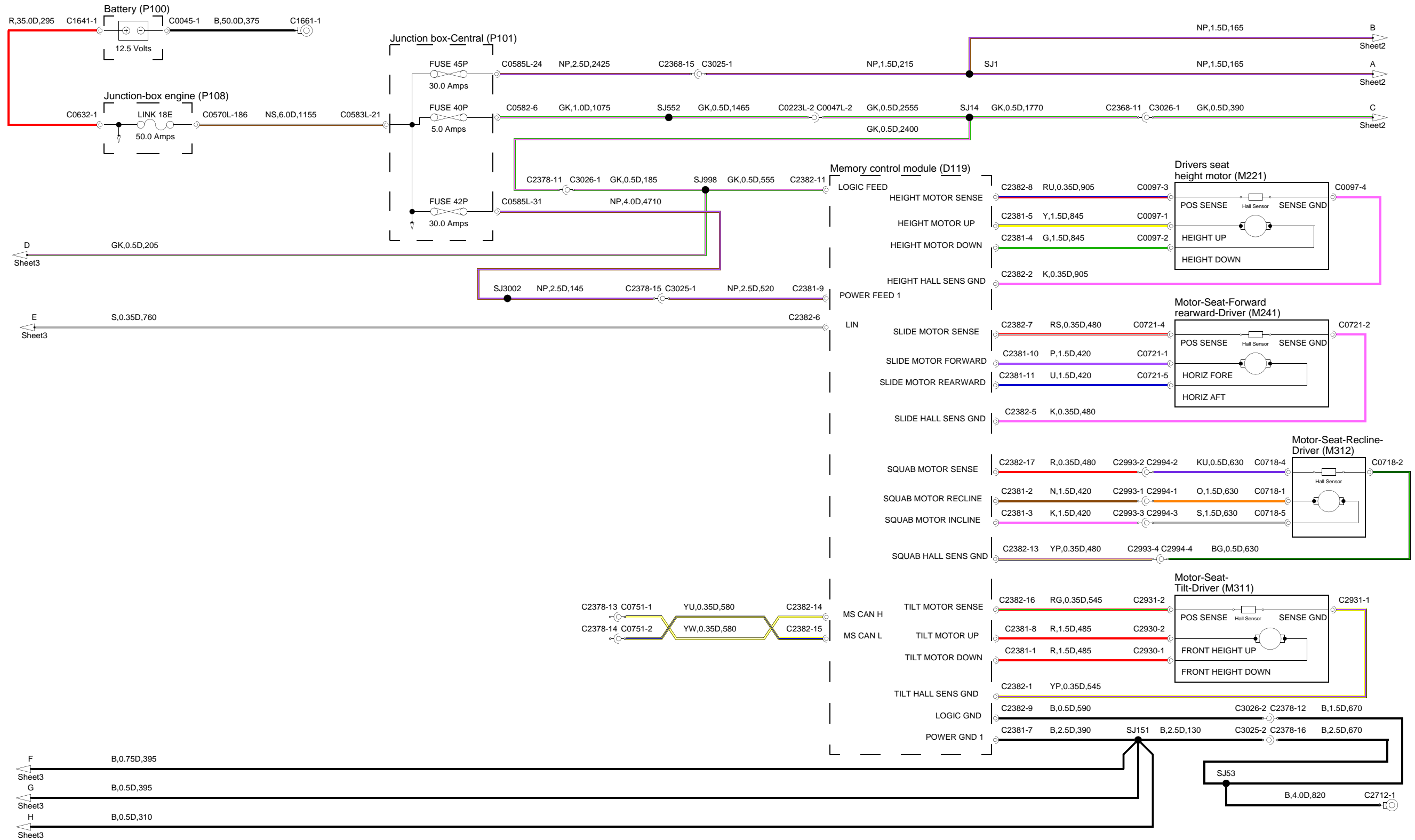


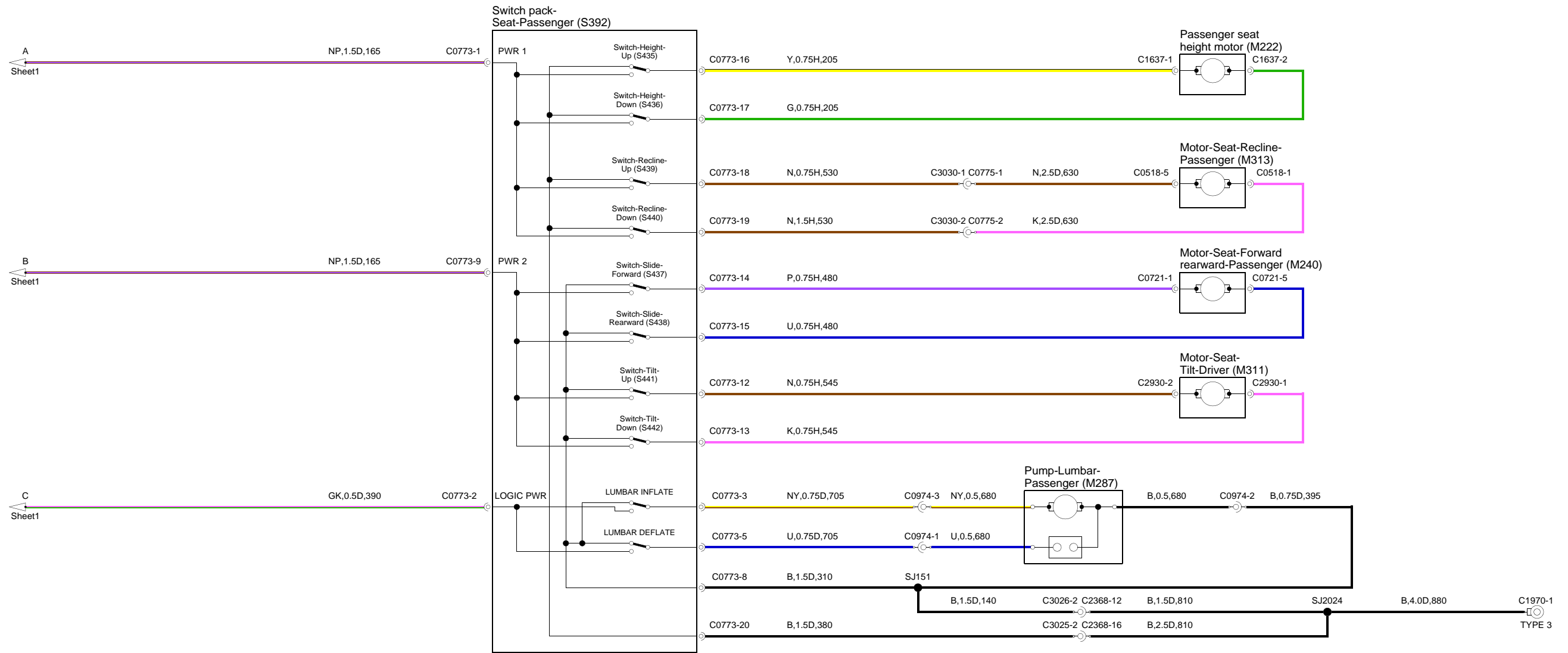


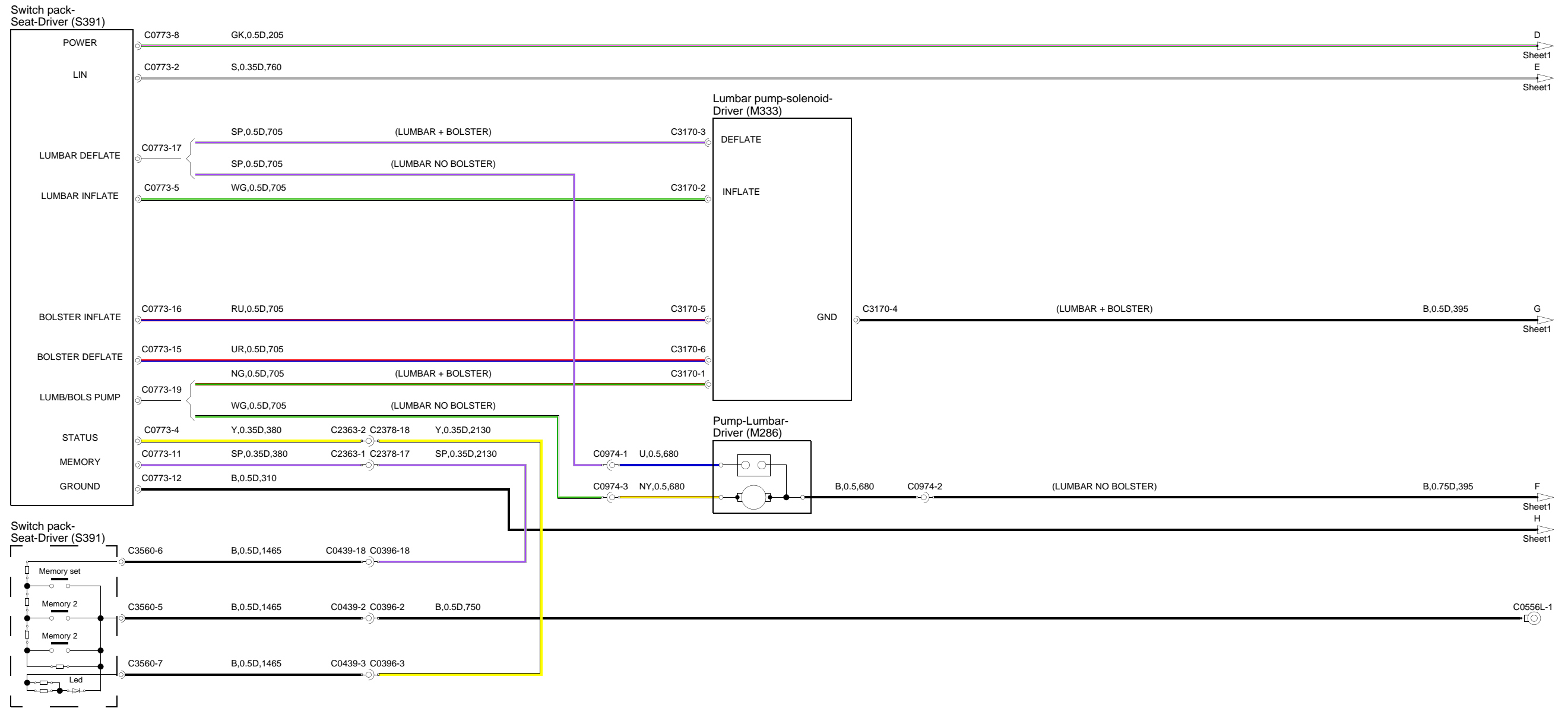


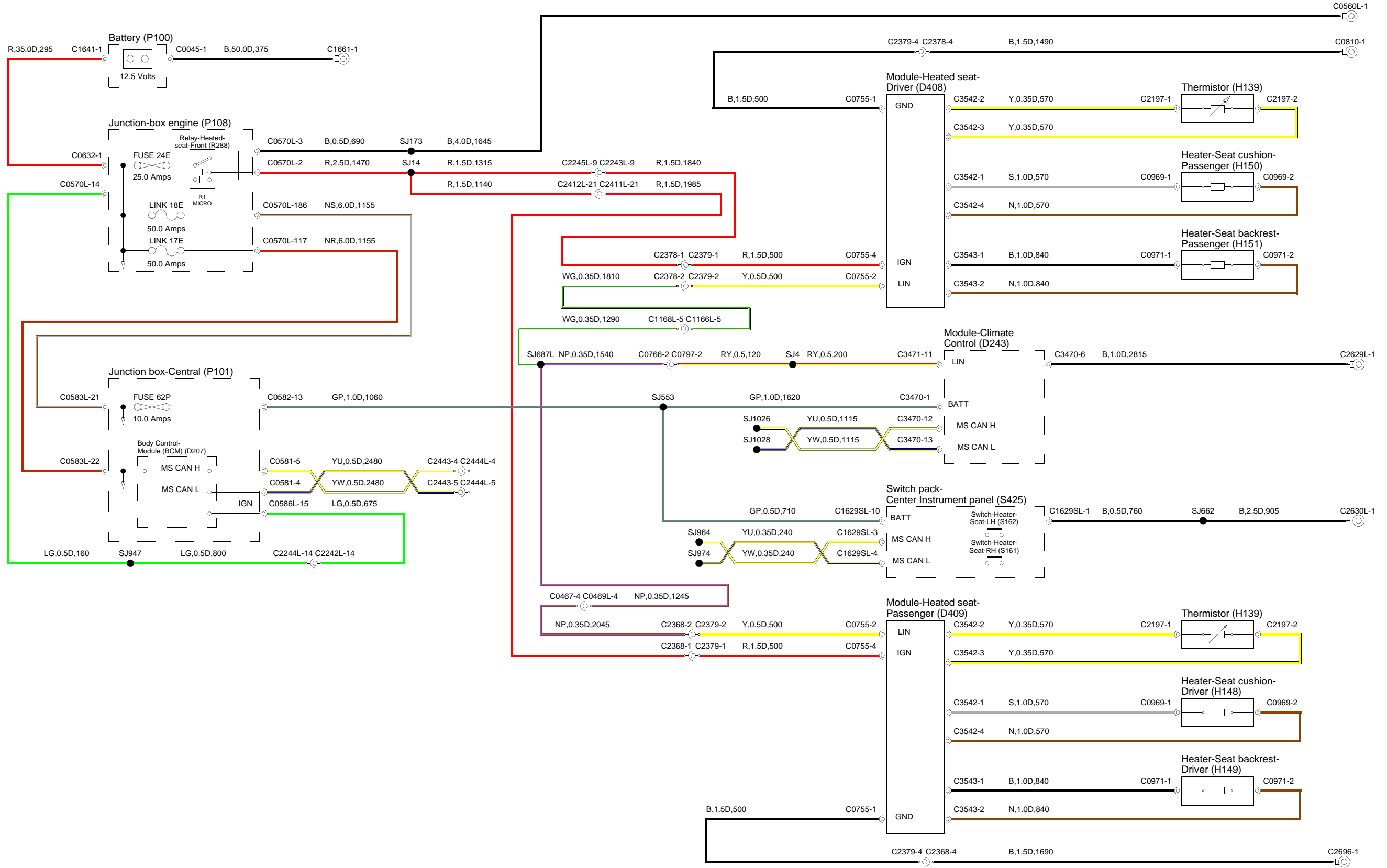


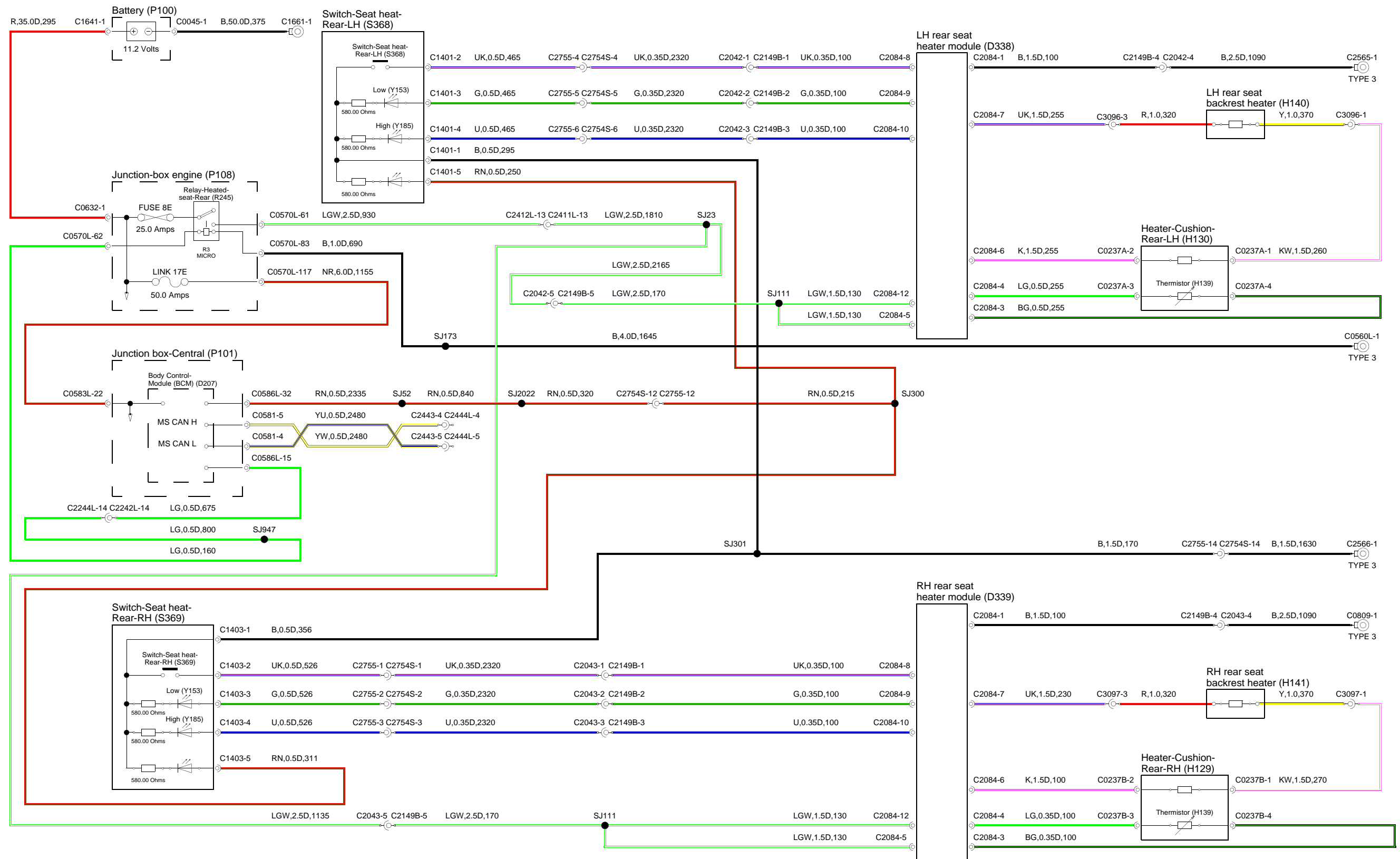


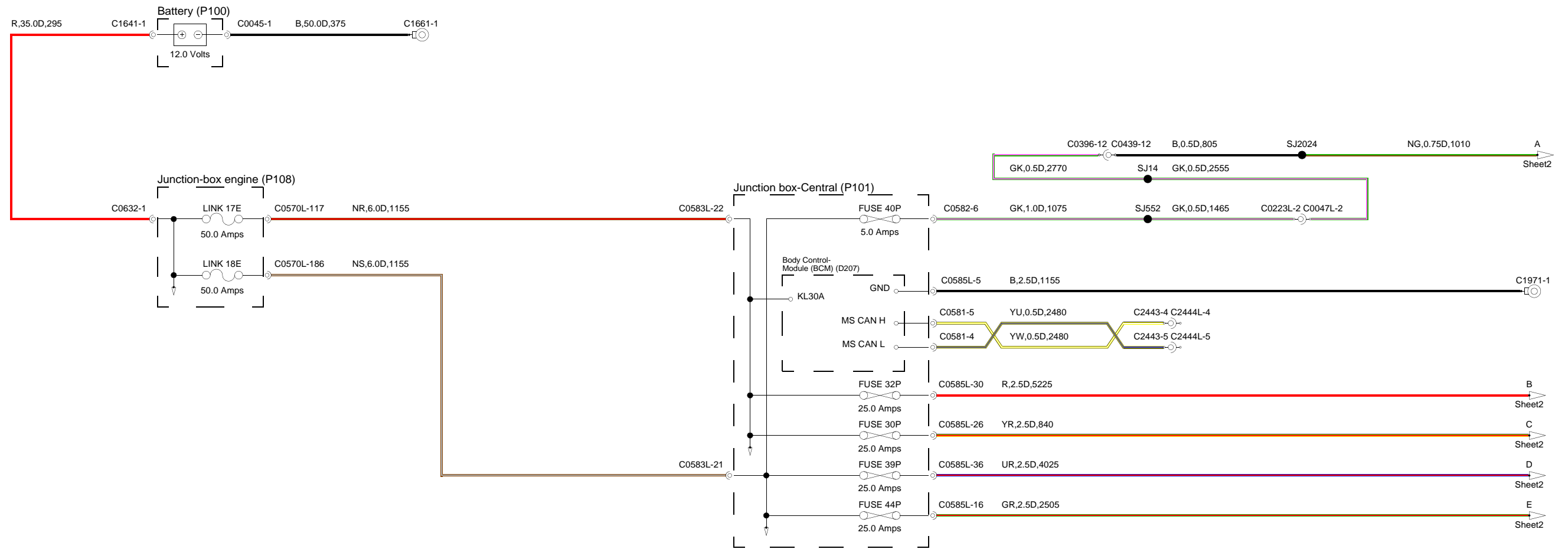


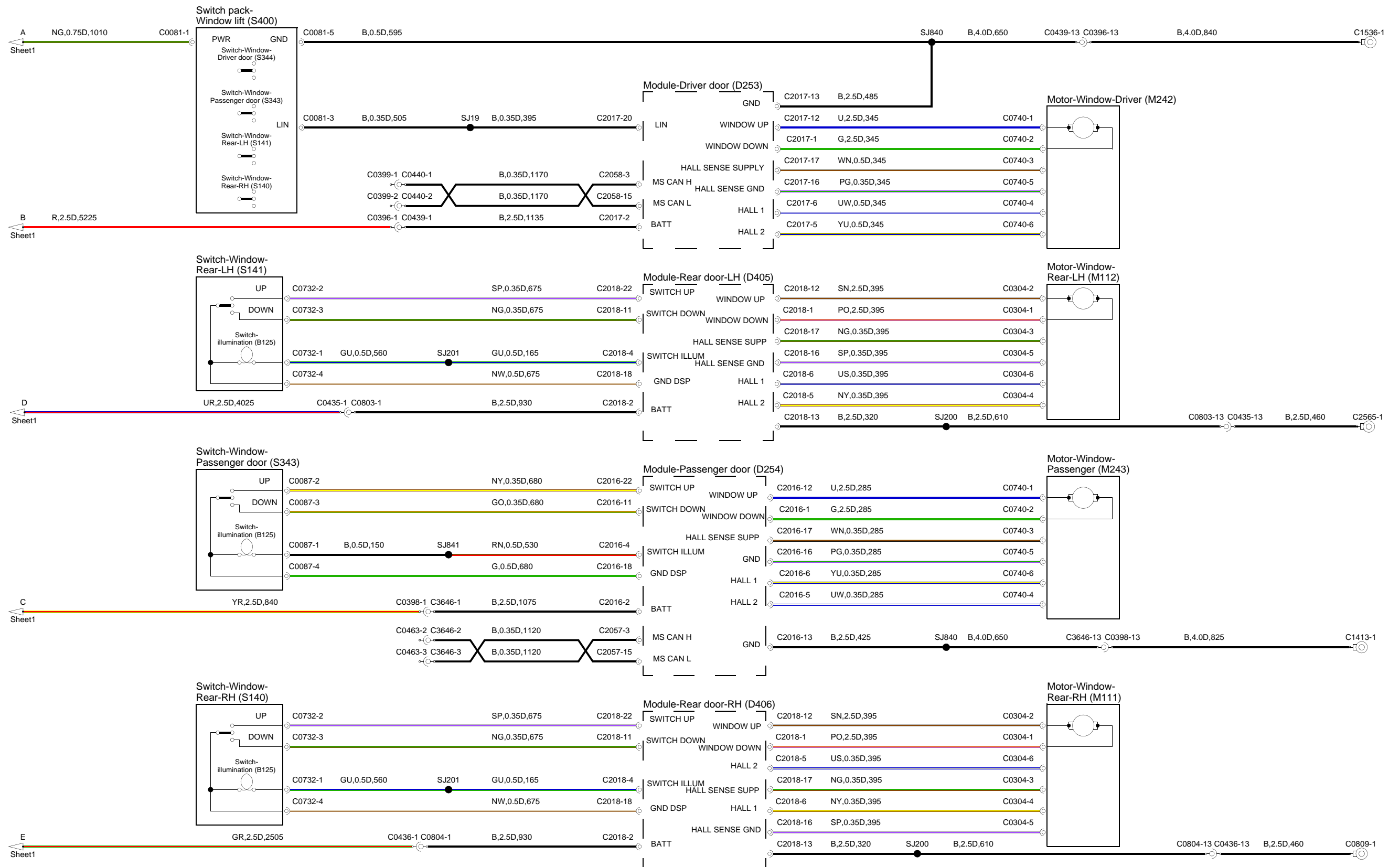


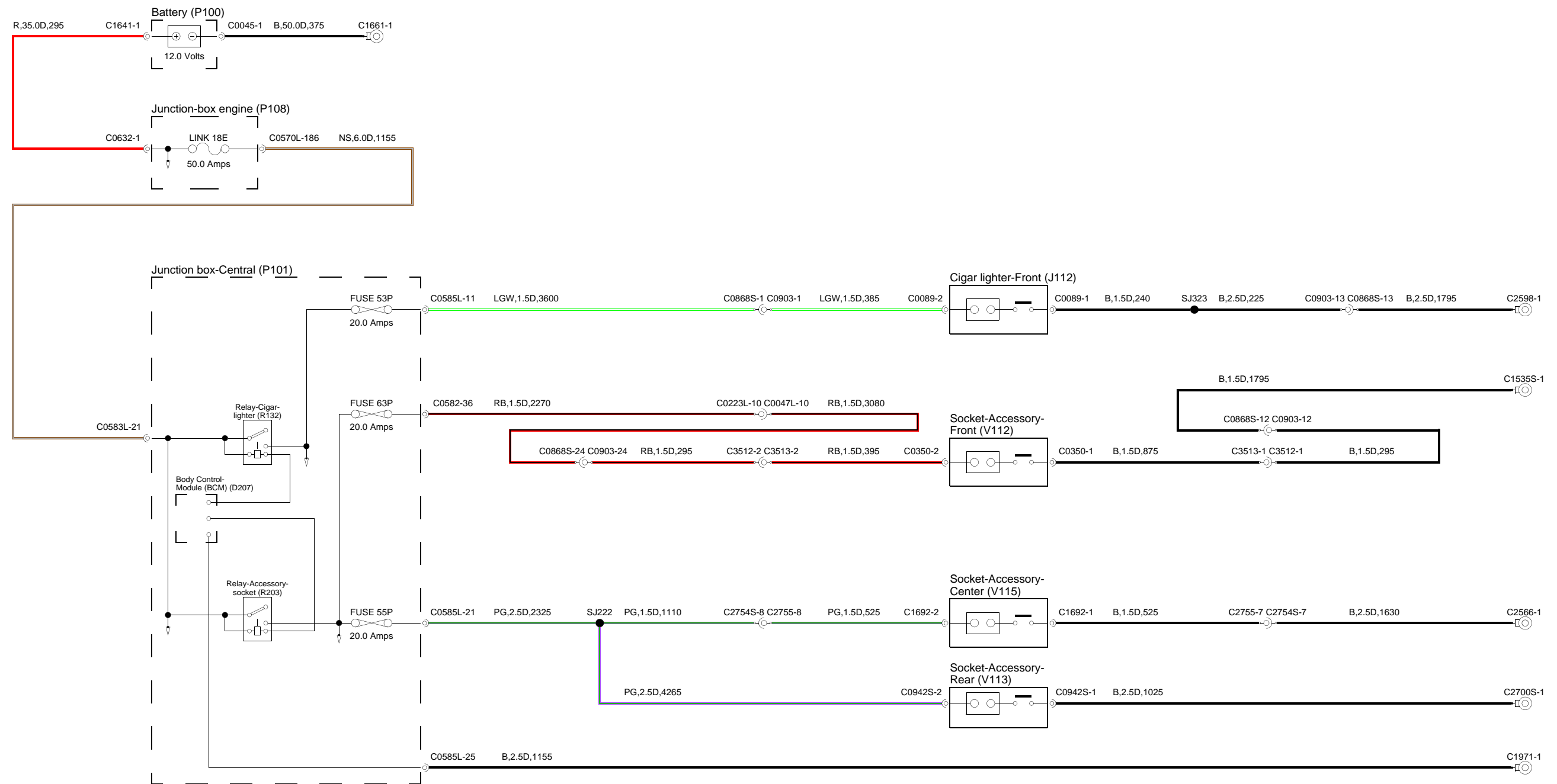


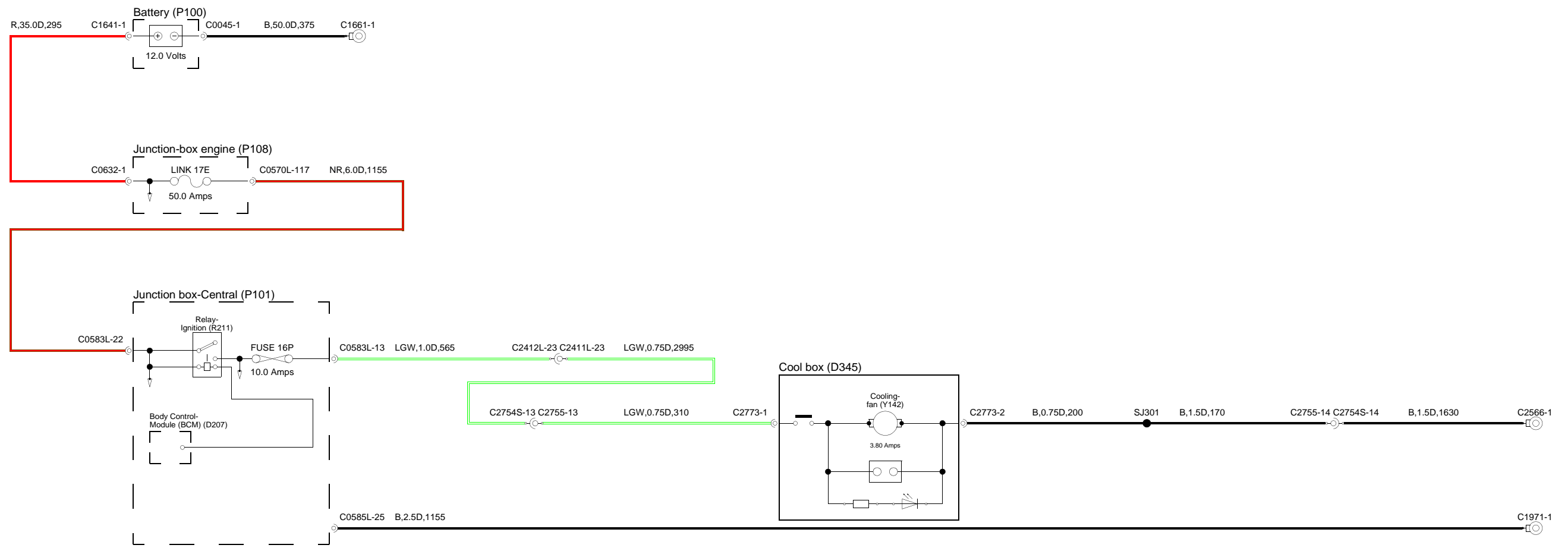


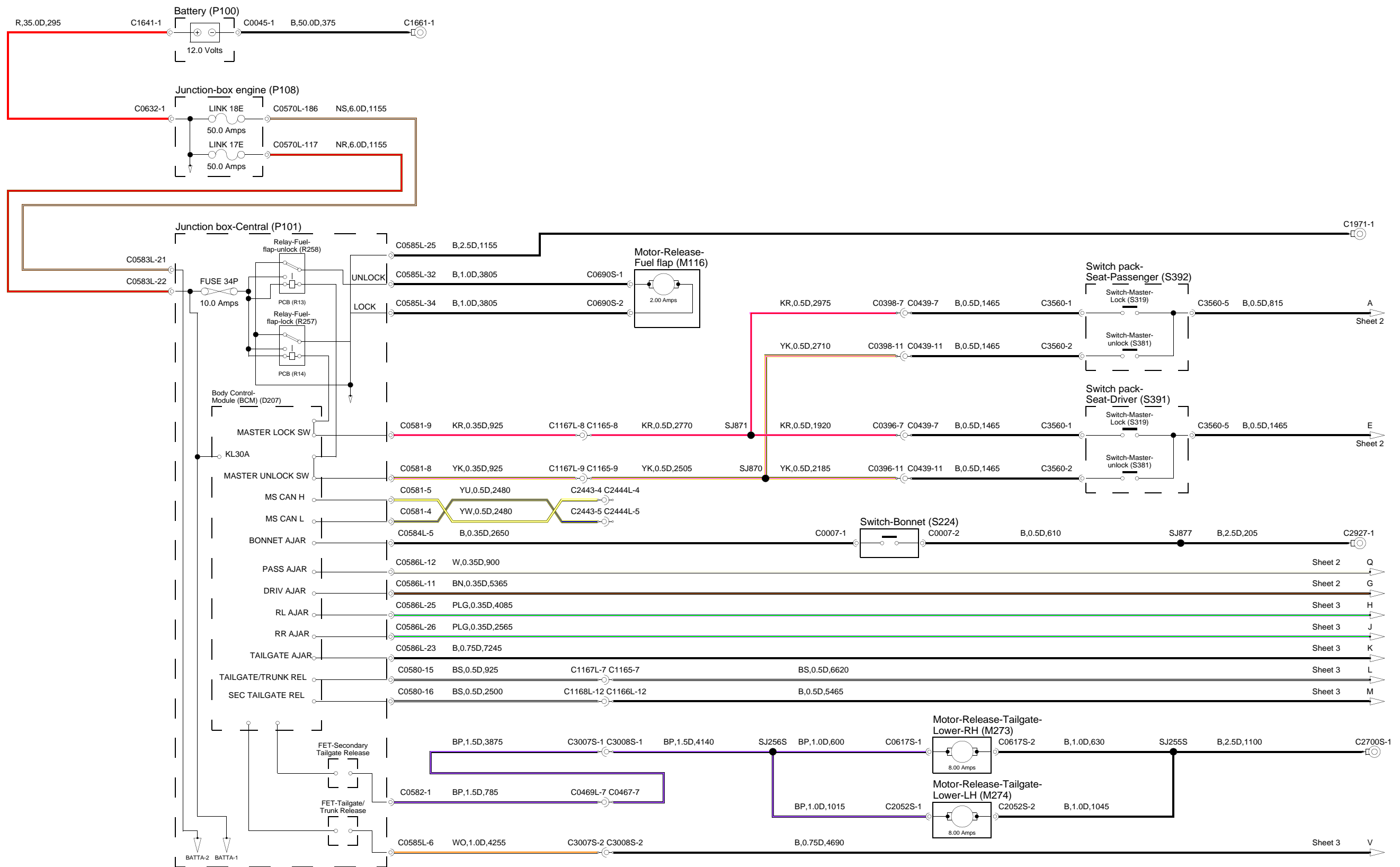


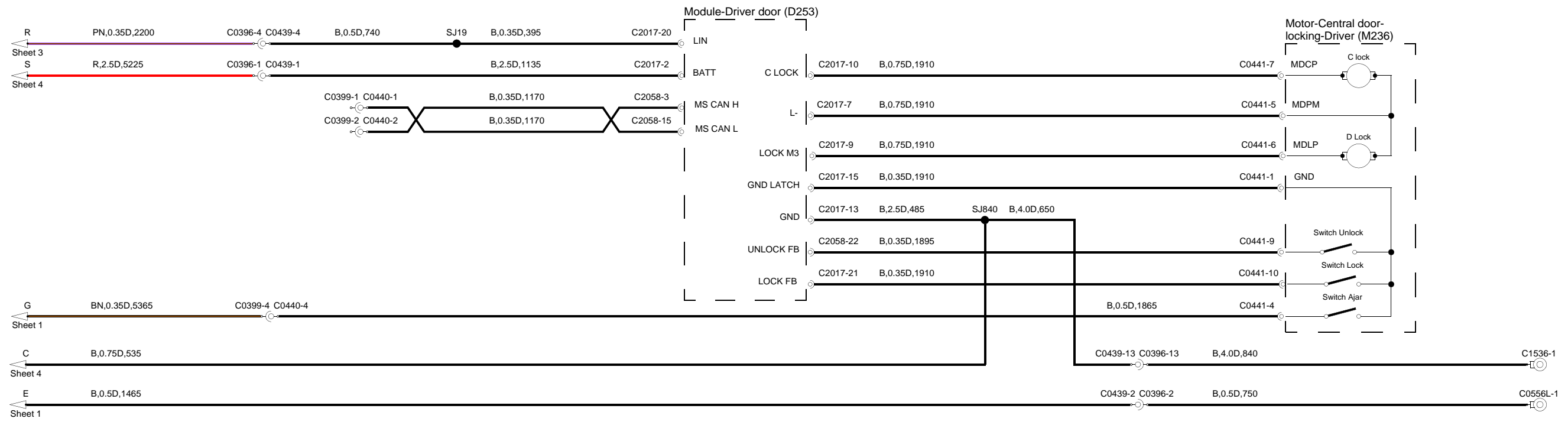
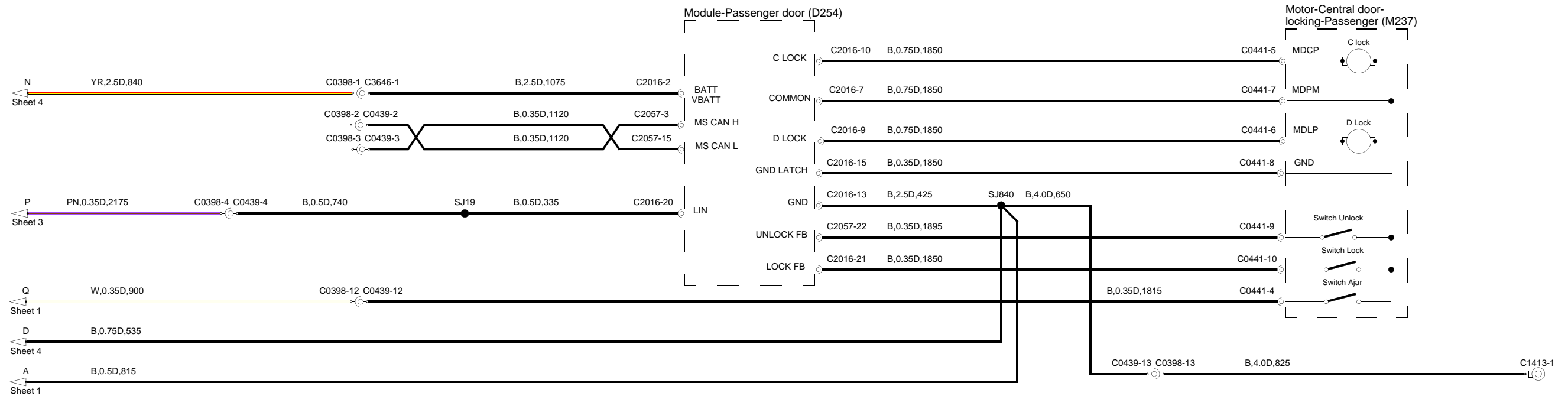


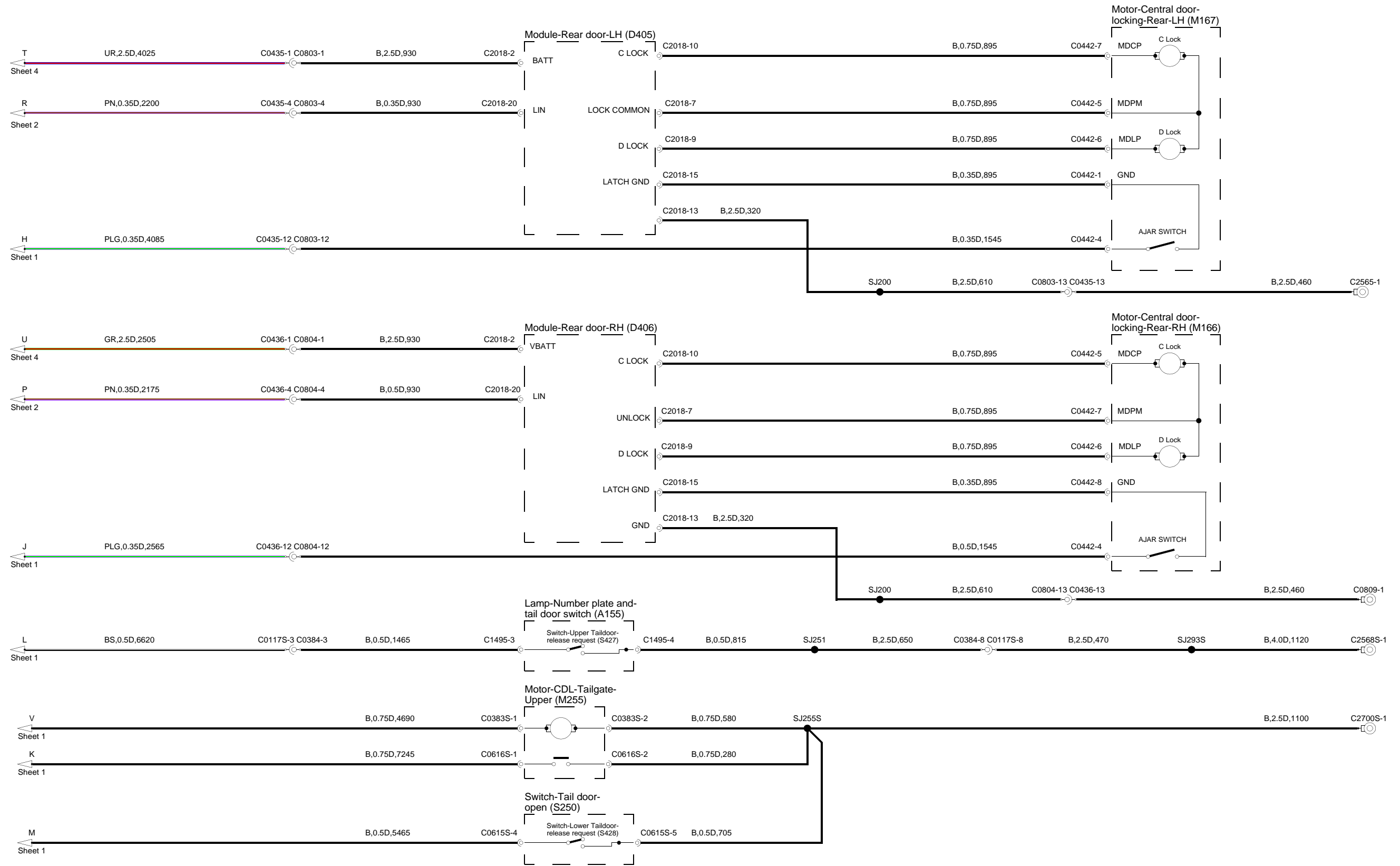


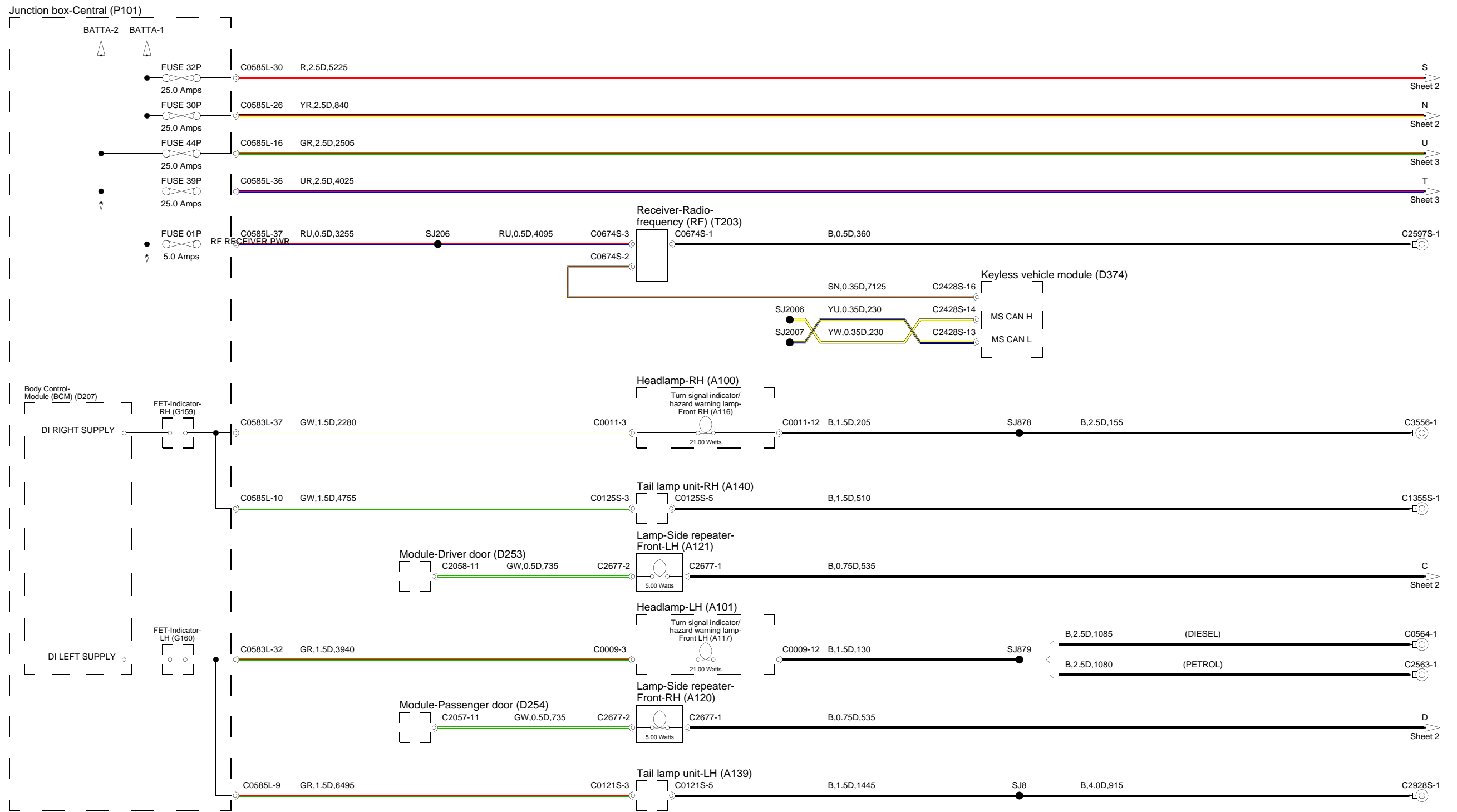


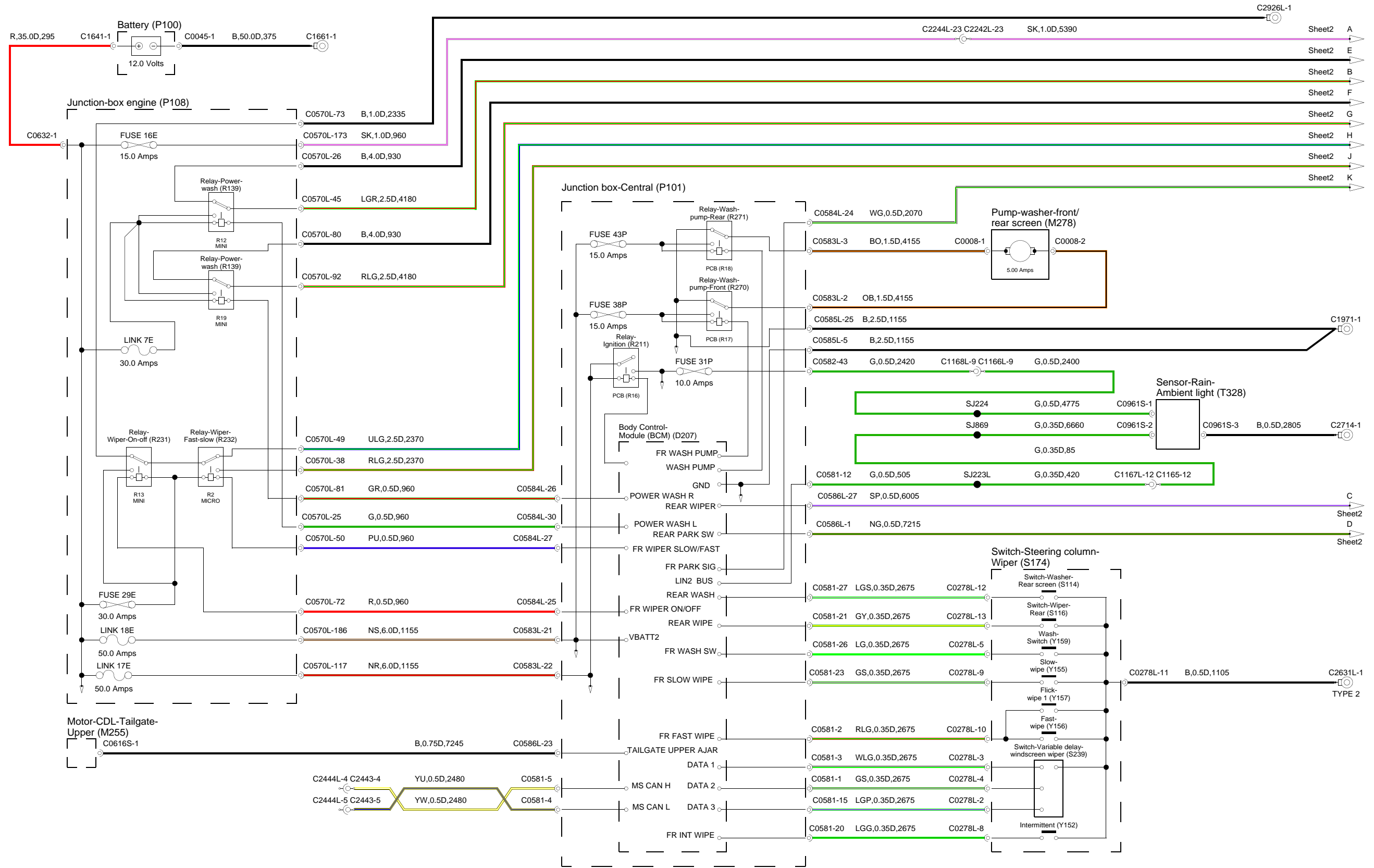


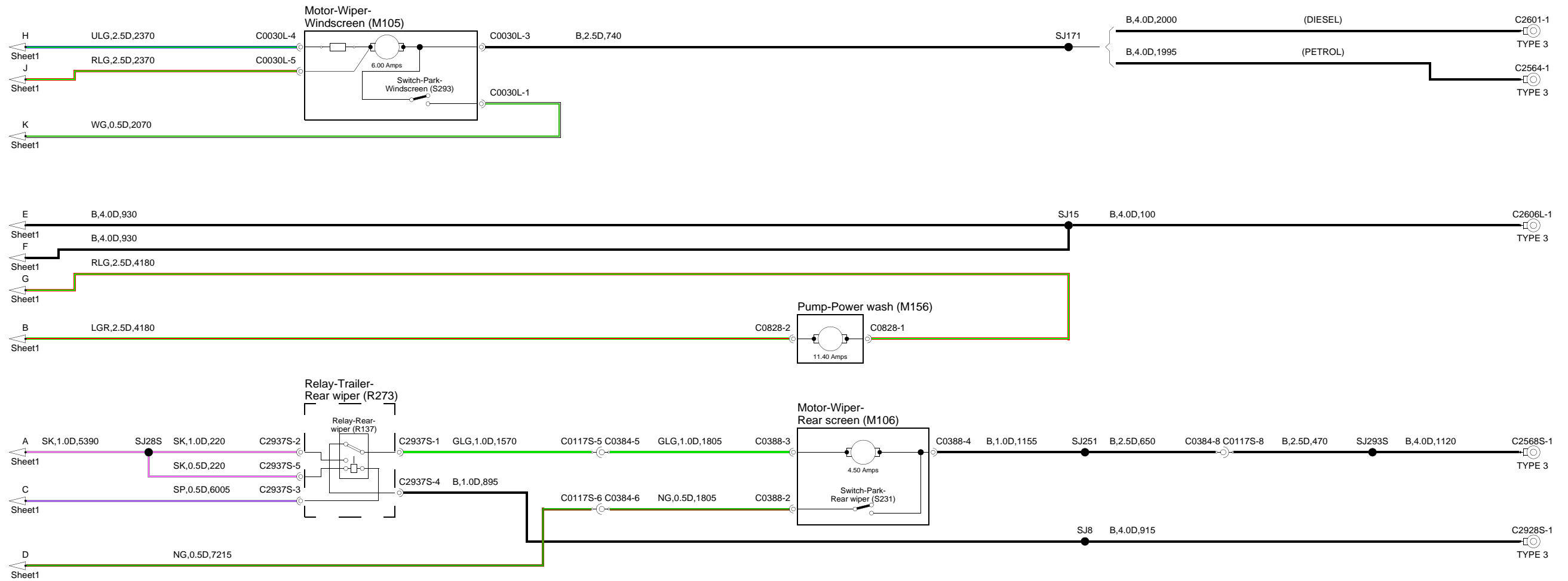


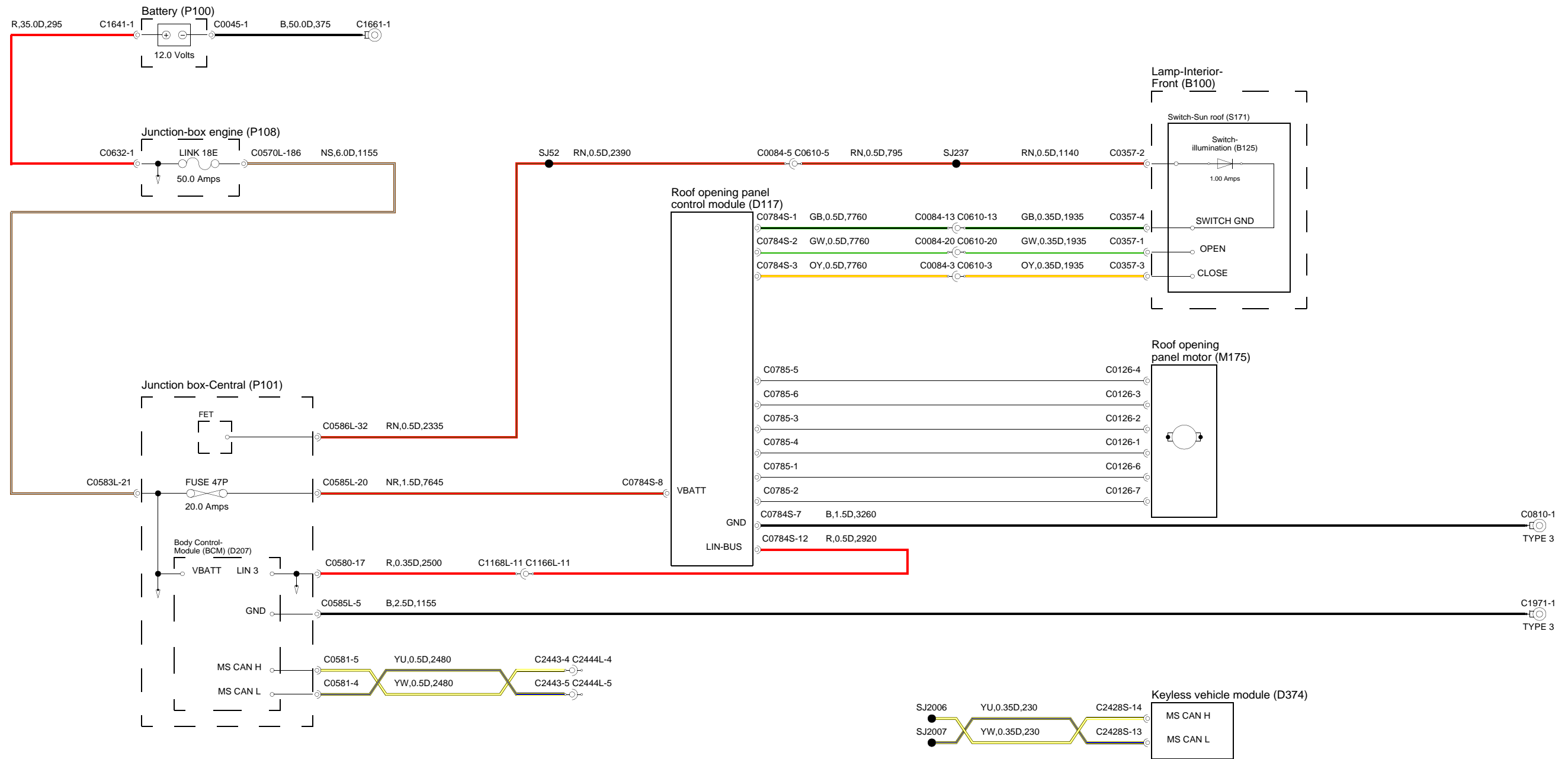


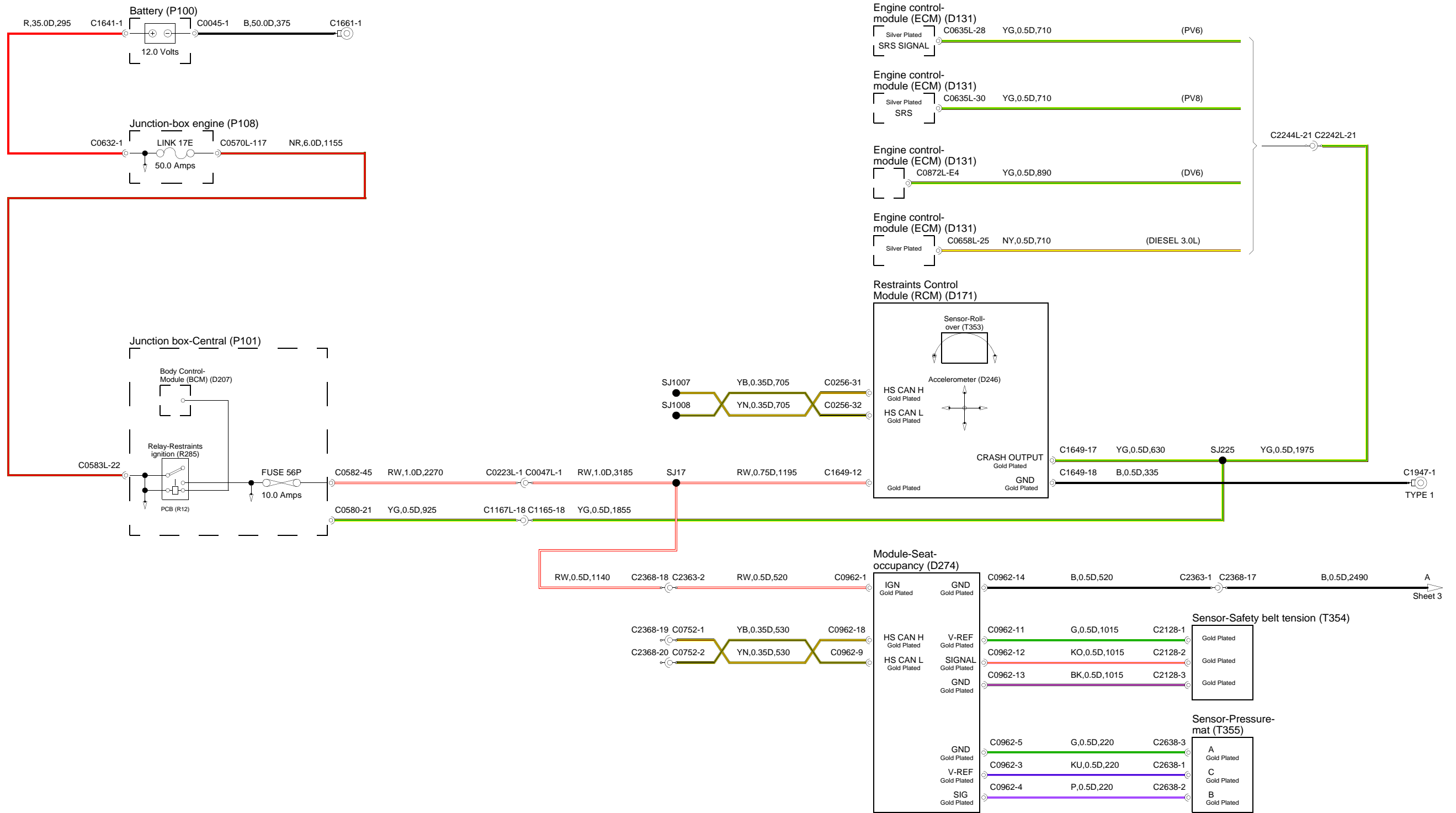


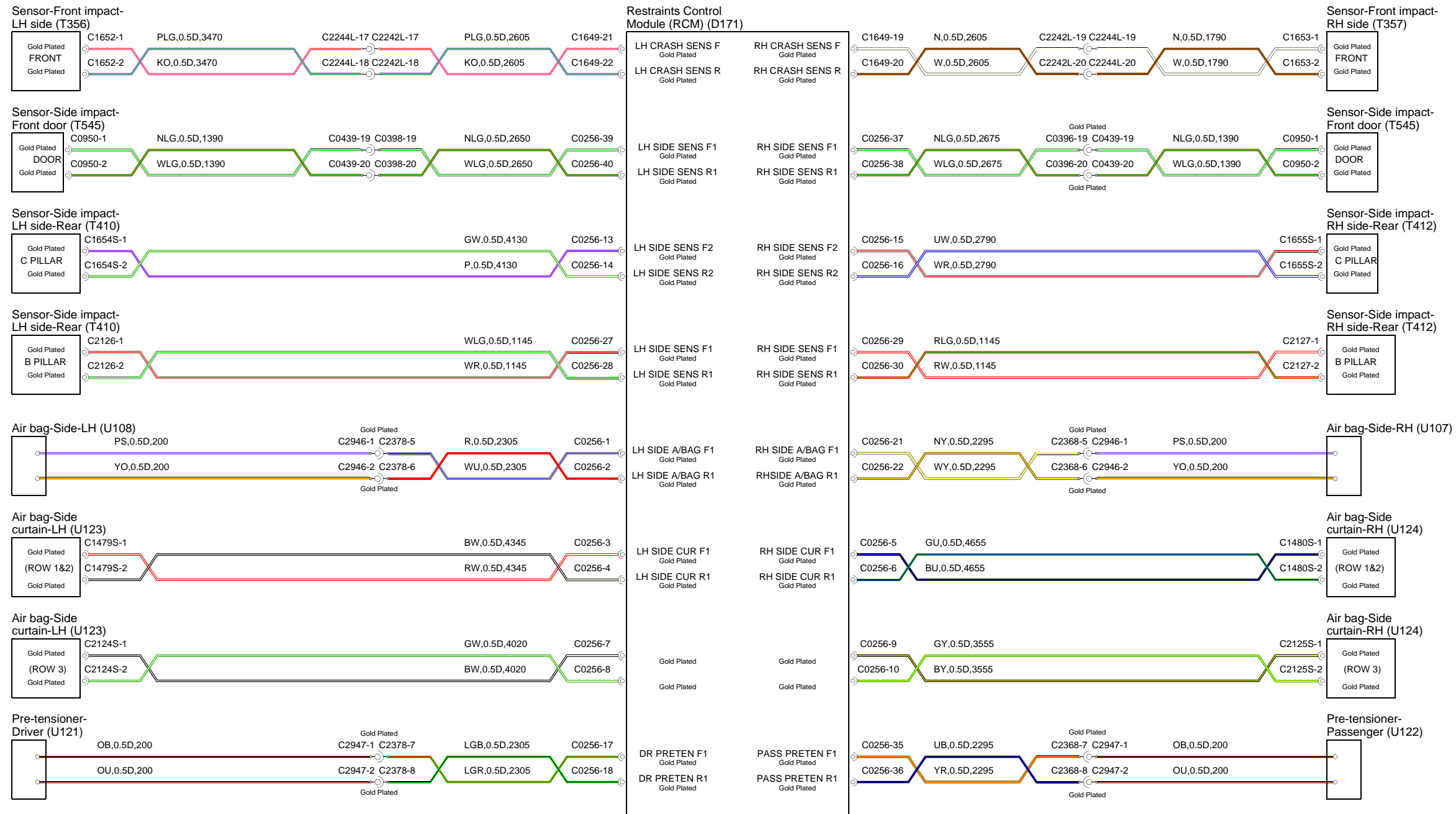


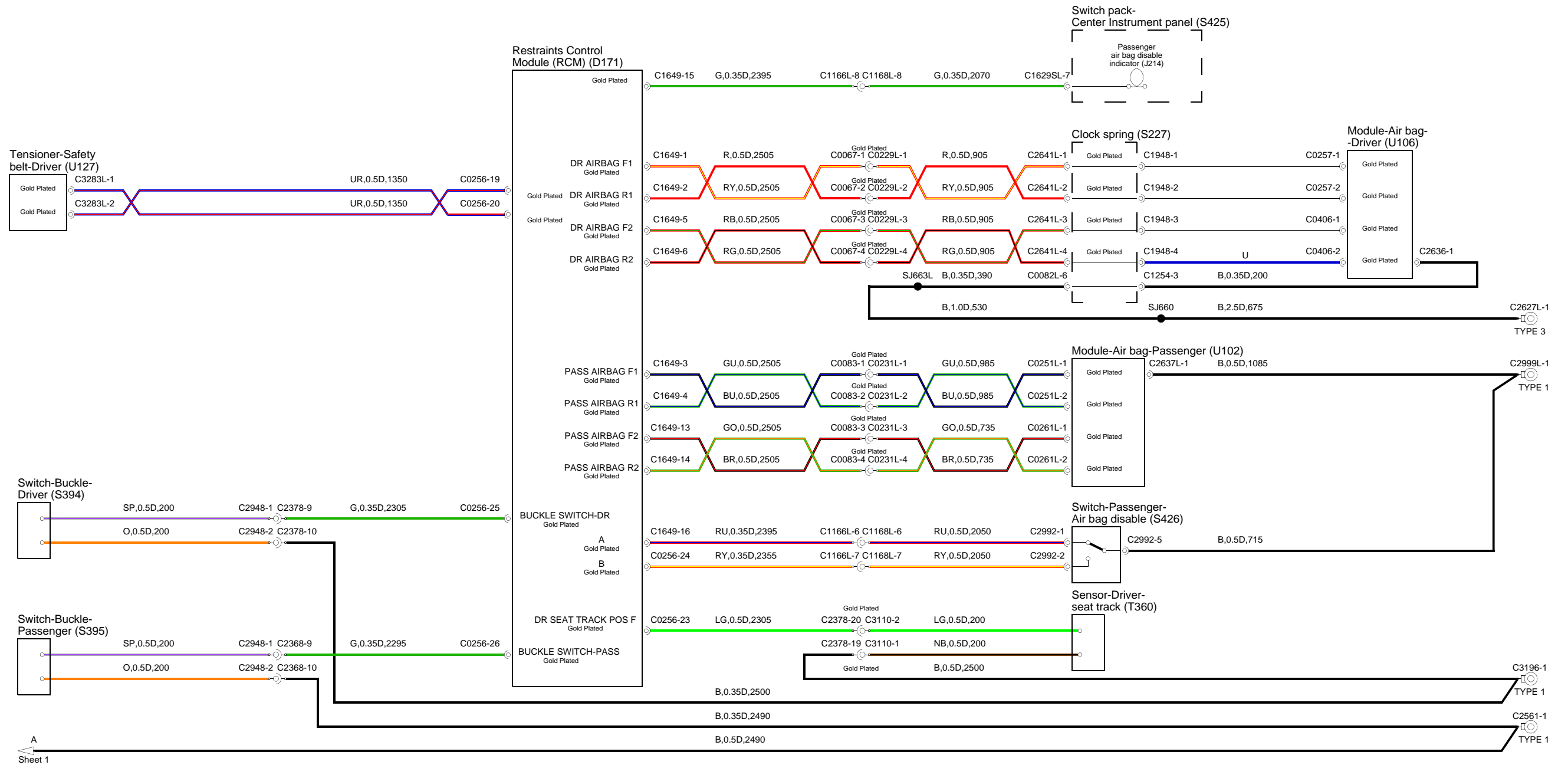












A
Sheet 1



Electrical Wiring Diagrams



DISCOVERY 4 (RHD)

(5a) VIN: 513326 >

Electrical Wiring Diagrams

DISCOVERY 4 (RHD)

(5a) VIN: 513326 >

ABBREVIATIONS

viii

USING THIS PUBLICATION

Health and safety	ix
Using this publication	ix
Section numbering	x
Circuit sheet numbering	x
Understanding the circuit diagrams	x

204-04 - WHEELS AND TIRES

Tire pressure monitoring system	1
---------------------------------------	---

204-05 - VEHICLE DYNAMIC SUSPENSION

Air suspension	2
----------------------	---

205-02 - REAR DRIVE AXLE AND DIFFERENTIAL

4

206-05 - PARKING BRAKE AND ACTUATION

6

206-09 - ANTI-LOCK CONTROL

7

211-04 - STEERING COLUMN

Adjustable	9
Clock spring	10

303-06 - STARTING SYSTEM

Ignition	12
----------------	----

303-14 - ELECTRONIC ENGINE CONTROLS

PV8 (5.0L)	13
PV6	18
DV6 (2.7L)	24
DV6 (3.0L)	30

307-01 - AUTOMATIC TRANSMISSION

DV6 (3.0L) and PV8 (5.0L)	35
DV6 (2.7L) and PV6	37

308-00 - MANUAL TRANSMISSION

39

308-07 - FOUR WHEEL DRIVE SYSTEMS

Transfer box	40
--------------------	----

310-01 - FUEL TANK AND FUEL LINES

43

412-01 - CLIMATE CONTROL

45

Rear	48
------------	----

412-02 - AUXILIARY CLIMATE CONTROL

Heated screen and washer jets	50
Fuel fired booster heater	51

413-00 - INSTRUMENT CLUSTER AND PANEL ILLUMINATION

52

413-06 - HORN

54

413-07 - CLOCK

55

413-08 - INFORMATION AND MESSAGE CENTER

.....	56
413-13 - PARKING AID	
.....	58
Multiple cameras	60
Rear view camera	61
414-01 - BATTERY, MOUNTING AND CABLES	
Engine junction box	62
Central junction box	70
Ground distribution	81
414-02 - GENERATOR AND REGULATOR	
Petrol	89
Diesel	90
415-00 - INFORMATION AND ENTERTAINMENT SYSTEM	
Low line	91
Mid-Line	93
High line	96
Portable audio interface	105
417-01 - EXTERIOR LIGHTING	
Head, side, tail and number plate lamps	106
Headlamps - adaptive front lighting system	111
Lighting control switch	113
Auxiliary	114
Trailer socket	115
417-02 - INTERIOR LIGHTING	
.....	116
Ambient lighting	119
418-00 - MODULE COMMUNICATIONS NETWORK	
CAN bus - medium speed	120
CAN bus - high speed	121
MOST	123
Diagnostic socket	129
419-01 - ANTI-THEFT SYSTEM	
Keyless Entry	130
Passive start	134
Active	136
501-09 - REAR VIEW MIRRORS	
Interior	138
Door	139
501-10 - SEATING	
Non memory	140
Memory	142
Heated - front	145
Heated - rear	146
501-11 - GLASS, FRAMES AND MECHANISMS	
Window lift	147
501-12 - INSTRUMENT PANEL AND CONSOLE	
Accessory socket(s)	149
Cool box	150
501-14 - HANDLES, LOCKS, LATCHES AND ENTRY SYSTEMS	
Central locking system	151
501-16 - WIPERS AND WASHERS	
.....	155
501-17 - ROOF OPENING PANEL	
.....	157

ABBREVIATIONS

Abbreviation	Description
ABS	Anti-lock braking system
ADRC	Adaptive damping
AFS	Adaptive front lighting system
AMP	Audio amplifier
AUTO	Automatic transmission
AUU	Portable audio interface
BSM	Blind spot monitoring
CAN	Controller area network
CVD	Continuously variable damping
DAB	Digital audio broadcasting
DSC	Dynamic stability control
D4	Diesel engine - Straight-four
DPF	Diesel particulate filter
DV6	Diesel engine - V6
DV8	Diesel engine - V8
EGR	Exhaust gas recirculation
EMS	Engine management system
ETS	Electronic transmission shift
FET	Field effect transistor
GPS	Global positioning system
HID	High intensity discharge
HS CAN	High speed controller area network bus
IC	Instrument cluster
IMT	Intake manifold tuning
IP	Instrument panel
PV6	Petrol engine - V6
PV8	Petrol engine - V8
PV8NA	Naturally aspirated engine - V8
PV8SC	Super charged engine - V8
LH	Left-hand
LIN	Local interconnect network
MAF/IAT	Mass air flow / intake air temperature
MS CAN	Medium speed controller area network bus
MMM	Navigation system module
N/A	Normally aspirated
NAS	North American specification
PDC	Park distance control
RF	Radio frequency
RH	Right-hand
SAI	Secondary air injection
SCL	Steering column locking
SDARS	Satellite digital audio receiver system
TPMS	Tire pressure monitoring system
TSD	Touch screen display
TV	Television
ULEV	Ultra low emission vehicle
USB	Universal serial bus
VICS	Vehicle information control system

Health and safety

Always follow health and safety guidelines, specifically those detailed in the Workshop Manual.

Using this publication

The information provided in this publication is for use only by competent, qualified auto-electricians. Good product knowledge is assumed, as well as the ability to access and use recommended test equipment and other reference material provided.

Test equipment and other reference material

The information in this publication should be used in conjunction with the recommended test equipment; refer to Workshop Manual. Other reference material includes: Technical Service Bulletins (TSB) and the Workshop Manual.

The Electrical Reference Library (ERL) may also prove useful since it provides detailed connector information.

Battery disconnection and reconnection

It is imperative that any information relating to battery disconnection and reconnection is followed; refer to the appropriate sections in the Workshop Manual.

Fault Diagnosis

Always use the recommended test equipment for correct and reliable fault diagnosis, refer to the Workshop Manual.

Harness Repair

Repairs should only be undertaken for connectors where a Service Repair Kit is available; refer to the appropriate Electrical Reference Library (ERL).

Note: Fibre Optic circuits cannot be repaired; refer to the Workshop Manual.

Health and safety

Always follow health and safety guidelines, specifically those detailed in the Workshop Manual.

Using this publication

The information provided in this publication is for use only by competent, qualified auto-electricians. Good product knowledge is assumed, as well as the ability to access and use recommended test equipment and other reference material provided.

Test equipment and other reference material

The information in this publication should be used in conjunction with the recommended test equipment; refer to Workshop Manual. Other reference material includes: Technical Service Bulletins (TSB) and the Workshop Manual.

The Electrical Reference Library (ERL) may also prove useful since it provides detailed connector information.

Battery disconnection and reconnection

It is imperative that any information relating to battery disconnection and reconnection is followed; refer to the appropriate sections in the Workshop Manual.

Fault Diagnosis

Always use the recommended test equipment for correct and reliable fault diagnosis, refer to the Workshop Manual.

Harness Repair

Repairs should only be undertaken for connectors where a Service Repair Kit is available; refer to the appropriate Electrical Reference Library (ERL).

Note: Fibre Optic circuits cannot be repaired; refer to the Workshop Manual.

USING THIS PUBLICATION

Section numbering

The sections in this publication are ordered to match the Global Outline numbering system as found in the current Workshop Manual. The Power and Ground distribution circuits can be found under section 414-01, BATTERY, MOUNTING AND CABLES.

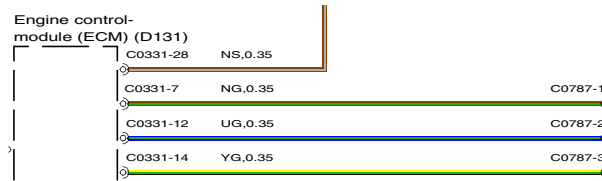
Note: Where circuit diagrams show more than one sub-system, the circuit will be located in the section that carries the first-named sub-system, for example: Starting and Charging will be located under section 303-06 Starting System, since 'Starting' is the first-named sub-system.

Circuit sheet numbering

The figures in brackets to the left of the page number indicate a circuit sheet number and the total number of sheets per circuit, for example (01 / 05) represents sheet 1 of 5.

Understanding the circuit diagrams

Components



After each component description, a translation code is displayed in brackets, for example: Starter relay (R102), Engine control module (ECM)(D131). The codes can be ignored.

Note: A dotted outline indicates that the component identified is not shown in its entirety.

Connectors

Connectors and header joints are identified by their corresponding connector number with a numbered suffix to indicate the pin-out detail of the wire, i.e. C0292-1 identifies connector 292, pin number 1. Wire insulation colours are listed in a table at the end of this section. Where wires have a predominant colour with a secondary colour tracer, the main colour is identified first, i.e. WH-BK - white with a black tracer.

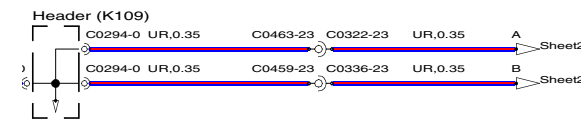
Wire length (Power and Ground Distribution only)

The wire length (in millimetres) is displayed after the colour and cross sectional area; for example, SR,0.35,480. In this example, the figure, 480 indicates the approximate position of the harness splice is 480mm from connector C2335.

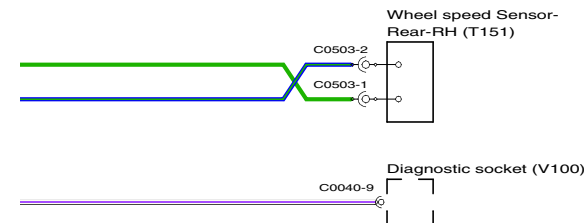
Line Types



Crossed wires as illustrated above show an example of how a twisted pair of wires may be represented on the circuits.



The arrows illustrated above show an example of the page break symbols, identifying that the circuit continues at the corresponding letter on the sheet number indicated.



The cup and ball symbol represents the male and female halves of connector. Most connectors plug directly into a component but some are wired directly to the component using a 'flylead' as with C503 above.

Ground points

Ground points are identified with an eyelet symbol and a connector number, except where components are grounded through its fixings, when only the eyelet is shown.

Colour Codes

CODE	COLOUR
BK or B	BLACK
BN or N	BROWN
BU or U	BLUE
GN or G	GREEN
GY or S	GREY (slate)
OG or O	ORANGE
PK or K	PINK
RD or R	RED
VT or P	PURPLE
WH or W	WHITE
YE or Y	YELLOW

USING THIS PUBLICATION

Section numbering

The sections in this publication are ordered to match the Global Outline numbering system as found in the current Workshop Manual. The Power and Ground distribution circuits can be found under section 414-01, BATTERY, MOUNTING AND CABLES.

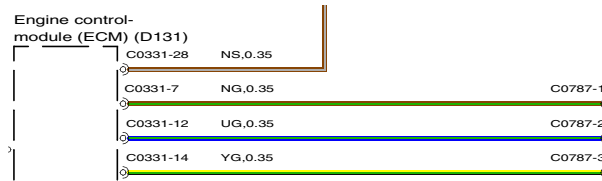
Note: Where circuit diagrams show more than one sub-system, the circuit will be located in the section that carries the first-named sub-system, for example: Starting and Charging will be located under section 303-06 Starting System, since 'Starting' is the first-named sub-system.

Circuit sheet numbering

The figures in brackets to the left of the page number indicate a circuit sheet number and the total number of sheets per circuit, for example (01 / 05) represents sheet 1 of 5.

Understanding the circuit diagrams

Components



After each component description, a translation code is displayed in brackets, for example: Starter relay (R102), Engine control module (ECM)(D131). The codes can be ignored.

Note: A dotted outline indicates that the component identified is not shown in its entirety.

Connectors

Connectors and header joints are identified by their corresponding connector number with a numbered suffix to indicate the pin-out detail of the wire, i.e. C0292-1 identifies connector 292, pin number 1. Wire insulation colours are listed in a table at the end of this section. Where wires have a predominant colour with a secondary colour tracer, the main colour is identified first, i.e. WH-BK - white with a black tracer.

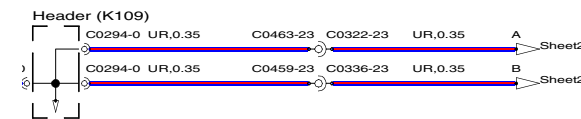
Wire length (Power and Ground Distribution only)

The wire length (in millimetres) is displayed after the colour and cross sectional area; for example, SR,0.35,480. In this example, the figure, 480 indicates the approximate position of the harness splice is 480mm from connector C2335.

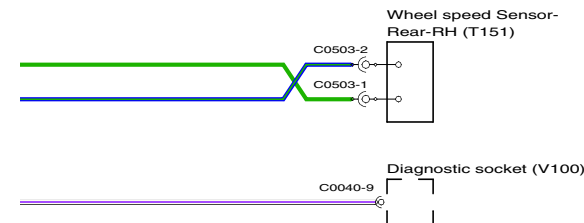
Line Types



Crossed wires as illustrated above show an example of how a twisted pair of wires may be represented on the circuits.



The arrows illustrated above show an example of the page break symbols, identifying that the circuit continues at the corresponding letter on the sheet number indicated.



The cup and ball symbol represents the male and female halves of connector. Most connectors plug directly into a component but some are wired directly to the component using a 'flylead' as with C503 above.

Ground points

Ground points are identified with an eyelet symbol and a connector number, except where components are grounded through its fixings, when only the eyelet is shown.

Colour Codes

CODE	COLOUR
BK or B	BLACK
BN or N	BROWN
BU or U	BLUE
GN or G	GREEN
GY or S	GREY (slate)
OG or O	ORANGE
PK or K	PINK
RD or R	RED
VT or P	PURPLE
WH or W	WHITE
YE or Y	YELLOW

USING THIS PUBLICATION

Section numbering

The sections in this publication are ordered to match the Global Outline numbering system as found in the current Workshop Manual. The Power and Ground distribution circuits can be found under section 414-01, BATTERY, MOUNTING AND CABLES.

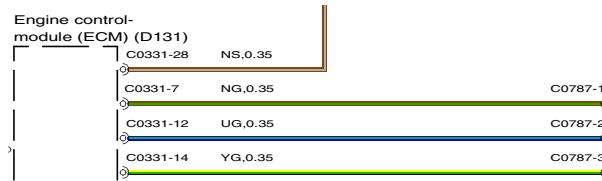
Note: Where circuit diagrams show more than one sub-system, the circuit will be located in the section that carries the first-named sub-system, for example: Starting and Charging will be located under section 303-06 Starting System, since 'Starting' is the first-named sub-system.

Circuit sheet numbering

The figures in brackets to the left of the page number indicate a circuit sheet number and the total number of sheets per circuit, for example (01 / 05) represents sheet 1 of 5.

Understanding the circuit diagrams

Components



After each component description, a translation code is displayed in brackets, for example: Starter relay (R102), Engine control module (ECM)(D131). The codes can be ignored.

Note: A dotted outline indicates that the component identified is not shown in its entirety.

Connectors

Connectors and header joints are identified by their corresponding connector number with a numbered suffix to indicate the pin-out detail of the wire, i.e. C0292-1 identifies connector 292, pin number 1. Wire insulation colours are listed in a table at the end of this section. Where wires have a predominant colour with a secondary colour tracer, the main colour is identified first, i.e. WH-BK - white with a black tracer.

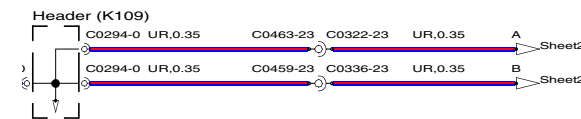
Wire length (Power and Ground Distribution only)

The wire length (in millimetres) is displayed after the colour and cross sectional area; for example, SR,0.35,480. In this example, the figure, 480 indicates the approximate position of the harness splice is 480mm from connector C2335.

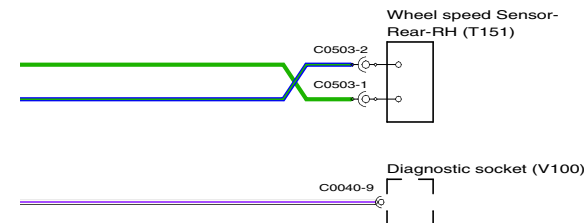
Line Types



Crossed wires as illustrated above show an example of how a twisted pair of wires may be represented on the circuits.



The arrows illustrated above show an example of the page break symbols, identifying that the circuit continues at the corresponding letter on the sheet number indicated.



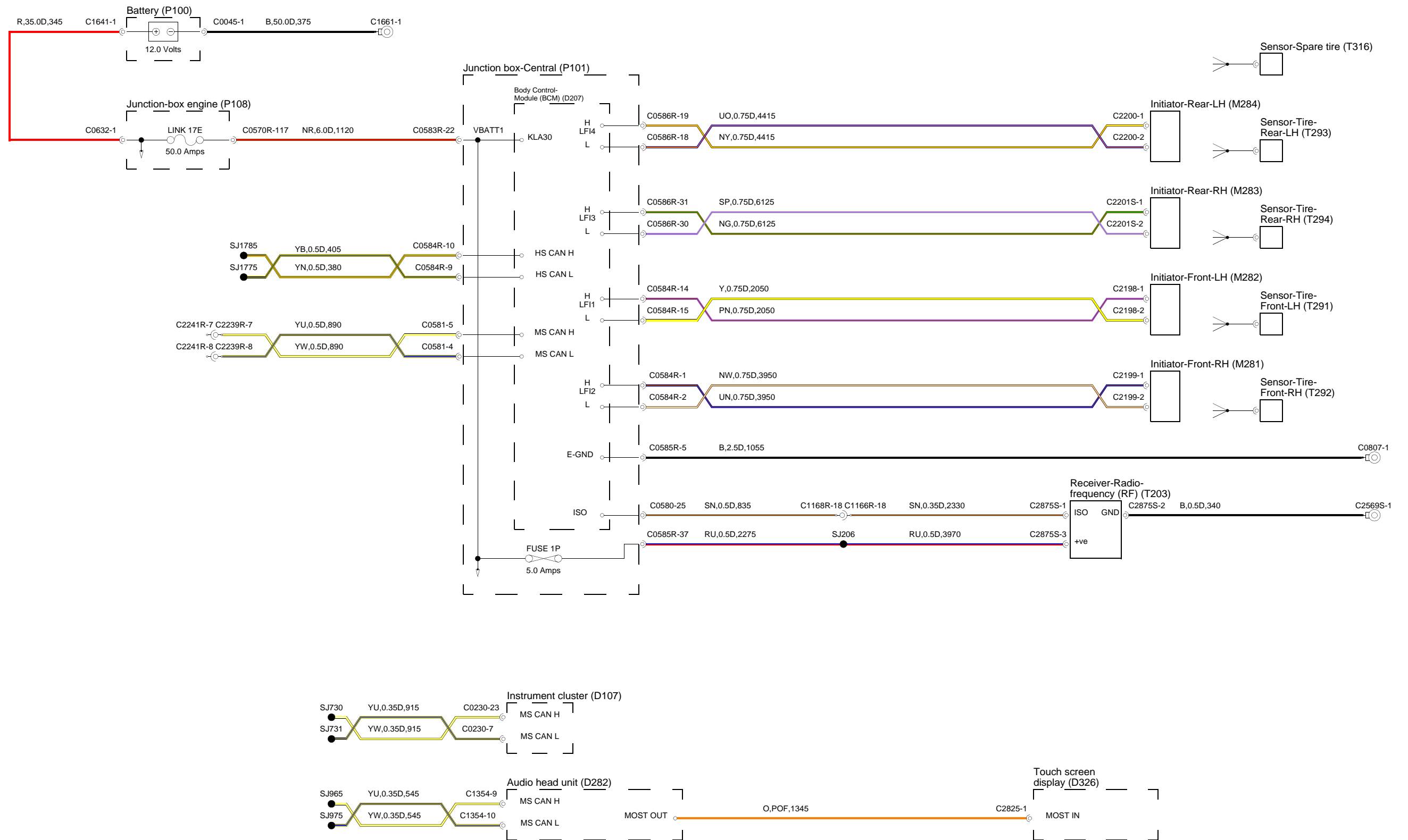
The cup and ball symbol represents the male and female halves of connector. Most connectors plug directly into a component but some are wired directly to the component using a 'flylead' as with C503 above.

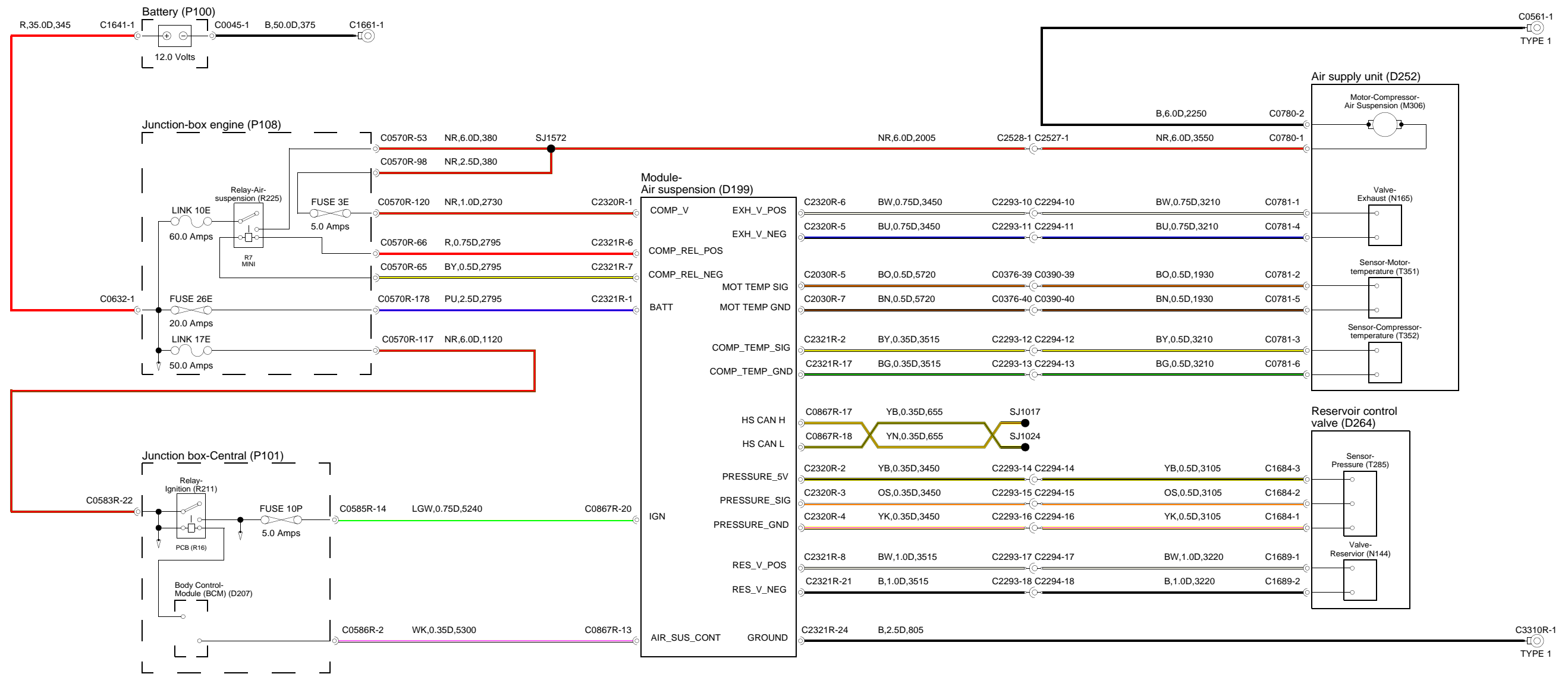
Ground points

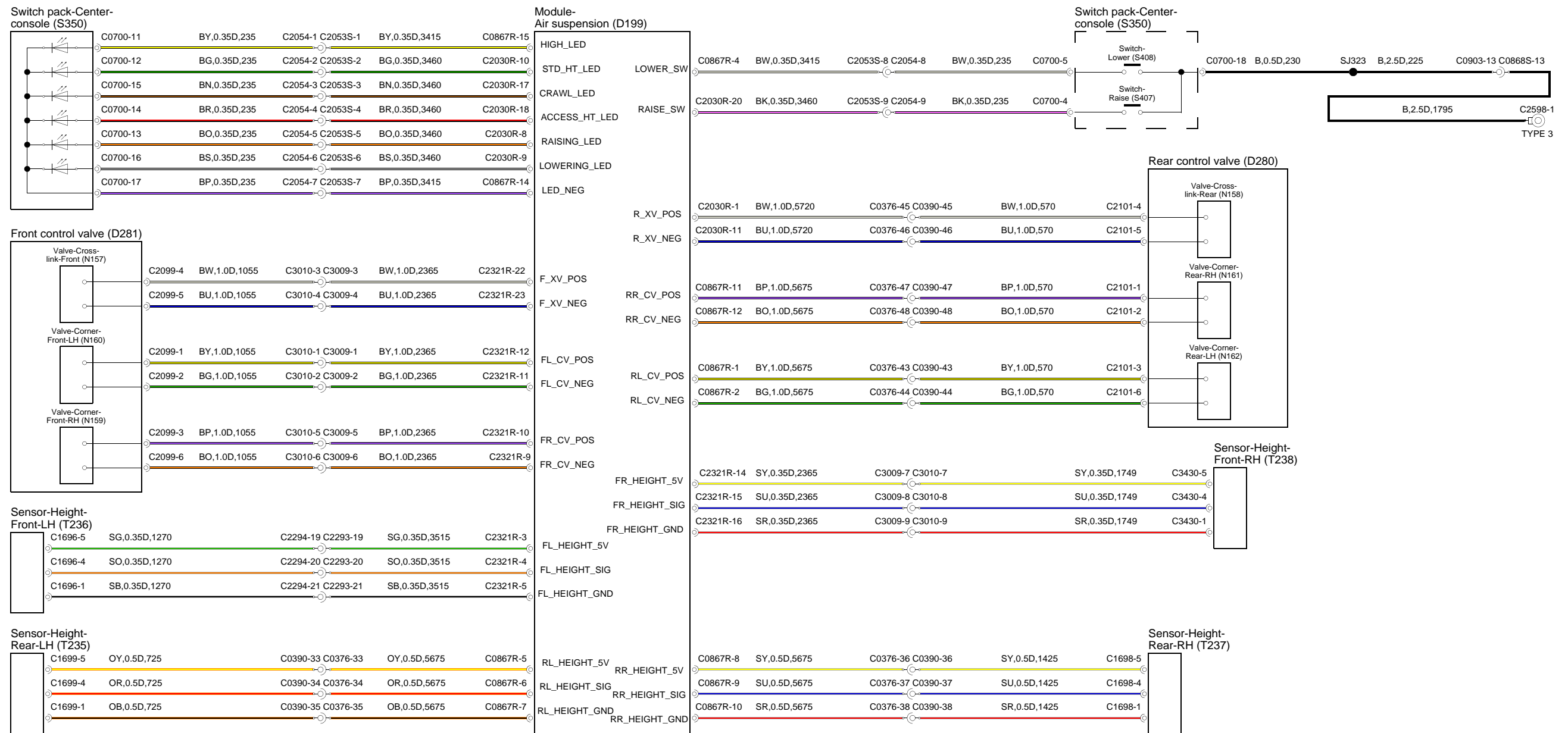
Ground points are identified with an eyelet symbol and a connector number, except where components are grounded through its fixings, when only the eyelet is shown.

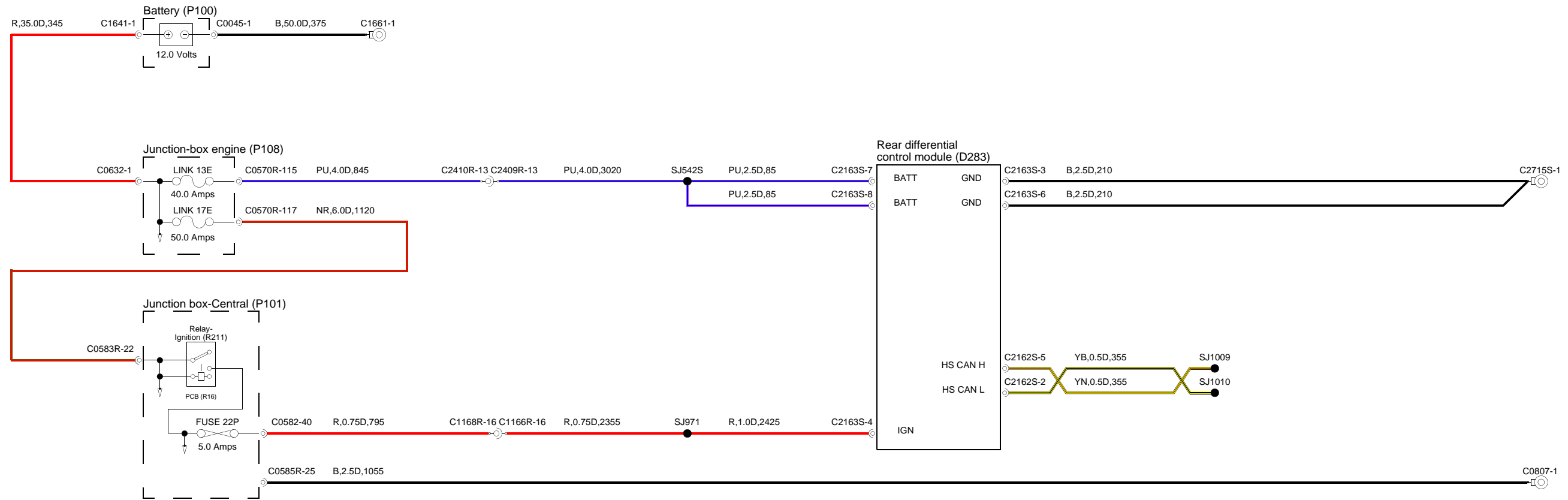
Colour Codes

CODE	COLOUR
BK or B	BLACK
BN or N	BROWN
BU or U	BLUE
GN or G	GREEN
GY or S	GREY (slate)
OG or O	ORANGE
PK or K	PINK
RD or R	RED
VT or P	PURPLE
WH or W	WHITE
YE or Y	YELLOW

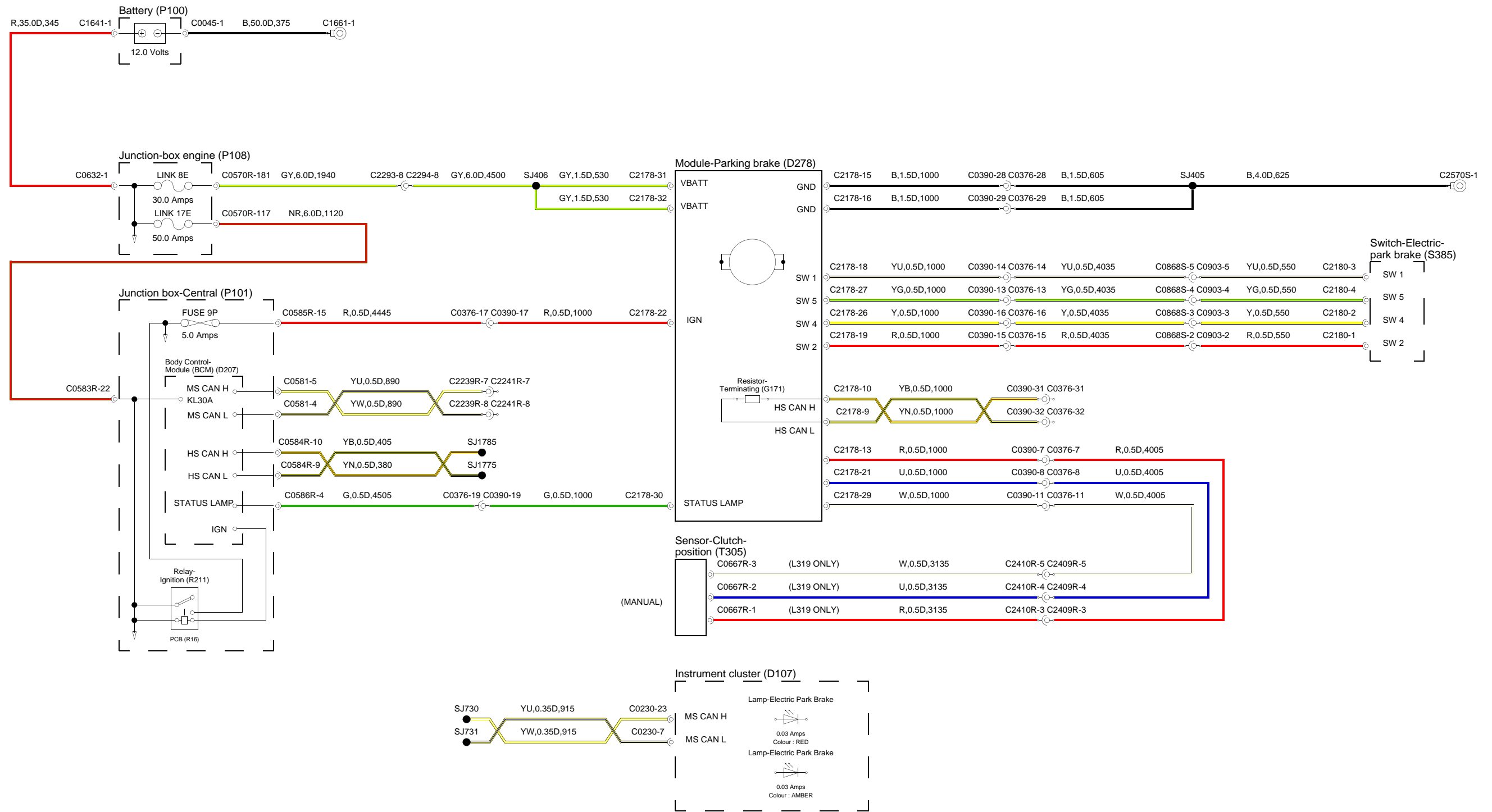


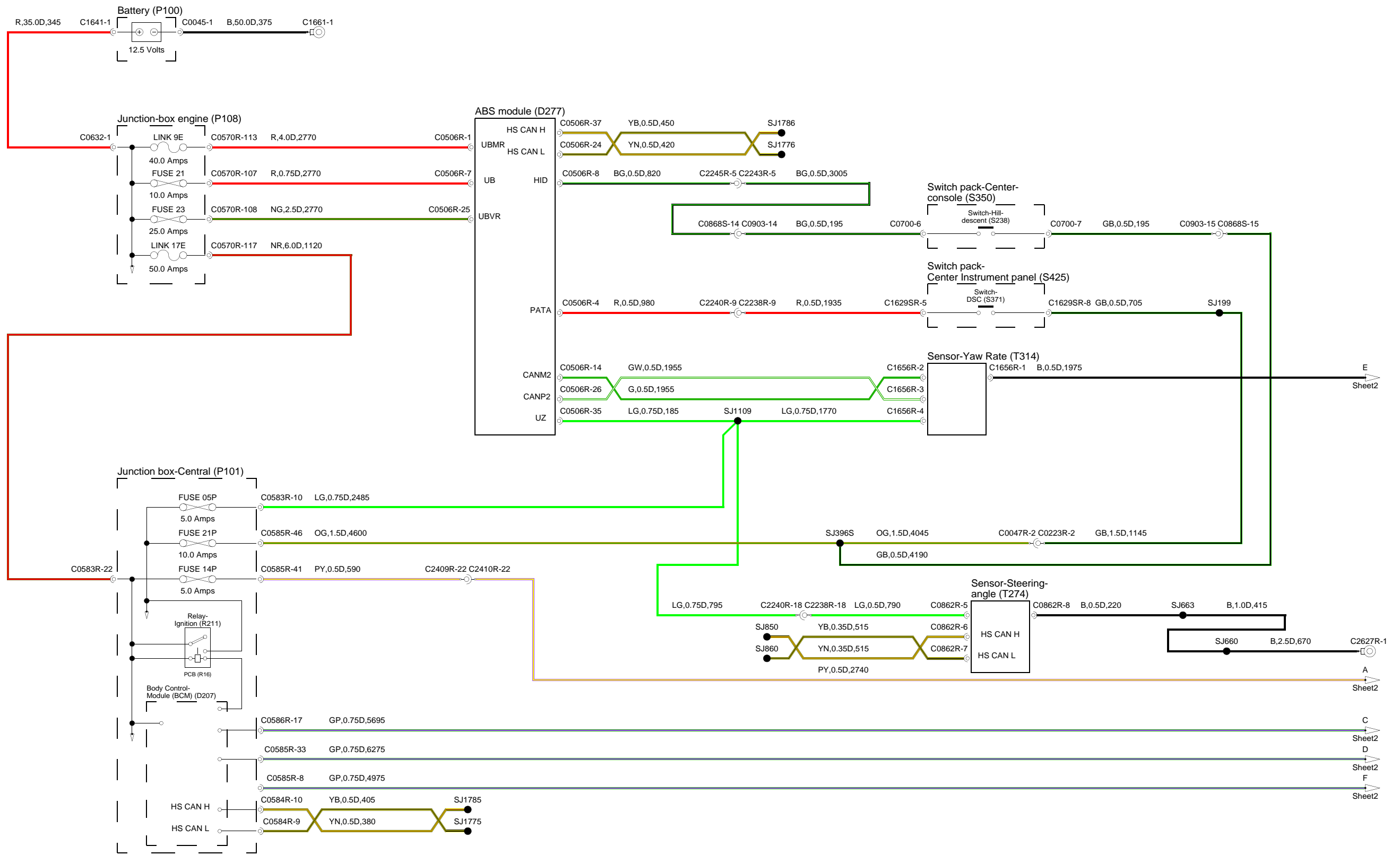


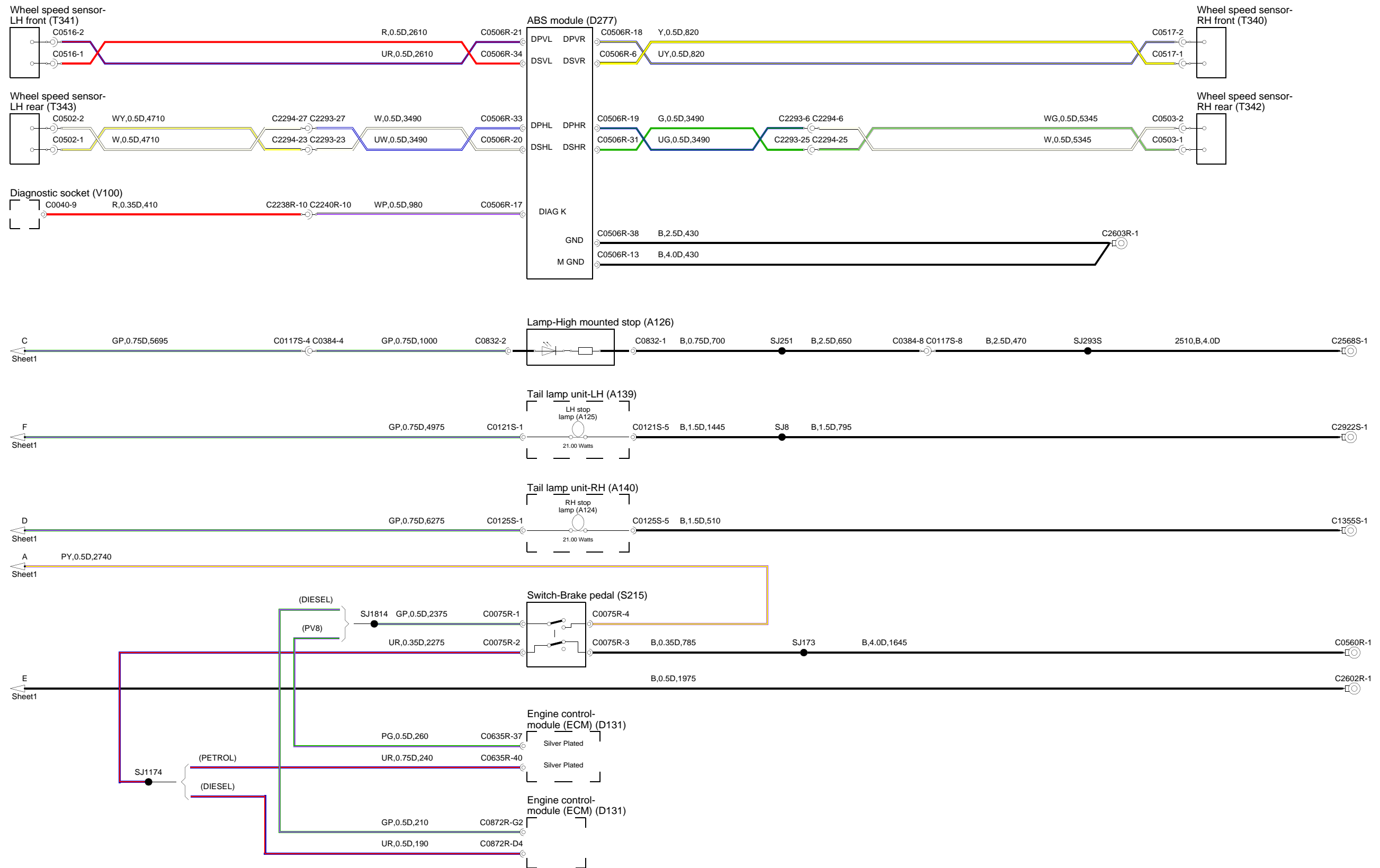


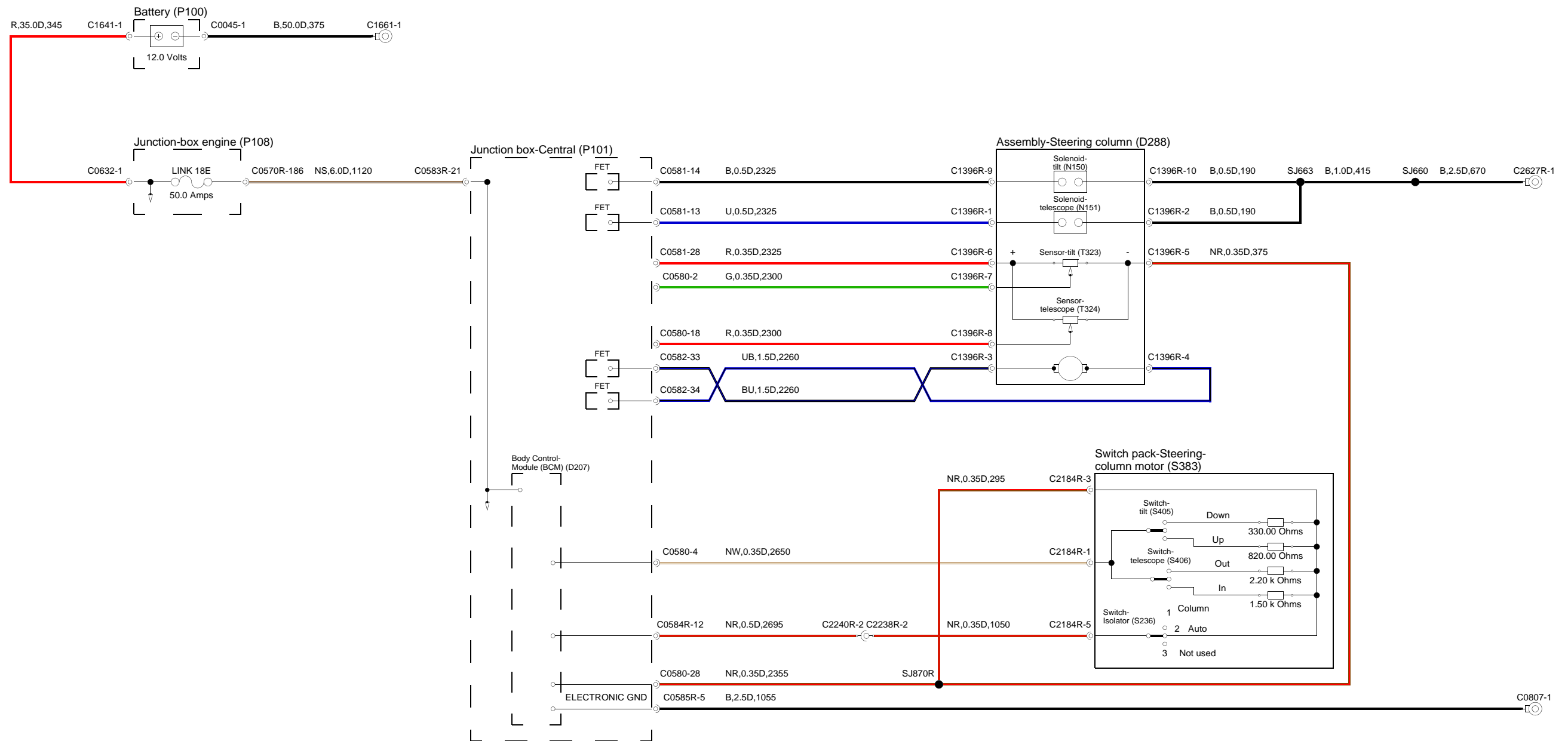


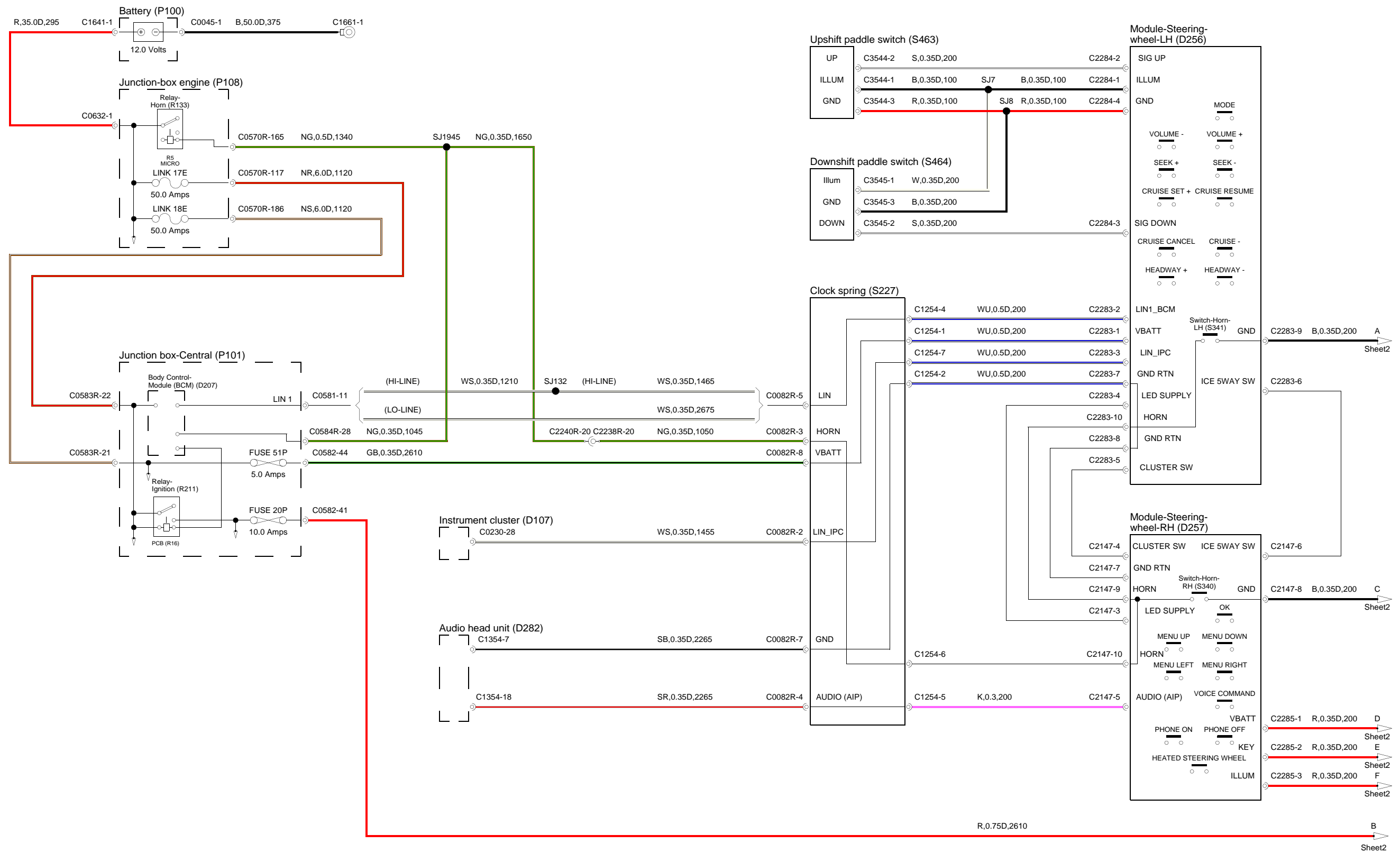


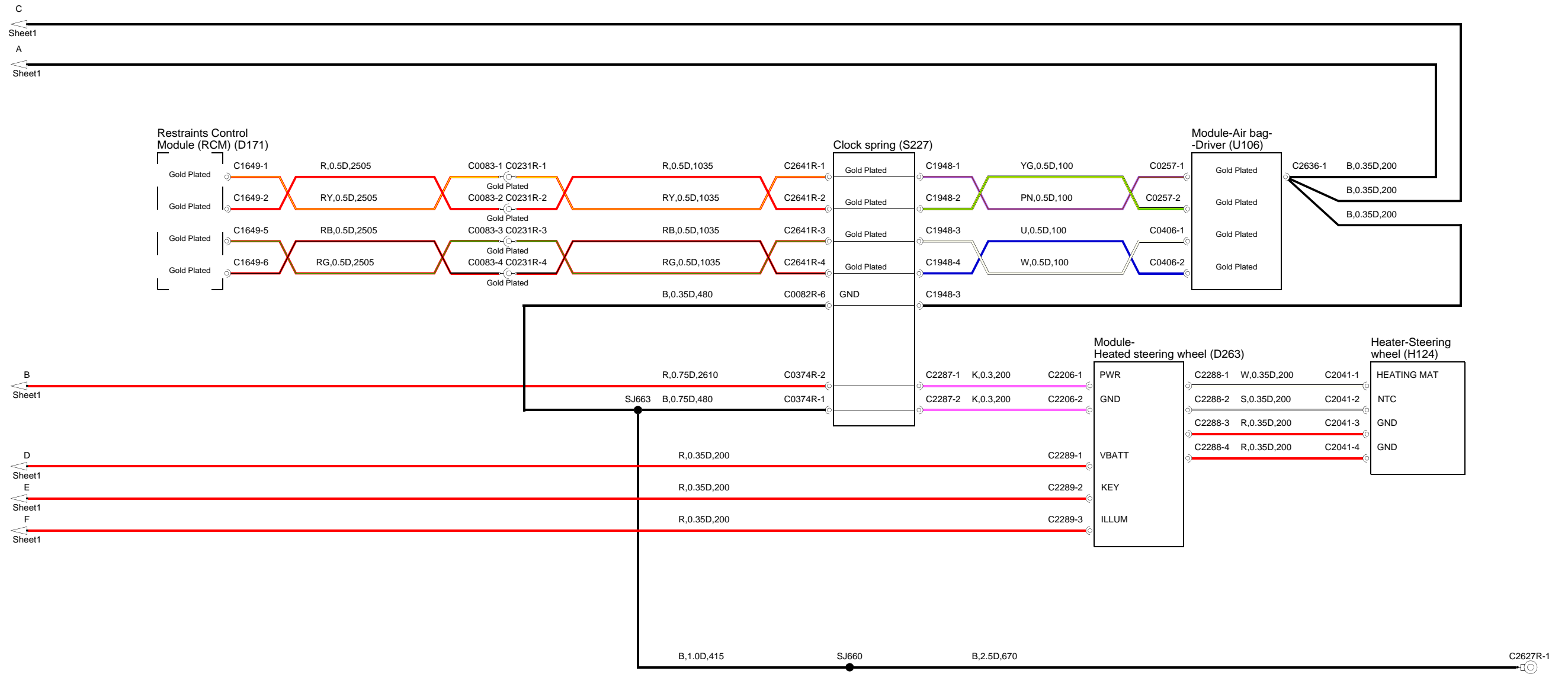


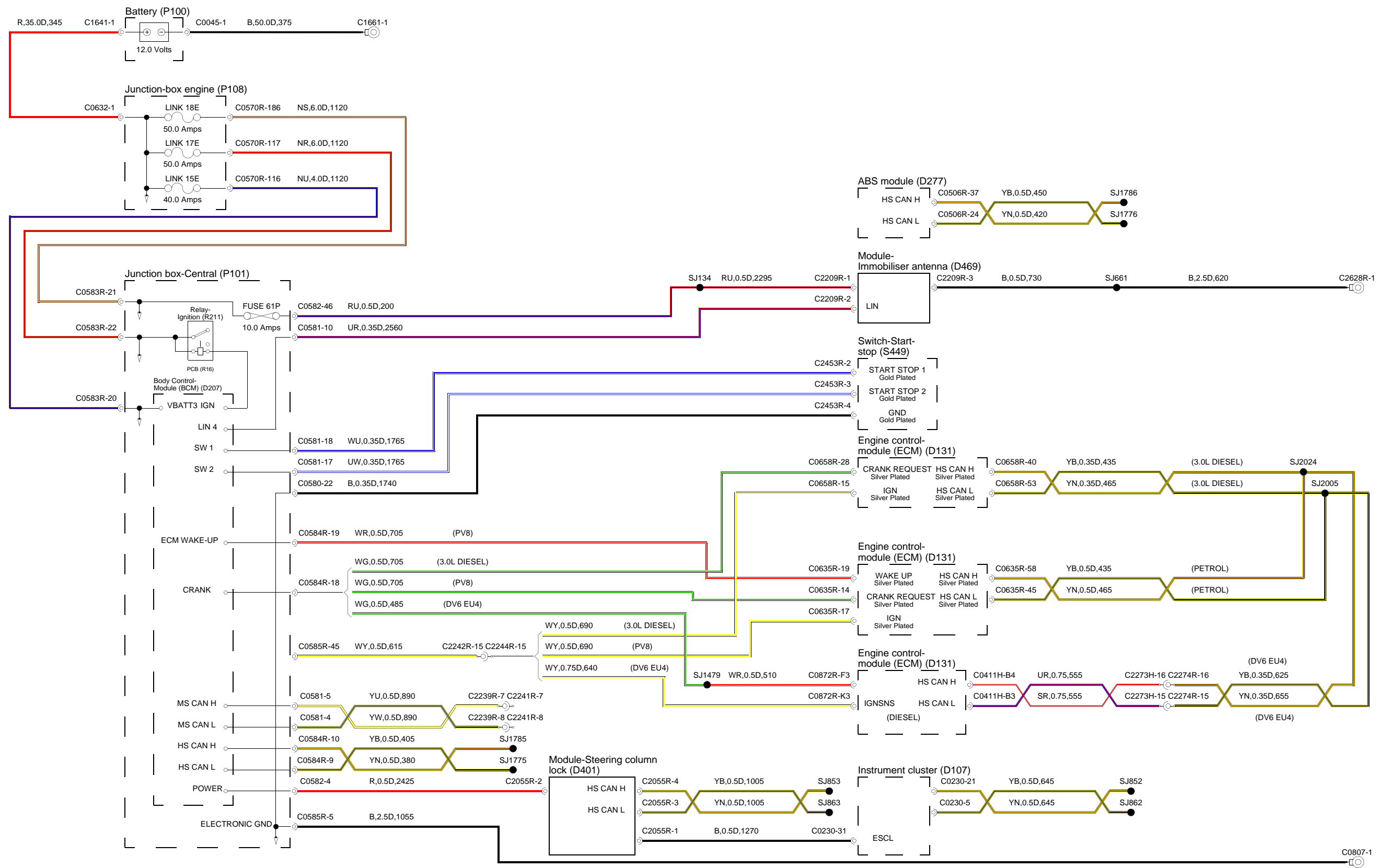


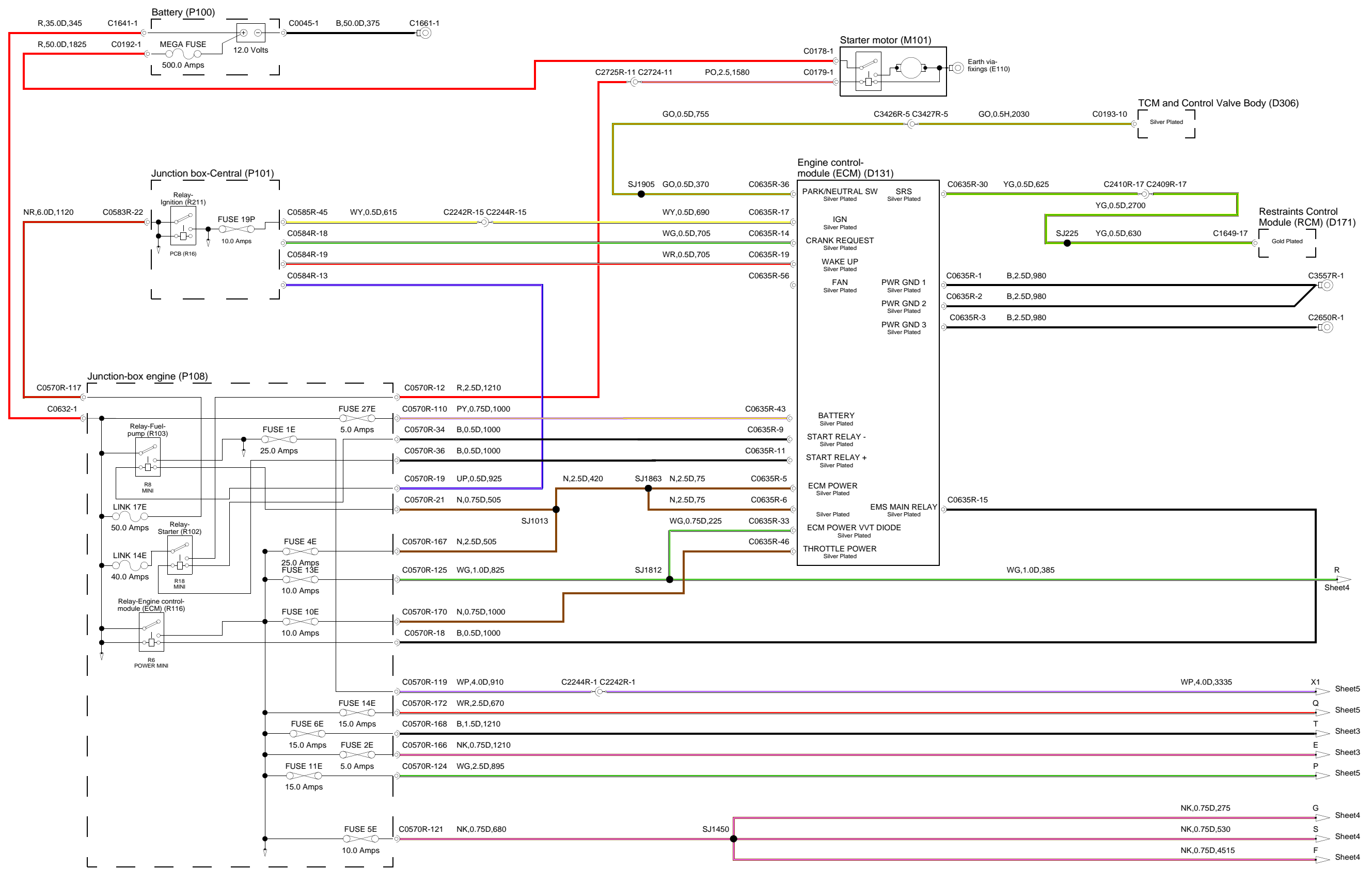


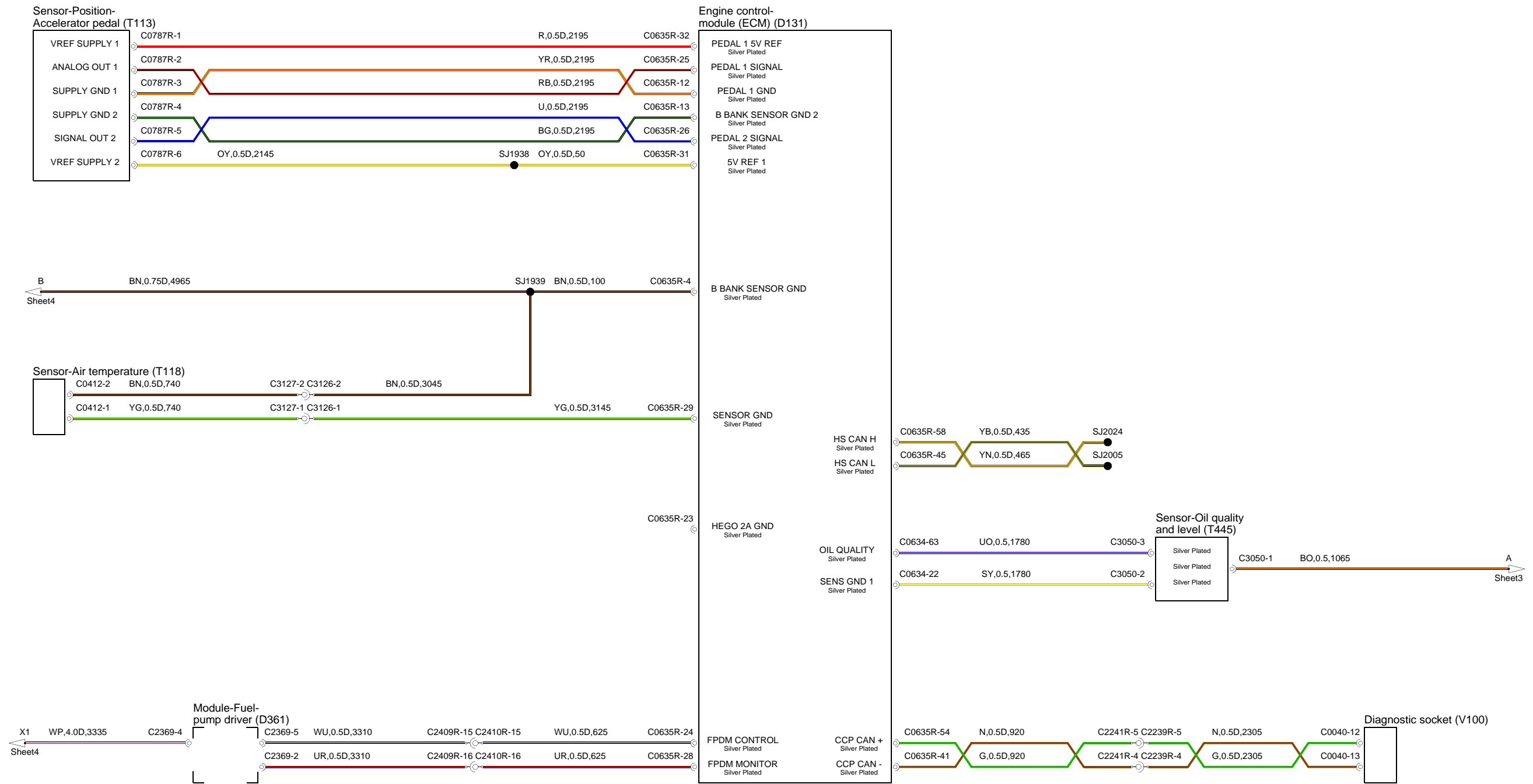


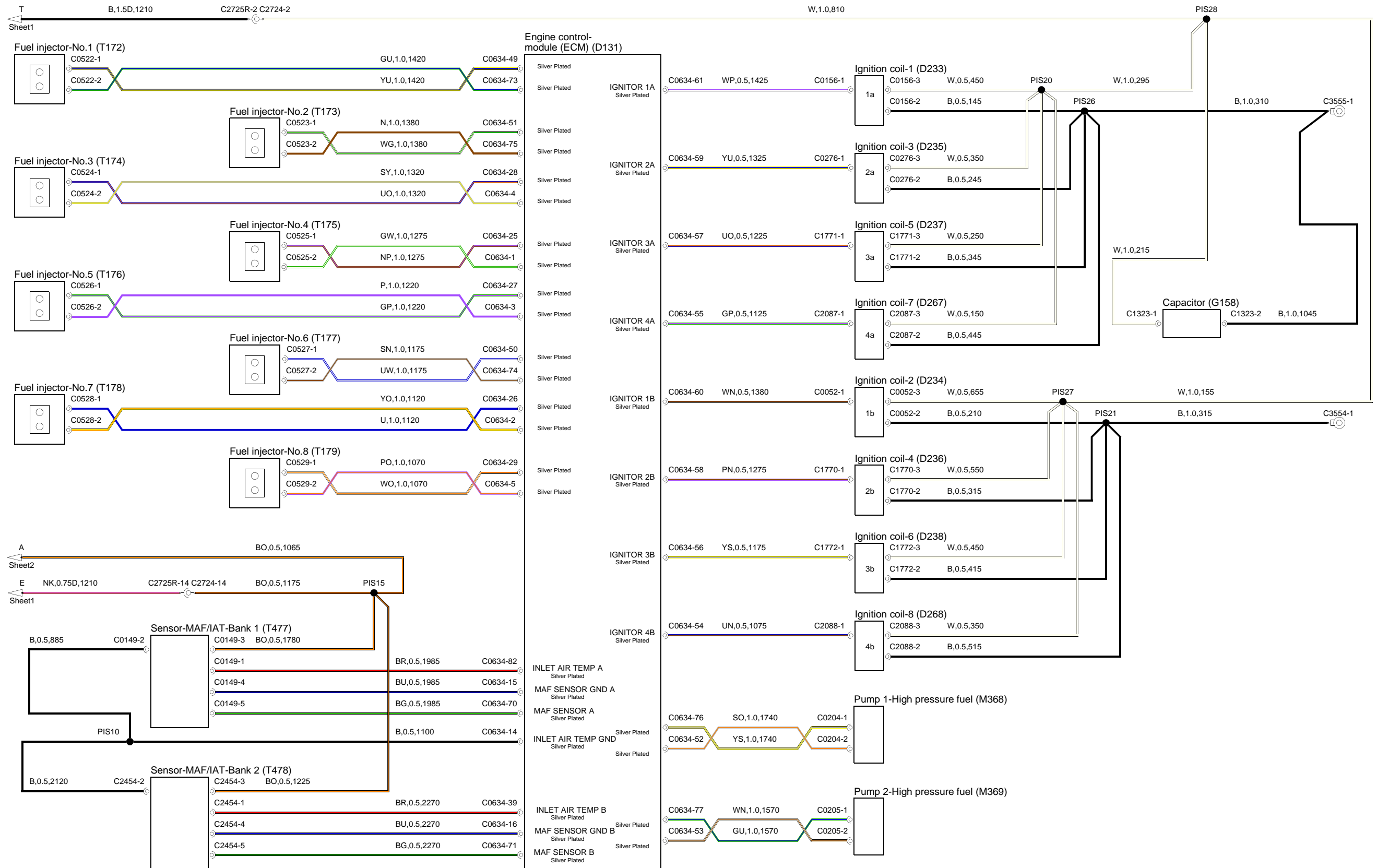


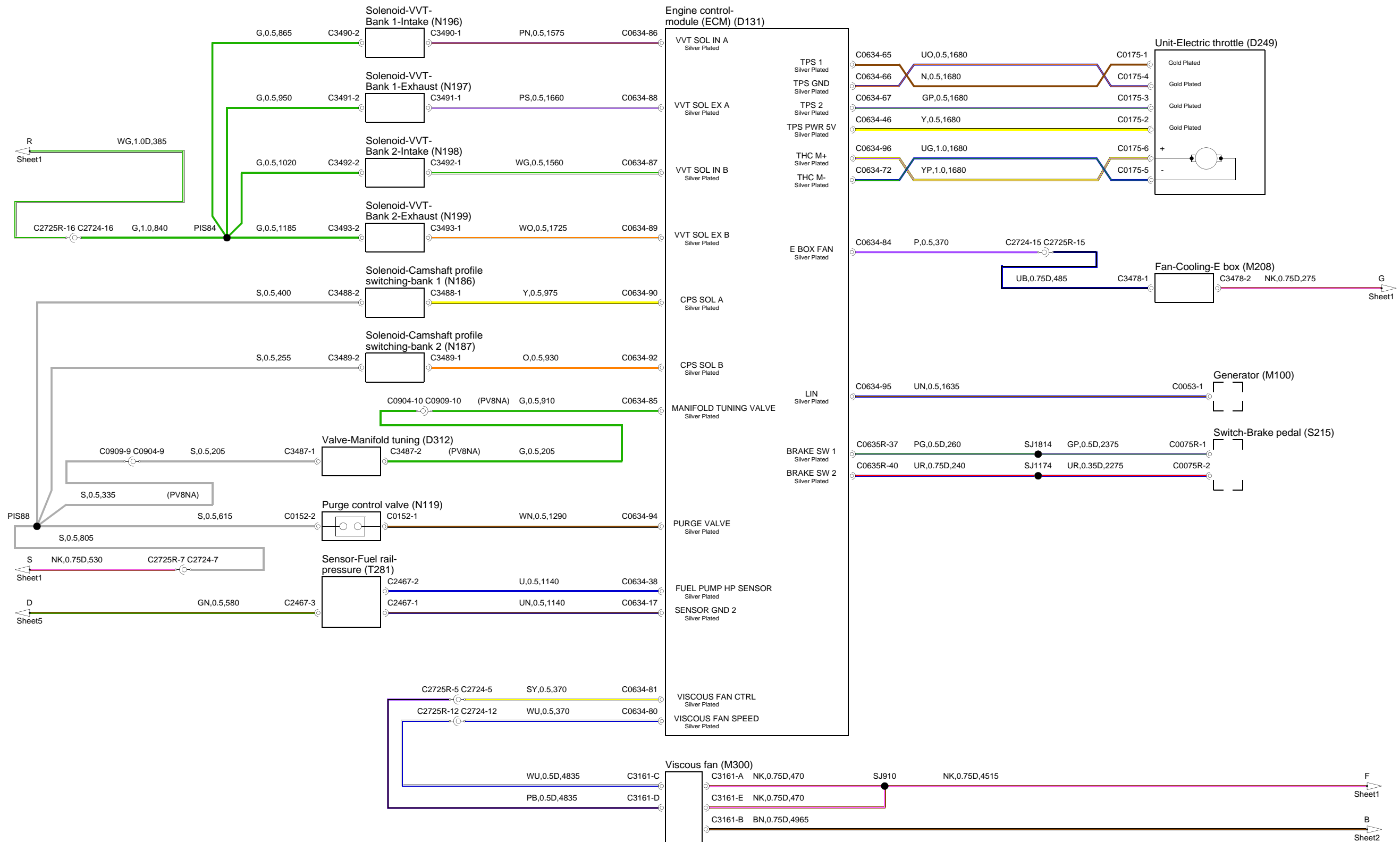


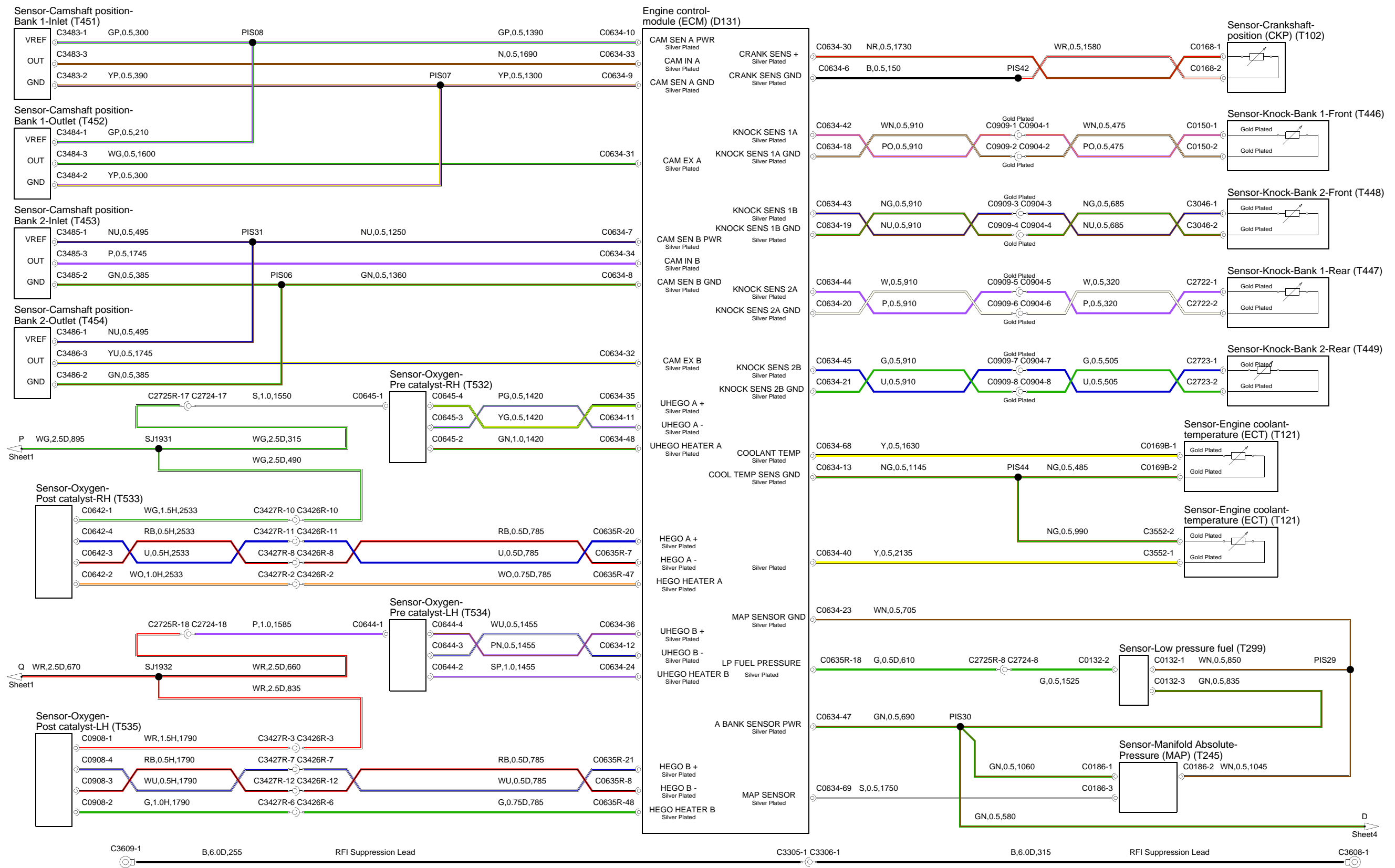


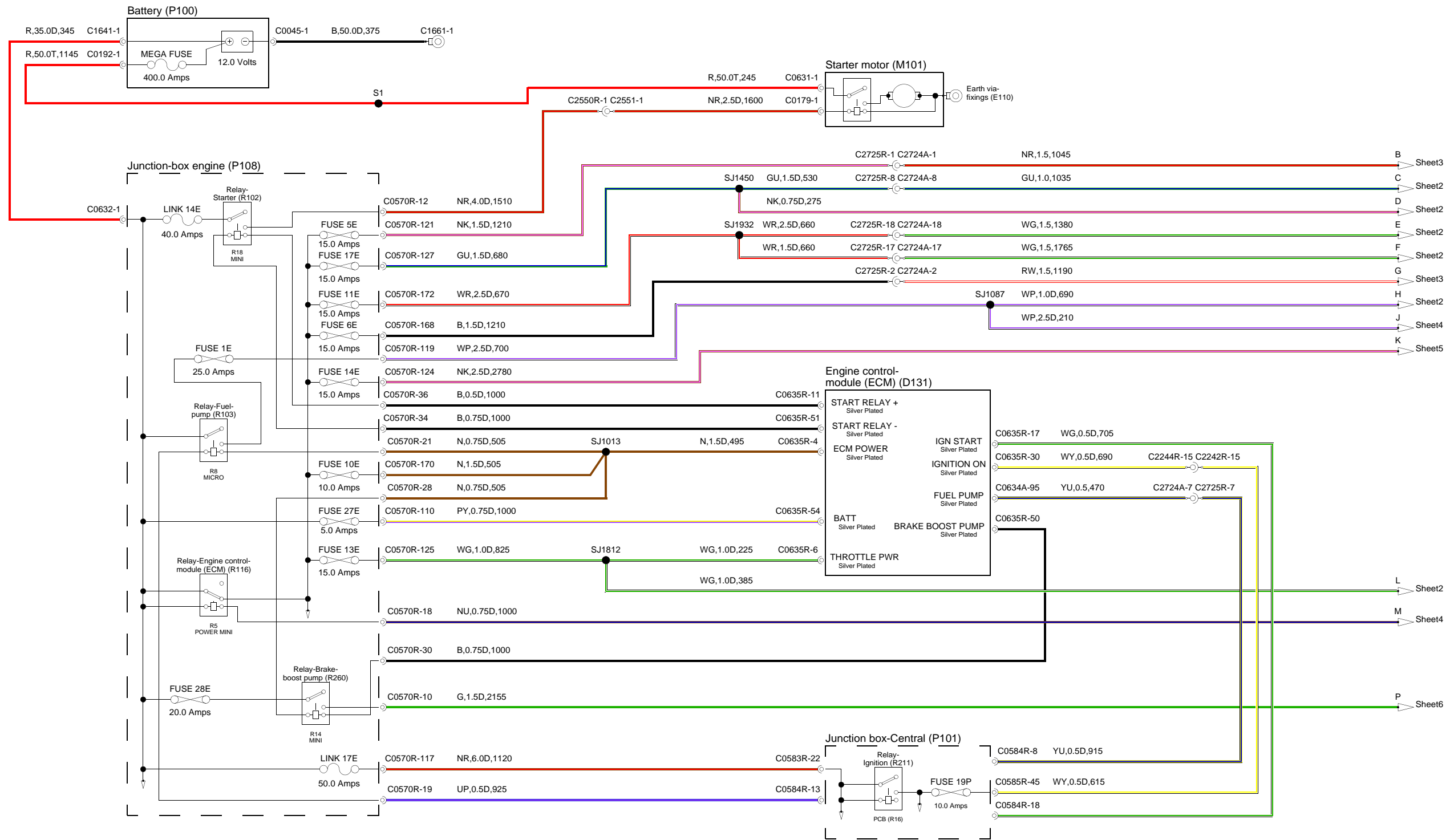


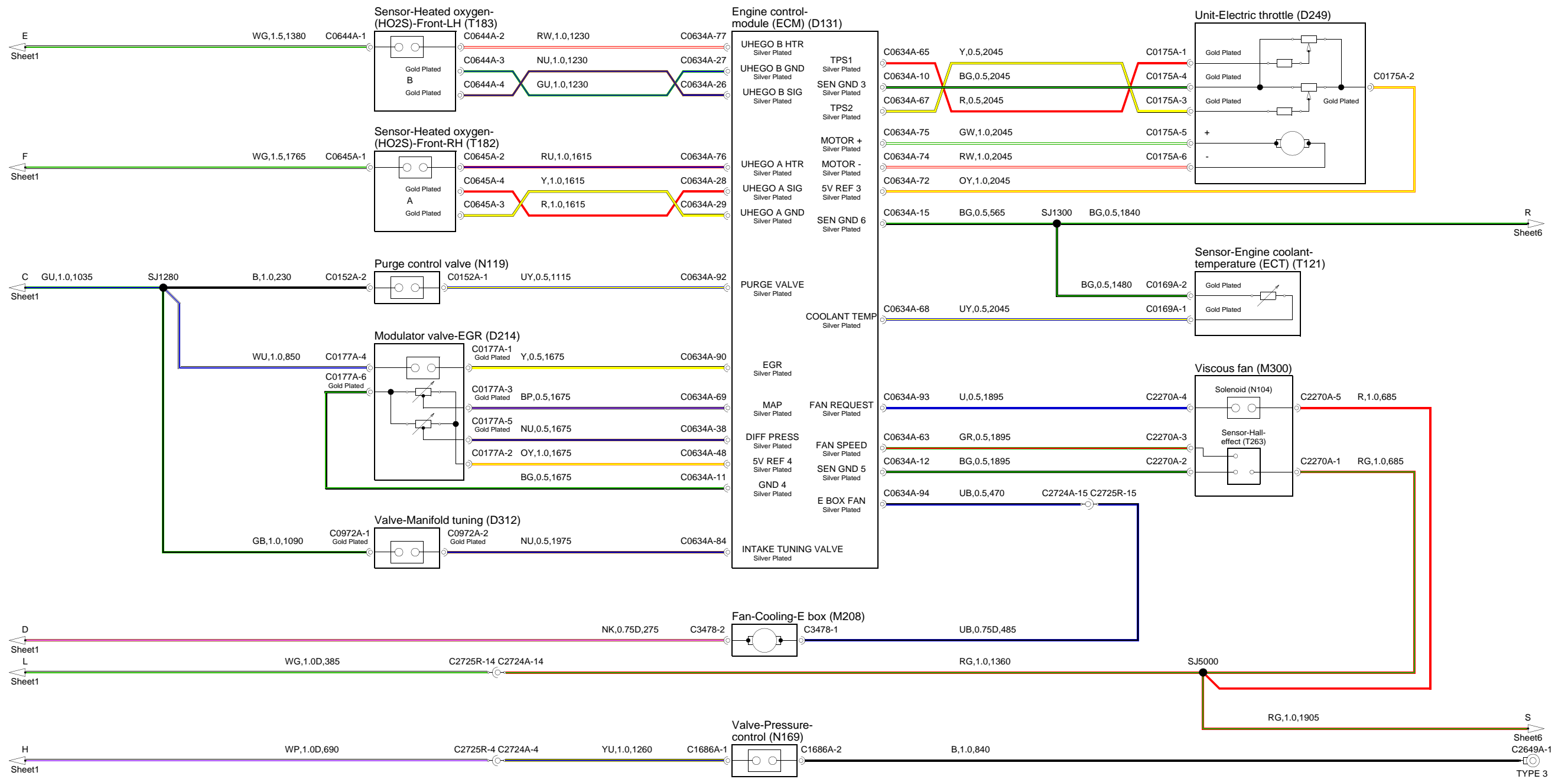


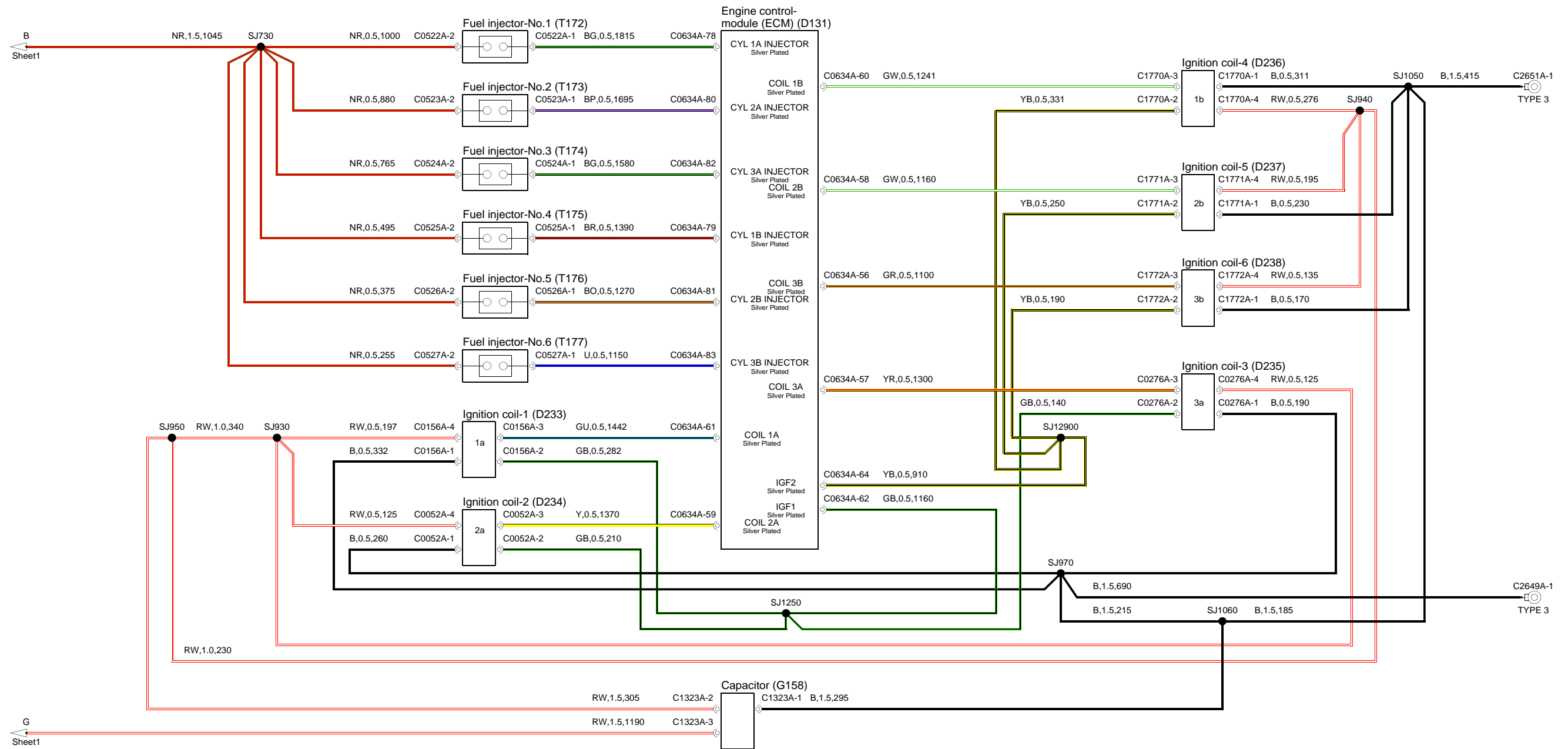


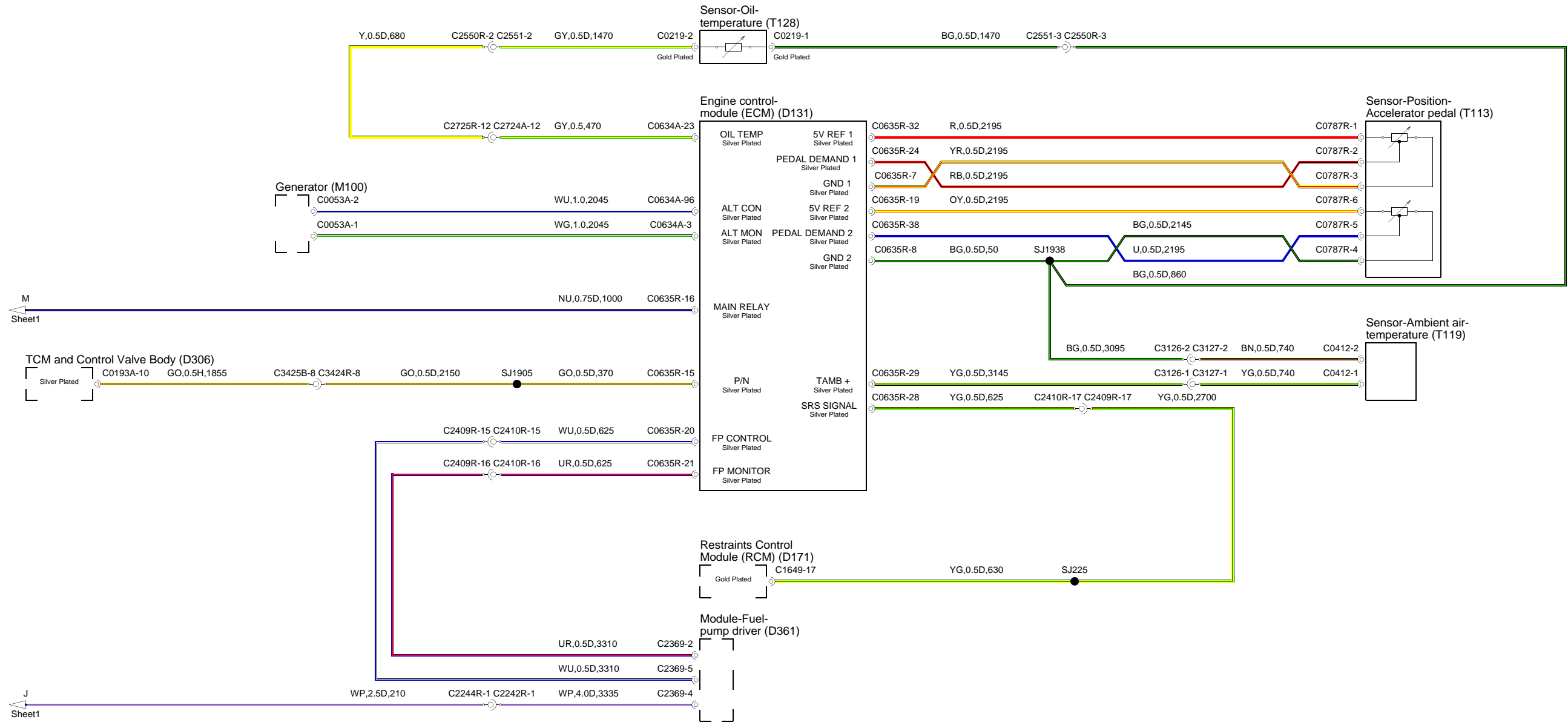


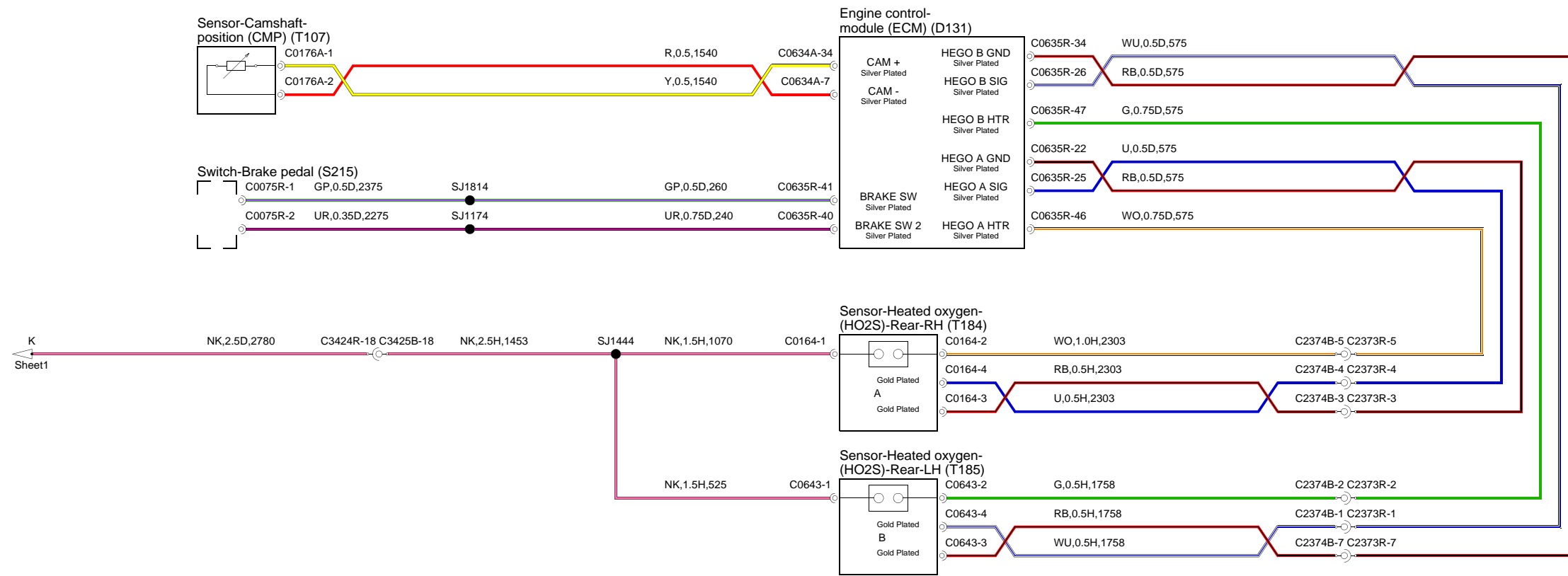


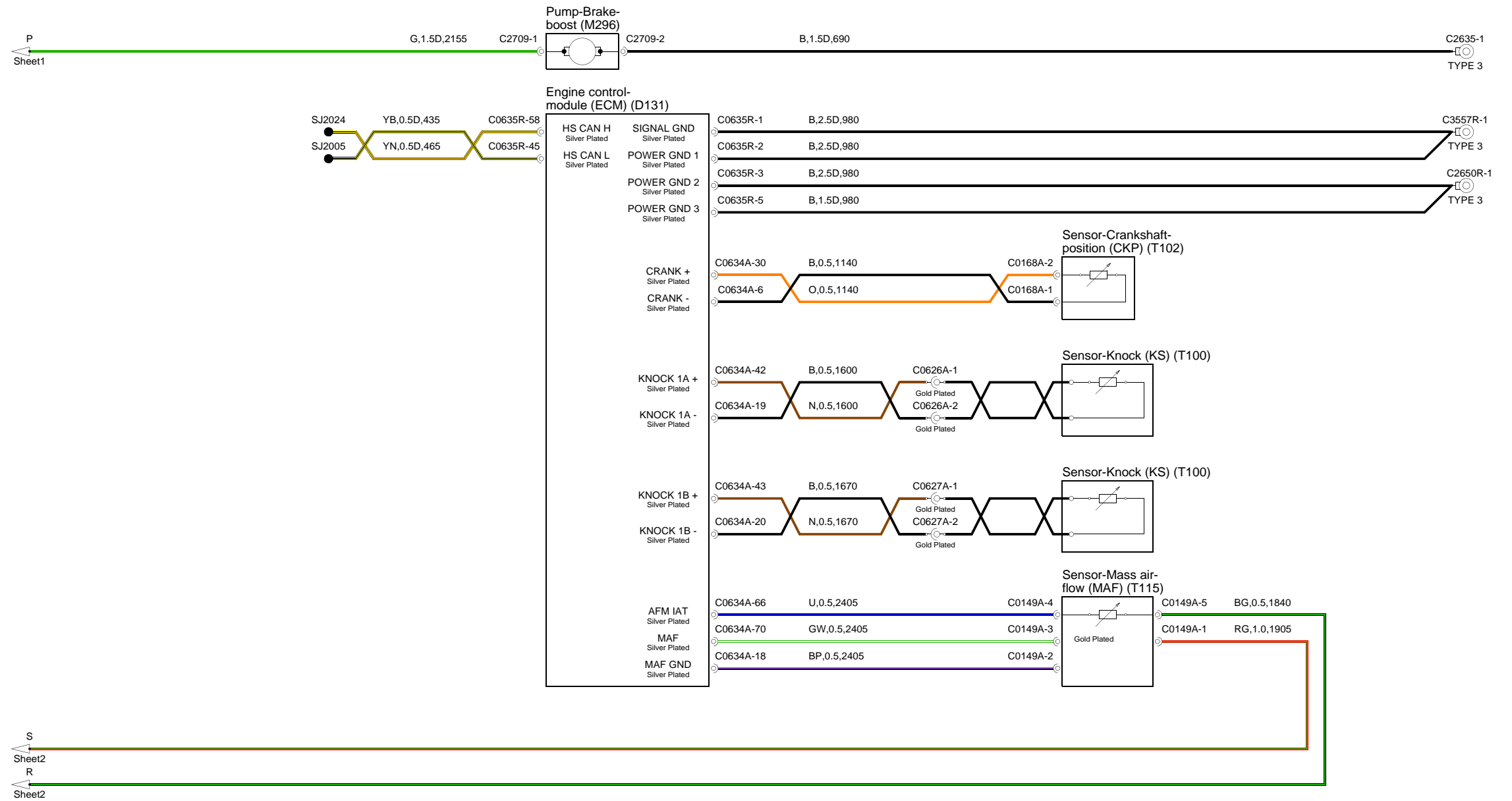


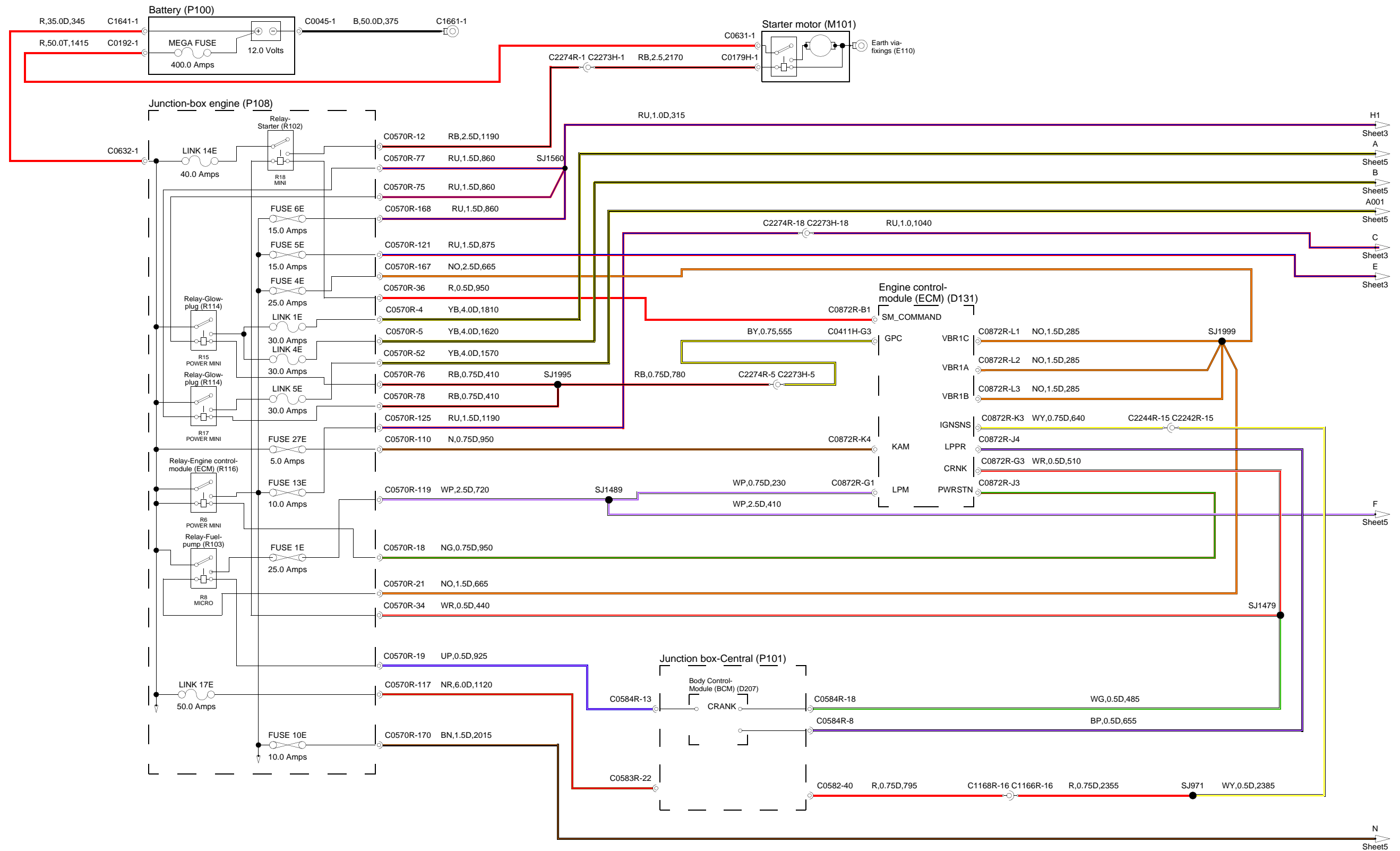


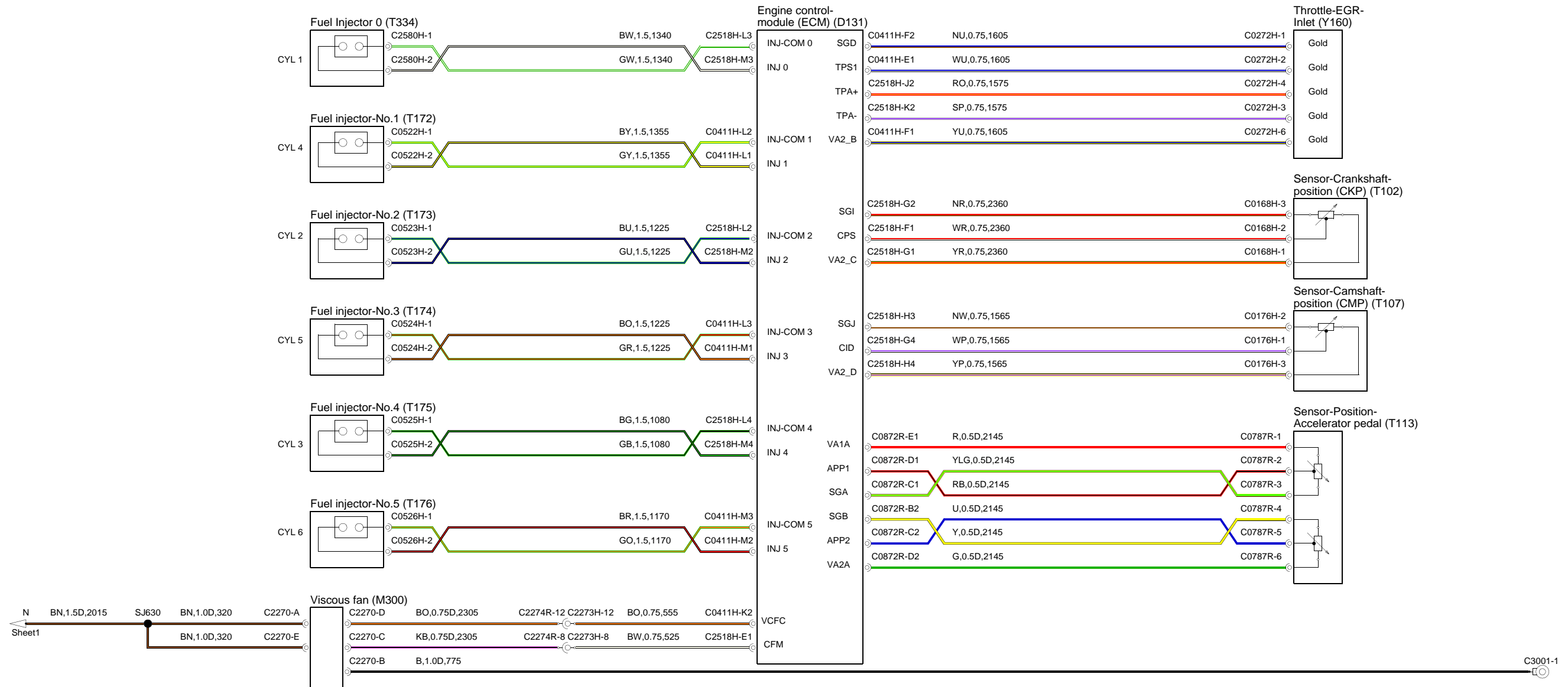


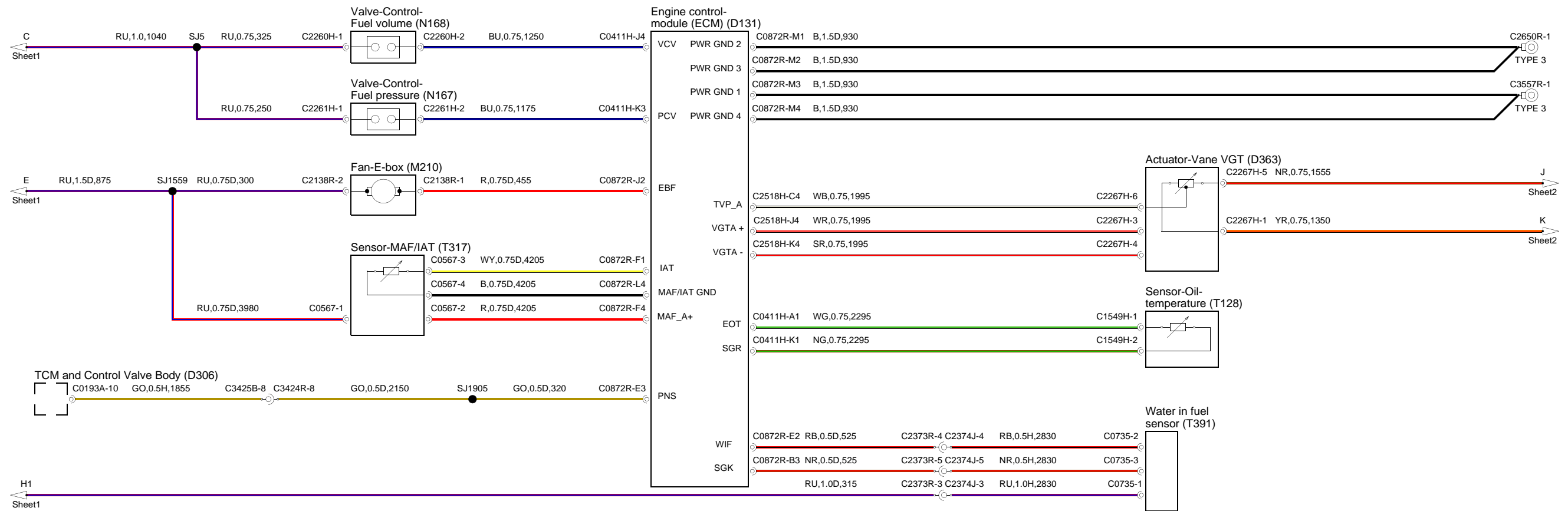


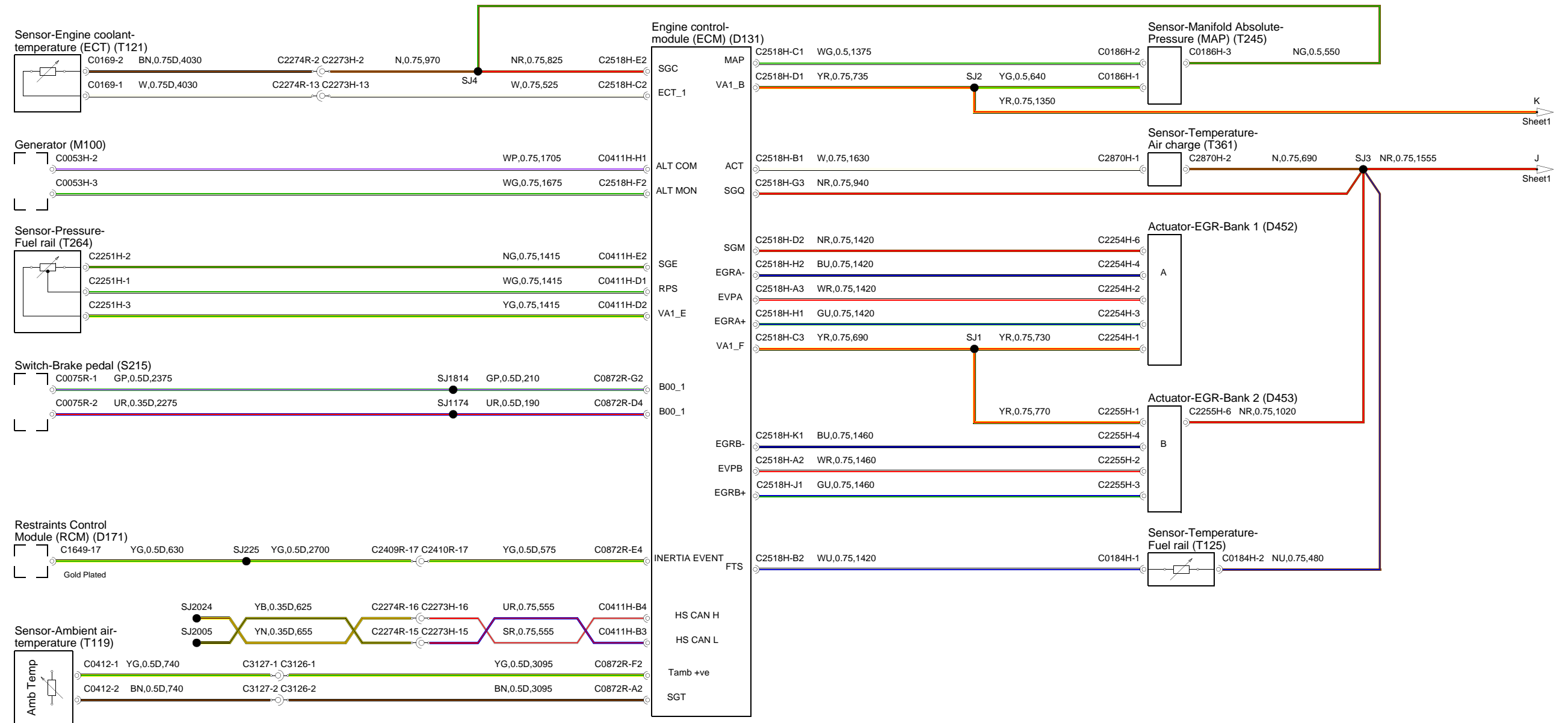


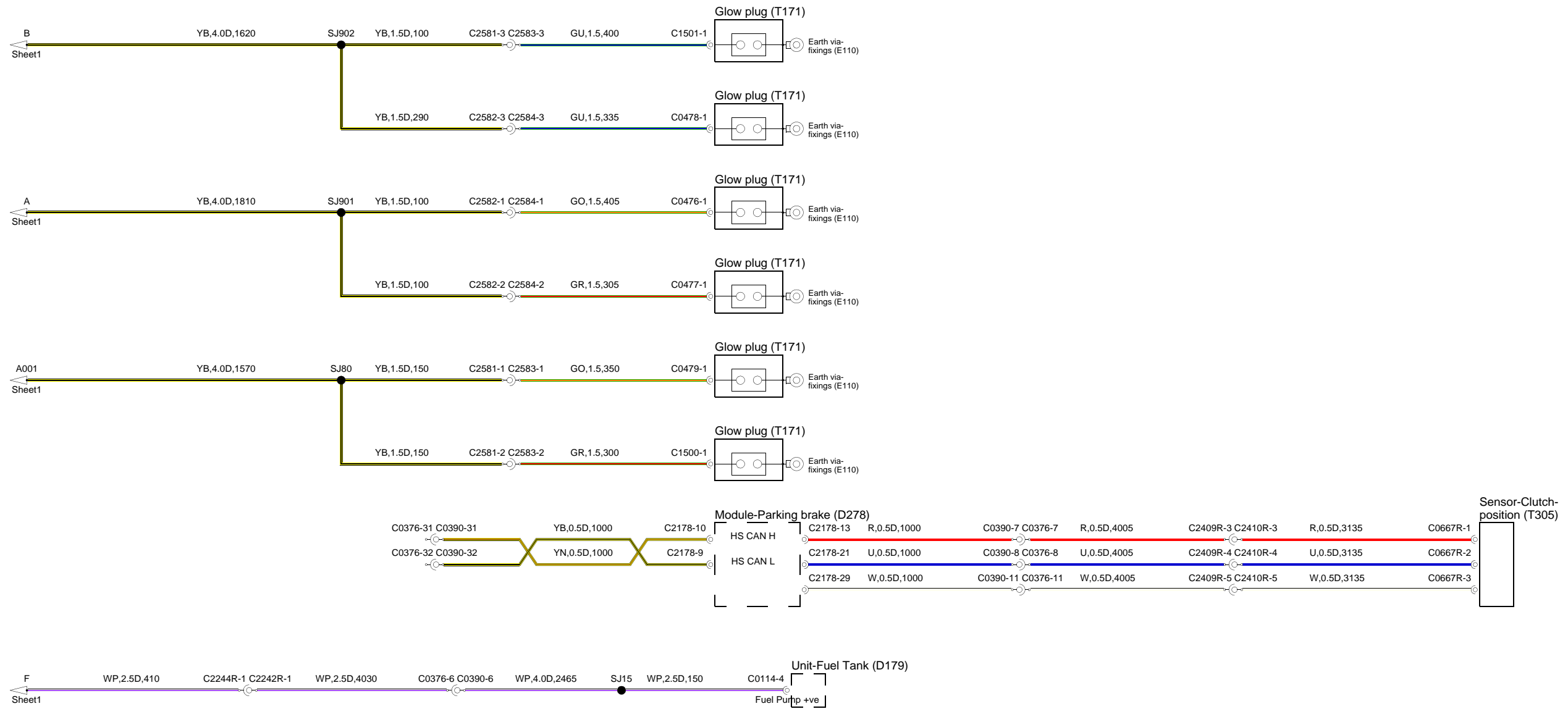




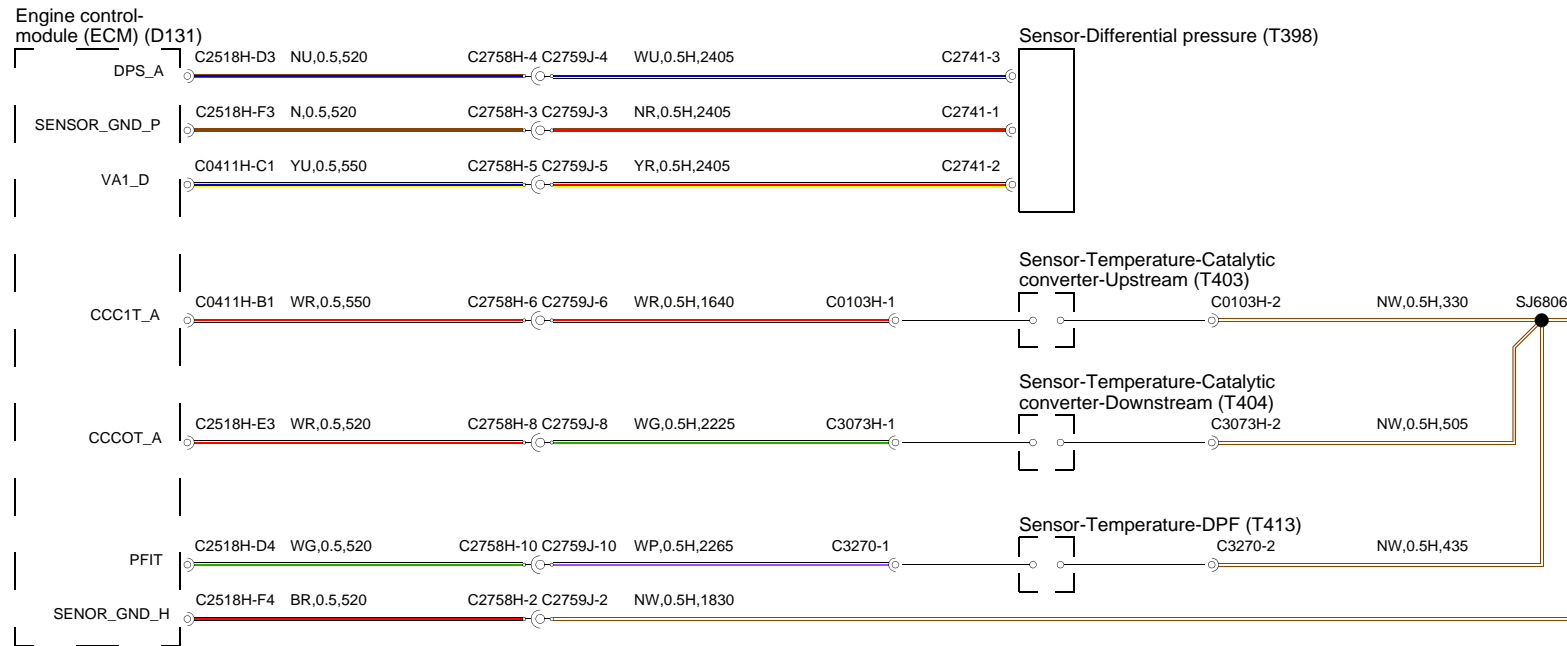




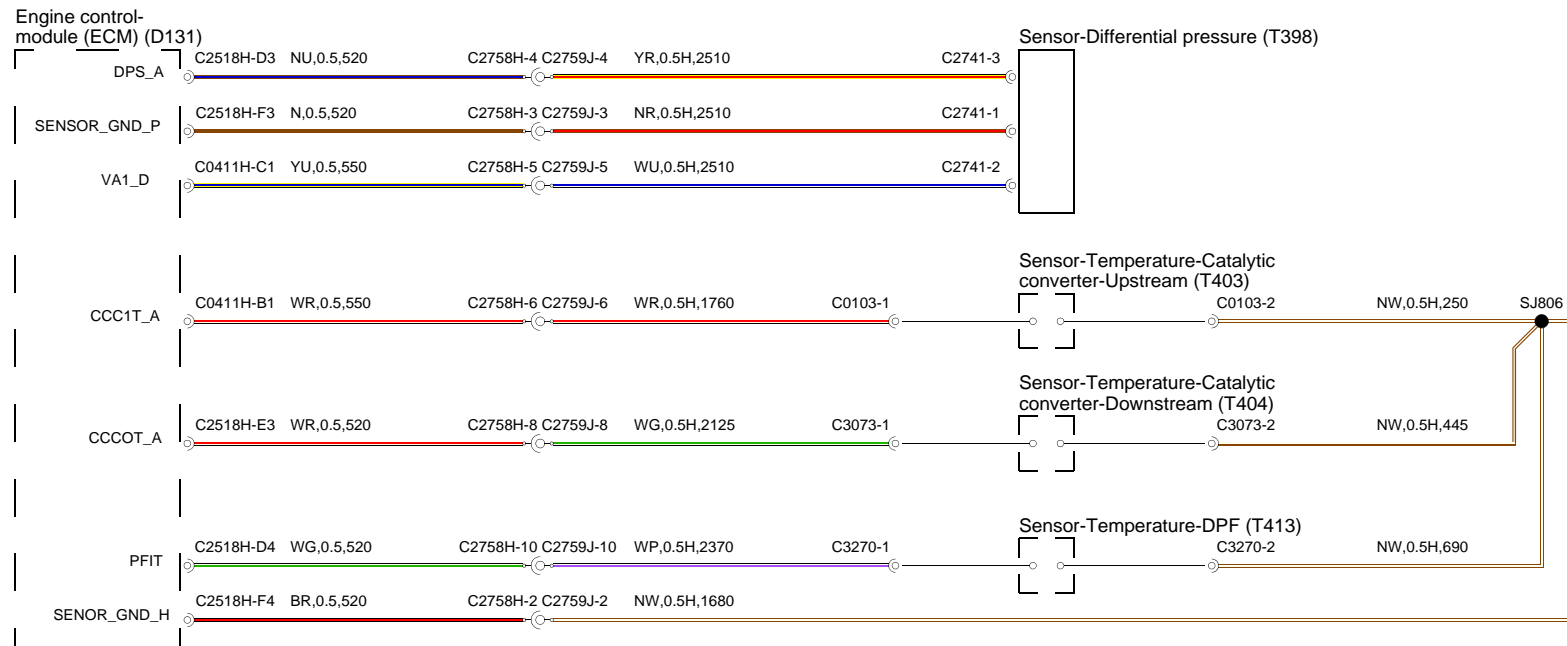


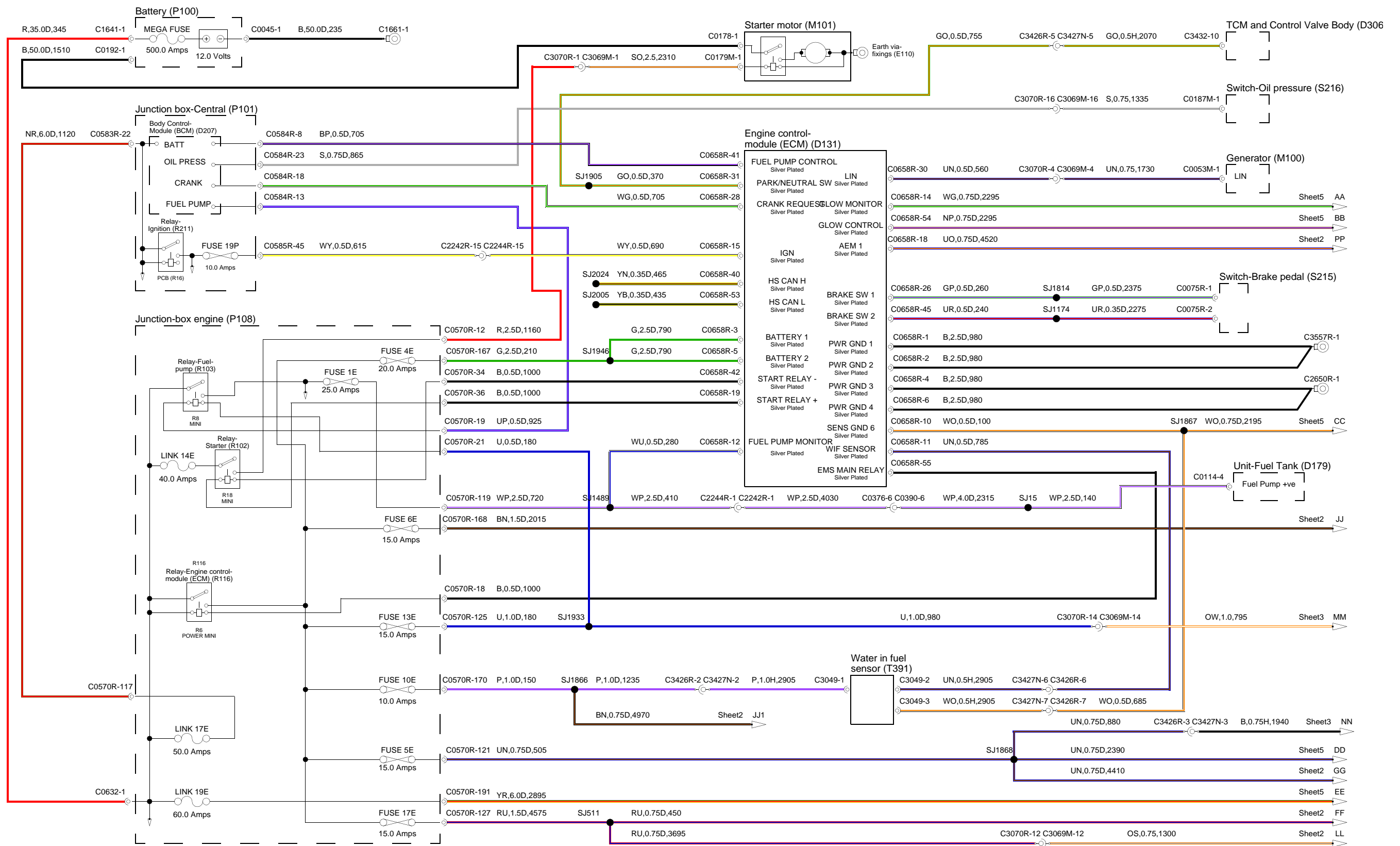


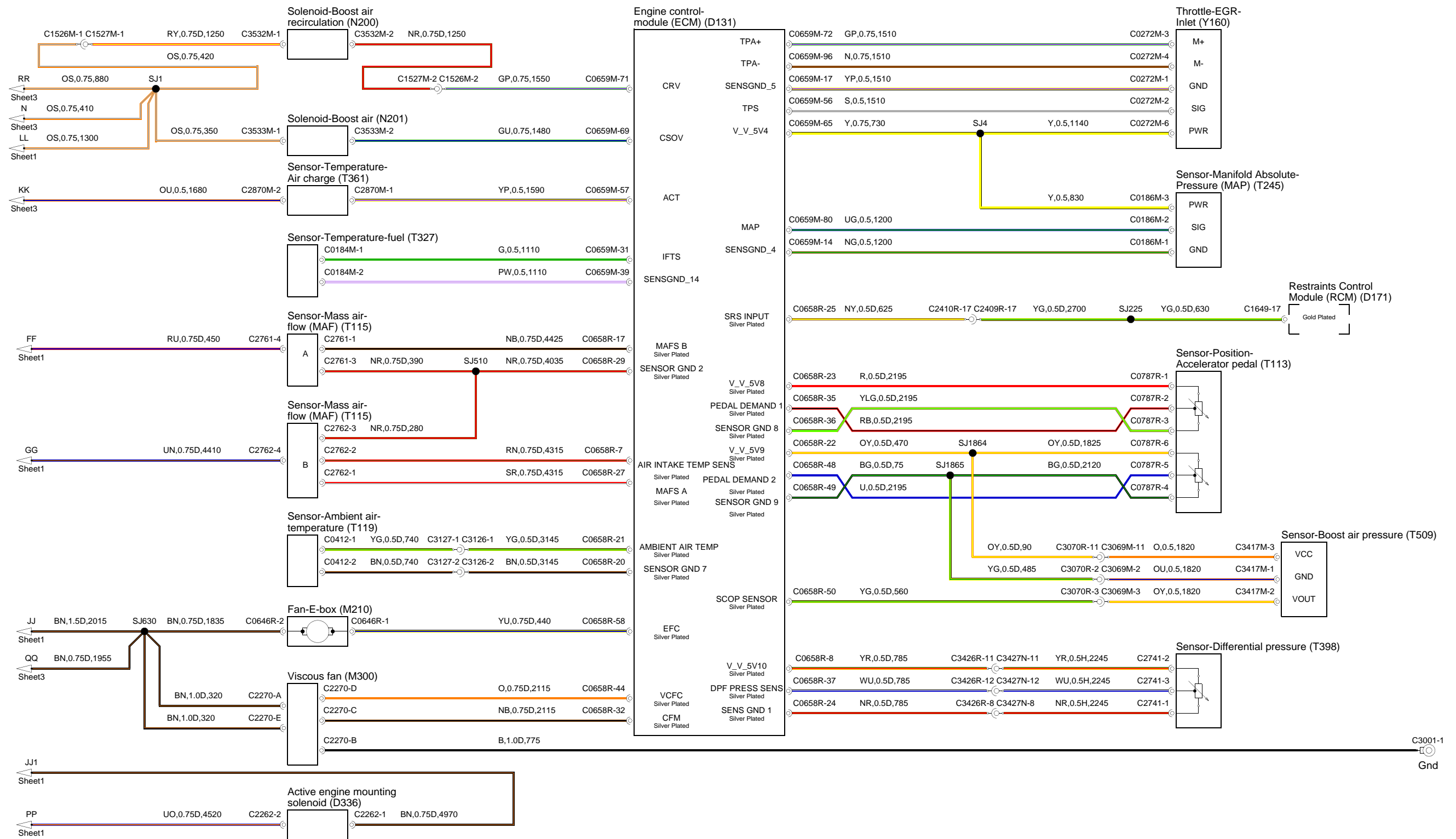
(AUTO DV6)

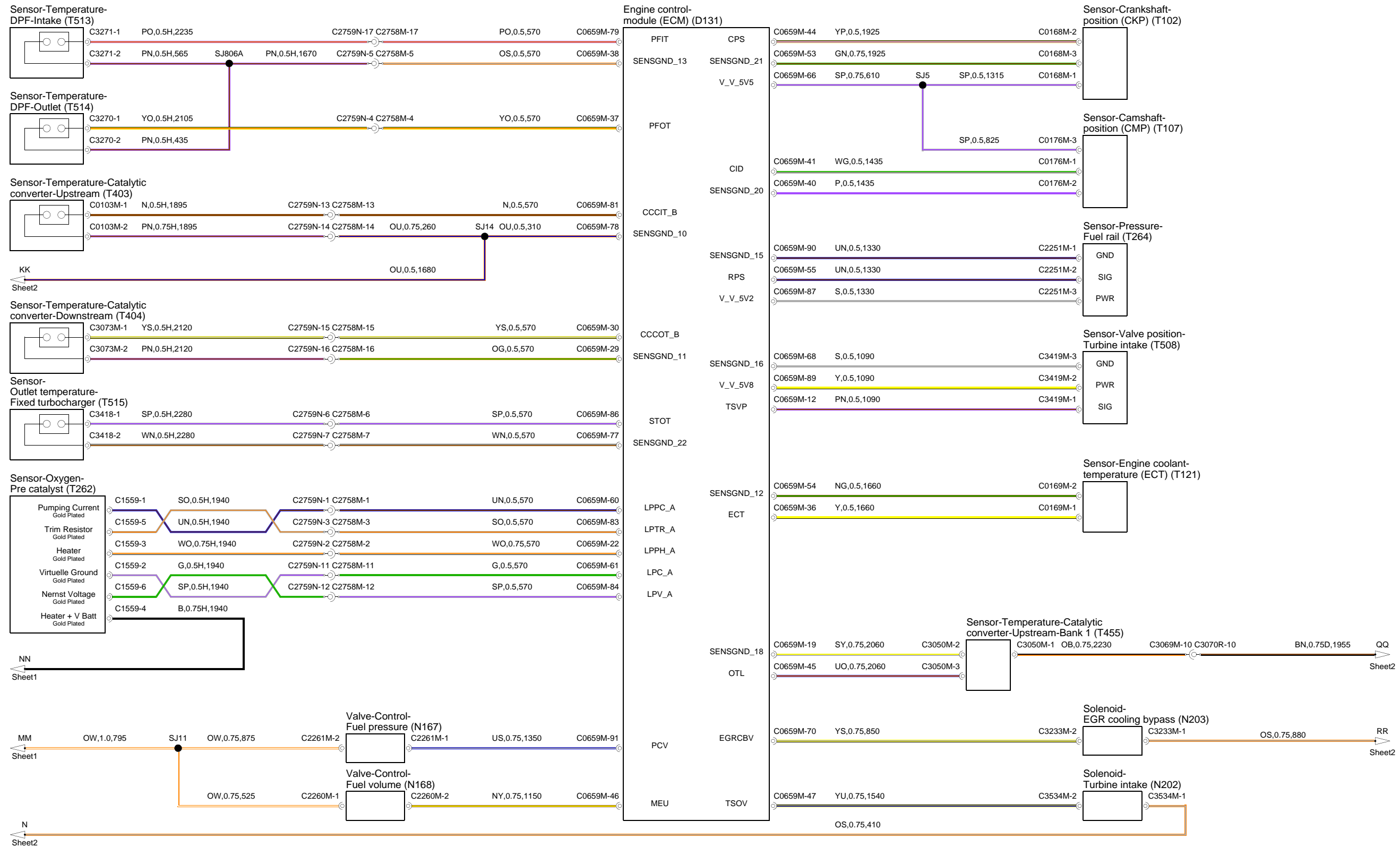


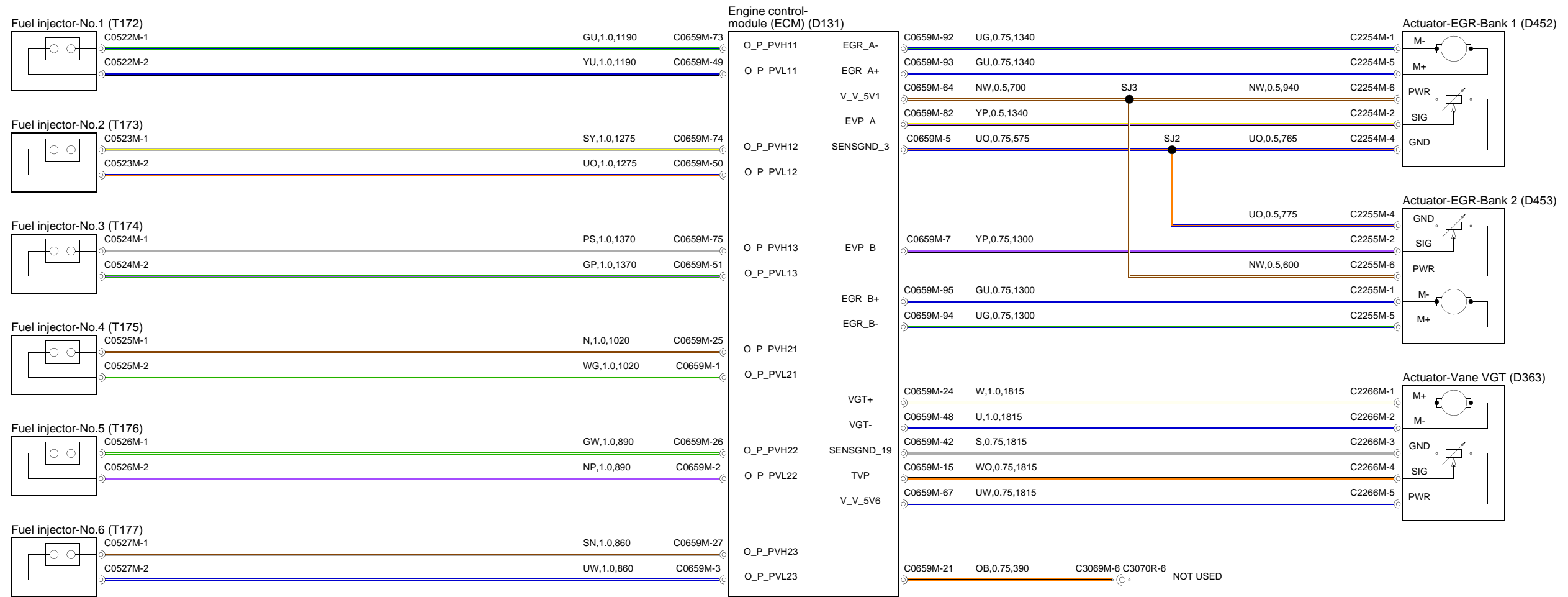
(MANUAL DV6 EU4)

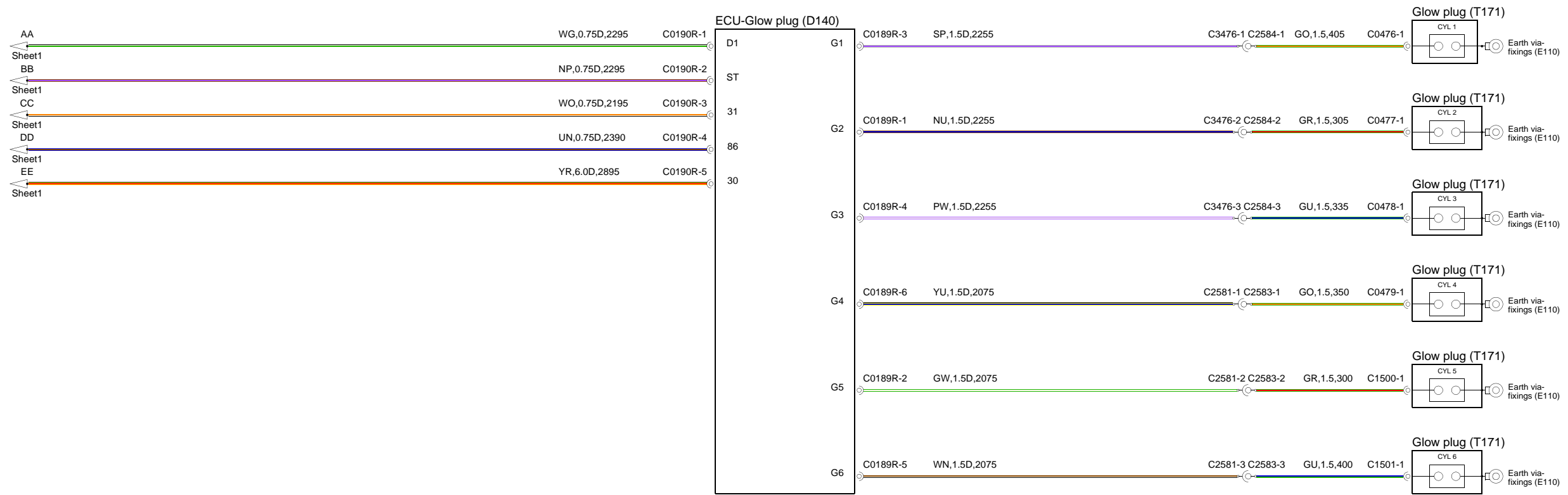


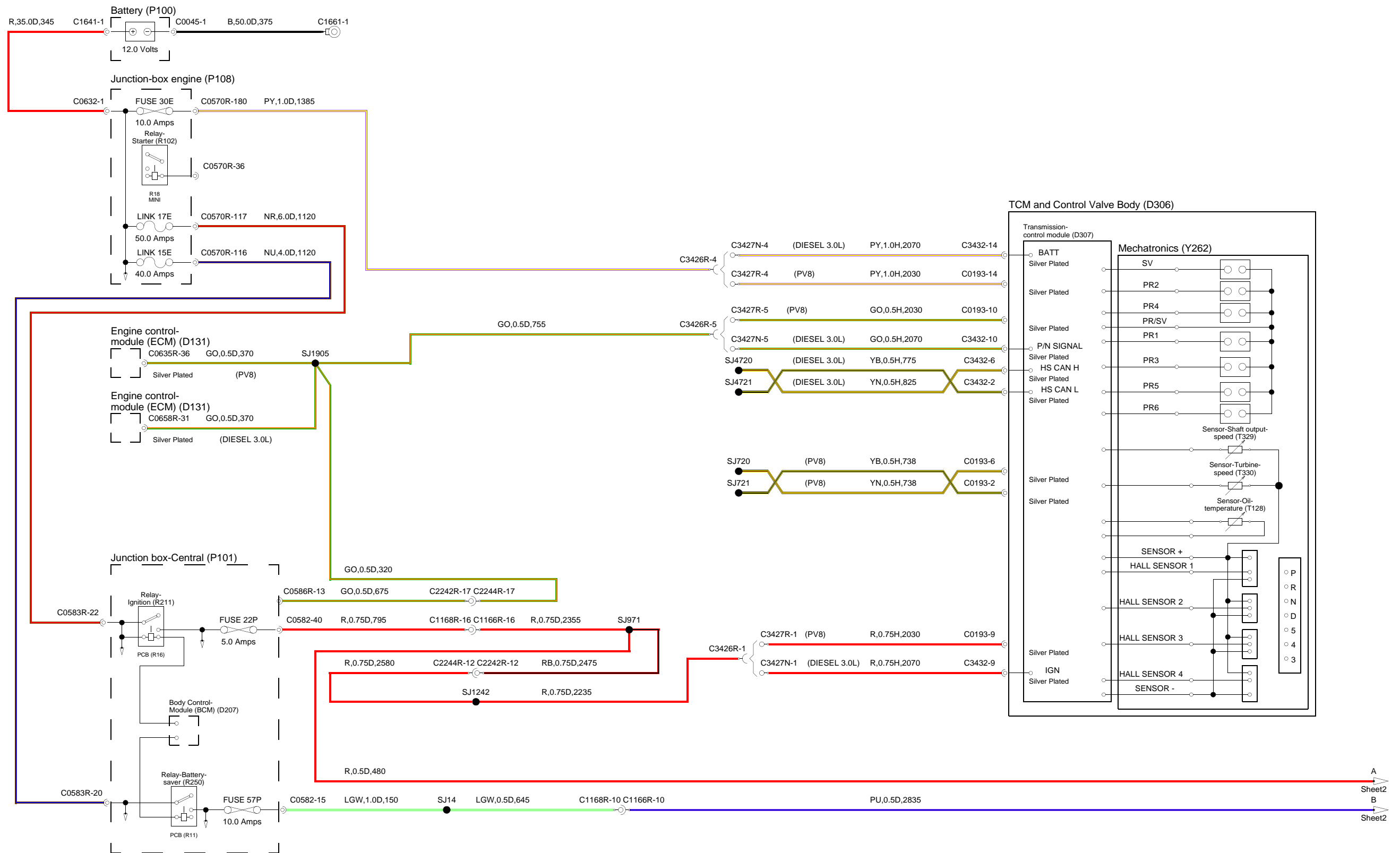


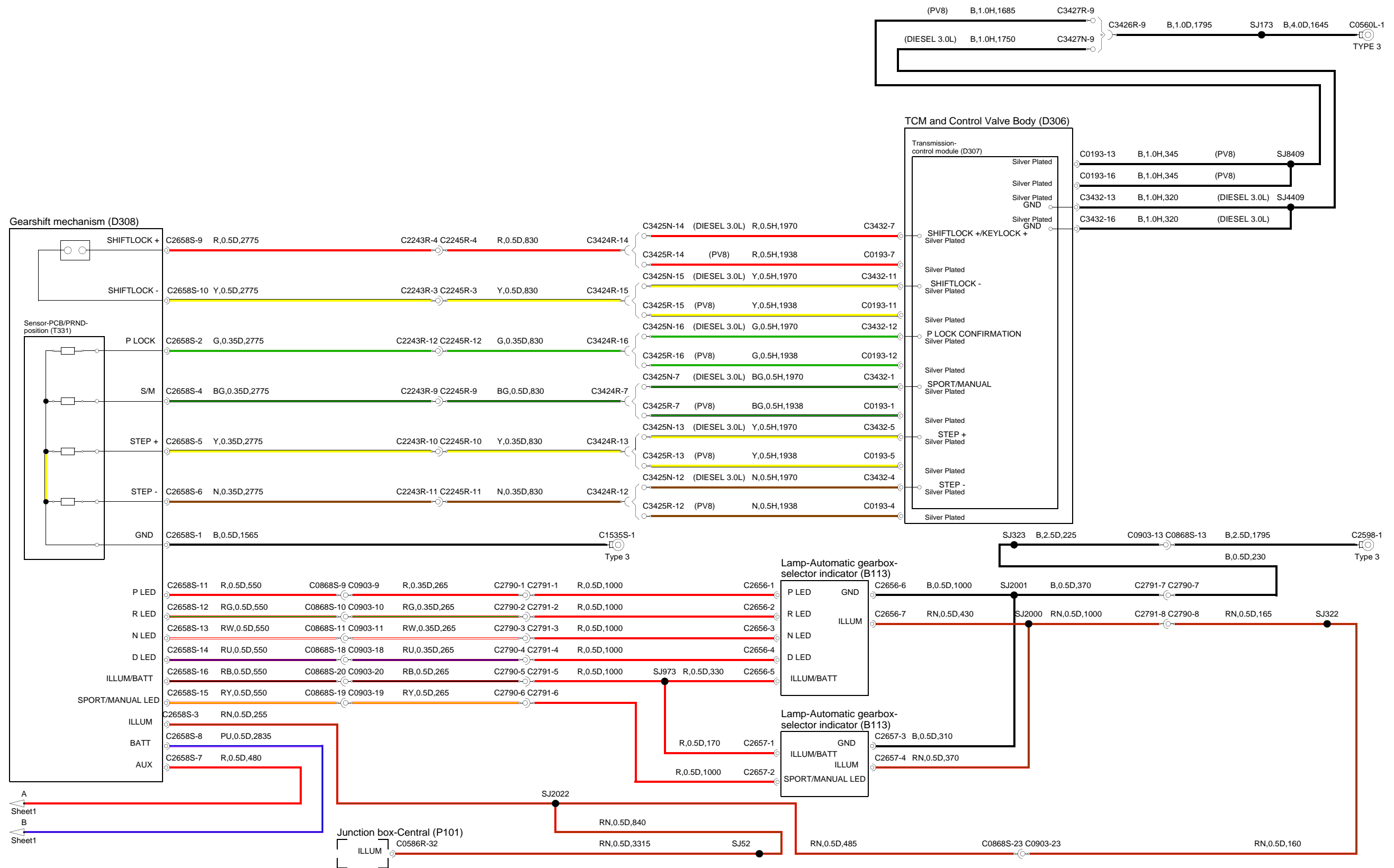


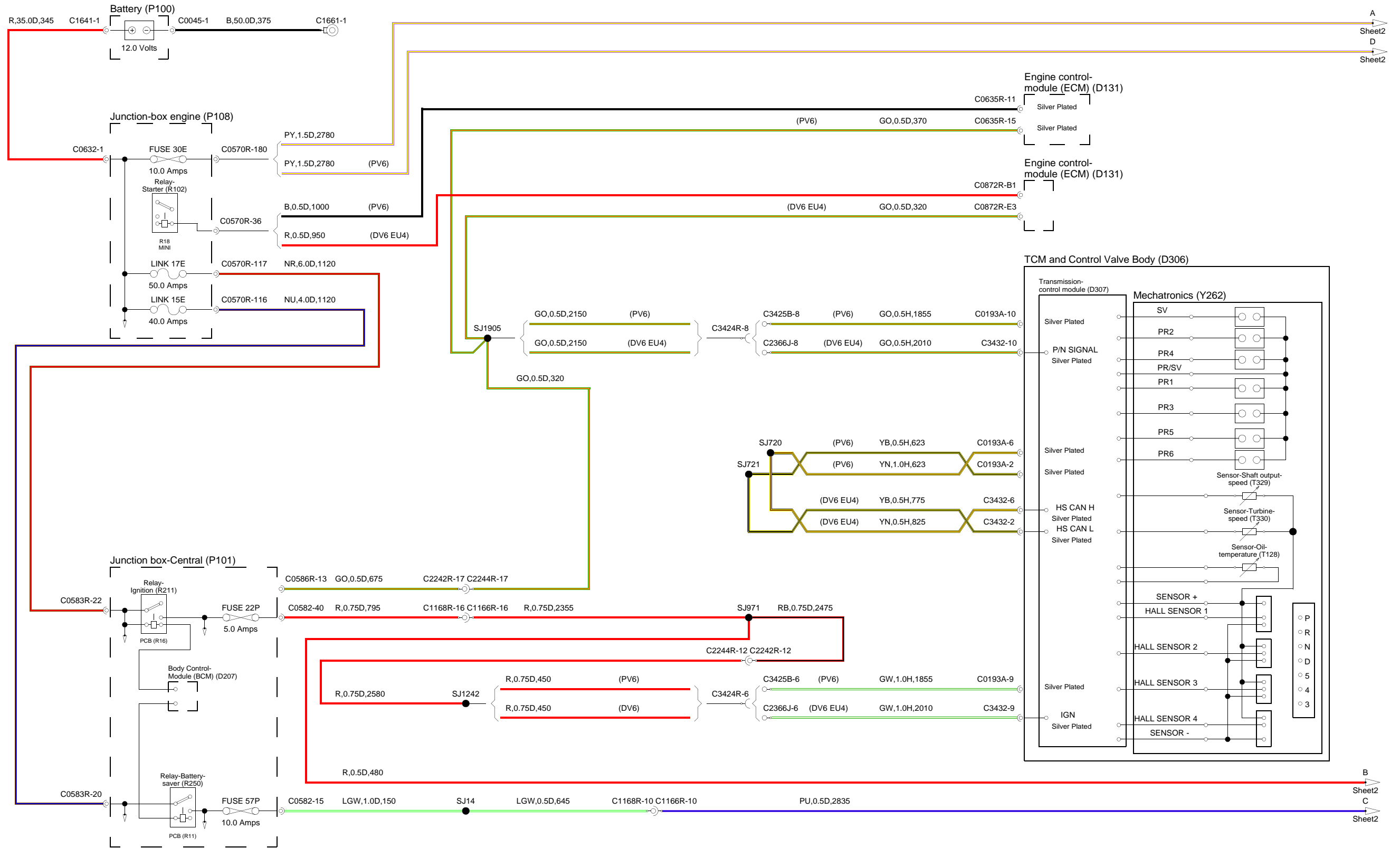


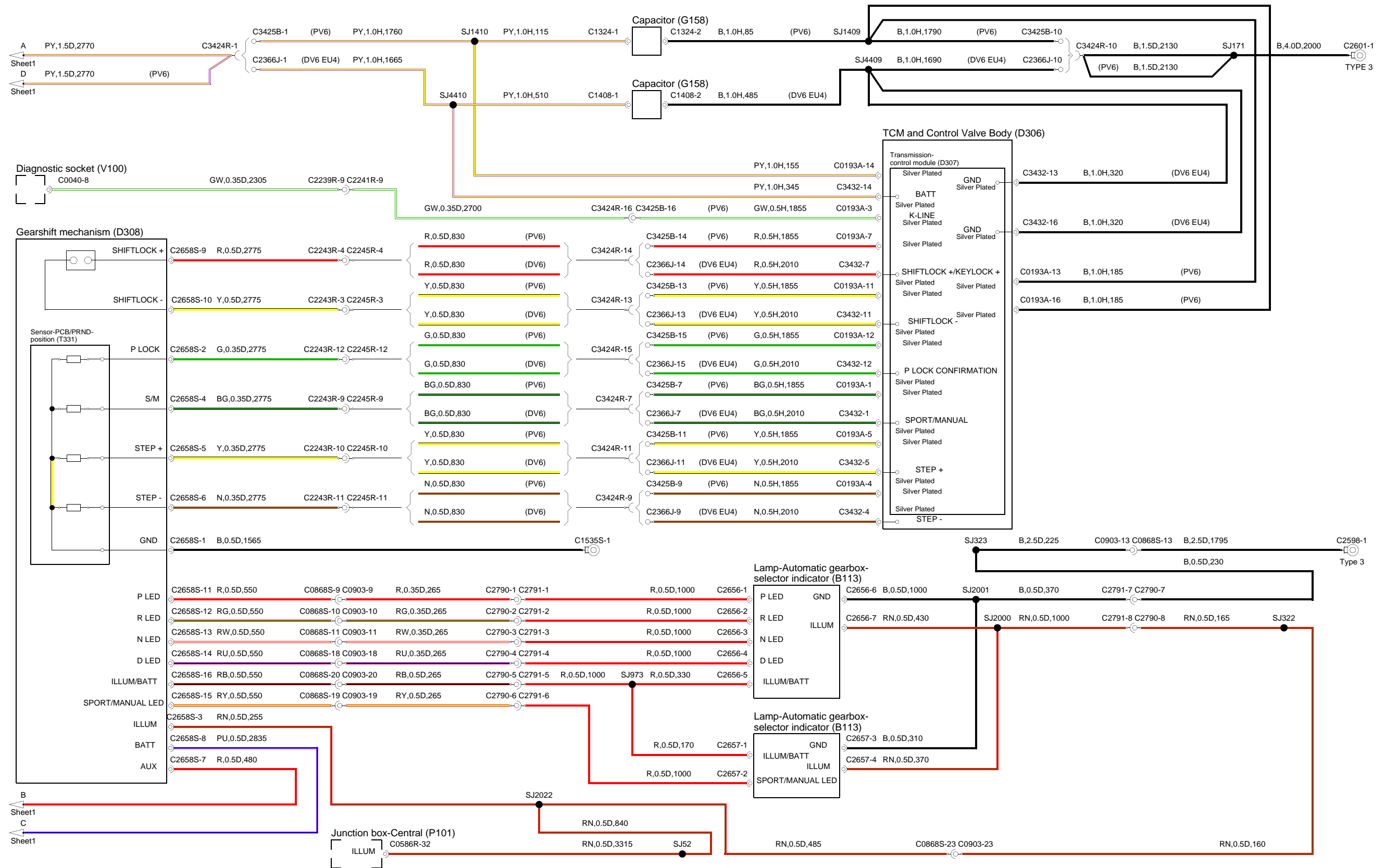


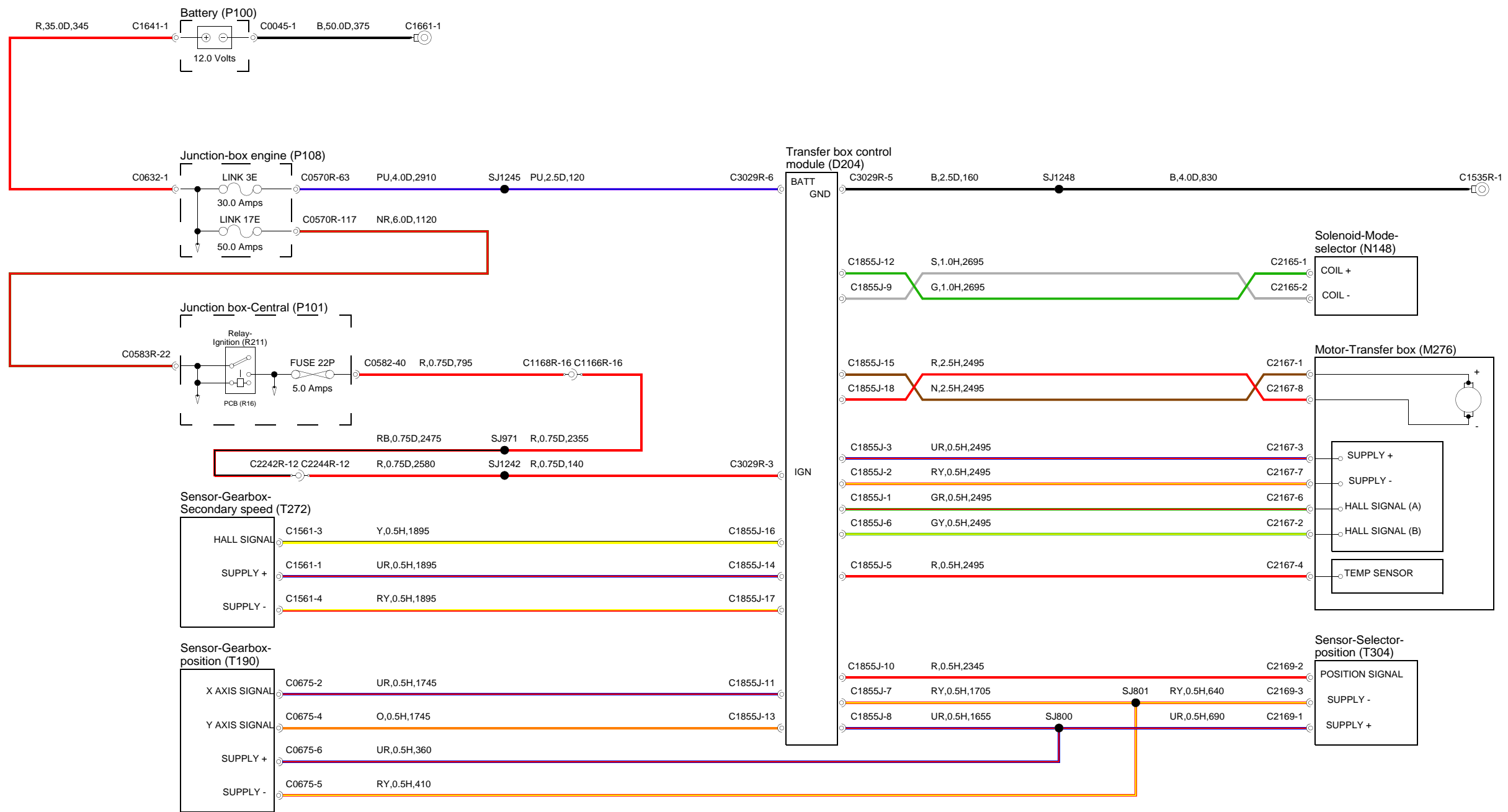


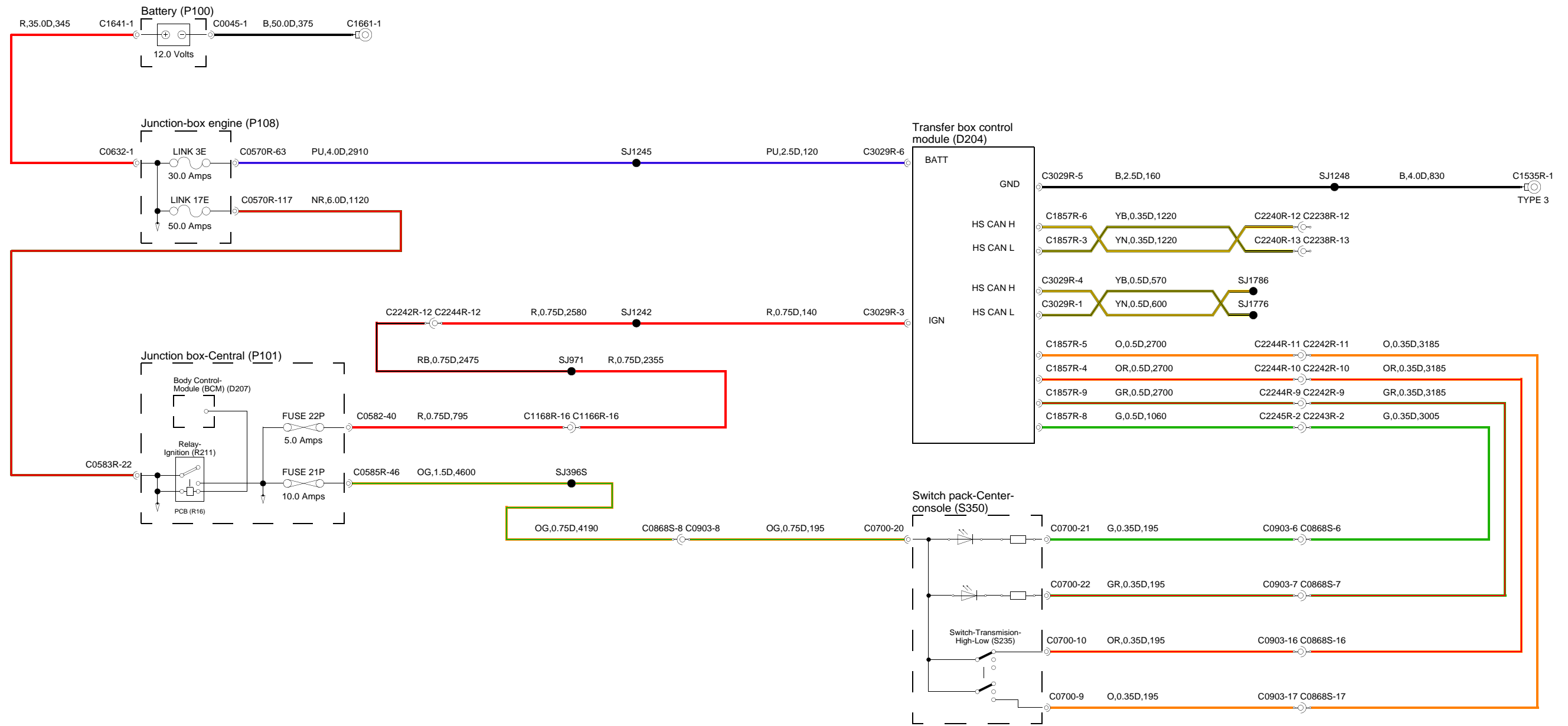


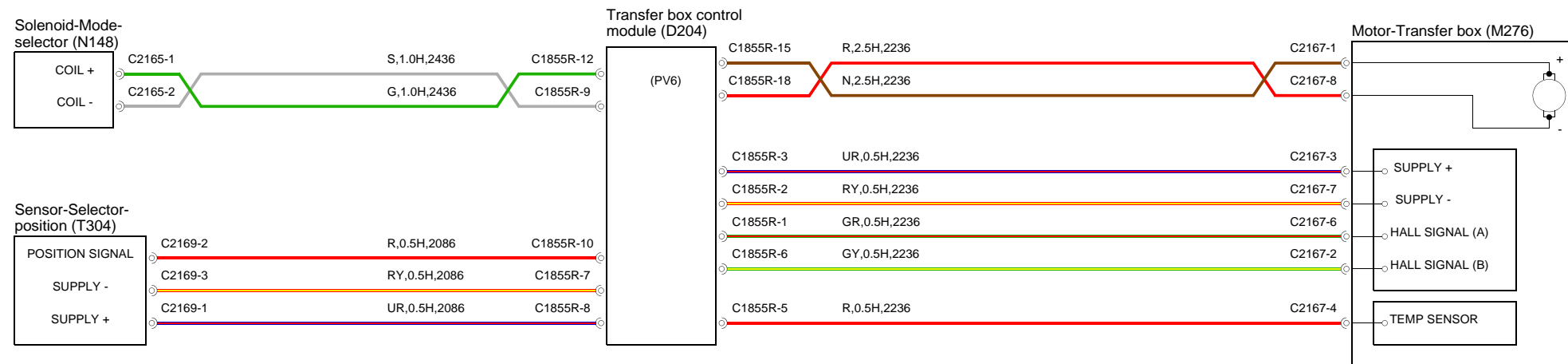
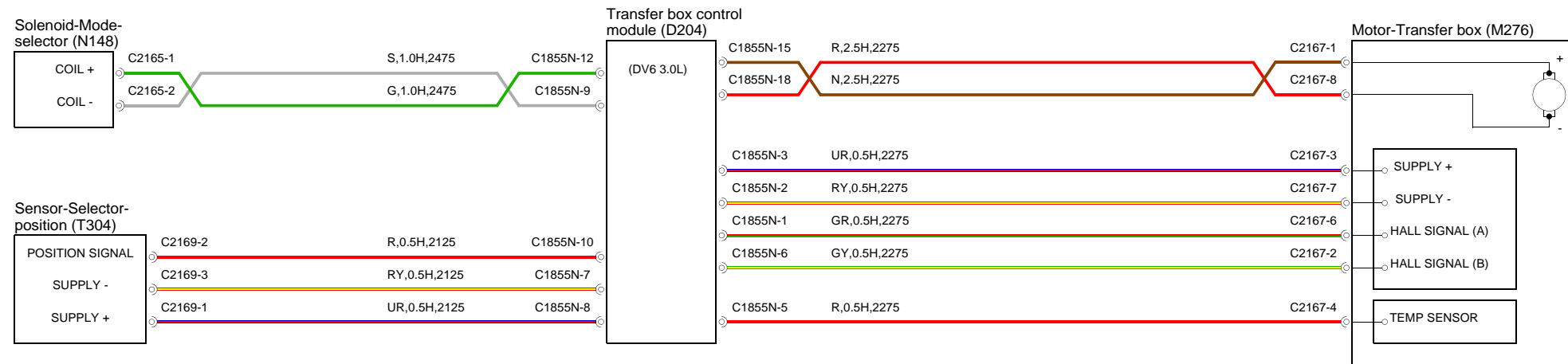


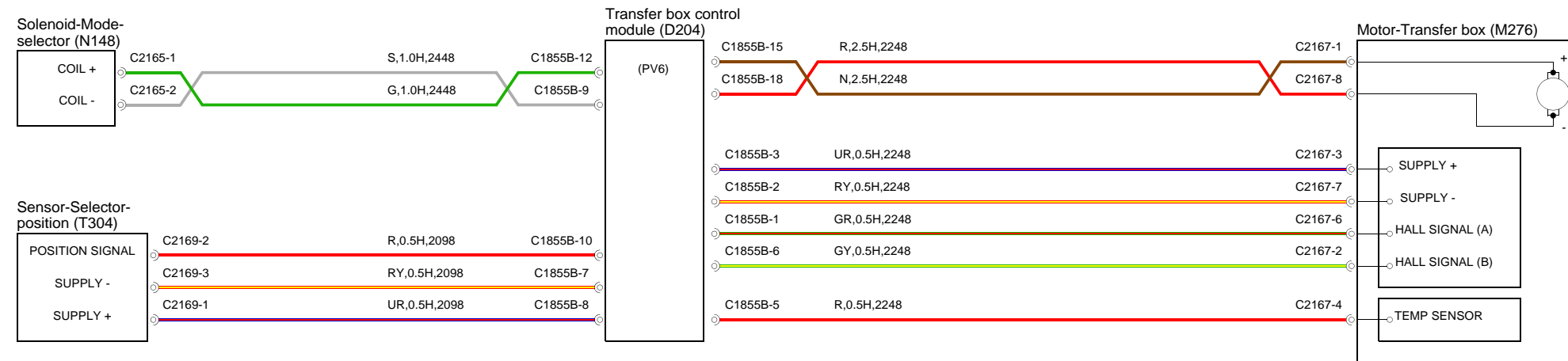
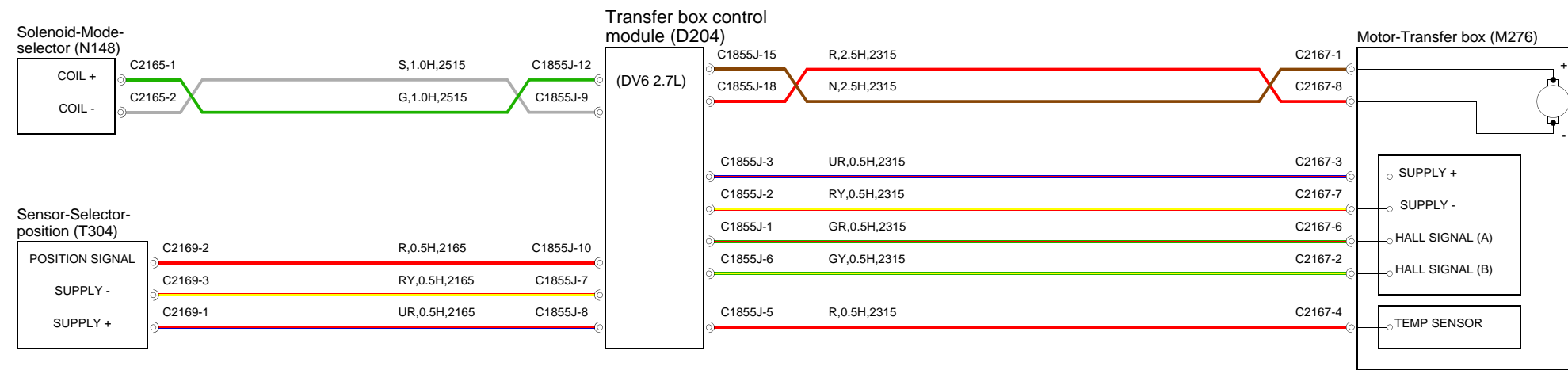


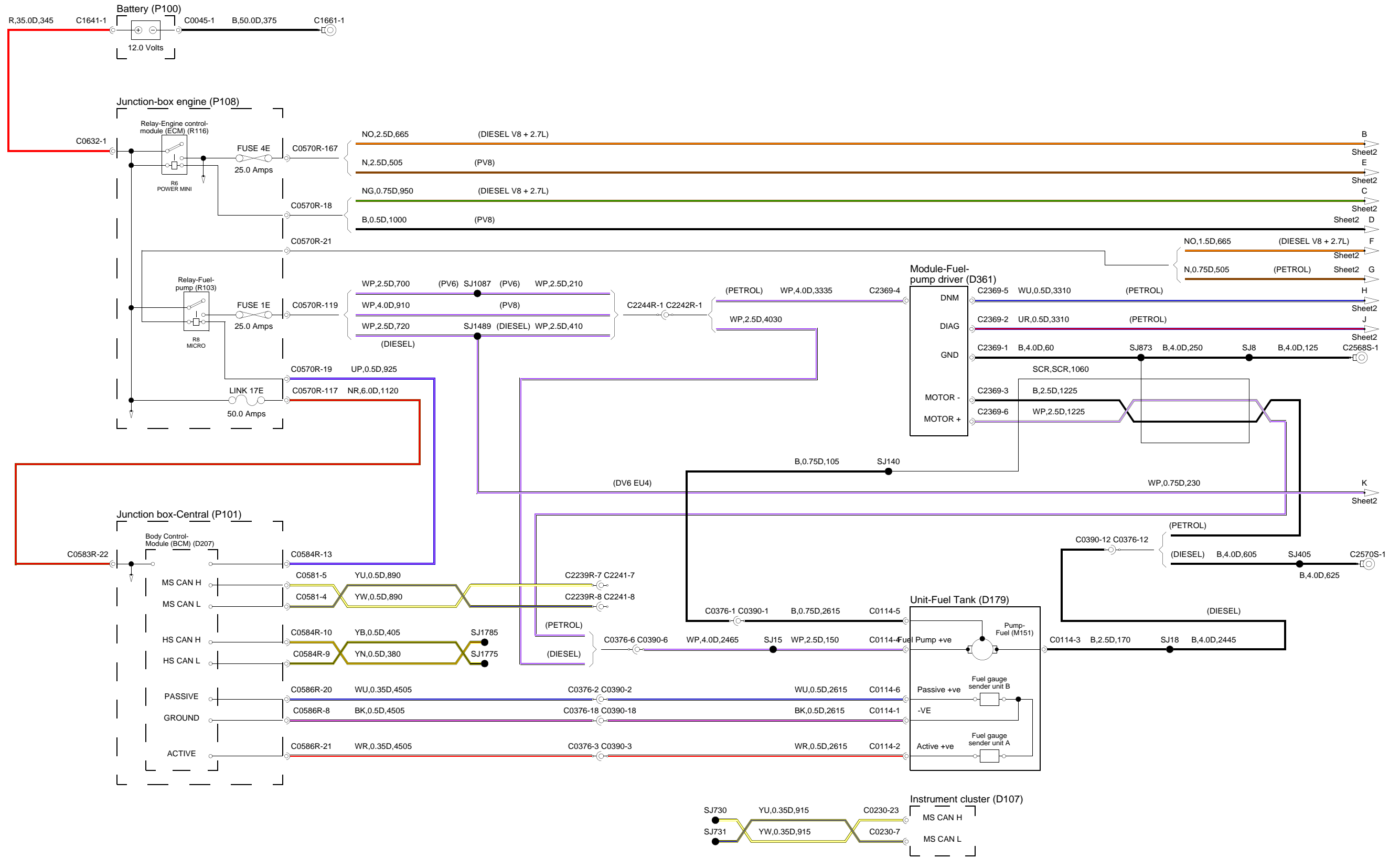


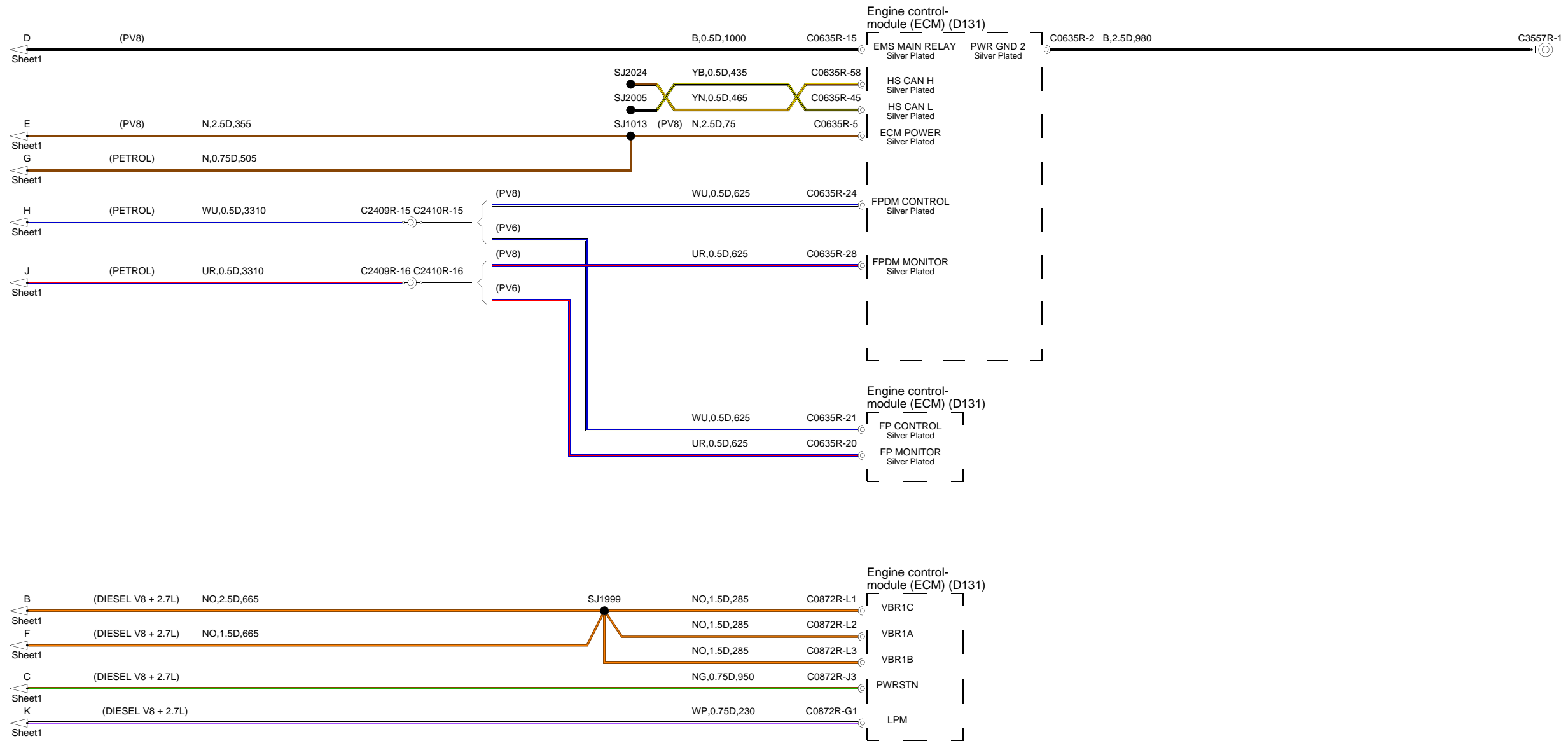


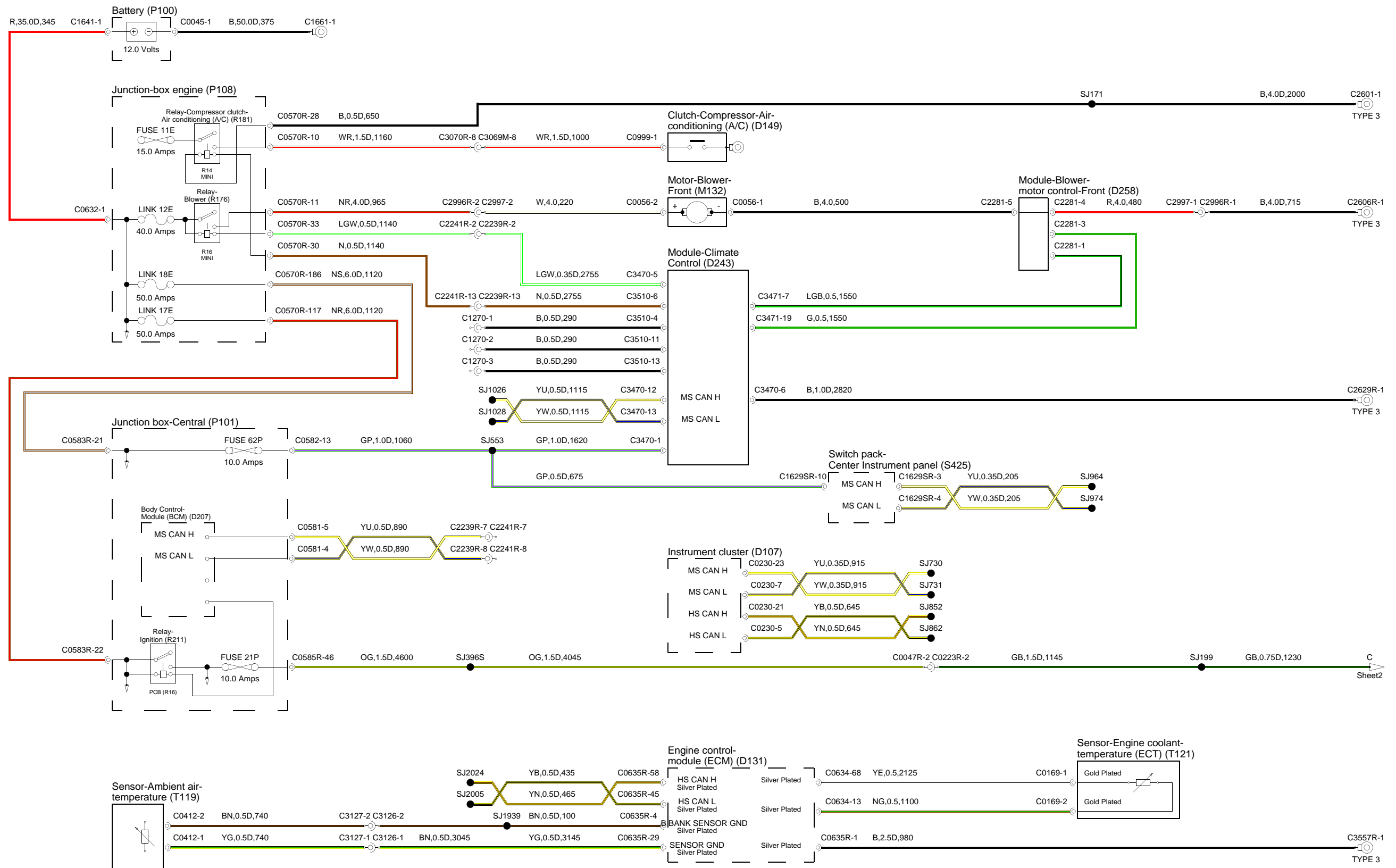


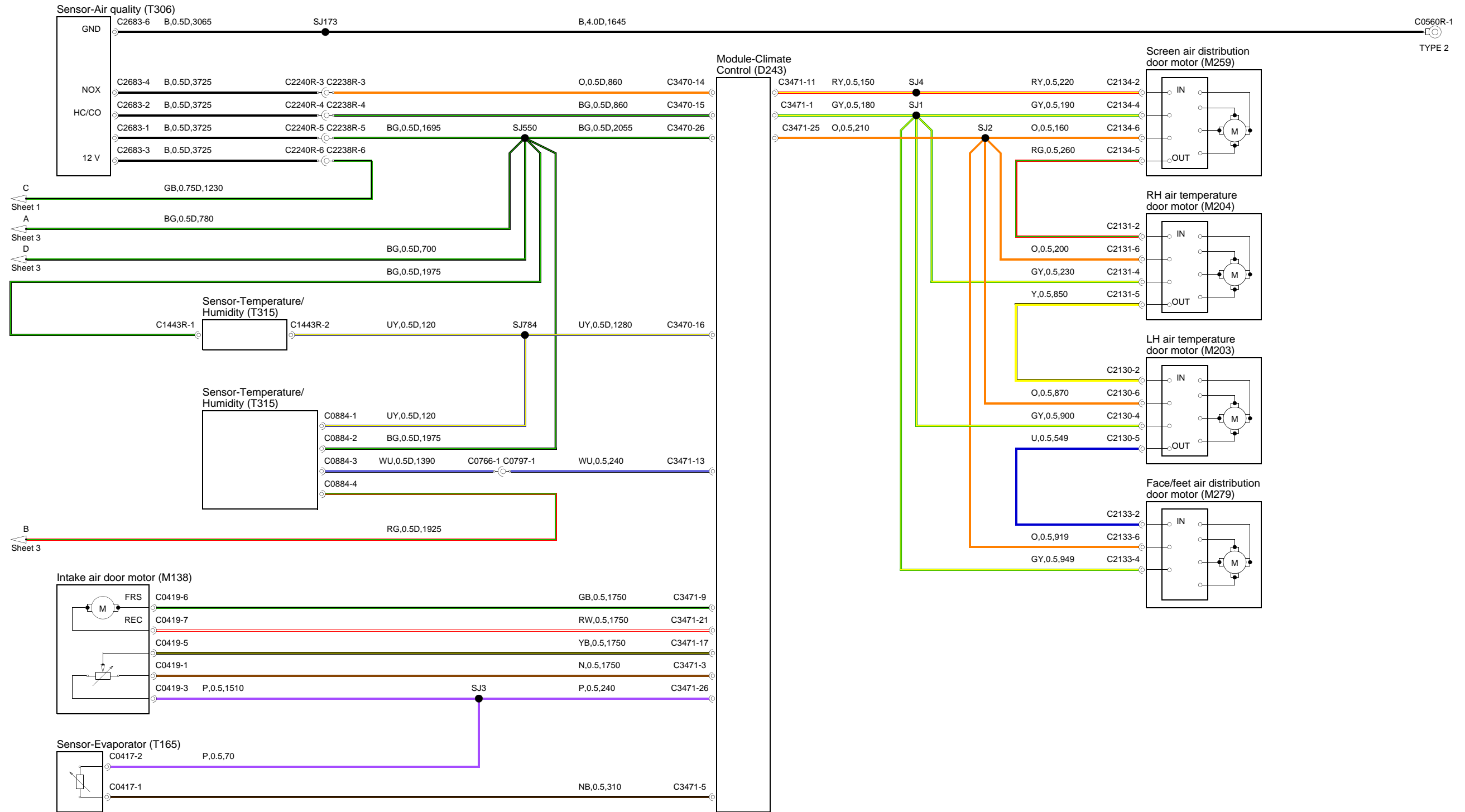


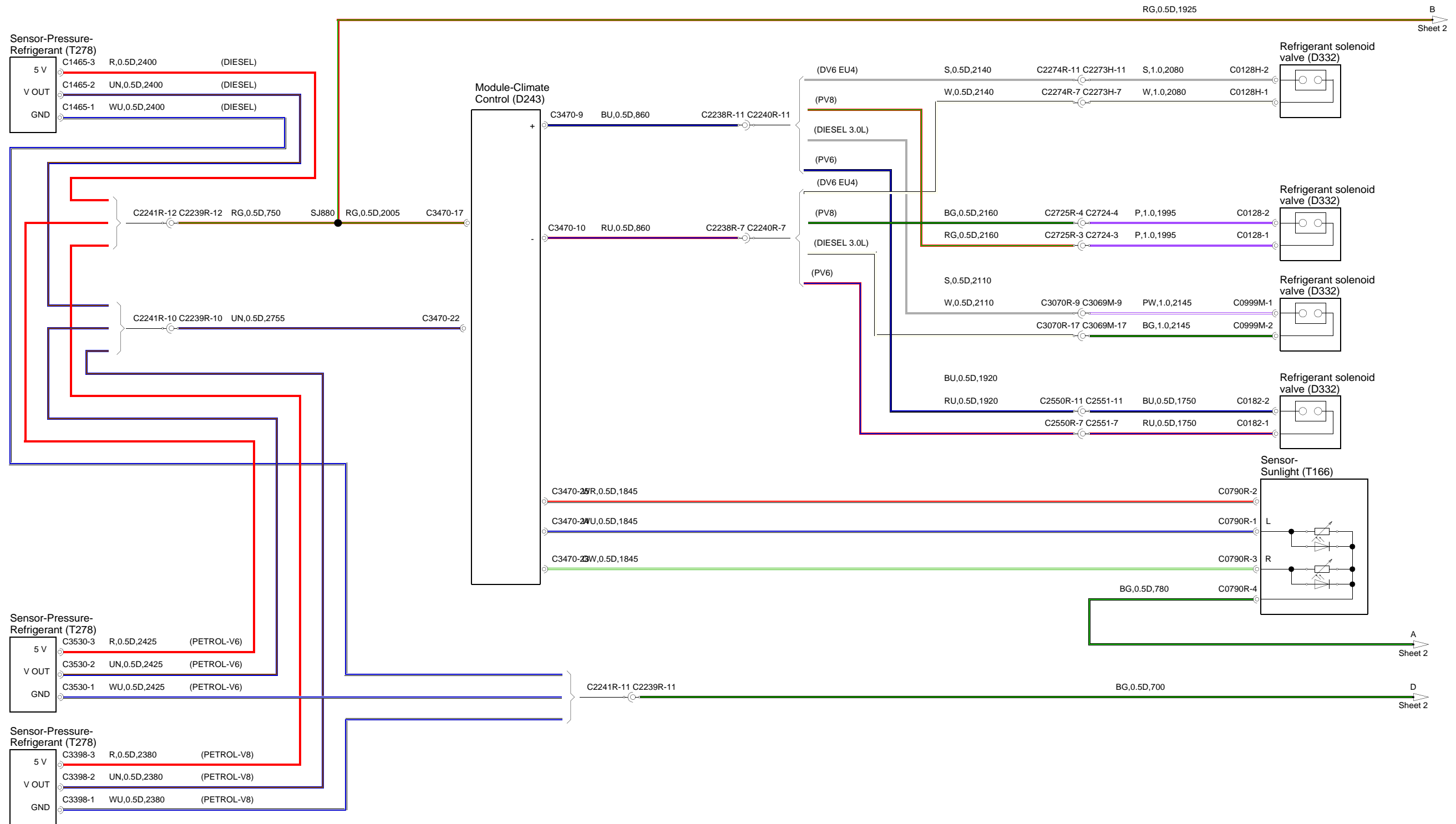


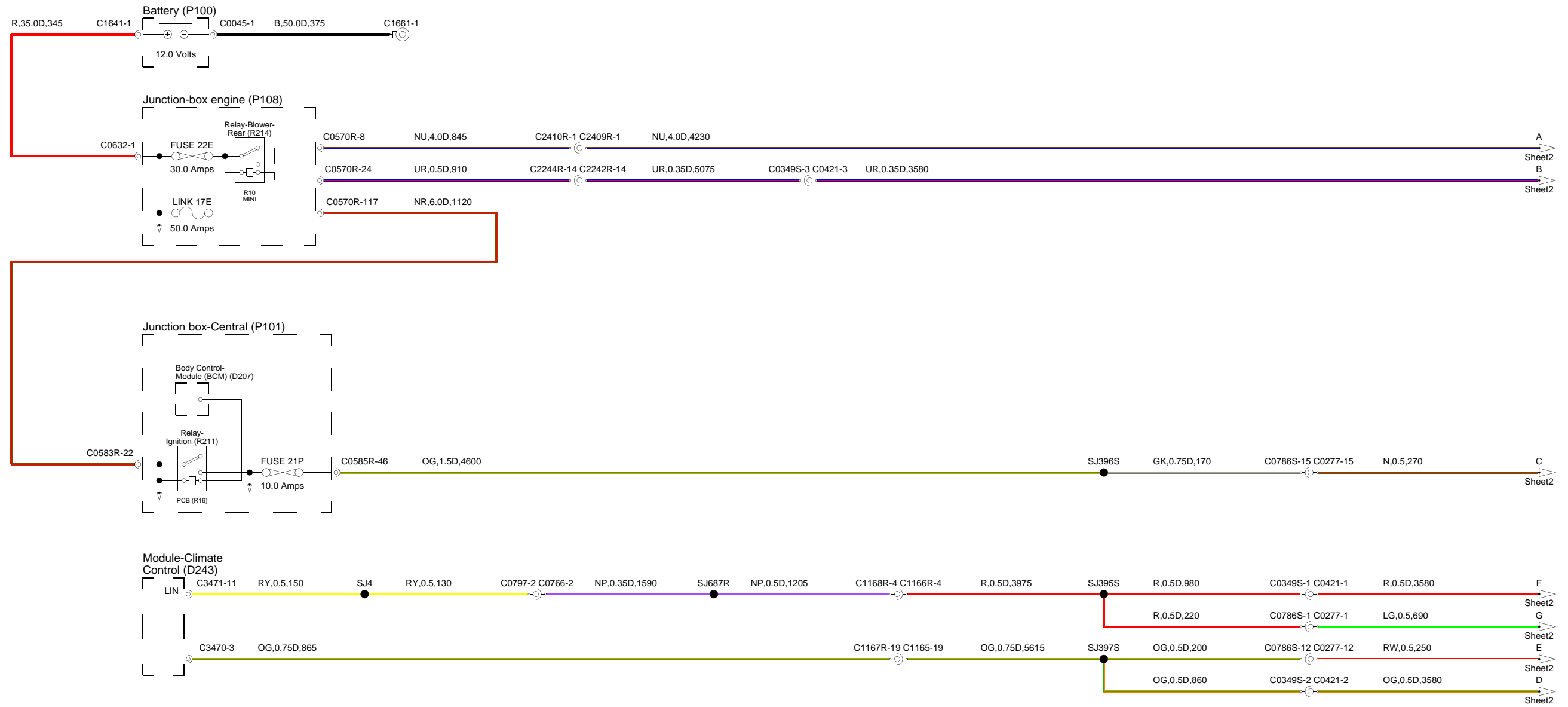


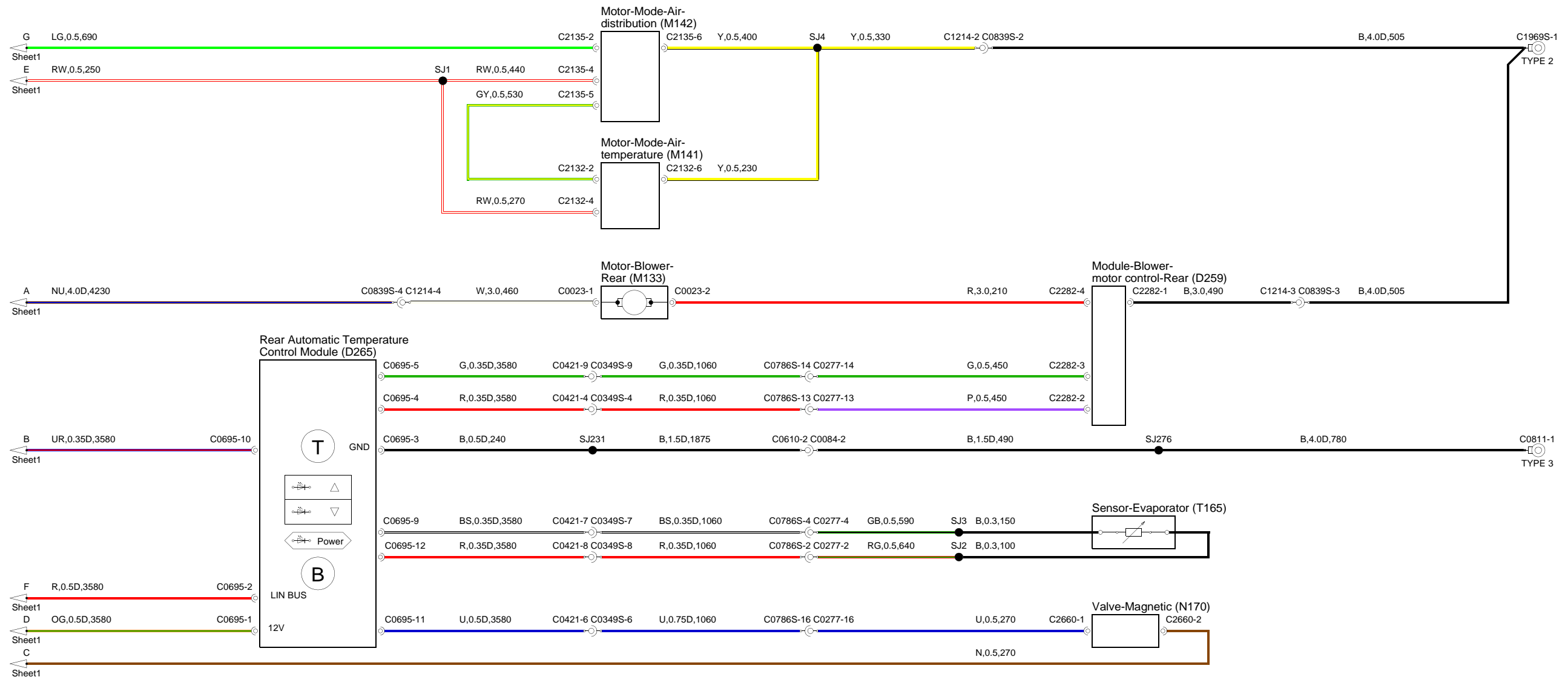


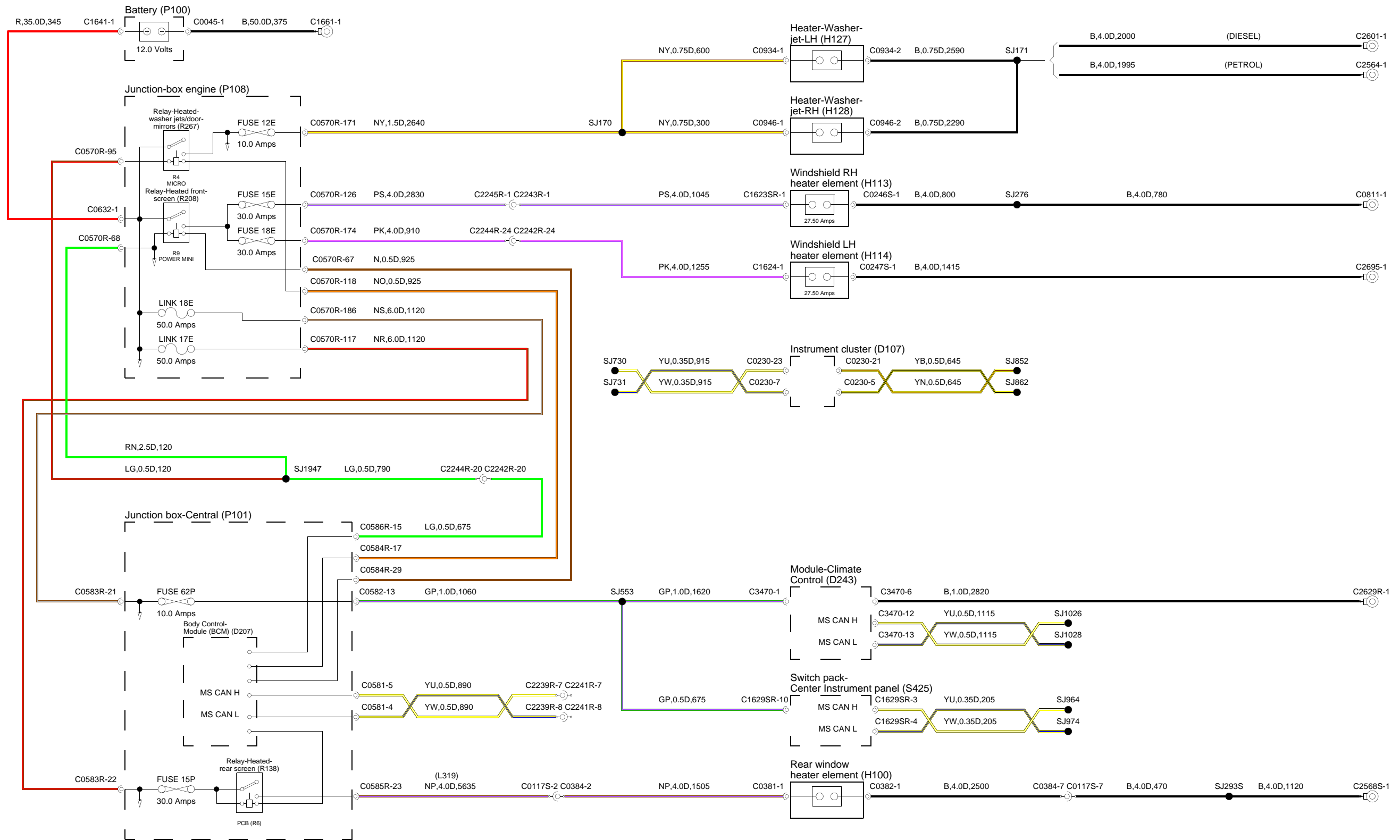


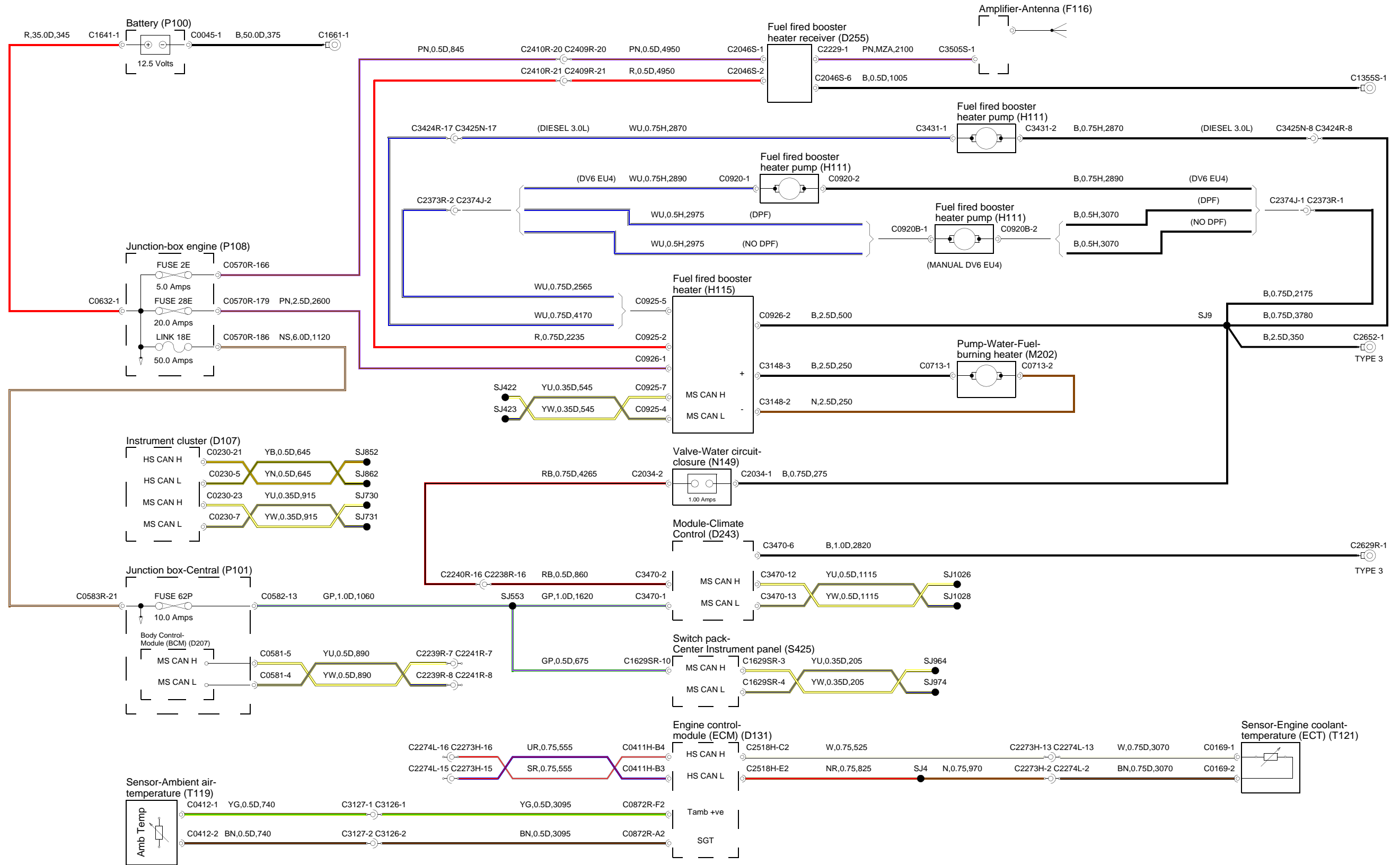


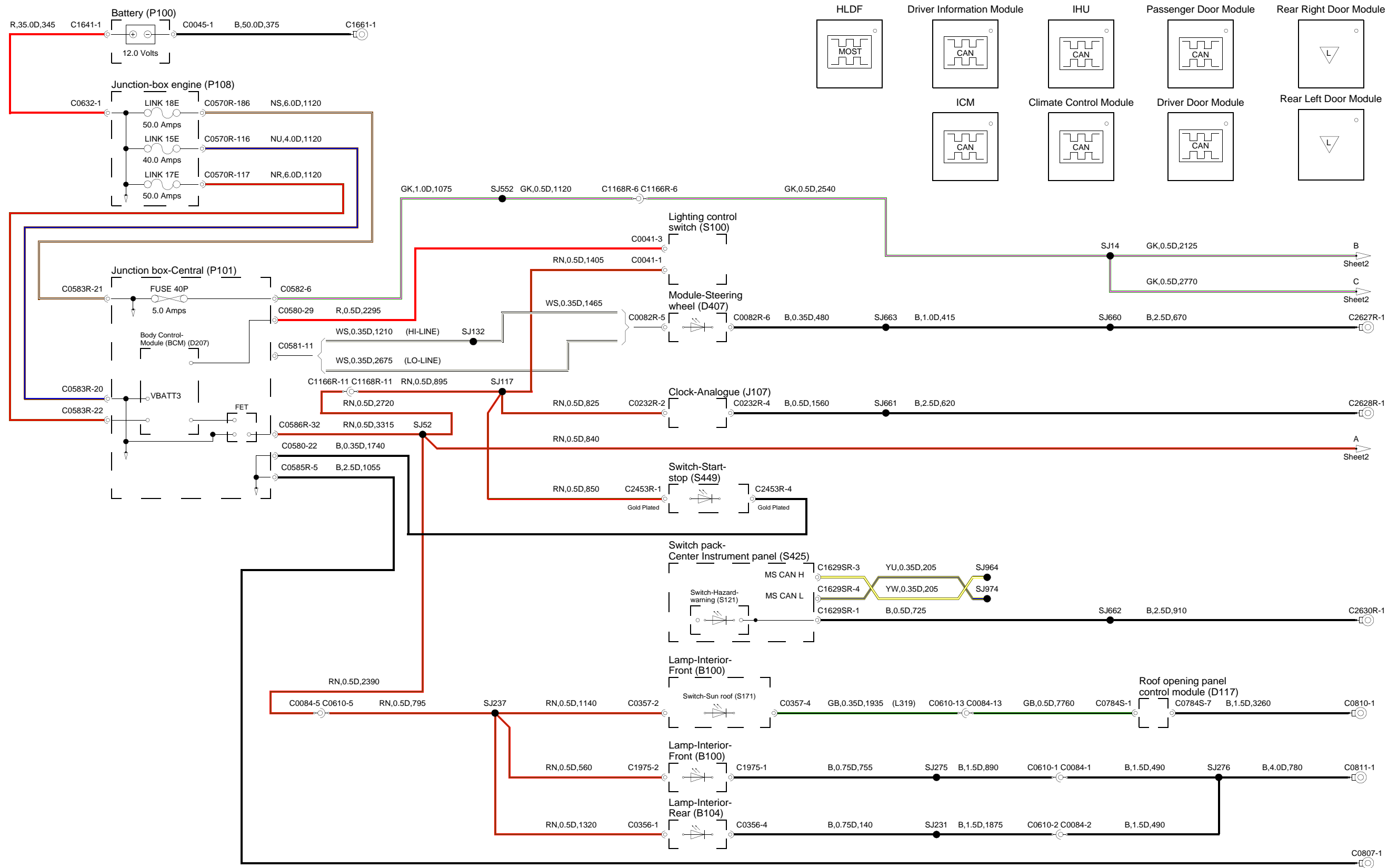


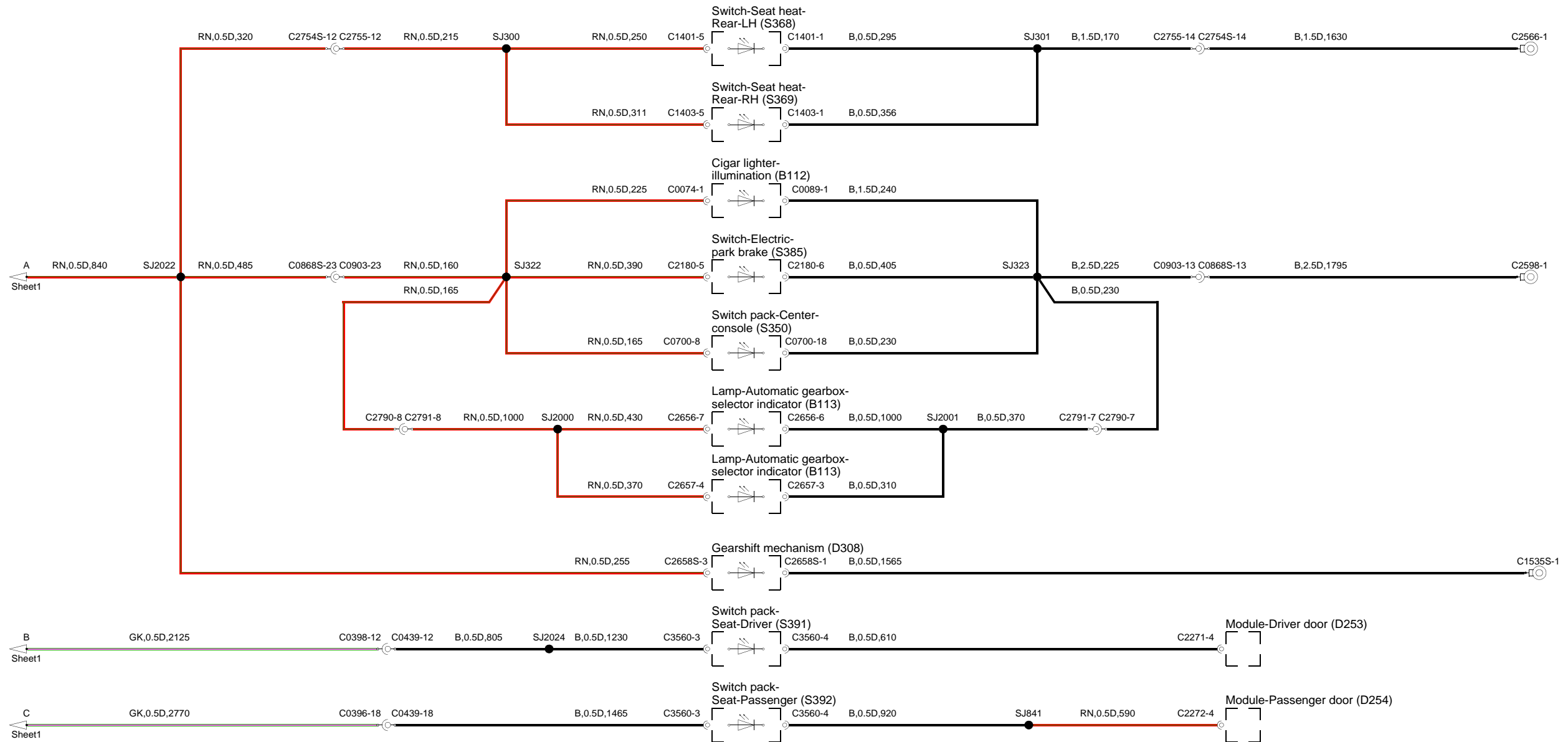


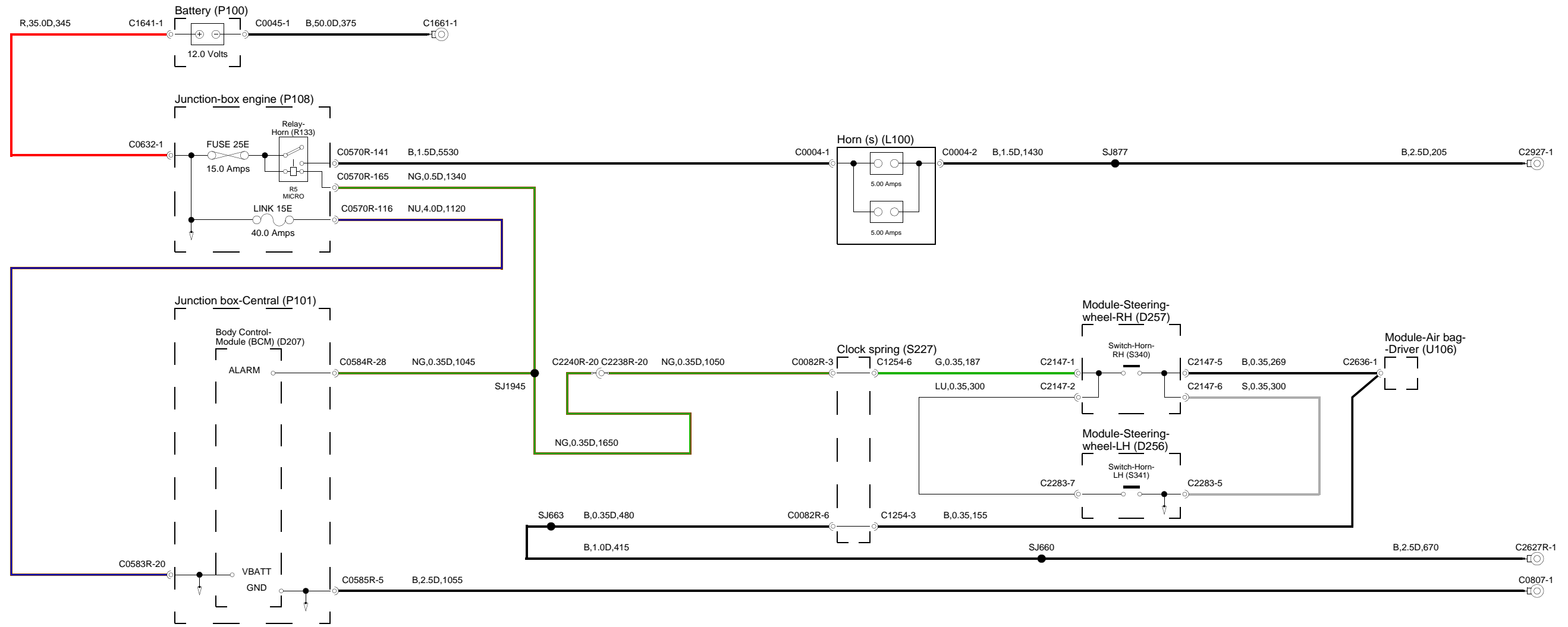


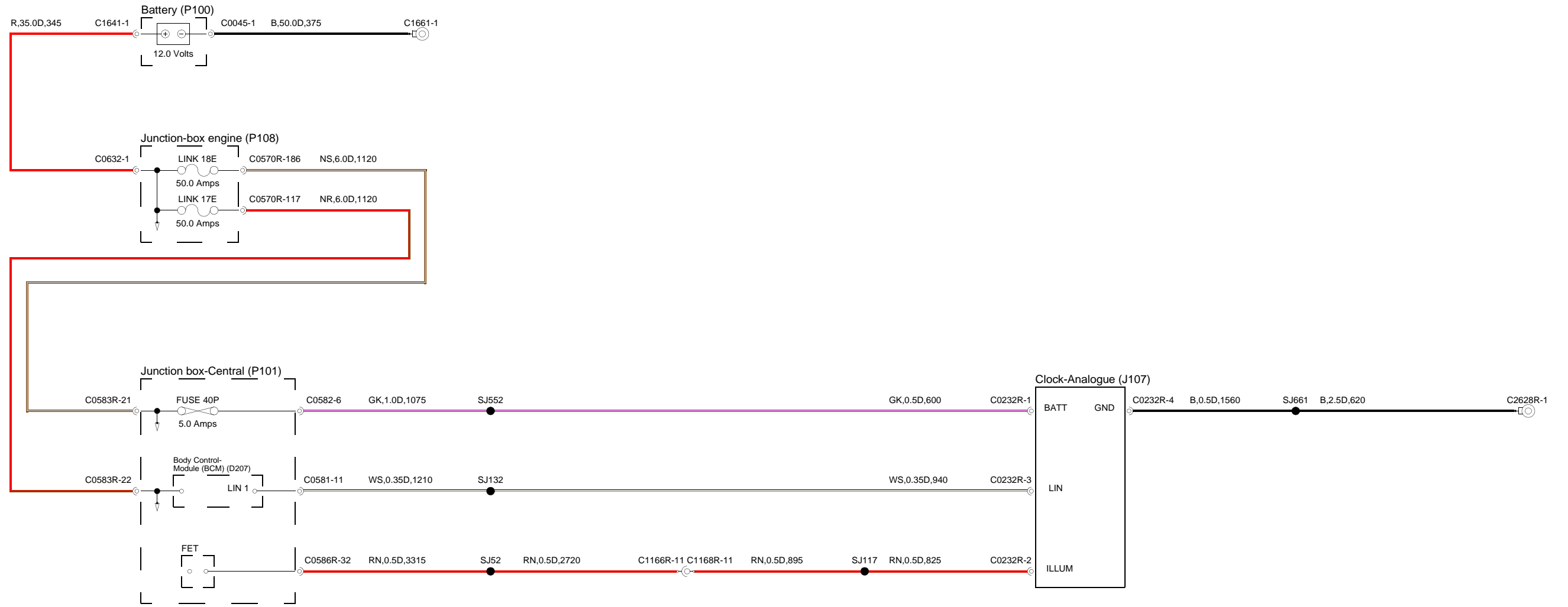


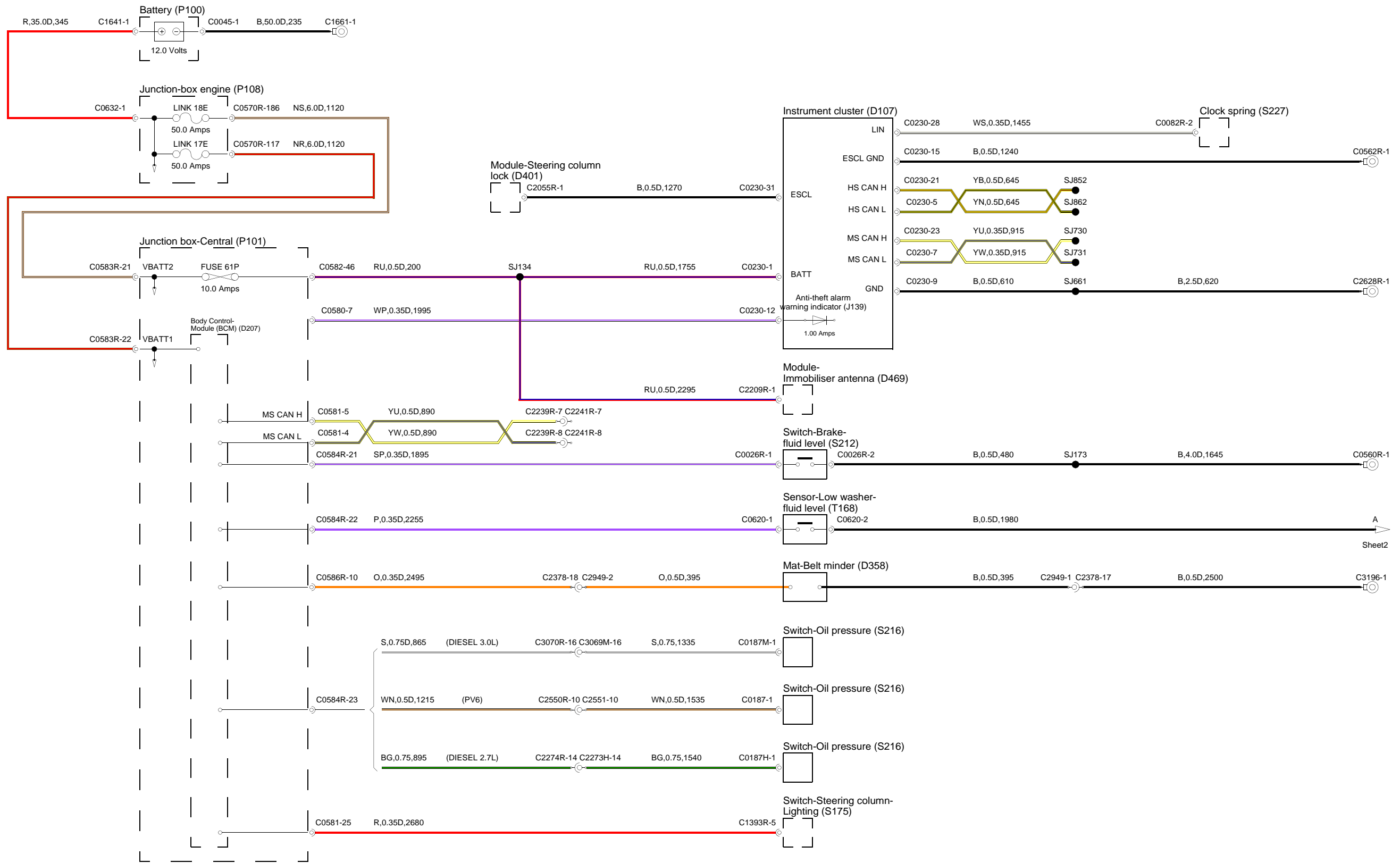


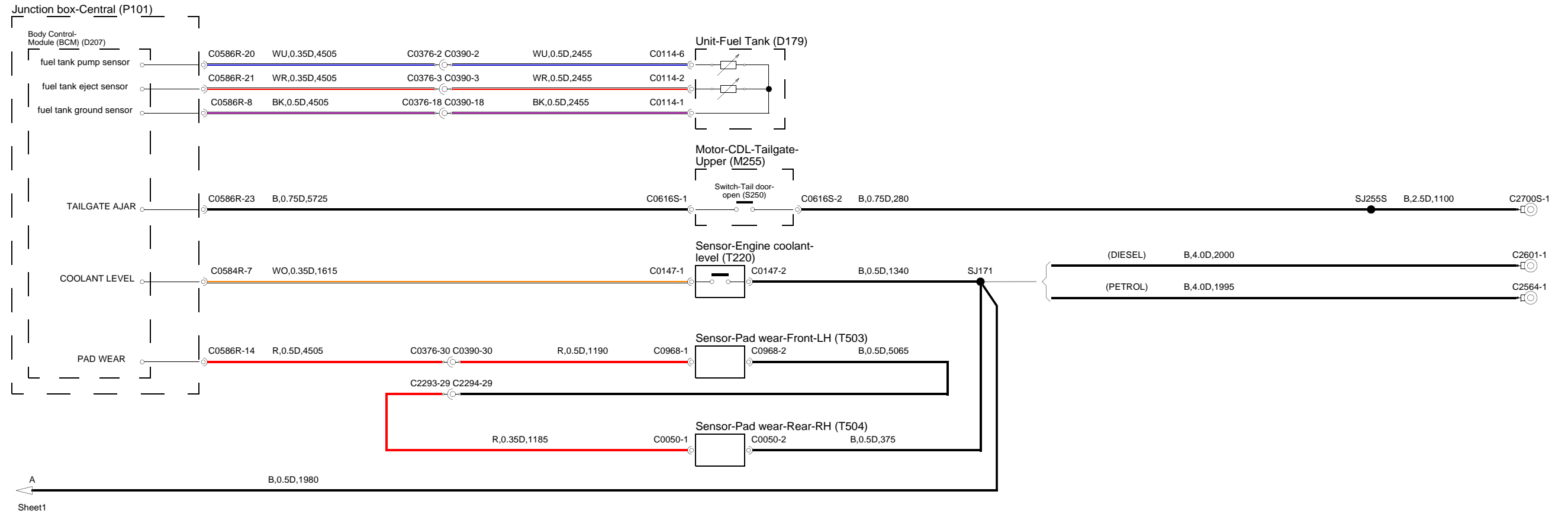


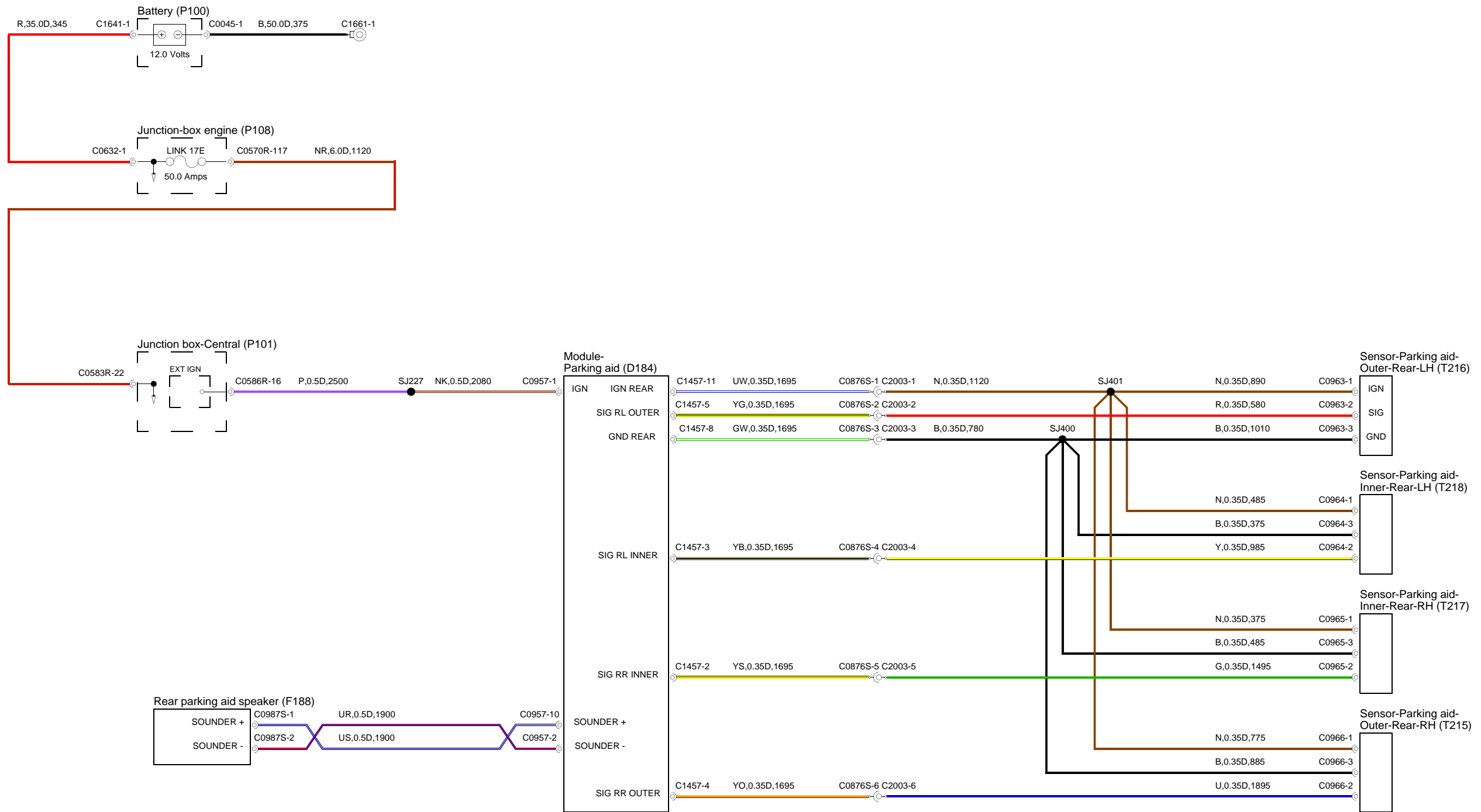


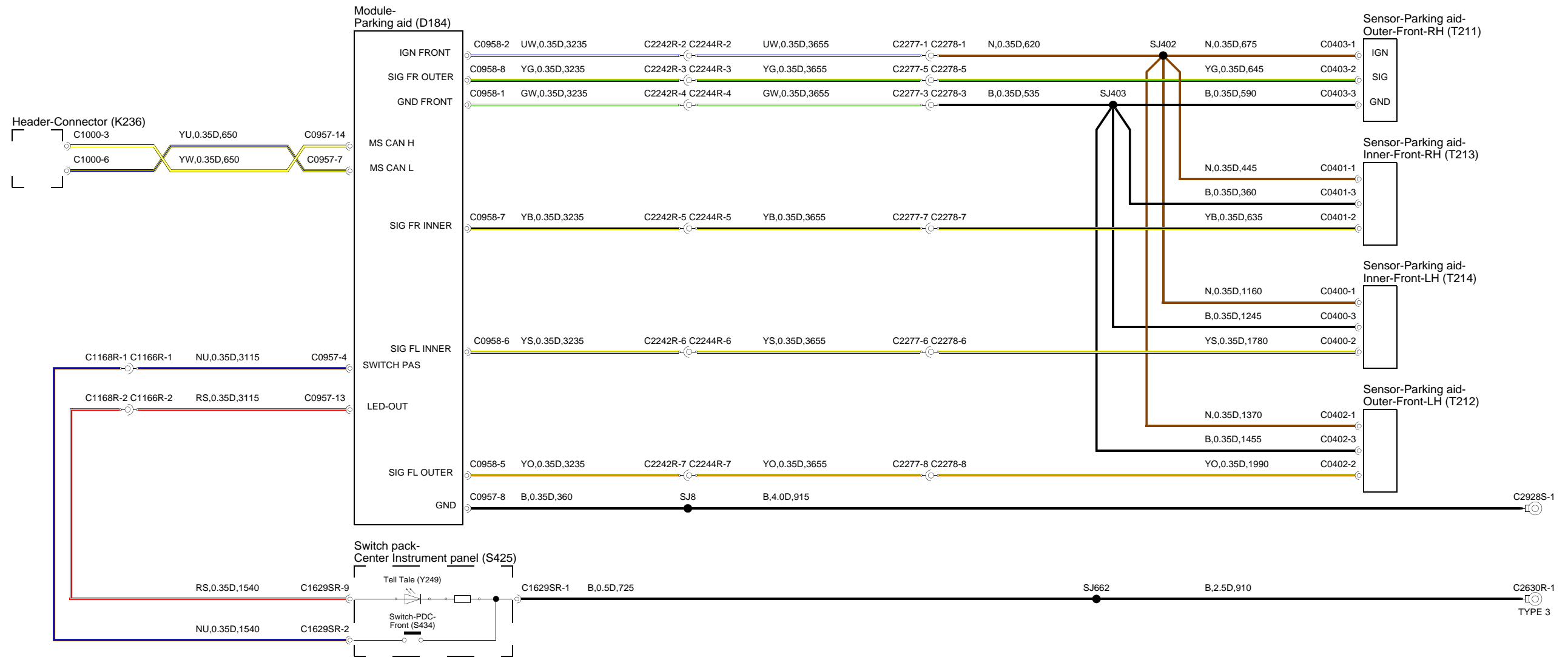


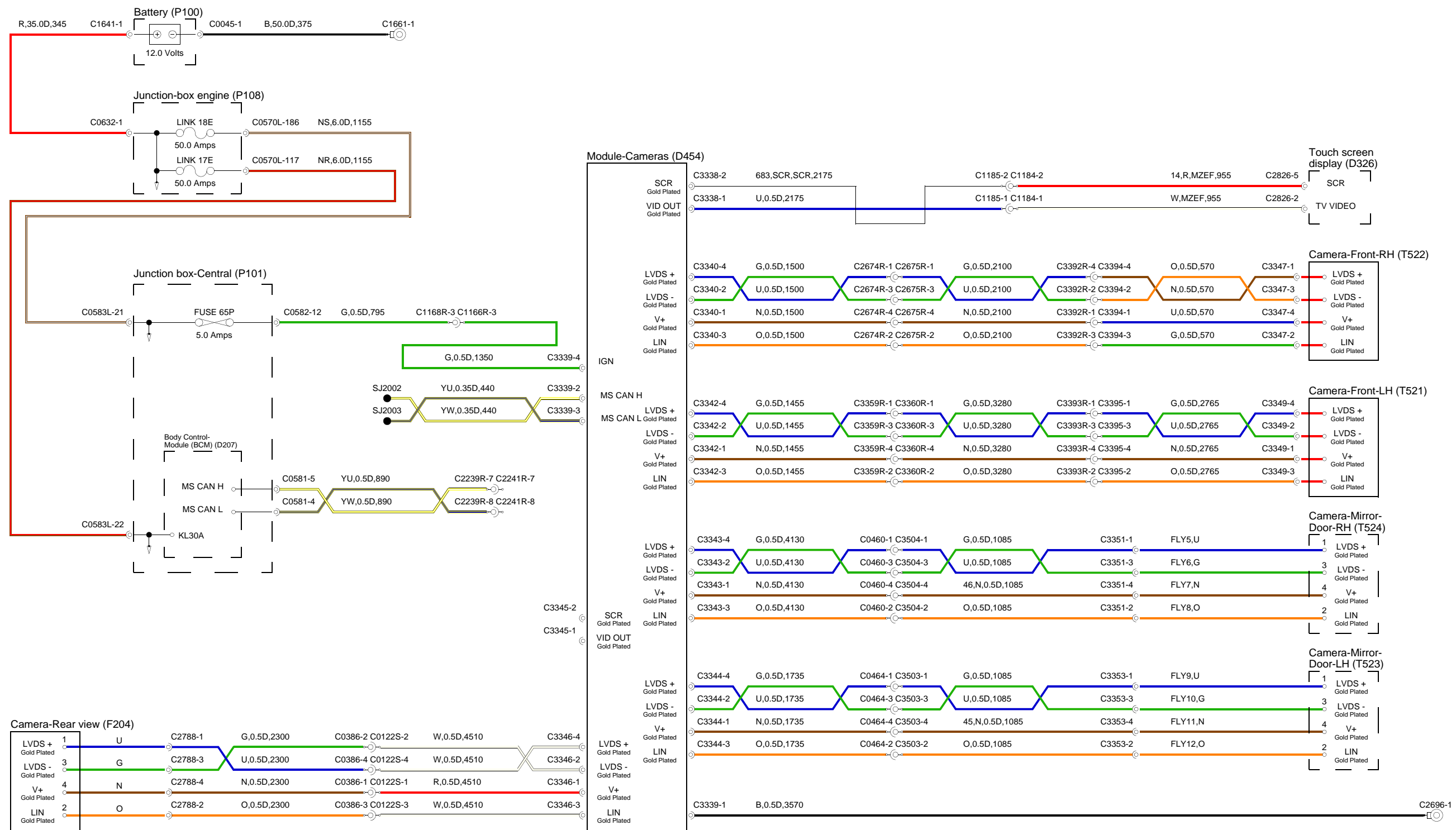


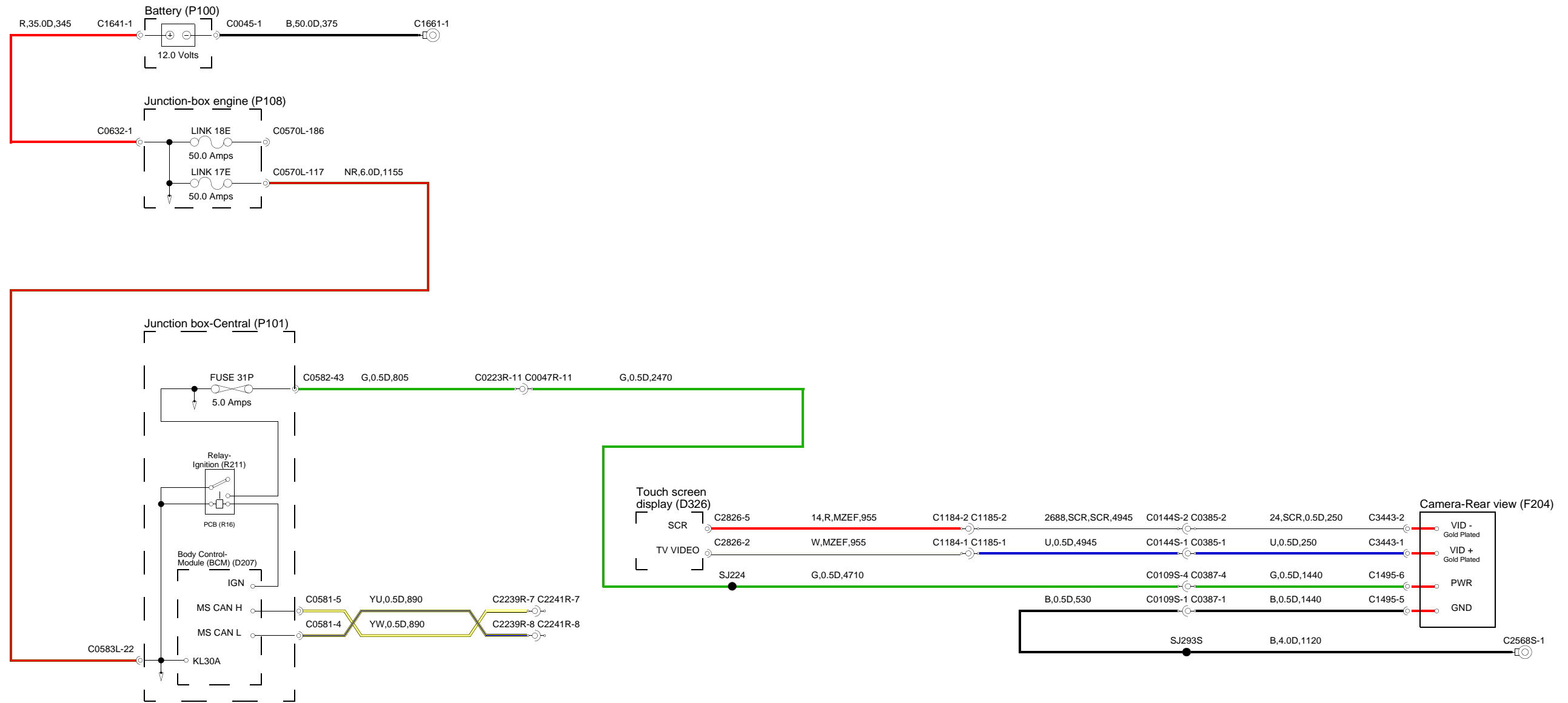


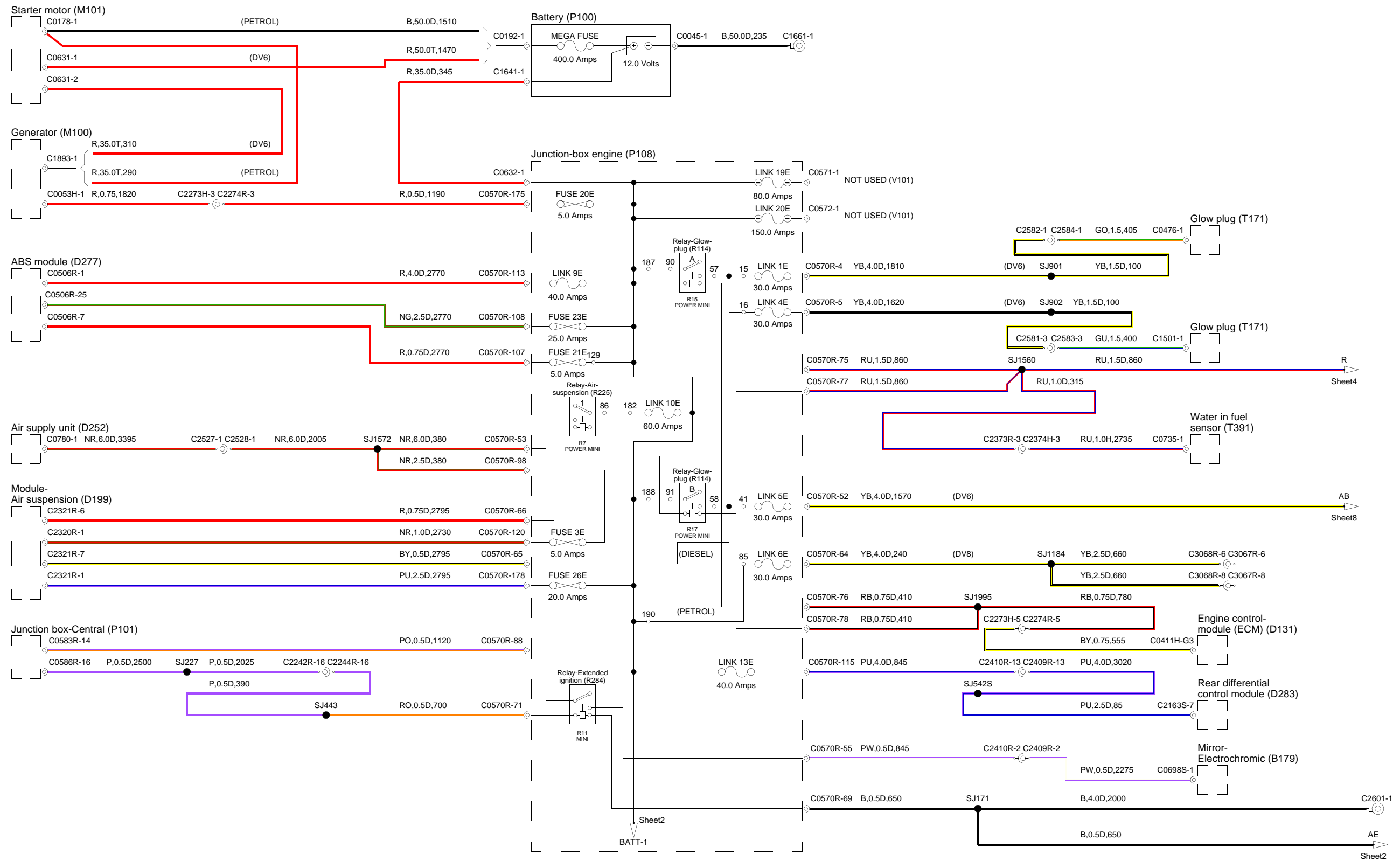


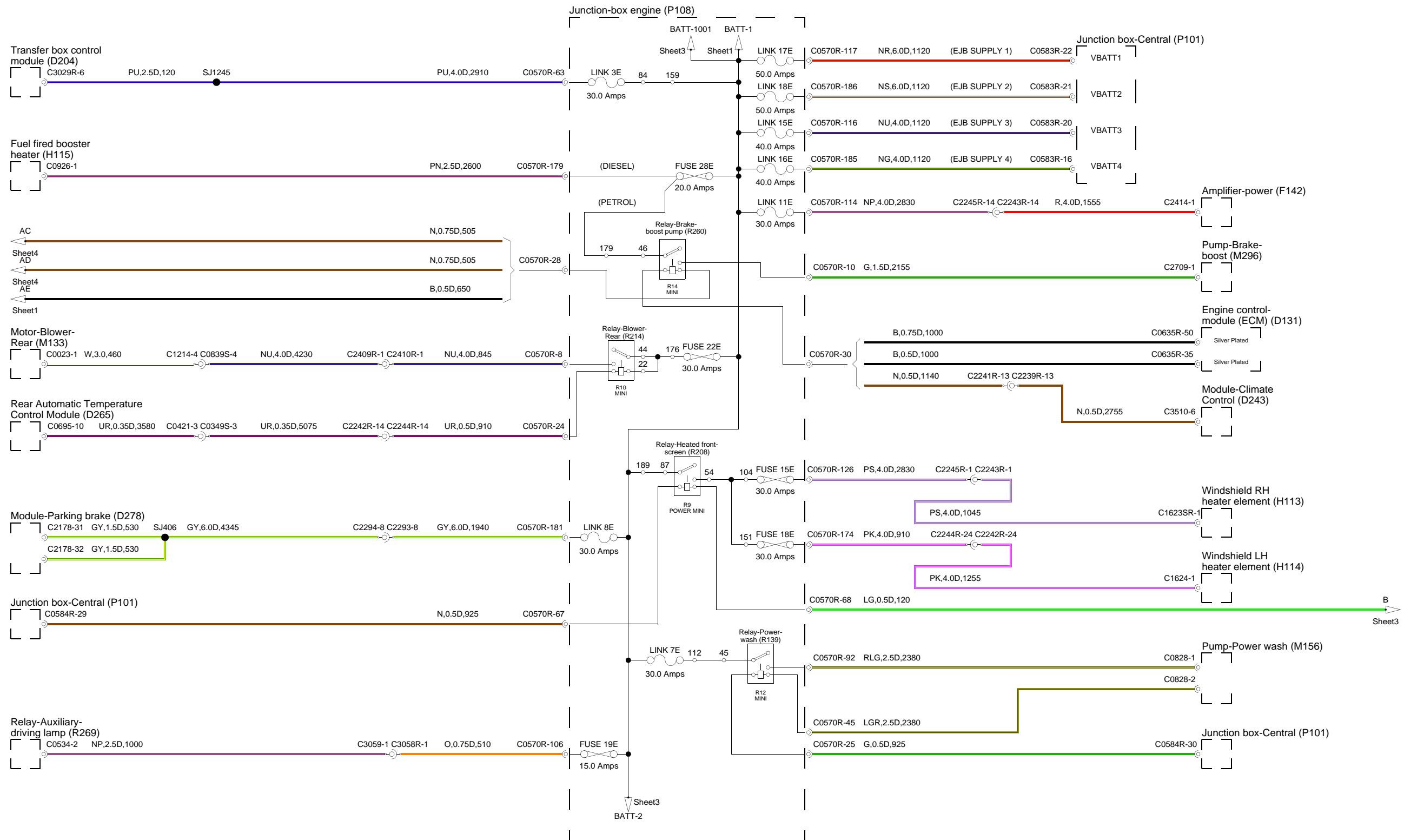


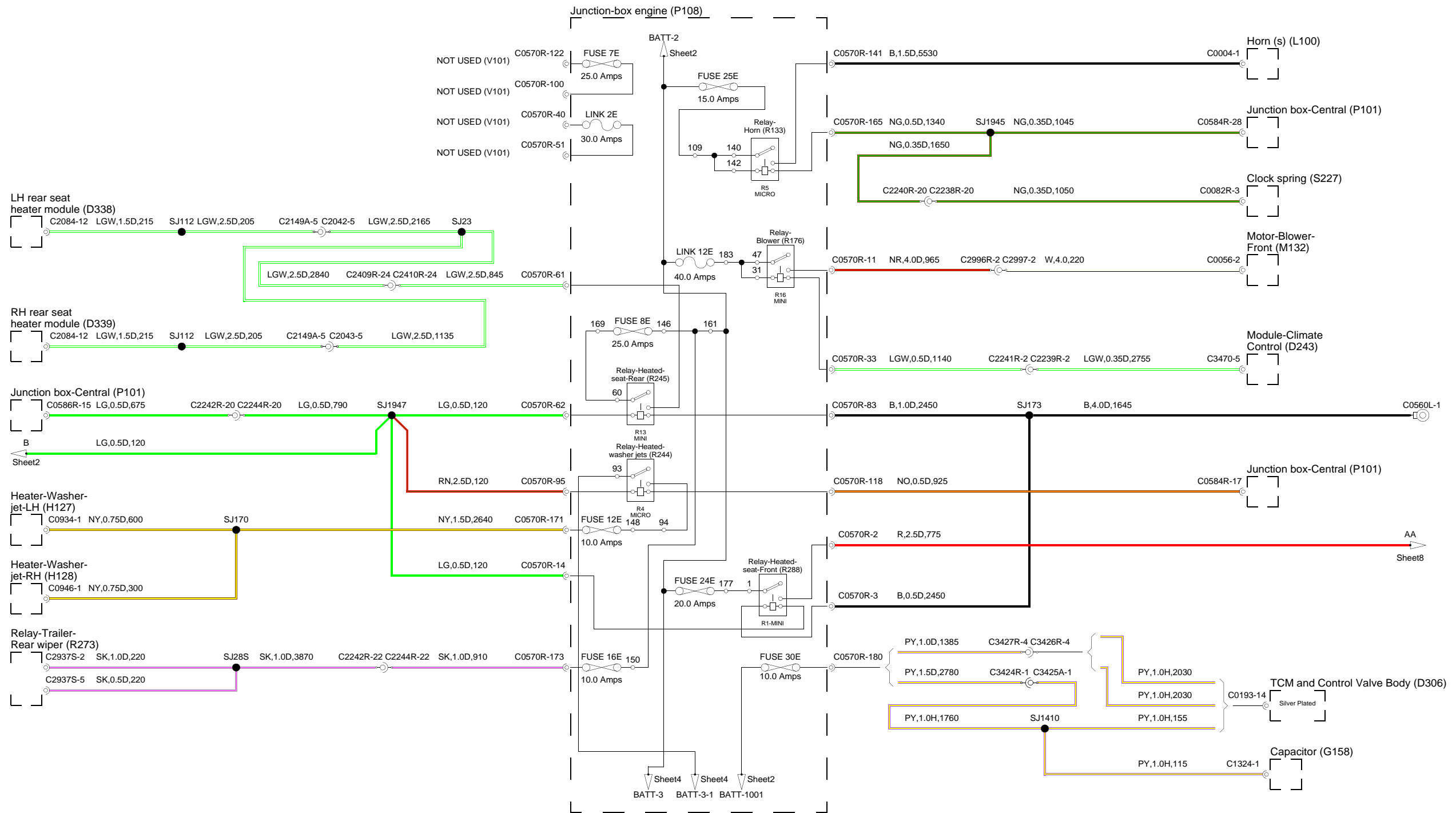


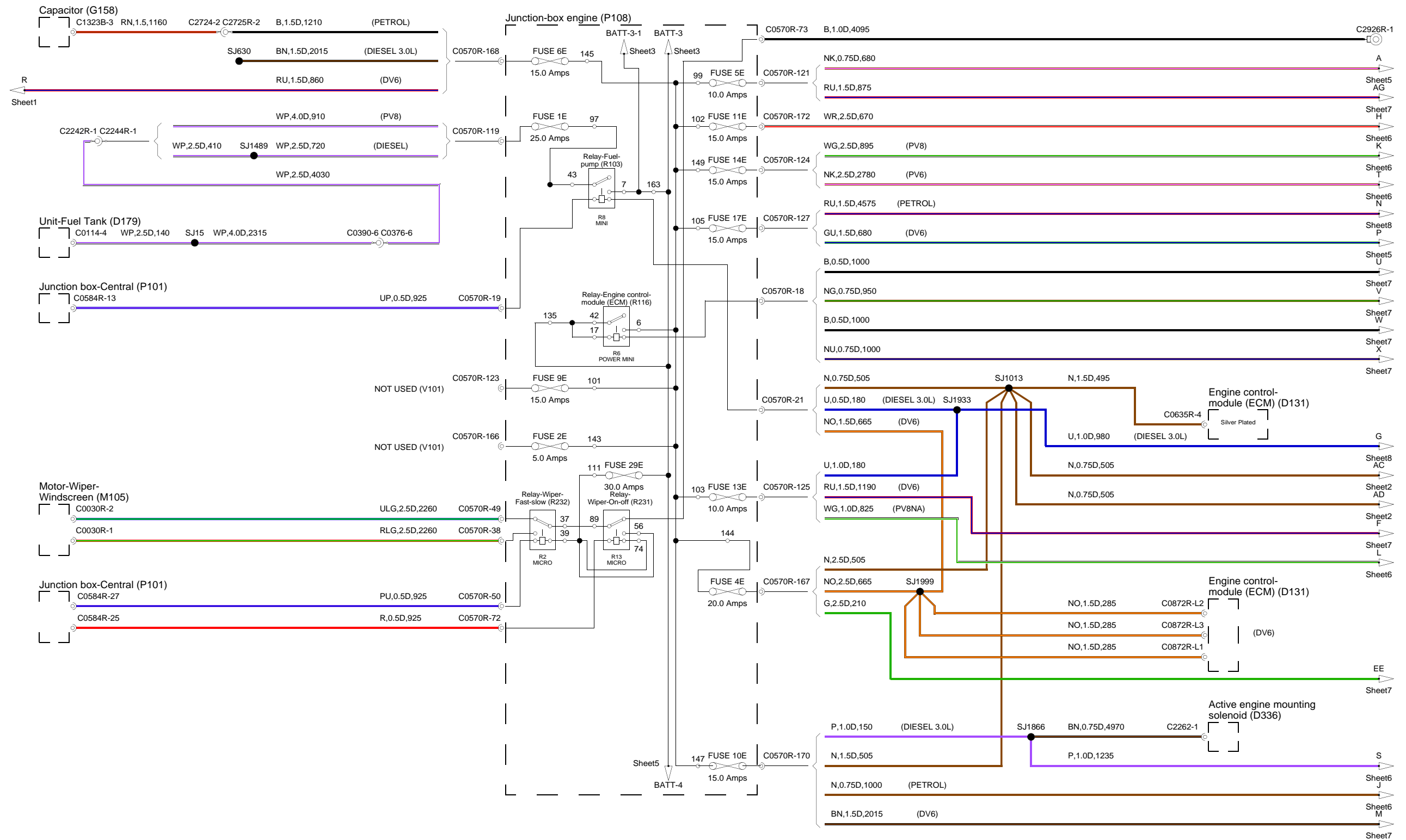


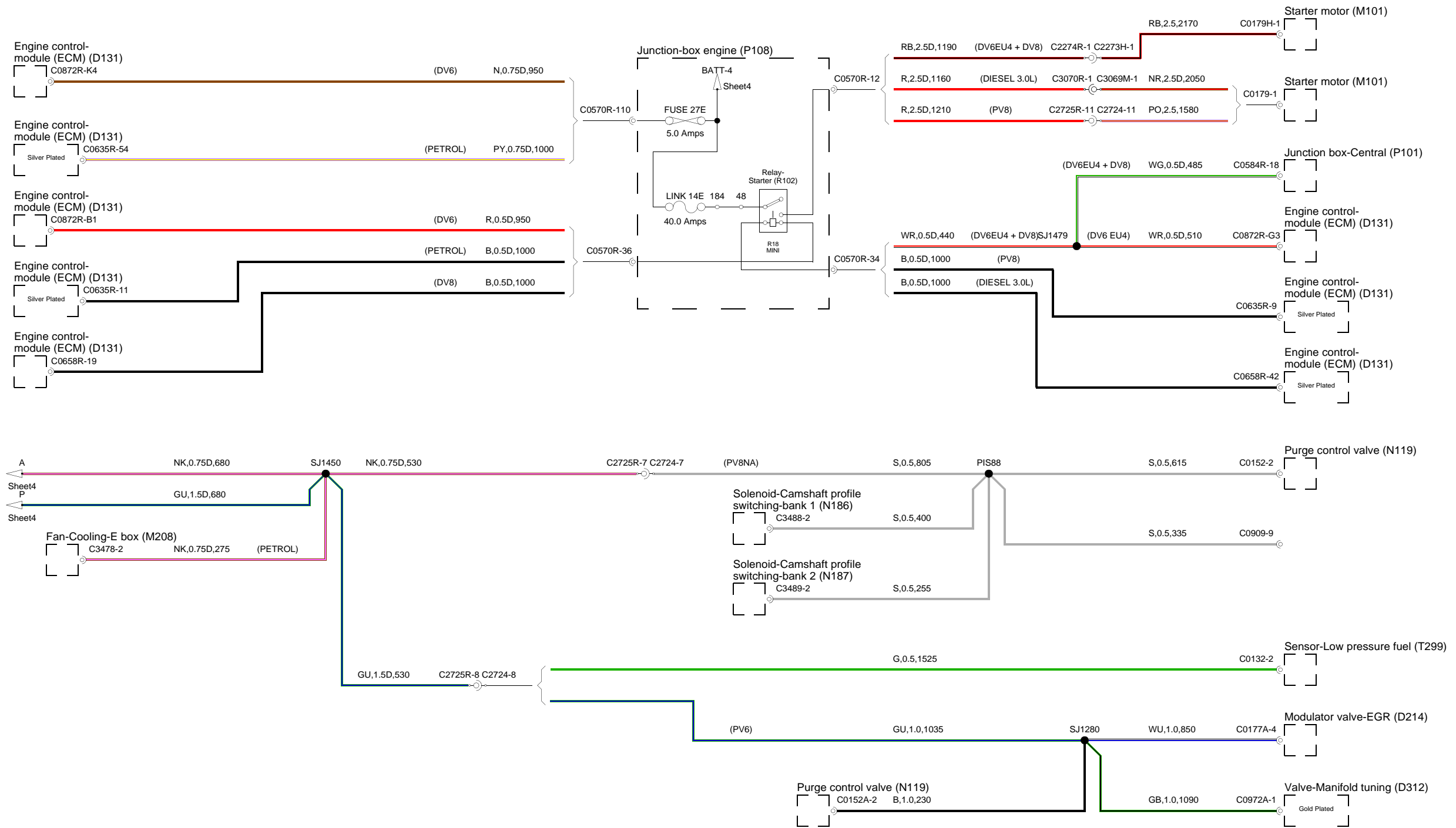


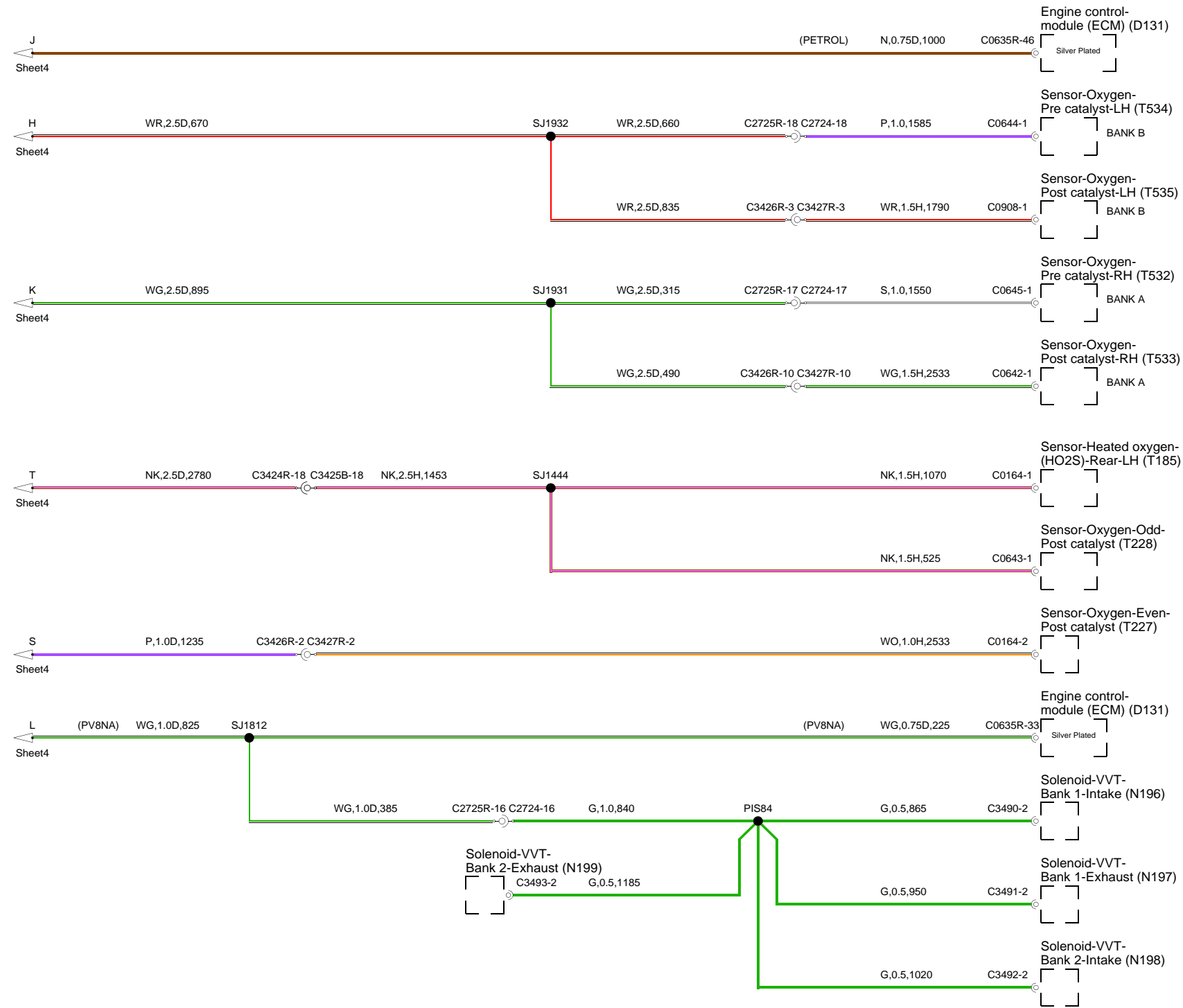


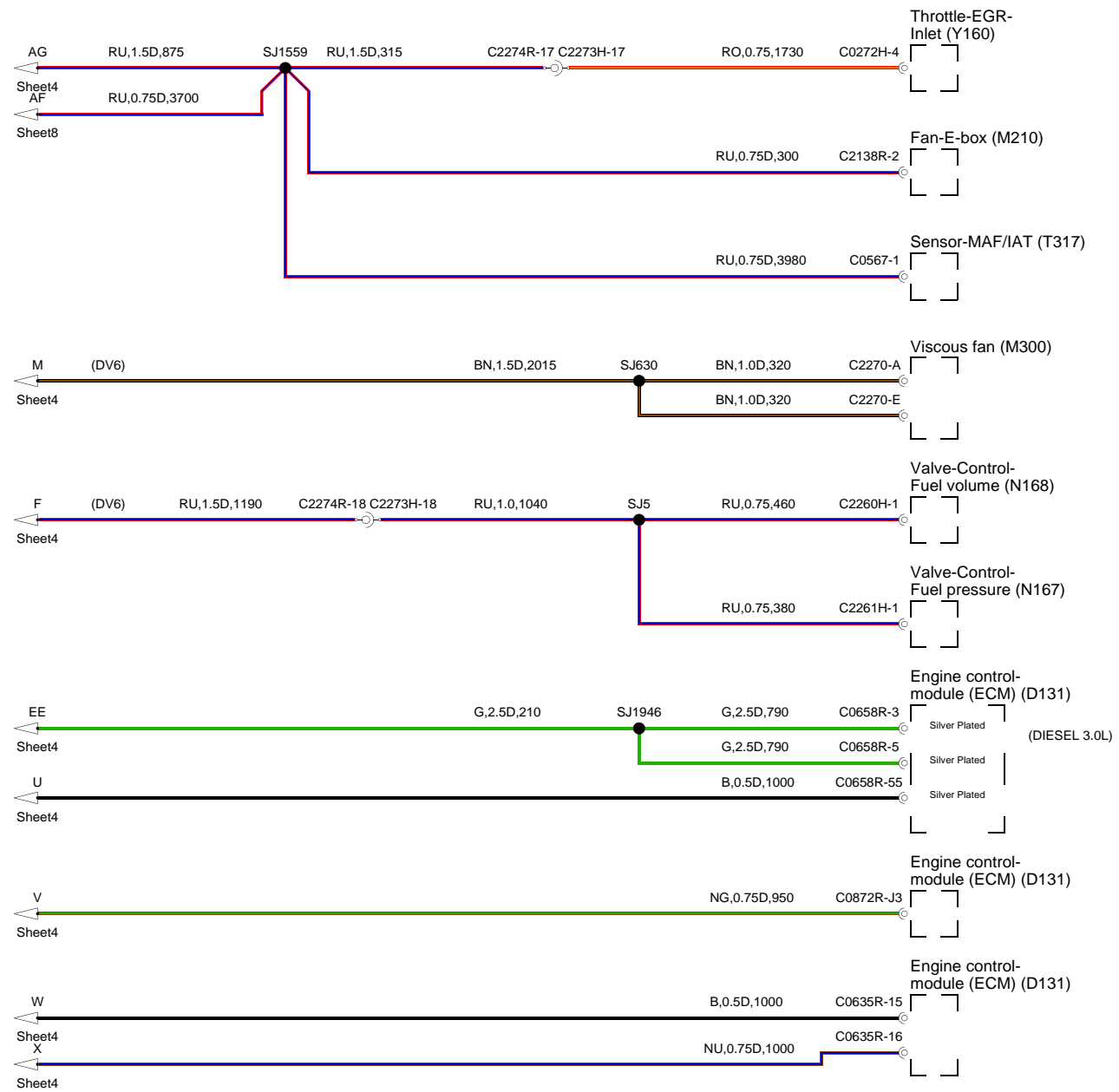


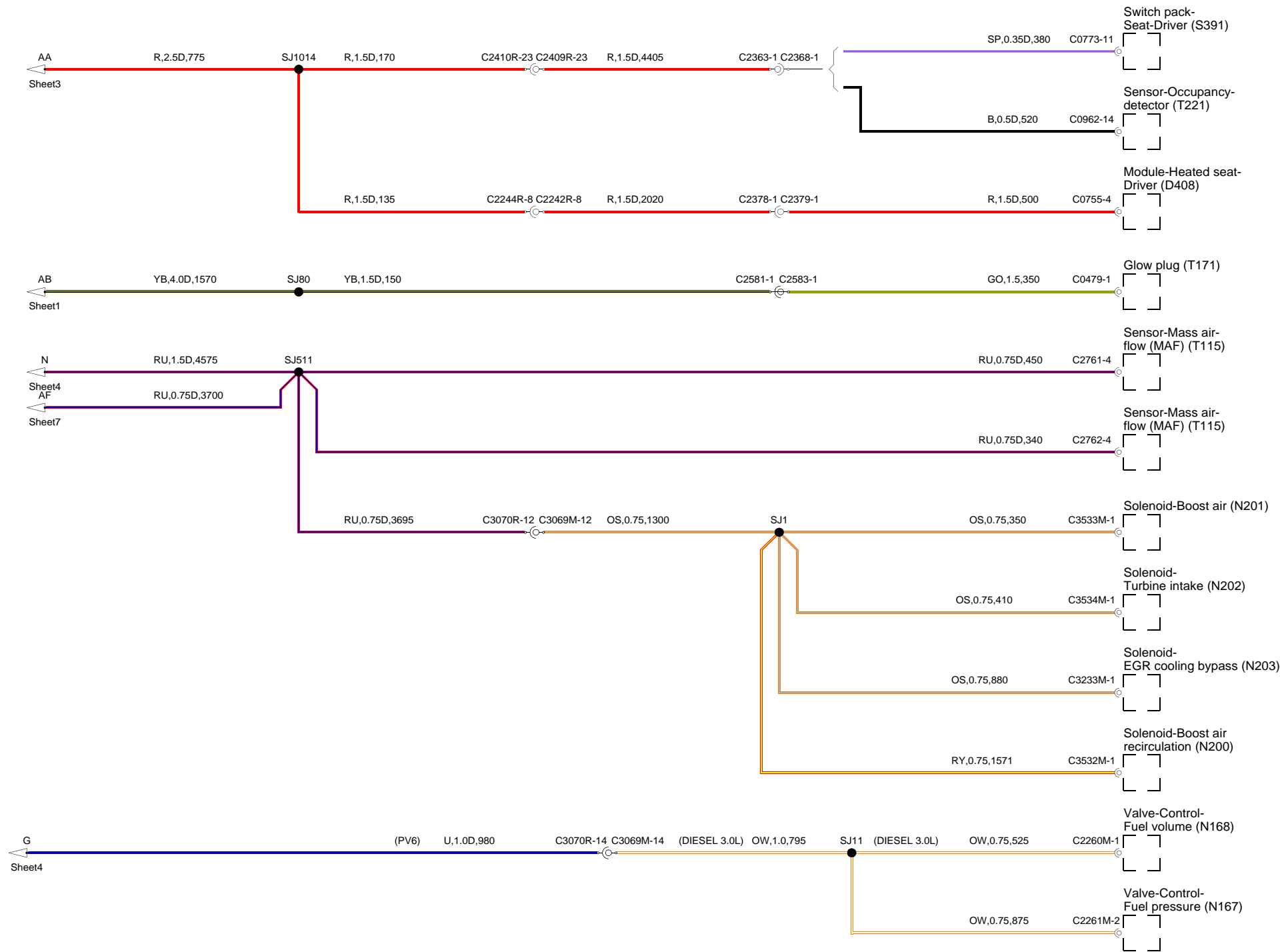


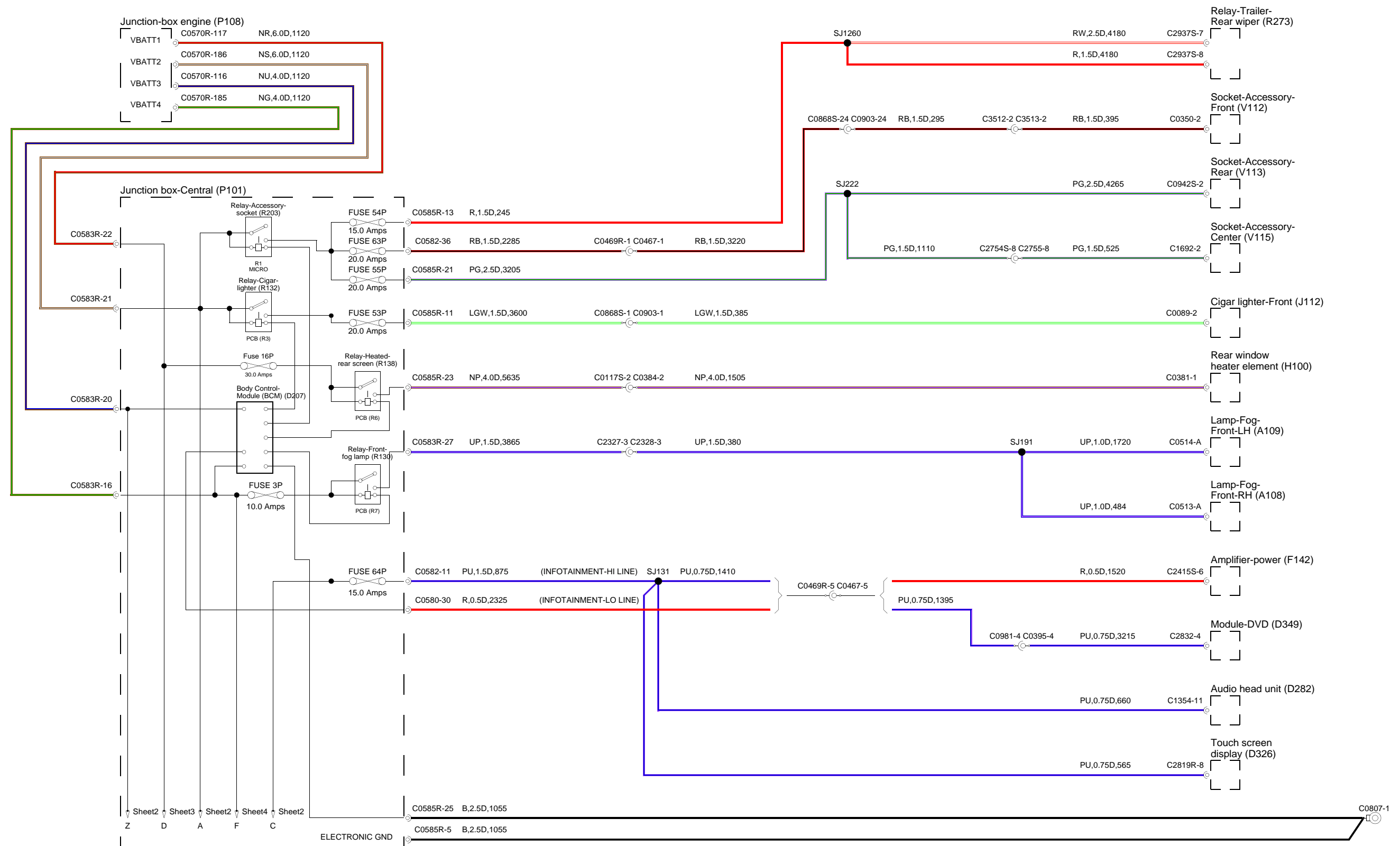


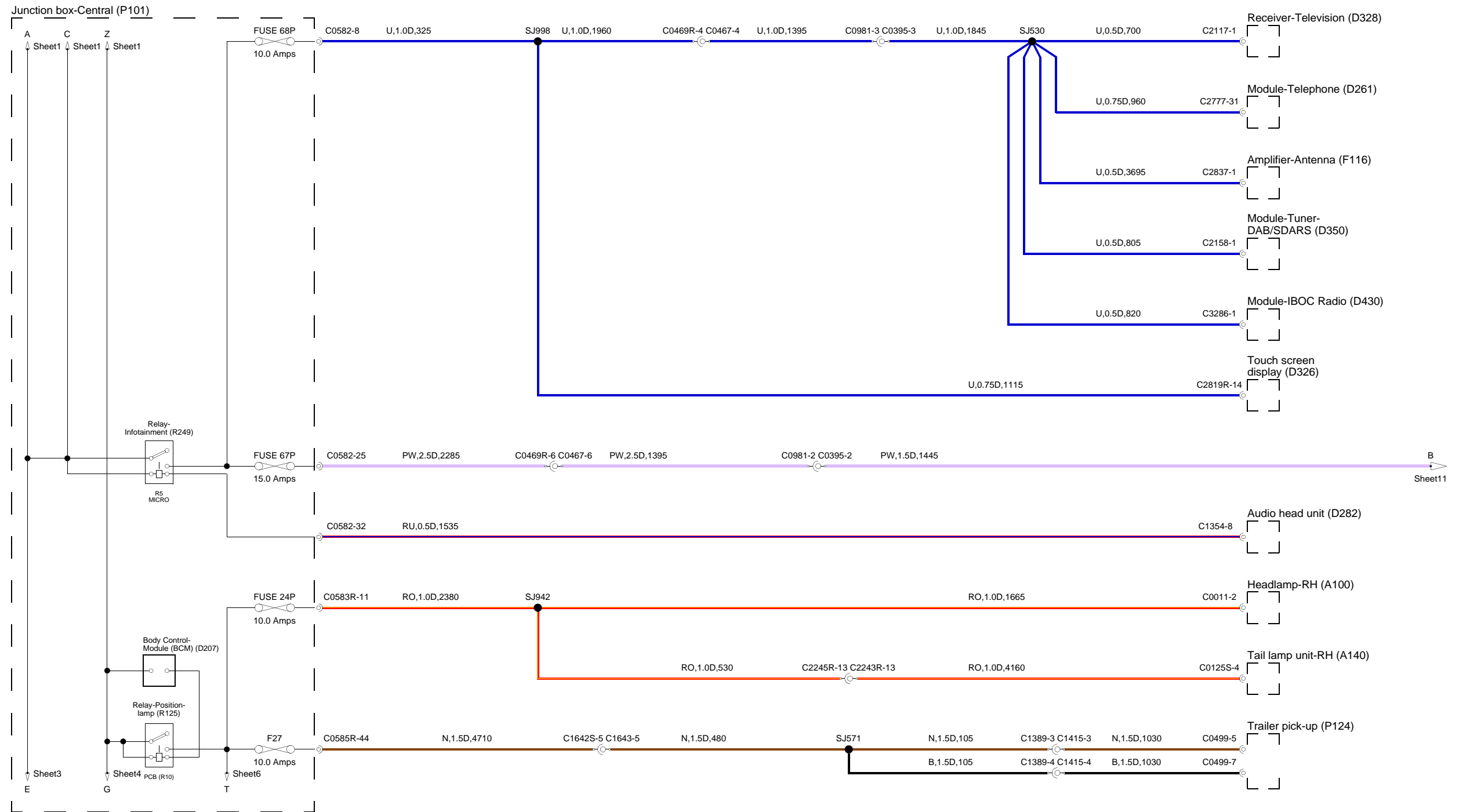


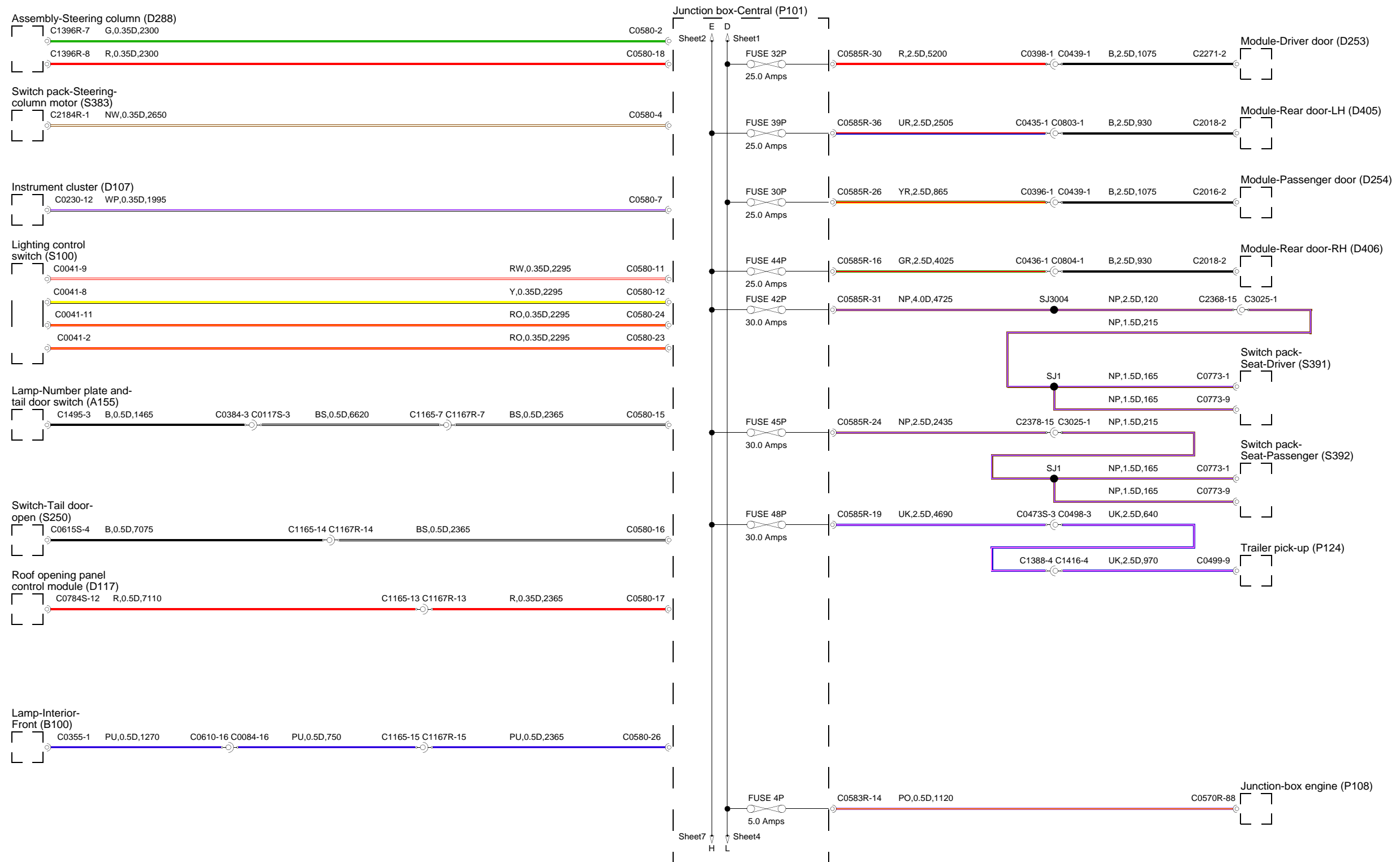


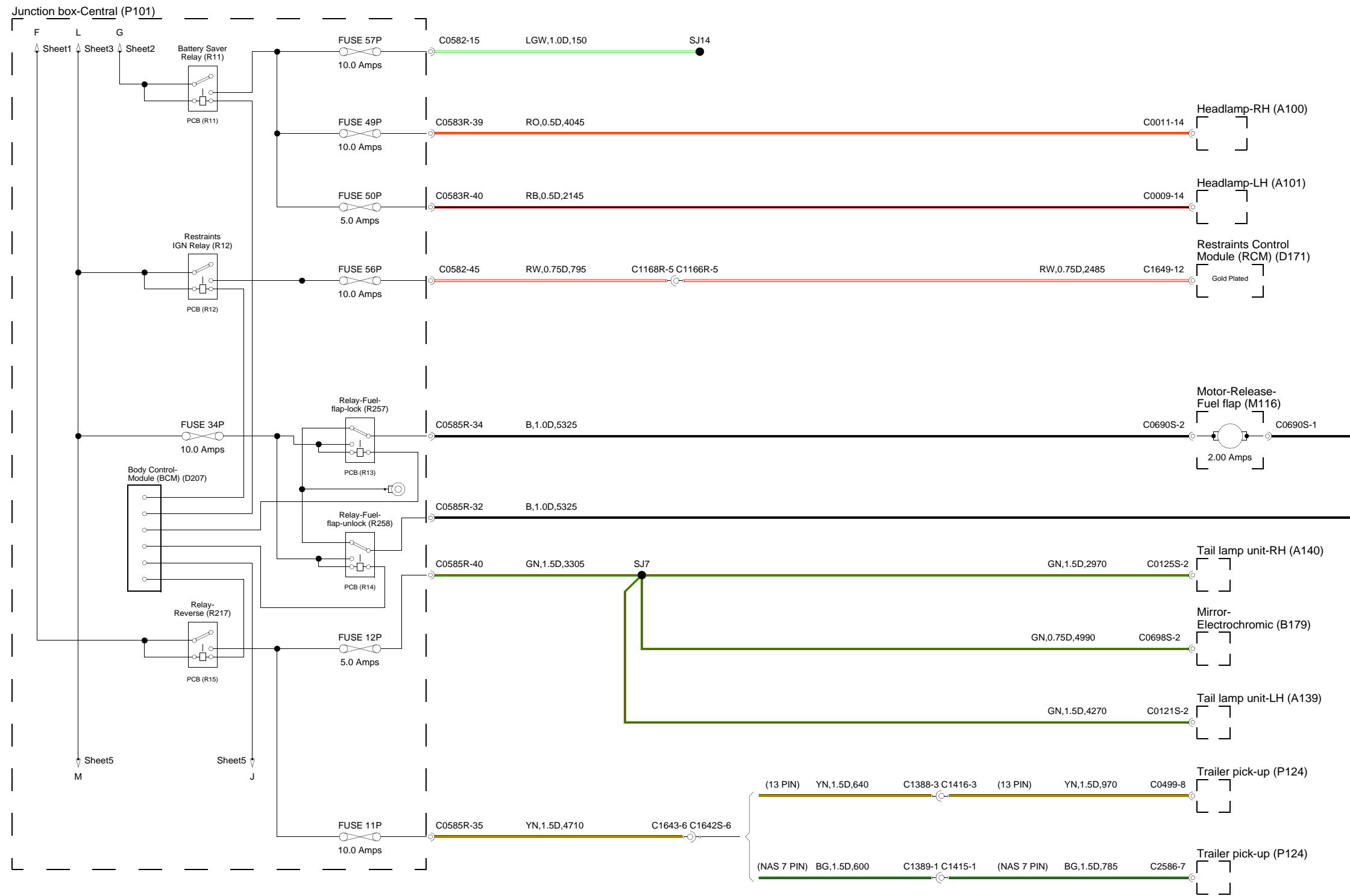


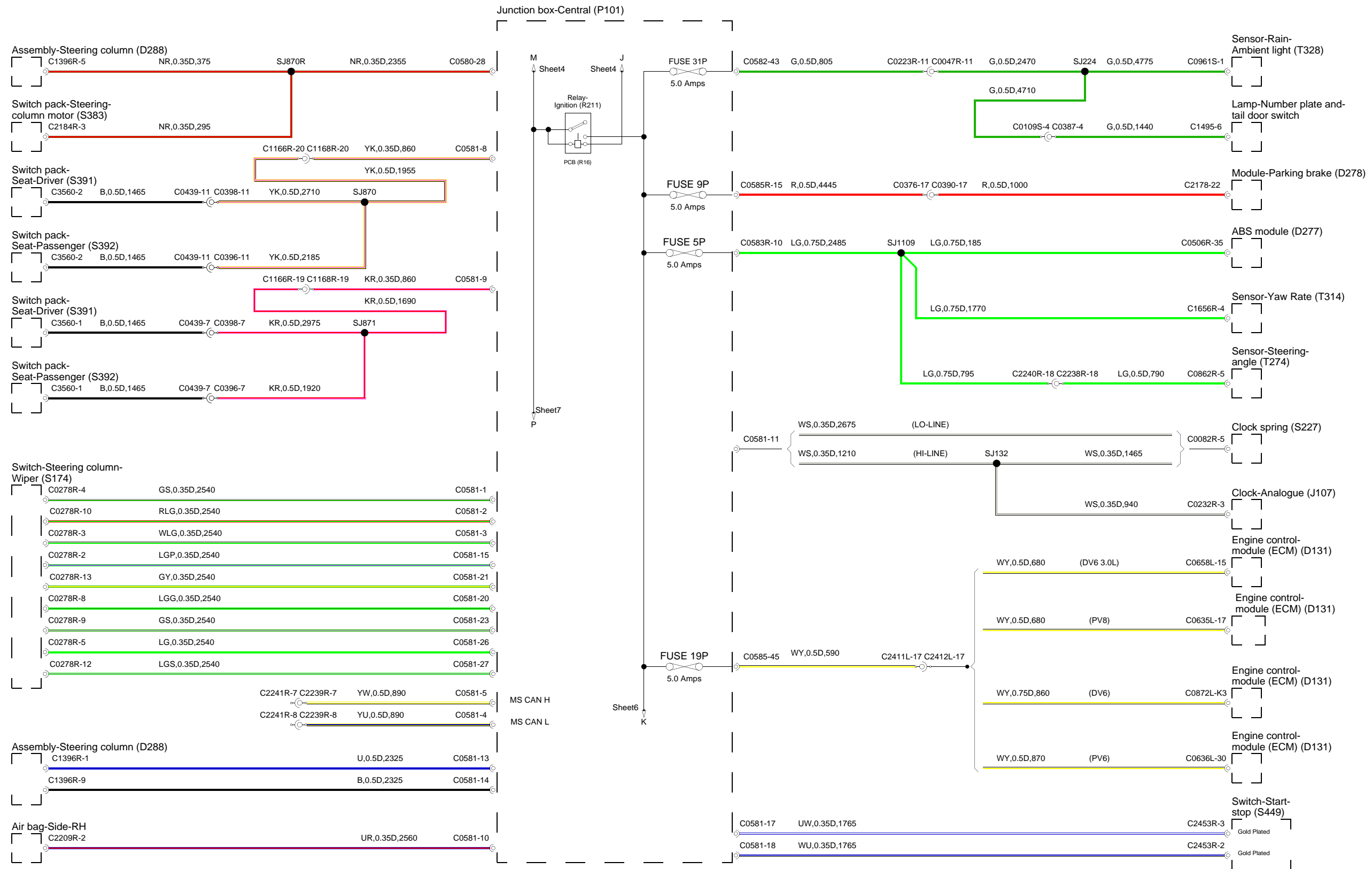


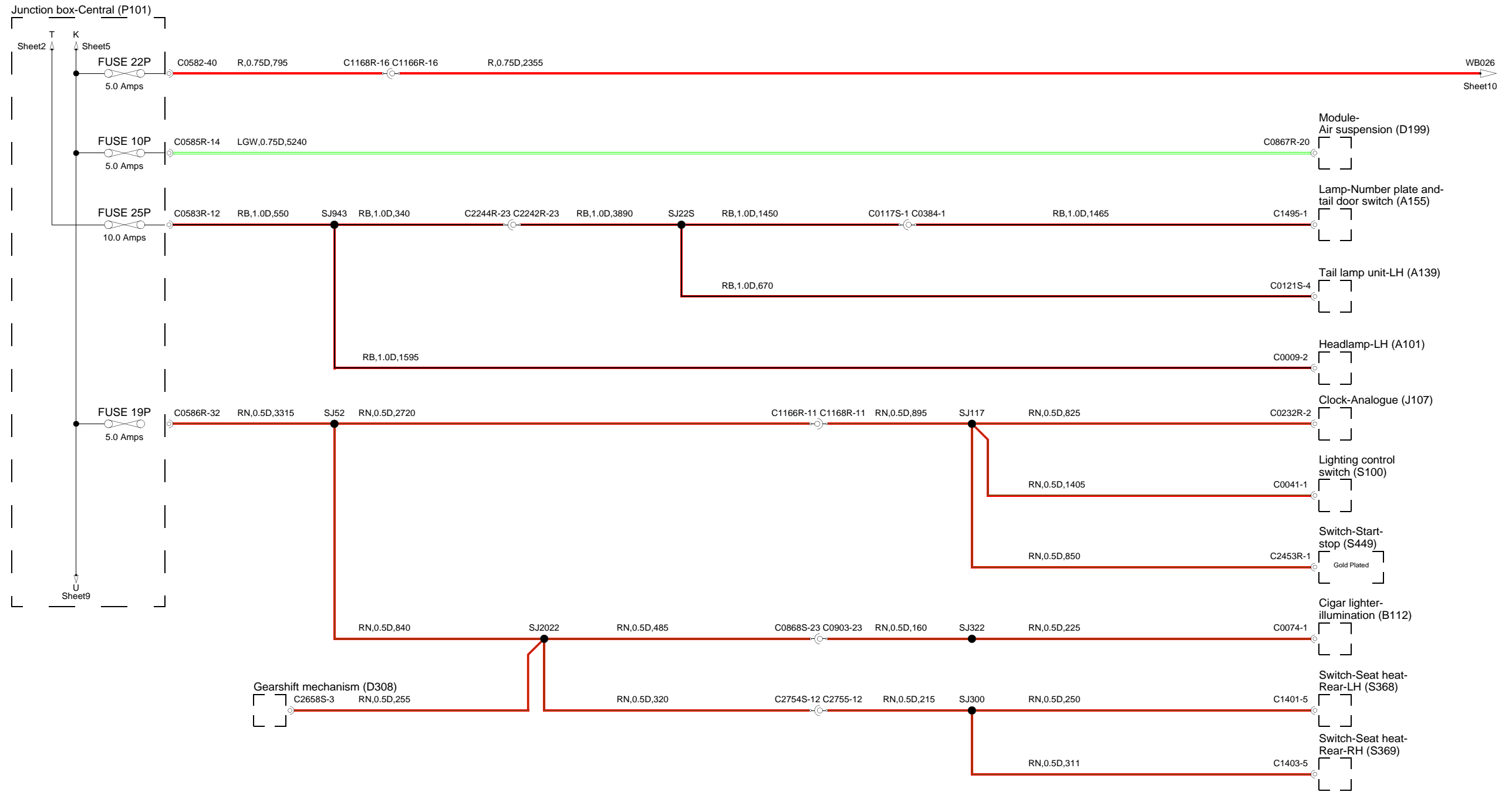


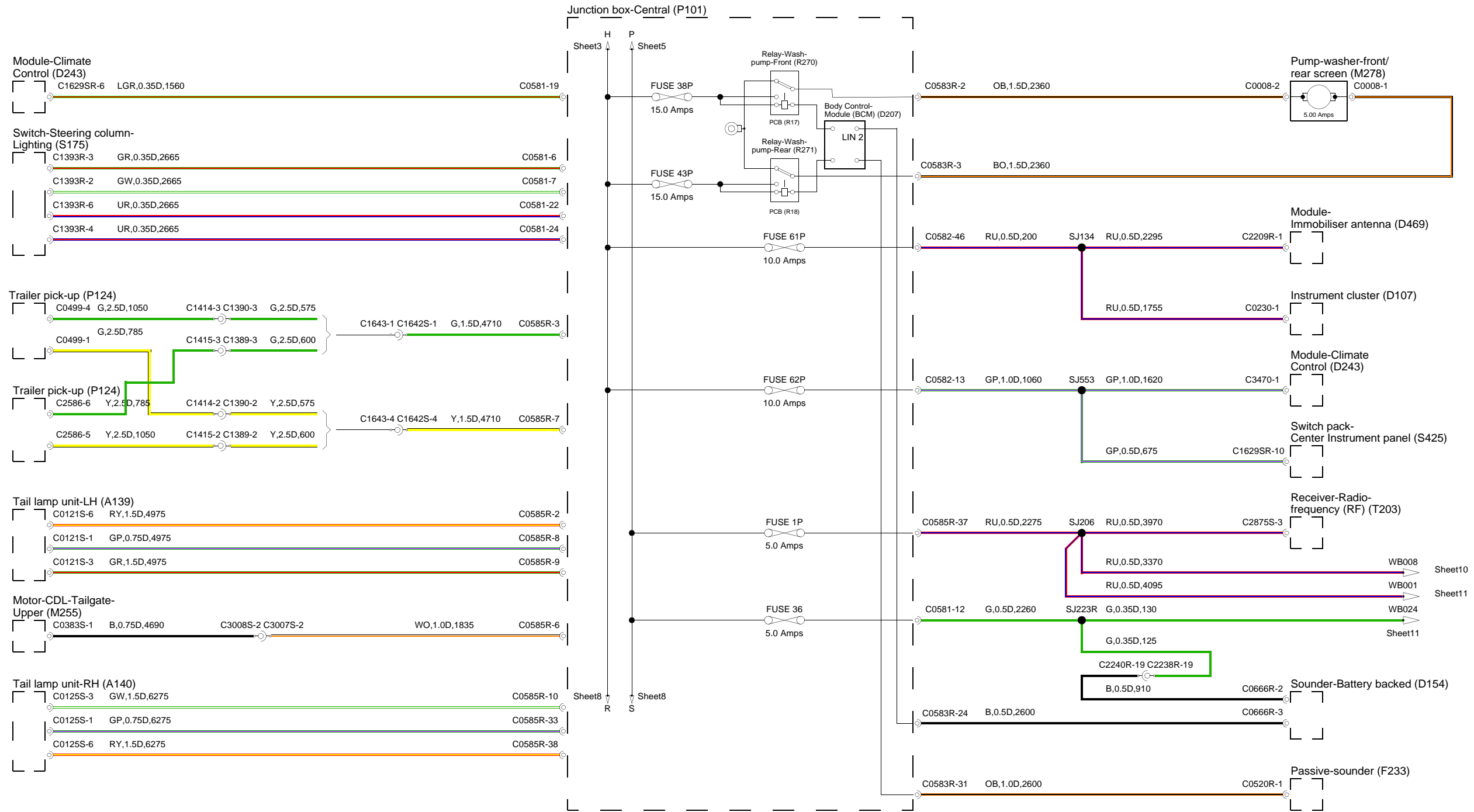


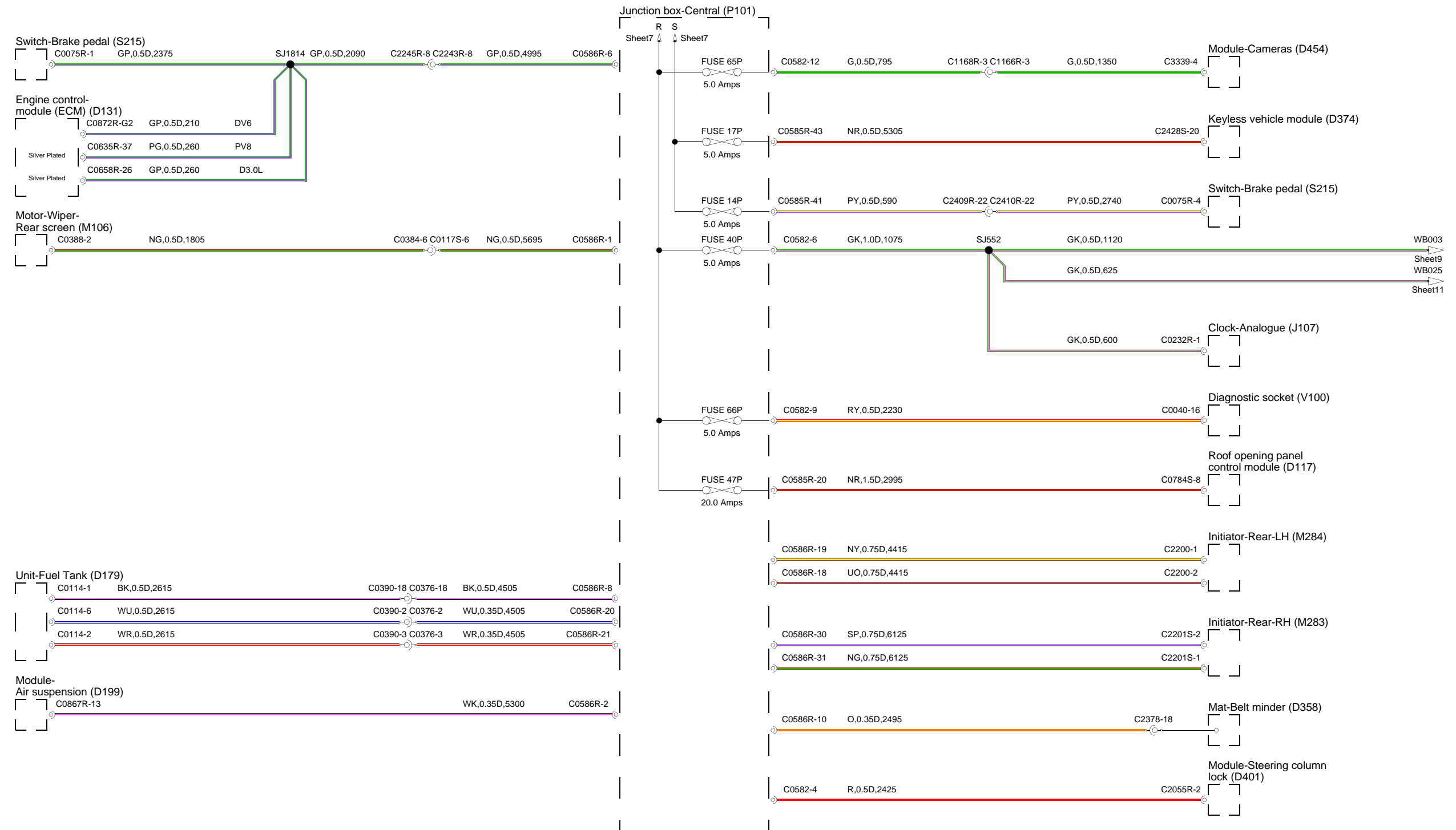


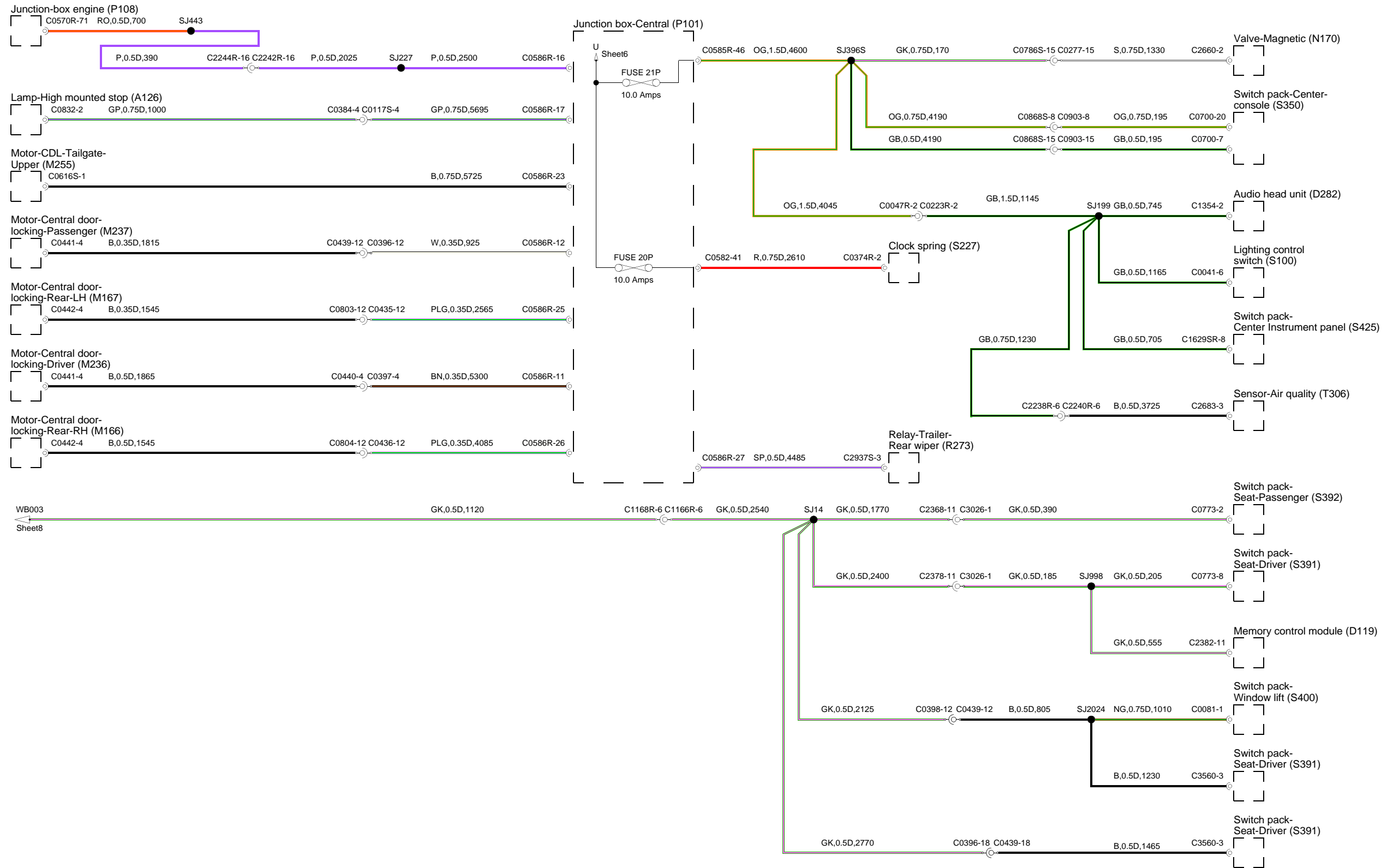


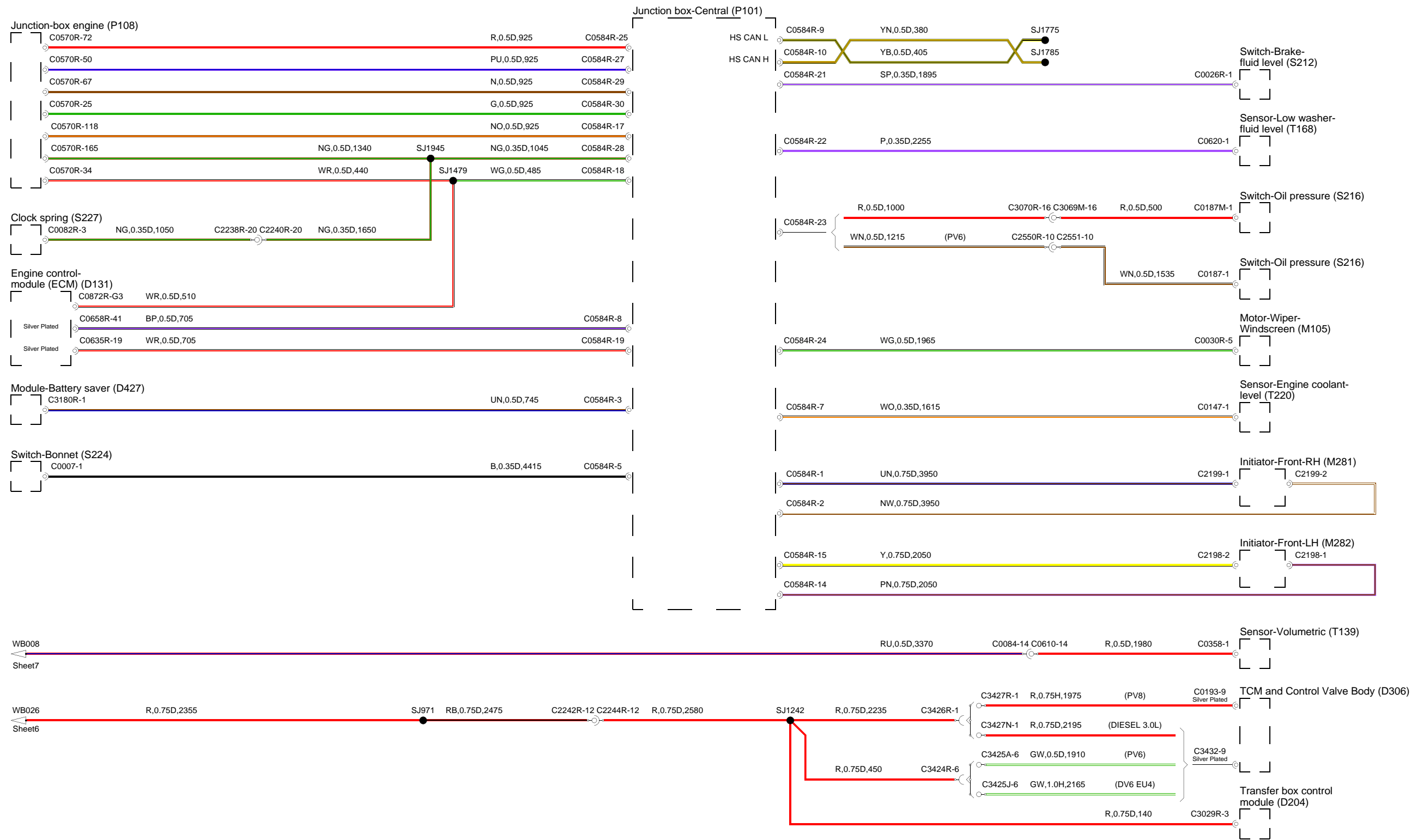


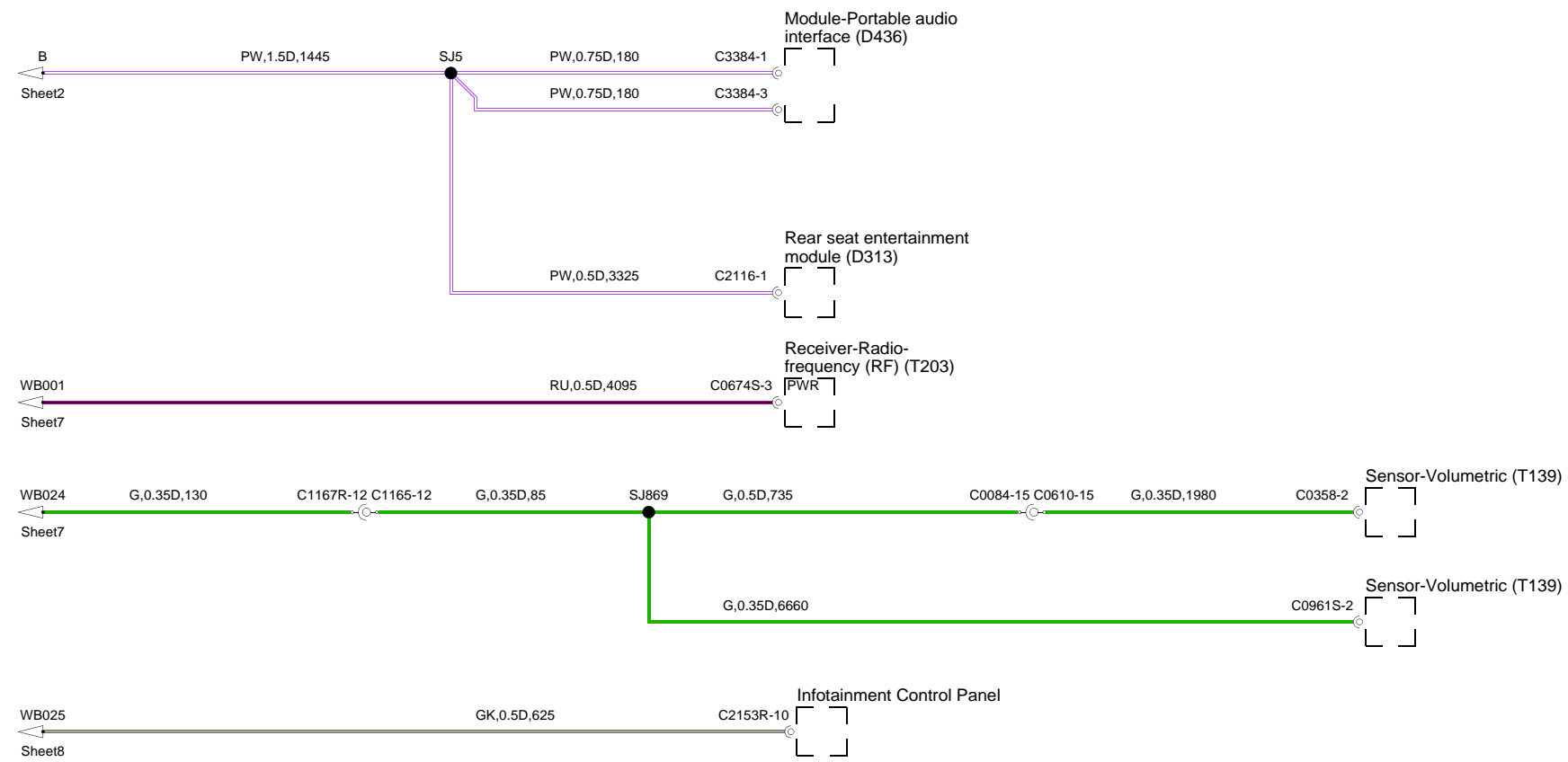


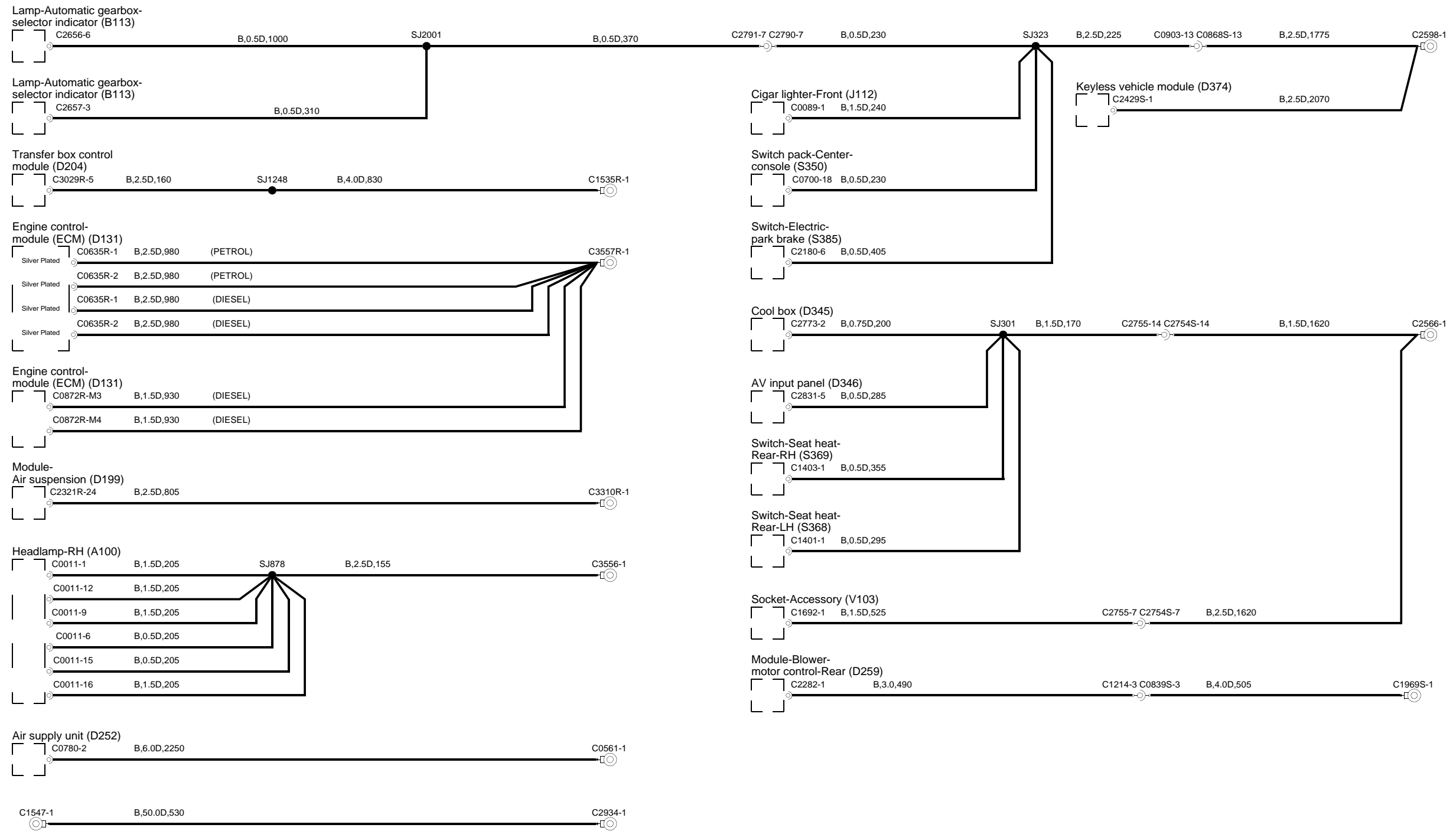


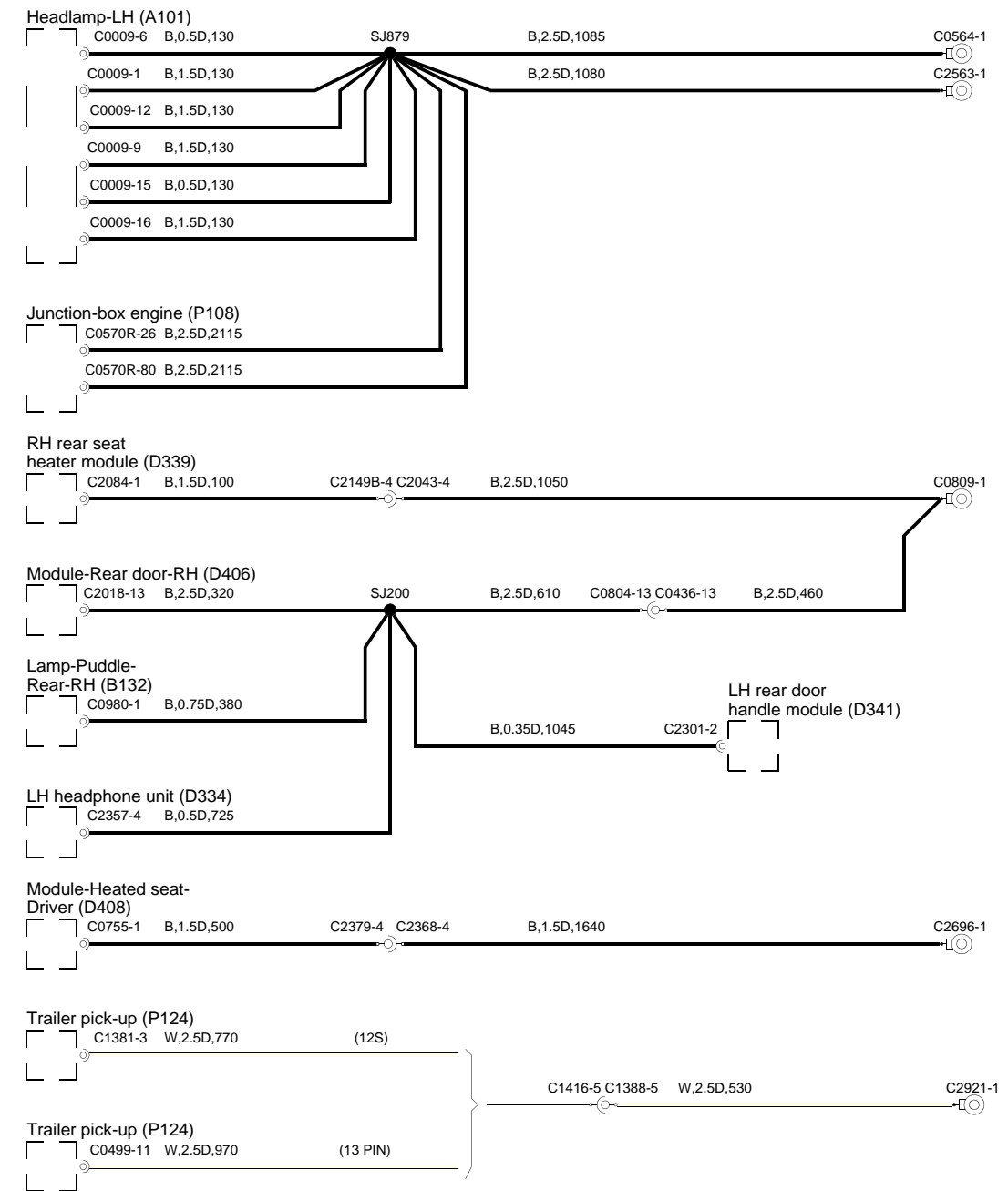
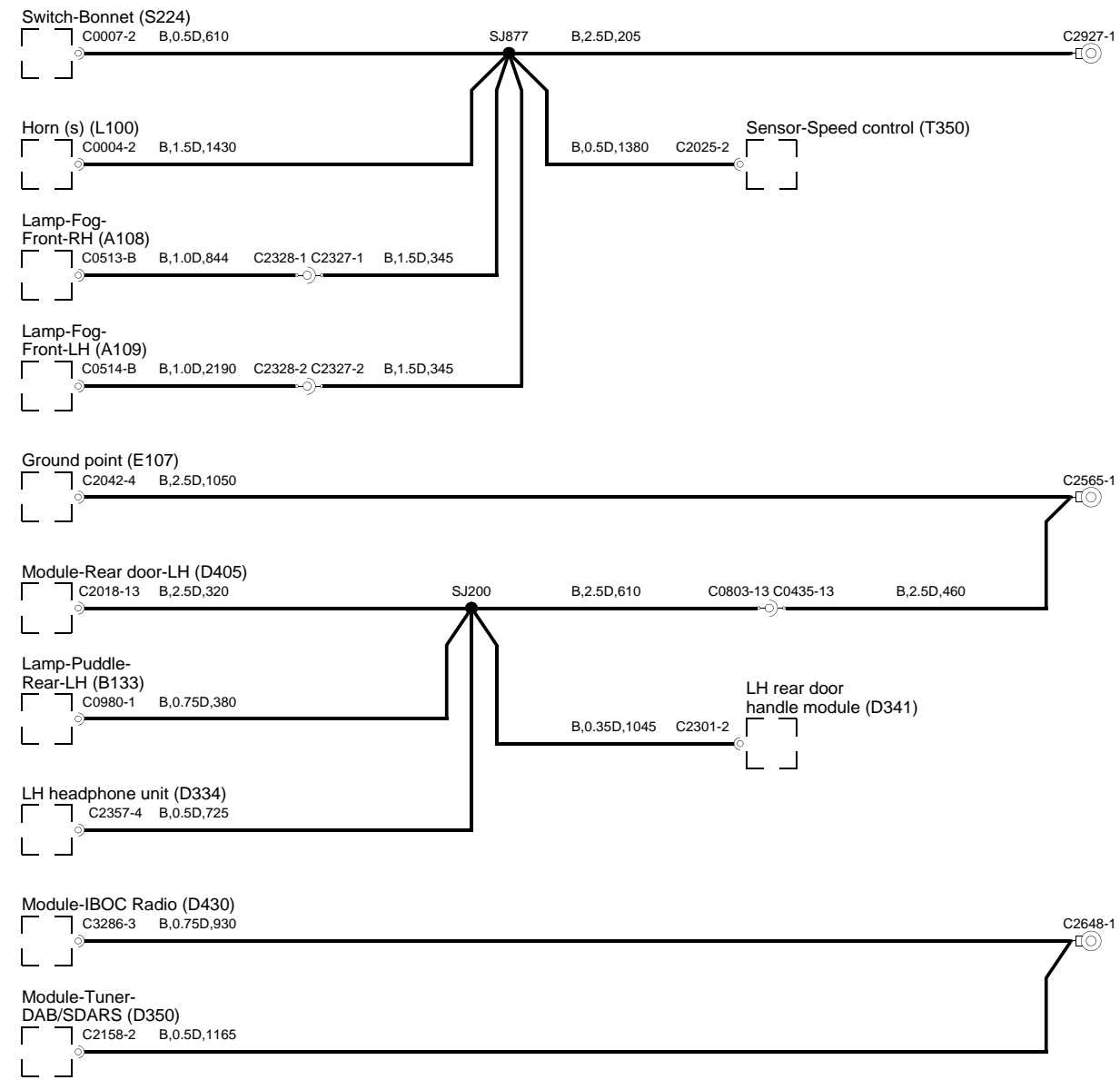


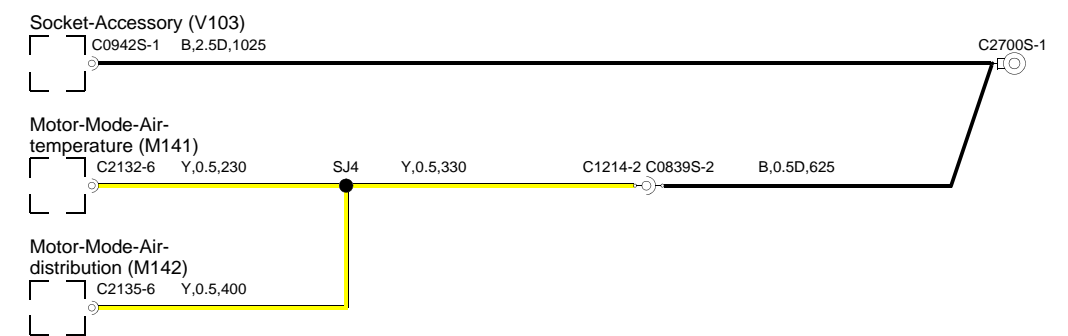
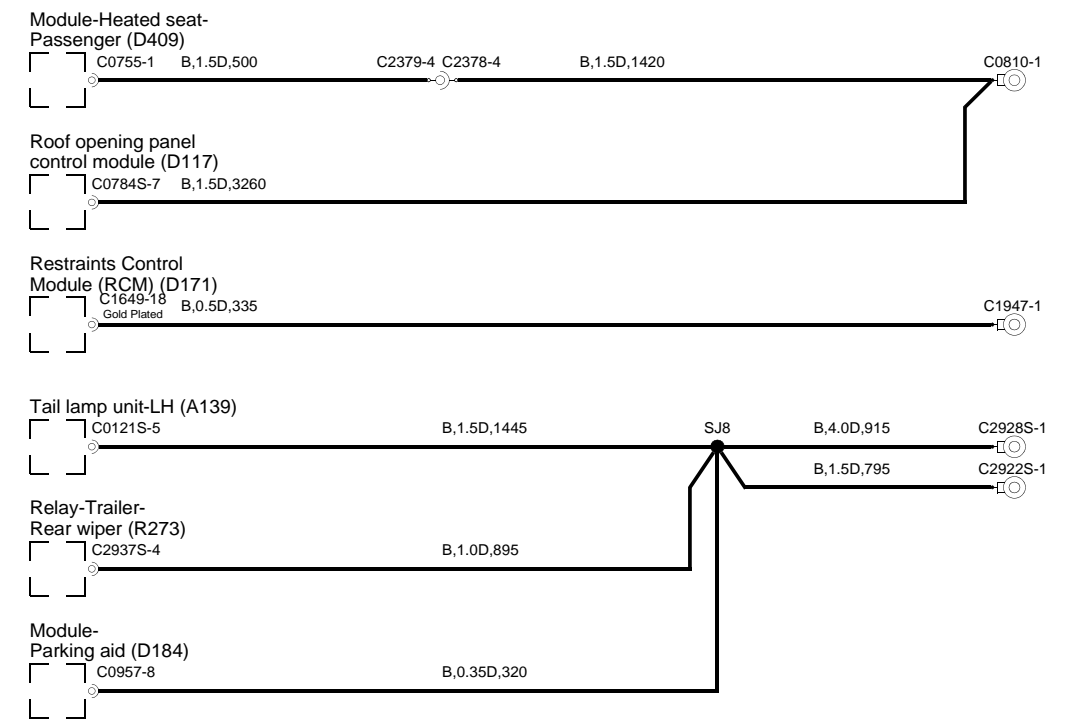
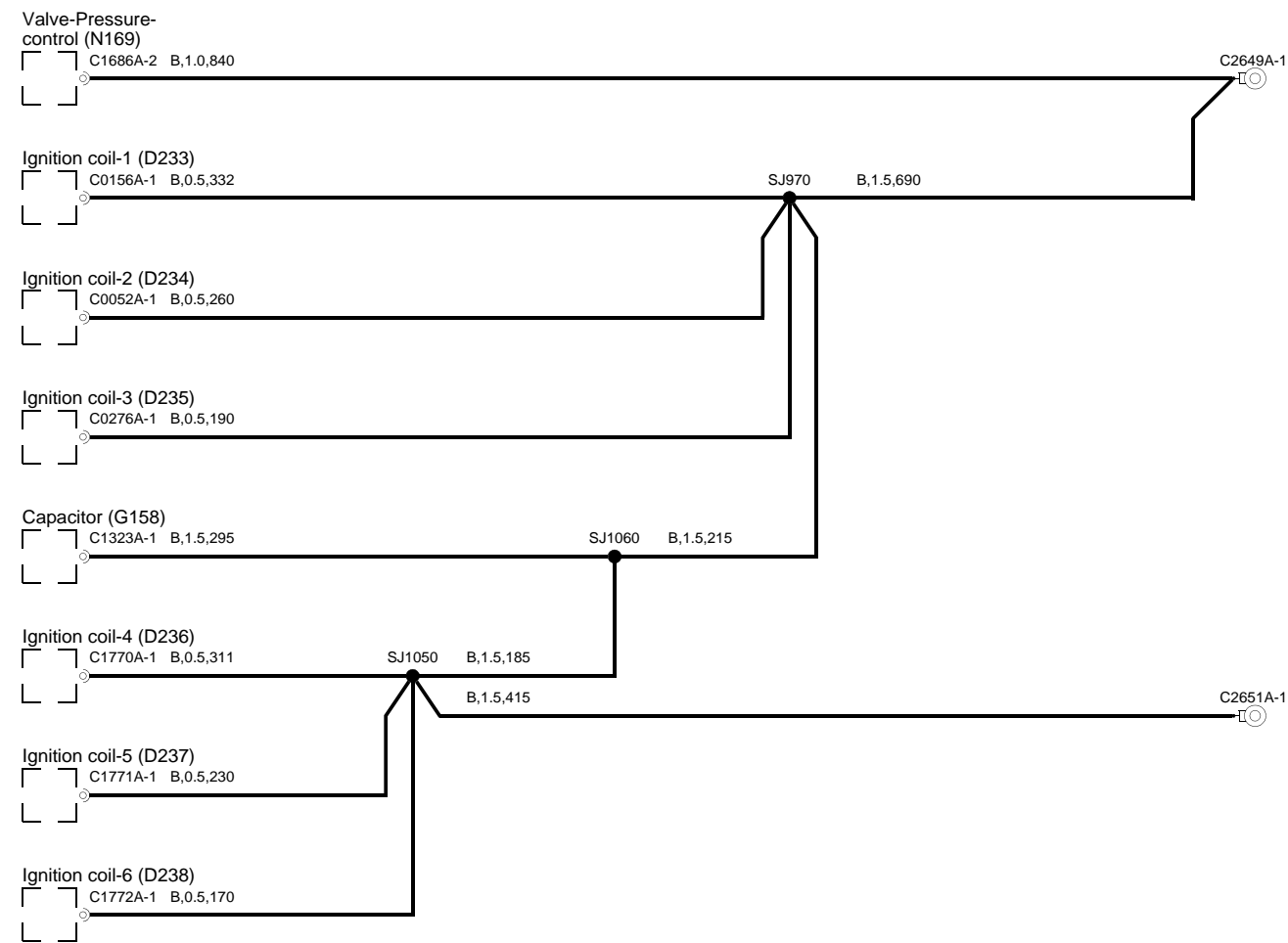


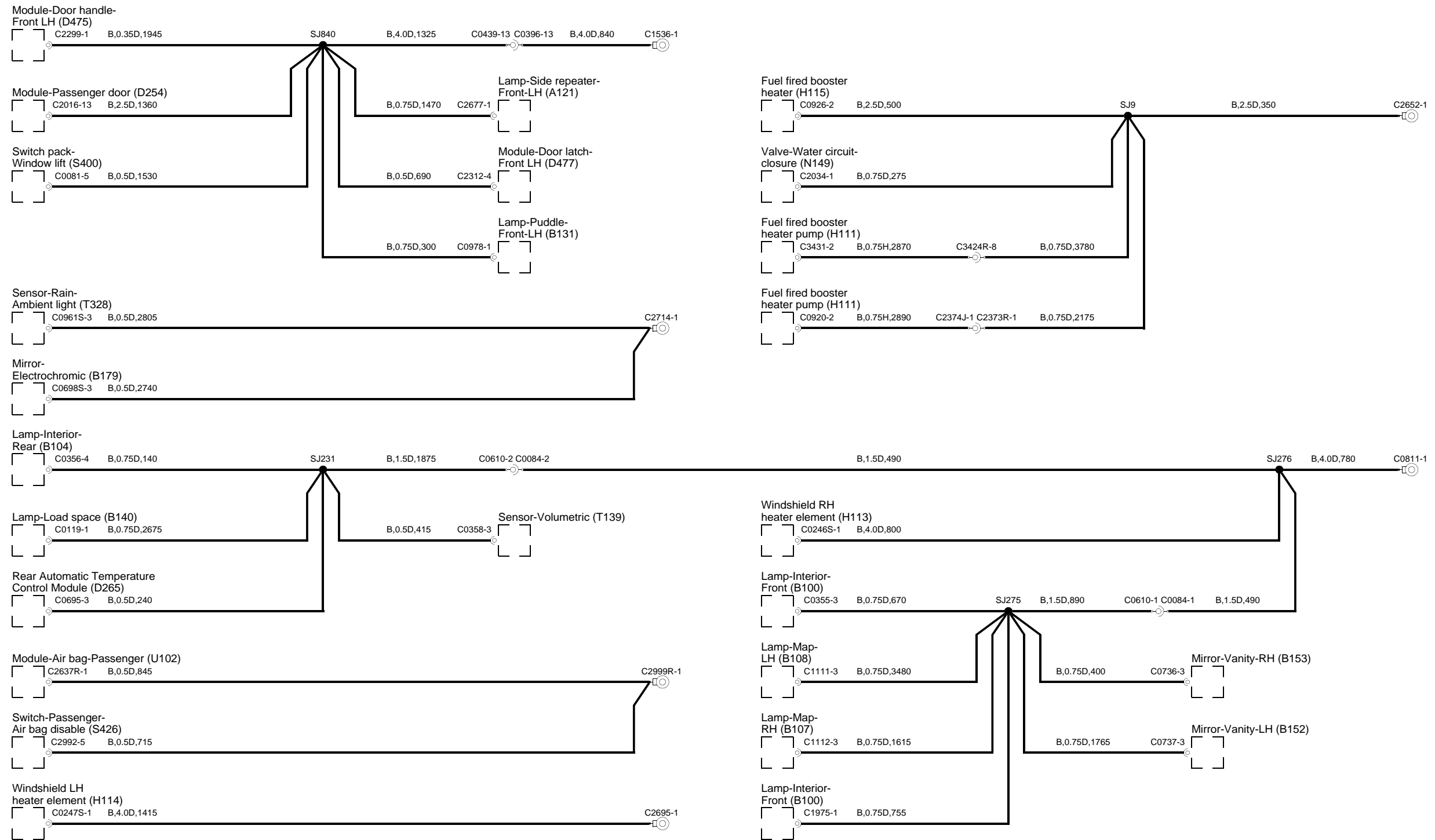


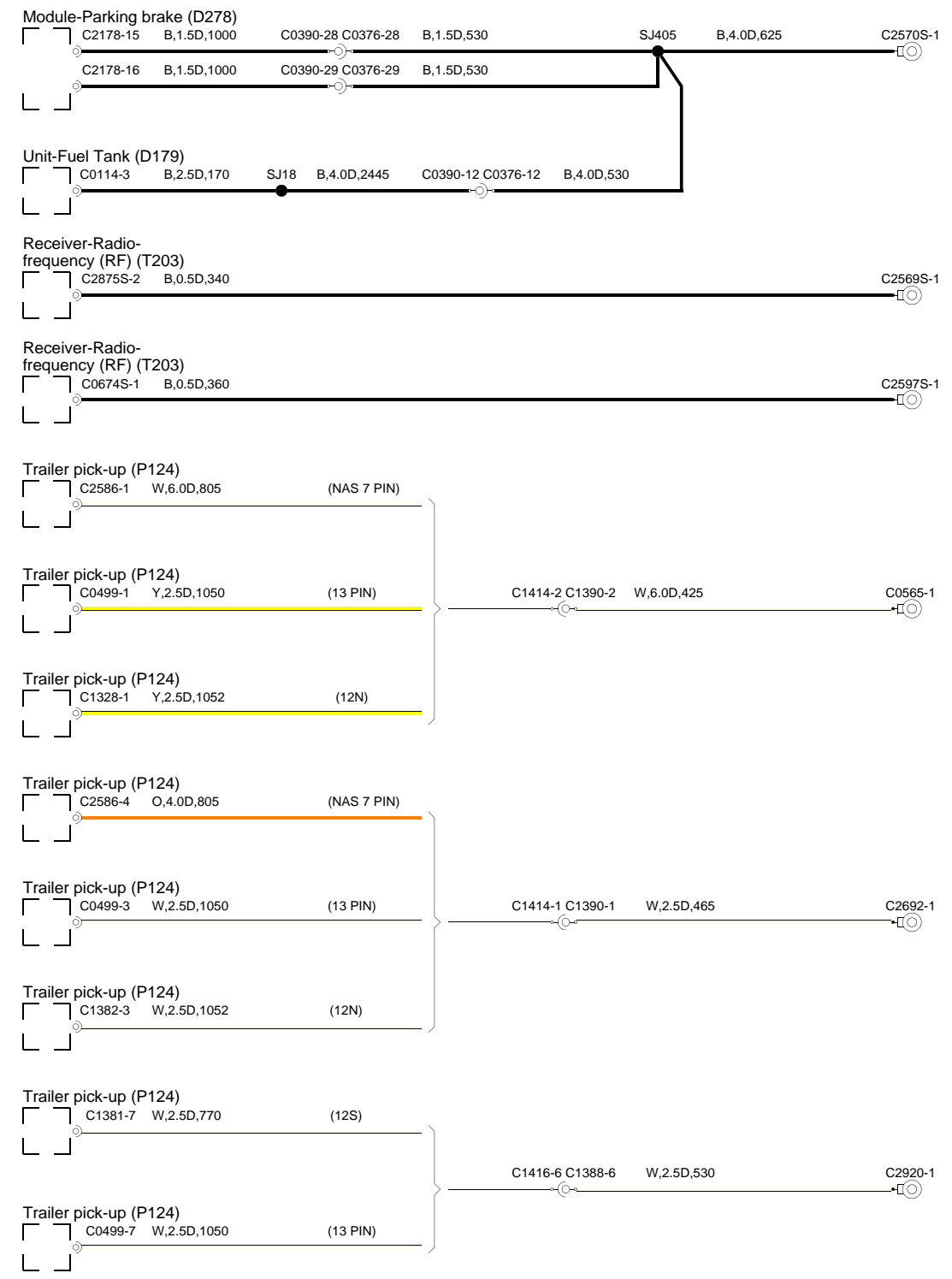
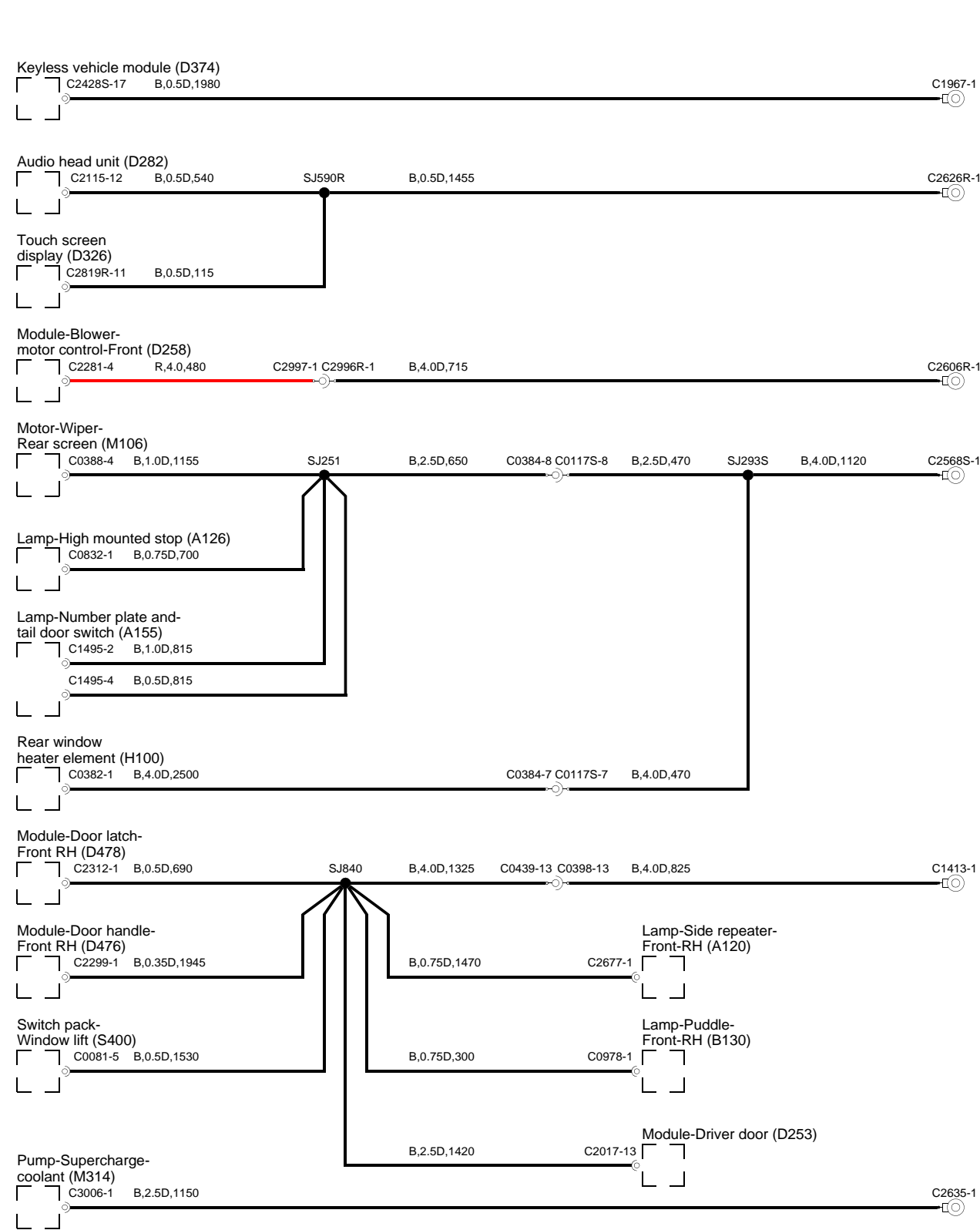


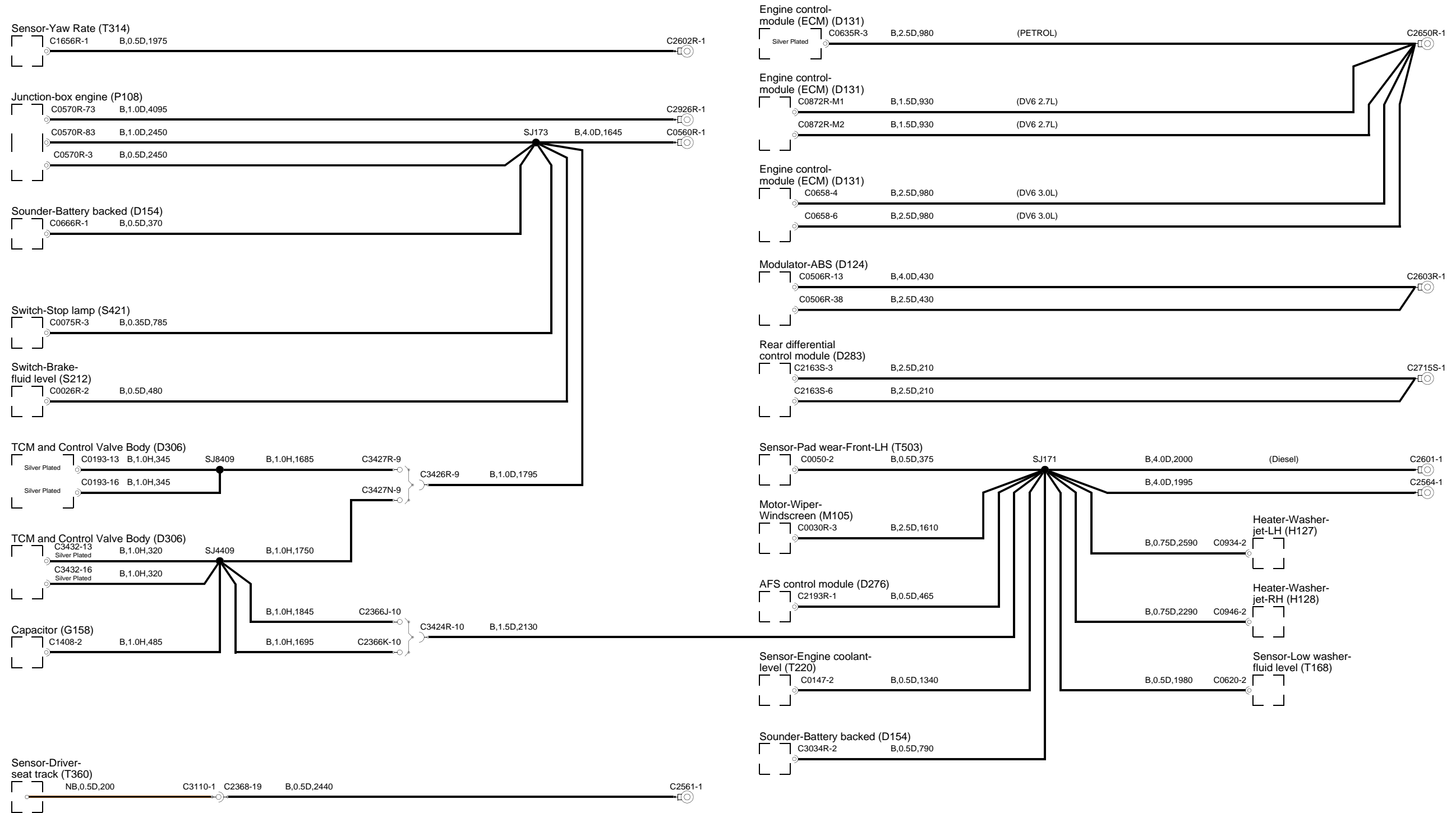


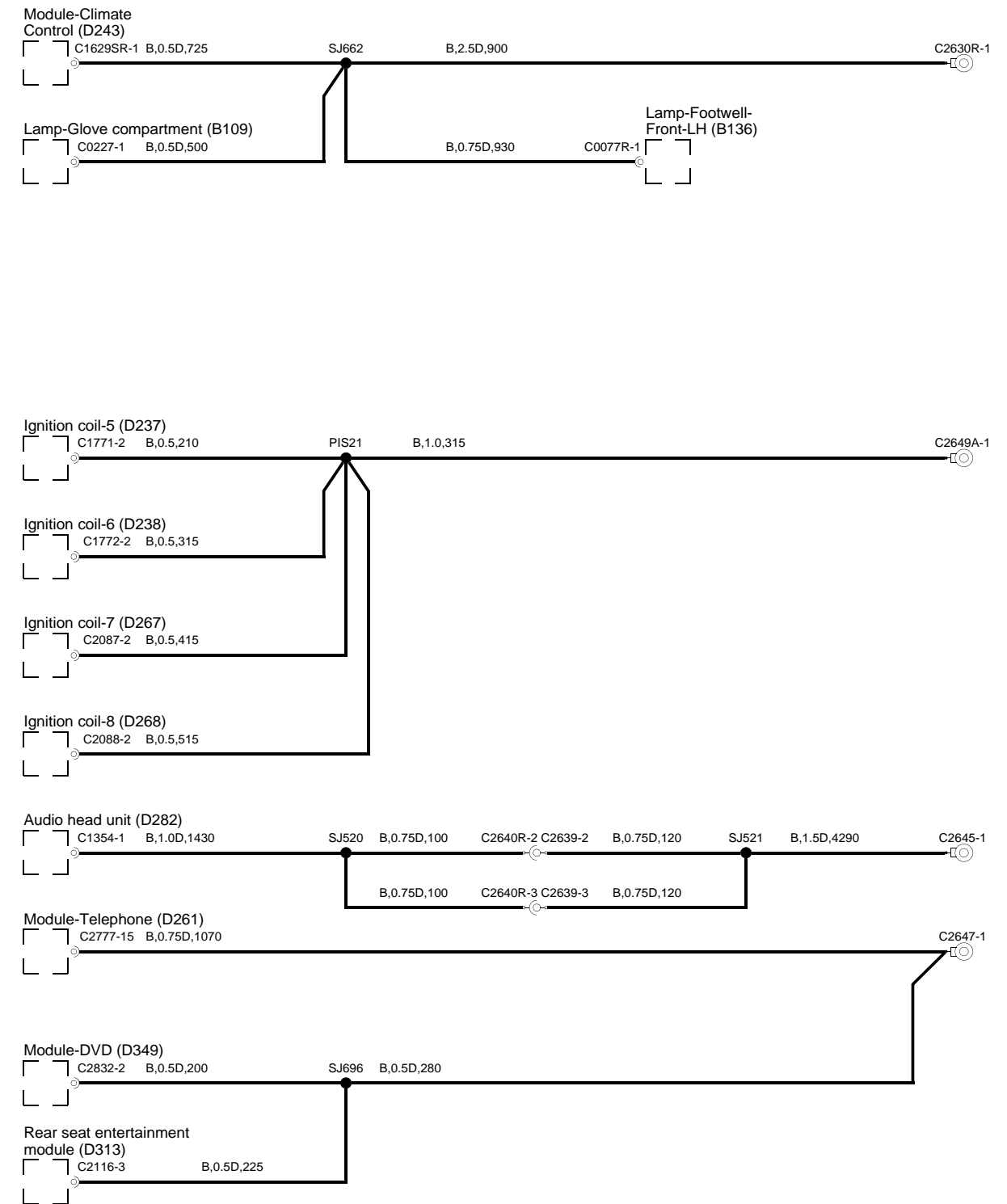
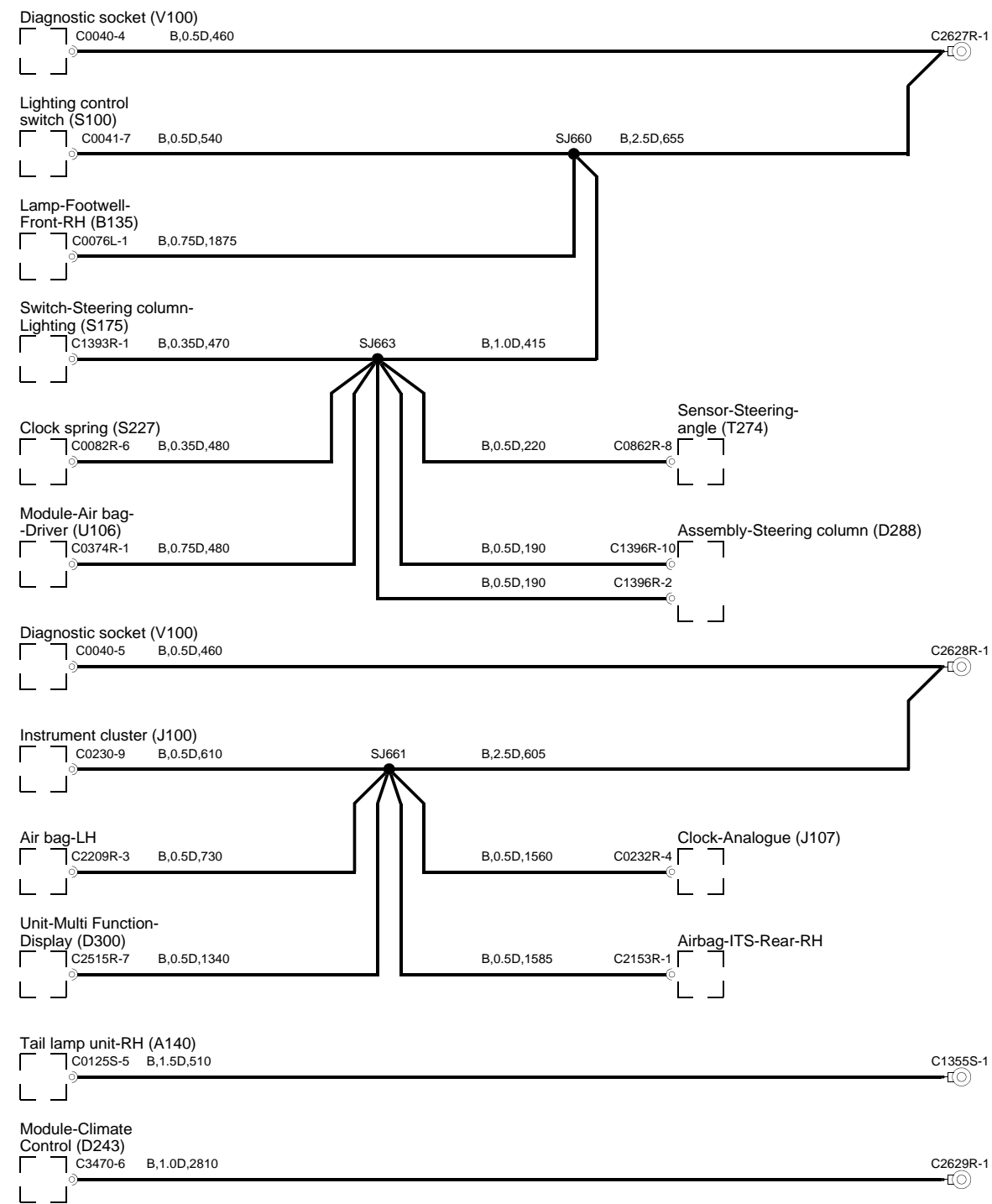


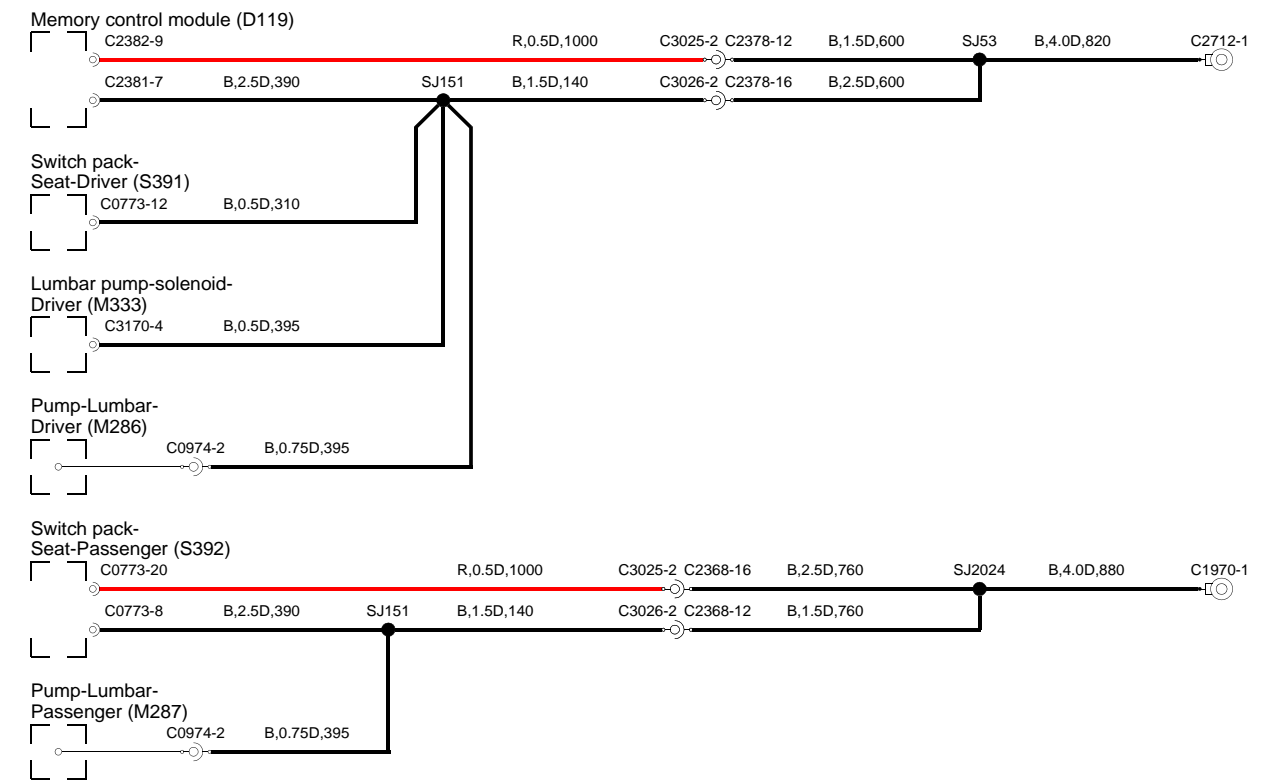
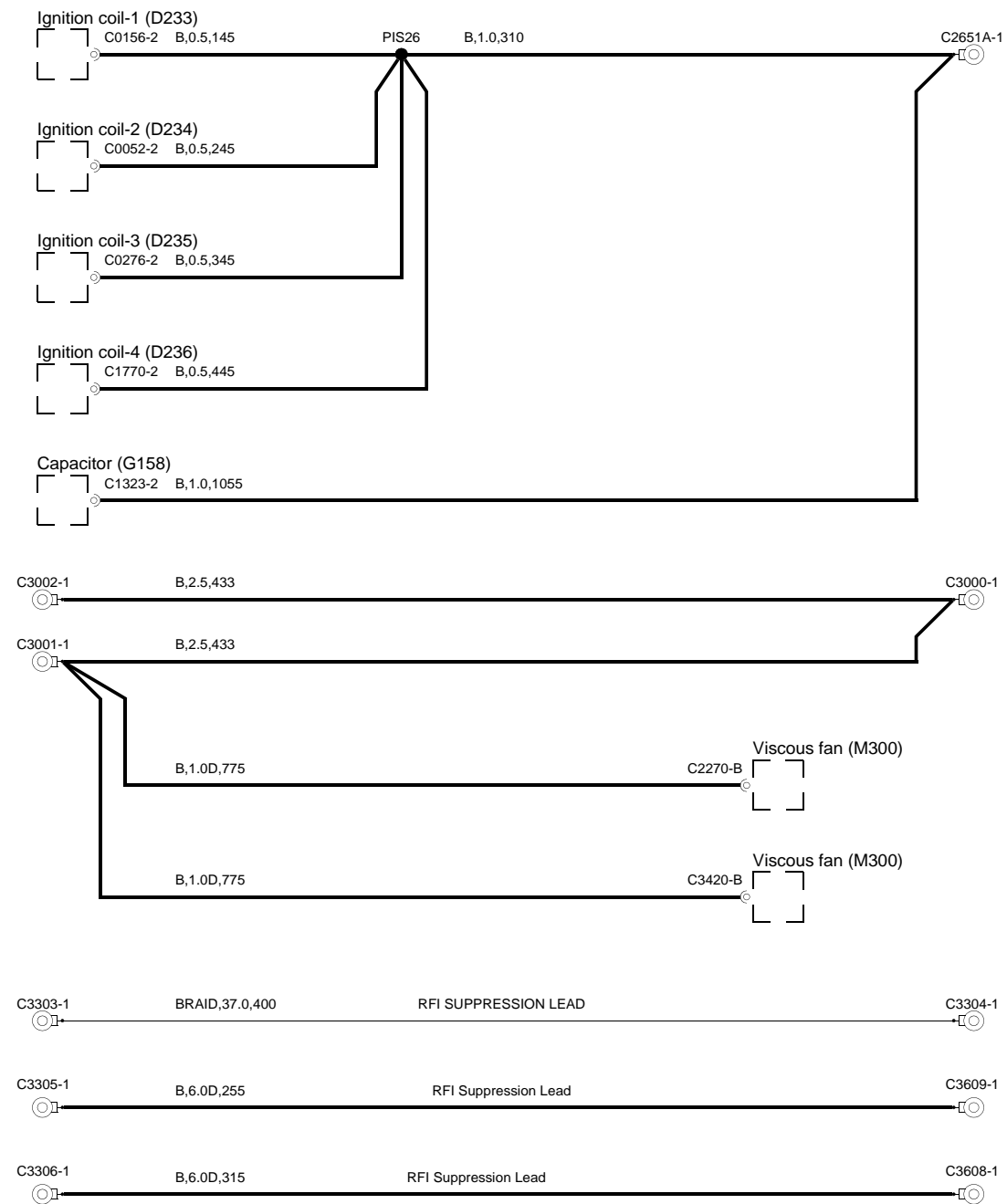


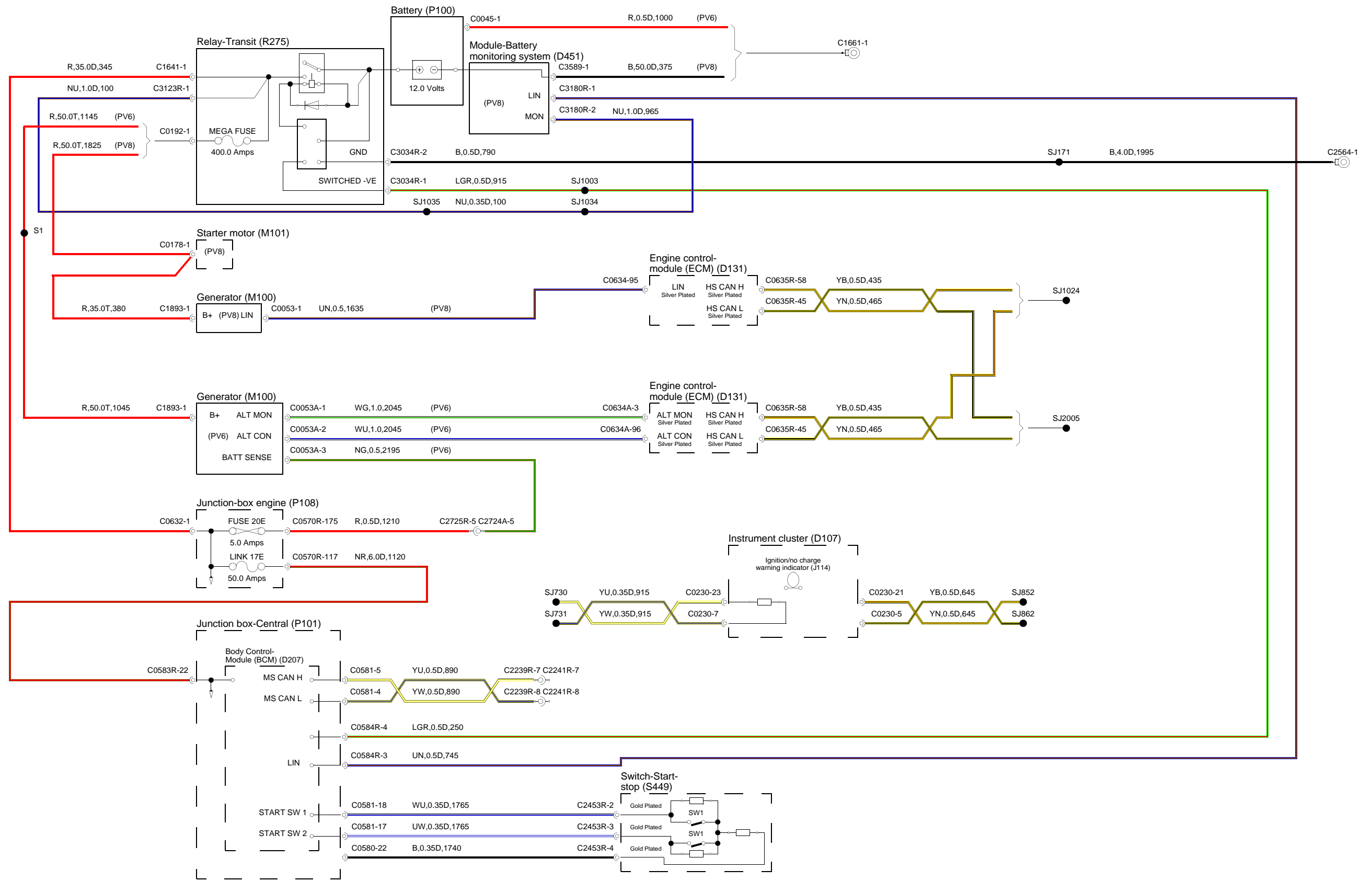


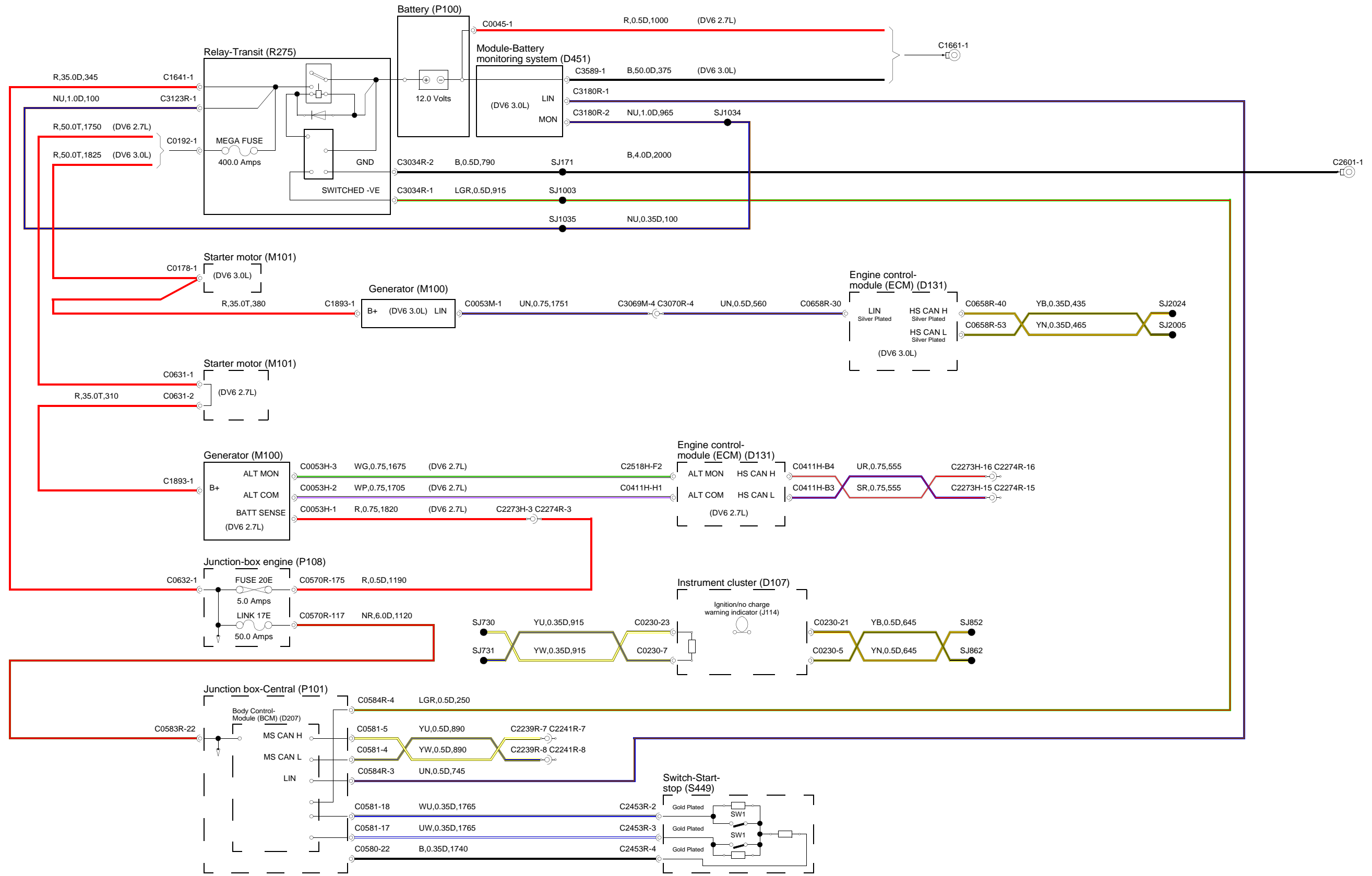


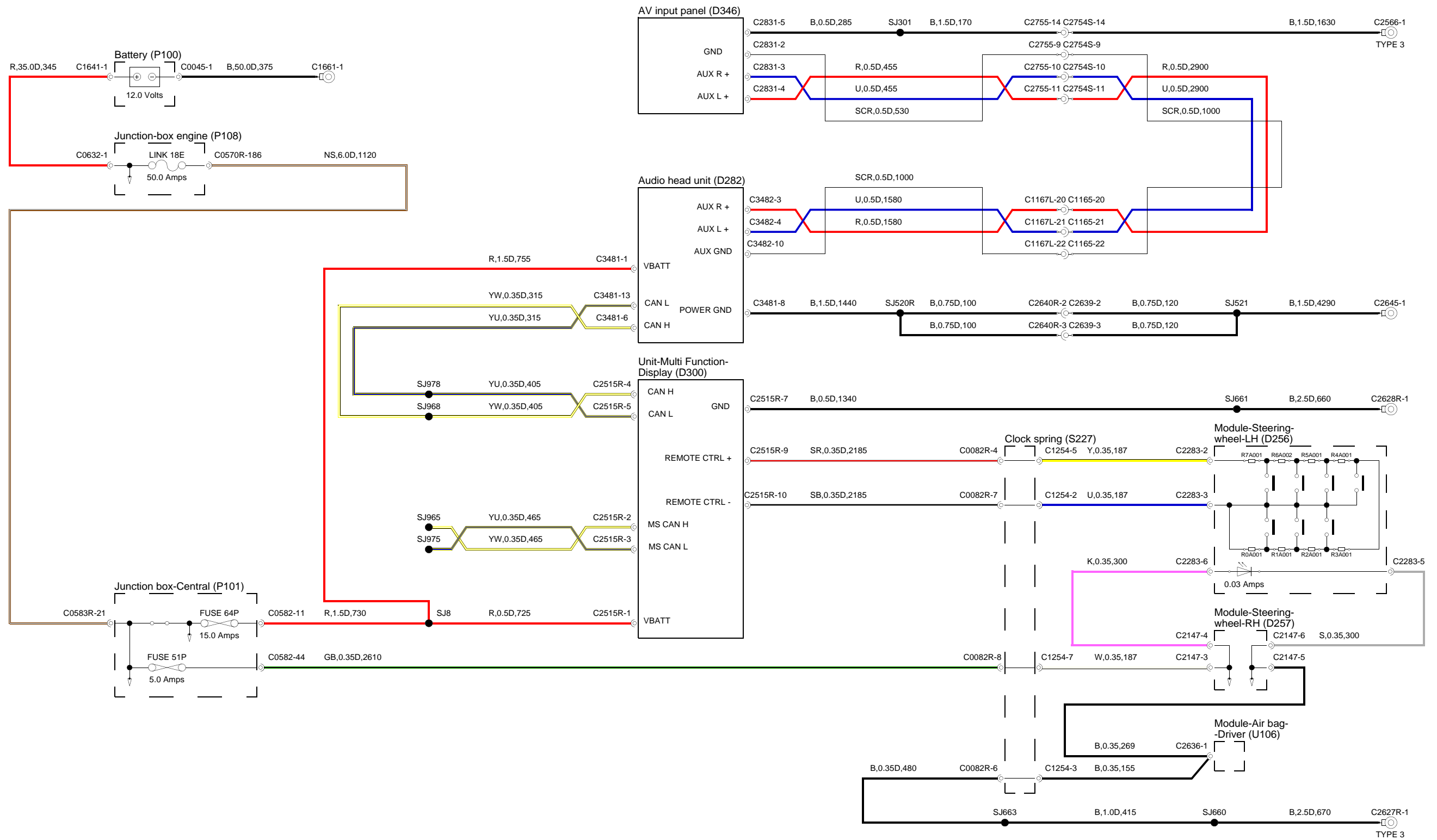




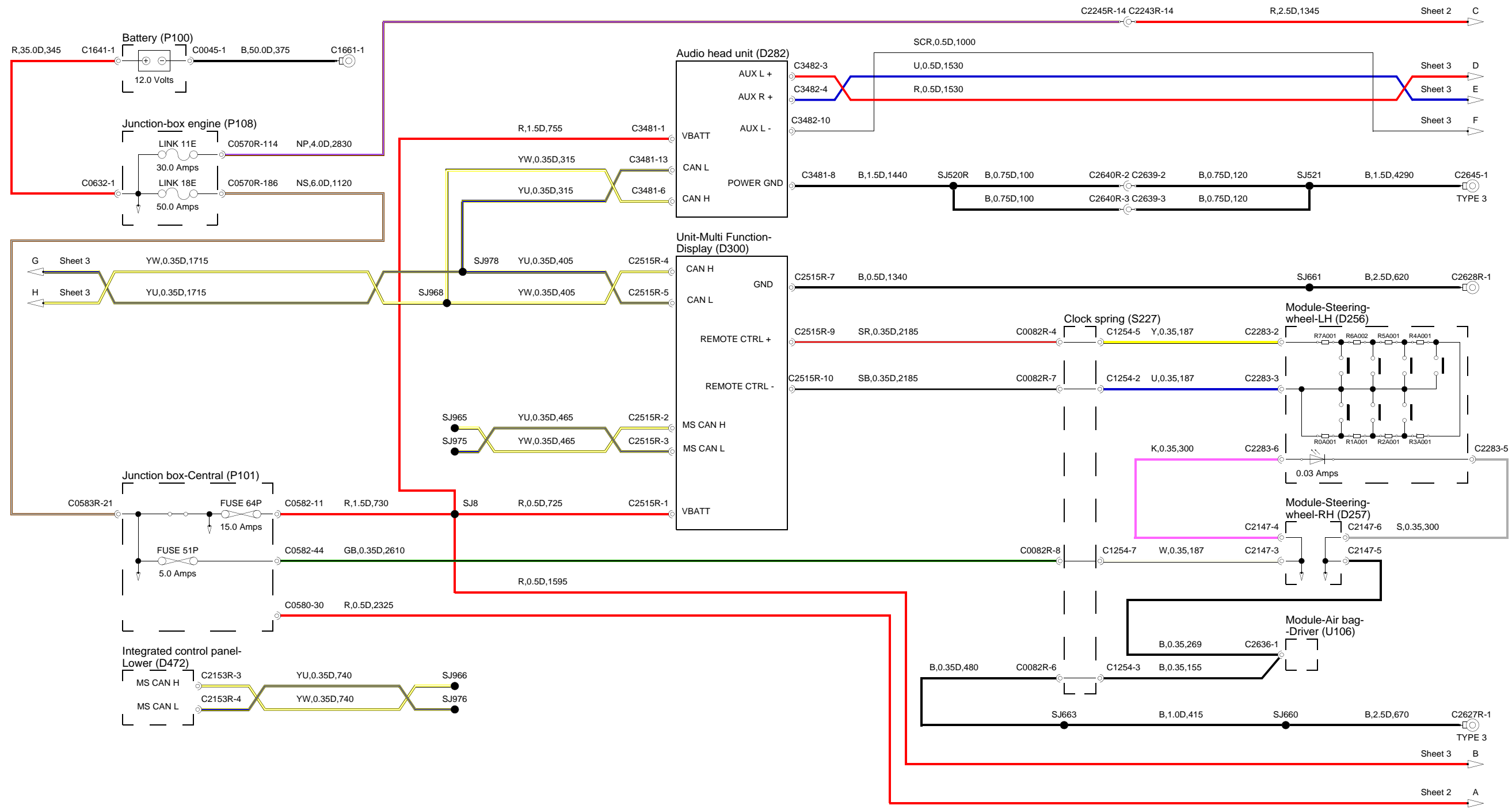


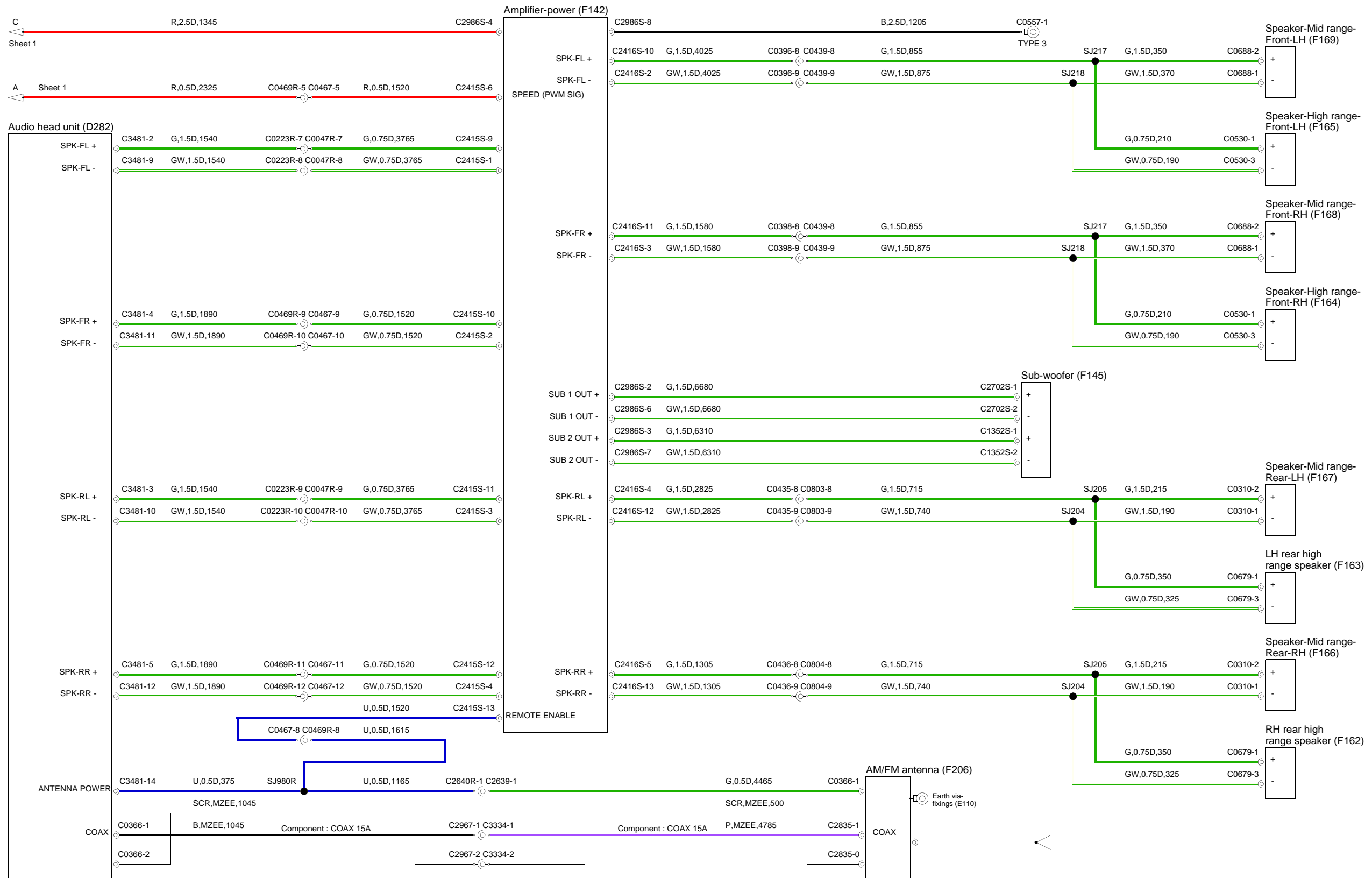


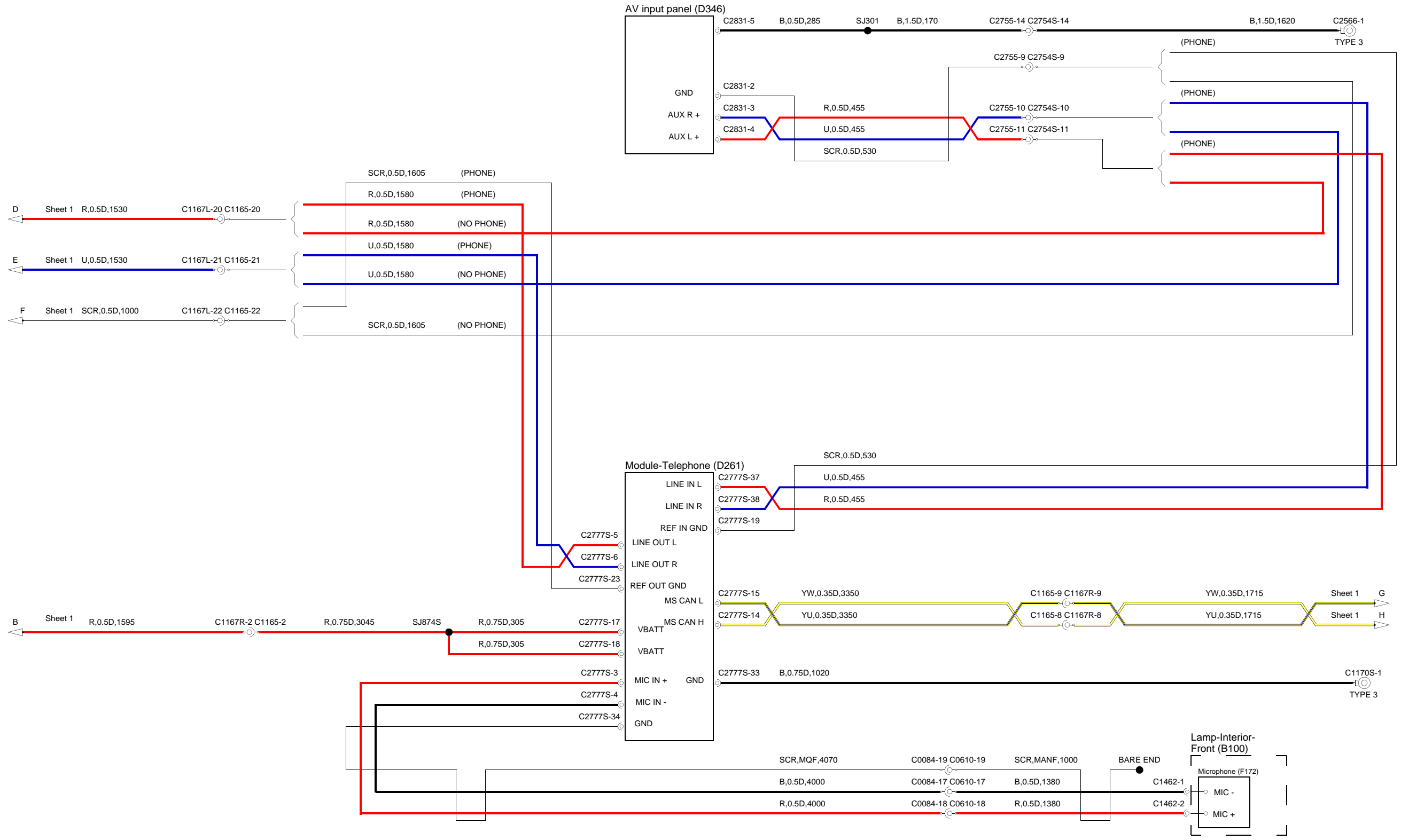


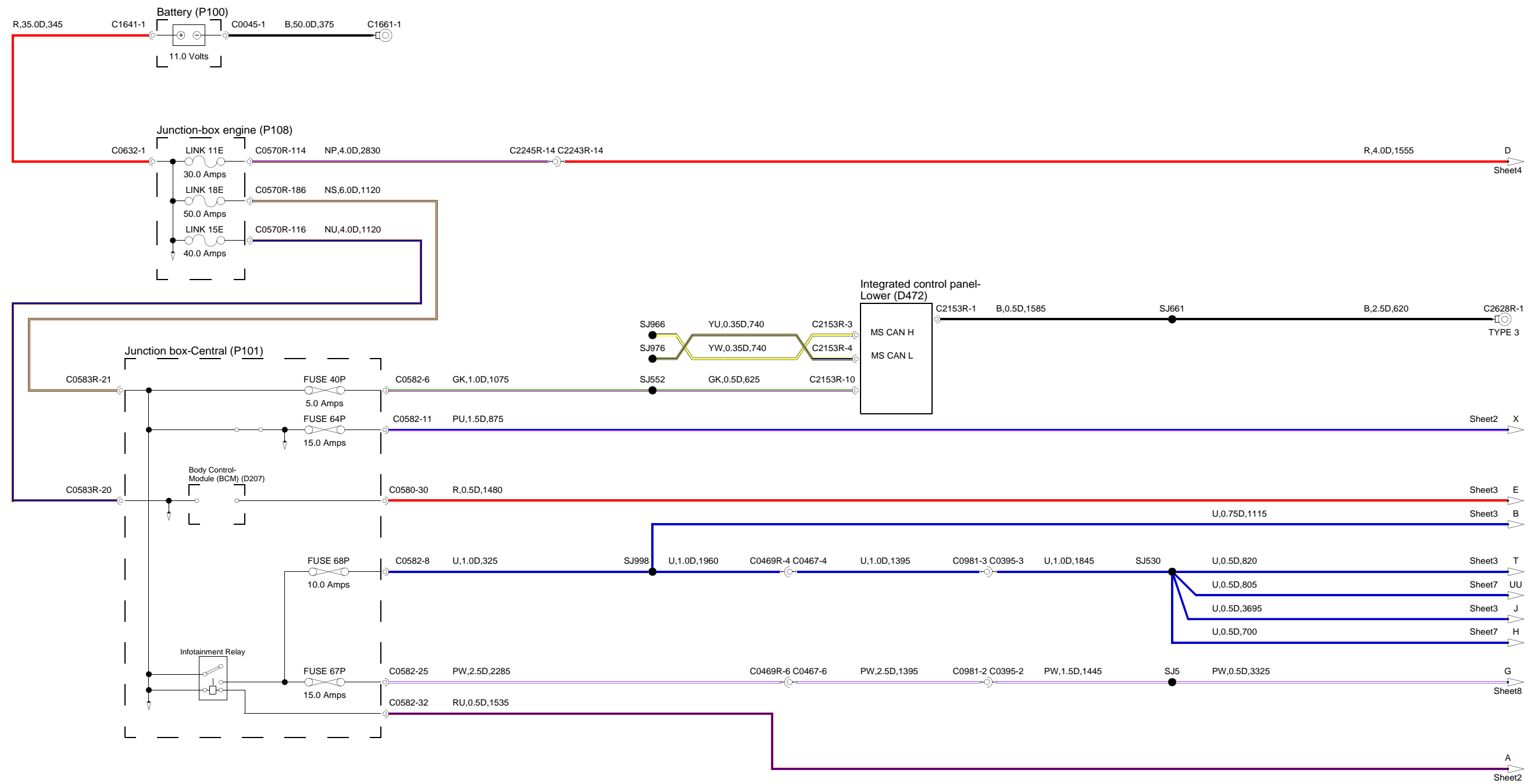


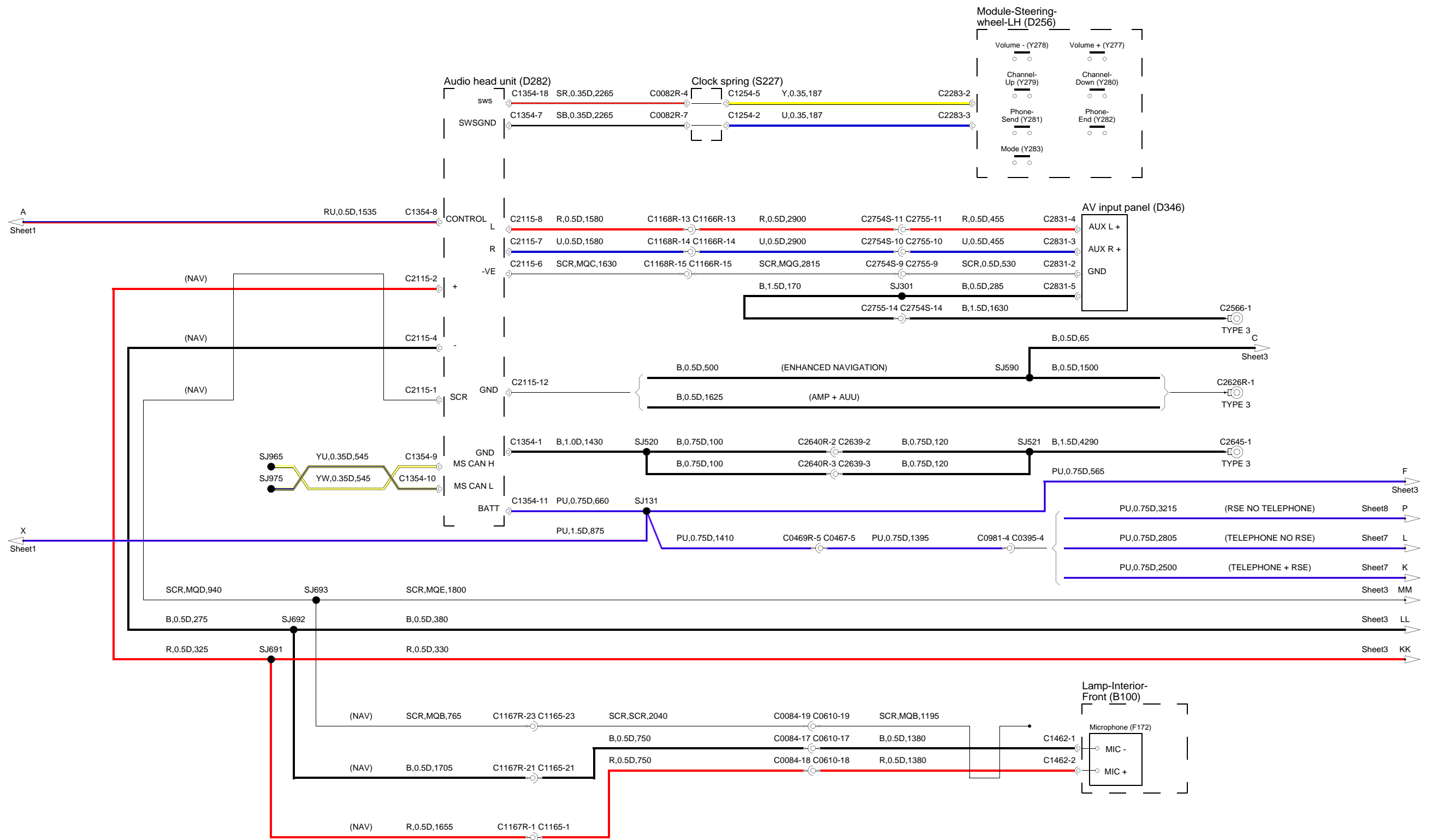


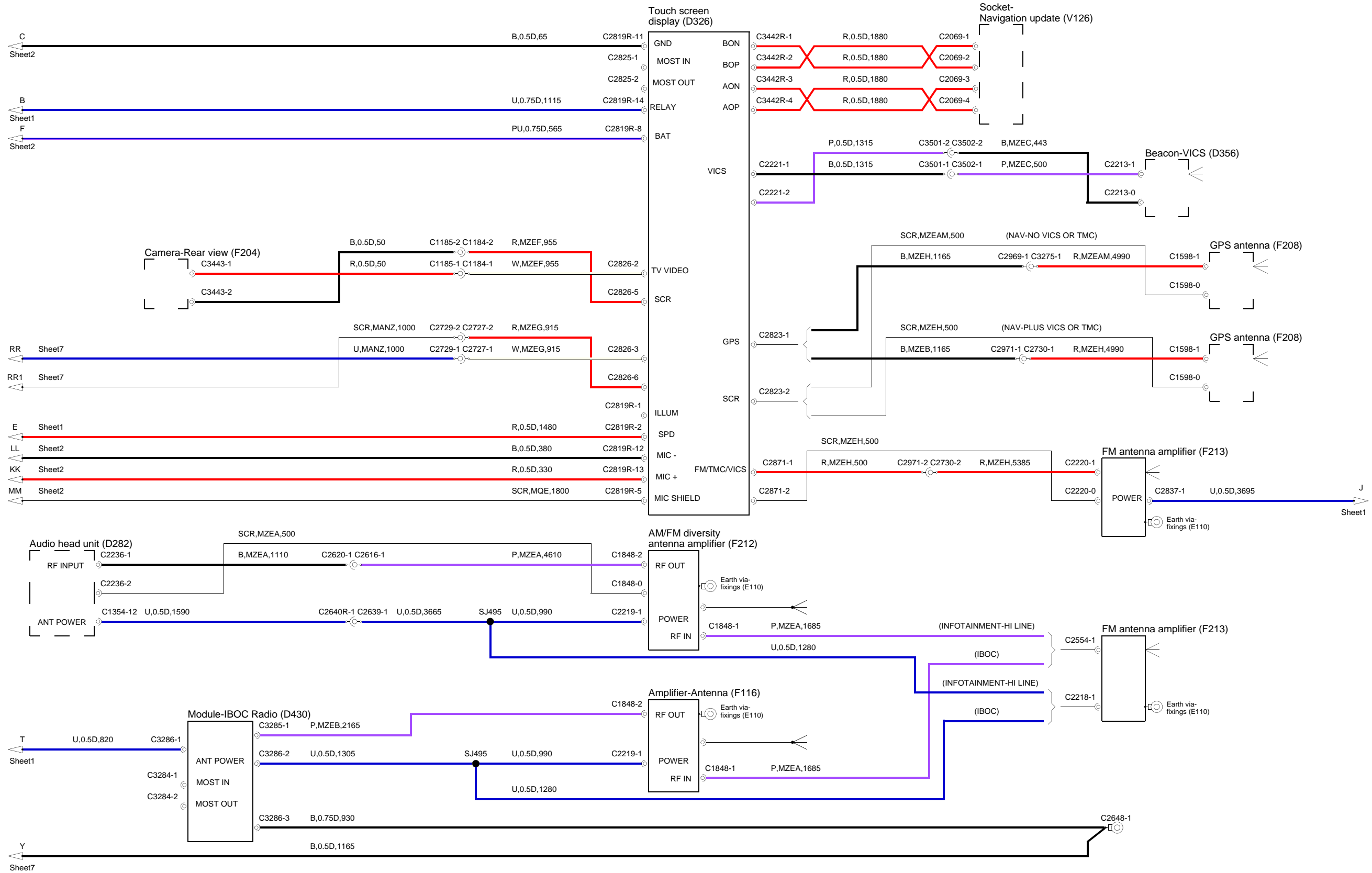


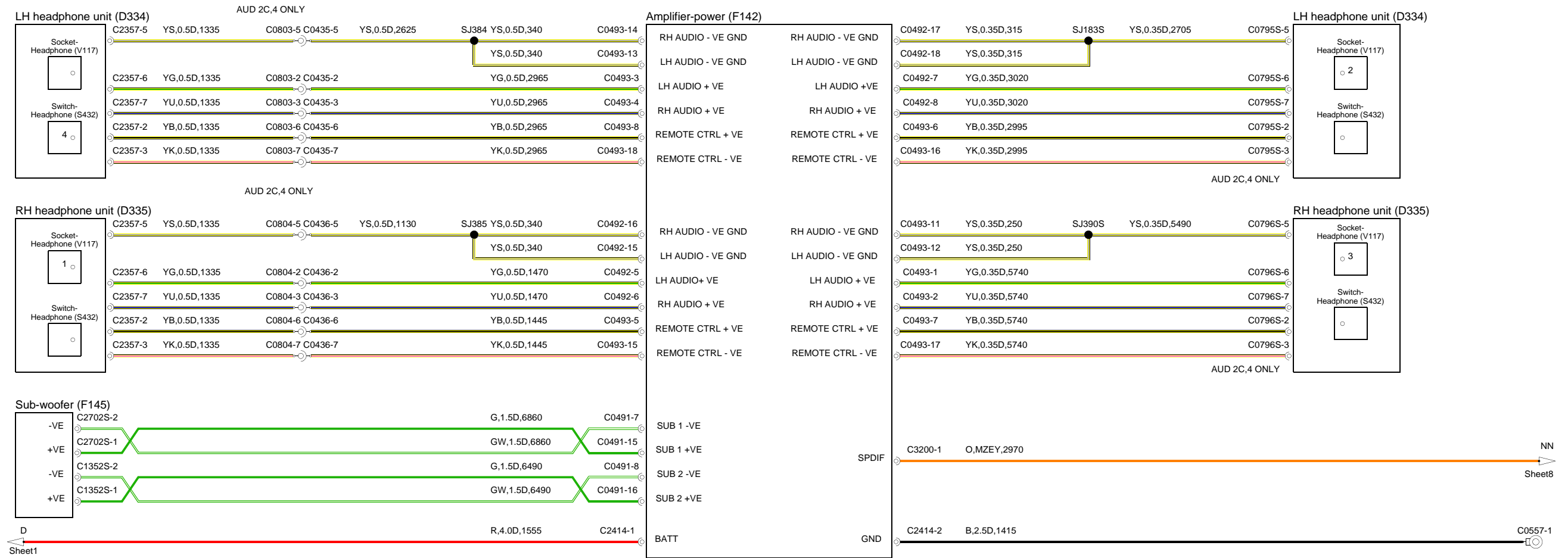


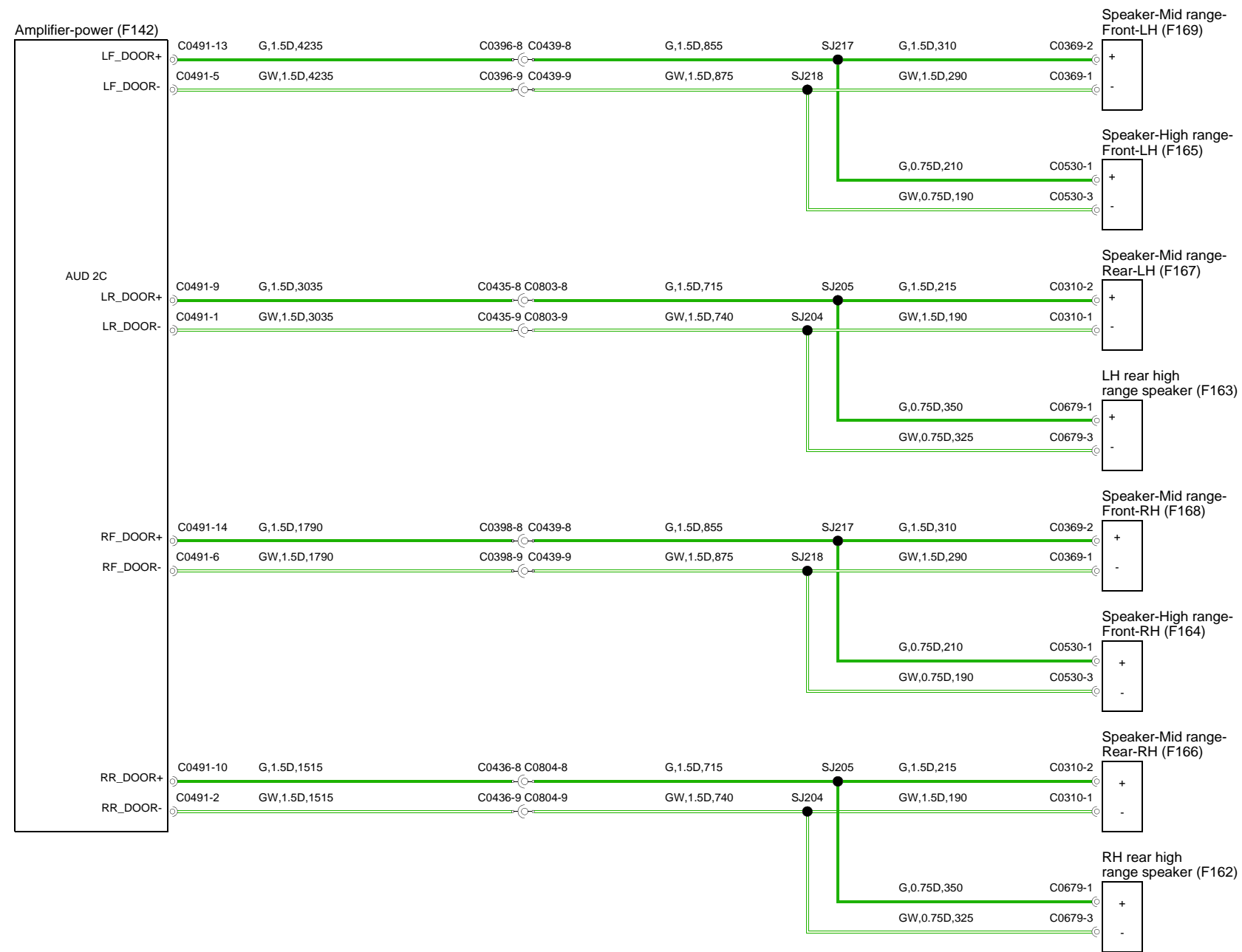


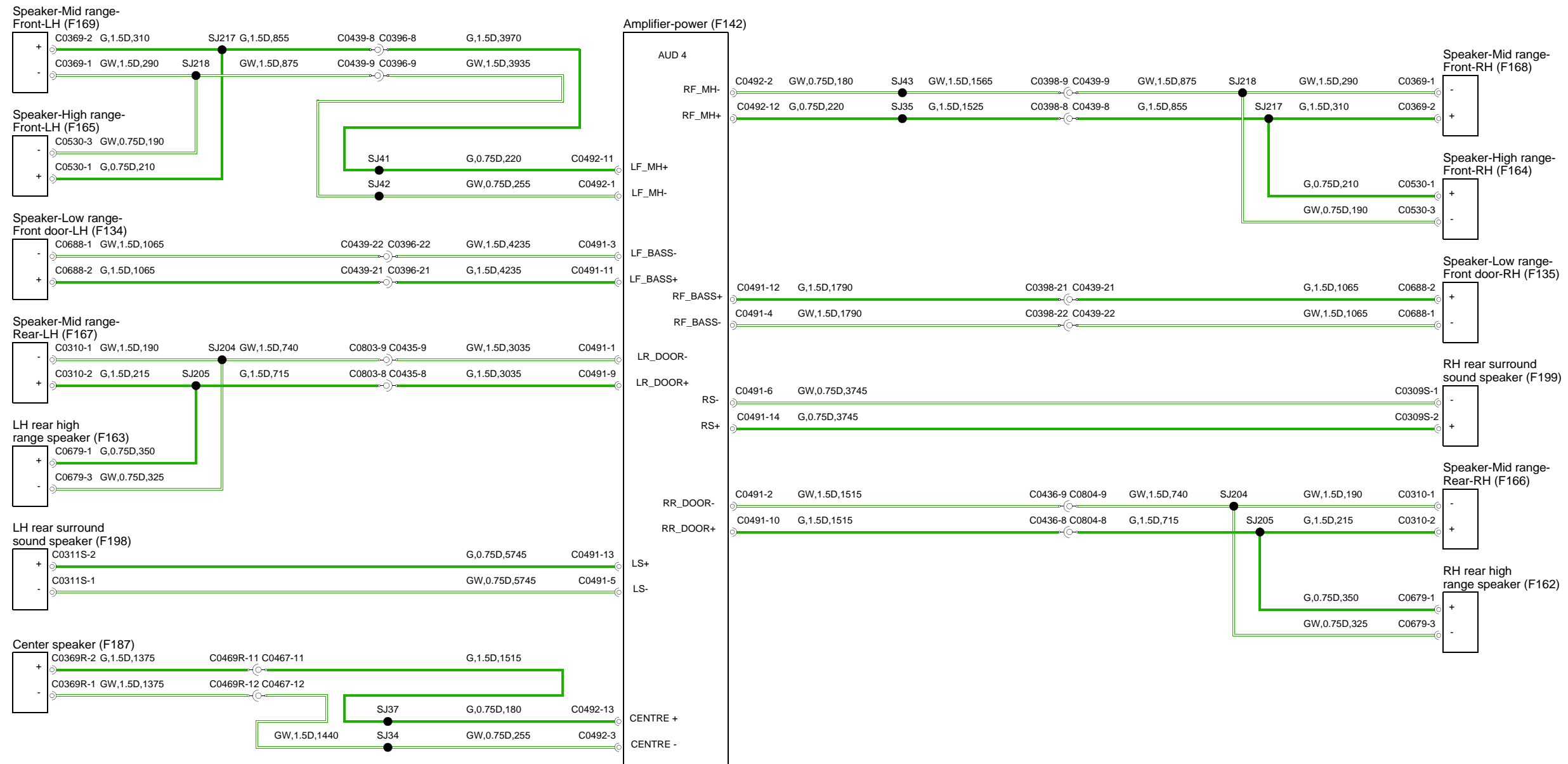


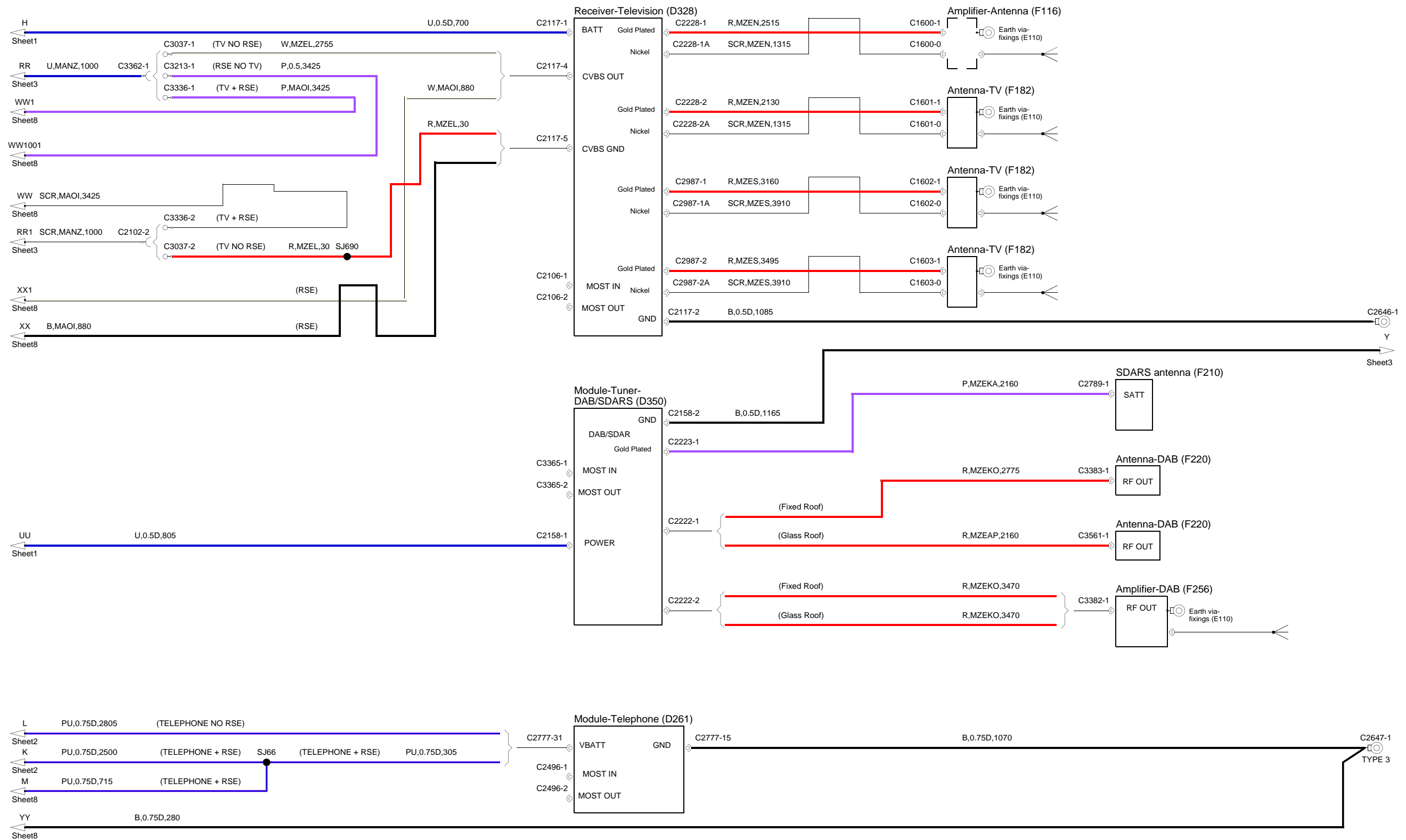


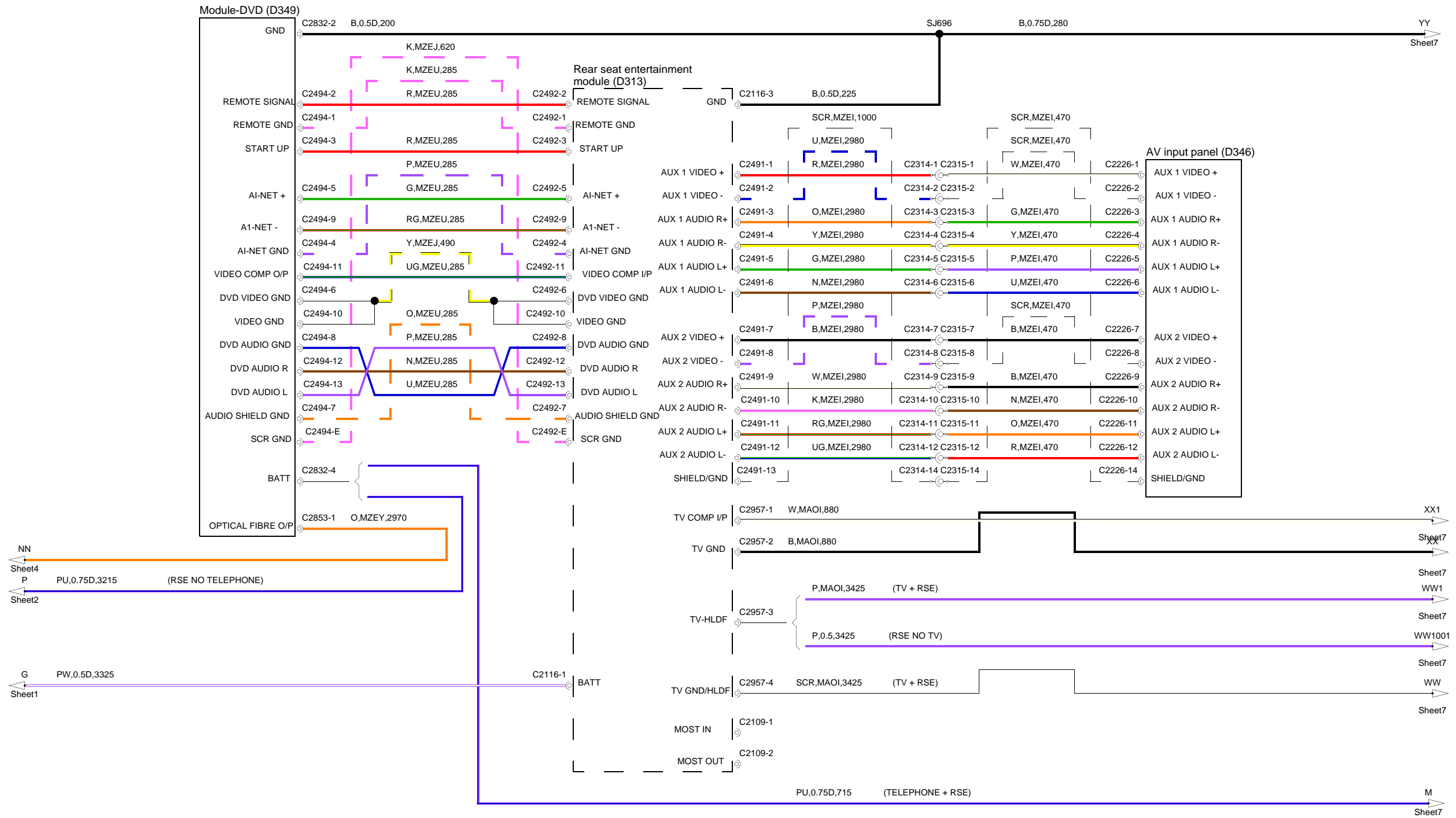


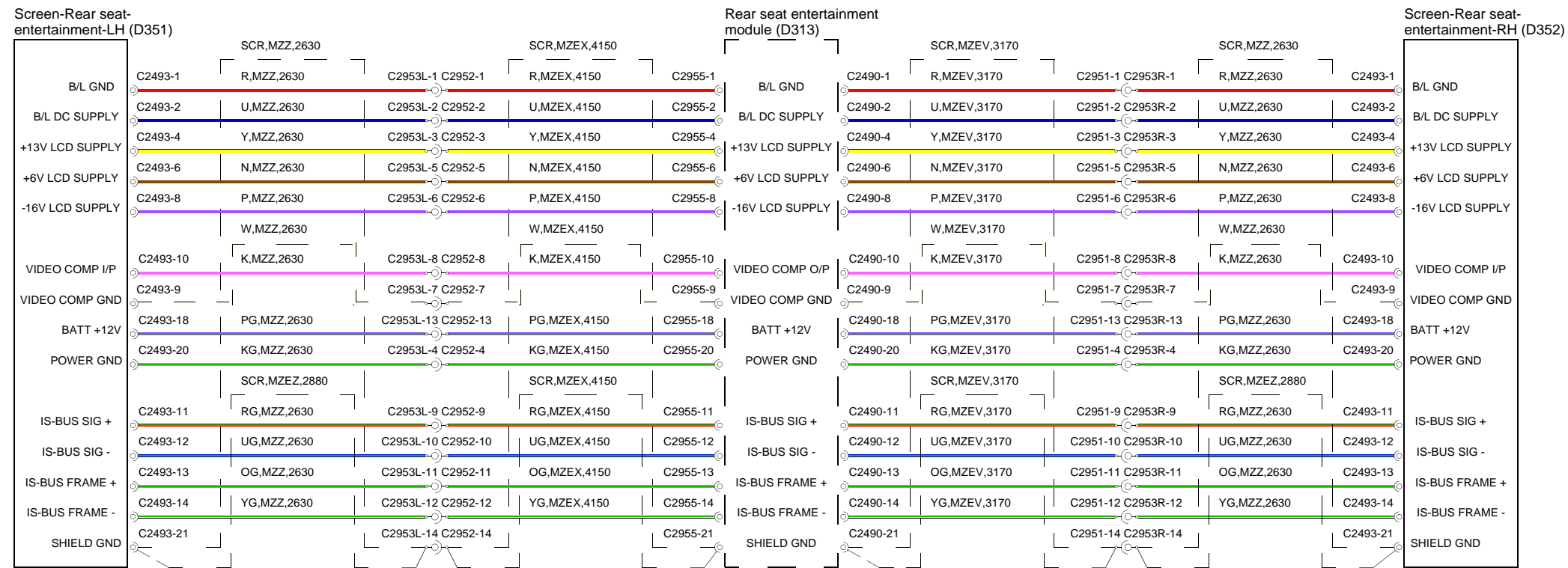


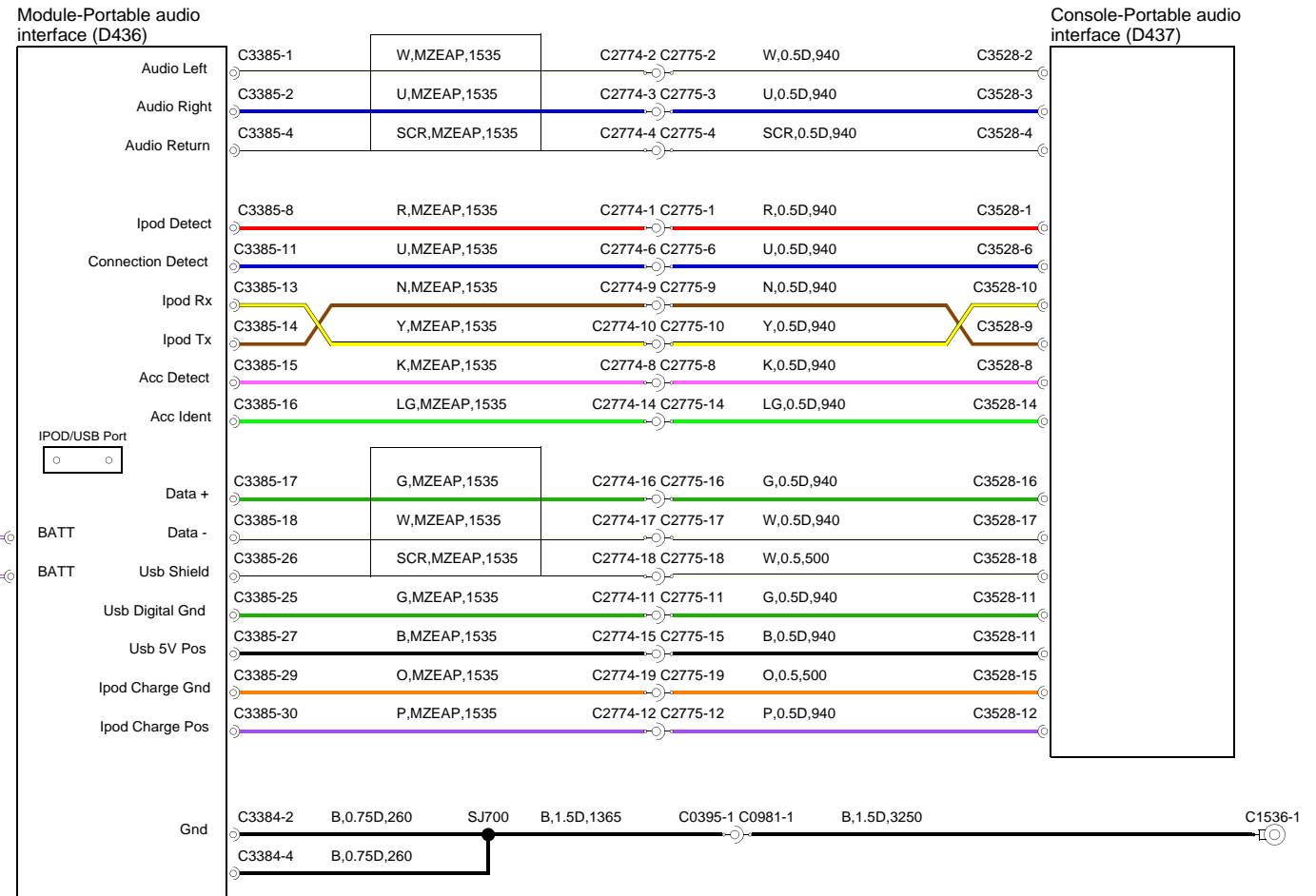
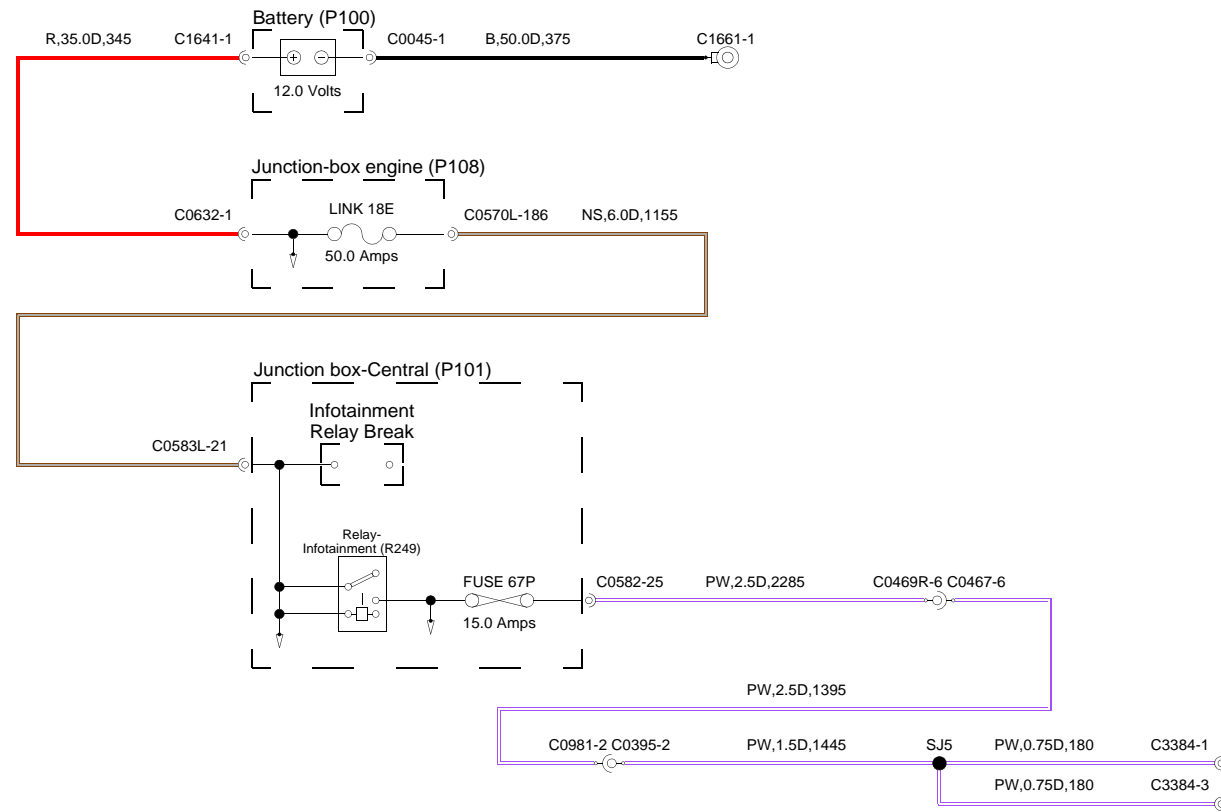


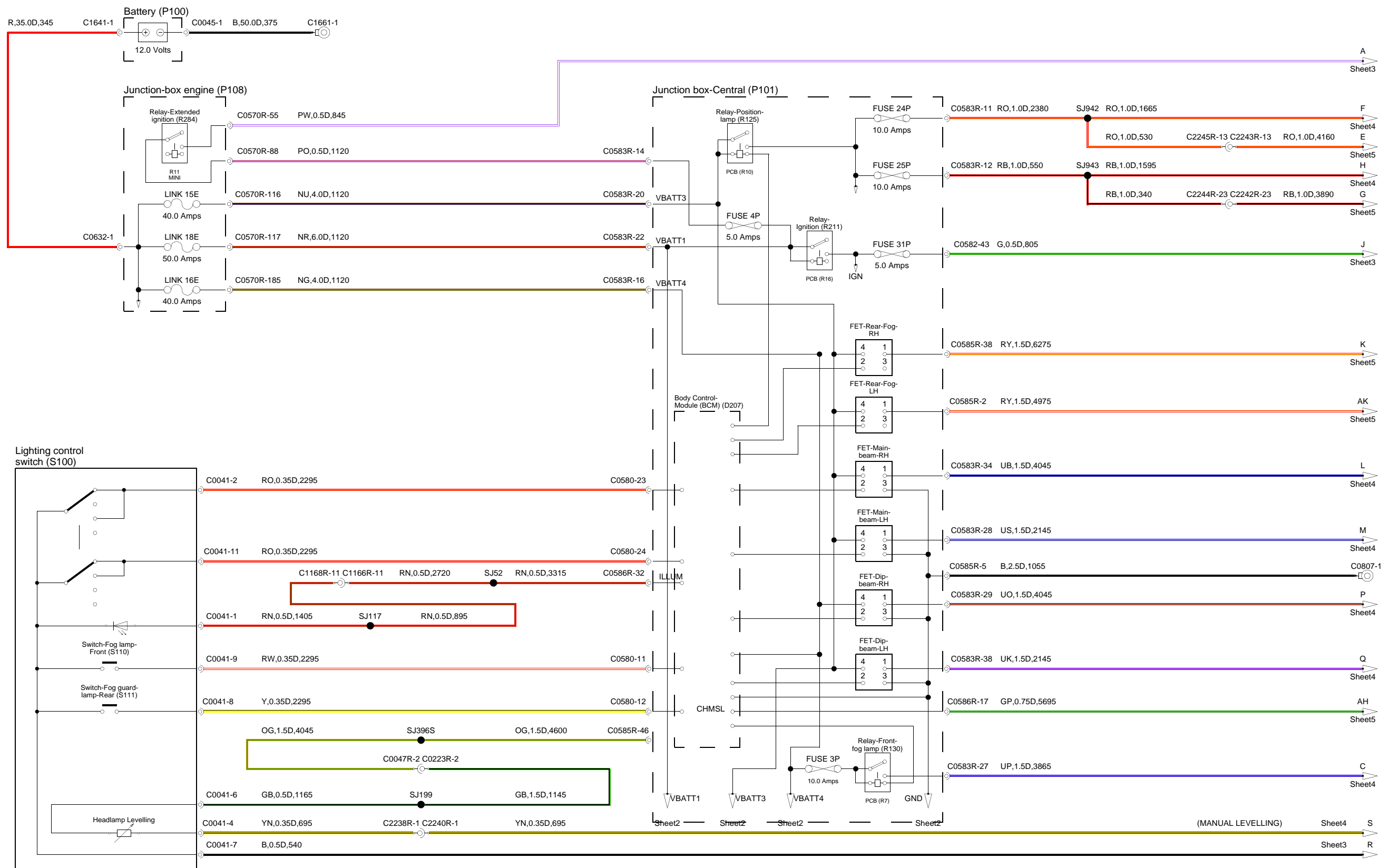


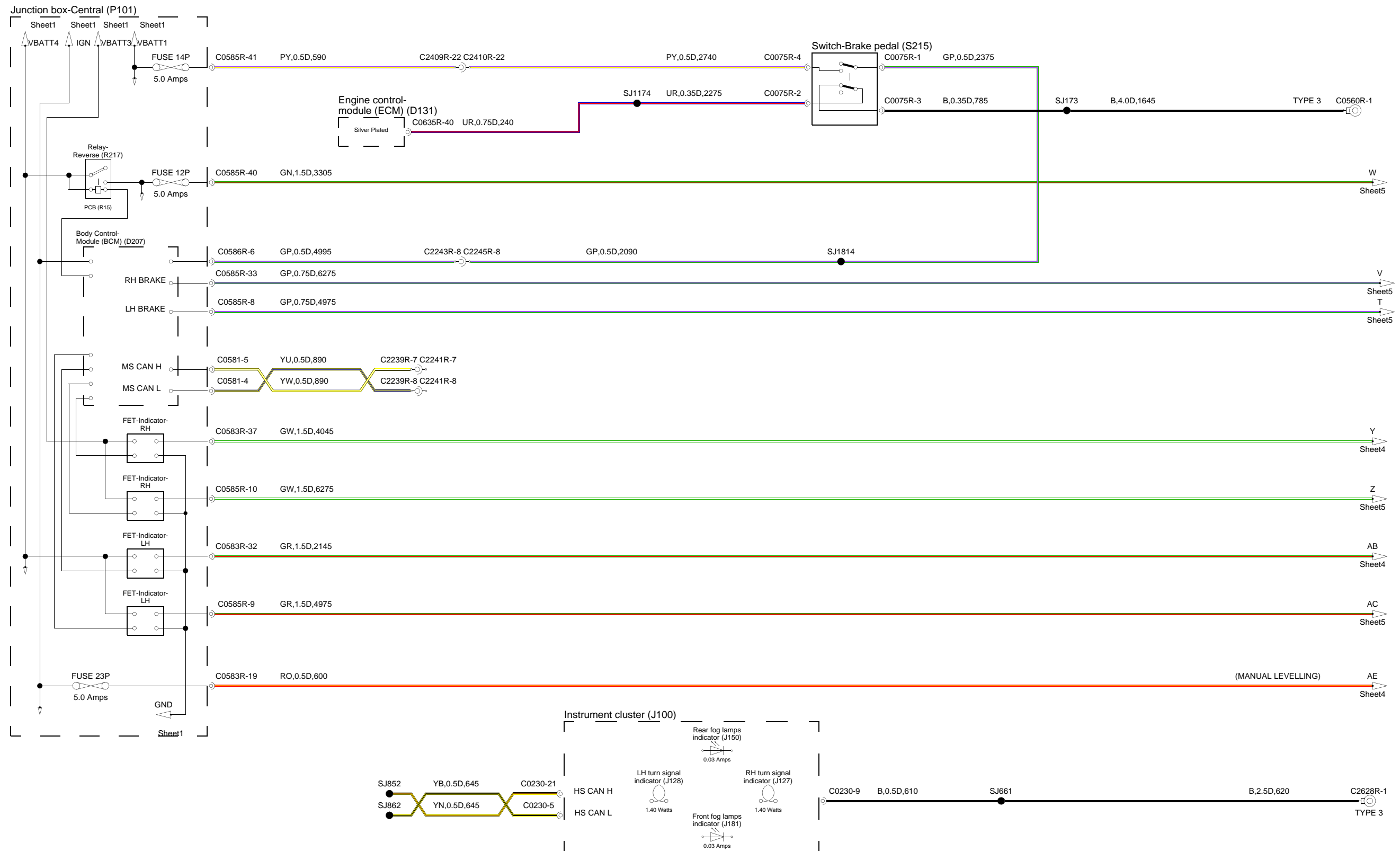


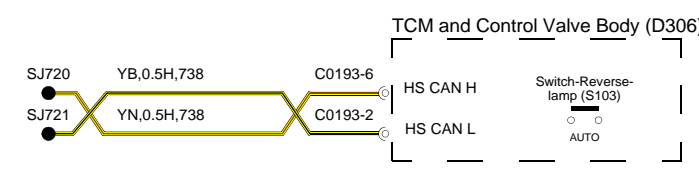
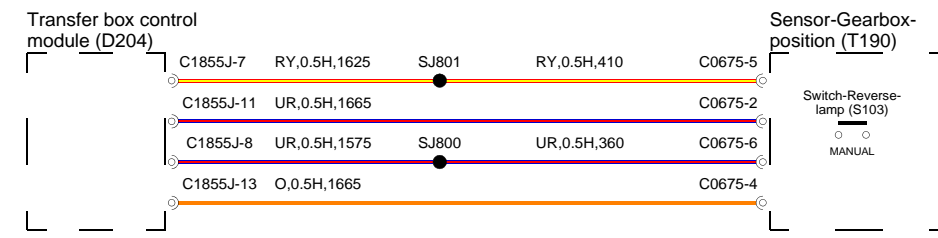
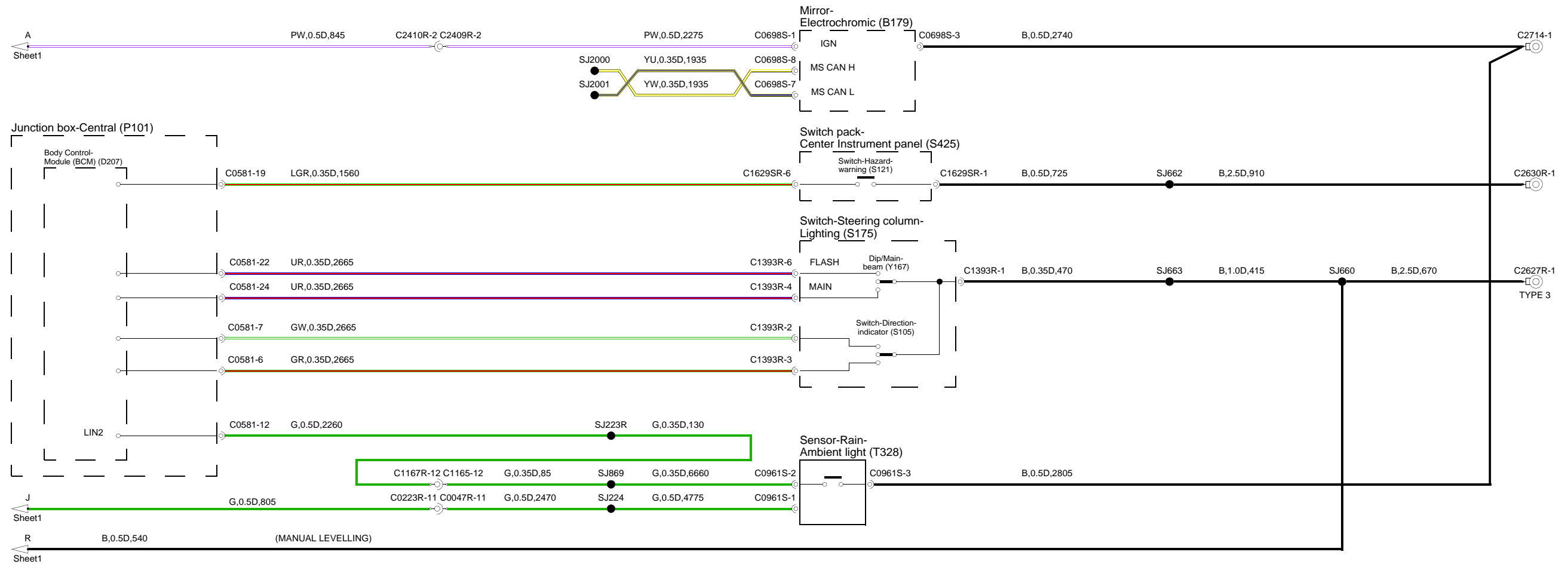


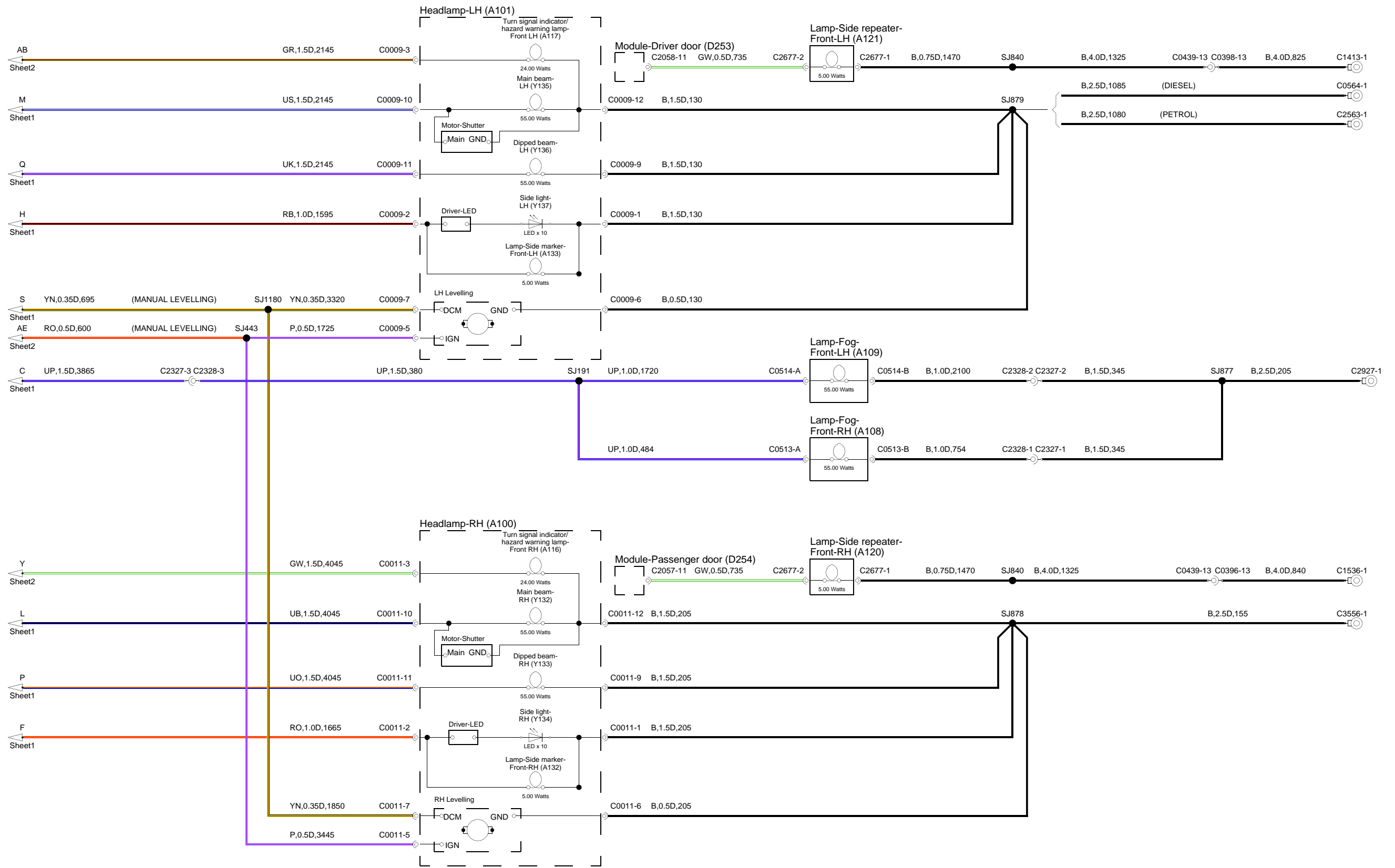


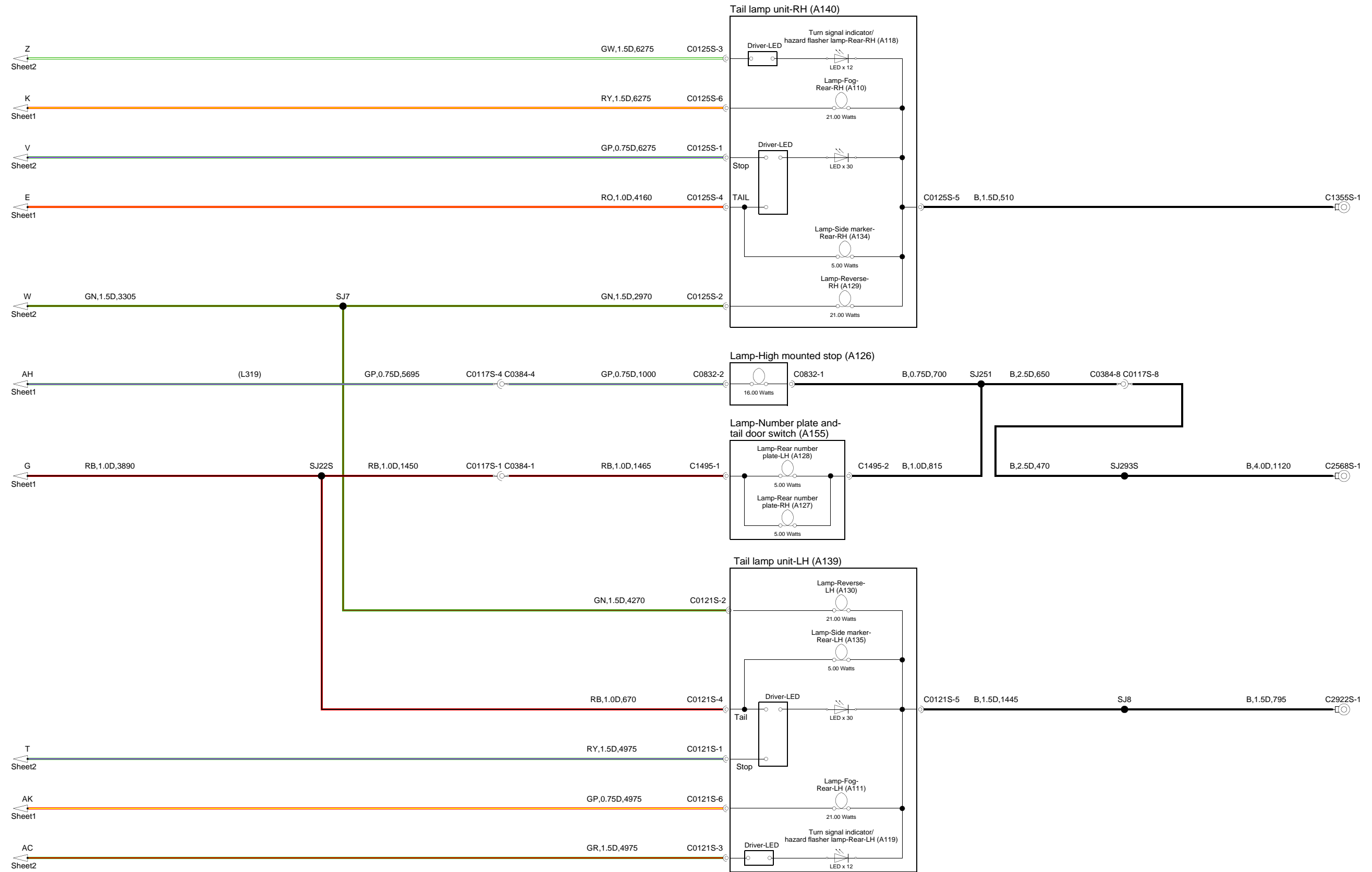


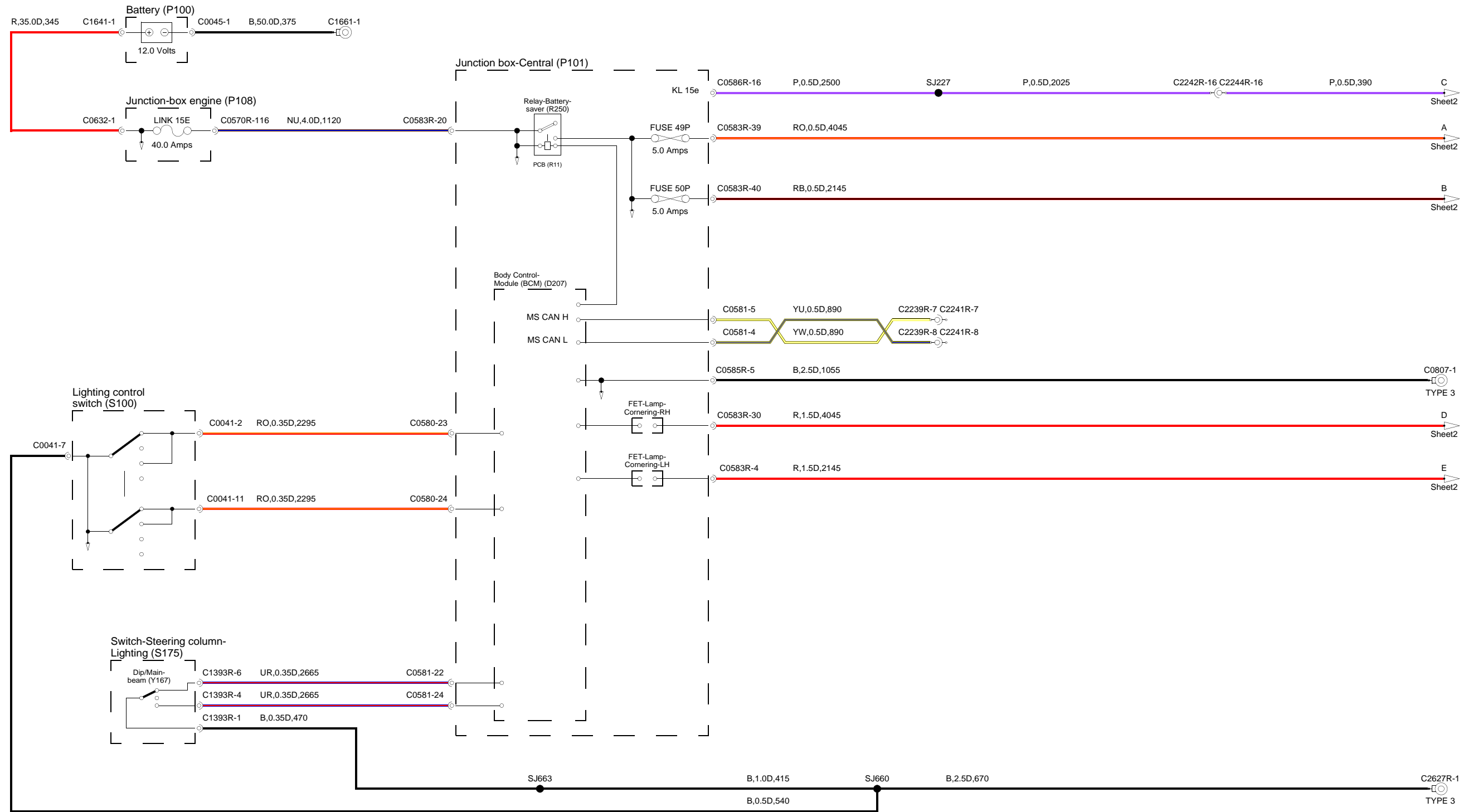


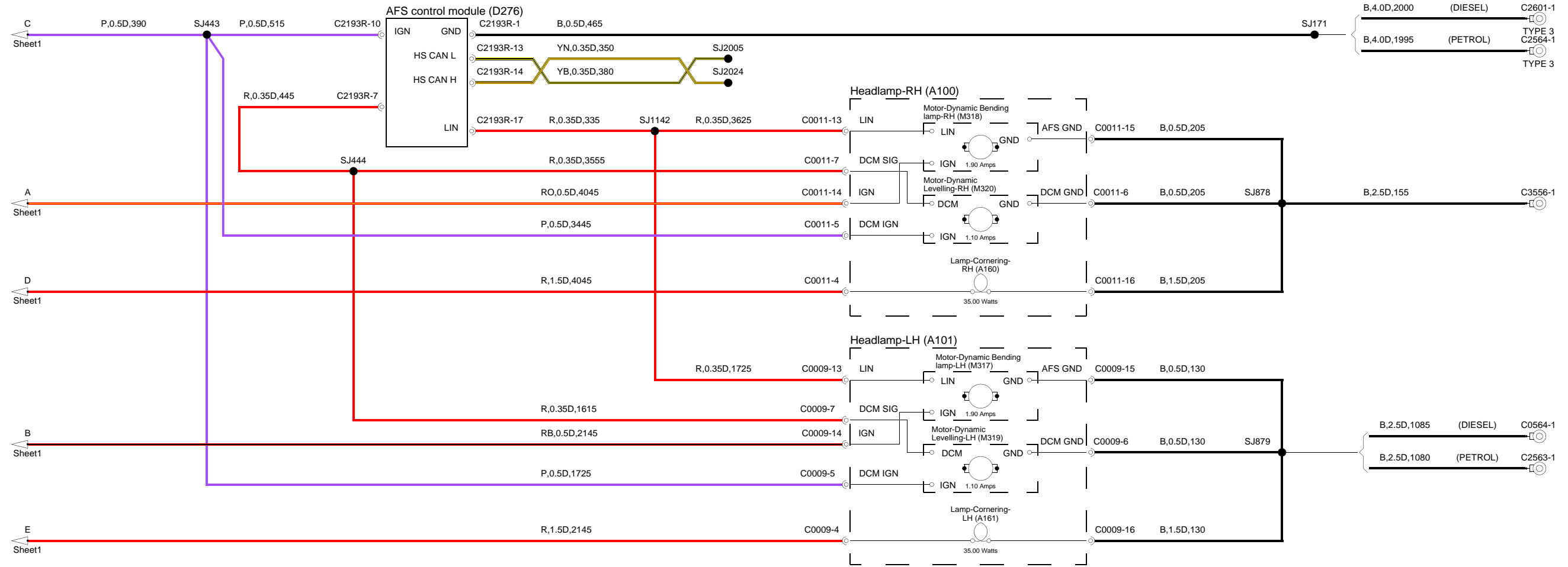


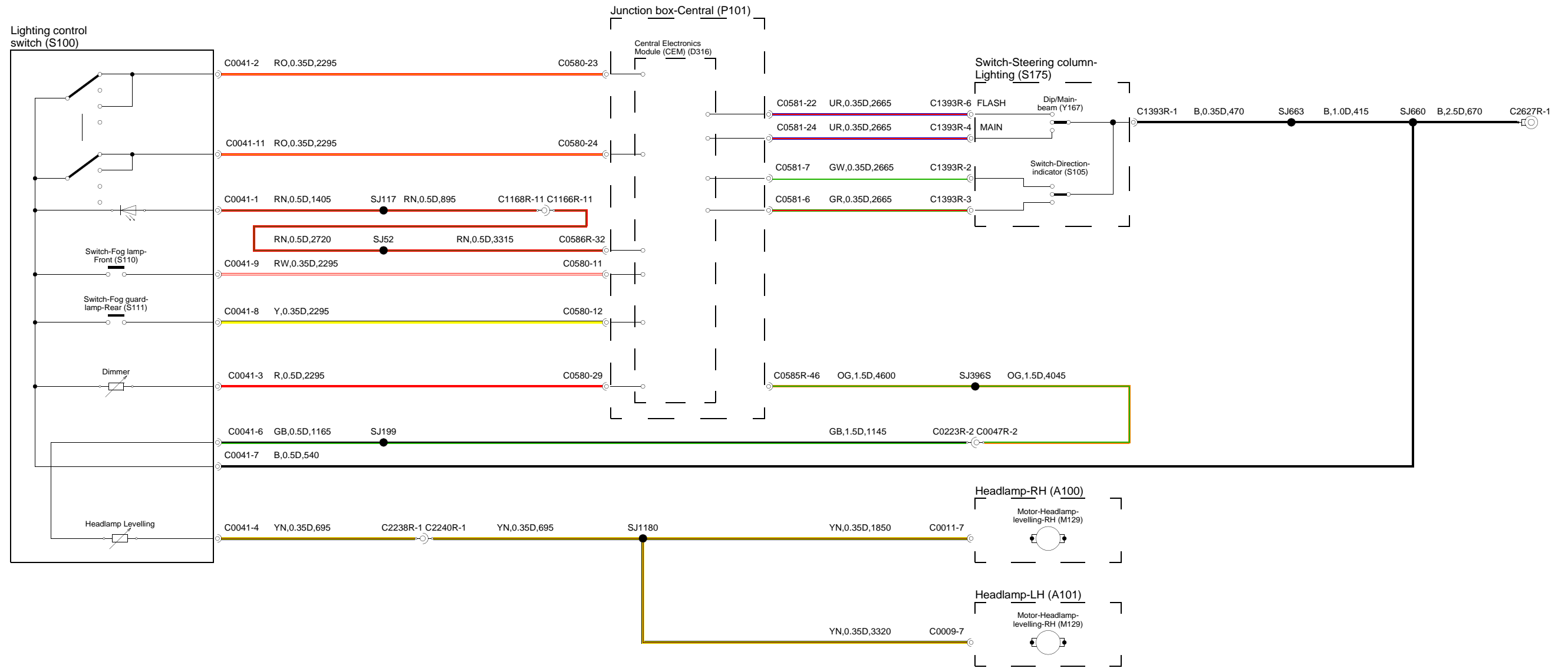


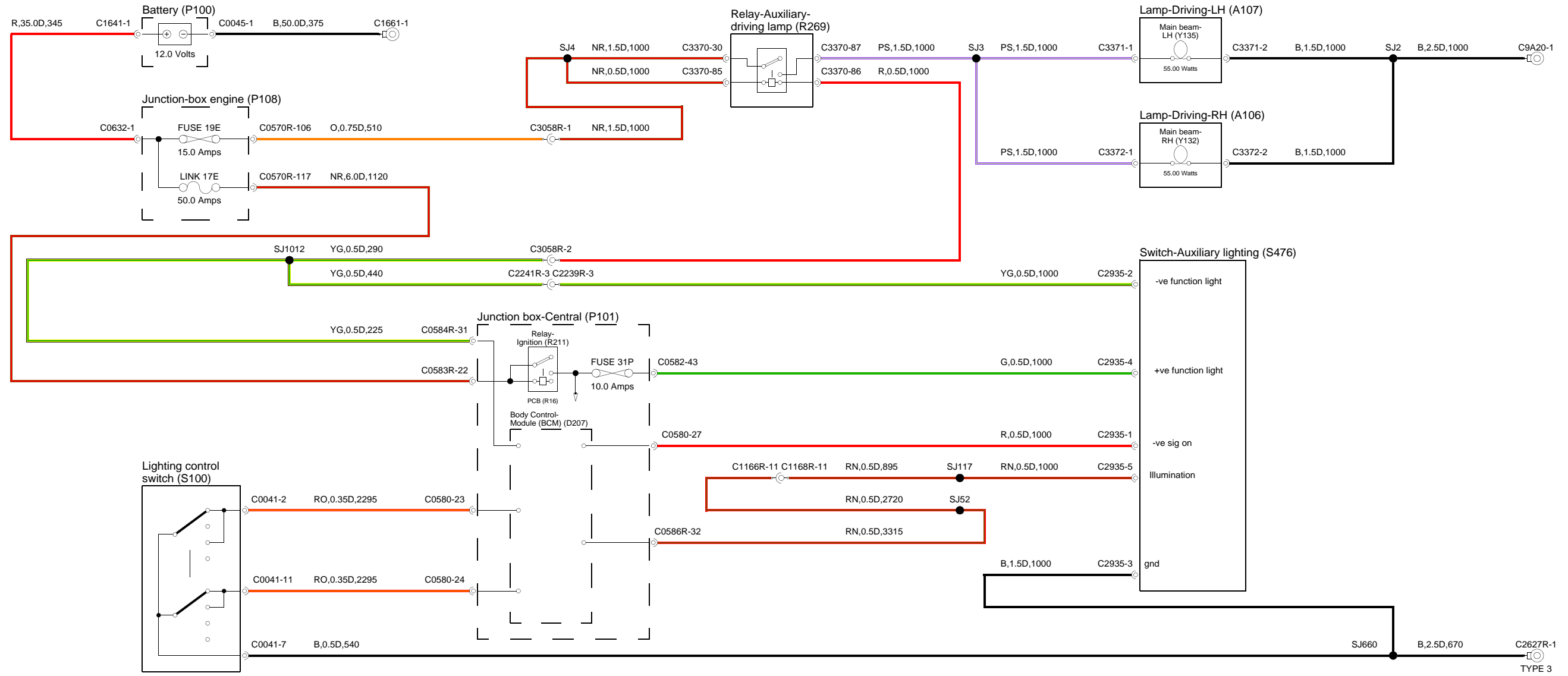


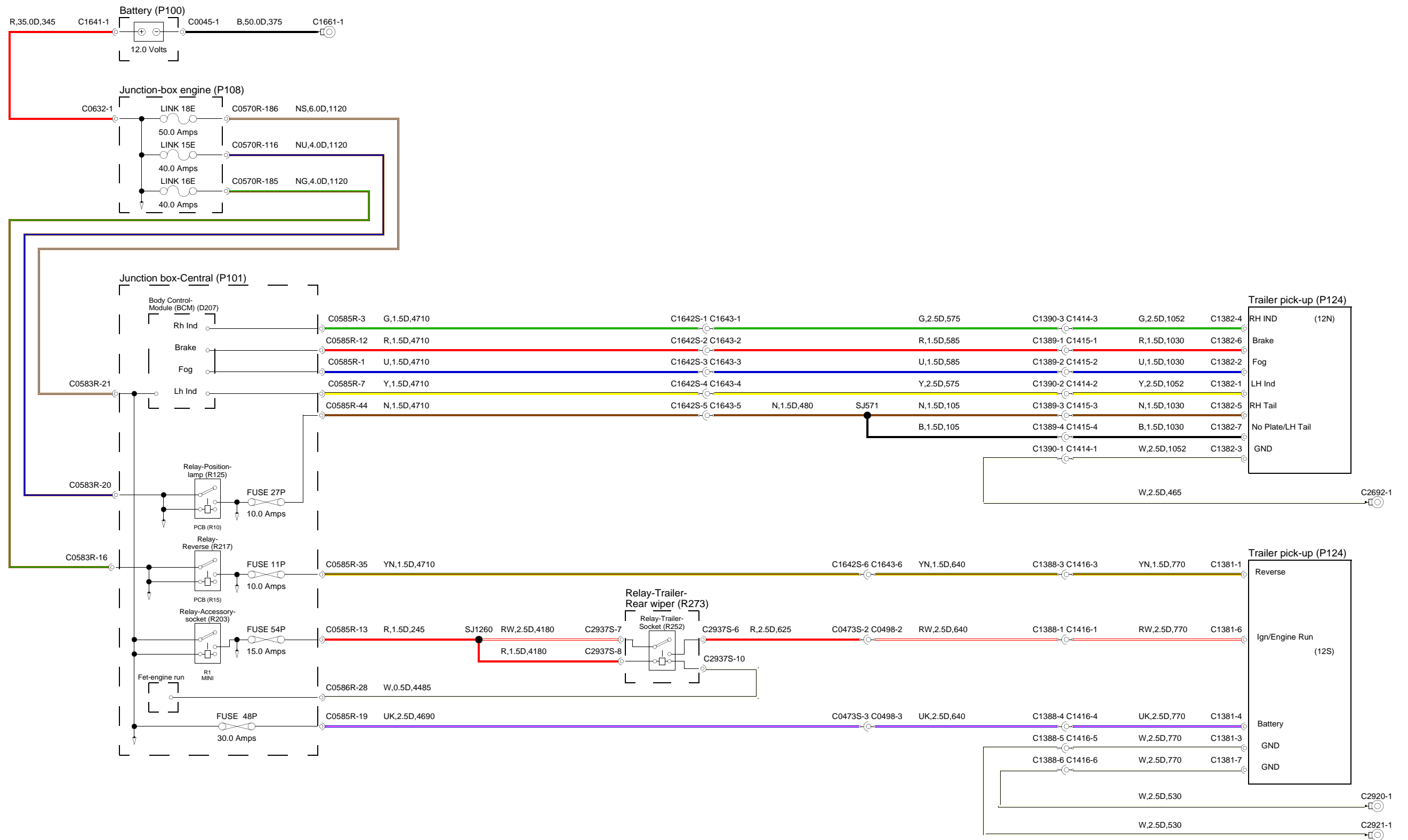


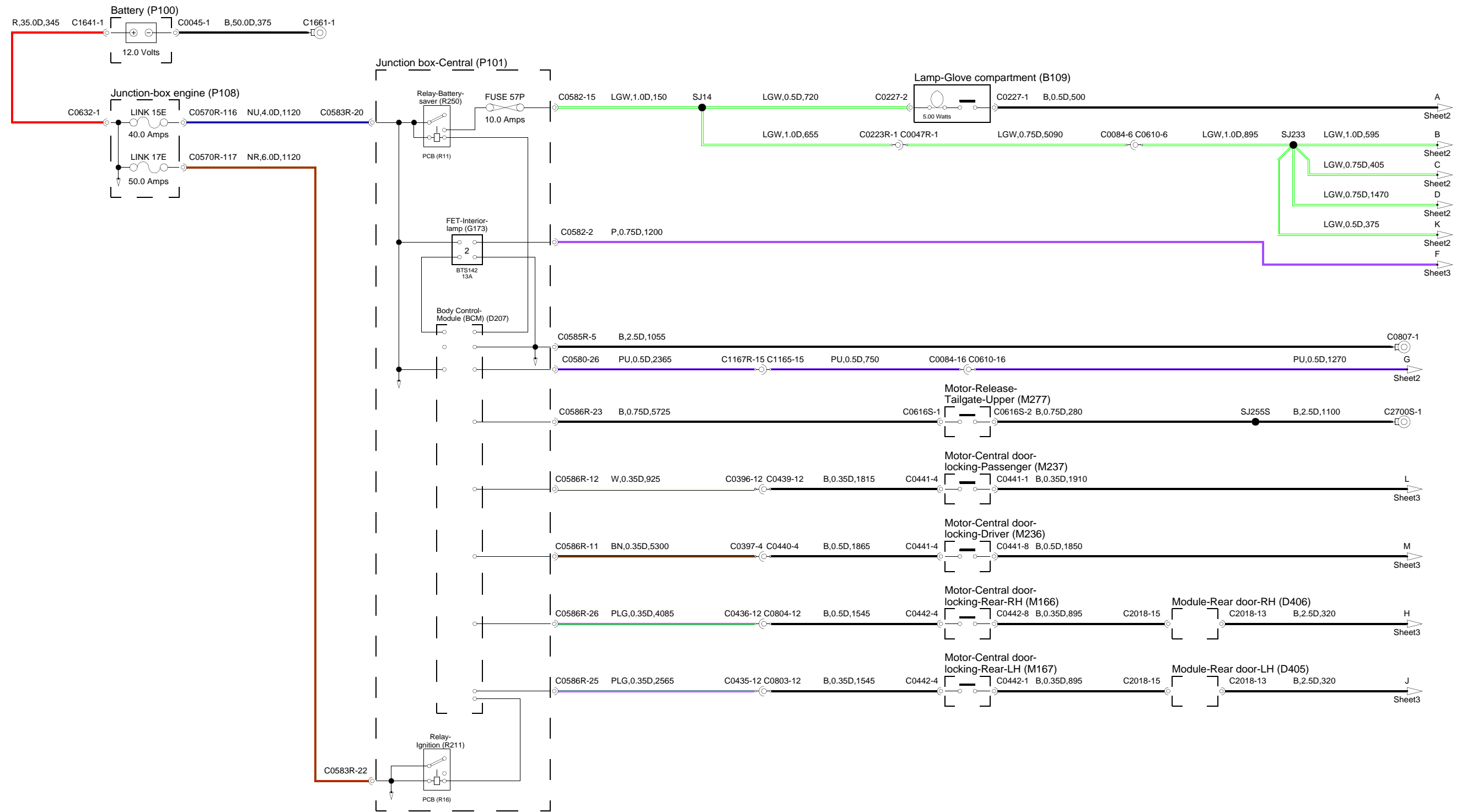


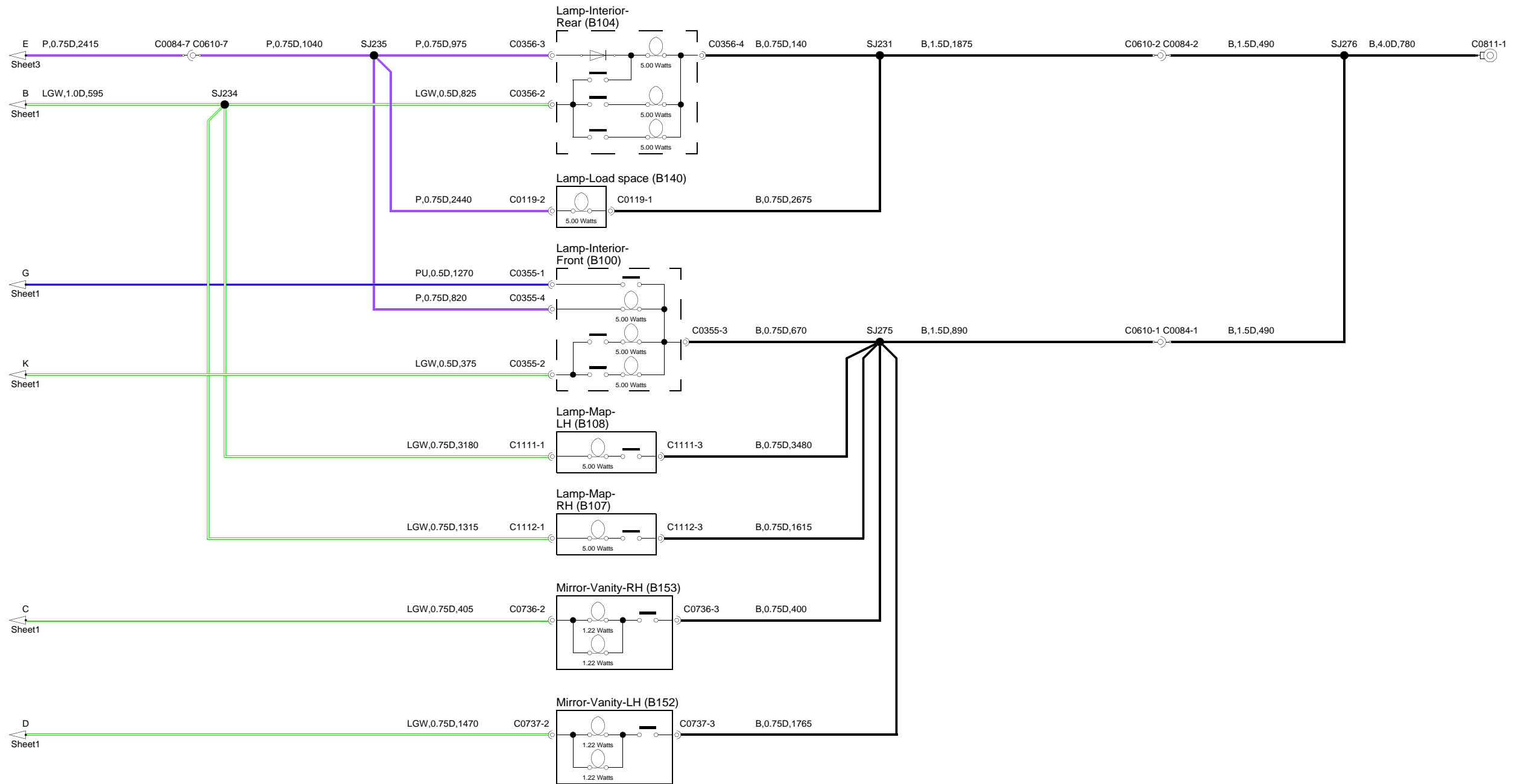


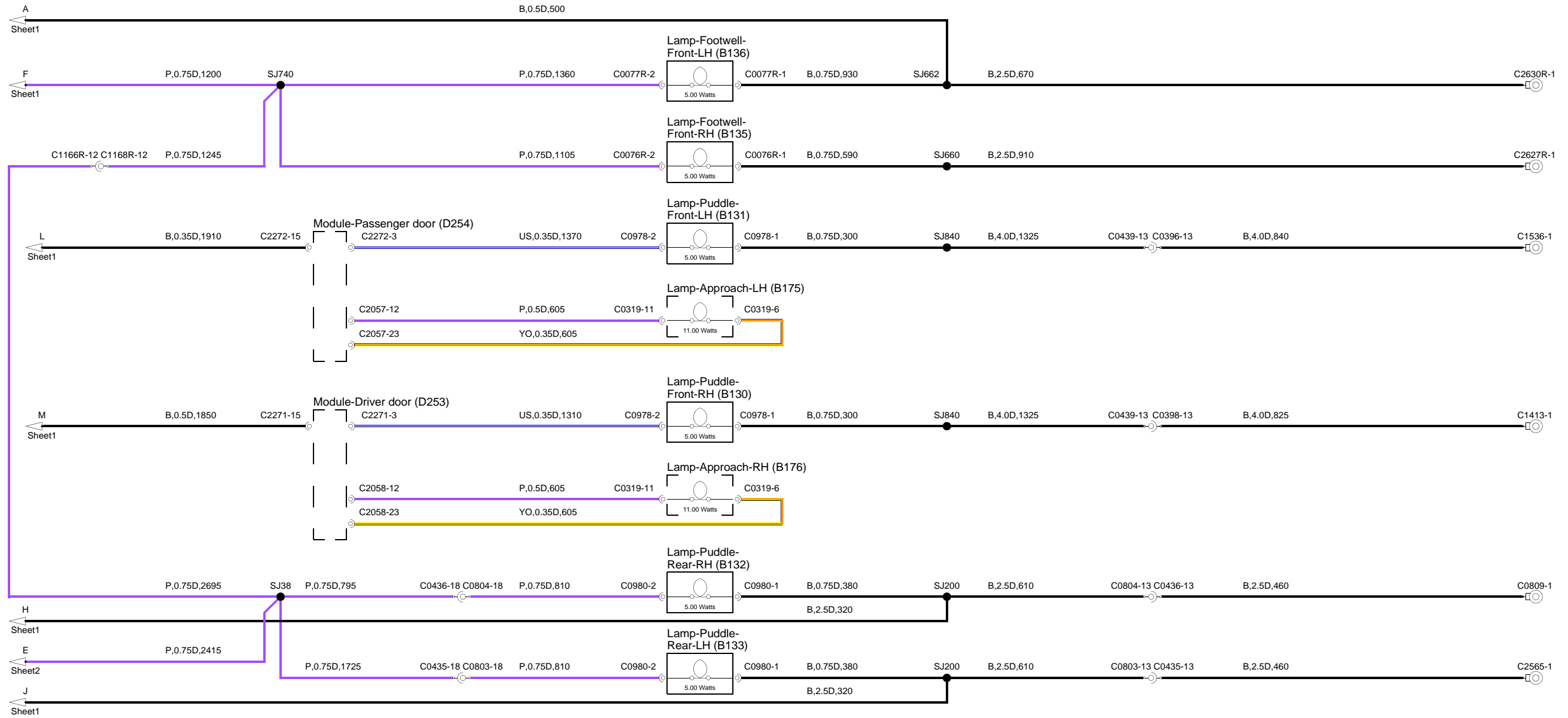


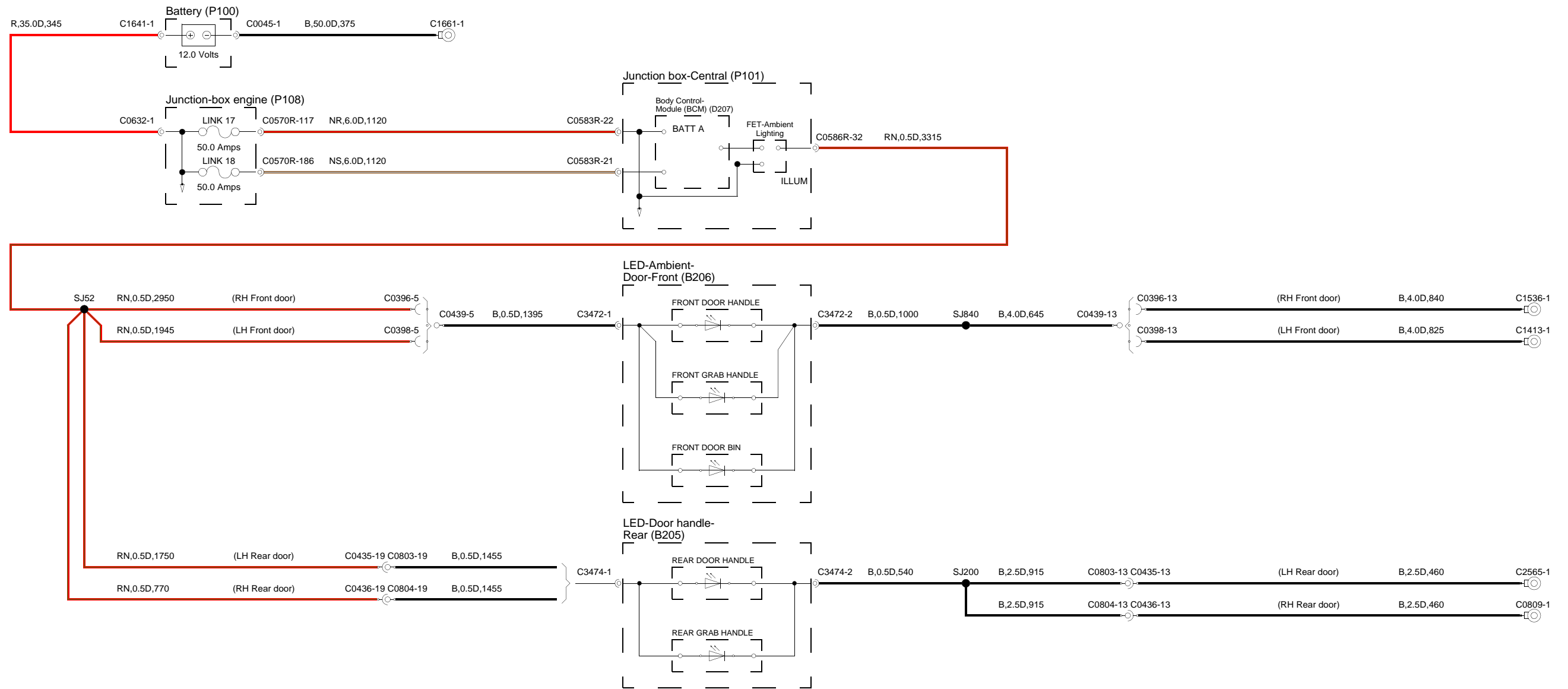


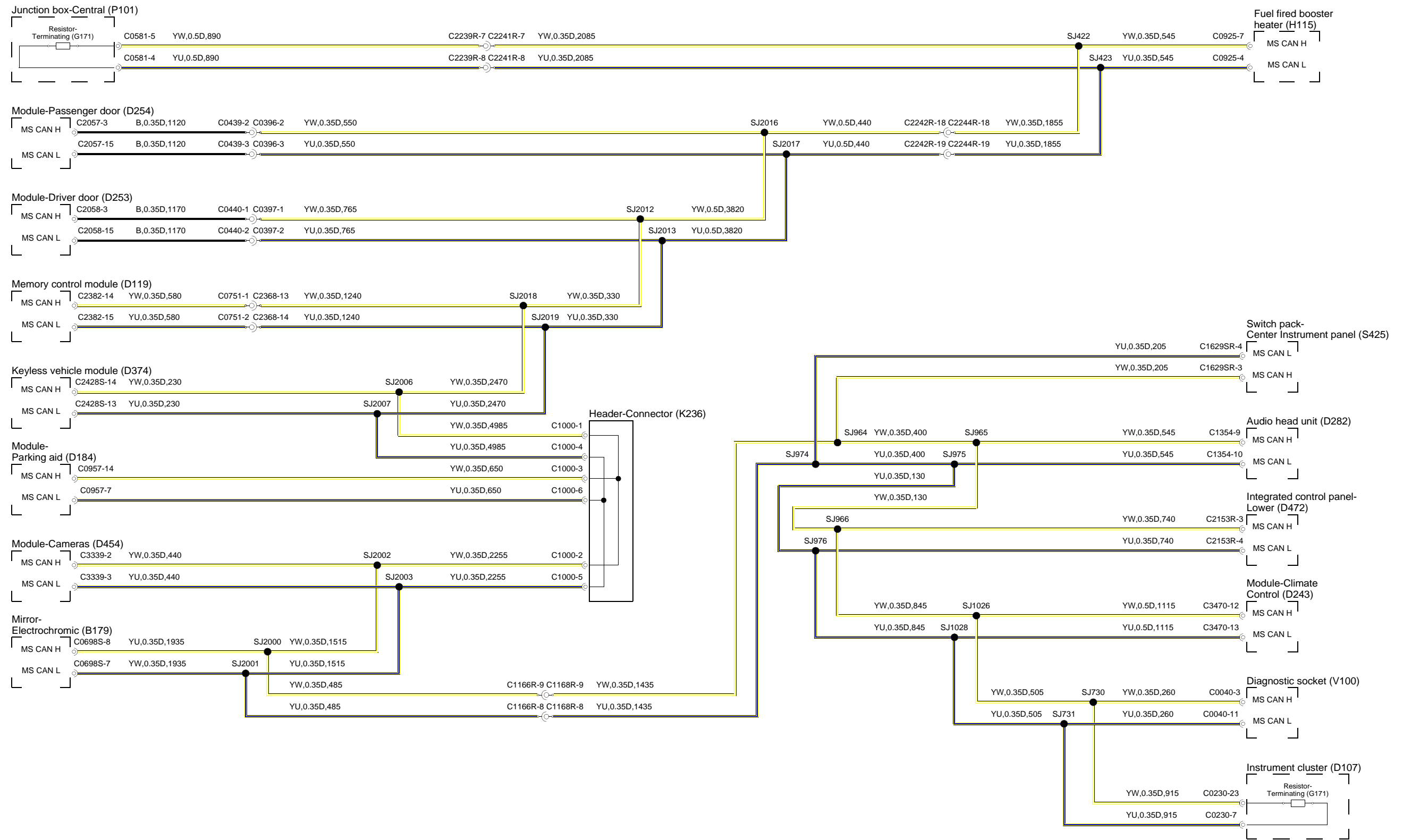


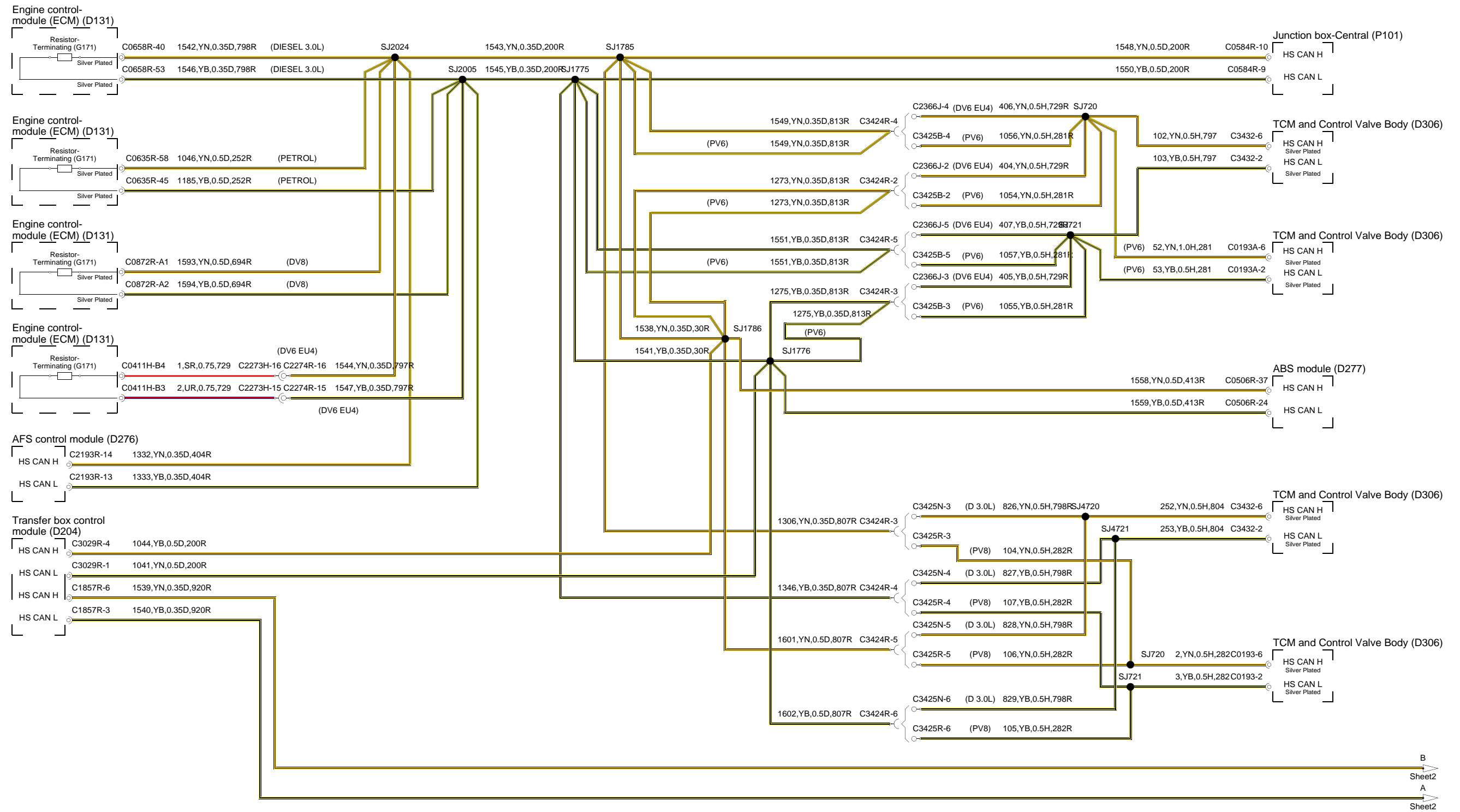


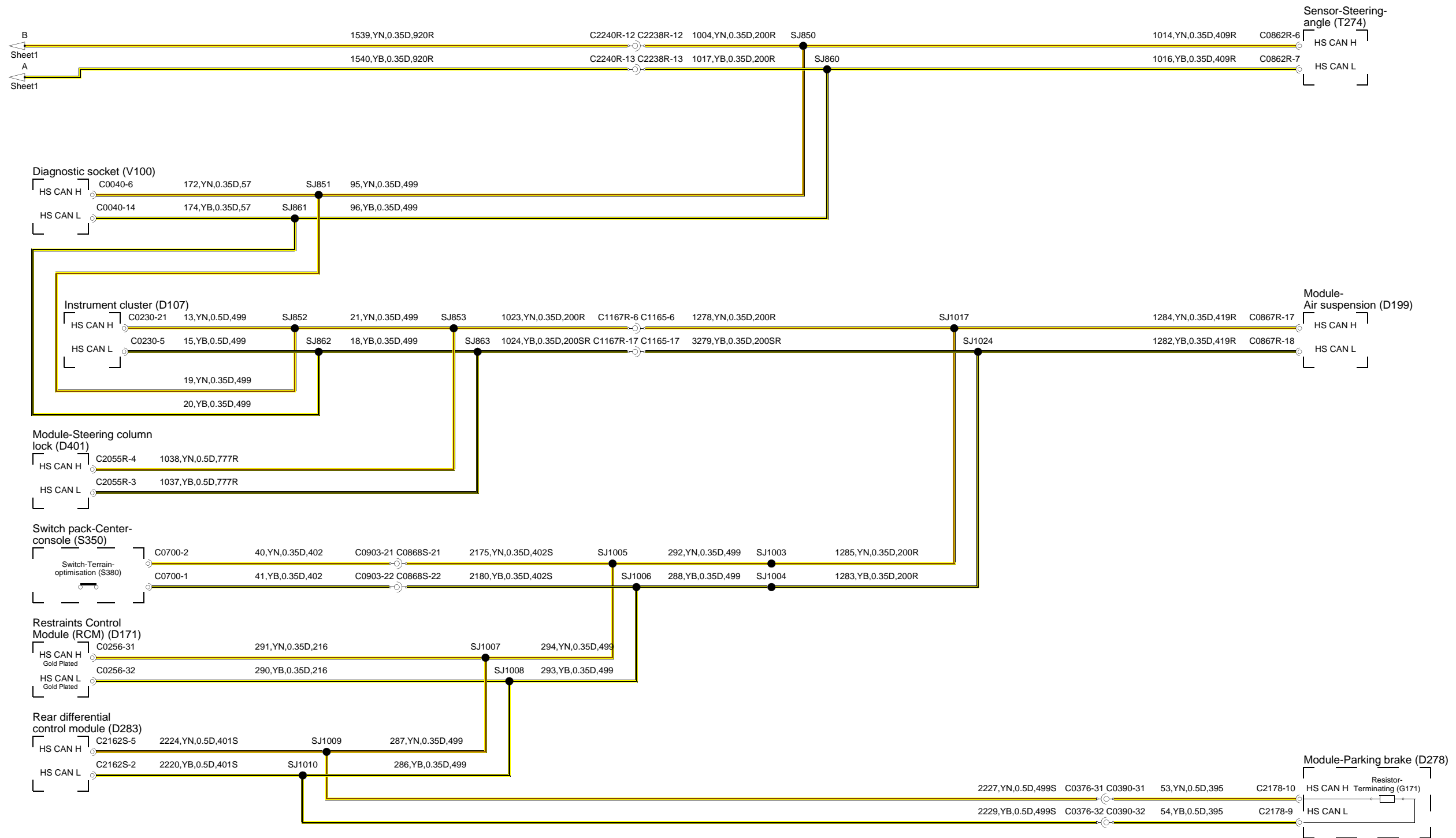


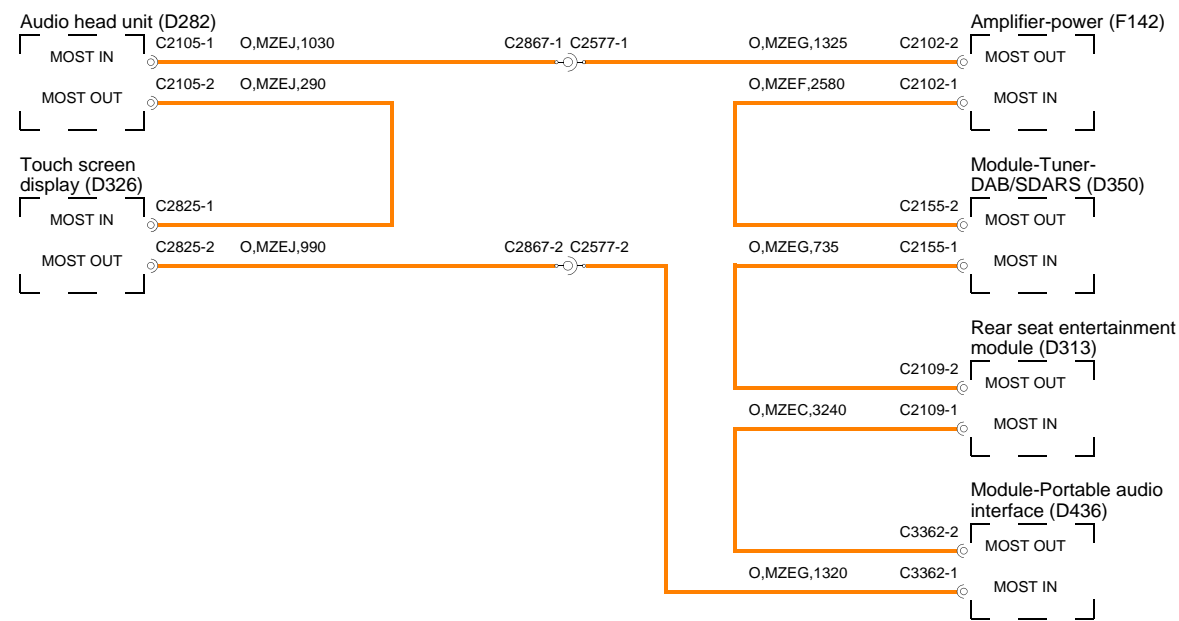
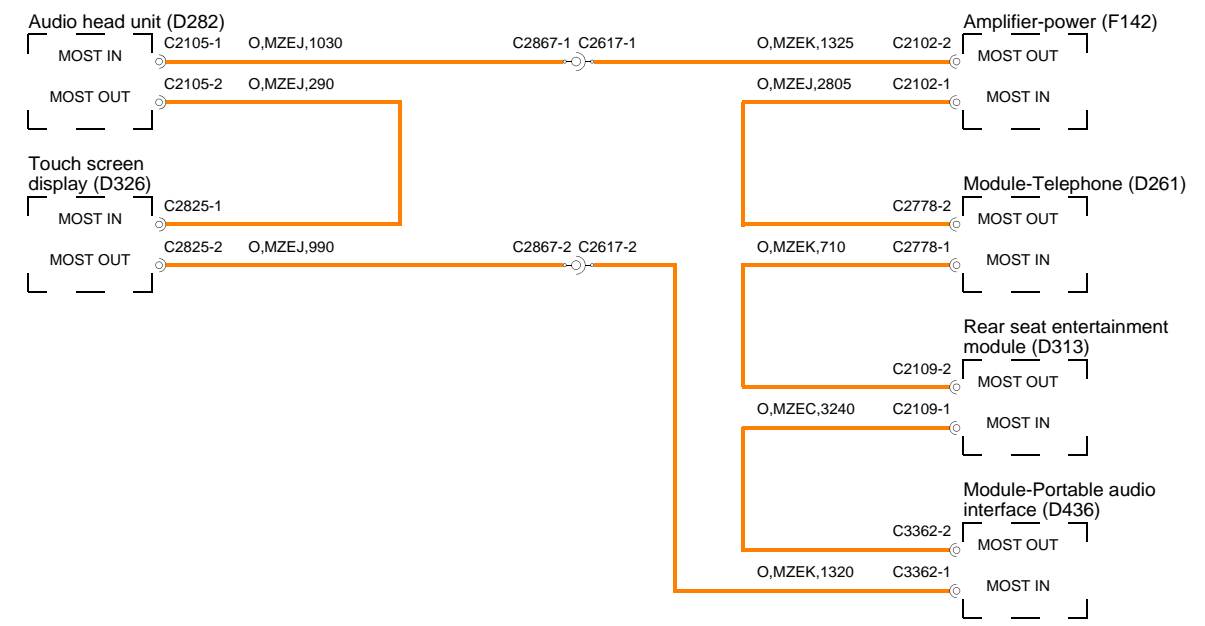
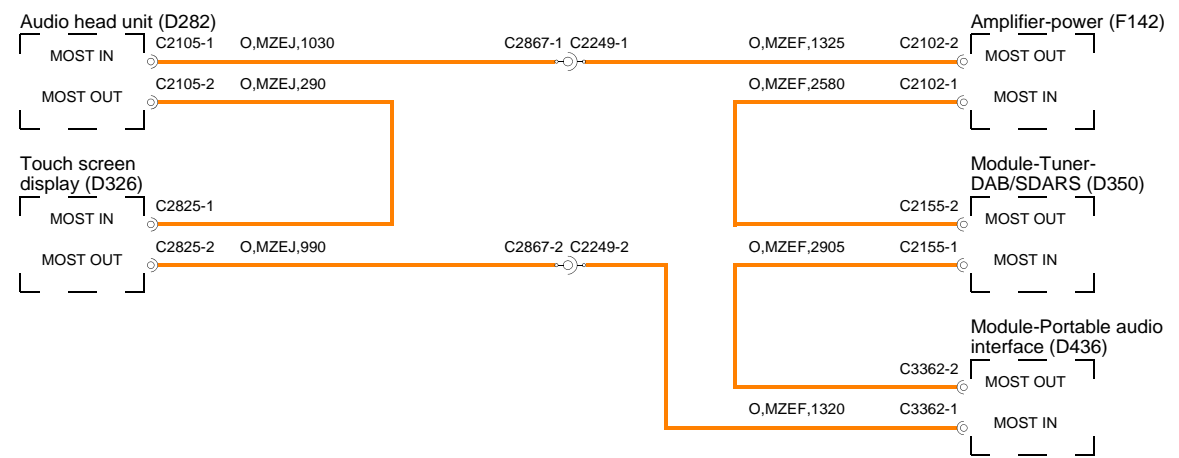
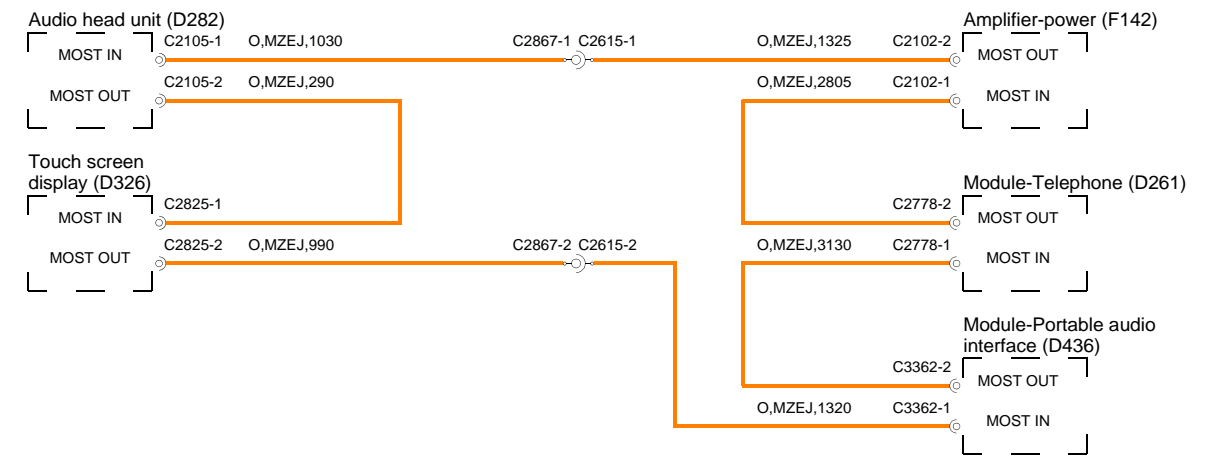
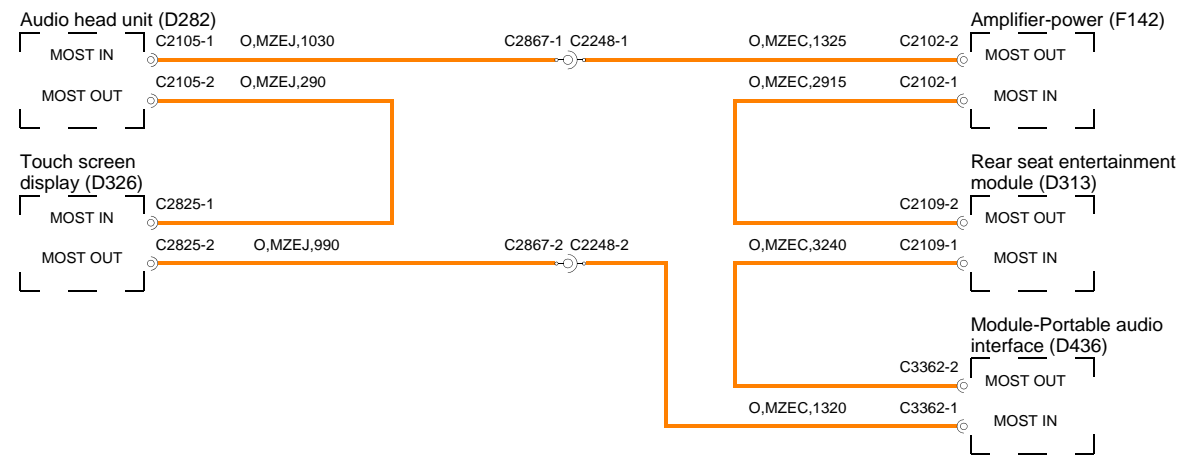


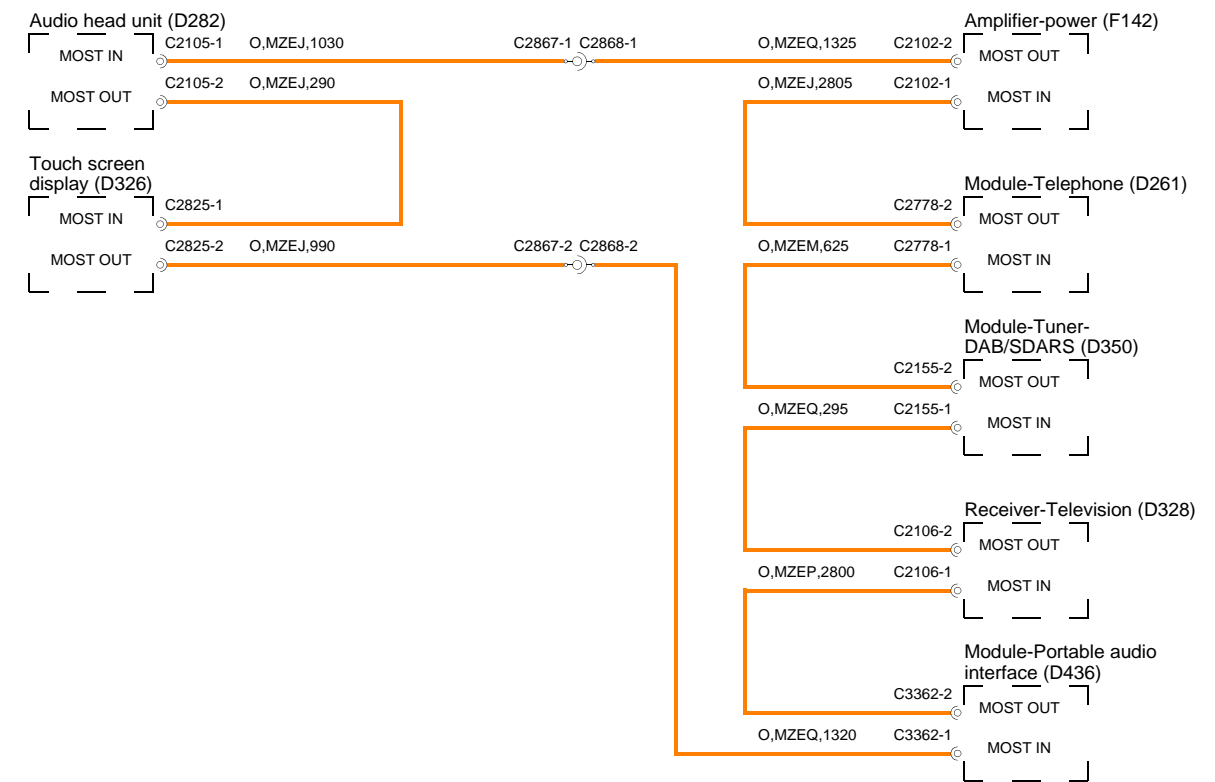
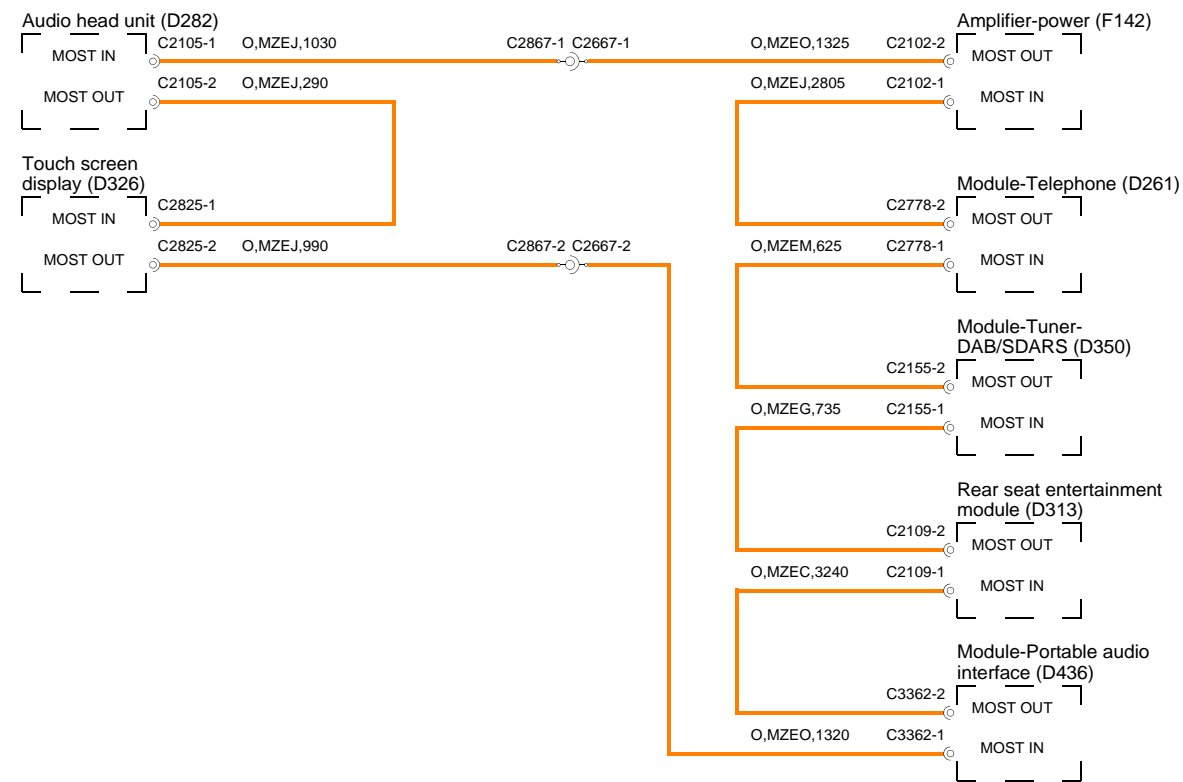
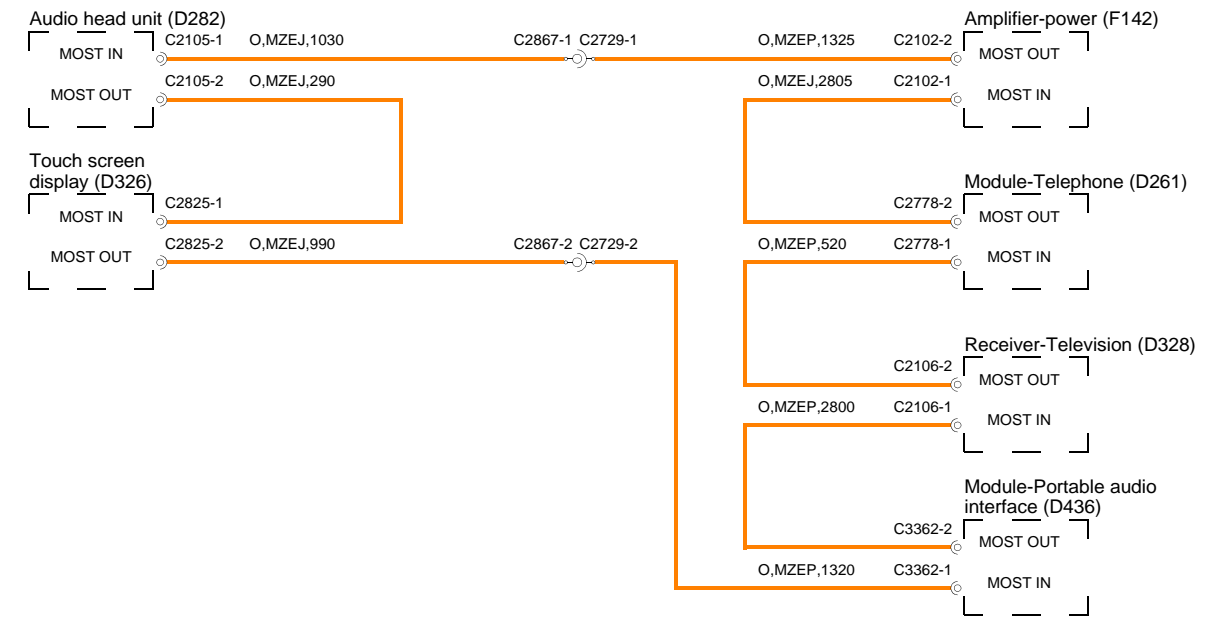
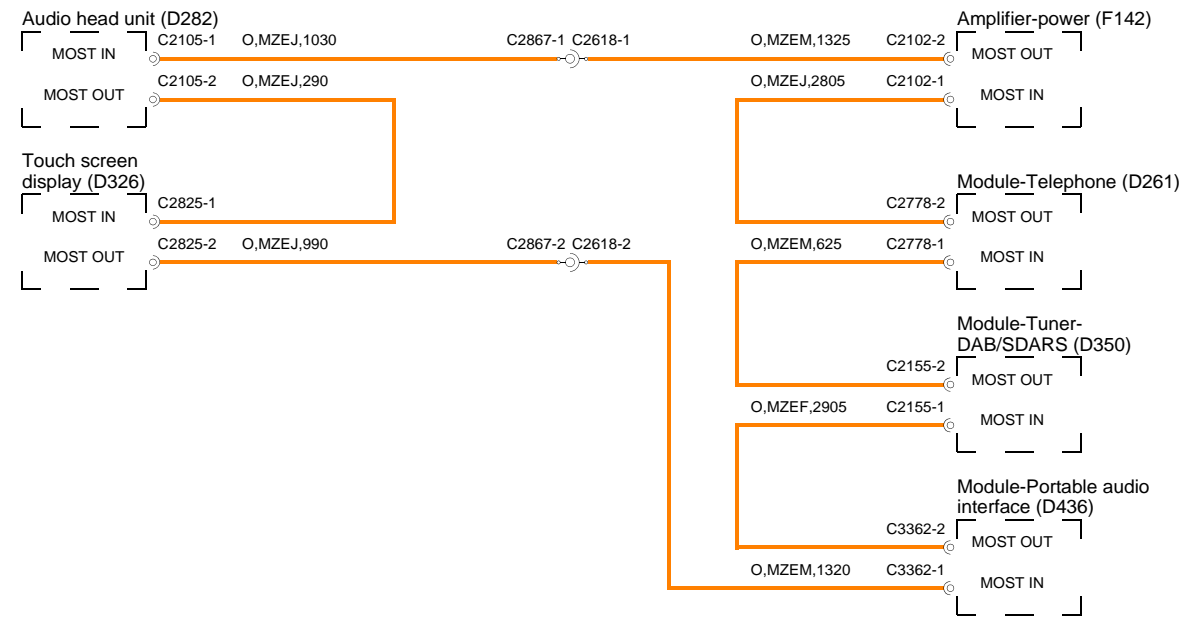


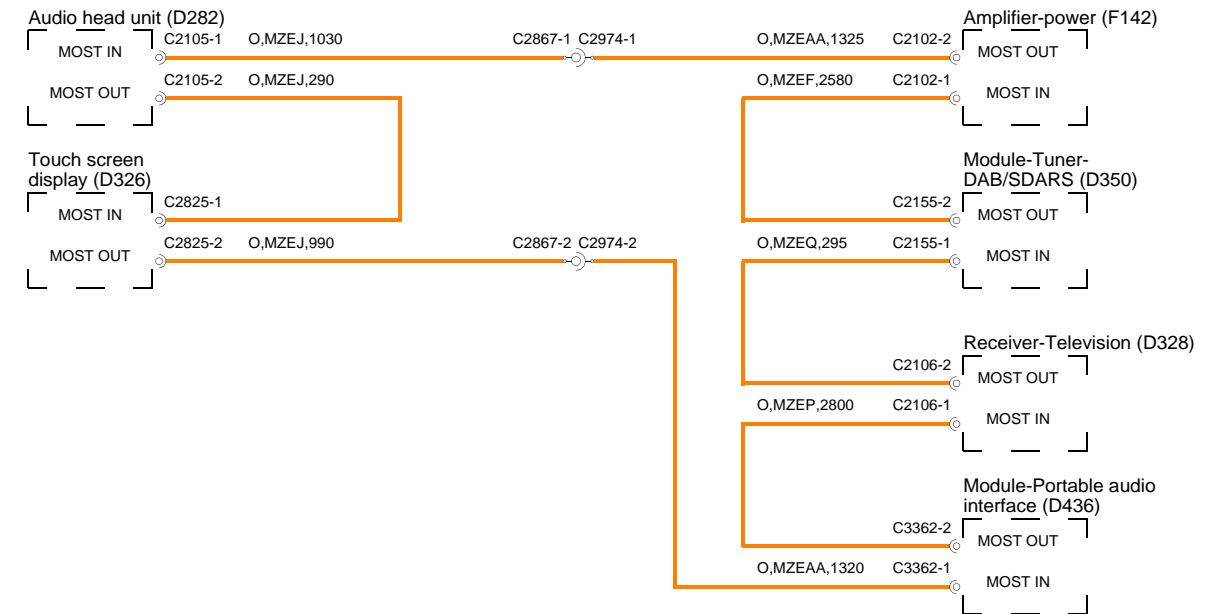
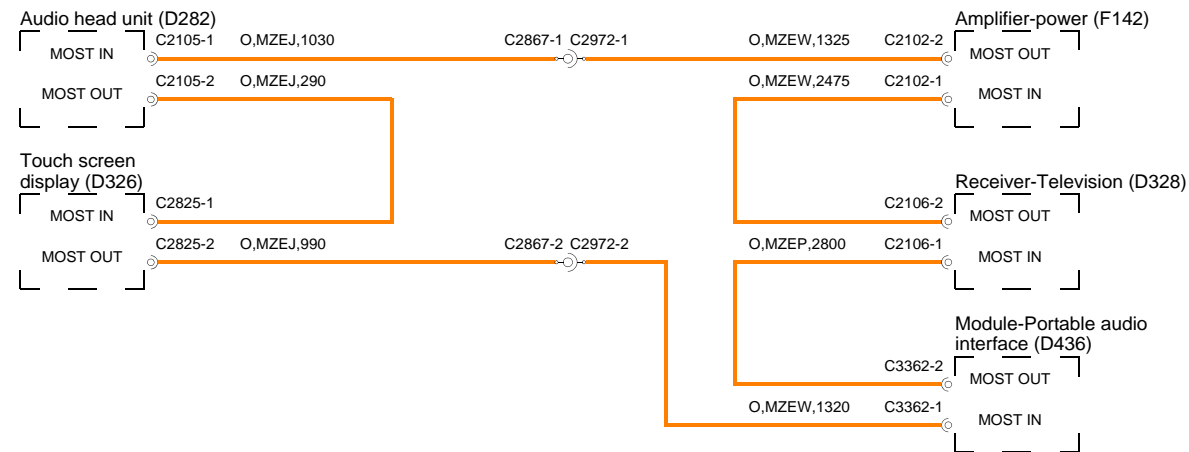
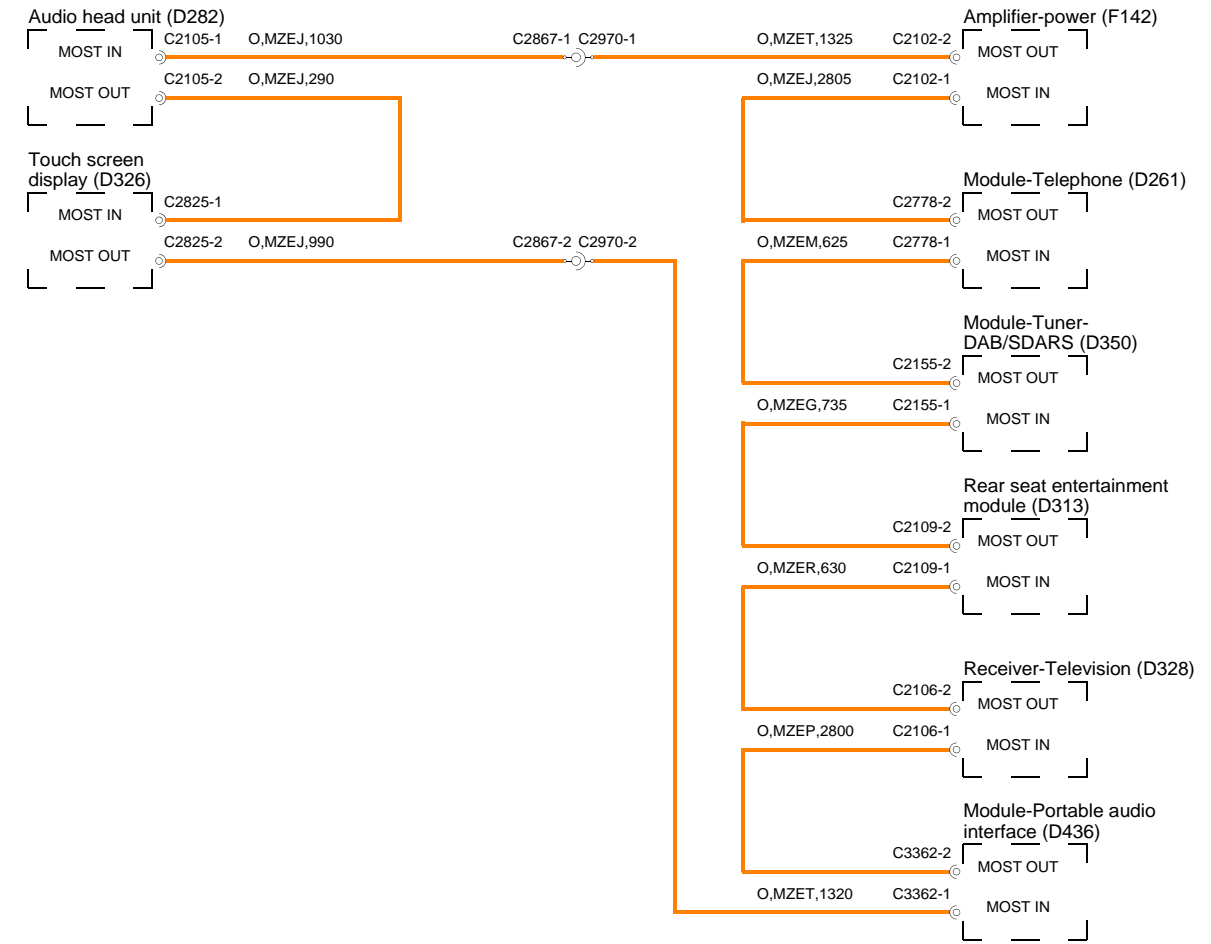
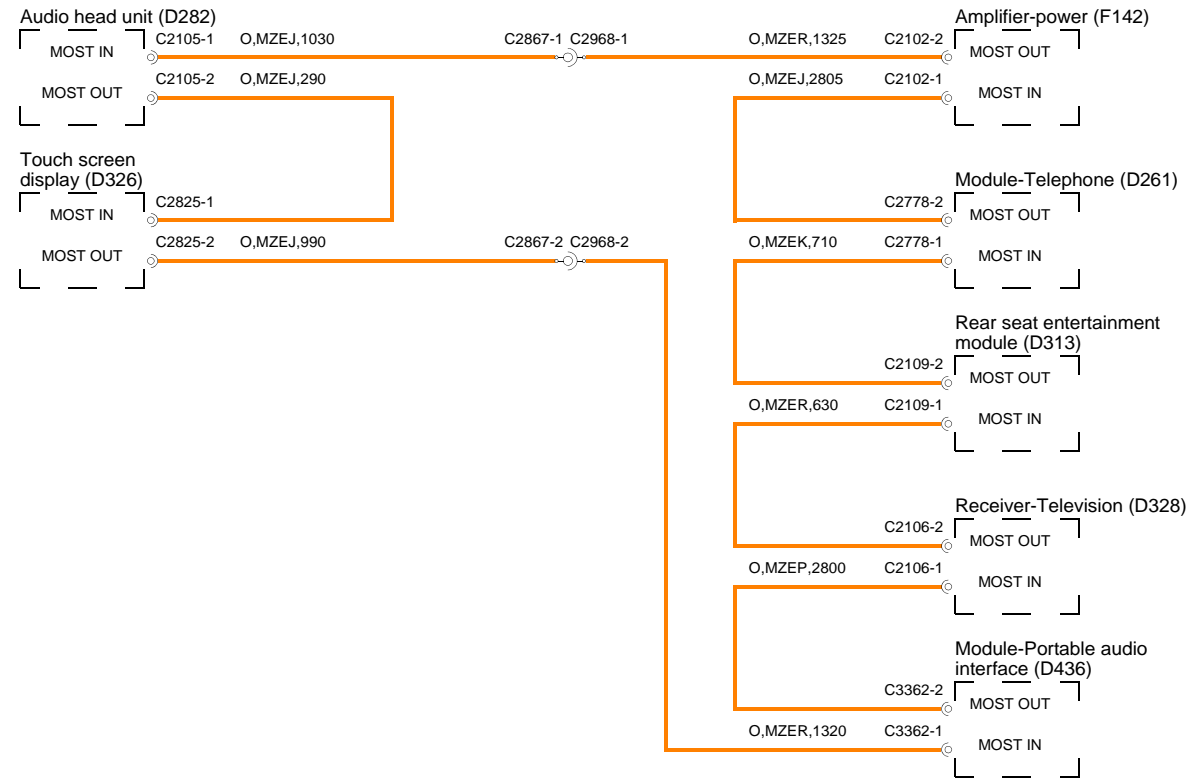


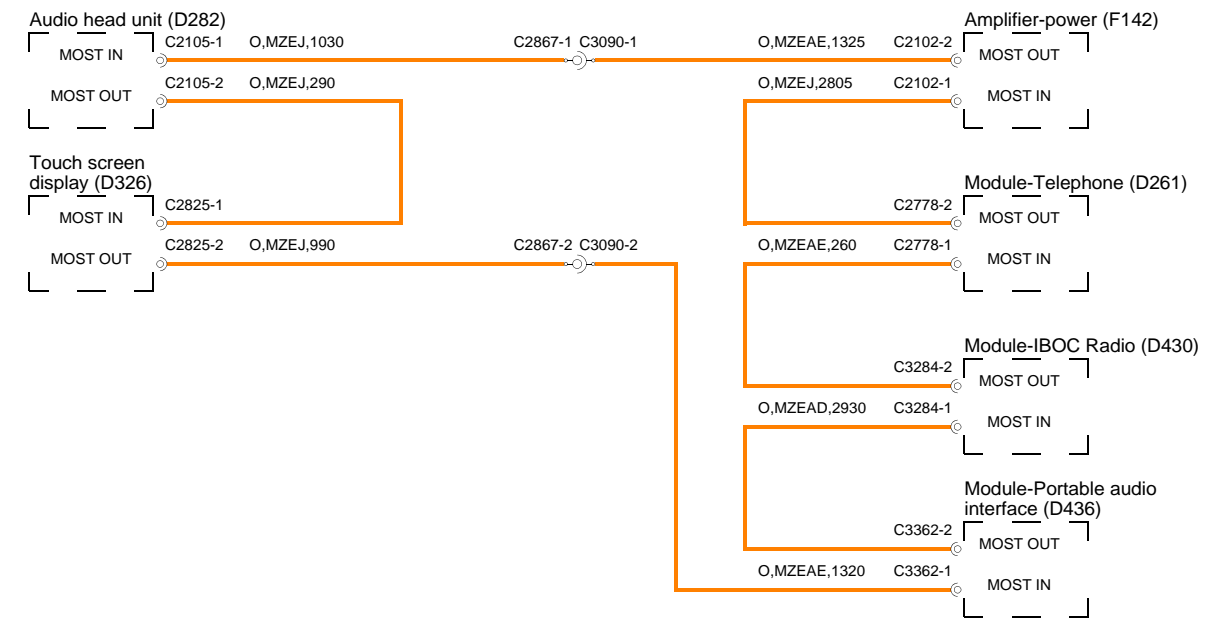
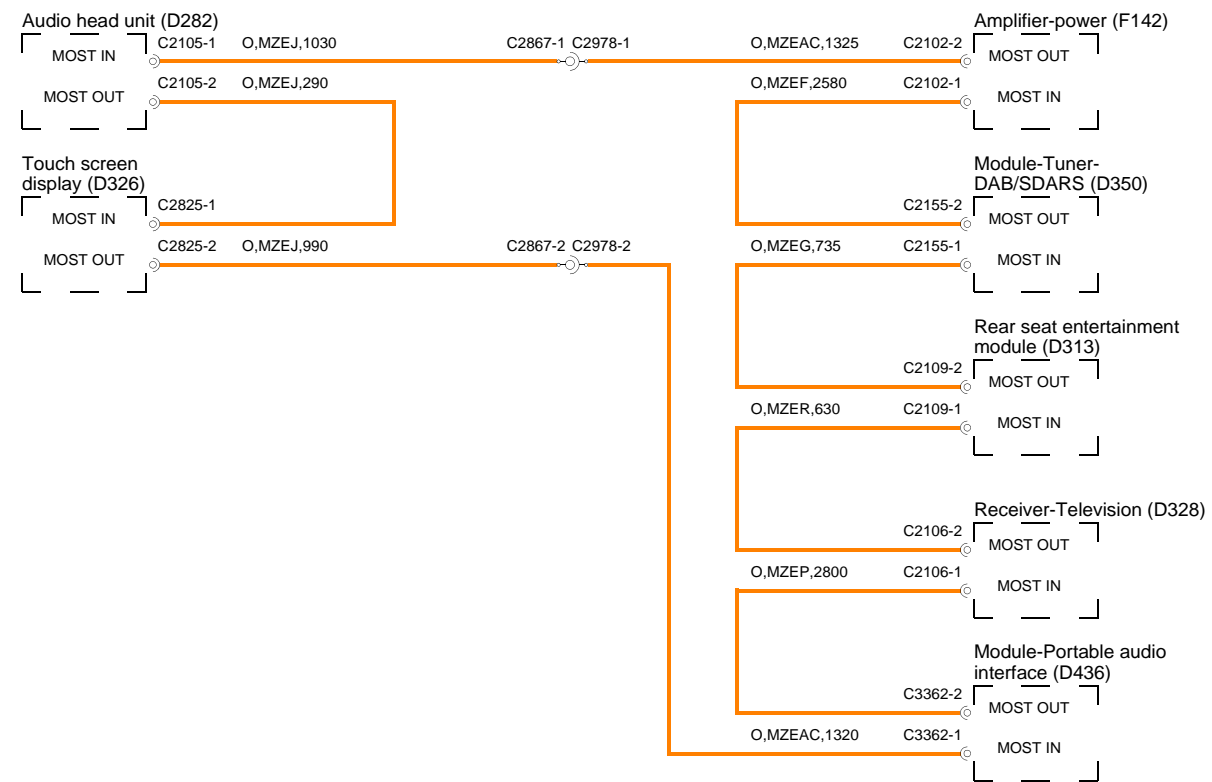
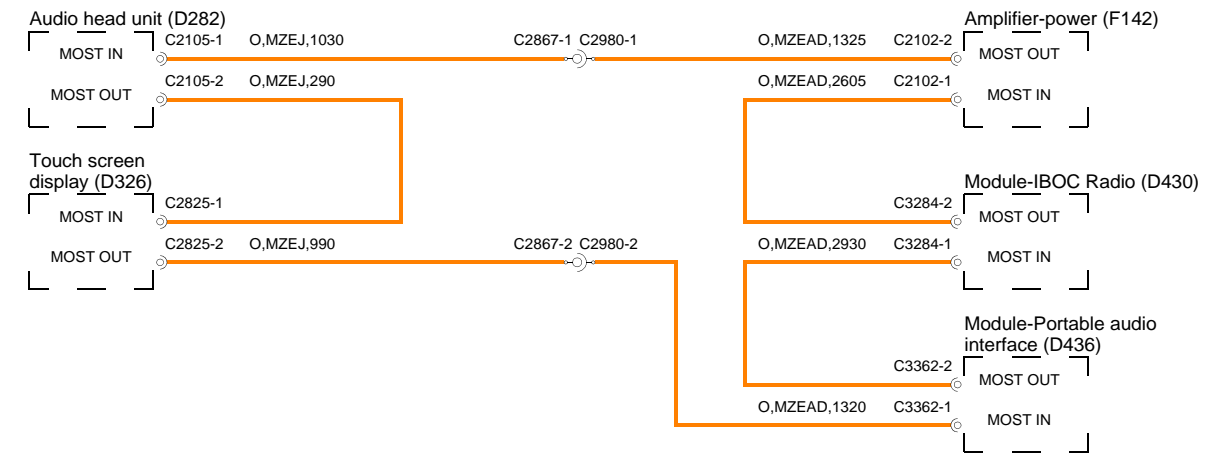
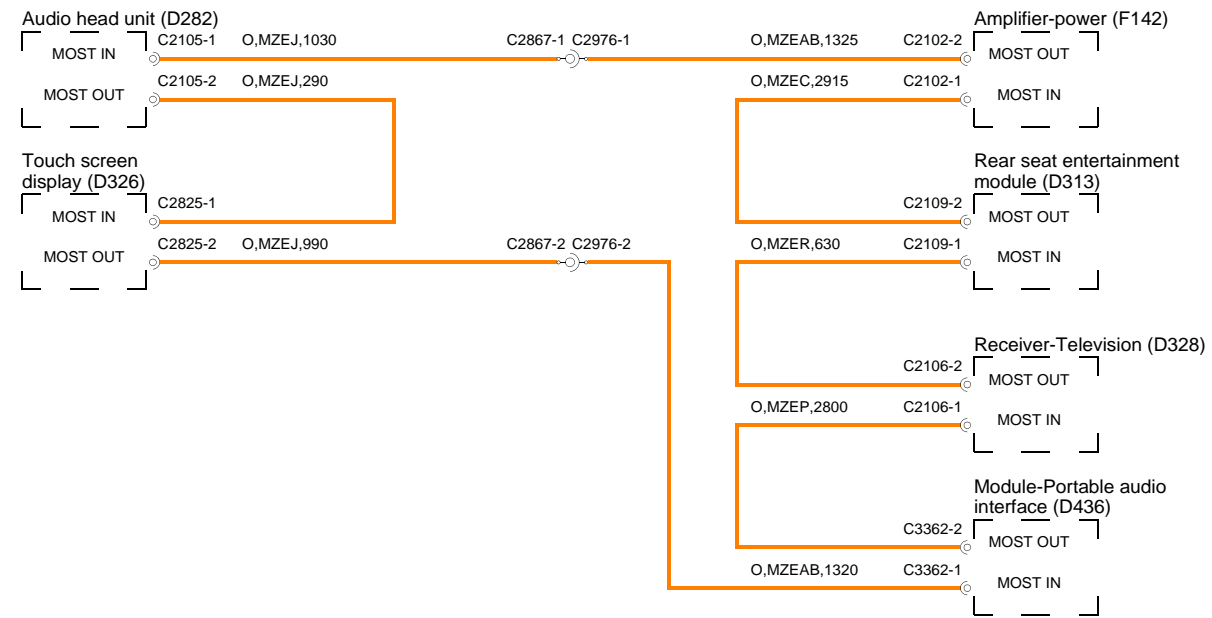


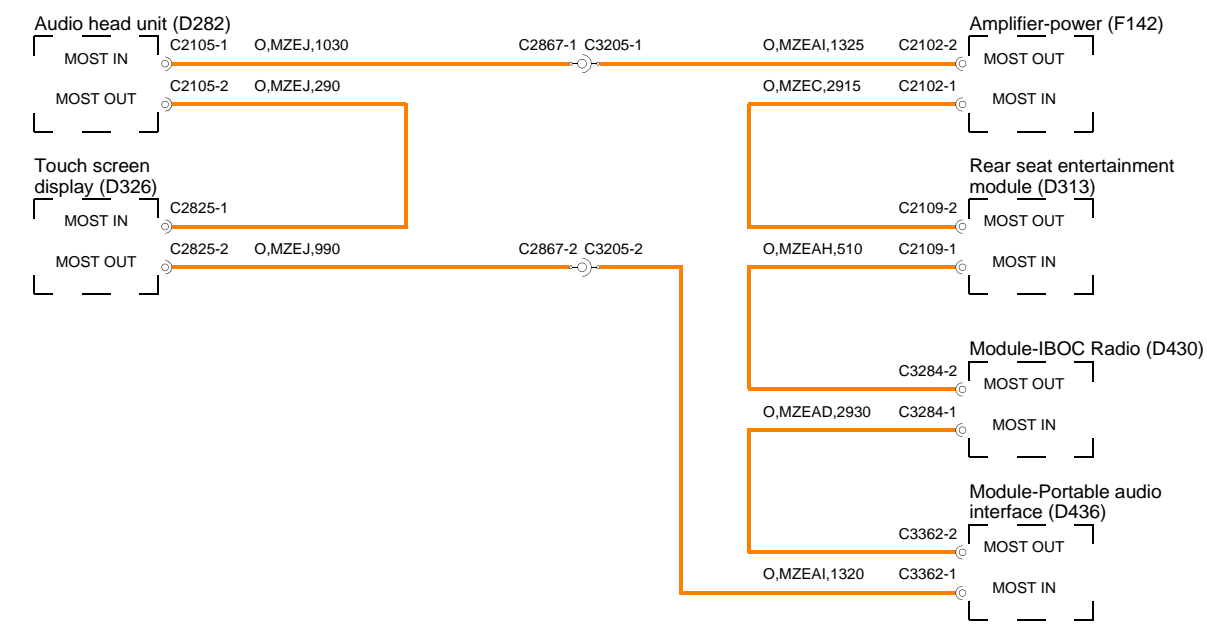
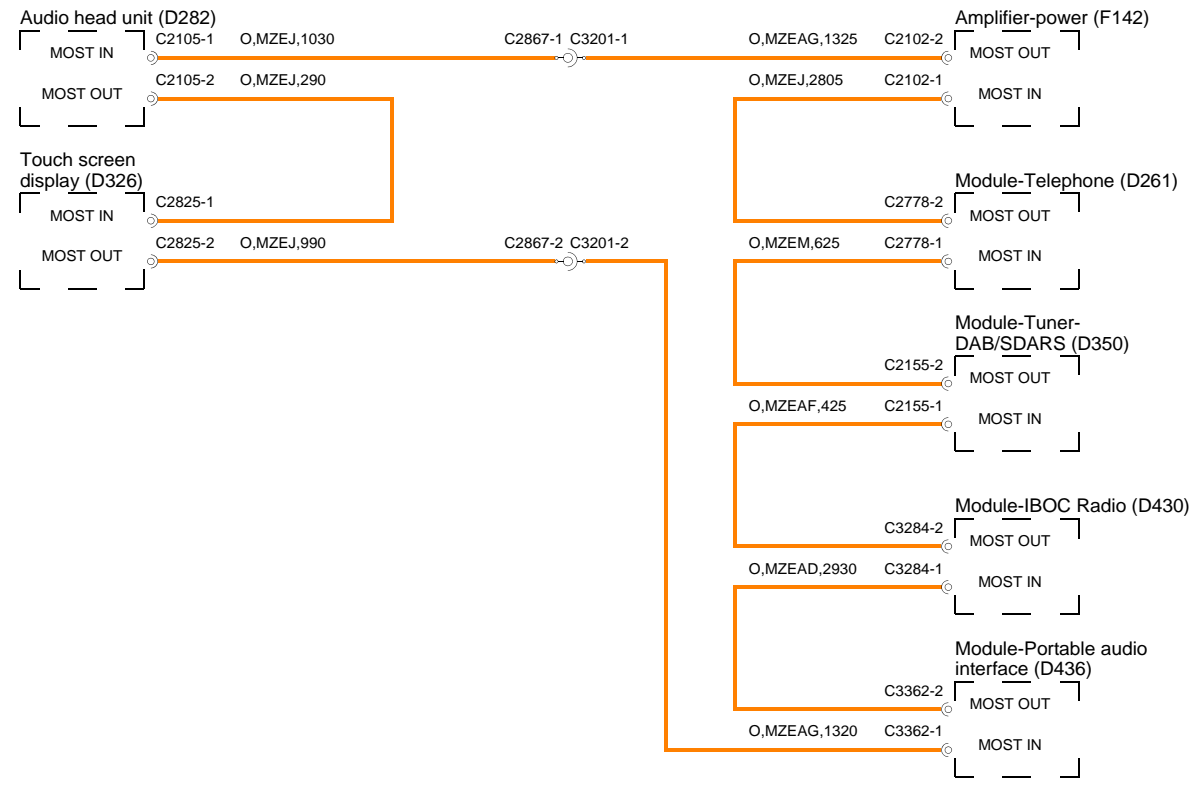
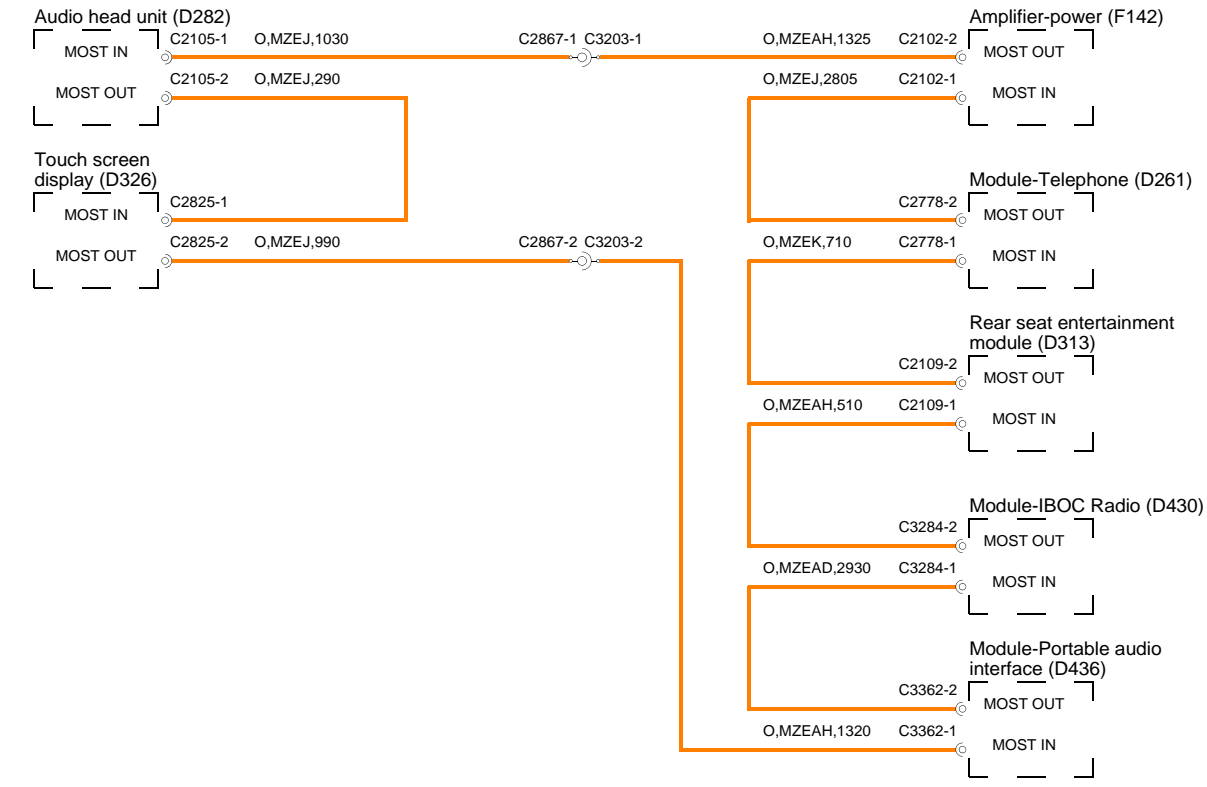
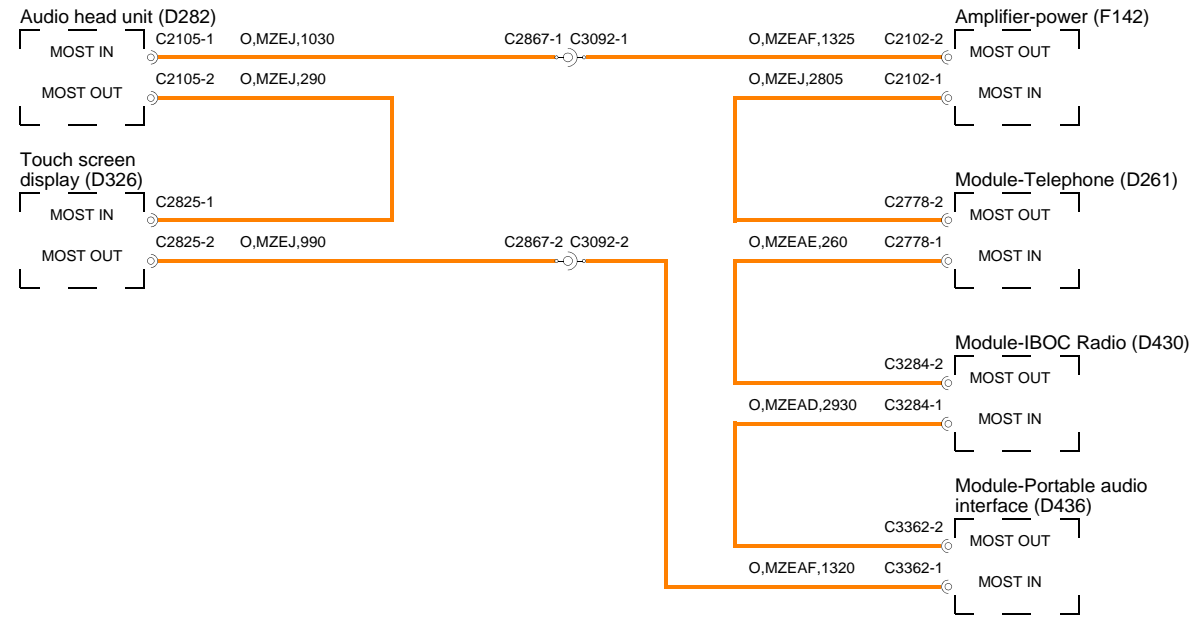


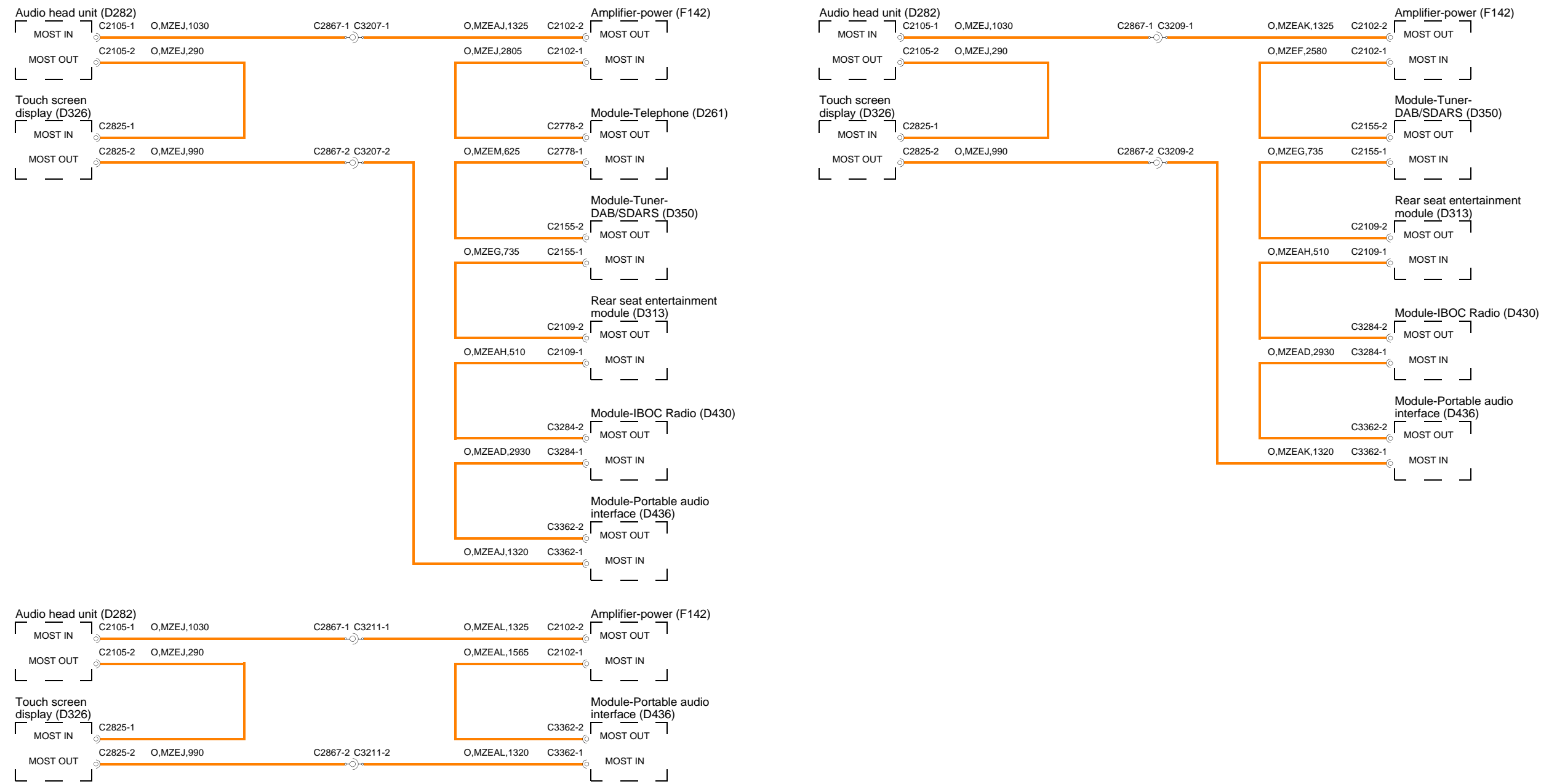


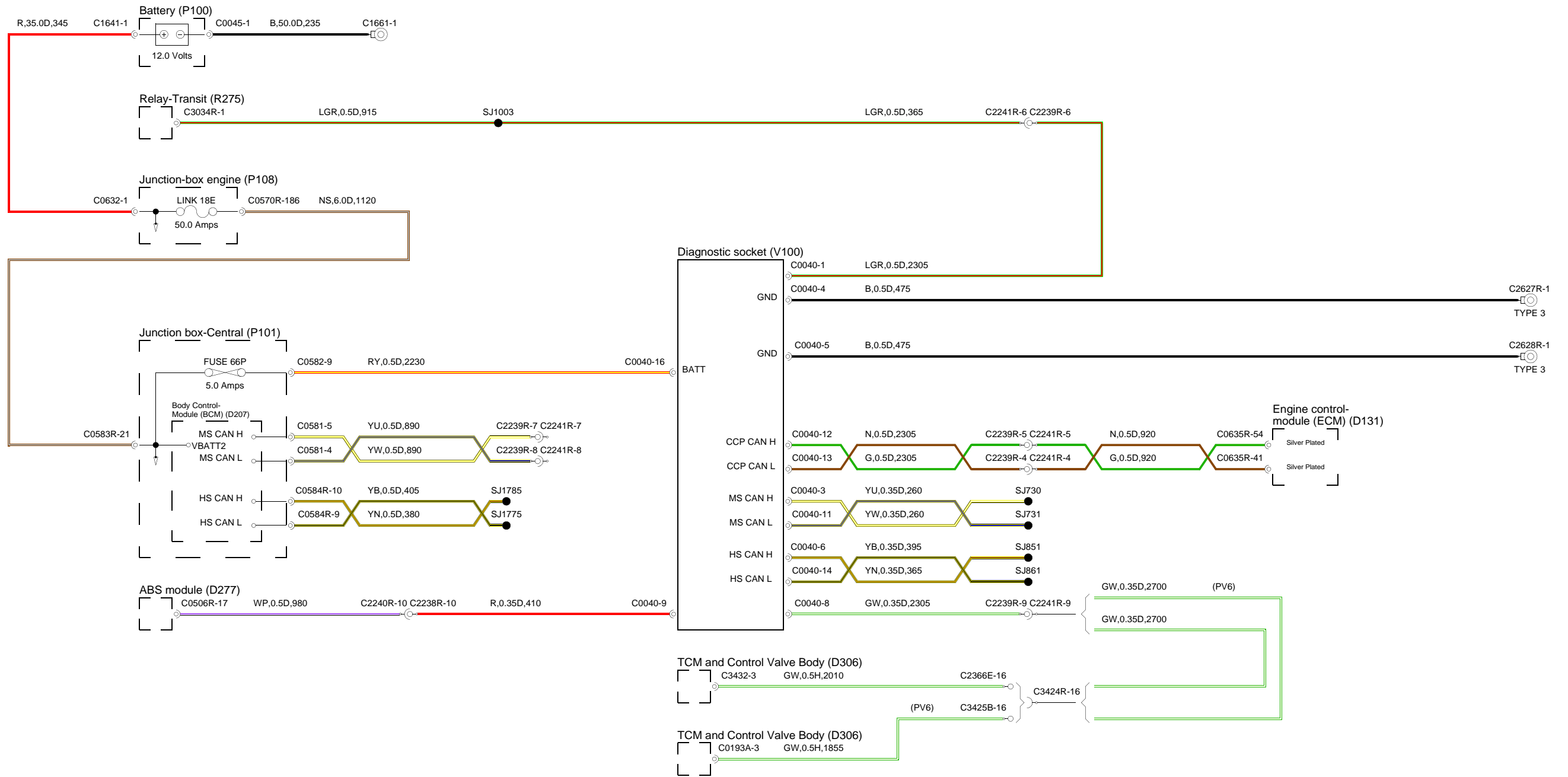


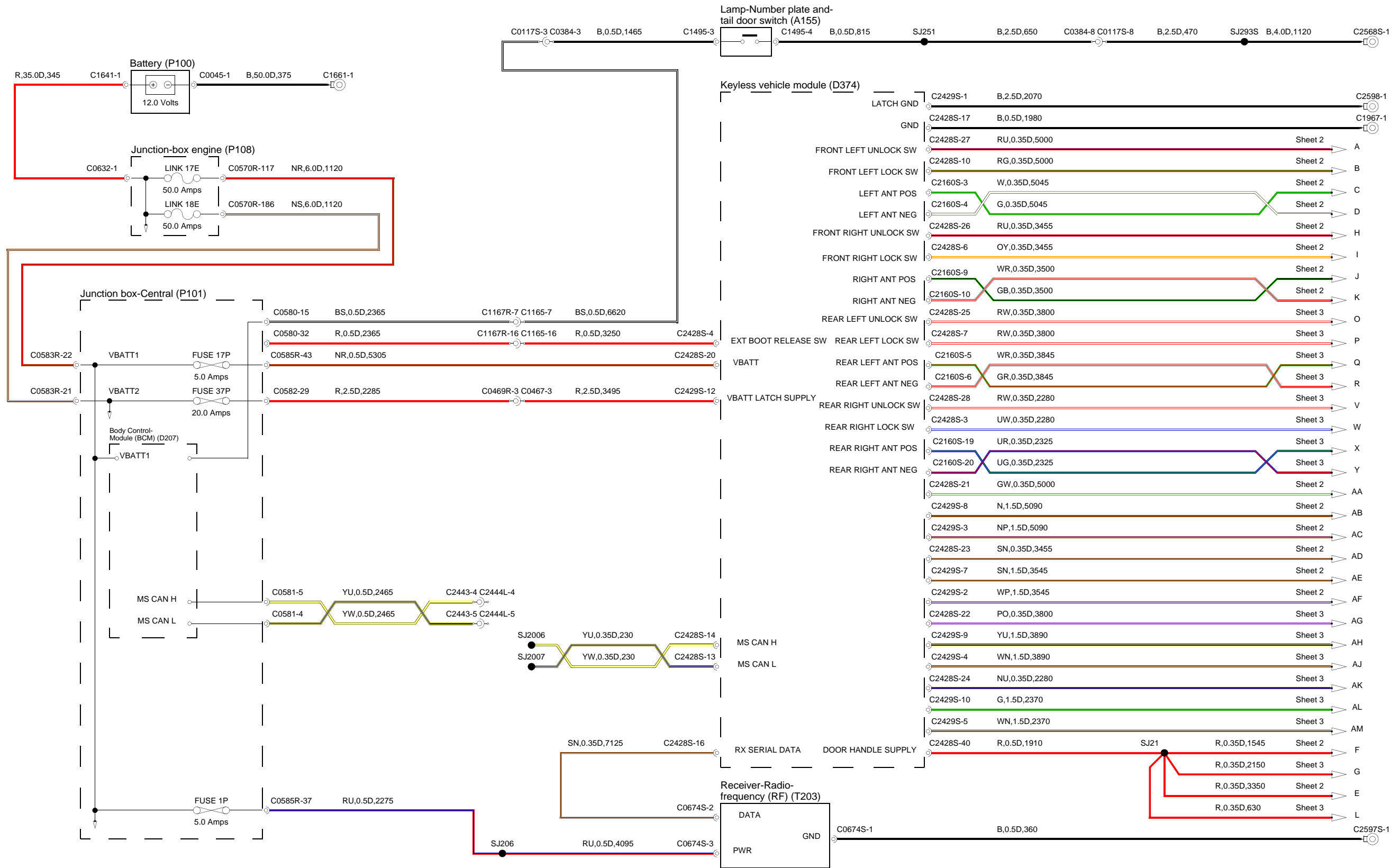


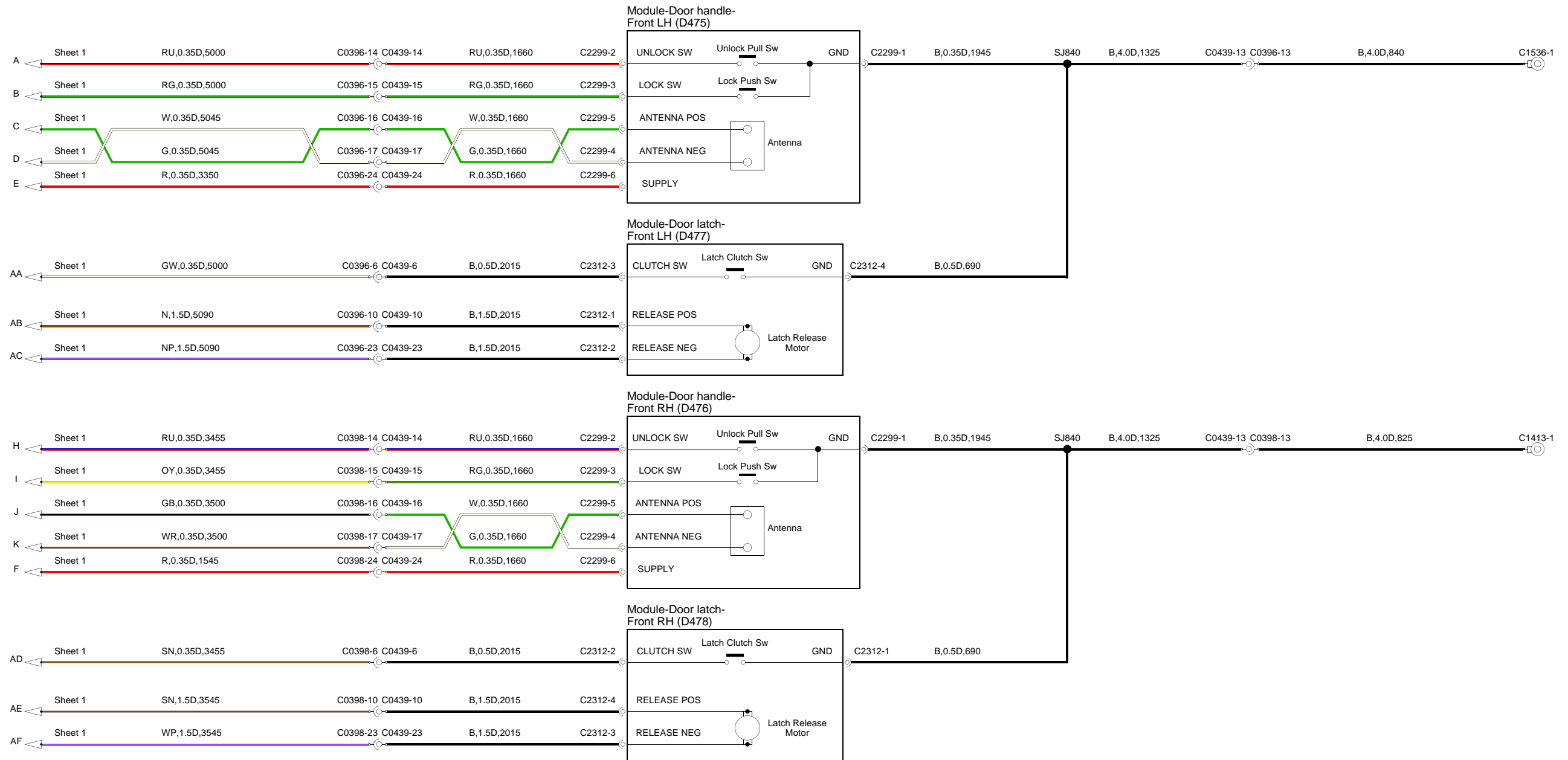


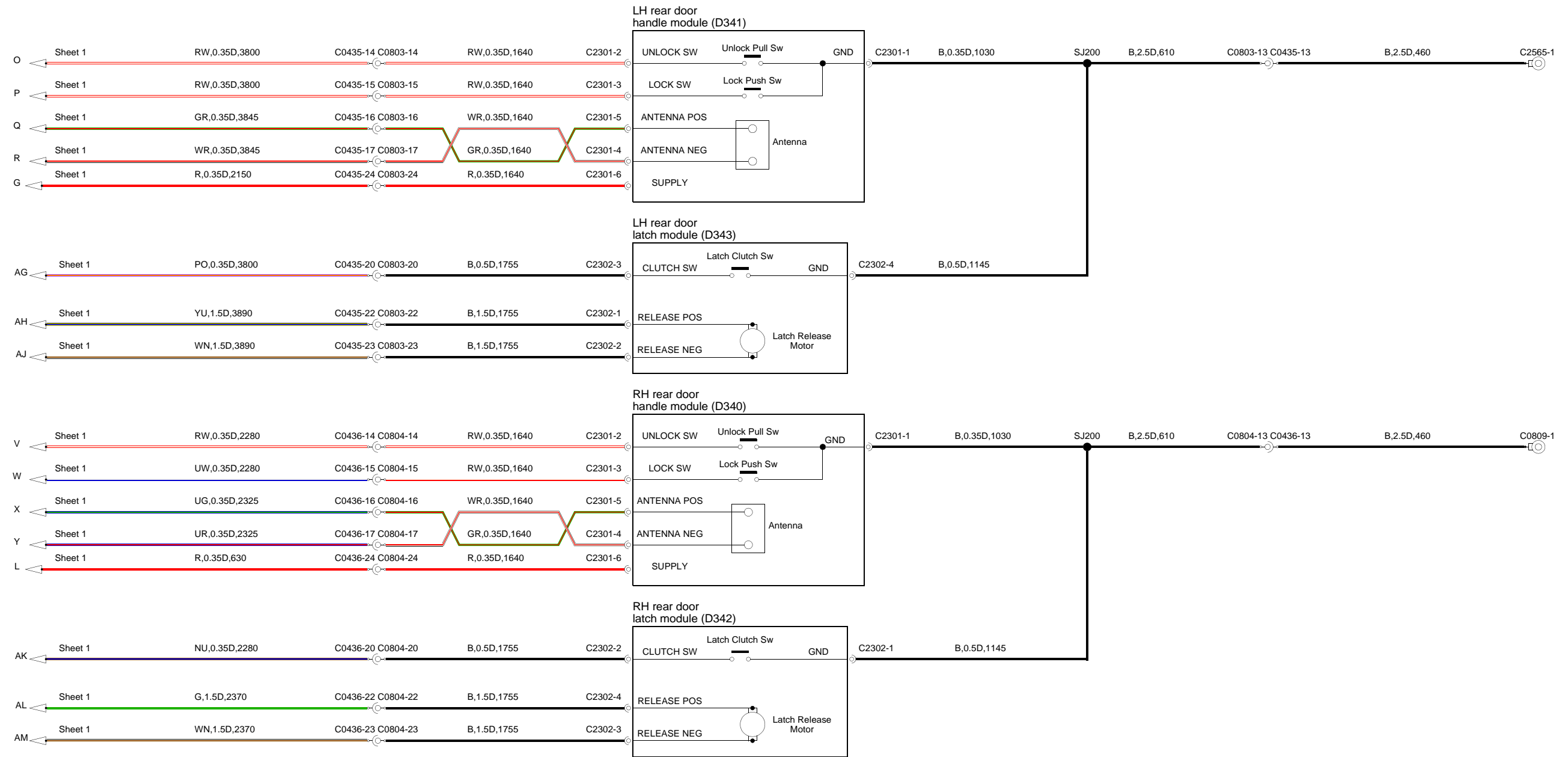


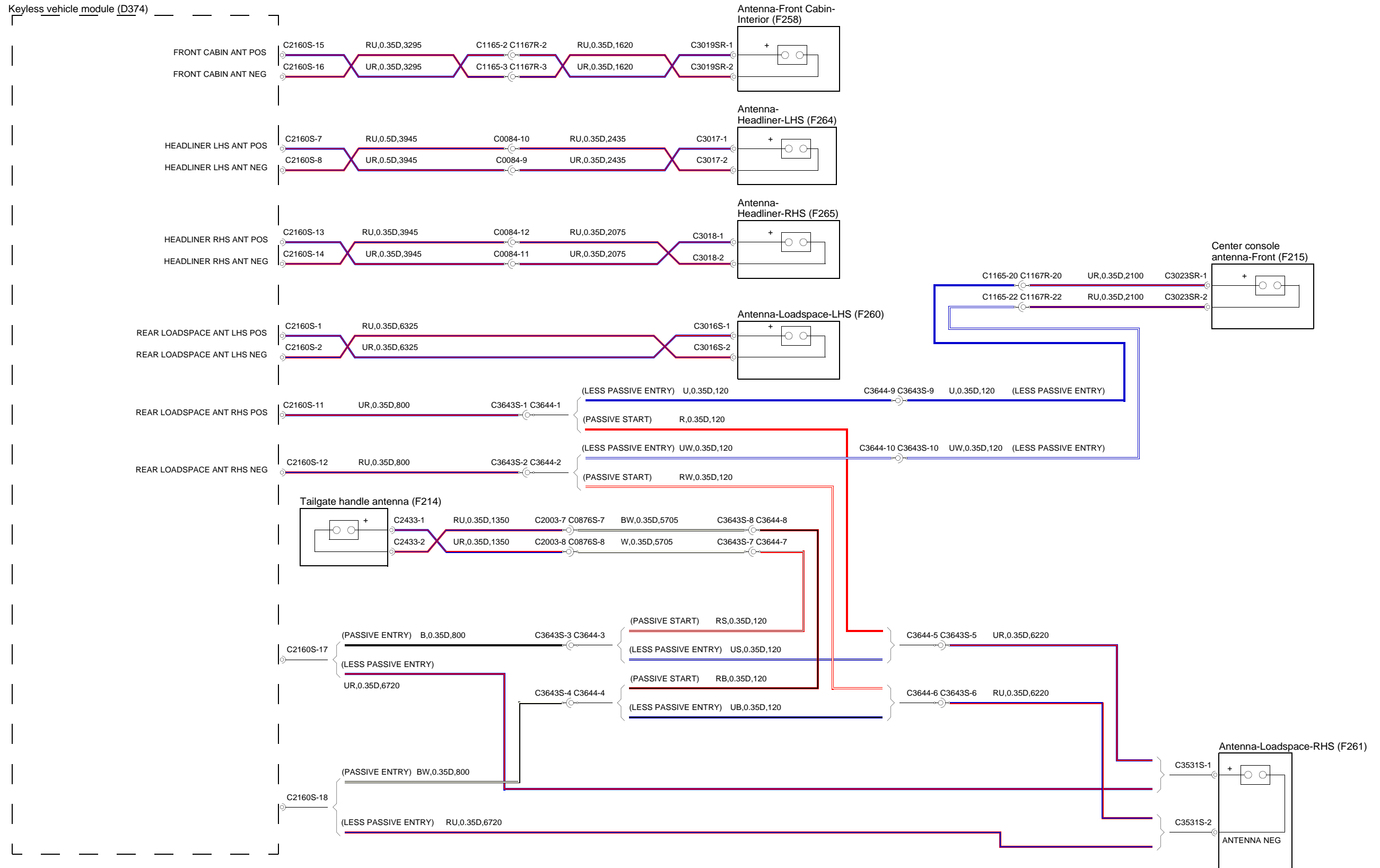


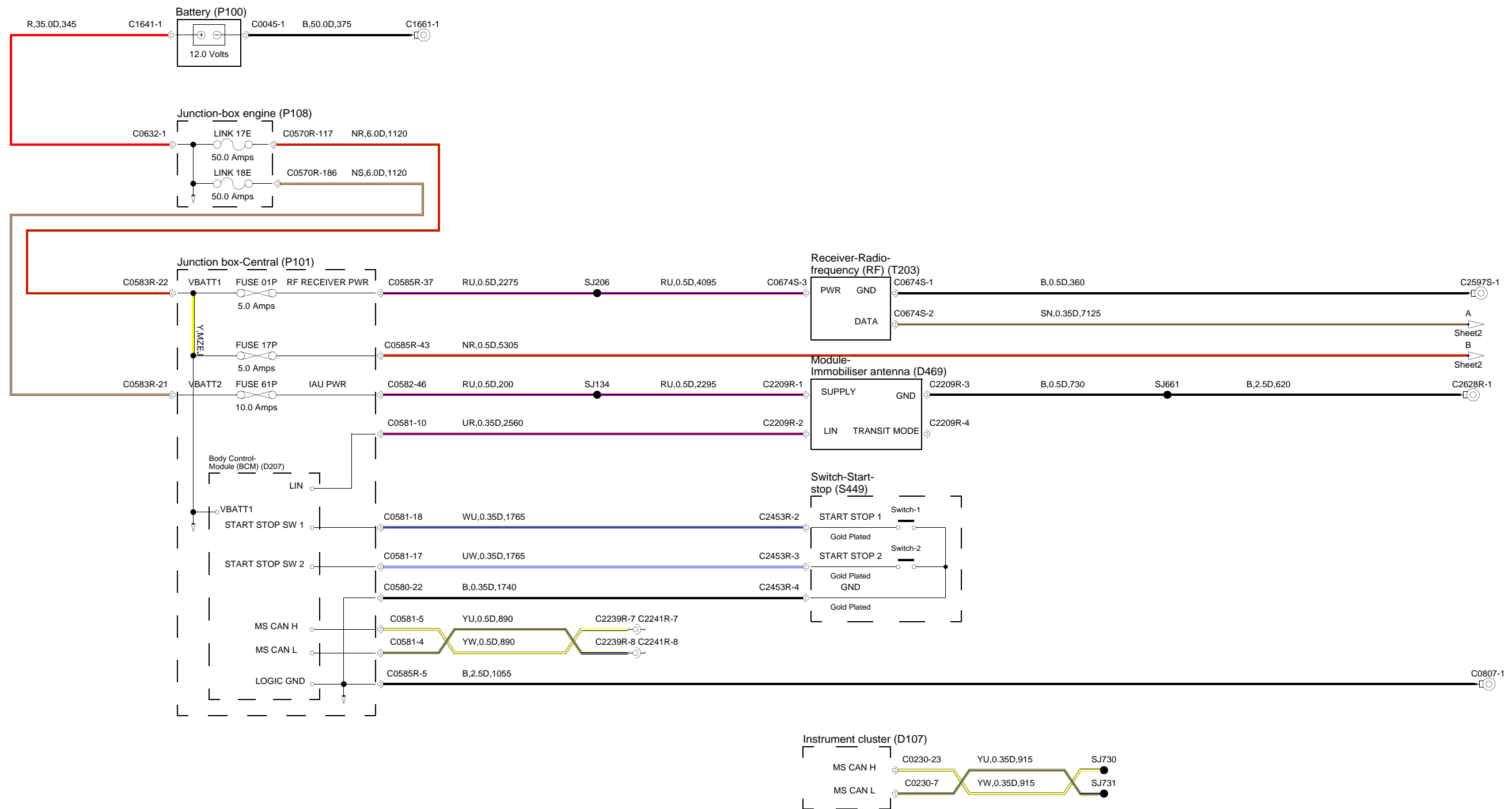


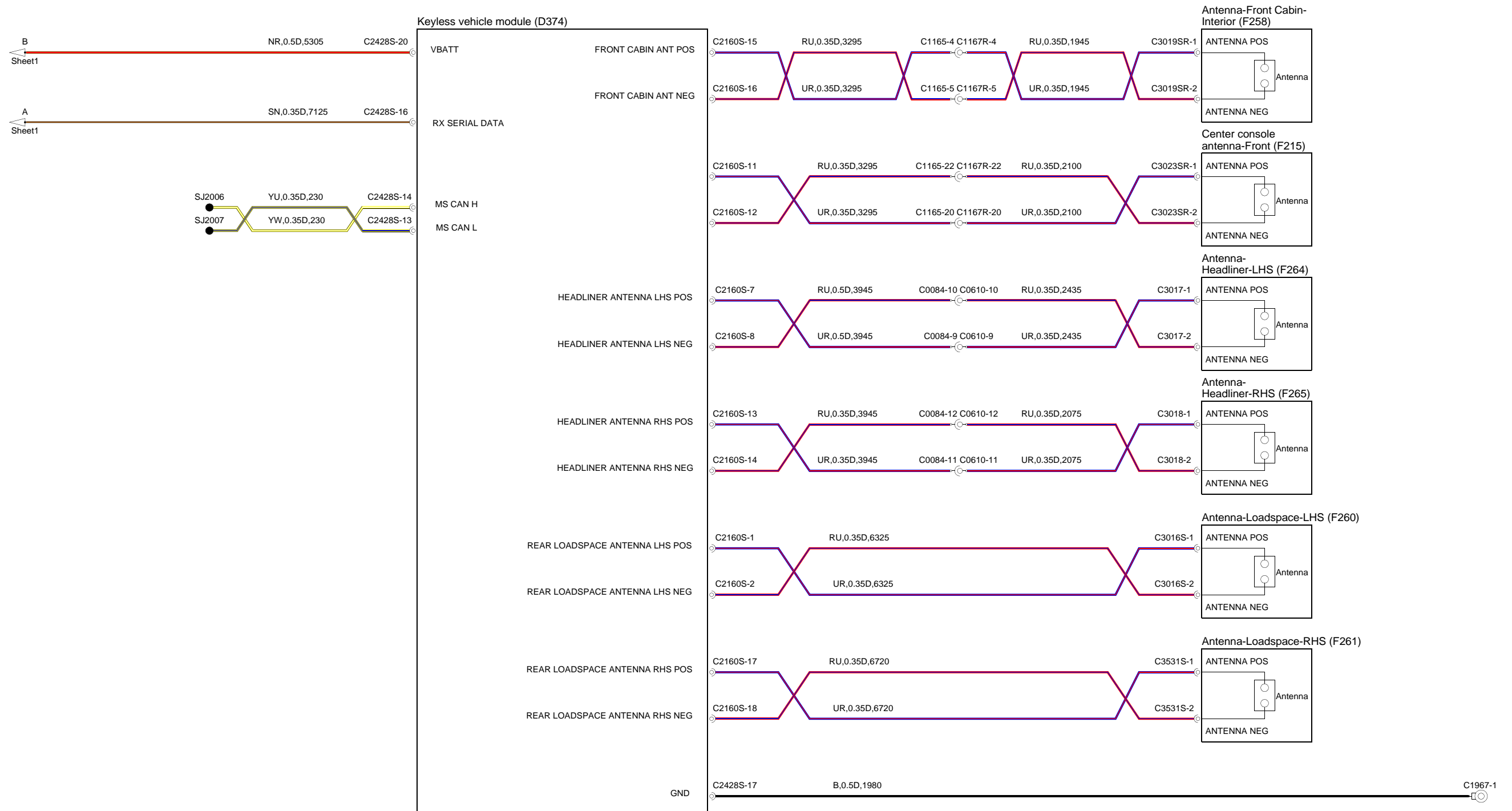


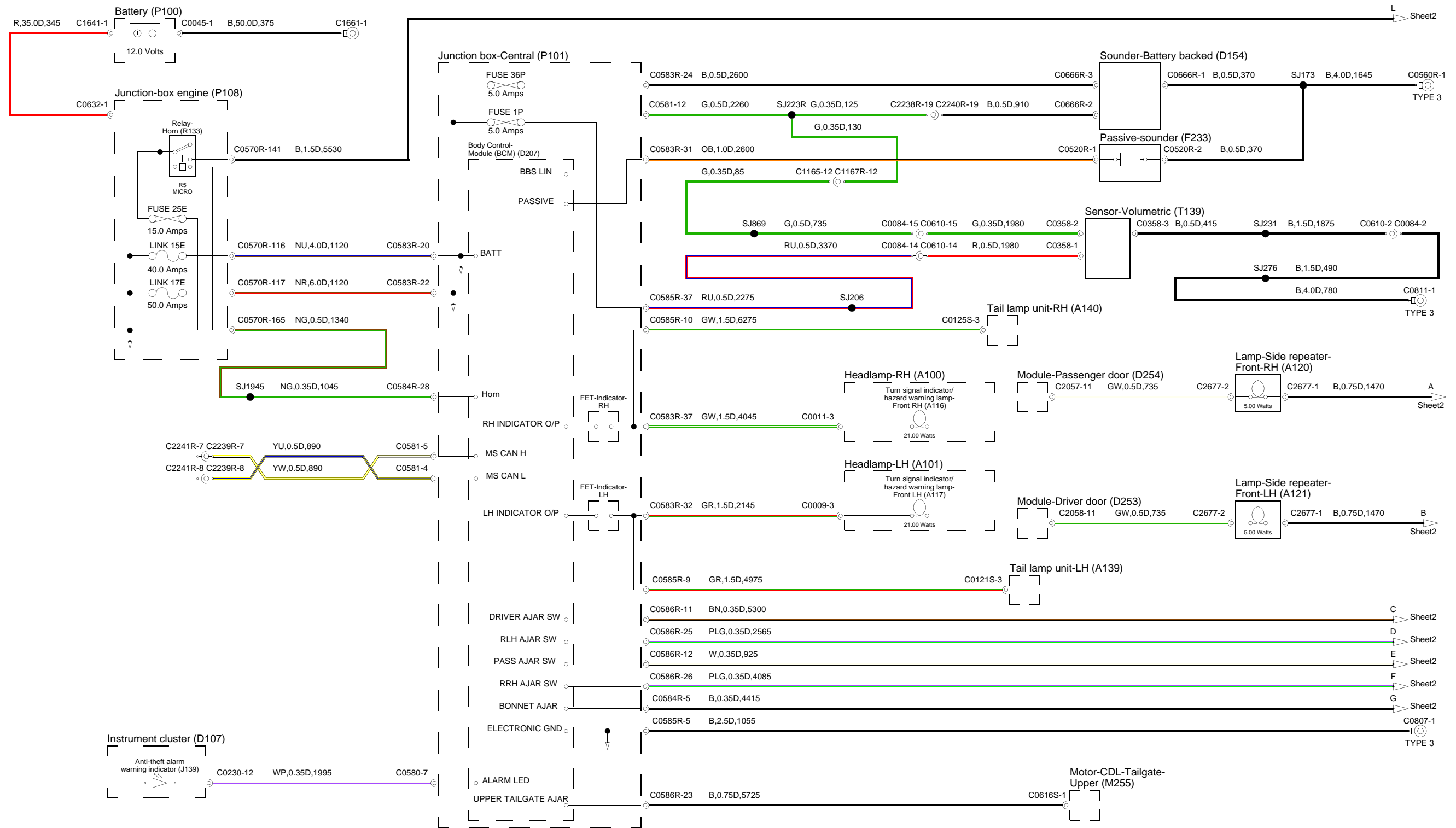


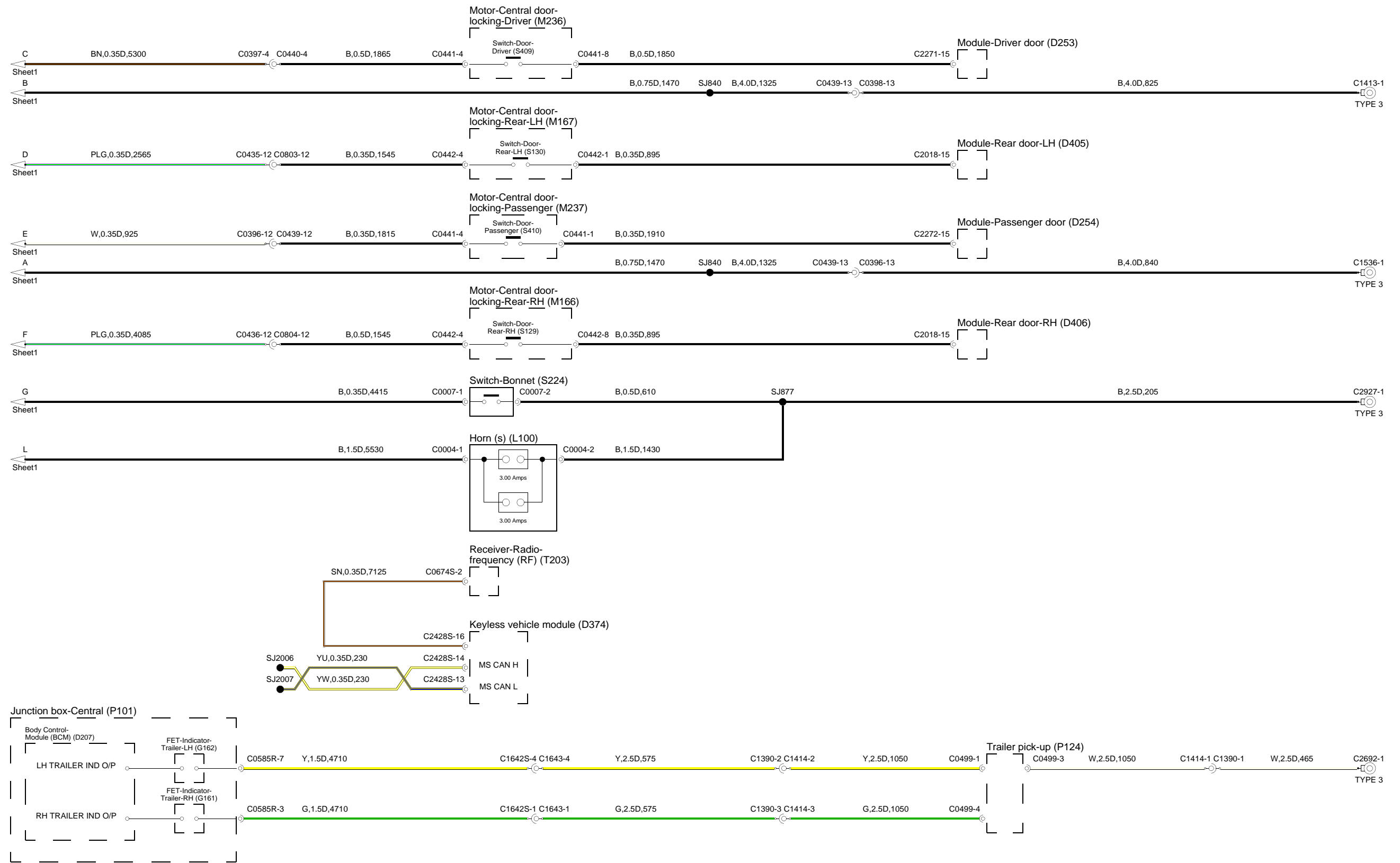


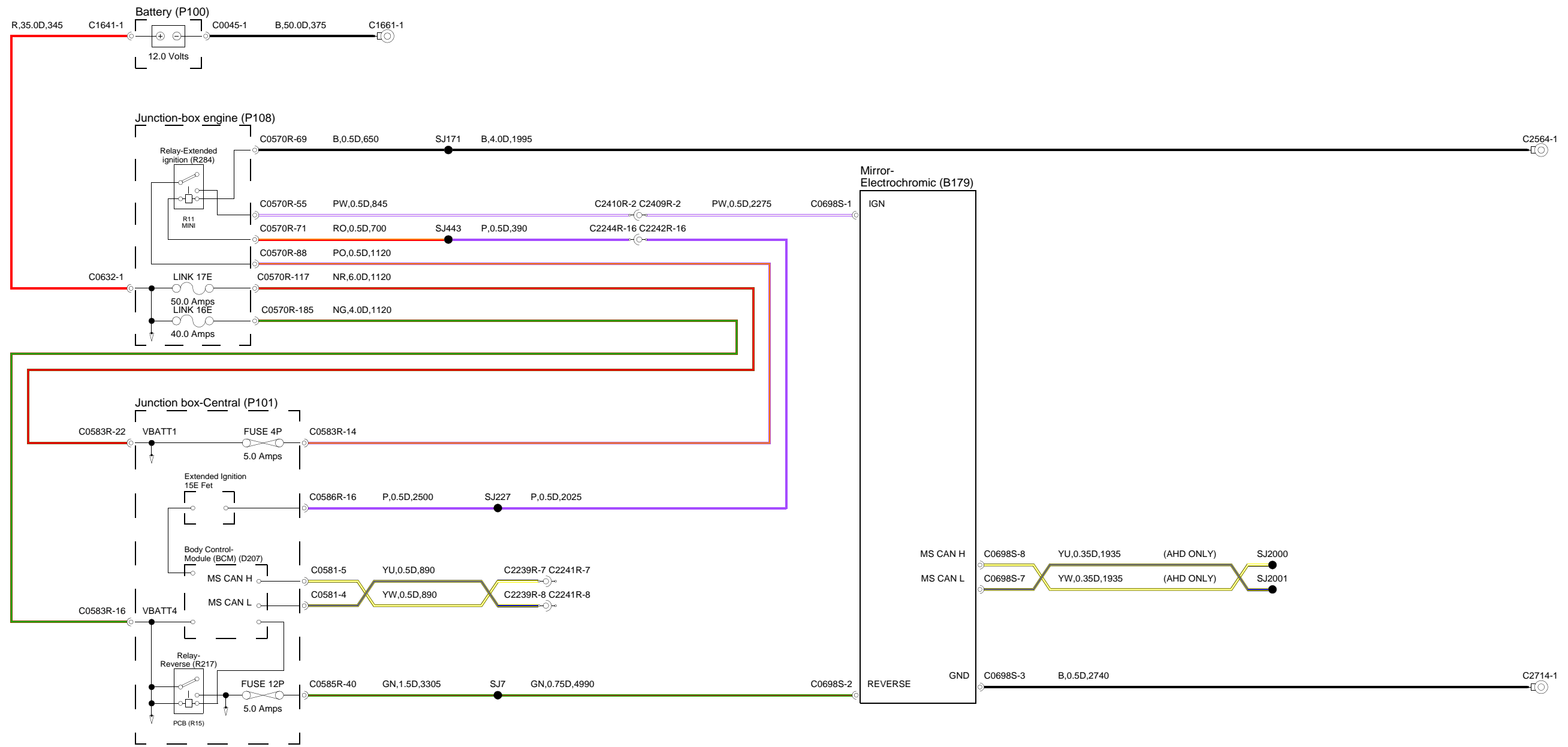


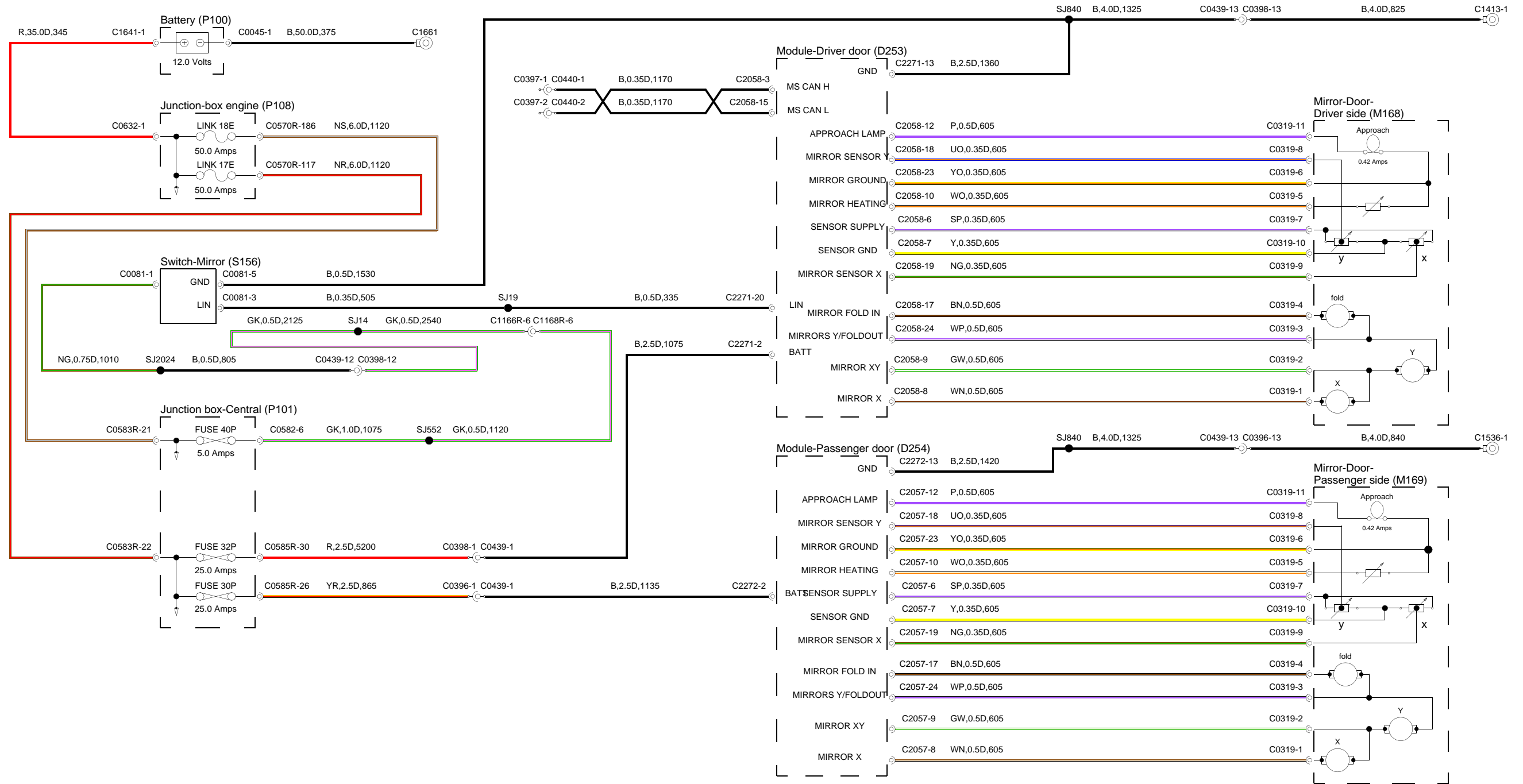


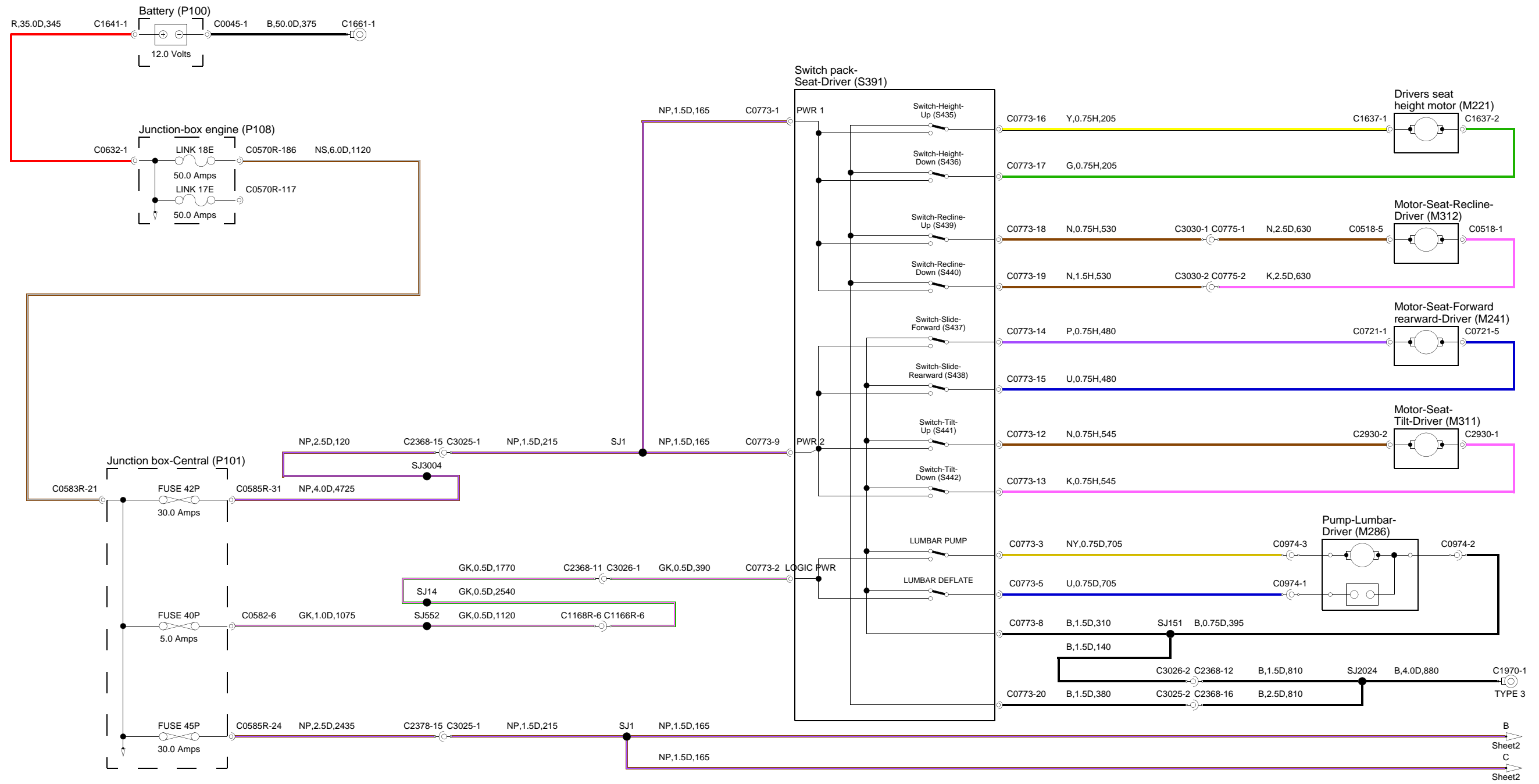


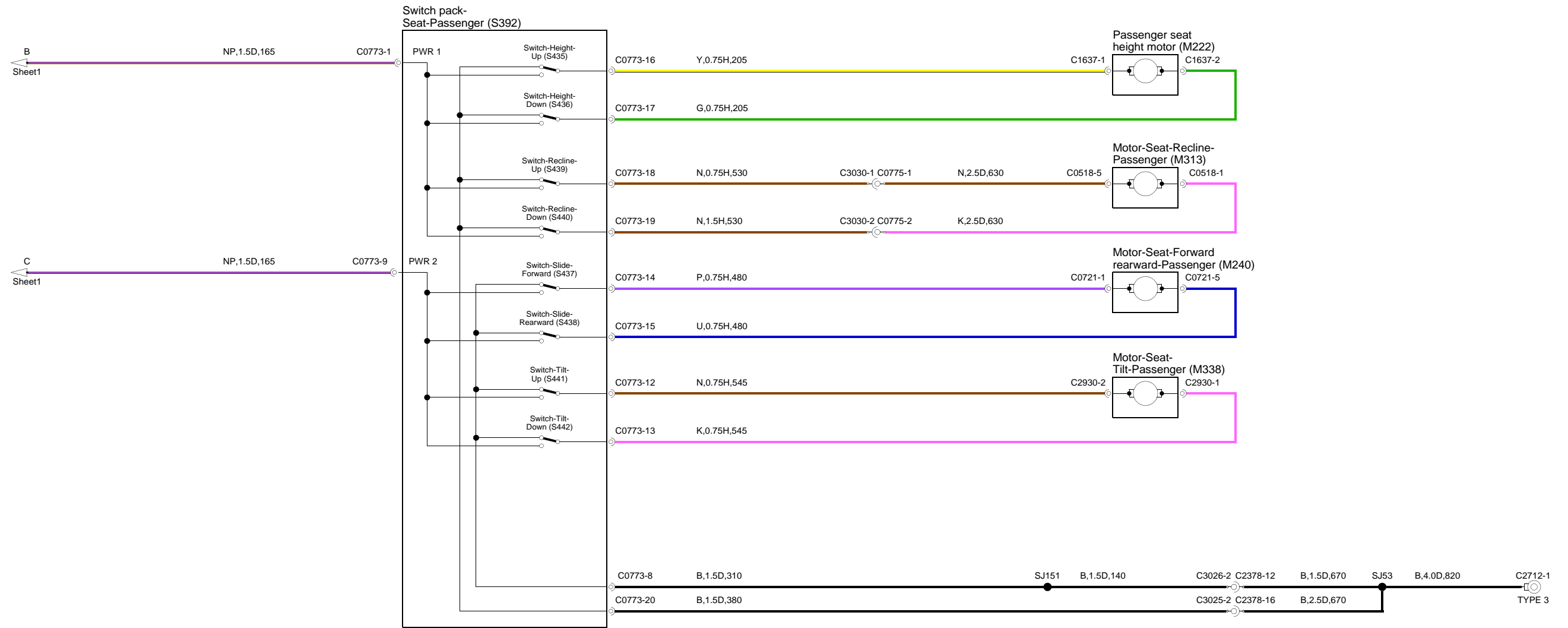


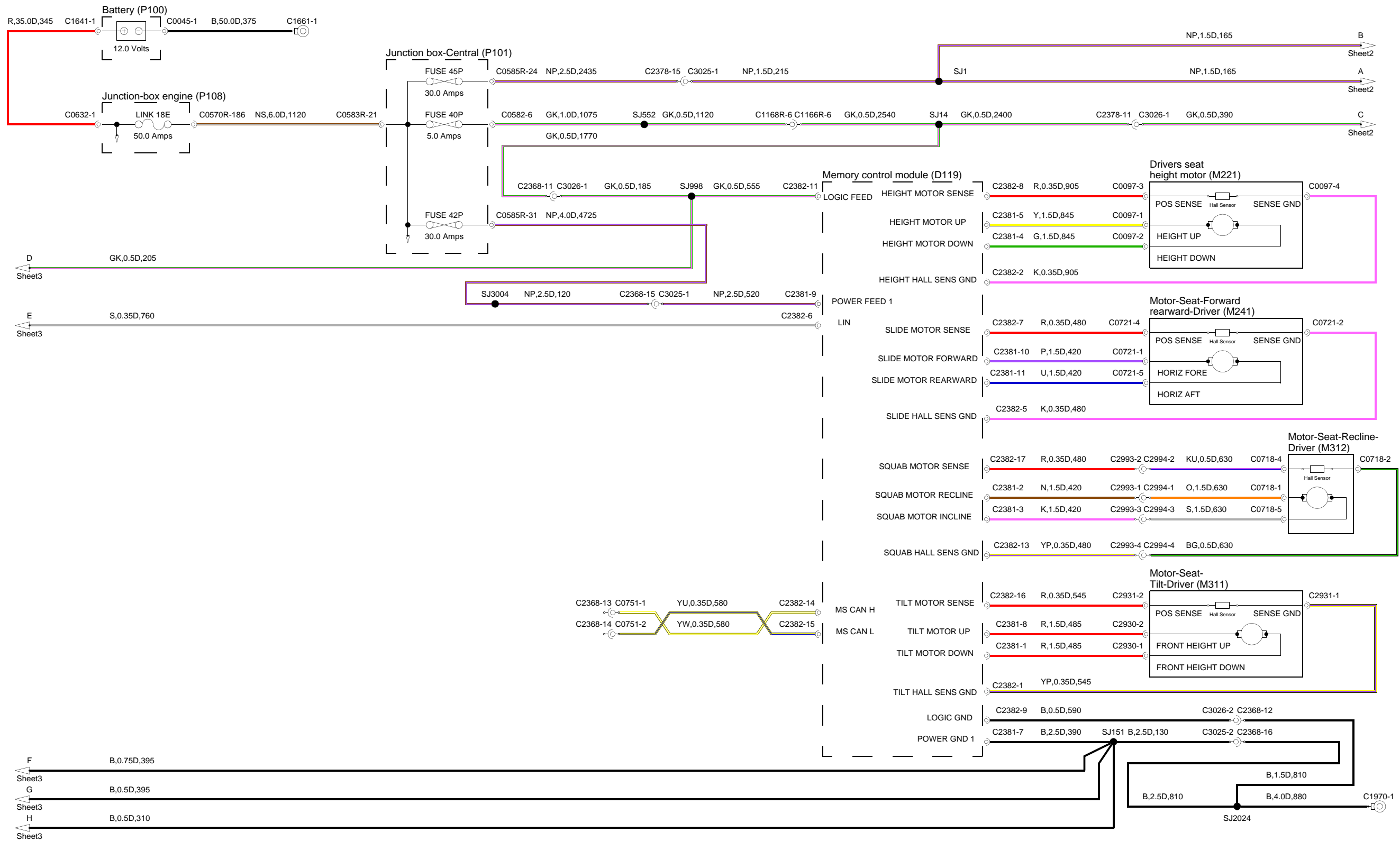


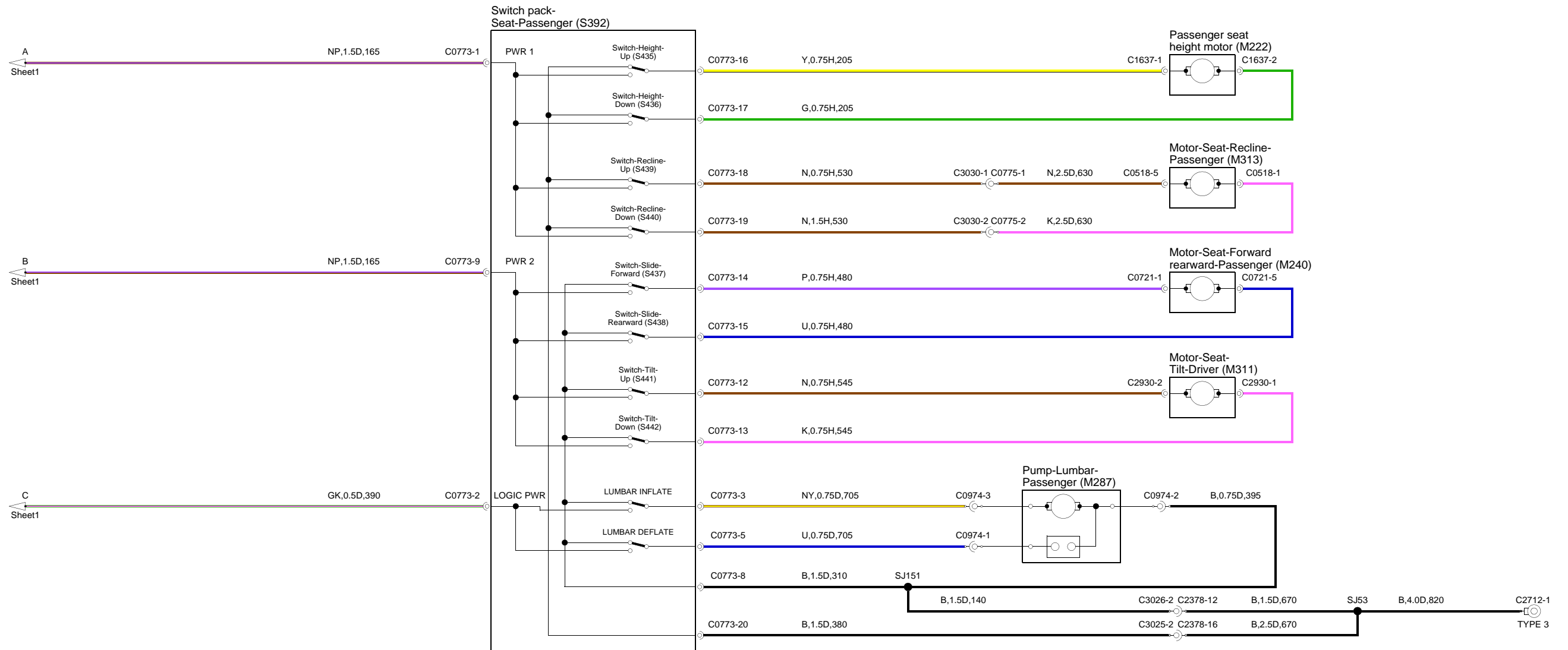


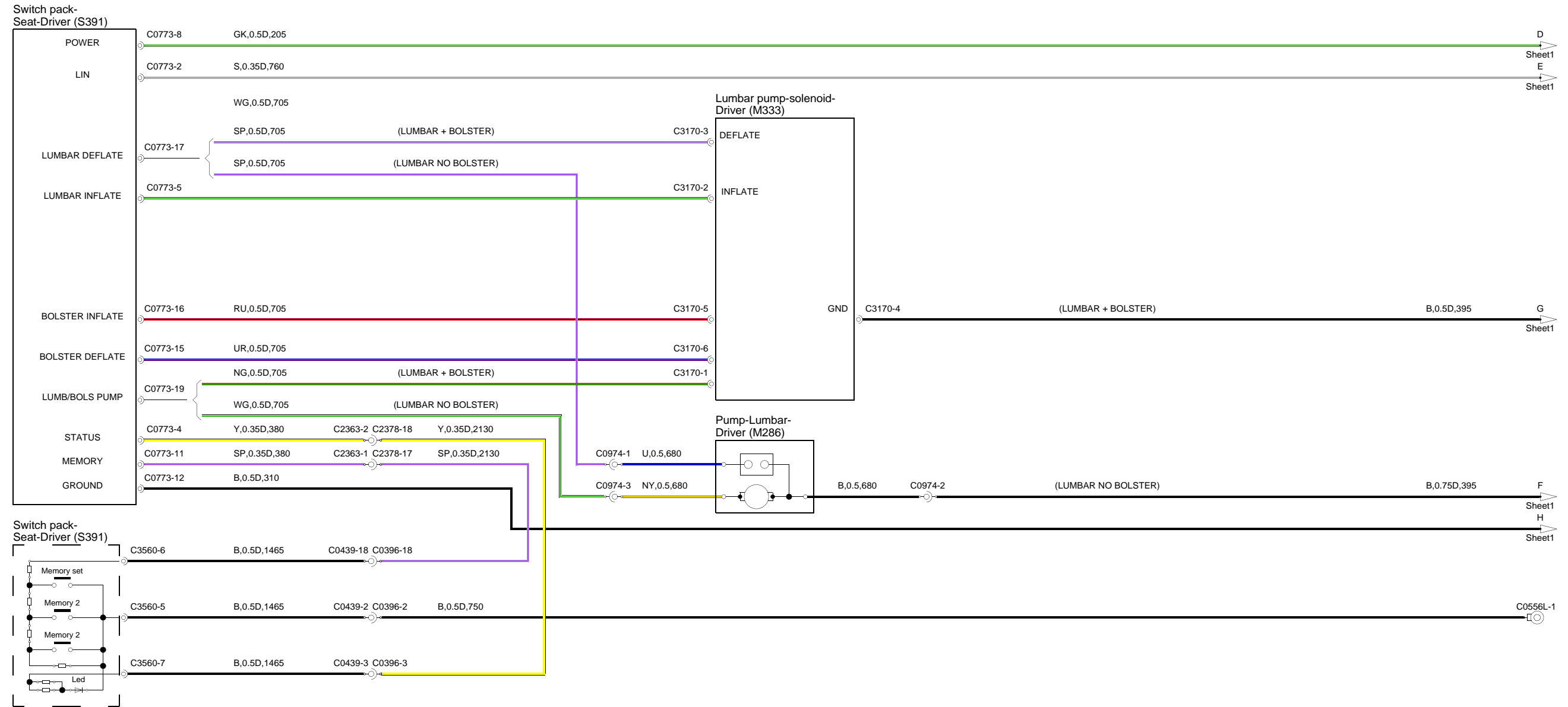


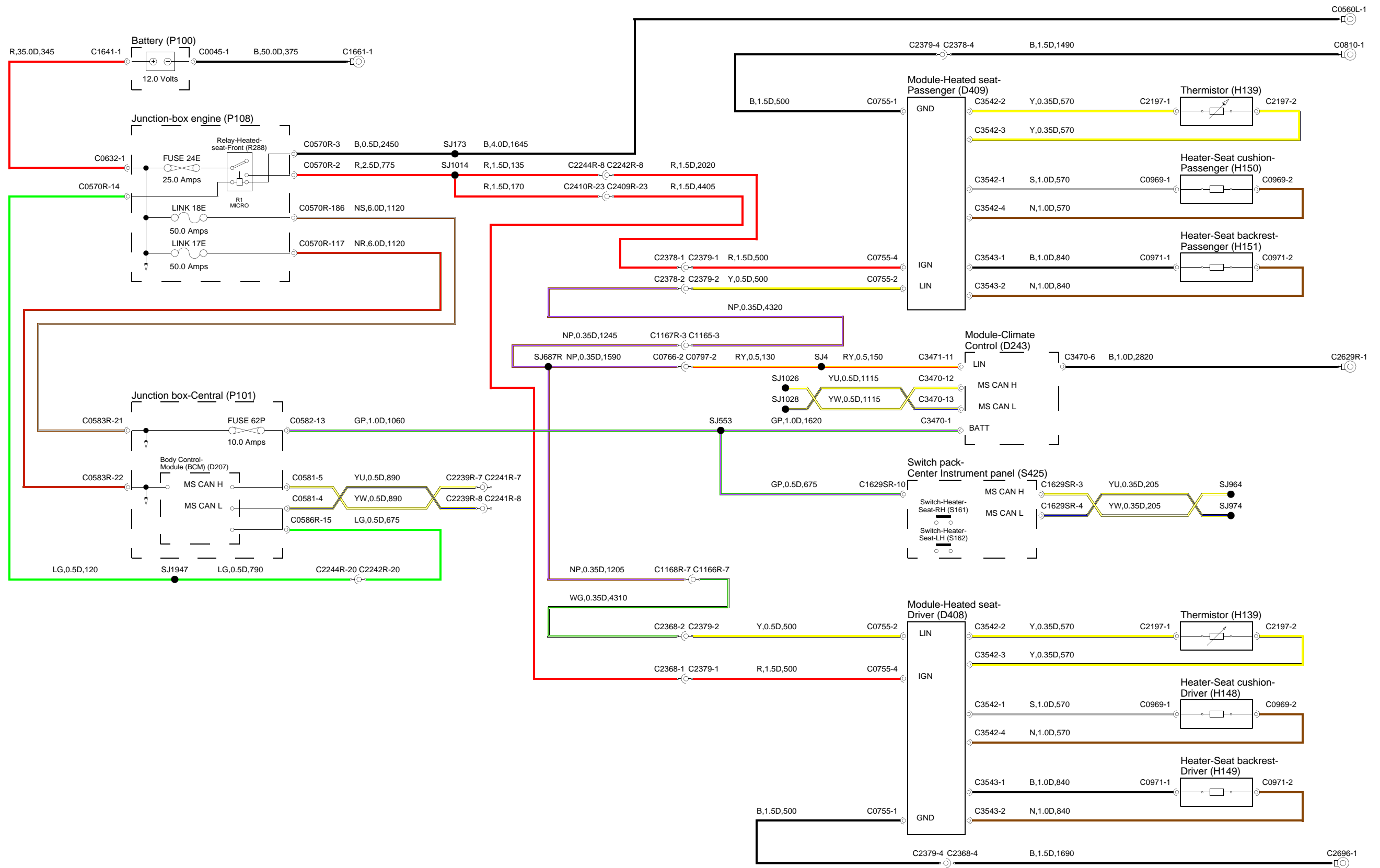


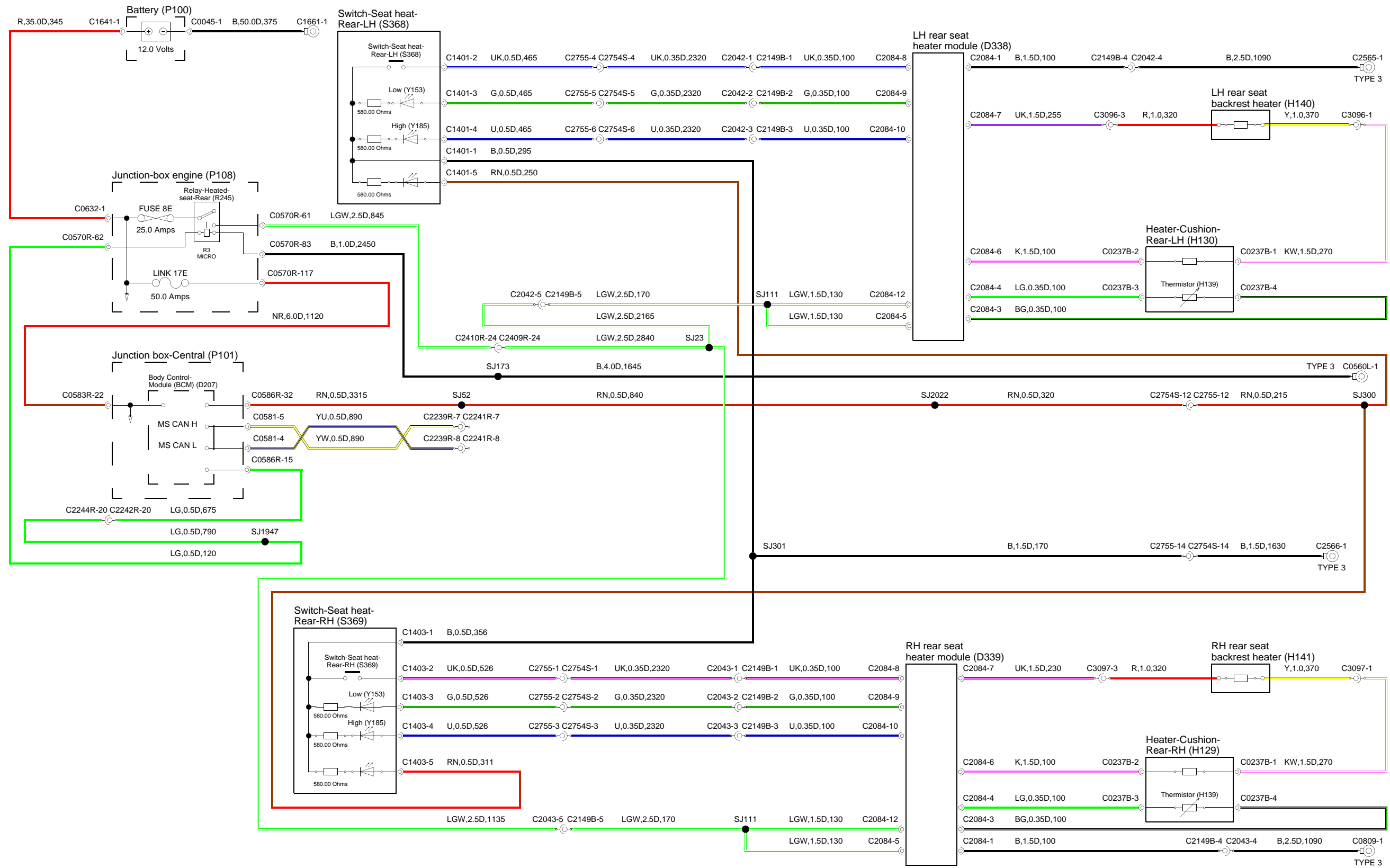


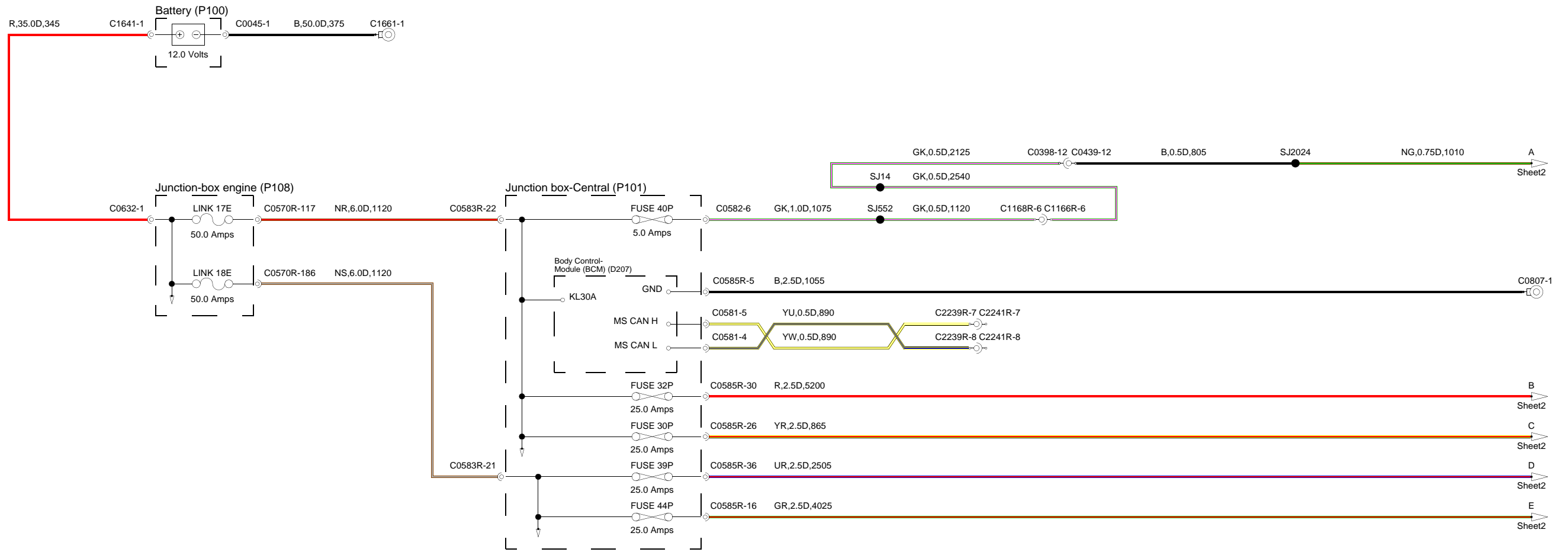


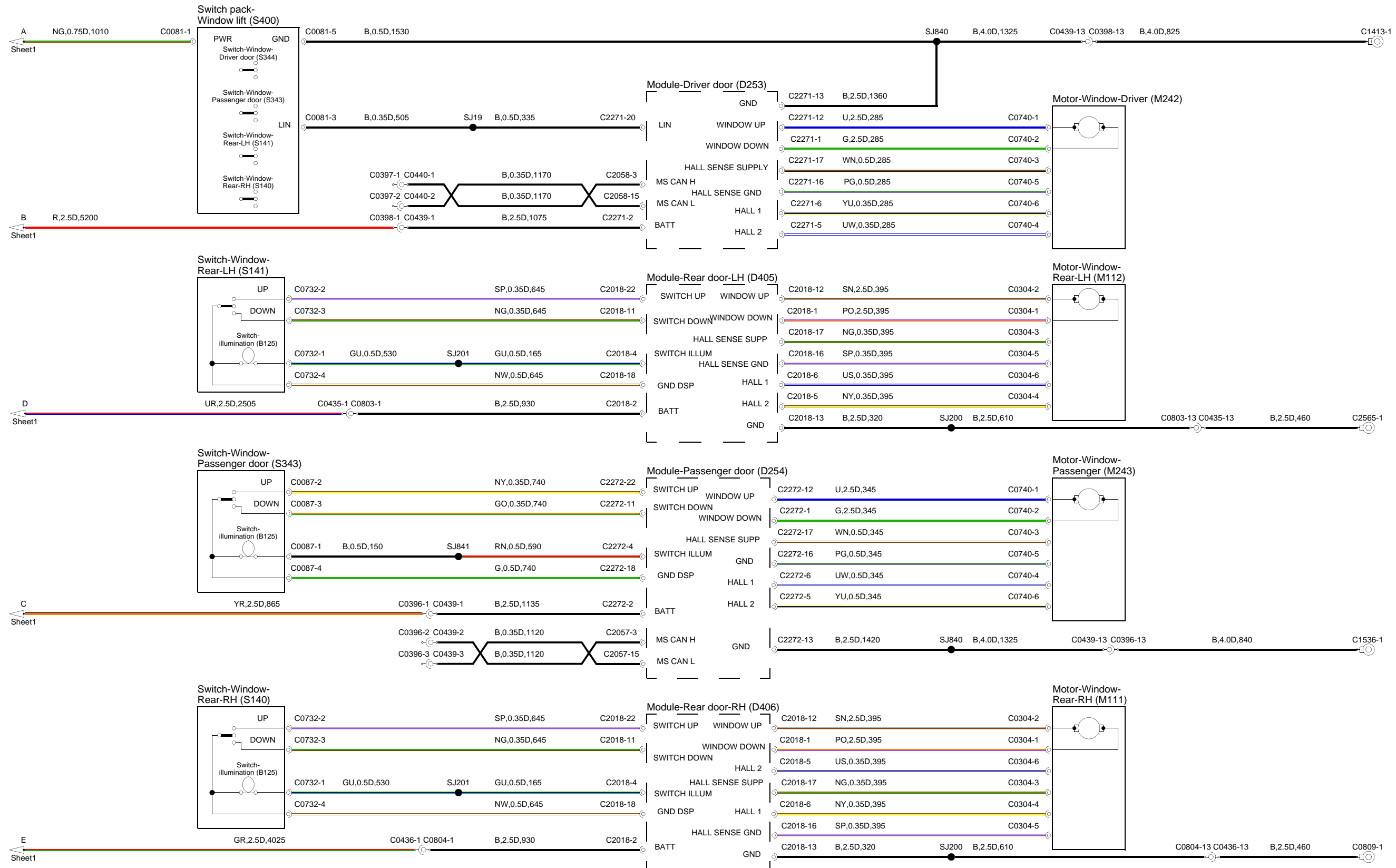


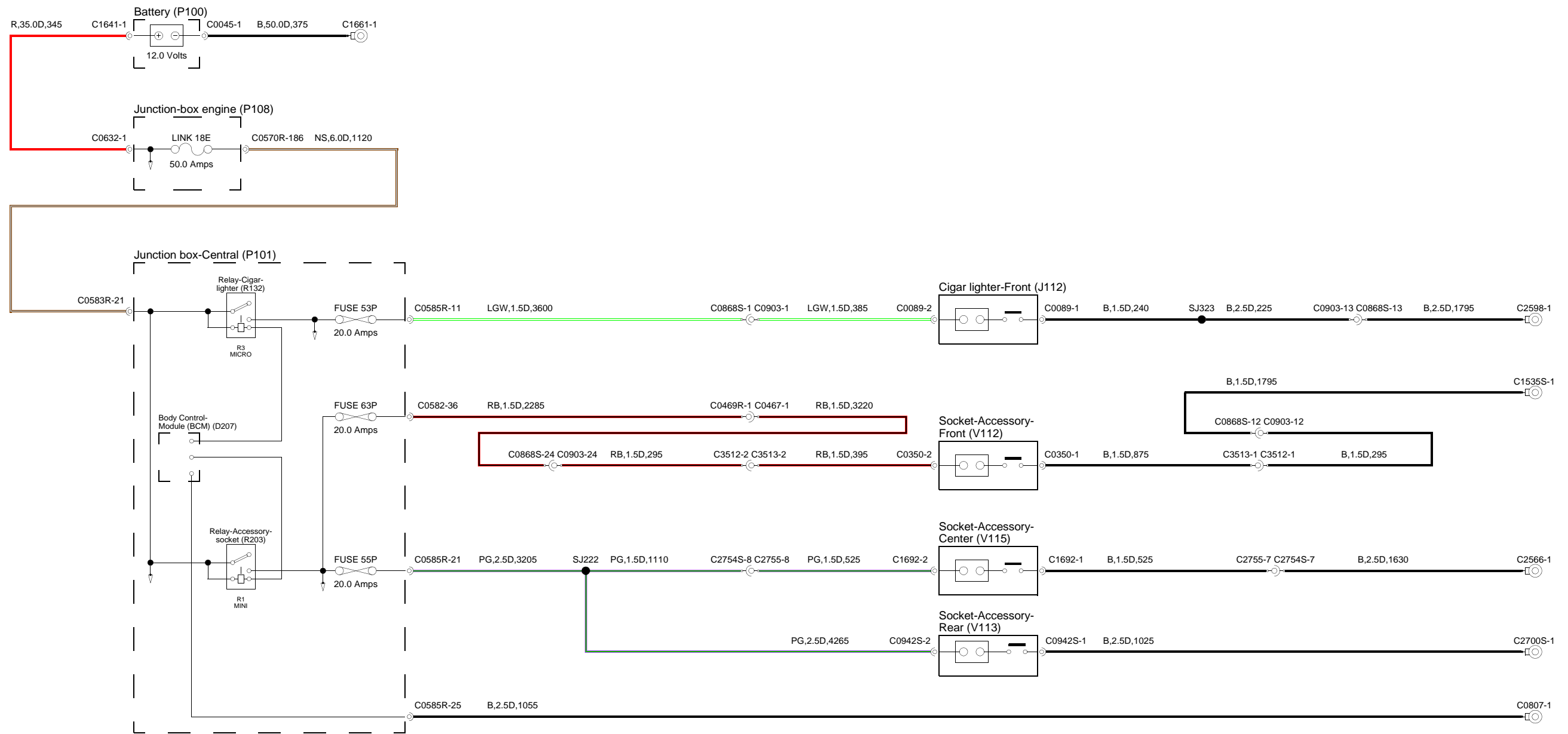


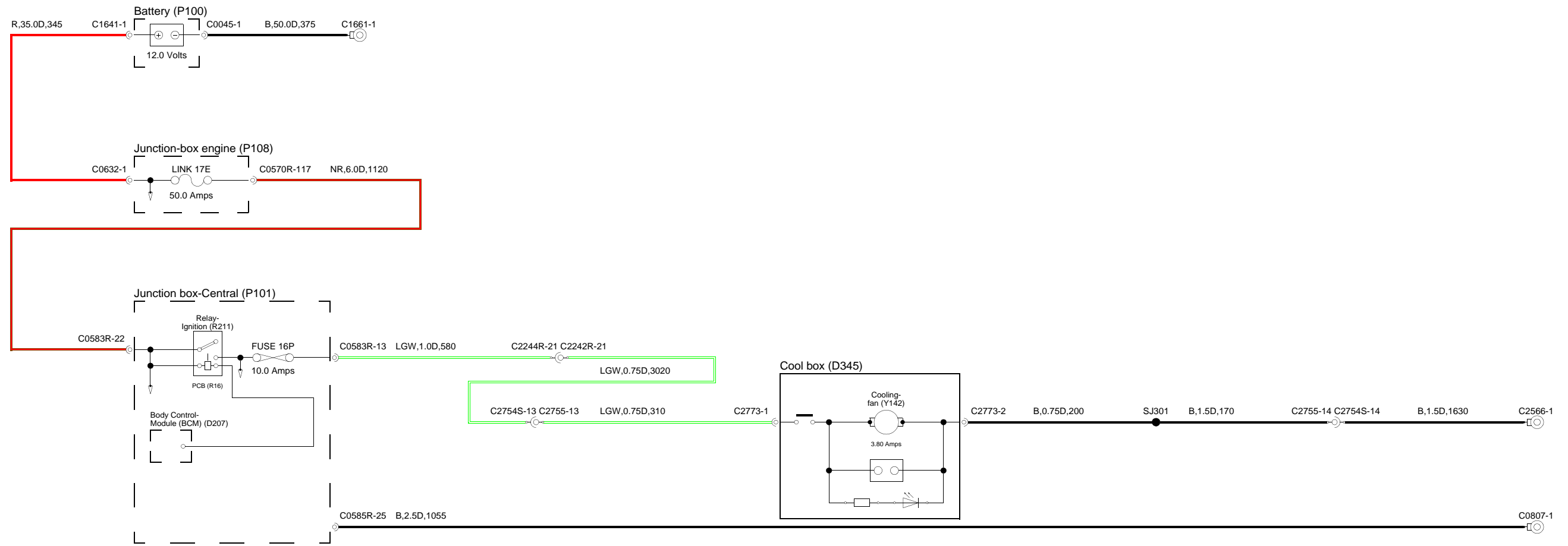


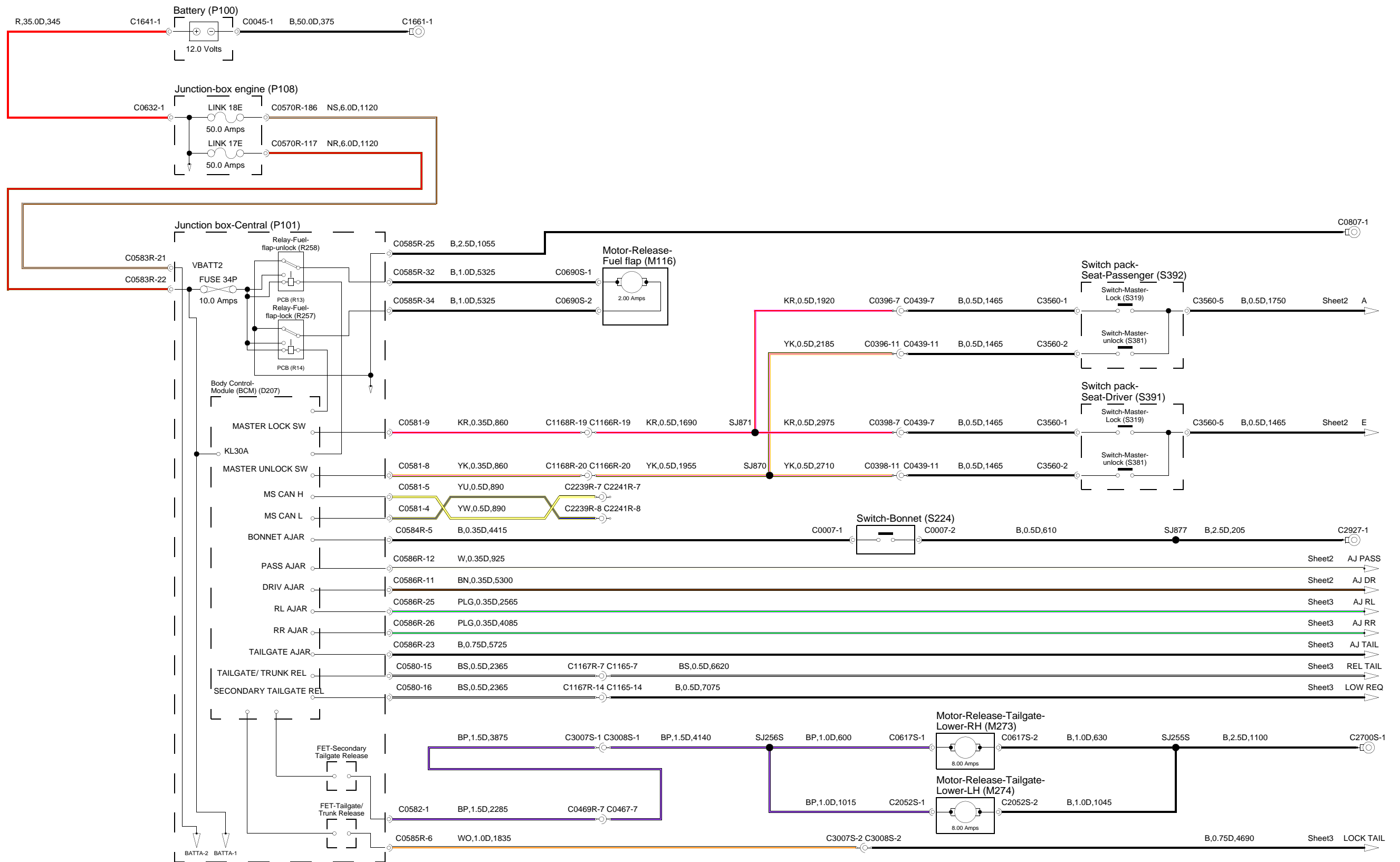


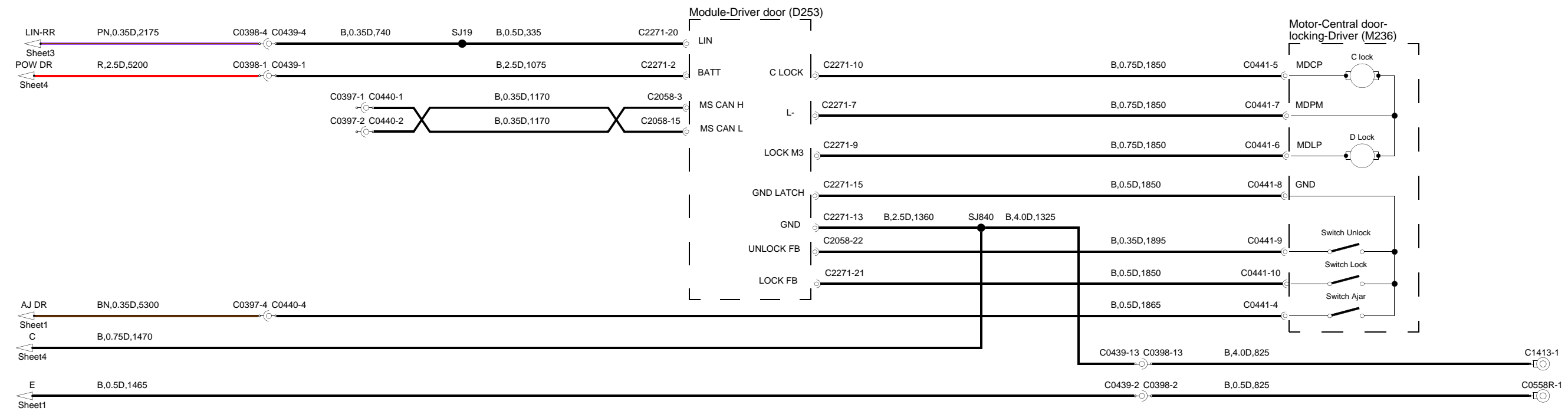
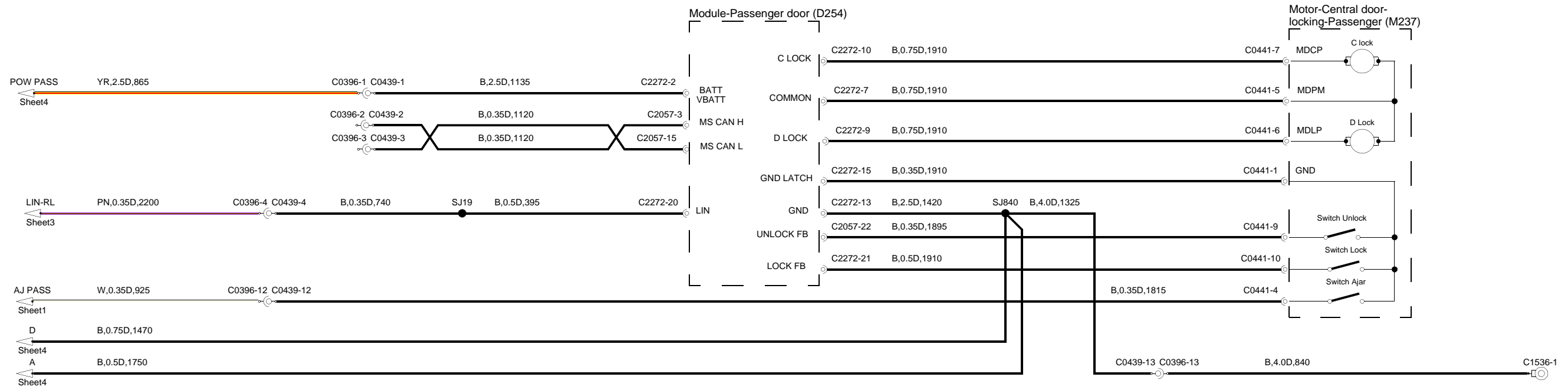


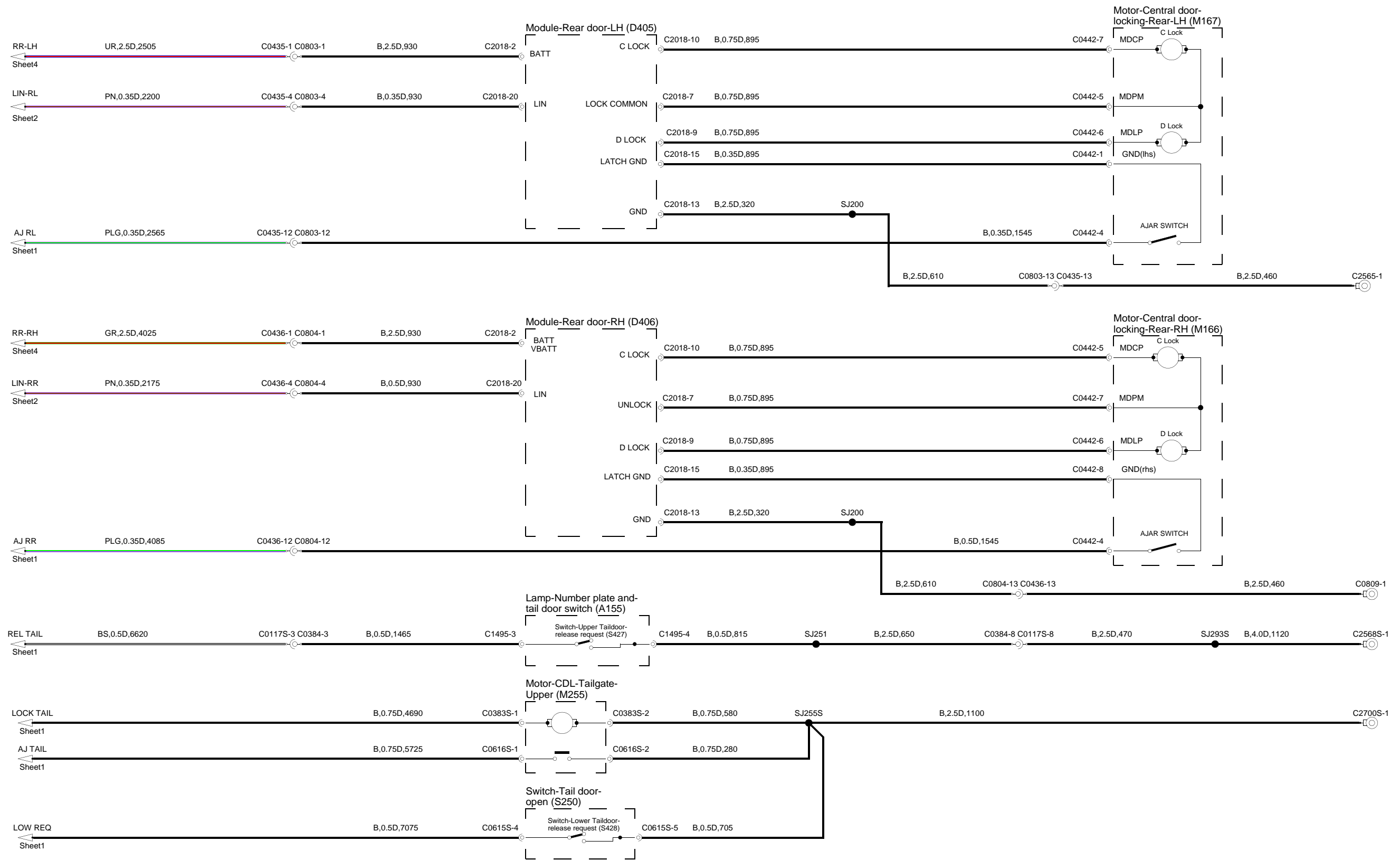


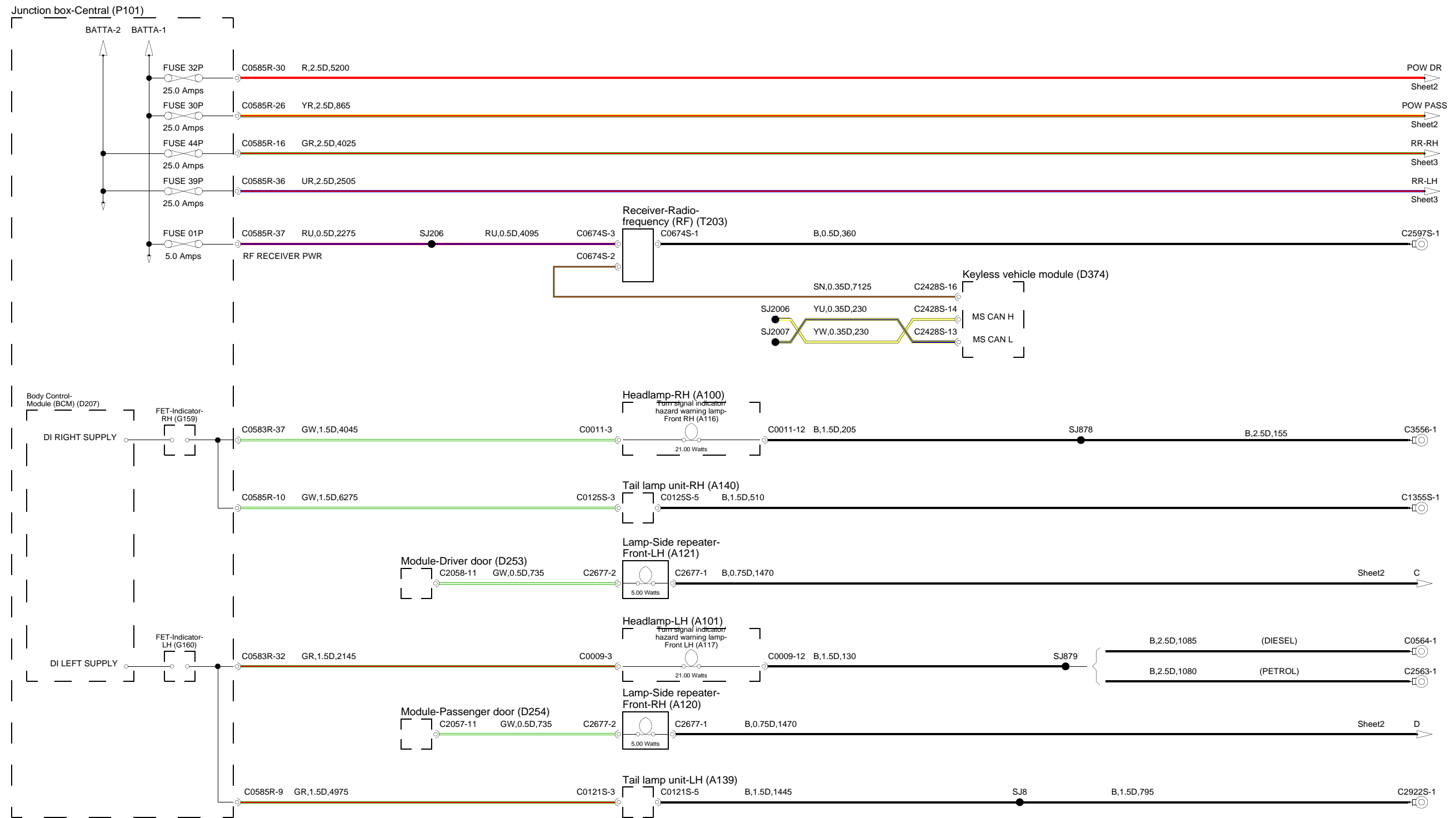


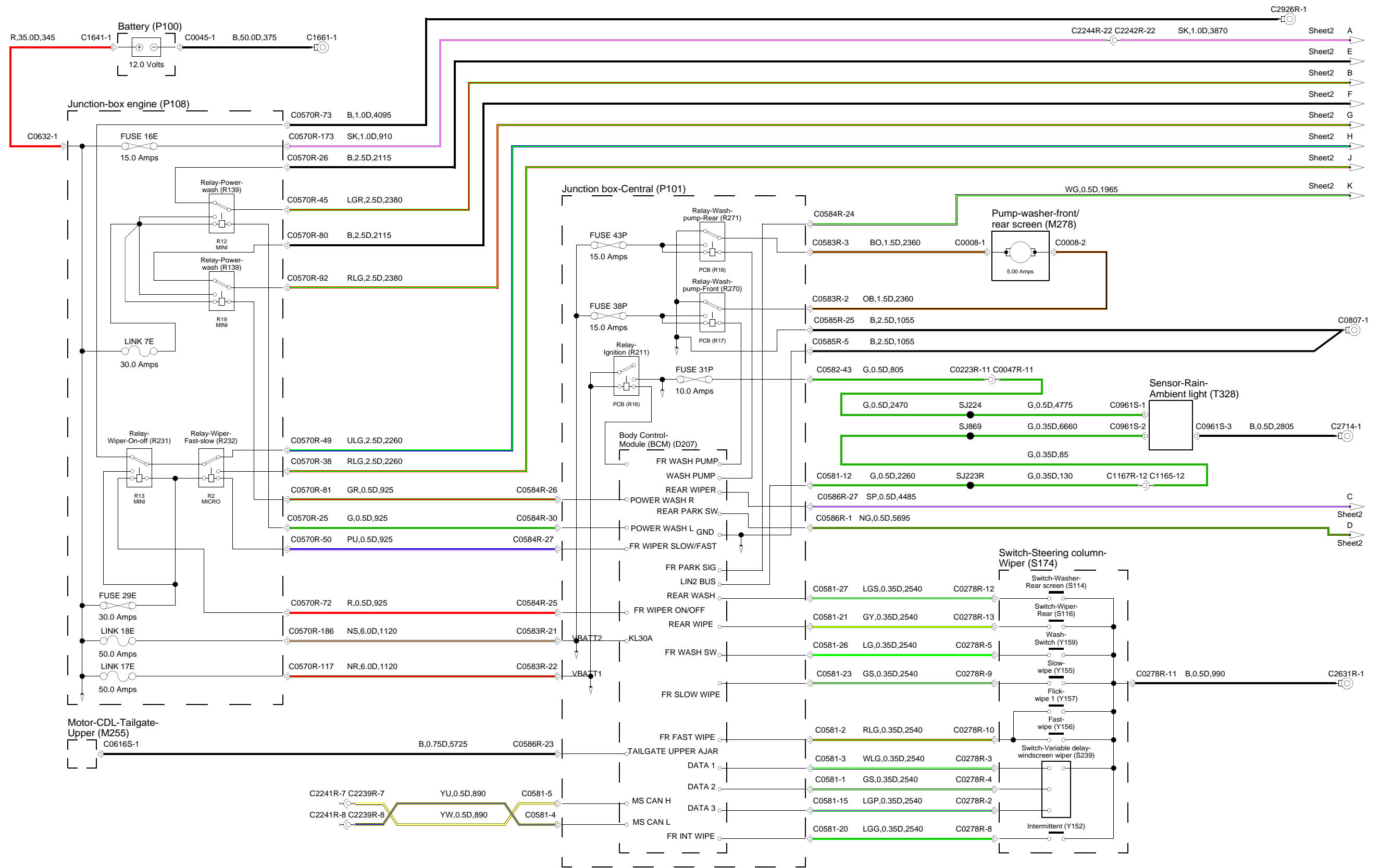


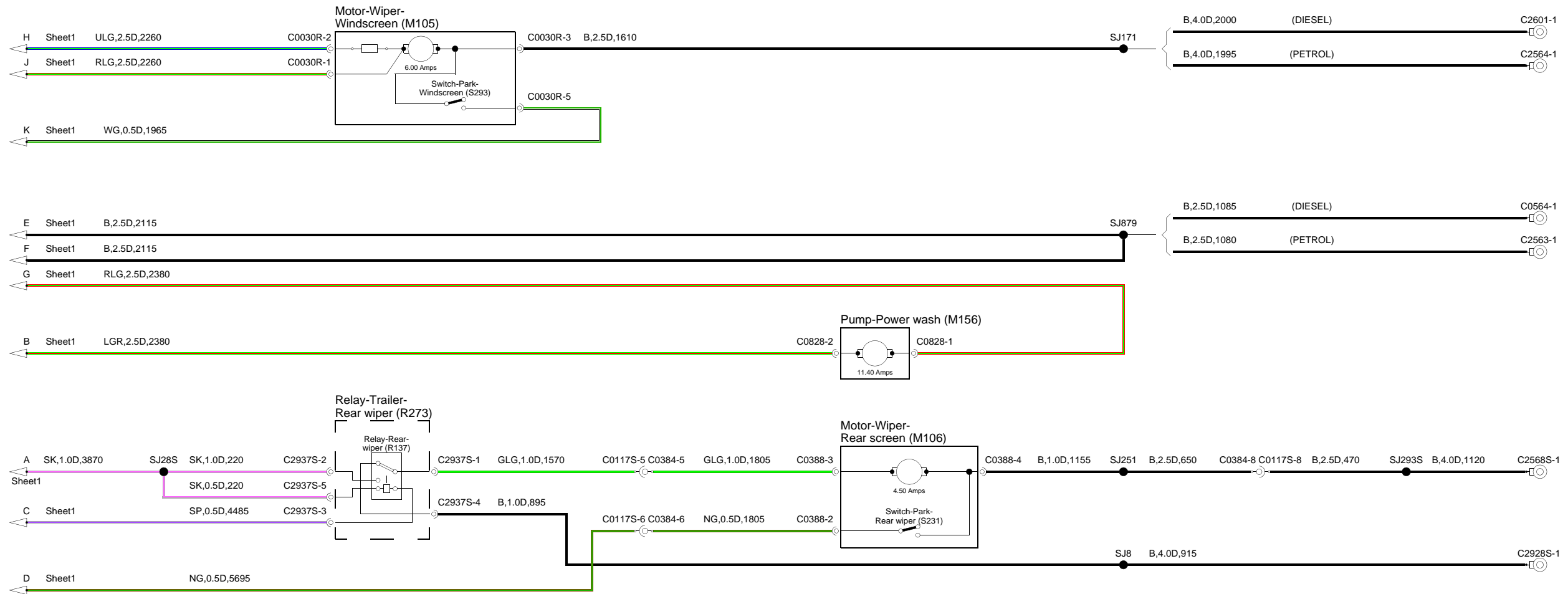


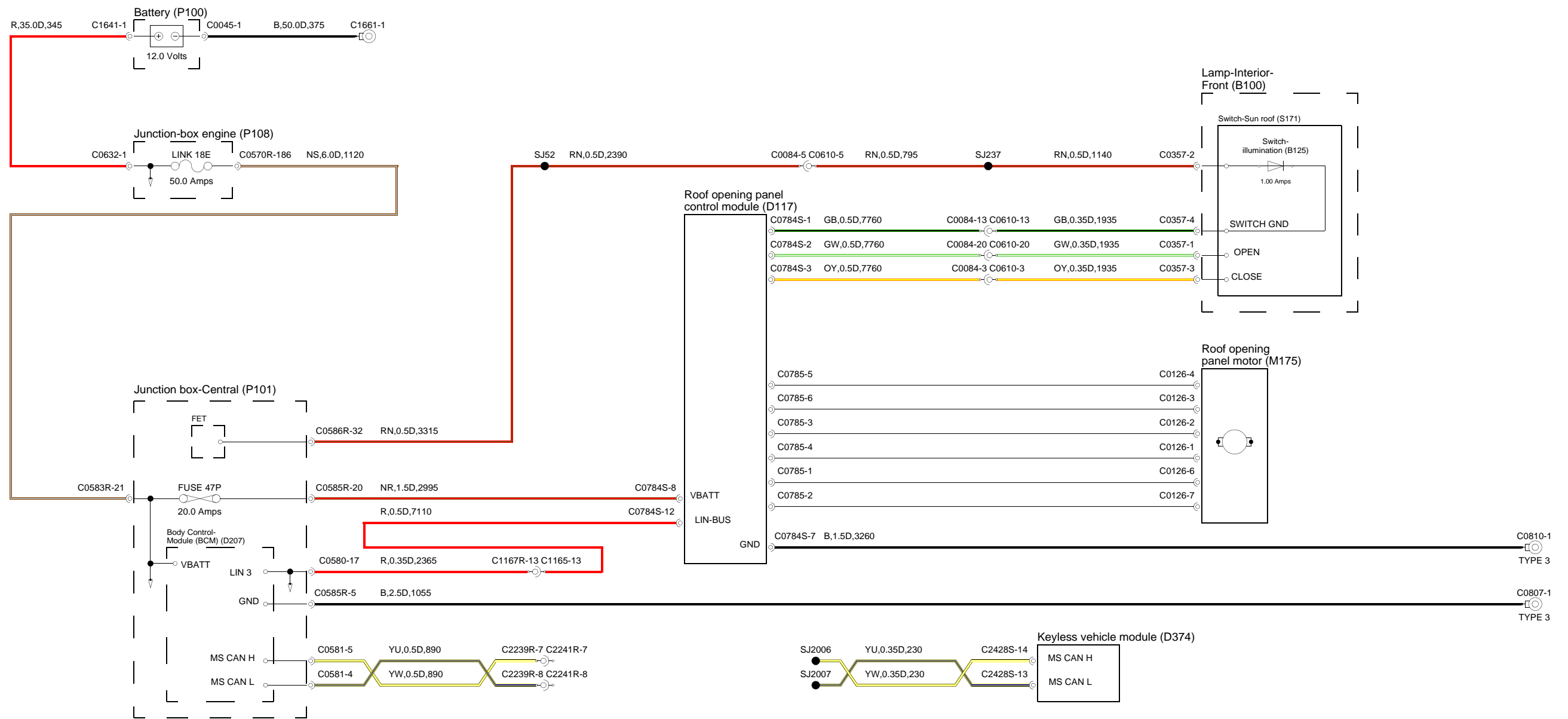


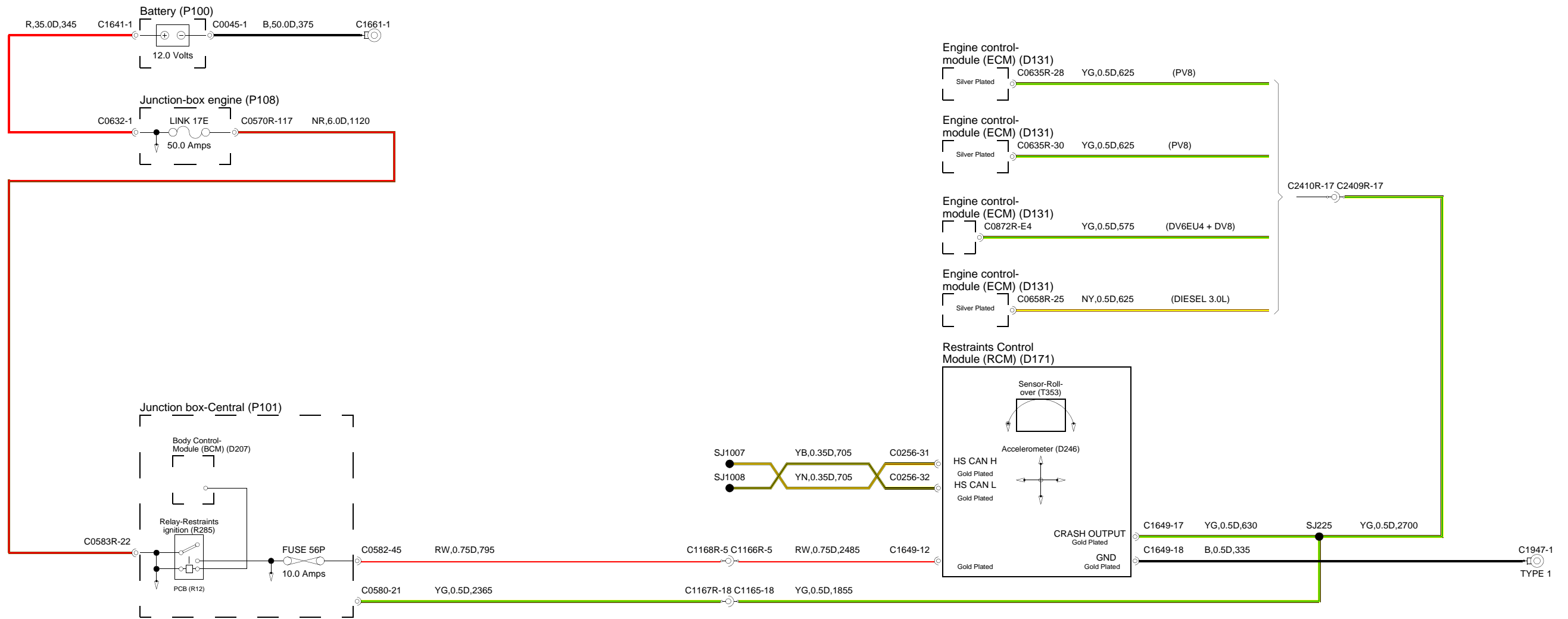


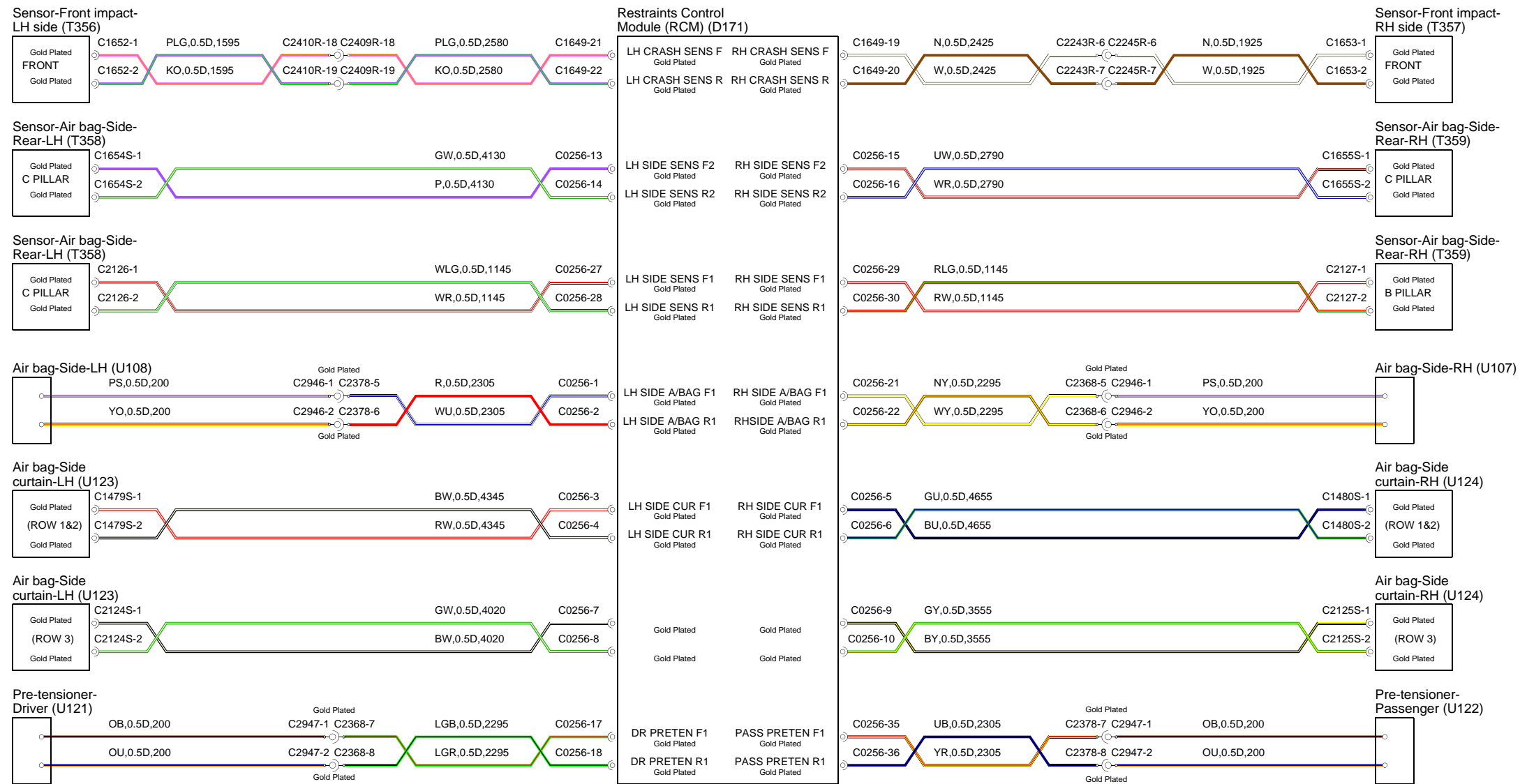


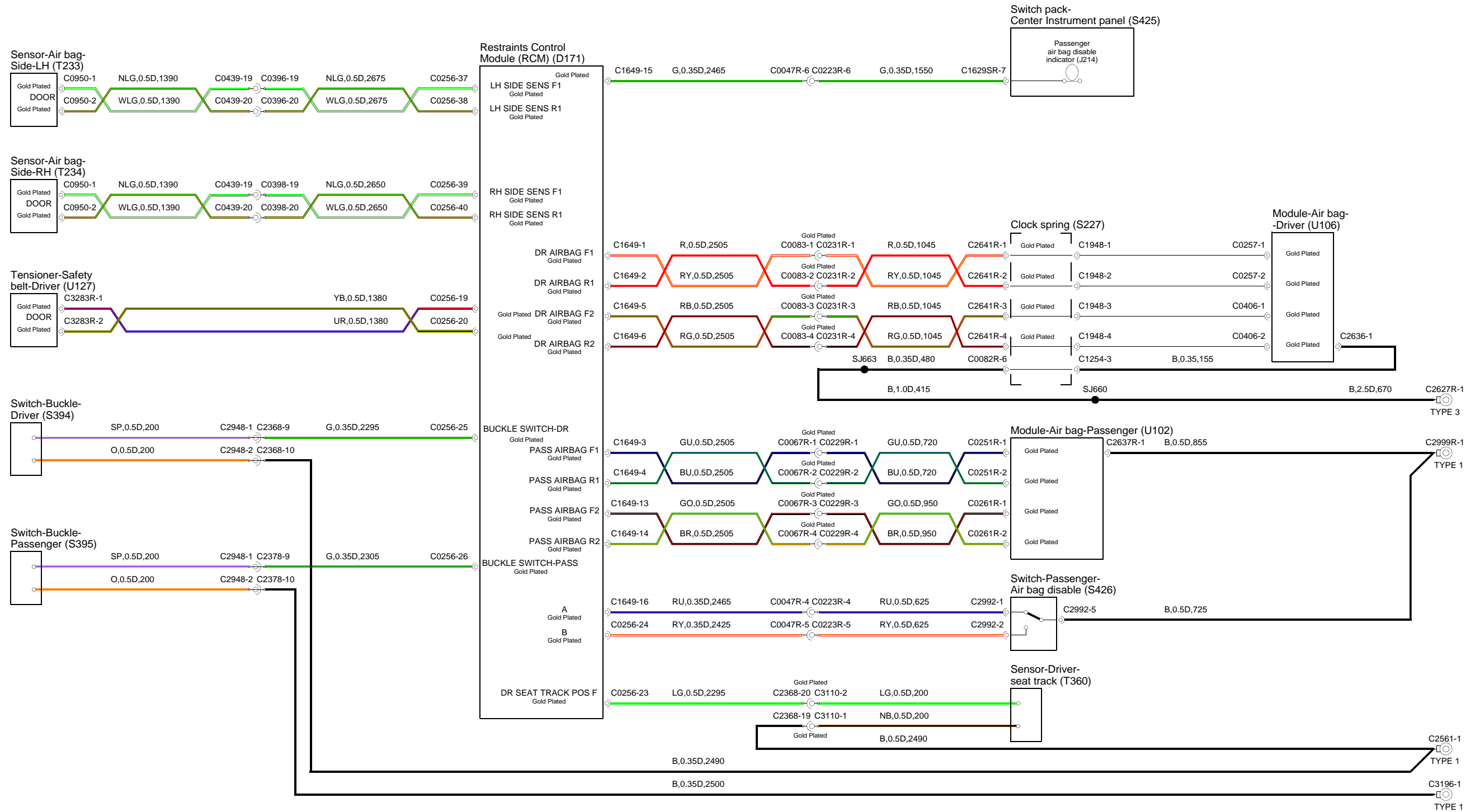






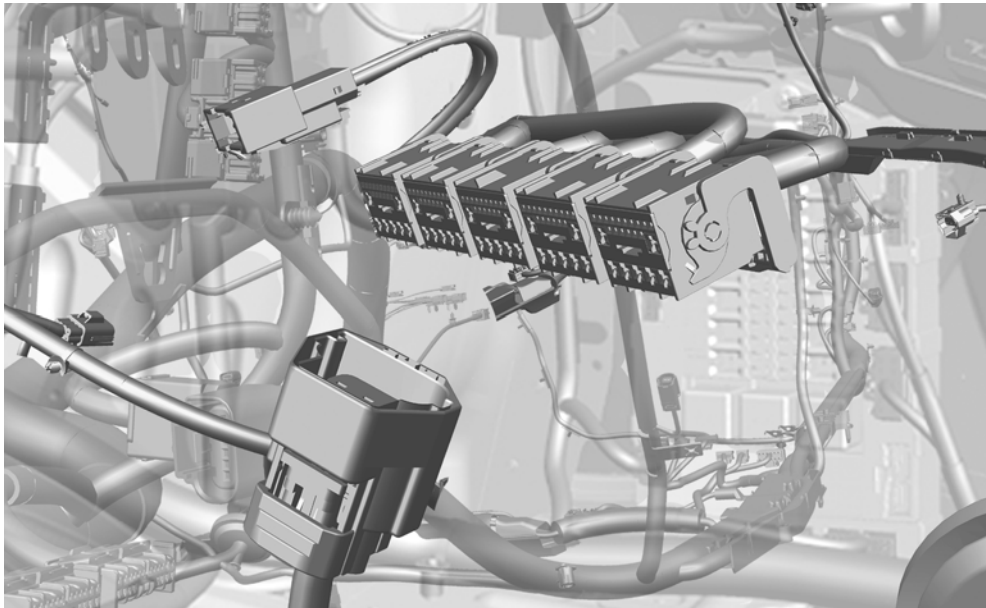








Electrical Wiring Diagrams



DISCOVERY 4 (RHD)

(1b) VIN: 524545 >

Electrical Wiring Diagrams

DISCOVERY 4

(1b) VIN: 524545 >

ABBREVIATIONS

..... viii

USING THIS PUBLICATION

Health and safety ix
Using this publication ix
Section numbering x
Circuit sheet numbering x
Understanding the circuit diagrams x

204-04 - WHEELS AND TIRES

Tire pressure monitoring system 1

204-05 - VEHICLE DYNAMIC SUSPENSION

Air suspension 2

205-02 - REAR DRIVE AXLE AND DIFFERENTIAL

..... 4

206-05 - PARKING BRAKE AND ACTUATION

..... 6

206-09 - ANTI-LOCK CONTROL

..... 7

211-04 - STEERING COLUMN

Adjustable 9

Clock spring 10

303-06 - STARTING SYSTEM

Ignition 12

303-14 - ELECTRONIC ENGINE CONTROLS

PV8 (5.0L) 13

PV6 18

DV6 (2.7L) 24

DV6 (3.0L) 30

307-01 - AUTOMATIC TRANSMISSION

DV6 (3.0L) and PV8 35

DV6 (2.7L) and PV6 37

308-00 - MANUAL TRANSMISSION

..... 39

308-07 - FOUR WHEEL DRIVE SYSTEMS

Transfer box 40

310-01 - FUEL TANK AND FUEL LINES

..... 43

412-01 - CLIMATE CONTROL

..... 45

Rear 48

412-02 - AUXILIARY CLIMATE CONTROL

Heated screen and washer jets 50

Fuel fired booster heater 51

413-00 - INSTRUMENT CLUSTER AND PANEL ILLUMINATION

..... 52

413-06 - HORN

..... 54

413-07 - CLOCK

..... 55

413-08 - INFORMATION AND MESSAGE CENTER	56
413-13 - PARKING AID	58
Multiple cameras	60
Rear view camera	61
414-01 - BATTERY, MOUNTING AND CABLES	62
Engine junction box	70
Central junction box	81
Ground distribution	
414-02 - GENERATOR AND REGULATOR	89
Petrol	90
Diesel	
415-00 - INFORMATION AND ENTERTAINMENT SYSTEM	91
Low line	93
Mid-Line	96
High line	105
Portable audio interface	
417-01 - EXTERIOR LIGHTING	106
Head, side, tail and number plate lamps	111
Headlamps - adaptive front lighting system	113
Lighting control switch	114
Auxiliary	115
Trailer socket	
417-02 - INTERIOR LIGHTING	116
Ambient lighting	119
418-00 - MODULE COMMUNICATIONS NETWORK	120
CAN bus - medium speed	121
CAN bus - high speed	123
MOST	129
Diagnostic socket	
419-01 - ANTI-THEFT SYSTEM	130
Keyless Entry	134
Passive start	136
Active	
501-09 - REAR VIEW MIRRORS	138
Interior	139
Door	
501-10 - SEATING	140
Non memory	142
Memory	145
Heated - front	146
Heated - rear	
501-11 - GLASS, FRAMES AND MECHANISMS	147
Window lift	
501-12 - INSTRUMENT PANEL AND CONSOLE	149
Accessory socket(s)	150
Cool box	
501-14 - HANDLES, LOCKS, LATCHES AND ENTRY SYSTEMS	151
Central locking system	
501-16 - WIPERS AND WASHERS	155

501-17 - ROOF OPENING PANEL

157

501-20B - SUPPLEMENTAL RESTRAINT SYSTEM

158

ABBREVIATIONS

Abbreviation	Description
ABS	Anti-lock braking system
ADRC	Adaptive damping
AFS	Adaptive front lighting system
AMP	Audio amplifier
AUTO	Automatic transmission
AUU	Portable audio interface
BSM	Blind spot monitoring
CAN	Controller area network
CVD	Continuously variable damping
DAB	Digital audio broadcasting
DSC	Dynamic stability control
D4	Diesel engine - Straight-four
DPF	Diesel particulate filter
DV6	Diesel engine - V6
DV8	Diesel engine - V8
EGR	Exhaust gas recirculation
EMS	Engine management system
ETS	Electronic transmission shift
FET	Field effect transistor
GPS	Global positioning system
HID	High intensity discharge
HS CAN	High speed controller area network bus
IC	Instrument cluster
IMT	Intake manifold tuning
IP	Instrument panel
PV6	Petrol engine - V6
PV8	Petrol engine - V8
PV8NA	Naturally aspirated engine - V8
PV8SC	Super charged engine - V8
LH	Left-hand
LIN	Local interconnect network
MAF/IAT	Mass air flow / intake air temperature
MS CAN	Medium speed controller area network bus
MMM	Navigation system module
N/A	Normally aspirated
NAS	North American specification
PDC	Park distance control
RF	Radio frequency
RH	Right-hand
SAI	Secondary air injection
SCL	Steering column locking
SDARS	Satellite digital audio receiver system
TPMS	Tire pressure monitoring system
TSD	Touch screen display
TV	Television
ULEV	Ultra low emission vehicle
USB	Universal serial bus
VICS	Vehicle information control system

Health and safety

Always follow health and safety guidelines, specifically those detailed in the Workshop Manual.

Using this publication

The information provided in this publication is for use only by competent, qualified auto-electricians. Good product knowledge is assumed, as well as the ability to access and use recommended test equipment and other reference material provided.

Test equipment and other reference material

The information in this publication should be used in conjunction with the recommended test equipment; refer to Workshop Manual. Other reference material includes: Technical Service Bulletins (TSB) and the Workshop Manual.

The Electrical Reference Library (ERL) may also prove useful since it provides detailed connector information.

Battery disconnection and reconnection

It is imperative that any information relating to battery disconnection and reconnection is followed; refer to the appropriate sections in the Workshop Manual.

Fault Diagnosis

Always use the recommended test equipment for correct and reliable fault diagnosis, refer to the Workshop Manual.

Harness Repair

Repairs should only be undertaken for connectors where a Service Repair Kit is available; refer to the appropriate Electrical Reference Library (ERL).

Note: Fibre Optic circuits cannot be repaired; refer to the Workshop Manual.

Health and safety

Always follow health and safety guidelines, specifically those detailed in the Workshop Manual.

Using this publication

The information provided in this publication is for use only by competent, qualified auto-electricians. Good product knowledge is assumed, as well as the ability to access and use recommended test equipment and other reference material provided.

Test equipment and other reference material

The information in this publication should be used in conjunction with the recommended test equipment; refer to Workshop Manual. Other reference material includes: Technical Service Bulletins (TSB) and the Workshop Manual.

The Electrical Reference Library (ERL) may also prove useful since it provides detailed connector information.

Battery disconnection and reconnection

It is imperative that any information relating to battery disconnection and reconnection is followed; refer to the appropriate sections in the Workshop Manual.

Fault Diagnosis

Always use the recommended test equipment for correct and reliable fault diagnosis, refer to the Workshop Manual.

Harness Repair

Repairs should only be undertaken for connectors where a Service Repair Kit is available; refer to the appropriate Electrical Reference Library (ERL).

Note: Fibre Optic circuits cannot be repaired; refer to the Workshop Manual.

USING THIS PUBLICATION

Section numbering

The sections in this publication are ordered to match the Global Outline numbering system as found in the current Workshop Manual. The Power and Ground distribution circuits can be found under section 414-01, BATTERY, MOUNTING AND CABLES.

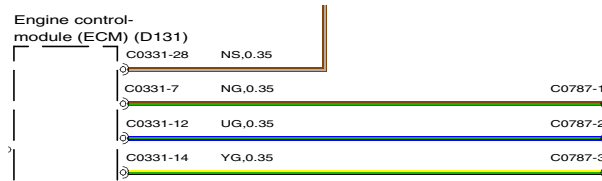
Note: Where circuit diagrams show more than one sub-system, the circuit will be located in the section that carries the first-named sub-system, for example: Starting and Charging will be located under section 303-06 Starting System, since 'Starting' is the first-named sub-system.

Circuit sheet numbering

The figures in brackets to the left of the page number indicate a circuit sheet number and the total number of sheets per circuit, for example (01 / 05) represents sheet 1 of 5.

Understanding the circuit diagrams

Components



After each component description, a translation code is displayed in brackets, for example: Starter relay (R102), Engine control module (ECM)(D131). The codes can be ignored.

Note: A dotted outline indicates that the component identified is not shown in its entirety.

Connectors

Connectors and header joints are identified by their corresponding connector number with a numbered suffix to indicate the pin-out detail of the wire, i.e. C0292-1 identifies connector 292, pin number 1. Wire insulation colours are listed in a table at the end of this section. Where wires have a predominant colour with a secondary colour tracer, the main colour is identified first, i.e. WH-BK - white with a black tracer.

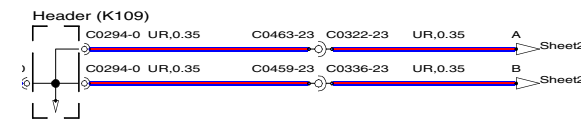
Wire length (Power and Ground Distribution only)

The wire length (in millimetres) is displayed after the colour and cross sectional area; for example, SR,0.35,480. In this example, the figure, 480 indicates the approximate position of the harness splice is 480mm from connector C2335.

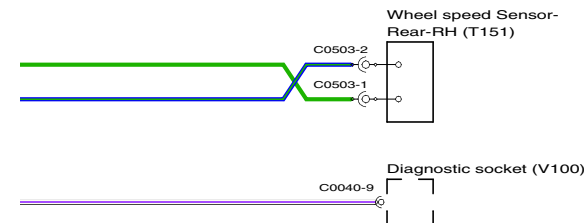
Line Types



Crossed wires as illustrated above show an example of how a twisted pair of wires may be represented on the circuits.



The arrows illustrated above show an example of the page break symbols, identifying that the circuit continues at the corresponding letter on the sheet number indicated.



The cup and ball symbol represents the male and female halves of connector. Most connectors plug directly into a component but some are wired directly to the component using a 'flylead' as with C503 above.

Ground points

Ground points are identified with an eyelet symbol and a connector number, except where components are grounded through its fixings, when only the eyelet is shown.

Colour Codes

CODE	COLOUR
BK or B	BLACK
BN or N	BROWN
BU or U	BLUE
GN or G	GREEN
GY or S	GREY (slate)
OG or O	ORANGE
PK or K	PINK
RD or R	RED
VT or P	PURPLE
WH or W	WHITE
YE or Y	YELLOW

USING THIS PUBLICATION

Section numbering

The sections in this publication are ordered to match the Global Outline numbering system as found in the current Workshop Manual. The Power and Ground distribution circuits can be found under section 414-01, BATTERY, MOUNTING AND CABLES.

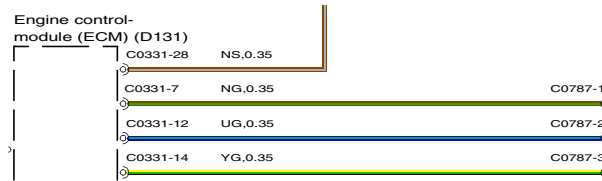
Note: Where circuit diagrams show more than one sub-system, the circuit will be located in the section that carries the first-named sub-system, for example: Starting and Charging will be located under section 303-06 Starting System, since 'Starting' is the first-named sub-system.

Circuit sheet numbering

The figures in brackets to the left of the page number indicate a circuit sheet number and the total number of sheets per circuit, for example (01 / 05) represents sheet 1 of 5.

Understanding the circuit diagrams

Components



After each component description, a translation code is displayed in brackets, for example: Starter relay (R102), Engine control module (ECM)(D131). The codes can be ignored.

Note: A dotted outline indicates that the component identified is not shown in its entirety.

Connectors

Connectors and header joints are identified by their corresponding connector number with a numbered suffix to indicate the pin-out detail of the wire, i.e. C0292-1 identifies connector 292, pin number 1. Wire insulation colours are listed in a table at the end of this section. Where wires have a predominant colour with a secondary colour tracer, the main colour is identified first, i.e. WH-BK - white with a black tracer.

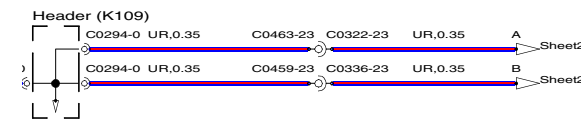
Wire length (Power and Ground Distribution only)

The wire length (in millimetres) is displayed after the colour and cross sectional area; for example, SR,0.35,480. In this example, the figure, 480 indicates the approximate position of the harness splice is 480mm from connector C2335.

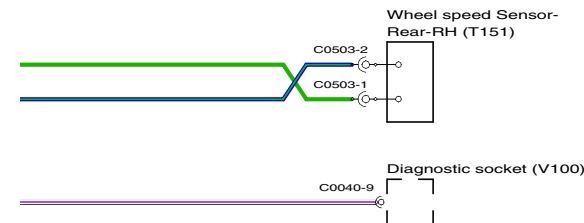
Line Types



Crossed wires as illustrated above show an example of how a twisted pair of wires may be represented on the circuits.



The arrows illustrated above show an example of the page break symbols, identifying that the circuit continues at the corresponding letter on the sheet number indicated.



The cup and ball symbol represents the male and female halves of connector. Most connectors plug directly into a component but some are wired directly to the component using a 'flylead' as with C503 above.

Ground points

Ground points are identified with an eyelet symbol and a connector number, except where components are grounded through its fixings, when only the eyelet is shown.

Colour Codes

CODE	COLOUR
BK or B	BLACK
BN or N	BROWN
BU or U	BLUE
GN or G	GREEN
GY or S	GREY (slate)
OG or O	ORANGE
PK or K	PINK
RD or R	RED
VT or P	PURPLE
WH or W	WHITE
YE or Y	YELLOW

USING THIS PUBLICATION

Section numbering

The sections in this publication are ordered to match the Global Outline numbering system as found in the current Workshop Manual. The Power and Ground distribution circuits can be found under section 414-01, BATTERY, MOUNTING AND CABLES.

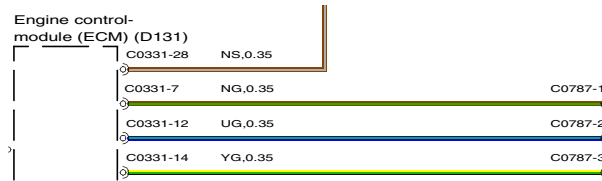
Note: Where circuit diagrams show more than one sub-system, the circuit will be located in the section that carries the first-named sub-system, for example: Starting and Charging will be located under section 303-06 Starting System, since 'Starting' is the first-named sub-system.

Circuit sheet numbering

The figures in brackets to the left of the page number indicate a circuit sheet number and the total number of sheets per circuit, for example (01 / 05) represents sheet 1 of 5.

Understanding the circuit diagrams

Components



After each component description, a translation code is displayed in brackets, for example: Starter relay (R102), Engine control module (ECM)(D131). The codes can be ignored.

Note: A dotted outline indicates that the component identified is not shown in its entirety.

Connectors

Connectors and header joints are identified by their corresponding connector number with a numbered suffix to indicate the pin-out detail of the wire, i.e. C0292-1 identifies connector 292, pin number 1. Wire insulation colours are listed in a table at the end of this section. Where wires have a predominant colour with a secondary colour tracer, the main colour is identified first, i.e. WH-BK - white with a black tracer.

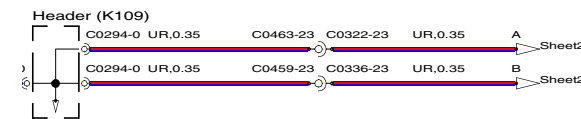
Wire length (Power and Ground Distribution only)

The wire length (in millimetres) is displayed after the colour and cross sectional area; for example, SR,0.35,480. In this example, the figure, 480 indicates the approximate position of the harness splice is 480mm from connector C2335.

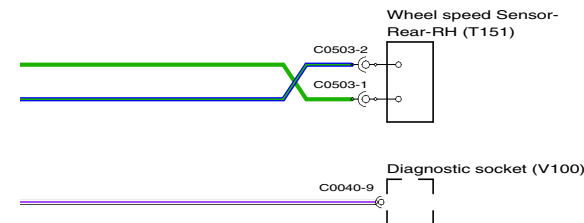
Line Types



Crossed wires as illustrated above show an example of how a twisted pair of wires may be represented on the circuits.



The arrows illustrated above show an example of the page break symbols, identifying that the circuit continues at the corresponding letter on the sheet number indicated.



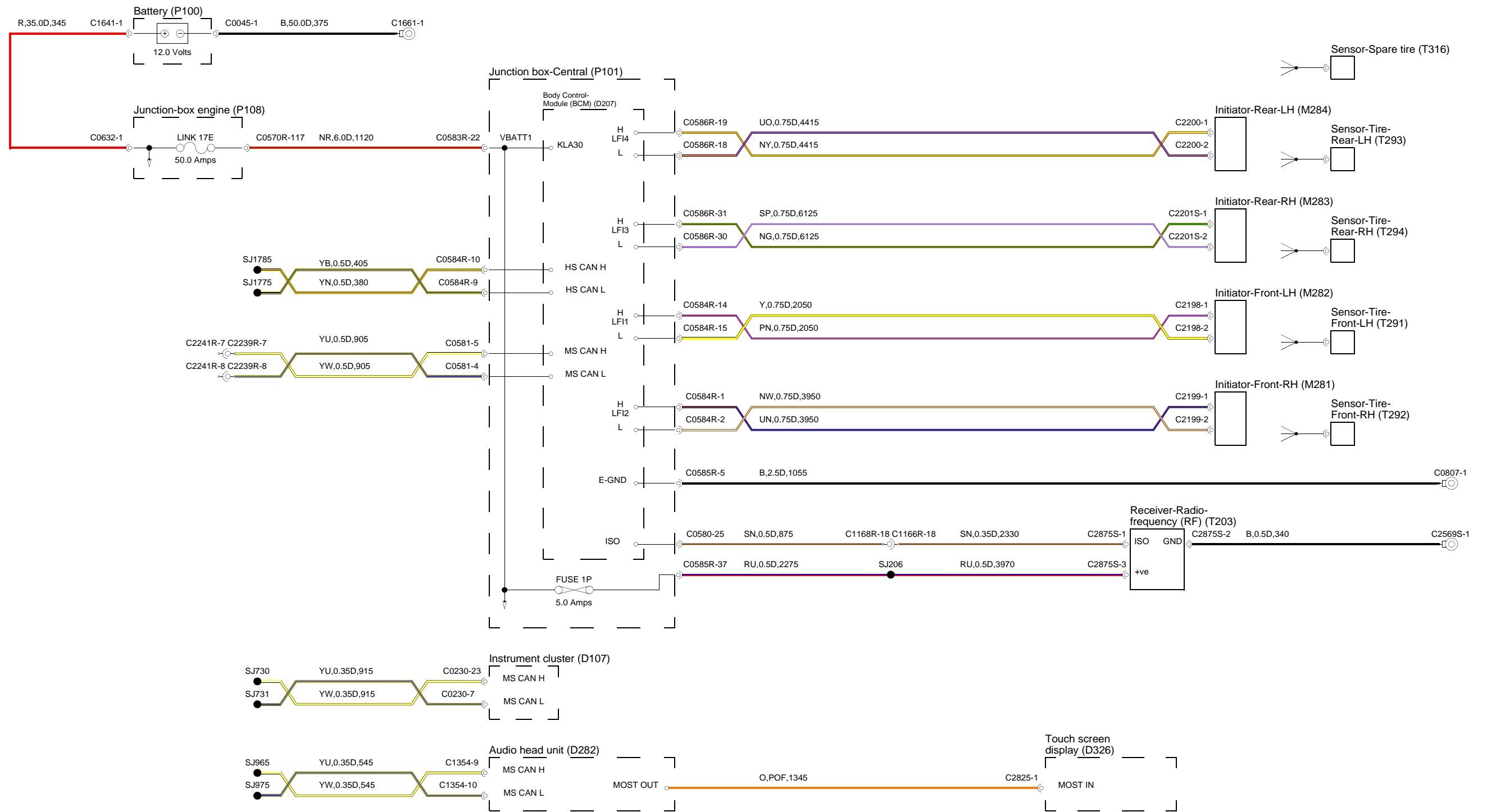
The cup and ball symbol represents the male and female halves of connector. Most connectors plug directly into a component but some are wired directly to the component using a 'flylead' as with C503 above.

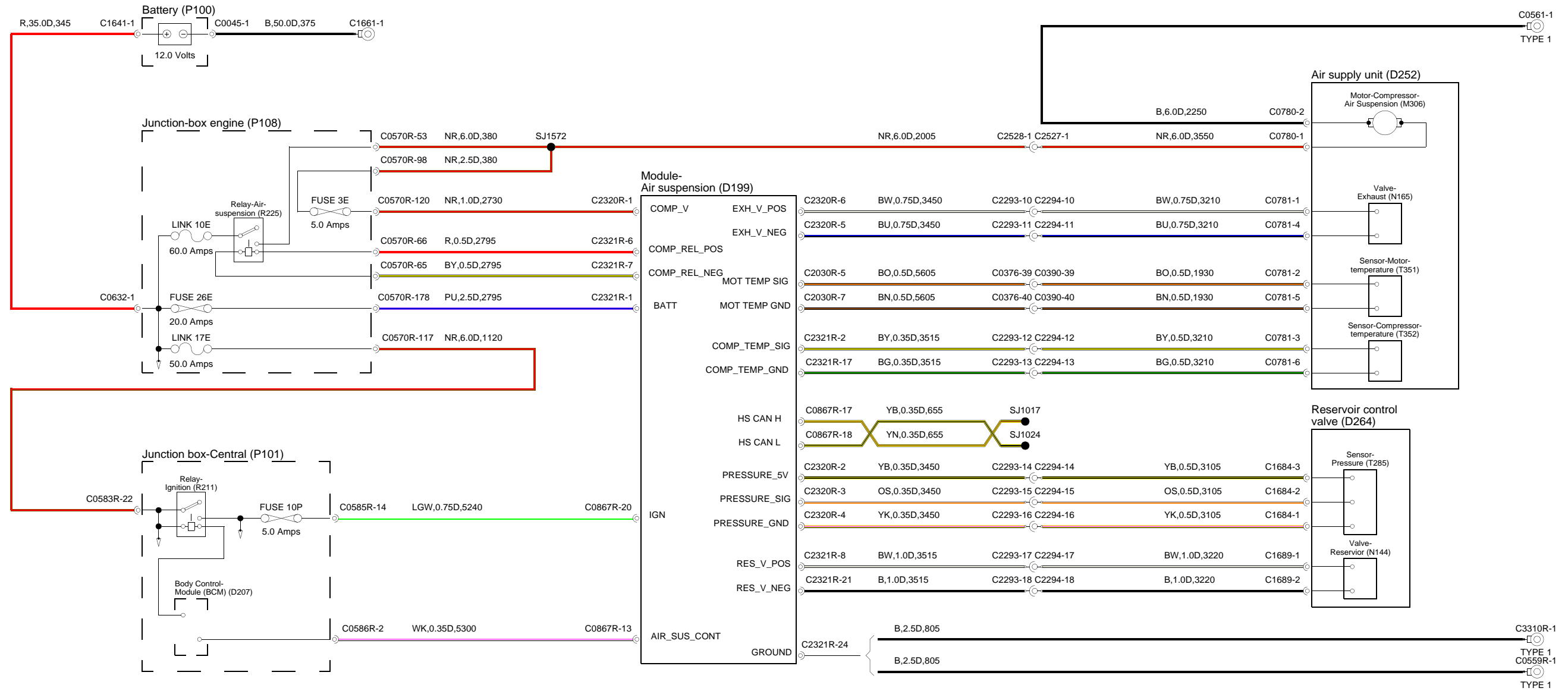
Ground points

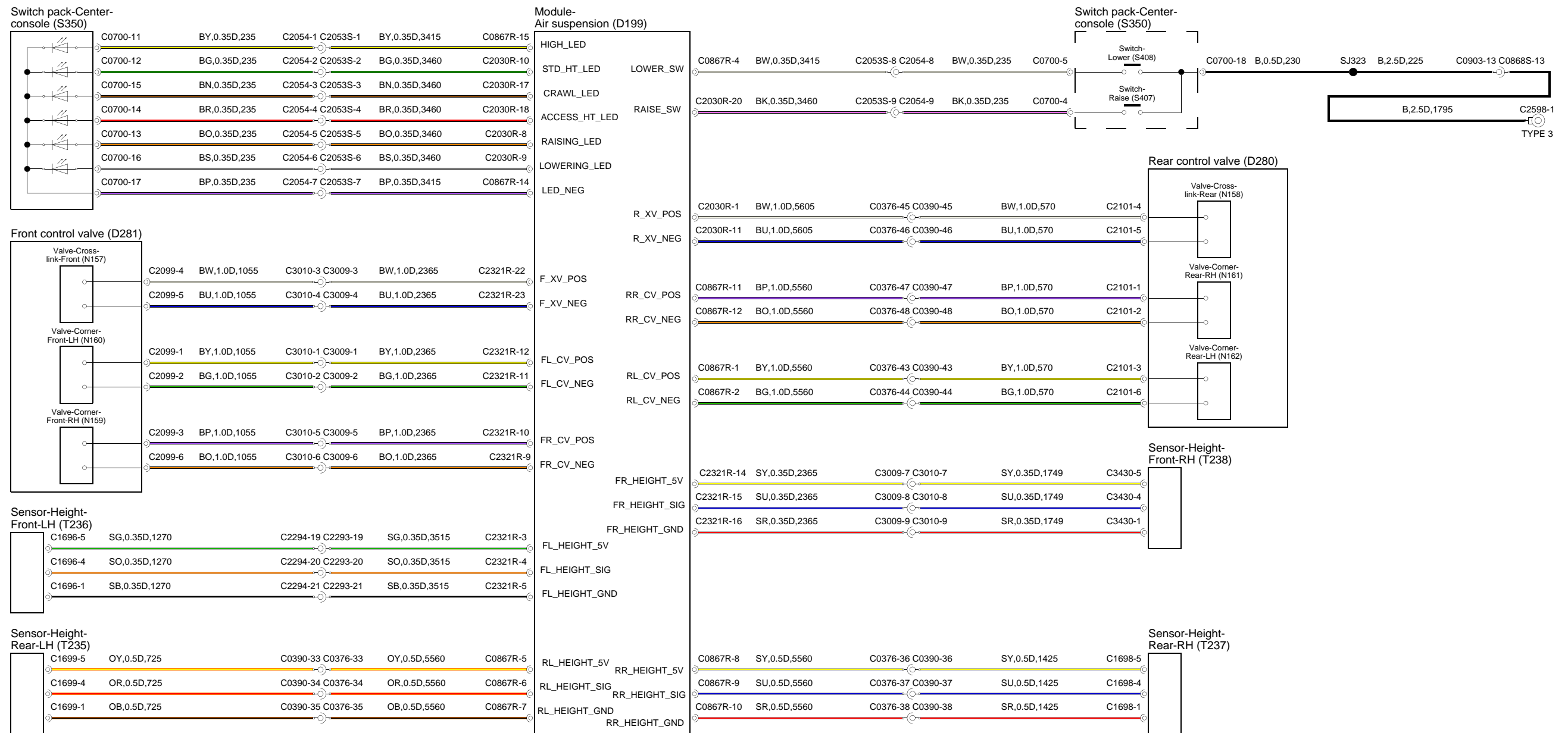
Ground points are identified with an eyelet symbol and a connector number, except where components are grounded through its fixings, when only the eyelet is shown.

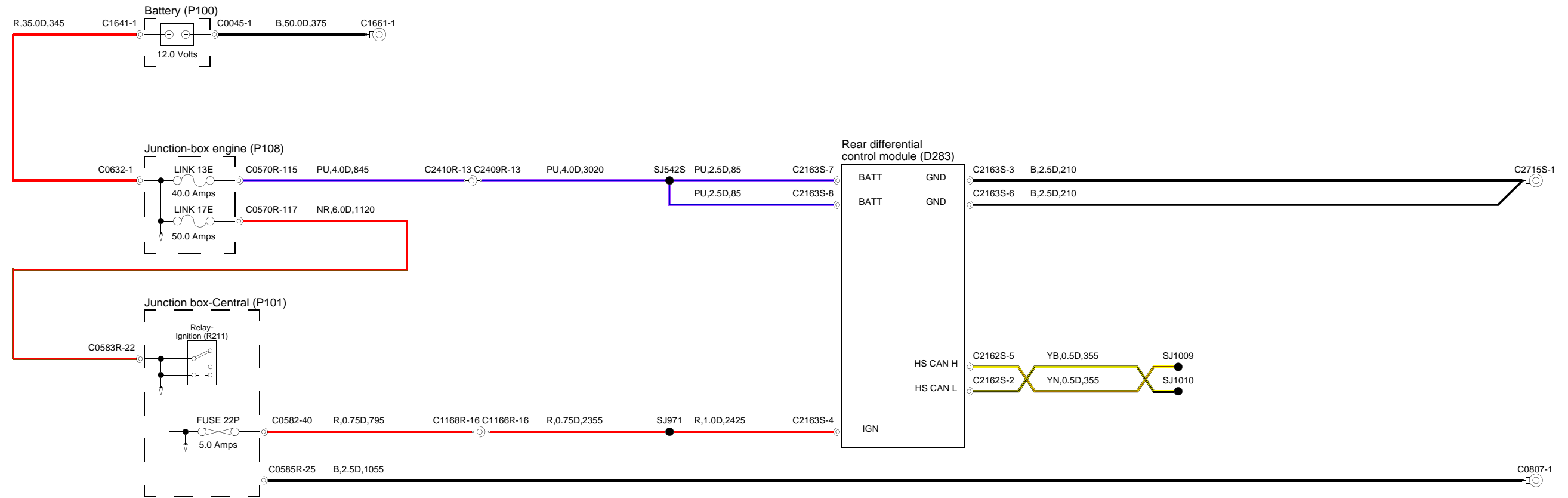
Colour Codes

CODE	COLOUR
BK or B	BLACK
BN or N	BROWN
BU or U	BLUE
GN or G	GREEN
GY or S	GREY (slate)
OG or O	ORANGE
PK or K	PINK
RD or R	RED
VT or P	PURPLE
WH or W	WHITE
YE or Y	YELLOW

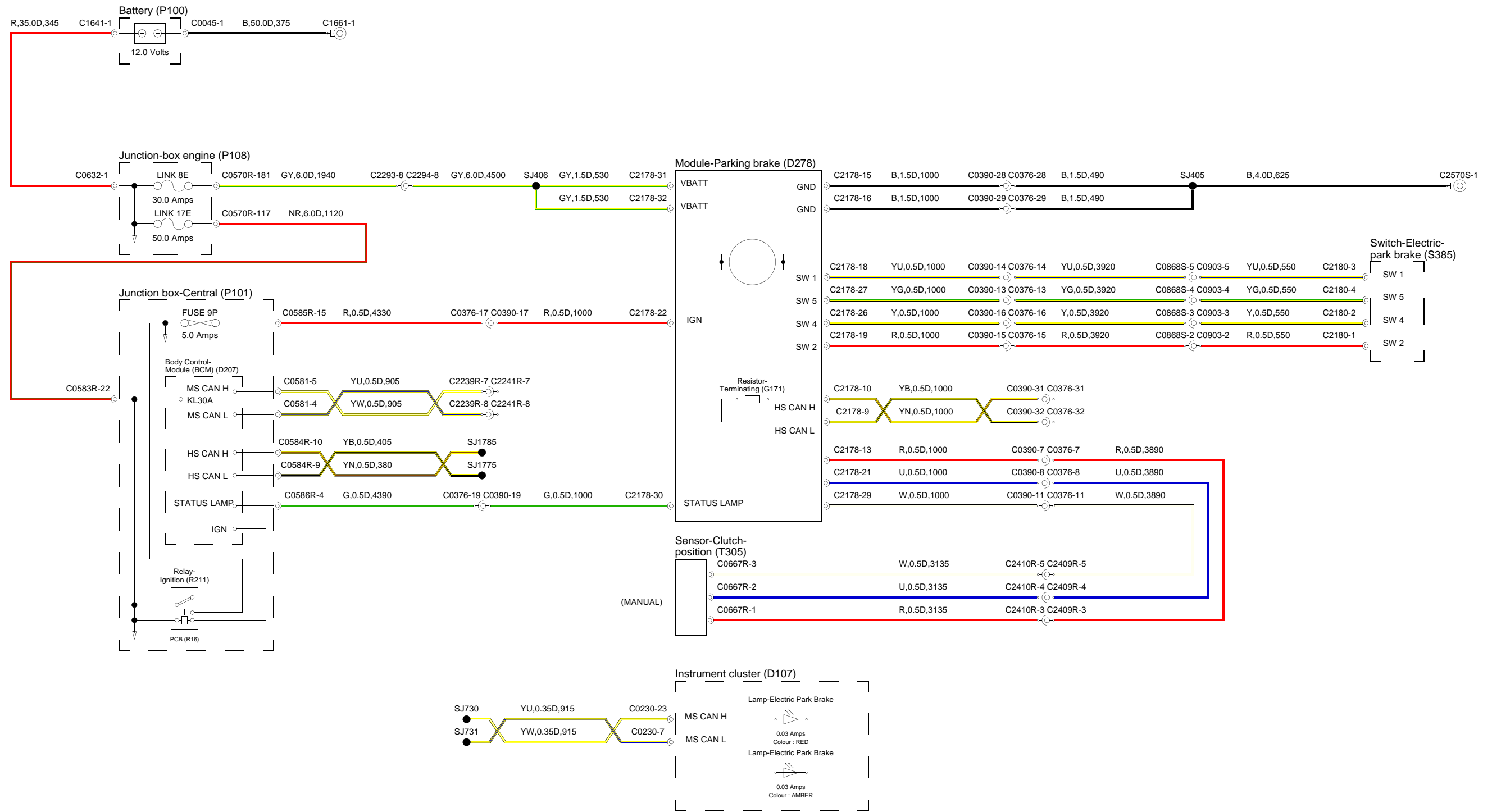


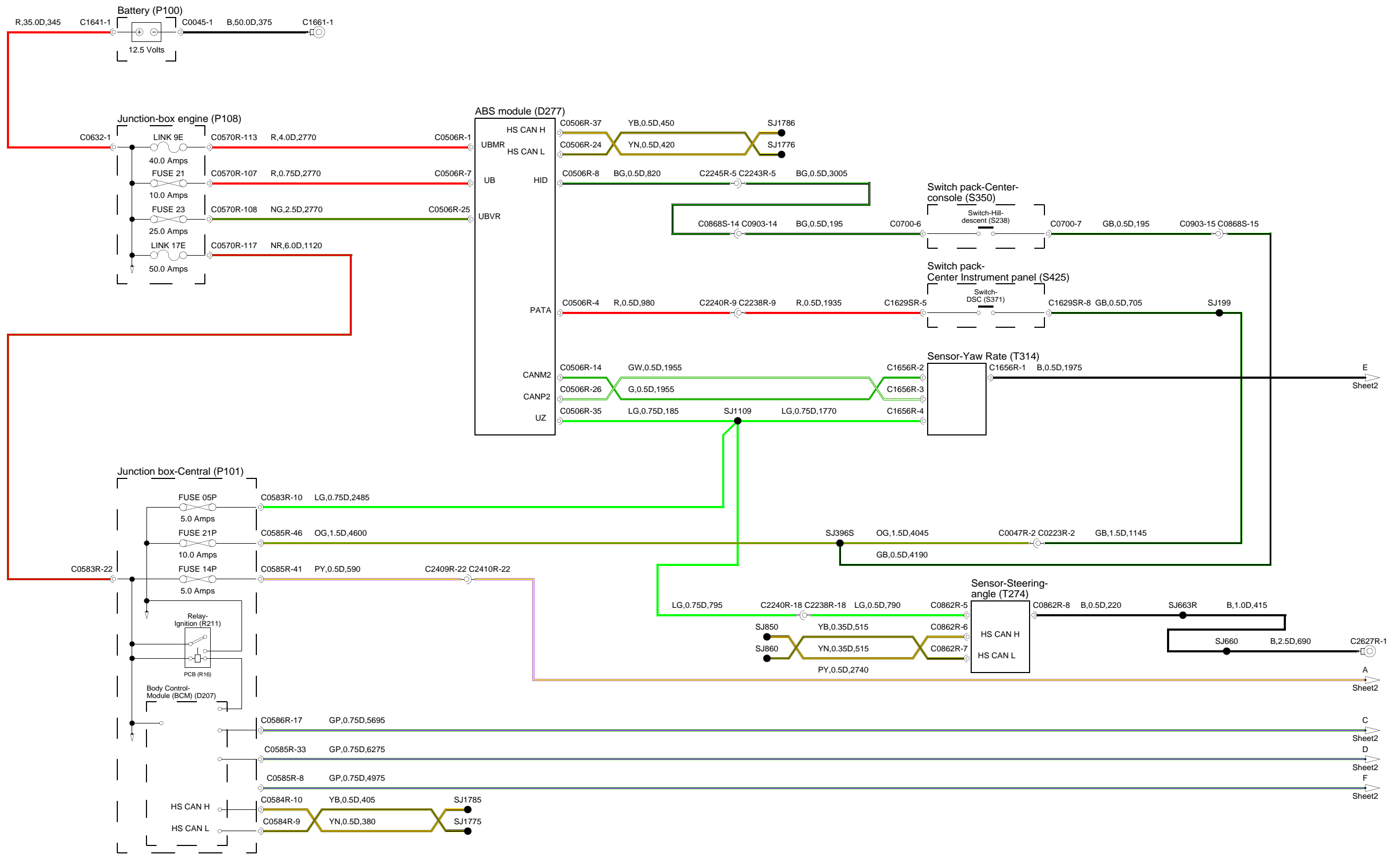


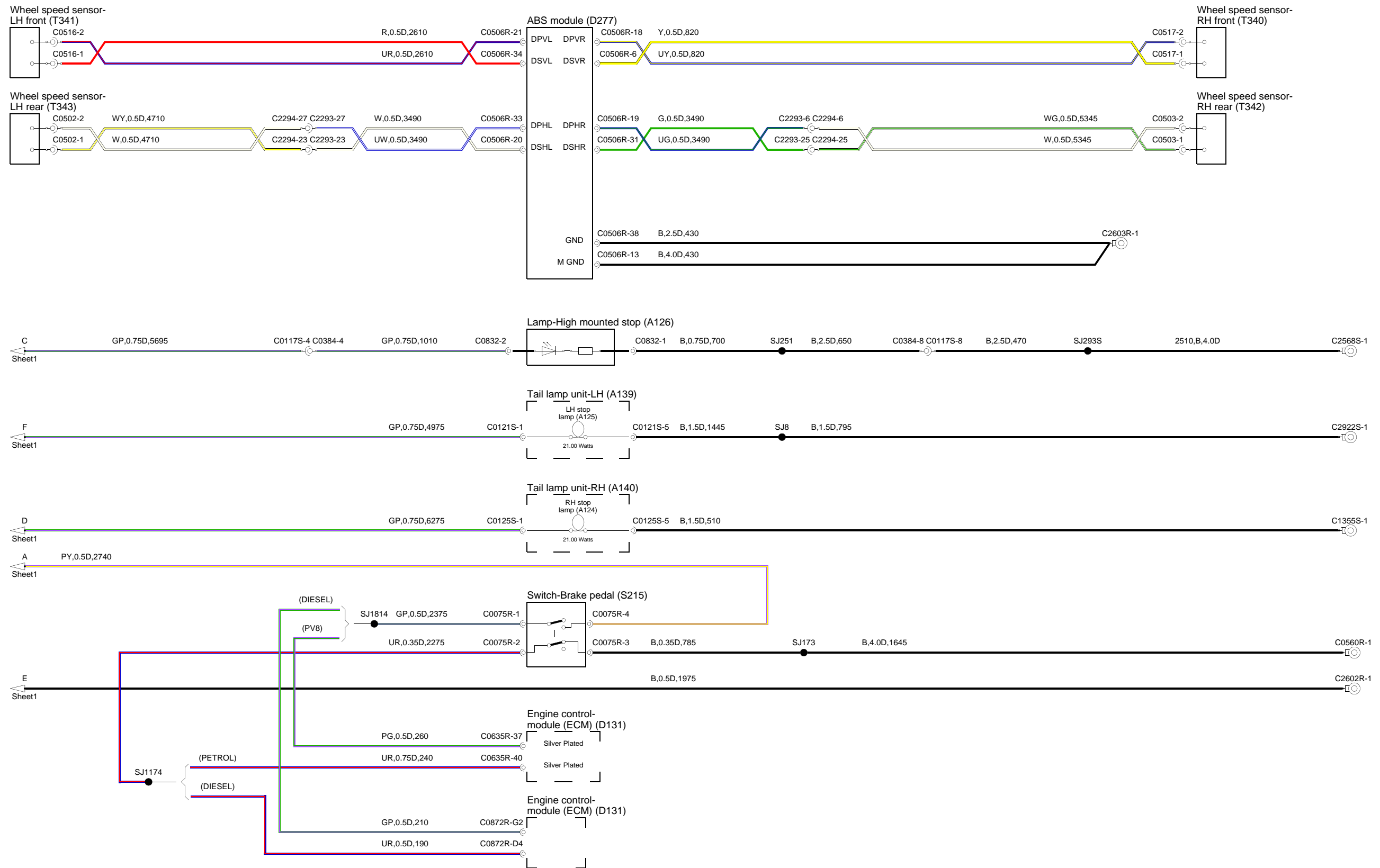


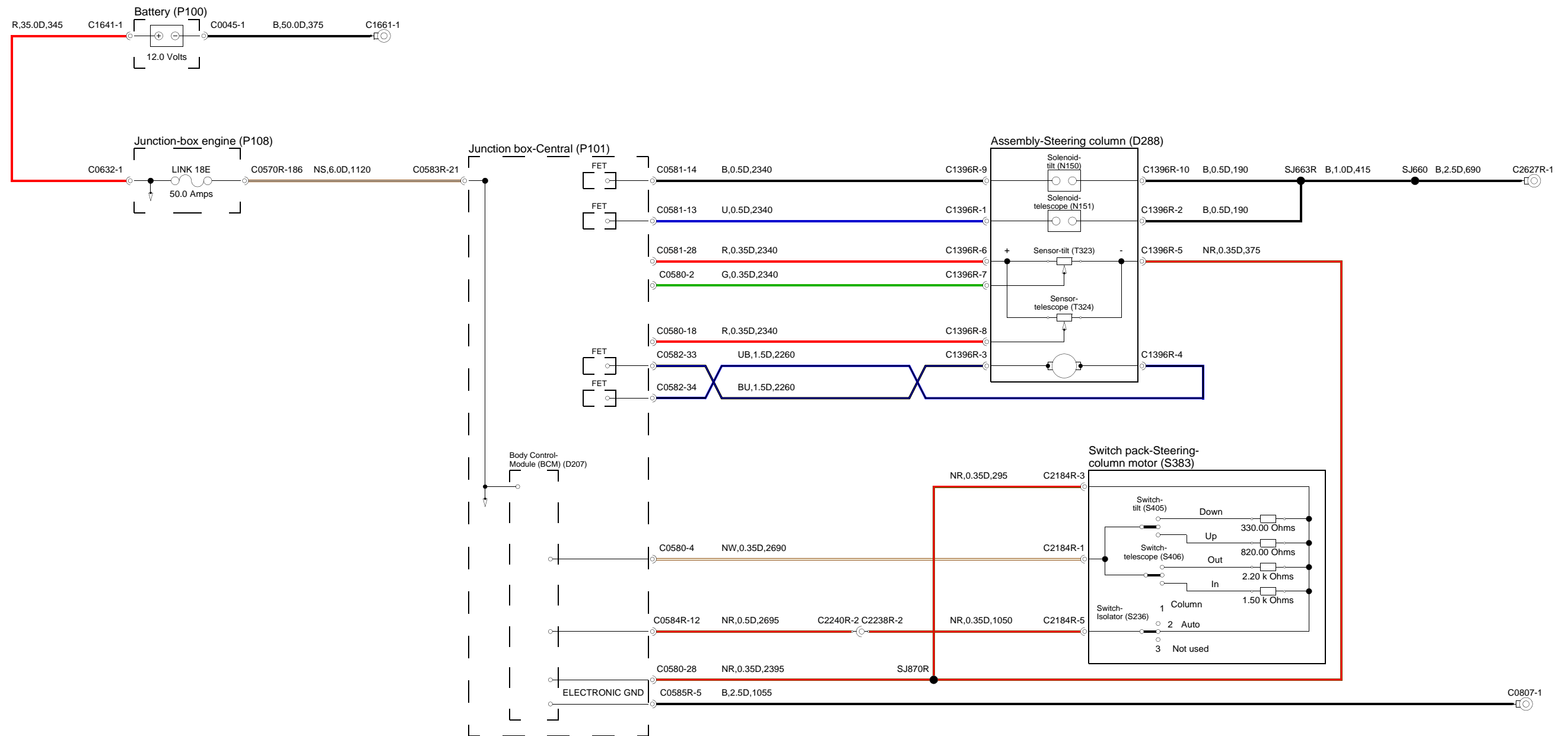


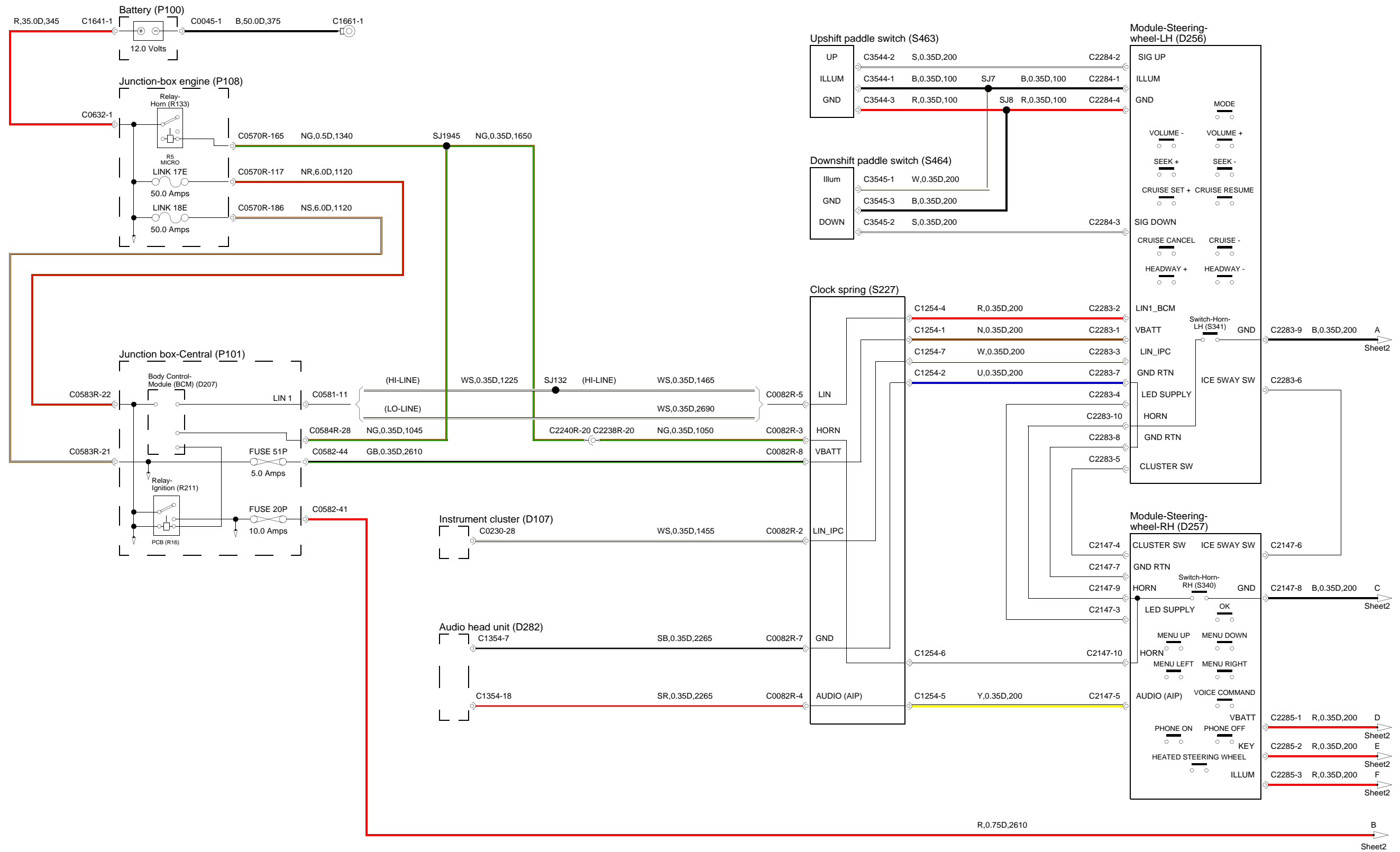


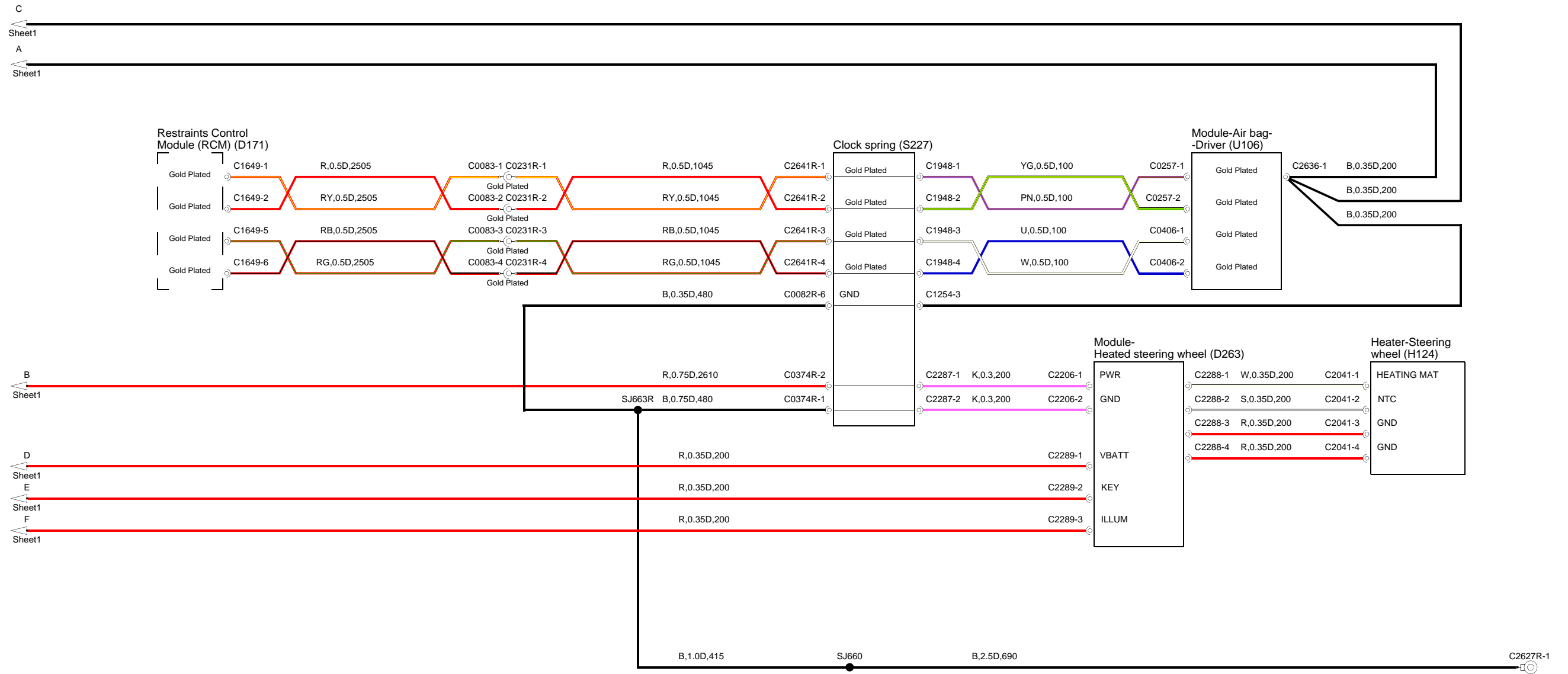


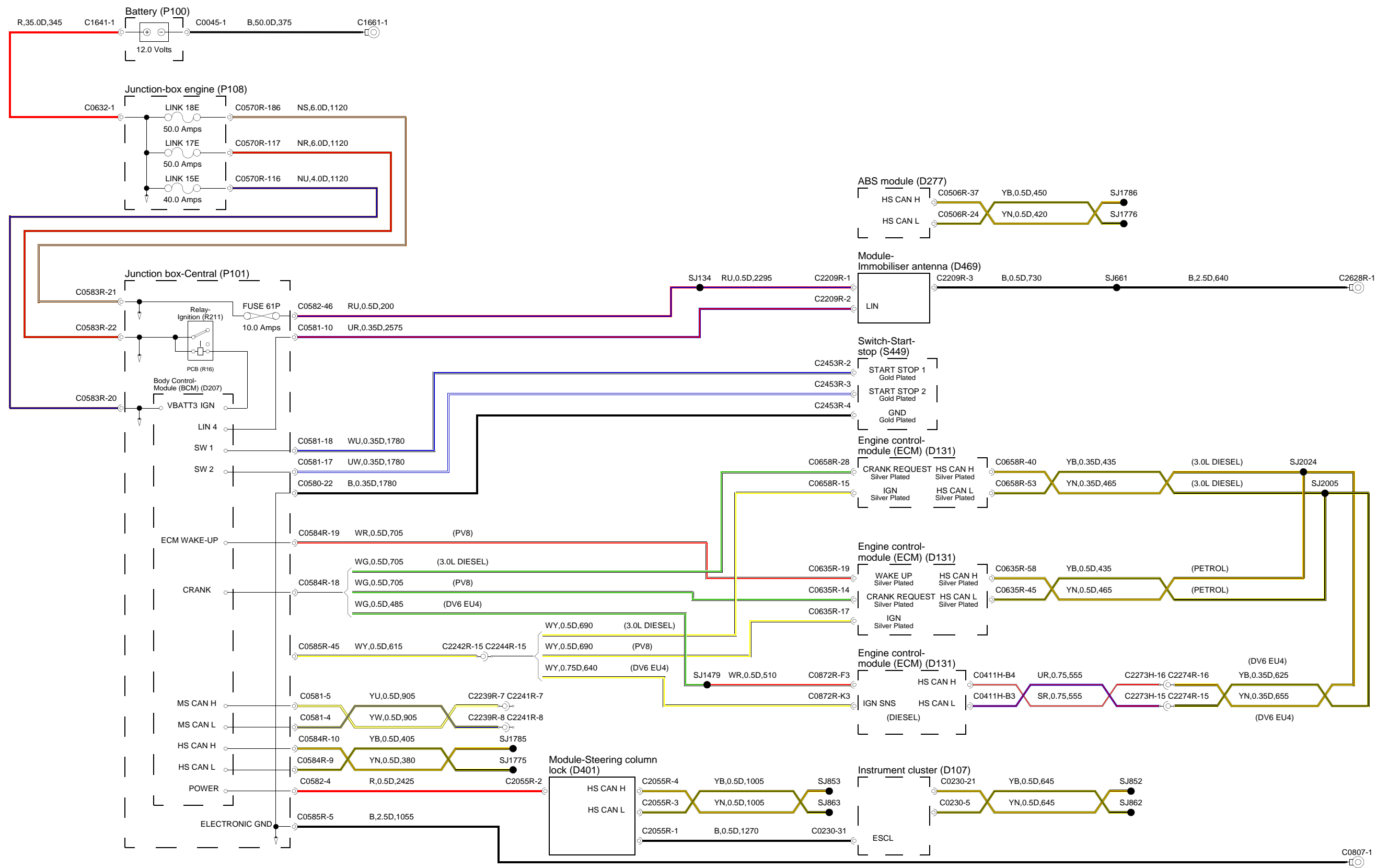


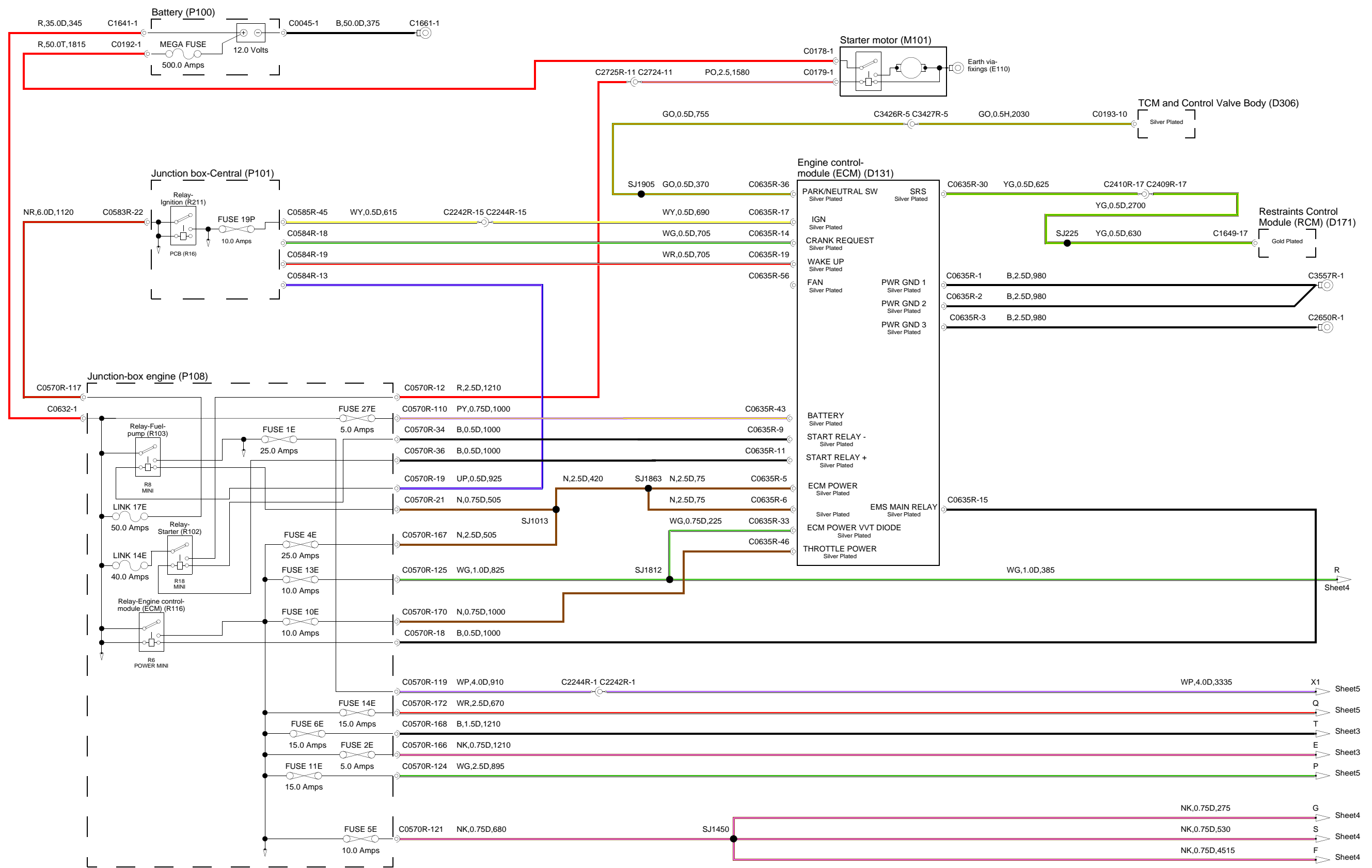


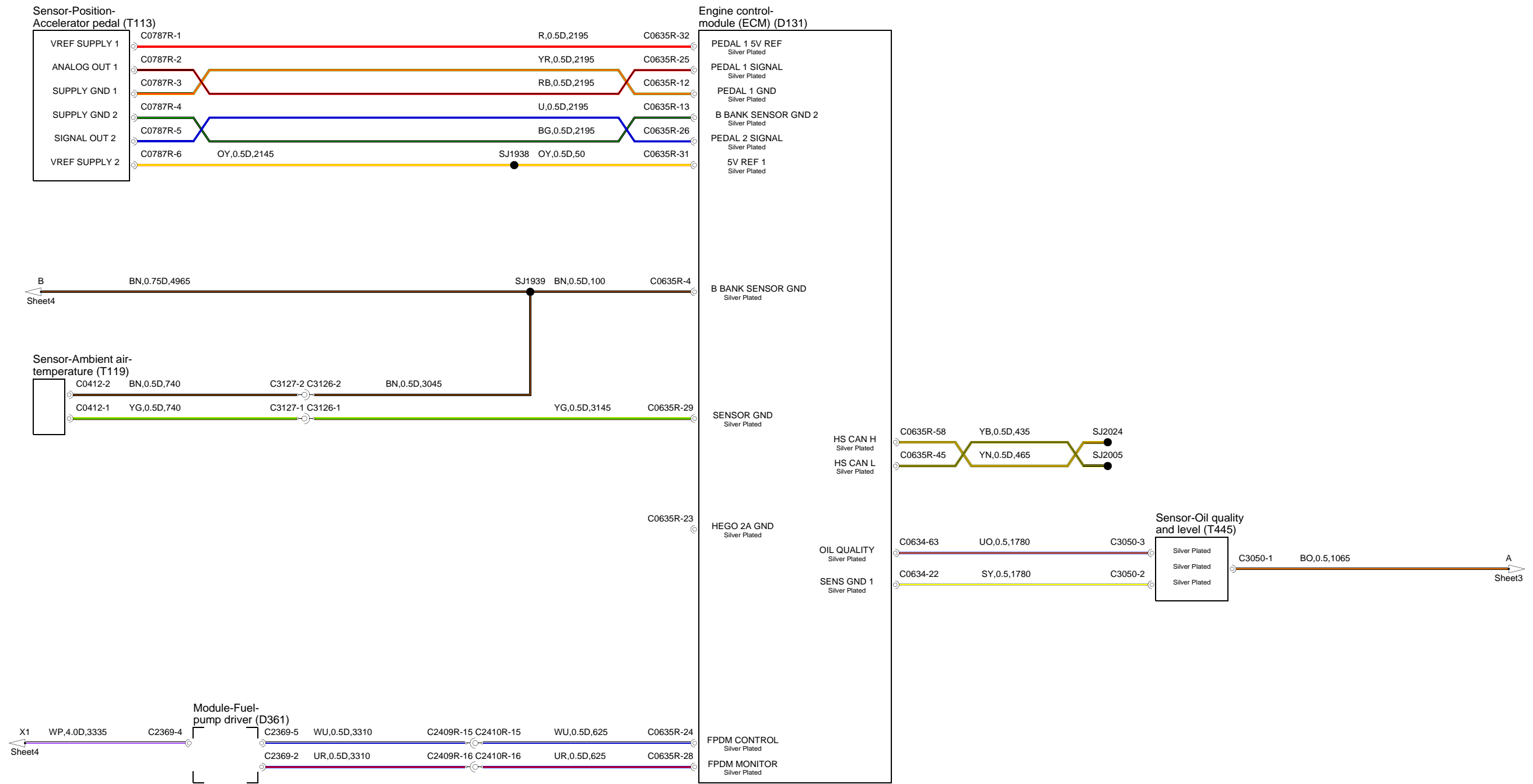


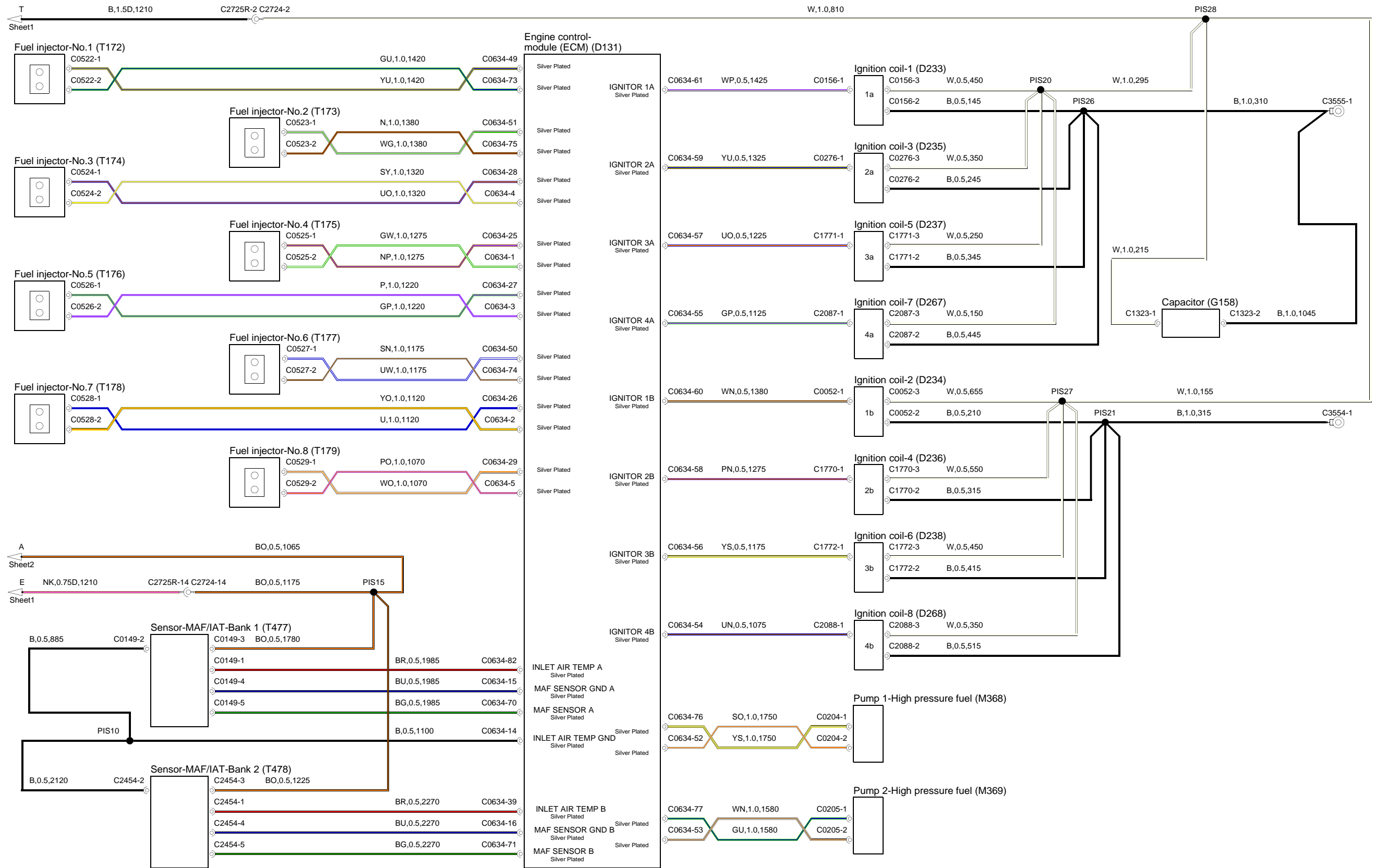


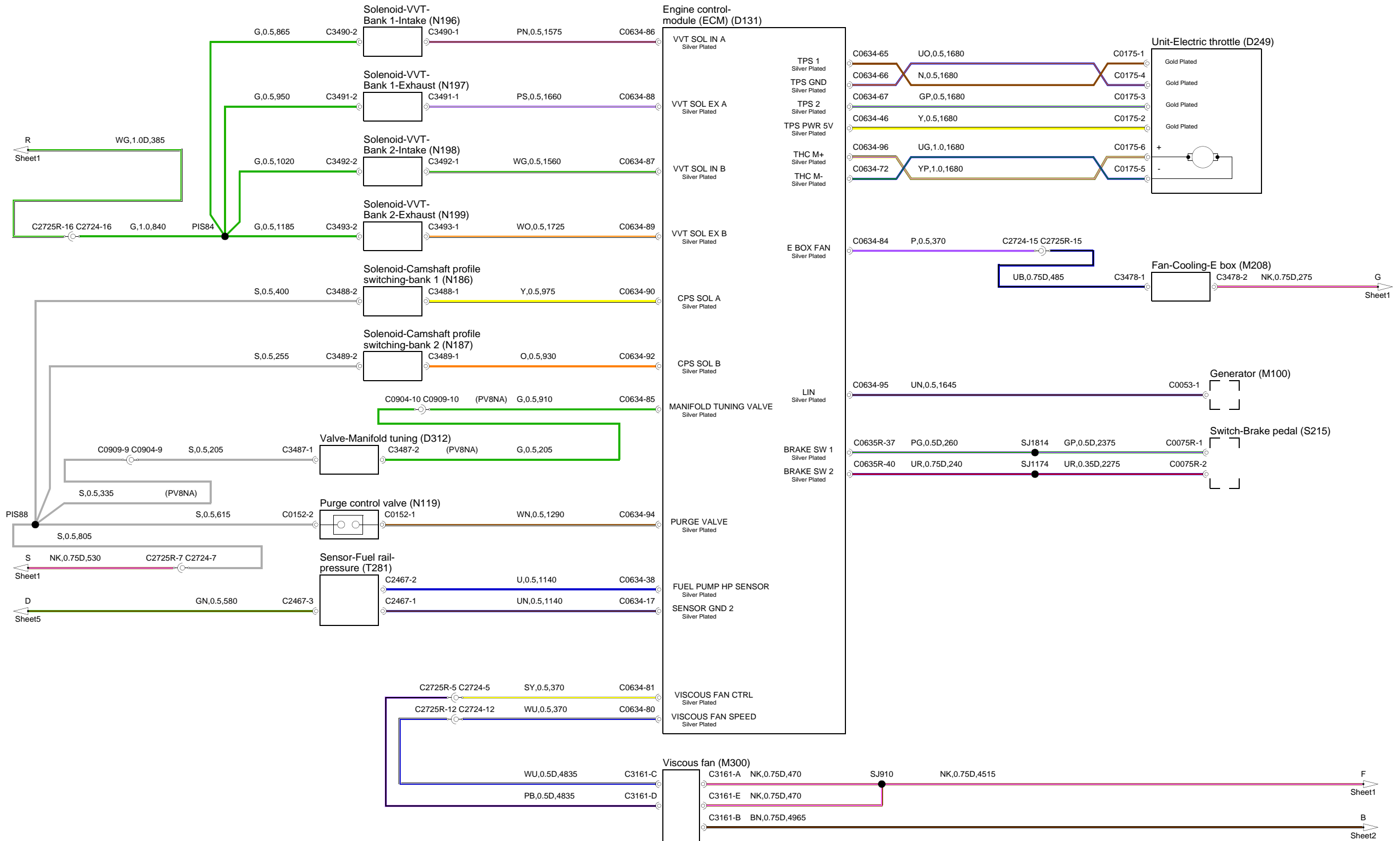


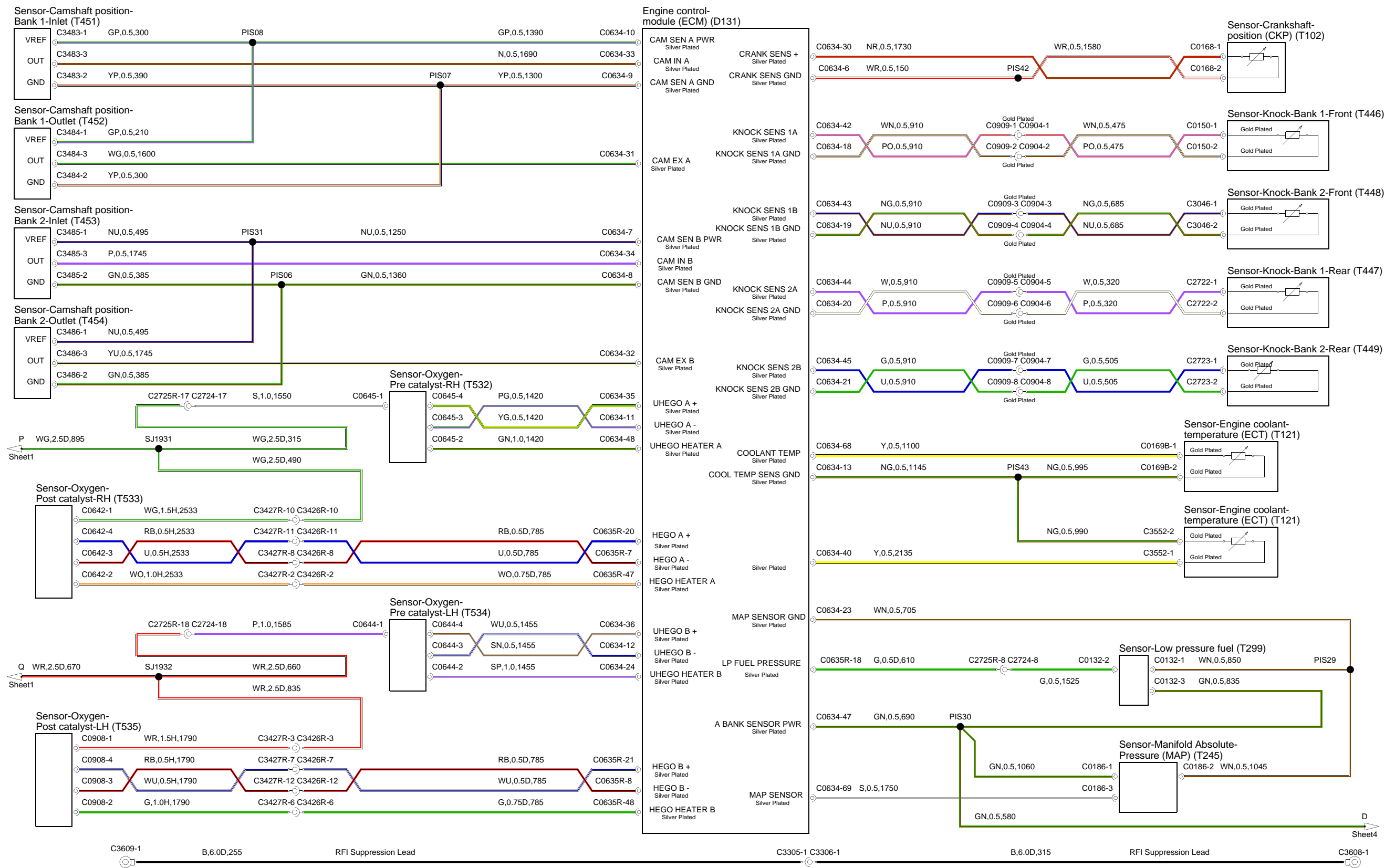


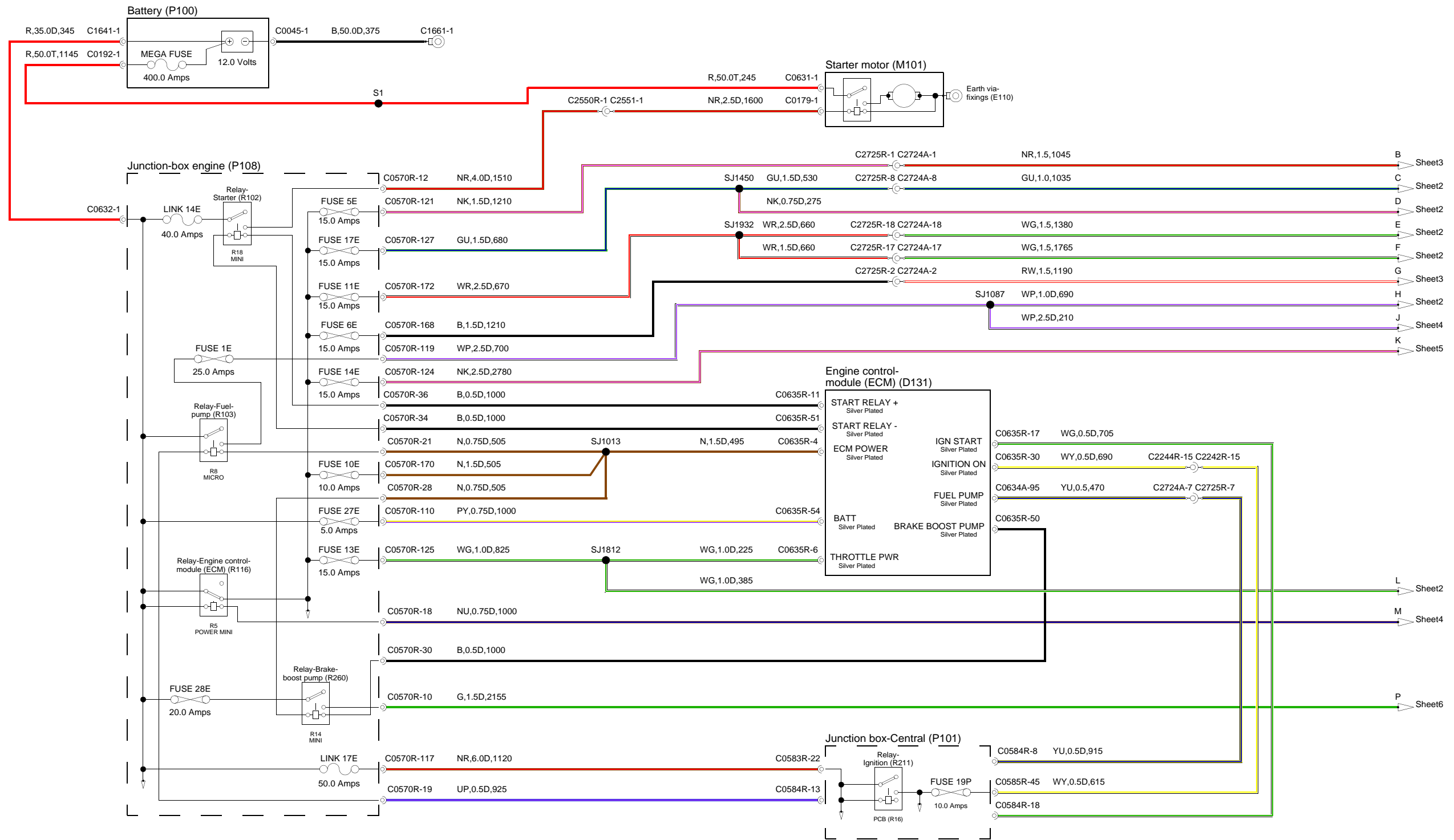


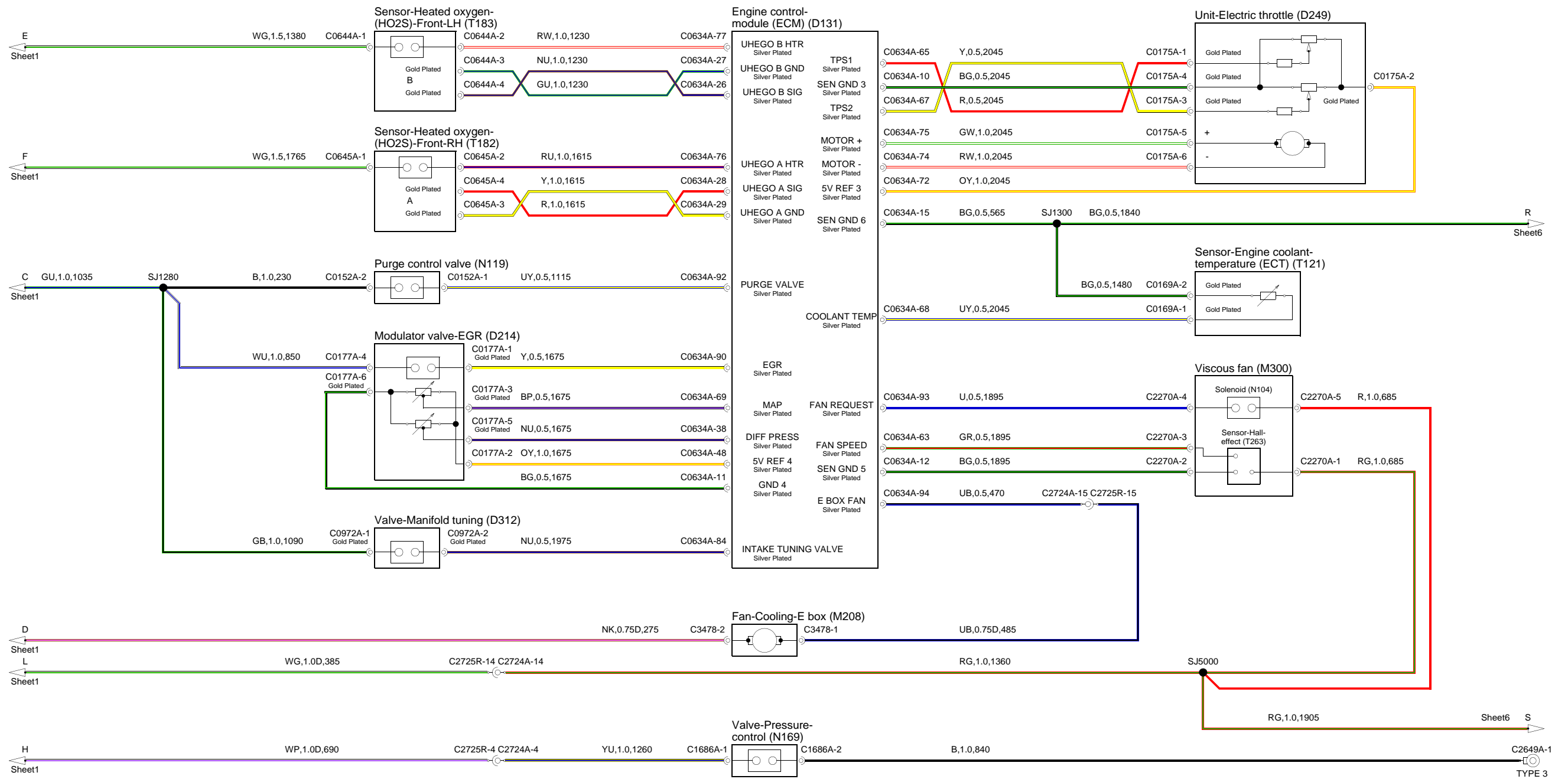


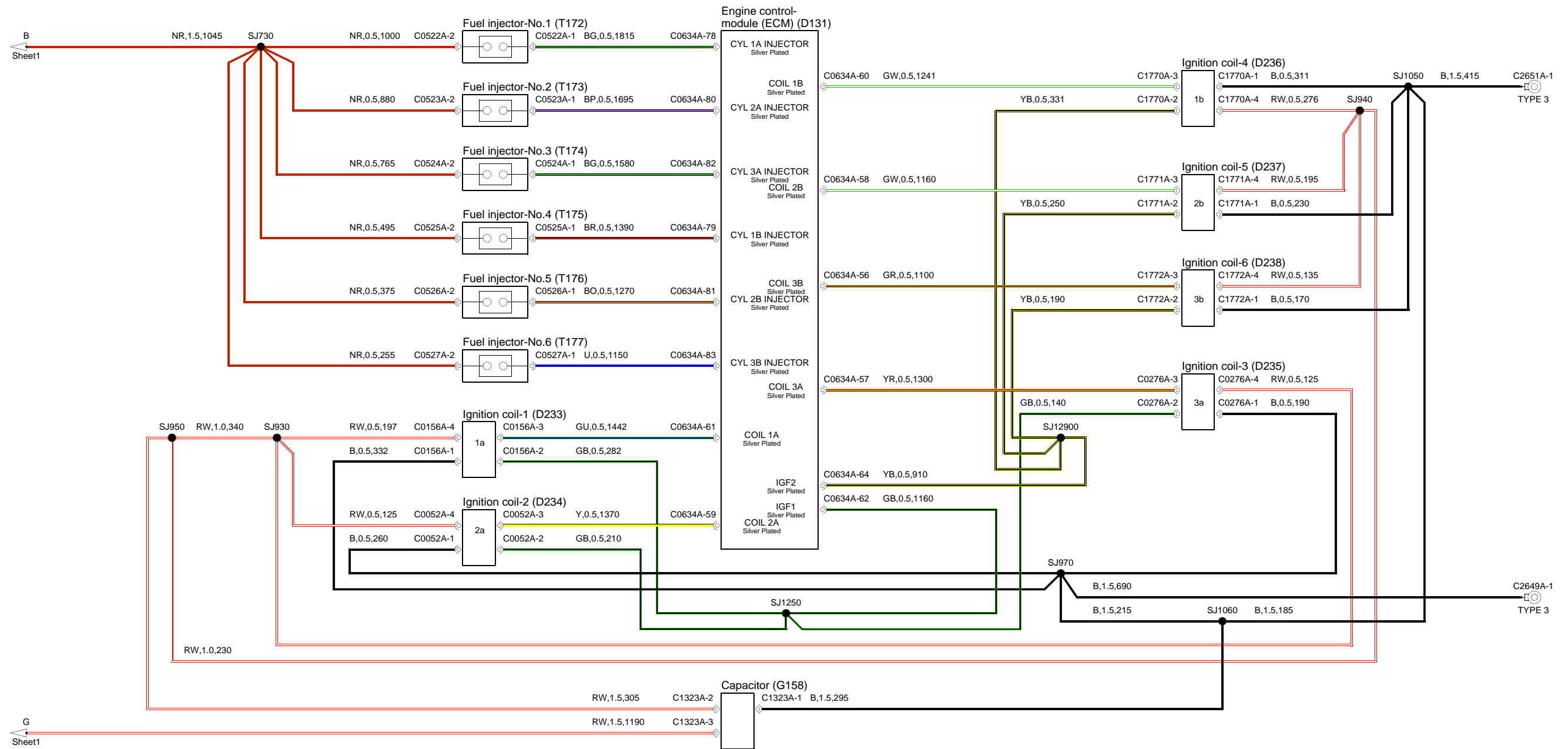


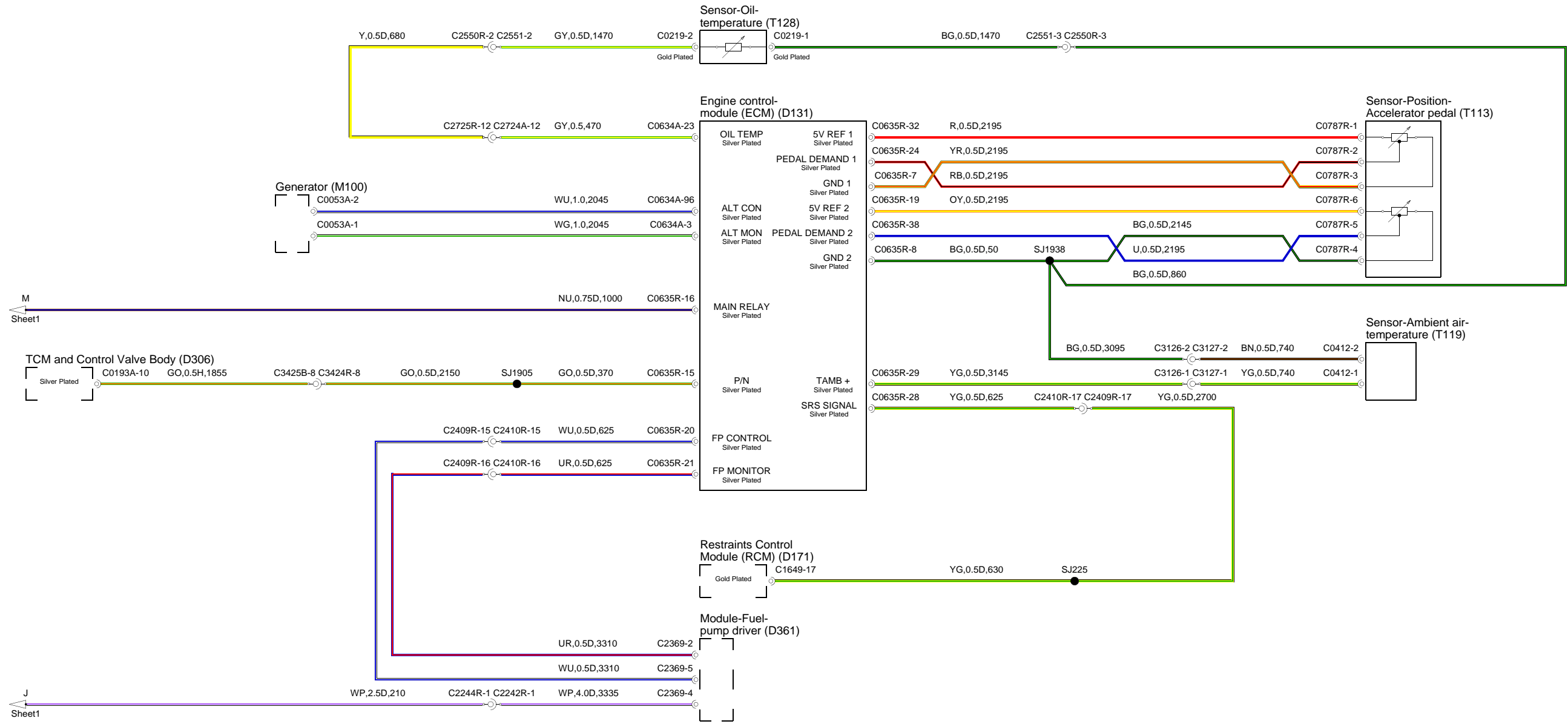


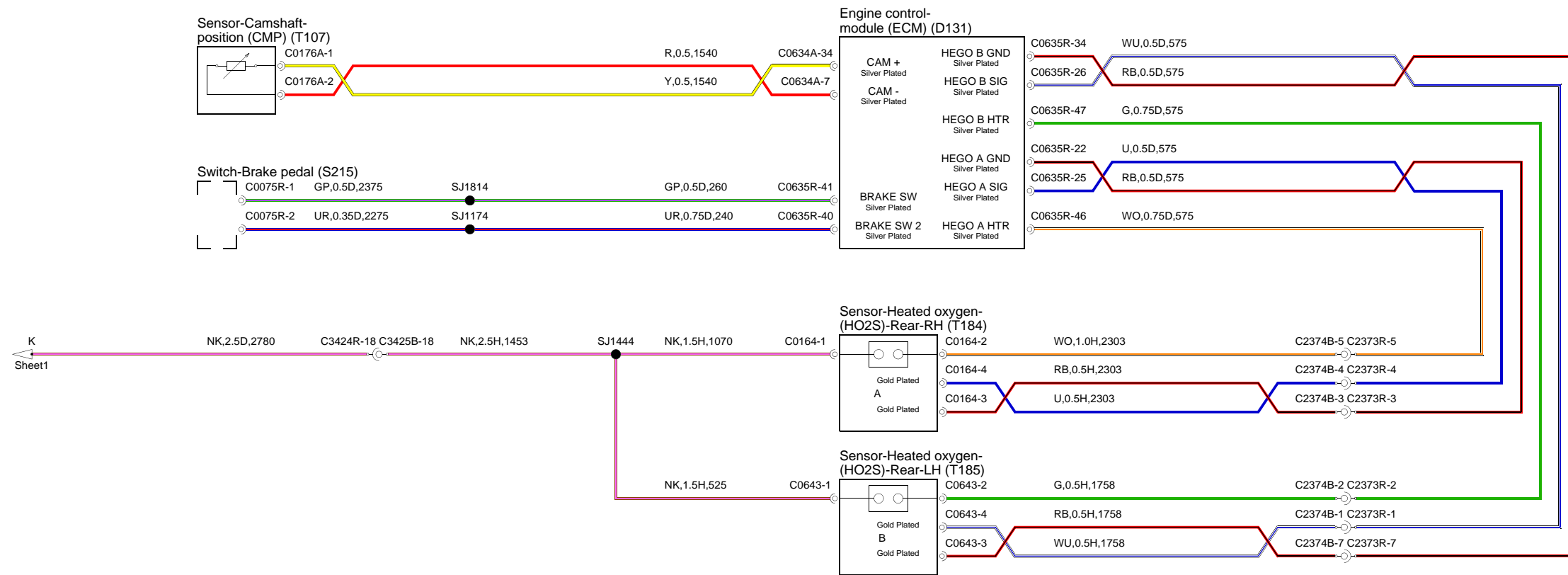


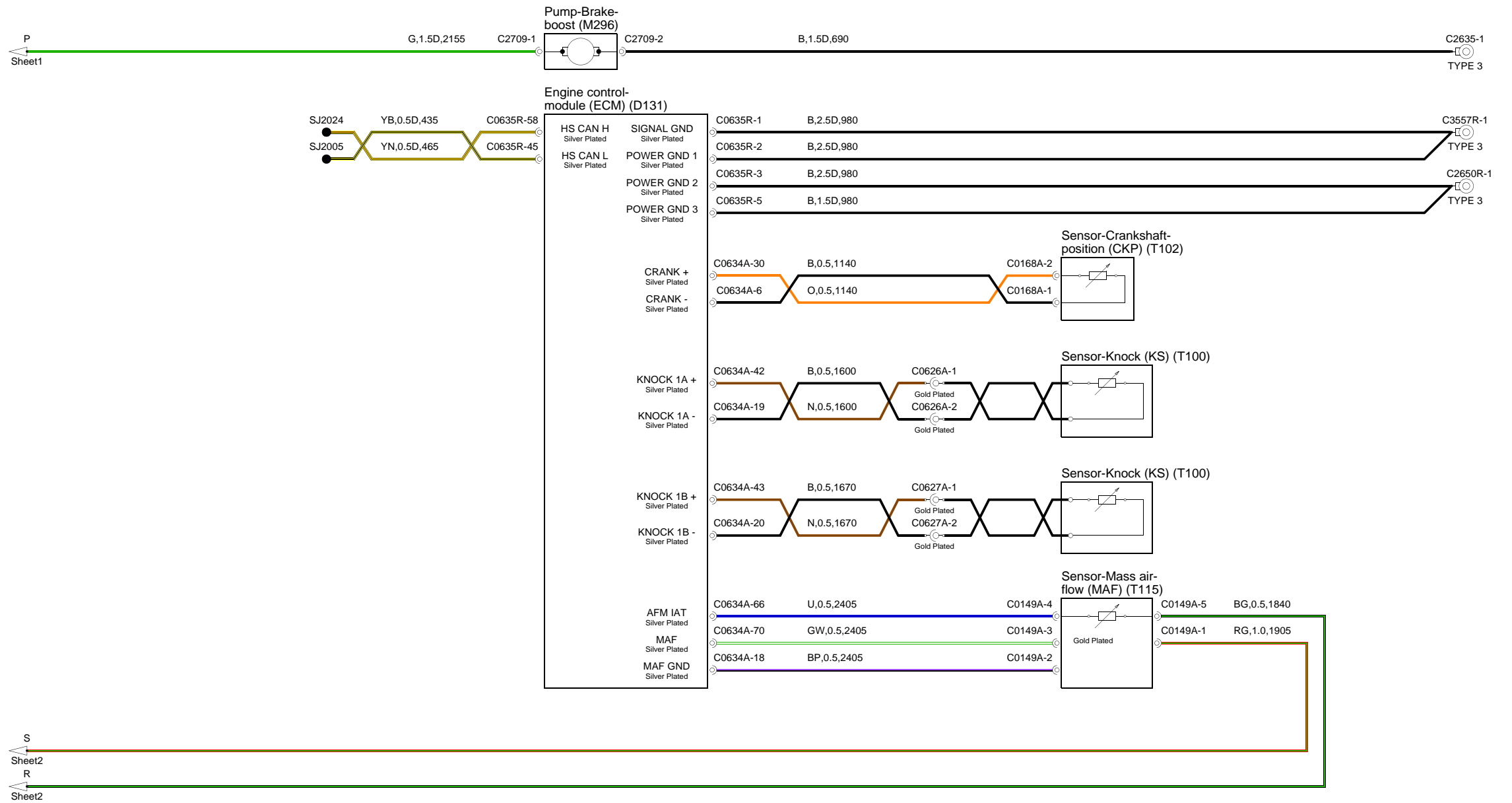


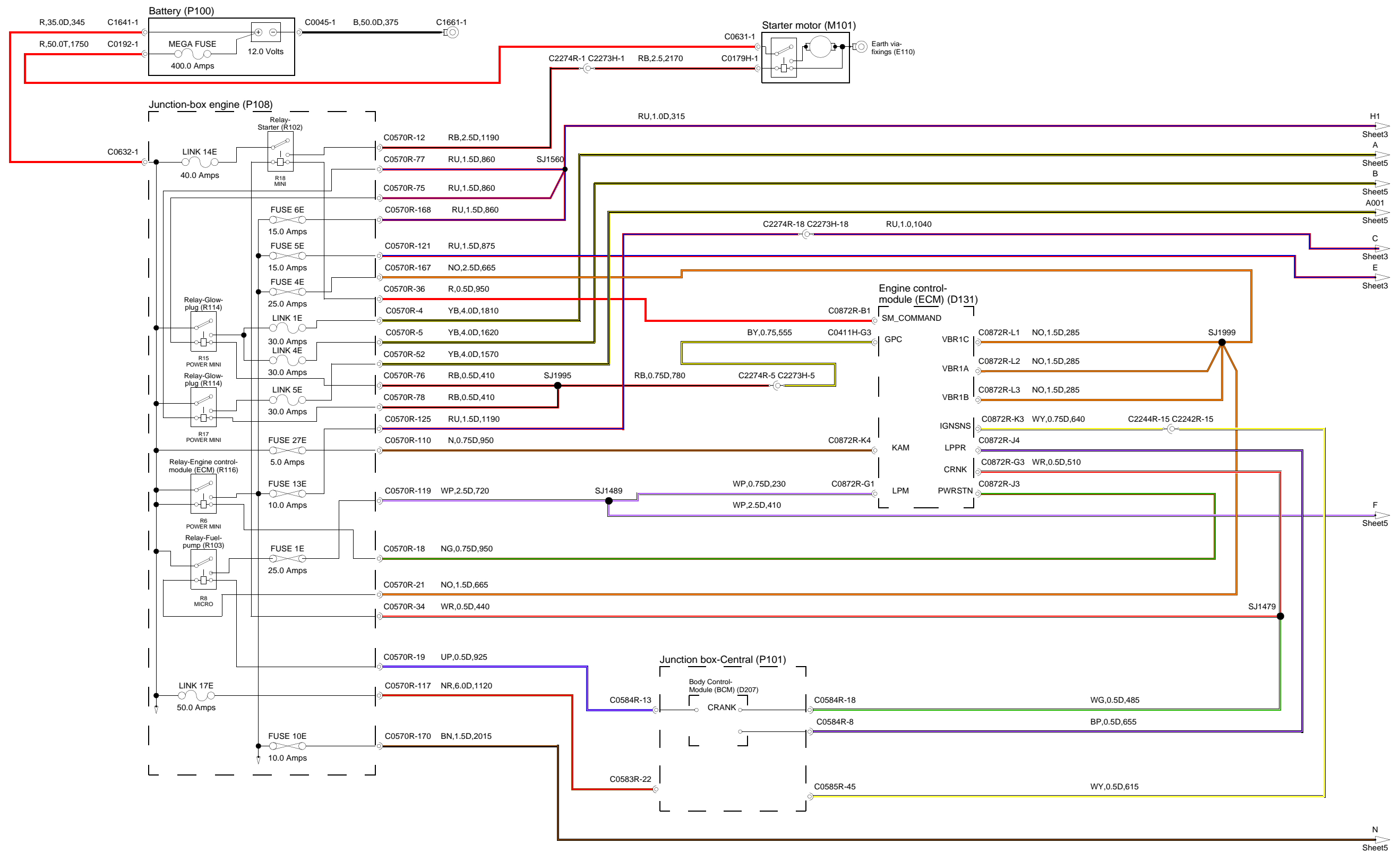


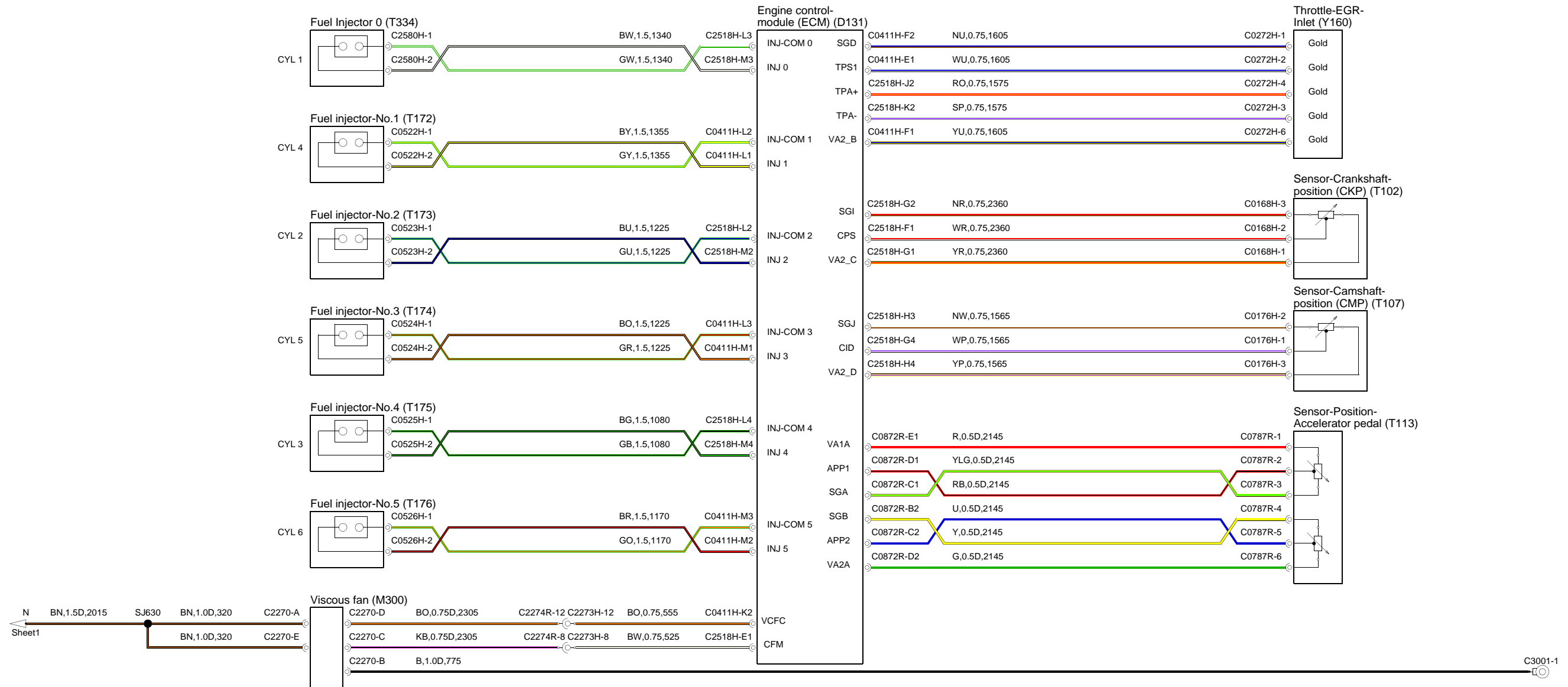


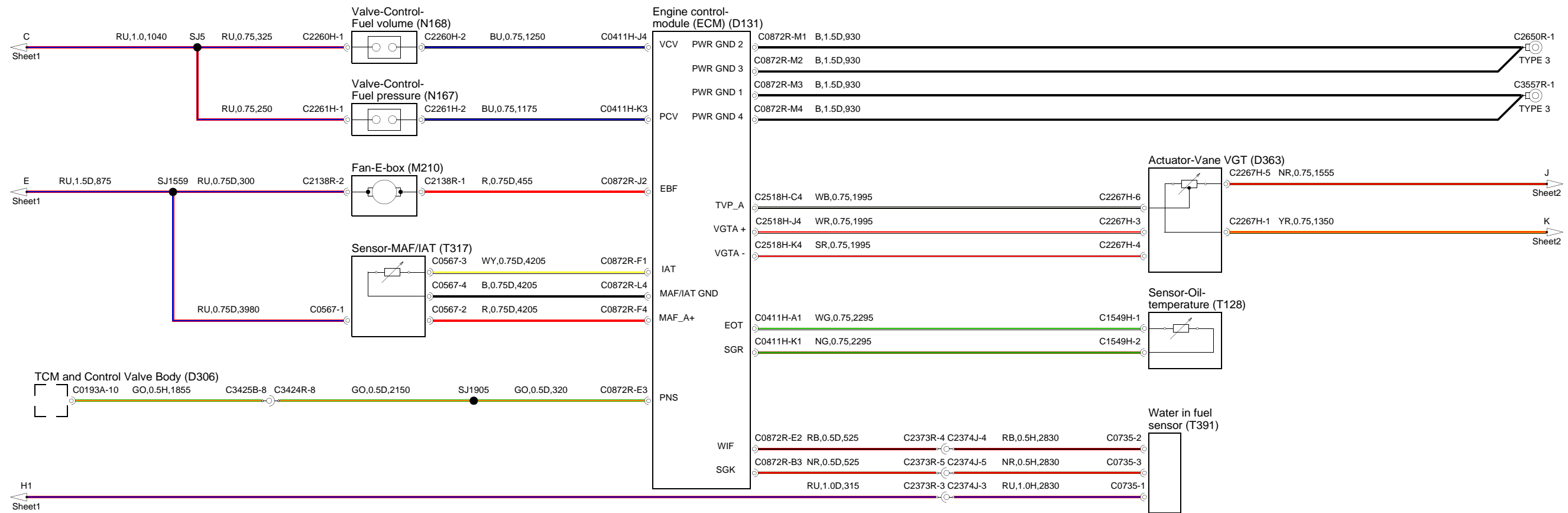


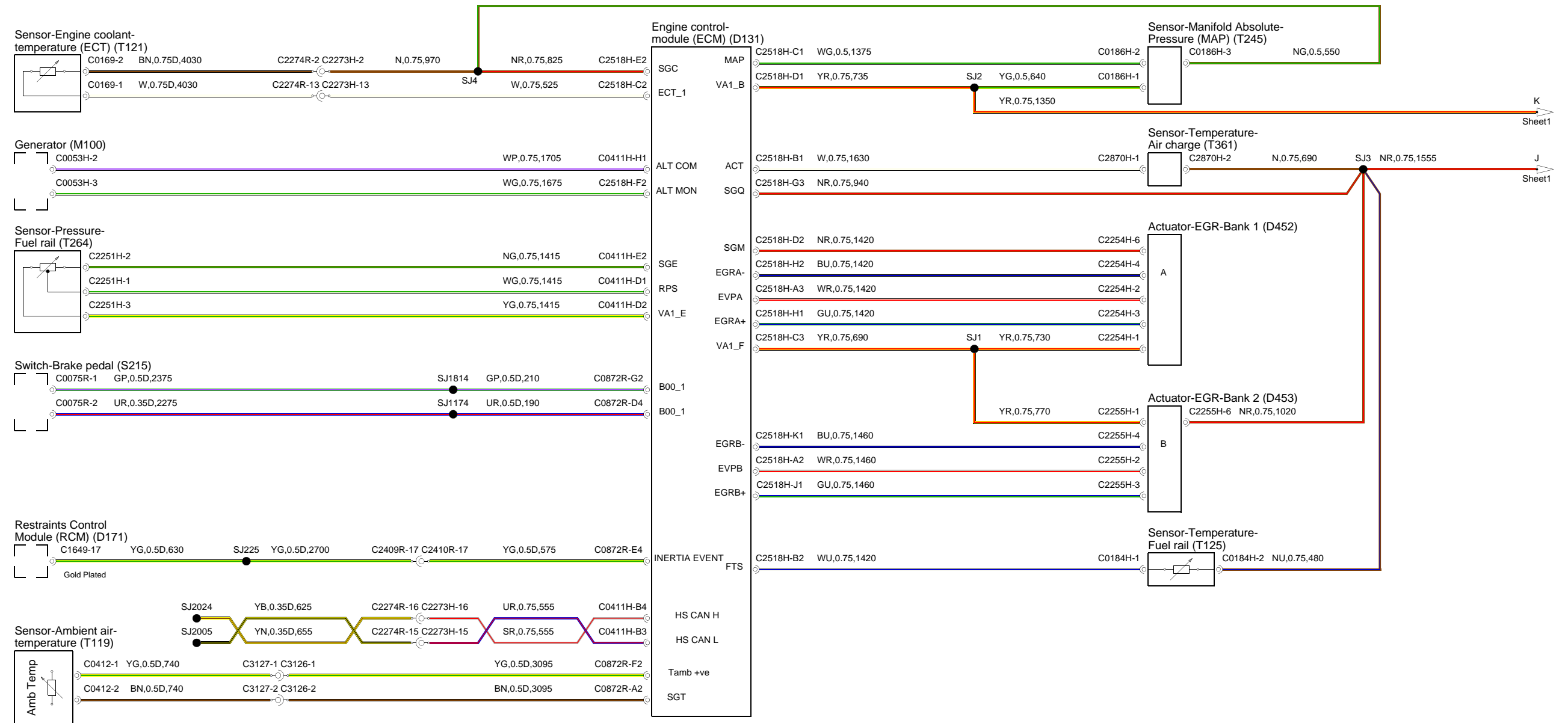


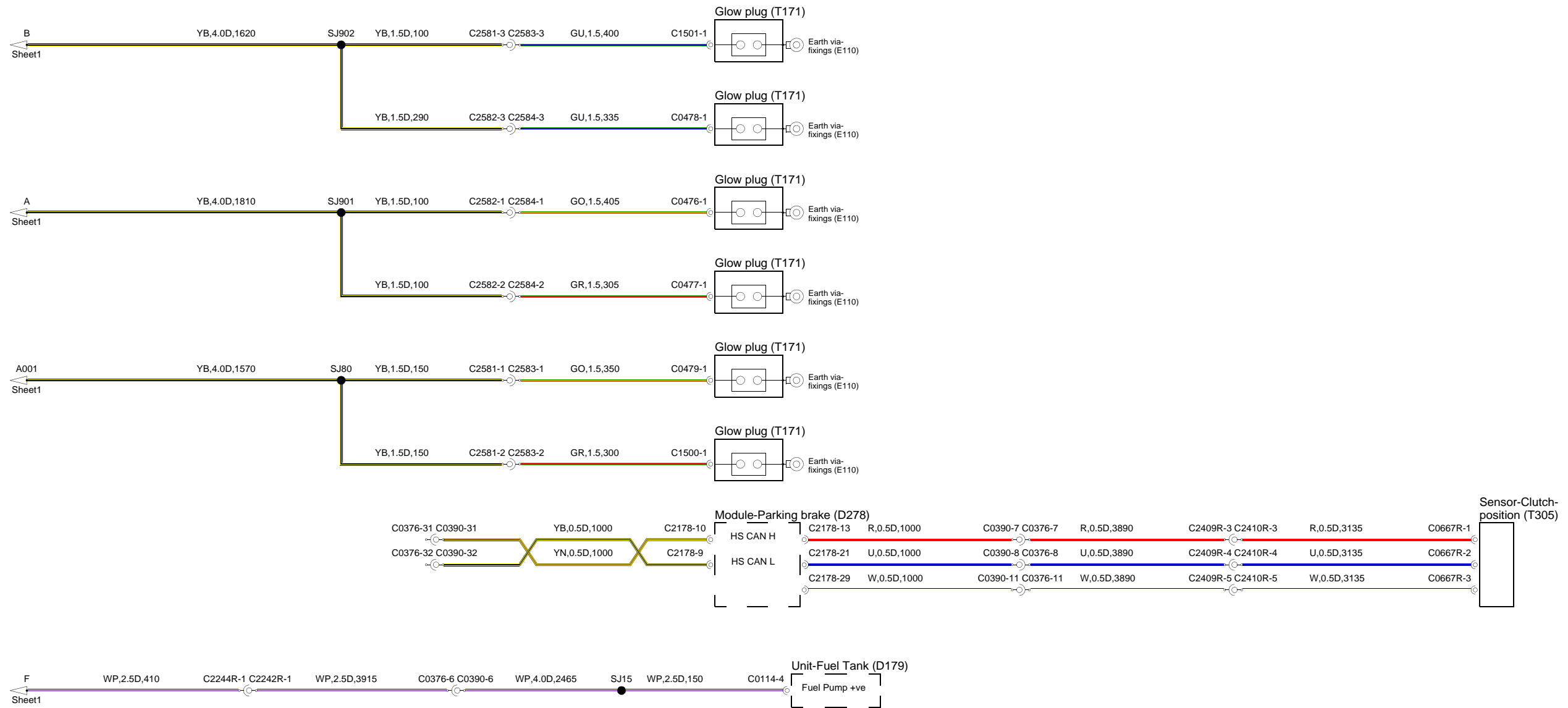




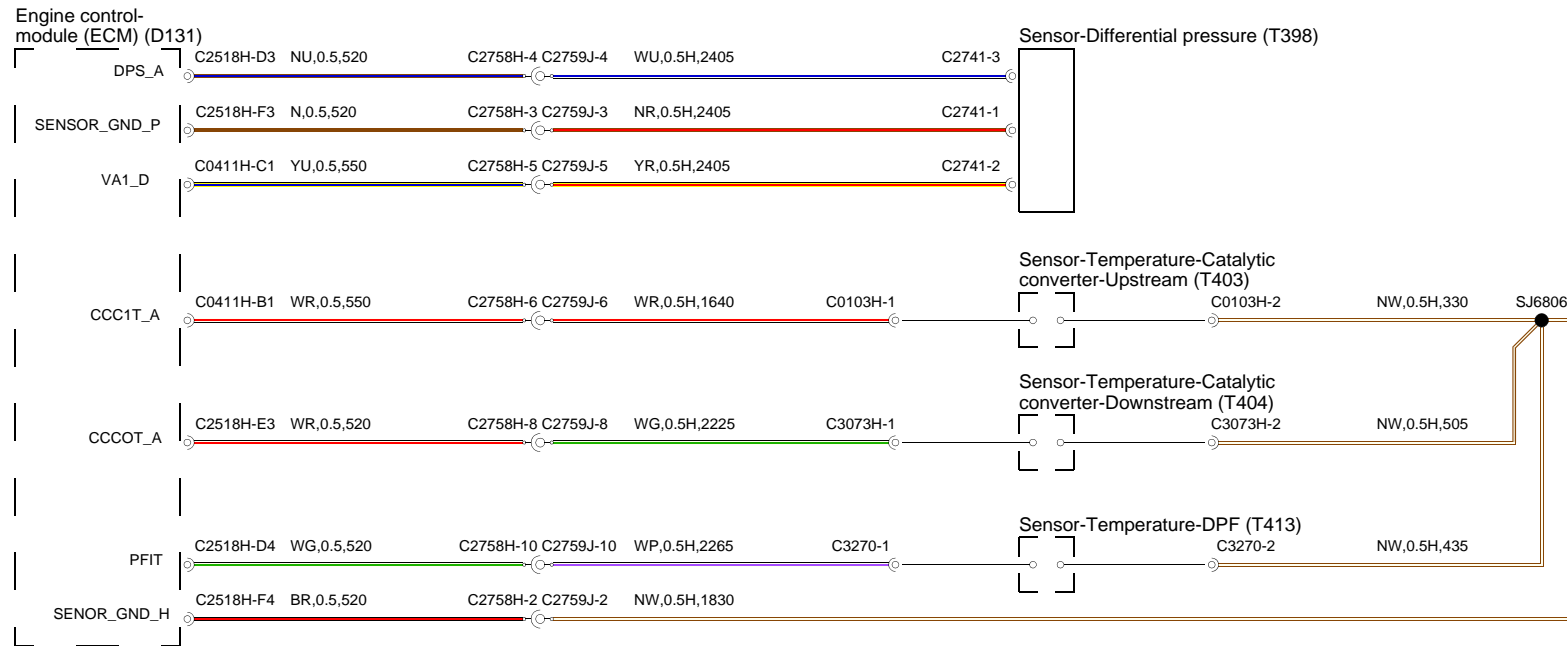




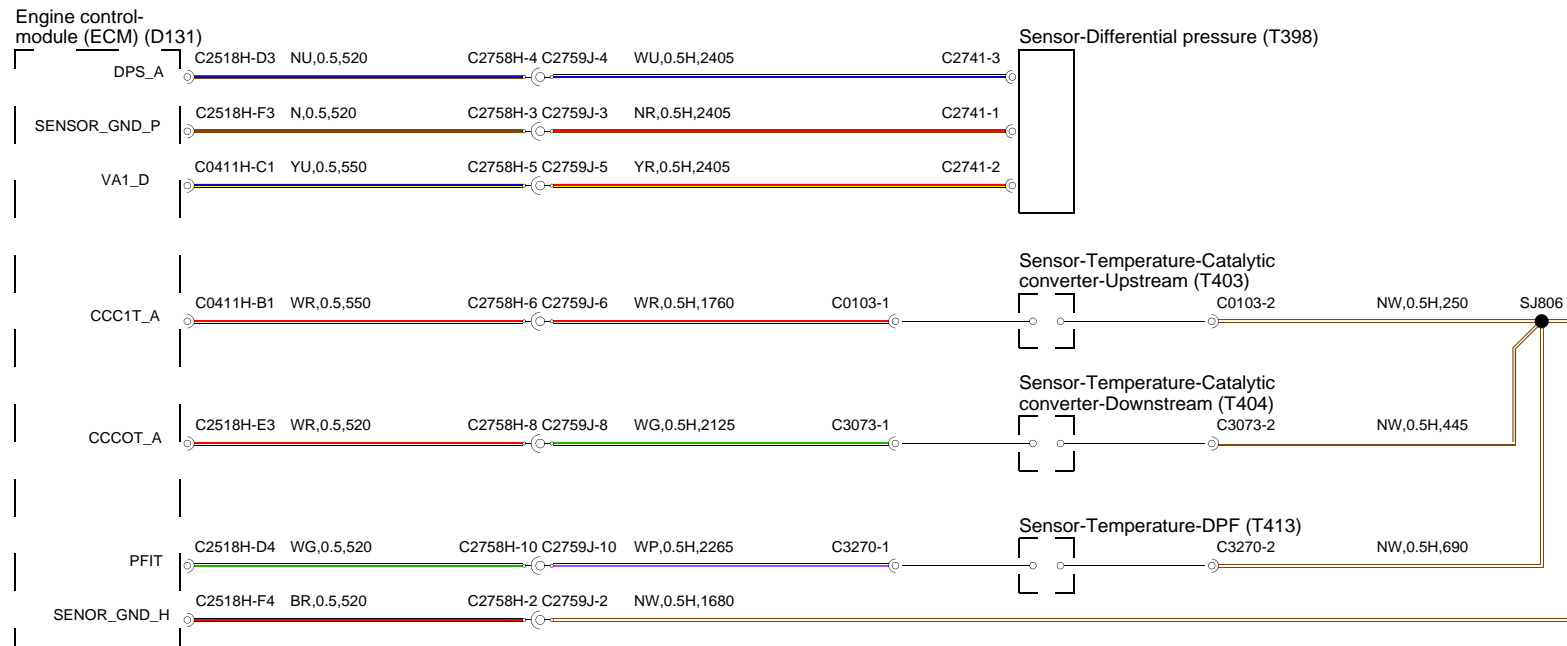


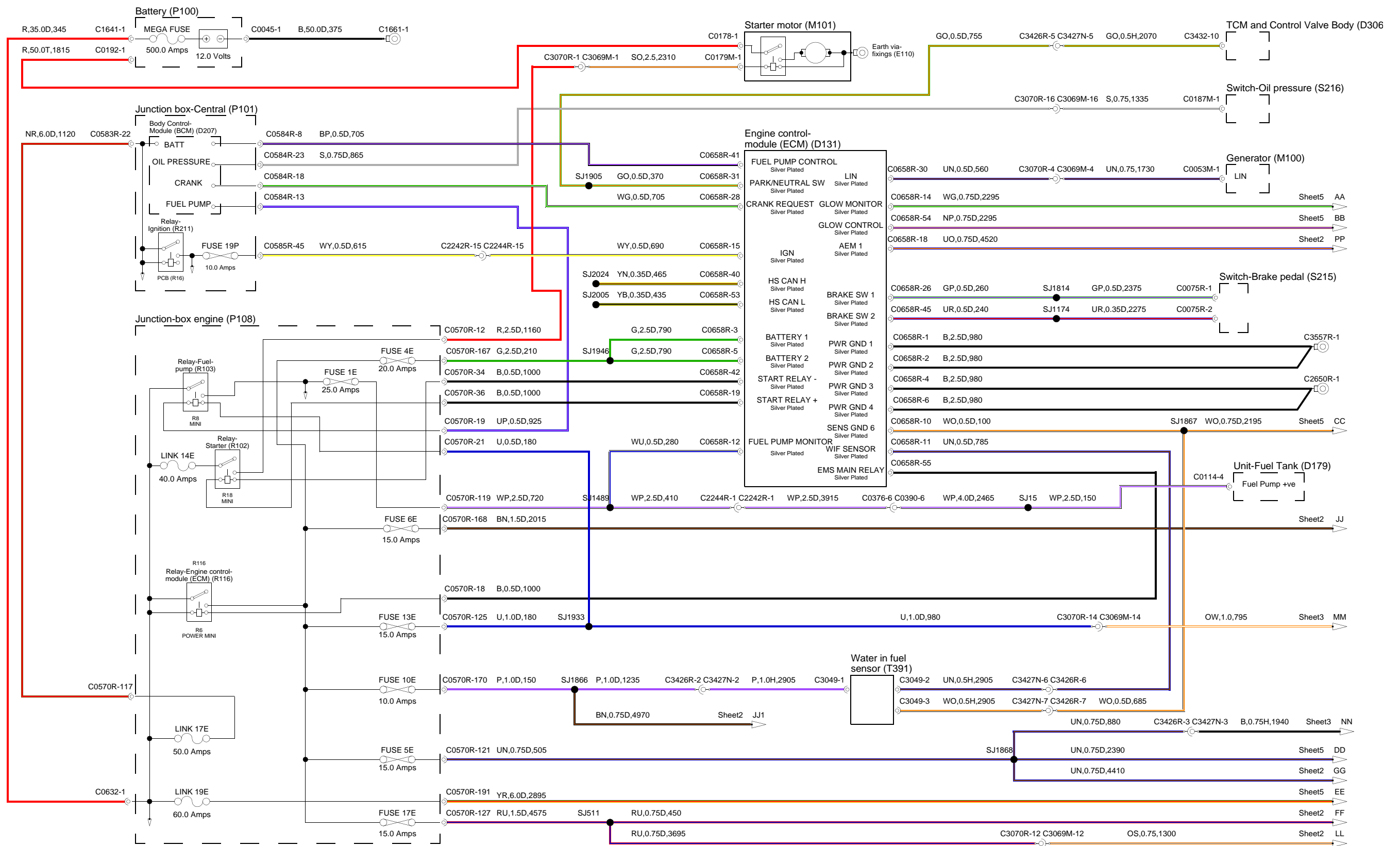


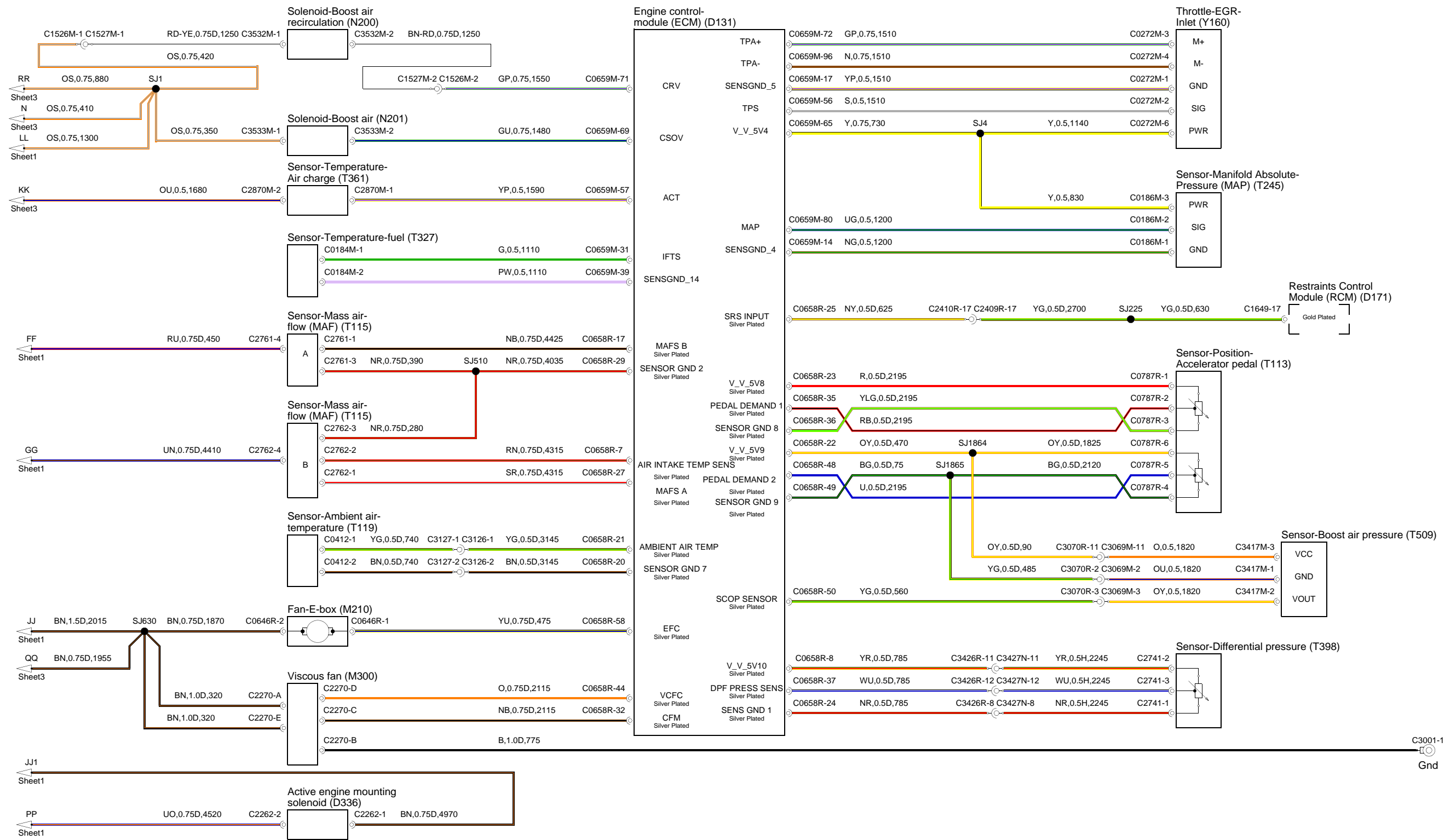
(AUTO DV6)

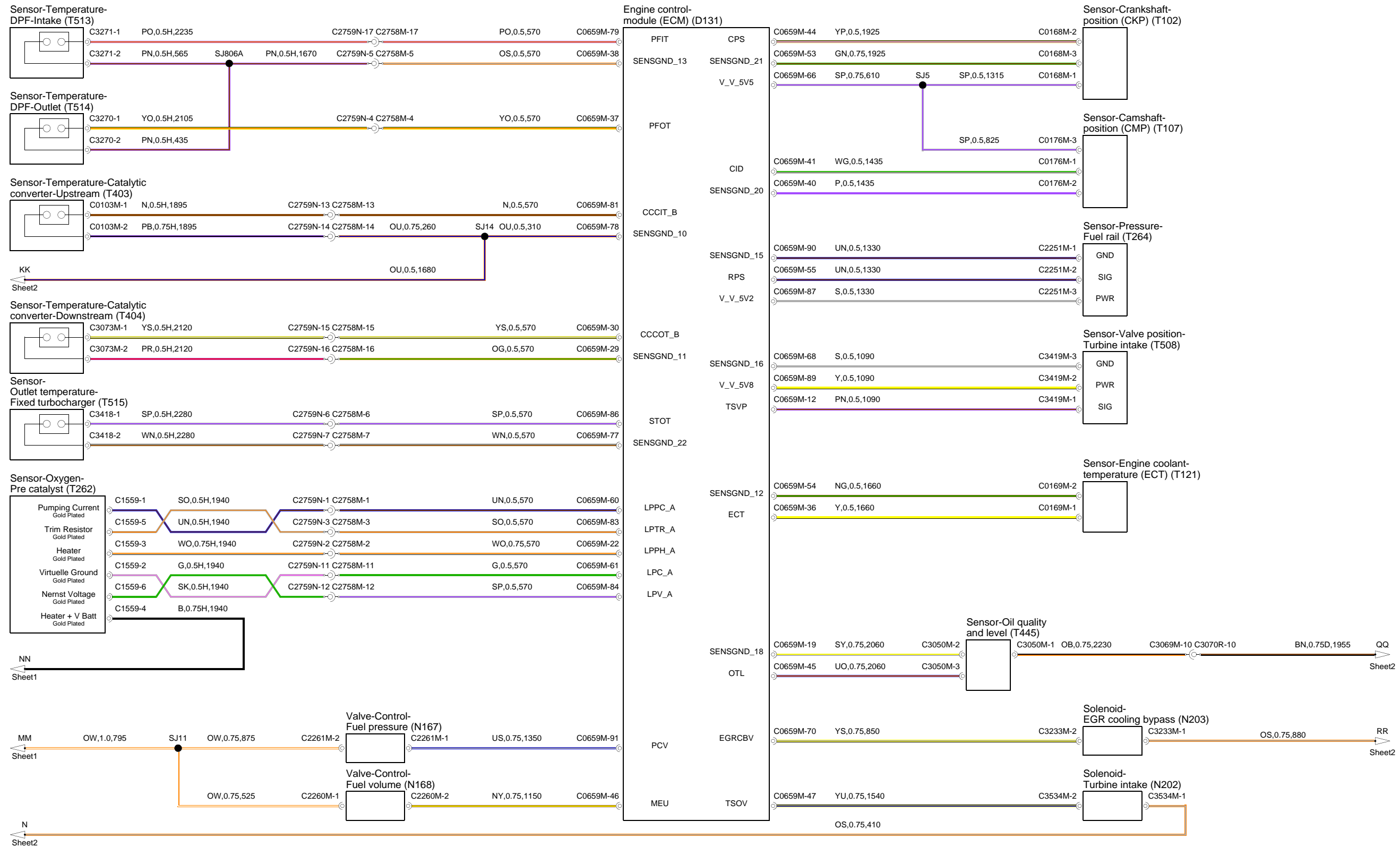


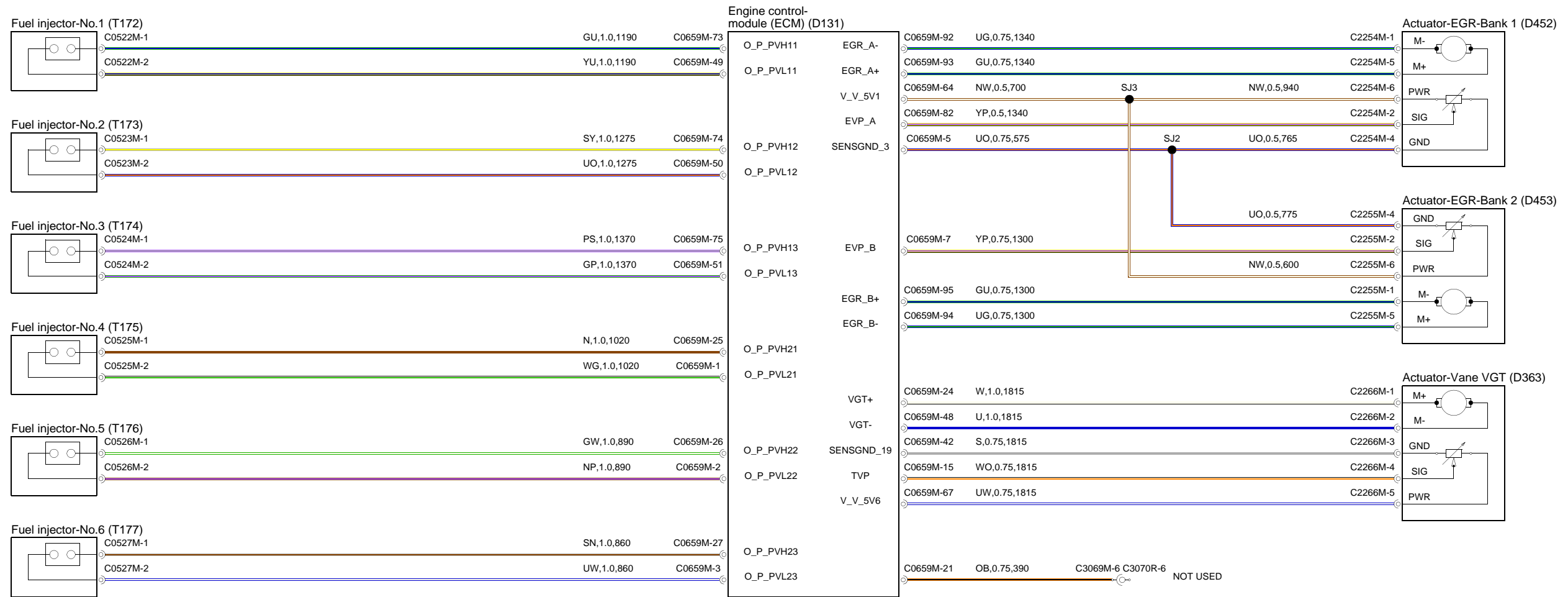
(MANUAL DV6 EU4)

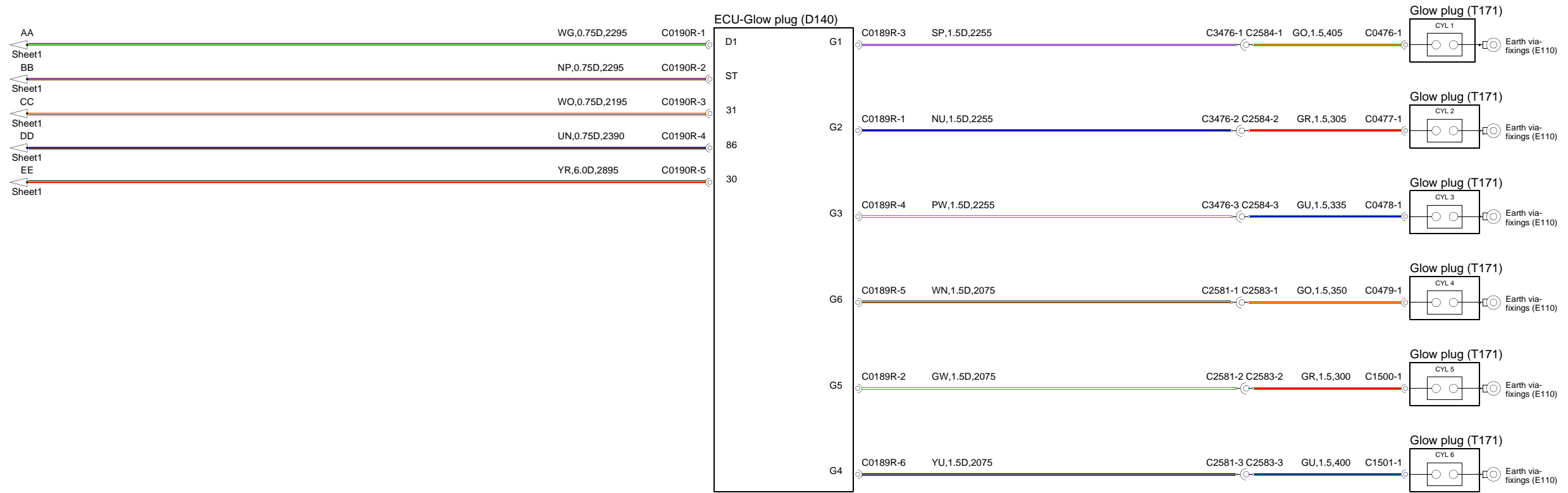


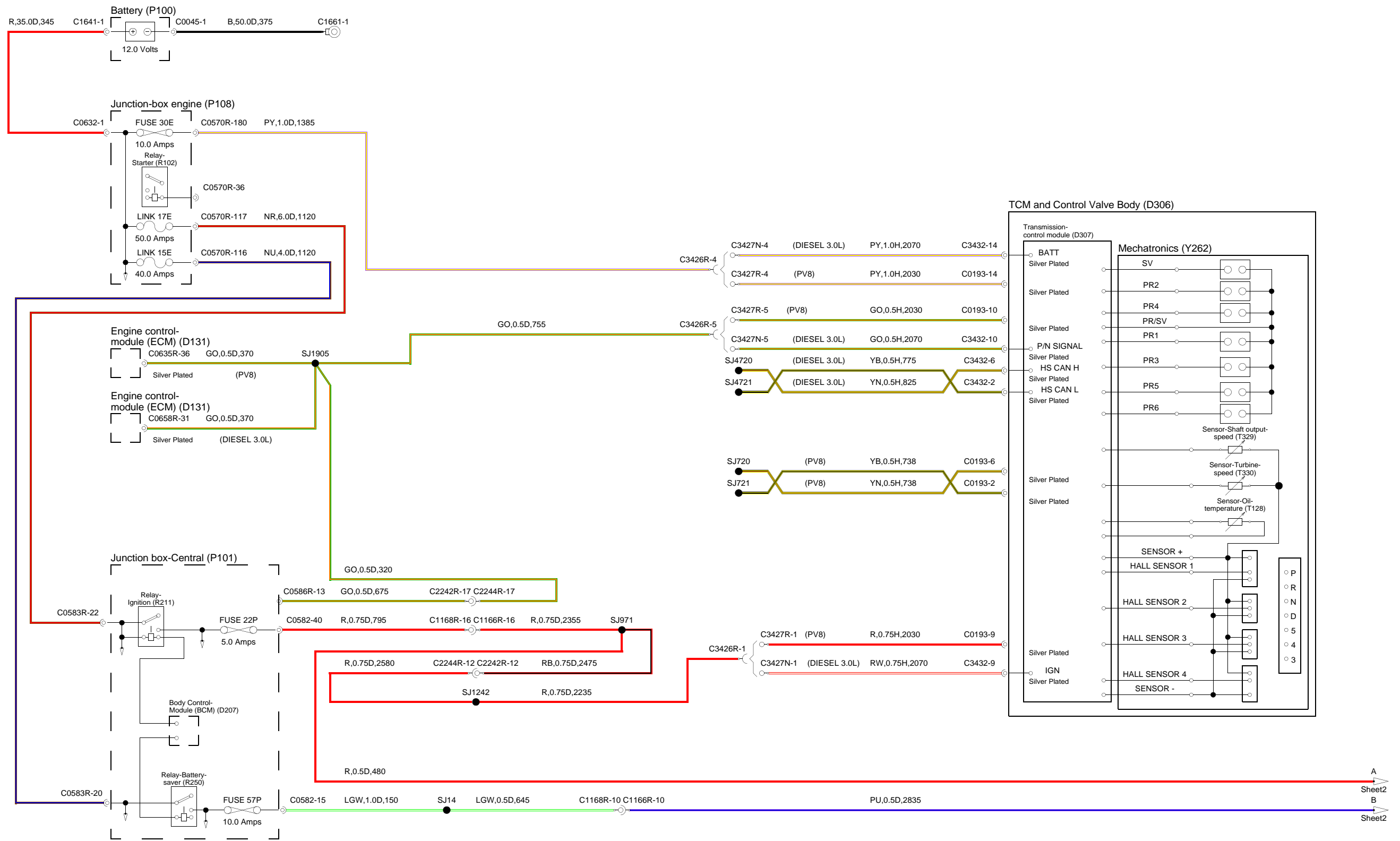


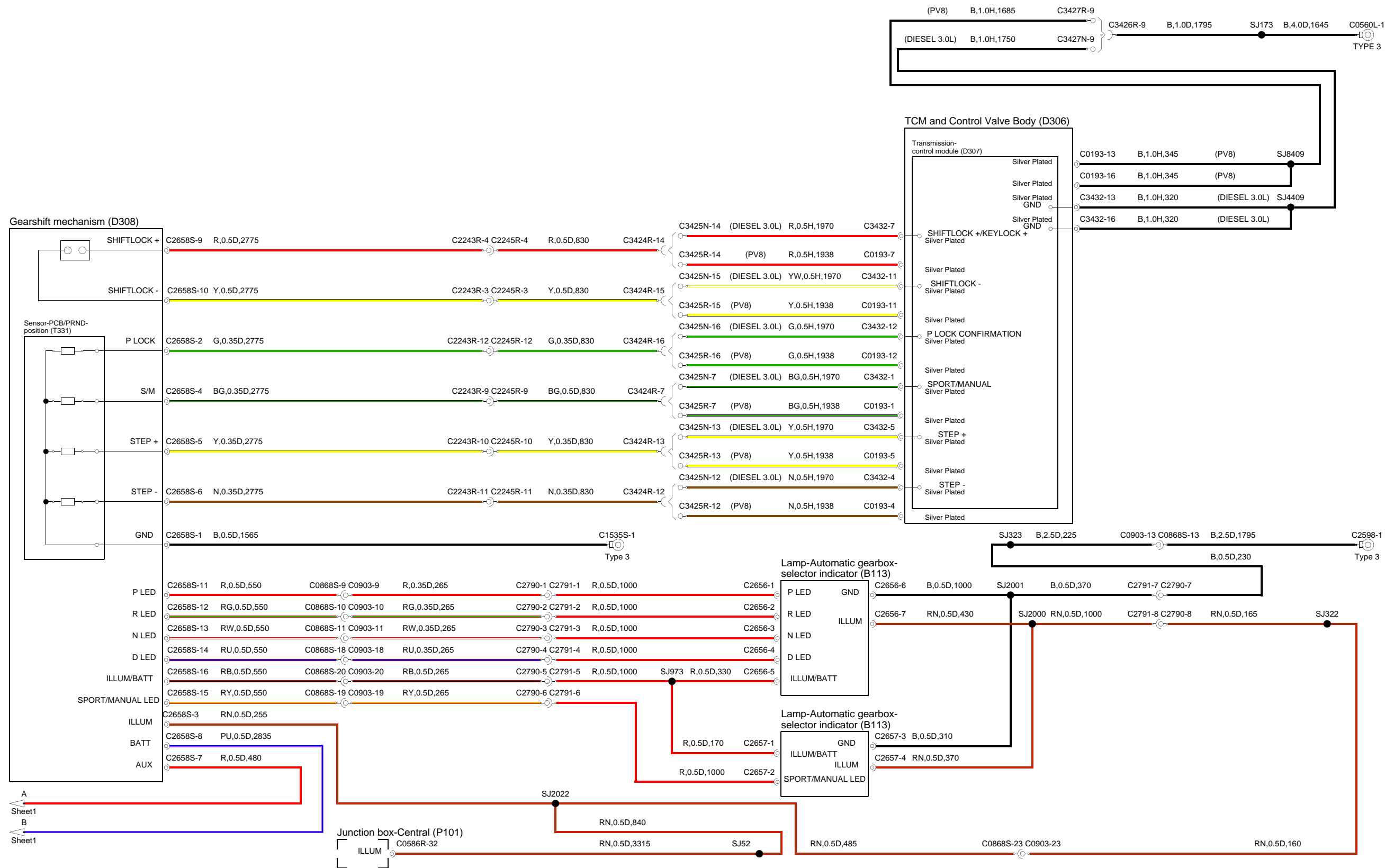


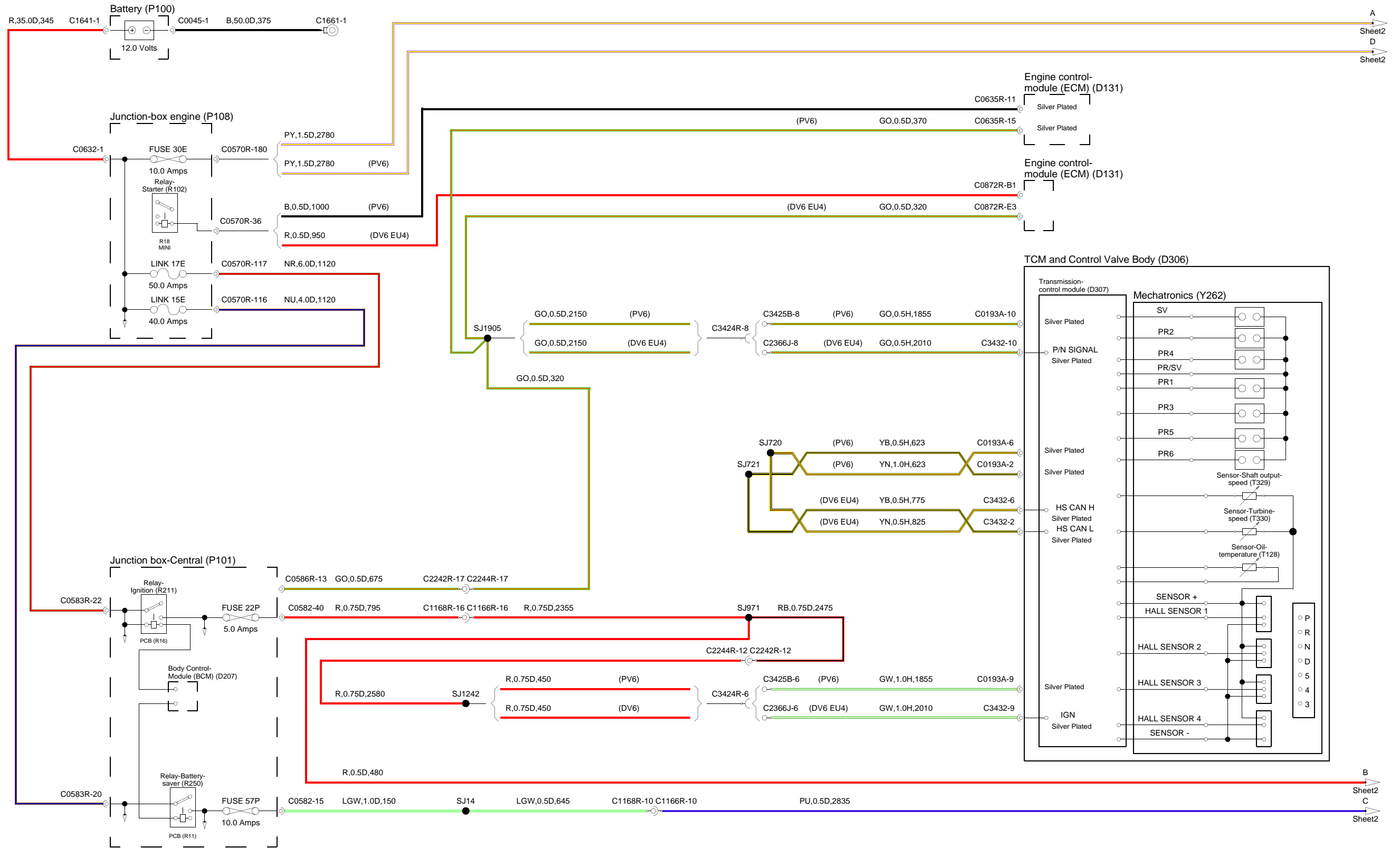


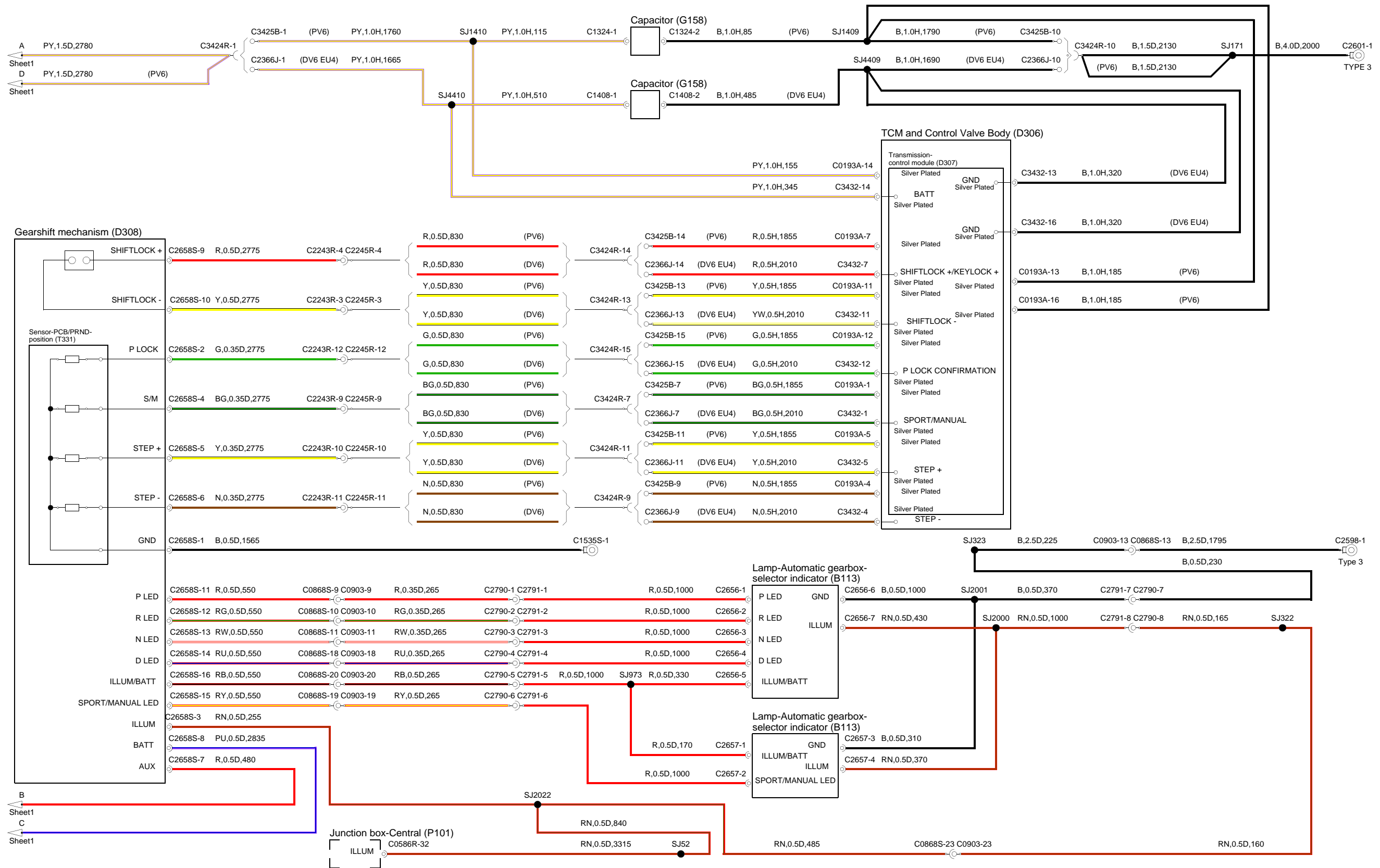


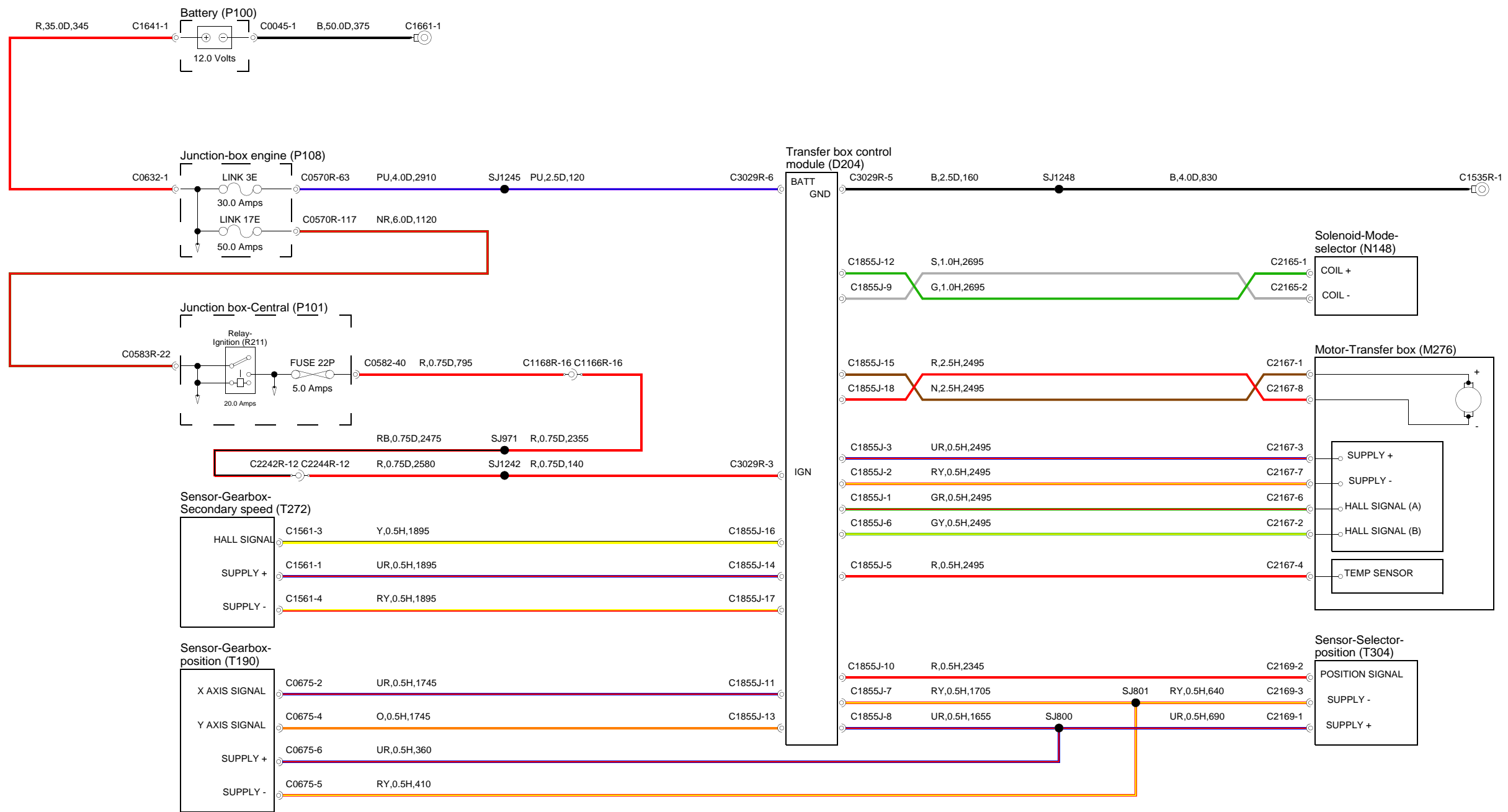


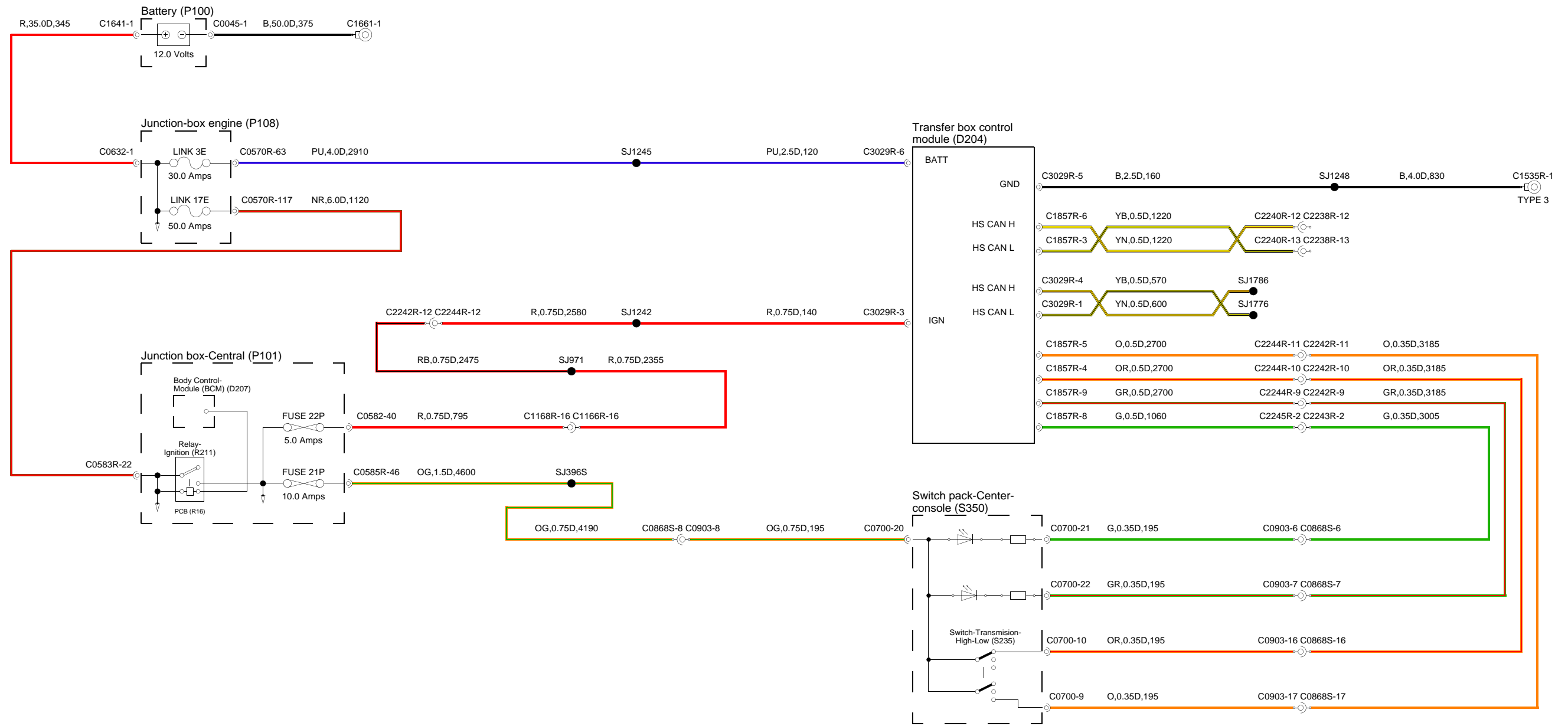


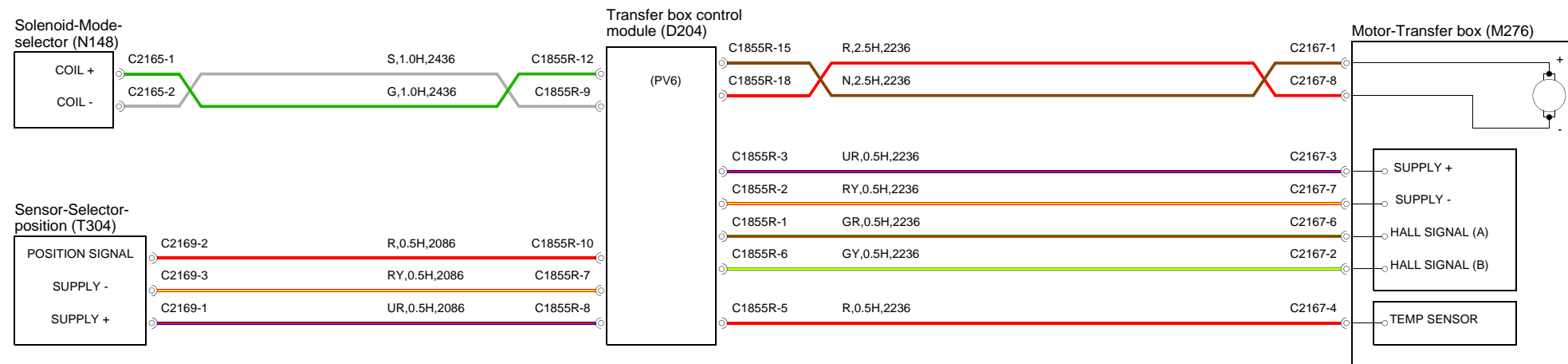
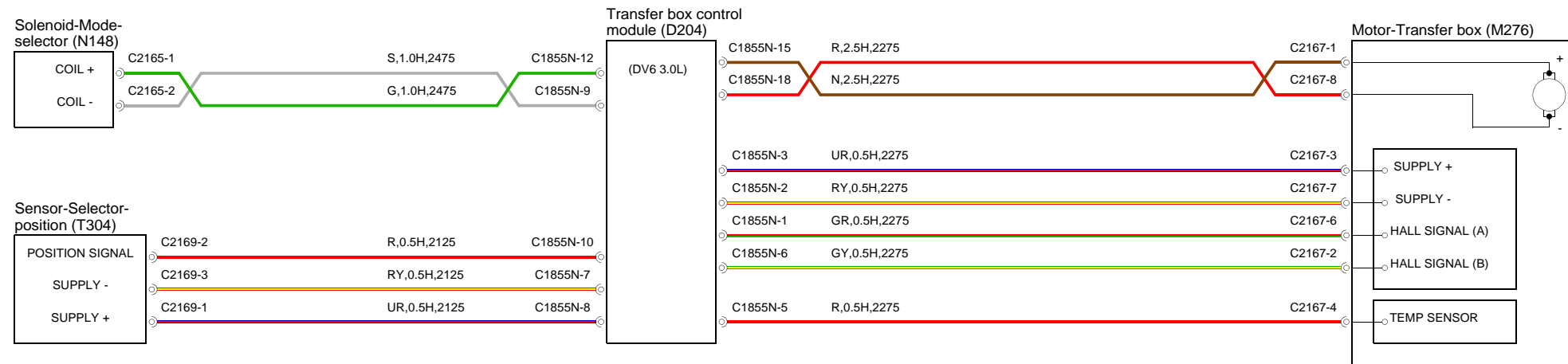


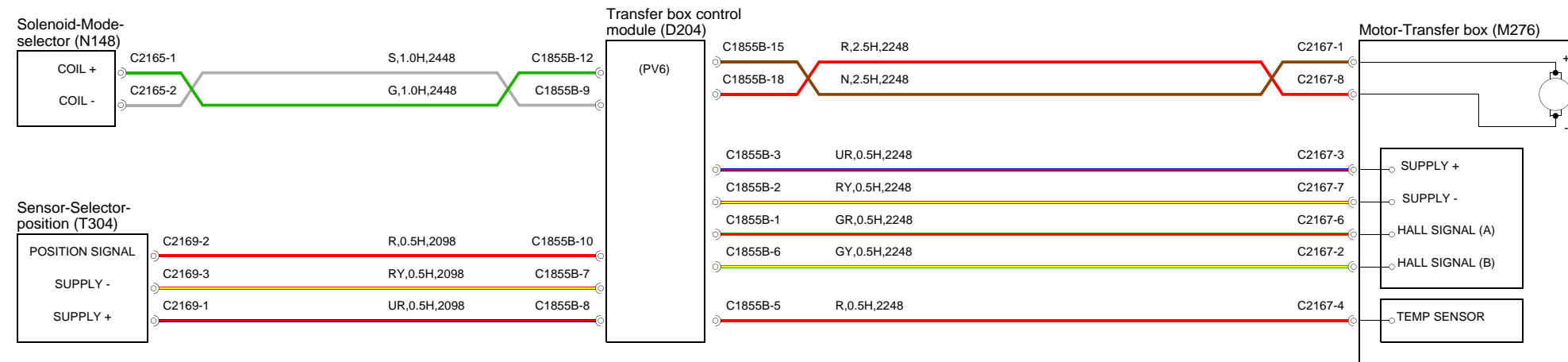
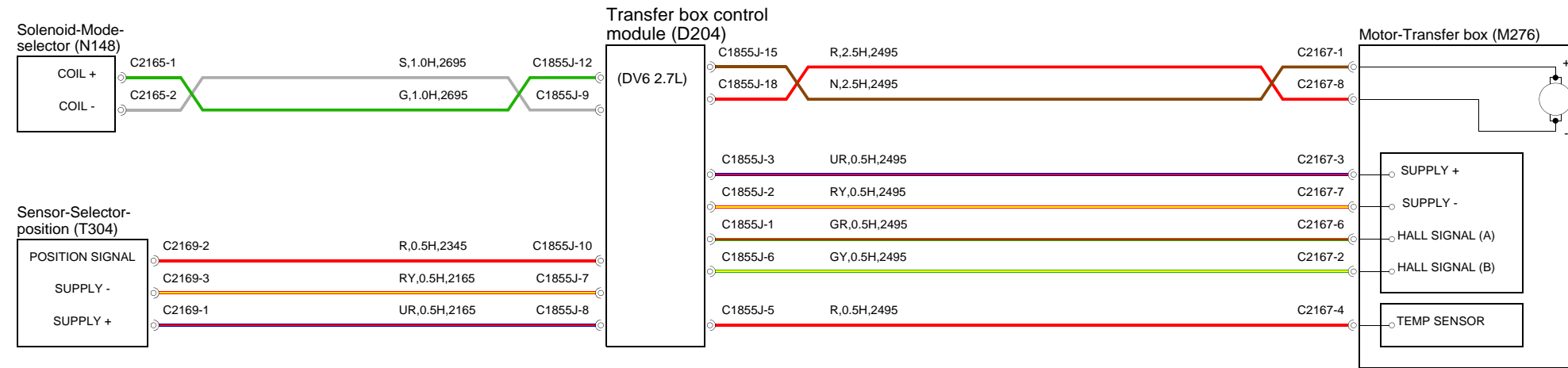


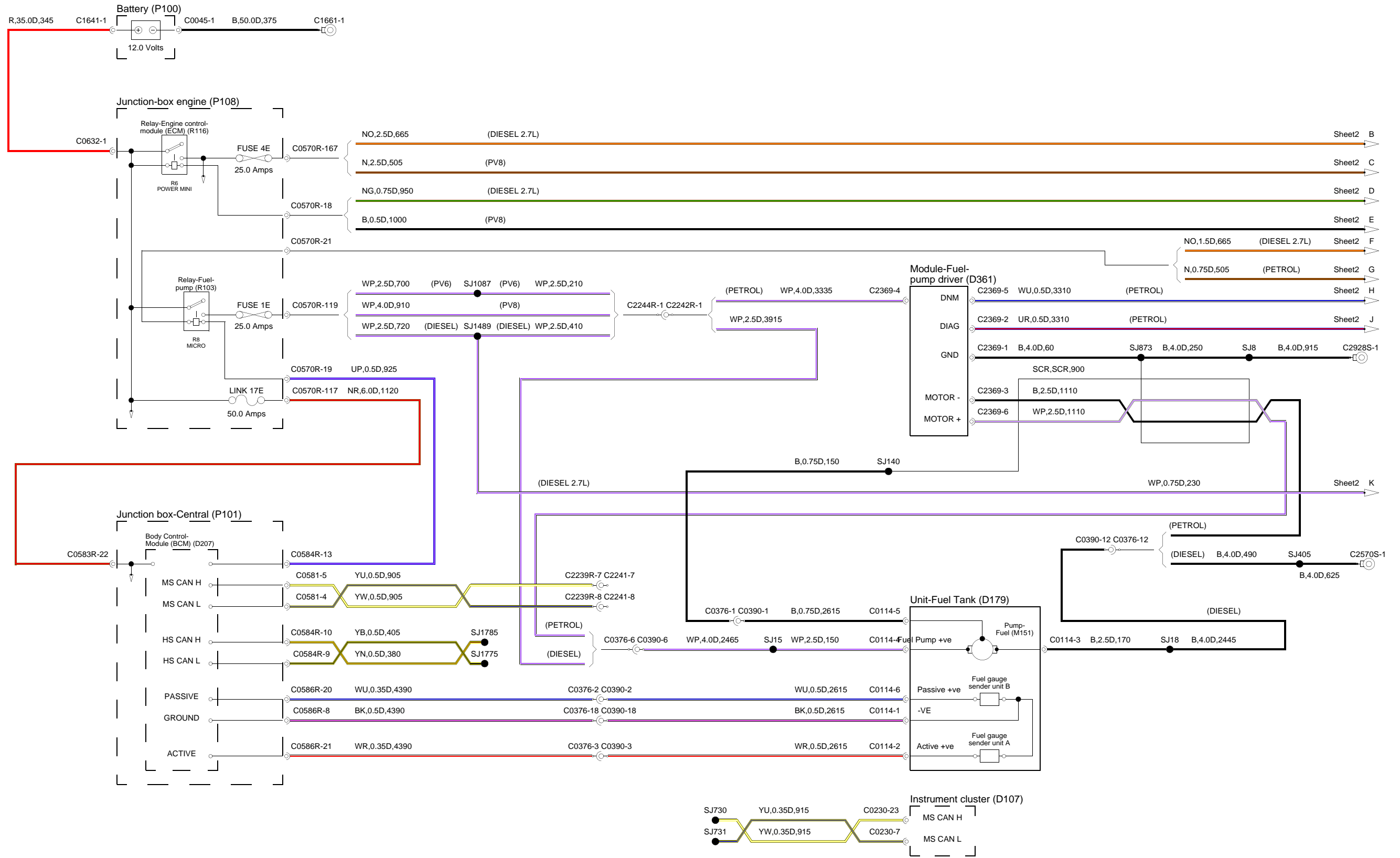


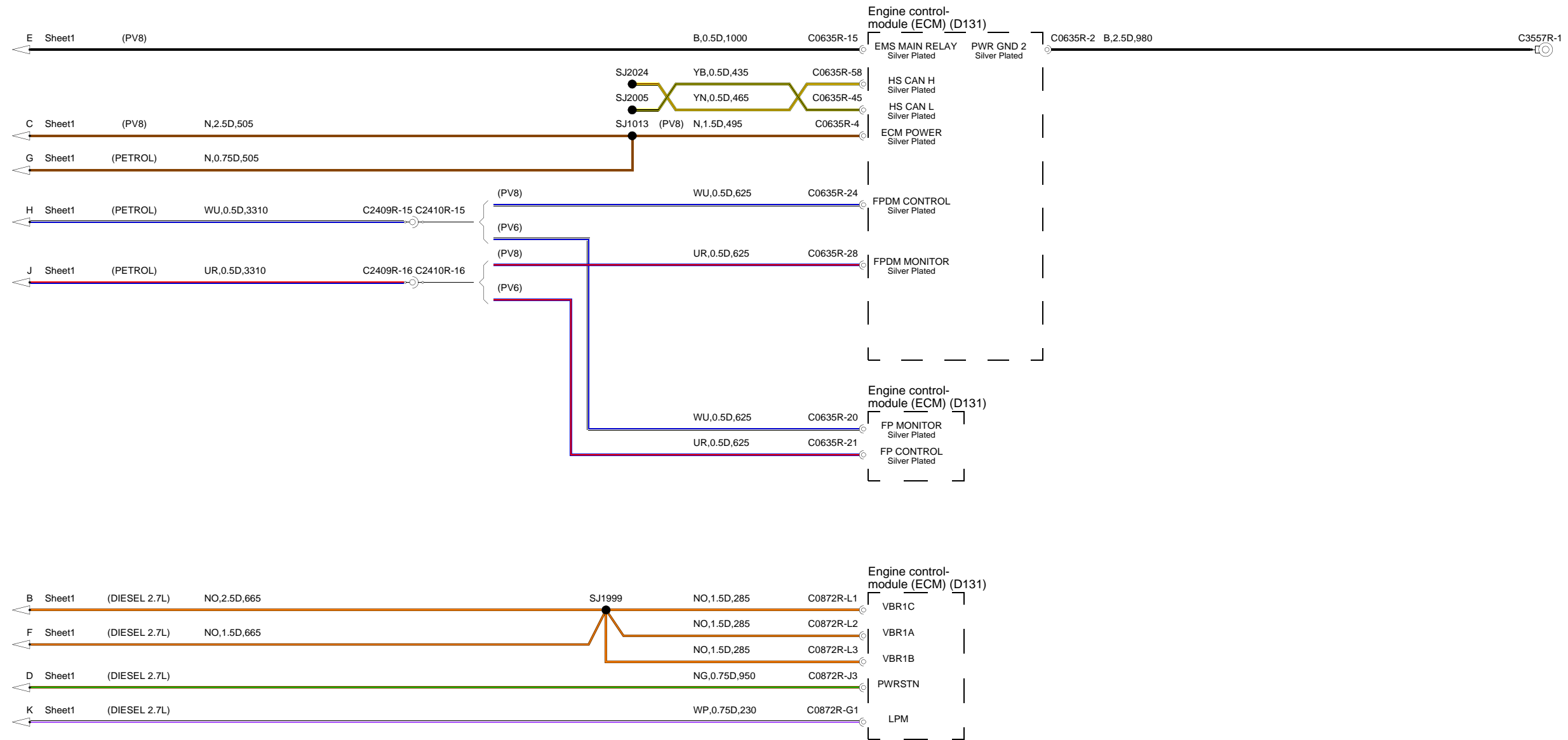


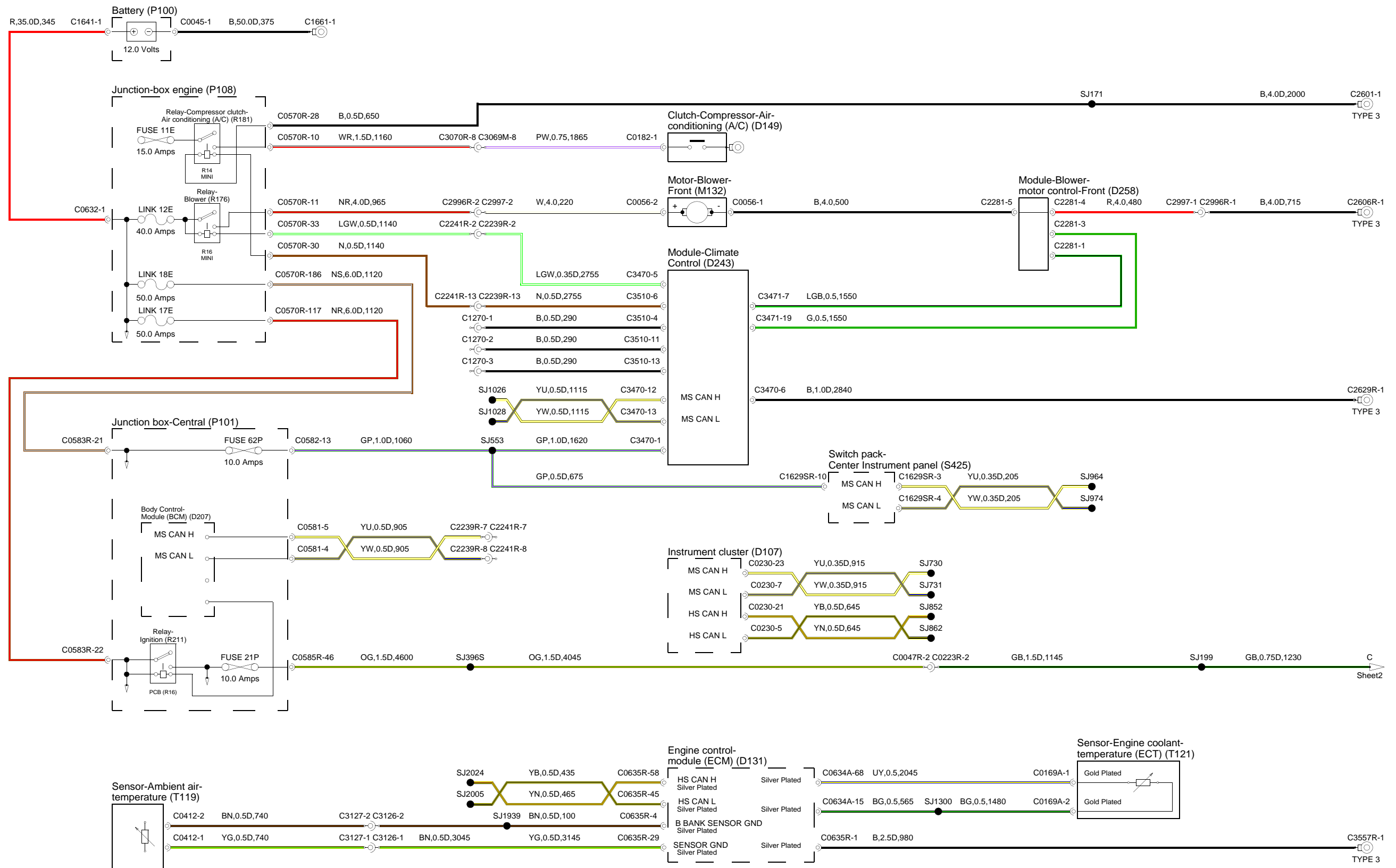


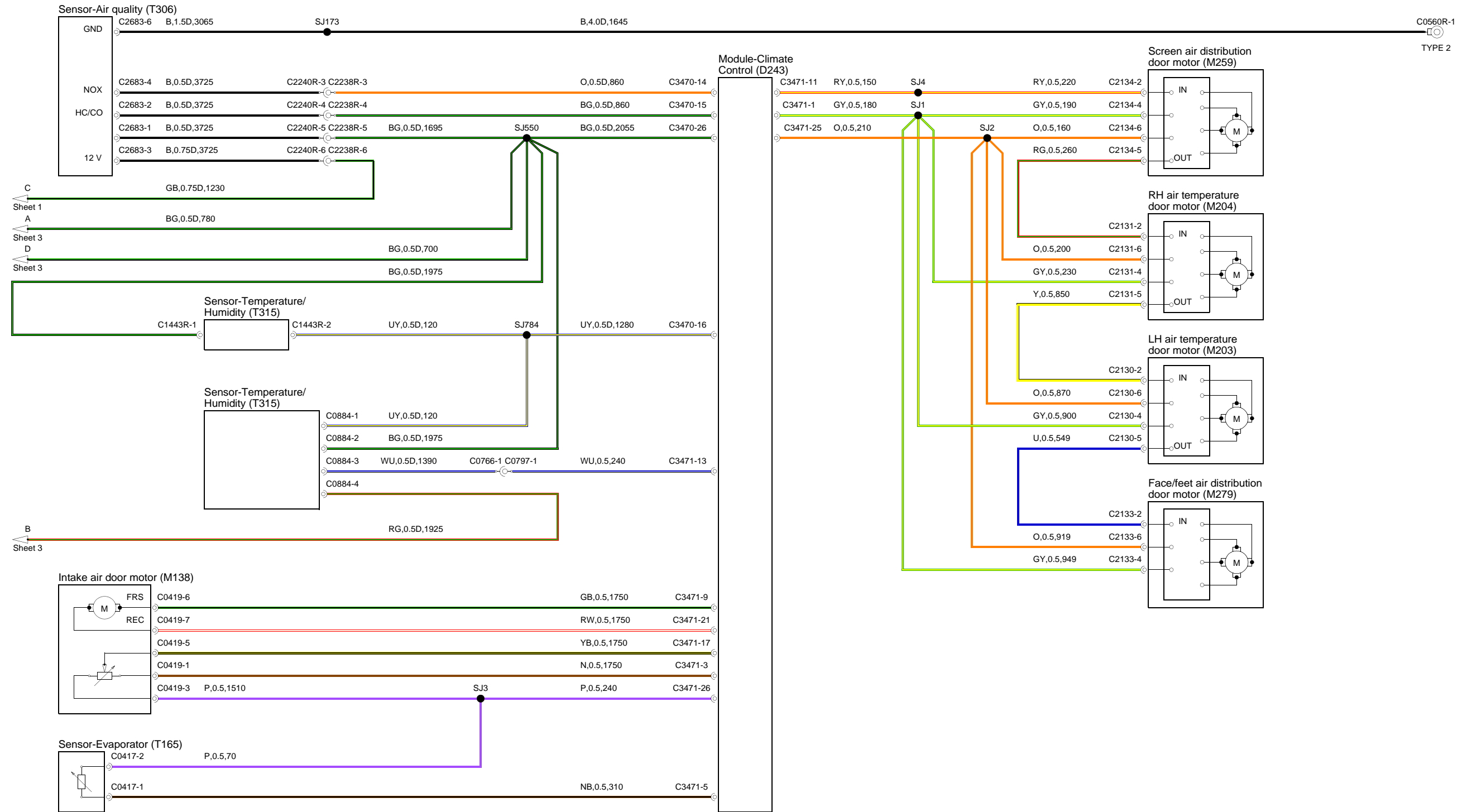


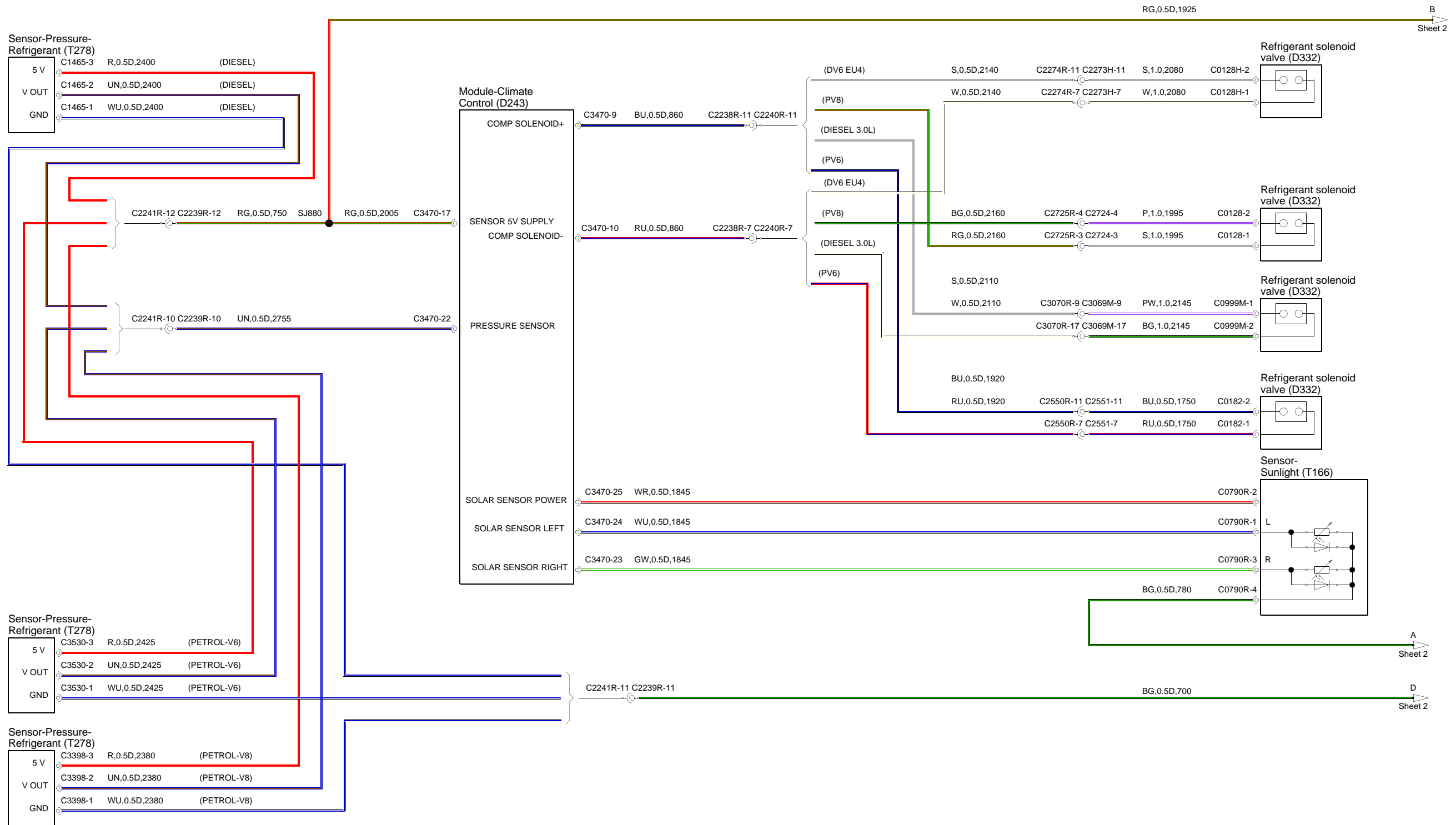


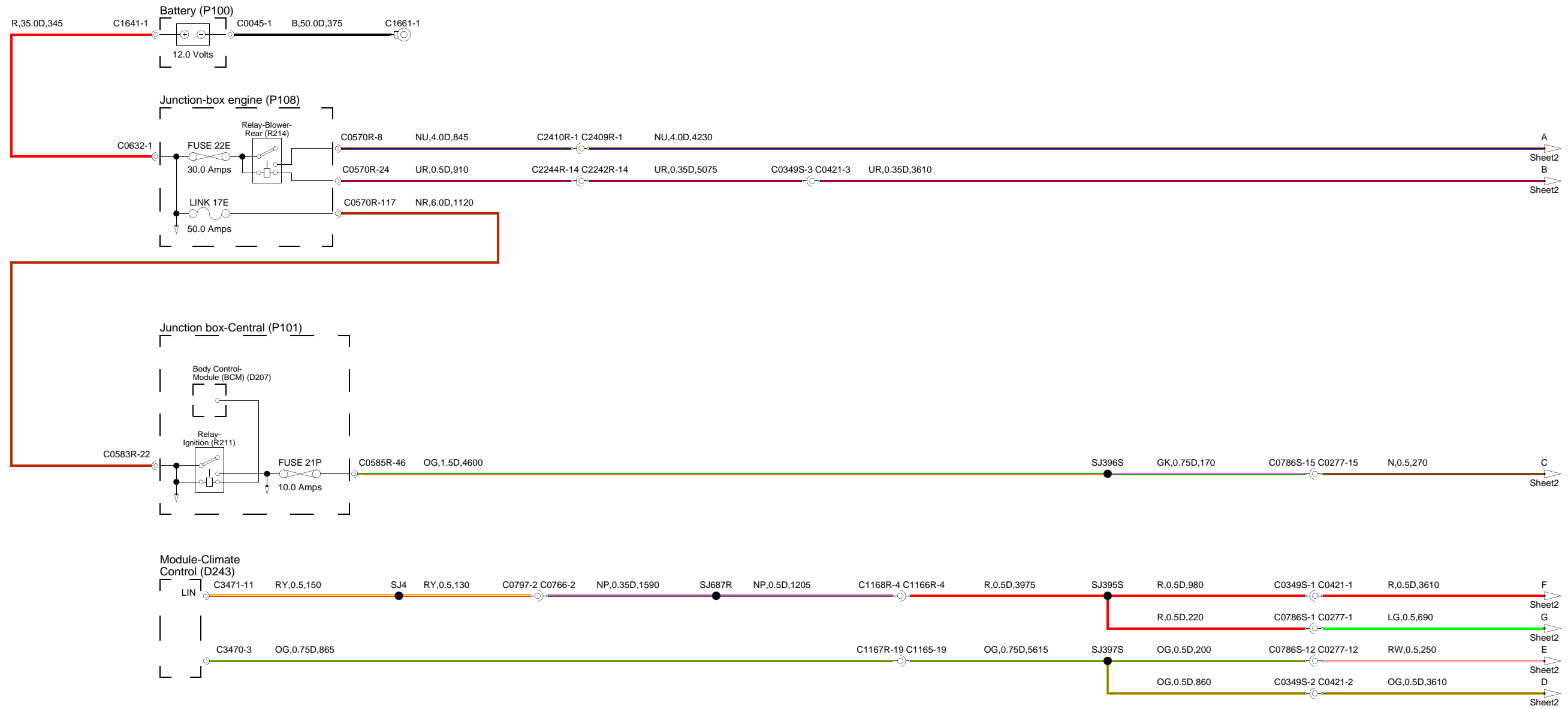


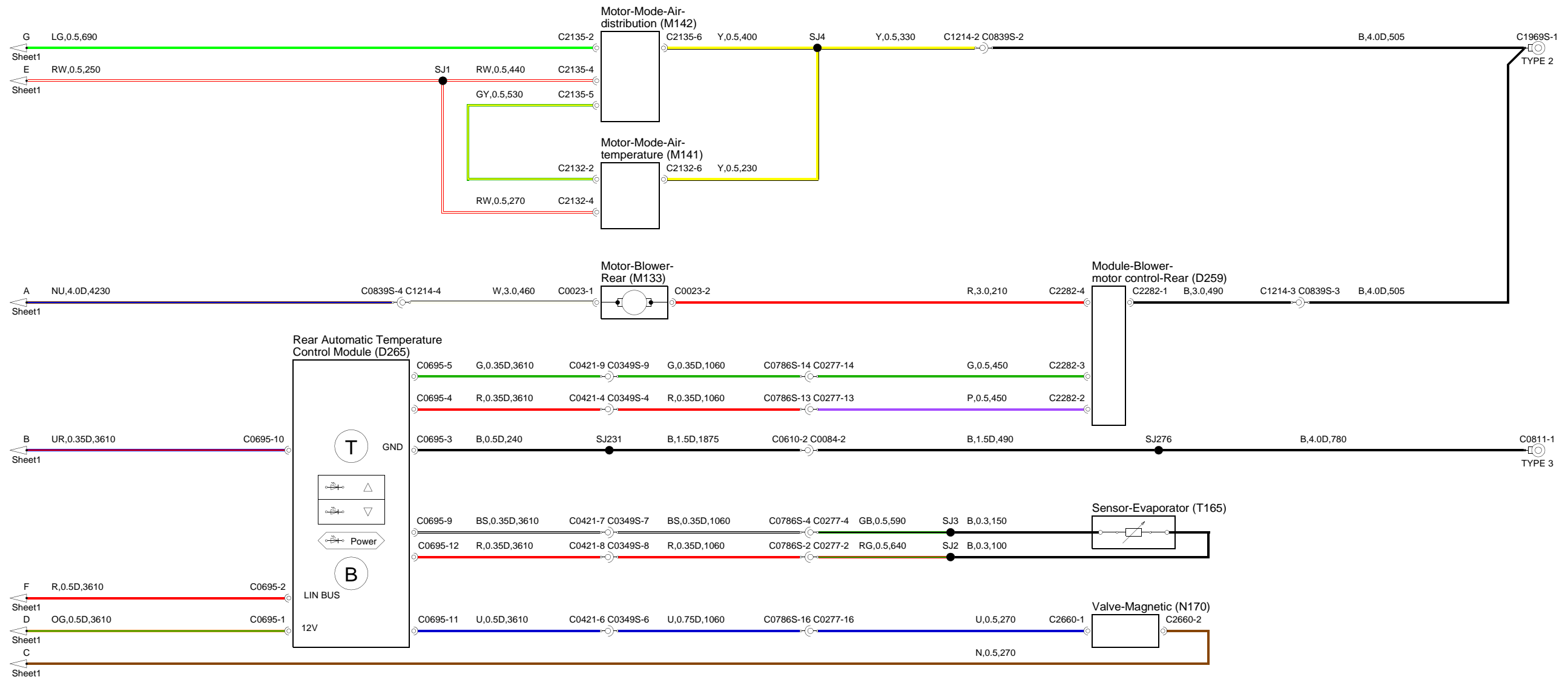


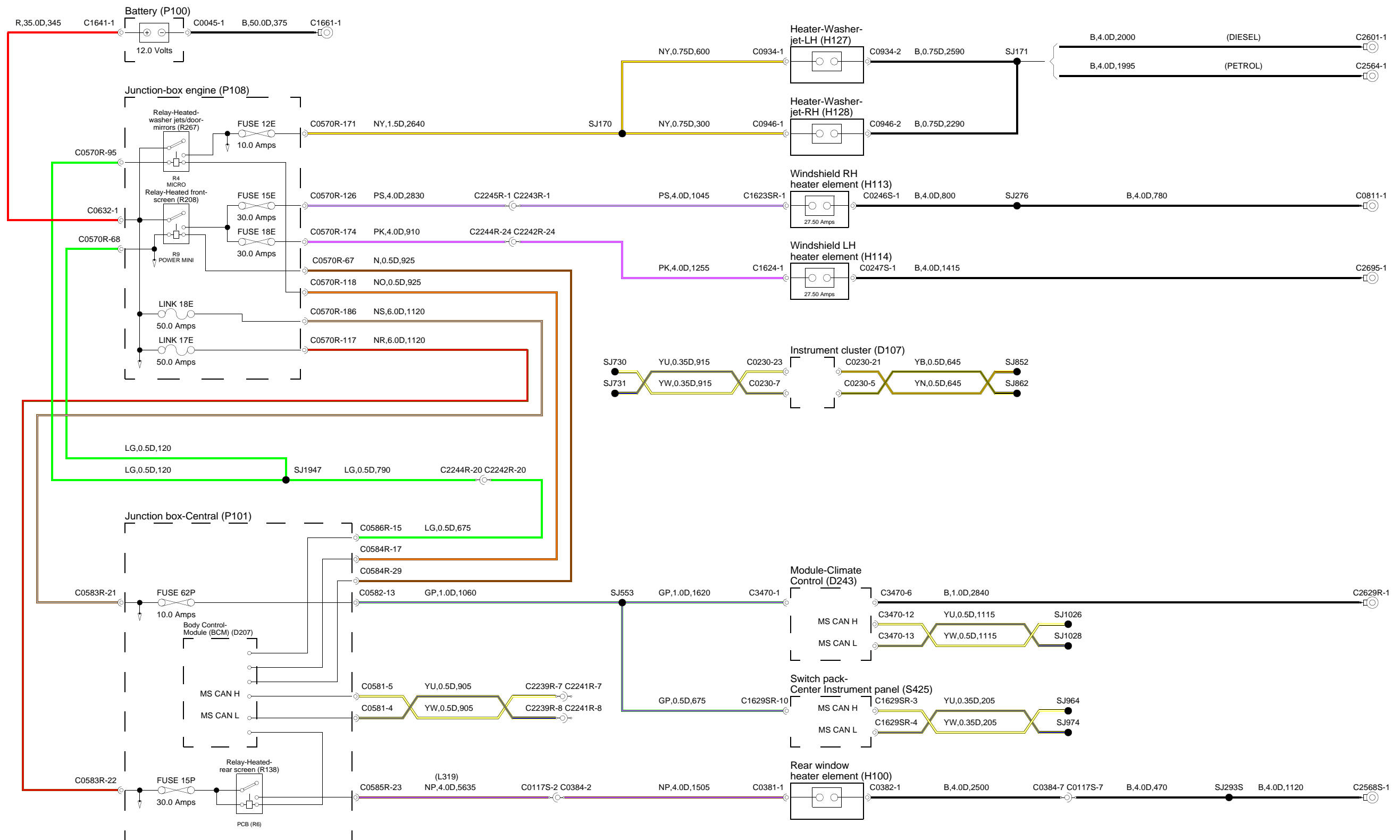


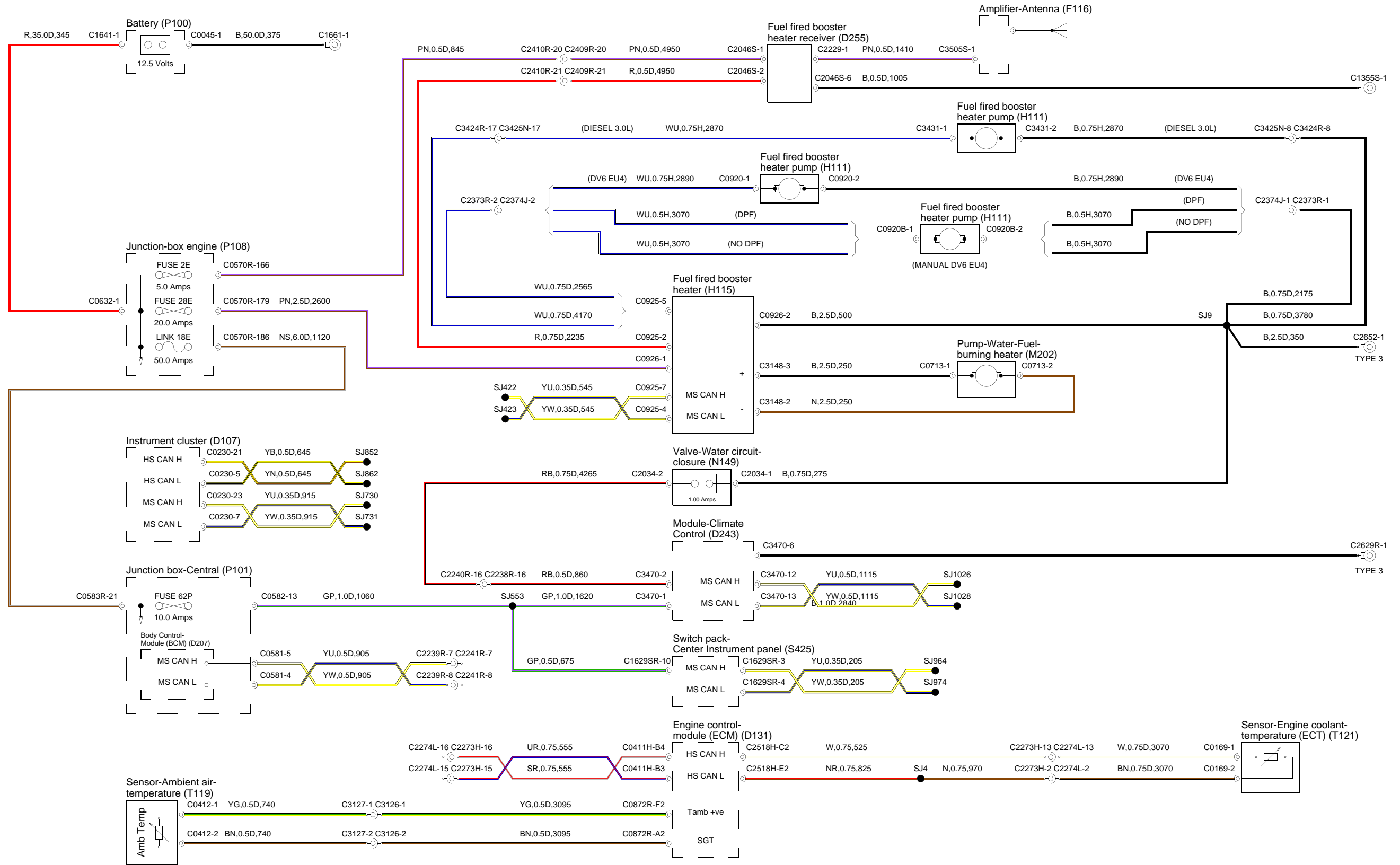


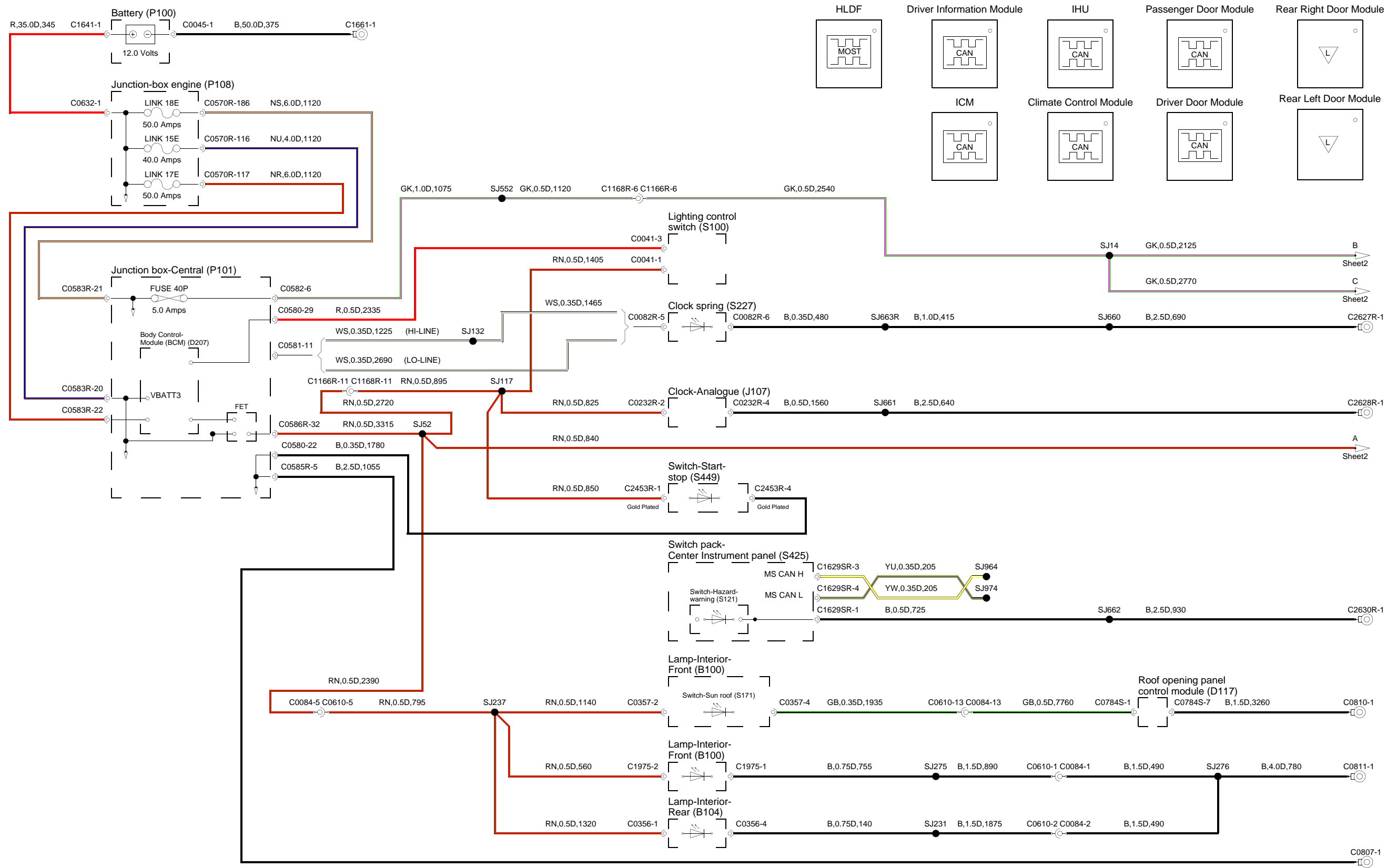


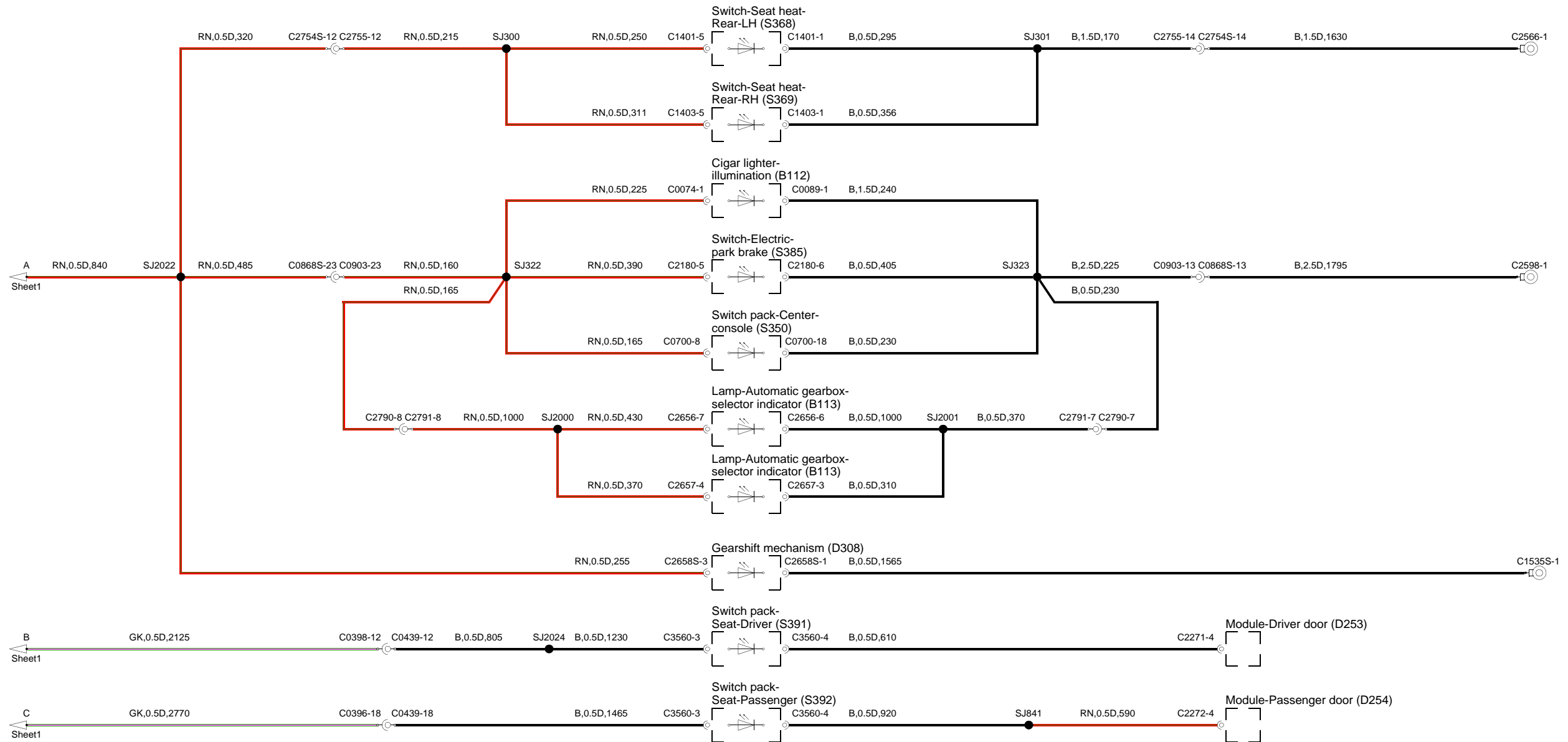


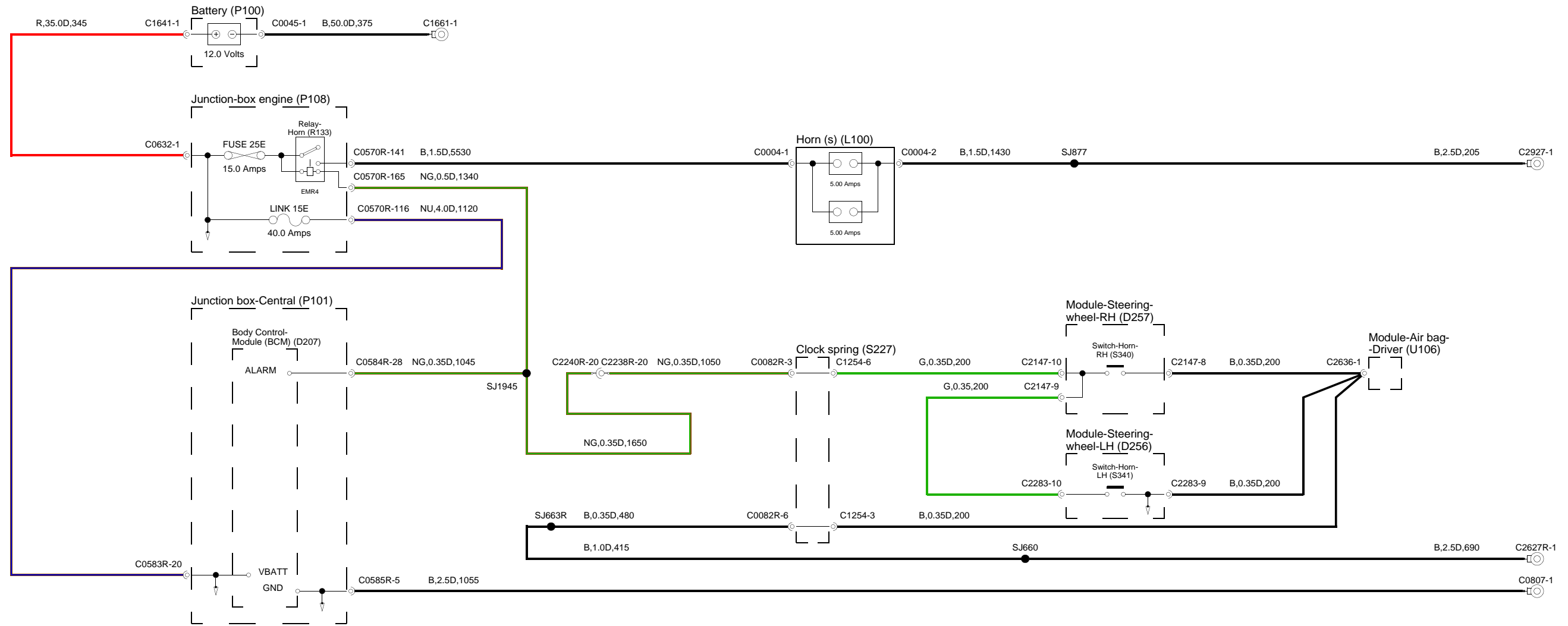


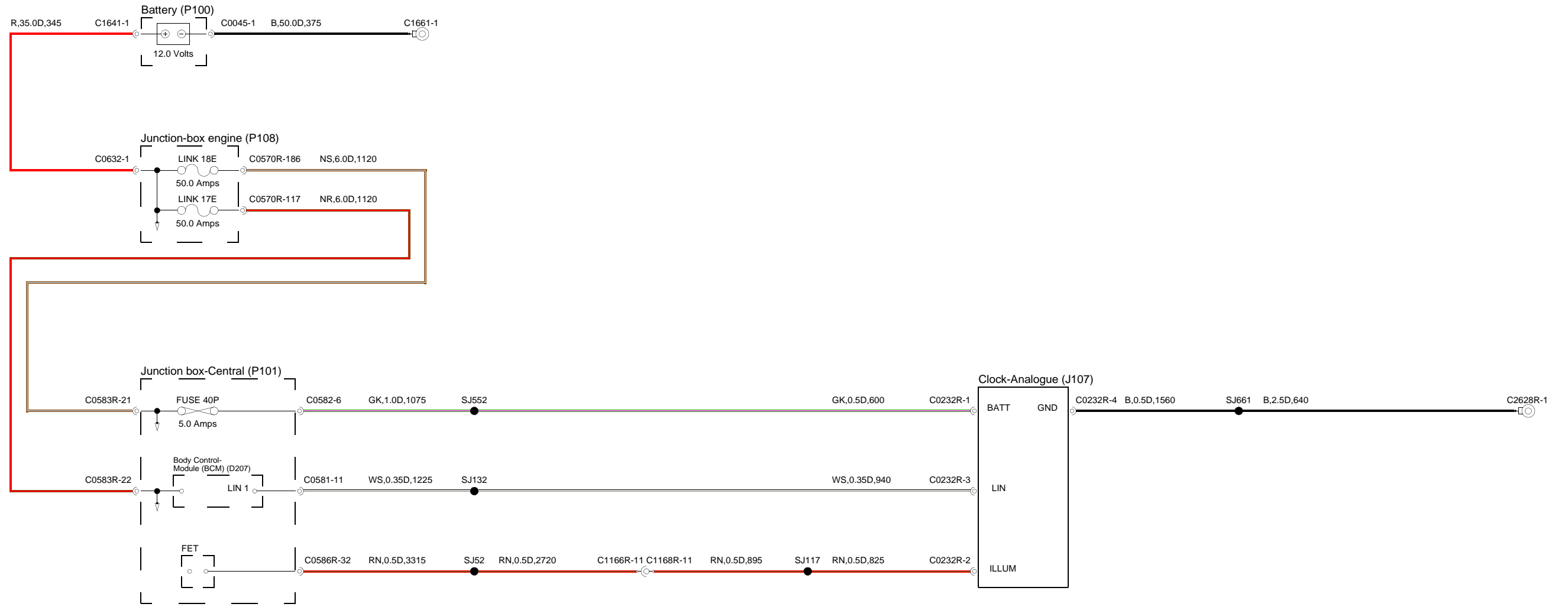


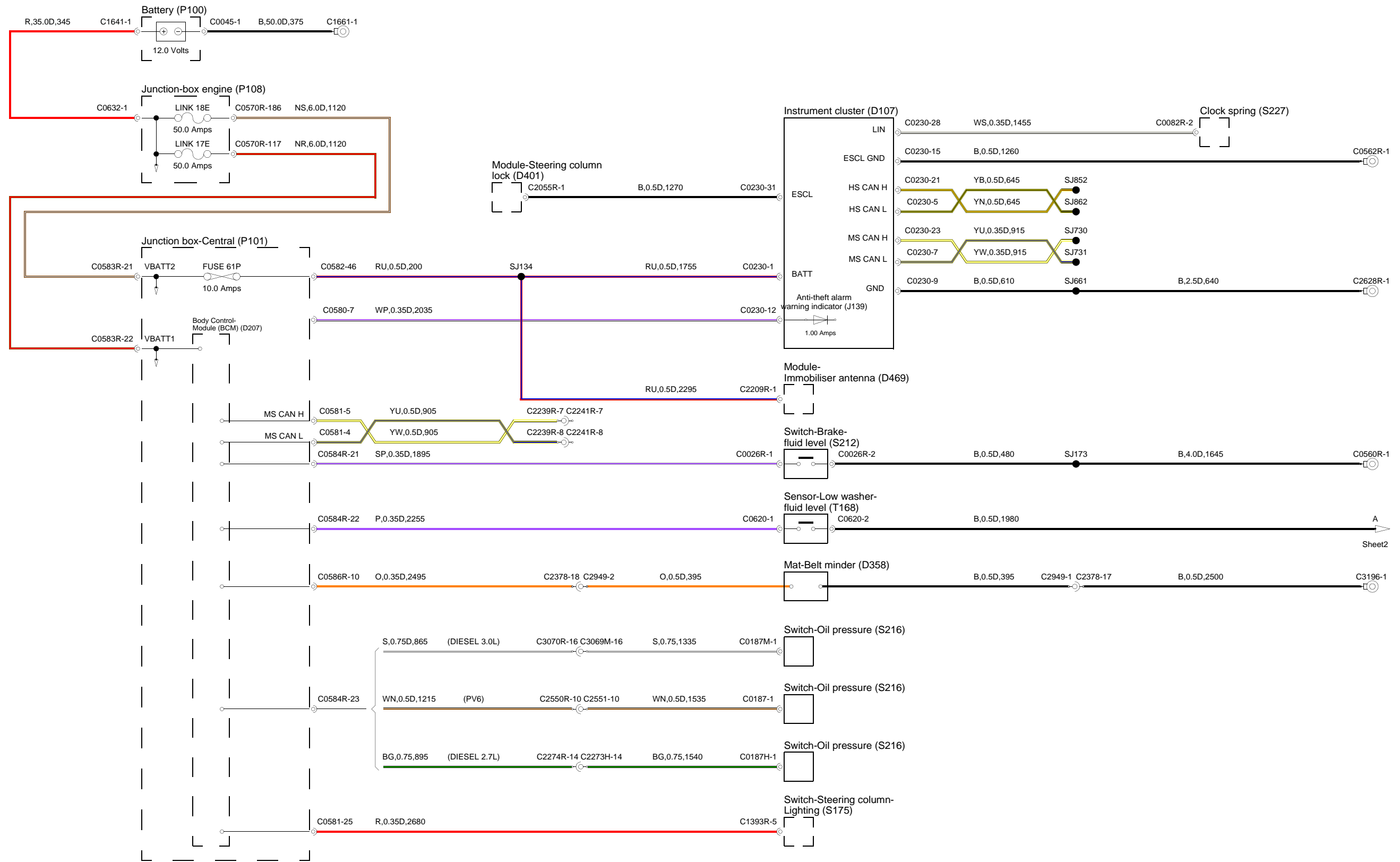


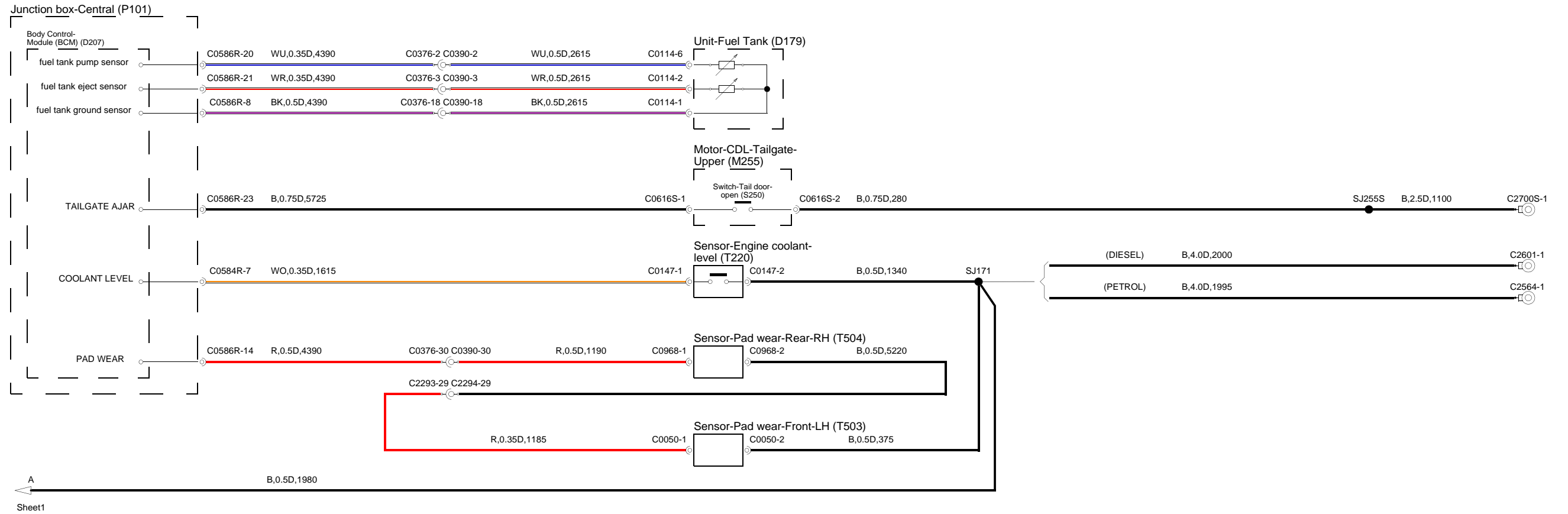


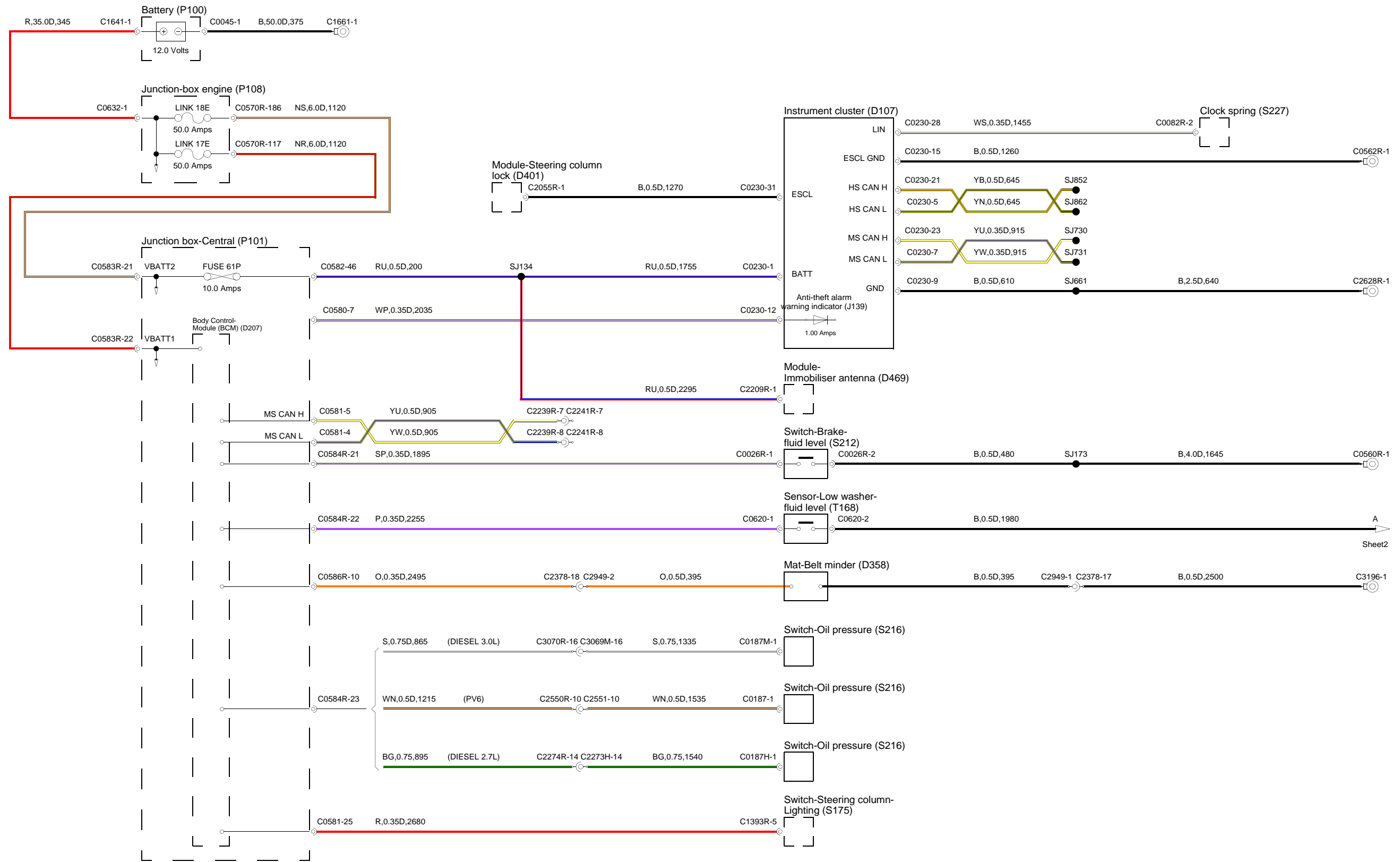


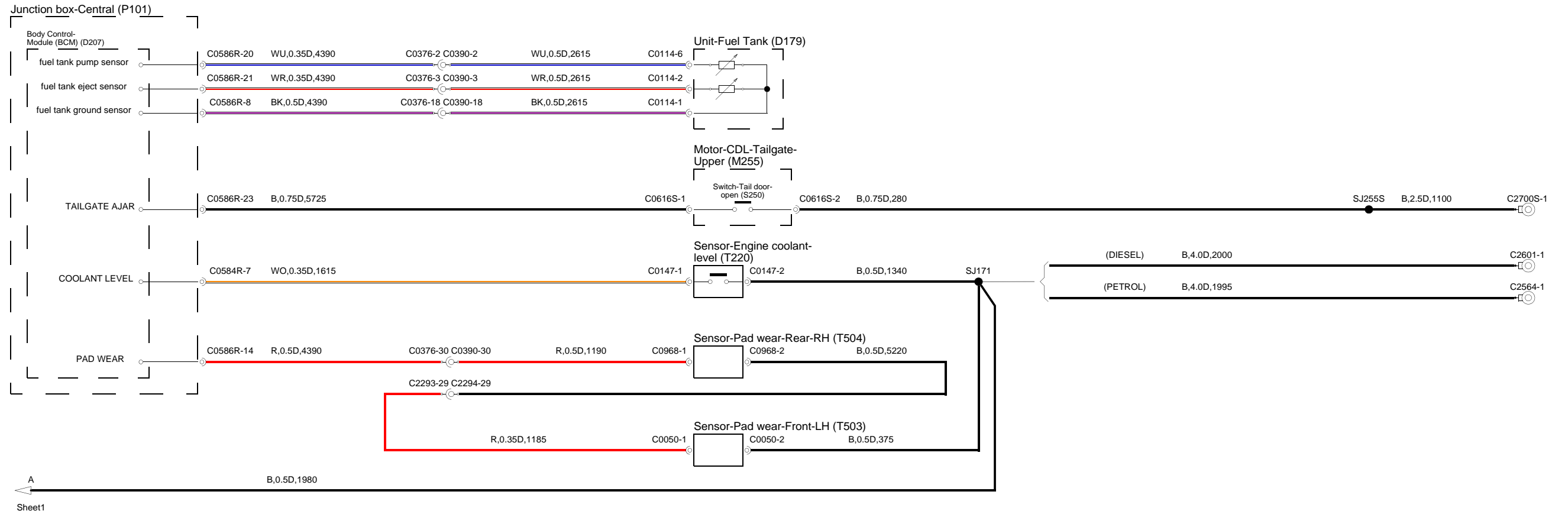


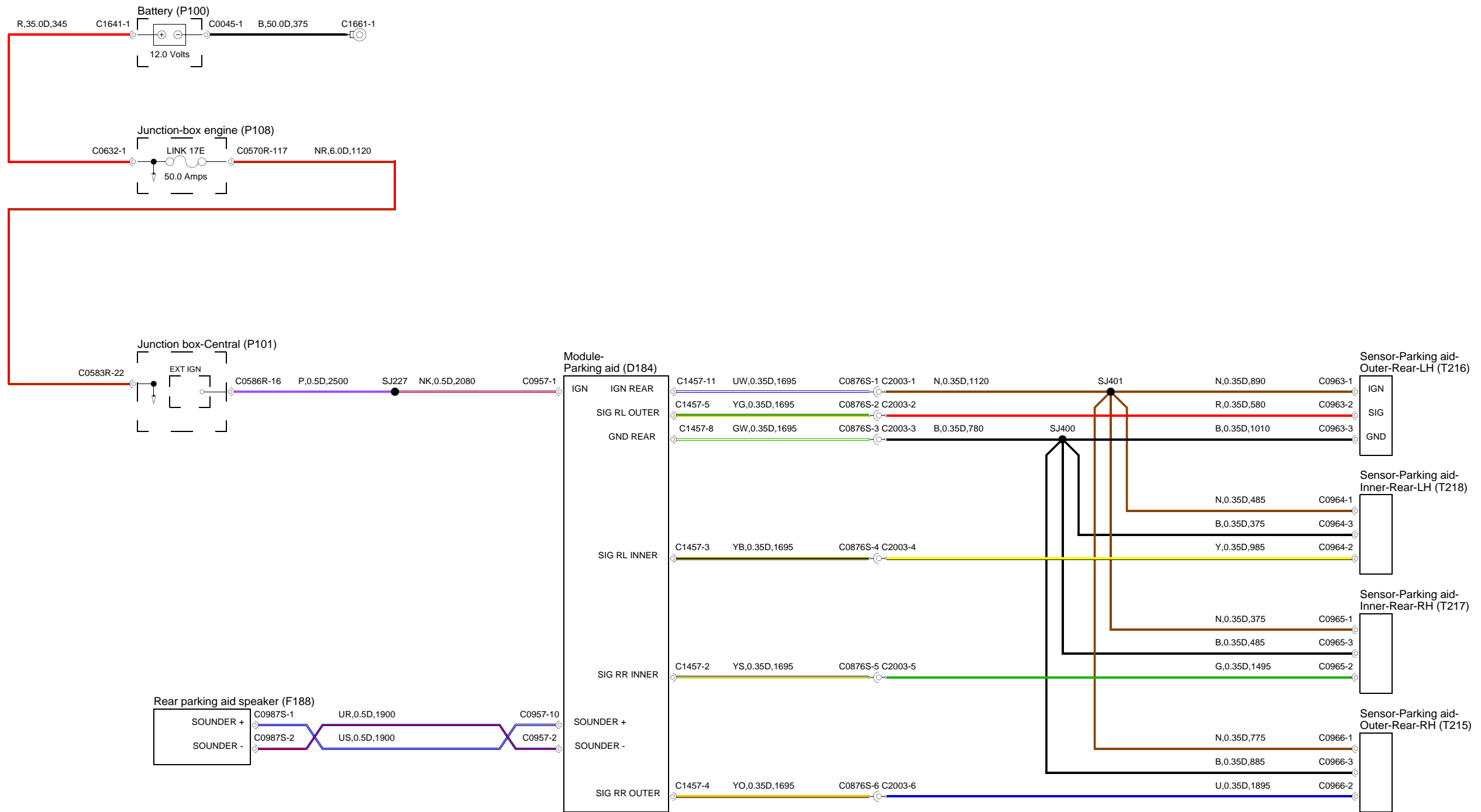


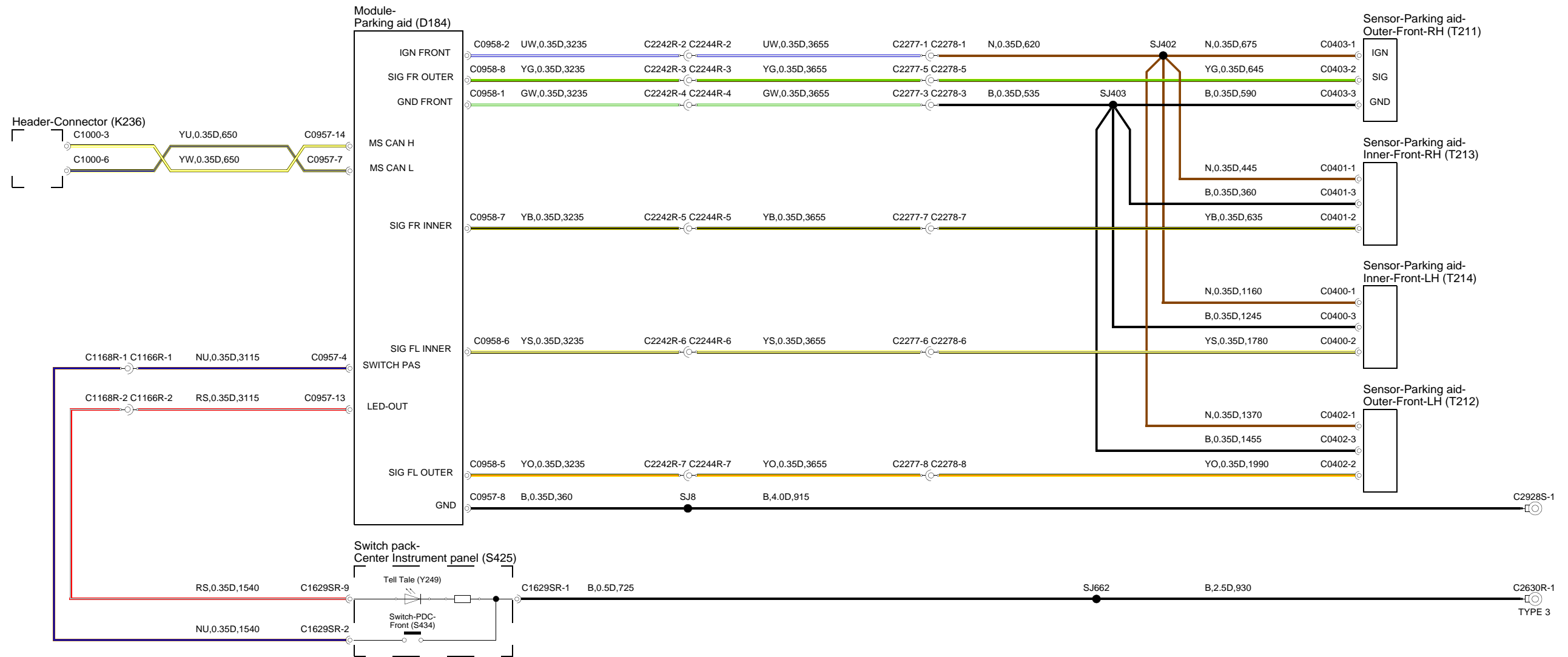


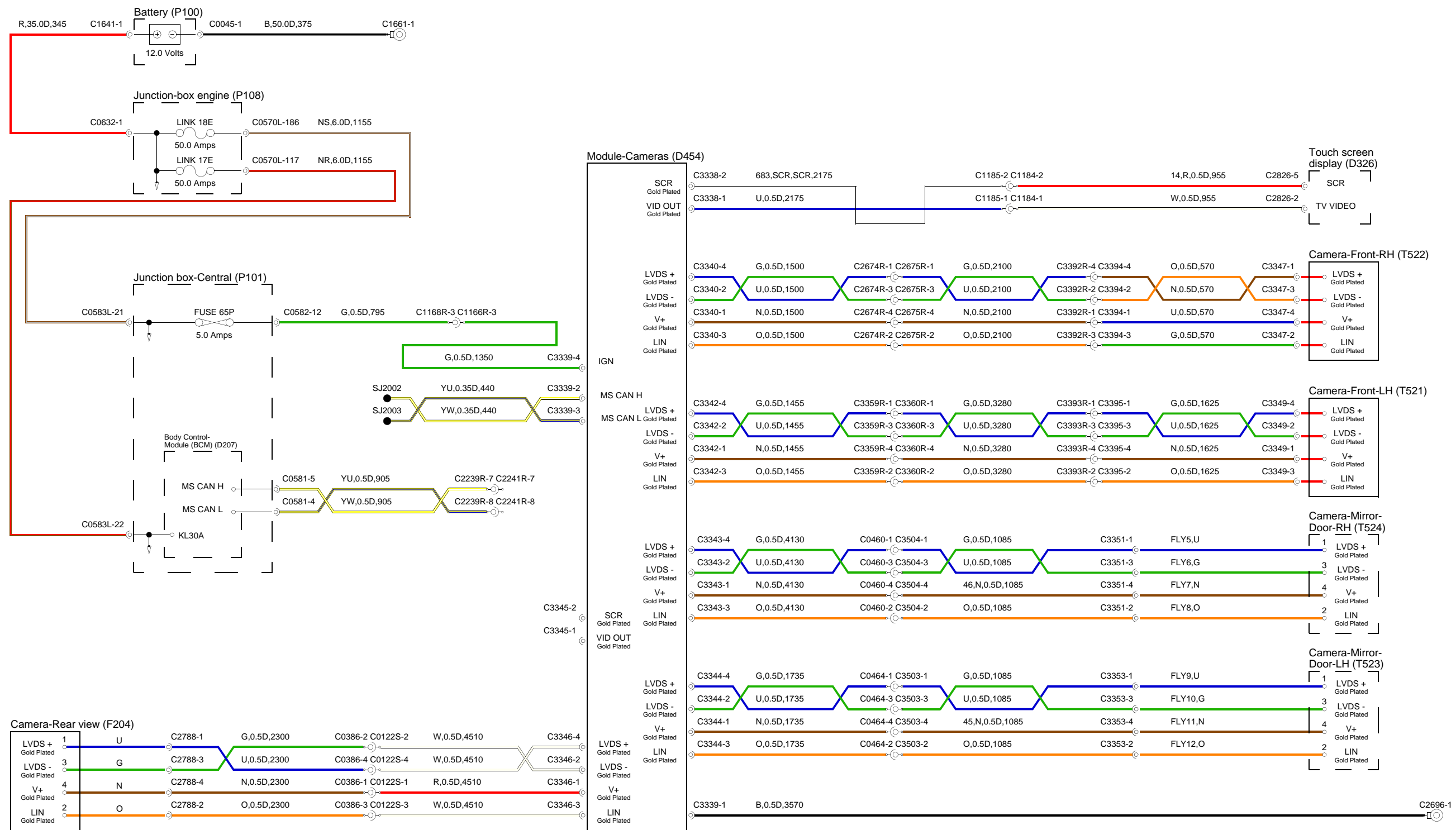


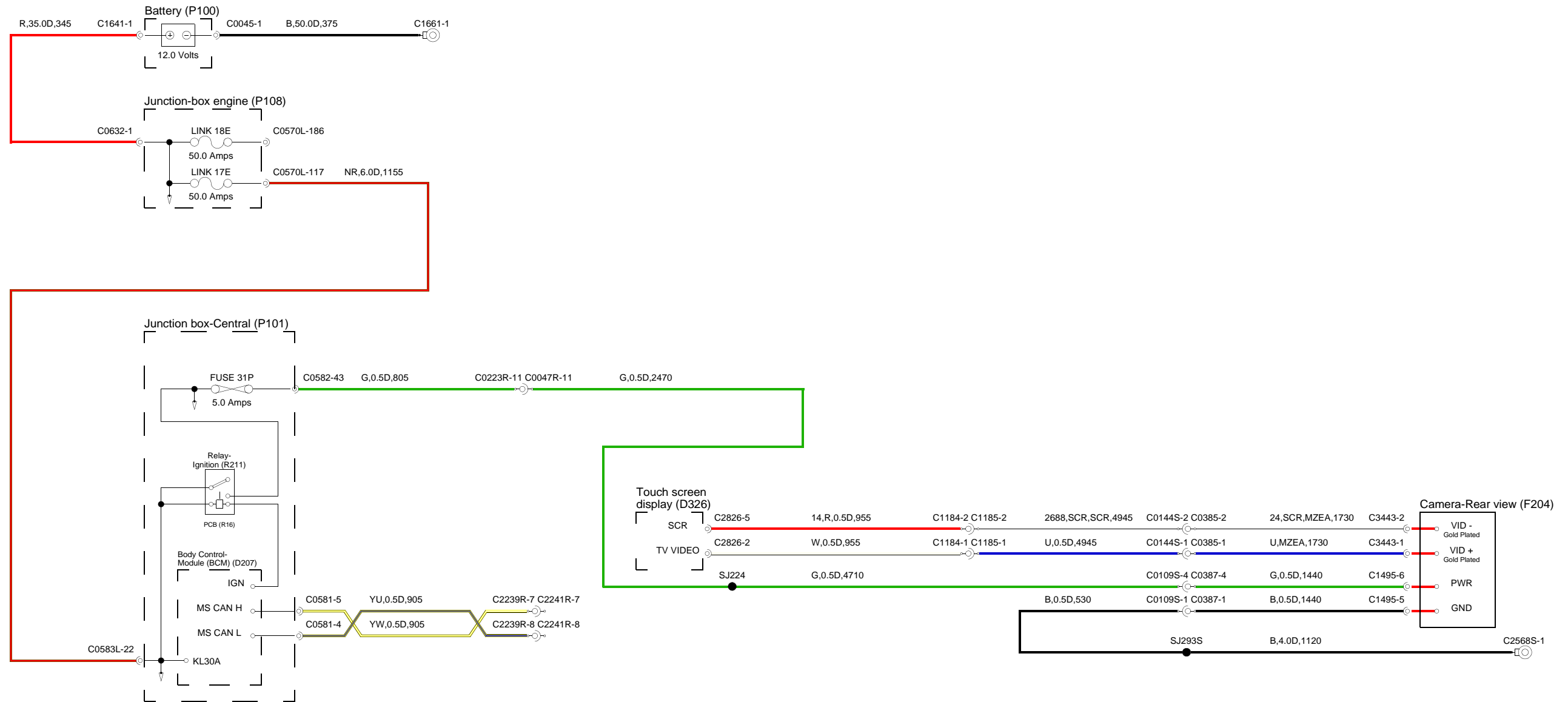


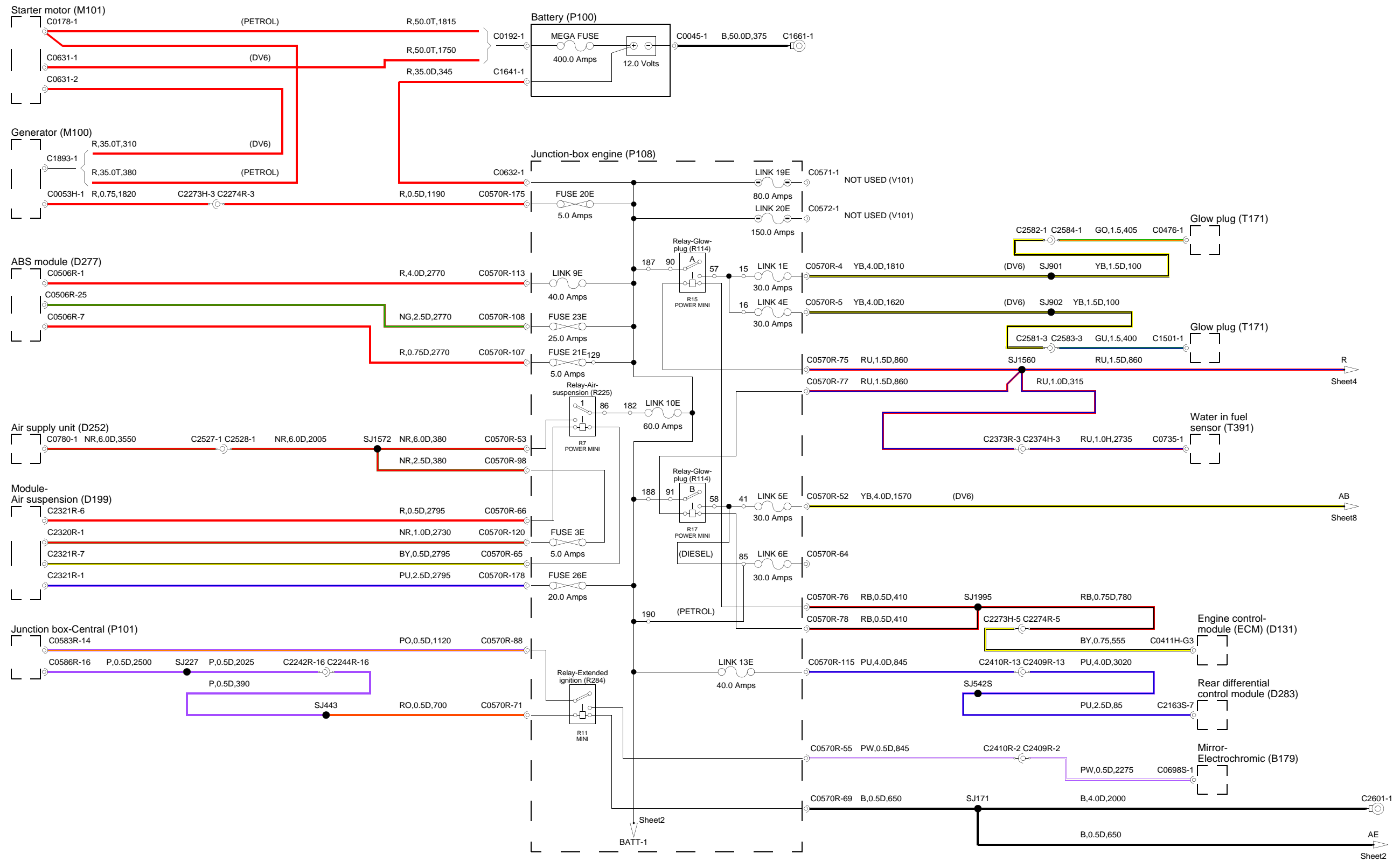


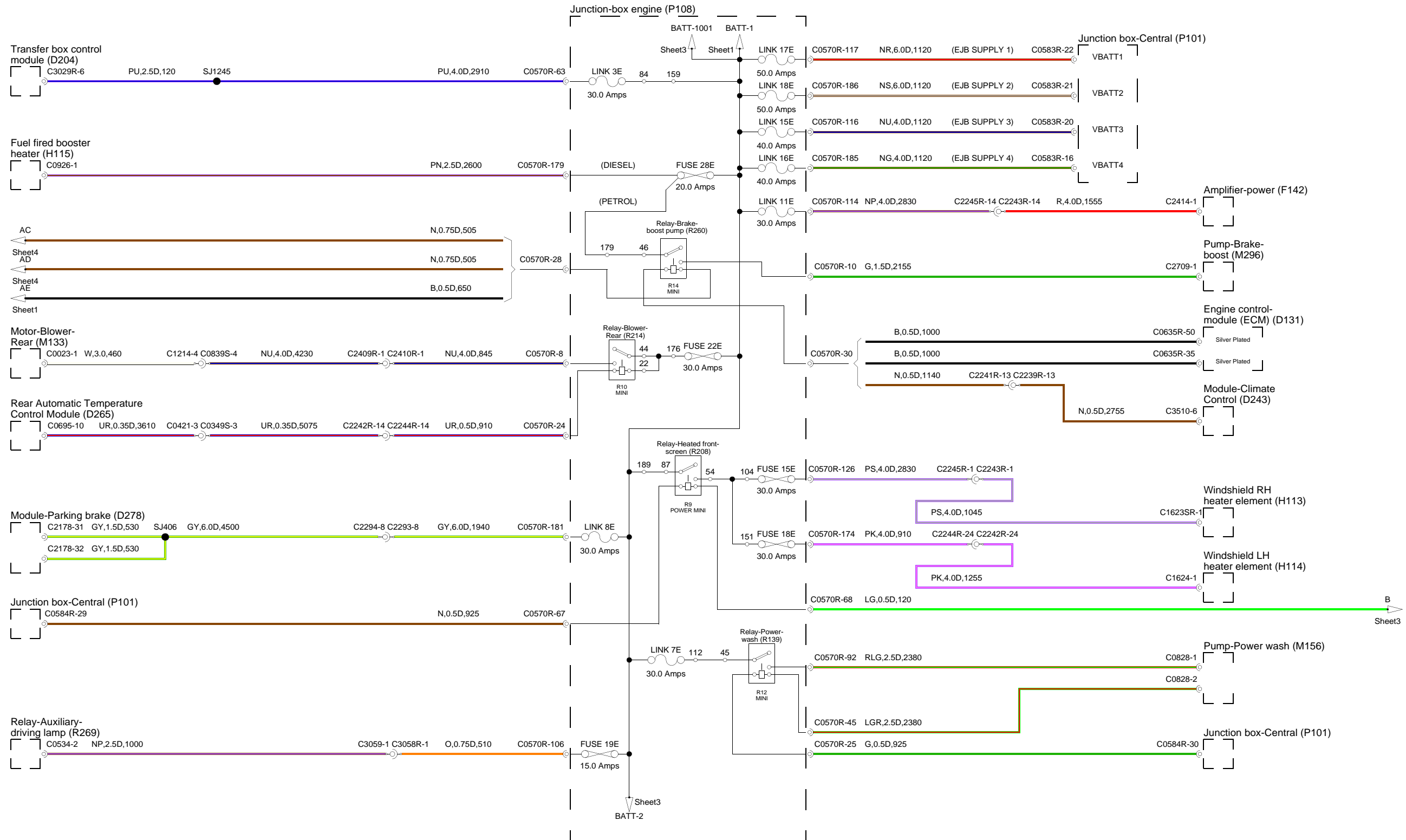


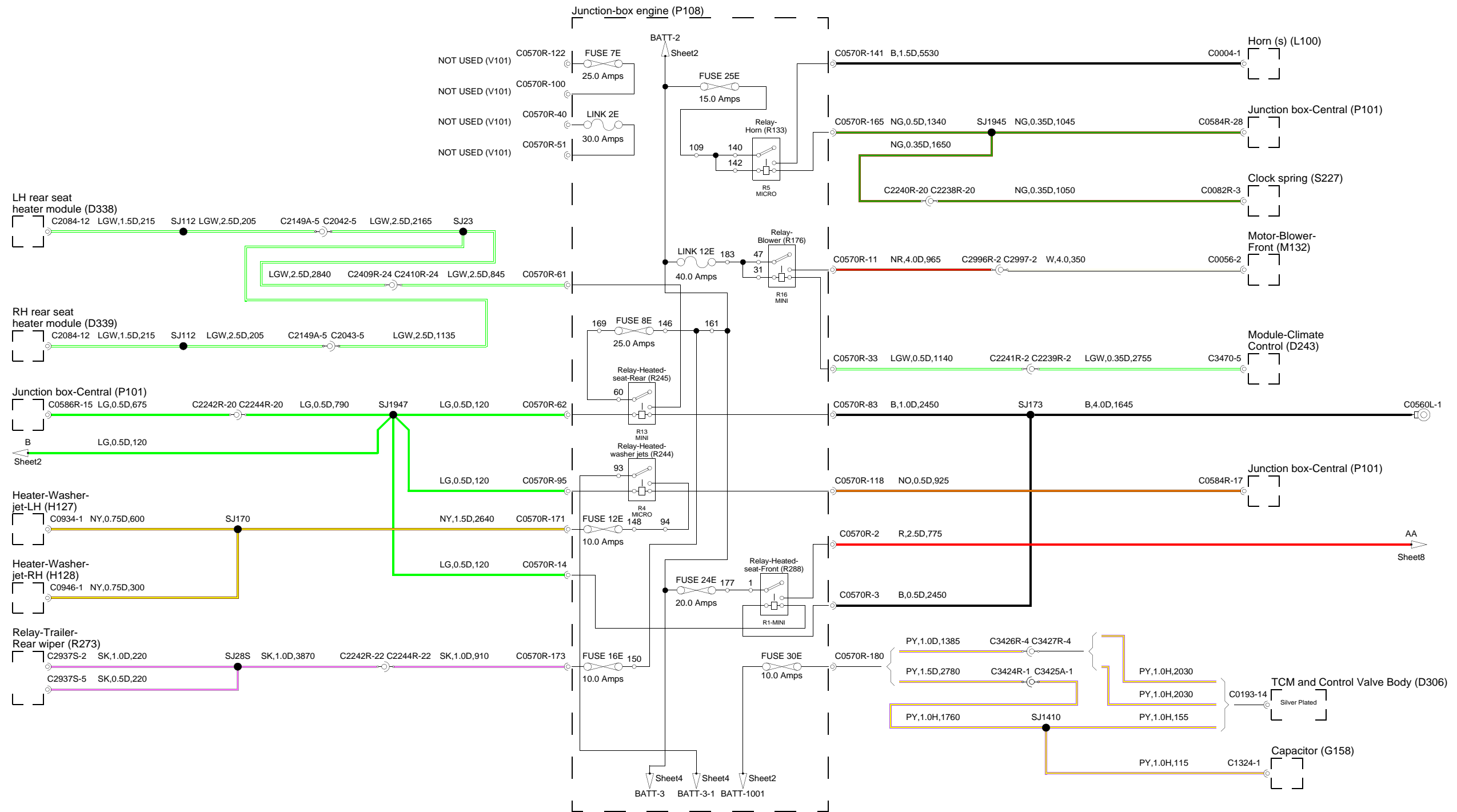


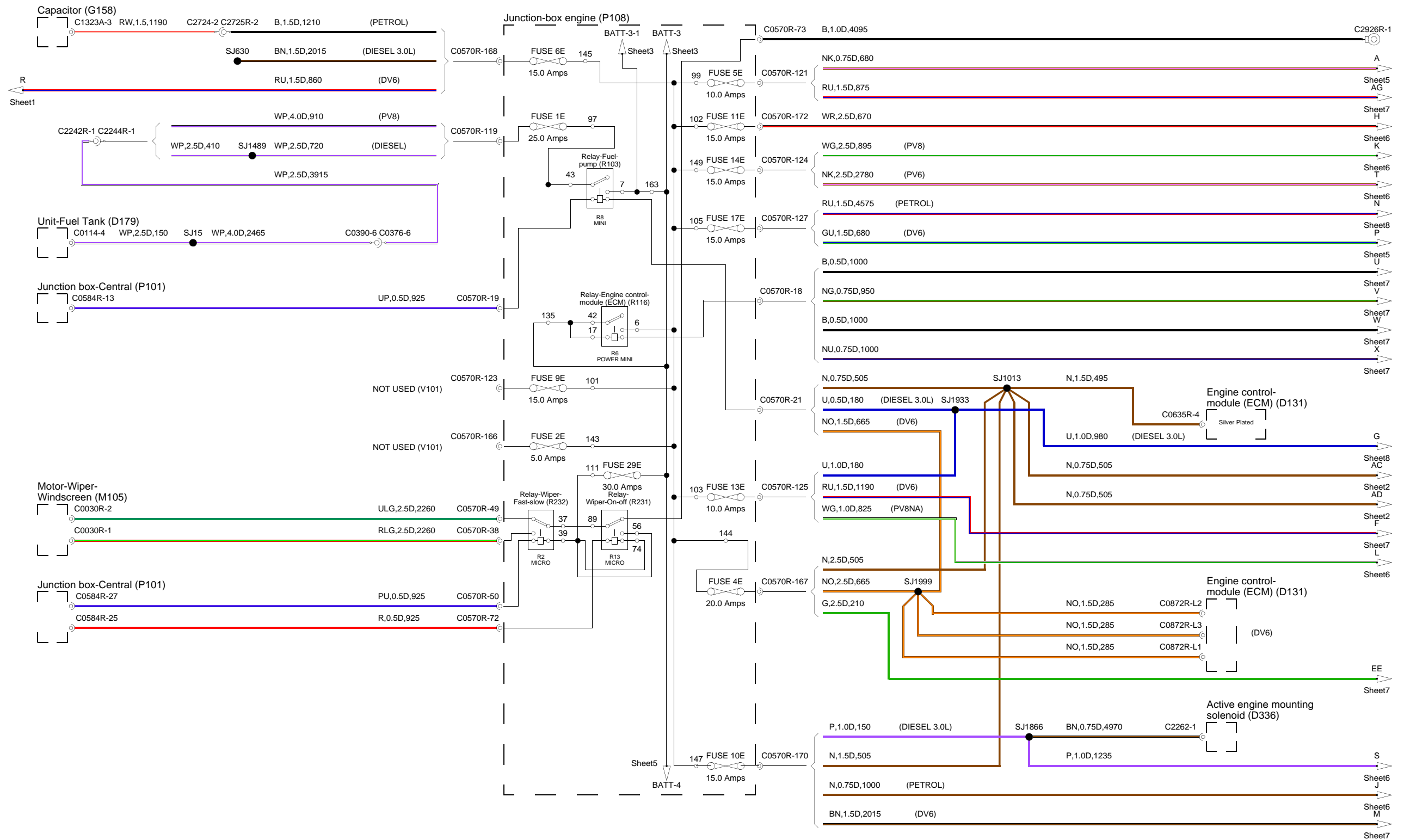


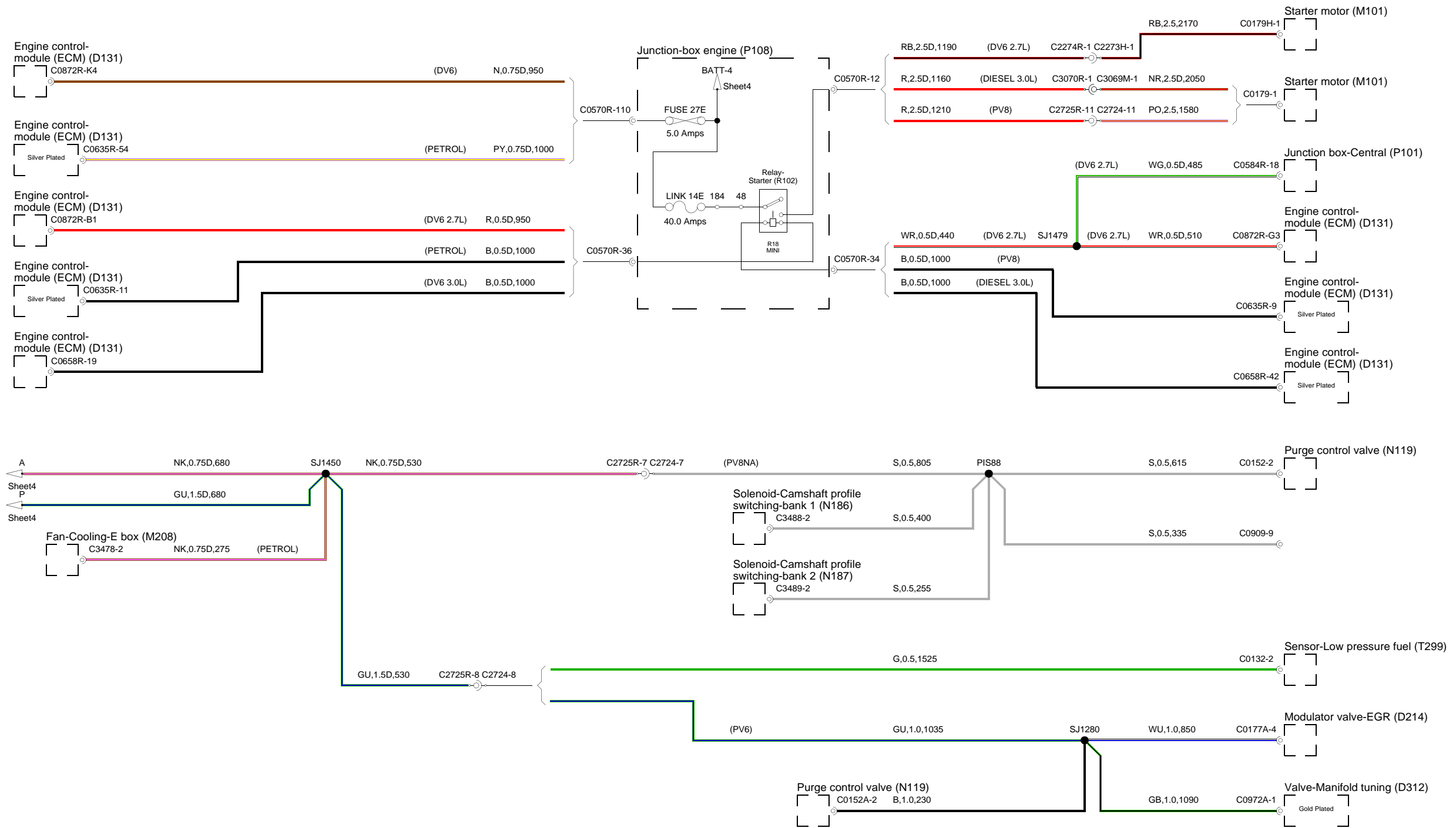


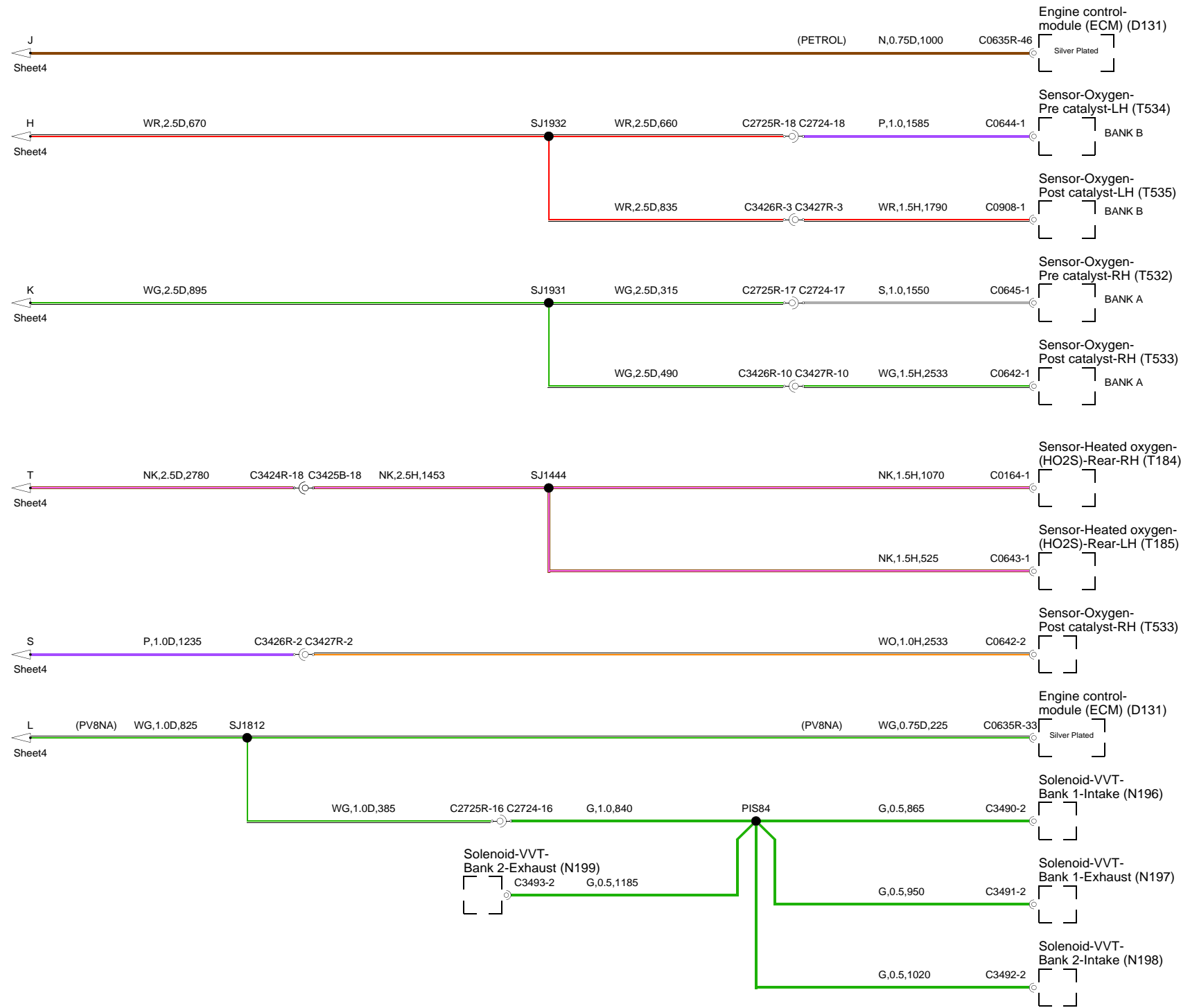


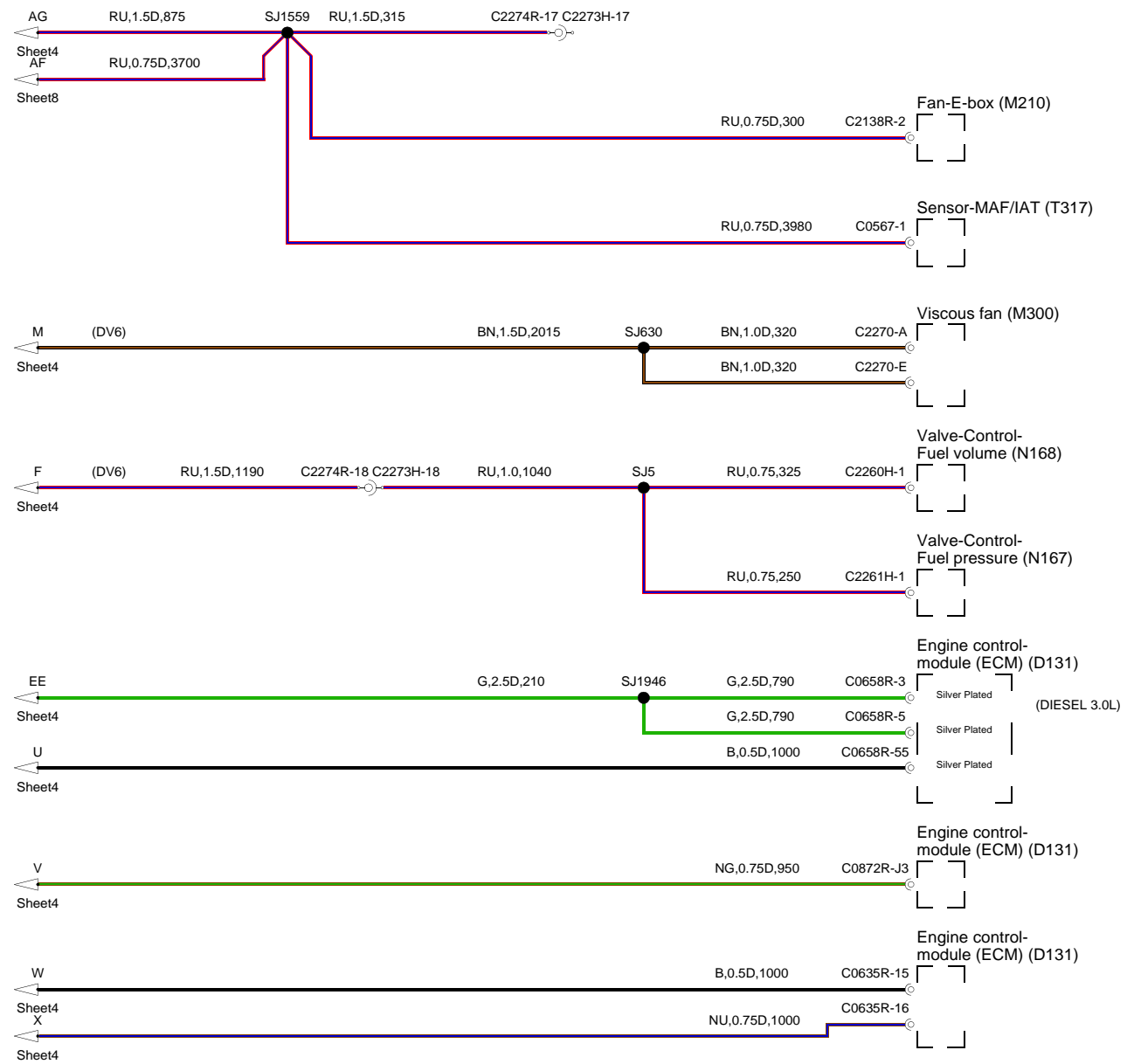


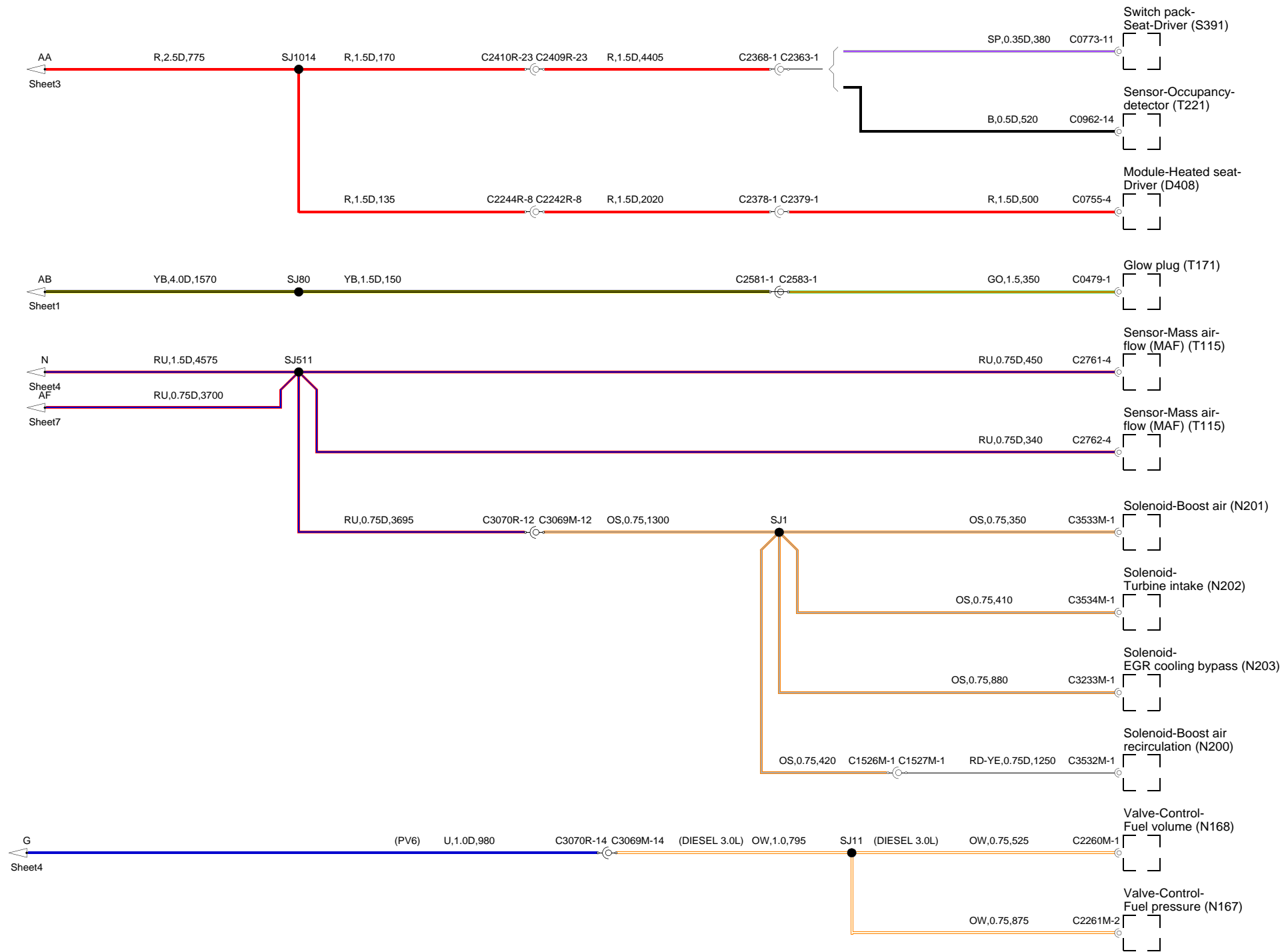


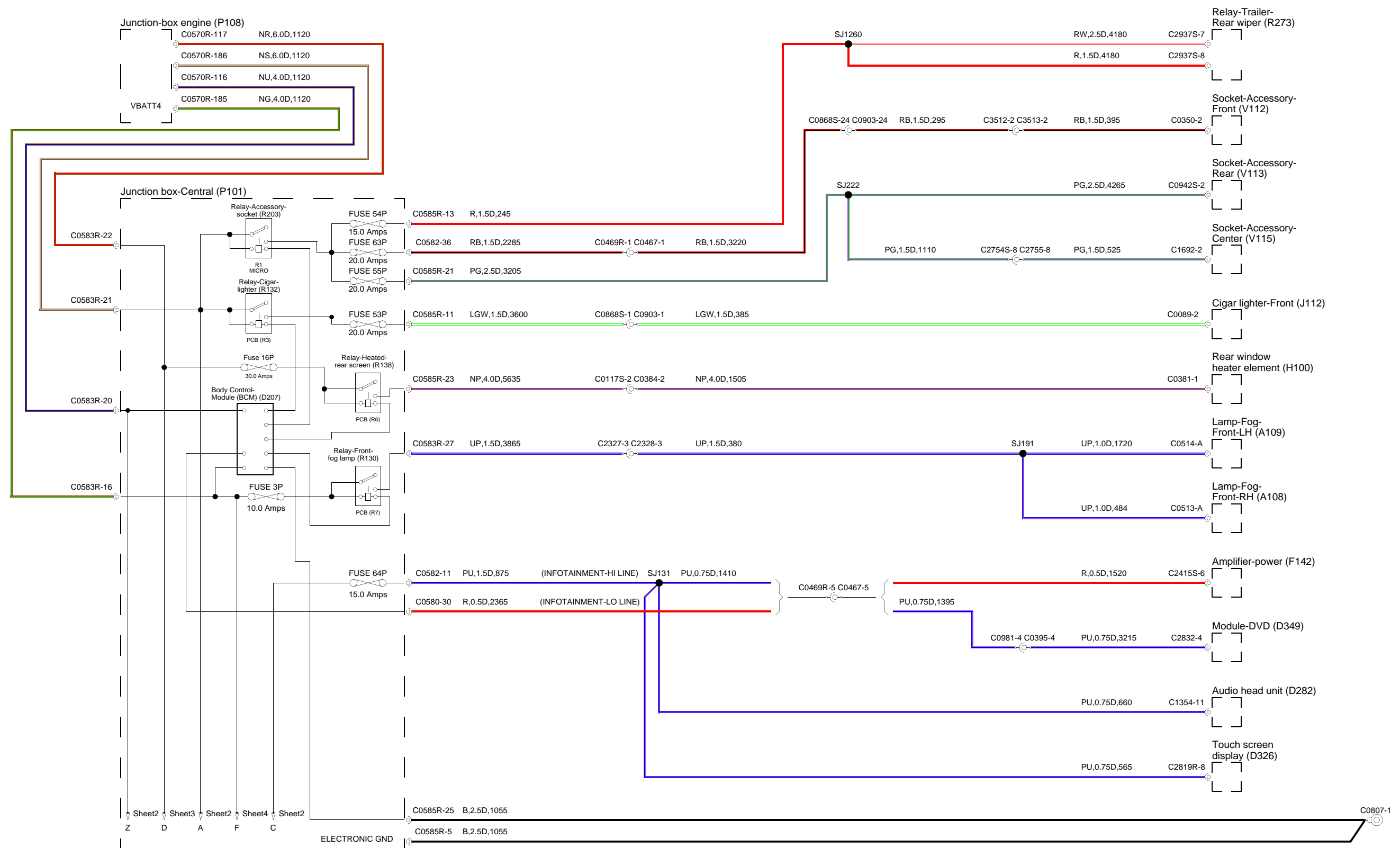


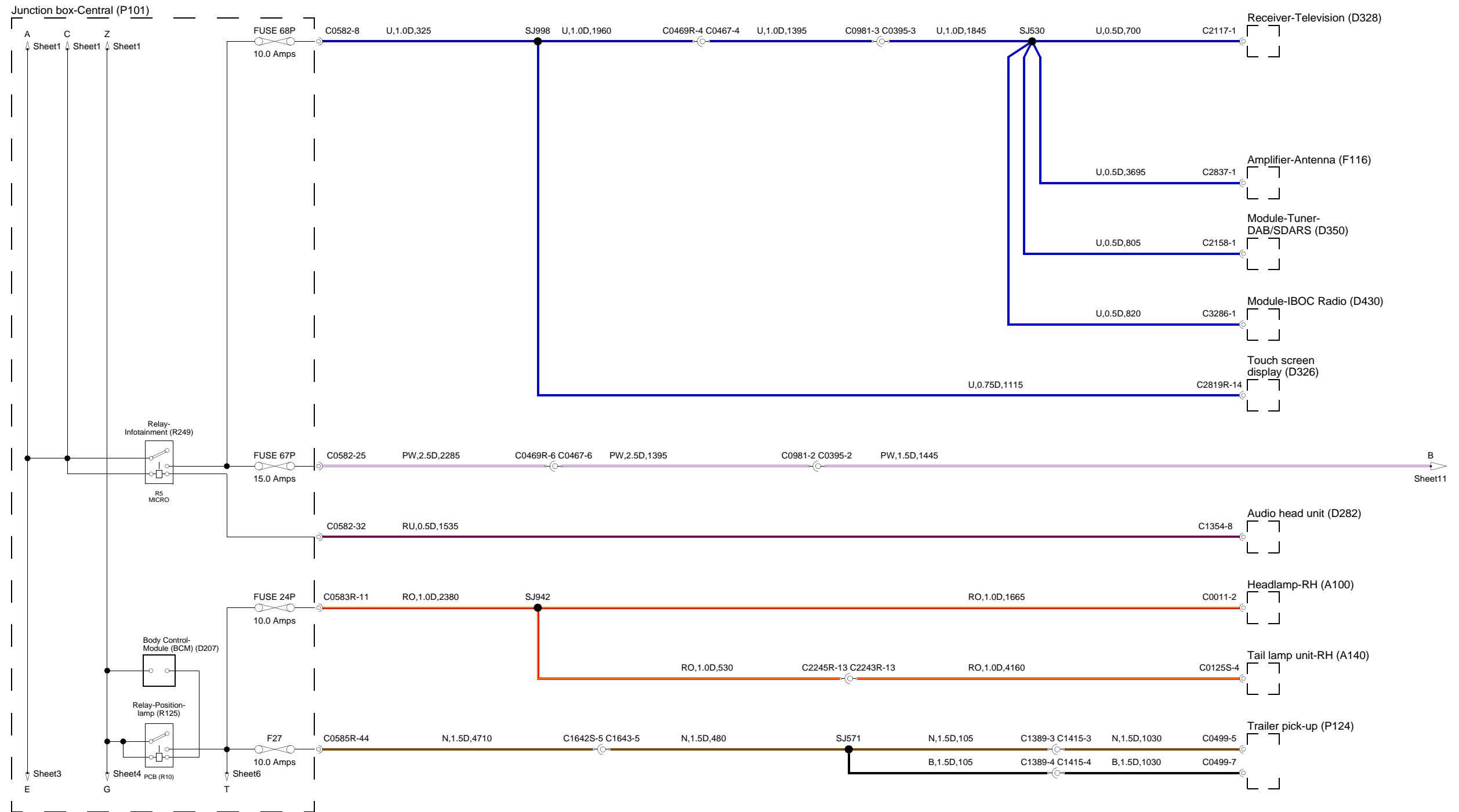


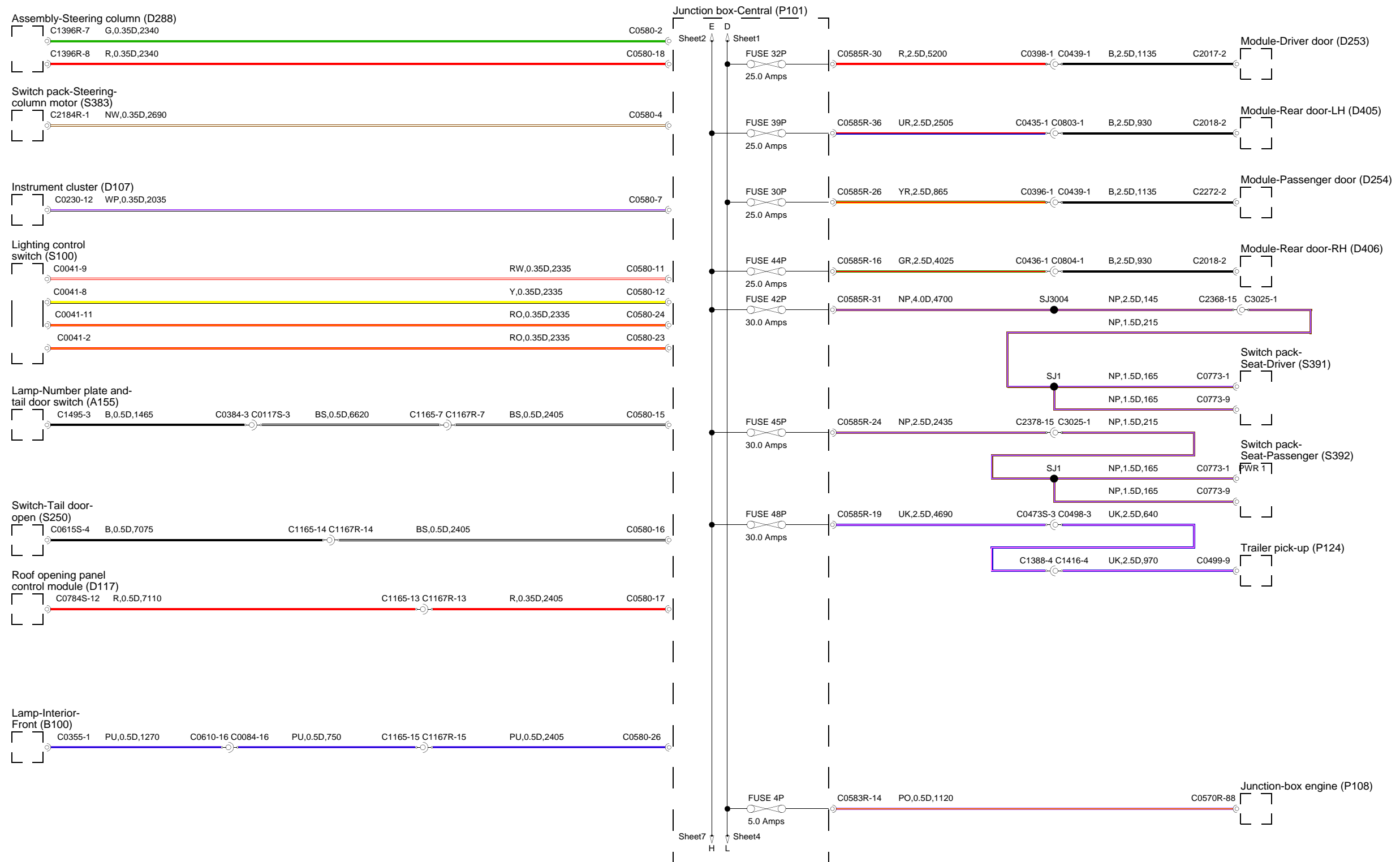


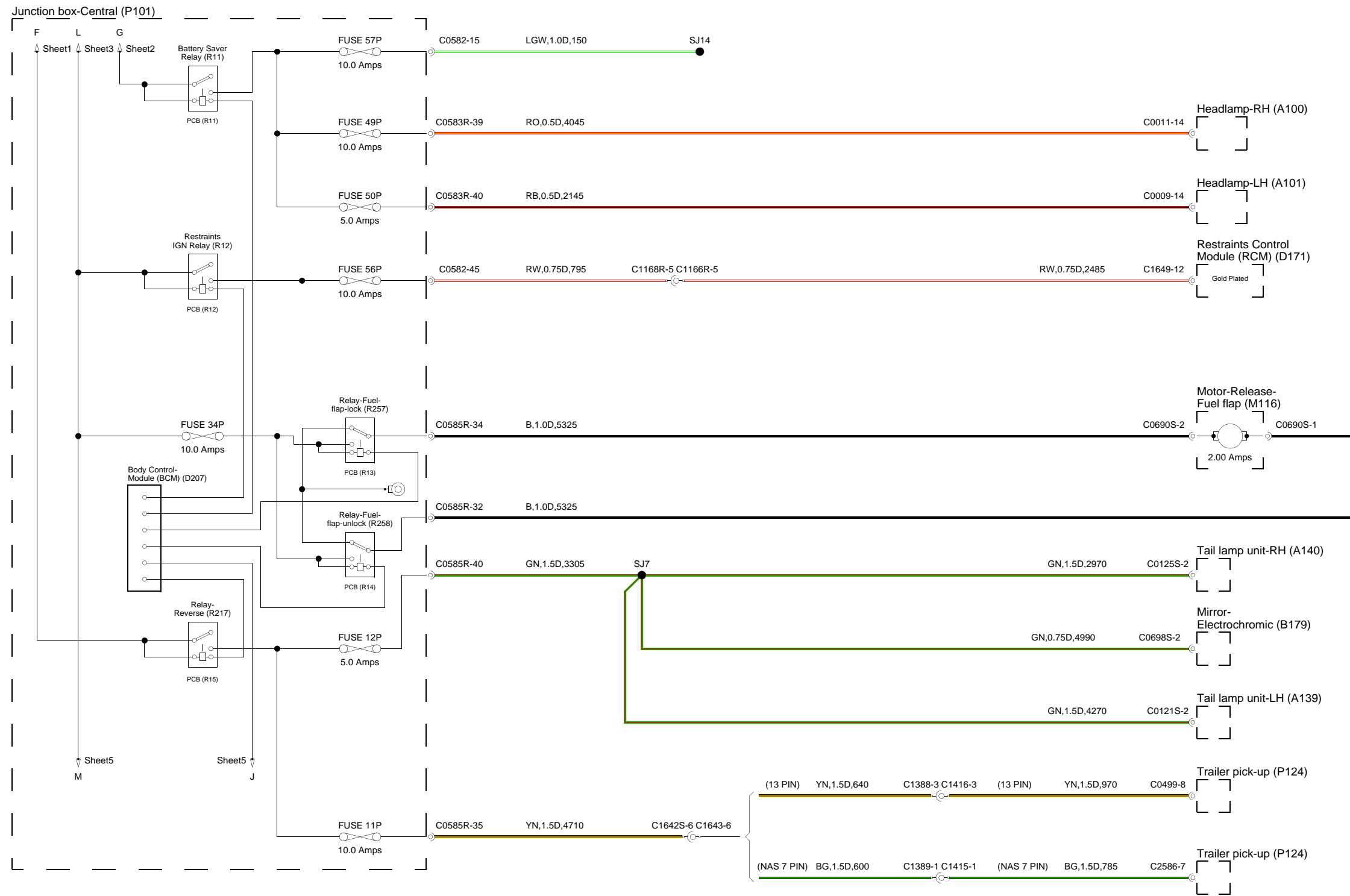


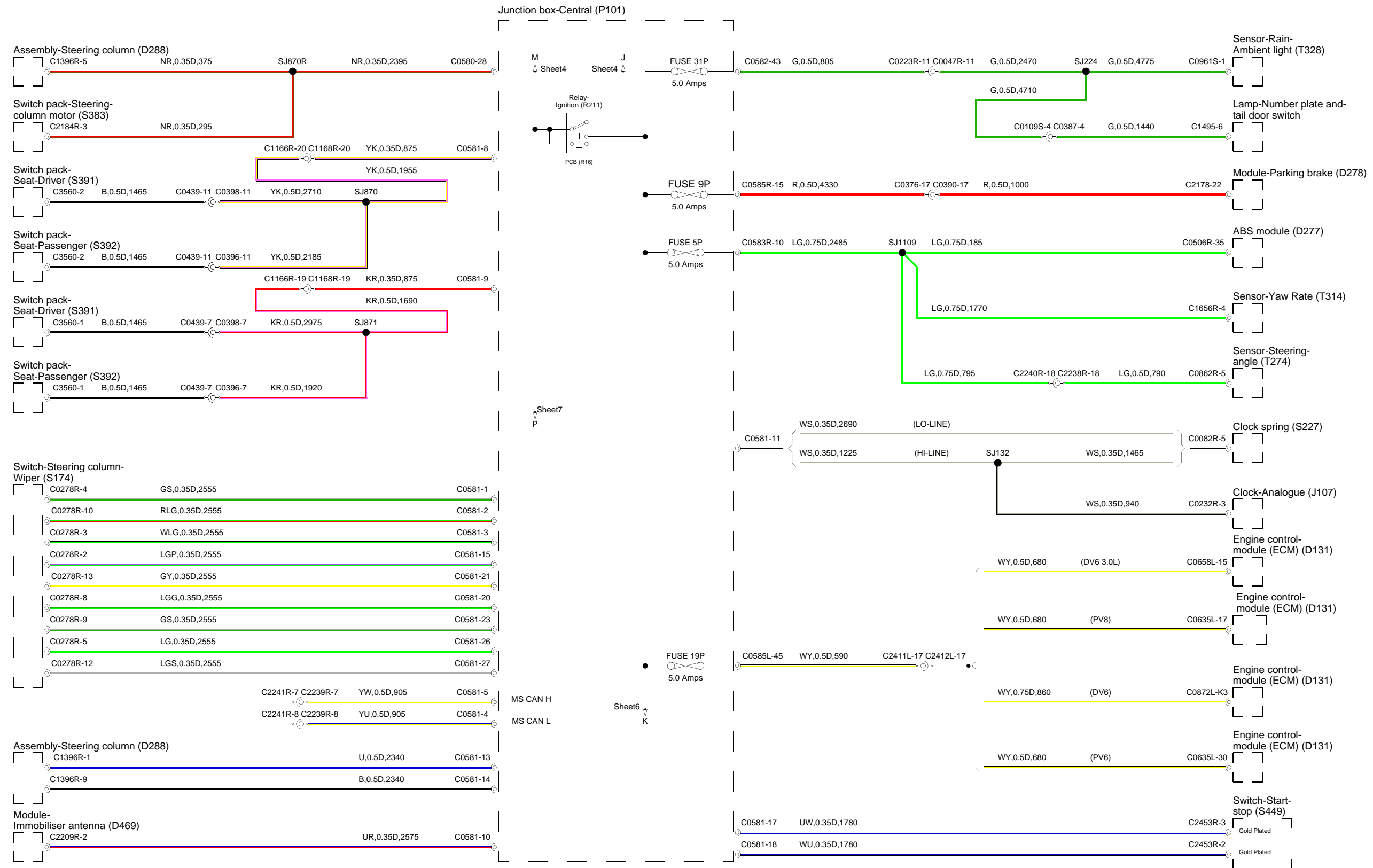


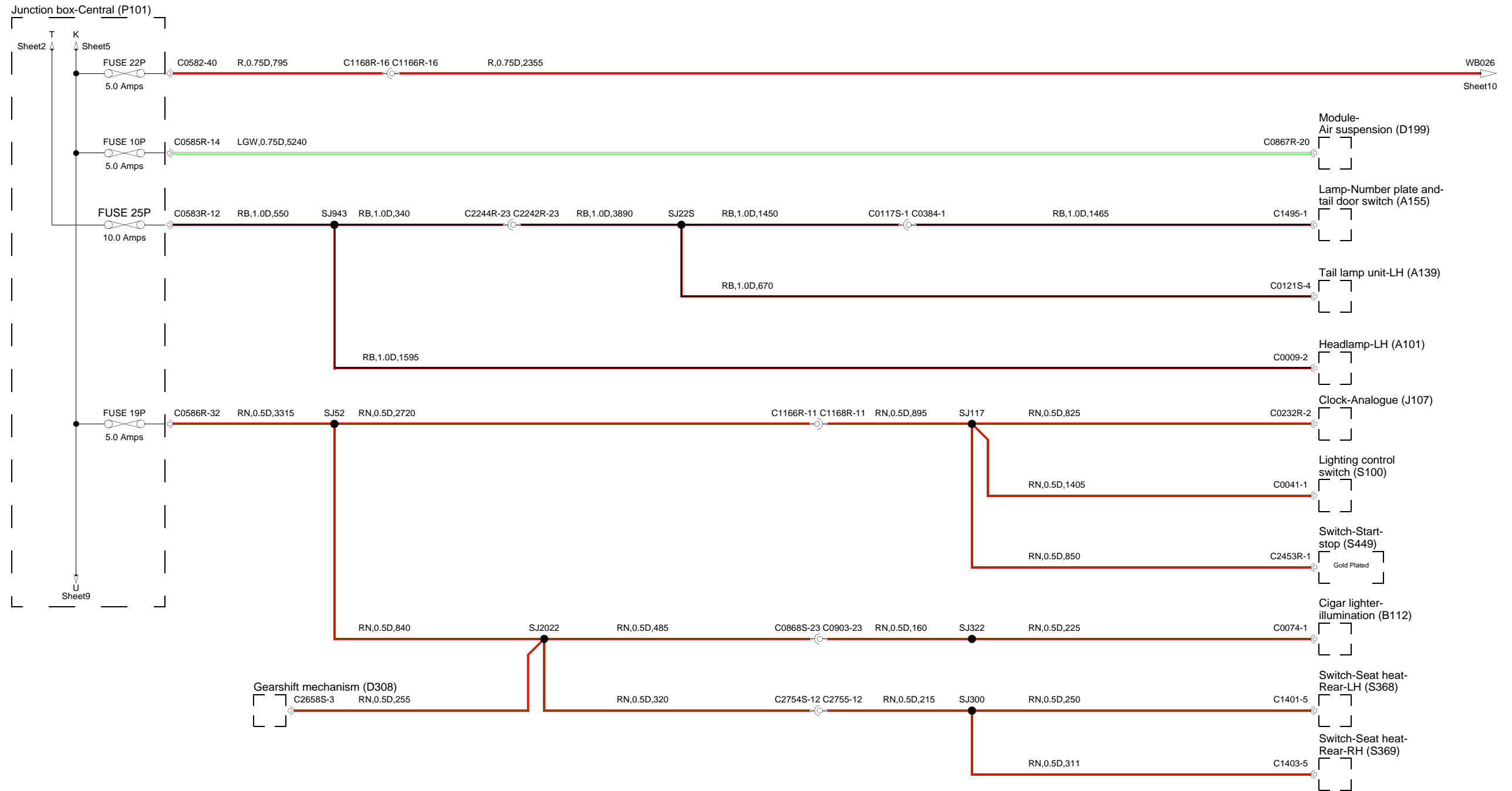


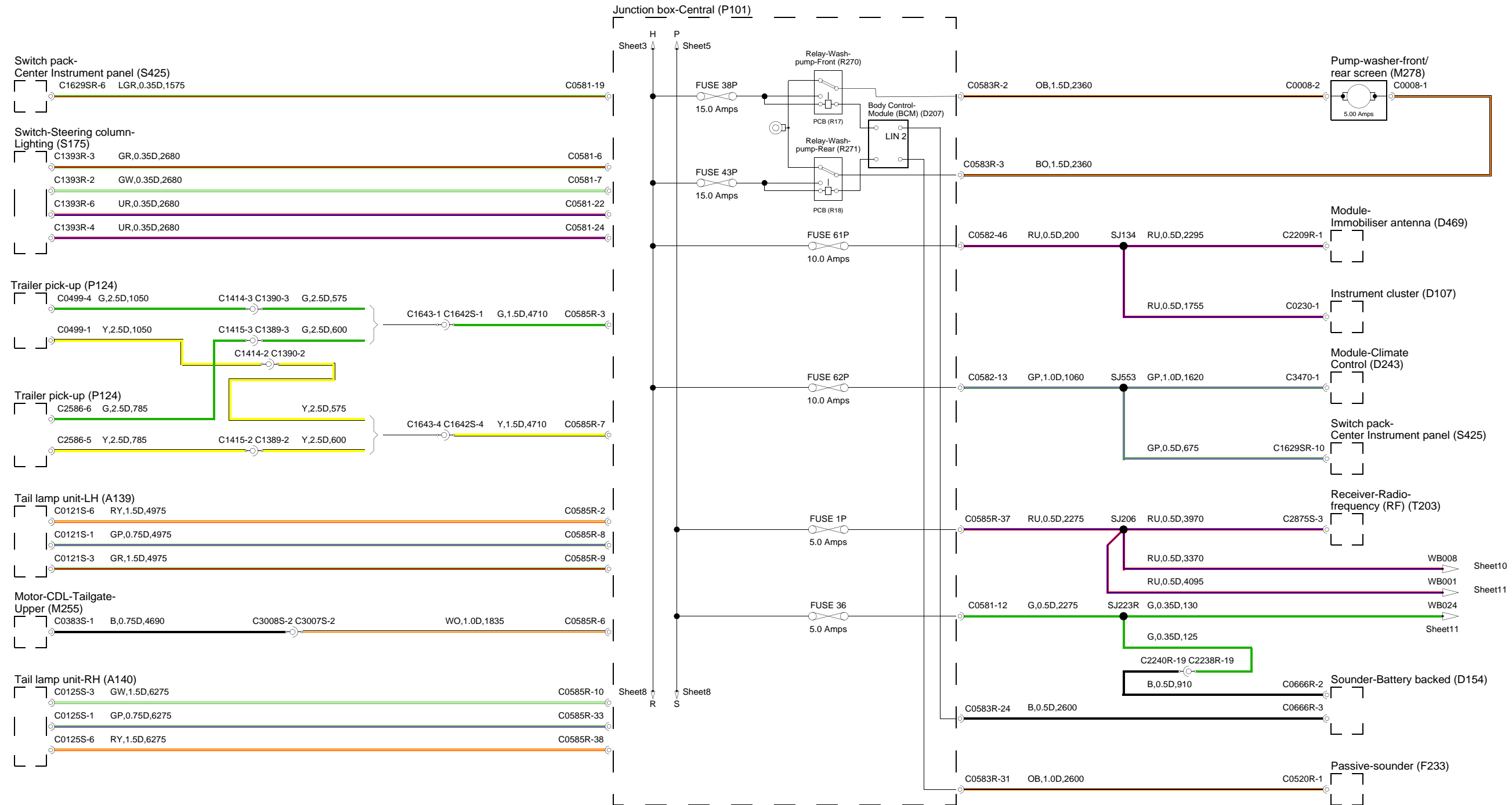


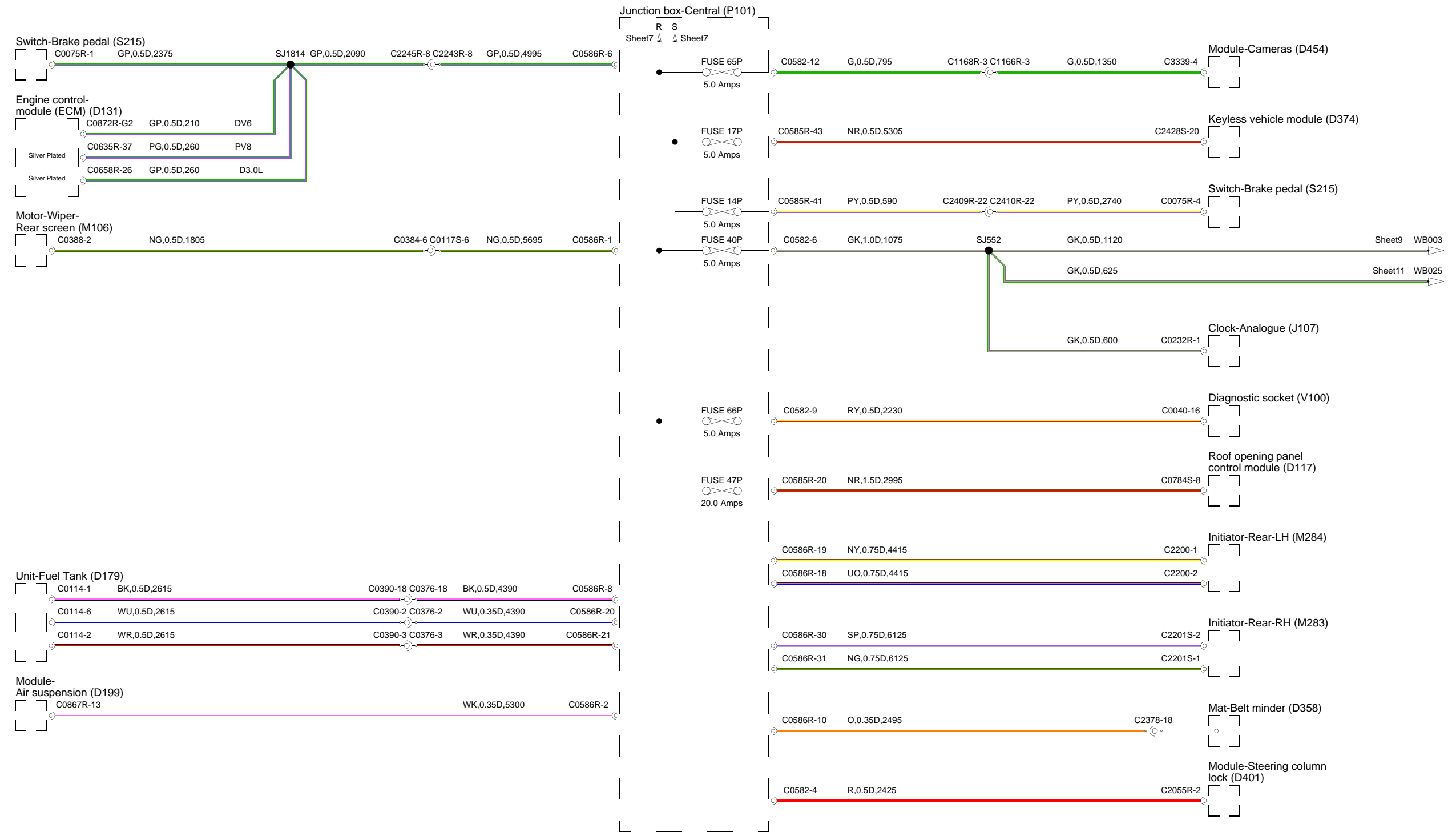


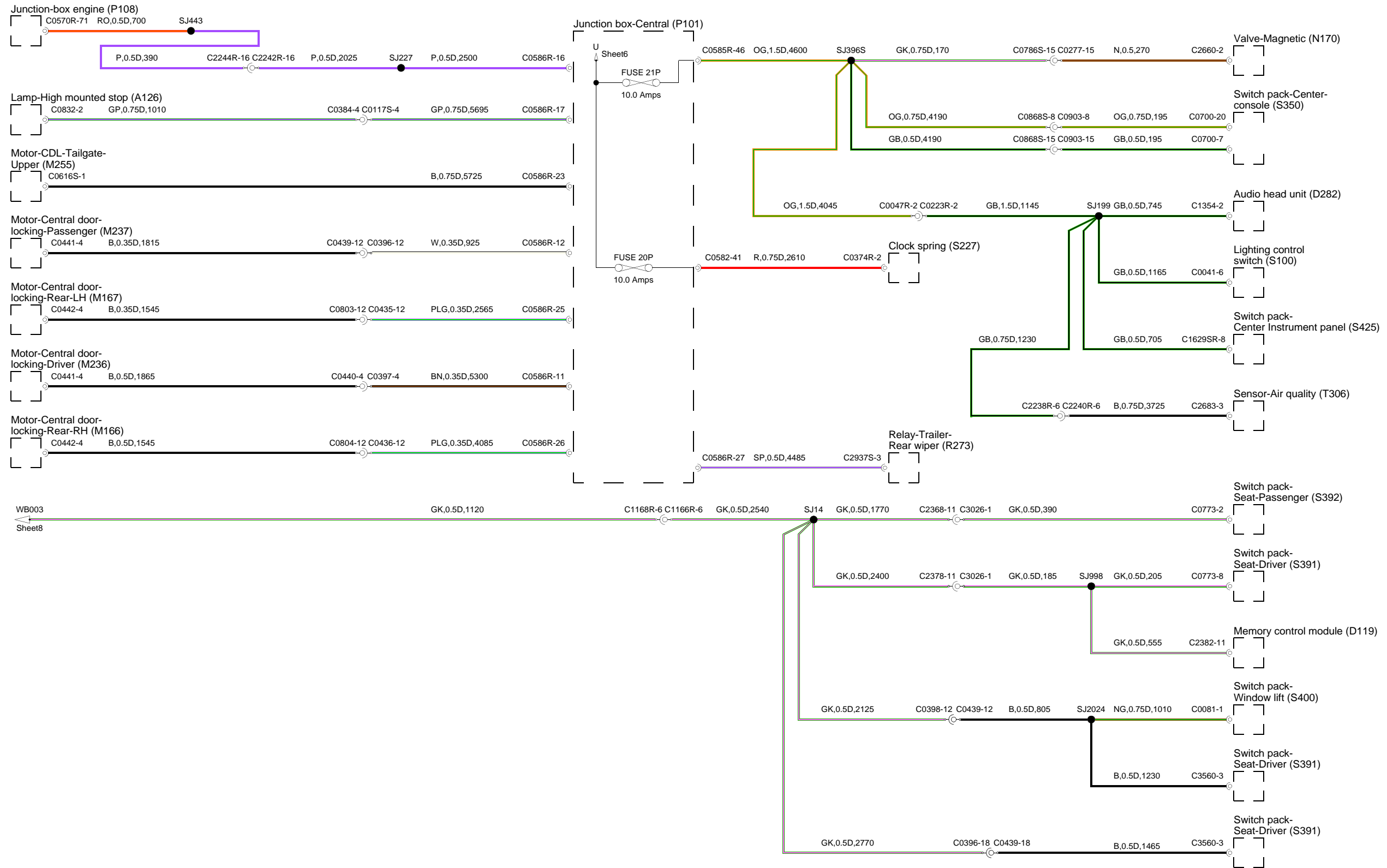


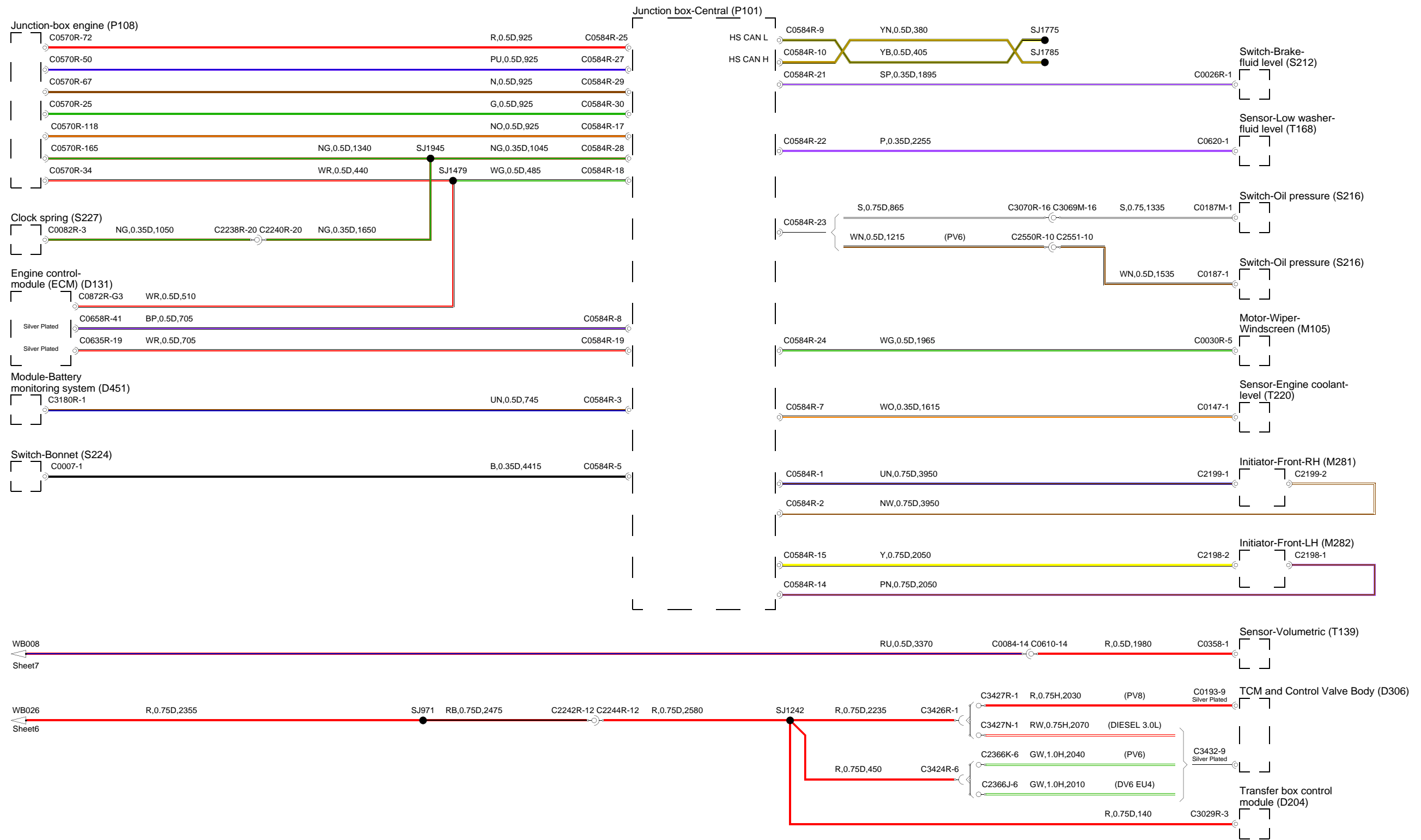


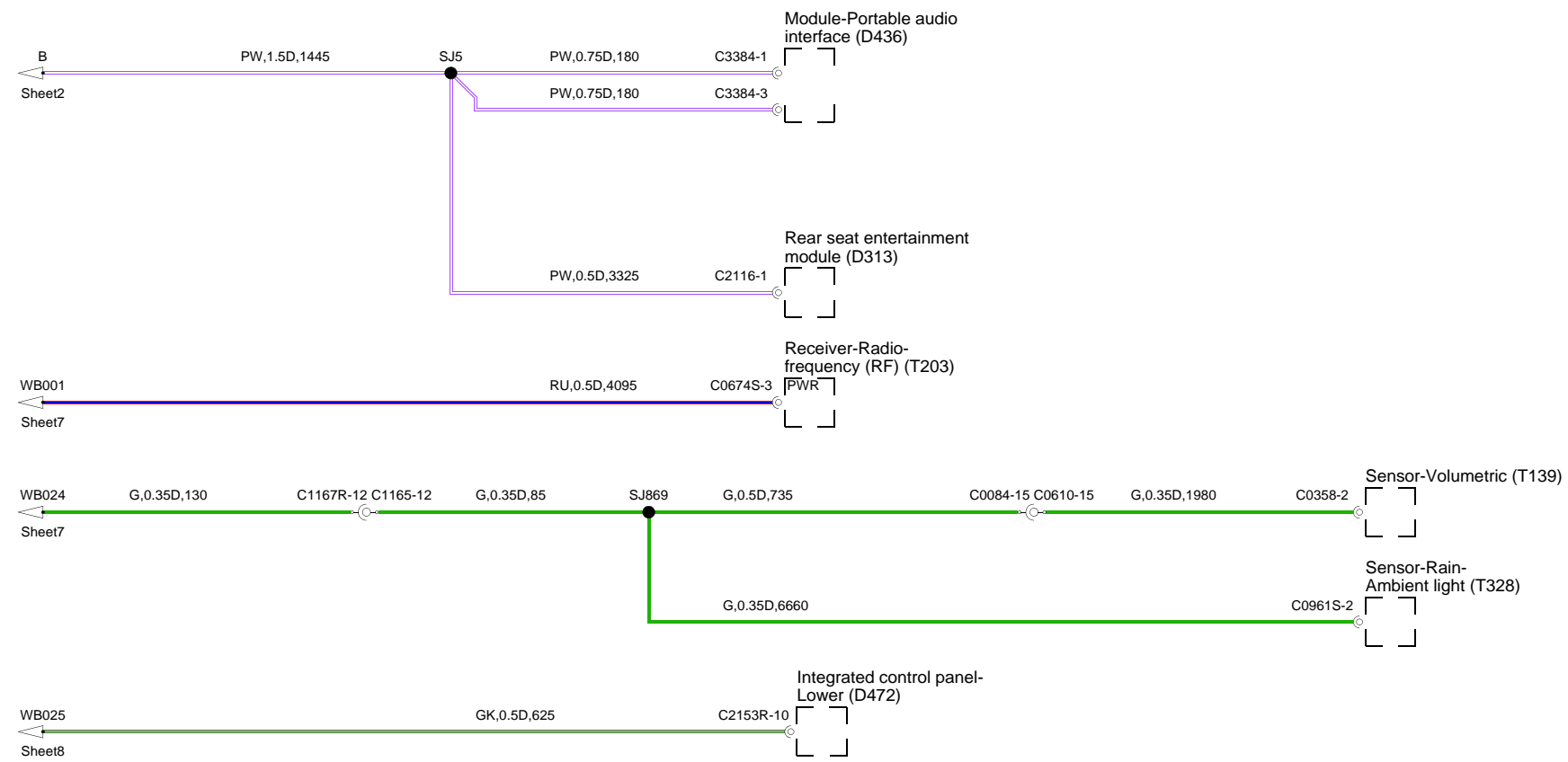


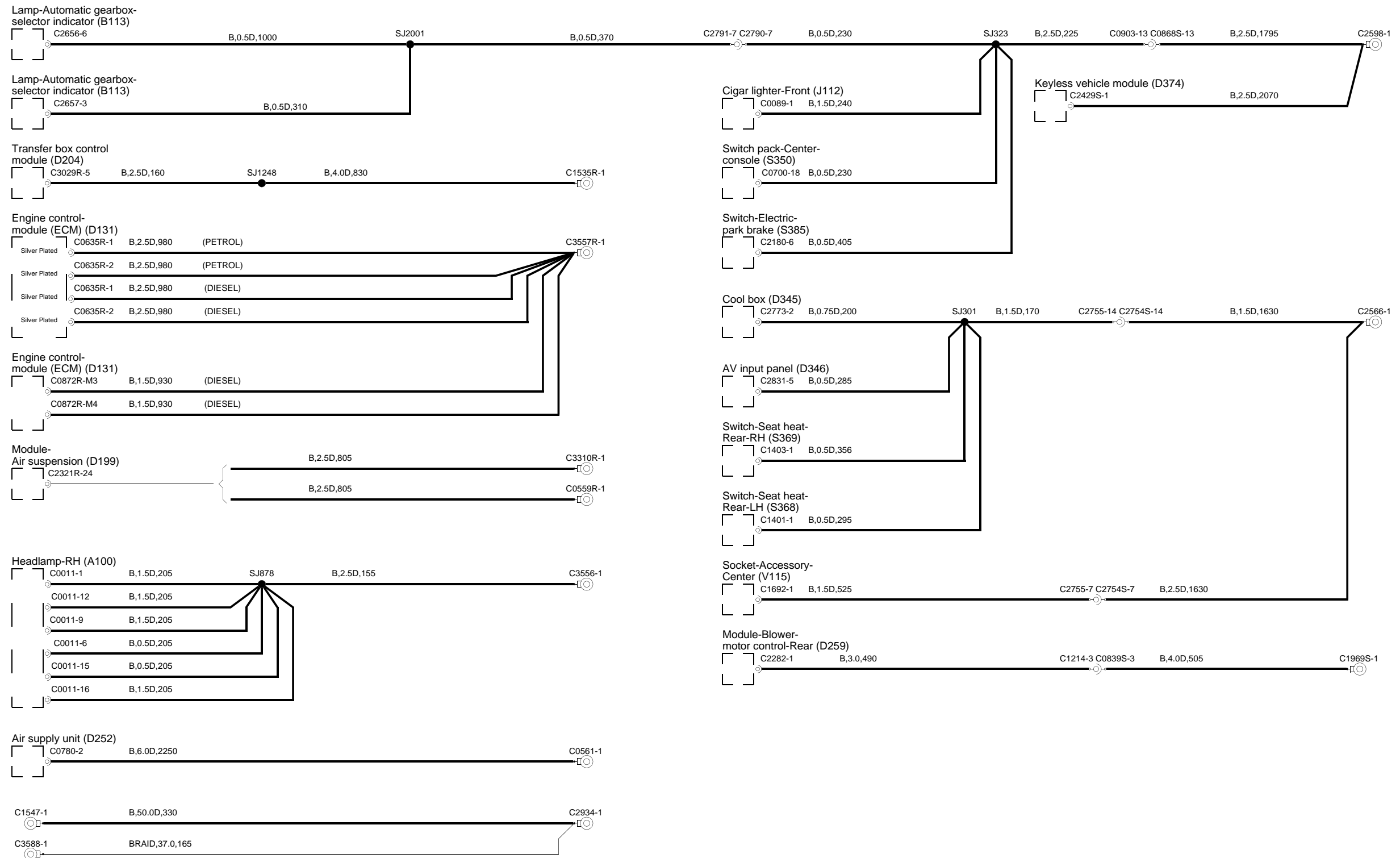


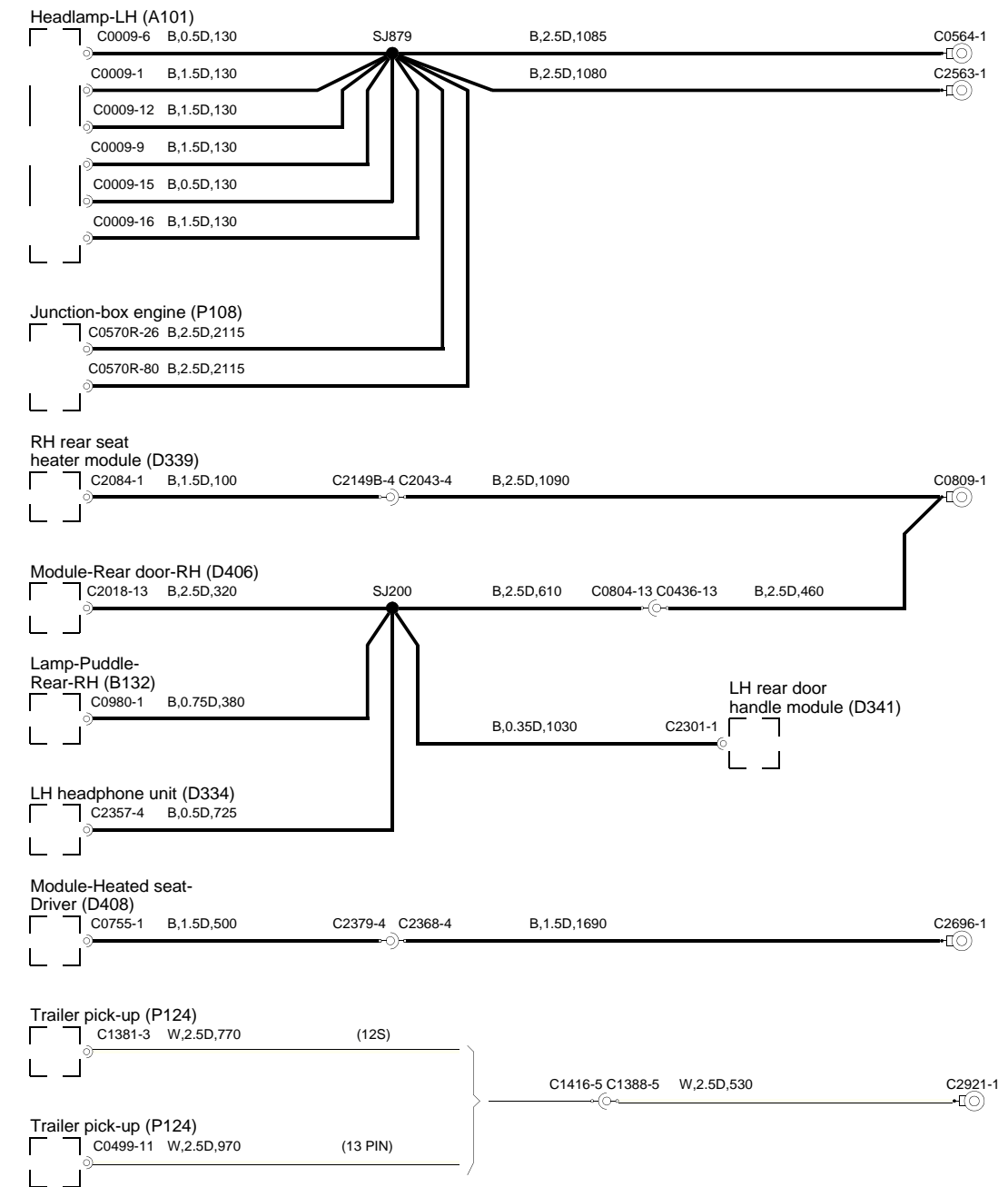
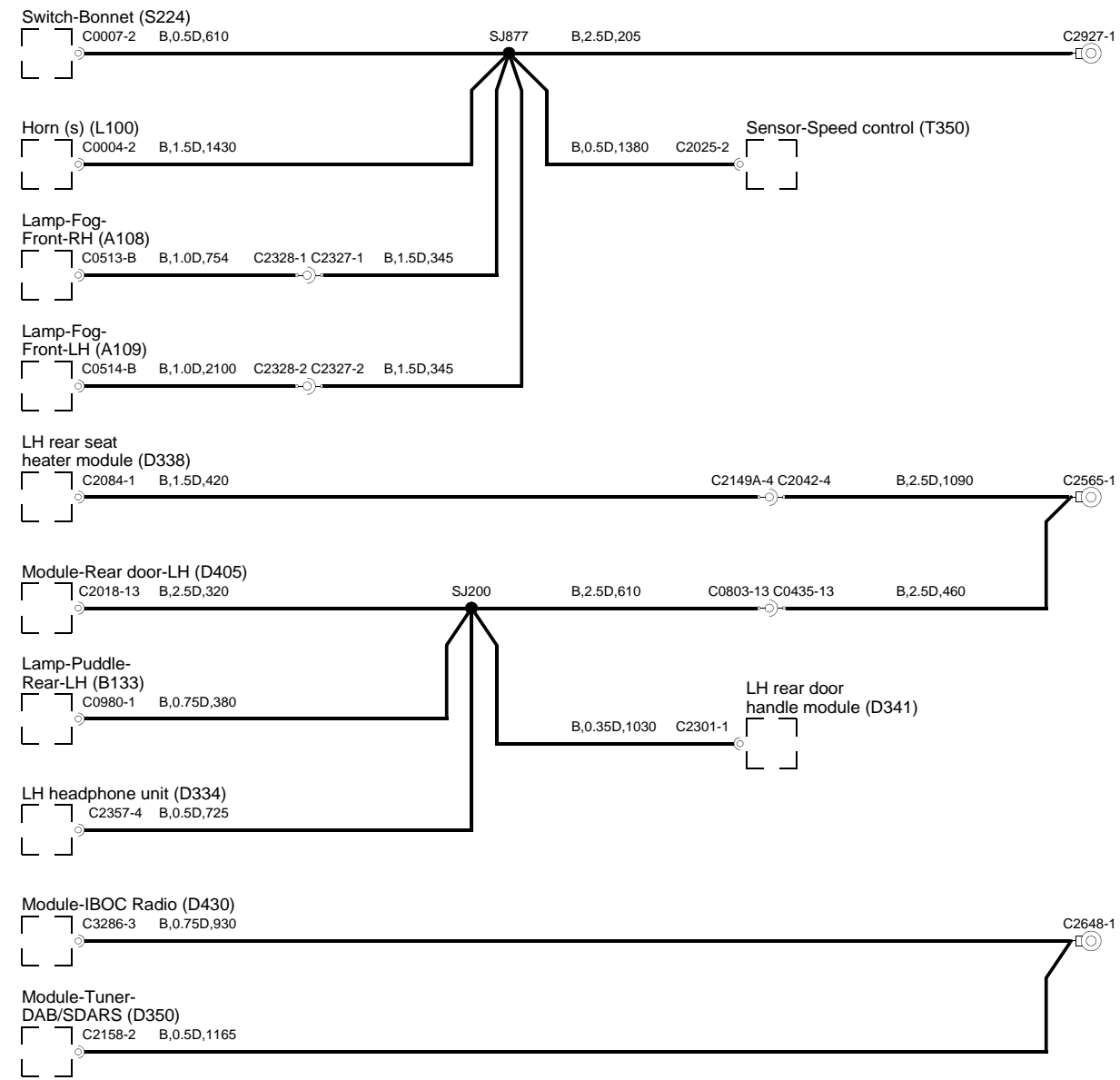


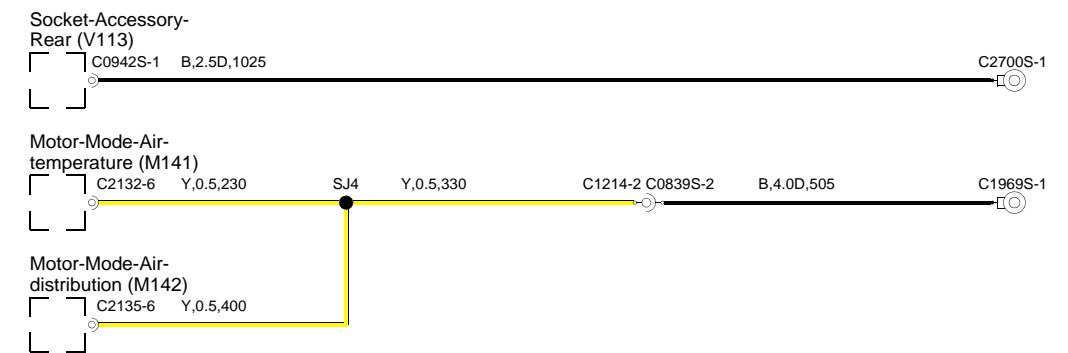
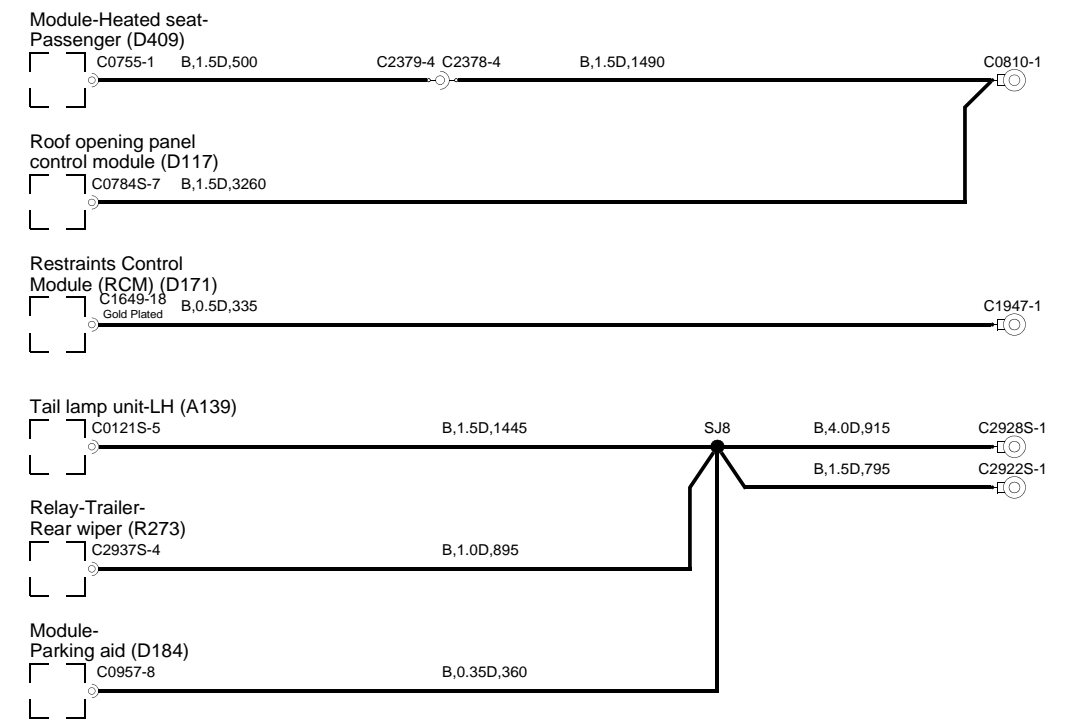
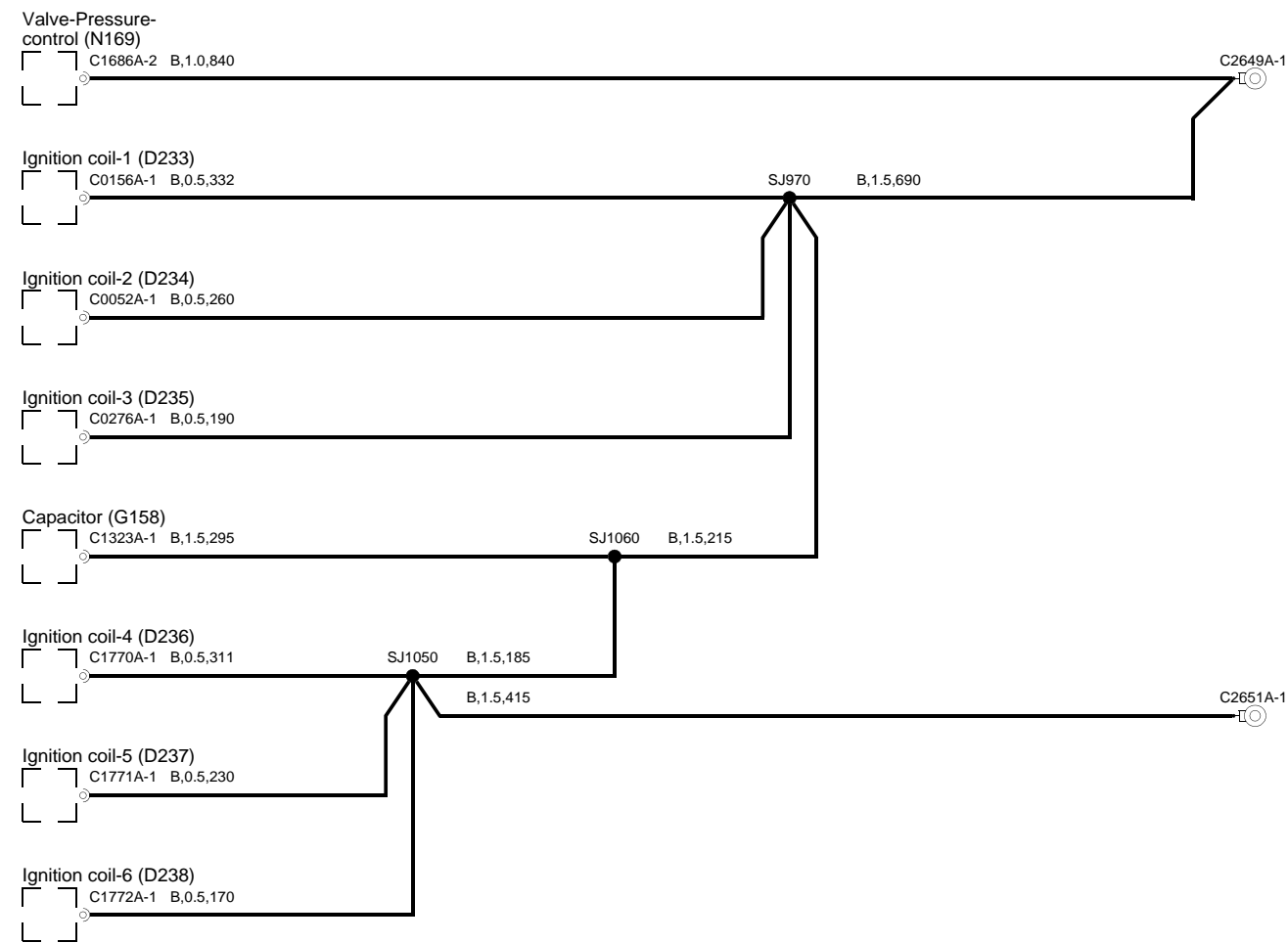


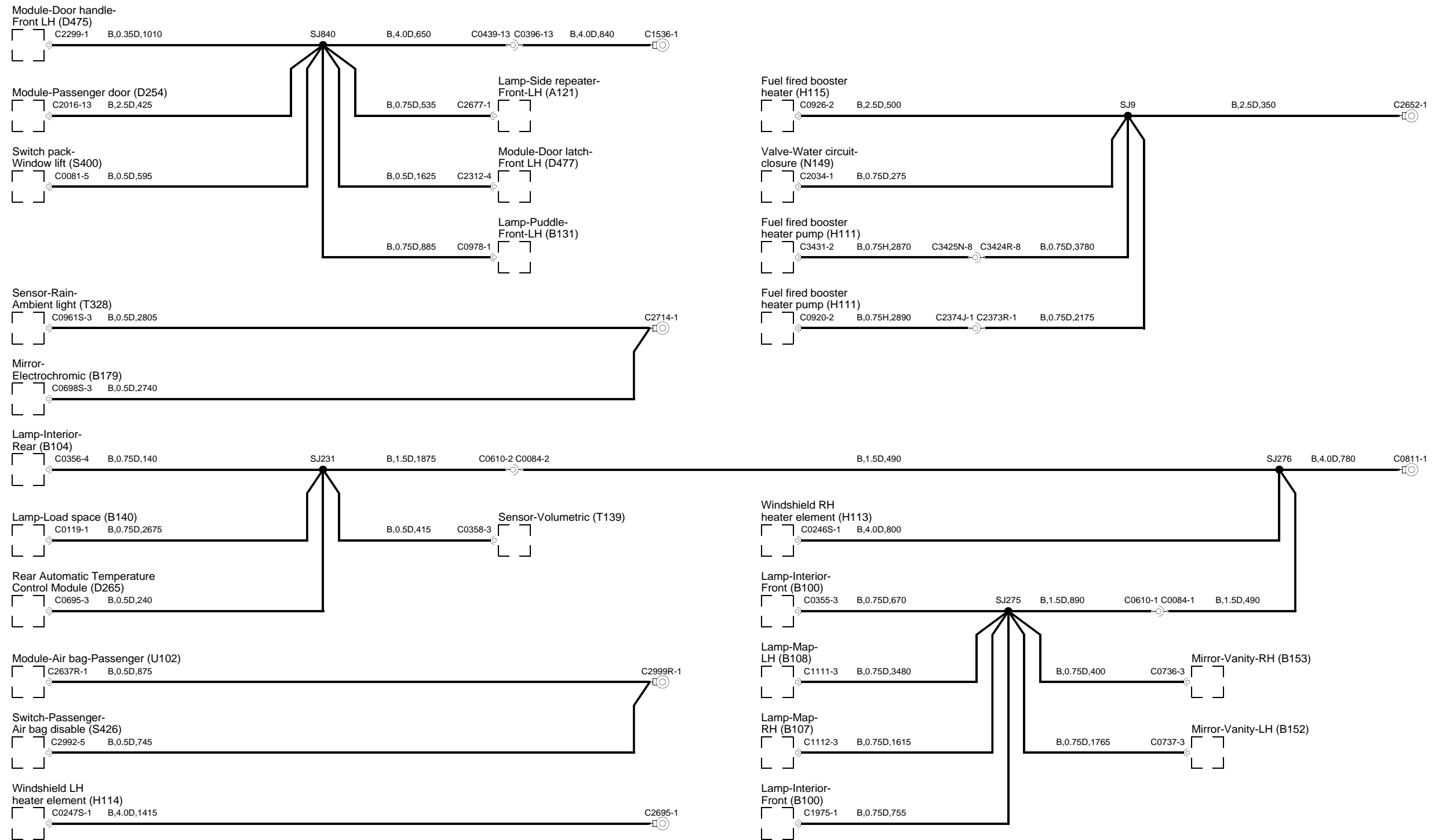


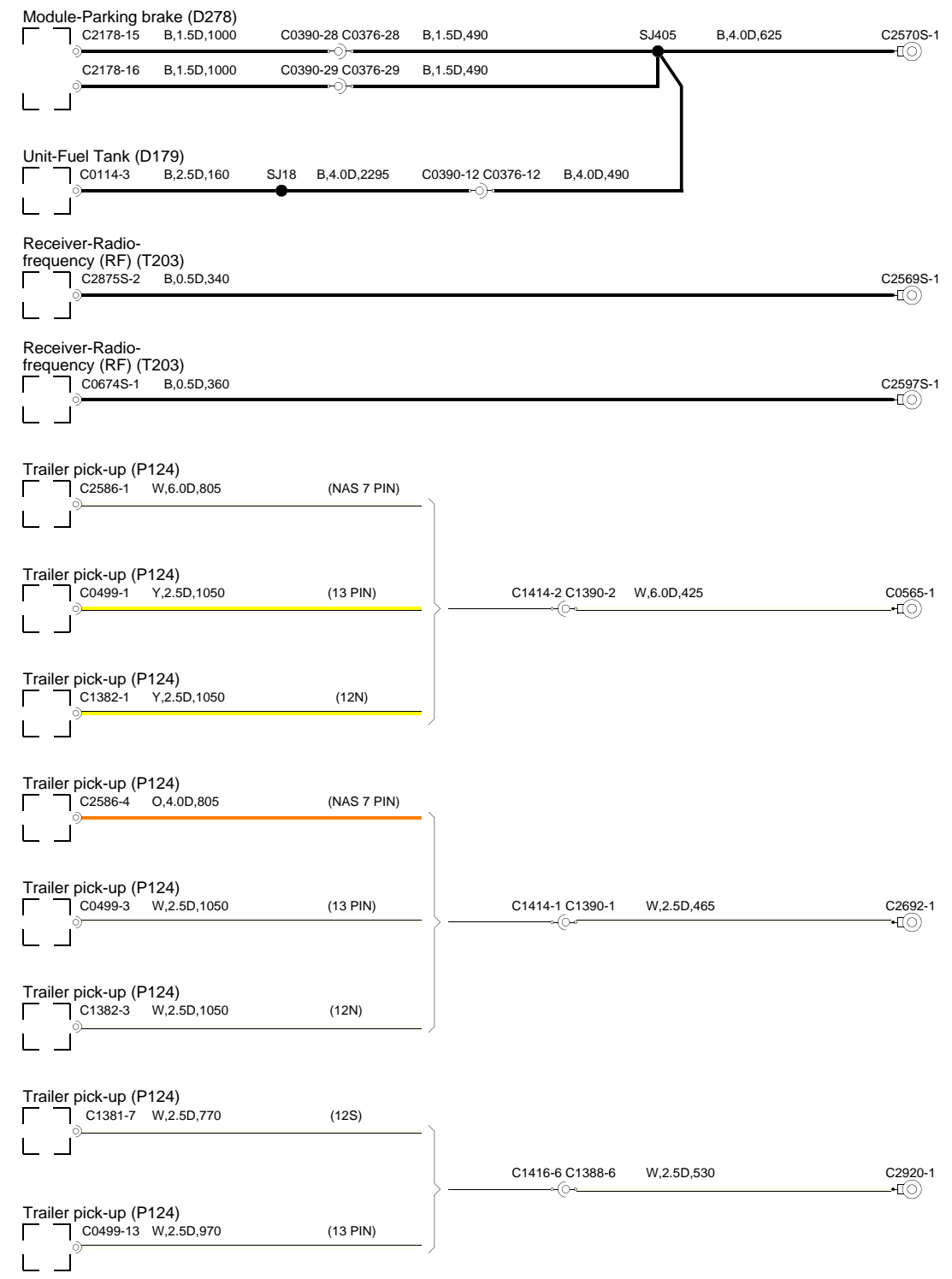
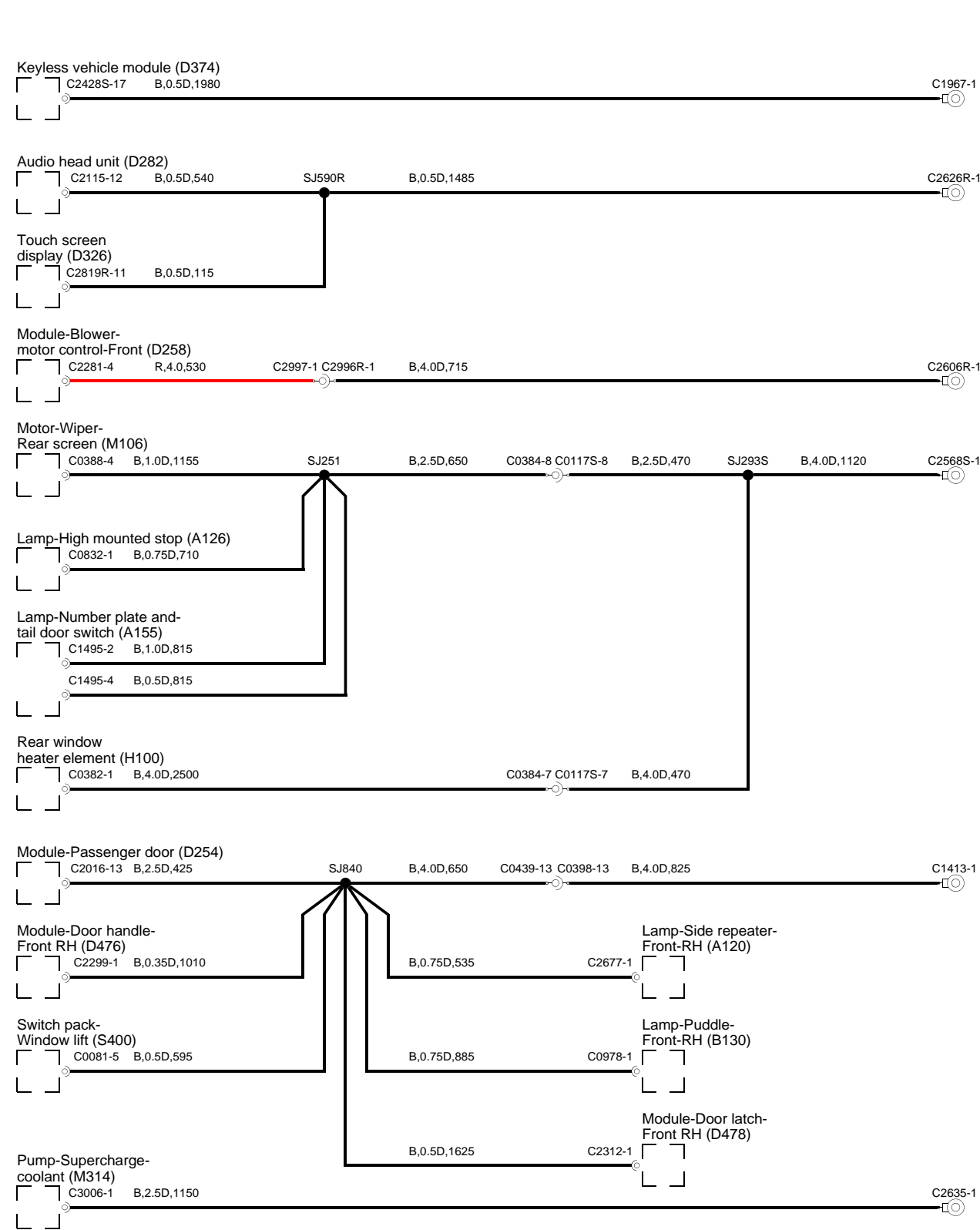


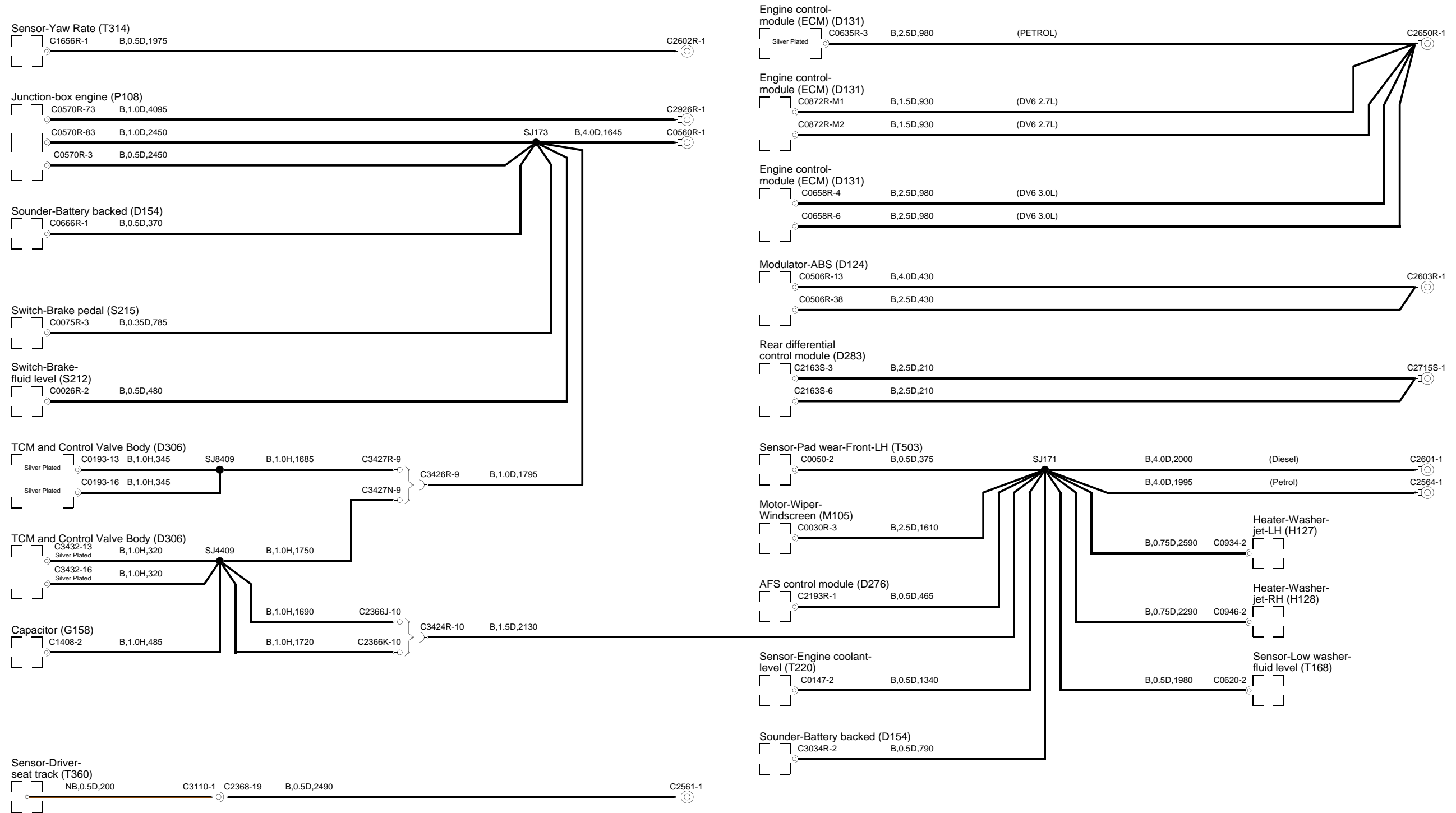


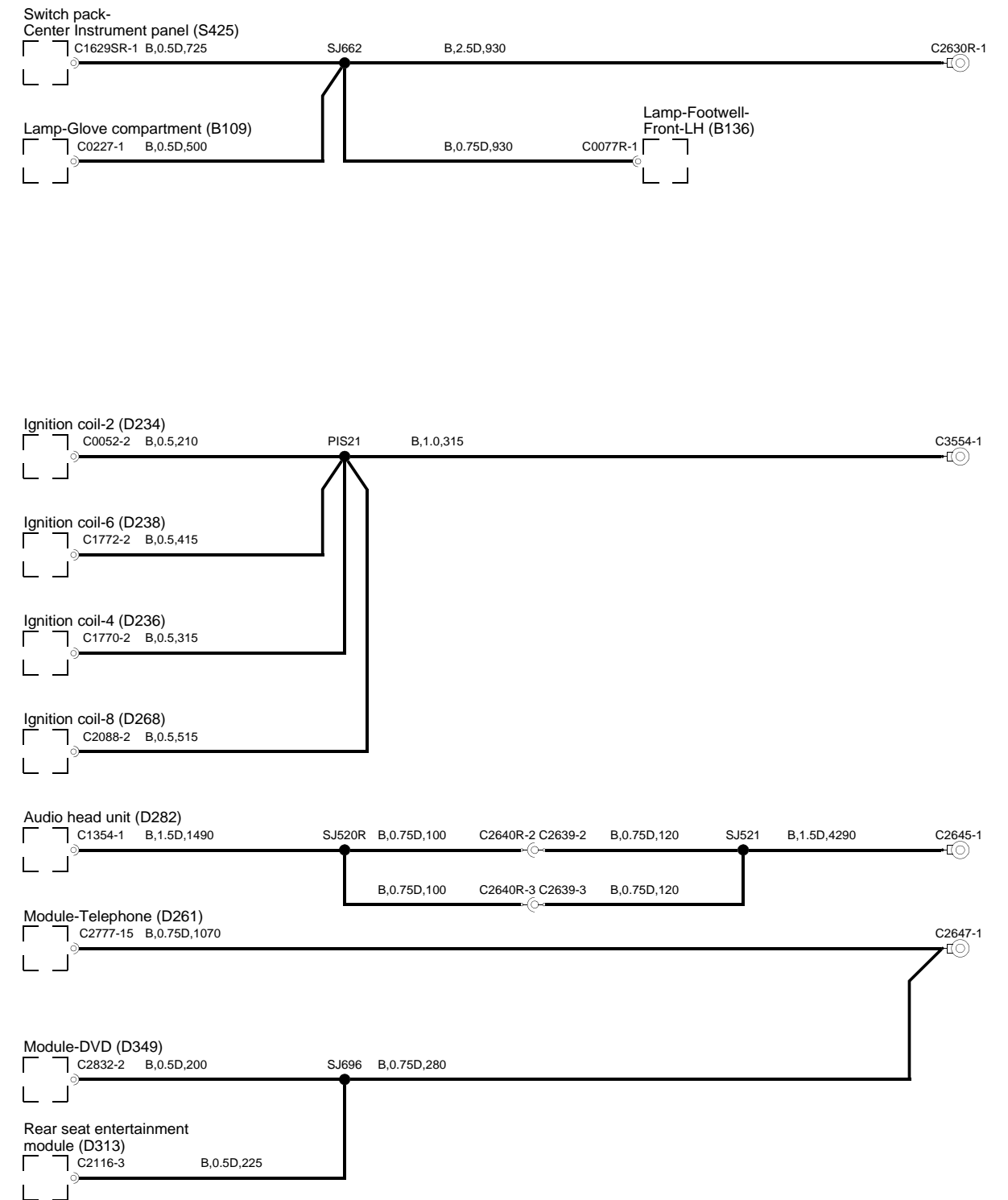
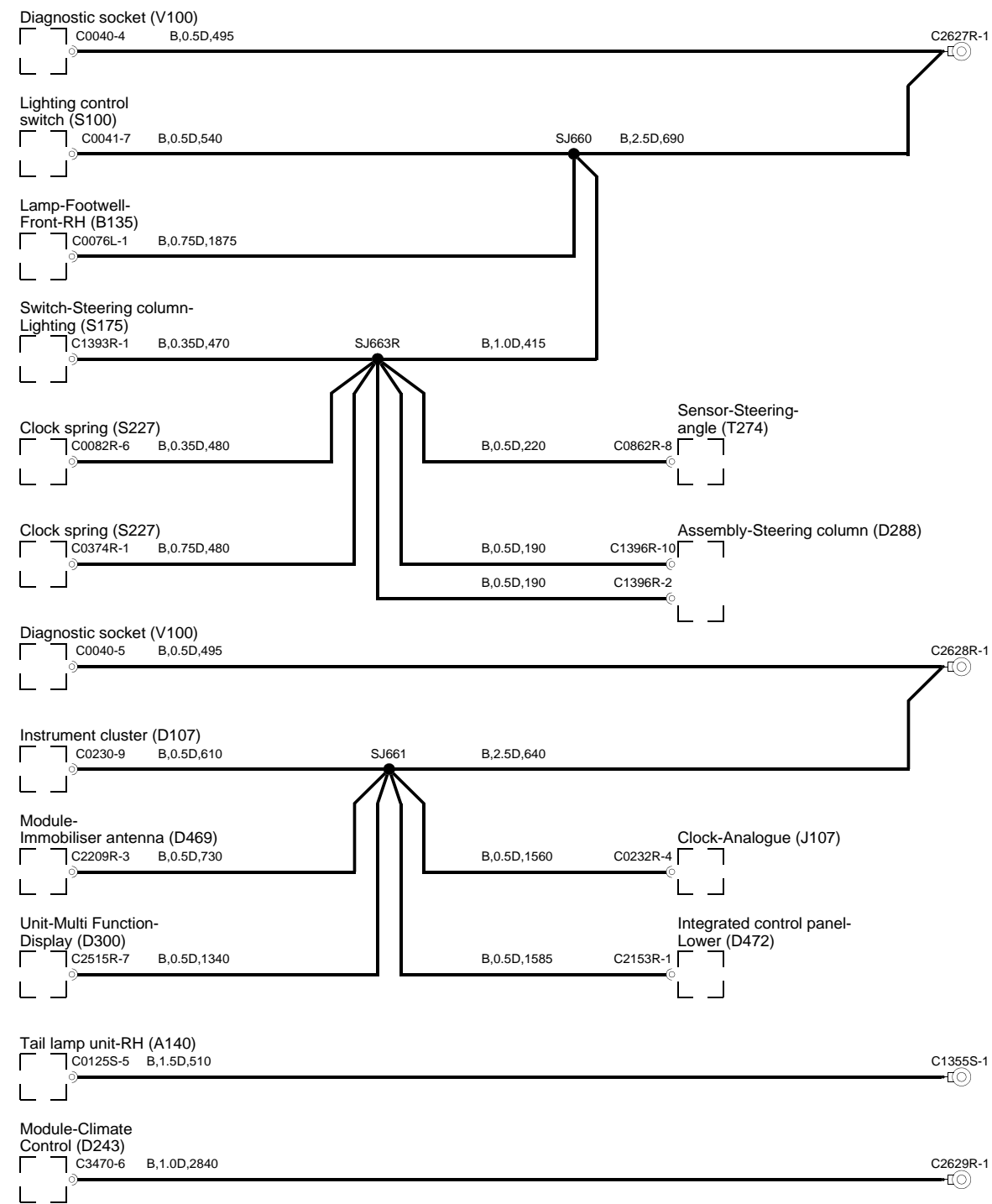


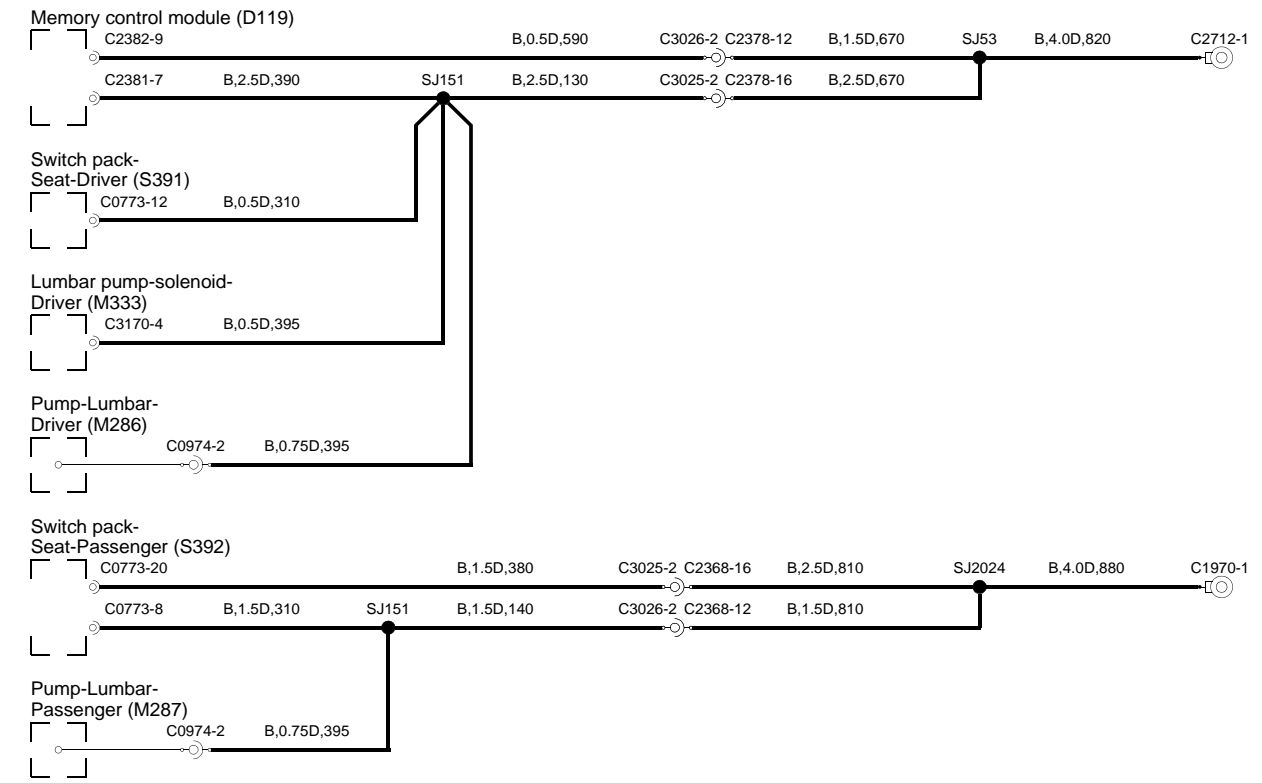
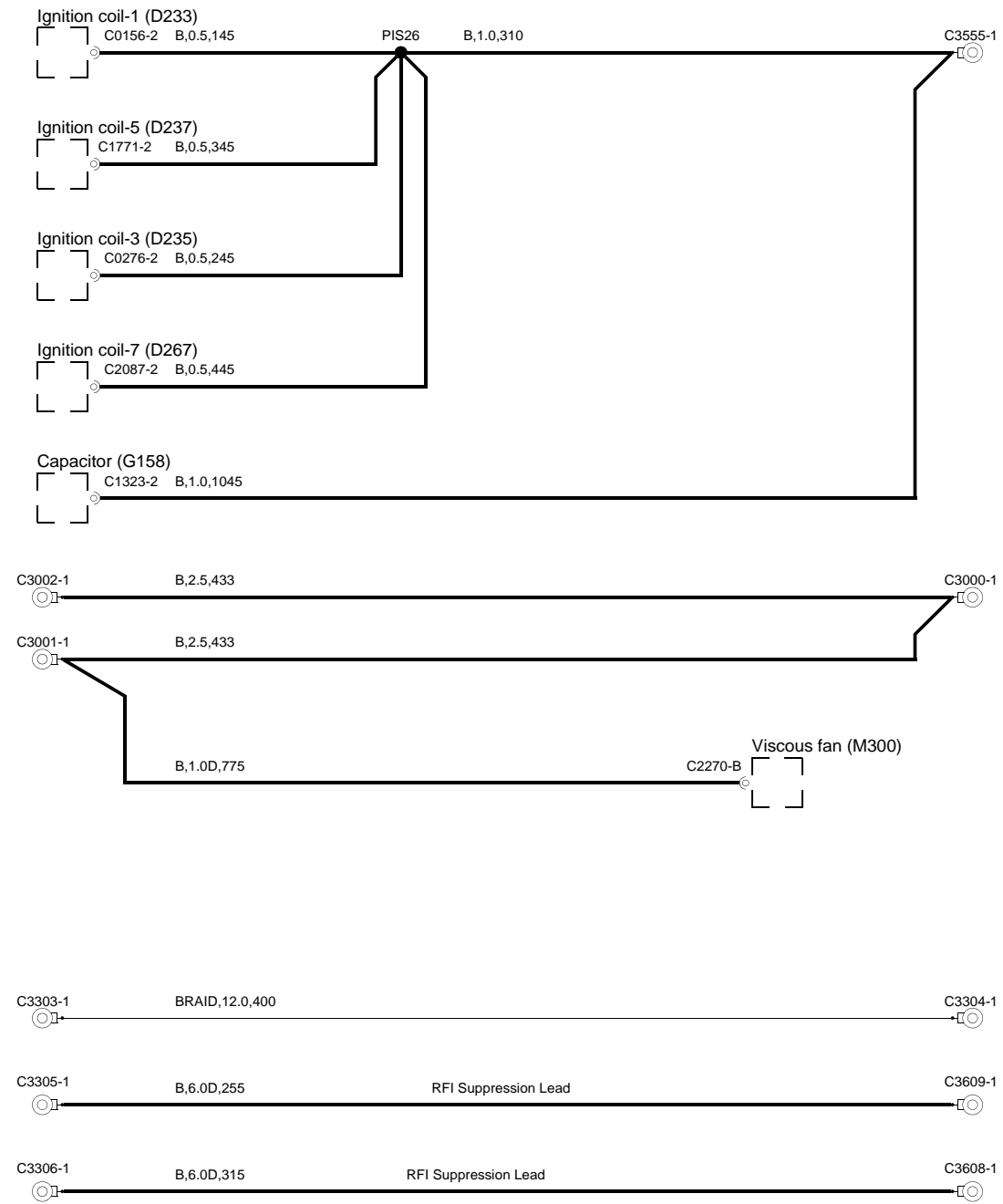


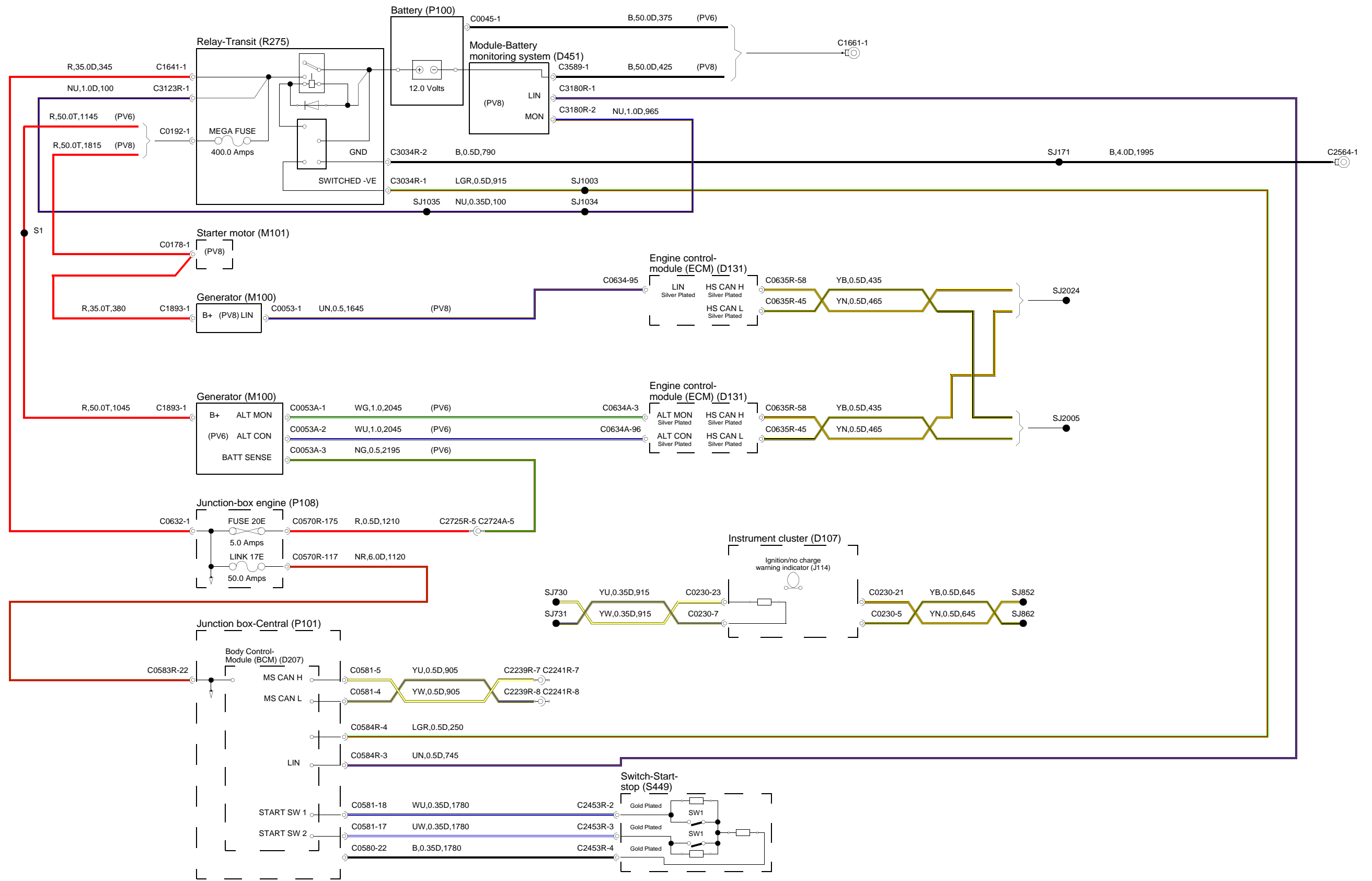


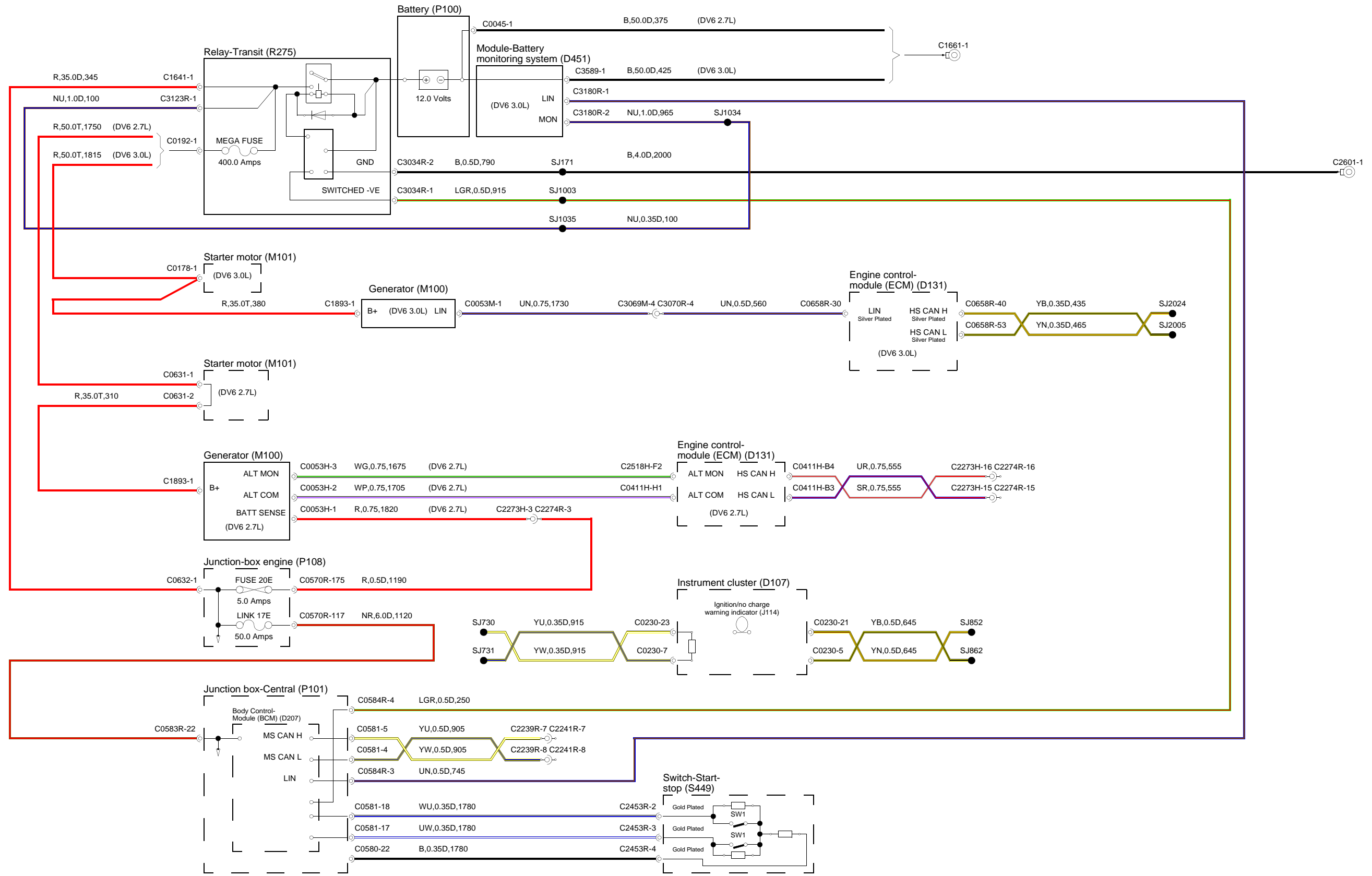


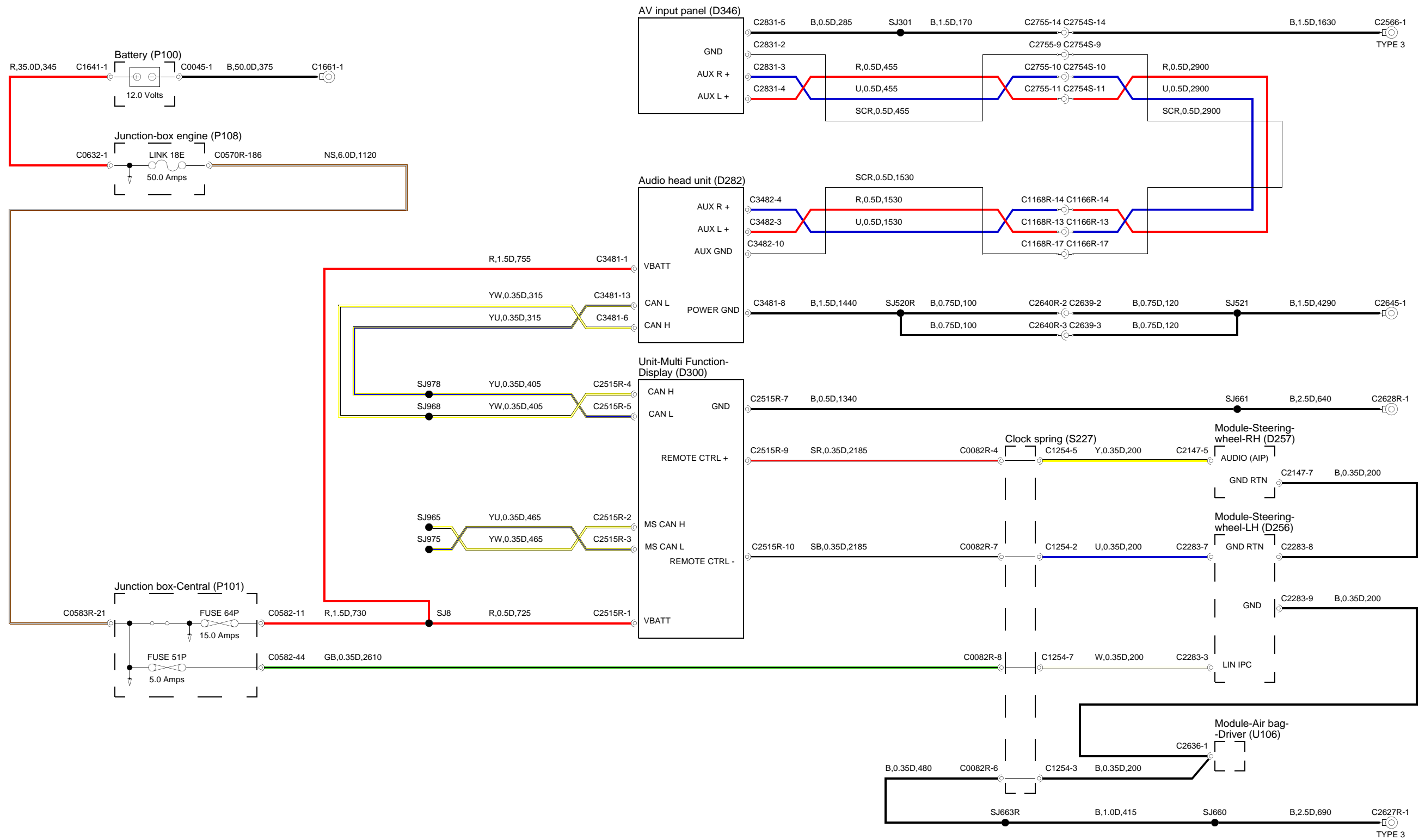


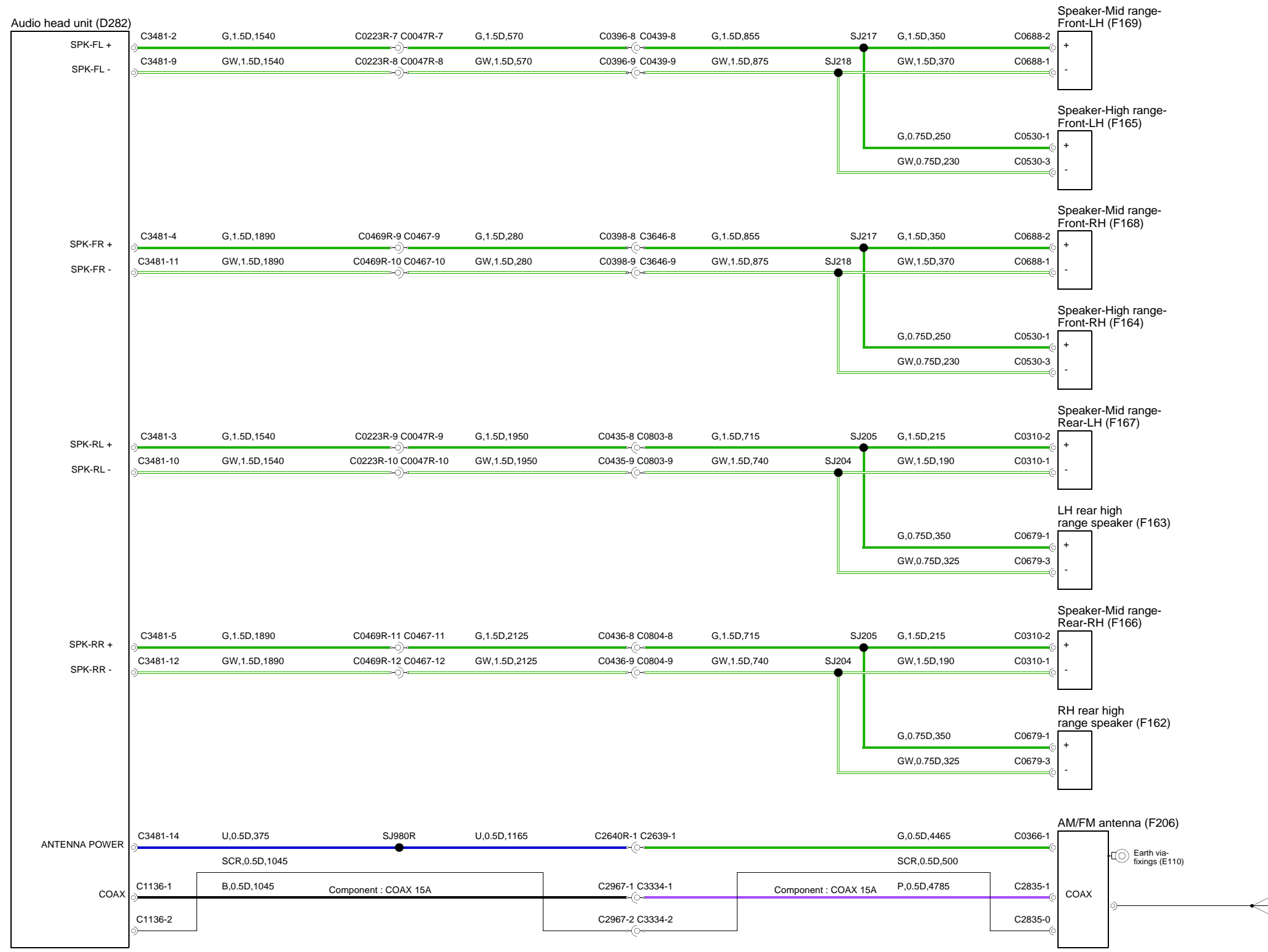


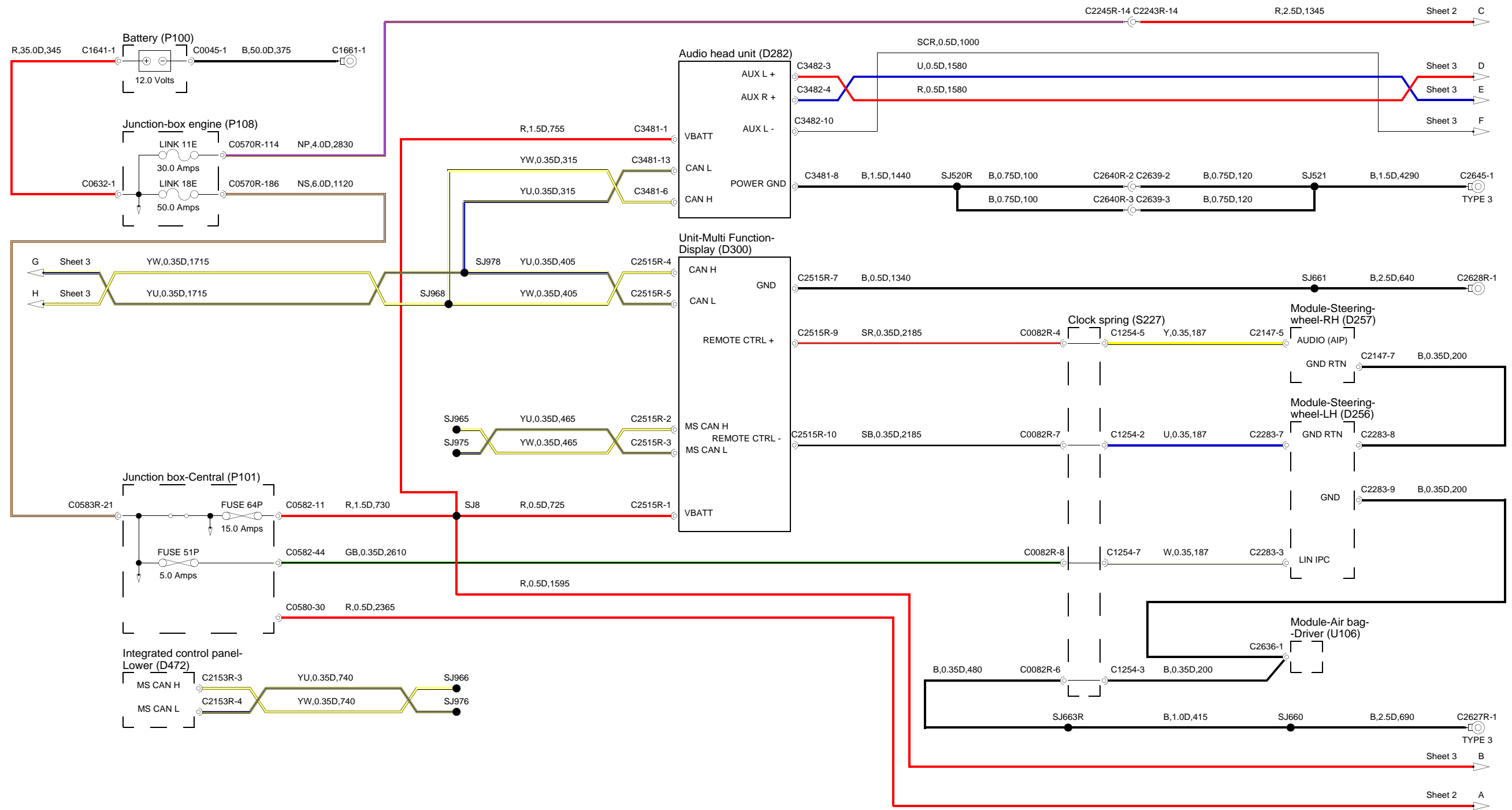


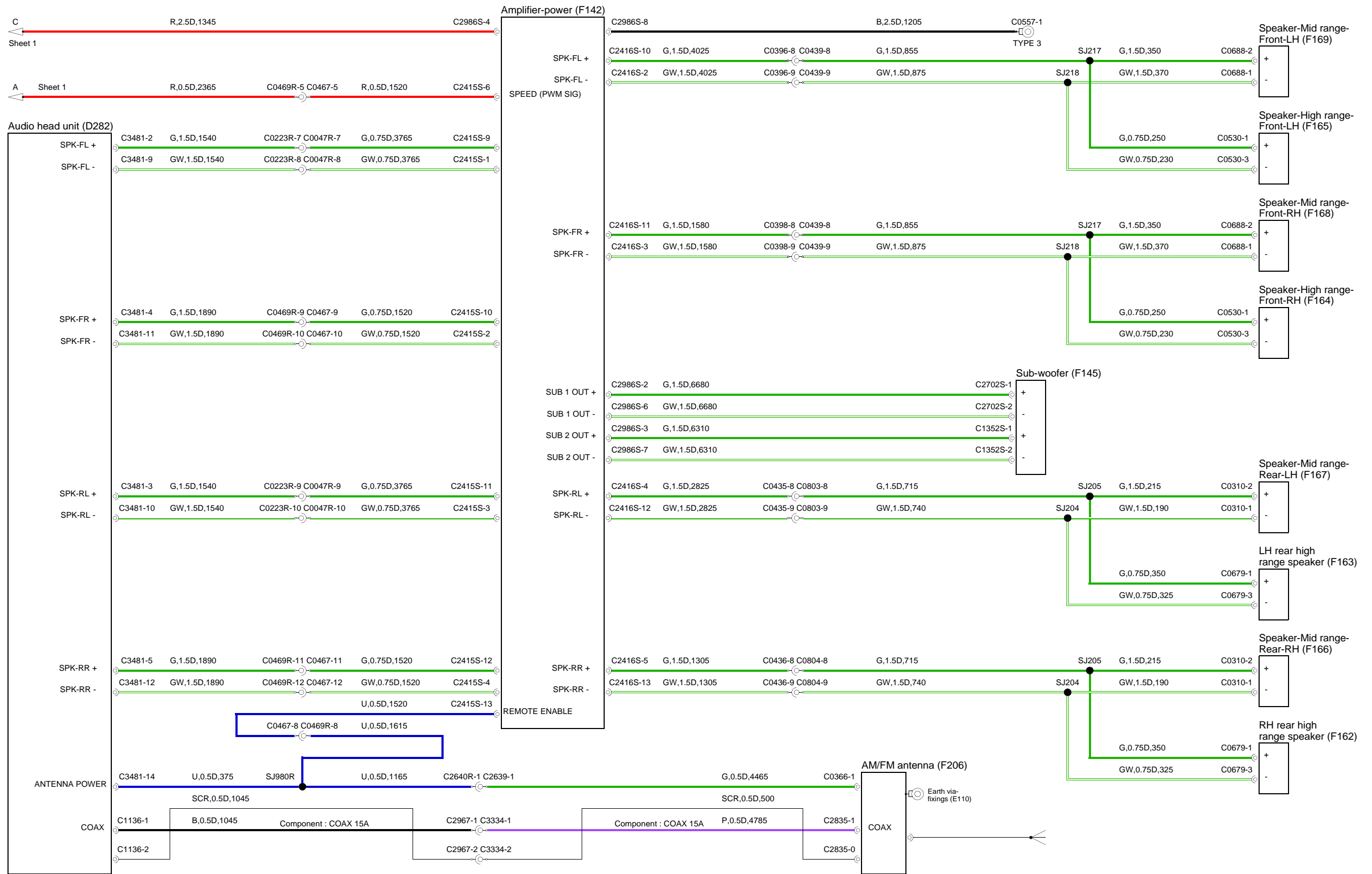


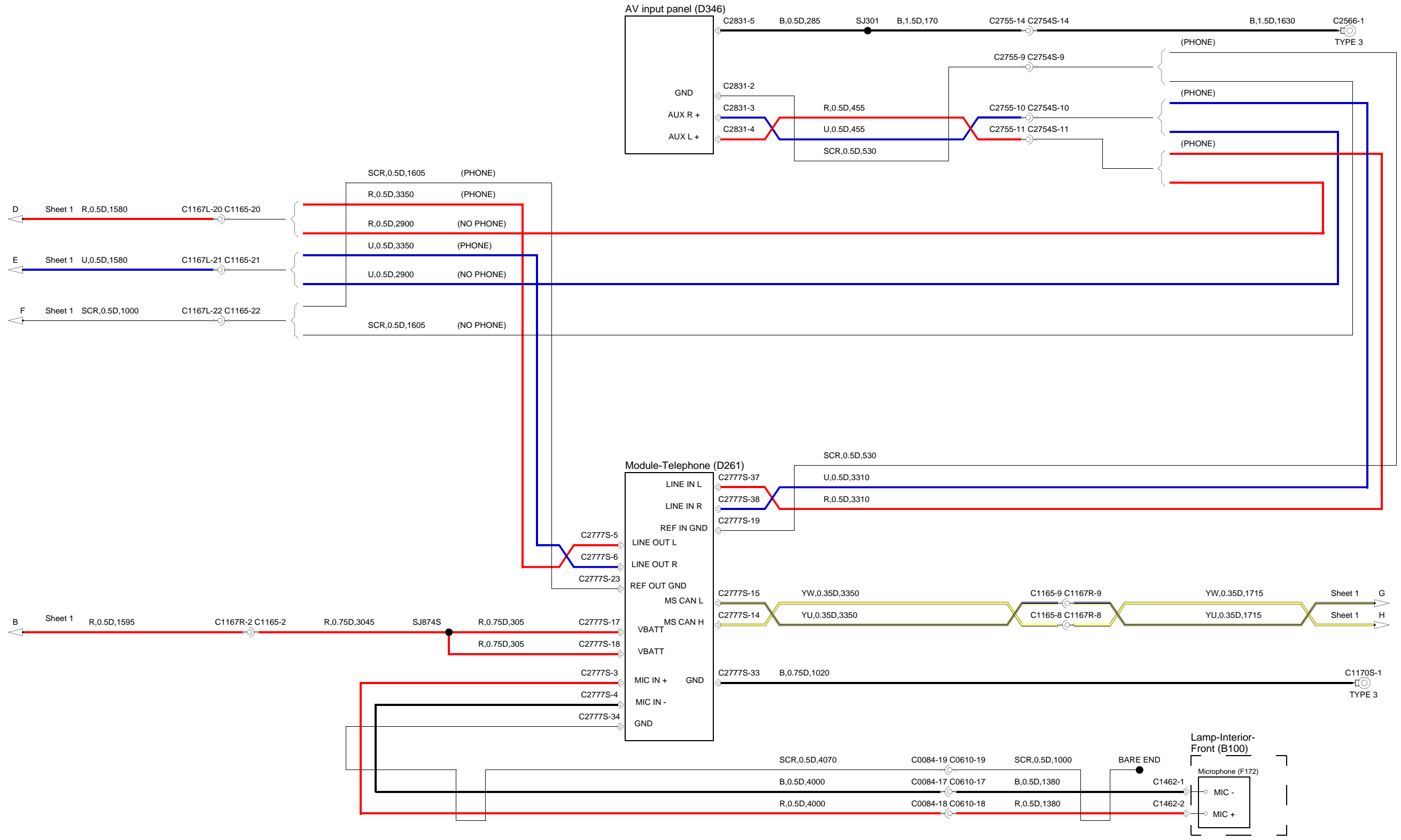


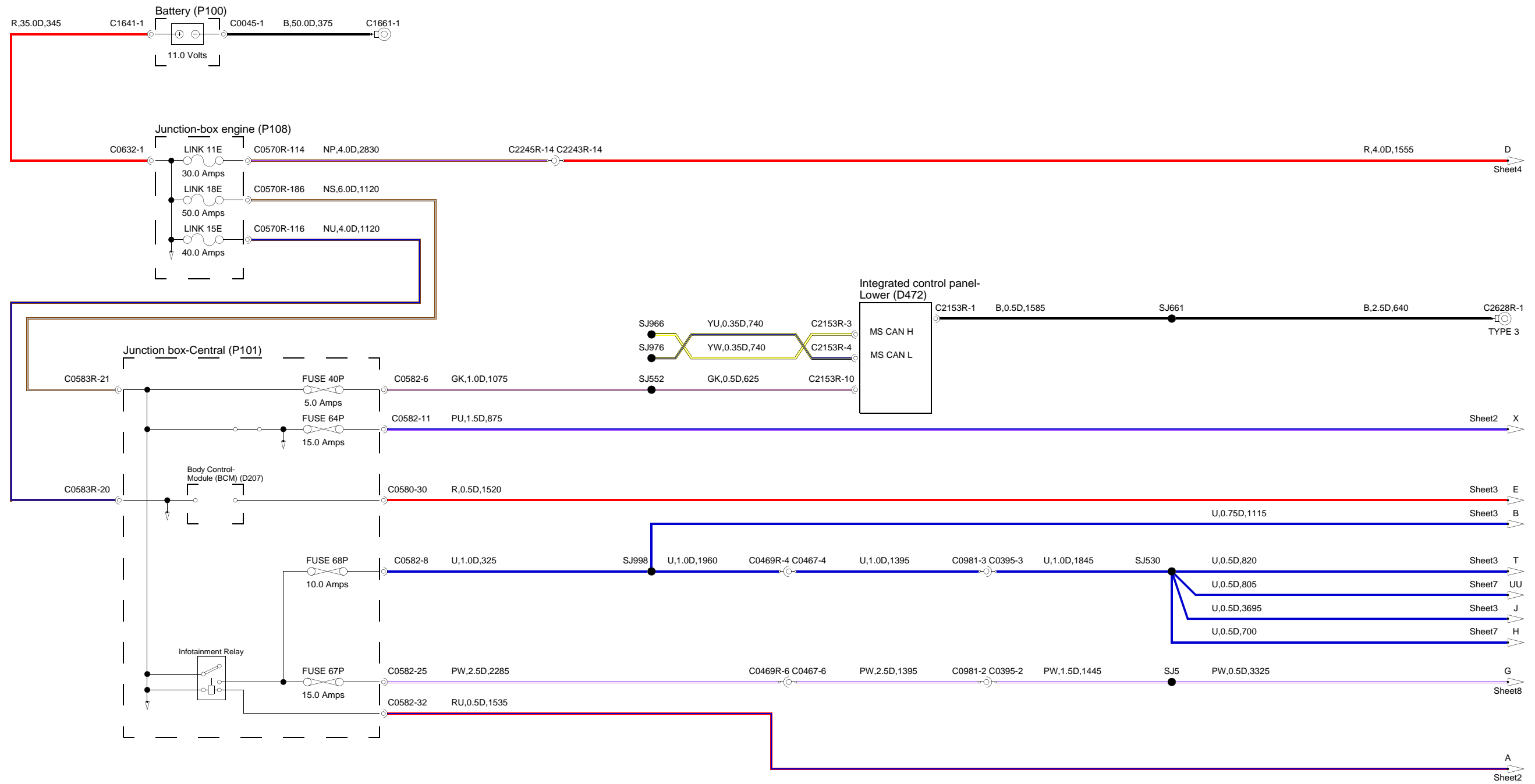


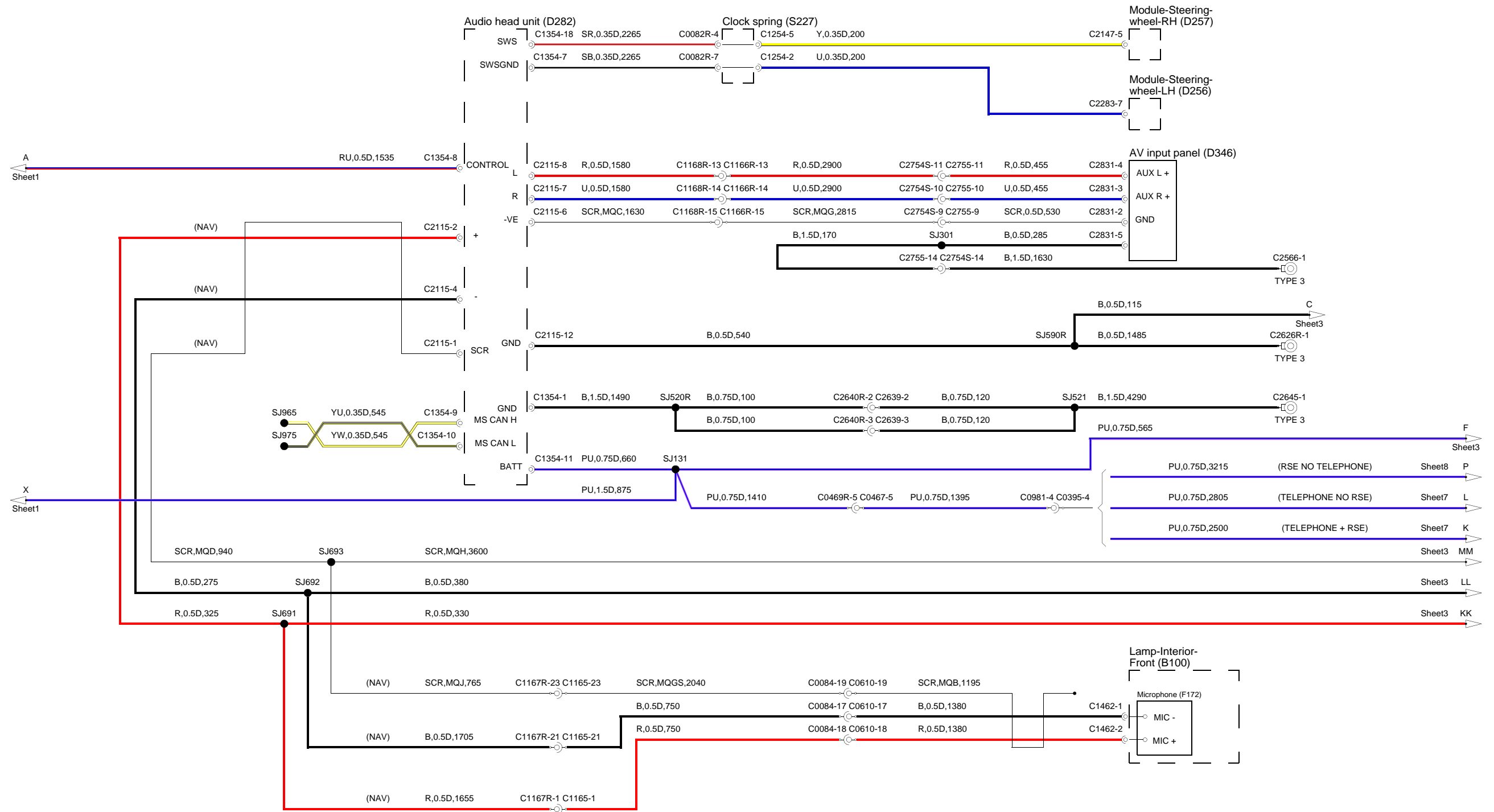


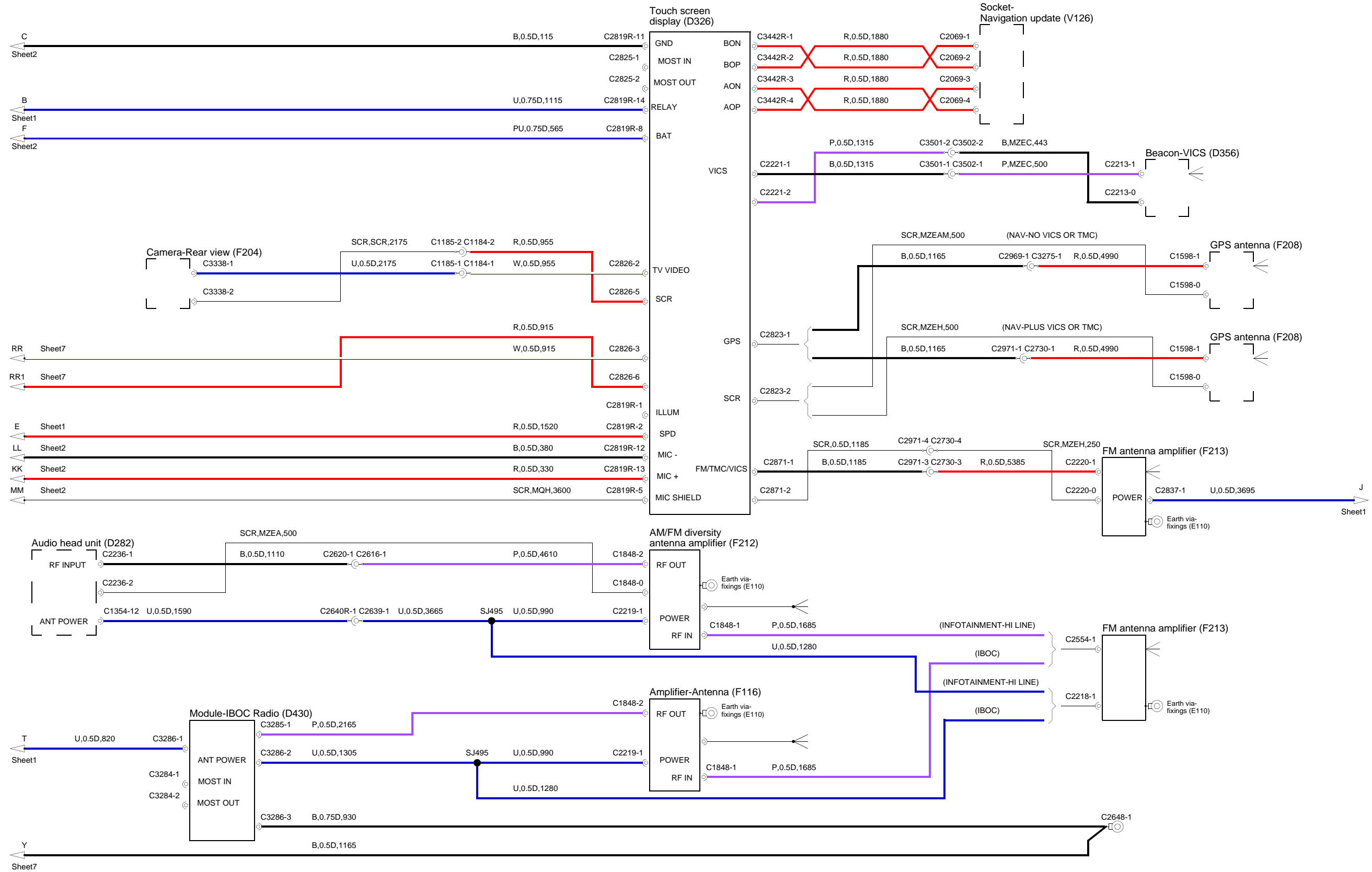


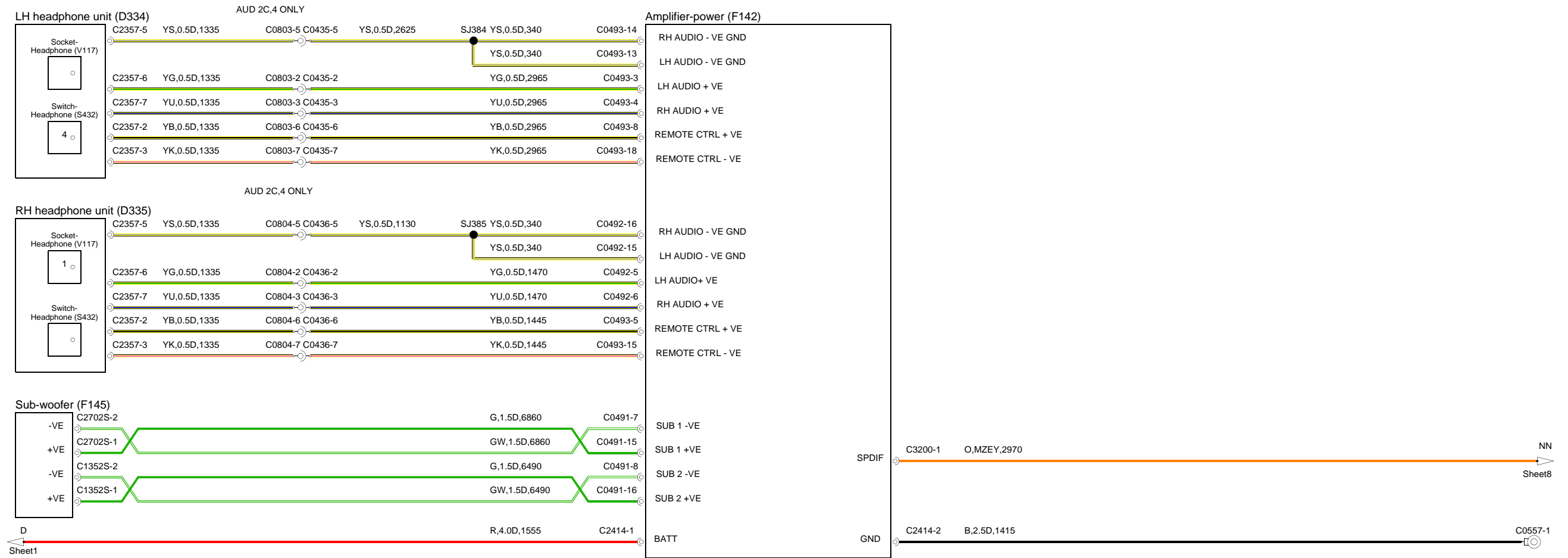


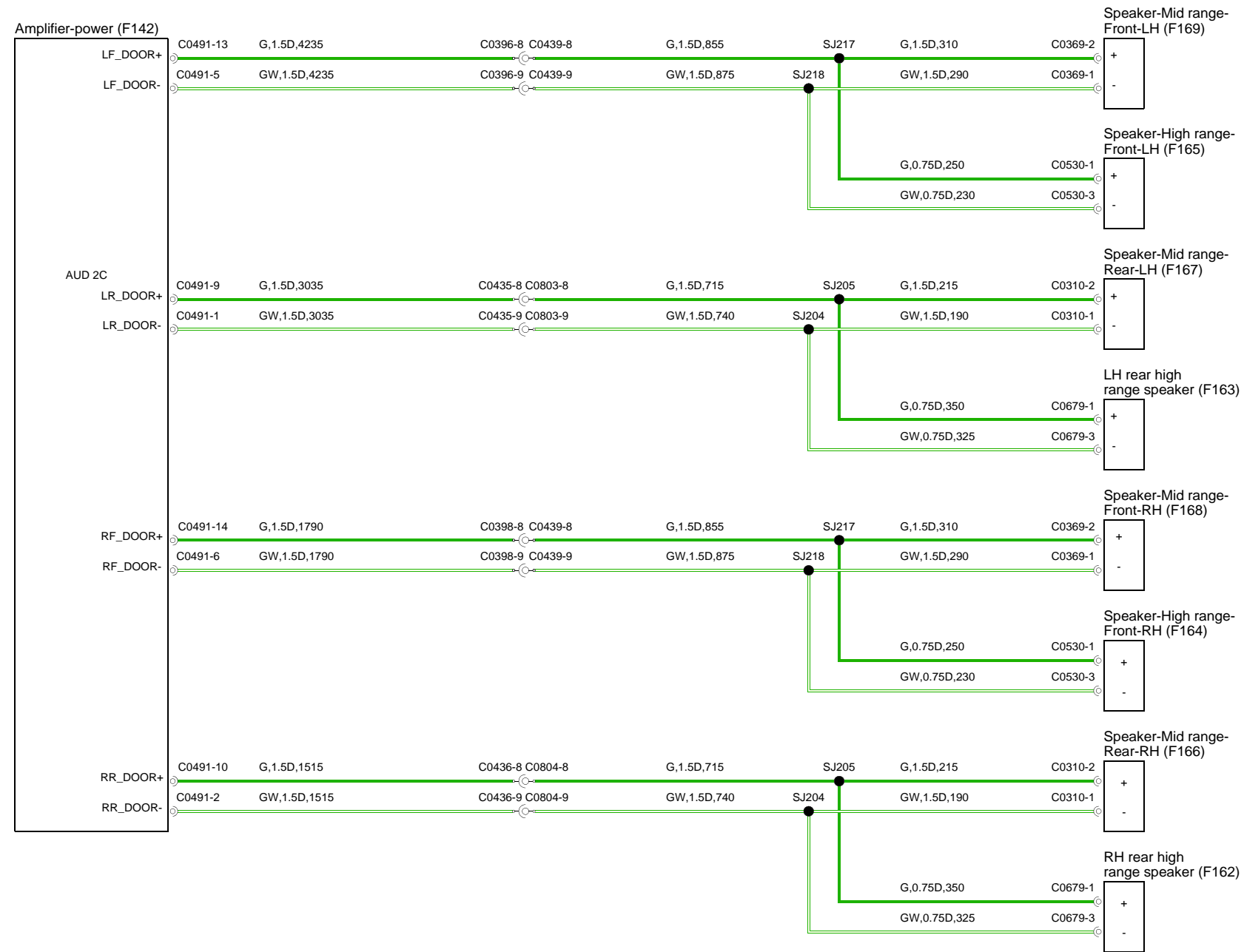


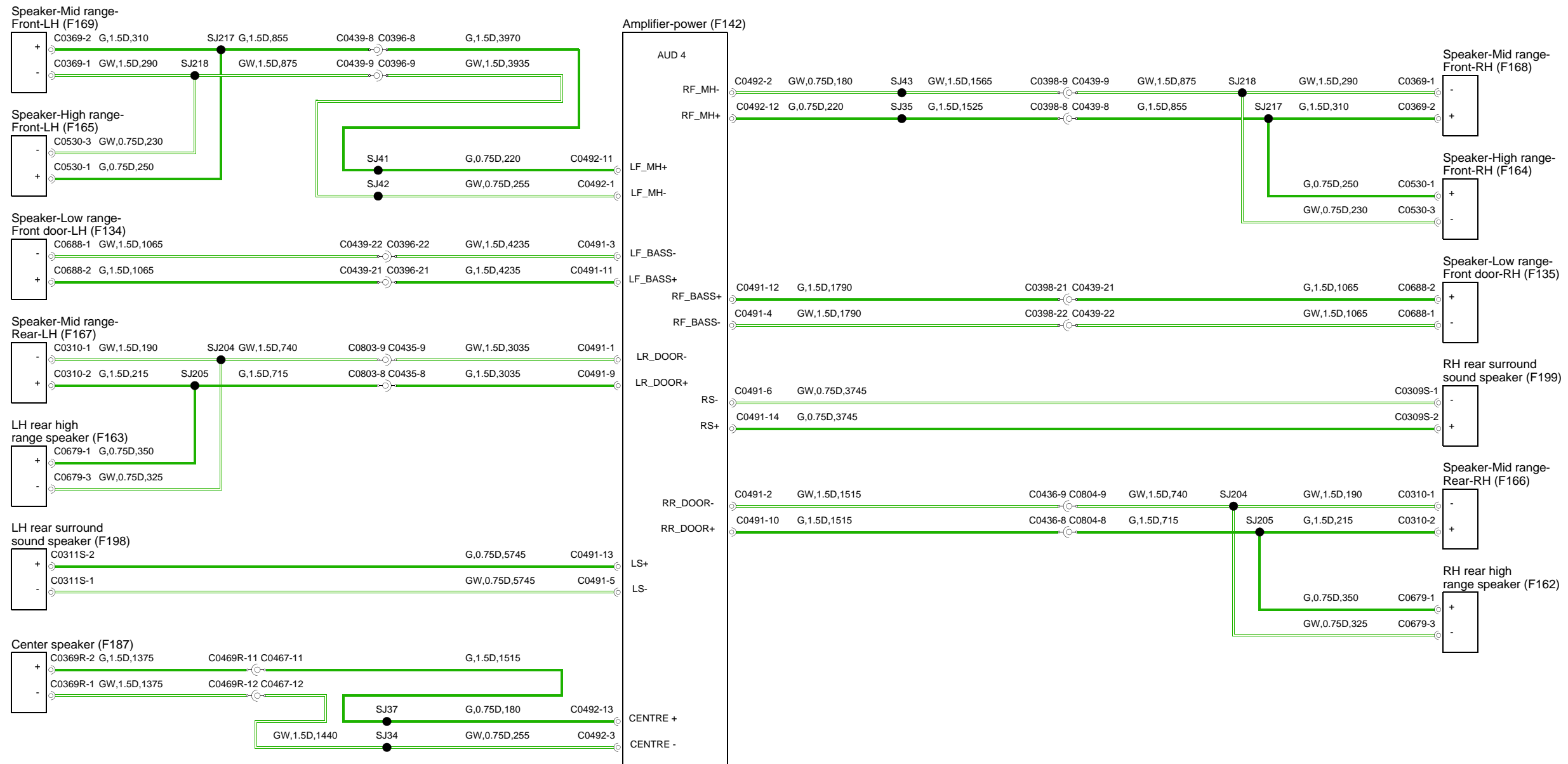


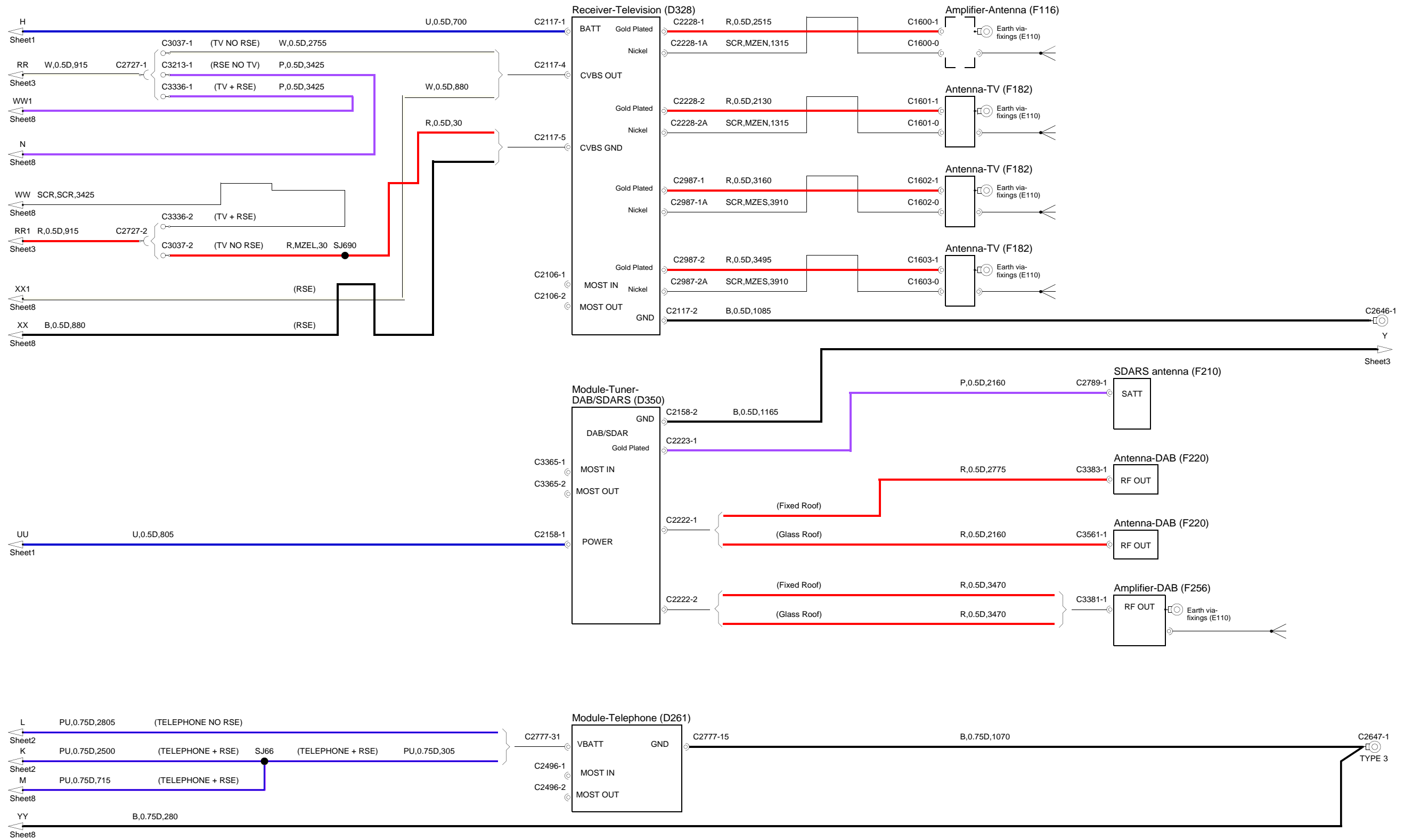


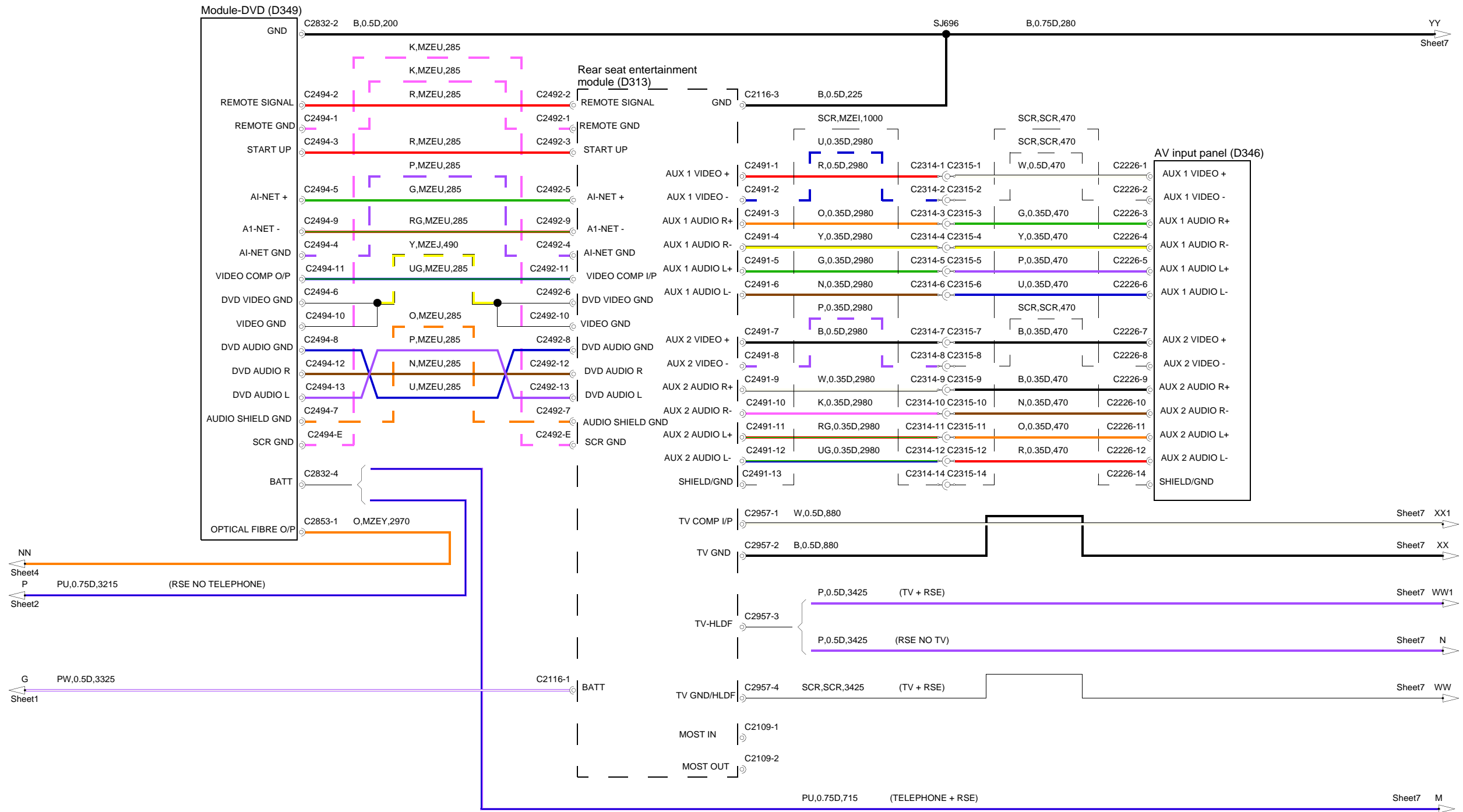


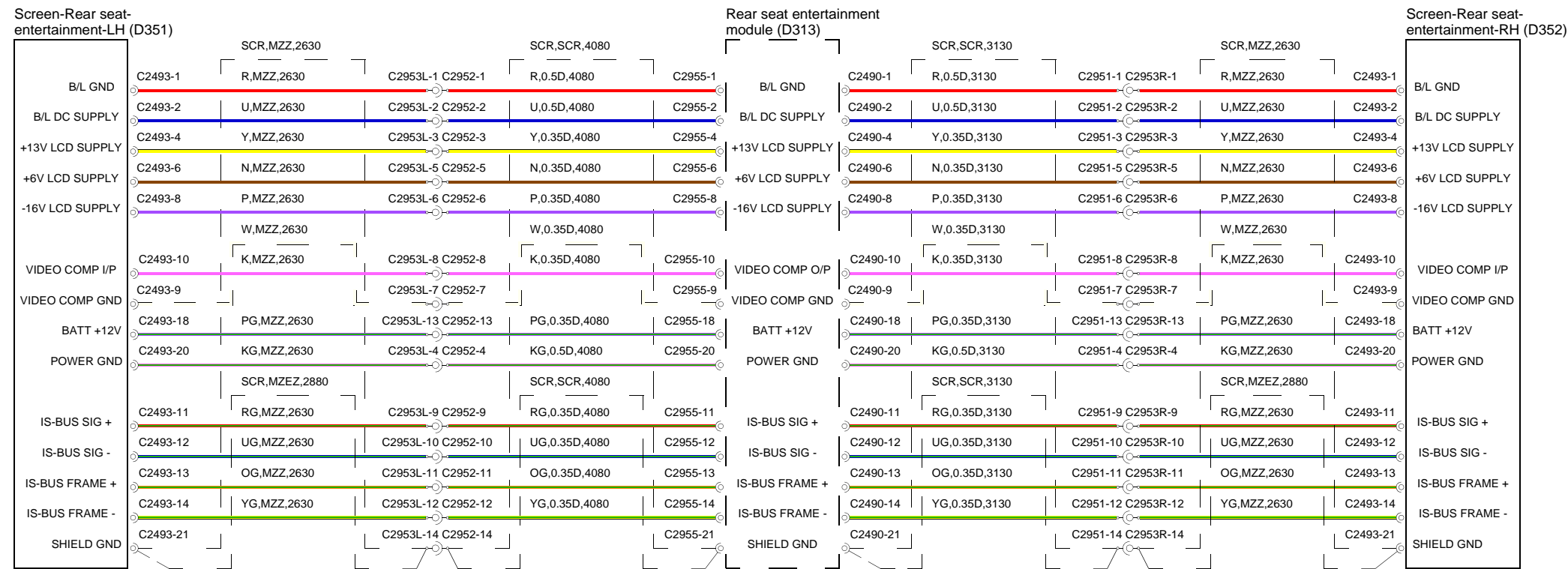


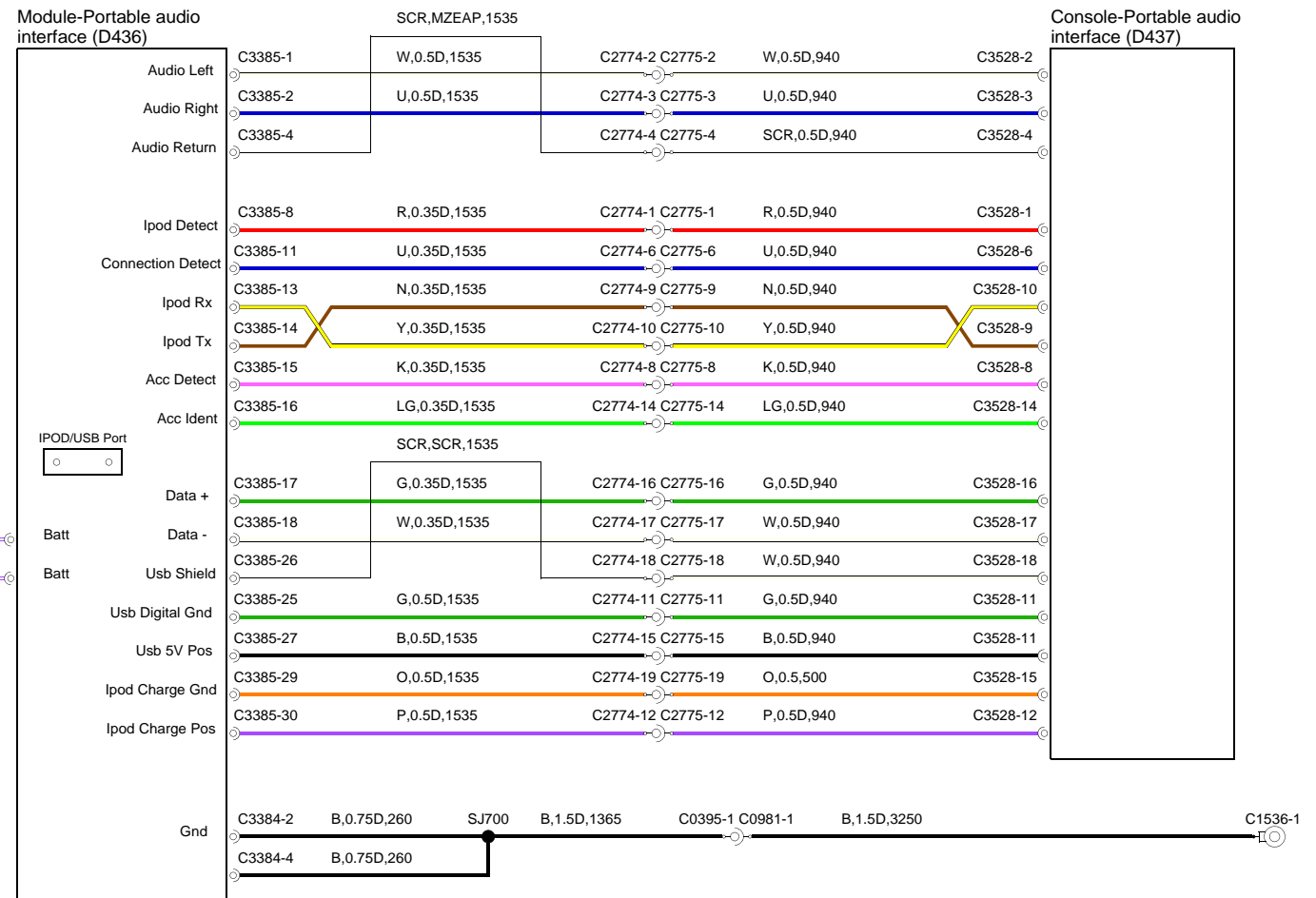
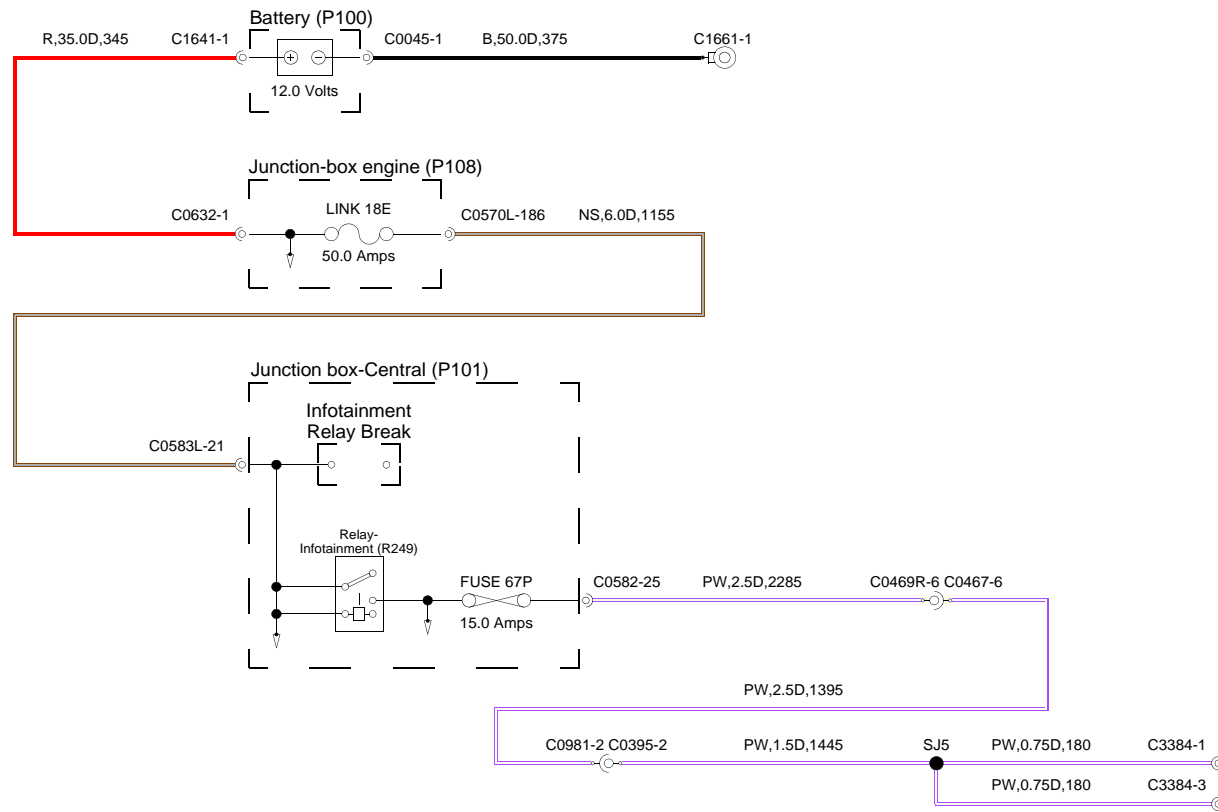


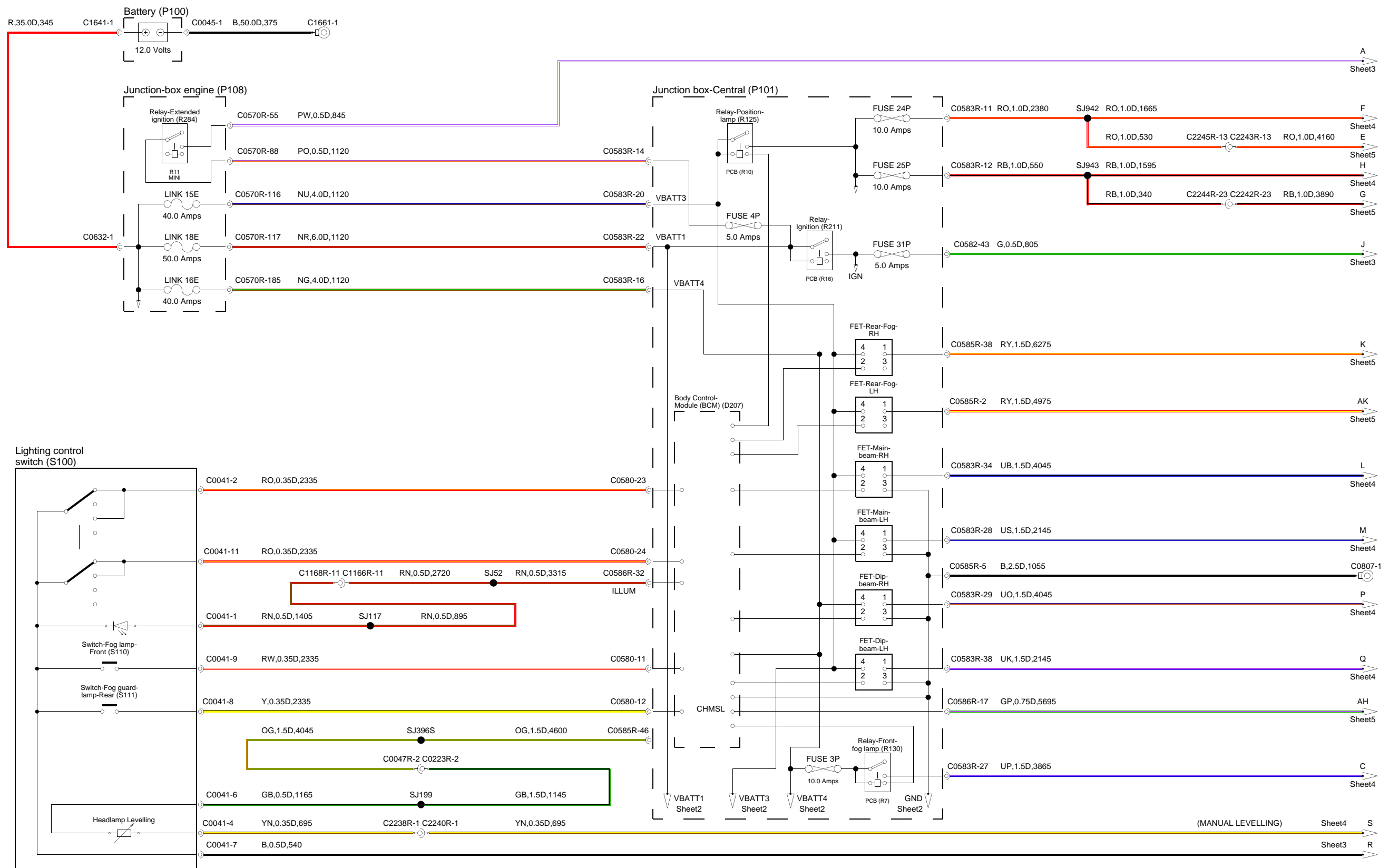


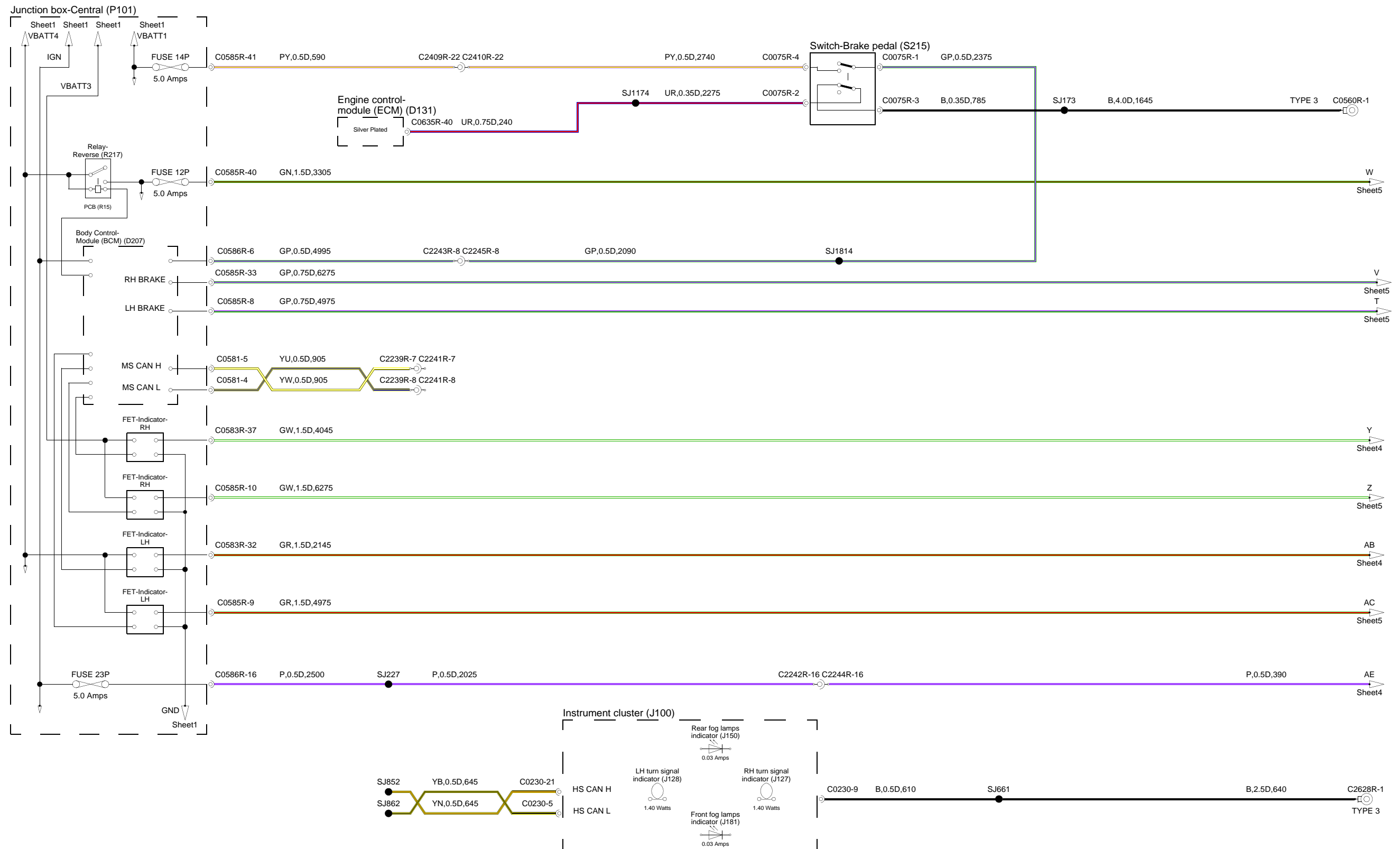


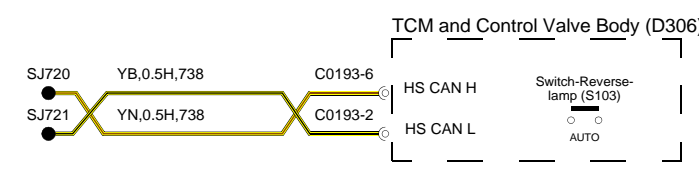
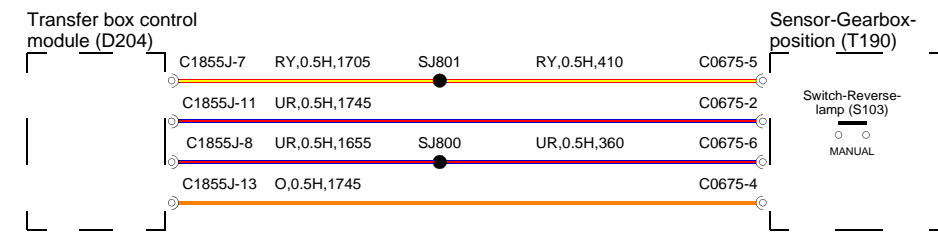
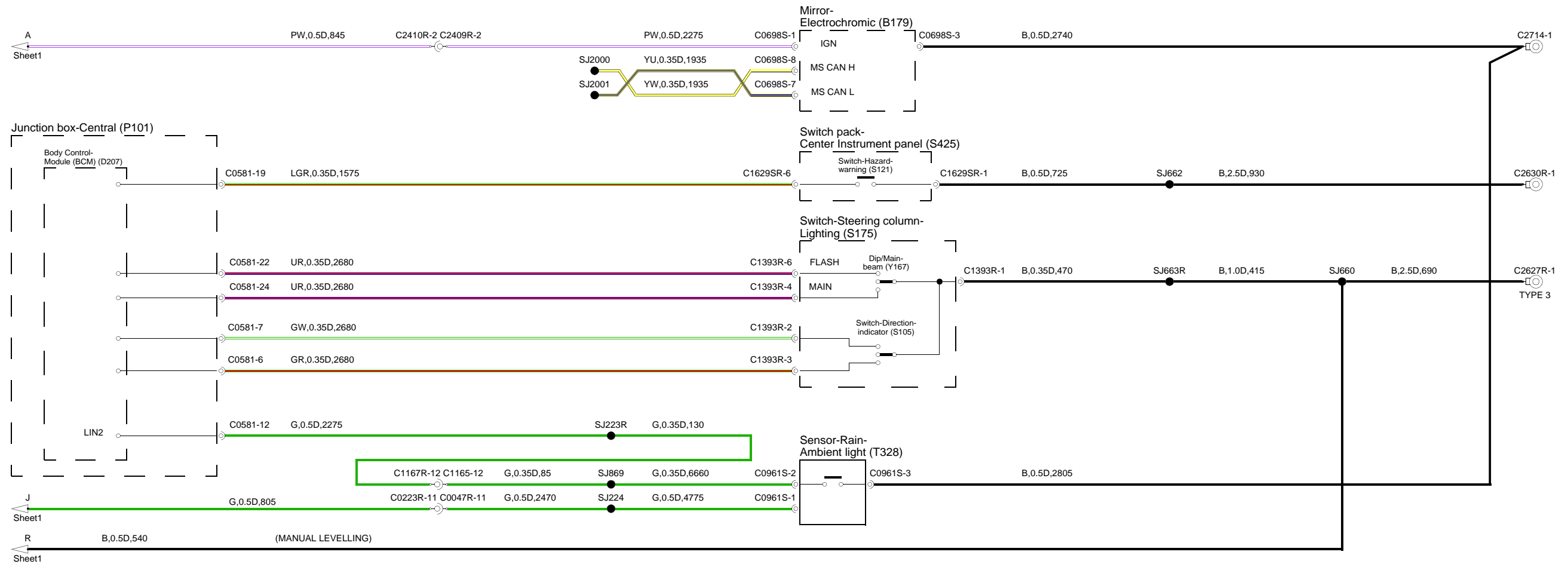


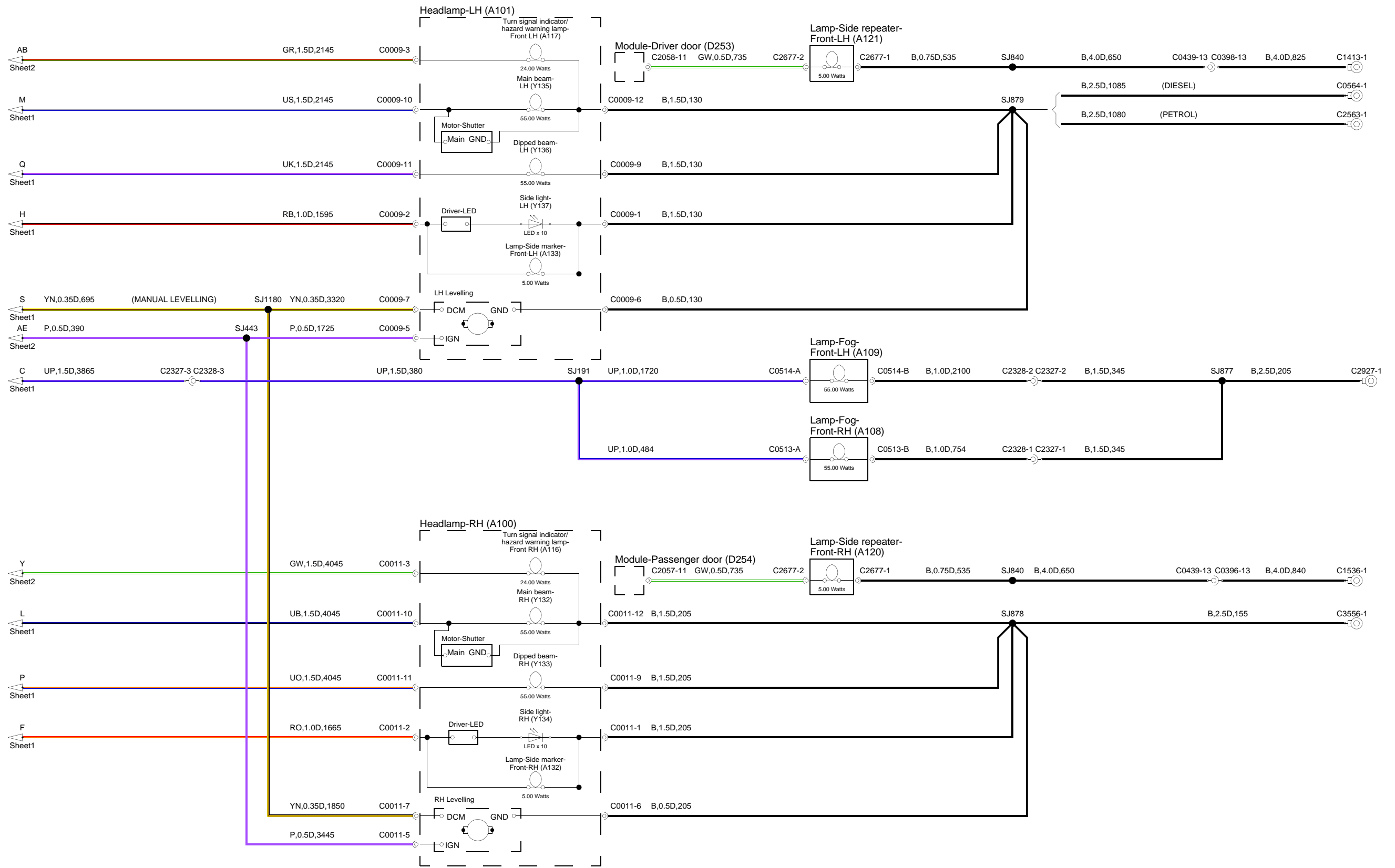


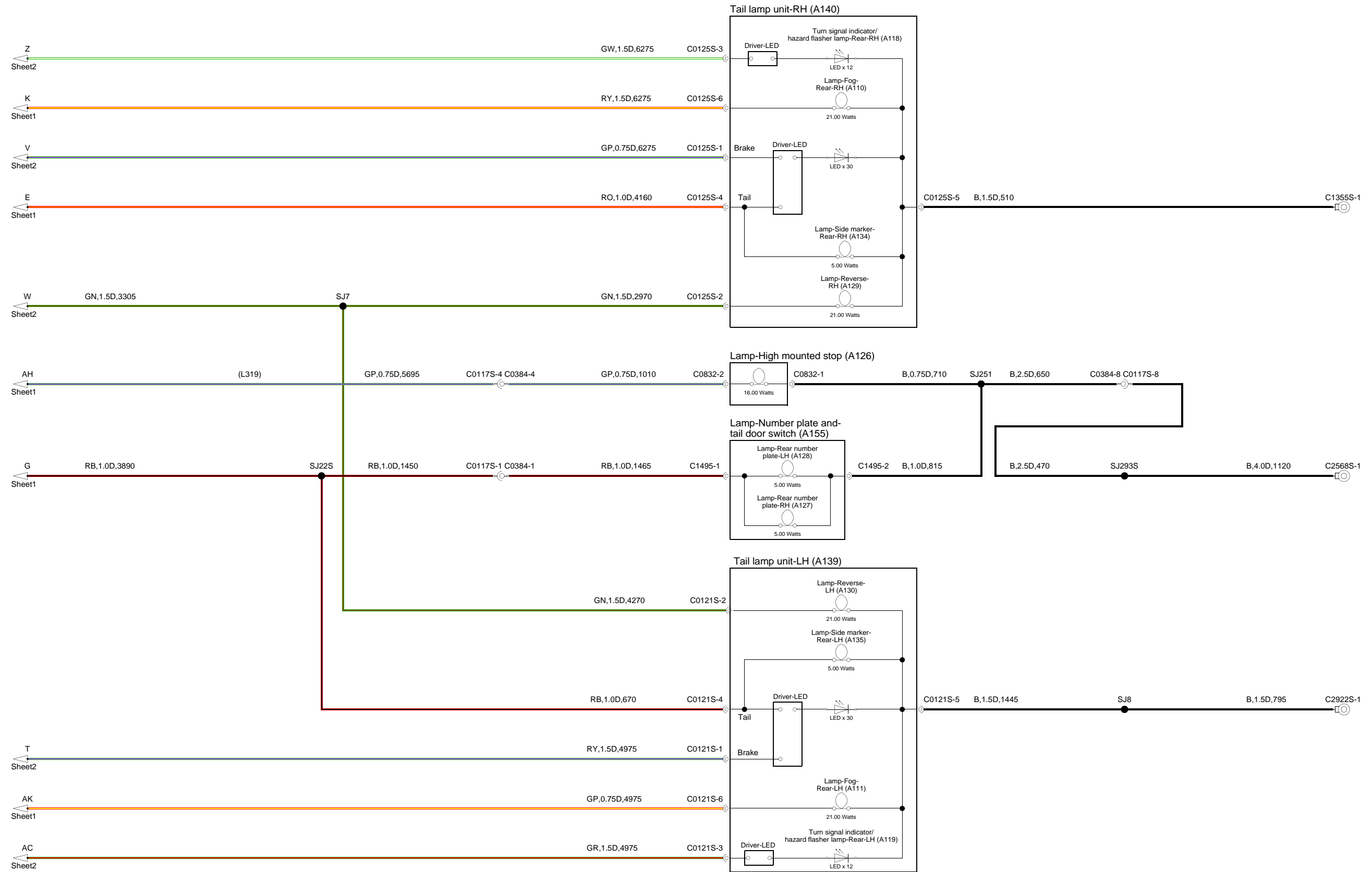


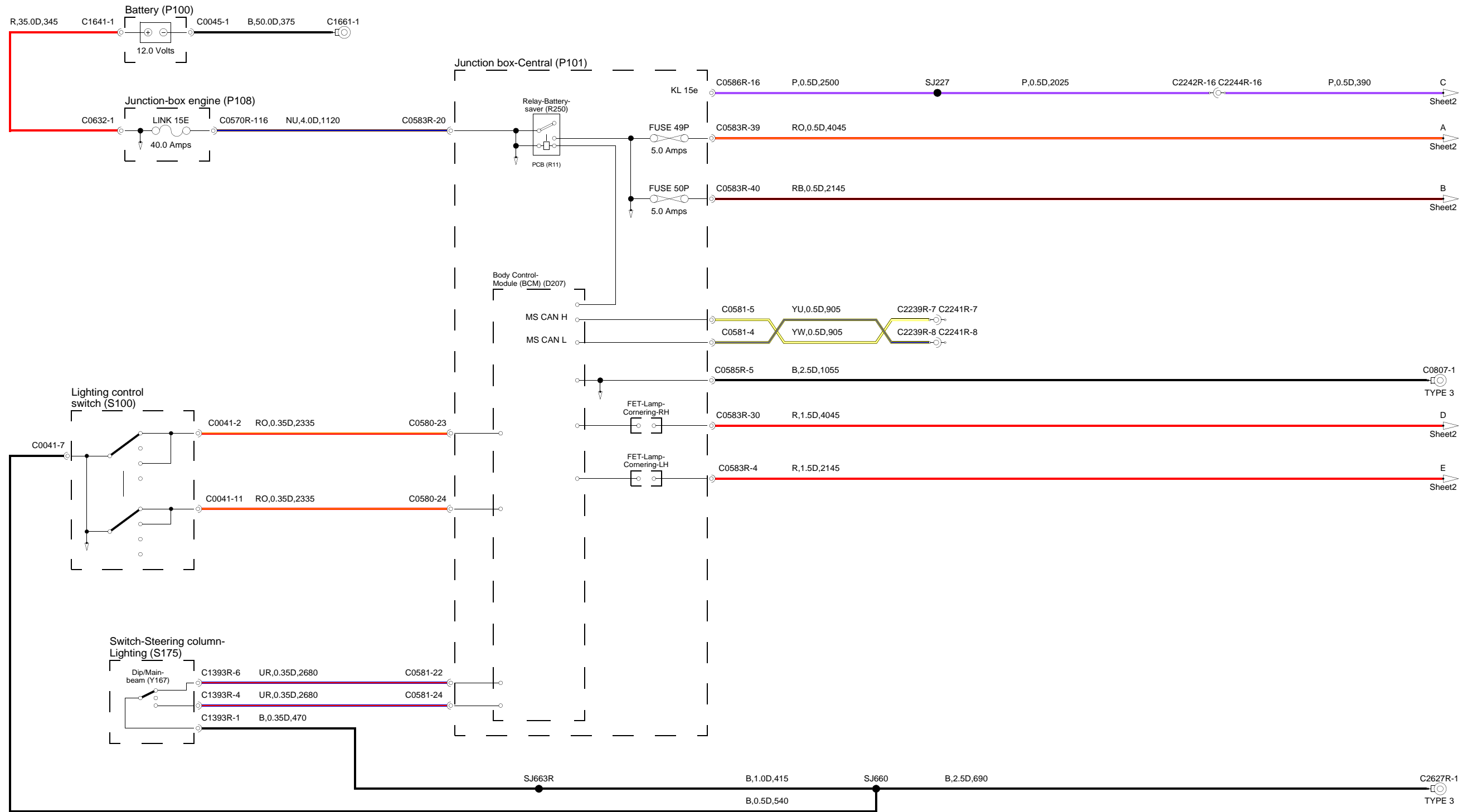


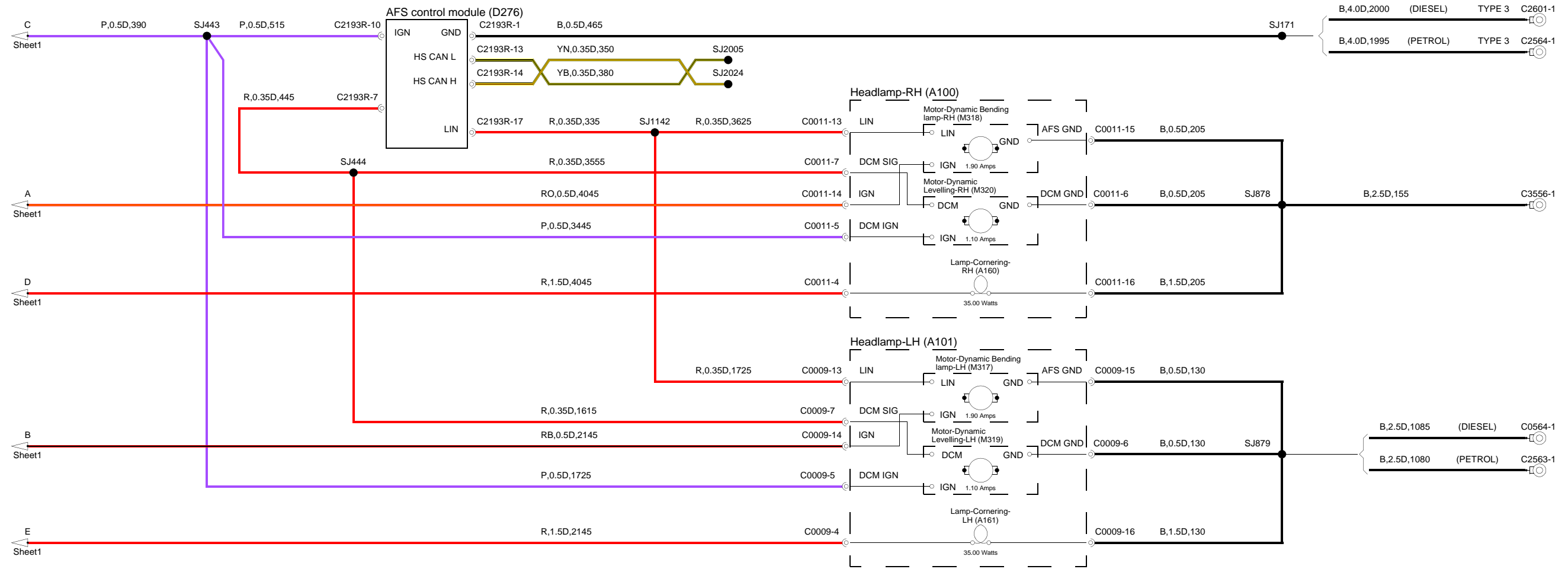


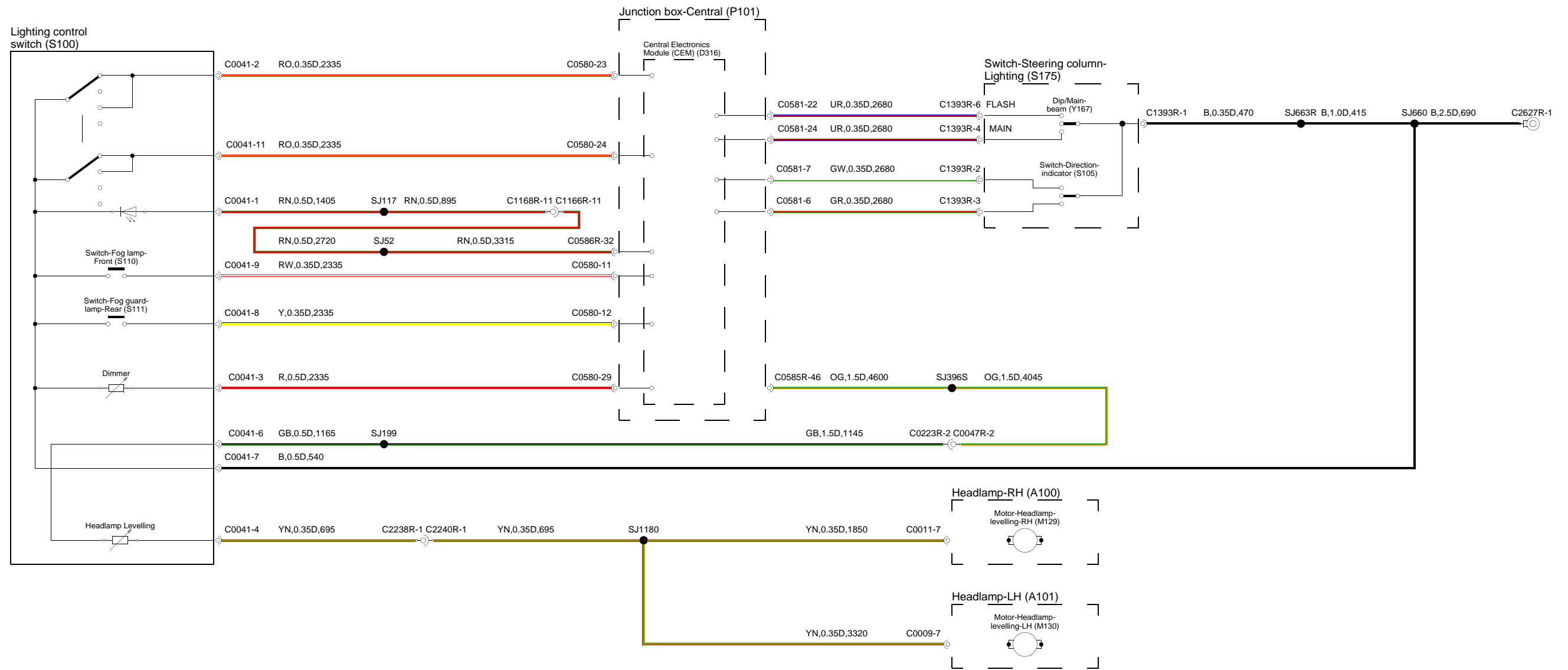


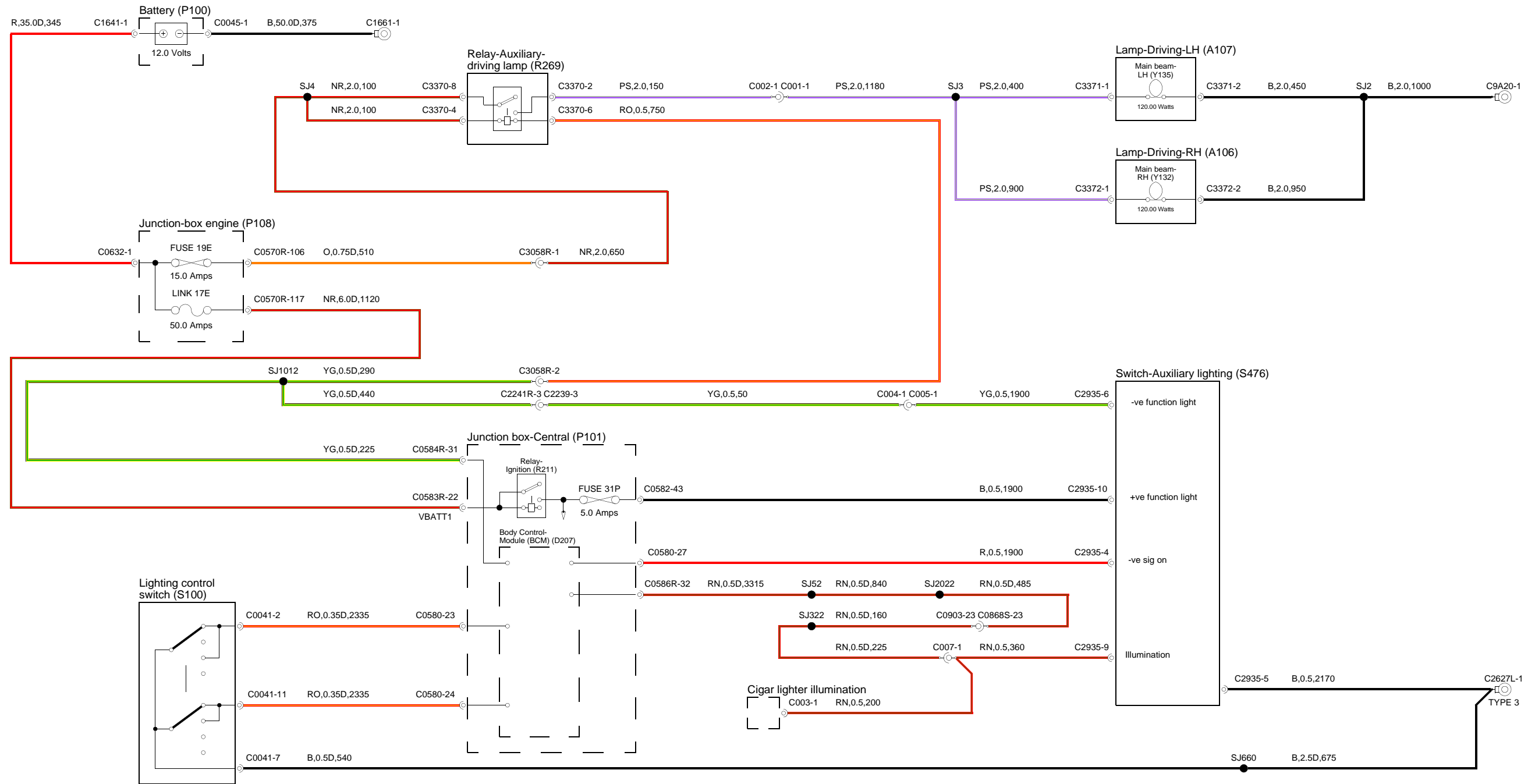


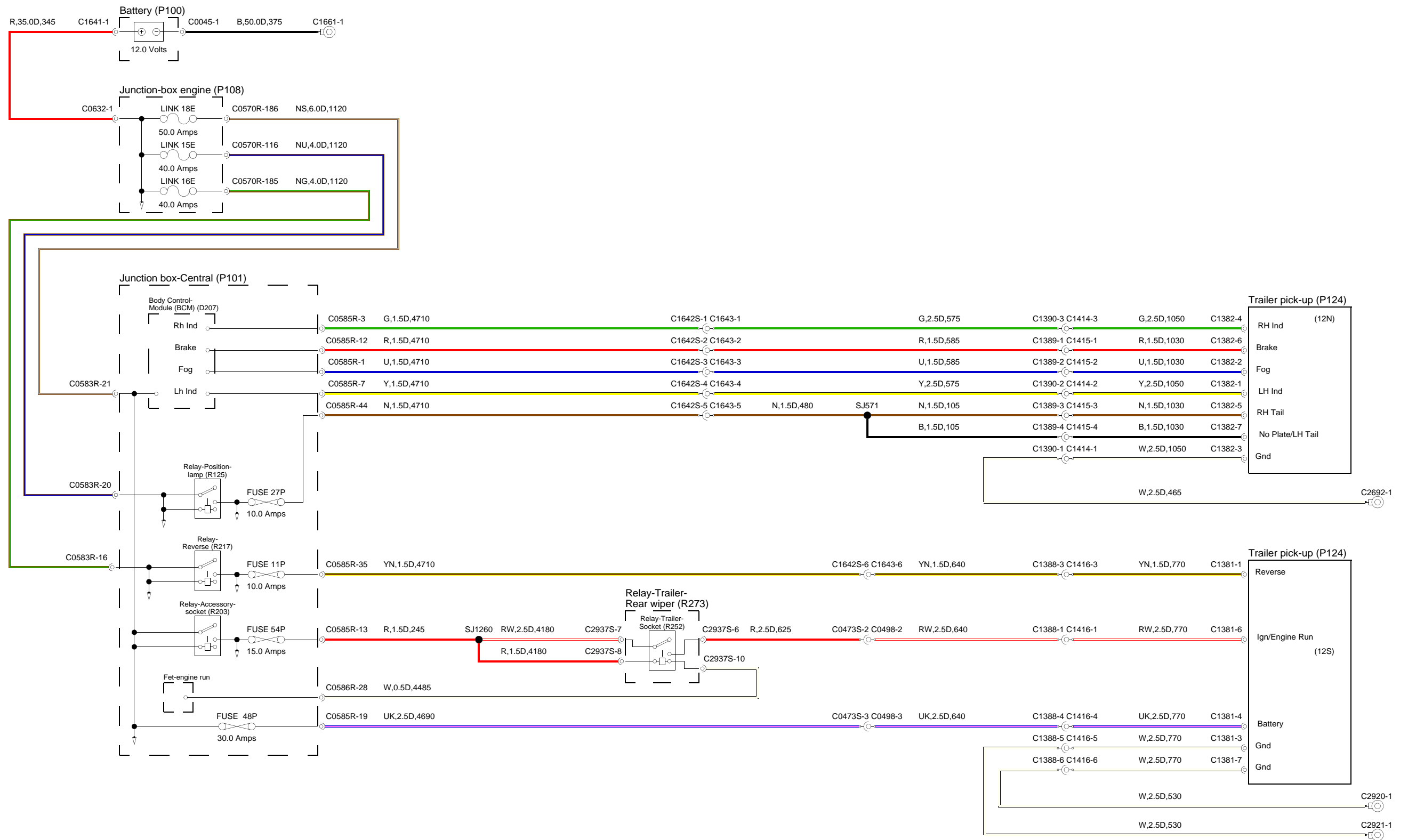


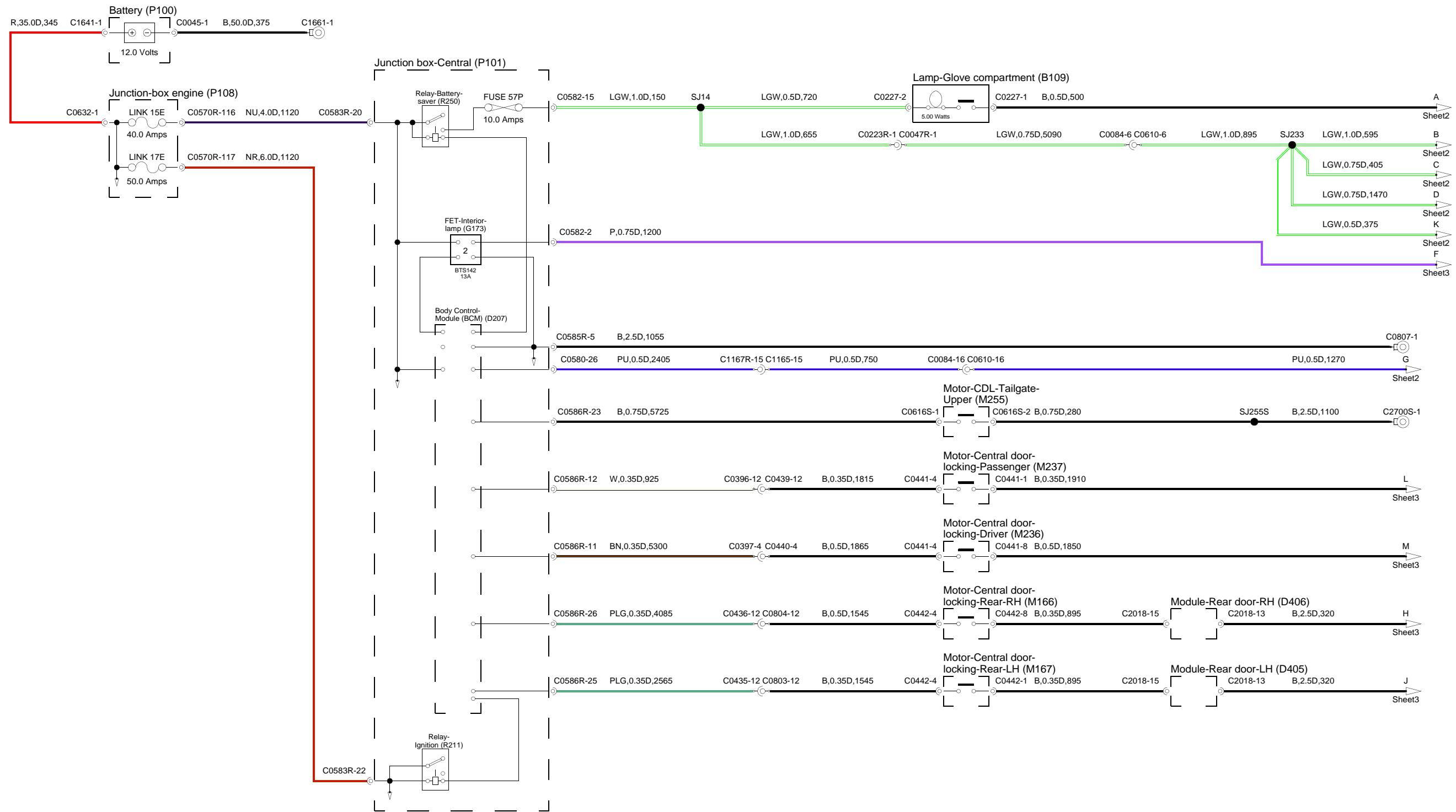


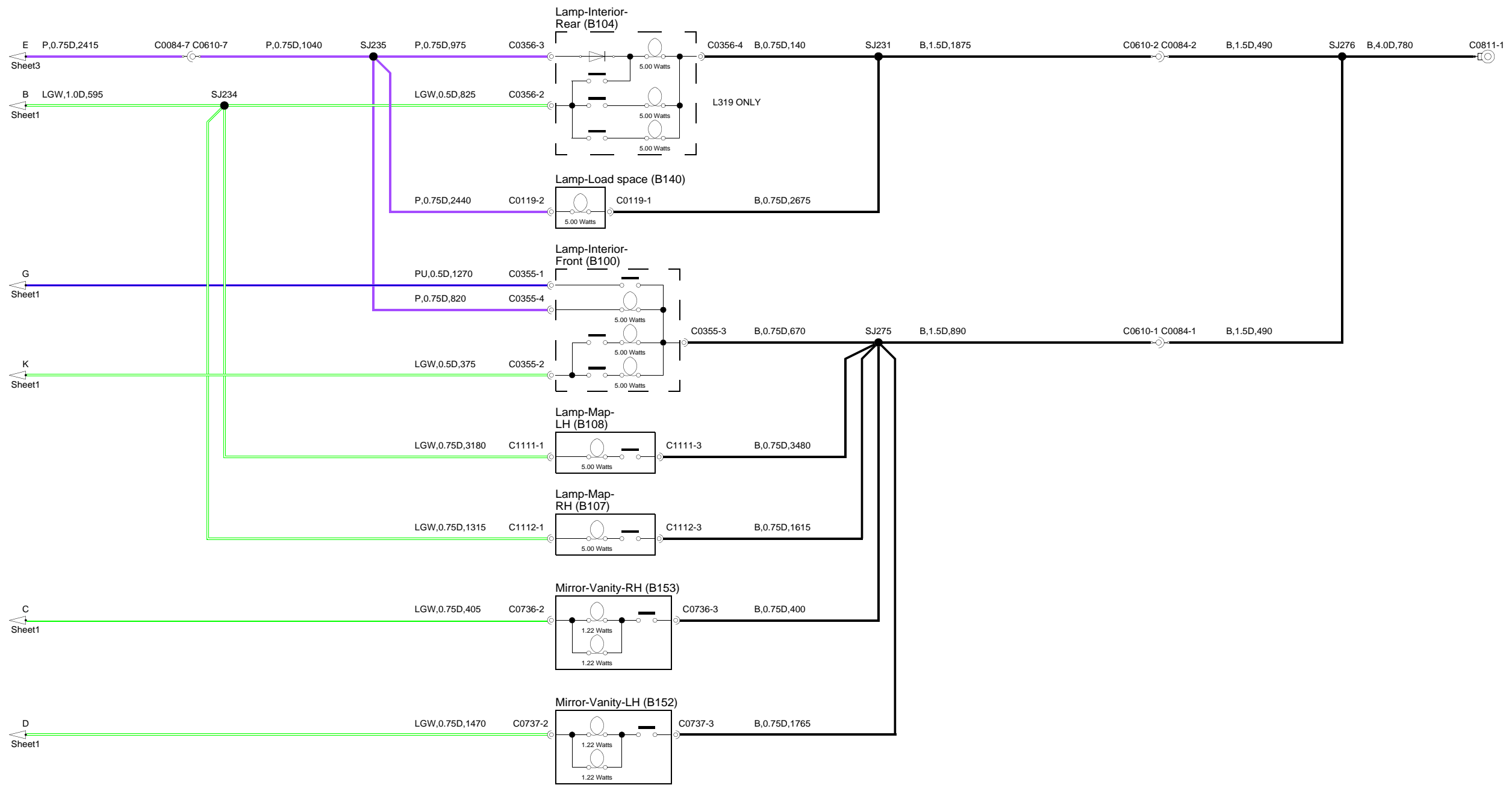


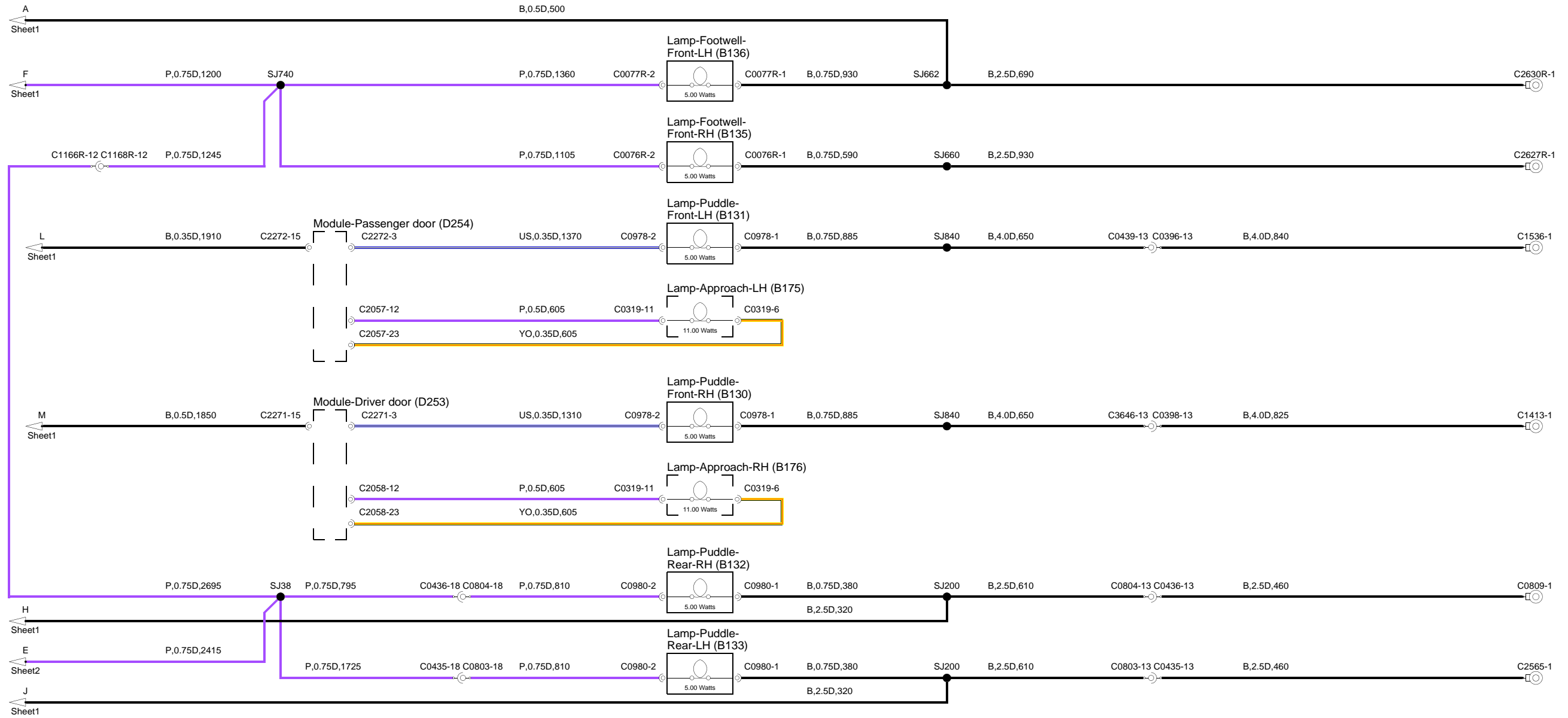


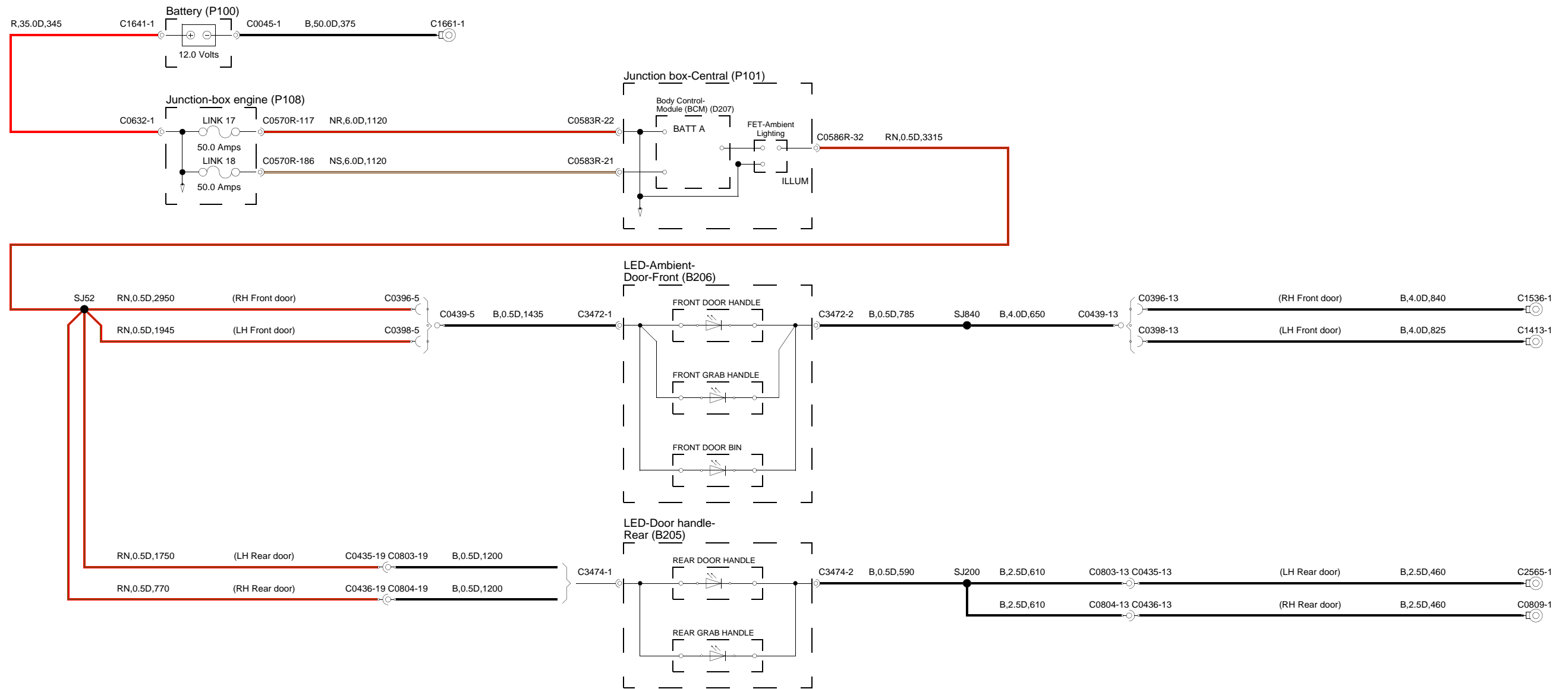


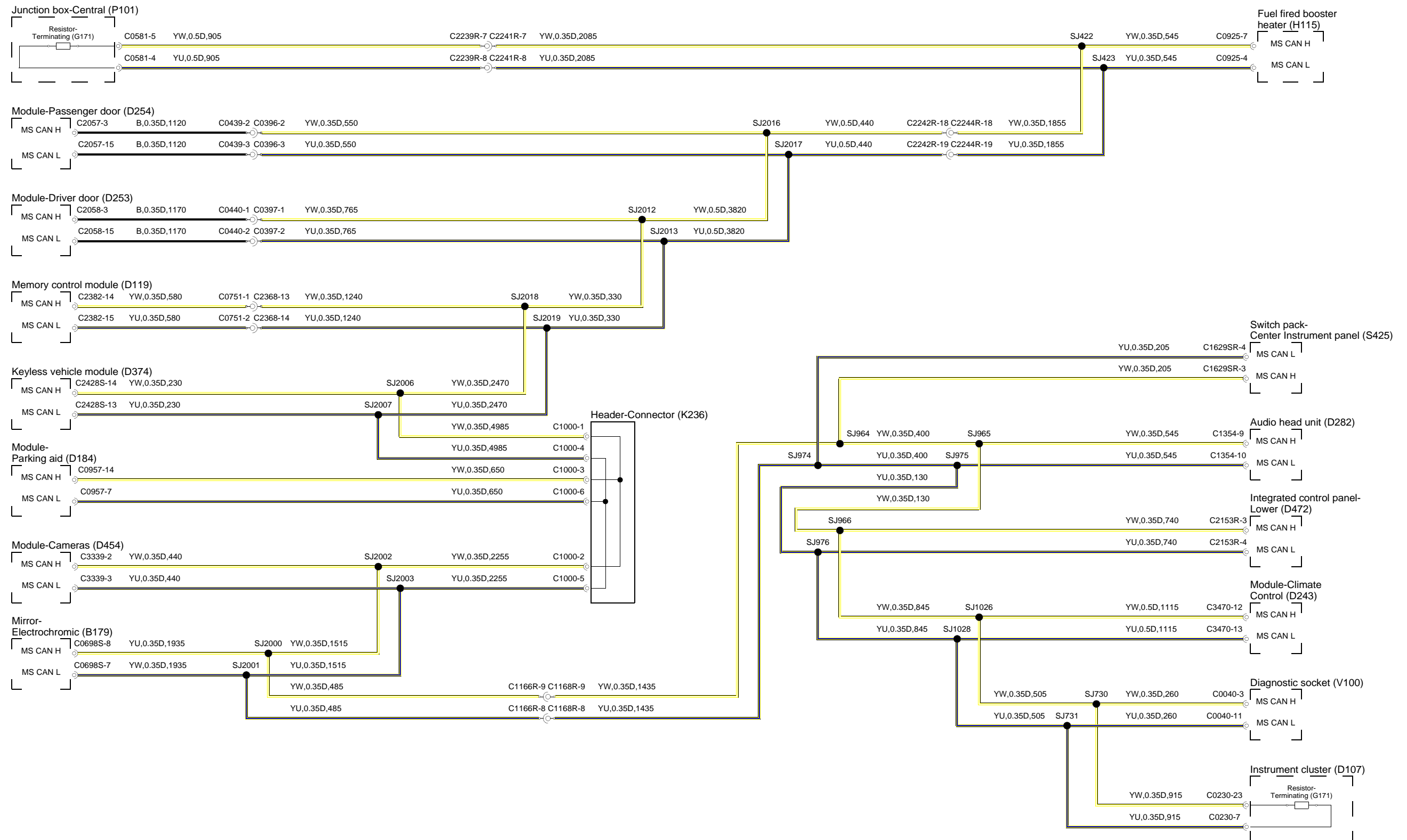


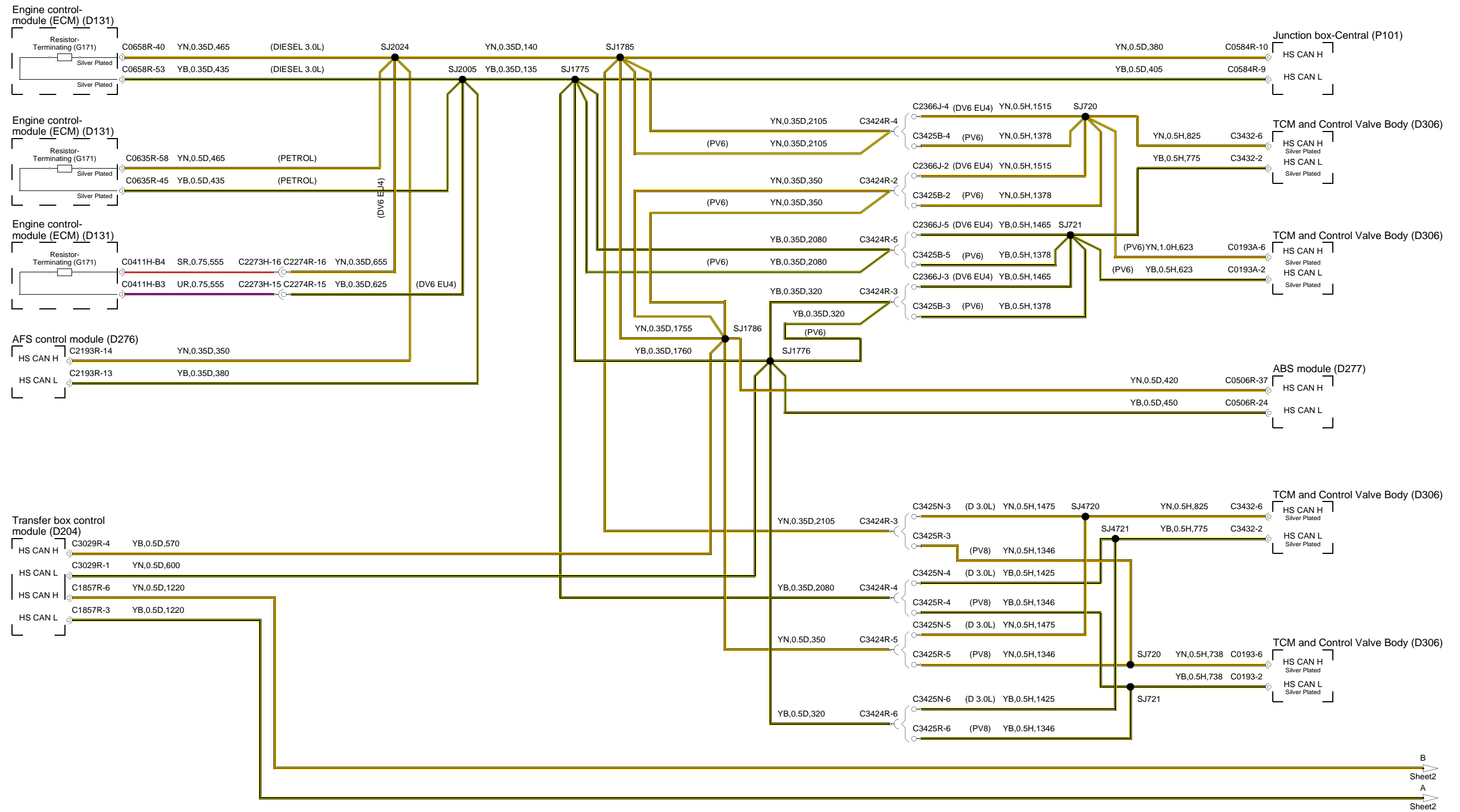


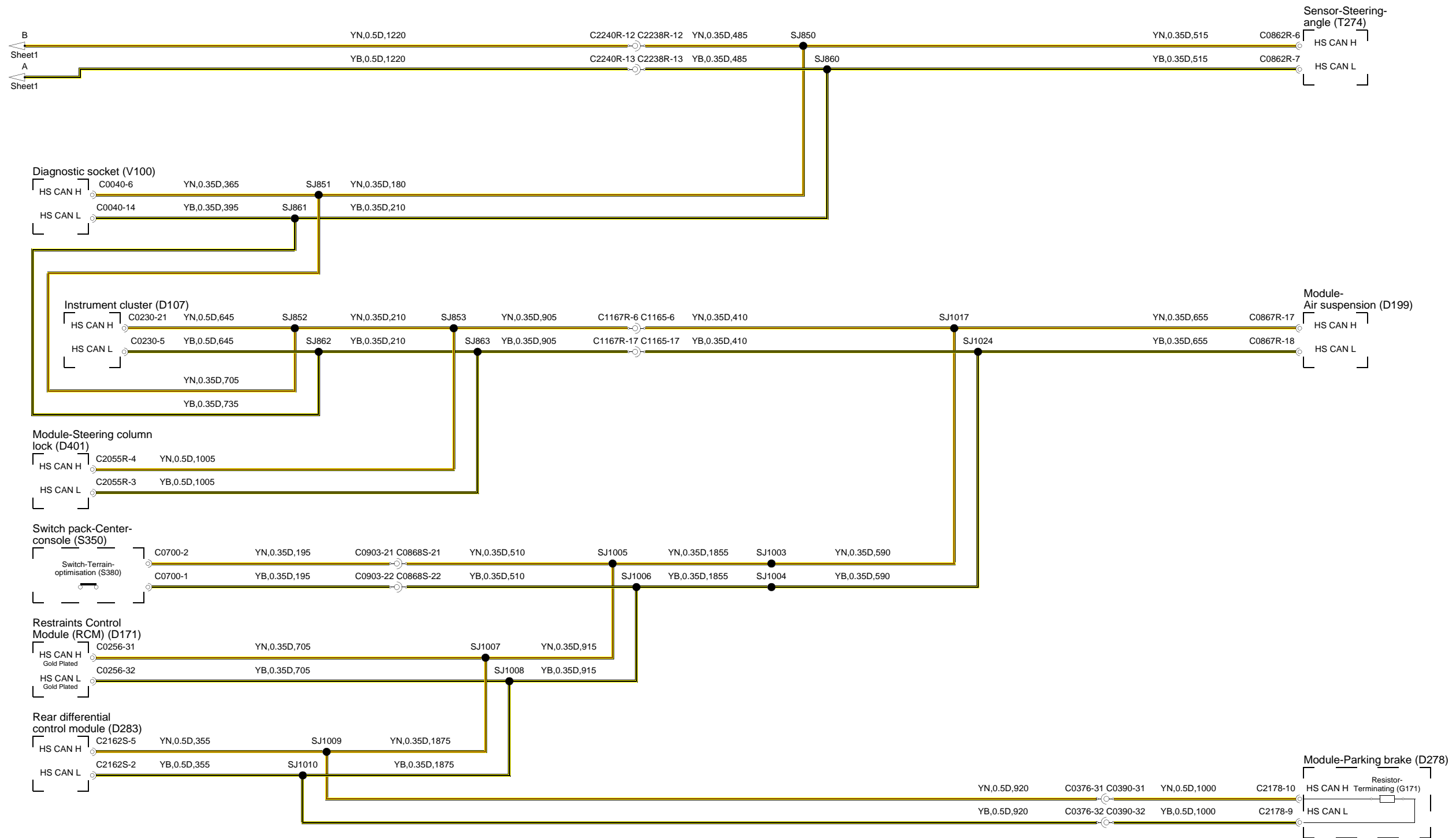


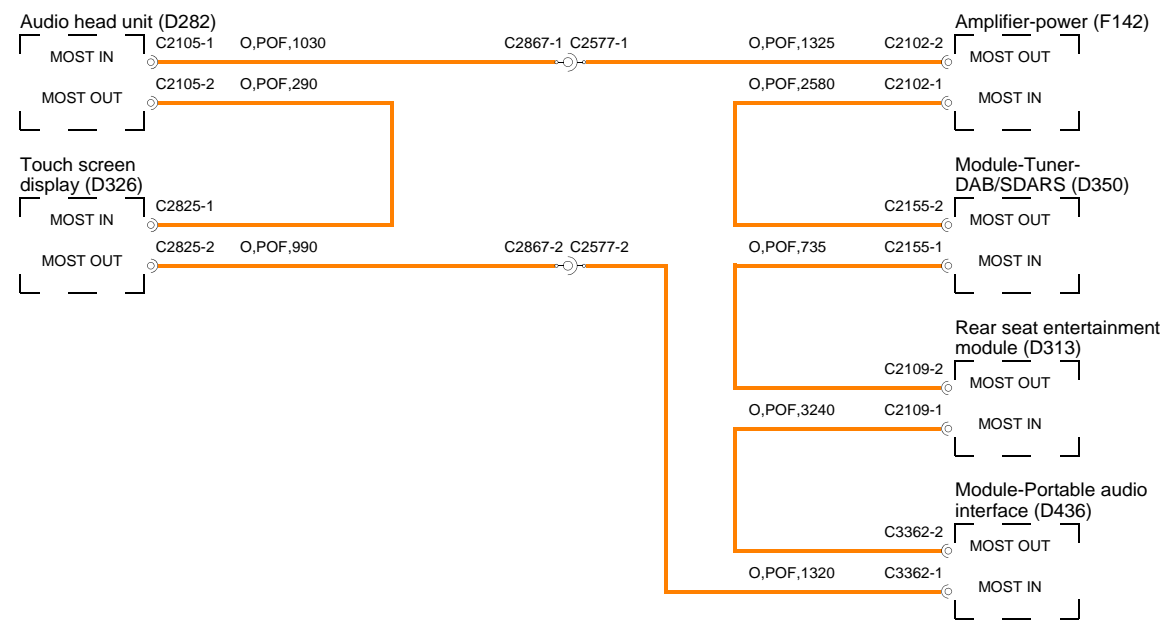
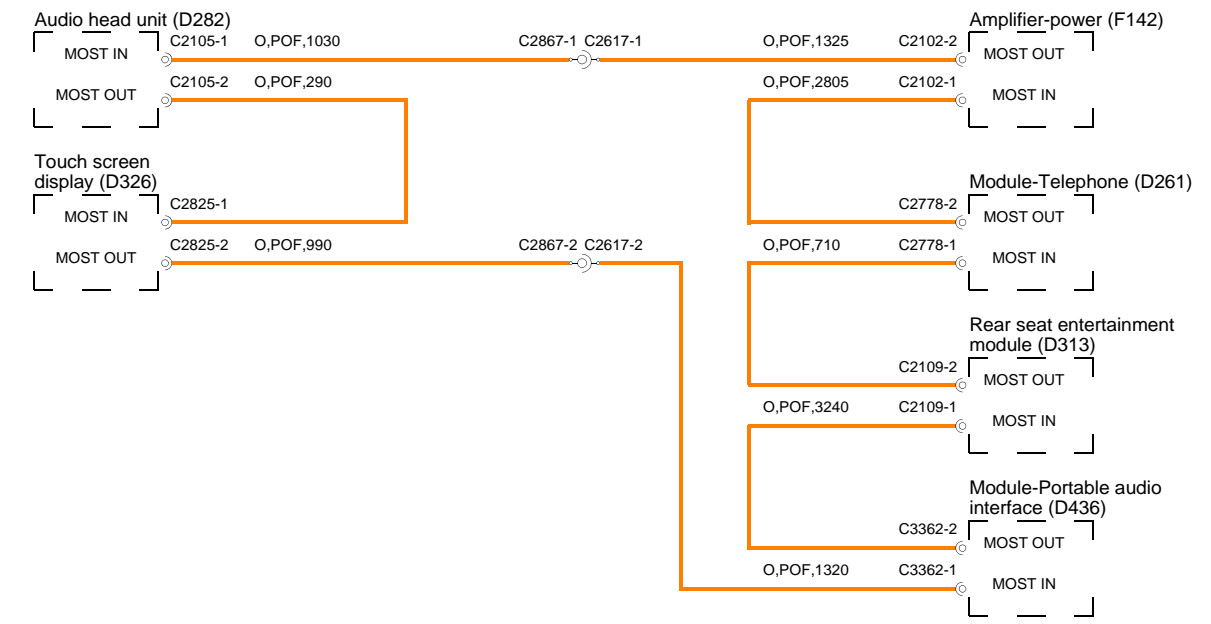
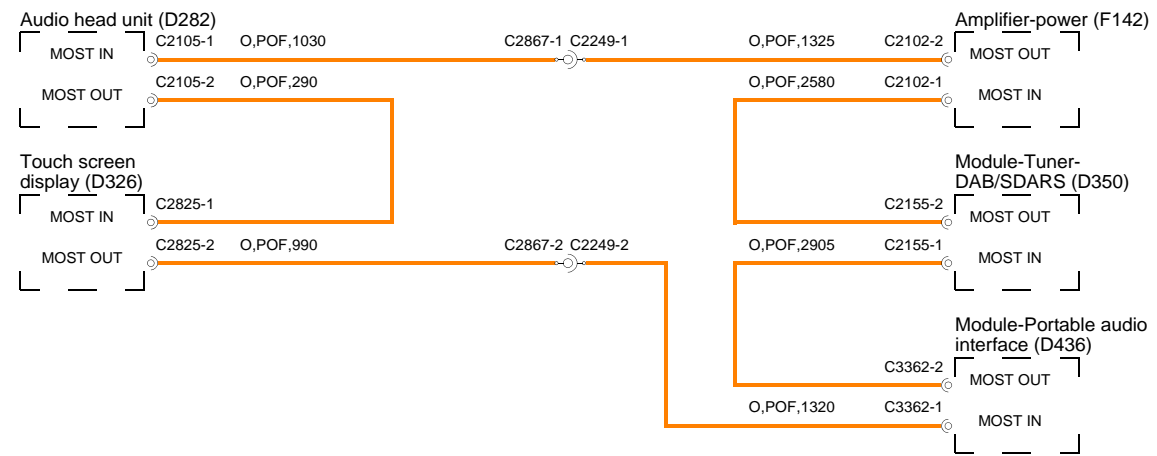
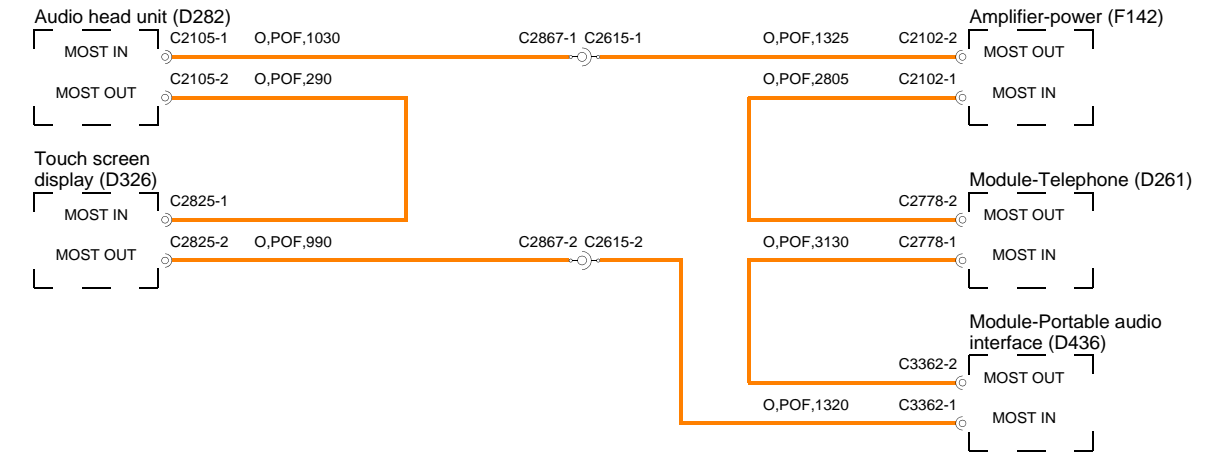
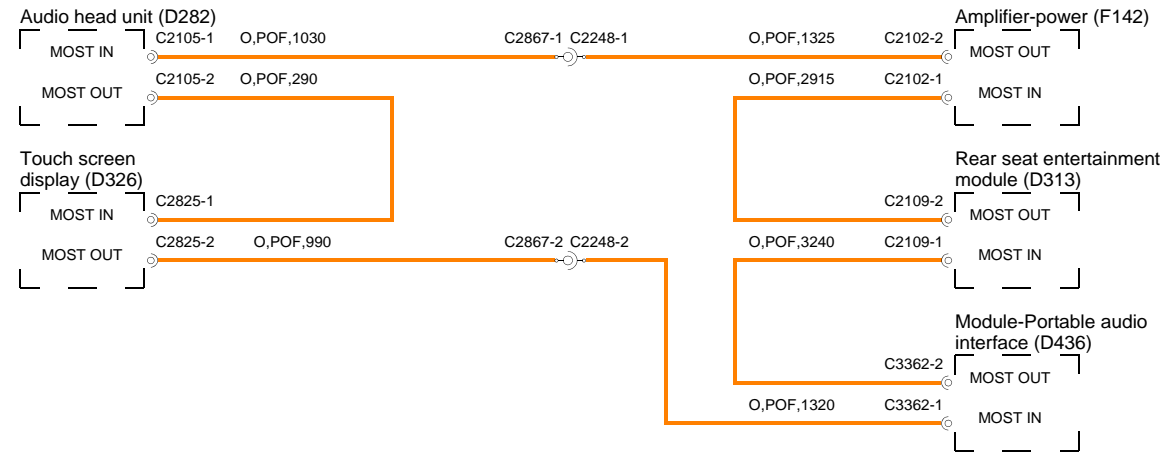


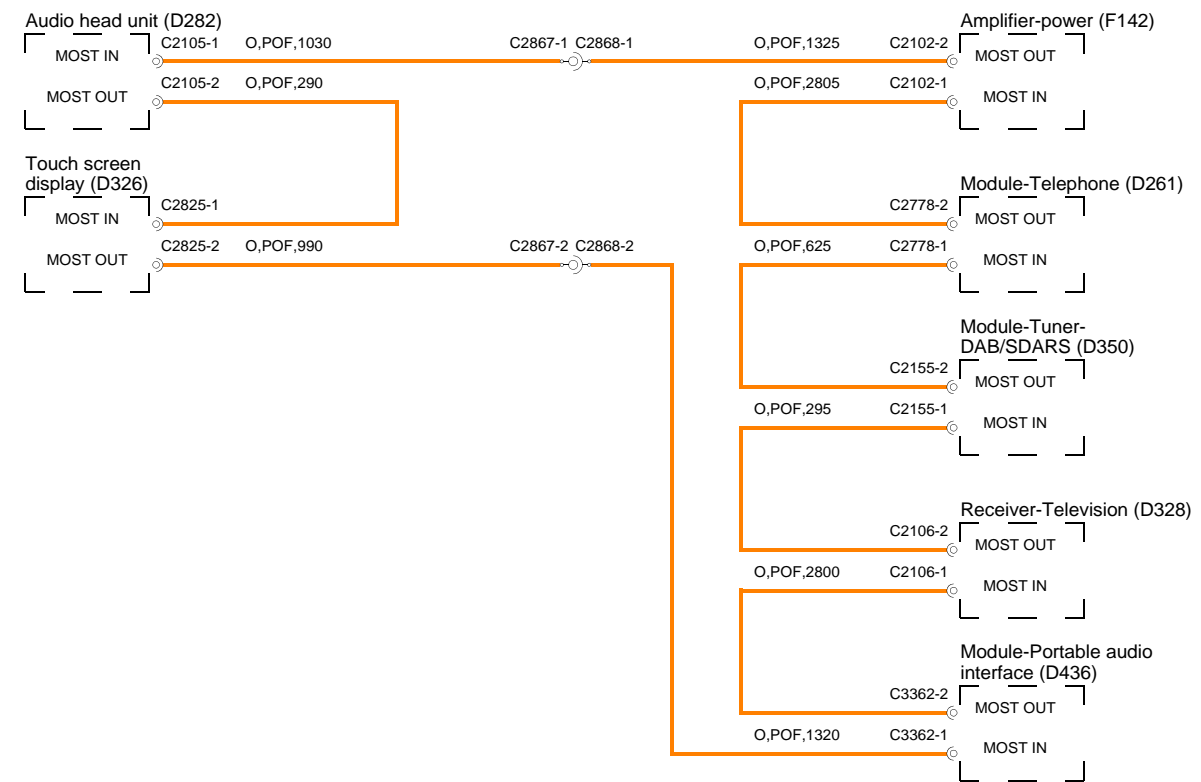
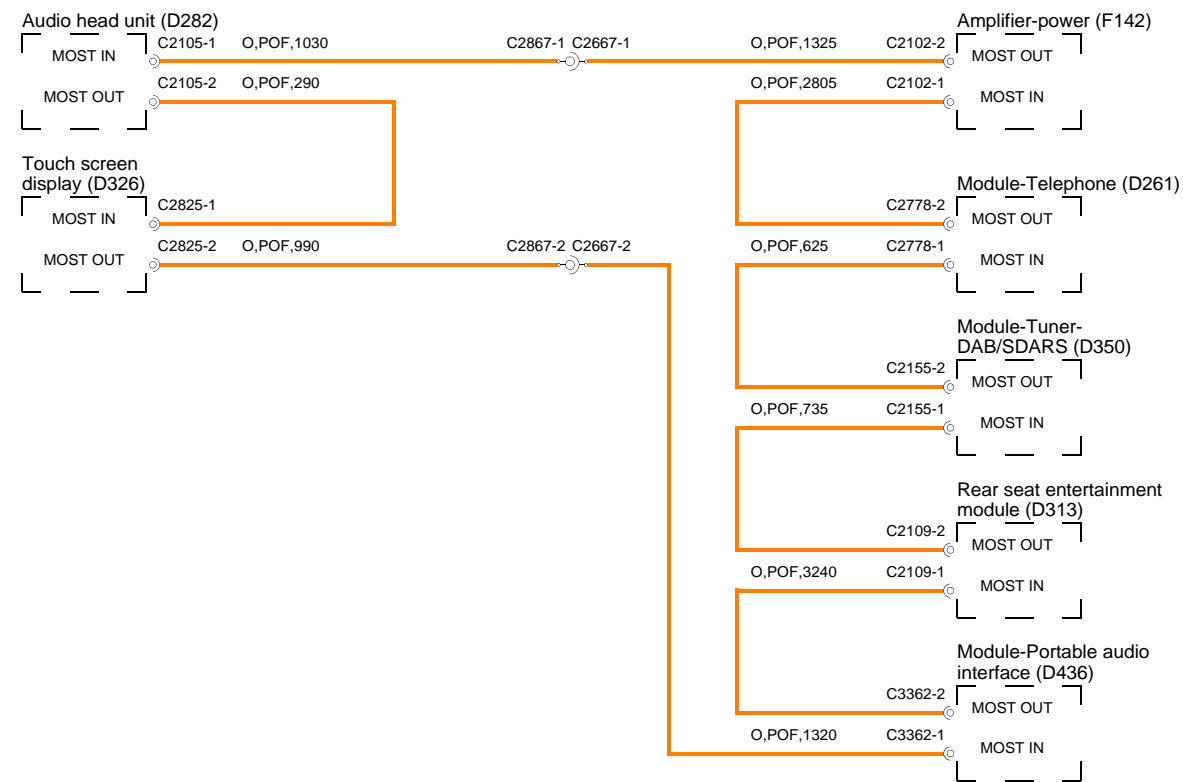
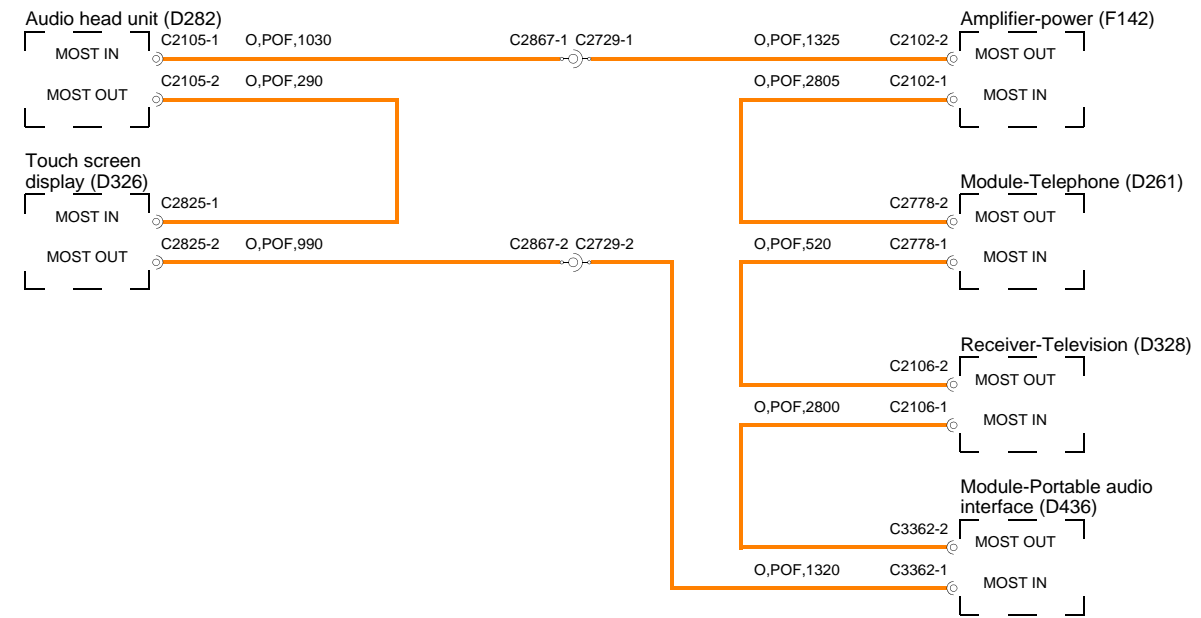
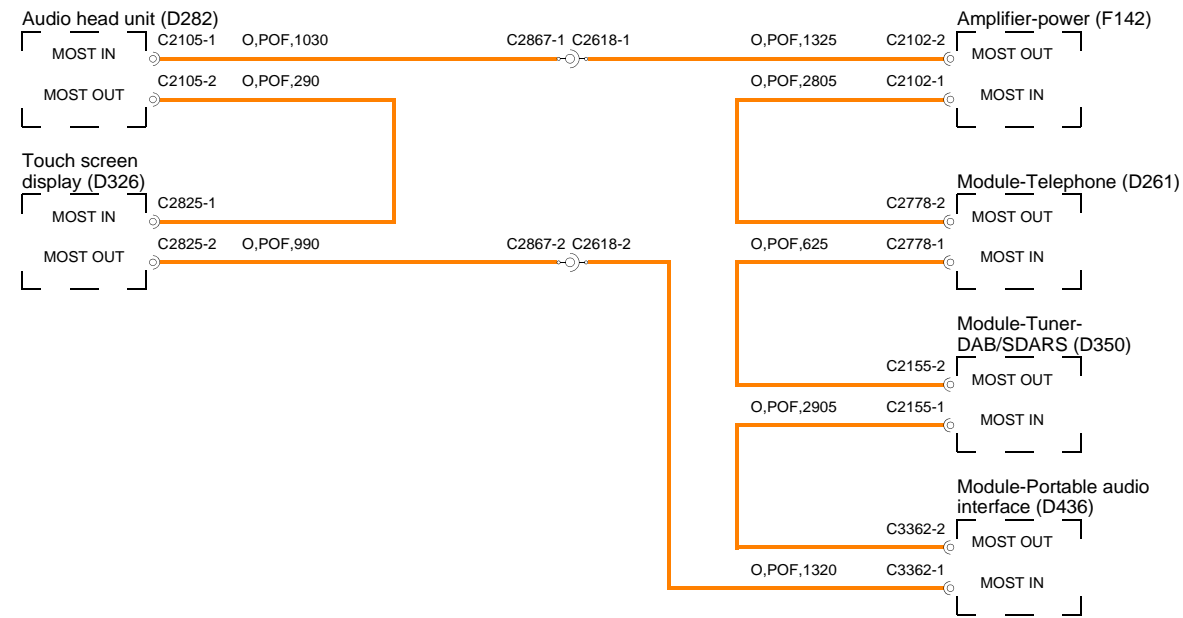


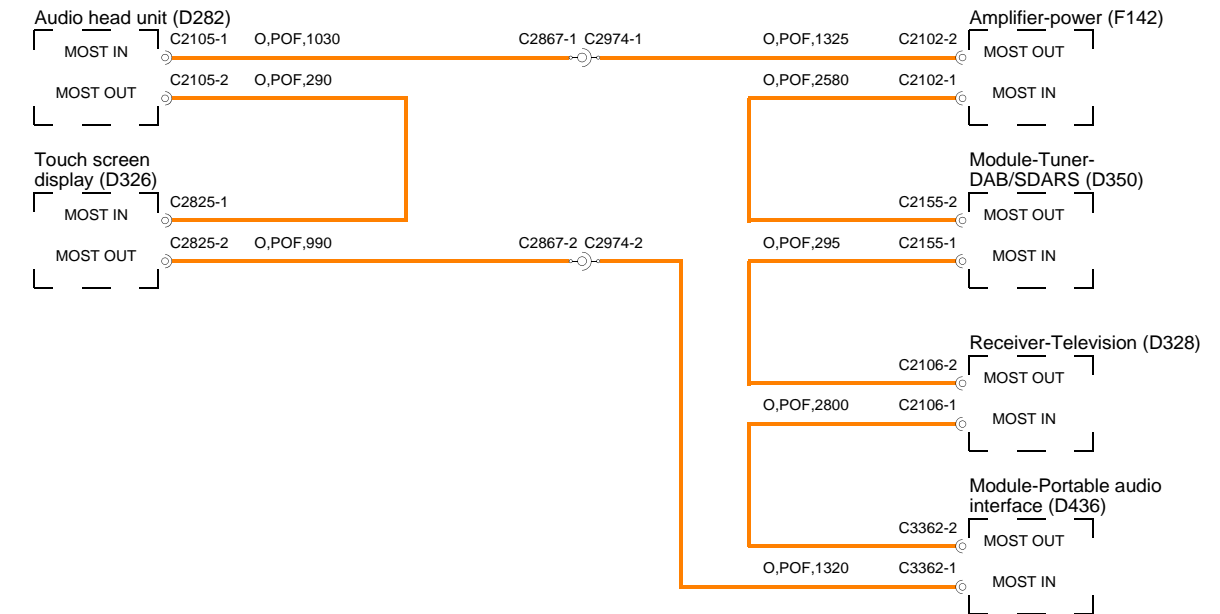
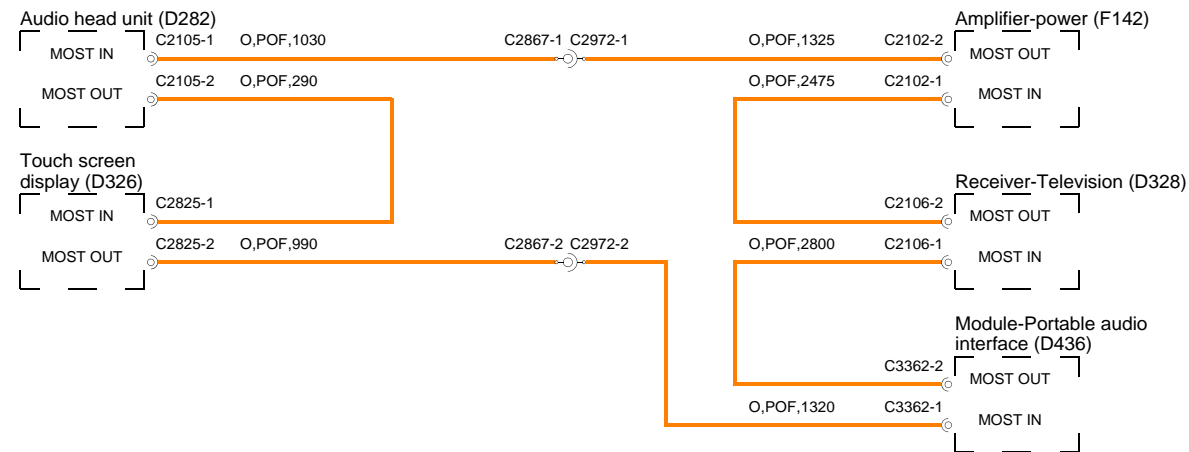
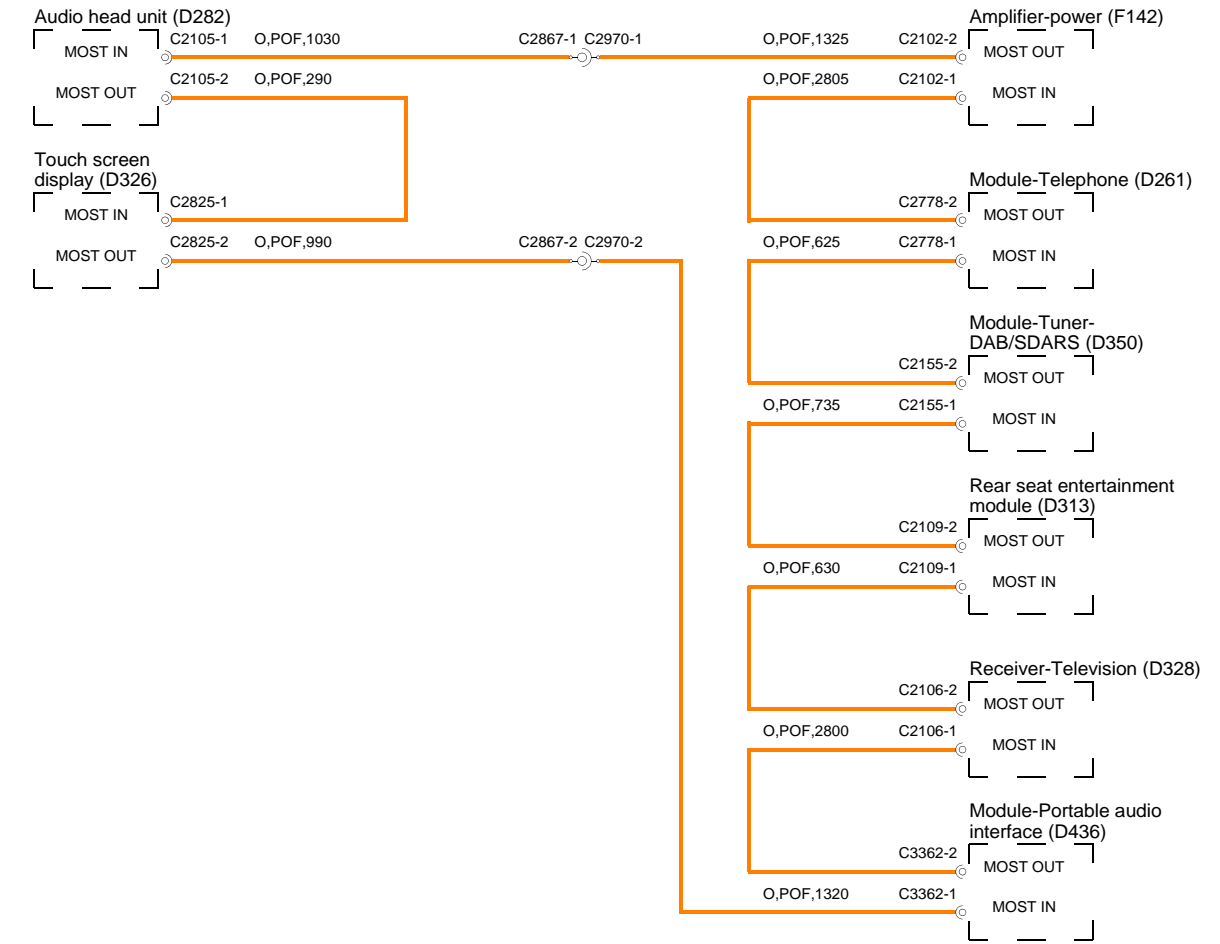
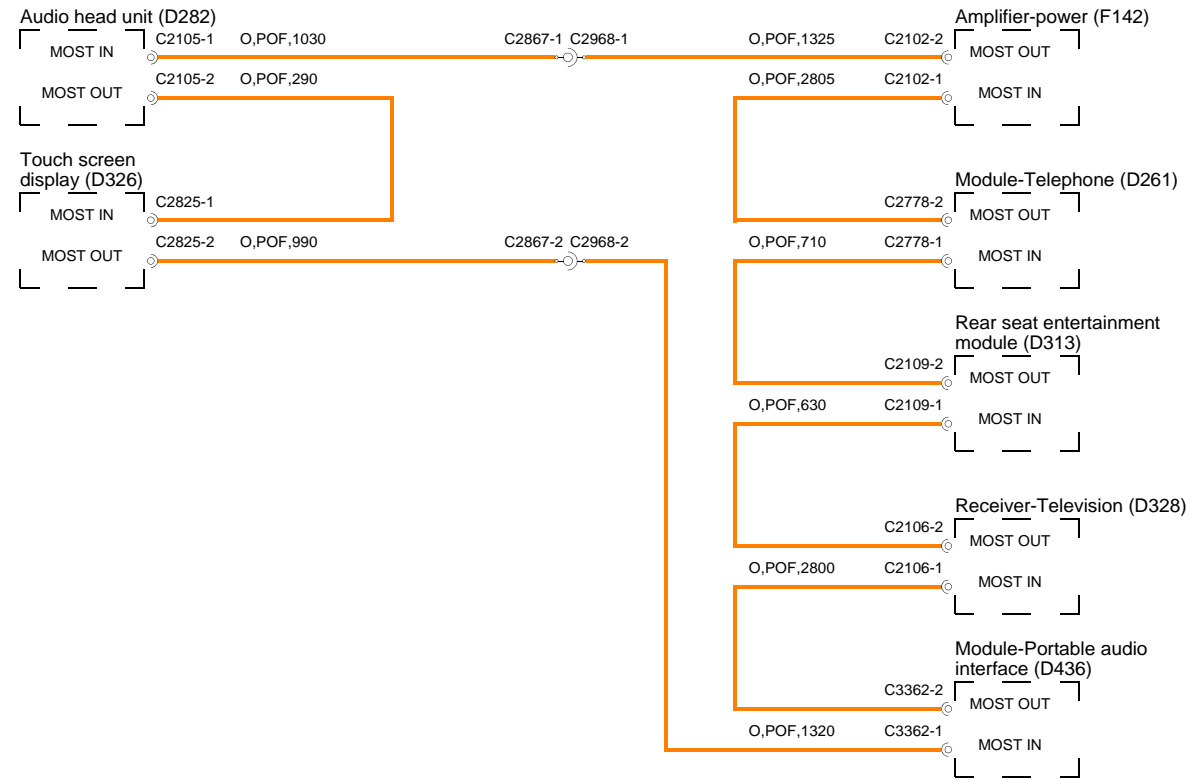


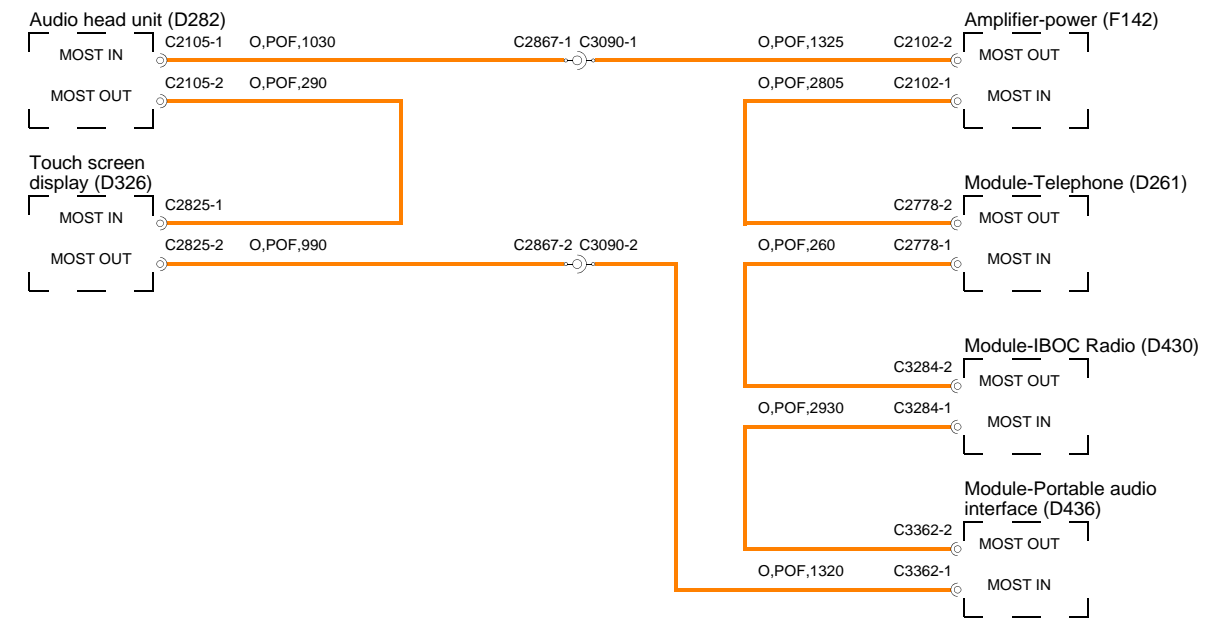
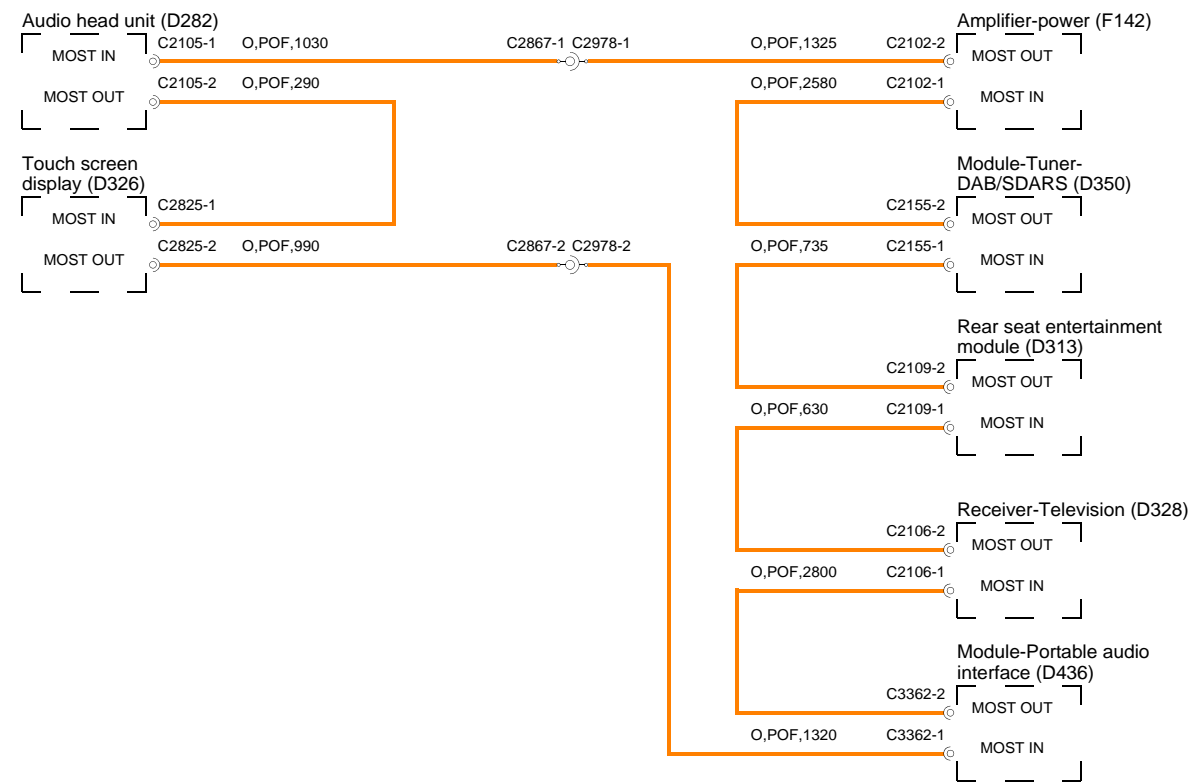
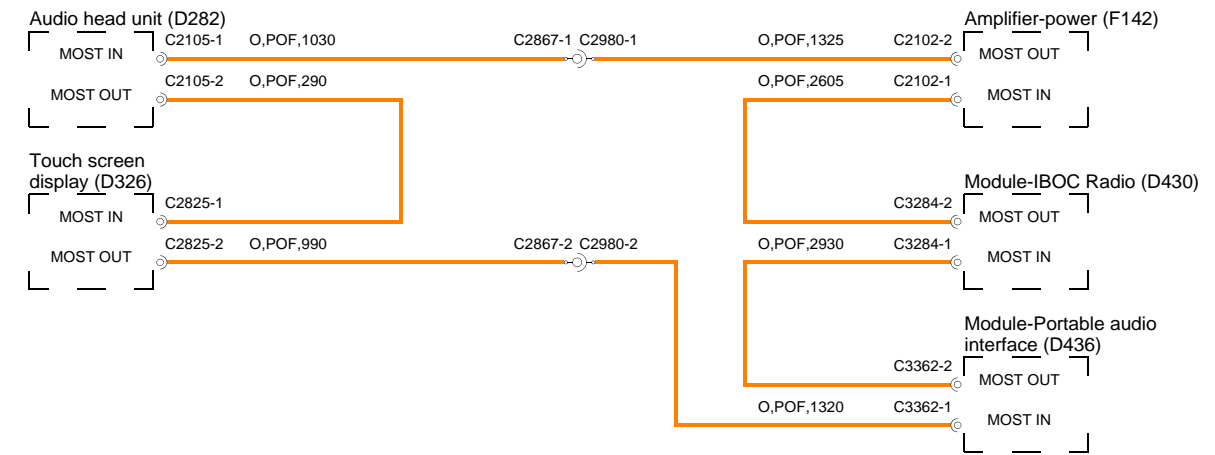
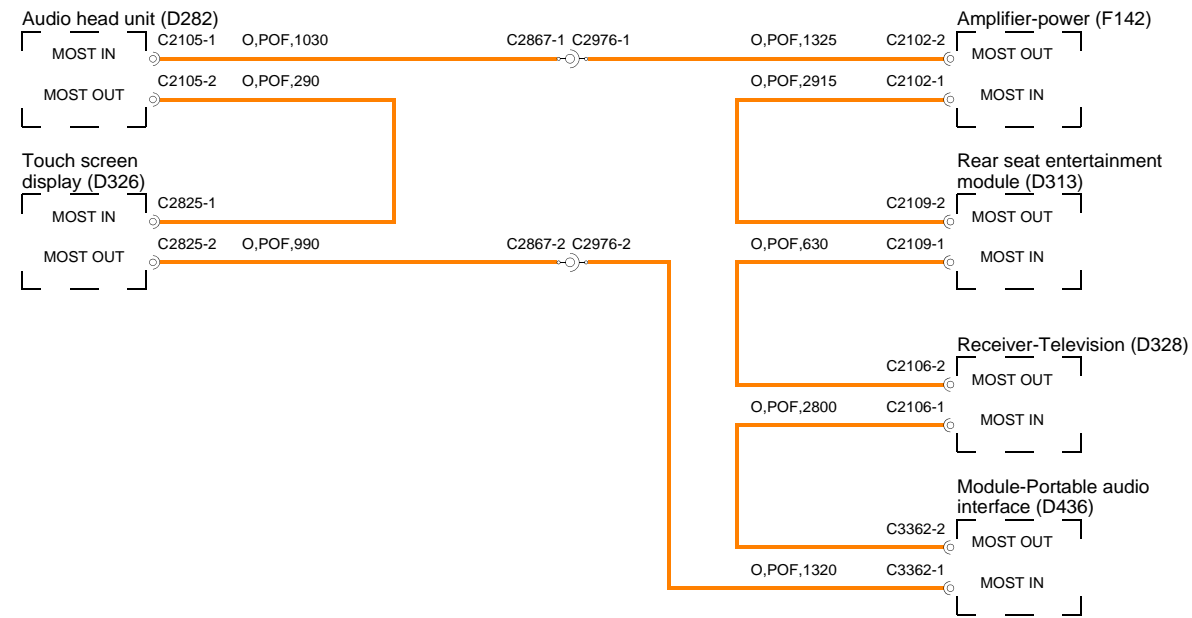


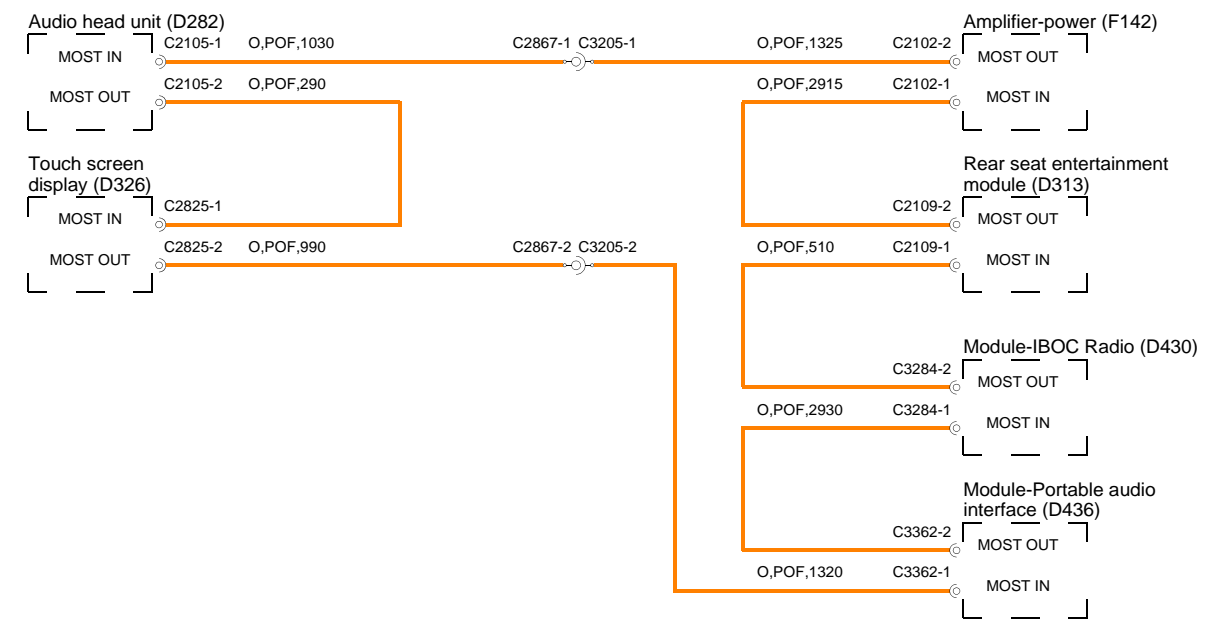
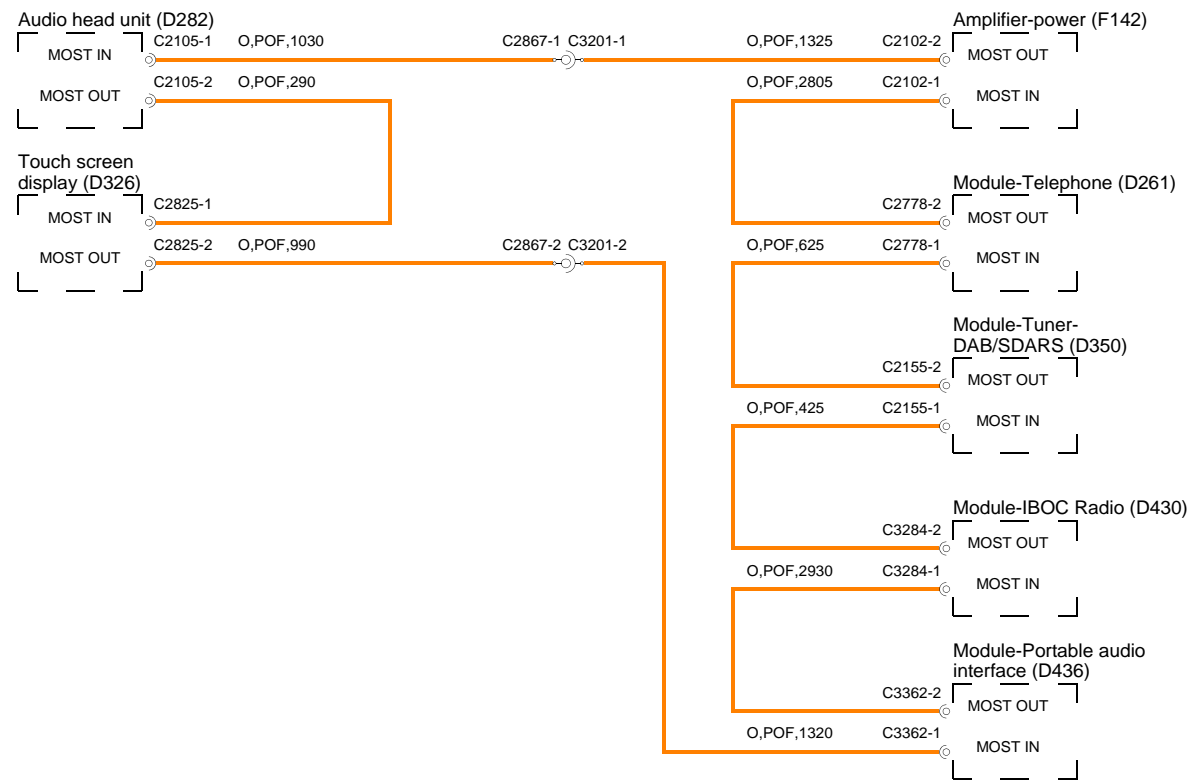
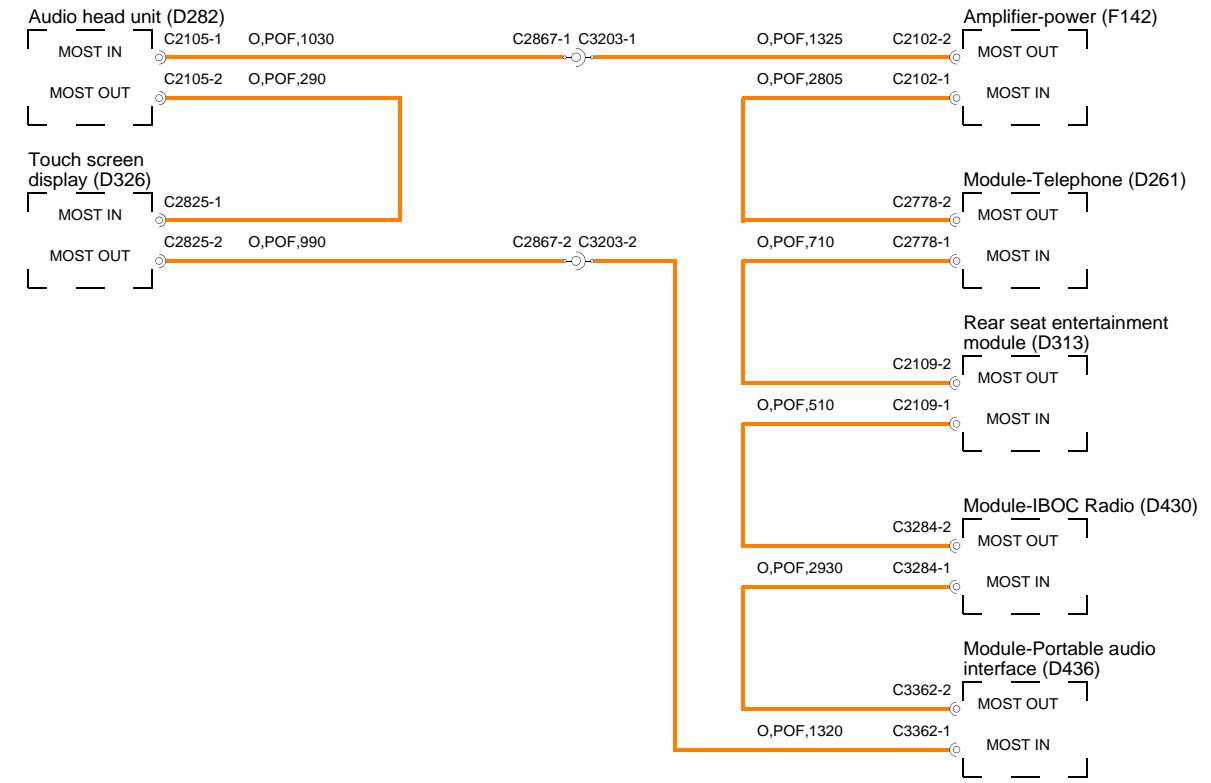
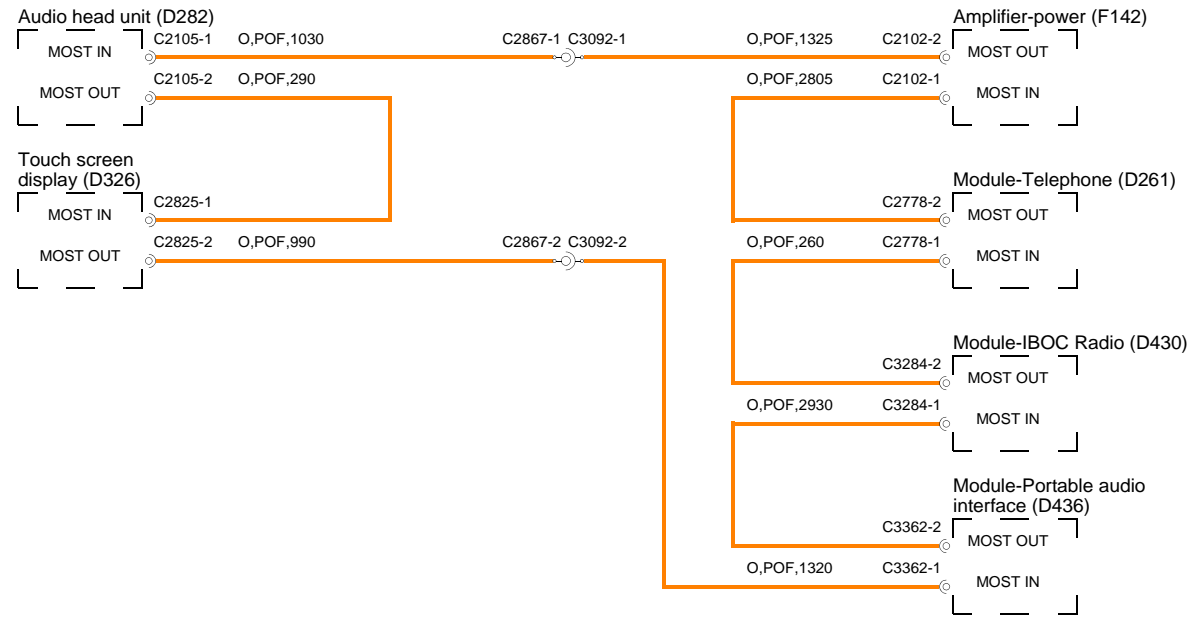


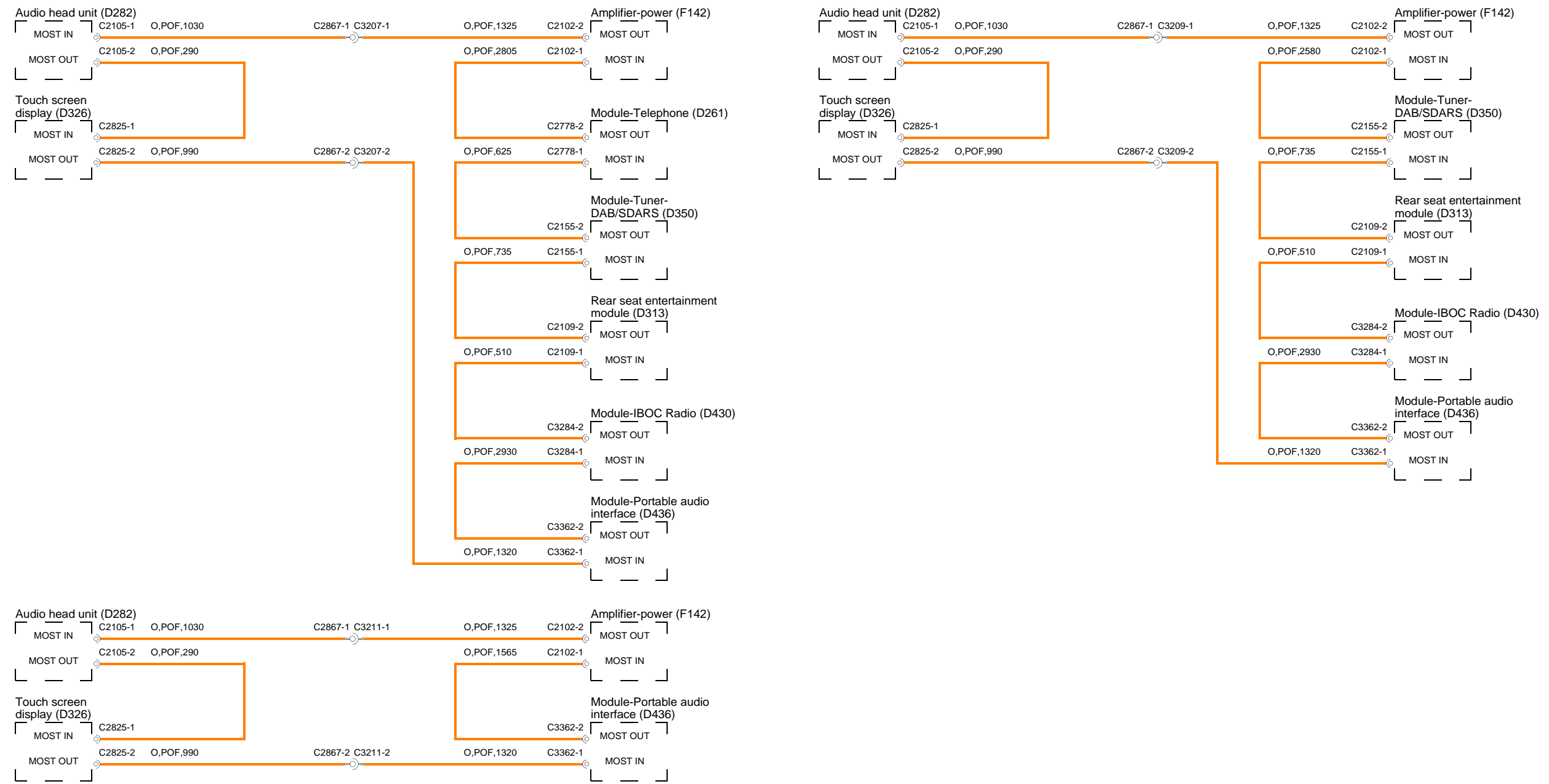


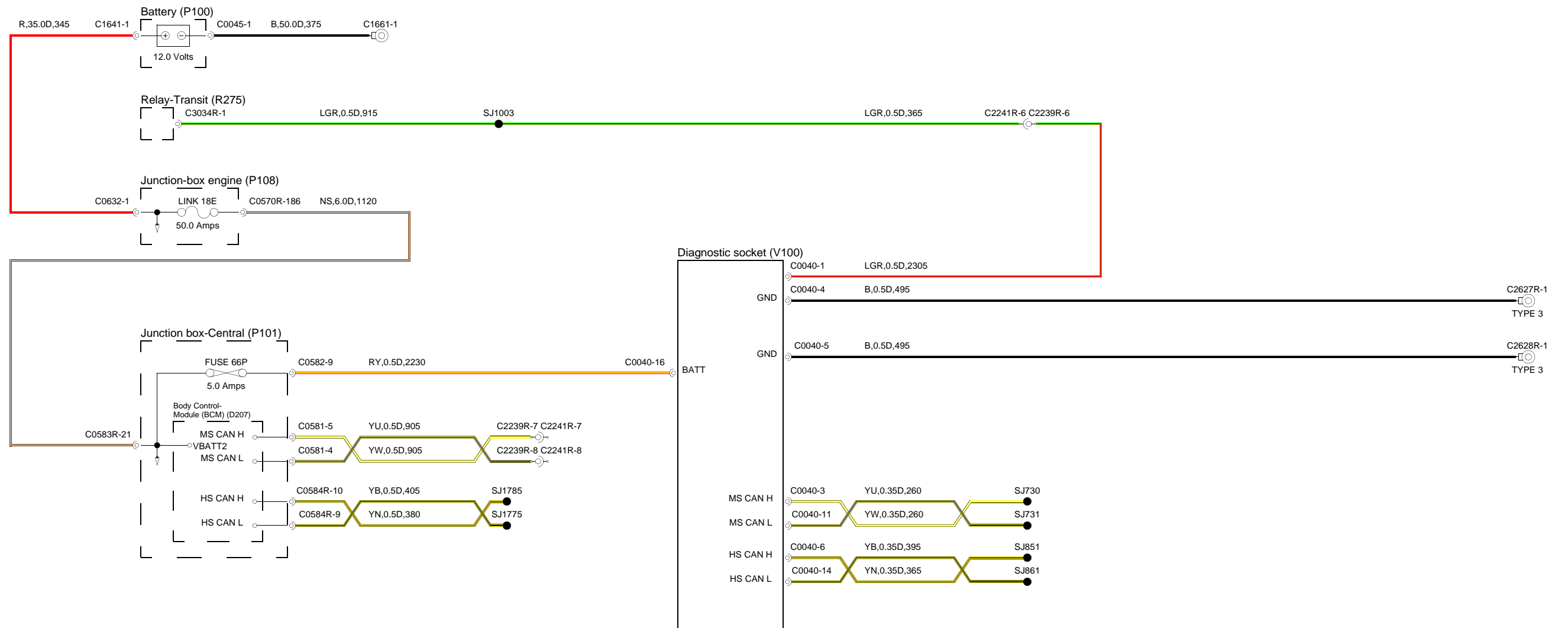


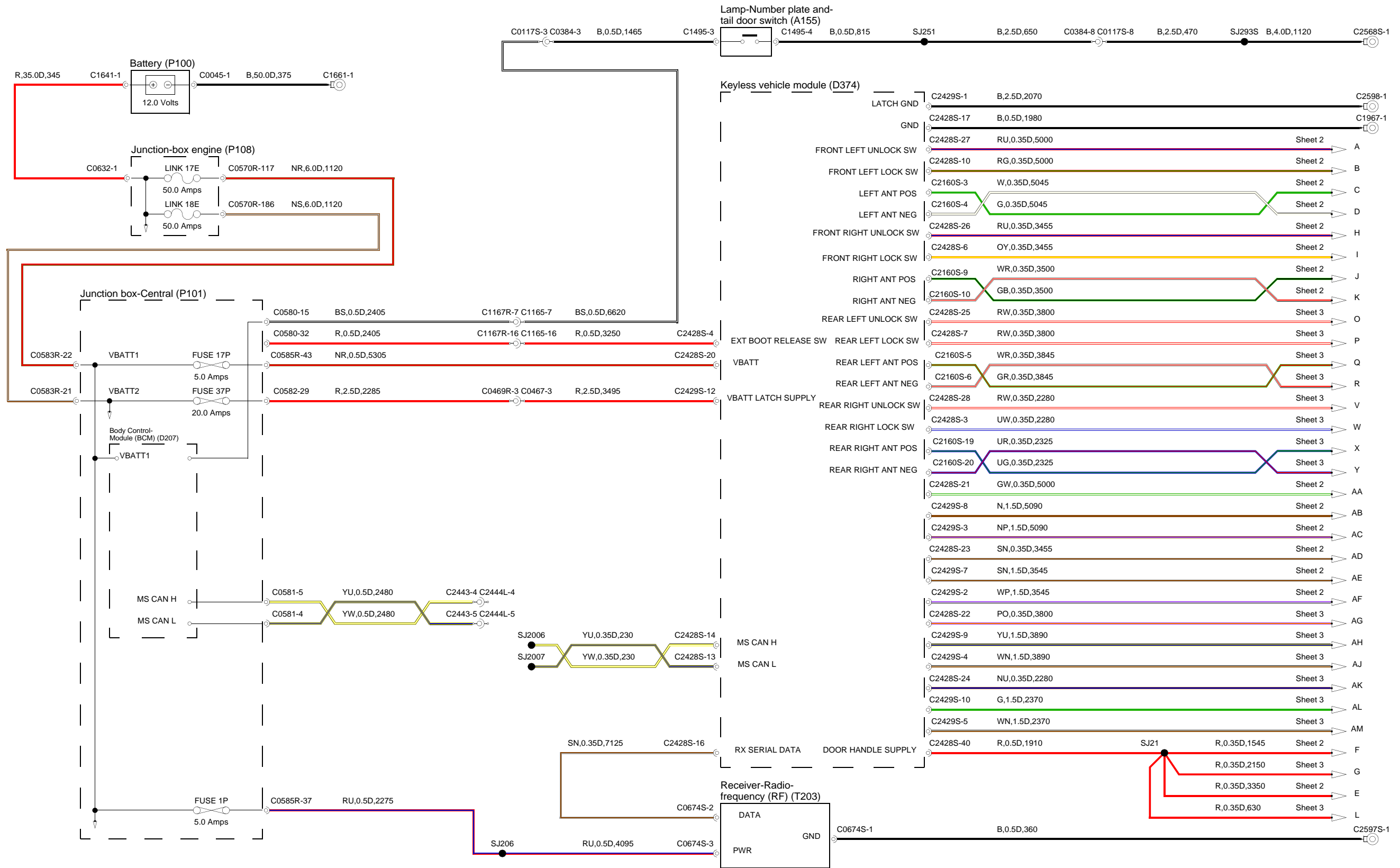


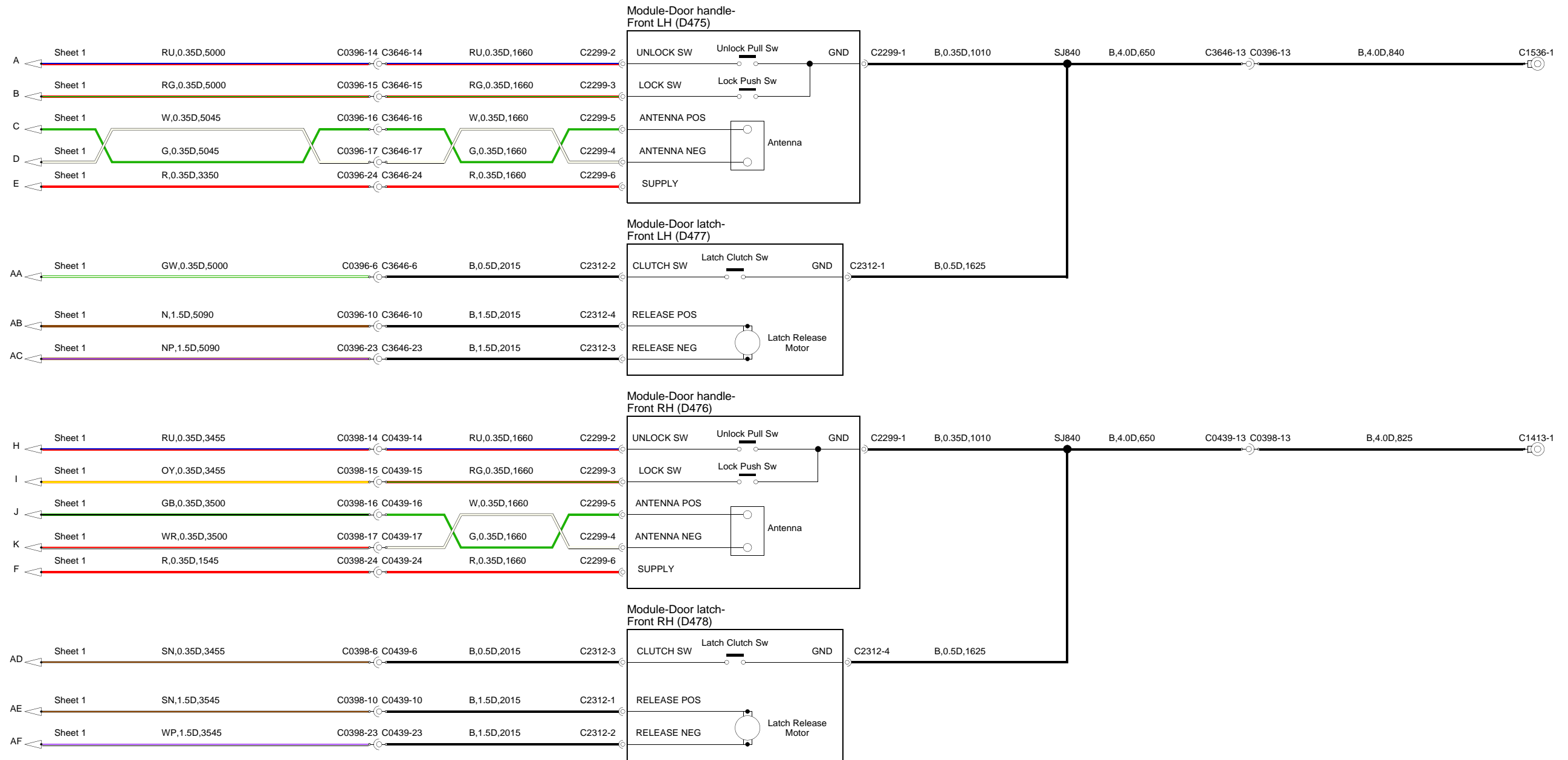


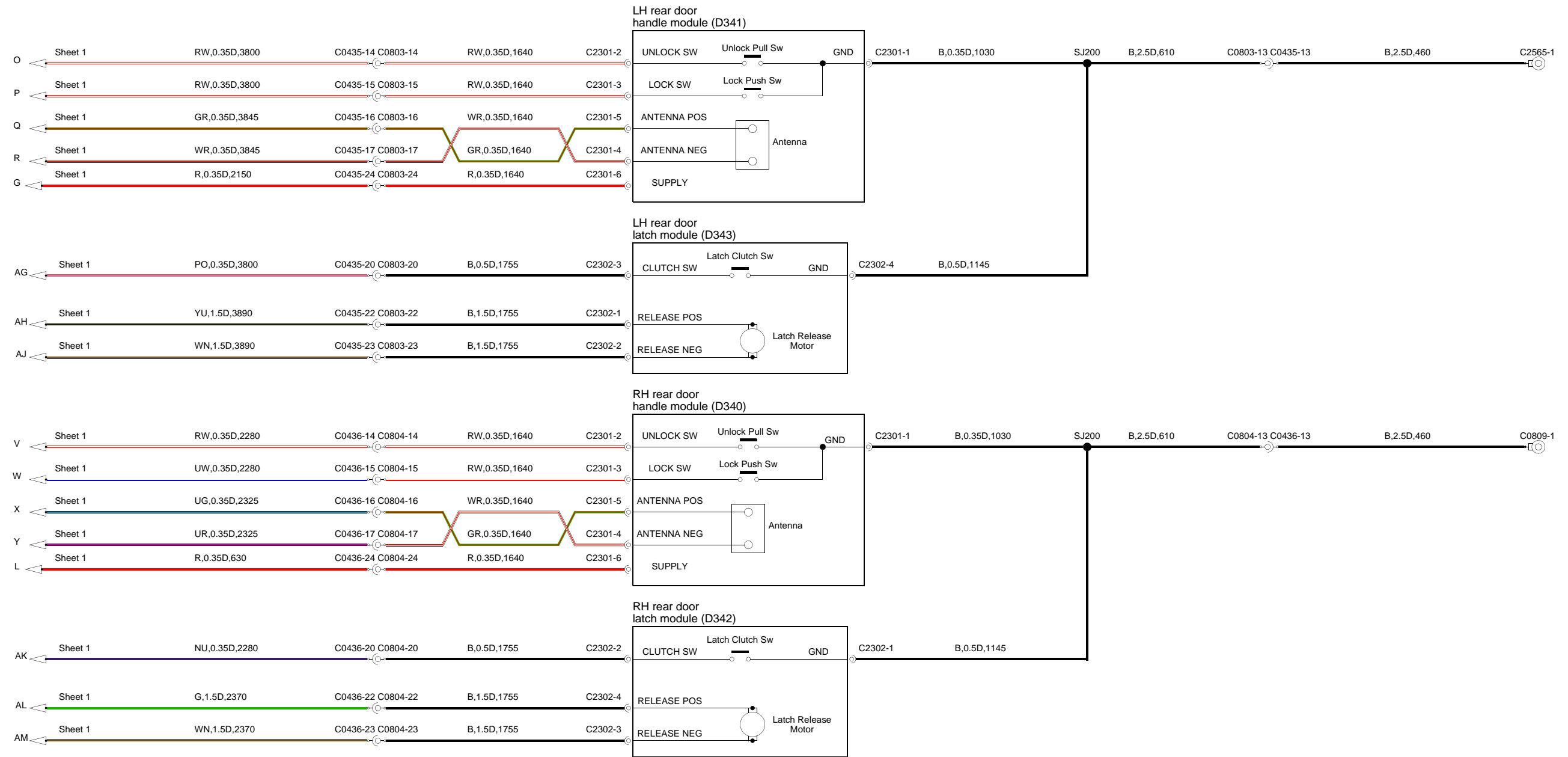


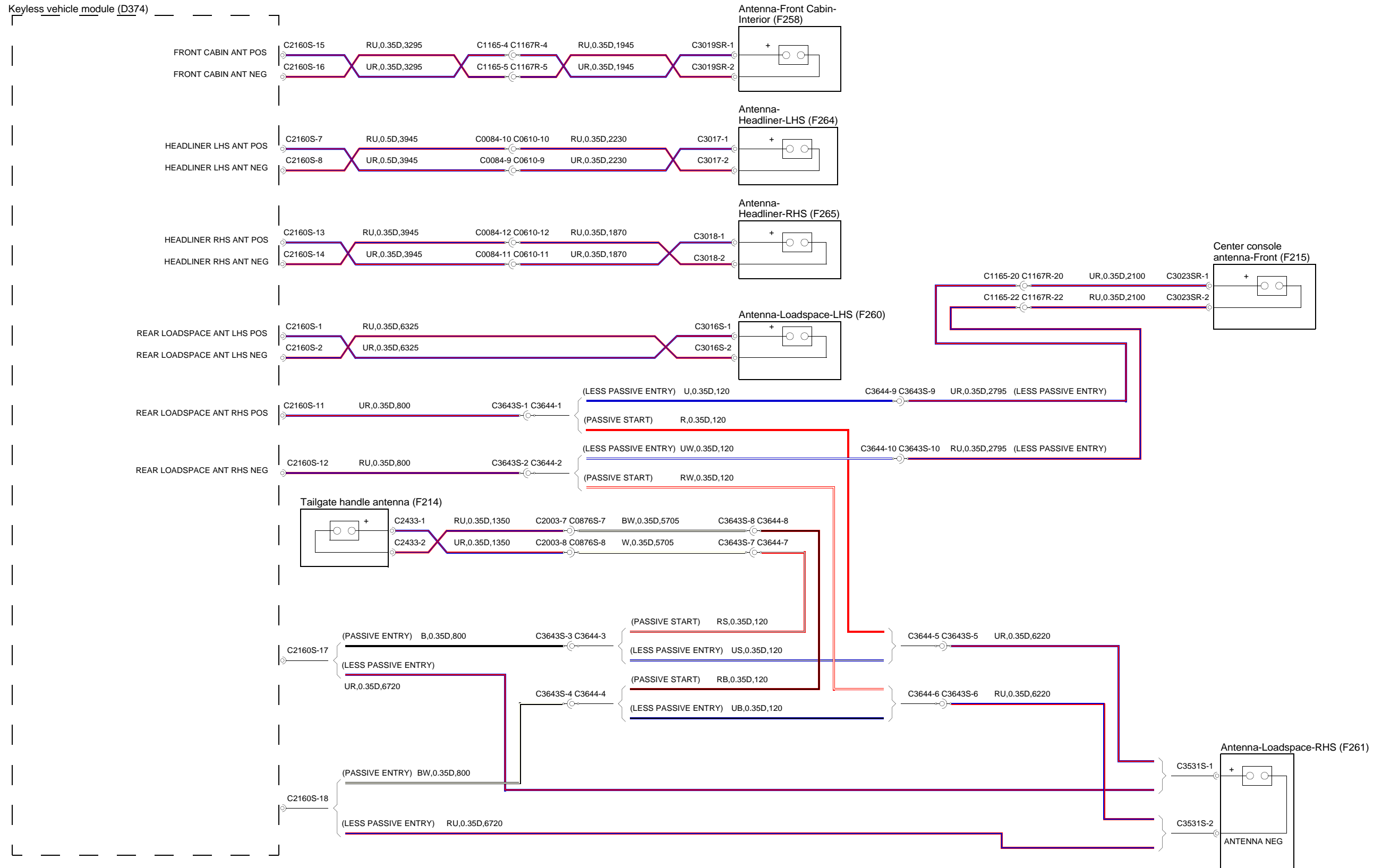


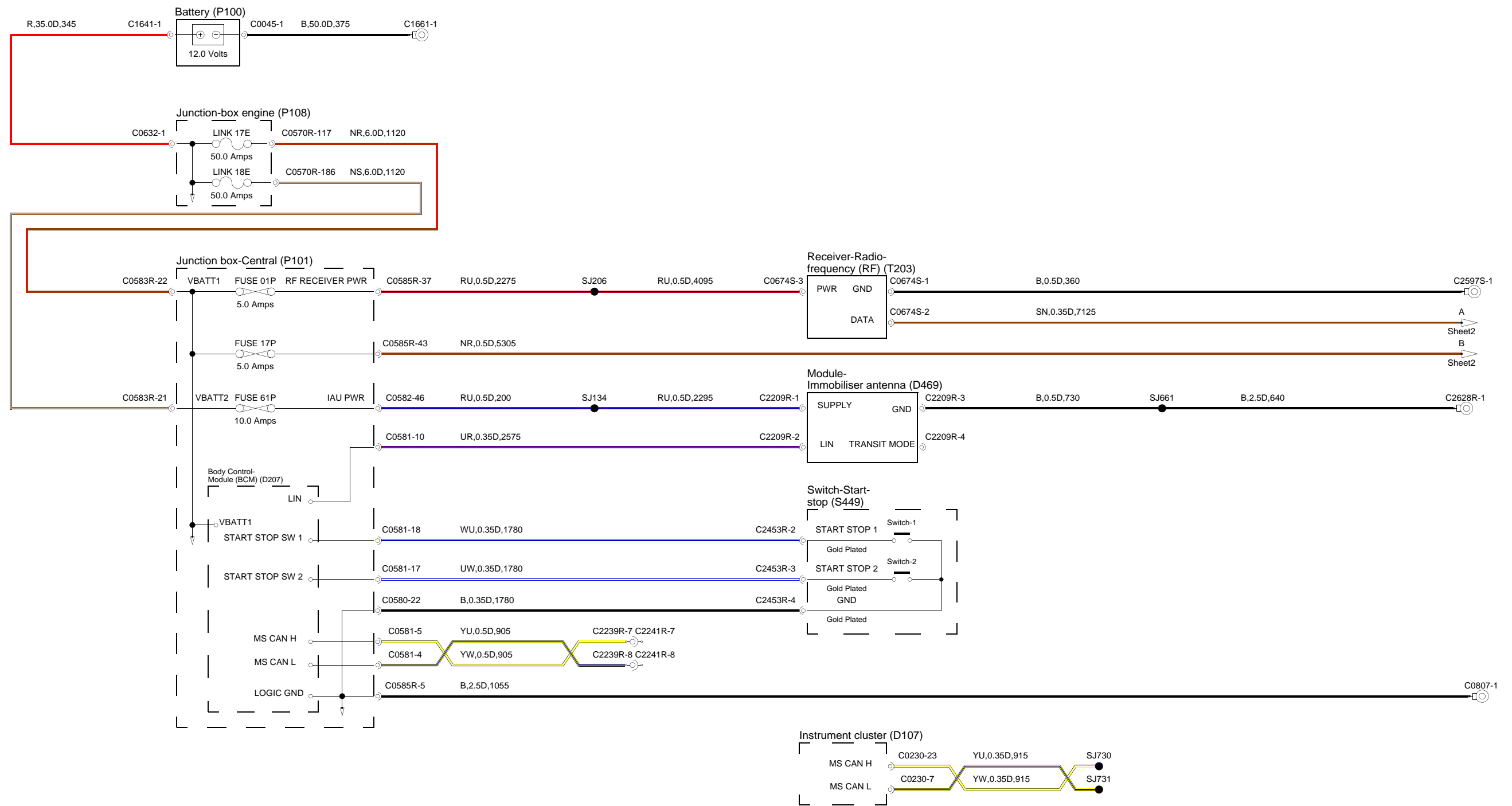


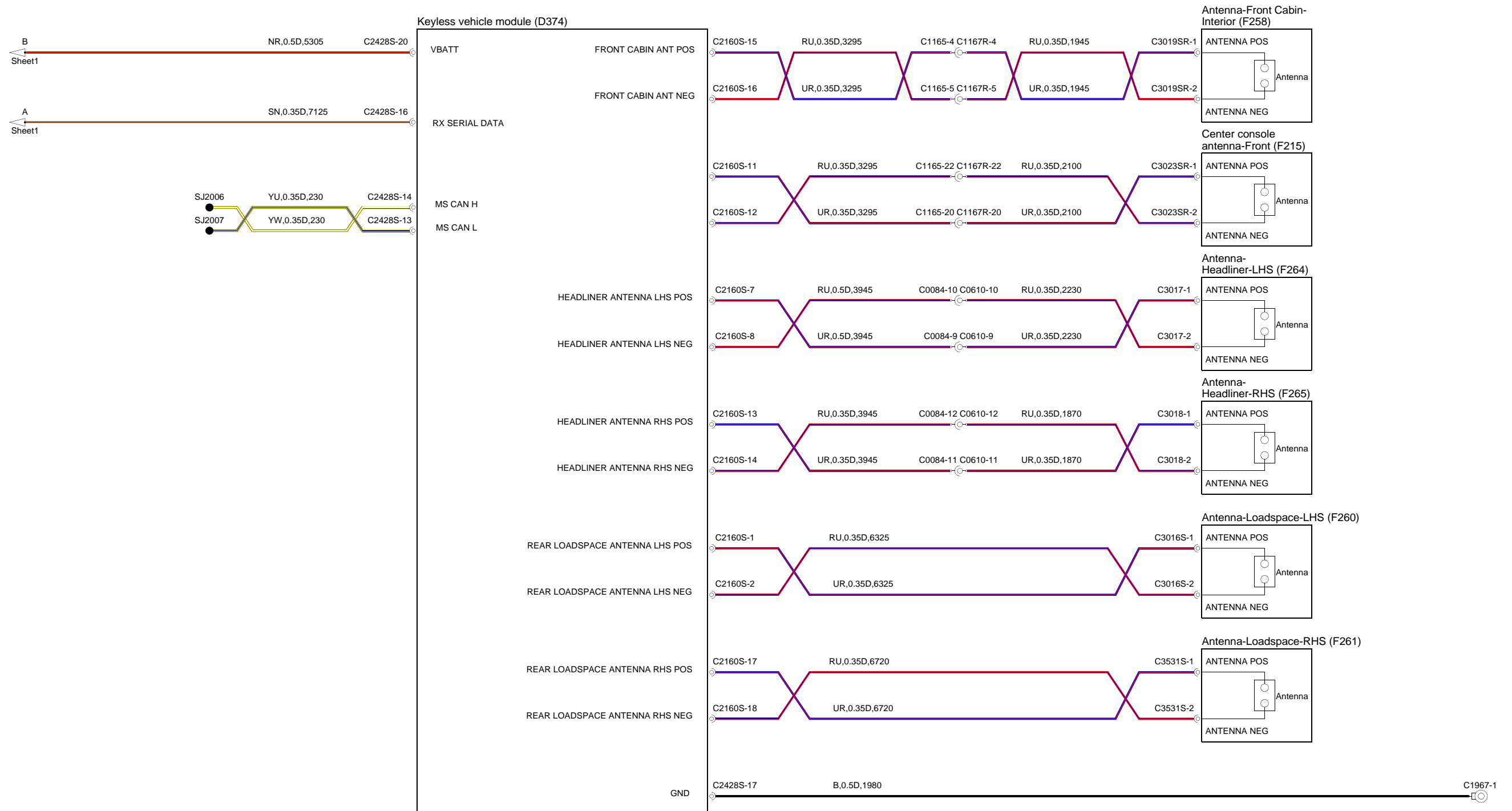


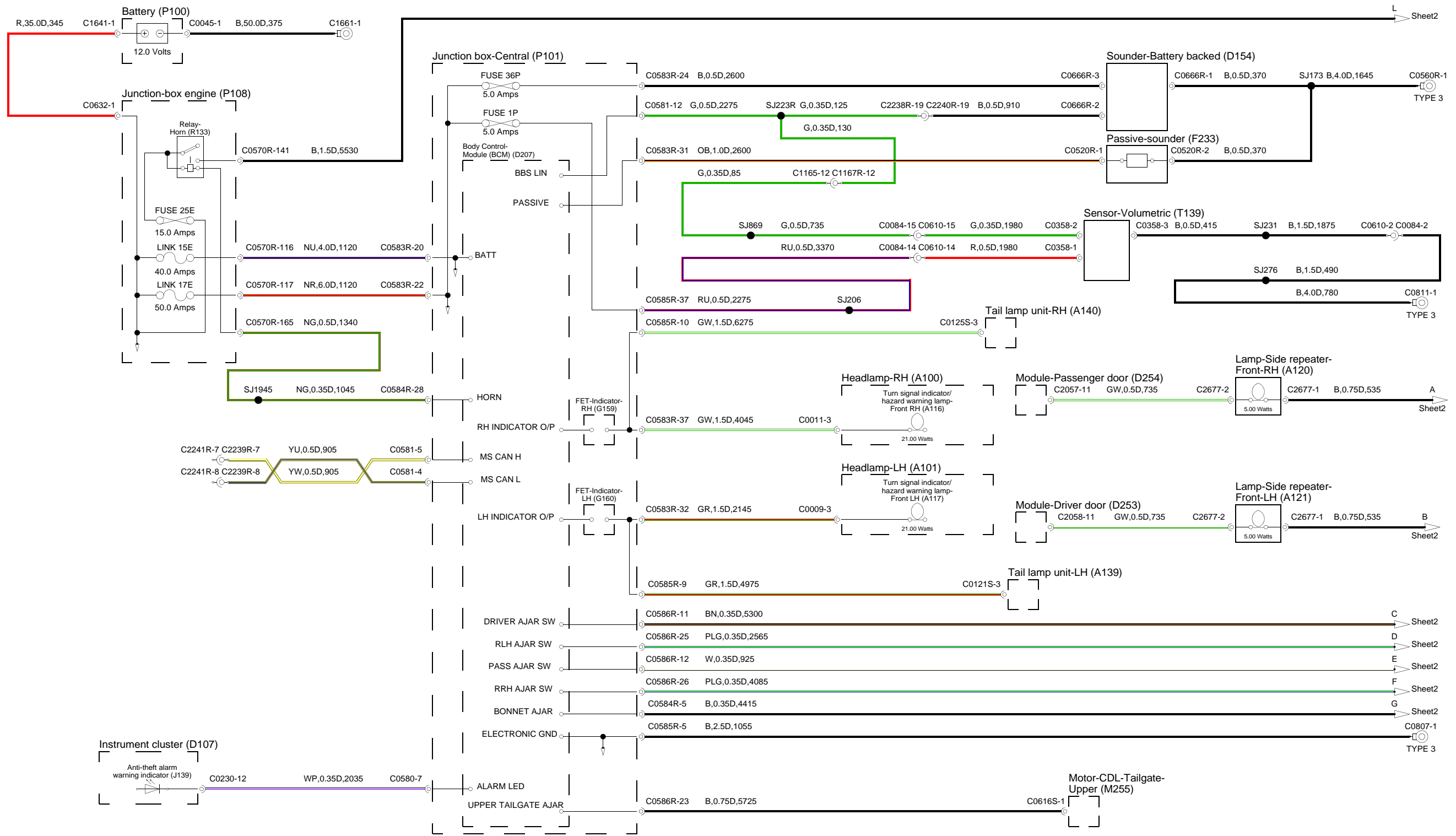


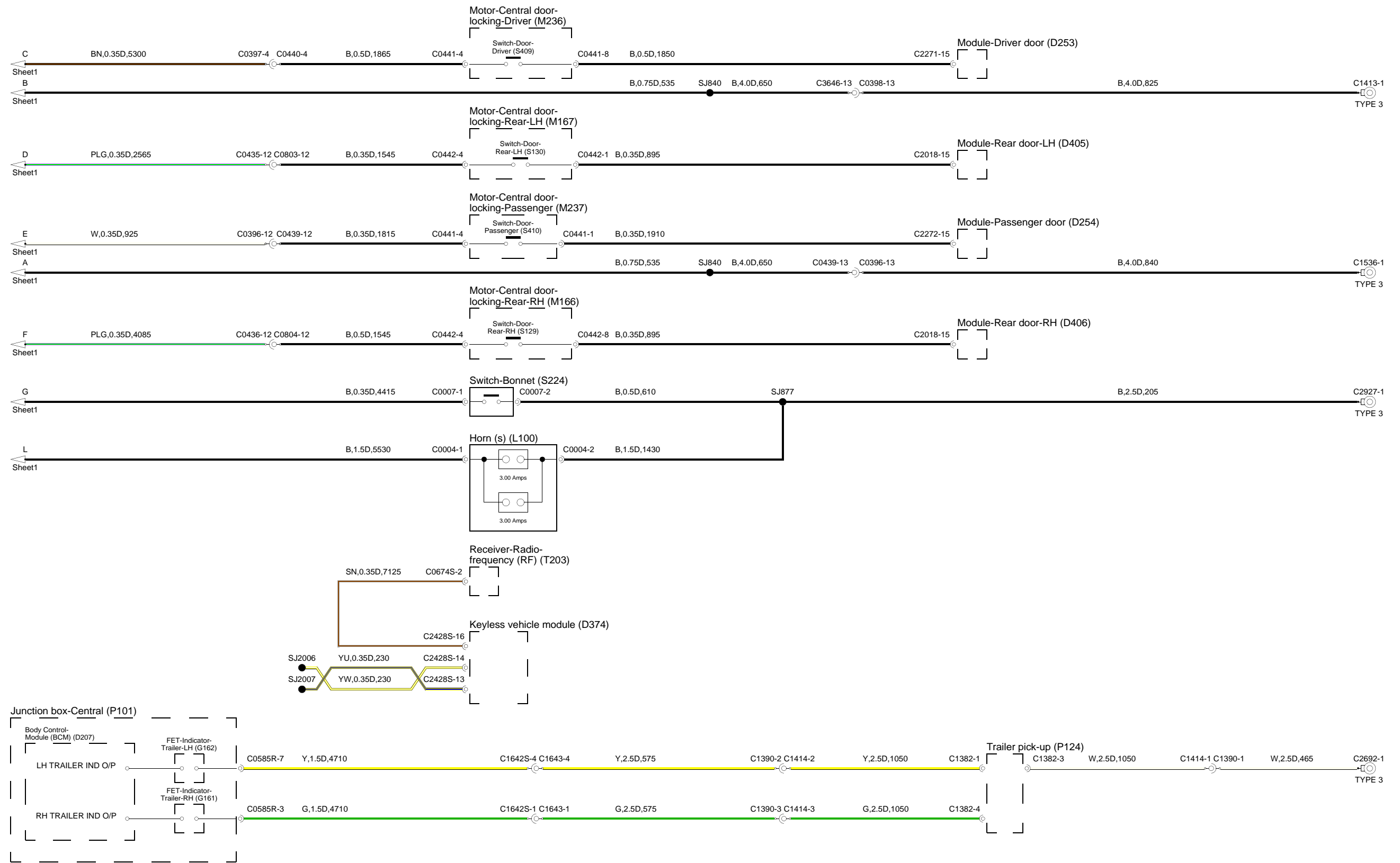


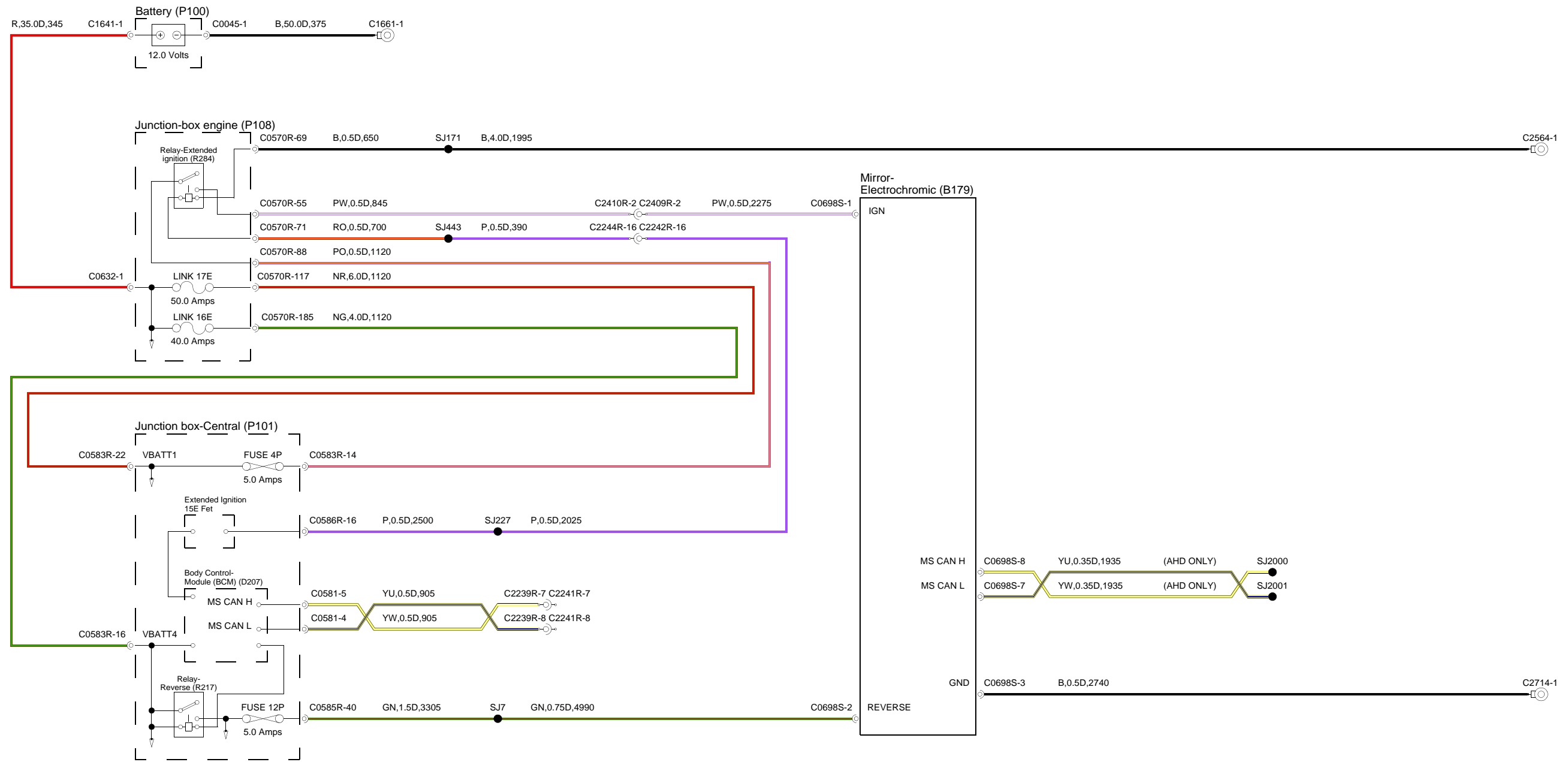


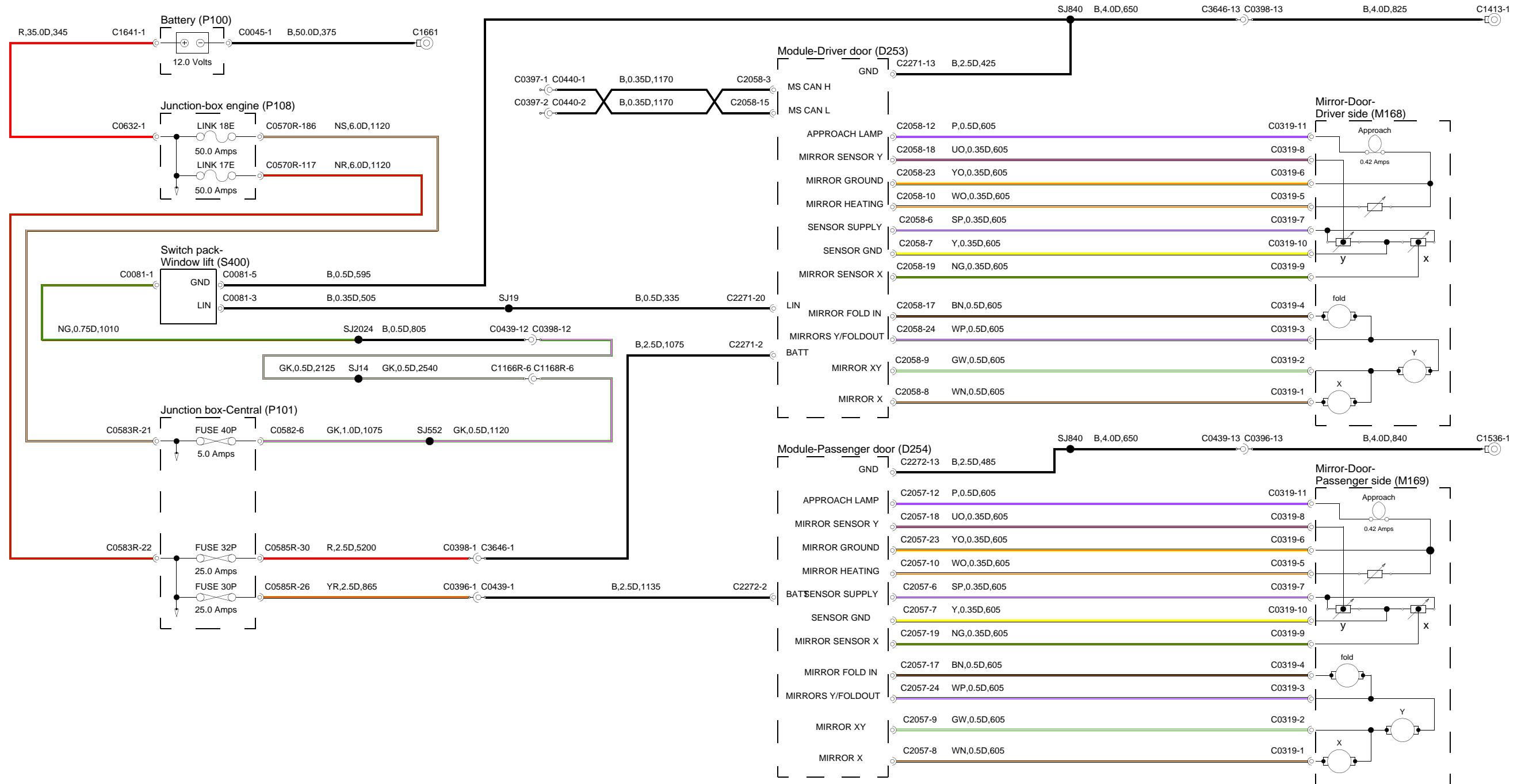


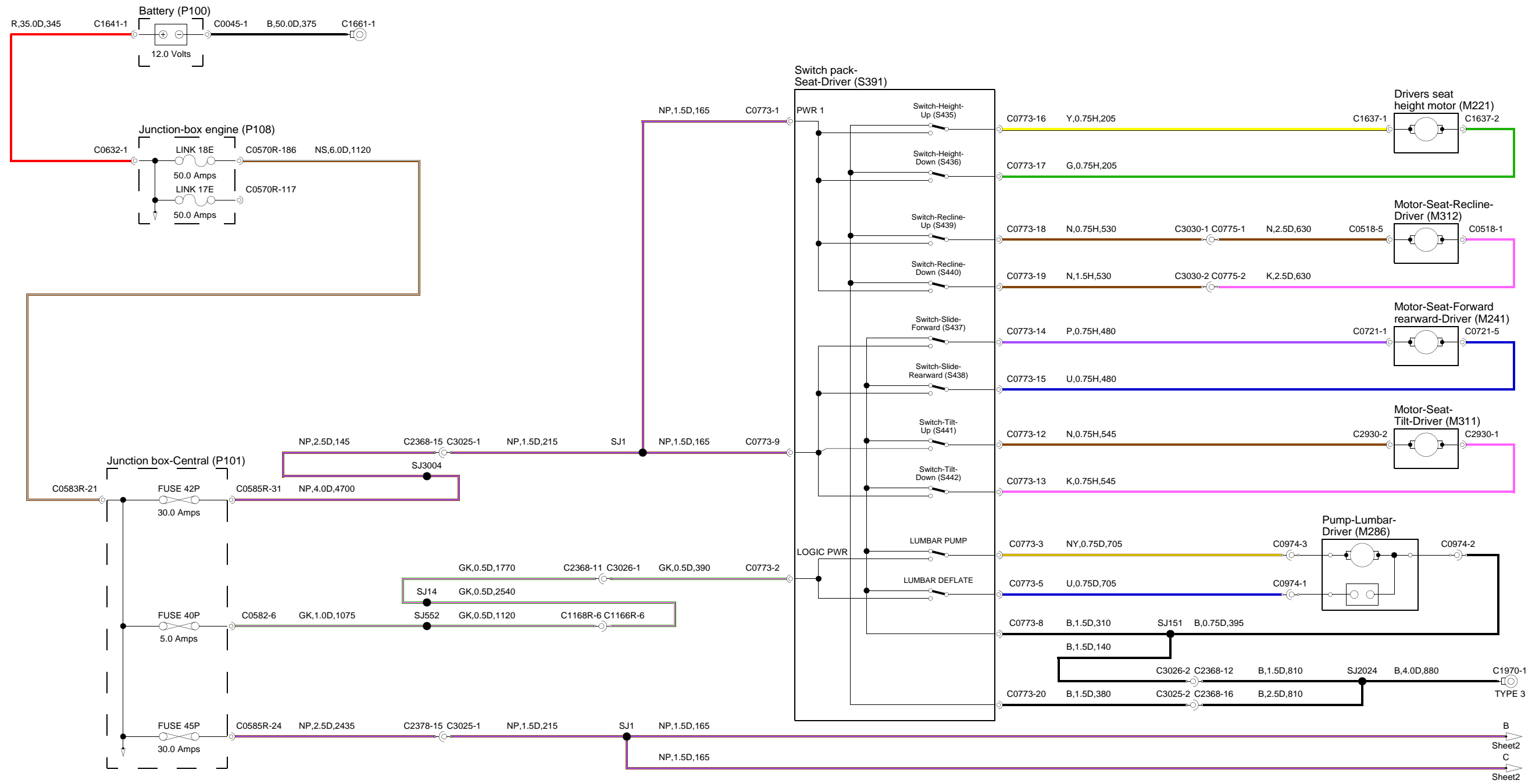


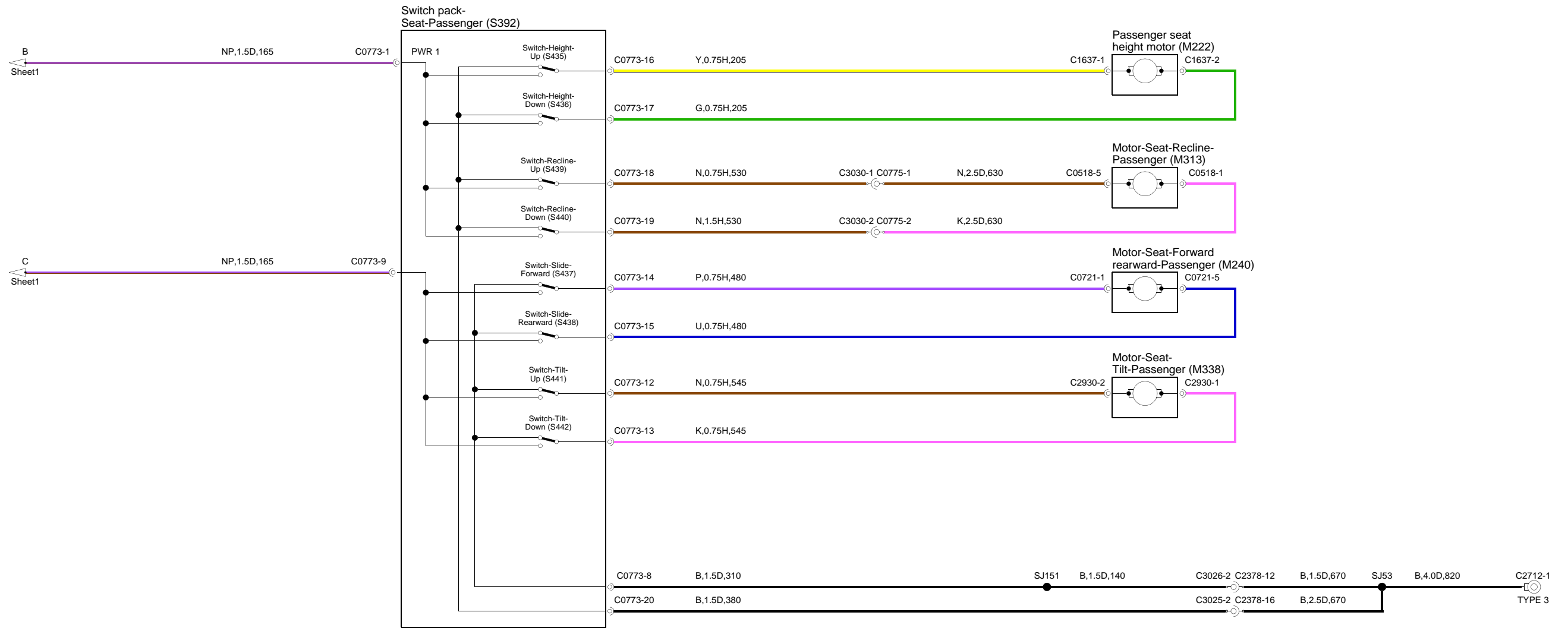


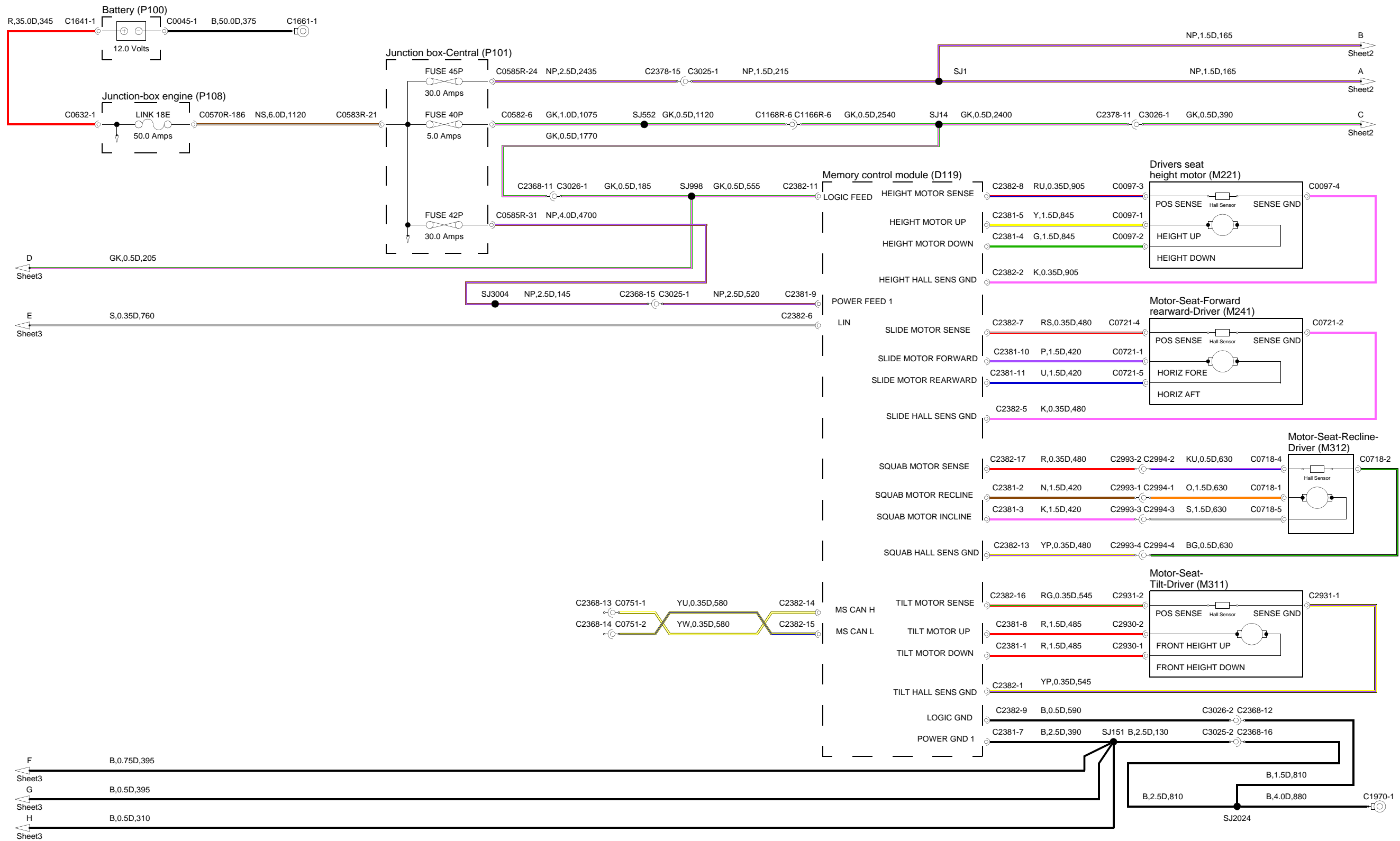


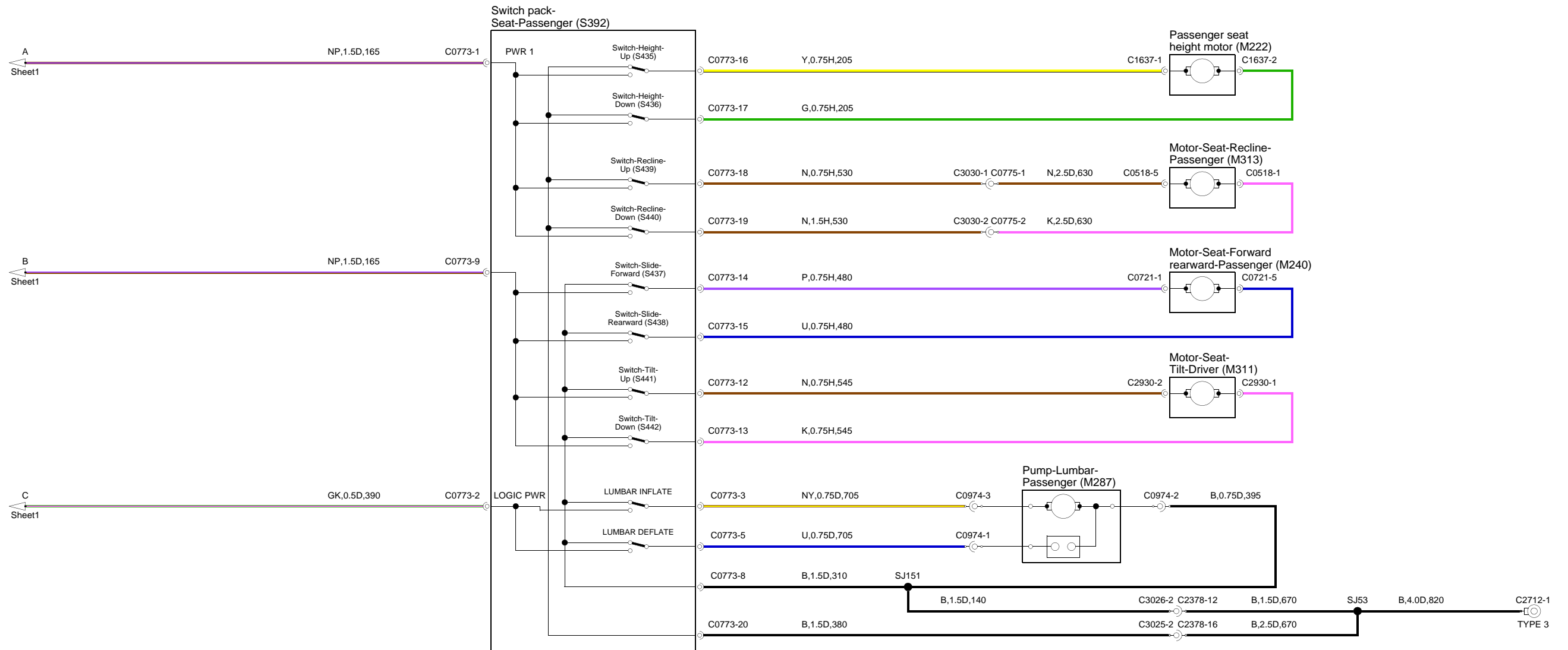


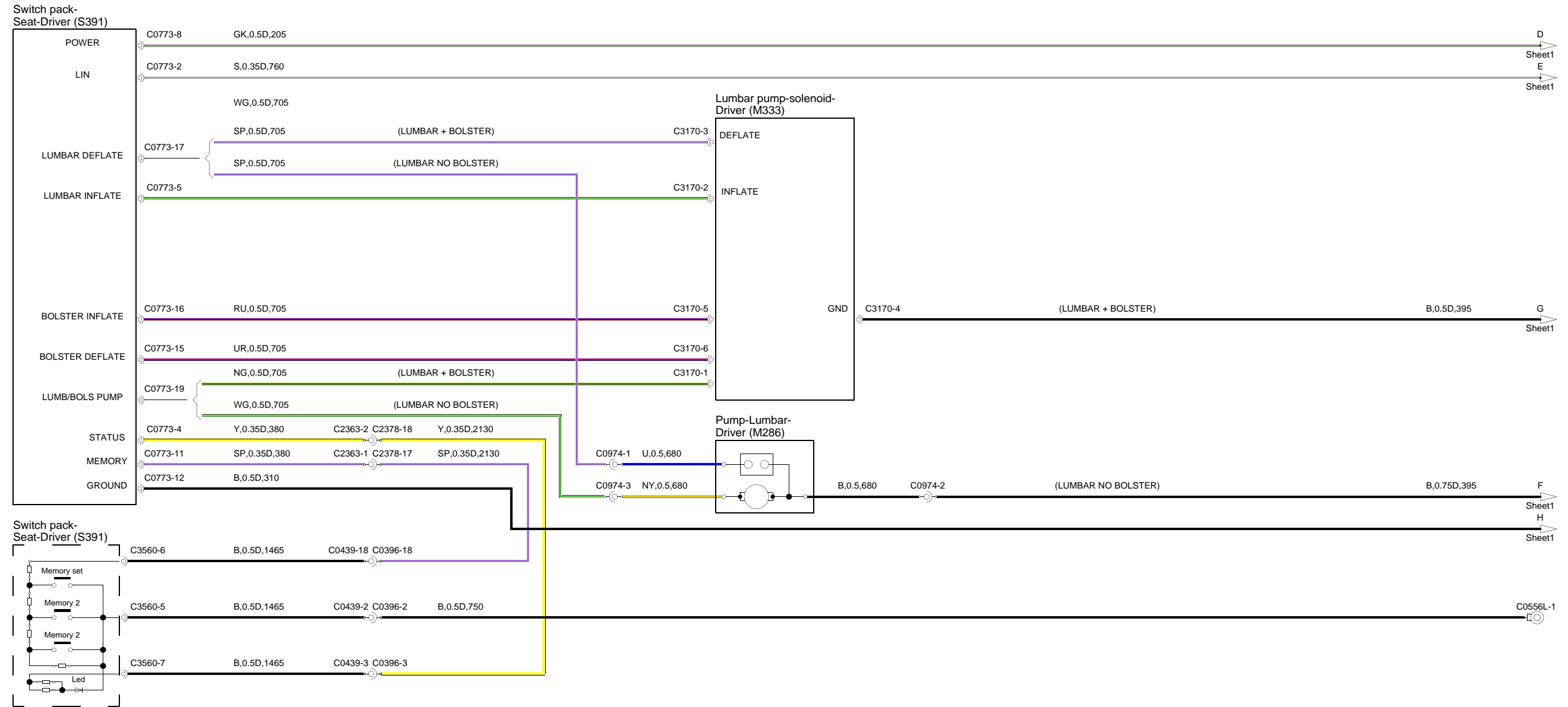


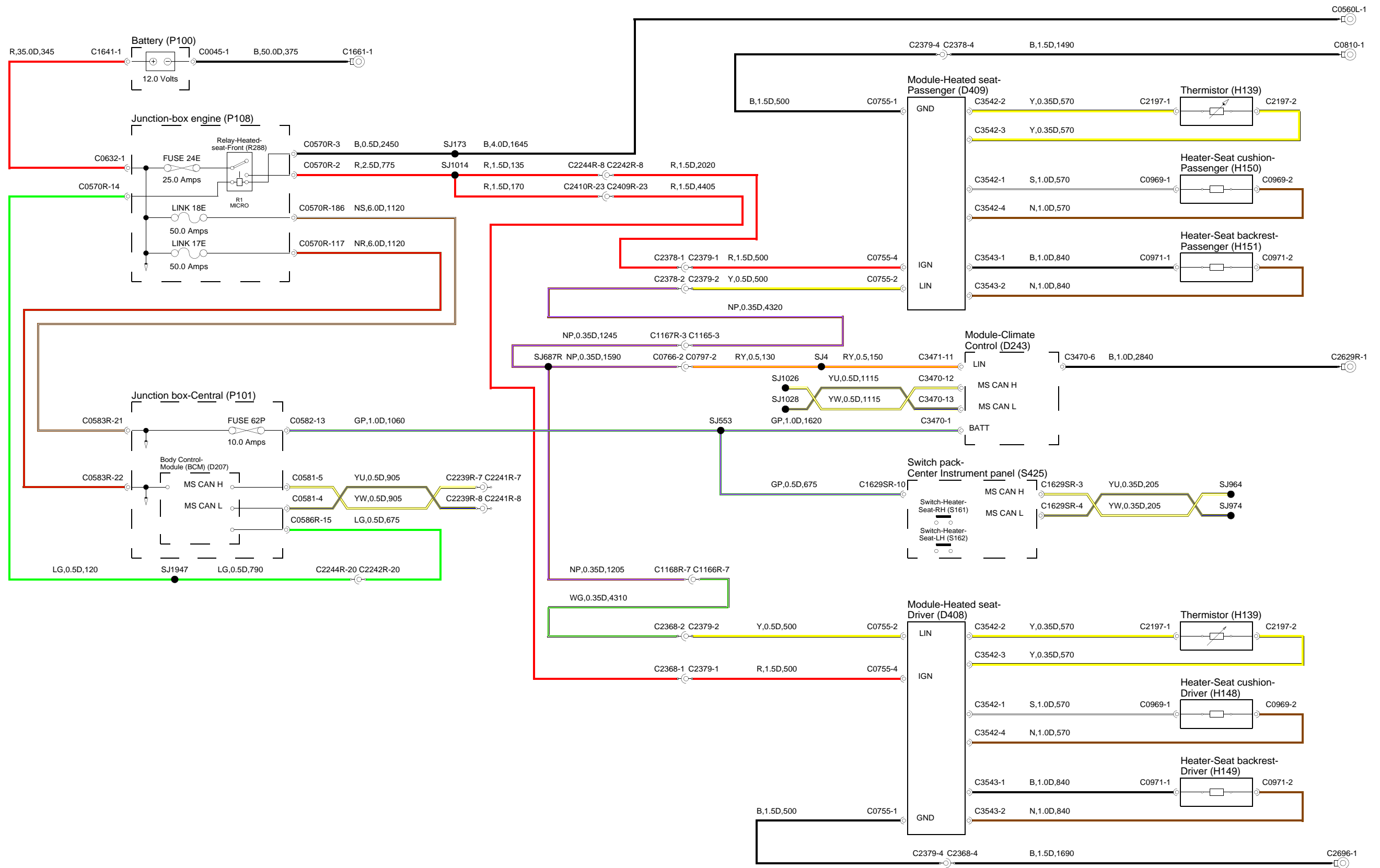


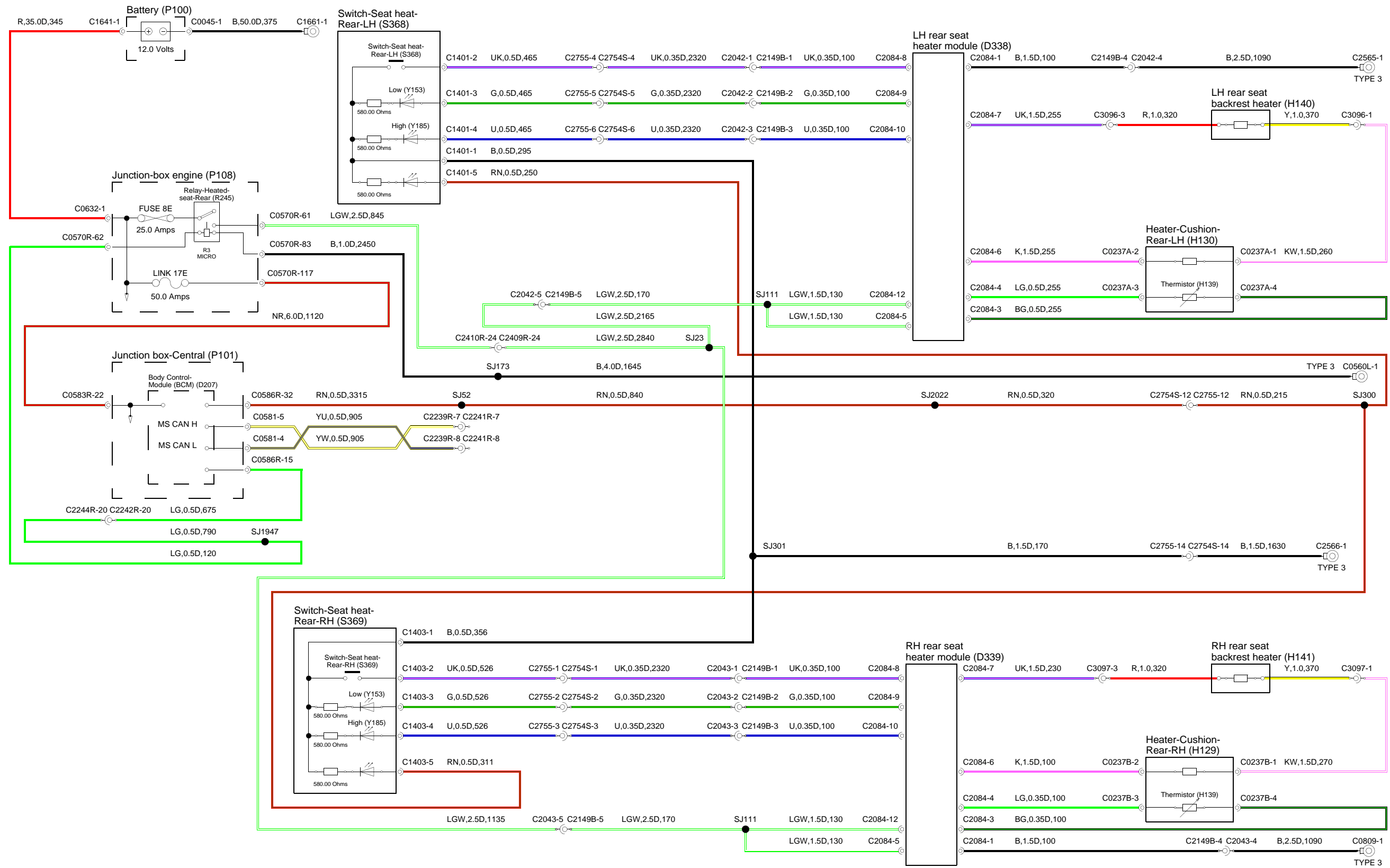


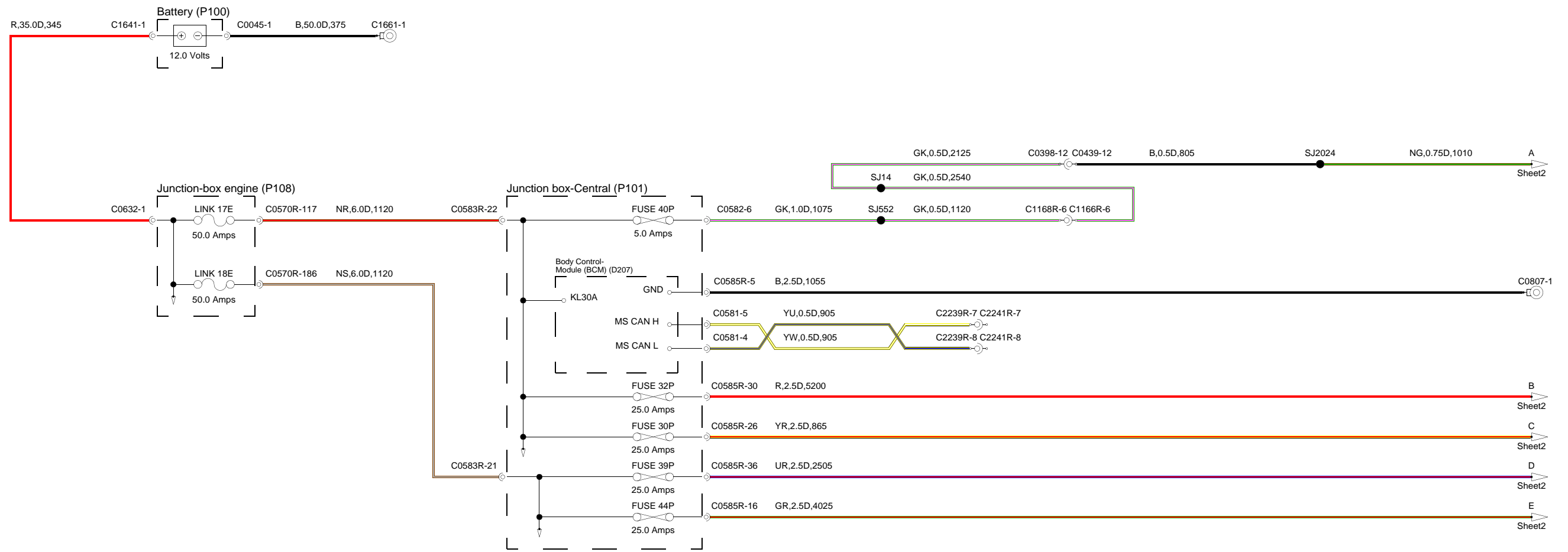


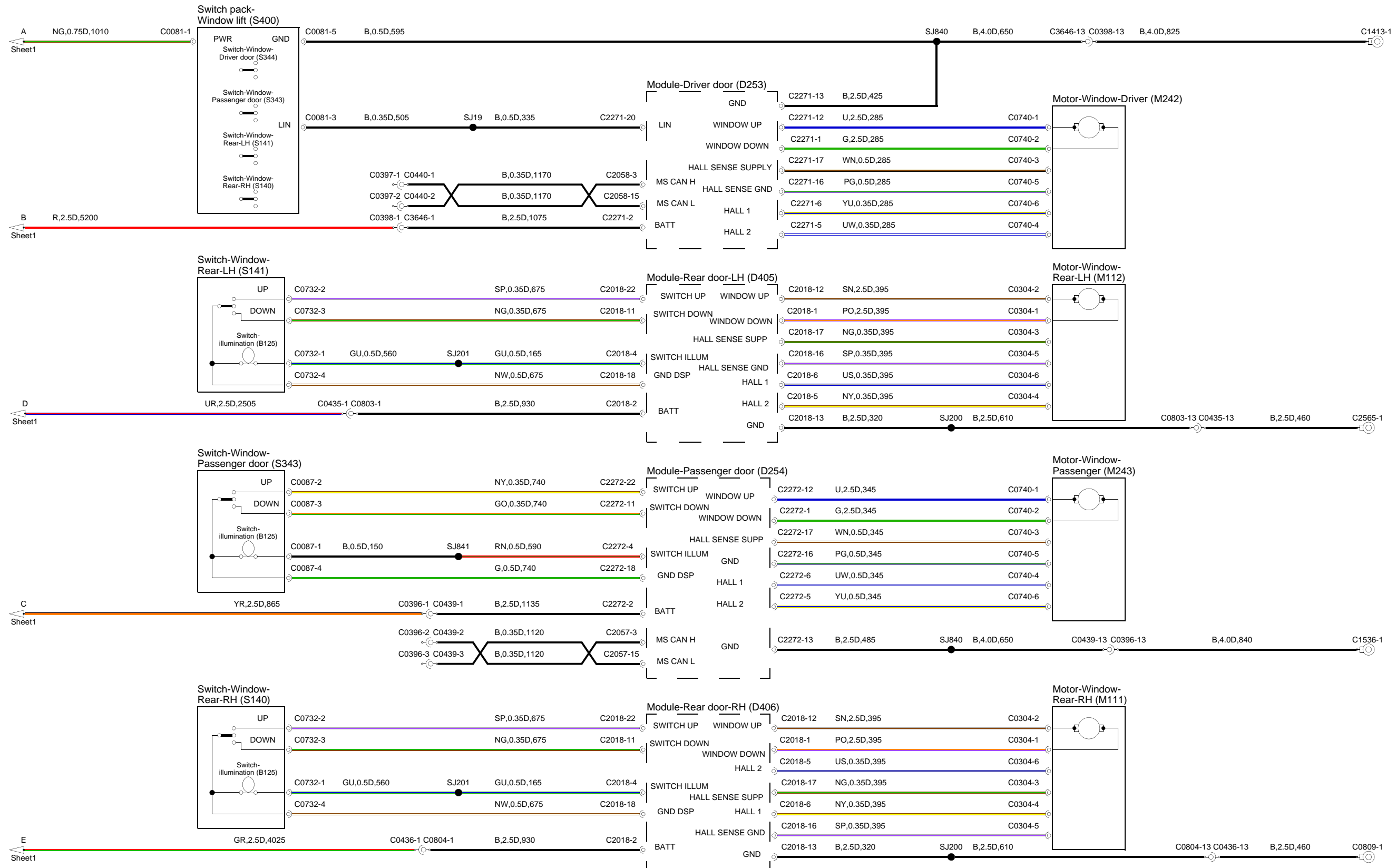


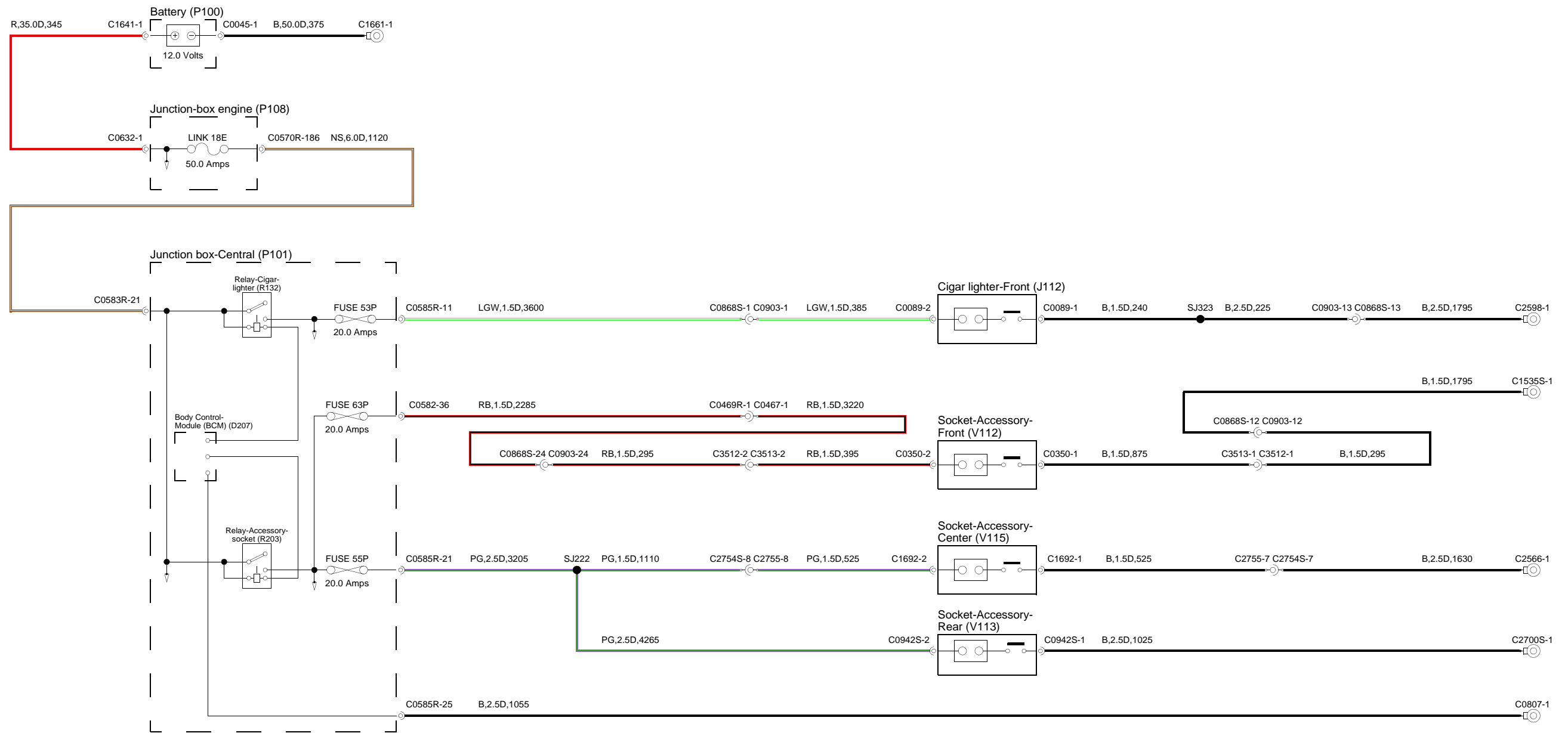


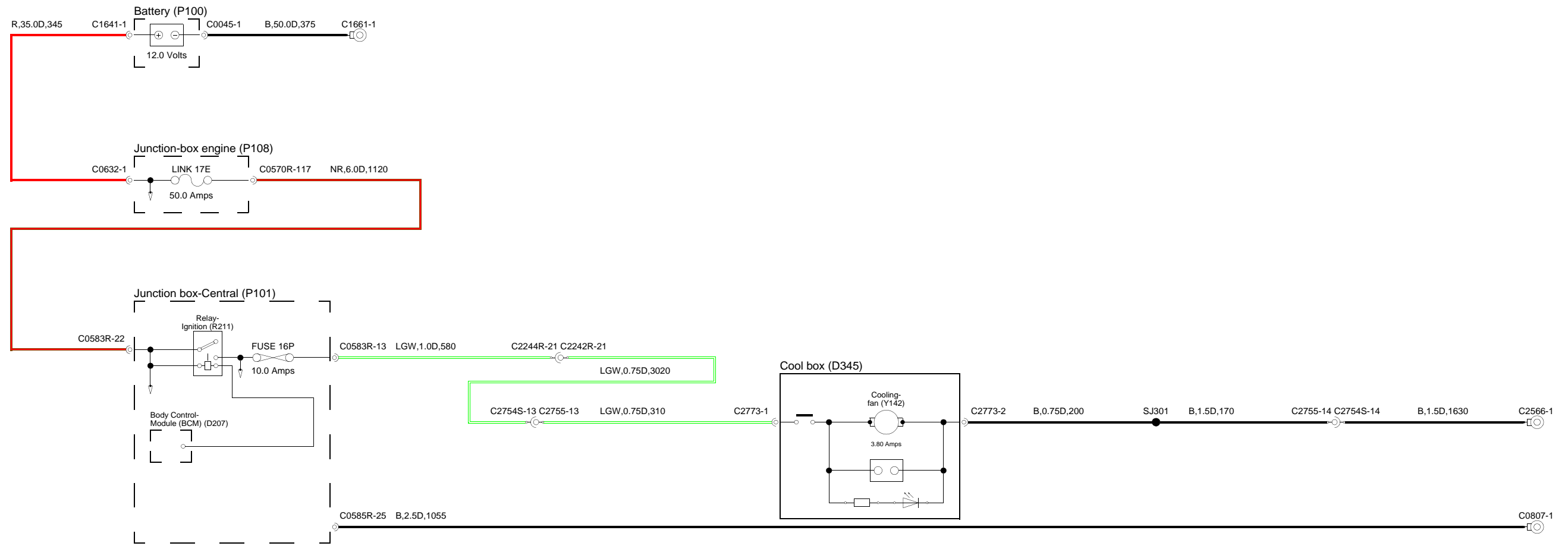


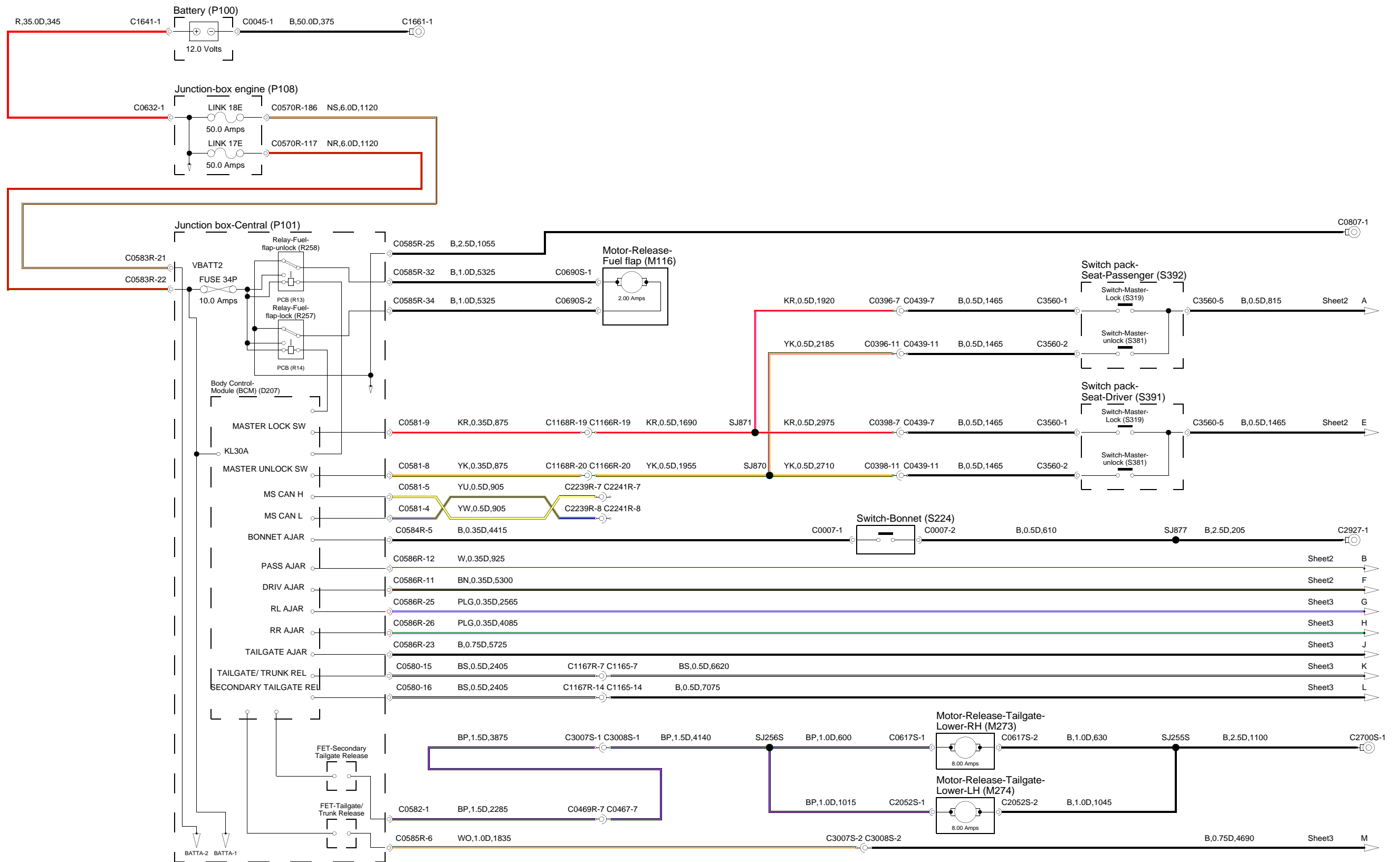


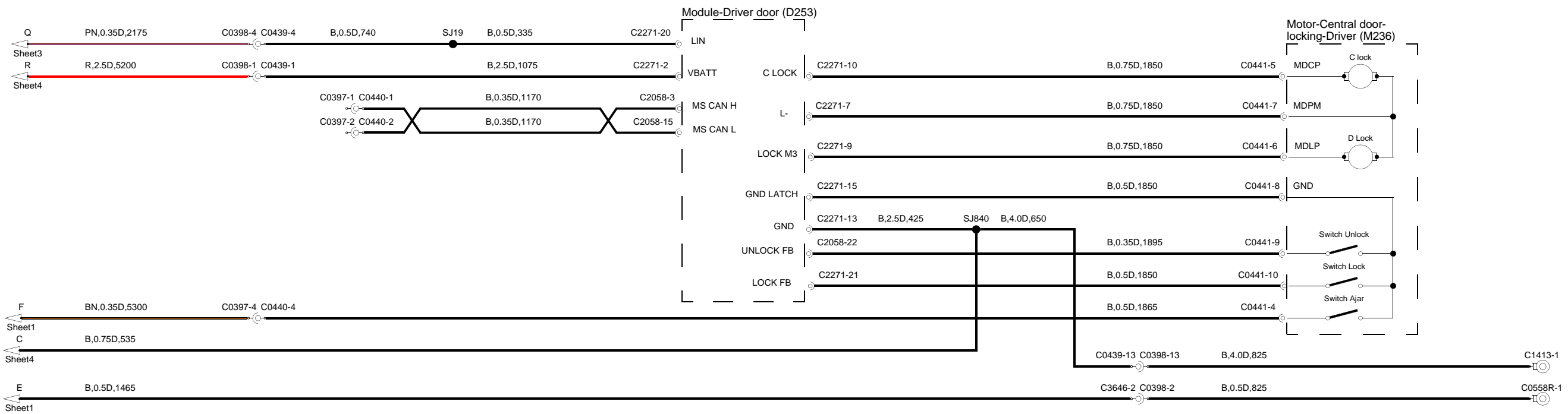
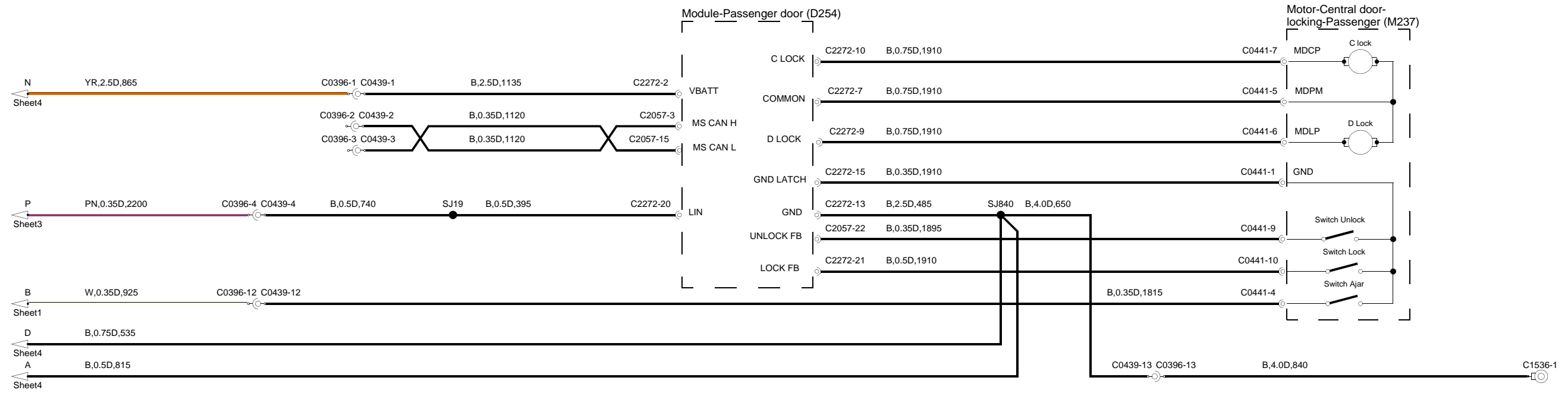


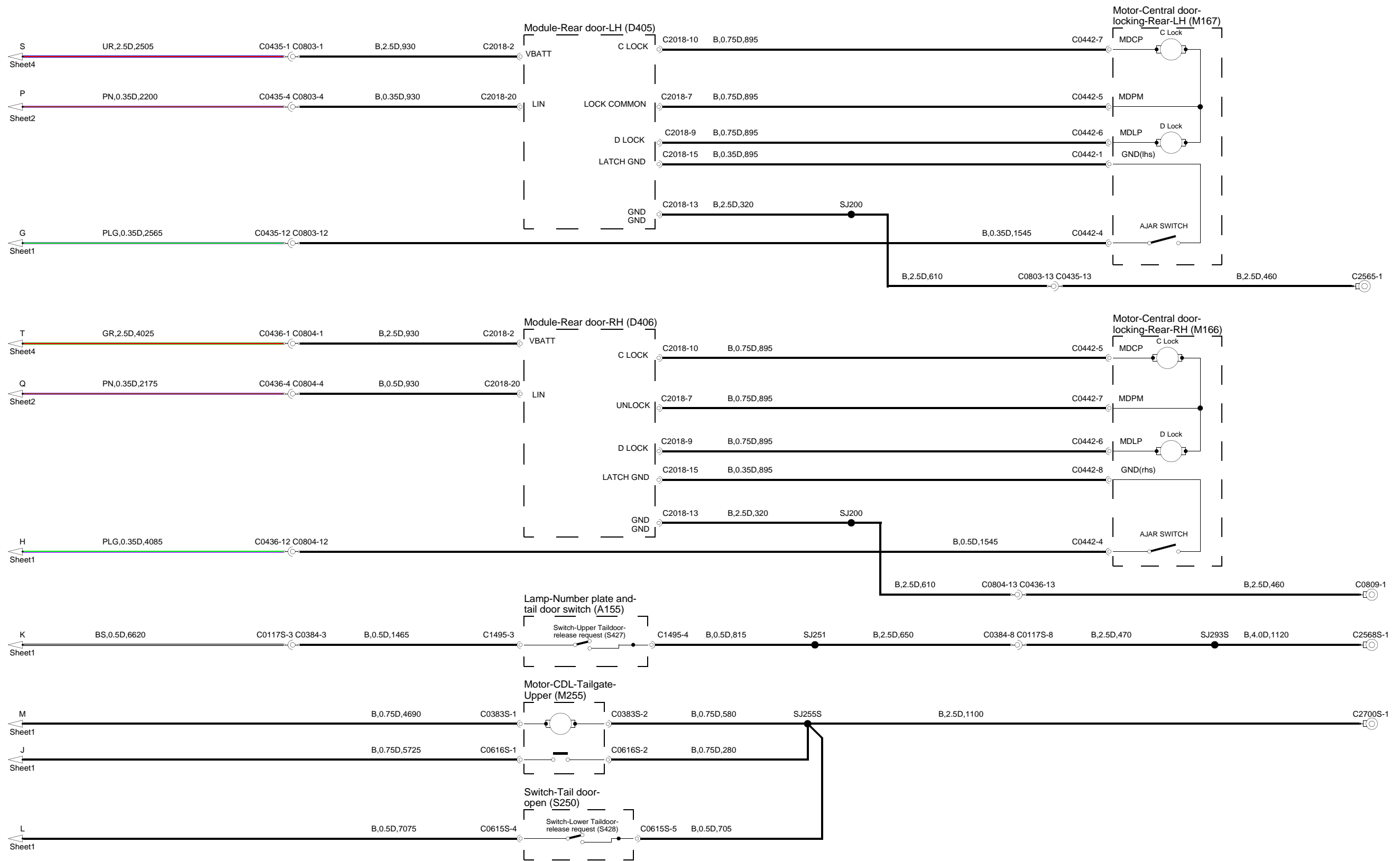


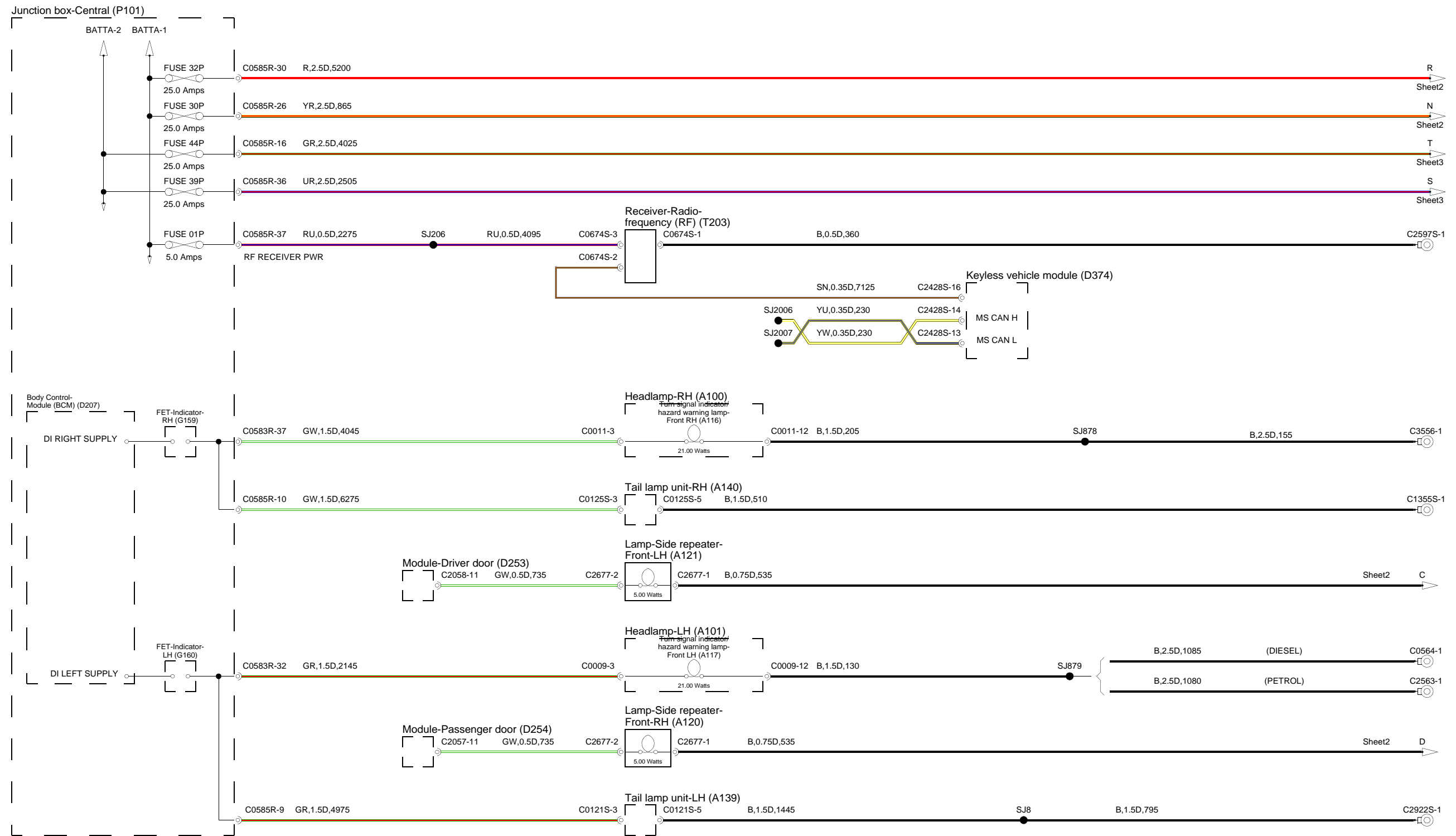


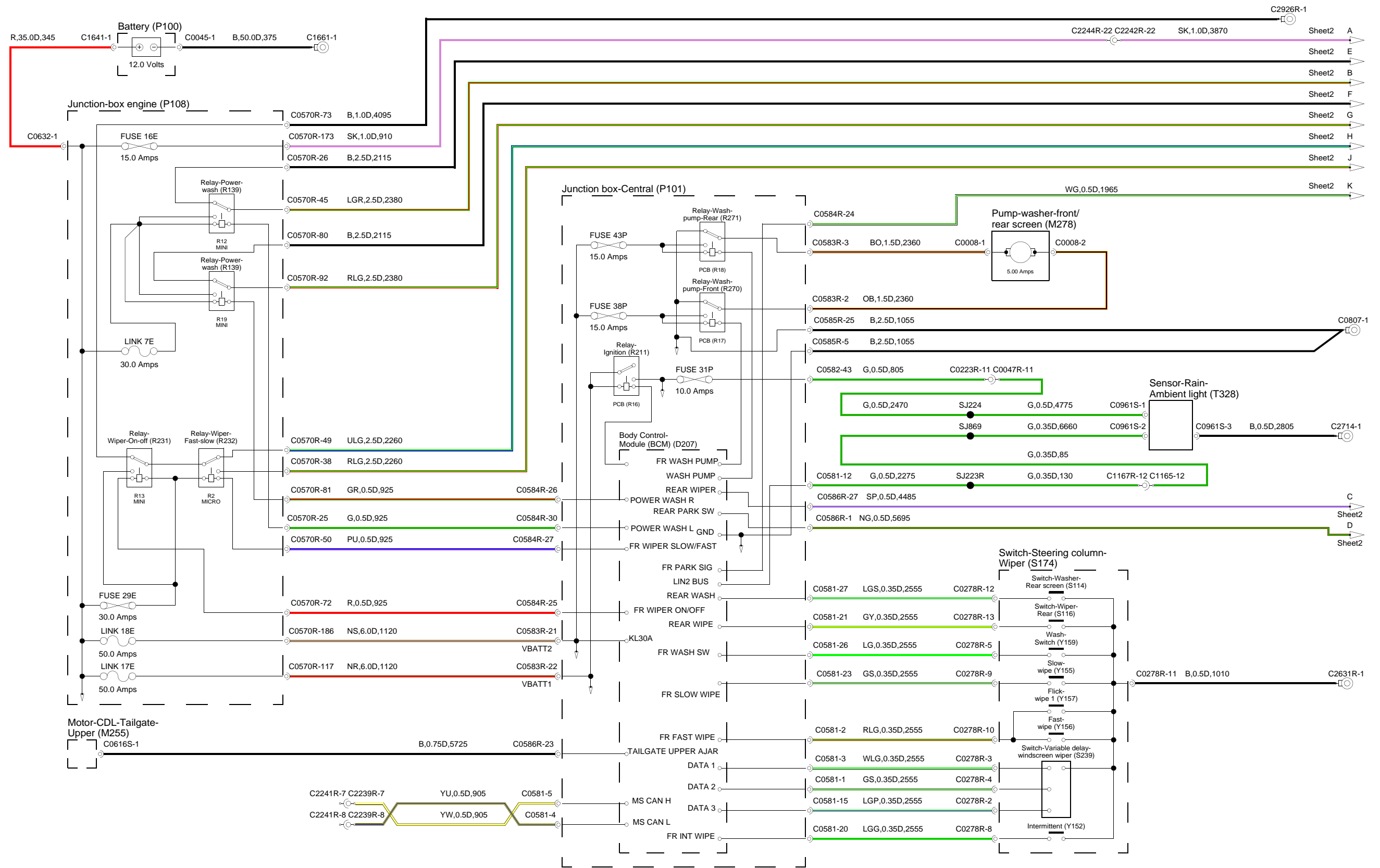


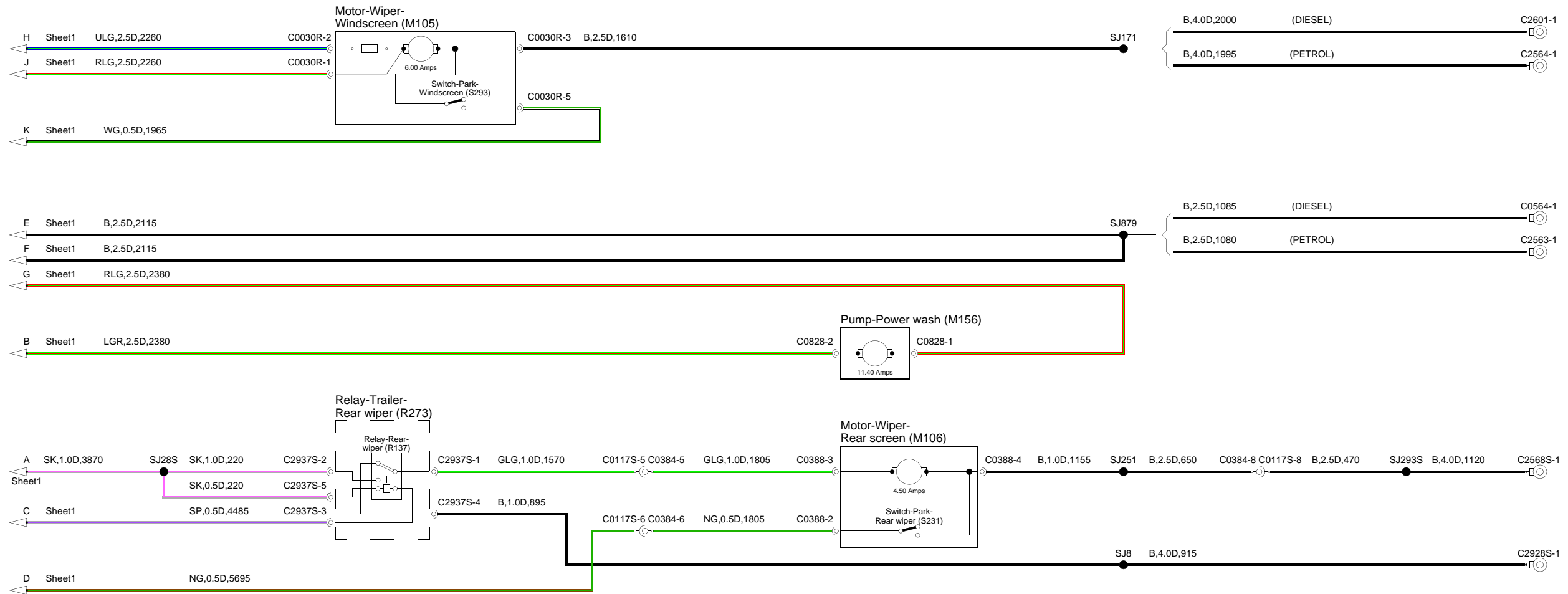


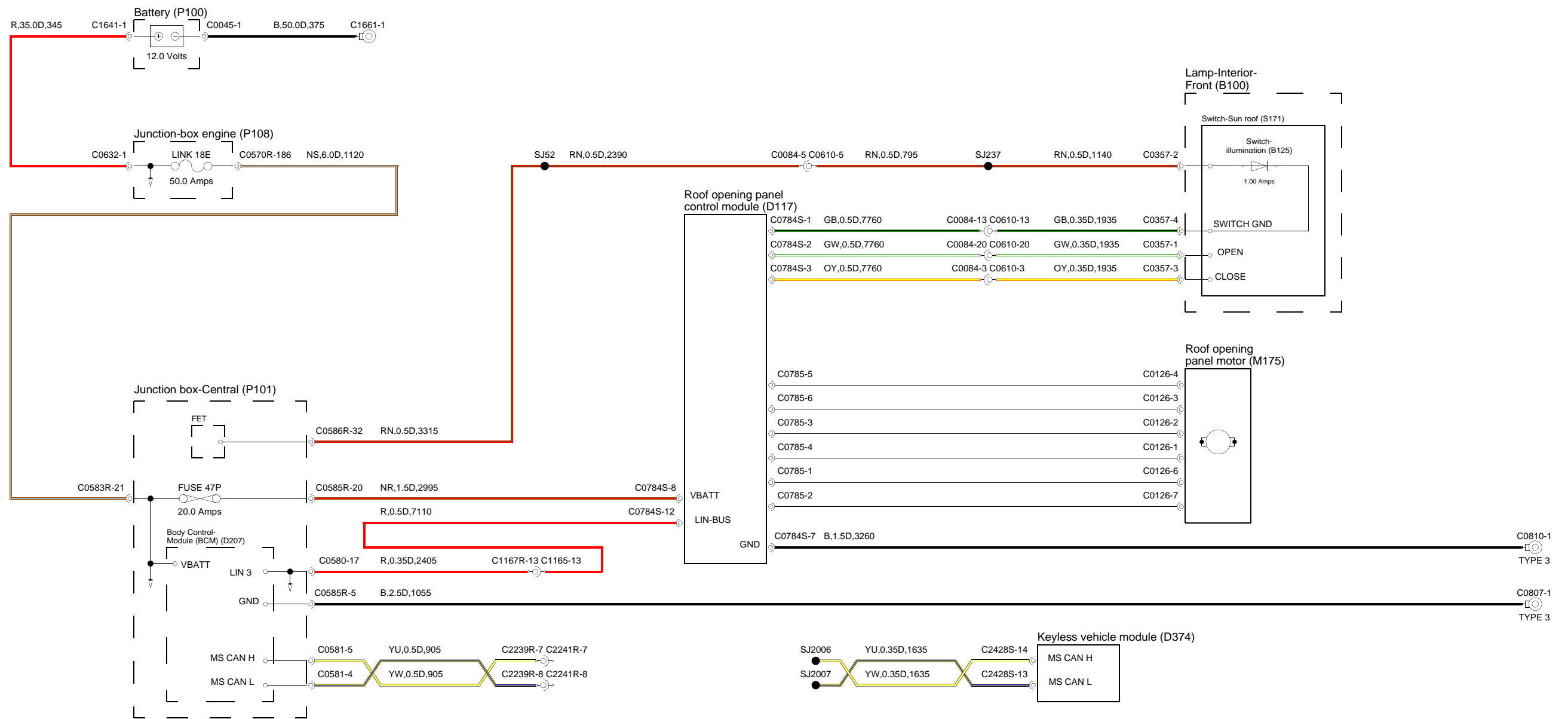


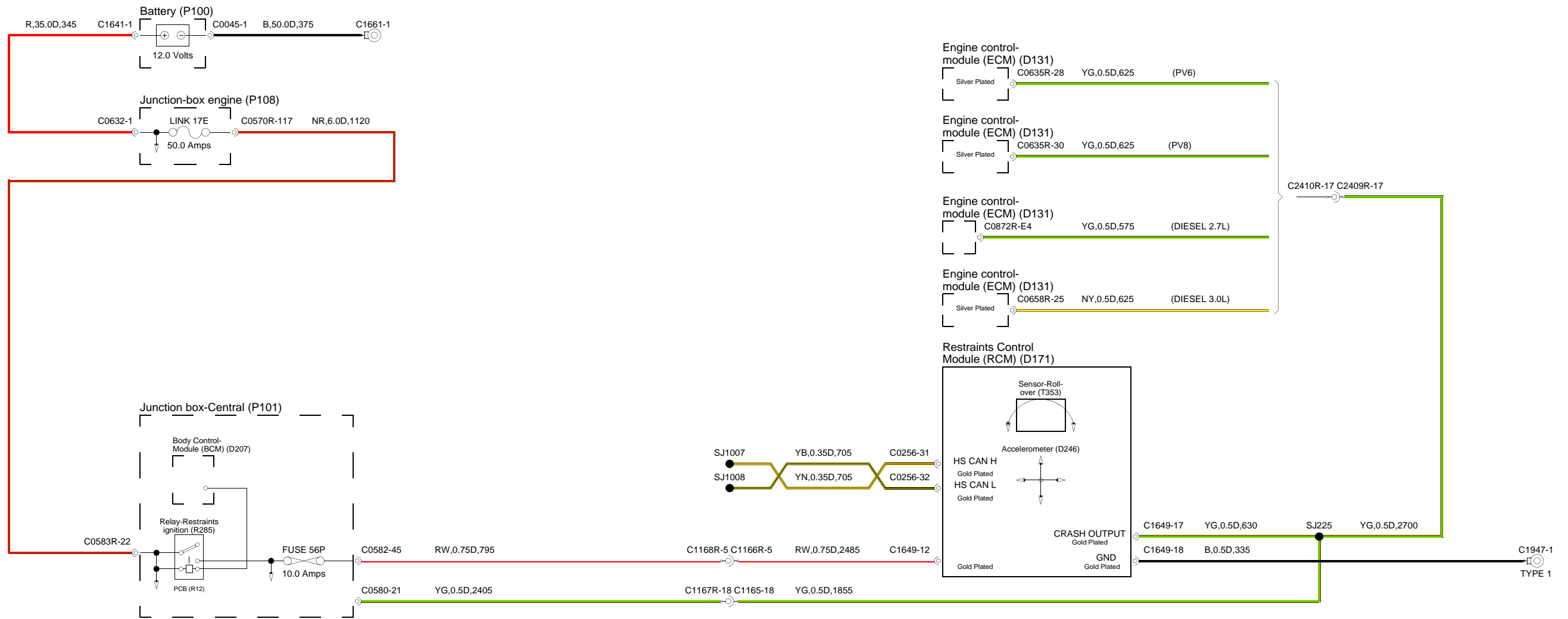


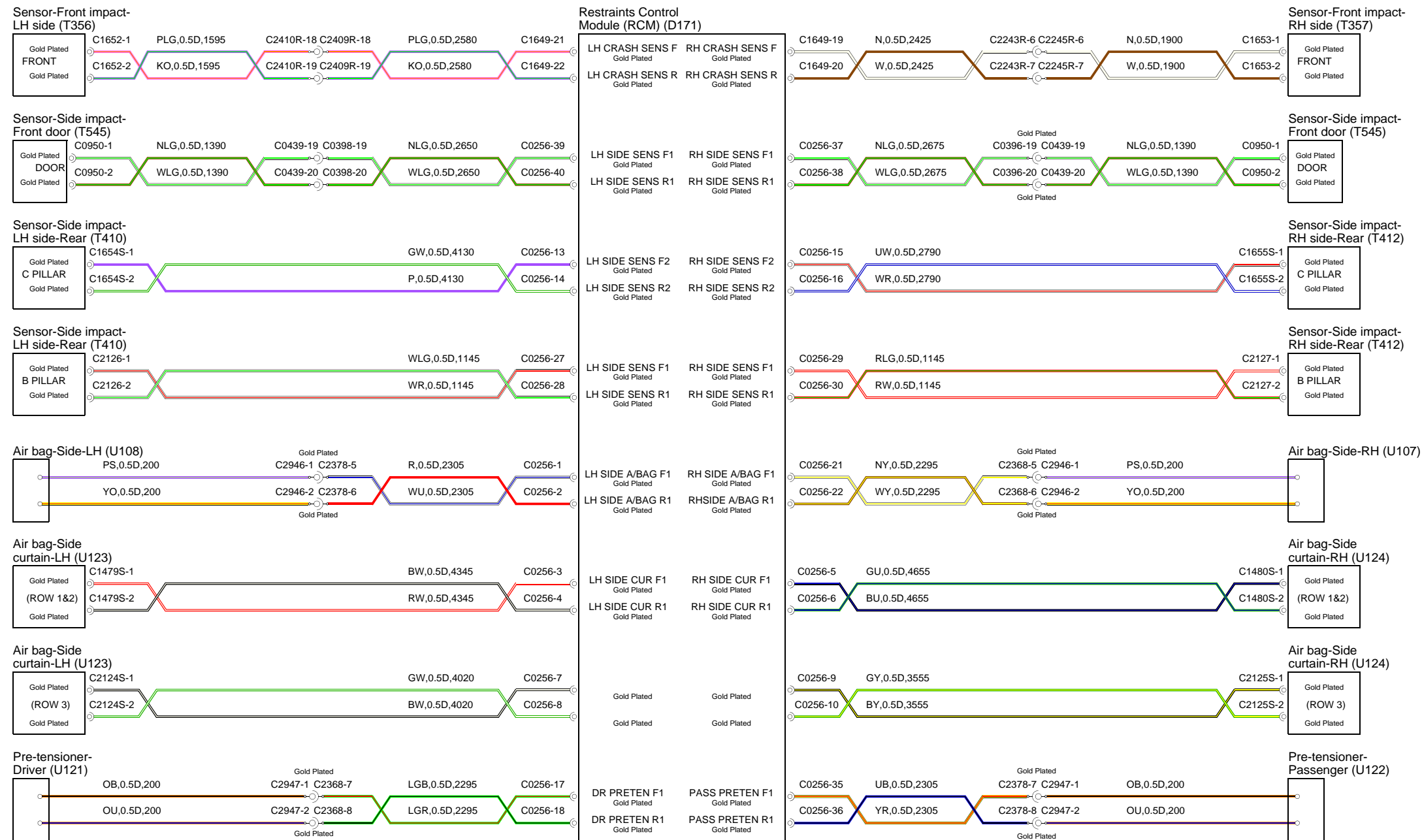


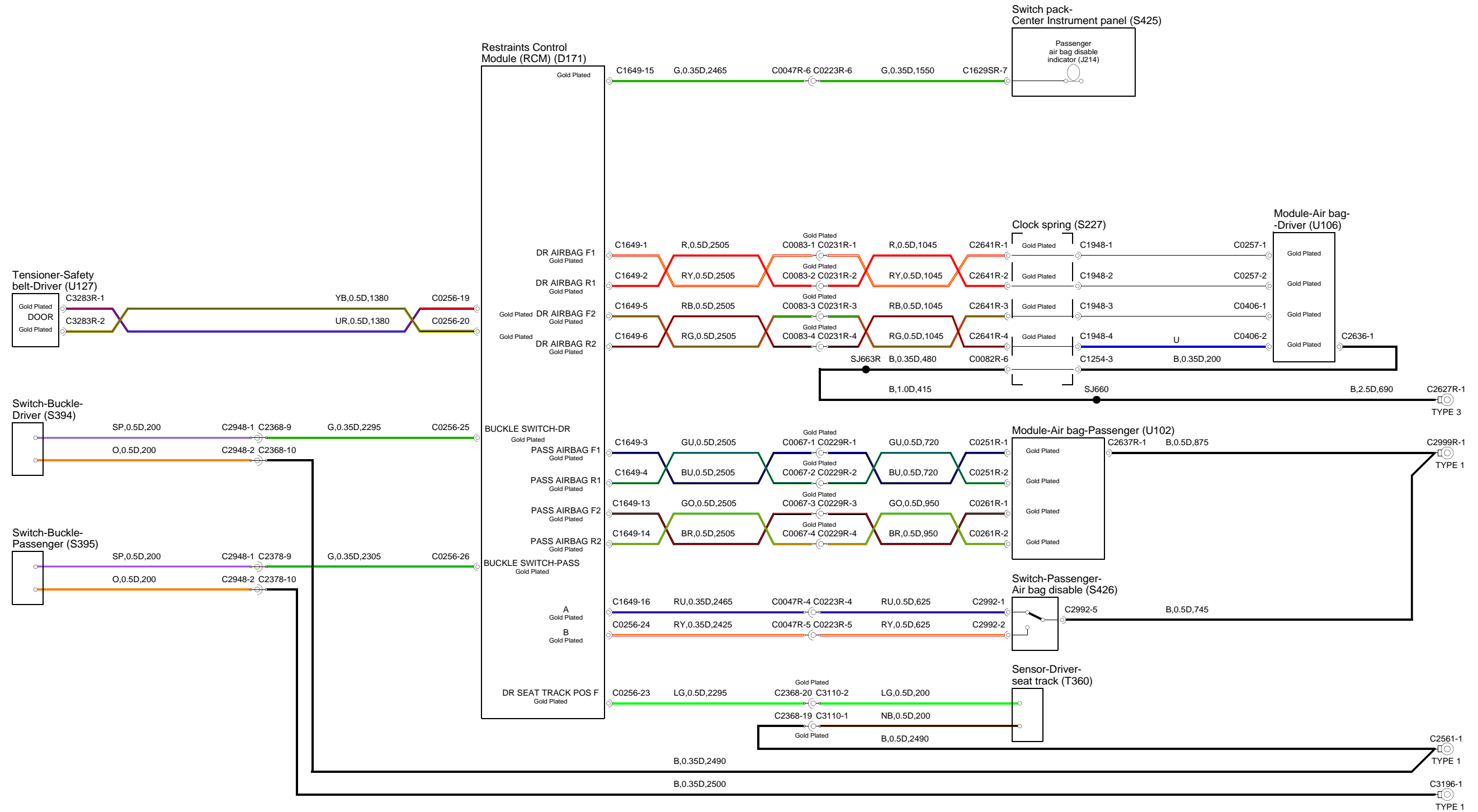






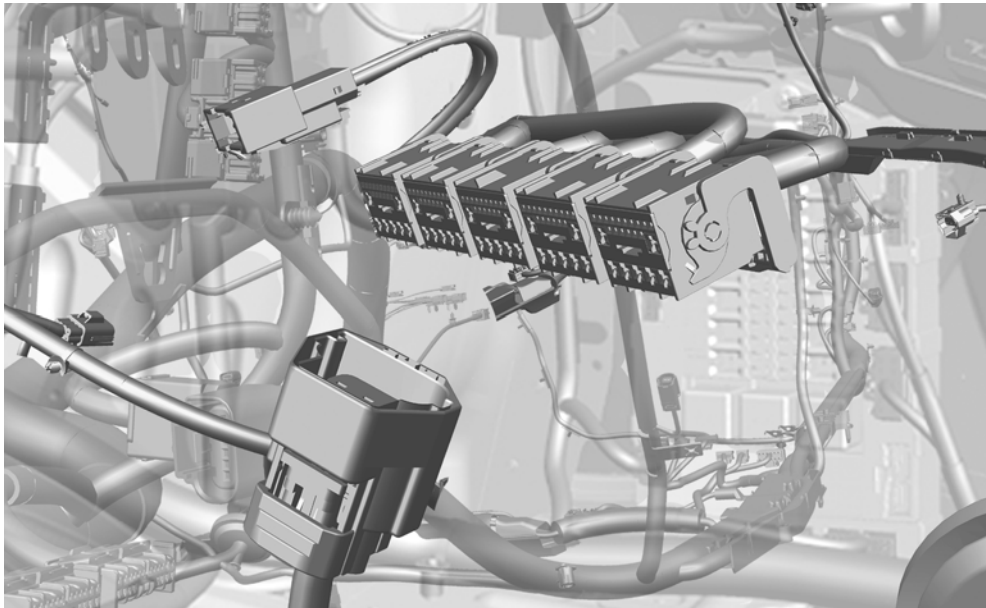








Electrical Wiring Diagrams



DISCOVERY 4 - LR4 (LHD)

(5a) VIN: 513326 >

Electrical Wiring Diagrams

DISCOVERY 4 - LR4 (LHD)

(5a) VIN: 513326 >

ABBREVIATIONS

..... viii

USING THIS PUBLICATION

Health and safety ix
Using this publication ix
Section numbering x
Circuit sheet numbering x
Understanding the circuit diagrams x

204-04 - WHEELS AND TIRES

Tire pressure monitoring system 1

204-05 - VEHICLE DYNAMIC SUSPENSION

Air suspension 2

205-02 - REAR DRIVE AXLE AND DIFFERENTIAL

..... 4

206-05 - PARKING BRAKE AND ACTUATION

..... 6

206-09 - ANTI-LOCK CONTROL

..... 7

211-04 - STEERING COLUMN

Adjustable 9

Clock spring 10

303-06 - STARTING SYSTEM

Ignition 12

303-14 - ELECTRONIC ENGINE CONTROLS

PV8 13

PV6 18

DV6 (2.7L) 24

DV6 (3.0L) 30

307-01 - AUTOMATIC TRANSMISSION

DV6 (3.0L) and PV8 35

DV6 (2.7L) and PV6 37

308-00 - MANUAL TRANSMISSION

..... 39

308-07 - FOUR WHEEL DRIVE SYSTEMS

Transfer box 40

310-01 - FUEL TANK AND FUEL LINES

..... 43

412-01 - CLIMATE CONTROL

..... 45

Rear 48

412-02 - AUXILIARY CLIMATE CONTROL

Heated screen and washer jets 50

Fuel fired booster heater 51

413-00 - INSTRUMENT CLUSTER AND PANEL ILLUMINATION

..... 52

413-06 - HORN

..... 54

413-07 - CLOCK

..... 55

413-08 - INFORMATION AND MESSAGE CENTER	56
413-13 - PARKING AID	58
Multiple cameras	60
Rear view camera	61
414-01 - BATTERY, MOUNTING AND CABLES	62
Engine junction box	70
Central junction box	81
Ground distribution	81
414-02 - GENERATOR AND REGULATOR	89
Petrol	90
Diesel	90
415-00 - INFORMATION AND ENTERTAINMENT SYSTEM	91
Low line	93
Mid-Line	96
High line	105
Portable audio interface	105
417-01 - EXTERIOR LIGHTING	106
Head, side, tail and number plate lamps	111
Headlamps - adaptive front lighting system	113
Lighting control switch	114
Auxiliary	115
Trailer socket - NAS	116
Trailer socket - Europe	116
417-02 - INTERIOR LIGHTING	117
Ambient lighting	120
418-00 - MODULE COMMUNICATIONS NETWORK	121
CAN bus - medium speed	122
CAN bus - high speed	124
MOST	130
Diagnostic socket	130
419-01 - ANTI-THEFT SYSTEM	131
Keyless Entry	135
Passive start	137
Active	137
501-09 - REAR VIEW MIRRORS	139
Interior	140
Door	140
501-10 - SEATING	141
Non memory	143
Memory	146
Heated - front	147
Heated - rear	147
501-11 - GLASS, FRAMES AND MECHANISMS	148
Window lift	148
501-12 - INSTRUMENT PANEL AND CONSOLE	150
Accessory socket(s)	151
Cool box	151
501-14 - HANDLES, LOCKS, LATCHES AND ENTRY SYSTEMS	152
Central locking system	152
501-16 - WIPERS AND WASHERS	156

501-17 - ROOF OPENING PANEL

158

501-20B - SUPPLEMENTAL RESTRAINT SYSTEM

159

ABBREVIATIONS

Abbreviation	Description
ABS	Anti-lock braking system
ADRC	Adaptive damping
AFS	Adaptive front lighting system
AMP	Audio amplifier
AUTO	Automatic transmission
AUU	Portable audio interface
BSM	Blind spot monitoring
CAN	Controller area network
CVD	Continuously variable damping
DAB	Digital audio broadcasting
DSC	Dynamic stability control
D4	Diesel engine - Straight-four
DPF	Diesel particulate filter
DV6	Diesel engine - V6
DV8	Diesel engine - V8
EGR	Exhaust gas recirculation
EMS	Engine management system
ETS	Electronic transmission shift
FET	Field effect transistor
GPS	Global positioning system
HID	High intensity discharge
HS CAN	High speed controller area network bus
IC	Instrument cluster
IMT	Intake manifold tuning
IP	Instrument panel
PV6	Petrol engine - V6
PV8	Petrol engine - V8
PV8NA	Naturally aspirated engine - V8
PV8SC	Super charged engine - V8
LH	Left-hand
LIN	Local interconnect network
MAF/IAT	Mass air flow / intake air temperature
MS CAN	Medium speed controller area network bus
MMM	Navigation system module
N/A	Normally aspirated
NAS	North American specification
PDC	Park distance control
RF	Radio frequency
RH	Right-hand
SAI	Secondary air injection
SCL	Steering column locking
SDARS	Satellite digital audio receiver system
TPMS	Tire pressure monitoring system
TSD	Touch screen display
TV	Television
ULEV	Ultra low emission vehicle
USB	Universal serial bus
VICS	Vehicle information control system

Health and safety

Always follow health and safety guidelines, specifically those detailed in the Workshop Manual.

Using this publication

The information provided in this publication is for use only by competent, qualified auto-electricians. Good product knowledge is assumed, as well as the ability to access and use recommended test equipment and other reference material provided.

Test equipment and other reference material

The information in this publication should be used in conjunction with the recommended test equipment; refer to Workshop Manual. Other reference material includes: Technical Service Bulletins (TSB) and the Workshop Manual.

The Electrical Reference Library (ERL) may also prove useful since it provides detailed connector information.

Battery disconnection and reconnection

It is imperative that any information relating to battery disconnection and reconnection is followed; refer to the appropriate sections in the Workshop Manual.

Fault Diagnosis

Always use the recommended test equipment for correct and reliable fault diagnosis, refer to the Workshop Manual.

Harness Repair

Repairs should only be undertaken for connectors where a Service Repair Kit is available; refer to the appropriate Electrical Reference Library (ERL).

Note: Fibre Optic circuits cannot be repaired; refer to the Workshop Manual.

Health and safety

Always follow health and safety guidelines, specifically those detailed in the Workshop Manual.

Using this publication

The information provided in this publication is for use only by competent, qualified auto-electricians. Good product knowledge is assumed, as well as the ability to access and use recommended test equipment and other reference material provided.

Test equipment and other reference material

The information in this publication should be used in conjunction with the recommended test equipment; refer to Workshop Manual. Other reference material includes: Technical Service Bulletins (TSB) and the Workshop Manual.

The Electrical Reference Library (ERL) may also prove useful since it provides detailed connector information.

Battery disconnection and reconnection

It is imperative that any information relating to battery disconnection and reconnection is followed; refer to the appropriate sections in the Workshop Manual.

Fault Diagnosis

Always use the recommended test equipment for correct and reliable fault diagnosis, refer to the Workshop Manual.

Harness Repair

Repairs should only be undertaken for connectors where a Service Repair Kit is available; refer to the appropriate Electrical Reference Library (ERL).

Note: Fibre Optic circuits cannot be repaired; refer to the Workshop Manual.

USING THIS PUBLICATION

Section numbering

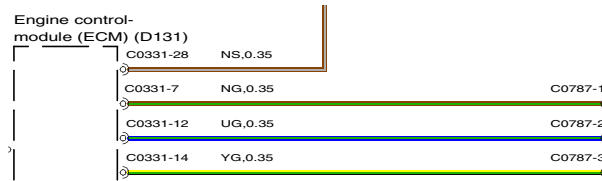
The sections in this publication are ordered to match the Global Outline numbering system as found in the current Workshop Manual. The Power and Ground distribution circuits can be found under section 414-01, BATTERY, MOUNTING AND CABLES. **Note:** Where circuit diagrams show more than one sub-system, the circuit will be located in the section that carries the first-named sub-system, for example: Starting and Charging will be located under section 303-06 Starting System, since 'Starting' is the first-named sub-system.

Circuit sheet numbering

The figures in brackets to the left of the page number indicate a circuit sheet number and the total number of sheets per circuit, for example (01 / 05) represents sheet 1 of 5.

Understanding the circuit diagrams

Components



After each component description, a translation code is displayed in brackets, for example: Starter relay (R102), Engine control module (ECM)(D131). The codes can be ignored.

Note: A dotted outline indicates that the component identified is not shown in its entirety.

Connectors

Connectors and header joints are identified by their corresponding connector number with a numbered suffix to indicate the pin-out detail of the wire, i.e. C0292-1 identifies connector 292, pin number 1. Wire insulation colours are listed in a table at the end of this section. Where wires have a predominant colour with a secondary colour tracer, the main colour is identified first, i.e. WH-BK - white with a black tracer.

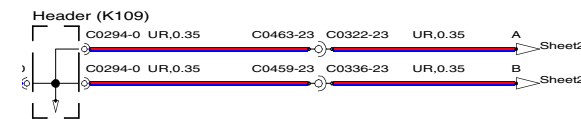
Wire length (Power and Ground Distribution only)

The wire length (in millimetres) is displayed after the colour and cross sectional area; for example, SR,0.35,480. In this example, the figure, 480 indicates the approximate position of the harness splice is 480mm from connector C2335.

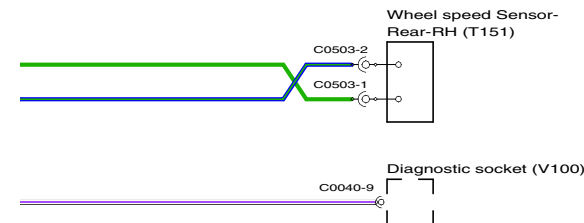
Line Types



Crossed wires as illustrated above show an example of how a twisted pair of wires may be represented on the circuits.



The arrows illustrated above show an example of the page break symbols, identifying that the circuit continues at the corresponding letter on the sheet number indicated.



The cup and ball symbol represents the male and female halves of connector. Most connectors plug directly into a component but some are wired directly to the component using a 'flylead' as with C503 above.

Ground points

Ground points are identified with an eyelet symbol and a connector number, except where components are grounded through its fixings, when only the eyelet is shown.

Colour Codes

CODE	COLOUR
BK or B	BLACK
BN or N	BROWN
BU or U	BLUE
GN or G	GREEN
GY or S	GREY (slate)
OG or O	ORANGE
PK or K	PINK
RD or R	RED
VT or P	PURPLE
WH or W	WHITE
YE or Y	YELLOW

USING THIS PUBLICATION

Section numbering

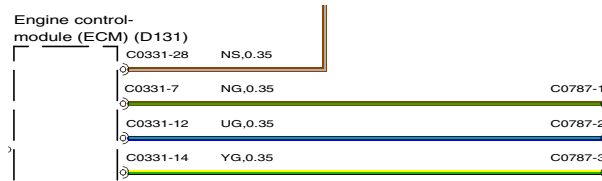
The sections in this publication are ordered to match the Global Outline numbering system as found in the current Workshop Manual. The Power and Ground distribution circuits can be found under section 414-01, BATTERY, MOUNTING AND CABLES. **Note:** Where circuit diagrams show more than one sub-system, the circuit will be located in the section that carries the first-named sub-system, for example: Starting and Charging will be located under section 303-06 Starting System, since 'Starting' is the first-named sub-system.

Circuit sheet numbering

The figures in brackets to the left of the page number indicate a circuit sheet number and the total number of sheets per circuit, for example (01 / 05) represents sheet 1 of 5.

Understanding the circuit diagrams

Components



After each component description, a translation code is displayed in brackets, for example: Starter relay (R102), Engine control module (ECM)(D131). The codes can be ignored.

Note: A dotted outline indicates that the component identified is not shown in its entirety.

Connectors

Connectors and header joints are identified by their corresponding connector number with a numbered suffix to indicate the pin-out detail of the wire, i.e. C0292-1 identifies connector 292, pin number 1. Wire insulation colours are listed in a table at the end of this section. Where wires have a predominant colour with a secondary colour tracer, the main colour is identified first, i.e. WH-BK - white with a black tracer.

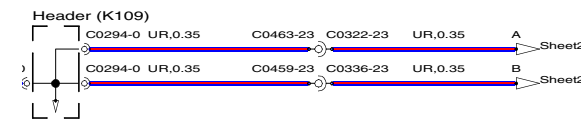
Wire length (Power and Ground Distribution only)

The wire length (in millimetres) is displayed after the colour and cross sectional area; for example, SR,0.35,480. In this example, the figure, 480 indicates the approximate position of the harness splice is 480mm from connector C2335.

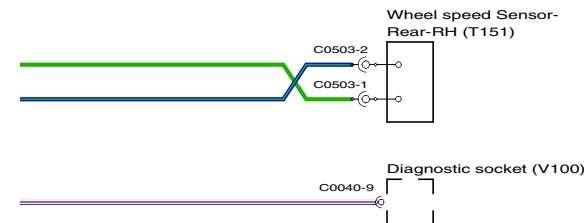
Line Types



Crossed wires as illustrated above show an example of how a twisted pair of wires may be represented on the circuits.



The arrows illustrated above show an example of the page break symbols, identifying that the circuit continues at the corresponding letter on the sheet number indicated.



The cup and ball symbol represents the male and female halves of connector. Most connectors plug directly into a component but some are wired directly to the component using a 'flylead' as with C503 above.

Ground points

Ground points are identified with an eyelet symbol and a connector number, except where components are grounded through its fixings, when only the eyelet is shown.

Colour Codes

CODE	COLOUR
BK or B	BLACK
BN or N	BROWN
BU or U	BLUE
GN or G	GREEN
GY or S	GREY (slate)
OG or O	ORANGE
PK or K	PINK
RD or R	RED
VT or P	PURPLE
WH or W	WHITE
YE or Y	YELLOW

USING THIS PUBLICATION

Section numbering

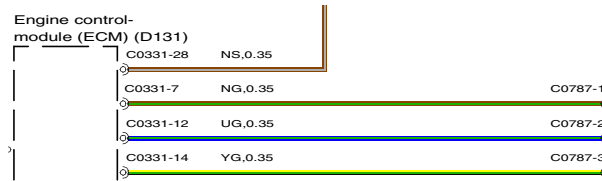
The sections in this publication are ordered to match the Global Outline numbering system as found in the current Workshop Manual. The Power and Ground distribution circuits can be found under section 414-01, BATTERY, MOUNTING AND CABLES. **Note:** Where circuit diagrams show more than one sub-system, the circuit will be located in the section that carries the first-named sub-system, for example: Starting and Charging will be located under section 303-06 Starting System, since 'Starting' is the first-named sub-system.

Circuit sheet numbering

The figures in brackets to the left of the page number indicate a circuit sheet number and the total number of sheets per circuit, for example (01 / 05) represents sheet 1 of 5.

Understanding the circuit diagrams

Components



After each component description, a translation code is displayed in brackets, for example: Starter relay (R102), Engine control module (ECM)(D131). The codes can be ignored.

Note: A dotted outline indicates that the component identified is not shown in its entirety.

Connectors

Connectors and header joints are identified by their corresponding connector number with a numbered suffix to indicate the pin-out detail of the wire, i.e. C0292-1 identifies connector 292, pin number 1. Wire insulation colours are listed in a table at the end of this section. Where wires have a predominant colour with a secondary colour tracer, the main colour is identified first, i.e. WH-BK - white with a black tracer.

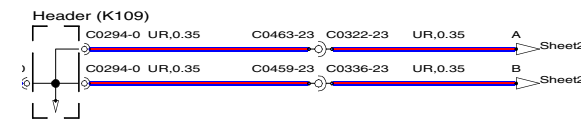
Wire length (Power and Ground Distribution only)

The wire length (in millimetres) is displayed after the colour and cross sectional area; for example, SR,0.35,480. In this example, the figure, 480 indicates the approximate position of the harness splice is 480mm from connector C2335.

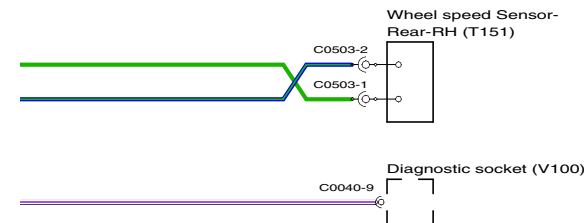
Line Types



Crossed wires as illustrated above show an example of how a twisted pair of wires may be represented on the circuits.



The arrows illustrated above show an example of the page break symbols, identifying that the circuit continues at the corresponding letter on the sheet number indicated.



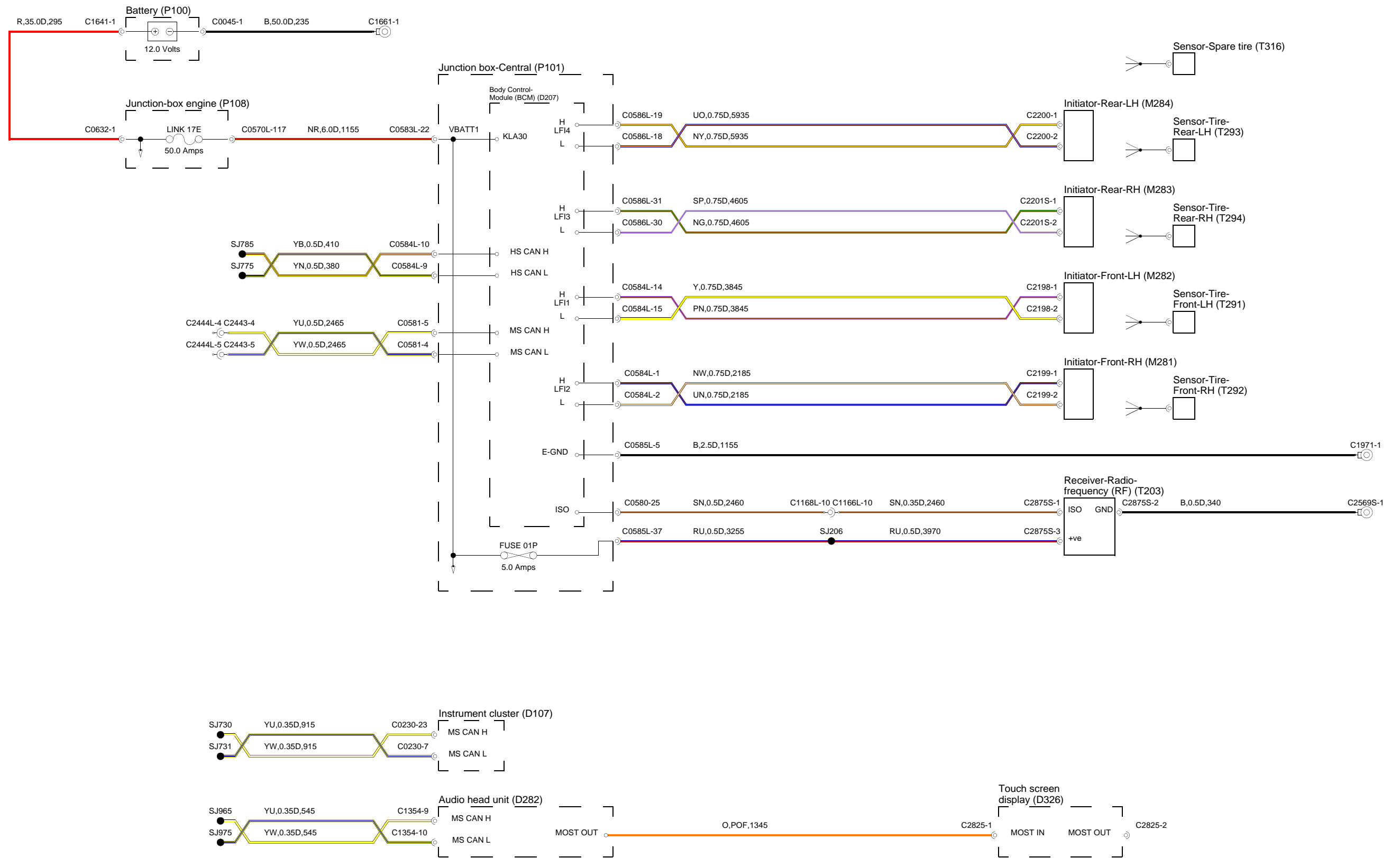
The cup and ball symbol represents the male and female halves of connector. Most connectors plug directly into a component but some are wired directly to the component using a 'flylead' as with C503 above.

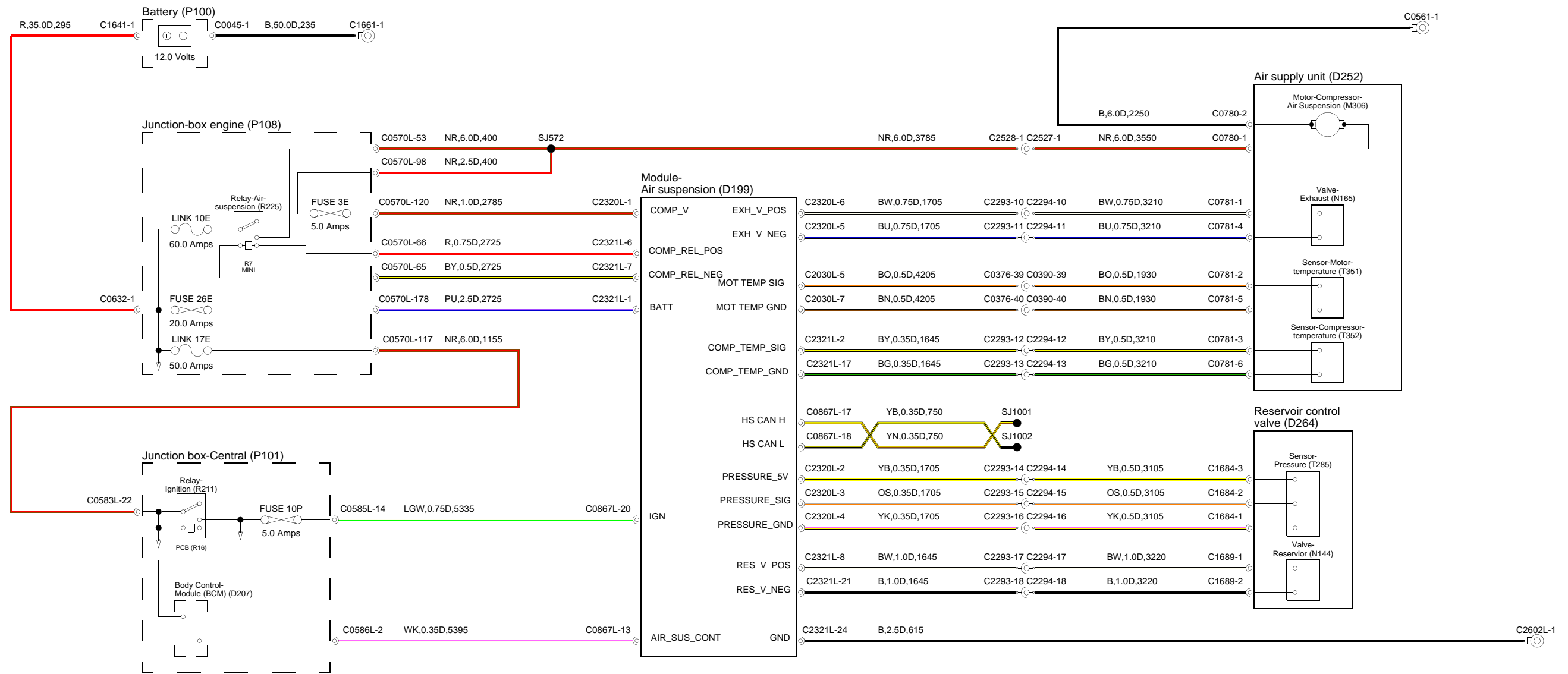
Ground points

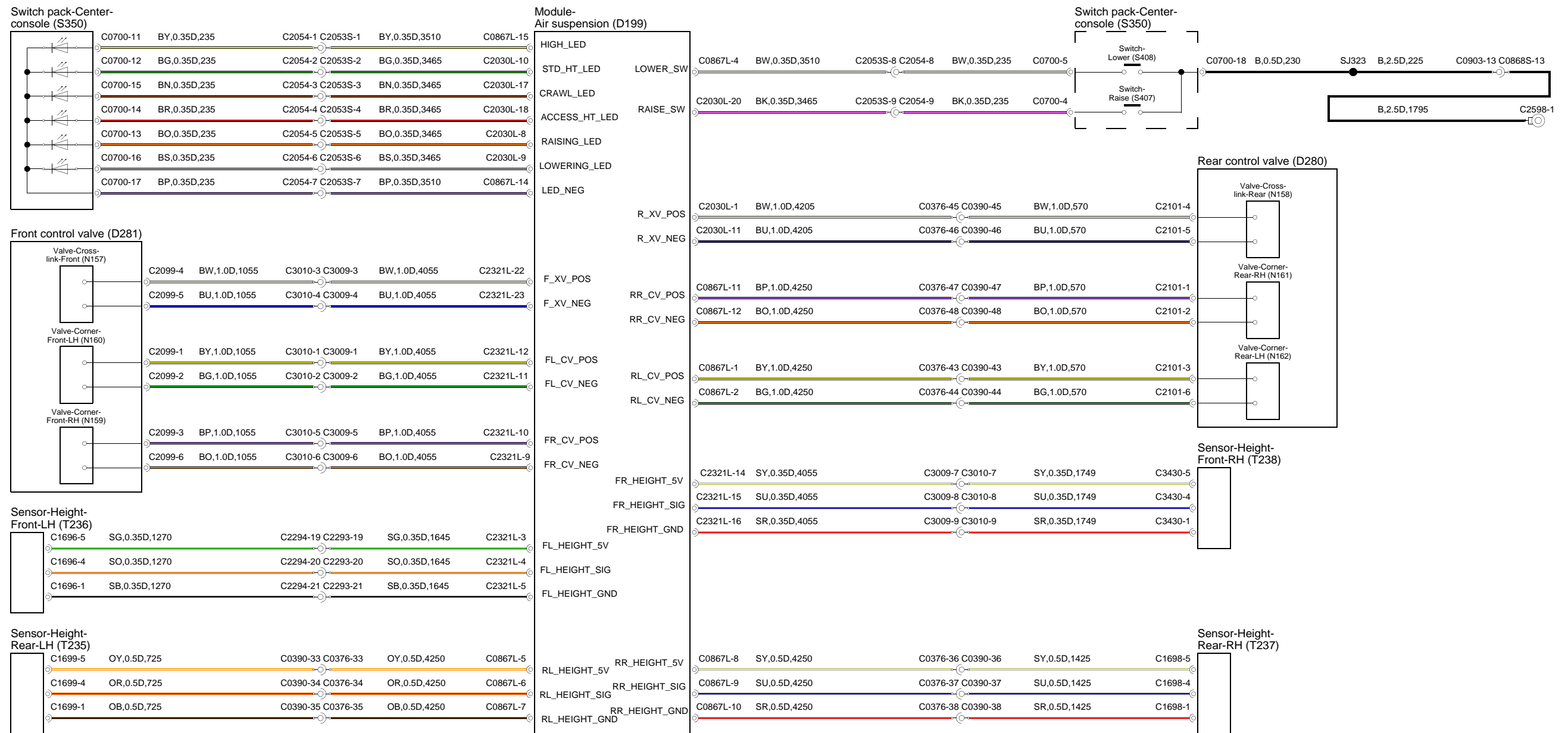
Ground points are identified with an eyelet symbol and a connector number, except where components are grounded through its fixings, when only the eyelet is shown.

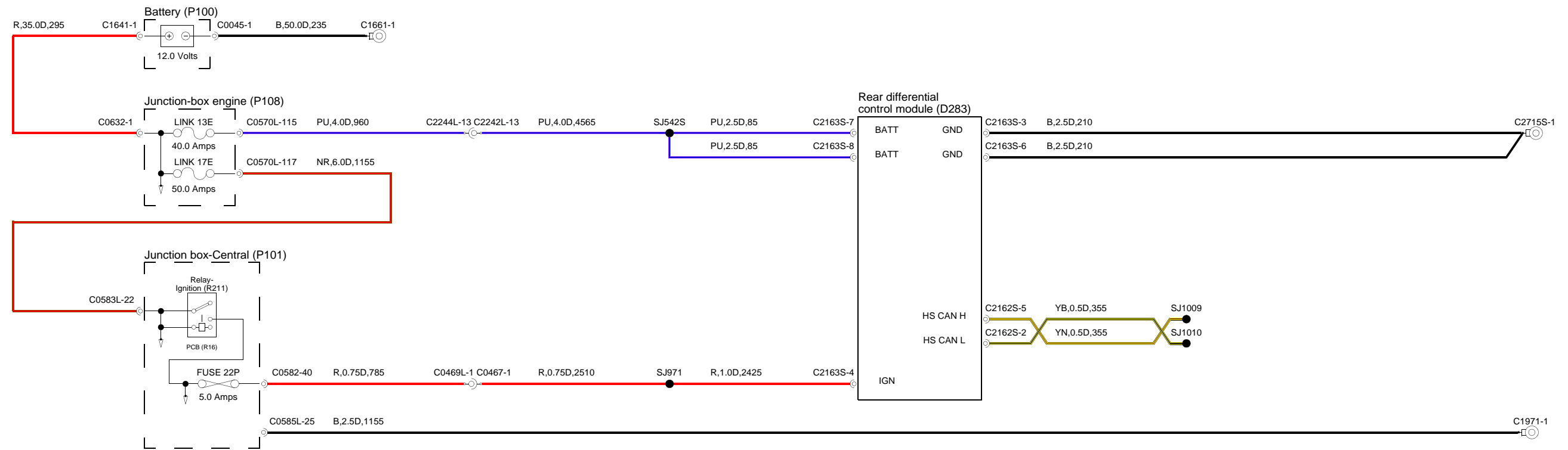
Colour Codes

CODE	COLOUR
BK or B	BLACK
BN or N	BROWN
BU or U	BLUE
GN or G	GREEN
GY or S	GREY (slate)
OG or O	ORANGE
PK or K	PINK
RD or R	RED
VT or P	PURPLE
WH or W	WHITE
YE or Y	YELLOW

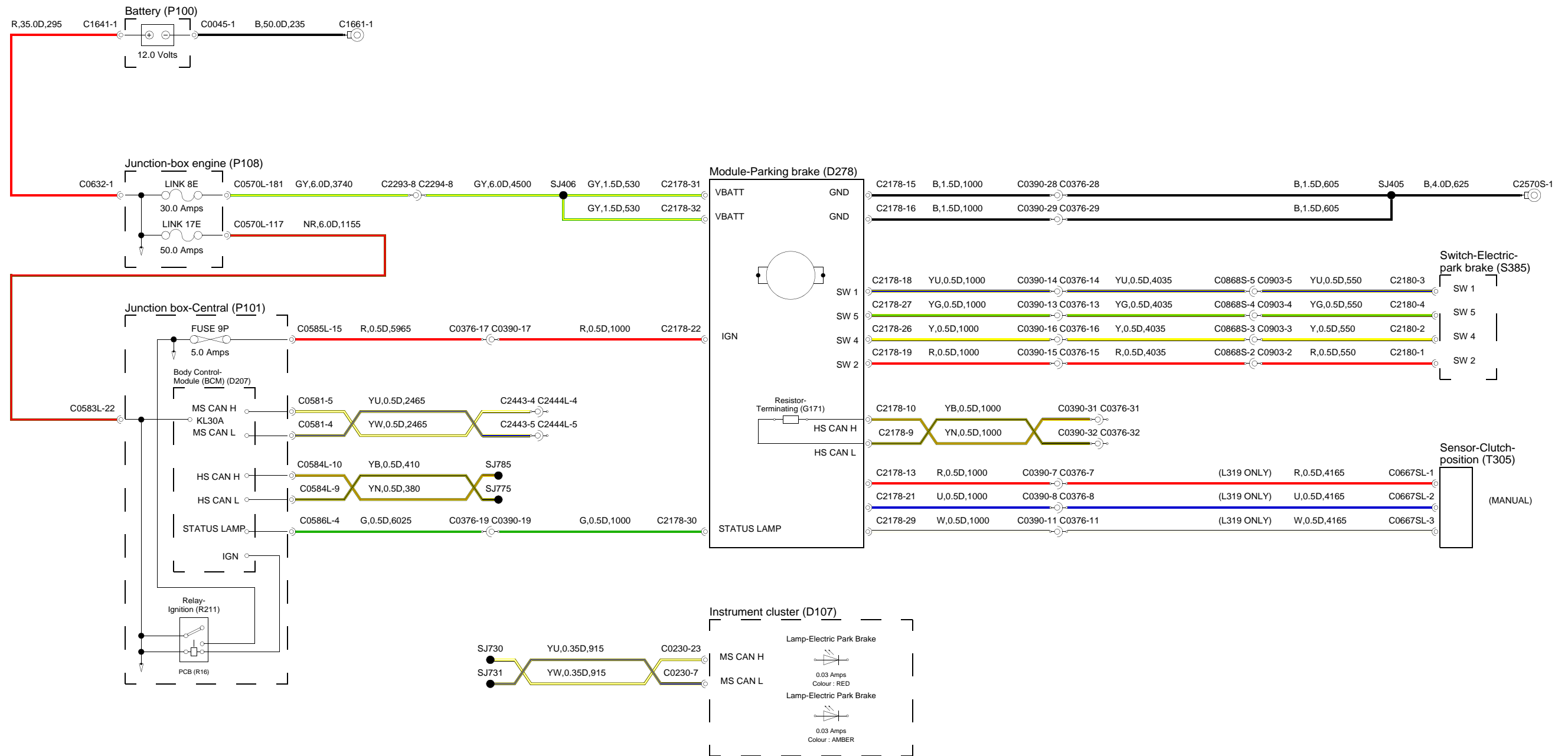


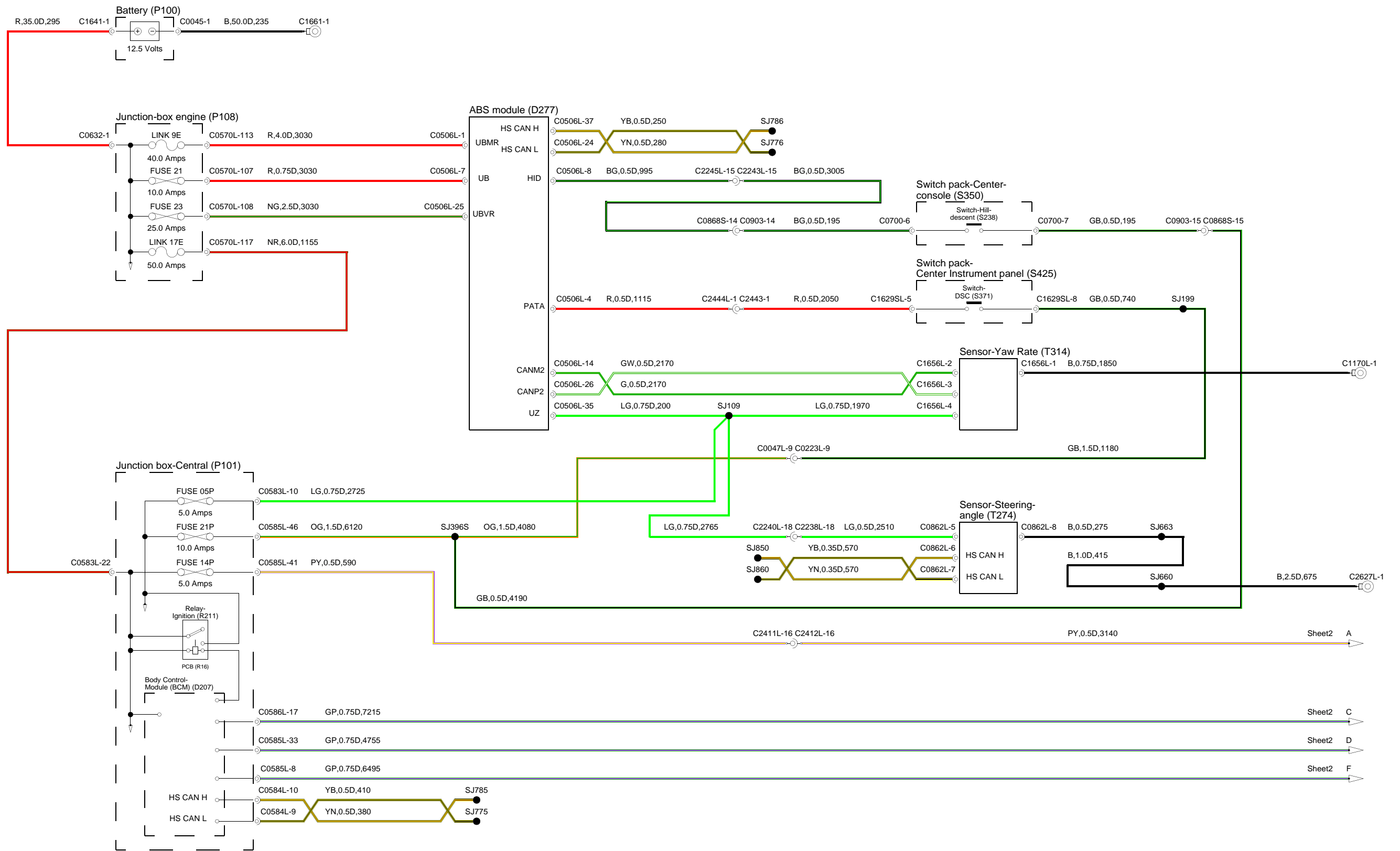


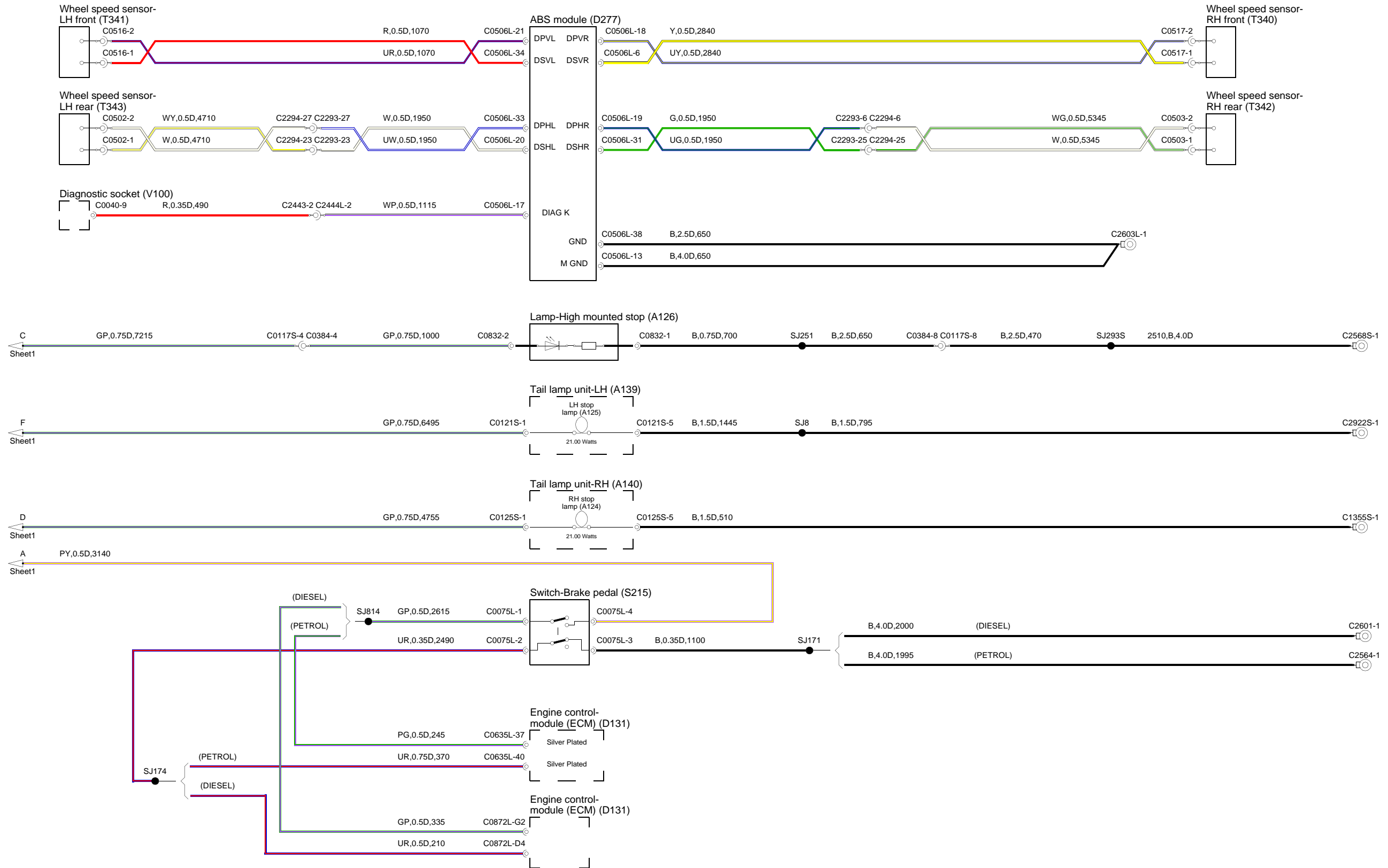


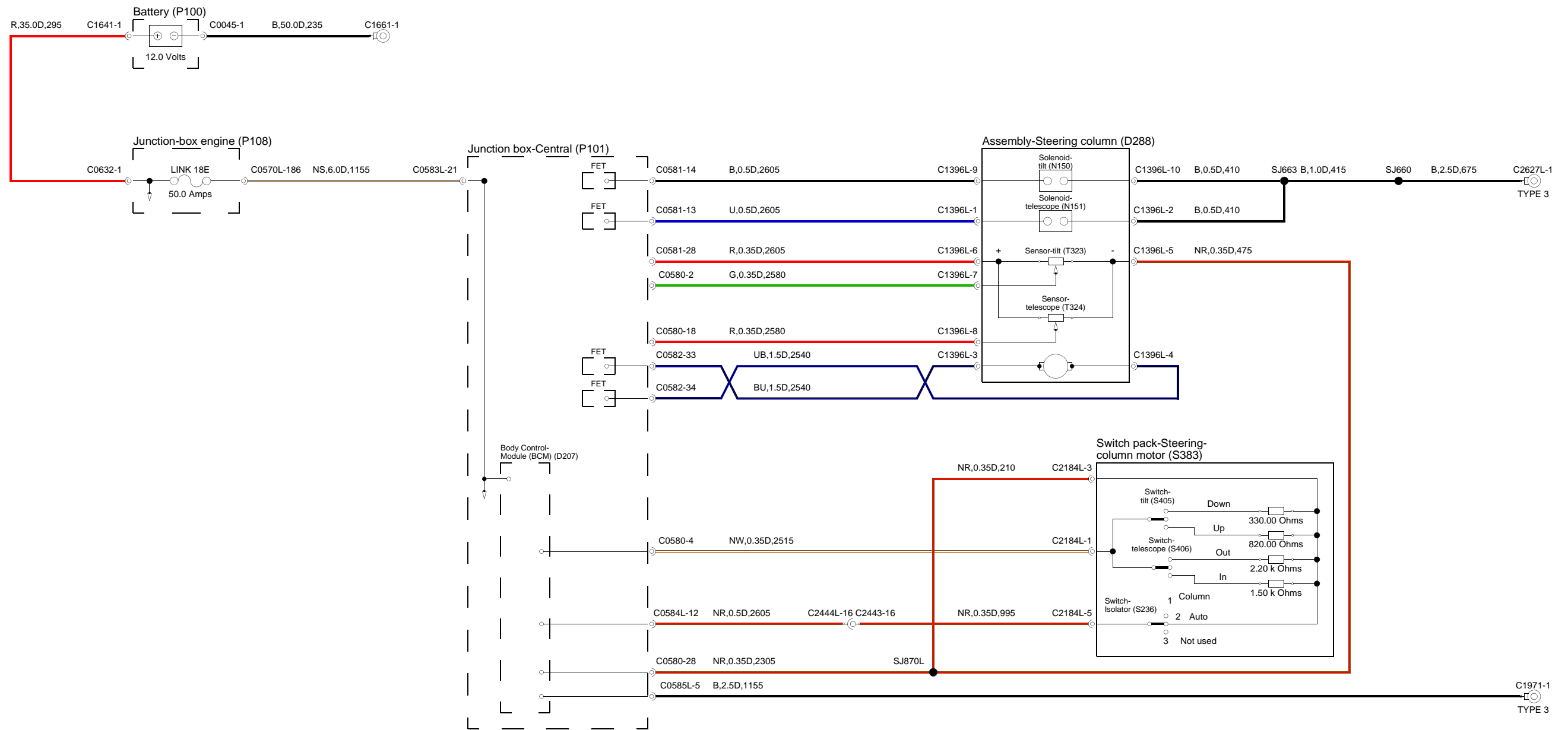


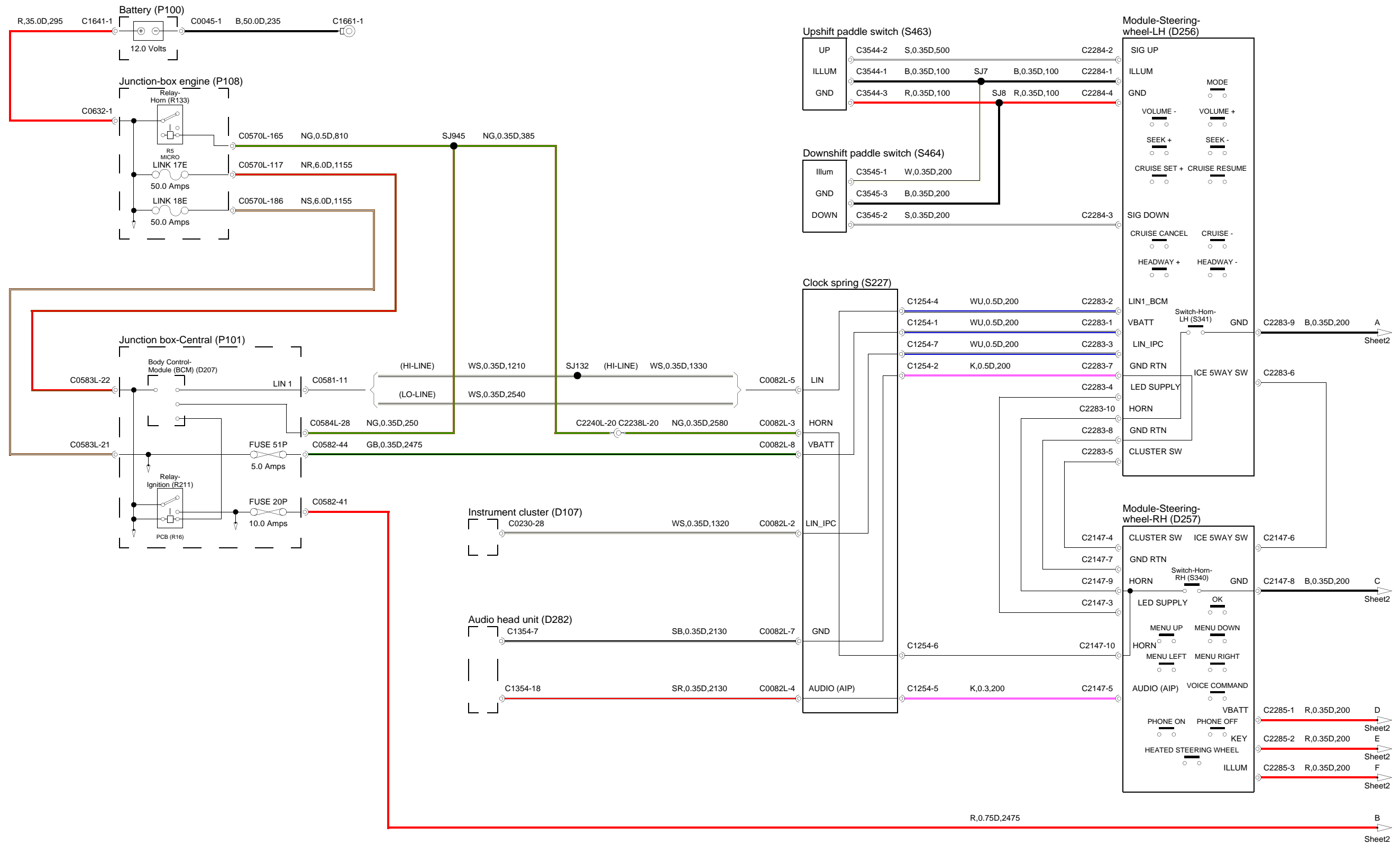


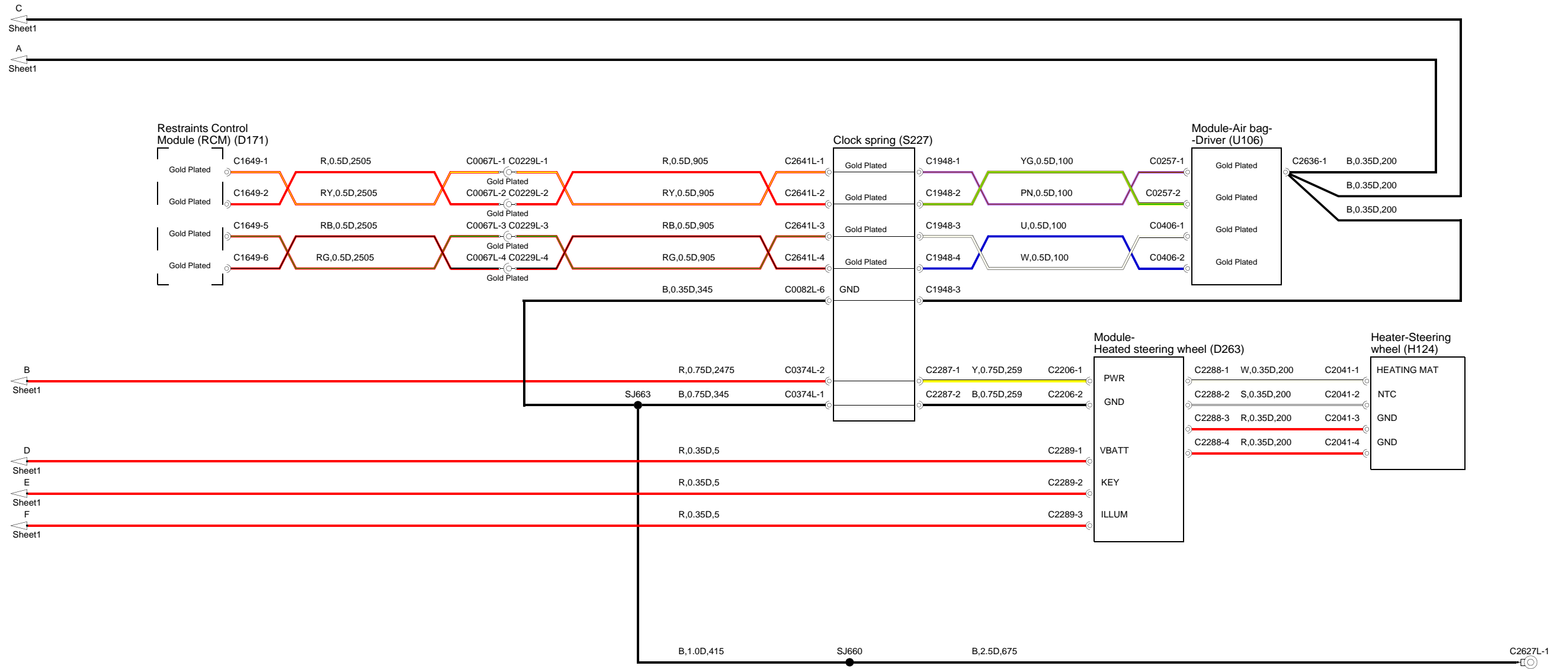


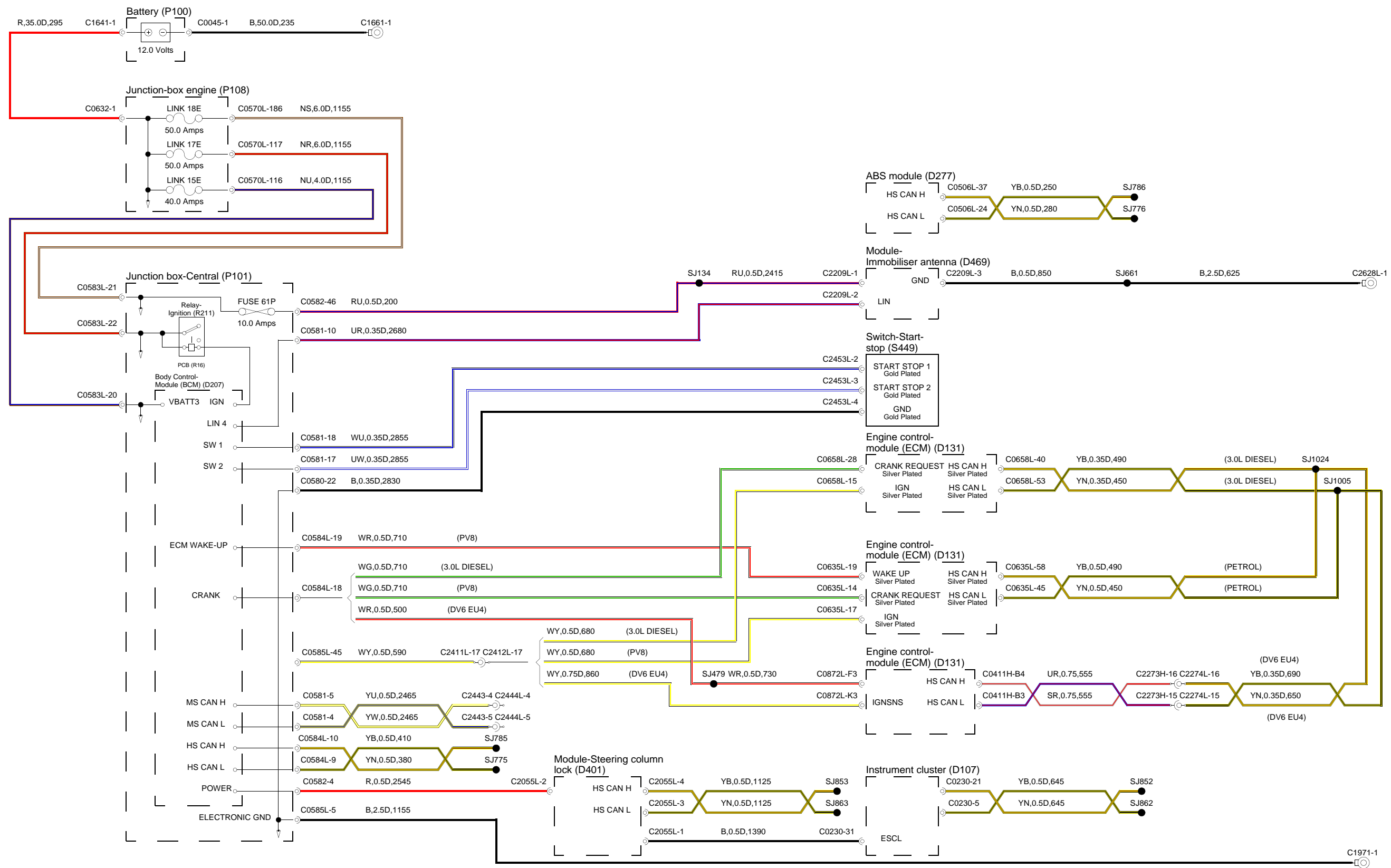


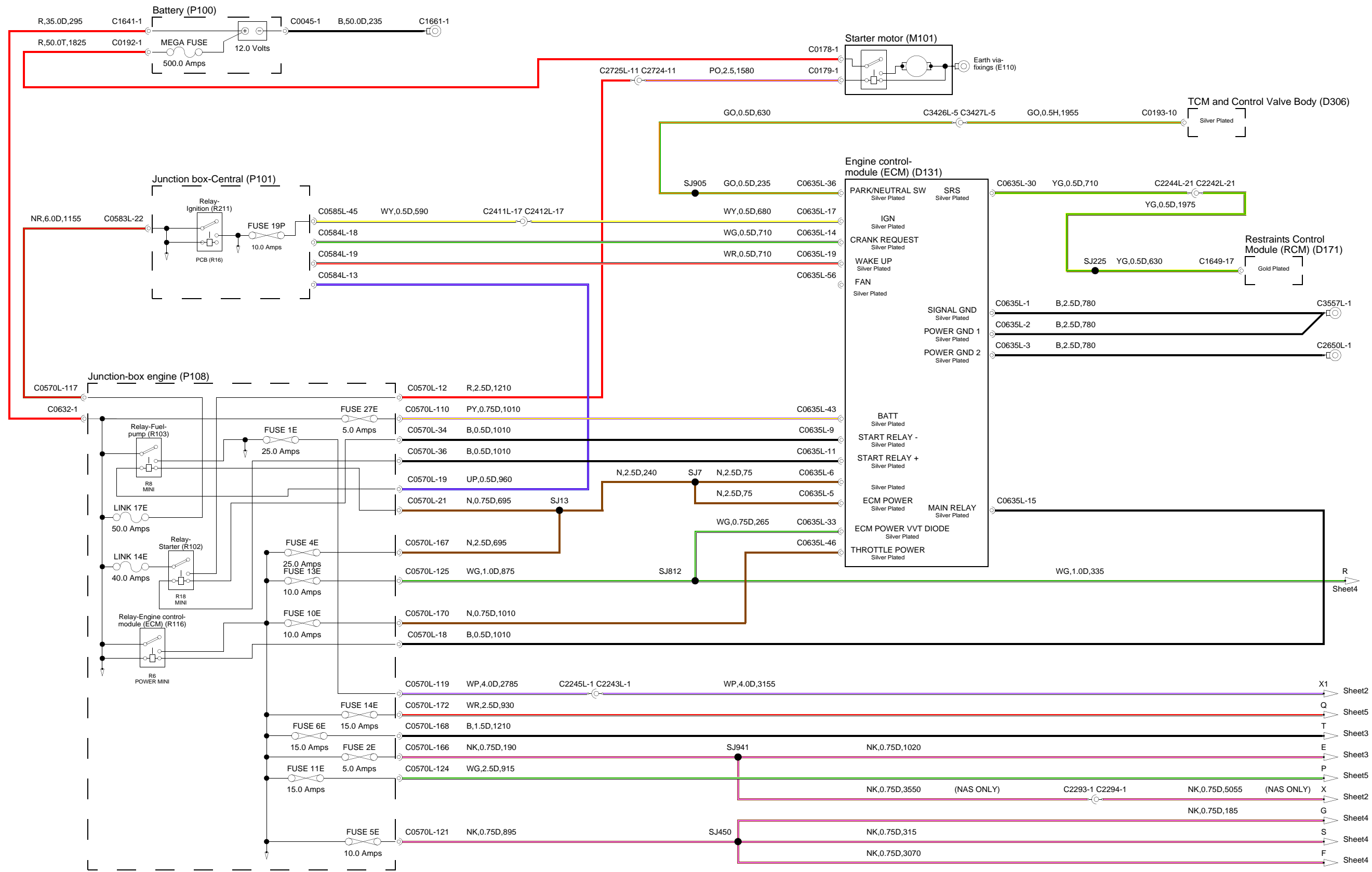


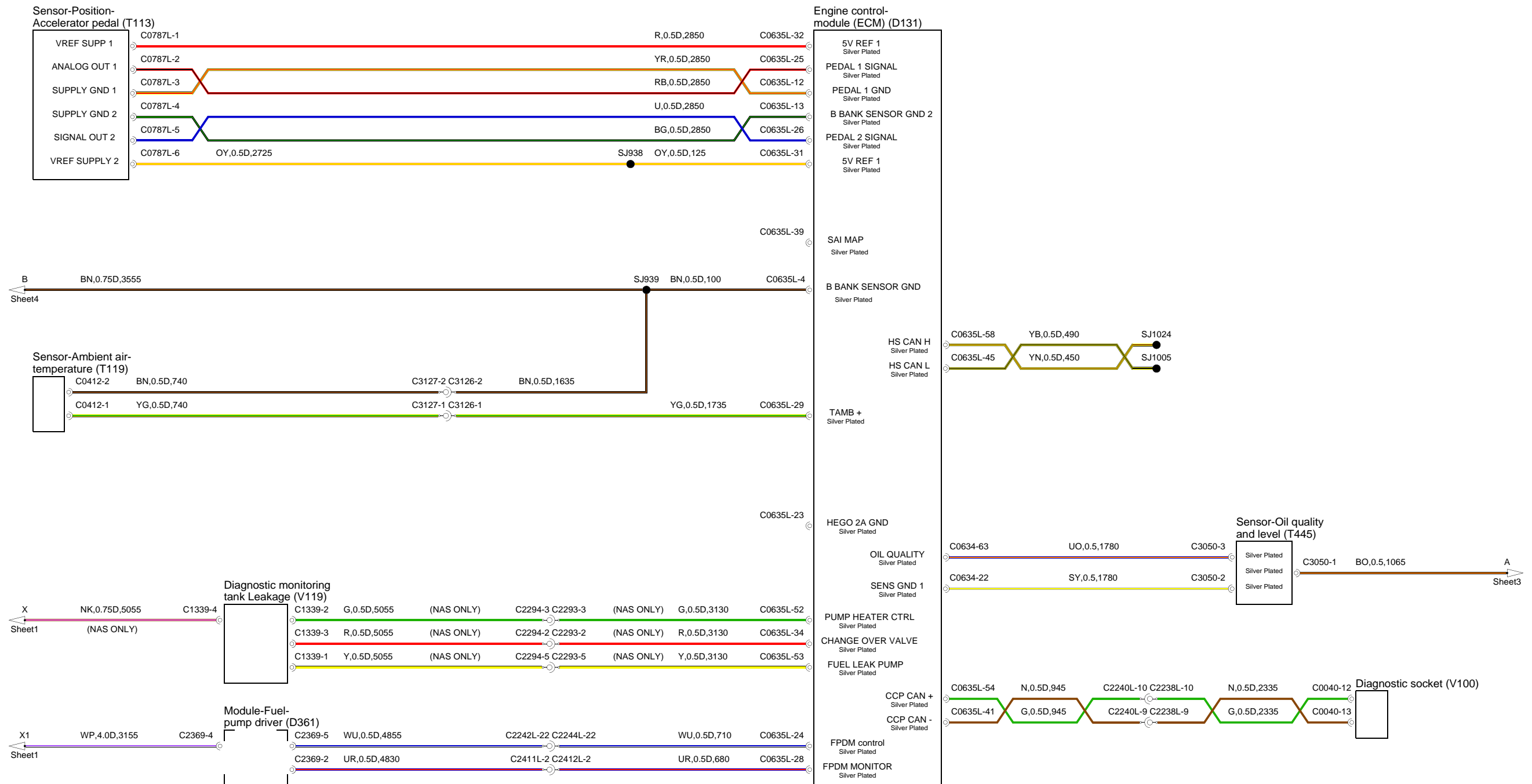


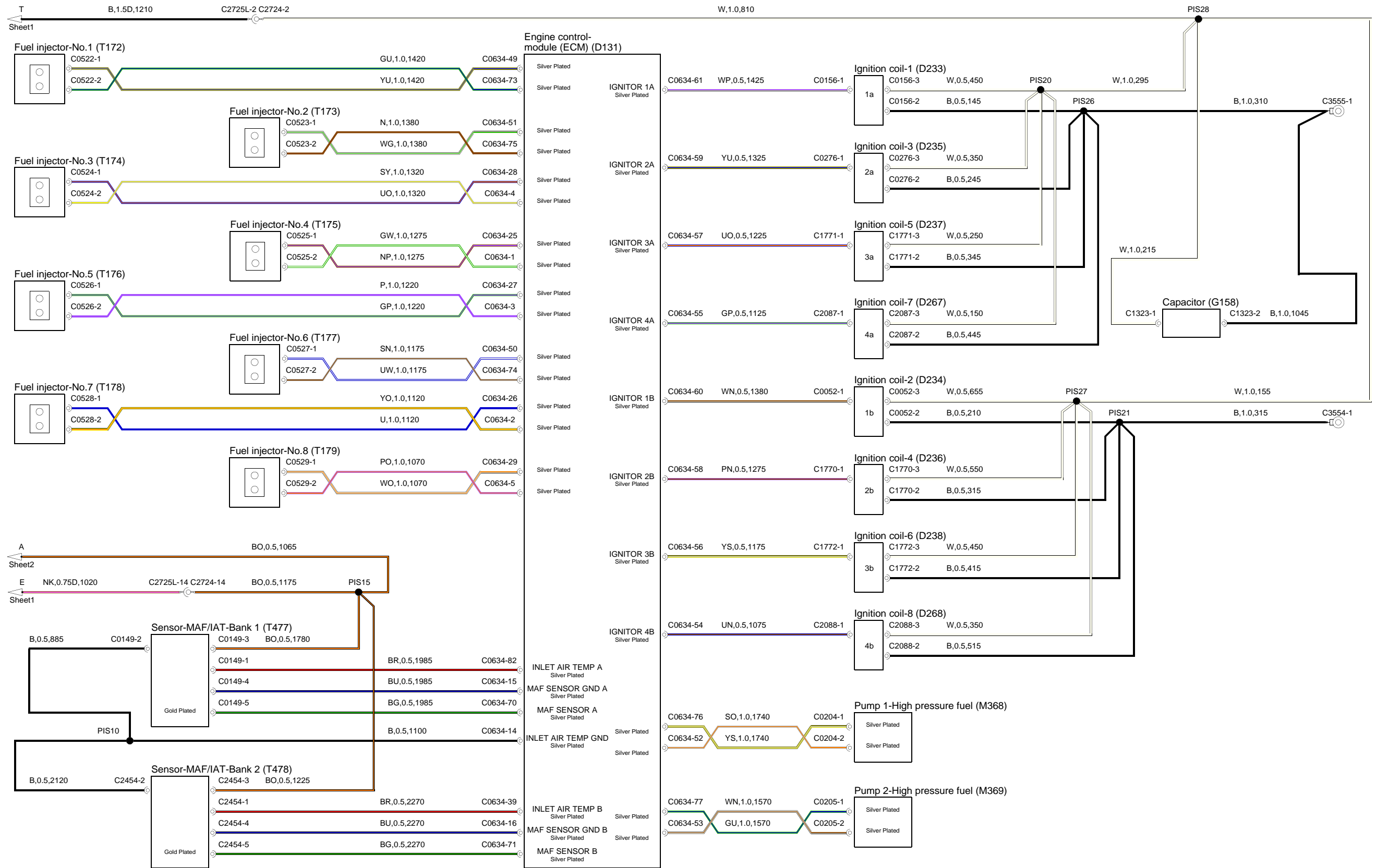


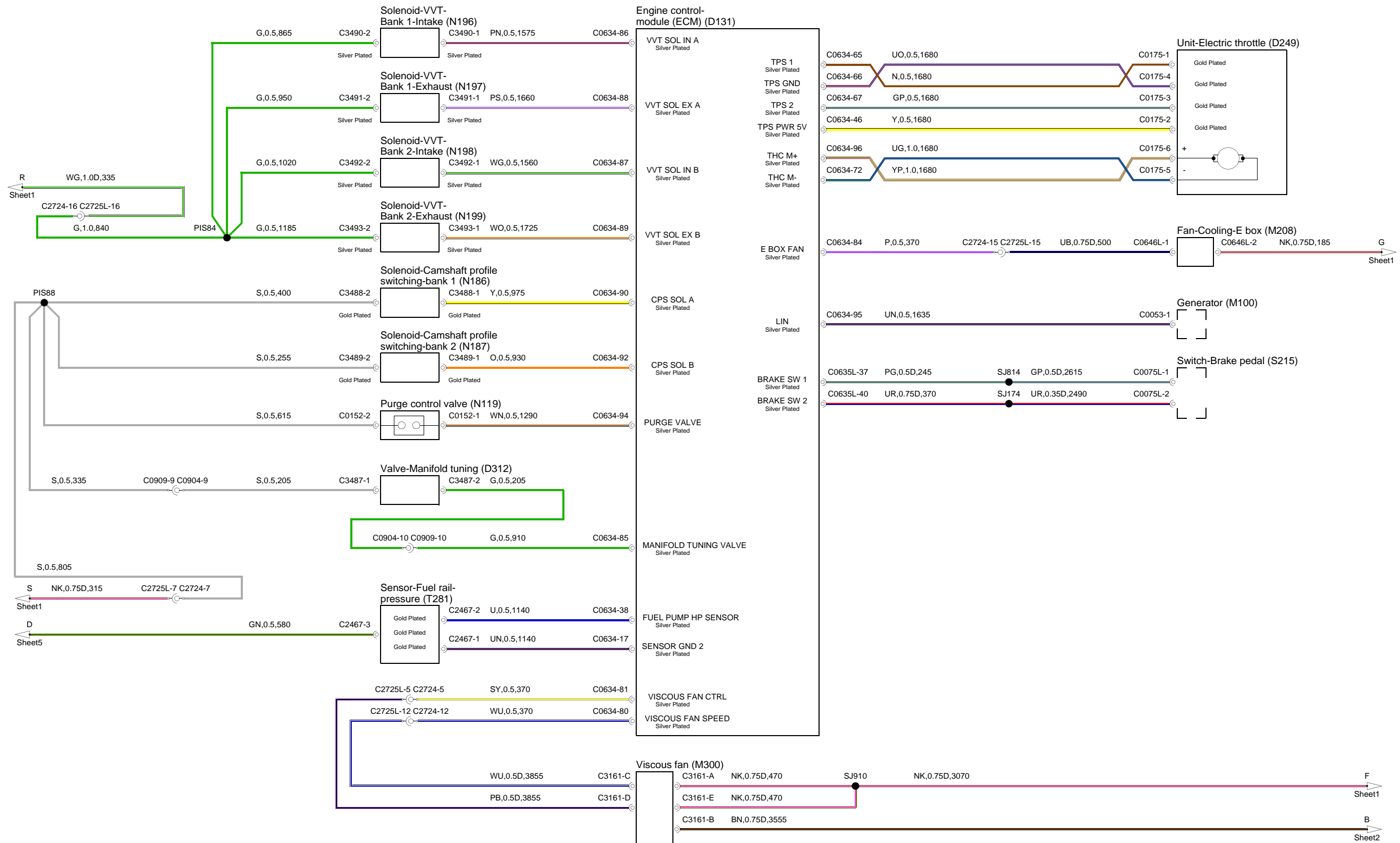


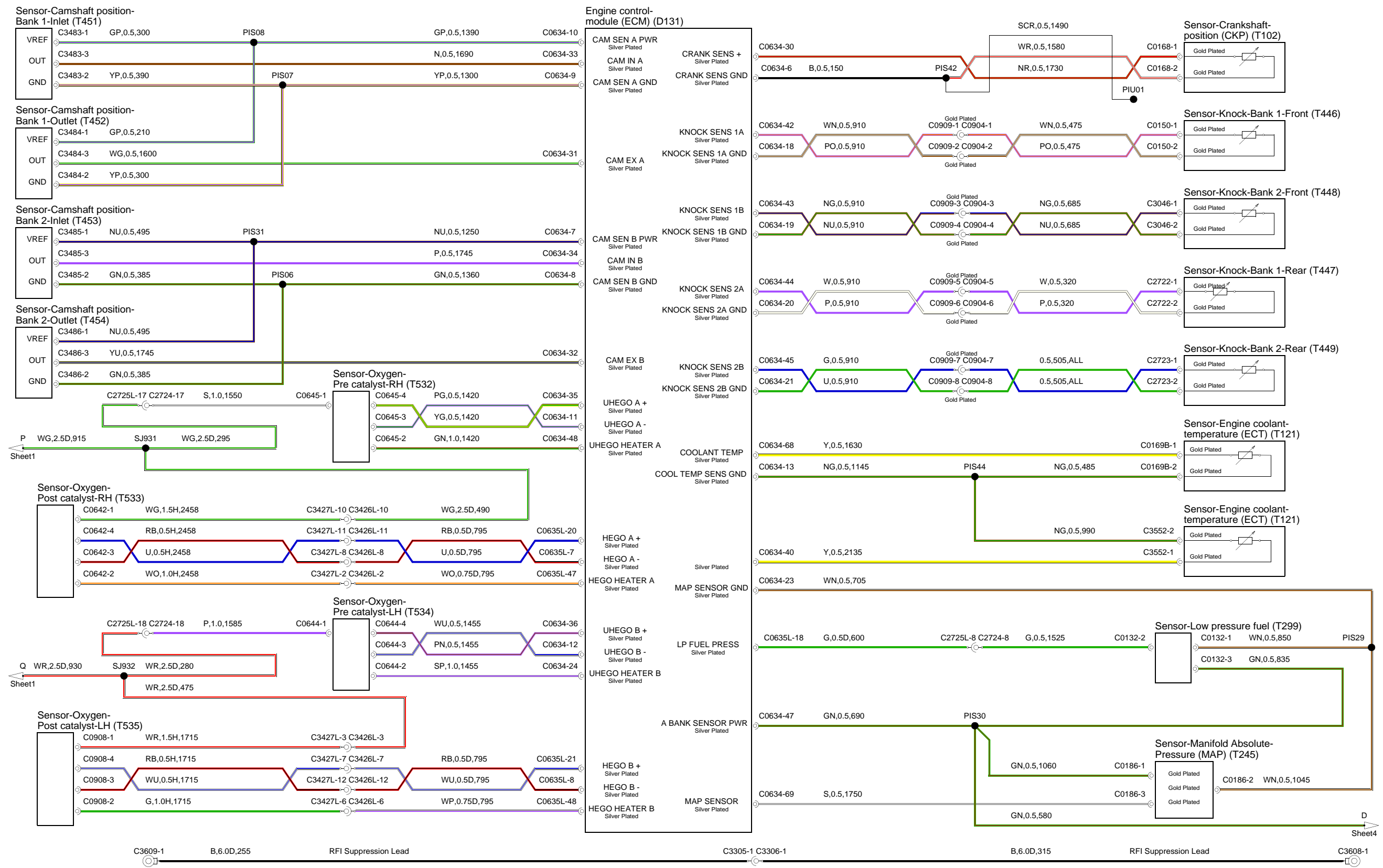


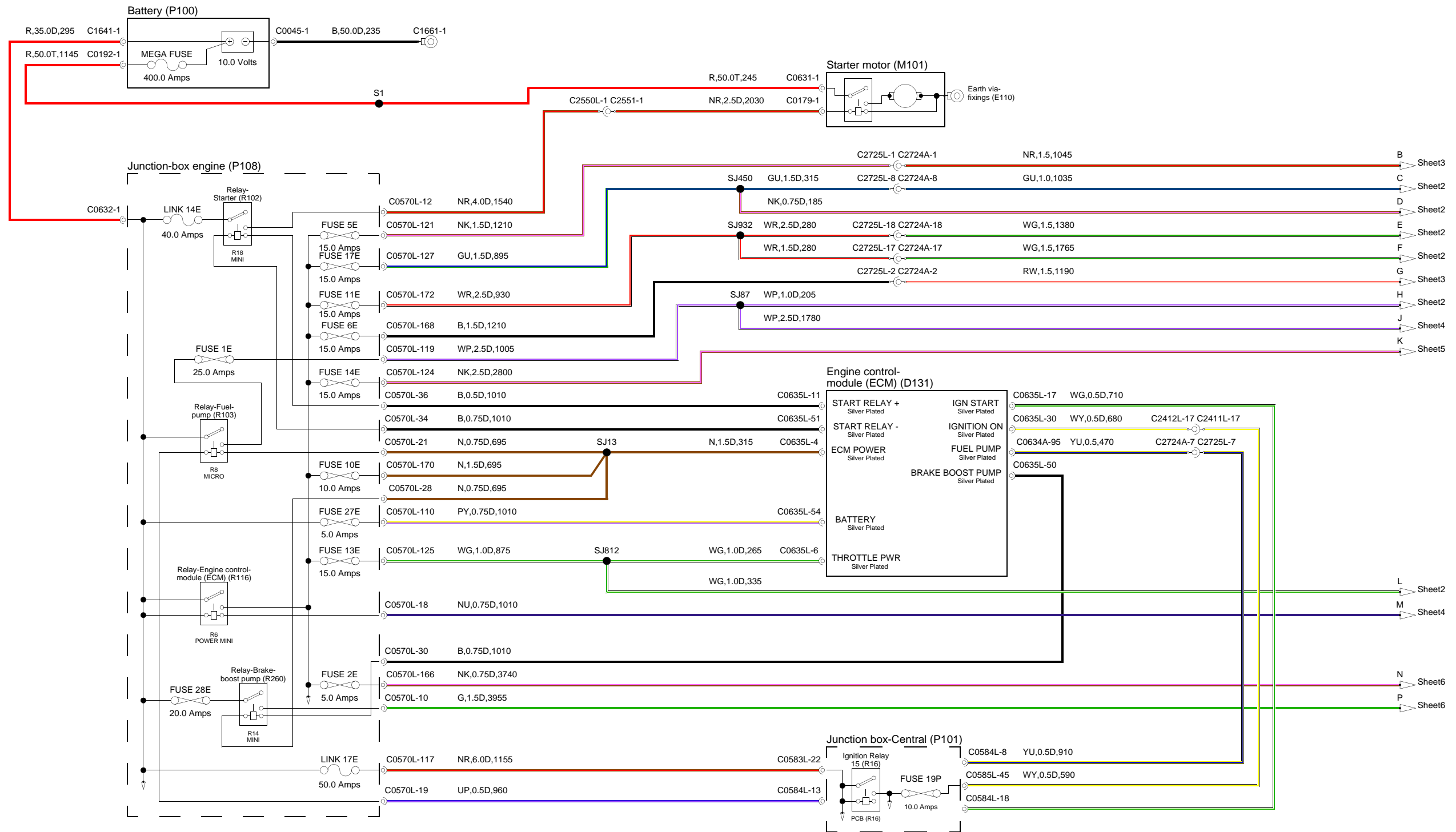


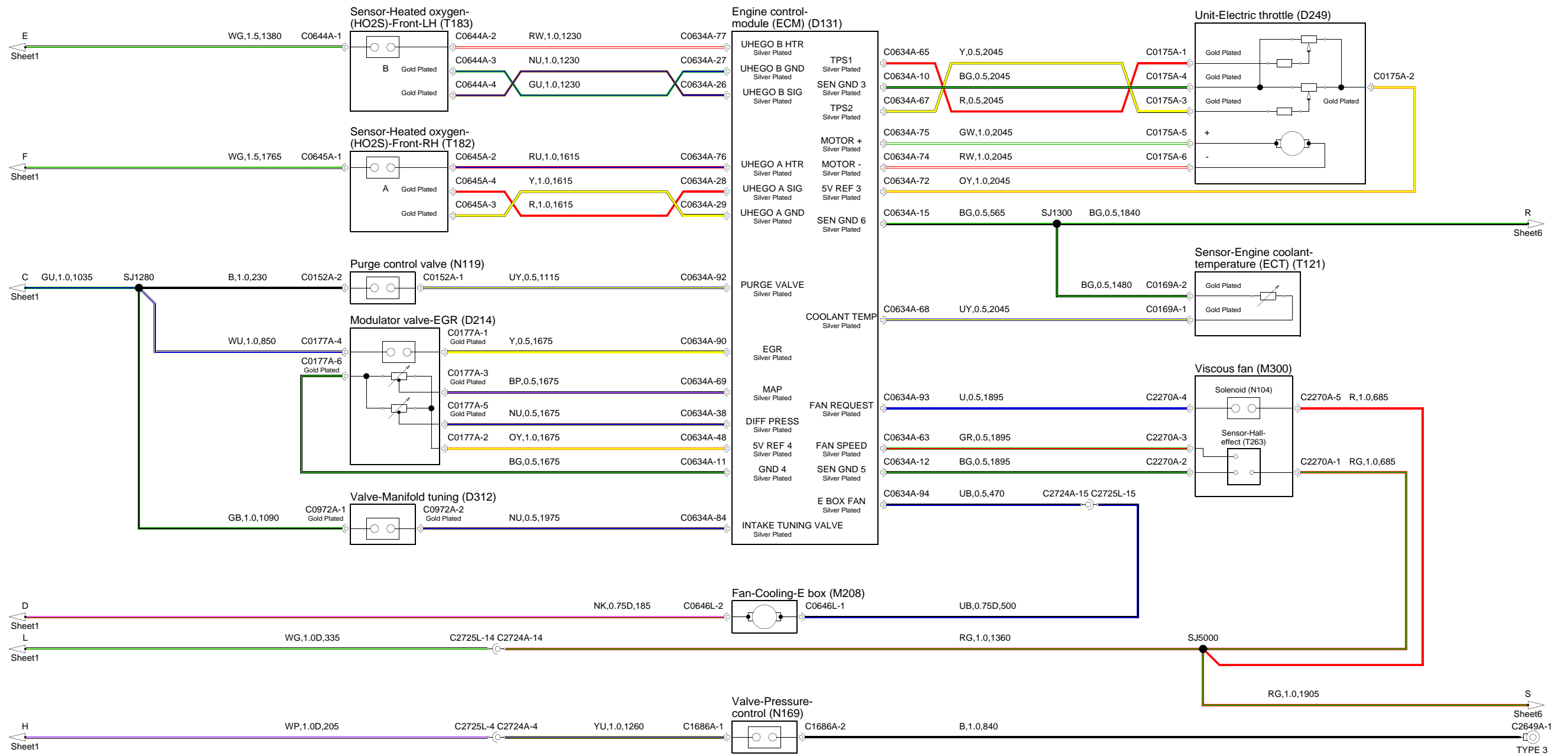


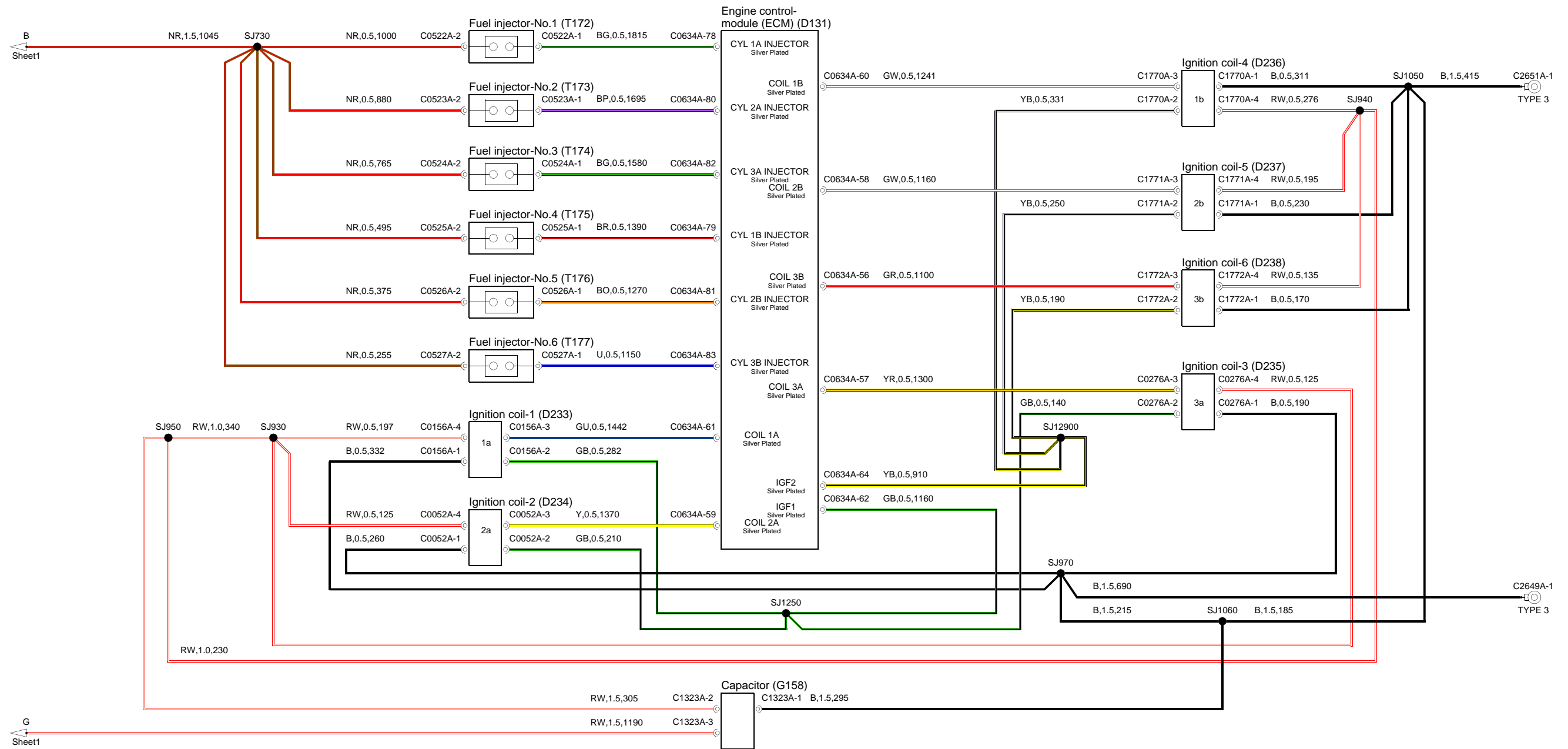


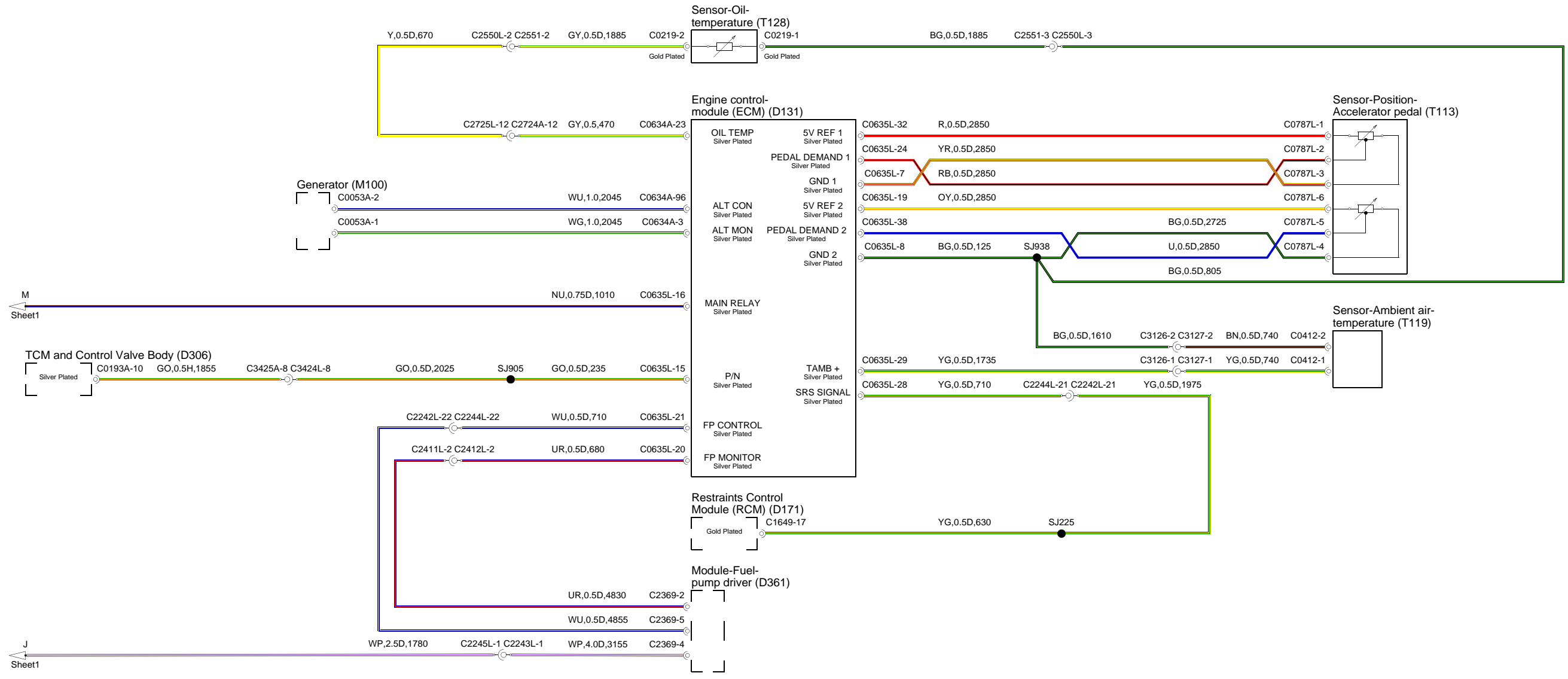


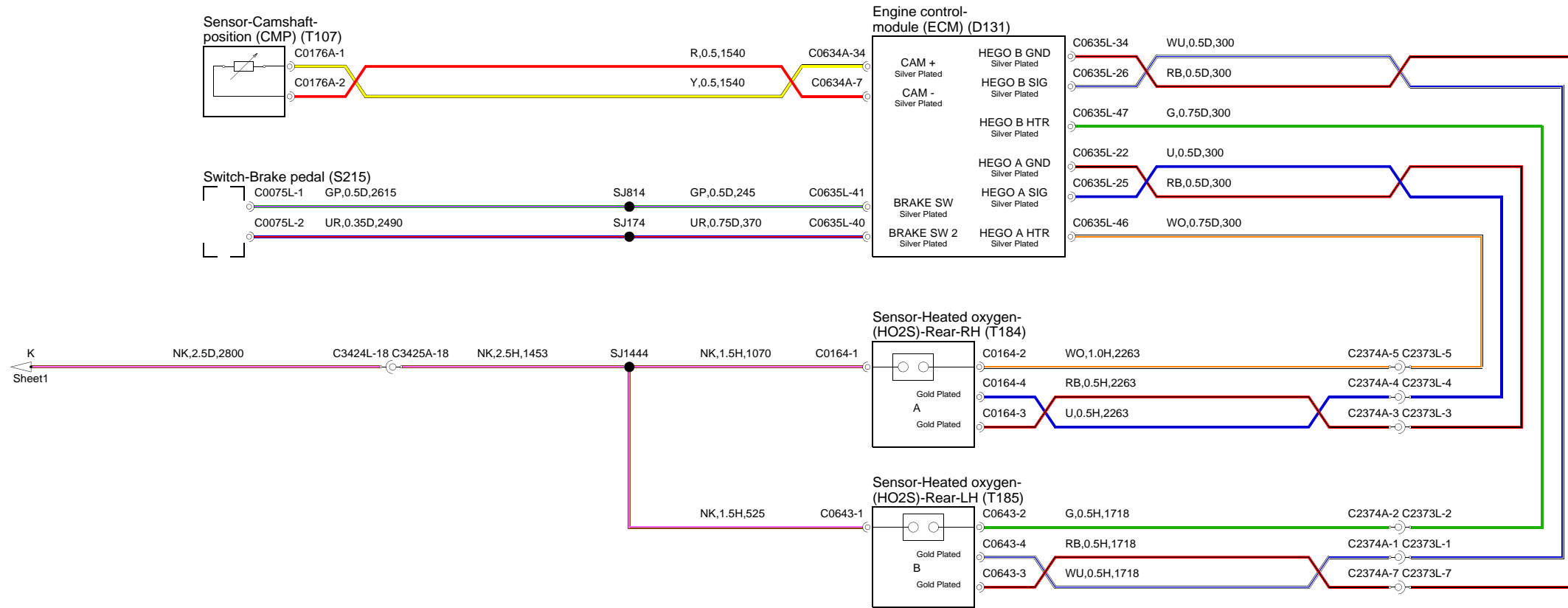


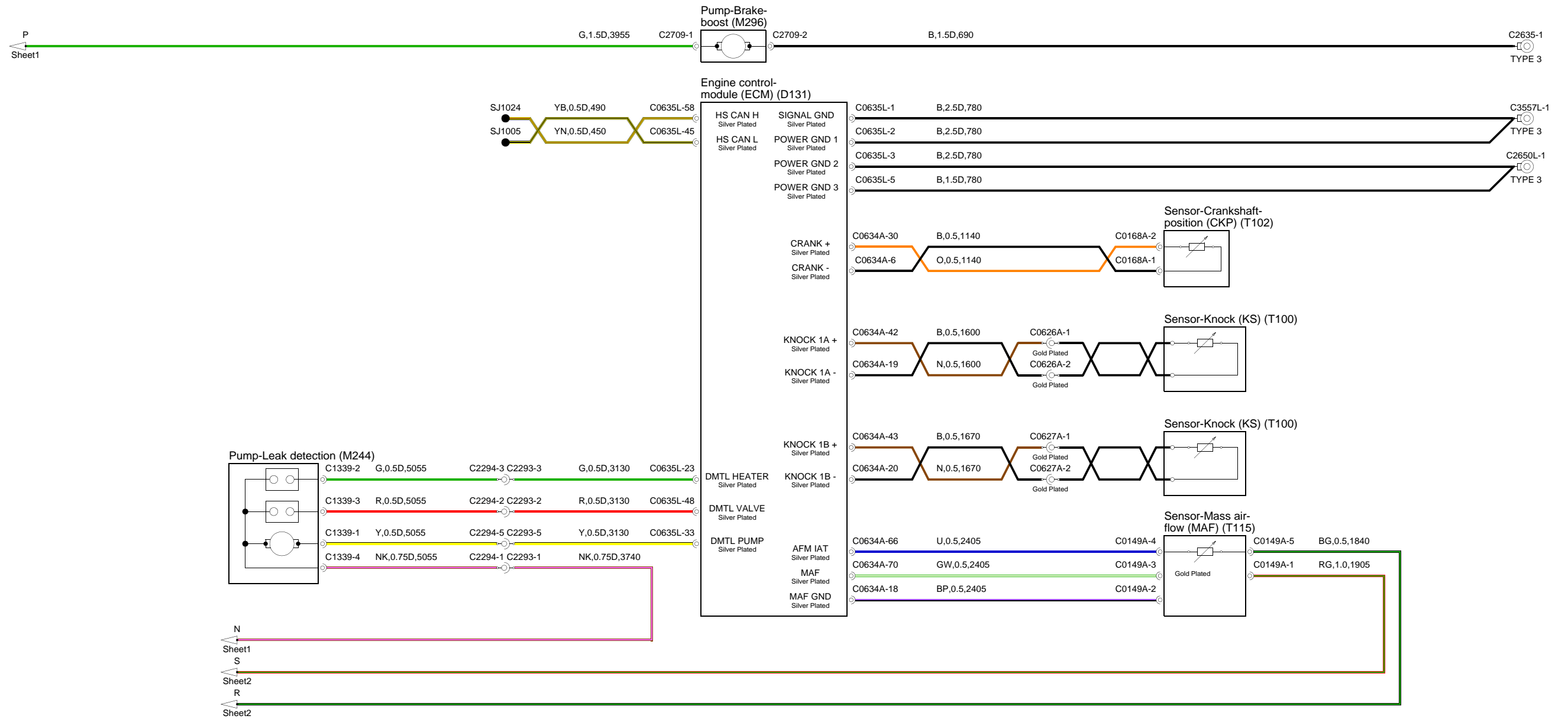


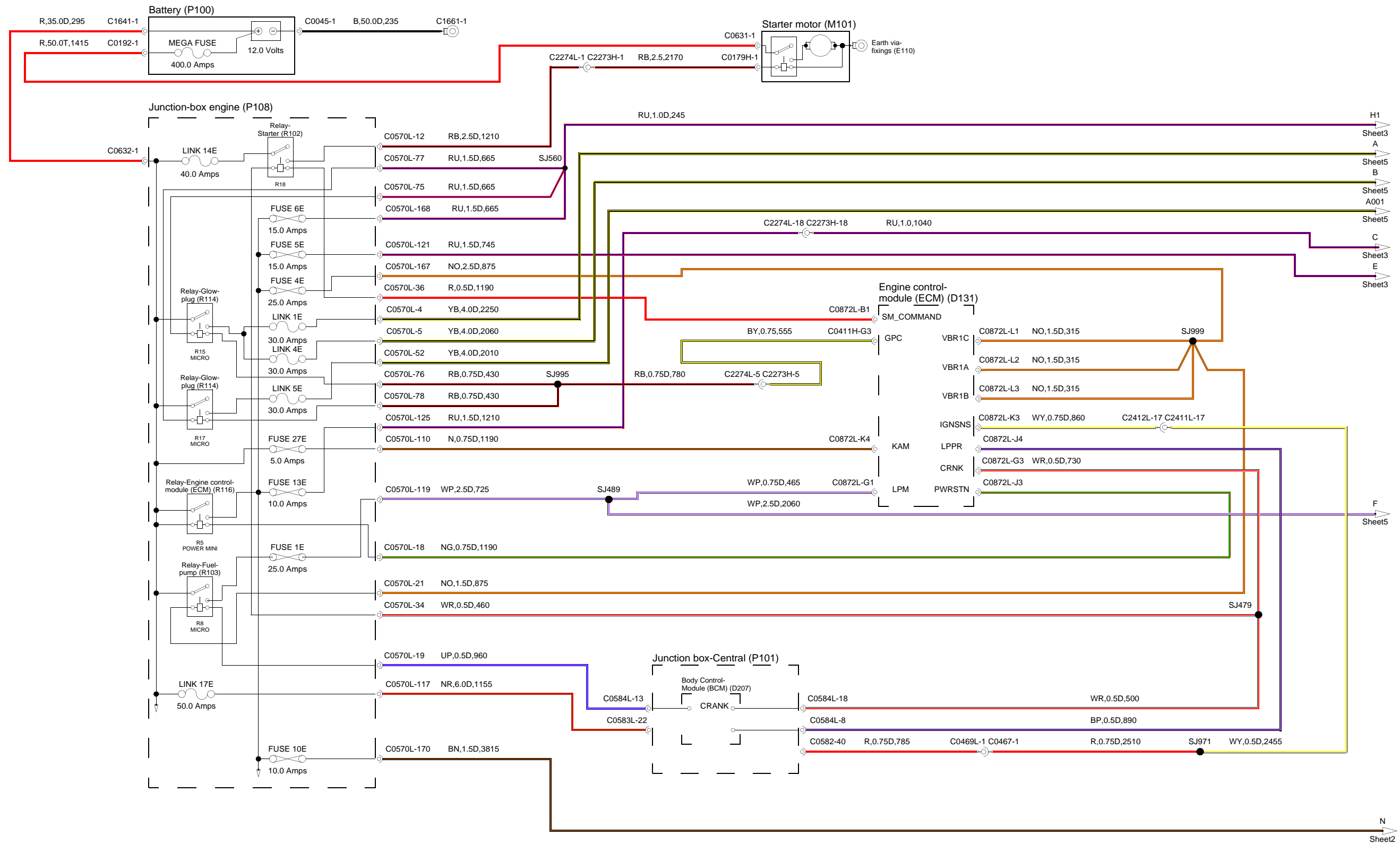


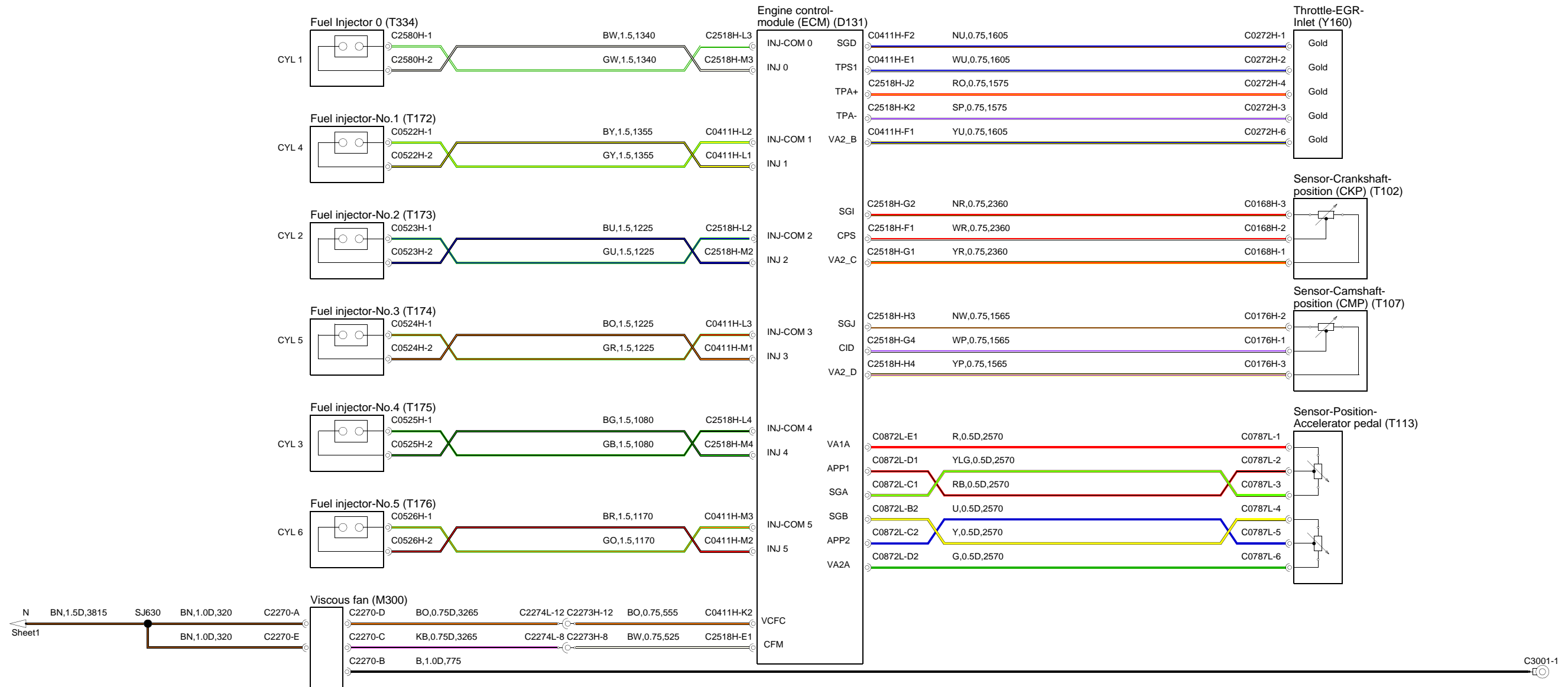


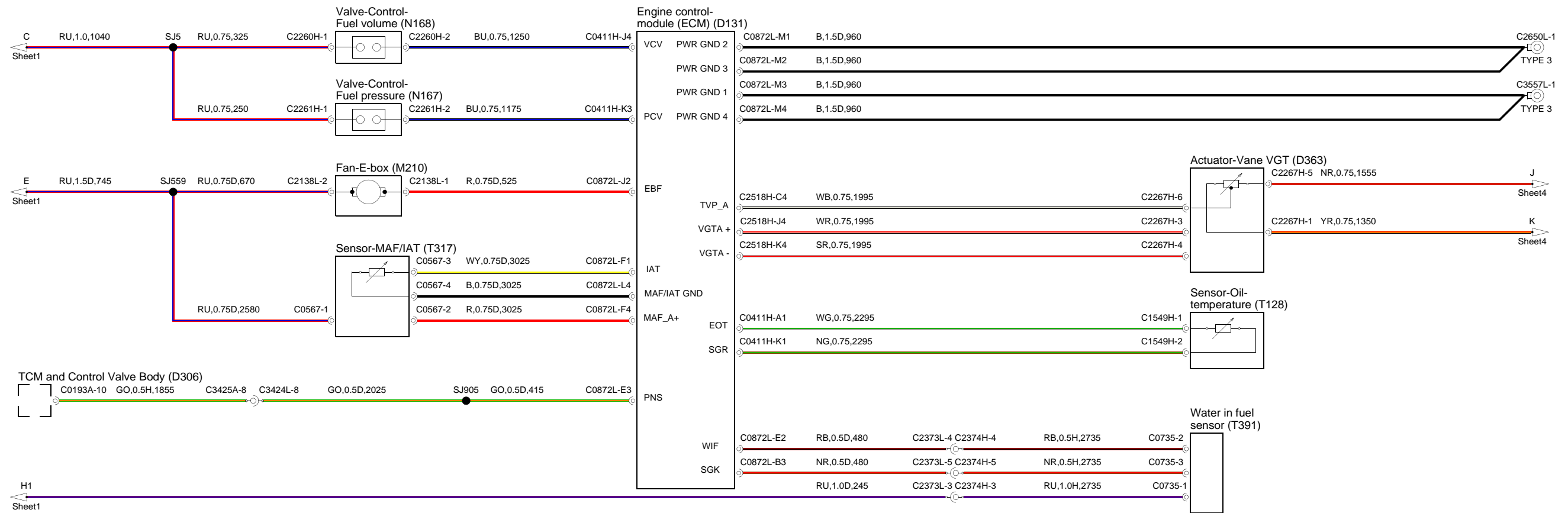


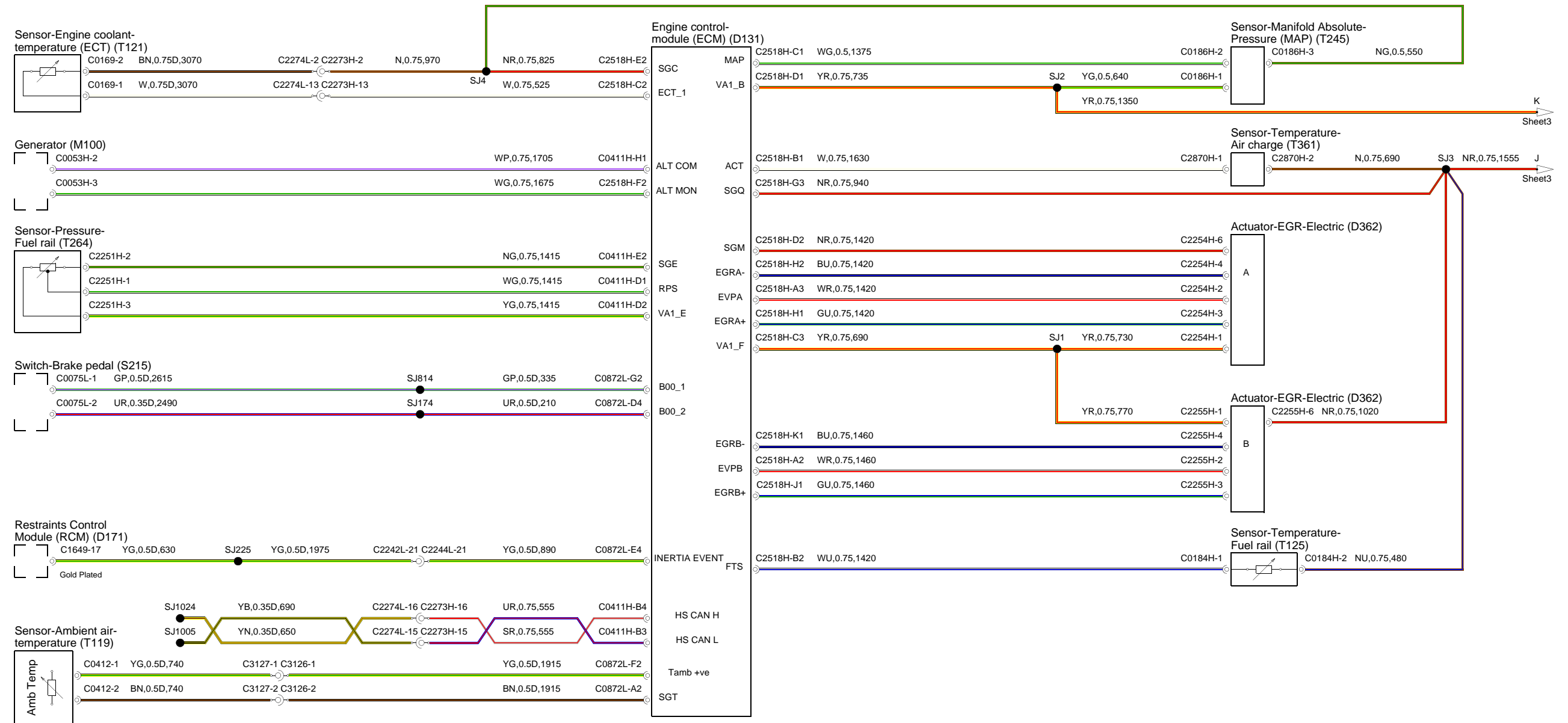


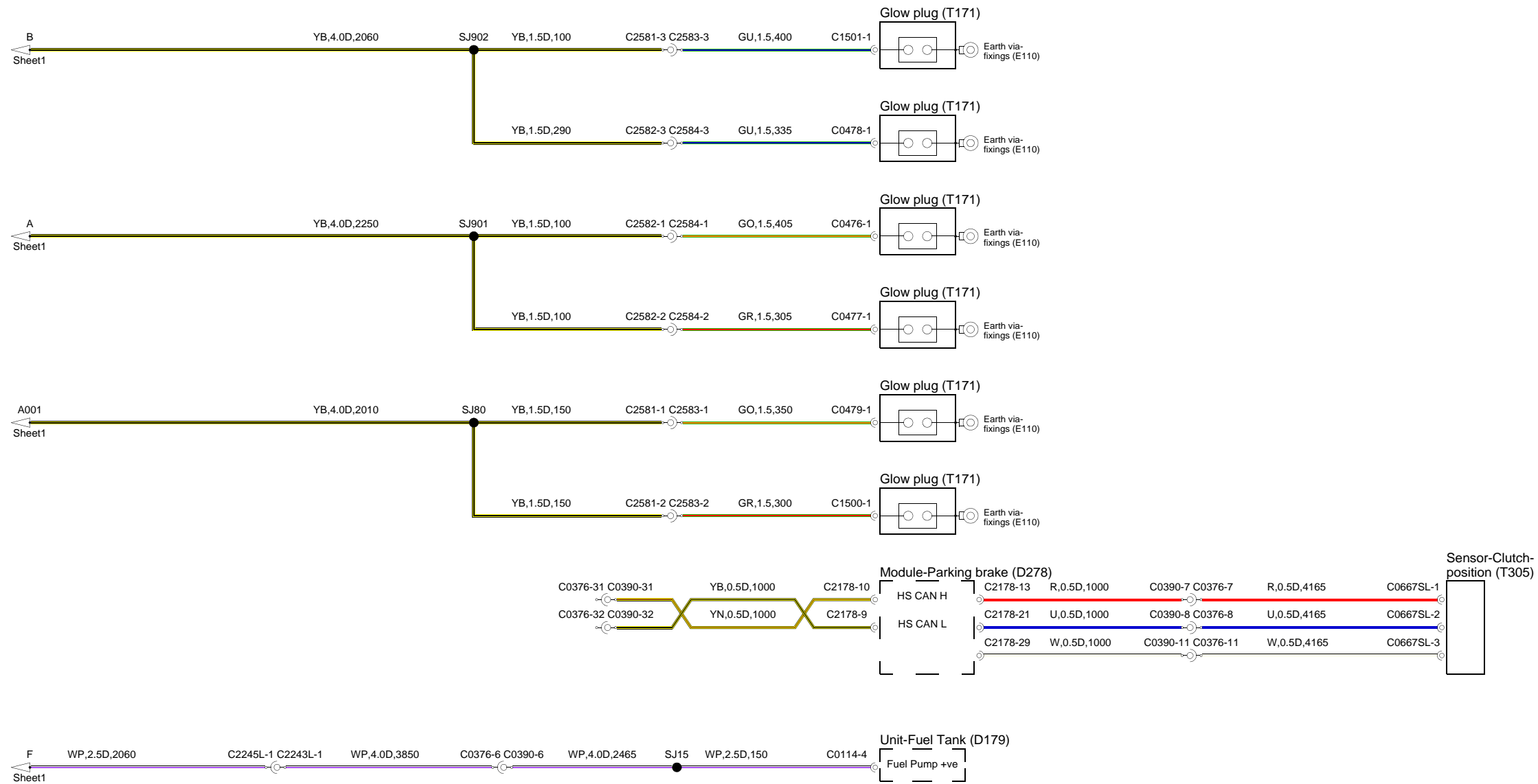


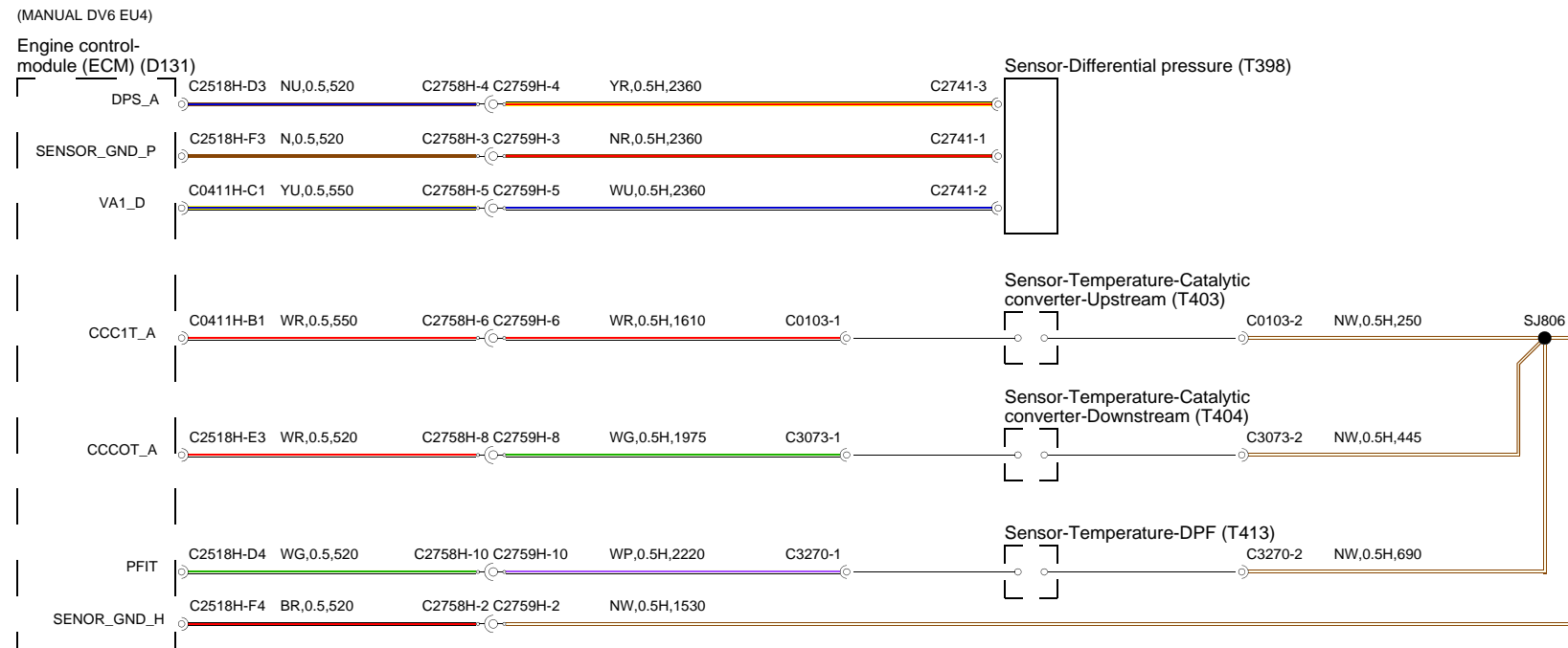
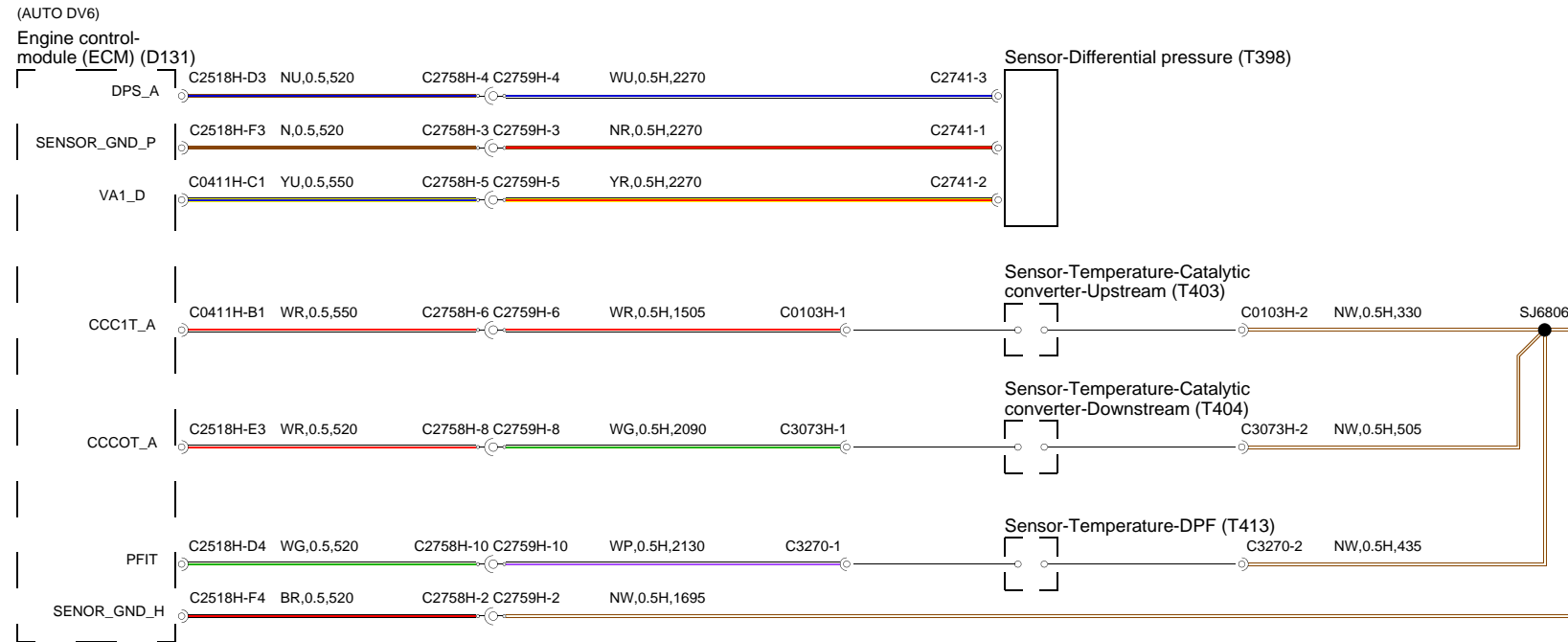


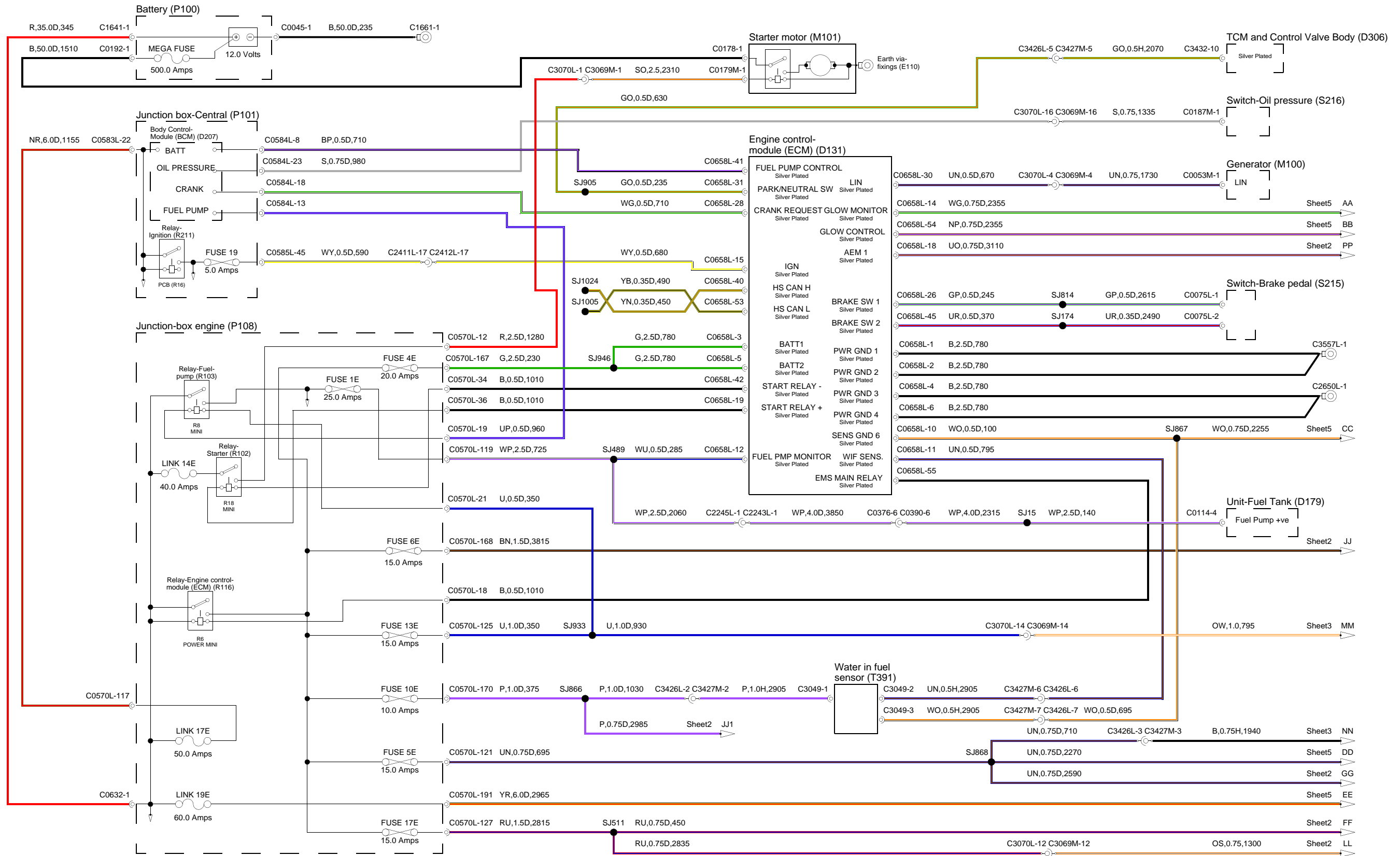


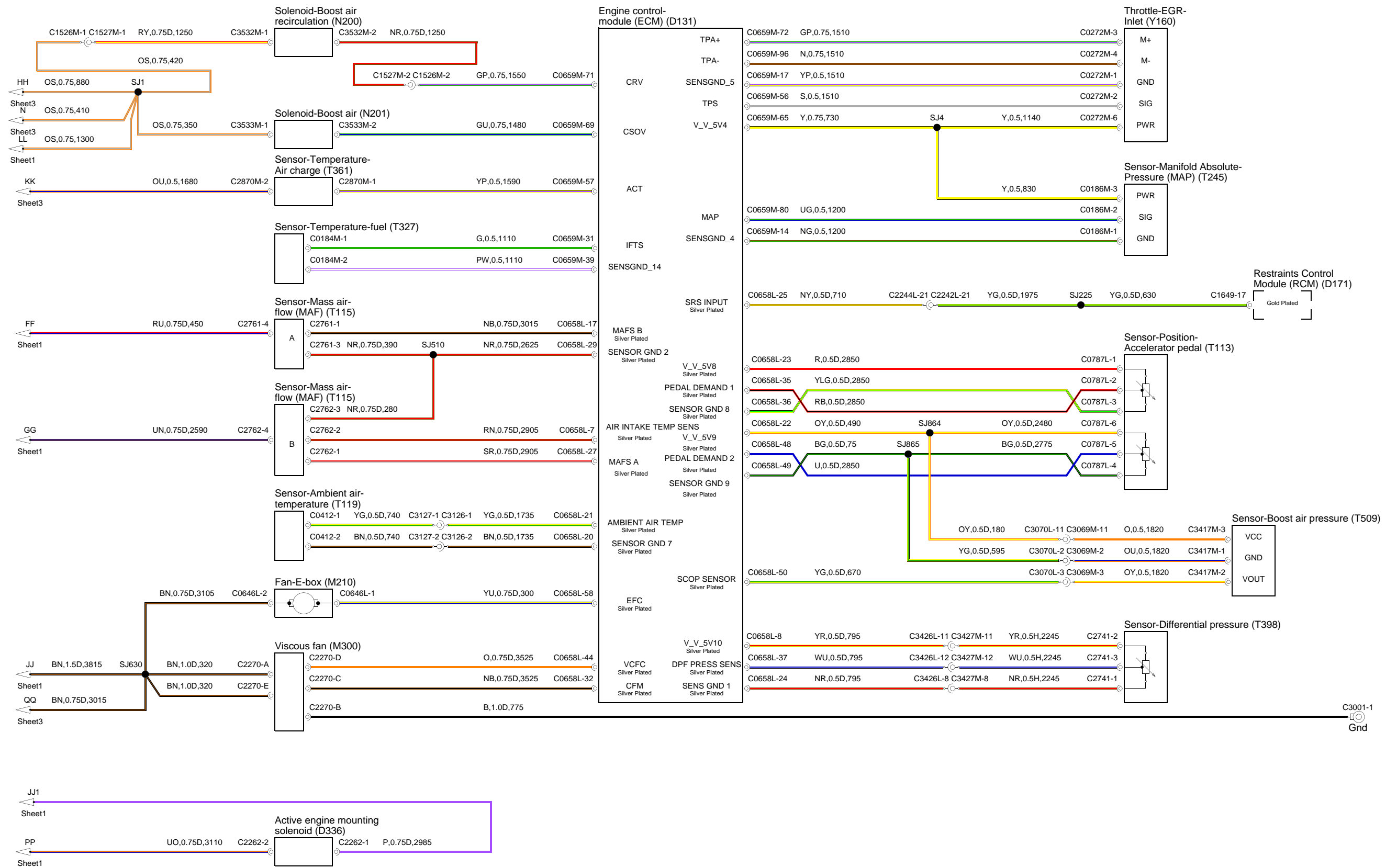


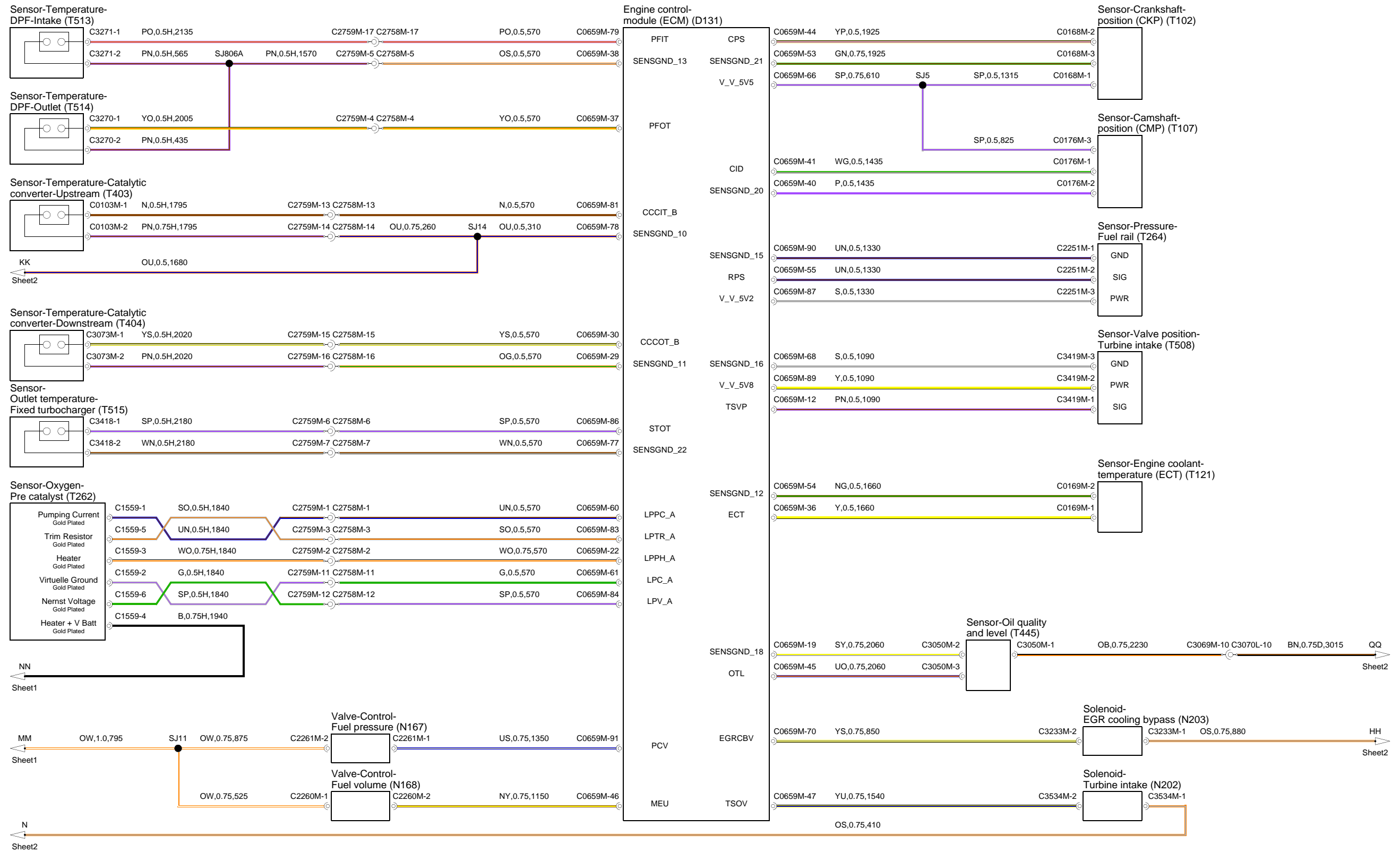


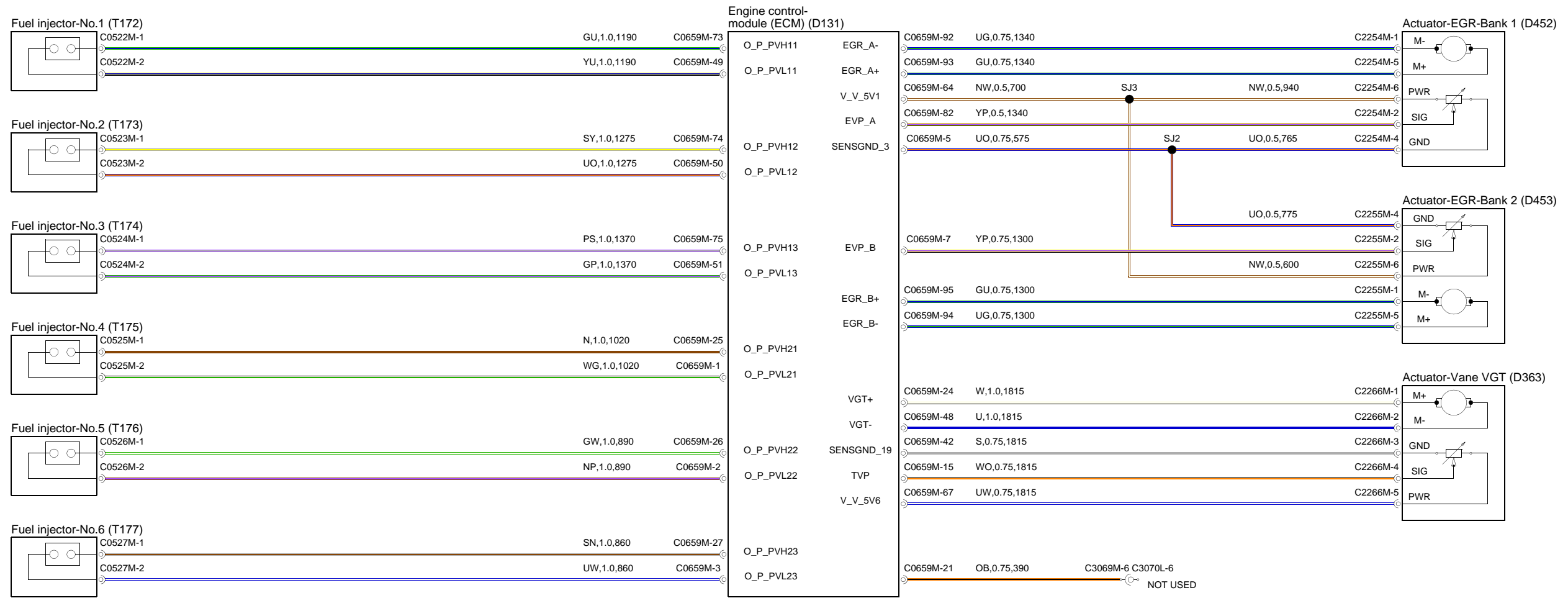


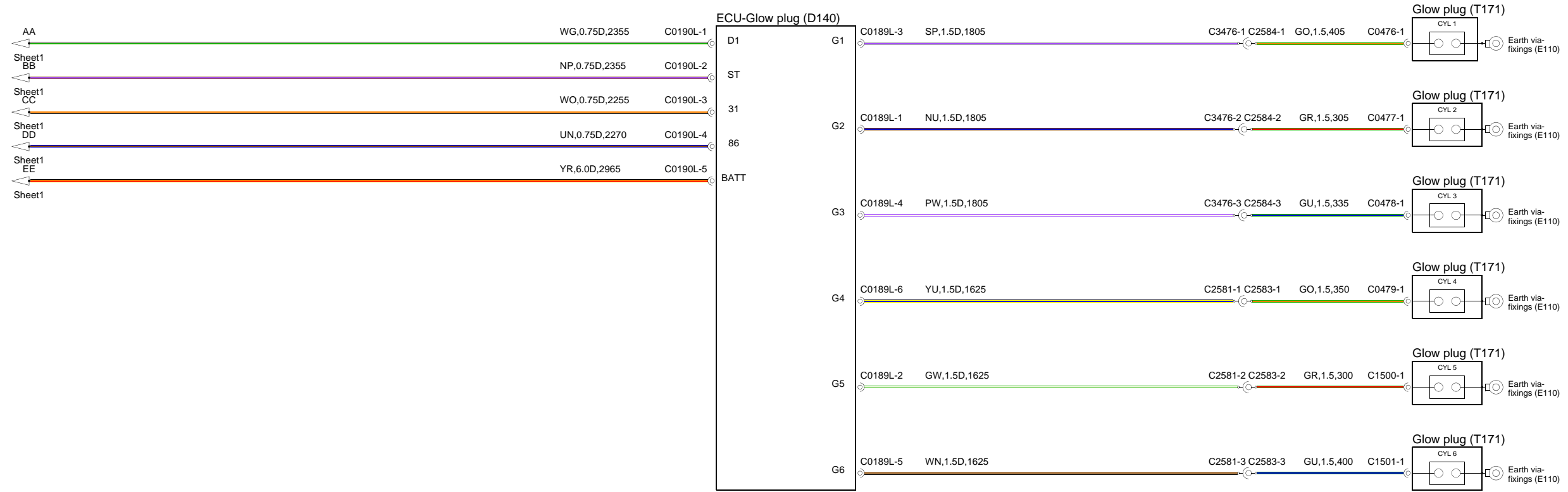


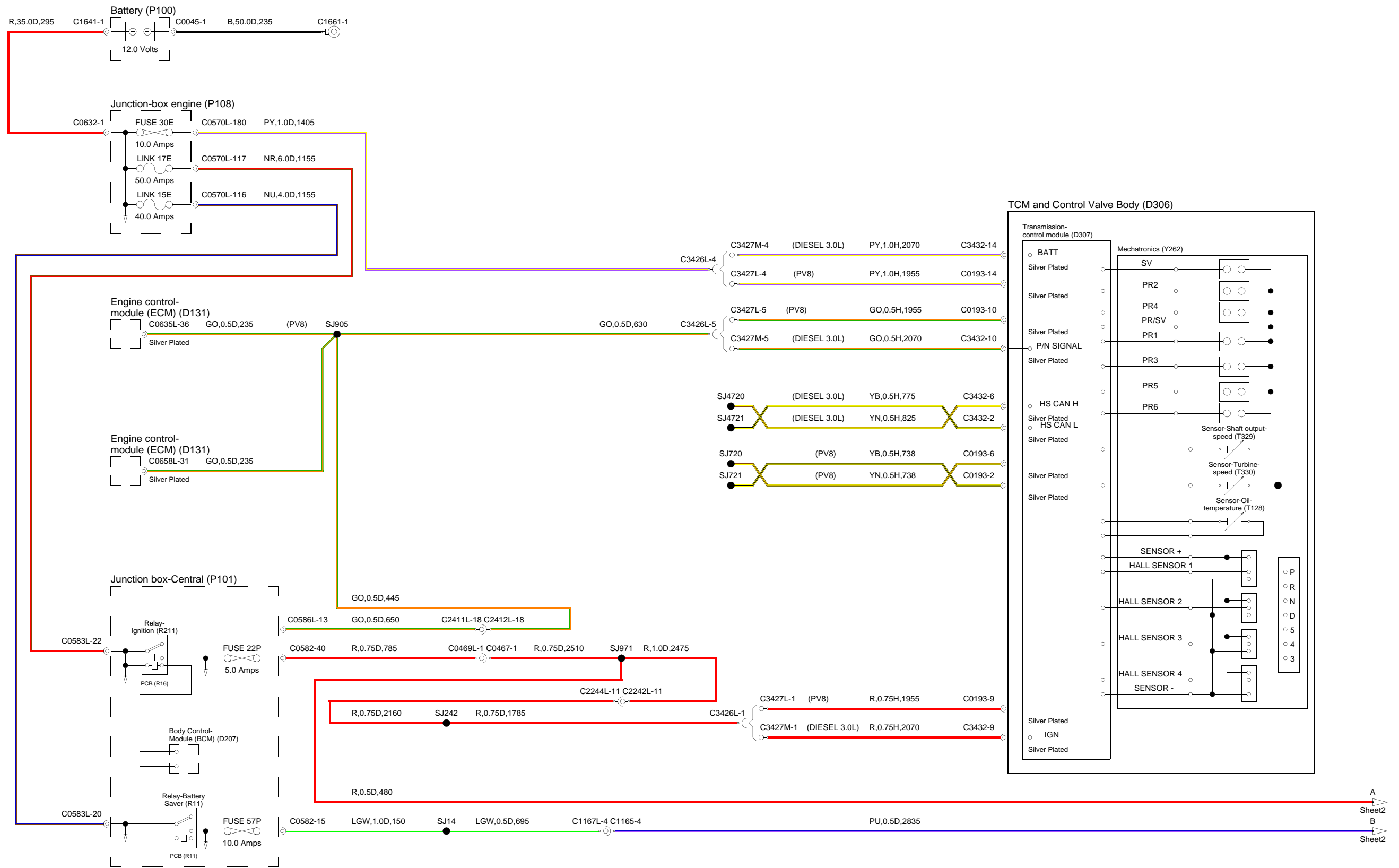


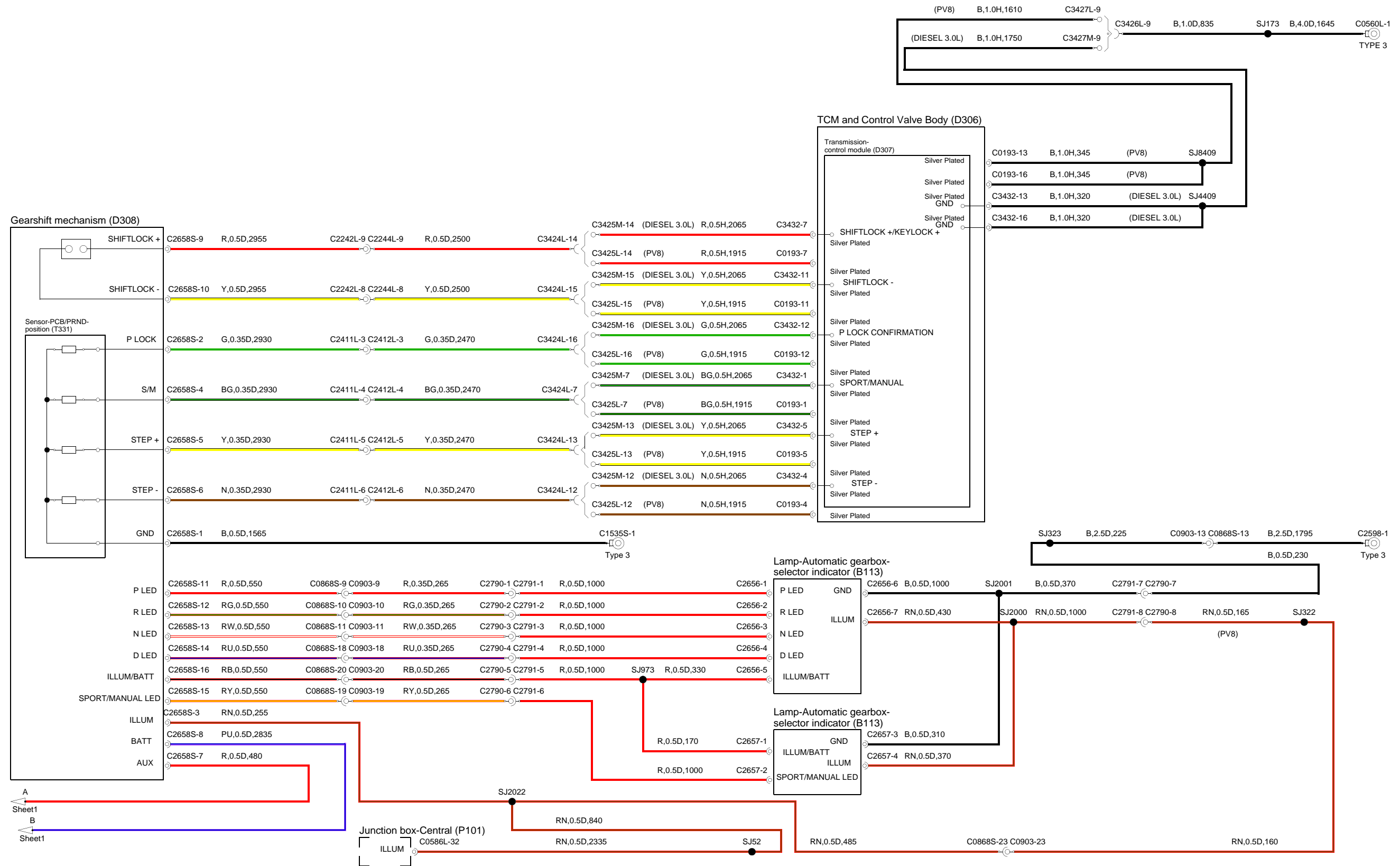


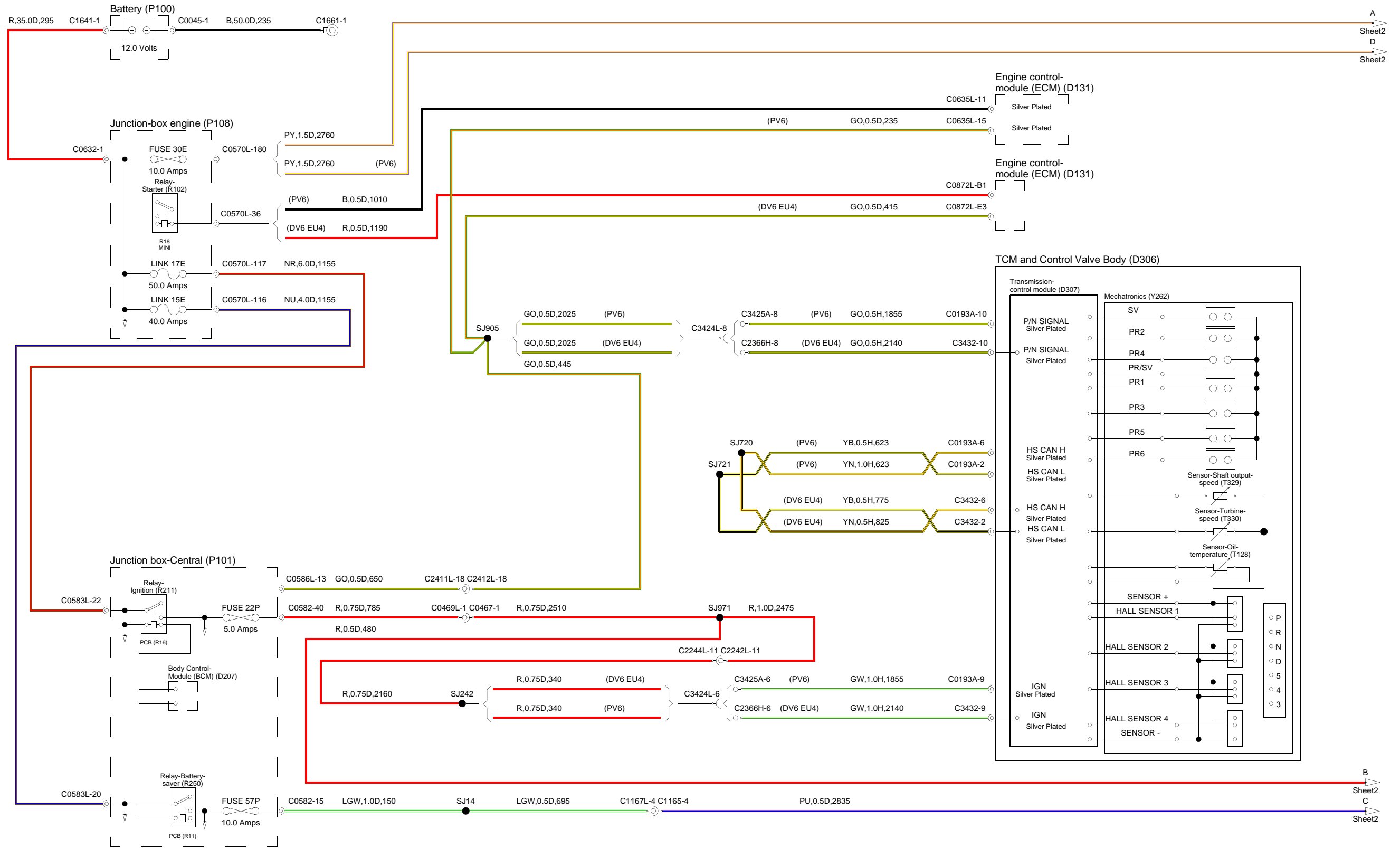


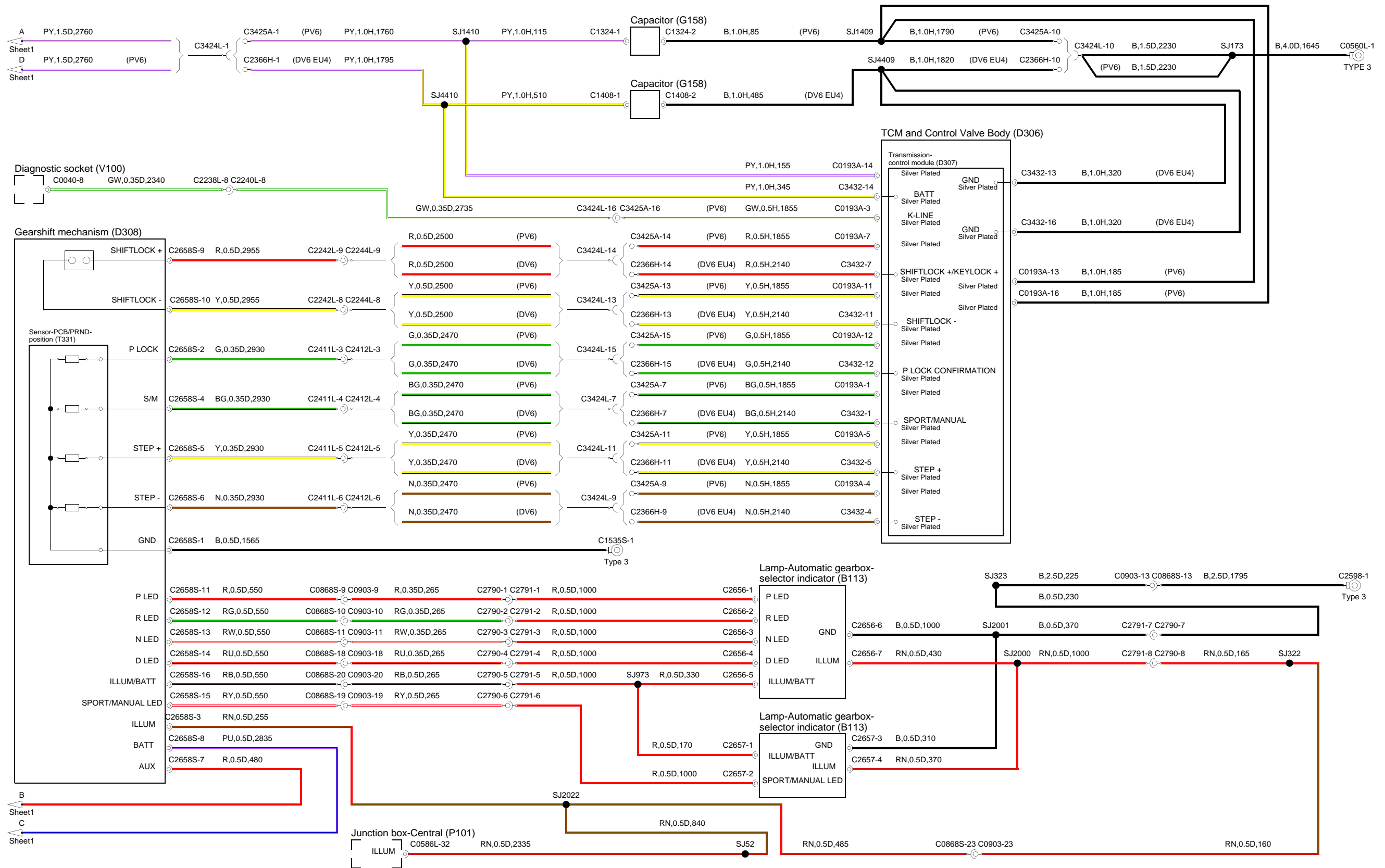


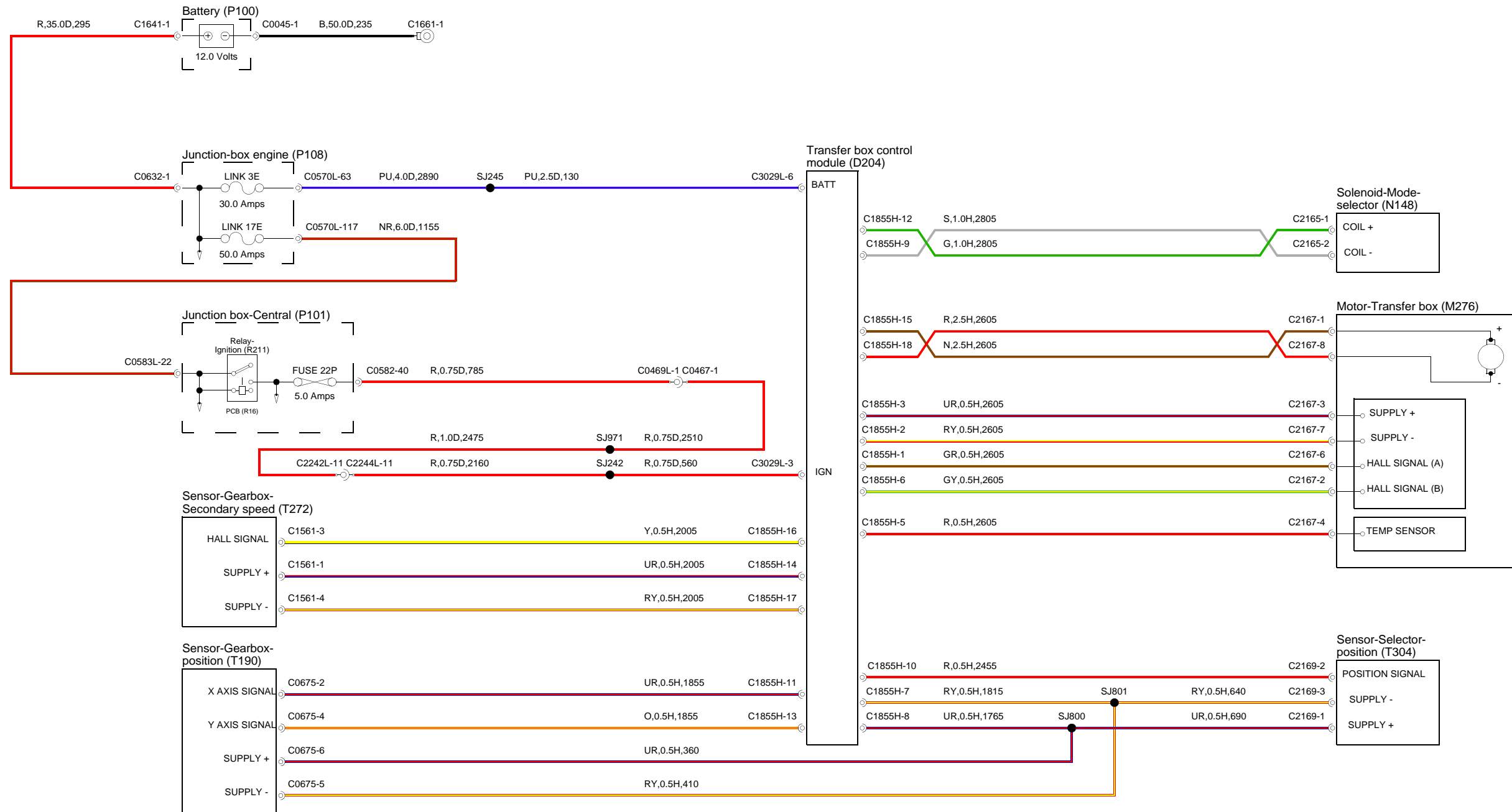


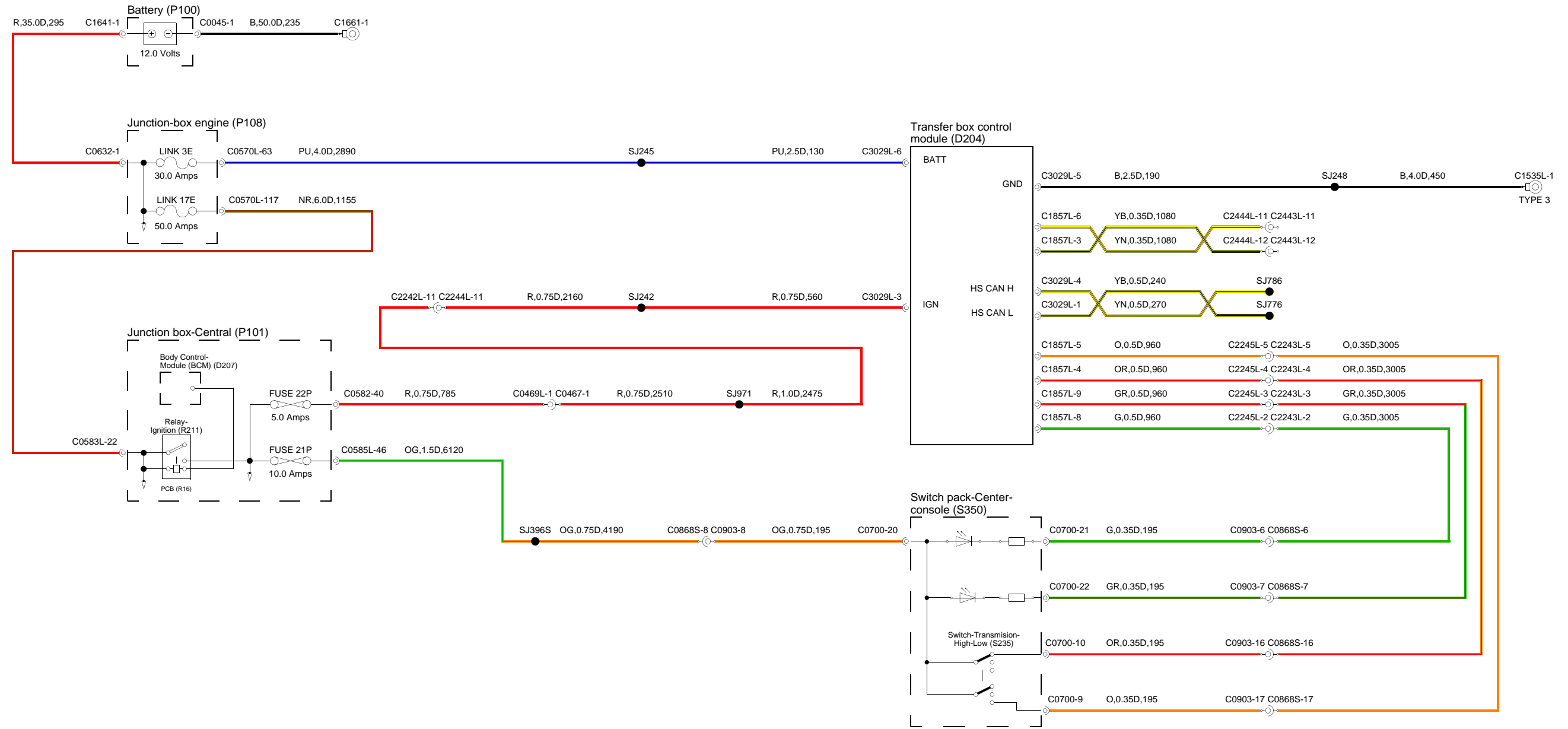


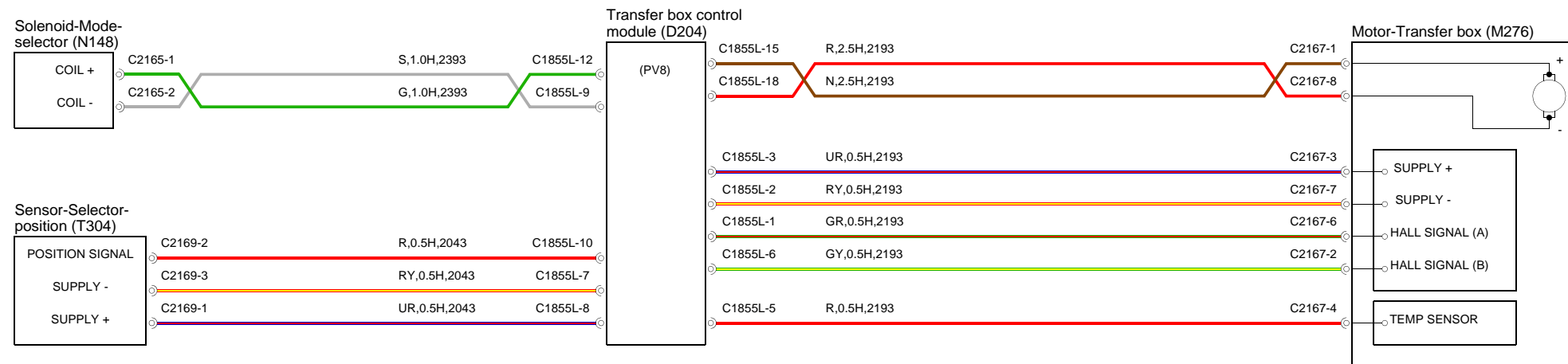
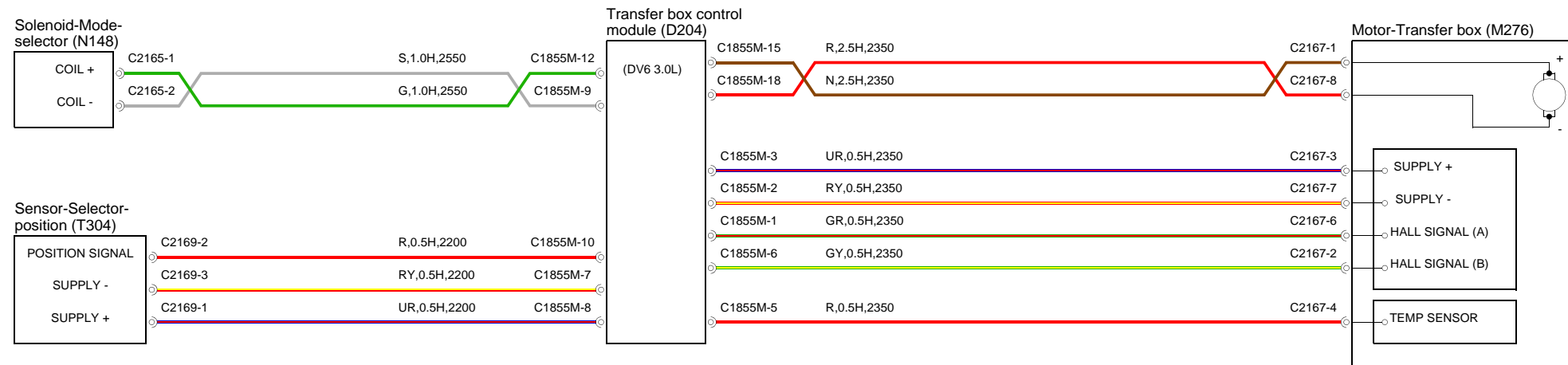


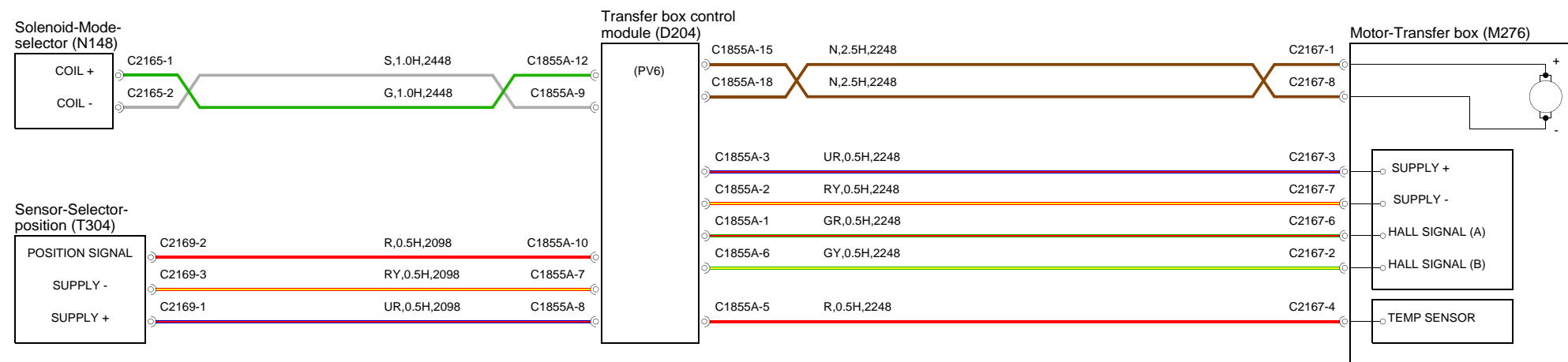
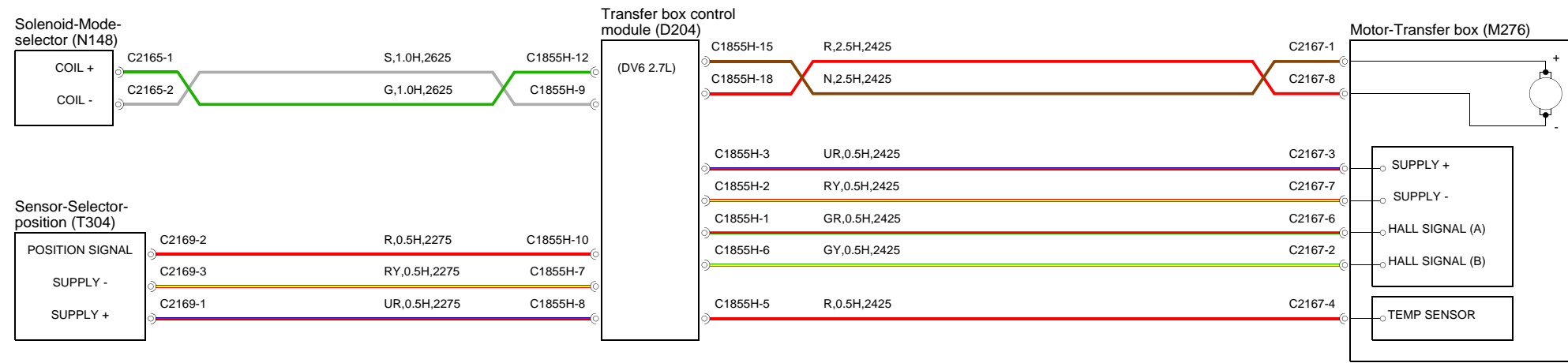


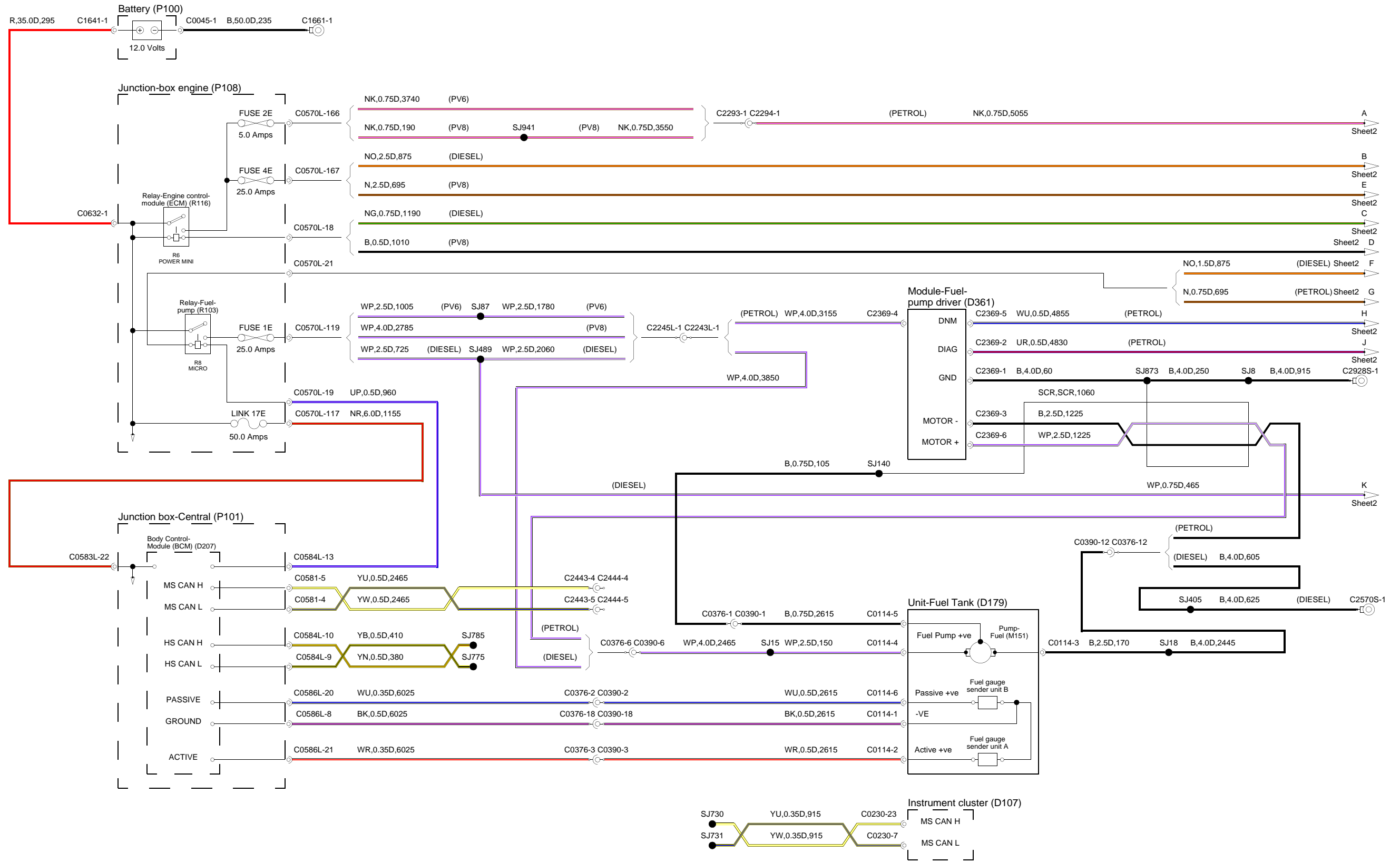


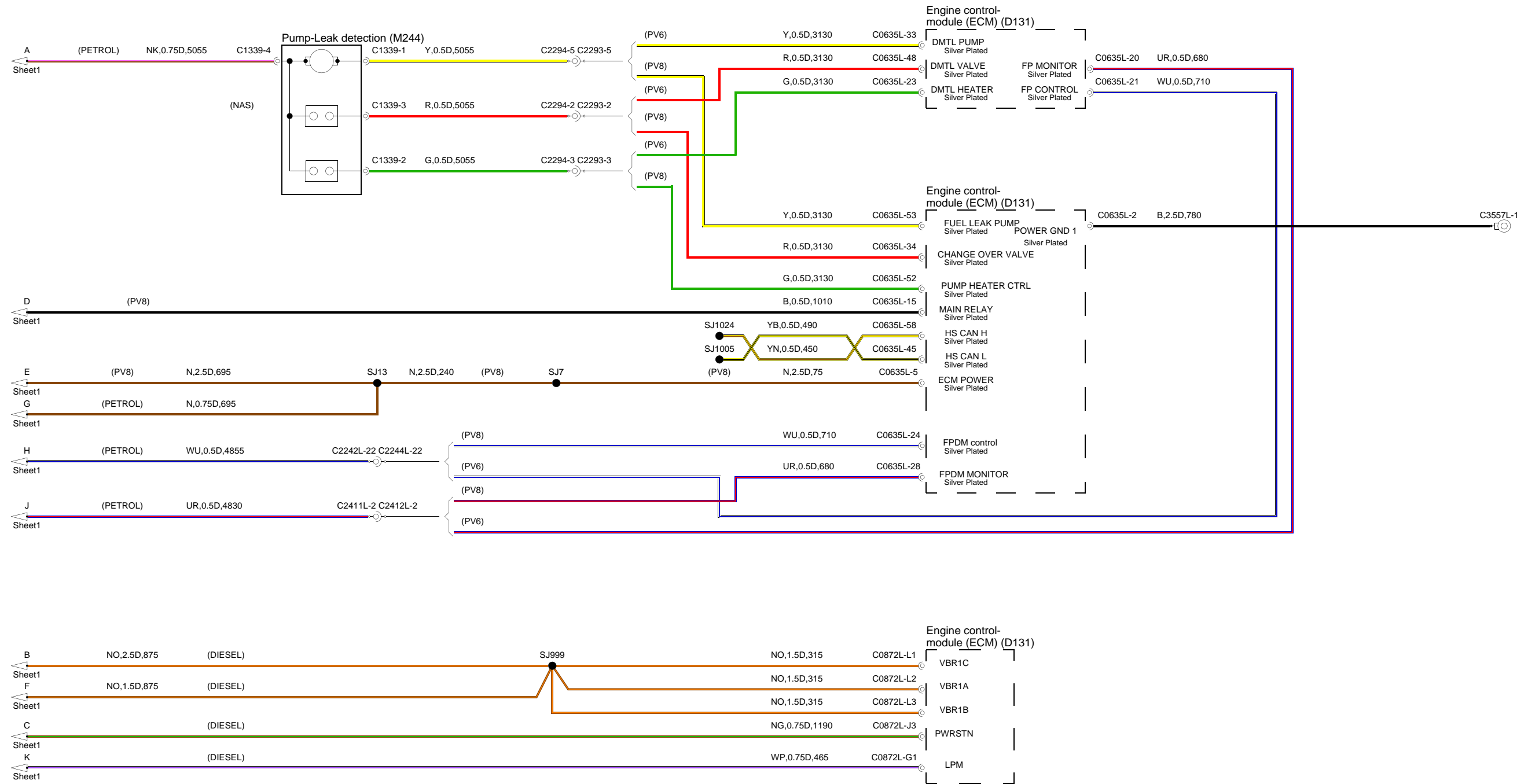


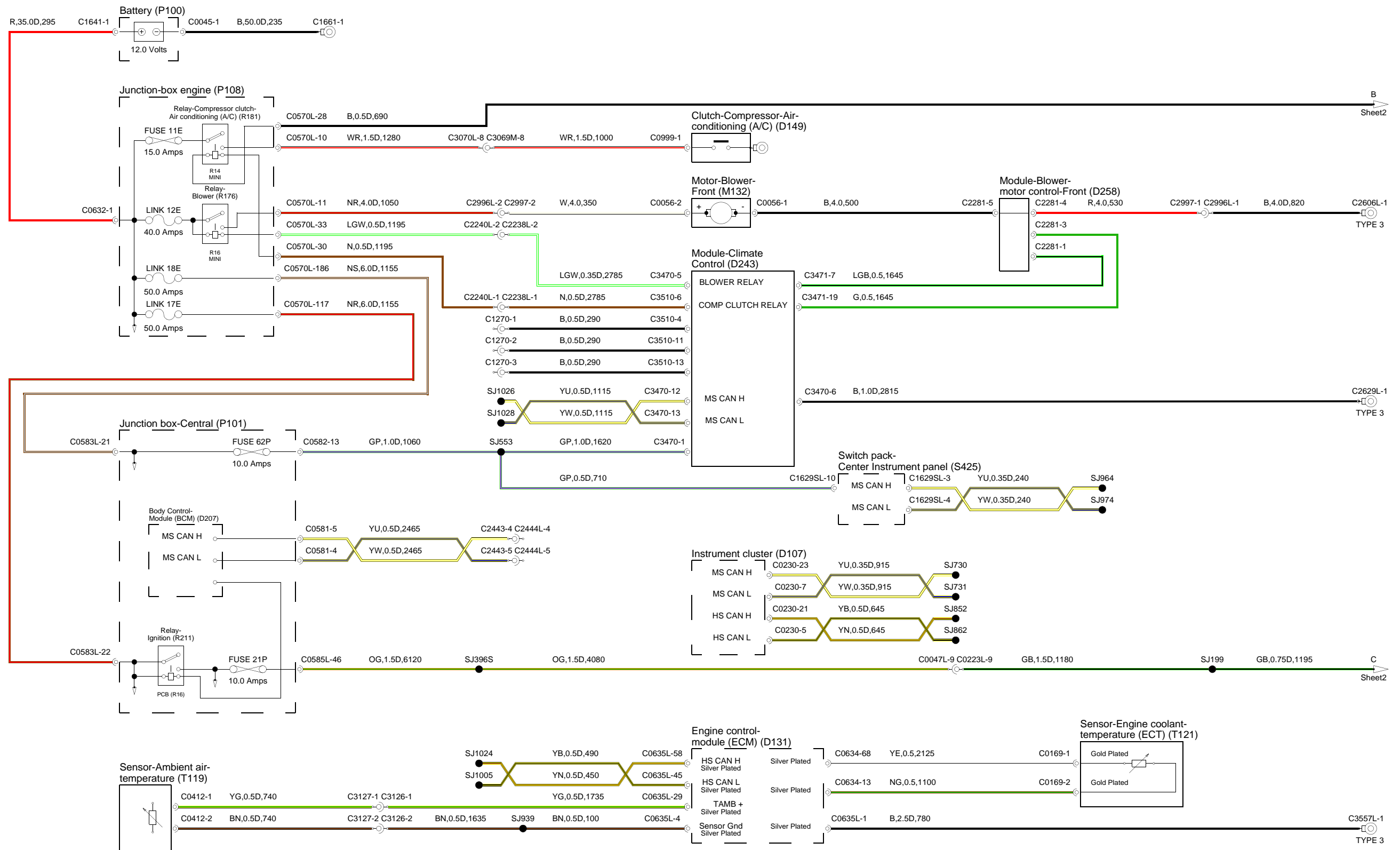


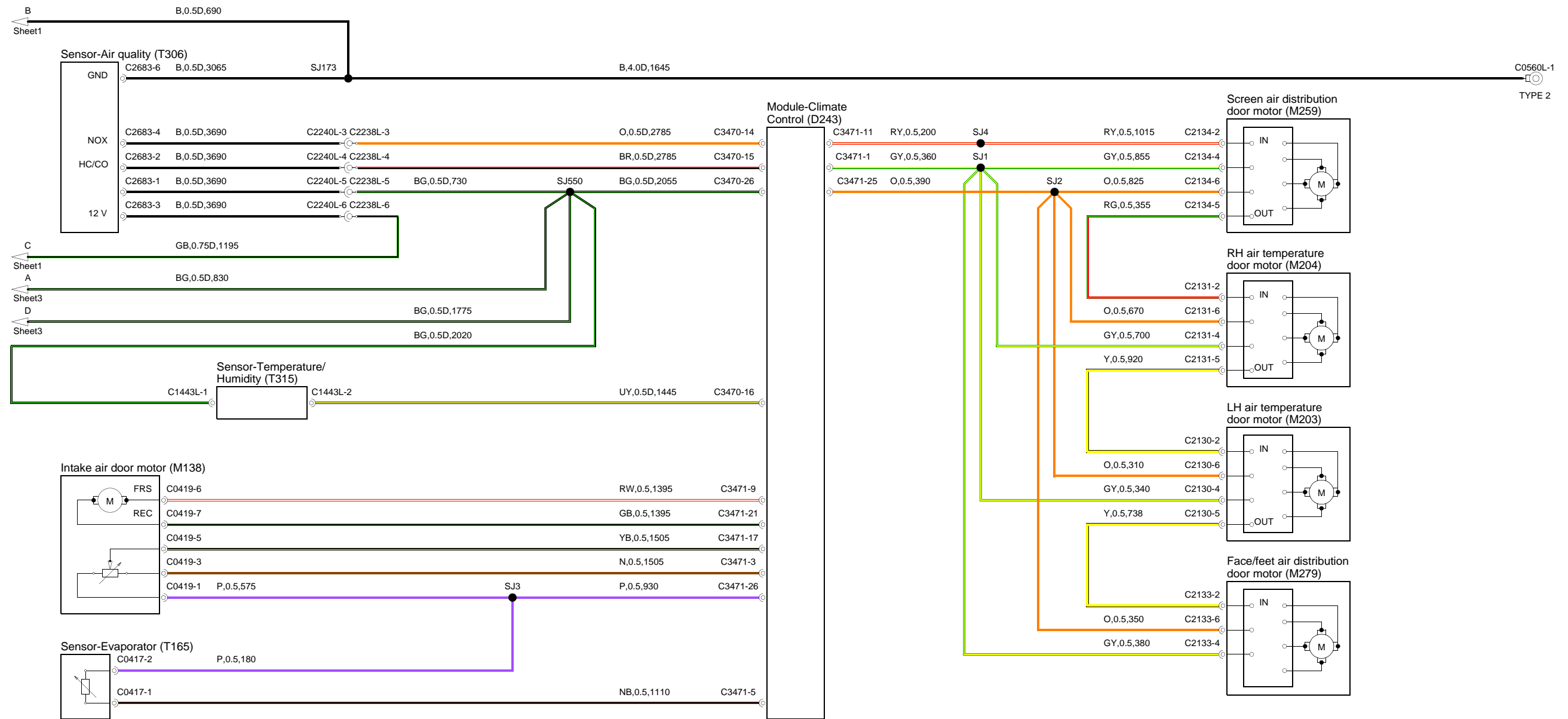


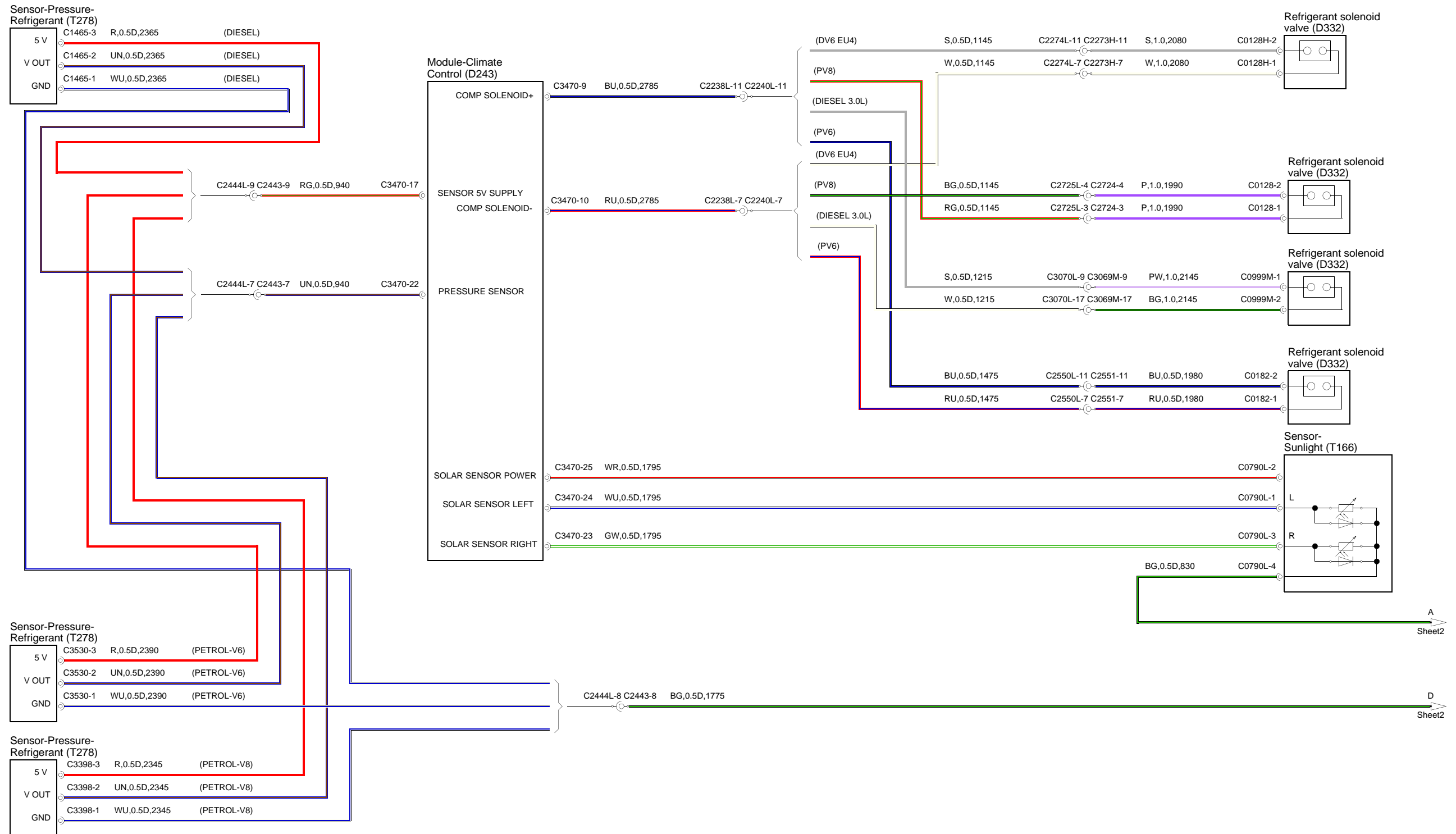


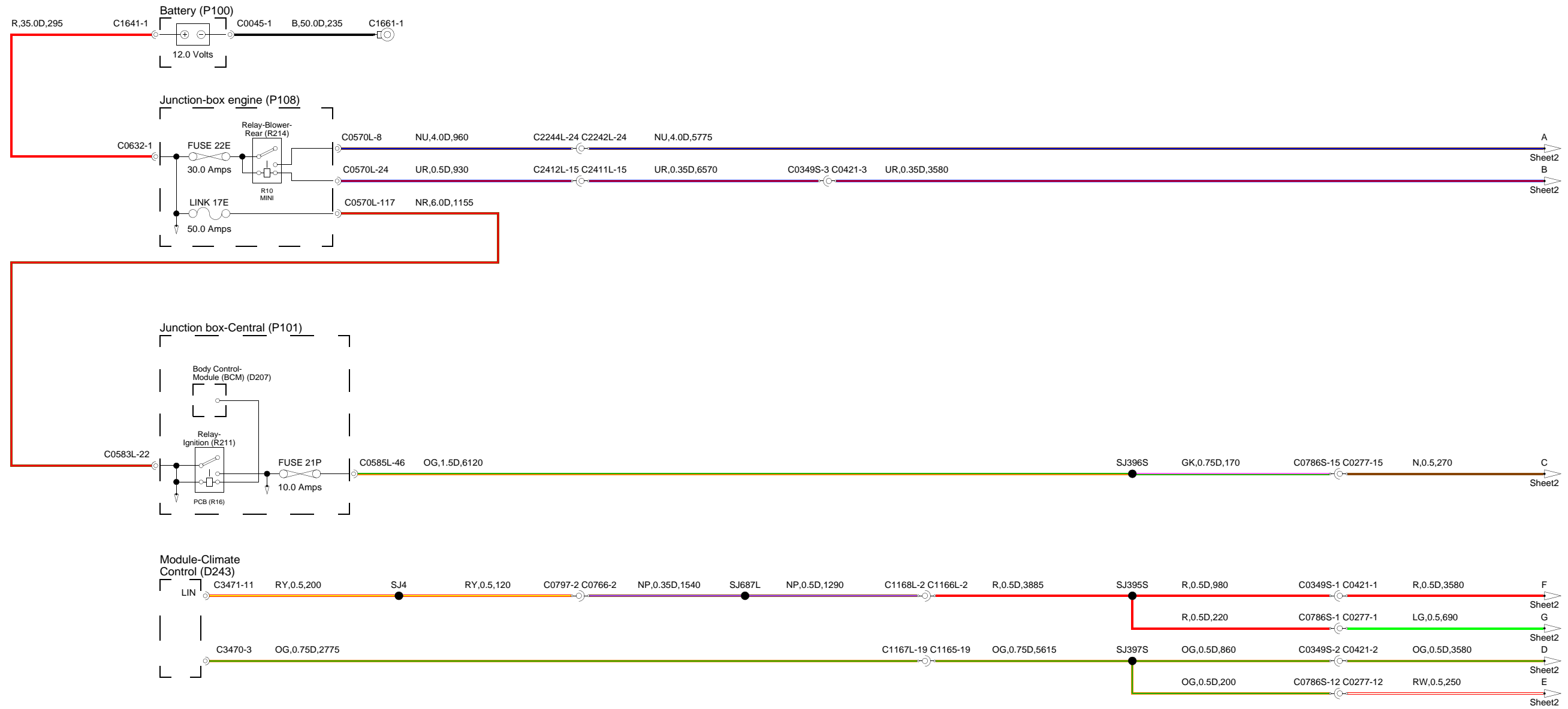


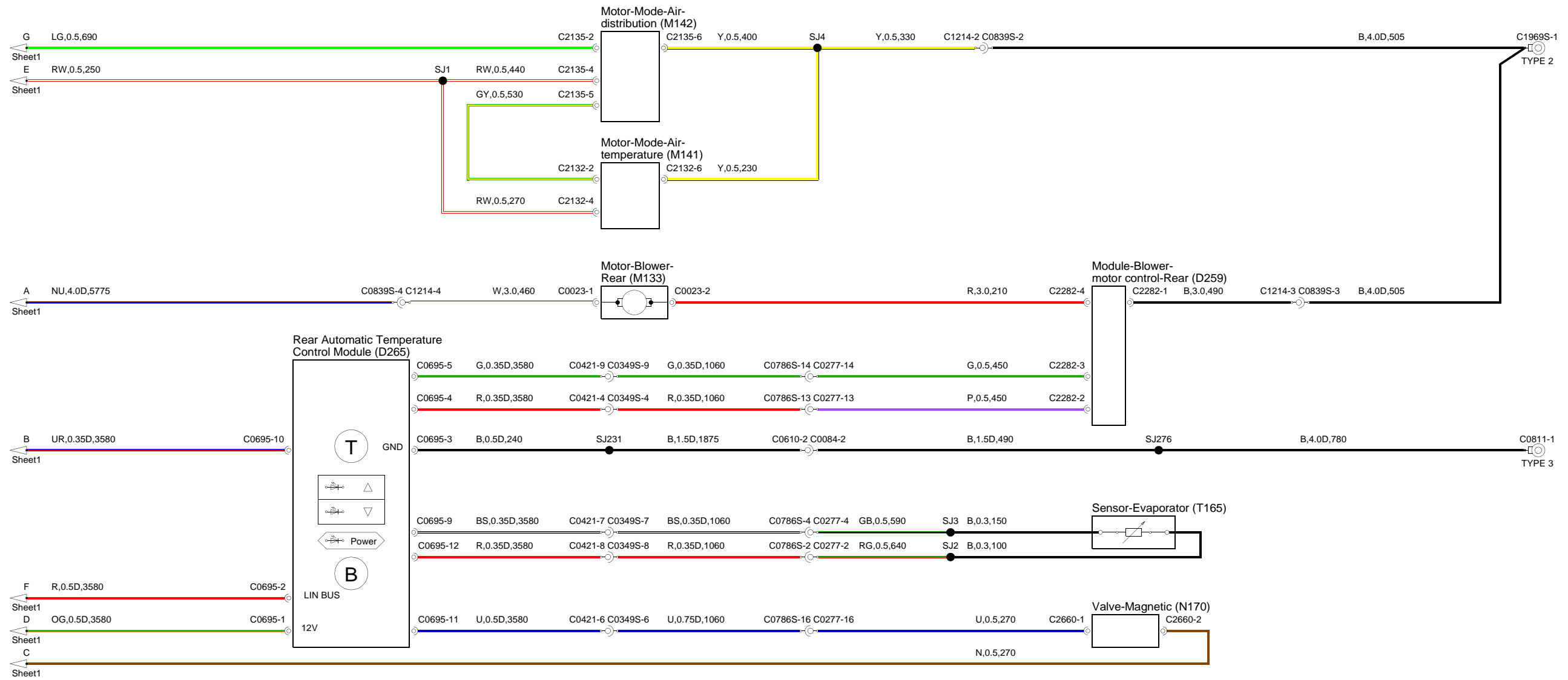


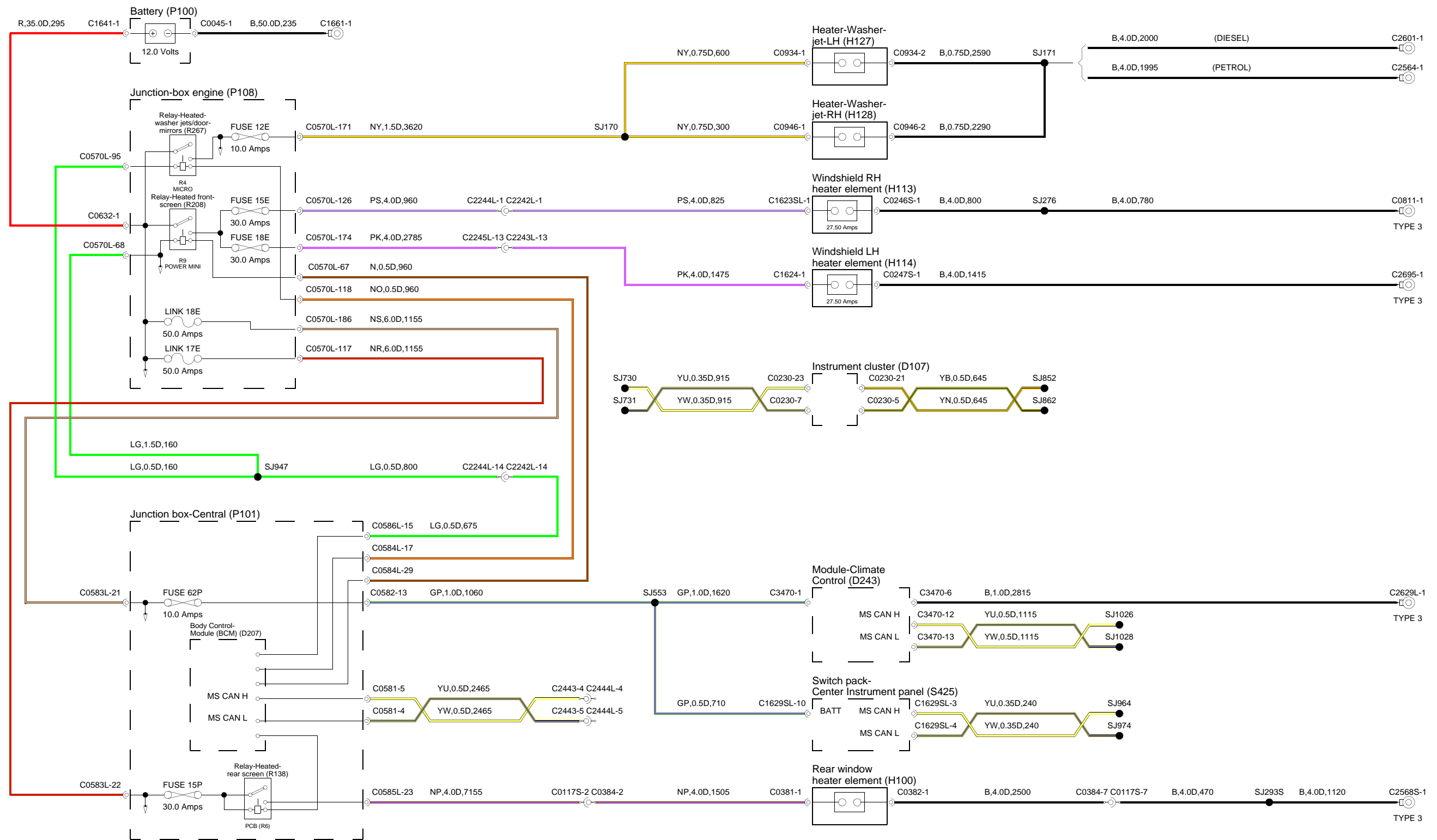


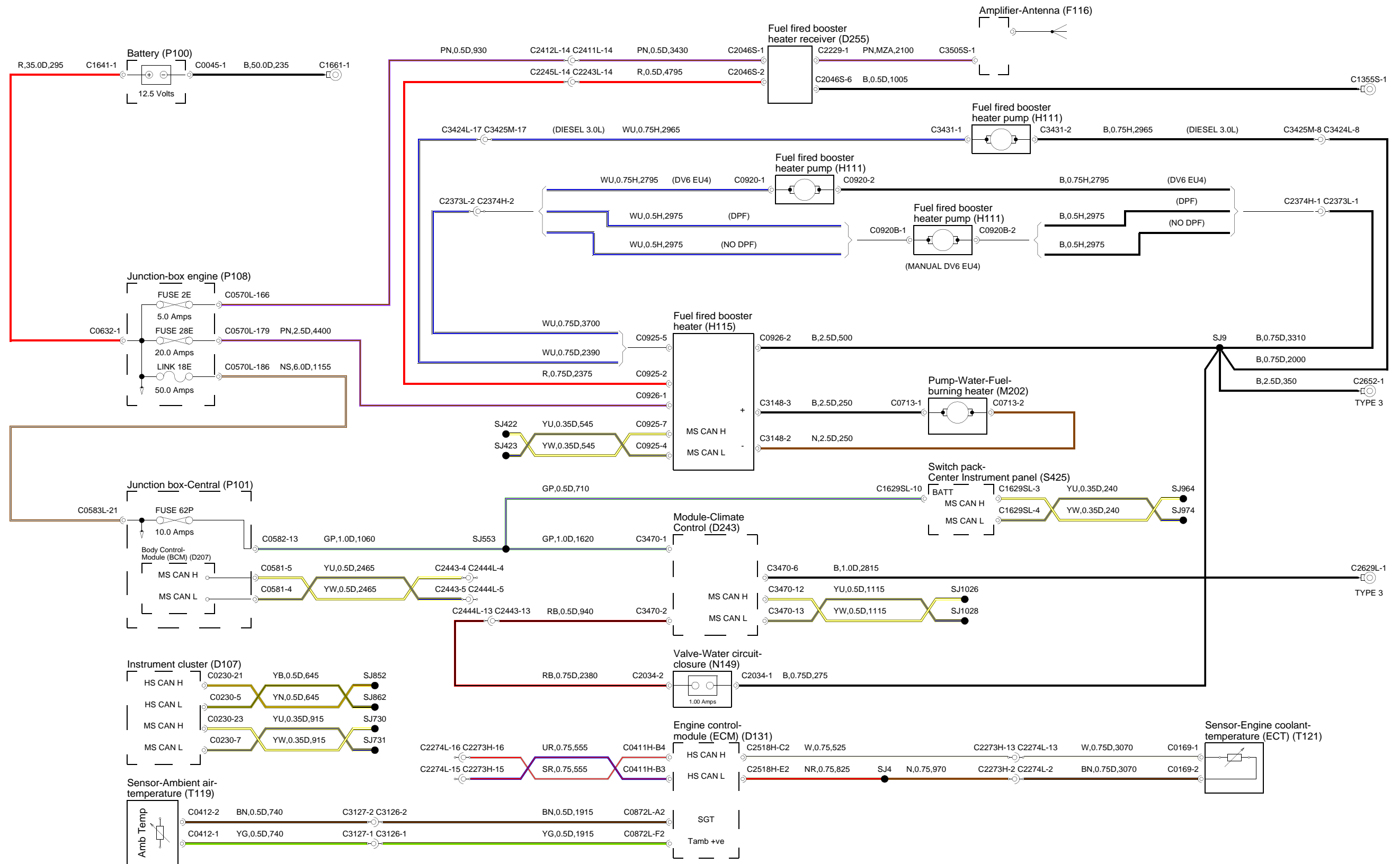


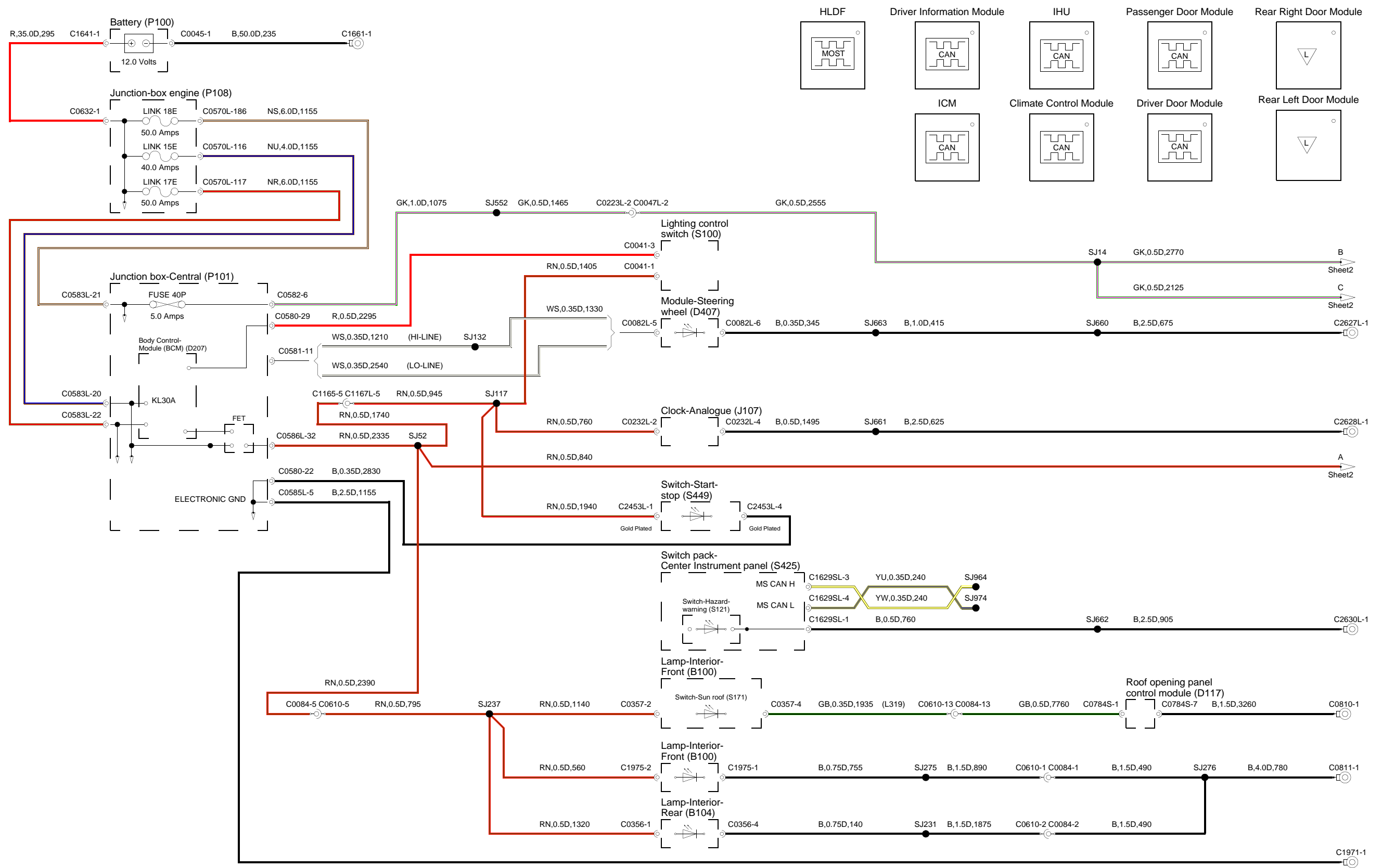


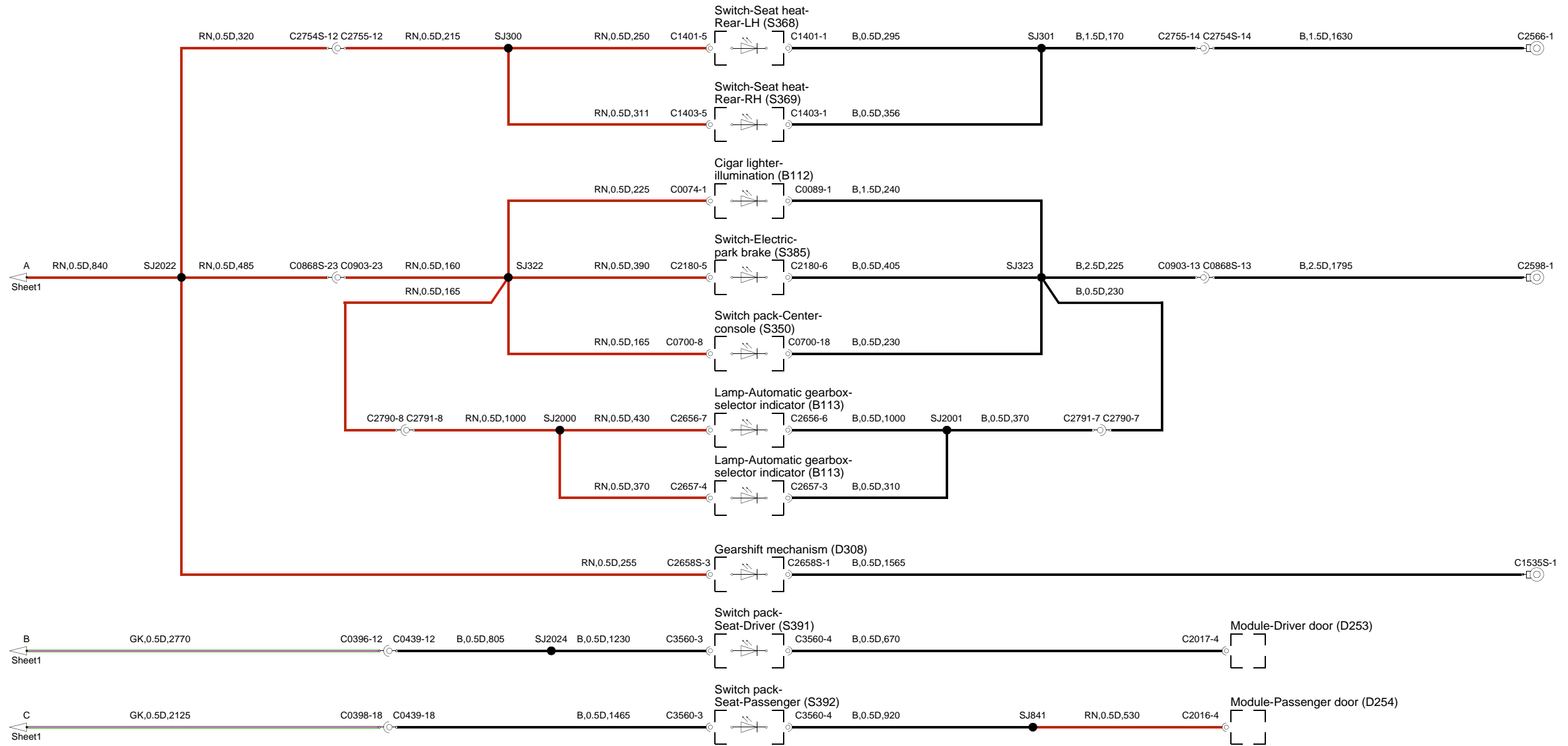


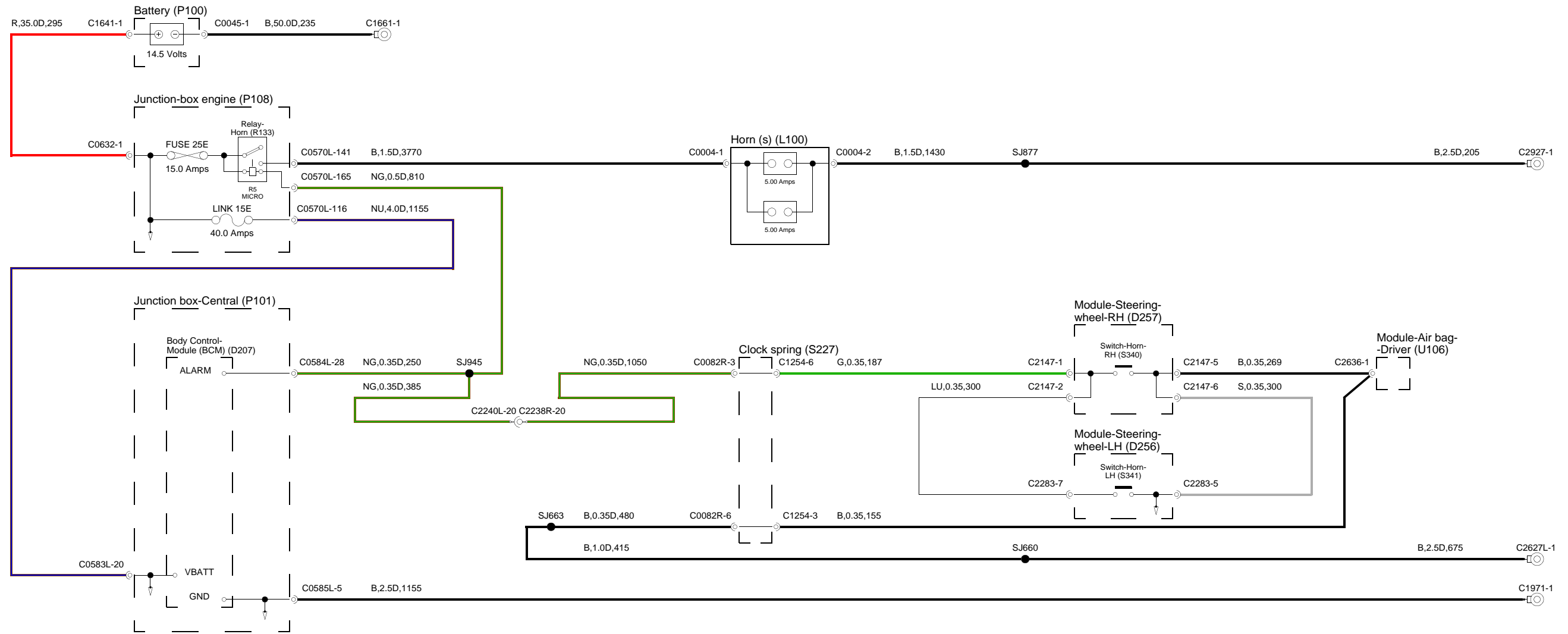


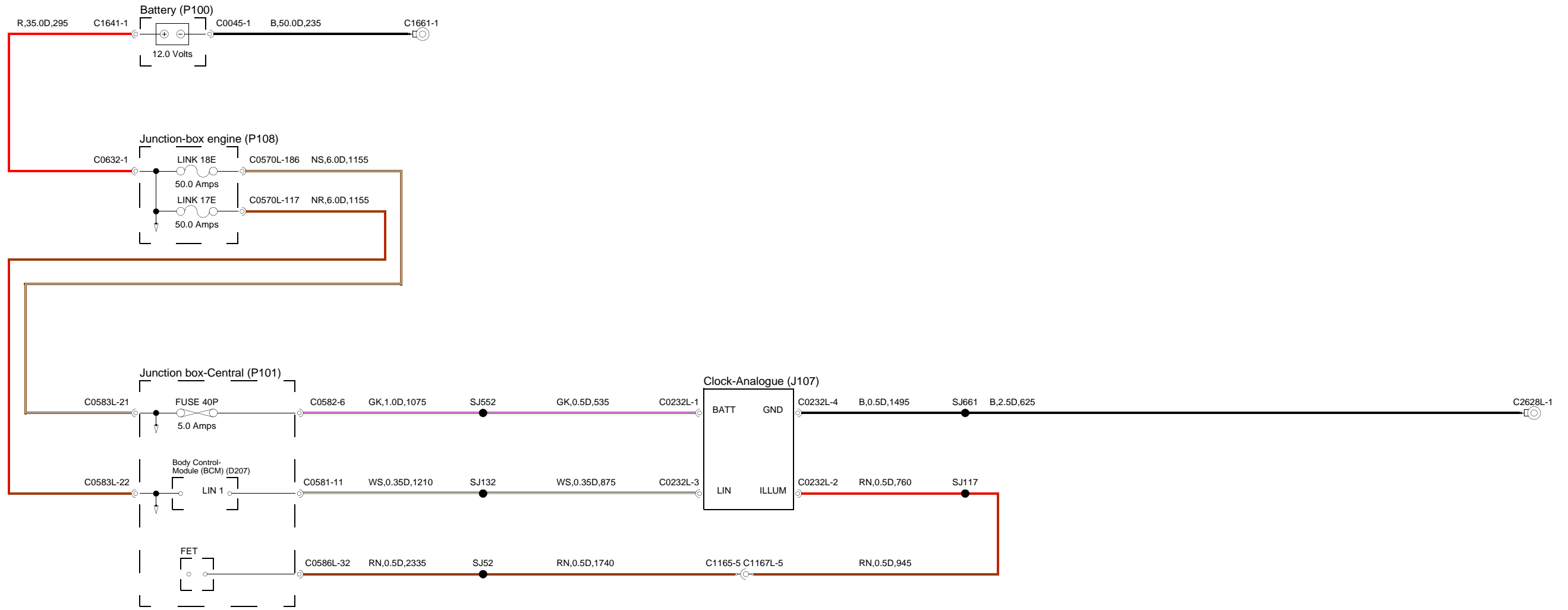


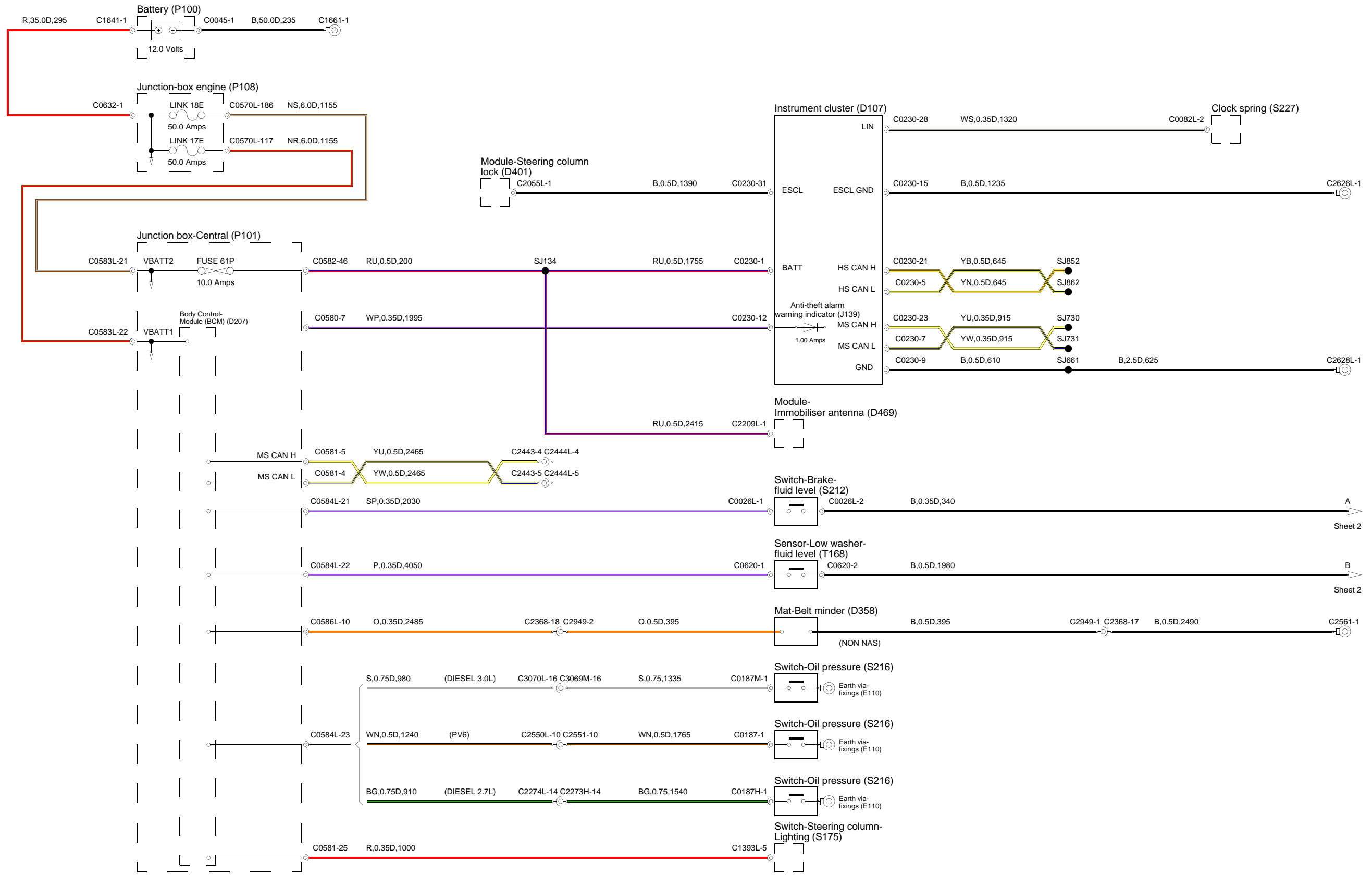


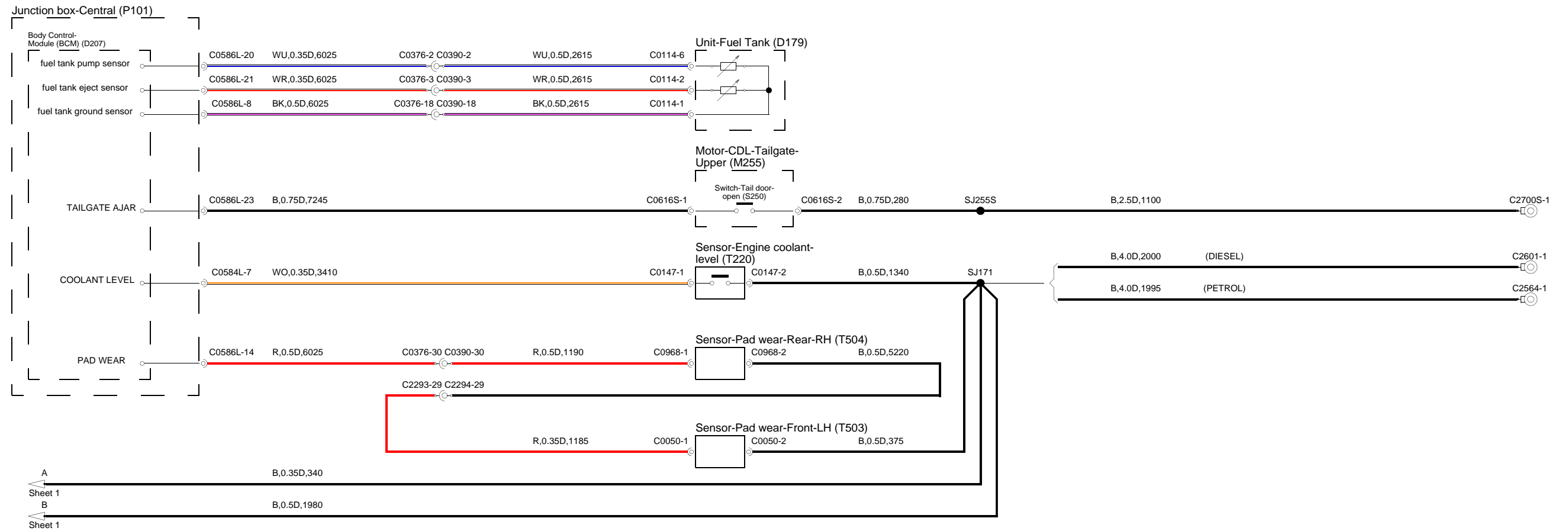


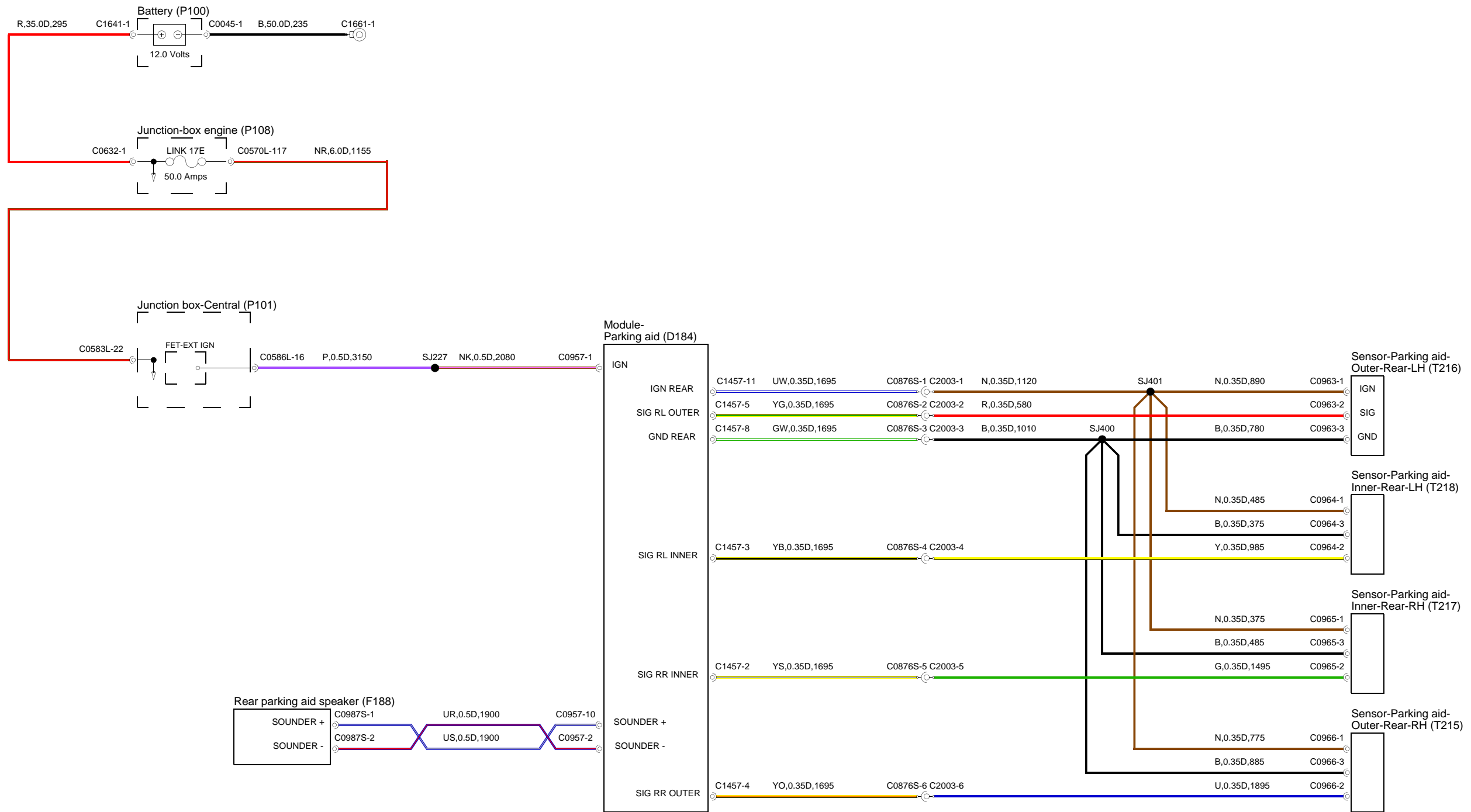


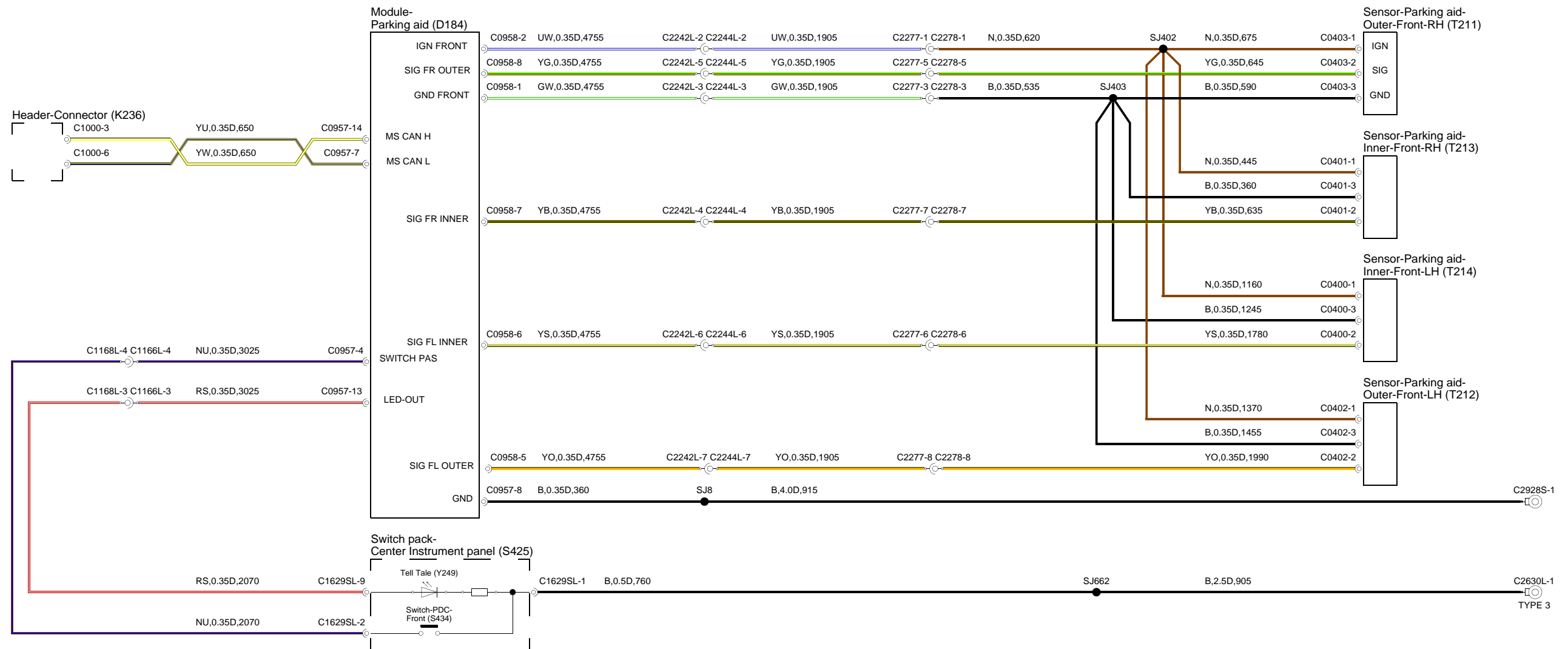


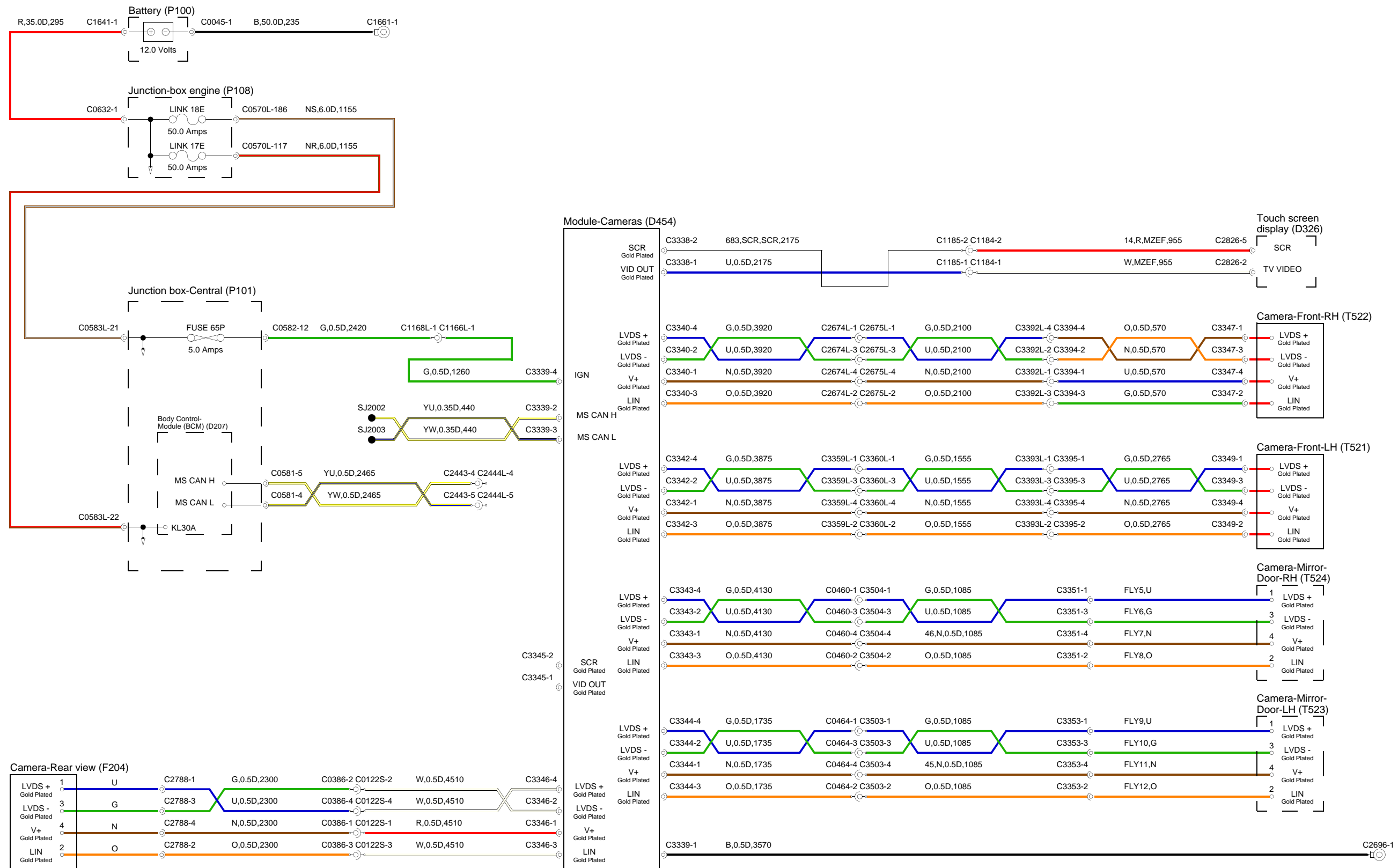


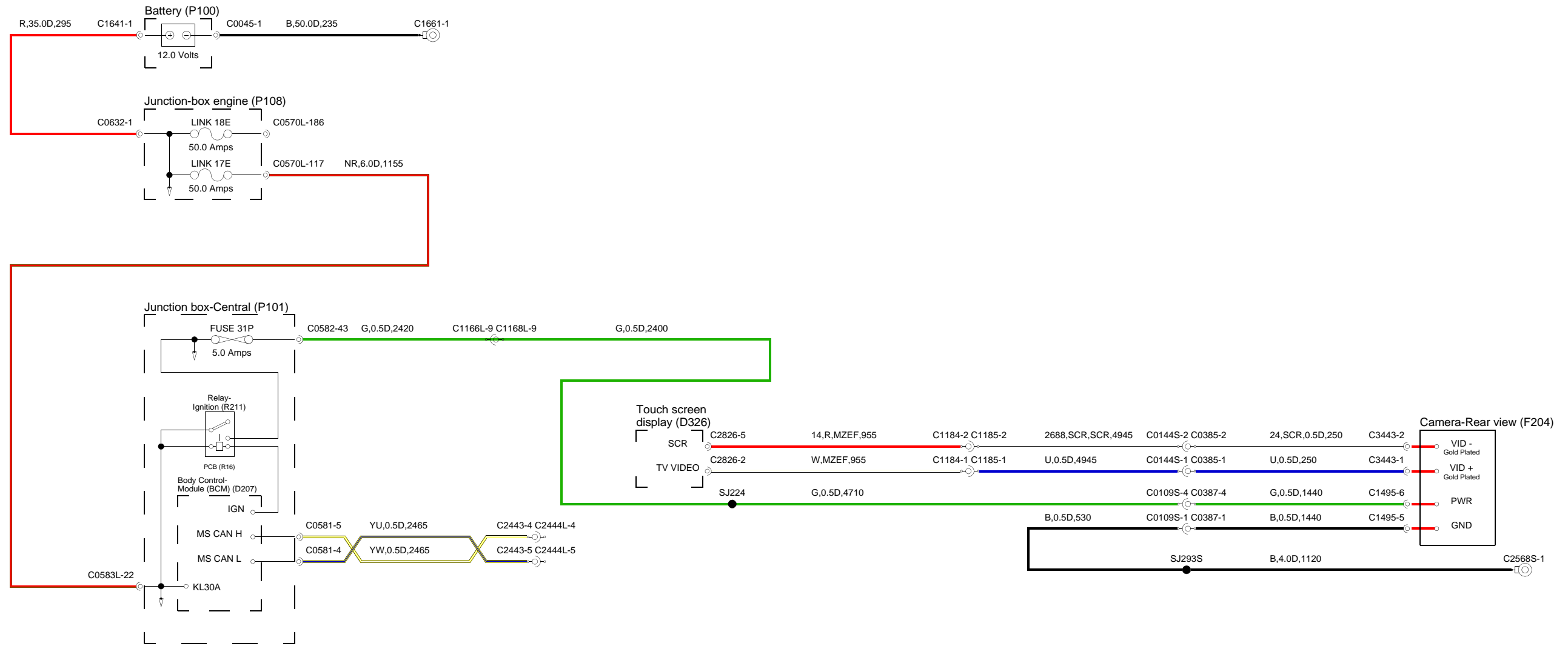


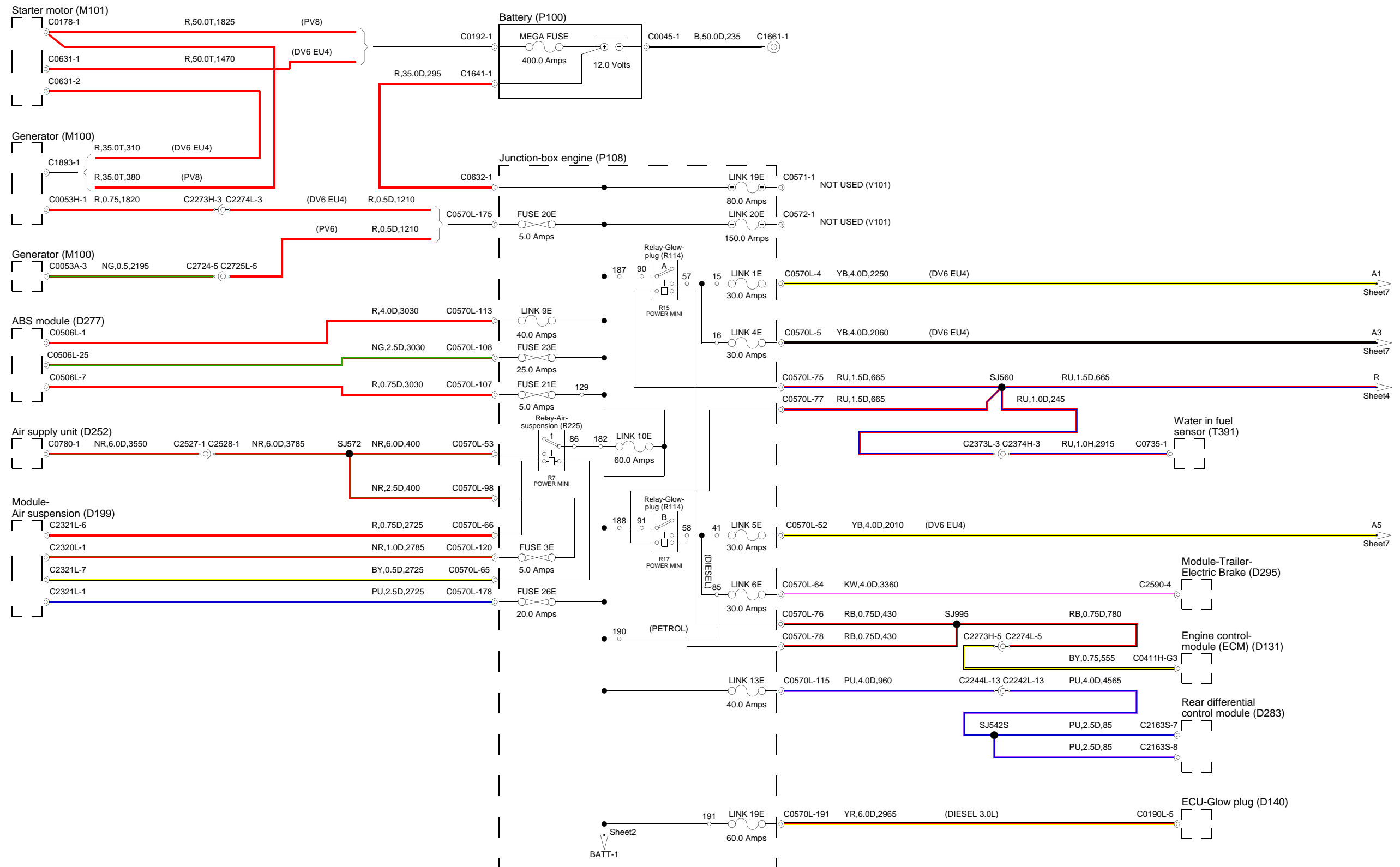


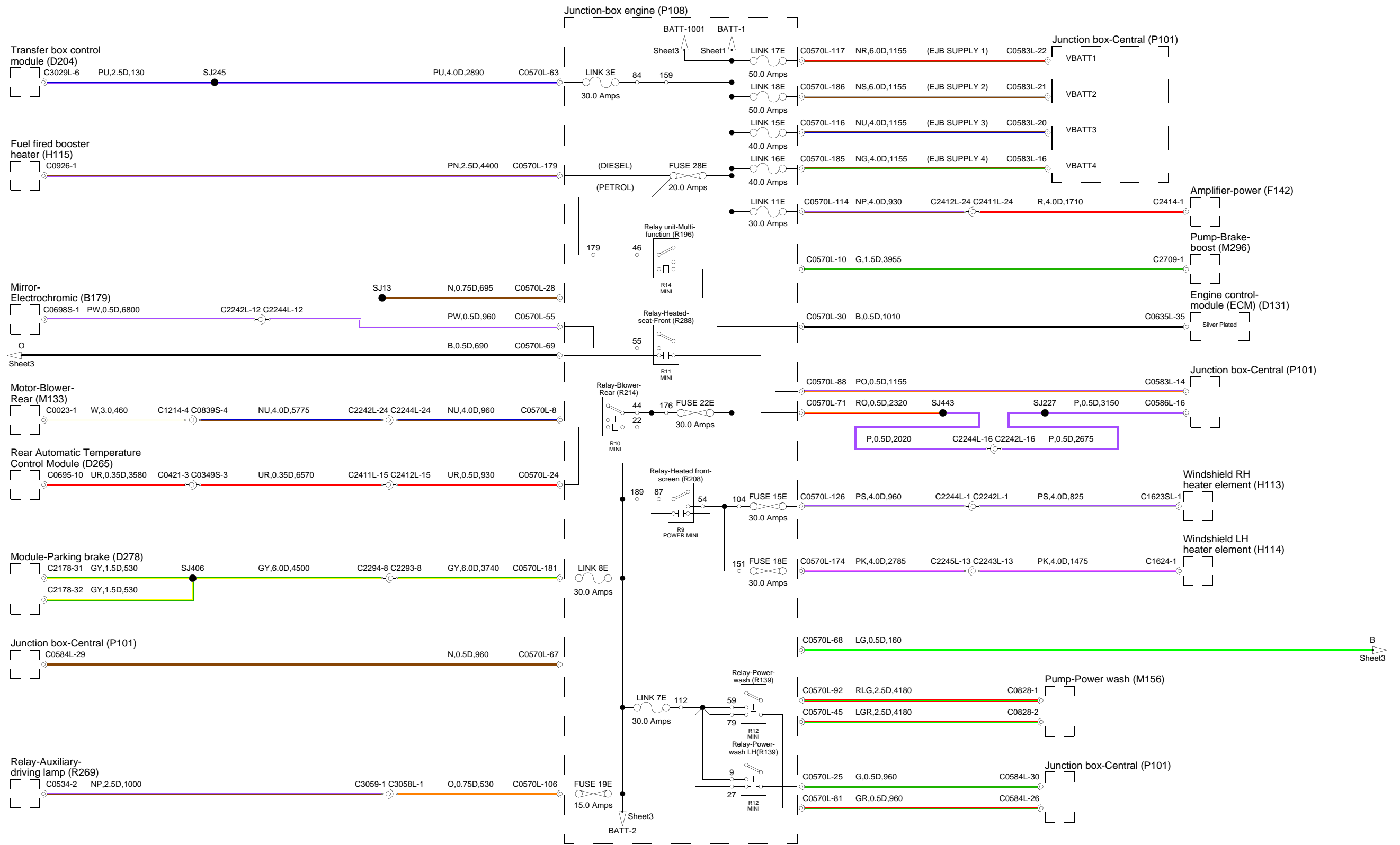


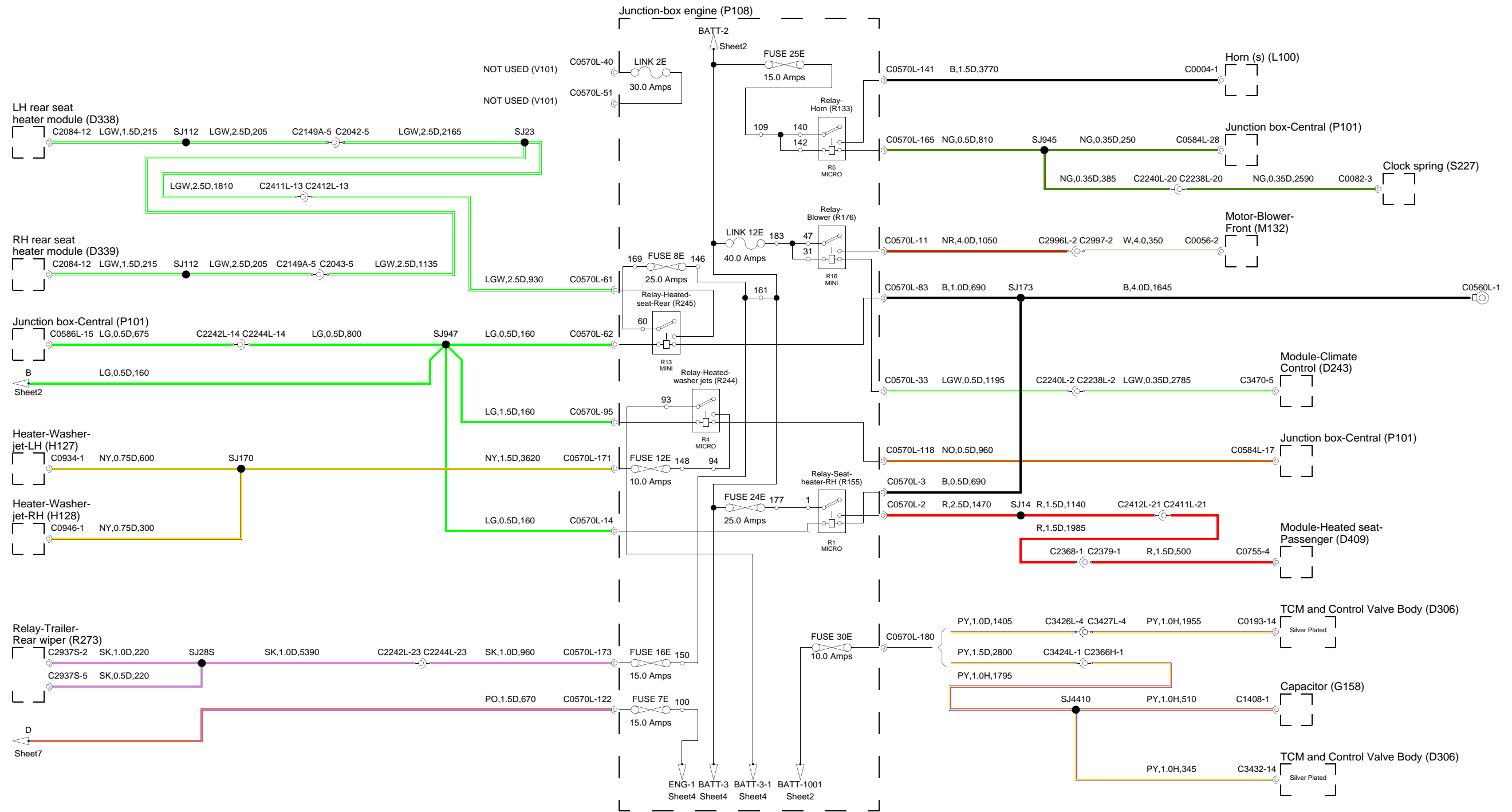


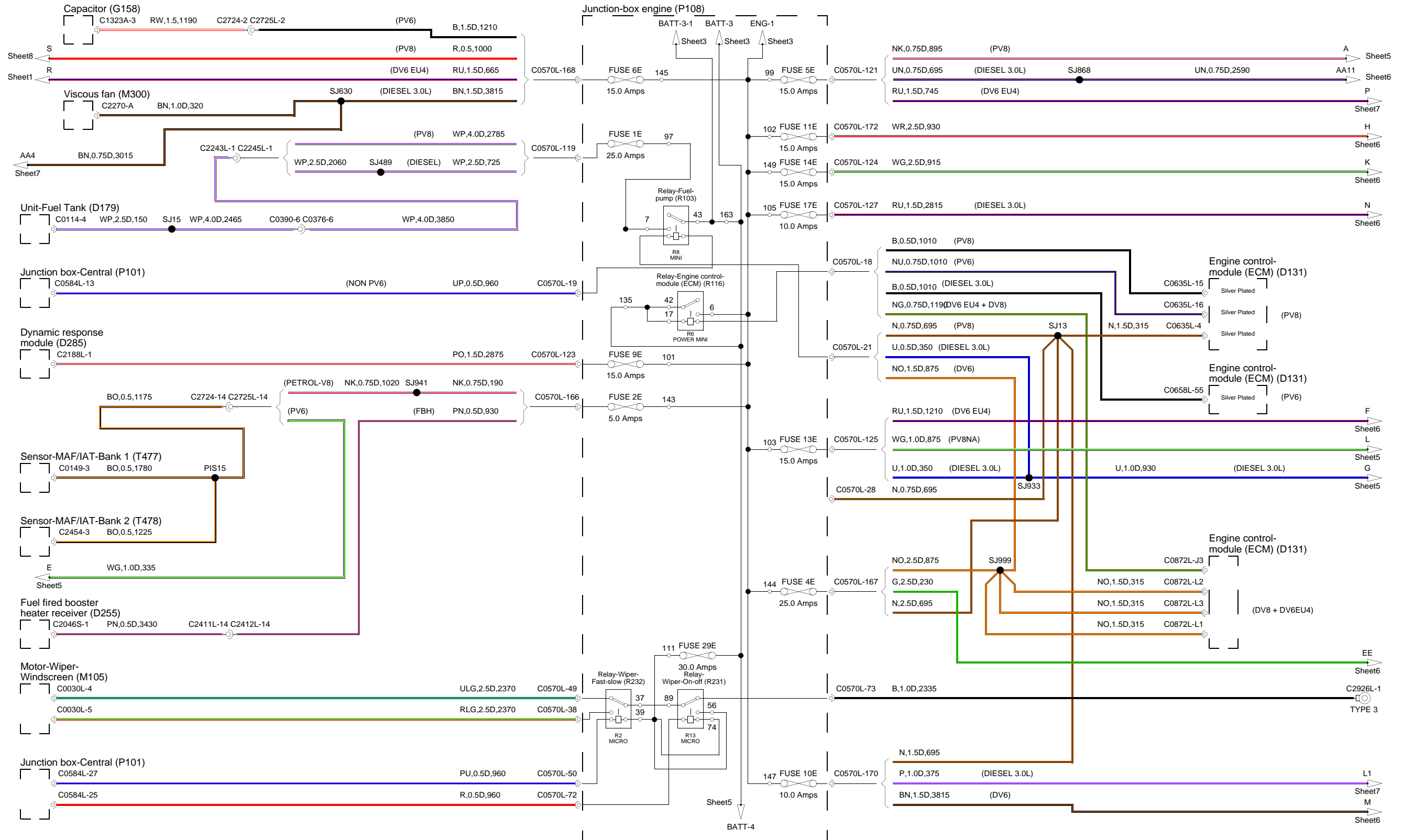


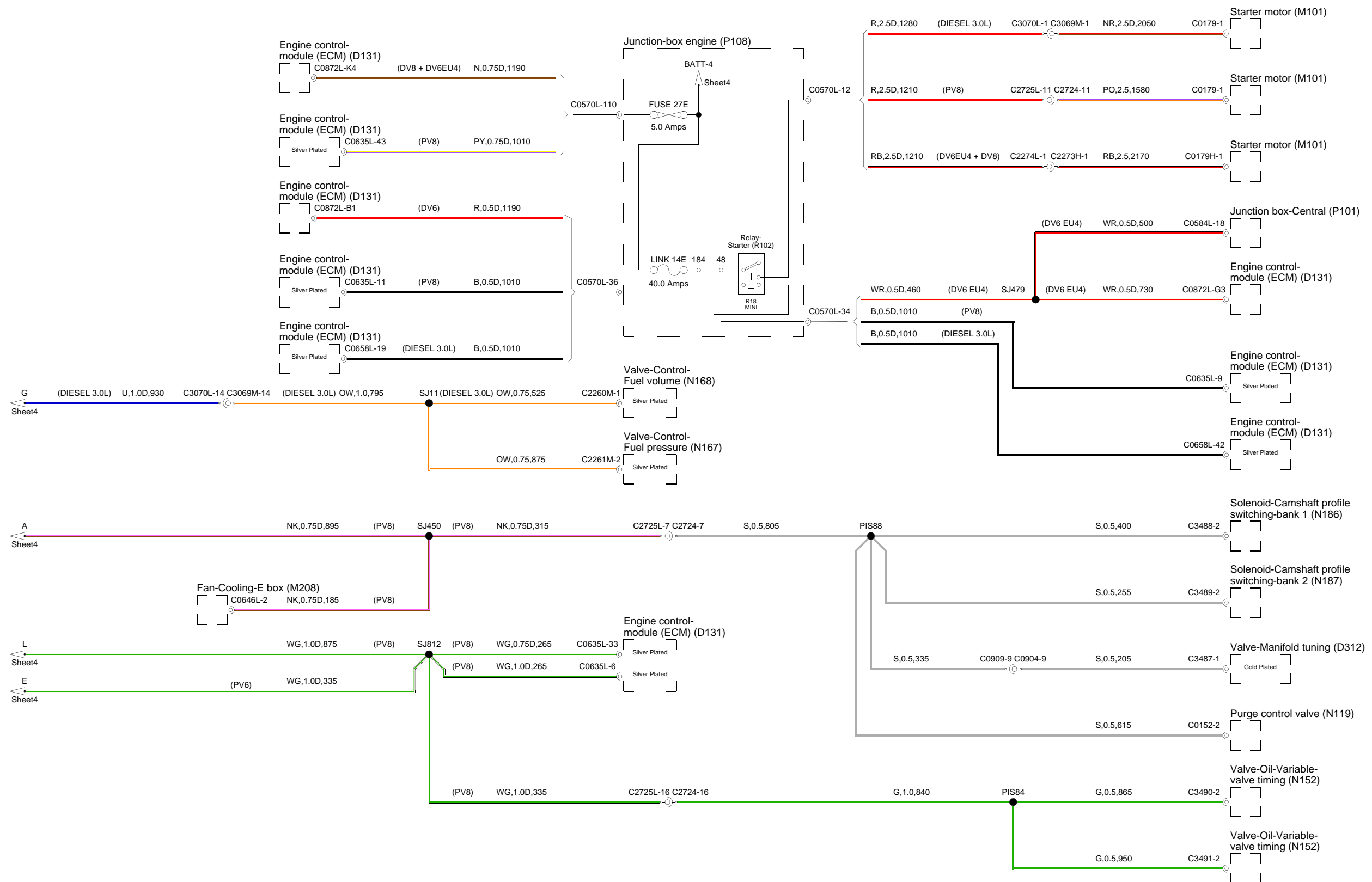


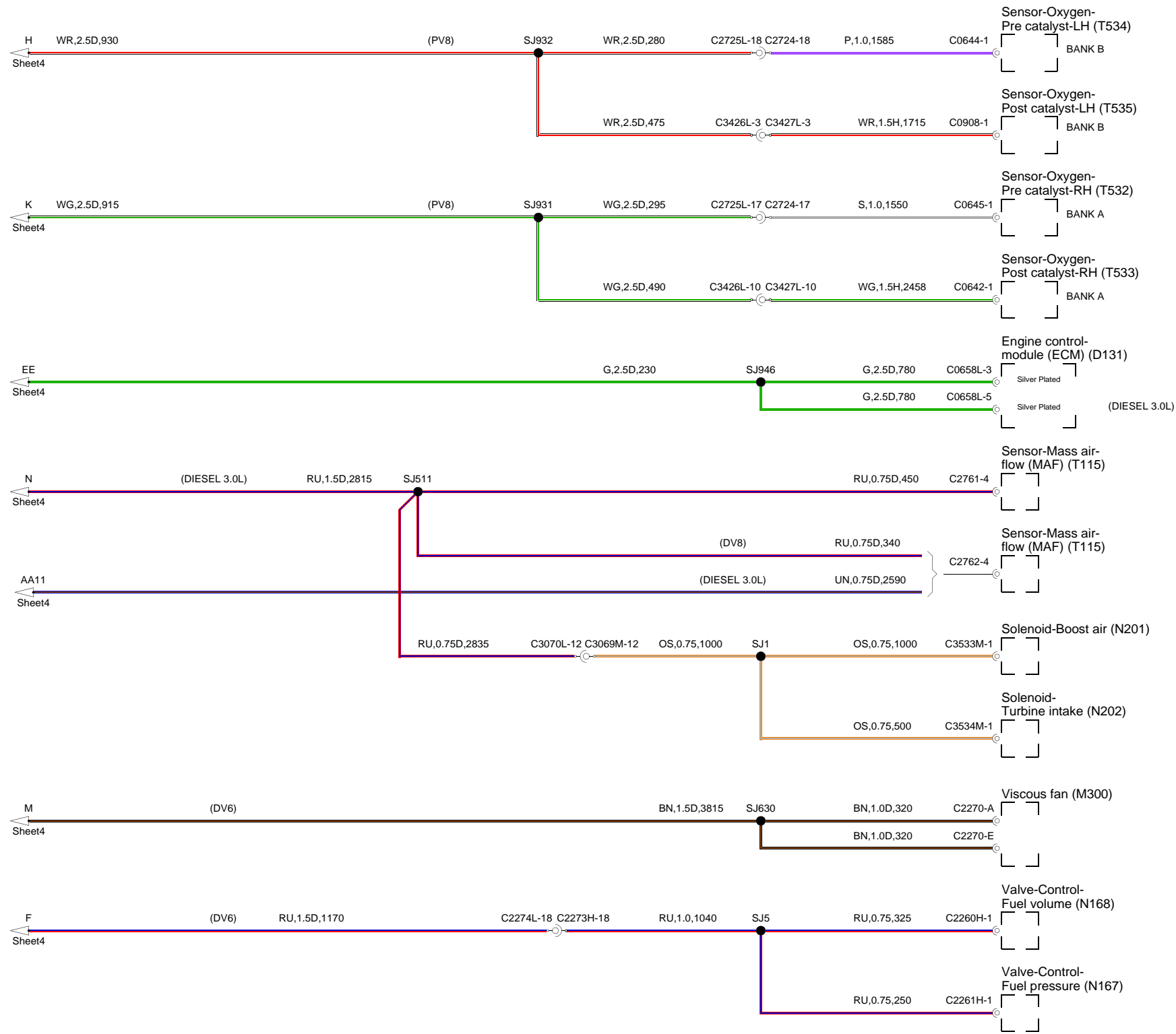




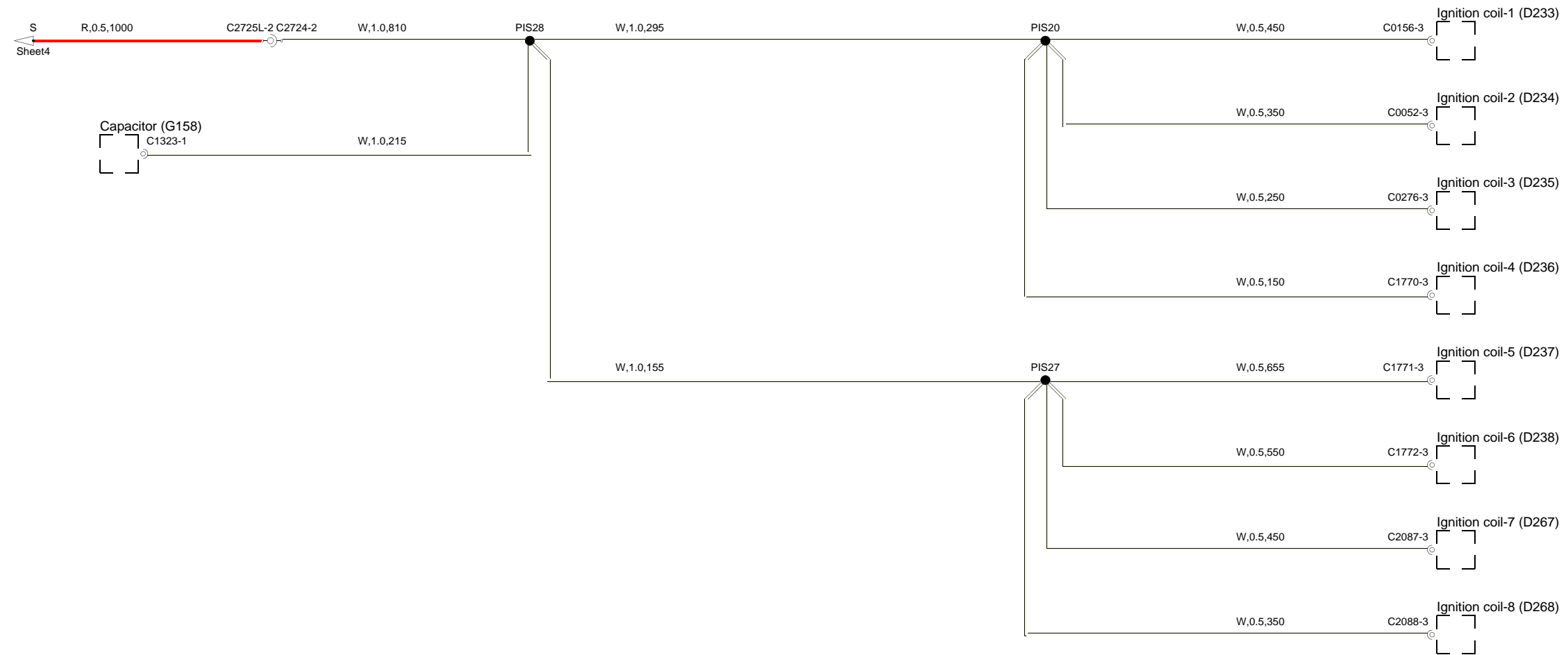


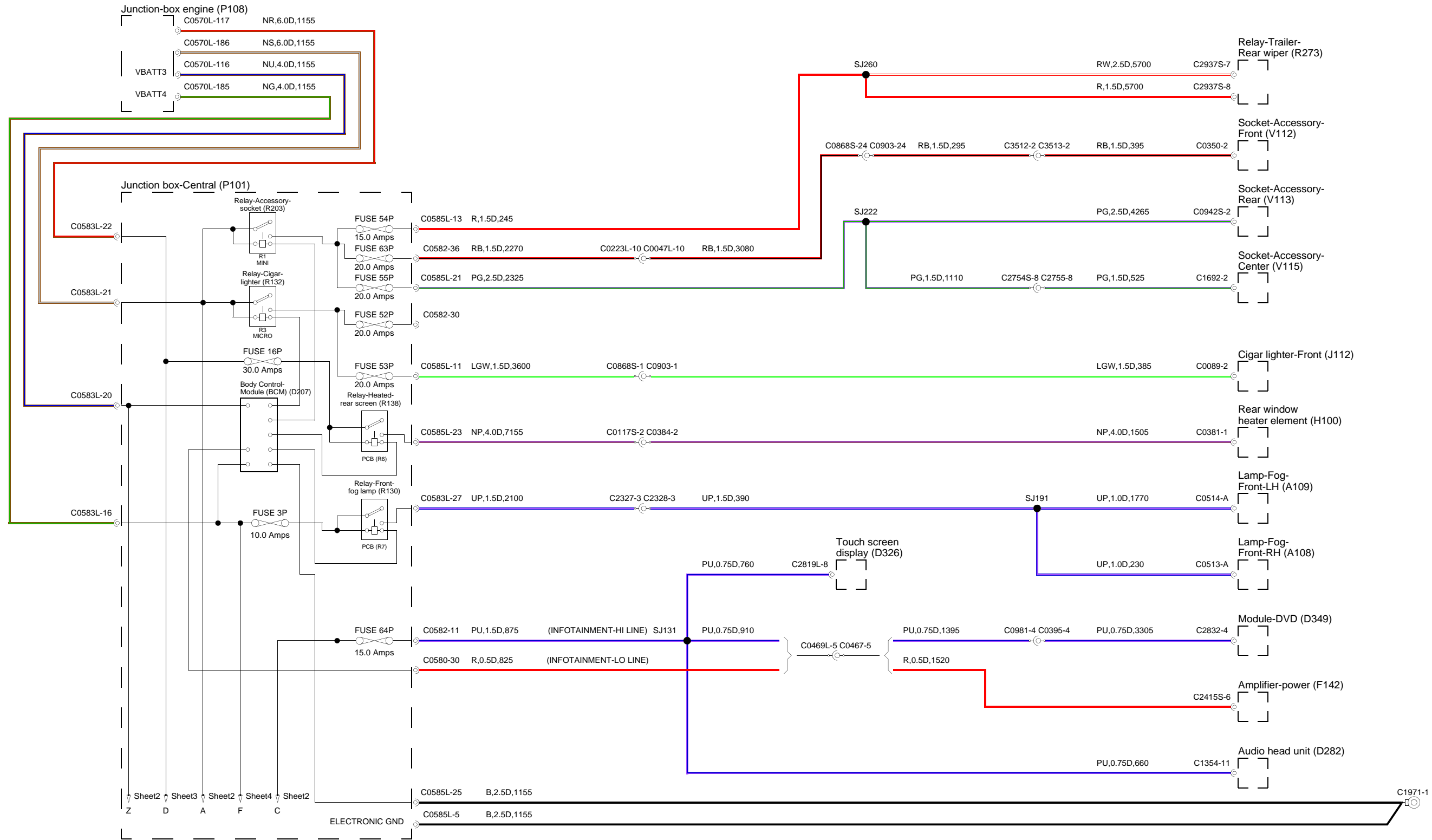


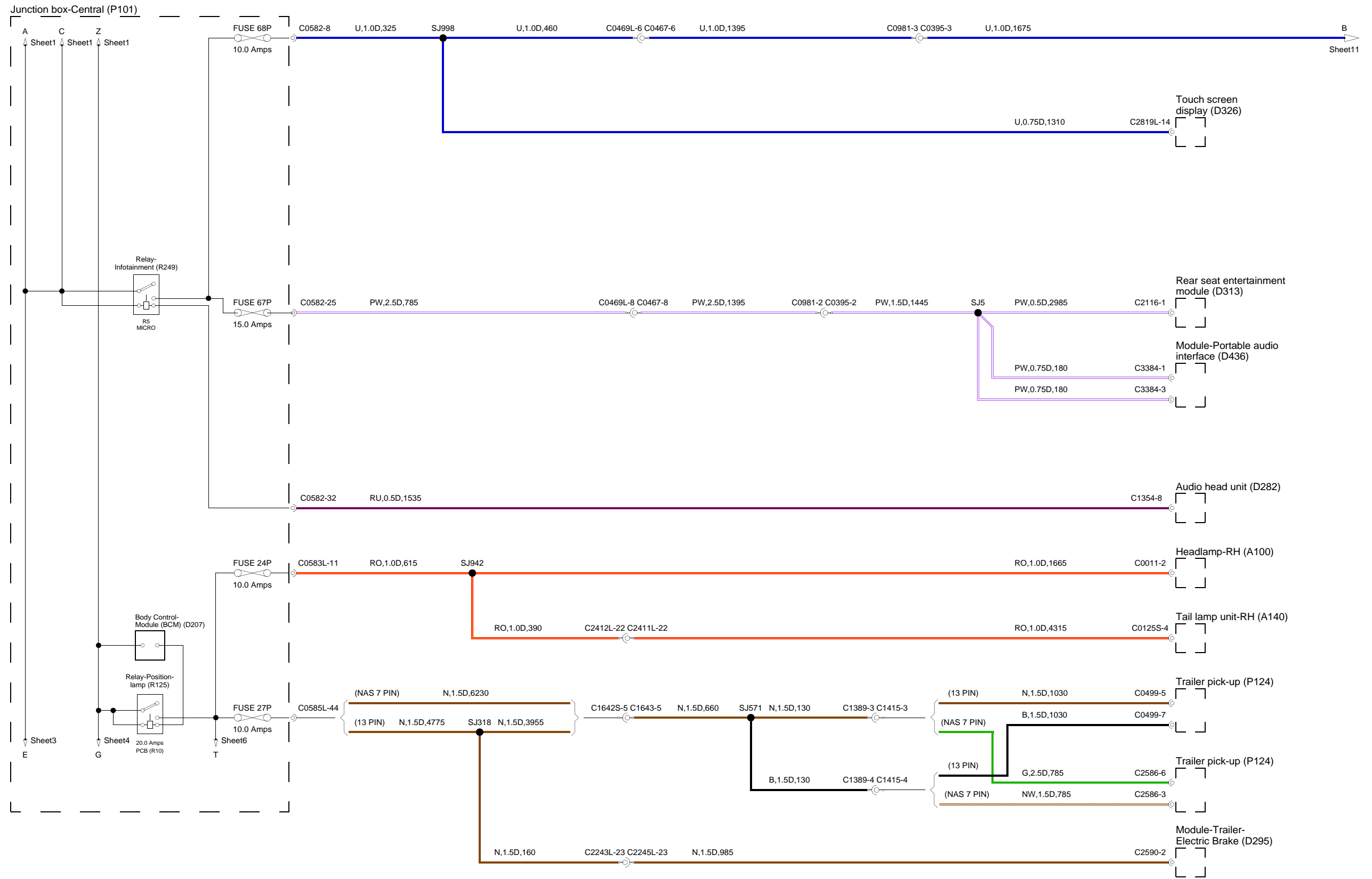


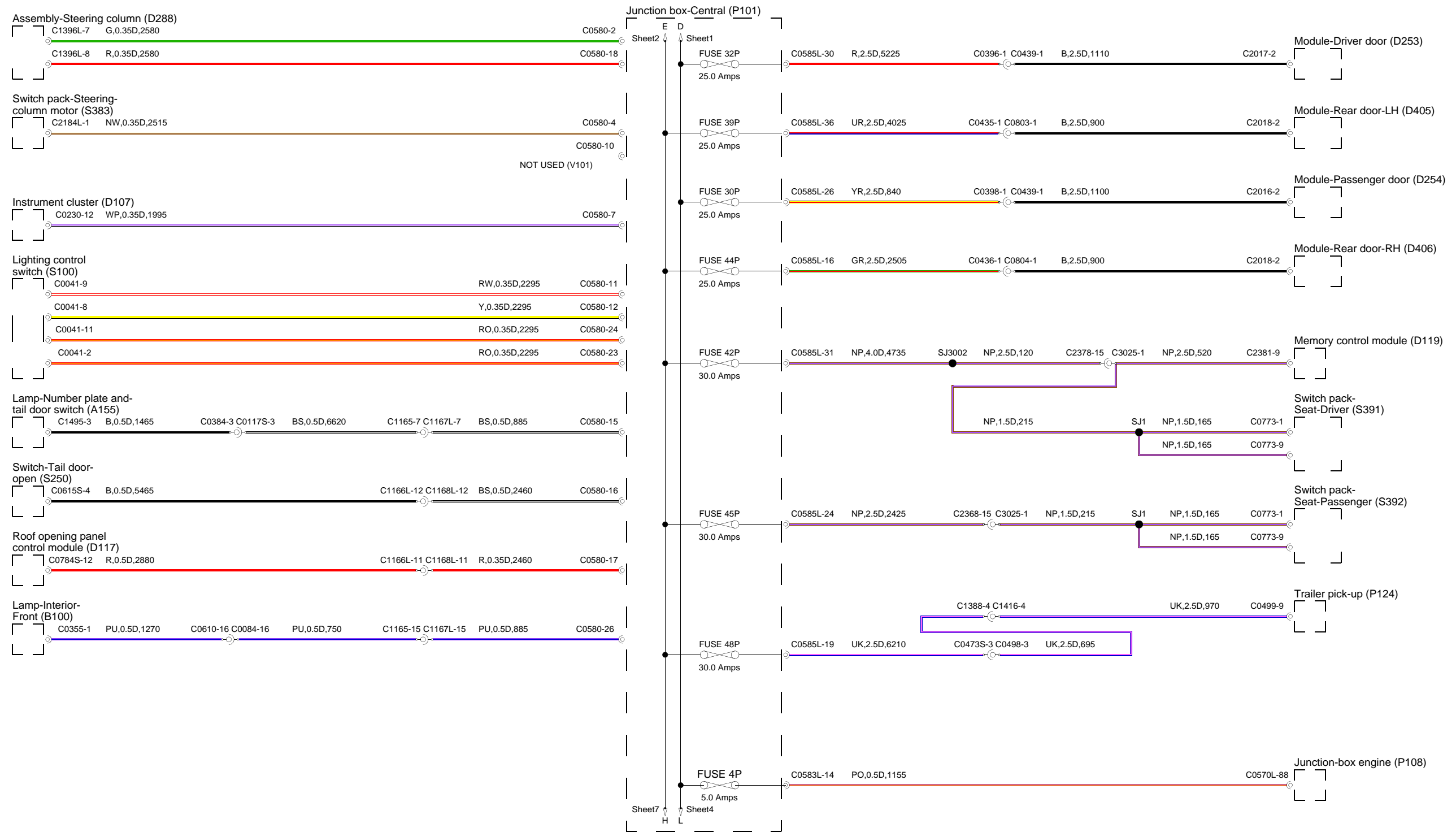


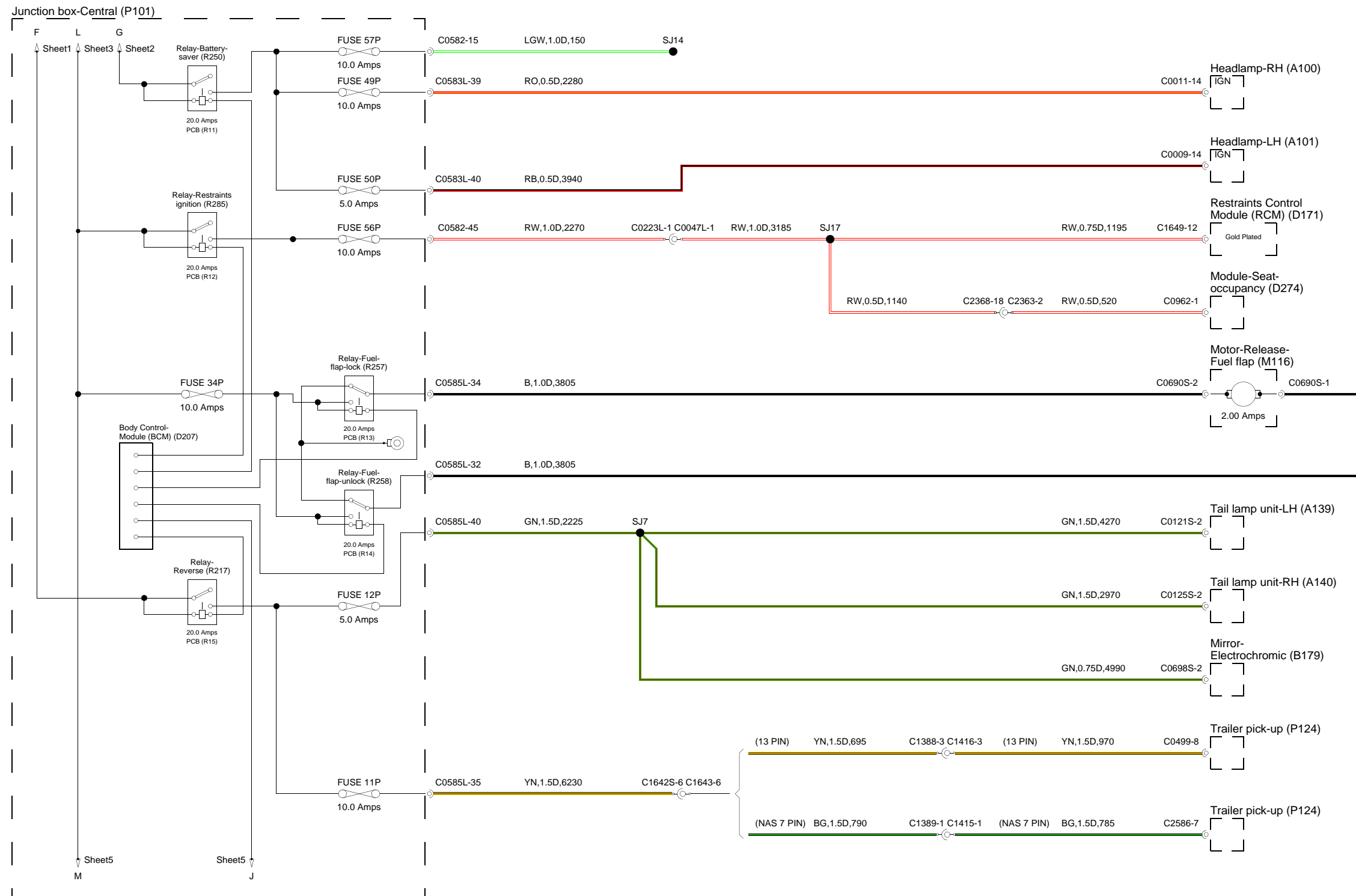


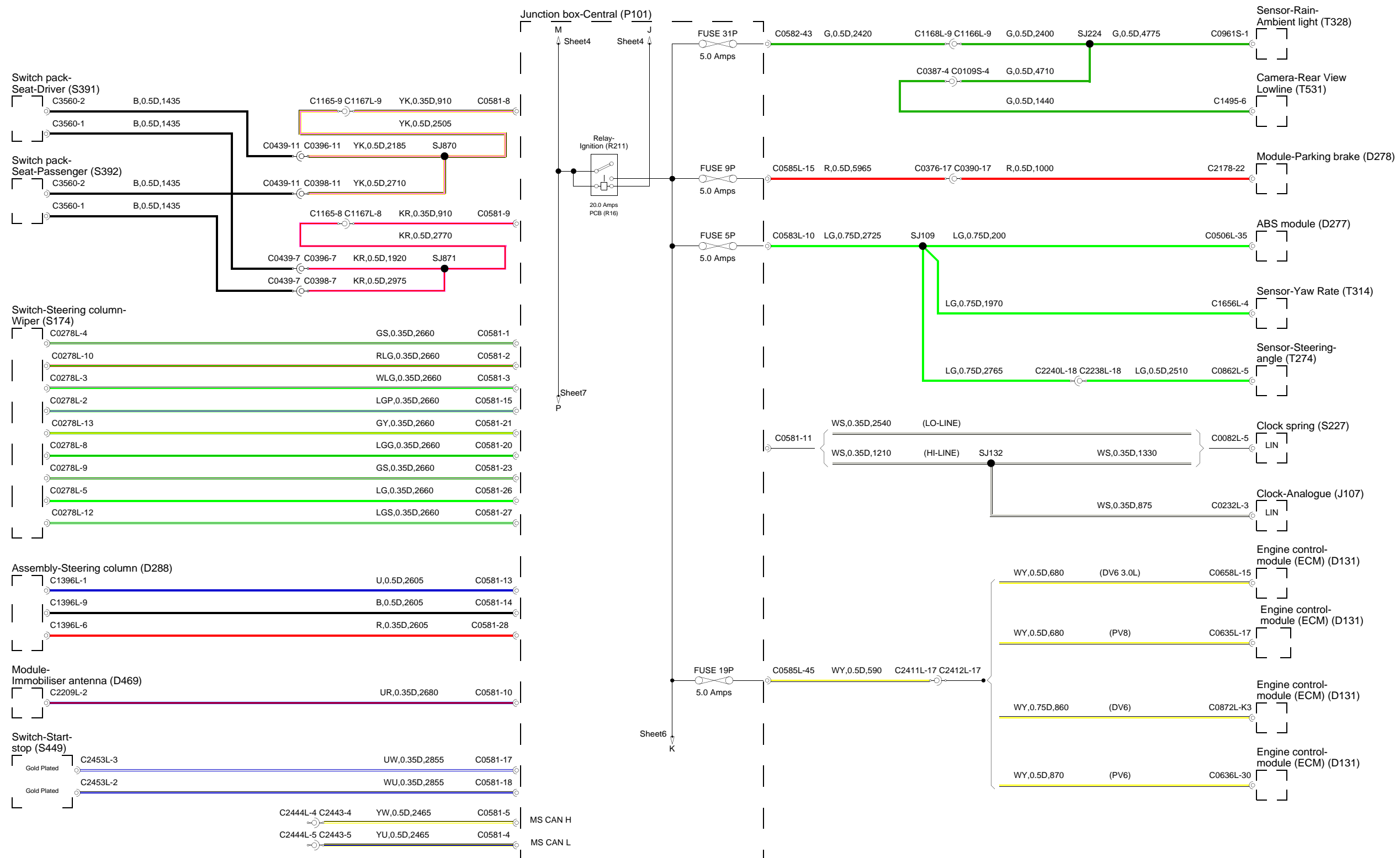


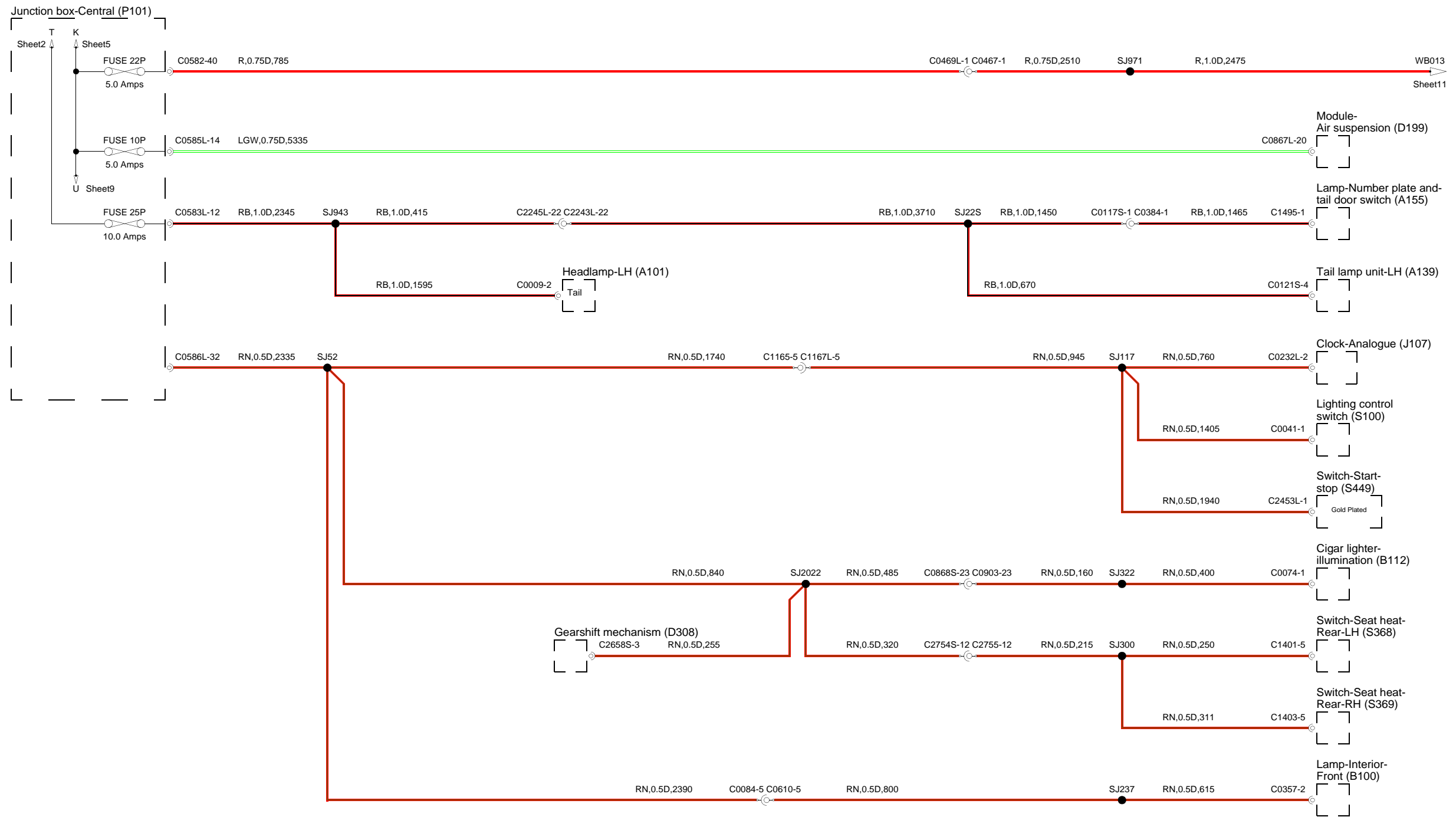


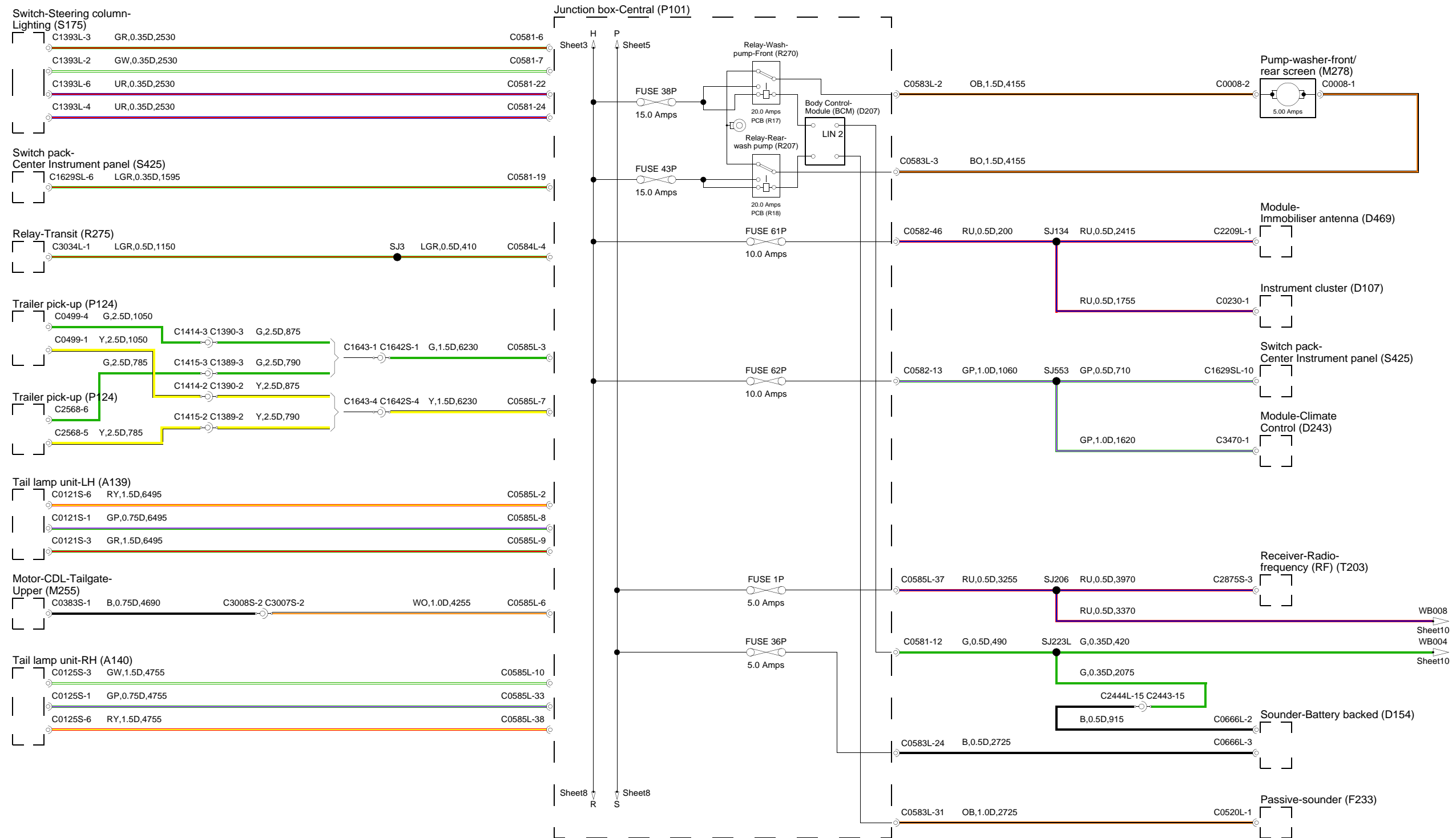


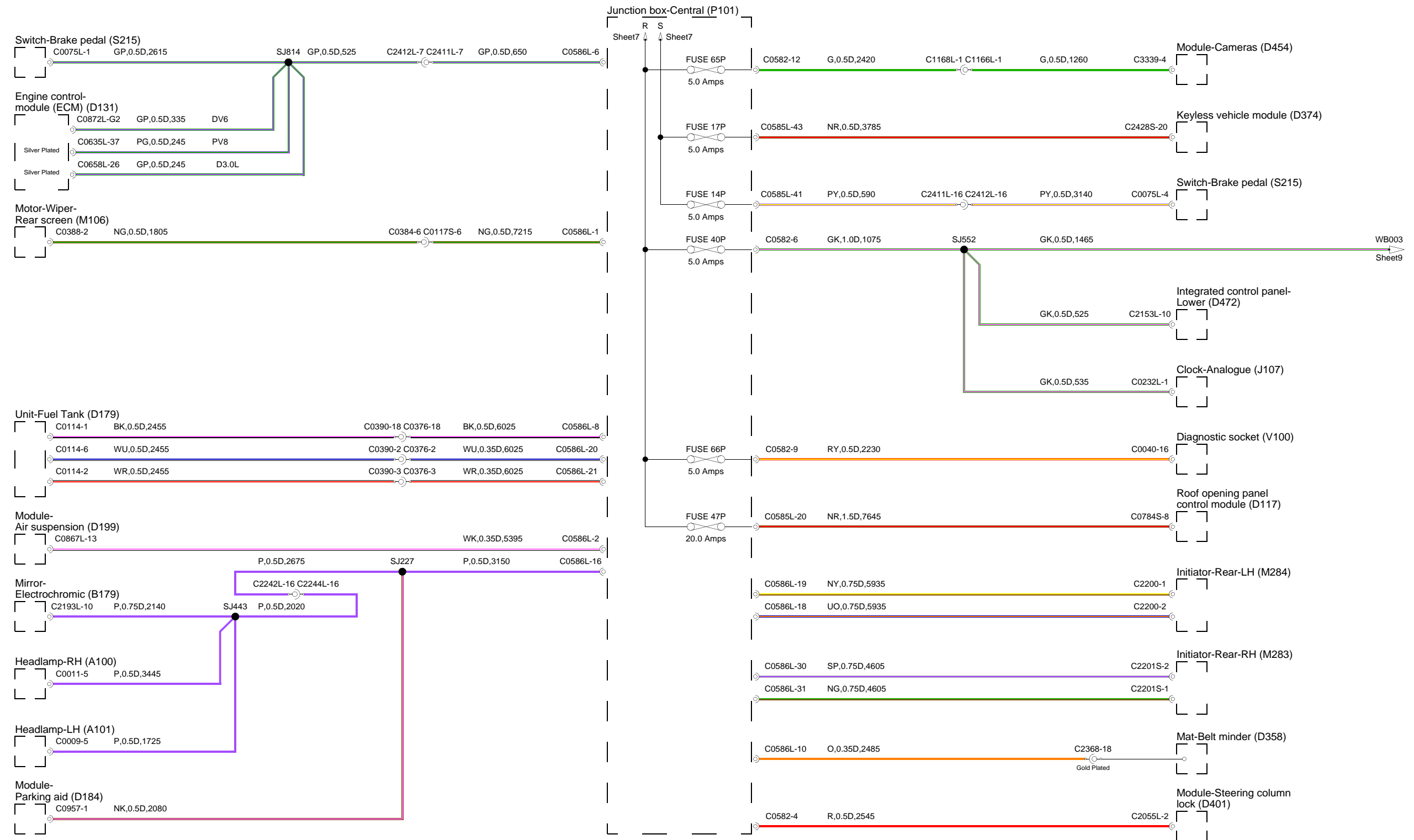


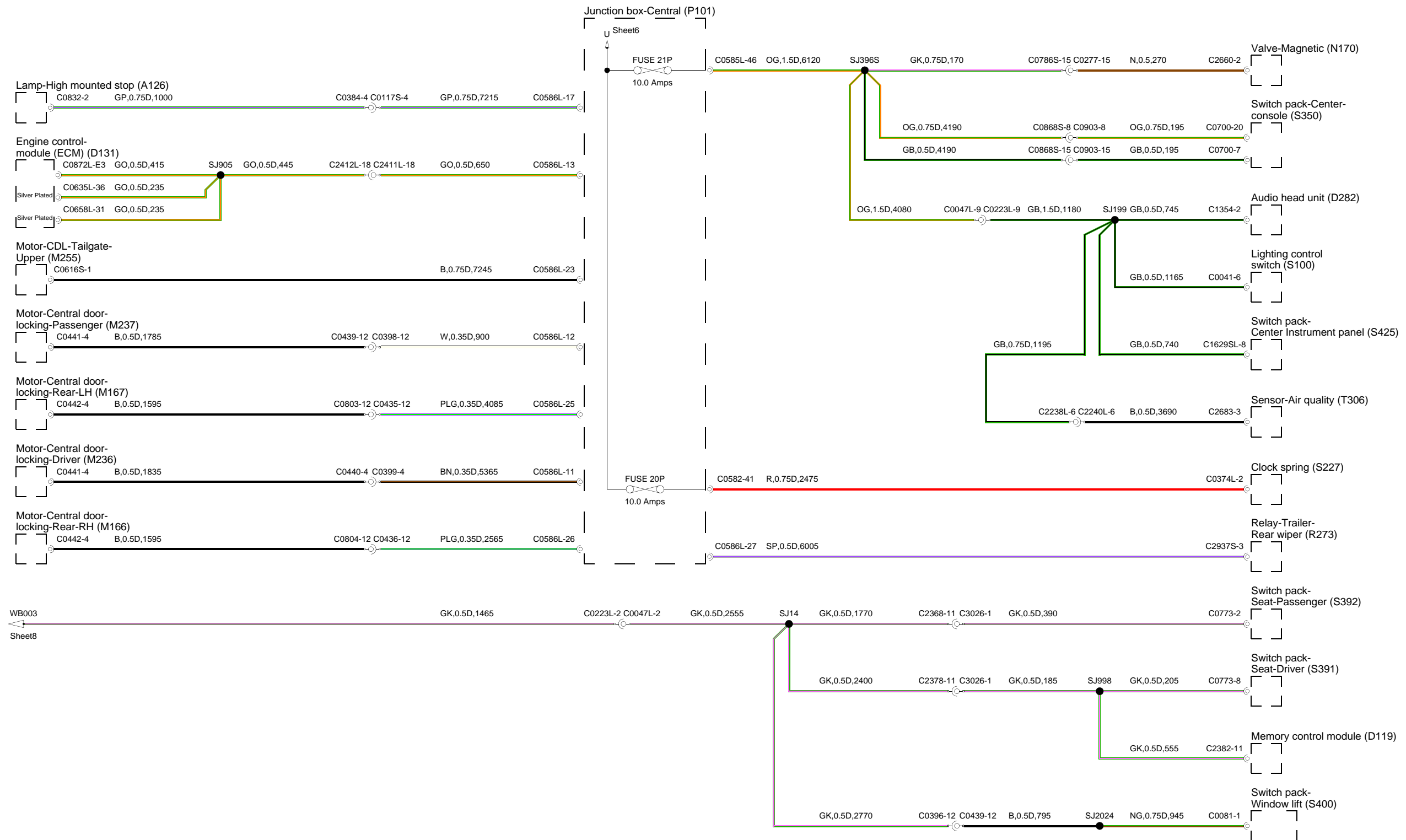


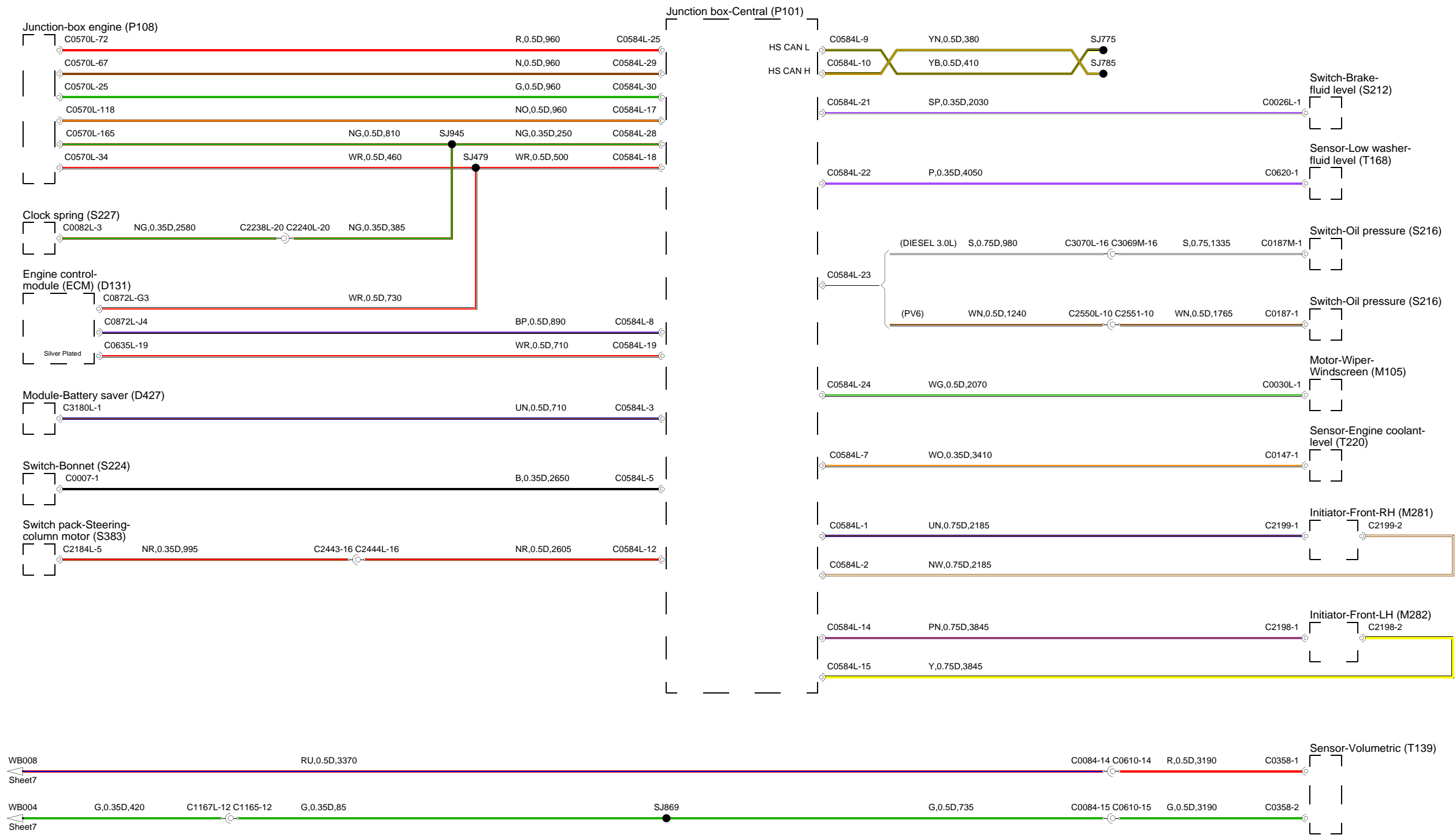


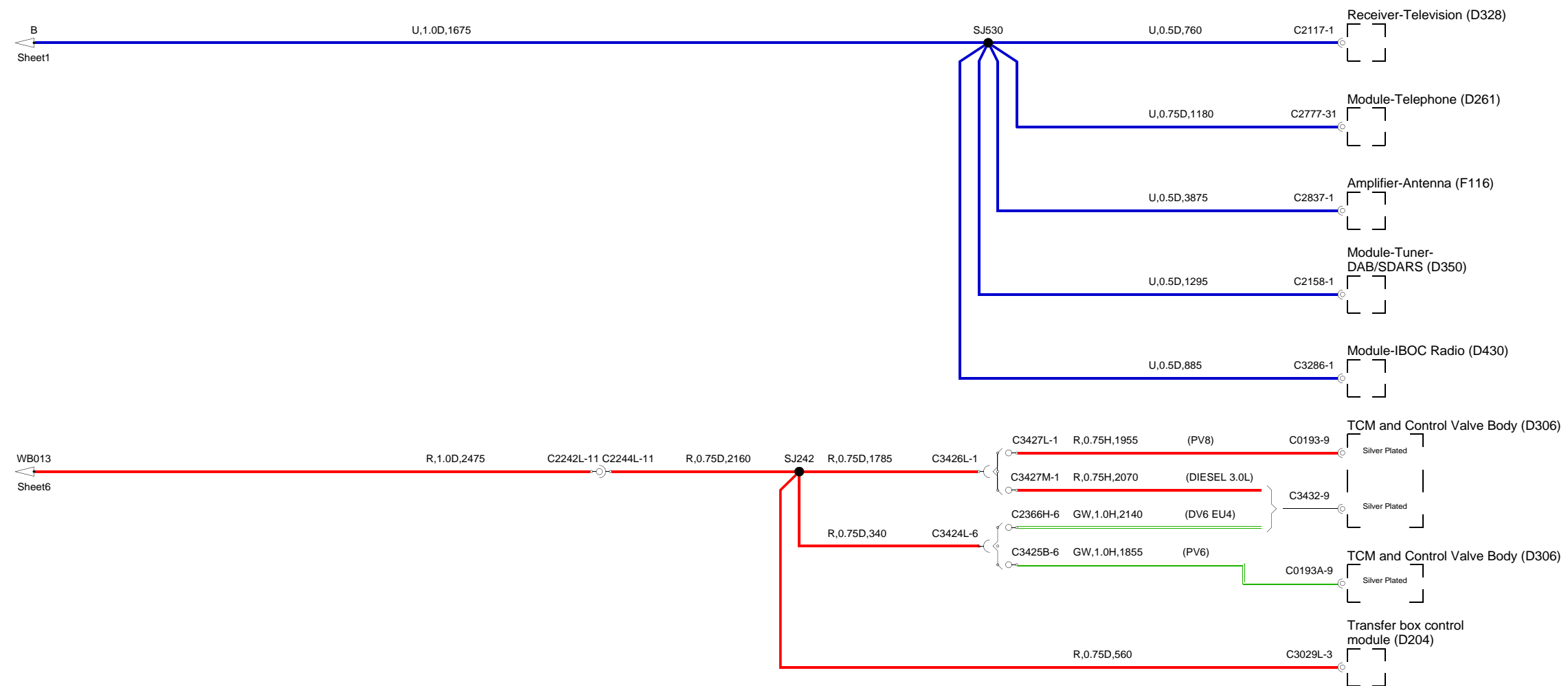


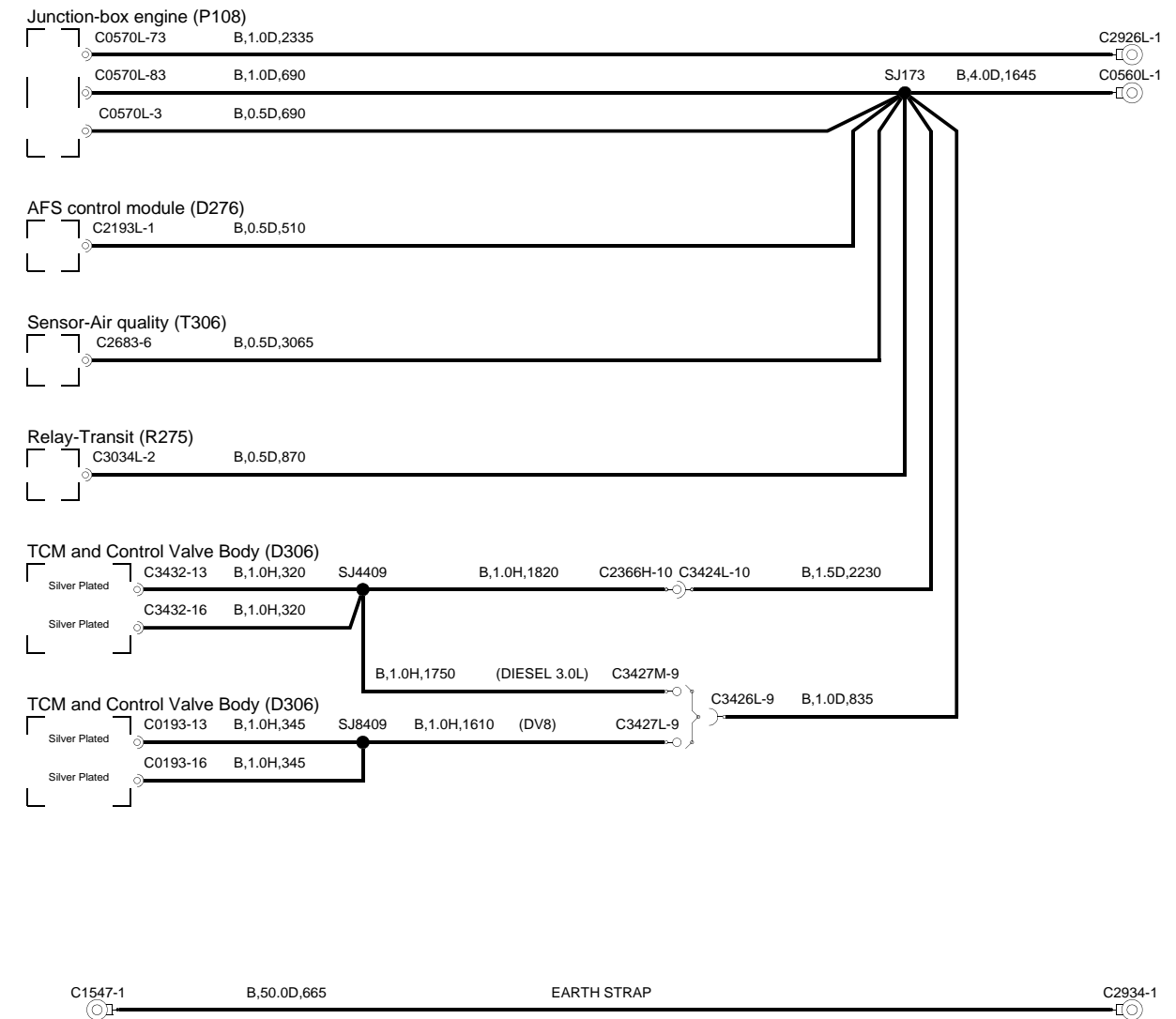
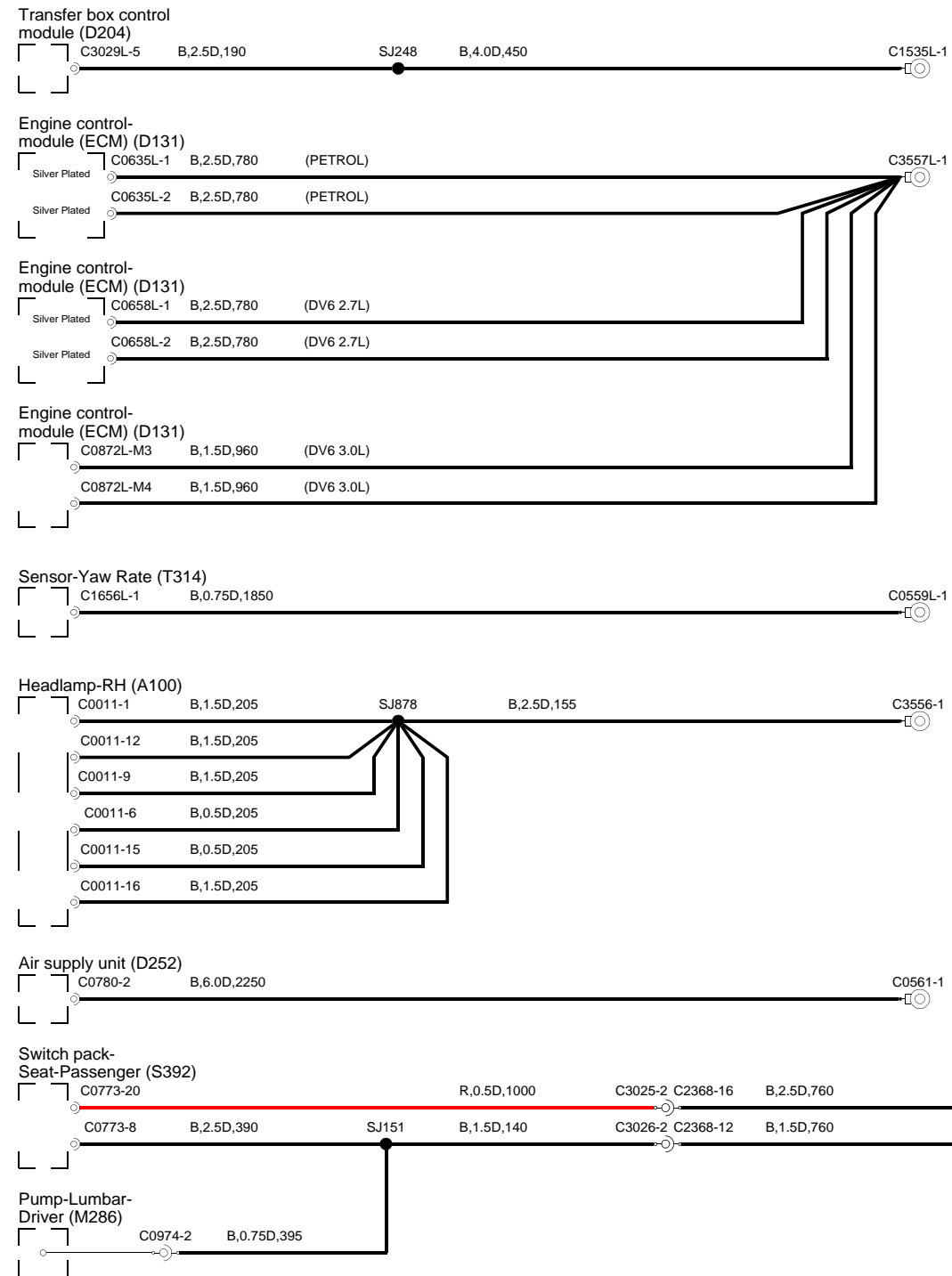


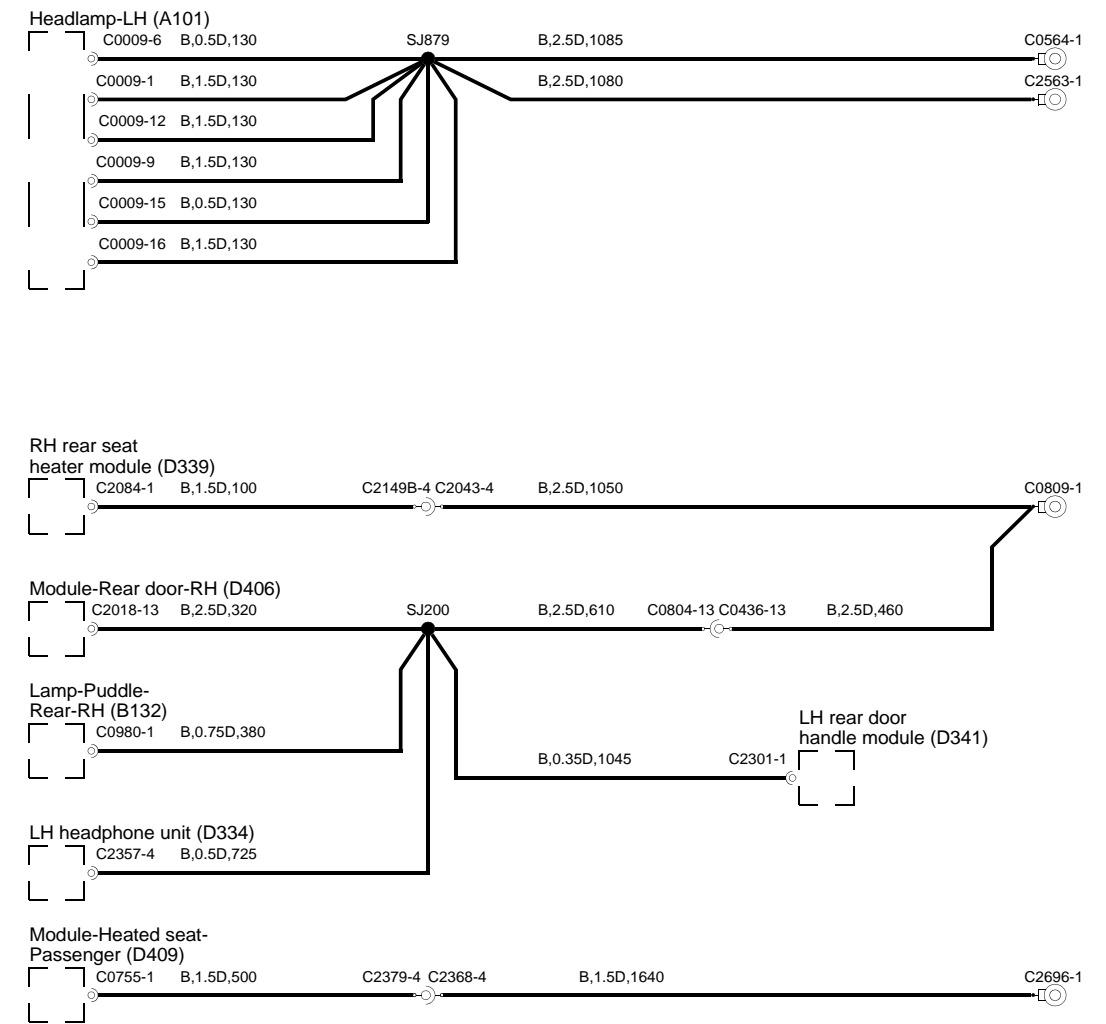
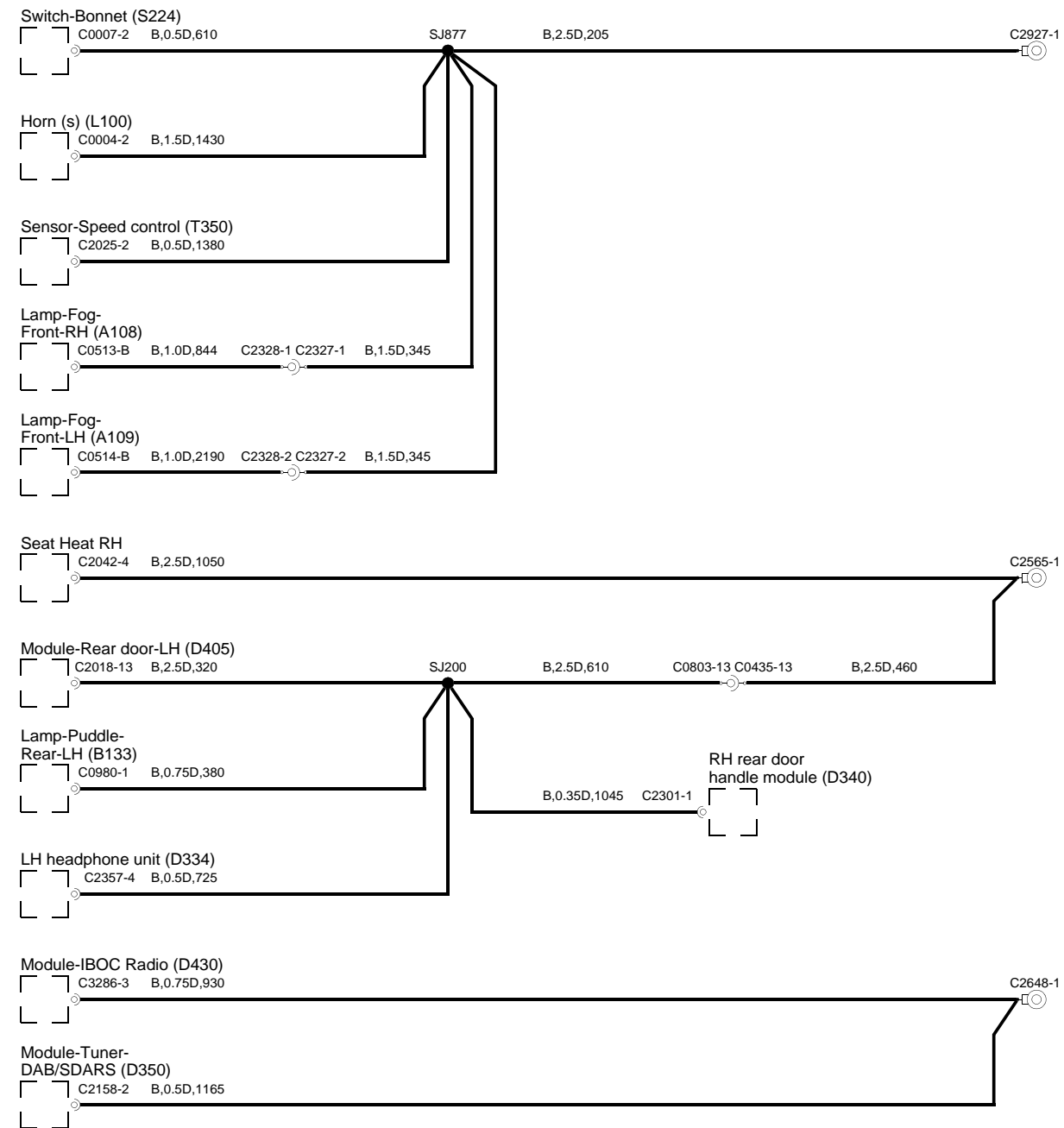


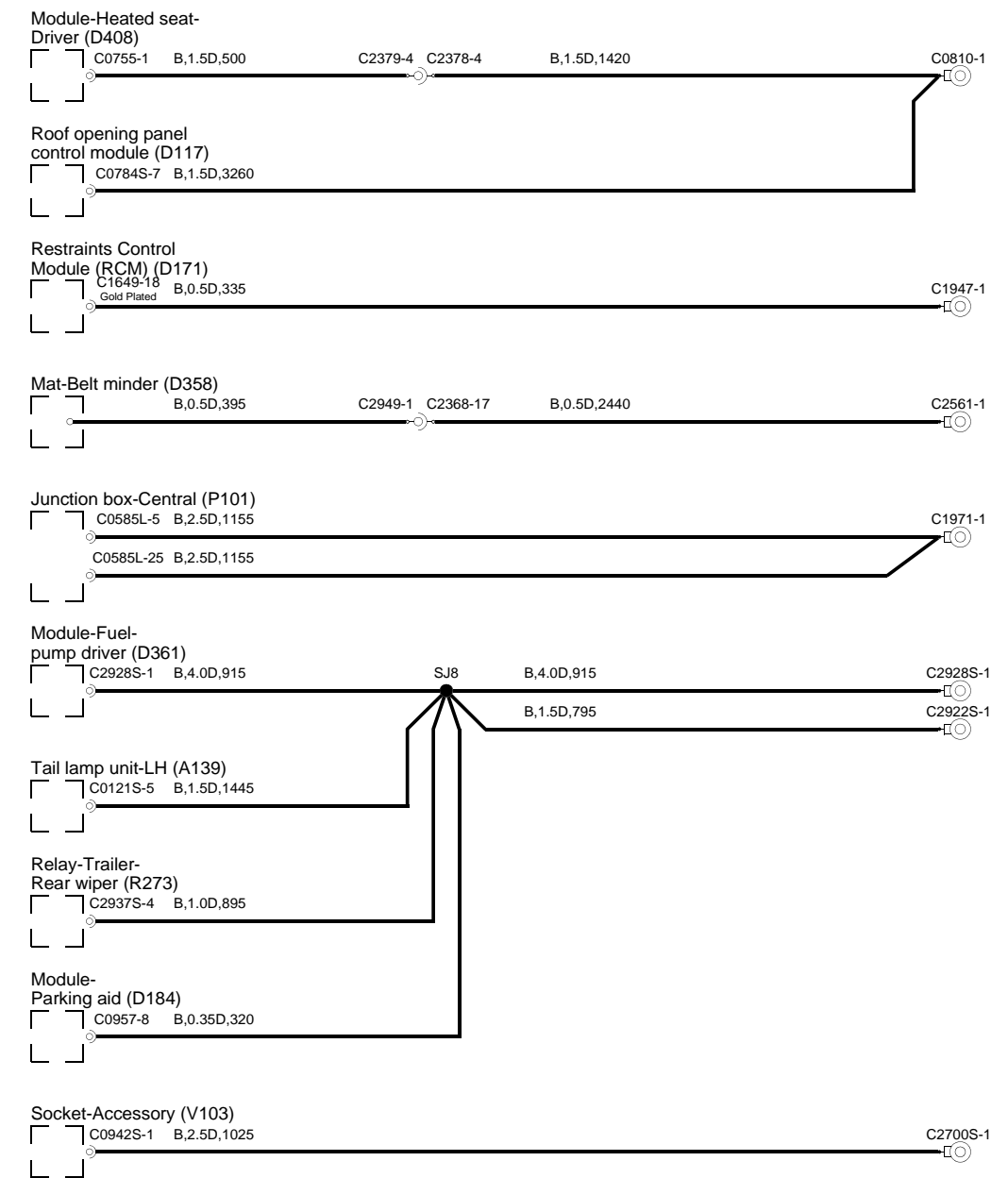
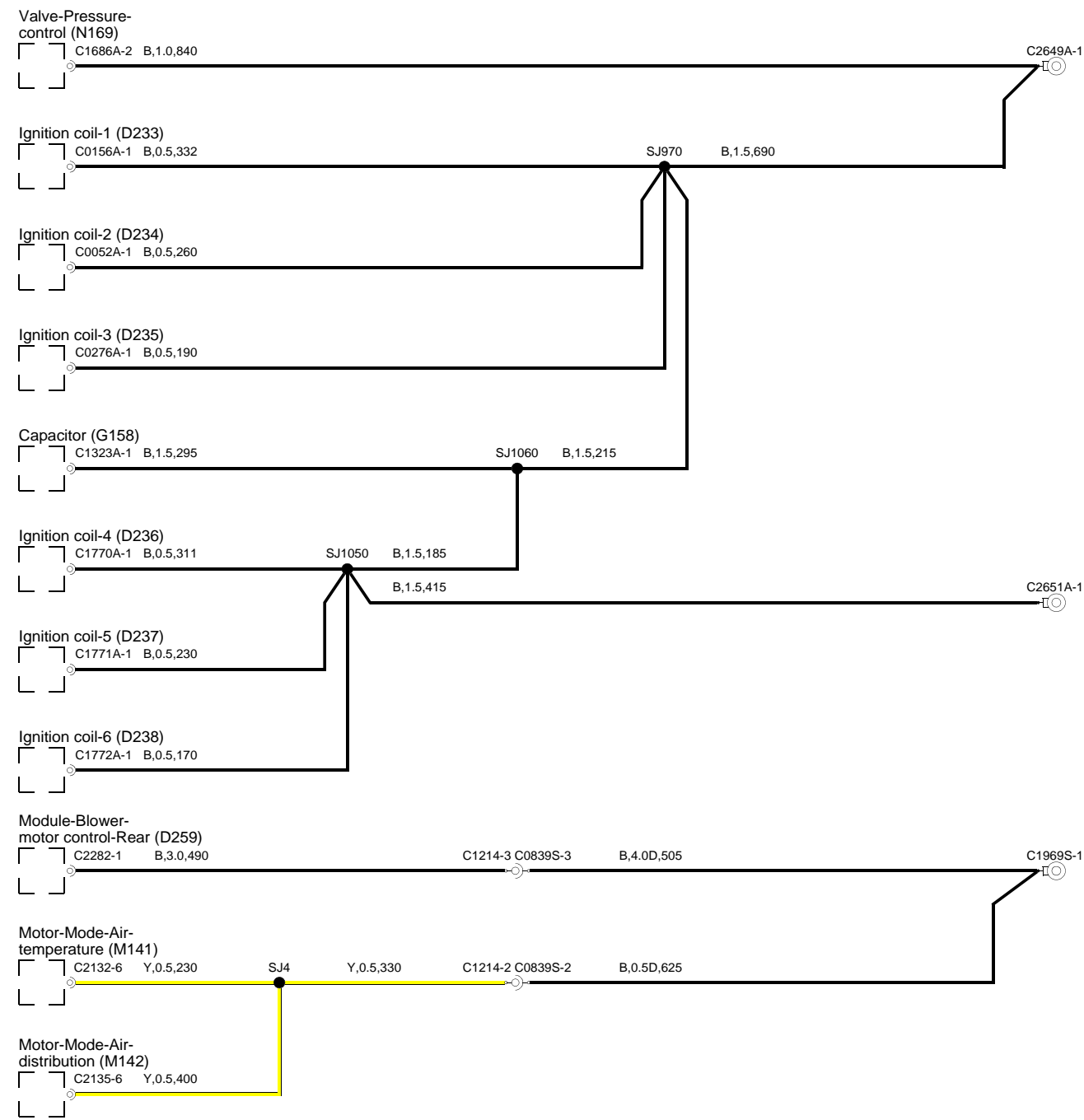


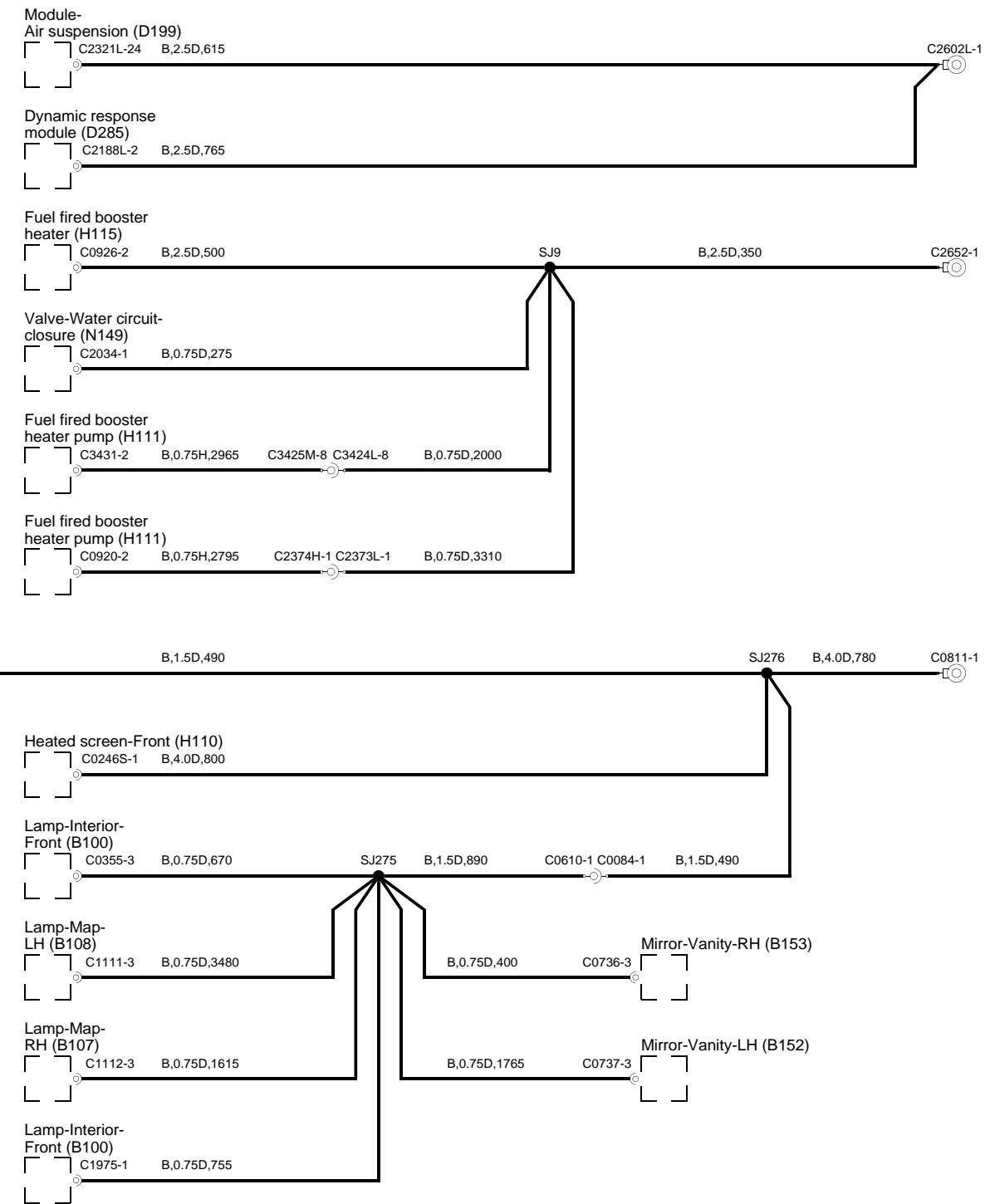
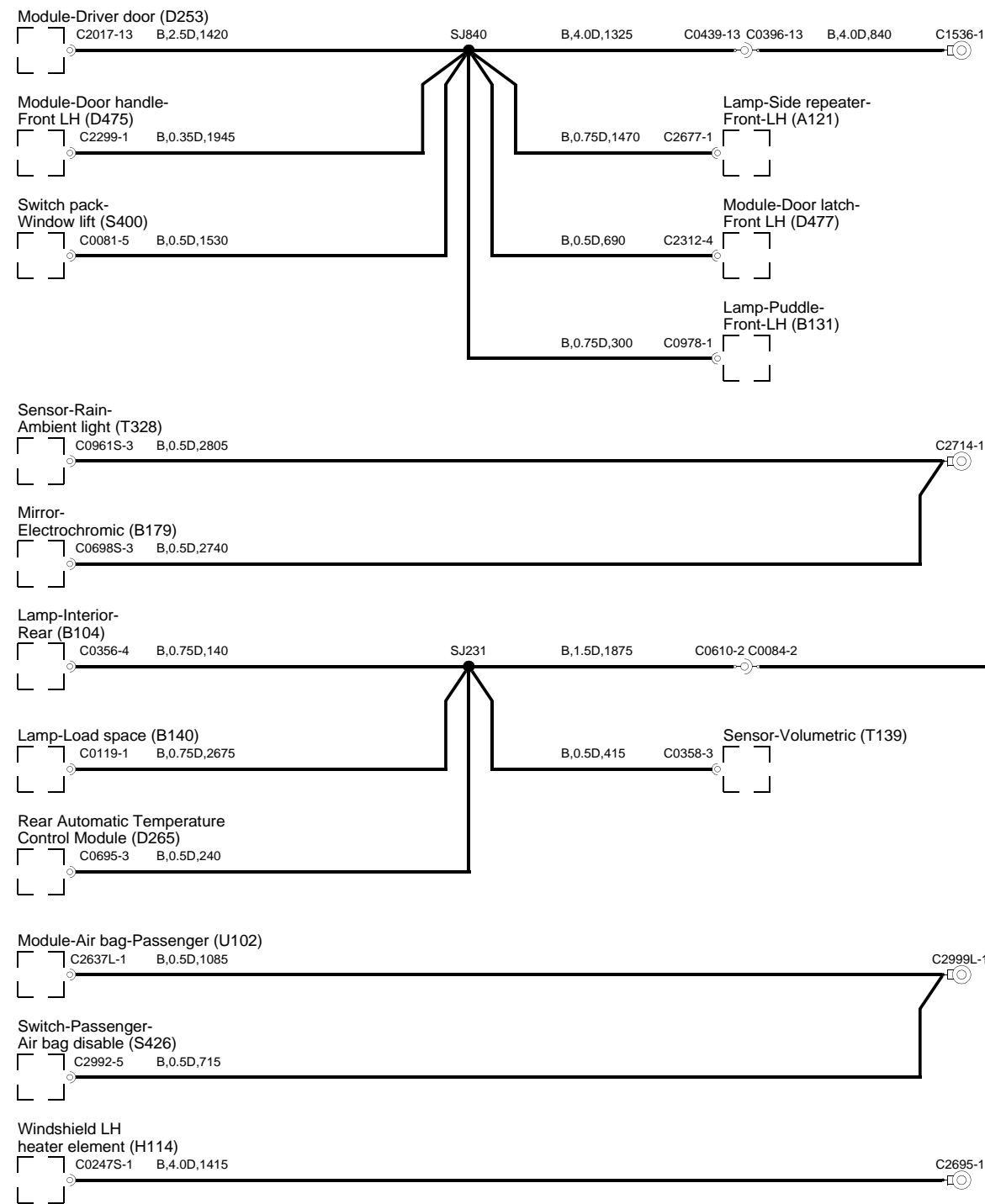


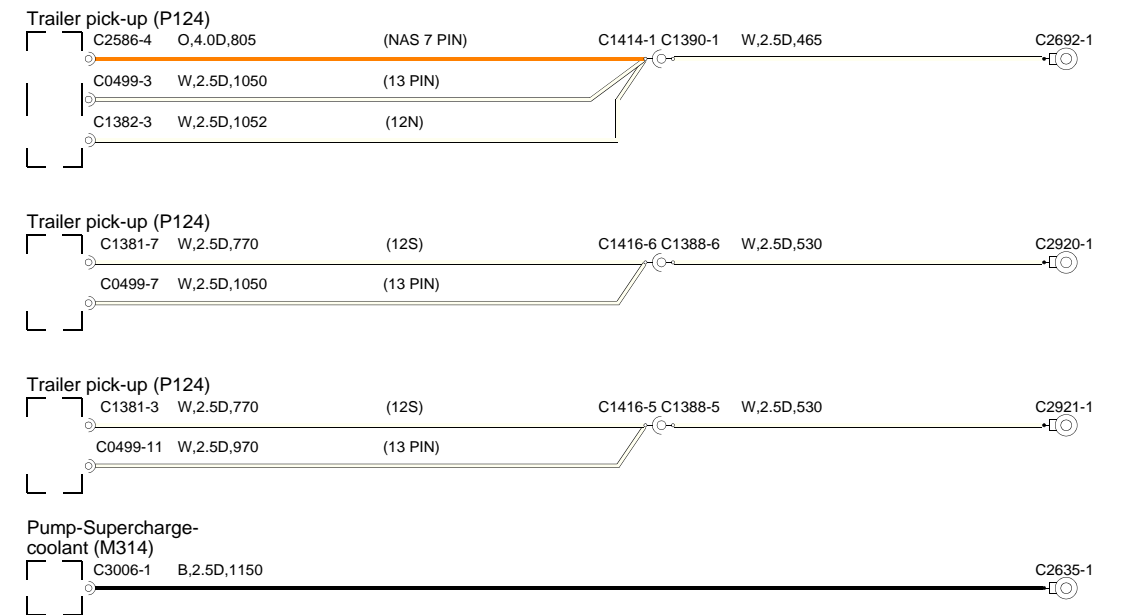
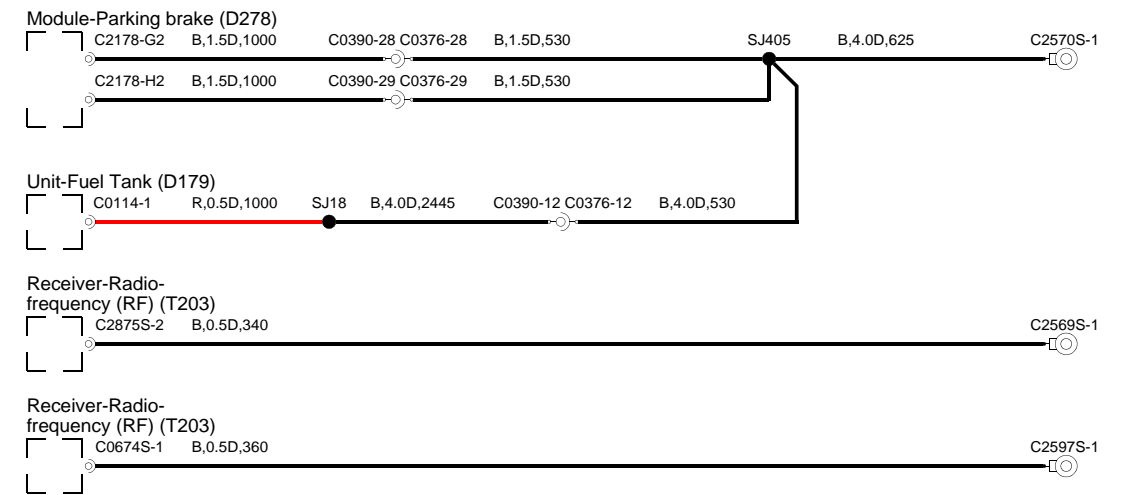
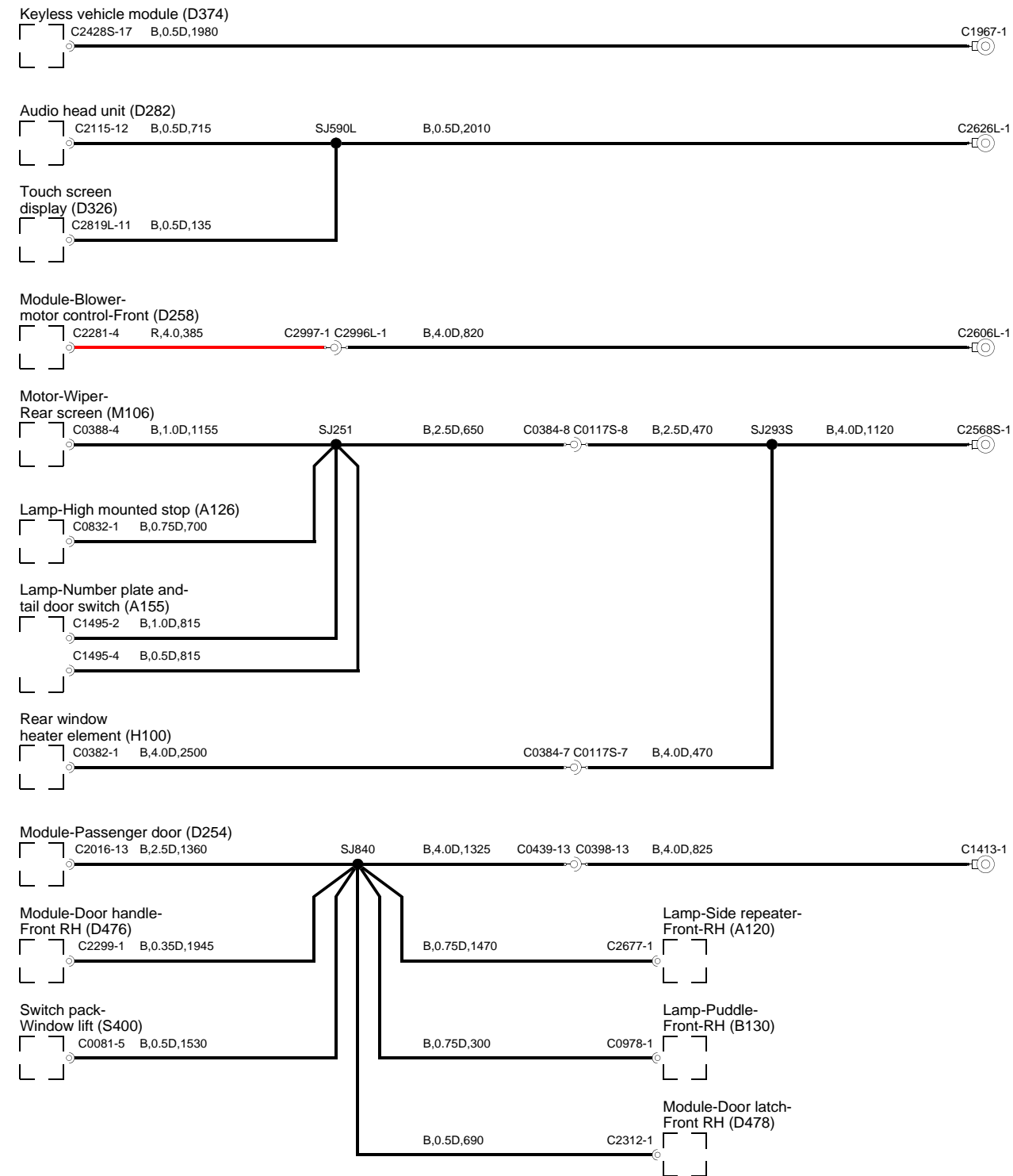


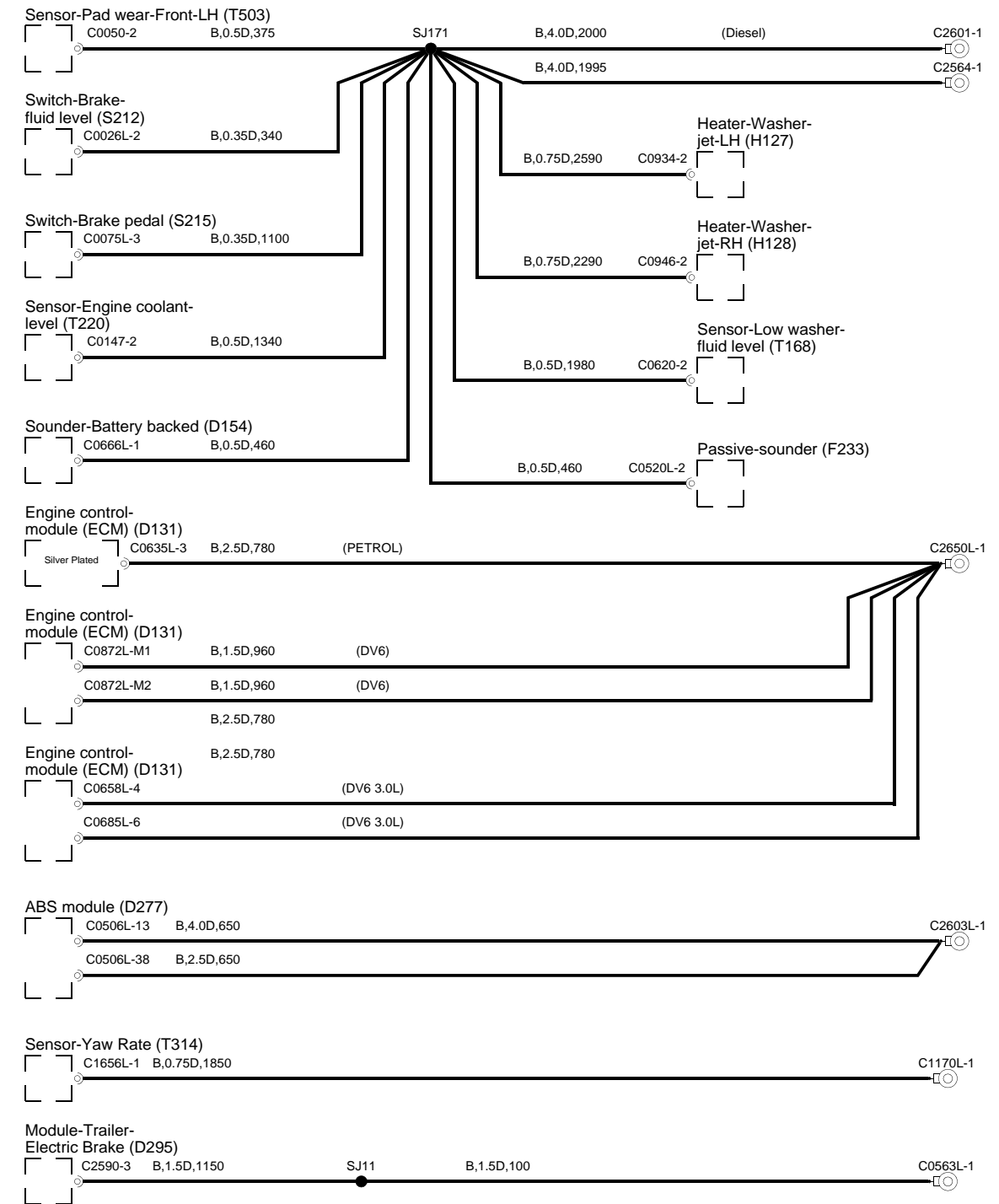
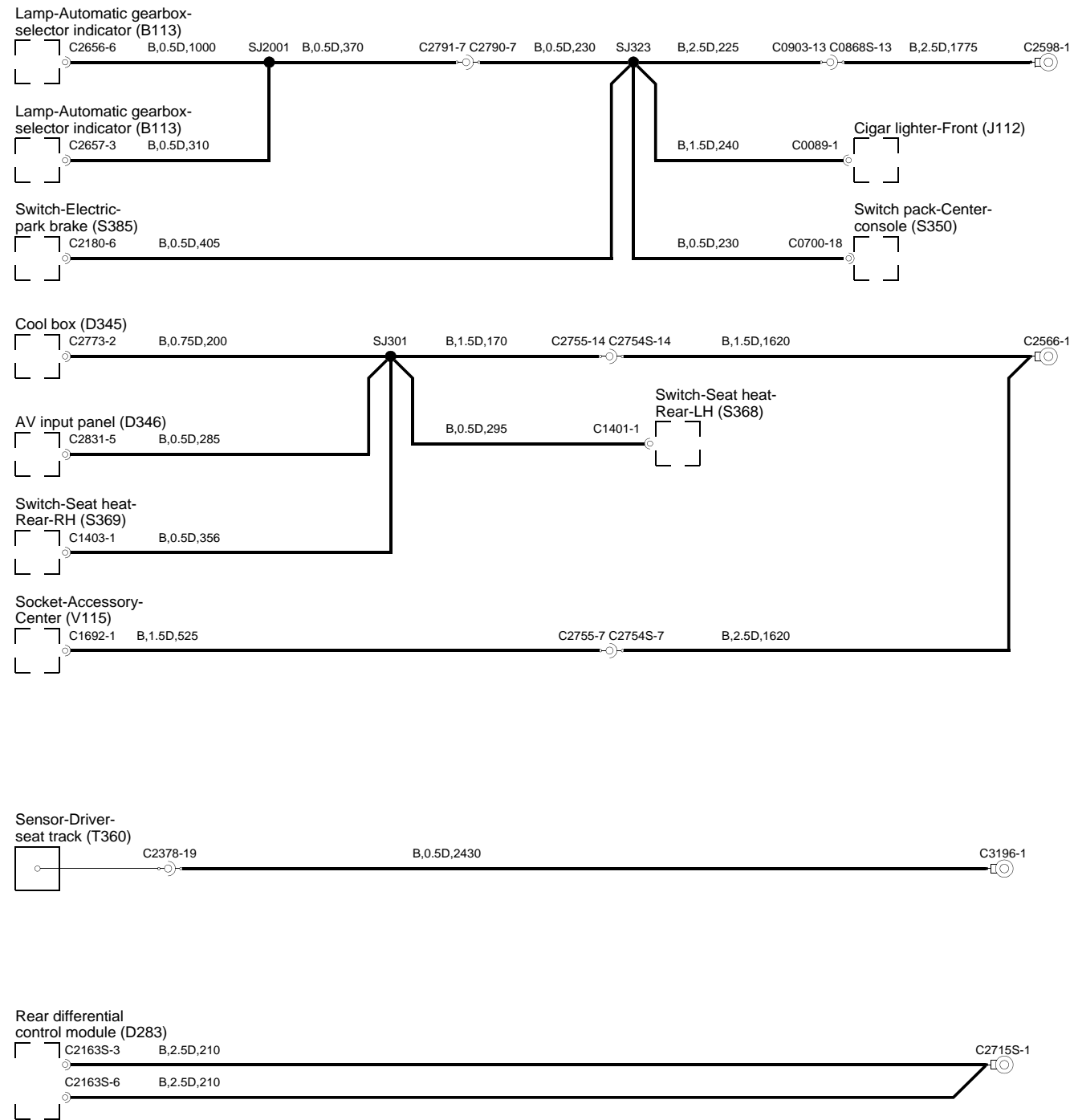


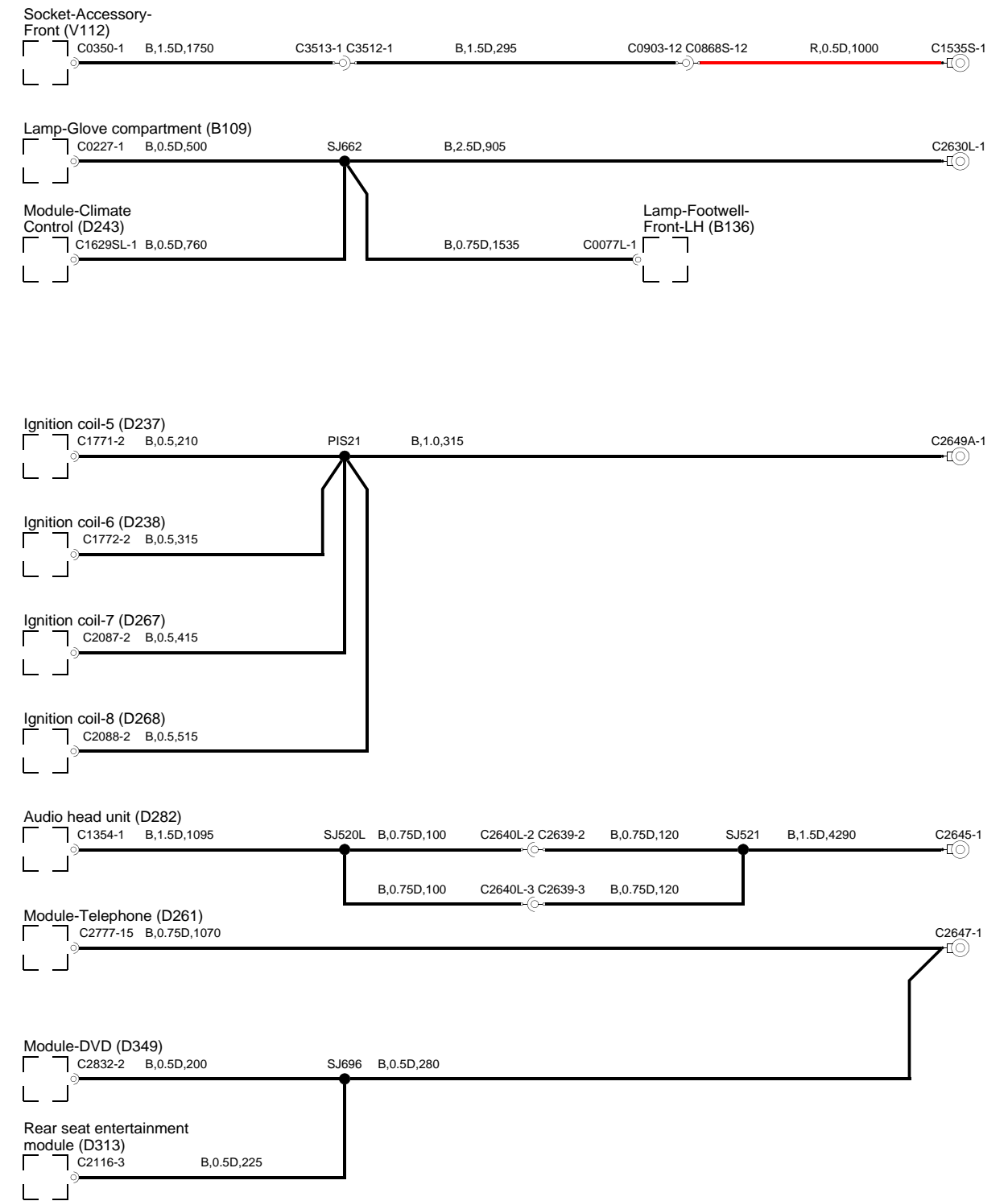
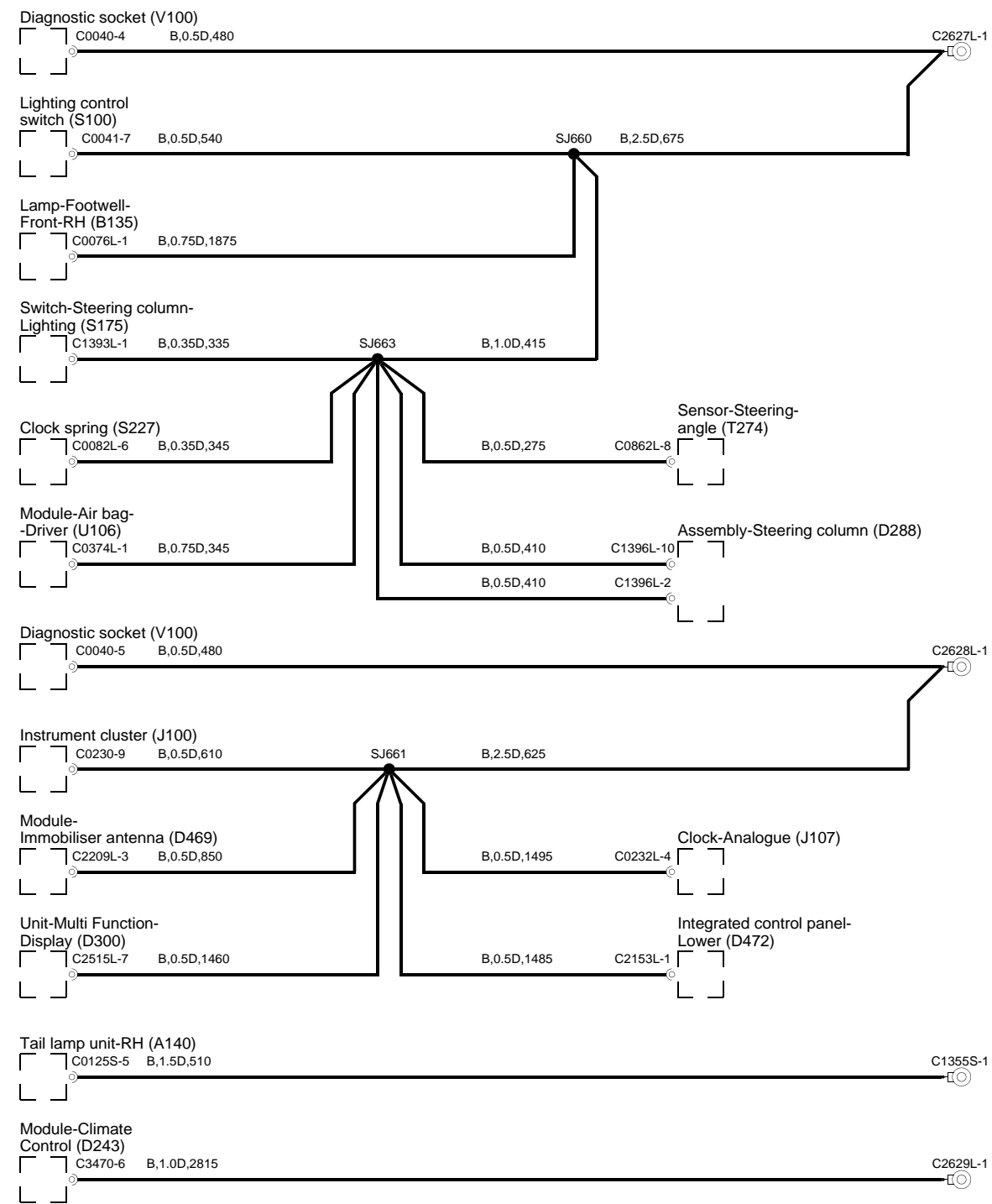


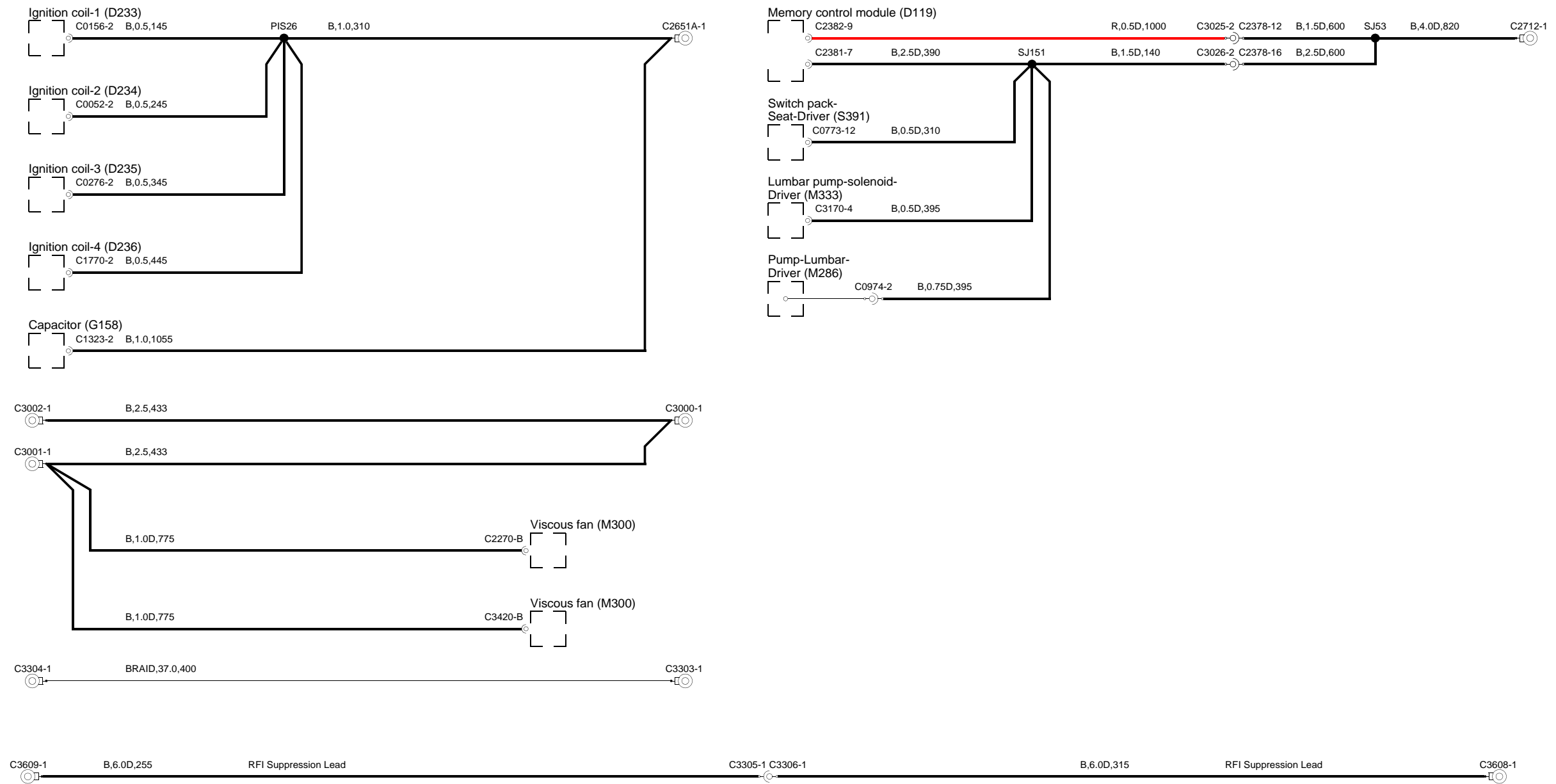


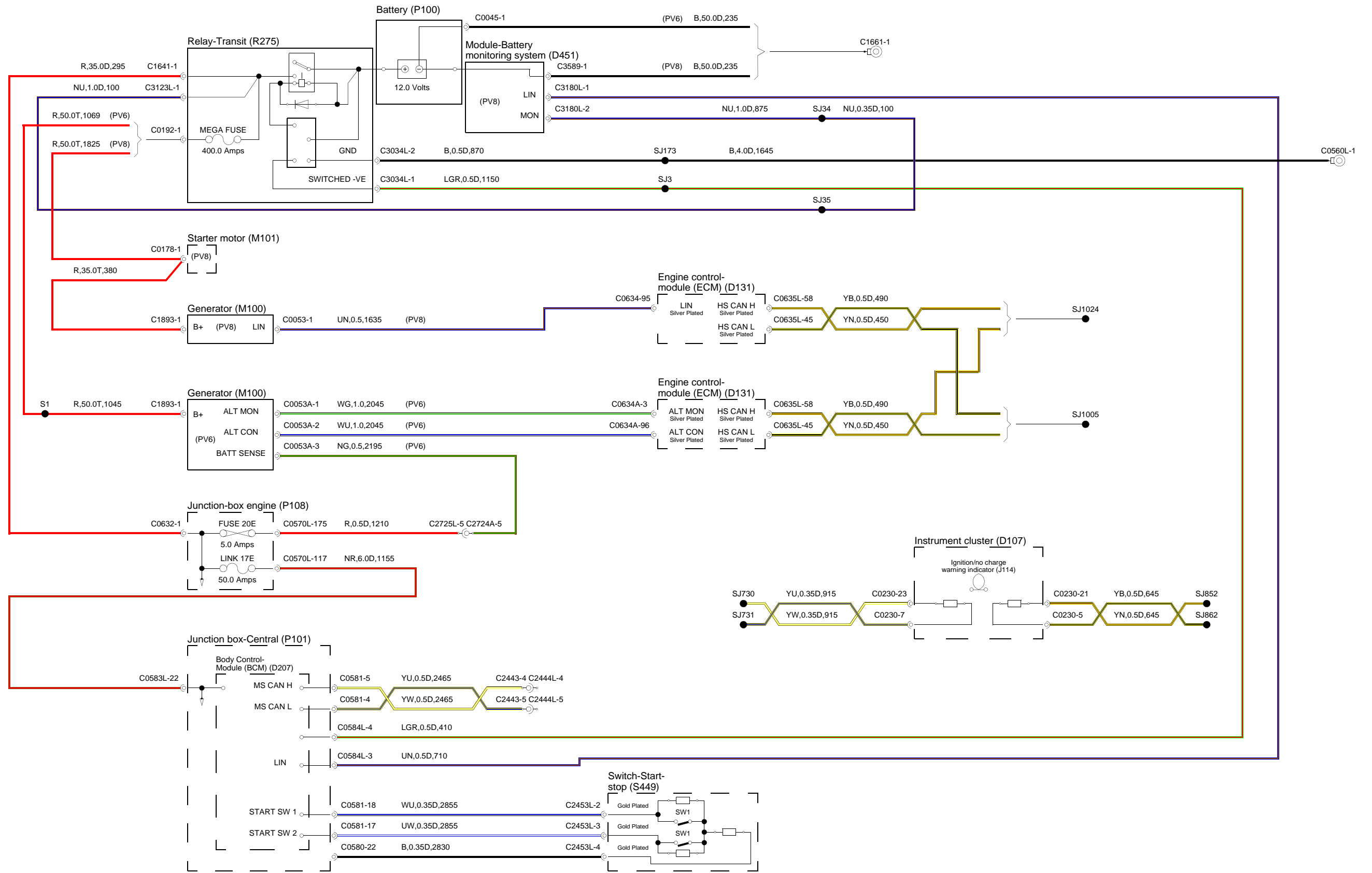


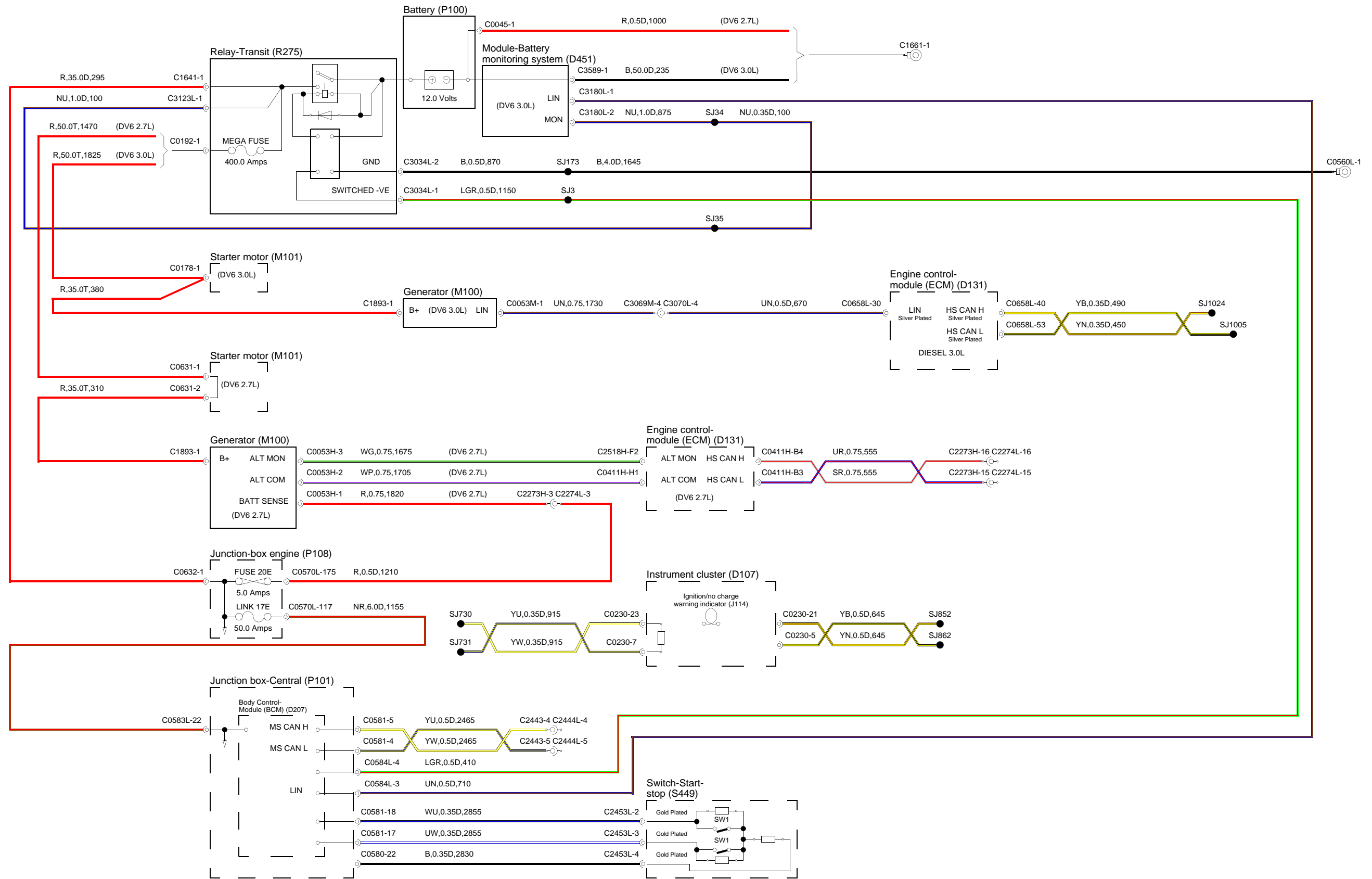


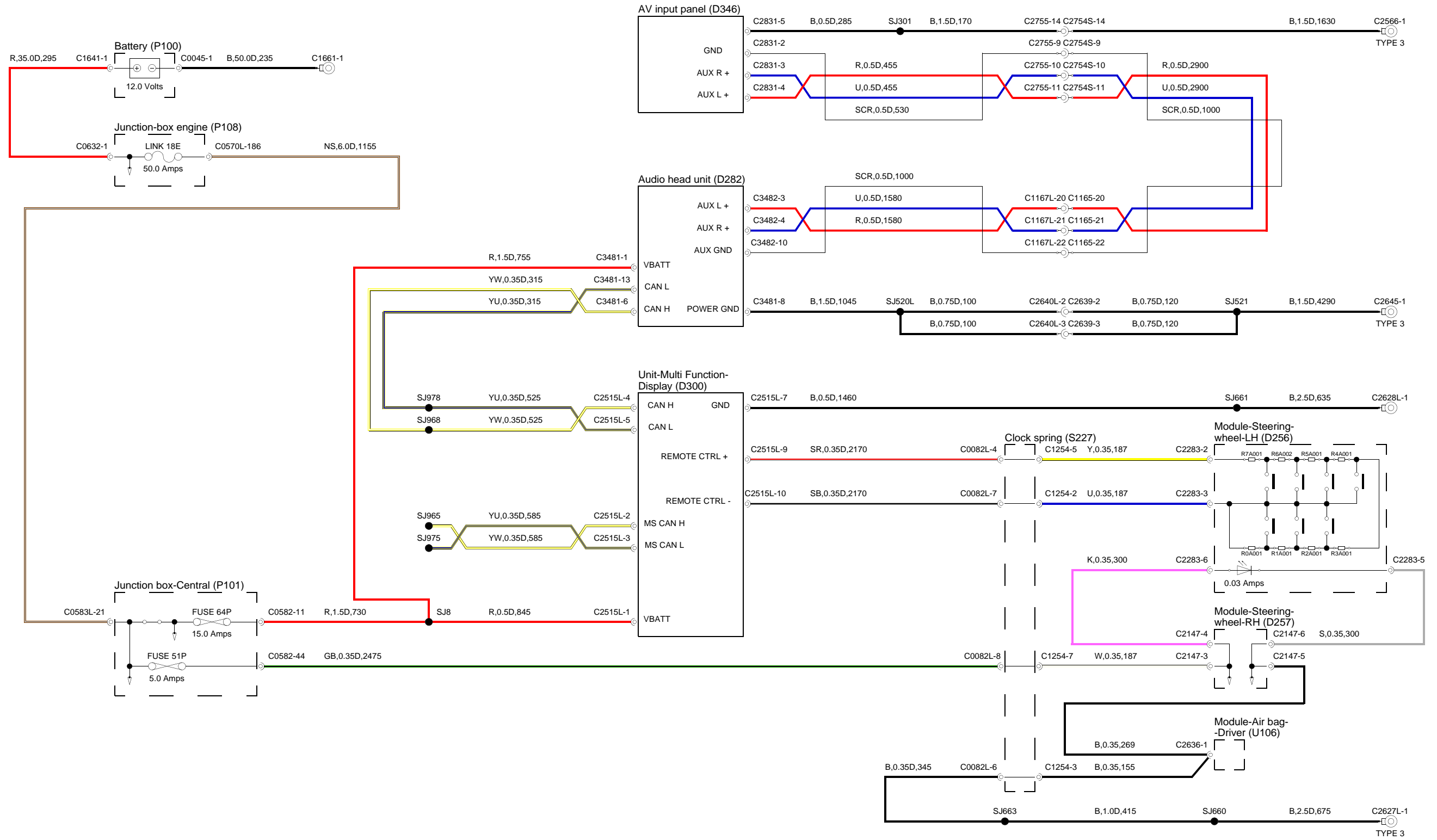


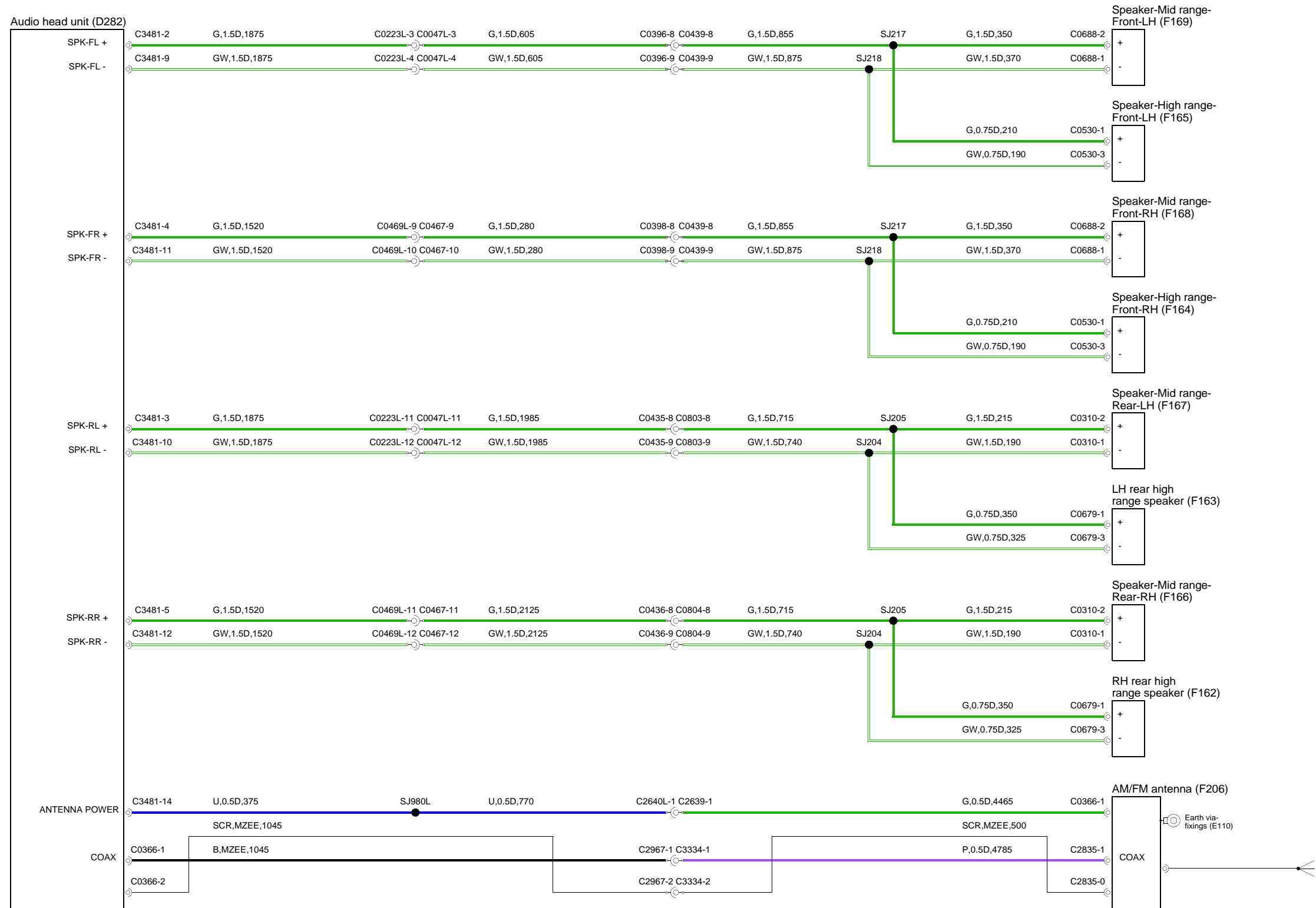


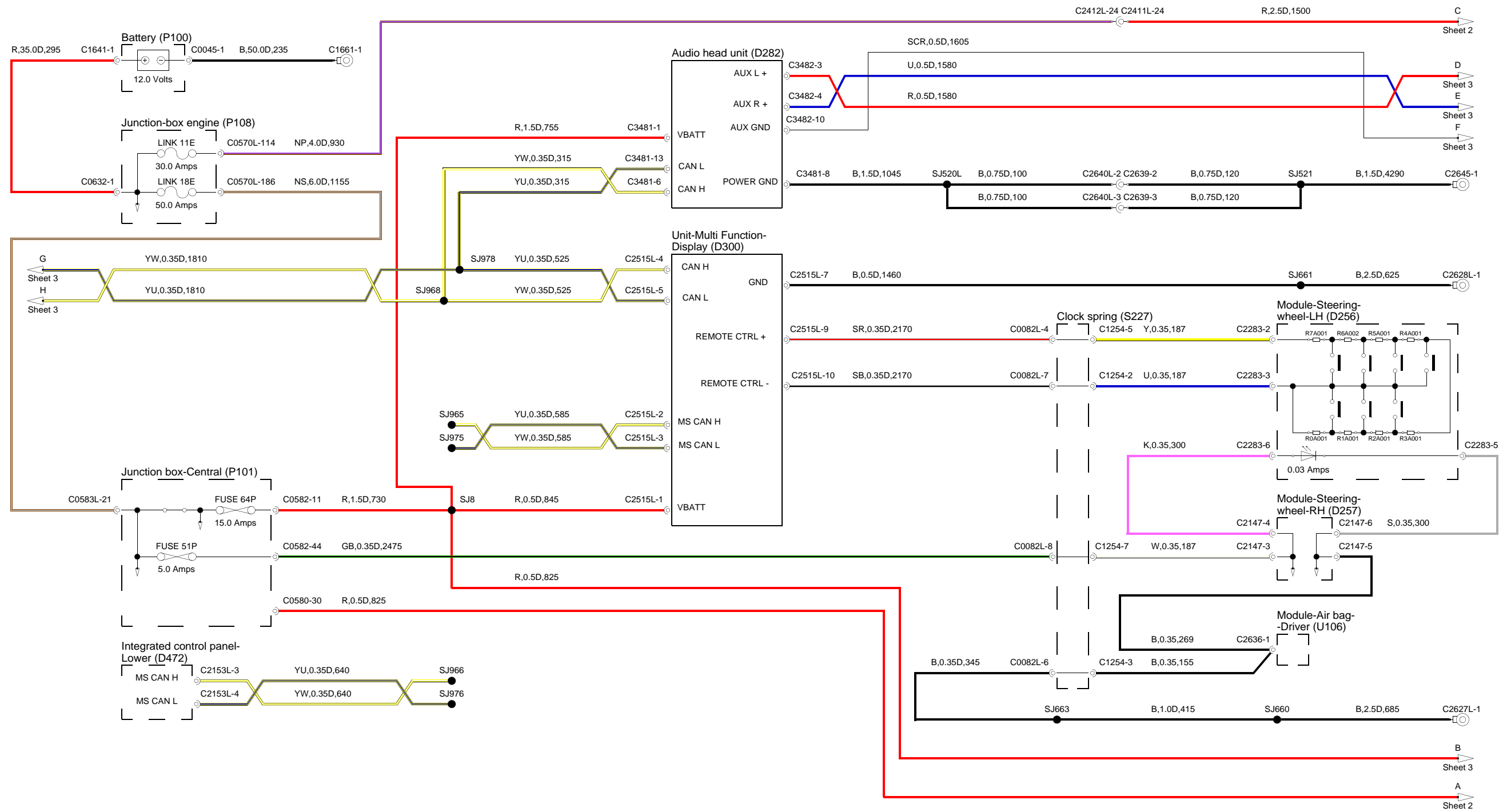


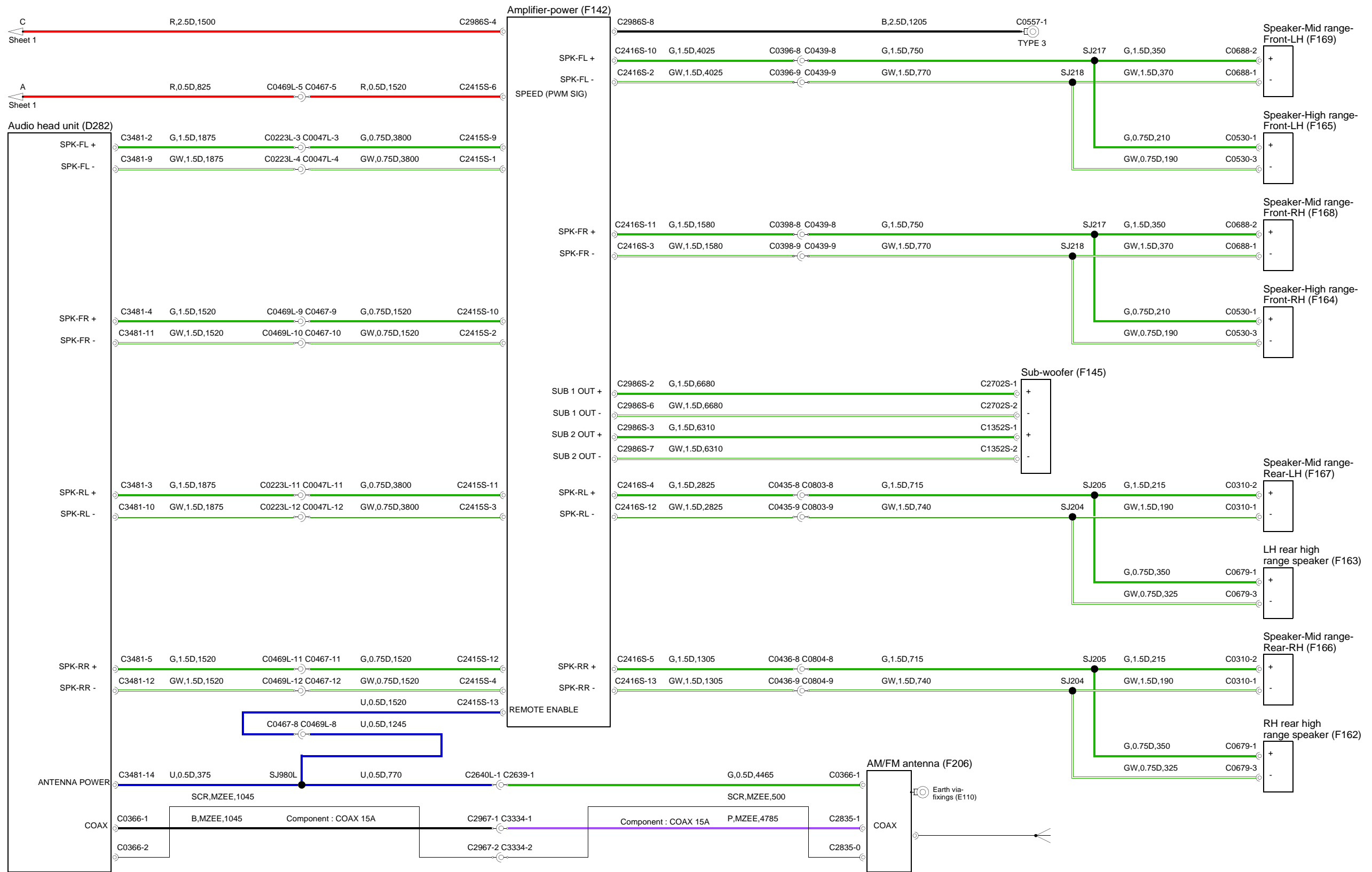


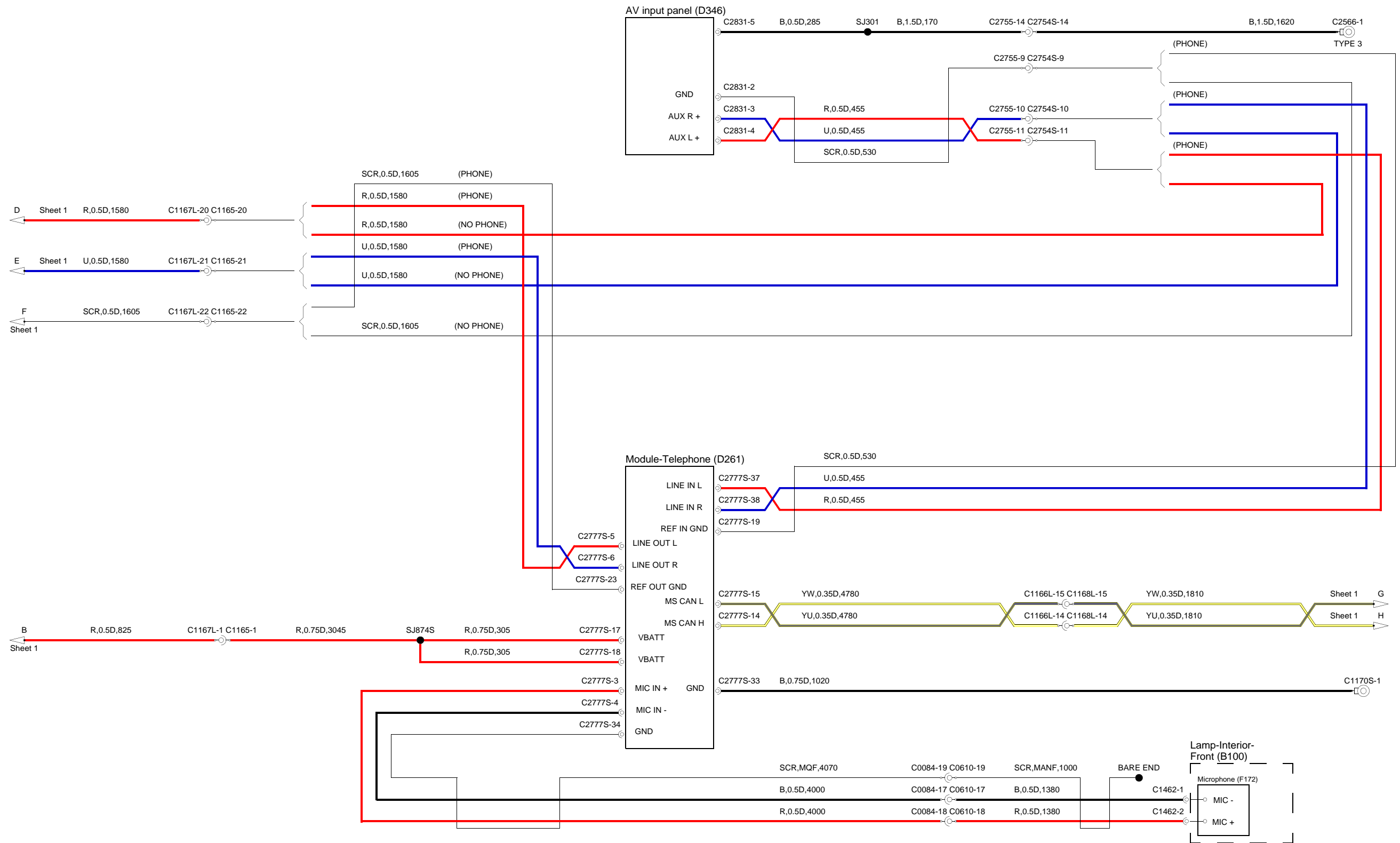


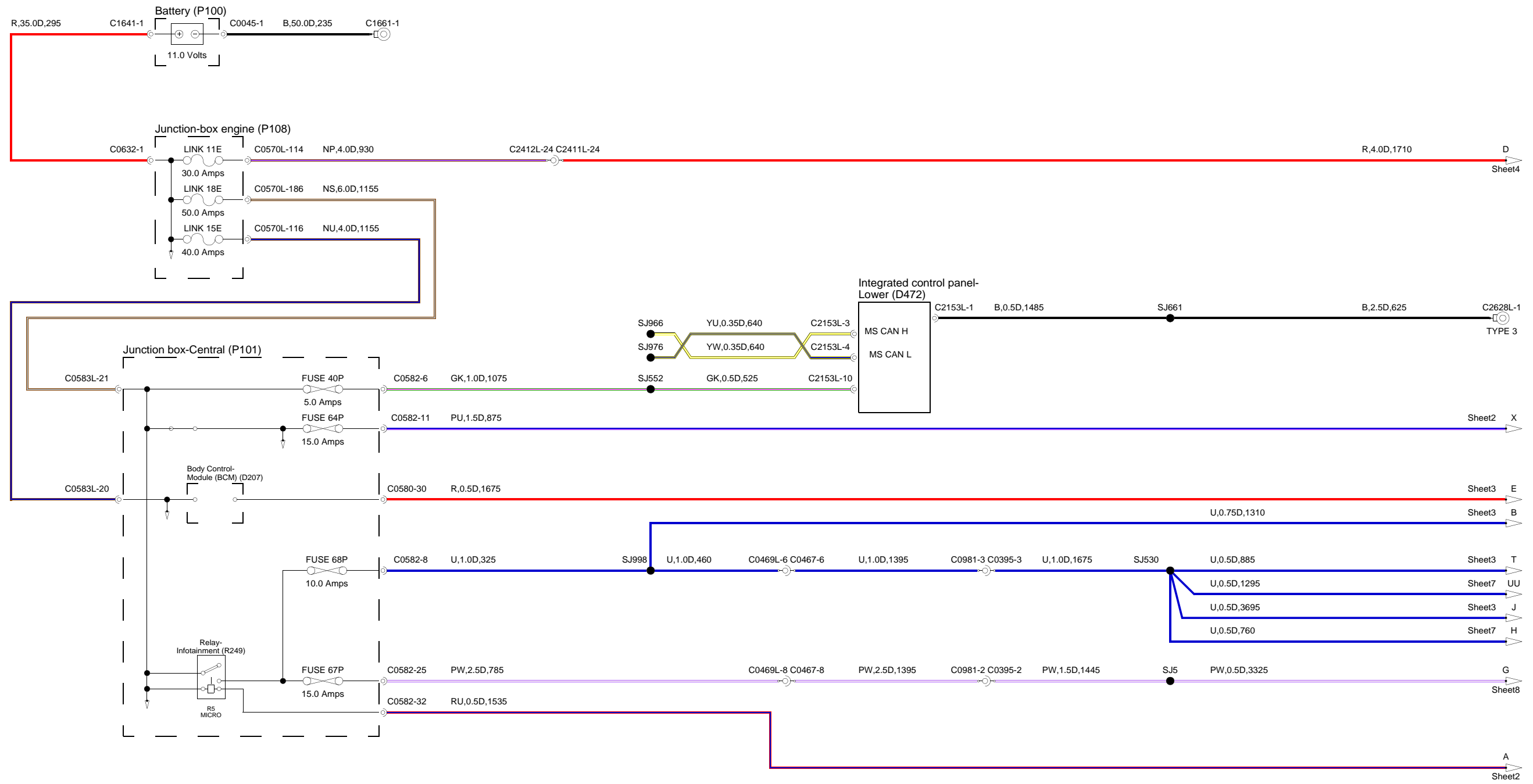


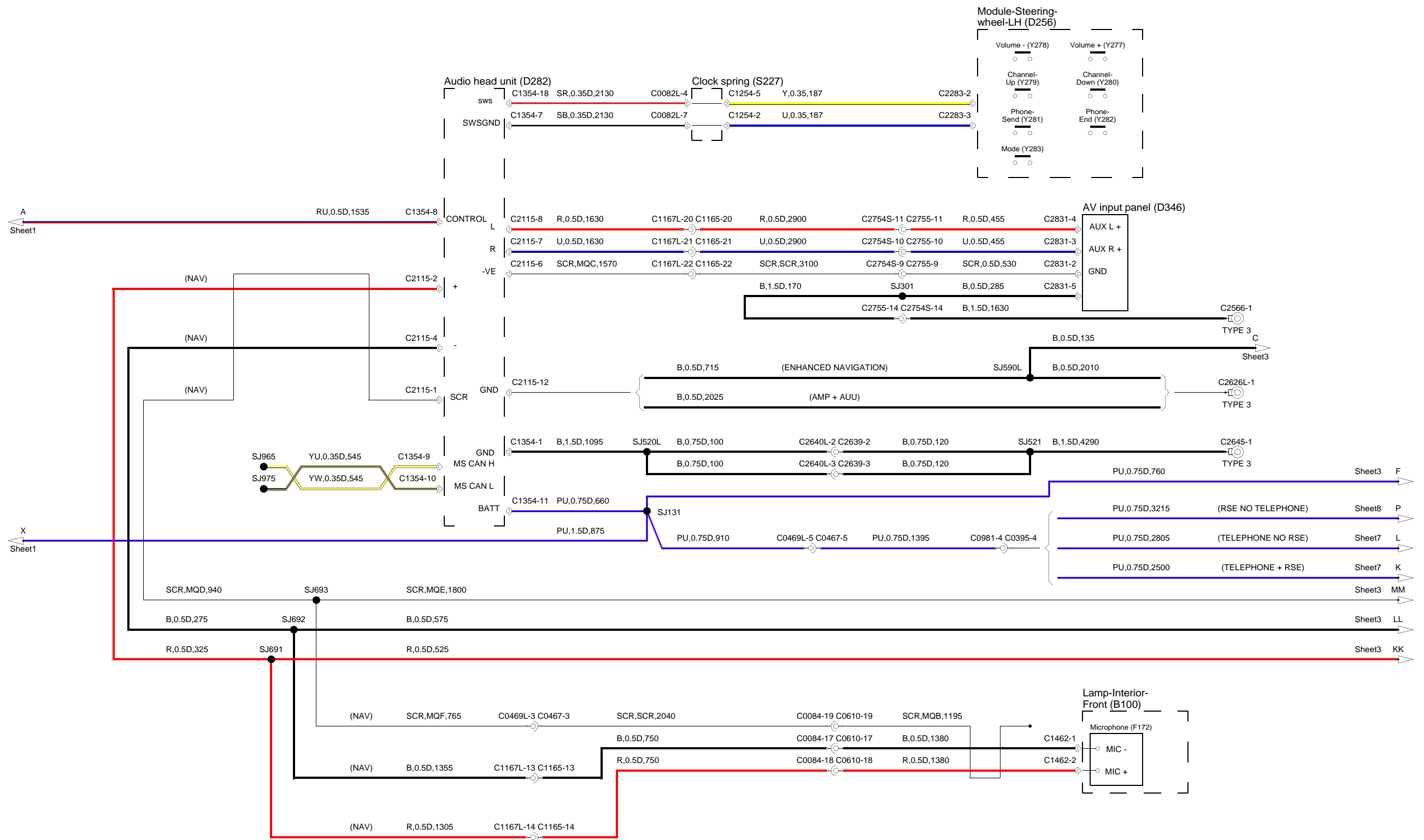


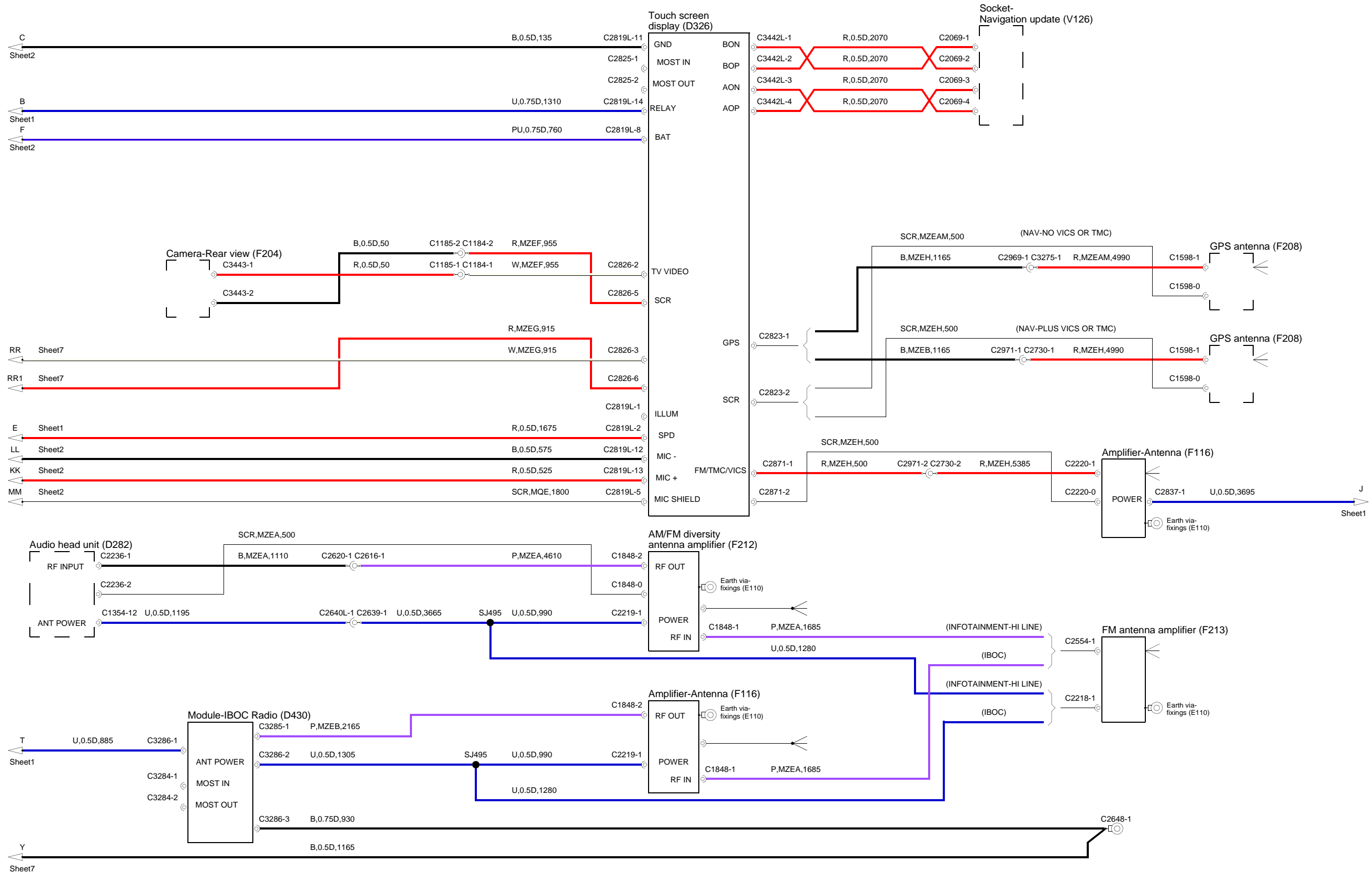


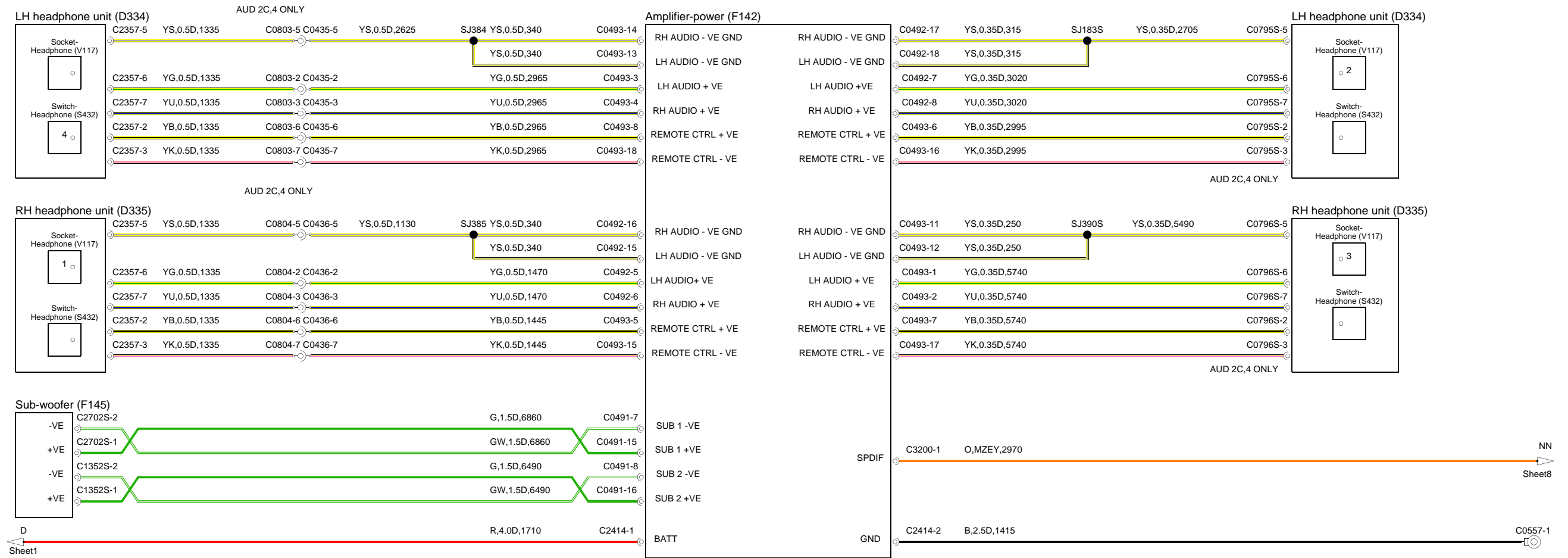


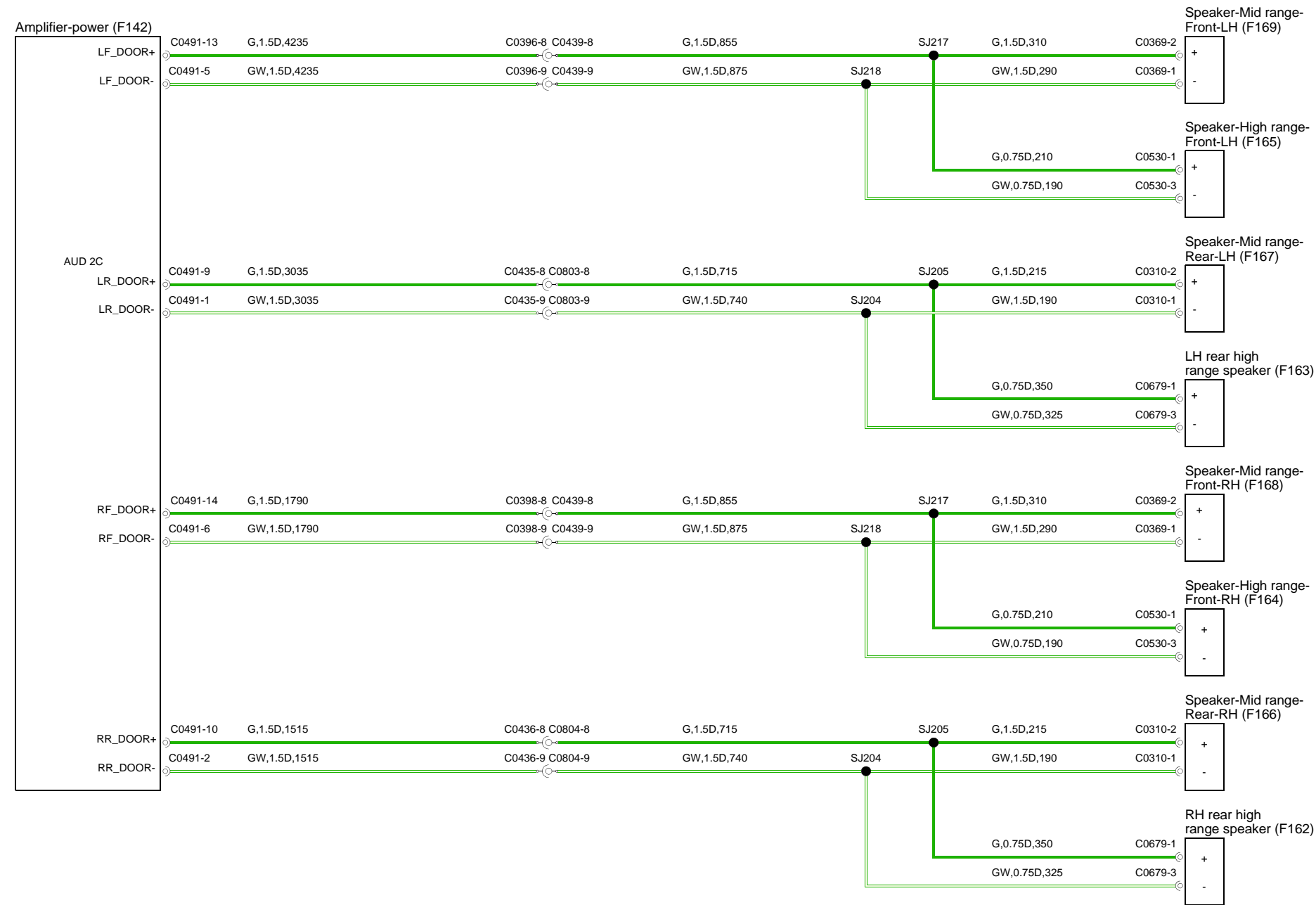


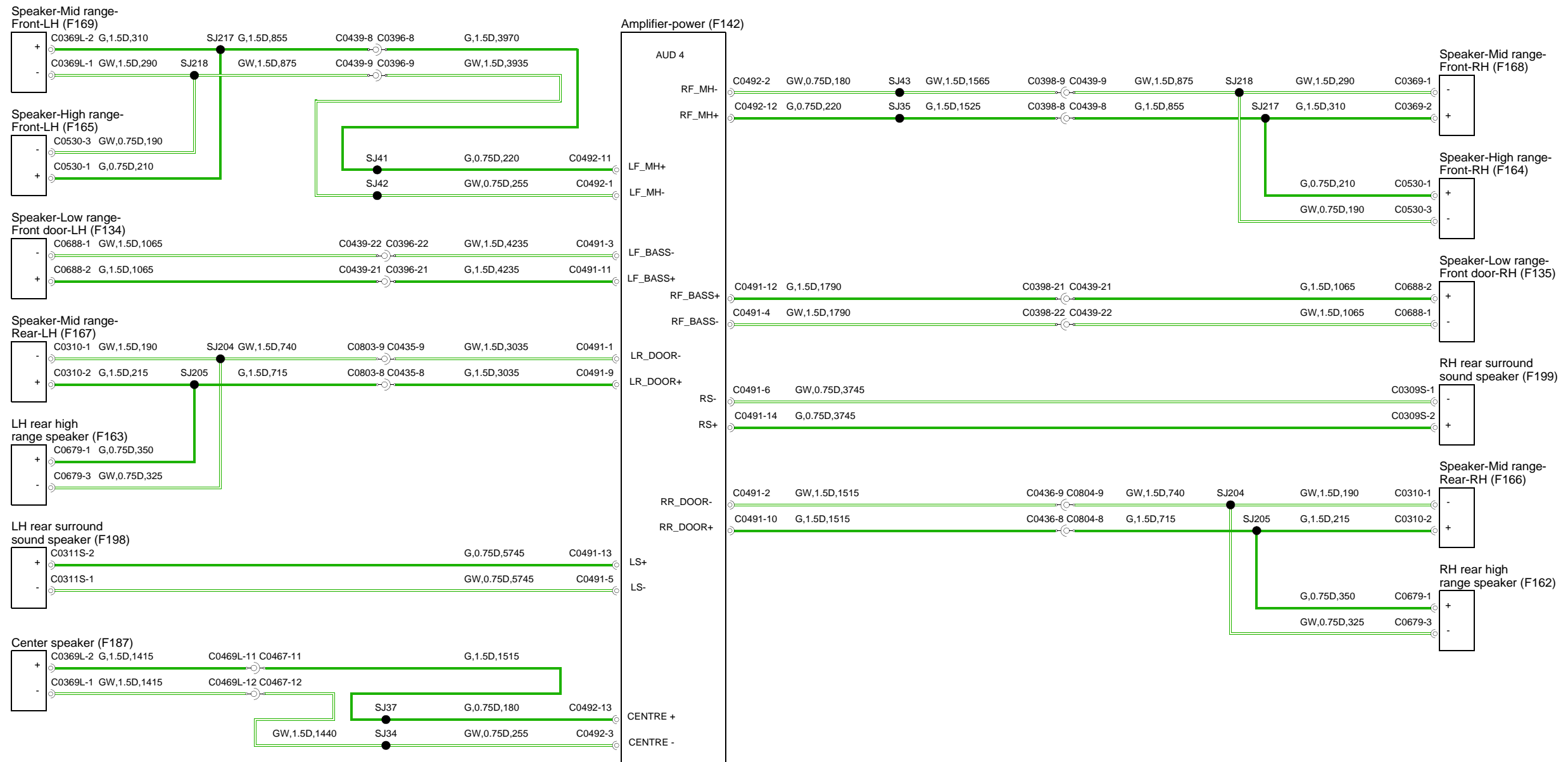


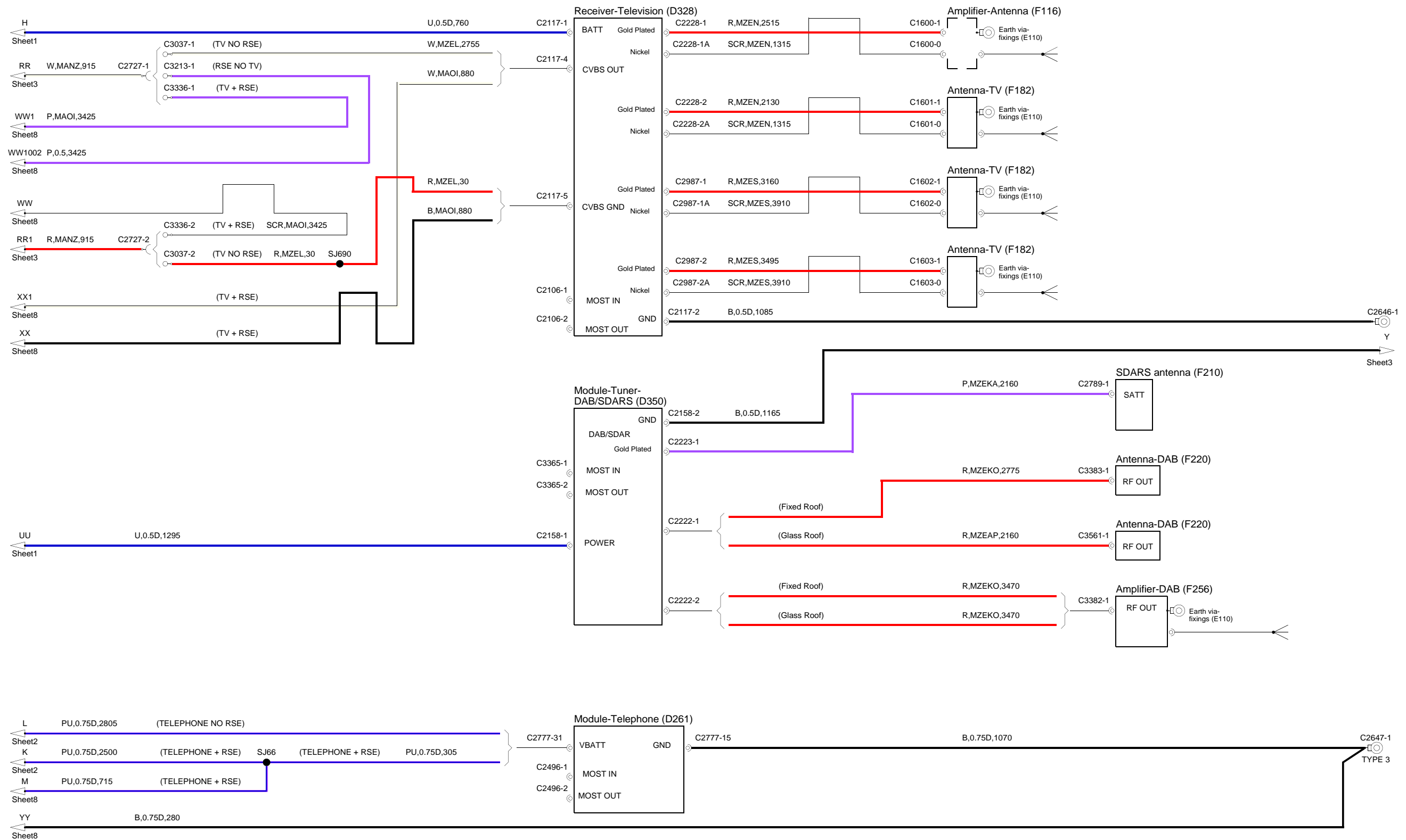


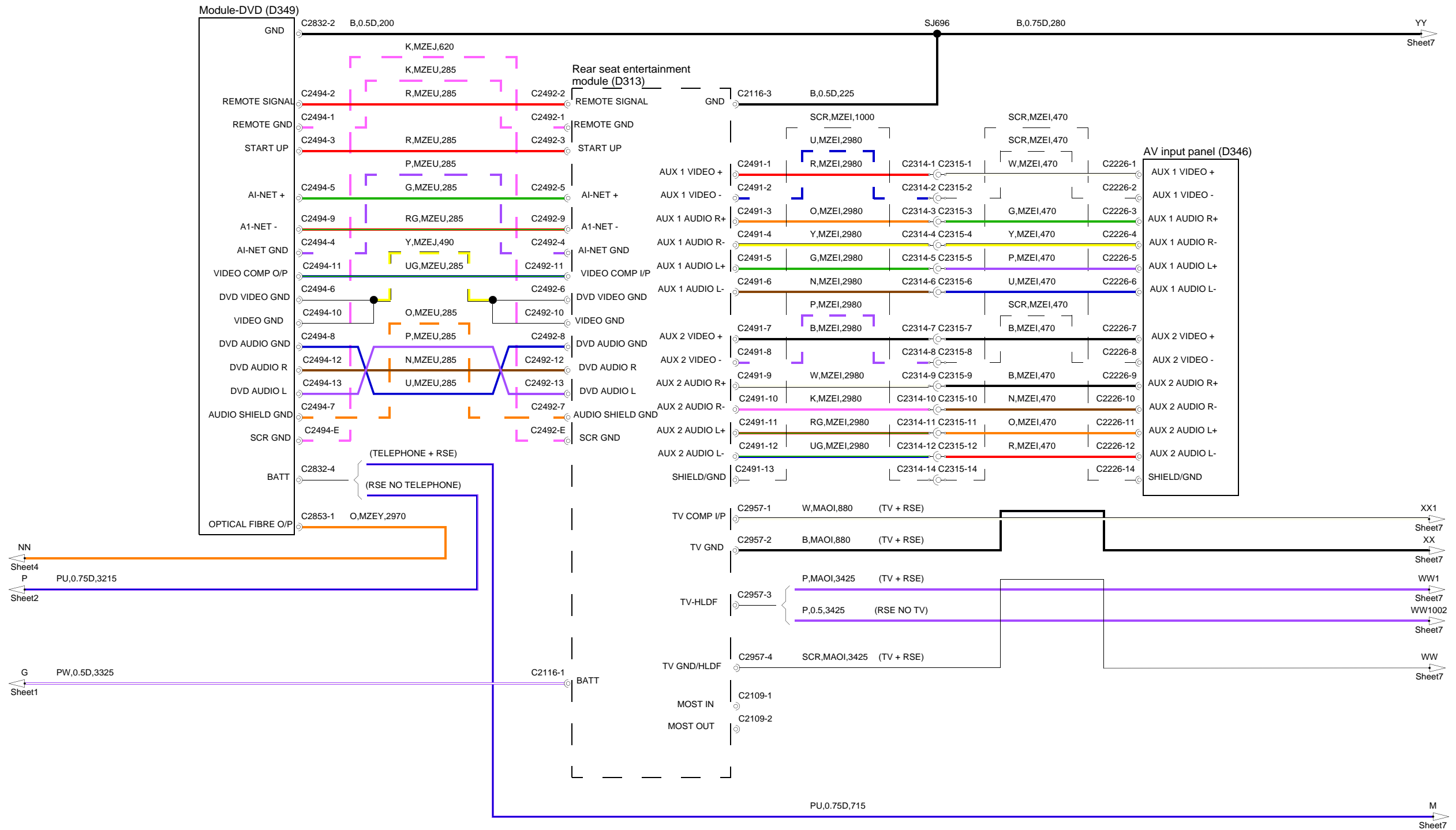


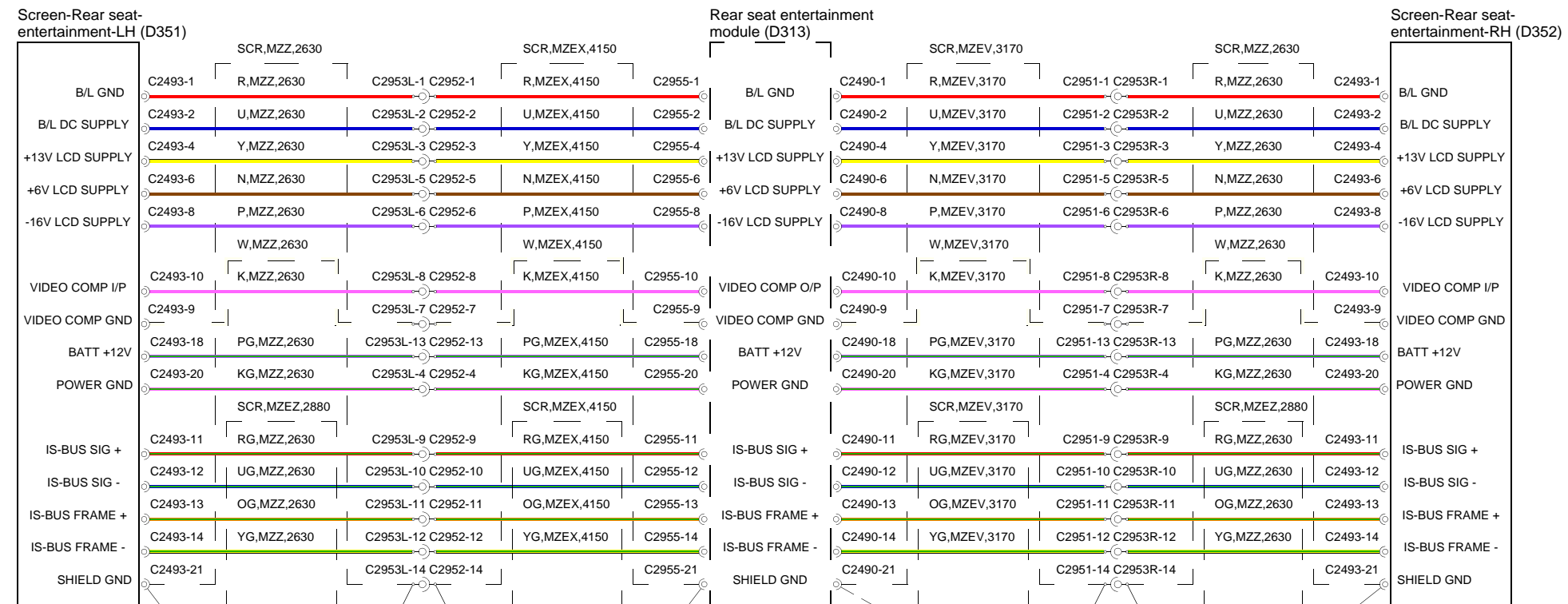


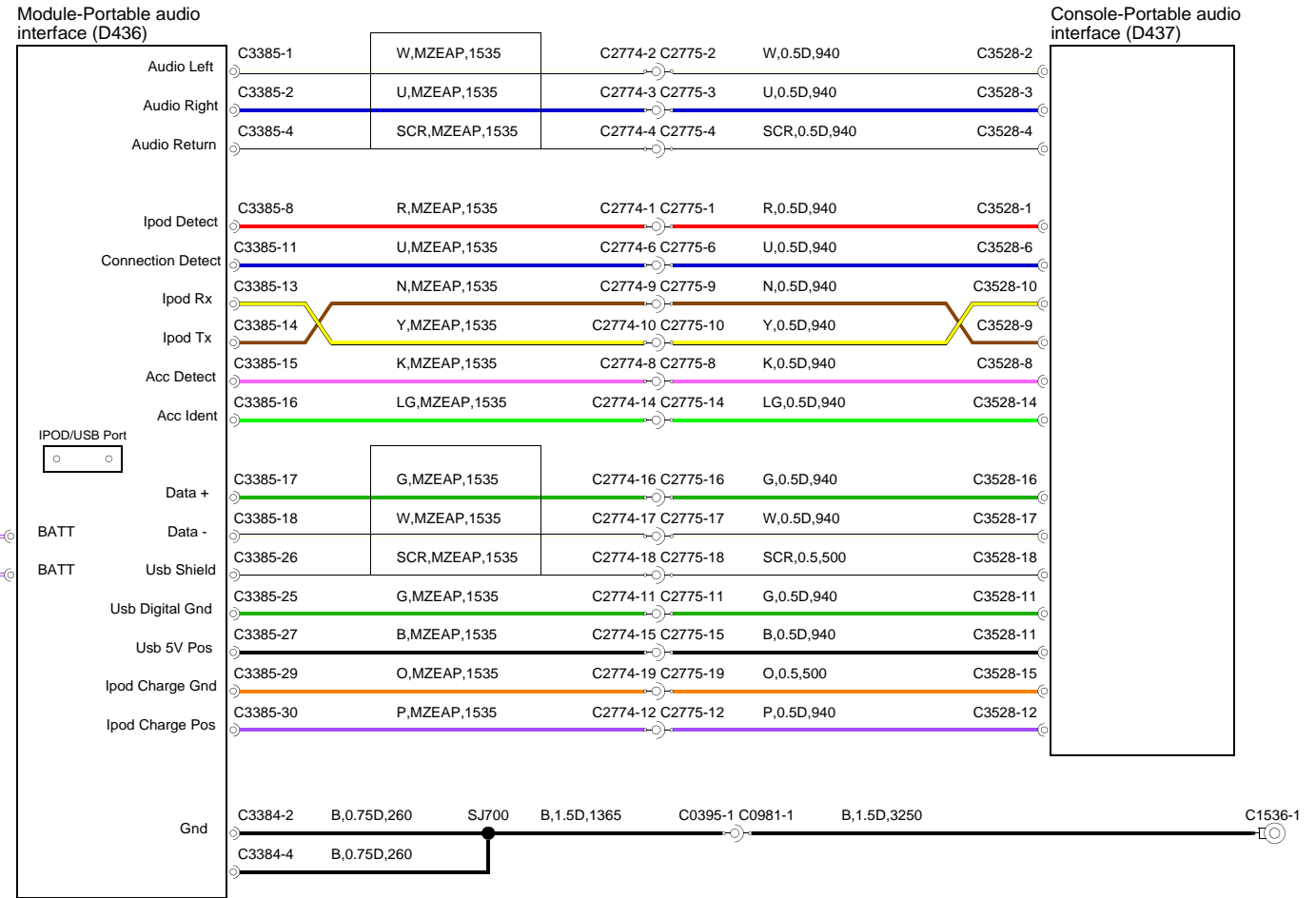
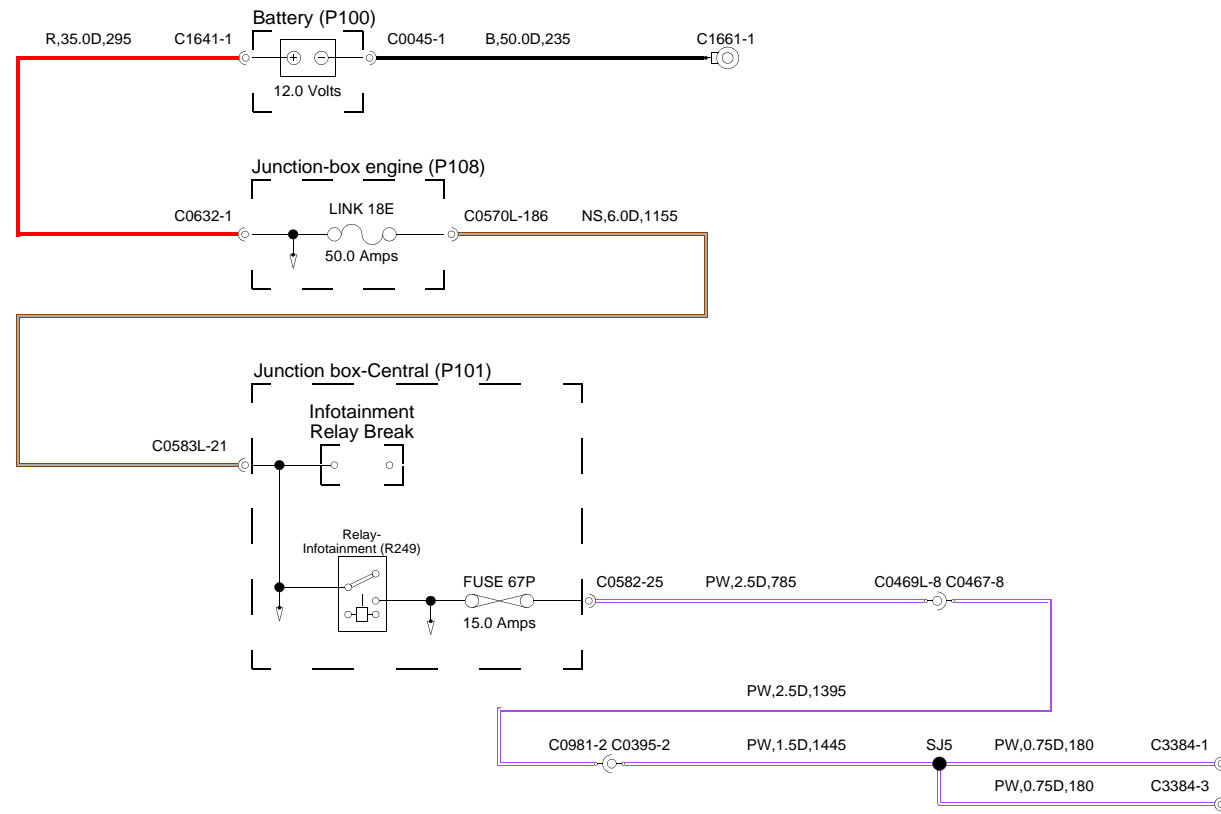


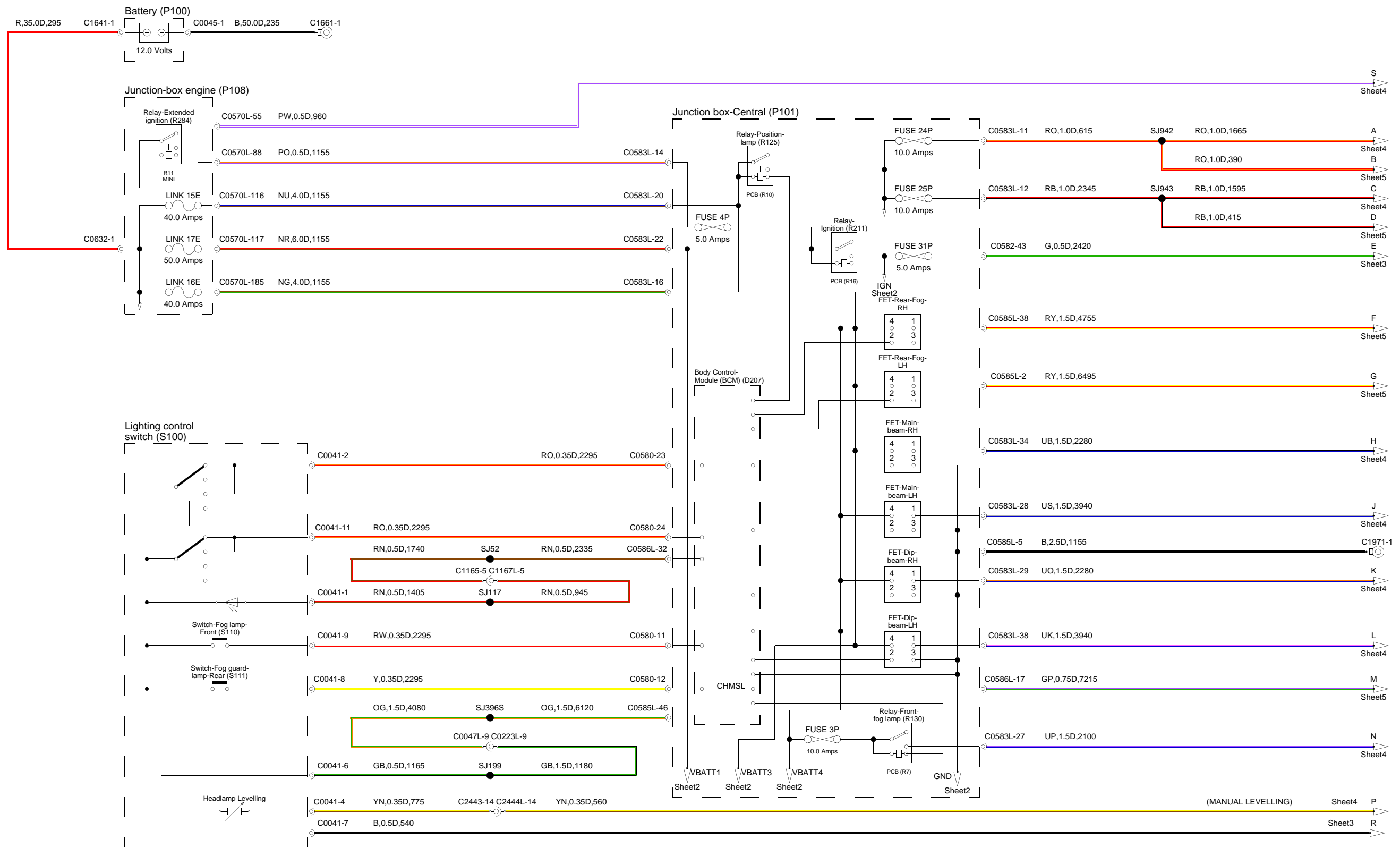


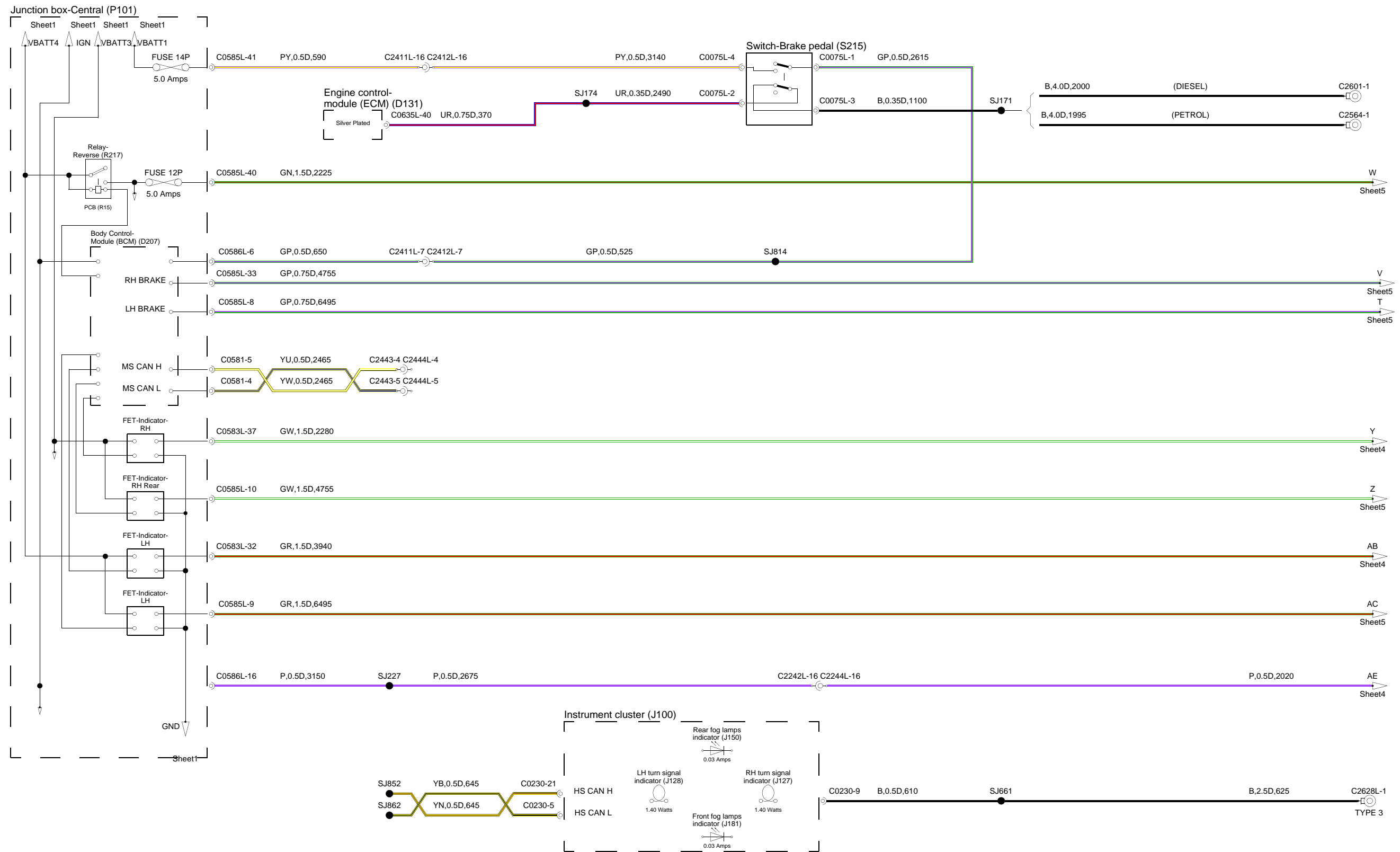


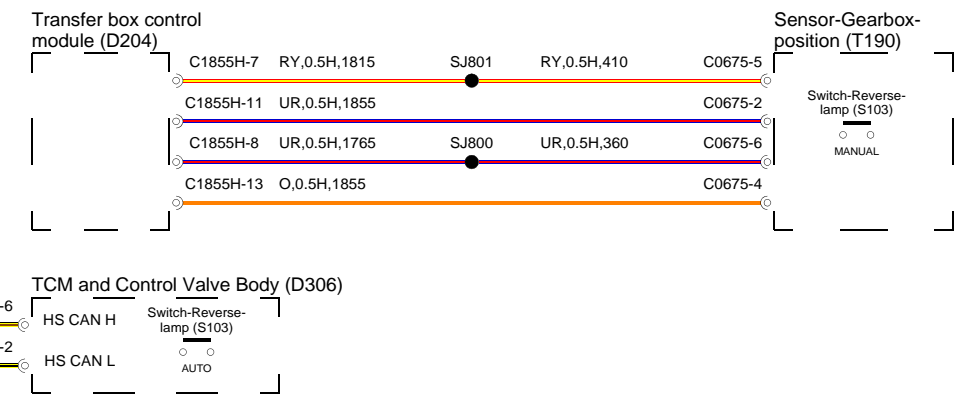
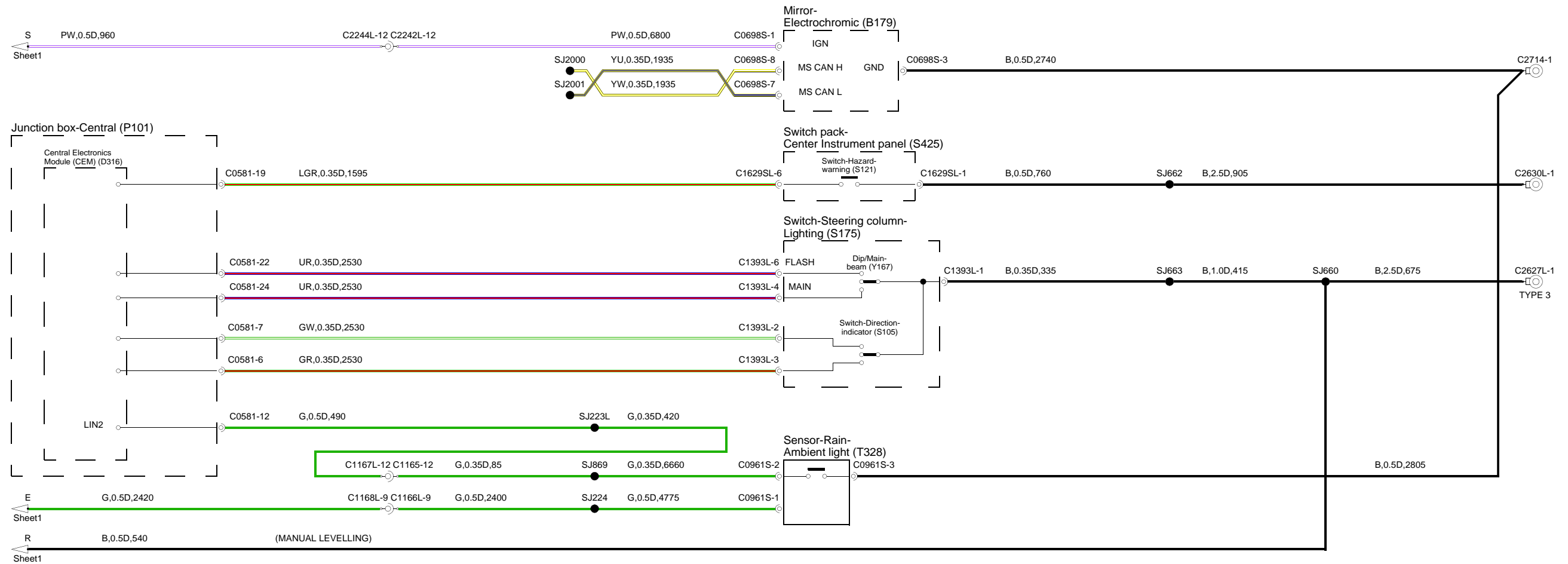


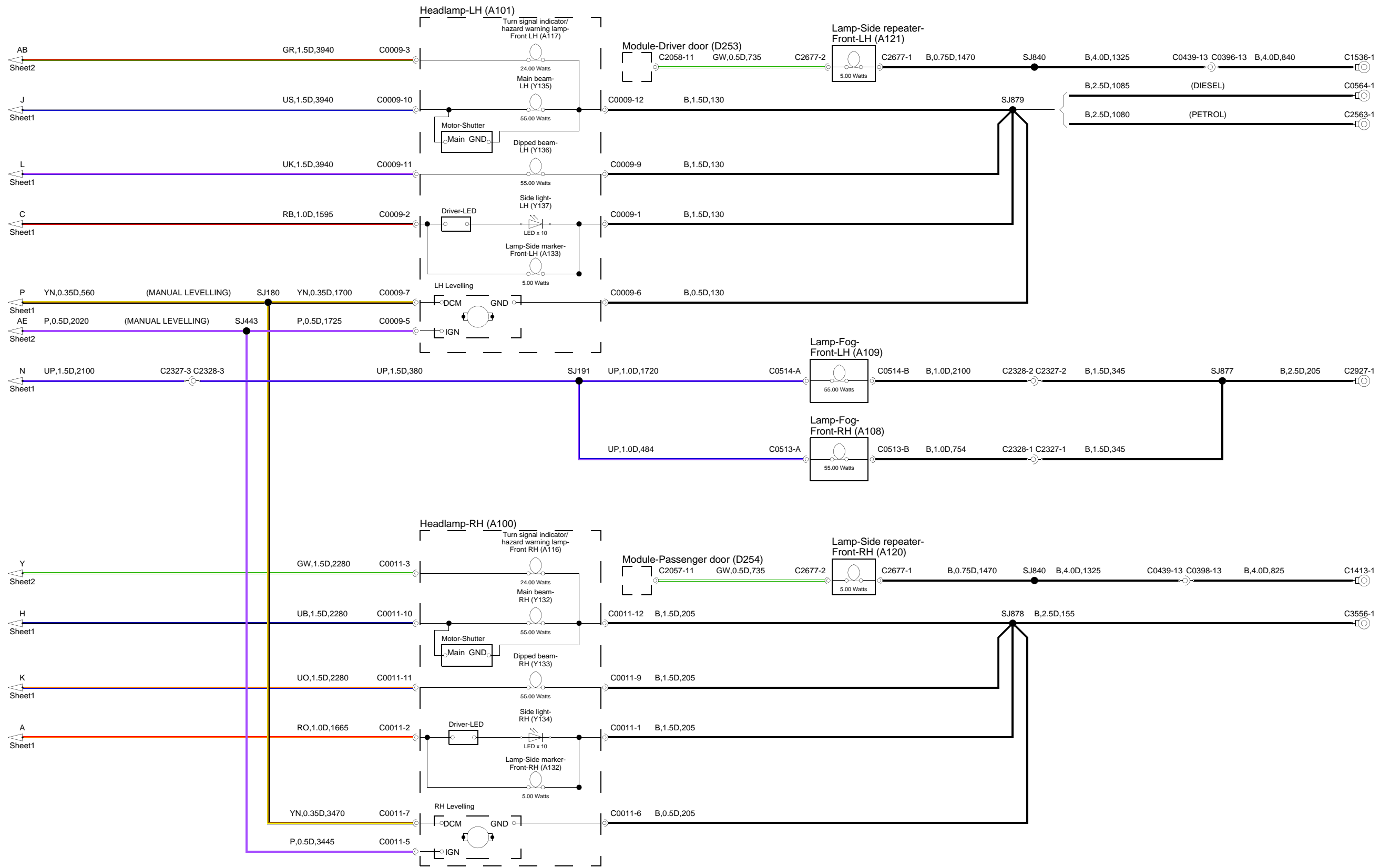


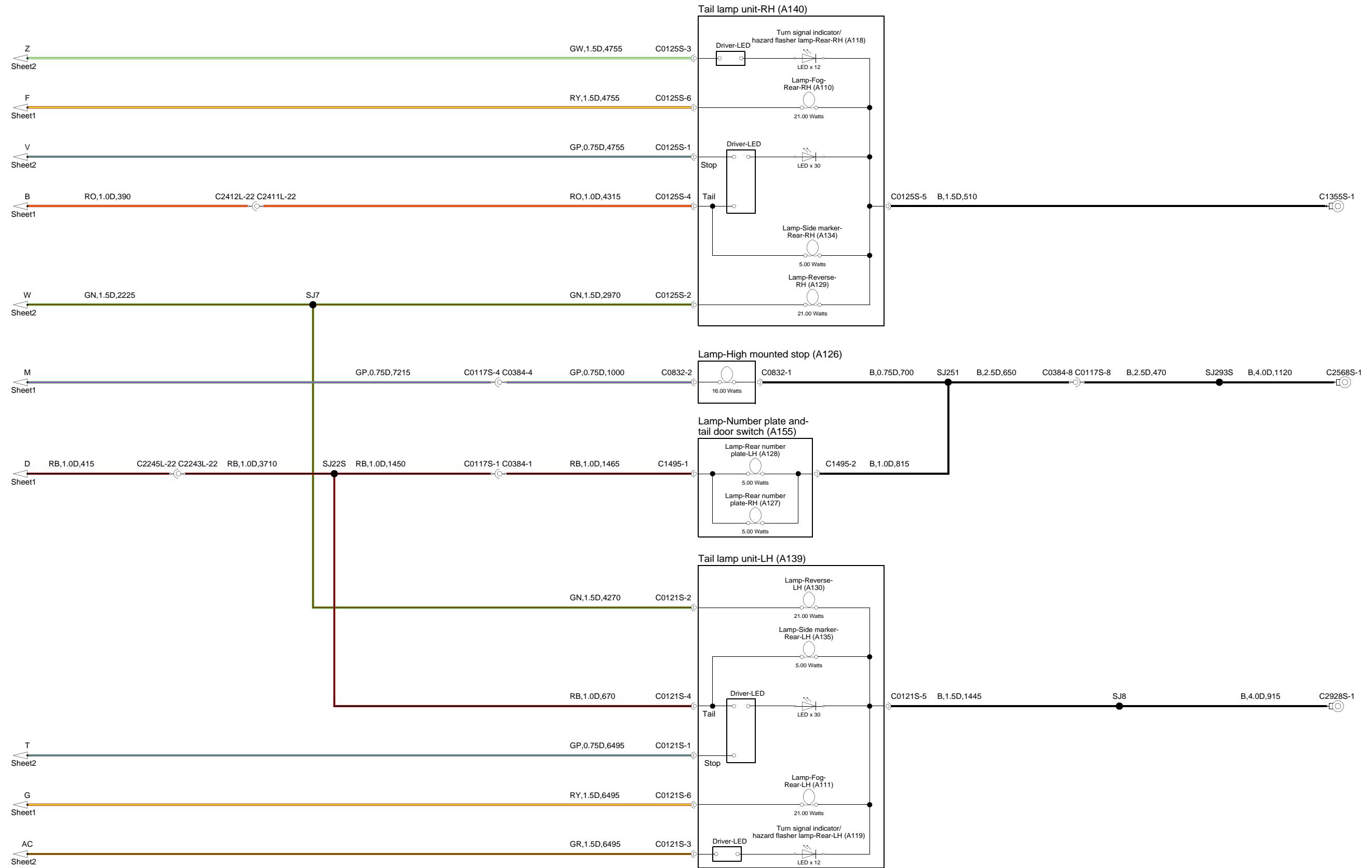


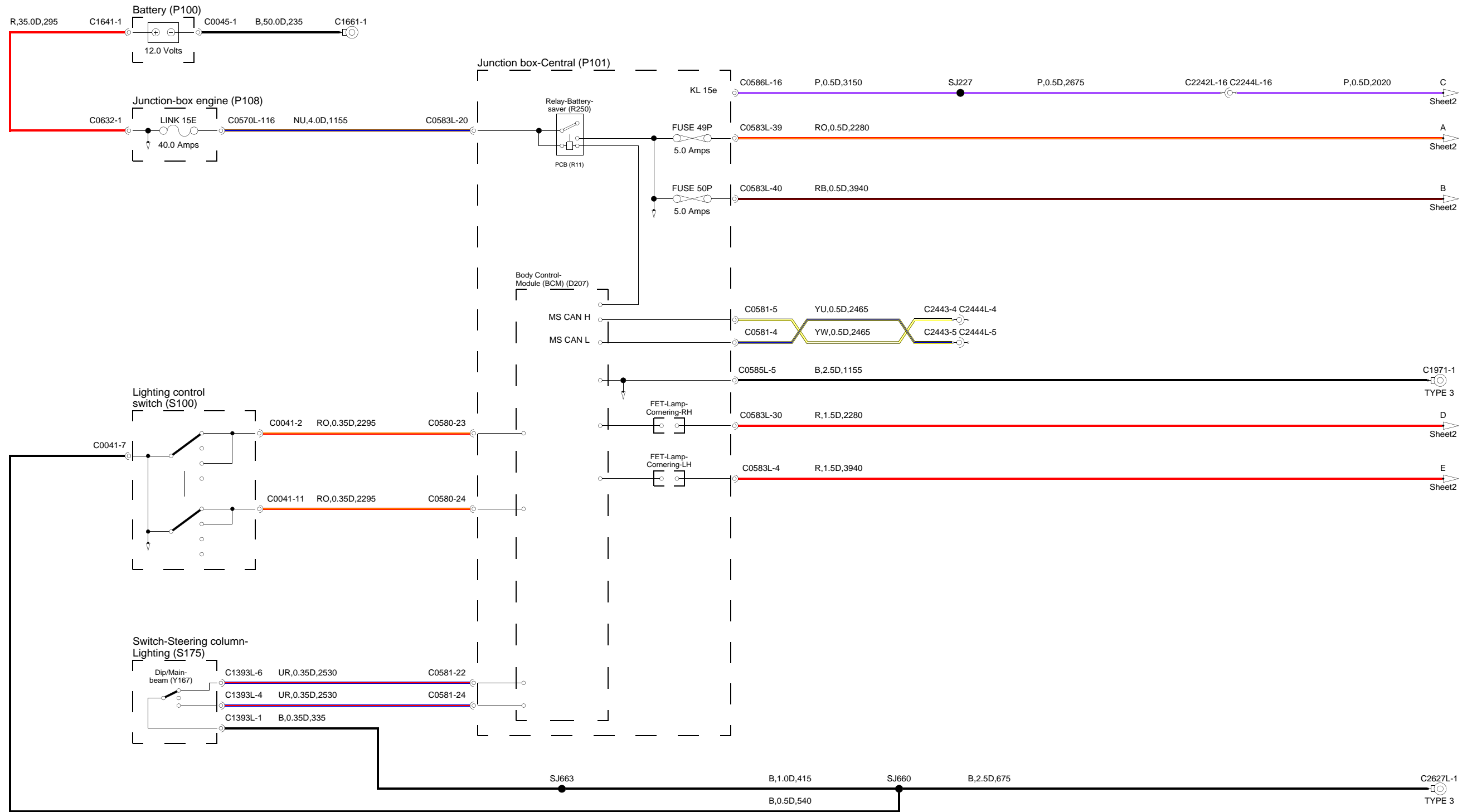


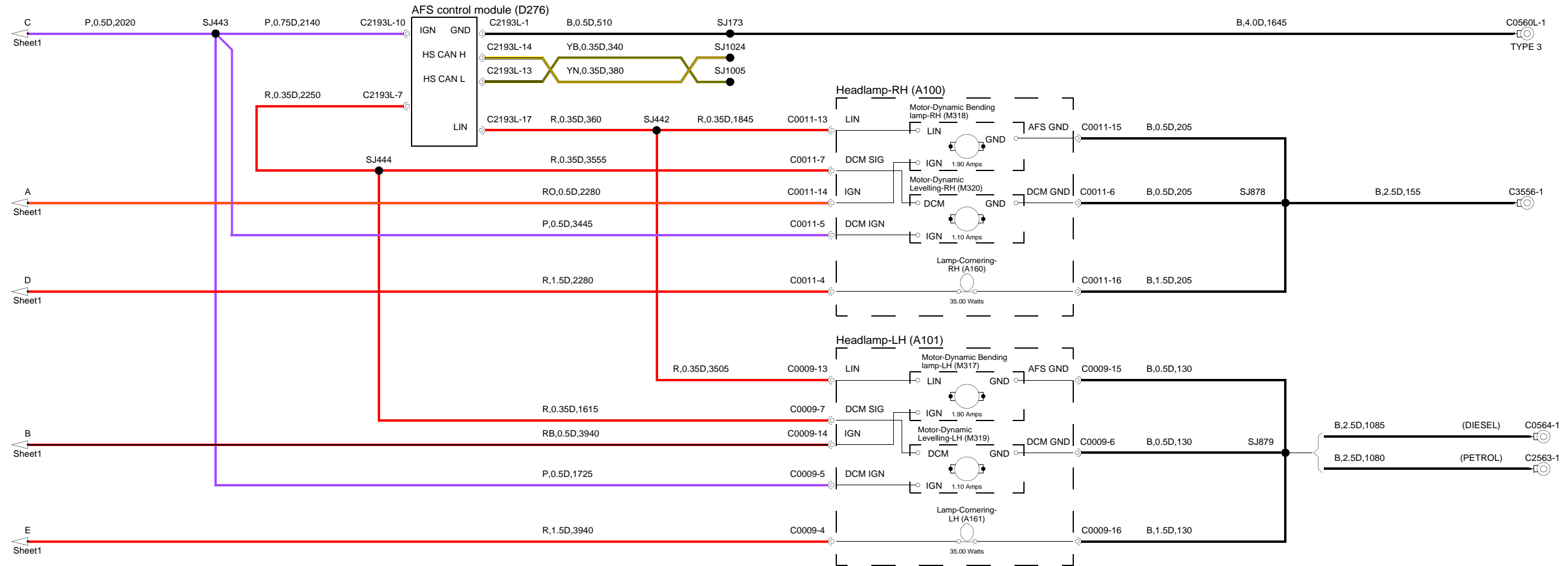


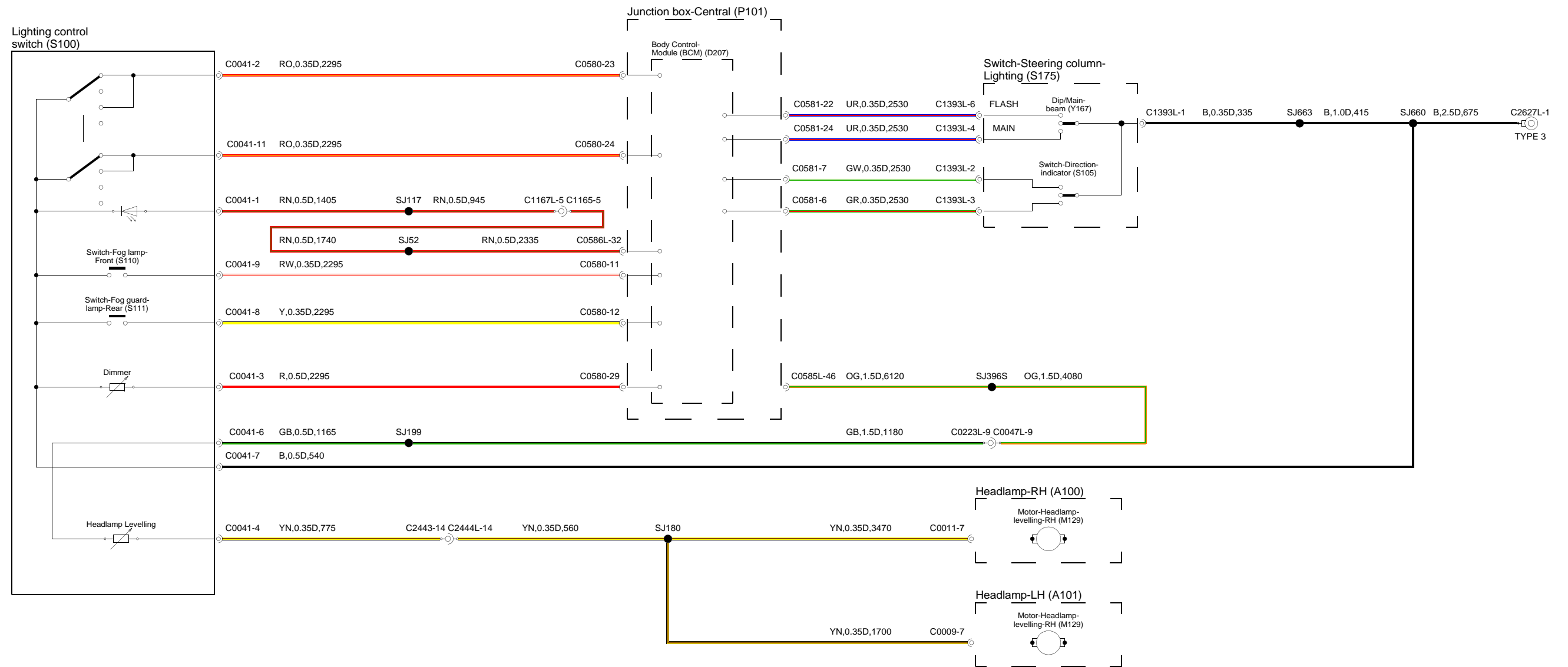


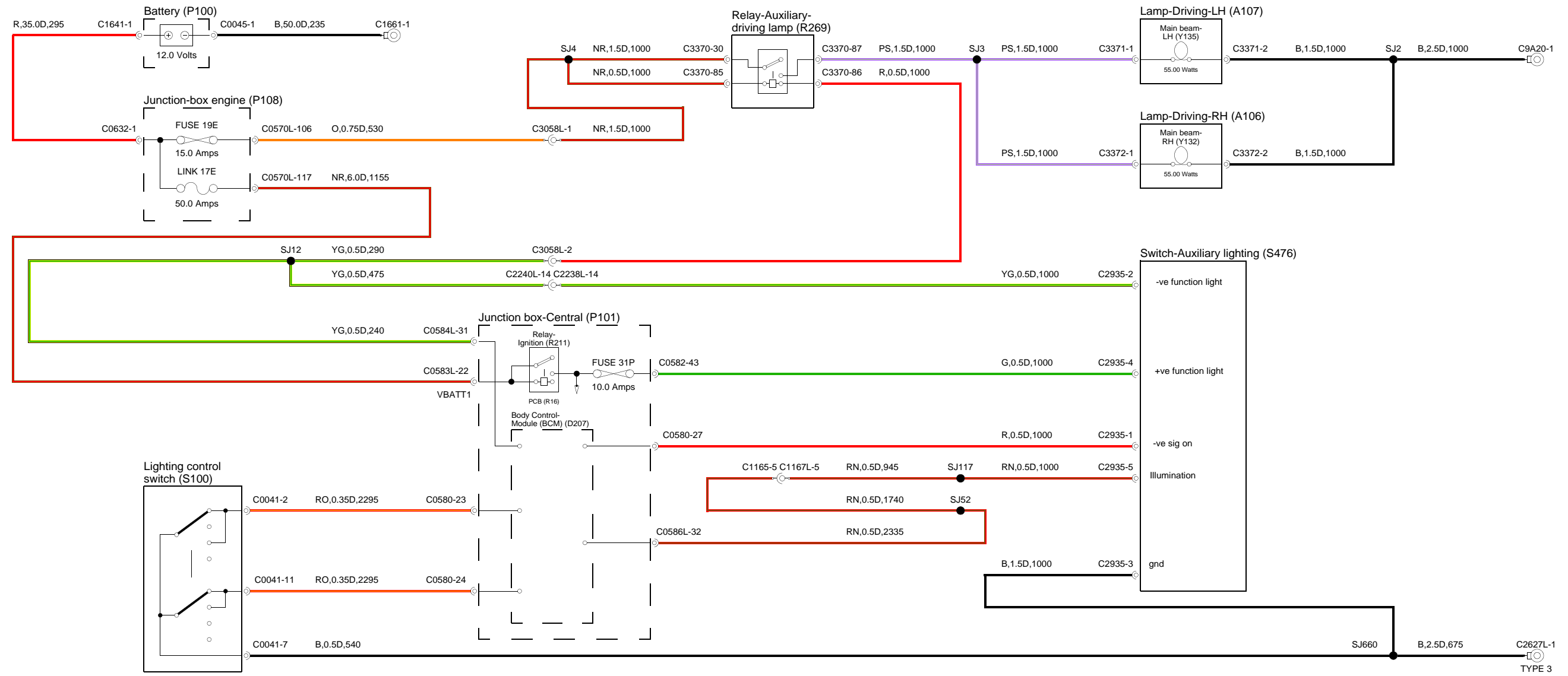


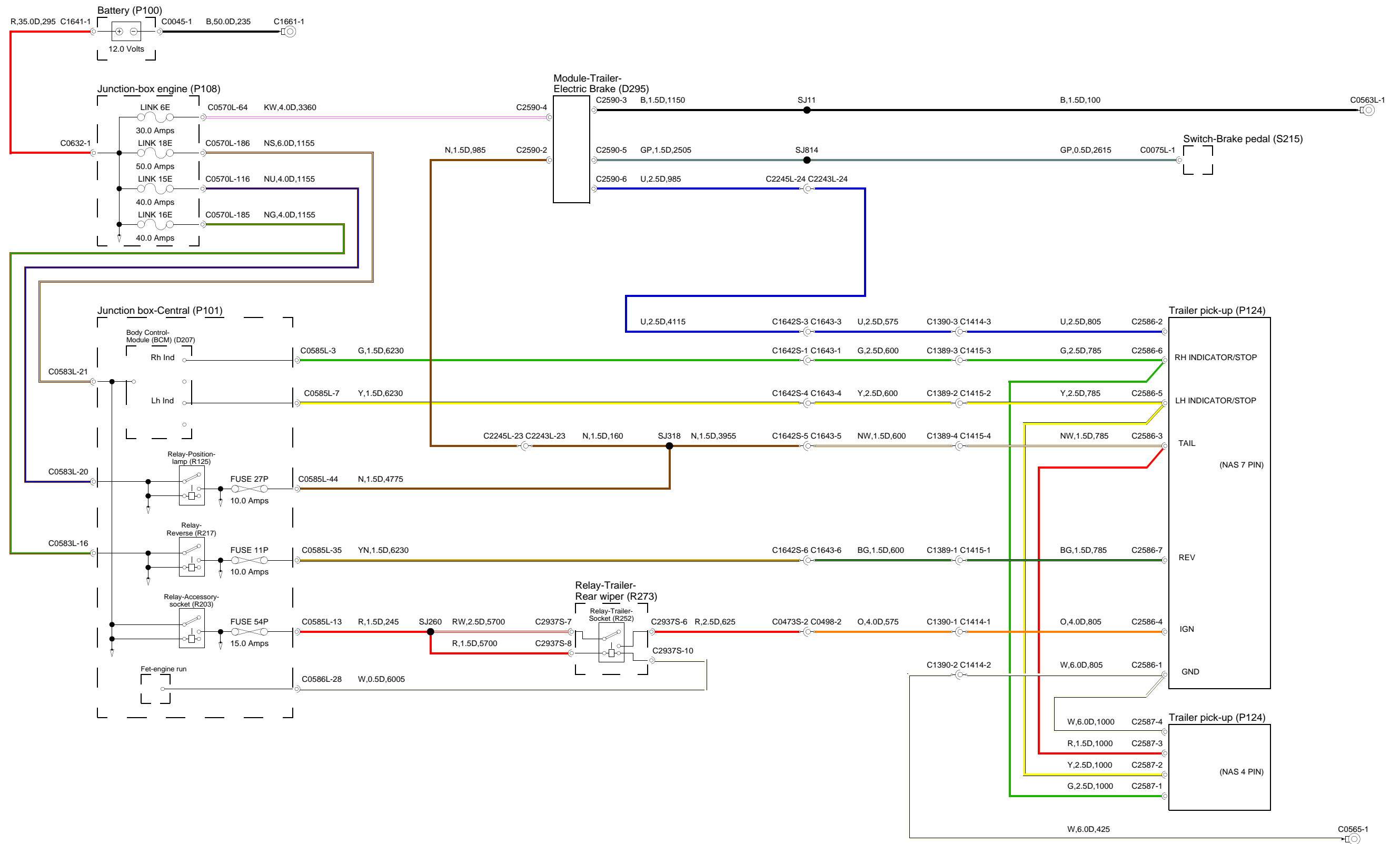


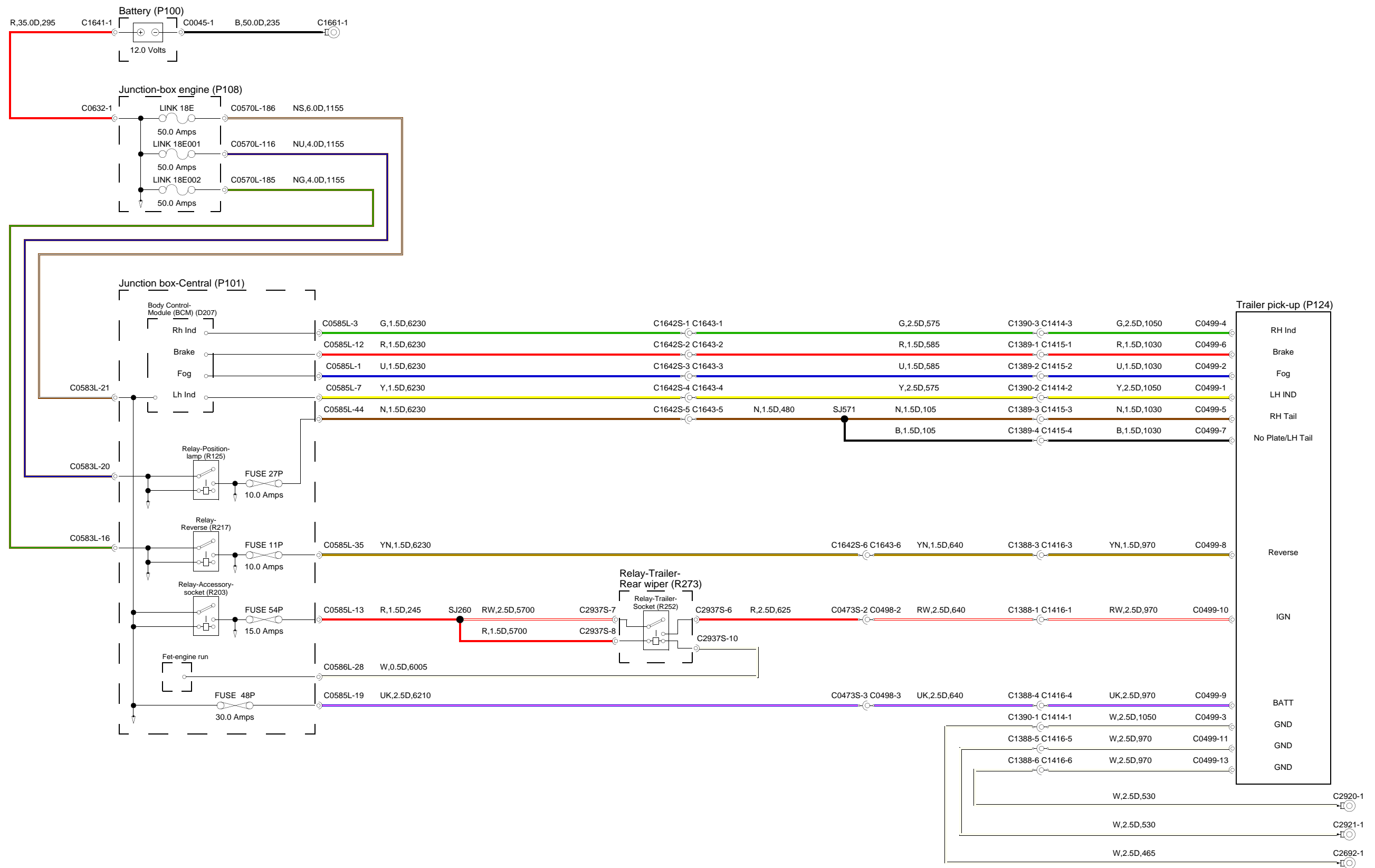


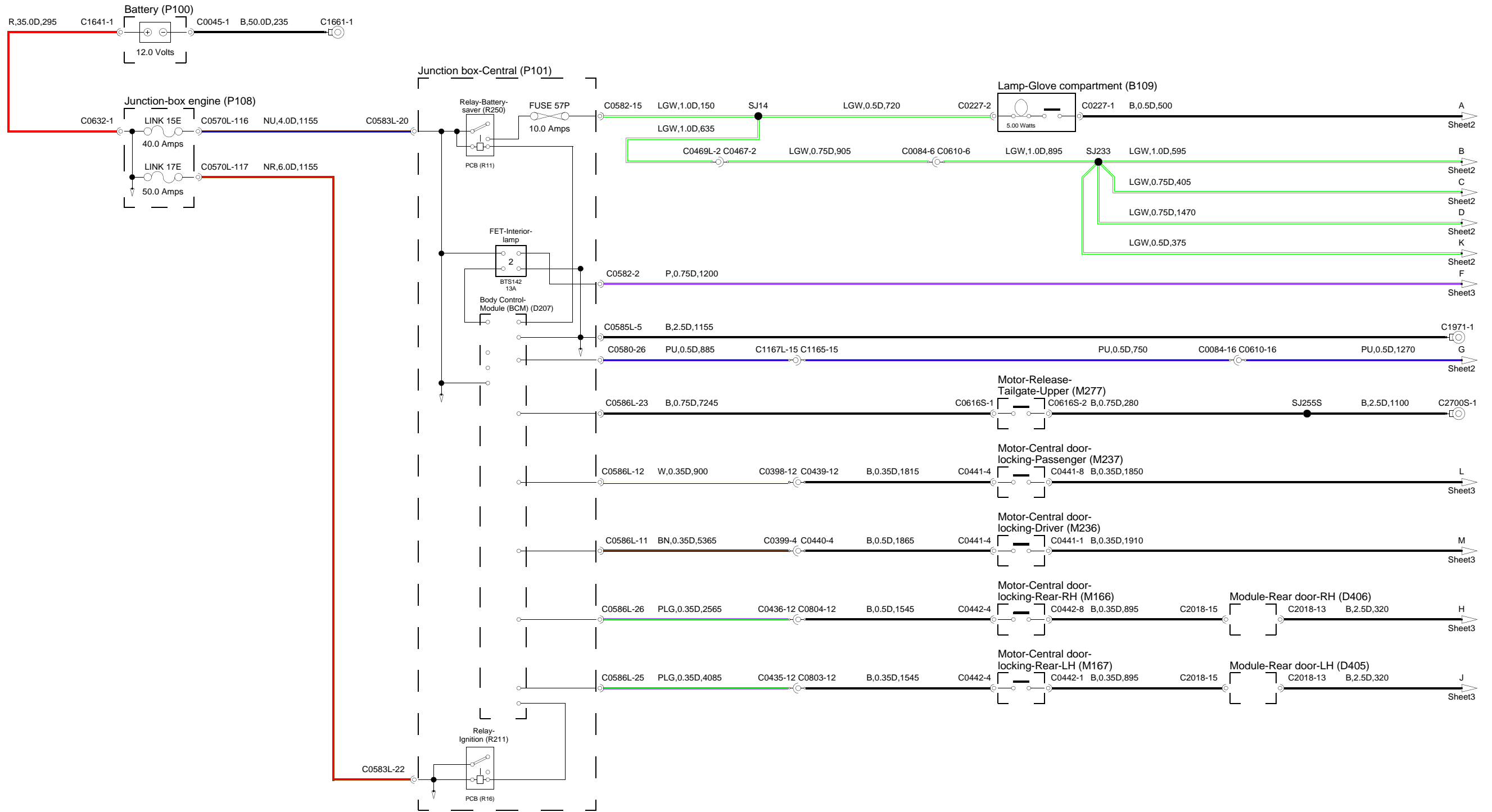


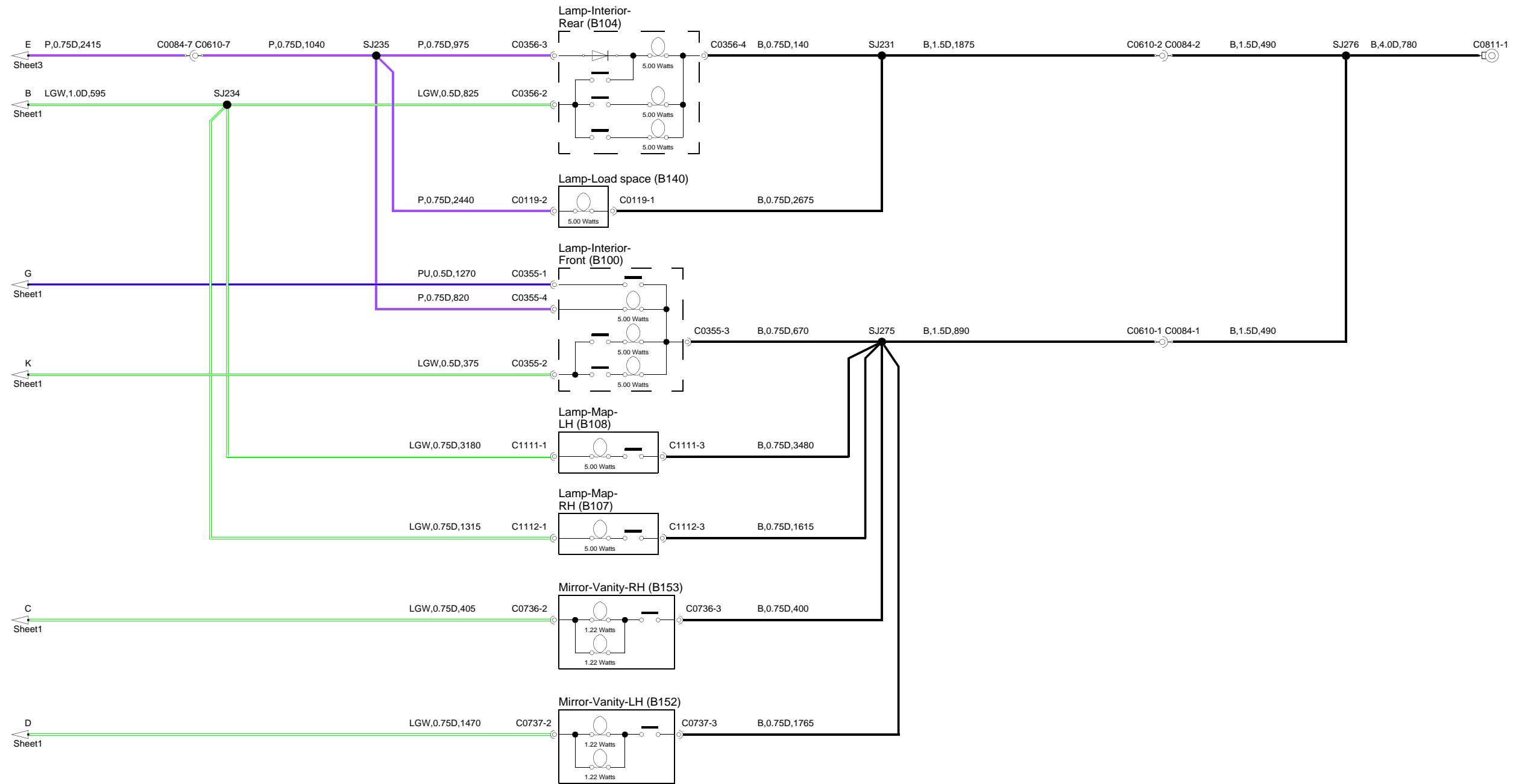


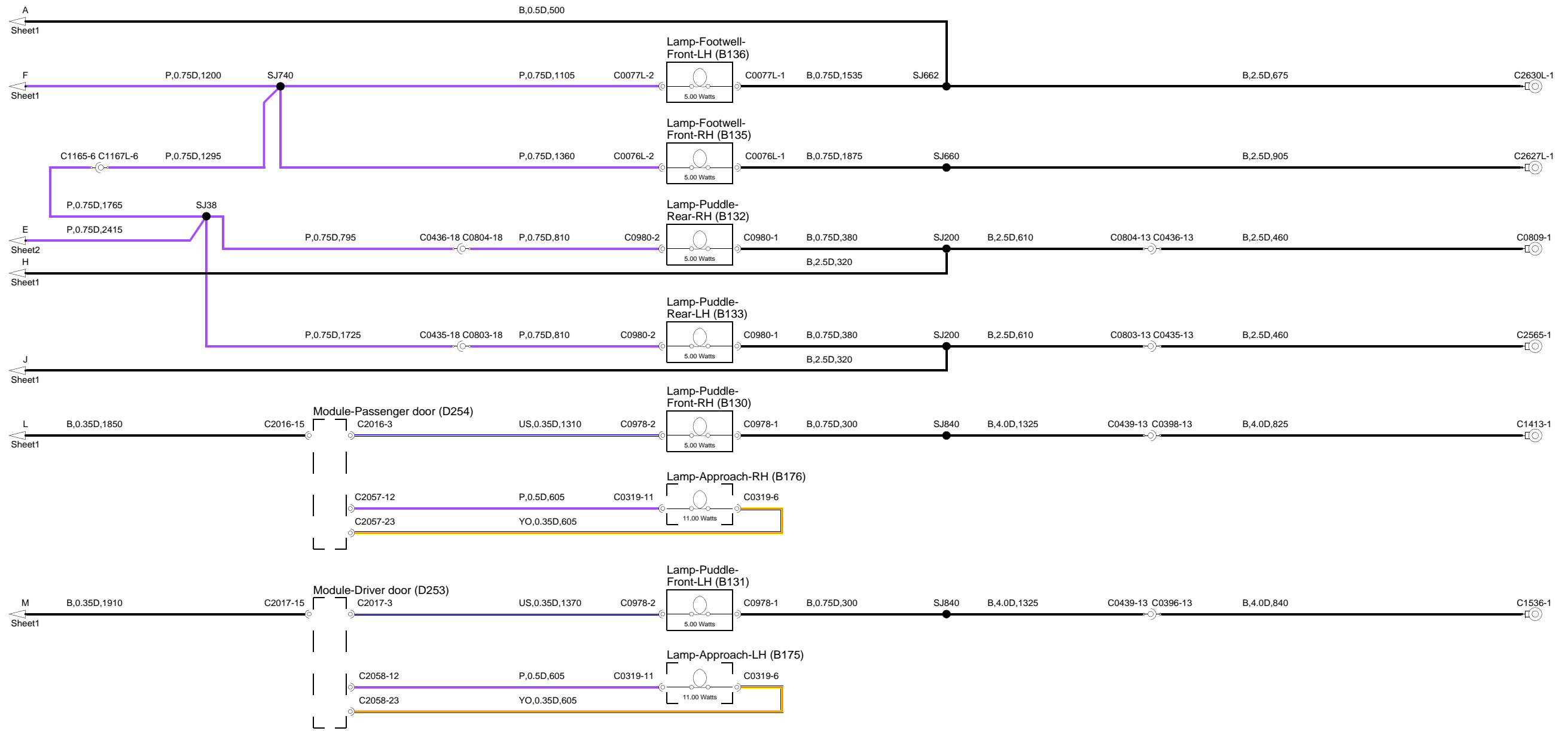


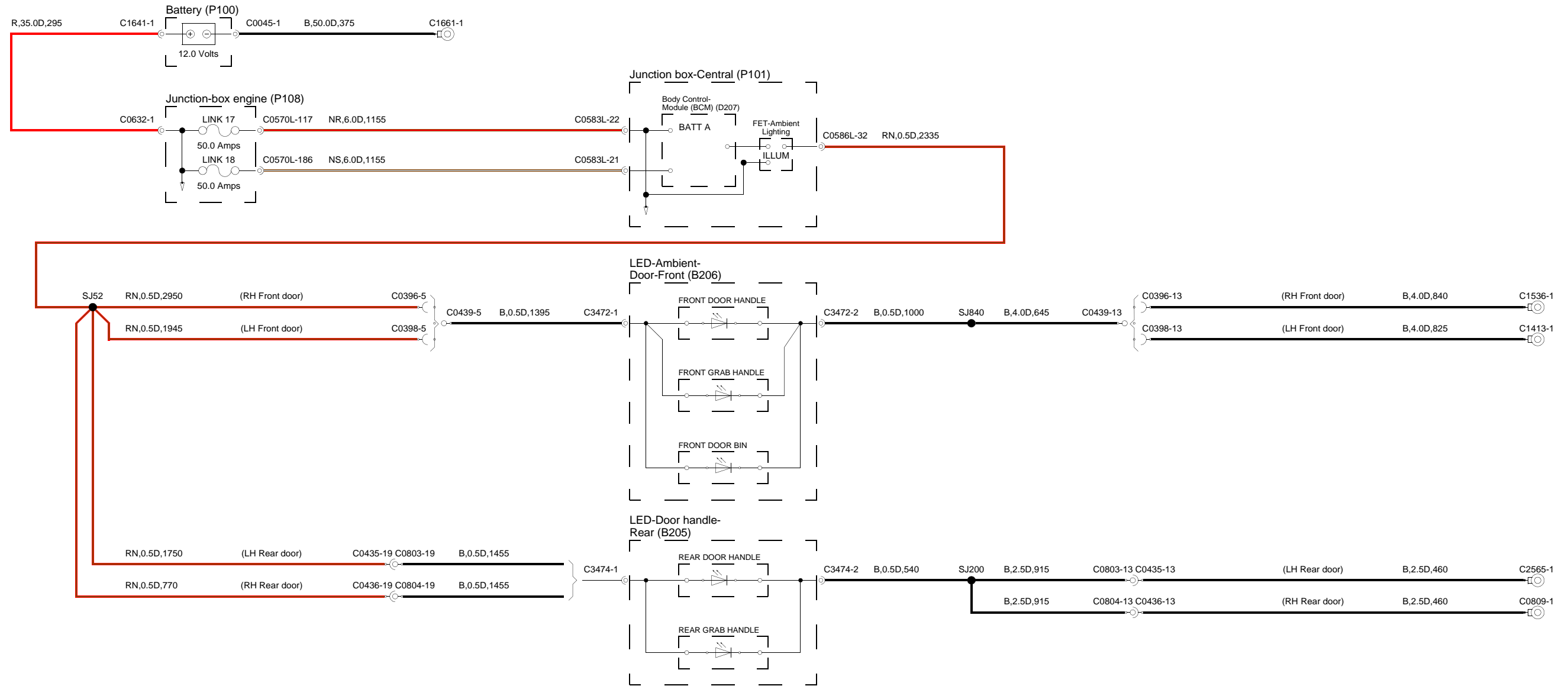


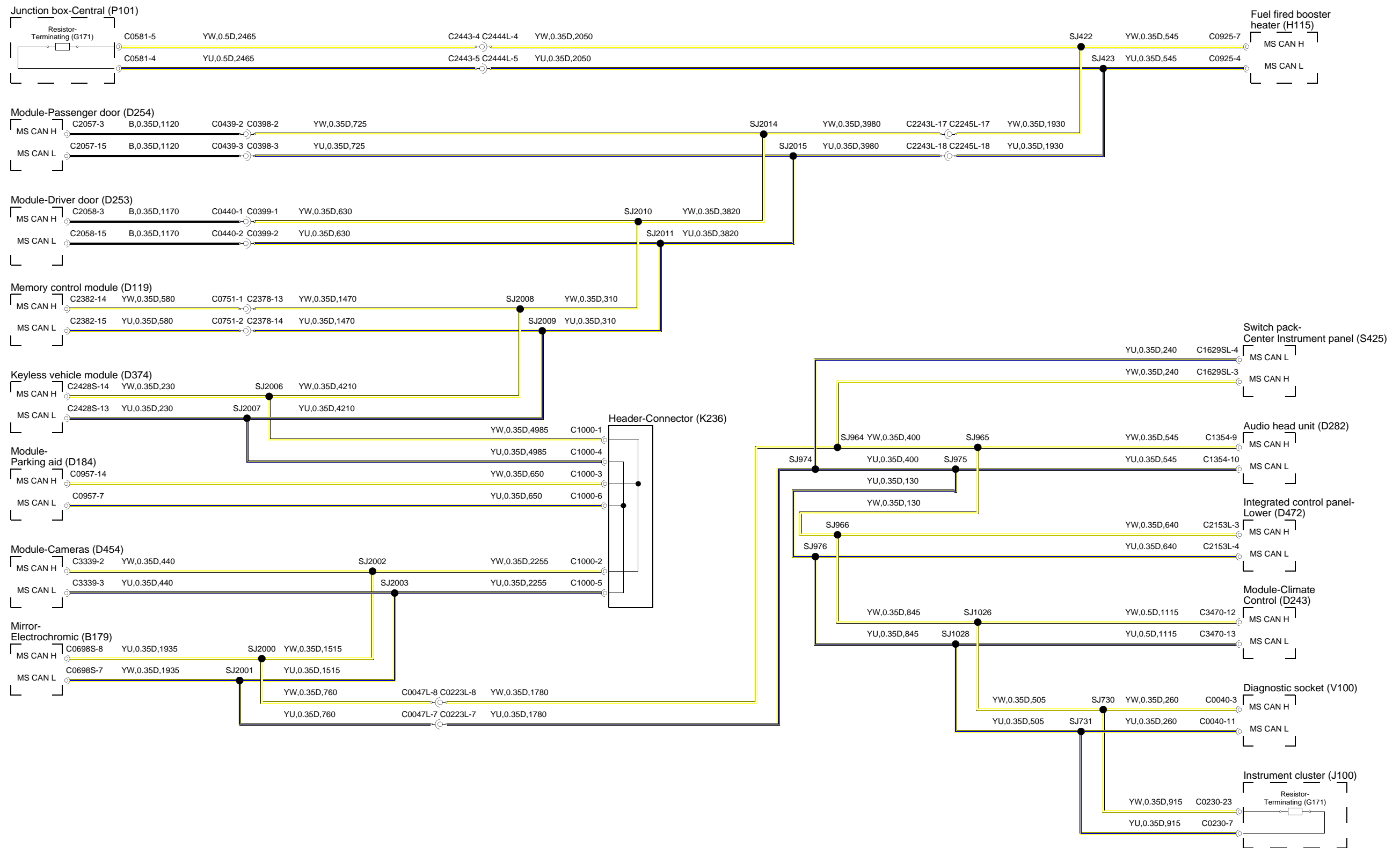


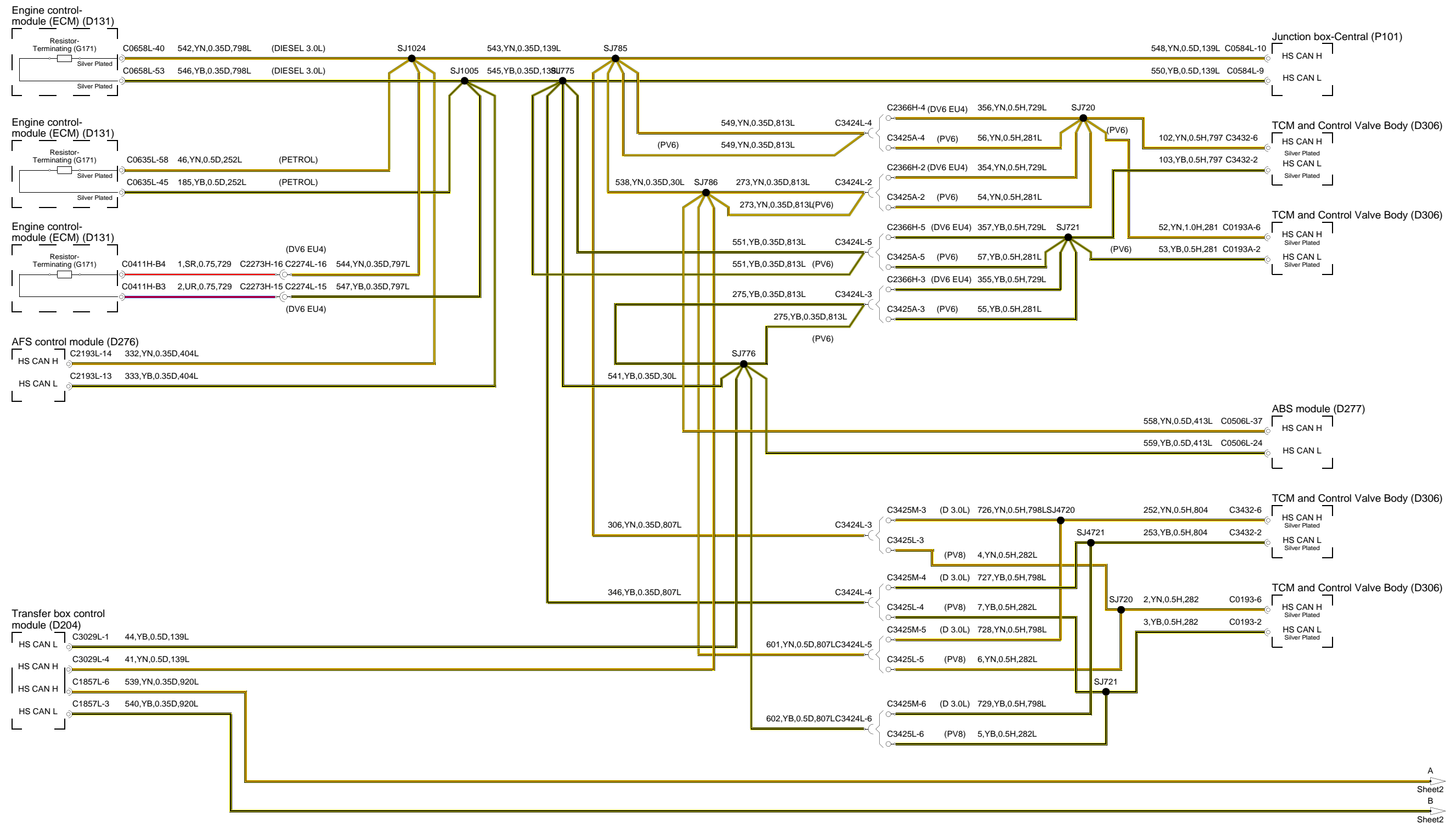












A
Sheet2
B
Sheet2

