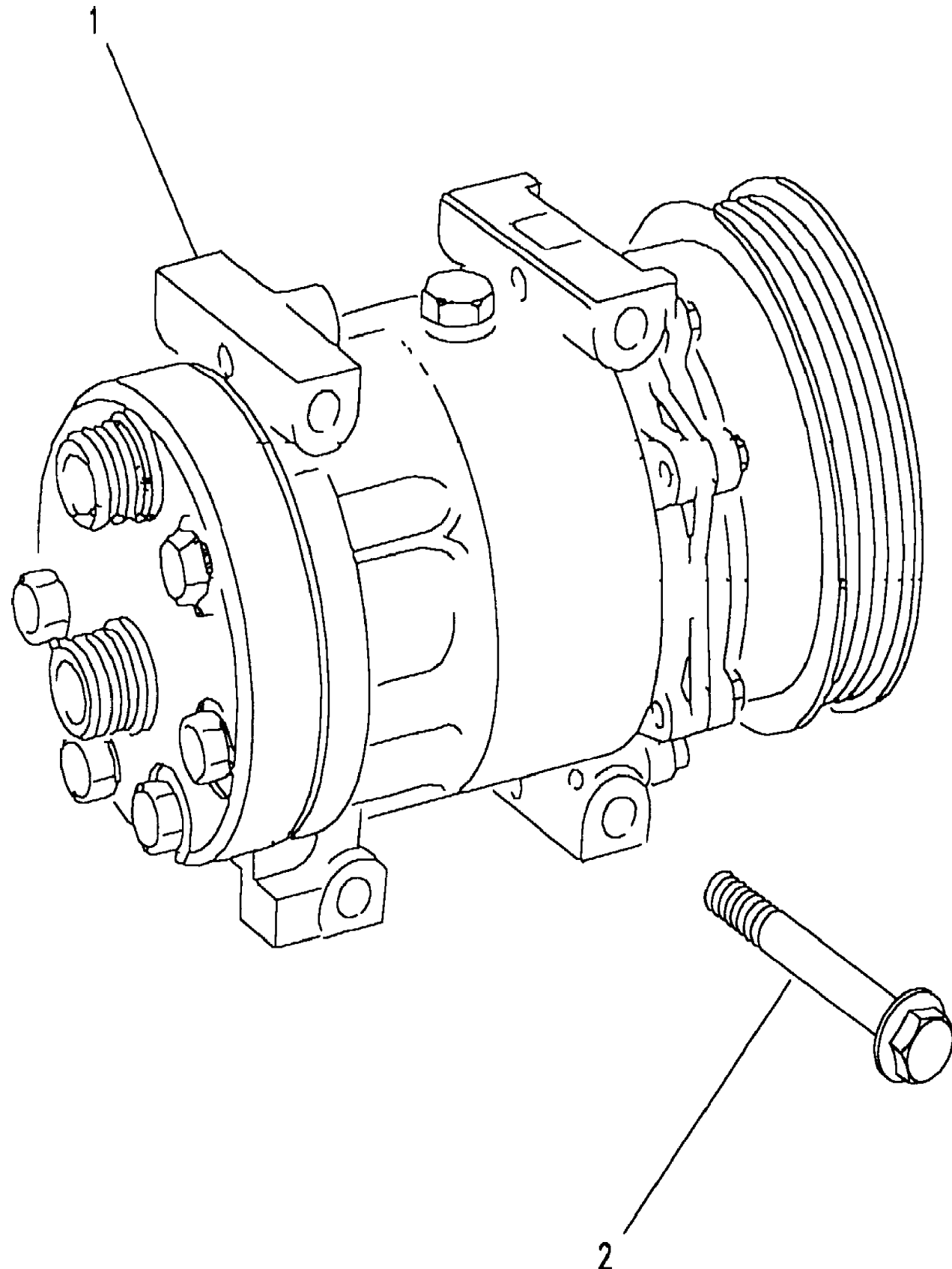


Engine
2000 - Petrol - T16
Air Conditioning Compressor 1/1

Discovery (FA393361-WA799999)
(CABTNE1A)



Discovery (FA393361-WA799999)

Engine
2000 - Petrol - T16
Air Conditioning Compressor

2.0L 4 Cyl MPi T Series Petrol, With Air Conditioning

Callout	Name	Application	Remarks & Restrictions	Service No.	Qty
1	Compressor Air Conditioning	Change point - Engine end 20T4HG63, 2.0L 4 Cyl 16v MPi T Series Pet 2.0L 4 Cyl 16v MPi T Series Pet	Sanden Nippondenso	BTR4187 BTR4719	1 1
2	Bolt-flanged head	2.0L 4 Cyl 16v MPi T Series Pet	M10 x 100	FB110201L	4

Engine
2000 - Petrol - T16
Alternator 1/1

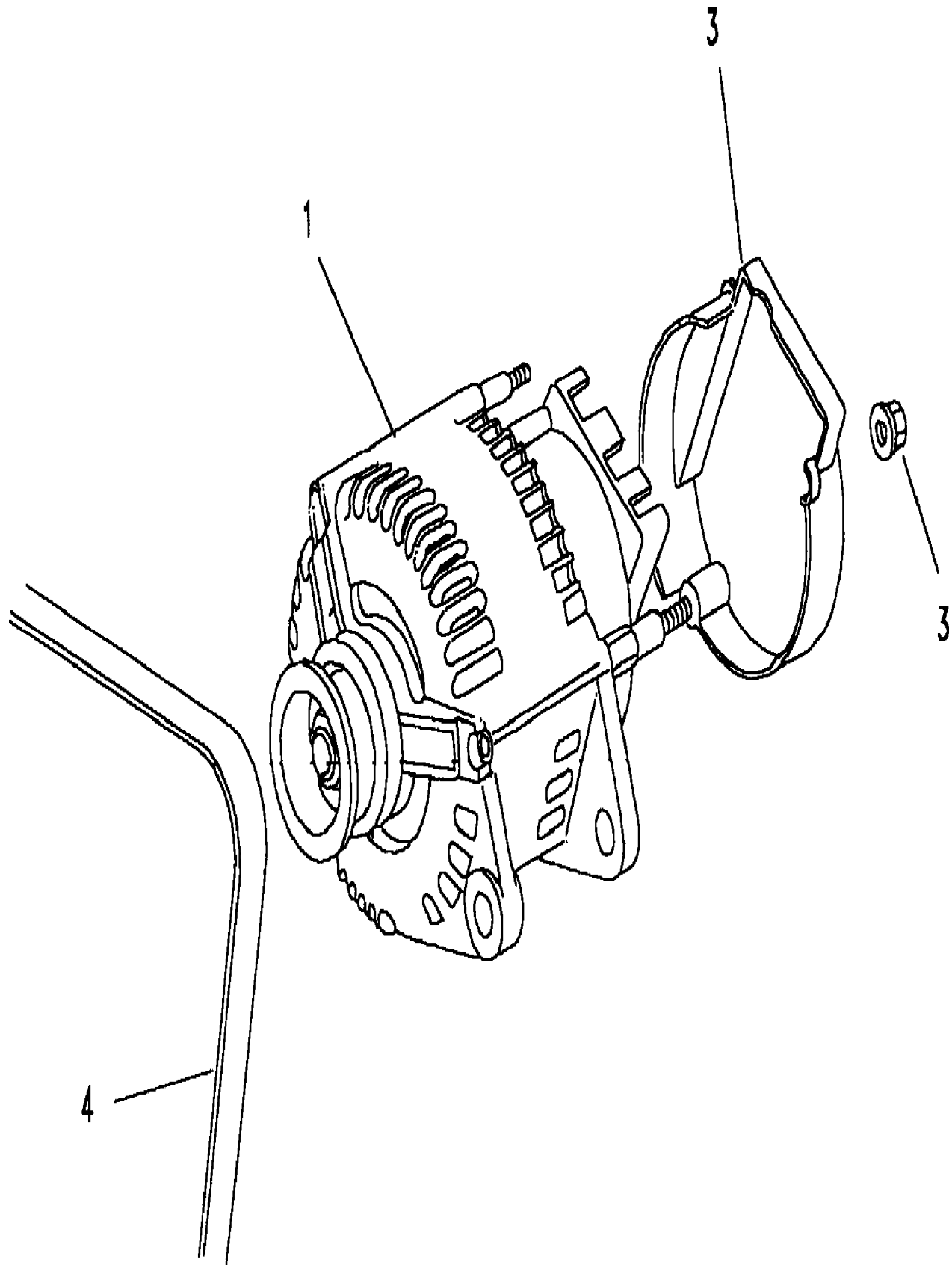
Discovery (FA393361-WA799999)
(CABTPC1A)

Discovery (FA393361-WA799999)

Engine
2000 - Petrol - T16
Alternator

2.0L 4 Cyl MPi T Series Petrol

Callout	Name	Application	Remarks & Restrictions	Service No.	Qty
1	Alternator assembly	Change point - VIN end MA163103, 2.0L 4 Cyl 16v MPi T Series Pet	New, A127i-100 amp	YLE10124	1
		Change point - VIN end MA163103, 2.0L 4 Cyl 16v MPi T Series Pet	exchange, A127i-100 amp	YLE10124E	1
		Change point - VIN begin TA163104, 2.0L 4 Cyl 16v MPi T Series Pet	New, A127i-100 amp	YLE101880	1
		Change point - VIN begin TA501920, Change point - VIN end VA558898, 2.0L 4 Cyl 16v MPi T Series Pet	New, A127i-100 amp	YLE101880	1
2	Heatshield alternator	2.0L 4 Cyl 16v MPi T Series Pet		YLP10033L	1
3	Nut - Hex.	2.0L 4 Cyl 16v MPi T Series Pet	M5, Flanged Head	FN105047L	3
4	Belt-polyvee alternator	2.0L 4 Cyl 16v MPi T Series Pet, With Air Conditioning		PQS10061	1
		2.0L 4 Cyl 16v MPi T Series Pet, Less Air Conditioning		PQS100900	1



Engine
2000 - Petrol - T16
Alternator Mounting 1/2

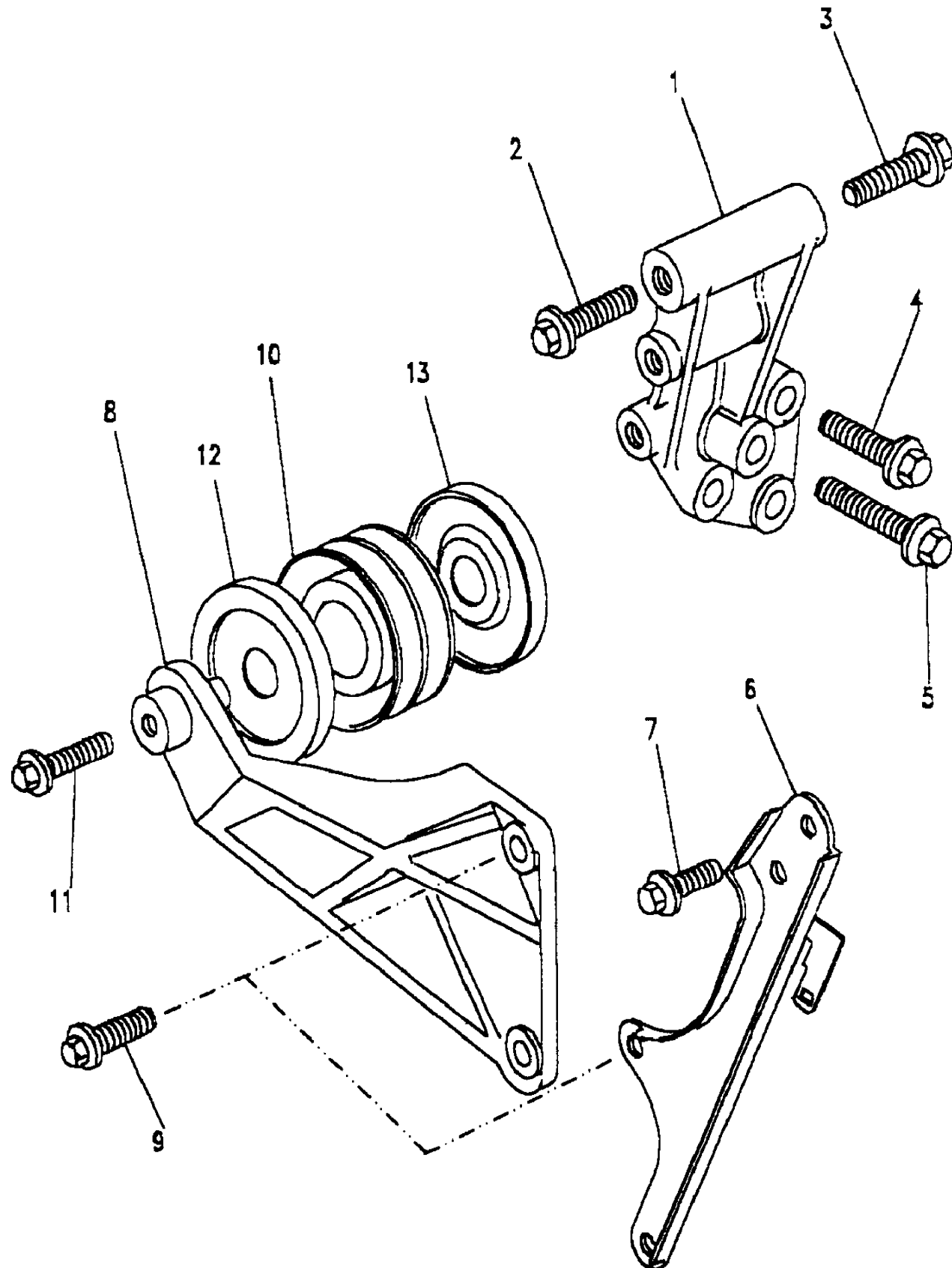
Discovery (FA393361-WA799999)
(CABTPC2B)

Discovery (FA393361-WA799999)

Engine
2000 - Petrol - T16
Alternator Mounting

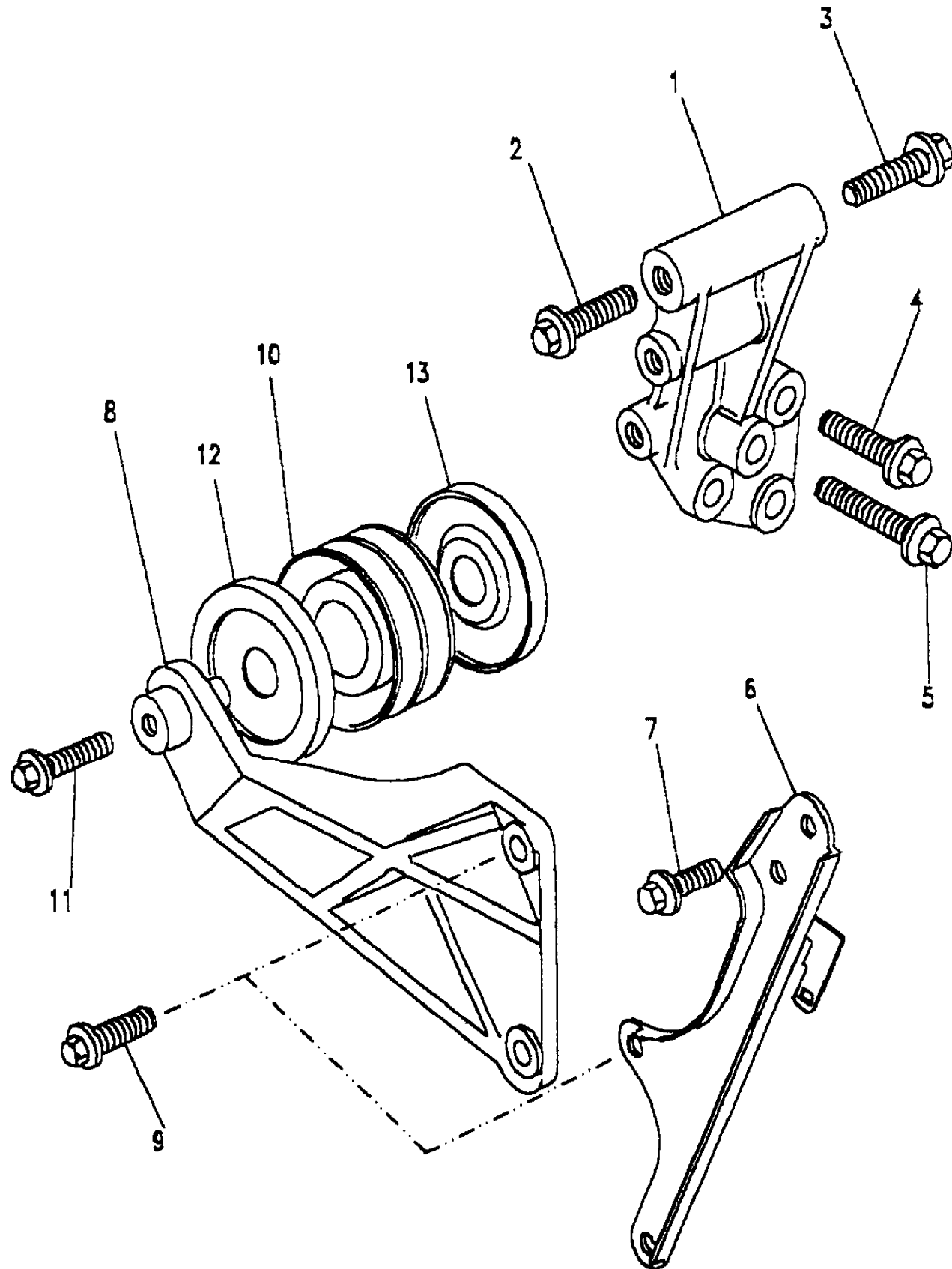
2.0L 4 Cyl MPi T Series Petrol

Callout	Name	Application	Remarks & Restrictions	Service No.	Qty
1	Bracket-support alternator	2.0L 4 Cyl 16v MPi T Series Pet, With Air Conditioning 2.0L 4 Cyl 16v MPi T Series Pet, Less Air Conditioning		YLF10039 YLU10097	1 1
2	Screw	2.0L 4 Cyl 16v MPi T Series Pet, With Air Conditioning 2.0L 4 Cyl 16v MPi T Series Pet	M8 X 30, Flanged Head idler to bracket, M12 x 40	FS108307L FS112401L	2 1
3	Bolt	2.0L 4 Cyl 16v MPi T Series Pet, With Air Conditioning 2.0L 4 Cyl 16v MPi T Series Pet 2.0L 4 Cyl 16v MPi T Series Pet 2.0L 4 Cyl 16v MPi T Series Pet, Less Air Conditioning 2.0L 4 Cyl 16v MPi T Series Pet, Less Air Conditioning	M8 x 50, Flanged Head bracket to block, Flanged Head, M10 X 45 bracket to block, M10 x 60 M10 x 60 Flanged Head, M10 X 45	FB108101 FB110091L FB110121L FB110121L FB110091L	2 2 1 1 2
4	Screw	2.0L 4 Cyl 16v MPi T Series Pet, With Air Conditioning 2.0L 4 Cyl 16v MPi T Series Pet 2.0L 4 Cyl 16v MPi T Series Pet, Less Air Conditioning	M8 X 30, Flanged Head bracket to block, M10 x 25 M10 x 25	FS108307L FS110251L FS110251L	3 2 2
5	Bolt	2.0L 4 Cyl 16v MPi T Series Pet, With Air Conditioning	M8 x 50, Flanged Head	FB108101	1
6	Bracket-support alternator	2.0L 4 Cyl 16v MPi T Series Pet, With Air Conditioning		YLU10127	1
7	Screw	2.0L 4 Cyl 16v MPi T Series Pet, With Air Conditioning 2.0L 4 Cyl 16v MPi T Series Pet, With Air Conditioning	Flanged Head, M8 x 20 Flanged Head, M8 x 20	FS108201L FS108207L	2 2
8	Tensioner-automatic ancillary drive	2.0L 4 Cyl 16v MPi T Series Pet, Less Air Conditioning		PQG10008	1
9	Bolt	2.0L 4 Cyl 16v MPi T Series Pet, Less Air Conditioning		PYG10006L	1



Engine
2000 - Petrol - T16
Alternator Mounting 2/2

Discovery (FA393361-WA799999)
(CABTPC2B)



Discovery (FA393361-WA799999)

Engine
2000 - Petrol - T16
Alternator Mounting

2.0L 4 Cyl MPi T Series Petrol

Callout	Name	Application	Remarks & Restrictions	Service No.	Qty
9	Bolt	2.0L 4 Cyl 16v MPi T Series Pet, With Air Conditioning	M8 X 30, Flanged Head	FS108307L	3
10	Pulley-idler ancillary drive	2.0L 4 Cyl 16v MPi T Series Pet, With Air Conditioning 2.0L 4 Cyl 16v MPi T Series Pet, Less Air Conditioning 2.0L 4 Cyl 16v MPi T Series Pet, Less Air Conditioning		PQR10052 PQR10050 PQR10051	1 1 1
11	Screw	2.0L 4 Cyl 16v MPi T Series Pet	Flanged Head, M10 x 30, top	FS110301L	1
12	Shield-dust-idler ancillary drive	2.0L 4 Cyl 16v MPi T Series Pet	10mm ID	PRC10001	1
13	Shield-dust-idler ancillary drive	2.0L 4 Cyl 16v MPi T Series Pet	17mm ID	PRC10002	1
[900]	Washer-Plain	2.0L 4 Cyl 16v MPi T Series Pet, Less Air Conditioning	M10	WJ110007L	1
[901]	Bracket assembly-mounting alternator	2.0L 4 Cyl 16v MPi T Series Pet		YLU101600	1
[903]	Bracket-idler mounting ancillary drive	2.0L 4 Cyl 16v MPi T Series Pet, With Air Conditioning		PQU10007	1

Engine
2000 - Petrol - T16
Camshaft 1/1

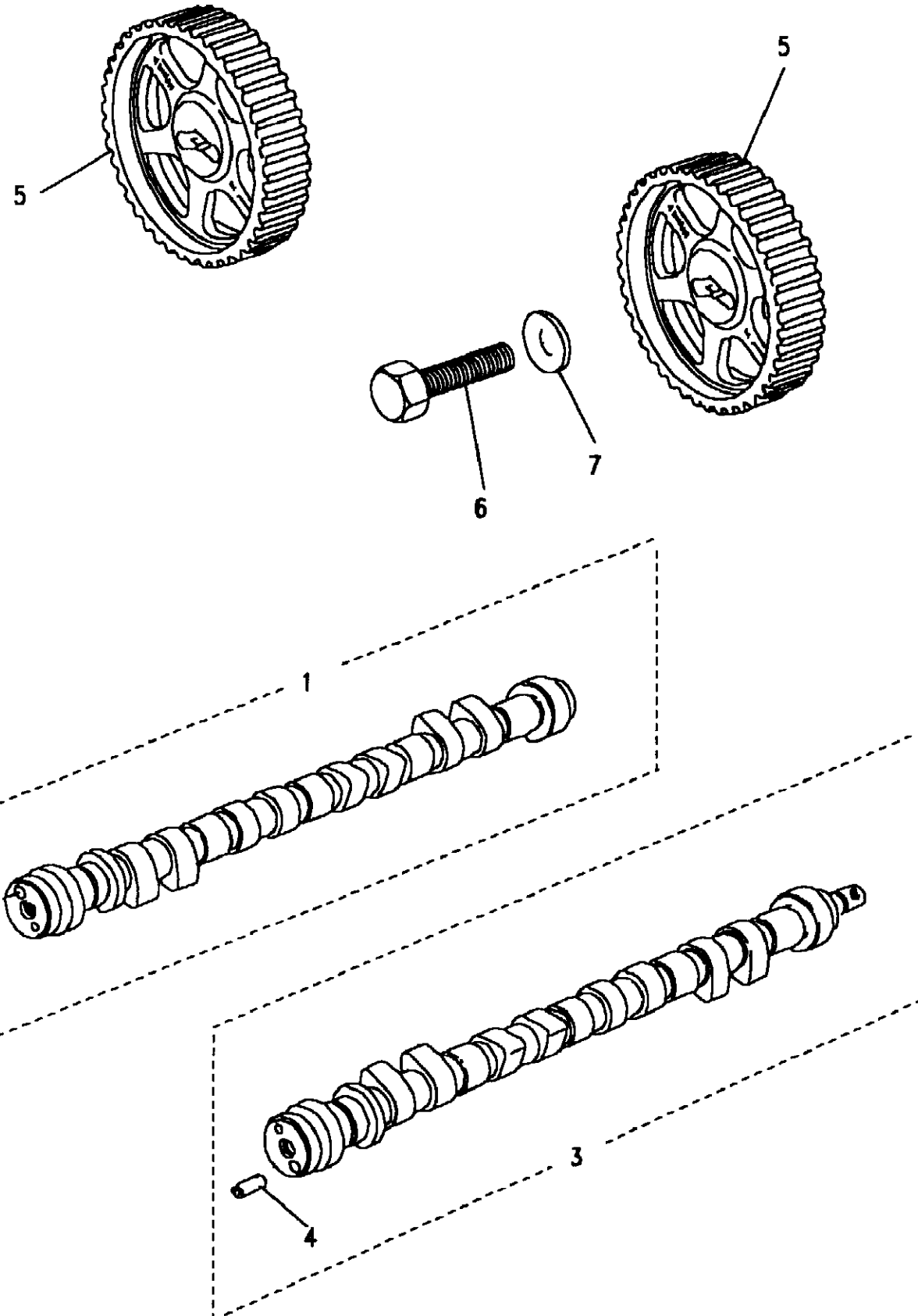
Discovery (FA393361-WA799999)
(CABTG11A)

Discovery (FA393361-WA799999)

Engine
2000 - Petrol - T16
Camshaft

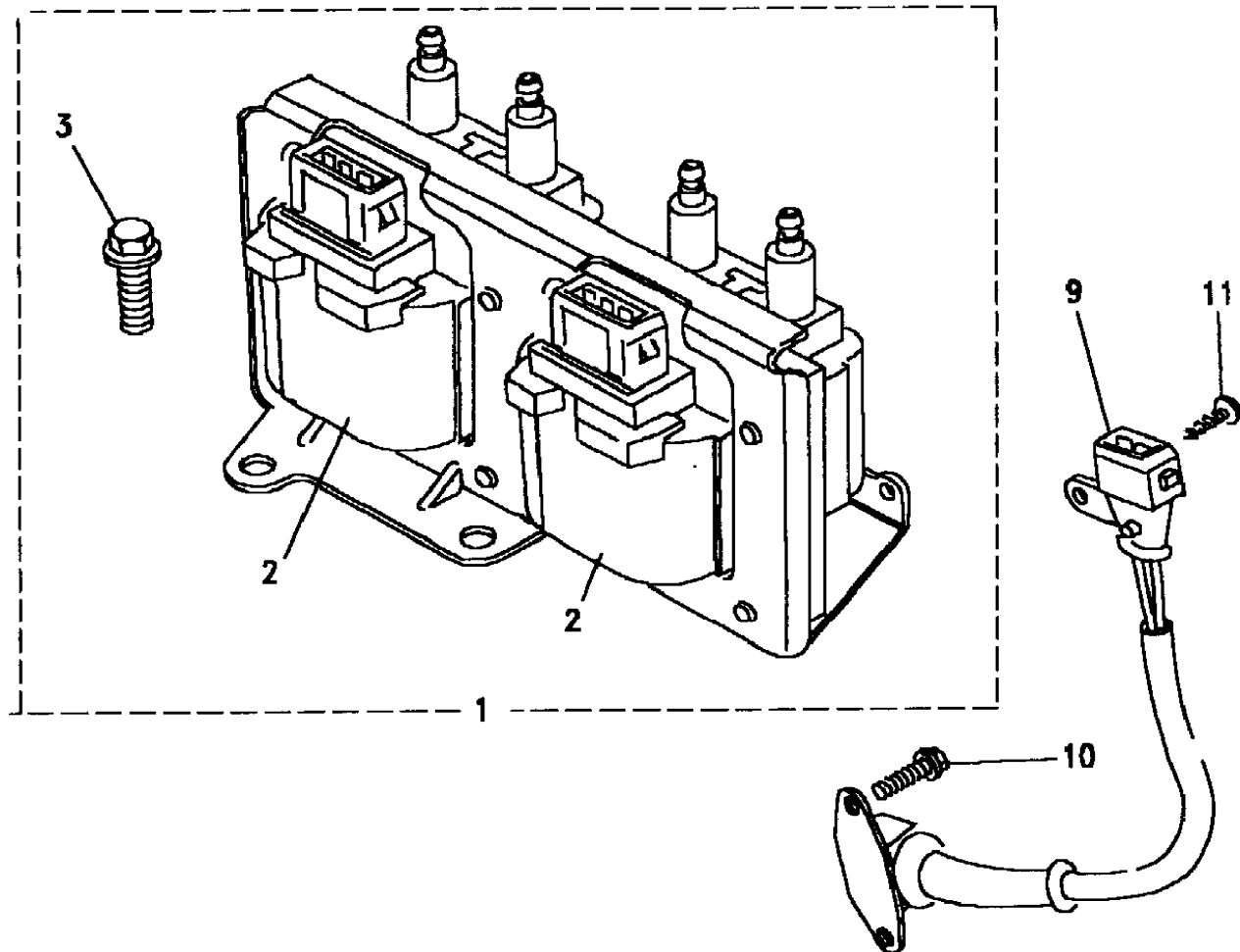
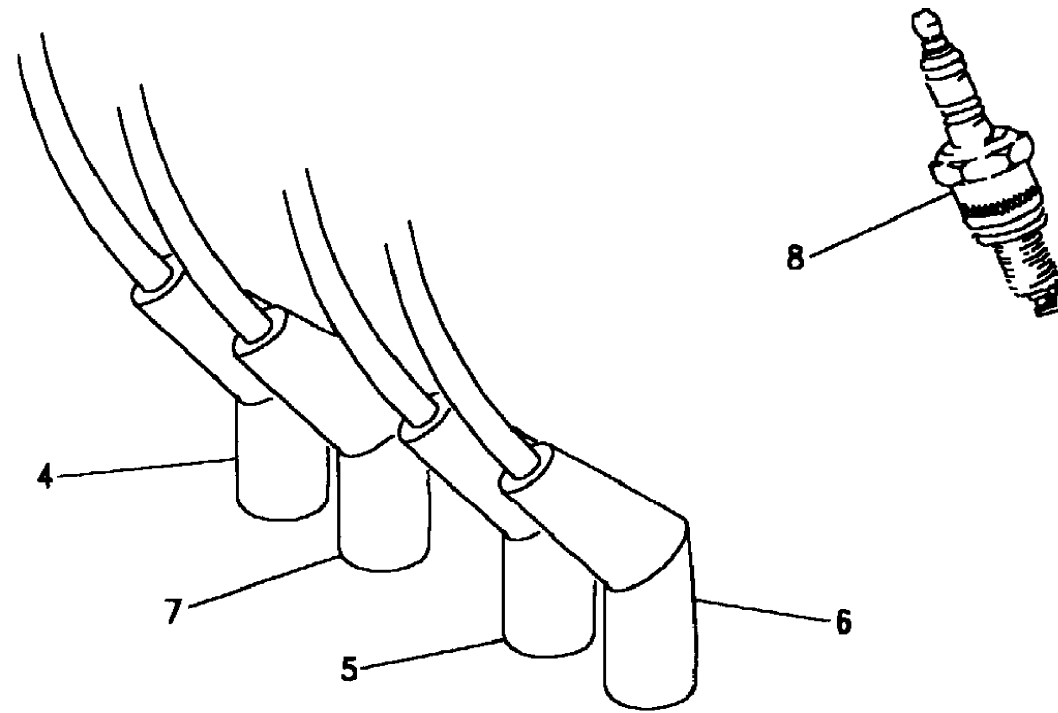
2.0L 4 Cyl MPi T Series Petrol

Callout	Name	Application	Remarks & Restrictions	Service No.	Qty
1	Camshaft-engine	2.0L 4 Cyl 16v MPi T Series Pet	Also serviced as part of a kit	LGC10219L	1
2	Pin-roll	2.0L 4 Cyl 16v MPi T Series Pet	Also serviced as part of a kit	RPS2016L	1
3	Camshaft-engine	2.0L 4 Cyl 16v MPi T Series Pet	Also serviced as part of a kit	LGC10219L	1
4	Pin-roll	2.0L 4 Cyl 16v MPi T Series Pet	Also serviced as part of a kit	RPS2016L	1
5	Pulley-camshaft	2.0L 4 Cyl 16v MPi T Series Pet		LHB10028L	2
6	Screw	2.0L 4 Cyl 16v MPi T Series Pet	M10 x 35	SX110351L	2
7	Washer-Plain	2.0L 4 Cyl 16v MPi T Series Pet	M10	WJ110007L	2
[900]	Cover-end-camshaft cover-engine	2.0L 4 Cyl 16v MPi T Series Pet	Rear	LDR10152	1
[901]	Seal-camshaft oil	2.0L 4 Cyl 16v MPi T Series Pet	Rear	LUC100120	2



Engine
2000 - Petrol - T16
Coil & Ignition Leads 1/1

Discovery (FA393361-WA799999)
(CABTPA1A)



Discovery (FA393361-WA799999)

Engine
2000 - Petrol - T16
Coil & Ignition Leads

2.0L 4 Cyl MPi T Series Petrol

Callout	Name	Application	Remarks & Restrictions	Service No.	Qty
1	Coil & bracket assembly ignition	2.0L 4 Cyl 16v MPi T Series Pet	Also serviced as part of a kit	NEC10049	1
2	Coil Ignition	2.0L 4 Cyl 16v MPi T Series Pet	Also serviced as part of a kit	NEC10047	2
3	Screw	2.0L 4 Cyl 16v MPi T Series Pet	Also serviced as part of a kit, Flanged Head, M8 x 12	FS108127	2
4	Lead-high tension ignition	2.0L 4 Cyl 16v MPi T Series Pet	to number one cylinder	NGC10223	1
5	Lead-high tension ignition	2.0L 4 Cyl 16v MPi T Series Pet	to number two cylinder	NGC10224	1
6	Lead-high tension ignition	2.0L 4 Cyl 16v MPi T Series Pet	to number three cylinder	NGC10225	1
7	Lead-high tension ignition	2.0L 4 Cyl 16v MPi T Series Pet	to number four cylinder	NGC10226	1
8	Plug-sparking	2.0L 4 Cyl 16v MPi T Series Pet		NLP10003	4
9	Sensor assembly-crank engine	Change point - VIN end MA163103, 2.0L 4 Cyl 16v MPi T Series Pet Change point - VIN begin TA163104, 2.0L 4 Cyl 16v MPi T Series Pet Change point - VIN begin TA501921, 2.0L 4 Cyl 16v MPi T Series Pet		ADU7340L NSC100390L NSC100390L	1 1 1
10	Screw	2.0L 4 Cyl 16v MPi T Series Pet	M4 x 10	SN104101L	1
11	Screw	2.0L 4 Cyl 16v MPi T Series Pet	M5 x 20	FS105201L	2
12	Clip-spacer			NGD10016L	1

Engine
2000 - Petrol - T16
Compressor Bracket & Tensioner 1/1

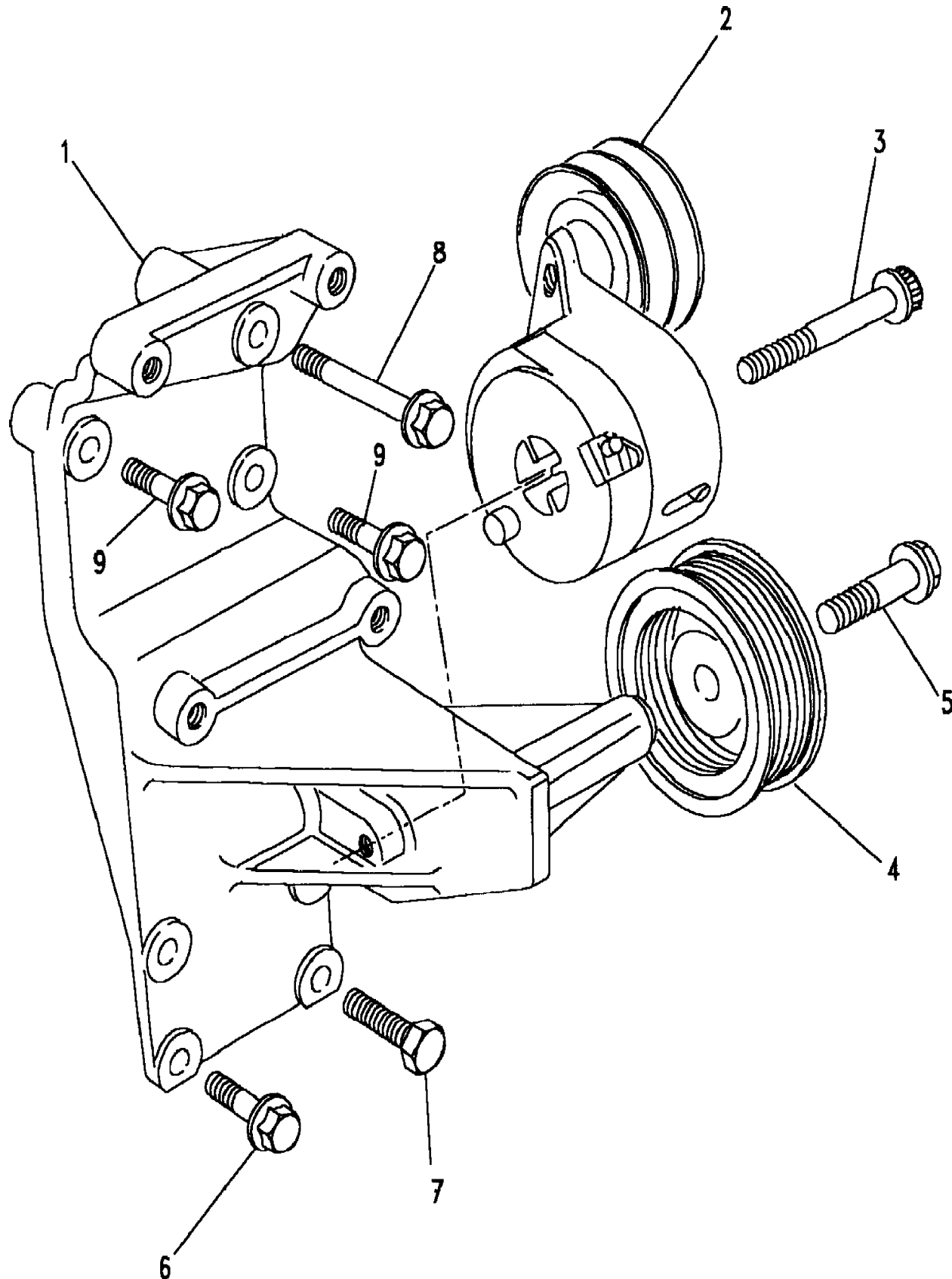
Discovery (FA393361-WA799999)
(CABTNE2A)

Discovery (FA393361-WA799999)

Engine
2000 - Petrol - T16
Compressor Bracket & Tensioner

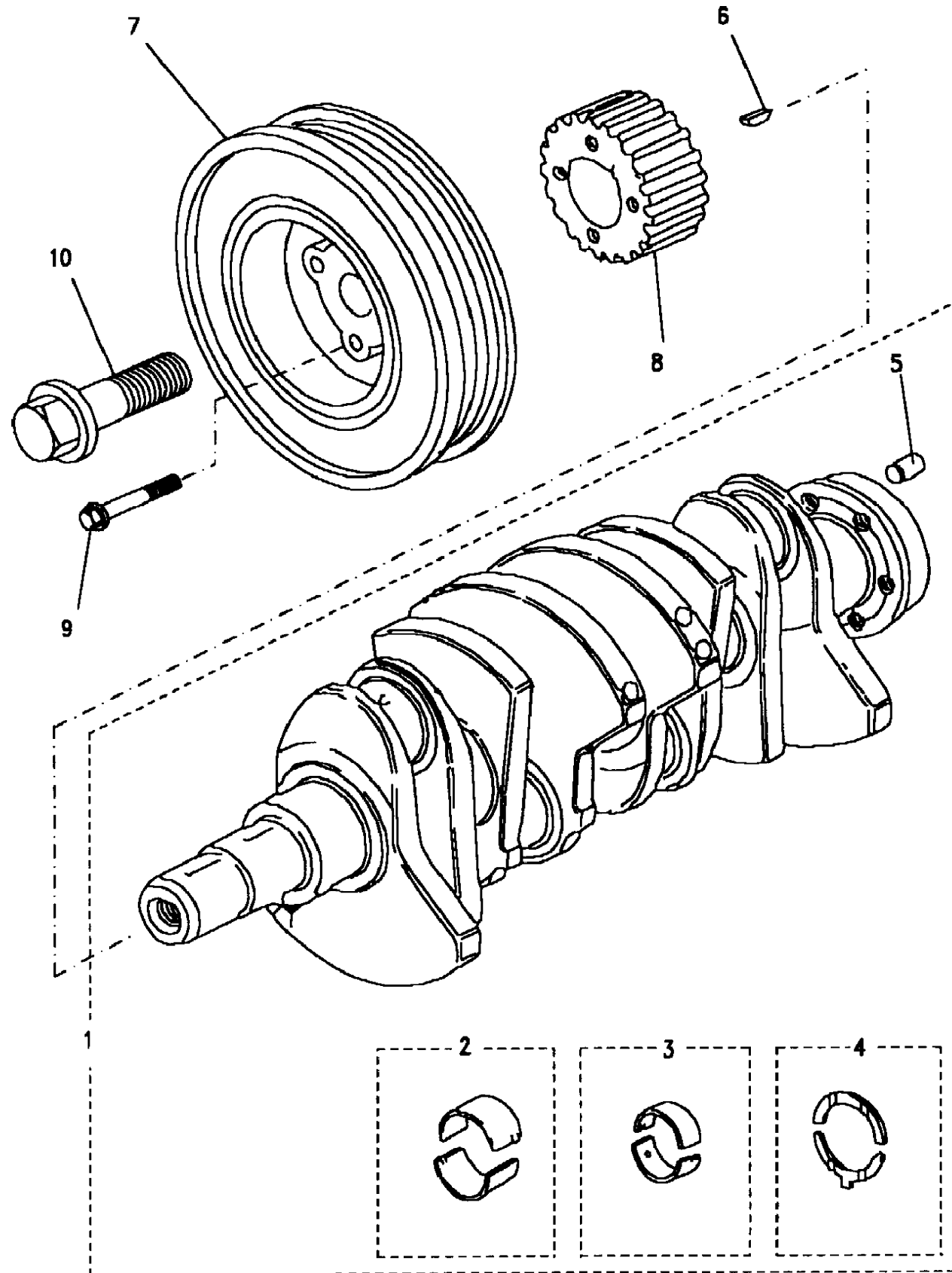
2.0L 4 Cyl MPi T Series Petrol, With Air Conditioning

Callout	Name	Application	Remarks & Restrictions	Service No.	Qty
1	Bracket-compressor air conditioning	Change point - Engine end 20T4HG63, 2.0L 4 Cyl 16v MPi T Series Pet 2.0L 4 Cyl 16v MPi T Series Pet	Sanden	JPD10026	1
			Nippondenso	JPD10016	1
2	Tensioner-automatic ancillary drive	2.0L 4 Cyl 16v MPi T Series Pet		PQG10008L	1
3	Bolt	2.0L 4 Cyl 16v MPi T Series Pet		PYG10006L	1
4	Pulley-idler ancillary drive	2.0L 4 Cyl 16v MPi T Series Pet		PQR10051	1
5	Screw-flanged head	2.0L 4 Cyl 16v MPi T Series Pet	M12 x 40	FS112401L	1
6	Screw	2.0L 4 Cyl 16v MPi T Series Pet	Flanged Head, M10 x 30, top	FS110301L	2
7	Screw	2.0L 4 Cyl 16v MPi T Series Pet	bracket to block, hexagonal head, M10 x 20	SH110201L	2
8	Bolt	2.0L 4 Cyl 16v MPi T Series Pet	bracket to block, M10 x 60	FB110121L	1
9	Bolt	2.0L 4 Cyl 16v MPi T Series Pet	bracket to block, Flanged Head, M10 X 45	FB110091L	2



Engine
2000 - Petrol - T16
Crankshaft & Bearings 1/1

Discovery (FA393361-WA799999)
(CABTCA1A)



Discovery (FA393361-WA799999)

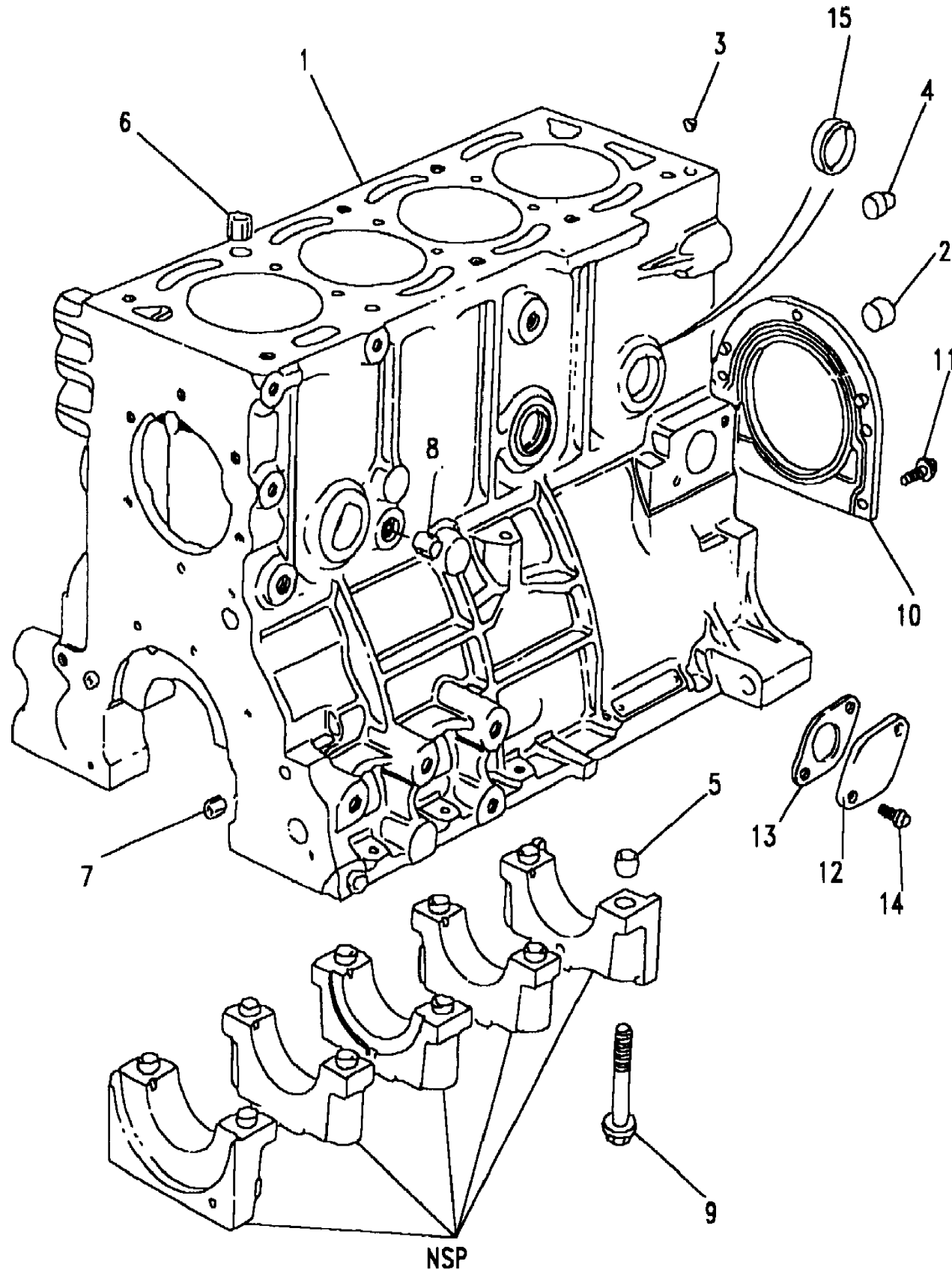
Engine
2000 - Petrol - T16
Crankshaft & Bearings

2.0L 4 Cyl MPI T Series Petrol

Callout	Name	Application	Remarks & Restrictions	Service No.	Qty
1	Crankshaft-engine	Change point - VIN end KA038821, 2.0L 4 Cyl 16v MPI T Series Pet Change point - VIN begin KA038821, 2.0L 4 Cyl 16v MPI T Series Pet	Also serviced as part of a kit	LFT10013L	1
			Also serviced as part of a kit	LEF10078	1
2	Set-crankshaft bearings	Change point - VIN end KA038821, 2.0L 4 Cyl 16v MPI T Series Pet	Also serviced as part of a kit, standard.	BHM1153L	1
3	Set-connecting rod big end half bearing	Change point - VIN end KA038821, 2.0L 4 Cyl 16v MPI T Series Pet	Also serviced as part of a kit	BHM1505L	1
4	Washer-crankshaft thrust	Change point - VIN end KA038821, 2.0L 4 Cyl 16v MPI T Series Pet Change point - VIN begin KA038821, 2.0L 4 Cyl 16v MPI T Series Pet Change point - VIN begin KA038821, 2.0L 4 Cyl 16v MPI T Series Pet	Also serviced as part of a kit	LFT10014L	1
			Also serviced as part of a kit, Upper	LEG10003	1
			Also serviced as part of a kit, Lower	LEG10004	1
5	Dowel-flywheel to crankshaft	Change point - VIN end KA038821, 2.0L 4 Cyl 16v MPI T Series Pet	Also serviced as part of a kit	LEJ10002L	1
6	Key-crankshaft	2.0L 4 Cyl 16v MPI T Series Pet		BDU1055L	1
7	Pulley assembly-crankshaft	2.0L 4 Cyl 16v MPI T Series Pet		LHG10036	1
8	Gear-crankshaft timing drive	2.0L 4 Cyl 16v MPI T Series Pet		UAM7987L	1
9	Bolt-flanged head	2.0L 4 Cyl 16v MPI T Series Pet	M6 x 50	FB106105L	4
10	Bolt-crankshaft pulley	2.0L 4 Cyl 16v MPI T Series Pet		LYG10046	1
[900]	Bearing-needle roller caged	Change point - VIN end KA038821, 2.0L 4 Cyl 16v MPI T Series Pet Change point - VIN begin KA038821, 2.0L 4 Cyl 16v MPI T Series Pet	Also serviced as part of a kit, Rear	AHU1026L	1
			Also serviced as part of a kit, Rear	DAM3653L	1
[901]	Bush	Change point - VIN end KA038821, 2.0L 4 Cyl 16v MPI T Series Pet	Also serviced as part of a kit	22G2076L	1

Engine
2000 - Petrol - T16
Cylinder Block 1/2

Discovery (FA393361-WA799999)
(CABTBA1A)



Discovery (FA393361-WA799999)

Engine
2000 - Petrol - T16
Cylinder Block

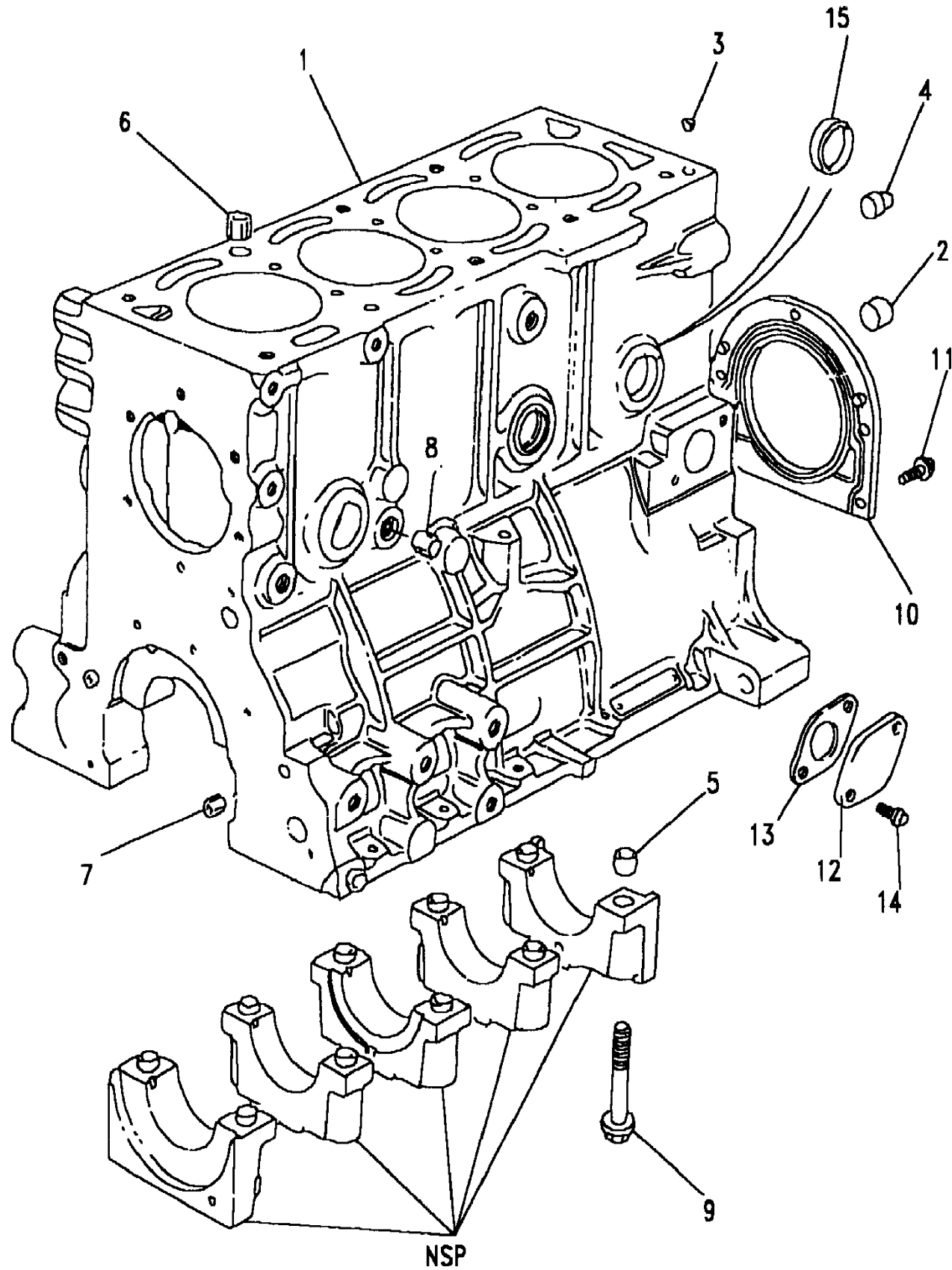
2.0L 4 Cyl MPI T Series Petrol

Callout	Name	Application	Remarks & Restrictions	Service No.	Qty
1	Cylinder block casting assembly	2.0L 4 Cyl 16v MPi T Series Pet		ERR5622	1
2	Plug-core	2.0L 4 Cyl 16v MPi T Series Pet		UAM1637L	1
3	Restrictor-cylinder block oil feed	2.0L 4 Cyl 16v MPi T Series Pet		UAM5038L	1
4	Dowel-stepped	2.0L 4 Cyl 16v MPi T Series Pet	backplate to block	1K51L	2
5	Dowel-ring	2.0L 4 Cyl 16v MPi T Series Pet	main bearing cap	12H4547L	10
6	Dowel-ring	2.0L 4 Cyl 16v MPi T Series Pet	Block To Head	LYU10011L	2
7	Dowel-ring	Change point - VIN end MA163103, 2.0L 4 Cyl 16v MPi T Series Pet Change point - VIN begin MA500000, Change point - VIN end MA501919, 2.0L 4 Cyl 16v MPi T Series Pet Change point - VIN begin TA163104, 2.0L 4 Cyl 16v MPi T Series Pet Change point - VIN begin TA501920, 2.0L 4 Cyl 16v MPi T Series Pet	crankcase to oil pump crankcase to oil pump crankcase to oil pump crankcase to oil pump	12H4636L 12H4636L LYU100300L LYU100300L	2 2 1 1
8	Dowel	2.0L 4 Cyl 16v MPi T Series Pet		BDU1649L	2
9	Setscrew-cylinder block main bearing cap	2.0L 4 Cyl 16v MPi T Series Pet		LCK10001L	10
10	Seal-crankshaft rear oil	2.0L 4 Cyl 16v MPi T Series Pet		LUL10007L	1
11	Screw-flanged head	2.0L 4 Cyl 16v MPi T Series Pet	M6 X 16, Flanged Head	FS106167L	5
12	Plate-oil filler blanking	2.0L 4 Cyl 16v MPi T Series Pet		CAM1539L	1
13	Gasket-cylinder block water gallery plate	2.0L 4 Cyl 16v MPi T Series Pet		LVL10001	1
14	Screw-flanged head	2.0L 4 Cyl 16v MPi T Series Pet	Flanged Head, M8 x 12	FS108127L	2
15	Plug-core	2.0L 4 Cyl 16v MPi T Series Pet		37D2260L	7
[900]	Plug	2.0L 16v T Series Petrol	turbo cooler pipe	LCM100080L	1

Engine
2000 - Petrol - T16
Cylinder Block 2/2

Discovery (FA393361-WA799999)

(CABTBA1A)



Discovery (FA393361-WA799999)

Engine
2000 - Petrol - T16
Cylinder Block

2.0L 4 Cyl MPi T Series Petrol

Callout	Name	Application	Remarks & Restrictions	Service No.	Qty
[901]	Sensor-knock ignition	2.0L 4 Cyl 16v MPi T Series Pet		ADU8229L	1
[902]	Cable assembly starter & earth	2.0L 4 Cyl 16v MPi T Series Pet		PRC3623	1

Engine
2000 - Petrol - T16
Cylinder Head 1/3

Discovery (FA393361-WA799999)

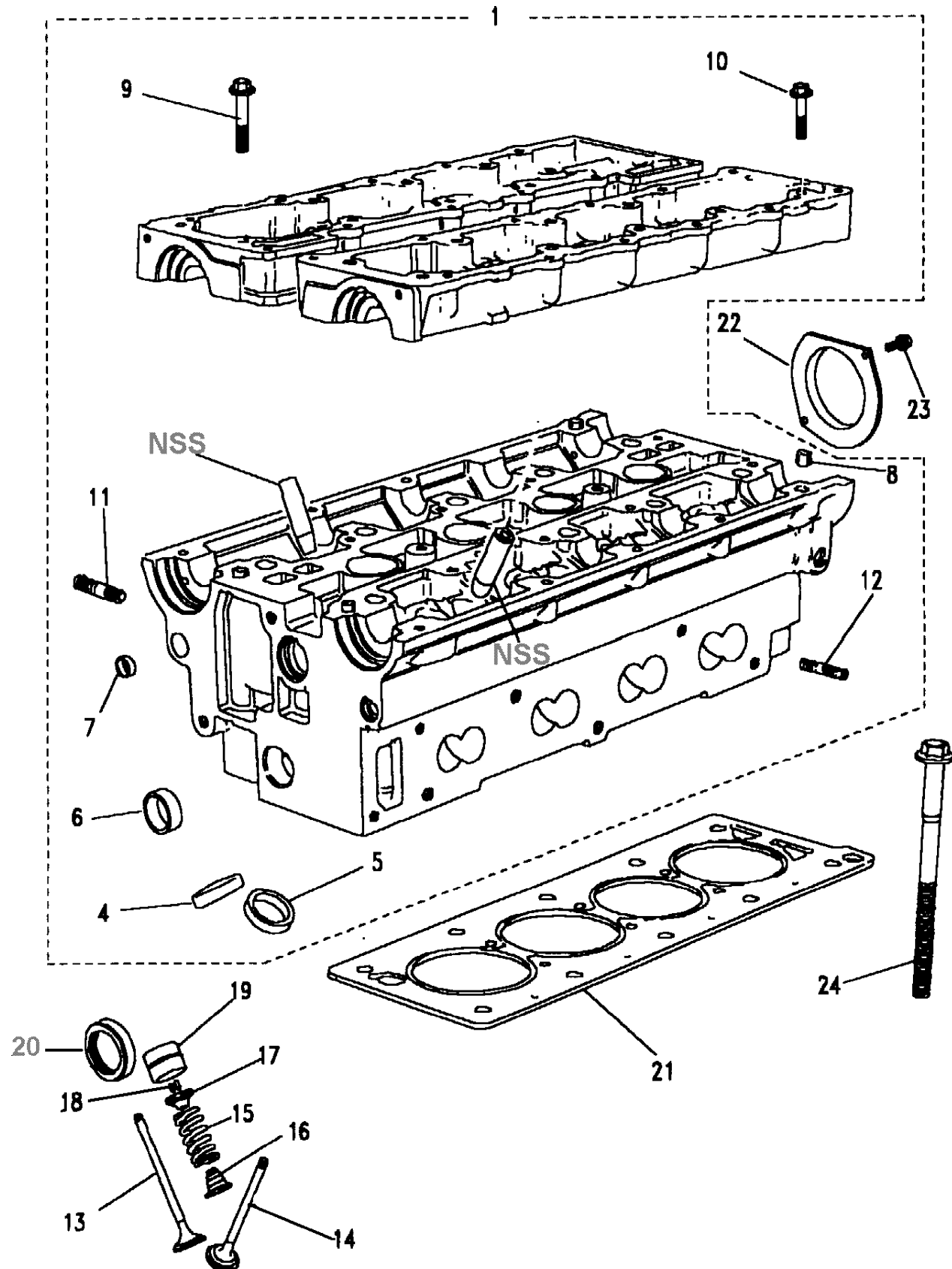
(CABTGA1A)

Discovery (FA393361-WA799999)

Engine
2000 - Petrol - T16
Cylinder Head

2.0L 4 Cyl MPi T Series Petrol

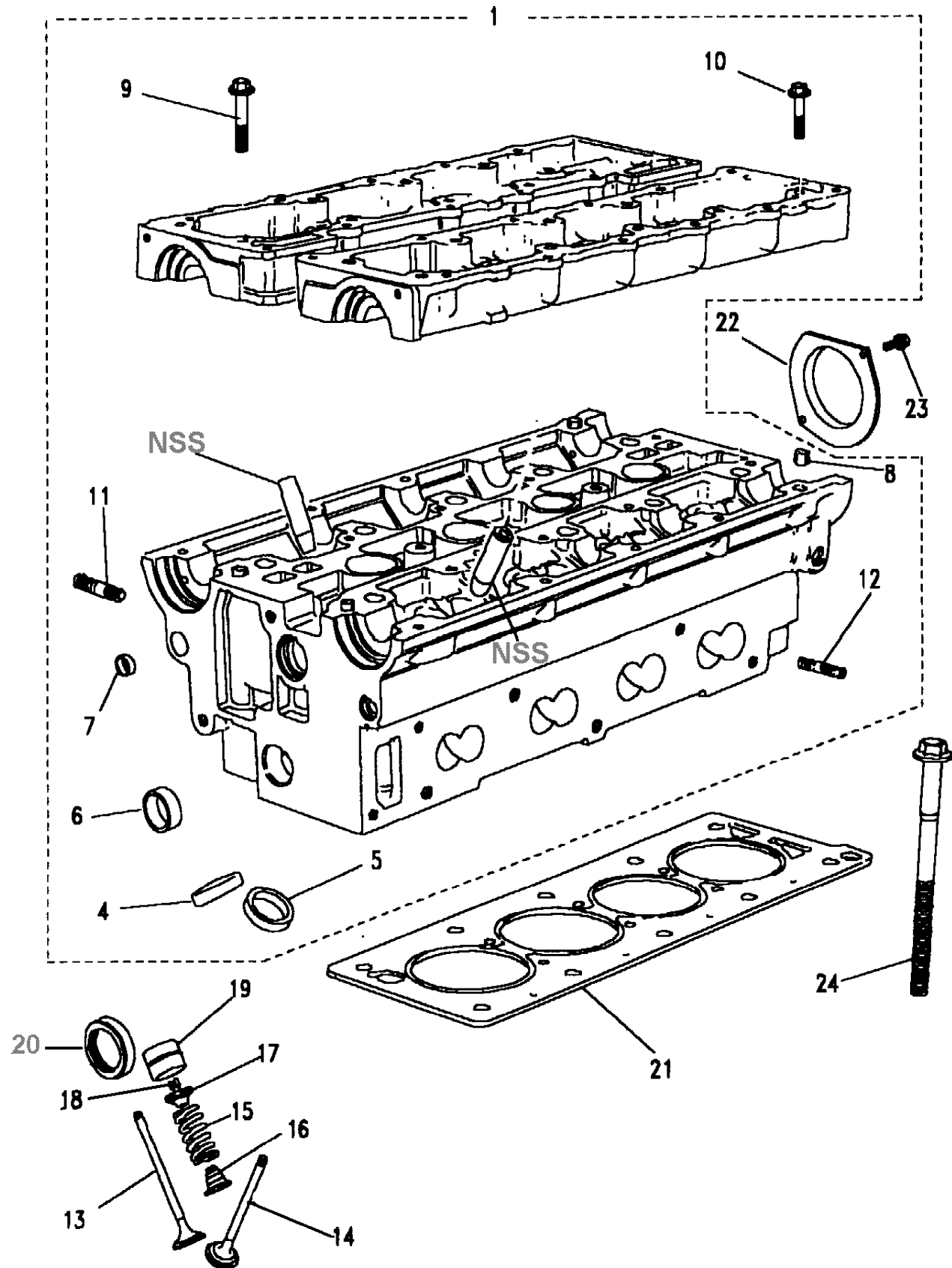
Callout	Name	Application	Remarks & Restrictions	Service No.	Qty
1	Cylinder head assembly-engine	Change point - Engine end 20T101828, 2.0L 4 Cyl 16v MPi T Series Pet Change point - Engine begin 20T101829, 2.0L 4 Cyl 16v MPi T Series Pet	Also serviced as part of a kit Also serviced as part of a kit	LDF10331L LDF105080L	1 1
4	Insert-inlet valve seat-cylinder head	Change point - Engine end 20T101828, 2.0L 4 Cyl 16v MPi T Series Pet	Also serviced as part of a kit	UAM1737L	8
5	Insert-cylinder head exhaust valve seat	Change point - Engine end 20T101828, 2.0L 4 Cyl 16v MPi T Series Pet	Also serviced as part of a kit	LGK10005L	8
6	Plug-core	Change point - Engine end 20T101828, 2.0L 4 Cyl 16v MPi T Series Pet	Also serviced as part of a kit	AEA635L	4
7	Plug	Change point - Engine end 20T101828, 2.0L 4 Cyl 16v MPi T Series Pet	Also serviced as part of a kit	CAM4133L	6
8	Dowel	Change point - Engine end 20T101828, 2.0L 4 Cyl 16v MPi T Series Pet	Also serviced as part of a kit	CAM1210L	4
9	Bolt	Change point - Engine end 20T101828, 2.0L 4 Cyl 16v MPi T Series Pet	Also serviced as part of a kit, M8 x 50, Flanged Head	FB108101	10
10	Bolt-cylinder head fixing	Change point - Engine end 20T101828, 2.0L 4 Cyl 16v MPi T Series Pet	Also serviced as part of a kit	UAM7218L	10
11	Stud	Change point - Engine end 20T101828, 2.0L 4 Cyl 16v MPi T Series Pet	INLET MANIFOLD, Also serviced as part of a kit, M8 x 25	TE108051L	2
12	Stud	Change point - Engine end 20T4HJ59, 2.0L 4 Cyl 16v MPi T Series Pet Change point - Engine end 20T4HJ58, 2.0L 4 Cyl 16v MPi T Series Pet Change point - Engine begin 20T4HK06, 2.0L 4 Cyl 16v MPi T Series Pet Change point - Engine begin 20T4HK07, 2.0L 4 Cyl 16v MPi T Series Pet	Exhaust Manifold, Also serviced as part of a kit, M10 x 35 Exhaust Manifold, Also serviced as part of a kit, M10 x 35 Exhaust Manifold, Also serviced as part of a kit Exhaust Manifold, Also serviced as part of a kit	TE110071L TE110071L LYR100500L LYR100500L	2 2 2 2
13	Valve-cylinder head inlet	Change point - Engine end 20T101828, 2.0L 4 Cyl 16v MPi T Series Pet Change point - Engine begin 20T101829, 2.0L 4 Cyl 16v MPi T Series Pet		LGH10020L LGH101060L	8 8



Engine
2000 - Petrol - T16
Cylinder Head 2/3

Discovery (FA393361-WA799999)

(CABTGA1A)



Discovery (FA393361-WA799999)

Engine
2000 - Petrol - T16
Cylinder Head

2.0L 4 Cyl MPI T Series Petrol

Callout	Name	Application	Remarks & Restrictions	Service No.	Qty
14	Valve-cylinder head exhaust	Change point - Engine end 20T101828, 2.0L 4 Cyl 16v MPi T Series Pet		LGH10049L	8
		Change point - Engine begin 20T101829, Change point - Engine end 20T4HJ58, 2.0L 4 Cyl 16v MPi T Series Pet		LGH101070L	8
		Change point - Engine begin 20T101829, Change point - Engine end 20T4HJ59, 2.0L 4 Cyl 16v MPi T Series Pet		LGH101070L	8
		Change point - Engine begin 20T4HK06, 2.0L 4 Cyl 16v MPi T Series Pet		LGH101000L	8
		Change point - Engine begin 20T4HK07, 2.0L 4 Cyl 16v MPi T Series Pet		LGH101000L	8
15	Spring-cylinder head valve	Change point - VIN end KA038821, 2.0L 4 Cyl 16v MPi T Series Pet		LGL10015	16
		Change point - VIN begin KA038822, 2.0L 4 Cyl 16v MPi T Series Pet		LGL100390L	16
16	Seal-cylinder head valve stem	Change point - Engine end 20T101828, 2.0L 4 Cyl 16v MPi T Series		LUB10009	16
		Change point - Engine begin 20T101829, 2.0L 4 Cyl 16v MPi T Series Pet		LJQ100560	16
17	Cap-cylinder head valve spring	2.0L 4 Cyl 16v MPi T Series Pet		LJC10008L	16
18	Collet-cylinder head valve	2.0L 4 Cyl 16v MPi T Series Pet		WAM2578L	32
19	Tappet-engine valve hydraulic	Change point - Engine end 20T101828, 2.0L 4 Cyl 16v MPi T Series Pet		LGR10002L	16
		Change point - Engine begin 20T101829, 2.0L 4 Cyl 16v MPi T Series Pet		LGR100100L	16
20	Seal-camshaft oil	2.0L 4 Cyl 16v MPi T Series Pet		LZB100270L	4
		2.0L 4 Cyl 16v MPi T Series Pet	Rear	LUC100120	2
21	Gasket-Cylinder Head	2.0L 4 Cyl 16v MPi T Series Pet		LVB10045	1
		2.0L 4 Cyl 16v MPi T Series Pet		LVB101000	1
22	Cover assembly-rear camshaft	2.0L 4 Cyl 16v MPi T Series Pet		UAM5191L	2

Engine
2000 - Petrol - T16
Cylinder Head 3/3

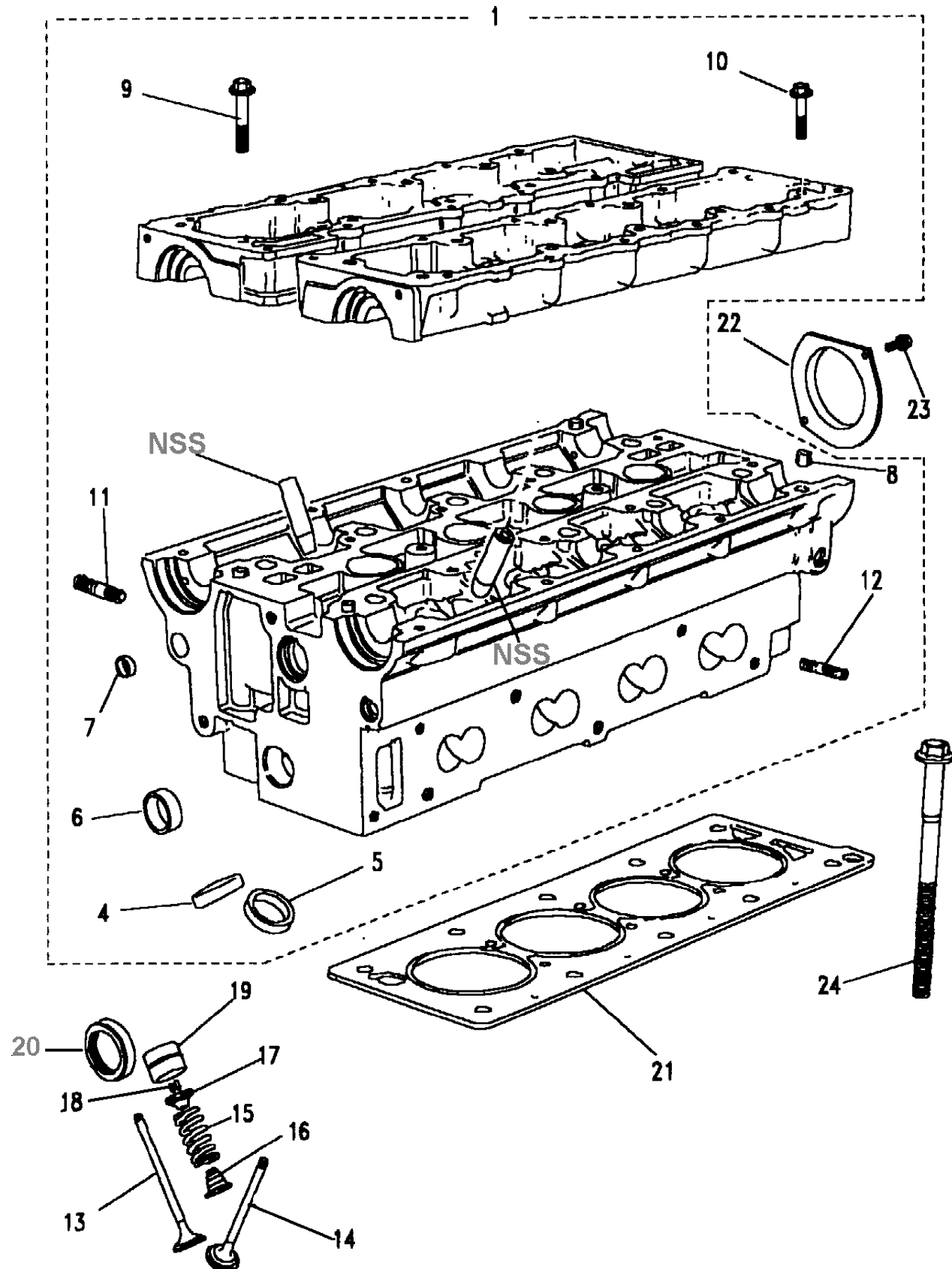
Discovery (FA393361-WA799999)
(CABTGA1A)

Discovery (FA393361-WA799999)

Engine
2000 - Petrol - T16
Cylinder Head

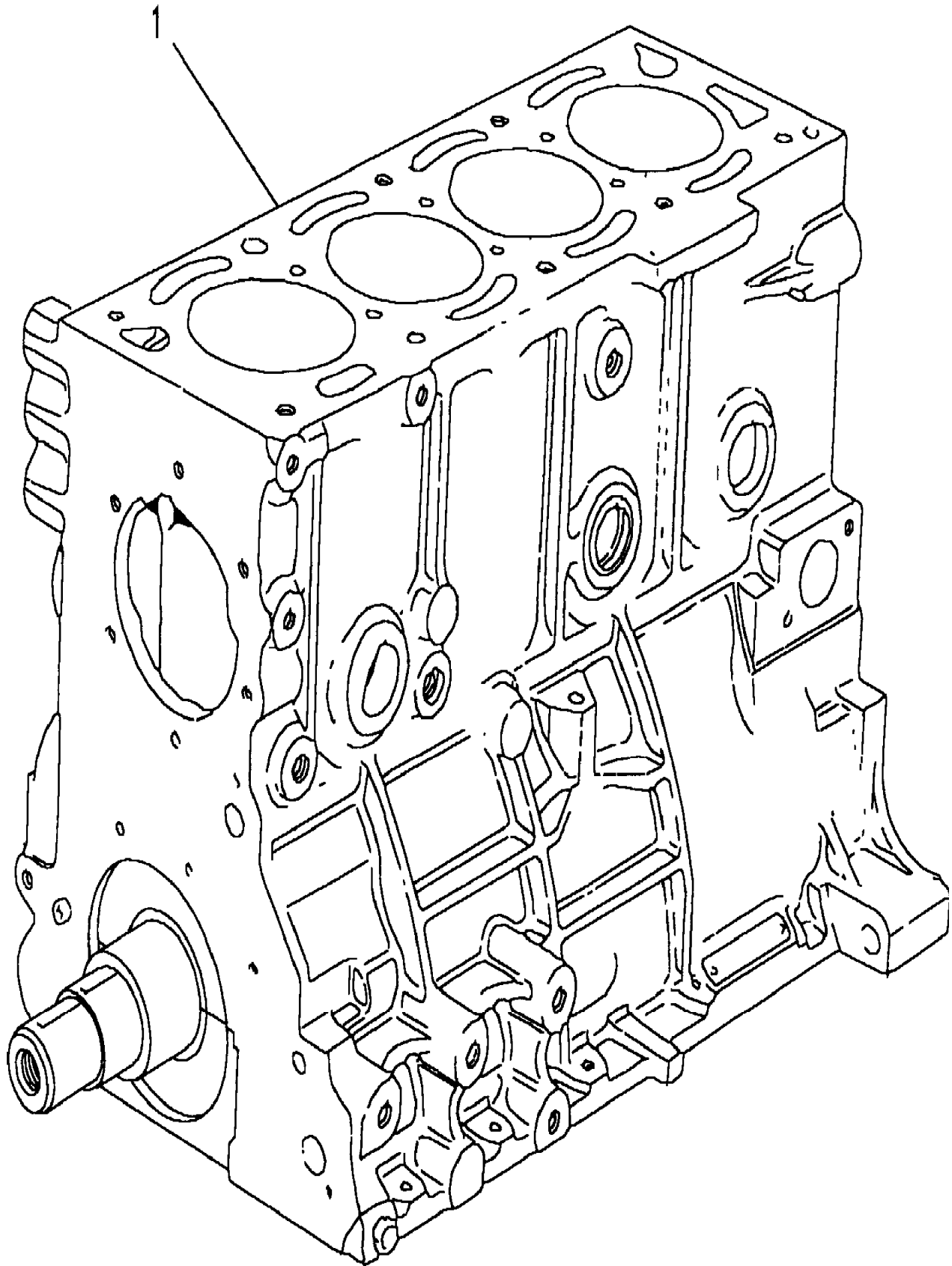
2.0L 4 Cyl MPi T Series Petrol

Callout	Name	Application	Remarks & Restrictions	Service No.	Qty
23	Screw	2.0L 4 Cyl 16v MPi T Series Pet	M6 X 12, Flanged Head	FS106125L	4
24	Bolt-cylinder head fixing	2.0L 4 Cyl 16v MPi T Series Pet		LDN10028L	10



Engine
2000 - Petrol - T16
Engine Short 1/1

Discovery (FA393361-WA799999)
(CABTAE1A)



Discovery (FA393361-WA799999)

Engine
2000 - Petrol - T16
Engine Short

2.0L 4 Cyl MPi T Series Petrol

Callout	Name	Application	Remarks & Restrictions	Service No.	Qty
1	Engine base unit-part	2.0L 4 Cyl 16v MPi T Series Pet		LBB10468NL	1

Engine
2000 - Petrol - T16
Engine Stripped 1/1

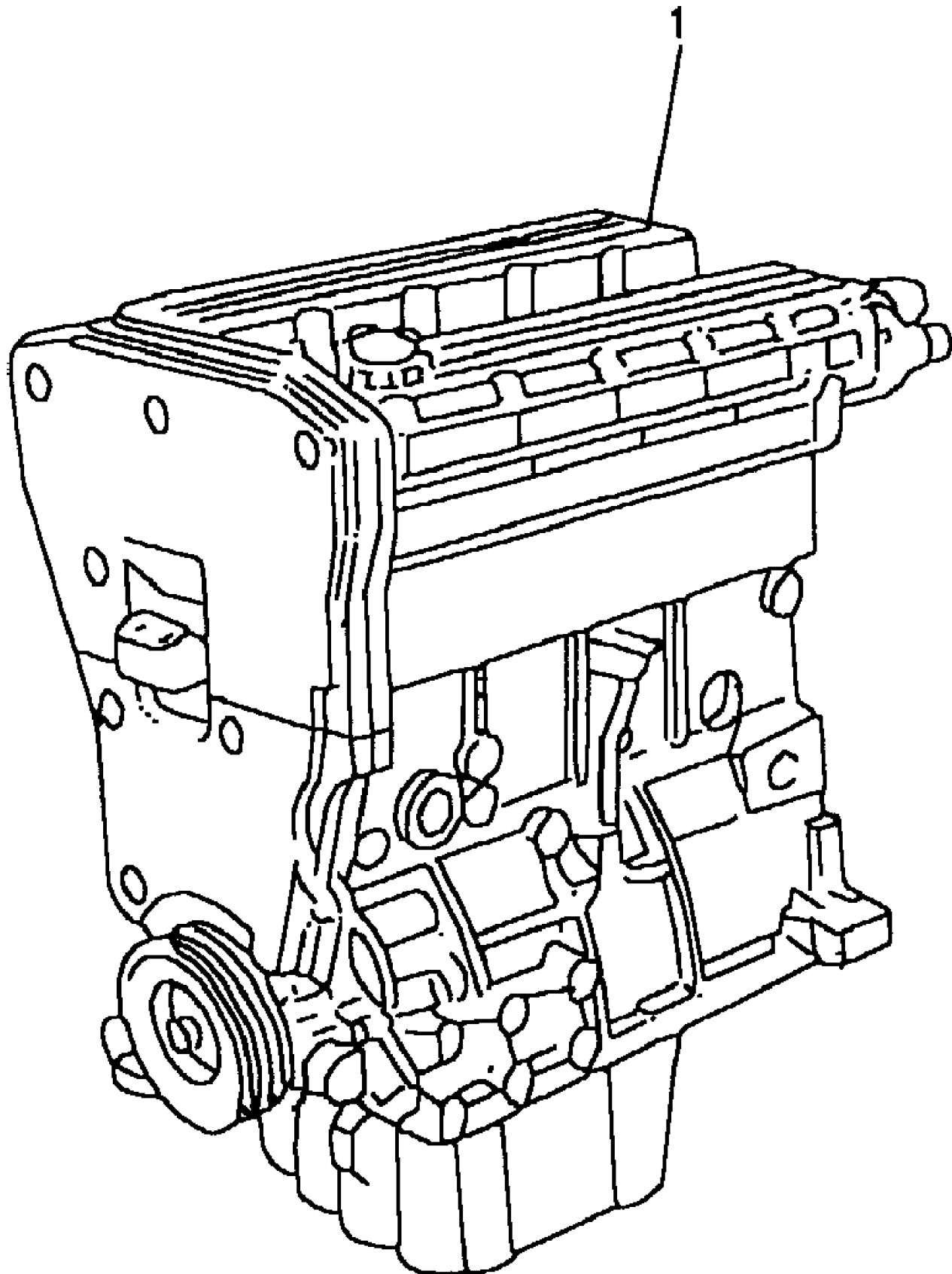
Discovery (FA393361-WA799999)
(CABTAC1A)

Discovery (FA393361-WA799999)

Engine
2000 - Petrol - T16
Engine Stripped

2.0L 4 Cyl MPi T Series Petrol

Callout	Name	Application	Remarks & Restrictions	Service No.	Qty
1	Engine unit-stripped	Change point - VIN end KA0338821, 2.0L I4 16v MPi NA Petrol, Manual Transmission, (+)"GR"	Engine Code 20T4HG63 2.0 T16 Petrol, New	YFM4509	1
		Change point - VIN begin KA338822, 2.0L I4 16v MPi NA Petrol, Manual Transmission, Less Air Conditioning, (+)"Europe"	Engine Code 20T4HG91 2.0 T16 Petrol, New	YFM4510	1
		Change point - VIN begin KA338822, 2.0L 4 Cyl 16v T Series Petrol, Manual Transmission, Less Air Conditioning, (+)"Europe", With Catalyst	Engine Code 20T4HJ58, New	YFM4571	1
		Change point - VIN begin KA338822, 2.0L 4 Cyl 16v T Series Petrol, Manual Transmission, Less Air Conditioning, (+)"Europe", With Catalyst	Engine Code 20T4HK06, New	YFM4591	1
		Change point - VIN begin KA338822, 2.0L I4 16v MPi NA Petrol, Manual Transmission, With Air Conditioning, (+)"Europe"	Engine Code 20T4HG92 2.0 T16 Petrol, New	YFM4511	1
		Change point - VIN begin KA338822, 2.0L 4 Cyl 16v T Series Petrol, Manual Transmission, With Air Conditioning, (+)"Europe", With Catalyst	Engine Code 20T4HJ59, New	YFM4572	1
		Change point - VIN begin KA338822, 2.0L 4 Cyl 16v T Series Petrol, Manual Transmission, With Air Conditioning, (+)"Europe", With Catalyst	Engine Code 20T4HK07, New	YFM4590	1
		Change point - VIN begin KA338822, 2.0L 4 Cyl 16v T Series Petrol, Manual Transmission, (+)"Europe", With Catalyst	exchange	STC8617E	1



Engine
2000 - Petrol - T16
Flywheel & Clutch 1/2

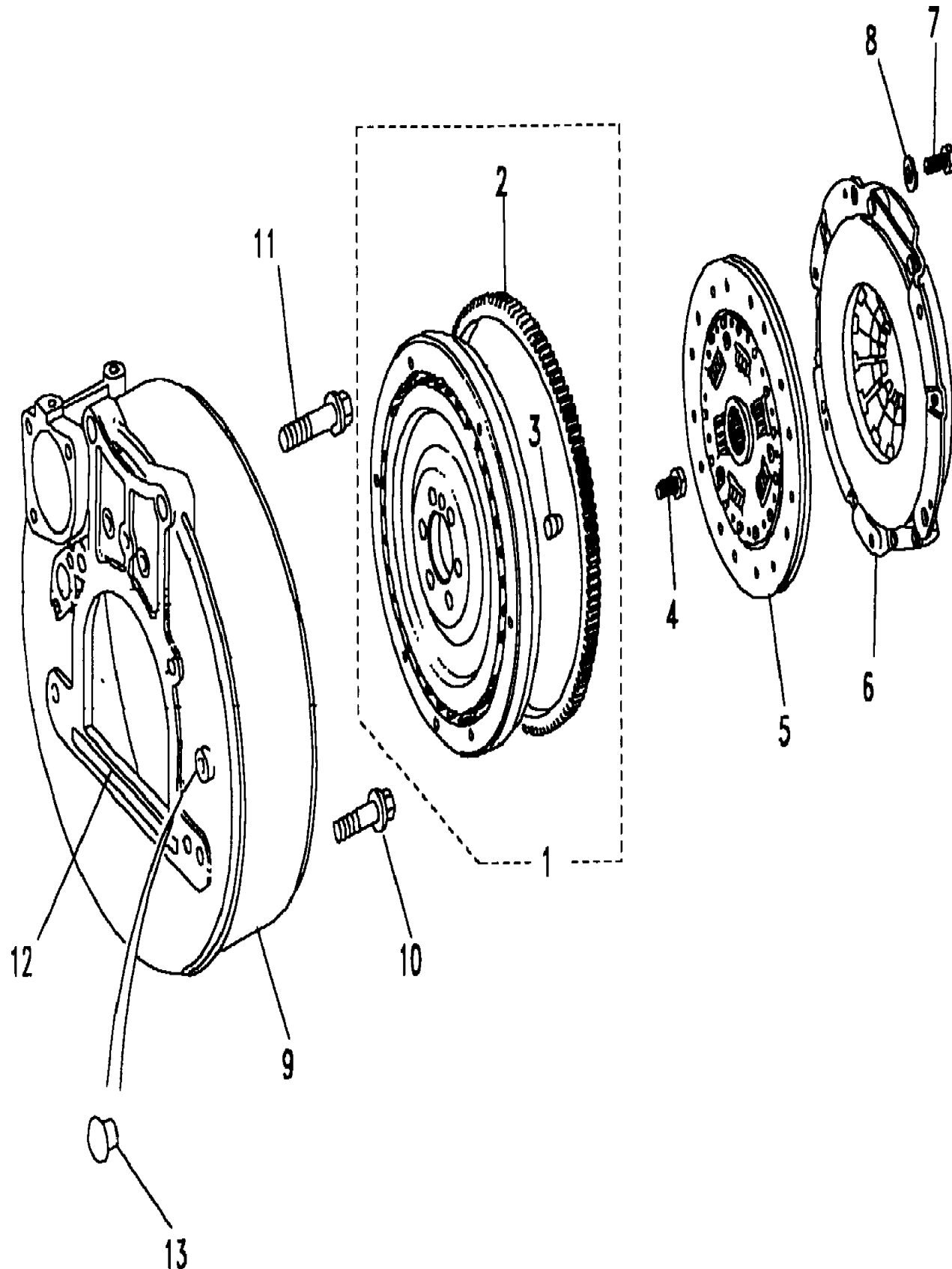
Discovery (FA393361-WA799999)
(CABTRA1A)

Discovery (FA393361-WA799999)

Engine
2000 - Petrol - T16
Flywheel & Clutch

2.0L 4 Cyl MPi T Series Petrol

Callout	Name	Application	Remarks & Restrictions	Service No.	Qty
1	Flywheel engine	Change point - VIN end MA163103, 2.0L 4 Cyl 16v MPi T Series Pet, Manual Transmission Change point - VIN begin TA163104, 2.0L 4 Cyl 16v MPi T Series Pet, Manual Transmission Change point - VIN begin TA501920, 2.0L 4 Cyl 16v MPi T Series Pet, Manual Transmission	Also serviced as part of a kit	PSD10102	1
			Also serviced as part of a kit	PSD102420	1
			Also serviced as part of a kit	PSD102420	1
2	Gear-ring-flywheel engine	Change point - VIN end MA163103, 2.0L 4 Cyl 16v MPi T Series Pet, Manual Transmission	Also serviced as part of a kit	DAM7638	1
3	Dowel	Change point - VIN end MA163103, 2.0L 4 Cyl 16v MPi T Series Pet, Manual Transmission	Also serviced as part of a kit	1G2984	3
4	Bolt	2.0L 4 Cyl 16v MPi T Series Pet, Manual Transmission	flywheel to crankshaft	LYG10012L	6
5	Plate-clutch-driven	Change point - VIN end KA038821, 2.0L 4 Cyl 16v MPi T Series Pet, Manual Transmission Change point - VIN begin KA038822, 2.0L 4 Cyl 16v MPi T Series Pet, Manual Transmission		FTC3317 FTC4034	1 1
6	Cover-clutch assembly	2.0L 4 Cyl 16v MPi T Series Pet, Manual Transmission		576557	1
7	Screw	2.0L 4 Cyl 16v MPi Petrol	Flanged Head, M8 x 20	FS108207L	1
8	Washer	2.0L 4 Cyl 16v MPi T Series Pet, Manual Transmission	M8, sprung	WL108001L	6
9	Housing assembly-clutch	Change point - VIN end KA038821, 2.0L 4 Cyl 16v MPi T Series Pet, Manual Transmission Change point - VIN begin KA038822, 2.0L 4 Cyl 16v MPi T Series Pet, Manual Transmission Change point - VIN begin TA163104, 2.0L 4 Cyl 16v MPi T Series Pet, Manual Transmission		KSP10093 KSP10094 KSP101360	1 1 1



Engine
2000 - Petrol - T16
Flywheel & Clutch 2/2

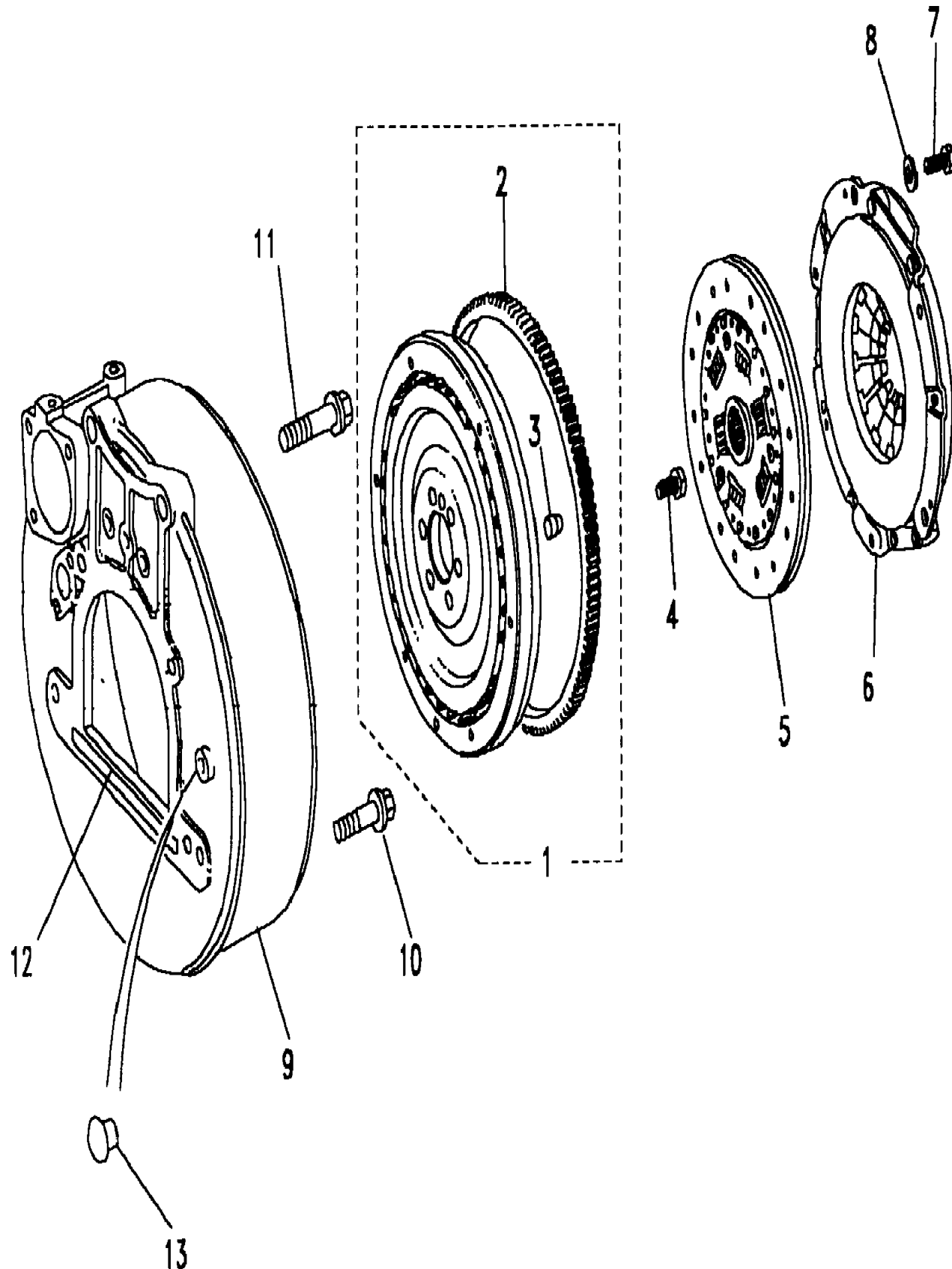
Discovery (FA393361-WA799999)
(CABTRA1A)

Discovery (FA393361-WA799999)

Engine
2000 - Petrol - T16
Flywheel & Clutch

2.0L 4 Cyl MPi T Series Petrol

Callout	Name	Application	Remarks & Restrictions	Service No.	Qty
9	Housing assembly-clutch	Change point - VIN begin TA501920, 2.0L 4 Cyl 16v MPi T Series Pet, Manual Transmission		KSP101360	1
10	Bolt-fixing flywheel crankshaft	2.0L 4 Cyl 16v MPi T Series Pet, Manual Transmission		CDU1346L	6
11	Screw	2.0L 4 Cyl 16v MPi T Series Pet, Manual Transmission	M12 x 45	KYG10050	2
12	Seal-dust clutch housing	2.0L 4 Cyl 16v MPi T Series Pet, Manual Transmission		KSG10001	1
13	Plug-blanking	2.0L 4 Cyl 16v MPi T Series Pet, Manual Transmission		KSG10002	1
[901]	Stud	Change point - VIN begin KA038822, 2.0L 4 Cyl 16v MPi T Series Pet, Manual Transmission	M10 x 30	TE110061L	3



Engine
2000 - Petrol - T16
Front Cover 1/1

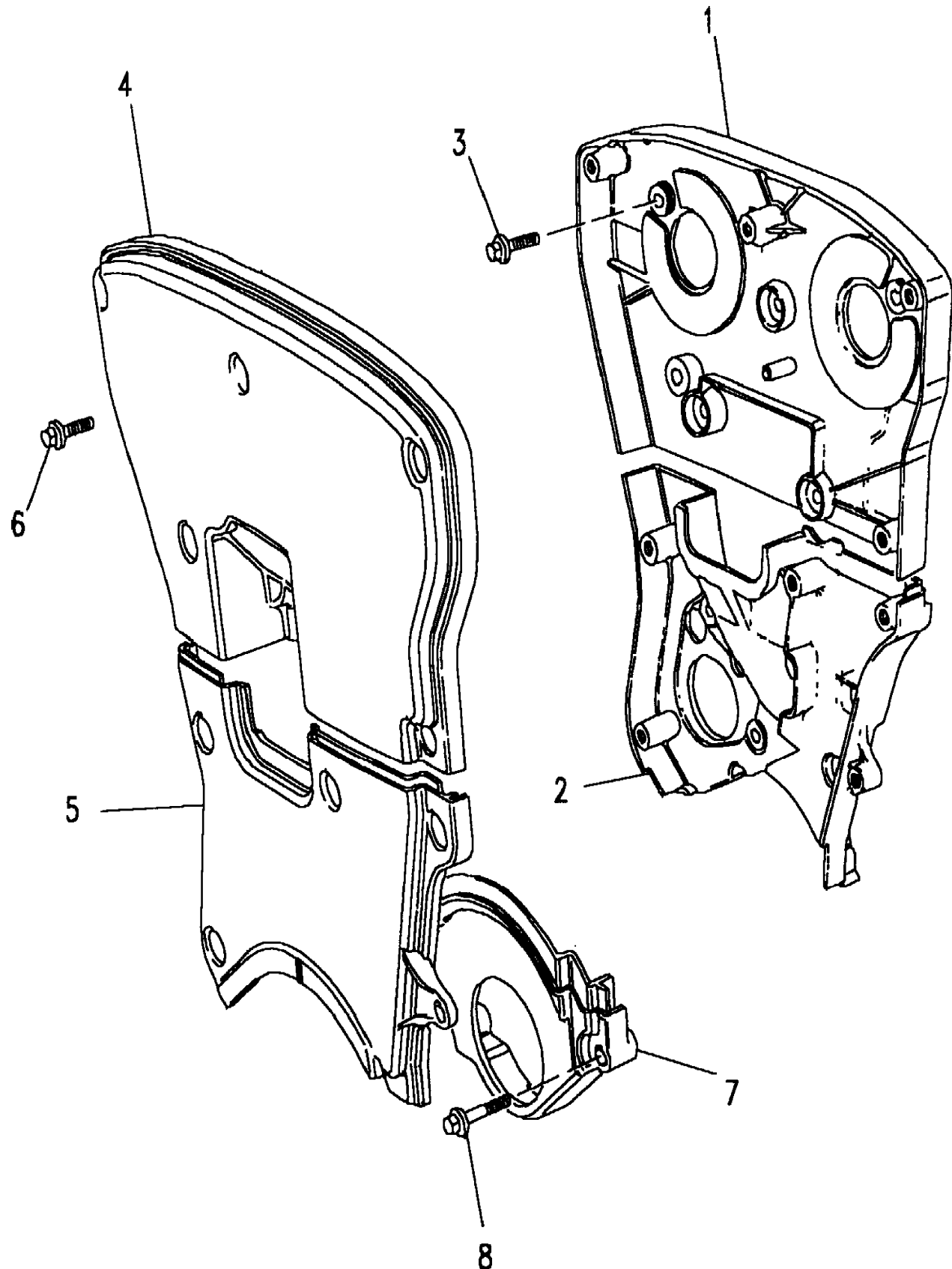
Discovery (FA393361-WA799999)
(CABTEA1A)

Discovery (FA393361-WA799999)

Engine
2000 - Petrol - T16
Front Cover

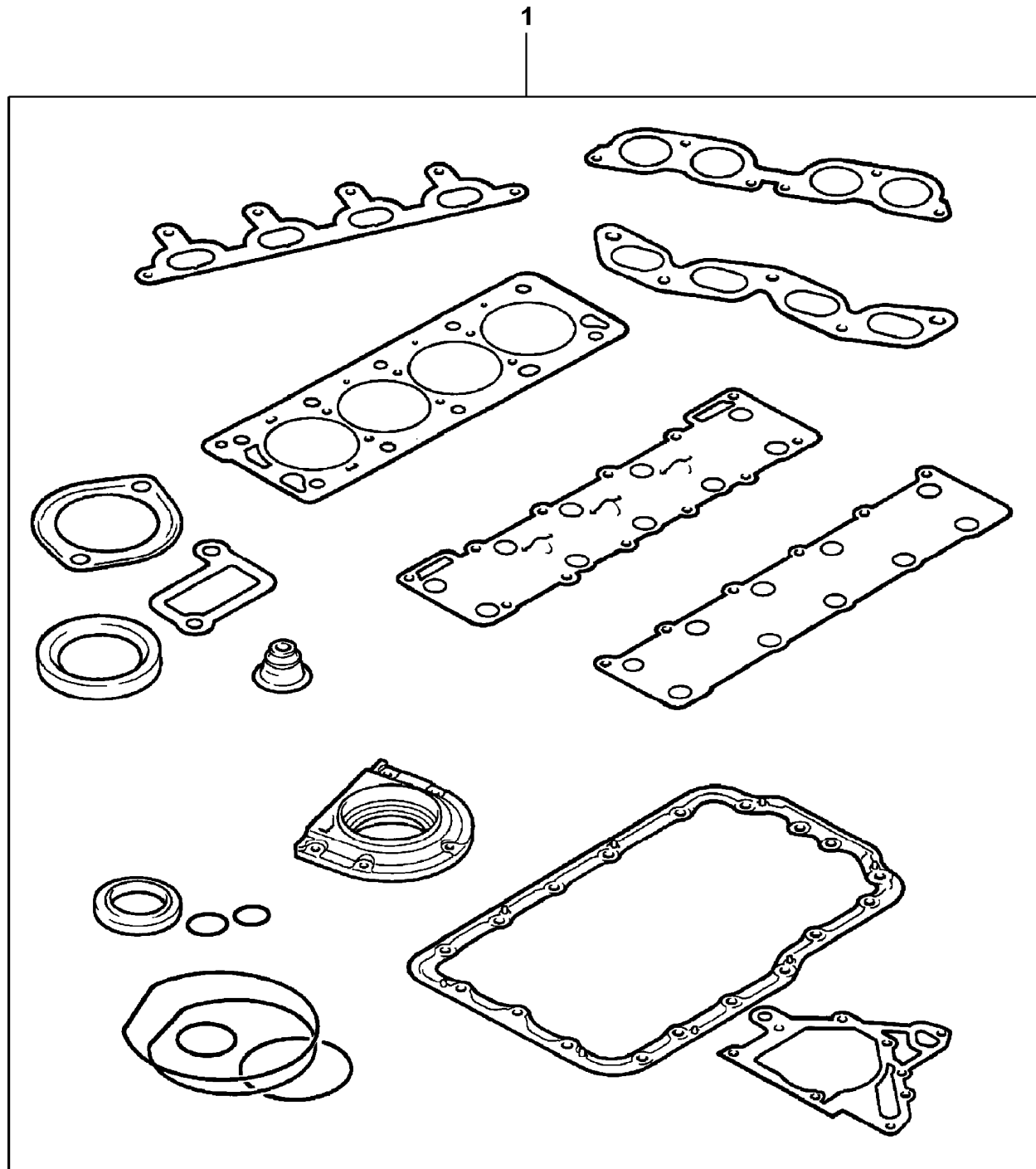
2.0L 4 Cyl MPi T Series Petrol

Callout	Name	Application	Remarks & Restrictions	Service No.	Qty
1	Cover-upper rear timing belt	Change point - VIN end LA089819, 2.0L 4 Cyl 16v MPi T Series Pet		LJR10163L	1
		Change point - VIN begin LA089820, 2.0L 4 Cyl 16v MPi T Series Pet		LJR102660	1
2	Cover-lower rear timing belt	2.0L 4 Cyl 16v MPi T Series Pet		LJR10159L	1
3	Screw	2.0L 4 Cyl 16v MPi T Series Pet	M6 X 20, Flanged Head	FS106207L	9
4	Cover-upper front timing belt	Change point - VIN end LA089819, 2.0L 4 Cyl 16v MPi T Series Pet		LJR10161L	1
		Change point - VIN begin LA089820, 2.0L 4 Cyl 16v MPi T Series Pet		LJR102640	1
5	Cover-lower front timing belt	Change point - VIN end LA089819, 2.0L 4 Cyl 16v MPi T Series Pet		LJR10169L	1
		Change point - VIN begin LA089820, 2.0L 4 Cyl 16v MPi T Series Pet		LJR102670	1
6	Screw	2.0L 4 Cyl 16v MPi T Series Pet	M6 X 20, Flanged Head	FS106207L	10
7	Guard-crankshaft pulley	2.0L 4 Cyl 16v MPi T Series Pet	Front	LJR10165L	1
8	Bolt	2.0L 4 Cyl 16v MPi T Series Pet	M6 x 30	FB106065L	3



Engine
2000 - Petrol - T16
Gasket Kits 1/1

Discovery (FA393361-WA799999)
(CABTMA1B)



G01.070
11-2002
L4
CABTMA1B

Discovery (FA393361-WA799999)

Engine
2000 - Petrol - T16
Gasket Kits

Change point - Engine begin 101829, 2.0L 4 Cyl MPi T Series Petrol

Callout	Name	Application	Remarks & Restrictions	Service No.	Qty
1	Set-engine gasket	2.0L 4 Cyl 16v MPi T Series Pet		STC848	1
[900]	Set-cylinder head gasket	Change point - Engine begin 101829, Change point - Engine end 101828, 2.0L 4 Cyl 16v MPi T Series Pet Change point - Engine begin 101829, 2.0L 4 Cyl 16v MPi T Series Pet		LVQ10040 STC3160	1 1

Engine
2000 - Petrol - T16
Injectors & Pipes 1/1

Discovery (FA393361-WA799999)

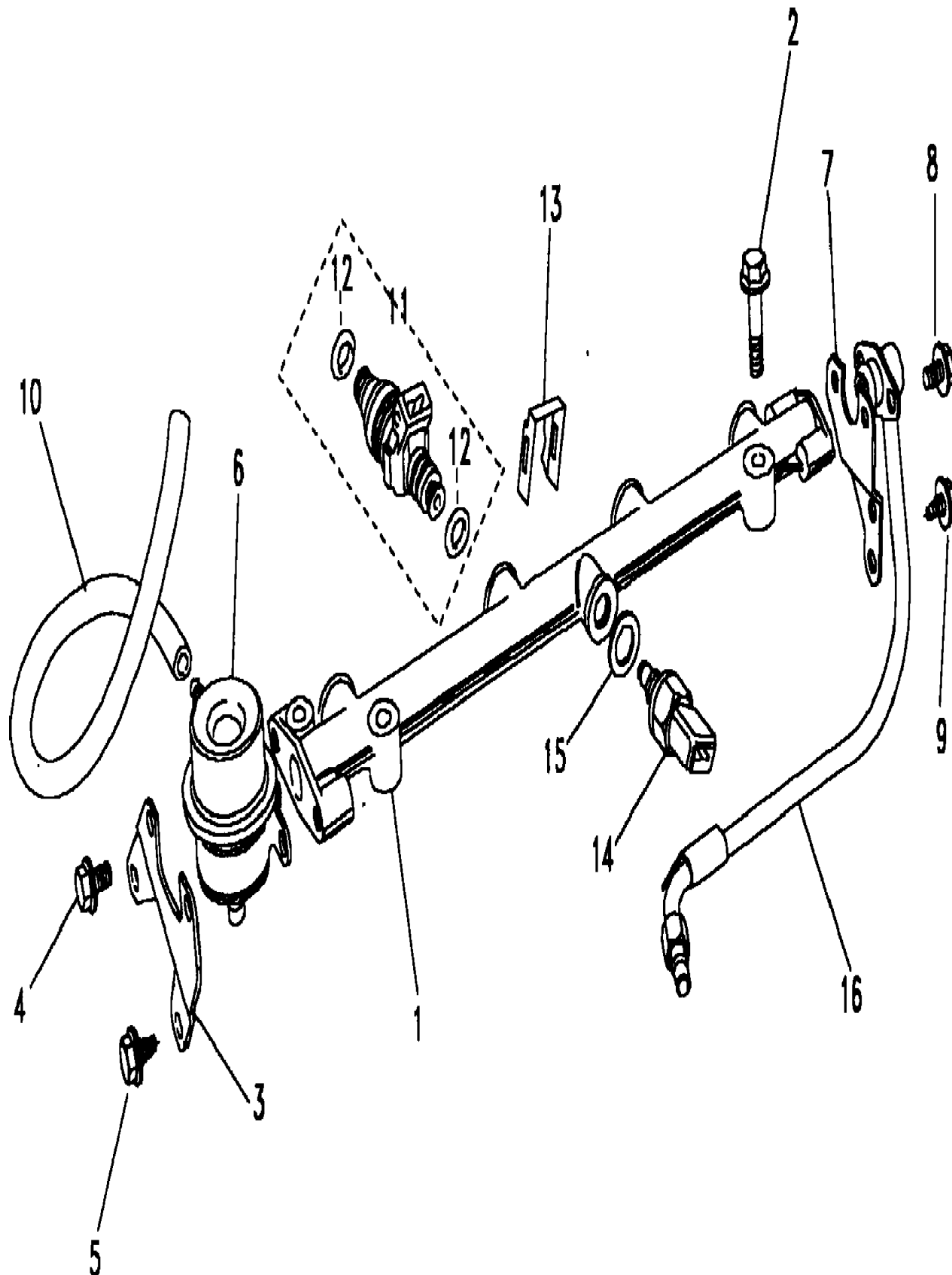
(CABTJA1A)

Discovery (FA393361-WA799999)

Engine
2000 - Petrol - T16
Injectors & Pipes

2.0L 4 Cyl MPi T Series Petrol

Callout	Name	Application	Remarks & Restrictions	Service No.	Qty
1	Rail-multi point injection fuel distribution	2.0L 4 Cyl 16v MPi T Series Pet		MJN10026L	1
2	Bolt-flanged head	2.0L 4 Cyl 16v MPi T Series Pet	rail to inlet manifold, M6 x 35	FB106071	2
3	Bracket-mounting fuel lines	2.0L 4 Cyl 16v MPi T Series Pet	Front	MHU10068	1
4	Screw-flanged head	2.0L 4 Cyl 16v MPi T Series Pet	M6 x 10	FS106101L	2
5	Screw	2.0L 4 Cyl 16v MPi T Series Pet	bracket to manifold	MYP10013L	2
6	Regulator-multi point injection fuel pressure	2.0L 4 Cyl 16v MPi T Series Pet		MKW10011L	1
7	Bracket-mounting fuel lines	2.0L 4 Cyl 16v MPi T Series Pet	Rear	MHU10069	1
8	Screw-flanged head	2.0L 4 Cyl 16v MPi T Series Pet	M6 x 10	FS106101L	2
9	Screw	2.0L 4 Cyl 16v MPi T Series Pet	regulator to rail	MYP10013L	2
10	Hose-regulator/filter multi point injection/tbi	2.0L 4 Cyl 16v MPi T Series Pet		MHH10020L	1
11	Injector-fuel multi point injection	2.0L 4 Cyl 16v MPi T Series Pet	Also serviced as part of a kit	MJY10029L	4
12	O Ring	2.0L 4 Cyl 16v MPi T Series Pet 2.0L 4 Cyl 16v MPi T Series Pet	petrol injector, Also serviced as part of a kit, Small petrol injector, Also serviced as part of a kit, Small	BAU5325L RTC5679	8 8
13	Clip-fuel injector multi point injection	2.0L 4 Cyl 16v MPi T Series Pet		MHN10004L	4
14	Sensor-fuel temperature multi point injection/tbi	2.0L 4 Cyl 16v MPi T Series Pet		MEK10002L	1
15	O Ring	2.0L 4 Cyl 16v MPi T Series Pet		MYF10018L	1
16	Rail-multi point injection fuel distribution	2.0L 4 Cyl 16v MPi T Series Pet		ESR1972	1



Engine
2000 - Petrol - T16
Manifold Exhaust 1/1

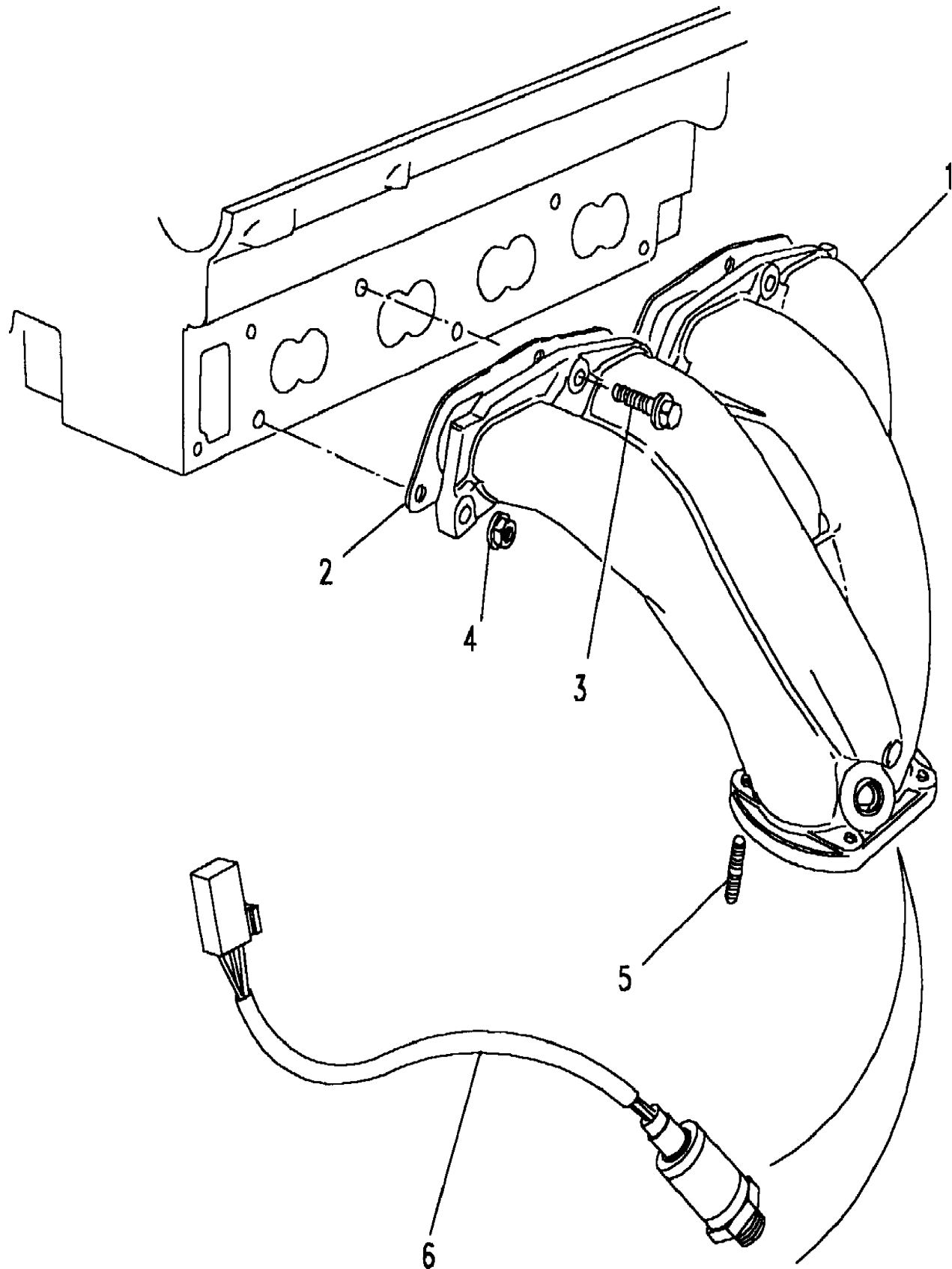
Discovery (FA393361-WA799999)
(CABTHC1B)

Discovery (FA393361-WA799999)

Engine
2000 - Petrol - T16
Manifold Exhaust

2.0L 4 Cyl MPi T Series Petrol

Callout	Name	Application	Remarks & Restrictions	Service No.	Qty
1	Manifold-engine exhaust	2.0L 4 Cyl 16v MPi T Series Pet	Also serviced as part of a kit	LKC10066	1
		2.0L 4 Cyl 16v MPi T Series Pet	Also serviced as part of a kit	LKC10060L	1
2	Gasket-exhaust manifold	2.0L 4 Cyl 16v MPi T Series Pet		LKG10002	1
3	Screw	2.0L 4 Cyl 16v MPi T Series Pet		LYP10028L	3
4	Nut-flange-nyloc	2.0L 4 Cyl 16v MPi T Series Pet	M10	ESR2034	2
5	Stud	2.0L 4 Cyl 16v MPi T Series Pet	Also serviced as part of a kit, M10 x 25	TE110051L	4
6	Sensor-oxygen multi point injection	2.0L 4 Cyl 16v MPi T Series Pet		MHK10004L	1
[900]	Plug-blanking	2.0L 4 Cyl 16v MPi T Series Pet		MYB100040L	1
[901]	Washer-copper	2.0L 4 Cyl 16v MPi T Series Pet		MYF100730L	1



Engine
2000 - Petrol - T16
Manifold Inlet 1/1

Discovery (FA393361-WA799999)

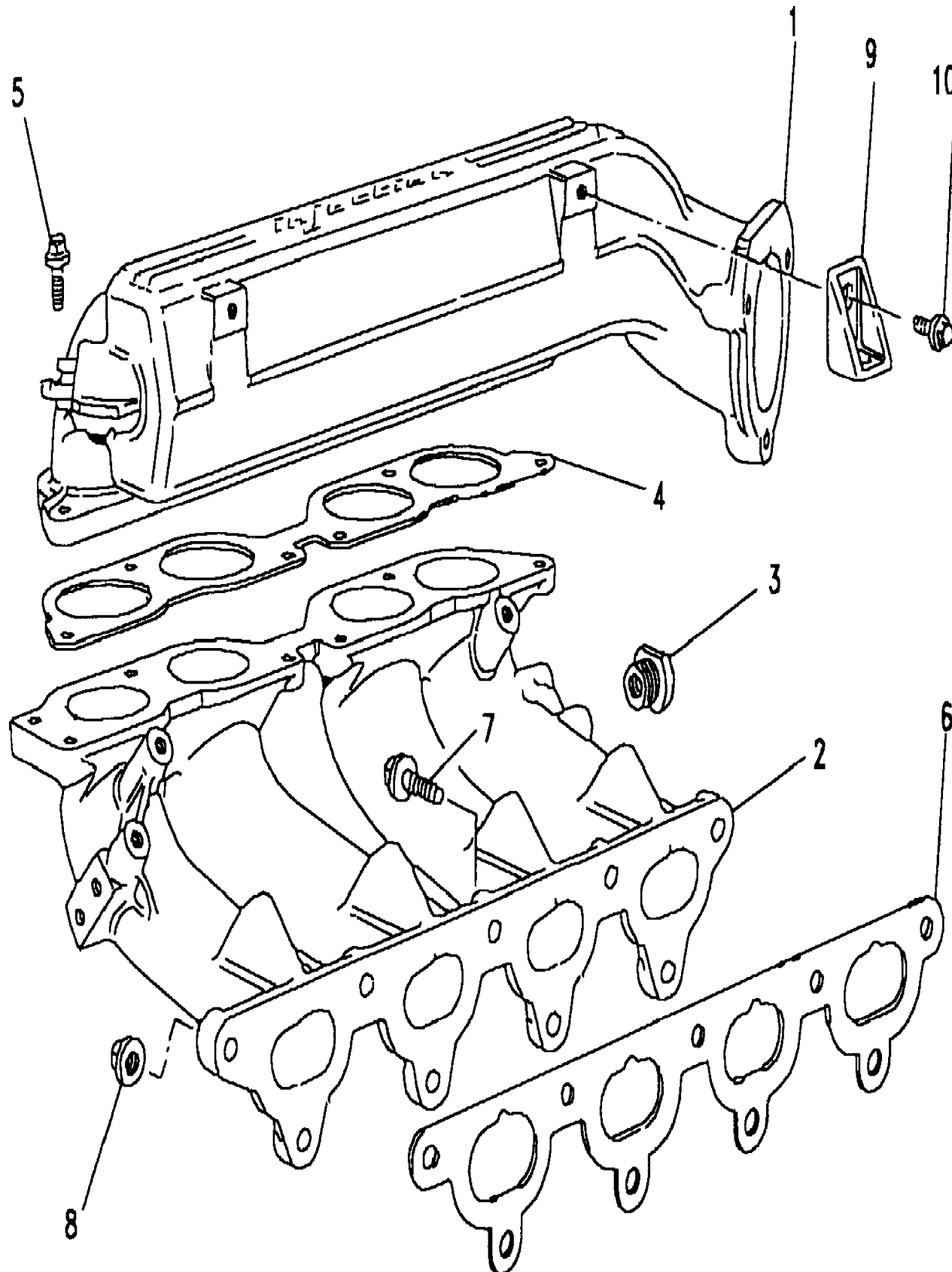
(CABTHA1A)

Discovery (FA393361-WA799999)

Engine
2000 - Petrol - T16
Manifold Inlet

2.0L 4 Cyl MPi T Series Petrol

Callout	Name	Application	Remarks & Restrictions	Service No.	Qty
1	Manifold-engine upper inlet	Change point - VIN end KA038821, 2.0L 4 Cyl 16v MPi T Series Pet		LKB105090	1
		Change point - VIN end MA501919, 2.0L 4 Cyl 16v MPi T Series Pet		LKB105620	1
		Change point - VIN end MA163103, 2.0L 4 Cyl 16v MPi T Series Pet		LKB105620	1
		Change point - VIN begin TA163104, 2.0L 4 Cyl 16v MPi T Series Pet		LKB107080	1
		Change point - VIN begin TA501920, 2.0L 4 Cyl 16v MPi T Series Pet		LKB107080	1
				LKB10473L	1
				LKB10473L	1
2	Manifold-engine lower inlet	2.0L 4 Cyl 16v MPi T Series Pet		LKB10473L	1
3	Insert-screw in	2.0L 4 Cyl 16v MPi T Series Pet	sensor to inlet manifold	LZN10001L	1
4	Gasket-upper inlet manifold to lower inlet manifold	2.0L 4 Cyl 16v MPi T Series Pet		LKJ10030	1
5	Screw	2.0L 4 Cyl 16v MPi T Series Pet	Flanged Head, M6 x 25	FS106255L	2
6	Gasket-inlet manifold	2.0L 4 Cyl 16v MPi T Series Pet		LKJ10027	1
7	Screw	2.0L 4 Cyl 16v MPi T Series Pet	M8 X 30, Flanged Head	FS108307L	7
8	Nut - Hex.	2.0L 4 Cyl 16v MPi T Series Pet	M8, flange	FN108041L	2
9	Bracket-inlet manifold support	2.0L 4 Cyl 16v MPi T Series Pet		LKU10034L	2
10	Screw	Change point - VIN end MA501919, 2.0L 4 Cyl 16v MPi T Series Pet	M6 X 12, Flanged Head	FS106125L	2
		Change point - VIN end MA163103, 2.0L 4 Cyl 16v MPi T Series Pet	M6 X 12, Flanged Head	FS106125L	2
		Change point - VIN begin TA163104, 2.0L 4 Cyl 16v MPi T Series Pet	M6 X 16, Flanged Head	FS106167L	2
		Change point - VIN begin TA501920, 2.0L 4 Cyl 16v MPi T Series Pet	M6 X 16, Flanged Head	FS106167L	2
[900]	Sensor-air inlet temperature engine-electric control unit	2.0L 4 Cyl 16v MPi T Series Pet		NNK10001L	1



Engine
2000 - Petrol - T16
Oil Pump & Filter 1/1

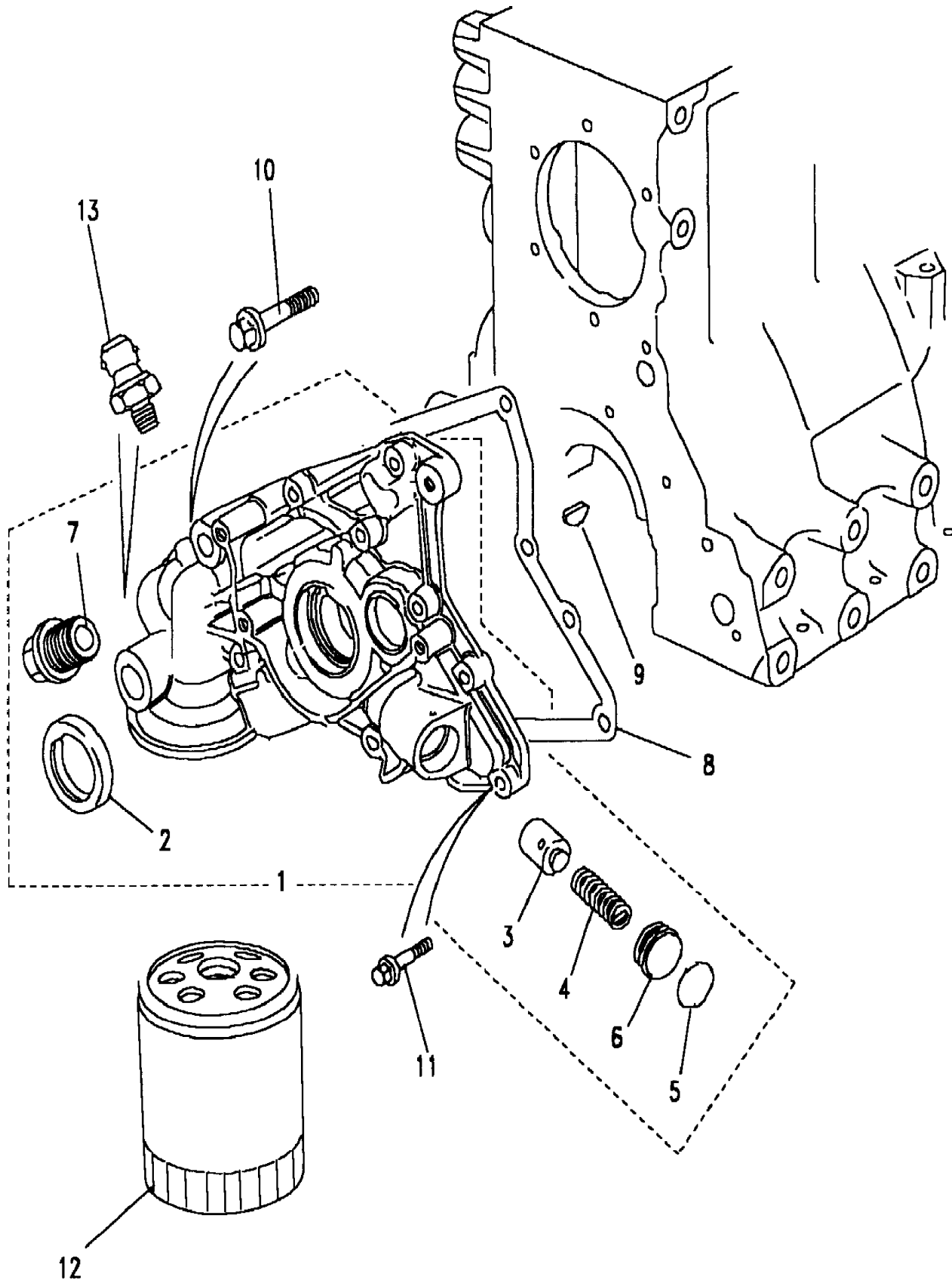
Discovery (FA393361-WA799999)
(CABTFA1A)

Discovery (FA393361-WA799999)

Engine
2000 - Petrol - T16
Oil Pump & Filter

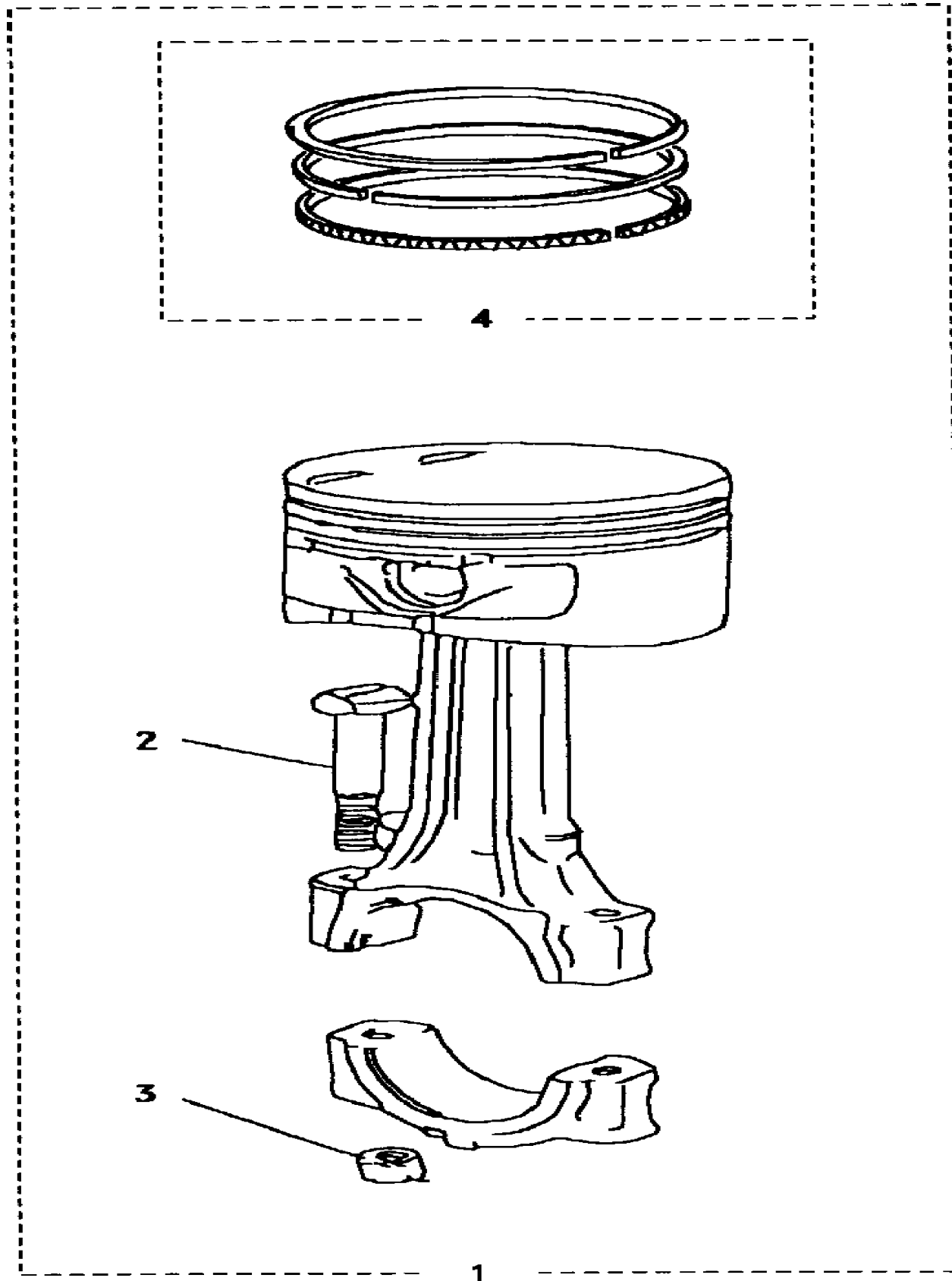
2.0L 4 Cyl MPi T Series Petrol

Callout	Name	Application	Remarks & Restrictions	Service No.	Qty
1	Pump assembly-engine oil	2.0L 4 Cyl 16v MPi T Series Pet	Also serviced as part of a kit	LPF10055	1
2	Seal-crankshaft front oil	2.0L 4 Cyl 16v MPi T Series Pet	Also serviced as part of a kit	ADU8891	1
3	Plunger-oil pump relief valve	2.0L 4 Cyl 16v MPi T Series Pet	Also serviced as part of a kit	BDU1431L	1
4	Spring-oil pump relief valve	2.0L 4 Cyl 16v MPi T Series Pet	Also serviced as part of a kit	LPS10001L	1
5	O Ring	2.0L 4 Cyl 16v MPi T Series Pet	Also serviced as part of a kit	CDU1345L	1
6	Plug-oil pump relief valve	2.0L 4 Cyl 16v MPi T Series Pet	Also serviced as part of a kit	UAM5327L	1
7	Plug-oil pump	2.0L 4 Cyl 16v MPi T Series Pet	Also serviced as part of a kit	LPM10003	1
8	Gasket-cylinder block oil pump	2.0L 4 Cyl 16v MPi T Series Pet		LVG10005	1
9	Key-oil pump drive	2.0L 4 Cyl 16v MPi T Series Pet		UAM2663L	1
10	Bolt	2.0L 4 Cyl 16v MPi T Series Pet	Flanged Head, M10 X 45	FB110091L	1
11	Bolt	2.0L 4 Cyl 16v MPi T Series Pet	pump to crankcase, M6 x 30	LYG10035L	8
12	Cartridge-engine oil filter	2.0L 4 Cyl 16v MPi T Series Pet		STC974	1
13	Switch-oil pressure engine	2.0L 4 Cyl 16v MPi T Series Pet		NUC10003	1



Engine
2000 - Petrol - T16
Piston, Connecting Rod & Bearings 1/1 (CABTCC1A)

Discovery (FA393361-WA799999)



Engine
2000 - Petrol - T16
Piston, Connecting Rod & Bearings

Discovery (FA393361-WA799999)

2.0L 4 Cyl MPi T Series Petrol

Callout	Name	Application	Remarks & Restrictions	Service No.	Qty
1	Piston & connecting rod assembly-engine	2.0L 4 Cyl 16v MPi T Series Pet	Also serviced as part of a kit, No2, No4	LFL10239	2
		2.0L 4 Cyl 16v MPi T Series Pet	Also serviced as part of a kit, No2, No4	LFL102870L	2
		2.0L 4 Cyl 16v MPi T Series Pet	Also serviced as part of a kit, No1, No3	LFL10238	2
		2.0L 4 Cyl 16v MPi T Series Pet	Also serviced as part of a kit, No1, No3	LFL102860L	2
2	Bolt-connecting rod	2.0L 4 Cyl 16v MPi T Series Pet	Also serviced as part of a kit	LFH10005L	8
3	Nut-connecting rod	2.0L 4 Cyl 16v MPi T Series Pet	Also serviced as part of a kit	CAM6263L	8
4	Kit-piston ring	2.0L 4 Cyl 16v MPi T Series Pet	Also serviced as part of a kit	LFP10076L	4

Engine
2000 - Petrol - T16
Power Steering Pump 1/1

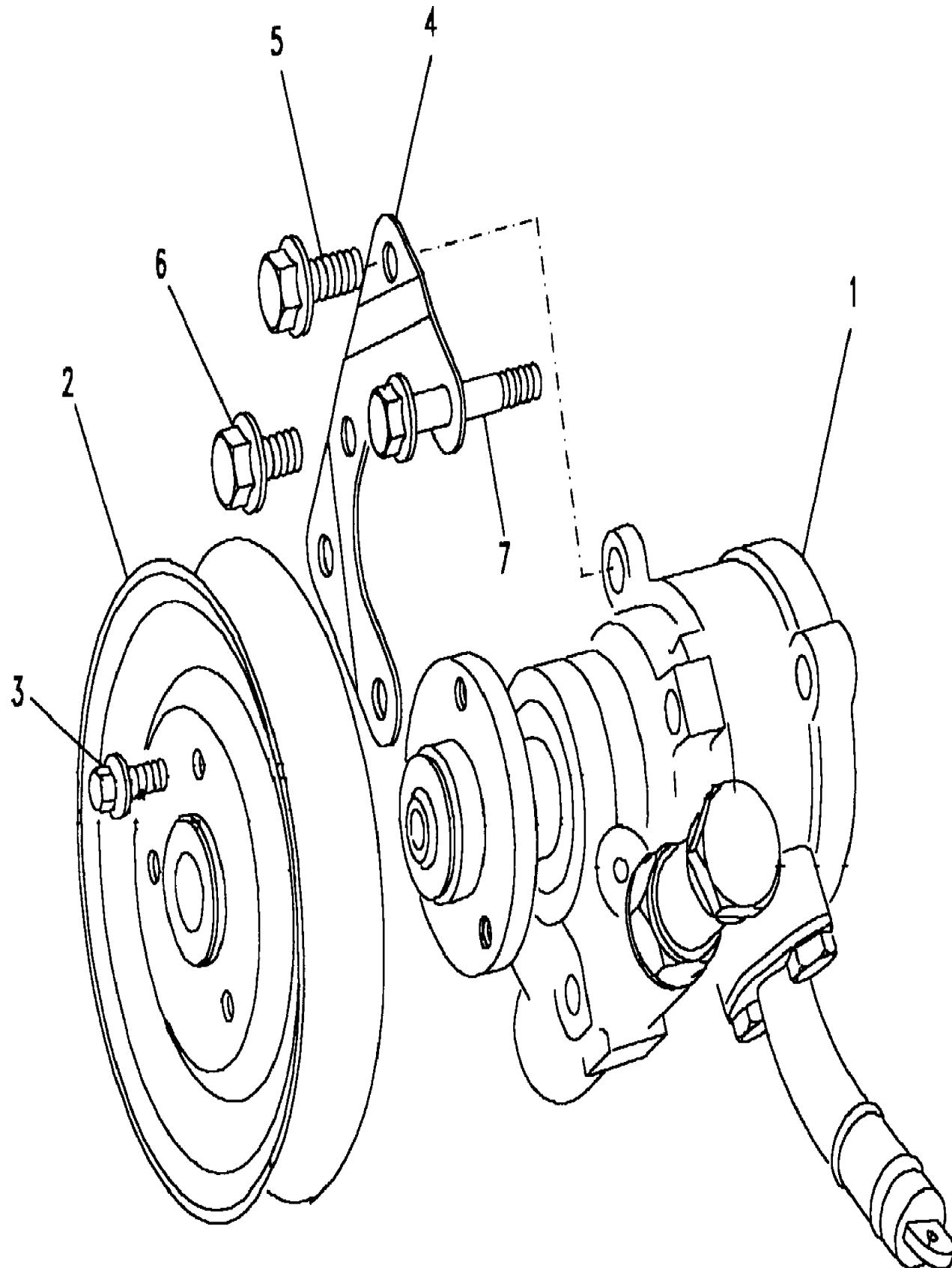
Discovery (FA393361-WA799999)
(CABTNC1A)

Discovery (FA393361-WA799999)

Engine
2000 - Petrol - T16
Power Steering Pump

2.0L 4 Cyl MPi T Series Petrol, With Power Steering

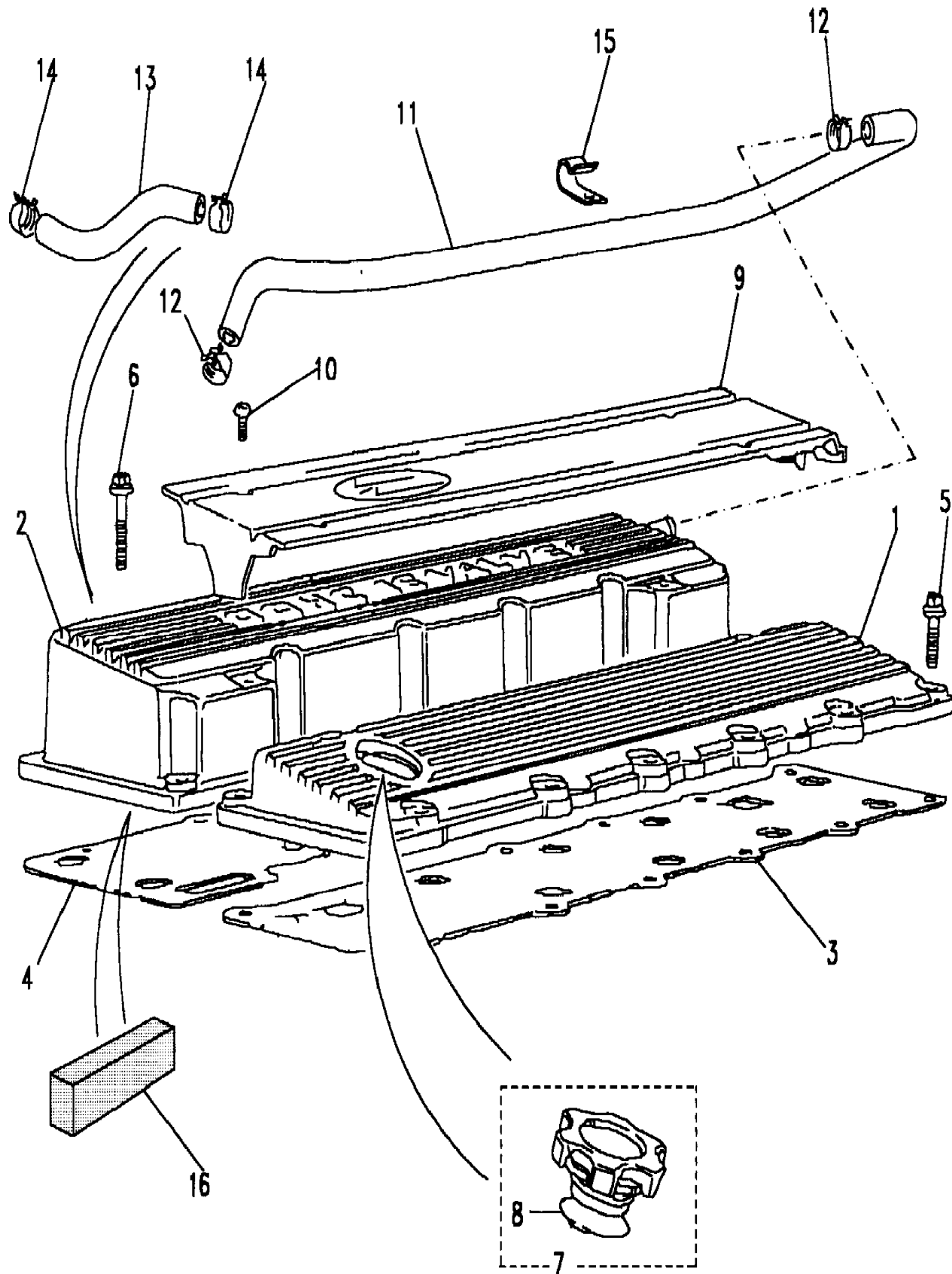
Callout	Name	Application	Remarks & Restrictions	Service No.	Qty
1	Pump assembly power assisted steering	2.0L 4 Cyl 16v MPi T Series Pet	Also serviced as part of a kit	ANR1467	1
		2.0L 4 Cyl 16v MPi T Series Pet	Also serviced as part of a kit	ANR4647	1
2	Pulley power assisted steering pump	2.0L 4 Cyl 16v MPi T Series Pet	Also serviced as part of a kit	PQR10041L	1
3	Screw	2.0L 4 Cyl 16v MPi T Series Pet	Also serviced as part of a kit, M6 X 12, Flanged Head	FS106125L	3
4	Bracket-mounting power assisted steering pump	2.0L 4 Cyl 16v MPi T Series Pet		QVU10037	1
5	Screw	2.0L 4 Cyl 16v MPi T Series Pet	bracket to coolant pump, Flanged Head, M8 x 20	FS108201L	2
		2.0L 4 Cyl 16v MPi T Series Pet	bracket to coolant pump, Flanged Head, M8 x 20	FS108207L	2
6	Screw	2.0L 4 Cyl 16v MPi T Series Pet	M8 X 16, Flanged Head	FS108161L	1
7	Bolt	2.0L 4 Cyl 16v MPi T Series Pet	Support Bracket, Flanged Head, M8 x 80	FB108161L	2



Engine
2000 - Petrol - T16
Rocker Cover 1/2

Discovery (FA393361-WA799999)

(CABTGG1A)



Discovery (FA393361-WA799999)

Engine
2000 - Petrol - T16
Rocker Cover

2.0L 4 Cyl MPI T Series Petrol

Callout	Name	Application	Remarks & Restrictions	Service No.	Qty
1	Cover-engine camshaft	Change point - VIN end KA038821, 2.0L 4 Cyl 16v MPI T Series Pet	Exhaust	LDR10140	1
		Change point - VIN begin KA038822, 2.0L 4 Cyl 16v MPI T Series Pet	Exhaust	LDR10159L	1
2	Cover-engine camshaft	2.0L 4 Cyl 16v MPI T Series Pet	Inlet	LDR10135L	1
		Change point - Engine begin 20T4HK06, 2.0L 4 Cyl 16v MPI T Series Pet	Inlet	LDR102720L	1
		Change point - Engine begin 20T4HK07, 2.0L 4 Cyl 16v MPI T Series Pet	Inlet	LDR102720L	1
3	Gasket-camshaft cover	Change point - VIN end KA038821, 2.0L 4 Cyl 16v MPI T Series Pet	Exhaust	LVP10005	1
		Change point - VIN begin KA038822, 2.0L 4 Cyl 16v MPI T Series Pet	Exhaust	LVP100170	1
4	Gasket-camshaft cover	Change point - VIN end MA501919, 2.0L 4 Cyl 16v MPI T Series Pet	Inlet	LVP10006	1
		Change point - VIN end MA163103, 2.0L 4 Cyl 16v MPI T Series Pet	Inlet	LVP10006	1
		Change point - VIN begin TA163104, 2.0L 4 Cyl 16v MPI T Series Pet	Inlet	LVP100320L	1
		Change point - VIN begin TA501920, 2.0L 4 Cyl 16v MPI T Series Pet	Inlet	LVP100320L	1
5	Screw	2.0L 4 Cyl 16v MPI T Series Pet	Flanged Head, M6 x 25	FS106255L	23
6	Bolt-flanged head	2.0L 4 Cyl 16v MPI T Series Pet	M6 x 25	FB106255	2
		Change point - Engine begin 20T4HK06, 2.0L 4 Cyl 16v MPI T Series Pet	M6 x 50	FB106105L	2
		Change point - Engine begin 20T4HK07, 2.0L 4 Cyl 16v MPI T Series Pet	M6 x 50	FB106105L	2
7	Cap-oil filler	Change point - VIN end KA038821, 2.0L 4 Cyl 16v MPI T Series Pet	Also serviced as part of a kit	LQC10010	1
		Change point - VIN begin KA038822, 2.0L 4 Cyl 16v MPI T Series Pet	Also serviced as part of a kit, Black	LQC100190L	1
8	Seal-engine oil filler cap	Change point - VIN end KA038821, 2.0L 4 Cyl 16v MPI T Series Pet	Also serviced as part of a kit	UAM5029L	1

Engine
2000 - Petrol - T16
Rocker Cover 2/2

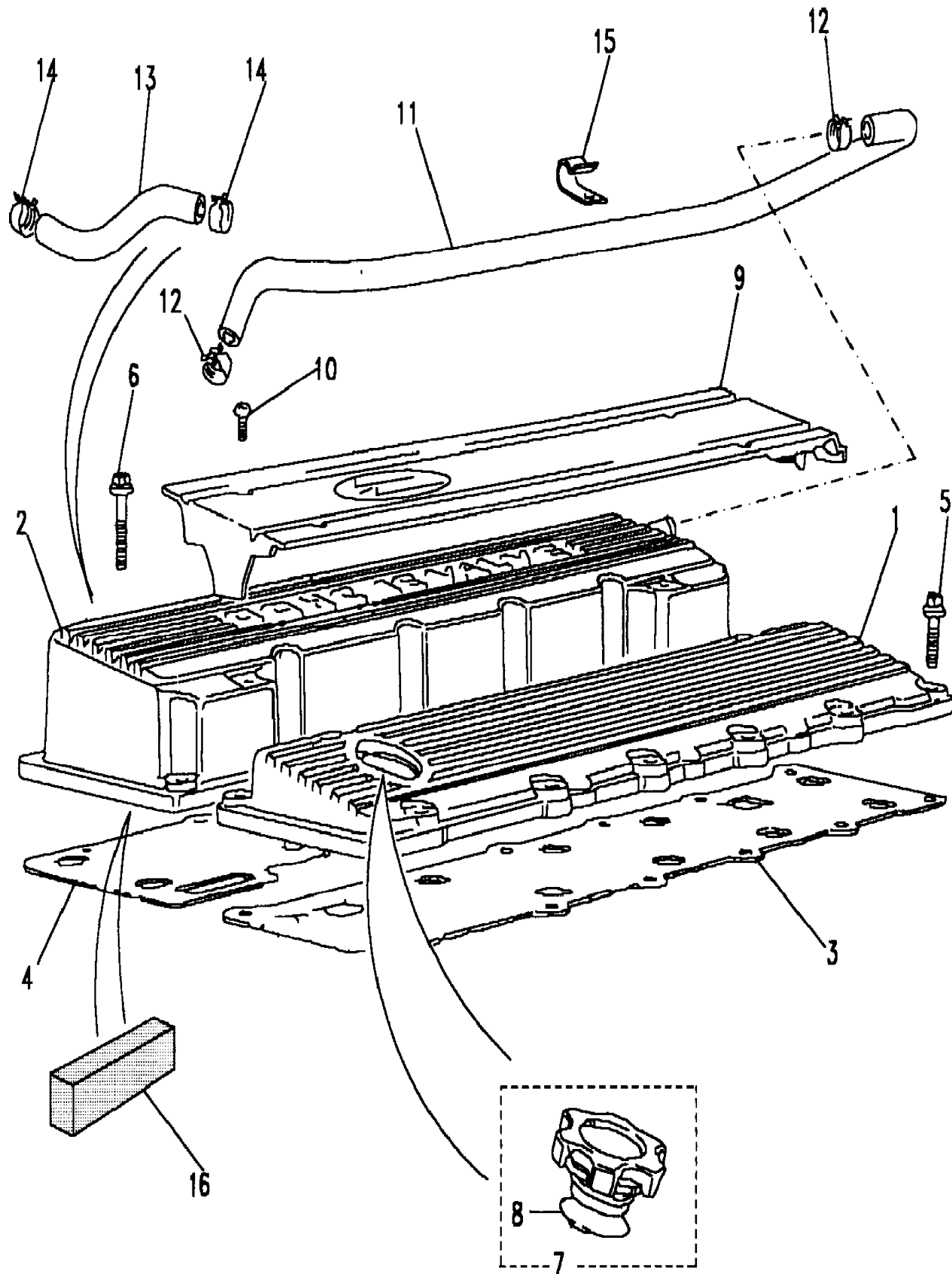
Discovery (FA393361-WA799999)
(CABTGG1A)

Discovery (FA393361-WA799999)

Engine
2000 - Petrol - T16
Rocker Cover

2.0L 4 Cyl MPi T Series Petrol

Callout	Name	Application	Remarks & Restrictions	Service No.	Qty
8	Seal-engine oil filler cap	Change point - VIN begin KA038822, 2.0L 4 Cyl 16v MPi T Series Pet	Also serviced as part of a kit	LUD100040L	1
9	Cover-spark plug	2.0L 4 Cyl 16v MPi T Series Pet 2.0L 4 Cyl 16v MPi T Series Pet		LDR10144 LDR102840	1 1
10	Screw	2.0L 4 Cyl 16v MPi T Series Pet	Black, M5 X 10	SE105105L	4
11	Hose-throttle body to camshaft cover breather	2.0L 4 Cyl 16v MPi T Series Pet		LLH10137	1
12	Clip-Hose	2.0L 4 Cyl 16v MPi T Series Pet		LYC10005L	2
13	Hose-camshaft cover to inlet manifold breather	2.0L 4 Cyl 16v MPi T Series Pet		LLH10138	1
14	Clip-Hose	2.0L 4 Cyl 16v MPi T Series Pet		LYC10004L	2
15	Clip-p	2.0L 4 Cyl 16v MPi T Series Pet		CP106221	2
16	Element-camshaft cover oil separator	2.0L 4 Cyl 16v MPi T Series Pet		LDM10003	2



Engine
2000 - Petrol - T16
Starter Motor 1/1

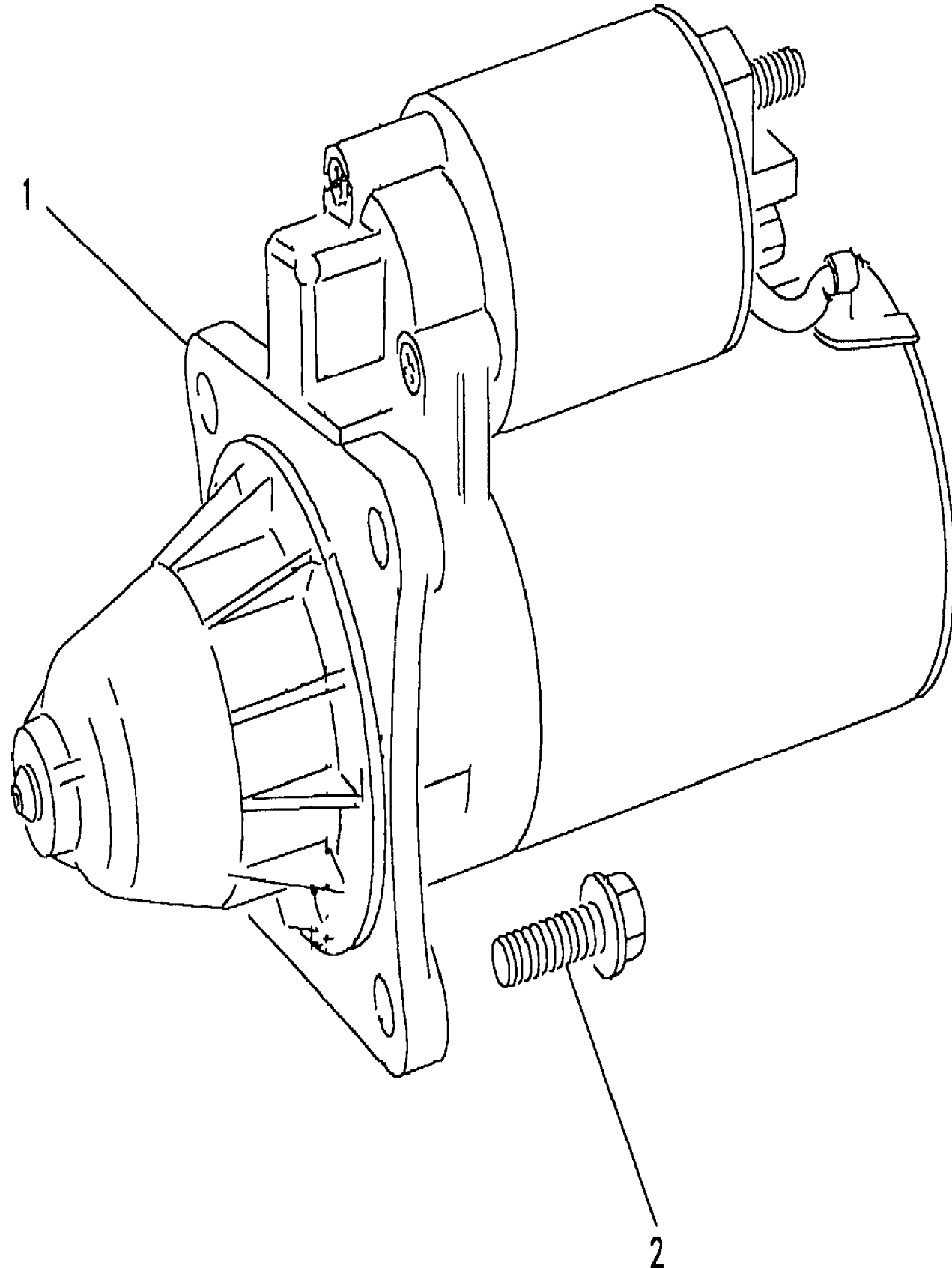
Discovery (FA393361-WA799999)
(CABTPE1A)

Discovery (FA393361-WA799999)

Engine
2000 - Petrol - T16
Starter Motor

2.0L 4 Cyl MPi T Series Petrol

Callout	Name	Application	Remarks & Restrictions	Service No.	Qty
1	Motor-starter engine	2.0L 4 Cyl 16v MPi T Series Pet 2.0L 4 Cyl 16v MPi T Series Pet	Also serviced as part of a kit, New exchange	NAD10048 NAD10048E	1 1
2	Screw	2.0L 4 Cyl 16v MPi T Series Pet	Flanged Head, M10 x 30, top	FS110301L	3
[900]	Solenoid starter motor	2.0L 4 Cyl 16v MPi T Series Pet	Also serviced as part of a kit	STC852	1
[901]	Kit-brush starter motor	2.0L 4 Cyl 16v MPi T Series Pet 2.0L 4 Cyl 16v MPi T Series Pet	Also serviced as part of a kit Bosch	STC853 NAK100050	1 1
[902]	Drive assembly starter motor	2.0L 4 Cyl 16v MPi T Series Pet	Also serviced as part of a kit	STC854	1



Engine
2000 - Petrol - T16
Sump 1/1

Discovery (FA393361-WA799999)

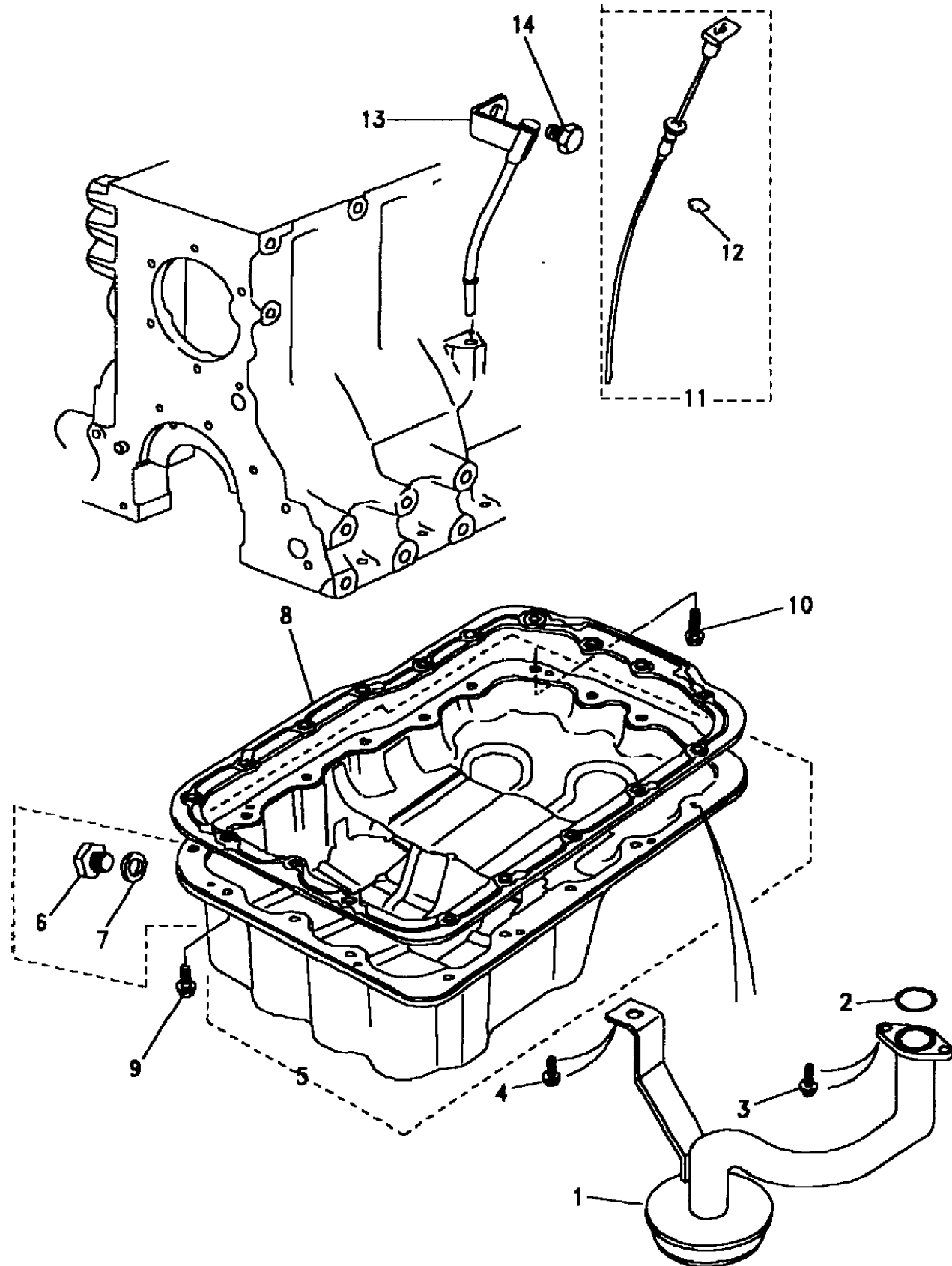
(CABTDA1A)

Discovery (FA393361-WA799999)

Engine
2000 - Petrol - T16
Sump

2.0L 4 Cyl MPi T Series Petrol

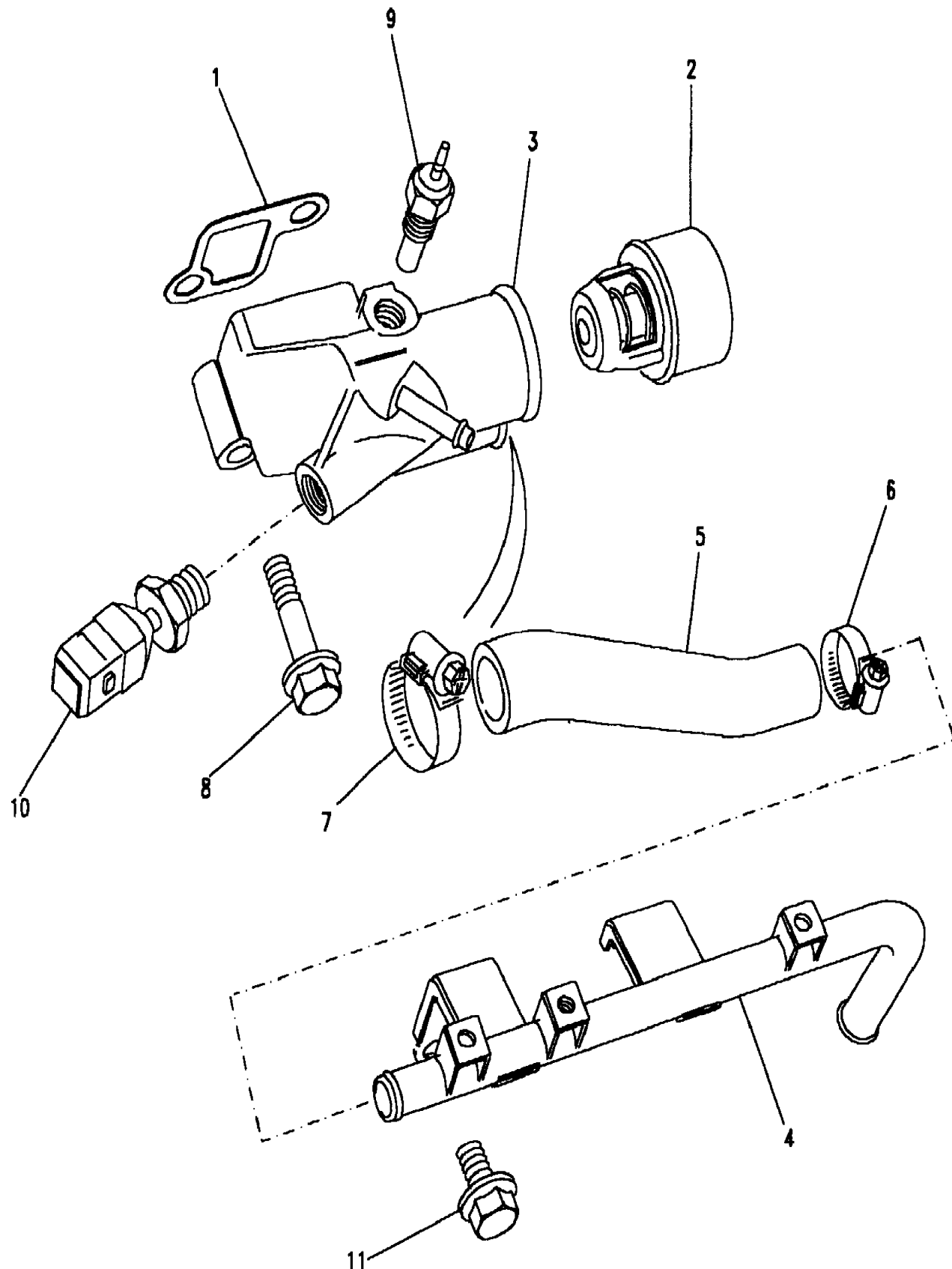
Callout	Name	Application	Remarks & Restrictions	Service No.	Qty
1	Pipe-engine oil suction	2.0L 4 Cyl 16v MPi T Series Pet		LSP10037	1
2	O ring-oil suction pipe seal	2.0L 4 Cyl 16v MPi T Series Pet		CDU1344L	1
3	Screw	2.0L 4 Cyl 16v MPi T Series Pet	M6 x 18	FS106181L	2
4	Screw	2.0L 4 Cyl 16v MPi T Series Pet	M6 X 12, Flanged Head	FS106125L	1
5	Sump assembly-engine oil	2.0L 4 Cyl 16v MPi T Series Pet	Also serviced as part of a kit	LSB10076	1
6	Plug-sump assembly oil drain	2.0L 4 Cyl 16v MPi T Series Pet	Also serviced as part of a kit	UAM2957L	1
7	Washer-sealing	2.0L 4 Cyl 16v MPi T Series Pet	sump drain plug, Also serviced as part of a kit	UAM2857L	1
8	Gasket-crankcase oil sump	2.0L 4 Cyl 16v MPi T Series Pet		LVF10005	1
9	Screw	2.0L 4 Cyl 16v MPi T Series Pet	M6 X 12, Flanged Head	FS106125L	17
10	Screw	2.0L 4 Cyl 16v MPi T Series Pet	Flanged Head, M6 x 25	FS106255L	1
11	Dipstick-oil	2.0L 4 Cyl 16v MPi T Series Pet	Also serviced as part of a kit	LQM10026	1
12	O Ring	2.0L 4 Cyl 16v MPi T Series Pet	Also serviced as part of a kit	CDU4083	X
13	Tube assembly-oil dipstick	2.0L 4 Cyl 16v MPi T Series Pet		LQN10033L	1
14	Screw	2.0L 4 Cyl 16v MPi T Series Pet	M6 X 12, Flanged Head	FS106125L	1



Engine
2000 - Petrol - T16
Thermostat Housing 1/2

Discovery (FA393361-WA799999)

(CABTGK1A)



Discovery (FA393361-WA799999)

Engine
2000 - Petrol - T16
Thermostat Housing

2.0L 4 Cyl MPi T Series Petrol

Callout	Name	Application	Remarks & Restrictions	Service No.	Qty
1	Gasket-thermostat housing	2.0L 4 Cyl 16v MPi T Series Pet		PET10014	1
2	Thermostat-engine	2.0L 4 Cyl 16v MPi T Series Pet	88 °C	PEL10017	1
3	Elbow-engine coolant outlet	Change point - VIN end MA501919, 2.0L 4 Cyl 16v MPi T Series Pet		PEQ10036L	1
		Change point - VIN end MA163103, 2.0L 4 Cyl 16v MPi T Series Pet		PEQ10036L	1
		Change point - VIN begin TA163104, 2.0L 4 Cyl 16v MPi T Series Pet		PEQ100580	1
		Change point - VIN begin TA501920, 2.0L 4 Cyl 16v MPi T Series Pet		PEQ100580	1
		Change point - VIN begin TA163104, 2.0L 4 Cyl 16v MPi T Series Pet		PEQ100600L	1
		Change point - VIN begin TA501920, 2.0L 4 Cyl 16v MPi T Series Pet		PEQ100600L	1
		Change point - VIN begin TA501920, 2.0L 4 Cyl 16v MPi T Series Pet		PEQ100600L	1
4	Pipe-heater to thermostat coolant	Change point - VIN end KA038821, 2.0L 4 Cyl 16v MPi T Series Pet		PEP10124	1
		Change point - VIN begin KA038822, Change point - VIN end KA064754, 2.0L 4 Cyl 16v MPi T Series Pet		PEP101730	1
		Change point - VIN begin LA064755, Change point - VIN end MA089583, 2.0L 4 Cyl 16v MPi T Series Pet		PEP10148	1
		Change point - VIN begin MA089584, 2.0L 4 Cyl 16v MPi T Series Pet		PEP101950	1
		Change point - VIN begin MA089584, 2.0L 4 Cyl 16v MPi T Series Pet		PEP101950	1
5	Hose-pipe to heater	2.0L 4 Cyl 16v MPi T Series Pet		PEH10033	1
6	Clip-Hose	2.0L 4 Cyl 16v MPi T Series Pet	25MM	CN100258L	1
7	Clip-Hose	2.0L 4 Cyl 16v MPi T Series Pet	30MM	CN100308L	1
8	Bolt	2.0L 4 Cyl 16v MPi T Series Pet	M8 x 50, Flanged Head	FB108101	2
9	Sensor-Temperature	2.0L 4 Cyl 16v MPi T Series Pet	White.	YCB10019	1
		2.0L 4 Cyl 16v MPi T Series Pet		AMR1425	1

Engine
2000 - Petrol - T16
Thermostat Housing 2/2

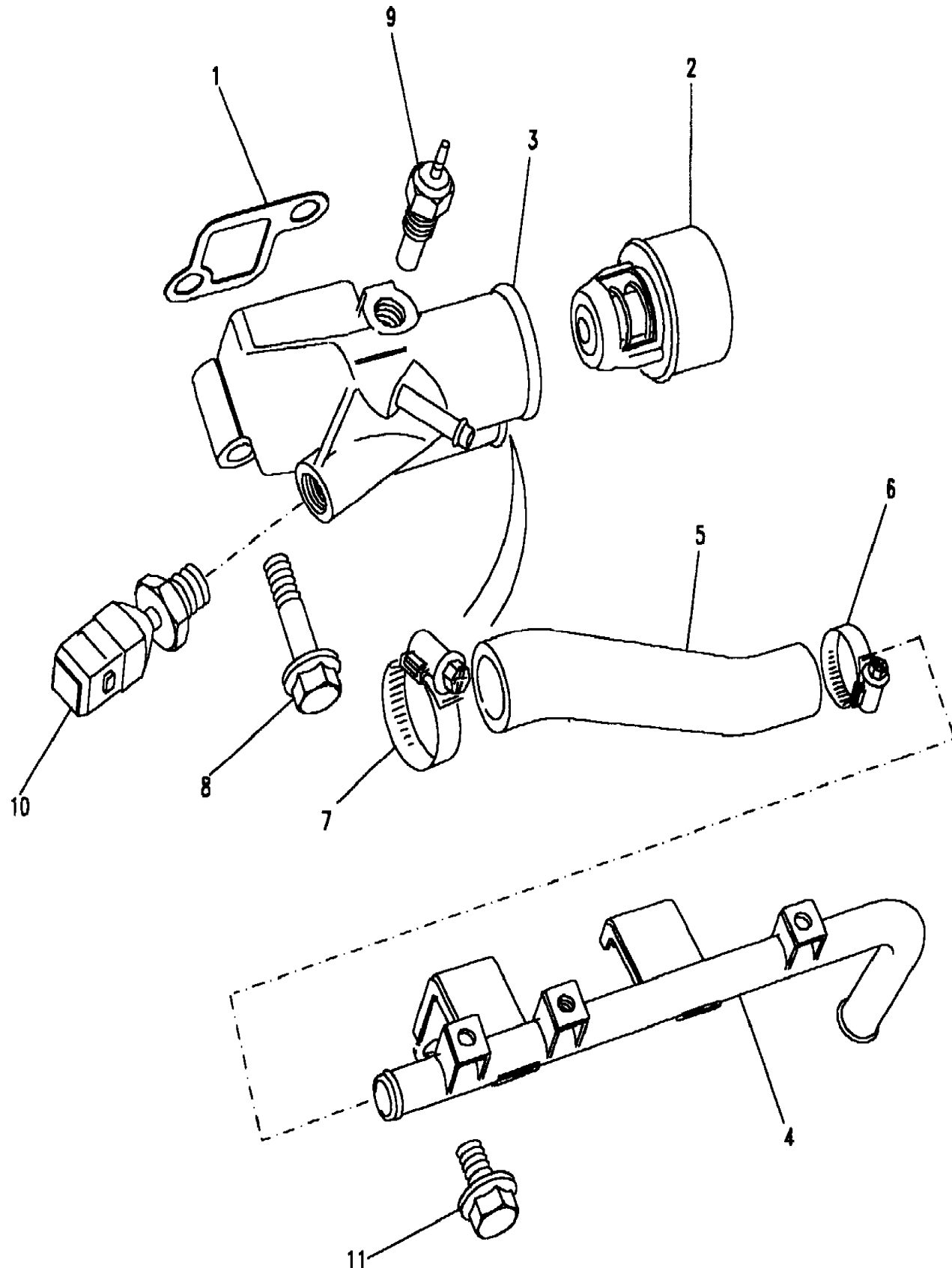
Discovery (FA393361-WA799999)
(CABTGK1A)

Discovery (FA393361-WA799999)

Engine
2000 - Petrol - T16
Thermostat Housing

2.0L 4 Cyl MPi T Series Petrol

Callout	Name	Application	Remarks & Restrictions	Service No.	Qty
10	Sensor-carburettor/multi point injection/tbi coolant temperature	2.0L 4 Cyl 16v MPi T Series Pet		ADU7161	1
11	Screw	2.0L 4 Cyl 16v MPi T Series Pet 2.0L 4 Cyl 16v MPi T Series Pet	Flanged Head, M8 x 20 Flanged Head, M8 x 20	FS108201L FS108207L	2 2
[902]	Pipe-heater to hose coolant	2.0L 4 Cyl 16v MPi T Series Pet	bottom	PEP10150	1
[903]	Tie-cable	2.0L 4 Cyl 16v MPi T Series Pet	inside serated, 4.6 x 385mm, White.	594594	1



Engine
2000 - Petrol - T16
Throttle Body 1/1

Discovery (FA393361-WA799999)

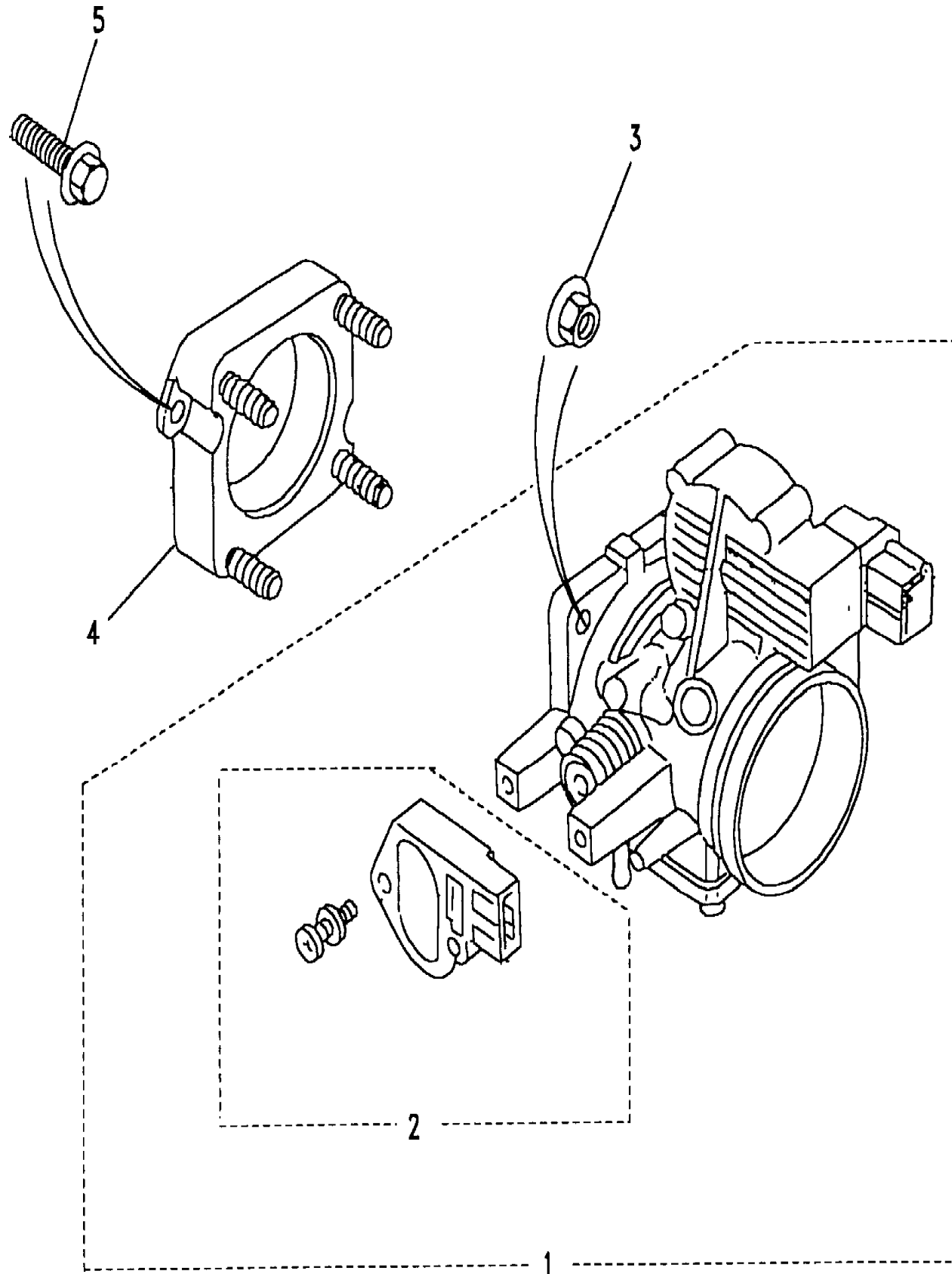
(CABTJC1A)

Discovery (FA393361-WA799999)

Engine
2000 - Petrol - T16
Throttle Body

2.0L 4 Cyl MPi T Series Petrol

Callout	Name	Application	Remarks & Restrictions	Service No.	Qty
1	Body assembly-multi point injection throttle	Change point - VIN end KA038821, 2.0L 4 Cyl 16v MPi T Series Pet Change point - VIN begin KA038822, 2.0L 4 Cyl 16v MPi T Series Pet Change point - VIN begin KA038822, 2.0L 4 Cyl 16v MPi T Series Pet	Also serviced as part of a kit	MHB10085	1
			Also serviced as part of a kit	MHB101140	1
			Also serviced as part of a kit	MHB101620	1
2	Kit-throttle potentiometer multi point injection	Change point - VIN end KA038821, 2.0L 4 Cyl 16v MPi T Series Pet Change point - VIN begin KA038822, 2.0L 16v MPi Petrol		MKG10004L	1
				SLD100010L	1
3	Nut-flange	2.0L 4 Cyl 16v MPi T Series Pet	M6	FN106047L	4
4	Mounting-multi point injection throttle body flexible	2.0L 4 Cyl 16v MPi T Series Pet		JZV1085L	1
5	Screw	2.0L 4 Cyl 16v MPi T Series Pet	M6 X 12, Flanged Head	FS106125L	3
[900]	Gasket-throttle body	Change point - VIN end KA038821, 2.0L 4 Cyl 16v MPi T Series Pet	Also serviced as part of a kit	MHX10002L	1
[901]	Hose-duct to throttle body induction system	Change point - VIN begin KA038822, 2.0L 4 Cyl 16v MPi T Series Pet		PEH100570	1
[902]	Clip-Hose	Change point - VIN begin KA038822, 2.0L 4 Cyl 16v MPi T Series Pet		CN100168L	2



Engine
2000 - Petrol - T16
Timing Belt & Tensioner 1/1

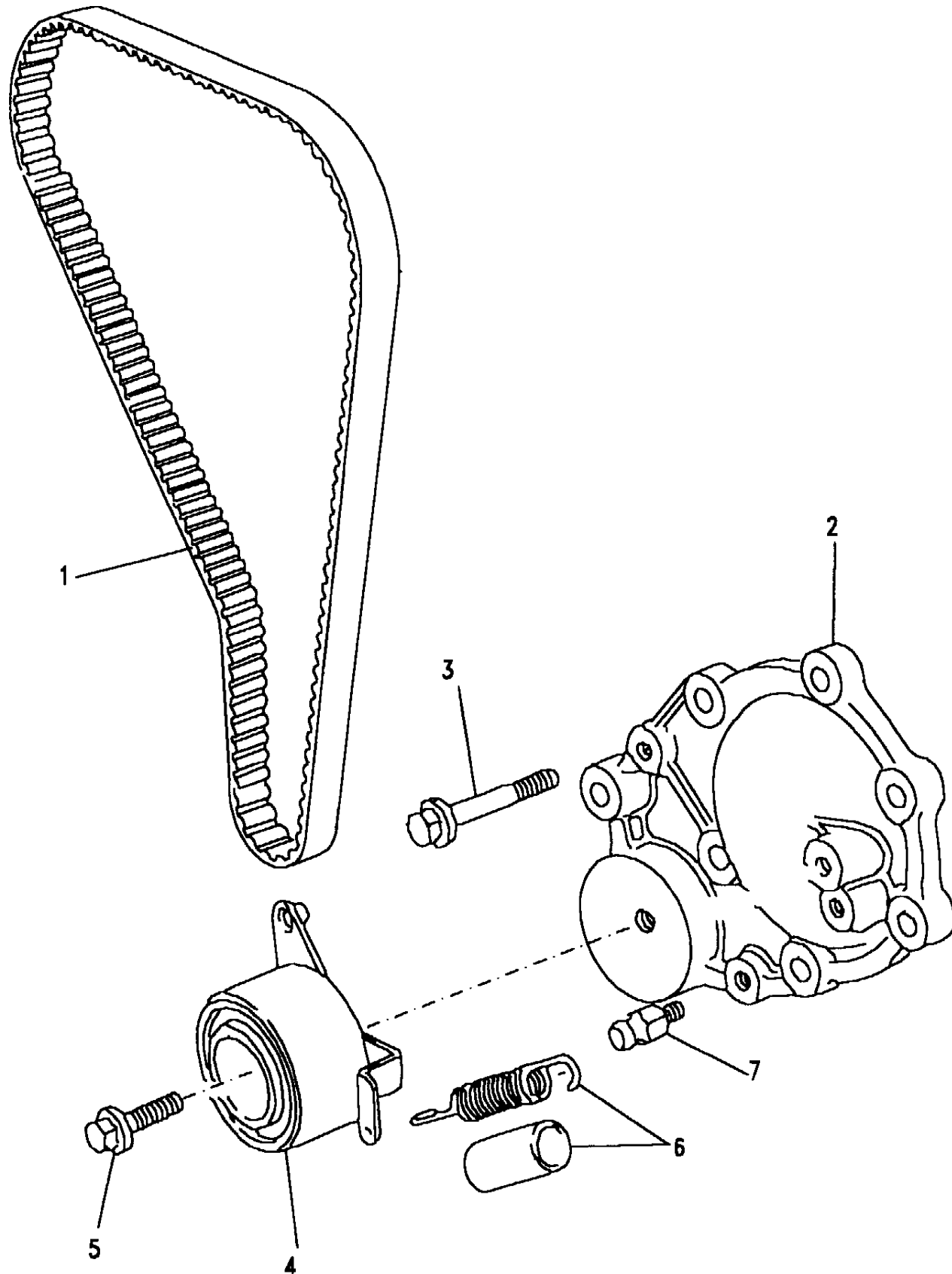
Discovery (FA393361-WA799999)
(CABTEC1A)

Discovery (FA393361-WA799999)

Engine
2000 - Petrol - T16
Timing Belt & Tensioner

2.0L 4 Cyl MPi T Series Petrol

Callout	Name	Application	Remarks & Restrictions	Service No.	Qty
1	Belt-engine timing	2.0L 4 Cyl 16v MPi T Series Pet		LHN10016	1
2	Plate-cylinder head water outlet blanking	2.0L 4 Cyl 16v MPi T Series Pet		LCG10003	1
3	Screw	2.0L 4 Cyl 16v MPi T Series Pet		LYG10040L	6
4	Tensioner-timing belt	Change point - VIN end LA089819, 2.0L 4 Cyl 16v MPi T Series Pet Change point - VIN begin LA089820, 2.0L 4 Cyl 16v MPi T Series Pet		LHP10011L LHP10016L	1 1
5	Screw	2.0L 4 Cyl 16v MPi T Series Pet 2.0L 4 Cyl 16v MPi T Series Pet	Flanged Head, M8 x 20 Flanged Head, M8 x 20	FS108201L FS108207L	1 1
6	Spring-timing belt tensioner	2.0L 4 Cyl 16v MPi T Series Pet		LHR10025L	1
7	Bolt-timing belt tensioner pedestal	2.0L 4 Cyl 16v MPi T Series Pet		WAM3885L	1



Engine
2000 - Petrol - T16
Water Pump & Bracket 1/1

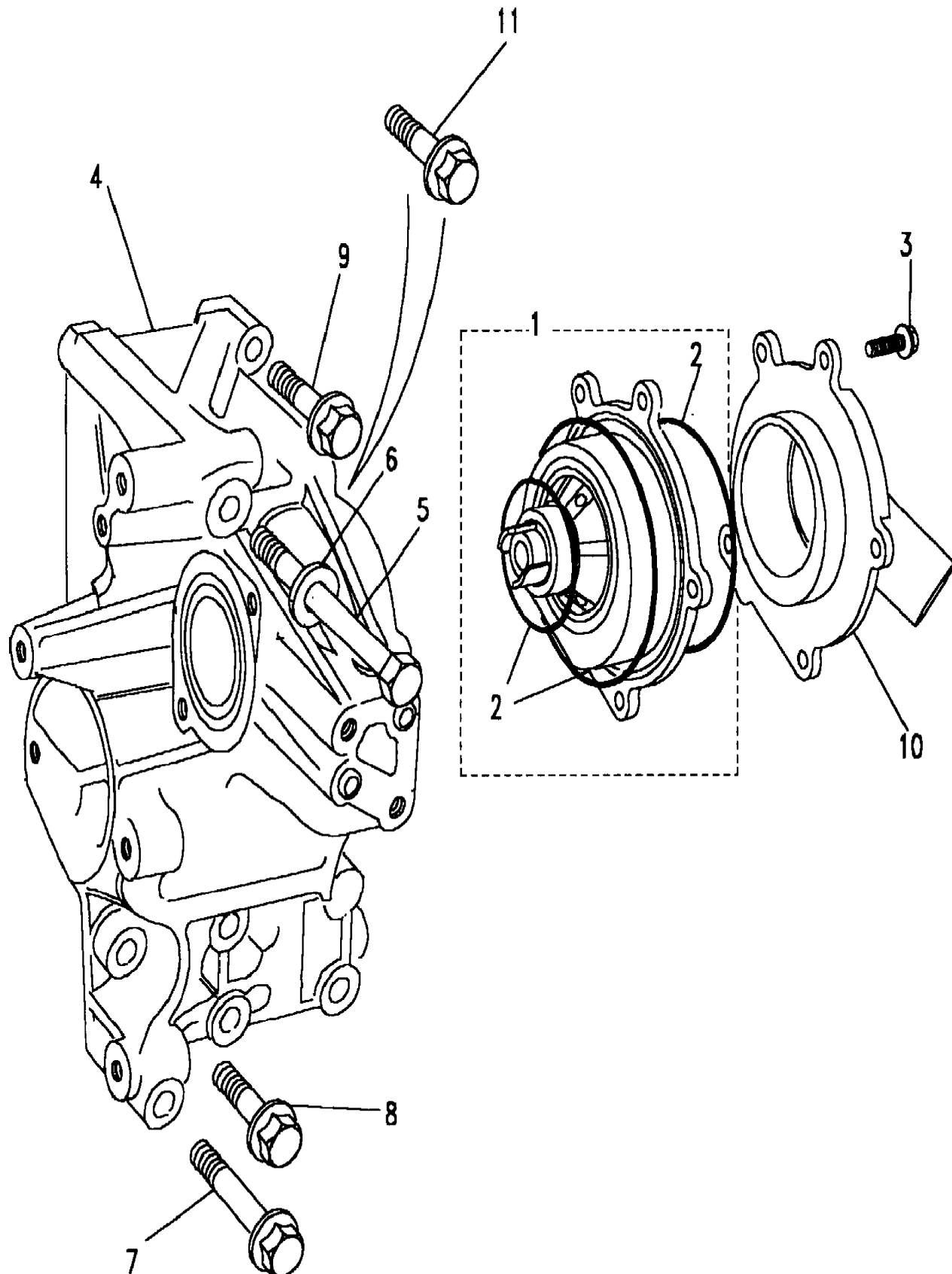
Discovery (FA393361-WA799999)
(CABTEE1A)

Discovery (FA393361-WA799999)

Engine
2000 - Petrol - T16
Water Pump & Bracket

2.0L 4 Cyl MPi T Series Petrol

Callout	Name	Application	Remarks & Restrictions	Service No.	Qty
1	Pump assembly-engine coolant	2.0L 4 Cyl 16v MPi T Series Pet	Also serviced as part of a kit	PEB10095	1
2	Set-coolant pump D ring	2.0L 4 Cyl 16v MPi T Series Pet	Also serviced as part of a kit	PFQ10001L	1
3	Screw	2.0L 4 Cyl 16v MPi T Series Pet	Flanged Head, M6 x 25	FS106255L	5
4	Bracket-coolant & power assisted steering pump	2.0L 4 Cyl 16v MPi T Series Pet		PEU101620	1
5	Bolt	2.0L 4 Cyl 16v MPi T Series Pet	Flanged Head, M8 x 125	FB108251	1
6	Washer	2.0L 4 Cyl 16v MPi T Series Pet	8MM	WA108051L	1
7	Bolt	2.0L 4 Cyl 16v MPi T Series Pet	Flanged Head, M10 x 75	FB110151L	1
8	Bolt-flanged head	2.0L 4 Cyl 16v MPi T Series Pet	M10 x 40	FB110081L	1
9	Bolt	2.0L 4 Cyl 16v MPi T Series Pet	Flanged Head, M8 x 55	FB108111L	1
10	Cover-coolant pump	2.0L 4 Cyl 16v MPi T Series Pet		PEN10029L	1
11	Bolt-flanged head	2.0L 4 Cyl 16v MPi T Series Pet	M10 x 50	FB110101L	1



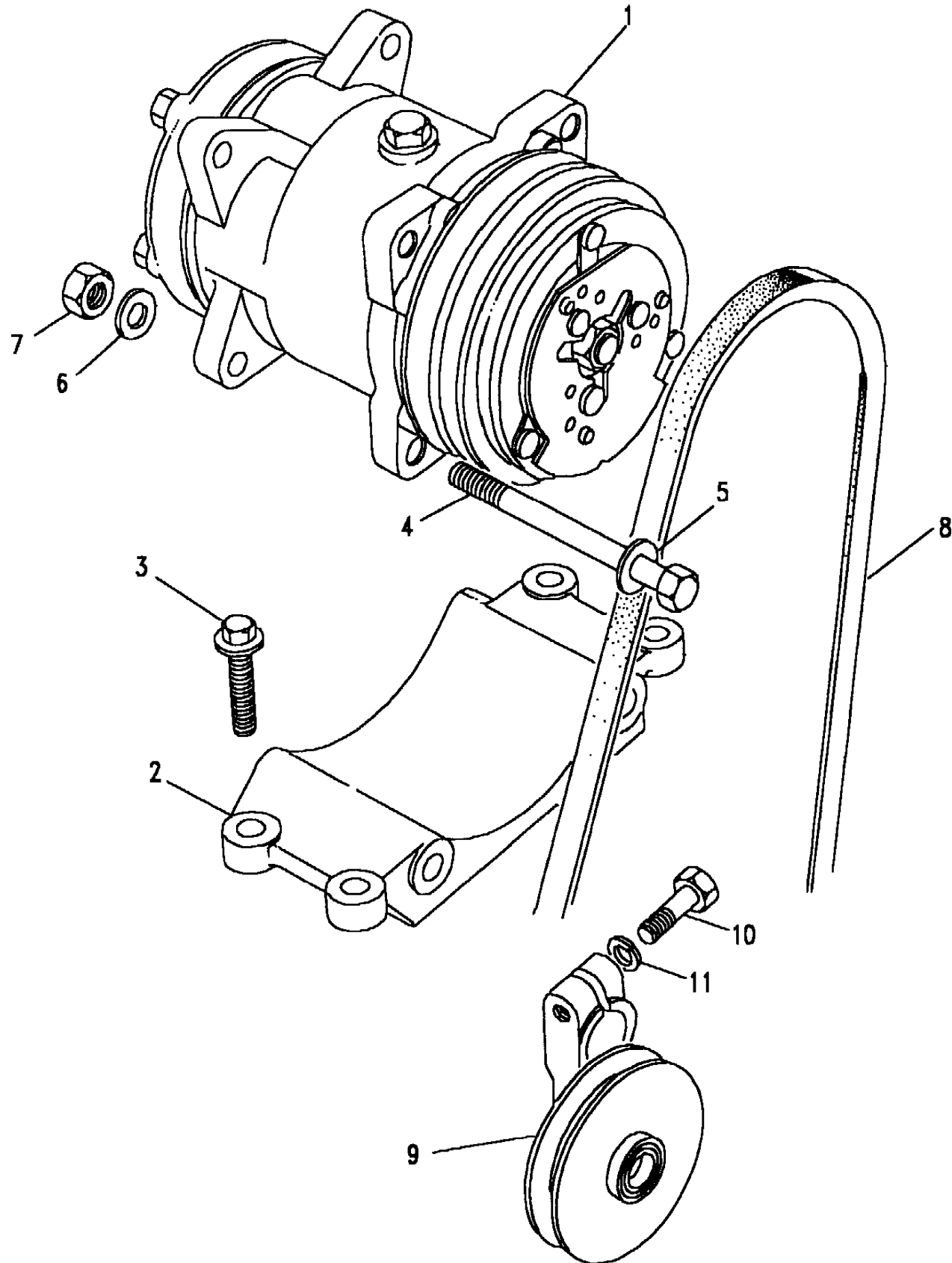
Engine
2500 - Diesel - Turbo - 200 Tdi
Air Conditioning Compressor 1/1

Discovery (FA393361-WA799999)
(CABMNE1A)

Discovery (FA393361-WA799999)

Engine
2500 - Diesel - Turbo - 200 Tdi
Air Conditioning Compressor

Change point - VIN end LA081991, 2.5L I4 200 TDi Turbo Diesel, 5 Speed Manual Transmission, With Air Conditioning, Less Catalyst

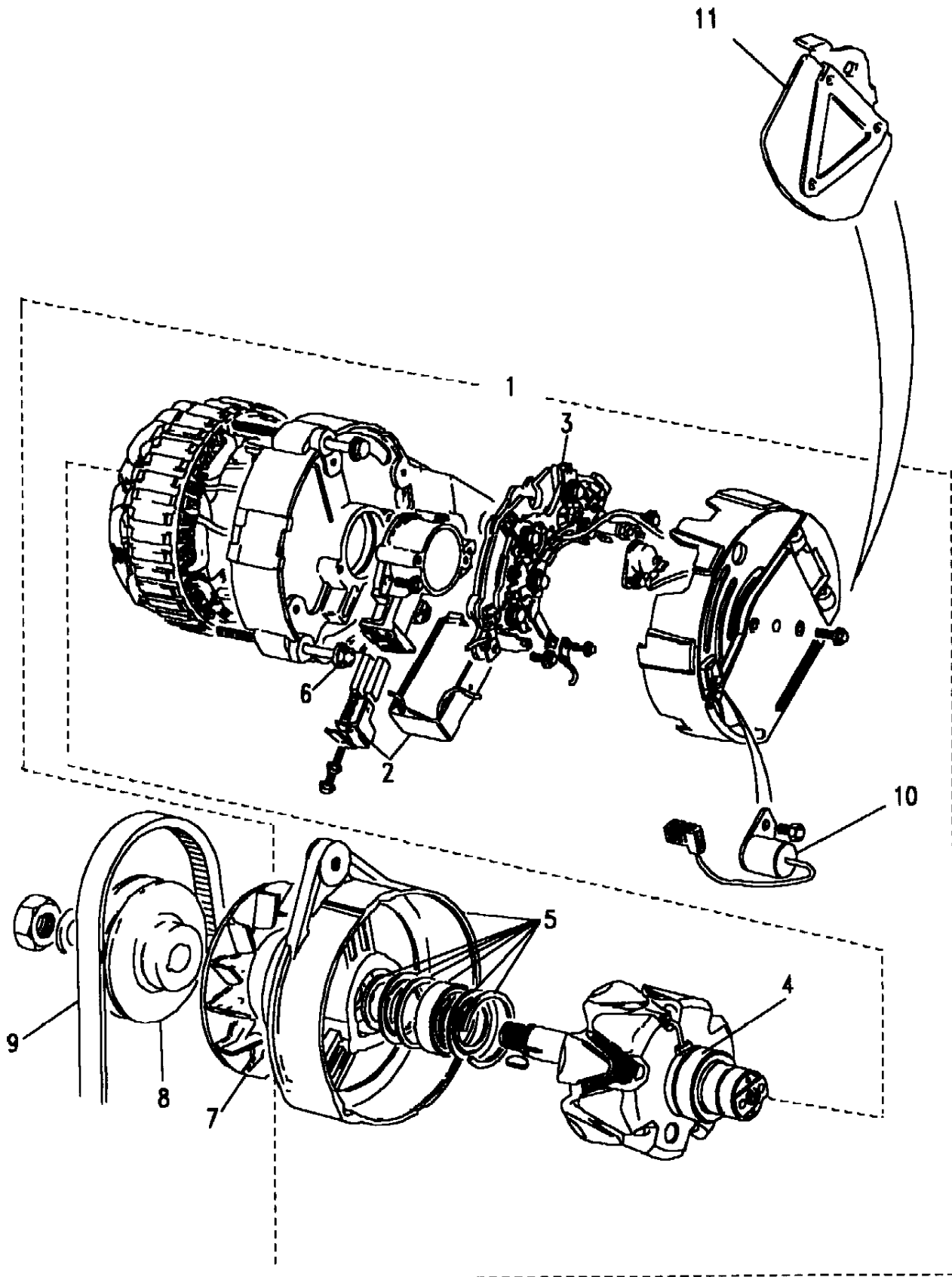


Callout	Name	Application	Remarks & Restrictions	Service No.	Qty
1	Compressor assembly air conditioning		Also serviced as part of a kit, Engine Code 12L 2.5 TDI Manual - Gemini	ERR845	1
2	Bracket-compressor air conditioning		Engine Code 12L 2.5 TDI Manual - Gemini	ETC8852	1
3	Screw		bracket to block, Engine Code 12L 2.5 TDI Manual - Gemini, Flanged Head, M10 x 30, top	FS110301L	4
4	Bolt		COMPRESSOR TO BRACKET, Engine Code 12L 2.5 TDI Manual - Gemini, 3/8UNF x 5	BH606401L	2
5	Washer		3/8", Engine Code 12L 2.5 TDI Manual - Gemini, Square	WM600061L	2
6	Washer		M10, Engine Code 12L 2.5 TDI Manual - Gemini	WA110061L	4
7	Nut - Hex.		Engine Code 12L 2.5 TDI Manual - Gemini, hexagonal head, 3/8UNF	NH606041L	2
8	Belt-polyvee air conditioning compressor		Engine Code 12L 2.5 TDI Manual - Gemini	ETC9009	1
9	Pulley-tensioner ancillary drive		Also serviced as part of a kit, Engine Code 12L 2.5 TDI Manual - Gemini	614718	1
10	Bolt		pinch tensioner, Engine Code 12L 2.5 TDI Manual - Gemini, hexagonal head, 5/16UNF x 1 1/4	BH605101L	1
11	Washer-Spring		Also serviced as part of a kit, 5/16", Engine Code 12L 2.5 TDI Manual - Gemini	WM600051L	1

Engine
2500 - Diesel - Turbo - 200 Tdi
Alternator 1/1

Discovery (FA393361-WA799999)

(CABMPC1A)



Discovery (FA393361-WA799999)

Engine
2500 - Diesel - Turbo - 200 Tdi
Alternator

Change point - VIN end LA081991, 2.5L I4 200 TDi Turbo Diesel, 5 Speed Manual Transmission, Less Catalyst

Callout	Name	Application	Remarks & Restrictions	Service No.	Qty
1	Alternator assembly		Also serviced as part of a kit, Engine Code 12L 2.5 TDI Manual - Gemini, New, A127-65 amp, LH Also serviced as part of a kit, Engine Code 12L 2.5 TDI Manual - Gemini, exchange, A127-65 amp, LH	RTC5681N RTC5681E	1 1
2	Regulator & brush box assembly alternator		Also serviced as part of a kit, Engine Code 12L 2.5 TDI Manual - Gemini	RTC5670	1
3	Rectifier-alternator		Also serviced as part of a kit, Engine Code 12L 2.5 TDI Manual - Gemini	RTC5671	1
4	Bearing-alternator front		Also serviced as part of a kit, Engine Code 12L 2.5 TDI Manual - Gemini	RTC5926	1
5	Bracket-drive end c/w bearing alternator e		Also serviced as part of a kit, Engine Code 12L 2.5 TDI Manual - Gemini, LH	RTC5688	1
6	Kit-fixings alternator/vacuum pump		Also serviced as part of a kit, Engine Code 12L 2.5 TDI Manual - Gemini, LH	RTC5925	1
7	Fan Alternator		Engine Code 12L 2.5 TDI Manual - Gemini	AAU2249L	1
8	Pulley-alternator		Engine Code 12L 2.5 TDI Manual - Gemini	RTC5847	1
9	Belt-polyvee alternator		Engine Code 12L 2.5 TDI Manual - Gemini	ETC7469	1
10	Capacitor alternator		Also serviced as part of a kit, Engine Code 12L 2.5 TDI Manual - Gemini	RTC6114	1
11	Heatshield alternator	Change point - Engine end 12L36903A Change point - Engine begin 12L36904A	Engine Code 12L 2.5 TDI Manual - Gemini Engine Code 12L 2.5 TDI Manual - Gemini	ETC7519 UAM7498L	1 1
[900]	Spacer		Engine Code 12L 2.5 TDI Manual - Gemini	RTC5689	1
[901]	Nut-hexagonal	Change point - Engine begin 12L36904A	M5, Engine Code 12L 2.5 TDI Manual - Gemini	NH105041L	1

Engine
2500 - Diesel - Turbo - 200 Tdi
Camshaft 1/1

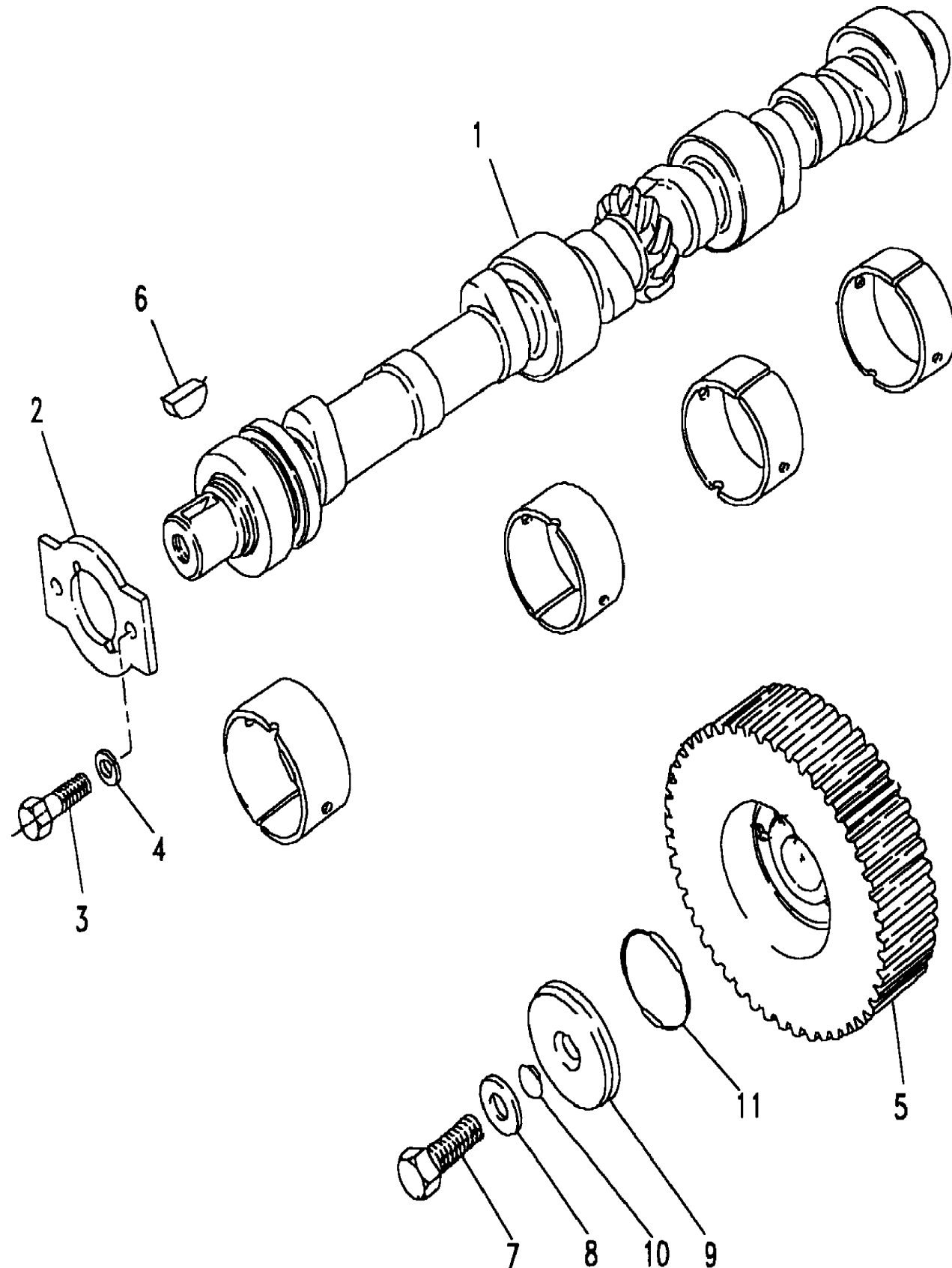
Discovery (FA393361-WA799999)
(CABMG11A)

Discovery (FA393361-WA799999)

Engine
2500 - Diesel - Turbo - 200 Tdi
Camshaft

Change point - VIN end LA081991, 2.5L I4 200 TDi Turbo Diesel, 5 Speed Manual Transmission, Less Catalyst

Callout	Name	Application	Remarks & Restrictions	Service No.	Qty
1	Camshaft assembly-engine		Engine Code 12L 2.5 TDI Manual - Gemini	ETC7128	1
2	Plate-camshaft retaining		Engine Code 12L 2.5 TDI Manual - Gemini	ERC1561	1
3	Screw-flanged head		plate thrust camshaft, M6 X 16, Engine Code 12L 2.5 TDI Manual - Gemini, Flanged Head	FS106167L	2
4	Washer		M6, Engine Code 12L 2.5 TDI Manual - Gemini, sprung	WL106001L	2
5	Pulley-camshaft		Engine Code 12L 2.5 TDI Manual - Gemini	ERR666	1
6	Key		Engine Code 12L 2.5 TDI Manual - Gemini	230313	1
7	Bolt		pulley to camshaft, Engine Code 12L 2.5 TDI Manual - Gemini, hexagonal head, M10 x 35	BX110071M	1
8	Washer-Plain		Engine Code 12L 2.5 TDI Manual - Gemini	ETC4670	1
9	Plate-camshaft pulley retaining		Engine Code 12L 2.5 TDI Manual - Gemini	ERC8847	1
10	O Ring		Engine Code 12L 2.5 TDI Manual - Gemini	ERC8849	1
11	O Ring		Engine Code 12L 2.5 TDI Manual - Gemini	ETC4076	1



Engine
2500 - Diesel - Turbo - 200 Tdi
Coolant Pump 1/1

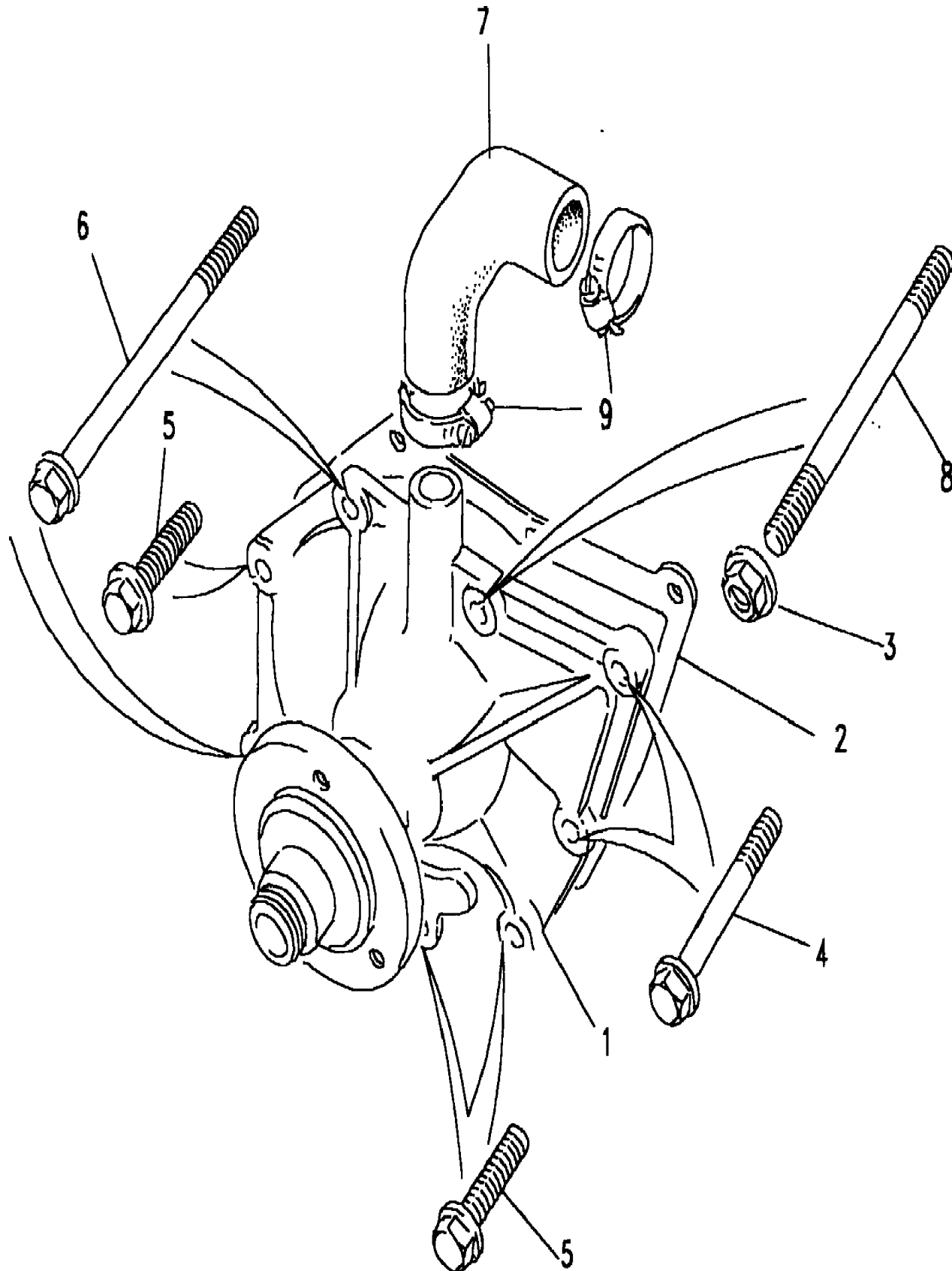
Discovery (FA393361-WA799999)
(CABMEE1A)

Discovery (FA393361-WA799999)

Engine
2500 - Diesel - Turbo - 200 Tdi
Coolant Pump

Change point - VIN end LA081991, 2.5L I4 200 TDi Turbo Diesel, 5 Speed Manual Transmission, Less Catalyst

Callout	Name	Application	Remarks & Restrictions	Service No.	Qty
1	Pump assembly-engine coolant		Also serviced as part of a kit, Engine Code 12L 2.5 TDI Manual - Gemini	RTC6395	1
2	Gasket-coolant pump body		Also serviced as part of a kit, Engine Code 12L 2.5 TDI Manual - Gemini	ERR388	1
3	Nut - Hex.		M8, Engine Code 12L 2.5 TDI Manual - Gemini, Flanged Head	FN108047L	1
4	Bolt		coolant pump to front cover, Engine Code 12L 2.5 TDI Manual - Gemini, M8 x 55	ERR1120M	2
5	Screw		coolant pump to front cover, M8 x 25, Engine Code 12L 2.5 TDI Manual - Gemini	ERR1121M	3
6	Bolt		coolant pump to front cover, Engine Code 12L 2.5 TDI Manual - Gemini, M8 x 110	ERR1119M	2
7	Hose-bypass to pump coolant	Change point - Engine end 12L07540A Change point - Engine begin 12L07541A	Engine Code 12L 2.5 TDI Manual - Gemini Engine Code 12L 2.5 TDI Manual - Gemini	ERR39 ERR1361	1 1
8	Stud		coolant pump to front cover, Engine Code 12L 2.5 TDI Manual - Gemini, M8 x 110	TD108201	1
9	Clip-Hose		Engine Code 12L 2.5 TDI Manual - Gemini	CN100408L	2



Engine
2500 - Diesel - Turbo - 200 Tdi
Cooling Fan & Belt 1/1

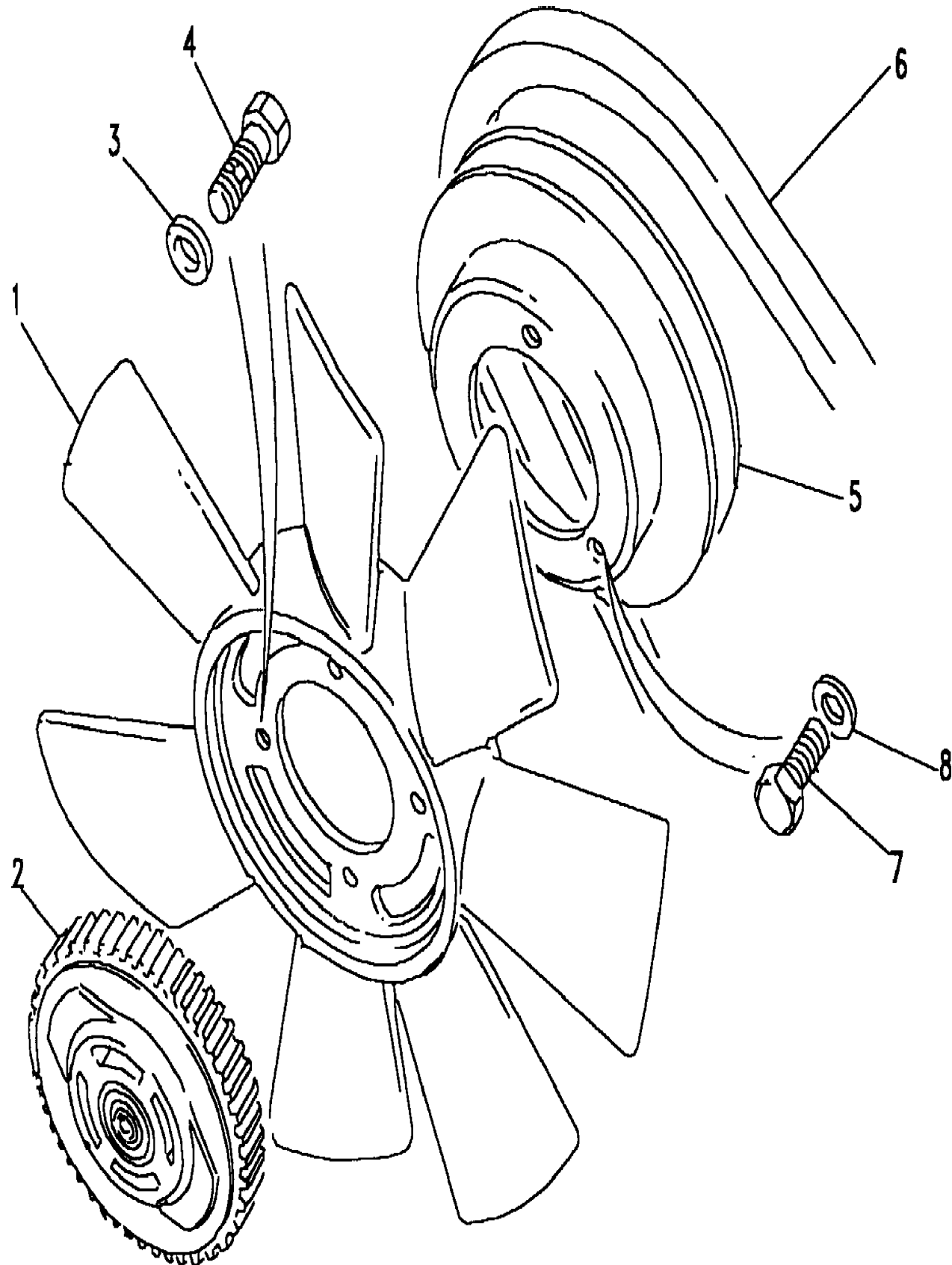
Discovery (FA393361-WA799999)
(CABMEG1A)

Discovery (FA393361-WA799999)

Engine
2500 - Diesel - Turbo - 200 Tdi
Cooling Fan & Belt

Change point - VIN end LA081991, 2.5L I4 200 TDi Turbo Diesel, 5 Speed Manual
Transmission, Less Catalyst

Callout	Name	Application	Remarks & Restrictions	Service No.	Qty
1	Fan-cooling		Engine Code 12L 2.5 TDI Manual - Gemini	ERR3380	1
2	Coupling-engine fan viscous		Engine Code 12L 2.5 TDI Manual - Gemini	ETC7238	1
3	Washer-Plain		Engine Code 12L 2.5 TDI Manual - Gemini	4589L	4
4	Screw		fan to viscous coupling, Engine Code 12L 2.5 TDI Manual - Gemini, M6 X 14	ERC5709	4
5	Pulley coolant pump		Engine Code 12L 2.5 TDI Manual - Gemini	ETC5499	1
6	Belt-vee power assisted steering		Engine Code 12L 2.5 TDI Manual - Gemini	ERR810	1
7	Screw		pulley to pump, Engine Code 12L 2.5 TDI Manual - Gemini, hexagonal head, 1/4UNF x 5/8	SH604051L	3
8	Washer		Engine Code 12L 2.5 TDI Manual - Gemini, 6MM	WA106041L	3



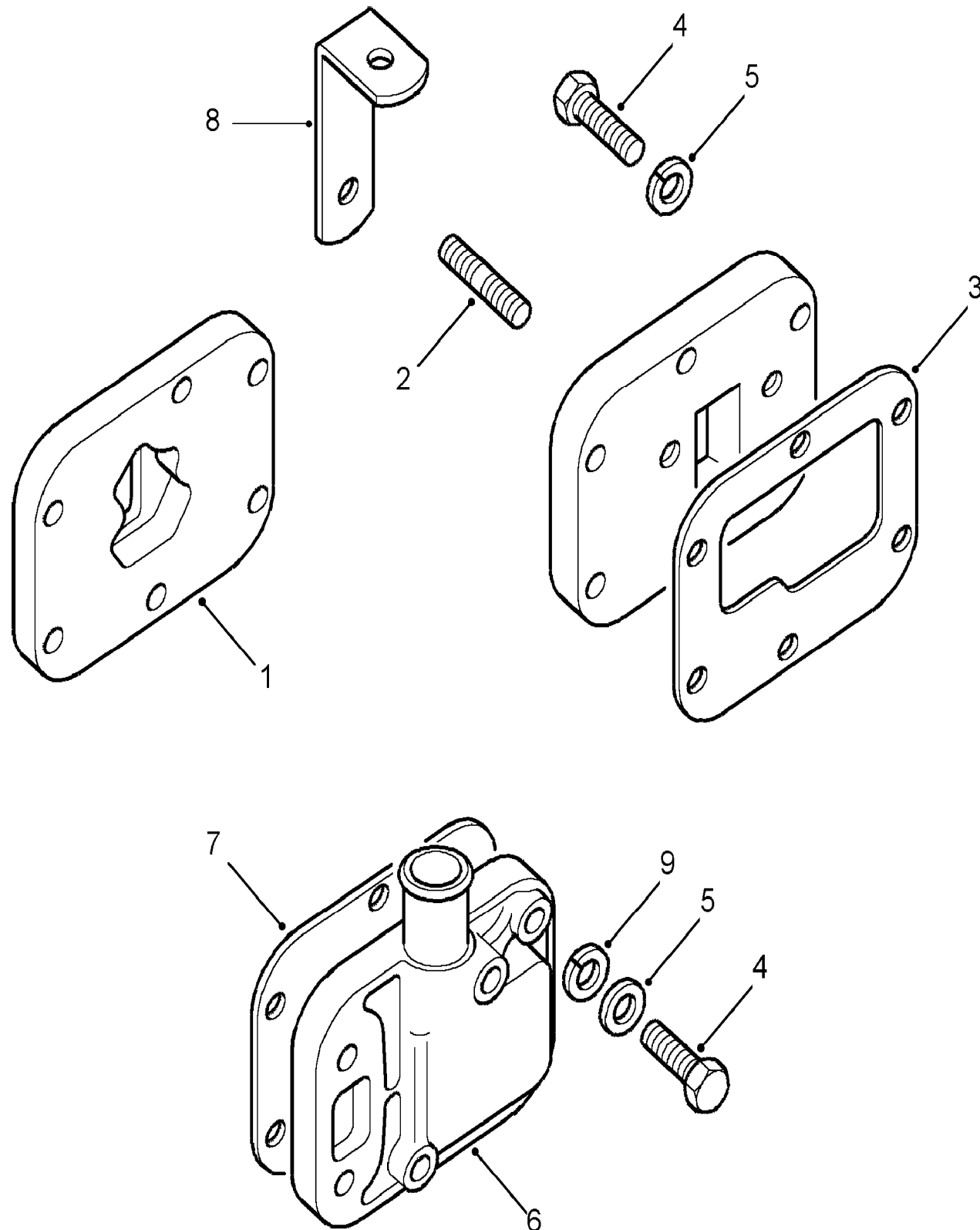
Engine
2500 - Diesel - Turbo - 200 Tdi
Cover Side 1/1

Discovery (FA393361-WA799999)
(CABMBC1A)

Discovery (FA393361-WA799999)

Engine
2500 - Diesel - Turbo - 200 Tdi
Cover Side

Change point - VIN end LA081991, 2.5L I4 200 TDi Turbo Diesel, 5 Speed Manual Transmission, Less Catalyst



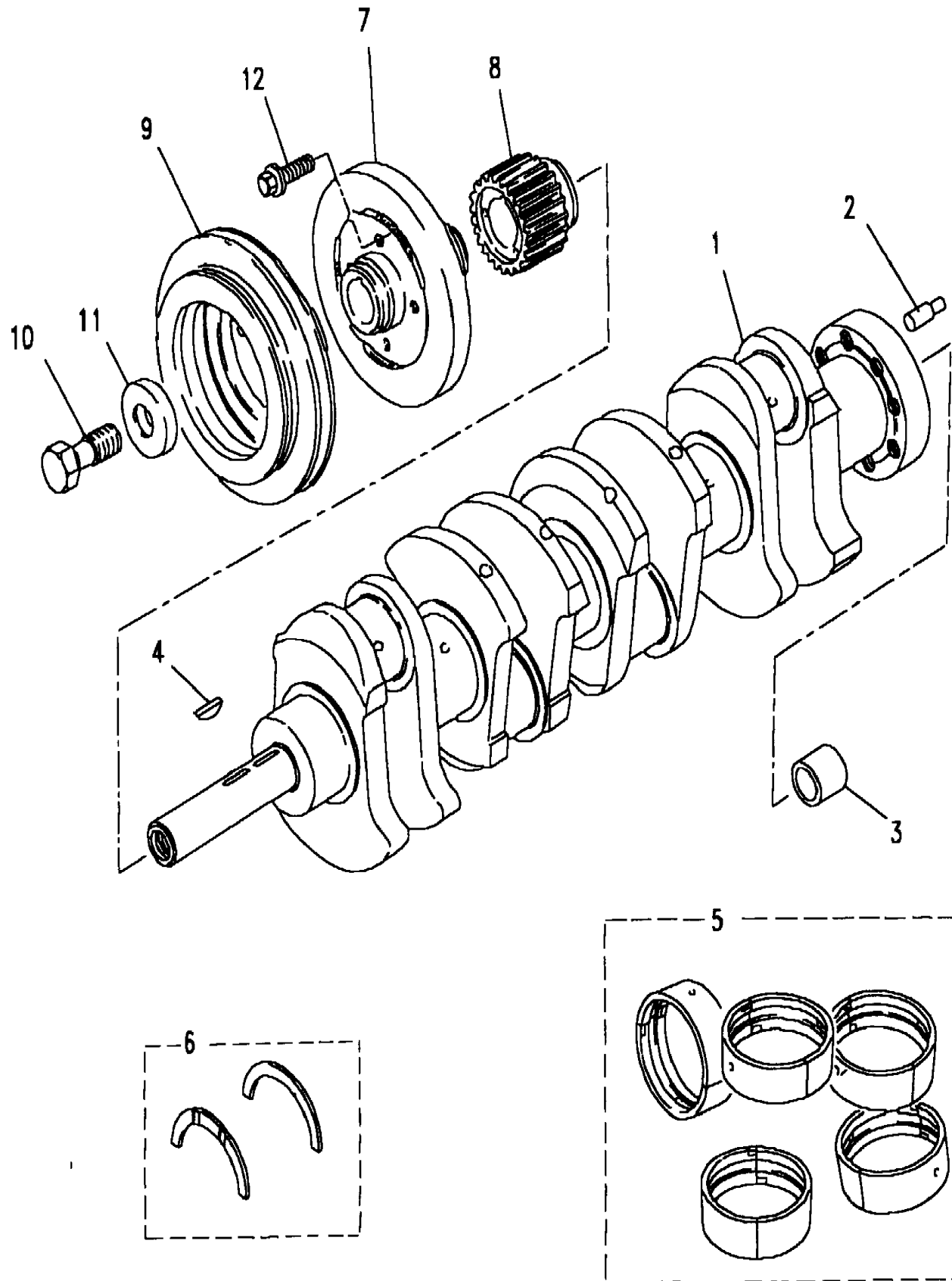
CABMBC1A

Callout	Name	Application	Remarks & Restrictions	Service No.	Qty
1	Cover Plate		Also serviced as part of a kit, Engine Code 12L 2.5 TDI Manual - Gemini, Side	ETC7929	1
2	Stud		Also serviced as part of a kit, Engine Code 12L 2.5 TDI Manual - Gemini, M8 x 20	TE108041L	2
3	Gasket-cylinder block side cover		Engine Code 12L 2.5 TDI Manual - Gemini	ERR1475	1
4	Screw		COVER TO BLOCK, M8 x 25, Engine Code 12L 2.5 TDI Manual - Gemini, Flanged Head	FS108257L	9
5	Washer		M8, Engine Code 12L 2.5 TDI Manual - Gemini, sprung	WL108001L	12
6	Breather assembly-crankcase		Engine Code 12L 2.5 TDI Manual - Gemini	ERR506	1
7	Gasket-cylinder block side cover		Asbestos Free, Engine Code 12L 2.5 TDI Manual - Gemini	ERR2026	1
8	Bracket		Engine Code 12L 2.5 TDI Manual - Gemini	ERC9480	1
9	Washer		8MM, Engine Code 12L 2.5 TDI Manual - Gemini	WA108051L	3

Engine
2500 - Diesel - Turbo - 200 Tdi
Crankshaft & Bearings 1/2

Discovery (FA393361-WA799999)

(CABMCA1B)



Discovery (FA393361-WA799999)

Engine
2500 - Diesel - Turbo - 200 Tdi
Crankshaft & Bearings

Change point - VIN end LA081991, 2.5L I4 200 TDi Turbo Diesel, 5 Speed Manual Transmission, Less Catalyst

Callout	Name	Application	Remarks & Restrictions	Service No.	Qty
1	Crankshaft-engine		Also serviced as part of a kit, Engine Code 12L 2.5 TDI Manual - Gemini	ERR1181	1
2	Dowel-flywheel to crankshaft	Change point - VIN end LA081991 Change point - VIN end LA081991	Engine Code 12L 2.5 TDI Manual - Gemini Engine Code 12L 2.5 TDI Manual - Gemini	ERC4650 ERR1630	1 1
3	Bush-crankshaft		Engine Code 12L 2.5 TDI Manual - Gemini	8566L	1
4	Key-crankshaft		Engine Code 12L 2.5 TDI Manual - Gemini	235770	2
5	Set-crankshaft bearings		Also serviced as part of a kit, Engine Code 12L 2.5 TDI Manual - Gemini, standard. Engine Code 12L 2.5 TDI Manual - Gemini, standard. Also serviced as part of a kit, Engine Code 12L 2.5 TDI Manual - Gemini, 0.010" undersize	RTC4783 STC3395 RTC478310	1 1 1
6	Washer-crankshaft thrust		Engine Code 12L 2.5 TDI Manual - Gemini, Pair, standard. Engine Code 12L 2.5 TDI Manual - Gemini, Pair, oversize., 0.0025" Engine Code 12L 2.5 TDI Manual - Gemini, Pair, 0.005", oversize. Engine Code 12L 2.5 TDI Manual - Gemini, Pair, 0.01", oversize.	RTC2825 538131 538132 538134	X X X X
7	Pulley & torsional vibration damper-crankshaft		Also serviced as part of a kit, Engine Code 12L 2.5 TDI Manual - Gemini	ERR751	1
8	Gear-crankshaft timing drive		Engine Code 12L 2.5 TDI Manual - Gemini	ERR1642	1
9	Pulley-crankshaft	Less Air Conditioning With Air Conditioning	Engine Code 12L 2.5 TDI Manual - Gemini Engine Code 12L 2.5 TDI Manual - Gemini	ERR2351 ERR2352	1 1
10	Bolt-crankshaft pulley		Engine Code 12L 2.5 TDI Manual - Gemini	ERR605	1
11	Washer-crankshaft thrust		Engine Code 12L 2.5 TDI Manual - Gemini	ERR705	1

Engine
2500 - Diesel - Turbo - 200 Tdi
Crankshaft & Bearings 2/2

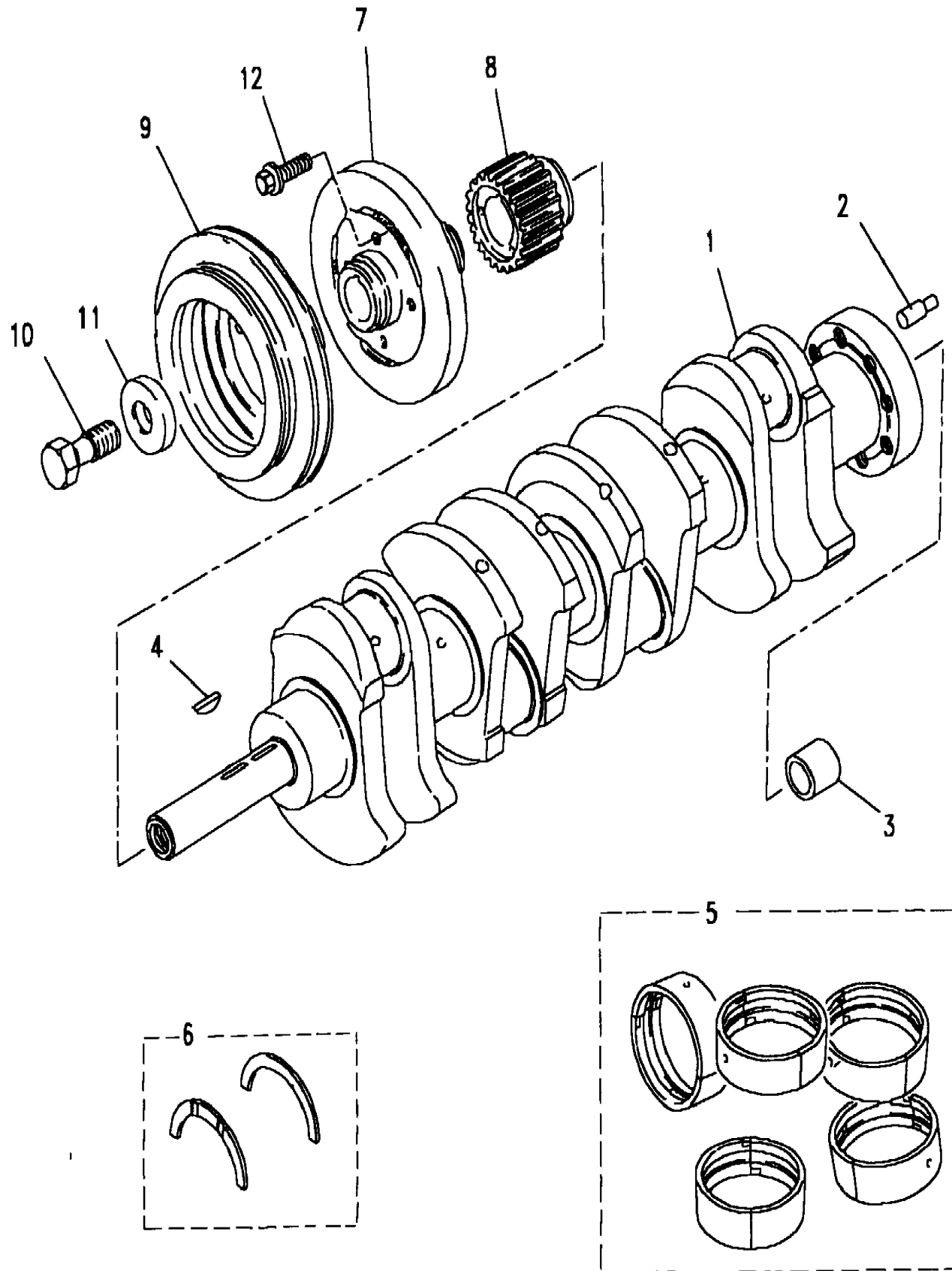
Discovery (FA393361-WA799999)
(CABMCA1B)

Discovery (FA393361-WA799999)

Engine
2500 - Diesel - Turbo - 200 Tdi
Crankshaft & Bearings

Change point - VIN end LA081991, 2.5L I4 200 TDi Turbo Diesel, 5 Speed Manual
Transmission, Less Catalyst

Callout	Name	Application	Remarks & Restrictions	Service No.	Qty
12	Screw		PULLEY TO DAMPER, Engine Code 12L 2.5 TDI Manual - Gemini, Flanged Head, M8 x 20	FS108207L	4
13	Flinger-crankshaft pulley		Also serviced as part of a kit, Engine Code 12L 2.5 TDI Manual - Gemini	ETC4390	1



Engine
2500 - Diesel - Turbo - 200 Tdi
Cylinder Block 1/1

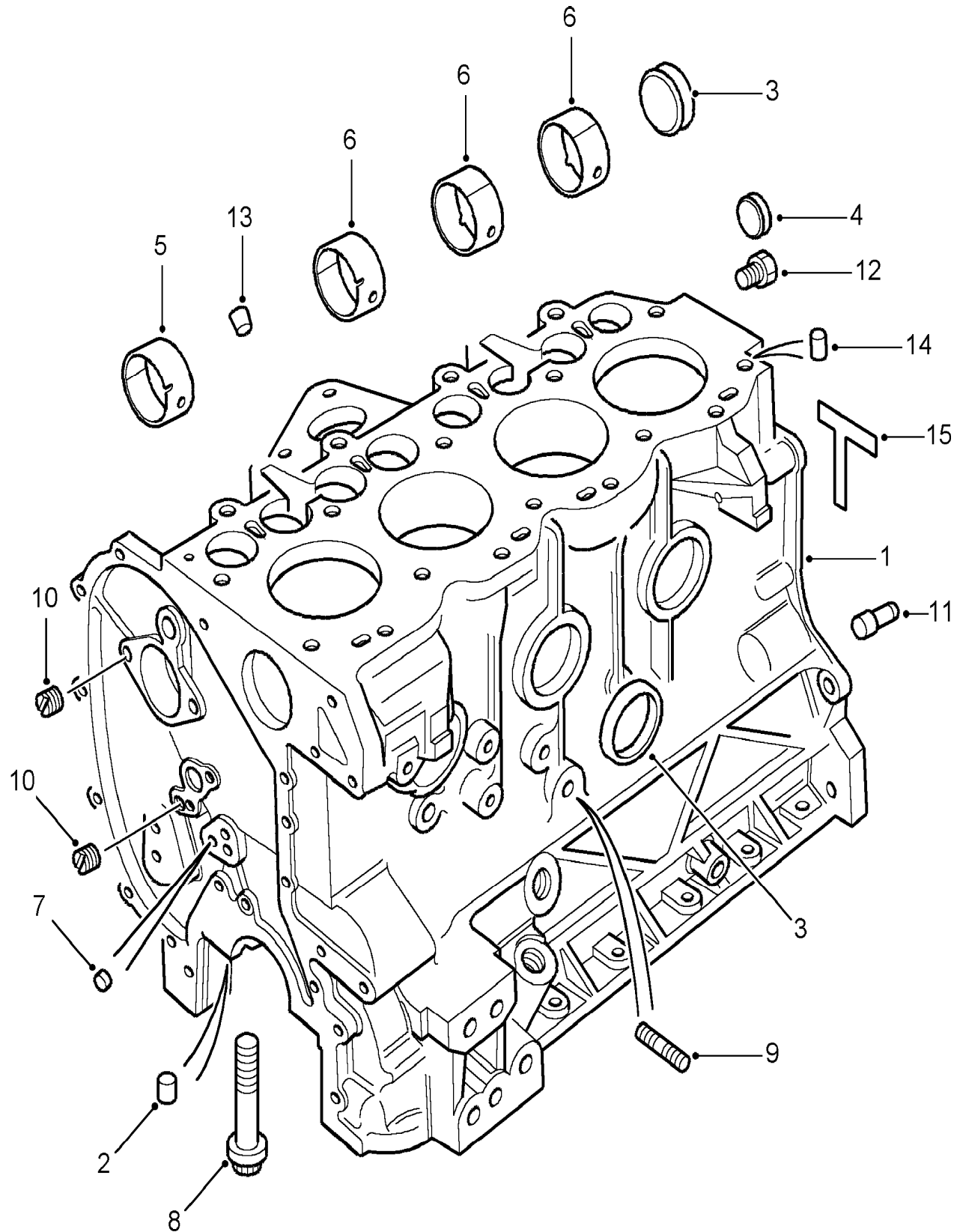
Discovery (FA393361-WA799999)

(CABMBA1A)

Discovery (FA393361-WA799999)

Engine
2500 - Diesel - Turbo - 200 Tdi
Cylinder Block

Change point - VIN end LA081991, 2.5L I4 200 TDi Turbo Diesel, 5 Speed Manual Transmission, Less Catalyst



CABMBA1A

Callout	Name	Application	Remarks & Restrictions	Service No.	Qty
1	Cylinder block-engine		Also serviced as part of a kit, Engine Code 12L 2.5 TDI Manual - Gemini	ERR3	1
2	Dowel		Also serviced as part of a kit, Engine Code 12L 2.5 TDI Manual - Gemini	501593	10
3	Plug-core		Also serviced as part of a kit, Engine Code 12L 2.5 TDI Manual - Gemini	ERC4996	7
4	Plug-core		Also serviced as part of a kit, Engine Code 12L 2.5 TDI Manual - Gemini	597586	1
5	Bearing-camshaft front		Also serviced as part of a kit, Engine Code 12L 2.5 TDI Manual - Gemini	ETC8442	1
6	Bearing-camshaft rear		Also serviced as part of a kit, Engine Code 12L 2.5 TDI Manual - Gemini	90519055	3
7	Plug-core		Also serviced as part of a kit, Engine Code 12L 2.5 TDI Manual - Gemini	ETC4529	1
8	Bolt		Also serviced as part of a kit, Engine Code 12L 2.5 TDI Manual - Gemini	ETC8074	10
9	Screw		Also serviced as part of a kit, M8 X 16, Engine Code 12L 2.5 TDI Manual - Gemini, Flanged Head	FS108161L	1
10	Plug-cylinder block oil way		Engine Code 12L 2.5 TDI Manual - Gemini	247127	2
11	Dowel		block to bell housing, Engine Code 12L 2.5 TDI Manual - Gemini	ERC4644	2
12	Plug		Engine Code 12L 2.5 TDI Manual - Gemini	ETC4922	2
13	Plug-camshaft blanking		Rubber, Engine Code 12L 2.5 TDI Manual - Gemini	ERR5034	3
14	Dowel-ring		Engine Code 12L 2.5 TDI Manual - Gemini	ETC8352	2
15	Packing strip		Engine Code 12L 2.5 TDI Manual - Gemini	ERR913	2

Engine
2500 - Diesel - Turbo - 200 Tdi
Cylinder Head 1/2

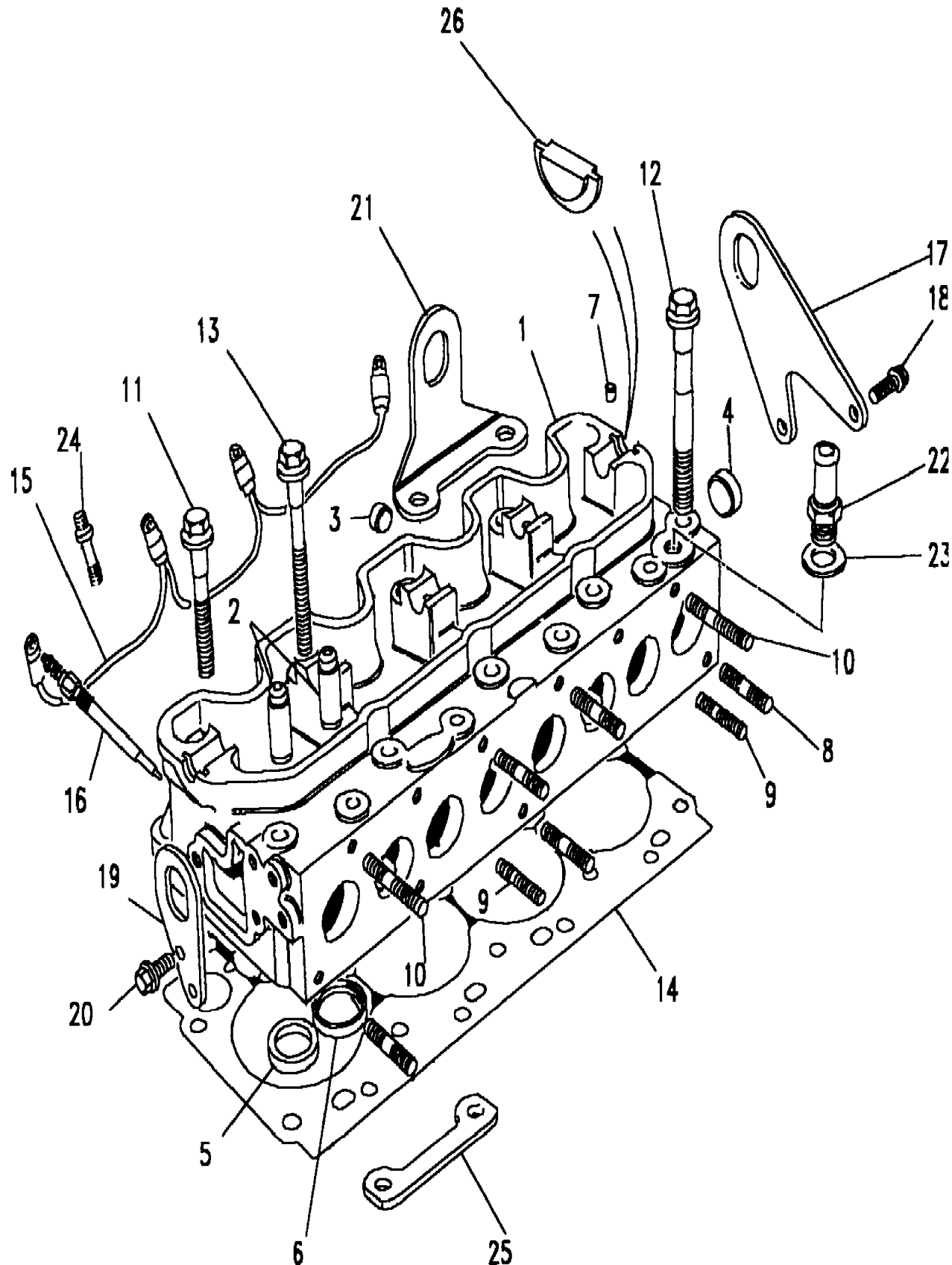
Discovery (FA393361-WA799999)

(CABMGA1B)

Discovery (FA393361-WA799999)

Engine
2500 - Diesel - Turbo - 200 Tdi
Cylinder Head

Change point - VIN end LA081991, 2.5L I4 200 TDi Turbo Diesel, 5 Speed Manual Transmission, Less Catalyst



Callout	Name	Application	Remarks & Restrictions	Service No.	Qty
1	Cylinder head assembly-engine		Also serviced as part of a kit, Engine Code 12L 2.5 TDI Manual - Gemini	RTC6896	1
2	Guide-cylinder head valve		Also serviced as part of a kit, Engine Code 12L 2.5 TDI Manual - Gemini Engine Code 12L 2.5 TDI Manual - Gemini	ETC8003 LGJ100880	8 8
3	Plug-core		Also serviced as part of a kit, Engine Code 12L 2.5 TDI Manual - Gemini	525497	1
4	Plug-core		Also serviced as part of a kit, Engine Code 12L 2.5 TDI Manual - Gemini	524765	1
5	Insert-cylinder head exhaust valve seat		Also serviced as part of a kit, Engine Code 12L 2.5 TDI Manual - Gemini	ETC8002	4
6	Insert-inlet valve seat-cylinder head		Also serviced as part of a kit, Engine Code 12L 2.5 TDI Manual - Gemini	ETC8001	4
7	Dowel-ring		Also serviced as part of a kit, Engine Code 12L 2.5 TDI Manual - Gemini	ETC8194	1
8	Stud		MANIFOLD TO HEAD, Engine Code 12L 2.5 TDI Manual - Gemini, M10 x 25	TE110051L	5
9	Stud		MANIFOLD TO HEAD, M8 x 25, Engine Code 12L 2.5 TDI Manual - Gemini	TE108051L	2
10	Stud		MANIFOLD TO HEAD, Engine Code 12L 2.5 TDI Manual - Gemini, M10 x 35	TE110071L	2
11	Bolt-cylinder head fixing		Short, Engine Code 12L 2.5 TDI Manual - Gemini, M12 x 100	ETC8808	4
12	Bolt-cylinder head fixing		Long, Engine Code 12L 2.5 TDI Manual - Gemini	ETC8809	10
13	Bolt-cylinder head fixing		Also serviced as part of a kit, Engine Code 12L 2.5 TDI Manual - Gemini, M10 x 117	ETC8810	4
14	Gasket-Cylinder Head		1 Hole, 1.30MM, Engine Code 12L 2.5 TDI Manual - Gemini	ERR5261	1

Engine
2500 - Diesel - Turbo - 200 Tdi
Cylinder Head 2/2

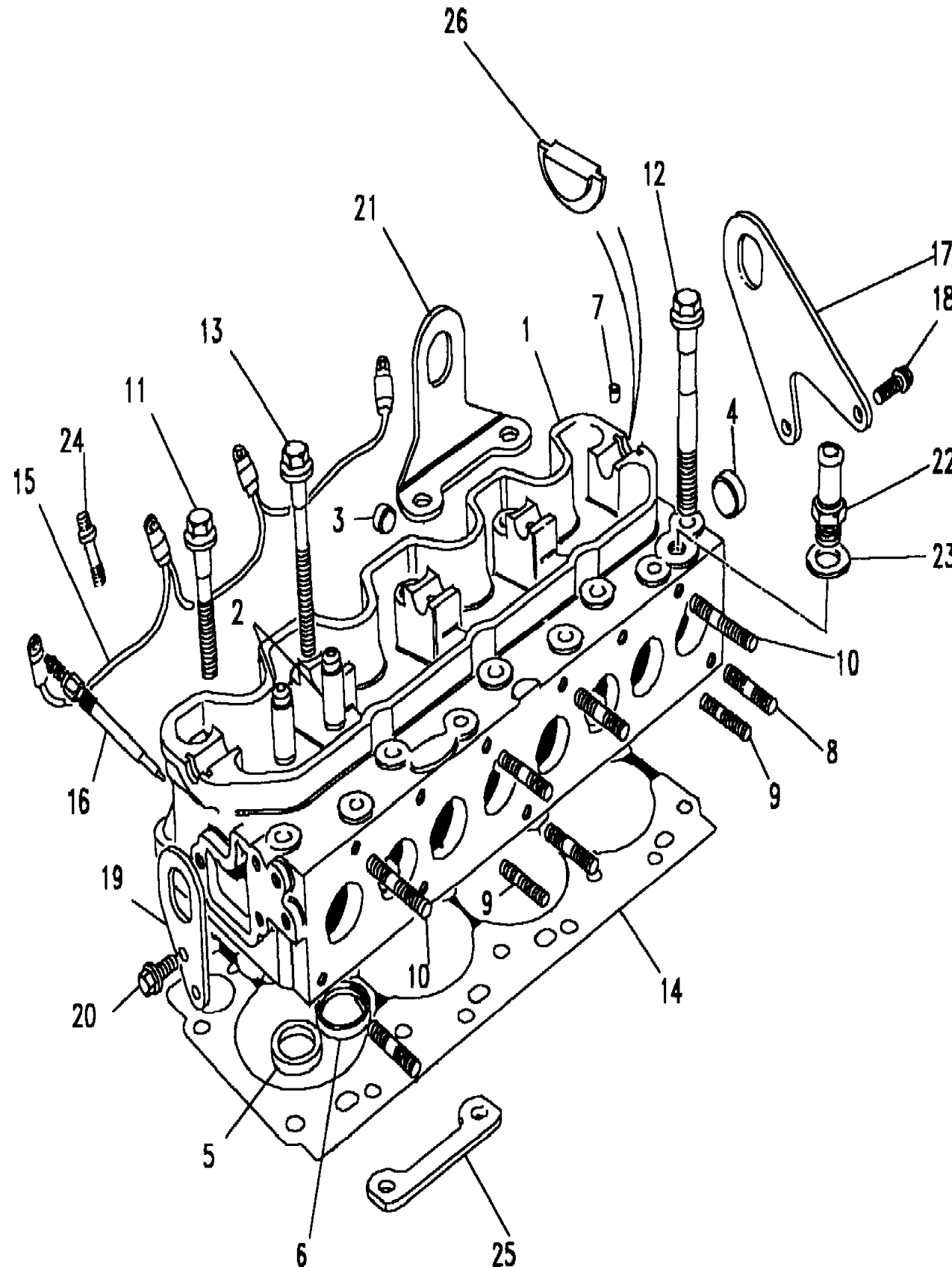
Discovery (FA393361-WA799999)

(CABMGA1B)

Discovery (FA393361-WA799999)

Engine
2500 - Diesel - Turbo - 200 Tdi
Cylinder Head

Change point - VIN end LA081991, 2.5L I4 200 TDi Turbo Diesel, 5 Speed Manual Transmission, Less Catalyst



Callout	Name	Application	Remarks & Restrictions	Service No.	Qty
14	Gasket-Cylinder Head		2 Holes, 1.40MM, Engine Code 12L 2.5 TDI Manual - Gemini	ERR5262	1
			3 Holes, 1.50MM, Engine Code 12L 2.5 TDI Manual - Gemini	ERR5263	1
15	Cable-heater plug ignition	Change point - Engine end 12L65883A Change point - Engine begin 12L65884A	Engine Code 12L 2.5 TDI Manual - Gemini	PRC6947	1
			Engine Code 12L 2.5 TDI Manual - Gemini	AMR2425	1
16	Plug-heater ignition		Engine Code 12L 2.5 TDI Manual - Gemini	ETC8847	4
17	Bracket-lifting engine rear		Engine Code 12L 2.5 TDI Manual - Gemini	ETC8036	1
18	Screw		BRACKET TO CYLINDER HEAD, M8 x 25, Engine Code 12L 2.5 TDI Manual - Gemini, Flanged Head	FS108257L	2
19	Bracket-lifting engine front		Engine Code 12L 2.5 TDI Manual - Gemini	ETC8031	1
20	Screw		BRACKET TO CYLINDER HEAD, M8 x 25, Engine Code 12L 2.5 TDI Manual - Gemini, Flanged Head	FS108257L	2
21	Bracket-lifting engine rear		Engine Code 12L 2.5 TDI Manual - Gemini	ERR978	1
22	Adaptor-pipe coolant		Engine Code 12L 2.5 TDI Manual - Gemini	624091	1
23	Washer-sealing		Engine Code 12L 2.5 TDI Manual - Gemini	243959	1
24	Stud		Engine Code 12L 2.5 TDI Manual - Gemini	ERR1019	4
25	Spacer		Engine Code 12L 2.5 TDI Manual - Gemini	ERR1536	2
26	Plug-cylinder block oil way		Rubber, Engine Code 12L 2.5 TDI Manual - Gemini	ERR765	2

Engine
2500 - Diesel - Turbo - 200 Tdi
Drive Plate Auto 1/3

Discovery (FA393361-WA799999)

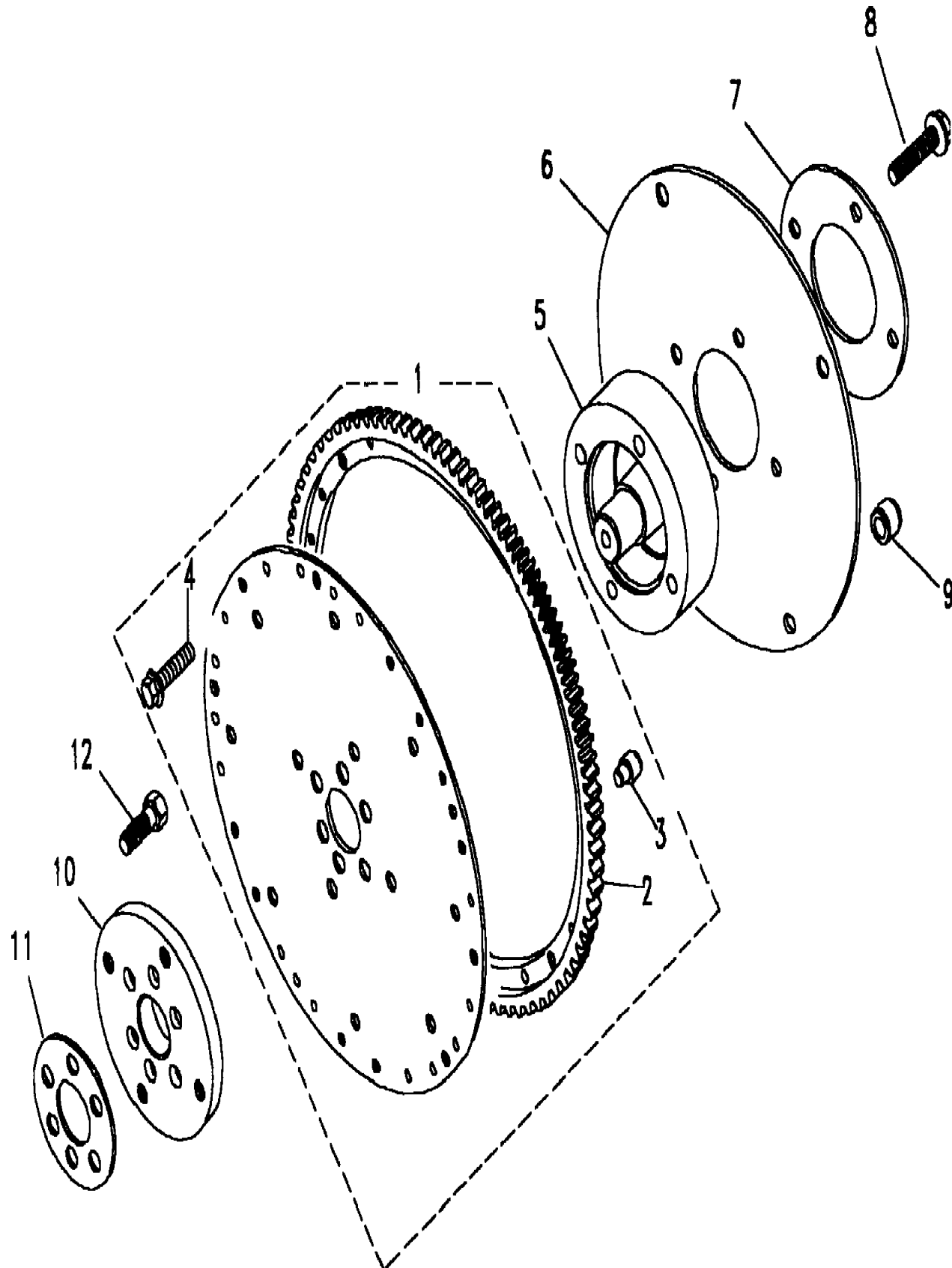
(CABMRA1B)

Discovery (FA393361-WA799999)

Engine
2500 - Diesel - Turbo - 200 Tdi
Drive Plate Auto

Change point - VIN end LA081991, Change point - VIN end LA081991, 2.5L I4 200 TDi Turbo Diesel, Automatic Transmission, 5 Speed Manual Transmission, Less Catalyst

Callout	Name	Application	Remarks & Restrictions	Service No.	Qty
1	Plate-drive assembly automatic transmission	Change point - VIN end LA081991	Also serviced as part of a kit, Engine Code 12L 2.5 TDI Manual - Gemini	FTC4049	1
		Change point - VIN end LA081991	Also serviced as part of a kit, Engine Code 12L 2.5 TDI Manual - Gemini	FTC4049	1
2	Gear-ring-flywheel engine	Change point - VIN end LA081991	Also serviced as part of a kit, Engine Code 12L 2.5 TDI Manual - Gemini	ERR4827	1
		Change point - VIN end LA081991	Also serviced as part of a kit, Engine Code 12L 2.5 TDI Manual - Gemini	ERR4827	1
3	Dowel-flywheel spigot alignment	Change point - VIN end LA081991	Also serviced as part of a kit, Engine Code 12L 2.5 TDI Manual - Gemini	529364	2
		Change point - VIN end LA081991	Also serviced as part of a kit, Engine Code 12L 2.5 TDI Manual - Gemini	529364	2
4	Screw-flanged head	Change point - VIN end LA081991	Also serviced as part of a kit, M8 X 16, Engine Code 12L 2.5 TDI Manual - Gemini, Flanged Head	FS108161ML	12
		Change point - VIN end LA081991	Also serviced as part of a kit, M8 X 16, Engine Code 12L 2.5 TDI Manual - Gemini, Flanged Head	FS108161ML	12
5	Spigot-flywheel alignment	Change point - VIN end LA081991	Engine Code 12L 2.5 TDI Manual - Gemini	FRC7075	1
		Change point - VIN end LA081991	Engine Code 12L 2.5 TDI Manual - Gemini	FRC7075	1
6	Plate assembly-drive torque converter	Change point - VIN end LA081991	Engine Code 12L 2.5 TDI Manual - Gemini	FRC7081	1
		Change point - VIN end LA081991	Engine Code 12L 2.5 TDI Manual - Gemini	FRC7081	1
7	Plate-backing automatic transmission	Change point - VIN end LA081991	Engine Code 12L 2.5 TDI Manual - Gemini	FTC4213	1
		Change point - VIN end LA081991	Engine Code 12L 2.5 TDI Manual - Gemini	FTC4213	1
8	Bolt	Change point - VIN end LA081991	Engine Code 12L 2.5 TDI Manual - Gemini, M10 x 55	FB110111L	6
		Change point - VIN end LA081991	Engine Code 12L 2.5 TDI Manual - Gemini, M10 x 55	FB110111L	6
9	Dowel	Change point - VIN end LA081991	Engine Code 12L 2.5 TDI Manual - Gemini	FTC2081	1
		Change point - VIN end LA081991	Engine Code 12L 2.5 TDI Manual - Gemini	FTC2081	1



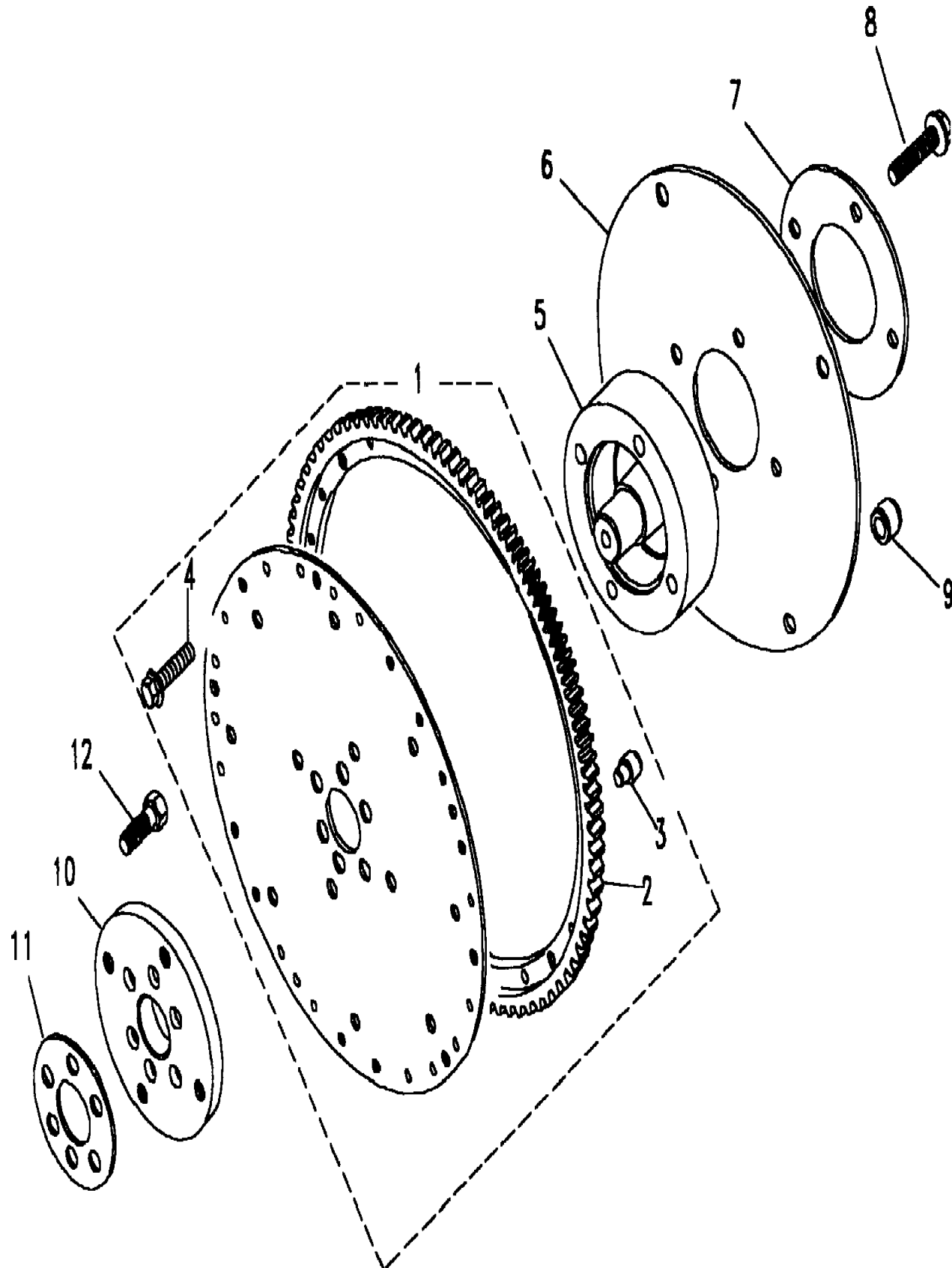
Engine
2500 - Diesel - Turbo - 200 Tdi
Drive Plate Auto 2/3

Discovery (FA393361-WA799999)
(CABMRA1B)

Discovery (FA393361-WA799999)
Engine
2500 - Diesel - Turbo - 200 Tdi
Drive Plate Auto

Change point - VIN end LA081991, Change point - VIN end LA081991, 2.5L I4 200 TDi Turbo Diesel, Automatic Transmission, 5 Speed Manual Transmission, Less Catalyst

Callout	Name	Application	Remarks & Restrictions	Service No.	Qty		
10	Spacer-crank/drive plate automatic transmission	Change point - VIN end LA081991, Change point - Engine end 22L03116A	Engine Code 12L 2.5 TDI Manual - Gemini	FTC4214	1		
		Change point - VIN end LA081991, Change point - Engine end 22L03116A	Engine Code 12L 2.5 TDI Manual - Gemini	FTC4214	1		
		Change point - VIN end LA081991, Change point - Engine begin 22L03117A	Engine Code 12L 2.5 TDI Manual - Gemini	FTC4557	1		
		Change point - VIN end LA081991, Change point - Engine begin 22L03117A	Engine Code 12L 2.5 TDI Manual - Gemini	FTC4557	1		
		Change point - VIN end LA081991, Change point - Engine begin 22L03117A	Engine Code 12L 2.5 TDI Manual - Gemini	FTC4557	1		
11	Shim	Change point - VIN end LA081991	1.1MM, Engine Code 12L 2.5 TDI Manual - Gemini	FRC6291	X		
		Change point - VIN end LA081991	1.1MM, Engine Code 12L 2.5 TDI Manual - Gemini	FRC6291	X		
		Change point - VIN end LA081991	1.30MM, Engine Code 12L 2.5 TDI Manual - Gemini	FRC6293	X		
		Change point - VIN end LA081991	1.30MM, Engine Code 12L 2.5 TDI Manual - Gemini	FRC6293	X		
		Change point - VIN end LA081991	1.50MM, Engine Code 12L 2.5 TDI Manual - Gemini	FRC6295	X		
		Change point - VIN end LA081991	1.50MM, Engine Code 12L 2.5 TDI Manual - Gemini	FRC6295	X		
		Change point - VIN end LA081991	Engine Code 12L 2.5 TDI Manual - Gemini, 1.70MM	FRC6297	X		
		Change point - VIN end LA081991	Engine Code 12L 2.5 TDI Manual - Gemini, 1.70MM	FRC6297	X		
		Change point - VIN end LA081991	1.90MM, Engine Code 12L 2.5 TDI Manual - Gemini	FRC6299	X		
		Change point - VIN end LA081991	1.90MM, Engine Code 12L 2.5 TDI Manual - Gemini	FRC6299	X		
		Change point - VIN end LA081991	2.10MM, Engine Code 12L 2.5 TDI Manual - Gemini	FRC6301	X		
		Change point - VIN end LA081991	2.10MM, Engine Code 12L 2.5 TDI Manual - Gemini	FRC6301	X		
		12	Bolt-fixing flywheel crankshaft	Change point - VIN end LA081991	Short, Engine Code 12L 2.5 TDI Manual - Gemini	ERR4574	8
				Change point - VIN end LA081991	Short, Engine Code 12L 2.5 TDI Manual - Gemini	ERR4574	8
[900]	Adaptor-transmission mounting plate	Change point - VIN end LA081991	Also serviced as part of a kit, Engine Code 12L 2.5 TDI Manual - Gemini	ERR4612	1		
		Change point - VIN end LA081991	Also serviced as part of a kit, Engine Code 12L 2.5 TDI Manual - Gemini	ERR4612	1		
[901]	Plug	Change point - VIN end LA081991	Also serviced as part of a kit, Rubber, Engine Code 12L 2.5 TDI Manual - Gemini	ERC7295	1		
		Change point - VIN end LA081991	Also serviced as part of a kit, Rubber, Engine Code 12L 2.5 TDI Manual - Gemini	ERC7295	1		



Engine
2500 - Diesel - Turbo - 200 Tdi
Drive Plate Auto 3/3

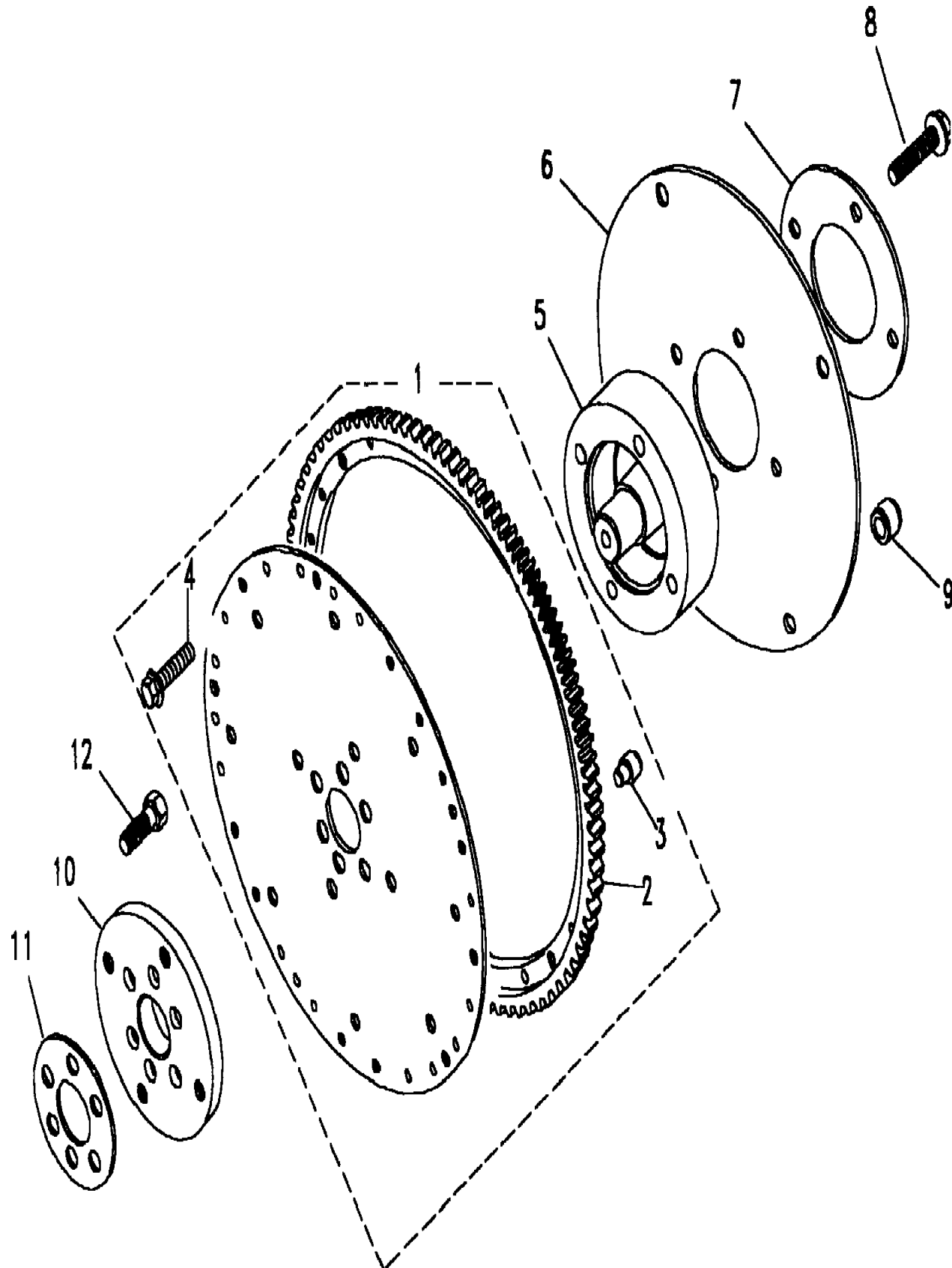
Discovery (FA393361-WA799999)
(CABMRA1B)

Discovery (FA393361-WA799999)

Engine
2500 - Diesel - Turbo - 200 Tdi
Drive Plate Auto

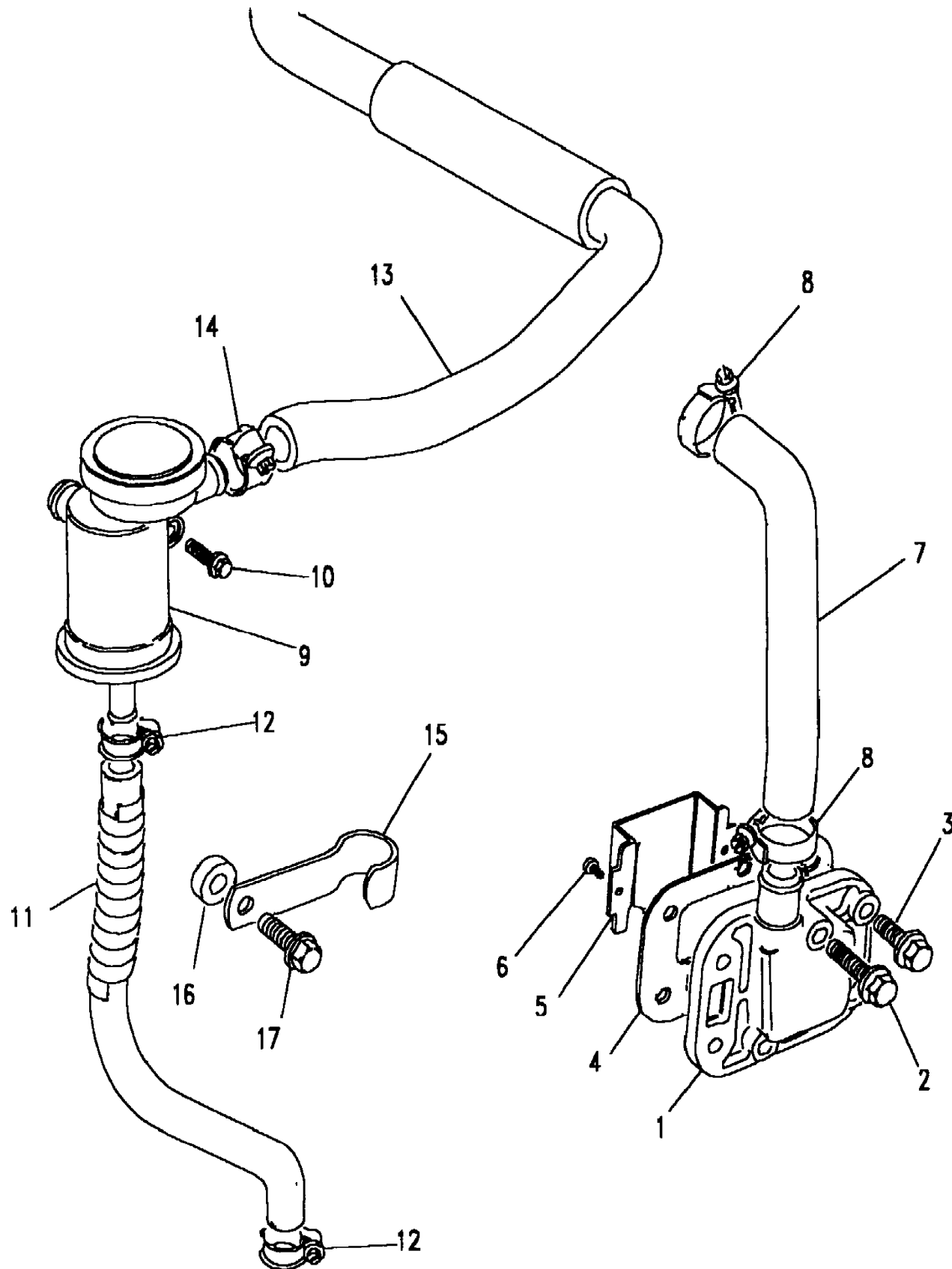
Change point - VIN end LA081991, Change point - VIN end LA081991, 2.5L I4 200 TDi Turbo Diesel, Automatic Transmission, 5 Speed Manual Transmission, Less Catalyst

Callout	Name	Application	Remarks & Restrictions	Service No.	Qty
[902]	Seal	Change point - VIN end LA081991	CRANKSHAFT REAR, Also serviced as part of a kit, Engine Code 12L 2.5 TDI Manual - Gemini	ERR2532	1
		Change point - VIN end LA081991	CRANKSHAFT REAR, Also serviced as part of a kit, Engine Code 12L 2.5 TDI Manual - Gemini	ERR2532	1
[903]	Dowel-ring	Change point - VIN end LA081991	Also serviced as part of a kit, Engine Code 12L 2.5 TDI Manual - Gemini, 15.0mm	FRC2482	2
		Change point - VIN end LA081991	Also serviced as part of a kit, Engine Code 12L 2.5 TDI Manual - Gemini, 15.0mm	FRC2482	2
[904]	Stud	Change point - VIN end LA081991	Also serviced as part of a kit, Engine Code 12L 2.5 TDI Manual - Gemini, M10 x 35	TE110071L	3
		Change point - VIN end LA081991	Also serviced as part of a kit, Engine Code 12L 2.5 TDI Manual - Gemini, M10 x 35	TE110071L	3
[905]	Dowel	Change point - VIN end LA081991	spacer to flexi plate, Engine Code 12L 2.5 TDI Manual - Gemini	571134	1
		Change point - VIN end LA081991	spacer to flexi plate, Engine Code 12L 2.5 TDI Manual - Gemini	571134	1



Engine
2500 - Diesel - Turbo - 200 Tdi
Engine Breather 1/2
Discovery (FA393361-WA799999)
(CABMGG2B)

Discovery (FA393361-WA799999)
Engine
2500 - Diesel - Turbo - 200 Tdi
Engine Breather
Change point - VIN end LA081991, 2.5L I4 200 TDi Turbo Diesel, 5 Speed Manual Transmission, Less Catalyst



Callout	Name	Application	Remarks & Restrictions	Service No.	Qty
1	Breather assembly-crankcase	Change point - Engine end 12L45742A	Engine Code 12L 2.5 TDI Manual - Gemini	ERR506	1
		Change point - Engine begin 12L45743A	Engine Code 12L 2.5 TDI Manual - Gemini	541010	1
2	Bolt		side cover to block, Engine Code 12L 2.5 TDI Manual - Gemini, Flanged Head, M8 x 40	FB108081L	1
3	Screw		side cover to block, M8 x 25, Engine Code 12L 2.5 TDI Manual - Gemini, Flanged Head	FS108257L	5
4	Gasket-cylinder block side cover		Engine Code 12L 2.5 TDI Manual - Gemini	ERR3605	1
5	Baffle-oil separator		Engine Code 12L 2.5 TDI Manual - Gemini	ERR874	1
6	Screw		Engine Code 12L 2.5 TDI Manual - Gemini, No 6 x 5/16	79026	2
7	Hose-crankcase breather flexible		Engine Code 12L 2.5 TDI Manual - Gemini	ERR877	1
8	Clip-Hose		25MM, Engine Code 12L 2.5 TDI Manual - Gemini	CN100258L	2
9	Separator assembly-crankcase breather oil	Change point - Engine end 12L14074A	Engine Code 12L 2.5 TDI Manual - Gemini	ERR509	1
		Change point - Engine begin 12L14075A	Engine Code 12L 2.5 TDI Manual - Gemini	ERR1471	1
10	Screw-flanged head	Change point - Engine end 12L14074A	breather chamber, M6 X 16, Engine Code 12L 2.5 TDI Manual - Gemini, Flanged Head	FS106167L	2
		Change point - Engine begin 12L14075A	breather chamber, Engine Code 12L 2.5 TDI Manual - Gemini, Flanged Head, M6 x 60	FB106121L	2
11	Hose-oil separator drain		Engine Code 12L 2.5 TDI Manual - Gemini	ERR1605	1
12	Clip-Hose		20MM, Engine Code 12L 2.5 TDI Manual - Gemini	CN100208L	2
13	Hose-crankcase breather flexible	Change point - Engine end 12L14074A	Engine Code 12L 2.5 TDI Manual - Gemini	ERR875	1
		Change point - Engine begin 12L14075A	Engine Code 12L 2.5 TDI Manual - Gemini	ERR1730	1

Engine
2500 - Diesel - Turbo - 200 Tdi
Engine Breather 2/2

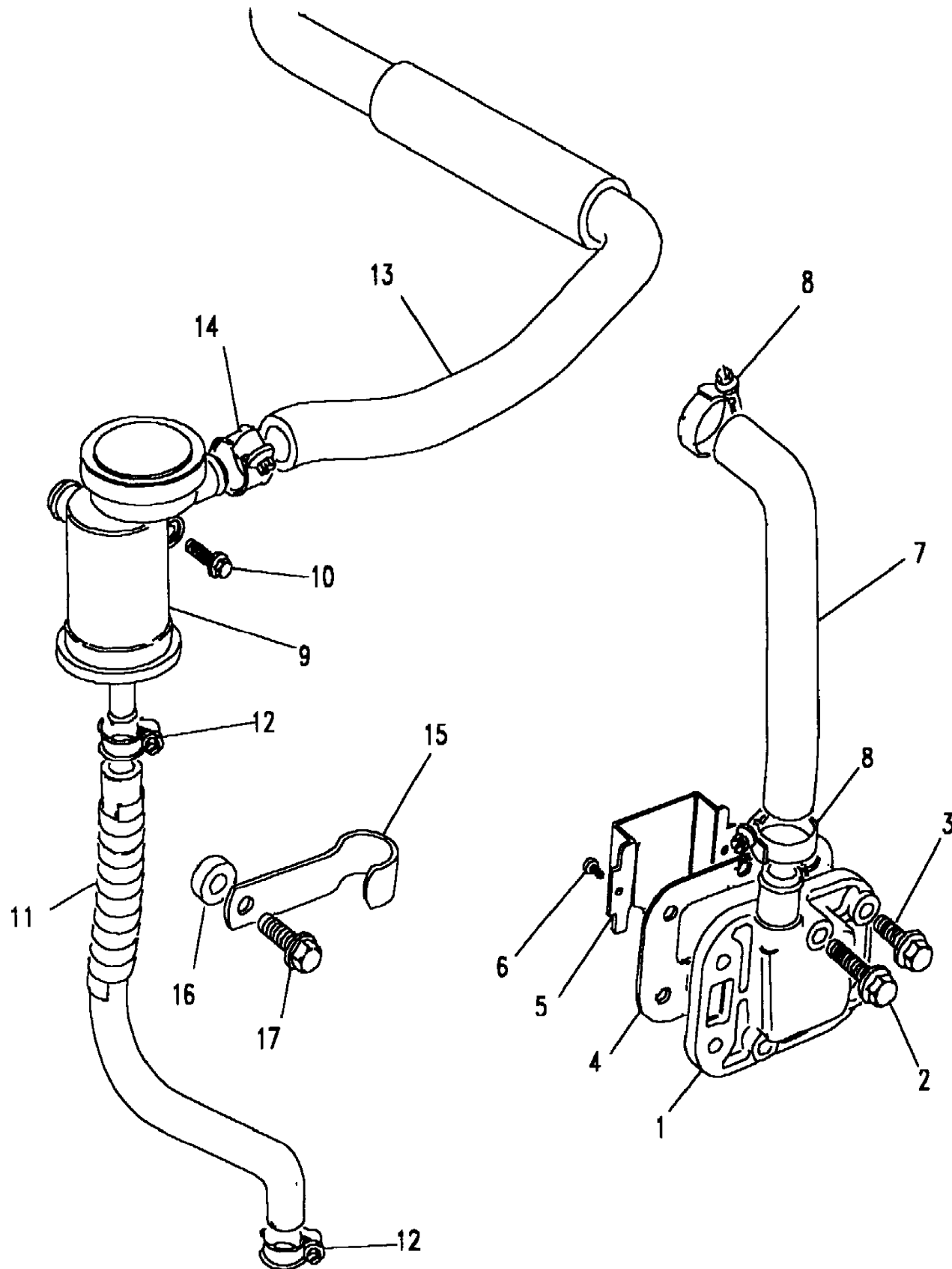
Discovery (FA393361-WA799999)
(CABMGG2B)

Discovery (FA393361-WA799999)

Engine
2500 - Diesel - Turbo - 200 Tdi
Engine Breather

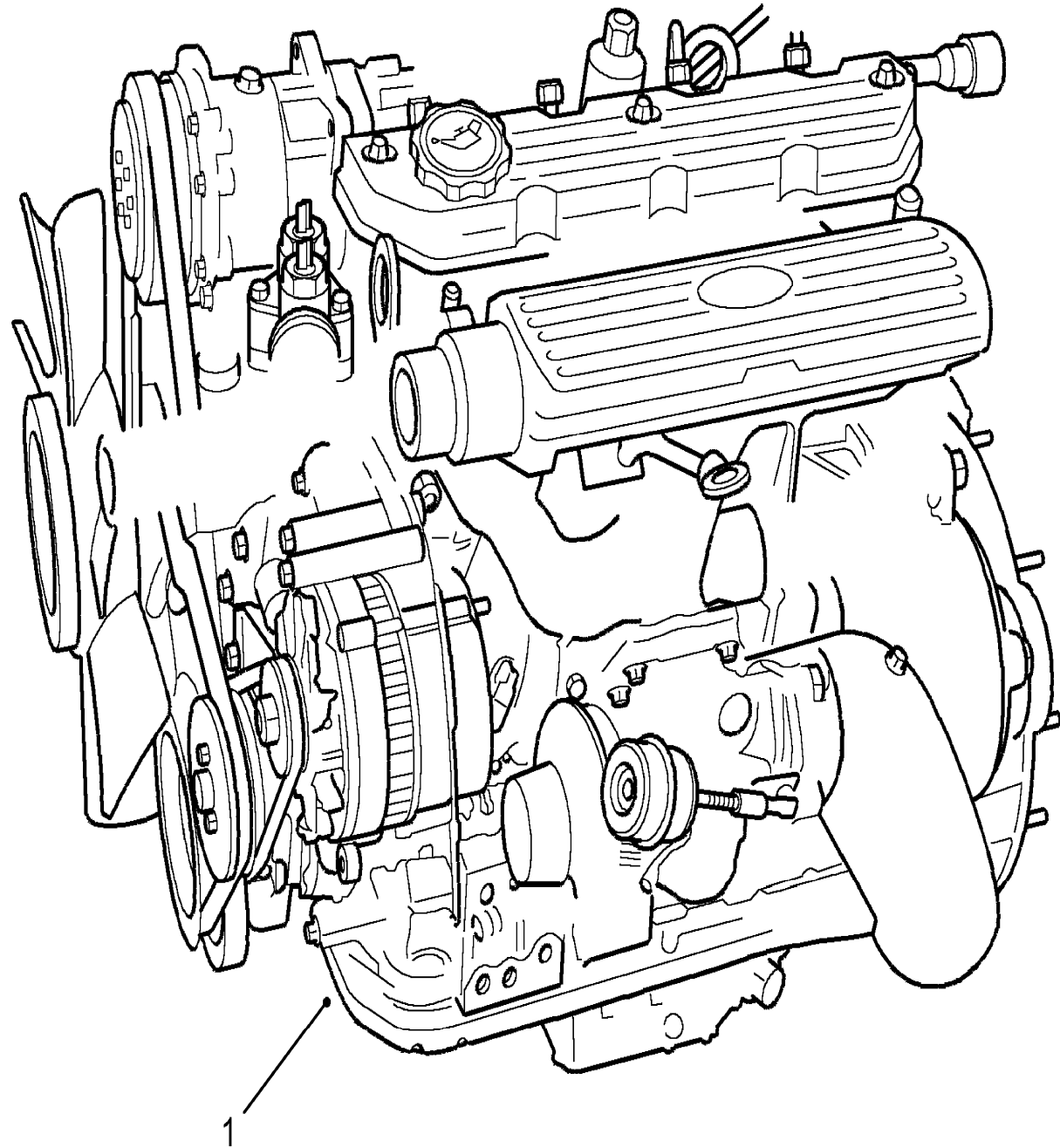
Change point - VIN end LA081991, 2.5L I4 200 TDi Turbo Diesel, 5 Speed Manual Transmission, Less Catalyst

Callout	Name	Application	Remarks & Restrictions	Service No.	Qty
14	Clip-Hose		25MM, Engine Code 12L 2.5 TDI Manual - Gemini	CN100258L	2
15	Clip-Hose		Engine Code 12L 2.5 TDI Manual - Gemini	ERR878	1
16	Spacer		Engine Code 12L 2.5 TDI Manual - Gemini	ERR879	1
17	Screw		bracket to engine block, Engine Code 12L 2.5 TDI Manual - Gemini, hexagonal head, M10 x 20	SH110201L	1
18	Gasket-oil separator		Engine Code 12L 2.5 TDI Manual - Gemini	ERR882	1



Engine
2500 - Diesel - Turbo - 200 Tdi
Engine Complete 1/1

Discovery (FA393361-WA799999)
(CABMAA1A)



Discovery (FA393361-WA799999)

Engine
2500 - Diesel - Turbo - 200 Tdi
Engine Complete

Change point - VIN end LA081991, 2.5L I4 200 TDi Turbo Diesel, 5 Speed Manual Transmission, Less Catalyst

Callout	Name	Application	Remarks & Restrictions	Service No.	Qty
1	Engine base unit-power unit	(-) "CH"	Engine Code 12L 2.5 TDI Manual - Gemini	RTC6637	1
		(+) "CH"	Engine Code 12L 2.5 TDI Manual - Gemini	RTC6638	1

Engine
2500 - Diesel - Turbo - 200 Tdi
Engine Short 1/1

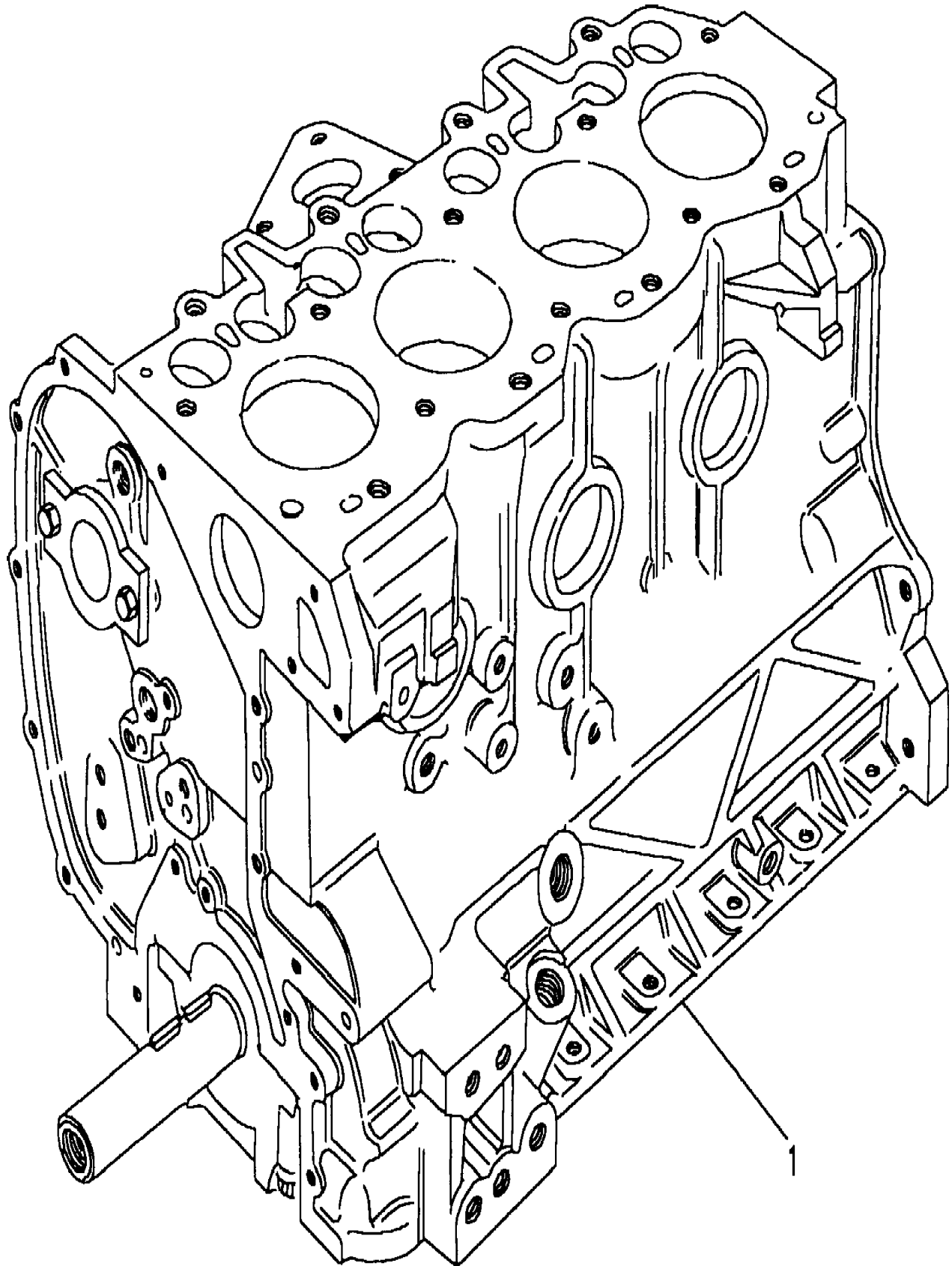
Discovery (FA393361-WA799999)
(CABMAE1A)

Discovery (FA393361-WA799999)

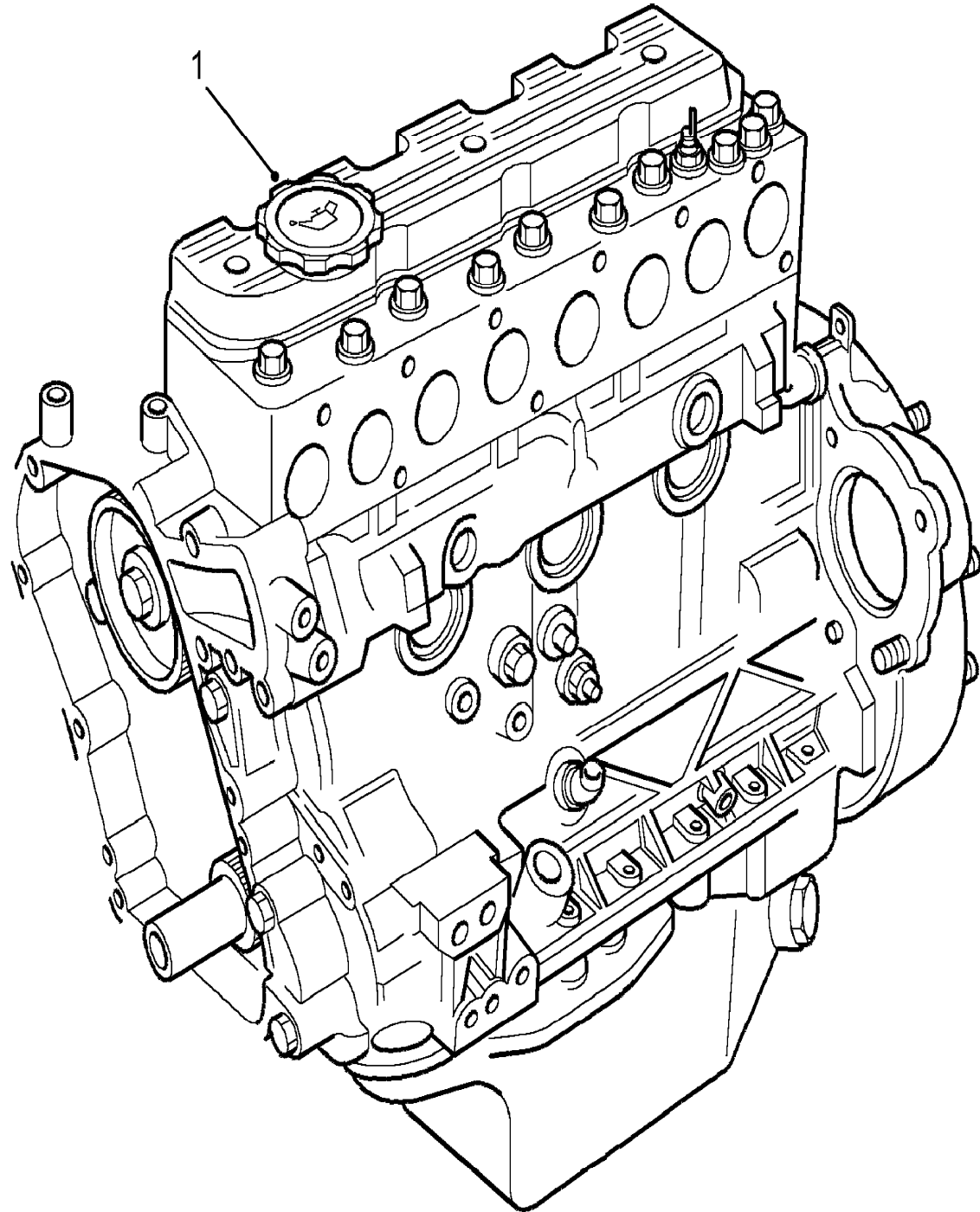
Engine
2500 - Diesel - Turbo - 200 Tdi
Engine Short

Change point - VIN end LA081991, 2.5L I4 200 TDi Turbo Diesel, 5 Speed Manual
Transmission, Less Catalyst

Callout	Name	Application	Remarks & Restrictions	Service No.	Qty
1	Engine base unit-part		Short, Engine Code 12L 2.5 TDI Manual - Gemini	RTC6635	1



Engine
 2500 - Diesel - Turbo - 200 Tdi
 Engine Stripped 1/1
Discovery (FA393361-WA799999)
 (CABMAC1B)



Discovery (FA393361-WA799999)
 Engine
 2500 - Diesel - Turbo - 200 Tdi
 Engine Stripped
 Change point - VIN end LA081991, 2.5L I4 200 TDi Turbo Diesel, 5 Speed Manual
 Transmission, Less Catalyst

Callout	Name	Application	Remarks & Restrictions	Service No.	Qty
1	Engine unit-stripped	2.5L I4 200 TDi L/R Turbo Diesel	Engine Code 12L 2.5 TDI Manual - Gemini, New Engine Code 12L 2.5 TDI Manual - Gemini, exchange	STC1065N RTC6636E	1 1

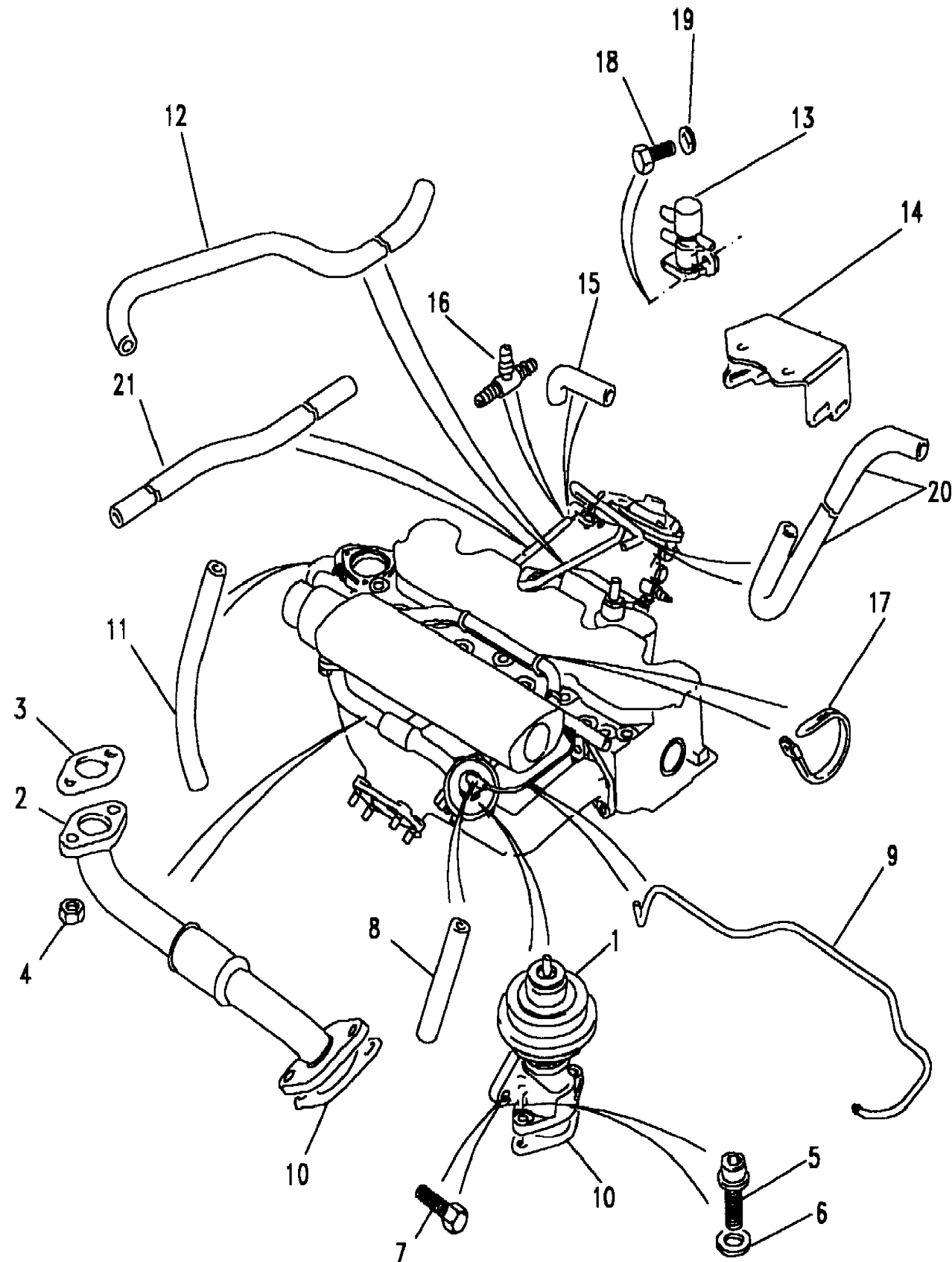
Engine
2500 - Diesel - Turbo - 200 Tdi
Exhaust Gas Recirculation 1/3

Discovery (FA393361-WA799999)
(CABMHE1A)

Discovery (FA393361-WA799999)

Engine
2500 - Diesel - Turbo - 200 Tdi
Exhaust Gas Recirculation

Change point - VIN end LA081991, 2.5L I4 200 TDi Turbo Diesel, 5 Speed Manual Transmission, Less Catalyst



Callout	Name	Application	Remarks & Restrictions	Service No.	Qty
1	Valve-solenoid-exhaust gas recirculation diesel	Change point - VIN begin KA034314	Engine Code 12L 2.5 TDI Manual - Gemini	ERR296	1
			Engine Code 12L 2.5 TDI Manual - Gemini	PRC9146	1
2	Pipe-feed-exhaust gas recirculation engine exhaust		Engine Code 12L 2.5 TDI Manual - Gemini	ERR297	1
3	Gasket-exhaust gas recirculating pipe/exhaust manifold		Engine Code 12L 2.5 TDI Manual - Gemini	ERR657	1
4	Nut-flange		M8, Engine Code 12L 2.5 TDI Manual - Gemini	FN108045L	2
5	Screw-hexagon socket		Engine Code 12L 2.5 TDI Manual - Gemini, M8 x 20	SS108201	2
6	Washer		8MM, Engine Code 12L 2.5 TDI Manual - Gemini	WA108051L	2
7	Screw-flanged head		Engine Code 12L 2.5 TDI Manual - Gemini, M8 x 20	FS108205L	2
8	Pipe-solenoid valve/exhaust gas recirculation diesel		Engine Code 12L 2.5 TDI Manual - Gemini	ERR1550	1
9	Pipe-vacuum exhaust gas recirculation valve solenoid		temperature sensor, Engine Code 12L 2.5 TDI Manual - Gemini	ERR690	1
10	Gasket-exhaust gas recirculation valve to pipe		Engine Code 12L 2.5 TDI Manual - Gemini	ERR542	2
11	Hose vacuum..		cut to length required, Engine Code 12L 2.5 TDI Manual - Gemini, 6"	ETC7313	1
12	Hose vacuum..		cut to length required, Engine Code 12L 2.5 TDI Manual - Gemini	ETC7329	1
13	Valve-exhaust gas recirculation engine exhaust		Engine Code 12L 2.5 TDI Manual - Gemini	ERR355	2
14	Bracket-exhaust gas recirculation valve engine exhaust	Change point - Engine end 12L29188A	Engine Code 12L 2.5 TDI Manual - Gemini	ERR1504	1
		Change point - Engine begin 12L29189A	Engine Code 12L 2.5 TDI Manual - Gemini	ERR2386	1
15	Hose vacuum..		cut to length required, Engine Code 12L 2.5 TDI Manual - Gemini, 6"	ETC7313	1

Engine
2500 - Diesel - Turbo - 200 Tdi
Exhaust Gas Recirculation 2/3

Discovery (FA393361-WA799999)

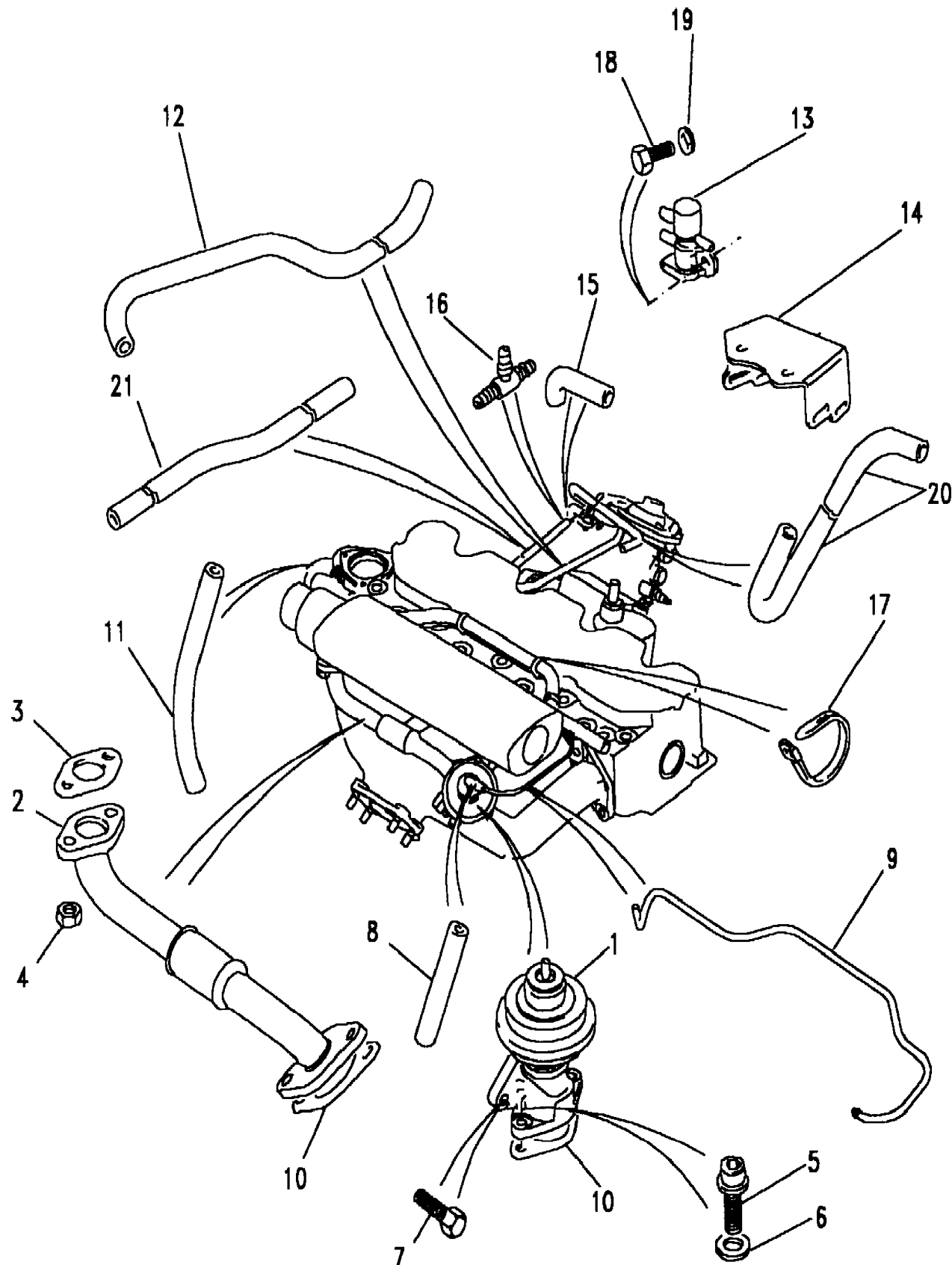
(CABMHE1A)

Discovery (FA393361-WA799999)

Engine
2500 - Diesel - Turbo - 200 Tdi
Exhaust Gas Recirculation

Change point - VIN end LA081991, 2.5L I4 200 TDi Turbo Diesel, 5 Speed Manual Transmission, Less Catalyst

Callout	Name	Application	Remarks & Restrictions	Service No.	Qty
16	T Piece	Change point - Engine end 12L20737A Change point - Engine begin 12L20738A	Engine Code 12L 2.5 TDI Manual - Gemini Engine Code 12L 2.5 TDI Manual - Gemini	ERR1149 ERR1549	1 1
17	Tie-cable		Black, Engine Code 12L 2.5 TDI Manual - Gemini, inside serated, 4.8 x 115mm Engine Code 12L 2.5 TDI Manual - Gemini, 4.8 x 270mm, inside serated	573246 568680	3 1
18	Screw		Engine Code 12L 2.5 TDI Manual - Gemini, hexagonal head, M5 x 16	SH105161L	2
19	Washer		M5, Engine Code 12L 2.5 TDI Manual - Gemini, Plain, Standard	WA105001L	2
20	Hose vacuum..		cut to 18" from 34" hose, Engine Code 12L 2.5 TDI Manual - Gemini	ETC7329	1
21	Hose vacuum..		fit whole 34" hose, Engine Code 12L 2.5 TDI Manual - Gemini	ETC7329	1
[900]	Spacer	Change point - Engine begin 12L29189A	Engine Code 12L 2.5 TDI Manual - Gemini	ERR4912	1
[901]	Hose vacuum..	Change point - VIN begin KA034314, RHD	Engine Code 12L 2.5 TDI Manual - Gemini, 170mm 50MM, Engine Code 12L 2.5 TDI Manual - Gemini 70MM, Engine Code 12L 2.5 TDI Manual - Gemini 152MM, Engine Code 12L 2.5 TDI Manual - Gemini (+)"A" solenoid to pipe-EGR, Engine Code 12L 2.5 TDI Manual - Gemini (+)"A" solenoid-del/valve, Engine Code 12L 2.5 TDI Manual - Gemini	ERR2961 ERR1132 ERR1133 ERR1134 ERR2354 ERR2443	1 1 3 1 1 1
[902]	Connector exhaust gas recirculation valve/solenoid	Change point - Engine end 12L20737A Change point - Engine begin 12L20738A	Engine Code 12L 2.5 TDI Manual - Gemini Engine Code 12L 2.5 TDI Manual - Gemini	ERR1148 ERR1548	3 3
[903]	Pipe-exhaust gas recirculation	(+)"A" Change point - VIN begin KA034314, (-)"A"	to solenoid, Engine Code 12L 2.5 TDI Manual - Gemini to solenoid, Engine Code 12L 2.5 TDI Manual - Gemini	ERR1986 ERR2962	1 1



Engine
2500 - Diesel - Turbo - 200 Tdi
Exhaust Gas Recirculation 3/3

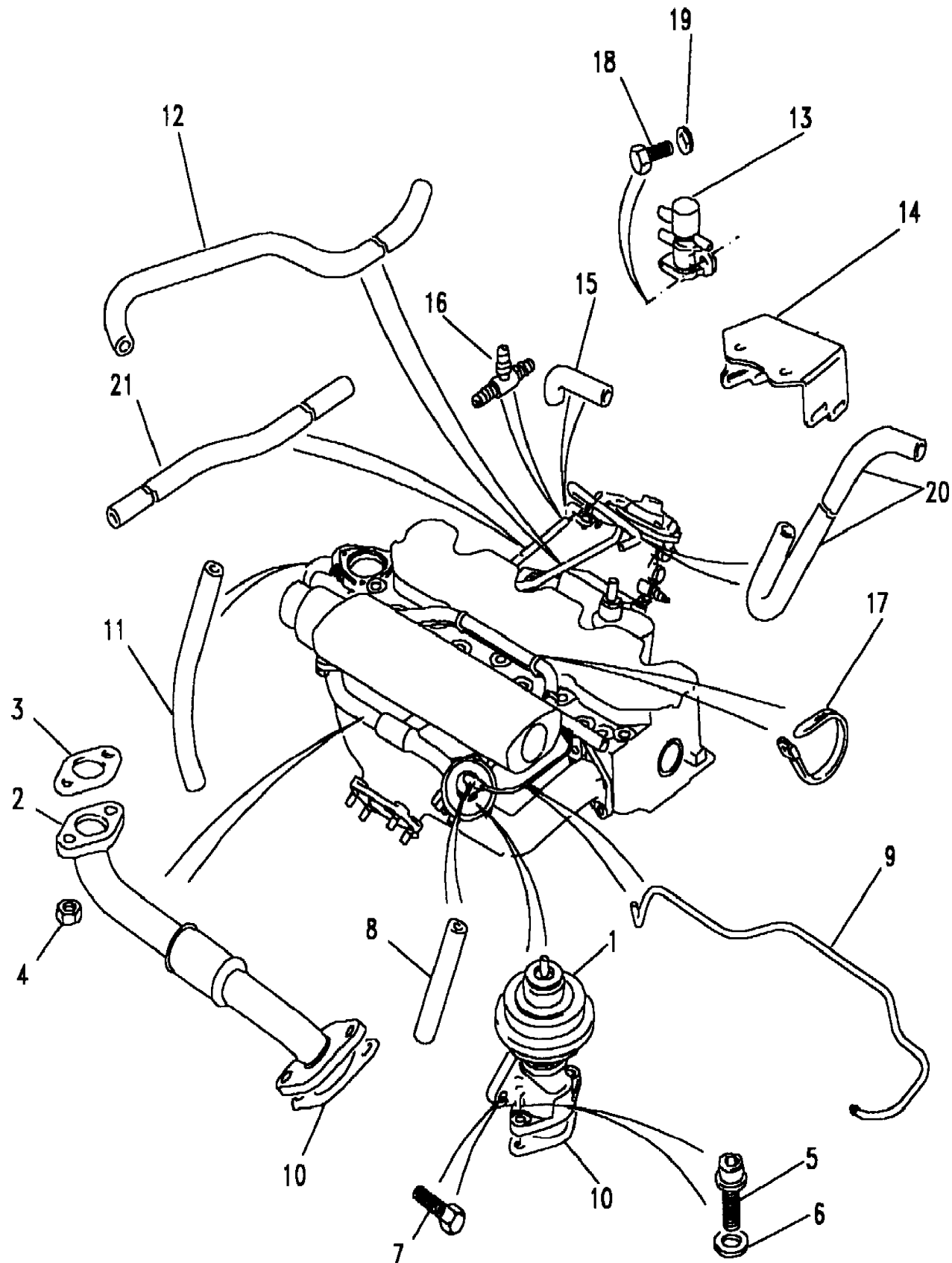
Discovery (FA393361-WA799999)
(CABMHE1A)

Discovery (FA393361-WA799999)

Engine
2500 - Diesel - Turbo - 200 Tdi
Exhaust Gas Recirculation

Change point - VIN end LA081991, 2.5L I4 200 TDi Turbo Diesel, 5 Speed Manual
Transmission, Less Catalyst

Callout	Name	Application	Remarks & Restrictions	Service No.	Qty
[904]	Bracket-mounting	(+)"A"	solenoid valve, Engine Code 12L 2.5 TDI Manual - Gemini	ERR2381	1
[905]	Clip-swivel	(+)"A"	Engine Code 12L 2.5 TDI Manual - Gemini	AFU1158	1
[906]	Pipe-sampling exhaust gas		Engine Code 12L 2.5 TDI Manual - Gemini	ERR4029	1



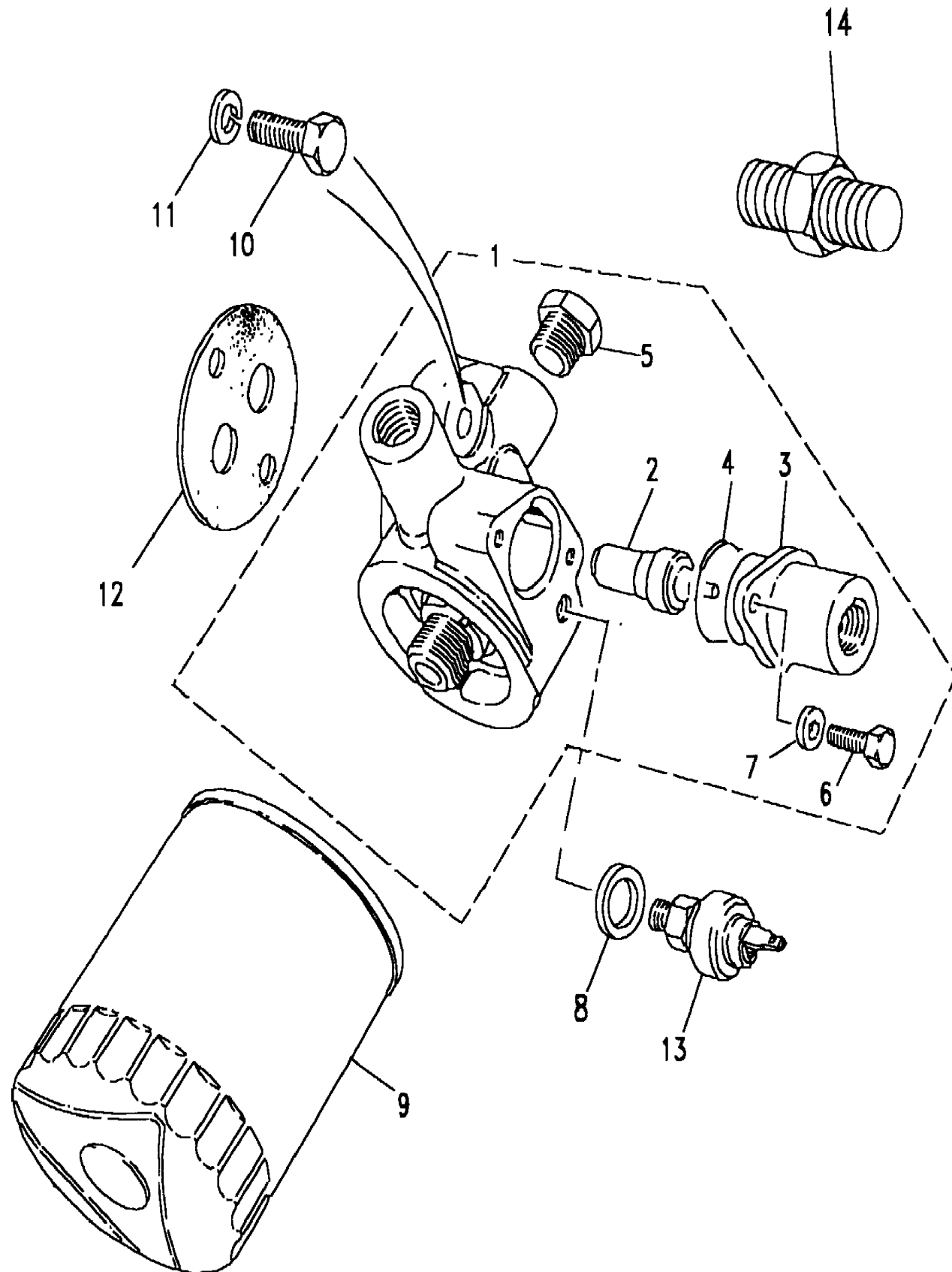
Engine
2500 - Diesel - Turbo - 200 Tdi
Filter & Adaptor 1/2

Discovery (FA393361-WA799999)
(CABMFC1A)

Discovery (FA393361-WA799999)

Engine
2500 - Diesel - Turbo - 200 Tdi
Filter & Adaptor

Change point - VIN end LA081991, 2.5L I4 200 TDi Turbo Diesel, 5 Speed Manual Transmission, Less Catalyst



Callout	Name	Application	Remarks & Restrictions	Service No.	Qty
1	Adaptor assembly-oil filter	Change point - Engine end 12L51182A	Also serviced as part of a kit, Engine Code 12L 2.5 TDI Manual - Gemini	ERR1299	1
		Change point - Engine begin 12L51183A	Also serviced as part of a kit, Engine Code 12L 2.5 TDI Manual - Gemini	ERR2711	1
2	Thermostat assembly-oil	Change point - Engine end 12L51182A	Also serviced as part of a kit, Engine Code 12L 2.5 TDI Manual - Gemini	ERC5923	1
3	Adaptor-oil filter	Change point - Engine end 12L51182A	Also serviced as part of a kit, Engine Code 12L 2.5 TDI Manual - Gemini	ETC4022	1
4	O Ring	Change point - Engine end 12L51182A	Also serviced as part of a kit, Engine Code 12L 2.5 TDI Manual - Gemini	ERC5913	1
5	Plug	Change point - Engine end 12L51182A	Also serviced as part of a kit, Engine Code 12L 2.5 TDI Manual - Gemini	ETC4021	1
6	Screw	Change point - Engine end 12L51182A	Also serviced as part of a kit, Engine Code 12L 2.5 TDI Manual - Gemini, hexagonal head, M6 X 14	SH106141L	2
7	Washer	Change point - Engine end 12L51182A	Also serviced as part of a kit, Engine Code 12L 2.5 TDI Manual - Gemini, 6MM	WA106041L	2
8	Washer-sealing		Engine Code 12L 2.5 TDI Manual - Gemini	ETC7398	2
9	Cartridge-engine oil filter		Engine Code 12L 2.5 TDI Manual - Gemini	ERR3340	1
10	Screw		Engine Code 12L 2.5 TDI Manual - Gemini, Flanged Head, M10 x 30, top	FS110301L	2
11	Washer		M10, Engine Code 12L 2.5 TDI Manual - Gemini	WL110001L	2
12	Gasket-cylinder block to oil filter adaptor		Asbestos Free, Engine Code 12L 2.5 TDI Manual - Gemini	ERR3607	1
13	Switch-oil pressure engine		Engine Code 12L 2.5 TDI Manual - Gemini	PRC6387	1
14	Coupling		Engine Code 12L 2.5 TDI Manual - Gemini	NRC8618	2
[900]	Adaptor-oil filter	Change point - Engine begin 12L51183A	Also serviced as part of a kit, Engine Code 12L 2.5 TDI Manual - Gemini	ERR2623	1

Engine
2500 - Diesel - Turbo - 200 Tdi
Filter & Adaptor 2/2

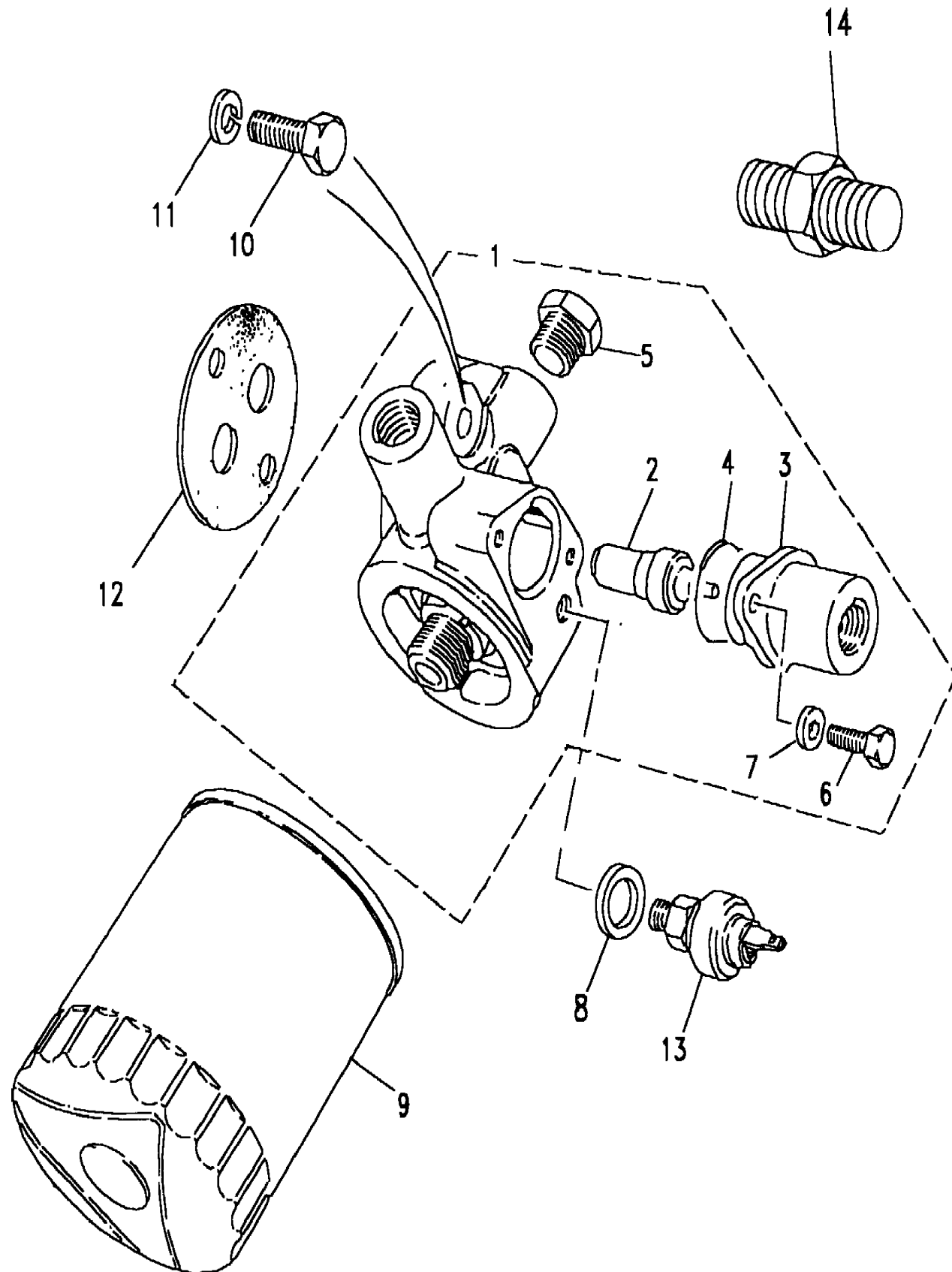
Discovery (FA393361-WA799999)
(CABMFC1A)

Discovery (FA393361-WA799999)

Engine
2500 - Diesel - Turbo - 200 Tdi
Filter & Adaptor

Change point - VIN end LA081991, 2.5L I4 200 TDi Turbo Diesel, 5 Speed Manual
Transmission, Less Catalyst

Callout	Name	Application	Remarks & Restrictions	Service No.	Qty
[901]	Waxstat adaptor	Change point - Engine begin 12L51183A	Also serviced as part of a kit, Engine Code 12L 2.5 TDI Manual - Gemini	ERR2241	1



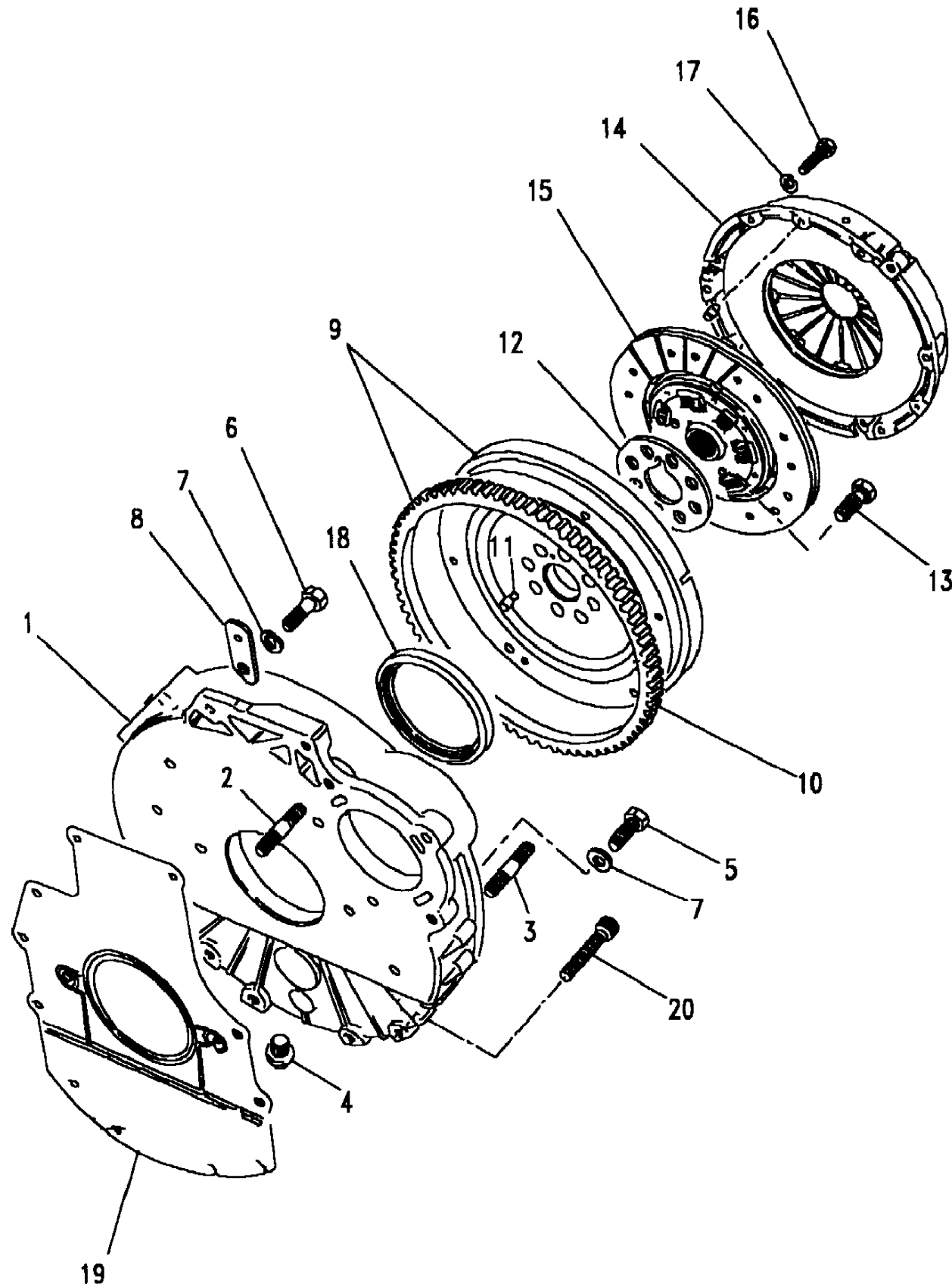
Engine
2500 - Diesel - Turbo - 200 Tdi
Flywheel & Clutch 1/3

Discovery (FA393361-WA799999)
(CABMRA1A)

Discovery (FA393361-WA799999)
Engine
2500 - Diesel - Turbo - 200 Tdi
Flywheel & Clutch

Change point - VIN end LA081991, Change point - VIN end LA081991, 2.5L I4 200 TDi Turbo Diesel, Manual Transmission, 5 Speed Manual Transmission, Less Catalyst

Callout	Name	Application	Remarks & Restrictions	Service No.	Qty
1	Housing assembly-clutch	Change point - VIN end LA081991, Change point - Engine end 12L060160A, 2.5L I4 200 TDi Turbo Diesel, Manual Transmission Change point - VIN end LA081991, Change point - Engine begin 12L060161A, 2.5L I4 200 TDi Turbo Diesel, Manual Transmission	Engine Code 12L 2.5 TDI Manual - Gemini Engine Code 12L 2.5 TDI Manual - Gemini	ERR675 ERR3922	1 1
2	Stud	Change point - VIN end LA081991, 2.5L I4 200 TDi Turbo Diesel, Manual Transmission	Engine Code 12L 2.5 TDI Manual - Gemini, M10 x 30	TE110061L	9
3	Stud	Change point - VIN end LA081991, 2.5L I4 200 TDi Turbo Diesel, Manual Transmission	starter motor to housing, M10, Engine Code 12L 2.5 TDI Manual - Gemini	ERC9240	1
4	Plug	Change point - VIN end LA081991, 2.5L I4 200 TDi Turbo Diesel, Manual Transmission	Rubber, Engine Code 12L 2.5 TDI Manual - Gemini	ERC7295	1
5	Screw	Change point - VIN end LA081991, 2.5L I4 200 TDi Turbo Diesel, Manual Transmission	HOUSING TO BLOCK, Engine Code 12L 2.5 TDI Manual - Gemini, Flanged Head, M10 x 30, top	FS110301L	8
6	Bolt	Change point - VIN end LA081991, 2.5L I4 200 TDi Turbo Diesel, Manual Transmission	HOUSING TO BLOCK, Engine Code 12L 2.5 TDI Manual - Gemini, M10 X 45	BH110091L	2
7	Washer	Change point - VIN end LA081991, 2.5L I4 200 TDi Turbo Diesel, Manual Transmission	M10, Engine Code 12L 2.5 TDI Manual - Gemini	WA110061L	8
8	Bracket Harness	Change point - VIN end LA081991, 2.5L I4 200 TDi Turbo Diesel, Manual Transmission	Engine Code 12L 2.5 TDI Manual - Gemini	ERC9404	2
9	Flywheel engine	Change point - VIN end LA081991, 2.5L I4 200 TDi Turbo Diesel, Manual Transmission	Also serviced as part of a kit, Engine Code 12L 2.5 TDI Manual - Gemini	ERR719	1
10	Gear-ring-flywheel engine	Change point - VIN end LA081991, 2.5L I4 200 TDi Turbo Diesel, Manual Transmission	Also serviced as part of a kit, Engine Code 12L 2.5 TDI Manual - Gemini	568431	1

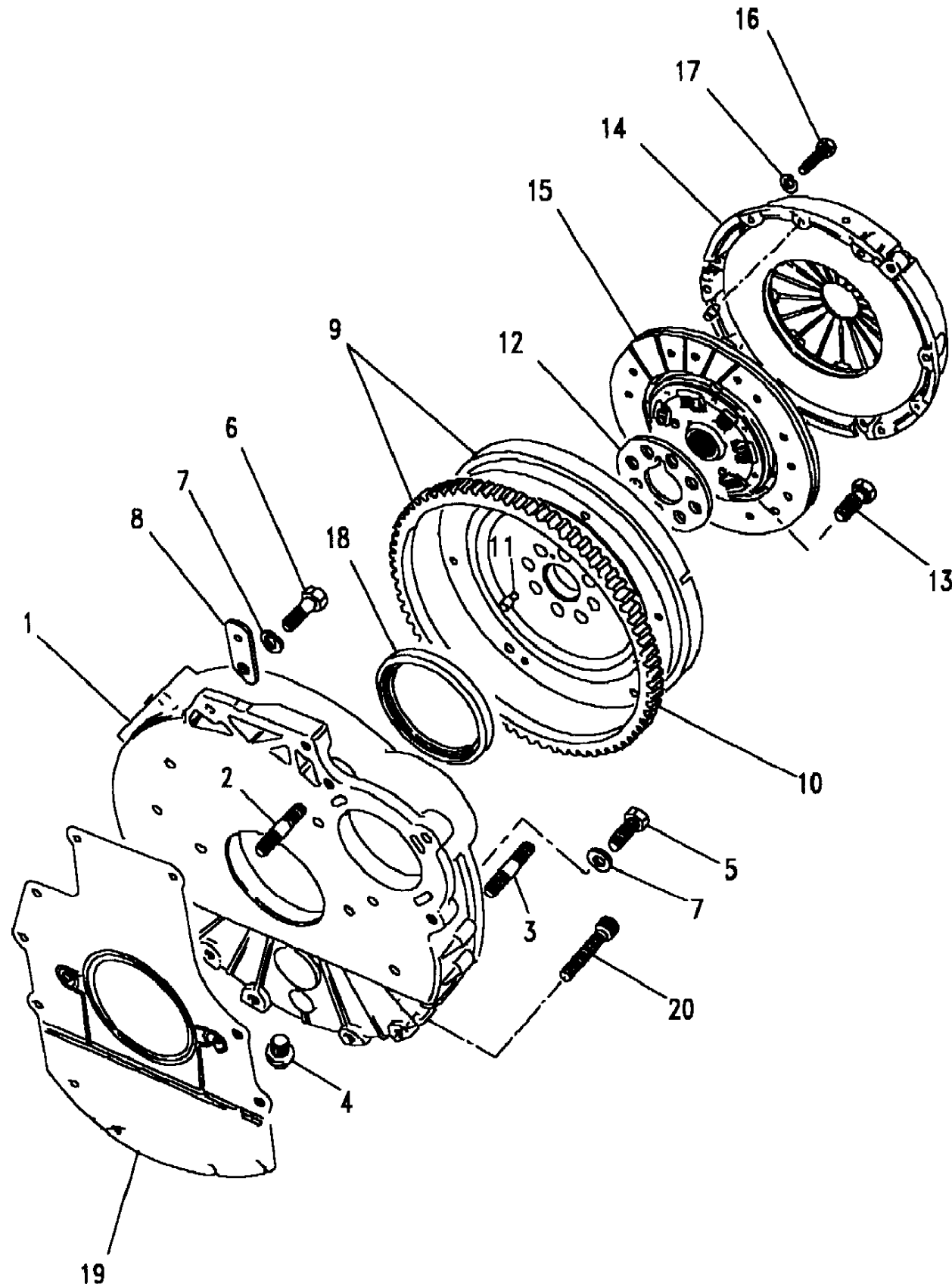


Engine
2500 - Diesel - Turbo - 200 Tdi
Flywheel & Clutch 2/3

Discovery (FA393361-WA799999)
(CABMRA1A)

Discovery (FA393361-WA799999)
Engine
2500 - Diesel - Turbo - 200 Tdi
Flywheel & Clutch

Change point - VIN end LA081991, Change point - VIN end LA081991, 2.5L I4 200 TDi Turbo Diesel, Manual Transmission, 5 Speed Manual Transmission, Less Catalyst



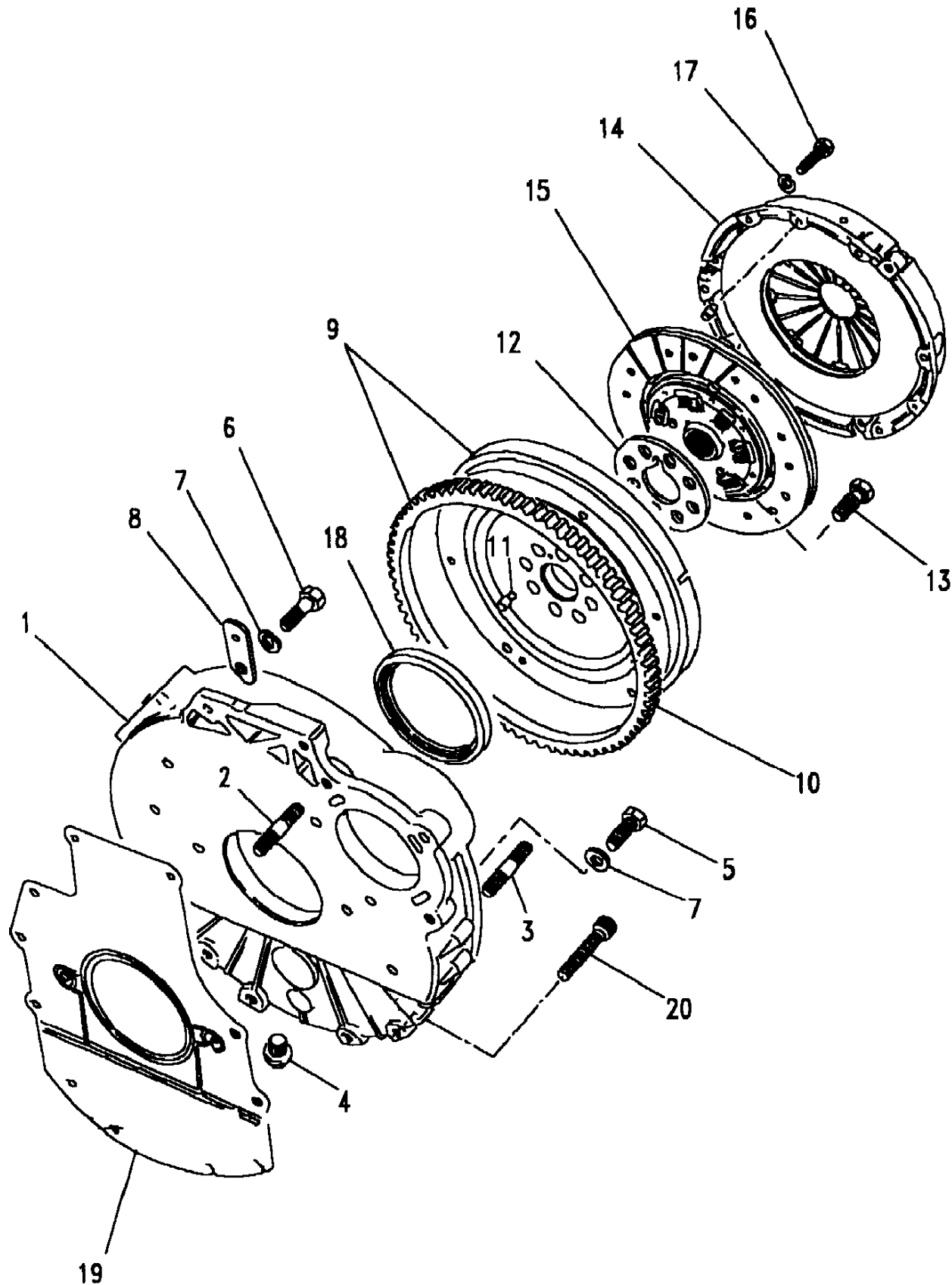
Callout	Name	Application	Remarks & Restrictions	Service No.	Qty
11	Dowel-flywheel to crankshaft	Change point - VIN end LA081991, 2.5L I4 200 TDi Turbo Diesel, Manual Transmission	Also serviced as part of a kit, Engine Code 12L 2.5 TDI Manual - Gemini	502116	3
12	Plate-reinforcement	Change point - VIN end LA081991, 2.5L I4 200 TDi Turbo Diesel, Manual Transmission	Not Required On Re-Assembly, Engine Code 12L 2.5 TDI Manual - Gemini	ERC4658	1
13	Bolt-fixing flywheel crankshaft	Change point - VIN end LA081991, 2.5L I4 200 TDi Turbo Diesel, Manual Transmission	Long, Engine Code 12L 2.5 TDI Manual - Gemini	ERC6551	8
		Change point - VIN end LA081991, 2.5L I4 200 TDi Turbo Diesel, Manual Transmission	Short, Engine Code 12L 2.5 TDI Manual - Gemini	ERR4574	8
14	Cover-clutch assembly	Change point - VIN end LA081991, 2.5L I4 200 TDi Turbo Diesel, Manual Transmission	Also serviced as part of a kit, Engine Code 12L 2.5 TDI Manual - Gemini	FTC575	1
		Change point - VIN end LA081991, 2.5L I4 200 TDi Turbo Diesel, Manual Transmission	Engine Code 12L 2.5 TDI Manual - Gemini	URB100760	1
15	Plate-clutch-driven	Change point - VIN end LA081991, 2.5L I4 200 TDi Turbo Diesel, Manual Transmission	Also serviced as part of a kit, Engine Code 12L 2.5 TDI Manual - Gemini	FTC2149	1
		Change point - VIN end LA081991, 2.5L I4 200 TDi Turbo Diesel, Manual Transmission	Engine Code 12L 2.5 TDI Manual - Gemini	FTC4204	1
16	Bolt	Change point - VIN end LA081991, 2.5L I4 200 TDi Turbo Diesel, Manual Transmission	cover clutch to flywheel, Engine Code 12L 2.5 TDI Manual - Gemini, M8 x 20	SX108201L	6
17	Washer	Change point - VIN end LA081991, 2.5L I4 200 TDi Turbo Diesel, Manual Transmission	M8, Engine Code 12L 2.5 TDI Manual - Gemini, sprung	WL108001L	6
18	Seal	Change point - VIN end LA081991, 2.5L I4 200 TDi Turbo Diesel, Manual Transmission	CRANKSHAFT REAR, Engine Code 12L 2.5 TDI Manual - Gemini	ERR2532	1
19	Gasket-flywheel/drive plate housing/crankcase	Change point - VIN end LA081991, 2.5L I4 200 TDi Turbo Diesel, Manual Transmission	Engine Code 12L 2.5 TDI Manual - Gemini	ERR1440	1

Engine
2500 - Diesel - Turbo - 200 Tdi
Flywheel & Clutch 3/3
Discovery (FA393361-WA799999)
(CABMRA1A)

Discovery (FA393361-WA799999)
Engine
2500 - Diesel - Turbo - 200 Tdi
Flywheel & Clutch

Change point - VIN end LA081991, Change point - VIN end LA081991, 2.5L I4 200 TDi Turbo Diesel, Manual Transmission, 5 Speed Manual Transmission, Less Catalyst

Callout	Name	Application	Remarks & Restrictions	Service No.	Qty
20	Screw	Change point - VIN end LA081991, 2.5L I4 200 TDi Turbo Diesel, Manual Transmission	Engine Code 12L 2.5 TDI Manual - Gemini, M10 x 80	SS110801	4
[900]	Bearing-clutch release	Change point - VIN end LA081991, 2.5L I4 200 TDi Turbo Diesel, Manual Transmission	Also serviced as part of a kit, Engine Code 12L 2.5 TDI Manual - Gemini	FRC9568	1
[905]	Kit-clutch	Change point - VIN end LA081991, 2.5L I4 200 TDi Turbo Diesel, Manual Transmission	Also serviced as part of a kit, Engine Code 12L 2.5 TDI Manual - Gemini	STC8358	1
[906]	Sleeve-guide clutch	Change point - VIN end LA081991, 2.5L I4 200 TDi Turbo Diesel, Manual Transmission	Also serviced as part of a kit, Engine Code 12L 2.5 TDI Manual - Gemini	FRC4078	1



Engine
2500 - Diesel - Turbo - 200 Tdi
Front Cover 1/2

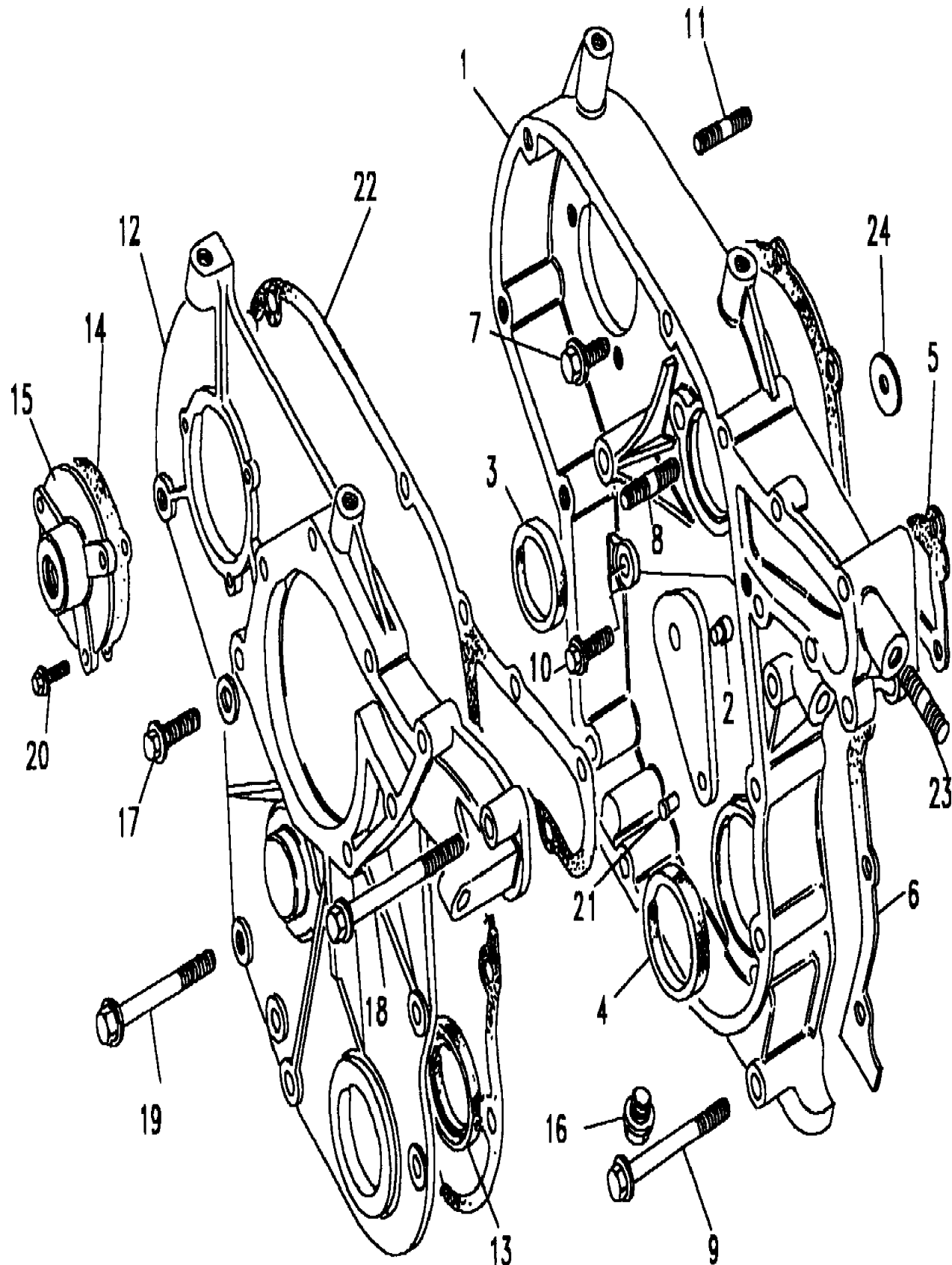
Discovery (FA393361-WA799999)

(CABMEA1B)

Discovery (FA393361-WA799999)

Engine
2500 - Diesel - Turbo - 200 Tdi
Front Cover

Change point - VIN end LA081991, 2.5L I4 200 TDi Turbo Diesel, 5 Speed Manual Transmission, Less Catalyst



Callout	Name	Application	Remarks & Restrictions	Service No.	Qty
1	Cover-engine		Front, Engine Code 12L 2.5 TDI Manual - Gemini	ERR1111	1
2	Dowel		Engine Code 12L 2.5 TDI Manual - Gemini	6395L	1
3	Seal-camshaft oil		Engine Code 12L 2.5 TDI Manual - Gemini	ETC5064	1
4	Seal-crankshaft front oil		Engine Code 12L 2.5 TDI Manual - Gemini Engine Code 12L 2.5 TDI Manual - Gemini Engine Code 12L 2.5 TDI Manual - Gemini	ETC5065 ERR1632 ERR6490	1 1 1
5	Gasket-coolant pump body		to front cover, Asbestos Free, Engine Code 12L 2.5 TDI Manual - Gemini	ERR1607	1
6	Gasket-timing gear housing drain plate		Engine Code 12L 2.5 TDI Manual - Gemini	538039	1
7	Screw		M8 x 25, Engine Code 12L 2.5 TDI Manual - Gemini, Flanged Head	FS108257L	1
8	Stud		Engine Code 12L 2.5 TDI Manual - Gemini, M8 x 110	TD108201	1
9	Bolt		COVER TO BLOCK, Engine Code 12L 2.5 TDI Manual - Gemini, Flanged Head, M8 x 70	FB108141L	2
10	Bolt		COVER TO BLOCK, M8 X 35, Engine Code 12L 2.5 TDI Manual - Gemini, Flanged Head	FB108071L	1
11	Stud		fuel injection pump, M8 X 30, Engine Code 12L 2.5 TDI Manual - Gemini	TE108061L	3
12	Cover-timing belt		Front, Engine Code 12L 2.5 TDI Manual - Gemini	ERR390	1
13	Seal		Engine Code 12L 2.5 TDI Manual - Gemini	ETC4154	1
14	Gasket		bracket-pulley support belt tensioner, Engine Code 12L 2.5 TDI Manual - Gemini	ERR635	1
15	Plate-timing belt cover	With Air Conditioning Less Air Conditioning	Engine Code 12L 2.5 TDI Manual - Gemini Engine Code 12L 2.5 TDI Manual - Gemini	ETC8853 ERR25	1 1

Engine
2500 - Diesel - Turbo - 200 Tdi
Front Cover 2/2

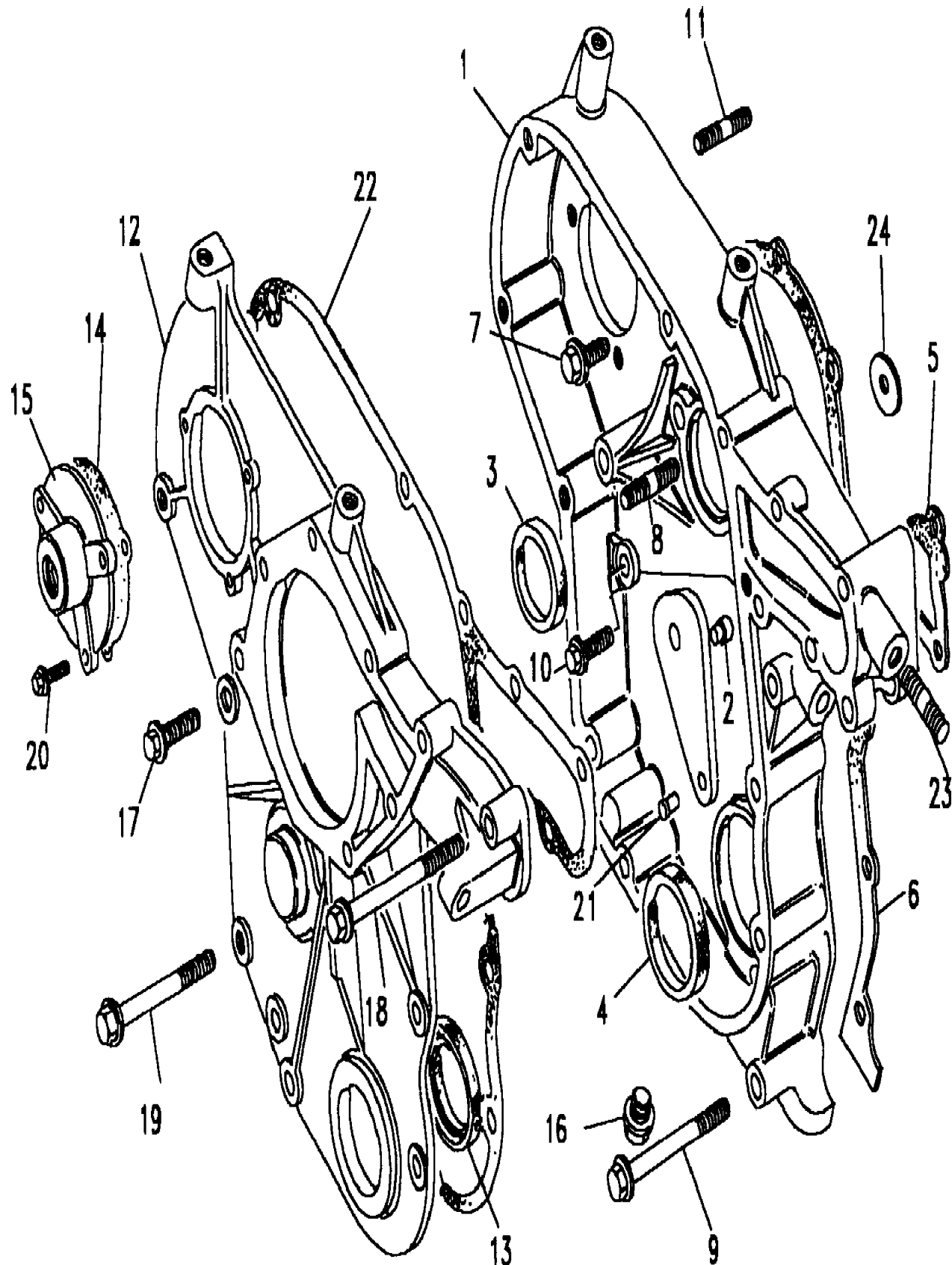
Discovery (FA393361-WA799999)

(CABMEA1B)

Discovery (FA393361-WA799999)

Engine
2500 - Diesel - Turbo - 200 Tdi
Front Cover

Change point - VIN end LA081991, 2.5L I4 200 TDi Turbo Diesel, 5 Speed Manual Transmission, Less Catalyst



Callout	Name	Application	Remarks & Restrictions	Service No.	Qty
16	Plug		Rubber, Engine Code 12L 2.5 TDI Manual - Gemini	ERC7295	1
17	Screw		plate to cover, M8 x 25, Engine Code 12L 2.5 TDI Manual - Gemini	ERR1121M	3
18	Bolt		plate cover/front cover to block, Engine Code 12L 2.5 TDI Manual - Gemini, Flanged Head, M8 x 90	ERR1122M	2
			plate cover/front cover to block, Engine Code 12L 2.5 TDI Manual - Gemini, Flanged Head, M8 x 90	FB108181ML	2
19	Bolt		plate cover/front cover to block, Engine Code 12L 2.5 TDI Manual - Gemini, Flanged Head, M8 x 80	FB108161L	4
20	Screw		plate cover/front cover to block, Engine Code 12L 2.5 TDI Manual - Gemini, M6 x 10	SE106101L	3
			plate cover/front cover to block, Engine Code 12L 2.5 TDI Manual - Gemini, M6 x 10	FS106101L	3
21	Pin		Engine Code 12L 2.5 TDI Manual - Gemini	ERR14	1
22	Gasket-timing gear cover plate		Engine Code 12L 2.5 TDI Manual - Gemini	ERR1195	1
23	Stud		alternator to cover, M8 X 1.25, Engine Code 12L 2.5 TDI Manual - Gemini	ERR1108	2
24	Gasket		Engine Code 12L 2.5 TDI Manual - Gemini	ERR394	1

Engine
2500 - Diesel - Turbo - 200 Tdi
Fuel Pump 1/1

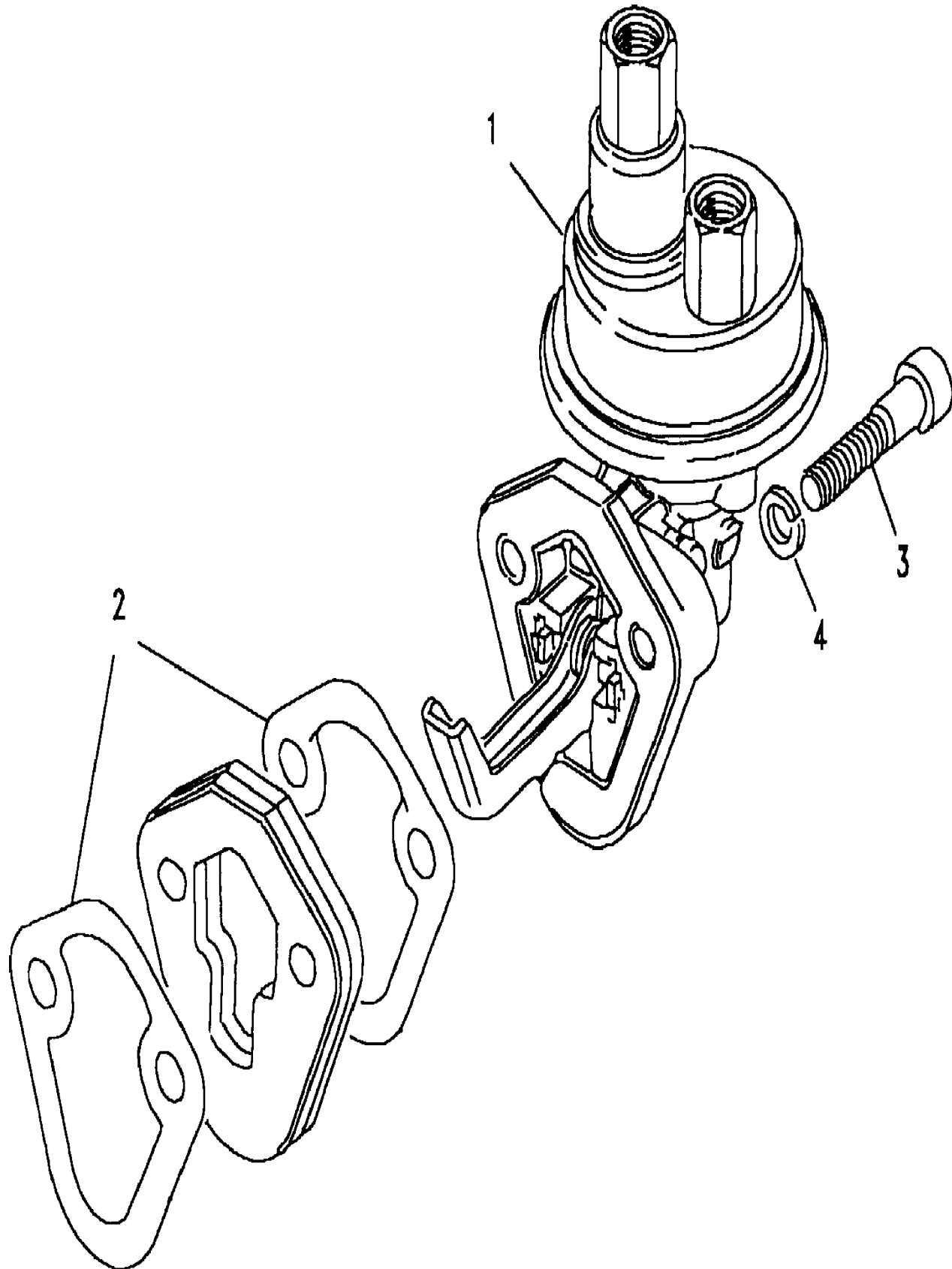
Discovery (FA393361-WA799999)
(CABMKA1A)

Discovery (FA393361-WA799999)

Engine
2500 - Diesel - Turbo - 200 Tdi
Fuel Pump

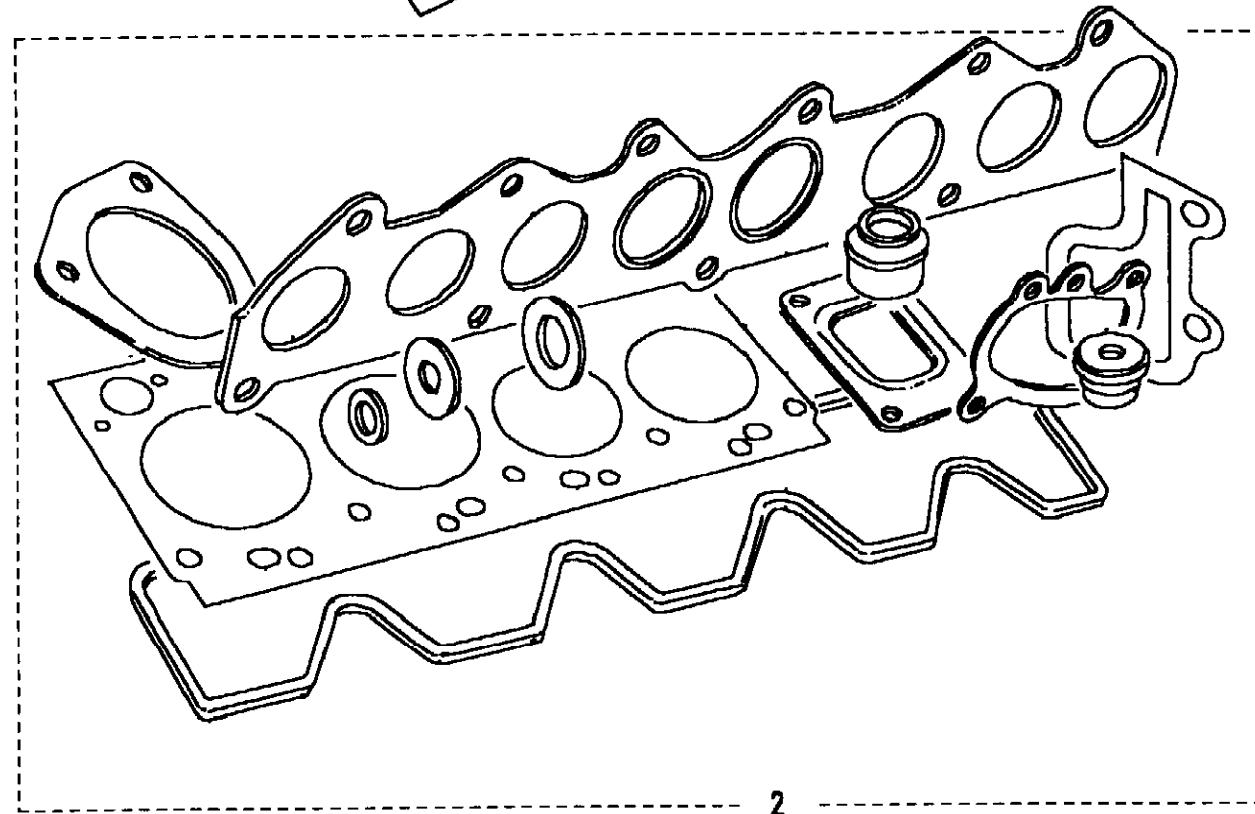
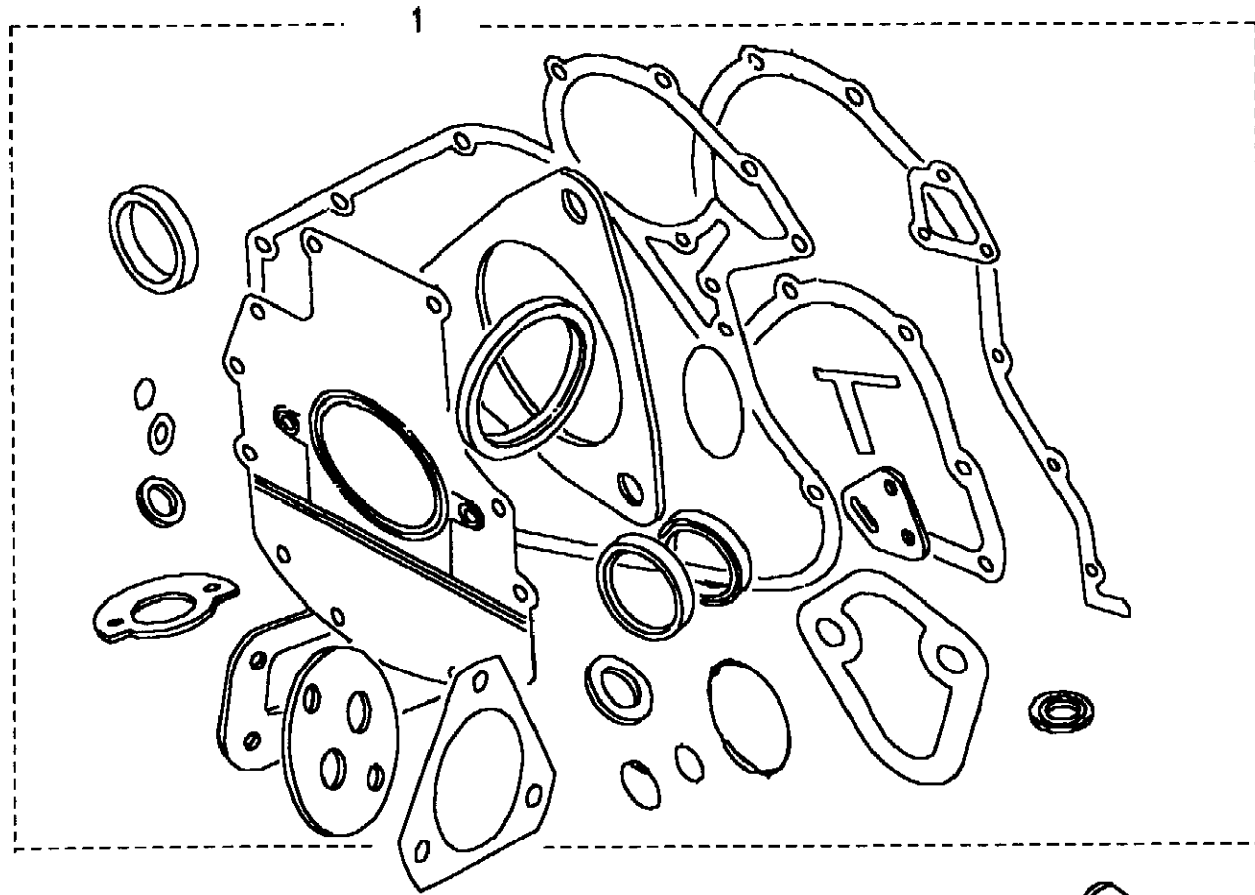
Change point - VIN end LA081991, 2.5L I4 200 TDi Turbo Diesel, 5 Speed Manual Transmission, Less Catalyst

Callout	Name	Application	Remarks & Restrictions	Service No.	Qty
1	Pump-fuel mechanical		Engine Code 12L 2.5 TDI Manual - Gemini	ETC7869	1
2	Gasket-fuel lift pump		Engine Code 12L 2.5 TDI Manual - Gemini	ERR2028	2
3	Screw-flanged head	Change point - VIN end LA081991, Manual Transmission Change point - VIN end LA081991, Automatic Transmission	lift pump fuel to side cover, M8 X 30, Engine Code 12L 2.5 TDI Manual - Gemini lift pump fuel to side cover, M8 x 25, Engine Code 12L 2.5 TDI Manual - Gemini, Flanged Head	SS108301L FS108257L	2 2
		Change point - VIN end LA081991	lift pump fuel to side cover, M8 x 25, Engine Code 12L 2.5 TDI Manual - Gemini, Flanged Head	FS108257L	2
4	Washer		8MM, Engine Code 12L 2.5 TDI Manual - Gemini	WA108051L	2
[900]	Kit-fuel pump repair		Also serviced as part of a kit, Engine Code 12L 2.5 TDI Manual - Gemini	STC1190	1



Engine
2500 - Diesel - Turbo - 200 Tdi
Gasket Kits 1/1

Discovery (FA393361-WA799999)
(CABMMA1A)



Discovery (FA393361-WA799999)

Engine
2500 - Diesel - Turbo - 200 Tdi
Gasket Kits

Change point - VIN end LA081991, 2.5L I4 200 TDi Turbo Diesel, 5 Speed Manual Transmission, Less Catalyst

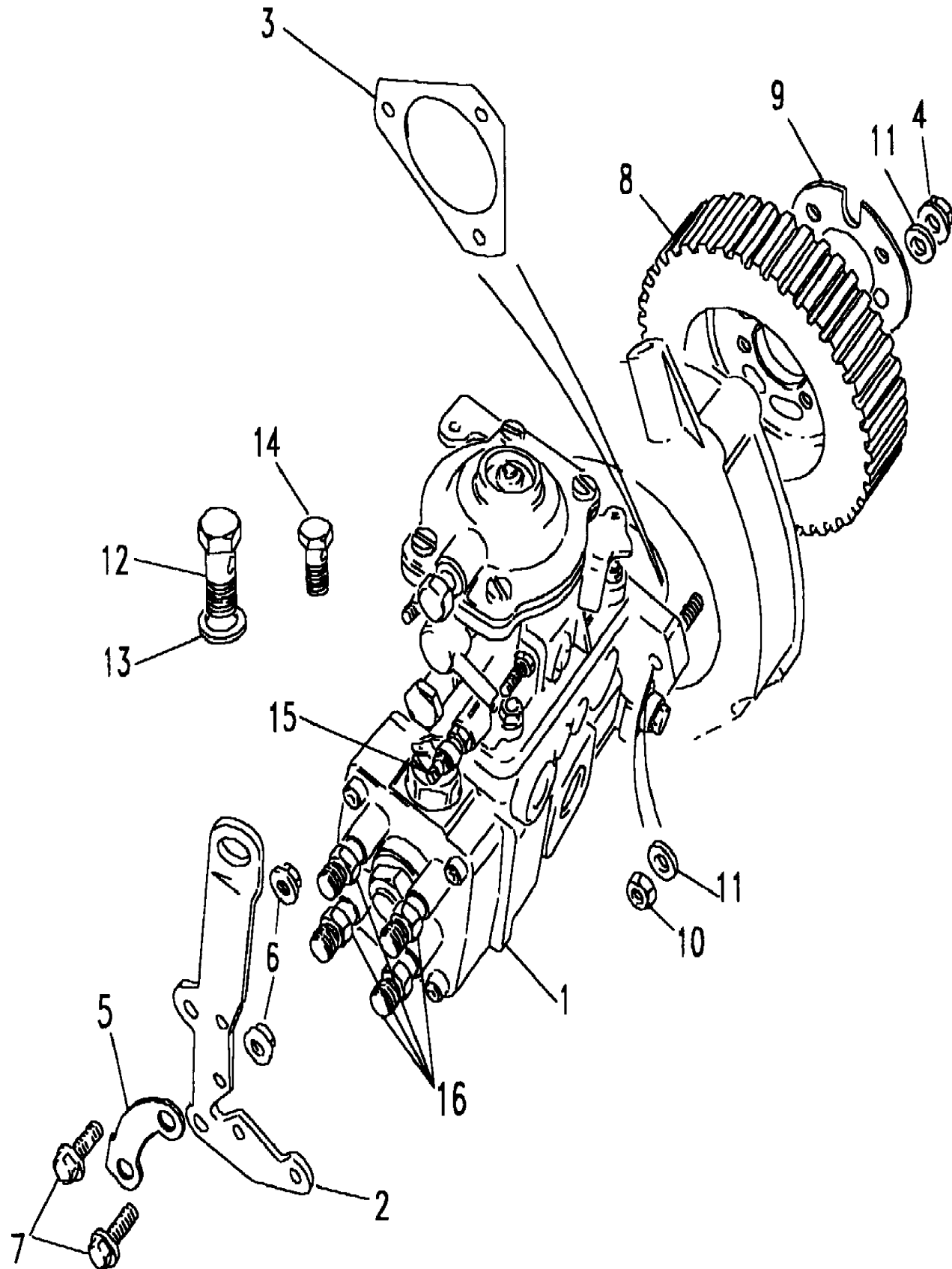
Callout	Name	Application	Remarks & Restrictions	Service No.	Qty
1	Set-engine gasket		Asbestos Free, Engine Code 12L 2.5 TDI Manual - Gemini	STC1557	1
2	Set-cylinder head gasket		Engine Code 12L 2.5 TDI Manual - Gemini	STC1172	1

Engine
2500 - Diesel - Turbo - 200 Tdi
Injection Pump 1/2

Discovery (FA393361-WA799999)
(CABMKC1A)

Discovery (FA393361-WA799999)
2500 - Diesel - Turbo - 200 Tdi
Injection Pump

Change point - VIN end LA081991, 2.5L I4 200 TDi Turbo Diesel, 5 Speed Manual Transmission, Less Catalyst



Callout	Name	Application	Remarks & Restrictions	Service No.	Qty
1	Pump assembly-fuel injection diesel	(-) "A"	Engine Code 12L 2.5 TDI Manual - Gemini, New	ERR459	1
		(-) "A"	Engine Code 12L 2.5 TDI Manual - Gemini, exchange	ERR459E	1
		(+) "A"	Engine Code 12L 2.5 TDI Manual - Gemini, New	ERR1985	1
3	Gasket-injection pump-diesel engine		Engine Code 12L 2.5 TDI Manual - Gemini	ERR631	1
4	Nut - Hex.		M8, Engine Code 12L 2.5 TDI Manual - Gemini, flange	FN108041L	3
5	Bracket-injection pump diesel	Change point - VIN end LA081991	Engine Code 12L 2.5 TDI Manual - Gemini	ERR1661	1
		Change point - VIN end LA081991	Engine Code 12L 2.5 TDI Manual - Gemini	ERR1604	1
		Change point - VIN end LA081991	Engine Code 12L 2.5 TDI Manual - Gemini	ERR1604	1
6	Nut - Hex.		M8, Engine Code 12L 2.5 TDI Manual - Gemini, flange	FN108041L	2
7	Screw		bracket to injection pump, Engine Code 12L 2.5 TDI Manual - Gemini, Flanged Head, M8 x 20	FS108207L	2
8	Pulley assembly-pump fuel injection pump drive		Engine Code 12L 2.5 TDI Manual - Gemini	ERR667	1
9	Plate		Engine Code 12L 2.5 TDI Manual - Gemini	ERR359	1
10	Nut - Hex.		M8, Engine Code 12L 2.5 TDI Manual - Gemini, flange	FN108041L	3
11	Washer		8MM, Engine Code 12L 2.5 TDI Manual - Gemini	WA108051L	6
12	Bolt-banjo		boost capsule, Engine Code 12L 2.5 TDI Manual - Gemini	ERR886	1
13	Washer-sealing		Engine Code 12L 2.5 TDI Manual - Gemini	273069	2
14	Bolt-banjo		FUEL FEED, Engine Code 12L 2.5 TDI Manual - Gemini	ERR1125	1
15	Switch-electronic diesel control		Engine Code 12L 2.5 TDI Manual - Gemini	RTC6702	1
16	Adaptor-pipe-dual male		Engine Code 12L 2.5 TDI Manual - Gemini	STC262	4

Engine
2500 - Diesel - Turbo - 200 Tdi
Injection Pump 2/2

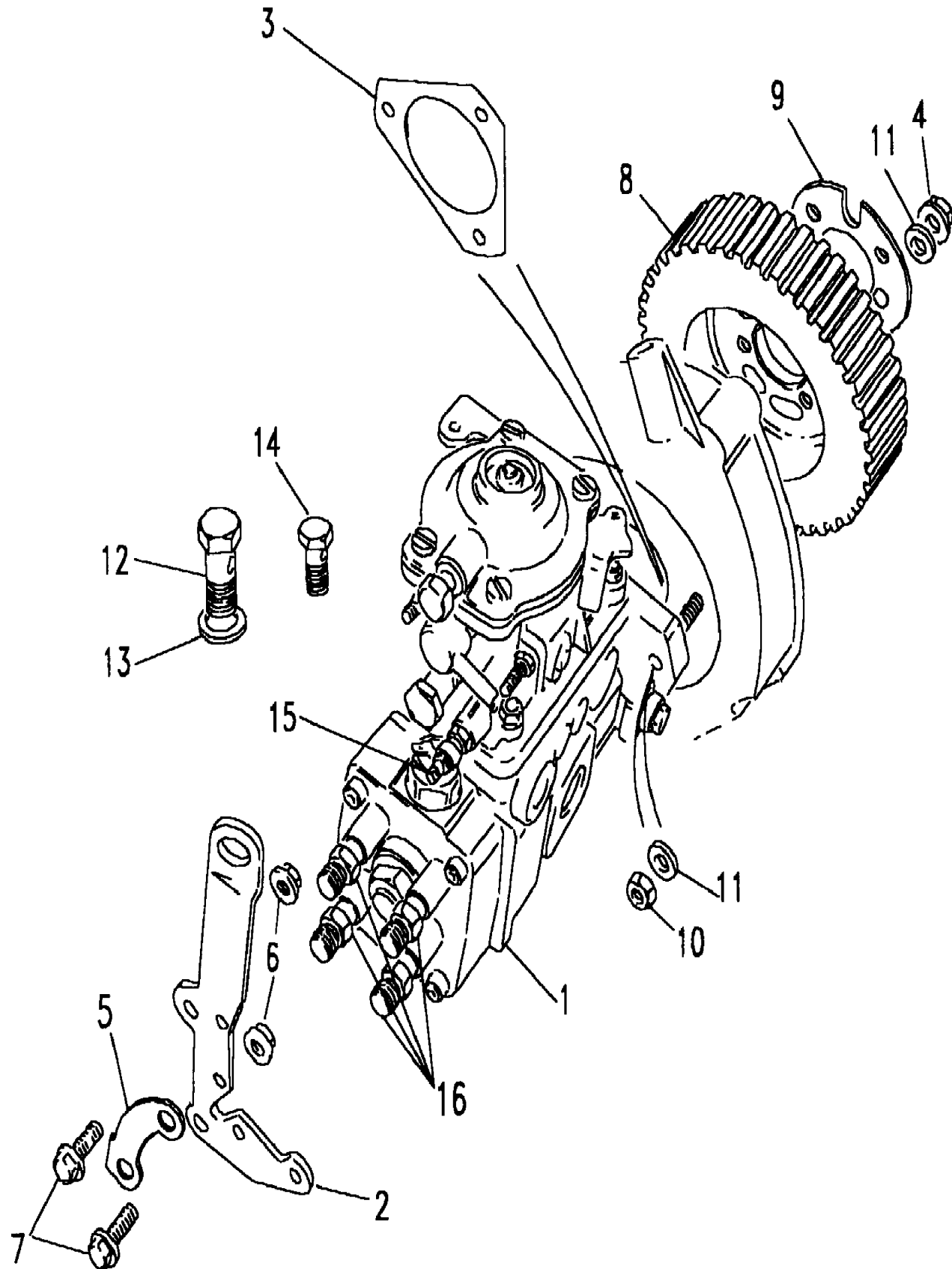
Discovery (FA393361-WA799999)
(CABMKC1A)

Discovery (FA393361-WA799999)

Engine
2500 - Diesel - Turbo - 200 Tdi
Injection Pump

Change point - VIN end LA081991, 2.5L I4 200 TDi Turbo Diesel, 5 Speed Manual Transmission, Less Catalyst

Callout	Name	Application	Remarks & Restrictions	Service No.	Qty
17	Lever-kickdown automatic transmission	Change point - VIN end LA081991	Engine Code 12L 2.5 TDI Manual - Gemini	ERR4897	1
		Change point - VIN end LA081991	Engine Code 12L 2.5 TDI Manual - Gemini	ERR4897	1
18	Screw-flanged head	Change point - VIN end LA081991	M6 X 12, Engine Code 12L 2.5 TDI Manual - Gemini	FS106121	1
		Change point - VIN end LA081991	M6 X 12, Engine Code 12L 2.5 TDI Manual - Gemini	FS106121	1
		Change point - VIN end LA081991	Engine Code 12L 2.5 TDI Manual - Gemini, Flanged Head, M6 x 60	FB106121L	1
		Change point - VIN end LA081991	Engine Code 12L 2.5 TDI Manual - Gemini, Flanged Head, M6 x 60	FB106121L	1
19	Screw	Change point - VIN end LA081991	M6 X 20, Engine Code 12L 2.5 TDI Manual - Gemini, Flanged Head	FS106201L	1
		Change point - VIN end LA081991	M6 X 20, Engine Code 12L 2.5 TDI Manual - Gemini, Flanged Head	FS106201L	1



Engine
2500 - Diesel - Turbo - 200 Tdi
Injectors & Pipes 1/2

Discovery (FA393361-WA799999)

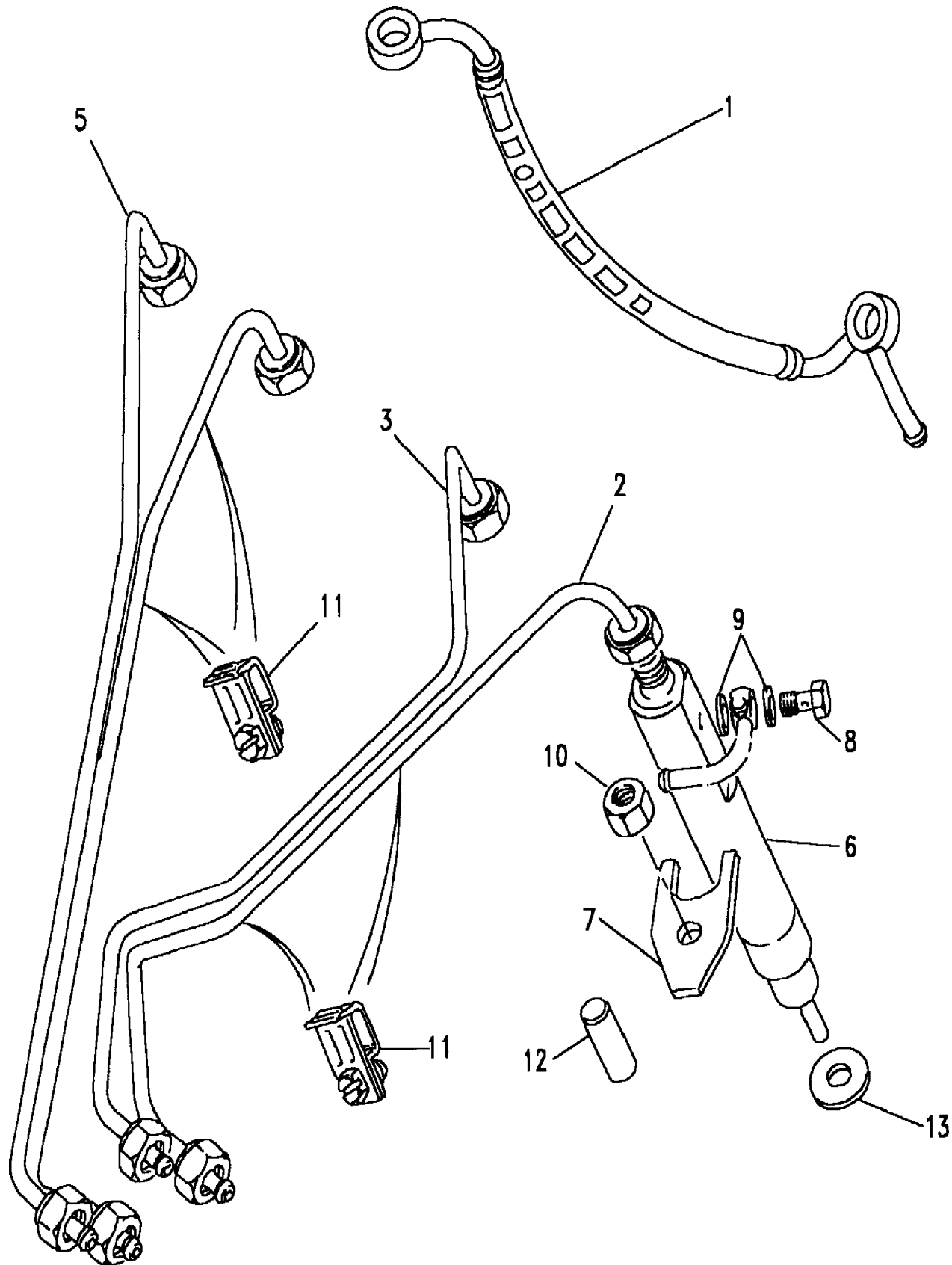
(CABMKE1B)

Discovery (FA393361-WA799999)

Engine
2500 - Diesel - Turbo - 200 Tdi
Injectors & Pipes

Change point - VIN end LA081991, 2.5L I4 200 TDi Turbo Diesel, 5 Speed Manual Transmission, Less Catalyst

Callout	Name	Application	Remarks & Restrictions	Service No.	Qty
1	Pipe-spill return fuel injection	Change point - VIN end KA045370	Engine Code 12L 2.5 TDI Manual - Gemini	ERR3651	1
		Change point - VIN begin KA045371	Engine Code 12L 2.5 TDI Manual - Gemini	ERR3652	1
2	Pipe-cylinder 1-high pressure fuel injection		Engine Code 12L 2.5 TDI Manual - Gemini	RTC6732	1
3	Pipe-cylinder 2-high pressure fuel injection		Engine Code 12L 2.5 TDI Manual - Gemini	RTC6733	1
4	Pipe-cylinder 3-high pressure fuel injection		Engine Code 12L 2.5 TDI Manual - Gemini	RTC6734	1
5	Pipe-cylinder 4-high pressure fuel injection		Engine Code 12L 2.5 TDI Manual - Gemini	RTC6735	1
6	Injector assembly-diesel holder & nozzle		Engine Code 12L 2.5 TDI Manual - Gemini, New	ETC8412	4
		2.5L I4 200 TDi L/R Turbo Diesel	Engine Code 12L 2.5 TDI Manual - Gemini, exchange	ETC8412E	4
7	Clamp fuel injector	Change point - VIN end LA081991, Manual Transmission	Engine Code 12L 2.5 TDI Manual - Gemini	ETC8197	4
		Change point - VIN end LA081991, Automatic Transmission	Engine Code 12L 2.5 TDI Manual - Gemini	ERR1509	4
		Change point - VIN end LA081991	Engine Code 12L 2.5 TDI Manual - Gemini	ERR1509	4
8	Bolt-banjo		Engine Code 12L 2.5 TDI Manual - Gemini, 6MM	ERR1200	4
			Also serviced as part of a kit, Engine Code 12L 2.5 TDI Manual - Gemini	STC3297	1
9	Washer-sealing		diesel injector spill return pipe banjo, Also serviced as part of a kit, Engine Code 12L 2.5 TDI Manual - Gemini	ERR1304	8
10	Nut - Hex.		M8, Engine Code 12L 2.5 TDI Manual - Gemini, Flanged Head	FN108047L	1
11	Clamp		Engine Code 12L 2.5 TDI Manual - Gemini, 2 pipes	AEU2129L	4
12	Dowel-ring		Engine Code 12L 2.5 TDI Manual - Gemini	ETC8470	4



Engine
2500 - Diesel - Turbo - 200 Tdi
Injectors & Pipes 2/2

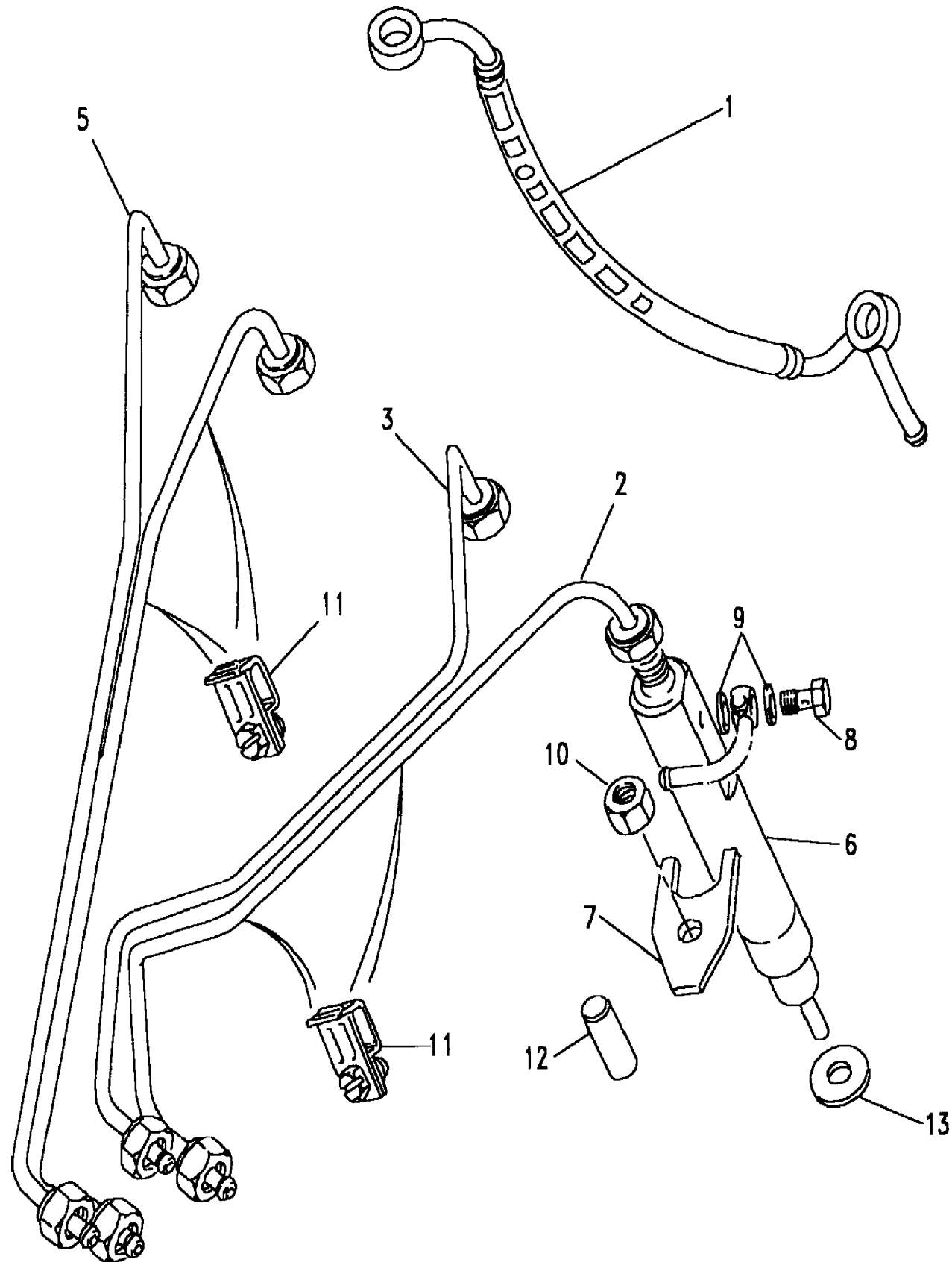
Discovery (FA393361-WA799999)
(CABMKE1B)

Discovery (FA393361-WA799999)

Engine
2500 - Diesel - Turbo - 200 Tdi
Injectors & Pipes

Change point - VIN end LA081991, 2.5L I4 200 TDi Turbo Diesel, 5 Speed Manual Transmission, Less Catalyst

Callout	Name	Application	Remarks & Restrictions	Service No.	Qty
13	Washer-sealing		diesel injector to cylinder head, Engine Code 12L 2.5 TDI Manual - Gemini	ERR4621	4
[900]	Nut-tube-female		spill return, M12, Engine Code 12L 2.5 TDI Manual - Gemini	NRC9770	1
[901]	Olive		spill return, Engine Code 12L 2.5 TDI Manual - Gemini	NRC9771	1



Engine
2500 - Diesel - Turbo - 200 Tdi
Jet Adaptors 1/1

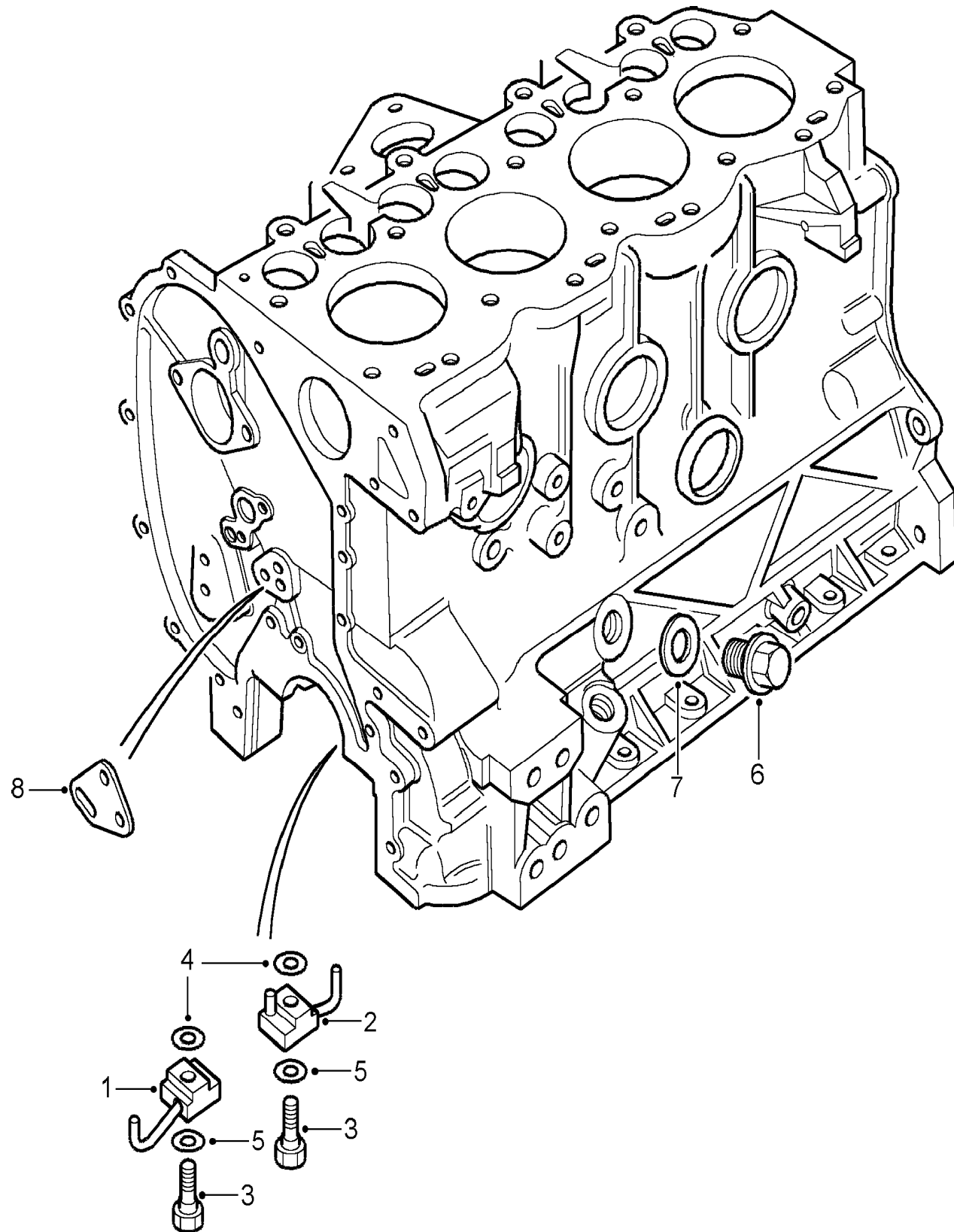
Discovery (FA393361-WA799999)
(CABMBA2A)

Discovery (FA393361-WA799999)

Engine
2500 - Diesel - Turbo - 200 Tdi
Jet Adaptors

Change point - VIN end LA081991, 2.5L I4 200 TDi Turbo Diesel, 5 Speed Manual Transmission, Less Catalyst

Callout	Name	Application	Remarks & Restrictions	Service No.	Qty
1	Jet assembly-piston cooling		Engine Code 12L 2.5 TDI Manual - Gemini, No1, No3	ETC6531	2
2	Jet assembly-piston cooling		Engine Code 12L 2.5 TDI Manual - Gemini, No2, No4	ETC6532	2
3	Valve-bearing housing jet		Engine Code 12L 2.5 TDI Manual - Gemini	ETC5592	4
4	Washer-sealing		Engine Code 12L 2.5 TDI Manual - Gemini	AFU1879L	4
5	Washer-sealing		Engine Code 12L 2.5 TDI Manual - Gemini	AFU1887L	4
6	Plug-Drain		Engine Code 12L 2.5 TDI Manual - Gemini	ERC9410	1
7	Washer-ump assembly drain plug		Engine Code 12L 2.5 TDI Manual - Gemini	AFU1882L	1
8	Gasket		Engine Code 12L 2.5 TDI Manual - Gemini	ERC8864	1



Engine
2500 - Diesel - Turbo - 200 Tdi
Manifolds 1/3

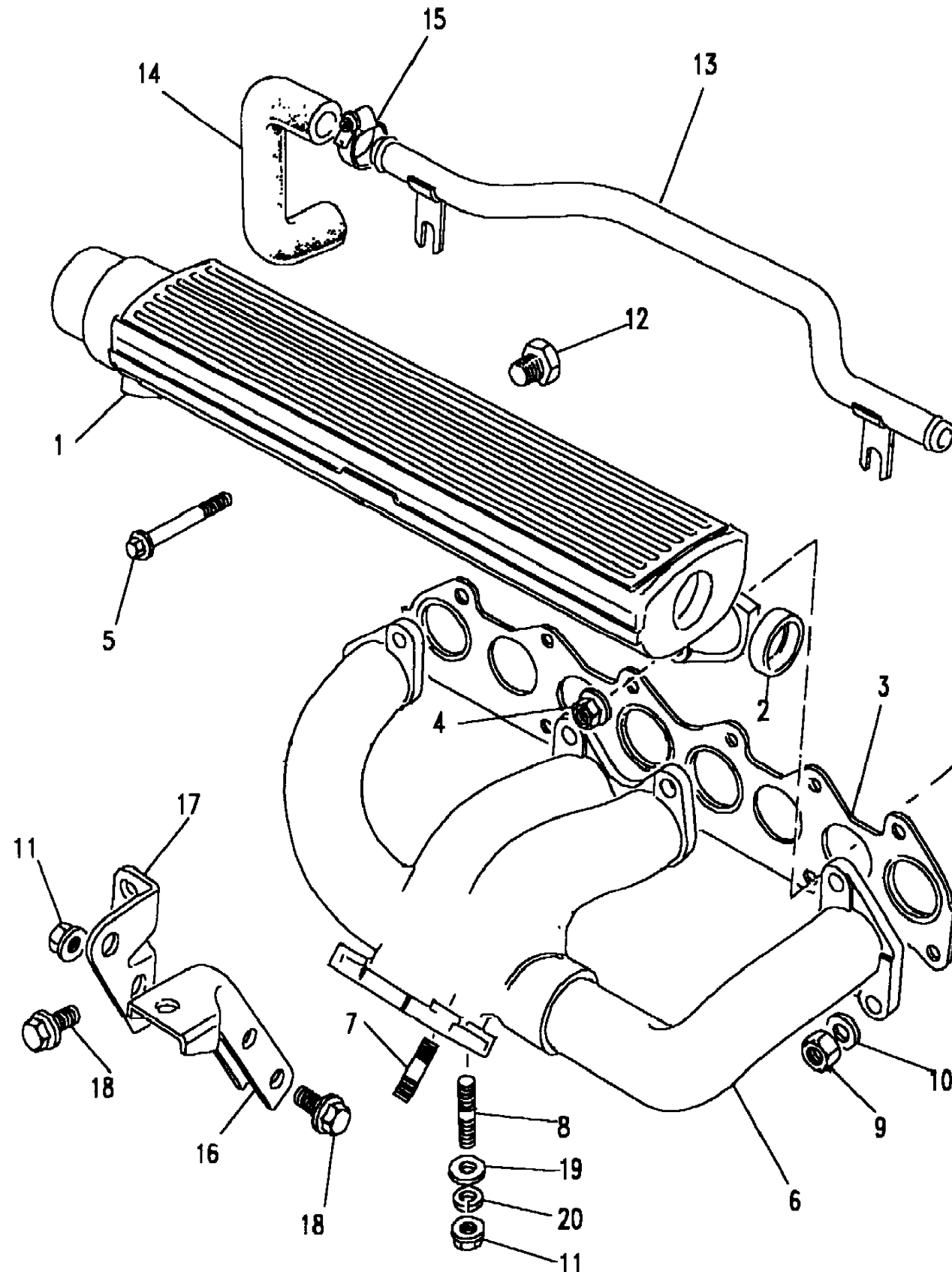
Discovery (FA393361-WA799999)
(CABMHA1B)

Discovery (FA393361-WA799999)

Engine
2500 - Diesel - Turbo - 200 Tdi
Manifolds

Change point - VIN end LA081991, 2.5L I4 200 TDi Turbo Diesel, 5 Speed Manual Transmission, Less Catalyst

Callout	Name	Application	Remarks & Restrictions	Service No.	Qty
1	Manifold-engine inlet	(-) "CH"	Also serviced as part of a kit, Engine Code 12L 2.5 TDI Manual - Gemini	ERR250	1
		(+) "CH"	Also serviced as part of a kit, Engine Code 12L 2.5 TDI Manual - Gemini	ERR537	1
2	Plug-core	(-) "CH"	Also serviced as part of a kit, Engine Code 12L 2.5 TDI Manual - Gemini	524765	1
3	Gasket-engine inlet/exhaust manifold		Engine Code 12L 2.5 TDI Manual - Gemini	ERR1208	1
4	Nut - Hex.		M8, Engine Code 12L 2.5 TDI Manual - Gemini, flange	FN108041L	X
		Change point - VIN end LA081991, Automatic Transmission	M8, Engine Code 12L 2.5 TDI Manual - Gemini, flange	FN108041L	1
		Change point - VIN end LA081991	M8, Engine Code 12L 2.5 TDI Manual - Gemini, flange	FN108041L	1
5	Bolt		inlet manifold to cylinder head, Engine Code 12L 2.5 TDI Manual - Gemini, M8 x 90	FB108181	2
			inlet manifold to cylinder head, Engine Code 12L 2.5 TDI Manual - Gemini, M8 x 90	FB108181L	2
6	Manifold-engine exhaust	(-) "CH"	Also serviced as part of a kit, Engine Code 12L 2.5 TDI Manual - Gemini	ERR789	1
		(+) "CH"	Also serviced as part of a kit, Engine Code 12L 2.5 TDI Manual - Gemini	ERR788	1
7	Stud		inlet manifold to cylinder head, M8 x 25, Engine Code 12L 2.5 TDI Manual - Gemini	TE108051L	2
		(-) "CH"	Exhaust Manifold, Also serviced as part of a kit, M8 x 25, Engine Code 12L 2.5 TDI Manual - Gemini	ERR551L	4
		Change point - VIN end LA081991, Automatic Transmission	Engine Code 12L 2.5 TDI Manual - Gemini, M10 x 25	TE110051L	5
		Change point - VIN end LA081991	Engine Code 12L 2.5 TDI Manual - Gemini, M10 x 25	TE110051L	5
		(-) "CH"	Also serviced as part of a kit, Engine Code 12L 2.5 TDI Manual - Gemini, M8 x 20	TE108041L	1
8	Stud		Engine Code 12L 2.5 TDI Manual - Gemini, M10 x 35	TE110071L	2
		Change point - VIN end LA081991	Engine Code 12L 2.5 TDI Manual - Gemini, M10 x 35	TE110071L	2
		Change point - VIN end LA081991	Engine Code 12L 2.5 TDI Manual - Gemini, M10 x 35	TE110071L	2



Engine
2500 - Diesel - Turbo - 200 Tdi
Manifolds 2/3

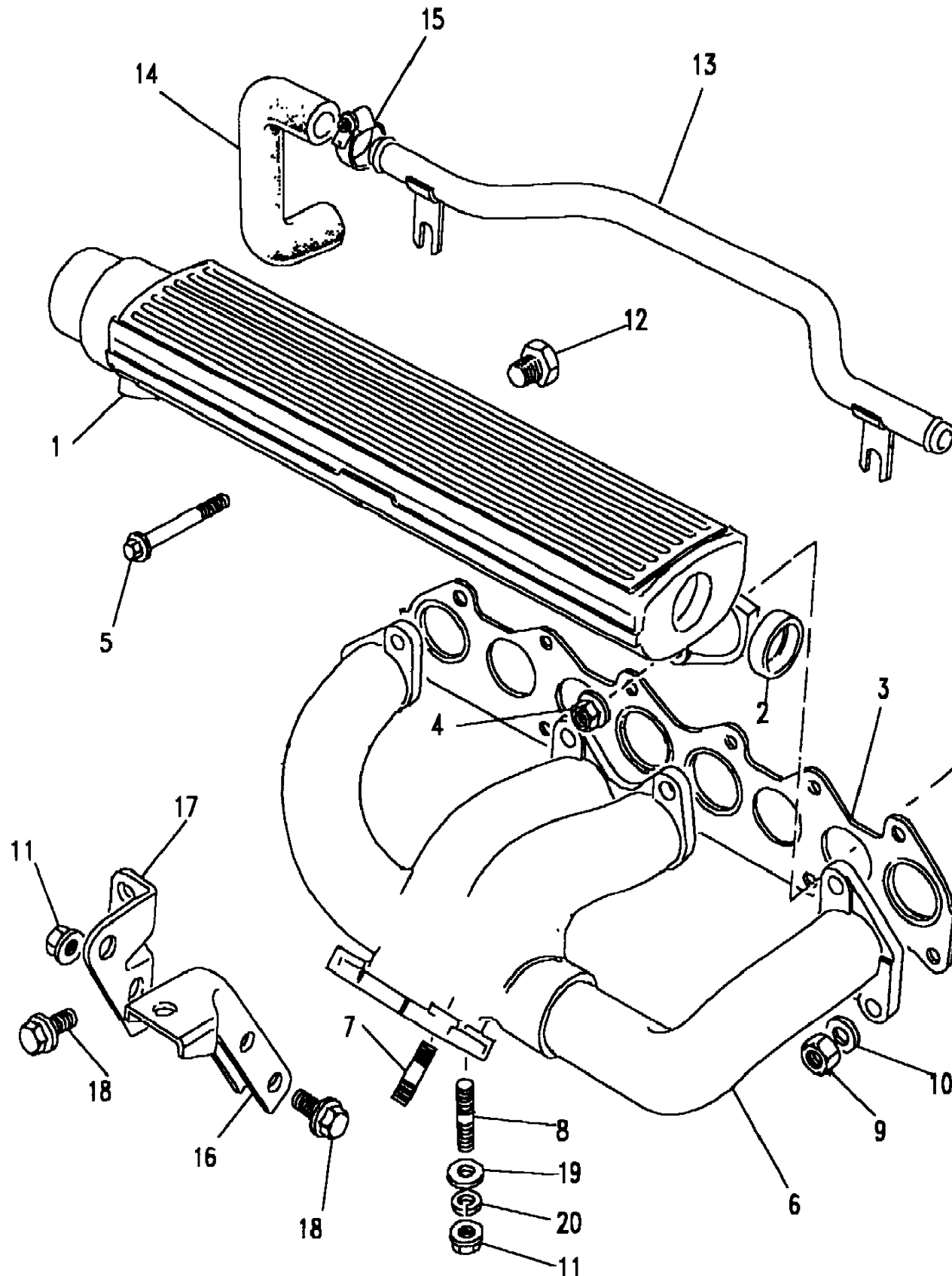
Discovery (FA393361-WA799999)
(CABMHA1B)

Discovery (FA393361-WA799999)

Engine
2500 - Diesel - Turbo - 200 Tdi
Manifolds

Change point - VIN end LA081991, 2.5L I4 200 TDi Turbo Diesel, 5 Speed Manual Transmission, Less Catalyst

Callout	Name	Application	Remarks & Restrictions	Service No.	Qty
9	Nut-flange		M10, Engine Code 12L 2.5 TDI Manual - Gemini	FX110041L	X
10	Washer		M10, Engine Code 12L 2.5 TDI Manual - Gemini	WA110061L	11
11	Nut - Hex.	Change point - VIN end LA081991, Automatic Transmission	M10, Engine Code 12L 2.5 TDI Manual - Gemini, flange	FN110041L	2
		Change point - VIN end LA081991	M10, Engine Code 12L 2.5 TDI Manual - Gemini, flange	FN110041L	2
		Change point - VIN end LA081991, Automatic Transmission	M10, Engine Code 12L 2.5 TDI Manual - Gemini, flange	FN110047	2
		Change point - VIN end LA081991	M10, Engine Code 12L 2.5 TDI Manual - Gemini, flange	FN110047	2
12	Plug-Drain		Engine Code 12L 2.5 TDI Manual - Gemini	ETC5577	1
13	Pipe-heater to hose coolant		Engine Code 12L 2.5 TDI Manual - Gemini	ERR371	1
14	Hose-pipe to heater		Engine Code 12L 2.5 TDI Manual - Gemini	ERR372	1
15	Clip-Hose		25MM, Engine Code 12L 2.5 TDI Manual - Gemini	CN100258L	2
16	Bracket-inlet manifold support		Engine Code 12L 2.5 TDI Manual - Gemini	ERR1004	1
17	Bracket-inlet manifold support		Cylinder Block, Engine Code 12L 2.5 TDI Manual - Gemini	ERR545	1
18	Screw	Change point - VIN end LA081991, Manual Transmission	M8 X 16, Engine Code 12L 2.5 TDI Manual - Gemini, Flanged Head	FS108161L	4
		Change point - VIN end LA081991, Automatic Transmission	M8 X 16, Engine Code 12L 2.5 TDI Manual - Gemini, Flanged Head	FS108161L	2
		Change point - VIN end LA081991	M8 X 16, Engine Code 12L 2.5 TDI Manual - Gemini, Flanged Head	FS108161L	2
		Change point - VIN end LA081991, Automatic Transmission	Engine Code 12L 2.5 TDI Manual - Gemini, Flanged Head, M8 x 20	FS108201L	2
		Change point - VIN end LA081991	Engine Code 12L 2.5 TDI Manual - Gemini, Flanged Head, M8 x 20	FS108201L	2
		Change point - VIN end LA081991, Automatic Transmission	Engine Code 12L 2.5 TDI Manual - Gemini, Flanged Head, M8 x 20	FS108207L	2
		Change point - VIN end LA081991	Engine Code 12L 2.5 TDI Manual - Gemini, Flanged Head, M8 x 20	FS108207L	2



Engine
2500 - Diesel - Turbo - 200 Tdi
Manifolds 3/3

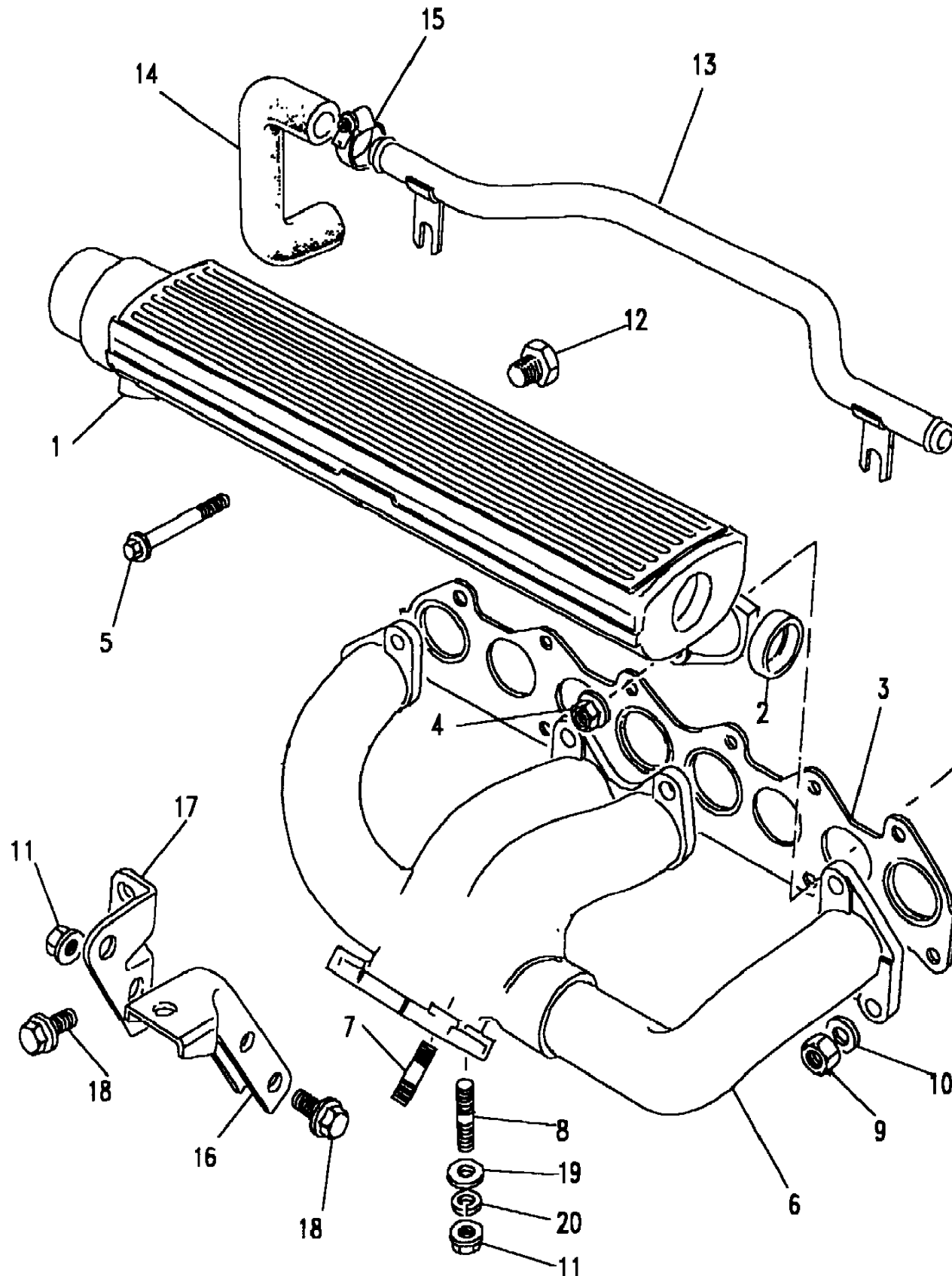
Discovery (FA393361-WA799999)
(CABMHA1B)

Discovery (FA393361-WA799999)

Engine
2500 - Diesel - Turbo - 200 Tdi
Manifolds

Change point - VIN end LA081991, 2.5L I4 200 TDi Turbo Diesel, 5 Speed Manual
Transmission, Less Catalyst

Callout	Name	Application	Remarks & Restrictions	Service No.	Qty
19	Washer		8MM, Engine Code 12L 2.5 TDI Manual - Gemini	WA108051L	1
20	Washer		M8, Engine Code 12L 2.5 TDI Manual - Gemini, sprung	WL108001L WL108007	1 1



Engine
2500 - Diesel - Turbo - 200 Tdi
Oil Pump 1/3

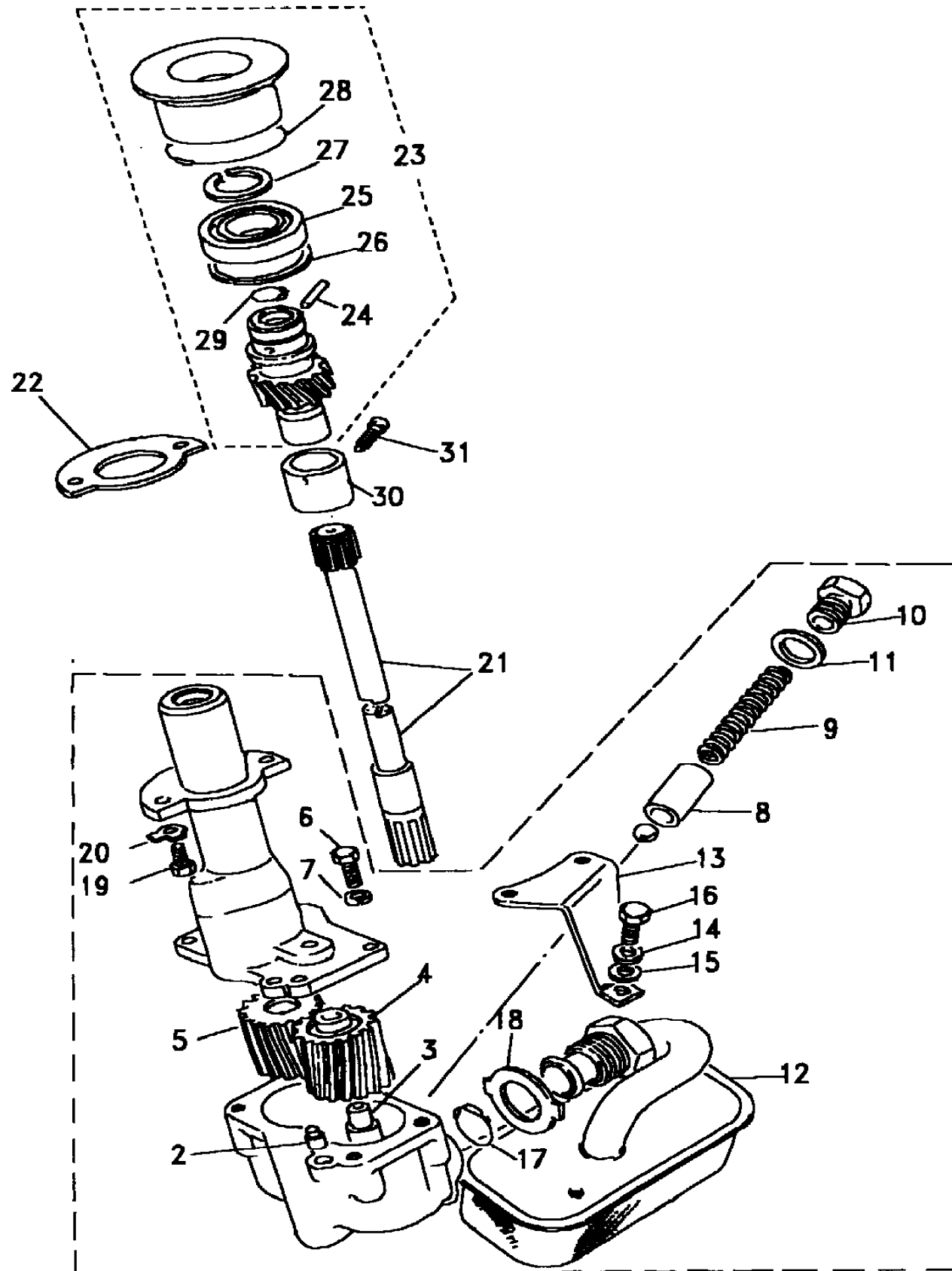
Discovery (FA393361-WA799999)

(CABMFA1A)

Discovery (FA393361-WA799999)

Engine
2500 - Diesel - Turbo - 200 Tdi
Oil Pump

Change point - VIN end LA081991, 2.5L I4 200 TDi Turbo Diesel, 5 Speed Manual Transmission, Less Catalyst

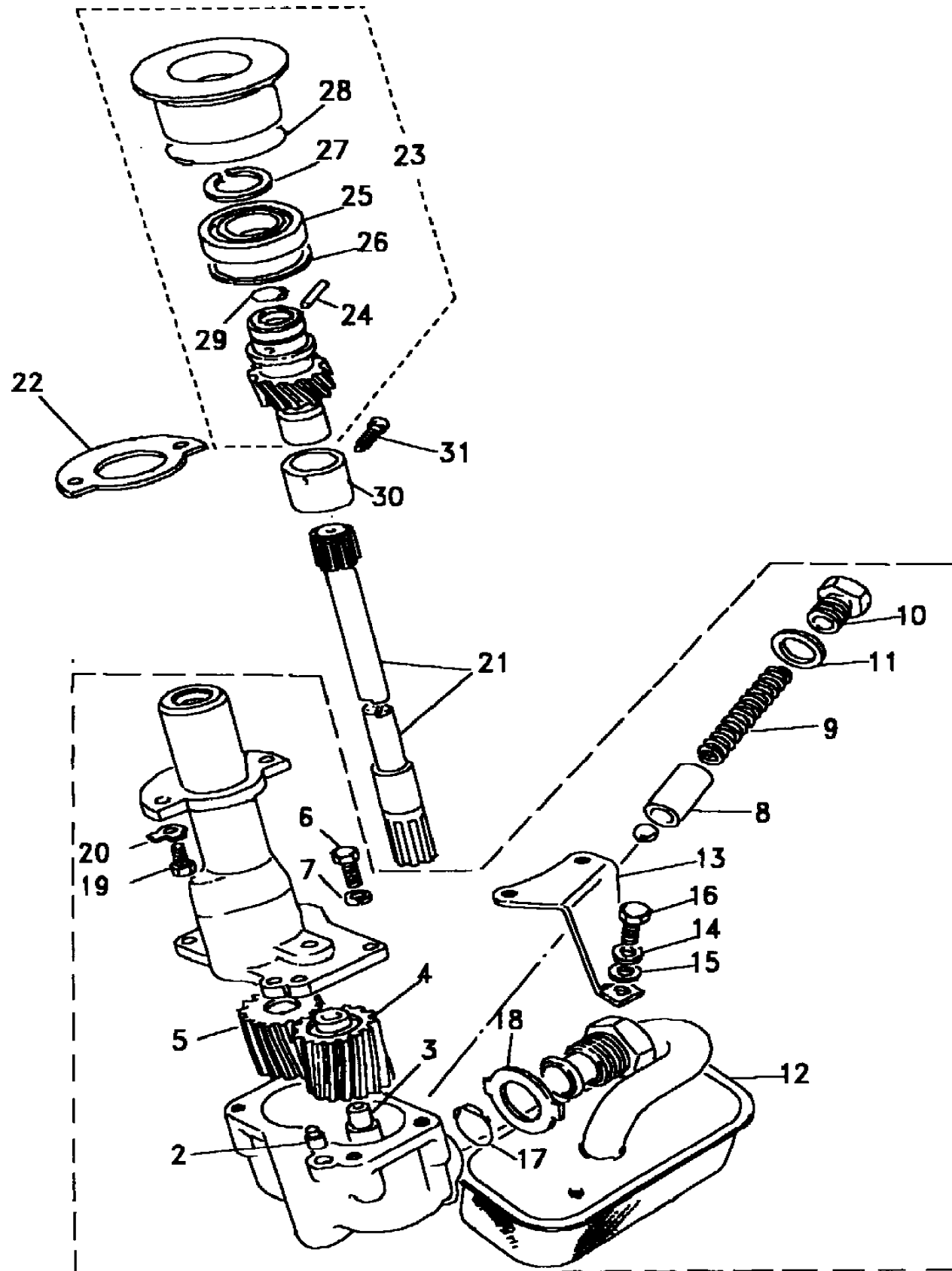


Callout	Name	Application	Remarks & Restrictions	Service No.	Qty
1	Pump assembly-engine oil		Also serviced as part of a kit, Engine Code 12L 2.5 TDI Manual - Gemini	ERR1178	1
2	Dowel		Also serviced as part of a kit, Engine Code 12L 2.5 TDI Manual - Gemini	236257	2
3	Spindle-oil pump		Also serviced as part of a kit, Engine Code 12L 2.5 TDI Manual - Gemini	ERR1063	1
4	Gear-oil pump idler		Also serviced as part of a kit, Engine Code 12L 2.5 TDI Manual - Gemini, 10 teeth	ERR1088	1
5	Gear-oil pump		Also serviced as part of a kit, Engine Code 12L 2.5 TDI Manual - Gemini, 10 teeth	ERC9706	1
6	Screw		Also serviced as part of a kit, Engine Code 12L 2.5 TDI Manual - Gemini, Flanged Head, M8 x 20	FS108201L	4
7	Washer		Also serviced as part of a kit, M8, Engine Code 12L 2.5 TDI Manual - Gemini, sprung	WL108001L	4
8	Plunger-oil pump relief valve		Also serviced as part of a kit, Engine Code 12L 2.5 TDI Manual - Gemini	ETC4880	1
9	Spring-oil pump relief valve		Also serviced as part of a kit, Engine Code 12L 2.5 TDI Manual - Gemini	564456	1
10	Plug		Also serviced as part of a kit, Engine Code 12L 2.5 TDI Manual - Gemini	564455	1
11	Washer-sealing		Also serviced as part of a kit, Engine Code 12L 2.5 TDI Manual - Gemini	232044	1
12	Strainer and pipe assembly-oil		Also serviced as part of a kit, Engine Code 12L 2.5 TDI Manual - Gemini	ERR1521	1
13	Bracket		Also serviced as part of a kit, Engine Code 12L 2.5 TDI Manual - Gemini	ERR541	1
14	Washer		Also serviced as part of a kit, 8MM, Engine Code 12L 2.5 TDI Manual - Gemini	WA108051L	1

Engine
2500 - Diesel - Turbo - 200 Tdi
Oil Pump 2/3

Discovery (FA393361-WA799999)

(CABMFA1A)



Discovery (FA393361-WA799999)

Engine
2500 - Diesel - Turbo - 200 Tdi
Oil Pump

Change point - VIN end LA081991, 2.5L I4 200 TDi Turbo Diesel, 5 Speed Manual Transmission, Less Catalyst

Callout	Name	Application	Remarks & Restrictions	Service No.	Qty
15	Washer		Also serviced as part of a kit, M8, Engine Code 12L 2.5 TDI Manual - Gemini, sprung	WL108001L	1
16	Screw		Also serviced as part of a kit, Engine Code 12L 2.5 TDI Manual - Gemini, Flanged Head, M8 x 20	FS108201L	1
17	O Ring		Also serviced as part of a kit, Engine Code 12L 2.5 TDI Manual - Gemini	244488	1
18	Washer-Lock		Also serviced as part of a kit, Engine Code 12L 2.5 TDI Manual - Gemini	244487	1
19	Screw		Also serviced as part of a kit, M8 x 25, Engine Code 12L 2.5 TDI Manual - Gemini, Flanged Head	FS108251L	2
20	Washer-Lock		Also serviced as part of a kit, Engine Code 12L 2.5 TDI Manual - Gemini	247665	2
21	Shaft-oil pump		Engine Code 12L 2.5 TDI Manual - Gemini	ERR850	1
22	Gasket-cylinder block oil pump		Asbestos Free, Engine Code 12L 2.5 TDI Manual - Gemini	ERR3606	1
23	Drive assembly-oil pump		Also serviced as part of a kit, Engine Code 12L 2.5 TDI Manual - Gemini	ERR928	1
24	Pin-roll-spring tension		Also serviced as part of a kit, Engine Code 12L 2.5 TDI Manual - Gemini	ERR309	1
25	Bearing-ball		Also serviced as part of a kit, Engine Code 12L 2.5 TDI Manual - Gemini	ERR528	1
26	Ring-Snap		Also serviced as part of a kit, Outer, Engine Code 12L 2.5 TDI Manual - Gemini	CR120305	1
27	Ring-Snap		Also serviced as part of a kit, Engine Code 12L 2.5 TDI Manual - Gemini, Inner	ERR530	1
28	O Ring		Also serviced as part of a kit, Engine Code 12L 2.5 TDI Manual - Gemini	ERR531	1

Engine
2500 - Diesel - Turbo - 200 Tdi
Oil Pump 3/3

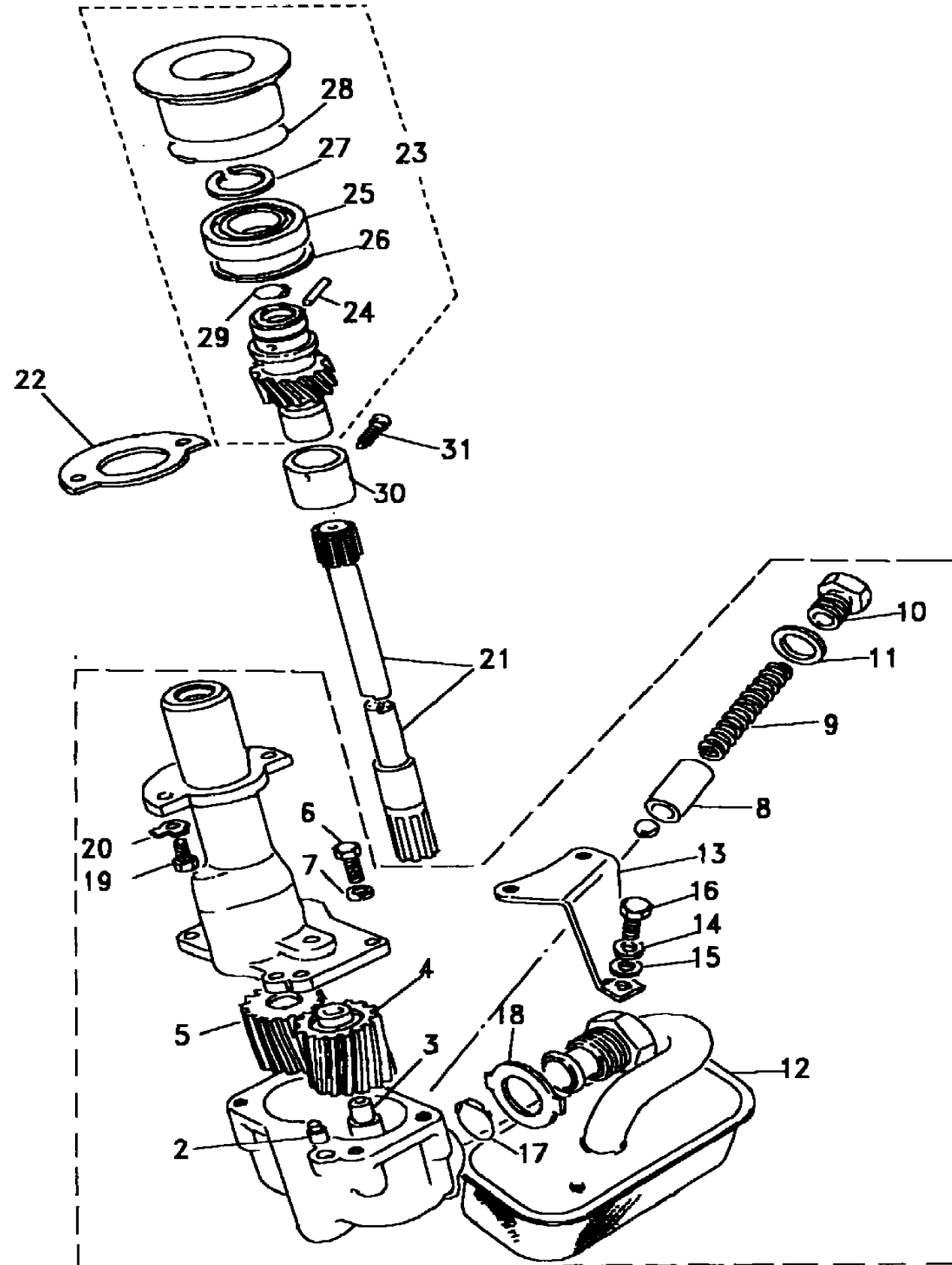
Discovery (FA393361-WA799999)
(CABMFA1A)

Discovery (FA393361-WA799999)

Engine
2500 - Diesel - Turbo - 200 Tdi
Oil Pump

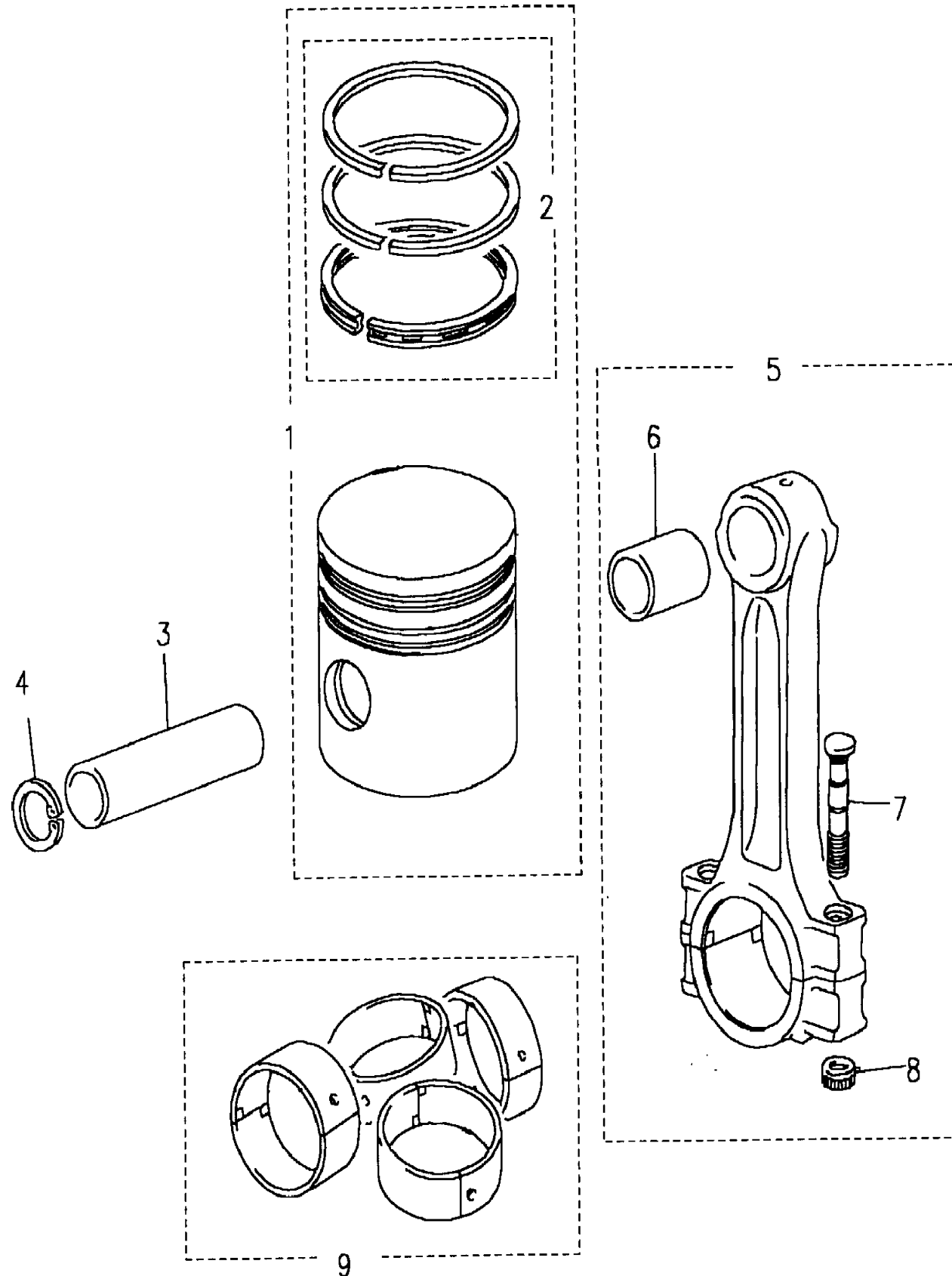
Change point - VIN end LA081991, 2.5L I4 200 TDi Turbo Diesel, 5 Speed Manual Transmission, Less Catalyst

Callout	Name	Application	Remarks & Restrictions	Service No.	Qty
29	O Ring		Also serviced as part of a kit, Engine Code 12L 2.5 TDI Manual - Gemini	ERR532	1
30	Bush		Also serviced as part of a kit, Engine Code 12L 2.5 TDI Manual - Gemini	ERR500	1
31	Screw		Also serviced as part of a kit, Engine Code 12L 2.5 TDI Manual - Gemini	ERR848	1



Engine
2500 - Diesel - Turbo - 200 Tdi
Piston, Connecting Rod & Bearings 1/1
Discovery (FA393361-WA799999)
(CABMCC1A)

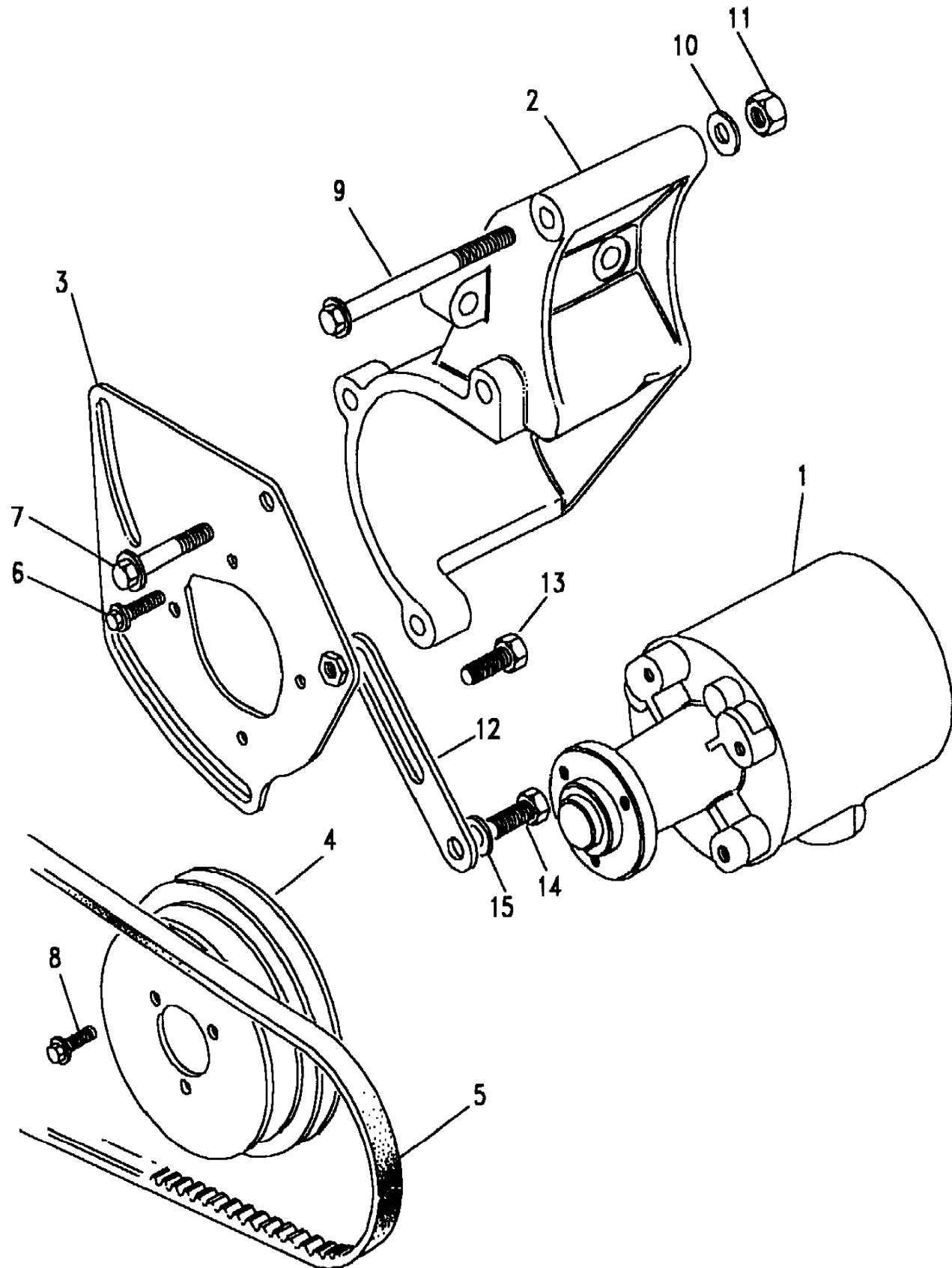
Discovery (FA393361-WA799999)
Engine
2500 - Diesel - Turbo - 200 Tdi
Piston, Connecting Rod & Bearings
Change point - VIN end LA081991, 2.5L I4 200 TDi Turbo Diesel, 5 Speed Manual Transmission, Less Catalyst



Callout	Name	Application	Remarks & Restrictions	Service No.	Qty
1	Piston-engine		Also serviced as part of a kit, Engine Code 12L 2.5 TDI Manual - Gemini, standard., 'X'	ERR1390	4
			Also serviced as part of a kit, Engine Code 12L 2.5 TDI Manual - Gemini, standard., 'Y'	ERR1391	4
			Also serviced as part of a kit, Engine Code 12L 2.5 TDI Manual - Gemini, 0.020" oversize	STC1052020	4
			Also serviced as part of a kit, Engine Code 12L 2.5 TDI Manual - Gemini, 0.040" oversize	STC1052040	4
2	Ring set assembly-piston		Also serviced as part of a kit, Engine Code 12L 2.5 TDI Manual - Gemini, standard.	RTC6457	4
			Also serviced as part of a kit, Engine Code 12L 2.5 TDI Manual - Gemini, 0.020" oversize	RTC645720	4
			Also serviced as part of a kit, Engine Code 12L 2.5 TDI Manual - Gemini, 0.040" oversize	RTC645740	4
3	Pin-piston gudgeon		Engine Code 12L 2.5 TDI Manual - Gemini	ERR703	4
4	Circlip-piston		Engine Code 12L 2.5 TDI Manual - Gemini	266945	8
5	Rod-crankshaft connecting		Also serviced as part of a kit, Engine Code 12L 2.5 TDI Manual - Gemini	ETC8086	4
6	Bearing bush-connecting rod small end		Also serviced as part of a kit, Engine Code 12L 2.5 TDI Manual - Gemini	ETC7286	4
7	Bolt-connecting rod		Also serviced as part of a kit, Engine Code 12L 2.5 TDI Manual - Gemini	ETC7357	2
8	Nut-connecting rod		Also serviced as part of a kit, Engine Code 12L 2.5 TDI Manual - Gemini	ETC8191	2
9	Set-connecting rod big end half bearing		Engine Code 12L 2.5 TDI Manual - Gemini, standard.	RTC2993	1
			Engine Code 12L 2.5 TDI Manual - Gemini, 0.010" undersize	RTC299310	1

Engine
2500 - Diesel - Turbo - 200 Tdi
Power Steering Pump 1/2
Discovery (FA393361-WA799999)
(CABMNC1A)

Engine
2500 - Diesel - Turbo - 200 Tdi
Power Steering Pump
Change point - VIN end LA081991, 2.5L I4 200 TDi Turbo Diesel, 5 Speed Manual Transmission, Less Catalyst, With Power Steering



Callout	Name	Application	Remarks & Restrictions	Service No.	Qty
1	Pump assembly power assisted steering		Engine Code 12L 2.5 TDI Manual - Gemini	NTC8288	1
2	Bracket power assisted steering pump & alternator		Engine Code 12L 2.5 TDI Manual - Gemini	ERR1115	1
3	Plate-anti vibration power assisted steering pump	Change point - Engine end 12L05260A	Engine Code 12L 2.5 TDI Manual - Gemini	ETC7468	1
		Change point - Engine begin 12L05261A	Engine Code 12L 2.5 TDI Manual - Gemini	ERR1174	1
4	Pulley power assisted steering pump		Engine Code 12L 2.5 TDI Manual - Gemini	ETC7528	1
5	Belt-vee power assisted steering		Engine Code 12L 2.5 TDI Manual - Gemini	ERR810	1
6	Screw-flanged head		plate mounting to pump, M6 X 16, Engine Code 12L 2.5 TDI Manual - Gemini, Flanged Head	FS106167L	4
7	Screw		plate mounting to bracket, Engine Code 12L 2.5 TDI Manual - Gemini, Flanged Head, M8 x 20	FS108207L	3
8	Screw-flanged head		pulley to pump, M6 X 16, Engine Code 12L 2.5 TDI Manual - Gemini, Flanged Head	FS106167L	3
9	Bolt		Engine Code 12L 2.5 TDI Manual - Gemini, Flanged Head, M8 x 125	FB108251	1
10	Washer		8MM, Engine Code 12L 2.5 TDI Manual - Gemini	WA108051L	2
11	Locknut		M8, Engine Code 12L 2.5 TDI Manual - Gemini	NY108051L	1
12	Link-power assisted steering pump adjusting	Change point - Engine end 12L05260A	Engine Code 12L 2.5 TDI Manual - Gemini	ETC7532	1
		Change point - Engine begin 12L05261A	Engine Code 12L 2.5 TDI Manual - Gemini	ERR1173	1
13	Screw		M8 X 30, Engine Code 12L 2.5 TDI Manual - Gemini, Flanged Head	FS108307L	1
14	Screw		Engine Code 12L 2.5 TDI Manual - Gemini, Flanged Head, M8 x 20	FS108207L	1

Engine
2500 - Diesel - Turbo - 200 Tdi
Power Steering Pump 2/2

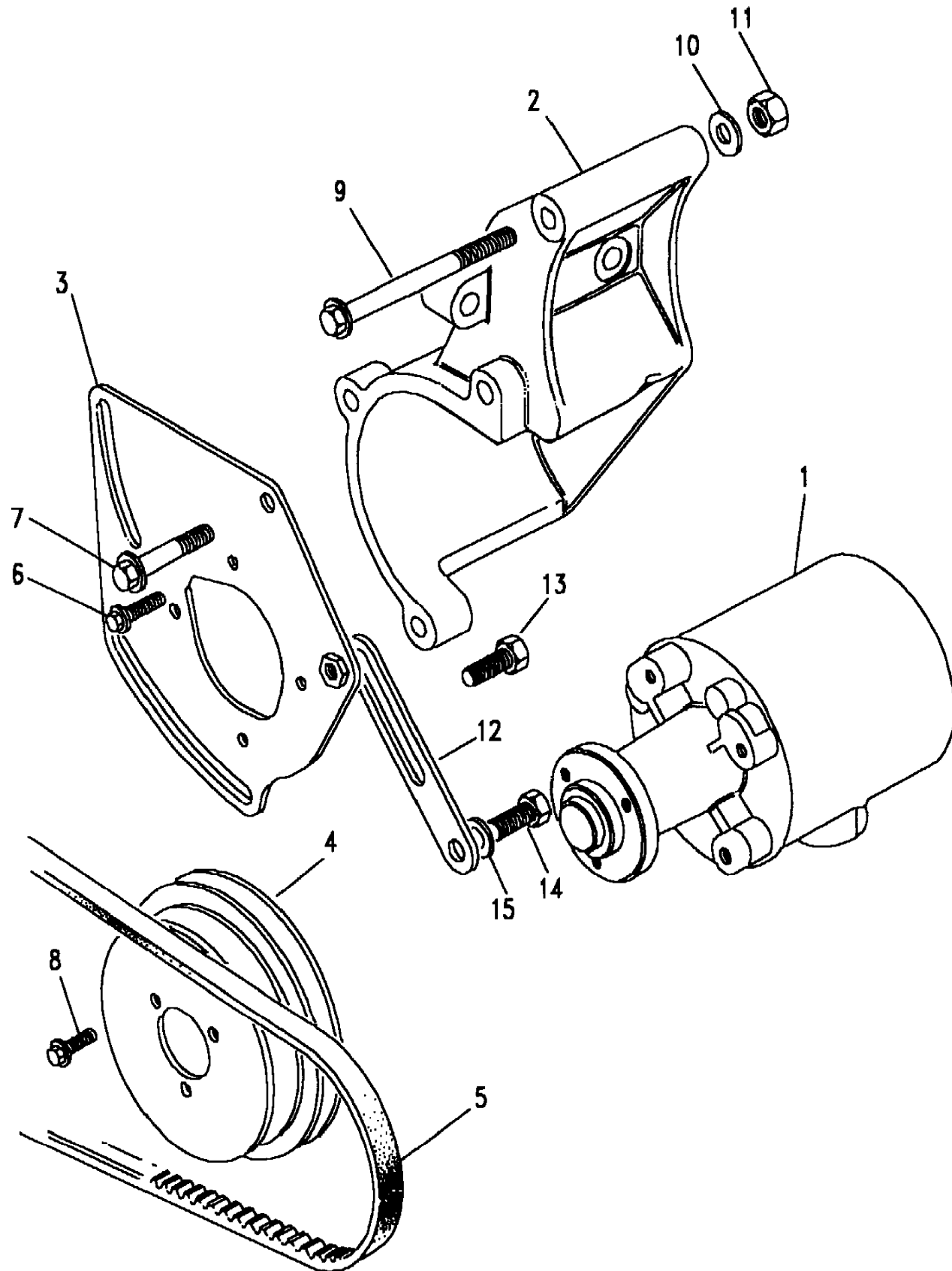
Discovery (FA393361-WA799999)
(CABMNC1A)

Discovery (FA393361-WA799999)

Engine
2500 - Diesel - Turbo - 200 Tdi
Power Steering Pump

Change point - VIN end LA081991, 2.5L I4 200 TDi Turbo Diesel, 5 Speed Manual Transmission, Less Catalyst, With Power Steering

Callout	Name	Application	Remarks & Restrictions	Service No.	Qty
15	Washer		8MM, Engine Code 12L 2.5 TDI Manual - Gemini	WA108051L	1
[900]	Stud		Engine Code 12L 2.5 TDI Manual - Gemini, M8 x 20	TE108041L	2
[901]	Nut - Hex.		M8, Engine Code 12L 2.5 TDI Manual - Gemini, flange	FN108041L	2

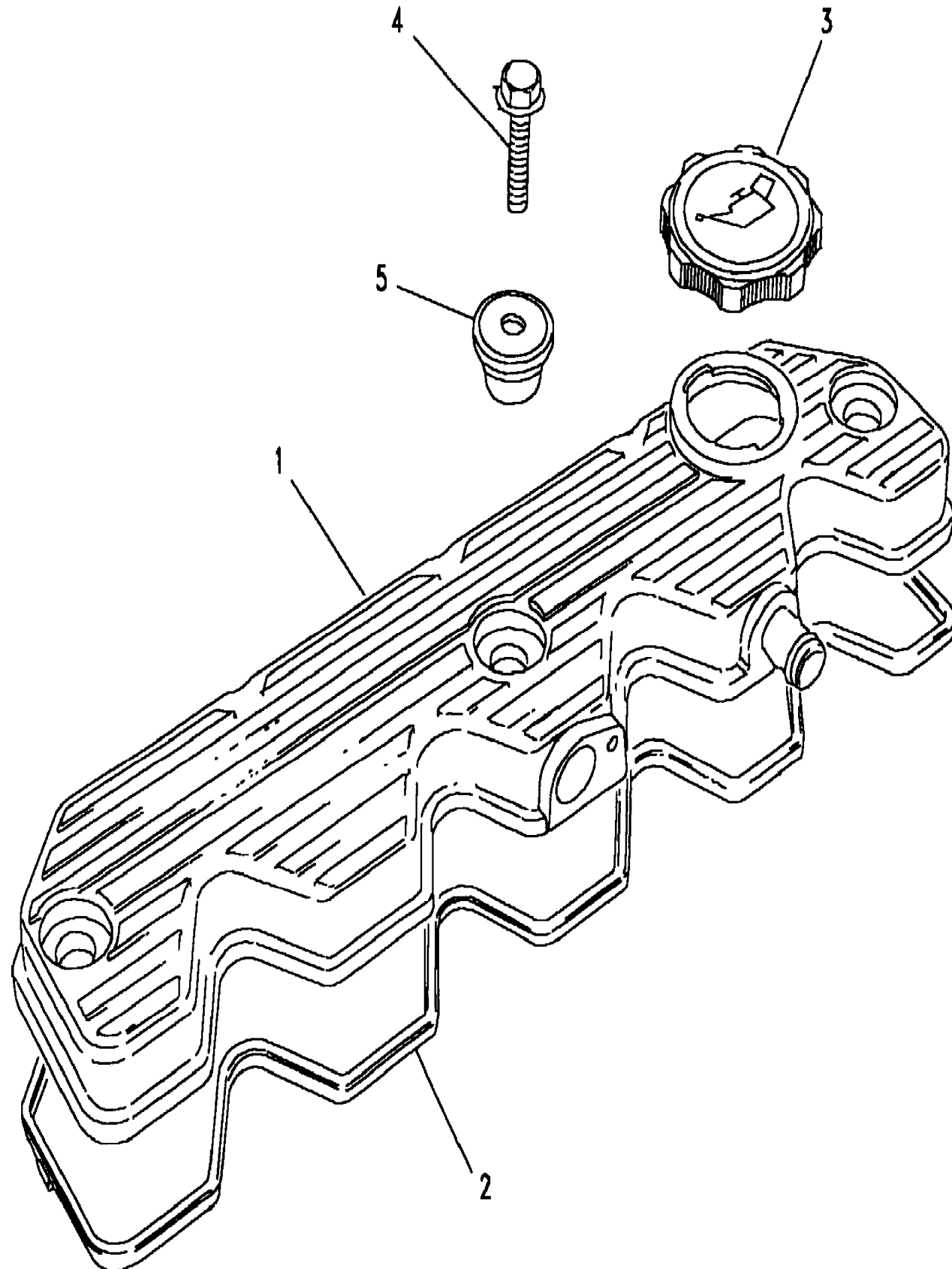


Engine
2500 - Diesel - Turbo - 200 Tdi
Rocker Cover 1/1
Discovery (FA393361-WA799999)
(CABMGG1B)

Discovery (FA393361-WA799999)
Engine
2500 - Diesel - Turbo - 200 Tdi
Rocker Cover

Change point - VIN end LA081991, 2.5L I4 200 TDi Turbo Diesel, 5 Speed Manual Transmission, Less Catalyst

Callout	Name	Application	Remarks & Restrictions	Service No.	Qty
1	Cover assembly-valve rocker	Change point - Engine end 12L45742A	Engine Code 12L 2.5 TDI Manual - Gemini	ERR1530	1
		Change point - Engine begin 12L45743A	Engine Code 12L 2.5 TDI Manual - Gemini	ERR3368	1
2	Gasket-engine rocker cover		Engine Code 12L 2.5 TDI Manual - Gemini	ERR2393	1
3	Cap-oil filler	Change point - Engine end 12L46743A	Engine Code 12L 2.5 TDI Manual - Gemini	ERR455	1
		Change point - Engine begin 12L46744A	Engine Code 12L 2.5 TDI Manual - Gemini	ERR2529	1
			Engine Code 12L 2.5 TDI Manual - Gemini	ERR5041	1
4	Screw		rocker cover to cylinder head, Engine Code 12L 2.5 TDI Manual - Gemini, Flanged Head, M6 x 25	FS106255L	3
5	Seal		Engine Code 12L 2.5 TDI Manual - Gemini	ERR663	3
[900]	Cover-engine	Change point - VIN end LA081991	Engine Code 12L 2.5 TDI Manual - Gemini	ERR4551	1
		Change point - VIN end LA081991	Engine Code 12L 2.5 TDI Manual - Gemini	ERR4551	1



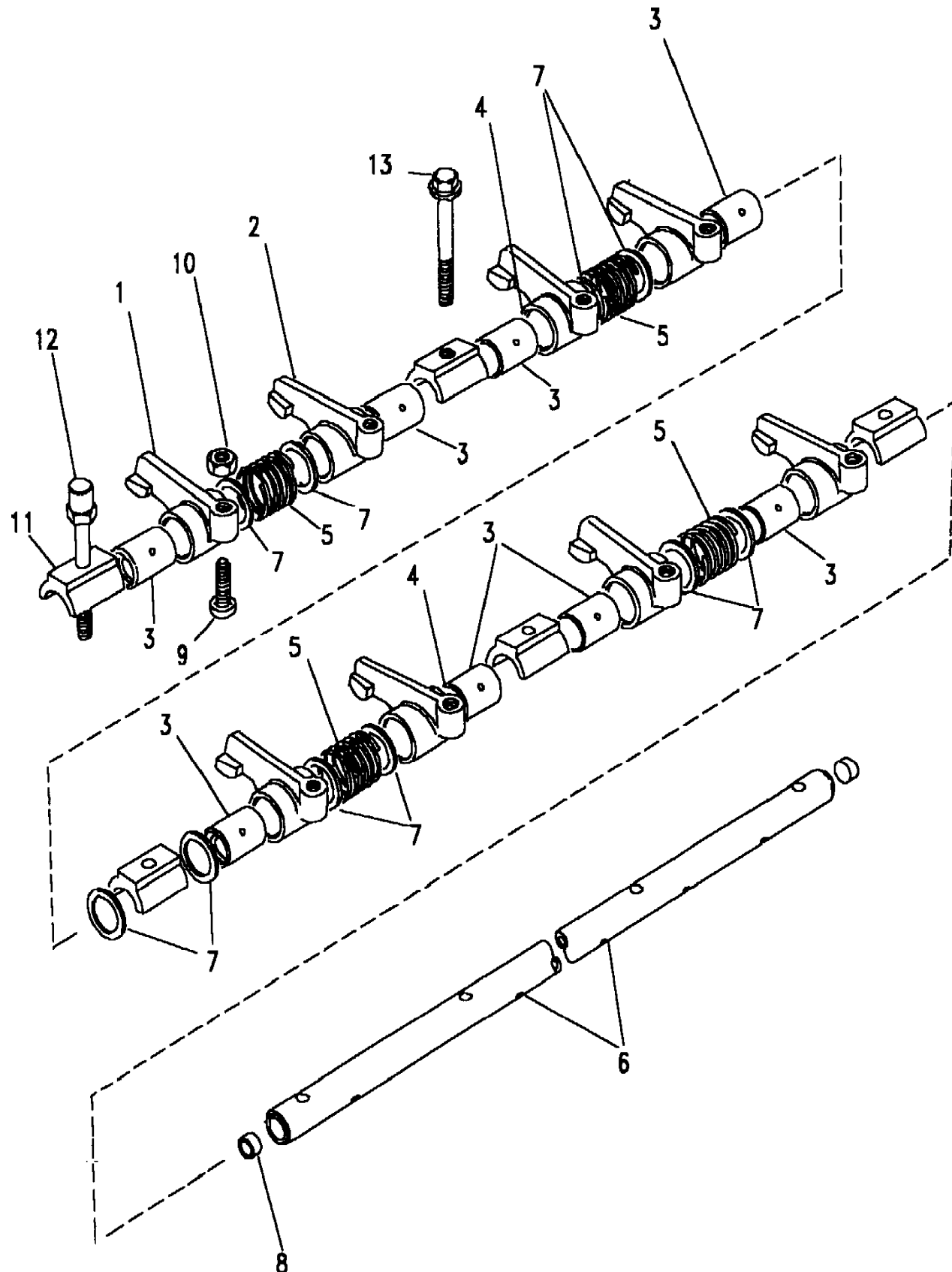
Engine
2500 - Diesel - Turbo - 200 Tdi
Rockershaft 1/1

Discovery (FA393361-WA799999)
(CABMGC1A)

Discovery (FA393361-WA799999)

Engine
2500 - Diesel - Turbo - 200 Tdi
Rockershaft

Change point - VIN end LA081991, 2.5L I4 200 TDi Turbo Diesel, 5 Speed Manual Transmission, Less Catalyst

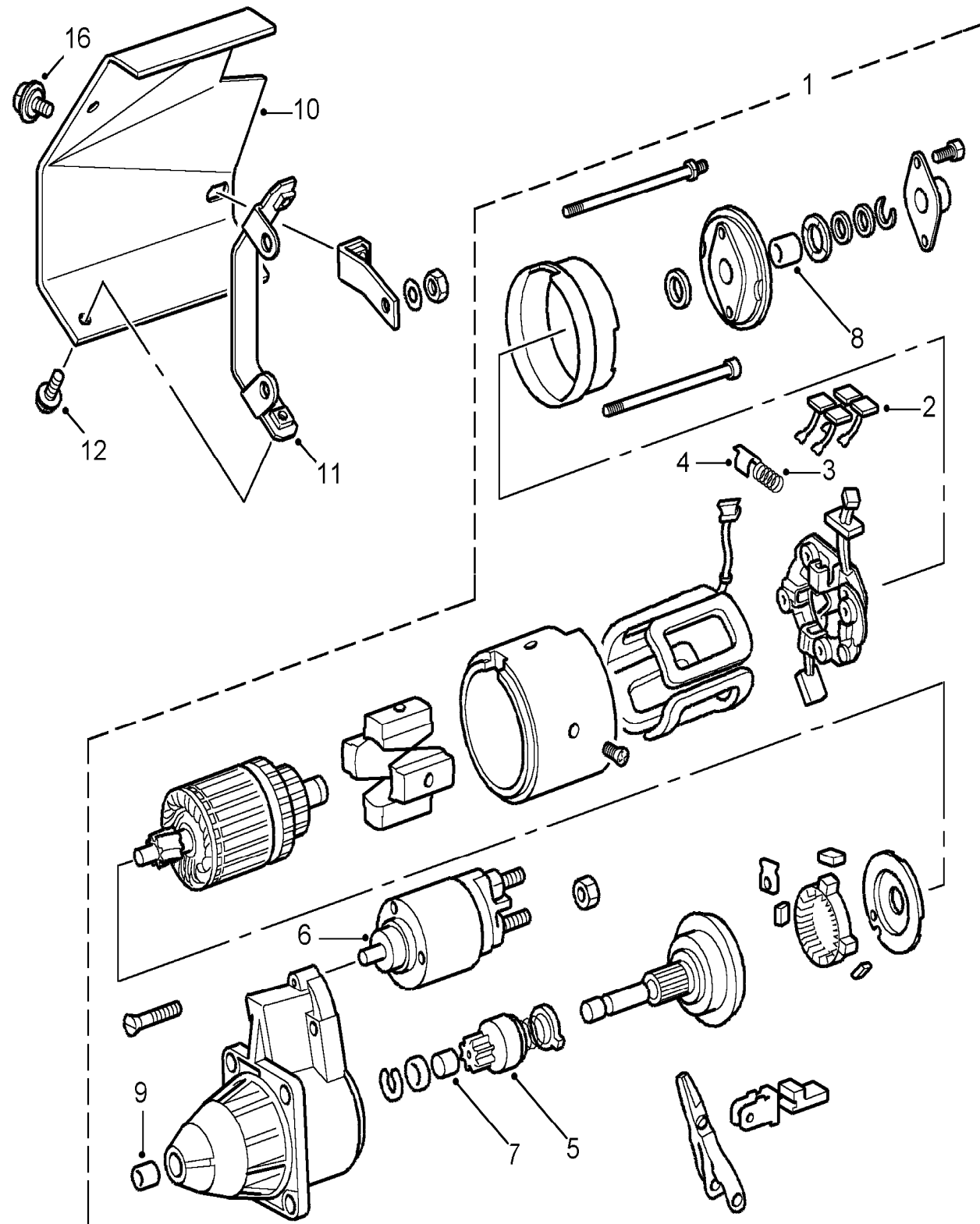


Callout	Name	Application	Remarks & Restrictions	Service No.	Qty
1	Arm & bush assembly-exhaust valve rocker		Also serviced as part of a kit, RH, Engine Code 12L 2.5 TDI Manual - Gemini	ERR1202	4
2	Arm & bush assembly-inlet valve rocker		Also serviced as part of a kit, Engine Code 12L 2.5 TDI Manual - Gemini, LH	ERR1201	4
3	Bush-cylinder head rocker arm		Also serviced as part of a kit, Engine Code 12L 2.5 TDI Manual - Gemini	ERR1203	4
4	Spacer		Engine Code 12L 2.5 TDI Manual - Gemini	ERR1209	2
5	Spring-rocker shaft		Engine Code 12L 2.5 TDI Manual - Gemini	ETC8095	4
6	Shaft-rocker		Engine Code 12L 2.5 TDI Manual - Gemini	ERR4682	1
7	Spacer		Also serviced as part of a kit, Engine Code 12L 2.5 TDI Manual - Gemini	ERR1210	10
8	Plug		Also serviced as part of a kit, Engine Code 12L 2.5 TDI Manual - Gemini	ETC8103	2
9	Screw-engine tappet adjustment		Engine Code 12L 2.5 TDI Manual - Gemini	ERR559	8
10	Nut-locking		Engine Code 12L 2.5 TDI Manual - Gemini	ERR560	8
11	Clamp-rocker shaft		Engine Code 12L 2.5 TDI Manual - Gemini	ERR1107	5
12	Bolt		Engine Code 12L 2.5 TDI Manual - Gemini	ETC7530	3
13	Bolt		rocker shaft to head, M8 x 50, Engine Code 12L 2.5 TDI Manual - Gemini, Flanged Head	FB108101	2

Engine
2500 - Diesel - Turbo - 200 Tdi
Starter Motor Bosch 1/2

Discovery (FA393361-WA799999)

(CABMPE2A)



CABMPE2A

Discovery (FA393361-WA799999)

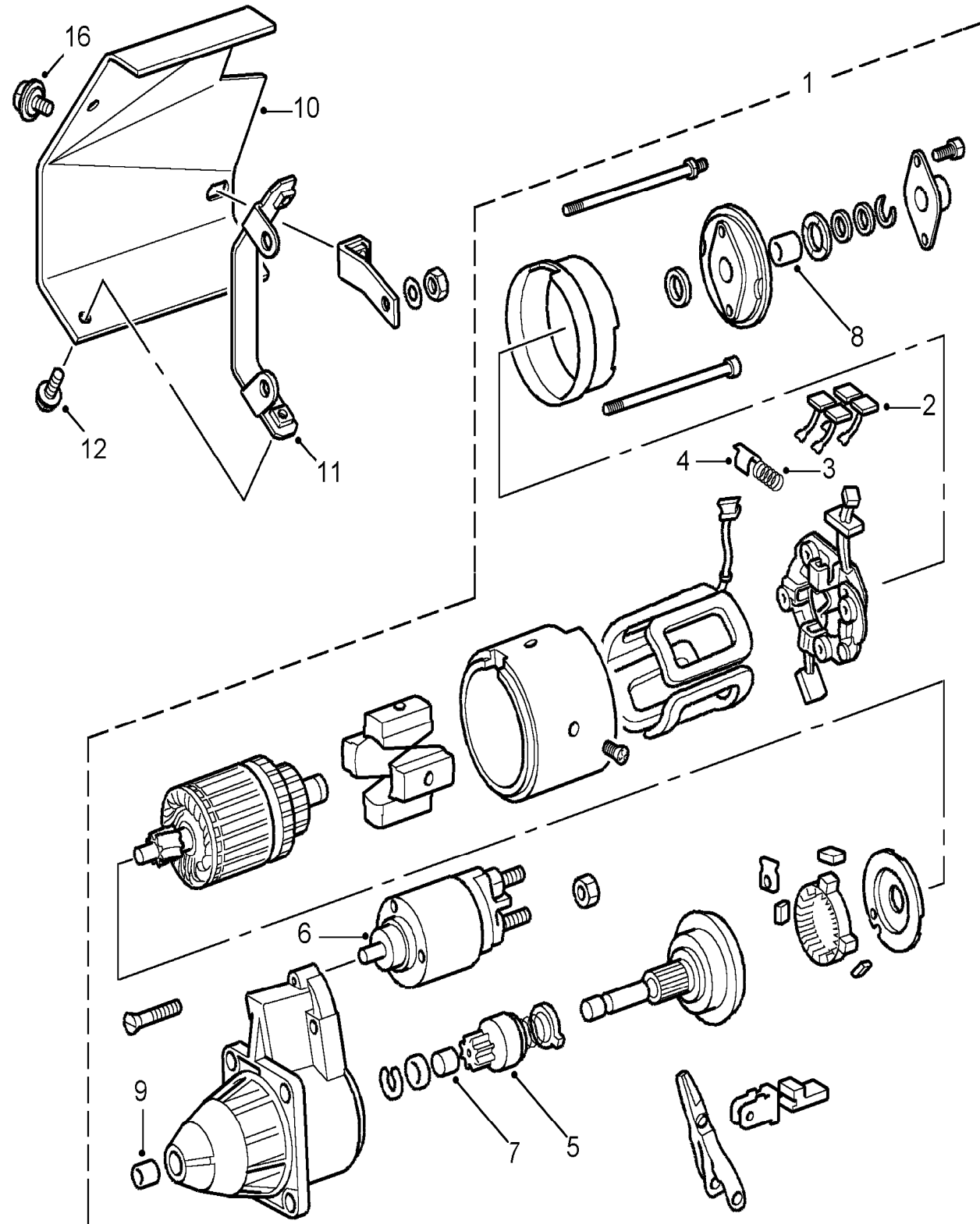
Engine
2500 - Diesel - Turbo - 200 Tdi
Starter Motor Bosch

Change point - VIN end LA081991, 2.5L I4 200 TDi Turbo Diesel, 5 Speed Manual Transmission, Less Catalyst

Callout	Name	Application	Remarks & Restrictions	Service No.	Qty
1	Motor-starter engine	Change point - Engine begin 12L50757A	Also serviced as part of a kit, Bosch, Engine Code 12L 2.5 TDI Manual - Gemini, exchange	ERR5009E	1
		Change point - Engine begin 12L50757A	Also serviced as part of a kit, Bosch, Engine Code 12L 2.5 TDI Manual - Gemini, New	ERR5009	1
2	Box assembly-brush starter motor	Change point - Engine begin 12L50757A	Also serviced as part of a kit, Bosch, Engine Code 12L 2.5 TDI Manual - Gemini	STC1246	1
3	Spring-coil	Change point - Engine begin 12L50757A	Also serviced as part of a kit, Engine Code 12L 2.5 TDI Manual - Gemini	STC1254	4
4	Guide-starter motor brush	Change point - Engine begin 12L50757A	Also serviced as part of a kit, Engine Code 12L 2.5 TDI Manual - Gemini	STC1247	4
5	Drive assembly starter motor	Change point - Engine begin 12L50757A	Also serviced as part of a kit, Bosch, Engine Code 12L 2.5 TDI Manual - Gemini	STC1244	1
6	Solenoid starter motor	Change point - Engine begin 12L50757A	Also serviced as part of a kit, Bosch, Engine Code 12L 2.5 TDI Manual - Gemini, 0 331 303 165	STC1245	1
		Change point - Engine begin 12L50757A	Also serviced as part of a kit, Bosch, Engine Code 12L 2.5 TDI Manual - Gemini, 9 330 331 006	STC3715	1
7	Bush-starter motor	Change point - Engine begin 12L50757A	Also serviced as part of a kit, Engine Code 12L 2.5 TDI Manual - Gemini, Centre	STC1250	2
8	Bush-starter motor	Change point - Engine begin 12L50757A	Also serviced as part of a kit, Rear, Engine Code 12L 2.5 TDI Manual - Gemini	STC1251	1
9	Bush-starter motor	Change point - Engine begin 12L50757A	Also serviced as part of a kit, Front, Engine Code 12L 2.5 TDI Manual - Gemini	STC1255	1
10	Heatshield assembly exhaust-downpipe	Change point - Engine begin 12L50757A	Engine Code 12L 2.5 TDI Manual - Gemini	ERR3451	1
11	Bracket-heatshield exhaust system	Change point - Engine begin 12L50757A	Engine Code 12L 2.5 TDI Manual - Gemini	ERR3452	1
12	Screw	Change point - Engine begin 12L50757A	M5 X 10, Engine Code 12L 2.5 TDI Manual - Gemini, hexagonal head	FS105107	2
13	Bracket-support starter motor	Change point - Engine begin 12L50757A	Engine Code 12L 2.5 TDI Manual - Gemini	AMR1053	1

Engine
2500 - Diesel - Turbo - 200 Tdi
Starter Motor Bosch 2/2

Discovery (FA393361-WA799999)
(CABMPE2A)



CABMPE2A

Discovery (FA393361-WA799999)

Engine
2500 - Diesel - Turbo - 200 Tdi
Starter Motor Bosch

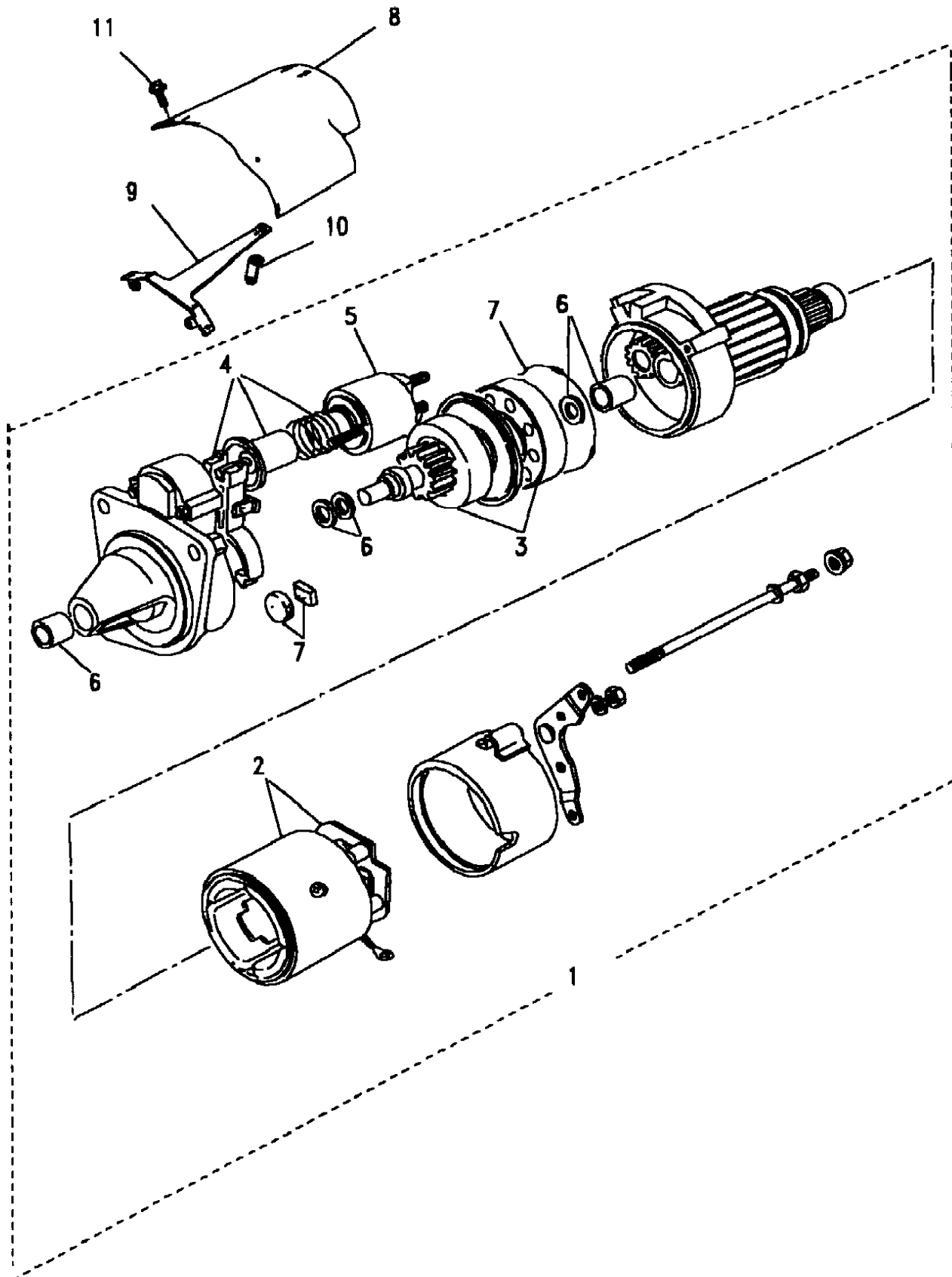
Change point - VIN end LA081991, 2.5L I4 200 TDi Turbo Diesel, 5 Speed Manual Transmission, Less Catalyst

Callout	Name	Application	Remarks & Restrictions	Service No.	Qty
14	Nut - Hex.	Change point - Engine begin 12L50757A	M6, Engine Code 12L 2.5 TDI Manual - Gemini, nyloc, Hexagonal	NH106041L	1
15	Washer	Change point - Engine begin 12L50757A	M6, Engine Code 12L 2.5 TDI Manual - Gemini, sprung	WL106001L	1
16	Screw	Change point - Engine begin 12L50757A	M5, Engine Code 12L 2.5 TDI Manual - Gemini	ERR3453	1

Engine
2500 - Diesel - Turbo - 200 Tdi
Starter Motor Lucas 1/2

Discovery (FA393361-WA799999)

(CABMPE1A)



Discovery (FA393361-WA799999)

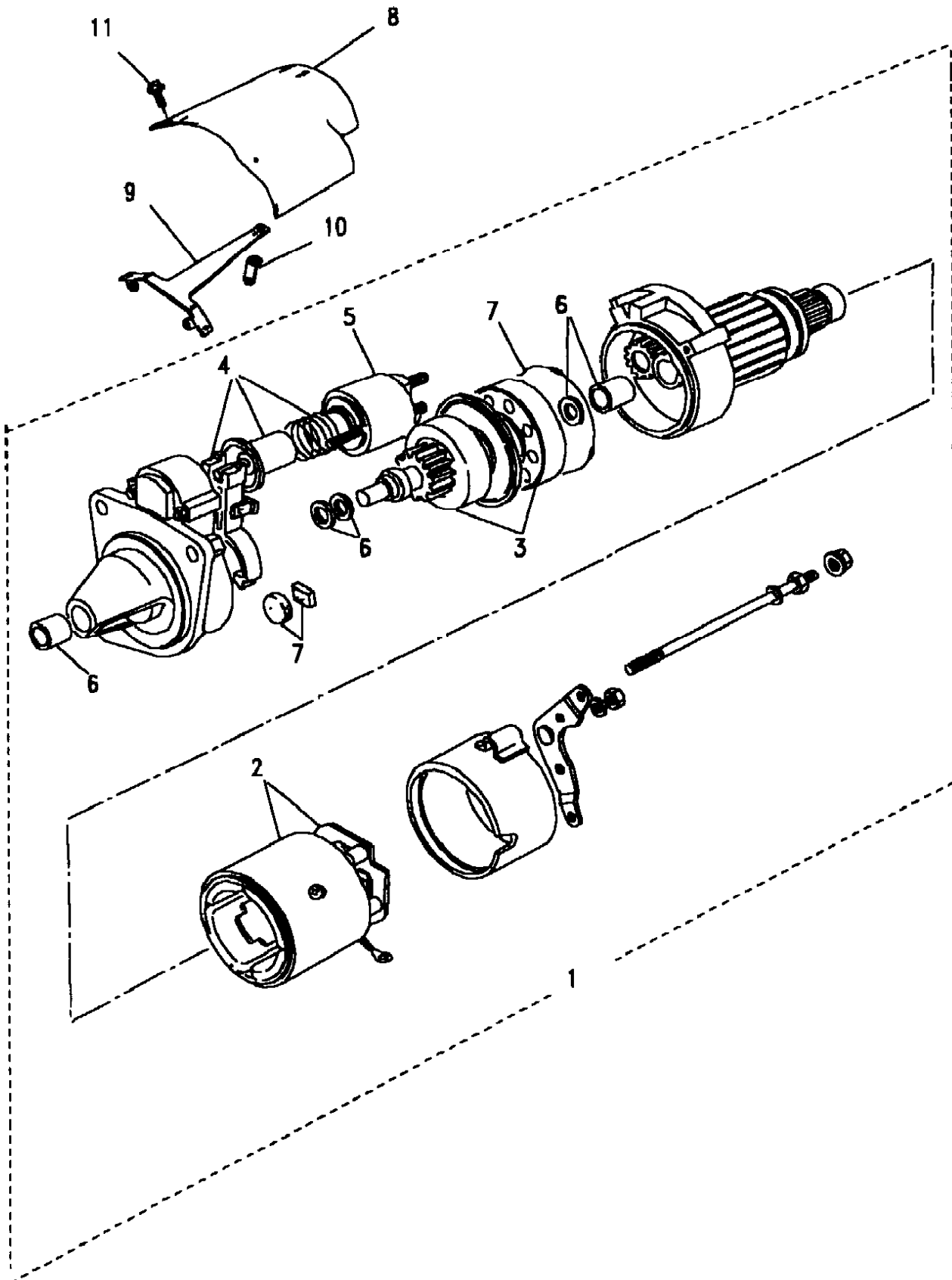
Engine
2500 - Diesel - Turbo - 200 Tdi
Starter Motor Lucas

Change point - VIN end LA081991, 2.5L I4 200 TDi Turbo Diesel, 5 Speed Manual Transmission, Less Catalyst

Callout	Name	Application	Remarks & Restrictions	Service No.	Qty
1	Motor-starter engine	Change point - Engine end 12L50756A	Also serviced as part of a kit, Engine Code 12L 2.5 TDI Manual - Gemini, New, Valeo	PRC5109N	1
			Also serviced as part of a kit, Lucas, Engine Code 12L 2.5 TDI Manual - Gemini	NAD10039	1
			Also serviced as part of a kit, Engine Code 12L 2.5 TDI Manual - Gemini, exchange, Valeo	PRC5109E	1
2	Box assembly-brush starter motor	Change point - Engine end 12L50756A	Also serviced as part of a kit, Engine Code 12L 2.5 TDI Manual - Gemini, Valeo	RTC4981	1
			Also serviced as part of a kit, Bosch, Engine Code 12L 2.5 TDI Manual - Gemini	STC1246	1
3	Drive assembly starter motor	Change point - Engine end 12L50756A	Also serviced as part of a kit, Engine Code 12L 2.5 TDI Manual - Gemini, Valeo	RTC4982	1
			Also serviced as part of a kit, Bosch, Engine Code 12L 2.5 TDI Manual - Gemini	STC1244	1
4	Yoke assembly starter motor	Change point - Engine end 12L50756A	Also serviced as part of a kit, Engine Code 12L 2.5 TDI Manual - Gemini	RTC4979	1
5	Solenoid starter motor	Change point - Engine end 12L50756A	Also serviced as part of a kit, Engine Code 12L 2.5 TDI Manual - Gemini, Valeo	RTC4978	1
			Also serviced as part of a kit, Bosch, Engine Code 12L 2.5 TDI Manual - Gemini, 0 331 303 165	STC1245	1
			Also serviced as part of a kit, Bosch, Engine Code 12L 2.5 TDI Manual - Gemini, 9 330 331 006	STC3715	1
6	Kit-starter motor	Change point - Engine end 12L50756A	Also serviced as part of a kit, Engine Code 12L 2.5 TDI Manual - Gemini	RTC4980	1
7	Kit-starter motor sundry parts	Change point - Engine end 12L50756A	Also serviced as part of a kit, Engine Code 12L 2.5 TDI Manual - Gemini	RTC4983	1
8	Harness earth bond	Change point - Engine end 12L50756A	Engine Code 12L 2.5 TDI Manual - Gemini	NSP	1
9	Bracket	Change point - Engine end 12L50756A	Engine Code 12L 2.5 TDI Manual - Gemini	ERR807	1
			Change point - Engine end 12L50756A	Engine Code 12L 2.5 TDI Manual - Gemini	ERR808

Engine
2500 - Diesel - Turbo - 200 Tdi
Starter Motor Lucas 2/2

Discovery (FA393361-WA799999)
(CABMPE1A)



Discovery (FA393361-WA799999)

Engine
2500 - Diesel - Turbo - 200 Tdi
Starter Motor Lucas

Change point - VIN end LA081991, 2.5L I4 200 TDi Turbo Diesel, 5 Speed Manual Transmission, Less Catalyst

Callout	Name	Application	Remarks & Restrictions	Service No.	Qty
10	Screw	Change point - Engine end 12L50756A	heatshield, M5 X 10, Engine Code 12L 2.5 TDI Manual - Gemini, hexagonal head	FS105107	4
		Change point - Engine end 12L50756A	starter motor to bell housing, Engine Code 12L 2.5 TDI Manual - Gemini, Flanged Head, M10 x 30, top	FS110301L	1
11	Bolt	Change point - Engine end 12L50756A	starter motor to bell housing, Engine Code 12L 2.5 TDI Manual - Gemini, M10 X 45	BH110091L	1
[902]	Spring-coil		Also serviced as part of a kit, Engine Code 12L 2.5 TDI Manual - Gemini	STC1254	4
[903]	Guide-starter motor brush		Also serviced as part of a kit, Engine Code 12L 2.5 TDI Manual - Gemini	STC1247	4
[906]	Bush-starter motor		Also serviced as part of a kit, Engine Code 12L 2.5 TDI Manual - Gemini, Centre	STC1250	2
			Also serviced as part of a kit, Rear, Engine Code 12L 2.5 TDI Manual - Gemini	STC1251	1
			Also serviced as part of a kit, Front, Engine Code 12L 2.5 TDI Manual - Gemini	STC1255	1
[908]	Harness earth bond	Change point - Engine end 12L50756A	Engine Code 12L 2.5 TDI Manual - Gemini	PRC5538	1
[909]	Nut - Hex.	Change point - Engine end 12L50756A	M10, Engine Code 12L 2.5 TDI Manual - Gemini, flange	FN110041L	2
[910]	Washer	Change point - Engine end 12L50756A	M10, Engine Code 12L 2.5 TDI Manual - Gemini	WL110001L	3

Engine
2500 - Diesel - Turbo - 200 Tdi
Sump/Ladder Frame 1/2

Discovery (FA393361-WA799999)

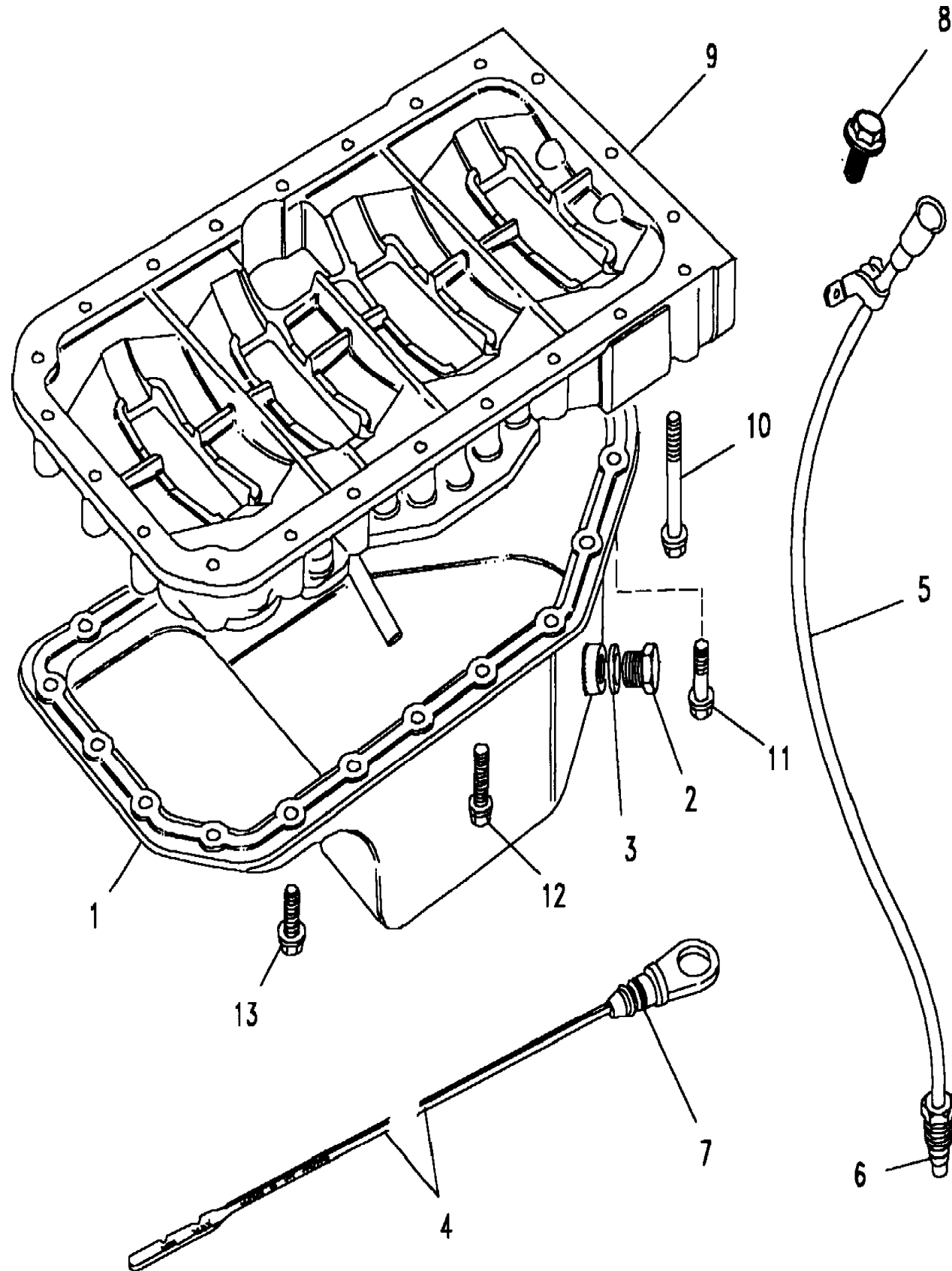
(CABMDA1A)

Discovery (FA393361-WA799999)

Engine
2500 - Diesel - Turbo - 200 Tdi
Sump/Ladder Frame

Change point - VIN end LA081991, 2.5L I4 200 TDi Turbo Diesel, 5 Speed Manual Transmission, Less Catalyst

Callout	Name	Application	Remarks & Restrictions	Service No.	Qty
1	Sump assembly-engine oil		Engine Code 12L 2.5 TDI Manual - Gemini	ERR1790	1
2	Plug-sump assembly oil drain		Engine Code 12L 2.5 TDI Manual - Gemini	603659	1
3	Washer-sealing		sump drain plug, Engine Code 12L 2.5 TDI Manual - Gemini	213961	1
4	Dipstick-oil		Engine Code 12L 2.5 TDI Manual - Gemini	ERR1103	1
5	Tube-oil dipstick		Engine Code 12L 2.5 TDI Manual - Gemini	ERR1248	1
6	Olive		Engine Code 12L 2.5 TDI Manual - Gemini	236408	1
7	O Ring		Engine Code 12L 2.5 TDI Manual - Gemini	ERR1213	1
8	Screw		tube dipstick to block, M5 X 10, Engine Code 12L 2.5 TDI Manual - Gemini, hexagonal head	FS105107	2
9	Cylinder block/ladder assembly		Engine Code 12L 2.5 TDI Manual - Gemini	ERR1291	1
10	Bolt		LADDER FRAME TO BLOCK, Engine Code 12L 2.5 TDI Manual - Gemini, Flanged Head, M8 x 125	FB108251	2
11	Bolt		LADDER FRAME TO BLOCK, Engine Code 12L 2.5 TDI Manual - Gemini, Flanged Head, M8 x 60 SUMP TO LADDER FRAME/BLOCK, Engine Code 12L 2.5 TDI Manual - Gemini, Flanged Head, M8 x 60	FB108121L FB108121L	4 12
12	Screw		LADDER FRAME TO BLOCK, M8 X 30, Engine Code 12L 2.5 TDI Manual - Gemini, Flanged Head	FS108307L	3
13	Screw		SUMP TO LADDER FRAME/BLOCK, M8 x 25, Engine Code 12L 2.5 TDI Manual - Gemini, Flanged Head	FS108257L	8



Engine
2500 - Diesel - Turbo - 200 Tdi
Sump/Ladder Frame 2/2

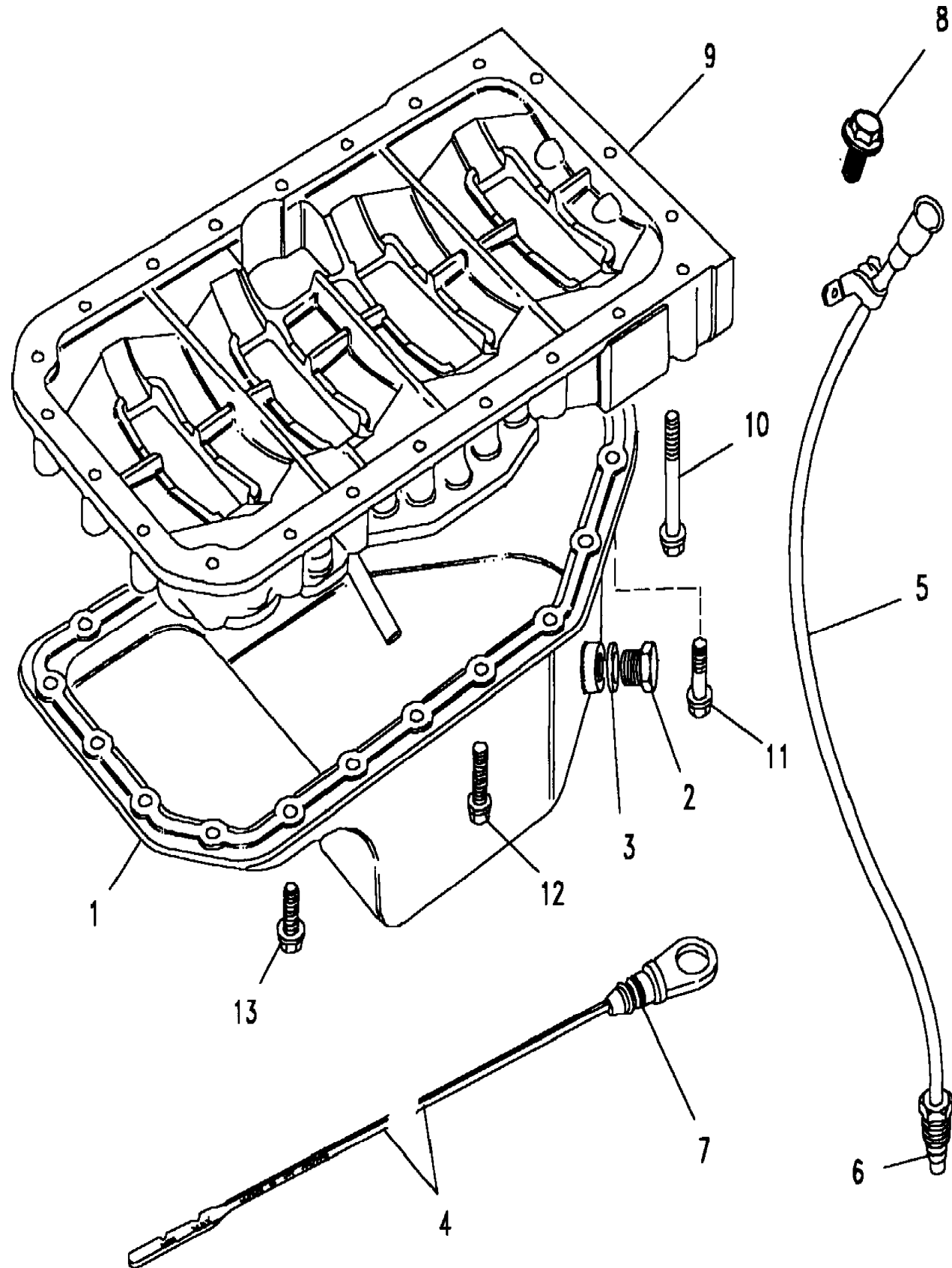
Discovery (FA393361-WA799999)
(CABMDA1A)

Discovery (FA393361-WA799999)

Engine
2500 - Diesel - Turbo - 200 Tdi
Sump/Ladder Frame

Change point - VIN end LA081991, 2.5L I4 200 TDi Turbo Diesel, 5 Speed Manual
Transmission, Less Catalyst

Callout	Name	Application	Remarks & Restrictions	Service No.	Qty
[902]	Sealant		Engine Code 12L 2.5 TDI Manual - Gemini, Hylomar 2000	STC611	1

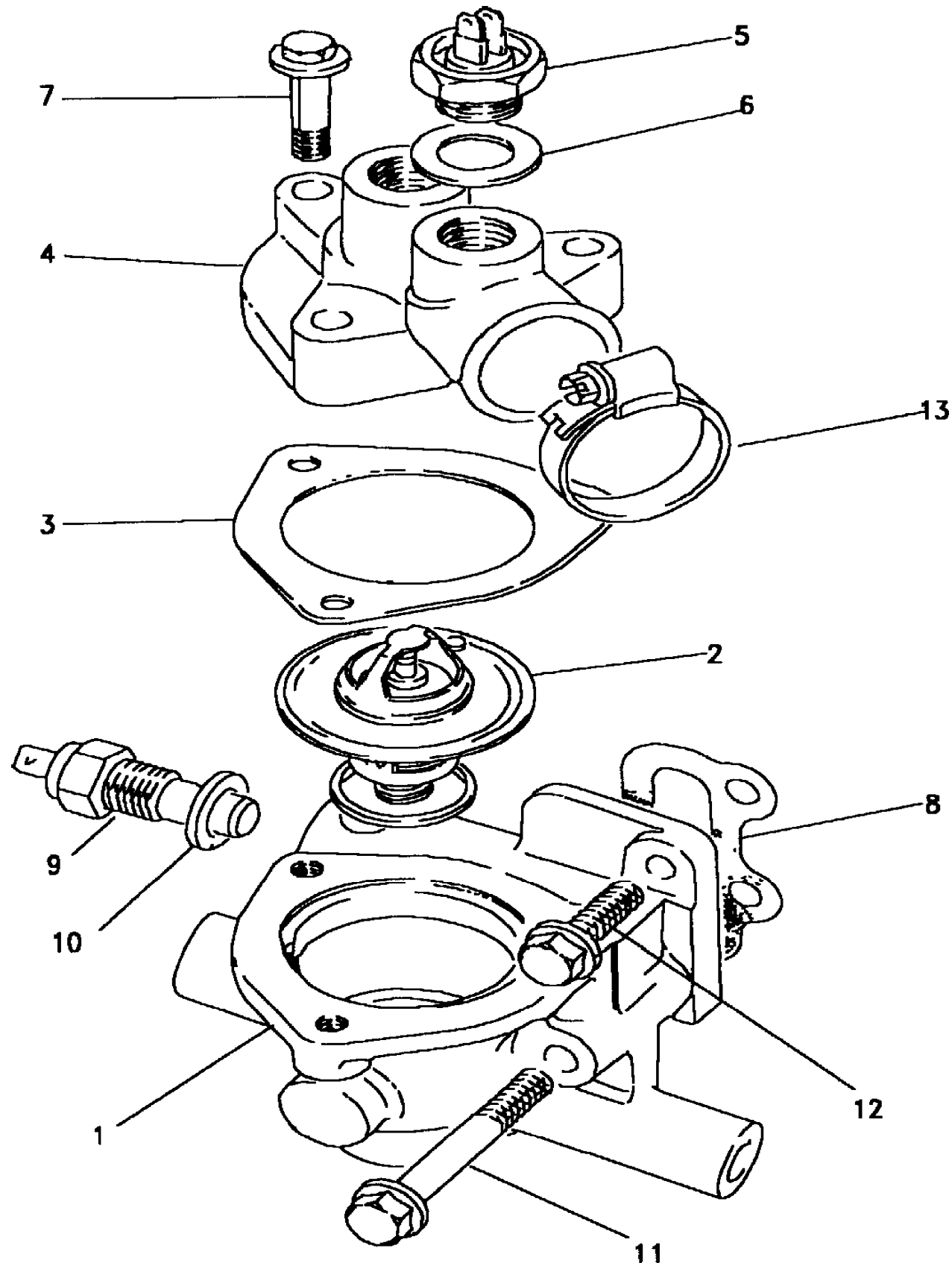


Engine
2500 - Diesel - Turbo - 200 Tdi
Thermostat Housing 1/1

Discovery (FA393361-WA799999)
(CABMGK1A)

Discovery (FA393361-WA799999)
Engine
2500 - Diesel - Turbo - 200 Tdi
Thermostat Housing

Change point - VIN end LA081991, 2.5L I4 200 TDi Turbo Diesel, 5 Speed Manual Transmission, Less Catalyst



Callout	Name	Application	Remarks & Restrictions	Service No.	Qty
1	Housing-thermostat	(-) "CH"	Engine Code 12L 2.5 TDI Manual - Gemini	ERR492	1
		(+) "CH"	Engine Code 12L 2.5 TDI Manual - Gemini	ERR630	1
2	Thermostat-engine		88 °C, Engine Code 12L 2.5 TDI Manual - Gemini	ERR2803	1
3	Gasket-thermostat housing		Asbestos Free, Engine Code 12L 2.5 TDI Manual - Gemini, top	ERR3682	1
4	Elbow-engine coolant outlet	With Air Conditioning	Engine Code 12L 2.5 TDI Manual - Gemini	ERR809	1
		Less Air Conditioning	Engine Code 12L 2.5 TDI Manual - Gemini	ETC5967	1
5	Switch-engine thermostat	(-) "CH"	Green, Engine Code 12L 2.5 TDI Manual - Gemini	PRC3359	1
		(+) "CH"	Engine Code 12L 2.5 TDI Manual - Gemini	ERR338	1
6	Washer-copper		M14, Engine Code 12L 2.5 TDI Manual - Gemini	ERR696	1
7	Bolt		elbow to housing, M6 X 40MM, Engine Code 12L 2.5 TDI Manual - Gemini, Flanged Head	FB106081L	3
8	Gasket-thermostat housing		Engine Code 12L 2.5 TDI Manual - Gemini, bottom	ETC8007	1
9	Sensor-coolant temperature diesel	(-) "GCC"	Orange, Engine Code 12L 2.5 TDI Manual - Gemini	PRC8001	1
		(-) "GCC"	Intercooler, Green, Engine Code 12L 2.5 TDI Manual - Gemini	PRC9917	1
		(+) "GCC"	Engine Code 12L 2.5 TDI Manual - Gemini	PRC9942	1
10	Washer-sealing		Engine Code 12L 2.5 TDI Manual - Gemini	AFU1890L	1
11	Screw		housing thermostat to cyl head, M8 x 25, Engine Code 12L 2.5 TDI Manual - Gemini, Flanged Head	FS108257L	1
13	Clip-Hose		Engine Code 12L 2.5 TDI Manual - Gemini	CJ600304L	1

Engine
2500 - Diesel - Turbo - 200 Tdi
Timing Belt & Tensioner 1/1

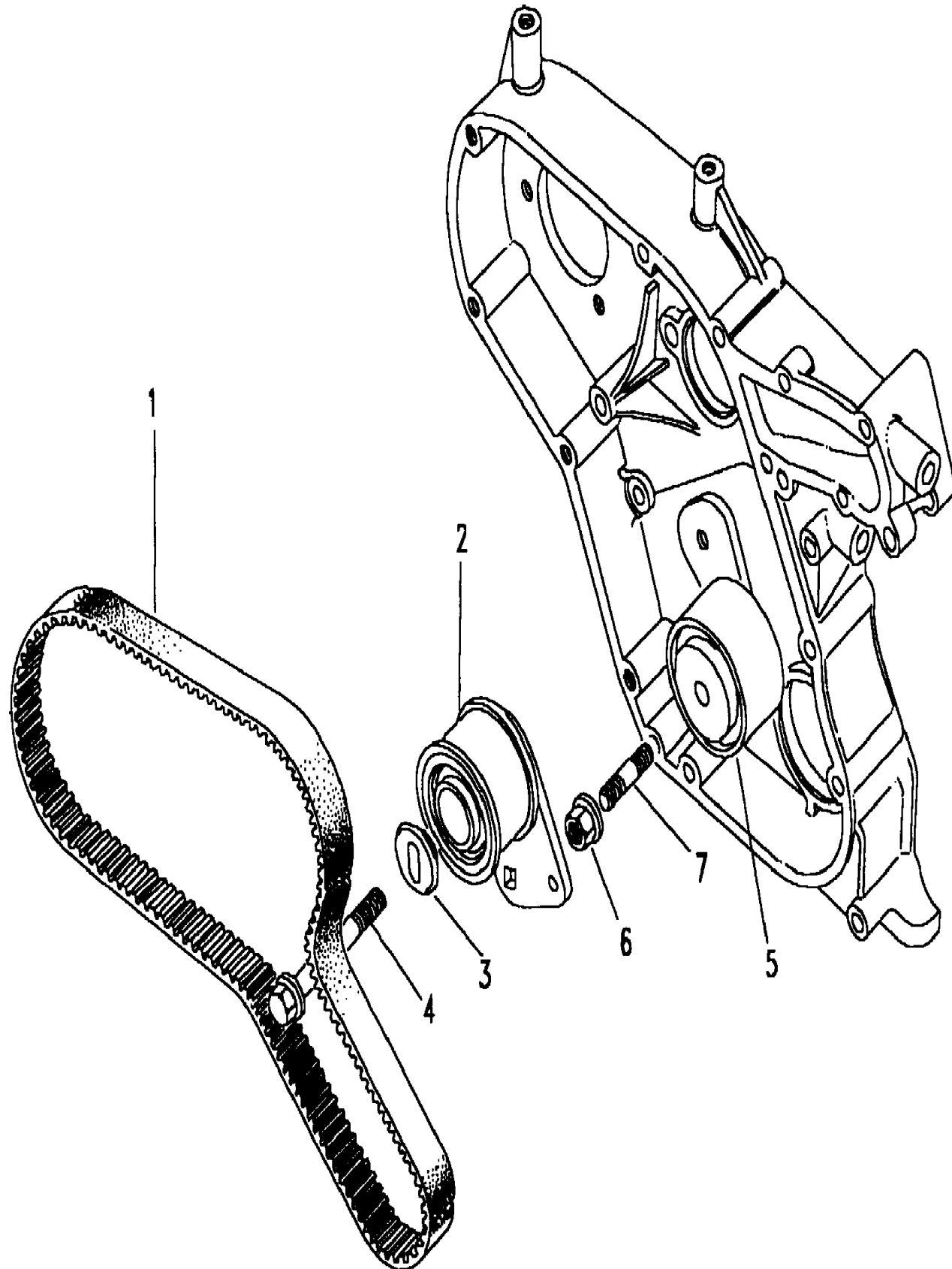
Discovery (FA393361-WA799999)
(CABMEC1A)

Discovery (FA393361-WA799999)

Engine
2500 - Diesel - Turbo - 200 Tdi
Timing Belt & Tensioner

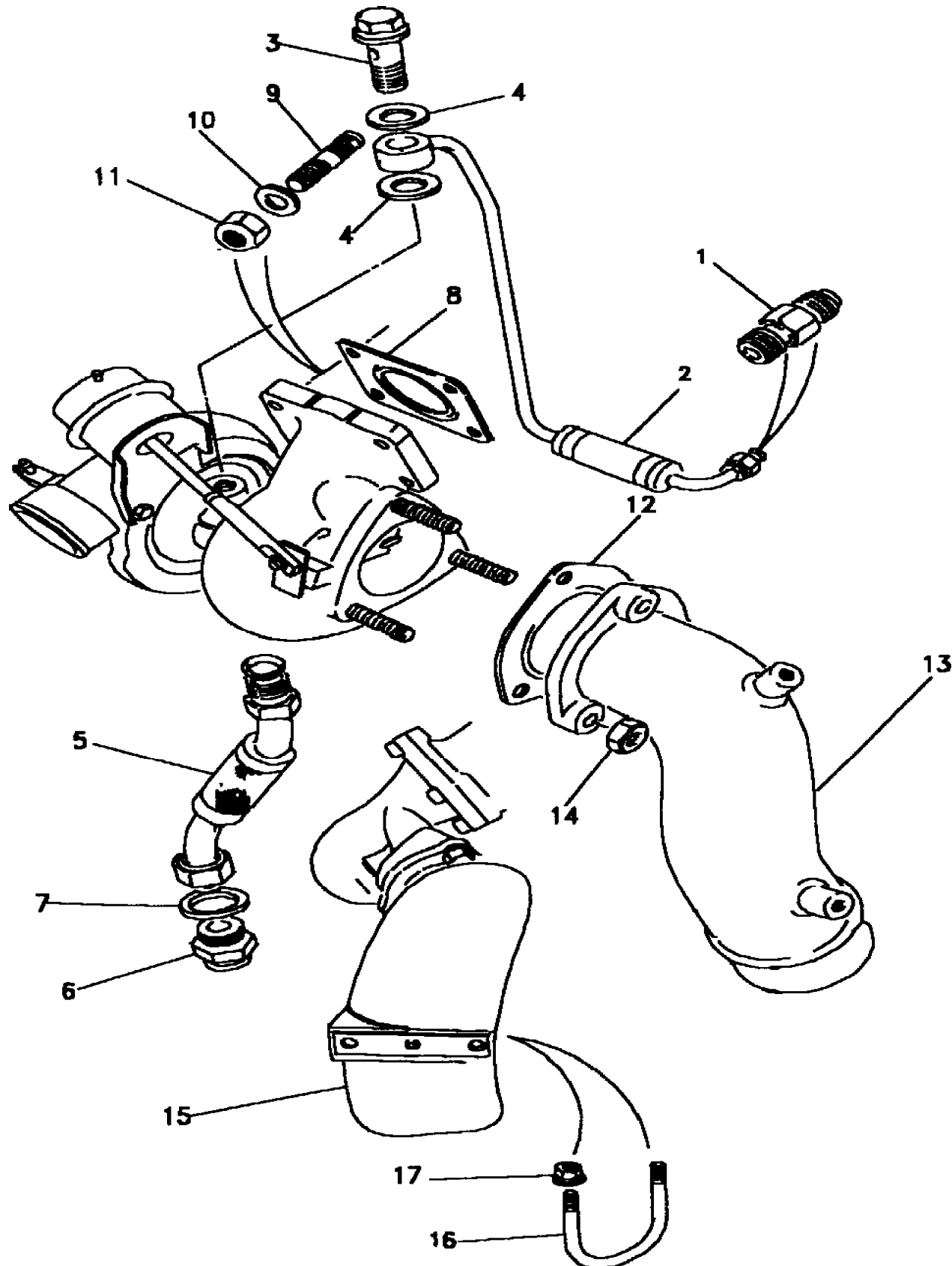
Change point - VIN end LA081991, 2.5L I4 200 TDi Turbo Diesel, 5 Speed Manual
Transmission, Less Catalyst

Callout	Name	Application	Remarks & Restrictions	Service No.	Qty
1	Belt-engine timing		Engine Code 12L 2.5 TDI Manual - Gemini	ETC8550	1
2	Tensioner-timing belt		Engine Code 12L 2.5 TDI Manual - Gemini	ERR2530	1
3	Washer		Engine Code 12L 2.5 TDI Manual - Gemini	ERR900	1
4	Bolt		tensioner to cover, Engine Code 12L 2.5 TDI Manual - Gemini, Flanged Head, M10 x 70	FB110141L	1
5	Idler-timing belt		Engine Code 12L 2.5 TDI Manual - Gemini	ETC8560	1
6	Nut - Hex.		M10, Engine Code 12L 2.5 TDI Manual - Gemini, flange M10, Engine Code 12L 2.5 TDI Manual - Gemini, flange	FN110041L FN110047	1 1
7	Stud		idler to cover, Engine Code 12L 2.5 TDI Manual - Gemini, M10 x 20	TD110041L	1



Engine
2500 - Diesel - Turbo - 200 Tdi
Turbo Charger Adaptors 1/2
Discovery (FA393361-WA799999)
(CABMLA2A)

Discovery (FA393361-WA799999)
Engine
2500 - Diesel - Turbo - 200 Tdi
Turbo Charger Adaptors
Change point - VIN end LA081991, 2.5L I4 200 TDi Turbo Diesel, 5 Speed Manual Transmission, Less Catalyst



Callout	Name	Application	Remarks & Restrictions	Service No.	Qty
1	Pipe-adaptor turbocharger		Engine Code 12L 2.5 TDI Manual - Gemini	ETC8820	1
2	Pipe turbocharger oil feed	Change point - Engine end 12L54592A Change point - Engine begin 12L54592A	Engine Code 12L 2.5 TDI Manual - Gemini Engine Code 12L 2.5 TDI Manual - Gemini	ERR816 ERR3493	1 1
3	Bolt-banjo		Engine Code 12L 2.5 TDI Manual - Gemini	ERR1125	1
		Change point - VIN end LA081991, Automatic Transmission	Engine Code 12L 2.5 TDI Manual - Gemini	ERR1125	1
		Change point - VIN end LA081991	Engine Code 12L 2.5 TDI Manual - Gemini	ERR1125	1
4	Washer-sealing		Engine Code 12L 2.5 TDI Manual - Gemini	FRC4808	2
5	Pipe-oil drain turbocharger	Change point - Engine end 12L54592A Change point - Engine begin 12L54593A	Engine Code 12L 2.5 TDI Manual - Gemini Engine Code 12L 2.5 TDI Manual - Gemini	ETC7463 ERR3492	1 1
6	Adaptor-oil drain pipe turbocharger		Engine Code 12L 2.5 TDI Manual - Gemini	ERR335	1
7	Washer-sealing		turbocharger oil feed pipe, Engine Code 12L 2.5 TDI Manual - Gemini	ERR896	1
8	Gasket-turbocharger/exhaust manifold turbo		Engine Code 12L 2.5 TDI Manual - Gemini	ETC7514	1
9	Stud		turbocharger to exhaust manifold, M8 x 25, Engine Code 12L 2.5 TDI Manual - Gemini	ERR551L	2
10	Washer		8MM, Engine Code 12L 2.5 TDI Manual - Gemini	WA108051L	4
11	Nut - Hex.	Change point - VIN end LA081991, Manual Transmission Change point - VIN end LA081991, Automatic Transmission Change point - VIN end LA081991	M8, Engine Code 12L 2.5 TDI Manual - Gemini M8, Engine Code 12L 2.5 TDI Manual - Gemini M8, Engine Code 12L 2.5 TDI Manual - Gemini	ETC7184 ERR4245 ERR4245	4 4 4
12	Gasket exhaust system		Engine Code 12L 2.5 TDI Manual - Gemini	ESR3260	1

Engine
2500 - Diesel - Turbo - 200 Tdi
Turbo Charger Adaptors 2/2

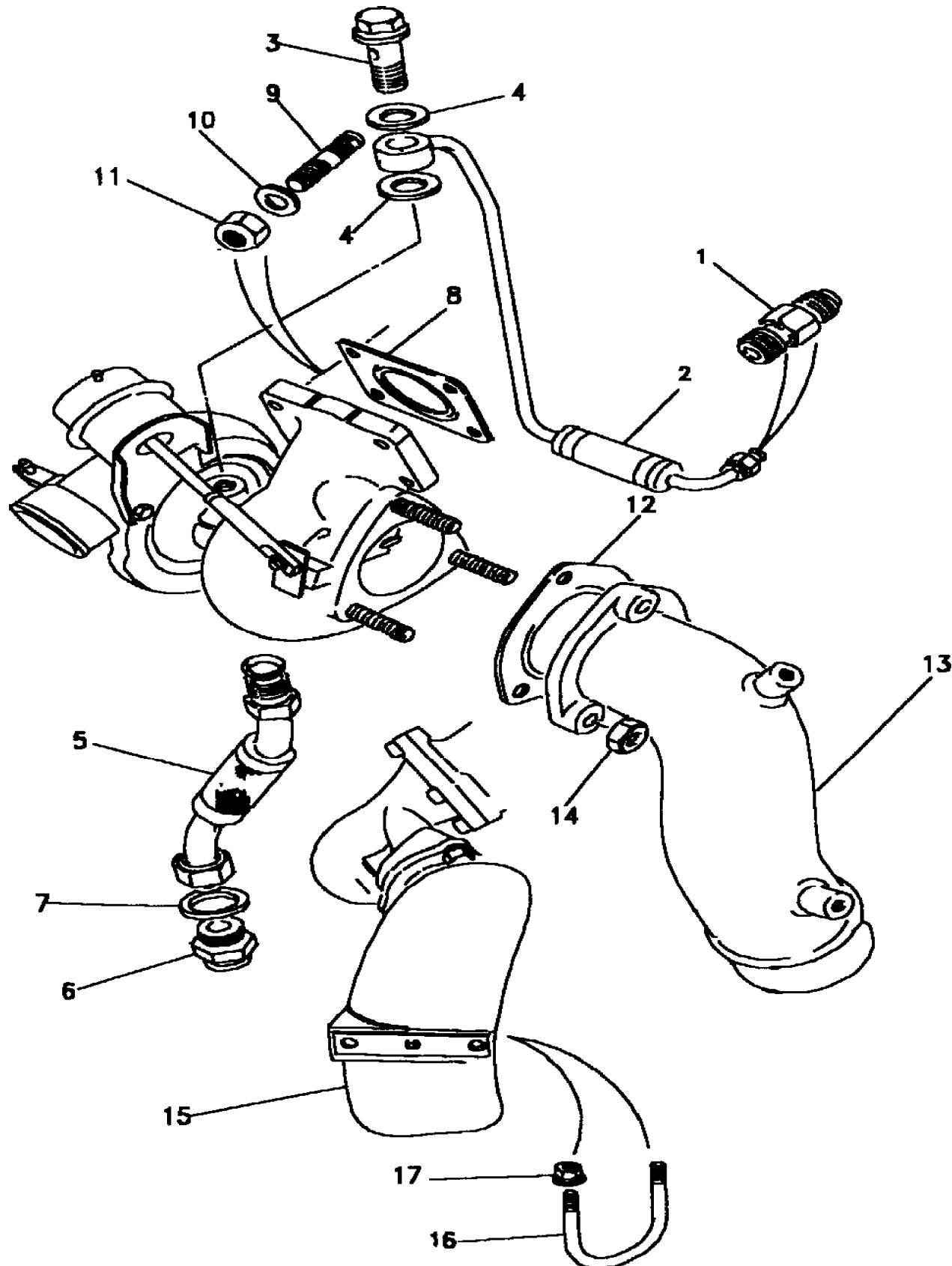
Discovery (FA393361-WA799999)
(CABMLA2A)

Discovery (FA393361-WA799999)

Engine
2500 - Diesel - Turbo - 200 Tdi
Turbo Charger Adaptors

Change point - VIN end LA081991, 2.5L I4 200 TDi Turbo Diesel, 5 Speed Manual Transmission, Less Catalyst

Callout	Name	Application	Remarks & Restrictions	Service No.	Qty
13	Downpipe assembly exhaust system	Change point - VIN end LA081991, Change point - Engine end 12L29384A, Manual Transmission	Engine Code 12L 2.5 TDI Manual - Gemini	ERR544	1
		Change point - VIN end LA081991, Change point - Engine begin 12L29385A, Manual Transmission	Engine Code 12L 2.5 TDI Manual - Gemini	ERR1295	1
		Change point - VIN end LA081991, Automatic Transmission, (+)"J"	Engine Code 12L 2.5 TDI Manual - Gemini	ERR4530	1
		Change point - VIN end LA081991, (+)"J"	Engine Code 12L 2.5 TDI Manual - Gemini	ERR4530	1
14	Nut-flange	Change point - VIN end LA081991, Automatic Transmission	M10, Engine Code 12L 2.5 TDI Manual - Gemini	FX110041L	3
		Change point - VIN end LA081991	M10, Engine Code 12L 2.5 TDI Manual - Gemini	FX110041L	2
		Change point - VIN end LA081991	M10, Engine Code 12L 2.5 TDI Manual - Gemini	FX110041L	2
15	Heatshield-exhaust elbow turbocharger		Engine Code 12L 2.5 TDI Manual - Gemini	ERR1293	1
16	Bolt-u		Engine Code 12L 2.5 TDI Manual - Gemini	STC313	1
17	Nut - Hex.		M8, Engine Code 12L 2.5 TDI Manual - Gemini	ETC7184	2
[901]	Gasket exhaust system	Change point - VIN end LA081991, Automatic Transmission	Engine Code 12L 2.5 TDI Manual - Gemini	ETC7513	2
		Change point - VIN end LA081991	Engine Code 12L 2.5 TDI Manual - Gemini	ETC7513	2



Engine
2500 - Diesel - Turbo - 200 Tdi
Turbocharger 1/1

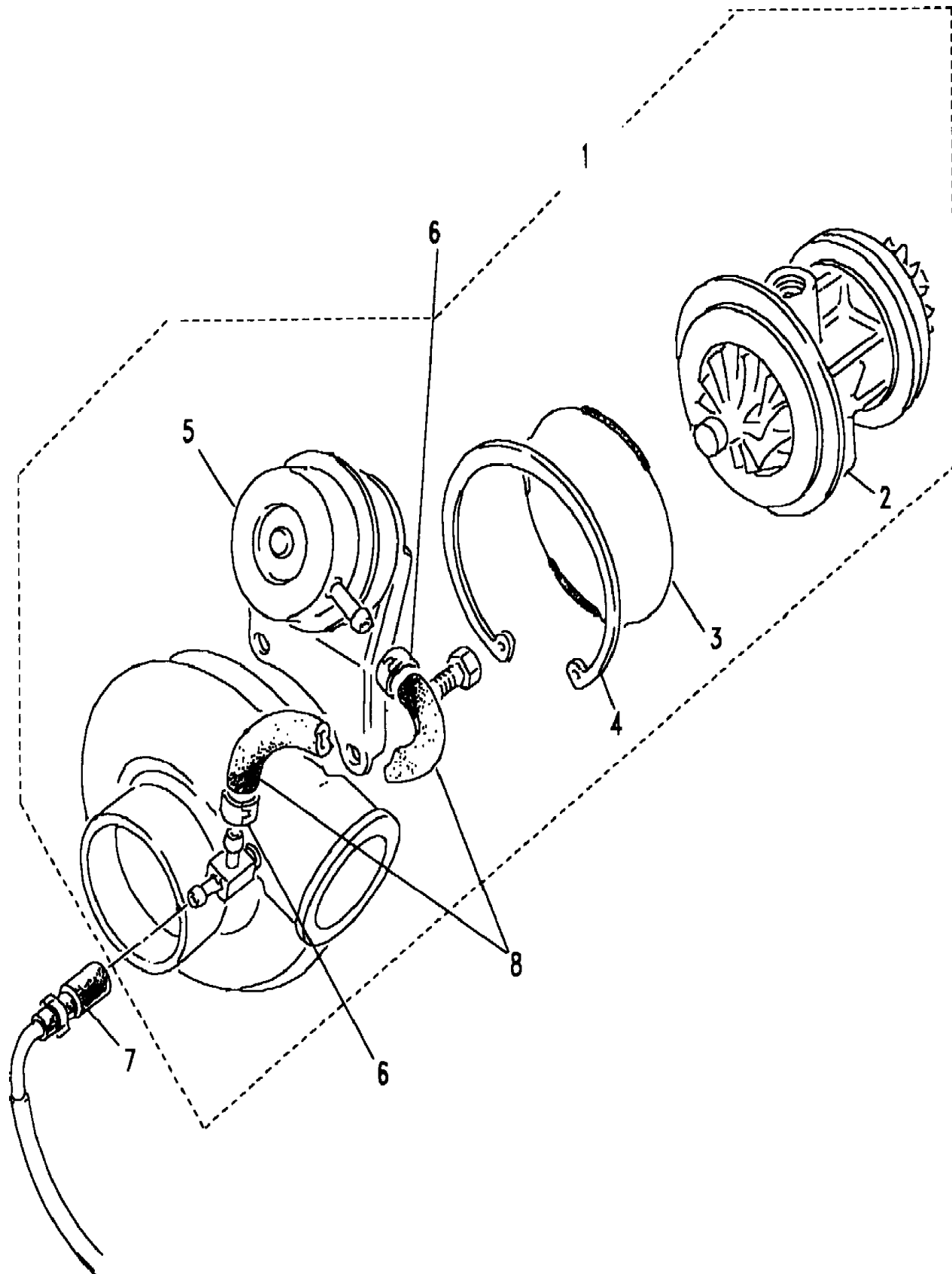
Discovery (FA393361-WA799999)
(CABMLA1A)

Discovery (FA393361-WA799999)

Engine
2500 - Diesel - Turbo - 200 Tdi
Turbocharger

Change point - VIN end LA081991, 2.5L I4 200 TDi Turbo Diesel, 5 Speed Manual Transmission, Less Catalyst

Callout	Name	Application	Remarks & Restrictions	Service No.	Qty
1	Turbocharger assembly		Also serviced as part of a kit, Engine Code 12L 2.5 TDI Manual - Gemini, New Also serviced as part of a kit, Engine Code 12L 2.5 TDI Manual - Gemini, exchange	ETC7461 ETC7461E	1 1
2	Rotor assembly-turbocharger		Also serviced as part of a kit, Engine Code 12L 2.5 TDI Manual - Gemini	RTC6535	1
3	O Ring		Also serviced as part of a kit, Engine Code 12L 2.5 TDI Manual - Gemini	RTC6536	1
4	Ring-Snap		Also serviced as part of a kit, Engine Code 12L 2.5 TDI Manual - Gemini	RTC6537	1
5	Actuator-waste gate turbocharger		Also serviced as part of a kit, Engine Code 12L 2.5 TDI Manual - Gemini	RTC6538	1
6	Clip-Hose		Engine Code 12L 2.5 TDI Manual - Gemini	UKC3803L	2
7	Pipe-sampling exhaust gas		Engine Code 12L 2.5 TDI Manual - Gemini	ERR4029	1
8	Hose wastegate control		90MM, Engine Code 12L 2.5 TDI Manual - Gemini Engine Code 12L 2.5 TDI Manual - Gemini, 98mm	RTC6539 STC1897	1 1

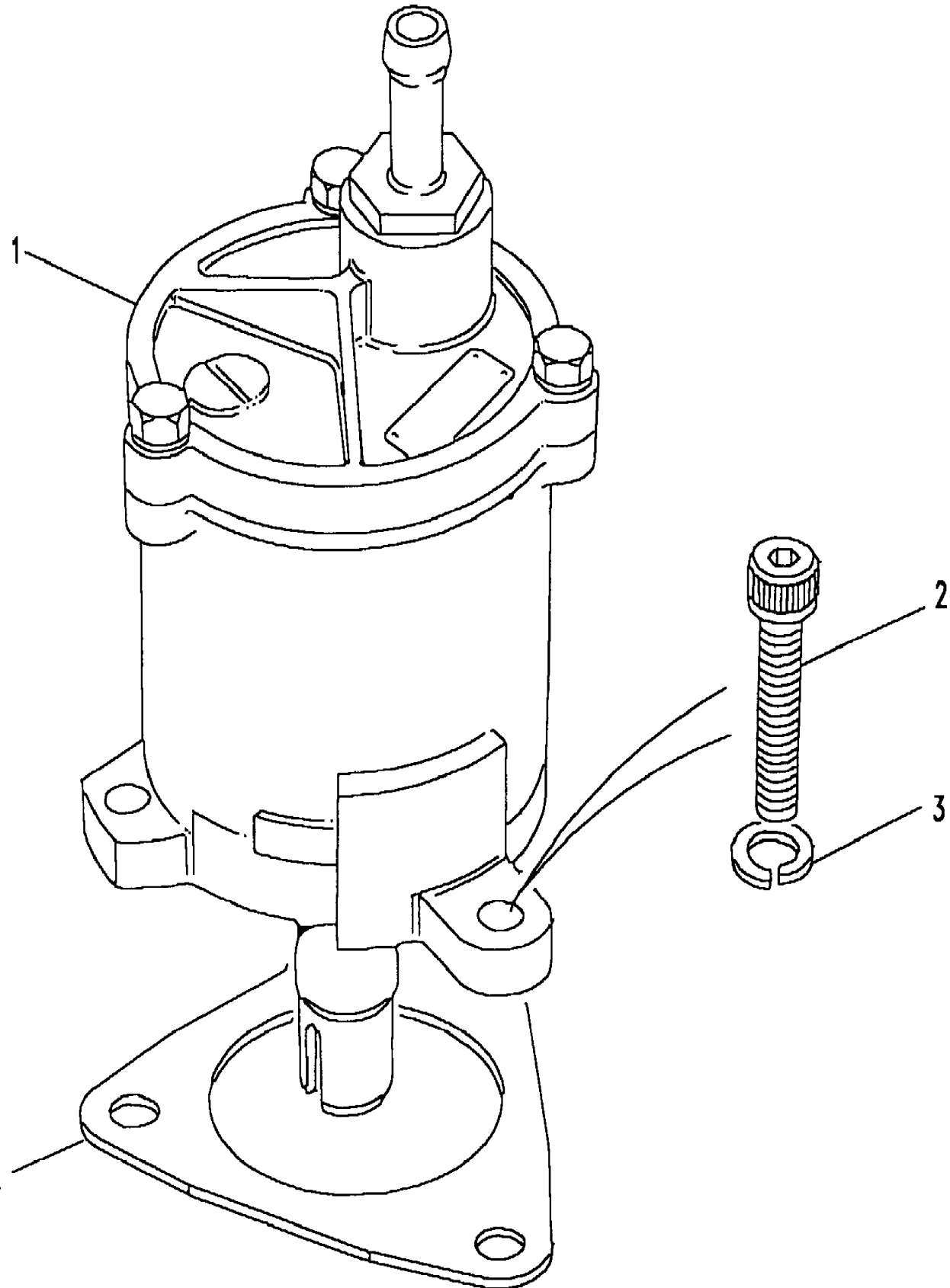


Engine
2500 - Diesel - Turbo - 200 Tdi
Vacuum Pump 1/1

Discovery (FA393361-WA799999)
(CABMNA1A)

Discovery (FA393361-WA799999)
Engine
2500 - Diesel - Turbo - 200 Tdi
Vacuum Pump

Change point - VIN end LA081991, 2.5L I4 200 TDi Turbo Diesel, 5 Speed Manual Transmission, Less Catalyst



Callout	Name	Application	Remarks & Restrictions	Service No.	Qty
1	Pump brake vacuum		Also serviced as part of a kit, Engine Code 12L 2.5 TDI Manual - Gemini	ERR535	1
2	Bolt		Also serviced as part of a kit, Engine Code 12L 2.5 TDI Manual - Gemini	AEU2720	4
3	Washer		Also serviced as part of a kit, M6, Engine Code 12L 2.5 TDI Manual - Gemini, sprung	WL106001L	4
4	Rotor blade-vacuum pump		Also serviced as part of a kit, Engine Code 12L 2.5 TDI Manual - Gemini	AEU2718	4
5	O Ring		Also serviced as part of a kit, Engine Code 12L 2.5 TDI Manual - Gemini	AEU2719	1
6	Bolt		pump vacuum to block, M8 x 25, Engine Code 12L 2.5 TDI Manual - Gemini, hexagonal socket	SS108251L	3
7	Washer-Spring		Also serviced as part of a kit, 5/16", Engine Code 12L 2.5 TDI Manual - Gemini	WM600051L	3
8	Gasket-vacuum pump		Engine Code 12L 2.5 TDI Manual - Gemini	ETC4616	1

Engine
2500 - Diesel - Turbo - 200 Tdi
Valves & Tappets 1/1

Discovery (FA393361-WA799999)

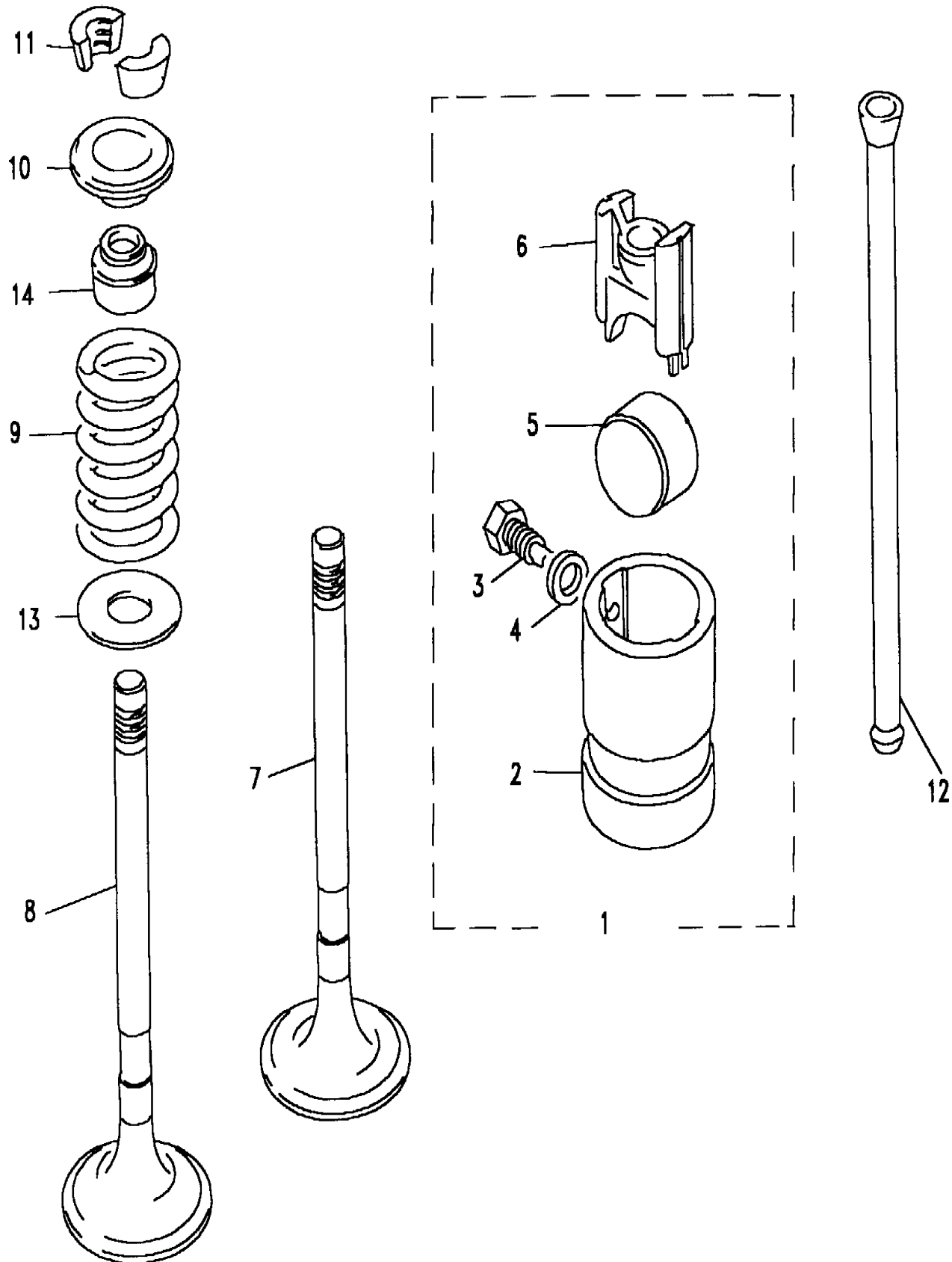
(CABMGE1A)

Discovery (FA393361-WA799999)

Engine
2500 - Diesel - Turbo - 200 Tdi
Valves & Tappets

Change point - VIN end LA081991, 2.5L I4 200 TDi Turbo Diesel, 5 Speed Manual Transmission, Less Catalyst

Callout	Name	Application	Remarks & Restrictions	Service No.	Qty
1	Tappet-engine valve hydraulic		Also serviced as part of a kit, Engine Code 12L 2.5 TDI Manual - Gemini	RTC6564	8
2	Slide-tappet guide		Also serviced as part of a kit, Engine Code 12L 2.5 TDI Manual - Gemini	502473	8
3	Bolt		Also serviced as part of a kit, Engine Code 12L 2.5 TDI Manual - Gemini	ETC4246	8
5	Roller-tappet guide		Also serviced as part of a kit, Engine Code 12L 2.5 TDI Manual - Gemini	ERR561	8
6	Tappet-engine valve mechanical		Also serviced as part of a kit, Engine Code 12L 2.5 TDI Manual - Gemini	ERR607	8
7	Valve-cylinder head inlet		Engine Code 12L 2.5 TDI Manual - Gemini	ERR1157	4
8	Valve-cylinder head exhaust		Engine Code 12L 2.5 TDI Manual - Gemini	ERR1156	4
9	Spring-cylinder head valve		Engine Code 12L 2.5 TDI Manual - Gemini	ERR4640	8
10	Cap-cylinder head valve spring		Engine Code 12L 2.5 TDI Manual - Gemini	ETC4068	8
11	Cotter-valve		Engine Code 12L 2.5 TDI Manual - Gemini	ETC4069	16
12	Rod-engine push		Engine Code 12L 2.5 TDI Manual - Gemini	546799	8
13	Seat-cylinder head valve spring		Engine Code 12L 2.5 TDI Manual - Gemini	ETC8193	8
14	Seal-cylinder head valve stem		Engine Code 12L 2.5 TDI Manual - Gemini	ETC8663	8
[900]	Cap-valve stem		Engine Code 12L 2.5 TDI Manual - Gemini	LJC100270	8



Engine
2500 - Diesel - Turbo - 300 Tdi
Air Conditioning Compressor 1/1

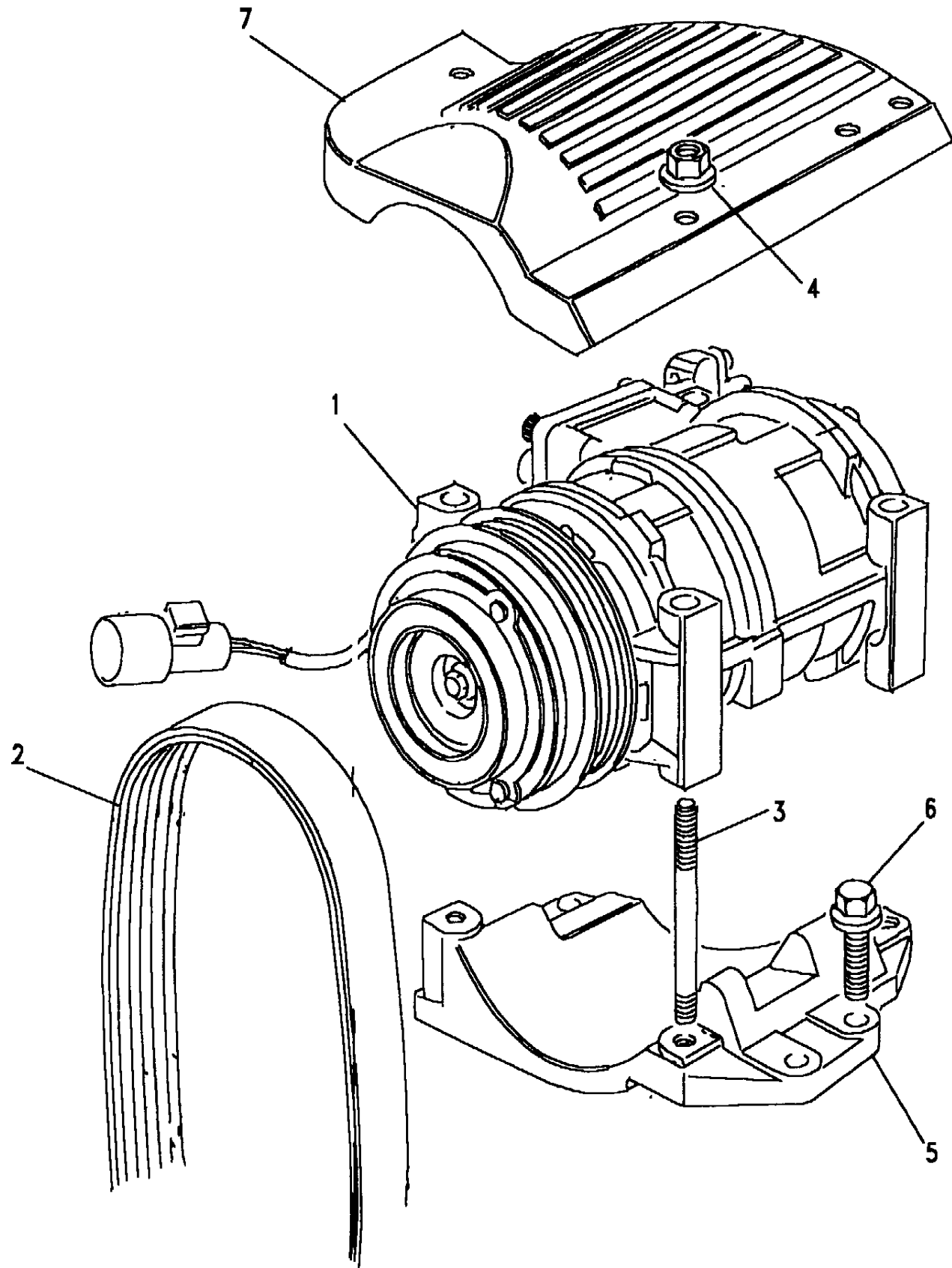
Discovery (FA393361-WA799999)
(CABNNE1A)

Discovery (FA393361-WA799999)

Engine
2500 - Diesel - Turbo - 300 Tdi
Air Conditioning Compressor

Change point - VIN begin MA081992, 2.5L 4 Cyl TDi Diesel, With Air Conditioning

Callout	Name	Application	Remarks & Restrictions	Service No.	Qty
1	Compressor Air Conditioning		(-) 200 TDI, (-) 12L 2.5 TDI Manual - Gemini	BTR4717	1
2	Belt-polyvee air conditioning compressor	2.5 4 Cyl 300 Series/TDI Diesel	(-) 200 TDI, (-) 12L 2.5 TDI Manual - Gemini	ERR2215	1
3	Stud		COMPRESSOR TO BRACKET, (-) 200 TDI, (-) 12L 2.5 TDI Manual - Gemini, M8 x 90	TE108181	3
4	Nut - Hex.		(-) 200 TDI, M8, (-) 12L 2.5 TDI Manual - Gemini, flange	FN108041L	3
5	Bracket-compressor air conditioning		(-) 200 TDI, (-) 12L 2.5 TDI Manual - Gemini	ERR4975	1
6	Screw		(-) 200 TDI, bracket to block, (-) 12L 2.5 TDI Manual - Gemini, Flanged Head, M10 x 30, top	FS110301L	4
7	Shroud air conditioning		(-) 200 TDI, (-) 12L 2.5 TDI Manual - Gemini	ERR4639	1
8	Nut - Hex.		(-) 200 TDI, M8, (-) 12L 2.5 TDI Manual - Gemini, flange	FN108041L	3



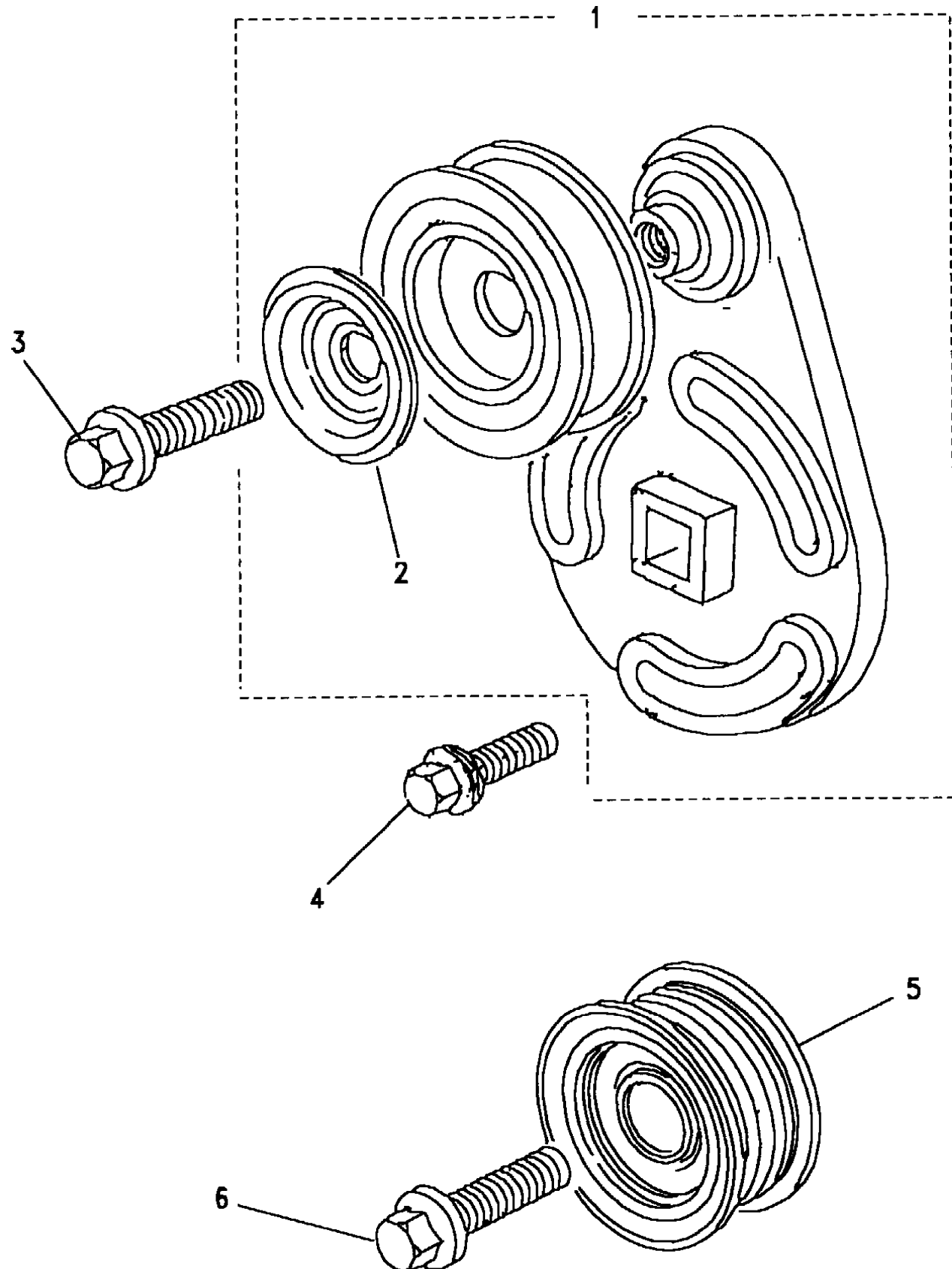
Engine
2500 - Diesel - Turbo - 300 Tdi
Air Conditioning Idlers 1/1

Discovery (FA393361-WA799999)
(CABNNE2A)

Discovery (FA393361-WA799999)
Engine
2500 - Diesel - Turbo - 300 Tdi
Air Conditioning Idlers

Change point - VIN begin MA081992, 2.5L 4 Cyl TDi Diesel, With Air Conditioning

Callout	Name	Application	Remarks & Restrictions	Service No.	Qty
1	Pulley-tensioner ancillary drive		(-) 200 TDI, Also serviced as part of a kit, (-) 12L 2.5 TDI Manual - Gemini	ERR4543	1
2	Cover-air conditioning belt tensioner		(-) 200 TDI, Also serviced as part of a kit, (-) 12L 2.5 TDI Manual - Gemini	ERR3807	1
3	Screw		(-) 200 TDI, Also serviced as part of a kit, (-) 12L 2.5 TDI Manual - Gemini, Flanged Head, M10 x 30, top	FS110301L	1
4	Screw		(-) 200 TDI, M8 x 25, (-) 12L 2.5 TDI Manual - Gemini, Flanged Head	FS108251L	3
			(-) 200 TDI, M8 x 25, (-) 12L 2.5 TDI Manual - Gemini, Flanged Head	FS108257L	3
5	Pulley-idler ancillary drive	Change point - Engine end 25L01117A Change point - Engine end 19L11266A Change point - Engine end 20L06398A Change point - Engine begin 19L11267A, With Diesel Engines Change point - Engine begin 20L06399A, With Diesel Engines Change point - Engine begin 25L01118A, With Diesel Engines	(-) 200 TDI, (-) 12L 2.5 TDI Manual - Gemini (-) 200 TDI, (-) 12L 2.5 TDI Manual - Gemini (-) 200 TDI, (-) 12L 2.5 TDI Manual - Gemini (-) 200 TDI, with flinger and dust cover, (-) 12L 2.5 TDI Manual - Gemini (-) 200 TDI, with flinger and dust cover, (-) 12L 2.5 TDI Manual - Gemini (-) 200 TDI, with flinger and dust cover, (-) 12L 2.5 TDI Manual - Gemini	ERR2798 ERR2798 ERR2798 ERR7295 ERR7295 ERR7295	1 1 1 1 1 1
6	Screw		(-) 200 TDI, (-) 12L 2.5 TDI Manual - Gemini, Flanged Head, M10 x 30, top	FS110301L	1



Engine
2500 - Diesel - Turbo - 300 Tdi
Alternator 1/4

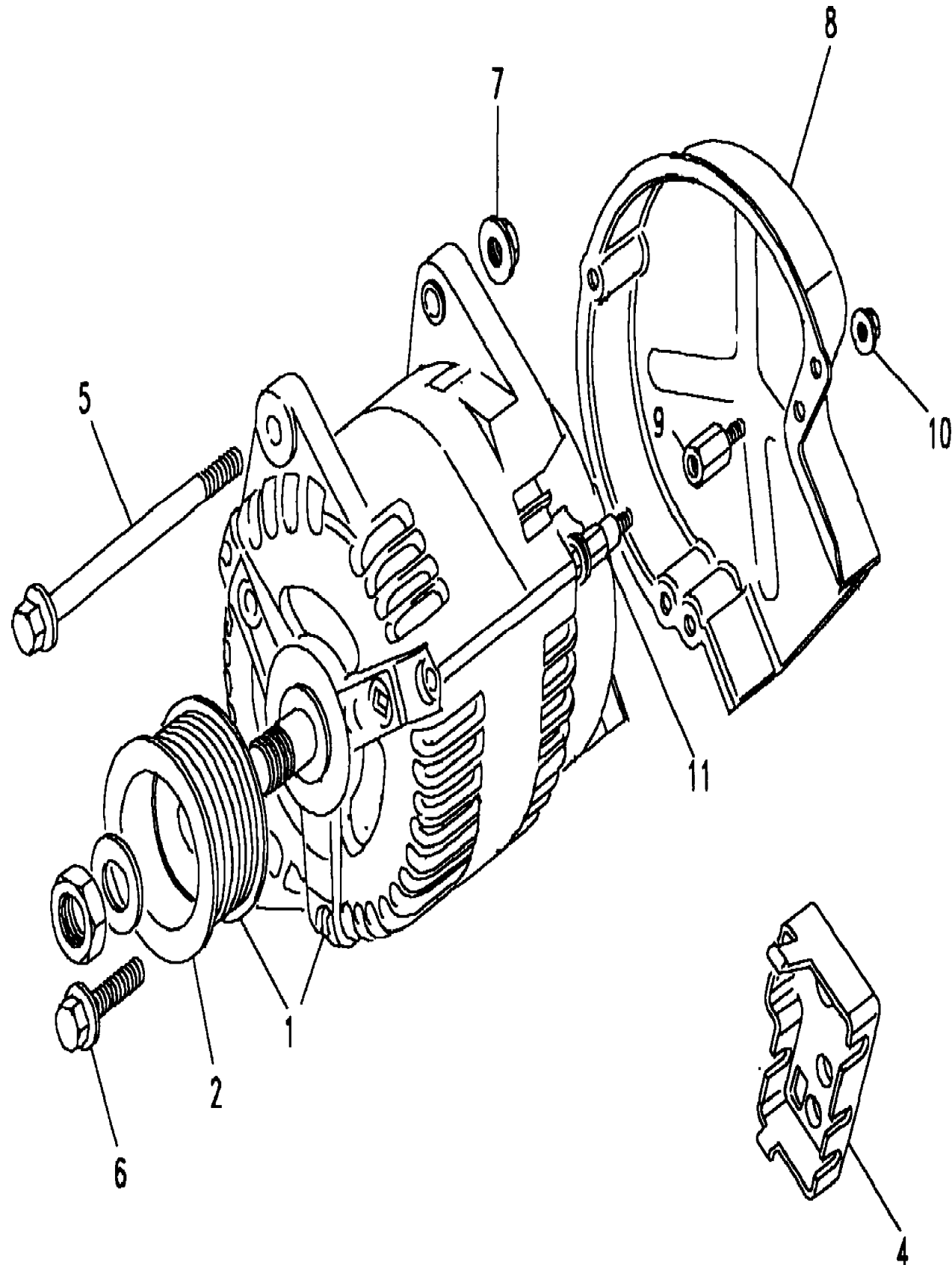
Discovery (FA393361-WA799999)
(CABNPC1A)

Discovery (FA393361-WA799999)

Engine
2500 - Diesel - Turbo - 300 Tdi
Alternator

Change point - VIN begin MA081992, 2.5L 4 Cyl TDi Diesel

Callout	Name	Application	Remarks & Restrictions	Service No.	Qty
1	Alternator assembly	Change point - Engine end 21L36432	(-) 200 TDI, Also serviced as part of a kit, (-) 12L 2.5 TDI Manual - Gemini, New, A127i-100 amp	YLE10113	1
		Change point - Engine end 19L00409	(-) 200 TDI, Also serviced as part of a kit, (-) 12L 2.5 TDI Manual - Gemini, New, A127i-100 amp	YLE10113	1
		Change point - Engine end 18L12423	(-) 200 TDI, Also serviced as part of a kit, (-) 12L 2.5 TDI Manual - Gemini, New, A127i-100 amp	YLE10113	1
		Change point - Engine end 21L36432	(-) 200 TDI, Also serviced as part of a kit, (-) 12L 2.5 TDI Manual - Gemini, exchange, A127i-100 amp	YLE10113E	1
		Change point - Engine end 19L00409	(-) 200 TDI, Also serviced as part of a kit, (-) 12L 2.5 TDI Manual - Gemini, exchange, A127i-100 amp	YLE10113E	1
		Change point - Engine end 18L12423	(-) 200 TDI, Also serviced as part of a kit, (-) 12L 2.5 TDI Manual - Gemini, exchange, A127i-100 amp	YLE10113E	1
		Change point - Engine begin 18L12424, Change point - VIN end TA534103	(-) 200 TDI, Also serviced as part of a kit, (-) 12L 2.5 TDI Manual - Gemini, New, A127i-100 amp	AMR4248	1
		Change point - Engine begin 19L00410, Change point - VIN end TA534103	(-) 200 TDI, Also serviced as part of a kit, (-) 12L 2.5 TDI Manual - Gemini, New, A127i-100 amp	AMR4248	1
		Change point - Engine begin 21L36433, Change point - VIN end TA534103	(-) 200 TDI, Also serviced as part of a kit, (-) 12L 2.5 TDI Manual - Gemini, New, A127i-100 amp	AMR4248	1
		Change point - Engine begin 18L12424, Change point - VIN end TA703236	(-) 200 TDI, Also serviced as part of a kit, (-) 12L 2.5 TDI Manual - Gemini, New, A127i-100 amp	AMR4248	1
		Change point - Engine begin 19L00410, Change point - VIN end TA703236	(-) 200 TDI, Also serviced as part of a kit, (-) 12L 2.5 TDI Manual - Gemini, New, A127i-100 amp	AMR4248	1
		Change point - Engine begin 21L36433, Change point - VIN end TA703236	(-) 200 TDI, Also serviced as part of a kit, (-) 12L 2.5 TDI Manual - Gemini, New, A127i-100 amp	AMR4248	1
		Change point - Engine begin 18L12424, Change point - VIN end TA534103	(-) 200 TDI, Also serviced as part of a kit, (-) 12L 2.5 TDI Manual - Gemini, exchange, A127i-100 amp	AMR4248E	1
		Change point - Engine begin 19L00410, Change point - VIN end TA534103	(-) 200 TDI, Also serviced as part of a kit, (-) 12L 2.5 TDI Manual - Gemini, exchange, A127i-100 amp	AMR4248E	1
		Change point - Engine begin 21L36433, Change point - VIN end TA534103	(-) 200 TDI, Also serviced as part of a kit, (-) 12L 2.5 TDI Manual - Gemini, exchange, A127i-100 amp	AMR4248E	1



Engine
2500 - Diesel - Turbo - 300 Tdi
Alternator 2/4

Discovery (FA393361-WA799999)

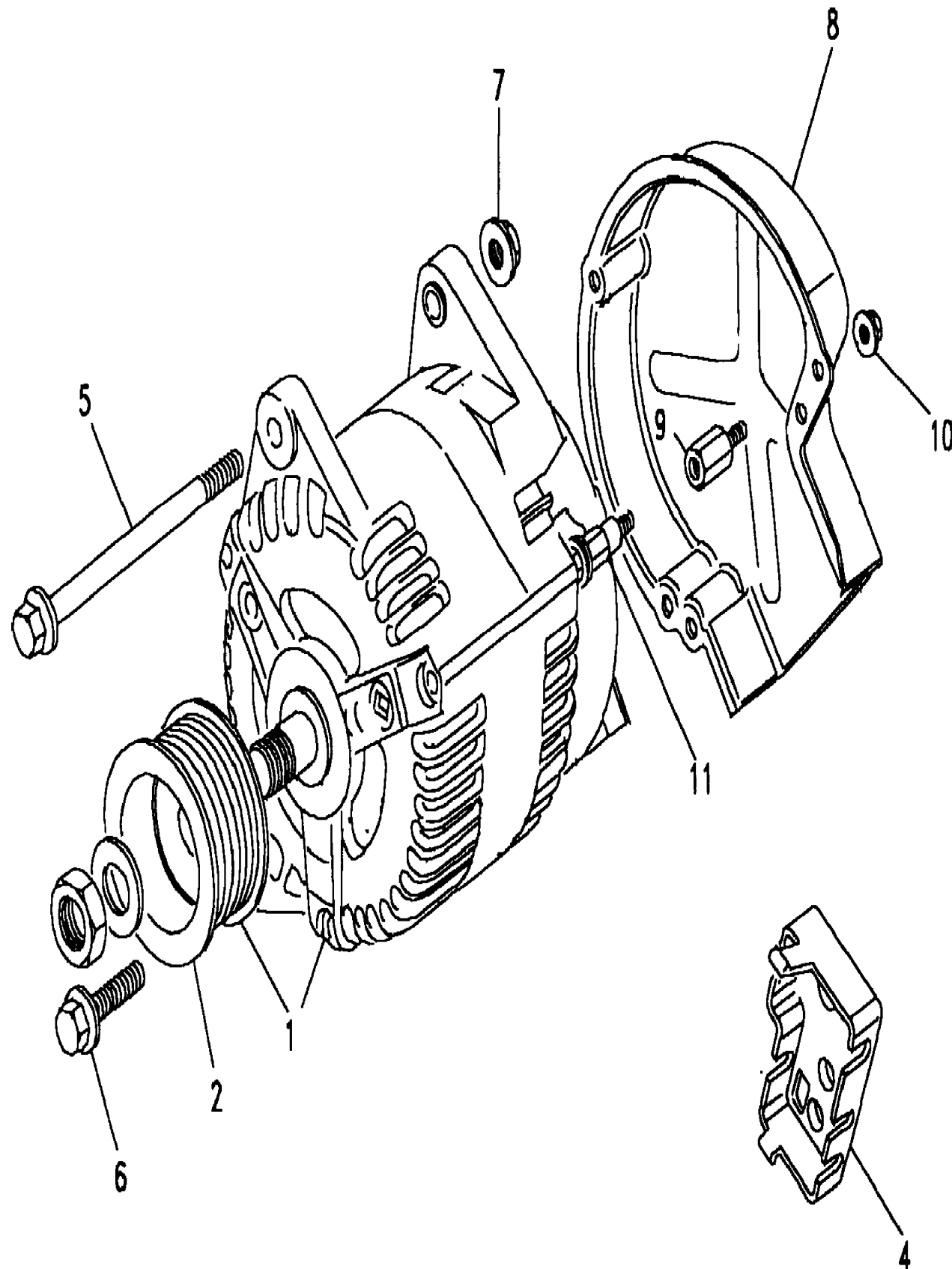
(CABNPC1A)

Discovery (FA393361-WA799999)

Engine
2500 - Diesel - Turbo - 300 Tdi
Alternator

Change point - VIN begin MA081992, 2.5L 4 Cyl TDi Diesel

Callout	Name	Application	Remarks & Restrictions	Service No.	Qty
1	Alternator assembly	Change point - Engine begin 18L12424, Change point - VIN end TA703236	(-) 200 TDI, Also serviced as part of a kit, (-) 12L 2.5 TDI Manual - Gemini, exchange, A127i-100 amp	AMR4248E	1
		Change point - Engine begin 19L00410, Change point - VIN end TA703236	(-) 200 TDI, Also serviced as part of a kit, (-) 12L 2.5 TDI Manual - Gemini, exchange, A127i-100 amp	AMR4248E	1
		Change point - Engine begin 21L36433, Change point - VIN end TA703236	(-) 200 TDI, Also serviced as part of a kit, (-) 12L 2.5 TDI Manual - Gemini, exchange, A127i-100 amp	AMR4248E	1
		Change point - VIN begin VA534104	(-) 200 TDI, Also serviced as part of a kit, (-) 12L 2.5 TDI Manual - Gemini, New, A127i-100 amp	AMR5425	1
		Change point - VIN begin VA703237	(-) 200 TDI, Also serviced as part of a kit, (-) 12L 2.5 TDI Manual - Gemini, New, A127i-100 amp	AMR5425	1
		Change point - VIN begin VA534104	(-) 200 TDI, (-) 12L 2.5 TDI Manual - Gemini, exchange, A127i-100 amp	AMR5425E	1
		Change point - VIN begin VA703237	(-) 200 TDI, (-) 12L 2.5 TDI Manual - Gemini, exchange, A127i-100 amp	AMR5425E	1
2	Pulley-polyvee alternator	Change point - Engine end 21L36432	(-) 200 TDI, Also serviced as part of a kit, 61MM, (-) 12L 2.5 TDI Manual - Gemini	STC1796	1
		Change point - Engine end 19L00409	(-) 200 TDI, Also serviced as part of a kit, 61MM, (-) 12L 2.5 TDI Manual - Gemini	STC1796	1
		Change point - Engine end 18L12423	(-) 200 TDI, Also serviced as part of a kit, 61MM, (-) 12L 2.5 TDI Manual - Gemini	STC1796	1
		Change point - Engine begin 18L12424, Change point - VIN end TA534103	(-) 200 TDI, Also serviced as part of a kit, 61MM, (-) 12L 2.5 TDI Manual - Gemini	STC1796	1
		Change point - Engine begin 19L00410, Change point - VIN end TA534103	(-) 200 TDI, Also serviced as part of a kit, 61MM, (-) 12L 2.5 TDI Manual - Gemini	STC1796	1
		Change point - Engine begin 21L36433, Change point - VIN end TA534103	(-) 200 TDI, Also serviced as part of a kit, 61MM, (-) 12L 2.5 TDI Manual - Gemini	STC1796	1
		Change point - Engine begin 18L12424, Change point - VIN end TA703236	(-) 200 TDI, Also serviced as part of a kit, 61MM, (-) 12L 2.5 TDI Manual - Gemini	STC1796	1
		Change point - Engine begin 19L00410, Change point - VIN end TA703236	(-) 200 TDI, Also serviced as part of a kit, 61MM, (-) 12L 2.5 TDI Manual - Gemini	STC1796	1
		Change point - Engine begin 21L36433, Change point - VIN end TA703236	(-) 200 TDI, Also serviced as part of a kit, 61MM, (-) 12L 2.5 TDI Manual - Gemini	STC1796	1
		Change point - VIN begin VA534104	(-) 200 TDI, Also serviced as part of a kit, (-) 12L 2.5 TDI Manual - Gemini	STC3691	1
		Change point - VIN begin VA703237	(-) 200 TDI, Also serviced as part of a kit, (-) 12L 2.5 TDI Manual - Gemini	STC3691	1



Engine
2500 - Diesel - Turbo - 300 Tdi
Alternator 3/4

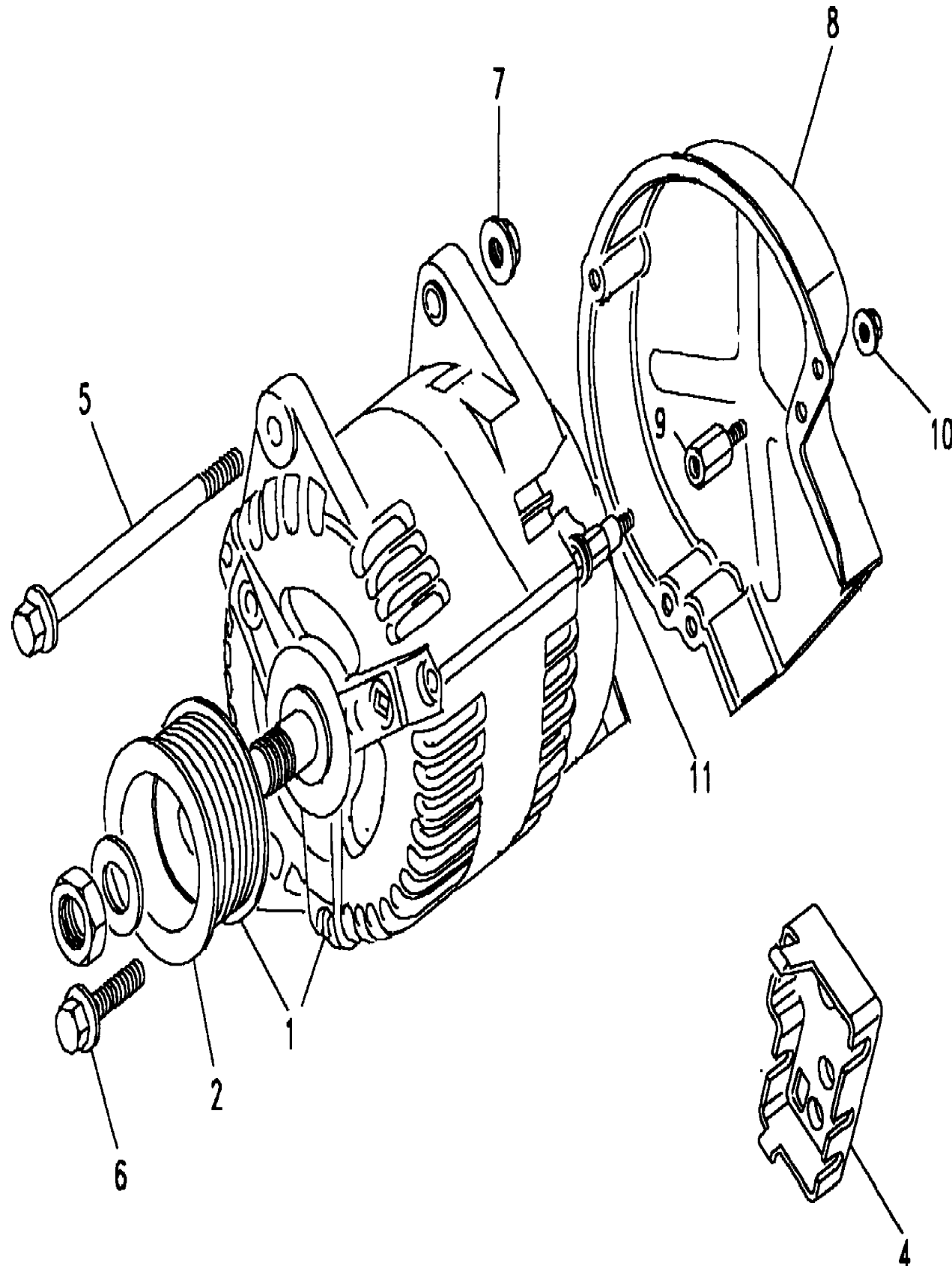
Discovery (FA393361-WA799999)
(CABNPC1A)

Discovery (FA393361-WA799999)

Engine
2500 - Diesel - Turbo - 300 Tdi
Alternator

Change point - VIN begin MA081992, 2.5L 4 Cyl TDi Diesel

Callout	Name	Application	Remarks & Restrictions	Service No.	Qty
3	Nut & washer set		(-) 200 TDI, (-) 12L 2.5 TDI Manual - Gemini, 6MM	AMR2218	2
4	Cover-terminal alternator	Change point - Engine end 21L36432 Change point - Engine end 19L00409 Change point - Engine end 18L12423 Change point - Engine begin 18L12424, Change point - VIN end TA534103 Change point - Engine begin 19L00410, Change point - VIN end TA534103 Change point - Engine begin 21L36433, Change point - VIN end TA534103 Change point - Engine begin 18L12424, Change point - VIN end TA703236 Change point - Engine begin 19L00410, Change point - VIN end TA703236 Change point - Engine begin 21L36433, Change point - VIN end TA703236 Change point - VIN begin VA534104 Change point - VIN begin VA703237	(-) 200 TDI, (-) 12L 2.5 TDI Manual - Gemini (-) 200 TDI, (-) 12L 2.5 TDI Manual - Gemini (-) 200 TDI, (-) 12L 2.5 TDI Manual - Gemini (-) 200 TDI, (-) 12L 2.5 TDI Manual - Gemini (-) 200 TDI, (-) 12L 2.5 TDI Manual - Gemini (-) 200 TDI, (-) 12L 2.5 TDI Manual - Gemini (-) 200 TDI, (-) 12L 2.5 TDI Manual - Gemini (-) 200 TDI, (-) 12L 2.5 TDI Manual - Gemini (-) 200 TDI, (-) 12L 2.5 TDI Manual - Gemini (-) 200 TDI, (-) 12L 2.5 TDI Manual - Gemini (-) 200 TDI, (-) 12L 2.5 TDI Manual - Gemini (-) 200 TDI, (-) 12L 2.5 TDI Manual - Gemini (-) 200 TDI, (-) 12L 2.5 TDI Manual - Gemini (-) 200 TDI, (-) 12L 2.5 TDI Manual - Gemini	AMR2263 AMR2263 AMR2263 AMR4939 AMR4939 AMR4939 AMR4939 AMR4939 AMR4939 AMR4939 AMR6111 AMR6111	1 1 1 1 1 1 1 1 1 1 1 1
5	Bolt		(-) 200 TDI, alternator to bracket, (-) 12L 2.5 TDI Manual - Gemini, Flanged Head, M8 x 125	FB108251	1
6	Screw		(-) 200 TDI, alternator to bracket, M8 X 30, (-) 12L 2.5 TDI Manual - Gemini, Flanged Head	FS108307L	1
7	Nut - Hex.		(-) 200 TDI, M8, (-) 12L 2.5 TDI Manual - Gemini, Flanged Head	FX108047	1
8	Heatshield alternator		(-) 200 TDI, (-) 12L 2.5 TDI Manual - Gemini	ERR4859	1
9	Spacer		(-) 200 TDI, (-) 12L 2.5 TDI Manual - Gemini	ERR5189	3
10	Nut - Hex.		(-) 200 TDI, M5, (-) 12L 2.5 TDI Manual - Gemini, Flanged Head	FN105047L	2
11	Spacer		(-) 200 TDI, (-) 12L 2.5 TDI Manual - Gemini	STC3163	3



Engine
2500 - Diesel - Turbo - 300 Tdi
Alternator 4/4

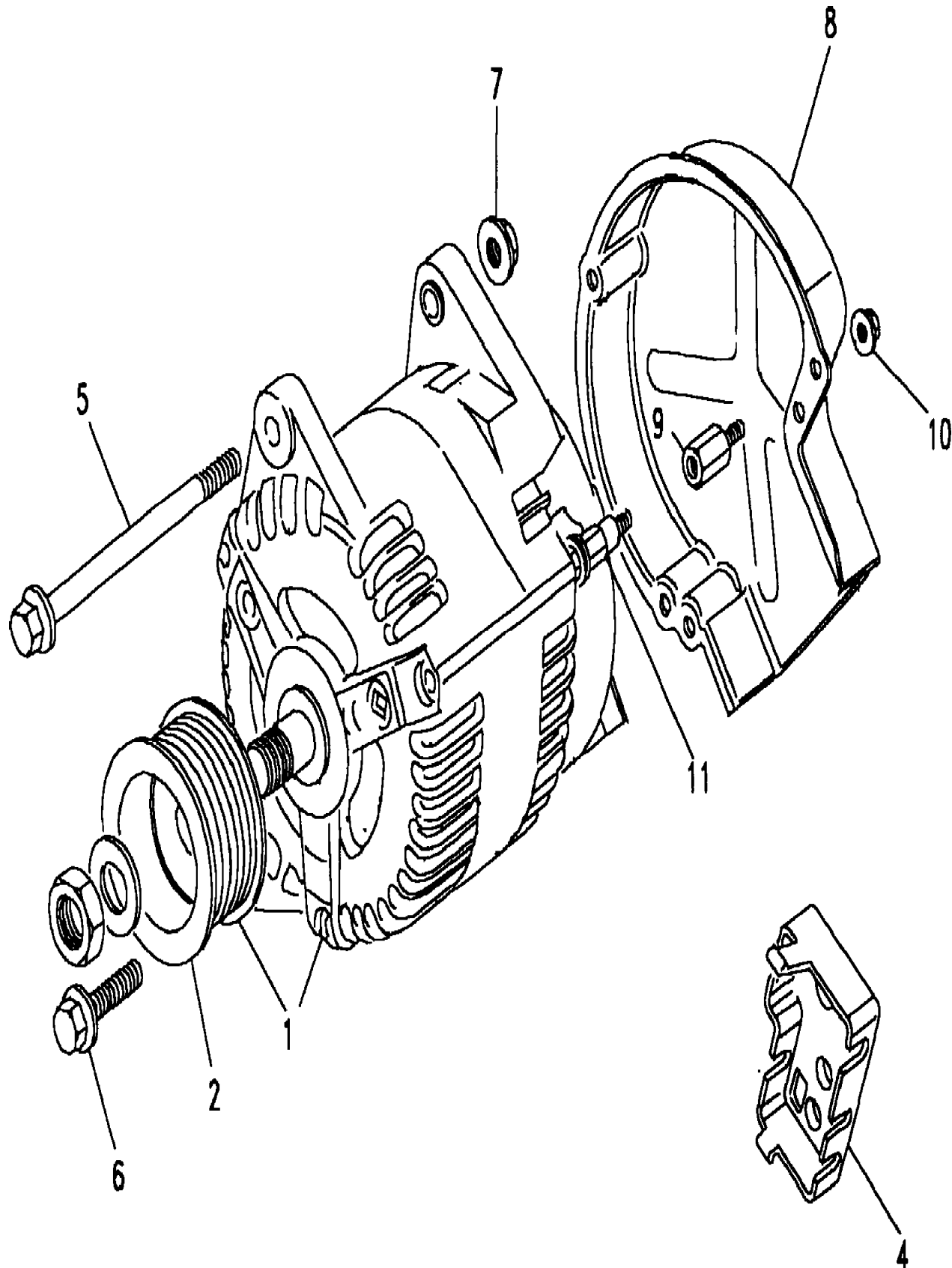
Discovery (FA393361-WA799999)
(CABNPC1A)

Discovery (FA393361-WA799999)

Engine
2500 - Diesel - Turbo - 300 Tdi
Alternator

Change point - VIN begin MA081992, 2.5L 4 Cyl TDi Diesel

Callout	Name	Application	Remarks & Restrictions	Service No.	Qty
[902]	Pulley-polyvee alternator	Change point - Engine end 21L36432	(-) 200 TDI, Also serviced as part of a kit, 61MM, (-) 12L 2.5 TDI Manual - Gemini	STC1796	1
		Change point - Engine end 19L00409	(-) 200 TDI, Also serviced as part of a kit, 61MM, (-) 12L 2.5 TDI Manual - Gemini	STC1796	1
		Change point - Engine end 18L12423	(-) 200 TDI, Also serviced as part of a kit, 61MM, (-) 12L 2.5 TDI Manual - Gemini	STC1796	1



Engine
2500 - Diesel - Turbo - 300 Tdi
Camshaft 1/1

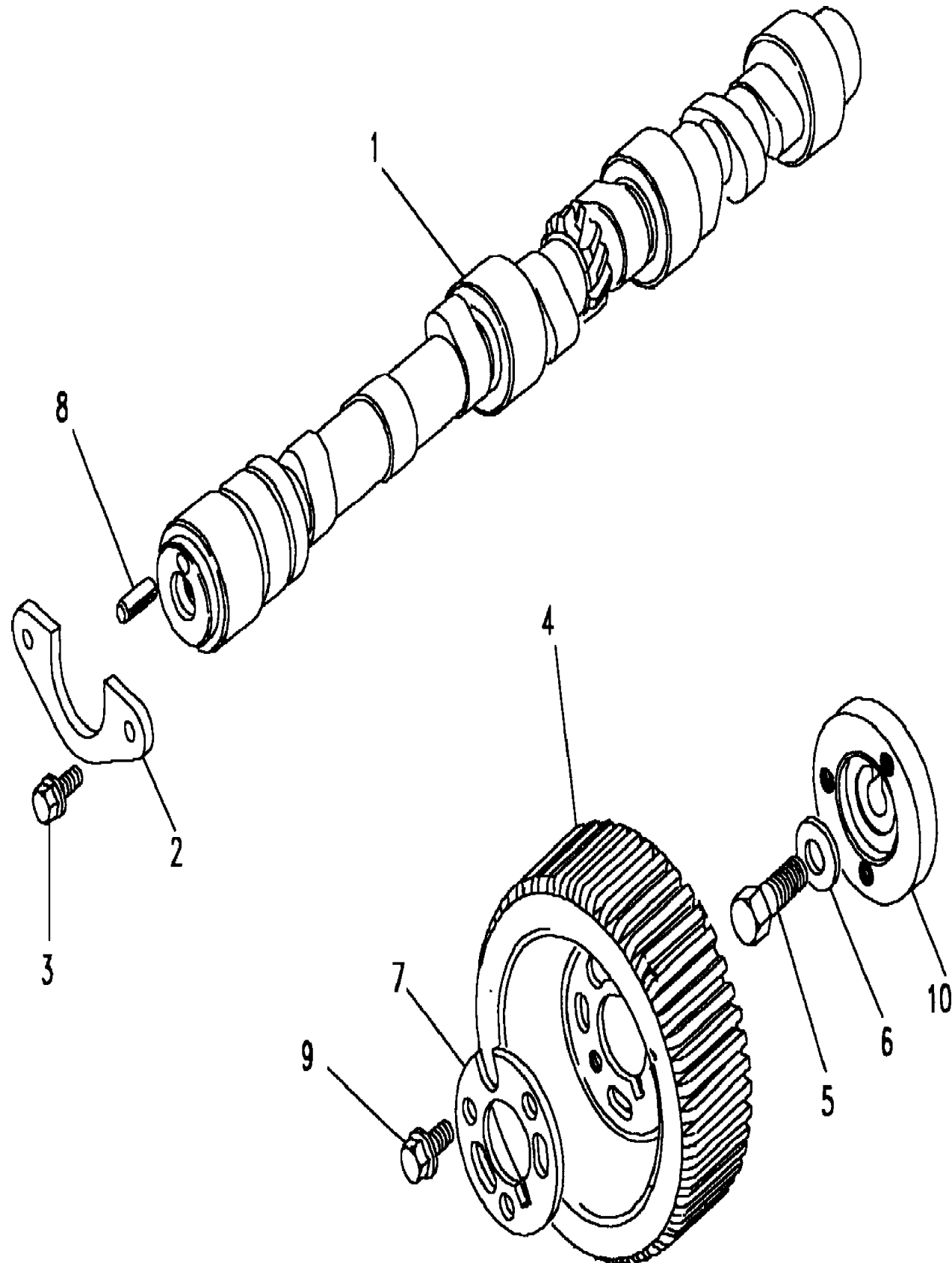
Discovery (FA393361-WA799999)
(CABNGI1A)

Discovery (FA393361-WA799999)

Engine
2500 - Diesel - Turbo - 300 Tdi
Camshaft

Change point - VIN begin MA081992, 2.5L 4 Cyl TDi Diesel

Callout	Name	Application	Remarks & Restrictions	Service No.	Qty
1	Camshaft-engine		(-) 200 TDI, (-) 12L 2.5 TDI Manual - Gemini	ERR3547	1
2	Plate-camshaft retaining		(-) 200 TDI, (-) 12L 2.5 TDI Manual - Gemini	ERR3754	1
3	Screw-flanged head		(-) 200 TDI, plate thrust camshaft, M6 X 16, (-) 12L 2.5 TDI Manual - Gemini, Flanged Head	FS106167L	2
4	Pulley-camshaft		(-) 200 TDI, (-) 12L 2.5 TDI Manual - Gemini	ERR3545	1
5	Bolt	Change point - VIN begin MA500000, Change point - VIN end VA540078	(-) 200 TDI, camshaft retaining plate, (-) 12L 2.5 TDI Manual - Gemini, M12 x 45	BX112091	1
		Change point - VIN end VA709316	(-) 200 TDI, camshaft retaining plate, (-) 12L 2.5 TDI Manual - Gemini, M12 x 45	BX112091	1
		Change point - VIN begin VA540079, 2.5 4 Cyl TDi L/R Diesel	(-) 200 TDI, (-) 12L 2.5 TDI Manual - Gemini, Flanged Head, M12 x 40	FS112401	1
		Change point - VIN begin VA709317, 2.5 4 Cyl TDi L/R Diesel	(-) 200 TDI, (-) 12L 2.5 TDI Manual - Gemini, Flanged Head, M12 x 40	FS112401	1
6	Washer-special idler pulley	Change point - VIN begin MA500000, Change point - VIN end VA540078	(-) 200 TDI, (-) 12L 2.5 TDI Manual - Gemini	BDU1496L	1
		Change point - VIN end VA709316	(-) 200 TDI, (-) 12L 2.5 TDI Manual - Gemini	BDU1496L	1
7	Plate-camshaft pulley retaining		(-) 200 TDI, (-) 12L 2.5 TDI Manual - Gemini	ERR2216	1
8	Dowel-pin		(-) 200 TDI, (-) 12L 2.5 TDI Manual - Gemini	ERR4709	1
9	Screw		(-) 200 TDI, pulley to camshaft, M8 X 16, (-) 12L 2.5 TDI Manual - Gemini, Flanged Head	FS108161L	3
10	Hub-camshaft pulley		(-) 200 TDI, (-) 12L 2.5 TDI Manual - Gemini	ERR3756	1



Engine
2500 - Diesel - Turbo - 300 Tdi
Coolant Pump 1/2

Discovery (FA393361-WA799999)

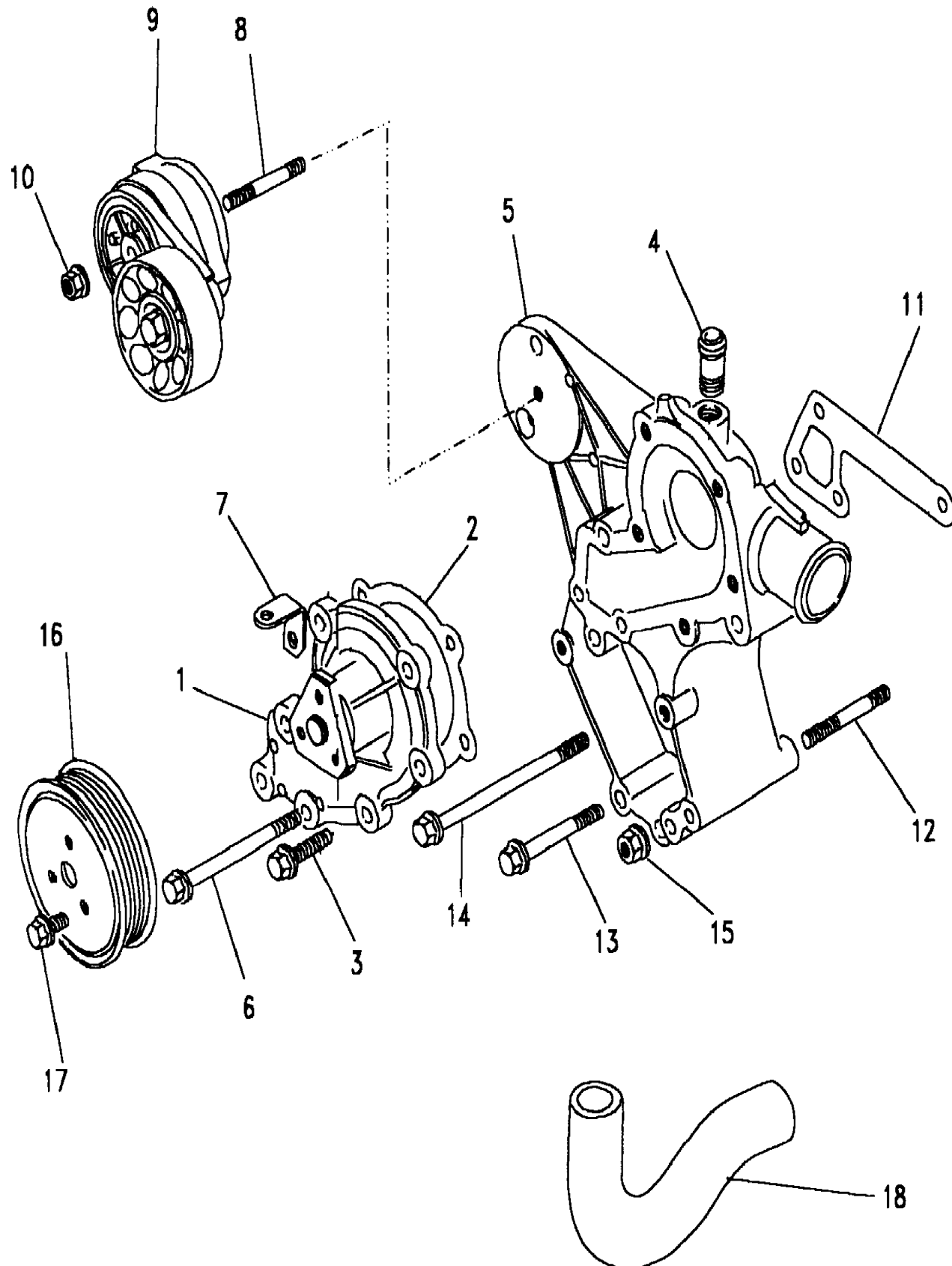
(CABNEE1A)

Discovery (FA393361-WA799999)

Engine
2500 - Diesel - Turbo - 300 Tdi
Coolant Pump

Change point - VIN begin MA081992, 2.5L 4 Cyl TDi Diesel

Callout	Name	Application	Remarks & Restrictions	Service No.	Qty
1	Pump assembly-engine coolant	2.5 4 Cyl 300 Series/TDI Diesel	(-) 200 TDI, Also serviced as part of a kit, (-) 12L 2.5 TDI Manual - Gemini	STC1086	1
2	Gasket-coolant pump body	2.5 4 Cyl 300 Series/TDI Diesel	(-) 200 TDI, Also serviced as part of a kit, (-) 12L 2.5 TDI Manual - Gemini	ERR3284	1
3	Screw		(-) 200 TDI, M8 X 30, (-) 12L 2.5 TDI Manual - Gemini, Flanged Head	FS108307L	5
4	Pipe assembly-engine coolant		(-) 200 TDI, (-) 12L 2.5 TDI Manual - Gemini	PEP102840	1
5	Bracket-coolant pump support		(-) 200 TDI, (-) 12L 2.5 TDI Manual - Gemini	ERR3736	1
6	Bolt-flanged head		(-) 200 TDI, (-) 12L 2.5 TDI Manual - Gemini, M8 x 120	FB108241L	3
7	Bracket-coolant hose support	Change point - Engine end 62125A Change point - Engine begin 62126A	(-) 200 TDI, (-) 12L 2.5 TDI Manual - Gemini (-) 200 TDI, (-) 12L 2.5 TDI Manual - Gemini	ERR4825 ERR5259	1 1
8	Stud		(-) 200 TDI, (-) 12L 2.5 TDI Manual - Gemini, M10 x 75	TE110151	1
9	Tensioner-automatic ancillary drive		(-) 200 TDI, (-) 12L 2.5 TDI Manual - Gemini	ERR4708	1
10	Nut - Hex.		(-) 200 TDI, M10, (-) 12L 2.5 TDI Manual - Gemini, flange (-) 200 TDI, M10, (-) 12L 2.5 TDI Manual - Gemini, flange	FN110041L FN110047	1 1
11	Gasket-coolant pump distance piece to block		(-) 200 TDI, (-) 12L 2.5 TDI Manual - Gemini	ERR2378	1
12	Stud		(-) 200 TDI, (-) 12L 2.5 TDI Manual - Gemini, M8 x 52	ERR5691	1
13	Bolt-flanged head		(-) 200 TDI, (-) 12L 2.5 TDI Manual - Gemini, M8 x 65	FB108131L	1
14	Bolt		(-) 200 TDI, (-) 12L 2.5 TDI Manual - Gemini, Flanged Head, M8 x 130	FB108261	1
15	Nut - Hex.		(-) 200 TDI, M8, (-) 12L 2.5 TDI Manual - Gemini	FX108041L	2
16	Pulley coolant pump		(-) 200 TDI, (-) 12L 2.5 TDI Manual - Gemini	ERR3734	1



Engine
2500 - Diesel - Turbo - 300 Tdi
Coolant Pump 2/2

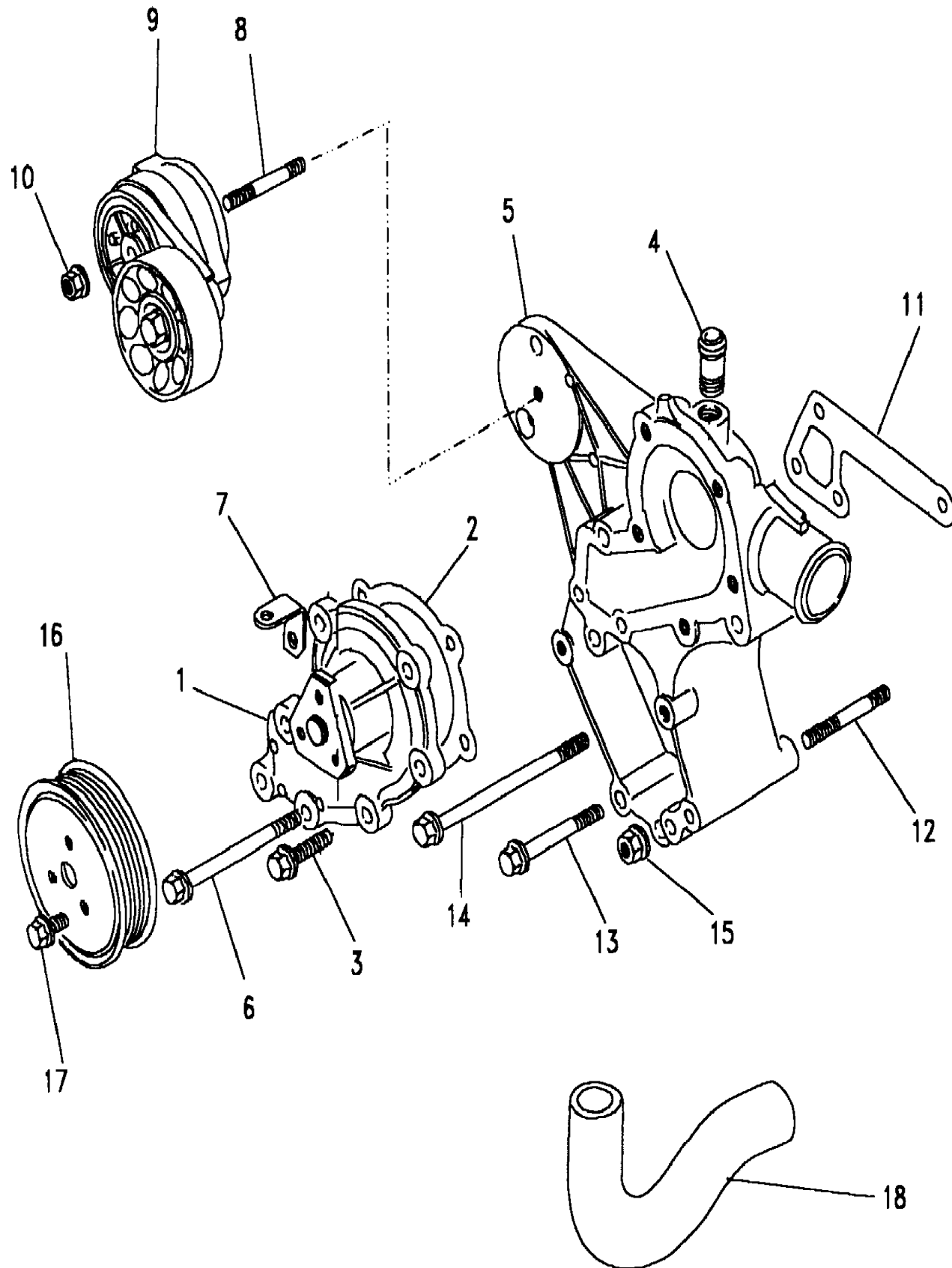
Discovery (FA393361-WA799999)
(CABNEE1A)

Discovery (FA393361-WA799999)

Engine
2500 - Diesel - Turbo - 300 Tdi
Coolant Pump

Change point - VIN begin MA081992, 2.5L 4 Cyl TDi Diesel

Callout	Name	Application	Remarks & Restrictions	Service No.	Qty
17	Screw		(-) 200 TDI, (-) 12L 2.5 TDI Manual - Gemini, Flanged Head, M8 x 12	FS108127	3
18	Hose-bypass to pump coolant		(-) 200 TDI, (-) 12L 2.5 TDI Manual - Gemini	ERR5099	1



Engine
2500 - Diesel - Turbo - 300 Tdi
Cooling Fan & Belt 1/1

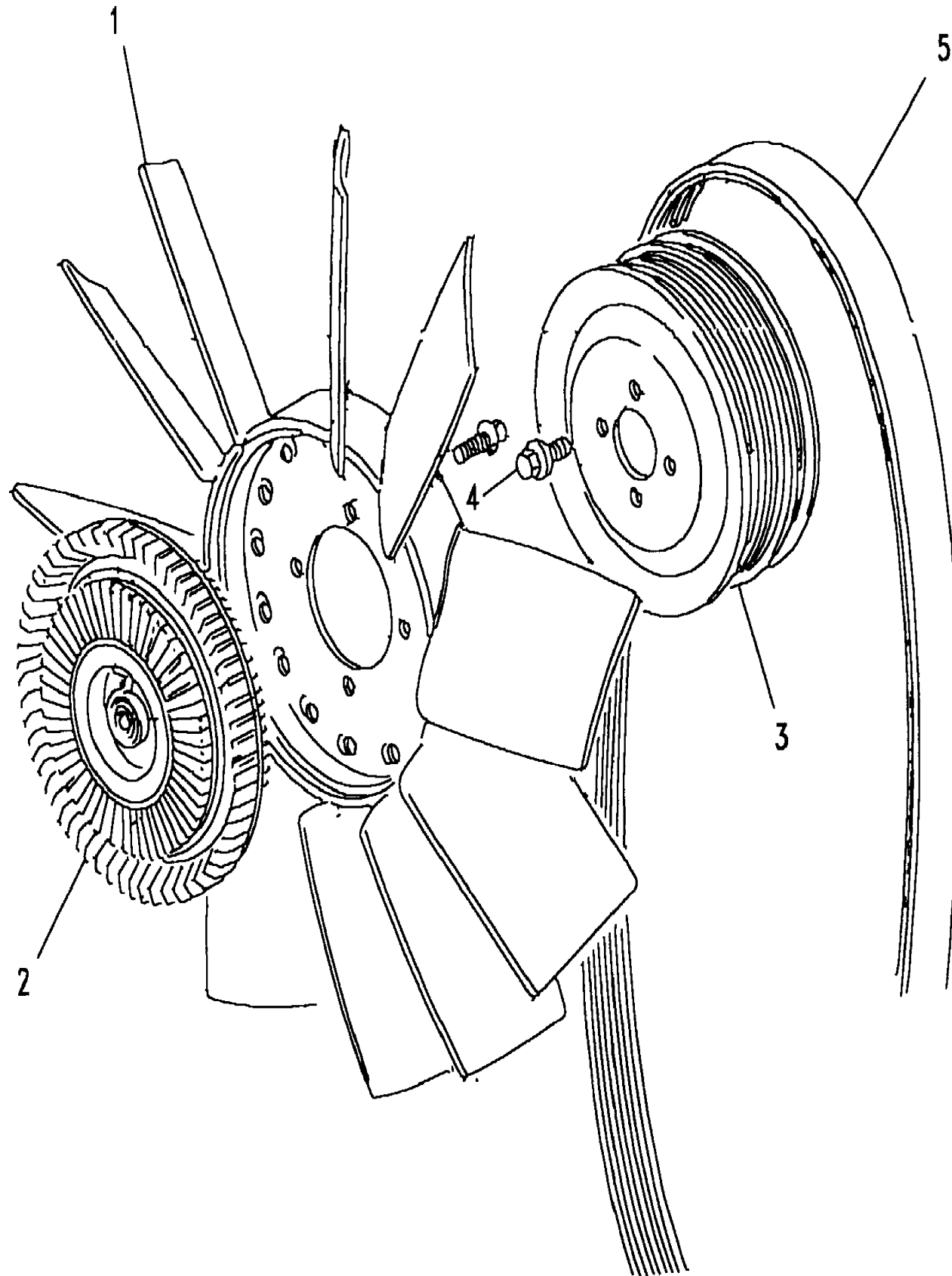
Discovery (FA393361-WA799999)
(CABNEG1A)

Discovery (FA393361-WA799999)

Engine
2500 - Diesel - Turbo - 300 Tdi
Cooling Fan & Belt

Change point - VIN begin MA081992, 2.5L 4 Cyl TDi Diesel

Callout	Name	Application	Remarks & Restrictions	Service No.	Qty
1	Fan-cooling		(-) 200 TDI, (-) 12L 2.5 TDI Manual - Gemini	ERR2789	1
2	Coupling-engine fan viscous		(-) 200 TDI, (-) 12L 2.5 TDI Manual - Gemini	ERR2266	1
3	Pulley coolant pump		(-) 200 TDI, (-) 12L 2.5 TDI Manual - Gemini	ERR3735	1
4	Screw		(-) 200 TDI, fan to viscous coupling, M8 X 16, (-) 12L 2.5 TDI Manual - Gemini, hexagonal head (-) 200 TDI, fan to viscous coupling, M8 X 16, (-) 12L 2.5 TDI Manual - Gemini, Flanged Head (-) 200 TDI, pulley to pump, (-) 12L 2.5 TDI Manual - Gemini, Flanged Head, M8 x 12	SH108161L FS108161L FS108127	4 4 4
5	Belt-polyvee coolant pump	Change point - VIN end MA163103 Change point - VIN begin TA163104 Change point - VIN begin TA501920	(-) 200 TDI, (-) 12L 2.5 TDI Manual - Gemini (-) 200 TDI, (-) 12L 2.5 TDI Manual - Gemini (-) 200 TDI, (-) 12L 2.5 TDI Manual - Gemini	ERR3287 ERR5911 ERR5911	1 1 1



Engine
2500 - Diesel - Turbo - 300 Tdi
Crankshaft & Bearings 1/1

Discovery (FA393361-WA799999)

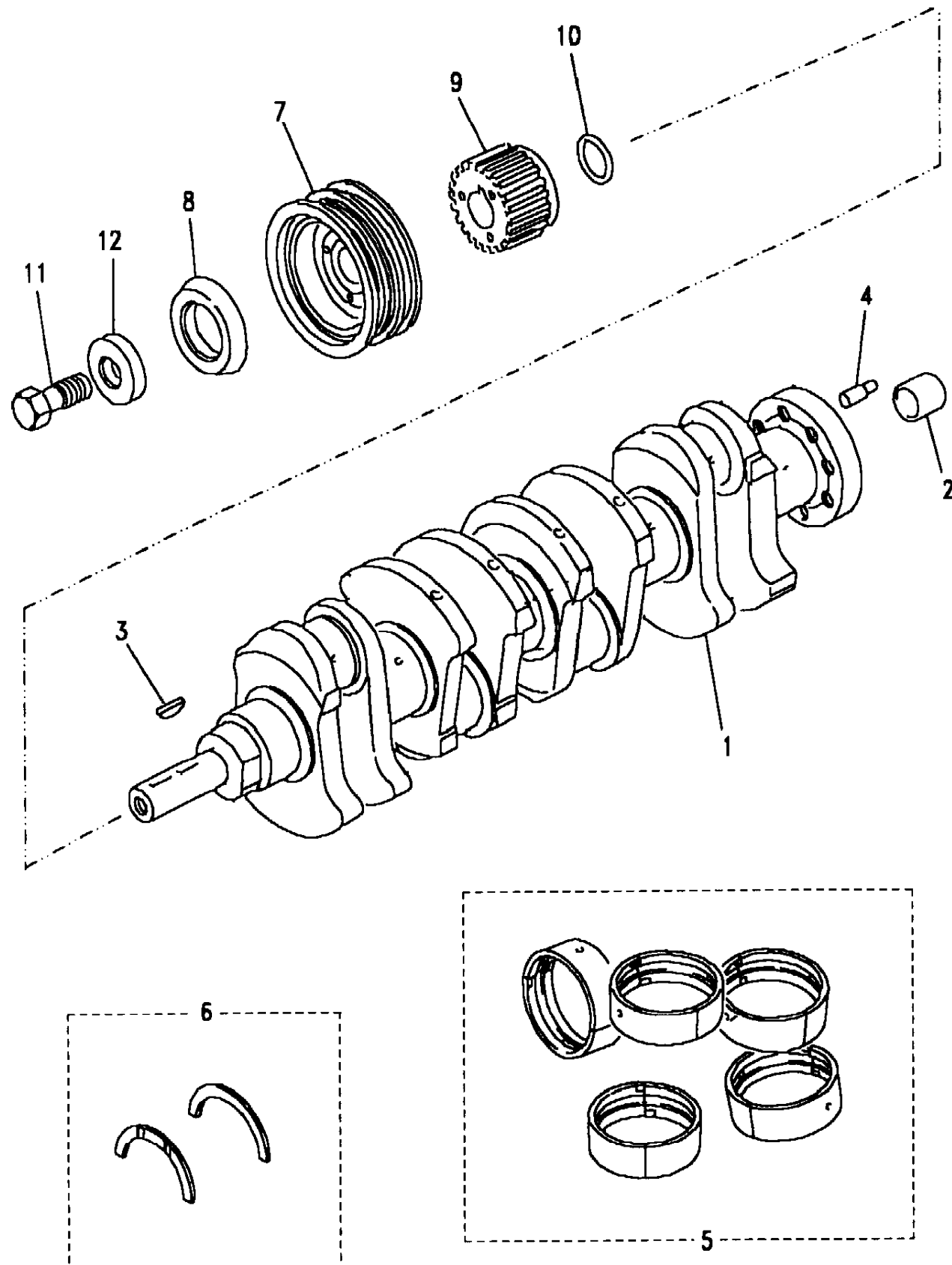
(CABNCA1A)

Discovery (FA393361-WA799999)

Engine
2500 - Diesel - Turbo - 300 Tdi
Crankshaft & Bearings

Change point - VIN begin MA081992, 2.5L 4 Cyl TDi Diesel

Callout	Name	Application	Remarks & Restrictions	Service No.	Qty
1	Crankshaft-engine		(-) 200 TDI, Also serviced as part of a kit, (-) 12L 2.5 TDI Manual - Gemini	ERR2112	1
2	Bush-crankshaft		(-) 200 TDI, Also serviced as part of a kit, (-) 12L 2.5 TDI Manual - Gemini	8566L	1
3	Key-crankshaft		(-) 200 TDI, Also serviced as part of a kit, (-) 12L 2.5 TDI Manual - Gemini	ERR3987	2
4	Dowel-flywheel to crankshaft		(-) 200 TDI, (-) 12L 2.5 TDI Manual - Gemini	ERR1630	1
5	Set-crankshaft bearings		(-) 200 TDI, Also serviced as part of a kit, (-) 12L 2.5 TDI Manual - Gemini, standard. (-) 200 TDI, (-) 12L 2.5 TDI Manual - Gemini, standard. (-) 200 TDI, Also serviced as part of a kit, (-) 12L 2.5 TDI Manual - Gemini, 0.010" undersize	RTC4783 STC3395 RTC478310	1 1 1
6	Washer-crankshaft thrust		(-) 200 TDI, (-) 12L 2.5 TDI Manual - Gemini, Pair, standard. (-) 200 TDI, (-) 12L 2.5 TDI Manual - Gemini, Pair, oversize., 0.0025" (-) 200 TDI, (-) 12L 2.5 TDI Manual - Gemini, Pair, 0.005", oversize.	RTC2825 538131 538132	X X X
7	Torsional vibration damper-engine crankshaft		(-) 200 TDI, (-) 12L 2.5 TDI Manual - Gemini	ERR2220	1
8	Flinger-crankshaft pulley		(-) 200 TDI, (-) 12L 2.5 TDI Manual - Gemini	ERR2100	1
9	Pulley-crankshaft	Change point - VIN end VA560897 Change point - VIN begin VA560898	(-) 200 TDI, (-) 12L 2.5 TDI Manual - Gemini (-) 200 TDI, (-) 12L 2.5 TDI Manual - Gemini	ERR4707 LHH100660	1 1
10	O Ring		(-) 200 TDI, crankshaft to toothed pulley, (-) 12L 2.5 TDI Manual - Gemini	ERR4710	1
11	Bolt-crankshaft pulley		(-) 200 TDI, (-) 12L 2.5 TDI Manual - Gemini	ERR5087	1
12	Washer-crankshaft thrust		(-) 200 TDI, (-) 12L 2.5 TDI Manual - Gemini	ERR1564	1



Engine
2500 - Diesel - Turbo - 300 Tdi
Cylinder Block 1/2

Discovery (FA393361-WA799999)

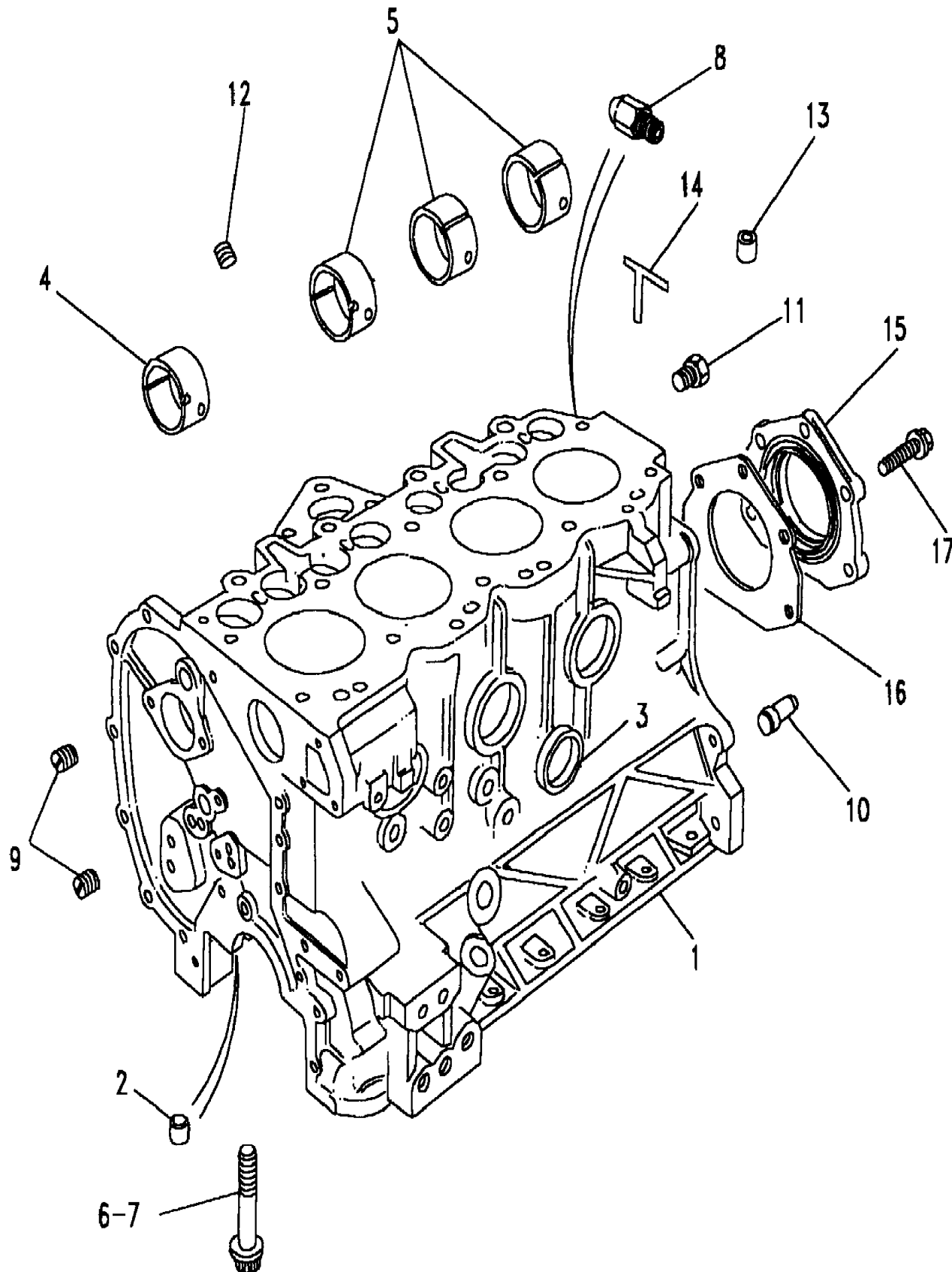
(CABNBA1A)

Discovery (FA393361-WA799999)

Engine
2500 - Diesel - Turbo - 300 Tdi
Cylinder Block

Change point - VIN begin MA081992, 2.5L 4 Cyl TDi Diesel

Callout	Name	Application	Remarks & Restrictions	Service No.	Qty
1	Cylinder block-engine		(-) 200 TDI, Also serviced as part of a kit, (-) 12L 2.5 TDI Manual - Gemini	ERR1919	1
2	Dowel		(-) 200 TDI, Also serviced as part of a kit, (-) 12L 2.5 TDI Manual - Gemini	501593	10
3	Plug-core		(-) 200 TDI, Also serviced as part of a kit, (-) 12L 2.5 TDI Manual - Gemini	ERC4996	6
4	Bearing-camshaft front		(-) 200 TDI, Also serviced as part of a kit, (-) 12L 2.5 TDI Manual - Gemini	ETC8442	1
5	Bearing-camshaft rear		(-) 200 TDI, Also serviced as part of a kit, (-) 12L 2.5 TDI Manual - Gemini	90519055	3
6	Bolt		(-) 200 TDI, Also serviced as part of a kit, (-) 12L 2.5 TDI Manual - Gemini	ETC8074	8
7	Setscrew-cylinder block main bearing cap		(-) 200 TDI, Also serviced as part of a kit, (-) 12L 2.5 TDI Manual - Gemini	ERR3419	2
8	Jet-camshaft oil		(-) 200 TDI, (-) 12L 2.5 TDI Manual - Gemini	ERR2767	1
9	Plug-cylinder block oil way		(-) 200 TDI, (-) 12L 2.5 TDI Manual - Gemini	247127	2
10	Dowel-ring		(-) 200 TDI, (-) 12L 2.5 TDI Manual - Gemini, 15.0mm	FRC2482	2
11	Plug		(-) 200 TDI, (-) 12L 2.5 TDI Manual - Gemini	ETC4922	2
12	Plug-camshaft blanking		(-) 200 TDI, Rubber, (-) 12L 2.5 TDI Manual - Gemini	ERR5034	3
13	Dowel-ring		(-) 200 TDI, (-) 12L 2.5 TDI Manual - Gemini	ETC8352	2
14	Packing strip		(-) 200 TDI, (-) 12L 2.5 TDI Manual - Gemini	ERR913	2
15	Seal-crankshaft rear oil		(-) 200 TDI, (-) 12L 2.5 TDI Manual - Gemini CRANKSHAFT REAR, (-) 200 TDI, (-) 12L 2.5 TDI Manual - Gemini	ERR4179 LUF100430	1 1
16	Gasket-crankcase rear oil seal housing		(-) 200 TDI, (-) 12L 2.5 TDI Manual - Gemini	ERR6811	1



Engine
2500 - Diesel - Turbo - 300 Tdi
Cylinder Block 2/2

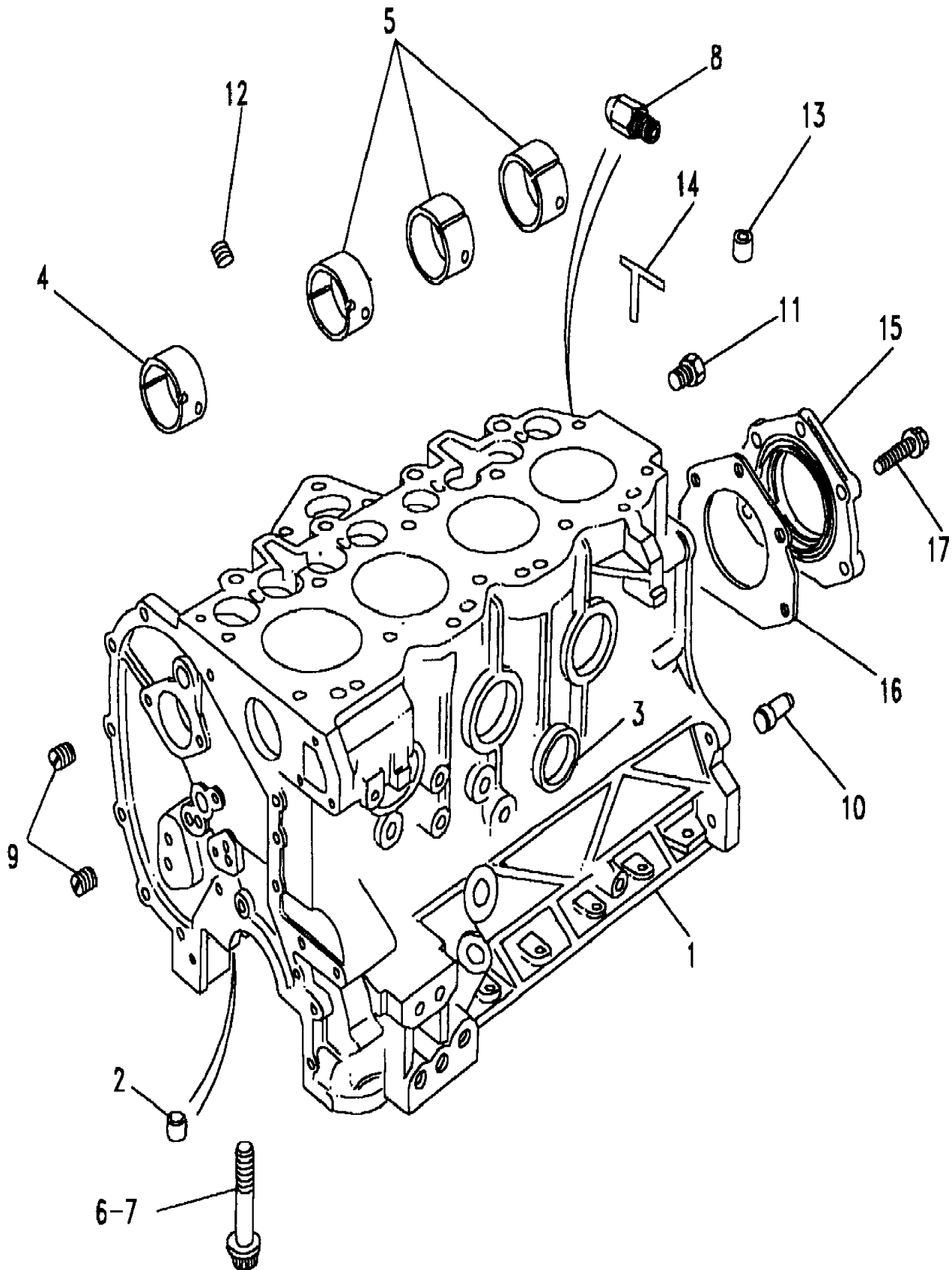
Discovery (FA393361-WA799999)
(CABNBA1A)

Discovery (FA393361-WA799999)

Engine
2500 - Diesel - Turbo - 300 Tdi
Cylinder Block

Change point - VIN begin MA081992, 2.5L 4 Cyl TDi Diesel

Callout	Name	Application	Remarks & Restrictions	Service No.	Qty
17	Screw		(-) 200 TDI, HOUSING TO BLOCK, M8 x 25, (-) 12L 2.5 TDI Manual - Gemini, Flanged Head	FS108257L	5



Engine
2500 - Diesel - Turbo - 300 Tdi
Cylinder Head 1/3

Discovery (FA393361-WA799999)

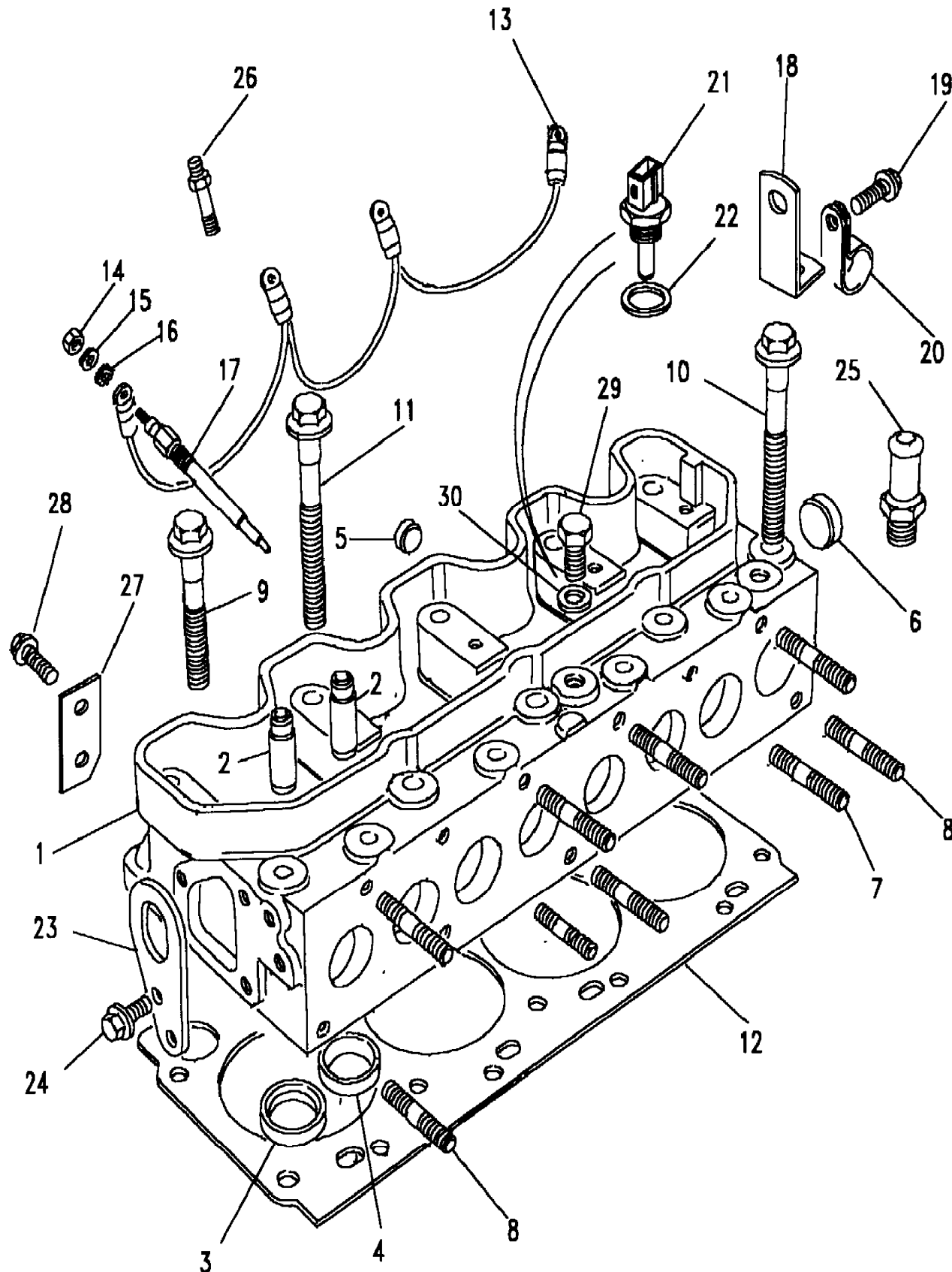
(CABNGA1A)

Discovery (FA393361-WA799999)

Engine
2500 - Diesel - Turbo - 300 Tdi
Cylinder Head

Change point - VIN begin MA081992, 2.5L 4 Cyl TDi Diesel

Callout	Name	Application	Remarks & Restrictions	Service No.	Qty
1	Cylinder head-engine		(-) 200 TDI, Also serviced as part of a kit, (-) 12L 2.5 TDI Manual - Gemini, less core plugs	ERR5027	1
2	Cylinder head-engine	Change point - VIN begin MA081992, Change point - Engine begin 22L08099b	(-) 200 TDI, Also serviced as part of a kit, (-) 12L 2.5 TDI Manual - Gemini	LGJ100880	8
3	Insert-inlet valve seat-cylinder head		(-) 200 TDI, Also serviced as part of a kit, (-) 12L 2.5 TDI Manual - Gemini	ERR2396	4
4	Insert-cylinder head exhaust valve seat		(-) 200 TDI, Also serviced as part of a kit, (-) 12L 2.5 TDI Manual - Gemini	ERR3753	4
5	Plug-core		(-) 200 TDI, (-) 12L 2.5 TDI Manual - Gemini	525497	1
6	Plug-core		(-) 200 TDI, (-) 12L 2.5 TDI Manual - Gemini	524765	1
7	Stud		MANIFOLD TO HEAD, (-) 200 TDI, M8 x 25, (-) 12L 2.5 TDI Manual - Gemini	TE108051L	2
8	Stud		MANIFOLD TO HEAD, (-) 200 TDI, (-) 12L 2.5 TDI Manual - Gemini, M10 x 35	TE110071L	7
9	Bolt-cylinder head fixing		(-) 200 TDI, Short, (-) 12L 2.5 TDI Manual - Gemini, M12 x 100	ETC8808	4
10	Bolt-cylinder head fixing		(-) 200 TDI, Long, (-) 12L 2.5 TDI Manual - Gemini, M12 x 140	ERR1939	10
11	Bolt-cylinder head fixing		(-) 200 TDI, Also serviced as part of a kit, (-) 12L 2.5 TDI Manual - Gemini, M10 x 117	ETC8810	4
12	Gasket-Cylinder Head		(-) 200 TDI, 1 Hole, 1.30MM, (-) 12L 2.5 TDI Manual - Gemini (-) 200 TDI, 2 Holes, 1.40MM, (-) 12L 2.5 TDI Manual - Gemini (-) 200 TDI, 3 Holes, 1.50MM, (-) 12L 2.5 TDI Manual - Gemini (-) 200 TDI, (-) 12L 2.5 TDI Manual - Gemini, 1.60mm.	ERR5261 ERR5262 ERR5263 ERR7154	X X X X
13	Cable-heater plug ignition		(-) 200 TDI, (-) 12L 2.5 TDI Manual - Gemini	AMR2425	1



Engine
2500 - Diesel - Turbo - 300 Tdi
Cylinder Head 2/3

Discovery (FA393361-WA799999)

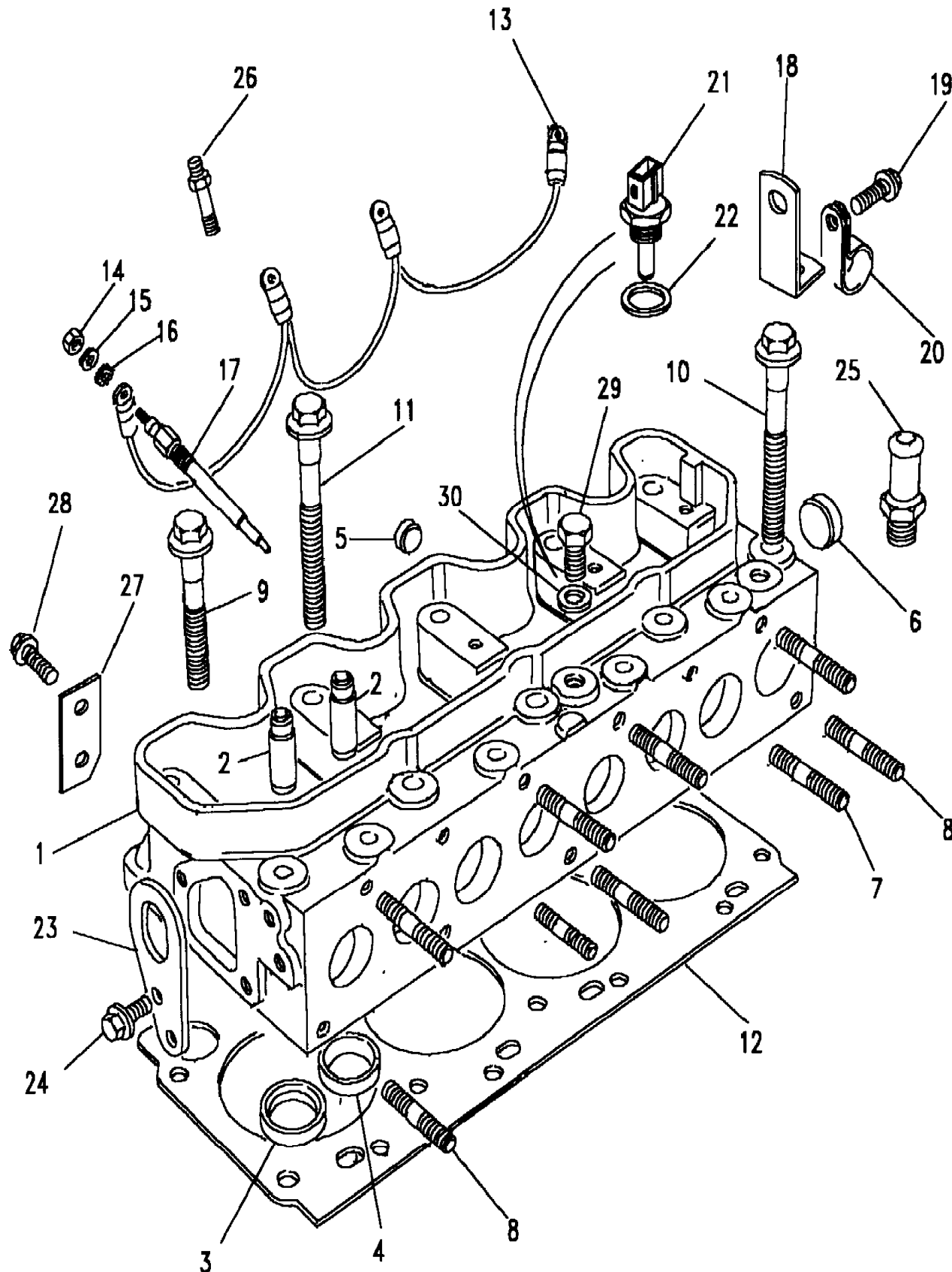
(CABNGA1A)

Discovery (FA393361-WA799999)

Engine
2500 - Diesel - Turbo - 300 Tdi
Cylinder Head

Change point - VIN begin MA081992, 2.5L 4 Cyl TDi Diesel

Callout	Name	Application	Remarks & Restrictions	Service No.	Qty
14	Nut-hexagonal		(-) 200 TDI, M4, (-) 12L 2.5 TDI Manual - Gemini	NH104041L	4
15	Washer-Plain		(-) 200 TDI, M4, (-) 12L 2.5 TDI Manual - Gemini	WA104001L	4
16	Washer- shakeproof		(-) 200 TDI, M4, (-) 12L 2.5 TDI Manual - Gemini	WE104001L	4
17	Plug-heater ignition		(-) 200 TDI, (-) 12L 2.5 TDI Manual - Gemini	ETC8847	4
18	Bracket	Change point - VIN begin MA081992, 2.5L 4 TDi Turbo Diesel, 4 Speed Automatic Transmissions, EDC, With Catalyst	(-) 200 TDI, (-) 12L 2.5 TDI Manual - Gemini, Engine Code 17L 2.5 TDI GEM 111 EDC Electronic, Engine Code 19L 2.5 TDI GEM 111 Auto	ERC9480	1
		Change point - VIN begin MA081992, 2.5L 4 TDi Turbo Diesel, 4 Speed Automatic Transmissions, EDC, Less Catalyst	(-) 200 TDI, (-) 12L 2.5 TDI Manual - Gemini, Engine Code 17L 2.5 TDI GEM 111 EDC Electronic, Engine Code 19L 2.5 TDI GEM 111 Auto	ERC9480	1
19	Screw	Change point - VIN begin MA081992, 2.5L 4 TDi Turbo Diesel, 4 Speed Automatic Transmissions, EDC, With Catalyst	(-) 200 TDI, (-) 12L 2.5 TDI Manual - Gemini, Engine Code 17L 2.5 TDI GEM 111 EDC Electronic, Engine Code 19L 2.5 TDI GEM 111 Auto, Flanged Head, M8 x 20	FS108207L	2
		Change point - VIN begin MA081992, 2.5L 4 TDi Turbo Diesel, 4 Speed Automatic Transmissions, EDC, Less Catalyst	(-) 200 TDI, (-) 12L 2.5 TDI Manual - Gemini, Engine Code 17L 2.5 TDI GEM 111 EDC Electronic, Engine Code 19L 2.5 TDI GEM 111 Auto, Flanged Head, M8 x 20	FS108207L	2
20	Clip-p		(-) 200 TDI, (-) 12L 2.5 TDI Manual - Gemini	CP108251L	1
21	Sensor-Temperature		(-) 200 TDI, (-) 12L 2.5 TDI Manual - Gemini	ERR2081	1
22	Washer-sealing		(-) 200 TDI, (-) 12L 2.5 TDI Manual - Gemini	ERR894	1
23	Bracket-lifting engine front		(-) 200 TDI, (-) 12L 2.5 TDI Manual - Gemini	ETC8031	1
24	Screw		(-) 200 TDI, bracket to block, (-) 12L 2.5 TDI Manual - Gemini, Flanged Head, M8 x 20	FS108207L	2
25	Adaptor-pipe coolant		(-) 200 TDI, (-) 12L 2.5 TDI Manual - Gemini	624091	1



Engine
2500 - Diesel - Turbo - 300 Tdi
Cylinder Head 3/3

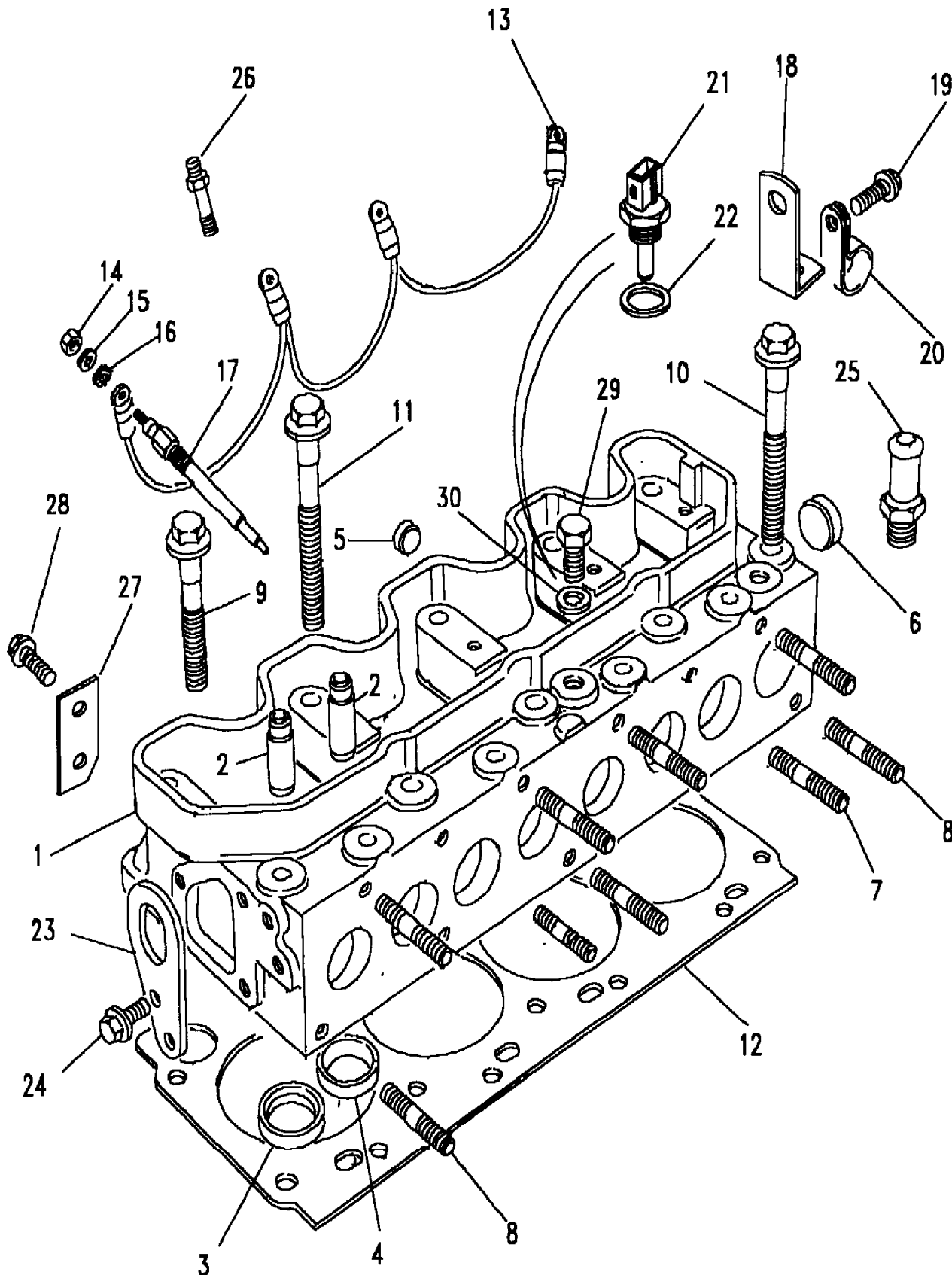
Discovery (FA393361-WA799999)
(CABNGA1A)

Discovery (FA393361-WA799999)

Engine
2500 - Diesel - Turbo - 300 Tdi
Cylinder Head

Change point - VIN begin MA081992, 2.5L 4 Cyl TDi Diesel

Callout	Name	Application	Remarks & Restrictions	Service No.	Qty
26	Stud		(-) 200 TDI, (-) 12L 2.5 TDI Manual - Gemini	ERR1019	4
27	Bracket Harness		(-) 200 TDI, (-) 12L 2.5 TDI Manual - Gemini	ERC9404	1
28	Screw		(-) 200 TDI, M8 X 16, (-) 12L 2.5 TDI Manual - Gemini, Flanged Head	FS108161L	1
29	Plug-Drain	Detoxed	(-) 200 TDI, (-) 12L 2.5 TDI Manual - Gemini	ETC5577	1
30	Washer-sealing	Detoxed	(-) 200 TDI, (-) 12L 2.5 TDI Manual - Gemini	FRC4808	1



Engine
2500 - Diesel - Turbo - 300 Tdi
Drive Plate Auto 1/2

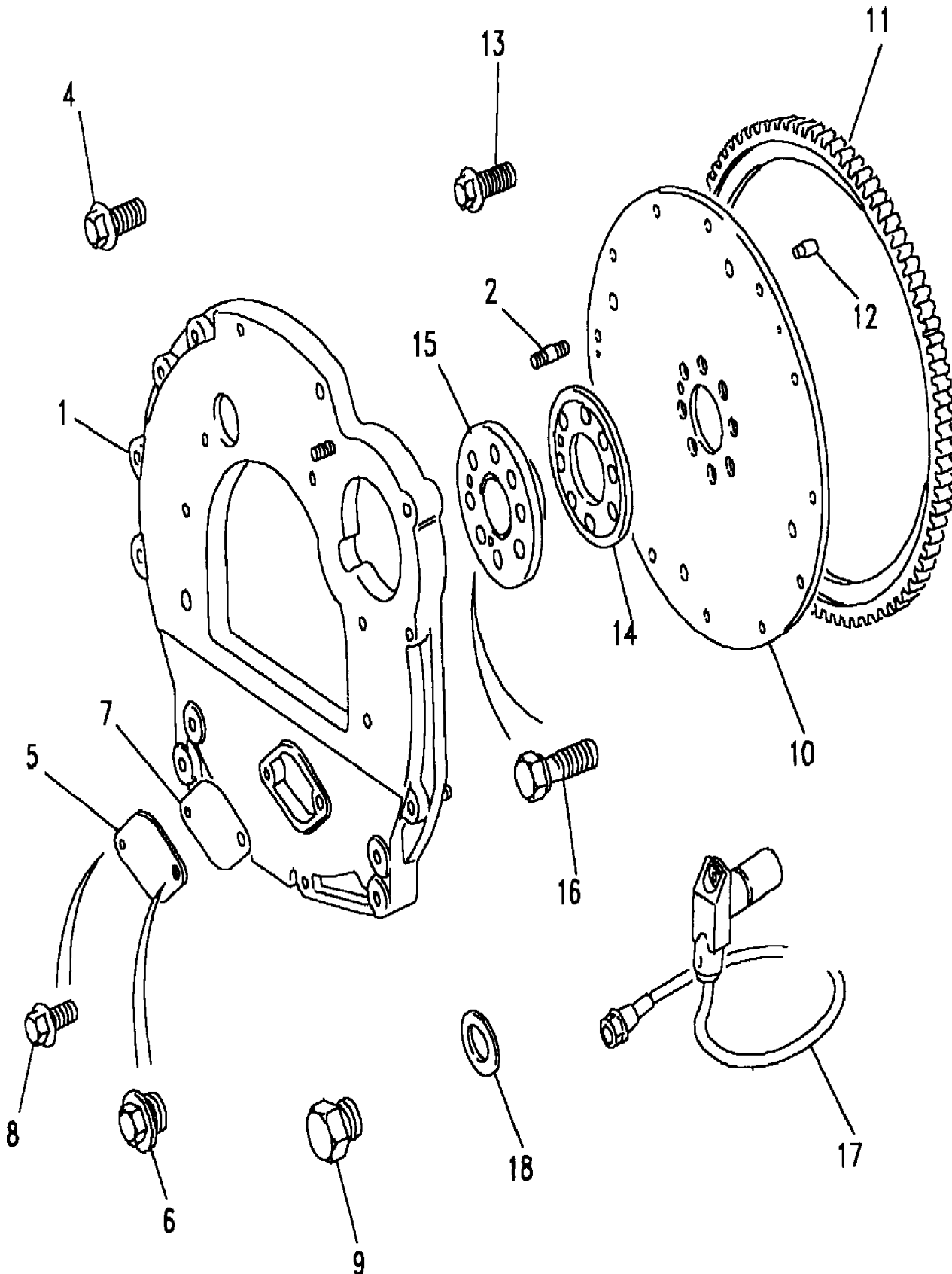
Discovery (FA393361-WA799999)
(CABNRA2A)

Discovery (FA393361-WA799999)

Engine
2500 - Diesel - Turbo - 300 Tdi
Drive Plate Auto

Change point - VIN begin MA081992, 2.5L 4 Cyl TDi Diesel, Automatic Transmission

Callout	Name	Application	Remarks & Restrictions	Service No.	Qty
1	Plate-gearbox mounting		(-) 200 TDI, (-) 12L 2.5 TDI Manual - Gemini	ERR1616	1
2	Stud		(-) 200 TDI, (-) 12L 2.5 TDI Manual - Gemini, M10 x 35	TE110071L	3
3	Bracket Harness		(-) 200 TDI, (-) 12L 2.5 TDI Manual - Gemini	AMR3754	1
4	Screw		(-) 200 TDI, (-) 12L 2.5 TDI Manual - Gemini, Flanged Head, M10 x 30, top	FS110301L	6
5	Plate-closure automatic transmission		(-) 200 TDI, (-) 12L 2.5 TDI Manual - Gemini	ERR1618	1
6	Plug		(-) 200 TDI, (-) 12L 2.5 TDI Manual - Gemini	ERR1617	1
7	Gasket		(-) 200 TDI, access cover, (-) 12L 2.5 TDI Manual - Gemini	ERR1619	1
8	Screw		(-) 200 TDI, (-) 12L 2.5 TDI Manual - Gemini, Flanged Head, M8 x 20	FS108207L	1
9	Plug		(-) 200 TDI, Rubber, (-) 12L 2.5 TDI Manual - Gemini	ERC7295	1
10	Plate-drive assembly automatic transmission	EGR Detoxed EDC	(-) 200 TDI, Also serviced as part of a kit, (-) 12L 2.5 TDI Manual - Gemini (-) 200 TDI, Also serviced as part of a kit, (-) 12L 2.5 TDI Manual - Gemini (-) 200 TDI, Also serviced as part of a kit, (-) 12L 2.5 TDI Manual - Gemini	FTC4050 FTC4050 FTC4052	1 1 1
11	Gear-ring-flywheel engine	EGR	(-) 200 TDI, Also serviced as part of a kit, (-) 12L 2.5 TDI Manual - Gemini	ERR4829	1
12	Dowel-flywheel spigot alignment	EGR	(-) 200 TDI, Also serviced as part of a kit, (-) 12L 2.5 TDI Manual - Gemini	529364	2
13	Screw-flanged head		(-) 200 TDI, M8 X 16, (-) 12L 2.5 TDI Manual - Gemini, Flanged Head (-) 200 TDI, M8 X 16, (-) 12L 2.5 TDI Manual - Gemini, hexagonal head	FS108161ML SH108161M	12 12
14	Plate-backing automatic transmission		(-) 200 TDI, (-) 12L 2.5 TDI Manual - Gemini	FTC4213	1



Engine
2500 - Diesel - Turbo - 300 Tdi
Drive Plate Auto 2/2

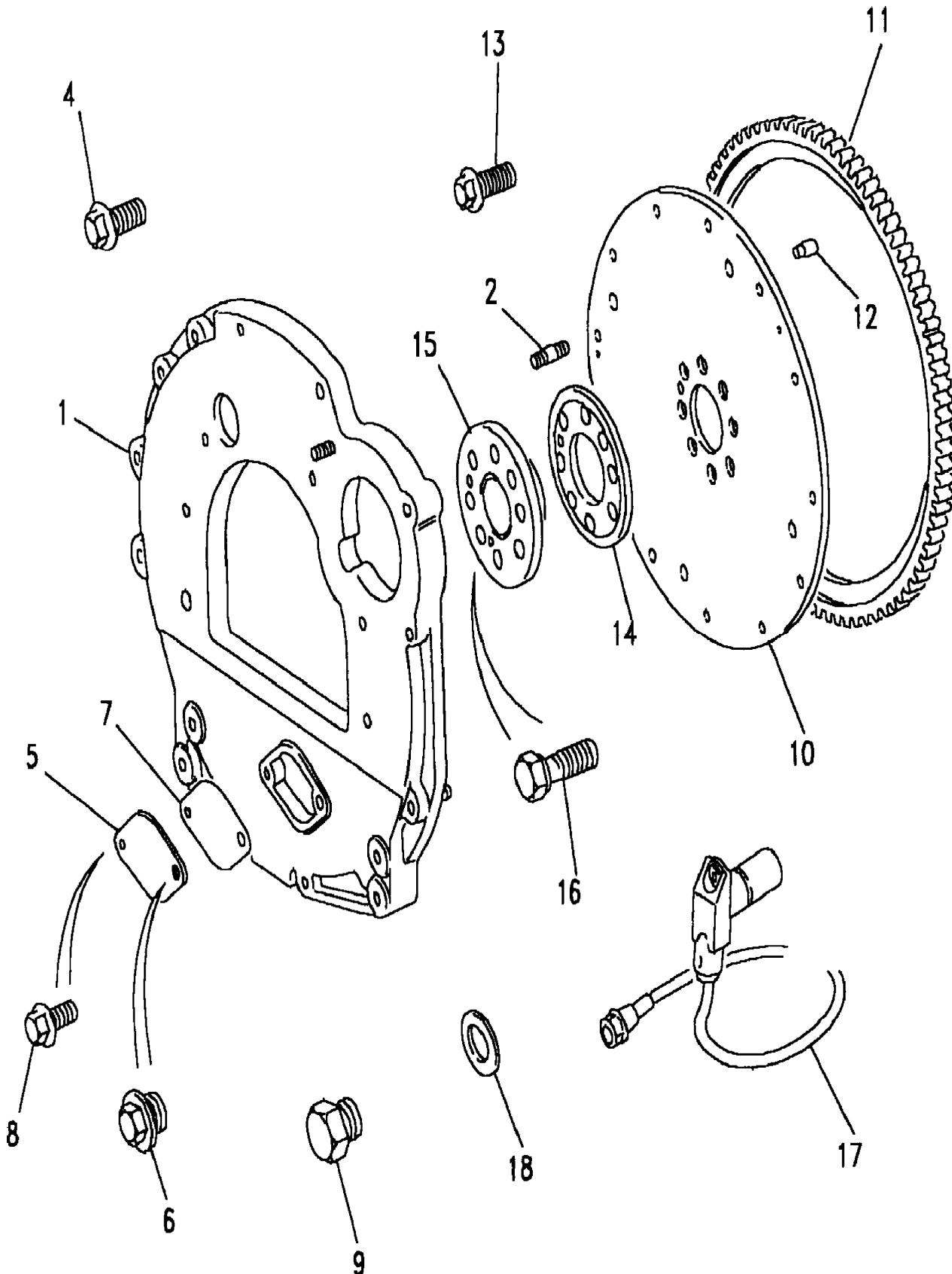
Discovery (FA393361-WA799999)
(CABNRA2A)

Discovery (FA393361-WA799999)

Engine
2500 - Diesel - Turbo - 300 Tdi
Drive Plate Auto

Change point - VIN begin MA081992, 2.5L 4 Cyl TDi Diesel, Automatic Transmission

Callout	Name	Application	Remarks & Restrictions	Service No.	Qty
15	Spacer-crank/drive plate automatic transmission		(-) 200 TDI, (-) 12L 2.5 TDI Manual - Gemini	FTC4214	1
16	Bolt-fixing flywheel crankshaft		(-) 200 TDI, Short, (-) 12L 2.5 TDI Manual - Gemini	ERR4574	8
17	Sensor assembly-crank engine		(-) 200 TDI, (-) 12L 2.5 TDI Manual - Gemini	ERR2079	1
18	Washer-sealing		(-) 200 TDI, (-) 12L 2.5 TDI Manual - Gemini	ERR894	1
19	Screw-flanged head		(-) 200 TDI, (-) 12L 2.5 TDI Manual - Gemini, M10 x 14	FS110141M	4
20	Shim		(-) 200 TDI, 1.1MM, (-) 12L 2.5 TDI Manual - Gemini (-) 200 TDI, 1.30MM, (-) 12L 2.5 TDI Manual - Gemini (-) 200 TDI, 1.50MM, (-) 12L 2.5 TDI Manual - Gemini (-) 200 TDI, (-) 12L 2.5 TDI Manual - Gemini, 1.70MM (-) 200 TDI, 1.90MM, (-) 12L 2.5 TDI Manual - Gemini (-) 200 TDI, 2.10MM, (-) 12L 2.5 TDI Manual - Gemini	FRC6291 FRC6293 FRC6295 FRC6297 FRC6299 FRC6301	X X X X X X



Engine
2500 - Diesel - Turbo - 300 Tdi
Engine Breather 1/1

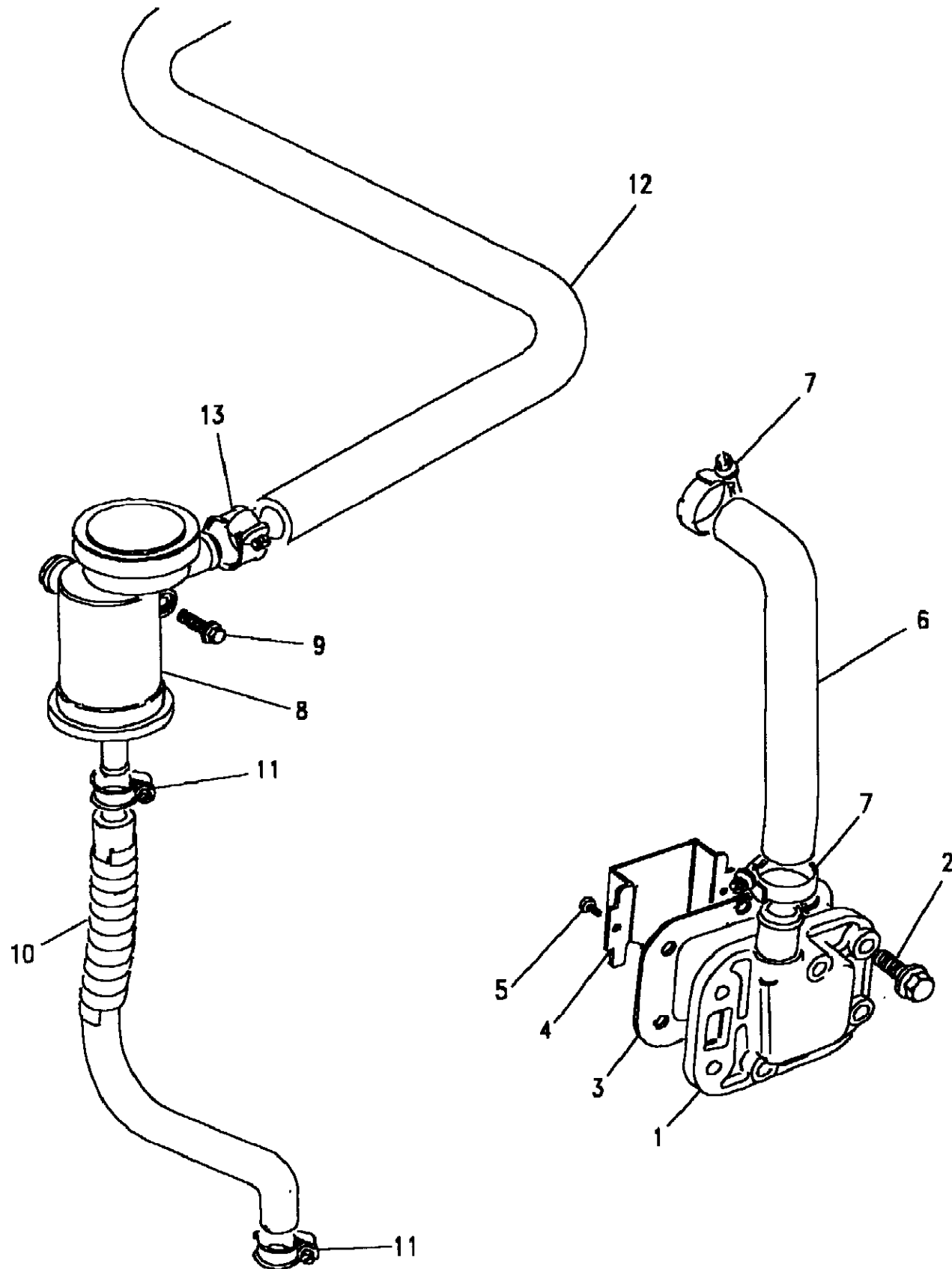
Discovery (FA393361-WA799999)
(CABNGG2A)

Discovery (FA393361-WA799999)

Engine
2500 - Diesel - Turbo - 300 Tdi
Engine Breather

Change point - VIN begin MA081992, 2.5L 4 Cyl TDi Diesel

Callout	Name	Application	Remarks & Restrictions	Service No.	Qty
1	Cover-breather		(-) 200 TDI, (-) 12L 2.5 TDI Manual - Gemini	ERR4706	1
2	Screw		COVER TO BLOCK, (-) 200 TDI, M8 x 25, (-) 12L 2.5 TDI Manual - Gemini, Flanged Head	FS108257L	3
3	Gasket-cylinder block side cover		(-) 200 TDI, Asbestos Free, (-) 12L 2.5 TDI Manual - Gemini	ERR2026	1
4	Baffle-oil separator		(-) 200 TDI, (-) 12L 2.5 TDI Manual - Gemini	ERR874	1
5	Screw		(-) 200 TDI, (-) 12L 2.5 TDI Manual - Gemini, 6 x 3/8	79027	1
6	Hose-crankcase breather		(-) 200 TDI, (-) 12L 2.5 TDI Manual - Gemini	ERR7340	1
7	Clip-Hose		(-) 200 TDI, 25MM, (-) 12L 2.5 TDI Manual - Gemini	CN100258L	2
8	Separator assembly-crankcase breather oil		(-) 200 TDI, Also serviced as part of a kit, (-) 12L 2.5 TDI Manual - Gemini	ERR1471	1
9	Bolt		(-) 200 TDI, breather chamber, (-) 12L 2.5 TDI Manual - Gemini, Flanged Head, M6 x 55	FB106111L	1
10	Hose-oil separator drain		(-) 200 TDI, (-) 12L 2.5 TDI Manual - Gemini	ERR1351	1
11	Clip-Hose		(-) 200 TDI, 20MM, (-) 12L 2.5 TDI Manual - Gemini	CN100208L	2
12	Hose-oil separator drain		(-) 200 TDI, (-) 12L 2.5 TDI Manual - Gemini	ERR4689	1
13	Clip-Hose		(-) 200 TDI, 25MM, (-) 12L 2.5 TDI Manual - Gemini	CN100258L	2
14	Clip-p		(-) 200 TDI, (-) 12L 2.5 TDI Manual - Gemini	CP108251L	1
15	Screw		(-) 200 TDI, (-) 12L 2.5 TDI Manual - Gemini, Flanged Head, M8 x 20	FS108207L	1
[901]	O Ring		(-) 200 TDI, Also serviced as part of a kit, (-) 12L 2.5 TDI Manual - Gemini	LL0100000	1



Engine
2500 - Diesel - Turbo - 300 Tdi
Engine Short 1/1

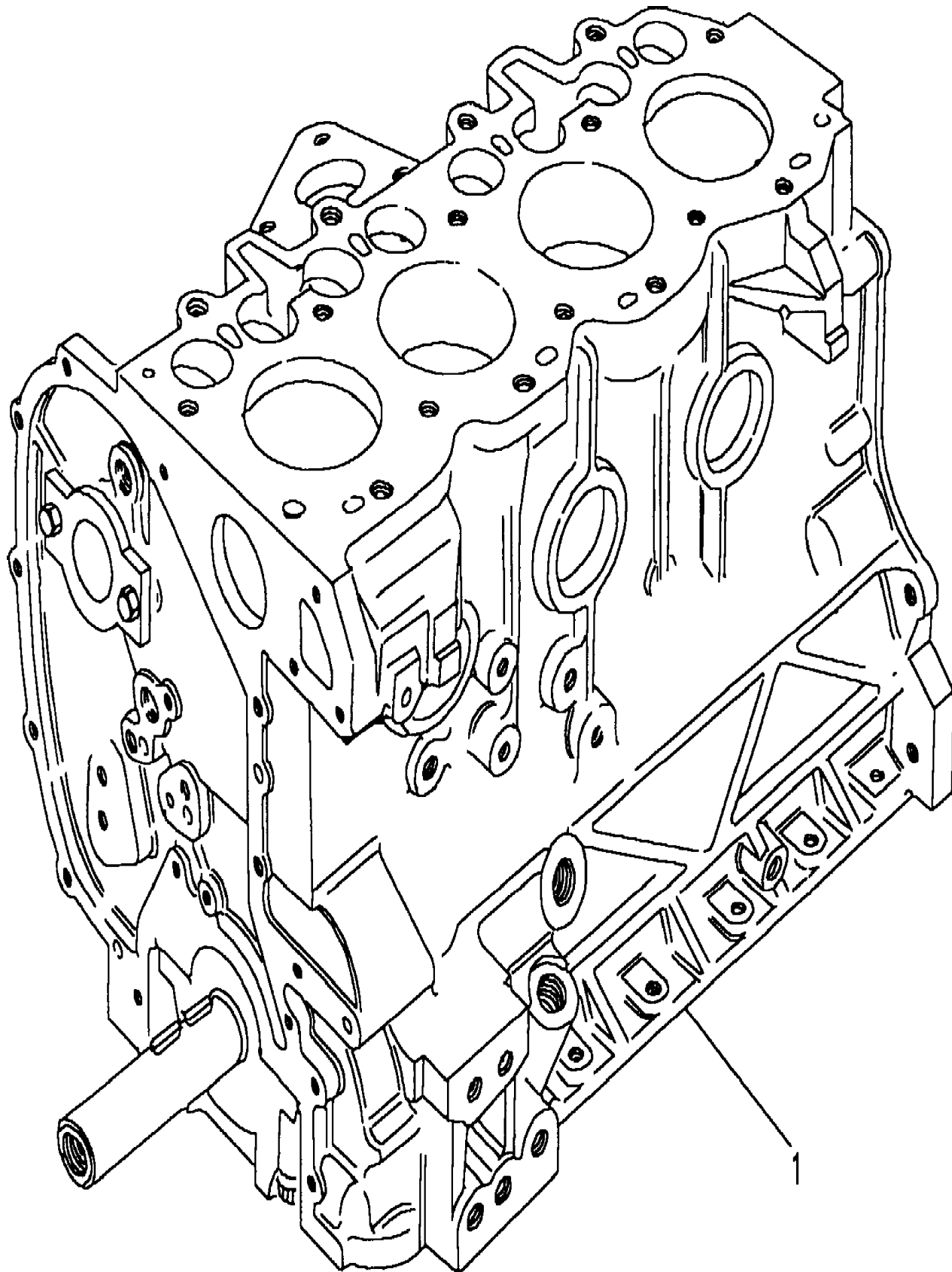
Discovery (FA393361-WA799999)
(CABNAE1A)

Discovery (FA393361-WA799999)

Engine
2500 - Diesel - Turbo - 300 Tdi
Engine Short

Change point - VIN begin MA081992, 2.5L 4 Cyl TDi Diesel

Callout	Name	Application	Remarks & Restrictions	Service No.	Qty
1	Engine assembly - Short		(-) 200 TDI, (-) 12L 2.5 TDI Manual - Gemini	STC1675	1



Engine
2500 - Diesel - Turbo - 300 Tdi
Engine Stripped 1/1

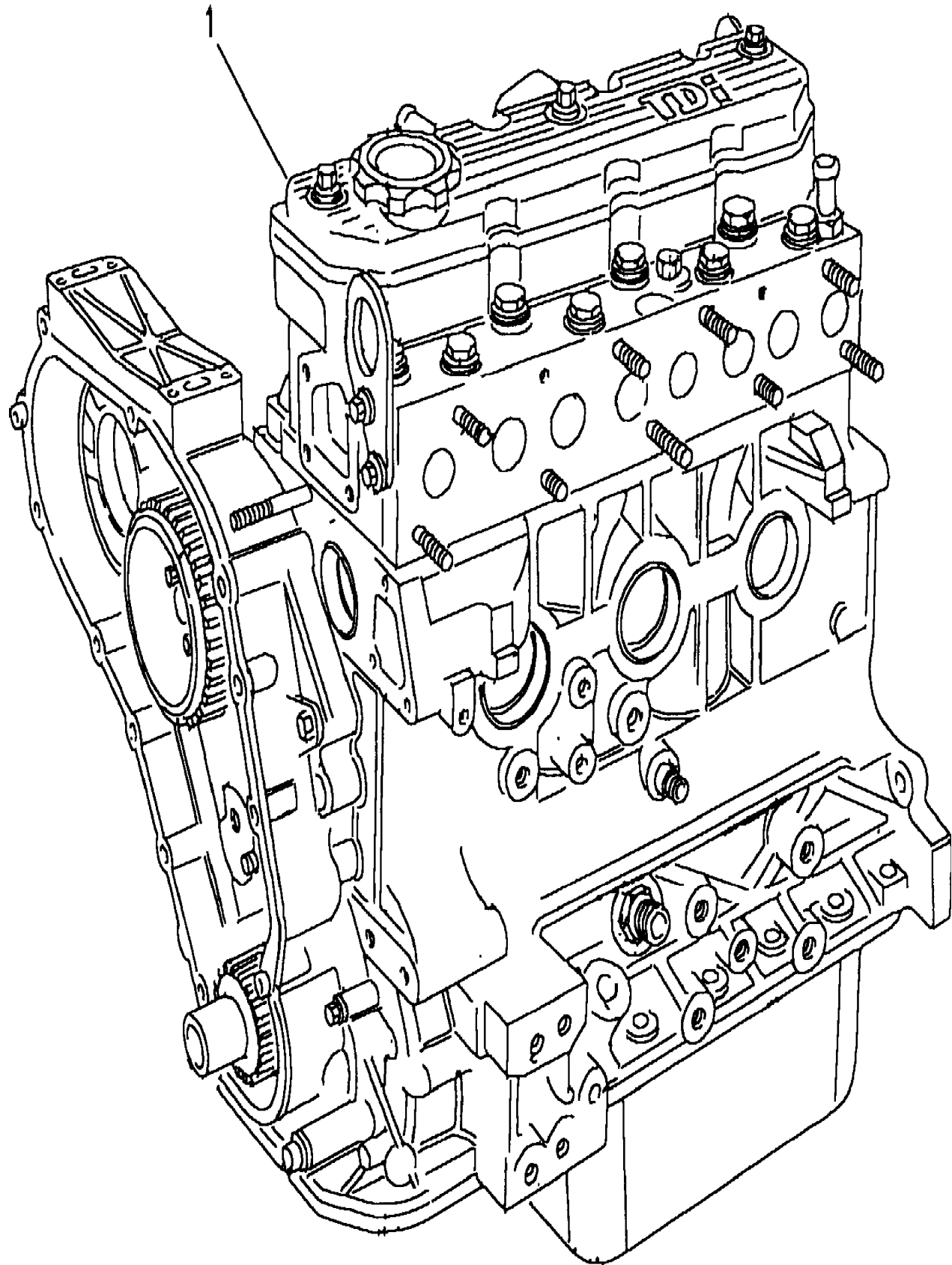
Discovery (FA393361-WA799999)
(CABNAC1A)

Discovery (FA393361-WA799999)

Engine
2500 - Diesel - Turbo - 300 Tdi
Engine Stripped

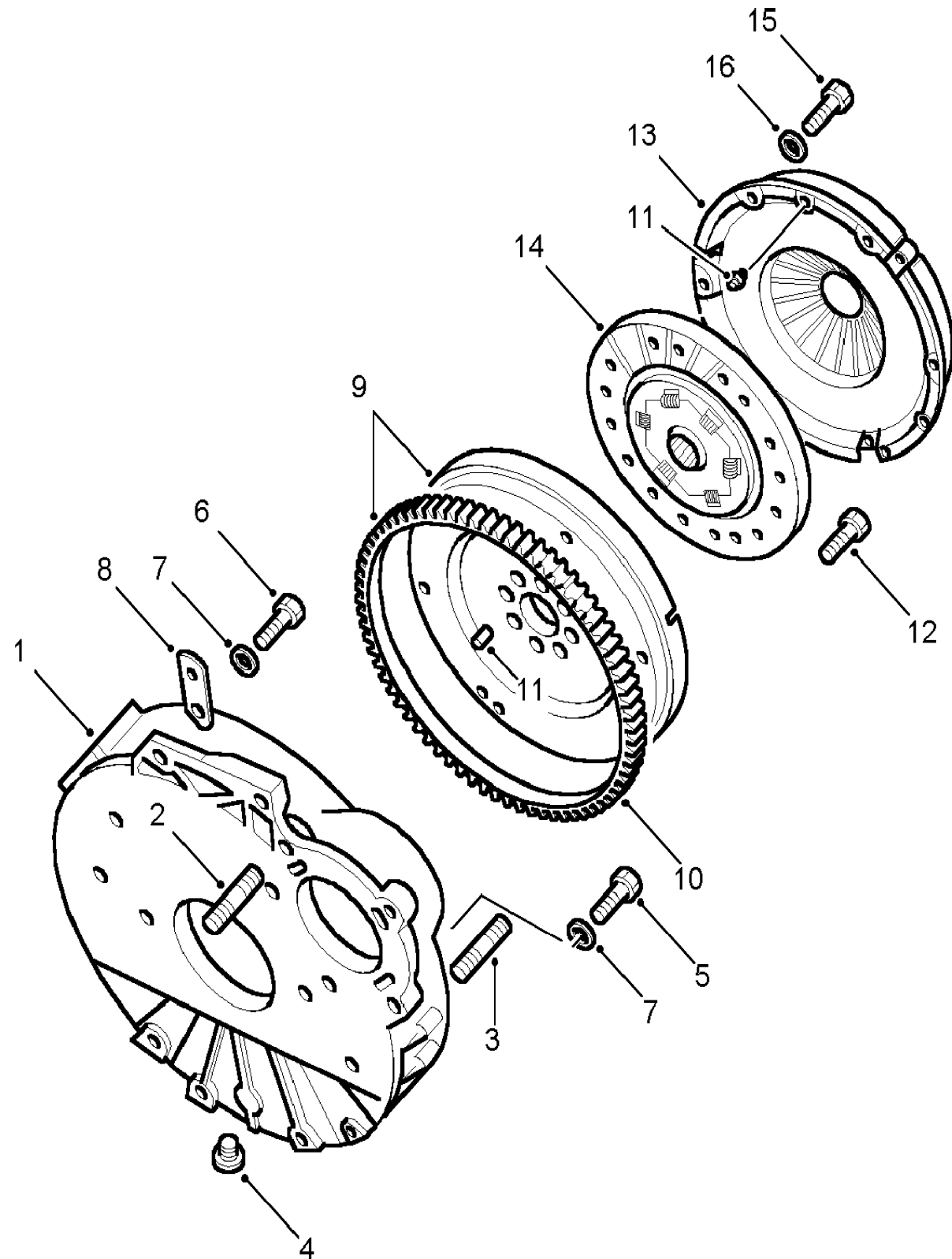
Change point - VIN begin MA081992, 2.5L 4 Cyl TDi Diesel

Callout	Name	Application	Remarks & Restrictions	Service No.	Qty
1	Engine unit-stripped		(-) 200 TDI, (-) 12L 2.5 TDI Manual - Gemini, New	STC1736N	1
			(-) 200 TDI, (-) 12L 2.5 TDI Manual - Gemini, Engine Code 16L 2.5 TDi GEM III Manual - 300 Series, exchange	STC1736E	1



Engine
2500 - Diesel - Turbo - 300 Tdi
Flywheel & Clutch 1/2

Discovery (FA393361-WA799999)
(CABNRA1A)



CABNRA1A

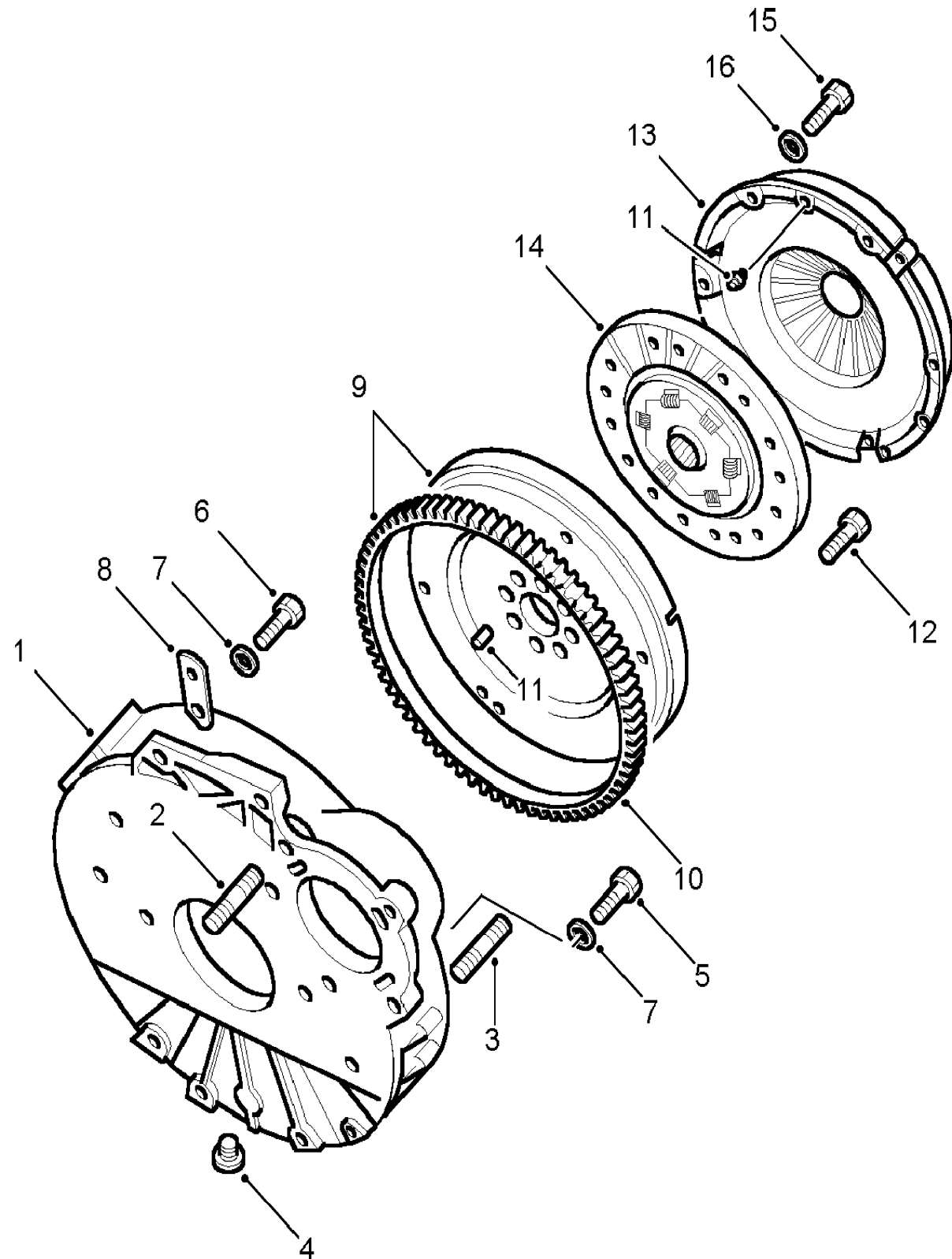
Discovery (FA393361-WA799999)
Engine
2500 - Diesel - Turbo - 300 Tdi
Flywheel & Clutch

Change point - VIN begin MA081992, 2.5L 4 Cyl TDi Diesel, Manual Transmission

Callout	Name	Application	Remarks & Restrictions	Service No.	Qty
1	Housing assembly-clutch	2.5 4 Cyl 300 Series/TDI Diesel, Detoxed	(-) 200 TDI, Also serviced as part of a kit, (-) 12L 2.5 TDI Manual - Gemini	ERR4723	1
		2.5 4 Cyl 300 Series/TDI Diesel, EGR	(-) 200 TDI, Also serviced as part of a kit, (-) 12L 2.5 TDI Manual - Gemini	ERR4723	1
		2.5 4 Cyl 300 Series/TDI Diesel, EDC	(-) 200 TDI, Also serviced as part of a kit, (-) 12L 2.5 TDI Manual - Gemini	ERR4722	1
2	Stud	2.5 4 Cyl 300 Series/TDI Diesel, Detoxed	(-) 200 TDI, Also serviced as part of a kit, (-) 12L 2.5 TDI Manual - Gemini, M10 x 30	TE110061L	13
		2.5 4 Cyl 300 Series/TDI Diesel, EDC	(-) 200 TDI, Also serviced as part of a kit, (-) 12L 2.5 TDI Manual - Gemini, M10 x 30	TE110061L	9
3	Stud	2.5 4 Cyl 300 Series/TDI Diesel, Detoxed	(-) 200 TDI, Also serviced as part of a kit, (-) 12L 2.5 TDI Manual - Gemini, M10 x 25	TE110051L	1
		2.5 4 Cyl 300 Series/TDI Diesel, EDC	(-) 200 TDI, Also serviced as part of a kit, (-) 12L 2.5 TDI Manual - Gemini, M10 x 25	TE110051L	1
4	Plug	2.5 4 Cyl 300 Series/TDI Diesel	(-) 200 TDI, Rubber, (-) 12L 2.5 TDI Manual - Gemini	ERC7295	1
5	Screw	2.5 4 Cyl 300 Series/TDI Diesel	(-) 200 TDI, HOUSING TO BLOCK, (-) 12L 2.5 TDI Manual - Gemini, Flanged Head, M10 x 30, top	FS110301L	6
6	Bolt	2.5 4 Cyl 300 Series/TDI Diesel	(-) 200 TDI, HOUSING TO BLOCK, (-) 12L 2.5 TDI Manual - Gemini, Flanged Head, M10 x 35	FB110071L	2
		2.5 4 Cyl 300 Series/TDI Diesel	(-) 200 TDI, HOUSING TO BLOCK, (-) 12L 2.5 TDI Manual - Gemini, Flanged Head, M10 x 70	FB110141L	4
7	Washer	2.5 4 Cyl 300 Series/TDI Diesel	(-) 200 TDI, M10, (-) 12L 2.5 TDI Manual - Gemini	WA110061L	4
8	Bracket Harness	2.5 4 Cyl 300 Series/TDI Diesel	(-) 200 TDI, (-) 12L 2.5 TDI Manual - Gemini	AMR3755	1
9	Flywheel engine	2.5 4 Cyl 300 Series/TDI Diesel	(-) 200 TDI, Also serviced as part of a kit, (-) 12L 2.5 TDI Manual - Gemini	ERR719	1
10	Gear-ring-flywheel engine	2.5 4 Cyl 300 Series/TDI Diesel	(-) 200 TDI, Also serviced as part of a kit, (-) 12L 2.5 TDI Manual - Gemini	568431	1
11	Dowel-flywheel to crankshaft	2.5 4 Cyl 300 Series/TDI Diesel	(-) 200 TDI, Also serviced as part of a kit, (-) 12L 2.5 TDI Manual - Gemini	502116	3

Engine
2500 - Diesel - Turbo - 300 Tdi
Flywheel & Clutch 2/2

Discovery (FA393361-WA799999)
(CABNRA1A)



CABNRA1A

Discovery (FA393361-WA799999)

Engine
2500 - Diesel - Turbo - 300 Tdi
Flywheel & Clutch

Change point - VIN begin MA081992, 2.5L 4 Cyl TDi Diesel, Manual Transmission

Callout	Name	Application	Remarks & Restrictions	Service No.	Qty
12	Bolt-fixing flywheel crankshaft	2.5 4 Cyl 300 Series/TDI Diesel	(-) 200 TDI, Short, (-) 12L 2.5 TDI Manual - Gemini	ERR4574	8
13	Cover-clutch assembly	2.5L 4 Cyl 300 TDi L/R Diesel	(-) 200 TDI, Also serviced as part of a kit, (-) 12L 2.5 TDI Manual - Gemini	FTC575	1
		2.5 4 Cyl 300 Series/TDI Diesel	(-) 200 TDI, (-) 12L 2.5 TDI Manual - Gemini	URB100760	1
14	Plate-clutch-driven	2.5L 4 Cyl 300 TDi L/R Diesel	(-) 200 TDI, Also serviced as part of a kit, (-) 12L 2.5 TDI Manual - Gemini	FTC2149	1
		2.5 4 Cyl 300 Series/TDI Diesel	(-) 200 TDI, (-) 12L 2.5 TDI Manual - Gemini	FTC4204	1
15	Bolt	2.5 4 Cyl 300 Series/TDI Diesel	(-) 200 TDI, cover clutch to flywheel, (-) 12L 2.5 TDI Manual - Gemini, M8 x 20	SX108201L	6
16	Washer	2.5 4 Cyl 300 Series/TDI Diesel	(-) 200 TDI, M8, (-) 12L 2.5 TDI Manual - Gemini, sprung	WL108001L	6
17	Sensor-speed engine	2.5 4 Cyl 300 Series/TDI Diesel	(-) 200 TDI, (-) 12L 2.5 TDI Manual - Gemini	ERR4645	1
18	Washer-sealing	2.5 4 Cyl 300 Series/TDI Diesel	(-) 200 TDI, (-) 12L 2.5 TDI Manual - Gemini	ERR894	1
[905]	Kit-clutch	2.5L 4 Cyl 300 TDi L/R Diesel	(-) 200 TDI, Also serviced as part of a kit, (-) 12L 2.5 TDI Manual - Gemini	STC8358	1
[906]	Bearing-clutch release	2.5L 4 Cyl 300 TDi L/R Diesel	(-) 200 TDI, Also serviced as part of a kit, (-) 12L 2.5 TDI Manual - Gemini	FRC9568	1
[907]	Sleeve-guide clutch	2.5L 4 Cyl 300 TDi L/R Diesel	(-) 200 TDI, Also serviced as part of a kit, (-) 12L 2.5 TDI Manual - Gemini	FRC4078	1

Engine
2500 - Diesel - Turbo - 300 Tdi
Front Cover 1/3

Discovery (FA393361-WA799999)

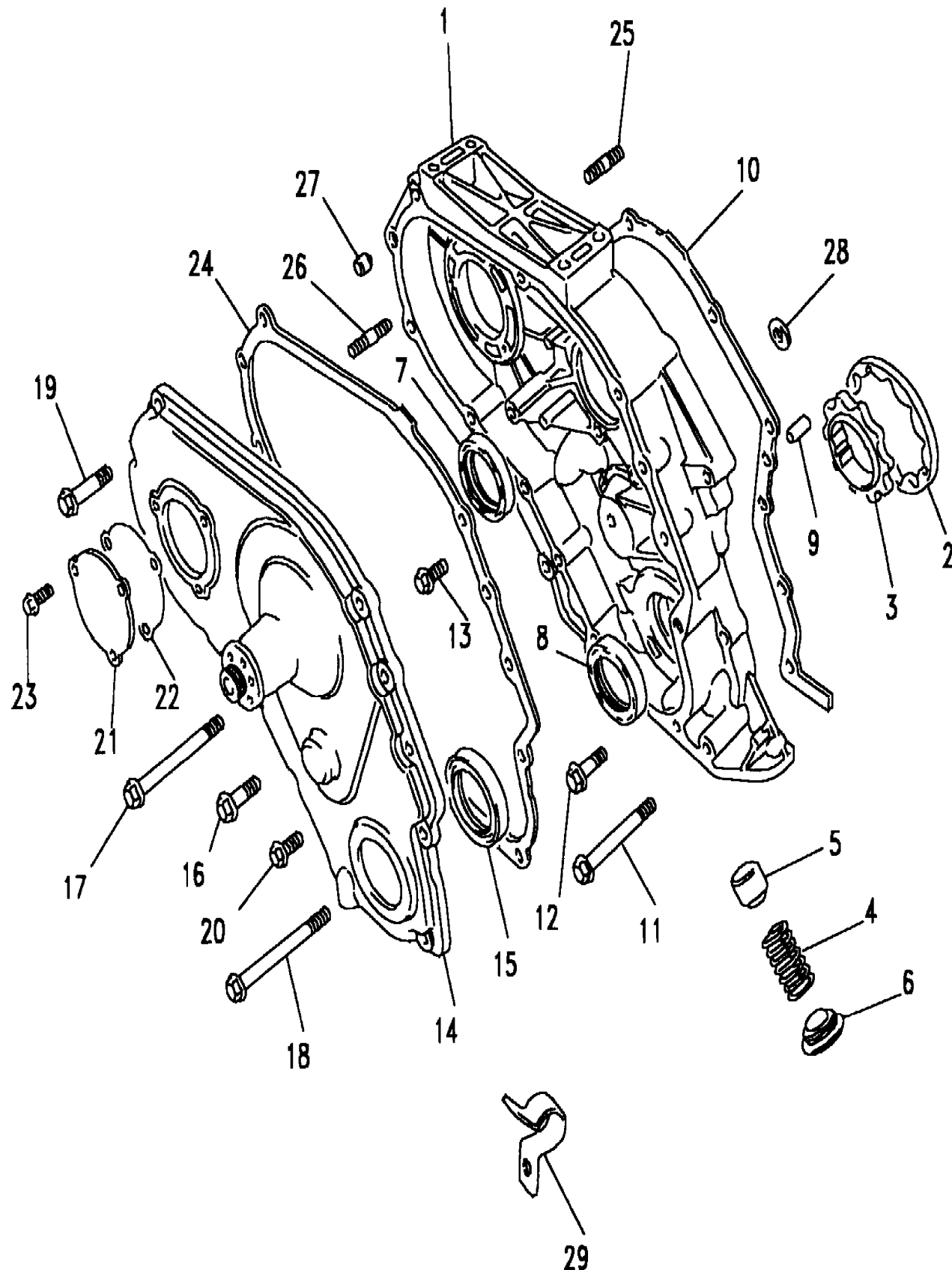
(CABNEA1A)

Discovery (FA393361-WA799999)

Engine
2500 - Diesel - Turbo - 300 Tdi
Front Cover

Change point - VIN begin MA081992, 2.5L 4 Cyl TDi Diesel

Callout	Name	Application	Remarks & Restrictions	Service No.	Qty
1	Cover-timing belt	2.5 4 Cyl 300 Series/TDI Diesel	(-) 200 TDI, Also serviced as part of a kit, (-) 12L 2.5 TDI Manual - Gemini, Inner	ERR4664	1
2	Rotor-oil pump outer	2.5 4 Cyl 300 Series/TDI Diesel	(-) 200 TDI, Also serviced as part of a kit, (-) 12L 2.5 TDI Manual - Gemini	ERR1040	1
3	Rotor-oil pump inner	2.5 4 Cyl 300 Series/TDI Diesel	(-) 200 TDI, Also serviced as part of a kit, (-) 12L 2.5 TDI Manual - Gemini	ERR1041	1
4	Spring-oil pump relief valve	2.5 4 Cyl 300 Series/TDI Diesel	(-) 200 TDI, Also serviced as part of a kit, (-) 12L 2.5 TDI Manual - Gemini	ERR1084	1
5	Plunger-oil pump relief valve	2.5 4 Cyl 300 Series/TDI Diesel	(-) 200 TDI, Also serviced as part of a kit, (-) 12L 2.5 TDI Manual - Gemini	ERR1085	1
6	Plug	2.5 4 Cyl 300 Series/TDI Diesel	(-) 200 TDI, Also serviced as part of a kit, (-) 12L 2.5 TDI Manual - Gemini	ERR1086	1
7	Seal-camshaft oil	2.5 4 Cyl 300 Series/TDI Diesel	(-) 200 TDI, Also serviced as part of a kit, (-) 12L 2.5 TDI Manual - Gemini	ERR3356	1
8	Seal-crankshaft front oil	2.5 4 Cyl 300 Series/TDI Diesel	(-) 200 TDI, Also serviced as part of a kit, (-) 12L 2.5 TDI Manual - Gemini, Inner	ERR4575	1
9	Dowel		(-) 200 TDI, (-) 12L 2.5 TDI Manual - Gemini	6395L	4
10	Gasket-timing gear housing drain plate		(-) 200 TDI, (-) 12L 2.5 TDI Manual - Gemini	ERR4860	1
11	Bolt		Front Cover To Block, (-) 200 TDI, (-) 12L 2.5 TDI Manual - Gemini, Flanged Head, M8 x 80	FB108161L	2
12	Bolt		Front Cover To Block, (-) 200 TDI, M8 X 35, (-) 12L 2.5 TDI Manual - Gemini, Flanged Head	FB108071L	3
13	Screw		Front Cover To Block, (-) 200 TDI, M8 x 25, (-) 12L 2.5 TDI Manual - Gemini, Flanged Head	FS108257L	5
14	Cover-engine	2.5 4 Cyl 300 Series/TDI Diesel	(-) 200 TDI, Also serviced as part of a kit, Front, (-) 12L 2.5 TDI Manual - Gemini	ERR4578	1
15	Seal-crankshaft front oil	Change point - VIN end VA560897, 2.5L 4 Cyl 300 TDi L/R Diesel	(-) 200 TDI, Outer, (-) 12L 2.5 TDI Manual - Gemini	ERR4576	1



Engine
2500 - Diesel - Turbo - 300 Tdi
Front Cover 2/3

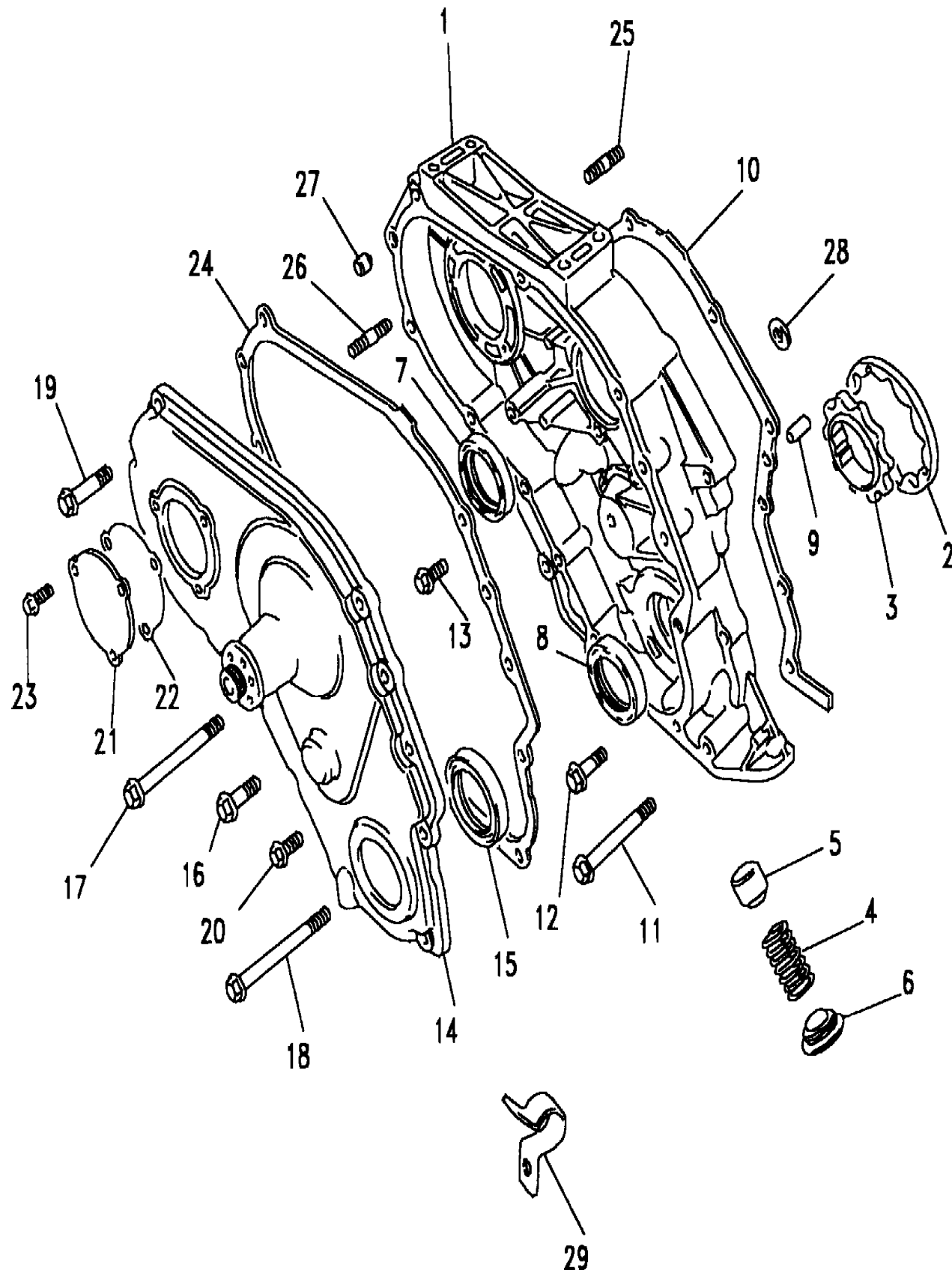
Discovery (FA393361-WA799999)
(CABNEA1A)

Discovery (FA393361-WA799999)

Engine
2500 - Diesel - Turbo - 300 Tdi
Front Cover

Change point - VIN begin MA081992, 2.5L 4 Cyl TDi Diesel

Callout	Name	Application	Remarks & Restrictions	Service No.	Qty
15	Seal-krankshaft front oil	Change point - VIN begin VA560898, 2.5L 4 Cyl 300 TDi L/R Diesel	(-) 200 TDI, (-) 12L 2.5 TDI Manual - Gemini	ERR7143	1
16	Bolt		(-) 200 TDI, M8 X 35, (-) 12L 2.5 TDI Manual - Gemini, Flanged Head	FB108071L	5
17	Bolt		(-) 200 TDI, (-) 12L 2.5 TDI Manual - Gemini, Flanged Head, M8 x 100	FB108201L	2
18	Bolt		(-) 200 TDI, (-) 12L 2.5 TDI Manual - Gemini, Flanged Head, M8 x 110	FB108221	2
19	Bolt		(-) 200 TDI, M8 x 50, (-) 12L 2.5 TDI Manual - Gemini, Flanged Head	FB108101	2
20	Screw		(-) 200 TDI, M8 x 25, (-) 12L 2.5 TDI Manual - Gemini, Flanged Head	FS108251L	1
21	Cover Plate	Less Air Conditioning	(-) 200 TDI, (-) 12L 2.5 TDI Manual - Gemini	ERR1560	1
22	Gasket-front plate to timing chain cover	Less Air Conditioning	(-) 200 TDI, (-) 12L 2.5 TDI Manual - Gemini	ERR1561	1
23	Screw	Less Air Conditioning	(-) 200 TDI, (-) 12L 2.5 TDI Manual - Gemini, Flanged Head, M8 x 12	FS108127	3
24	Gasket-timing gear cover plate	(-) 200 TDI, (-) 12L 2.5 TDI Manual - Gemini 2.5 4 Cyl 300 Series/TDI Diesel	(-) 200 TDI, (-) 12L 2.5 TDI Manual - Gemini	ERR4120 ERR7293	1 1
25	Stud		(-) 200 TDI, M8 X 30, (-) 12L 2.5 TDI Manual - Gemini	TE108061L	3
26	Stud		(-) 200 TDI, (-) 12L 2.5 TDI Manual - Gemini, M10 x 25	TE110051L	1
27	Dowel		(-) 200 TDI, (-) 12L 2.5 TDI Manual - Gemini	ERR3286	2
28	Washer-sealing		(-) 200 TDI, (-) 12L 2.5 TDI Manual - Gemini	ERR2344	1
29	Clip-Hose		(-) 200 TDI, (-) 12L 2.5 TDI Manual - Gemini	ERR4824	2
[903]	Bolt		(-) 200 TDI, (-) 12L 2.5 TDI Manual - Gemini, Flanged Head, M8 x 40	FB108081L	2



Engine
2500 - Diesel - Turbo - 300 Tdi
Front Cover 3/3

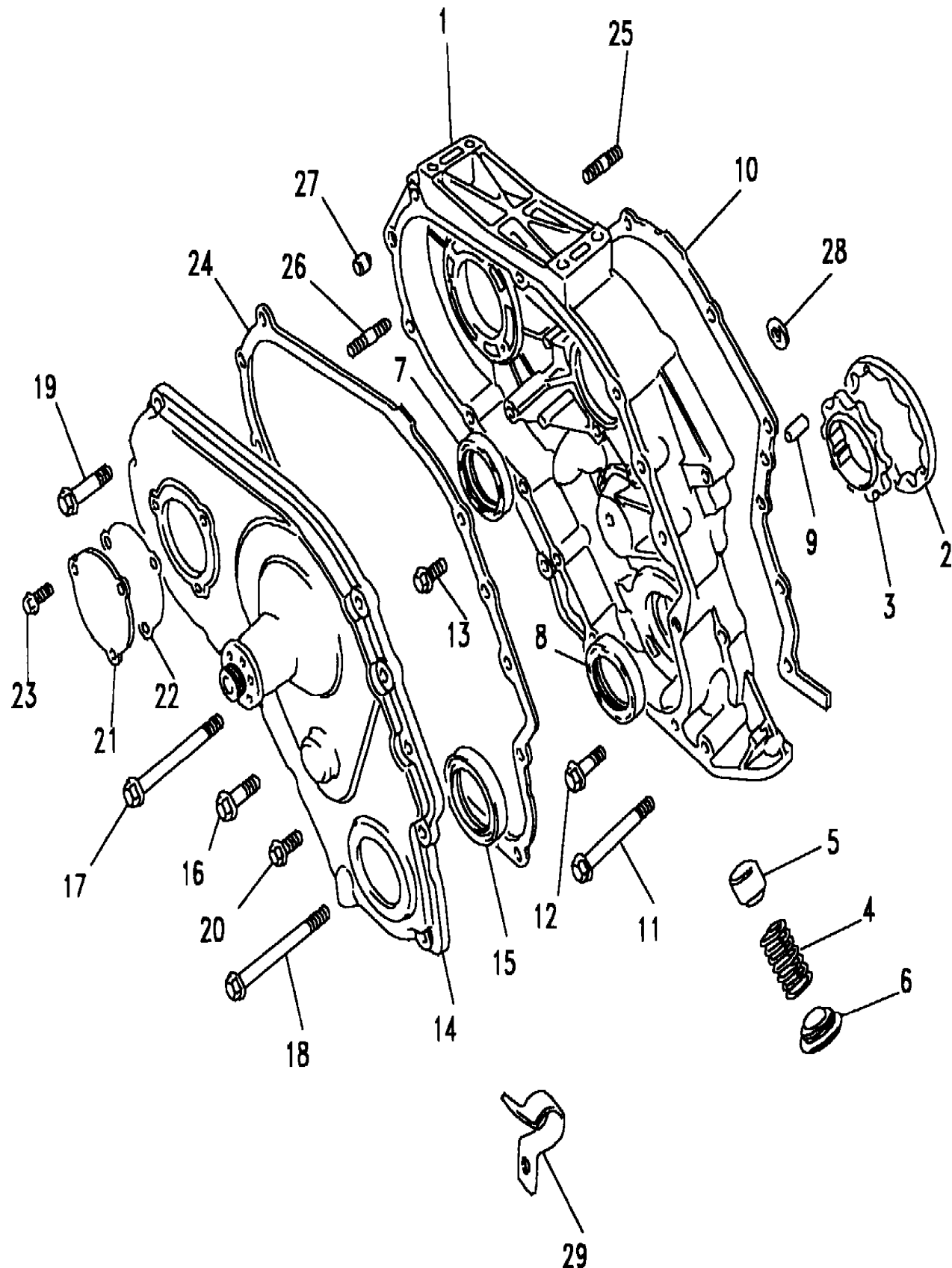
Discovery (FA393361-WA799999)
(CABNEA1A)

Discovery (FA393361-WA799999)

Engine
2500 - Diesel - Turbo - 300 Tdi
Front Cover

Change point - VIN begin MA081992, 2.5L 4 Cyl TDi Diesel

Callout	Name	Application	Remarks & Restrictions	Service No.	Qty
[904]	Rotor-oil pump outer	2.5 4 Cyl 300 Series/TDI Diesel	(-) 200 TDI, Also serviced as part of a kit, (-) 12L 2.5 TDI Manual - Gemini	STC3407	1



Engine
2500 - Diesel - Turbo - 300 Tdi
Fuel Pump 1/1

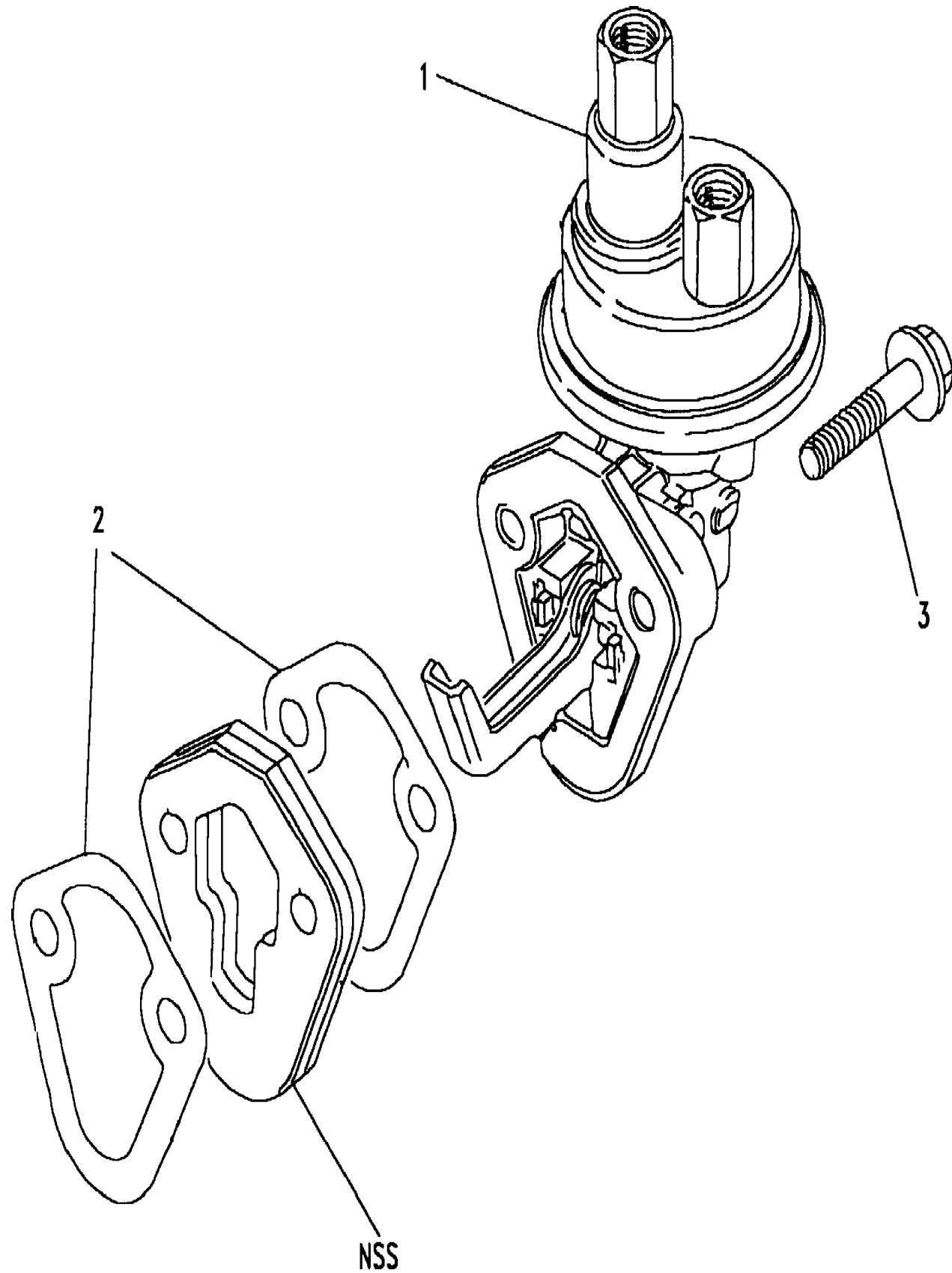
Discovery (FA393361-WA799999)
(CABNKA1A)

Discovery (FA393361-WA799999)

Engine
2500 - Diesel - Turbo - 300 Tdi
Fuel Pump

Change point - VIN begin MA081992, 2.5L 4 Cyl TDi Diesel

Callout	Name	Application	Remarks & Restrictions	Service No.	Qty
1	Pump-fuel mechanical		(-) 200 TDI, (-) 12L 2.5 TDI Manual - Gemini	ERR5057	1
2	Gasket-fuel lift pump		(-) 200 TDI, (-) 12L 2.5 TDI Manual - Gemini	ERR2028	1
3	Screw		(-) 200 TDI, lift pump fuel to side cover, M8 X 30, (-) 12L 2.5 TDI Manual - Gemini, Flanged Head	FS108307L	2
4	Nut-tube-female		(-) 200 TDI, M12, (-) 12L 2.5 TDI Manual - Gemini	NRC9770	2
5	Olive		(-) 200 TDI, (-) 12L 2.5 TDI Manual - Gemini	NRC9771	2



Engine
2500 - Diesel - Turbo - 300 Tdi
Gasket Kits 1/1

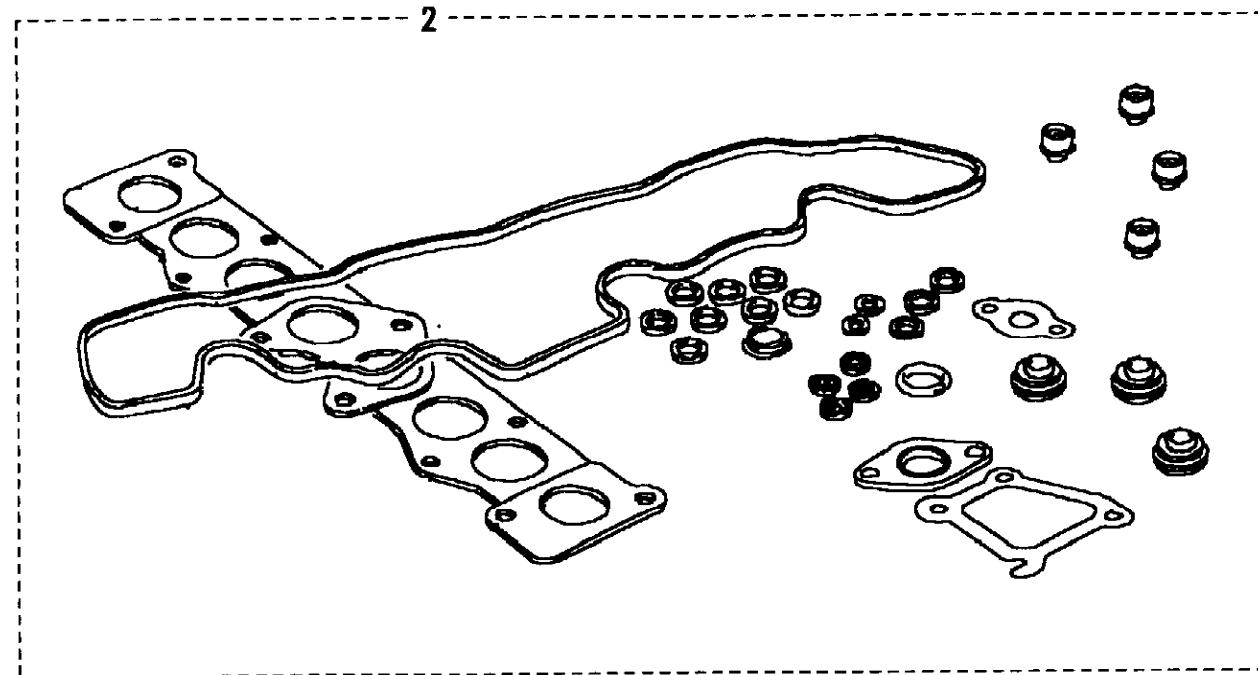
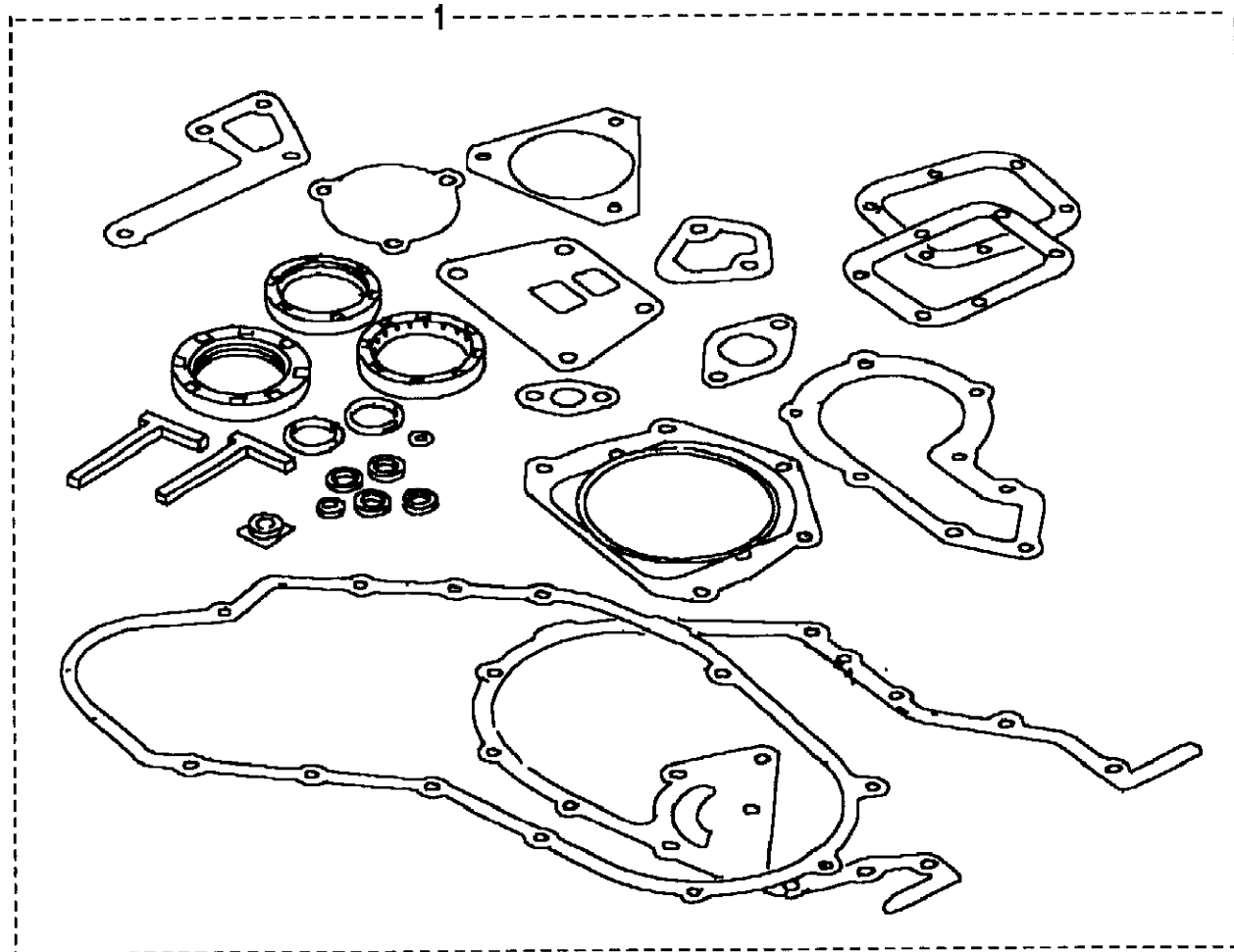
Discovery (FA393361-WA799999)
(CABNMA1A)

Discovery (FA393361-WA799999)

Engine
2500 - Diesel - Turbo - 300 Tdi
Gasket Kits

Change point - VIN begin MA081992, 2.5L 4 Cyl TDi Diesel

Callout	Name	Application	Remarks & Restrictions	Service No.	Qty
1	Kit-gasket-overhaul		(-) 200 TDI, (-) 12L 2.5 TDI Manual - Gemini	STC2801	1
2	Kit-gasket		(-) 200 TDI, (-) 12L 2.5 TDI Manual - Gemini, decarbonising	STC2802	1



Engine
2500 - Diesel - Turbo - 300 Tdi
Injection Pump 1/4

Discovery (FA393361-WA799999)

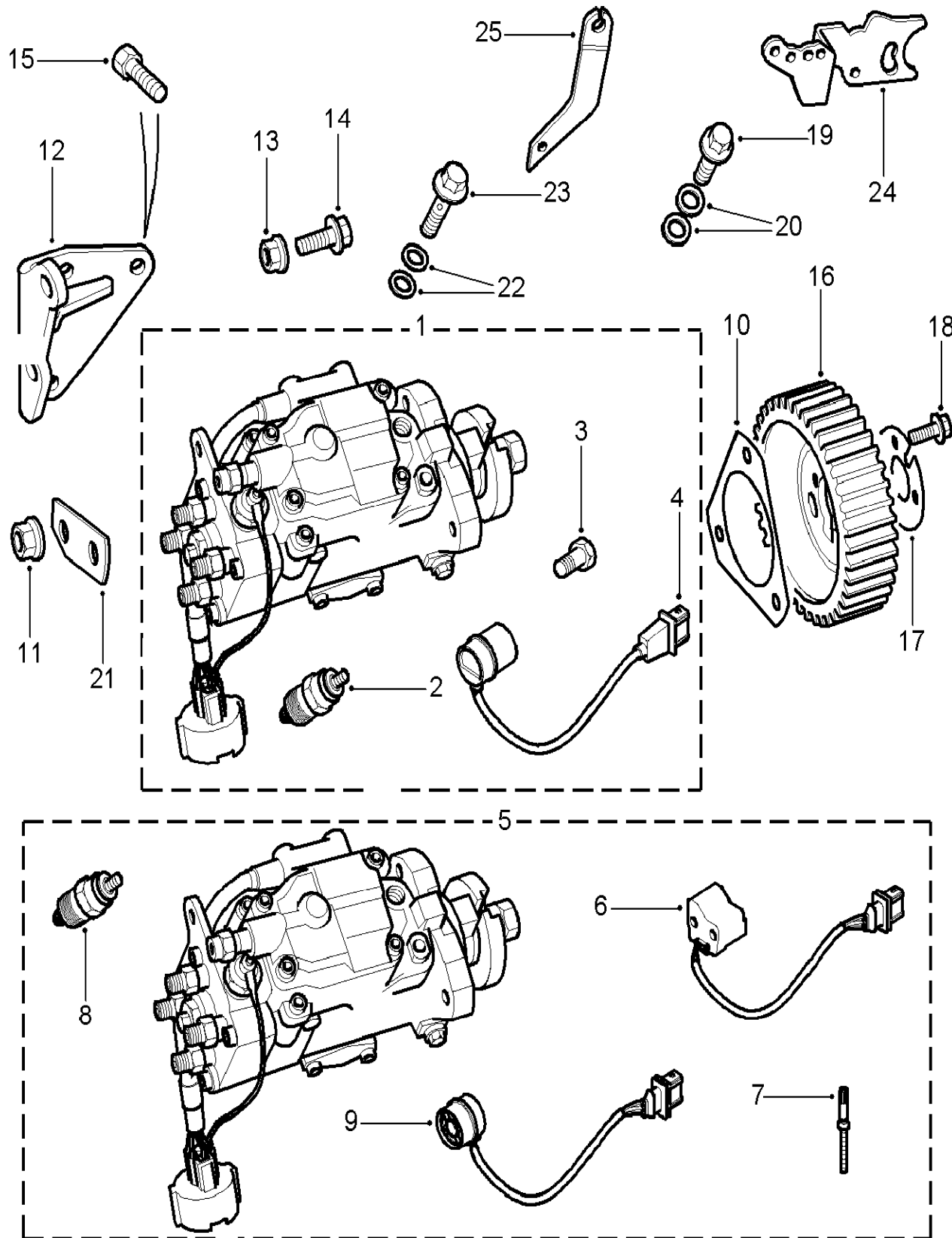
(LB0151)

Discovery (FA393361-WA799999)

Engine
2500 - Diesel - Turbo - 300 Tdi
Injection Pump

Change point - VIN begin MA081992, 2.5L 4 Cyl TDi Diesel

Callout	Name	Application	Remarks & Restrictions	Service No.	Qty		
1	Pump-fuel injection	Change point - VIN begin VA534104, 2.5 4 Cyl 300 Series/TDI Diesel, EDC	(-) 200 TDI, Also serviced as part of a kit, (-) 12L 2.5 TDI Manual - Gemini, New	ERR6727	1		
		Change point - VIN begin VA703237, 2.5 4 Cyl 300 Series/TDI Diesel, EDC	(-) 200 TDI, Also serviced as part of a kit, (-) 12L 2.5 TDI Manual - Gemini, New	ERR6727	1		
		Change point - VIN end TA534103, 2.5 4 Cyl 300 Series/TDI Diesel, EGR	(-) 200 TDI, Also serviced as part of a kit, (-) 12L 2.5 TDI Manual - Gemini, New	ERR4046	1		
		Change point - VIN end TA703236, 2.5 4 Cyl 300 Series/TDI Diesel, EGR	(-) 200 TDI, Also serviced as part of a kit, (-) 12L 2.5 TDI Manual - Gemini, New	ERR4046	1		
		Change point - VIN end TA534103, 2.5 4 Cyl 300 Series/TDI Diesel, EGR	(-) 200 TDI, Also serviced as part of a kit, (-) 12L 2.5 TDI Manual - Gemini, exchange	ERR4046E	1		
		Change point - VIN end TA703236, 2.5 4 Cyl 300 Series/TDI Diesel, EGR	(-) 200 TDI, Also serviced as part of a kit, (-) 12L 2.5 TDI Manual - Gemini, exchange	ERR4046E	1		
		2.5 4 Cyl 300 Series/TDI Diesel, Detoxed	(-) 200 TDI, Also serviced as part of a kit, (-) 12L 2.5 TDI Manual - Gemini, New	ERR4419	1		
		2.5 4 Cyl 300 Series/TDI Diesel, Detoxed	(-) 200 TDI, Also serviced as part of a kit, (-) 12L 2.5 TDI Manual - Gemini, exchange	ERR4419E	1		
		Change point - VIN end TA534103, 2.5 4 Cyl 300 Series/TDI Diesel, EDC	(-) 200 TDI, Also serviced as part of a kit, (-) 12L 2.5 TDI Manual - Gemini, New	ERR3336	1		
		Change point - VIN end TA703236, 2.5 4 Cyl 300 Series/TDI Diesel, EDC	(-) 200 TDI, Also serviced as part of a kit, (-) 12L 2.5 TDI Manual - Gemini, New	ERR3336	1		
		Change point - VIN end TA534103, 2.5 4 Cyl 300 Series/TDI Diesel, EDC	(-) 200 TDI, Also serviced as part of a kit, (-) 12L 2.5 TDI Manual - Gemini, exchange	ERR3336E	1		
		Change point - VIN end TA703236, 2.5 4 Cyl 300 Series/TDI Diesel, EDC	(-) 200 TDI, Also serviced as part of a kit, (-) 12L 2.5 TDI Manual - Gemini, exchange	ERR3336E	1		
		2	Switch-electronic diesel control	2.5 4 Cyl 300 Series/TDI Diesel, Detoxed	(-) 200 TDI, Also serviced as part of a kit, (-) 12L 2.5 TDI Manual - Gemini	RTC6702	1
				3	Bolt-banjo fuel lines	2.5 4 Cyl 300 Series/TDI Diesel, Detoxed	(-) 200 TDI, Also serviced as part of a kit, (-) 12L 2.5 TDI Manual - Gemini
		4	Potentiometer-throttle diesel			2.5 4 Cyl 300 Series/TDI Diesel, Detoxed	(-) 200 TDI, Also serviced as part of a kit, (-) 12L 2.5 TDI Manual - Gemini
5	Pump-fuel injection			Change point - VIN begin VA534104, 2.5 4 Cyl 300 Series/TDI Diesel, EGR, With Immobilisation	(-) 200 TDI, Also serviced as part of a kit, (-) 12L 2.5 TDI Manual - Gemini, New	ERR6700	1
		Change point - VIN begin VA703237, 2.5 4 Cyl 300 Series/TDI Diesel, EGR, With Immobilisation	(-) 200 TDI, Also serviced as part of a kit, (-) 12L 2.5 TDI Manual - Gemini, New	ERR6700	1		

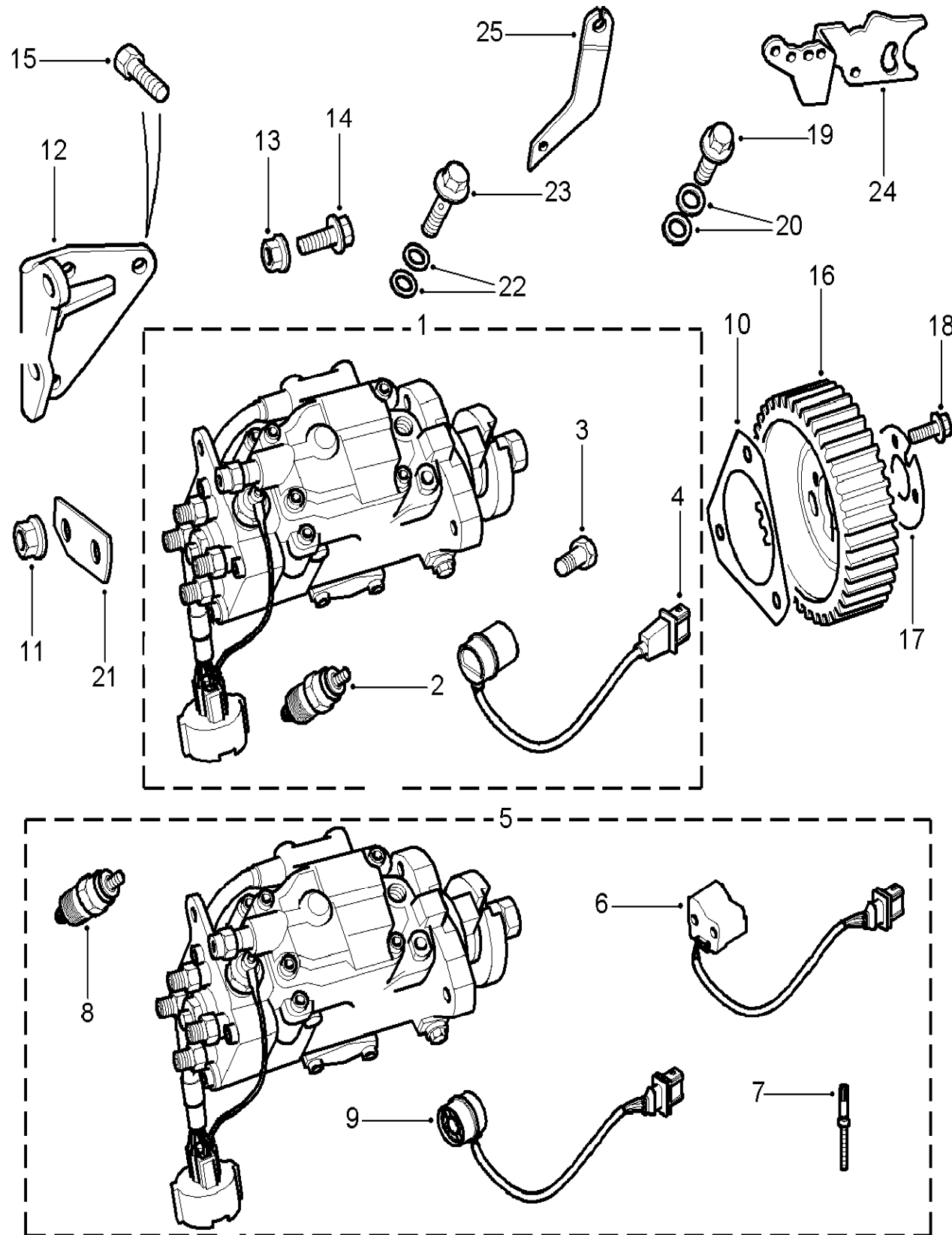


LB0151

Engine
2500 - Diesel - Turbo - 300 Tdi
Injection Pump 2/4

Discovery (FA393361-WA799999)

(LB0151)



LB0151

Discovery (FA393361-WA799999)

Engine
2500 - Diesel - Turbo - 300 Tdi
Injection Pump

Change point - VIN begin MA081992, 2.5L 4 Cyl TDi Diesel

Callout	Name	Application	Remarks & Restrictions	Service No.	Qty
6	Valve-fuel cut fuel tank	Change point - VIN begin VA534104, 2.5 4 Cyl 300 Series/TDI Diesel, EGR, With Immobilisation	(-) 200 TDI, Also serviced as part of a kit, (-) 12L 2.5 TDI Manual - Gemini	STC3252	1
		Change point - VIN begin VA703237, 2.5 4 Cyl 300 Series/TDI Diesel, EGR, With Immobilisation	(-) 200 TDI, Also serviced as part of a kit, (-) 12L 2.5 TDI Manual - Gemini	STC3252	1
7	Bolt-shear head	Change point - VIN begin VA534104, 2.5 4 Cyl 300 Series/TDI Diesel, EGR, With Immobilisation	(-) 200 TDI, Also serviced as part of a kit, (-) 12L 2.5 TDI Manual - Gemini	STC3253	2
		Change point - VIN begin VA703237, 2.5 4 Cyl 300 Series/TDI Diesel, EGR, With Immobilisation	(-) 200 TDI, Also serviced as part of a kit, (-) 12L 2.5 TDI Manual - Gemini	STC3253	2
8	Solenoid shut off-fuel injection pump	Change point - VIN begin VA534104, 2.5 4 Cyl 300 Series/TDI Diesel, EGR, With Immobilisation	(-) 200 TDI, Also serviced as part of a kit, (-) 12L 2.5 TDI Manual - Gemini	STC3254	1
		Change point - VIN begin VA703237, 2.5 4 Cyl 300 Series/TDI Diesel, EGR, With Immobilisation	(-) 200 TDI, Also serviced as part of a kit, (-) 12L 2.5 TDI Manual - Gemini	STC3254	1
9	Potentiometer-throttle diesel	Change point - VIN begin VA534104, 2.5 4 Cyl 300 Series/TDI Diesel, EGR, With Immobilisation	(-) 200 TDI, Also serviced as part of a kit, (-) 12L 2.5 TDI Manual - Gemini	STC4389	1
		Change point - VIN begin VA703237, 2.5 4 Cyl 300 Series/TDI Diesel, EGR, With Immobilisation	(-) 200 TDI, Also serviced as part of a kit, (-) 12L 2.5 TDI Manual - Gemini	STC4389	1
10	Gasket-injection pump-diesel engine	2.5 4 Cyl 300 Series/TDI Diesel	(-) 200 TDI, (-) 12L 2.5 TDI Manual - Gemini	ERR2023	1
11	Nut - Hex.	2.5 4 Cyl 300 Series/TDI Diesel	(-) 200 TDI, M8, (-) 12L 2.5 TDI Manual - Gemini, flange	FN108041L	3
12	Bracket-injection pump diesel	2.5 4 Cyl 300 Series/TDI Diesel	(-) 200 TDI, (-) 12L 2.5 TDI Manual - Gemini	ERR6835	1
		Change point - VIN begin VA534104, 2.5 4 Cyl 300 Series/TDI Diesel	(-) 200 TDI, (-) 12L 2.5 TDI Manual - Gemini	ERR6835	1
		Change point - VIN begin VA703237, 2.5 4 Cyl 300 Series/TDI Diesel	(-) 200 TDI, (-) 12L 2.5 TDI Manual - Gemini	ERR6835	1
13	Nut - Hex.	2.5 4 Cyl 300 Series/TDI Diesel	(-) 200 TDI, M8, (-) 12L 2.5 TDI Manual - Gemini, flange	FN108041L	2
		With Cruise Control	(-) 200 TDI, M8, (-) 12L 2.5 TDI Manual - Gemini, hexagonal head	NH108041L	1
14	Screw	2.5 4 Cyl 300 Series/TDI Diesel	(-) 200 TDI, (-) 12L 2.5 TDI Manual - Gemini, Flanged Head, M8 x 20	FS108201L	2

Engine
2500 - Diesel - Turbo - 300 Tdi
Injection Pump 3/4

Discovery (FA393361-WA799999)

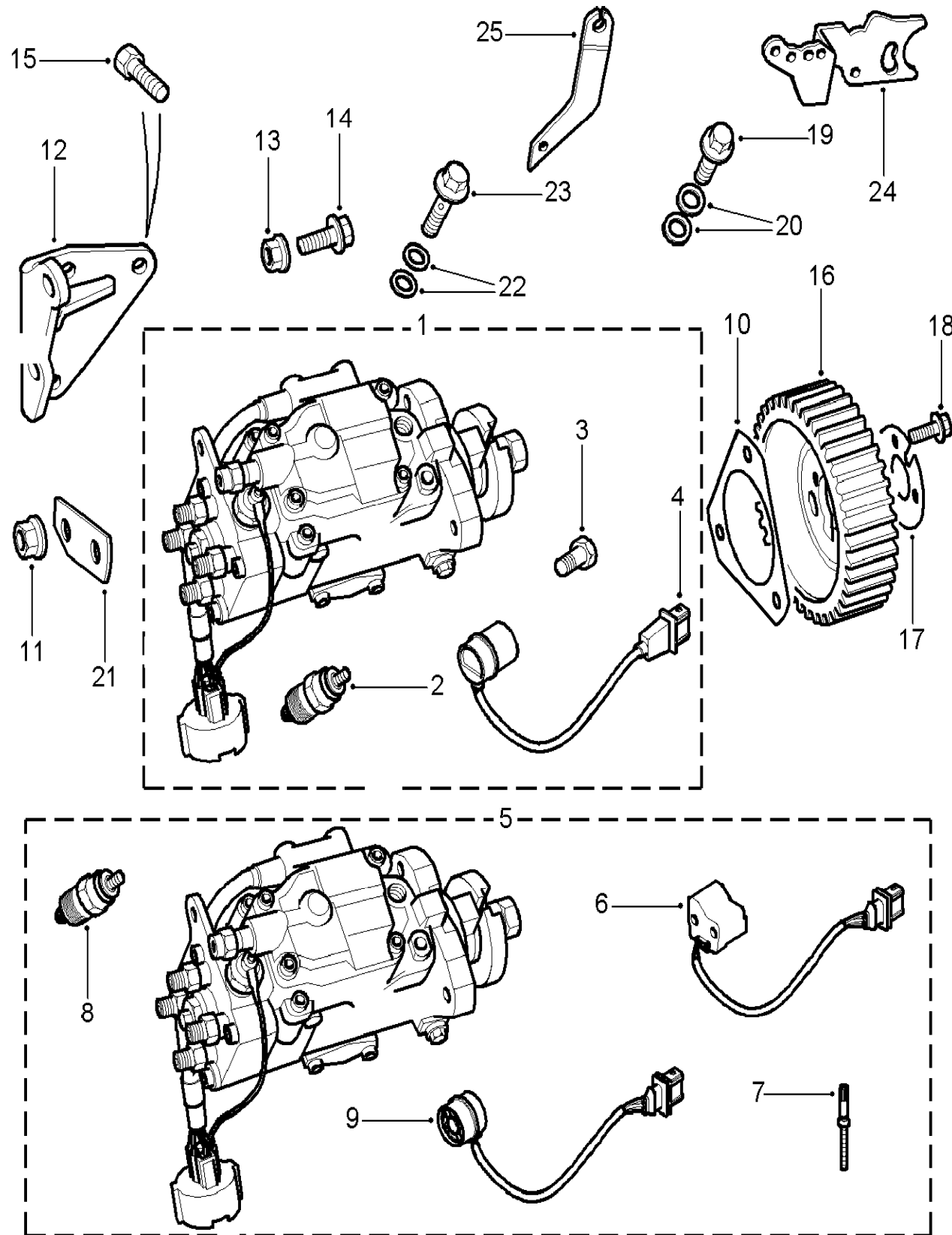
(LB0151)

Discovery (FA393361-WA799999)

Engine
2500 - Diesel - Turbo - 300 Tdi
Injection Pump

Change point - VIN begin MA081992, 2.5L 4 Cyl TDi Diesel

Callout	Name	Application	Remarks & Restrictions	Service No.	Qty
14	Screw	2.5 4 Cyl 300 Series/TDI Diesel	(-) 200 TDI, (-) 12L 2.5 TDI Manual - Gemini, Flanged Head, M8 x 20	FS108207L	2
		Automatic Transmission, Detoxed	(-) 200 TDI, M6 X 20, (-) 12L 2.5 TDI Manual - Gemini, Flanged Head	FS106201L	1
		Automatic Transmission, Detoxed	(-) 200 TDI, M6 X 20, (-) 12L 2.5 TDI Manual - Gemini, Flanged Head	FS106207L	1
15	Bolt	2.5 4 Cyl 300 Series/TDI Diesel	(-) 200 TDI, bracket to pump, M8 x 50, (-) 12L 2.5 TDI Manual - Gemini, Flanged Head	FB108101	3
		Automatic Transmission, Detoxed	(-) 200 TDI, M6 X 12, (-) 12L 2.5 TDI Manual - Gemini	FS106121	1
		With Cruise Control	(-) 200 TDI, M6 X 16, (-) 12L 2.5 TDI Manual - Gemini, Flanged Head	FS106161L	1
		With Cruise Control	(-) 200 TDI, M6 X 16, (-) 12L 2.5 TDI Manual - Gemini, Flanged Head	FS106167L	1
16	Pulley-camshaft	2.5 4 Cyl 300 Series/TDI Diesel	(-) 200 TDI, (-) 12L 2.5 TDI Manual - Gemini	ERR3545	1
17	Plate-camshaft pulley retaining	2.5 4 Cyl 300 Series/TDI Diesel	(-) 200 TDI, (-) 12L 2.5 TDI Manual - Gemini	ERR2216	1
18	Screw		(-) 200 TDI, pulley to pump, M8 X 16, (-) 12L 2.5 TDI Manual - Gemini, Flanged Head	FS108161L	3
19	Bolt-banjo		(-) 200 TDI, (-) 12L 2.5 TDI Manual - Gemini	ERR1125	1
20	Washer-sealing		(-) 200 TDI, (-) 12L 2.5 TDI Manual - Gemini	ERR894	2
21	Bracket Harness		(-) 200 TDI, (-) 12L 2.5 TDI Manual - Gemini	ERC9404	2
22	Washer-sealing		(-) 200 TDI, (-) 12L 2.5 TDI Manual - Gemini	ERR894	2
23	Bolt-banjo		(-) 200 TDI, (-) 12L 2.5 TDI Manual - Gemini	ERR886	1
24	Lever-kickdown automatic transmission	Automatic Transmission, Detoxed	(-) 200 TDI, (-) 12L 2.5 TDI Manual - Gemini	ERR4897	1
25	Bracket-injection pump diesel	Automatic Transmission	(-) 200 TDI, (-) 12L 2.5 TDI Manual - Gemini	ERR1604	1
[900]	Bolt		(-) 200 TDI, M8 x 25, (-) 12L 2.5 TDI Manual - Gemini, Flanged Head	FB108051	3



LB0151

Engine
2500 - Diesel - Turbo - 300 Tdi
Injection Pump 4/4

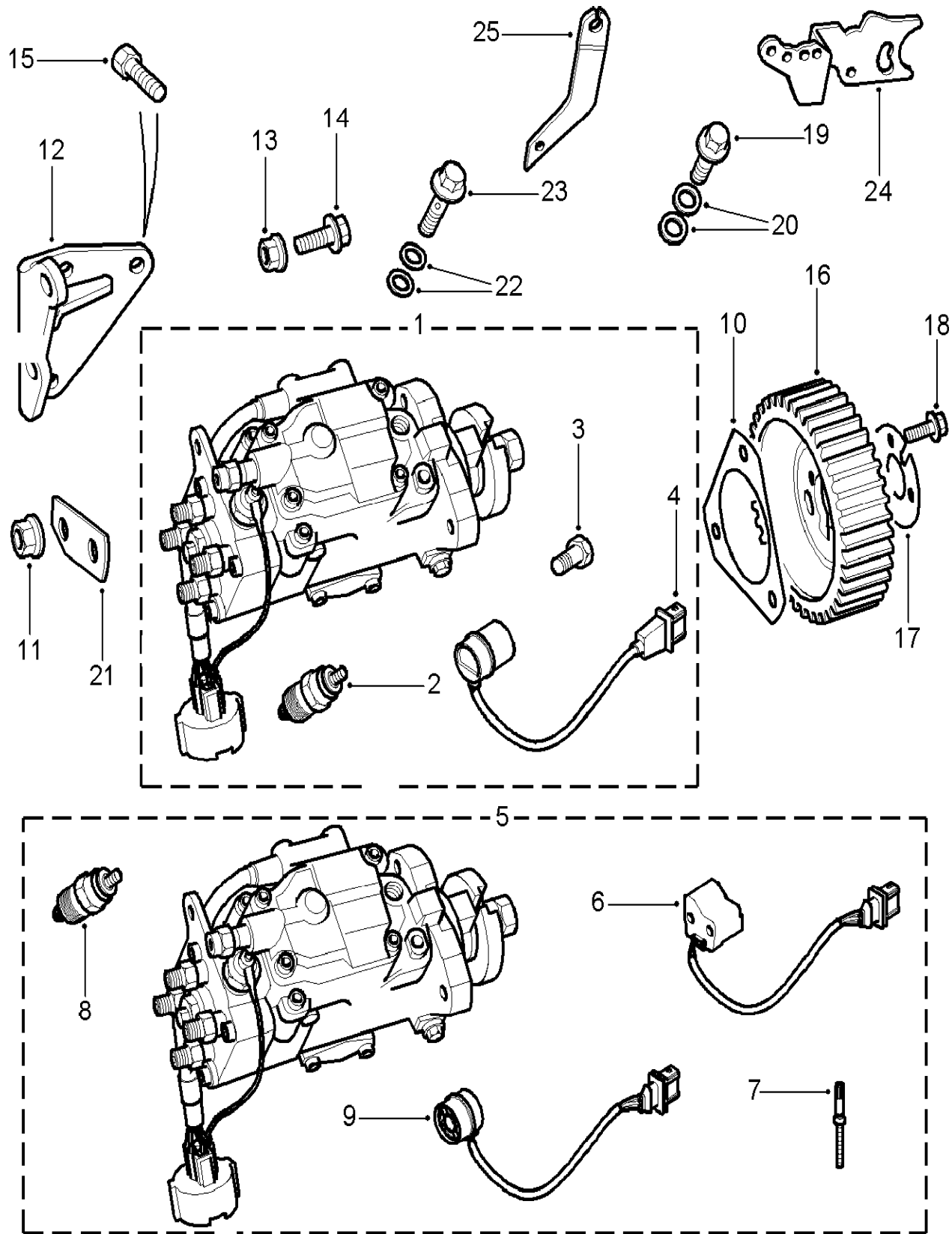
Discovery (FA393361-WA799999)
(LB0151)

Discovery (FA393361-WA799999)

Engine
2500 - Diesel - Turbo - 300 Tdi
Injection Pump

Change point - VIN begin MA081992, 2.5L 4 Cyl TDi Diesel

Callout	Name	Application	Remarks & Restrictions	Service No.	Qty
[904]	Actuator assembly cruise control	With Cruise Control	(-) 200 TDI, (-) 12L 2.5 TDI Manual - Gemini	ANR4517	1
[905]	Bracket-actuator assembly cruise control	With Cruise Control	(-) 200 TDI, (-) 12L 2.5 TDI Manual - Gemini	ANR4518	1



Engine
2500 - Diesel - Turbo - 300 Tdi
Injectors & Pipes 1/2

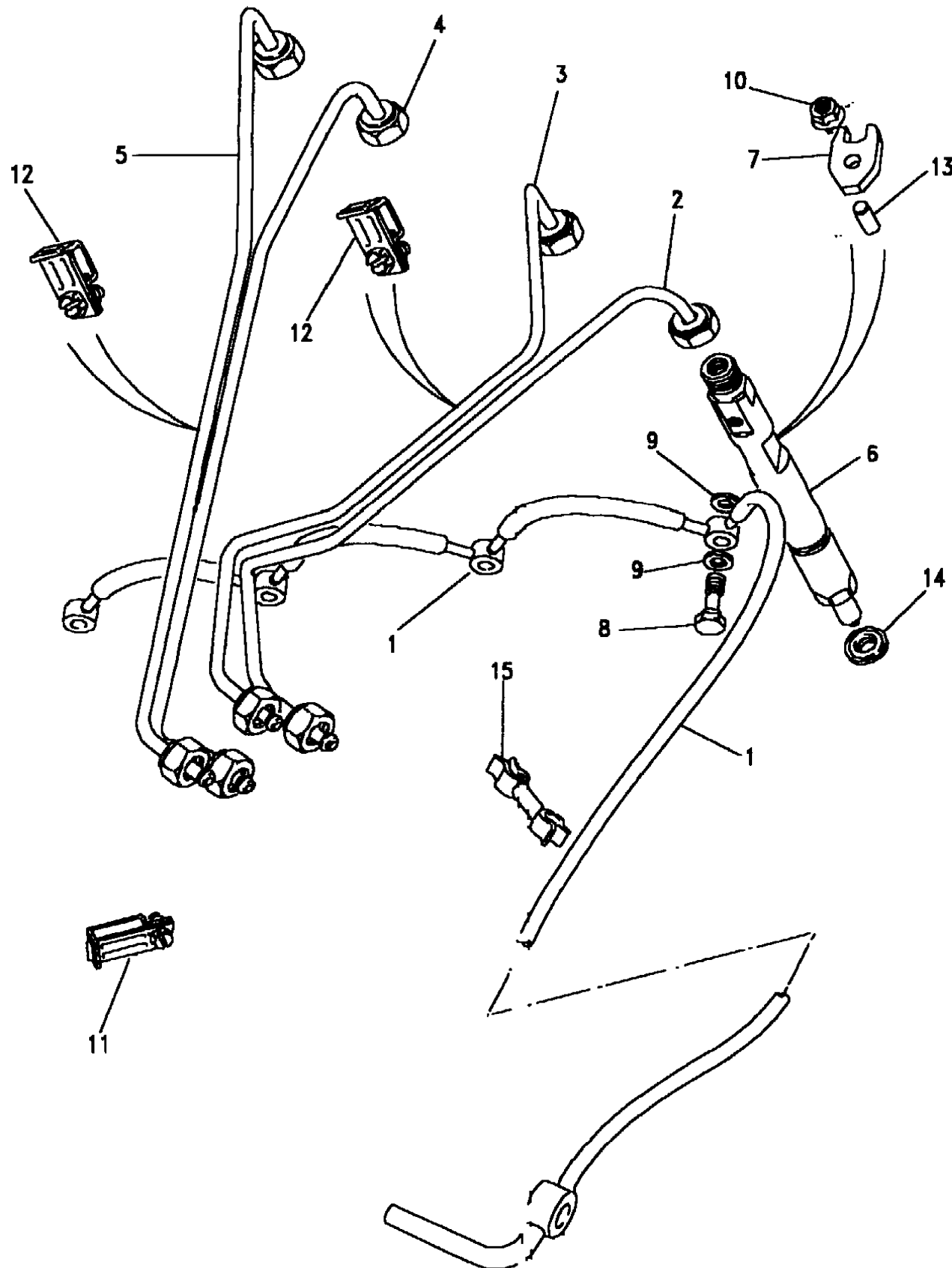
Discovery (FA393361-WA799999)
(CABNKE1A)

Discovery (FA393361-WA799999)

Engine
2500 - Diesel - Turbo - 300 Tdi
Injectors & Pipes

Change point - VIN begin MA081992, 2.5L 4 Cyl TDi Diesel

Callout	Name	Application	Remarks & Restrictions	Service No.	Qty
1	Pipe-spill return fuel injection		(-) 200 TDI, (-) 12L 2.5 TDI Manual - Gemini	MJN100910	1
2	Pipe-cylinder 1-high pressure fuel injection	Less EDC	(-) 200 TDI, (-) 12L 2.5 TDI Manual - Gemini	STC1694	1
		Change point - VIN begin MA081992, 2.5L I4 TDi Turbo Diesel, 4 Speed Automatic Transmissions, EDC, With Catalyst	(-) 200 TDI, (-) 12L 2.5 TDI Manual - Gemini, Engine Code 17L 2.5 TDI GEM 111 EDC Electronic, Engine Code 19L 2.5 TDI GEM 111 Auto	STC1698	1
		Change point - VIN begin MA081992, 2.5L I4 TDi Turbo Diesel, 4 Speed Automatic Transmissions, EDC, Less Catalyst	(-) 200 TDI, (-) 12L 2.5 TDI Manual - Gemini, Engine Code 17L 2.5 TDI GEM 111 EDC Electronic, Engine Code 19L 2.5 TDI GEM 111 Auto	STC1698	1
3	Pipe-cylinder 2-high pressure fuel injection	Less EDC	(-) 200 TDI, (-) 12L 2.5 TDI Manual - Gemini	STC1695	1
		Change point - VIN begin MA081992, 2.5L I4 TDi Turbo Diesel, 4 Speed Automatic Transmissions, EDC, With Catalyst	(-) 200 TDI, (-) 12L 2.5 TDI Manual - Gemini, Engine Code 17L 2.5 TDI GEM 111 EDC Electronic, Engine Code 19L 2.5 TDI GEM 111 Auto	STC1699	1
		Change point - VIN begin MA081992, 2.5L I4 TDi Turbo Diesel, 4 Speed Automatic Transmissions, EDC, Less Catalyst	(-) 200 TDI, (-) 12L 2.5 TDI Manual - Gemini, Engine Code 17L 2.5 TDI GEM 111 EDC Electronic, Engine Code 19L 2.5 TDI GEM 111 Auto	STC1699	1
4	Pipe-cylinder 3-high pressure fuel injection	Less EDC	(-) 200 TDI, (-) 12L 2.5 TDI Manual - Gemini	STC1696	1
		Change point - VIN begin MA081992, 2.5L I4 TDi Turbo Diesel, 4 Speed Automatic Transmissions, EDC, With Catalyst	(-) 200 TDI, (-) 12L 2.5 TDI Manual - Gemini, Engine Code 17L 2.5 TDI GEM 111 EDC Electronic, Engine Code 19L 2.5 TDI GEM 111 Auto	STC1700	1
		Change point - VIN begin MA081992, 2.5L I4 TDi Turbo Diesel, 4 Speed Automatic Transmissions, EDC, Less Catalyst	(-) 200 TDI, (-) 12L 2.5 TDI Manual - Gemini, Engine Code 17L 2.5 TDI GEM 111 EDC Electronic, Engine Code 19L 2.5 TDI GEM 111 Auto	STC1700	1
5	Pipe-cylinder 4-high pressure fuel injection	Less EDC	(-) 200 TDI, (-) 12L 2.5 TDI Manual - Gemini	STC1697	1
		Change point - VIN begin MA081992, 2.5L I4 TDi Turbo Diesel, 4 Speed Automatic Transmissions, EDC, With Catalyst	(-) 200 TDI, (-) 12L 2.5 TDI Manual - Gemini, Engine Code 17L 2.5 TDI GEM 111 EDC Electronic, Engine Code 19L 2.5 TDI GEM 111 Auto	STC1701	1



Engine
2500 - Diesel - Turbo - 300 Tdi
Injectors & Pipes 2/2

Discovery (FA393361-WA799999)

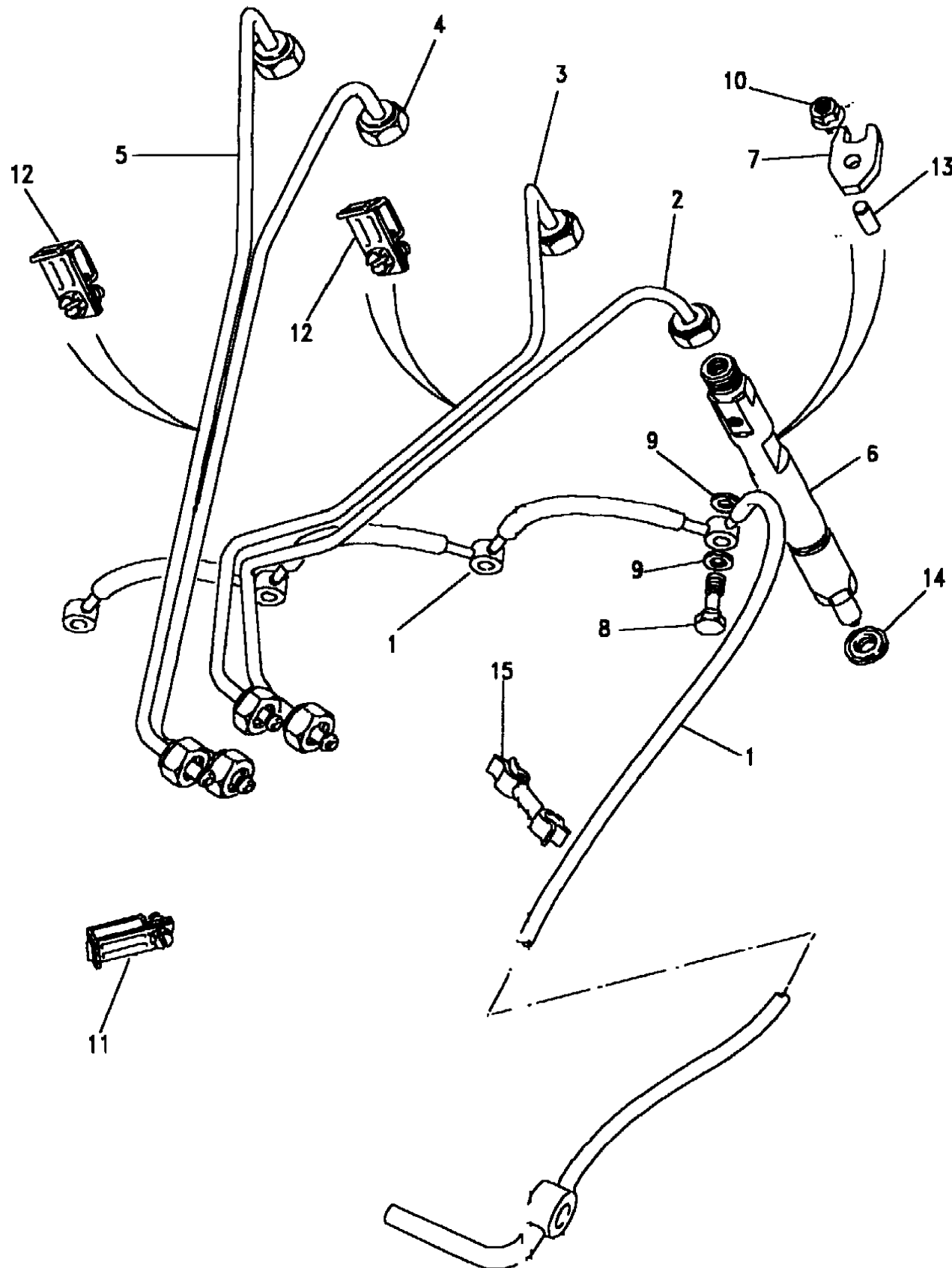
(CABNKE1A)

Discovery (FA393361-WA799999)

Engine
2500 - Diesel - Turbo - 300 Tdi
Injectors & Pipes

Change point - VIN begin MA081992, 2.5L 4 Cyl TDi Diesel

Callout	Name	Application	Remarks & Restrictions	Service No.	Qty
5	Pipe-cylinder 4-high pressure fuel injection	Change point - VIN begin MA081992, 2.5L 4 TDi Turbo Diesel, 4 Speed Automatic Transmissions, EDC, Less Catalyst	(-) 200 TDI, (-) 12L 2.5 TDI Manual - Gemini, Engine Code 17L 2.5 TDI GEM 111 EDC Electronic, Engine Code 19L 2.5 TDI GEM 111 Auto	STC1701	1
6	Injector assembly-diesel holder & nozzle	2.5 4 Cyl 300 Series/TDI Diesel, EGR	(-) 200 TDI, (-) 12L 2.5 TDI Manual - Gemini, New	ERR3339	4
		2.5 4 Cyl 300 Series/TDI Diesel, EGR	(-) 200 TDI, (-) 12L 2.5 TDI Manual - Gemini, exchange	ERR3339E	4
		2.5 4 Cyl 300 Series/TDI Diesel, EDC	(-) 200 TDI, (-) 12L 2.5 TDI Manual - Gemini, New	ERR3337	1
		EDC	(-) 200 TDI, (-) 12L 2.5 TDI Manual - Gemini, exchange	ERR3337E	1
		2.5 4 Cyl 300 Series/TDI Diesel, EDC	(-) 200 TDI, (-) 12L 2.5 TDI Manual - Gemini, New	ERR3348	3
		EDC	(-) 200 TDI, (-) 12L 2.5 TDI Manual - Gemini, exchange	ERR3348E	3
7	Clamp fuel injector		(-) 200 TDI, (-) 12L 2.5 TDI Manual - Gemini	ERR3780	4
8	Bolt-banjo		(-) 200 TDI, Also serviced as part of a kit, (-) 12L 2.5 TDI Manual - Gemini	STC3297	1
9	Washer-sealing		(-) 200 TDI, diesel injector spill return pipe banjo, Also serviced as part of a kit, (-) 12L 2.5 TDI Manual - Gemini	ERR1304	8
10	Nut - Hex.		(-) 200 TDI, M8, (-) 12L 2.5 TDI Manual - Gemini, flange	FN108041L	4
11	Clip-Pipe		(-) 200 TDI, (-) 12L 2.5 TDI Manual - Gemini	STC1738	2
12	Clip-Pipe		(-) 200 TDI, (-) 12L 2.5 TDI Manual - Gemini	STC1739	2
13	Pin-roll-spring tension		(-) 200 TDI, (-) 12L 2.5 TDI Manual - Gemini	ERR3468	4
14	Washer-sealing		(-) 200 TDI, diesel injector to cylinder head, (-) 12L 2.5 TDI Manual - Gemini	ERR4621	4
15	Clip-cable		(-) 200 TDI, (-) 12L 2.5 TDI Manual - Gemini	DCP7384L	1



Engine
2500 - Diesel - Turbo - 300 Tdi
Jet Adaptors 1/1

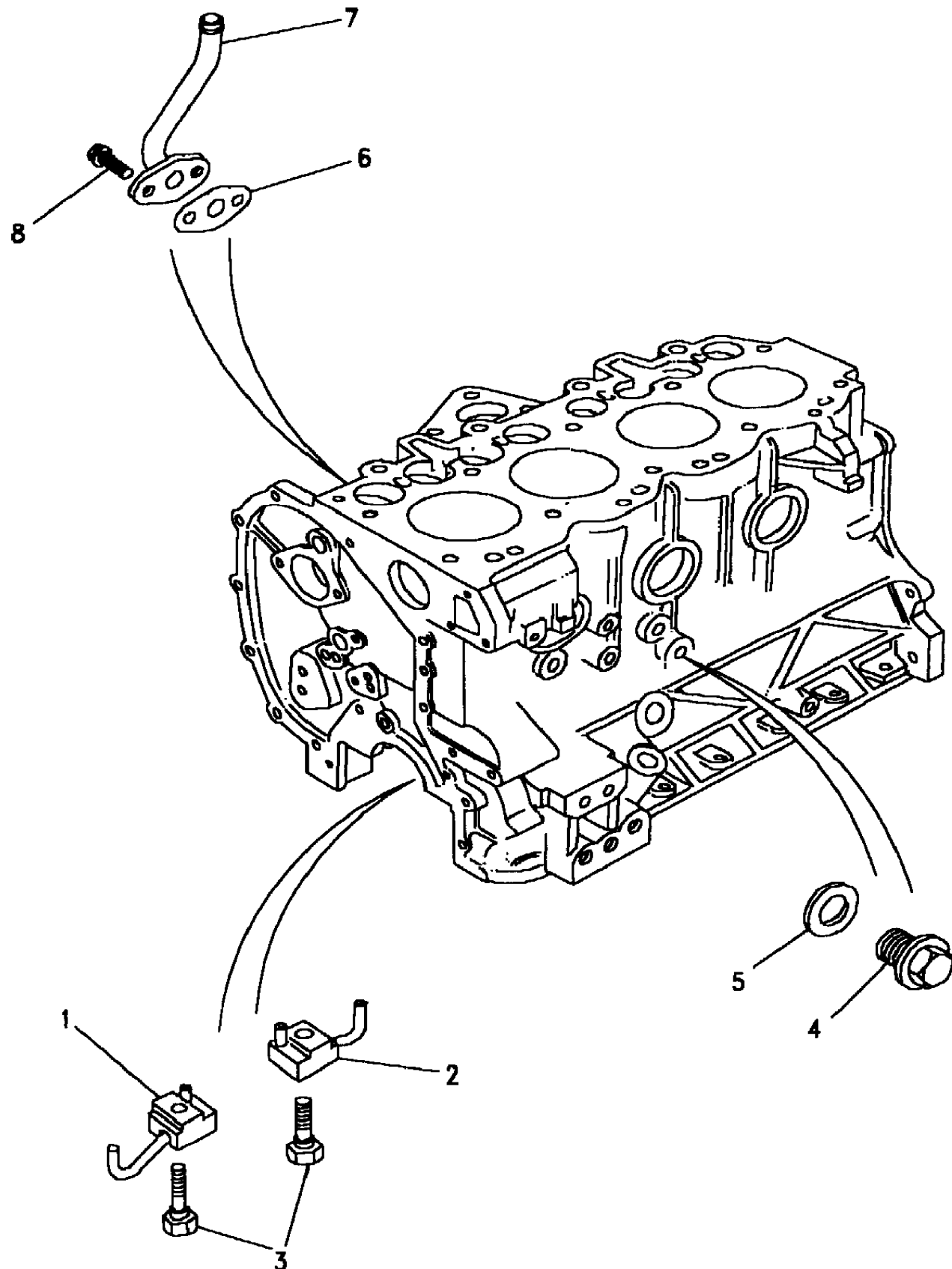
Discovery (FA393361-WA799999)
(CABNBA2A)

Discovery (FA393361-WA799999)

Engine
2500 - Diesel - Turbo - 300 Tdi
Jet Adaptors

Change point - VIN begin MA081992, 2.5L 4 Cyl TDi Diesel

Callout	Name	Application	Remarks & Restrictions	Service No.	Qty
1	Jet assembly-piston cooling		(-) 200 TDI, (-) 12L 2.5 TDI Manual - Gemini, No1, No3	ETC6531	2
2	Jet assembly-piston cooling	2.5 4 Cyl 300 Series/TDI Diesel	(-) 200 TDI, (-) 12L 2.5 TDI Manual - Gemini, No2, No4	ETC6532	2
3	Valve-bearing housing jet		(-) 200 TDI, (-) 12L 2.5 TDI Manual - Gemini	ETC5592	4
4	Plug-Drain		(-) 200 TDI, (-) 12L 2.5 TDI Manual - Gemini	ERC9410	1
5	Washer-sump assembly drain plug		(-) 200 TDI, (-) 12L 2.5 TDI Manual - Gemini	AFU1882L	1
6	Gasket-external drain pipe		(-) 200 TDI, (-) 12L 2.5 TDI Manual - Gemini	ERR1653	1
7	Pipe-oil drain turbocharger		(-) 200 TDI, (-) 12L 2.5 TDI Manual - Gemini	ERR1094	1
8	Screw		(-) 200 TDI, jet to block, (-) 12L 2.5 TDI Manual - Gemini, Flanged Head, M8 x 20	FS108207L	2



Engine
2500 - Diesel - Turbo - 300 Tdi
Manifolds 1/3

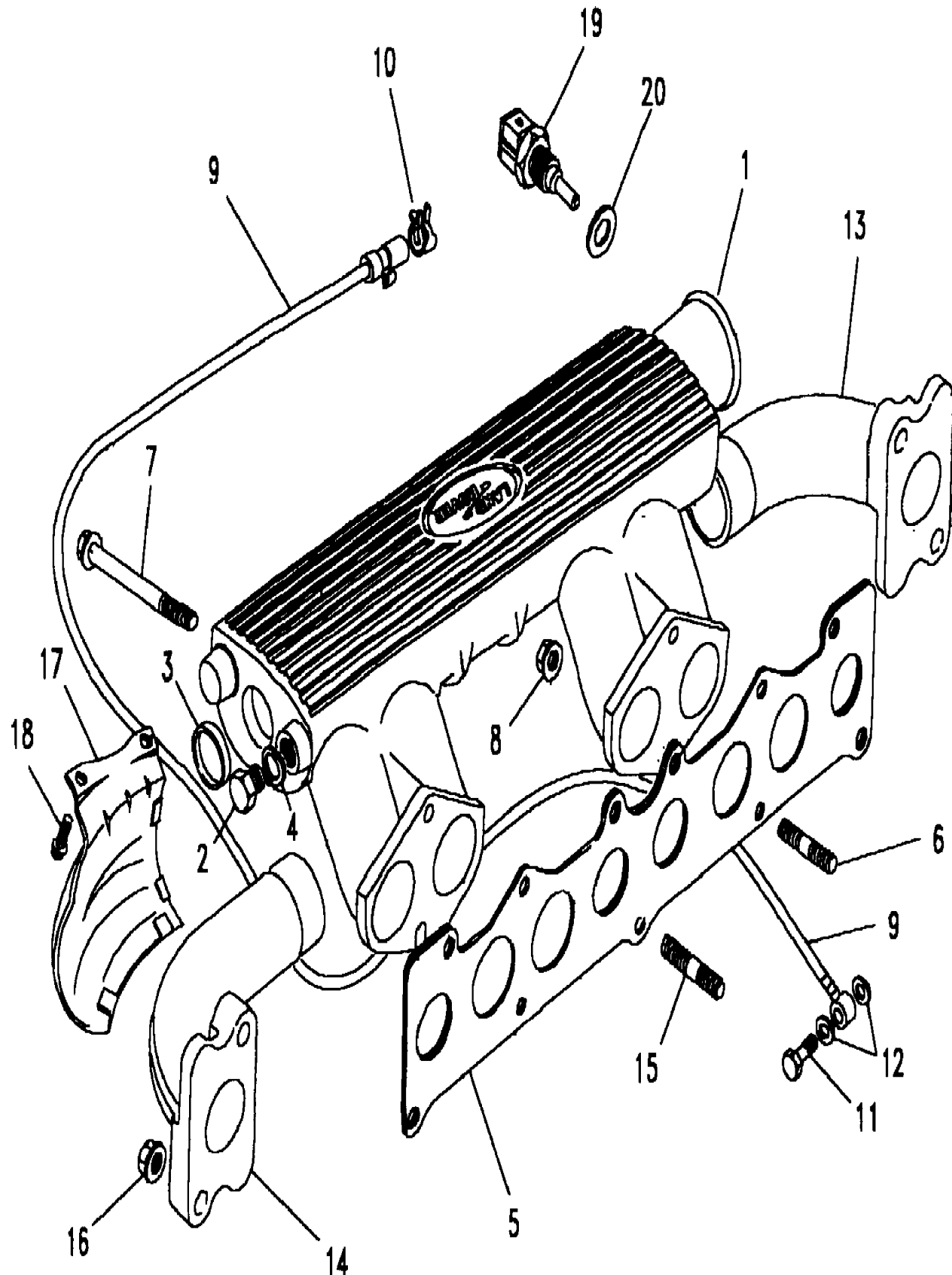
Discovery (FA393361-WA799999)
(CABNHA1A)

Discovery (FA393361-WA799999)

Engine
2500 - Diesel - Turbo - 300 Tdi
Manifolds

Change point - VIN begin MA081992, 2.5L 4 Cyl TDi Diesel

Callout	Name	Application	Remarks & Restrictions	Service No.	Qty
1	Manifold-engine inlet	Less EDC	(-) 200 TDI, (-) 12L 2.5 TDI Manual - Gemini	ERR3481	1
		Change point - VIN begin MA081992, 2.5L 14 TDi Turbo Diesel, 4 Speed Automatic Transmissions, EDC, With Catalyst	(-) 200 TDI, (-) 12L 2.5 TDI Manual - Gemini, Engine Code 17L 2.5 TDI GEM 111 EDC Electronic, Engine Code 19L 2.5 TDI GEM 111 Auto	ERR2284	1
		Change point - VIN begin MA081992, 2.5L 14 TDi Turbo Diesel, 4 Speed Automatic Transmissions, EDC, Less Catalyst	(-) 200 TDI, (-) 12L 2.5 TDI Manual - Gemini, Engine Code 17L 2.5 TDI GEM 111 EDC Electronic, Engine Code 19L 2.5 TDI GEM 111 Auto	ERR2284	1
2	Plug-Drain	Less EDC	(-) 200 TDI, (-) 12L 2.5 TDI Manual - Gemini	ETC5577	1
3	Plug-core		(-) 200 TDI, (-) 12L 2.5 TDI Manual - Gemini	524765	1
4	Washer-sealing	Less EDC	(-) 200 TDI, (-) 12L 2.5 TDI Manual - Gemini	ERR894	1
5	Gasket-inlet manifold		(-) 200 TDI, (-) 12L 2.5 TDI Manual - Gemini	ERR3785	1
6	Stud		(-) 200 TDI, M8 x 25, (-) 12L 2.5 TDI Manual - Gemini	TE108051L	2
7	Bolt		(-) 200 TDI, Long, (-) 12L 2.5 TDI Manual - Gemini, Flanged Head, M8 x 85	FB108171L	2
8	Nut - Hex.		(-) 200 TDI, M8, (-) 12L 2.5 TDI Manual - Gemini, flange	FN108041L	2
9	Pipe boost control	Less EDC	(-) 200 TDI, Also serviced as part of a kit, (-) 12L 2.5 TDI Manual - Gemini	ERR4699	1
		Change point - VIN begin MA081992, 2.5L 14 TDi Turbo Diesel, 4 Speed Automatic Transmissions, EDC, With Catalyst	(-) 200 TDI, Also serviced as part of a kit, (-) 12L 2.5 TDI Manual - Gemini, Engine Code 17L 2.5 TDI GEM 111 EDC Electronic, Engine Code 19L 2.5 TDI GEM 111 Auto	ERR4700	1
		Change point - VIN begin MA081992, 2.5L 14 TDi Turbo Diesel, 4 Speed Automatic Transmissions, EDC, Less Catalyst	(-) 200 TDI, Also serviced as part of a kit, (-) 12L 2.5 TDI Manual - Gemini, Engine Code 17L 2.5 TDI GEM 111 EDC Electronic, Engine Code 19L 2.5 TDI GEM 111 Auto	ERR4700	1



Engine
2500 - Diesel - Turbo - 300 Tdi
Manifolds 2/3

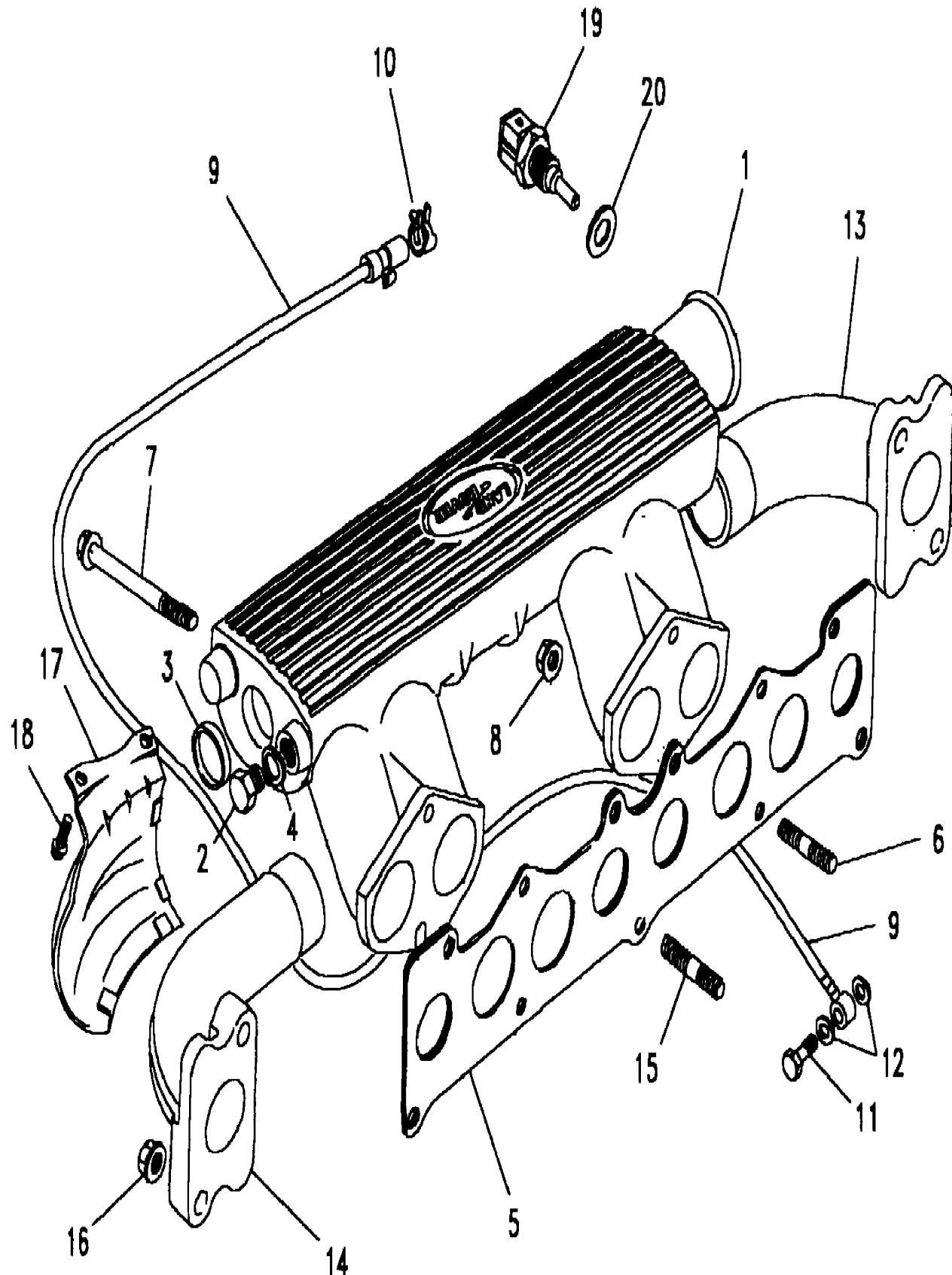
Discovery (FA393361-WA799999)
(CABNHA1A)

Discovery (FA393361-WA799999)

Engine
2500 - Diesel - Turbo - 300 Tdi
Manifolds

Change point - VIN begin MA081992, 2.5L 4 Cyl TDi Diesel

Callout	Name	Application	Remarks & Restrictions	Service No.	Qty
10	Clip-Hose	Change point - VIN begin MA081992, 2.5L I4 TDi Turbo Diesel, 4 Speed Automatic Transmissions, EDC, With Catalyst	(-) 200 TDI, Also serviced as part of a kit, (-) 12L 2.5 TDI Manual - Gemini, Engine Code 17L 2.5 TDI GEM 111 EDC Electronic, Engine Code 19L 2.5 TDI GEM 111 Auto	UKC3803L	1
		Change point - VIN begin MA081992, 2.5L I4 TDi Turbo Diesel, 4 Speed Automatic Transmissions, EDC, Less Catalyst	(-) 200 TDI, Also serviced as part of a kit, (-) 12L 2.5 TDI Manual - Gemini, Engine Code 17L 2.5 TDI GEM 111 EDC Electronic, Engine Code 19L 2.5 TDI GEM 111 Auto	UKC3803L	1
11	Bolt-banjo	Less EDC	(-) 200 TDI, (-) 12L 2.5 TDI Manual - Gemini	ERR886	1
		Change point - VIN begin MA081992, 2.5L I4 TDi Turbo Diesel, 4 Speed Automatic Transmissions, EDC, With Catalyst	(-) 200 TDI, (-) 12L 2.5 TDI Manual - Gemini, Engine Code 17L 2.5 TDI GEM 111 EDC Electronic, Engine Code 19L 2.5 TDI GEM 111 Auto	ERR1125	1
		Change point - VIN begin MA081992, 2.5L I4 TDi Turbo Diesel, 4 Speed Automatic Transmissions, EDC, Less Catalyst	(-) 200 TDI, (-) 12L 2.5 TDI Manual - Gemini, Engine Code 17L 2.5 TDI GEM 111 EDC Electronic, Engine Code 19L 2.5 TDI GEM 111 Auto	ERR1125	1
12	Washer-sealing	Less EDC	(-) 200 TDI, (-) 12L 2.5 TDI Manual - Gemini	273069	2
		Change point - VIN begin MA081992, 2.5L I4 TDi Turbo Diesel, 4 Speed Automatic Transmissions, EDC, With Catalyst	(-) 200 TDI, (-) 12L 2.5 TDI Manual - Gemini, Engine Code 17L 2.5 TDI GEM 111 EDC Electronic, Engine Code 19L 2.5 TDI GEM 111 Auto	ERR894	2
		Change point - VIN begin MA081992, 2.5L I4 TDi Turbo Diesel, 4 Speed Automatic Transmissions, EDC, Less Catalyst	(-) 200 TDI, (-) 12L 2.5 TDI Manual - Gemini, Engine Code 17L 2.5 TDI GEM 111 EDC Electronic, Engine Code 19L 2.5 TDI GEM 111 Auto	ERR894	2
15	Stud		(-) 200 TDI, (-) 12L 2.5 TDI Manual - Gemini, M10 x 35	TE110071L	7
16	Nut-flange		(-) 200 TDI, M10, (-) 12L 2.5 TDI Manual - Gemini	FX110041L	7
17	Heatshield-exhaust manifold		(-) 200 TDI, (-) 12L 2.5 TDI Manual - Gemini	ESR2422	1
18	Screw		(-) 200 TDI, M5 X 10, (-) 12L 2.5 TDI Manual - Gemini, hexagonal head	FS105107	2



Engine
2500 - Diesel - Turbo - 300 Tdi
Manifolds 3/3

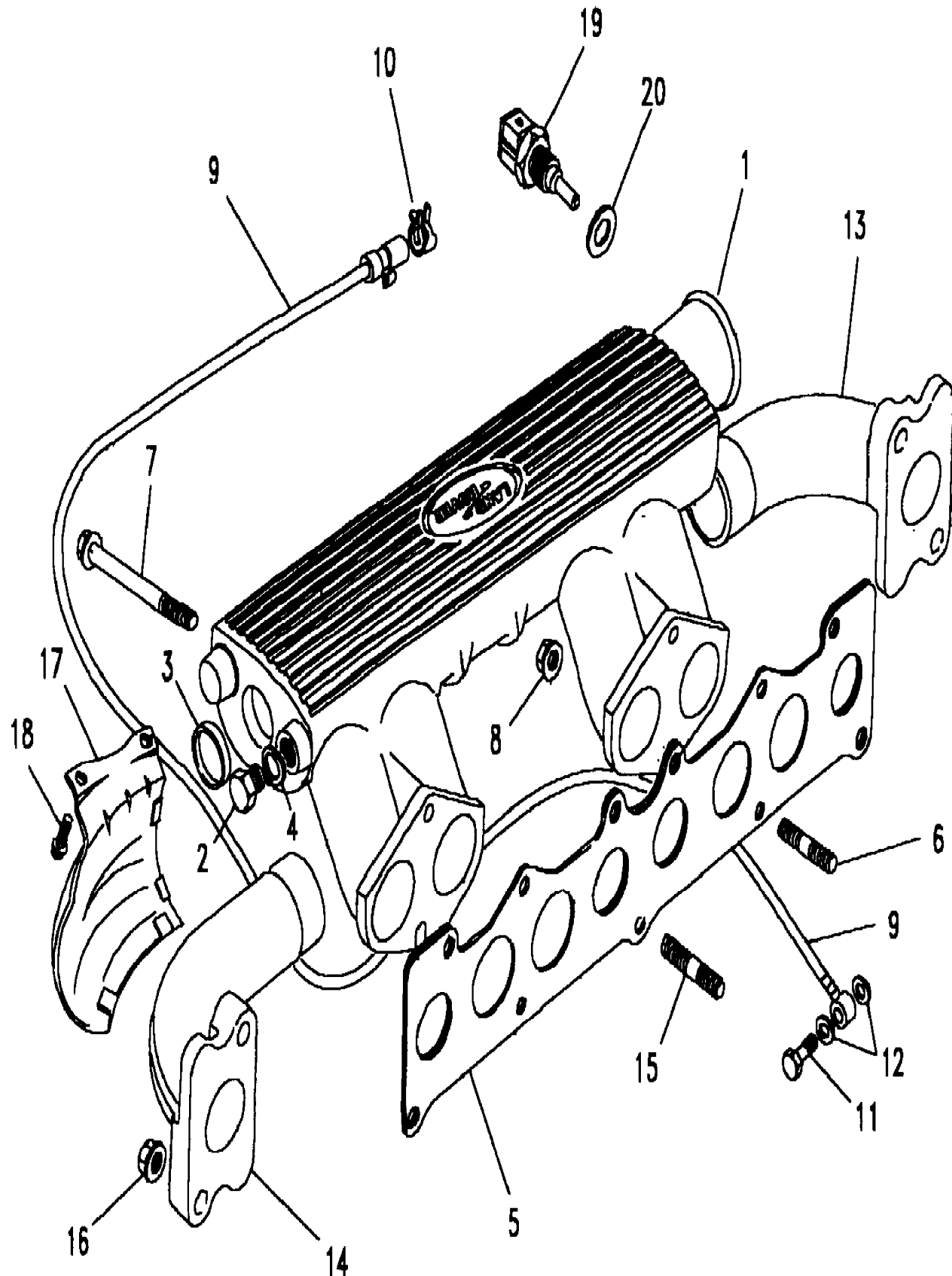
Discovery (FA393361-WA799999)
(CABNHA1A)

Discovery (FA393361-WA799999)

Engine
2500 - Diesel - Turbo - 300 Tdi
Manifolds

Change point - VIN begin MA081992, 2.5L 4 Cyl TDi Diesel

Callout	Name	Application	Remarks & Restrictions	Service No.	Qty
19	Sensor-air temperature diesel	Change point - VIN begin MA081992, 2.5L I4 TDi Turbo Diesel, 4 Speed Automatic Transmissions, EDC, With Catalyst	(-) 200 TDI, (-) 12L 2.5 TDI Manual - Gemini, Engine Code 17L 2.5 TDI GEM 111 EDC Electronic, Engine Code 19L 2.5 TDI GEM 111 Auto	ERR2082	1
		Change point - VIN begin MA081992, 2.5L I4 TDi Turbo Diesel, 4 Speed Automatic Transmissions, EDC, Less Catalyst	(-) 200 TDI, (-) 12L 2.5 TDI Manual - Gemini, Engine Code 17L 2.5 TDI GEM 111 EDC Electronic, Engine Code 19L 2.5 TDI GEM 111 Auto	ERR2082	1
20	Washer-sealing	Change point - VIN begin MA081992, 2.5L I4 TDi Turbo Diesel, 4 Speed Automatic Transmissions, EDC, With Catalyst	(-) 200 TDI, (-) 12L 2.5 TDI Manual - Gemini, Engine Code 17L 2.5 TDI GEM 111 EDC Electronic, Engine Code 19L 2.5 TDI GEM 111 Auto	ERR894	1
		Change point - VIN begin MA081992, 2.5L I4 TDi Turbo Diesel, 4 Speed Automatic Transmissions, EDC, Less Catalyst	(-) 200 TDI, (-) 12L 2.5 TDI Manual - Gemini, Engine Code 17L 2.5 TDI GEM 111 EDC Electronic, Engine Code 19L 2.5 TDI GEM 111 Auto	ERR894	1



Engine
2500 - Diesel - Turbo - 300 Tdi
Oil Filter 1/1

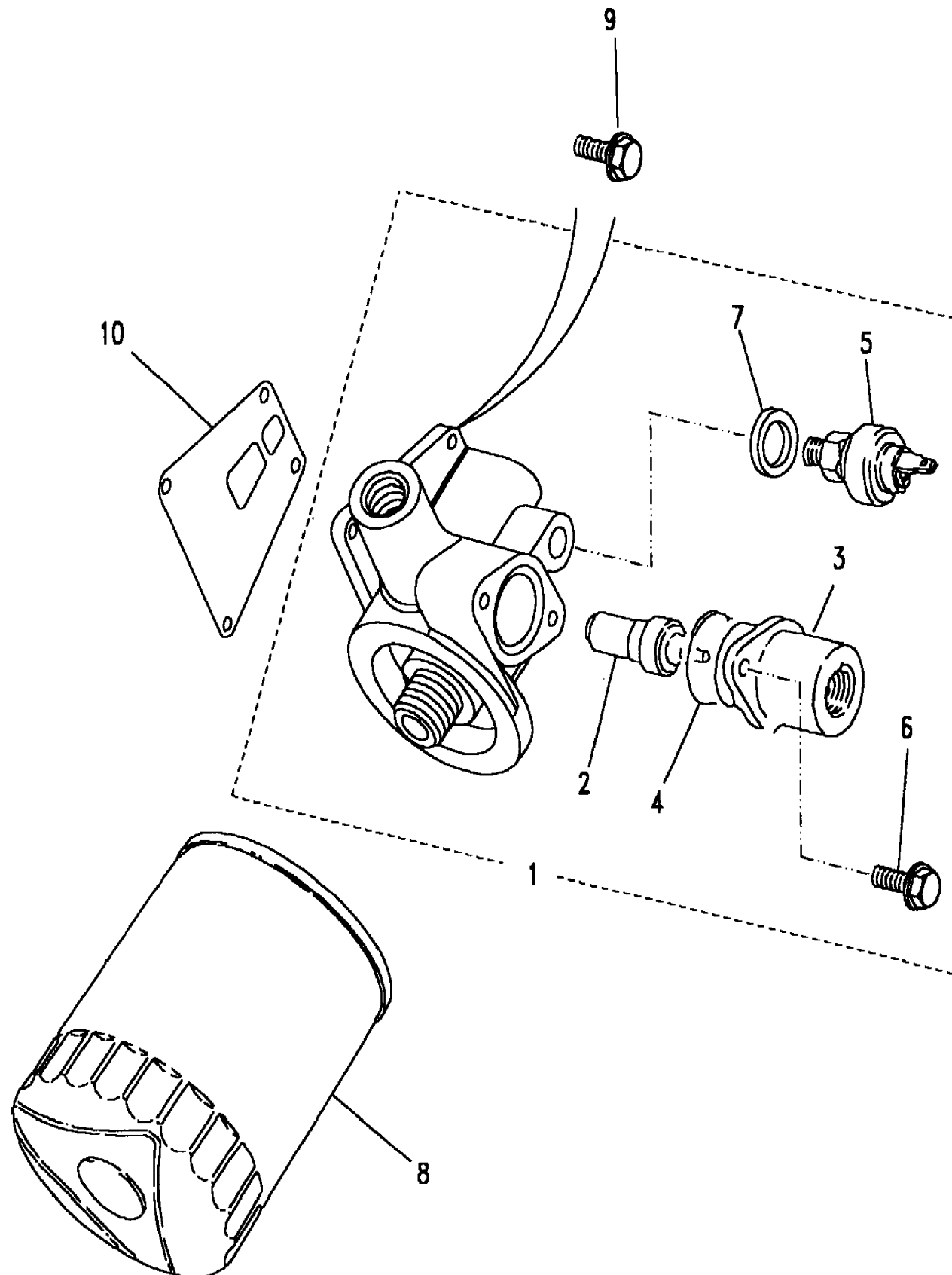
Discovery (FA393361-WA799999)
(CABNFC1A)

Discovery (FA393361-WA799999)

Engine
2500 - Diesel - Turbo - 300 Tdi
Oil Filter

Change point - VIN begin MA081992, 2.5L 4 Cyl TDi Diesel

Callout	Name	Application	Remarks & Restrictions	Service No.	Qty
1	Adaptor-oil filter		(-) 200 TDI, Also serviced as part of a kit, (-) 12L 2.5 TDI Manual - Gemini	ERR2317	1
2	Thermostat assembly-oil		(-) 200 TDI, Also serviced as part of a kit, (-) 12L 2.5 TDI Manual - Gemini	ERC5923	1
3	Waxstat adaptor		(-) 200 TDI, Also serviced as part of a kit, (-) 12L 2.5 TDI Manual - Gemini	ERR2241	1
4	O Ring		(-) 200 TDI, Also serviced as part of a kit, (-) 12L 2.5 TDI Manual - Gemini	ERC5913	1
5	Switch-oil pressure engine		(-) 200 TDI, Also serviced as part of a kit, (-) 12L 2.5 TDI Manual - Gemini	PRC6387	1
6	Screw-flanged head		(-) 200 TDI, adaptor to housing, Also serviced as part of a kit, M6 X 16, (-) 12L 2.5 TDI Manual - Gemini, Flanged Head	FS106167L	2
7	Washer-sealing		(-) 200 TDI, Also serviced as part of a kit, (-) 12L 2.5 TDI Manual - Gemini	AFU1887L	1
8	Cartridge-engine oil filter	2.5 4 Cyl 300 Series/TDI Diesel	(-) 200 TDI, (-) 12L 2.5 TDI Manual - Gemini	ERR3340	1
9	Screw		(-) 200 TDI, (-) 12L 2.5 TDI Manual - Gemini, Flanged Head, M10 x 30, top	FS110301L	4
10	Gasket-cylinder block to oil filter adaptor	2.5 4 Cyl 300 Series/TDI Diesel	(-) 200 TDI, (-) 12L 2.5 TDI Manual - Gemini	ERR3283	1



Engine
2500 - Diesel - Turbo - 300 Tdi
Piston, Connecting Rod & Bearings 1/1

Discovery (FA393361-WA799999)

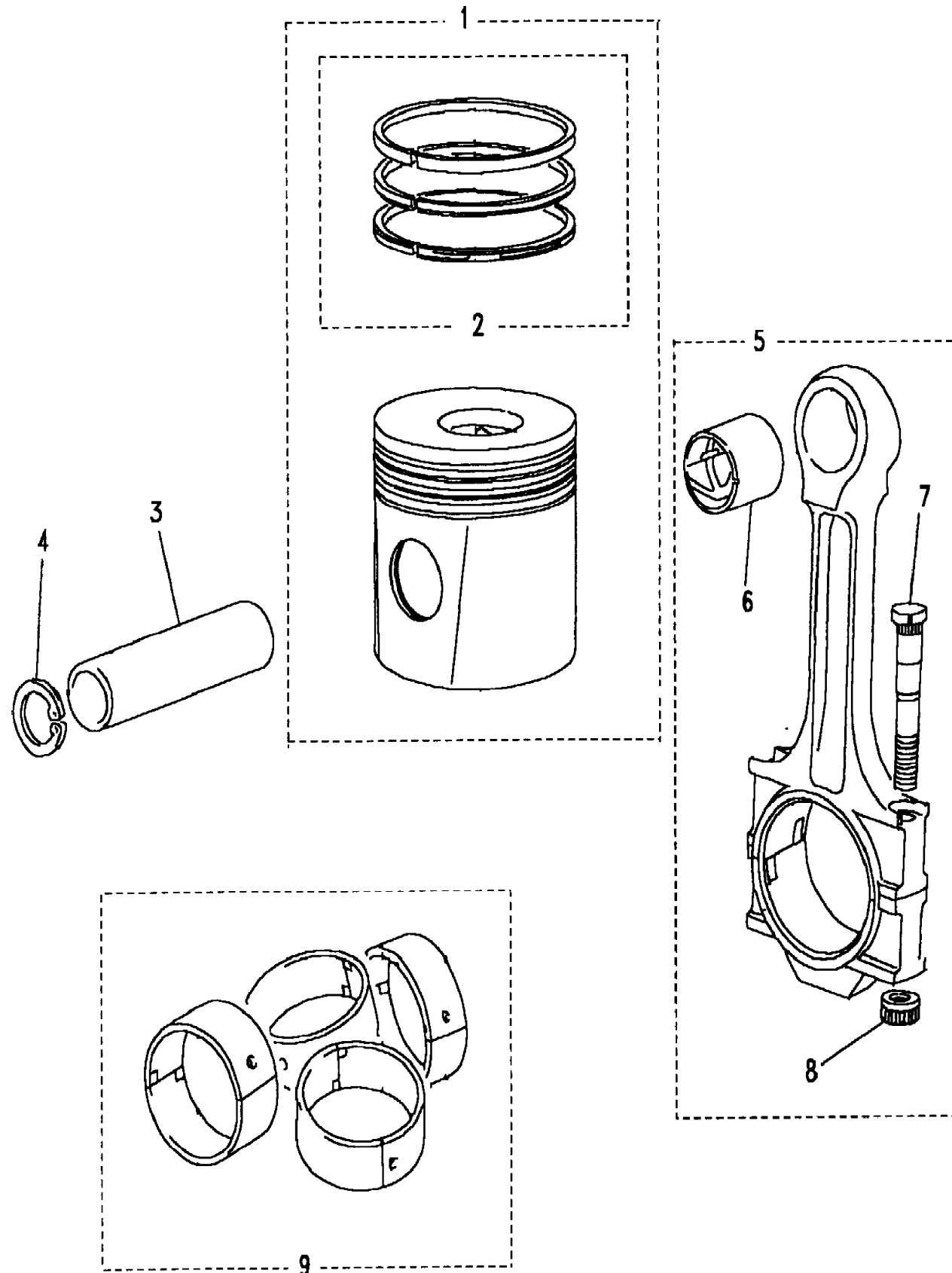
(CABNCC1A)

Discovery (FA393361-WA799999)

Engine
2500 - Diesel - Turbo - 300 Tdi
Piston, Connecting Rod & Bearings

Change point - VIN begin MA081992, 2.5L 4 Cyl TDi Diesel

Callout	Name	Application	Remarks & Restrictions	Service No.	Qty
1	Piston-engine		(-) 200 TDI, Also serviced as part of a kit, (-) 12L 2.5 TDI Manual - Gemini, 0.010" oversize (-) 200 TDI, Also serviced as part of a kit, (-) 12L 2.5 TDI Manual - Gemini, 0.020" oversize (-) 200 TDI, Also serviced as part of a kit, (-) 12L 2.5 TDI Manual - Gemini, standard.	STC298210 STC298220 ERR2410	4 4 4
2	Kit-piston ring		(-) 200 TDI, Also serviced as part of a kit, (-) 12L 2.5 TDI Manual - Gemini	STC958	4
3	Pin-piston gudgeon		(-) 200 TDI, (-) 12L 2.5 TDI Manual - Gemini	ERR703	4
4	Circlip-piston		(-) 200 TDI, (-) 12L 2.5 TDI Manual - Gemini	266945	8
5	Rod-crankshaft connecting		(-) 200 TDI, Also serviced as part of a kit, (-) 12L 2.5 TDI Manual - Gemini	ERR2418	4
6	Bearing bush-connecting rod small end		(-) 200 TDI, Also serviced as part of a kit, (-) 12L 2.5 TDI Manual - Gemini	ERR2419	4
7	Bolt-connecting rod		(-) 200 TDI, Also serviced as part of a kit, (-) 12L 2.5 TDI Manual - Gemini	ETC7357	8
8	Nut-connecting rod		(-) 200 TDI, Also serviced as part of a kit, (-) 12L 2.5 TDI Manual - Gemini	ETC8191	8
9	Set-connecting rod big end half bearing		(-) 200 TDI, (-) 12L 2.5 TDI Manual - Gemini, standard. (-) 200 TDI, (-) 12L 2.5 TDI Manual - Gemini, 0.010" undersize	RTC2993 RTC299310	X X



Engine
2500 - Diesel - Turbo - 300 Tdi
Power Steering Pump 1/1

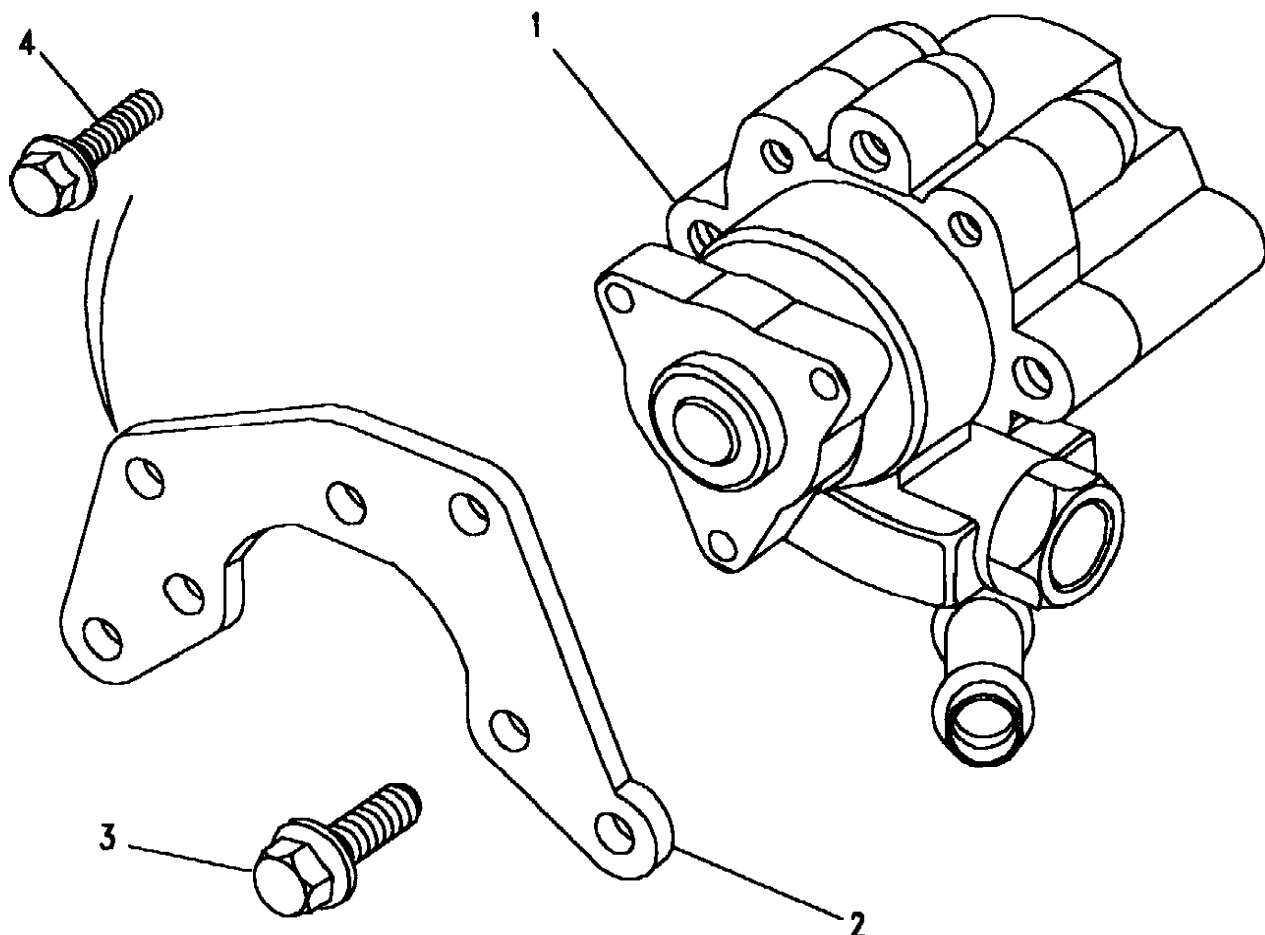
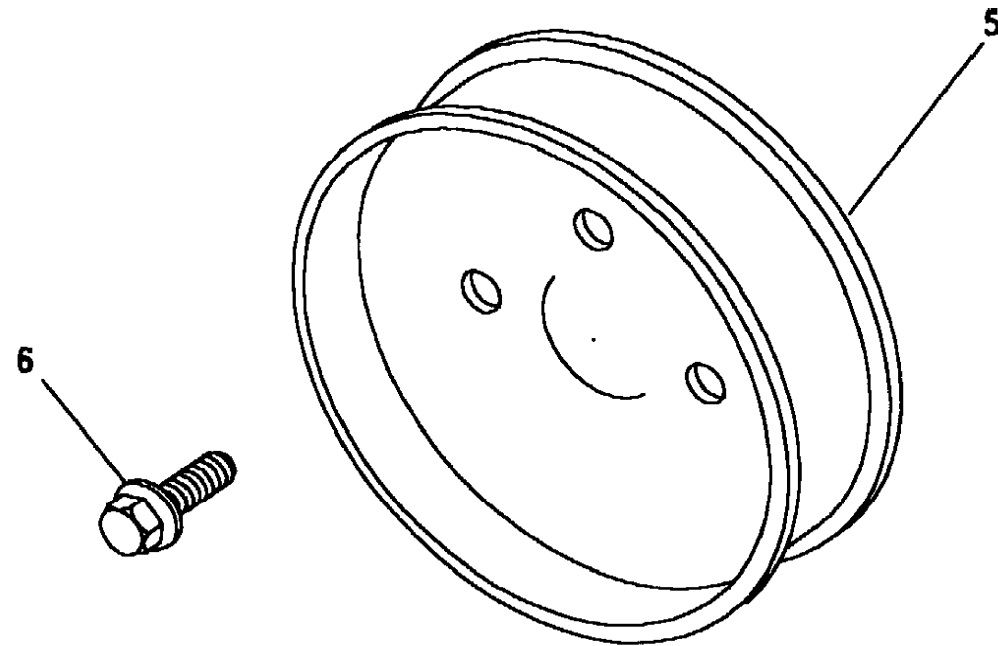
Discovery (FA393361-WA799999)
(CABNNC1A)

Discovery (FA393361-WA799999)

Engine
2500 - Diesel - Turbo - 300 Tdi
Power Steering Pump

Change point - VIN begin MA081992, 2.5L 4 Cyl TDi Diesel, With Power Steering

Callout	Name	Application	Remarks & Restrictions	Service No.	Qty
1	Pump assembly power assisted steering	2.5 4 Cyl 300 Series/TDI Diesel	(-) 200 TDI, (-) 12L 2.5 TDI Manual - Gemini	ANR2157	1
2	Bracket-mounting power assisted steering pump		(-) 200 TDI, (-) 12L 2.5 TDI Manual - Gemini	ERR2228	1
4	Screw		(-) 200 TDI, (-) 12L 2.5 TDI Manual - Gemini, Flanged Head, M8 x 20	FS108201L	4
			(-) 200 TDI, (-) 12L 2.5 TDI Manual - Gemini, Flanged Head, M8 x 20	FS108207L	3
5	Pulley power assisted steering pump		(-) 200 TDI, (-) 12L 2.5 TDI Manual - Gemini	ERR3733	1
6	Screw		(-) 200 TDI, pulley to pump, (-) 12L 2.5 TDI Manual - Gemini, Flanged Head, M8 x 12	FS108127	3



Engine
2500 - Diesel - Turbo - 300 Tdi
Rocker Cover 1/1

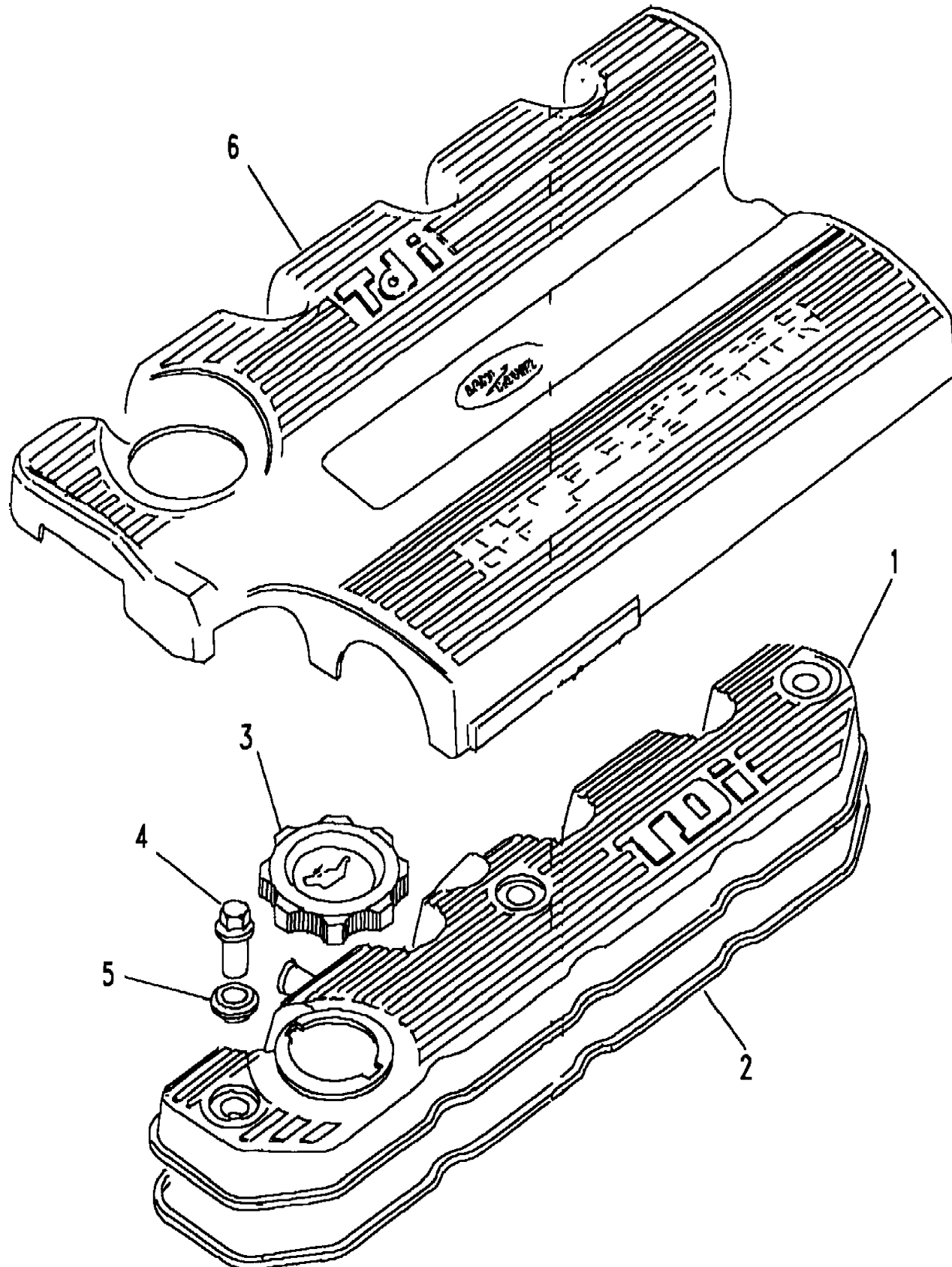
Discovery (FA393361-WA799999)
(CABNGG1A)

Discovery (FA393361-WA799999)

Engine
2500 - Diesel - Turbo - 300 Tdi
Rocker Cover

Change point - VIN begin MA081992, 2.5L 4 Cyl TDi Diesel

Callout	Name	Application	Remarks & Restrictions	Service No.	Qty
1	Cover assembly-valve rocker		(-) 200 TDI, (-) 12L 2.5 TDI Manual - Gemini	ERR4691	1
				8510243	1
2	Gasket-engine rocker cover	2.5 4 Cyl 300 Series/TDI Diesel	(-) 200 TDI, (-) 12L 2.5 TDI Manual - Gemini	ERR2409	1
3	Cap-oil filler		(-) 200 TDI, (-) 12L 2.5 TDI Manual - Gemini	ERR5041	1
4	Screw		(-) 200 TDI, (-) 12L 2.5 TDI Manual - Gemini	ERR4834	3
5	Washer-sealing		(-) 200 TDI, (-) 12L 2.5 TDI Manual - Gemini	ERR3424	3
6	Cover-engine		(-) 200 TDI, (-) 12L 2.5 TDI Manual - Gemini, top	ERR4632	1



Engine
2500 - Diesel - Turbo - 300 Tdi
Rockershaft 1/1

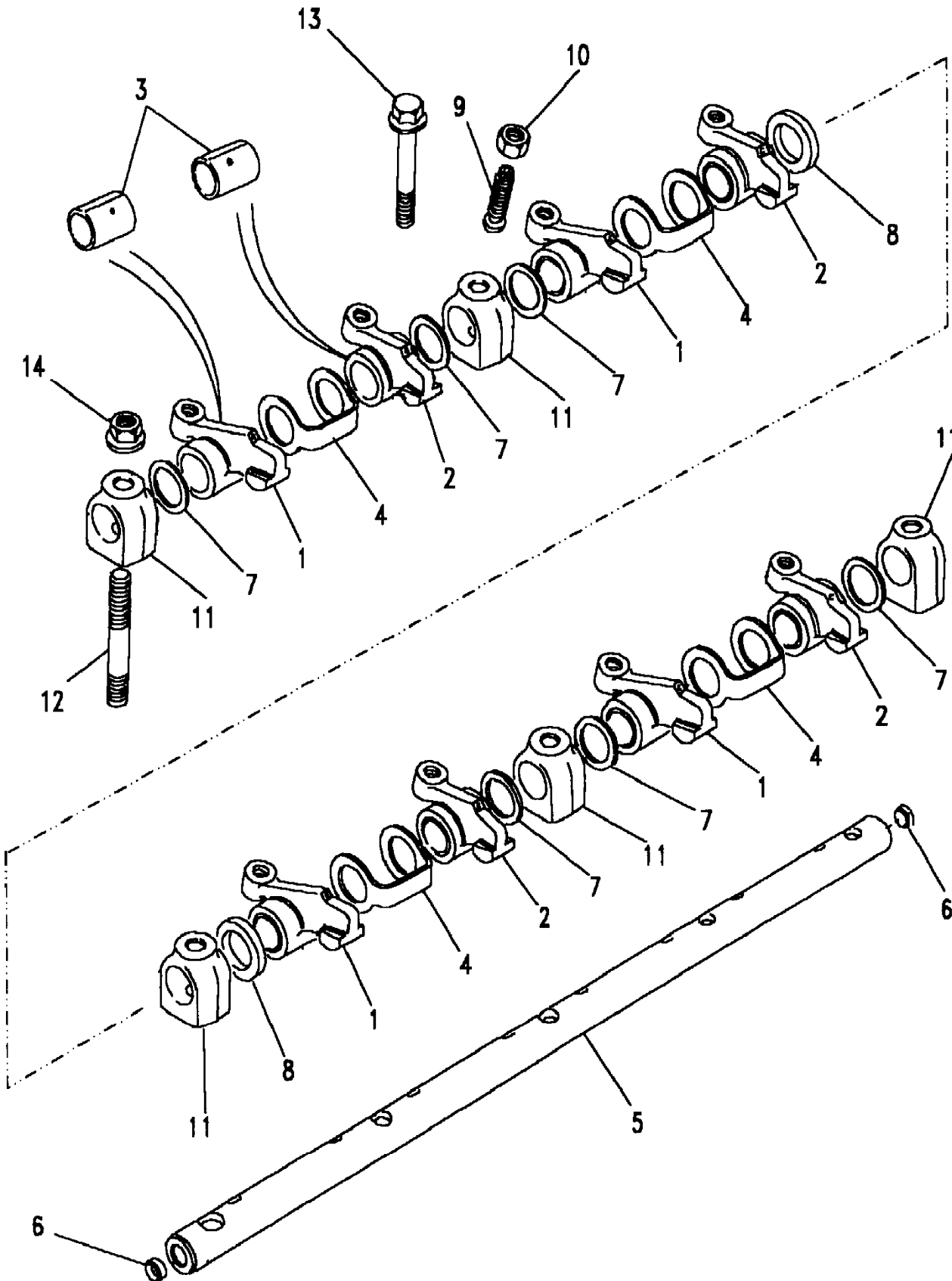
Discovery (FA393361-WA799999)

(CABNGC1A)

Discovery (FA393361-WA799999)

Engine
2500 - Diesel - Turbo - 300 Tdi
Rockershaft

Change point - VIN begin MA081992, 2.5L 4 Cyl TDi Diesel

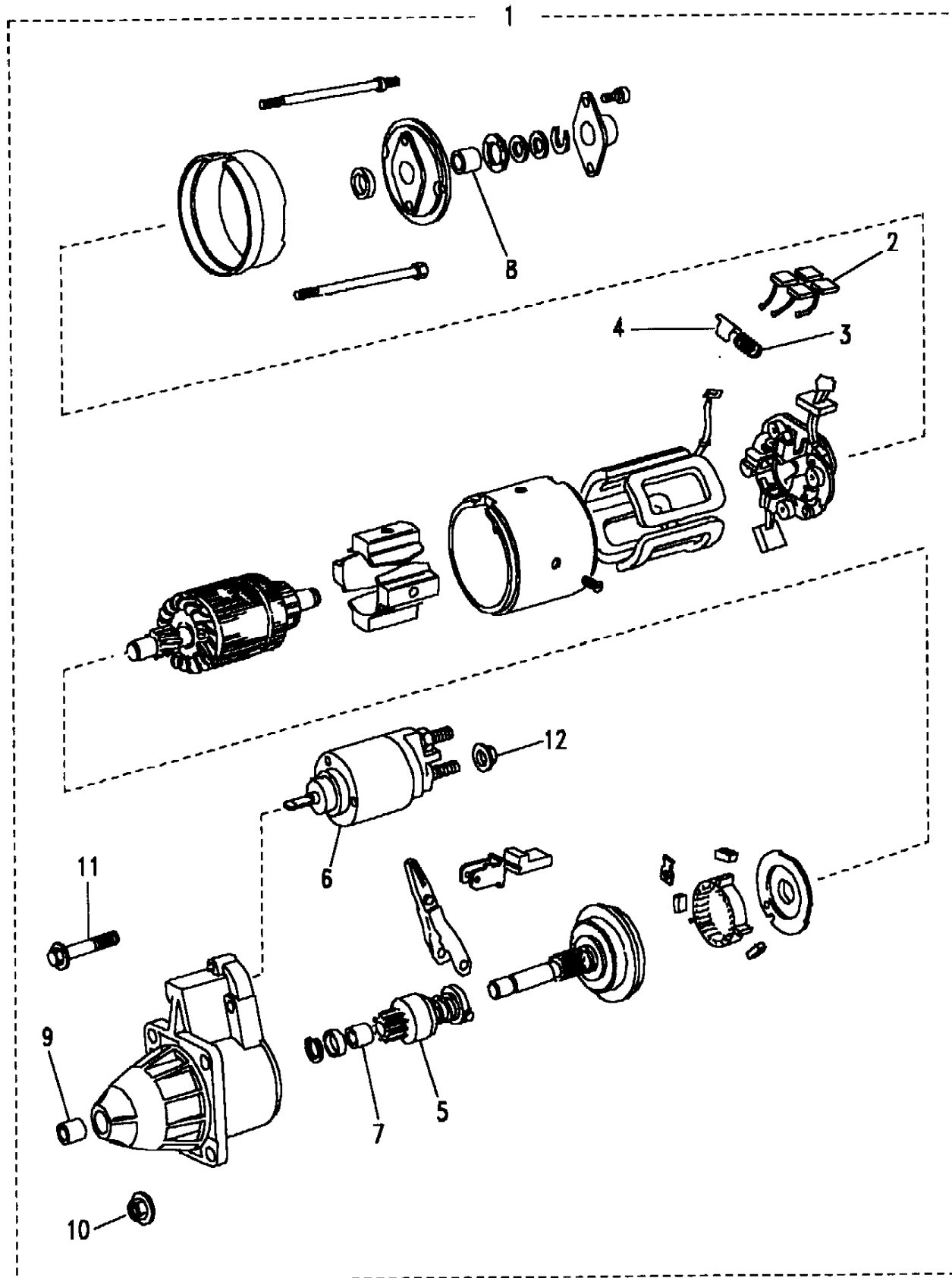


Callout	Name	Application	Remarks & Restrictions	Service No.	Qty
1	Rocker assembly-cylinder head		(-) 200 TDI, Also serviced as part of a kit, RH, (-) 12L 2.5 TDI Manual - Gemini	ERR3343	4
2	Rocker assembly-cylinder head		(-) 200 TDI, Also serviced as part of a kit, (-) 12L 2.5 TDI Manual - Gemini, LH	ERR3342	4
3	Bush-cylinder head rocker arm		(-) 200 TDI, Also serviced as part of a kit, (-) 12L 2.5 TDI Manual - Gemini	ERR1203	8
4	Spring-rocker shaft		(-) 200 TDI, (-) 12L 2.5 TDI Manual - Gemini	ERR2405	4
5	Shaft-rocker		(-) 200 TDI, Also serviced as part of a kit, (-) 12L 2.5 TDI Manual - Gemini	ERR4848	1
6	Plug		(-) 200 TDI, Also serviced as part of a kit, (-) 12L 2.5 TDI Manual - Gemini	ERR3457	2
7	Spacer		(-) 200 TDI, (-) 12L 2.5 TDI Manual - Gemini	ERR1209	6
8	Spacer		(-) 200 TDI, (-) 12L 2.5 TDI Manual - Gemini	ERR2732	2
9	Screw-engine tappet adjustment		(-) 200 TDI, (-) 12L 2.5 TDI Manual - Gemini	ERR4883	8
10	Nut-locking		(-) 200 TDI, (-) 12L 2.5 TDI Manual - Gemini	ERR560	8
11	Clamp-rocker shaft		(-) 200 TDI, (-) 12L 2.5 TDI Manual - Gemini	ERR3779	5
12	Stud		(-) 200 TDI, (-) 12L 2.5 TDI Manual - Gemini	ERR4687	3
13	Bolt		(-) 200 TDI, rocker shaft to head, M8 x 50, (-) 12L 2.5 TDI Manual - Gemini, Flanged Head	FB108101	2
14	Nut - Hex.		(-) 200 TDI, M8, (-) 12L 2.5 TDI Manual - Gemini, Flanged Head	FN108047L	3

Engine
2500 - Diesel - Turbo - 300 Tdi
Starter Motor 1/1

Discovery (FA393361-WA799999)

(CABNPE1A)



Discovery (FA393361-WA799999)

Engine
2500 - Diesel - Turbo - 300 Tdi
Starter Motor

Change point - VIN begin MA081992, 2.5L 4 Cyl TDi Diesel

Callout	Name	Application	Remarks & Restrictions	Service No.	Qty
1	Motor-starter engine	2.5 4 Cyl 300 Series/TDI Diesel	(-) 200 TDI, Also serviced as part of a kit, Bosch, (-) 12L 2.5 TDI Manual - Gemini, exchange	ERR5009E	1
		2.5 4 Cyl 300 Series/TDI Diesel	(-) 200 TDI, Also serviced as part of a kit, Bosch, (-) 12L 2.5 TDI Manual - Gemini, New	ERR5009	1
2	Box assembly-brush starter motor	2.5 4 Cyl 300 Series/TDI Diesel	(-) 200 TDI, Also serviced as part of a kit, Bosch, (-) 12L 2.5 TDI Manual - Gemini	STC1246	1
3	Spring-coil	2.5 4 Cyl 300 Series/TDI Diesel	(-) 200 TDI, Also serviced as part of a kit, (-) 12L 2.5 TDI Manual - Gemini	STC1254	4
4	Guide-starter motor brush	2.5 4 Cyl 300 Series/TDI Diesel	(-) 200 TDI, Also serviced as part of a kit, (-) 12L 2.5 TDI Manual - Gemini	STC1247	4
5	Drive assembly starter motor	2.5 4 Cyl 300 Series/TDI Diesel	(-) 200 TDI, Also serviced as part of a kit, Bosch, (-) 12L 2.5 TDI Manual - Gemini	STC1244	1
6	Solenoid starter motor	2.5 4 Cyl 300 Series/TDI Diesel	(-) 200 TDI, Also serviced as part of a kit, Bosch, (-) 12L 2.5 TDI Manual - Gemini, 0 331 303 165	STC1245	1
		2.5 4 Cyl 300 Series/TDI Diesel	(-) 200 TDI, Also serviced as part of a kit, Bosch, (-) 12L 2.5 TDI Manual - Gemini, 9 330 331 006	STC3715	1
7	Bush-starter motor	2.5 4 Cyl 300 Series/TDI Diesel	(-) 200 TDI, Also serviced as part of a kit, (-) 12L 2.5 TDI Manual - Gemini, Centre	STC1250	2
8	Bush-starter motor	2.5 4 Cyl 300 Series/TDI Diesel	(-) 200 TDI, Also serviced as part of a kit, Rear, (-) 12L 2.5 TDI Manual - Gemini	STC1251	1
9	Bush-starter motor	2.5 4 Cyl 300 Series/TDI Diesel	(-) 200 TDI, Also serviced as part of a kit, Front, (-) 12L 2.5 TDI Manual - Gemini	STC1255	1
10	Nut - Hex.	(-) 200 TDI, M10, (-) 12L 2.5 TDI Manual - Gemini, flange		FN110041L	1
		(-) 200 TDI, M10, (-) 12L 2.5 TDI Manual - Gemini, flange		FN110047	1
11	Screw	(-) 200 TDI, solenoid to starter motor, (-) 12L 2.5 TDI Manual - Gemini, Flanged Head, M10 x 30, top		FS110301L	2
12	Nut - Hex.	(-) 200 TDI, M8, (-) 12L 2.5 TDI Manual - Gemini, flange		FN108041L	1

Engine
2500 - Diesel - Turbo - 300 Tdi
Sump 1/2

Discovery (FA393361-WA799999)

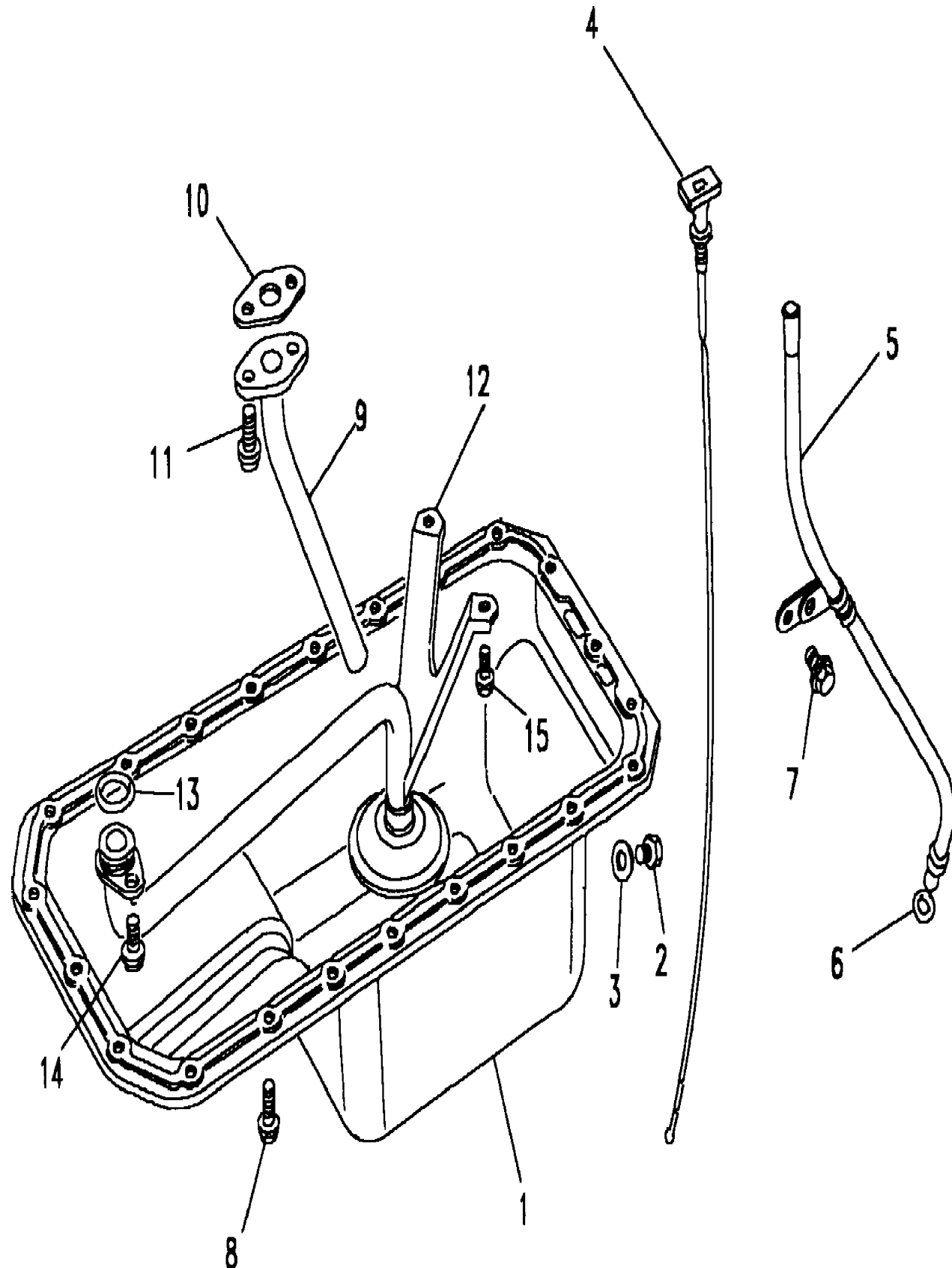
(CABNDA1A)

Discovery (FA393361-WA799999)

Engine
2500 - Diesel - Turbo - 300 Tdi
Sump

Change point - VIN begin MA081992, 2.5L 4 Cyl TDi Diesel

Callout	Name	Application	Remarks & Restrictions	Service No.	Qty
1	Sump-engine oil	Change point - Engine begin 22L00046A, 2.5 4 Cyl 300 Series/TDI Diesel Change point - Engine begin 21L88229A, 2.5 4 Cyl 300 Series/TDI Diesel	(-) 200 TDI, Also serviced as part of a kit, (-) 12L 2.5 TDI Manual - Gemini (-) 200 TDI, Also serviced as part of a kit, (-) 12L 2.5 TDI Manual - Gemini	ERR4696 LSB102610	1 1
2	Plug-sump assembly oil drain	Change point - Engine begin 22L00046A, 2.5 4 Cyl 300 Series/TDI Diesel Change point - Engine begin 21L88229A, 2.5 4 Cyl 300 Series/TDI Diesel	(-) 200 TDI, Also serviced as part of a kit, (-) 12L 2.5 TDI Manual - Gemini (-) 200 TDI, Also serviced as part of a kit, (-) 12L 2.5 TDI Manual - Gemini	UAM2957L LSF100040L	1 1
3	Washer-sealing	Change point - Engine begin 22L00046A, 2.5 4 Cyl 300 Series/TDI Diesel Change point - Engine begin 21L88229A, 2.5 4 Cyl 300 Series/TDI Diesel	(-) 200 TDI, sump drain plug, Also serviced as part of a kit, (-) 12L 2.5 TDI Manual - Gemini (-) 200 TDI, sump drain plug, Also serviced as part of a kit, (-) 12L 2.5 TDI Manual - Gemini	UAM2857L ALU1403L	1 1
4	Dipstick-oil	2.5 4 Cyl 300 Series/TDI Diesel	(-) 200 TDI, (-) 12L 2.5 TDI Manual - Gemini	ERR3809	1
5	Tube-oil dipstick	2.5 4 Cyl 300 Series/TDI Diesel	(-) 200 TDI, (-) 12L 2.5 TDI Manual - Gemini	ERR4697	1
6	O Ring	2.5 4 Cyl 300 Series/TDI Diesel	(-) 200 TDI, (-) 12L 2.5 TDI Manual - Gemini	ERR3683	1
7	Screw	2.5 4 Cyl 300 Series/TDI Diesel	(-) 200 TDI, tube dipstick to block, M8 X 16, (-) 12L 2.5 TDI Manual - Gemini, Flanged Head	FS108161L	1
8	Screw	2.5 4 Cyl 300 Series/TDI Diesel	(-) 200 TDI, sump to block, M8 X 16, (-) 12L 2.5 TDI Manual - Gemini, Flanged Head	FS108161L	22
9	Pipe-sump assembly oil drain	2.5 4 Cyl 300 Series/TDI Diesel	(-) 200 TDI, (-) 12L 2.5 TDI Manual - Gemini	ERR3633	1
10	Gasket-external drain pipe	2.5 4 Cyl 300 Series/TDI Diesel	(-) 200 TDI, (-) 12L 2.5 TDI Manual - Gemini	ERR1653	1
11	Screw	2.5 4 Cyl 300 Series/TDI Diesel	(-) 200 TDI, pipe to crankcase, (-) 12L 2.5 TDI Manual - Gemini, Flanged Head, M8 x 20	FS108207L	2
12	Strainer and pipe assembly-oil	2.5 4 Cyl 300 Series/TDI Diesel	(-) 200 TDI, (-) 12L 2.5 TDI Manual - Gemini	ERR7002	1
13	O ring-oil suction pipe seal	2.5 4 Cyl 300 Series/TDI Diesel	(-) 200 TDI, (-) 12L 2.5 TDI Manual - Gemini	ERR3417	1



Engine
2500 - Diesel - Turbo - 300 Tdi
Sump 2/2

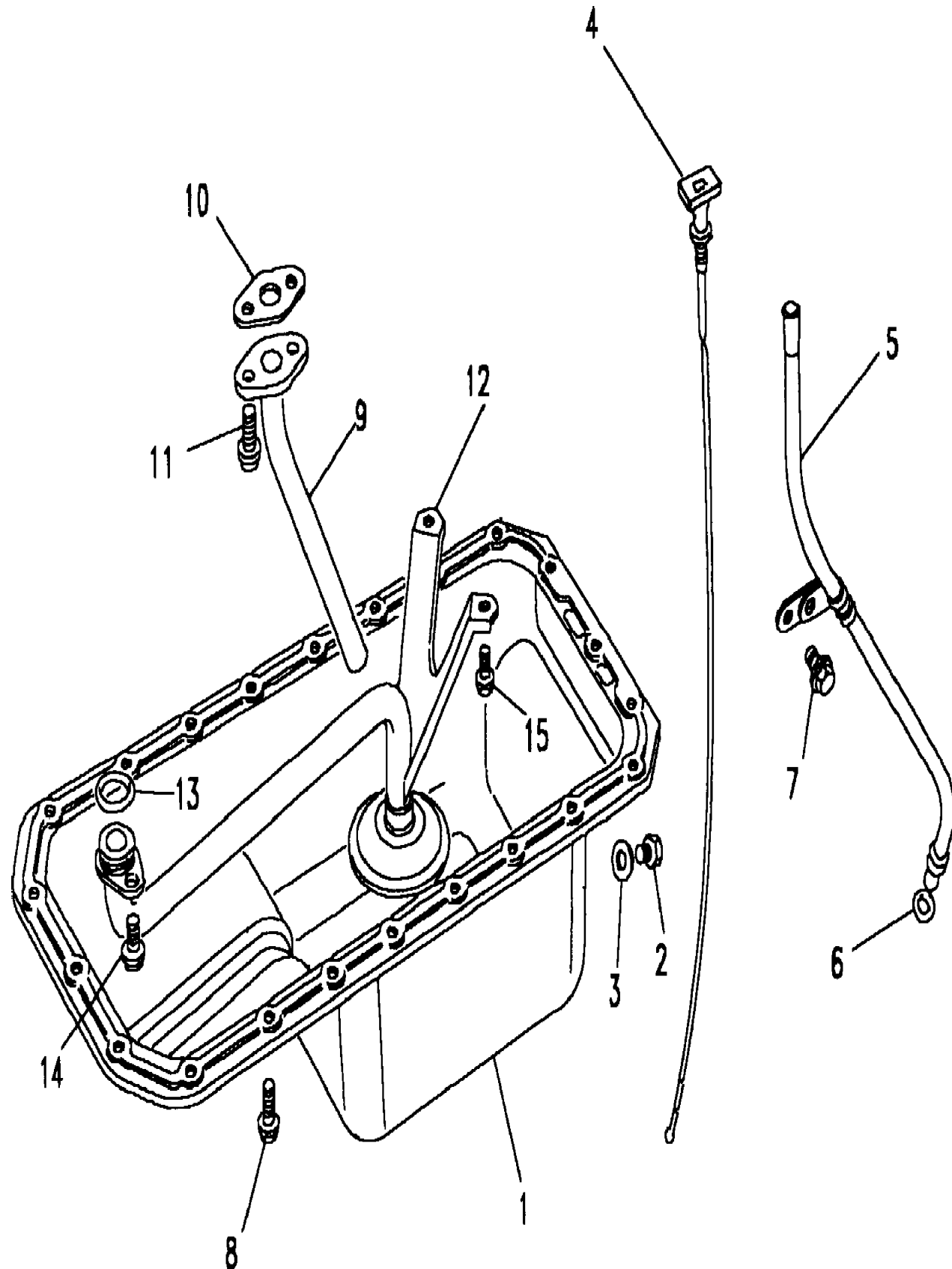
Discovery (FA393361-WA799999)
(CABNDA1A)

Discovery (FA393361-WA799999)

Engine
2500 - Diesel - Turbo - 300 Tdi
Sump

Change point - VIN begin MA081992, 2.5L 4 Cyl TDi Diesel

Callout	Name	Application	Remarks & Restrictions	Service No.	Qty
14	Screw	2.5 4 Cyl 300 Series/TDI Diesel	(-) 200 TDI, oil strainer to block, M8 X 16, (-) 12L 2.5 TDI Manual - Gemini, Flanged Head	FS108161L	1
15	Screw	2.5 4 Cyl 300 Series/TDI Diesel	(-) 200 TDI, oil strainer to block, M8 X 16, (-) 12L 2.5 TDI Manual - Gemini, Flanged Head	FS108161L	2
[900]	Gasket-sealing	2.5 300 Series/TDI Turbo Diesel	(-) 200 TDI, (-) 12L 2.5 TDI Manual - Gemini, 50ml	STC50550	X



Engine
2500 - Diesel - Turbo - 300 Tdi
Thermostat Housing 1/2

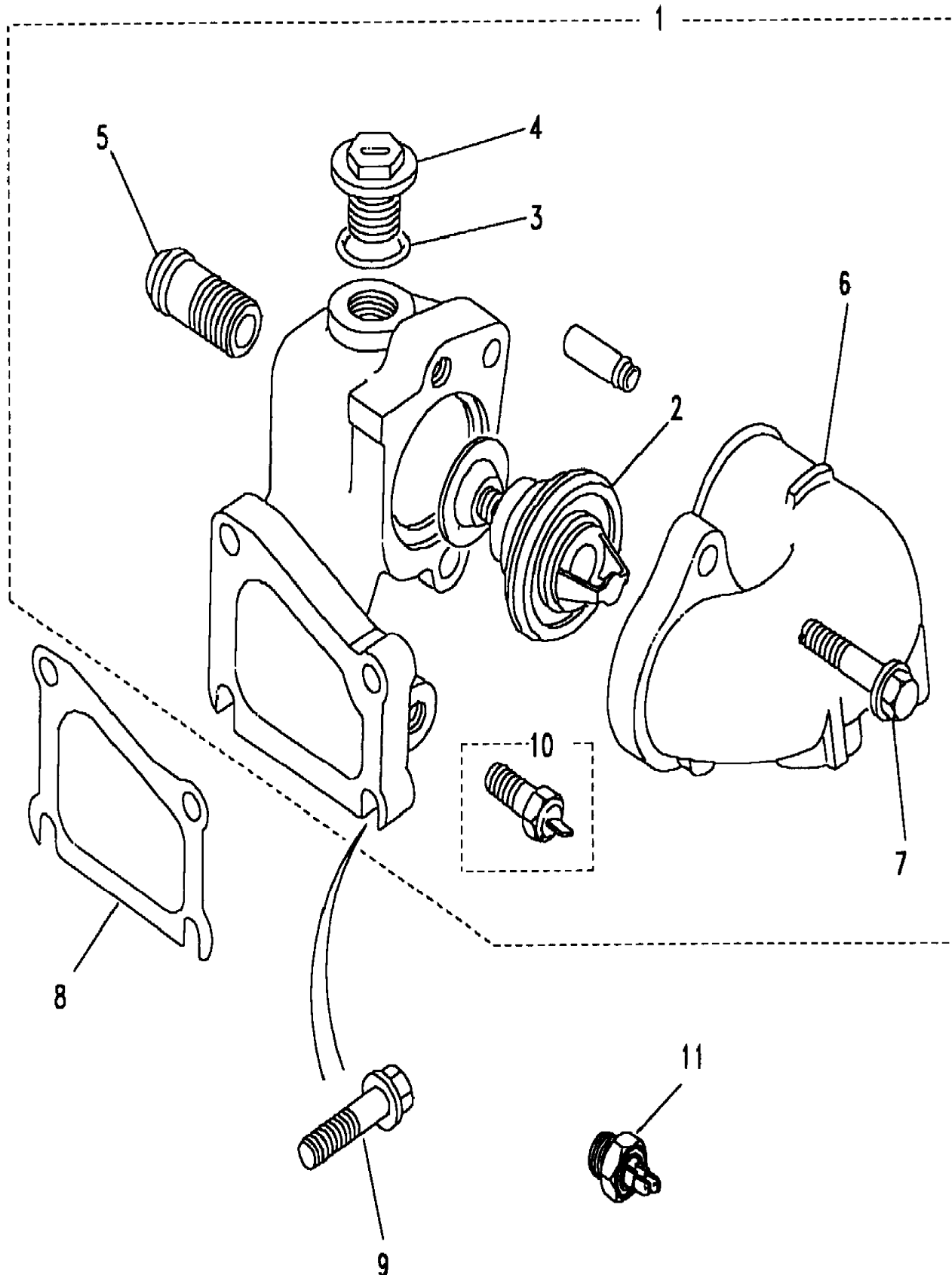
Discovery (FA393361-WA799999)

(CABNGK1A)

Discovery (FA393361-WA799999)

Engine
2500 - Diesel - Turbo - 300 Tdi
Thermostat Housing

Change point - VIN begin MA081992, 2.5L 4 Cyl TDi Diesel



Callout	Name	Application	Remarks & Restrictions	Service No.	Qty
1	Housing-thermostat	2.5 4 Cyl 300 Series/TDI Diesel, Less Air Conditioning	(-) 200 TDI, Also serviced as part of a kit, (-) 12L 2.5 TDI Manual - Gemini	ERR3479	1
		2.5 4 Cyl 300 Series/TDI Diesel, With Air Conditioning	(-) 200 TDI, Also serviced as part of a kit, (-) 12L 2.5 TDI Manual - Gemini	ERR5098	1
2	Thermostat-engine	2.5 4 Cyl 300 Series/TDI Diesel, Less Air Conditioning	(-) 200 TDI, Also serviced as part of a kit, (-) 12L 2.5 TDI Manual - Gemini	ERR3291	1
		2.5 4 Cyl 300 Series/TDI Diesel, With Air Conditioning	(-) 200 TDI, Also serviced as part of a kit, (-) 12L 2.5 TDI Manual - Gemini	ERR3291	1
3	O Ring	2.5 4 Cyl 300 Series/TDI Diesel, Less Air Conditioning	(-) 200 TDI, Also serviced as part of a kit, (-) 12L 2.5 TDI Manual - Gemini	ERR4685	1
		2.5 4 Cyl 300 Series/TDI Diesel, With Air Conditioning	(-) 200 TDI, Also serviced as part of a kit, (-) 12L 2.5 TDI Manual - Gemini	ERR4685	1
4	Plug	2.5 4 Cyl 300 Series/TDI Diesel, Less Air Conditioning	(-) 200 TDI, Also serviced as part of a kit, (-) 12L 2.5 TDI Manual - Gemini	ERR4686	1
		2.5 4 Cyl 300 Series/TDI Diesel, With Air Conditioning	(-) 200 TDI, Also serviced as part of a kit, (-) 12L 2.5 TDI Manual - Gemini	ERR4686	1
5	Pipe assembly-engine coolant	Change point - Engine begin 16L00088A, 2.5 4 Cyl 300 Series/TDI Diesel, Less Air Conditioning	(-) 200 TDI, Also serviced as part of a kit, (-) 12L 2.5 TDI Manual - Gemini	ERR3622	1
		2.5 4 Cyl 300 Series/TDI Diesel, Less Air Conditioning	(-) 200 TDI, Also serviced as part of a kit, (-) 12L 2.5 TDI Manual - Gemini	PEP102840	1
		Change point - Engine begin 16L00088A, 2.5 4 Cyl 300 Series/TDI Diesel, With Air Conditioning	(-) 200 TDI, Also serviced as part of a kit, (-) 12L 2.5 TDI Manual - Gemini	ERR3622	1
		2.5 4 Cyl 300 Series/TDI Diesel, With Air Conditioning	(-) 200 TDI, Also serviced as part of a kit, (-) 12L 2.5 TDI Manual - Gemini	PEP102840	1
6	Elbow-engine coolant outlet	2.5 4 Cyl 300 Series/TDI Diesel, Less Air Conditioning	(-) 200 TDI, Also serviced as part of a kit, (-) 12L 2.5 TDI Manual - Gemini	ERR3737	1
		2.5 4 Cyl 300 Series/TDI Diesel, With Air Conditioning	(-) 200 TDI, Also serviced as part of a kit, (-) 12L 2.5 TDI Manual - Gemini	ERR3738	1
8	Gasket-thermostat housing	2.5 4 Cyl 300 Series/TDI Diesel	CYLINDER HEAD, (-) 200 TDI, (-) 12L 2.5 TDI Manual - Gemini	ERR3490	1
9	Screw		(-) 200 TDI, thermostat housing to cylinder head, M8 x 25, (-) 12L 2.5 TDI Manual - Gemini, Flanged Head	FS108257L	4

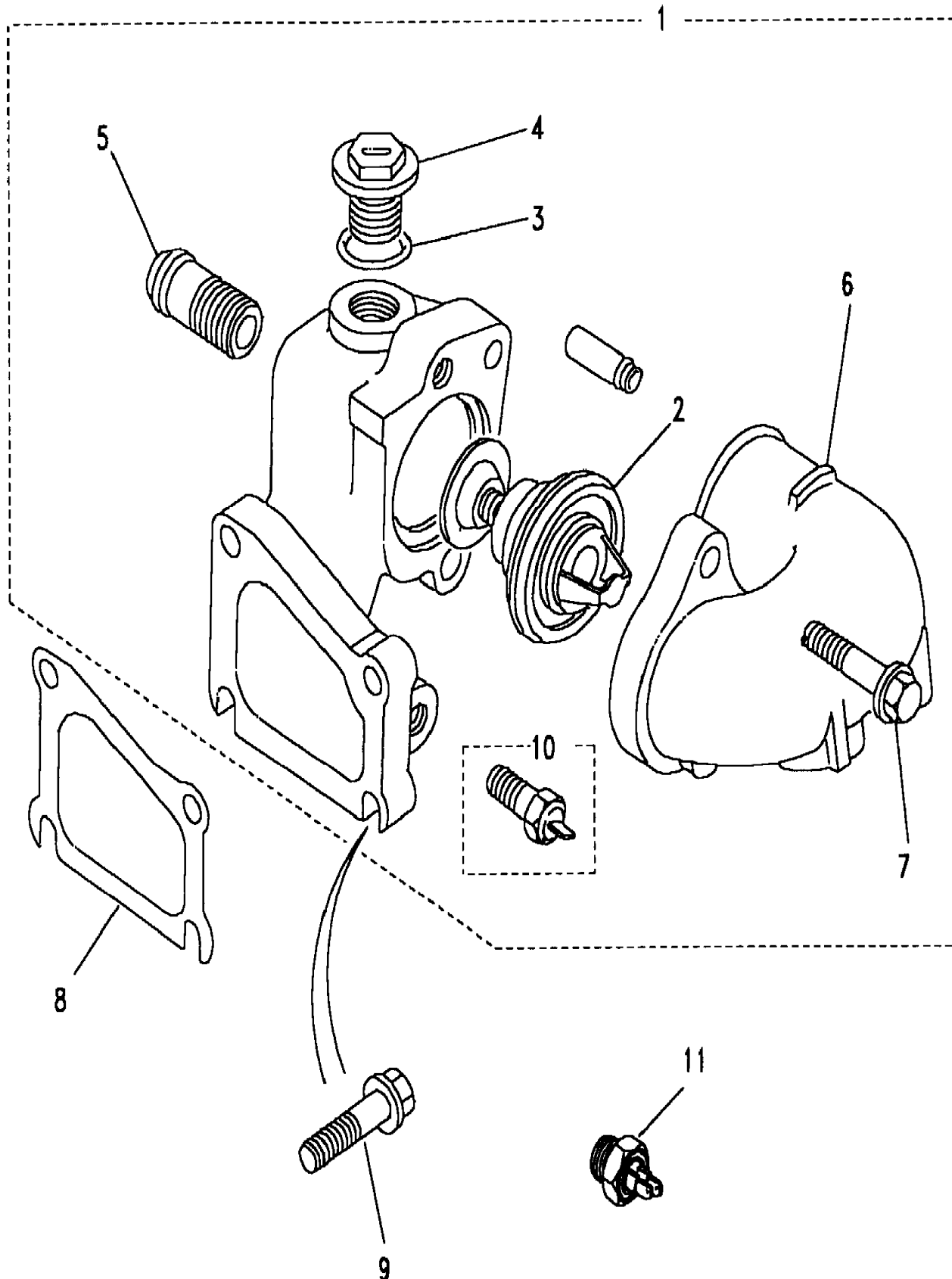
Engine
2500 - Diesel - Turbo - 300 Tdi
Thermostat Housing 2/2

Discovery (FA393361-WA799999)
(CABNGK1A)

Discovery (FA393361-WA799999)

Engine
2500 - Diesel - Turbo - 300 Tdi
Thermostat Housing

Change point - VIN begin MA081992, 2.5L 4 Cyl TDi Diesel

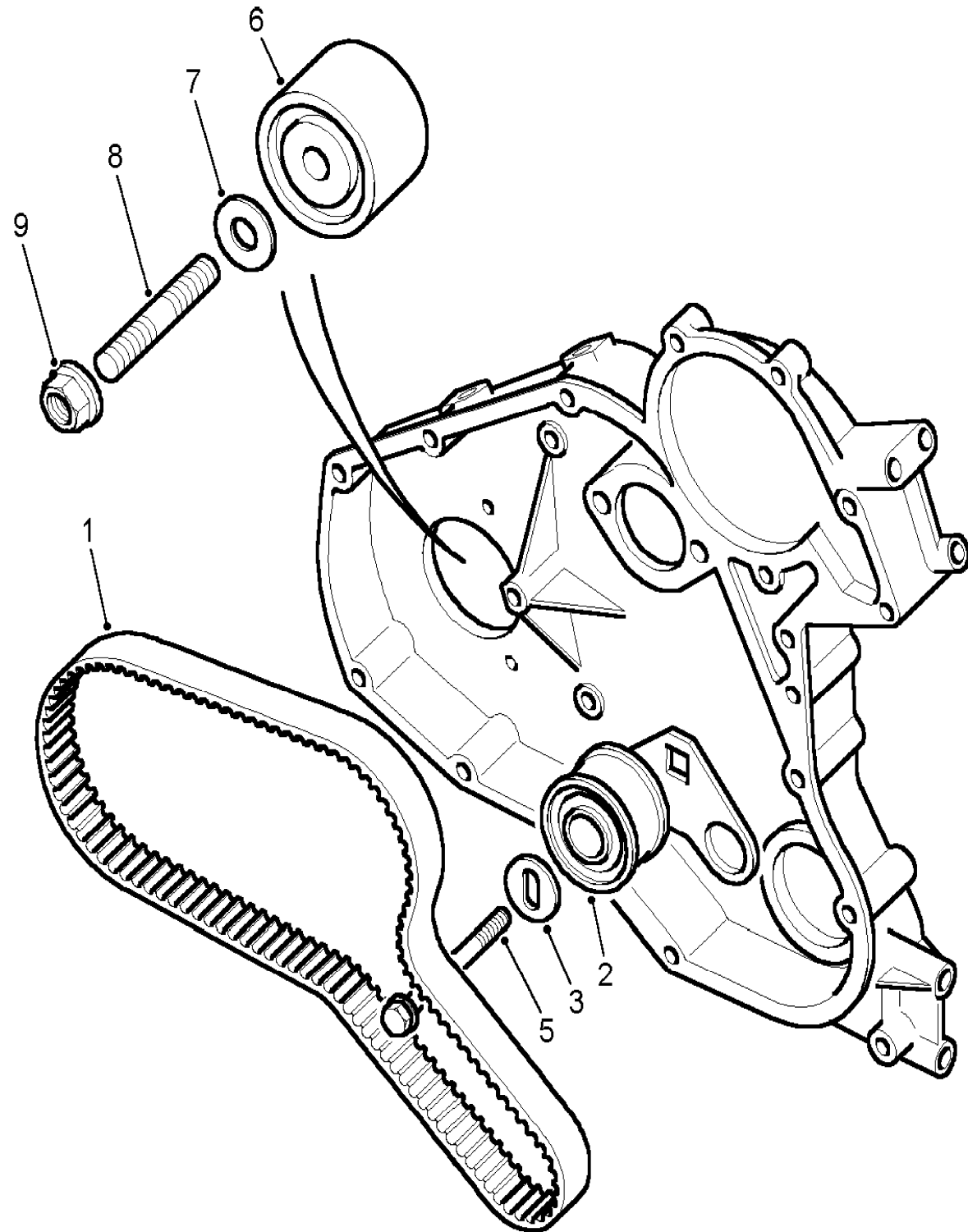


Callout	Name	Application	Remarks & Restrictions	Service No.	Qty
10	Sensor-Temperature		(-) 200 TDI, (-) 12L 2.5 TDI Manual - Gemini	AMR1425	1
11	Switch-engine thermostat		(-) 200 TDI, Green, (-) 12L 2.5 TDI Manual - Gemini (-) 200 TDI, (-) 12L 2.5 TDI Manual - Gemini, Yellow..	PRC3359 PRC3505	1 1
[900]	Screw	2.5 4 Cyl 300 Series/TDI Diesel, Less Air Conditioning	(-) 200 TDI, Also serviced as part of a kit, M8 x 25, (-) 12L 2.5 TDI Manual - Gemini, Flanged Head	FS108257L	2
		2.5 4 Cyl 300 Series/TDI Diesel, With Air Conditioning	(-) 200 TDI, Also serviced as part of a kit, M8 x 25, (-) 12L 2.5 TDI Manual - Gemini, Flanged Head	FS108257L	2
[901]	Housing-thermostat	2.5 4 Cyl 300 Series/TDI Diesel, With Air Conditioning	(-) 200 TDI, Also serviced as part of a kit, (-) 12L 2.5 TDI Manual - Gemini	ERR4821	1

Engine
2500 - Diesel - Turbo - 300 Tdi
Timing Belt & Tensioner 1/1

Discovery (FA393361-WA799999)

(LB0027)



Discovery (FA393361-WA799999)

Engine
2500 - Diesel - Turbo - 300 Tdi
Timing Belt & Tensioner

Change point - VIN begin MA081992, 2.5L 4 Cyl TDi Diesel

Callout	Name	Application	Remarks & Restrictions	Service No.	Qty
1	Belt-engine timing	2.5 4 Cyl 300 Series/TDI Diesel	(-) 200 TDI, (-) 12L 2.5 TDI Manual - Gemini	ERR1092	1
2	Tensioner-timing belt	Change point - VIN end VA560897 Change point - VIN begin VA560898	(-) 200 TDI, (-) 12L 2.5 TDI Manual - Gemini (-) 200 TDI, (-) 12L 2.5 TDI Manual - Gemini	ERR1972 LHP100860	1 1
3	Washer		(-) 200 TDI, (-) 12L 2.5 TDI Manual - Gemini	ERR900	1
5	Bolt		(-) 200 TDI, tensioner to cover, (-) 12L 2.5 TDI Manual - Gemini, Flanged Head, M10 x 70	FB110141L	1
6	Idler-timing belt	Change point - VIN end VA560897 Change point - VIN begin VA560898, 2.5L L/R TDi Diesel	(-) 200 TDI, (-) 12L 2.5 TDI Manual - Gemini (-) 200 TDI, (-) 12L 2.5 TDI Manual - Gemini	ETC8560 LHV100150	1 1
7	Washer		(-) 200 TDI, (-) 12L 2.5 TDI Manual - Gemini	ERR1973	1
8	Stud	2.5 4 Cyl TDi L/R Diesel	(-) 200 TDI, (-) 12L 2.5 TDI Manual - Gemini, M10 x 30	TE110061L	1
9	Nut - Hex.		(-) 200 TDI, M10, (-) 12L 2.5 TDI Manual - Gemini, flange Change point - VIN end VA560897 (-) 200 TDI, M10, (-) 12L 2.5 TDI Manual - Gemini, flange Change point - VIN begin VA560898, 2.5L L/R TDi Diesel (-) 200 TDI, M10, (-) 12L 2.5 TDI Manual - Gemini Change point - VIN begin VA560898, 2.5L L/R TDi Diesel (-) 200 TDI, M10, (-) 12L 2.5 TDI Manual - Gemini	FN110041L FN110047 LYH100500 LYH100500	1 1 1 1

Engine
2500 - Diesel - Turbo - 300 Tdi
Turbocharger 1/2

Discovery (FA393361-WA799999)

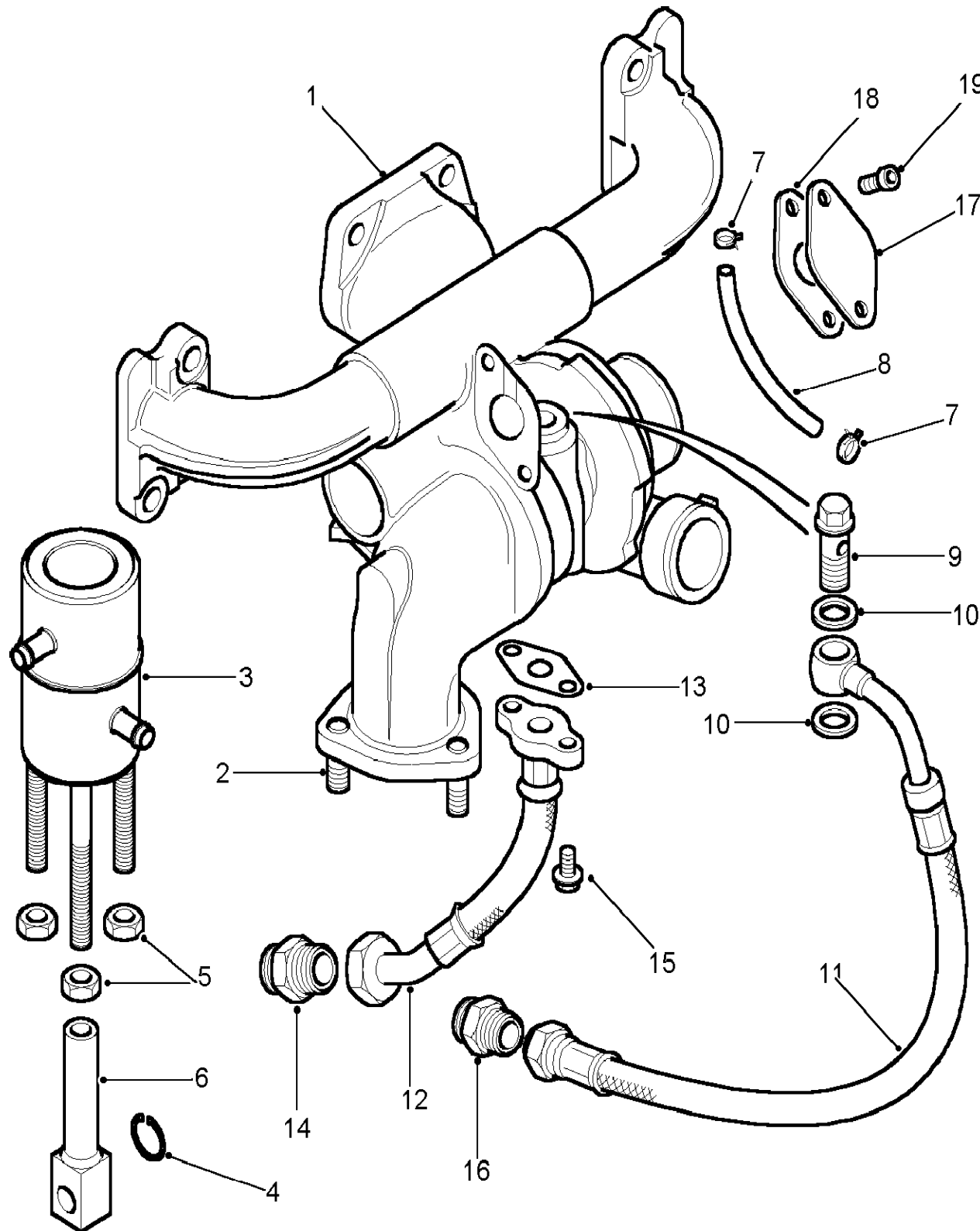
(LB0032A)

Discovery (FA393361-WA799999)

Engine
2500 - Diesel - Turbo - 300 Tdi
Turbocharger

Change point - VIN begin MA081992, 2.5L 4 Cyl TDi Diesel

Callout	Name	Application	Remarks & Restrictions	Service No.	Qty
1	Turbocharger assembly		(-) 200 TDI, Also serviced as part of a kit, (-) 12L 2.5 TDI Manual - Gemini, New (-) 200 TDI, Also serviced as part of a kit, (-) 12L 2.5 TDI Manual - Gemini, exchange	ERR4802 ERR4802E	1 1
2	Stud		(-) 200 TDI, Also serviced as part of a kit, (-) 12L 2.5 TDI Manual - Gemini	STC3159	3
3	Actuator-waste gate turbocharger		(-) 200 TDI, Also serviced as part of a kit, (-) 12L 2.5 TDI Manual - Gemini	STC3084	1
4	Clip		(-) 200 TDI, Also serviced as part of a kit, (-) 12L 2.5 TDI Manual - Gemini	STC3592	1
5	Nut - Hex.		(-) 200 TDI, Also serviced as part of a kit, (-) 12L 2.5 TDI Manual - Gemini	STC4614	3
6	End-yoke		(-) 200 TDI, Also serviced as part of a kit, (-) 12L 2.5 TDI Manual - Gemini	STC4615	1
7	Clip-Hose		(-) 200 TDI, Also serviced as part of a kit, (-) 12L 2.5 TDI Manual - Gemini	PYC101800L	2
8	Hose wastegate control		(-) 200 TDI, Also serviced as part of a kit, (-) 12L 2.5 TDI Manual - Gemini	STC4617	1
9	Bolt-banjo		(-) 200 TDI, (-) 12L 2.5 TDI Manual - Gemini	ERR1125	1
10	Washer-sealing		(-) 200 TDI, (-) 12L 2.5 TDI Manual - Gemini	FRC4808	2
11	Pipe turbocharger oil feed		(-) 200 TDI, (-) 12L 2.5 TDI Manual - Gemini	ERR4894	1
12	Pipe-oil drain turbocharger		(-) 200 TDI, (-) 12L 2.5 TDI Manual - Gemini	ERR4895	1
13	Gasket-oil drain turbocharger		(-) 200 TDI, (-) 12L 2.5 TDI Manual - Gemini	ERR2109	1
14	Adaptor-oil drain pipe turbocharger		(-) 200 TDI, (-) 12L 2.5 TDI Manual - Gemini	ERR335	1
15	Screw		(-) 200 TDI, (-) 12L 2.5 TDI Manual - Gemini, Flanged Head, M8 x 20	FS108207L	2
16	Pipe-adaptor turbocharger		(-) 200 TDI, (-) 12L 2.5 TDI Manual - Gemini	ETC8820	1



LB0032A

Engine
2500 - Diesel - Turbo - 300 Tdi
Turbocharger 2/2

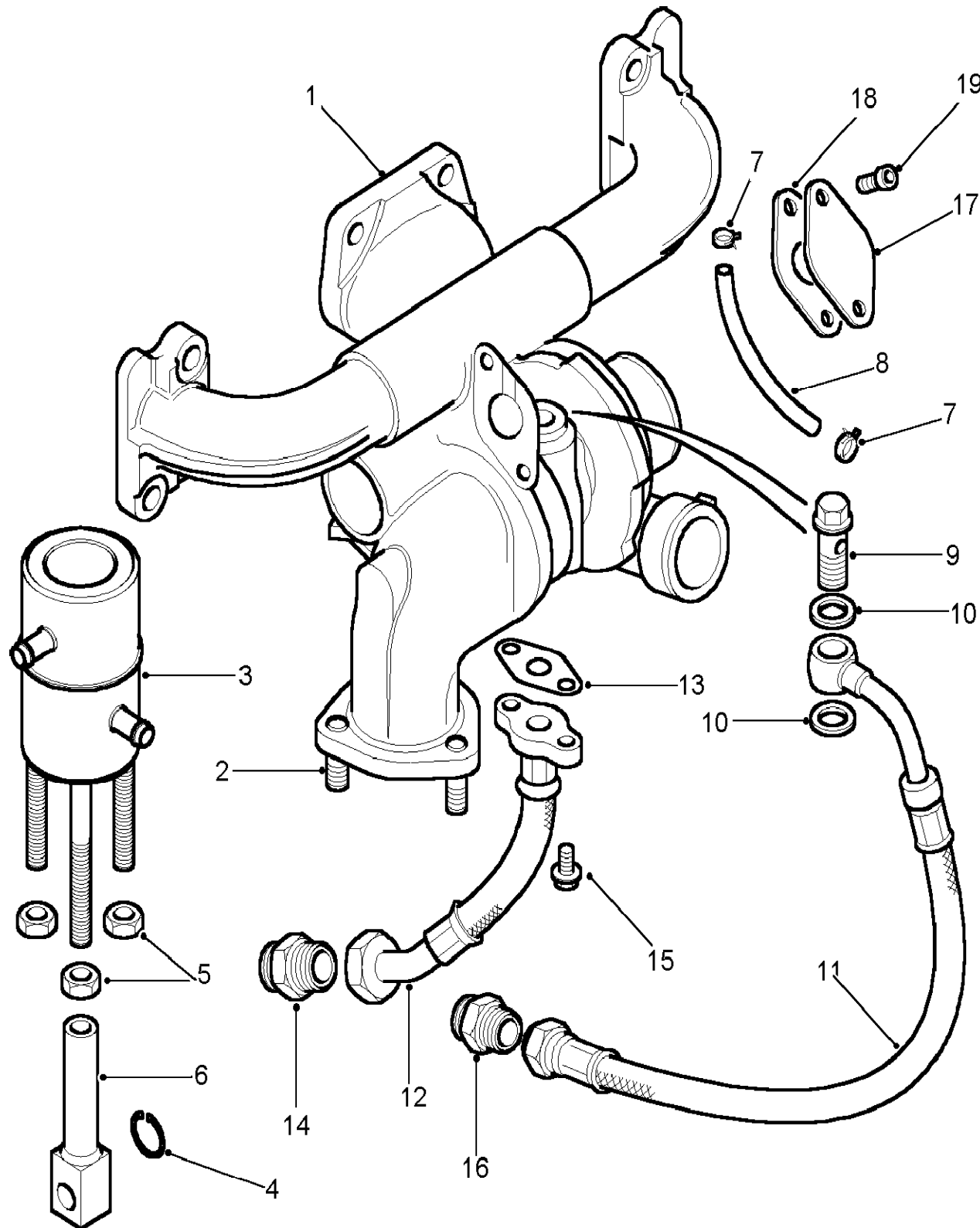
Discovery (FA393361-WA799999)
(LB0032A)

Discovery (FA393361-WA799999)

Engine
2500 - Diesel - Turbo - 300 Tdi
Turbocharger

Change point - VIN begin MA081992, 2.5L 4 Cyl TDi Diesel

Callout	Name	Application	Remarks & Restrictions	Service No.	Qty
17	Plate-turbocharger blanking		(-) 200 TDI, (-) 12L 2.5 TDI Manual - Gemini	ERR4698	1
18	Gasket-exhaust gas recirculation pipe-inlet manifold engine exhaust		(-) 200 TDI, turbocharger blanking, (-) 12L 2.5 TDI Manual - Gemini	ERR7173	1
19	Screw-hexagon socket		(-) 200 TDI, plate to manifold, (-) 12L 2.5 TDI Manual - Gemini, M8 x 20 (-) 200 TDI, M8 x 25, (-) 12L 2.5 TDI Manual - Gemini, hexagonal socket	SS108201 SS108251L	2 1



LB0032A

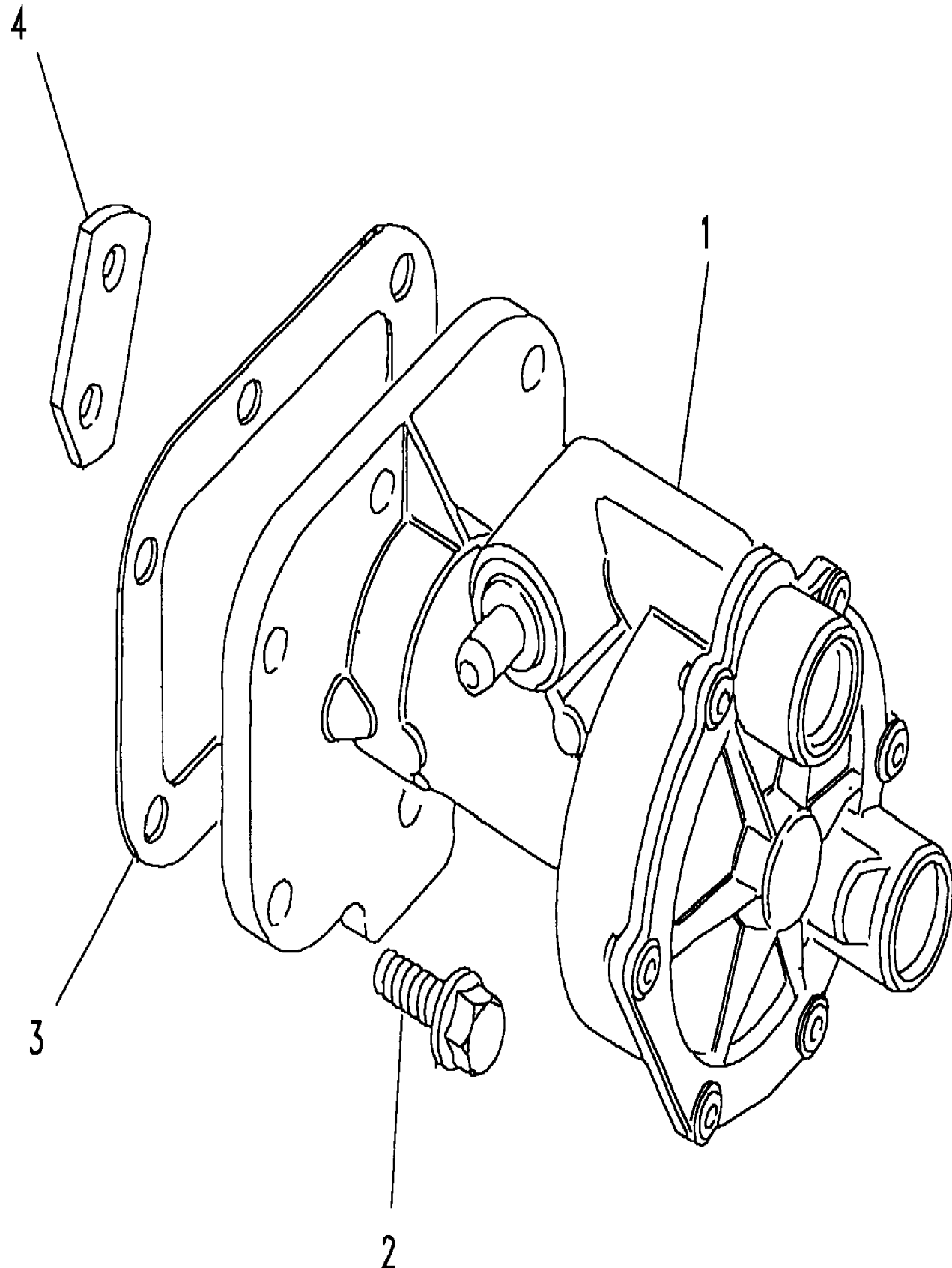
Engine
2500 - Diesel - Turbo - 300 Tdi
Vacuum Pump 1/1

Discovery (FA393361-WA799999)
(CABNNA1A)

Discovery (FA393361-WA799999)
Engine
2500 - Diesel - Turbo - 300 Tdi
Vacuum Pump

Change point - VIN begin MA081992, 2.5L 4 Cyl TDi Diesel

Callout	Name	Application	Remarks & Restrictions	Service No.	Qty
1	Pump brake vacuum		(-) 200 TDI, (-) 12L 2.5 TDI Manual - Gemini	ERR3539	1
2	Screw		PUMP TO BLOCK, (-) 200 TDI, (-) 12L 2.5 TDI Manual - Gemini, Flanged Head, M8 x 20	FS108201L	5
			PUMP TO BLOCK, (-) 200 TDI, (-) 12L 2.5 TDI Manual - Gemini, Flanged Head, M8 x 20	FS108207L	5
3	Gasket-vacuum pump		(-) 200 TDI, (-) 12L 2.5 TDI Manual - Gemini	ERR2027	1
4	Bracket Harness		(-) 200 TDI, (-) 12L 2.5 TDI Manual - Gemini	ERC9404	1



Engine
2500 - Diesel - Turbo - 300 Tdi
Valves & Tappets 1/1

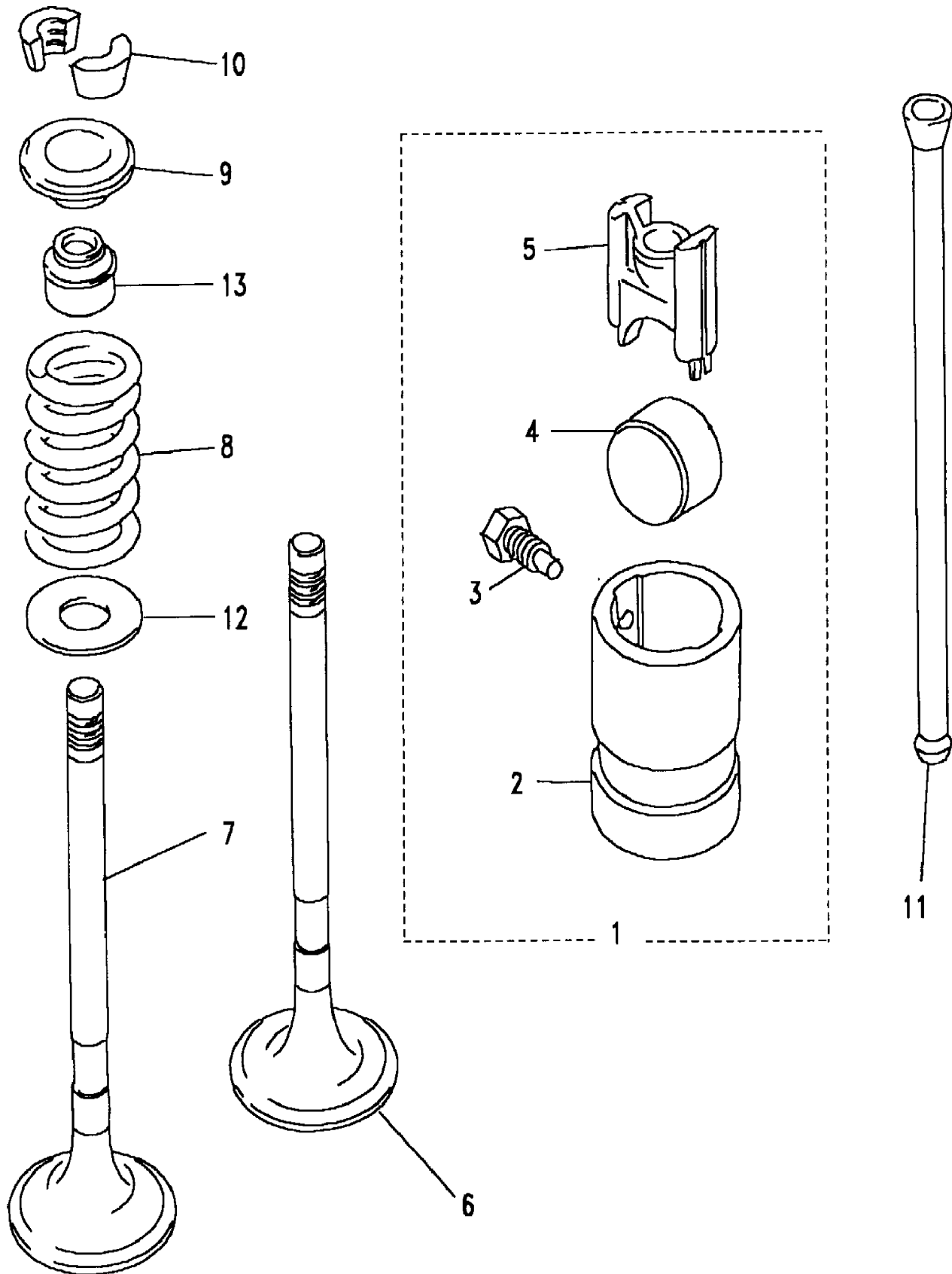
Discovery (FA393361-WA799999)
(CABNGE1A)

Discovery (FA393361-WA799999)

Engine
2500 - Diesel - Turbo - 300 Tdi
Valves & Tappets

Change point - VIN begin MA081992, 2.5L 4 Cyl TDi Diesel

Callout	Name	Application	Remarks & Restrictions	Service No.	Qty
1	Tappet-engine valve hydraulic		(-) 200 TDI, Also serviced as part of a kit, (-) 12L 2.5 TDI Manual - Gemini	RTC6564	8
2	Slide-tappet guide		(-) 200 TDI, Also serviced as part of a kit, (-) 12L 2.5 TDI Manual - Gemini	502473	8
3	Bolt		(-) 200 TDI, Also serviced as part of a kit, (-) 12L 2.5 TDI Manual - Gemini	ETC4246	8
4	Roller-tappet guide		(-) 200 TDI, Also serviced as part of a kit, (-) 12L 2.5 TDI Manual - Gemini	ERR561	8
5	Tappet-engine valve mechanical		(-) 200 TDI, Also serviced as part of a kit, (-) 12L 2.5 TDI Manual - Gemini	ERR607	8
6	Valve-cylinder head inlet		(-) 200 TDI, (-) 12L 2.5 TDI Manual - Gemini	ERR3777	4
7	Valve-cylinder head exhaust		(-) 200 TDI, (-) 12L 2.5 TDI Manual - Gemini	ERR1156	4
8	Spring-cylinder head valve		(-) 200 TDI, (-) 12L 2.5 TDI Manual - Gemini	ERR4640	8
9	Cap-cylinder head valve spring		(-) 200 TDI, (-) 12L 2.5 TDI Manual - Gemini	ETC4068	8
10	Cotter-valve		(-) 200 TDI, (-) 12L 2.5 TDI Manual - Gemini	ETC4069	16
11	Rod-engine push		(-) 200 TDI, (-) 12L 2.5 TDI Manual - Gemini	546799	8
12	Seat-cylinder head valve spring		(-) 200 TDI, (-) 12L 2.5 TDI Manual - Gemini	ETC8193	8
13	Seal-cylinder head valve stem		(-) 200 TDI, (-) 12L 2.5 TDI Manual - Gemini	ETC8663	8
[900]	Cap-valve stem		(-) 200 TDI, (-) 12L 2.5 TDI Manual - Gemini	LJC 100270	8



Engine
V8 Petrol - Carburetter
Air Conditioning Compressor 1/1

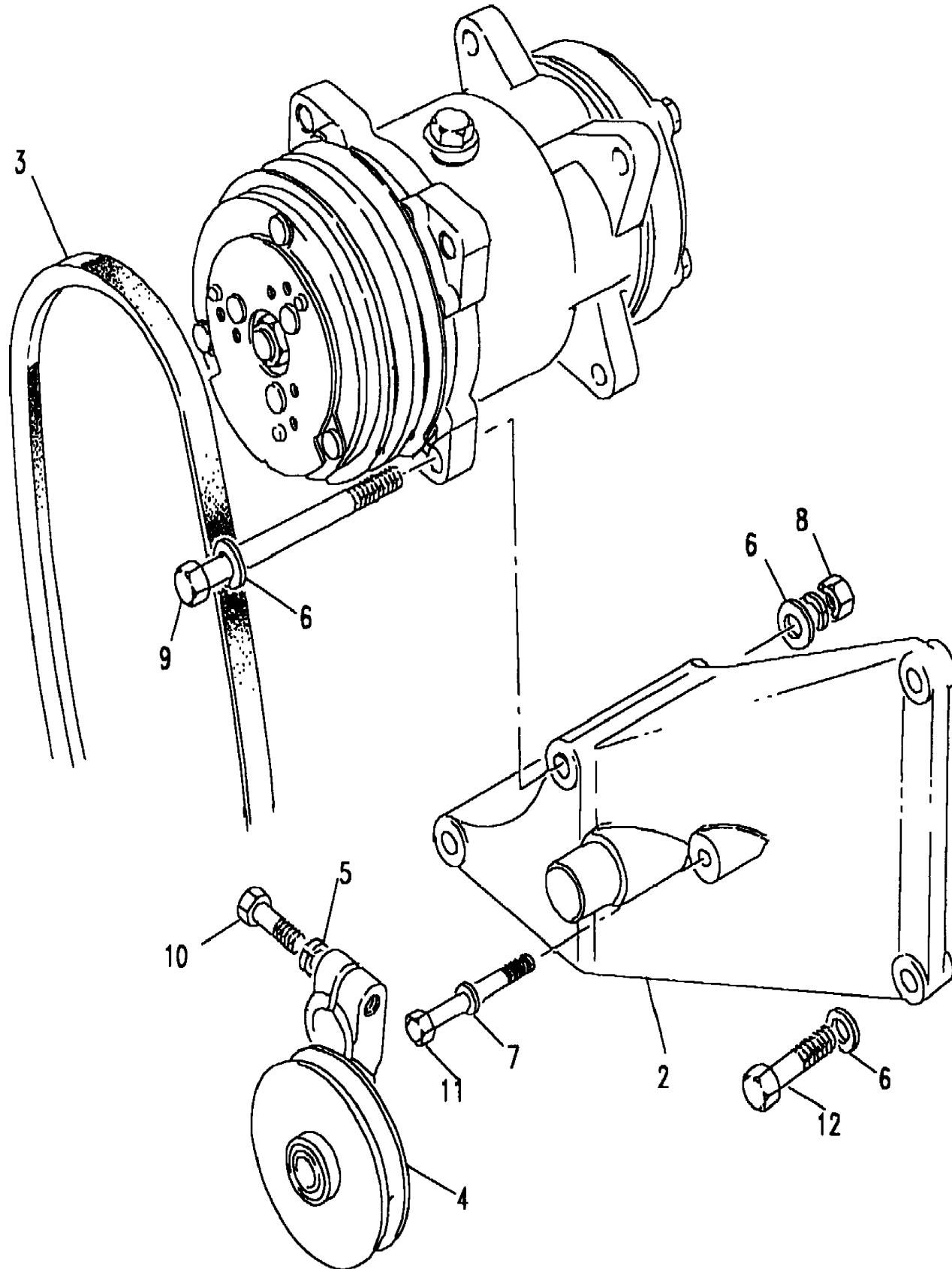
Discovery (FA393361-WA799999)
(CABQNE1A)

Discovery (FA393361-WA799999)

Engine
V8 Petrol - Carburetter
Air Conditioning Compressor

3.5L V8 Twin Carb Petrol, With Air Conditioning

Callout	Name	Application	Remarks & Restrictions	Service No.	Qty
1	Compressor assembly air conditioning	Change point - VIN end HA011587, 3.5L V8 Twin Carb L/R Petrol Change point - VIN begin HA011588, 3.5L V8 Twin Carb L/R Petrol	Also serviced as part of a kit	ETC7994	1
			Also serviced as part of a kit	ERR845	1
2	Bracket-air compressor	3.5L V8 Twin Carb L/R Petrol		ERR4521	1
3	Belt-polyvee alternator	3.5L V8 Twin Carb L/R Petrol		611612	1
4	Pulley-tensioner ancillary drive	3.5L V8 Twin Carb L/R Petrol	Also serviced as part of a kit	614718	1
5	Washer	3.5L V8 Twin Carb L/R Petrol	3/8", Square	WM600061L	1
6	Washer	3.5L V8 Twin Carb L/R Petrol	M10	WA110061L	6
7	Washer	3.5L V8 Twin Carb L/R Petrol	8MM	WA108051L	1
8	Nut - Hex.	3.5L V8 Twin Carb L/R Petrol	hexagonal head, 3/8UNF	NH606041L	2
9	Bolt	3.5L V8 Twin Carb L/R Petrol	3/8UNF x 5	BH606401L	2
10	Bolt	3.5L V8 Twin Carb L/R Petrol	hexagonal head, 5/16UNF x 1 1/4	BH605101L	1
11	Bolt	3.5L V8 Twin Carb L/R Petrol	5/16UNC x 4 1/4	BH505341L	1
12	Bolt	3.5L V8 Twin Carb L/R Petrol	3/8UNC x 1 7/8	BH506131L	1
[900]	O ring air conditioning	Change point - VIN end HA011587, 3.5L V8 Twin Carb L/R Petrol	Also serviced as part of a kit	STC3131	2



Engine
V8 Petrol - Carburetter
Alternator 1/1

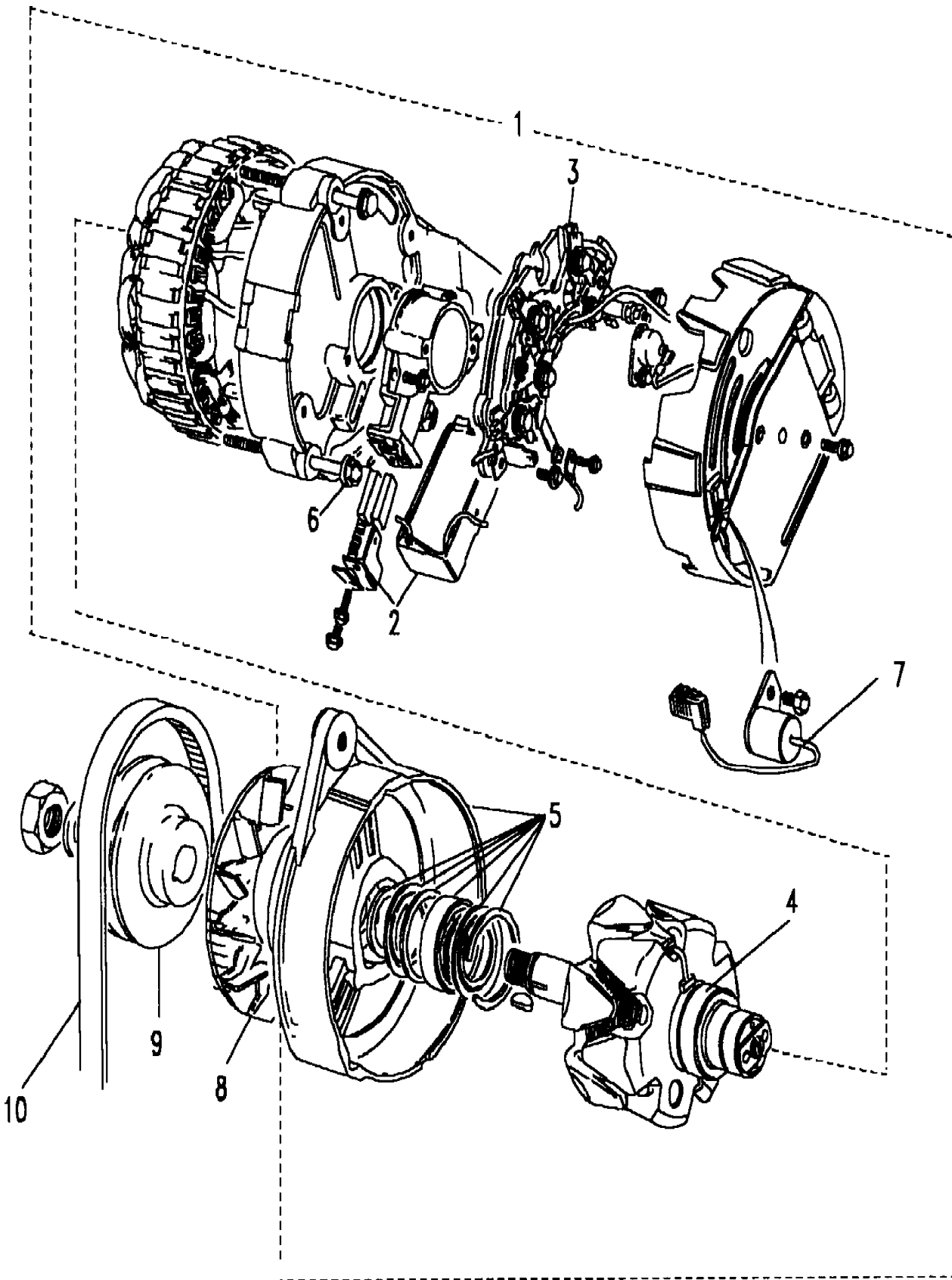
Discovery (FA393361-WA799999)
(CABQPC1A)

Discovery (FA393361-WA799999)

Engine
V8 Petrol - Carburetter
Alternator

3.5L V8 Twin Carb Petrol

Callout	Name	Application	Remarks & Restrictions	Service No.	Qty
1	Alternator assembly	3.5L V8 Twin Carb L/R Petrol	Also serviced as part of a kit, RH, New, A127-65 amp	RTC5680N	1
		3.5L V8 Twin Carb L/R Petrol	Also serviced as part of a kit, RH, exchange, A127-65 amp	RTC5680E	1
2	Regulator & brush box assembly alternator	3.5L V8 Twin Carb L/R Petrol	Also serviced as part of a kit	RTC5670	1
3	Rectifier-alternator	3.5L V8 Twin Carb L/R Petrol	Also serviced as part of a kit	RTC5671	1
4	Bearing-alternator front	3.5L V8 Twin Carb L/R Petrol	Also serviced as part of a kit	RTC5926	1
5	Bracket-drive end c/w bearing alternator e	3.5L V8 Twin Carb L/R Petrol	new alternator, Also serviced as part of a kit, RH	RTC5687	1
		3.5L V8 Twin Carb L/R Petrol	kit alternator, Also serviced as part of a kit, RH	RTC5687	1
		3.5L V8 Twin Carb L/R Petrol	exchange alternator, Also serviced as part of a kit, RH	RTC5687	1
6	Kit-fixings alternator/vacuum pump	3.5L V8 Twin Carb L/R Petrol	new alternator, Also serviced as part of a kit, RH	RTC5046	1
		3.5L V8 Twin Carb L/R Petrol	kit alternator, Also serviced as part of a kit, RH	RTC5046	1
		3.5L V8 Twin Carb L/R Petrol	exchange alternator, Also serviced as part of a kit, RH	RTC5046	1
8	Fan Alternator	3.5L V8 Twin Carb L/R Petrol		AAU2249L	1
9	Pulley Assy - Alternator	3.5L V8 Twin Carb L/R Petrol	68mm, 127/65 amp	ETC9083	1
10	Belt-polyvee alternator	3.5L V8 Twin Carb L/R Petrol		ERR2073	1
[900]	Alternator assembly	3.5L V8 Twin Carb L/R Petrol	Also serviced as part of a kit, RH, New, A127-65 amp	STC234	1
[901]	Capacitor alternator	3.5L V8 Twin Carb L/R Petrol	Also serviced as part of a kit	RTC6114	1



Engine
V8 Petrol - Carburetter
Alternator Mountings 1/2

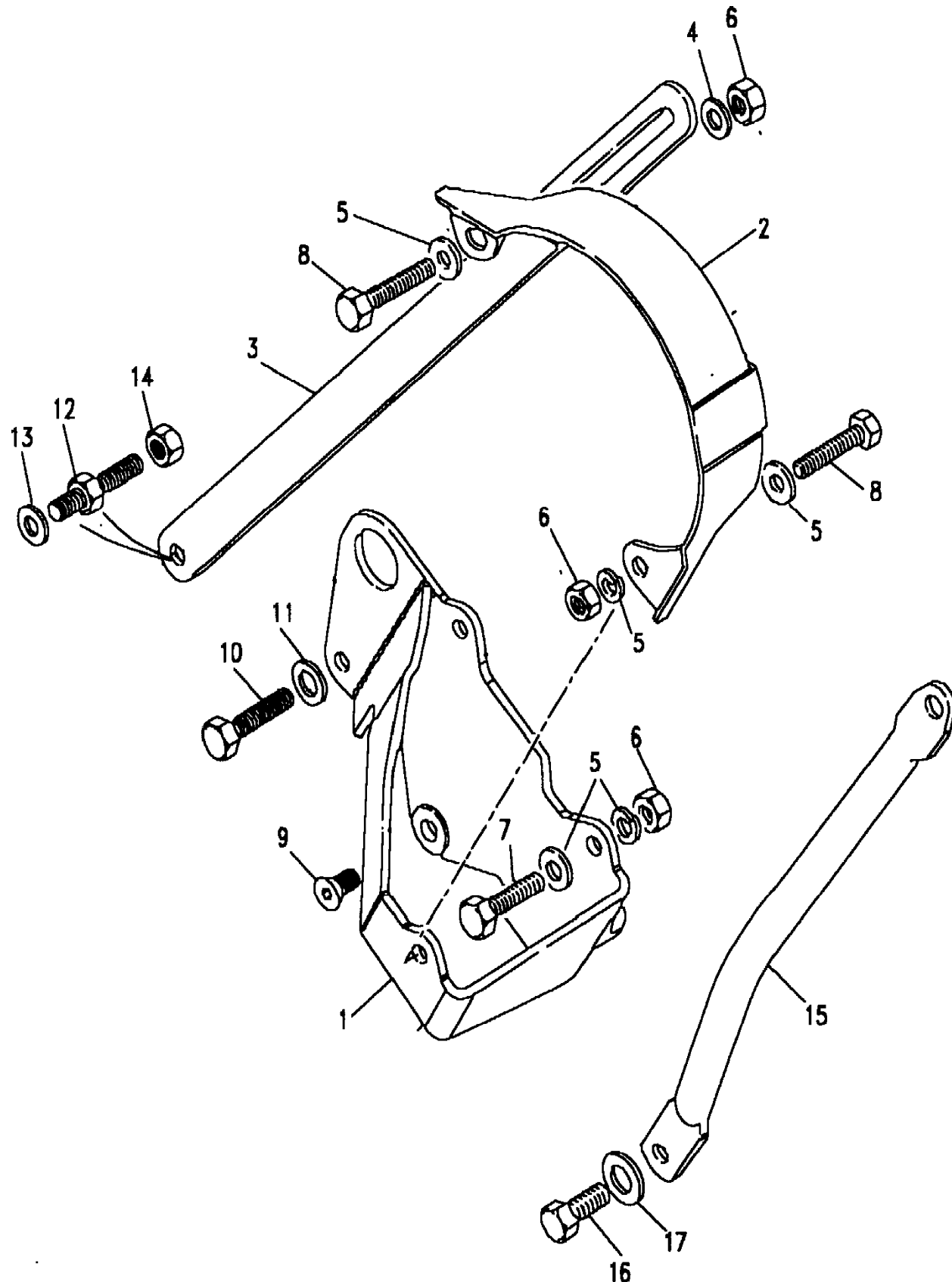
Discovery (FA393361-WA799999)
(CABQPC2A)

Discovery (FA393361-WA799999)

Engine
V8 Petrol - Carburetter
Alternator Mountings

3.5L V8 Twin Carb Petrol

Callout	Name	Application	Remarks & Restrictions	Service No.	Qty
1	Bracket-mounting-alternator	3.5L V8 Twin Carb L/R Petrol	65 AMP	ETC5576	1
2	Guard-fan alternator	3.5L V8 Twin Carb L/R Petrol	65 AMP	ETC8441	1
3	Link-adjuster alternator	3.5L V8 Twin Carb L/R Petrol		ETC6291	1
4	Washer-Plain	3.5L V8 Twin Carb L/R Petrol		4594L	1
5	Washer	3.5L V8 Twin Carb L/R Petrol	8MM	WA108051L	8
6	Nut - Hex.	3.5L V8 Twin Carb L/R Petrol	M8, hexagonal head	NH108041L	3
7	Screw	3.5L V8 Twin Carb L/R Petrol	hexagonal head, M8 x 45	SH108451L	1
8	Screw	3.5L V8 Twin Carb L/R Petrol	hexagonal head, M8 x 40	SH108401L	2
9	Screw	3.5L V8 Twin Carb L/R Petrol	3/8UNC x 1	ETC8765	1
10	Screw	3.5L V8 Twin Carb L/R Petrol	hexagonal head, 3/8UNC x 7/8	SH506071L	1
11	Washer	3.5L V8 Twin Carb L/R Petrol	3/8", Square	WM600061L	1
12	Support-adjuster link alternator	Change point - VIN end HA002588, 3.5L V8 Twin Carb L/R Petrol Change point - VIN begin HA002589, 3.5L V8 Twin Carb L/R Petrol		ETC7208 ERR1885	1 1
13	Washer	3.5L V8 Twin Carb L/R Petrol	8MM	WA108051L	1
14	Nut - Hex.	3.5L V8 Twin Carb L/R Petrol	M8, hexagonal head	NH108041L	1
15	Strut-alternator	3.5L V8 Twin Carb L/R Petrol	65 AMP	ETC8579	1
16	Screw	3.5L V8 Twin Carb L/R Petrol	hexagonal head, 3/8UNC x 1 1/4	SH506101L	1
17	Washer	3.5L V8 Twin Carb L/R Petrol	M10	WA110061L	1
[900]	Grommet	3.5L V8 Twin Carb L/R Petrol		ERC5830	2



Engine
V8 Petrol - Carburettor
Alternator Mountings 2/2

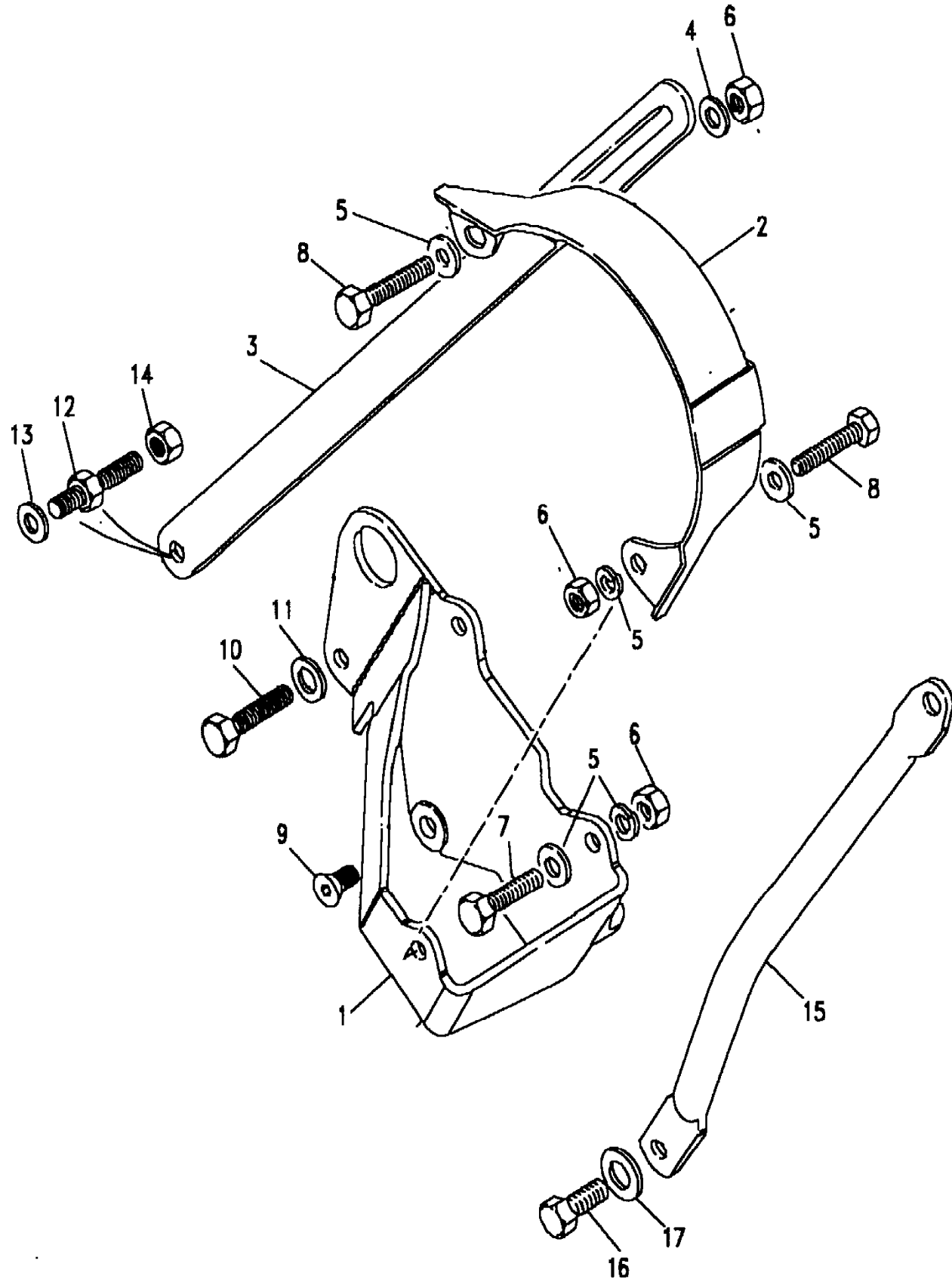
Discovery (FA393361-WA799999)
(CABQPC2A)

Discovery (FA393361-WA799999)

Engine
V8 Petrol - Carburettor
Alternator Mountings

3.5L V8 Twin Carb Petrol

Callout	Name	Application	Remarks & Restrictions	Service No.	Qty
[901]	Bush	3.5L V8 Twin Carb L/R Petrol		ETC8559	2



Engine
V8 Petrol - Carburettor
Breather System 1/2

Discovery (FA393361-WA799999)

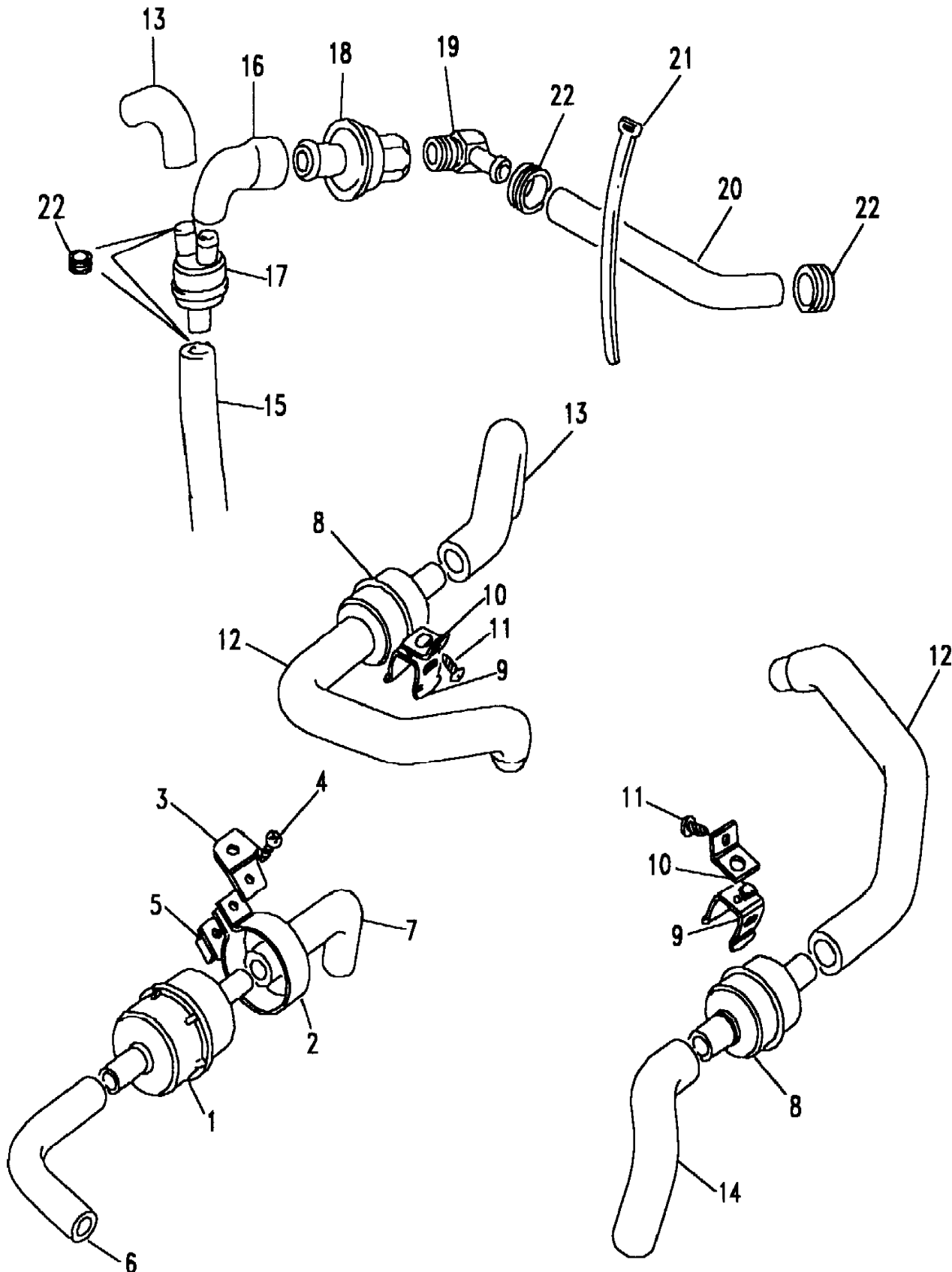
(CABQGG2A)

Discovery (FA393361-WA799999)

Engine
V8 Petrol - Carburettor
Breather System

3.5L V8 Twin Carb Petrol

Callout	Name	Application	Remarks & Restrictions	Service No.	Qty
1	Filter assembly-in line fuel lines	3.5L V8 Twin Carb L/R Petrol		606168	1
2	Clip	3.5L V8 Twin Carb L/R Petrol		613805	1
3	Bracket	3.5L V8 Twin Carb L/R Petrol		610025	1
4	Screw	3.5L V8 Twin Carb L/R Petrol	Self Tapping, No10 x 3/4	AB610061L	1
5	Nut-spire	3.5L V8 Twin Carb L/R Petrol		RTC3725	1
6	Hose-crankcase breather flexible	3.5L V8 Twin Carb L/R Petrol	breather filter to air cleaner	611109	1
7	Hose-crankcase breather flexible	3.5L V8 Twin Carb L/R Petrol	breather filter to block	611110	1
8	Flame trap-crankcase breather	3.5L V8 Twin Carb L/R Petrol	ROCKER COVER	603330	2
9	Clip	3.5L V8 Twin Carb L/R Petrol		603376	2
10	Bracket	3.5L V8 Twin Carb L/R Petrol		611351	2
11	Screw	3.5L V8 Twin Carb L/R Petrol	Self Tapping, 10 x 3/8	AB610031L	2
12	Hose-carburettor fuel pipe	3.5L V8 Twin Carb L/R Petrol	carburettor to flame trap, LH	613402	2
13	Hose Breather	3.5L V8 Twin Carb L/R Petrol	rocker cover to flame trap, RH	611092	1
14	Hose assembly-breather	3.5L V8 Twin Carb L/R Petrol	rocker cover to flame trap, LH	613718L	1
15	Hose Breather	3.5L V8 Twin Carb L/R Petrol	carburettor to flame trap, RH	611097	1
16	Hose assembly-breather	3.5L V8 Twin Carb L/R Petrol		ETC7189	1
17	Flame trap-crankcase breather	3.5L V8 Twin Carb L/R Petrol		ETC7188	1
18	Valve-air control	3.5L V8 Twin Carb L/R Petrol		ERC6878	1
19	Adapter-crankcase breather	3.5L V8 Twin Carb L/R Petrol		ETC7201	1



Engine
V8 Petrol - Carburetter
Breather System 2/2

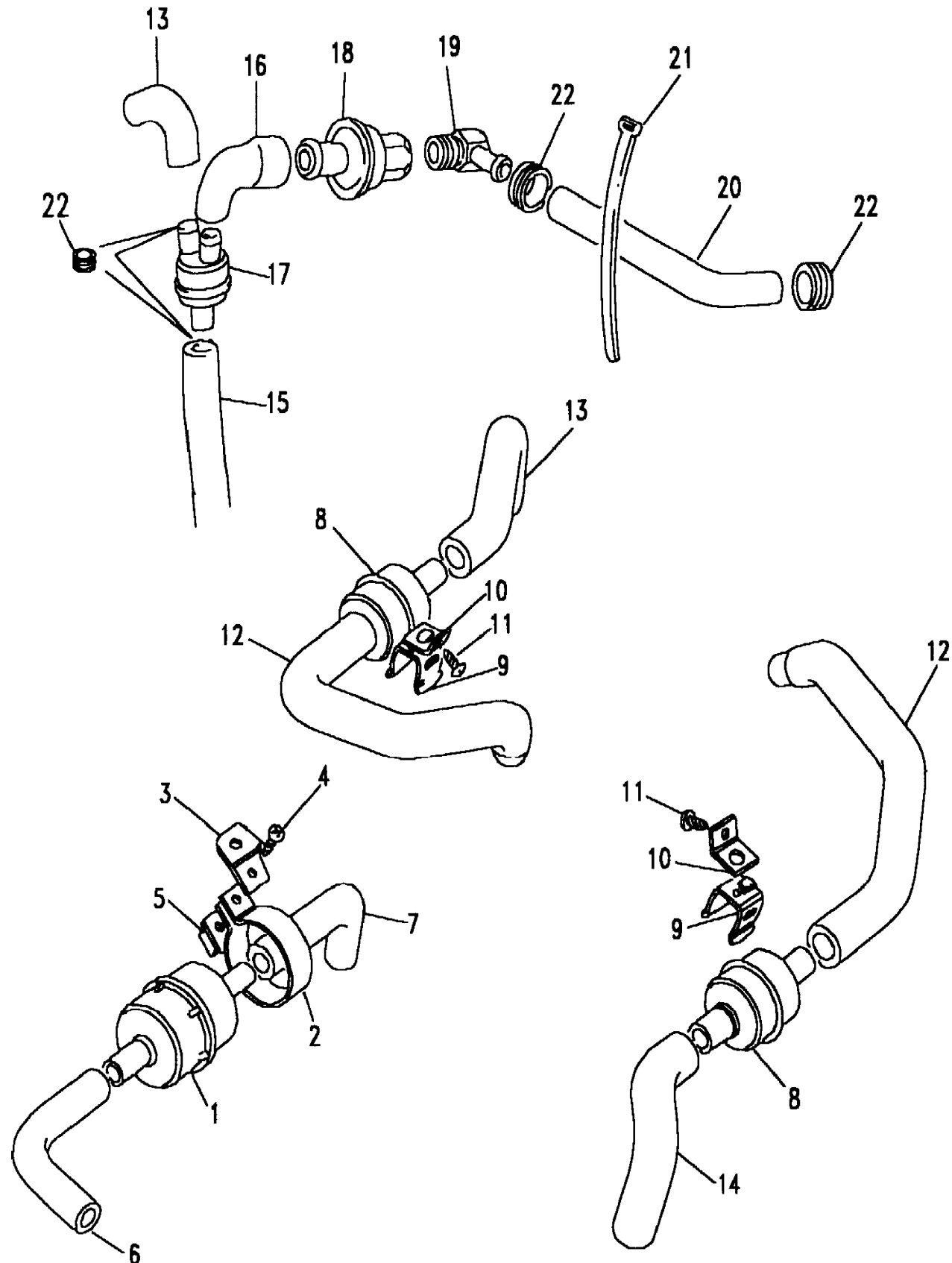
Discovery (FA393361-WA799999)
(CABQGG2A)

Discovery (FA393361-WA799999)

Engine
V8 Petrol - Carburetter
Breather System

3.5L V8 Twin Carb Petrol

Callout	Name	Application	Remarks & Restrictions	Service No.	Qty
20	Hose-camshaft cover to air intake breather	3.5L V8 Twin Carb L/R Petrol		ETC8591	1
21	Tie-cable	3.5L V8 Twin Carb L/R Petrol	inside serated, 4.6 x 385mm, White.	594594	1
22	Clip-Hose	3.5L V8 Twin Carb L/R Petrol	18.3MM	UKC3799L	2
		3.5L V8 Twin Carb L/R Petrol	12.7MM	UKC3795L	1



Engine
V8 Petrol - Carburetter
Camshaft 1/1

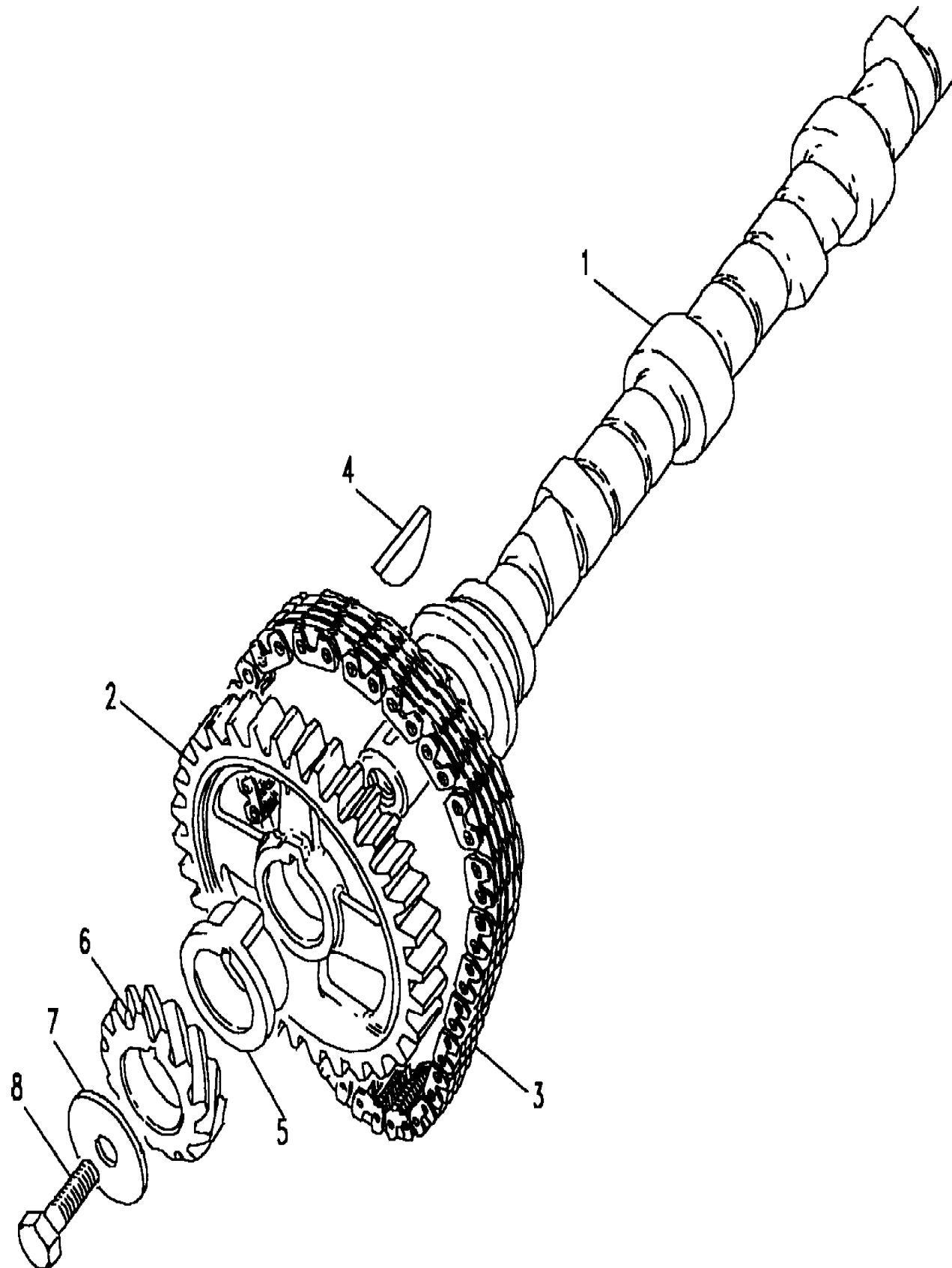
Discovery (FA393361-WA799999)
(CABQG11A)

Discovery (FA393361-WA799999)

Engine
V8 Petrol - Carburetter
Camshaft

3.5L V8 Twin Carb Petrol

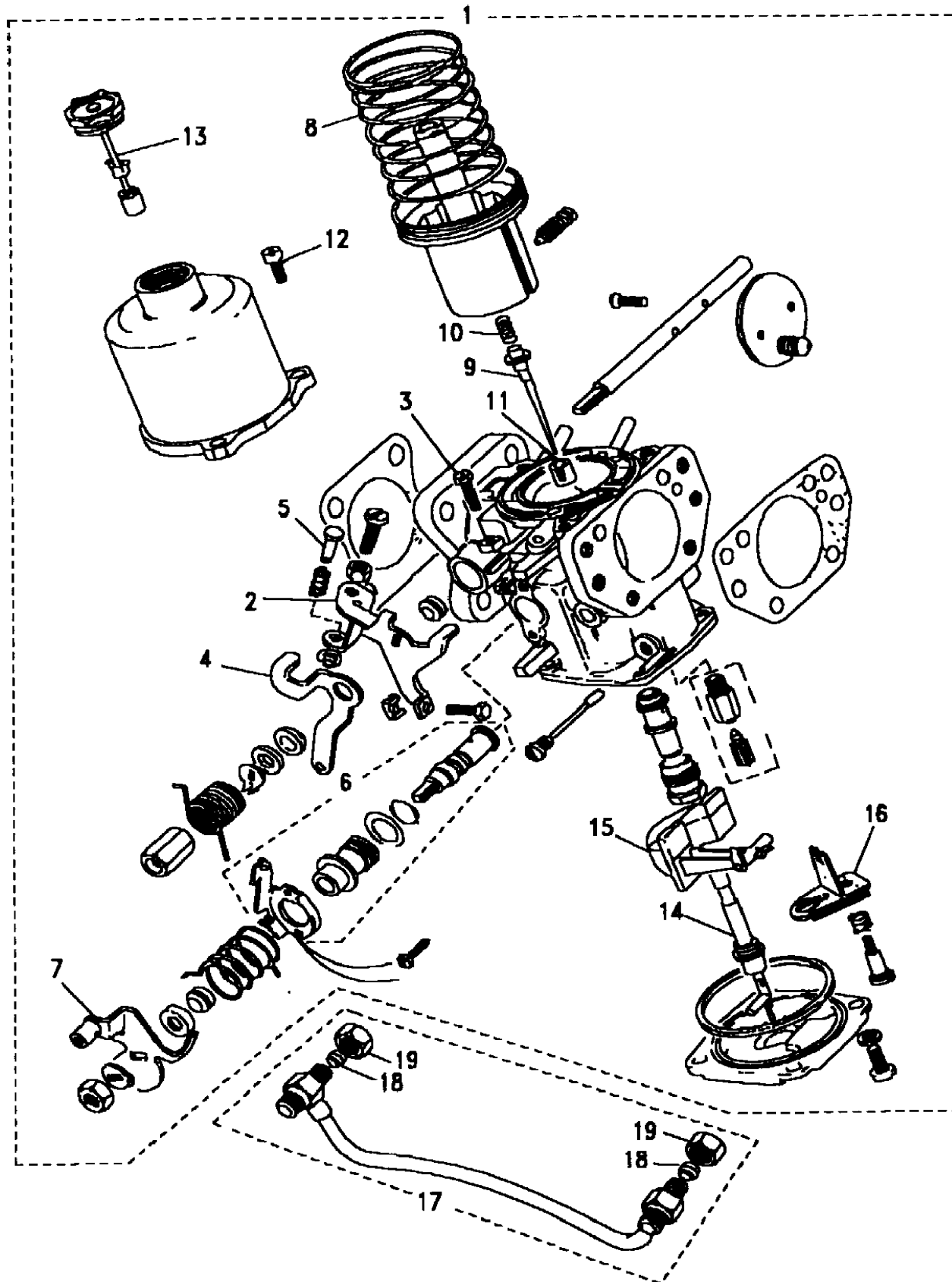
Callout	Name	Application	Remarks & Restrictions	Service No.	Qty
1	Camshaft-engine	3.5L V8 Twin Carb L/R Petrol		ETC6850L	1
2	Sprocket-camshaft	3.5L V8 Twin Carb L/R Petrol		610289	1
3	Chain-engine timing	3.5L V8 Twin Carb L/R Petrol		ERC7929	1
4	Key-camshaft location	3.5L V8 Twin Carb L/R Petrol		ERC2838	1
5	Spacer	3.5L V8 Twin Carb L/R Petrol		ERC2839	1
6	Gear-drive-distributor	3.5L V8 Twin Carb L/R Petrol		614188	1
7	Washer-Plain	3.5L V8 Twin Carb L/R Petrol		ERC6552	1
8	Bolt	3.5L V8 Twin Carb L/R Petrol	7/16UNC x 1 1/8	602227	1



Engine
V8 Petrol - Carburettor
Carburettor 1/2

Discovery (FA393361-WA799999)

(CABQIA1A)



Discovery (FA393361-WA799999)

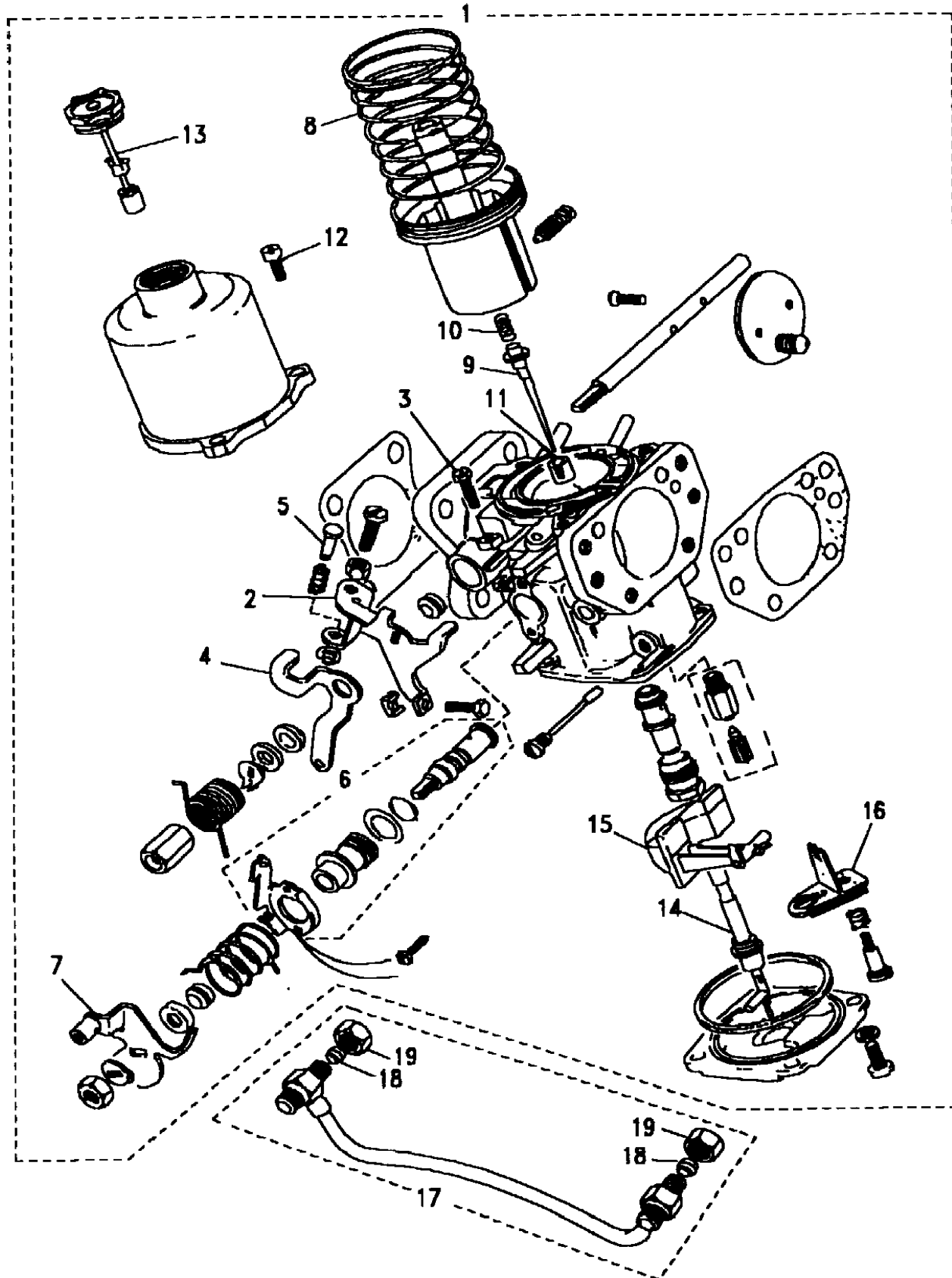
Engine
V8 Petrol - Carburettor
Carburettor

3.5L V8 Twin Carb Petrol

Callout	Name	Application	Remarks & Restrictions	Service No.	Qty
1	Carburettor-engine	3.5L V8 Twin Carb L/R Petrol	Also serviced as part of a kit, LH	ERR489	1
		3.5L V8 Twin Carb L/R Petrol	Also serviced as part of a kit, RH	ERR490	1
2	Level-carburettor throttle	3.5L V8 Twin Carb L/R Petrol	Also serviced as part of a kit	LZX2107L	1
3	Screw-carburettor fast idle adjusting	3.5L V8 Twin Carb L/R Petrol	Also serviced as part of a kit	JZX1303L	2
4	Clip	3.5L V8 Twin Carb L/R Petrol	Also serviced as part of a kit	AUD4771L	2
5	Screw-carburettor slow run adjusting	3.5L V8 Twin Carb L/R Petrol	Also serviced as part of a kit	JZX1181L	2
6	Body-carburettor	3.5L V8 Twin Carb L/R Petrol	Also serviced as part of a kit, LH	STC509	1
		3.5L V8 Twin Carb L/R Petrol	Also serviced as part of a kit, RH	STC510	1
7	Lever-carburettor camshaft	3.5L V8 Twin Carb L/R Petrol	Also serviced as part of a kit, LH	LZX1988L	1
		3.5L V8 Twin Carb L/R Petrol	Also serviced as part of a kit, RH	LZX1989L	1
8	Spring-carburettor yellow piston	3.5L V8 Twin Carb L/R Petrol	Also serviced as part of a kit	AUD4398L	2
9	Needle assembly-carburettor jet	3.5L V8 Twin Carb L/R Petrol	Also serviced as part of a kit	RTC6436	2
10	Spring-carburettor jet needle	3.5L V8 Twin Carb L/R Petrol	Also serviced as part of a kit	AUD3306L	2
11	Guide-carburettor jet needle	3.5L V8 Twin Carb L/R Petrol	Also serviced as part of a kit	JZX1039L	2
12	Screw	3.5L V8 Twin Carb L/R Petrol	Also serviced as part of a kit	JZX1394L	6
13	Damper assembly-carburettor	3.5L V8 Twin Carb L/R Petrol	Also serviced as part of a kit	LZX1505	2
14	Jet-carburettor	3.5L V8 Twin Carb L/R Petrol	Also serviced as part of a kit, LH	CUD2788L	1
		3.5L V8 Twin Carb L/R Petrol	Also serviced as part of a kit, RH	CUD2785L	1
15	Float-carburettor	3.5L V8 Twin Carb L/R Petrol	Also serviced as part of a kit, LH	RTC3566	1
		3.5L V8 Twin Carb L/R Petrol	Also serviced as part of a kit, RH	LZX1600L	1

Engine
V8 Petrol - Carburettor
Carburettor 2/2

Discovery (FA393361-WA799999)
(CABQIA1A)



Discovery (FA393361-WA799999)

Engine
V8 Petrol - Carburettor
Carburettor

3.5L V8 Twin Carb Petrol

Callout	Name	Application	Remarks & Restrictions	Service No.	Qty
16	Bimetal assembly-carburettor choke	3.5L V8 Twin Carb L/R Petrol	Also serviced as part of a kit	CUD2399L	2
17	Pipe-feed-fuel lines	3.5L V8 Twin Carb L/R Petrol	Also serviced as part of a kit	ETC7127	1
18	Olive	3.5L V8 Twin Carb L/R Petrol	Also serviced as part of a kit	612064	2
19	Nut - Hex.	3.5L V8 Twin Carb L/R Petrol	Also serviced as part of a kit, 7/16UNF	534790	2
20	Needle & seat assembly-carburettor float	3.5L V8 Twin Carb L/R Petrol		STC205	2
[900]	Kit-carburettor seal	3.5L V8 Twin Carb L/R Petrol		RTC6072	1
[901]	Kit-gasket	3.5L V8 Twin Carb L/R Petrol		WZX1505	1

Engine
V8 Petrol - Carburettor
Carburettor Adaptor & Linkages 1/2

Discovery (FA393361-WA799999)

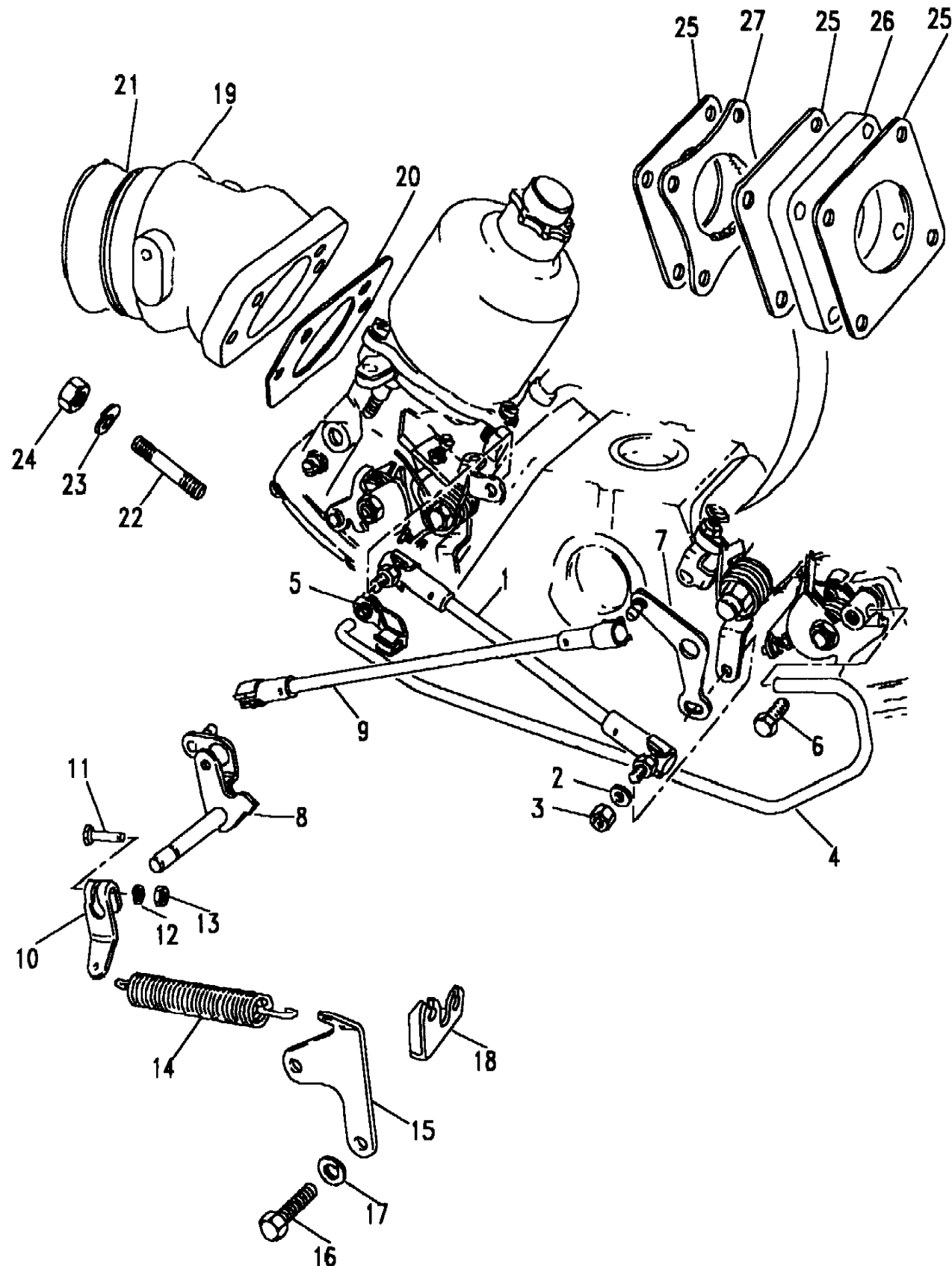
(CABQII1A)

Discovery (FA393361-WA799999)

Engine
V8 Petrol - Carburettor
Carburettor Adaptor & Linkages

3.5L V8 Twin Carb Petrol

Callout	Name	Application	Remarks & Restrictions	Service No.	Qty
1	Link-carburettor/throttle connecting	3.5L V8 Twin Carb L/R Petrol		ETC4728L	1
2	Washer	3.5L V8 Twin Carb L/R Petrol		WA702101L	2
3	Locknut	3.5L V8 Twin Carb L/R Petrol	10x32UNF	NH910011L	2
4	Rod assembly-carburettor choke	3.5L V8 Twin Carb L/R Petrol		ERC1161L	1
5	Clip	3.5L V8 Twin Carb L/R Petrol		614538L	1
6	Screw	3.5L V8 Twin Carb L/R Petrol	10UNF x 5/16	257002	1
7	Level-carburettor throttle	3.5L V8 Twin Carb L/R Petrol		ETC7068	1
8	Counter shaft-carb	3.5L V8 Twin Carb L/R Petrol		ERR904	1
9	Link-carburettor/throttle connecting	3.5L V8 Twin Carb L/R Petrol		ERR817	1
10	Level-carburettor throttle	3.5L V8 Twin Carb L/R Petrol		AUD2437L	1
11	Screw	3.5L V8 Twin Carb L/R Petrol	hexagonal head, 10UNF x 3/4	SH910241L	1
12	Washer	3.5L V8 Twin Carb L/R Petrol		WA702101L	1
13	Locknut	3.5L V8 Twin Carb L/R Petrol	10x32UNF	NH910011L	1
14	Spring-carburettor throttle return	3.5L V8 Twin Carb L/R Petrol		603622	1
15	Bracket-return spring-attachment accelerator	3.5L V8 Twin Carb L/R Petrol		ERC8626	1
16	Screw	3.5L V8 Twin Carb L/R Petrol	Flanged Head, 1/4UNC x 1/2	FS504047	3
17	Washer	3.5L V8 Twin Carb L/R Petrol	6MM	WA106041L	3
18	Abutment-cable accelerator	3.5L V8 Twin Carb L/R Petrol		ETC5797	1
19	Adaptor-carburettor	3.5L V8 Twin Carb L/R Petrol		ETC7126	2



Engine
V8 Petrol - Carburettor
Carburettor Adaptor & Linkages 2/2

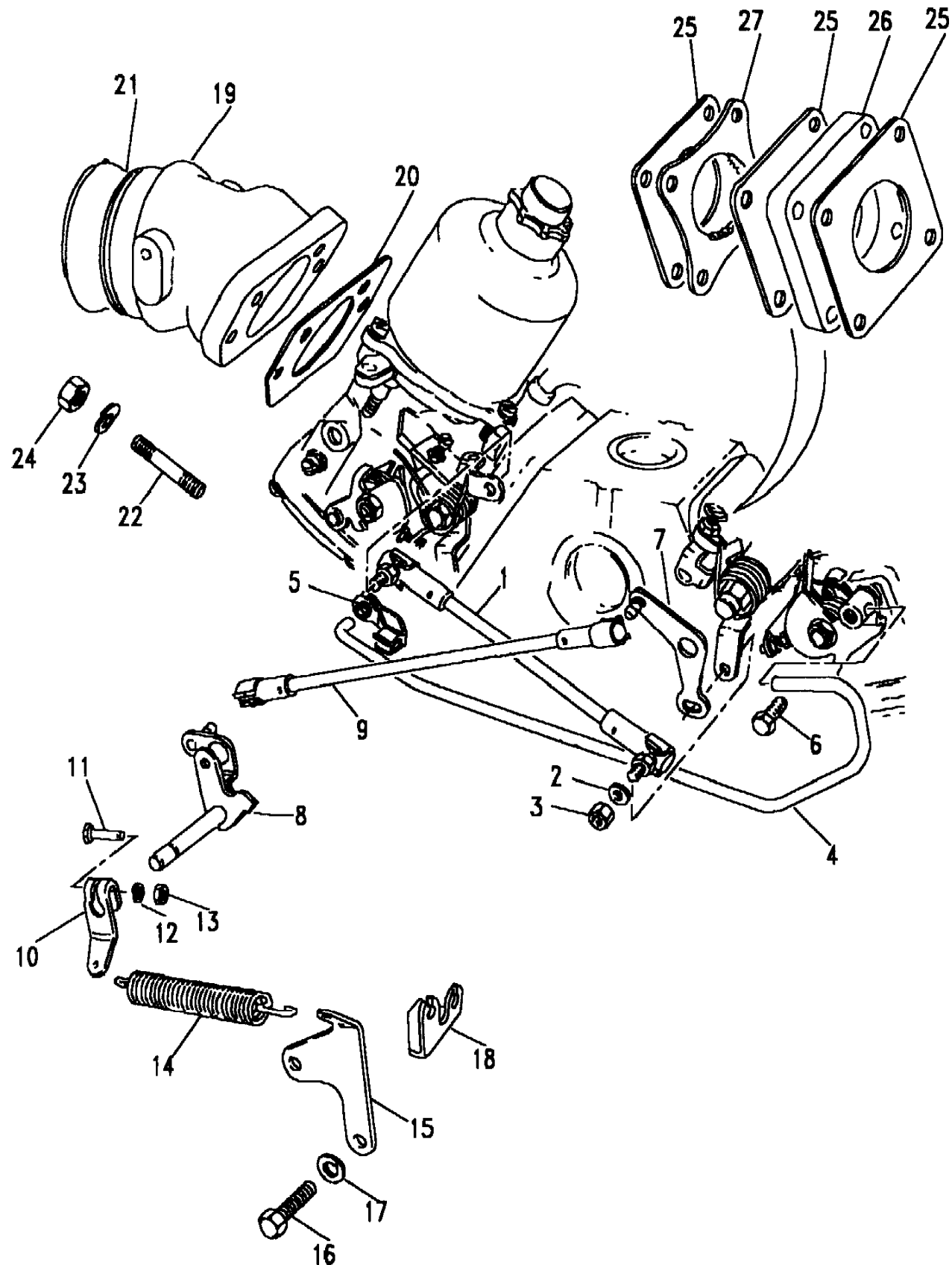
Discovery (FA393361-WA799999)
(CABQII1A)

Discovery (FA393361-WA799999)

Engine
V8 Petrol - Carburettor
Carburettor Adaptor & Linkages

3.5L V8 Twin Carb Petrol

Callout	Name	Application	Remarks & Restrictions	Service No.	Qty
20	Gasket-carburettor	3.5L V8 Twin Carb L/R Petrol	Asbestos Free	PKX100030	2
21	O Ring	3.5L V8 Twin Carb L/R Petrol		602634	2
22	Stud	3.5L V8 Twin Carb L/R Petrol		TE505105L	4
23	Washer-Spring	3.5L V8 Twin Carb L/R Petrol	Also serviced as part of a kit, 5/16"	WM600051L	4
24	Nut - Hex.	3.5L V8 Twin Carb L/R Petrol	hexagonal head, 5/16UNF	NH605041L	4
25	Gasket-carburettor to induction manifold	3.5L V8 Twin Carb L/R Petrol	Asbestos Free	ERR4381	6
26	Insulator assembly-carburettor inlet manifold	3.5L V8 Twin Carb L/R Petrol	Asbestos Free	ERR4383	2
27	Restrictor-air flow	3.5L V8 Twin Carb L/R Petrol		566737	2



Engine
V8 Petrol - Carburetter
Coil 1/1

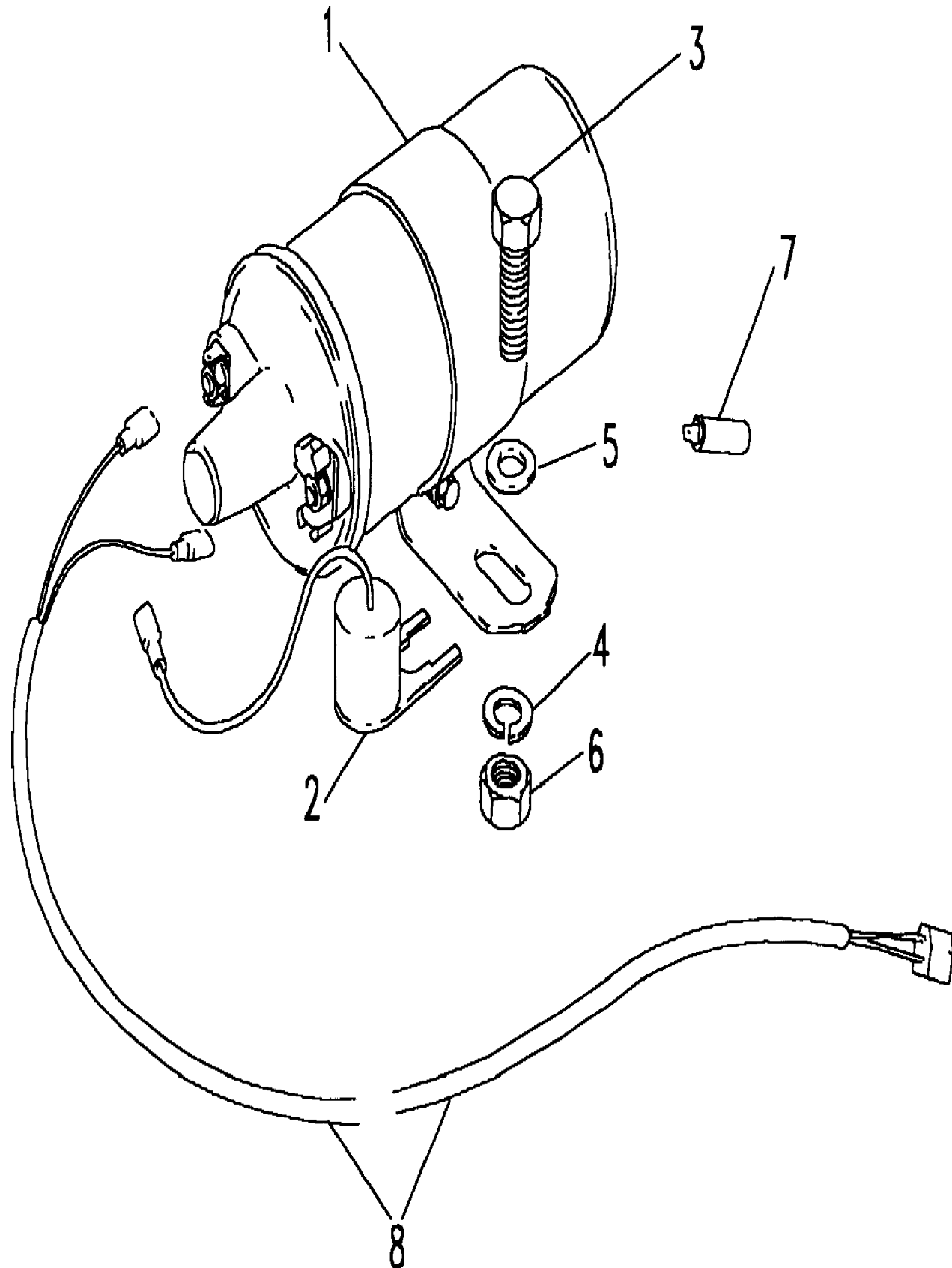
Discovery (FA393361-WA799999)
(CABQPA3A)

Discovery (FA393361-WA799999)

Engine
V8 Petrol - Carburetter
Coil

3.5L V8 Twin Carb Petrol

Callout	Name	Application	Remarks & Restrictions	Service No.	Qty
1	Coil Ignition	3.5L V8 Twin Carb L/R Petrol	Lucas	RTC5628	1
2	Capacitor ignition coil	3.5L V8 Twin Carb L/R Petrol		ADU7242L	1
3	Screw	3.5L V8 Twin Carb L/R Petrol	M8 X 30, Flanged Head	FS108307L	2
4	Washer	3.5L V8 Twin Carb L/R Petrol	M8, sprung	WL108001L	2
5	Washer	3.5L V8 Twin Carb L/R Petrol	8MM	WA108051L	2
6	Nut - Hex.	3.5L V8 Twin Carb L/R Petrol	M8, flange	FN108041L	2
		3.5L V8 Twin Carb L/R Petrol	M8, Flanged Head	FN108047L	2
7	Resistor Assy	3.5L V8 Twin Carb L/R Petrol		DRC1752L	1
8	Harness-link-low tension ignition coil	3.5L V8 Twin Carb L/R Petrol	2 Pin	PRC6144	1
		3.5L V8 Twin Carb L/R Petrol	single connectors	PRC6141	1
[901]	Harness earth bond	3.5L V8 Twin Carb L/R Petrol		PRC4628	1



Engine
V8 Petrol - Carburetter
Coolant Pump 1/2

Discovery (FA393361-WA799999)

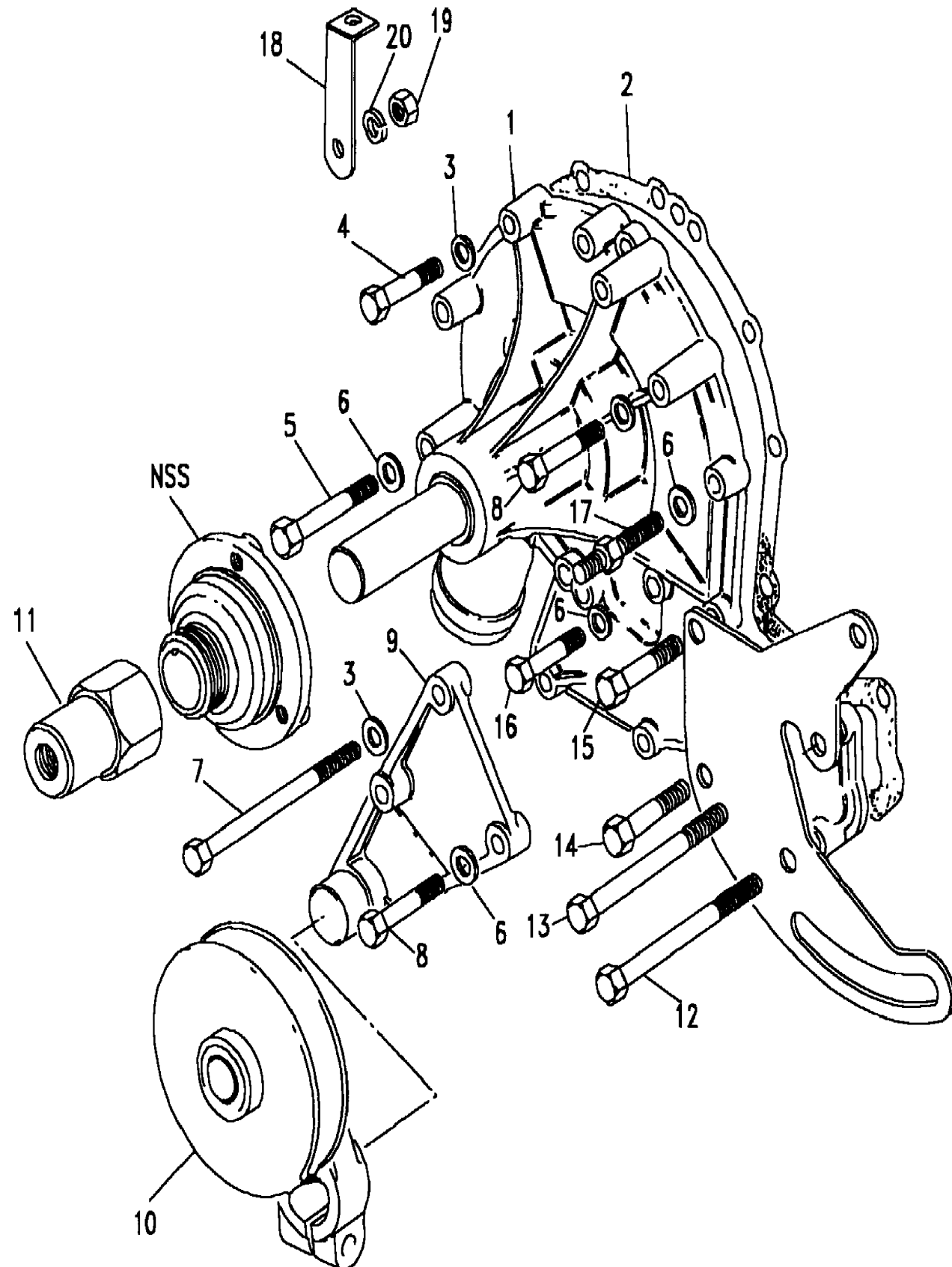
(CABQEE1A)

Discovery (FA393361-WA799999)

Engine
V8 Petrol - Carburetter
Coolant Pump

3.5L V8 Twin Carb Petrol

Callout	Name	Application	Remarks & Restrictions	Service No.	Qty
1	Pump assembly-engine coolant	3.5L V8 Twin Carb L/R Petrol	Also serviced as part of a kit	STC483	1
2	Gasket-cylinder block coolant pump	3.5L V8 Twin Carb L/R Petrol	Also serviced as part of a kit	ERR2428	1
3	Washer	3.5L V8 Twin Carb L/R Petrol	8MM	WA108051L	4
4	Screw	3.5L V8 Twin Carb L/R Petrol	coolant pump to front cover, Flanged Head, 1/4UNC x 2	SH504161L	1
5	Bolt	3.5L V8 Twin Carb L/R Petrol	coolant pump to front cover, Flanged Head, 5/16UNC x 1 1/2	BH505121L	2
		3.5L V8 Twin Carb L/R Petrol	coolant pump to front cover, 1/4UNC x 2	BH504161L	1
6	Washer	3.5L V8 Twin Carb L/R Petrol	6MM	WA106041L	6
7	Bolt	3.5L V8 Twin Carb L/R Petrol	coolant pump to front cover, hexagonal head, 5/16UNC x 5 1/2	BH505441L	1
8	Bolt	3.5L V8 Twin Carb L/R Petrol	5/16UNC x 6	BH505485L	1
		3.5L V8 Twin Carb L/R Petrol	hexagonal head, 1/4UNC x 1 7/8	BH504151L	2
9	Bracket-pulley support belt tensioner	3.5L V8 Twin Carb L/R Petrol		ETC6148	1
10	Pulley-tensioner ancillary drive	3.5L V8 Twin Carb L/R Petrol	Also serviced as part of a kit	614718	1
11	Adaptor-water pump drive	3.5L V8 Twin Carb L/R Petrol		ETC6104	1
12	Bolt	3.5L V8 Twin Carb L/R Petrol	hexagonal head, 5/16UNC x 5	BH505401L	1
13	Bolt	3.5L V8 Twin Carb L/R Petrol	hexagonal head, 5/16UNC x 4 3/4	BH505381L	1
14	Bolt	3.5L V8 Twin Carb L/R Petrol	1/4UNC x 1 3/8	BH504111L	1
15	Bolt	3.5L V8 Twin Carb L/R Petrol	hexagonal head, 1/4UNC x 1 1/2	BH504121L	1
16	Bolt	3.5L V8 Twin Carb L/R Petrol	1/4UNC x 1 1/4	BH504101L	1
17	Support-adjuster link alternator	3.5L V8 Twin Carb L/R Petrol		ETC7208	1



Engine
V8 Petrol - Carburetter
Coolant Pump 2/2

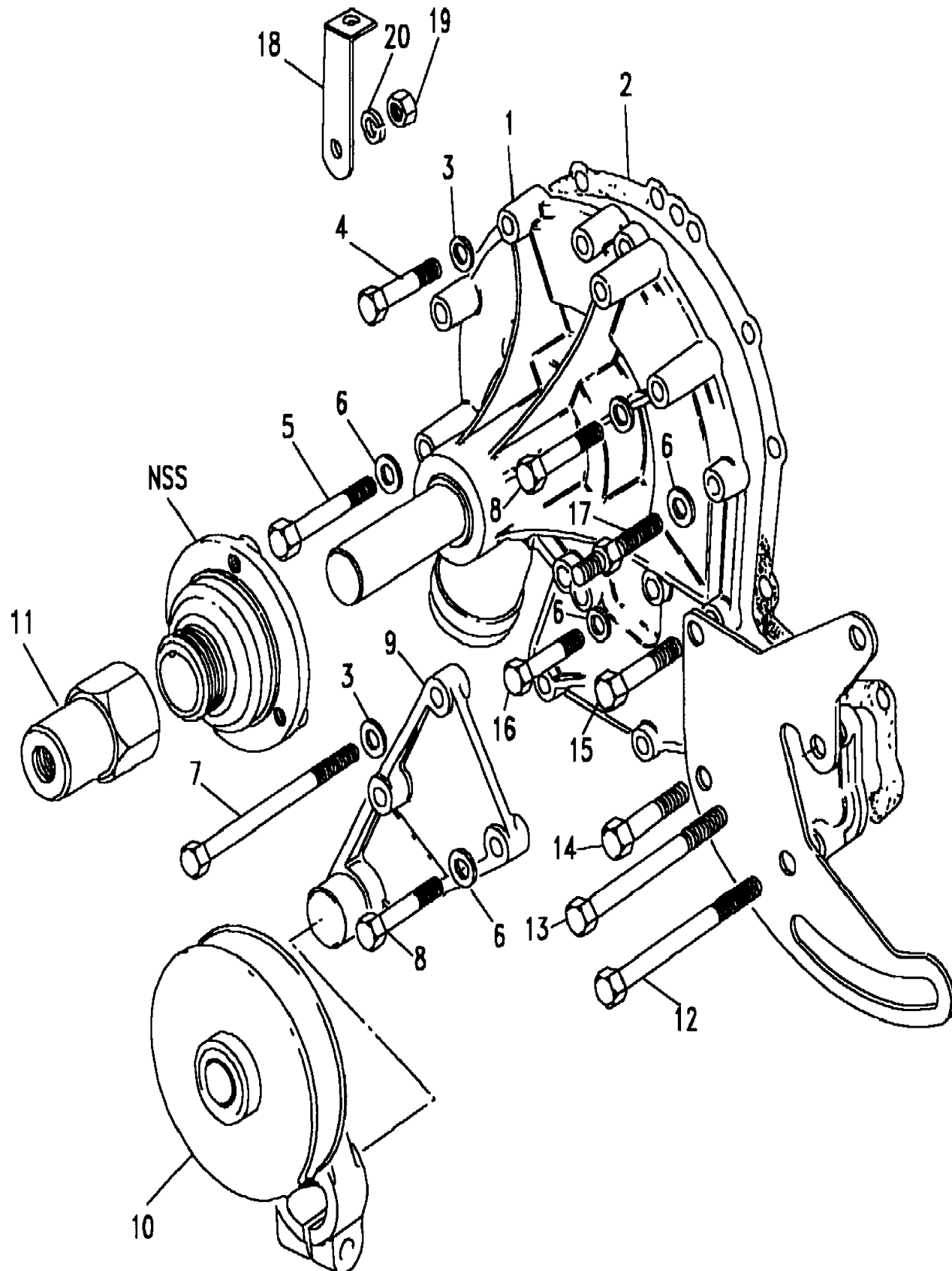
Discovery (FA393361-WA799999)
(CABQEE1A)

Discovery (FA393361-WA799999)

Engine
V8 Petrol - Carburetter
Coolant Pump

3.5L V8 Twin Carb Petrol

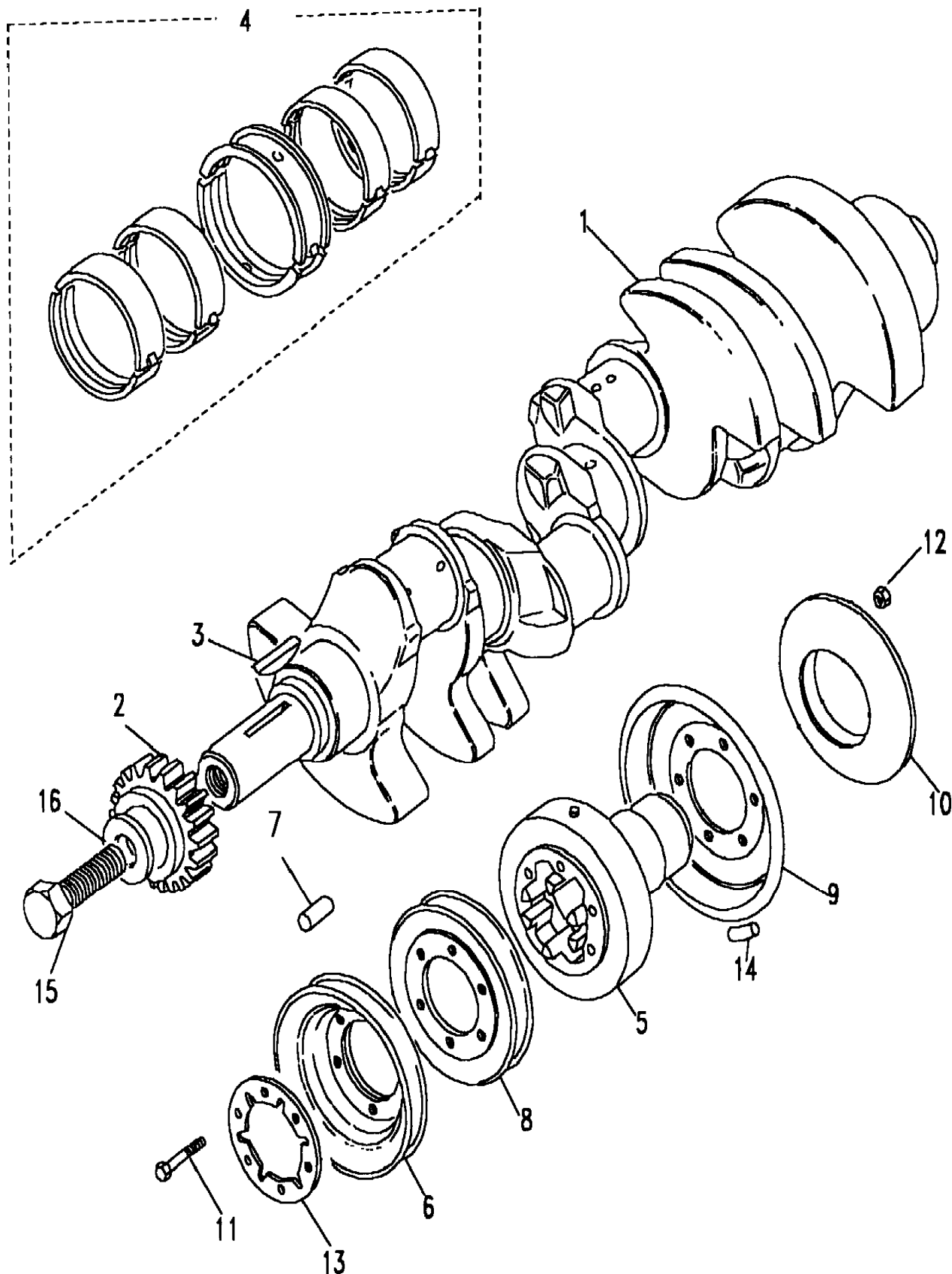
Callout	Name	Application	Remarks & Restrictions	Service No.	Qty
18	Bracket-coolant pump support	3.5L V8 Twin Carb L/R Petrol		ERC1167	1
19	Nut - Hex.	3.5L V8 Twin Carb L/R Petrol	hexagonal head, 1/4UNC x 1	NH504041L	1
20	Washer-Spring	3.5L V8 Twin Carb L/R Petrol	1/4 dia, Square	WM600041L	1



Engine
V8 Petrol - Carburetter
Crankshaft & Bearings 1/2

Discovery (FA393361-WA799999)

(CABQCA1A)



Discovery (FA393361-WA799999)

Engine
V8 Petrol - Carburetter
Crankshaft & Bearings

3.5L V8 Twin Carb Petrol

Callout	Name	Application	Remarks & Restrictions	Service No.	Qty
1	Crankshaft-engine	3.5L V8 Twin Carb L/R Petrol		612989	1
		3.5L V8 Twin Carb L/R Petrol		ERR4060	1
		3.5L V8 Twin Carb L/R Petrol			
2	Sprocket-Crankshaft	3.5L V8 Twin Carb L/R Petrol		90602372	1
		3.5L V8 Twin Carb L/R Petrol		ERR2958	1
		3.5L V8 Twin Carb L/R Petrol			
3	Key-crankshaft	3.5L V8 Twin Carb L/R Petrol		90602025	1
		3.5L V8 Twin Carb L/R Petrol		ERR2846	1
		3.5L V8 Twin Carb L/R Petrol			
4	Set-crankshaft bearings	3.5L V8 Twin Carb L/R Petrol	standard.	RTC1718	1
		3.5L V8 Twin Carb L/R Petrol	0.010" undersize	RTC171810	1
		3.5L V8 Twin Carb L/R Petrol	0.020 undersize	RTC171820	1
5	Absorber-crankshaft vibration	3.5L V8 Twin Carb L/R Petrol	Also serviced as part of a kit	ETC7340	1
6	Pulley-crankshaft	3.5L V8 Twin Carb L/R Petrol	water pump/alternator, Also serviced as part of a kit, single groove	ETC5679	1
7	Pin-Spring	3.5L V8 Twin Carb L/R Petrol	Also serviced as part of a kit	603535	1
8	Pulley-crankshaft	3.5L V8 Twin Carb L/R Petrol	Also serviced as part of a kit	ETC4330	1
9	Plate-crankshaft balancing	3.5L V8 Twin Carb L/R Petrol	Also serviced as part of a kit	603301	1
10	Shield-rear flange oil deflector	3.5L V8 Twin Carb L/R Petrol	Also serviced as part of a kit	613671	1
11	Bolt	3.5L V8 Twin Carb L/R Petrol	Also serviced as part of a kit, 5/16UNF x 1 5/8	BH605131L	6
12	Nut - Hex.	3.5L V8 Twin Carb L/R Petrol	Also serviced as part of a kit, hexagonal head, 5/16UNF	NH605041L	6
13	Plate	3.5L V8 Twin Carb L/R Petrol	Also serviced as part of a kit	602587	1
14	Weight-crankshaft balance	3.5L V8 Twin Carb L/R Petrol	.17oz	ERC4877	X
		3.5L V8 Twin Carb L/R Petrol	.35oz	ERC4878	X
		3.5L V8 Twin Carb L/R Petrol	.53oz	ERC4879	X
		3.5L V8 Twin Carb L/R Petrol	.71oz	ERC4880	X

Engine
V8 Petrol - Carburetter
Crankshaft & Bearings 2/2

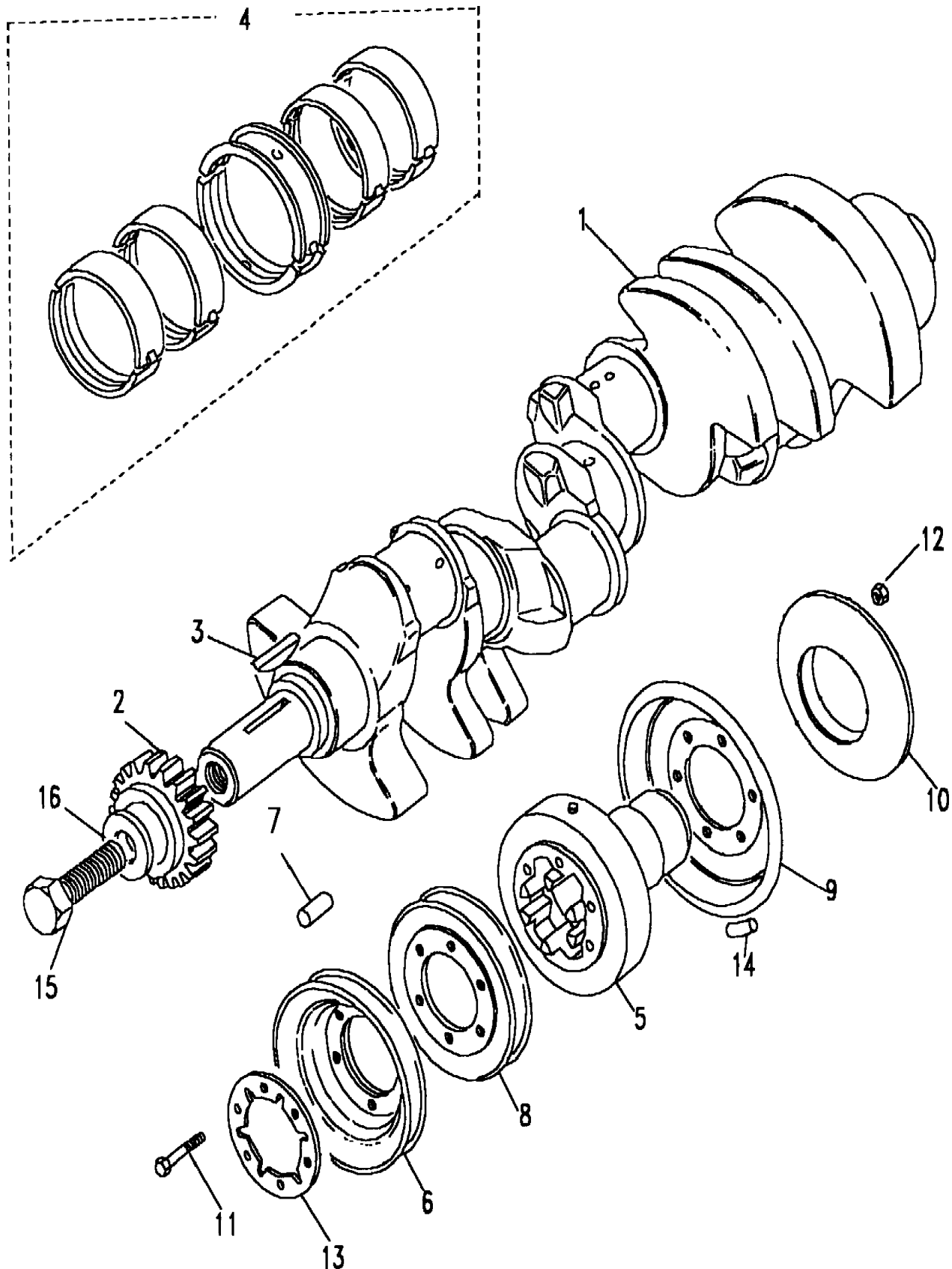
Discovery (FA393361-WA799999)
(CABQCA1A)

Discovery (FA393361-WA799999)

Engine
V8 Petrol - Carburetter
Crankshaft & Bearings

3.5L V8 Twin Carb Petrol

Callout	Name	Application	Remarks & Restrictions	Service No.	Qty
15	Bolt-crankshaft pulley	3.5L V8 Twin Carb L/R Petrol		ERC417	1
16	Washer	3.5L V8 Twin Carb L/R Petrol		ERC416	1
[900]	Bush-crankshaft	3.5L V8 Twin Carb L/R Petrol		549911	1



Engine
V8 Petrol - Carburetter
Cylinder Block 1/2

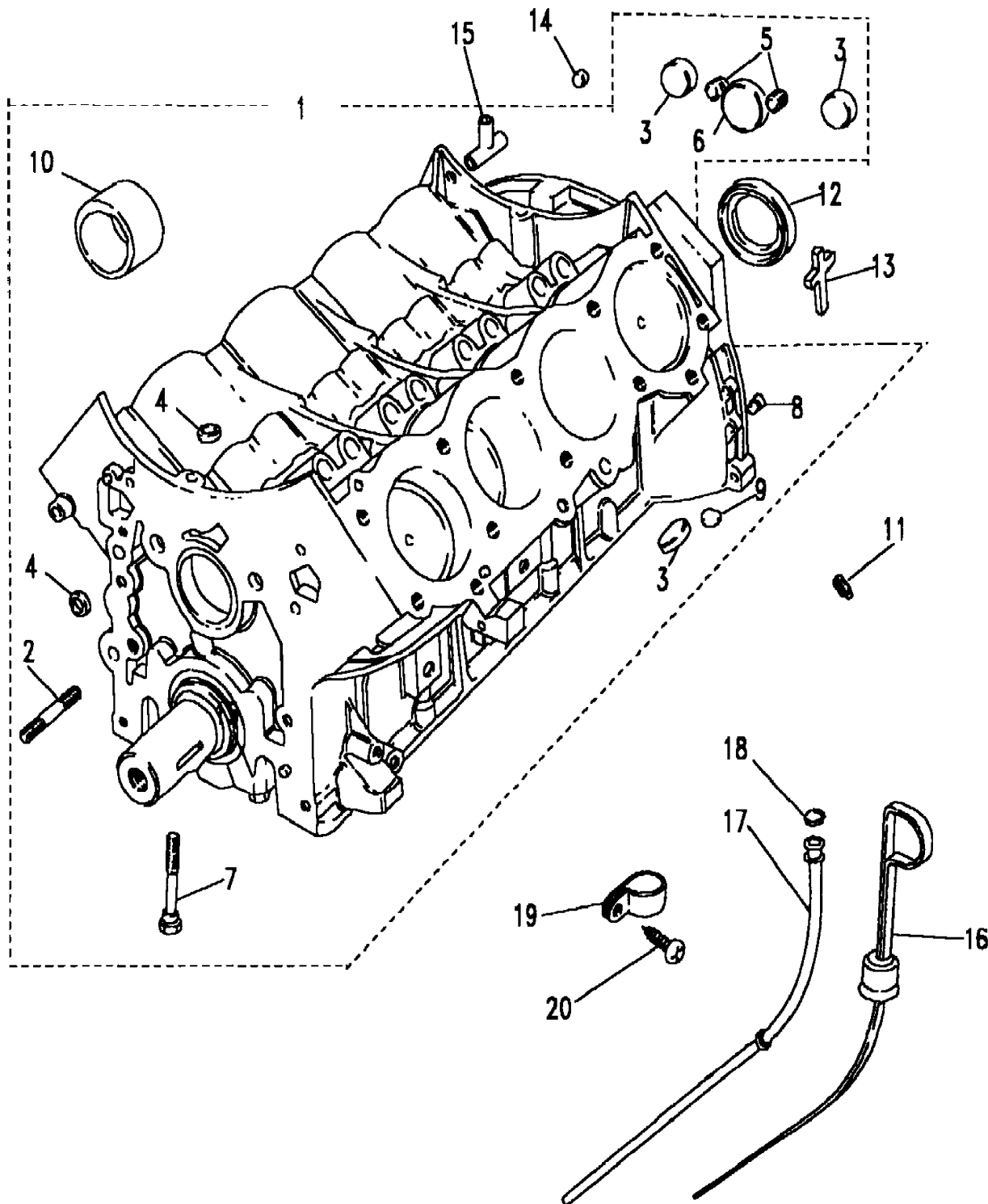
Discovery (FA393361-WA799999)
(CABQBA1A)

Discovery (FA393361-WA799999)

Engine
V8 Petrol - Carburetter
Cylinder Block

3.5L V8 Twin Carb Petrol

Callout	Name	Application	Remarks & Restrictions	Service No.	Qty
1	Cylinder block-engine	3.5L V8 Twin Carb L/R Petrol	Also serviced as part of a kit	ERC6934	1
2	Stud	3.5L V8 Twin Carb L/R Petrol	Front Cover To Block, Also serviced as part of a kit, 5/16UNC x 1 3/8	252513	1
3	Plug-cup	3.5L V8 Twin Carb L/R Petrol	Also serviced as part of a kit	602152	8
4	Plug-cylinder block oil way	3.5L V8 Twin Carb L/R Petrol	Also serviced as part of a kit	602147	4
5	Plug-blanking.	3.5L V8 Twin Carb L/R Petrol	Also serviced as part of a kit	602212	2
6	Plug	3.5L V8 Twin Carb L/R Petrol	Also serviced as part of a kit	602146	1
7	Setscrew-cylinder block main bearing cap	3.5L V8 Twin Carb L/R Petrol	Also serviced as part of a kit	602130	10
8	Dowel	3.5L V8 Twin Carb L/R Petrol	Also serviced as part of a kit	602141	2
9	Plug	3.5L V8 Twin Carb L/R Petrol	Also serviced as part of a kit	612898	2
10	Set-camshaft bearings	3.5L V8 Twin Carb L/R Petrol	Also serviced as part of a kit	RTC5918	1
11	Plug-coolant drain	3.5L V8 Twin Carb L/R Petrol		3290	2
12	Seal-crankshaft rear oil	3.5L V8 Twin Carb L/R Petrol		ERR2640	1
13	Seal-bearing cover	3.5L V8 Twin Carb L/R Petrol		ERR7287	2
14	Plug-core	3.5L V8 Twin Carb L/R Petrol		154545	1
15	T connector-crankcase breather	3.5L V8 Twin Carb L/R Petrol		603143	1
16	Dipstick-oil	3.5L V8 Twin Carb L/R Petrol		ERR1922L	1
17	Tube-oil dipstick	3.5L V8 Twin Carb L/R Petrol		ERR4556	1
18	O Ring	3.5L V8 Twin Carb L/R Petrol		602545	1



Engine
V8 Petrol - Carburetter
Cylinder Block 2/2

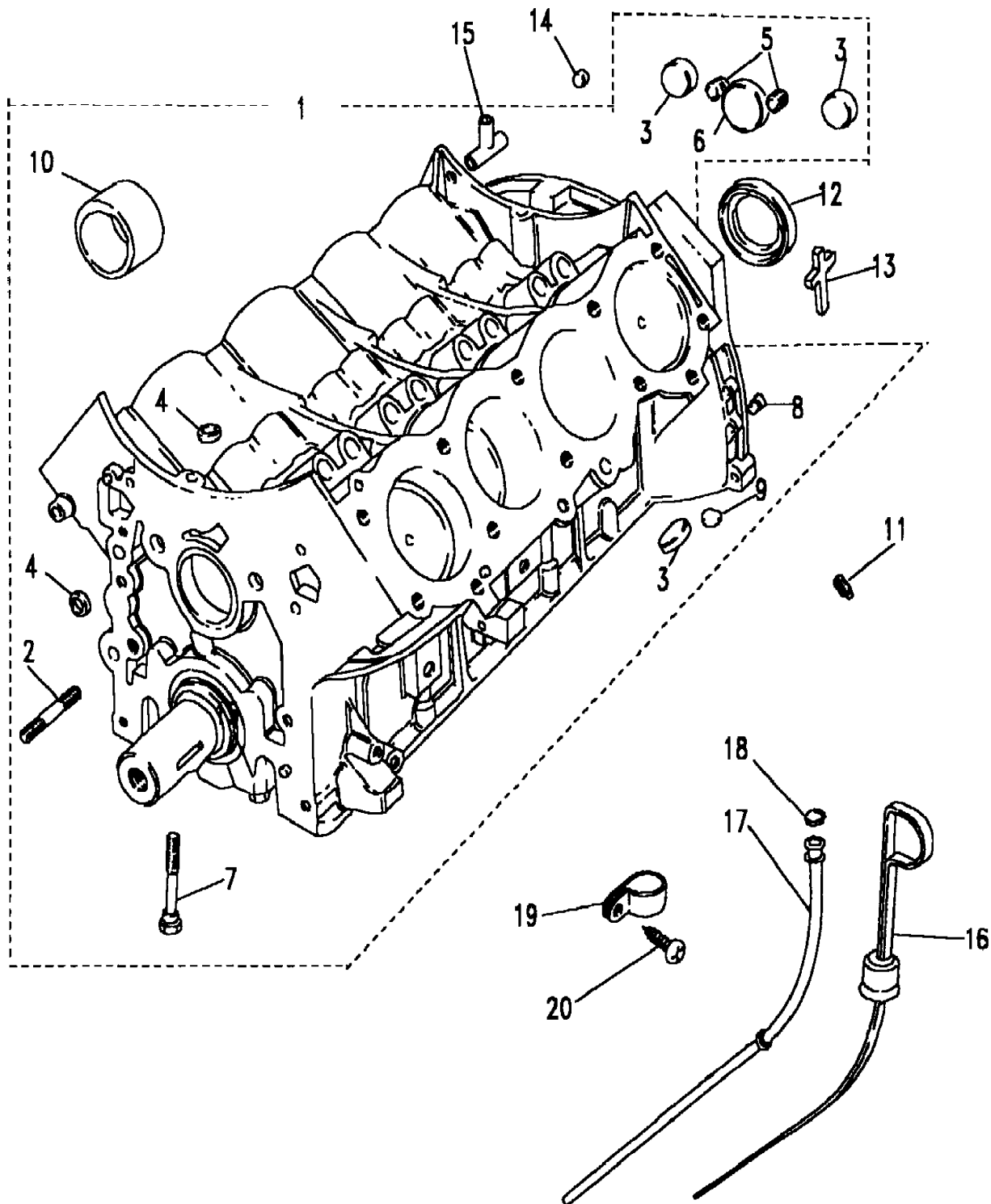
Discovery (FA393361-WA799999)
(CABQBA1A)

Discovery (FA393361-WA799999)

Engine
V8 Petrol - Carburetter
Cylinder Block

3.5L V8 Twin Carb Petrol

Callout	Name	Application	Remarks & Restrictions	Service No.	Qty
19	Clip-p	3.5L V8 Twin Carb L/R Petrol		AEU1448	1
20	Screw	3.5L V8 Twin Carb L/R Petrol	tube dipstick to block, Self Tapping, 10 x 3/8	AB610031L	1



Engine
V8 Petrol - Carburetter
Cylinder Head 1/2

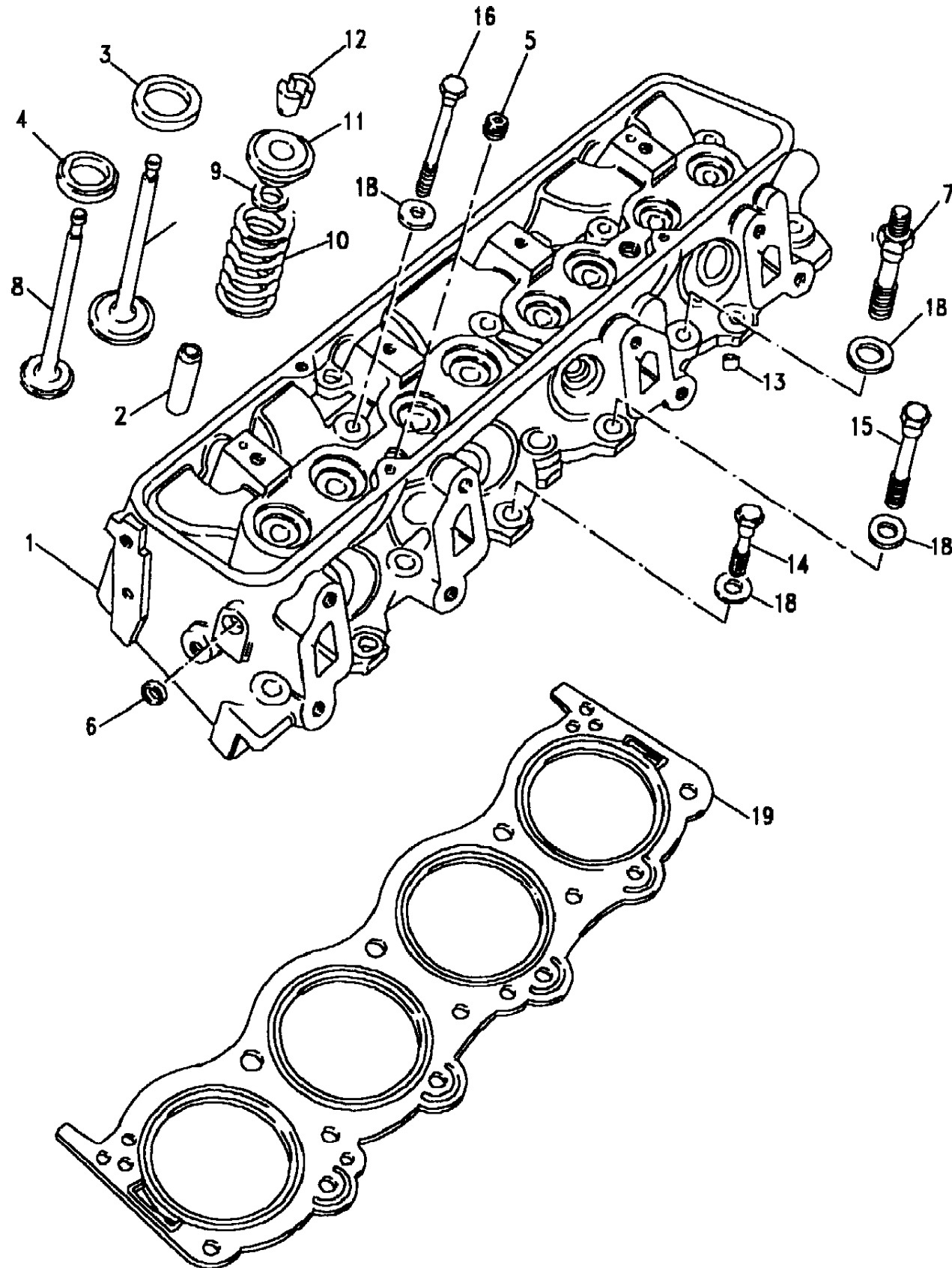
Discovery (FA393361-WA799999)
(CABQGA1A)

Discovery (FA393361-WA799999)

Engine
V8 Petrol - Carburetter
Cylinder Head

3.5L V8 Twin Carb Petrol

Callout	Name	Application	Remarks & Restrictions	Service No.	Qty
1	Cylinder head assembly-engine	Change point - VIN end JA040523, 3.5L V8 Twin Carb L/R Petrol	Also serviced as part of a kit	ERC3346L	2
		Change point - VIN begin JA040524, 3.5L V8 Twin Carb L/R Petrol	Also serviced as part of a kit	ERR3650	2
2	Guide-cylinder head valve	Change point - VIN end JA040523, 3.5L V8 Twin Carb L/R Petrol	Also serviced as part of a kit	603554	16
		Change point - VIN begin JA040524, 3.5L V8 Twin Carb L/R Petrol	Also serviced as part of a kit	ERR3648	16
		3.5L V8 Twin Carb L/R Petrol		LGJ100900	X
3	Seat-cylinder head inlet valve	Change point - VIN end JA040523, 3.5L V8 Twin Carb L/R Petrol	Also serviced as part of a kit, standard.	ERC224	8
		Change point - VIN end JA040523, 3.5L V8 Twin Carb L/R Petrol	Also serviced as part of a kit, 0.010" oversize	ERC225	8
4	Seat-cylinder head exhaust valve	Change point - VIN end JA040523, 3.5L V8 Twin Carb L/R Petrol	Also serviced as part of a kit, standard.	ERC210	8
		Change point - VIN end JA040523, 3.5L V8 Twin Carb L/R Petrol	Also serviced as part of a kit, 0.010" oversize	ERC211	8
5	Plug-core	Change point - VIN end JA040523, 3.5L V8 Twin Carb L/R Petrol	Also serviced as part of a kit	602123	4
6	Plug-cup	Change point - VIN end JA040523, 3.5L V8 Twin Carb L/R Petrol	Also serviced as part of a kit	602289	4
7	Valve-cylinder head inlet	Change point - VIN end JA040523, 3.5L V8 Twin Carb L/R Petrol		ERC9088	8
		Change point - VIN begin JA040524, 3.5L V8 Twin Carb L/R Petrol		ERR1780	8
8	Valve-cylinder head exhaust	Change point - VIN end JA040523, 3.5L V8 Twin Carb L/R Petrol		STC1122	8
		Change point - VIN begin JA040524, 3.5L V8 Twin Carb L/R Petrol		ERR2551	8
9	Seal-cylinder head valve stem oil	Change point - VIN end JA040523, 3.5L V8 Twin Carb L/R Petrol	Inlet	ERC7865	8
		Change point - VIN begin JA040524, 3.5L V8 Twin Carb L/R Petrol		ERR1782	8



Engine
V8 Petrol - Carburetter
Cylinder Head 2/2

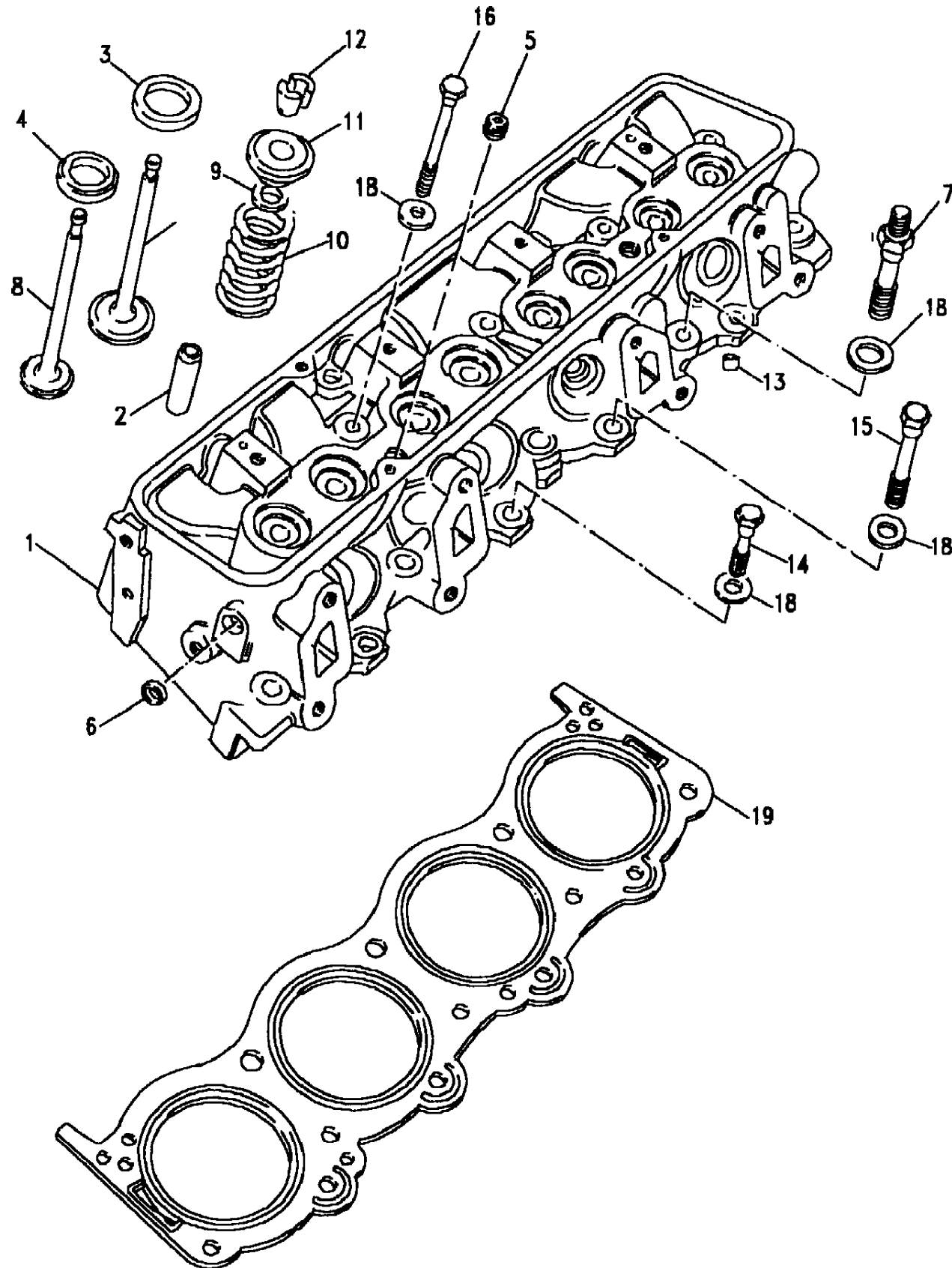
Discovery (FA393361-WA799999)
(CABQGA1A)

Discovery (FA393361-WA799999)

Engine
V8 Petrol - Carburetter
Cylinder Head

3.5L V8 Twin Carb Petrol

Callout	Name	Application	Remarks & Restrictions	Service No.	Qty
10	Spring-cylinder head valve	3.5L V8 Twin Carb L/R Petrol 3.5L V8 Twin Carb L/R Petrol		UKC8137L ERR4628	16 16
11	Cap-cylinder head valve spring	3.5L V8 Twin Carb L/R Petrol		ERC573	16
12	Cotter-valve	3.5L V8 Twin Carb L/R Petrol		ERC1637	32
13	Dowel	3.5L V8 Twin Carb L/R Petrol		602040	4
14	Bolt-cylinder head fixing	3.5L V8 Twin Carb L/R Petrol	7/16UNC x 2 1/4	602191	8
15	Bolt-cylinder head fixing	3.5L V8 Twin Carb L/R Petrol	7/16UNC x 2.71	602192	13
16	Bolt-cylinder head fixing	3.5L V8 Twin Carb L/R Petrol	7/16UNC x 3.91	602193	6
17	Bolt	3.5L V8 Twin Carb L/R Petrol	7/16UNC x 2.71	602200	1
18	Washer-Plain	3.5L V8 Twin Carb L/R Petrol		602098	28
19	Gasket-Cylinder Head	3.5L V8 Twin Carb L/R Petrol		603796	2



Engine
V8 Petrol - Carburetter
Distributor 1/1

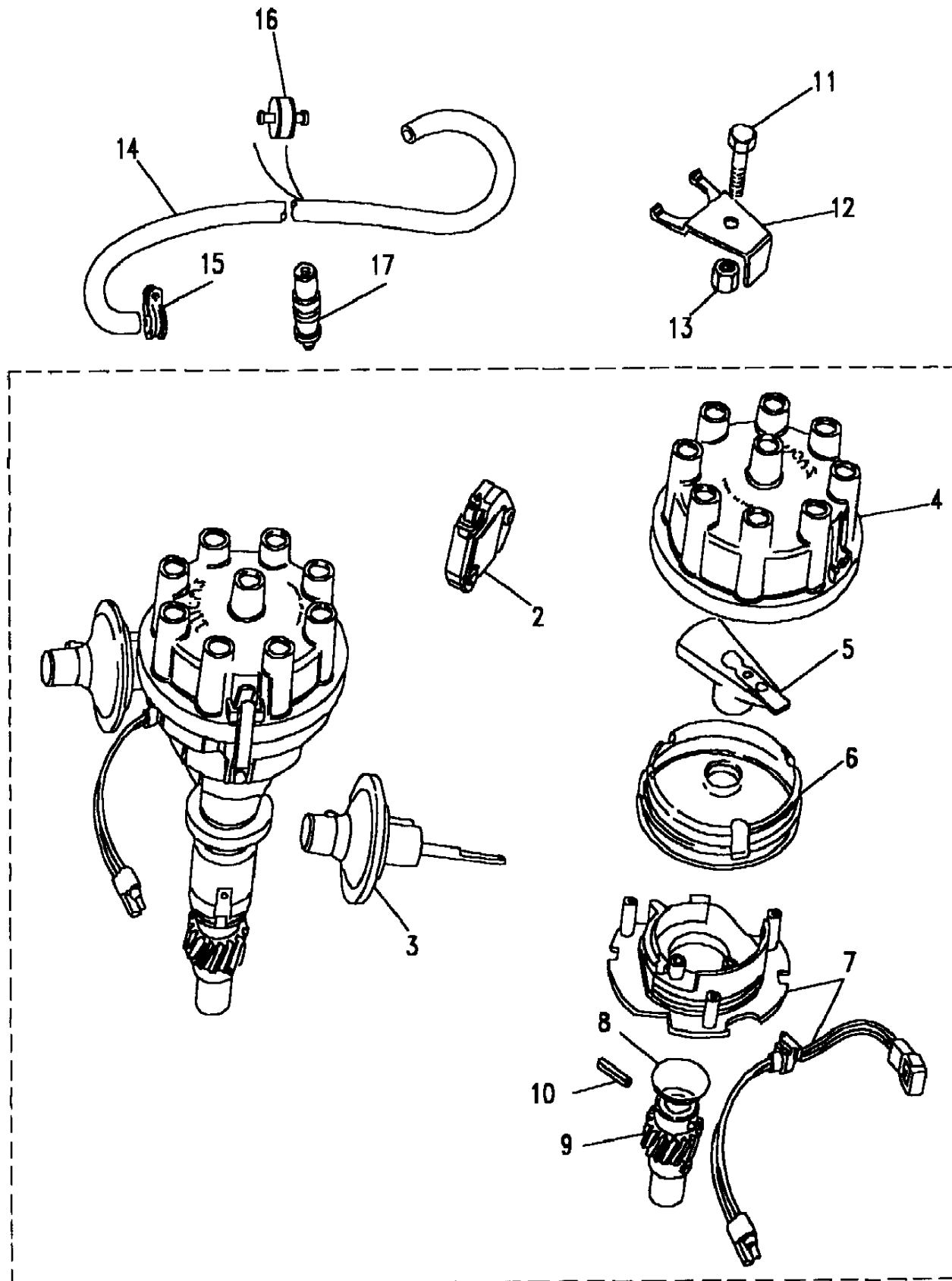
Discovery (FA393361-WA799999)

(CABQPA1A)

Engine
V8 Petrol - Carburetter
Distributor

Discovery (FA393361-WA799999)

3.5L V8 Twin Carb Petrol

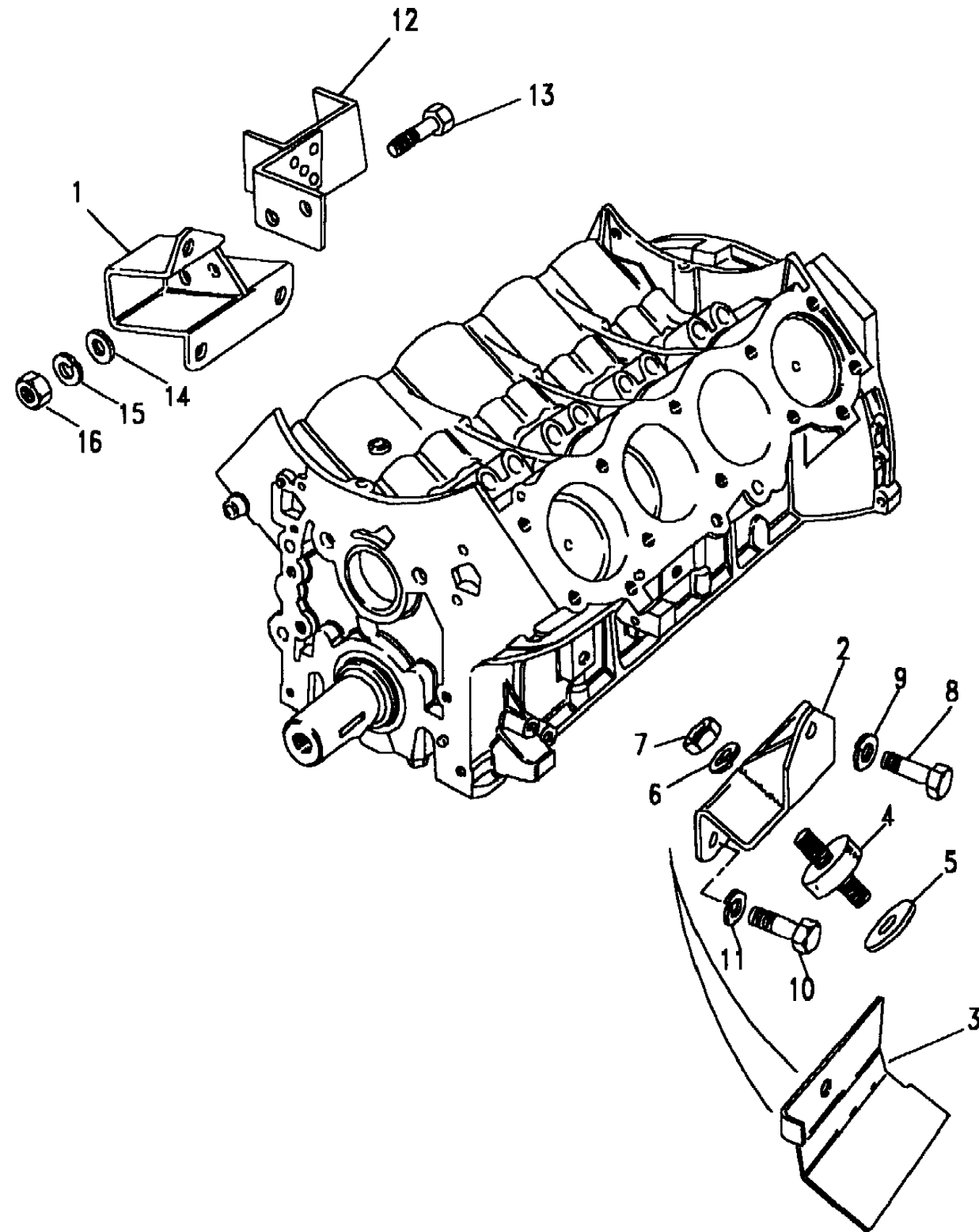


Callout	Name	Application	Remarks & Restrictions	Service No.	Qty
1	Distributor ignition	3.5L V8 Twin Carb L/R Petrol	Also serviced as part of a kit	ETC6976	1
2	Module-distributor	3.5L V8 Twin Carb L/R Petrol	Also serviced as part of a kit, 2 Pin	RTC5089	1
		3.5L V8 Twin Carb L/R Petrol	Also serviced as part of a kit, 3 Pin	STC1184	1
3	Capsule-vacuum distributor	3.5L V8 Twin Carb L/R Petrol	Also serviced as part of a kit	RTC5092	1
4	Cap-distributor ignition	3.5L V8 Twin Carb L/R Petrol	Also serviced as part of a kit	RTC3197	1
5	Arm-rotor distributor	3.5L V8 Twin Carb L/R Petrol	Also serviced as part of a kit	STC1857	1
6	Kit-insulation cover distributor	3.5L V8 Twin Carb L/R Petrol	Also serviced as part of a kit	RTC5091	1
7	Plate-mounting distributor	3.5L V8 Twin Carb L/R Petrol	Also serviced as part of a kit	RTC5090	1
8	O Ring	3.5L V8 Twin Carb L/R Petrol	Also serviced as part of a kit	603446	1
9	Gear & coupling assembly	3.5L V8 Twin Carb L/R Petrol	Also serviced as part of a kit	ERC1353	1
10	Pin-roll	3.5L V8 Twin Carb L/R Petrol	Also serviced as part of a kit	602953	1
11	Screw	3.5L V8 Twin Carb L/R Petrol	hexagonal head, 3/8UNC x 1 1/2	SH506125	1
12	Clamp-distributor	3.5L V8 Twin Carb L/R Petrol		613857	1
13	Nut - Hex.	3.5L V8 Twin Carb L/R Petrol		ETC7427	1
14	Pipe-inlet manifold vacuum	3.5L V8 Twin Carb L/R Petrol		RTC3942	X
15	Clip-p	3.5L V8 Twin Carb L/R Petrol		50642	X
16	Valve-vacuum delay	3.5L V8 Twin Carb L/R Petrol	Orange	ERC6997	1
17	Suppressor assembly-noise distributor	3.5L V8 Twin Carb L/R Petrol		PRC5086	1
[900]	Harness-link	3.5L V8 Twin Carb L/R Petrol	Also serviced as part of a kit, 3 Pin	STC1212	1

Engine
V8 Petrol - Carburetter
Engine Mountings 1/1

Discovery (FA393361-WA799999)

(CABQDC1A)



Discovery (FA393361-WA799999)

Engine
V8 Petrol - Carburetter
Engine Mountings

3.5L V8 Twin Carb Petrol

Callout	Name	Application	Remarks & Restrictions	Service No.	Qty
1	Bracket-engine mounting	Change point - VIN begin TA163104, V8 Petrol	RH	ANR4697	1
		Change point - VIN begin TA501920, V8 Petrol	RH	ANR4697	1
2	Bracket-engine mounting	Change point - VIN end LA081990, 3.5L V8 Twin Carb L/R Petrol	LH	NRC3314	1
3	Heatshield-front engine mounting	3.5L V8 Twin Carb L/R Petrol	LH	NTC4205	1
4	Mounting-engine rubber	3.5L V8 Twin Carb L/R Petrol	3/8UNF	566222	2
		3.5L V8 Twin Carb L/R Petrol	imperial	NTC5900	2
		V8 Twin Carb Petrol	Also serviced as part of a kit	RTC6115	1
		3.5L V8 Twin Carb L/R Petrol	Also serviced as part of a kit	STC434	2
5	Washer	V8 Twin Carb Petrol	Also serviced as part of a kit, M10, oversize, Plain	WC110061L	2
6	Washer	V8 Twin Carb Petrol	Also serviced as part of a kit, M10	WL110001L	4
7	Nut - Hex.	V8 Twin Carb Petrol	Also serviced as part of a kit, M10, hexagonal head, Coarse Thread	NH110041L	4
8	Screw	3.5L V8 Twin Carb L/R Petrol	bracket to engine block, hexagonal head, 5/16UNC x 7/8	SH505071L	2
9	Washer-Spring	3.5L V8 Twin Carb L/R Petrol	Also serviced as part of a kit, 5/16"	WM600051L	2
10	Screw	3.5L V8 Twin Carb L/R Petrol	bracket to engine block, hexagonal head, 7/16UNC x 1 1/8	SH507091L	4
11	Washer	3.5L V8 Twin Carb L/R Petrol	7/16", sprung	WM600071L	4
12	Heatshield engine exhaust	3.5L V8 Twin Carb L/R Petrol	RH	577846	1
13	Screw	3.5L V8 Twin Carb L/R Petrol	heatshield to mounting bracket, hexagonal head, 1/4UNF x 7/8	SH604071L	2
14	Washer	3.5L V8 Twin Carb L/R Petrol	6MM	WA106041L	2
15	Washer-Spring	3.5L V8 Twin Carb L/R Petrol	1/4 dia, Square	WM600041L	2
16	Nut - Hex.	3.5L V8 Twin Carb L/R Petrol	hexagonal head, Coarse Thread, 1/4UNF	NH604041L	2

Engine
V8 Petrol - Carburetter
Engine Short 1/1

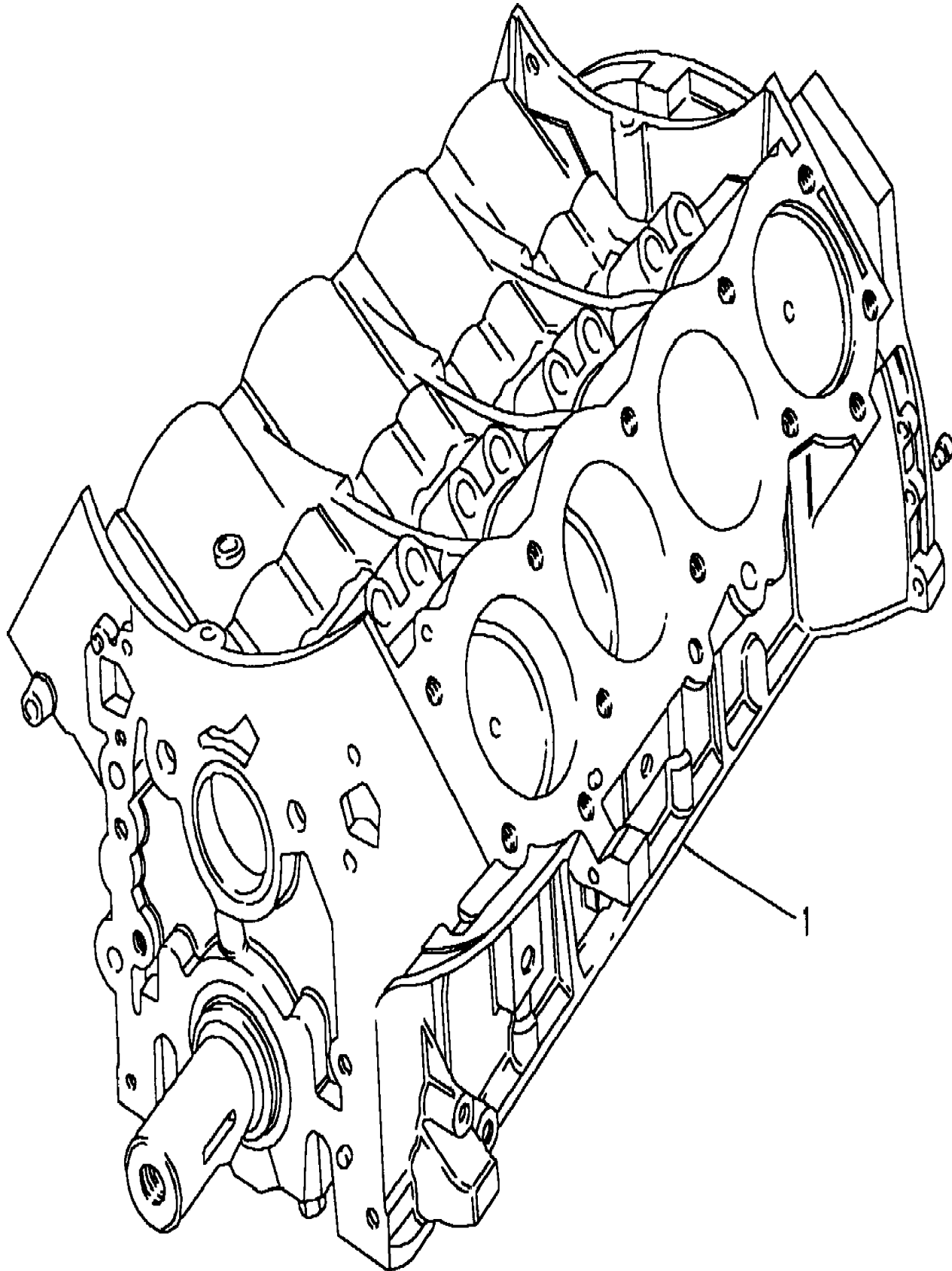
Discovery (FA393361-WA799999)
(CABQAE1A)

Discovery (FA393361-WA799999)

Engine
V8 Petrol - Carburetter
Engine Short

3.5L V8 Twin Carb Petrol

Callout	Name	Application	Remarks & Restrictions	Service No.	Qty
1	Engine base unit-part	3.5L V8 Twin Carb LC L/R Petrol	8.13:1	ETC7714	1



Engine
V8 Petrol - Carburetter
Engine Stripped 1/1

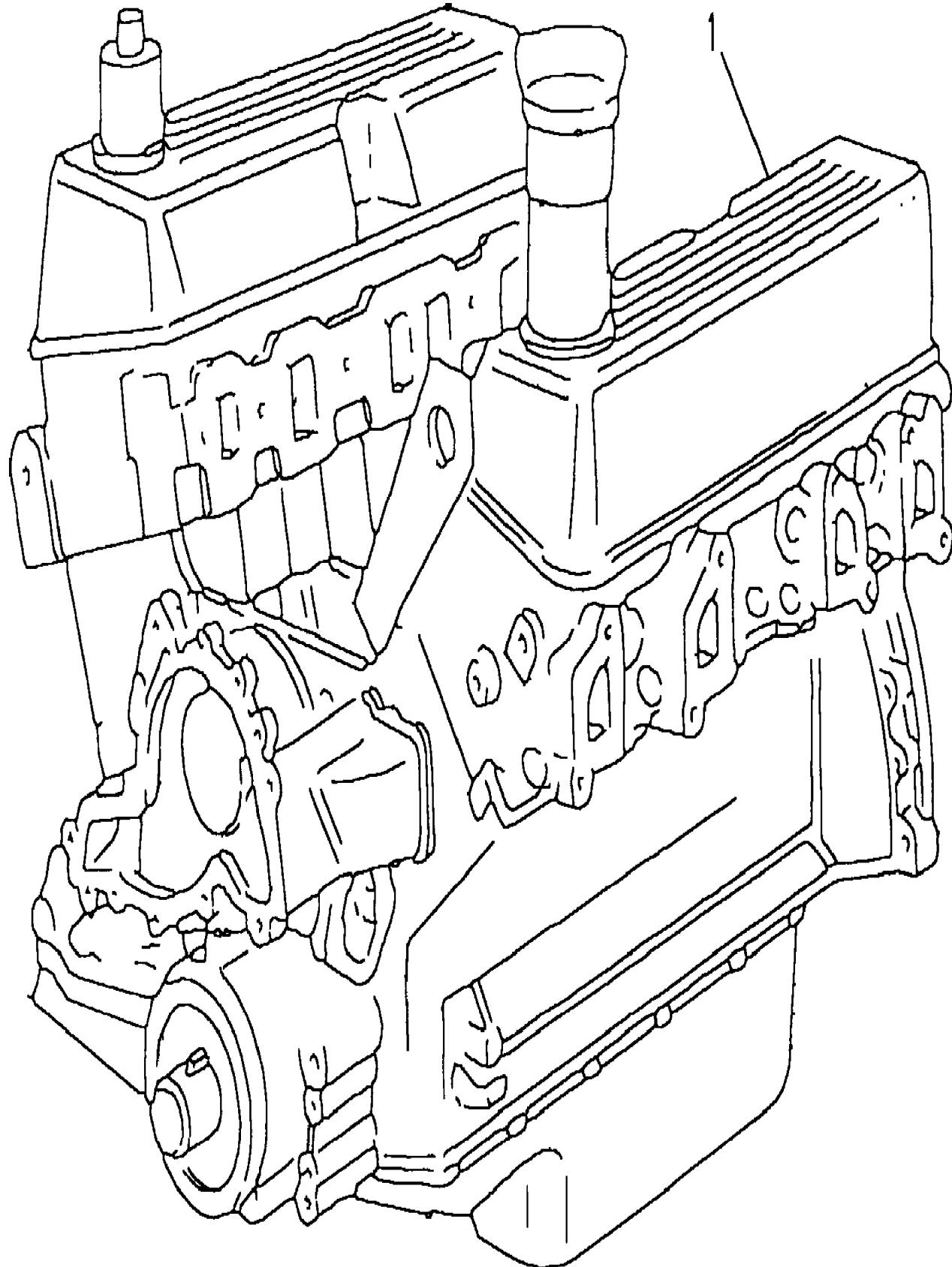
Discovery (FA393361-WA799999)
(CABQAC1A)

Discovery (FA393361-WA799999)

Engine
V8 Petrol - Carburetter
Engine Stripped

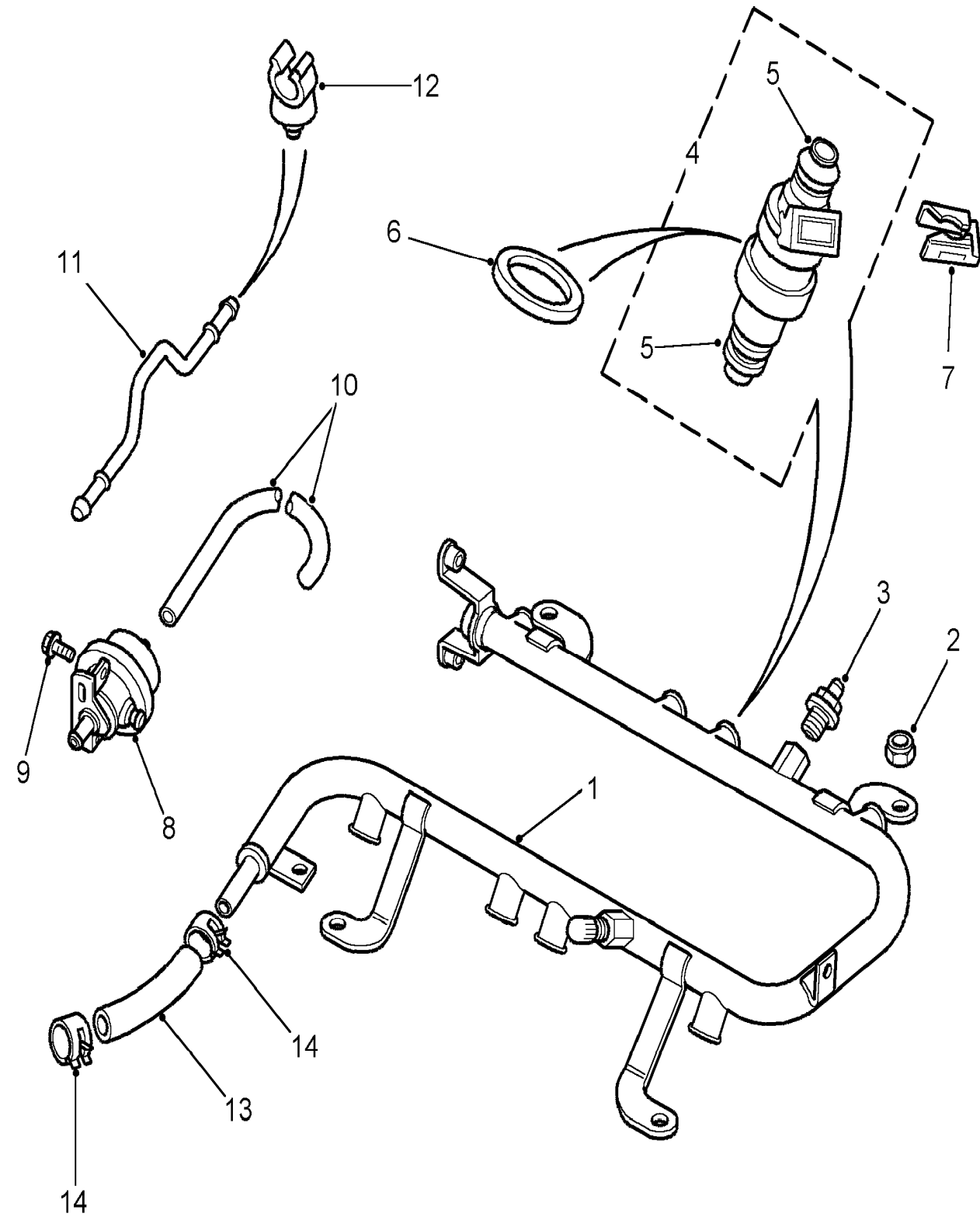
3.5L V8 Twin Carb Petrol

Callout	Name	Application	Remarks & Restrictions	Service No.	Qty
1	Engine unit-stripped	Change point - Engine begin 27G00001, 3.5L V8 Twin Carb LC L/R Petrol	exchange	RTC6682E	1
		Change point - Engine begin 27G00001, 3.5L V8 Twin Carb LC L/R Petrol	New	RTC6682N	1



Engine
V8 Petrol - Carburetter
Exhaust Manifold 1/1

Discovery (FA393361-WA799999)
(LB0014)



LB0014

Discovery (FA393361-WA799999)

Engine
V8 Petrol - Carburetter
Exhaust Manifold

3.5L V8 Twin Carb Petrol

Callout	Name	Application	Remarks & Restrictions	Service No.	Qty
1	Manifold-engine exhaust	3.5L V8 Twin Carb L/R Petrol	LH	ERC5068	1
		3.5L V8 Twin Carb L/R Petrol	LH	ERR2535	1
2	Manifold-engine exhaust	3.5L V8 Twin Carb L/R Petrol	RH, less heat transfer cover	ERC3102	1
		3.5L V8 Twin Carb L/R Petrol	RH, less heat transfer cover	ERR2533	1
3	Stud	3.5L V8 Twin Carb L/R Petrol	5/16UNF x 1 1/2	252623	6
		3.5L V8 Twin Carb L/R Petrol	M8 x 25	TE108051L	6
4	Washer-exhaust manifold to cylinder head tab	3.5L V8 Twin Carb L/R Petrol		ERC7321	8
5	Washer-Plain	3.5L V8 Twin Carb L/R Petrol		3036L	16
6	Screw	3.5L V8 Twin Carb L/R Petrol	hexagonal head, 3/8UNC x 1 1/8	SH506095L	15
7	Gasket-exhaust manifold	3.5L V8 Twin Carb L/R Petrol		ERC3606	8
8	Heatshield-exhaust manifold	3.5L V8 Twin Carb L/R Petrol		ERC5875	1
9	Washer-Plain	3.5L V8 Twin Carb L/R Petrol		RTC613	3
10	Screw	3.5L V8 Twin Carb L/R Petrol	hexagonal head, 5/16UNF x 5/8	SH605051L	1
11	Screw	3.5L V8 Twin Carb L/R Petrol	3/8UNC x 1 1/8	614443	1
12	Nut - Hex.	3.5L V8 Twin Carb L/R Petrol	1/4UNF	NR604090	1
13	Bracket-heatshield exhaust system	3.5L V8 Twin Carb L/R Petrol		ERR117	1
14	Stud	3.5L V8 Twin Carb L/R Petrol	1/4UNF x 1	ERC3690	1

Engine
V8 Petrol - Carburetter
Flywheel & Clutch 1/1

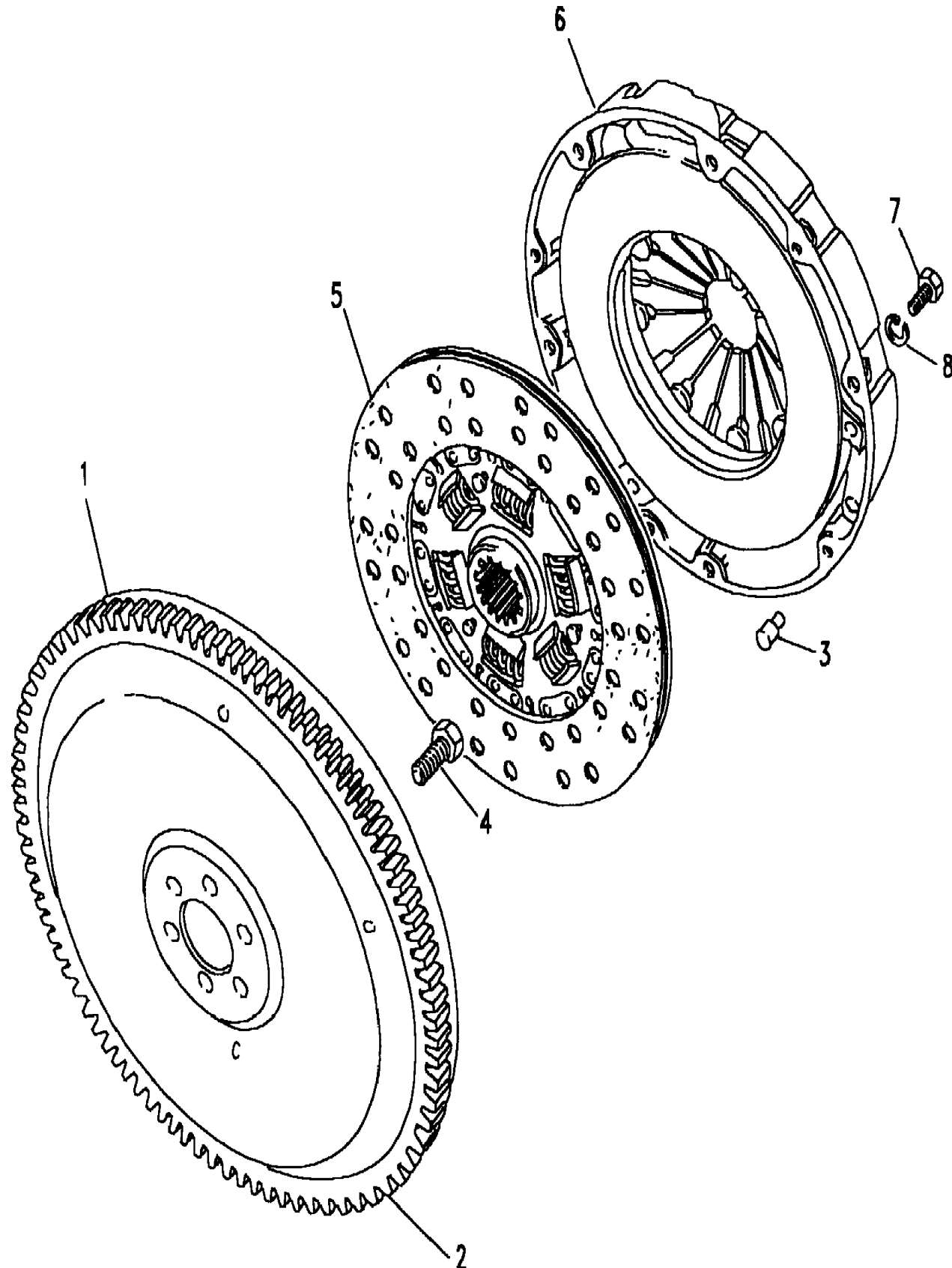
Discovery (FA393361-WA799999)
(CABQRA1A)

Discovery (FA393361-WA799999)

Engine
V8 Petrol - Carburetter
Flywheel & Clutch

3.5L V8 Twin Carb Petrol, Manual Transmission

Callout	Name	Application	Remarks & Restrictions	Service No.	Qty
1	Flywheel engine	3.5L V8 Twin Carb L/R Petrol 3.5L V8 Twin Carb L/R Petrol	Also serviced as part of a kit Also serviced as part of a kit	611324 ERR5575	1 1
2	Gear-ring-flywheel engine	3.5L V8 Twin Carb L/R Petrol	Also serviced as part of a kit	611323	1
3	Dowel	3.5L V8 Twin Carb L/R Petrol	Also serviced as part of a kit	6395L	3
4	Screw	3.5L V8 Twin Carb L/R Petrol	hexagonal head, 7/16UNC x 1	SH607081L	6
5	Plate-clutch-driven	3.5L V8 Twin Carb L/R Petrol 3.5L V8 Twin Carb L/R Petrol	Also serviced as part of a kit	FTC814 FTC814	1 1
6	Cover-clutch assembly	3.5L V8 Twin Carb L/R Petrol 3.5L V8 Twin Carb L/R Petrol	Also serviced as part of a kit	FTC813 FTC813	1 1
7	Screw	3.5L V8 Twin Carb L/R Petrol	hexagonal head, 3/8UNC x 3/4	SH606061L	6
8	Washer	3.5L V8 Twin Carb L/R Petrol	3/8", Square	WM600061L	6
[900]	Bearing-clutch release	3.5L V8 Twin Carb L/R Petrol	Also serviced as part of a kit	FRC9568	1
[901]	Kit-clutch	3.5L V8 Twin Carb L/R Petrol	Also serviced as part of a kit	STC8360	1



Engine
V8 Petrol - Carburetter
Front Cover 1/1

Discovery (FA393361-WA799999)

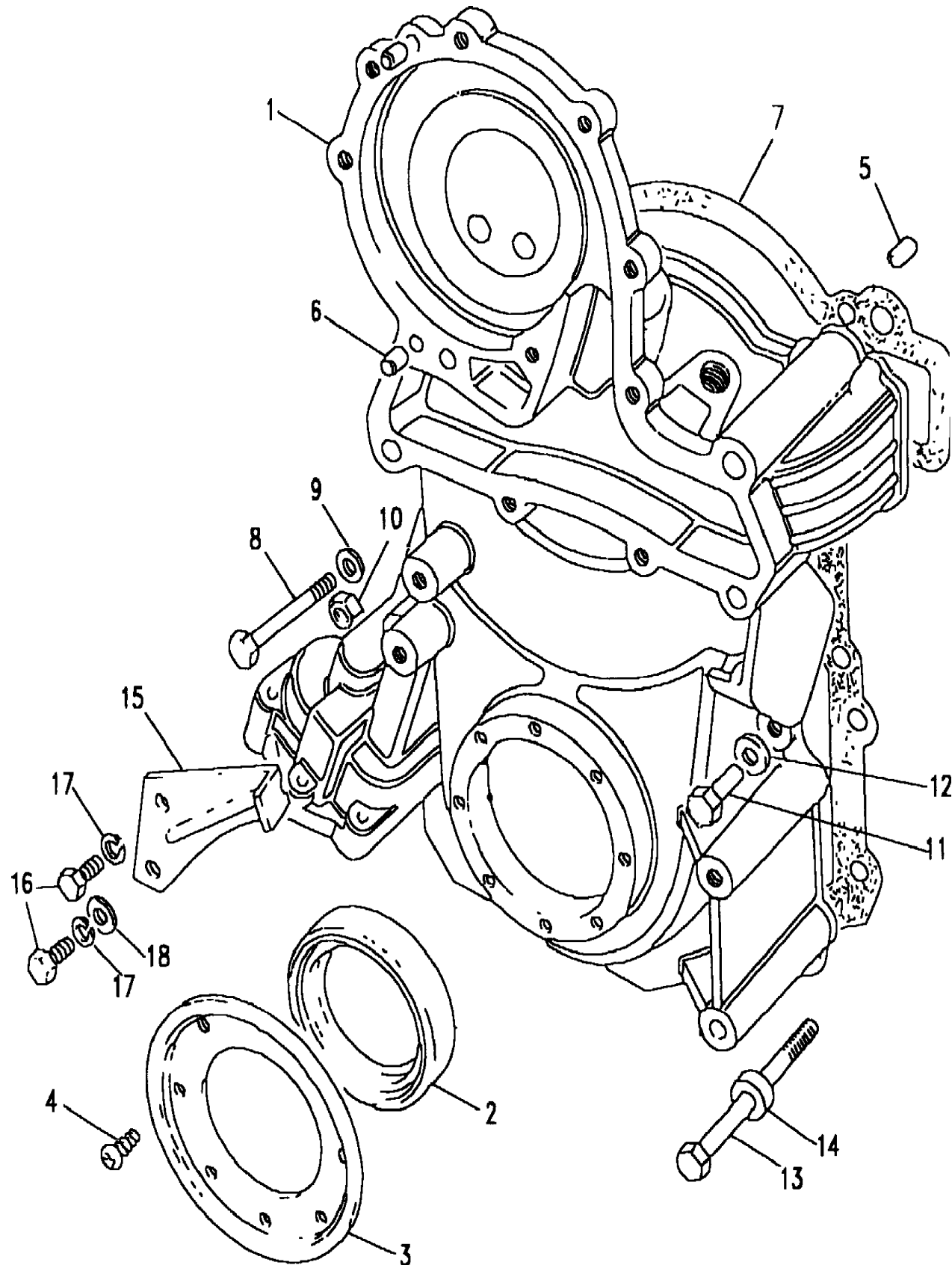
(CABQEA1A)

Discovery (FA393361-WA799999)

Engine
V8 Petrol - Carburetter
Front Cover

3.5L V8 Twin Carb Petrol

Callout	Name	Application	Remarks & Restrictions	Service No.	Qty
1	Cover-engine	3.5L V8 Twin Carb L/R Petrol	Also serviced as part of a kit, Front	ETC7385	1
2	Seal-crankshaft front oil	3.5L V8 Twin Carb L/R Petrol	Also serviced as part of a kit	ETC5065	1
		3.5L V8 Twin Carb L/R Petrol	Also serviced as part of a kit	ERR1632	1
		3.5L V8 Twin Carb L/R Petrol	Also serviced as part of a kit	ERR6490	1
5	Dowel	3.5L V8 Twin Carb L/R Petrol	Also serviced as part of a kit	90602202	2
6	Dowel	3.5L V8 Twin Carb L/R Petrol	Also serviced as part of a kit	602201	2
7	Gasket-cover front	3.5L V8 Twin Carb L/R Petrol		ERR4936	1
8	Bolt	3.5L V8 Twin Carb L/R Petrol	Front Cover To Block, 5/16UNC x 3	BH505241L	1
9	Washer	3.5L V8 Twin Carb L/R Petrol	8MM	WA108051L	1
10	Nut - Hex.	3.5L V8 Twin Carb L/R Petrol	hexagonal head, 5/16UNF	NH605041L	1
11	Screw	3.5L V8 Twin Carb L/R Petrol	Front Cover To Block, hexagonal head, 5/16UNC x 1 1/8	SH505091L	2
12	Washer	3.5L V8 Twin Carb L/R Petrol	8MM	WA108051L	2
13	Bolt	3.5L V8 Twin Carb L/R Petrol	Front Cover To Block, 5/16UNC x 3.8	602388	1
14	Washer	3.5L V8 Twin Carb L/R Petrol	M8, Plain	4075L	1
15	Pointer-engine timing	3.5L V8 Twin Carb L/R Petrol		ETC7345	1
16	Screw	3.5L V8 Twin Carb L/R Petrol	pointer to block, Flanged Head, 1/4UNC x 1/2	FS504047	2
17	Washer-Spring	3.5L V8 Twin Carb L/R Petrol	1/4 dia, Square	WM600041L	2
18	Washer-Plain	3.5L V8 Twin Carb L/R Petrol	Standard	RTC609	2
[900]	Plug-core	3.5L V8 Twin Carb L/R Petrol	Also serviced as part of a kit	154545	1



Engine
V8 Petrol - Carburetter
High Tension Leads 1/1

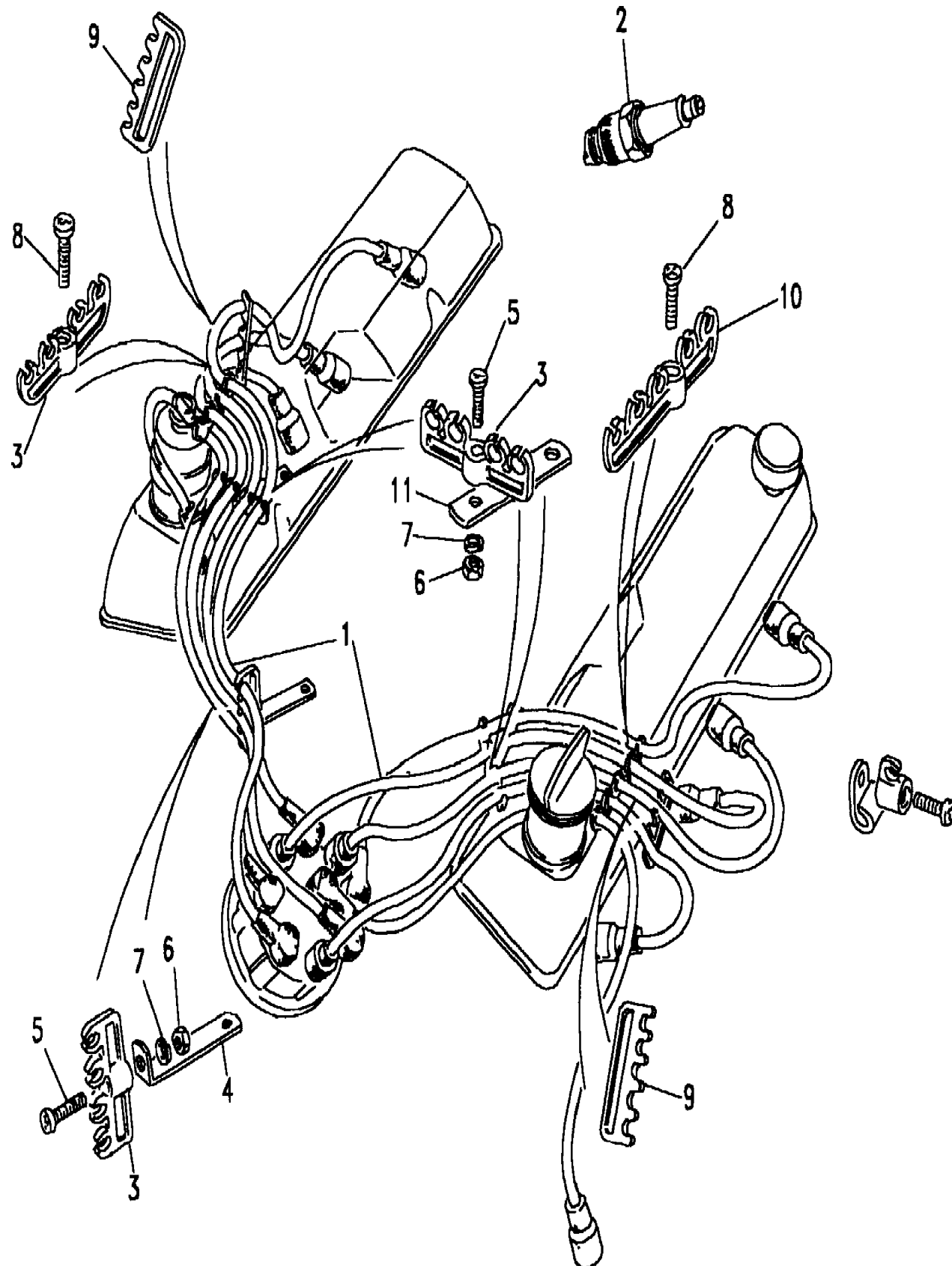
Discovery (FA393361-WA799999)
(CABQPA2A)

Discovery (FA393361-WA799999)

Engine
V8 Petrol - Carburetter
High Tension Leads

3.5L V8 Twin Carb Petrol

Callout	Name	Application	Remarks & Restrictions	Service No.	Qty
1	Kit-high tension leads ignition	3.5L V8 Twin Carb L/R Petrol	Also serviced as part of a kit, silicone	RTC6551	1
2	Plug-sparking	3.5L V8 Twin Carb L/R Petrol	RN11YC	ERR3799	8
3	Clip-spacer-high tension lead ignition	3.5L V8 Twin Carb L/R Petrol		603672	3
4	Bracket-support-lead ignition	3.5L V8 Twin Carb L/R Petrol	Centre	ETC6237	1
5	Screw	3.5L V8 Twin Carb L/R Petrol		SE910161L	3
6	Locknut	3.5L V8 Twin Carb L/R Petrol	10x32UNF	NH910011L	3
7	Washer-Spring	3.5L V8 Twin Carb L/R Petrol	rectangular, No 10, single coil	WL700101L	3
8	Screw-self tapping AB	3.5L V8 Twin Carb L/R Petrol	M8 x 12	AB610041L	3
9	Clip-spacer-high tension lead ignition	3.5L V8 Twin Carb L/R Petrol		ETC8720	2
10	Clip-spacer-high tension lead ignition	3.5L V8 Twin Carb L/R Petrol		ETC7971	1
11	Bracket-support-lead ignition	3.5L V8 Twin Carb L/R Petrol		ETC6093	2
[900]	Lead-high tension ignition	3.5L V8 Twin Carb L/R Petrol	Also serviced as part of a kit, No1	ETC8610	1
		3.5L V8 Twin Carb L/R Petrol	Also serviced as part of a kit, No3	ETC8611	1
		3.5L V8 Twin Carb L/R Petrol	Also serviced as part of a kit, No5	ETC8612	1
		3.5L V8 Twin Carb L/R Petrol	Also serviced as part of a kit, No2	ETC8613	1
		3.5L V8 Twin Carb L/R Petrol	Also serviced as part of a kit, No4	ETC8614	1
		3.5L V8 Twin Carb L/R Petrol	Also serviced as part of a kit, No6	ETC8615	1
		3.5L V8 Twin Carb L/R Petrol	Also serviced as part of a kit, No8	ETC8616	1
		3.5L V8 Twin Carb L/R Petrol	Also serviced as part of a kit, No7	ETC8617	1
[901]	Lead-king ignition	3.5L V8 Twin Carb L/R Petrol	Also serviced as part of a kit	ETC8618	1



Engine
V8 Petrol - Carburetter
Inlet Manifold 1/2

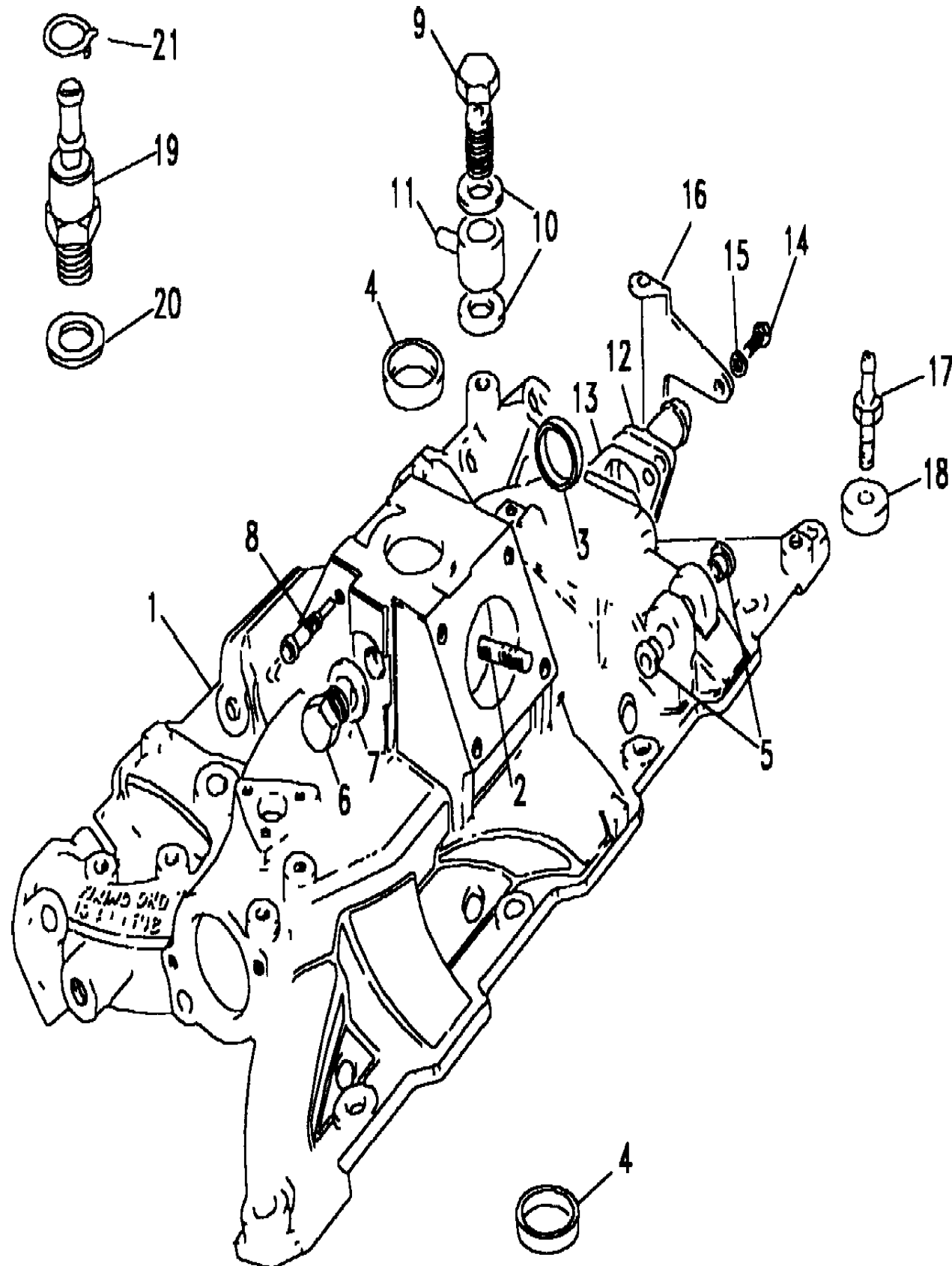
Discovery (FA393361-WA799999)
(CABQHA1A)

Discovery (FA393361-WA799999)

Engine
V8 Petrol - Carburetter
Inlet Manifold

3.5L V8 Twin Carb Petrol

Callout	Name	Application	Remarks & Restrictions	Service No.	Qty
1	Manifold assembly-engine inlet	3.5L V8 Twin Carb L/R Petrol	Also serviced as part of a kit	ETC7915	1
2	Stud	3.5L V8 Twin Carb L/R Petrol	Also serviced as part of a kit	252514	8
3	Plug-core	3.5L V8 Twin Carb L/R Petrol	Also serviced as part of a kit	ERC256	2
4	Plug-cup	3.5L V8 Twin Carb L/R Petrol	Also serviced as part of a kit	602152	1
5	Bush	3.5L V8 Twin Carb L/R Petrol	Also serviced as part of a kit	522932	2
6	Plug-blanking	3.5L V8 Twin Carb L/R Petrol	Also serviced as part of a kit	603224	1
7	Washer-sealing	3.5L V8 Twin Carb L/R Petrol	Also serviced as part of a kit	232043	1
8	Adaptor-inlet manifold	3.5L V8 Twin Carb L/R Petrol	Also serviced as part of a kit	603920	1
9	Bolt-banjo	3.5L V8 Twin Carb L/R Petrol		534897	1
10	Washer-sealing	3.5L V8 Twin Carb L/R Petrol		267604	2
11	Bolt-banjo	3.5L V8 Twin Carb L/R Petrol		603277	1
12	Pipe-outlet to inlet manifold coolant	3.5L V8 Twin Carb L/R Petrol		603440	1
13	Gasket-coolant outlet elbow	3.5L V8 Twin Carb L/R Petrol		ERR4935	1
14	Setscrew	3.5L V8 Twin Carb L/R Petrol	1/4UNC x 3/4	SH504061L	2
15	Washer-Spring	3.5L V8 Twin Carb L/R Petrol	1/4 dia, Square	WM600041L	2
16	Bracket-inlet manifold support	3.5L V8 Twin Carb L/R Petrol		603561	1
17	Peg-air cleaner mtg-engine	3.5L V8 Twin Carb L/R Petrol		ERC2297	1
18	Spacer	3.5L V8 Twin Carb L/R Petrol		ERC2298	1
19	Valve-inlet manifold non return	Change point - Engine end 36D76910c, 3.5L V8 Twin Carb L/R Petrol		RTC5907	1



Engine
V8 Petrol - Carburetter
Inlet Manifold 2/2

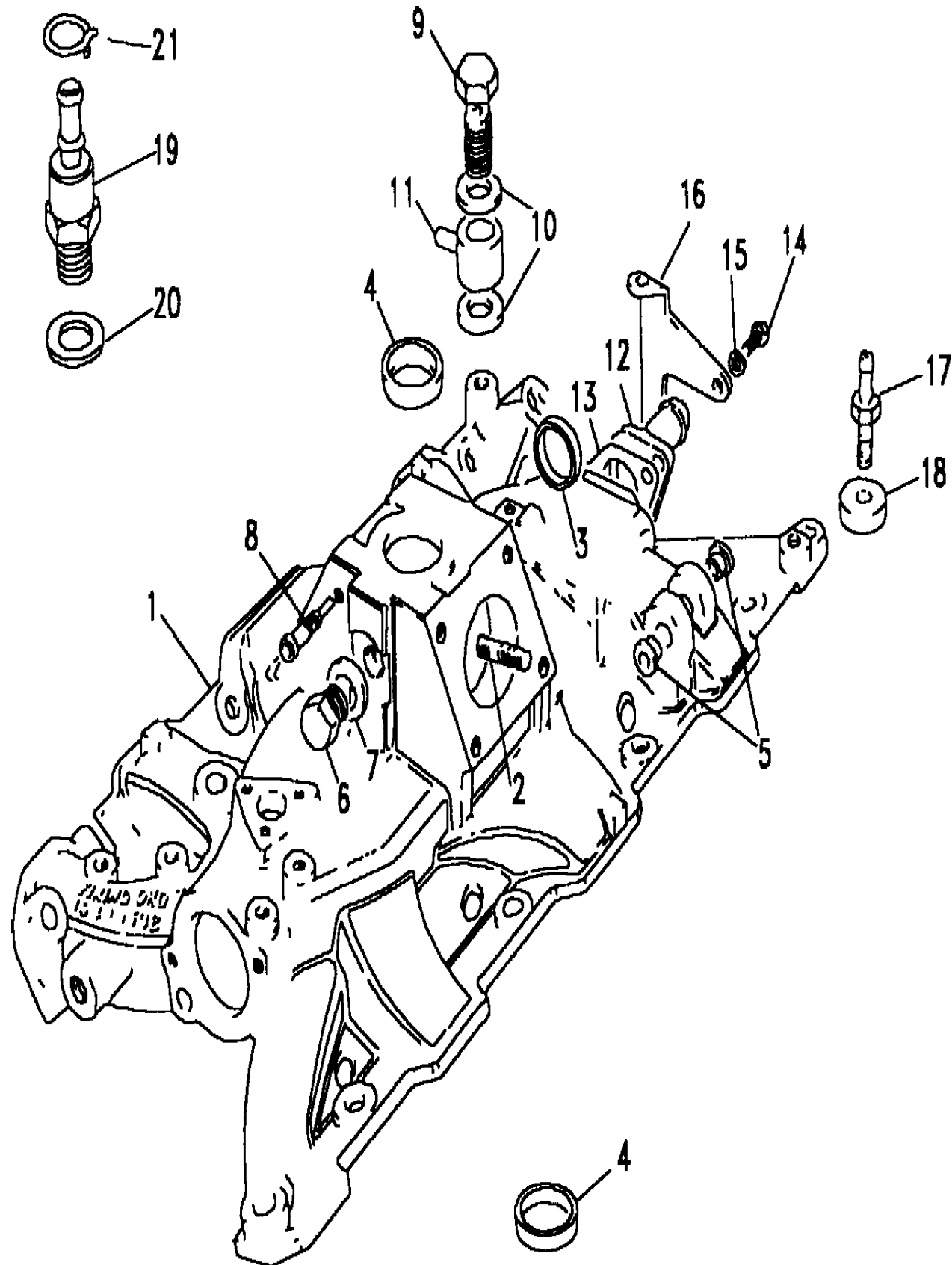
Discovery (FA393361-WA799999)
(CABQHA1A)

Discovery (FA393361-WA799999)

Engine
V8 Petrol - Carburetter
Inlet Manifold

3.5L V8 Twin Carb Petrol

Callout	Name	Application	Remarks & Restrictions	Service No.	Qty
19	Valve-inlet manifold non return	Change point - Engine begin 36D76911c, 3.5L V8 Twin Carb L/R Petrol		LKX100440	1
20	Washer-sealing	3.5L V8 Twin Carb L/R Petrol		232043	1
21	Clip-Hose	3.5L V8 Twin Carb L/R Petrol 3.5L V8 Twin Carb L/R Petrol		572548 CN100168L	1 1



Engine
V8 Petrol - Carburettor
Inlet Manifold-Coolant Hoses 1/1

Discovery (FA393361-WA799999)

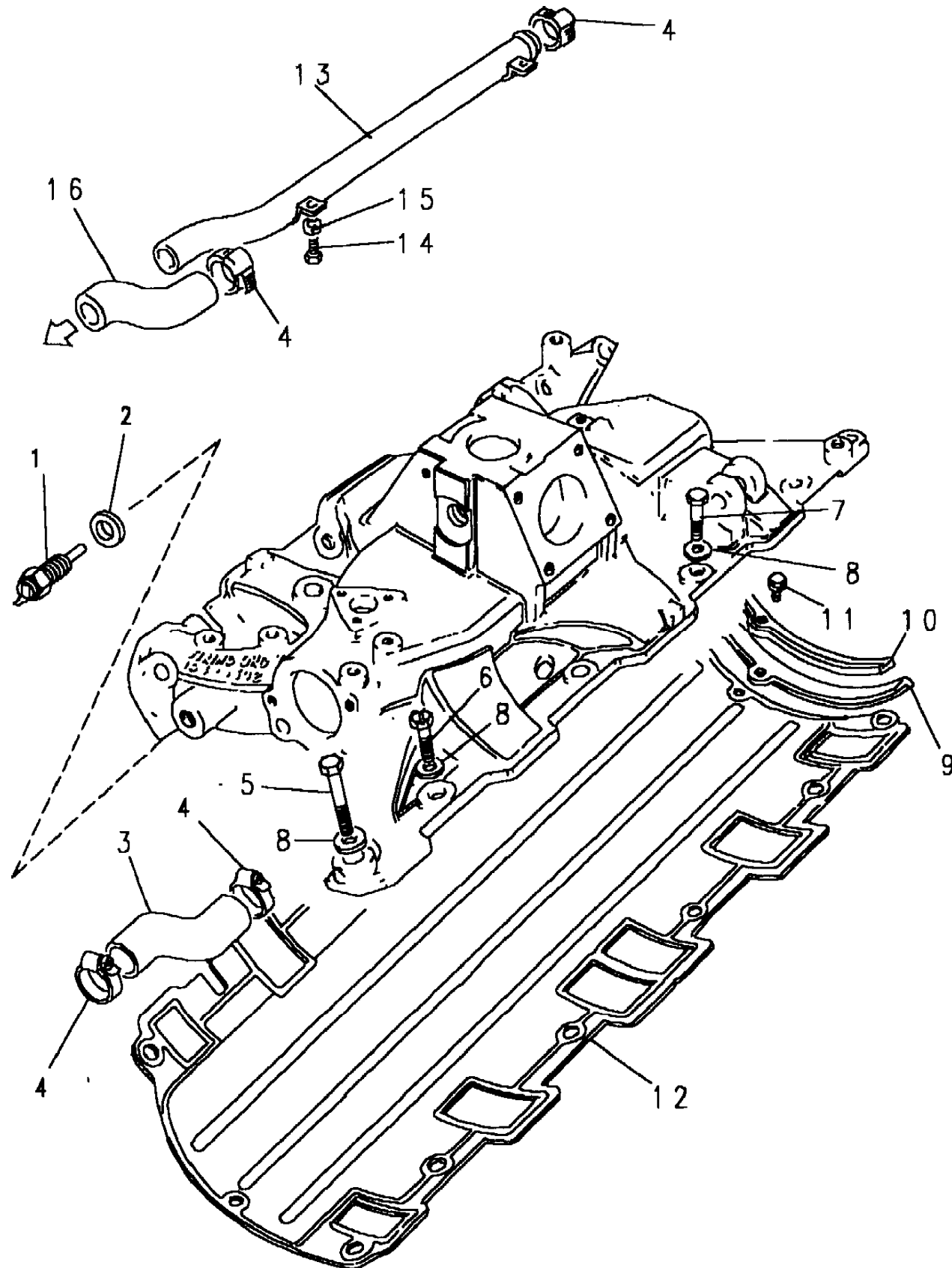
(CABQHA2A)

Discovery (FA393361-WA799999)

Engine
V8 Petrol - Carburettor
Inlet Manifold-Coolant Hoses

3.5L V8 Twin Carb Petrol

Callout	Name	Application	Remarks & Restrictions	Service No.	Qty
1	Sensor-carburettor/multi point injection/tbi coolant temperature	3.5L V8 Twin Carb L/R Petrol		PRC8003	1
2	Washer-sealing	3.5L V8 Twin Carb L/R Petrol		90568054	1
3	Hose-bypass to inlet manifold coolant	3.5L V8 Twin Carb L/R Petrol		ERC2319	1
4	Clip-Hose	3.5L V8 Twin Carb L/R Petrol	30MM	CN100308L	4
5	Bolt	3.5L V8 Twin Carb L/R Petrol	hexagonal head, 3/8UNC x 2	BH506161L	2
6	Bolt	3.5L V8 Twin Carb L/R Petrol	hexagonal head, 3/8UNC x 1 1/2	BH506121L	6
7	Bolt	3.5L V8 Twin Carb L/R Petrol	3/8UNC x 1 5/16	90611504	4
8	Washer	3.5L V8 Twin Carb L/R Petrol		2204L	12
9	Seal-inlet manifold gasket	3.5L V8 Twin Carb L/R Petrol 3.5L V8 Twin Carb L/R Petrol		602099 ERR7283	2 2
10	Clamp-inlet manifold gasket seal	3.5L V8 Twin Carb L/R Petrol		602076	2
11	Bolt	3.5L V8 Twin Carb L/R Petrol	5/16UNC	602236	2
12	Gasket-inlet manifold	3.5L V8 Twin Carb L/R Petrol		ERC3990	1
13	Pipe-outlet to inlet manifold coolant	3.5L V8 Twin Carb L/R Petrol		ERC2143	1
14	Screw	3.5L V8 Twin Carb L/R Petrol	Flanged Head, 1/4UNC x 1/2	FS504047	2
15	Washer-Spring	3.5L V8 Twin Carb L/R Petrol	1/4 dia, Square	WM600041L	1
16	Hose-heater to inlet manifold coolant	3.5L V8 Twin Carb L/R Petrol		ERC2320	1
[901]	Tie-cable	3.5L V8 Twin Carb L/R Petrol	inside serated, 4.6 x 385mm, White.	594594	4



Engine
V8 Petrol - Carburetter
Oil Pump 1/1

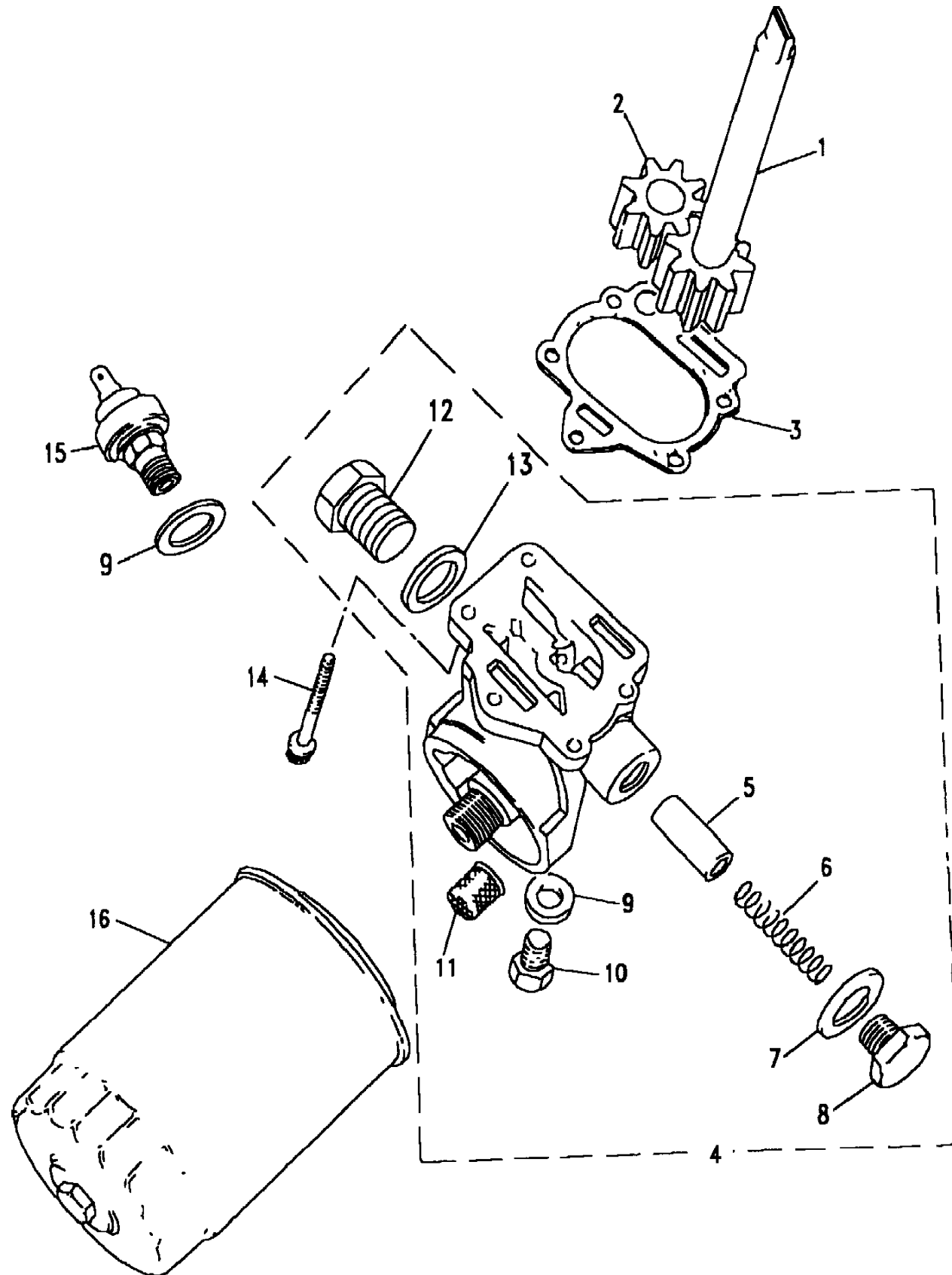
Discovery (FA393361-WA799999)
(CABQFA1A)

Discovery (FA393361-WA799999)

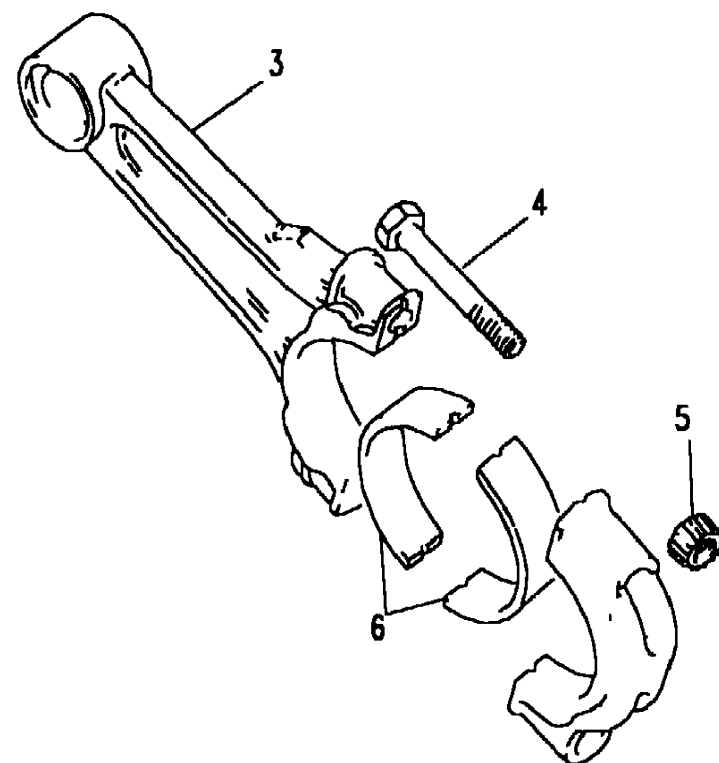
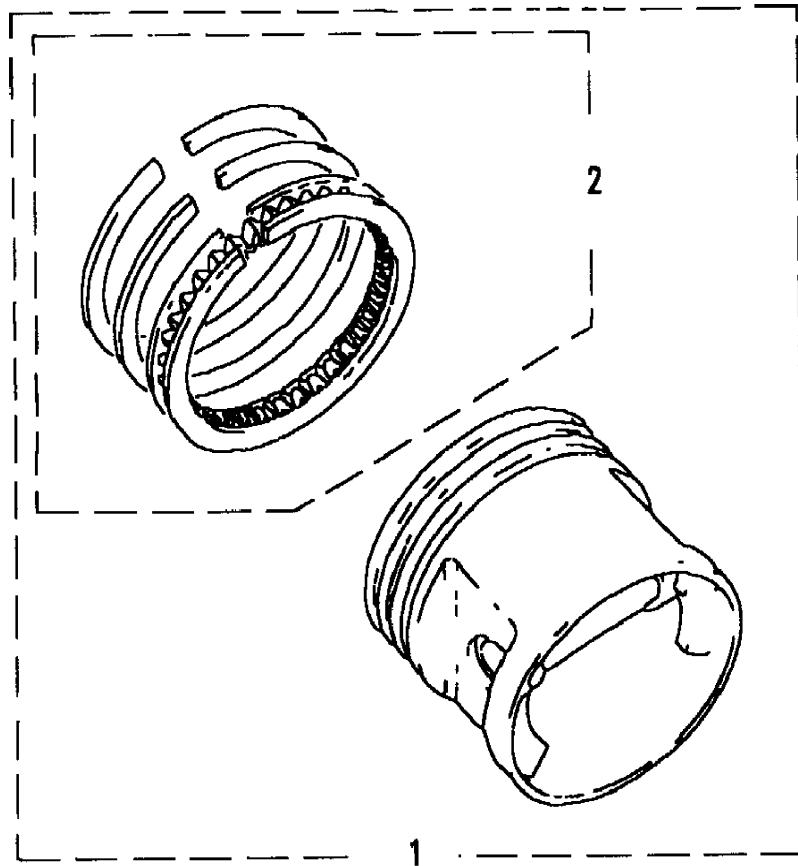
Engine
V8 Petrol - Carburetter
Oil Pump

3.5L V8 Twin Carb Petrol

Callout	Name	Application	Remarks & Restrictions	Service No.	Qty
1	Shaft-oil pump	3.5L V8 Twin Carb L/R Petrol		ERC1351	1
2	Gear-oil pump	3.5L V8 Twin Carb L/R Petrol		614037	1
3	Gasket-cylinder block oil pump	3.5L V8 Twin Carb L/R Petrol		ERR1990	1
4	Adaptor assembly-oil filter	3.5L V8 Twin Carb L/R Petrol	Also serviced as part of a kit	ETC4276	1
5	Plunger-oil pump relief valve	3.5L V8 Twin Carb L/R Petrol	Also serviced as part of a kit	90602064	1
6	Spring-oil pump relief valve	3.5L V8 Twin Carb L/R Petrol	Also serviced as part of a kit	602067	1
7	Washer-oil pressure switch engine	3.5L V8 Twin Carb L/R Petrol	Also serviced as part of a kit	ETC8833	1
8	Plug-oil pump relief valve	3.5L V8 Twin Carb L/R Petrol	Also serviced as part of a kit	602071	1
9	Washer-sealing	3.5L V8 Twin Carb L/R Petrol	Also serviced as part of a kit	243968	1
10	Plug	3.5L V8 Twin Carb L/R Petrol	Also serviced as part of a kit	273166	1
11	Strainer-oil	3.5L V8 Twin Carb L/R Petrol	Also serviced as part of a kit	614202	1
14	Bolt	3.5L V8 Twin Carb L/R Petrol 3.5L V8 Twin Carb L/R Petrol 3.5L V8 Twin Carb L/R Petrol	1/4UNC x 7/8 1/4UNC x 1 1/4 1/4UNC x 9/16	602910 602912 602913	3 2 1
15	Switch-oil pressure engine	3.5L V8 Twin Carb L/R Petrol		STC4104	1
16	Cartridge-engine oil filter	3.5L V8 Twin Carb L/R Petrol		ERR3340	1
[902]	Kit-oil pump repair	3.5L V8 Twin Carb L/R Petrol		RTC4477	1



Engine
 V8 Petrol - Carburetter
 Piston, Connecting Rod & Bearings 1/1
Discovery (FA393361-WA799999)
 (CABQCC1A)



Discovery (FA393361-WA799999)
 Engine
 V8 Petrol - Carburetter
 Piston, Connecting Rod & Bearings
 3.5L V8 Twin Carb Petrol

Callout	Name	Application	Remarks & Restrictions	Service No.	Qty
1	Piston-engine	3.5L V8 Twin Carb L/R Petrol	Also serviced as part of a kit, standard., 8.13:1	RTC2186S	8
		3.5L V8 Twin Carb L/R Petrol	Also serviced as part of a kit, 0.020" oversize, 8.13:1	RTC218620	8
2	Ring set assembly-piston	3.5L V8 Twin Carb L/R Petrol	Also serviced as part of a kit, standard.	RTC2408	8
		3.5L V8 Twin Carb L/R Petrol	Also serviced as part of a kit, 0.020" oversize	RTC240820	8
3	Rod-crankshaft connecting	3.5L V8 Twin Carb L/R Petrol	Also serviced as part of a kit	602082	8
4	Bolt-connecting rod	3.5L V8 Twin Carb L/R Petrol	Also serviced as part of a kit, 11/32UNS-3A	602609	16
5	Nut-connecting rod	3.5L V8 Twin Carb L/R Petrol	Also serviced as part of a kit, 11/32UNS-3B	602061	16
6	Set-connecting rod big end half bearing	3.5L V8 Twin Carb L/R Petrol	standard.	RTC2117	1
		3.5L V8 Twin Carb L/R Petrol	0.010" undersize	RTC211710	1
		3.5L V8 Twin Carb L/R Petrol	0.020 undersize	RTC211720	1

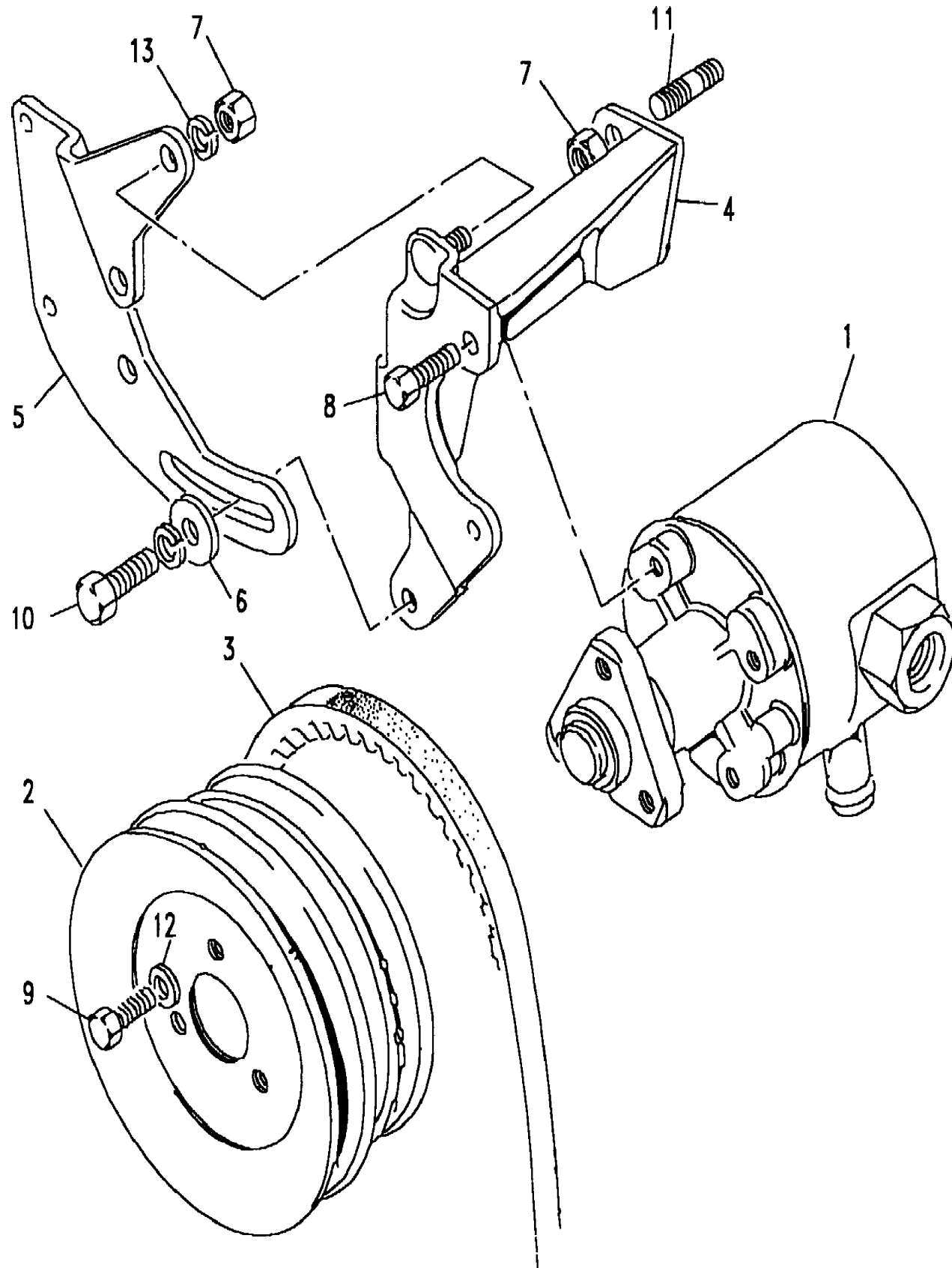
Engine
V8 Petrol - Carburetter
Power Steering Pump & Mountings 1/2 (CABQNC1A)

Discovery (FA393361-WA799999)

Discovery (FA393361-WA799999)

Engine
V8 Petrol - Carburetter
Power Steering Pump & Mountings
3.5L V8 Twin Carb Petrol, With Power Steering

Callout	Name	Application	Remarks & Restrictions	Service No.	Qty
1	Pump sub assembly power assisted steering	Change point - VIN end NOV 89, 3.5L V8 Twin Carb L/R Petrol Change point - VIN begin NOV 89, 3.5L V8 Twin Carb L/R Petrol	Also serviced as part of a kit Also serviced as part of a kit, V belt drive	ETC6496 NTC8286	1 1
2	Pulley power assisted steering pump	3.5L V8 Twin Carb L/R Petrol	twin groove, A127 alternator	ETC6408	1
3	Belt-vee power assisted steering	3.5L V8 Twin Carb L/R Petrol		ERC675	1
4	Bracket-mounting power assisted steering pump	3.5L V8 Twin Carb L/R Petrol		ERR798	1
5	Link-power assisted steering pump adjusting	3.5L V8 Twin Carb L/R Petrol		ETC6607	1
6	Washer-Plain	3.5L V8 Twin Carb L/R Petrol		4478	1
7	Nut - Hex.	3.5L V8 Twin Carb L/R Petrol	M8, flange	FN108041L	1
8	Screw-flanged head	3.5L V8 Twin Carb L/R Petrol	M6 X 16, Flanged Head	FS106167L	1
9	Screw	3.5L V8 Twin Carb L/R Petrol	Flanged Head, M8 x 20	FS108207L	3
10	Screw	3.5L V8 Twin Carb L/R Petrol 3.5L V8 Twin Carb L/R Petrol 3.5L V8 Twin Carb L/R Petrol	M8 x 25, hexagonal head M8 x 25, Flanged Head 3/8UNC x 3/4	SH108251L FS108251L SS506060	1 1 1
11	Stud	3.5L V8 Twin Carb L/R Petrol	3/8UNF x 1 1/8	TE506101L	1
12	Washer	3.5L V8 Twin Carb L/R Petrol	8MM	WA108051L	3
13	Washer-Spring	3.5L V8 Twin Carb L/R Petrol	Also serviced as part of a kit, 5/16"	WM600051L	1
[901]	O Ring	Change point - VIN end NOV 89, 3.5L V8 Twin Carb L/R Petrol Change point - VIN end NOV 89, 3.5L V8 Twin Carb L/R Petrol Change point - VIN begin NOV 89, 3.5L V8 Twin Carb L/R Petrol	Also serviced as part of a kit, Large Also serviced as part of a kit, Small Also serviced as part of a kit, Large	RTC6074 RTC6075 RTC6074	1 1 1



Engine
 V8 Petrol - Carburetter
 Power Steering Pump & Mountings 2/2 (CABQNC1A)

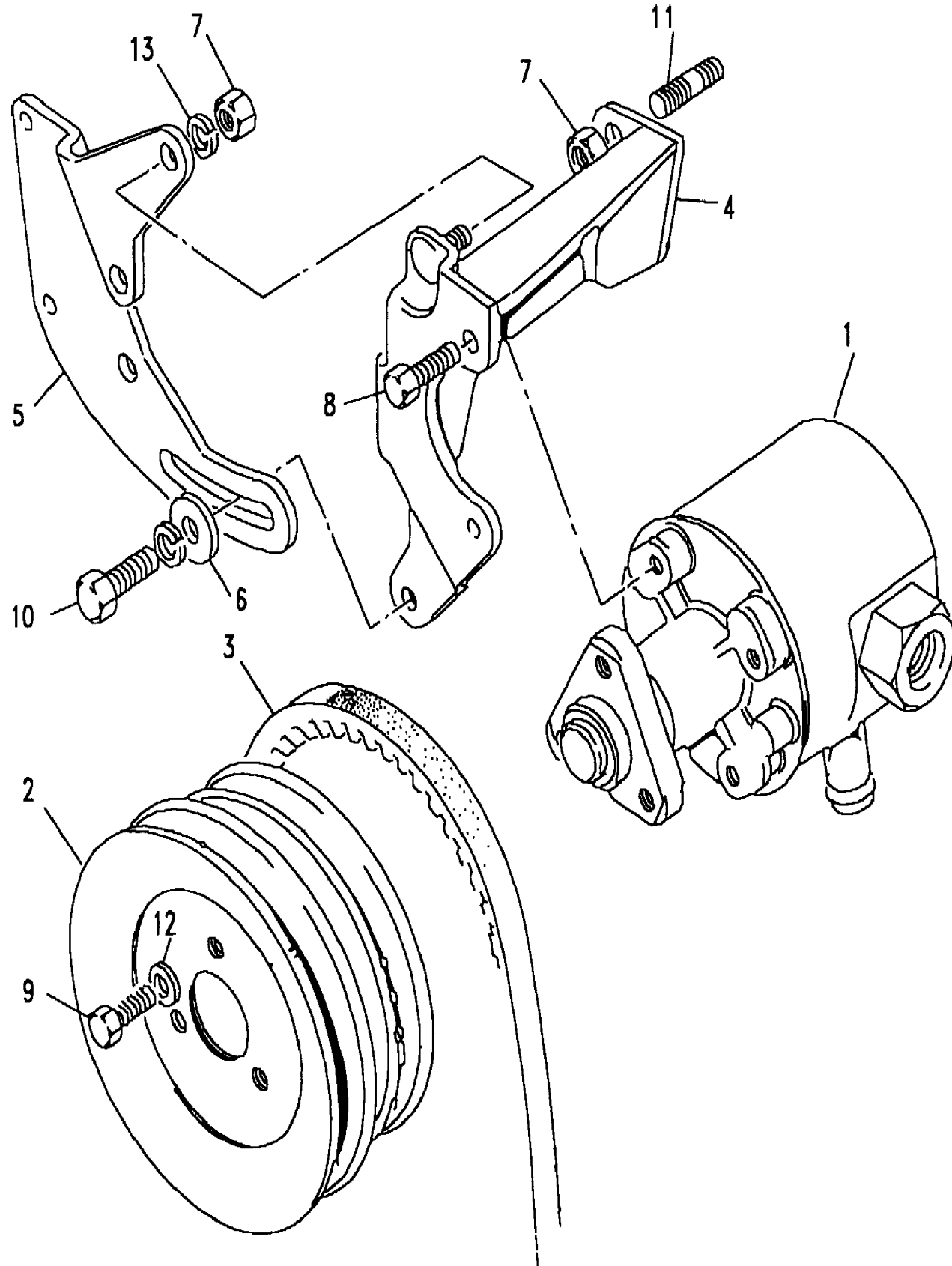
Discovery (FA393361-WA799999)

Discovery (FA393361-WA799999)

Engine
 V8 Petrol - Carburetter
 Power Steering Pump & Mountings

3.5L V8 Twin Carb Petrol, With Power Steering

Callout	Name	Application	Remarks & Restrictions	Service No.	Qty
[901]	O Ring	Change point - VIN begin NOV 89, 3.5L V8 Twin Carb L/R Petrol	Also serviced as part of a kit, Small	RTC6075	1
[902]	Kit-power assisted steering pump seal	Change point - VIN end NOV 89, 3.5L V8 Twin Carb L/R Petrol 3.5L V8 Twin Carb L/R Petrol Change point - VIN begin NOV 89, 3.5L V8 Twin Carb L/R Petrol	Also serviced as part of a kit Also serviced as part of a kit	RTC5935 STC1633 STC1633	1 1 1



Engine
V8 Petrol - Carburetter
Rocker Cover 1/2

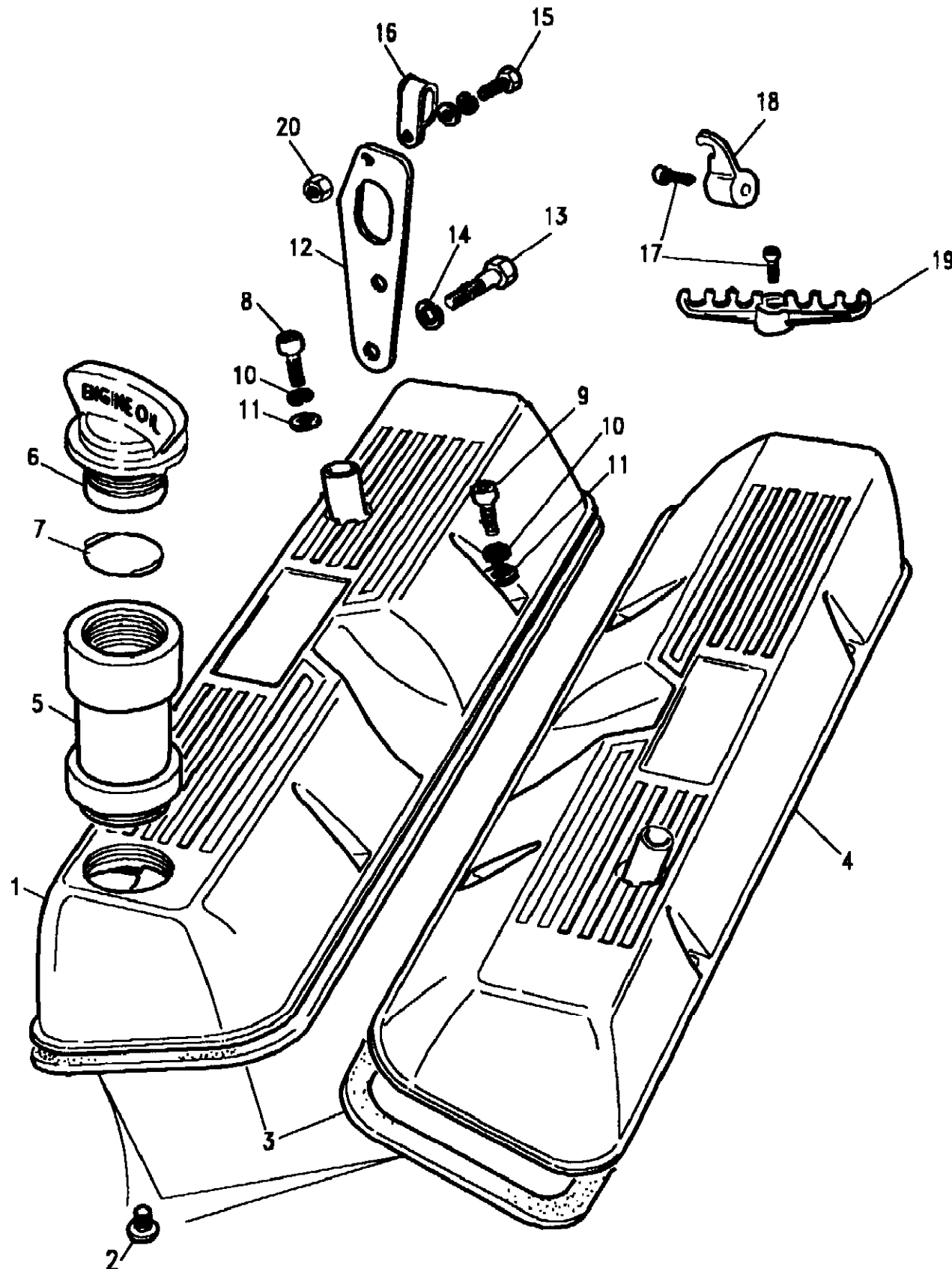
Discovery (FA393361-WA799999)
(CABQGG1A)

Discovery (FA393361-WA799999)

Engine
V8 Petrol - Carburetter
Rocker Cover

3.5L V8 Twin Carb Petrol

Callout	Name	Application	Remarks & Restrictions	Service No.	Qty
1	Cover assembly-valve rocker	3.5L V8 Twin Carb L/R Petrol	Also serviced as part of a kit, RH	ETC8681	1
2	Screw	3.5L V8 Twin Carb L/R Petrol	Also serviced as part of a kit, 6 x 3/8	79027	8
3	Gasket-engine rocker cover	3.5L V8 Twin Carb L/R Petrol	Also serviced as part of a kit	602512	2
4	Cover assembly-valve rocker	3.5L V8 Twin Carb L/R Petrol	Also serviced as part of a kit, LH	ETC8682	1
5	Filler-oil	3.5L V8 Twin Carb L/R Petrol		ERC2989	1
6	Cap-oil filler	3.5L V8 Twin Carb L/R Petrol		625038	1
7	O Ring	3.5L V8 Twin Carb L/R Petrol		564258	1
8	Screw	3.5L V8 Twin Carb L/R Petrol	1/4UNC x 7/8	SY504072L	4
9	Screw	3.5L V8 Twin Carb L/R Petrol	1/4UNC x 1 5/16	603127	4
10	Washer-Spring	3.5L V8 Twin Carb L/R Petrol	1/4 dia, Square	WM600041L	8
11	Washer	3.5L V8 Twin Carb L/R Petrol	M6	WB106041L	8
12	Bracket-lifting engine rear	3.5L V8 Twin Carb L/R Petrol		ERC614	1
13	Screw	3.5L V8 Twin Carb L/R Petrol	hexagonal head, 3/8UNC x 7/8	SH506071L	2
14	Washer	3.5L V8 Twin Carb L/R Petrol	3/8", Square	WM600061L	2
15	Screw	3.5L V8 Twin Carb L/R Petrol	hexagonal head, M5 x 25	SH105251L	1
16	Clip-cable	3.5L V8 Twin Carb L/R Petrol		586440	1
17	Screw	3.5L V8 Twin Carb L/R Petrol	10UNC x 9/16	78862	3
18	Clip-cable	3.5L V8 Twin Carb L/R Petrol		610402	1
19	Clip-spacer-high tension lead ignition	3.5L V8 Twin Carb L/R Petrol		603672	2



Engine
V8 Petrol - Carburetter
Rocker Cover 2/2

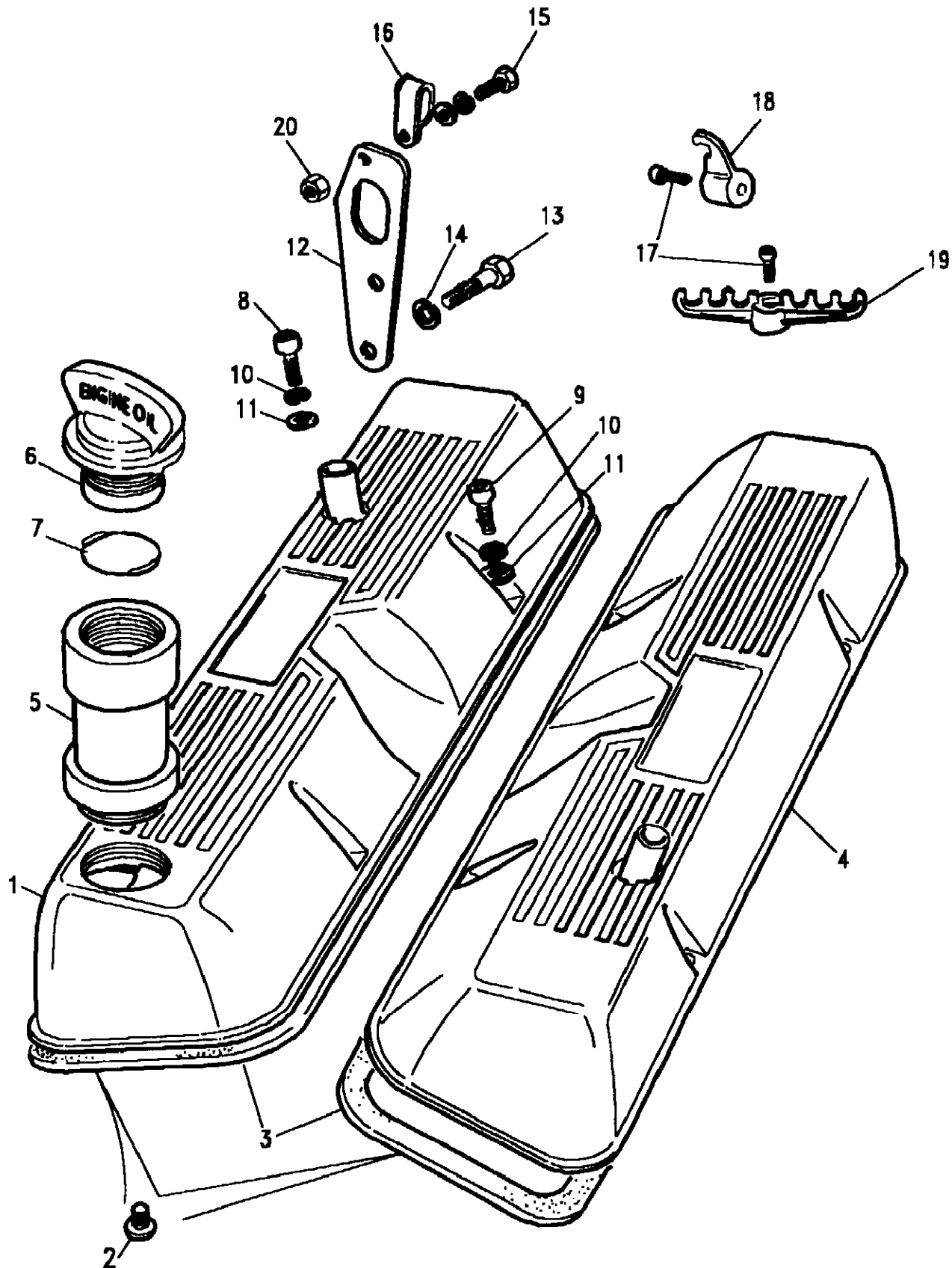
Discovery (FA393361-WA799999)
(CABQGG1A)

Discovery (FA393361-WA799999)

Engine
V8 Petrol - Carburetter
Rocker Cover

3.5L V8 Twin Carb Petrol

Callout	Name	Application	Remarks & Restrictions	Service No.	Qty
20	Nut-hexagonal	3.5L V8 Twin Carb L/R Petrol	M5	NH105041L	1



Engine
V8 Petrol - Carburetter
Rocker Shaft 1/1

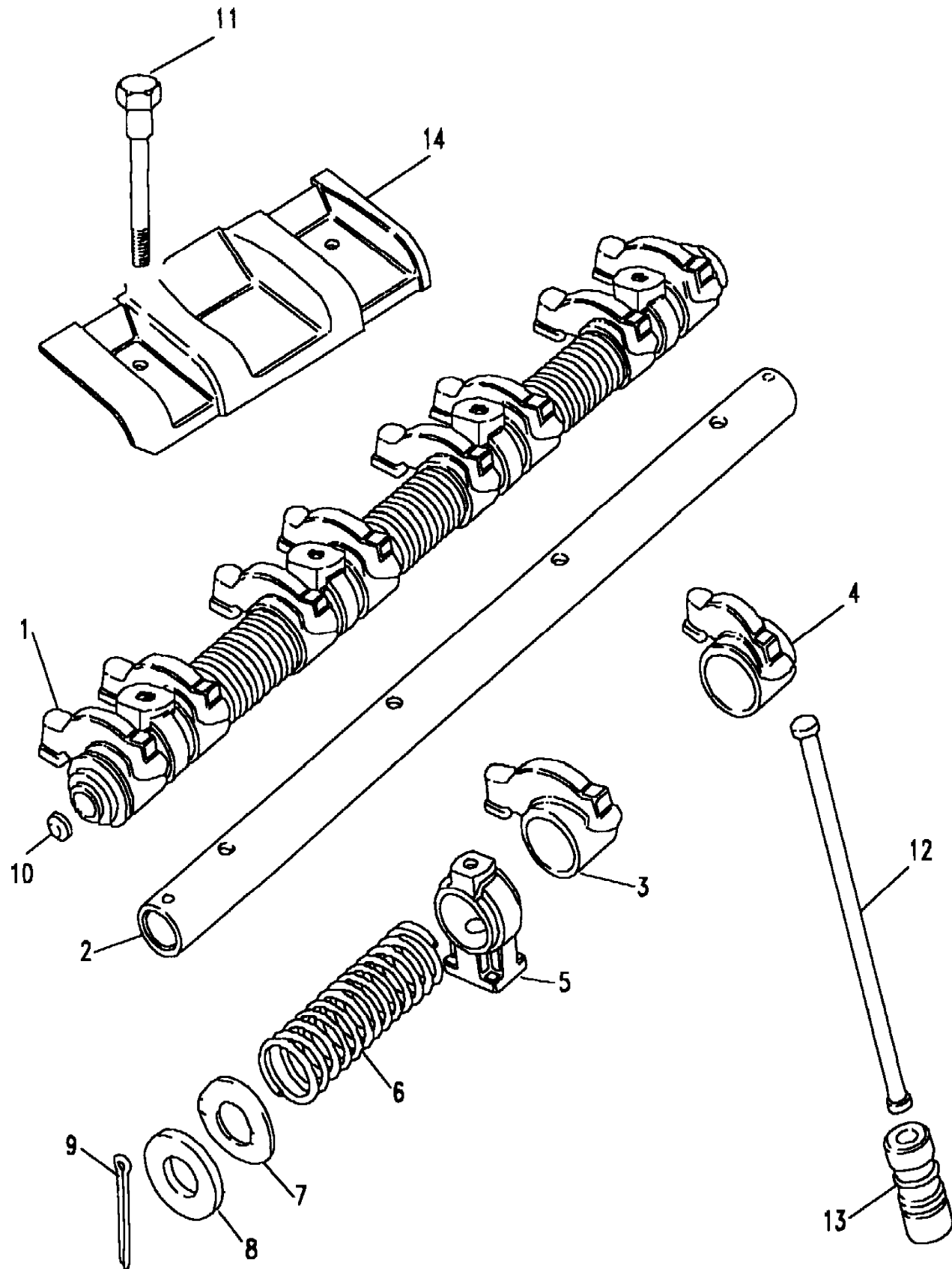
Discovery (FA393361-WA799999)
(CABQGC1A)

Discovery (FA393361-WA799999)

Engine
V8 Petrol - Carburetter
Rocker Shaft

3.5L V8 Twin Carb Petrol

Callout	Name	Application	Remarks & Restrictions	Service No.	Qty
1	Shaft assembly-rocker	3.5L V8 Twin Carb L/R Petrol	Also serviced as part of a kit	611660	2
2	Shaft-rocker	3.5L V8 Twin Carb L/R Petrol	Also serviced as part of a kit	611659L	2
3	Rocker assembly-cylinder head	3.5L V8 Twin Carb L/R Petrol	Also serviced as part of a kit, RH	602153	8
4	Rocker assembly-cylinder head	3.5L V8 Twin Carb L/R Petrol	Also serviced as part of a kit, LH	602154	8
5	Pillar-cylinder head rocker support	3.5L V8 Twin Carb L/R Petrol	Also serviced as part of a kit	603734	8
6	Spring-rocker shaft	3.5L V8 Twin Carb L/R Petrol	Also serviced as part of a kit	602142	6
7	Washer-waved	3.5L V8 Twin Carb L/R Petrol	Also serviced as part of a kit	602148	4
8	Washer-Plain	3.5L V8 Twin Carb L/R Petrol	Also serviced as part of a kit	602186	4
9	Pin-split	3.5L V8 Twin Carb L/R Petrol	Also serviced as part of a kit	PS606101L	4
11	Bolt	3.5L V8 Twin Carb L/R Petrol	3/8UNC x 2.79	602097	8
12	Rod-engine push	3.5L V8 Twin Carb L/R Petrol		603378	16
13	Tappet-engine valve hydraulic	3.5L V8 Twin Carb L/R Petrol		ERC4949	16
14	Baffle-engine oil	3.5L V8 Twin Carb L/R Petrol		602172	2
[900]	Plug-core	3.5L V8 Twin Carb L/R Petrol	Also serviced as part of a kit	154545	4



Engine
V8 Petrol - Carburettor
Starter Motor 1/1

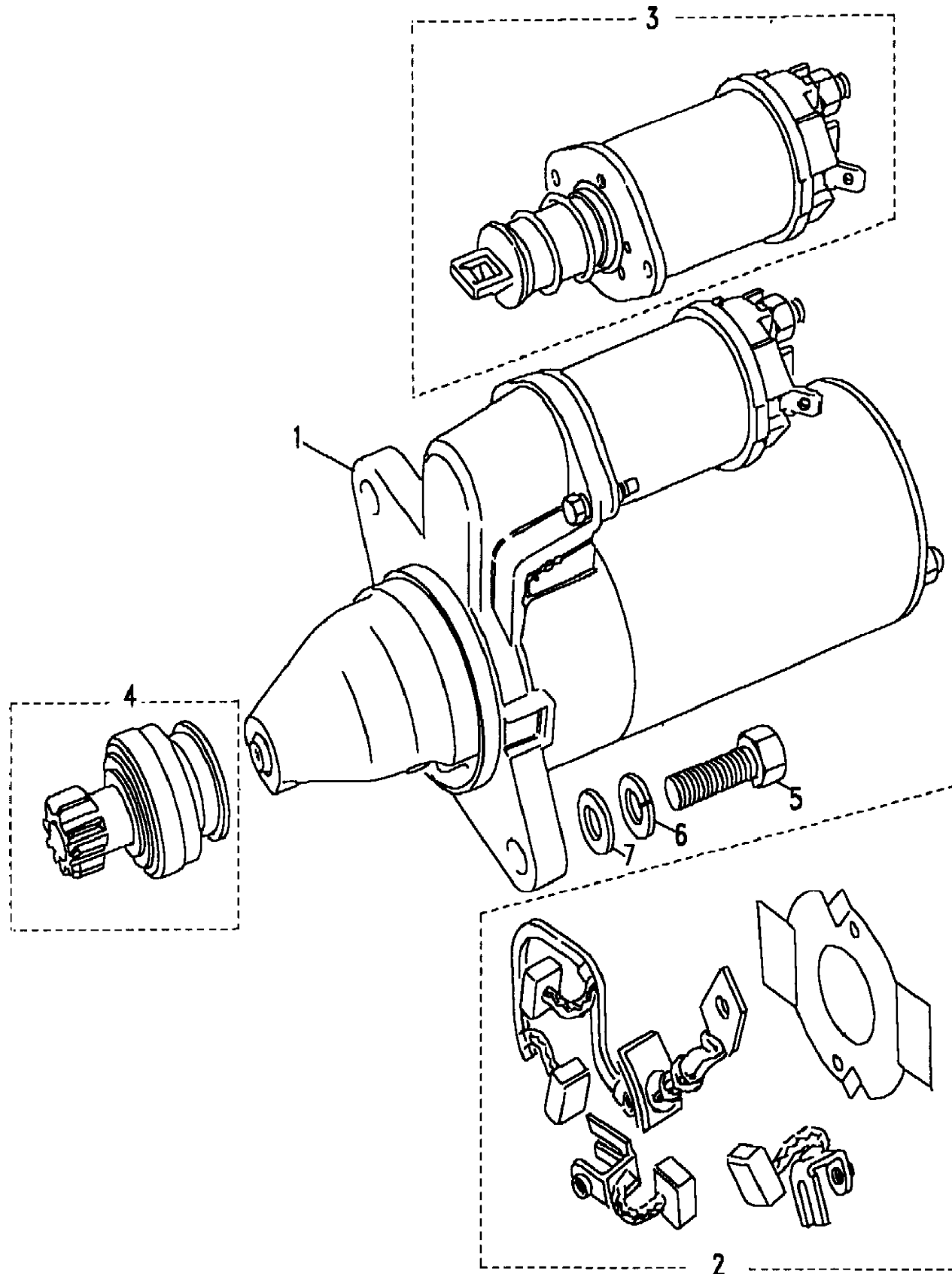
Discovery (FA393361-WA799999)
(CABQPE1A)

Discovery (FA393361-WA799999)

Engine
V8 Petrol - Carburettor
Starter Motor

3.5L V8 Twin Carb Petrol

Callout	Name	Application	Remarks & Restrictions	Service No.	Qty
1	Motor-starter engine	3.5L V8 Twin Carb L/R Petrol	Also serviced as part of a kit, Lucas, New	RTC6061N	1
2	Kit-brush starter motor	3.5L V8 Twin Carb L/R Petrol	Also serviced as part of a kit, Lucas, with M78R starter motor	RTC5048	1
3	Solenoid starter motor	3.5L V8 Twin Carb L/R Petrol	Also serviced as part of a kit, Lucas, with M78R starter motor	RTC5049	1
4	Drive assembly starter motor	3.5L V8 Twin Carb L/R Petrol	Also serviced as part of a kit	RTC5050	1
5	Screw	3.5L V8 Twin Carb L/R Petrol	3/8UNC x 1 1/2	SS506121L	2
6	Washer	3.5L V8 Twin Carb L/R Petrol	3/8", Square	WM600061L	2
7	Washer	3.5L V8 Twin Carb L/R Petrol	M10	WA110061L	2
[900]	Cable assembly starter & earth	3.5L V8 Twin Carb L/R Petrol		PRC3623	1
[901]	Harness-link	3.5L V8 Twin Carb L/R Petrol		PRC5208	1
[902]	Kit-starter motor sundry parts	3.5L V8 Twin Carb L/R Petrol	with 2m100 starter motor	90608178	1



Engine
V8 Petrol - Carburetter
Sump 1/1

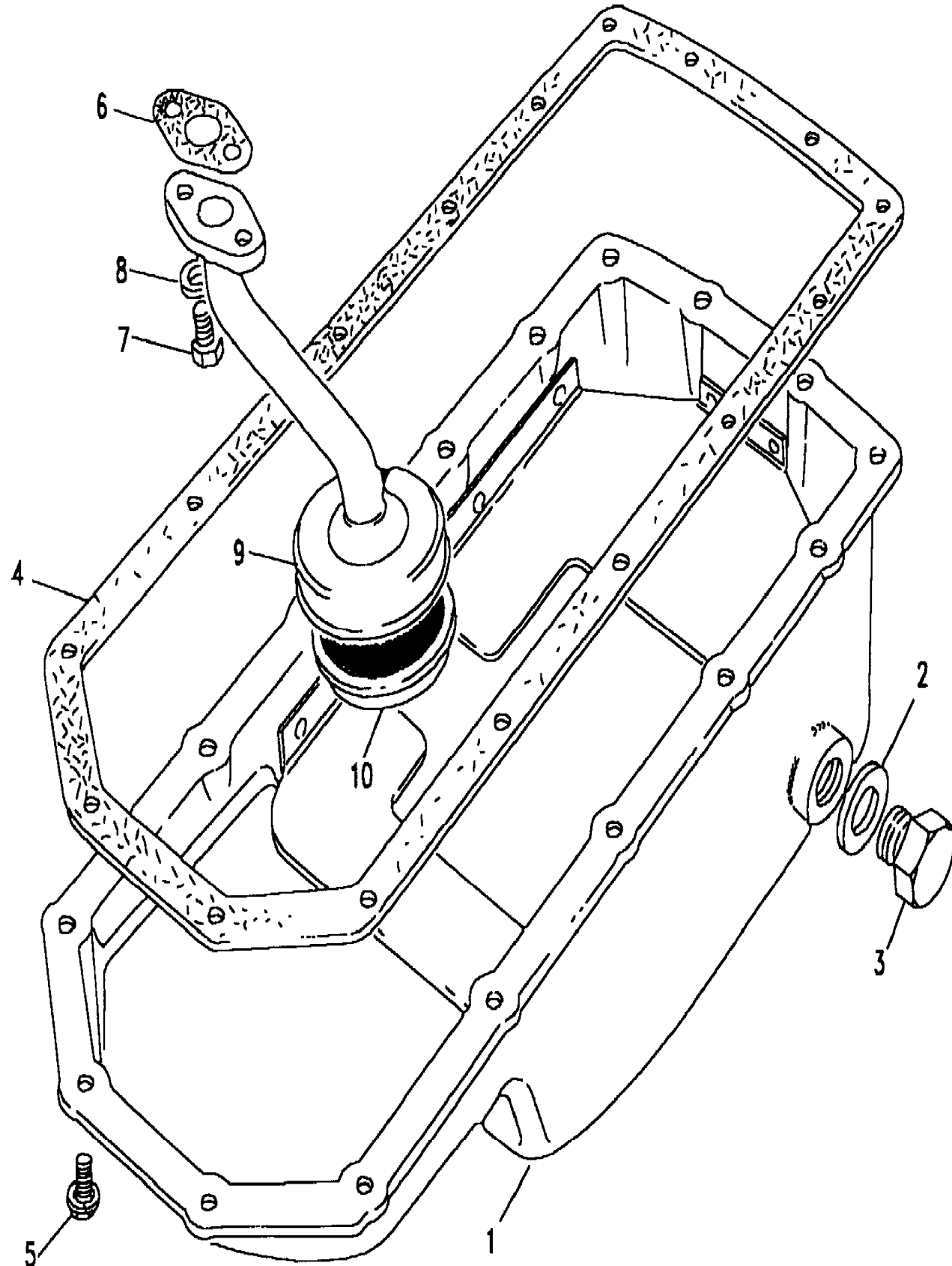
Discovery (FA393361-WA799999)
(CABQDA1A)

Discovery (FA393361-WA799999)

Engine
V8 Petrol - Carburetter
Sump

3.5L V8 Twin Carb Petrol

Callout	Name	Application	Remarks & Restrictions	Service No.	Qty
1	Sump-engine oil	3.5L V8 Twin Carb L/R Petrol		ERR4633	1
2	Washer-sealing	3.5L V8 Twin Carb L/R Petrol	sump drain plug	213961	1
3	Plug-sump assembly oil drain	3.5L V8 Twin Carb L/R Petrol		603659	1
4	Gasket-crankcase oil sump	3.5L V8 Twin Carb L/R Petrol		602087	1
5	Bolt & washer assembly-sump	3.5L V8 Twin Carb L/R Petrol	sump to block, 5/16UNC	602199	16
6	Gasket-sump oil strainer	3.5L V8 Twin Carb L/R Petrol		ERR3788	1
7	Setscrew	3.5L V8 Twin Carb L/R Petrol	oil strainer to block, 1/4UNC x 3/4	SH504061L	2
8	Washer-Spring	3.5L V8 Twin Carb L/R Petrol	1/4 dia, Square	WM600041L	2
9	Strainer and pipe assembly-oil	3.5L V8 Twin Carb L/R Petrol		ERR3677	1
10	Cover-oil strainer	3.5L V8 Twin Carb L/R Petrol		602070	1
[900]	Bolt & washer assembly-sump	3.5L V8 Twin Carb L/R Petrol	sump to block	LSO100000	16



Engine
V8 Petrol - Carburetter
Thermostat Housing 1/1

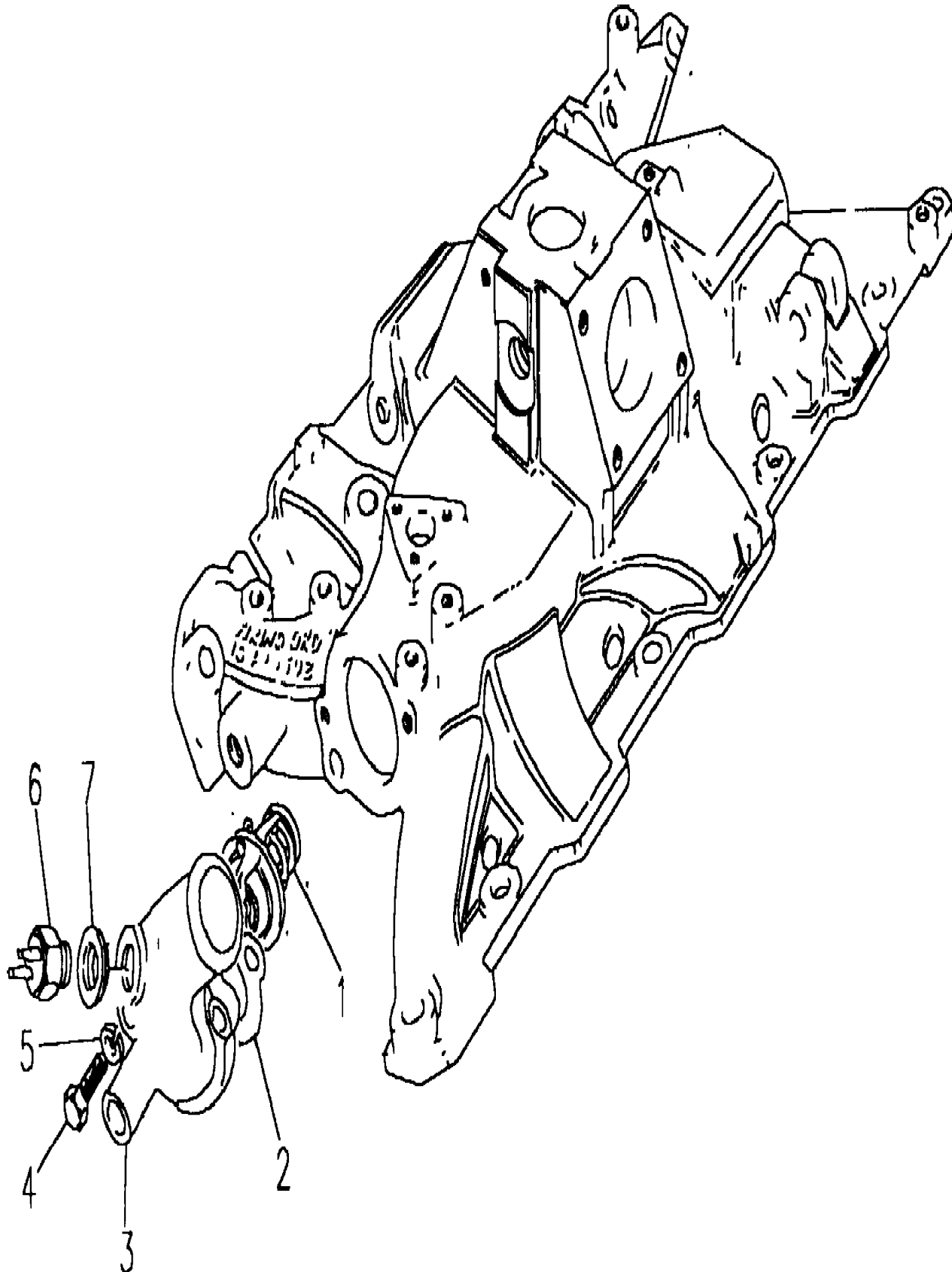
Discovery (FA393361-WA799999)
(CABQGK1A)

Discovery (FA393361-WA799999)

Engine
V8 Petrol - Carburetter
Thermostat Housing

3.5L V8 Twin Carb Petrol

Callout	Name	Application	Remarks & Restrictions	Service No.	Qty
1	Thermostat-engine	3.5L V8 Twin Carb L/R Petrol	88 °C	ETC4765	1
2	Gasket-coolant outlet elbow	3.5L V8 Twin Carb L/R Petrol		611786	1
3	Elbow-engine coolant outlet	3.5L V8 Twin Carb L/R Petrol, With Air Conditioning 3.5L V8 Twin Carb L/R Petrol, Less Air Conditioning		ETC6135 ETC4596	1 1
4	Screw	3.5L V8 Twin Carb L/R Petrol	hexagonal head, 5/8UNC x 1	SH505081L	2
5	Washer-Spring	3.5L V8 Twin Carb L/R Petrol	Also serviced as part of a kit, 5/16"	WM600051L	2
6	Switch-engine thermostat	3.5L V8 Twin Carb L/R Petrol	Yellow..	PRC3505	1
7	Washer-sealing	3.5L V8 Twin Carb L/R Petrol		C457593	1



Engine
V8 Petrol - Carburetter
Viscous Drive & Fan 1/1

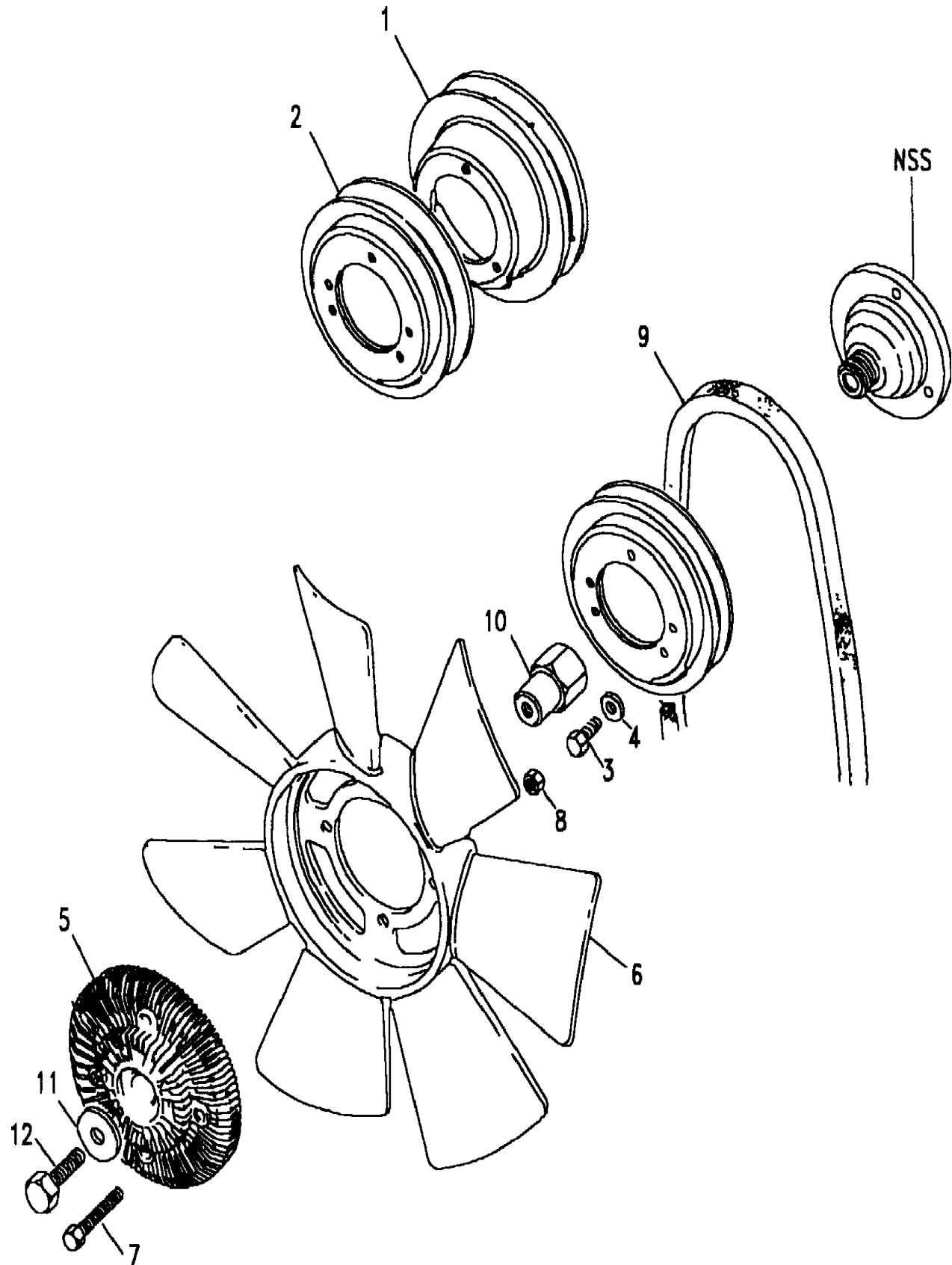
Discovery (FA393361-WA799999)
(CABQEG1A)

Discovery (FA393361-WA799999)

Engine
V8 Petrol - Carburetter
Viscous Drive & Fan

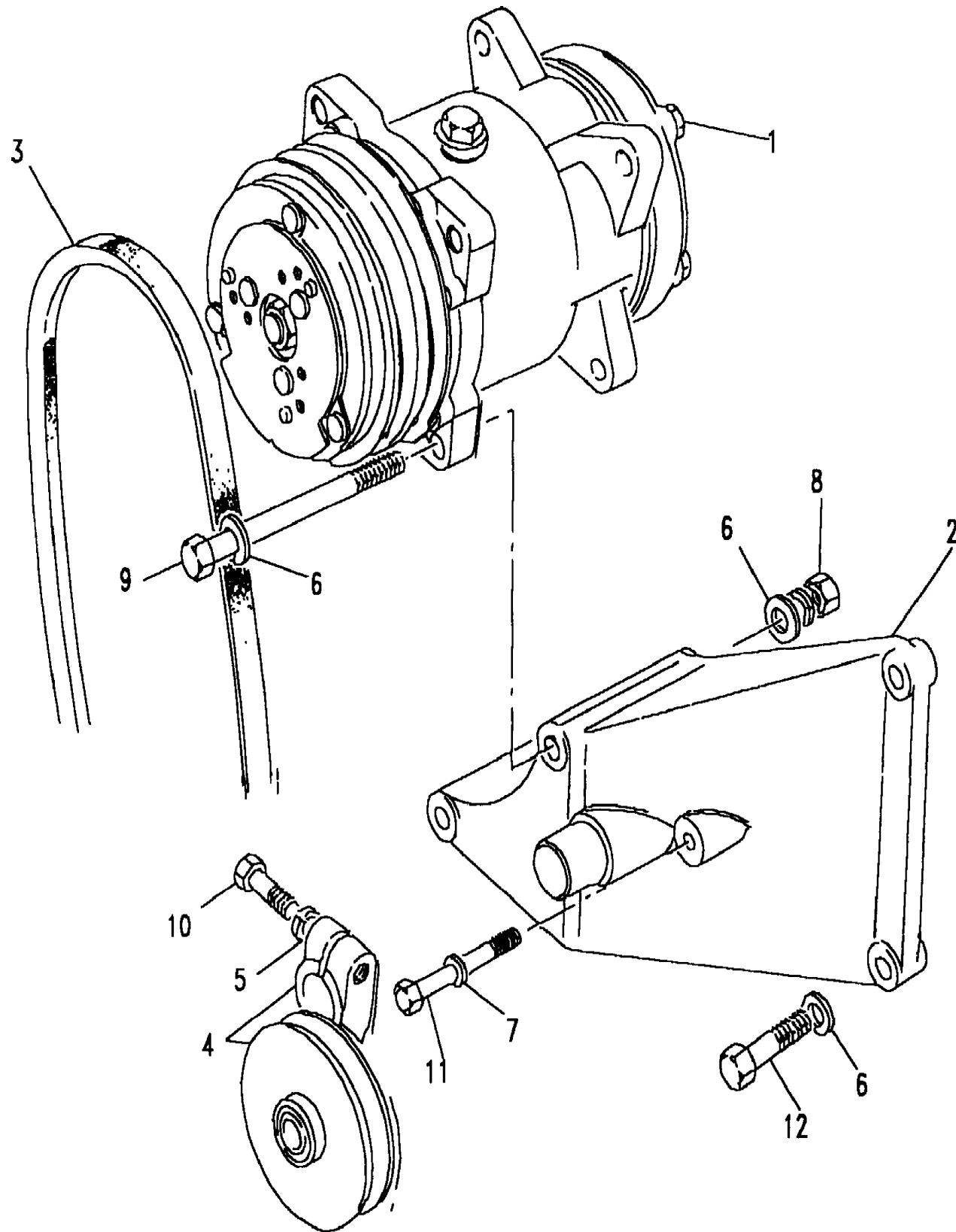
3.5L V8 Twin Carb Petrol

Callout	Name	Application	Remarks & Restrictions	Service No.	Qty
1	Pulley coolant pump	3.5L V8 Twin Carb L/R Petrol, With Air Conditioning 3.5L V8 Twin Carb L/R Petrol, Less Air Conditioning		ETC5422 ETC5499	1 1
2	Pulley-driven air conditioning	3.5L V8 Twin Carb L/R Petrol, With Air Conditioning		ETC5423	1
3	Screw	3.5L V8 Twin Carb L/R Petrol	hexagonal head, 1/4UNF x 5/8	SH604051L	3
4	Washer	3.5L V8 Twin Carb L/R Petrol	6MM	WA106041L	3
5	Coupling-engine fan viscous	3.5L V8 Twin Carb L/R Petrol		ERC5708	1
6	Fan assembly-cooling	3.5L V8 Twin Carb L/R Petrol	7 blade	ETC7553L	1
7	Bolt	3.5L V8 Twin Carb L/R Petrol	1/4UNC x 1 1/4	BH604101L	4
8	Locknut	3.5L V8 Twin Carb L/R Petrol	UNF, 1/4	NY604041	4
9	Belt-polyvee alternator	3.5L V8 Twin Carb L/R Petrol	Water Pump	611612	1
10	Adaptor-water pump drive	3.5L V8 Twin Carb L/R Petrol		ETC6104	1
11	Washer-Plain	3.5L V8 Twin Carb L/R Petrol		4910L	1
12	Screw	3.5L V8 Twin Carb L/R Petrol	M6 X 14	ERC5709	1



Engine
V8 Petrol - EFi
Air Conditioning Compressor V Belt Drive 1/1
Discovery (FA393361-WA799999)
(CABRNE1A)

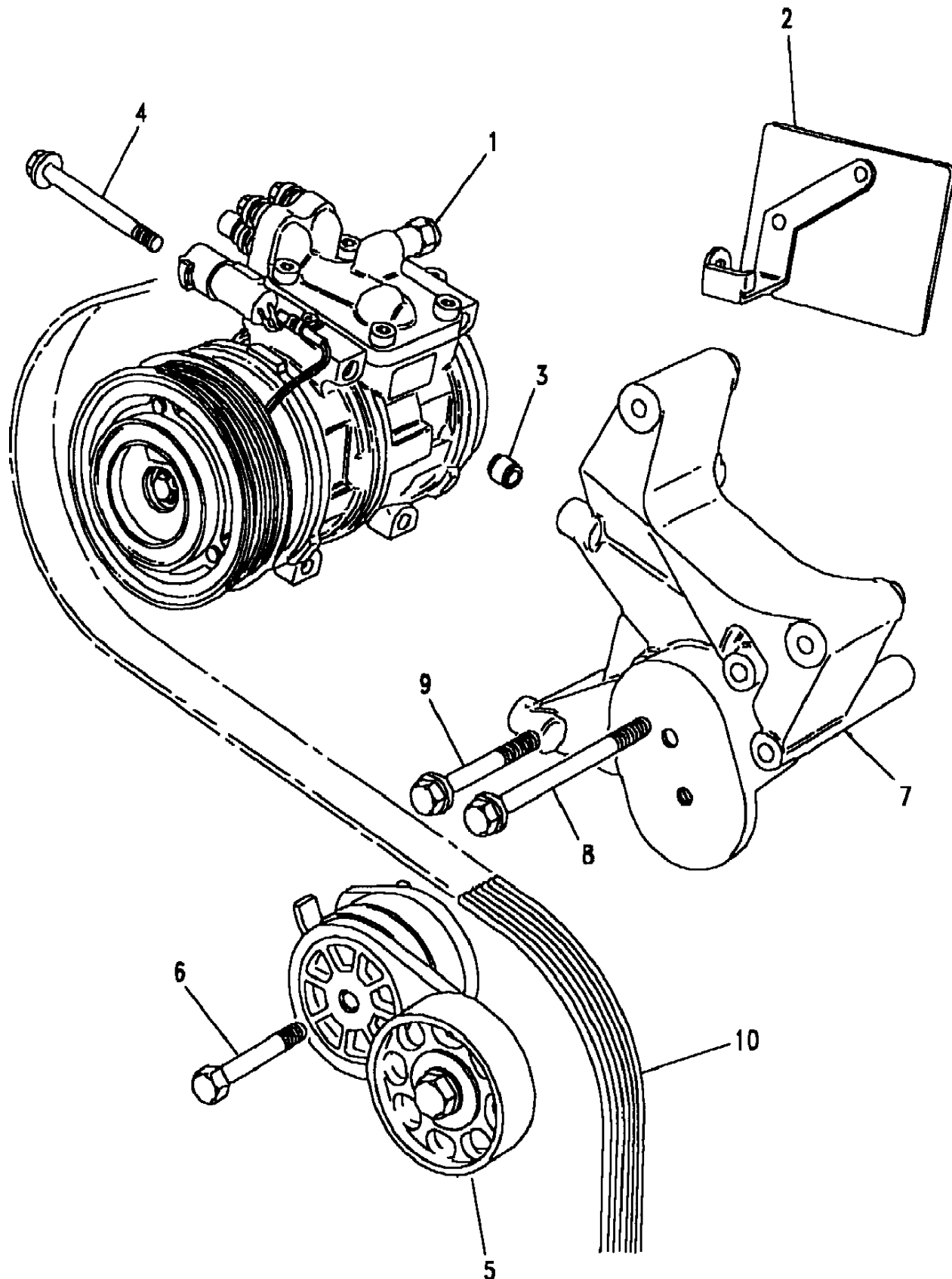
Discovery (FA393361-WA799999)
Engine
V8 Petrol - EFi
Air Conditioning Compressor V Belt Drive
V8 EFI Petrol, With Air Conditioning



Callout	Name	Application	Remarks & Restrictions	Service No.	Qty
1	Compressor assembly air conditioning	Change point - Engine end 24D16461D, Petrol V8 L/R EFI	Also serviced as part of a kit	ETC7994	1
		Change point - Engine end 22D06980D, Petrol V8 L/R EFI	Also serviced as part of a kit	ETC7994	1
		Change point - Engine begin 22D06981D, Petrol V8 L/R EFI	Also serviced as part of a kit	ERR845	1
		Change point - Engine begin 24D16462D, Petrol V8 L/R EFI	Also serviced as part of a kit	ERR845	1
2	Bracket-air compressor	Petrol V8 L/R EFI		ERR4521	1
3	Belt-polyvee alternator	Petrol V8 L/R EFI		611612	1
4	Pulley-tensioner ancillary drive	Petrol V8 L/R EFI	Also serviced as part of a kit	ETC6159	1
5	Washer-Spring	Petrol V8 L/R EFI	Pulley, Also serviced as part of a kit, 5/16"	WM600051L	1
6	Washer	Petrol V8 L/R EFI	bracket mounting, M10	WA110061L	6
7	Washer	Petrol V8 L/R EFI	bracket mounting, 8MM	WA108051L	1
8	Nut - Hex.	Petrol V8 L/R EFI	bracket mounting, hexagonal head, 3/8UNF	NH606041L	2
9	Bolt	Petrol V8 L/R EFI	Compressor, 3/8UNF x 5	BH606401L	2
10	Bolt	Petrol V8 L/R EFI	Pulley, hexagonal head, 5/16UNF x 1 1/4	BH605101L	1
11	Bolt	Petrol V8 L/R EFI	bracket mounting	BH506345	1
12	Bolt	Petrol V8 L/R EFI	bracket mounting, 3/8UNC x 1 7/8	BH506131L	1
[900]	O ring air conditioning	Change point - Engine end 24D16461D, Petrol V8 L/R EFI	Also serviced as part of a kit	STC3131	2
		Change point - Engine end 22D06980D, Petrol V8 L/R EFI	Also serviced as part of a kit	STC3131	2
[901]	Bearing-ball	Petrol V8 L/R EFI	Also serviced as part of a kit	614154	1

Engine
V8 Petrol - EFi
Air-Con Compressor Serpentine Belt Drive 1/1
Discovery (FA393361-WA799999)
(CABRNE2A)

Discovery (FA393361-WA799999)
Engine
V8 Petrol - EFi
Air-Con Compressor Serpentine Belt Drive
V8 EFi Petrol, With Air Conditioning



Callout	Name	Application	Remarks & Restrictions	Service No.	Qty
1	Compressor assembly air conditioning	Change point - VIN begin MA081991, Petrol V8 L/R EFi		BTR5750	1
2	Heatshield assembly air conditioning compressor	Change point - VIN begin MA081991, Petrol V8 L/R EFi		ERR3671	1
3	Dowel	Change point - VIN begin MA081991, Petrol V8 L/R EFi		ERR4052	2
4	Bolt	Change point - VIN begin MA081991, Petrol V8 L/R EFi	Flanged Head, M8 x 95	FB108197	4
5	Pulley-tensioner ancillary drive	Change point - VIN begin MA081991, Petrol V8 L/R EFi		ERR3440	1
6	Bolt	Change point - VIN begin MA081991, Petrol V8 L/R EFi	Flanged Head, M10 x 75	FB110151L	1
7	Bracket-ancillary mounting	Change point - VIN begin MA081991, Petrol V8 L/R EFi		ERR4513	1
8	Bolt	Change point - VIN begin MA081991, Petrol V8 L/R EFi	Flanged Head, 3/8UNC x 5 1/4	ERR3062	2
9	Bolt-flanged head	Change point - VIN begin MA081991, Petrol V8 L/R EFi	3/8UNC x 3 1/4	FB506267	2
10	Belt-polyvee alternator	Change point - VIN begin MA081991, Change point - Engine end 36D50529, Petrol V8 L/R EFi Change point - VIN begin MA081991, Change point - Engine end 38D32139, Petrol V8 L/R EFi Change point - Engine begin 36D50530C, Petrol V8 L/R EFi Change point - Engine begin 38D32140C, Petrol V8 L/R EFi		ERR4623 ERR4623 ERR5579 ERR5579	1 1 1 1

Engine
V8 Petrol - EFi
Alternator Lucas A127 1/2

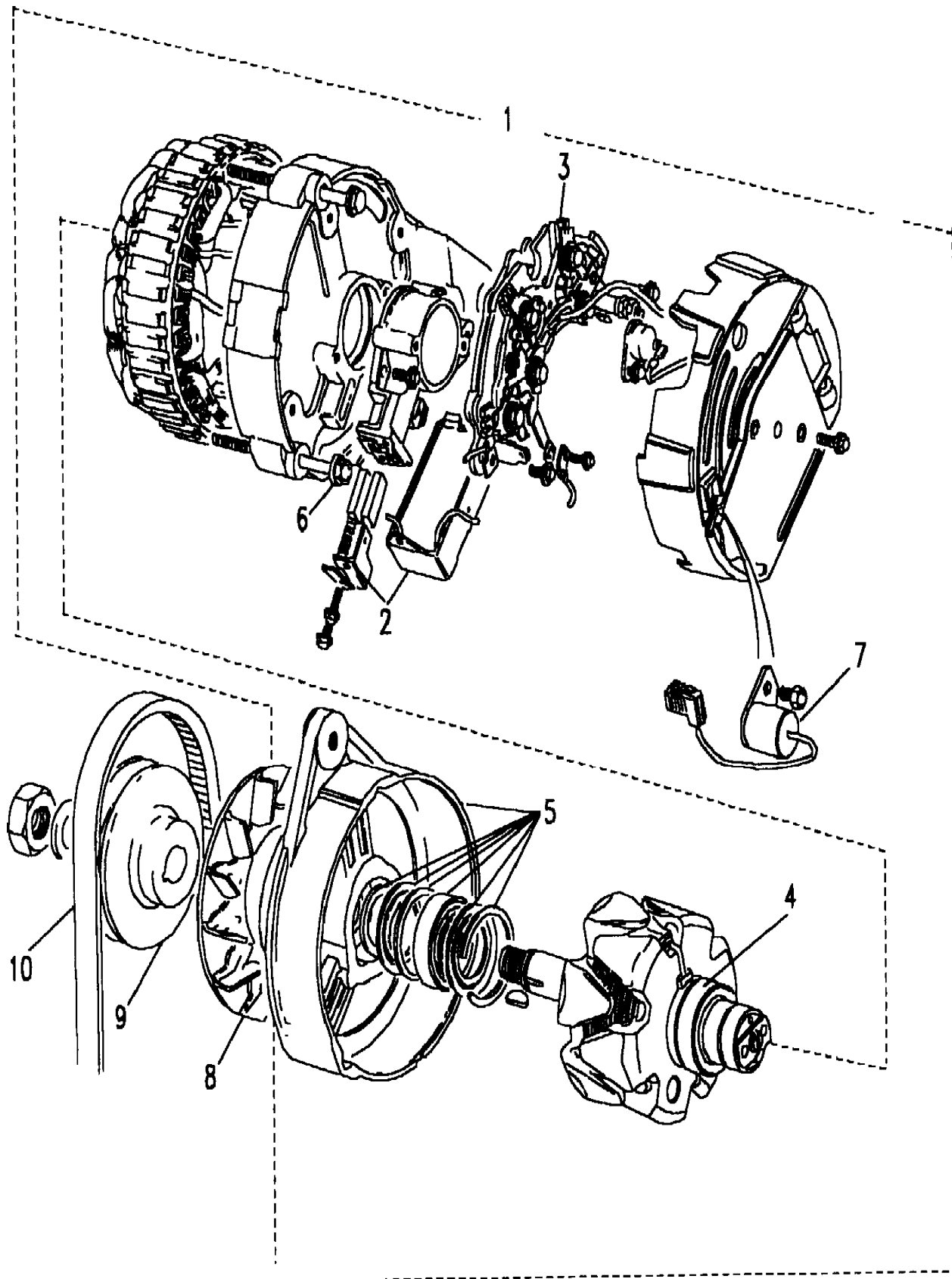
Discovery (FA393361-WA799999)

(CABRPC1A)

Discovery (FA393361-WA799999)

Engine
V8 Petrol - EFi
Alternator Lucas A127

V8 EFI Petrol



Callout	Name	Application	Remarks & Restrictions	Service No.	Qty
1	Alternator assembly	Change point - VIN begin KA034314, Petrol V8 L/R EFi	Also serviced as part of a kit, New, A127-72amp	YLE10088	1
		Change point - VIN begin KA034314, Petrol V8 L/R EFi	Also serviced as part of a kit, exchange, A127-72amp	YLE10088E	1
		Petrol V8 L/R EFi	Also serviced as part of a kit, New, A127i-85 amp	YLE10099	1
		Petrol V8 L/R EFi	Also serviced as part of a kit, exchange, A127i-85 amp	YLE10099E	1
		Petrol V8 L/R EFi	Also serviced as part of a kit, RH, New, A127-65 amp	RTC5680N	1
		Petrol V8 L/R EFi	Also serviced as part of a kit, RH, New, A127-65 amp	STC234	1
		Petrol V8 L/R EFi	Also serviced as part of a kit, RH, exchange, A127-65 amp	RTC5680E	1
2	Regulator & brush box assembly alternator	Change point - VIN begin KA034314, Petrol V8 L/R EFi	72Amp alternator-New, Also serviced as part of a kit	STC1604	1
		Petrol V8 L/R EFi	85Amp alternator-New, Also serviced as part of a kit	STC985	1
		Petrol V8 L/R EFi	65Amp alternator-New, Also serviced as part of a kit	RTC5670	1
3	Rectifier-alternator	Change point - VIN begin KA034314, Petrol V8 L/R EFi	72Amp alternator-New, Also serviced as part of a kit	STC1605	1
		Petrol V8 L/R EFi	85Amp alternator-New, Also serviced as part of a kit	STC986	1
		Petrol V8 L/R EFi	65Amp alternator-New, Also serviced as part of a kit	RTC5671	1
4	Bearing-alternator front	Petrol V8 L/R EFi	Also serviced as part of a kit	RTC5926	1
		Change point - VIN begin KA034314, Petrol V8 L/R EFi	Also serviced as part of a kit	RTC5047	1
		Petrol V8 L/R EFi	Also serviced as part of a kit	RTC5047	1
5	Bracket-drive end c/w bearing alternator e	Petrol V8 L/R EFi	65Amp alternator-New, Also serviced as part of a kit, RH	RTC5687	1
		Change point - VIN begin KA034314, Petrol V8 L/R EFi	72Amp alternator-New, Also serviced as part of a kit, RH	RTC5687	1
		Petrol V8 L/R EFi	85Amp alternator-New, Also serviced as part of a kit, RH	RTC5687	1
6	Kit-fixings alternator/vacuum pump	Petrol V8 L/R EFi	65Amp alternator-New, Also serviced as part of a kit, RH	RTC5046	1
		Change point - VIN begin KA034314, Petrol V8 L/R EFi	72Amp alternator-New, Also serviced as part of a kit, RH	RTC5046	1
		Petrol V8 L/R EFi	85Amp alternator-New, Also serviced as part of a kit, RH	RTC5046	1
7	Capacitor alternator	Petrol V8 L/R EFi	Also serviced as part of a kit	RTC6114	1

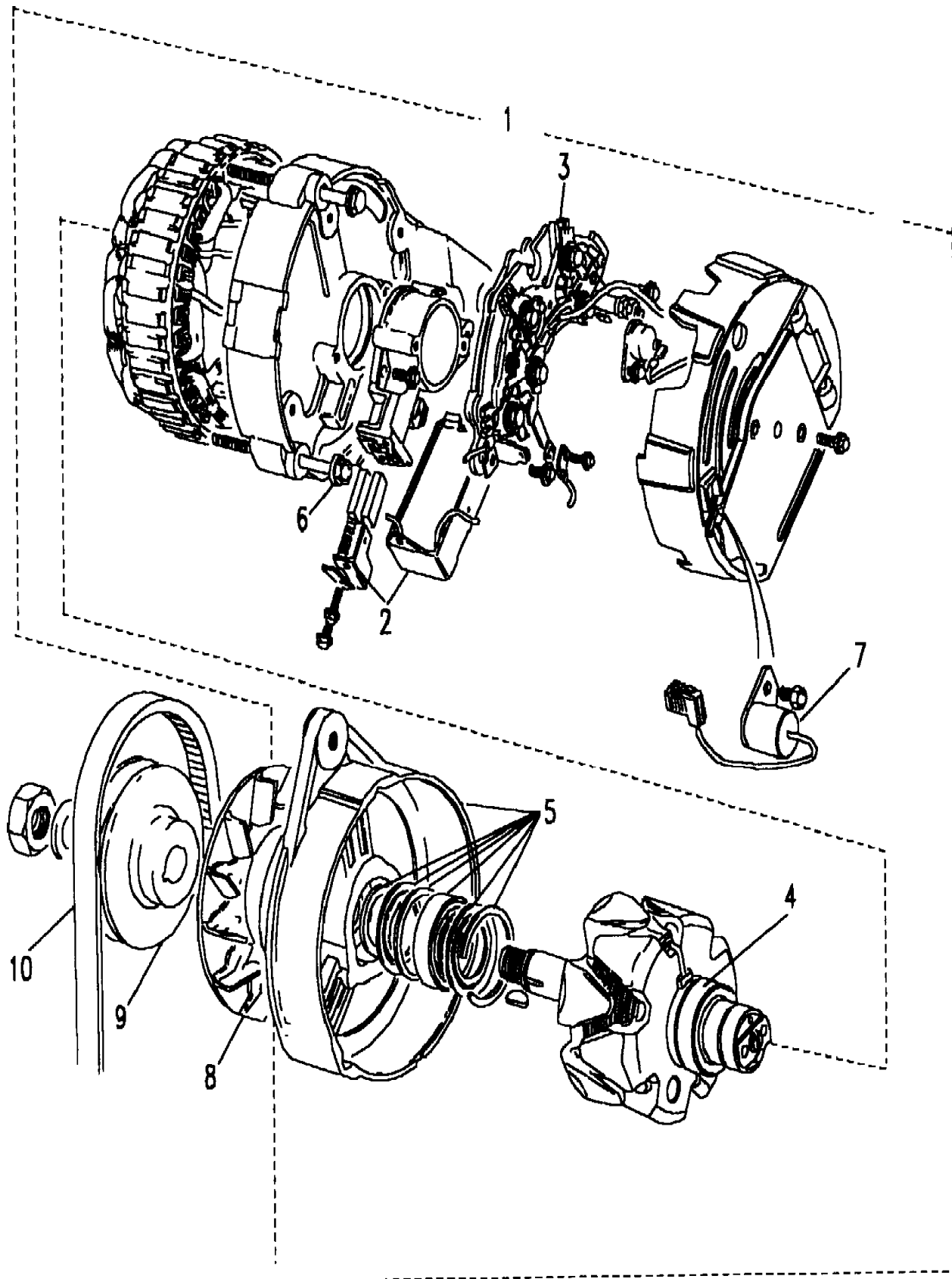
Engine
V8 Petrol - EFi
Alternator Lucas A127 2/2

Discovery (FA393361-WA799999)
(CABRPC1A)

Discovery (FA393361-WA799999)

Engine
V8 Petrol - EFi
Alternator Lucas A127

V8 EFI Petrol



Callout	Name	Application	Remarks & Restrictions	Service No.	Qty
7	Capacitor alternator	Change point - VIN begin KA034314, Petrol V8 L/R EFI Petrol V8 L/R EFI Petrol V8 L/R EFI	Also serviced as part of a kit with lead, Also serviced as part of a kit A series	RTC6114 RTC6114 AEU1616	1 1 1
8	Fan Alternator	Petrol V8 L/R EFI	127/65 amp	605410	1
9	Pulley Assy - Alternator	3.5L V8 EFI L/R Petrol 3.9L V8 L/R EFI Petrol	68mm, 127/65 amp	ETC9083 STC862	1 1
10	Belt-polyvee alternator	Change point - Engine end 24D15830D, 3.5L V8 EFI L/R Petrol Change point - Engine end 22D06717D, 3.5L V8 EFI L/R Petrol Change point - Engine begin 22D06718D, 3.5L V8 EFI L/R Petrol Change point - Engine begin 24D15831D, 3.5L V8 EFI L/R Petrol 3.9L V8 L/R EFI Petrol, Less Air Conditioning		ETC7899 ETC7899 ERR2073 ERR2073 ERR2678	1 1 1 1 1
[900]	Heatshield alternator	Petrol V8 L/R EFI Petrol V8 L/R EFI	65 AMP 85 AMP	ERR1608 ERR3764	1 1
[901]	Clip-omega	Petrol V8 L/R EFI	Grey, 6.5mm hole, 10.5 x 8mm	PRC5273	1

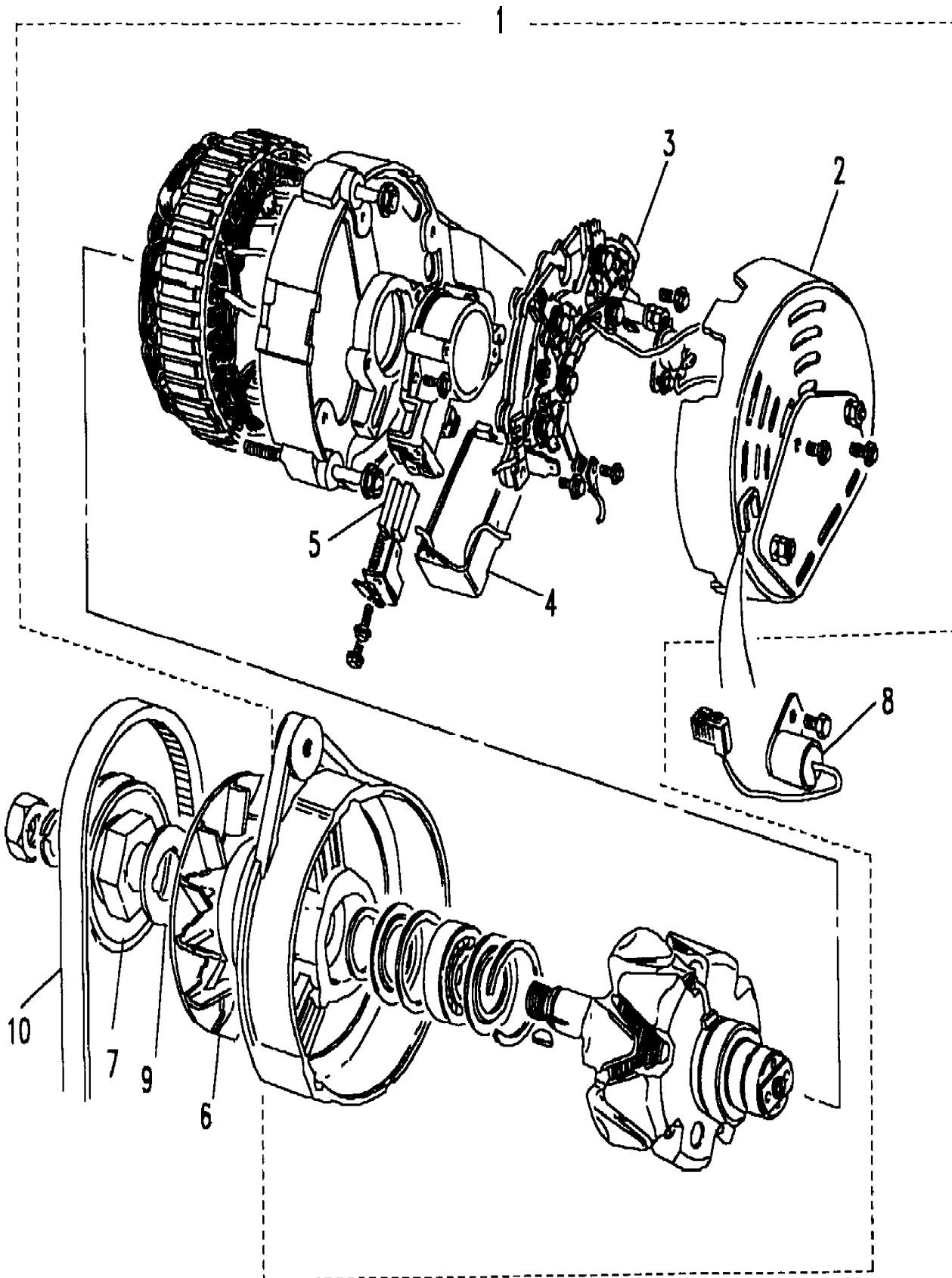
Engine
V8 Petrol - EFi
Alternator Lucas A133 1/1

Discovery (FA393361-WA799999)
(CABRPC2A)

Discovery (FA393361-WA799999)

Engine
V8 Petrol - EFi
Alternator Lucas A133

V8 EFI Petrol



Callout	Name	Application	Remarks & Restrictions	Service No.	Qty
1	Alternator assembly	Petrol V8 L/R EFI	Also serviced as part of a kit, New, A133-80 amp	RTC5053	1
		Petrol V8 L/R EFI	Also serviced as part of a kit, exchange, A133-80 amp	RTC5053E	1
		Petrol V8 L/R EFI	Also serviced as part of a kit, New, A133-80 amp	STC1753	1
		Petrol V8 L/R EFI	Also serviced as part of a kit, exchange, A133-80 amp	STC1753E	1
2	Cover Alternator	Petrol V8 L/R EFI	Also serviced as part of a kit	RTC5610	1
3	Rectifier-alternator	Petrol V8 L/R EFI	Also serviced as part of a kit, 85 amp/100 amp	RTC5609	1
4	Regulator assembly alternator	Petrol V8 L/R EFI	Also serviced as part of a kit, 85 amp/100 amp	RTC5928	1
5	Brush alternator	Petrol V8 L/R EFI	Also serviced as part of a kit	RTC5611	1
6	Fan Alternator	Petrol V8 L/R EFI	80 AMP	RTC5054	1
7	Pulley-alternator	Petrol V8 L/R EFI		ERR767	1
8	Capacitor alternator	Petrol V8 L/R EFI		AEU1616	2
9	Spacer	Petrol V8 L/R EFI	Fan	RTC6166	2
10	Belt-polyvee alternator	Change point - Engine end 24D15830D, 3.5L V8 EFI L/R Petrol		ETC7899	1
		Change point - Engine end 22D06717D, 3.5L V8 EFI L/R Petrol		ETC7899	1
		Change point - Engine begin 22D06718D, 3.5L V8 EFI L/R Petrol		ERR2073	1
		Change point - Engine begin 24D15831D, 3.5L V8 EFI L/R Petrol		ERR2073	1

Engine
V8 Petrol - EFi
Alternator Magneti Marreli A127 1/2 (CABRPC2B)

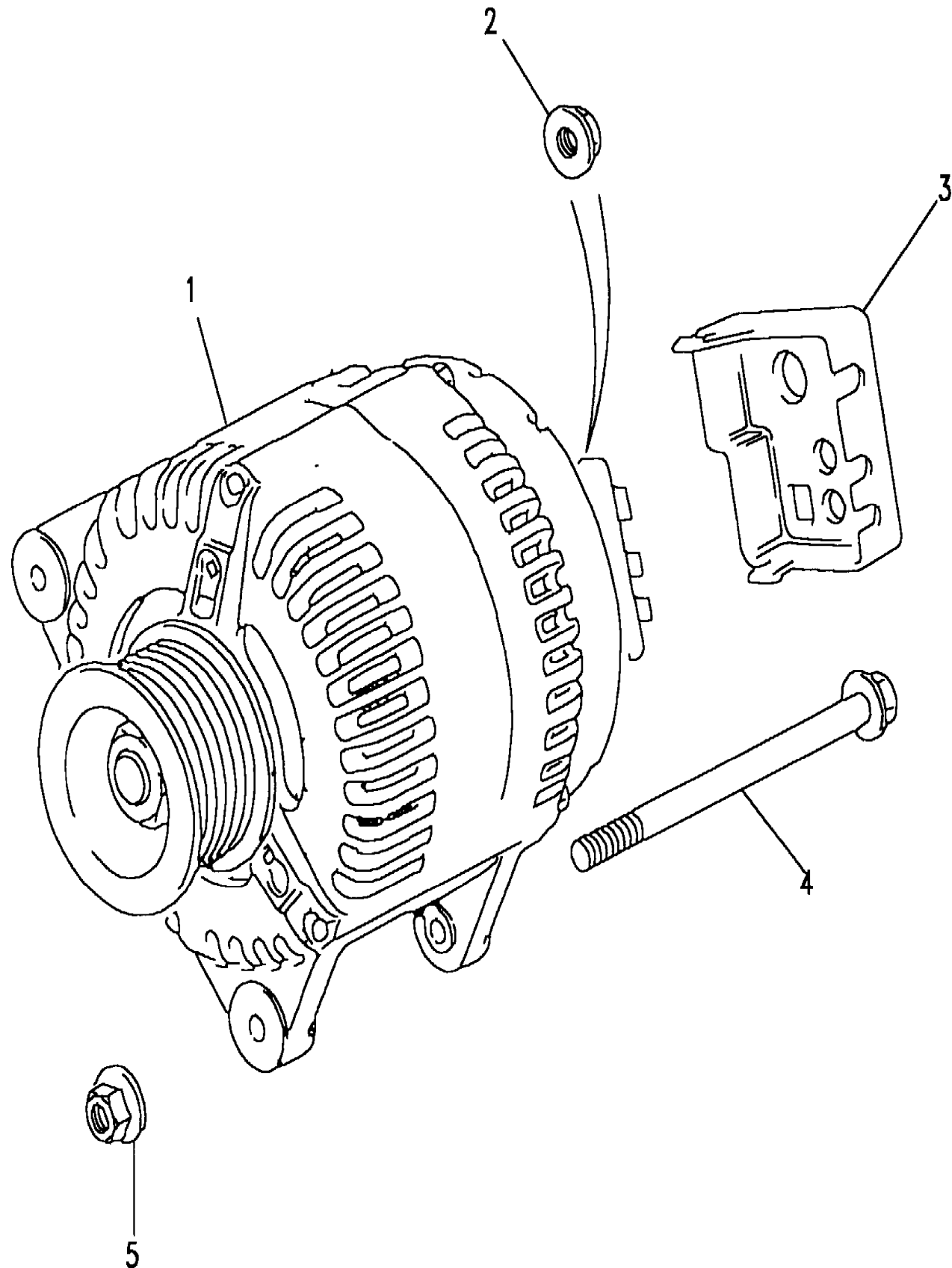
Discovery (FA393361-WA799999)

Discovery (FA393361-WA799999)

Engine
V8 Petrol - EFi
Alternator Magneti Marreli A127

V8 EFI Petrol

Callout	Name	Application	Remarks & Restrictions	Service No.	Qty
1	Alternator assembly	Change point - VIN begin MA081992, Change point - VIN end TA163436, 3.9L V8 L/R EFI Petrol	New, A127i-100 amp	AMR3107	1
		Change point - VIN begin MA500000, Change point - VIN end TA501936, 3.9L V8 L/R EFI Petrol	New, A127i-100 amp	AMR3107	1
		Change point - VIN begin MA081992, Change point - VIN end TA163436, 3.9L V8 L/R EFI Petrol	Also serviced as part of a kit, exchange, A127i-100 amp	AMR3107E	1
		Change point - VIN begin MA500000, Change point - VIN end TA501936, 3.9L V8 L/R EFI Petrol	Also serviced as part of a kit, exchange, A127i-100 amp	AMR3107E	1
		Change point - VIN begin TA163437, 3.9L V8 L/R EFI Petrol	New, A127-100 amp	AMR4247	1
		Change point - VIN begin TA501937, Change point - VIN end VA558898, 3.9L V8 L/R EFI Petrol	New, A127-100 amp	AMR4247	1
		Change point - VIN begin TA163437, Petrol V8 L/R EFI	exchange, A127-100 amp	AMR4247E	1
		Change point - VIN begin TA501937, Change point - VIN end VA558898, Petrol V8 L/R EFI	exchange, A127-100 amp	AMR4247E	1
		Change point - VIN begin MA081992, 3.9L V8 L/R EFI Petrol	Cover Terminal, 6MM	AMR2218	1
		Change point - VIN begin MA081991, Change point - VIN end TA163436, 3.9L V8 L/R EFI Petrol		AMR2263	1
		Change point - VIN begin MA500000, Change point - VIN end TA501936, 3.9L V8 L/R EFI Petrol		AMR2263	1
		Change point - VIN begin TA501937, Change point - VIN end TA534103, 3.9L V8 L/R EFI Petrol		AMR4939	1
		Change point - VIN begin TA163437, Change point - VIN end TA703236, 3.9L V8 L/R EFI Petrol		AMR4939	1
2	Nut & washer set	Change point - VIN begin MA081992, 3.9L V8 L/R EFI Petrol	Cover Terminal, 6MM	AMR2218	1
		Change point - VIN begin MA081991, Change point - VIN end TA163436, 3.9L V8 L/R EFI Petrol		AMR2263	1
3	Cover-terminal alternator	Change point - VIN begin MA081991, Change point - VIN end TA163436, 3.9L V8 L/R EFI Petrol		AMR2263	1
		Change point - VIN begin MA500000, Change point - VIN end TA501936, 3.9L V8 L/R EFI Petrol		AMR2263	1
		Change point - VIN begin TA501937, Change point - VIN end TA534103, 3.9L V8 L/R EFI Petrol		AMR4939	1
		Change point - VIN begin TA163437, Change point - VIN end TA703236, 3.9L V8 L/R EFI Petrol		AMR4939	1
		Change point - VIN begin VA534104, 3.9L V8 L/R EFI Petrol		AMR6111	1
		Change point - VIN begin VA703237, 3.9L V8 L/R EFI Petrol		AMR6111	1
4	Bolt	Change point - VIN begin MA081992, 3.9L V8 L/R EFI Petrol	ALTERNATOR, Flanged Head, M8 x 110	FB108227	2



Engine
V8 Petrol - EFI
Alternator Magneti Marreli A127 2/2

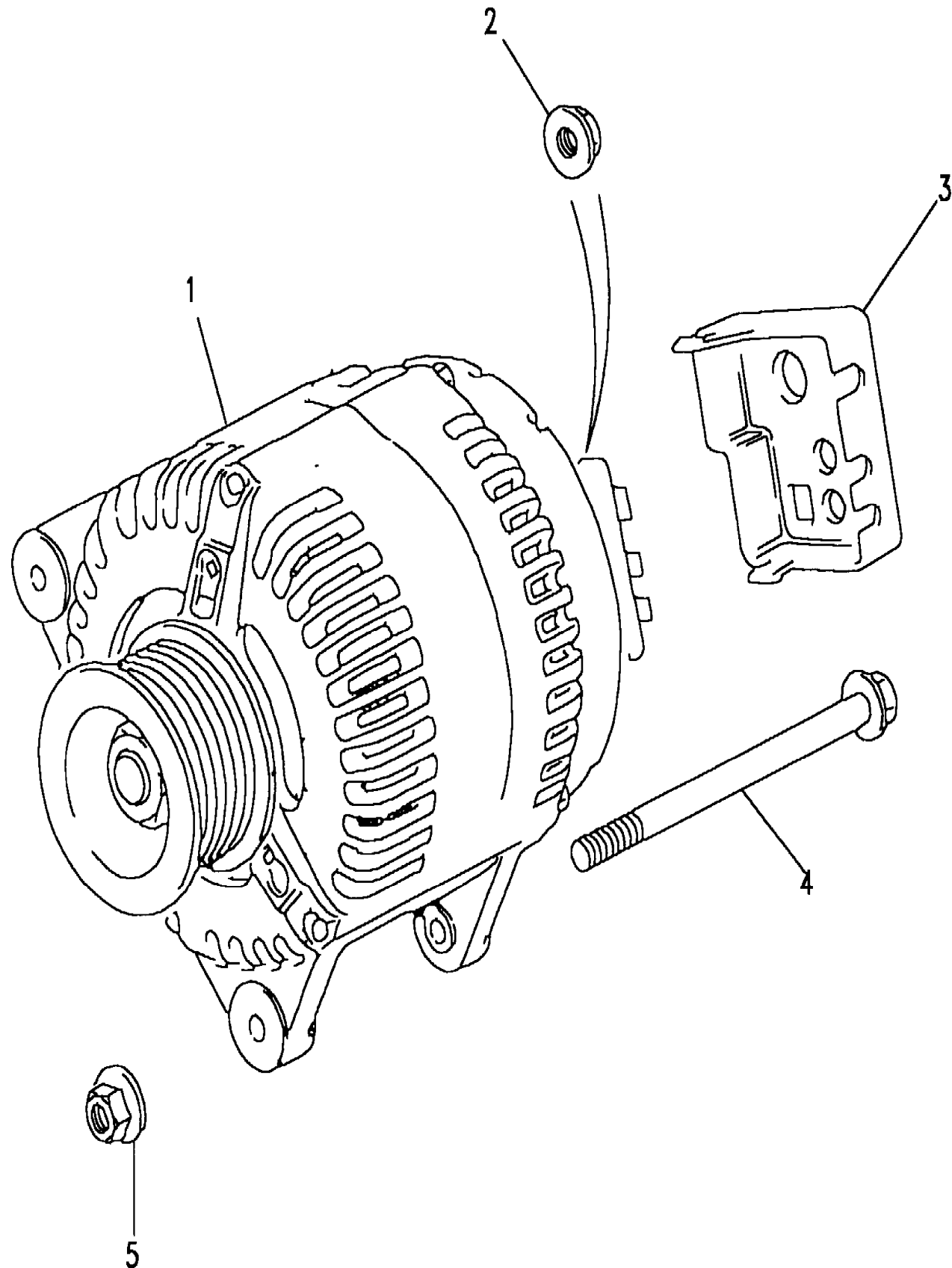
Discovery (FA393361-WA799999)
(CABRPC2B)

Discovery (FA393361-WA799999)

Engine
V8 Petrol - EFI
Alternator Magneti Marreli A127

V8 EFI Petrol

Callout	Name	Application	Remarks & Restrictions	Service No.	Qty
5	Nut - Hex.	Change point - VIN begin MA081992, 3.9L V8 L/R EFI Petrol	ALTERNATOR, M8, flange	FN108041L	2



Engine
V8 Petrol - EFI
Alternator Mounting 1/2

Discovery (FA393361-WA799999)

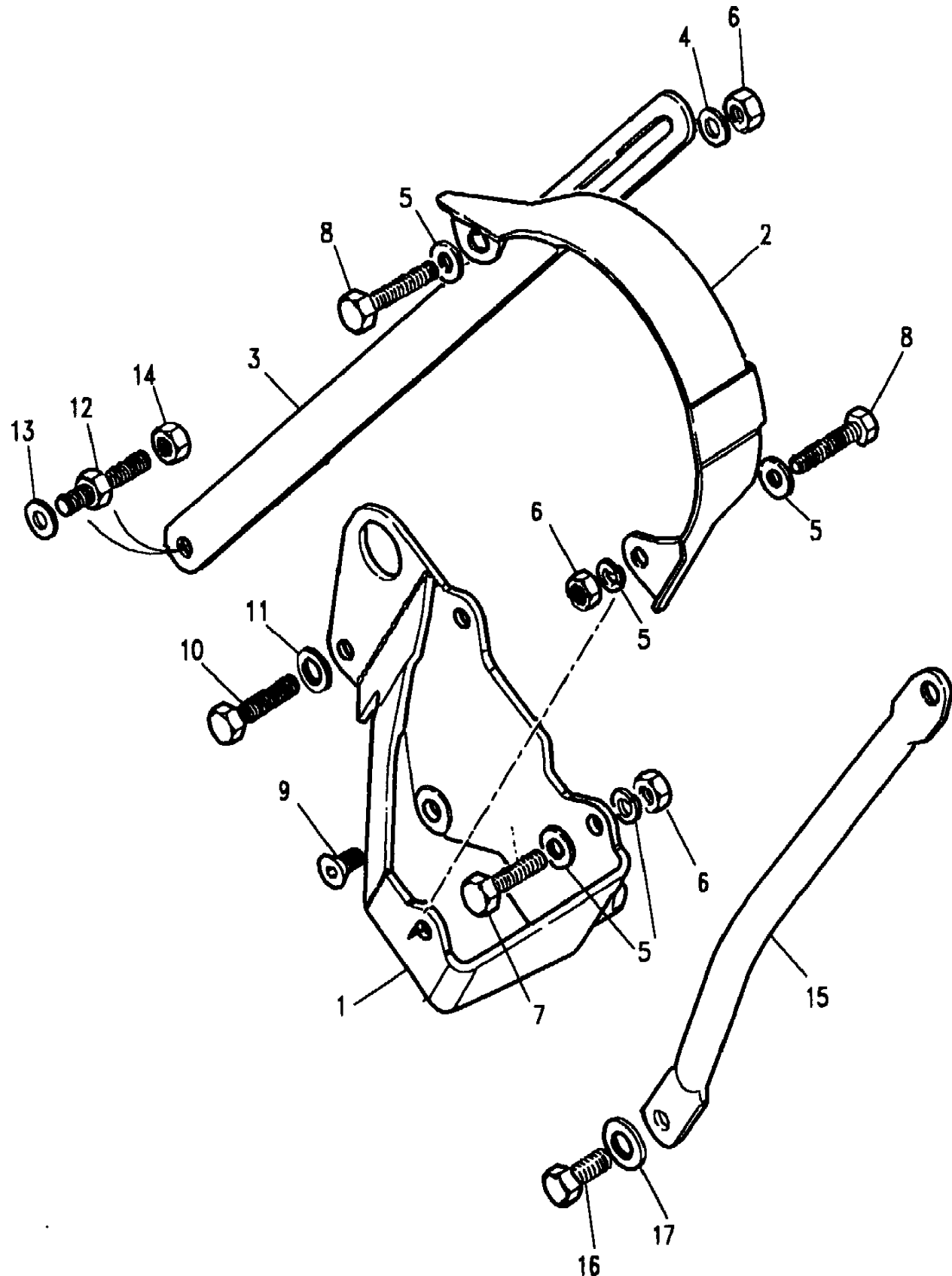
(CABRPC3A)

Discovery (FA393361-WA799999)

Engine
V8 Petrol - EFI
Alternator Mounting

V8 EFI Petrol

Callout	Name	Application	Remarks & Restrictions	Service No.	Qty
1	Bracket-mounting-alternator	Petrol V8 L/R EFI	65 AMP	ETC5576	1
		Petrol V8 L/R EFI	85 AMP	ERR2676	1
2	Guard-fan alternator	Petrol V8 L/R EFI	65 AMP	ETC8441	1
		Petrol V8 L/R EFI	80 AMP	ETC8440	1
3	Link-adjuster alternator	Change point - Engine end 24D15546D, Petrol V8 L/R EFI		ETC6291	1
		Change point - Engine end 22D06158D, Petrol V8 L/R EFI		ETC6291	1
		Change point - Engine begin 22D06159D, Petrol V8 L/R EFI		ERR1574	1
		Change point - Engine begin 24D15547D, Petrol V8 L/R EFI		ERR1574	1
4	Washer-Plain	Petrol V8 L/R EFI	link adjusting	4594L	1
5	Washer	Petrol V8 L/R EFI	fan guard, 8MM	WA108051L	8
6	Nut - Hex.	Petrol V8 L/R EFI	fan guard, M8, hexagonal head	NH108041L	3
7	Screw	Petrol V8 L/R EFI	link adjusting, Flanged Head, M8 x 20	FS108207L	1
		Petrol V8 L/R EFI	Mounting Bracket, hexagonal head, M8 x 45	SH108451L	1
8	Screw	Petrol V8 L/R EFI	hexagonal head, M8 x 40	SH108401L	2
		Petrol V8 L/R EFI	link adjusting, Flanged Head, M8 x 20	FS108201L	1
9	Screw	Petrol V8 L/R EFI	bracket mounting to alternator, 3/8UNC x 1	ETC8765	1
10	Screw	Petrol V8 L/R EFI	Mounting Bracket, hexagonal head, 3/8UNC x 7/8	SH506071L	1
		Petrol V8 L/R EFI	bracket mounting to alternator, hexagonal head, 3/8UNC x 1 1/8	SH506095L	2
11	Washer	Petrol V8 L/R EFI	bracket mounting to alternator, 3/8", Square	WM600061L	3
12	Support-adjuster link alternator	Change point - Engine end 24D15546D, Petrol V8 L/R EFI	link adjusting	ETC7208	1
		Change point - Engine end 22D06158D, Petrol V8 L/R EFI	link adjusting	ETC7208	1
		Change point - Engine begin 22D06159D, Petrol V8 L/R EFI		ERR1885	1



Engine
V8 Petrol - EFi
Alternator Mounting 2/2

Discovery (FA393361-WA799999)

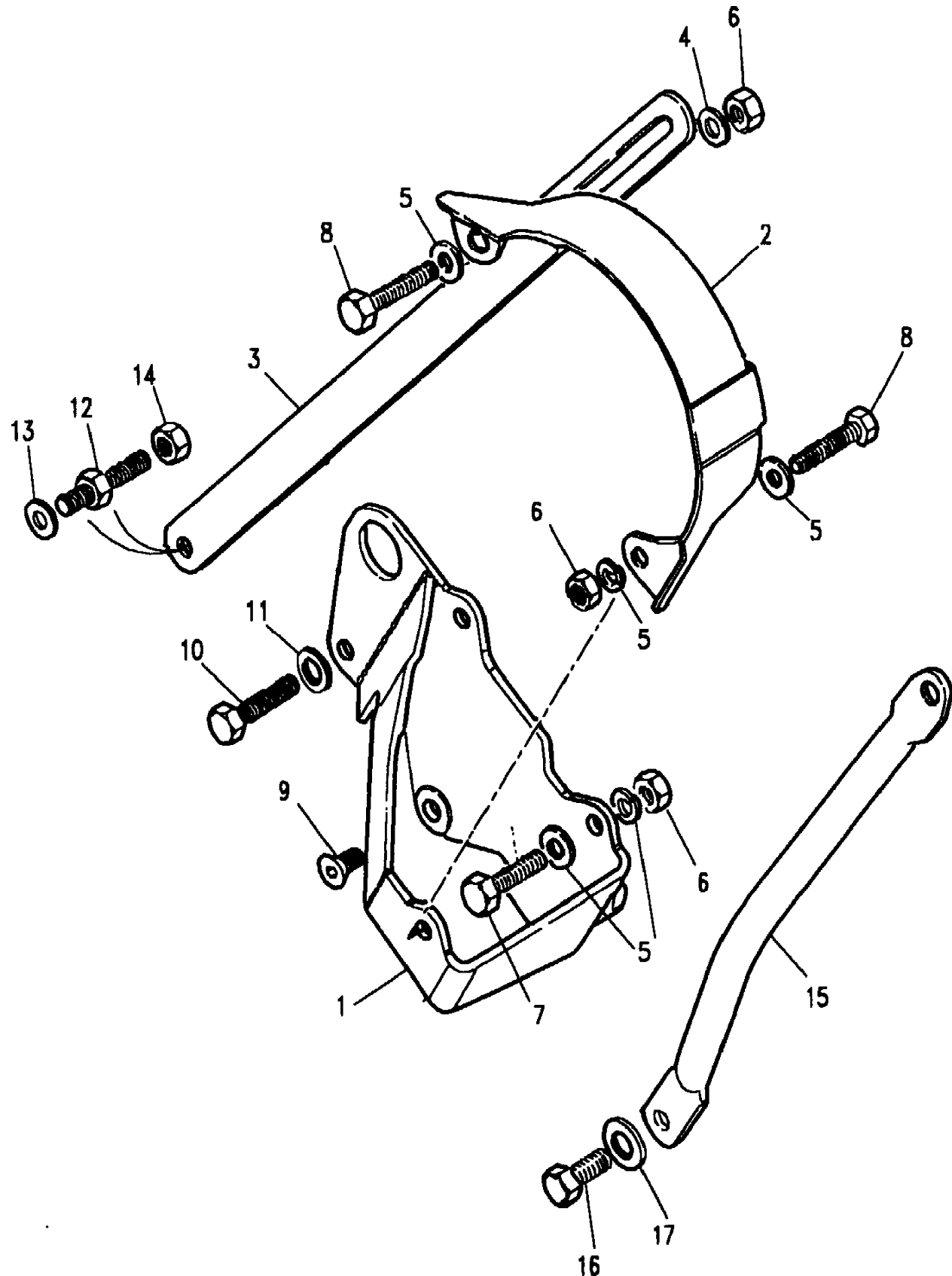
(CABRPC3A)

Discovery (FA393361-WA799999)

Engine
V8 Petrol - EFi
Alternator Mounting

V8 EFI Petrol

Callout	Name	Application	Remarks & Restrictions	Service No.	Qty
12	Support-adjuster link alternator	Change point - Engine begin 24D15547D, Petrol V8 L/R EFI		ERR1885	1
13	Washer	Petrol V8 L/R EFI	link adjusting, 8MM	WA108051L	1
		Petrol V8 L/R EFI	8MM	WA108051L	4
14	Nut - Hex.	Petrol V8 L/R EFI	link adjusting, M8, hexagonal head	NH108041L	1
		Petrol V8 L/R EFI	M8, flange	FN108041L	2
15	Strut-alternator	Petrol V8 L/R EFI	65 AMP	ETC8579	1
		Petrol V8 L/R EFI	85 AMP	ERR1589	1
16	Screw	Petrol V8 L/R EFI	strut to manifold, hexagonal head, 3/8UNC x 1 1/4	SH506101L	1
		Petrol V8 L/R EFI	Strut alternator, hexagonal head, 3/8UNC x 1 1/8	SH506095L	1
		Petrol V8 L/R EFI	M8 x 25, Flanged Head	FS108251L	1
		Petrol V8 L/R EFI	M8 x 25, Flanged Head	FS108257L	1
17	Washer	Petrol V8 L/R EFI	strut to manifold, M10	WA110061L	1
[900]	Bracket-ancillary mounting	Petrol V8 L/R EFI		ERR4513	1
[901]	Grommet	Petrol V8 L/R EFI		ERC5830	2
[902]	Bush	Petrol V8 L/R EFI		ETC8559	2
[903]	Harness earth bond	Petrol V8 L/R EFI		ERR2677	1
[904]	Cover-terminal alternator	Petrol V8 L/R EFI		AMR2263	1
[905]	Nut & washer set	Petrol V8 L/R EFI	alternator to bracket, 5.0M, Flanged Head	AMR2217	1
		Petrol V8 L/R EFI	alternator to bracket, 6MM	AMR2218	1
[906]	Bolt	Petrol V8 L/R EFI	Strut alternator	BH108281	1
[907]	Tie-cable	Petrol V8 L/R EFI	8mm hole, 4.6 x 215mm	YYD10003	1
[908]	Clip-p	Petrol V8 L/R EFI		50641	1



Engine
V8 Petrol - EFi
Camshaft 1/1

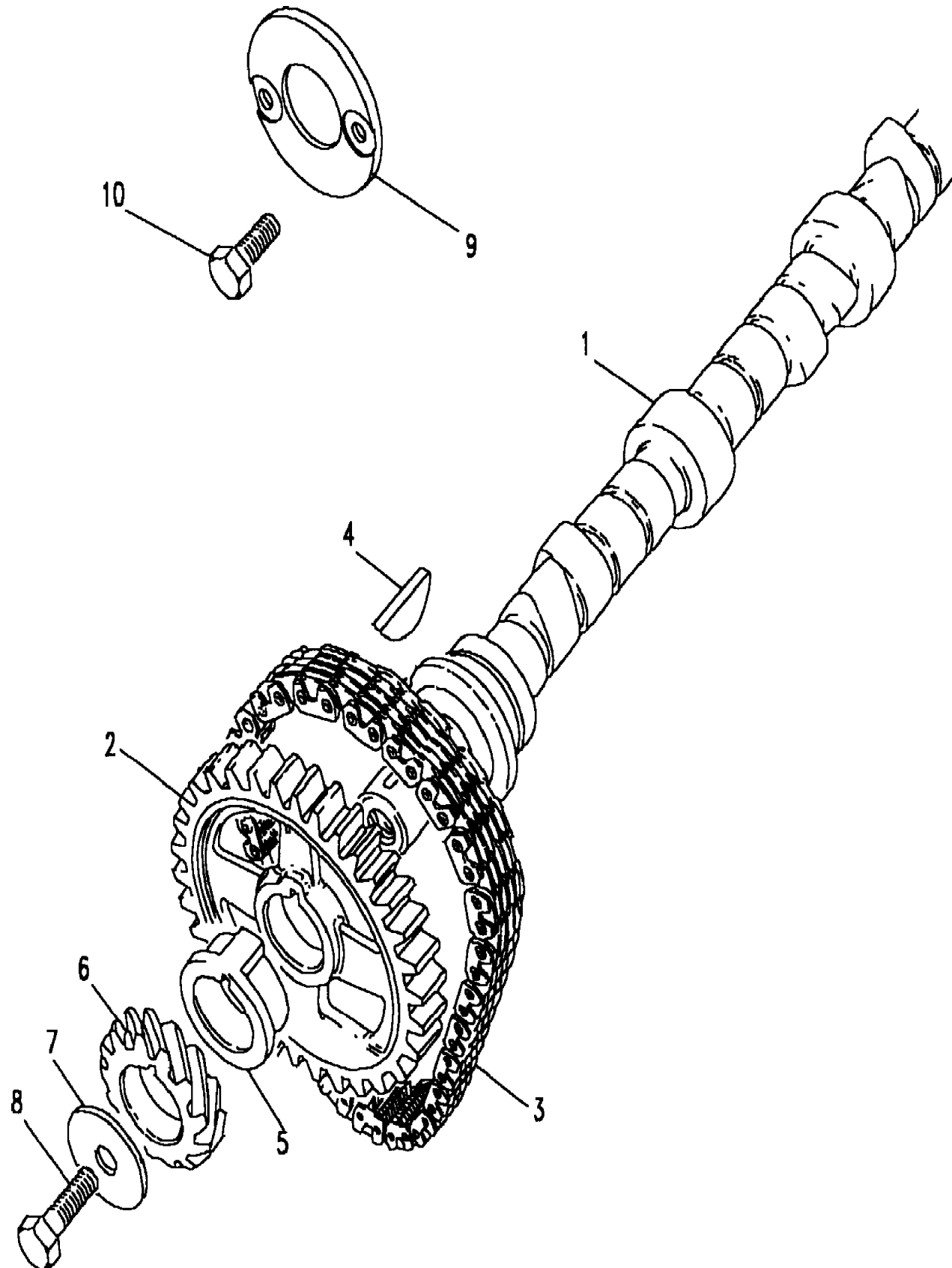
Discovery (FA393361-WA799999)
(CABRG11A)

Discovery (FA393361-WA799999)

Engine
V8 Petrol - EFi
Camshaft

V8 EFI Petrol

Callout	Name	Application	Remarks & Restrictions	Service No.	Qty
1	Camshaft-engine	3.5L V8 EFI L/R Petrol		ETC6099	1
		Change point - VIN end MA137709, 3.9L V8 L/R EFI Petrol		ETC8686	1
			Change point - VIN begin MA137710, 3.9L V8 L/R EFI Petrol	ERR5924	1
2	Sprocket-camshaft	Petrol V8 L/R EFI		610289	1
3	Chain-engine timing	Petrol V8 L/R EFI		ERC7929	1
4	Key-camshaft location	Petrol V8 L/R EFI		ERC2838	1
5	Spacer	Petrol V8 L/R EFI		ERC2839	1
6	Gear-drive-distributor	Petrol V8 L/R EFI		614188	1
7	Washer-Plain	Petrol V8 L/R EFI		ERC6552	1
8	Bolt	3.5L V8 EFI L/R Petrol 3.9L V8 L/R EFI Petrol	gear to camshaft, M12 x 30 gear to camshaft, 7/16UNC x 1 1/8	ERC5749	1
				602227	1
9	Plate-camshaft retaining	Change point - VIN begin MA137710, Petrol V8 L/R EFI		ERR5926	1
10	Screw	Change point - VIN begin MA137710, Petrol V8 L/R EFI	plate thrust camshaft, hexagonal head, 5/16UNC x 3/4	SH505061L	2



Engine
V8 Petrol - EFi
Camshaft 1/1

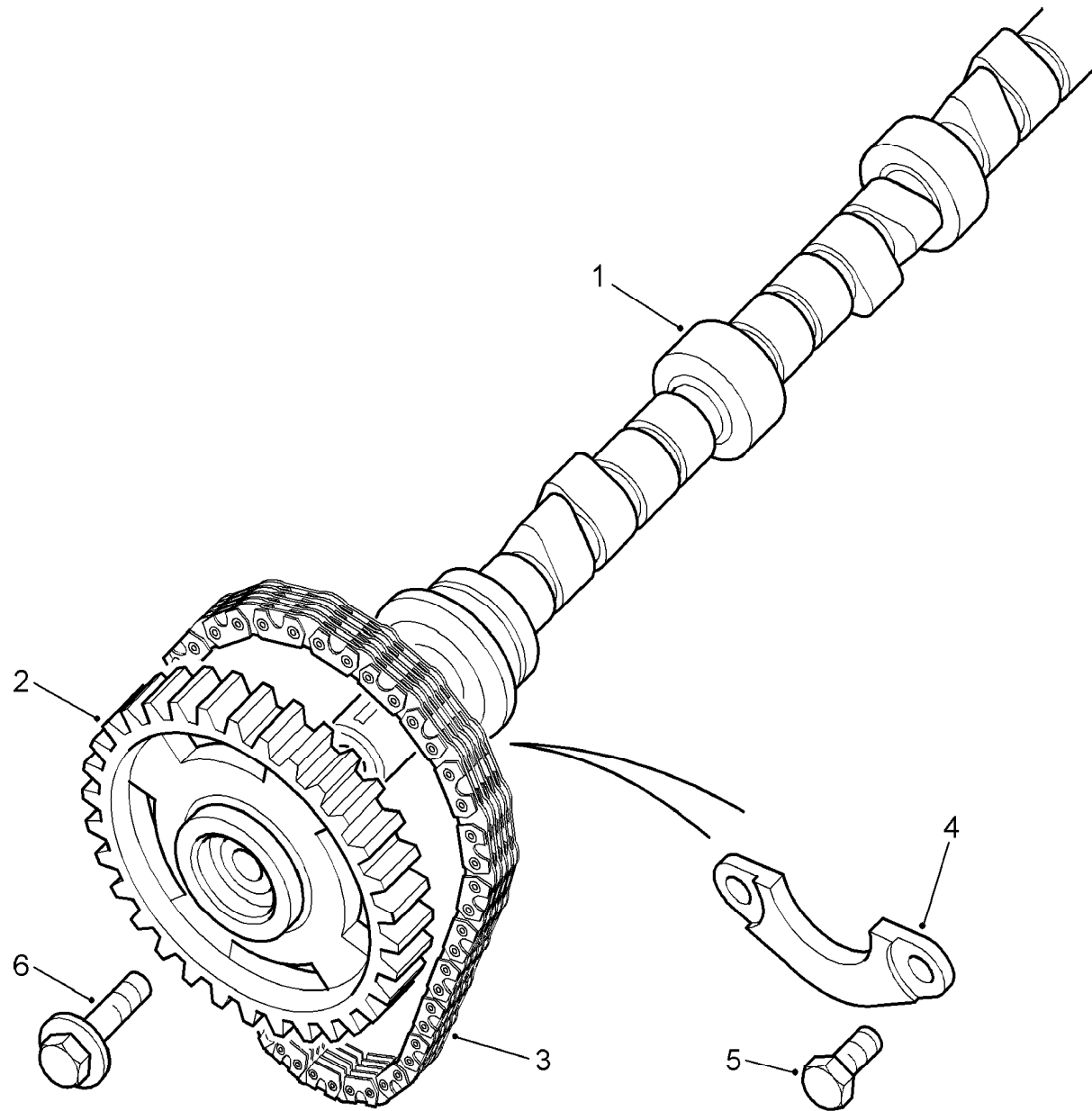
Discovery (FA393361-WA799999)
(CDBRG12A)

Discovery (FA393361-WA799999)

Engine
V8 Petrol - EFi
Camshaft

Change point - VIN begin TA163100, Change point - VIN begin TA501920, 3.9/4.0 V8 Petrol Efi, (+)"CDN/MEX/USA"

Callout	Name	Application	Remarks & Restrictions	Service No.	Qty
1	Camshaft-engine		9.35:1	ERR3720	1
2	Sprocket-camshaft		9.35:1	ERR5086	1
3	Chain-engine timing		9.35:1	ERC7929	1
4	Plate - Thrust		9.35:1	ERR2609	1
5	Screw		9.35:1	SH505061L	2
6	Screw And Washer Assy		M10 x 30, 9.35:1	FS110301L	1



G05.036
11-2002
L4
CDBRG12A

Engine
V8 Petrol - EFI
Coolant Pump 1/2

Discovery (FA393361-WA799999)

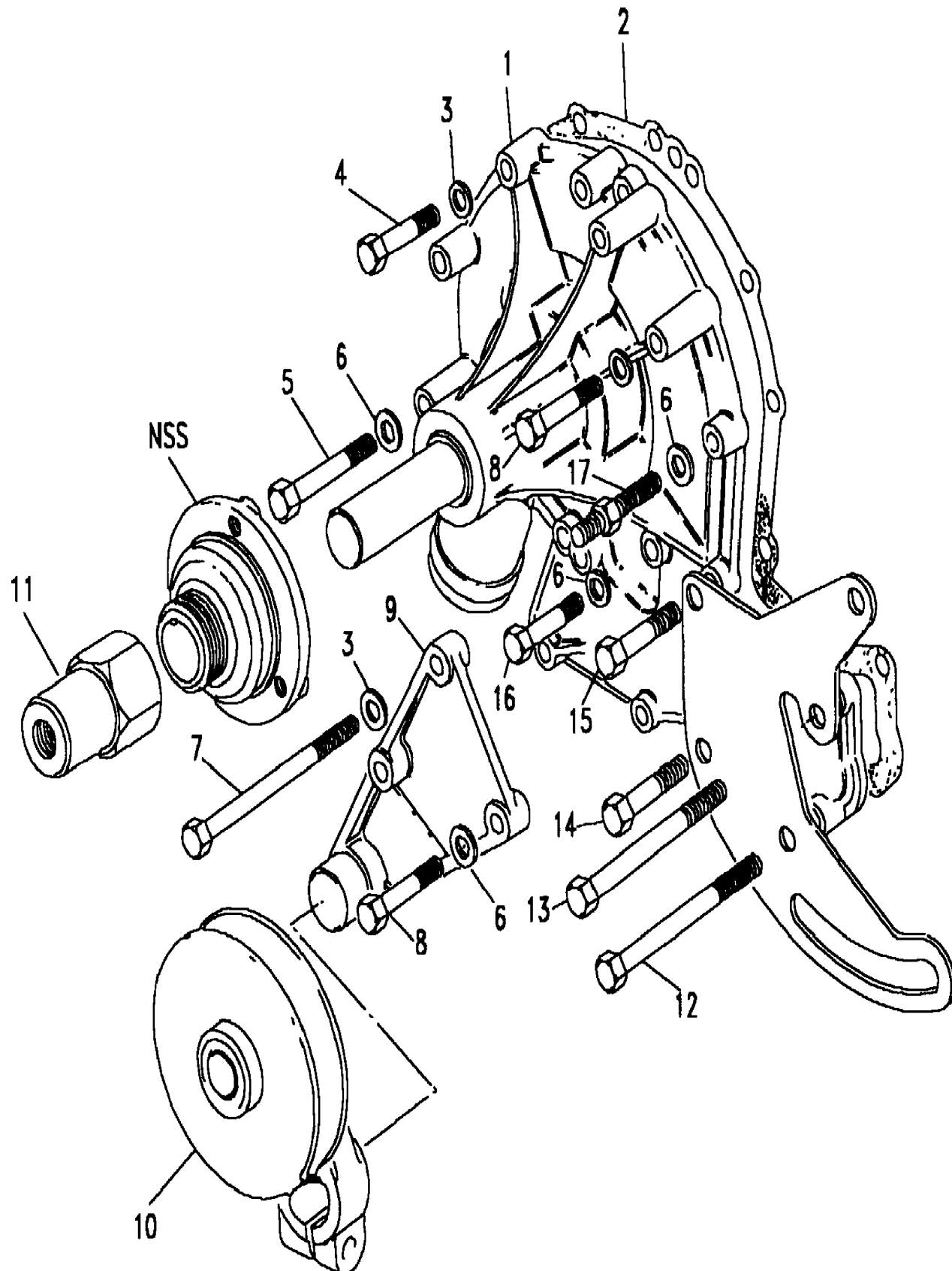
(CABREE1A)

Discovery (FA393361-WA799999)

Engine
V8 Petrol - EFI
Coolant Pump

V8 EFI Petrol

Callout	Name	Application	Remarks & Restrictions	Service No.	Qty
1	Pump assembly-engine coolant	Change point - VIN end LA081990, Petrol V8 L/R EFI	Also serviced as part of a kit	STC483	1
		Change point - VIN begin MA081991, Petrol V8 L/R EFI	Also serviced as part of a kit	STC1693	1
2	Gasket-cylinder block coolant pump	Change point - VIN end LA081990, Petrol V8 L/R EFI	Also serviced as part of a kit	ERR2428	1
		Change point - VIN begin MA081991, Petrol V8 L/R EFI	Also serviced as part of a kit	ERR4077	1
3	Washer	Petrol V8 L/R EFI	8MM	WA108051L	4
4	Screw	Petrol V8 L/R EFI	Cover, Flanged Head, 1/4UNC x 2	SH504161L	1
		3.9L V8 L/R EFI Petrol	hexagonal head	SH605091L	1
5	Bolt	Petrol V8 L/R EFI	Cover, Flanged Head, 5/16UNC x 1 1/2	BH505121L	2
		3.5L V8 EFI L/R Petrol	1/4UNC x 2	BH504161L	1
		3.9L V8 L/R EFI Petrol	1/4UNC	BH504181L	1
		3.5L V8 EFI L/R Petrol	hexagonal head, 5/16UNF x 1 1/4	BH605101L	1
6	Washer	3.5L V8 EFI L/R Petrol	6MM	WA106041L	6
		3.9L V8 L/R EFI Petrol	8MM	WA108051L	2
		3.9L V8 L/R EFI Petrol	M6, oversize	WC106041L	4
		Petrol V8 L/R EFI	Also serviced as part of a kit, 5/16"	WM600051L	1
7	Bolt	Petrol V8 L/R EFI	hexagonal head, 5/16UNC x 5 1/2	BH505441L	1
		Petrol V8 L/R EFI	5/16UNC x 6	BH505485L	1
8	Bolt	Petrol V8 L/R EFI	hexagonal head, 1/4UNC x 1 7/8	BH504151L	2
9	Bracket-pulley support belt tensioner	Petrol V8 L/R EFI		ETC6148	1
10	Pulley-tensioner ancillary drive	3.5L V8 EFI L/R Petrol	Also serviced as part of a kit	614718	1
		3.9L V8 L/R EFI Petrol, With Air Conditioning	Also serviced as part of a kit	ERR3767	1
		3.9L V8 EFI L/R, Less Air Conditioning		ERR3562	1
11	Adaptor-water pump drive	Petrol V8 L/R EFI		ETC6104	1
12	Bolt	Petrol V8 L/R EFI	hexagonal head, 5/16UNC x 5	BH505401L	1
		3.9L V8 L/R EFI Petrol	1/4UNC x 2	BH504161L	3



Engine
V8 Petrol - EFI
Coolant Pump 2/2

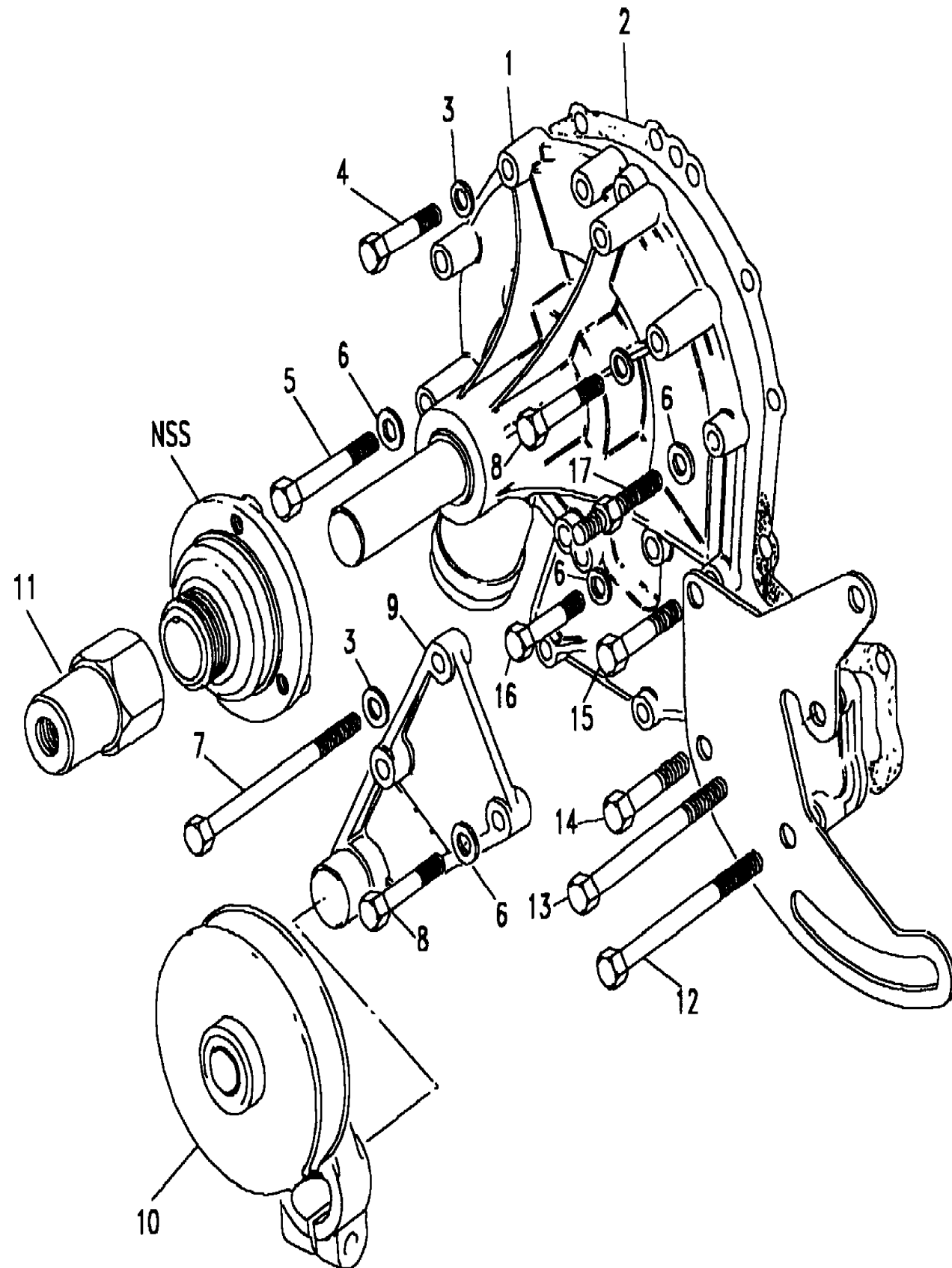
Discovery (FA393361-WA799999)
(CABREE1A)

Discovery (FA393361-WA799999)

Engine
V8 Petrol - EFI
Coolant Pump

V8 EFI Petrol

Callout	Name	Application	Remarks & Restrictions	Service No.	Qty
13	Bolt	Petrol V8 L/R EFI	hexagonal head, 5/16UNC x 4 3/4	BH505381L	1
14	Bolt	Petrol V8 L/R EFI	1/4UNC x 1 3/8	BH504111L	1
15	Bolt	Petrol V8 L/R EFI	hexagonal head, 1/4UNC x 1 1/2	BH504121L	1
16	Bolt	Petrol V8 L/R EFI	1/4UNC x 1 1/4	BH504101L	1
17	Support-adjuster link alternator	3.9L V8 L/R EFI Petrol		ERR2673	1
[902]	Pulley coolant pump	Change point - VIN begin MA081991, Petrol V8 L/R EFI		ERR4867	1
[903]	Bearing-ball	3.5L V8 EFI L/R Petrol	Also serviced as part of a kit	614154	1
[904]	Clip-pivot-snap	3.9L V8 L/R EFI Petrol	Grey, 13-17mm, 7mm hole	DBP8169L	1
[905]	Bracket Harness	3.9L V8 L/R EFI Petrol		ERC9404	1



Engine
V8 Petrol - EFI
Crankshaft & Bearings 2/2

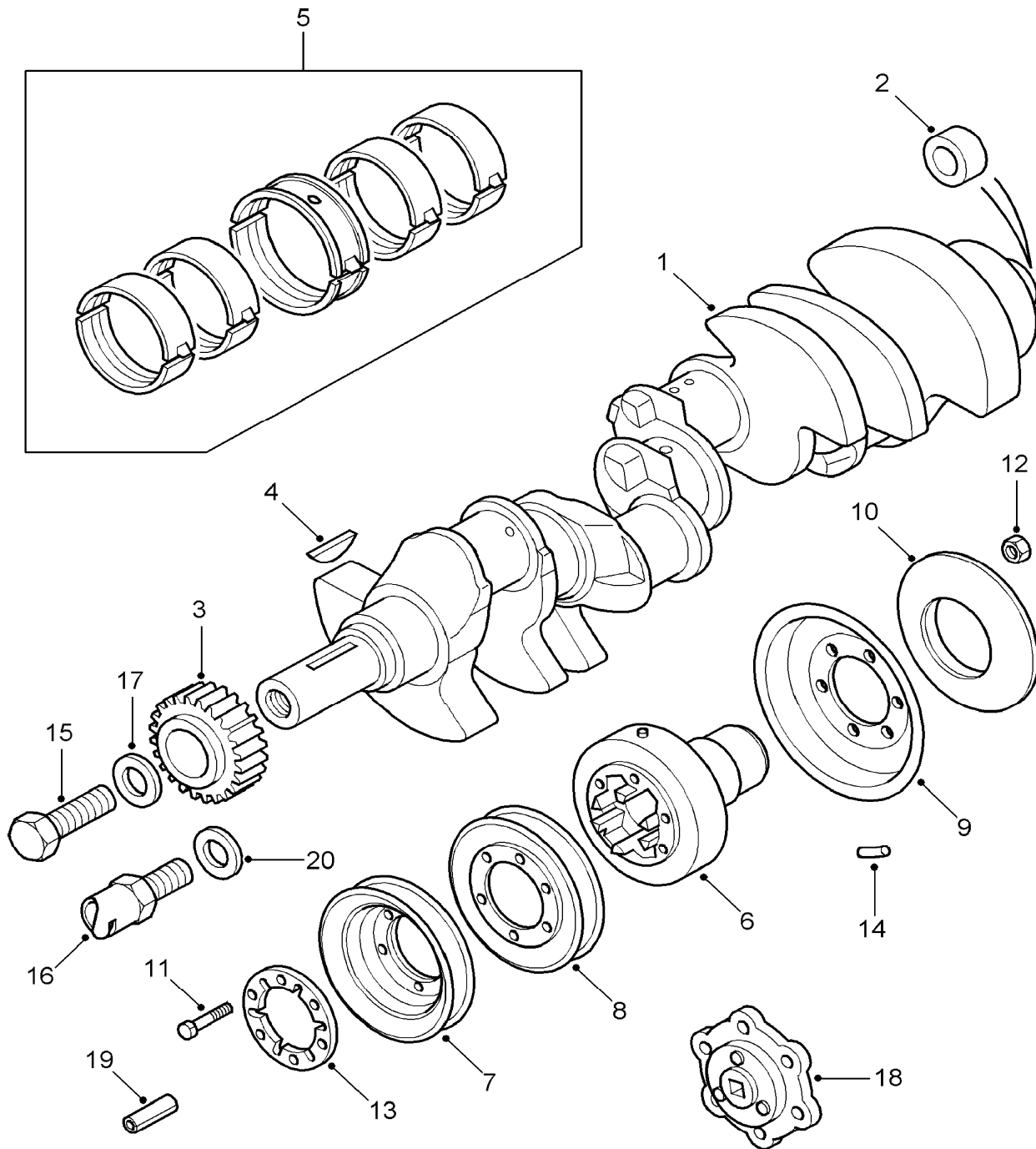
Discovery (FA393361-WA799999)
(CABRCA1B)

Discovery (FA393361-WA799999)

Engine
V8 Petrol - EFI
Crankshaft & Bearings

V8 EFI Petrol

Callout	Name	Application	Remarks & Restrictions	Service No.	Qty
6	Absorber-crankshaft vibration	3.5L V8 EFI L/R Petrol	Also serviced as part of a kit	ETC7340	1
		3.9L V8 L/R EFI Petrol	Also serviced as part of a kit	ERR3442	1
7	Pulley-crankshaft	3.5L V8 EFI L/R Petrol	Also serviced as part of a kit, single groove	ETC5679	1
		3.9L V8 L/R EFI Petrol, With Air Conditioning		ERR4866	1
8	Pulley-crankshaft	3.5L V8 EFI L/R Petrol	Also serviced as part of a kit	ETC4330	1
		3.9L V8 L/R EFI Petrol, With Power Steering		ERR2799	1
9	Plate-crankshaft balancing	3.5L V8 EFI L/R Petrol	Also serviced as part of a kit	603301	1
		3.9L V8 L/R EFI Petrol		ETC7996	1
10	Shield-rear flange oil deflector	Petrol V8 L/R EFI		613671	1
11	Bolt	Petrol V8 L/R EFI	5/16UNF x 1 5/8	BH605131L	6
12	Nut - Hex.	Petrol V8 L/R EFI	hexagonal head, 5/16UNF	NH605041L	6
13	Plate	Petrol V8 L/R EFI		602587	1
14	Weight-crankshaft balance	Petrol V8 L/R EFI	.17oz	ERC4877	X
		Petrol V8 L/R EFI	.35oz	ERC4878	X
		Petrol V8 L/R EFI	.53oz	ERC4879	X
		Petrol V8 L/R EFI	.71oz	ERC4880	X
15	Bolt-crankshaft pulley	Petrol V8 L/R EFI		ERC417	1
16	Bolt-dog point	Petrol V8 L/R EFI		610178	1
17	Washer	Petrol V8 L/R EFI		ERC416	1
18	Plate-crankshaft balancing	Petrol V8 L/R EFI		ETC7419	1
19	Pin-Spring	Petrol V8 L/R EFI		603535	1
20	Washer-Plain	Petrol V8 L/R EFI		602411	1

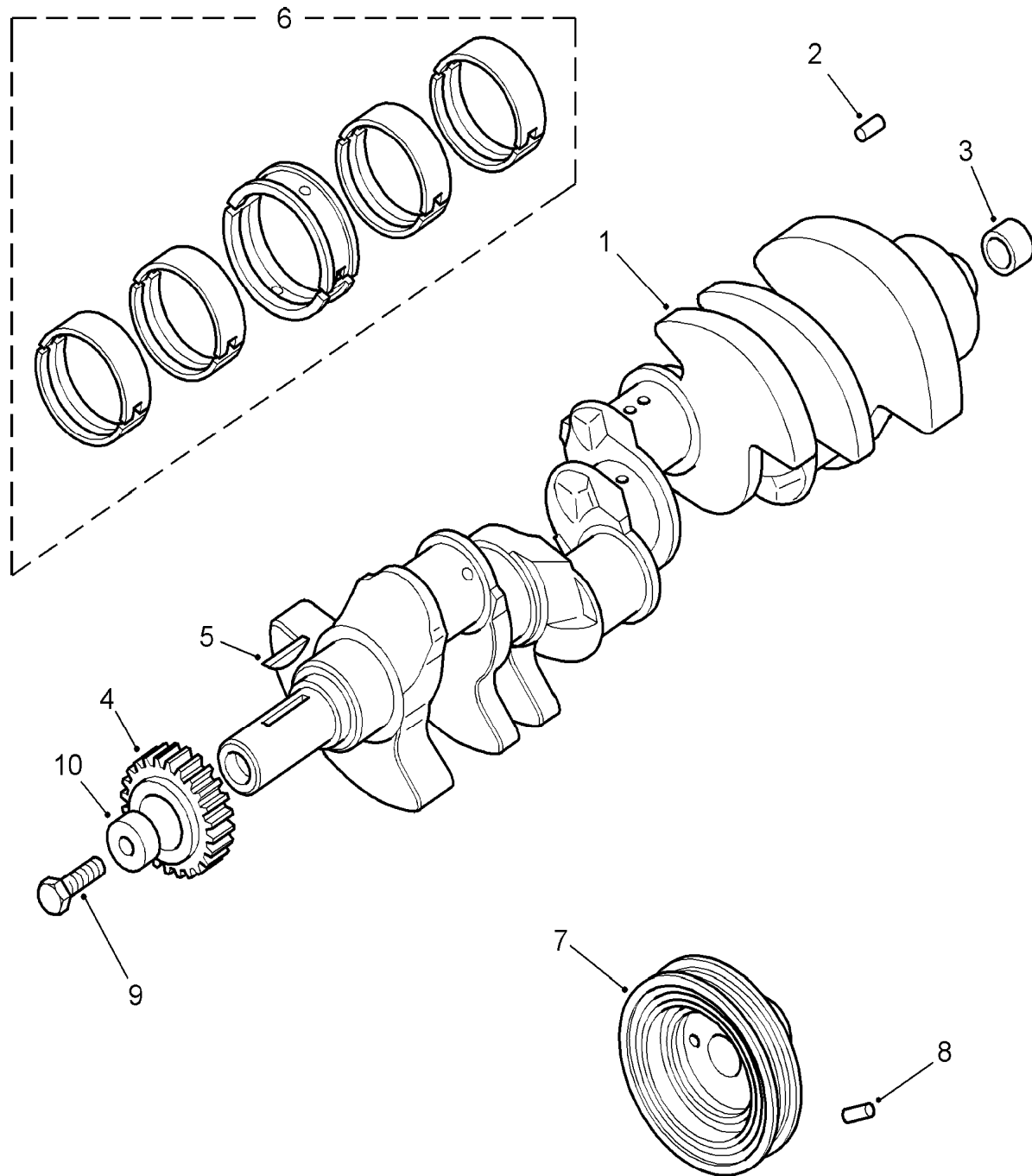


G05.045
10-2003
L4
CABRCA1B

Engine
V8 Petrol - EFi
Crankshaft And Related Parts 1/1
Discovery (FA393361-WA799999)
(CDBRCA2A)

Engine
V8 Petrol - EFi
Crankshaft And Related Parts
Change point - VIN begin TA163100, Change point - VIN begin TA501920, 3.9/4.0 V8 Petrol Efi, (+)"CDN/MEX/USA"

Callout	Name	Application	Remarks & Restrictions	Service No.	Qty
1	Crankshaft Assy		9.35:1	ERR5090	1
2	Dowel - Pin		9.35:1	ERR1101	1
3	Bush		9.35:1	549911	1
4	Sprocket - Crankshaft		9.35:1	ERR2958	1
5	Key - Woodruff		9.35:1	ERR2846	1
6	Kit - Crankshaft Main Bearing		9.35:1	STC1425	1
7	Damper Assy - Crankshaft		9.35:1	ERR4922	1
8	Weight - Balance		10 G, 9.35:1 9.35:1, 5 G 15 G, 9.35:1 20 G, 9.35:1 30 G, 9.35:1	ERR3592 ERR3758 ERR3759 ERR3760 ERR5391	X X X X X
9	Bolt		9.35:1	ERC417	1
10	Washer		9.35:1	ERC416	1
[900]	Heat Shield	Change point - Engine end 50D21033A Change point - Engine begin 50D21034A	For Crank Sensor, 9.35:1 9.35:1	ERR6117 ERR6928	1 1
[901]	Bolt	Manual Transmission Automatic Transmission	For ERR6928, M5 x 40MM For ERR6928, M5 x 50MM	ERR6931 ERR6929	1 1



G05.046
11-2002
L4
CDBRCA2A

Engine
V8 Petrol - EFI
Cylinder Block 1/4

Discovery (FA393361-WA799999)

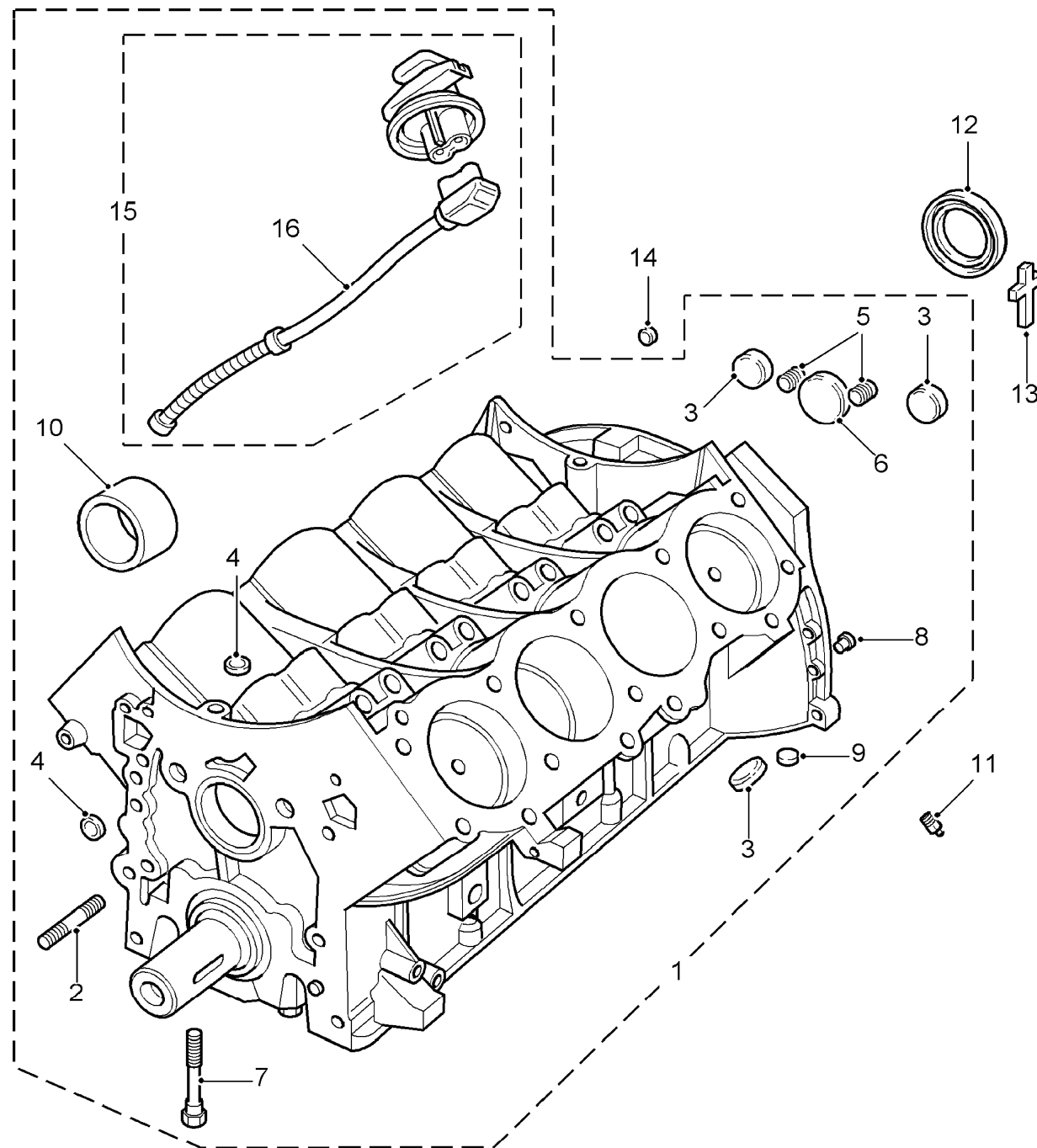
(CDBRBA1A)

Discovery (FA393361-WA799999)

Engine
V8 Petrol - EFI
Cylinder Block

V8 EFI Petrol

Callout	Name	Application	Remarks & Restrictions	Service No.	Qty		
1	Cylinder block-engine	3.5L V8 EFI L/R Petrol, (-)"CDN/MEX/USA"	Also serviced as part of a kit	ERR5227	1		
		Change point - Engine begin 35D08928b, 3.9L V8 L/R EFI Petrol	Also serviced as part of a kit	ERR5225	1		
		Change point - Engine begin 36D25524b, 3.9L V8 L/R EFI Petrol	Also serviced as part of a kit	ERR5225	1		
		Change point - Engine begin 37D01932b, 3.9L V8 L/R EFI Petrol	Also serviced as part of a kit	ERR5225	1		
		Change point - Engine begin 38D27238b, 3.9L V8 L/R EFI Petrol	Also serviced as part of a kit	ERR5225	1		
		Change point - VIN begin SA163099, 3.9/4.0 V8 Petrol Efi, (+)"CDN"	9.35:1	ERR5229	1		
		Change point - VIN begin SA501919, 3.9/4.0 V8 Petrol Efi, (+)"CDN"	9.35:1	ERR5229	1		
		2	Stud	3.5L V8 EFI L/R Petrol	Also serviced as part of a kit, 5/16UNC x 1 3/8	252513	1
				Change point - Engine begin 35D08928b, 3.9L V8 L/R EFI Petrol	Also serviced as part of a kit, 5/16UNC x 1 3/8	252513	1
				Change point - Engine begin 36D25524b, 3.9L V8 L/R EFI Petrol	Also serviced as part of a kit, 5/16UNC x 1 3/8	252513	1
Change point - Engine begin 37D01932b, 3.9L V8 L/R EFI Petrol	Also serviced as part of a kit, 5/16UNC x 1 3/8			252513	1		
3	Plug-cup	3.5L V8 EFI L/R Petrol	Also serviced as part of a kit	602152	8		
		Change point - Engine begin 35D08928b, 3.9L V8 L/R EFI Petrol	Also serviced as part of a kit	602152	8		
		Change point - Engine begin 36D25524b, 3.9L V8 L/R EFI Petrol	Also serviced as part of a kit	602152	8		
		Change point - Engine begin 37D01932b, 3.9L V8 L/R EFI Petrol	Also serviced as part of a kit	602152	8		
		Change point - Engine begin 38D27238b, 3.9L V8 L/R EFI Petrol	Also serviced as part of a kit	602152	8		
		4	Plug-cylinder block oil way	3.5L V8 EFI L/R Petrol	Also serviced as part of a kit	602147	4
Change point - Engine begin 35D08928b, 3.9L V8 L/R EFI Petrol	Also serviced as part of a kit			602147	4		
Change point - Engine begin 36D25524b, 3.9L V8 L/R EFI Petrol	Also serviced as part of a kit			602147	4		
Change point - Engine begin 37D01932b, 3.9L V8 L/R EFI Petrol	Also serviced as part of a kit			602147	4		



G05.050
11-2002
L4
CDBRBA1A

Engine
V8 Petrol - EFI
Cylinder Block 2/4

Discovery (FA393361-WA799999)

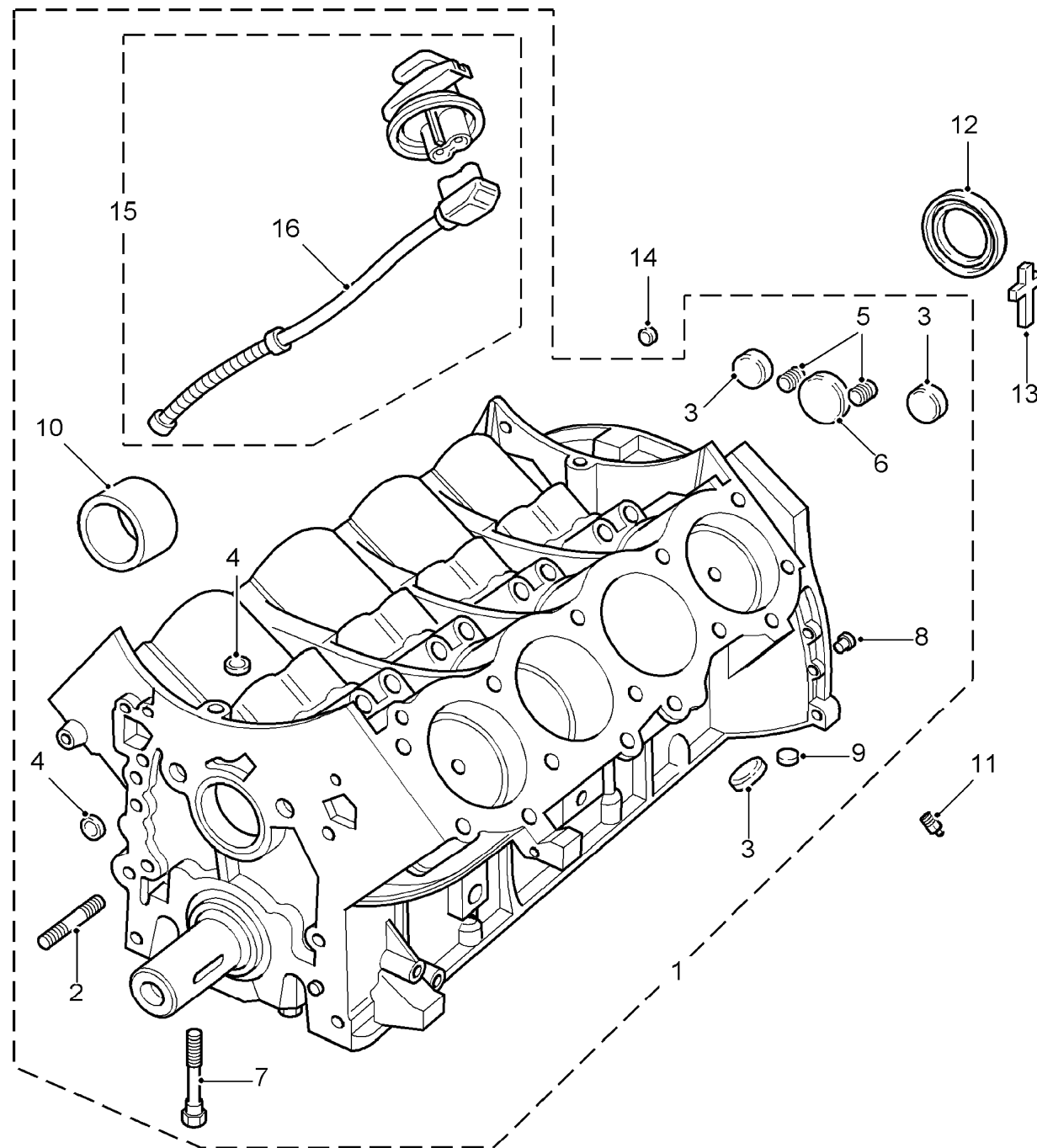
(CDBRBA1A)

Discovery (FA393361-WA799999)

Engine
V8 Petrol - EFI
Cylinder Block

V8 EFI Petrol

Callout	Name	Application	Remarks & Restrictions	Service No.	Qty
4	Plug-cylinder block oil way	Change point - Engine begin 38D27238b, 3.9L V8 L/R EFI Petrol	Also serviced as part of a kit	602147	4
5	Plug-blanking.	3.5L V8 EFI L/R Petrol	Also serviced as part of a kit	602212	2
		Change point - Engine begin 35D08928b, 3.9L V8 L/R EFI Petrol	Also serviced as part of a kit	602212	2
		Change point - Engine begin 36D25524b, 3.9L V8 L/R EFI Petrol	Also serviced as part of a kit	602212	2
		Change point - Engine begin 37D01932b, 3.9L V8 L/R EFI Petrol	Also serviced as part of a kit	602212	2
		Change point - Engine begin 38D27238b, 3.9L V8 L/R EFI Petrol	Also serviced as part of a kit	602212	2
6	Plug	3.5L V8 EFI L/R Petrol	Also serviced as part of a kit	602146	1
		Change point - Engine begin 35D08928b, 3.9L V8 L/R EFI Petrol	Also serviced as part of a kit	602146	1
		Change point - Engine begin 36D25524b, 3.9L V8 L/R EFI Petrol	Also serviced as part of a kit	602146	1
		Change point - Engine begin 37D01932b, 3.9L V8 L/R EFI Petrol	Also serviced as part of a kit	602146	1
		Change point - Engine begin 38D27238b, 3.9L V8 L/R EFI Petrol	Also serviced as part of a kit	602146	1
7	Setscrew-cylinder block main bearing cap	3.5L V8 EFI L/R Petrol	Also serviced as part of a kit	602130	10
		Change point - Engine begin 35D08928b, 3.9L V8 L/R EFI Petrol	Also serviced as part of a kit	602130	10
		Change point - Engine begin 36D25524b, 3.9L V8 L/R EFI Petrol	Also serviced as part of a kit	602130	10
		Change point - Engine begin 37D01932b, 3.9L V8 L/R EFI Petrol	Also serviced as part of a kit	602130	10
		Change point - Engine begin 38D27238b, 3.9L V8 L/R EFI Petrol	Also serviced as part of a kit	602130	10
8	Dowel	3.5L V8 EFI L/R Petrol	Also serviced as part of a kit	602141	2
		Change point - Engine begin 35D08928b, 3.9L V8 L/R EFI Petrol	Also serviced as part of a kit	602141	2
		Change point - Engine begin 36D25524b, 3.9L V8 L/R EFI Petrol	Also serviced as part of a kit	602141	2
		Change point - Engine begin 37D01932b, 3.9L V8 L/R EFI Petrol	Also serviced as part of a kit	602141	2
		Change point - Engine begin 38D27238b, 3.9L V8 L/R EFI Petrol	Also serviced as part of a kit	602141	2



G05.050

11-2002

L4

CDBRBA1A

Engine
V8 Petrol - EFi
Cylinder Block 3/4

Discovery (FA393361-WA799999)

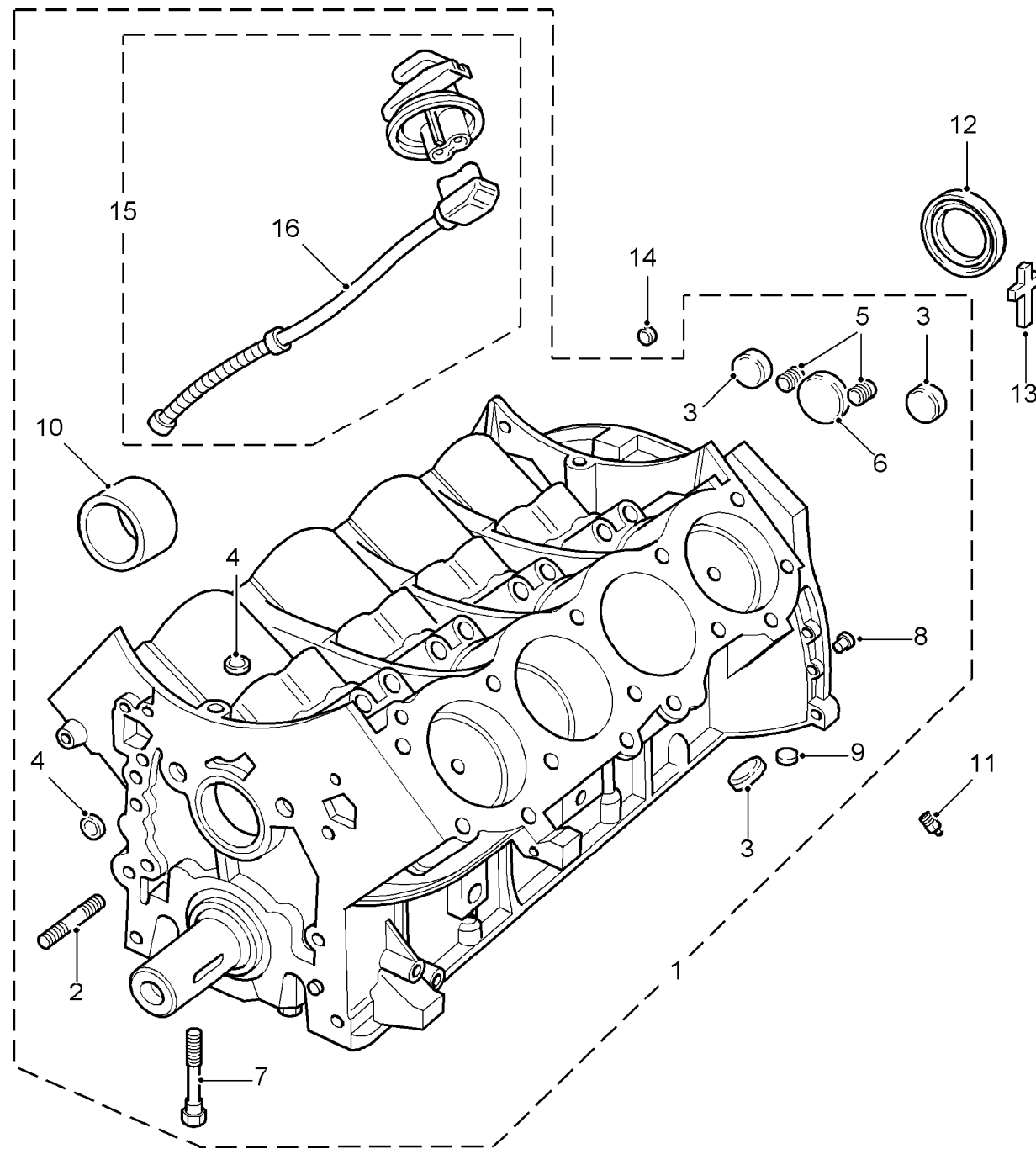
(CDBRBA1A)

Discovery (FA393361-WA799999)

Engine
V8 Petrol - EFi
Cylinder Block

V8 EFI Petrol

Callout	Name	Application	Remarks & Restrictions	Service No.	Qty
8	Dowel	Change point - Engine begin 38D27238b, 3.9L V8 L/R EFI Petrol	Also serviced as part of a kit	602141	2
9	Plug	3.5L V8 EFI L/R Petrol	Also serviced as part of a kit	612898	2
		Change point - Engine begin 35D08928b, 3.9L V8 L/R EFI Petrol	Also serviced as part of a kit	612898	2
		Change point - Engine begin 36D25524b, 3.9L V8 L/R EFI Petrol	Also serviced as part of a kit	612898	2
		Change point - Engine begin 37D01932b, 3.9L V8 L/R EFI Petrol	Also serviced as part of a kit	612898	2
		Change point - Engine begin 38D27238b, 3.9L V8 L/R EFI Petrol	Also serviced as part of a kit	612898	2
10	Set-camshaft bearings	3.5L V8 EFI L/R Petrol	Also serviced as part of a kit	RTC5918	1
		Change point - Engine begin 35D08928b, 3.9L V8 L/R EFI Petrol	Also serviced as part of a kit	RTC5918	1
		Change point - Engine begin 36D25524b, 3.9L V8 L/R EFI Petrol	Also serviced as part of a kit	RTC5918	1
		Change point - Engine begin 37D01932b, 3.9L V8 L/R EFI Petrol	Also serviced as part of a kit	RTC5918	1
		Change point - Engine begin 38D27238b, 3.9L V8 L/R EFI Petrol	Also serviced as part of a kit	RTC5918	1
11	Tap drain-cylinder block	Petrol V8 L/R EFI, (-)"CDN/MEX/USA"	alternative	602915	2
		Change point - VIN end SA163099, 3.9/4.0 V8 Petrol Efi, (+)"CDN/MEX/USA"	9.35:1	ERR4315	2
		Change point - VIN end SA501919, 3.9/4.0 V8 Petrol Efi, (+)"CDN/MEX/USA"	9.35:1	ERR4315	2
12	Seal-crankshaft rear oil	Petrol V8 L/R EFI		ERR2640	1
13	Seal-main bearing rear cap half joint	Petrol V8 L/R EFI		611089	2
14	Plug-core	Petrol V8 L/R EFI		154545	1
15	Heater Assy	Change point - VIN end SA163099, 3.9/4.0 V8 Petrol Efi, (+)"CDN/MEX/USA"	9.35:1	PRC9674	1
		Change point - VIN end SA501919, 3.9/4.0 V8 Petrol Efi, (+)"CDN/MEX/USA"	9.35:1	PRC9674	1



G05.050
11-2002
L4
CDBRBA1A

Engine
V8 Petrol - EFi
Cylinder Block 4/4

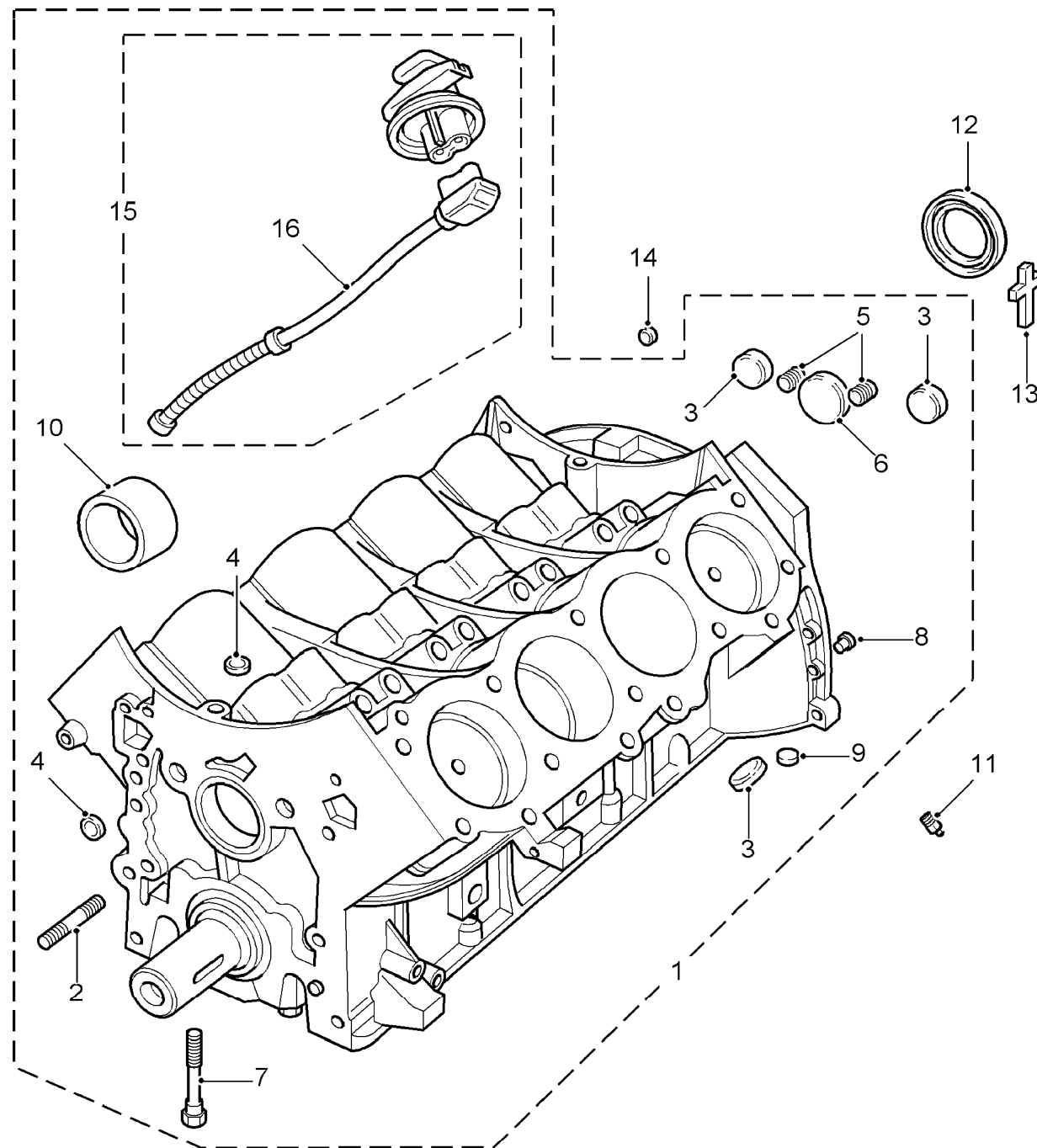
Discovery (FA393361-WA799999)
(CDBRBA1A)

Discovery (FA393361-WA799999)

Engine
V8 Petrol - EFi
Cylinder Block

V8 EFI Petrol

Callout	Name	Application	Remarks & Restrictions	Service No.	Qty
16	Cable Assy - Heater	Change point - VIN end SA163099, 3.9/4.0 V8 Petrol Efi, (+)"CDN"	9.35:1	PRC8717	1
		Change point - VIN end SA501919, 3.9/4.0 V8 Petrol Efi, (+)"CDN"	9.35:1	PRC8717	1
[901]	Plug-coolant drain	Petrol V8 L/R EFi		3290	2



G05.050
11-2002
L4
CDBRBA1A

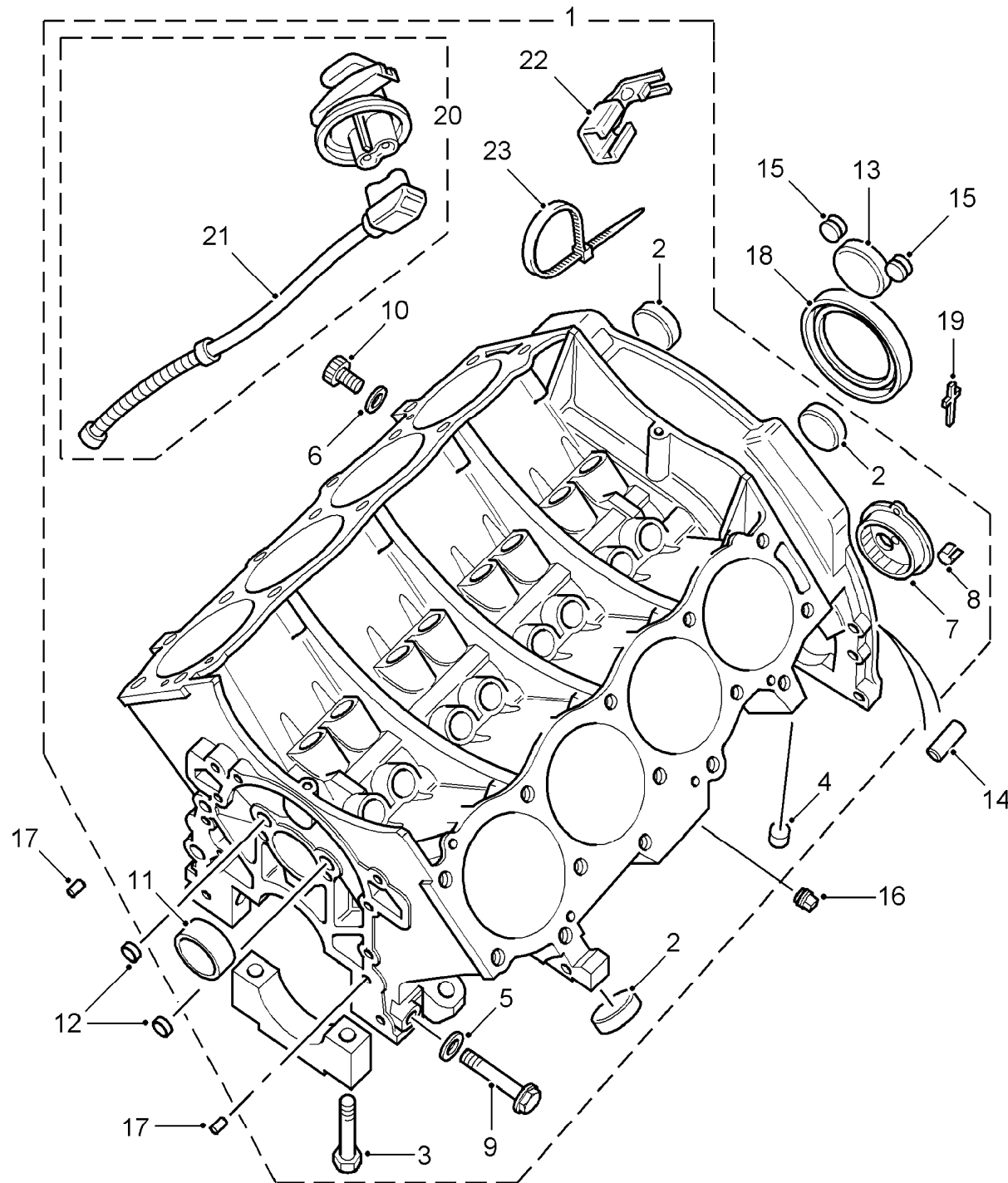
Engine
V8 Petrol - EFi
Cylinder Block 1/1

Discovery (FA393361-WA799999)
(CDBRBA2A)

Discovery (FA393361-WA799999)

Engine
V8 Petrol - EFi
Cylinder Block

Change point - VIN begin TA163100, Change point - VIN begin TA501920, 3.9/4.0 V8 Petrol Efi, (+)"CDN/MEX/USA"



G05.051
11-2002
L4
CDBRBA2A

Callout	Name	Application	Remarks & Restrictions	Service No.	Qty
1	Cylinder Block	(+)"CDN"	9.35:1 9.35:1	ERR4199 ERR4199	1 1
2	Plug		9.35:1	602152	8
3	Bolt - Bearing Cap - Hex. Head		9.35:1	602130	10
4	Plug		9.35:1	612898	2
5	Seal Assy - Oil		Bonded, 9.35:1, 19mm OD	ERR3330	9
6	Seal Assy - Oil		Bonded, 9.35:1, 16mm OD	ERR3331	1
7	Housing		For Crank Sensor, 9.35:1	ERR3693	1
8	Spring - Locking Pin		9.35:1	ERR4157	1
9	Bolt - Flanged Hex.		9.35:1, M10 x 65	FB110137	9
10	Screw - Socket Head Cap		M10 x 55, 9.35:1	SS110555	1
11	Kit - Bearing		Camshaft, 9.35:1	STC1961	1
12	Plug		9.35:1	602147	4
13	Plug		9.35:1	602146	1
14	Dowel		9.35:1	602141	2
15	Plug - Threaded		9.35:1	ERR4314	2
16	Plug - Water Drain		9.35:1	ERR4315	2
17	Dowel		9.35:1	90602202	2
18	Seal Assy - Crankshaft Oil		9.35:1	ERR2640	1
19	Packing - Rubber		9.35:1	611089	2
20	Heater Assy		9.35:1	PRC9674	1
21	Cable Assy - Heater		9.35:1	PRC8717	1
22	Bracket - Cable Support		9.35:1	ERR5641	1
23	Clip - Cable	(+)"CDN"	9.35:1	UKC6684	1

Engine
V8 Petrol - EFi
Cylinder Head 1/3

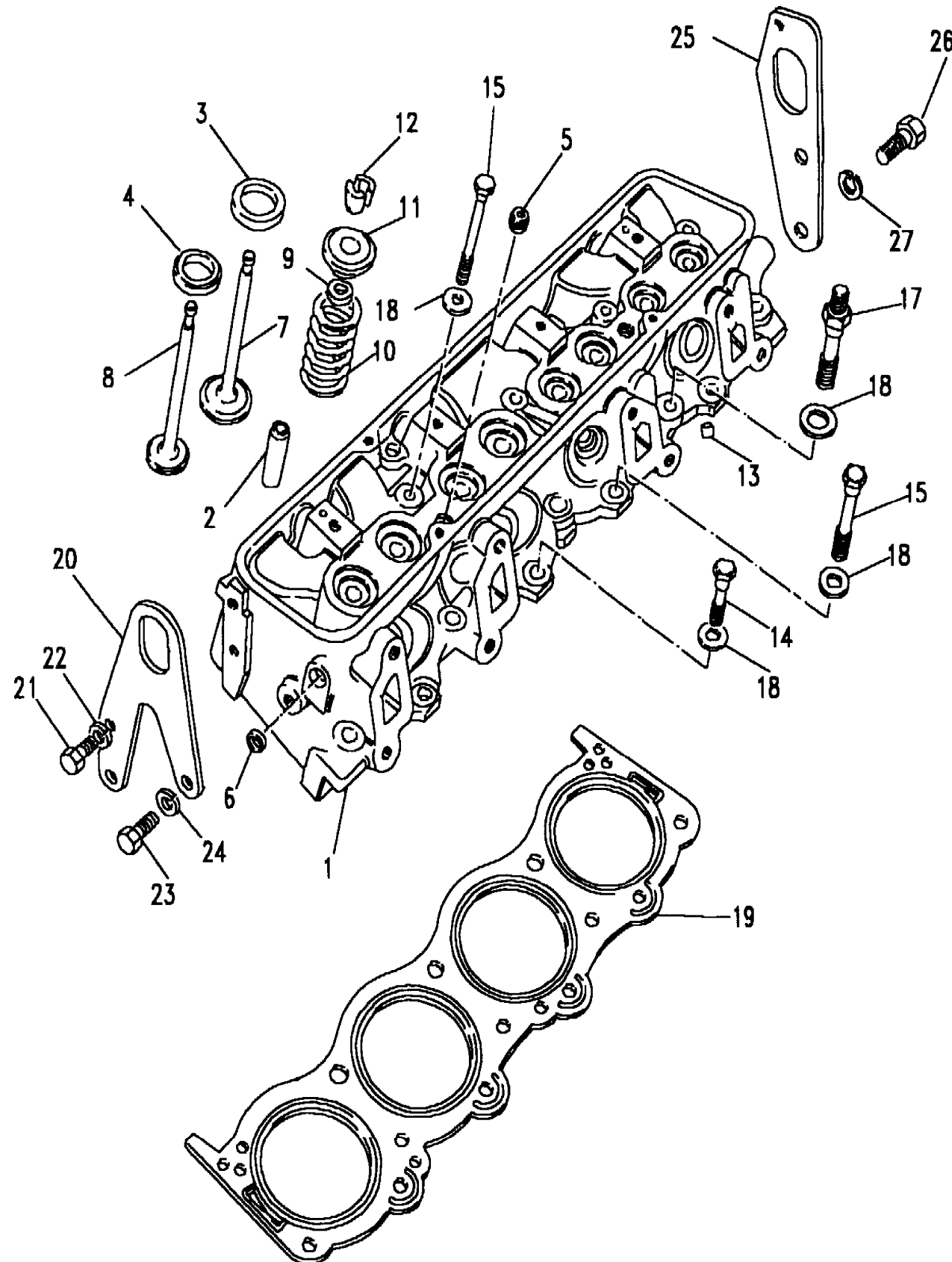
Discovery (FA393361-WA799999)
(CABRGA1A)

Discovery (FA393361-WA799999)

Engine
V8 Petrol - EFi
Cylinder Head

3.5L V8 EFI Petrol

Callout	Name	Application	Remarks & Restrictions	Service No.	Qty
1	Cylinder head assembly-engine	Change point - Engine begin 23D08768D, Change point - VIN end LA081990, 3.5L V8 EFI L/R Petrol	Also serviced as part of a kit	ERR3649	2
		Change point - VIN begin MA081991, 3.5L V8 EFI L/R Petrol	Also serviced as part of a kit	ERR4323	2
		Change point - Engine end 23D08767D, 3.5L V8 EFI L/R Petrol	Also serviced as part of a kit	ETC8622	2
2	Guide-cylinder head valve	Change point - Engine end 23D08767D, 3.5L V8 EFI L/R Petrol	Also serviced as part of a kit	603554	16
		Change point - Engine begin 23D08768D, Change point - VIN end LA081990, 3.5L V8 EFI L/R Petrol	Also serviced as part of a kit	ERR3648	16
		Change point - VIN begin MA081991, 3.5L V8 EFI L/R Petrol	Also serviced as part of a kit	ERR3648	X
		Change point - VIN begin MA081991, 3.5L V8 EFI L/R Petrol	Also serviced as part of a kit	LGJ100900	16
3	Seat-cylinder head inlet valve	Change point - Engine end 23D08767D, 3.5L V8 EFI L/R Petrol	Also serviced as part of a kit, standard.	ERC224	8
		Change point - Engine begin 23D08768D, Change point - VIN end LA081990, 3.5L V8 EFI L/R Petrol	Also serviced as part of a kit, standard.	ERC224	8
		Change point - VIN begin MA081991, 3.5L V8 EFI L/R Petrol	Also serviced as part of a kit, standard.	ERC224	8
4	Seat-cylinder head exhaust valve	Change point - Engine end 23D08767D, 3.5L V8 EFI L/R Petrol	Also serviced as part of a kit, Standard	ETC8596	8
		Change point - Engine begin 23D08768D, Change point - VIN end LA081990, 3.5L V8 EFI L/R Petrol	Also serviced as part of a kit, Standard	ETC8596	8
		Change point - VIN begin MA081991, 3.5L V8 EFI L/R Petrol	Also serviced as part of a kit, Standard	ETC8596	8
5	Plug-core	Change point - Engine end 23D08767D, 3.5L V8 EFI L/R Petrol	Also serviced as part of a kit	602123	4
		Change point - Engine begin 23D08768D, Change point - VIN end LA081990, 3.5L V8 EFI L/R Petrol	Also serviced as part of a kit	602123	4



Engine
V8 Petrol - EFi
Cylinder Head 2/3

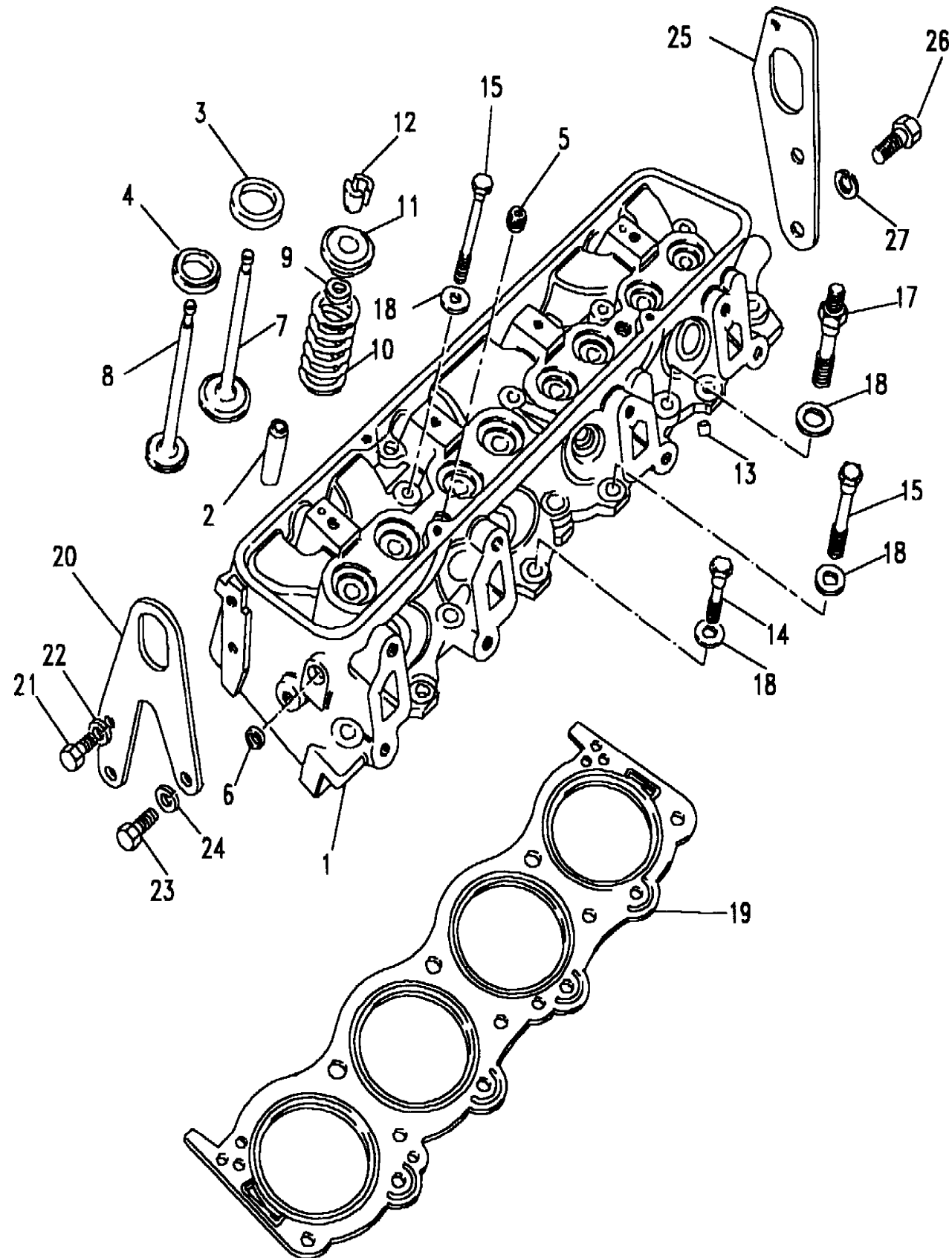
Discovery (FA393361-WA799999)

(CABRGA1A)

Discovery (FA393361-WA799999)

Engine
V8 Petrol - EFi
Cylinder Head

3.5L V8 EFI Petrol



Callout	Name	Application	Remarks & Restrictions	Service No.	Qty
5	Plug-core	Change point - VIN begin MA081991, 3.5L V8 EFI L/R Petrol	Also serviced as part of a kit	602123	4
6	Plug-cup	Change point - Engine end 23D08767D, 3.5L V8 EFI L/R Petrol	Also serviced as part of a kit	602289	4
		Change point - Engine begin 23D08768D, Change point - VIN end LA081990, 3.5L V8 EFI L/R Petrol	Also serviced as part of a kit	602289	4
		Change point - VIN begin MA081991, 3.5L V8 EFI L/R Petrol	Also serviced as part of a kit	602289	4
		Change point - VIN begin MA081991, 3.5L V8 EFI L/R Petrol	Also serviced as part of a kit	602289	4
7	Valve-cylinder head inlet	Change point - Engine end 23D08767D, 3.5L V8 EFI L/R Petrol		ERC9088	8
		Change point - Engine begin 23D08768D, 3.5L V8 EFI L/R Petrol		ERR1780	8
8	Valve-cylinder head exhaust	Change point - Engine end 23D08767D, 3.5L V8 EFI L/R Petrol		ETC8684	8
		Change point - Engine begin 23D08768D, 3.5L V8 EFI L/R Petrol		ERR7338	8
9	Seal-cylinder head valve stem oil	Change point - Engine end 23D08767D, 3.5L V8 EFI L/R Petrol	Inlet	ERC7865	8
		Change point - Engine begin 23D08768D, 3.5L V8 EFI L/R Petrol		ERR1782	8
10	Spring-cylinder head valve	3.5L V8 EFI L/R Petrol		ERR4628	16
11	Cap-cylinder head valve spring	3.5L V8 EFI L/R Petrol		ERR1921	16
12	Cotter-valve	3.5L V8 EFI L/R Petrol		ERC1637	32
13	Dowel	3.5L V8 EFI L/R Petrol		602040	4
14	Bolt-cylinder head fixing	3.5L V8 EFI L/R Petrol	7/16UNC x 2 1/4	602191	8
15	Bolt-cylinder head fixing	3.5L V8 EFI L/R Petrol	7/16UNC x 2.71	602192	13
		3.5L V8 EFI L/R Petrol	7/16UNC x 2.6	ERR2943	14
16	Bolt-cylinder head fixing	3.5L V8 EFI L/R Petrol	7/16UNC x 3.91	602193	6
		3.5L V8 EFI L/R Petrol	7/16UNC x 3.78	ERR2944	6
17	Bolt	3.5L V8 EFI L/R Petrol	7/16UNC x 2.71	602200	1

Engine
V8 Petrol - EFi
Cylinder Head 3/3

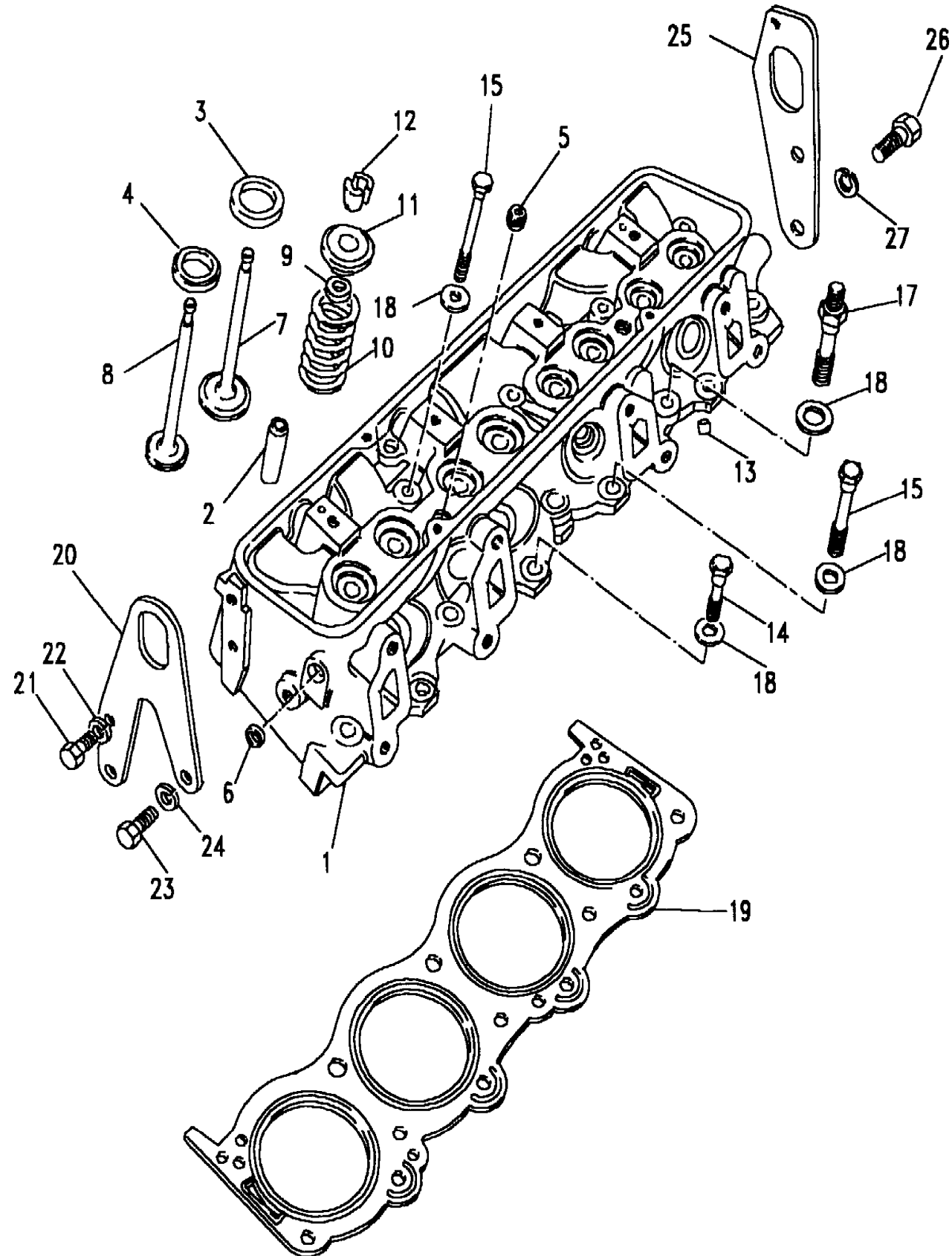
Discovery (FA393361-WA799999)
(CABRGA1A)

Discovery (FA393361-WA799999)

Engine
V8 Petrol - EFi
Cylinder Head

3.5L V8 EFI Petrol

Callout	Name	Application	Remarks & Restrictions	Service No.	Qty
18	Washer-Plain	3.5L V8 EFI L/R Petrol		602098	28
19	Gasket-Cylinder Head	Change point - VIN end LA081990, 3.5L V8 EFI L/R Petrol Change point - VIN begin MA081991, 3.5L V8 EFI L/R Petrol		603796 ERR7218	2 2
20	Bracket-lifting engine front	3.5L V8 EFI L/R Petrol		ETC5964	1
21	Screw	3.5L V8 EFI L/R Petrol	CYLINDER HEAD, hexagonal head, 5/16UNC x 1 1/8	SH505091L	1
22	Washer-Spring	3.5L V8 EFI L/R Petrol	Also serviced as part of a kit, 5/16"	WM600051L	1
23	Screw	3.5L V8 EFI L/R Petrol	CYLINDER HEAD, hexagonal head, 3/8UNC x 7/8	SH506071L	2
24	Washer	3.5L V8 EFI L/R Petrol	3/8", Square	WM600061L	2
25	Bracket-lifting engine rear	3.5L V8 EFI L/R Petrol		ERC614	1
26	Screw	3.5L V8 EFI L/R Petrol	CYLINDER HEAD, hexagonal head, 3/8UNC x 7/8	SH506071L	2
27	Washer	3.5L V8 EFI L/R Petrol	3/8", Square	WM600061L	2



Engine
V8 Petrol - EFI
Cylinder Head 3.9 1/2

Discovery (FA393361-WA799999)

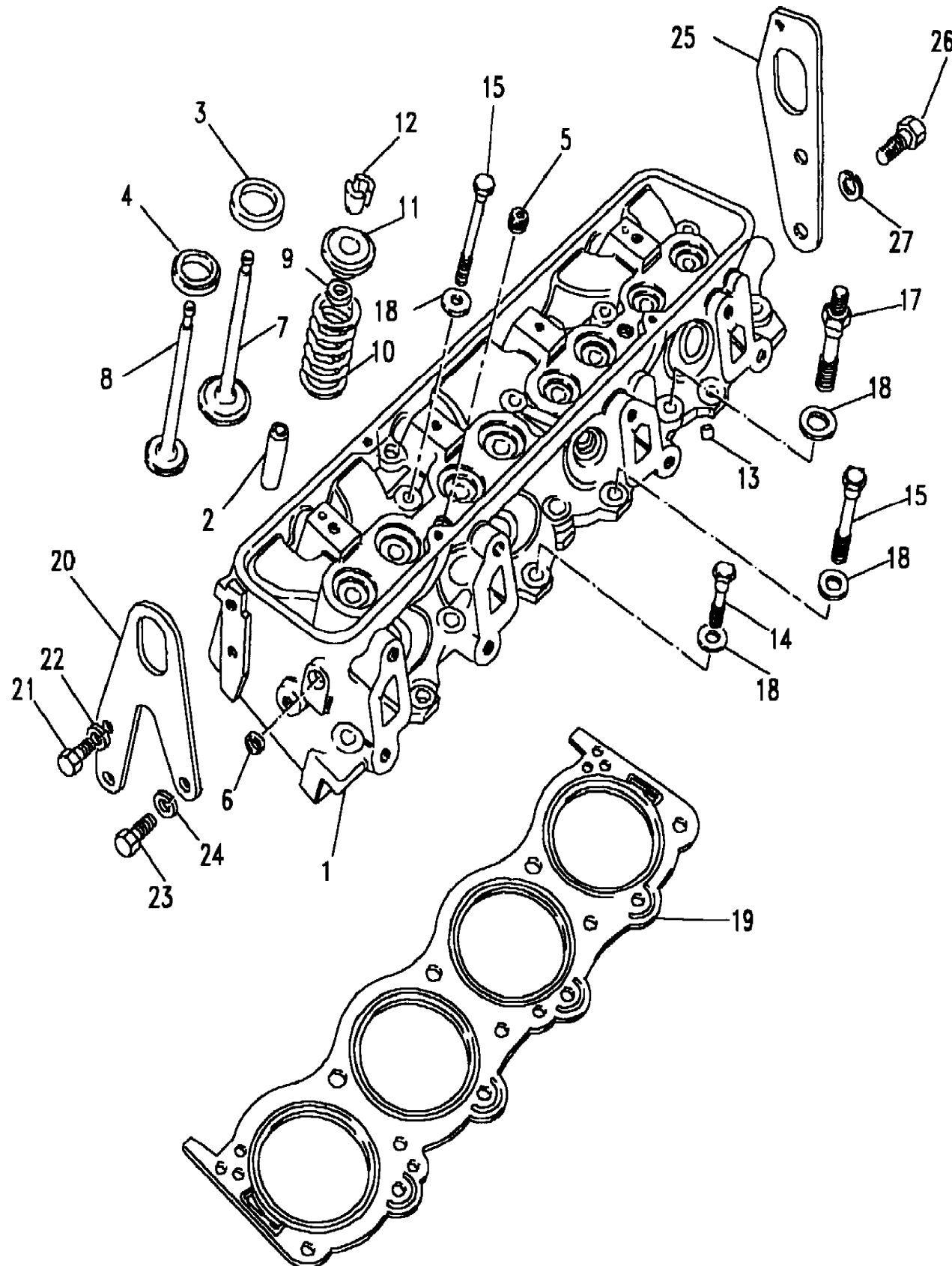
(CABRGA1B)

Discovery (FA393361-WA799999)

Engine
V8 Petrol - EFI
Cylinder Head 3.9

3.9L V8 EFI Petrol

Callout	Name	Application	Remarks & Restrictions	Service No.	Qty
1	Cylinder head assembly-engine	Change point - VIN begin MA081991, 3.9L V8 L/R EFI Petrol	Also serviced as part of a kit	LDF108090	2
		Change point - VIN end LA081990, 3.9L V8 L/R EFI Petrol	Also serviced as part of a kit	ERR4602	2
2	Guide-cylinder head valve	Change point - VIN begin MA081991, 3.9L V8 L/R EFI Petrol	Also serviced as part of a kit	ERR3648	8
		Change point - VIN begin MA081991, 3.9L V8 L/R EFI Petrol	Also serviced as part of a kit	LGJ100900	8
		Change point - VIN end LA081990, 3.9L V8 L/R EFI Petrol	Also serviced as part of a kit	ERR3648	16
3	Seat-cylinder head inlet valve	Change point - VIN end LA081990, 3.9L V8 L/R EFI Petrol	Also serviced as part of a kit, standard.	ERC224	8
		3.9L V8 L/R EFI Petrol	Also serviced as part of a kit, standard.	ERC224	4
4	Seat-cylinder head exhaust valve	Change point - VIN end LA081990, 3.9L V8 L/R EFI Petrol	Also serviced as part of a kit, Standard	ETC8596	8
		3.9L V8 L/R EFI Petrol	Also serviced as part of a kit, Standard	ETC8596	4
5	Plug-core	Change point - VIN end LA081990, 3.9L V8 L/R EFI Petrol	Also serviced as part of a kit	602123	4
		3.9L V8 L/R EFI Petrol	Also serviced as part of a kit	602123	2
6	Plug-cup	Change point - VIN end LA081990, 3.9L V8 L/R EFI Petrol	Also serviced as part of a kit	602289	4
		3.9L V8 L/R EFI Petrol	Also serviced as part of a kit	602289	2
7	Valve-cylinder head inlet	3.9L V8 L/R EFI Petrol		ERR1780	8
8	Valve-cylinder head exhaust	3.9L V8 L/R EFI Petrol		ERR1781	8
		3.9L V8 L/R EFI Petrol		ERR7027	8
		3.9L V8 L/R EFI Petrol		ERR7338	8
9	Seal-cylinder head valve stem oil	3.9L V8 L/R EFI Petrol		ERR1782	8
10	Spring-cylinder head valve	3.9L V8 L/R EFI Petrol		ERR4628	16
11	Cap-cylinder head valve spring	3.9L V8 L/R EFI Petrol		ERC573	16
12	Cotter-valve	3.9L V8 L/R EFI Petrol		ERC1637	32
13	Dowel	3.9L V8 L/R EFI Petrol		602040	4



Engine
V8 Petrol - EFi
Cylinder Head 3.9 2/2

Discovery (FA393361-WA799999)

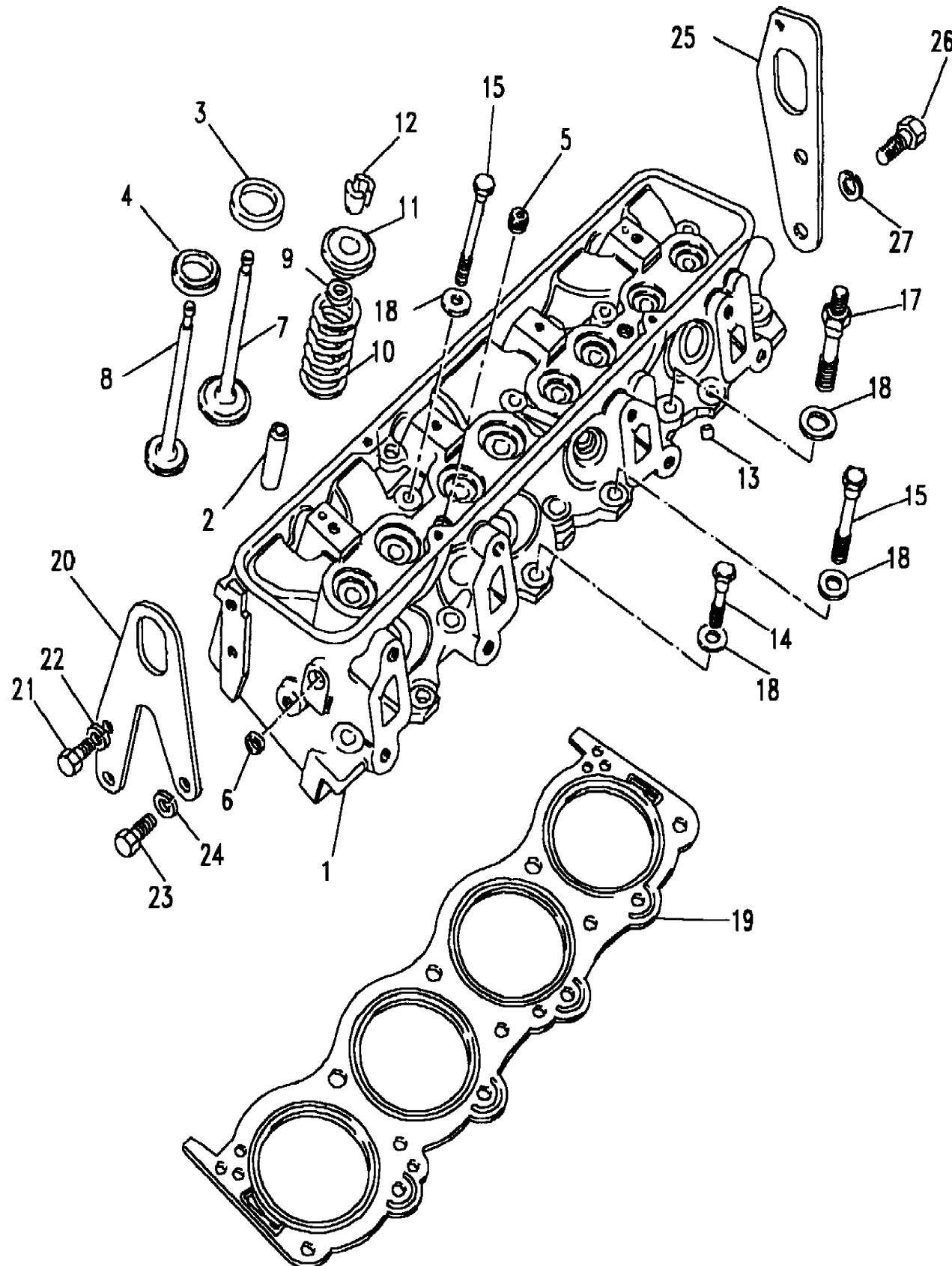
(CABRGA1B)

Discovery (FA393361-WA799999)

Engine
V8 Petrol - EFi
Cylinder Head 3.9

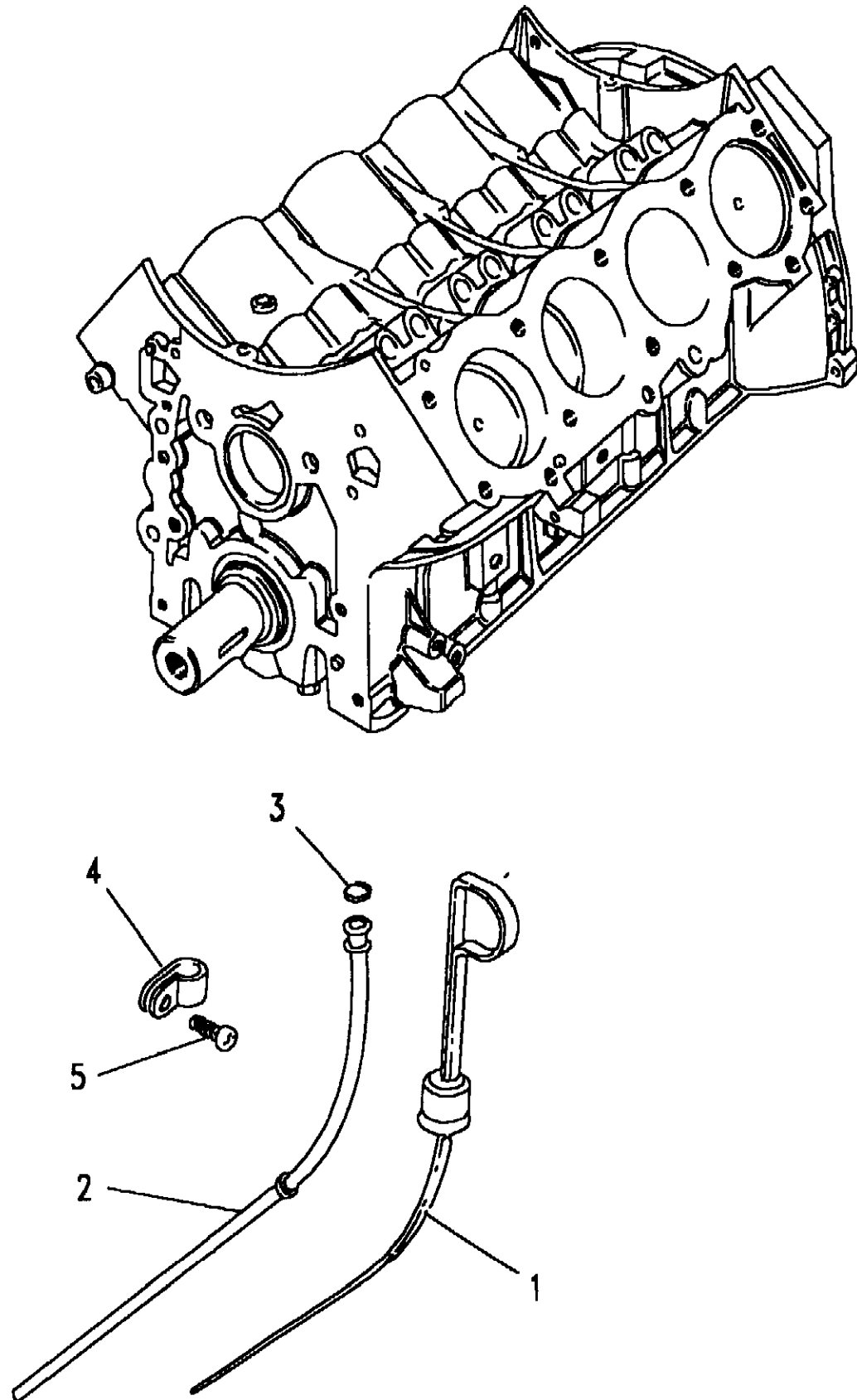
3.9L V8 EFI Petrol

Callout	Name	Application	Remarks & Restrictions	Service No.	Qty
14	Bolt-cylinder head fixing	3.9L V8 L/R EFI Petrol	7/16UNC x 2 1/4	602191	8
15	Bolt-cylinder head fixing	3.9L V8 L/R EFI Petrol	7/16UNC x 2.71	602192	13
16	Bolt-cylinder head fixing	Change point - VIN end LA081990, 3.9L V8 L/R EFI Petrol	7/16UNC x 3.91	602193	6
		Change point - VIN begin MA081991, 3.9L V8 L/R EFI Petrol	7/16UNC x 2.6	ERR2943	14
		Change point - VIN begin MA081991, 3.9L V8 L/R EFI Petrol	7/16UNC x 3.78	ERR2944	6
17	Bolt	3.9L V8 L/R EFI Petrol	7/16UNC x 2.71	602200	1
18	Washer-Plain	3.9L V8 L/R EFI Petrol		602098	28
19	Gasket-Cylinder Head	Change point - VIN end LA081990, 3.9L V8 L/R EFI Petrol, (-)"CDN/MEX/USA"		ETC7819	2
		Change point - VIN begin MA081991, 3.9L V8 L/R EFI Petrol, (-)"CDN/MEX/USA"		ERR4627	2
		Change point - Engine end 50D26418A, (+)"CDN/MEX/USA"		ERR5437	2
		Change point - Engine begin 50D26419A, (+)"CDN/MEX/USA"		ERR7217	2
20	Bracket-lifting engine rear	3.9L V8 L/R EFI Petrol		ERC614	1
21	Screw	3.9L V8 L/R EFI Petrol	CYLINDER HEAD, hexagonal head, 3/8UNC x 7/8	SH506071L	2
22	Washer	3.9L V8 L/R EFI Petrol	3/8", Square	WM600061L	2
[900]	Cylinder Head Assy	(+)"CDN/MEX/USA"		ERR4553	2



Engine
V8 Petrol - EFi
Dipstick & Tube 1/1

Discovery (FA393361-WA799999)
(CABRDC1A)



Discovery (FA393361-WA799999)

Engine
V8 Petrol - EFi
Dipstick & Tube

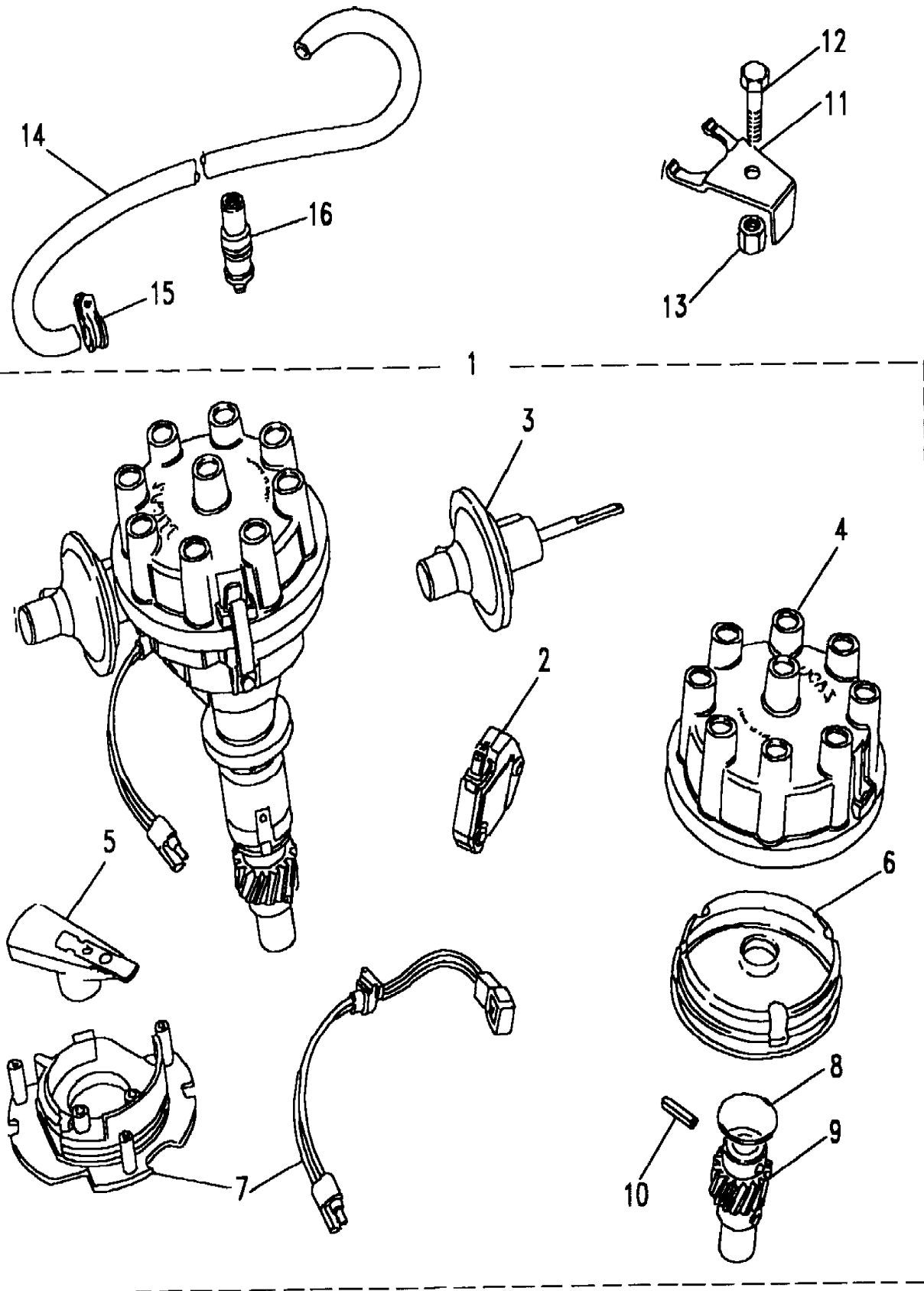
V8 EFI Petrol

Callout	Name	Application	Remarks & Restrictions	Service No.	Qty
1	Dipstick-oil	Petrol V8 L/R EFI		ERR1922L	1
2	Tube-oil dipstick	Petrol V8 L/R EFI		ERR4556	1
3	O Ring	Petrol V8 L/R EFI		602545	1
4	Clip	Petrol V8 L/R EFI		610489	1
5	Screw-self tapping AB	Petrol V8 L/R EFI	M8 x 12	AB610041L	1

Engine
V8 Petrol - EFI
Distributor 1/3

Discovery (FA393361-WA799999)

(CABRPA1A)



Discovery (FA393361-WA799999)

Engine
V8 Petrol - EFI
Distributor

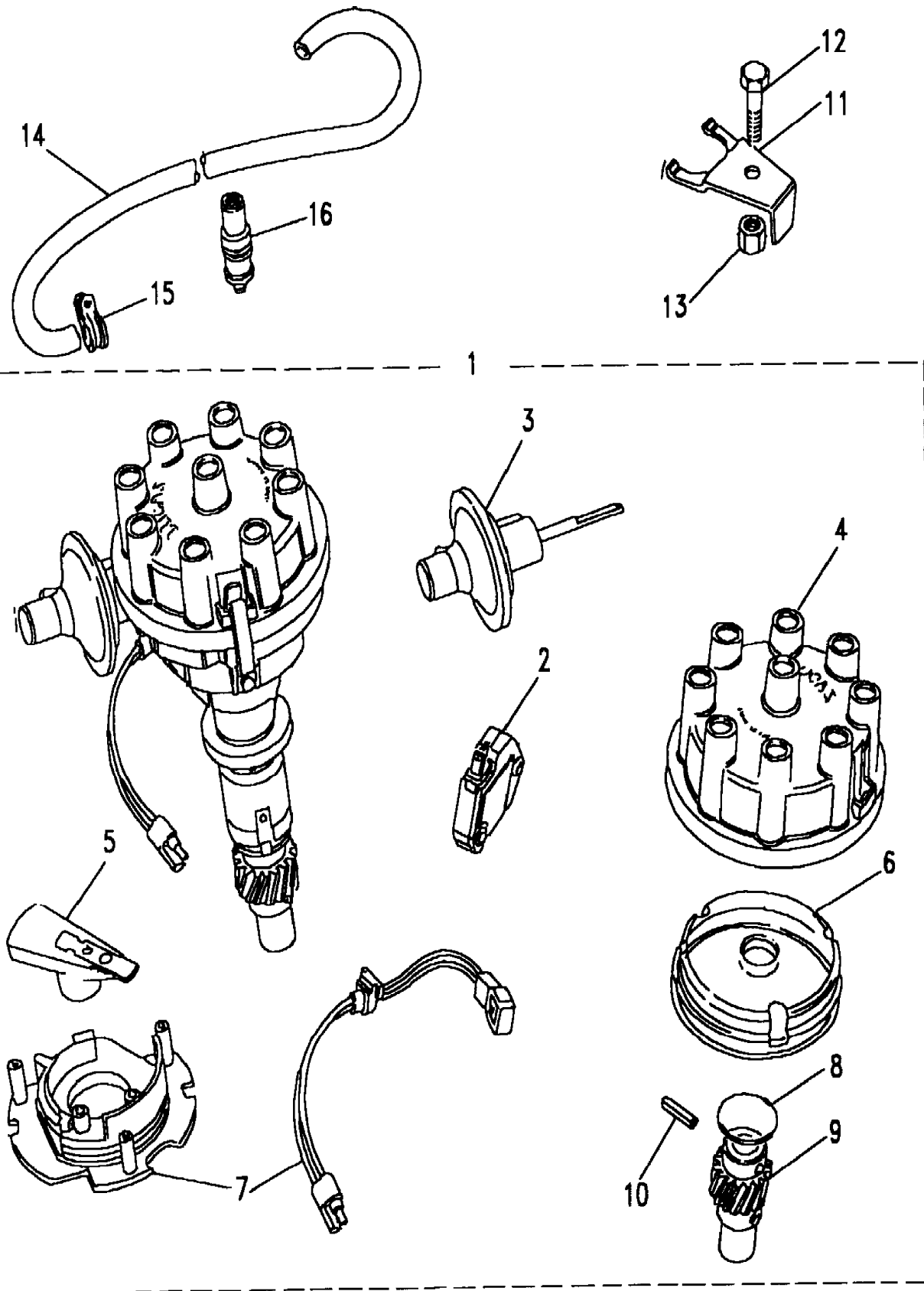
V8 EFI Petrol

Callout	Name	Application	Remarks & Restrictions	Service No.	Qty
1	Distributor assembly ignition	3.5L V8 EFI LC L/R Petrol, (-)"AUS"	Also serviced as part of a kit, 2 Pin	ERR1808	1
		3.5L V8 EFI LC L/R Petrol, (-)"AUS"	3 Pin	ERR4254	1
		3.5L V8 EFI LC L/R Petrol, (+)"AUS"	2 Pin	ERR1810	1
		3.5L V8 EFI LC L/R Petrol, (+)"AUS"	3 Pin	ERR4252	1
		3.5L V8 EFI HC L/R Petrol	Also serviced as part of a kit, 2 Pin	ERR1809	1
		3.5L V8 EFI HC L/R Petrol	3 Pin	ERR4256	1
		Change point - VIN end LA081990, 3.9L V8 EFI HC L/R Petrol, With Catalyst	3 Pin	ERR4738	1
		Change point - VIN begin MA081991, 3.9L V8 EFI HC L/R Petrol, With Catalyst		ERR4755	1
		Change point - VIN begin MA094073, 3.9L V8 EFI HC L/R Petrol, With Catalyst		ERR5209	1
		Change point - VIN end LA081990, 3.9L V8 EFI HC L/R Petrol, Less Catalyst		ERR4739	1
		Change point - VIN begin MA081991, 3.9L V8 EFI HC L/R Petrol, Less Catalyst		ERR4754	1
		Change point - VIN begin MA094073, 3.9L V8 EFI HC L/R Petrol, Less Catalyst		ERR5208	1
		Change point - VIN end LA081990, 3.9L V8 EFI LC L/R Petrol		ERR4740	1
		Change point - VIN begin MA081991, 3.9L V8 EFI LC L/R Petrol		ERR4753	1
		Change point - VIN begin MA094073, 3.9L V8 EFI LC L/R Petrol		ERR5207	1
		2	Module-distributor	Petrol V8 L/R EFI	2 Pin
Petrol V8 L/R EFI	3 Pin			STC1184	1
3	Capsule-vacuum distributor	Petrol V8 L/R EFI	2 Pin	RTC3201	1
		Petrol V8 L/R EFI	3 Pin	STC1186	1
4	Cap-distributor ignition	Petrol V8 L/R EFI		RTC3197	1
5	Arm-rotor distributor	Petrol V8 L/R EFI		STC1857	1
6	Kit-insulation cover distributor	Petrol V8 L/R EFI		RTC5091	1

Engine
V8 Petrol - EFi
Distributor 2/3

Discovery (FA393361-WA799999)

(CABRPA1A)



Discovery (FA393361-WA799999)

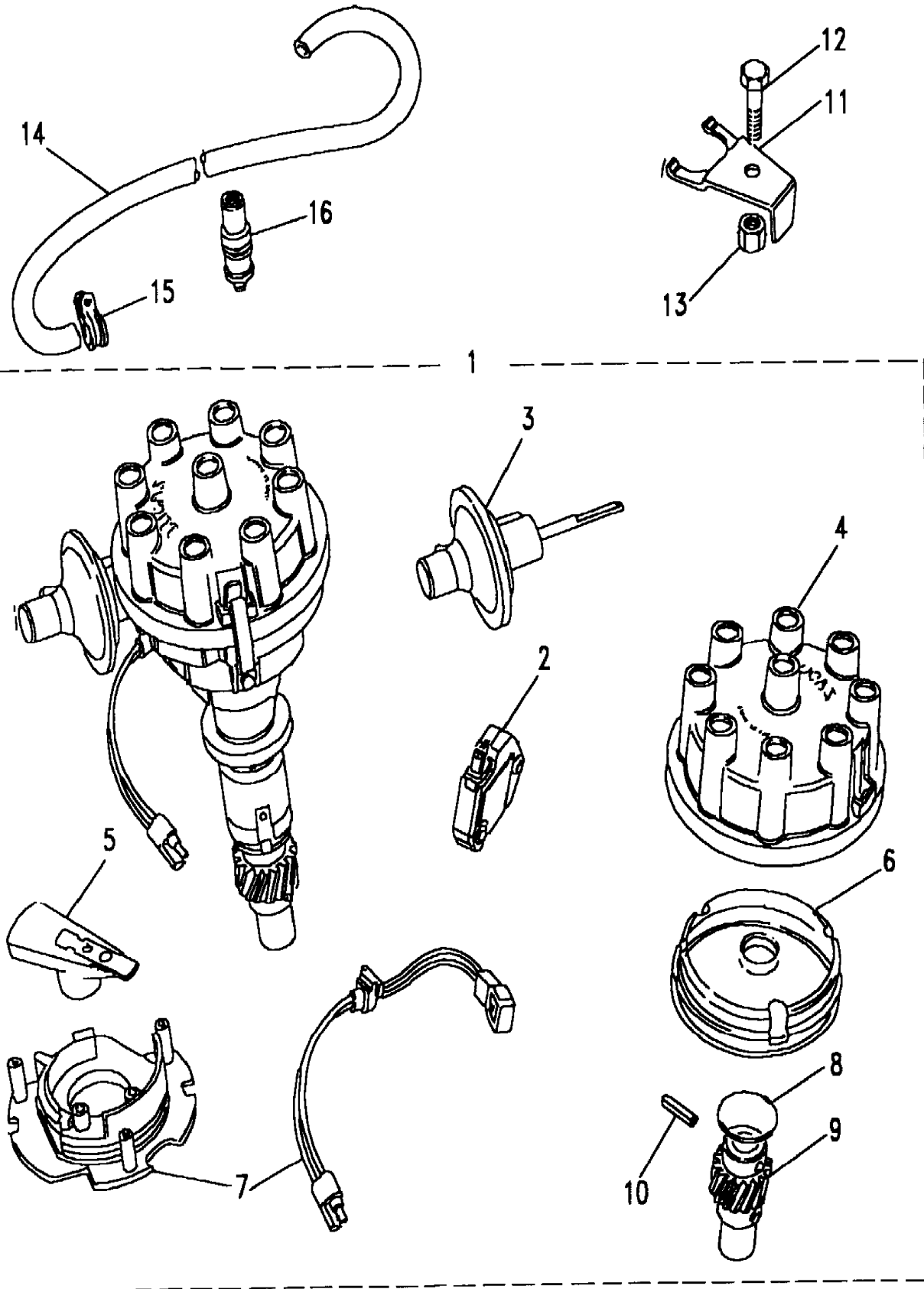
Engine
V8 Petrol - EFi
Distributor

V8 EFI Petrol

Callout	Name	Application	Remarks & Restrictions	Service No.	Qty
7	Plate-mounting distributor	Change point - VIN end MA094072, Petrol V8 L/R EFi Change point - VIN begin MA094073, 3.9L V8 L/R EFi Petrol		RTC5090 STC2898	1 1
8	O Ring	Petrol V8 L/R EFi		603446	1
9	Gear & coupling assembly	Petrol V8 L/R EFi	Also serviced as part of a kit	ERC1353	1
10	Pin-roll	Petrol V8 L/R EFi	Also serviced as part of a kit	602953	1
11	Clamp-distributor	Petrol V8 L/R EFi		613857	1
12	Screw	Petrol V8 L/R EFi	Clamp Distributor, hexagonal head, 3/8UNC x 1 1/2	SH506125	1
13	Nut - Hex.	Petrol V8 L/R EFi	Clamp Distributor	ETC7427	1
14	Tube-carburettor vacuum ignition	Change point - VIN end LA081991, Petrol V8 L/R EFi Change point - VIN begin MA081992, Petrol V8 L/R EFi		ETC7322 ERR4676	X 1
15	Clip-p	Petrol V8 L/R EFi	Pipe vacuum	50642	X
16	Suppressor assembly-noise distributor	Petrol V8 L/R EFi		PRC5086	1
[900]	Module-distributor	3.5L V8 EFi LC L/R Petrol, (-)"AUS" 3.5L V8 EFi HC L/R Petrol	Also serviced as part of a kit, 2 Pin Also serviced as part of a kit, 2 Pin	RTC5089 RTC5089	1 1
[901]	Capsule-vacuum distributor	3.5L V8 EFi LC L/R Petrol, (-)"AUS" 3.5L V8 EFi HC L/R Petrol	Also serviced as part of a kit, 2 Pin Also serviced as part of a kit, 2 Pin	RTC3201 RTC3201	1 1
[902]	Cap-distributor ignition	3.5L V8 EFi LC L/R Petrol, (-)"AUS" 3.5L V8 EFi HC L/R Petrol	Also serviced as part of a kit Also serviced as part of a kit	RTC3197 RTC3197	1 1
[903]	Arm-rotor distributor	3.5L V8 EFi LC L/R Petrol, (-)"AUS" 3.5L V8 EFi HC L/R Petrol	Also serviced as part of a kit Also serviced as part of a kit	RTC6629 RTC6629	1 1
[904]	Kit-insulation cover distributor	3.5L V8 EFi LC L/R Petrol, (-)"AUS" 3.5L V8 EFi HC L/R Petrol	Also serviced as part of a kit Also serviced as part of a kit	RTC5091 RTC5091	1 1

Engine
V8 Petrol - EFi
Distributor 3/3

Discovery (FA393361-WA799999)
(CABRPA1A)



Discovery (FA393361-WA799999)

Engine
V8 Petrol - EFi
Distributor

V8 EFI Petrol

Callout	Name	Application	Remarks & Restrictions	Service No.	Qty
[905]	Plate-mounting distributor	3.5L V8 EFI LC L/R Petrol, (-)"AUS" 3.5L V8 EFI HC L/R Petrol	Also serviced as part of a kit	RTC5090	1
[906]	O Ring	3.5L V8 EFI LC L/R Petrol, (-)"AUS" 3.5L V8 EFI HC L/R Petrol	Also serviced as part of a kit	603446	1
[907]	Gear & coupling assembly	3.5L V8 EFI LC L/R Petrol, (-)"AUS" 3.5L V8 EFI HC L/R Petrol	Also serviced as part of a kit	ERC1353	1
[908]	Pin-roll	3.5L V8 EFI LC L/R Petrol, (+)"AUS" 3.5L V8 EFI HC L/R Petrol	Also serviced as part of a kit	602953	1
[909]	Kit-igniter unit distributor	Petrol V8 L/R EFI		STC1856	1
[910]	Bracket	3.9/4.0 V8 Petrol Efi, (+)"CDN/MEX/USA"	9.35:1	ERR5210	1
[911]	Bolt	3.9/4.0 V8 Petrol Efi, (+)"CDN/MEX/USA"	9.35:1	YYG10005	2

Engine
V8 Petrol - EFI
Drive Plate Automatic 1/2

Discovery (FA393361-WA799999)

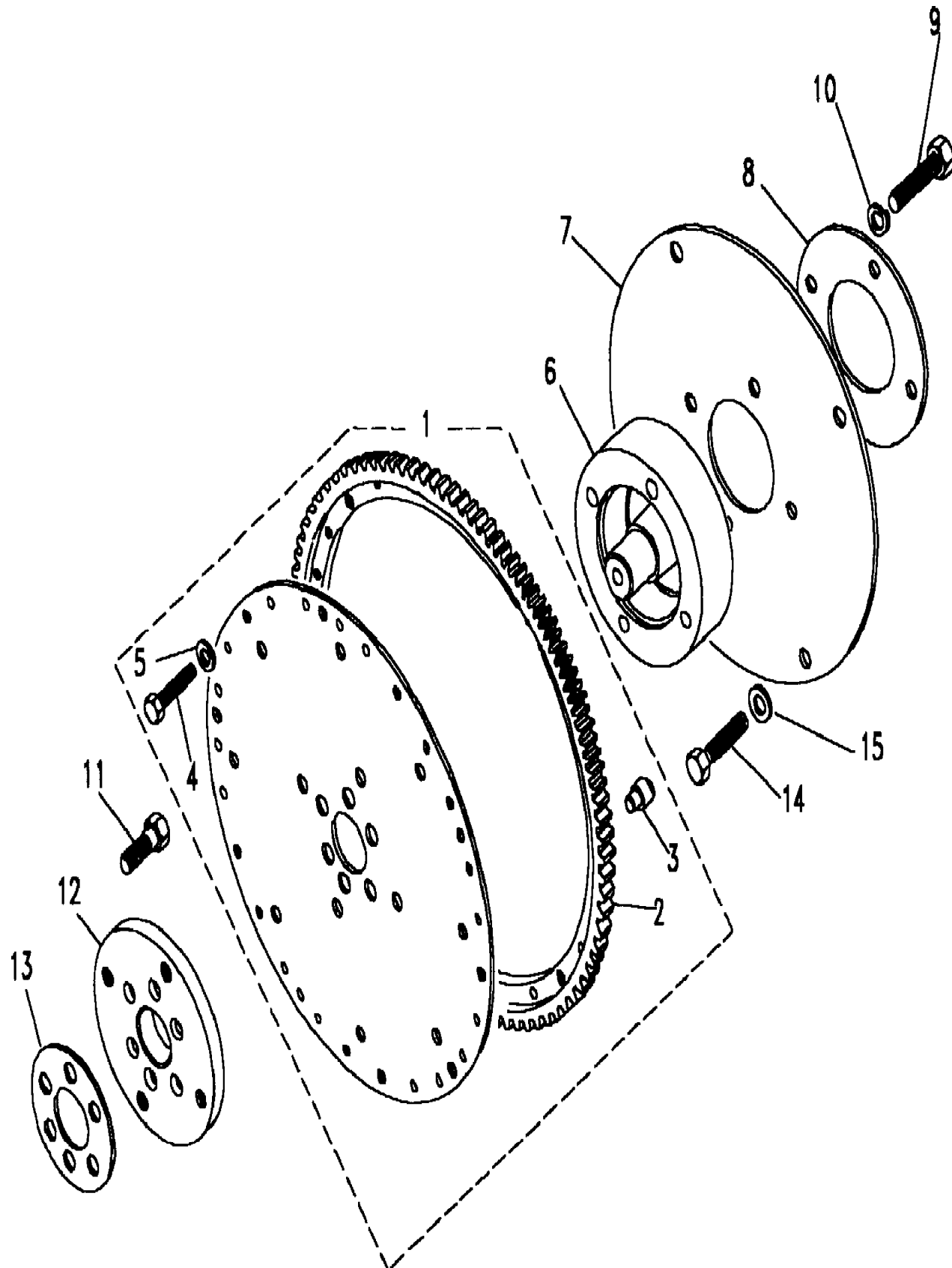
(CABRRA2A)

Discovery (FA393361-WA799999)

Engine
V8 Petrol - EFI
Drive Plate Automatic

V8 EFI Petrol, Automatic Transmission

Callout	Name	Application	Remarks & Restrictions	Service No.	Qty
1	Plate-drive assembly automatic transmission	Petrol V8 L/R EFI	Also serviced as part of a kit	FRC7851	1
2	Gear-ring-flywheel engine	Petrol V8 L/R EFI	Also serviced as part of a kit	603340	1
3	Dowel-flywheel spigot alignment	Petrol V8 L/R EFI	Also serviced as part of a kit	529364	2
4	Bolt	Petrol V8 L/R EFI	Starter Ring, Also serviced as part of a kit, 5/16UNF x 0.58	610735	10
		Petrol V8 L/R EFI	Starter Ring, Also serviced as part of a kit, 5/16UNF x 0.58	FTC4388	10
5	Washer	Petrol V8 L/R EFI	Starter Ring, Also serviced as part of a kit	610736	10
6	Spigot-flywheel alignment	Petrol V8 L/R EFI		FRC7075	1
7	Plate assembly-drive torque converter	Petrol V8 L/R EFI		FRC7081	1
8	Plate-support-drive plate automatic transmission	Petrol V8 L/R EFI		FRC7080	1
9	Bolt	Petrol V8 L/R EFI	Butress ring to Spigot aligner, M10 x 55	BH110111L	4
10	Washer	Petrol V8 L/R EFI	Butress ring to Spigot aligner, M10	WL110001L	4
11	Screw	Petrol V8 L/R EFI	spacer crankshaft, 7/16UNF x 3/4	SS607061	6
12	Spacer-crank/drive plate automatic transmission	Petrol V8 L/R EFI		FTC651	1
13	Shim	Petrol V8 L/R EFI	1.25MM	FRC9203	X
		Petrol V8 L/R EFI	1.45MM	FRC9205	X
		Petrol V8 L/R EFI	1.65MM	FRC9207	X
		Petrol V8 L/R EFI	1.85 mm	FRC9209	X
		Petrol V8 L/R EFI	2.05MM	FRC9211	X
14	Screw	Petrol V8 L/R EFI	converter drive plate, hexagonal head, M10 x 20	SH110201L	4
15	Washer	Petrol V8 L/R EFI	converter drive plate, M10	WA110061L	4
16	Kit-engine balance weights	Petrol V8 L/R EFI	Also serviced as part of a kit	STC3272	1



Engine
V8 Petrol - EFI
Drive Plate Automatic 2/2

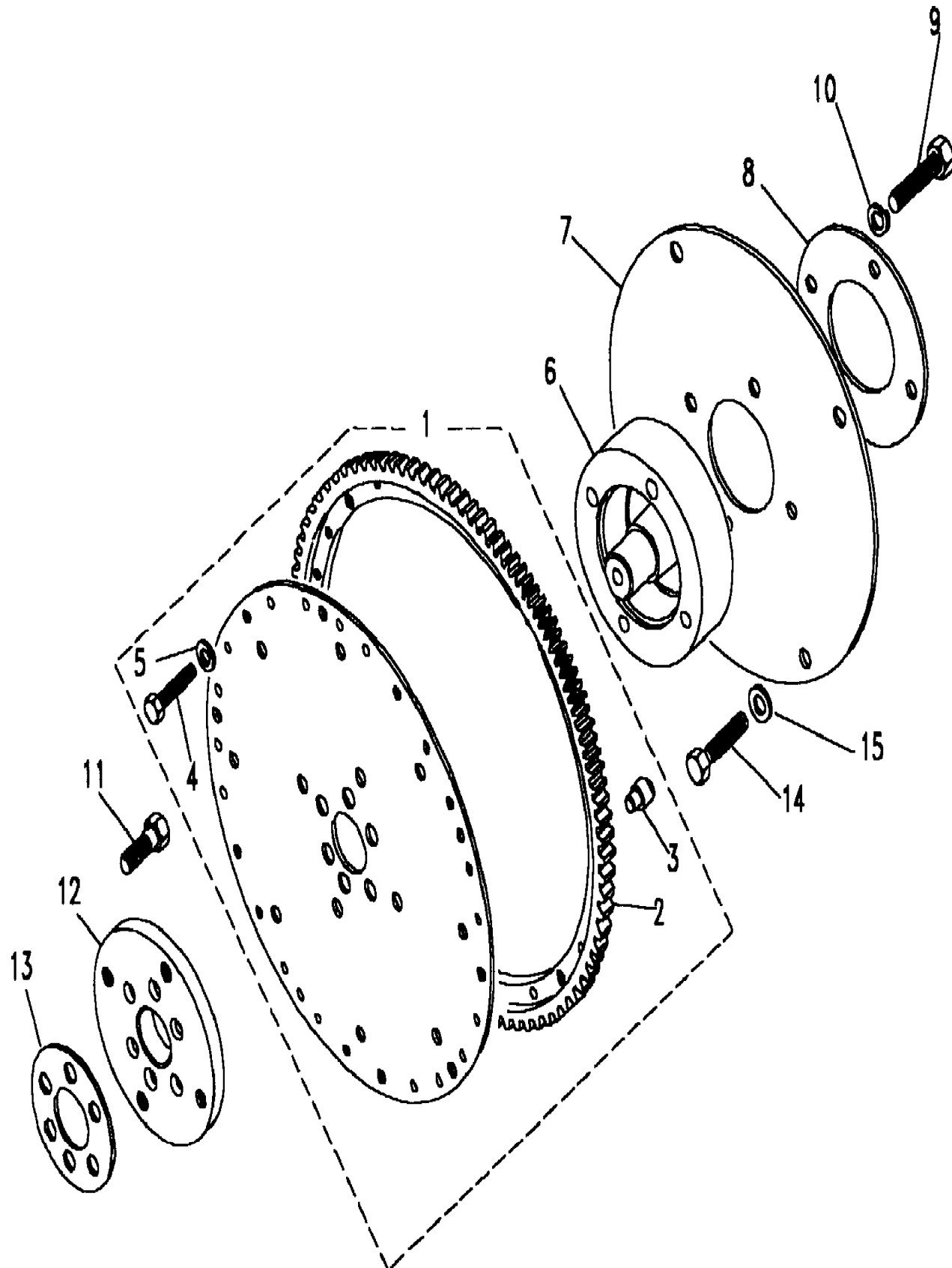
Discovery (FA393361-WA799999)
(CABRRA2A)

Discovery (FA393361-WA799999)

Engine
V8 Petrol - EFI
Drive Plate Automatic

V8 EFI Petrol, Automatic Transmission

Callout	Name	Application	Remarks & Restrictions	Service No.	Qty
[900]	Weight-crankshaft balance	Petrol V8 L/R EFI	Also serviced as part of a kit, 0.75 oz	546198	5
		Petrol V8 L/R EFI	Also serviced as part of a kit, 1.00 oz	535781	5
		Petrol V8 L/R EFI	Also serviced as part of a kit, 1.75 oz	535782	5
		Petrol V8 L/R EFI	Also serviced as part of a kit, 2.00 oz	546194	5



Engine
V8 Petrol - EFi
Engine Short 1/1

Discovery (FA393361-WA799999)

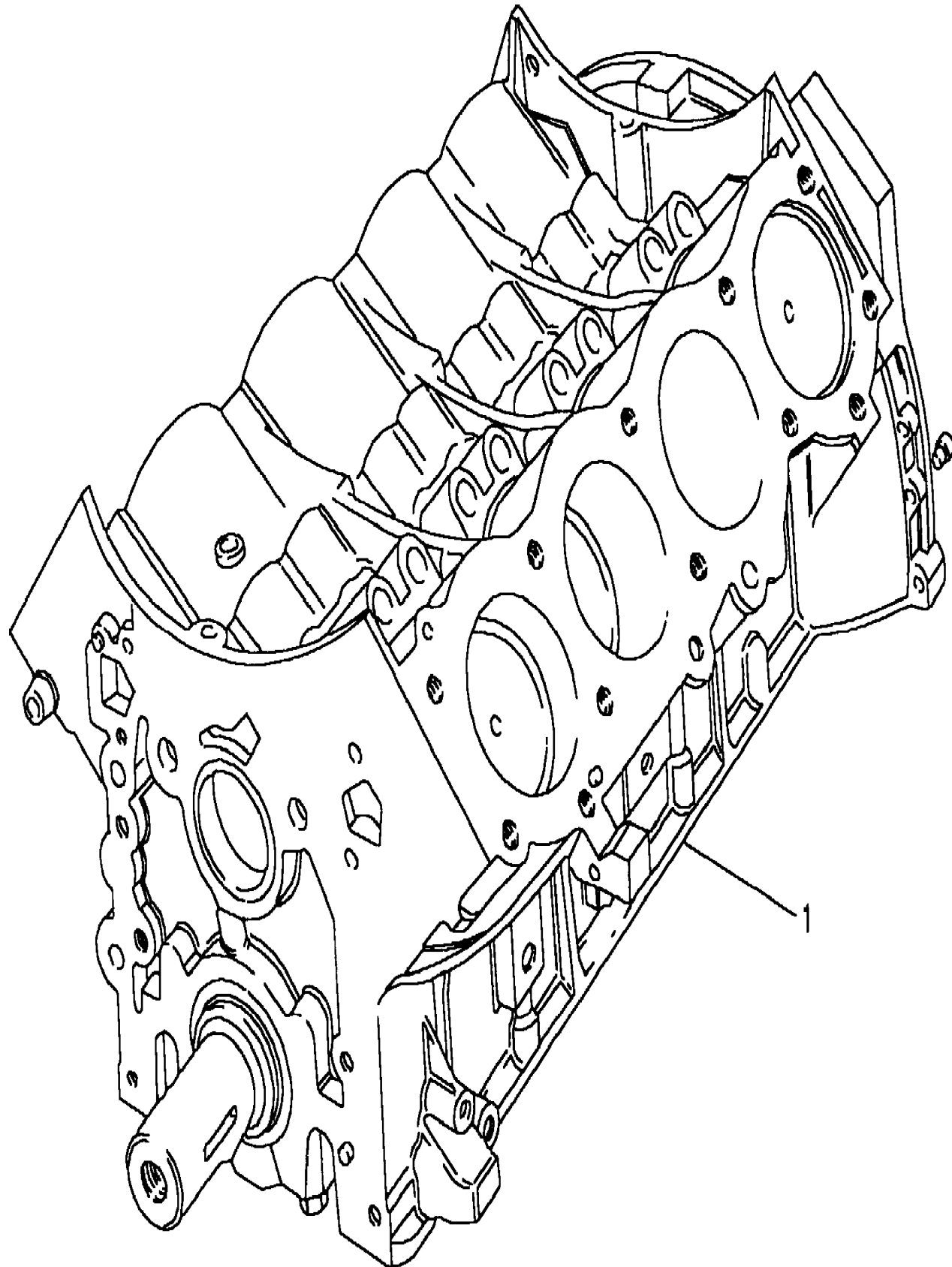
(CABRAE1A)

Discovery (FA393361-WA799999)

Engine
V8 Petrol - EFi
Engine Short

V8 EFI Petrol

Callout	Name	Application	Remarks & Restrictions	Service No.	Qty
1	Engine base unit-part	3.5L V8 EFI NA L/R Petrol, 5 Speed Manual Transmission, (-)"CDN/MEX/USA", Less Catalyst	Engine Code 22D 3.5 PI 3.5 L/C Manual, 8.13:1	ETC7714	1
		3.5L V8 EFI NA L/R Petrol, 4 Speed Automatic Transmissions, (-)"CDN/MEX/USA", Less Catalyst	Engine Code 23D 3.5 PI V8 L/C Auto, 8.13:1	ETC7714	1
		3.5L V8 EFI NA L/R Petrol, 5 Speed Manual Transmission, (-)"CDN/MEX/USA", Less Catalyst	Engine Code 24D 3.5 V8 PI H/C Manual, 9.35:1	ETC7713	1
		Change point - Engine end 36D25154, 3.9L V8 L/R EFI Petrol, (-)"CDN/MEX/USA"	9.35:1	ERR514	1
		Change point - Engine end 35D08927, 3.9L V8 L/R EFI Petrol, (-)"CDN/MEX/USA"	9.35:1	ERR514	1
		Change point - Engine begin 35D08928b, 3.9L V8 L/R EFI Petrol		ERR4165	1
		Change point - Engine begin 36D25155b, 3.9L V8 L/R EFI Petrol		ERR4165	1
		3.9/4.0 V8 Petrol Efi, (+)"CDN/MEX/USA"	9.35:1	ERR4168	1
		Change point - Engine begin 37D02090b, 3.9L V8 L/R EFI Petrol, (-)"CDN/MEX/USA"		ERR4170	1
		Change point - Engine begin 38D27238b, 3.9L V8 L/R EFI Petrol, (-)"CDN/MEX/USA"		ERR4170	1
		Change point - VIN begin TA163100, 3.9/4.0 V8 Petrol Efi, (+)"CDN/MEX/USA"	Comprises Block, Crankshaft & Pistons, 9.35:1	STC1891	1
		Change point - VIN begin TA501920, 3.9/4.0 V8 Petrol Efi, (+)"CDN/MEX/USA"	Comprises Block, Crankshaft & Pistons, 9.35:1	STC1891	1
		Change point - VIN begin TA163100, 3.9/4.0 V8 Petrol Efi, (+)"CDN"	Comprises Block, Crankshaft & Pistons, 9.35:1	STC1891	1
		Change point - VIN begin TA501920, 3.9/4.0 V8 Petrol Efi, (+)"CDN"	Comprises Block, Crankshaft & Pistons, 9.35:1	STC1891	1



Engine
V8 Petrol - EFI
Engine Stripped 1/4

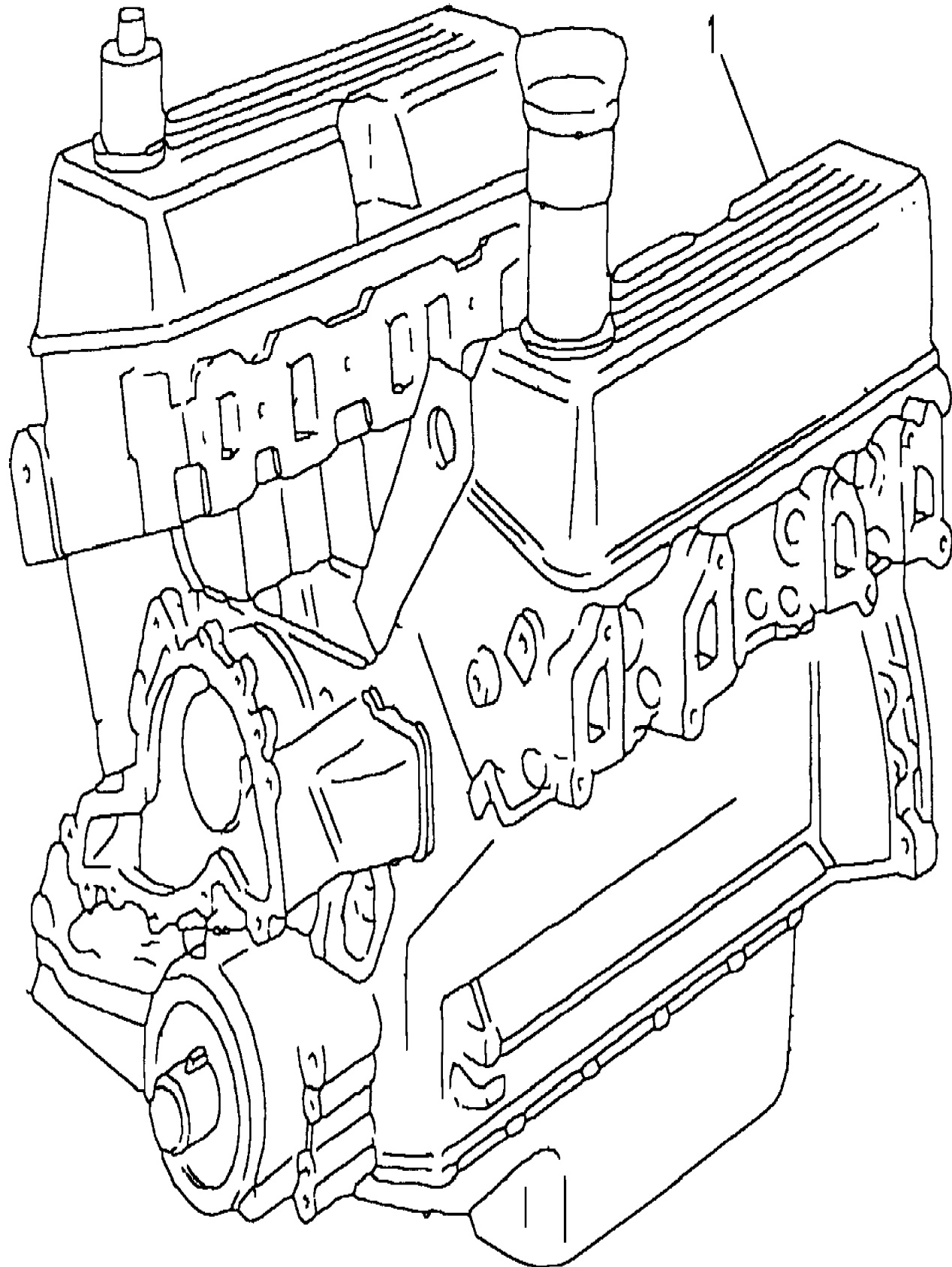
Discovery (FA393361-WA799999)
(CABRAC1A)

Discovery (FA393361-WA799999)

Engine
V8 Petrol - EFI
Engine Stripped

V8 EFI Petrol

Callout	Name	Application	Remarks & Restrictions	Service No.	Qty
1	Engine unit-stripped	3.5L V8 EFI NA HC L/R Petrol, 5 Speed Manual Transmission, (-)"CDN/MEX/USA", Less Catalyst	Engine Code 24D 3.5 V8 PI H/C Manual, New	STC155N	1
		3.5L V8 EFI NA HC L/R Petrol, 5 Speed Manual Transmission, (-)"CDN/MEX/USA", Less Catalyst	Engine Code 24D 3.5 V8 PI H/C Manual, exchange	STC155E	1
		3.5L V8 EFI NA LC L/R Petrol, 5 Speed Manual Transmission, (-)"CDN/MEX/USA", Less Catalyst	Engine Code 22D 3.5 PI 3.5 L/C Manual, New	STC156N	1
		3.5L V8 EFI NA LC L/R Petrol, 5 Speed Manual Transmission, (-)"CDN/MEX/USA", Less Catalyst	Engine Code 22D 3.5 PI 3.5 L/C Manual, exchange	STC156E	1
		3.5L V8 EFI NA LC L/R Petrol, 4 Speed Automatic Transmissions, (-)"CDN/MEX/USA", Less Catalyst	Engine Code 23D 3.5 PI V8 L/C Auto, New	STC156N	1
		3.5L V8 EFI NA LC L/R Petrol, 4 Speed Automatic Transmissions, (-)"CDN/MEX/USA", Less Catalyst	Engine Code 23D 3.5 PI V8 L/C Auto, exchange	STC156E	1
		Change point - VIN end MA081990, 3.9L V8 EFI NA HC L/R Petrol, Manual Transmission, (-)"CDN/MEX/USA", With Catalyst	Engine Code 35D 3.9 V8 EFI H/C Man, New	STC1600N	1
		Change point - VIN end MA081990, 3.9L V8 EFI NA HC L/R Petrol, 4 Speed Automatic Transmissions, (-)"CDN/MEX/USA", With Catalyst	Engine Code 36D 3.9 V8 EFI H/C Auto, New	STC1600N	1
		Change point - VIN end MA081990, 3.9L V8 EFI NA HC L/R Petrol, Automatic Transmission, (-)"CDN/MEX/USA", With Catalyst	Engine Code 36D 3.9 V8 EFI H/C Auto, New	STC1600N	1
		Change point - VIN end MA081990, 3.9L V8 EFI NA HC L/R Petrol, Manual Transmission, (-)"CDN/MEX/USA", With Catalyst	Engine Code 35D 3.9 V8 EFI H/C Man, New	STC1102N	1
		Change point - VIN end MA081990, 3.9L V8 EFI NA HC L/R Petrol, Automatic Transmission, (-)"CDN/MEX/USA", With Catalyst	Engine Code 36D 3.9 V8 EFI H/C Auto, New	STC1102N	1



Engine
 V8 Petrol - EFI
 Engine Stripped 2/4

Discovery (FA393361-WA799999)

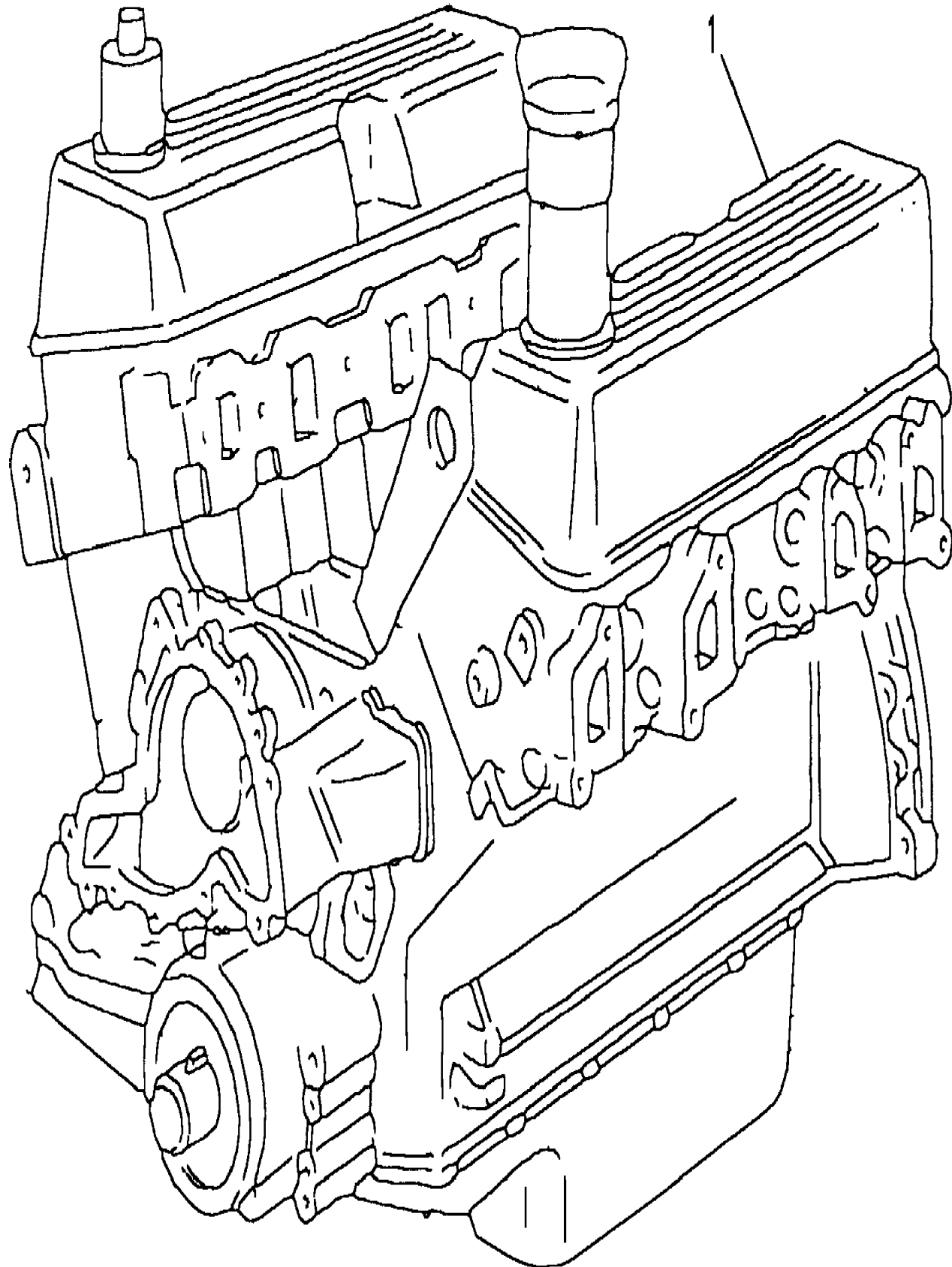
(CABRAC1A)

Discovery (FA393361-WA799999)

Engine
 V8 Petrol - EFI
 Engine Stripped

V8 EFI Petrol

Callout	Name	Application	Remarks & Restrictions	Service No.	Qty
1	Engine unit-stripped	Change point - VIN end MA081990, 3.9L V8 EFI NA HC L/R Petrol, 4 Speed Automatic Transmissions, (-)"CDN/MEX/USA", With Catalyst	Engine Code 36D 3.9 V8 EFI H/C Auto, New	STC1102N	1
		Change point - VIN end MA081990, 3.9L V8 EFI NA HC L/R Petrol, Manual Transmission, (-)"CDN/MEX/USA", With Catalyst	Engine Code 35D 3.9 V8 EFI H/C Man, exchange	STC1102E	1
		Change point - VIN end MA081990, 3.9L V8 EFI NA HC L/R Petrol, Automatic Transmission, (-)"CDN/MEX/USA", With Catalyst	Engine Code 36D 3.9 V8 EFI H/C Auto, exchange	STC1102E	1
		Change point - VIN end MA081990, 3.9L V8 EFI NA HC L/R Petrol, 4 Speed Automatic Transmissions, (-)"CDN/MEX/USA", With Catalyst	Engine Code 36D 3.9 V8 EFI H/C Auto, exchange	STC1102E	1
		Change point - VIN end MA081990, 3.9L V8 EFI NA LC L/R Petrol, Manual Transmission, (-)"CDN/MEX/USA", With Catalyst	Engine Code 37D 3.9 V8 EFI L/C Man, New	STC1101N	1
		Change point - VIN end MA081990, 3.9L V8 EFI NA LC L/R Petrol, Automatic Transmission, (-)"CDN/MEX/USA", With Catalyst	Engine Codes 38D 3.9 EFI V8 NAS Auto, New	STC1101N	1
		Change point - VIN end MA081990, 3.9L V8 EFI NA LC L/R Petrol, 4 Speed Automatic Transmissions, (-)"CDN/MEX/USA", With Catalyst	Engine Codes 38D 3.9 EFI V8 NAS Auto, New	STC1101N	1
		Change point - VIN begin MA081991, 3.9L V8 EFI NA HC L/R Petrol, Manual Transmission, (-)"CDN/MEX/USA", With Catalyst	Engine Code 35D 3.9 V8 EFI H/C Man, New	STC1861N	1
		Change point - VIN begin MA081991, 3.9L V8 EFI NA HC L/R Petrol, Automatic Transmission, (-)"CDN/MEX/USA", With Catalyst	Engine Code 36D 3.9 V8 EFI H/C Auto, New	STC1861N	1



Engine
V8 Petrol - EFI
Engine Stripped 3/4

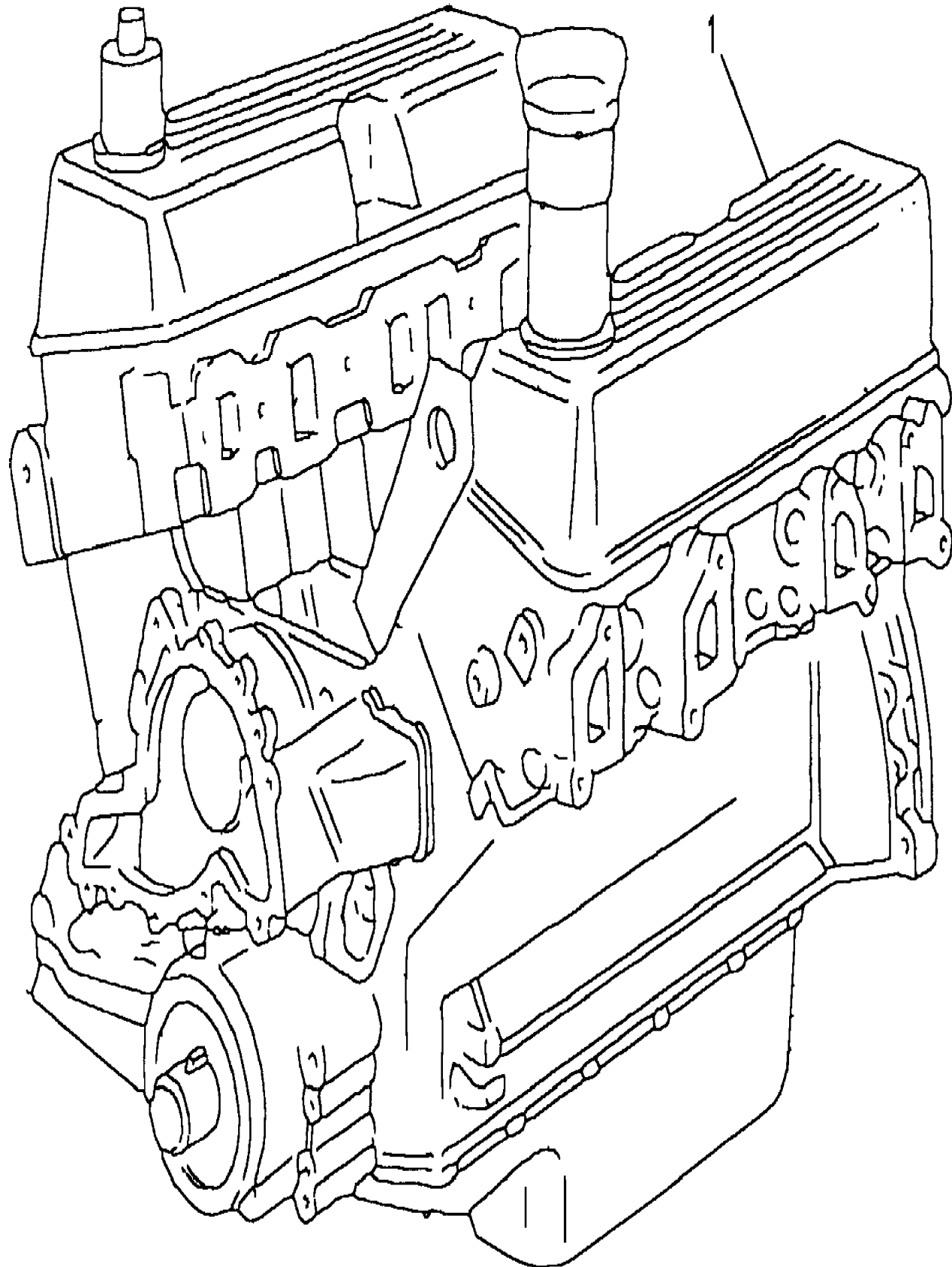
Discovery (FA393361-WA799999)
(CABRAC1A)

Discovery (FA393361-WA799999)

Engine
V8 Petrol - EFI
Engine Stripped

V8 EFI Petrol

Callout	Name	Application	Remarks & Restrictions	Service No.	Qty
1	Engine unit-stripped	Change point - VIN begin MA081991, 3.9L V8 EFI NA HC L/R Petrol, 4 Speed Automatic Transmissions, (-)"CDN/MEX/USA", With Catalyst	Engine Code 36D 3.9 V8 EFI H/C Auto, New	STC1861N	1
		Change point - VIN begin MA081991, 3.9L V8 EFI NA HC L/R Petrol, Manual Transmission, (-)"CDN/MEX/USA", With Catalyst	Engine Code 35D 3.9 V8 EFI H/C Man, exchange	STC1861E	1
		Change point - VIN begin MA081991, 3.9L V8 EFI NA HC L/R Petrol, Automatic Transmission, (-)"CDN/MEX/USA", With Catalyst	Engine Code 36D 3.9 V8 EFI H/C Auto, exchange	STC1861E	1
		Change point - VIN begin MA081991, 3.9L V8 EFI NA HC L/R Petrol, 4 Speed Automatic Transmissions, (-)"CDN/MEX/USA", With Catalyst	Engine Code 36D 3.9 V8 EFI H/C Auto, exchange	STC1861E	1
		Change point - VIN begin MA081991, 3.9L V8 EFI NA LC L/R Petrol, Manual Transmission, (-)"CDN/MEX/USA", With Catalyst	Engine Code 37D 3.9 V8 EFI L/C Man, New	STC1862N	1
		Change point - VIN begin MA081991, 3.9L V8 EFI NA LC L/R Petrol, Automatic Transmission, (-)"CDN/MEX/USA", With Catalyst	Engine Codes 38D 3.9 EFI V8 NAS Auto, New	STC1862N	1
		Change point - VIN begin MA081991, 3.9L V8 EFI NA LC L/R Petrol, 4 Speed Automatic Transmissions, (-)"CDN/MEX/USA", With Catalyst	Engine Codes 38D 3.9 EFI V8 NAS Auto, New	STC1862N	1
		Change point - VIN begin MA081991, 3.9L V8 EFI NA LC L/R Petrol, Manual Transmission, (-)"CDN/MEX/USA", With Catalyst	Engine Code 37D 3.9 V8 EFI L/C Man, exchange	STC1862E	1
		Change point - VIN begin MA081991, 3.9L V8 EFI NA LC L/R Petrol, Automatic Transmission, (-)"CDN/MEX/USA", With Catalyst	Engine Codes 38D 3.9 EFI V8 NAS Auto, exchange	STC1862E	1



Engine
V8 Petrol - EFi
Engine Stripped 4/4

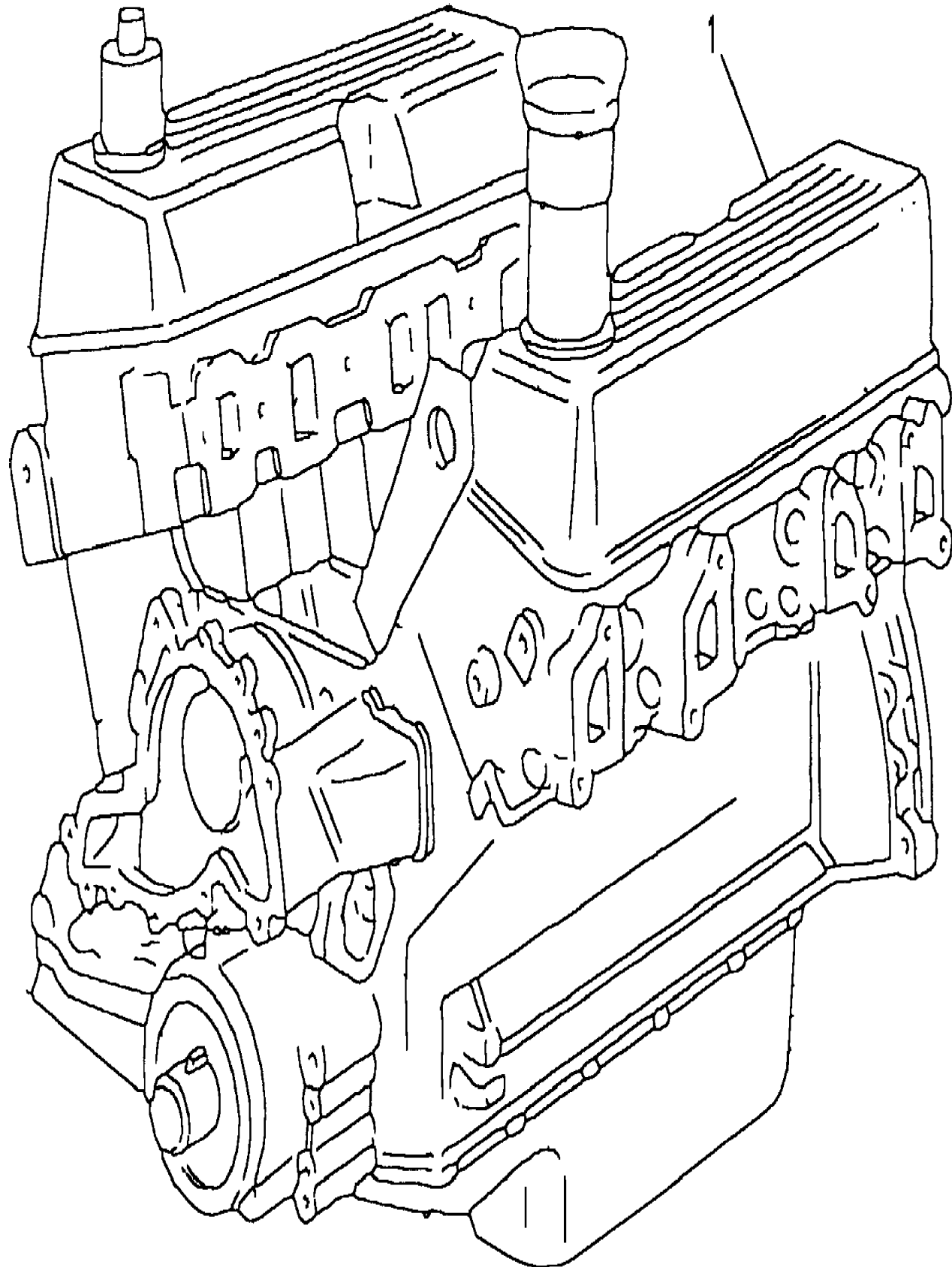
Discovery (FA393361-WA799999)
(CABRAC1A)

Discovery (FA393361-WA799999)

Engine
V8 Petrol - EFi
Engine Stripped

V8 EFI Petrol

Callout	Name	Application	Remarks & Restrictions	Service No.	Qty
1	Engine unit-stripped	Change point - VIN begin MA081991, 3.9L V8 EFI NA LC L/R Petrol, 4 Speed Automatic Transmissions, (-) "CDN/MEX/USA", With Catalyst 3.9/4.0 V8 Petrol Efi, (+) "CDN/MEX/USA"	Engine Codes 38D 3.9 EFI V8 NAS Auto, exchange Engine Code 50D	STC1862E STC3319	1 1



Engine
V8 Petrol - EFi
Exhaust Manifold 1/3

Discovery (FA393361-WA799999)

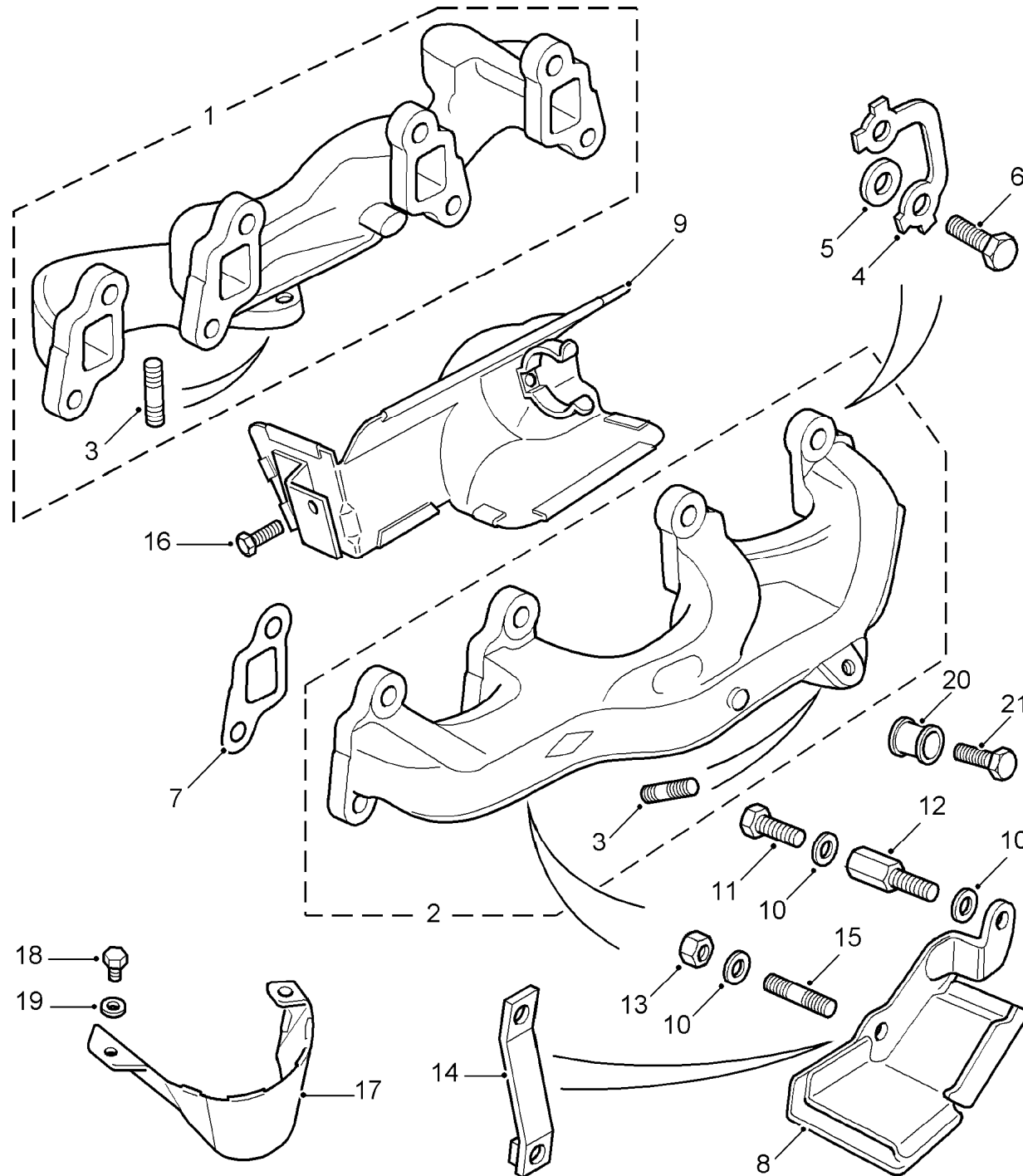
(CDBRHC1B)

Discovery (FA393361-WA799999)

Engine
V8 Petrol - EFi
Exhaust Manifold

V8 EFI Petrol

Callout	Name	Application	Remarks & Restrictions	Service No.	Qty
1	Manifold-engine exhaust	Change point - Engine begin 50D45033A, (+)"CDN/MEX/USA"	RH	ERR7394	1
		Change point - VIN end LA081990, Petrol V8 L/R EFi, (-)"CDN/MEX/USA"	RH	ERR3454	1
		Change point - VIN begin MA081991, Petrol V8 L/R EFi	Also serviced as part of a kit, RH	ERR5023	1
2	Manifold-engine exhaust	Change point - Engine begin 50D45033A, (+)"CDN/MEX/USA"	LH	ERR7393	1
		Change point - VIN end LA081990, Petrol V8 L/R EFi, (-)"CDN/MEX/USA"	LH	ERR3455	1
		Change point - VIN begin MA081991, Petrol V8 L/R EFi	Also serviced as part of a kit, LH	ERR5024	1
3	Stud	Change point - VIN end LA081990, Petrol V8 L/R EFi, (-)"CDN/MEX/USA"	M8 x 25	ERR551L	6
		Change point - VIN begin MA081991, Petrol V8 L/R EFi, (-)"CDN/MEX/USA"	M8 x 25	ERR551L	4
		Change point - VIN begin MA081991, Petrol V8 L/R EFi, (+)"CDN/MEX/USA"	M8 x 25	ERR551	6
4	Washer-exhaust manifold to cylinder head tab	Petrol V8 L/R EFi		ERC7321	8
5	Washer-Plain	Change point - VIN end TA534103, Petrol V8 L/R EFi		3036L	16
		Change point - VIN end TA703236, Petrol V8 L/R EFi		3036L	16
		Change point - VIN begin VA534104, (+)"CDN/MEX/USA"		ERR6318	16
		Change point - VIN begin VA703237, (+)"CDN/MEX/USA"		ERR6318	16
6	Screw	Change point - VIN end TA534103, Petrol V8 L/R EFi	3/8unc X 1.125	SH506095L	16
		Change point - VIN end TA703236, Petrol V8 L/R EFi	3/8unc X 1.125	SH506095L	16
		Change point - VIN begin VA534104, (+)"CDN/MEX/USA"	3/8unc X 1.125	ERR6734	16
		Change point - VIN begin VA703237, (+)"CDN/MEX/USA"	3/8unc X 1.125	ERR6734	16



G05.090
11-2002
L4
CDBRHC1B

Engine
V8 Petrol - EFI
Exhaust Manifold 2/3

Discovery (FA393361-WA799999)

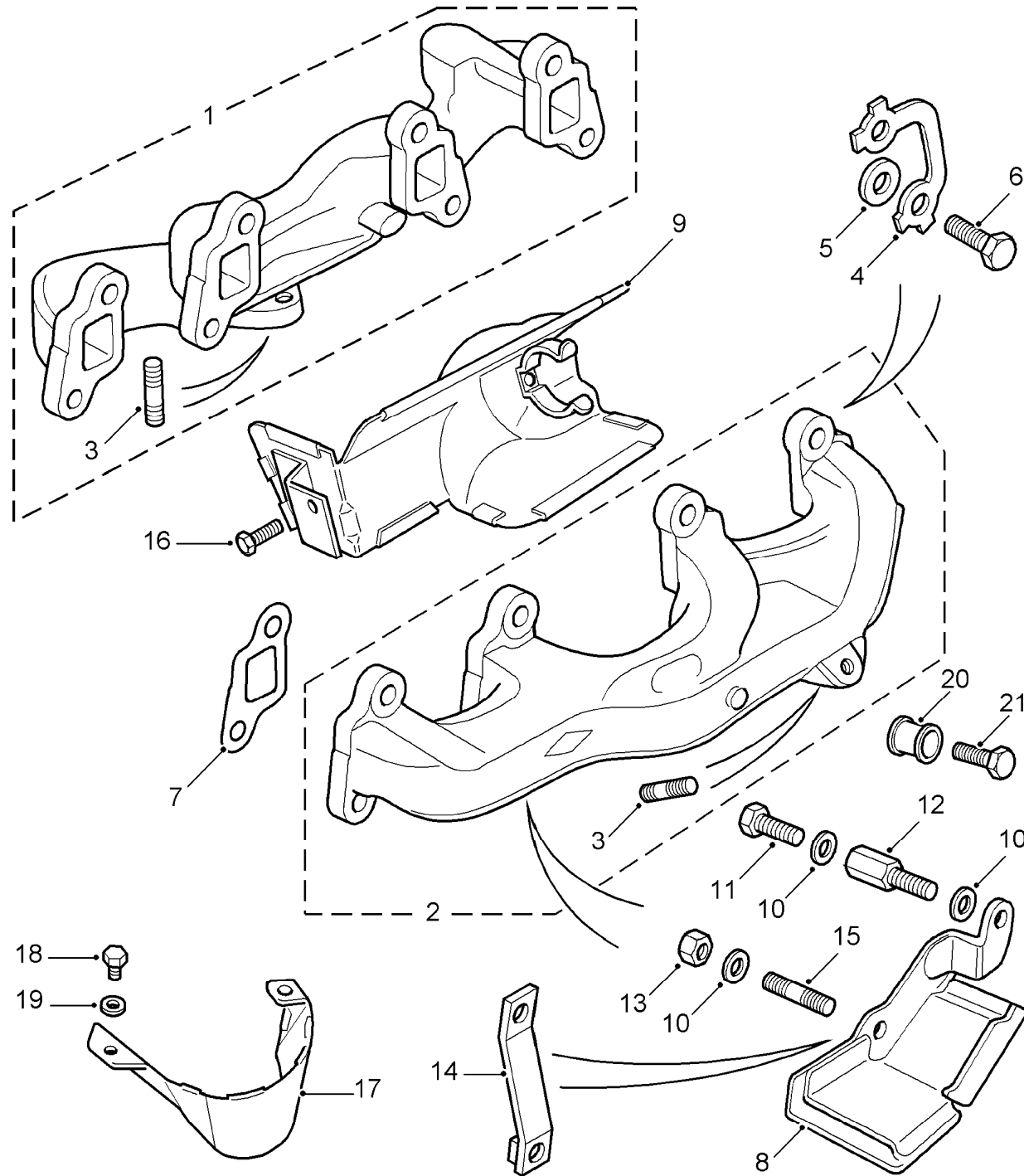
(CDBRHC1B)

Discovery (FA393361-WA799999)

Engine
V8 Petrol - EFI
Exhaust Manifold

V8 EFI Petrol

Callout	Name	Application	Remarks & Restrictions	Service No.	Qty			
7	Gasket-exhaust manifold	Change point - VIN end LA081990, Petrol V8 L/R EFI, (-)"CDN/MEX/USA"	No1	ERC3606	8			
		Change point - VIN begin MA081992, Change point - Engine end 36D72898C, Petrol V8 L/R EFI		ERR5008	2			
		Change point - Engine begin 36D72899C, Petrol V8 L/R EFI		ERR6733	2			
		Change point - VIN begin MA081991, Change point - Engine end 36D72898C, Petrol V8 L/R EFI		ERR5010	2			
		Change point - Engine begin 36D72899C, Petrol V8 L/R EFI, (-)"CDN/MEX/USA"		ERR6733	2			
		Change point - VIN begin VA534104, (+)"CDN/MEX/USA"		ERR6733	2			
		Change point - VIN begin VA703237, (+)"CDN/MEX/USA"		ERR6733	2			
		8		Heatshield-exhaust manifold	Petrol V8 L/R EFI		ERC5875	1
		9		Heatshield-starter motor	Change point - Chassis begin TA166279, Petrol V8 L/R EFI		ERR6382	1
					Change point - Chassis begin TA502709, Petrol V8 L/R EFI		ERR6382	1
10	Washer-Plain	Petrol V8 L/R EFI		RTC613	3			
11	Screw	Petrol V8 L/R EFI	heatshield to manifold, hexagonal head, 5/16UNF x 5/8	SH605051L	1			
12	Screw	Petrol V8 L/R EFI	heatshield to manifold, 3/8UNC x 1 1/8	614443	2			
13	Nut - Hex.	Petrol V8 L/R EFI	1/4UNF	NR604090	1			
14	Bracket-heatshield exhaust system	Petrol V8 L/R EFI		ERR117	1			
15	Stud	Petrol V8 L/R EFI	1/4UNF x 1	ERC3690	1			
16	Screw	Petrol V8 L/R EFI	pan head, M6 x 25	SE106251L	1			
17	Heatshield-exhaust manifold	Petrol V8 L/R EFI		ERR5795	1			
18	Screw	Petrol V8 L/R EFI	hexagonal head, 5/16UNC x 1 1/8	SH505091L	1			



G05.090
11-2002
L4
CDBRHC1B

Engine
V8 Petrol - EFi
Exhaust Manifold 3/3

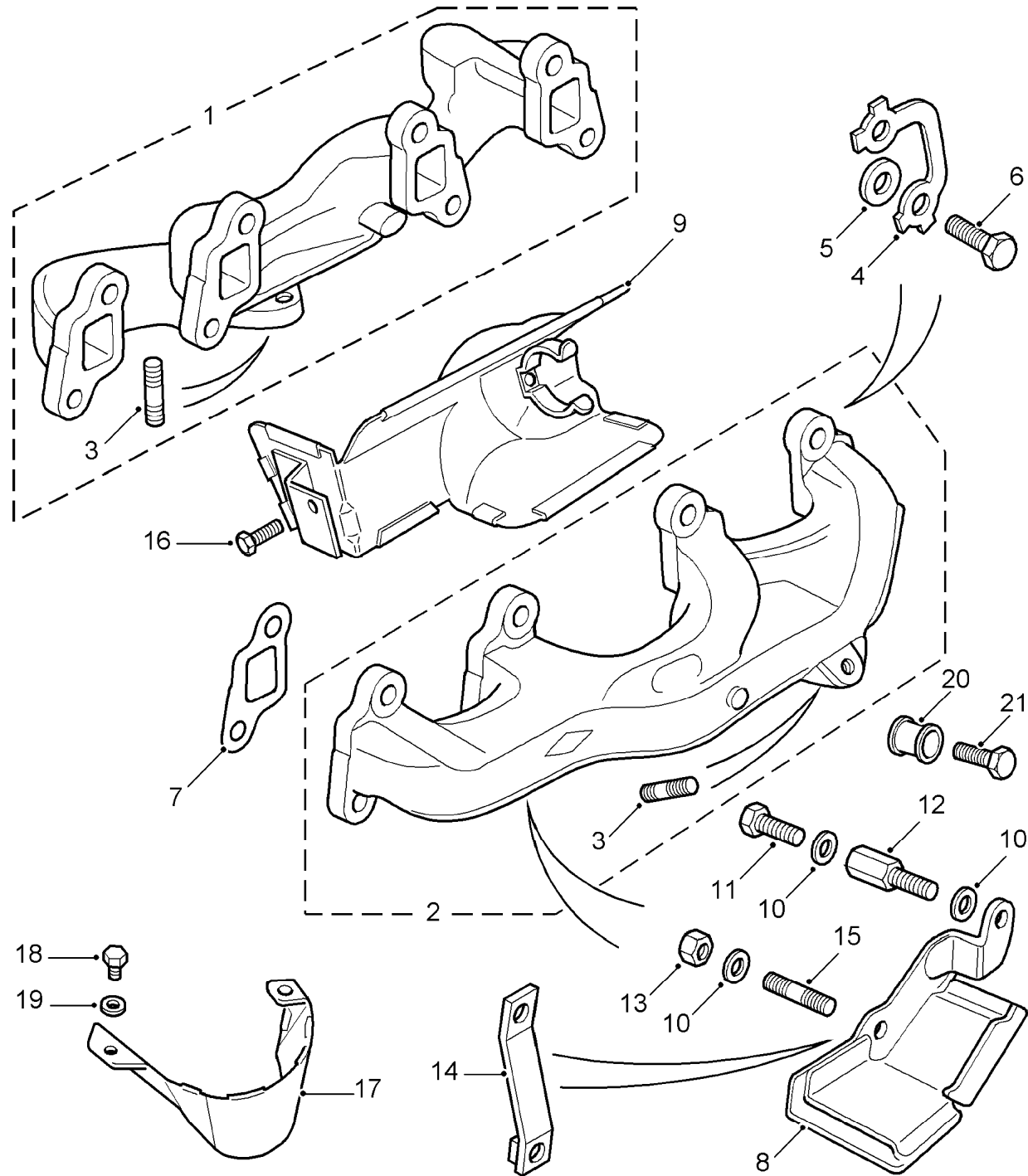
Discovery (FA393361-WA799999)
(CDBRHC1B)

Discovery (FA393361-WA799999)

Engine
V8 Petrol - EFi
Exhaust Manifold

V8 EFI Petrol

Callout	Name	Application	Remarks & Restrictions	Service No.	Qty
19	Washer	Petrol V8 L/R EFI	8MM	WA108051L	1
20	Spacer	(+)"CDN/MEX/USA"		ERR6318	16
21	Screw	(+)"CDN/MEX/USA"		ERR6734	16



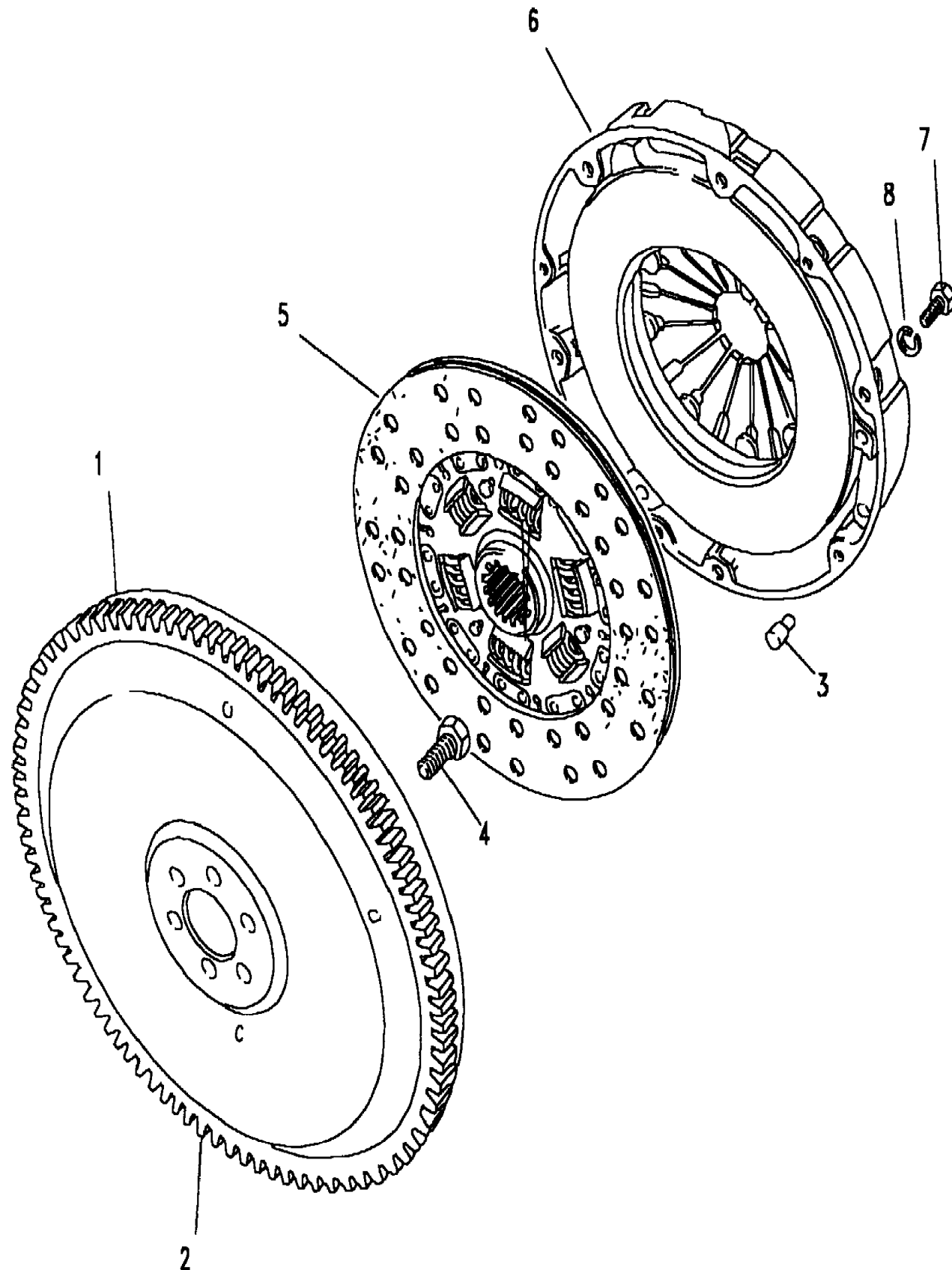
G05.090
11-2002
L4
CDBRHC1B

Engine
V8 Petrol - EFi
Flywheel & Clutch 1/2
Discovery (FA393361-WA799999)
(CABRRA1A)

Discovery (FA393361-WA799999)
Engine
V8 Petrol - EFi
Flywheel & Clutch

V8 EFI Petrol, Manual Transmission

Callout	Name	Application	Remarks & Restrictions	Service No.	Qty
1	Flywheel engine	Petrol V8 L/R EFI, (-)"CDN/MEX/USA" Petrol V8 L/R EFI Change point - VIN begin TA163100, Petrol V8 L/R EFI, (+)"CDN/MEX/USA"	Also serviced as part of a kit Also serviced as part of a kit	ERR2264 ERR5575 ERR5396	1 1 1
2	Gear-ring-flywheel engine	Petrol V8 L/R EFI	Also serviced as part of a kit	611323	1
3	Dowel	Petrol V8 L/R EFI	Also serviced as part of a kit	6395L	3
4	Screw	Petrol V8 L/R EFI	clutch plate to flywheel, hexagonal head, 7/16UNC x 1	SH607081L	6
5	Plate-clutch-driven	Change point - Engine end 24D11300B, 3.5L V8 EFI L/R Petrol Change point - Engine end 22D08413D, 3.5L V8 EFI L/R Petrol Change point - Engine begin 22D08414D, 3.5L V8 EFI L/R Petrol Change point - Engine begin 24D11301B, 3.5L V8 EFI L/R Petrol 3.5L V8 EFI L/R Petrol 3.9L V8 L/R EFI Petrol 3.5L V8 EFI L/R Petrol	Asbestos Free Asbestos Free Asbestos Free Asbestos Free Asbestos Free Asbestos Free Also serviced as part of a kit, Asbestos Free	FTC160 FTC160 FTC3197 FTC3197 FTC4662 FTC2002 FTC160	1 1 1 1 1 1 1
6	Cover-clutch assembly	3.5L V8 EFI L/R Petrol 3.9L V8 L/R EFI Petrol 3.5L V8 EFI L/R Petrol	Also serviced as part of a kit	576476 FTC2001 576476	1 1 1
7	Screw	Petrol V8 L/R EFI	clutch cover to flywheel, hexagonal head, 3/8UNC x 3/4	SH606061L	6
8	Washer	Petrol V8 L/R EFI	clutch cover to flywheel, 3/8", Square	WM600061L	6
[900]	Bearing-clutch release	3.5L V8 EFI L/R Petrol	Also serviced as part of a kit	FRC9568	1
[901]	Cover & driven plate assembly clutch	3.9L V8 L/R EFI Petrol		FTC4828	1
[902]	Kit-clutch	3.5L V8 EFI L/R Petrol	Also serviced as part of a kit, Asbestos Free	STC8361	1
[903]	Bracket Harness	Petrol V8 L/R EFI		ERC9404	1
[904]	Kit-engine balance weights	Petrol V8 L/R EFI	Also serviced as part of a kit	STC3272	1



Engine
V8 Petrol - EFI
Flywheel & Clutch 2/2

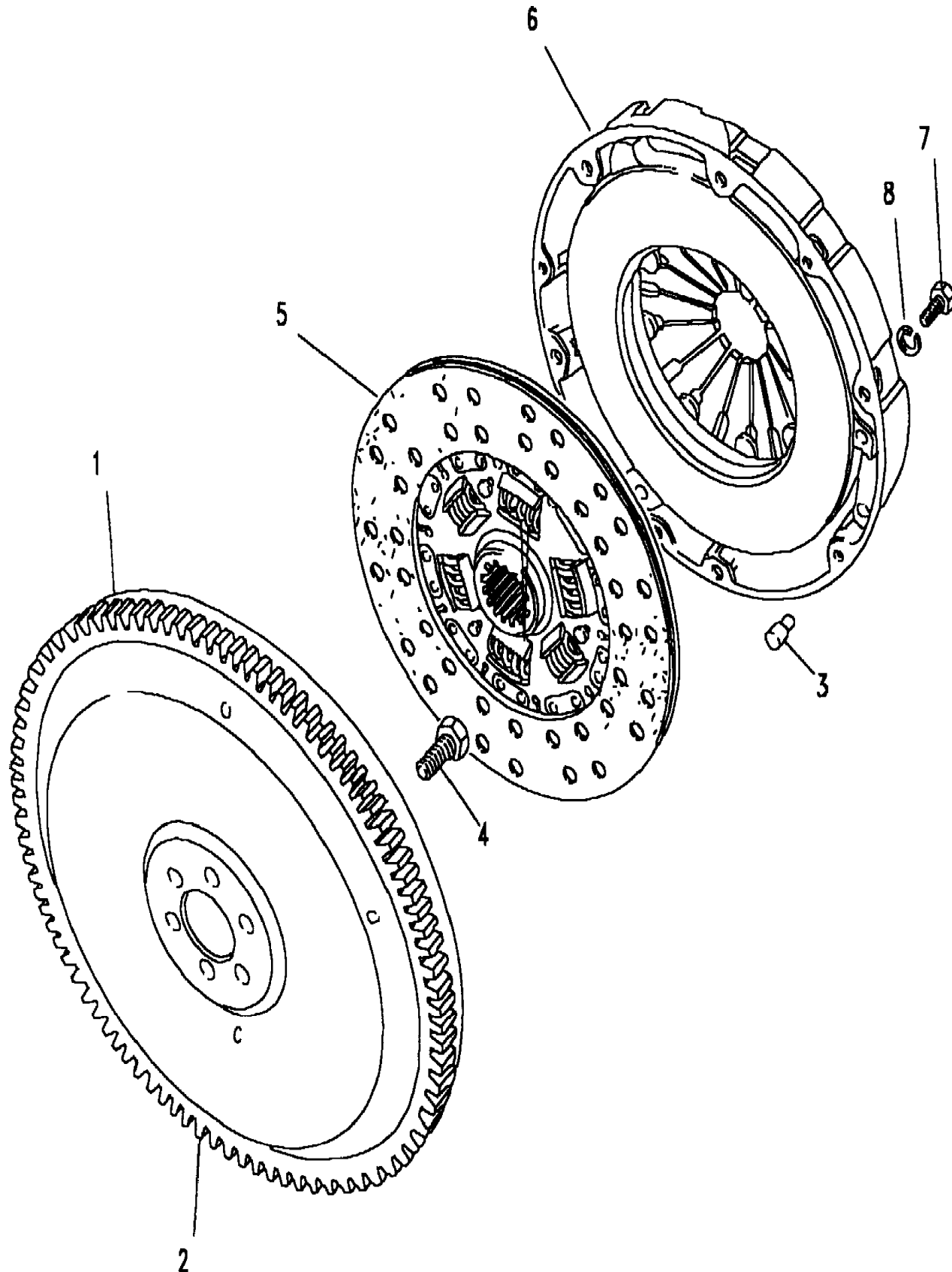
Discovery (FA393361-WA799999)
(CABRRA1A)

Discovery (FA393361-WA799999)

Engine
V8 Petrol - EFI
Flywheel & Clutch

V8 EFI Petrol, Manual Transmission

Callout	Name	Application	Remarks & Restrictions	Service No.	Qty
[905]	Weight-crankshaft balance	Petrol V8 L/R EFI	Also serviced as part of a kit, 0.75 oz	546198	5
		Petrol V8 L/R EFI	Also serviced as part of a kit, 1.00 oz	535781	5
		Petrol V8 L/R EFI	Also serviced as part of a kit, 1.75 oz	535782	5
		Petrol V8 L/R EFI	Also serviced as part of a kit, 2.00 oz	546194	5



Engine
V8 Petrol - EFi
Clutch And Flywheel 1/1

Discovery (FA393361-WA799999)

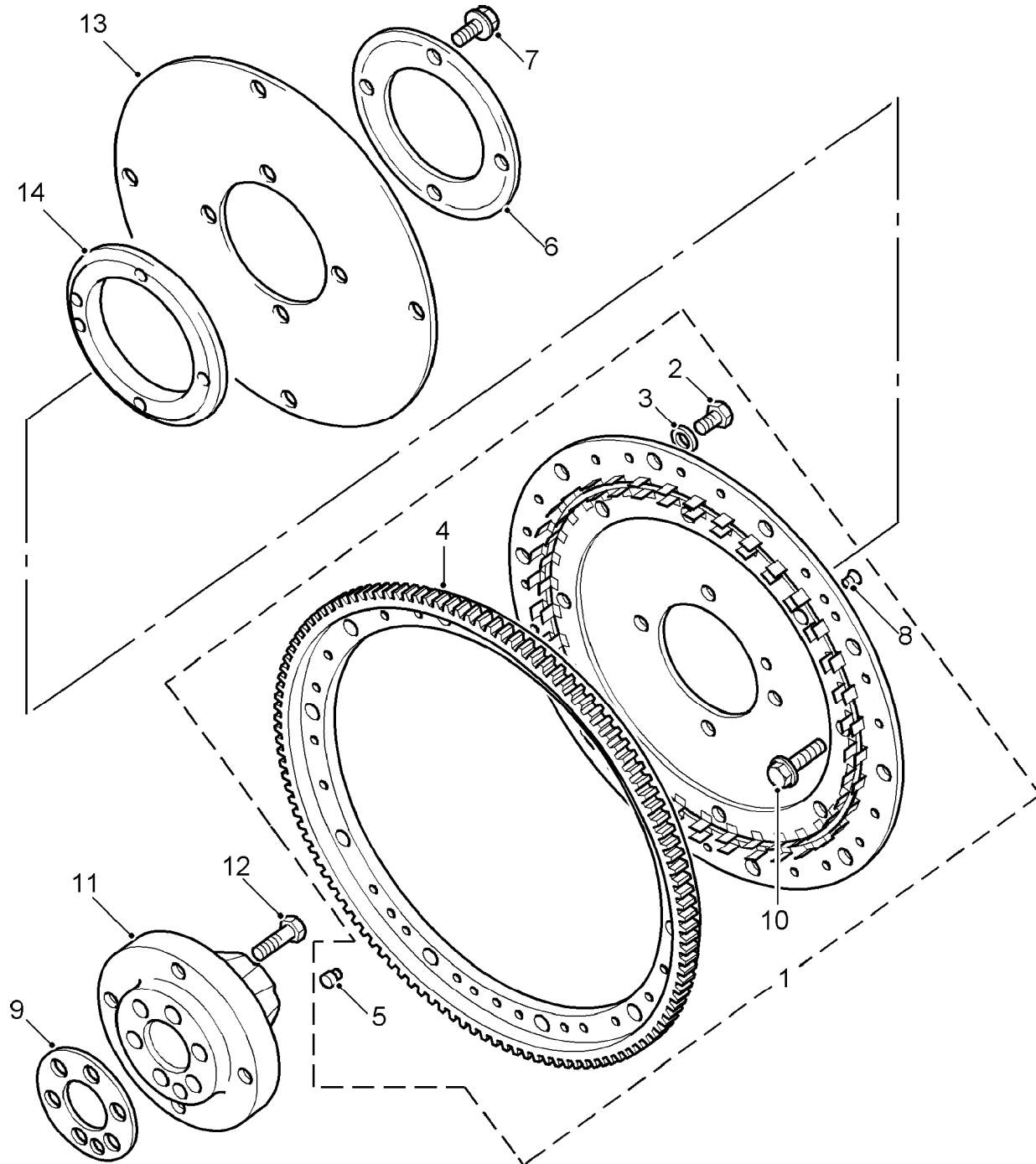
(CDBRRA3B)

Discovery (FA393361-WA799999)

Engine
V8 Petrol - EFi
Clutch And Flywheel

Change point - VIN begin TA163100, Change point - VIN begin TA501920, Automatic Transmission, (+)"CDN/MEX/USA"

Callout	Name	Application	Remarks & Restrictions	Service No.	Qty
1	Driven Plate - Steel			ERR5658	1
2	Bolt		5/16UNF x 0.58	FTC4388	10
3	Washer			610736	10
4	Ring Gear			603340	1
5	Dowel			529364	2
6	Ring - Tolerance			FTC1117	1
7	Screw		M10 x 35	FB110071ML	4
8	Dowel			571134	1
9	Shim		1.20/1.25mm 1.30/1.35mm 1.40/1.45mm 1.50/1.55mm 1.60/1.65mm 1.70/1.75mm 1.80/1.85mm 1.90/1.95mm 2.00/2.05mm 2.10/2.15mm	FTC1680 FTC1681 FTC1682 FTC1683 FTC1684 FTC1685 FTC1686 FTC1687 FTC1688 FTC1689	X X X X X X X X X X
10	Screw		M10 x 14	FS110141M	X
11	Spacer	Change point - VIN end TA322312 Change point - VIN begin TA322313		FTC1977 FTC4606	1 1
12	Bolt		7/16UNF x 2	SS607160	6
13	Drive Plate - Clutch			FTC4607	1
14	Spacer			FTC4608	1
[15]	Kit		Used on drive plate, Engine Balance	STC3272	1



G05.096
11-2002
L4
CDBRRA3B

Engine
V8 Petrol - EFi
Front Cover 1/4

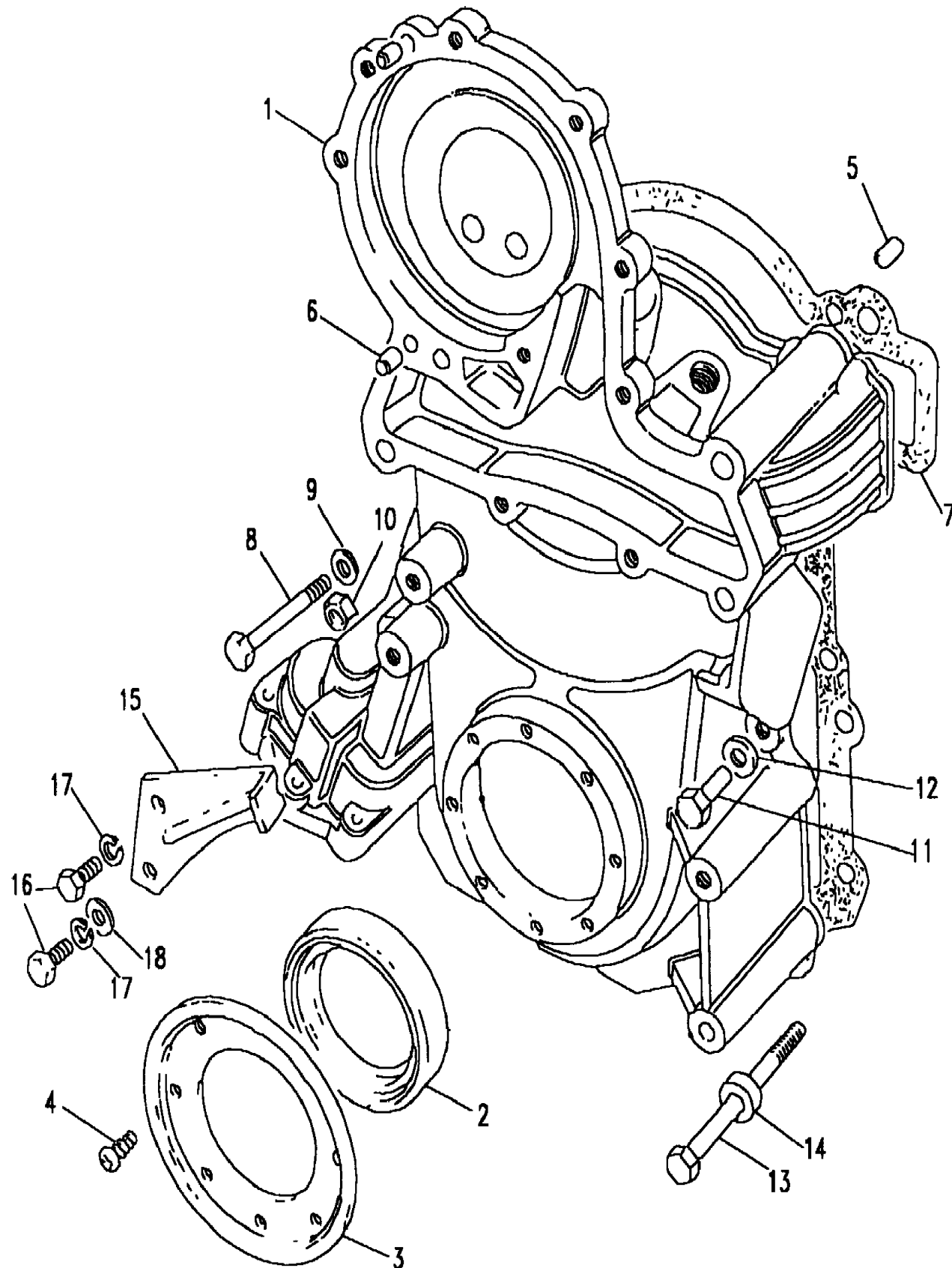
Discovery (FA393361-WA799999)
(CABREA1A)

Discovery (FA393361-WA799999)

Engine
V8 Petrol - EFi
Front Cover

V8 EFI Petrol

Callout	Name	Application	Remarks & Restrictions	Service No.	Qty		
1	Cover-engine	Change point - VIN end LA081990, Petrol V8 L/R EFi	Also serviced as part of a kit, Front	ETC7385	1		
		Change point - VIN begin MA081991, Change point - Engine end 35D11811B, Petrol V8 L/R EFi	Also serviced as part of a kit	ERR5258	1		
		Change point - VIN begin MA081991, Change point - Engine end 36D45070B, Petrol V8 L/R EFi	Also serviced as part of a kit	ERR5258	1		
		Change point - VIN begin MA081991, Change point - Engine end 37D03527B, Petrol V8 L/R EFi	Also serviced as part of a kit	ERR5258	1		
		Change point - VIN begin MA081991, Change point - Engine end 38D30880B, Petrol V8 L/R EFi	Also serviced as part of a kit	ERR5258	1		
		Change point - Engine begin 35D11812B, Petrol V8 L/R EFi	Also serviced as part of a kit	ERR5572	1		
		Change point - Engine begin 36D45071B, Petrol V8 L/R EFi	Also serviced as part of a kit	ERR5572	1		
		Change point - Engine begin 37D03528B, Petrol V8 L/R EFi	Also serviced as part of a kit	ERR5572	1		
		Change point - Engine begin 38D30881B, Petrol V8 L/R EFi	Also serviced as part of a kit	ERR5572	1		
		2	Seal-crankshaft front oil	Change point - VIN end LA081990, Petrol V8 L/R EFi	Also serviced as part of a kit	ETC5065	1
				Change point - VIN end LA081990, Petrol V8 L/R EFi	Also serviced as part of a kit	ERR1632	1
				Change point - VIN end LA081990, Petrol V8 L/R EFi	Also serviced as part of a kit	ERR6490	1
				Change point - Engine begin 35D11812B, Petrol V8 L/R EFi	Also serviced as part of a kit	ETC5065	1
Change point - Engine begin 36D45071B, Petrol V8 L/R EFi	Also serviced as part of a kit			ETC5065	1		
Change point - Engine begin 37D03528B, Petrol V8 L/R EFi	Also serviced as part of a kit			ETC5065	1		
Change point - Engine begin 38D30881B, Petrol V8 L/R EFi	Also serviced as part of a kit			ETC5065	1		
Change point - Engine begin 35D11812B, Petrol V8 L/R EFi	Also serviced as part of a kit			ERR1632	1		
Change point - Engine begin 36D45071B, Petrol V8 L/R EFi	Also serviced as part of a kit			ERR1632	1		
Change point - Engine begin 36D45071B, Petrol V8 L/R EFi	Also serviced as part of a kit			ERR1632	1		



Engine
V8 Petrol - EFI
Front Cover 2/4

Discovery (FA393361-WA799999)

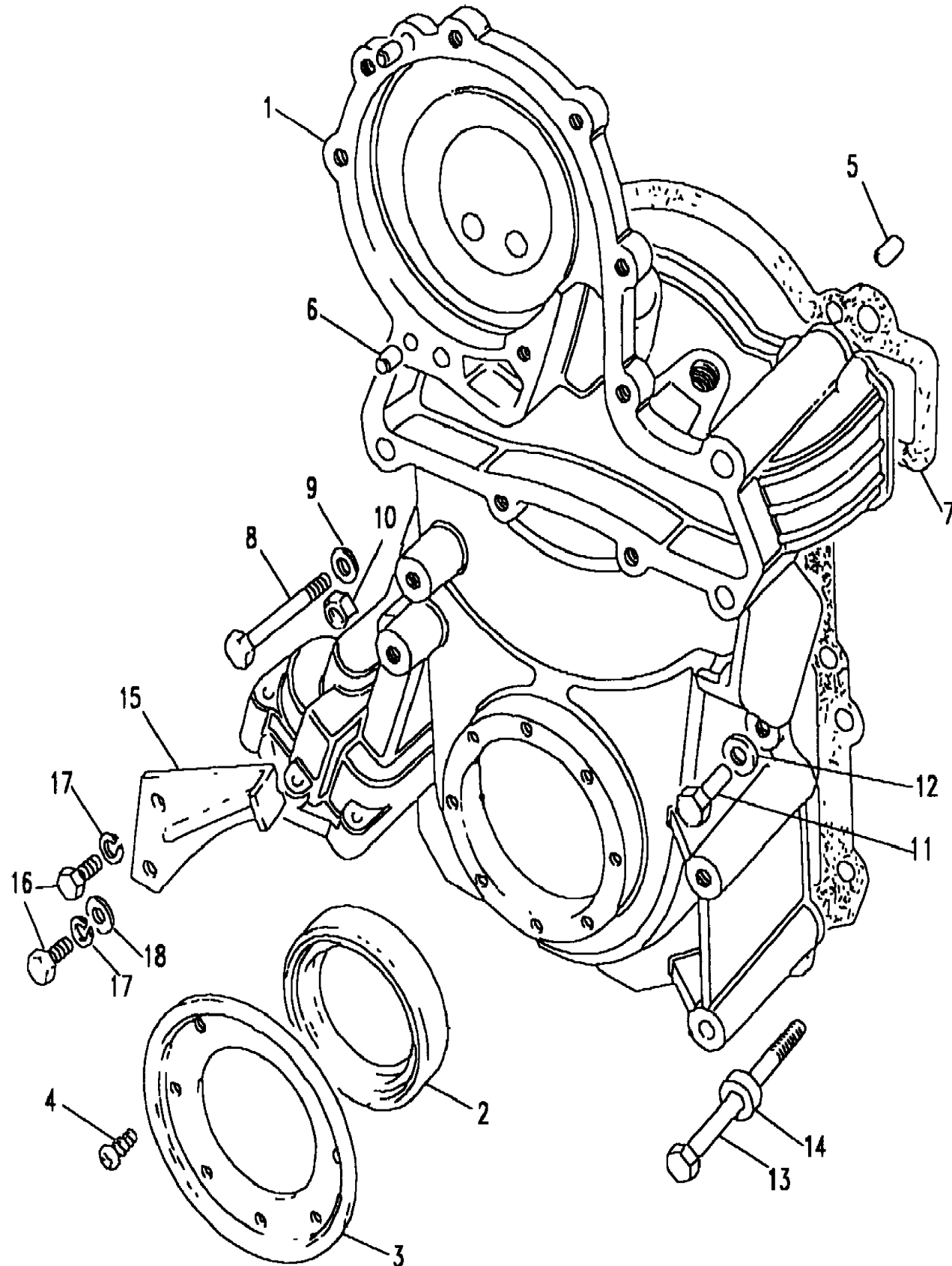
(CABREA1A)

Discovery (FA393361-WA799999)

Engine
V8 Petrol - EFI
Front Cover

V8 EFI Petrol

Callout	Name	Application	Remarks & Restrictions	Service No.	Qty
2	Seal-crankshaft front oil	Change point - Engine begin 37D03528B, Petrol V8 L/R EFI	Also serviced as part of a kit	ERR1632	1
		Change point - Engine begin 38D30881B, Petrol V8 L/R EFI	Also serviced as part of a kit	ERR1632	1
		Change point - Engine begin 35D11812B, Petrol V8 L/R EFI	Also serviced as part of a kit	ERR6490	1
		Change point - Engine begin 36D45071B, Petrol V8 L/R EFI	Also serviced as part of a kit	ERR6490	1
		Change point - Engine begin 37D03528B, Petrol V8 L/R EFI	Also serviced as part of a kit	ERR6490	1
		Change point - Engine begin 38D30881B, Petrol V8 L/R EFI	Also serviced as part of a kit	ERR6490	1
		Change point - Engine begin 38D30881B, Petrol V8 L/R EFI	Also serviced as part of a kit	ERR6490	1
5	Dowel	Change point - VIN end LA081990, Petrol V8 L/R EFI	Also serviced as part of a kit	90602202	2
		Change point - Engine begin 35D11812B, Petrol V8 L/R EFI	Also serviced as part of a kit	90602202	2
		Change point - Engine begin 36D45071B, Petrol V8 L/R EFI	Also serviced as part of a kit	90602202	2
		Change point - Engine begin 37D03528B, Petrol V8 L/R EFI	Also serviced as part of a kit	90602202	2
		Change point - Engine begin 38D30881B, Petrol V8 L/R EFI	Also serviced as part of a kit	90602202	2
		Change point - Engine begin 38D30881B, Petrol V8 L/R EFI	Also serviced as part of a kit	90602202	2
6	Dowel	Change point - VIN end LA081990, Petrol V8 L/R EFI	Also serviced as part of a kit	602201	2
		Change point - Engine begin 35D11812B, Petrol V8 L/R EFI	Also serviced as part of a kit	602201	2
		Change point - Engine begin 36D45071B, Petrol V8 L/R EFI	Also serviced as part of a kit	602201	2
		Change point - Engine begin 37D03528B, Petrol V8 L/R EFI	Also serviced as part of a kit	602201	2
		Change point - Engine begin 38D30881B, Petrol V8 L/R EFI	Also serviced as part of a kit	602201	2
		Change point - Engine begin 38D30881B, Petrol V8 L/R EFI	Also serviced as part of a kit	602201	2
7	Gasket-cover front	Change point - VIN end LA081990, Petrol V8 L/R EFI		ERR4936	1
		Change point - VIN begin MA081991, Petrol V8 L/R EFI		ERR4421	1
8	Bolt	Change point - VIN end LA081990, Petrol V8 L/R EFI	5/16UNC x 3	BH505241L	1



Engine
V8 Petrol - EFi
Front Cover 3/4

Discovery (FA393361-WA799999)

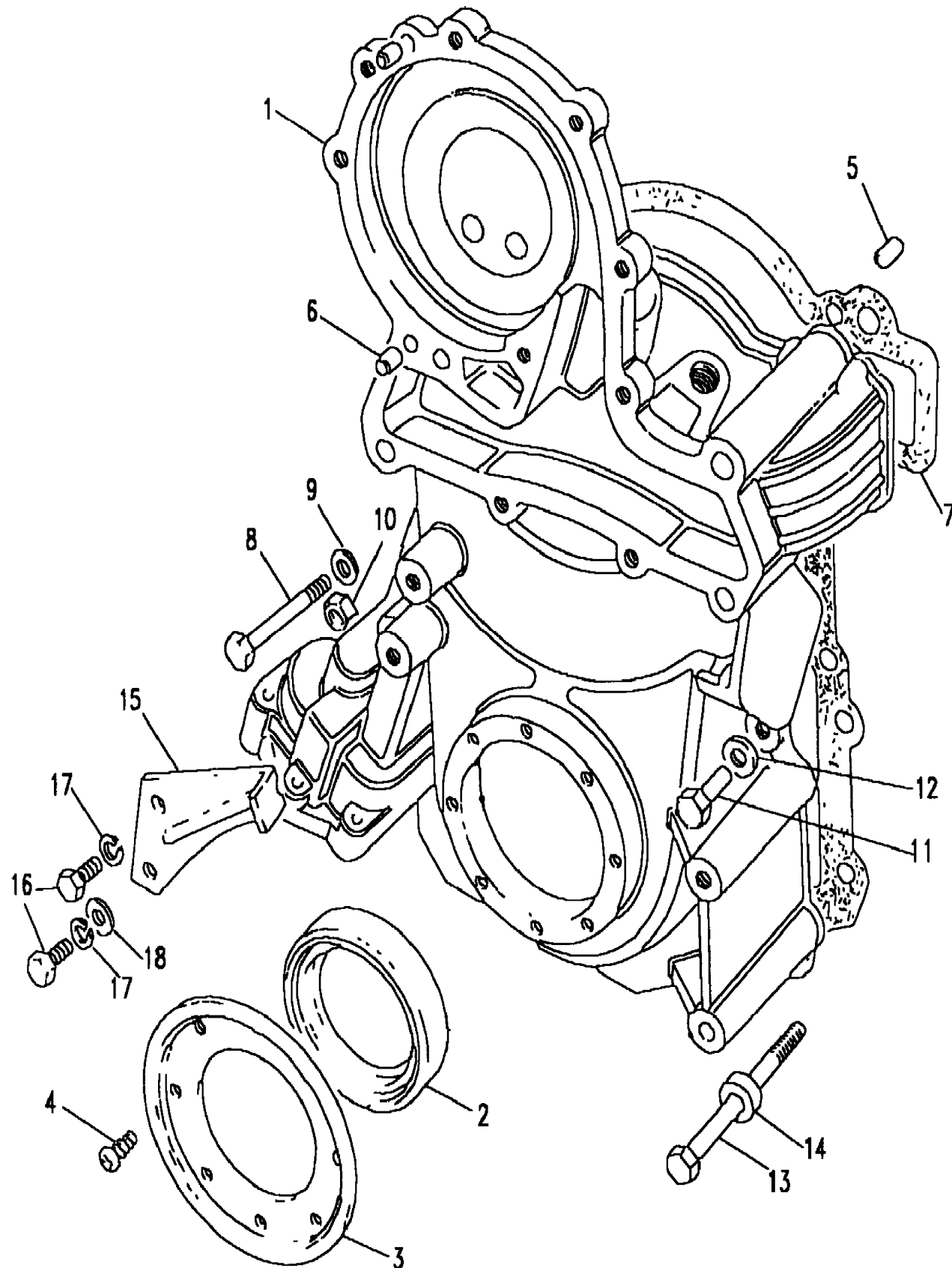
(CABREA1A)

Discovery (FA393361-WA799999)

Engine
V8 Petrol - EFi
Front Cover

V8 EFI Petrol

Callout	Name	Application	Remarks & Restrictions	Service No.	Qty
8	Bolt	Change point - VIN begin MA081991, Petrol V8 L/R EFi	5/16UNC x 3 1/8	FB505251S	5
		Change point - VIN begin MA081991, Petrol V8 L/R EFi	5/16UNC x 3 7/8	FB505311S	1
		Change point - VIN begin MA081991, Petrol V8 L/R EFi	5/16UNC x 4 3/4	FB505381S	3
9	Washer	Petrol V8 L/R EFi	8MM	WA108051L	1
10	Nut - Hex.	Petrol V8 L/R EFi	hexagonal head, 5/16UNF	NH605041L	1
11	Screw	Petrol V8 L/R EFi	hexagonal head, 5/16UNC x 1 1/8	SH505091L	2
12	Washer	Petrol V8 L/R EFi	8MM	WA108051L	2
13	Bolt	Petrol V8 L/R EFi	5/16UNC x 3.8	602388	1
14	Washer	Petrol V8 L/R EFi	M8, Plain	4075L	1
15	Pointer-engine timing	Petrol V8 L/R EFi		ETC7345	1
16	Screw	Petrol V8 L/R EFi	hexagonal head, 1/4UNF x 5/8	SH504051L	2
17	Washer-Spring	Petrol V8 L/R EFi	1/4 dia, Square	WM600041L	2
18	Washer-Plain	Petrol V8 L/R EFi	Standard	RTC609	2
[900]	Plug-core	Change point - VIN end LA081990, Petrol V8 L/R EFi	Also serviced as part of a kit	154545	1
		Change point - Engine begin 35D11812B, Petrol V8 L/R EFi	Also serviced as part of a kit	154545	1
		Change point - Engine begin 36D45071B, Petrol V8 L/R EFi	Also serviced as part of a kit	154545	1
		Change point - Engine begin 37D03528B, Petrol V8 L/R EFi	Also serviced as part of a kit	154545	1
		Change point - Engine begin 38D30881B, Petrol V8 L/R EFi	Also serviced as part of a kit	154545	1
[901]	Excluder mud	Change point - VIN begin MA081991, Change point - Engine end 35D11811B, Petrol V8 L/R EFi	Also serviced as part of a kit	247766	1
		Change point - VIN begin MA081991, Change point - Engine end 36D45070B, Petrol V8 L/R EFi	Also serviced as part of a kit	247766	1



Engine
V8 Petrol - EFi
Front Cover 4/4

Discovery (FA393361-WA799999)

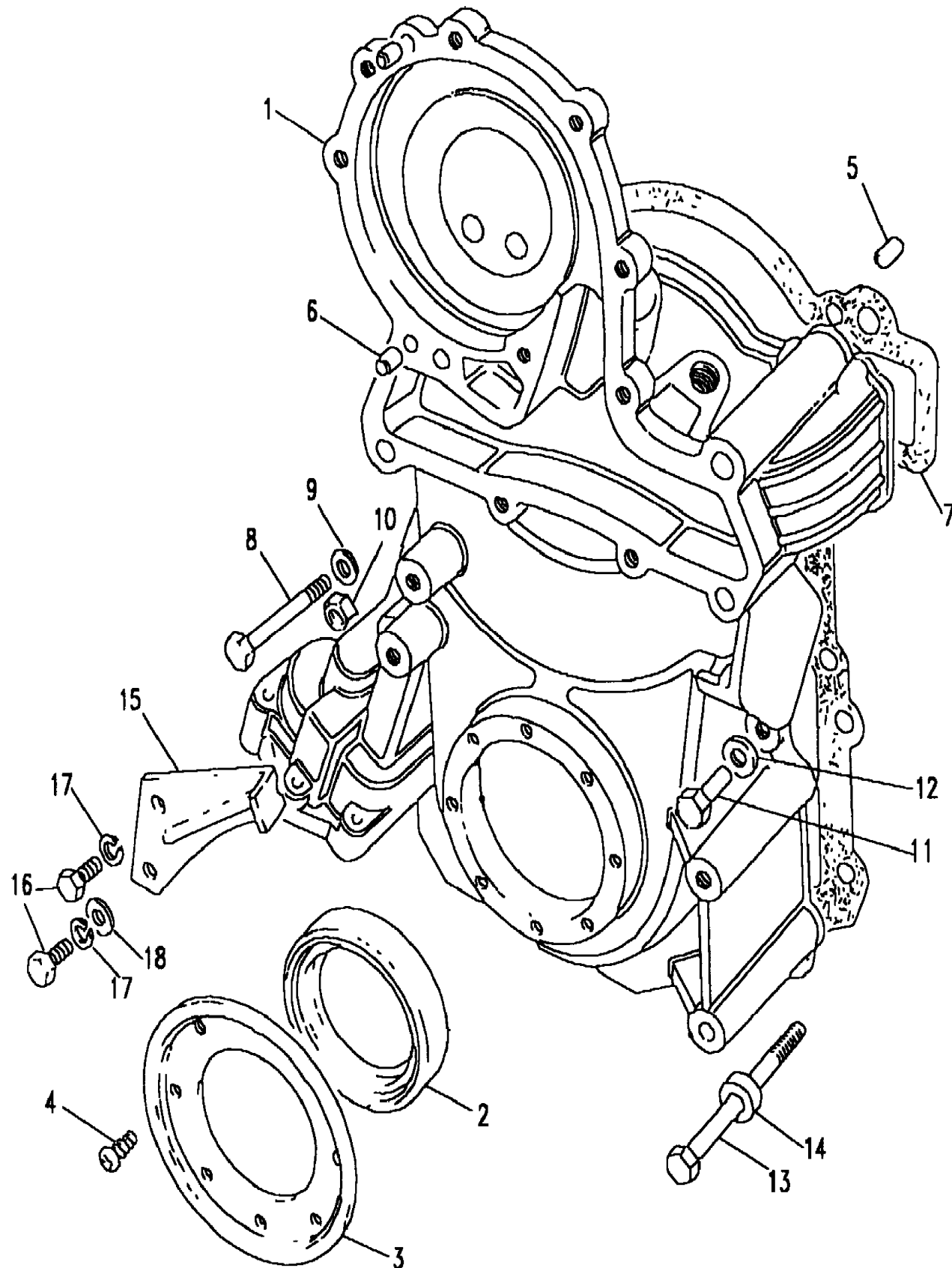
(CABREA1A)

Discovery (FA393361-WA799999)

Engine
V8 Petrol - EFi
Front Cover

V8 EFI Petrol

Callout	Name	Application	Remarks & Restrictions	Service No.	Qty		
[901]	Excluder mud	Change point - VIN begin MA081991, Change point - Engine end 37D03527B, Petrol V8 L/R EFi	Also serviced as part of a kit	247766	1		
		Change point - VIN begin MA081991, Change point - Engine end 38D30880B, Petrol V8 L/R EFi	Also serviced as part of a kit	247766	1		
		Change point - Engine begin 35D11812B, Petrol V8 L/R EFi	Also serviced as part of a kit	247766	1		
		Change point - Engine begin 36D45071B, Petrol V8 L/R EFi	Also serviced as part of a kit	247766	1		
		Change point - Engine begin 37D03528B, Petrol V8 L/R EFi	Also serviced as part of a kit	247766	1		
		Change point - Engine begin 38D30881B, Petrol V8 L/R EFi	Also serviced as part of a kit	247766	1		
		[902]	Screw-self tapping	Change point - VIN begin MA081991, Change point - Engine end 35D11811B, Petrol V8 L/R EFi	Also serviced as part of a kit, No 6	78782	8
				Change point - VIN begin MA081991, Change point - Engine end 36D45070B, Petrol V8 L/R EFi	Also serviced as part of a kit, No 6	78782	8
Change point - VIN begin MA081991, Change point - Engine end 37D03527B, Petrol V8 L/R EFi	Also serviced as part of a kit, No 6			78782	8		
Change point - VIN begin MA081991, Change point - Engine end 38D30880B, Petrol V8 L/R EFi	Also serviced as part of a kit, No 6			78782	8		
Change point - Engine begin 35D11812B, Petrol V8 L/R EFi	Also serviced as part of a kit, No 6			78782	8		
Change point - Engine begin 36D45071B, Petrol V8 L/R EFi	Also serviced as part of a kit, No 6			78782	8		
Change point - Engine begin 37D03528B, Petrol V8 L/R EFi	Also serviced as part of a kit, No 6			78782	8		
Change point - Engine begin 38D30881B, Petrol V8 L/R EFi	Also serviced as part of a kit, No 6			78782	8		
[903]	Stud	Petrol V8 L/R EFi	5/16UNC x 1 3/8	252513	1		



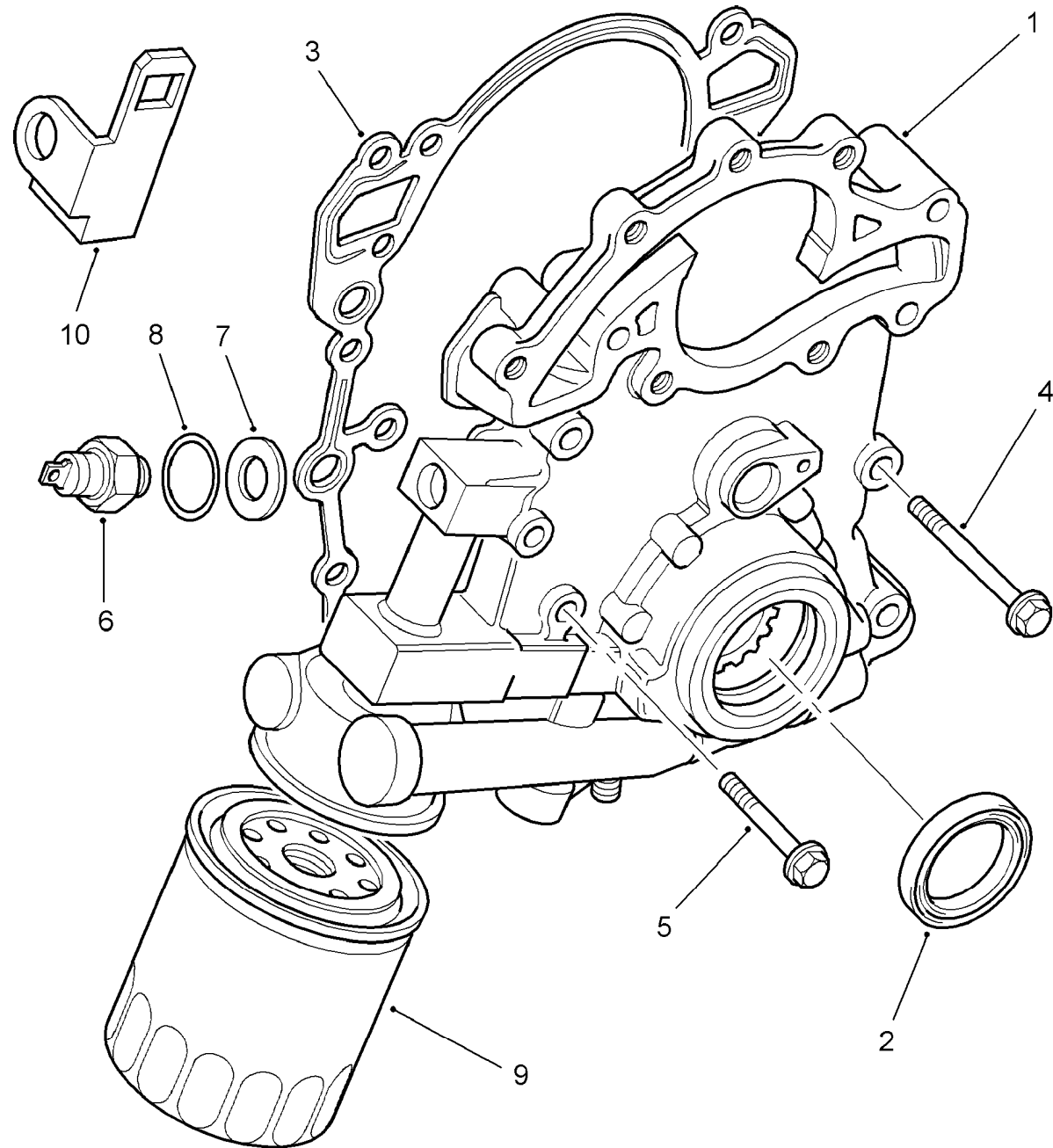
Engine
V8 Petrol - EFi
Front Cover 1/1

Discovery (FA393361-WA799999)
(CDBREA2A)

Discovery (FA393361-WA799999)

Engine
V8 Petrol - EFi
Front Cover

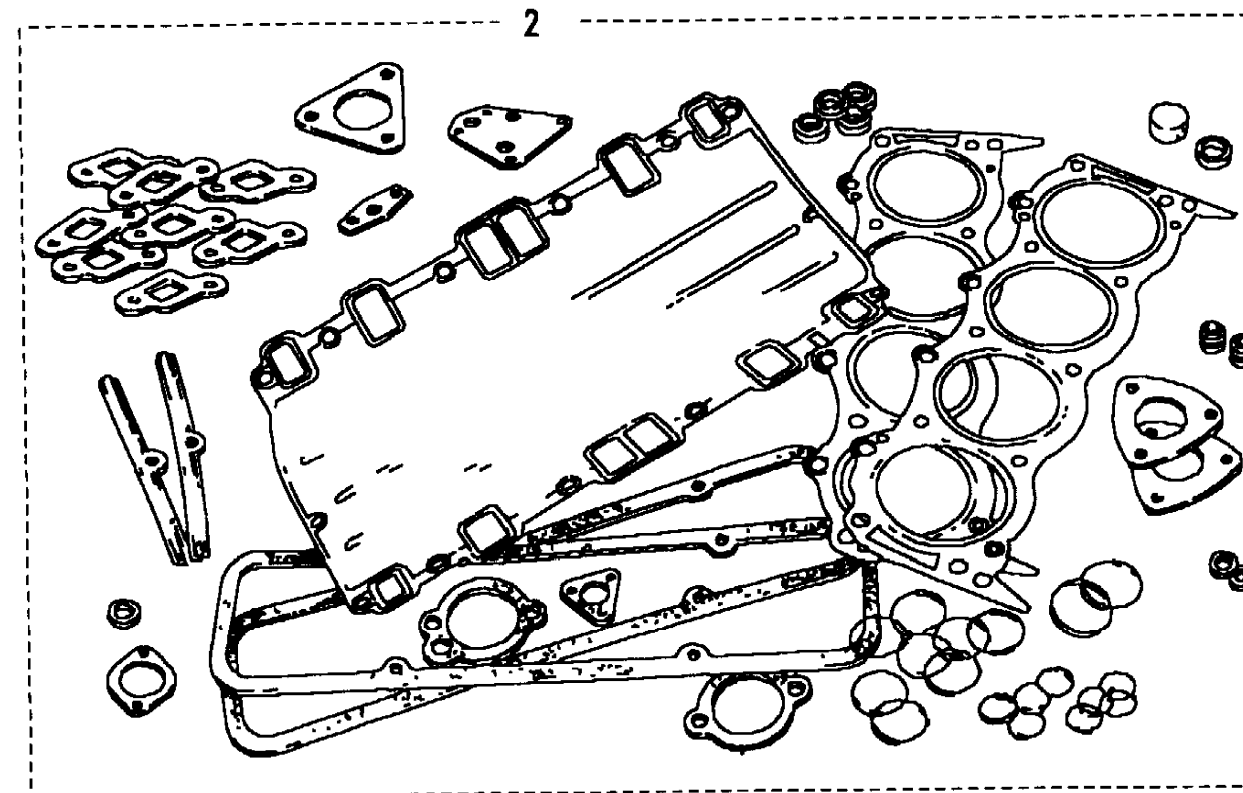
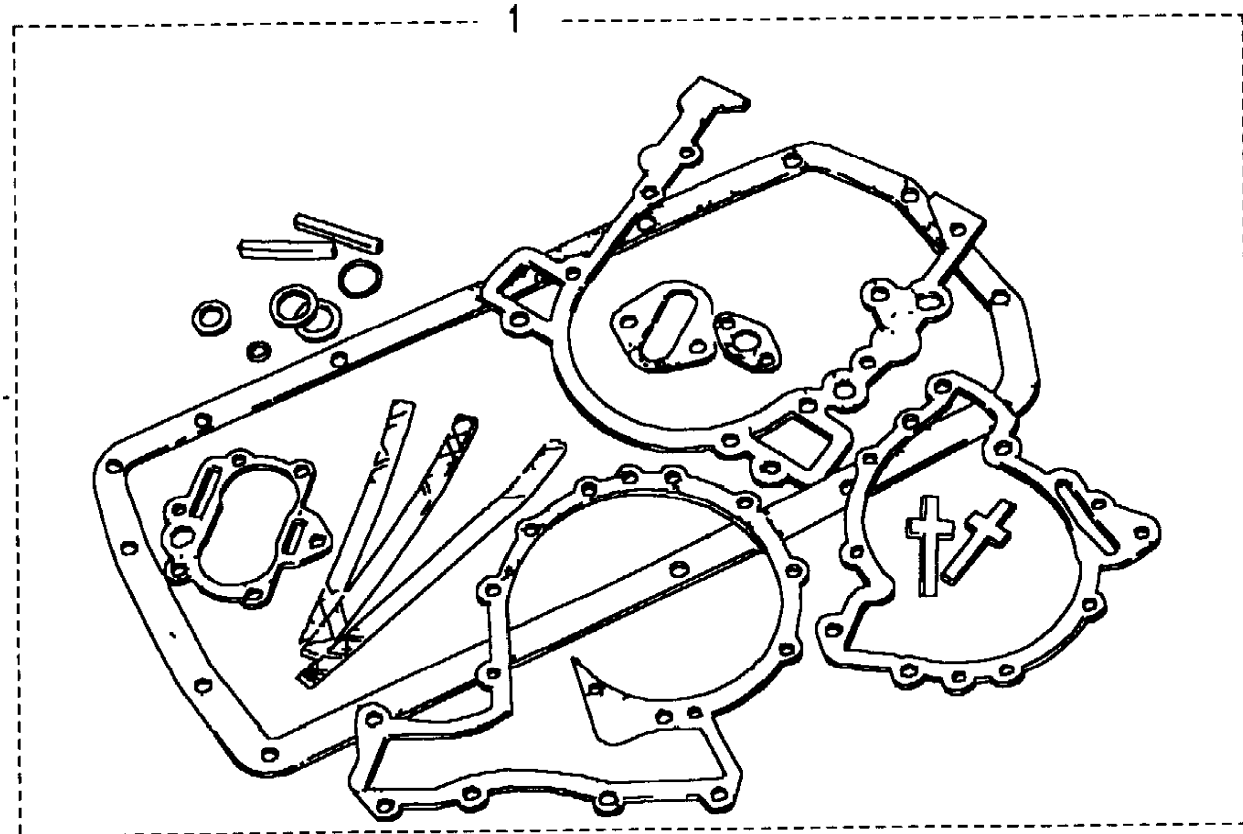
Change point - VIN begin TA163100, Change point - VIN begin TA501920,
(+)"CDN/MEX/USA"



Callout	Name	Application	Remarks & Restrictions	Service No.	Qty
1	Cover-engine	Change point - Engine end 50D06546A Change point - Engine begin 50D06547A		ERR6126 ERR6815	1 1
2	Seal-crankshaft front oil	Change point - Engine end 50D06546A Change point - Engine begin 50D06547A		ERR1632 ERR6490	1 1
3	Gasket - Cylinder Front Cover			ERR4421	1
4	Bolt		2.125MM	FB505171S	5
5	Bolt		3.00MM	FB505241S	4
6	Switch Assy - Oil Pressure			AMR2092	1
7	Washer - Sealing		Replace According To What You Find When Removing Switch	243967	1
8	Washer - Sealing		Replace According To What You Find When Removing Switch	STC3372	1
9	Filter Assy - Oil			ERR3340	1
10	Bracket			ERR6107	1

Engine
V8 Petrol - EFi
Gasket Kit 1/1

Discovery (FA393361-WA799999)
(CABRMA1A)



Discovery (FA393361-WA799999)

Engine
V8 Petrol - EFi
Gasket Kit

V8 EFI Petrol

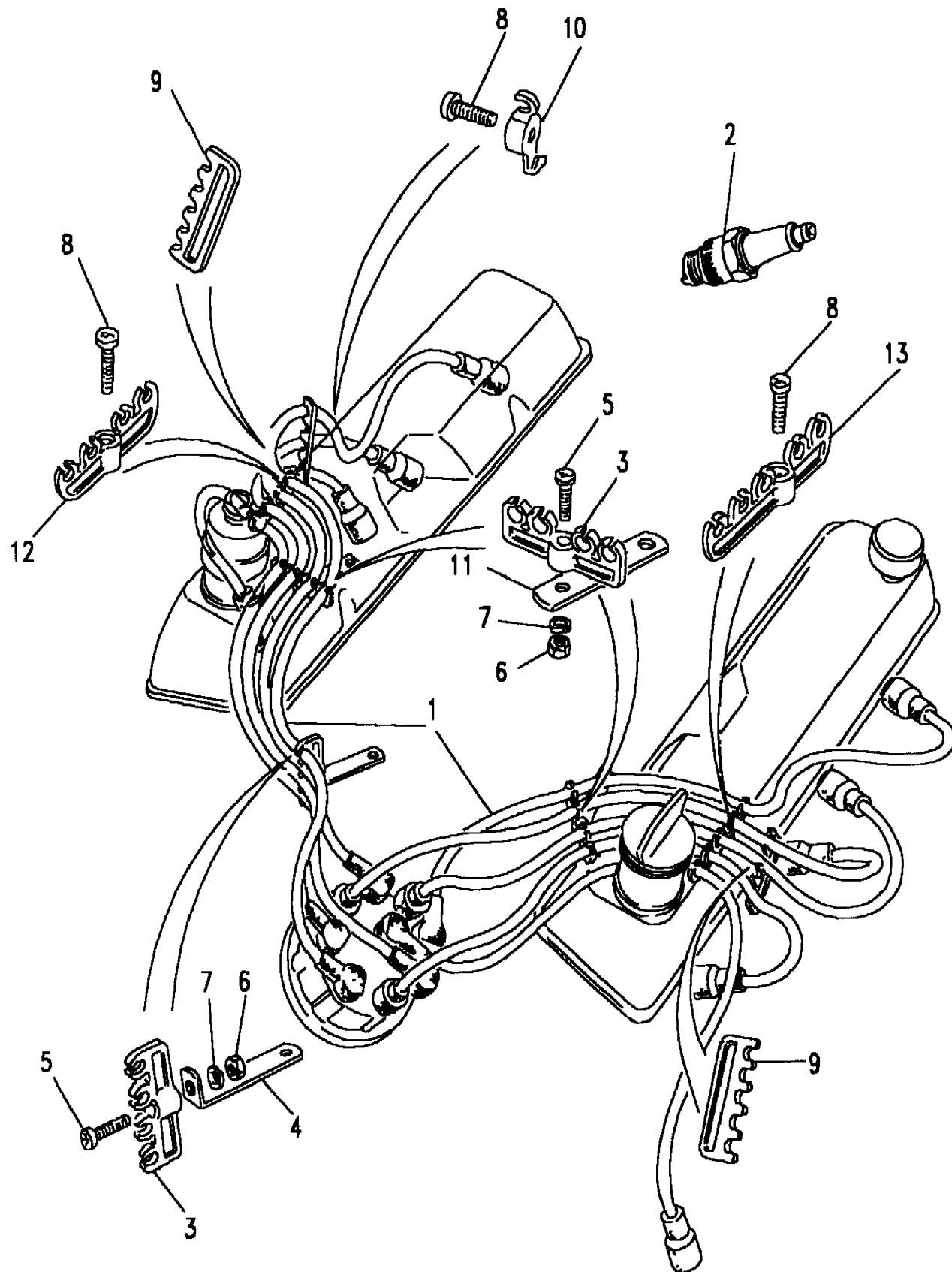
Callout	Name	Application	Remarks & Restrictions	Service No.	Qty
1	Set-engine gasket	Change point - VIN end LA081991, Petrol V8 L/R EFI		RTC3306	1
		Change point - VIN begin MA081992, 3.9L V8 L/R EFI Petrol		STC2823	1
		Change point - VIN begin MA500000, 3.9L V8 L/R EFI Petrol		STC2823	1
2	Set-cylinder head gasket	Change point - VIN end LA081991, Petrol V8 L/R EFI	Asbestos Free	STC1642	1
		Change point - VIN begin MA081992, 3.9L V8 L/R EFI Petrol		STC2822	1
		Change point - VIN begin MA500000, 3.9L V8 L/R EFI Petrol		STC2822	1

Engine
V8 Petrol - EFI
High Tension Leads & Plugs 1/2

Discovery (FA393361-WA799999)
(CABRPA3A)

Discovery (FA393361-WA799999)
V8 EFI Petrol

Engine
V8 Petrol - EFI
High Tension Leads & Plugs



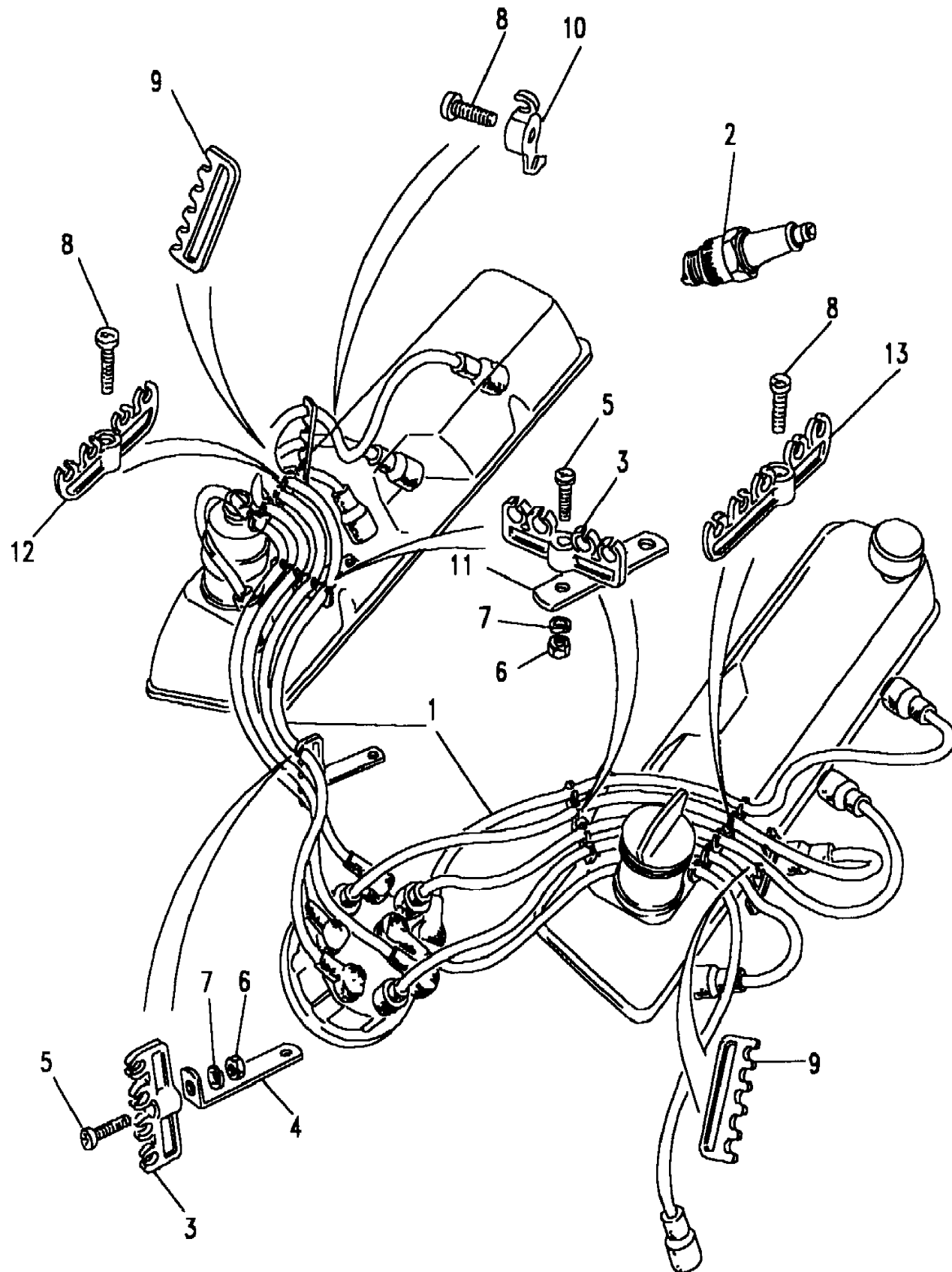
Callout	Name	Application	Remarks & Restrictions	Service No.	Qty
1	Kit-high tension leads ignition	Change point - VIN end LA081990, Petrol V8 L/R EFI	Also serviced as part of a kit, silicone	RTC6551	1
2	Plug-sparking	Petrol V8 L/R EFI Petrol V8 L/R EFI Petrol V8 L/R EFI	N9YC RN12YC RN11YC	RTC3812 ETC7244 ERR3799	8 8 8
3	Clip-spacer-high tension lead ignition	Petrol V8 L/R EFI, Manual Transmission Petrol V8 L/R EFI, Automatic Transmission		603672 603672	3 5
4	Bracket-support-lead ignition	Petrol V8 L/R EFI		ERR395	1
5	Screw	Petrol V8 L/R EFI		SE910161L	3
6	Locknut	Petrol V8 L/R EFI	10x32UNF	NH910011L	3
7	Washer-Spring	Petrol V8 L/R EFI	rectangular, No 10, single coil	WL700101L	3
		Petrol V8 L/R EFI, Automatic Transmission	3/16 dia, Square	WM702001L	1
		Petrol V8 L/R EFI, Automatic Transmission	1/4 dia, Square	WM600041L	3
8	Screw-self tapping AB	Petrol V8 L/R EFI	M8 x 12	AB610041L	4
9	Clip-spacer-high tension lead ignition	Petrol V8 L/R EFI		603673	2
10	Clip-spacer-high tension lead ignition	Petrol V8 L/R EFI		587477L	1
11	Bracket-support-lead ignition	Petrol V8 L/R EFI		ETC6093	2
12	Clip-spacer-high tension lead ignition	Petrol V8 L/R EFI		ETC7971	1
13	Clip-spacer-high tension lead ignition	Petrol V8 L/R EFI		ETC7971	1
[900]	Lead-high tension ignition	Change point - VIN begin MA081991, Petrol V8 L/R EFI Petrol V8 L/R EFI Change point - VIN end LA081990, Petrol V8 L/R EFI Change point - VIN end LA081990, Petrol V8 L/R EFI Change point - VIN end LA081990, Petrol V8 L/R EFI	No8 Also serviced as part of a kit, No1 Also serviced as part of a kit, No3 Also serviced as part of a kit, No5	ERR4128 STC9124 ETC8610 ETC8611 ETC8612	1 1 1 1

Engine
V8 Petrol - EFI
High Tension Leads & Plugs 2/2

Discovery (FA393361-WA799999)
(CABRPA3A)

Discovery (FA393361-WA799999)
V8 EFI Petrol

Engine
V8 Petrol - EFI
High Tension Leads & Plugs



Callout	Name	Application	Remarks & Restrictions	Service No.	Qty		
[900]	Lead-high tension ignition	Change point - VIN end LA081990, Petrol V8 L/R EFI	Also serviced as part of a kit, No2	ETC8613	1		
		Change point - VIN end LA081990, Petrol V8 L/R EFI	Also serviced as part of a kit, No4	ETC8614	1		
		Change point - VIN end LA081990, Petrol V8 L/R EFI	Also serviced as part of a kit, No6	ETC8615	1		
		Change point - VIN end LA081990, Petrol V8 L/R EFI	Also serviced as part of a kit, No8	ETC8616	1		
		Change point - VIN end LA081990, Petrol V8 L/R EFI	Also serviced as part of a kit, No7	ETC8617	1		
		Change point - VIN begin MA081991, Petrol V8 L/R EFI	No1	ERR4121	1		
		Change point - VIN begin MA081991, Petrol V8 L/R EFI	No2	ERR4122	1		
		Change point - VIN begin MA081991, Petrol V8 L/R EFI	No3	ERR4123	1		
		Change point - VIN begin MA081991, Petrol V8 L/R EFI	No4	ERR4124	1		
		Change point - VIN begin MA081991, Petrol V8 L/R EFI	No5	ERR4125	1		
		Change point - VIN begin MA081991, Petrol V8 L/R EFI	No6	ERR4126	1		
		Change point - VIN begin MA081991, Petrol V8 L/R EFI	No7	ERR4127	1		
		[901]	Lead-king ignition	Change point - VIN begin MA081991, Petrol V8 L/R EFI		ERR4129	1
				Change point - VIN begin MA081991, Petrol V8 L/R EFI		STC8656	1
Change point - VIN end LA081990, Petrol V8 L/R EFI	Also serviced as part of a kit			ETC8618	1		
[902]	Grommet	Petrol V8 L/R EFI	Rubber, 17/64" hole	6860L	1		
[903]	Clip-p	Petrol V8 L/R EFI	3/4"	AEU1446	1		
[904]	Nut - Hex.	Petrol V8 L/R EFI, Automatic Transmission	hexagonal head, 1/4UNC x 1	NH504041L	1		

Engine
V8 Petrol - EFi
Ignition Coil 1/1

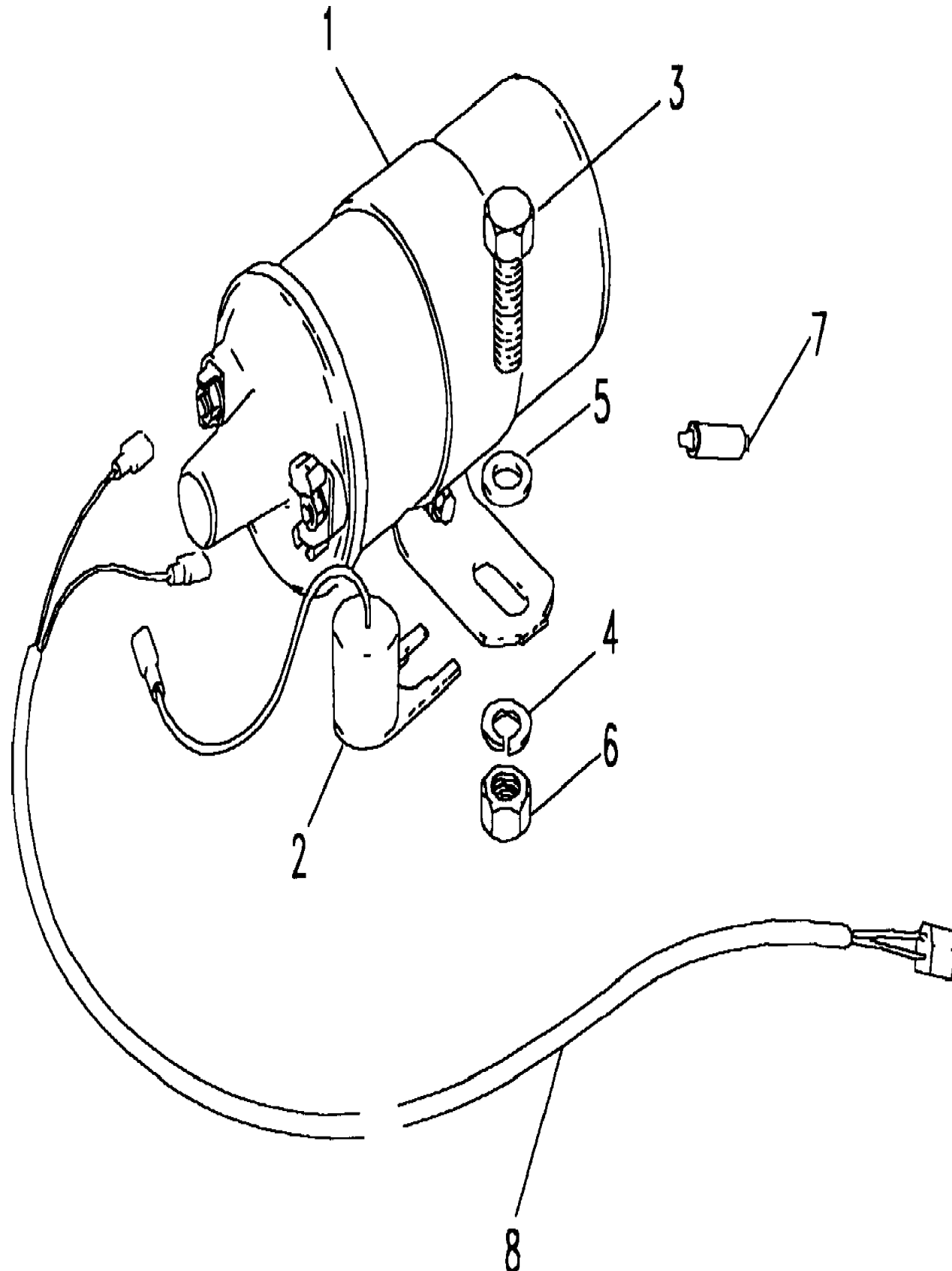
Discovery (FA393361-WA799999)
(CABRPA2A)

Discovery (FA393361-WA799999)

Engine
V8 Petrol - EFi
Ignition Coil

V8 EFI Petrol

Callout	Name	Application	Remarks & Restrictions	Service No.	Qty
1	Coil Ignition	Petrol V8 L/R EFi Petrol V8 L/R EFi	Lucas Bosch	RTC5628 PRC6574	1 1
2	Capacitor ignition coil	Change point - VIN end KA039066, Petrol V8 L/R EFi, (-)"CDN/MEX/USA" Change point - VIN begin KA039067, Petrol V8 L/R EFi		PRC1360 ADU7242L	1 1
3	Bolt-flanged head	Petrol V8 L/R EFi		FB108061L	2
4	Washer	Petrol V8 L/R EFi	M8, sprung	WL108001L	2
5	Washer	Petrol V8 L/R EFi	8MM	WA108051L	2
6	Nut - Hex.	Petrol V8 L/R EFi	M8, flange	FN108041L	2
7	Resistor Assy	Petrol V8 L/R EFi		DRC1752L	1
8	Harness-link-low tension ignition coil	Petrol V8 L/R EFi	2 Pin	PRC6144	1
[901]	Harness earth bond	Petrol V8 L/R EFi		PRC4628	1
[902]	Tie-cable	Petrol V8 L/R EFi	4.8 x 270mm, inside serated	568680	1



Engine
V8 Petrol - EFi
Ignition Coil And Wires/Spark Plugs 1/1 (CDBRPA4A)

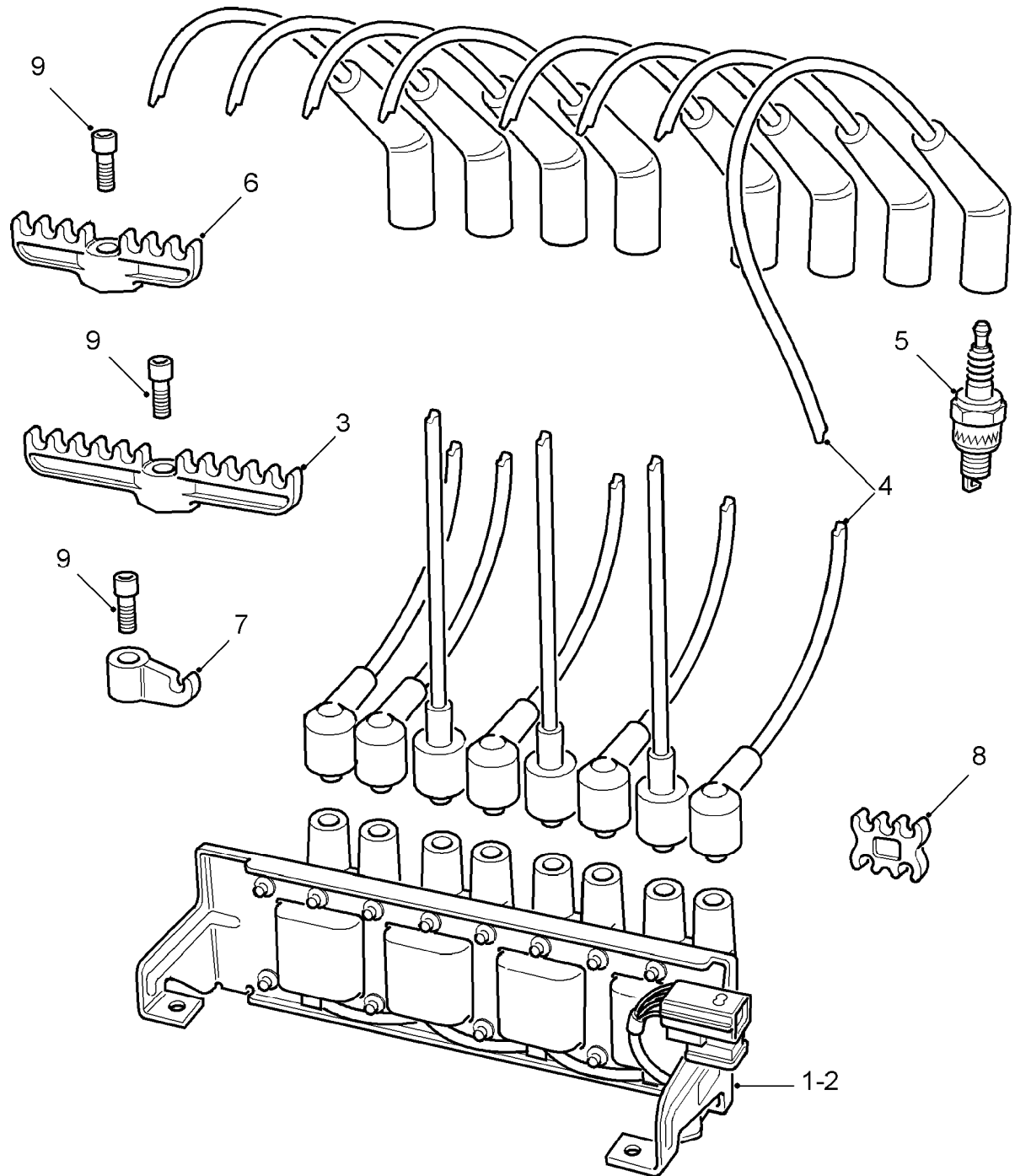
Discovery (FA393361-WA799999)

Discovery (FA393361-WA799999)

Engine
V8 Petrol - EFi
Ignition Coil And Wires/Spark Plugs

Change point - VIN begin TA163100, Change point - VIN begin TA501920, 3.9/4.0 V8 Petrol Efi, (+)"CDN/MEX/USA"

Callout	Name	Application	Remarks & Restrictions	Service No.	Qty
1	Coil Assy - Ignition	Change point - Engine end 50D008662A	9.35:1	ERR4493	1
		Change point - Engine begin 50D008663A	9.35:1	ERR6269	1
2	Bracket - Ignition Coil	Change point - Engine end 50D008662A	9.35:1	ERR2970	1
		Change point - Engine begin 50D008663A	9.35:1	ERR6270	1
3	Retainer		9.35:1	YYC10017	1
4	Wire Assy - Ignition	No1, 9.35:1		ERR4409	1
		No2, 9.35:1		ERR4410	1
		No3, 9.35:1		ERR4411	1
		No4, 9.35:1		ERR4412	1
		No5, 9.35:1		ERR4413	1
		No6, 9.35:1		ERR4414	1
		No7, 9.35:1		ERR4415	1
		No8, 9.35:1		ERR4416	1
5	Spark Plug		9.35:1, RN11YCC	ERR3799	8
6	Retainer		9.35:1	603672	6
7	Retainer		9.35:1	587477	2
8	Retainer		9.35:1	ADU7828L	5
9	Screw		M10 X 1.5, 9.35:1	AB610041L	4



G05.116
11-2002
L4
CDBRPA4A

Engine
V8 Petrol - EFI
Injectors & Pipes 1/5

Discovery (FA393361-WA799999)

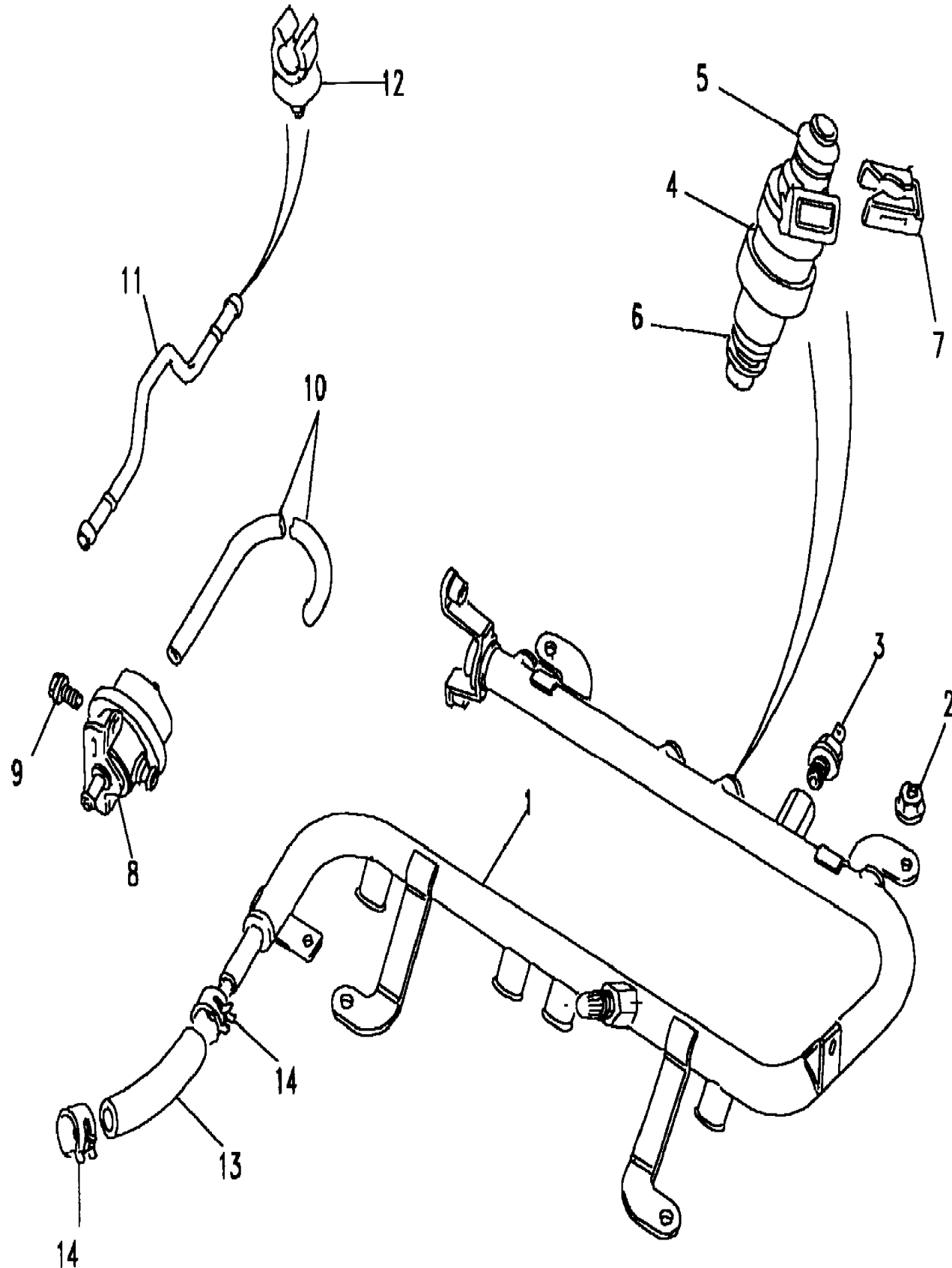
(CABRJA2A)

Discovery (FA393361-WA799999)

Engine
V8 Petrol - EFI
Injectors & Pipes

Change point - VIN begin MA081992, V8 EFI Petrol

Callout	Name	Application	Remarks & Restrictions	Service No.	Qty
1	Rail assembly-multi point injection fuel distribution	Change point - VIN begin MA081991, Change point - VIN end TA199999, 3.9L V8 L/R EFI Petrol		ERR4937	1
		Change point - VIN begin MA500000, Change point - VIN end TA534104, 3.9L V8 L/R EFI Petrol		ERR4937	1
		Change point - VIN begin TA700000, Change point - VIN end TA703236, 3.9L V8 L/R EFI Petrol		ERR4937	1
		Change point - VIN begin VA534104, Change point - VIN end VA558898, 3.9L V8 L/R EFI Petrol		ERR6184	1
		Change point - VIN begin VA703237, 3.9L V8 L/R EFI Petrol		ERR6184	1
		Change point - VIN begin MA081991, Change point - VIN end TA199999, 3.9L V8 L/R EFI Petrol		ERR4937	1
2	Nut-flange	Change point - VIN begin MA081991, Change point - VIN end TA199999, 3.9L V8 L/R EFI Petrol	fuel rail to manifold, M6	FN106047L	4
		Change point - VIN begin MA500000, Change point - VIN end TA534104, 3.9L V8 L/R EFI Petrol	fuel rail to manifold, M6	FN106047L	4
		Change point - VIN begin TA700000, Change point - VIN end TA703236, 3.9L V8 L/R EFI Petrol	fuel rail to manifold, M6	FN106047L	4
		Change point - VIN begin VA534104, Change point - VIN end VA558898, 3.9L V8 L/R EFI Petrol	fuel rail to manifold, M6	FN106047L	4
3	Sensor-fuel temperature multi point injection/tbi	Change point - VIN begin MA081991, Change point - VIN end TA199999, 3.9L V8 L/R EFI Petrol		ETC6661	1
		Change point - VIN begin MA500000, Change point - VIN end TA534104, 3.9L V8 L/R EFI Petrol		ETC6661	1
		Change point - VIN begin TA700000, Change point - VIN end TA703236, 3.9L V8 L/R EFI Petrol		ETC6661	1
		Change point - VIN begin VA534104, Change point - VIN end VA558898, 3.9L V8 L/R EFI Petrol		ETC6661	1
		Change point - VIN begin VA703237, 3.9L V8 L/R EFI Petrol		ETC6661	1



Engine
V8 Petrol - EFI
Injectors & Pipes 2/5

Discovery (FA393361-WA799999)

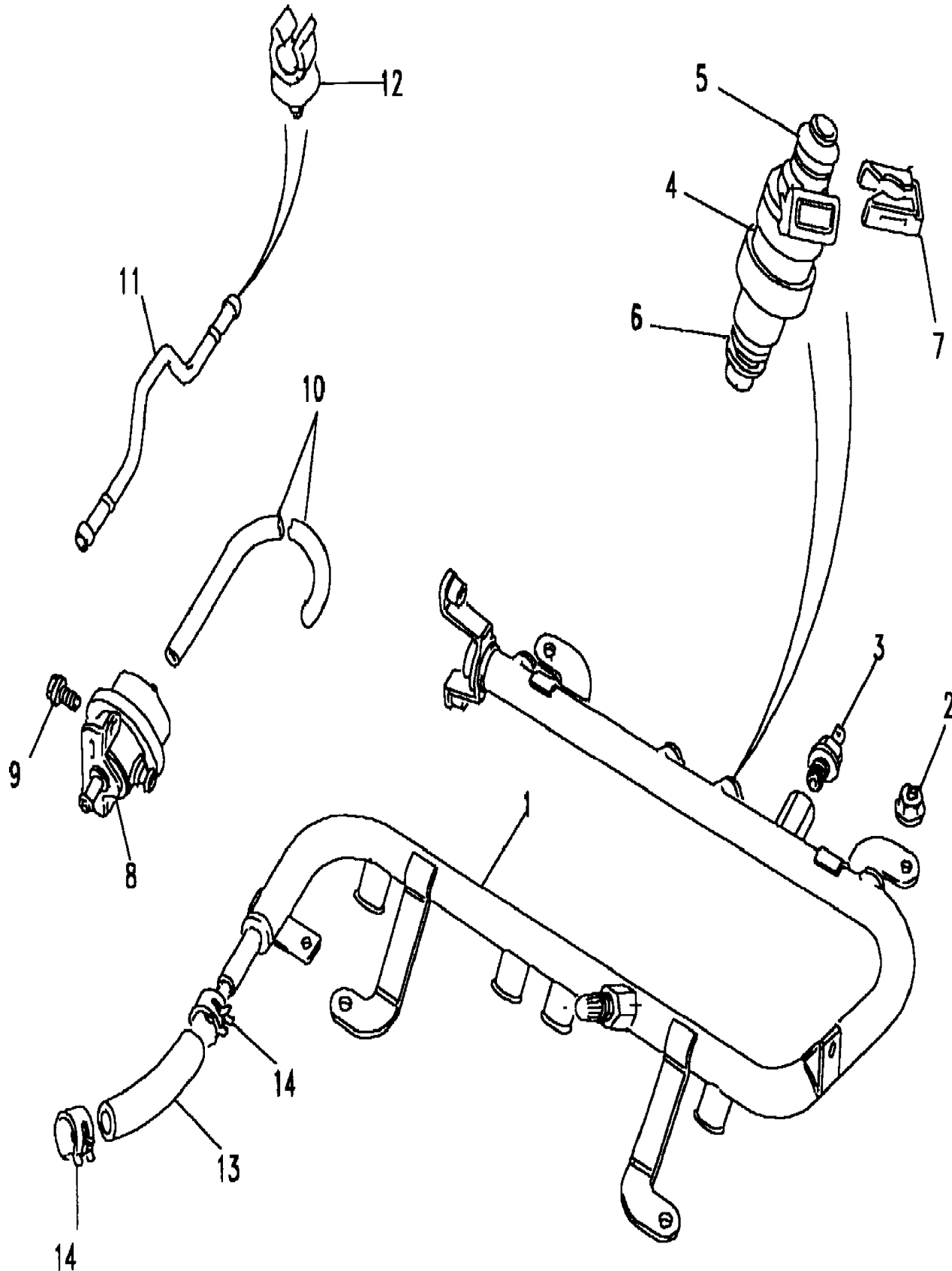
(CABRJA2A)

Discovery (FA393361-WA799999)

Engine
V8 Petrol - EFI
Injectors & Pipes

Change point - VIN begin MA081992, V8 EFI Petrol

Callout	Name	Application	Remarks & Restrictions	Service No.	Qty		
4	Injector-fuel multi point injection	Change point - VIN begin MA081991, Change point - VIN end TA199999, 3.9L V8 L/R EFI Petrol	Also serviced as part of a kit	ERR722	8		
		Change point - VIN begin MA500000, Change point - VIN end TA534104, 3.9L V8 L/R EFI Petrol	Also serviced as part of a kit	ERR722	8		
		Change point - VIN begin TA700000, Change point - VIN end TA703236, 3.9L V8 L/R EFI Petrol	Also serviced as part of a kit	ERR722	8		
		Change point - VIN begin VA534104, Change point - VIN end VA558898, 3.9L V8 L/R EFI Petrol	Also serviced as part of a kit	ERR722	8		
		Change point - VIN begin VA703237, 3.9L V8 L/R EFI Petrol	Also serviced as part of a kit	ERR722	8		
5	O Ring	Change point - VIN begin MA081991, Change point - VIN end TA199999, 3.9L V8 L/R EFI Petrol	Also serviced as part of a kit, Small	BAU5325L	16		
		Change point - VIN begin MA500000, Change point - VIN end TA534104, 3.9L V8 L/R EFI Petrol	Also serviced as part of a kit, Small	BAU5325L	16		
		Change point - VIN begin TA700000, Change point - VIN end TA703236, 3.9L V8 L/R EFI Petrol	Also serviced as part of a kit, Small	BAU5325L	16		
		Change point - VIN begin MA081991, Change point - VIN end TA199999, 3.9L V8 L/R EFI Petrol	Also serviced as part of a kit, Small	RTC5679	16		
		Change point - VIN begin MA500000, Change point - VIN end TA534104, 3.9L V8 L/R EFI Petrol	Also serviced as part of a kit, Small	RTC5679	16		
		Change point - VIN begin TA700000, Change point - VIN end TA703236, 3.9L V8 L/R EFI Petrol	Also serviced as part of a kit, Small	RTC5679	16		
		Change point - VIN begin VA534104, Change point - VIN end VA558898, 3.9L V8 L/R EFI Petrol	Also serviced as part of a kit, Small	BAU5325L	16		
		Change point - VIN begin VA703237, 3.9L V8 L/R EFI Petrol	Also serviced as part of a kit, Small	BAU5325L	16		
6	O Ring	Petrol V8 L/R EFI	Also serviced as part of a kit, Centre, Large	EAC2414L	8		
		Change point - VIN begin VA534104, Change point - VIN end VA558898, 3.9L V8 L/R EFI Petrol	Also serviced as part of a kit, Small	RTC5679	16		
		Change point - VIN begin VA703237, 3.9L V8 L/R EFI Petrol	Also serviced as part of a kit, Small	RTC5679	16		



Engine
V8 Petrol - EFI
Injectors & Pipes 3/5

Discovery (FA393361-WA799999)

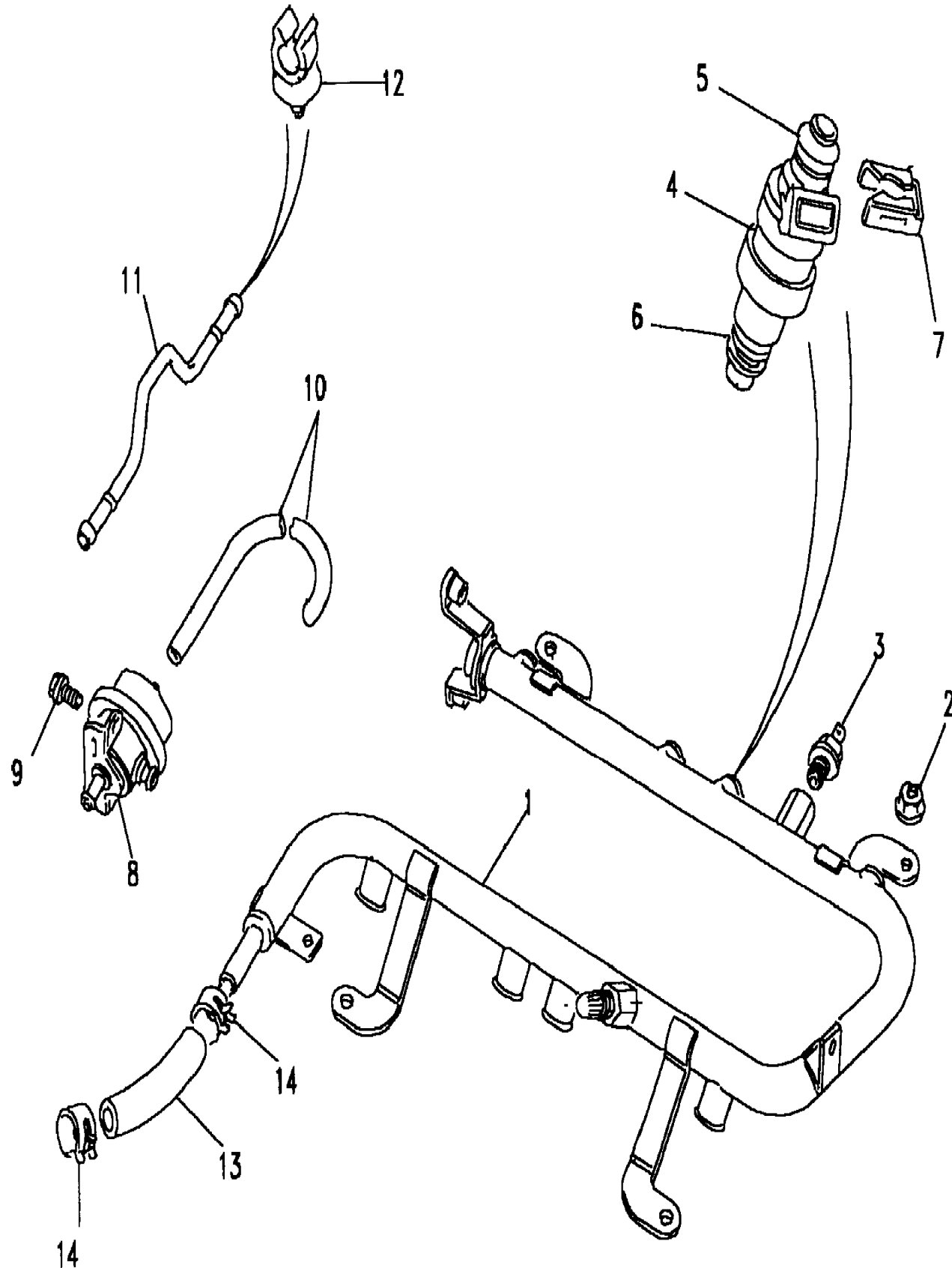
(CABRJA2A)

Discovery (FA393361-WA799999)

Engine
V8 Petrol - EFI
Injectors & Pipes

Change point - VIN begin MA081992, V8 EFI Petrol

Callout	Name	Application	Remarks & Restrictions	Service No.	Qty
7	Clip-fuel injector multi point injection	Change point - VIN begin MA081991, Change point - VIN end TA199999, 3.9L V8 L/R EFI Petrol		ETC6375	8
		Change point - VIN begin MA500000, Change point - VIN end TA534104, 3.9L V8 L/R EFI Petrol		ETC6375	8
		Change point - VIN begin TA700000, Change point - VIN end TA703236, 3.9L V8 L/R EFI Petrol		ETC6375	8
		Change point - VIN begin VA534104, Change point - VIN end VA558898, 3.9L V8 L/R EFI Petrol		ETC6375	8
		Change point - VIN begin VA703237, 3.9L V8 L/R EFI Petrol		ETC6375	8
		8	Regulator-fuel pressure	Change point - VIN begin MA081991, Change point - VIN end TA199999, 3.9L V8 L/R EFI Petrol	
Change point - VIN begin MA500000, Change point - VIN end TA534104, 3.9L V8 L/R EFI Petrol				ETC8494	1
Change point - VIN begin TA700000, Change point - VIN end TA703236, 3.9L V8 L/R EFI Petrol				ETC8494	1
Change point - VIN begin VA534104, Change point - VIN end VA558898, 3.9L V8 L/R EFI Petrol				ERR6185	1
Change point - VIN begin VA703237, 3.9L V8 L/R EFI Petrol				ERR6185	1
9	Screw-flanged head			Change point - VIN begin MA081991, Change point - VIN end TA199999, 3.9L V8 L/R EFI Petrol	fuel pressure regulator to fuel rail, M6 X 12
		Change point - VIN begin MA500000, Change point - VIN end TA534104, 3.9L V8 L/R EFI Petrol	fuel pressure regulator to fuel rail, M6 X 12	FS106127L	2
		Change point - VIN begin TA700000, Change point - VIN end TA703236, 3.9L V8 L/R EFI Petrol	fuel pressure regulator to fuel rail, M6 X 12	FS106127L	2
		Change point - VIN begin VA534104, Change point - VIN end VA558898, 3.9L V8 L/R EFI Petrol	fuel pressure regulator to fuel rail, M6 X 12	FS106127L	2
		Change point - VIN begin VA703237, 3.9L V8 L/R EFI Petrol	fuel pressure regulator to fuel rail, M6 X 12	FS106127L	2



Engine
V8 Petrol - EFI
Injectors & Pipes 4/5

Discovery (FA393361-WA799999)

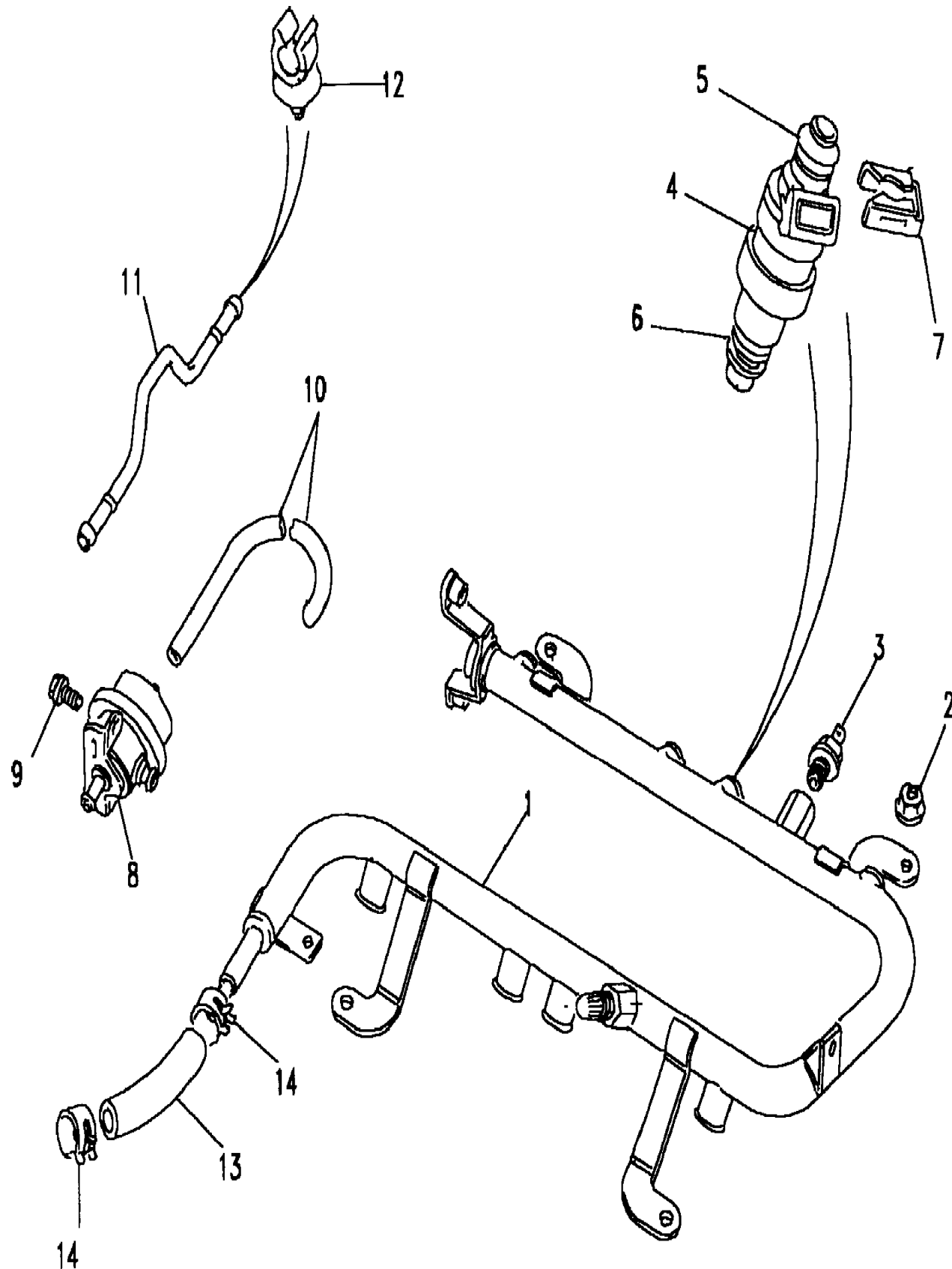
(CABRJA2A)

Discovery (FA393361-WA799999)

Engine
V8 Petrol - EFI
Injectors & Pipes

Change point - VIN begin MA081992, V8 EFI Petrol

Callout	Name	Application	Remarks & Restrictions	Service No.	Qty
10	Hose vacuum..	Change point - VIN begin VA534104, Change point - VIN end VA558898, 3.9L V8 L/R EFI Petrol	cut to length required, 6"	ETC7313	X
		Change point - VIN begin VA703237, 3.9L V8 L/R EFI Petrol	cut to length required, 6"	ETC7313	X
		Change point - VIN begin MA081991, Change point - VIN end TA199999, 3.9L V8 L/R EFI Petrol	cut to length required, 6"	ETC7313	X
		Change point - VIN begin MA500000, Change point - VIN end TA534104, 3.9L V8 L/R EFI Petrol	cut to length required, 6"	ETC7313	X
		Change point - VIN begin TA700000, Change point - VIN end TA703236, 3.9L V8 L/R EFI Petrol	cut to length required, 6"	ETC7313	X
		Change point - VIN begin TA163100, (+)"CDN/MEX/USA"	cut to length required, 6"	ETC7305	1
		11	Pipe-spill return fuel injection	Change point - VIN begin VA534104, Change point - VIN end VA558898, 3.9L V8 L/R EFI Petrol	Also serviced as part of a kit
Change point - VIN begin VA703237, 3.9L V8 L/R EFI Petrol	Also serviced as part of a kit			ERR6186	1
Change point - VIN begin MA081991, Change point - VIN end TA199999, 3.9L V8 L/R EFI Petrol				ERR4541	1
Change point - VIN begin MA500000, Change point - VIN end TA534104, 3.9L V8 L/R EFI Petrol				ERR4541	1
Change point - VIN begin TA700000, Change point - VIN end TA703236, 3.9L V8 L/R EFI Petrol				ERR4541	1
12	Clip	Change point - VIN begin VA534104, Change point - VIN end VA558898, 3.9L V8 L/R EFI Petrol		MXC1848	2
		Change point - VIN begin VA703237, 3.9L V8 L/R EFI Petrol		MXC1848	2
		Change point - VIN begin MA081991, Change point - VIN end TA199999, 3.9L V8 L/R EFI Petrol		MXC1848	2
		Change point - VIN begin MA500000, Change point - VIN end TA534104, 3.9L V8 L/R EFI Petrol		MXC1848	2
		Change point - VIN begin TA700000, Change point - VIN end TA703236, 3.9L V8 L/R EFI Petrol		MXC1848	2



Engine
V8 Petrol - EFI
Injectors & Pipes 5/5

Discovery (FA393361-WA799999)

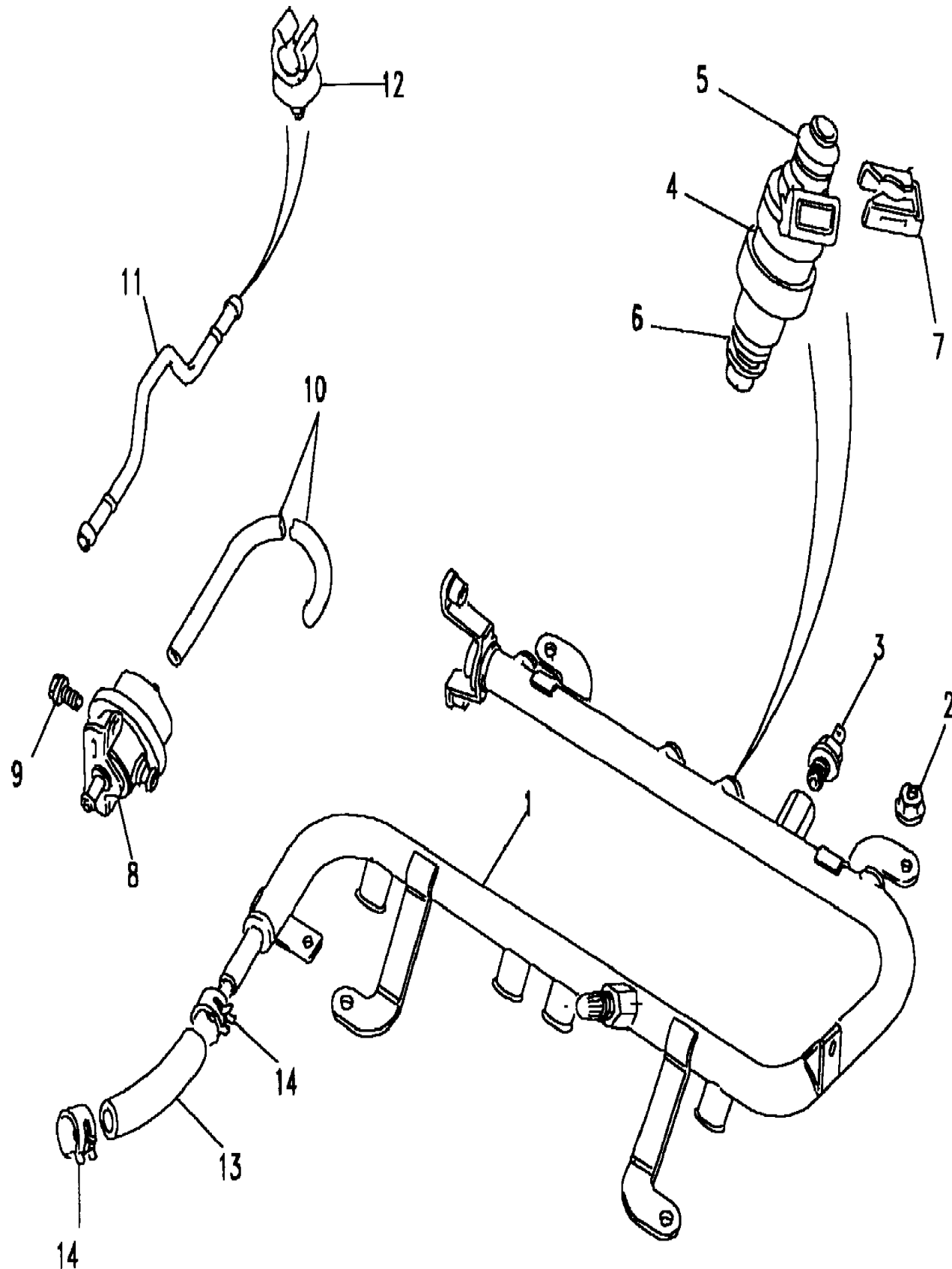
(CABRJA2A)

Discovery (FA393361-WA799999)

Engine
V8 Petrol - EFI
Injectors & Pipes

Change point - VIN begin MA081992, V8 EFI Petrol

Callout	Name	Application	Remarks & Restrictions	Service No.	Qty
13	Hose-return fuel	Change point - VIN begin VA534104, Change point - VIN end VA558898, 3.9L V8 L/R EFI Petrol		ERR2966	1
		Change point - VIN begin VA703237, 3.9L V8 L/R EFI Petrol		ERR2966	1
		Change point - VIN begin MA081991, Change point - VIN end TA199999, 3.9L V8 L/R EFI Petrol		ERR2966	1
		Change point - VIN begin MA500000, Change point - VIN end TA534104, 3.9L V8 L/R EFI Petrol		ERR2966	1
		Change point - VIN begin TA700000, Change point - VIN end TA703236, 3.9L V8 L/R EFI Petrol		ERR2966	1
14	Clamp-hose fuel lines	Change point - VIN begin VA534104, Change point - VIN end VA558898, 3.9L V8 L/R EFI Petrol		WJM10006L	2
		Change point - VIN begin VA703237, 3.9L V8 L/R EFI Petrol		WJM10006L	2
		Change point - VIN begin MA081991, Change point - VIN end TA199999, 3.9L V8 L/R EFI Petrol		WJM10006L	2
		Change point - VIN begin MA500000, Change point - VIN end TA534104, 3.9L V8 L/R EFI Petrol		WJM10006L	2
		Change point - VIN begin TA700000, Change point - VIN end TA703236, 3.9L V8 L/R EFI Petrol		WJM10006L	2
[900]	O Ring	Change point - VIN begin VA534104, Change point - VIN end VA558898, 3.9L V8 L/R EFI Petrol	Also serviced as part of a kit	ERR6187	2
		Change point - VIN begin VA703237, 3.9L V8 L/R EFI Petrol	Also serviced as part of a kit	ERR6187	2



Engine
V8 Petrol - EFI
Injectors & Pipes 1/1

Discovery (FA393361-WA799999)

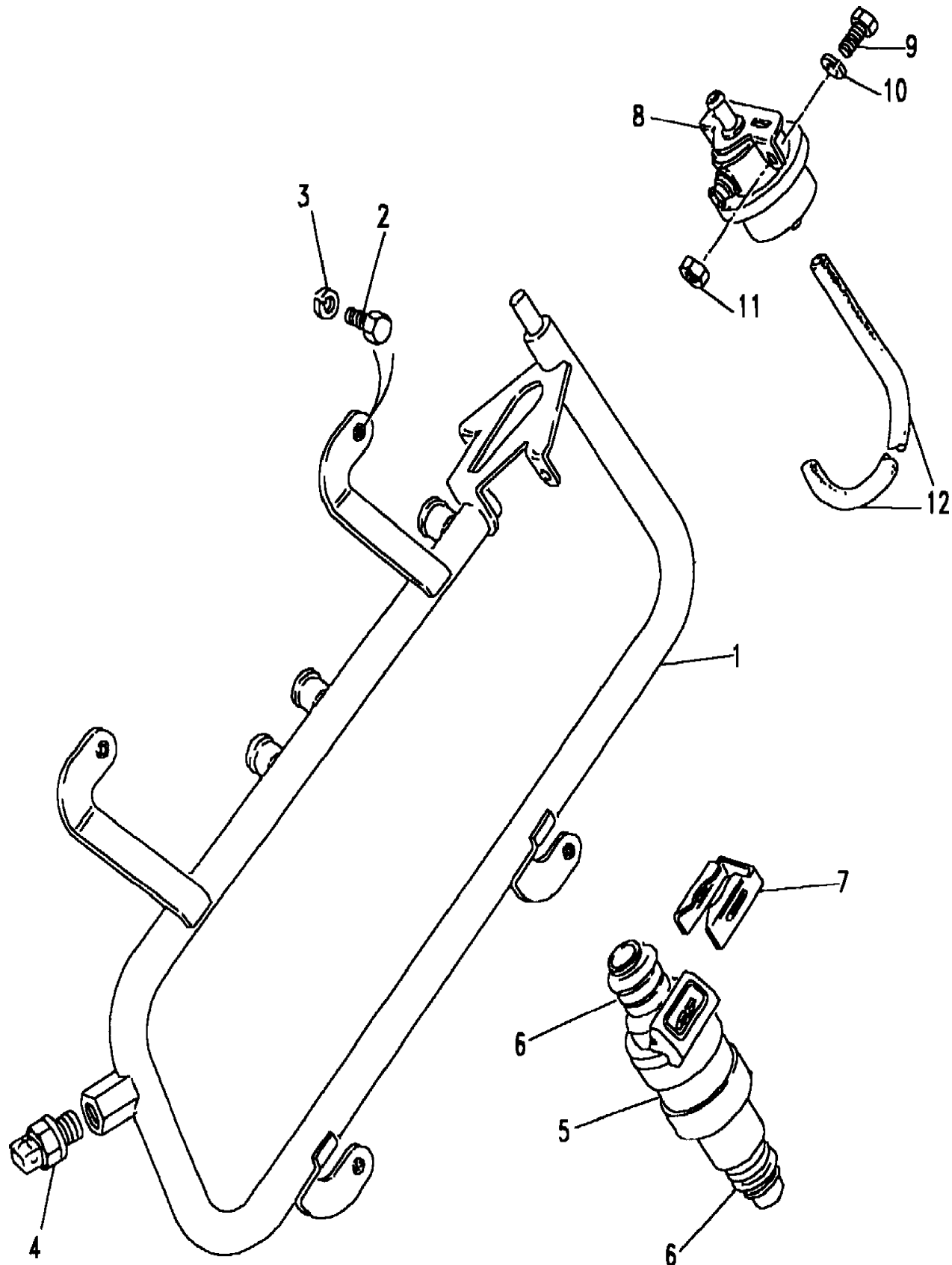
(CABRJA1A)

Discovery (FA393361-WA799999)

Engine
V8 Petrol - EFI
Injectors & Pipes

Change point - VIN end LA081991, V8 EFI Petrol

Callout	Name	Application	Remarks & Restrictions	Service No.	Qty
1	Rail assembly-multi point injection fuel distribution	Change point - VIN end LA081990, Petrol V8 L/R EFI		ETC6913	1
2	Screw	Change point - VIN end LA081990, Petrol V8 L/R EFI	fuel rail to manifold, Flanged Head, 1/4UNC x 1/2	FS504047	3
3	Washer-Spring	Change point - VIN end LA081990, Petrol V8 L/R EFI	fuel rail to manifold, 1/4 dia, Square	WM600041L	5
4	Sensor-fuel temperature multi point injection/tbi	Change point - VIN end LA081990, Petrol V8 L/R EFI	fuel rail to manifold	ETC6661	1
5	Injector-fuel multi point injection	Change point - VIN end LA081990, Petrol V8 L/R EFI	Also serviced as part of a kit	ERR722	8
6	O Ring	Change point - VIN end LA081990, Petrol V8 L/R EFI	Also serviced as part of a kit, Small	BAU5325L	16
		Change point - VIN end LA081990, Petrol V8 L/R EFI	Also serviced as part of a kit, Small	RTC5679	16
		Petrol V8 L/R EFI	Also serviced as part of a kit, Centre, Large	EAC2414L	8
7	Clip-fuel injector multi point injection	Change point - VIN end LA081990, Petrol V8 L/R EFI		ETC6375	8
8	Regulator-fuel pressure	Change point - VIN end LA081990, Petrol V8 L/R EFI		ETC8494	1
9	Screw	Change point - VIN end LA081990, Petrol V8 L/R EFI	regulator assembly, hexagonal head, 1/4UNF x 1/2	SH604041L	2
10	Washer	Change point - VIN end LA081990, Petrol V8 L/R EFI	6MM	WA106041L	2
11	Nut - Hex.	Change point - VIN end LA081990, Petrol V8 L/R EFI	hexagonal head, Coarse Thread, 1/4UNF	NH604041L	2
12	Hose vacuum..	Change point - VIN end LA081990, Petrol V8 L/R EFI	cut to length required, 6"	ETC7313	X



Engine
V8 Petrol - EFI
Inlet Manifold 1/3

Discovery (FA393361-WA799999)

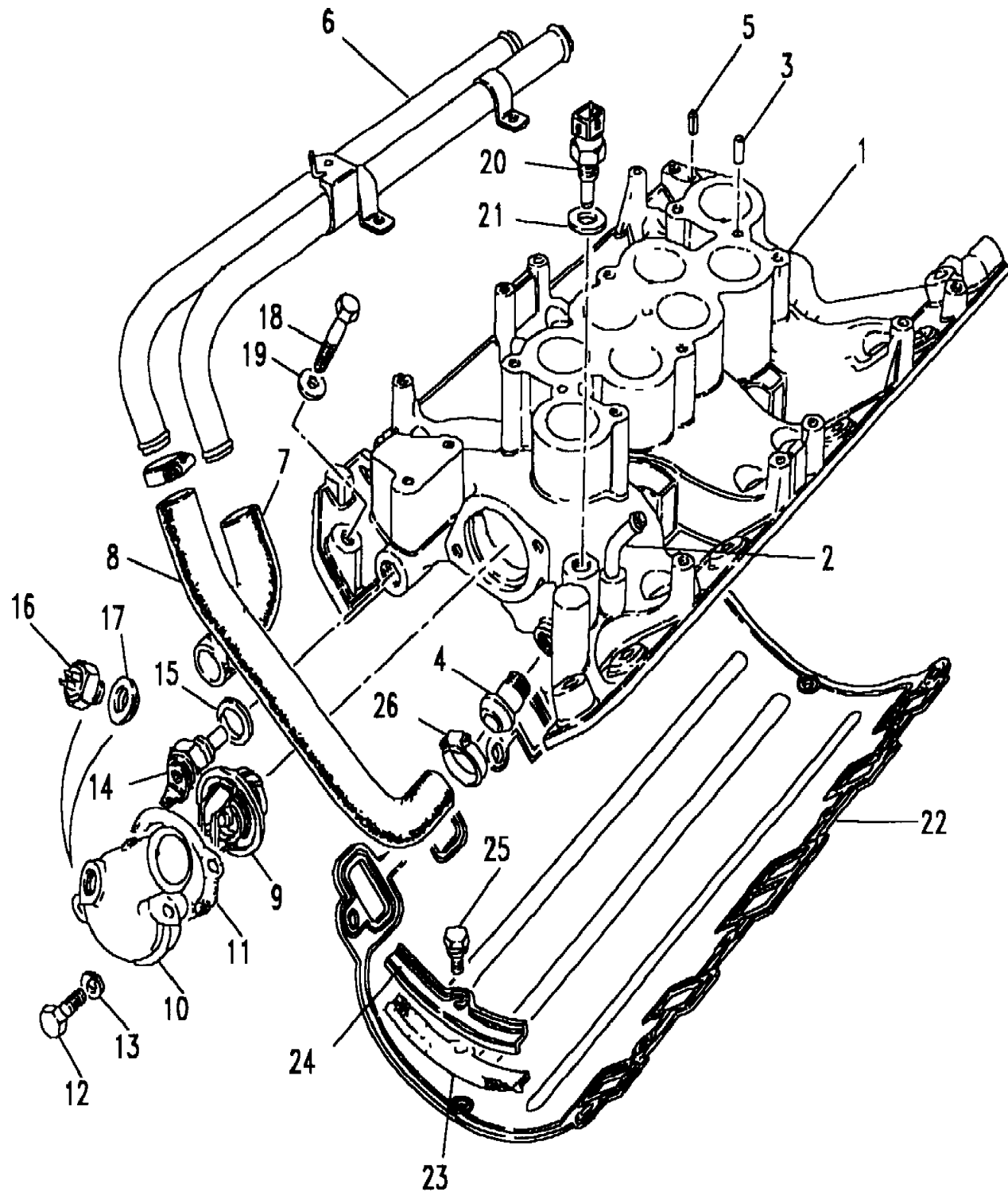
(CABRHA1A)

Discovery (FA393361-WA799999)

Engine
V8 Petrol - EFI
Inlet Manifold

Petrol V8 L/R EFI

Callout	Name	Application	Remarks & Restrictions	Service No.	Qty
1	Manifold-engine inlet	Change point - VIN end LA081990	Also serviced as part of a kit	ETC6444	1
		Change point - VIN begin MA081991	Also serviced as part of a kit	ERR4892	1
2	Pipe-outlet stub	Change point - VIN begin MA081991	Also serviced as part of a kit	ETC6503	1
3	Dowel	Change point - VIN begin MA081991	4000 cc, 4600 cc, Also serviced as part of a kit	602201	2
4	Adaptor-inlet manifold bypass	Change point - VIN begin MA081991	4000 cc, 4600 cc, Also serviced as part of a kit	ETC6547	1
5	Pin-Spring	Change point - VIN begin MA081991	4000 cc, 4600 cc, Also serviced as part of a kit	603428	1
6	Pipe assembly-heater feed	Change point - VIN end LA081990	4000 cc, 4600 cc	ERR319	1
		Change point - VIN begin MA081991	4000 cc, 4600 cc	ERR4635	1
		Change point - VIN begin MA104739	4000 cc, 4600 cc	ERR5473	1
7	Hose-heater to pump coolant	Change point - VIN end MA104738	4000 cc, 4600 cc	ETC6889	1
		Change point - VIN begin MA104739	4000 cc, 4600 cc	ERR5238	1
			4000 cc, 4600 cc	PEH101170	1
8	Hose-heater to inlet manifold coolant	Change point - VIN end MA104738	4000 cc, 4600 cc	ETC6890	1
9	Thermostat-engine		4000 cc, 4600 cc, 88 °C	ETC4765	1
10	Elbow-engine coolant outlet	Less Air Conditioning	4000 cc, 4600 cc	ETC4596	1
		With Air Conditioning	4000 cc, 4600 cc	ETC6135	1
11	Gasket-coolant outlet elbow		4000 cc, 4600 cc	ERR2429	1
12	Screw-flanged head		4000 cc, 4600 cc, 5/16UNC x 7/8	FS505077	2
13	Washer-Spring		4000 cc, 4600 cc, Also serviced as part of a kit, 5/16"	WM600051L	2
14	Sensor-carburettor/multi point injection/tbi coolant temperature	Manual Transmission, (-)"GCC"	4000 cc, 4600 cc	PRC8003	1
		Automatic Transmission Manual Transmission, (+)"GCC"	4000 cc, 4600 cc 4000 cc, 4600 cc	PRC8783 PRC8783	1 1
15	Washer-sealing		4000 cc, 4600 cc	90568054	1



WARNING--WHEN ENGINE IS HOT FILLER PLUG MUST NOT BE REMOVED

27

Engine
V8 Petrol - EFI
Inlet Manifold 2/3

Discovery (FA393361-WA799999)

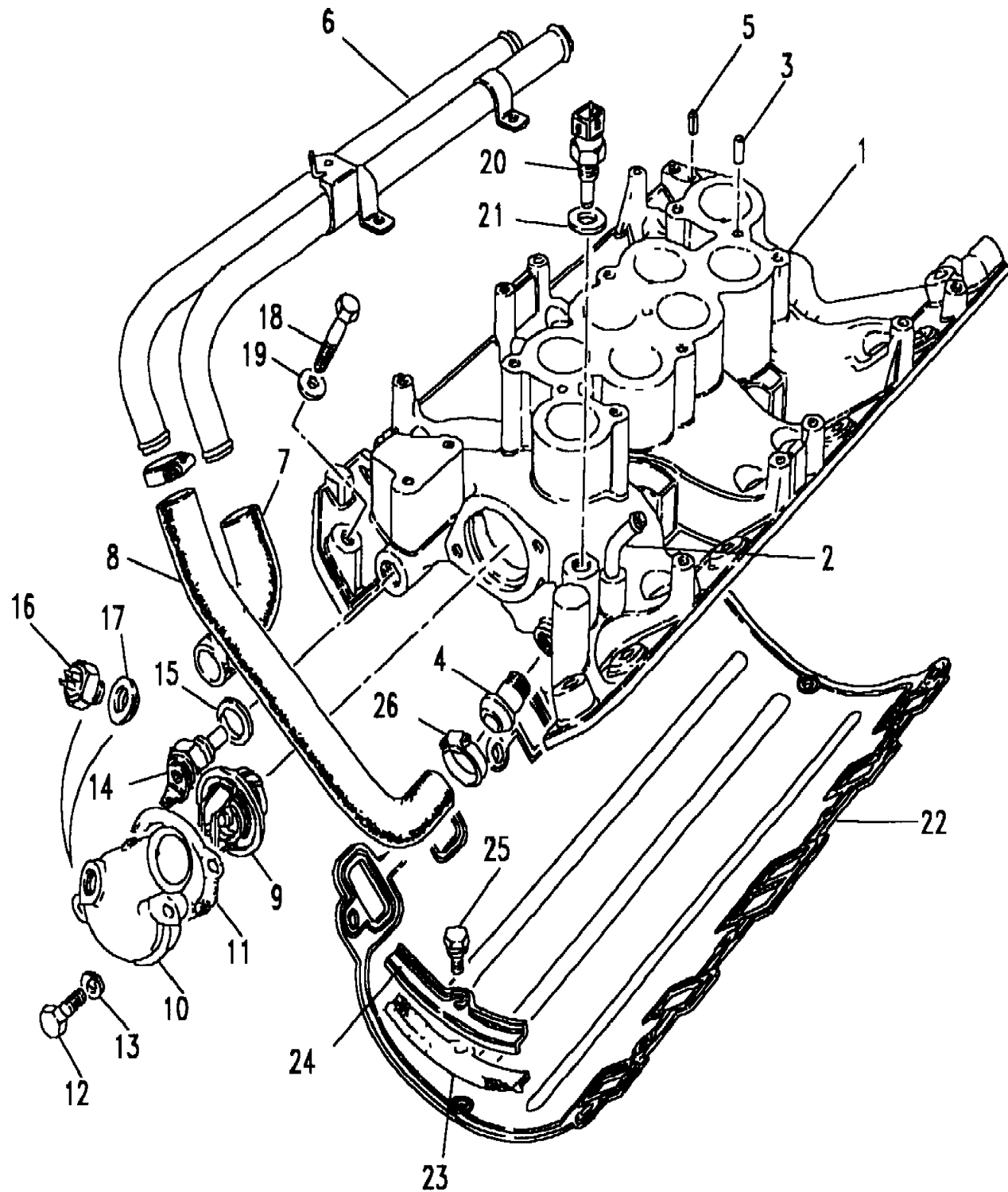
(CABRHA1A)

Discovery (FA393361-WA799999)

Engine
V8 Petrol - EFI
Inlet Manifold

Petrol V8 L/R EFI

Callout	Name	Application	Remarks & Restrictions	Service No.	Qty
16	Switch-engine thermostat		4000 cc, 4600 cc, Yellow..	PRC3505	1
17	Washer-sealing		4000 cc, 4600 cc	C457593	1
18	Bolt		Manifold, 4000 cc, 4600 cc, hexagonal head, 3/8UNC x 1 1/2	BH506121L	10
			Manifold, 4000 cc, 4600 cc, hexagonal head, 3/8UNC x 2	BH506161L	2
19	Washer		4000 cc, 4600 cc	2204L	12
20	Sensor-Temperature		4000 cc, 4600 cc, to ECU 4000 cc, 4600 cc, to gauge	ETC8496 AMR1425	1 1
21	Washer-sealing		4000 cc, 4600 cc	243967	1
22	Gasket-inlet manifold		4000 cc, 4600 cc 4000 cc, 4600 cc	ERR4923 ERR7306	1 1
23	Seal-inlet manifold gasket		4000 cc, 4600 cc 4000 cc, 4600 cc	602099 ERR7283	2 2
24	Clamp-inlet manifold gasket seal		4000 cc, 4600 cc	602076	2
25	Bolt		4000 cc, 4600 cc, 5/16UNC	602236	2
26	Clip-Hose	Change point - VIN begin MA104739	4000 cc, 4600 cc, 30MM 4000 cc, 4600 cc, 30MM	CN100308L CN100308L	2 4
27	Label-underbonnet radiator caution		4000 cc, 4600 cc	ERR321	1
[902]	Pipe-outlet to heater coolant	Change point - VIN begin MA104739	4000 cc, 4600 cc, Also serviced as part of a kit	ERR5474	1
[903]	Plug-drain/filler level	Change point - VIN begin MA104739	4000 cc, 4600 cc	NTC4609	1
[904]	O Ring	Change point - VIN begin MA104739	4000 cc, 4600 cc	NTC5171	1
[905]	Setscrew		4000 cc, 4600 cc, 1/4UNC x 3/4	SH504061L	2
[906]	Washer-Spring		4000 cc, 4600 cc, 1/4 dia, Square	WM600041L	2
[907]	Stud	Change point - VIN begin MA081991	4000 cc, 4600 cc, Also serviced as part of a kit, M6 x 22	ERR4309	4



WARNING--WHEN ENGINE IS HOT
FILLER PLUG MUST NOT BE REMOVED

27

Engine
V8 Petrol - EFI
Inlet Manifold 3/3

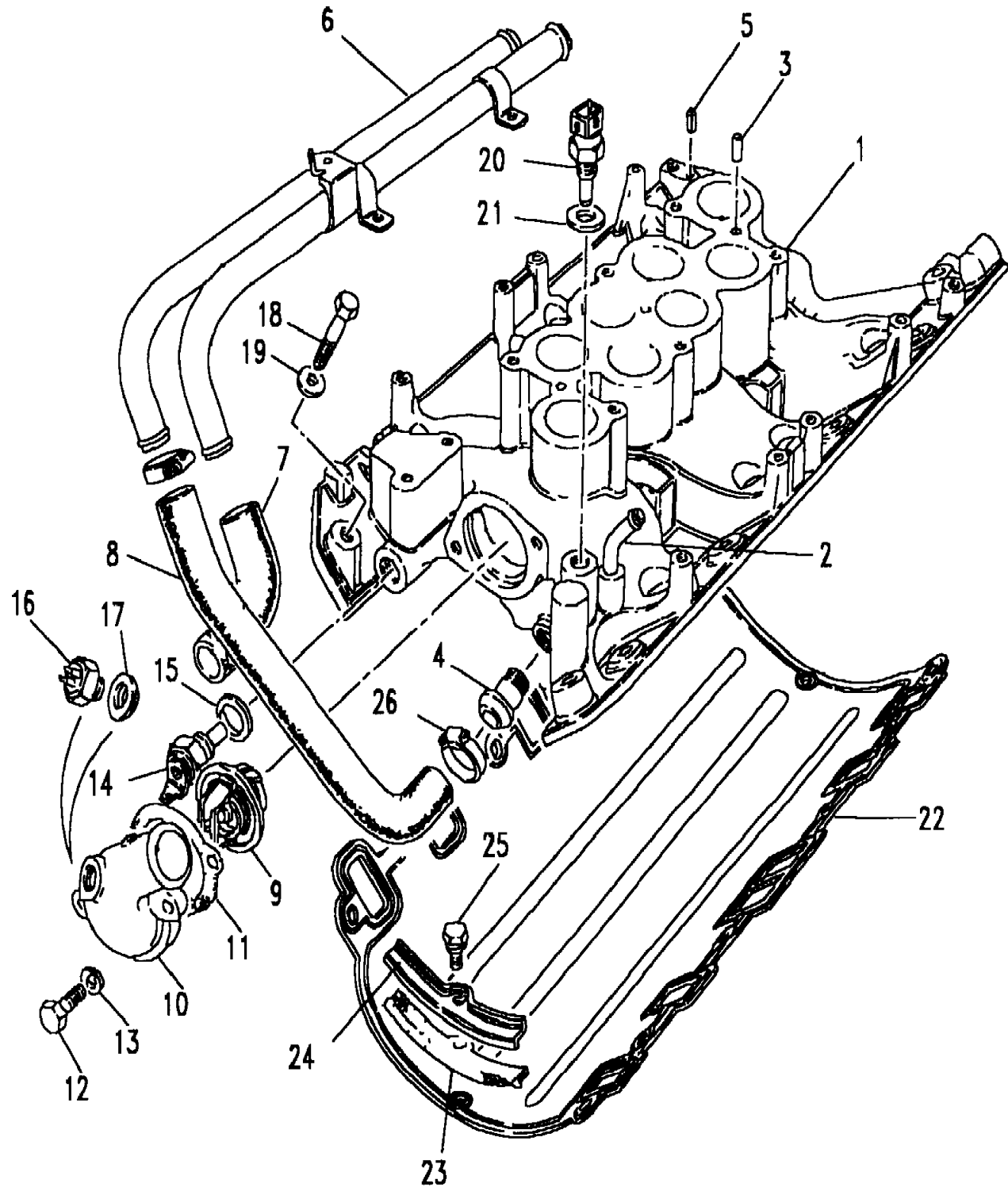
Discovery (FA393361-WA799999)
(CABRHA1A)

Discovery (FA393361-WA799999)

Engine
V8 Petrol - EFI
Inlet Manifold

Petrol V8 L/R EFI

Callout	Name	Application	Remarks & Restrictions	Service No.	Qty
[908]	Screw-hexagon socket	Change point - VIN begin MA104739	4000 cc, 4600 cc, 5/16UNC x 3/4	SS505061L	1
[909]	Screw	Change point - VIN begin MA104739	4000 cc, 4600 cc, M6 X 20, Flanged Head	FS106207L	1
[910]	Tie-cable		4000 cc, 4600 cc, inside serated, 4.6 x 385mm, White.	594594	4

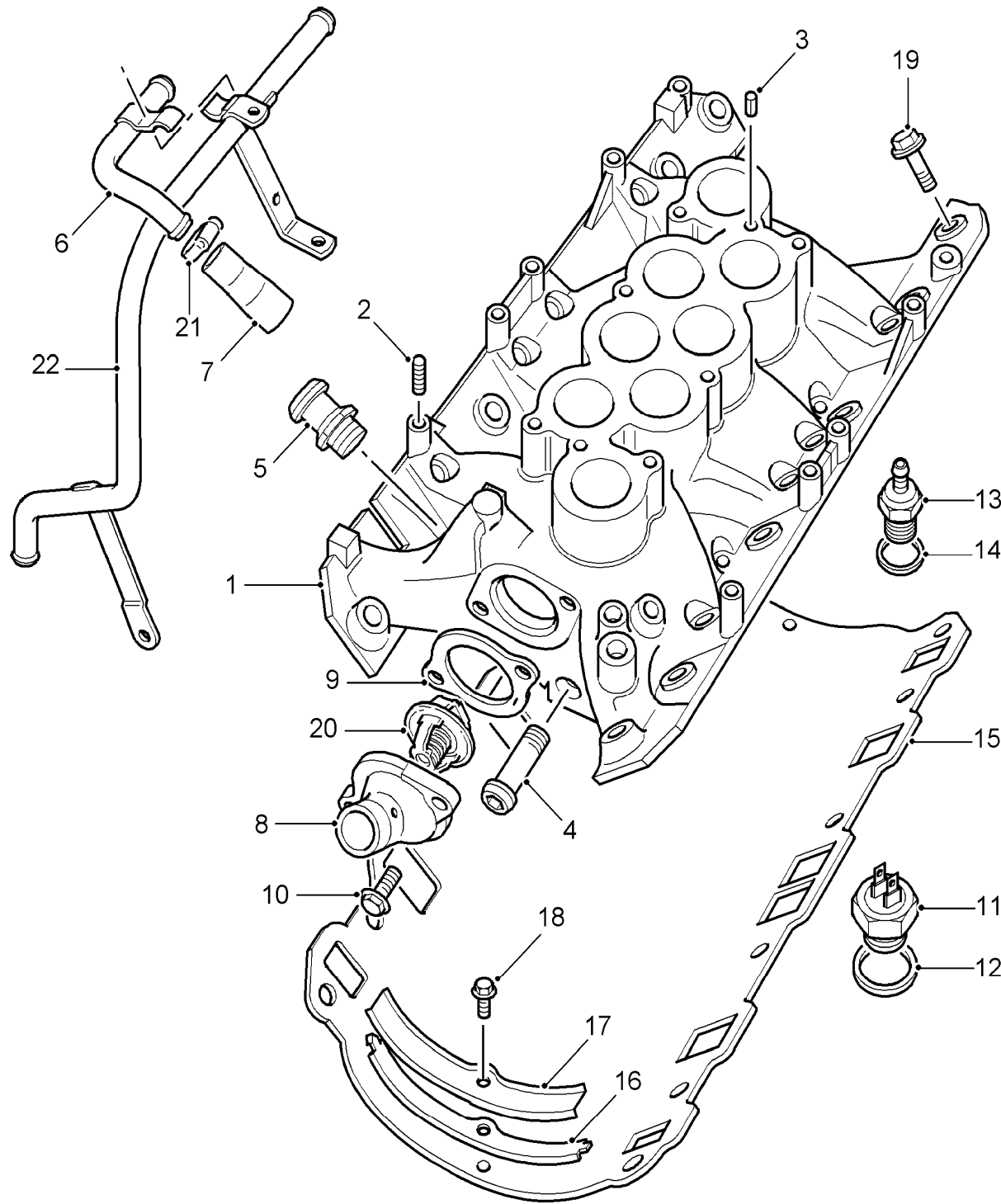


WARNING--WHEN ENGINE IS HOT
FILLER PLUG MUST NOT BE REMOVED

Engine
V8 Petrol - EFi
Inlet Manifold 1/2

Discovery (FA393361-WA799999)

(CDBRHA2A)



G05.131

11-2002

L4

CDBRHA2A

Discovery (FA393361-WA799999)

Engine
V8 Petrol - EFi
Inlet Manifold

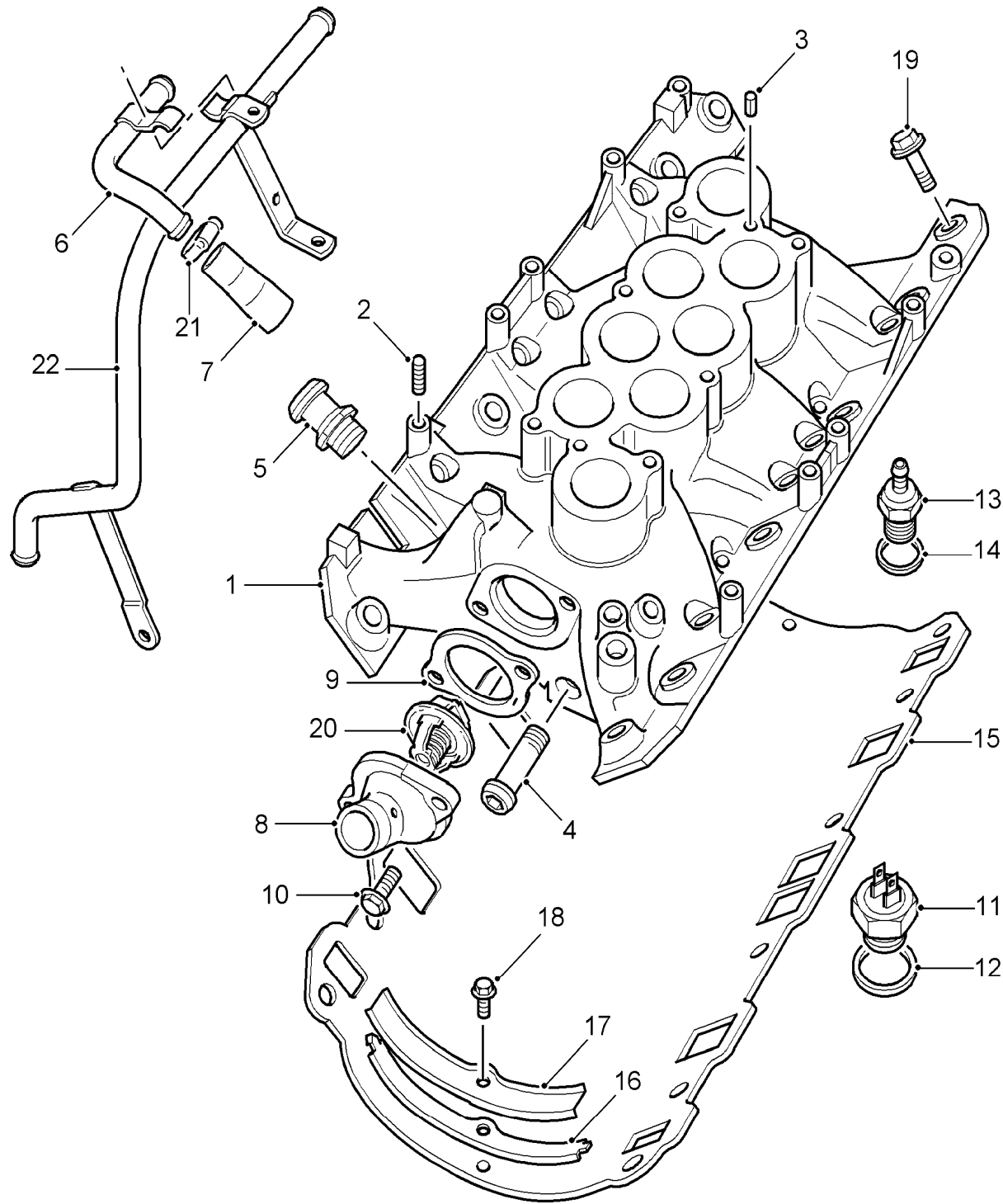
Change point - VIN begin TA163100, Change point - VIN begin TA501920, 3.9/4.0 V8 Petrol Efi, (+)"CDN/MEX/USA"

Callout	Name	Application	Remarks & Restrictions	Service No.	Qty
1	Manifold-engine inlet		9.35:1	ERR4886	1
2	Stud		9.35:1, M6 x 22	ERR4309	6
3	Dowel		9.35:1	602040	2
4	Connector		By - Pass, 9.35:1	ETC6547	1
5	Connector - Hose		9.35:1	ERR4820	1
6	Pipe Assy		For Feed, 9.35:1	ERR5473	1
7	Hose Assy		Heater, 9.35:1	PEH101170	1
8	Housing - Thermostat		9.35:1	ETC4596	1
9	Gasket - Thermostat Housing		9.35:1	ERR2429	1
10	Screw		9.35:1	FS505077	2
11	Switch Assy - Temperature		9.35:1	PRC3505	1
12	Ring - Sealing		9.35:1	C457593	1
13	Sensor Assy - Water Temperature		9.35:1	AMR1425	1
14	Ring - Sealing		9.35:1	243967	1
15	Gasket - Intake Manifold	Change point - VIN end VA558699	9.35:1	ERR4923	1
		Change point - VIN begin VA558700	9.35:1	ERR7306	1
16	Seal	Change point - Engine end 50D36201A	9.35:1	602099	2
		Change point - Engine begin 50D36202A	9.35:1	ERR7283	2
17	Clamp	Change point - Engine end 50D36201A	9.35:1	602076	2
		Change point - Engine begin 50D36202A	9.35:1	ERR7282	2
18	Bolt		9.35:1	602236	2
19	Bolt - Flanged Hex.	Change point - Engine end 50D36201A	9.35:1, 3/8unc X 1.375	FB506115	10
		Change point - Engine begin 50D36202A	9.35:1, 3/8unc X 1.375	ERR7343	10
		Change point - Engine end 50D36201A	9.35:1, 3/8unc X 1.875	FB506155	2
		Change point - Engine begin 50D36202A	9.35:1, 3/8unc X 1.875	ERR7344	2

Engine
V8 Petrol - EFi
Inlet Manifold 2/2

Discovery (FA393361-WA799999)

(CDBRHA2A)



G05.131
11-2002
L4
CDBRHA2A

Discovery (FA393361-WA799999)

Engine
V8 Petrol - EFi
Inlet Manifold

Change point - VIN begin TA163100, Change point - VIN begin TA501920, 3.9/4.0 V8 Petrol Efi, (+)"CDN/MEX/USA"

Callout	Name	Application	Remarks & Restrictions	Service No.	Qty
20	Thermostat Assy		88 °C, 9.35:1	ETC4765	1
21	Clip - Hose		9.35:1	CN100308L	
22	Pipe Assy		Return, 9.35:1	ERR5474	1
[900]	Manifold Assy - Inlet		9.35:1	ERR5045	1
[901]	Screw		5/16UNC x 3/4, 9.35:1	SS505061L	1

Engine
V8 Petrol - EFi
Oil Pump & Filter 1/2

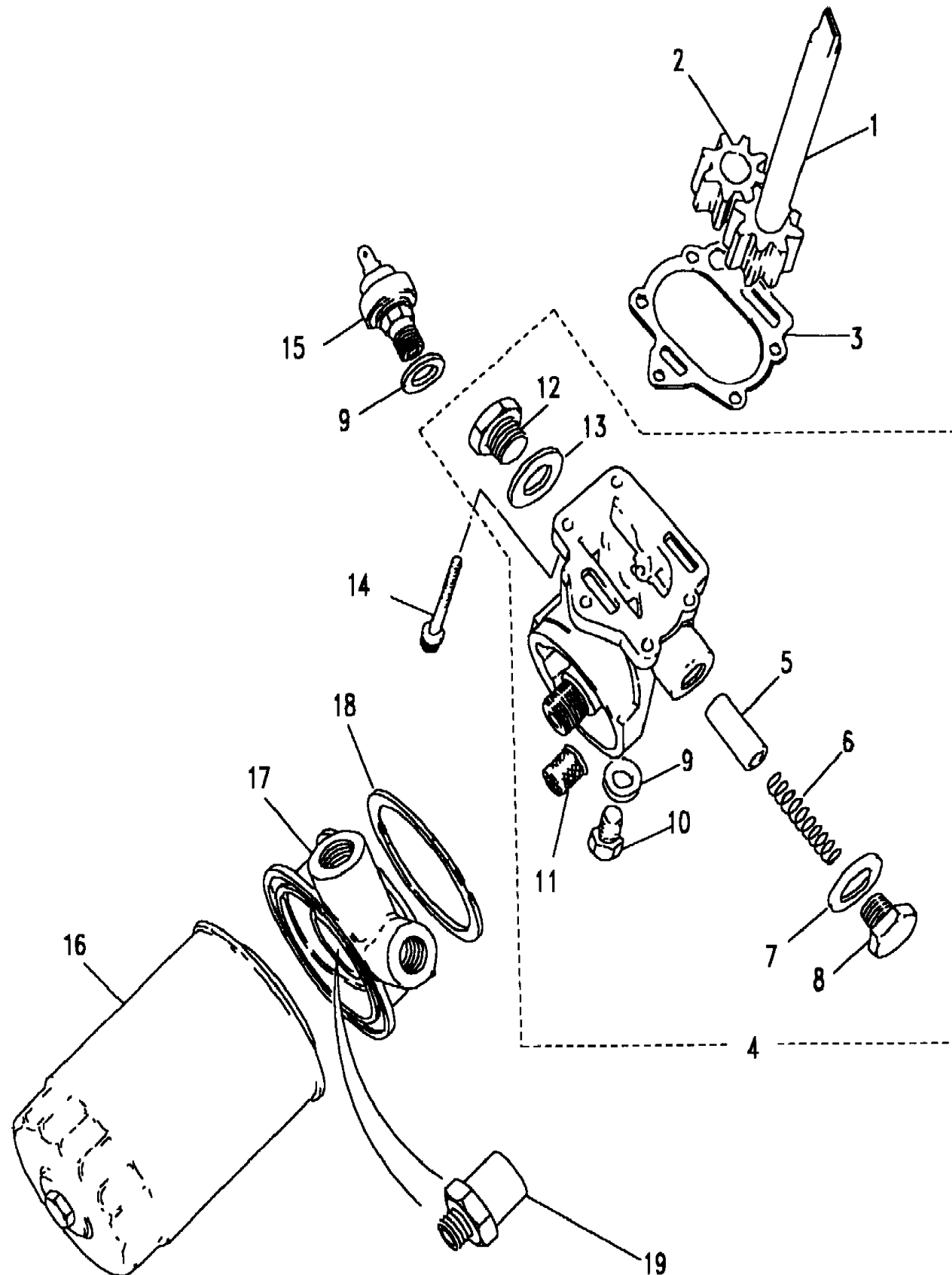
Discovery (FA393361-WA799999)
(CABRFA1A)

Discovery (FA393361-WA799999)

Engine
V8 Petrol - EFi
Oil Pump & Filter

V8 EFI Petrol

Callout	Name	Application	Remarks & Restrictions	Service No.	Qty
1	Shaft-oil pump	Change point - VIN end LA081990, Petrol V8 L/R EFi		ERC1351	1
2	Gear-oil pump	Change point - VIN end LA081990, Petrol V8 L/R EFi		614037	1
3	Gasket-cylinder block oil pump	Change point - VIN end LA081990, Petrol V8 L/R EFi		ERR1990	1
4	Adaptor assembly-oil filter	Change point - VIN end LA081990, Petrol V8 L/R EFi	Also serviced as part of a kit	ETC4276	1
5	Plunger-oil pump relief valve	Change point - VIN end LA081990, Petrol V8 L/R EFi	Also serviced as part of a kit	90602064	1
6	Spring-oil pump relief valve	Change point - VIN end LA081990, Petrol V8 L/R EFi	Also serviced as part of a kit	602067	1
7	Washer-oil pressure switch engine	Change point - VIN end LA081990, Petrol V8 L/R EFi	Also serviced as part of a kit	ETC8833	1
8	Plug-oil pump relief valve	Change point - VIN end LA081990, Petrol V8 L/R EFi	Also serviced as part of a kit	602071	1
9	Washer-sealing	Change point - VIN end LA081990, Petrol V8 L/R EFi	Also serviced as part of a kit	243968	1
10	Plug	Change point - VIN end LA081990, Petrol V8 L/R EFi	Also serviced as part of a kit	273166	1
11	Strainer-oil	Change point - VIN end LA081990, Petrol V8 L/R EFi	Also serviced as part of a kit	614202	1
14	Bolt	Change point - VIN end LA081990, Petrol V8 L/R EFi Change point - VIN end LA081990, Petrol V8 L/R EFi Change point - VIN end LA081990, Petrol V8 L/R EFi	1/4UNC x 7/8 1/4UNC x 1 1/4 1/4UNC x 9/16	602910 602912 602913	3 2 1
15	Switch-oil pressure engine	Change point - VIN end LA081990, Petrol V8 L/R EFi Change point - VIN end LA081990, Petrol V8 L/R EFi		PRC7204 AMR2092	1 1



Engine
V8 Petrol - EFI
Oil Pump & Filter 2/2

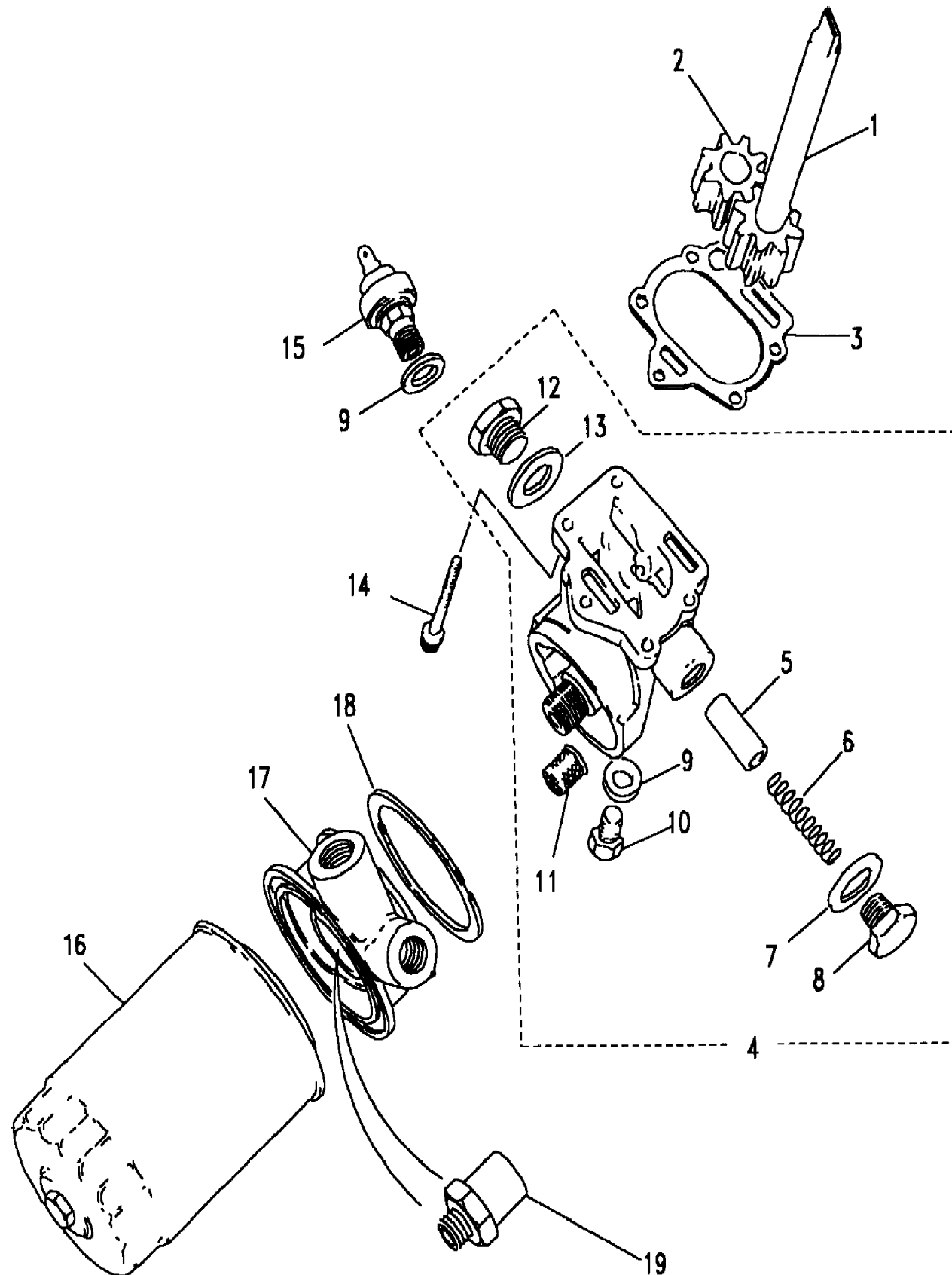
Discovery (FA393361-WA799999)
(CABRFA1A)

Discovery (FA393361-WA799999)

Engine
V8 Petrol - EFI
Oil Pump & Filter

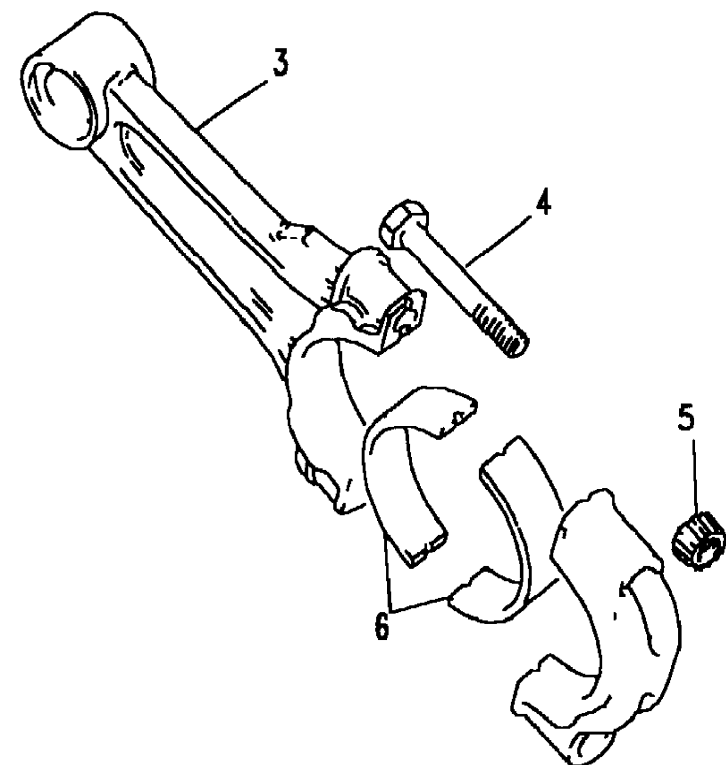
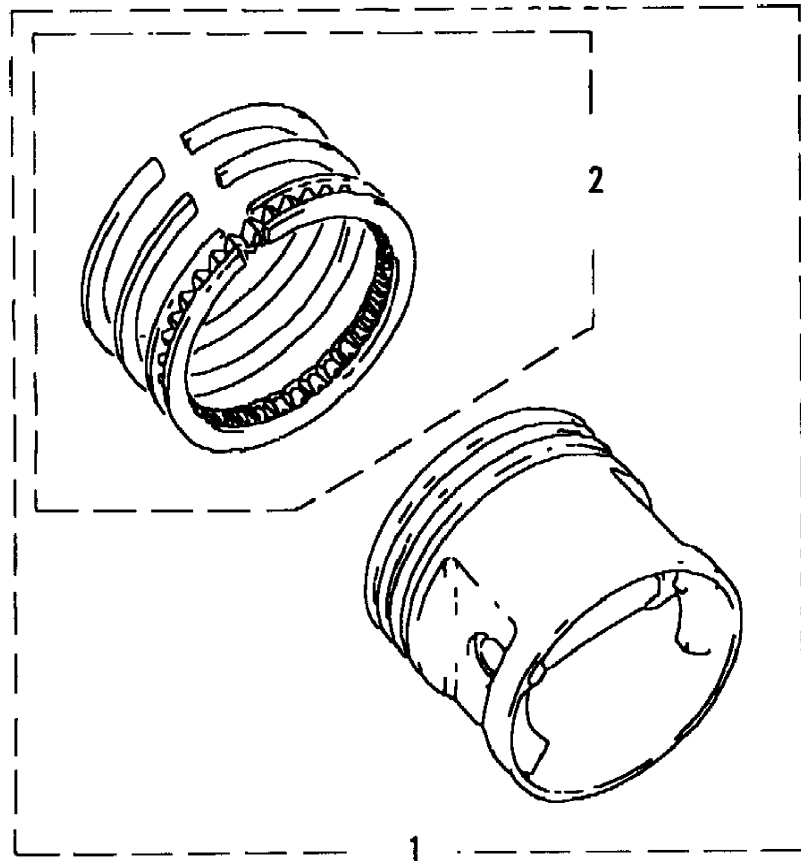
V8 EFI Petrol

Callout	Name	Application	Remarks & Restrictions	Service No.	Qty
15	Switch-oil pressure engine	Petrol V8 L/R EFI		STC4104	1
16	Cartridge-engine oil filter	Change point - VIN end LA081990, Petrol V8 L/R EFI Change point - VIN begin MA081991, Petrol V8 L/R EFI		ERR3340	1
17	Adaptor-oil filter	Change point - VIN end LA081990, Petrol V8 L/R EFI, Manual Transmission Change point - VIN end LA081990, Petrol V8 L/R EFI, Automatic Transmission		ERC8501 ERR2490	1
18	Gasket-adaptor.	Change point - VIN end LA081990, Petrol V8 L/R EFI		ERR852	1
19	Adaptor-oil filter	Change point - VIN end LA081990, Petrol V8 L/R EFI		ERC2226L	1



Engine
 V8 Petrol - EFI
 Piston,Connecting Rod & Bearings 1/1 (CABRCC1A)

Discovery (FA393361-WA799999)



Discovery (FA393361-WA799999)

Engine
 V8 Petrol - EFI
 Piston,Connecting Rod & Bearings

V8 EFI Petrol

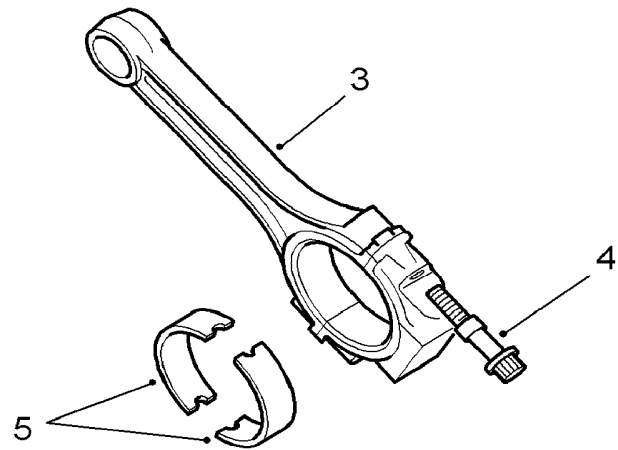
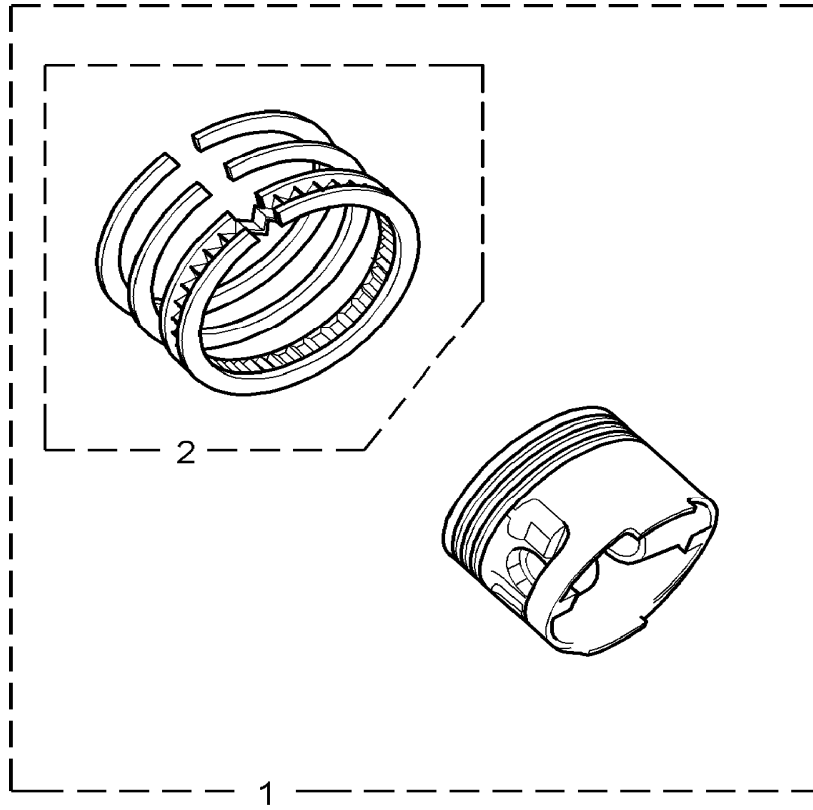
Callout	Name	Application	Remarks & Restrictions	Service No.	Qty
1	Piston-engine	3.5L V8 EFI LC L/R Petrol	Also serviced as part of a kit, standard., 8.13:1	RTC2186S	8
		3.5L V8 EFI LC L/R Petrol	Also serviced as part of a kit, 0.020" oversize, 8.13:1	RTC218620	8
		3.5L V8 EFI HC L/R Petrol	Also serviced as part of a kit, standard., 9.35:1	RTC2295S	8
		3.5L V8 EFI HC L/R Petrol	Also serviced as part of a kit, 0.020" oversize, 9.35:1	RTC229520	8
		3.9L V8 EFI LC L/R Petrol	Also serviced as part of a kit, standard.	ERR2692	8
		3.9L V8 EFI HC L/R Petrol	Also serviced as part of a kit, standard.	ERR2693	8
		4.0L V8 L/R EFI Petrol	standard., high compression	ERR5553	1
2	Ring set assembly-piston	3.5L V8 EFI LC L/R Petrol	Also serviced as part of a kit, standard.	RTC2408	8
		3.5L V8 EFI LC L/R Petrol	Also serviced as part of a kit, 0.020" oversize	RTC240820	8
		3.5L V8 EFI HC L/R Petrol	Also serviced as part of a kit, standard.	RTC2408	8
		3.5L V8 EFI HC L/R Petrol	Also serviced as part of a kit, 0.020" oversize	RTC240820	8
		3.9L V8 EFI LC L/R Petrol	Also serviced as part of a kit, standard.	RTC6066S	8
3	Rod-crankshaft connecting	Petrol V8 L/R EFI	Also serviced as part of a kit	602082	8
4	Bolt-connecting rod	Petrol V8 L/R EFI	Also serviced as part of a kit, 11/32UNS-3A	602609	16
5	Nut-connecting rod	Petrol V8 L/R EFI	Also serviced as part of a kit, 11/32UNS-3B	602061	16
6	Set-connecting rod big end half bearing	Petrol V8 L/R EFI	standard.	RTC2117	1
		Petrol V8 L/R EFI	0.010" undersize	RTC211710	1
		Petrol V8 L/R EFI	0.020" undersize	RTC211720	1

Engine
 V8 Petrol - EFi
 Piston,Connecting Rod & Bearings 1/1 (CDBRCC2A)

Discovery (FA393361-WA799999)

Discovery (FA393361-WA799999)

Engine
 V8 Petrol - EFi
 Piston,Connecting Rod & Bearings
 Change point - VIN begin TA163100, Change point - VIN begin TA501920, 3.9/4.0 V8 Petrol Efi, (+)"CDN/MEX/USA"



Callout	Name	Application	Remarks & Restrictions	Service No.	Qty
1	Piston-engine		9.35:1	ERR5553	8
2	Kit - Piston Ring		9.35:1	STC1427	8
3	Rod-crankshaft connecting		9.35:1	ERR4837	8
4	Bolt-connecting rod		9.35:1	ERR1772	16
5	Bearing - Connecting Rod		9.35:1	ERR1773	1

Engine
V8 Petrol - EFI
Plenum Chamber 1/4

Discovery (FA393361-WA799999)

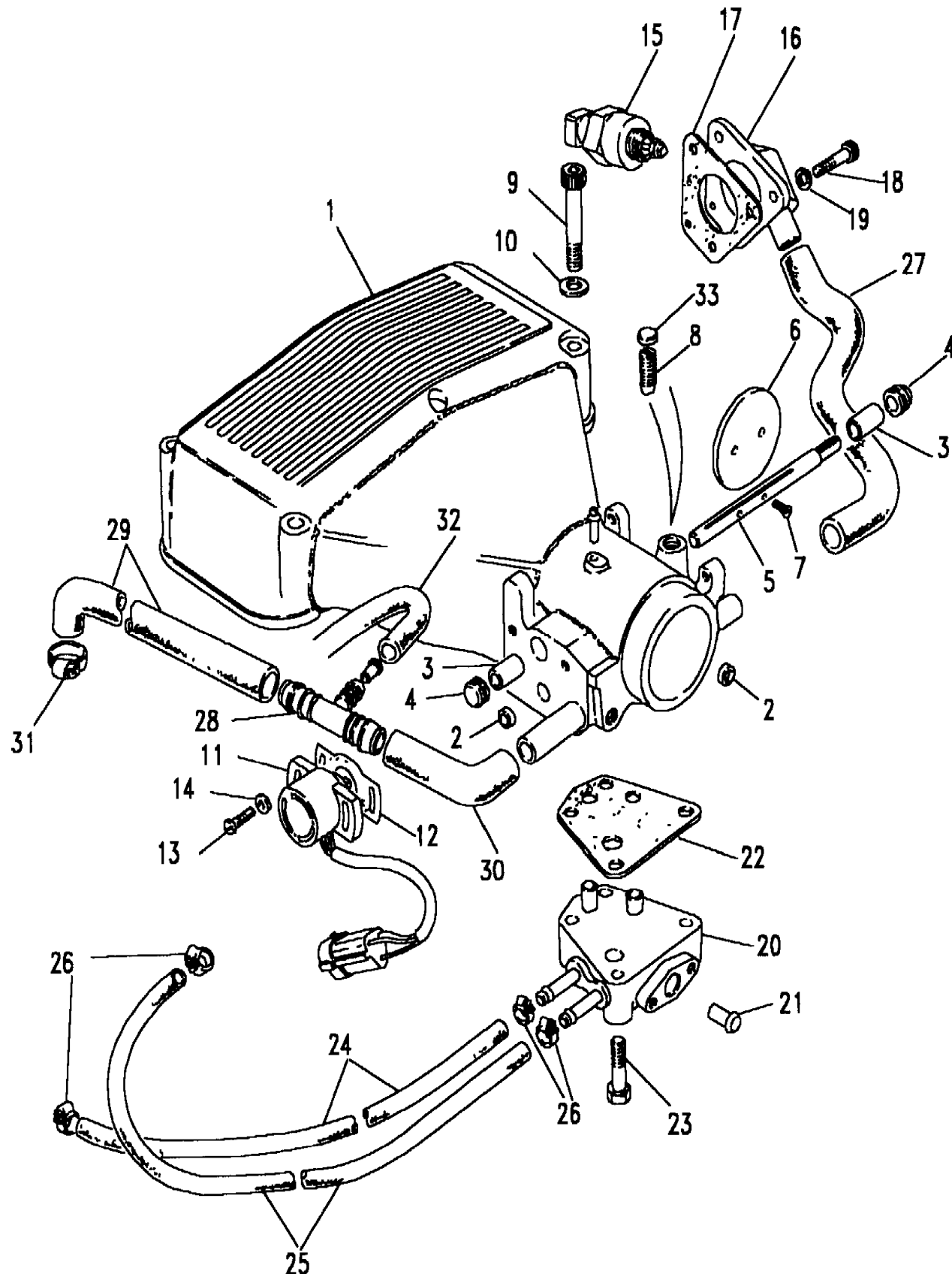
(CABRJC1A)

Discovery (FA393361-WA799999)

Engine
V8 Petrol - EFI
Plenum Chamber

V8 EFI Petrol

Callout	Name	Application	Remarks & Restrictions	Service No.	Qty		
1	Plenum-inlet manifold	Change point - VIN end MA163103, Petrol V8 L/R EFI, Manual Transmission	Also serviced as part of a kit	ETC7771	1		
		Change point - VIN begin MA500000, Change point - VIN end MA501919, Petrol V8 L/R EFI, Manual Transmission	Also serviced as part of a kit	ETC7771	1		
		Change point - VIN begin TA163104, Change point - VIN end TA703236, Petrol V8 L/R EFI, Manual Transmission	Also serviced as part of a kit	ERR941	1		
		Change point - VIN begin TA501920, Change point - VIN end TA703236, Petrol V8 L/R EFI, Manual Transmission	Also serviced as part of a kit	ERR941	1		
		Change point - VIN begin VA534104, Petrol V8 L/R EFI, Manual Transmission	Also serviced as part of a kit	ERR7013	1		
		Change point - VIN begin VA703237, Petrol V8 L/R EFI, Manual Transmission	Also serviced as part of a kit	ERR7013	1		
		Change point - VIN end TA534103, Petrol V8 L/R EFI, Automatic Transmission	Also serviced as part of a kit	ERR941	1		
		Change point - VIN end TA703236, Petrol V8 L/R EFI, Automatic Transmission	Also serviced as part of a kit	ERR941	1		
		Change point - VIN begin VA534104, Change point - VIN end VA558898, Petrol V8 L/R EFI, Automatic Transmission	Also serviced as part of a kit	ERR7012	1		
		Change point - VIN begin VA703237, Petrol V8 L/R EFI, Automatic Transmission	Also serviced as part of a kit	ERR7012	1		
		2	Plug-cup	Change point - VIN end MA163103, Petrol V8 L/R EFI, Manual Transmission	Also serviced as part of a kit	ERC255	X
				Change point - VIN begin MA500000, Change point - VIN end MA501919, Petrol V8 L/R EFI, Manual Transmission	Also serviced as part of a kit	ERC255	X
		3	Bush-throttle spindle tbi	Change point - Engine end 24D15321D, Petrol V8 L/R EFI, Manual Transmission	Also serviced as part of a kit	611795	2
				Change point - Engine begin 24D15322D, Petrol V8 L/R EFI, Manual Transmission	Also serviced as part of a kit	ERR1756	2



Engine
V8 Petrol - EFI
Plenum Chamber 2/4

Discovery (FA393361-WA799999)

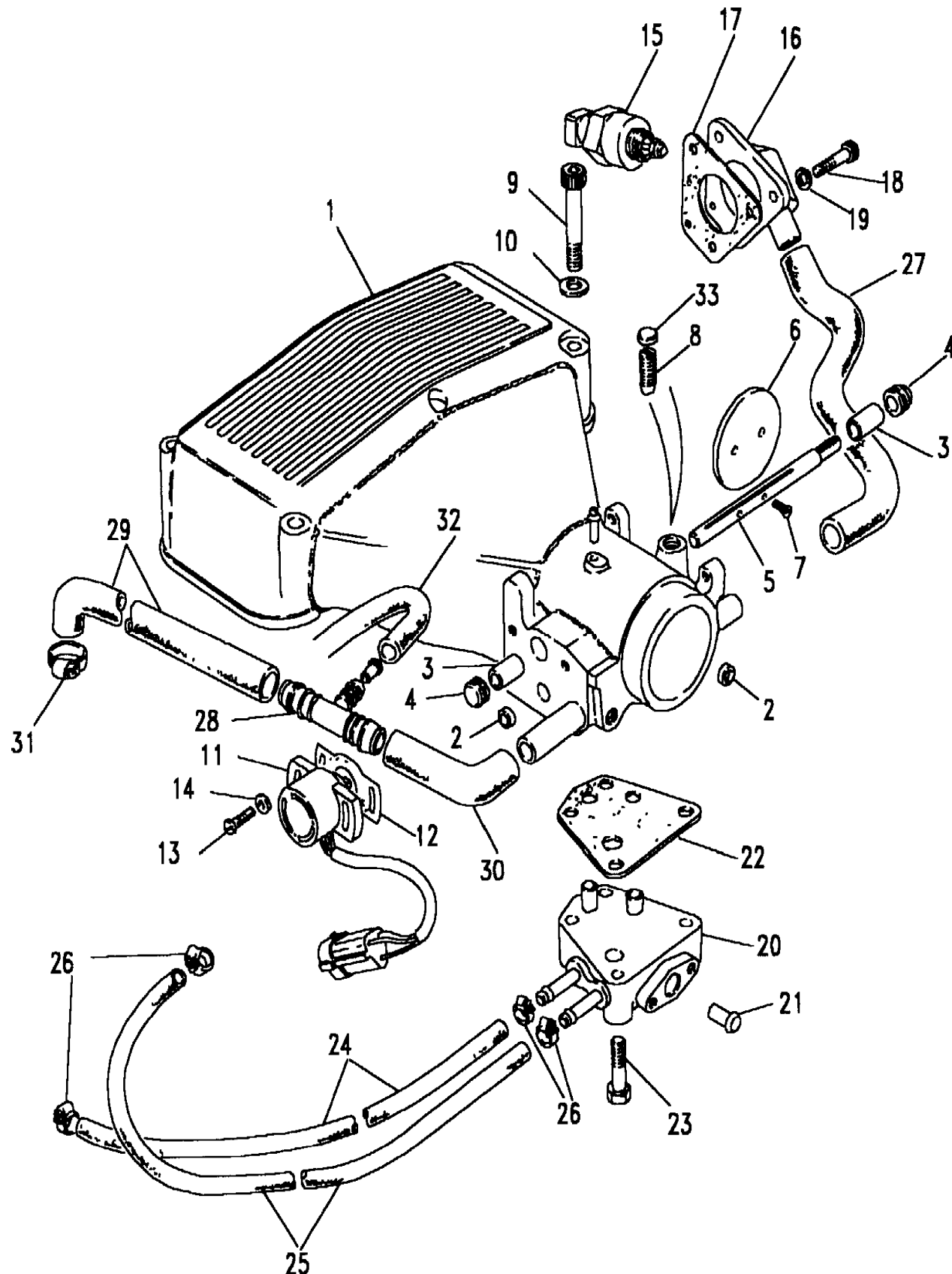
(CABRJC1A)

Discovery (FA393361-WA799999)

Engine
V8 Petrol - EFI
Plenum Chamber

V8 EFI Petrol

Callout	Name	Application	Remarks & Restrictions	Service No.	Qty
4	Seal-throttle spindle multi point injection	Change point - VIN end MA163103, Petrol V8 L/R EFI, Manual Transmission	Also serviced as part of a kit	AUD3577L	2
		Change point - VIN begin MA500000, Change point - VIN end MA501919, Petrol V8 L/R EFI, Manual Transmission	Also serviced as part of a kit	AUD3577L	2
5	Spindle-carburettor throttle	Change point - VIN end MA163103, Petrol V8 L/R EFI, Manual Transmission	Also serviced as part of a kit	ETC6223	X
		Change point - VIN begin MA500000, Change point - VIN end MA501919, Petrol V8 L/R EFI, Manual Transmission	Also serviced as part of a kit	ETC6223	X
6	Disc-carburettor throttle	Change point - VIN end MA163103, Petrol V8 L/R EFI, Manual Transmission	Also serviced as part of a kit	ETC6222	X
		Change point - VIN begin MA500000, Change point - VIN end MA501919, Petrol V8 L/R EFI, Manual Transmission	Also serviced as part of a kit	ETC6222	X
7	Screw-carburettor throttle disc	Change point - VIN end MA163103, Petrol V8 L/R EFI, Manual Transmission	Also serviced as part of a kit	611950	2
		Change point - VIN begin MA500000, Change point - VIN end MA501919, Petrol V8 L/R EFI, Manual Transmission	Also serviced as part of a kit	611950	2
		Change point - VIN begin TA163104, Change point - VIN end TA703236, Petrol V8 L/R EFI, Manual Transmission	Also serviced as part of a kit	RTC5965	2
		Change point - VIN begin TA501920, Change point - VIN end TA703236, Petrol V8 L/R EFI, Manual Transmission	Also serviced as part of a kit	RTC5965	2
8	Setscrew	Change point - VIN end MA163103, Petrol V8 L/R EFI, Manual Transmission	Also serviced as part of a kit	ST606080L	1
		Change point - VIN begin MA500000, Change point - VIN end MA501919, Petrol V8 L/R EFI, Manual Transmission	Also serviced as part of a kit	ST606080L	1
9	Screw	Petrol V8 L/R EFI	Plenum Chamber, M8 x 80	SS108801L	6
10	Washer	Petrol V8 L/R EFI	8MM	WA108051L	6



Engine
V8 Petrol - EFI
Plenum Chamber 3/4

Discovery (FA393361-WA799999)

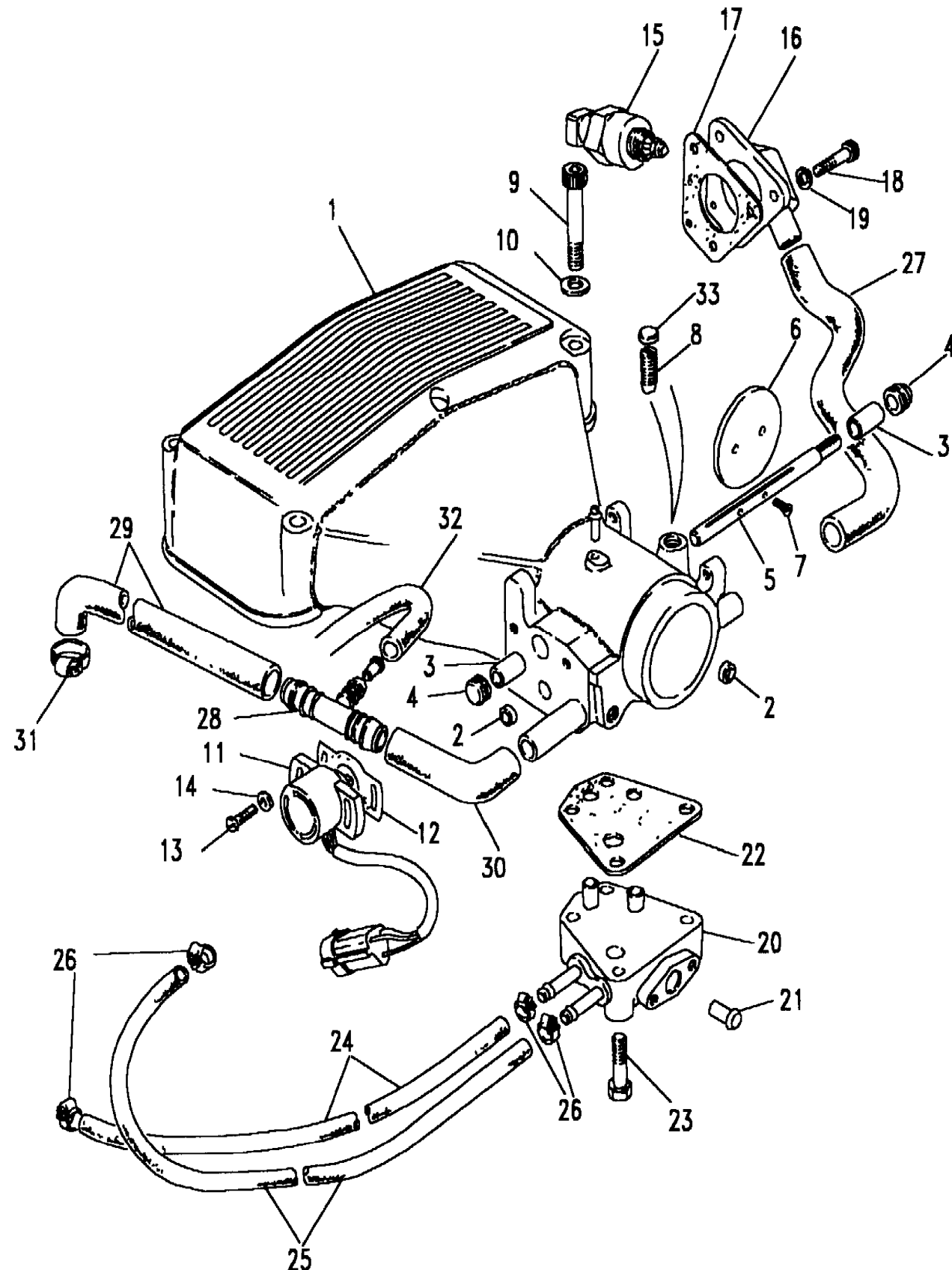
(CABRJC1A)

Discovery (FA393361-WA799999)

Engine
V8 Petrol - EFI
Plenum Chamber

V8 EFI Petrol

Callout	Name	Application	Remarks & Restrictions	Service No.	Qty
11	Potentiometer-throttle multi point injection	Change point - VIN end MA112200, Petrol V8 L/R EFI		ETC8495	1
		Change point - VIN begin MA112201, Petrol V8 L/R EFI		ERR2263	1
12	Gasket-potentiometer-throttle multi point injection	Petrol V8 L/R EFI		ERR4944	1
13	Screw	Petrol V8 L/R EFI	potentionmeter	SC104141L	2
14	Washer-Plain	Petrol V8 L/R EFI	M4	WA104001L	2
15	Motor-multi point injection stepping	Change point - VIN end MA112200, Petrol V8 L/R EFI, (-)"CDN/MEX/USA"		ETC6660	1
		Change point - VIN begin MA112201, Petrol V8 L/R EFI		ERR5199	1
16	Connector-inlet manifold adaptor	Change point - VIN begin MA104739, Change point - VIN end MA501919, Petrol V8 L/R EFI	Single Vacuum Connector, 1 outlet	ETC6214	1
		Change point - VIN begin MA081992, Change point - VIN end MA104738, Petrol V8 L/R EFI	Double Vacuum Connector, 2 outlets	ERR4247	1
17	Gasket-stepping motor	Petrol V8 L/R EFI		ERR2926	1
18	Screw-hexagon socket	Petrol V8 L/R EFI	5/16UNC x 3/4	SS505061L	3
19	Washer-Spring	Petrol V8 L/R EFI	Also serviced as part of a kit, 5/16"	WM600051L	3
20	Cover assembly-water jacket	Petrol V8 L/R EFI		ERR1262	1
21	Pipe-plenum chamber breather	Petrol V8 L/R EFI	Also serviced as part of a kit	ERR1261	2
22	Gasket-water jacket to plenum chamber	Petrol V8 L/R EFI		ETC7353	1
23	Bolt	Petrol V8 L/R EFI	Jacket cover, Flanged Head, 1/4UNC x 1 3/8	FB504117S	1
		Petrol V8 L/R EFI	Jacket cover, 1/4UNC x 1	FS504087S	3
24	Hose-manifold	Petrol V8 L/R EFI		ERC8598	1
25	Hose.	Petrol V8 L/R EFI, (-)"CDN/MEX/USA"		ERR330	1



Engine
V8 Petrol - EFi
Plenum Chamber 4/4

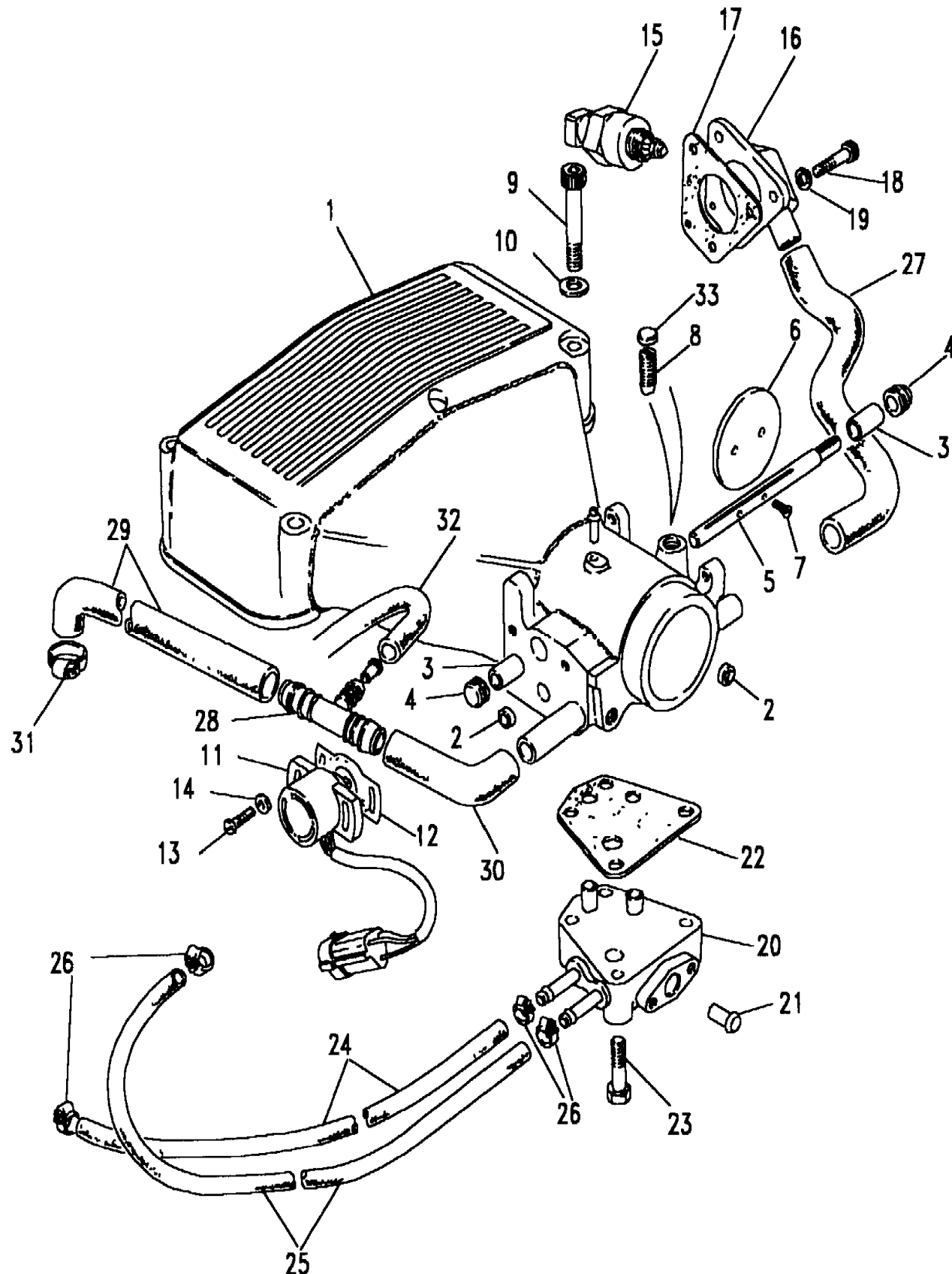
Discovery (FA393361-WA799999)
(CABRJC1A)

Discovery (FA393361-WA799999)

Engine
V8 Petrol - EFi
Plenum Chamber

V8 EFI Petrol

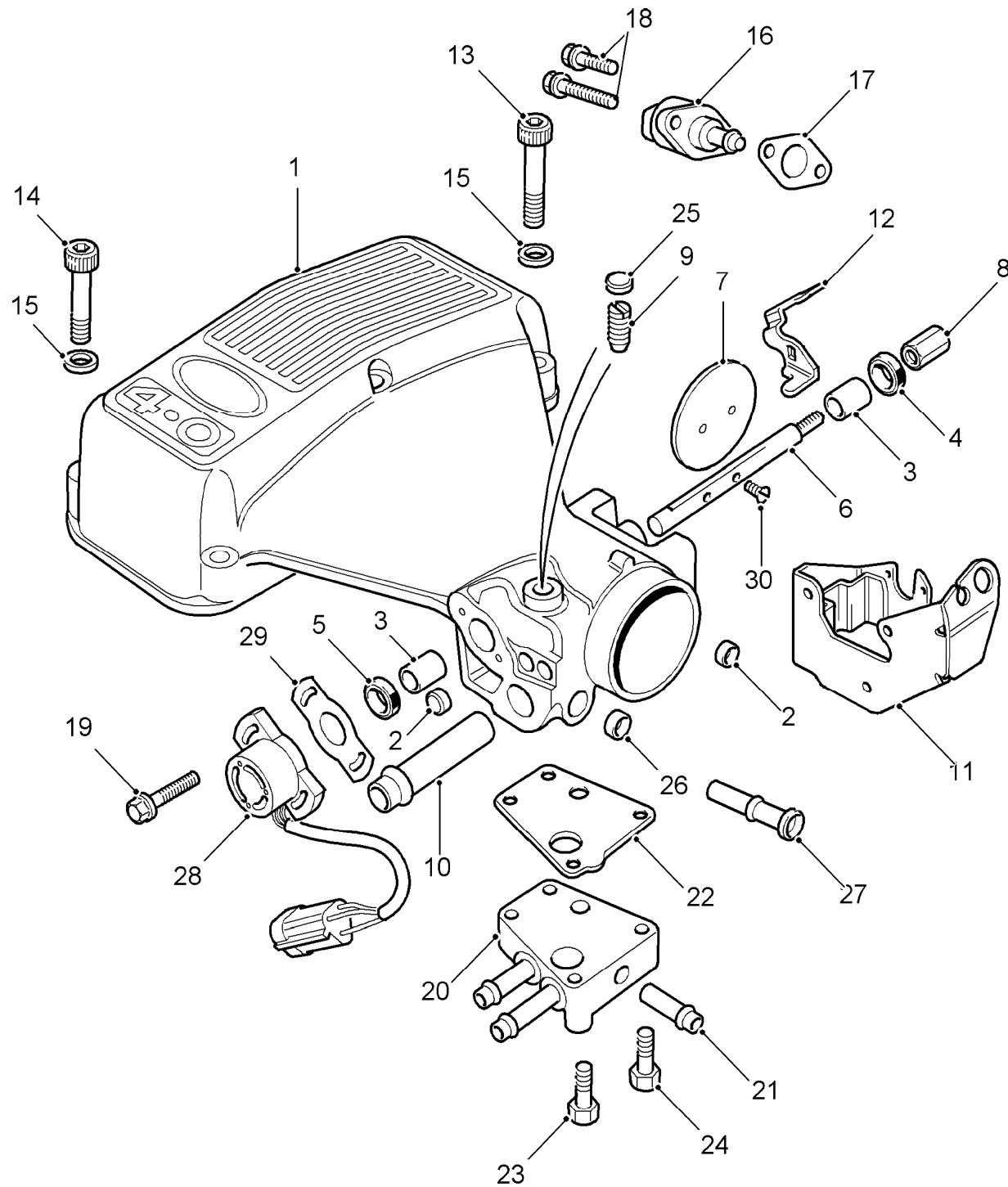
Callout	Name	Application	Remarks & Restrictions	Service No.	Qty
25	Hose.	Petrol V8 L/R EFI, (+)"CDN/MEX/USA"		ESR3221	1
26	Clip-Hose	Petrol V8 L/R EFI		EAC32151	4
27	Hose-plenum chamber to starter motor housing	Petrol V8 L/R EFI		ETC7874	1
28	T connector-crankcase breather	Petrol V8 L/R EFI		ERR4765	1
29	Hose-flame trap t piece-plenum chamber	Petrol V8 L/R EFI		ERR4762	1
30	Hose-plenum	Petrol V8 L/R EFI		ERR4763	1
31	Clip	Petrol V8 L/R EFI	hose tee piece	EAC22723	3
32	Hose-solenoid valve	Petrol V8 L/R EFI		ERR4764	1
33	Cap-tamperproof	Change point - VIN begin TA163104, Change point - VIN end TA703236, Petrol V8 L/R EFI, Manual Transmission Change point - VIN begin TA501920, Change point - VIN end TA703236, Petrol V8 L/R EFI, Manual Transmission Petrol V8 L/R EFI	Also serviced as part of a kit Also serviced as part of a kit	ETC6874 ETC6874	1 1
[901]	Gasket - Control Valve	(+)"CDN/MEX/USA"	Local Sourced	LRNA6660G	1



Engine
V8 Petrol - EFi
Plenum Chamber 1/2

Discovery (FA393361-WA799999)

(CDBRJC2A)



G05.046
11-2002
L4
CDBRJC2A

Discovery (FA393361-WA799999)

Engine
V8 Petrol - EFi
Plenum Chamber

Change point - VIN begin TA163100, Change point - VIN begin TA501920, 3.9/4.0 V8 Petrol Efi, (+)"CDN/MEX/USA"

Callout	Name	Application	Remarks & Restrictions	Service No.	Qty		
1	Chamber Assy - Air Plenum	Change point - VIN end TA194199, Manual Transmission	9.35:1	ERR6736	1		
		Change point - VIN end TA525033, Manual Transmission	9.35:1	ERR6736	1		
		Change point - VIN begin TA194199, Manual Transmission	9.35:1	ERR6795	1		
		Change point - VIN begin TA525034, Manual Transmission	9.35:1	ERR6795	1		
		Change point - VIN end TA194199, Automatic Transmission	9.35:1	ERR6735	1		
		Change point - VIN end TA525033, Automatic Transmission	9.35:1	ERR6735	1		
		Change point - VIN begin TA194199, Automatic Transmission	9.35:1	ERR6794	1		
		Change point - VIN begin TA525034, Automatic Transmission	9.35:1	ERR6794	1		
		2	Plug		9.35:1	ERC255	X
				3	Bush	9.35:1	ERR1756
9.35:1	AUD3577L					1	
4	Seal			Throttle, 9.35:1		1	
				Spindle, 9.35:1	ERR4318	1	
5	Seal					1	
					ERR4225	1	
6	Spindle - Throttle Plate				9.35:1	ETC6222	1
					9.35:1	ERC3579	1
7	Plate - Throttle				9.35:1	ST606080	1
					9.35:1	ERR5007	1
8	Nut				9.35:1	ETC7870	1
					9.35:1	ETC7870	1
			9.35:1	ERR6703	1		
			9.35:1	ERR6703	1		
			9.35:1	ERR6703	1		
9	Screw		9.35:1	ERR5103	1		
			9.35:1	SS108801	1		
10	Pipe		9.35:1				
			9.35:1				
11	Bracket - Throttle Plate	Change point - VIN end TA194199	9.35:1	ETC7870	1		
		Change point - VIN end TA525033	9.35:1	ETC7870	1		
12	Lever - Throttle Stop	Change point - VIN begin TA194199	9.35:1	ERR6703	1		
		Change point - VIN begin TA525034	9.35:1	ERR6703	1		
13	Screw - Socket Head Cap		9.35:1				
			9.35:1				

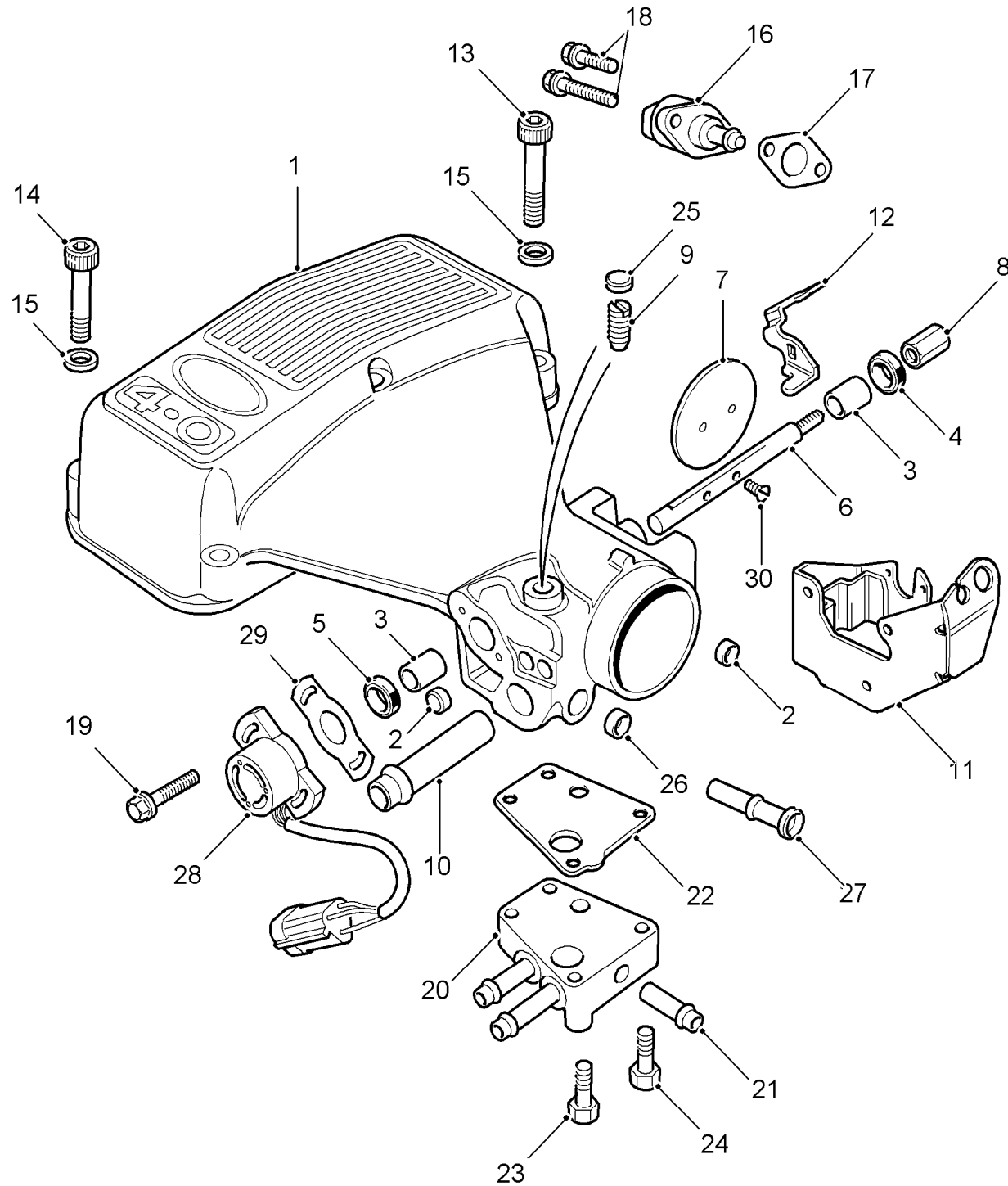
Engine
V8 Petrol - EFi
Plenum Chamber 2/2

Discovery (FA393361-WA799999)
(CDBRJC2A)

Discovery (FA393361-WA799999)

Engine
V8 Petrol - EFi
Plenum Chamber

Change point - VIN begin TA163100, Change point - VIN begin TA501920, 3.9/4.0 V8 Petrol Efi, (+)"CDN/MEX/USA"



G05.046
11-2002
L4
CDBRJC2A

Callout	Name	Application	Remarks & Restrictions	Service No.	Qty
14	Screw - Socket Head Cap		9.35:1	SS108555	5
15	Washer		9.35:1	WA108051L	6
16	Valve Assy - Idle Air Control (Iac)		9.35:1	ERR4352	1
17	Gasket - Control Valve		9.35:1	ERR3359	1
18	Screw		9.35:1, M4 x 14	FS104147M	2
19	Screw		9.35:1, M4 x 20	FS104207M	2
20	JACKET - WATER		9.35:1	ER1262	1
21	Connection		9.35:1	ERR1261	2
22	Gasket		9.35:1	ETC7353	1
23	Bolt - Flanged Hex.		1/4UNC x 1 3/8, 9.35:1	FB504117S	1
24	Screw		Flanged, 1/4UNC x 1, 9.35:1	FS504087S	3
25	Plug - Tamperproof		9.35:1	ETC6874	1
26	Plug - Tamperproof	Change point - VIN end TA194199	9.35:1	ERR4590	1
		Change point - VIN end TA525033	9.35:1	ERR4590	1
27	Pipe	Change point - VIN begin TA194200		ERR6189	1
		Change point - VIN begin TA525034		ERR6189	1
28	Sensor - Throttle Position			ERR4278	1
29	Gasket - Sensor			ERR4944	1
30	Screw			RTC5965	2

Engine
V8 Petrol - EFi
Plenum Hoses 1/1

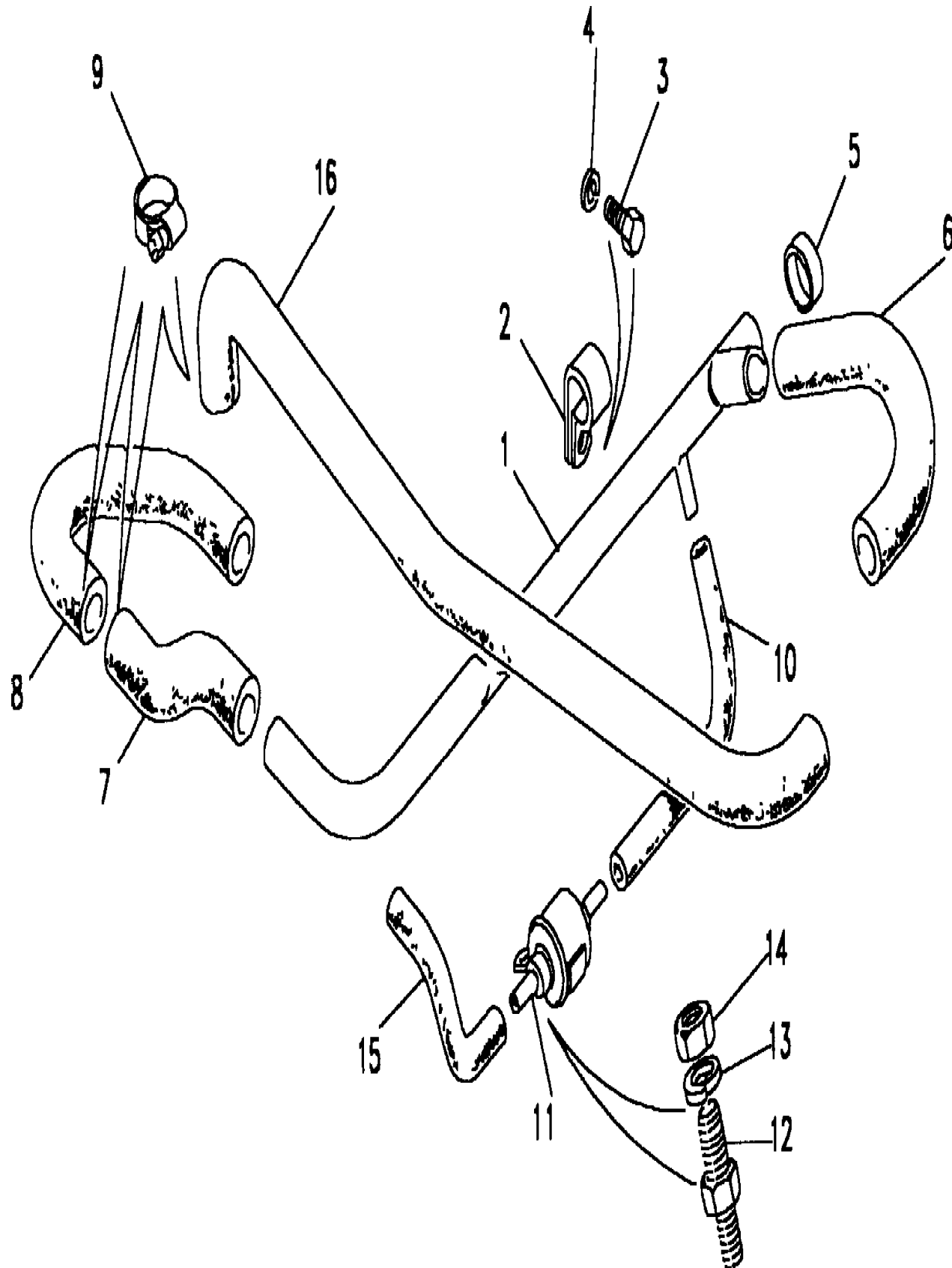
Discovery (FA393361-WA799999)
(CABRJE1A)

Discovery (FA393361-WA799999)

Engine
V8 Petrol - EFi
Plenum Hoses

V8 EFI Petrol

Callout	Name	Application	Remarks & Restrictions	Service No.	Qty
1	Pipe-plenum chamber breather	Petrol V8 L/R EFI, Less Air Conditioning Petrol V8 L/R EFI, With Air Conditioning		ERC9114L ERC9187	1 1
2	Clip-Pipe	Petrol V8 L/R EFI		ERC3853L	2
3	Screw	Petrol V8 L/R EFI	Pipe, M6 X 12, hexagonal head	SH106121L	2
4	Washer	Petrol V8 L/R EFI	M6, sprung	WL106001L	2
5	Plug-cup	Petrol V8 L/R EFI		602289	1
6	Hose-plenum	Petrol V8 L/R EFI	plenum chamber/air pipe	ERC9115	1
7	Hose-pipe valve	Petrol V8 L/R EFI	air pipe/air valve	ERC9118	1
8	Hose-plenum	Petrol V8 L/R EFI	air valve/plenum chamber	ERC9117	1
9	Clip	Petrol V8 L/R EFI	Hose	EAC22723	3
10	Hose-pipe valve	Petrol V8 L/R EFI, With Air Conditioning		ERC7508	1
11	Solenoid-control valve	Petrol V8 L/R EFI, With Air Conditioning		ERC7536	1
12	Screw	Petrol V8 L/R EFI	valve mounting, 1/4UNC	ERC7538	1
13	Washer-Spring	Petrol V8 L/R EFI	Also serviced as part of a kit, 5/16"	WM600051L	1
14	Nut - Hex.	Petrol V8 L/R EFI	hexagonal head, 5/16UNF	NH605041L	1
15	Hose-solenoid valve	Petrol V8 L/R EFI		ERR4764	1
16	Hose-plenum	Petrol V8 L/R EFI		ERC9116	1
[900]	Hose-manifold to plenum de icer	Change point - VIN begin MA106697, Petrol V8 L/R EFI		ERR4388	1
[901]	T Piece	Petrol V8 L/R EFI		ETC7442	1



Engine
V8 Petrol - EFI
Plenum Hoses 1/1

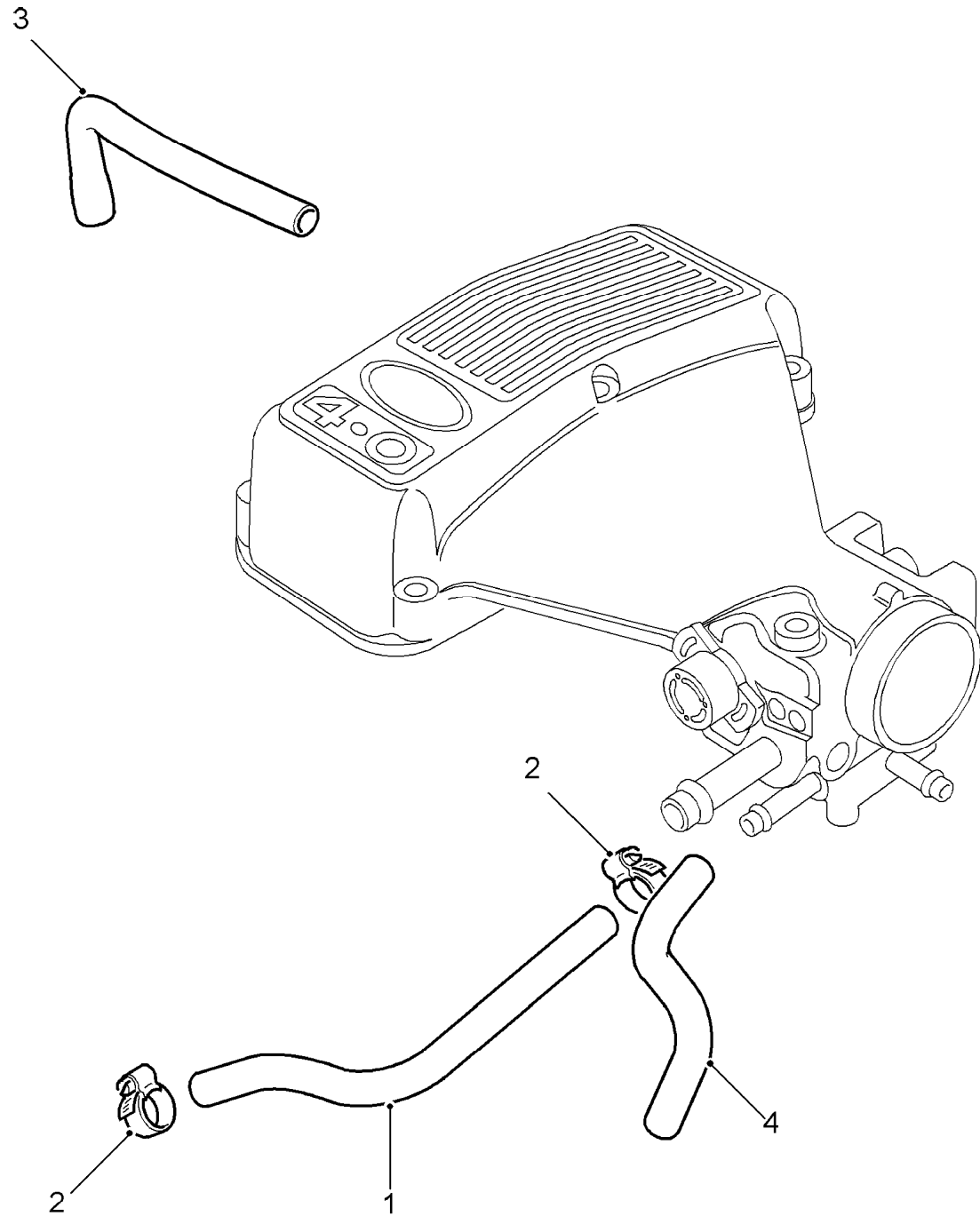
Discovery (FA393361-WA799999)
(CDBRJE1A)

Discovery (FA393361-WA799999)

Engine
V8 Petrol - EFI
Plenum Hoses

Change point - VIN begin TA163100, Change point - VIN begin TA501920,
(+)"CDN/MEX/USA"

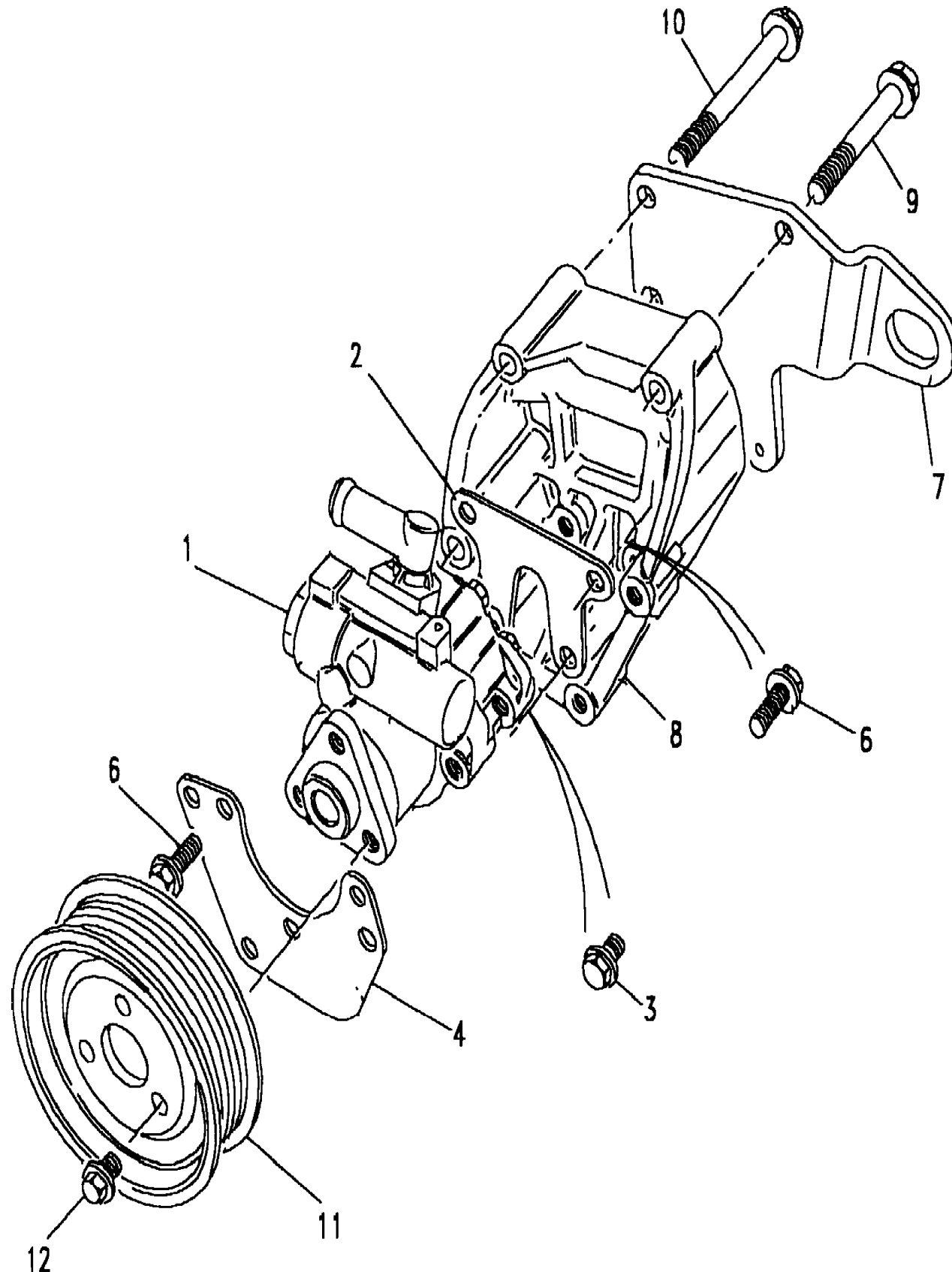
Callout	Name	Application	Remarks & Restrictions	Service No.	Qty
1	Hose		Water Man To Plenum	ERR4388	1
2	Clip - Hose			EAC32151	2
3	Hose		Rocker To Ram Housing Rocker To Ram Housing	ERR4258 LLH500090	1 1
4	Hose		Rocker To Plenum Rocker To Plenum	ERR5039 LLH500100	1 1



G05.151
11-2002
L4
CDBRJE1A

Engine
V8 Petrol - EFI
Power Steering Pump Serpentine Belt Drive 1/1
Discovery (FA393361-WA799999)
(CABRNC2A)

Discovery (FA393361-WA799999)
Engine
V8 Petrol - EFI
Power Steering Pump Serpentine Belt Drive
V8 EFI Petrol, With Power Steering



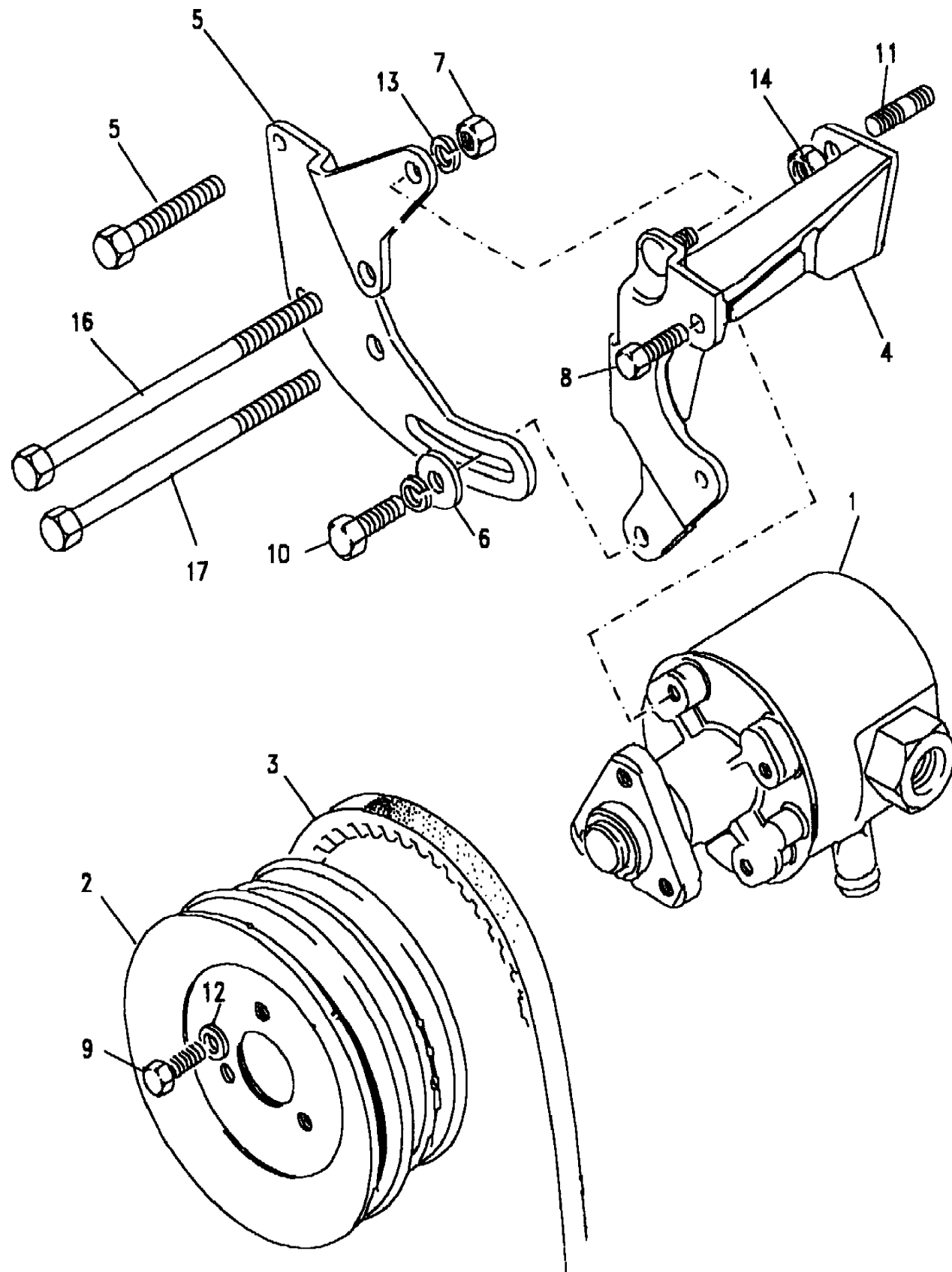
Callout	Name	Application	Remarks & Restrictions	Service No.	Qty
1	Pump assembly power assisted steering	Change point - VIN begin MA081991, Change point - VIN end VA730534, Petrol V8 L/R EFI Change point - VIN begin VA730534, Petrol V8 L/R EFI		ERR4066	1
				QVB101110	1
2	Bracket-mounting power assisted steering pump	Change point - VIN begin MA081991, Petrol V8 L/R EFI	Centre	ERR4054	1
3	Screw	Petrol V8 L/R EFI	Flanged Head, M8 x 20	FS108207L	2
4	Bracket-mounting power assisted steering pump	Change point - VIN begin MA081991, Petrol V8 L/R EFI	Front	ERR4427	1
5	Bolt	Change point - VIN begin MA081991, Petrol V8 L/R EFI	Flanged Head, 3/8UNC x 5 1/4	ERR3062	1
6	Screw	Petrol V8 L/R EFI	Flanged Head, M8 x 20	FS108207L	5
7	Bracket-lifting engine front	Change point - VIN begin MA081991, Petrol V8 L/R EFI		ERR4679	1
8	Bracket-mounting power assisted steering pump	Change point - VIN begin MA081991, Petrol V8 L/R EFI	Rear	ERR4053	1
9	Bolt-flanged head	Change point - VIN begin MA081991, Petrol V8 L/R EFI	Lifting Plate, 3/8UNC x 2 5/8	ERR3063	1
10	Bolt-flanged head	Change point - VIN begin MA081991, Petrol V8 L/R EFI	Lifting Plate, 3/8UNC x 3 1/4	FB506267	1
11	Pulley-assembly	Change point - VIN begin MA081991, Petrol V8 L/R EFI		ERR4868	1
12	Screw	Change point - VIN begin MA081991, Petrol V8 L/R EFI	Pulley, Flanged Head, M8 x 12	FS108127	3

Engine
V8 Petrol - EFi
Power Steering Pump V Belt Drive 1/2 (CABRNC1A)

Discovery (FA393361-WA799999)

Engine
V8 Petrol - EFi
Power Steering Pump V Belt Drive
V8 EFI Petrol, With Power Steering

Discovery (FA393361-WA799999)



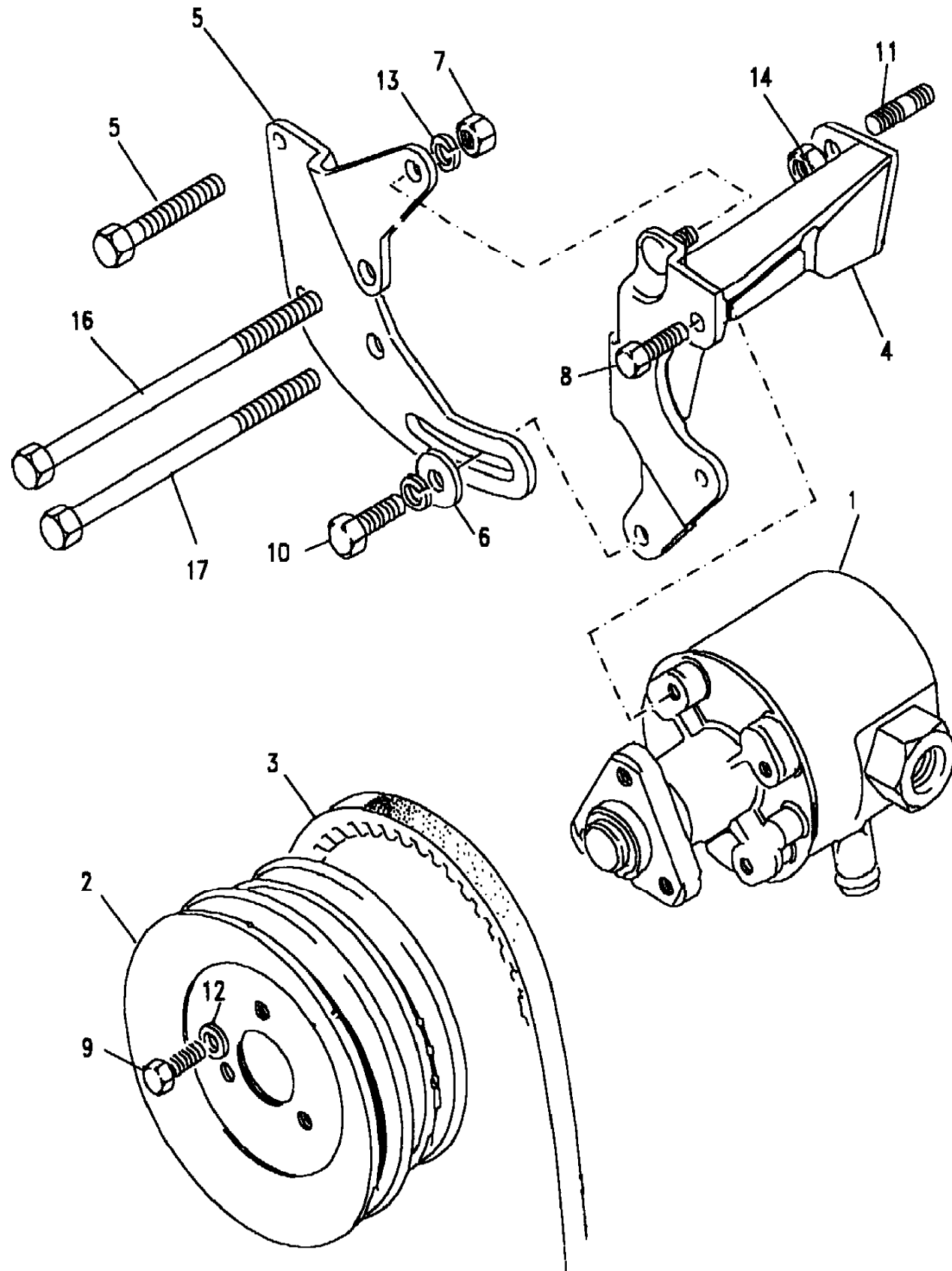
Callout	Name	Application	Remarks & Restrictions	Service No.	Qty
1	Pump assembly power assisted steering	Change point - VIN end JA034313, Petrol V8 L/R EFi Change point - VIN begin KA034314, Petrol V8 L/R EFi	Also serviced as part of a kit, V belt drive Also serviced as part of a kit	NTC8286 NTC9198	1 1
2	Pulley power assisted steering pump	Change point - VIN end LA081990, Petrol V8 L/R EFi	twin groove, A127 alternator	ETC6408	1
3	Belt-vee power assisted steering	Change point - VIN end LA081990, Petrol V8 L/R EFi		ERC675	1
4	Bracket-mounting power assisted steering pump	Change point - VIN end LA081990, Petrol V8 L/R EFi		ERR798	1
5	Link-power assisted steering pump adjusting	Change point - VIN end LA081990, Petrol V8 L/R EFi		ETC6607	1
6	Washer	Change point - VIN end LA081990, Petrol V8 L/R EFi	BRACKET ADJUSTING	2266L	1
7	Nut - Hex.	Change point - VIN end LA081990, Petrol V8 L/R EFi	BRACKET ADJUSTING, M8, hexagonal head	NH108041L	1
8	Screw	3.5L V8 EFi L/R Petrol 3.5L V8 EFi L/R Petrol Petrol V8 L/R EFi	bracket mounting, Flanged Head, M8 x 20 Pulley, Flanged Head, M8 x 20 bracket mounting, Flanged Head, M8 x 20	FS108207L FS108207L FS108207L	3 3 3
9	Screw	Petrol V8 L/R EFi	Pulley, Flanged Head, M8 x 20	FS108207L	3
10	Screw	Change point - VIN end LA081990, Petrol V8 L/R EFi Petrol V8 L/R EFi	BRACKET ADJUSTING, M8 x 25, Flanged Head BRACKET ADJUSTING, M8 x 25, Flanged Head	FS108251L FS108257L	1 1
11	Stud	Change point - VIN end LA081990, Petrol V8 L/R EFi	bracket mounting, 3/8UNF x 1 1/8	TE506101L	1
12	Washer	Change point - VIN end LA081990, Petrol V8 L/R EFi	Pulley, 8MM	WA108051L	3
13	Washer-Spring	Change point - VIN end LA081990, Petrol V8 L/R EFi	BRACKET ADJUSTING, Also serviced as part of a kit, 5/16"	WM600051L	1

Engine
V8 Petrol - EFi
Power Steering Pump V Belt Drive 2/2 (CABRNC1A)

Discovery (FA393361-WA799999)

Engine
V8 Petrol - EFi
Power Steering Pump V Belt Drive
V8 EFi Petrol, With Power Steering

Discovery (FA393361-WA799999)



Callout	Name	Application	Remarks & Restrictions	Service No.	Qty
14	Nut - Hex.	Change point - VIN end LA081990, Petrol V8 L/R EFi	hexagonal head, 3/8UNF	NH606041L	1
15	Bolt	Change point - VIN end LA081990, Petrol V8 L/R EFi	bracket mounting, hexagonal head, 1/4UNC x 1 1/2	BH504121L	2
16	Bolt	Change point - VIN end LA081990, Petrol V8 L/R EFi	Pulley, hexagonal head, 5/16UNC x 5	BH505401L	1
17	Bolt	Change point - VIN end LA081990, Petrol V8 L/R EFi	hexagonal head, 5/16UNC x 4 3/4	BH505381L	1
[900]	O Ring	Change point - VIN end JA034313, Petrol V8 L/R EFi	Also serviced as part of a kit, Large	RTC6074	1
		Change point - VIN end JA034313, Petrol V8 L/R EFi	Also serviced as part of a kit, Small	RTC6075	1
[901]	Kit-power assisted steering pump seal	Change point - VIN end JA034313, Petrol V8 L/R EFi	Also serviced as part of a kit	STC1633	1
[902]	Spacer	Change point - VIN begin KA034314, Petrol V8 L/R EFi	Also serviced as part of a kit	RTC6760	1

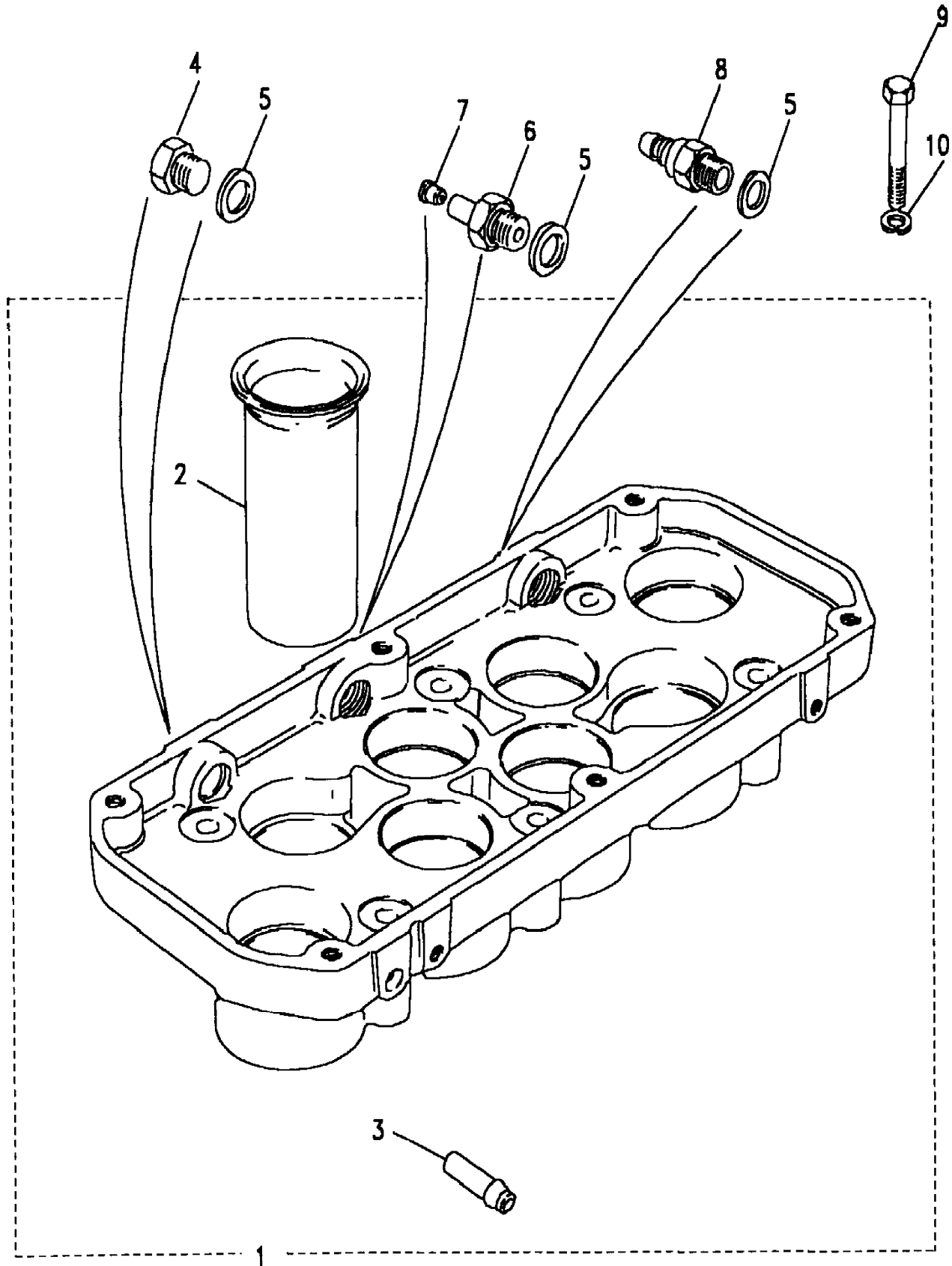
Engine
V8 Petrol - EFi
Ram Pipes Housing 1/1

Discovery (FA393361-WA799999)
(CABRJG1A)

Discovery (FA393361-WA799999)

Engine
V8 Petrol - EFi
Ram Pipes Housing

Petrol V8 L/R EFi



Callout	Name	Application	Remarks & Restrictions	Service No.	Qty
1	Housing-ram pipes		Also serviced as part of a kit Also serviced as part of a kit	ERR1290 ERR6072	1 1
2	Pipe-ram		Also serviced as part of a kit	ERC9110	8
3	Pipe induction system	Change point - VIN end TA508673 Change point - VIN end TA177889 Change point - VIN begin TA177890 Change point - VIN begin TA508674	Also serviced as part of a kit Also serviced as part of a kit Also serviced as part of a kit Also serviced as part of a kit	ERC377L ERC377L ERR4566 ERR4566	1 1 1 1
4	Plug-blanking		Also serviced as part of a kit	603224 603224	1 2
5	Washer-sealing		Also serviced as part of a kit	232043 232043	2 3
6	Plug			ERC4626	1
7	Connector-inlet manifold adaptor			ETC6505	1
8	Valve-inlet manifold non return			RTC5907	1
9	Bolt		Less Alternatives, Ram pipes Housing, hexagonal head, 5/16UNC x 2 1/4 Less Alternatives, Ram pipes Housing, Flanged Head	BH505181L FB505181L	6 6
10	Washer		Ram pipes Housing, 8MM	WA108051L	6

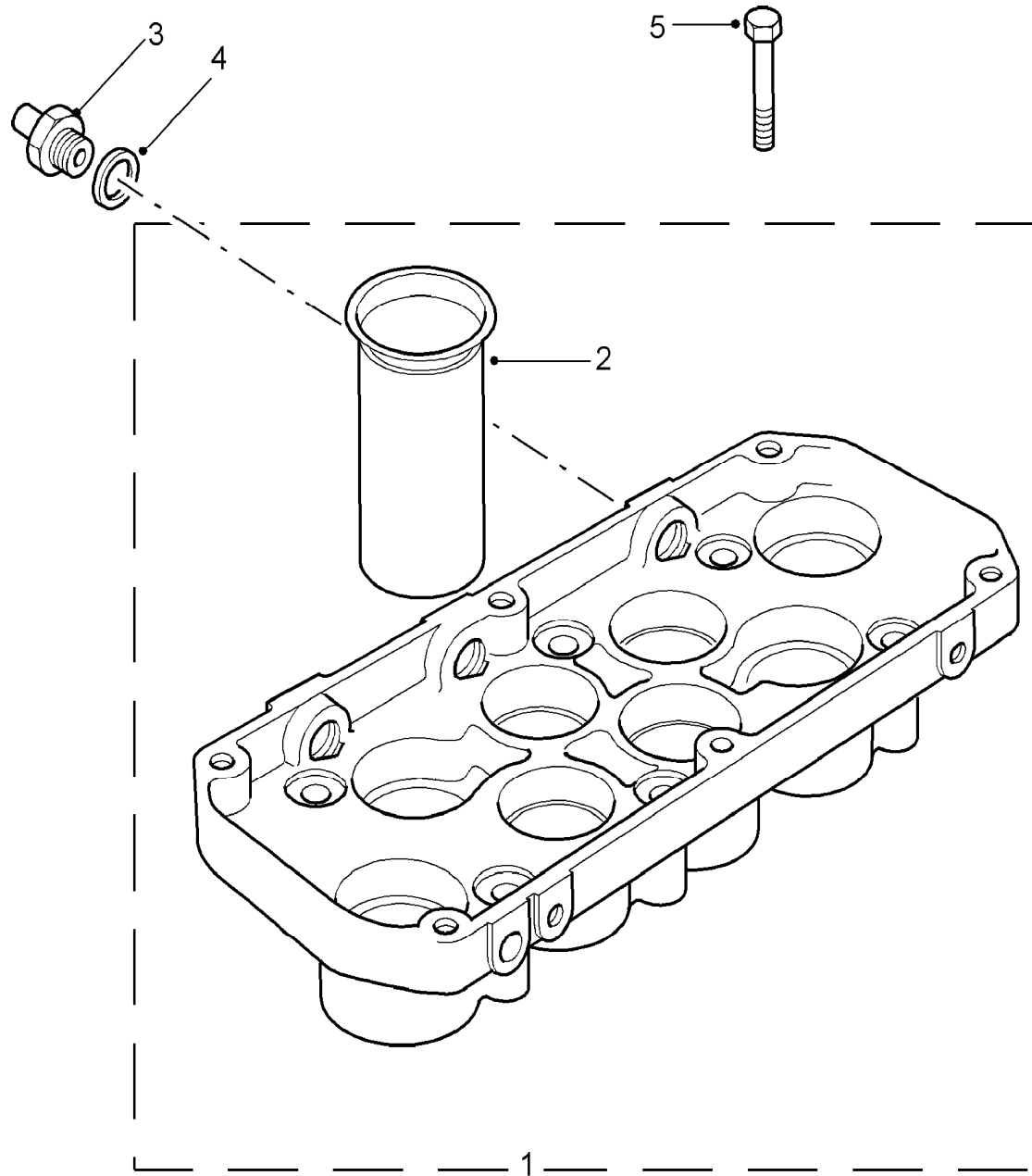
Engine
V8 Petrol - EFi
Ram Pipes Housing 1/1

Discovery (FA393361-WA799999)
(CDBRJG2A)

Discovery (FA393361-WA799999)

Engine
V8 Petrol - EFi
Ram Pipes Housing

Change point - VIN begin TA163100, Change point - VIN begin TA501920, 3.9/4.0 V8 Petrol Efi, (+)"CDN/MEX/USA"



Callout	Name	Application	Remarks & Restrictions	Service No.	Qty
1	Housing-ram pipes	Change point - VIN end TA194199	9.35:1	ERR5035	1
		Change point - VIN end TA525033	9.35:1	ERR5035	1
		Change point - VIN begin TA194200	9.35:1	ERR4021	1
		Change point - VIN begin TA525034	9.35:1	ERR4021	1
2	Pipe-ram		9.35:1	ERC9110	8
3	Adaptor		9.35:1	ERR4235	1
4	Washer-sealing		9.35:1	232043	1
5	Bolt		9.35:1	FB505181	6

Engine
V8 Petrol - EFi
Rocker Cover 1/3

Discovery (FA393361-WA799999)

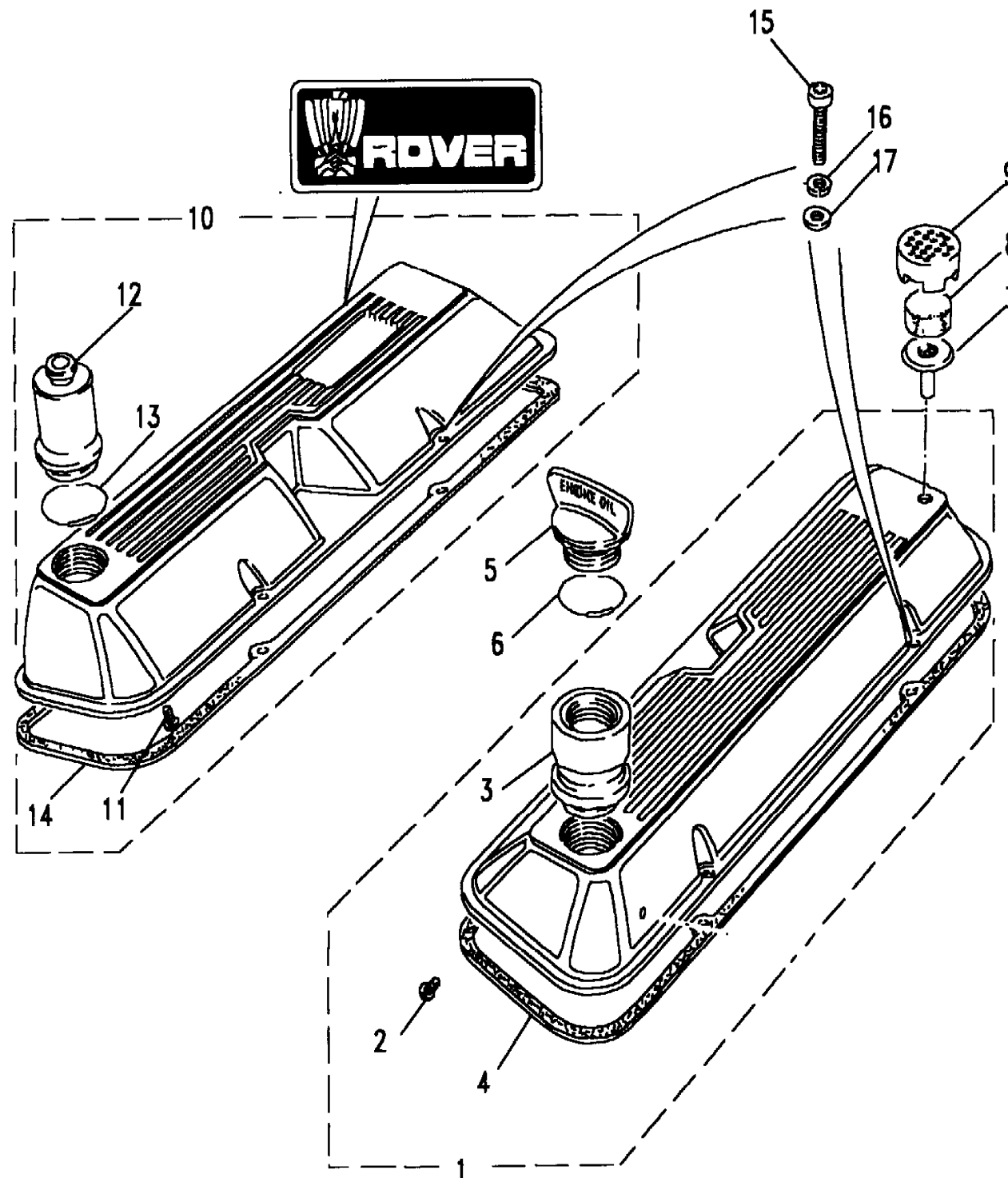
(CABRGG1A)

Discovery (FA393361-WA799999)

Engine
V8 Petrol - EFi
Rocker Cover

Petrol V8 L/R EFi

Callout	Name	Application	Remarks & Restrictions	Service No.	Qty		
1	Cover assembly-valve rocker	Change point - Engine end 38D27330B	4000 cc, 4600 cc, Also serviced as part of a kit, LH	ETC8679	1		
		Change point - Engine end 37D01931B	4000 cc, 4600 cc, Also serviced as part of a kit, LH	ETC8679	1		
		Change point - Engine end 36D25154B	4000 cc, 4600 cc, Also serviced as part of a kit, LH	ETC8679	1		
		Change point - Engine end 35D08927B	4000 cc, 4600 cc, Also serviced as part of a kit, LH	ETC8679	1		
		Change point - Engine begin 35D08928B	4000 cc, 4600 cc, Also serviced as part of a kit, LH	ERR4870	1		
		Change point - Engine begin 36D25155B	4000 cc, 4600 cc, Also serviced as part of a kit, LH	ERR4870	1		
		Change point - Engine begin 37D01932B	4000 cc, 4600 cc, Also serviced as part of a kit, LH	ERR4870	1		
		Change point - Engine begin 38D27331B	4000 cc, 4600 cc, Also serviced as part of a kit, LH	ERR4870	1		
		2	Screw	Change point - Engine begin 35D08928B	4000 cc, 4600 cc, Also serviced as part of a kit, 6 x 3/8	79027	4
				Change point - Engine begin 36D25155B	4000 cc, 4600 cc, Also serviced as part of a kit, 6 x 3/8	79027	4
Change point - Engine begin 37D01932B	4000 cc, 4600 cc, Also serviced as part of a kit, 6 x 3/8			79027	4		
Change point - Engine begin 38D27331B	4000 cc, 4600 cc, Also serviced as part of a kit, 6 x 3/8			79027	4		
3	Filler-oil	Change point - Engine begin 35D08928B	4000 cc, 4600 cc, Also serviced as part of a kit	ERC2989	1		
		Change point - Engine begin 36D25155B	4000 cc, 4600 cc, Also serviced as part of a kit	ERC2989	1		
		Change point - Engine begin 37D01932B	4000 cc, 4600 cc, Also serviced as part of a kit	ERC2989	1		
		Change point - Engine begin 38D27331B	4000 cc, 4600 cc, Also serviced as part of a kit	ERC2989	1		
4	Gasket-engine rocker cover	Change point - Engine begin 35D08928B	4000 cc, 4600 cc, Also serviced as part of a kit	602512	1		
		Change point - Engine begin 36D25155B	4000 cc, 4600 cc, Also serviced as part of a kit	602512	1		
		Change point - Engine begin 37D01932B	4000 cc, 4600 cc, Also serviced as part of a kit	602512	1		
		Change point - Engine begin 38D27331B	4000 cc, 4600 cc, Also serviced as part of a kit	602512	1		
5	Cap-oil filler		4000 cc, 4600 cc	625038	1		
6	O Ring		4000 cc, 4600 cc	564258	1		
7	Plate		4000 cc, 4600 cc	ERC3933	1		
8	Filter-crankcase intake foam		4000 cc, 4600 cc	ERC3209	1		
9	Cap-filter.		4000 cc, 4600 cc	ERC3208	1		



Engine
V8 Petrol - EFi
Rocker Cover 2/3

Discovery (FA393361-WA799999)

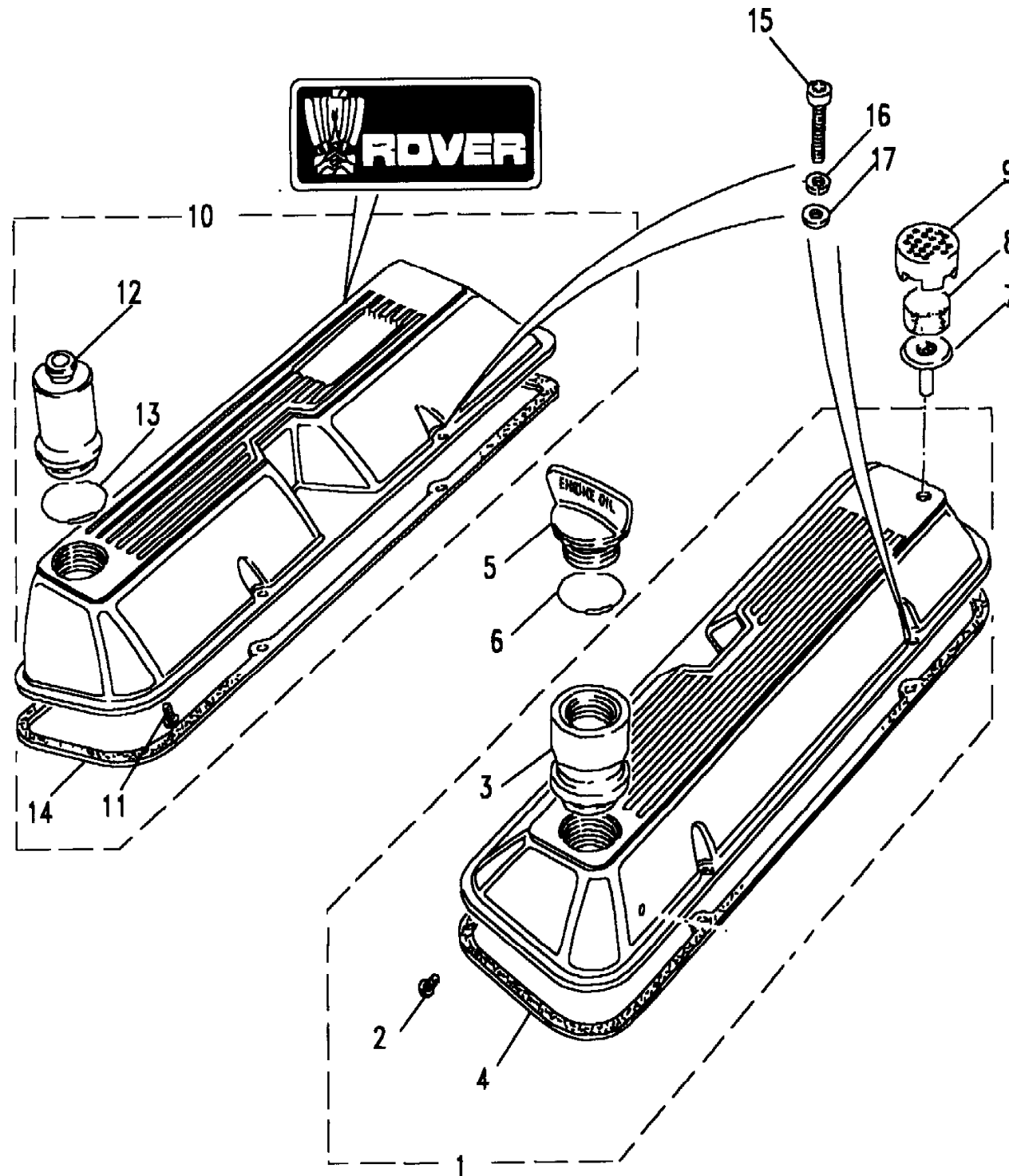
(CABRGG1A)

Discovery (FA393361-WA799999)

Engine
V8 Petrol - EFi
Rocker Cover

Petrol V8 L/R EFi

Callout	Name	Application	Remarks & Restrictions	Service No.	Qty		
10	Cover assembly-valve rocker	Change point - Engine end 38D27330B	4000 cc, 4600 cc, Also serviced as part of a kit, RH	ETC8680	1		
		Change point - Engine end 37D01931B	4000 cc, 4600 cc, Also serviced as part of a kit, RH	ETC8680	1		
		Change point - Engine end 36D25154B	4000 cc, 4600 cc, Also serviced as part of a kit, RH	ETC8680	1		
		Change point - Engine end 35D08927B	4000 cc, 4600 cc, Also serviced as part of a kit, RH	ETC8680	1		
		Change point - Engine begin 35D08928B	4000 cc, 4600 cc, Also serviced as part of a kit, RH	ERR4672	1		
		Change point - Engine begin 36D25155B	4000 cc, 4600 cc, Also serviced as part of a kit, RH	ERR4672	1		
		Change point - Engine begin 37D01932B	4000 cc, 4600 cc, Also serviced as part of a kit, RH	ERR4672	1		
		Change point - Engine begin 38D27331B	4000 cc, 4600 cc, Also serviced as part of a kit, RH	ERR4672	1		
		11	Screw	Change point - Engine end 38D27330B	4000 cc, 4600 cc, Also serviced as part of a kit, 6 x 3/8	79027	8
				Change point - Engine end 37D01931B	4000 cc, 4600 cc, Also serviced as part of a kit, 6 x 3/8	79027	8
Change point - Engine end 36D25154B	4000 cc, 4600 cc, Also serviced as part of a kit, 6 x 3/8			79027	8		
Change point - Engine end 35D08927B	4000 cc, 4600 cc, Also serviced as part of a kit, 6 x 3/8			79027	8		
12	Filter-crankcase breather	Change point - Engine end 38D27330B	4000 cc, 4600 cc, Also serviced as part of a kit	ERC248	1		
		Change point - Engine end 37D01931B	4000 cc, 4600 cc, Also serviced as part of a kit	ERC248	1		
		Change point - Engine end 36D25154B	4000 cc, 4600 cc, Also serviced as part of a kit	ERC248	1		
		Change point - Engine end 35D08927B	4000 cc, 4600 cc, Also serviced as part of a kit	ERC248	1		
13	O Ring	Change point - Engine end 38D27330B	4000 cc, 4600 cc, positive crankcase ventilation breather, Also serviced as part of a kit	564258	1		
		Change point - Engine end 37D01931B	4000 cc, 4600 cc, positive crankcase ventilation breather, Also serviced as part of a kit	564258	1		
		Change point - Engine end 36D25154B	4000 cc, 4600 cc, positive crankcase ventilation breather, Also serviced as part of a kit	564258	1		
		Change point - Engine end 35D08927B	4000 cc, 4600 cc, positive crankcase ventilation breather, Also serviced as part of a kit	564258	1		
14	Gasket-engine rocker cover	Change point - Engine end 38D27330B	4000 cc, 4600 cc, Also serviced as part of a kit	602512	1		



Engine
V8 Petrol - EFi
Rocker Cover 3/3

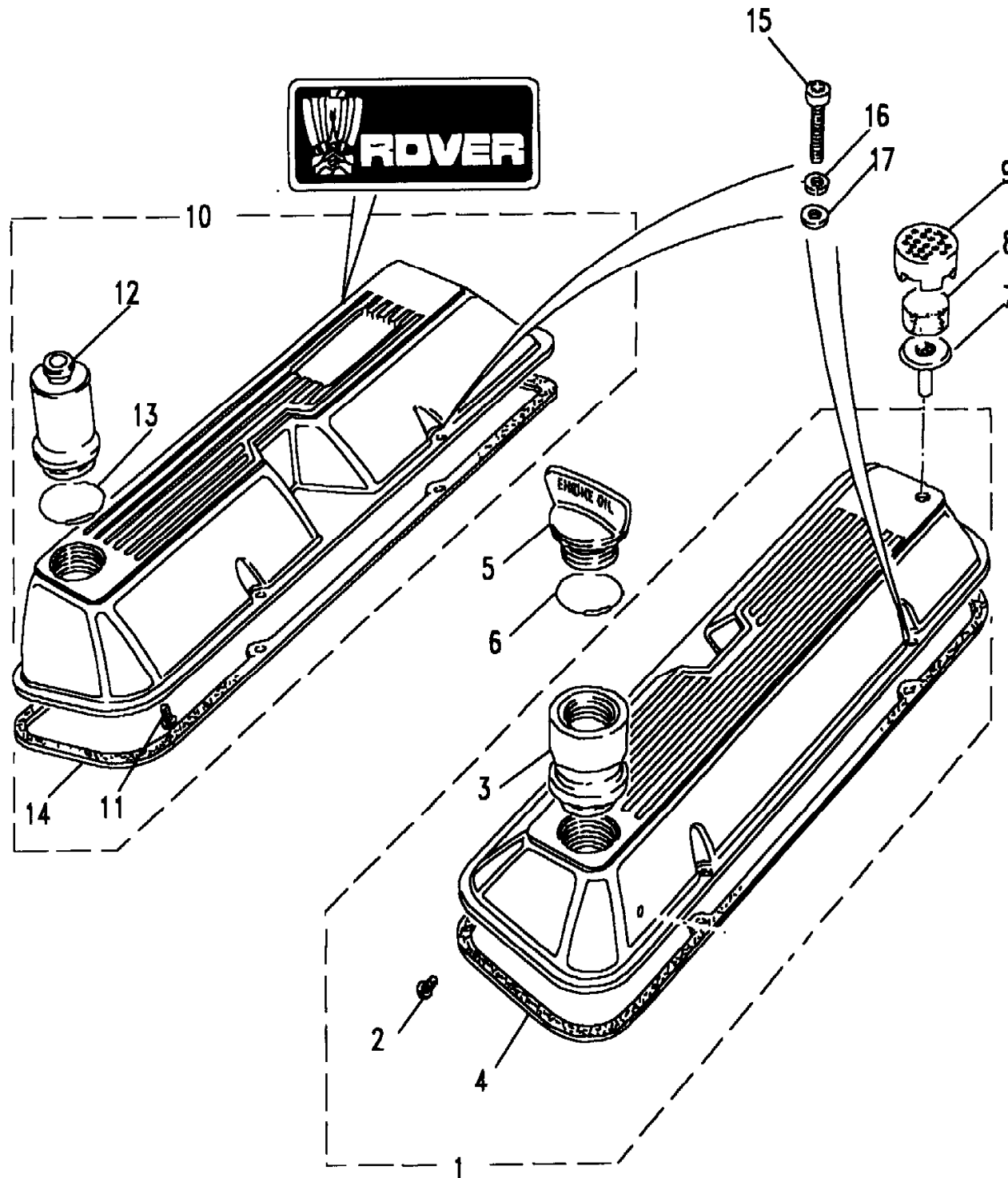
Discovery (FA393361-WA799999)
(CABRGG1A)

Discovery (FA393361-WA799999)

Engine
V8 Petrol - EFi
Rocker Cover

Petrol V8 L/R EFi

Callout	Name	Application	Remarks & Restrictions	Service No.	Qty
14	Gasket-engine rocker cover	Change point - Engine end 37D01931B Change point - Engine end 36D25154B Change point - Engine end 35D08927B	4000 cc, 4600 cc, Also serviced as part of a kit 4000 cc, 4600 cc, Also serviced as part of a kit 4000 cc, 4600 cc, Also serviced as part of a kit	602512 602512 602512	1 1 1
15	Screw		Cover, 4000 cc, 4600 cc, 1/4UNC x 7/8 Cover, 4000 cc, 4600 cc, 1/4UNC x 1 5/16	SY504072L 603127	4 4
16	Washer-Spring		4000 cc, 4600 cc, 1/4 dia, Square	WM600041L	8
17	Washer		4000 cc, 4600 cc, M6	WB106041L	8
[900]	Separator-crankcase breather oil		4000 cc, 4600 cc	ERR4563	1



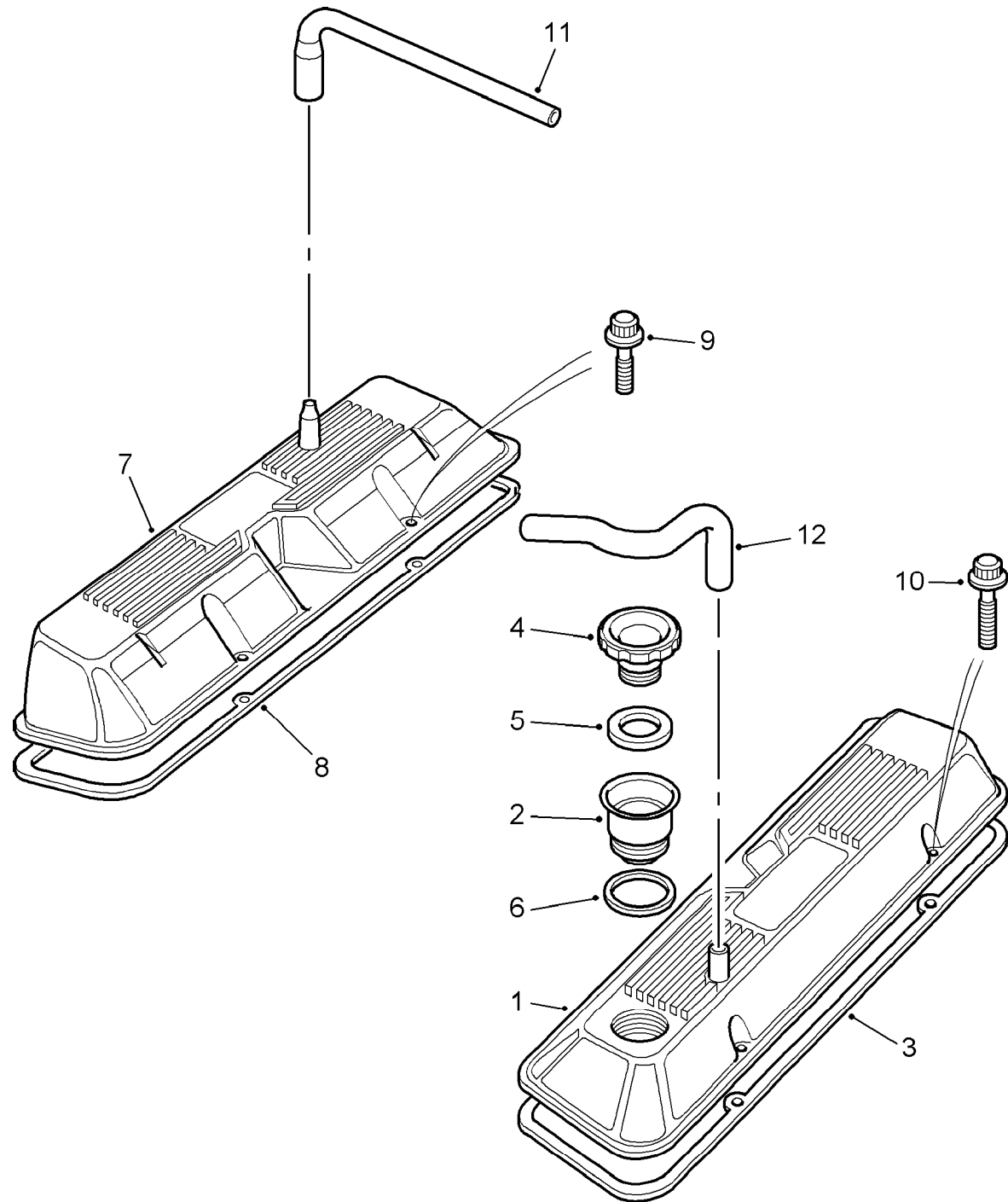
Engine
V8 Petrol - EFi
Rocker Cover 1/1

Discovery (FA393361-WA799999)
(CDBRGG2A)

Discovery (FA393361-WA799999)

Engine
V8 Petrol - EFi
Rocker Cover

Change point - VIN begin TA163100, Change point - VIN begin TA501920,
(+)"CDN/MEX/USA"



G05.171
11-2002
L4
CDBRGG2A

Callout	Name	Application	Remarks & Restrictions	Service No.	Qty
1	Cover - Camshaft	Change point - VIN end WA379147	LH	ERR5439	1
		Change point - VIN begin WA379148	LH	ERR7365	1
2	Tube - Oil Filler	Change point - Engine end 50D24651A		ERR5217	1
		Change point - Engine begin 50D24652A		ERR7335	1
3	Gasket - Valve Rocker Arm Cover	Change point - VIN end WA379147		ERR7288	2
		Change point - VIN begin WA379148		LVC100260	2
4	Cap Assy - Oil Filler			ERR5218	1
5	Dust Shield			ERR5219	1
6	Ring - Sealing			564258	1
7	Cover - Camshaft	Change point - VIN end WA379147	RH	ERR5000	1
		Change point - VIN begin WA379148	RH	ERR7367	1
[8]	Separator		Located in the RH breather tube, Spiral Separator	ERR4563	1
9	Screw		1/4UNC x 7/8	ERR4818	4
10	Screw		1/4UNC x 1 1/4	ERR4819	4
11	Hose	Rocker To Ram Housing		ERR4258	1
		Rocker To Ram Housing		LLH500090	1
12	Hose		Rocker To Plenum	ERR4237	1

Engine
V8 Petrol - EFi
Rockershaft 1/1

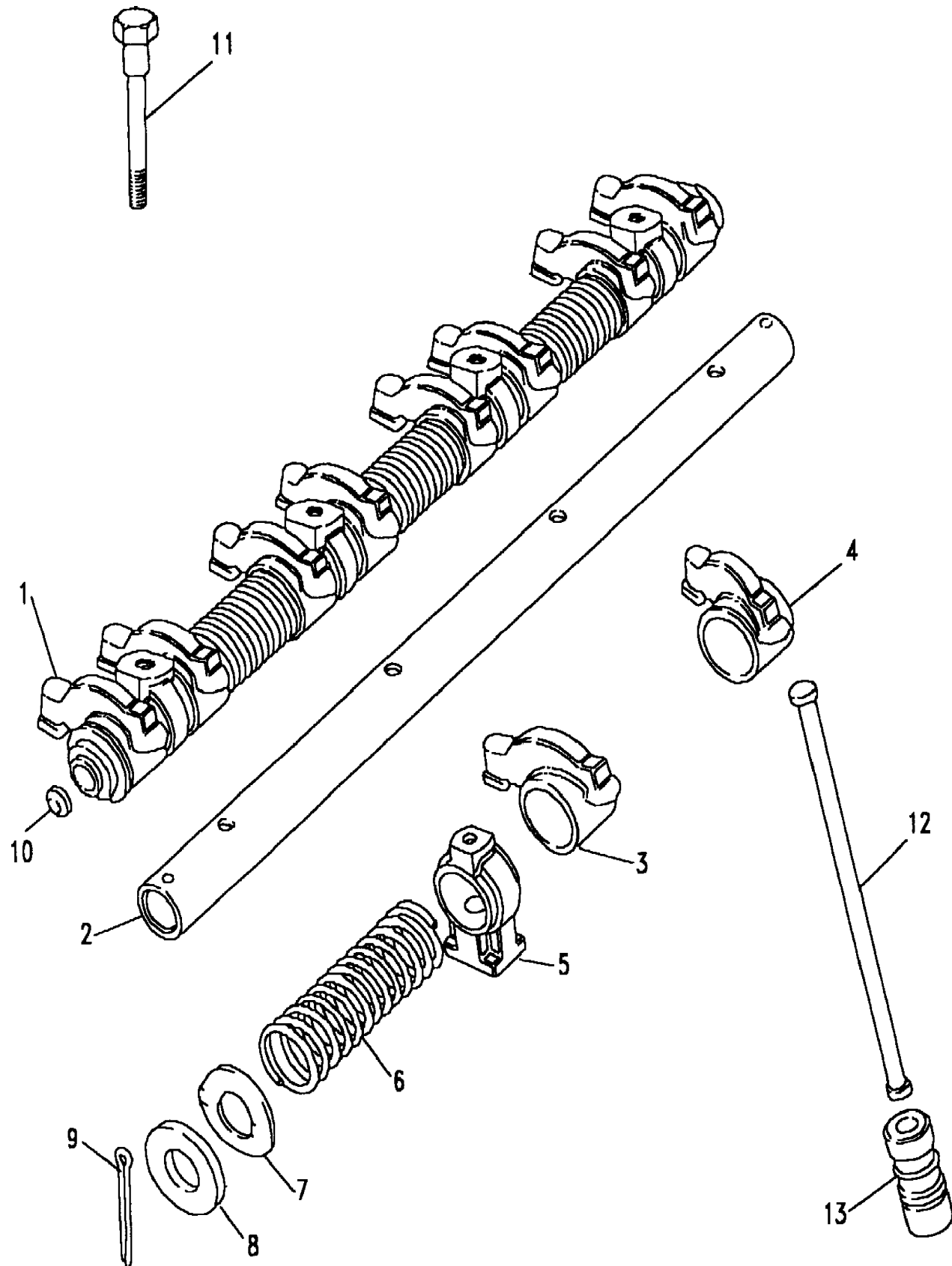
Discovery (FA393361-WA799999)
(CABRGC1A)

Discovery (FA393361-WA799999)

Engine
V8 Petrol - EFi
Rockershaft

V8 EFI Petrol

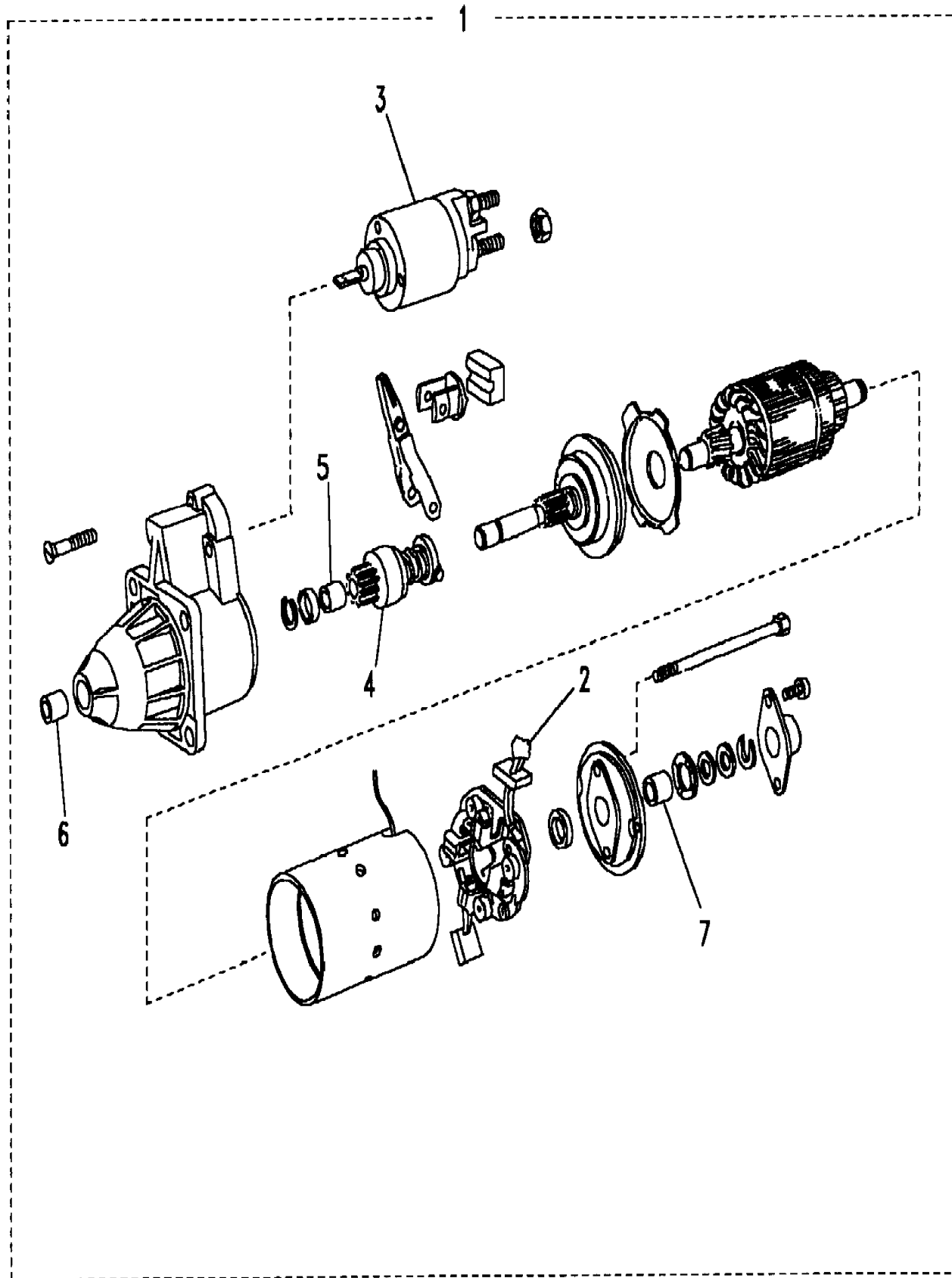
Callout	Name	Application	Remarks & Restrictions	Service No.	Qty
1	Shaft assembly-rocker	Petrol V8 L/R EFI	Also serviced as part of a kit	611660	2
2	Shaft-rocker	Petrol V8 L/R EFI	Also serviced as part of a kit	611659L	2
3	Rocker assembly-cylinder head	Petrol V8 L/R EFI	Also serviced as part of a kit, RH	602153	8
4	Rocker assembly-cylinder head	Petrol V8 L/R EFI	Also serviced as part of a kit, LH	602154	8
5	Pillar-cylinder head rocker support	Petrol V8 L/R EFI	Also serviced as part of a kit	603734	8
6	Spring-rocker shaft	Petrol V8 L/R EFI	Also serviced as part of a kit	602142	6
7	Washer-waved	Petrol V8 L/R EFI	Also serviced as part of a kit	602148	4
8	Washer-Plain	Petrol V8 L/R EFI	Also serviced as part of a kit	602186	4
9	Pin-split	Petrol V8 L/R EFI	Also serviced as part of a kit	PS606101L	4
10	Plug-core	Petrol V8 L/R EFI	Also serviced as part of a kit	154545	4
11	Bolt	Petrol V8 L/R EFI	rocker shaft, 3/8UNC x 2.79	602097	8
12	Rod-engine push	Petrol V8 L/R EFI		603378	16
13	Tappet-engine valve hydraulic	Petrol V8 L/R EFI		ERC4949	16



Engine
V8 Petrol - EFi
Starter Motor Bosch 1/3

Discovery (FA393361-WA799999)

(CABRPE2A)



Discovery (FA393361-WA799999)

Engine
V8 Petrol - EFi
Starter Motor Bosch

V8 EFI Petrol

Callout	Name	Application	Remarks & Restrictions	Service No.	Qty
1	Motor-starter engine	Change point - VIN begin KA045927, Petrol V8 L/R EFI	Also serviced as part of a kit, Bosch, New	ERR6087	1
		Change point - VIN begin MA163588, Petrol V8 L/R EFI, (-)"CDN/MEX/USA"	Also serviced as part of a kit, Bosch, exchange	NAD10038E	1
		Change point - VIN begin MA501979, Petrol V8 L/R EFI, (-)"CDN/MEX/USA"	Also serviced as part of a kit, Bosch, exchange	NAD10038E	1
		Change point - VIN begin KA045927, Change point - VIN end MA163587, Petrol V8 L/R EFI	Also serviced as part of a kit, Bosch, exchange	ERR6087E	1
		Change point - VIN end MA501978, Petrol V8 L/R EFI	Also serviced as part of a kit, Bosch, exchange	ERR6087E	1
		Petrol V8 L/R EFI, (-)"CDN/MEX/USA"	Also serviced as part of a kit, Bosch, New	NAD101190	1
		Petrol V8 L/R EFI, (-)"CDN/MEX/USA"	Also serviced as part of a kit, Bosch, New	NAD101490	1
		Change point - VIN end SA163099, 3.9/4.0 V8 Petrol Efi, (+)"CDN/MEX/USA"		NAD10038	1
		Change point - VIN end SA501919, 3.9/4.0 V8 Petrol Efi, (+)"CDN/MEX/USA"		NAD10038	1
		2	Box assembly-brush starter motor	Change point - VIN begin KA045927, Petrol V8 L/R EFI	Also serviced as part of a kit
Change point - VIN begin MA163588, Petrol V8 L/R EFI	Also serviced as part of a kit			STC1243	1
Change point - VIN begin MA501979, Petrol V8 L/R EFI	Also serviced as part of a kit			STC1243	1
Change point - VIN begin KA045927, Change point - VIN end MA163587, Petrol V8 L/R EFI	Also serviced as part of a kit			STC1243	1
Change point - VIN end MA501978, Petrol V8 L/R EFI	Also serviced as part of a kit			STC1243	1
Petrol V8 L/R EFI	Also serviced as part of a kit			STC4465	1
3	Solenoid starter motor			Change point - VIN begin KA045927, Petrol V8 L/R EFI	Also serviced as part of a kit
		Change point - VIN begin MA163588, Petrol V8 L/R EFI	Also serviced as part of a kit	STC1242	1
		Change point - VIN begin MA501979, Petrol V8 L/R EFI	Also serviced as part of a kit	STC1242	1
		Change point - VIN begin KA045927, Change point - VIN end MA163587, Petrol V8 L/R EFI	Also serviced as part of a kit	STC1242	1

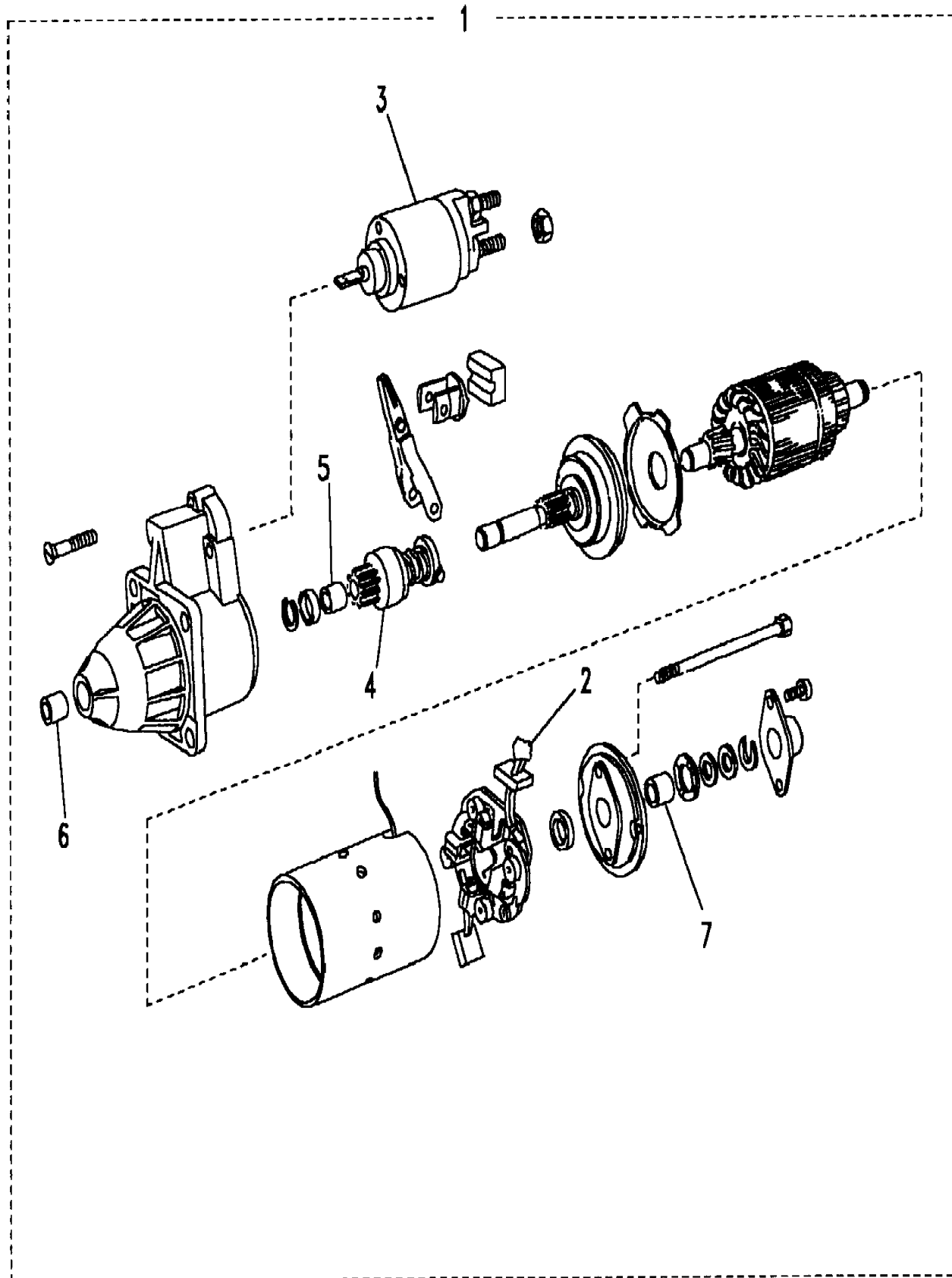
Engine
V8 Petrol - EFi
Starter Motor Bosch 2/3

Discovery (FA393361-WA799999)
(CABRPE2A)

Discovery (FA393361-WA799999)

Engine
V8 Petrol - EFi
Starter Motor Bosch

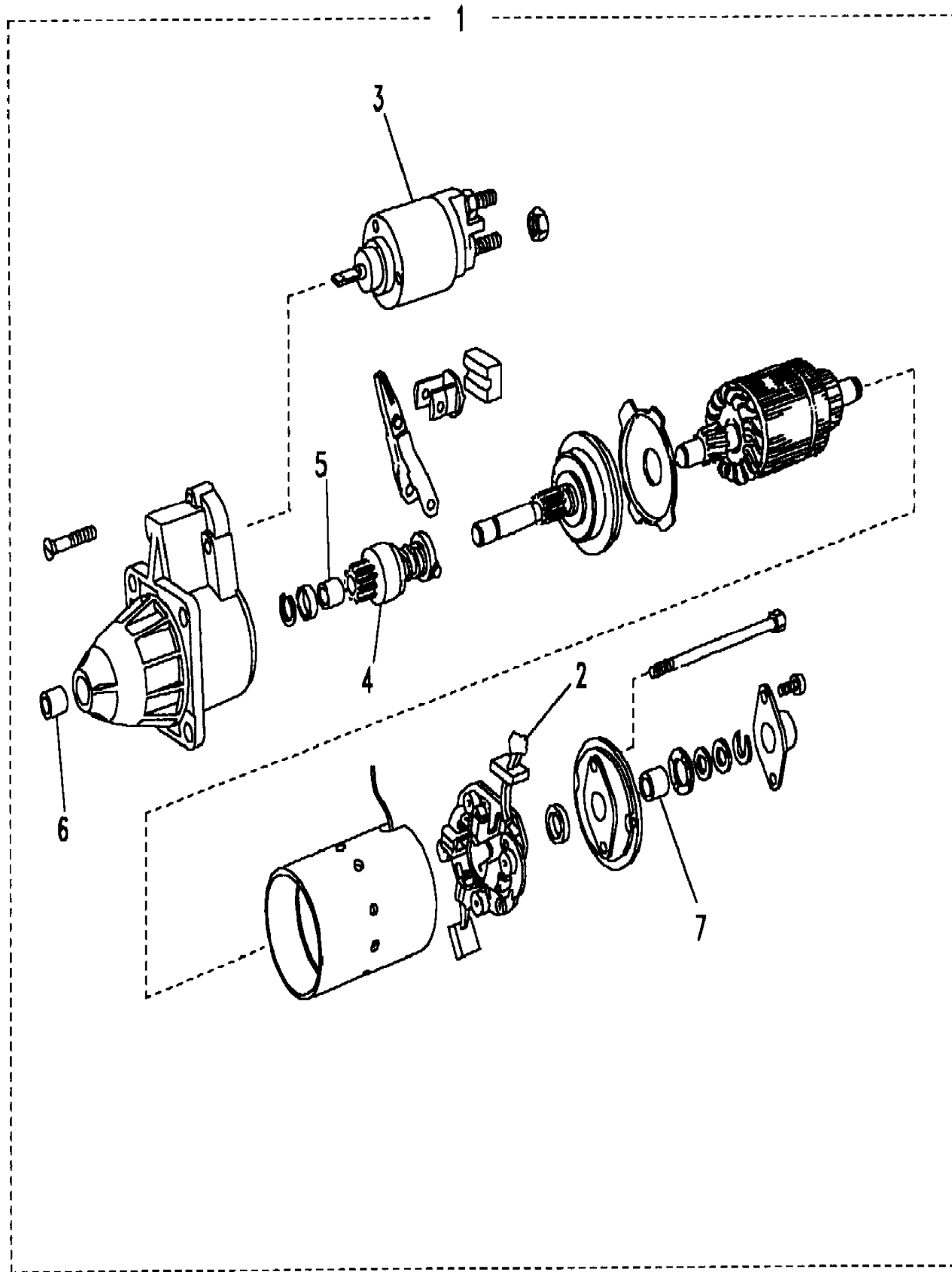
V8 EFI Petrol



Callout	Name	Application	Remarks & Restrictions	Service No.	Qty
3	Solenoid starter motor	Change point - VIN end MA501978, Petrol V8 L/R EFI	Also serviced as part of a kit	STC1242	1
		Petrol V8 L/R EFI	Also serviced as part of a kit	STC4462	1
4	Drive assembly starter motor	Change point - VIN begin KA045927, Petrol V8 L/R EFI	Also serviced as part of a kit	STC1241	1
		Change point - VIN begin MA163588, Petrol V8 L/R EFI	Also serviced as part of a kit	STC1241	1
		Change point - VIN begin MA501979, Petrol V8 L/R EFI	Also serviced as part of a kit	STC1241	1
		Change point - VIN begin KA045927, Change point - VIN end MA163587, Petrol V8 L/R EFI	Also serviced as part of a kit	STC1241	1
		Change point - VIN end MA501978, Petrol V8 L/R EFI	Also serviced as part of a kit	STC1241	1
		Petrol V8 L/R EFI	Also serviced as part of a kit	STC4464	1
		Petrol V8 L/R EFI	Also serviced as part of a kit	STC4464	1
5	Bush-starter motor	Change point - VIN begin KA045927, Petrol V8 L/R EFI	Also serviced as part of a kit, Centre	STC1250	2
		Change point - VIN begin MA163588, Petrol V8 L/R EFI	Also serviced as part of a kit, Centre	STC1250	2
		Change point - VIN begin MA501979, Petrol V8 L/R EFI	Also serviced as part of a kit, Centre	STC1250	2
		Change point - VIN begin KA045927, Change point - VIN end MA163587, Petrol V8 L/R EFI	Also serviced as part of a kit, Centre	STC1250	2
		Change point - VIN end MA501978, Petrol V8 L/R EFI	Also serviced as part of a kit, Centre	STC1250	2
		Petrol V8 L/R EFI	Also serviced as part of a kit, Centre	STC1250	2
		Petrol V8 L/R EFI	Also serviced as part of a kit, Centre	STC1250	2
6	Bush-starter motor	Change point - VIN begin KA045927, Petrol V8 L/R EFI	Also serviced as part of a kit, Front	STC1252	1
		Change point - VIN begin MA163588, Petrol V8 L/R EFI	Also serviced as part of a kit, Front	STC1252	1
		Change point - VIN begin MA501979, Petrol V8 L/R EFI	Also serviced as part of a kit, Front	STC1252	1
		Change point - VIN begin KA045927, Change point - VIN end MA163587, Petrol V8 L/R EFI	Also serviced as part of a kit, Front	STC1252	1
		Change point - VIN end MA501978, Petrol V8 L/R EFI	Also serviced as part of a kit, Front	STC1252	1
		Petrol V8 L/R EFI	Also serviced as part of a kit, Front	STC4463	1
		Petrol V8 L/R EFI	Also serviced as part of a kit, Front	STC4463	1

Engine
V8 Petrol - EFi
Starter Motor Bosch 3/3

Discovery (FA393361-WA799999)
(CABRPE2A)



Discovery (FA393361-WA799999)

Engine
V8 Petrol - EFi
Starter Motor Bosch

V8 EFI Petrol

Callout	Name	Application	Remarks & Restrictions	Service No.	Qty
7	Bush-starter motor	Change point - VIN begin KA045927, Petrol V8 L/R EFi Change point - VIN begin MA163588, Petrol V8 L/R EFi Change point - VIN begin MA501979, Petrol V8 L/R EFi Change point - VIN begin KA045927, Change point - VIN end MA163587, Petrol V8 L/R EFi Change point - VIN end MA501978, Petrol V8 L/R EFi Petrol V8 L/R EFi	Also serviced as part of a kit, Rear Also serviced as part of a kit, Rear Also serviced as part of a kit, Rear Also serviced as part of a kit, Rear Also serviced as part of a kit, Rear Also serviced as part of a kit, Rear	STC1253 STC1253 STC1253 STC1253 STC1253 STC1253	1 1 1 1 1 1
[902]	Bolt	3.9/4.0 V8 Petrol Efi, (+)"CDN/MEX/USA"	3/8" UNC x 1 1/2"	SS506121	3

Engine
V8 Petrol - EFi
Starter Motor Lucas 1/1

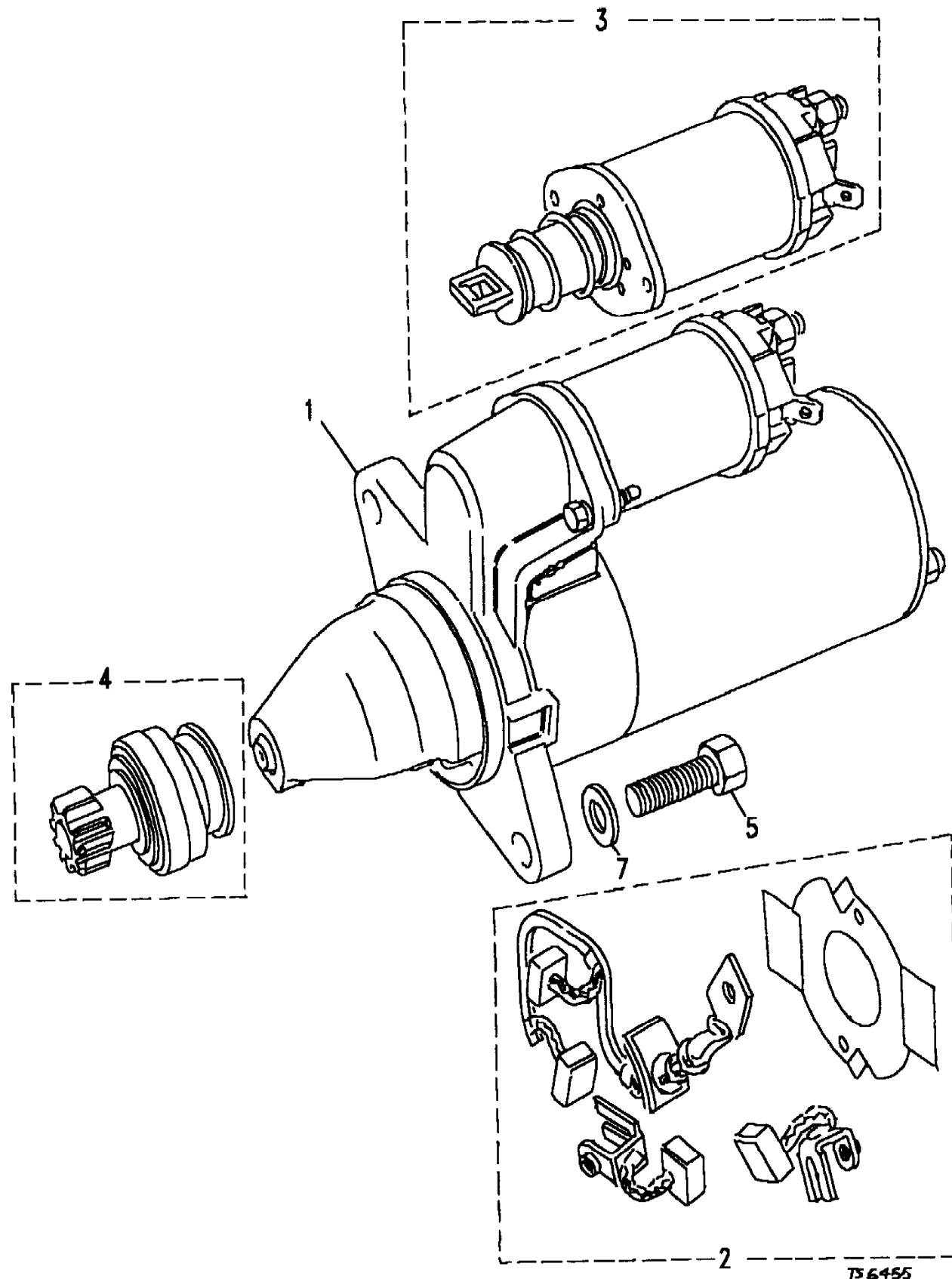
Discovery (FA393361-WA799999)
(CABRPE1A)

Discovery (FA393361-WA799999)

Engine
V8 Petrol - EFi
Starter Motor Lucas

V8 EFI Petrol

Callout	Name	Application	Remarks & Restrictions	Service No.	Qty
1	Motor-starter engine	Change point - VIN end KA045926, 3.5L V8 EFI L/R Petrol Change point - VIN end KA045926, 3.5L V8 EFI L/R Petrol	Also serviced as part of a kit, Lucas, New Also serviced as part of a kit, Lucas, exchange	RTC6061N RTC5228E	1 1
5	Screw	Change point - VIN end KA045926, 3.5L V8 EFI L/R Petrol	Drive assembly, 3/8UNC x 1 1/2	SS506121L	2
6	Washer	Change point - VIN end KA045926, 3.5L V8 EFI L/R Petrol	Starter Motor, 3/8", Square	WM600061L	2
7	Washer	Change point - VIN end KA045926, 3.5L V8 EFI L/R Petrol	Starter Motor, M10	WA110061L	2
[900]	Cable assembly starter & earth	Change point - VIN end KA045926, 3.5L V8 EFI L/R Petrol		PRC3623	1
[901]	Harness-link	Change point - VIN end KA045926, 3.5L V8 EFI L/R Petrol		PRC5208	1
[902]	Cable-battery positive	Change point - VIN end KA045926, 3.5L V8 EFI L/R Petrol		PRC7922	1



Engine
V8 Petrol - EFi
Sump 1/1

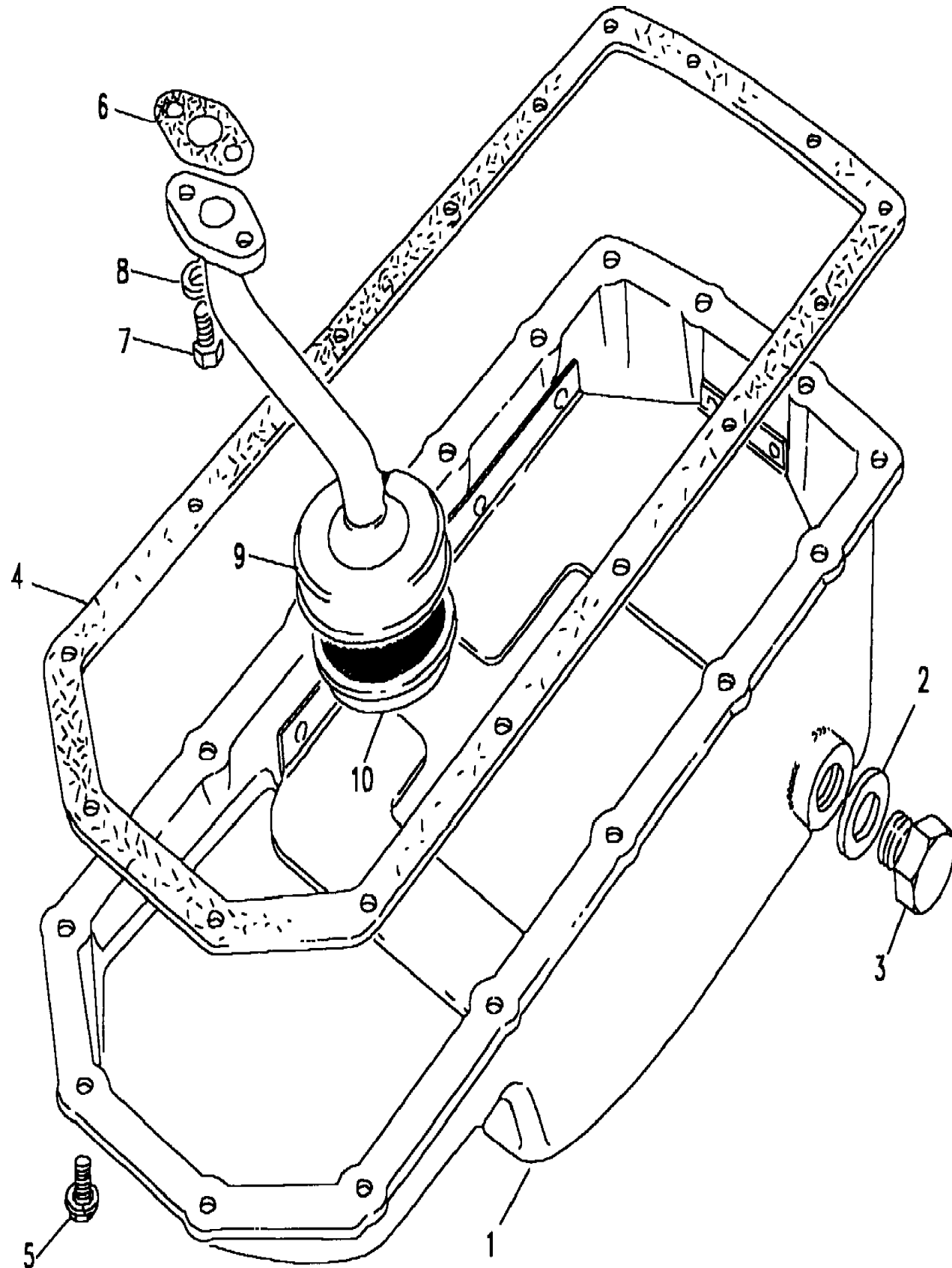
Discovery (FA393361-WA799999)
(CABRDA1A)

Discovery (FA393361-WA799999)

Engine
V8 Petrol - EFi
Sump

V8 EFI Petrol

Callout	Name	Application	Remarks & Restrictions	Service No.	Qty
1	Sump-engine oil	Petrol V8 L/R EFI		ERR4633	1
2	Washer-sealing	Petrol V8 L/R EFI	sump drain plug	ETC7398	1
3	Plug-sump assembly oil drain	Petrol V8 L/R EFI		603659	1
4	Gasket-crankcase oil sump	Petrol V8 L/R EFI		602087	1
5	Bolt & washer assembly-sump	Petrol V8 L/R EFI	5/16UNC	602199	16
		Petrol V8 L/R EFI		LSO100000	16
6	Gasket-sump oil strainer	Petrol V8 L/R EFI		ERR3788	1
7	Screw	Petrol V8 L/R EFI	Flanged Head, 1/4UNC x 5/8	FS504055	2
		Petrol V8 L/R EFI	hexagonal head, 1/4UNF x 5/8	SH504051L	2
8	Washer-Spring	Petrol V8 L/R EFI	1/4 dia, Square	WM600041L	2
9	Strainer and pipe assembly-oil	Petrol V8 L/R EFI		ERR3677	1
10	Cover-oil strainer	Petrol V8 L/R EFI		602070	1
[900]	Setscrew	Petrol V8 L/R EFI	1/4UNC x 3/4	SH504061L	2



Engine
V8 Petrol - EFi
Throttle Linkage 1/2

Discovery (FA393361-WA799999)

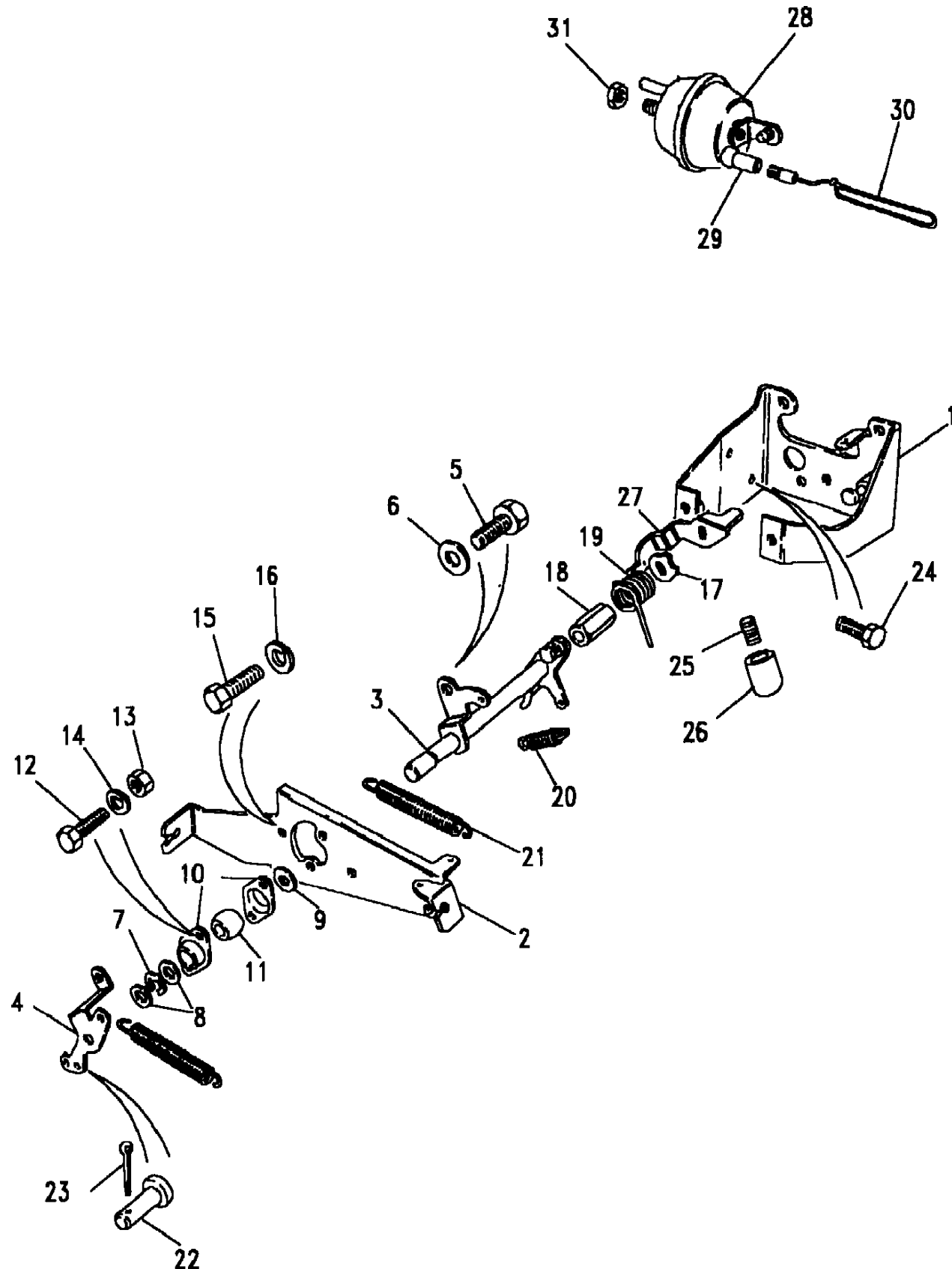
(CABRJI1A)

Discovery (FA393361-WA799999)

Engine
V8 Petrol - EFi
Throttle Linkage

V8 EFI Petrol

Callout	Name	Application	Remarks & Restrictions	Service No.	Qty
1	Bracket assembly accelerator	Petrol V8 L/R EFI		ETC7773	1
2	Bracket-cable accelerator	Petrol V8 L/R EFI		ETC7870	1
		Petrol V8 L/R EFI		ERR6704	1
3	Lever assembly-throttle tbi	Petrol V8 L/R EFI, Manual Transmission	Also serviced as part of a kit	ETC7887	1
		Petrol V8 L/R EFI, Automatic Transmission	Also serviced as part of a kit	ETC7886	1
4	Level-carburettor throttle	Petrol V8 L/R EFI		ETC6657	1
5	Screw	Petrol V8 L/R EFI	COUNTERSHAFT, 10UNF x 5/16	257002	1
		Petrol V8 L/R EFI	Flanged Head, 1/4UNC x 1/2	FS504047	1
		Petrol V8 L/R EFI	Flanged Head, 1/4UNC x 1/2	FS504047	2
6	Washer	Petrol V8 L/R EFI		WA702101L	1
7	Circlip	Petrol V8 L/R EFI		521453	1
8	Washer	Petrol V8 L/R EFI	8MM	WA108051L	2
9	Washer-Plain	Petrol V8 L/R EFI	M8	WB108051L	1
10	Housing-throttle linkage bearing	Petrol V8 L/R EFI	Front	ERC4211	2
11	Bush	Petrol V8 L/R EFI, Manual Transmission	Also serviced as part of a kit, spherical	ERC4215	1
		Petrol V8 L/R EFI	Linkage bearing, spherical	ERC4215	1
12	Screw	Petrol V8 L/R EFI	Linkage bearing, No 10UNF x 7/16"	257004	2
13	Nut - Hex.	Petrol V8 L/R EFI	Linkage bearing, UNF, No10	257011	2
14	Washer-Spring	Petrol V8 L/R EFI	rectangular, No 10, single coil	WL700101L	2
15	Screw	Petrol V8 L/R EFI	bracket mounting, hexagonal head, 1/4UNF x 1/2	SH604041L	2
16	Washer-Plain	Petrol V8 L/R EFI	bracket mounting, M8	WL600041L	2
17	Washer-Lock	Petrol V8 L/R EFI	Lever stop	C43231L	1
18	Nut - Hex.	Petrol V8 L/R EFI	M5 x 12	ERC3579L	1
19	Spring-return-tension accelerator	Petrol V8 L/R EFI, Manual Transmission	Also serviced as part of a kit	ERC3792L	1
		Petrol V8 L/R EFI		ERC3792L	1



Engine
V8 Petrol - EFi
Throttle Linkage 2/2

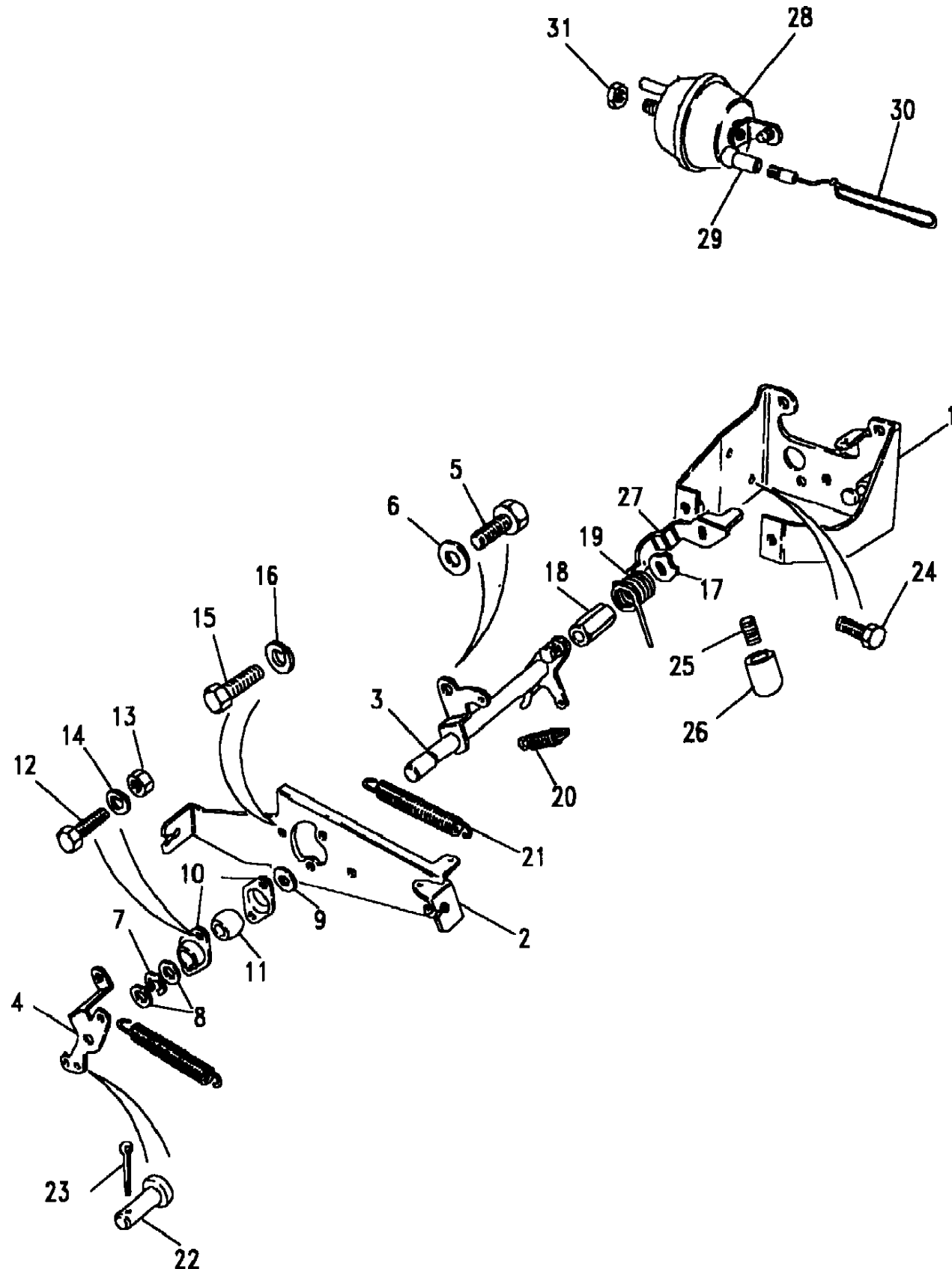
Discovery (FA393361-WA799999)
(CABRJI1A)

Discovery (FA393361-WA799999)

Engine
V8 Petrol - EFi
Throttle Linkage

V8 EFI Petrol

Callout	Name	Application	Remarks & Restrictions	Service No.	Qty
20	Spring	Petrol V8 L/R EFI		ETC5524	1
21	Spring-return-tension accelerator	Petrol V8 L/R EFI		610846L	2
22	Pin-clevis/pivot	Petrol V8 L/R EFI		562481	1
23	Pin-split	Petrol V8 L/R EFI		PS603041L	1
24	Screw	Petrol V8 L/R EFI	hexagonal head, M5 x 12	SH105121L	2
25	Screw-idle adjustment tbi	Petrol V8 L/R EFI		ETC7668ML	1
26	Cap-stop lever	Petrol V8 L/R EFI		ETC4523	1
27	Lever-throttle multi point injection	Petrol V8 L/R EFI		ETC7769	1
28	Actuator assembly cruise control	Petrol V8 L/R EFI		ETC7150	1
29	Joint-ball	Petrol V8 L/R EFI		ETC7149	1
30	Link cruise control	Petrol V8 L/R EFI		ETC7875	1
31	Nut - Hex.	Petrol V8 L/R EFI	Actuator, M8, hexagonal head	NH108041L	1
		Petrol V8 L/R EFI	Actuator, M8, Flanged Head	FN108047L	1
[901]	Clip-spring steel	Petrol V8 L/R EFI, Manual Transmission	Also serviced as part of a kit	ETC7884	2
		Petrol V8 L/R EFI, Automatic Transmission	Also serviced as part of a kit	ETC7884	2



Engine
V8 Petrol - EFi
Viscous Drive & Fan 1/2

Discovery (FA393361-WA799999)

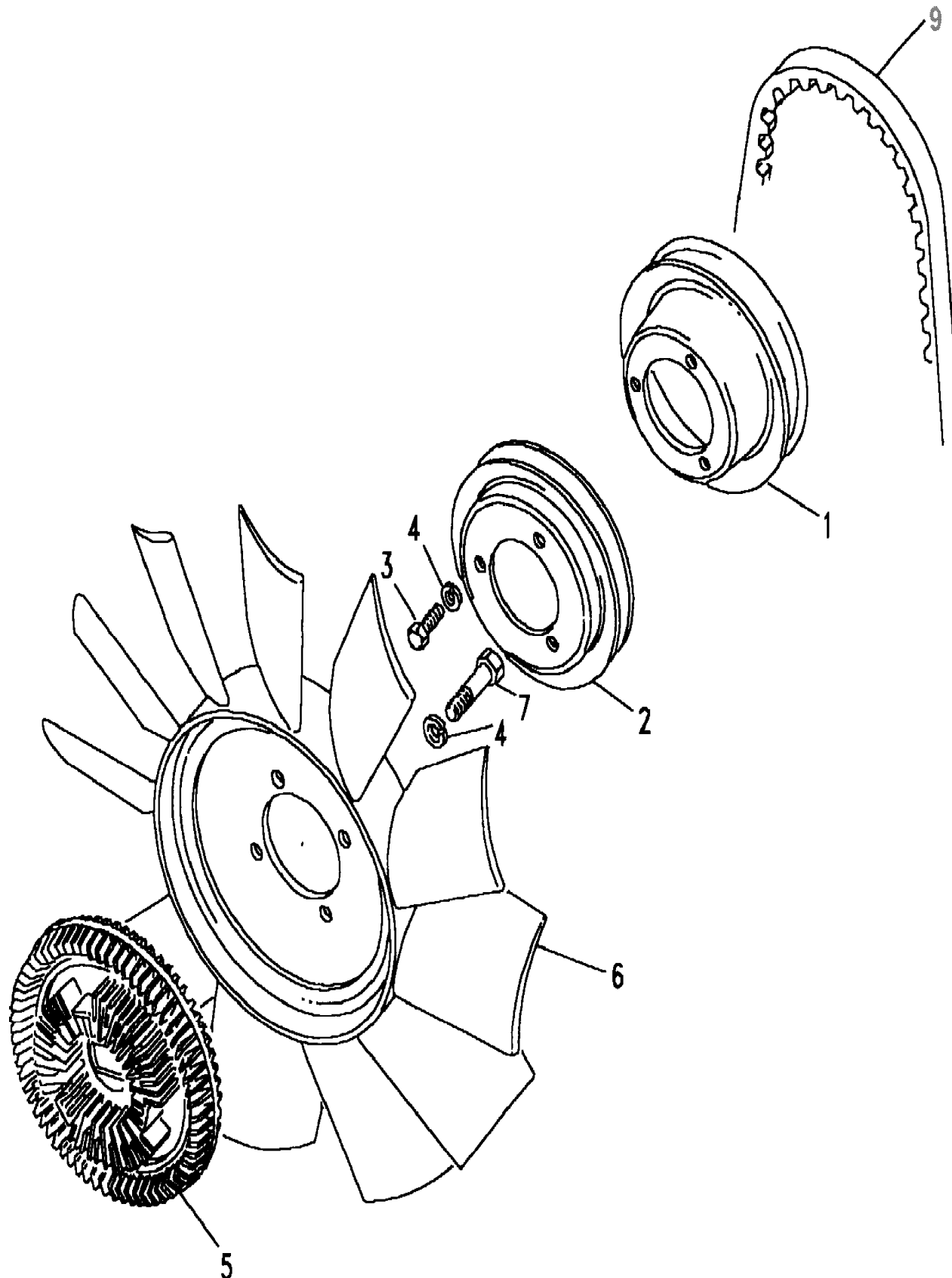
(CABREG1A)

Discovery (FA393361-WA799999)

Engine
V8 Petrol - EFi
Viscous Drive & Fan

V8 EFI Petrol

Callout	Name	Application	Remarks & Restrictions	Service No.	Qty
1	Pulley coolant pump	Change point - VIN end LA081990, Petrol V8 L/R EFI, Less Air Conditioning		ETC5499	1
		Change point - VIN begin MA081991, Change point - Engine end 36D50529, 3.9L V8 L/R EFI Petrol, Less Air Conditioning	poly-V belt	ERR4867	1
		Change point - VIN begin MA081991, Change point - Engine end 38D32139, 3.9L V8 L/R EFI Petrol, Less Air Conditioning	poly-V belt	ERR4867	1
		3.9L V8 L/R EFI Petrol, Less Air Conditioning	poly-V belt	PQR101050	1
		Petrol V8 L/R EFI, With Air Conditioning		ETC5422	1
		Petrol V8 L/R EFI, With Air Conditioning		ETC5423	1
2	Pulley-driven air conditioning	Petrol V8 L/R EFI, With Air Conditioning		ETC5423	1
		Change point - VIN end LA081990, Petrol V8 L/R EFI	pulley to pump, hexagonal head, 1/4UNF x 5/8	SH604051L	3
		Change point - VIN begin MA081991, Change point - Engine end 36D50529, 3.9L V8 L/R EFI Petrol	pulley to pump, Flanged Head, M8 x 12	FS108127	3
3	Screw	Change point - VIN begin MA081991, Change point - Engine end 38D32139, 3.9L V8 L/R EFI Petrol	pulley to pump, Flanged Head, M8 x 12	FS108127	3
		Change point - VIN end LA081990, Petrol V8 L/R EFI	6MM	WA106041L	3
		Change point - VIN begin MA081991, Change point - Engine end 36D50529, 3.9L V8 L/R EFI Petrol	17", 11 Blade	ETC1260	1
4	Washer	Change point - VIN end LA081990, Petrol V8 L/R EFI	6MM	WA106041L	3
		Change point - VIN begin MA081991, Change point - Engine end 36D50529, 3.9L V8 L/R EFI Petrol		ERR3443	1
		Change point - VIN begin MA081991, Change point - Engine end 38D32139, 3.9L V8 L/R EFI Petrol		ERR3443	1
5	Coupling-engine fan viscous	Change point - VIN end LA081990, Petrol V8 L/R EFI	17", 11 Blade	ETC1260	1
		Change point - VIN begin MA081991, Change point - Engine end 36D50529, 3.9L V8 L/R EFI Petrol		ERR3443	1
		Change point - VIN begin MA081991, Change point - Engine end 38D32139, 3.9L V8 L/R EFI Petrol		ERR3443	1
6	Fan-cooling	Change point - VIN end LA081990, Petrol V8 L/R EFI	White., 17", 11 Blade	ETC1275	1
		Change point - VIN begin MA081991, Change point - Engine end 36D50529, 3.9L V8 L/R EFI Petrol	Black, 17", 11 Blade	ERR3439	1
		Change point - VIN begin MA081991, Change point - Engine end 38D32139, 3.9L V8 L/R EFI Petrol	Black, 17", 11 Blade	ERR3439	1



Engine
V8 Petrol - EFi
Viscous Drive & Fan 2/2

Discovery (FA393361-WA799999)

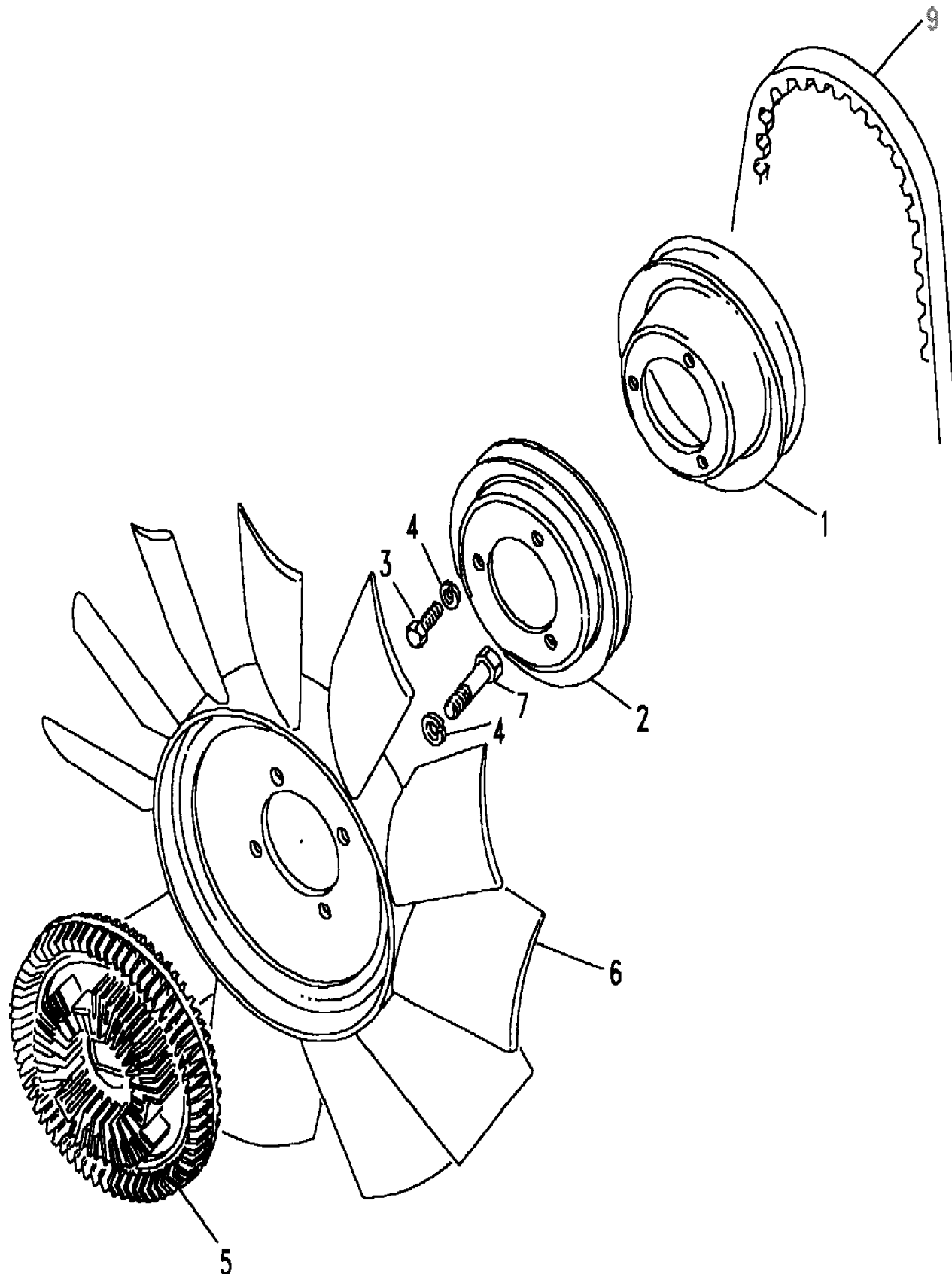
(CABREG1A)

Discovery (FA393361-WA799999)

Engine
V8 Petrol - EFi
Viscous Drive & Fan

V8 EFI Petrol

Callout	Name	Application	Remarks & Restrictions	Service No.	Qty
7	Screw	Change point - VIN end LA081990, Petrol V8 L/R EFi	fan to viscous coupling, hexagonal head, 5/16UNC x 5/8	SH505051L	4
		Change point - VIN begin MA081991, Change point - Engine end 36D50529, 3.9L V8 L/R EFi Petrol	fan to viscous coupling, M8 X 14, hexagonal head	ERR4194	4
		Change point - VIN begin MA081991, Change point - Engine end 38D32139, 3.9L V8 L/R EFi Petrol	fan to viscous coupling, M8 X 14, hexagonal head	ERR4194	4
8	Belt-polyvee alternator	Change point - VIN end LA081990, Petrol V8 L/R EFi	Water Pump	611612	1
		Change point - VIN begin MA081991, Change point - Engine end 36D50529, 3.9L V8 L/R EFi Petrol, Less Air Conditioning	Water Pump	ERR4461	1
		Change point - VIN begin MA081991, Change point - Engine end 38D32139, 3.9L V8 L/R EFi Petrol, Less Air Conditioning	Water Pump	ERR4461	1
		Change point - Engine begin 36D50530C, 3.9L V8 L/R EFi Petrol, Less Air Conditioning	Water Pump	ERR6191	1
		Change point - Engine begin 38D32140C, 3.9L V8 L/R EFi Petrol, Less Air Conditioning	Water Pump	ERR6191	1
		Change point - VIN begin MA081991, Change point - Engine end 36D50529, 3.9L V8 L/R EFi Petrol, With Air Conditioning	Water Pump	ERR4623	1
		Change point - VIN begin MA081991, Change point - Engine end 38D32139, 3.9L V8 L/R EFi Petrol, With Air Conditioning	Water Pump	ERR4623	1
		Change point - Engine begin 36D50530C, 3.9L V8 L/R EFi Petrol, With Air Conditioning	Water Pump	ERR5579	1
		Change point - Engine begin 38D32140C, 3.9L V8 L/R EFi Petrol, With Air Conditioning	Water Pump	ERR5579	1



Engine
V8 Petrol - EFi
Sensors 1/1

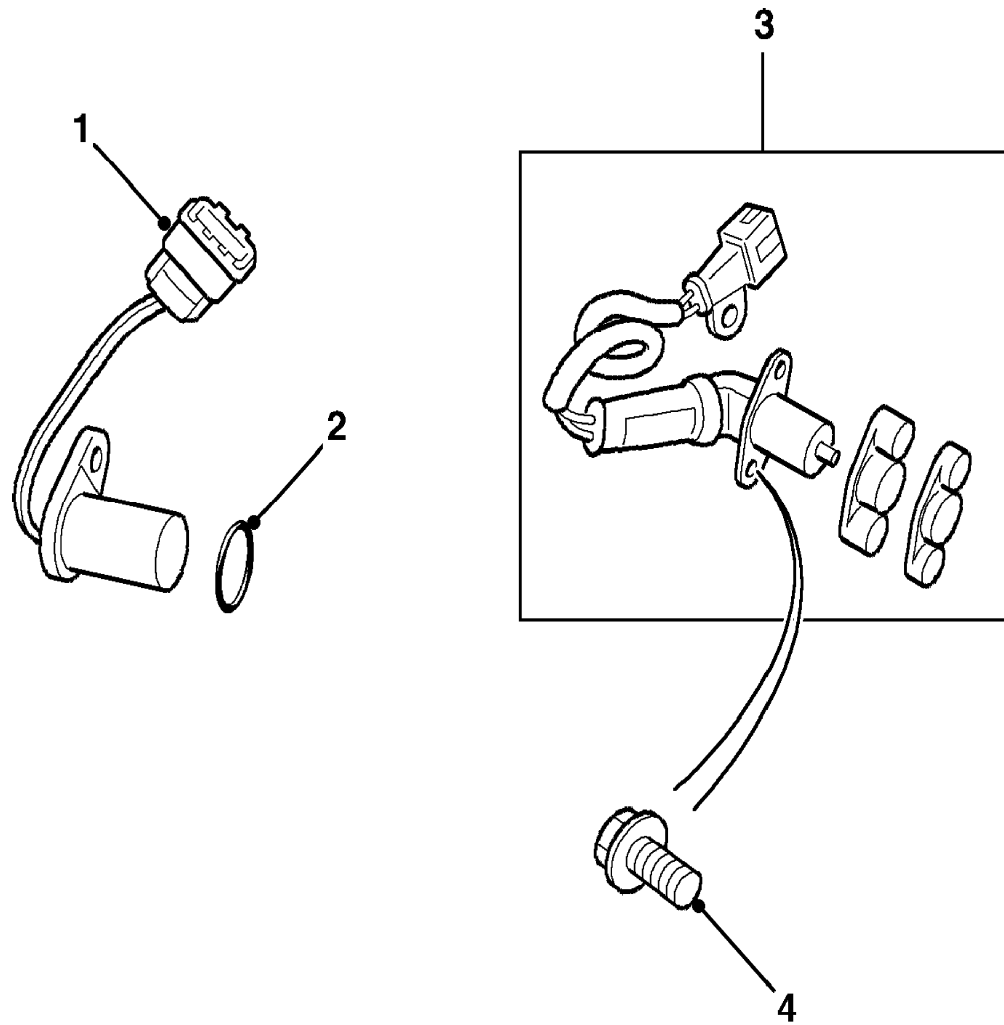
Discovery (FA393361-WA799999)
(LB0158)

Discovery (FA393361-WA799999)

Engine
V8 Petrol - EFi
Sensors

(+)"CDN/MEX/USA"

Callout	Name	Application	Remarks & Restrictions	Service No.	Qty
1	Sensor - Camshaft Position	Change point - Engine end 50D09963A Change point - Engine begin 50D09964A, Change point - Engine end 50D51484A Change point - Engine begin 50D51485A		ERR4951 ERR6170 NSC100840	1 1 1
2	"O" Ring			ERR4815	
3	Sensor - Crankshaft Position - Cps	Change point - Engine end 50D09963A, Manual Transmission Change point - Engine begin 50D09964A, Manual Transmission Change point - Engine begin 50D09964A, Automatic Transmission		ERR3006 ERR6357 ERR6119	
4	Bolt	Manual Transmission Automatic Transmission	M5 x 20MM M5 x 30MM	ERR6932 ERR6930	

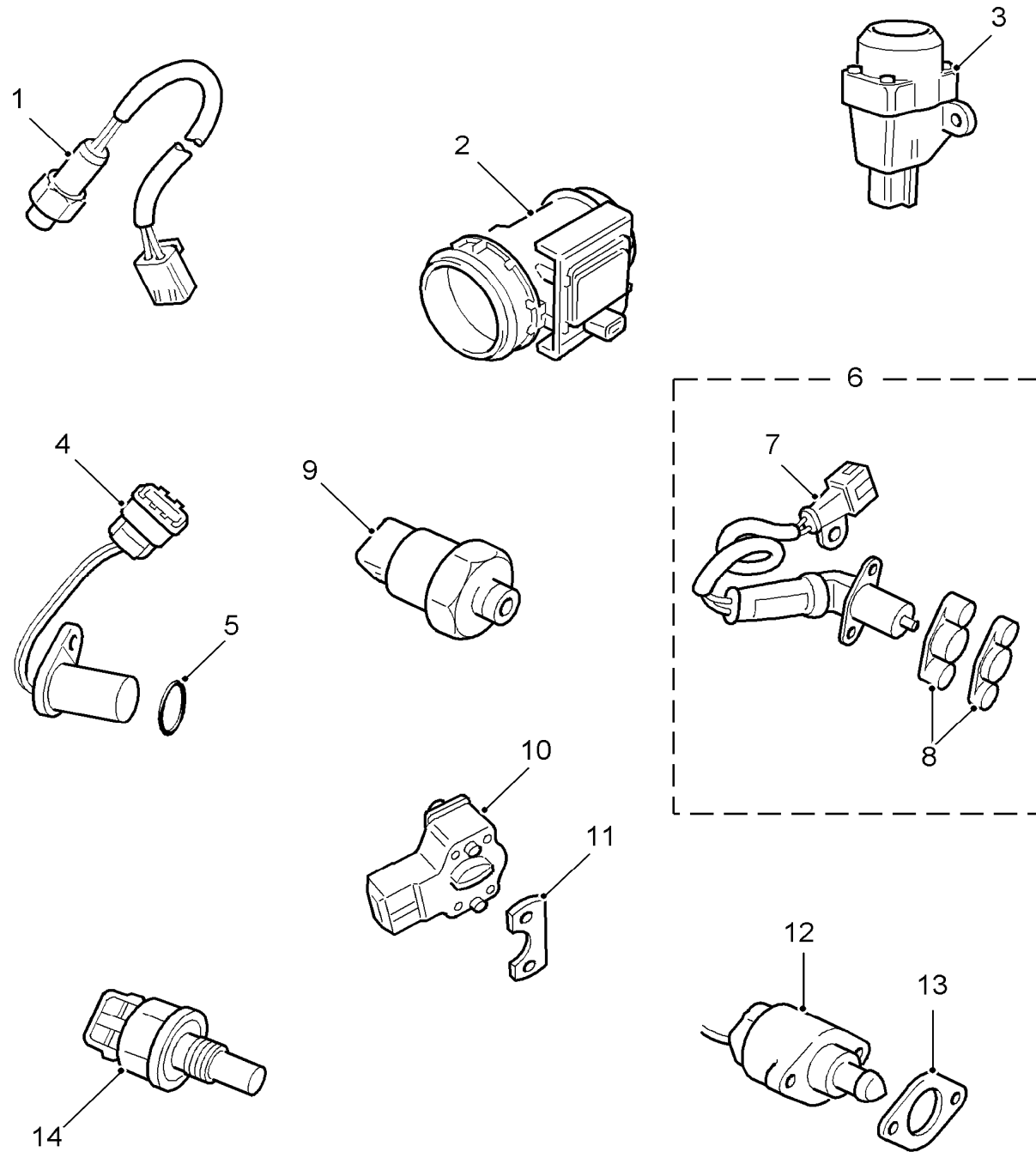


G05.205
09-2002
L4
LB0158

Engine
V8 Petrol - EFi
Sensors 1/2

Discovery (FA393361-WA799999)

(CDBRPG1A)



G05.210
11-2002
L4
CDBRPG1A

Discovery (FA393361-WA799999)

Engine
V8 Petrol - EFi
Sensors

Change point - VIN begin TA163100, Change point - VIN begin TA501920,
(+)"CDN/MEX/USA"

Callout	Name	Application	Remarks & Restrictions	Service No.	Qty
1	Sensor - Exhaust Gas - Oxygen			AMR6244	4
2	Mass Air Flow	Change point - VIN end RA112194	Non-Plated terminals	ESR1057	1
		Change point - VIN begin RA112195, Change point - VIN end SA163099	With Gold Plated Terminals	ERR5198	1
		Change point - VIN begin RA112195, Change point - VIN end SA501919	With Gold Plated Terminals	ERR5198	1
		Change point - VIN begin TA163100		ERR5595	1
		Change point - VIN begin TA501920		ERR5595	1
3	Sensor Assy		IFSS Sensor	WQT100030L	1
4	Cam	Change point - Engine end 50D09963A		ERR4951	1
		Change point - Engine begin 50D09964A, Change point - Engine end 50D51484A		ERR6170	1
		Change point - Engine begin 50D51485A		NSC100840	1
5	Oil Ring			ERR4815	1
6	Sensor Assy	Change point - Engine end 50D09963A, Manual Transmission	Crankshaft	ERR3006	1
		Change point - Engine begin 50D09964A, Manual Transmission	Crankshaft	ERR6357	1
		Automatic Transmission	Crankshaft	ERR6119	1
7	Sensor Assy	Manual Transmission	Crankshaft	ADU7339	1
		Automatic Transmission	Crankshaft	ERR6049	1
8	Spacer	Change point - Engine end 50D09963A, Manual Transmission		ERR2895	1
		Automatic Transmission		ADU7346	1
9	Sensor - Engine Knock			ERR5594	2
10	Sensor - Throttle Position			ERR4278	1
11	Gasket			ERR5032	1
12	Motor		Stepper	ERR4352	1
13	Gasket			ERR3359	1

Engine
V8 Petrol - EFi
Sensors 2/2

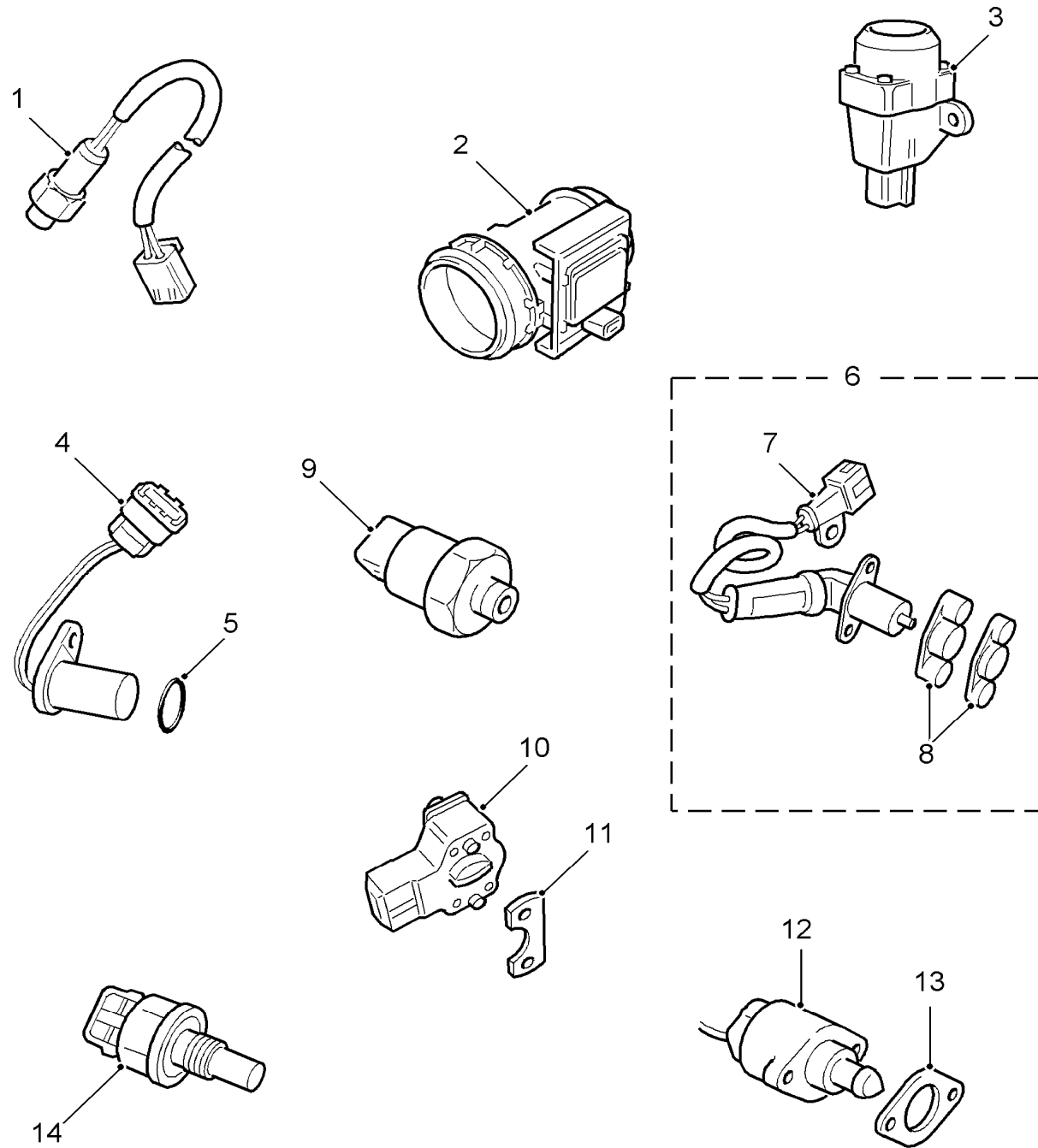
Discovery (FA393361-WA799999)
(CDBRPG1A)

Discovery (FA393361-WA799999)

Engine
V8 Petrol - EFi
Sensors

Change point - VIN begin TA163100, Change point - VIN begin TA501920,
(+)"CDN/MEX/USA"

Callout	Name	Application	Remarks & Restrictions	Service No.	Qty
14	Sensor Assy			ETC8496	1
[900]	Bolt	Manual Transmission	Crankshaft Position Sensor(CKP), M5 x 20MM	ERR6932	1
		Automatic Transmission	Crankshaft Position Sensor(CKP), M5 x 30MM	ERR6930	1



G05.210
11-2002
L4
CDBRPG1A