

Gearbox
77mm-5 Speed-Manual-4 Cylinder
Bell Housing 1/1

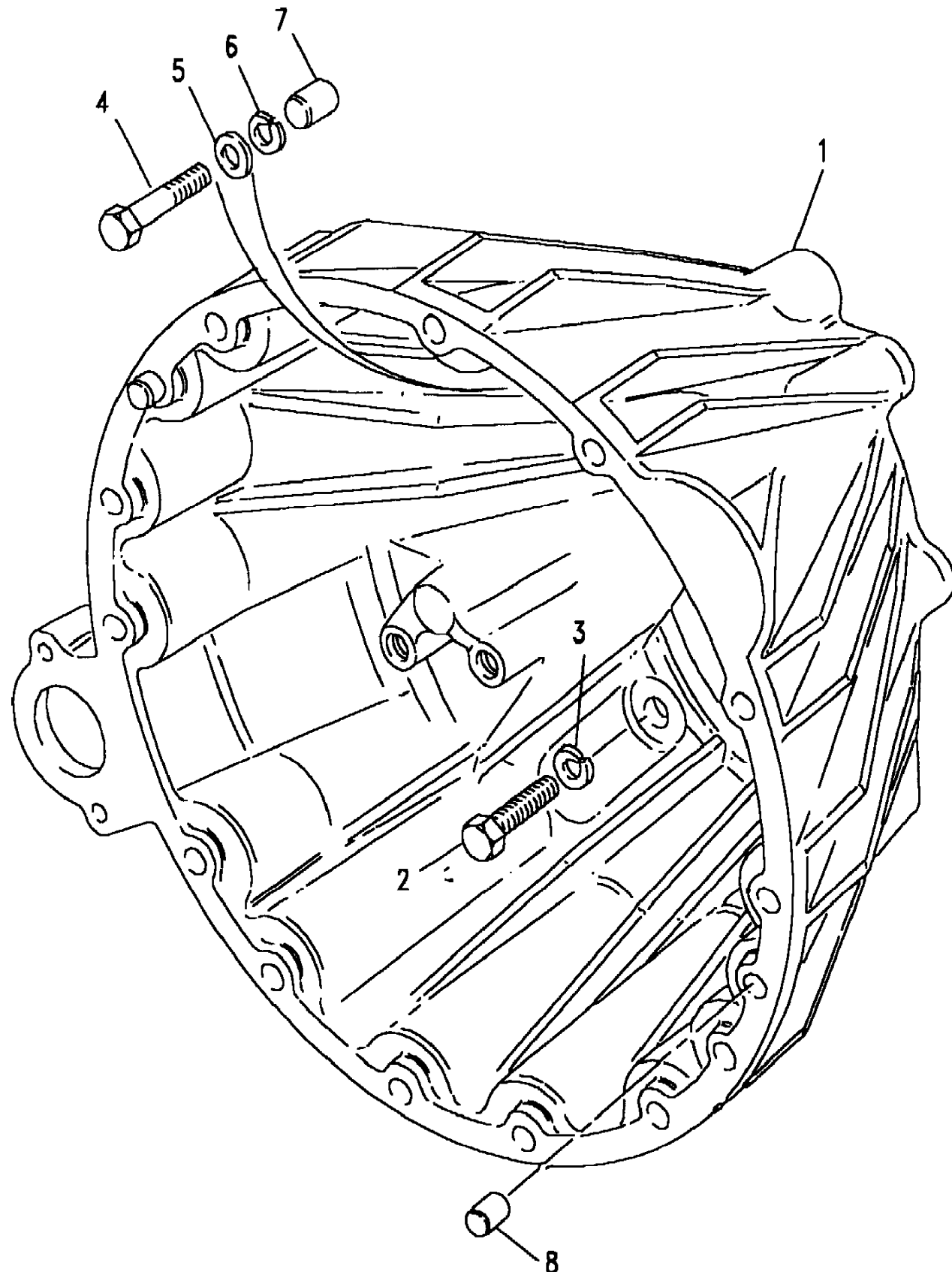
Discovery (FA393361-WA799999)

(CACDEA1A)

Discovery (FA393361-WA799999)

Gearbox
77mm-5 Speed-Manual-4 Cylinder
Bell Housing

4 Cylinder, 5 Speed, Manual Transmission



Callout	Name	Application	Remarks & Restrictions	Service No.	Qty
1	Housing-clutch manual transmission	Change point - VIN end LA081991, Manual Transmission		FTC1270	1
2	Screw	Change point - VIN end LA081991, Manual Transmission	hexagonal head, M12 x 30	SH112301L	4
		Change point - VIN end LA081991, Manual Transmission	M8 X 14, hexagonal head	SH108141L	1
3	Washer	Change point - VIN end LA081991, Manual Transmission		WL112001L	4
4	Bolt	Change point - VIN end LA081991, Manual Transmission	M12 x 45	BH112091L	2
		Change point - VIN end LA081991, Manual Transmission	hexagonal head, M10 x 110	BH110221L	4
5	Washer	Change point - VIN end LA081991, Manual Transmission	M12, Plain, Standard	WA112081L	2
		Change point - VIN end LA081991, Manual Transmission	M10	WA110061L	13
6	Washer	Change point - VIN end LA081991, Manual Transmission		WL112001L	2
7	Dowel	Change point - VIN end LA081991, Manual Transmission		UKC25L	2
8	Dowel	Change point - VIN end LA081991, Manual Transmission		571134	2
[900]	Nut - Hex.	Change point - VIN end LA081991, Manual Transmission	M10, flange	FN110041L	9
		Change point - VIN end LA081991, MPi, Manual Transmission	M10, flange	FN110041L	13
[901]	Nut-flange	Manual Transmission MPi, Manual Transmission	M10, flange M10, flange	FN110047 FN110047	9 13
[902]	Stud	Change point - VIN end LA081991, Manual Transmission	M10 x 30	TE110061L	13
[903]	Clip-Pipe	Change point - VIN end LA081991, Manual Transmission		622324	1

Gearbox
77mm-5 Speed-Manual-4 Cylinder
Bottom Cover 1/1

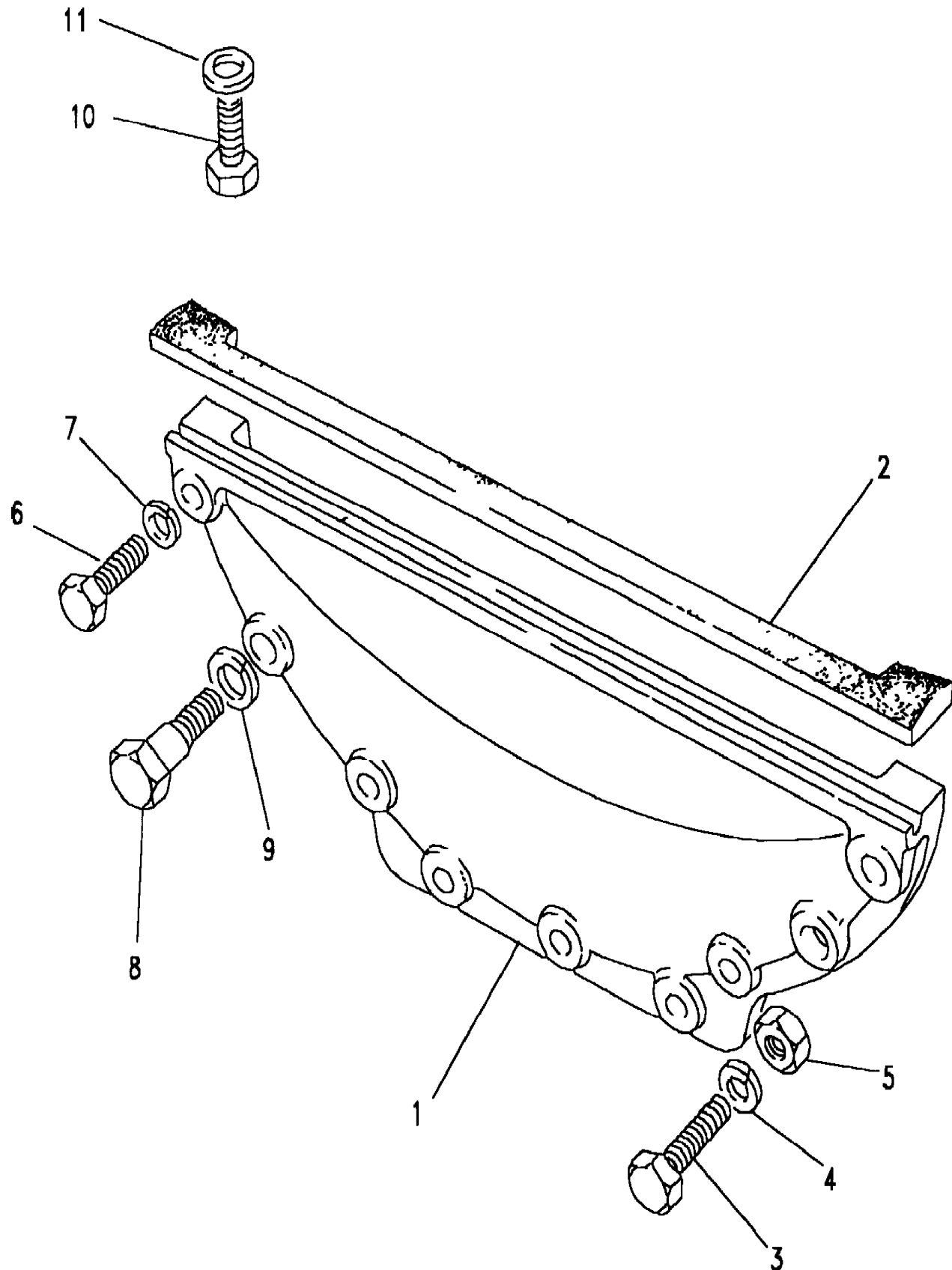
Discovery (FA393361-WA799999)
(CACDEA2A)

Discovery (FA393361-WA799999)

Gearbox
77mm-5 Speed-Manual-4 Cylinder
Bottom Cover

4 Cylinder, 5 Speed, Manual Transmission

Callout	Name	Application	Remarks & Restrictions	Service No.	Qty
1	Cover-bell housing	Change point - VIN end LA081991	bottom	FRC2859	1
2	Seal	Change point - VIN end LA081991	bottom	594087	1
3	Screw	Change point - VIN end LA081991	hexagonal head, M6 x 45	SH106451	5
4	Washer	Change point - VIN end LA081991	M6, sprung	WL106001L	5
5	Nut - Hex.	Change point - VIN end LA081991	M6, nyloc, Hexagonal	NH106041L	5
6	Screw	Change point - VIN end LA081991	Flanged Head, M6 x 25	FS106255L	2
7	Washer	Change point - VIN end LA081991	M6, sprung	WL106001L	2
8	Bolt	Change point - VIN end LA081991		594134	2
9	Washer	Change point - VIN end LA081991	M8, sprung	WL108001L	2
10	Bolt	Change point - VIN end LA081991		253023	2
11	Washer	Change point - VIN end LA081991		232038	2



Gearbox
77mm-5 Speed-Manual-4 Cylinder
Clutch Release Mechanism 1/2

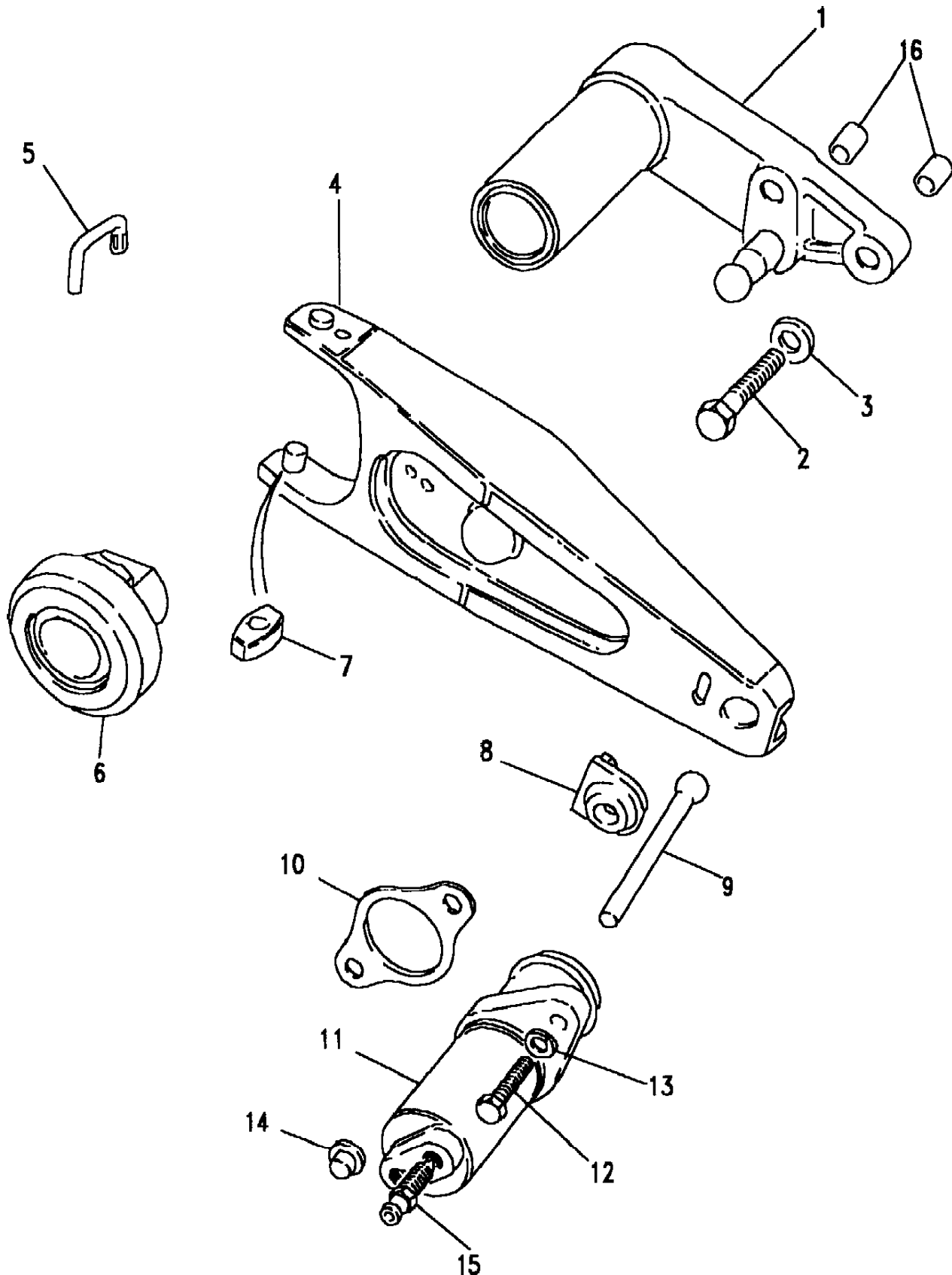
Discovery (FA393361-WA799999)
(CACDCA1A)

Discovery (FA393361-WA799999)

Gearbox
77mm-5 Speed-Manual-4 Cylinder
Clutch Release Mechanism

4 Cylinder, 5 Speed, Manual Transmission

Callout	Name	Application	Remarks & Restrictions	Service No.	Qty
1	Guide-clutch release bearing	Change point - VIN end LA081990	Cast Iron	FTC5218	1
2	Bolt	Change point - VIN end LA081990	M8 x 50, Flanged Head	FB108101	2
3	Washer	Change point - VIN end LA081990	8MM	WA108051L	2
4	Arm-clutch release clutch	Change point - VIN end KA045958 Change point - VIN begin KA045959		FRC3326 FTC2957	1 1
5	Retention-bearing clutch release	Change point - VIN end LA081990		FRC3416	1
6	Bearing-clutch release	Change point - VIN end LA081990 Change point - VIN end LA081990	(-) MPI, Also serviced as part of a kit Also serviced as part of a kit	FRC9568 FTC2772	1 1
7	Pad-clutch release lever slipper	Change point - VIN end LA081990		FRC5255	2
8	Clip	Change point - VIN end LA081990		FRC3327	1
9	Rod-push slave cylinder	Change point - VIN end LA081990		FRC3417	1
10	Plate	Change point - VIN end KA045958 Change point - VIN begin KA045959		591988 FRC2402	1 1
11	Slave cylinder clutch	Change point - VIN end KA045958 Change point - VIN begin KA045959	Also serviced as part of a kit, Transmission LT 77 Also serviced as part of a kit, Transmission LT 77	TKC2786L FTC2498	1 1
12	Screw	Change point - VIN end LA081990 Change point - VIN end LA081990	M8 x 25, Flanged Head M8 x 25, Flanged Head	FS108251L FS108257L	2 2
13	Washer	Change point - VIN end LA081990	M8, sprung	WL108001L	2
14	Cap-protective	Change point - VIN end LA081990		594091	1
15	Screw-bleed clutch slave cylinder	Change point - VIN end LA081990		606733	1
16	Dowel	Change point - VIN end LA081990		FRC2481	2



Gearbox
77mm-5 Speed-Manual-4 Cylinder
Clutch Release Mechanism 2/2

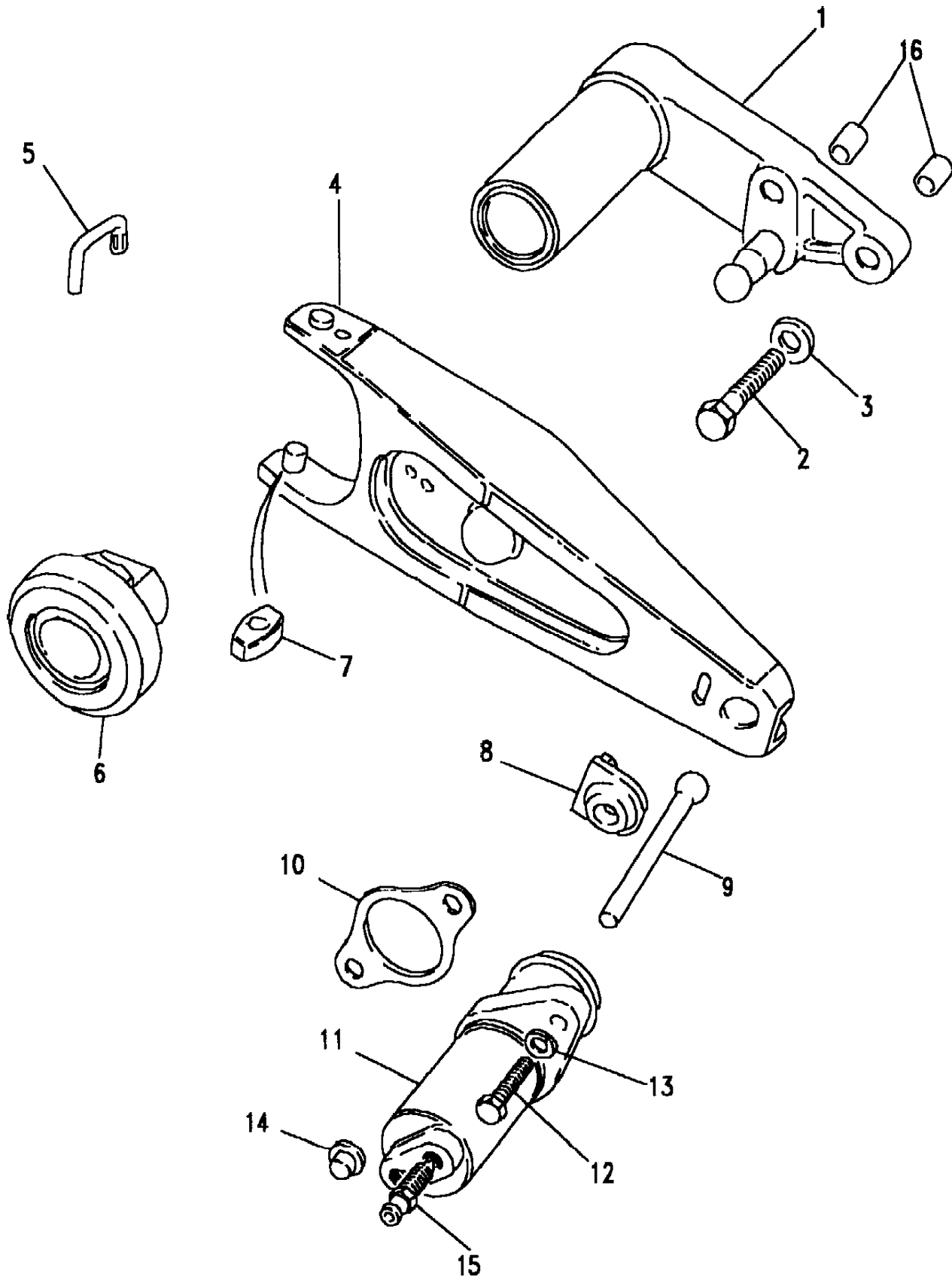
Discovery (FA393361-WA799999)
(CACDCA1A)

Discovery (FA393361-WA799999)

Gearbox
77mm-5 Speed-Manual-4 Cylinder
Clutch Release Mechanism

4 Cylinder, 5 Speed, Manual Transmission

Callout	Name	Application	Remarks & Restrictions	Service No.	Qty
[903]	Sleeve-guide clutch	Change point - VIN end LA081990	(-) MPI, Also serviced as part of a kit	FRC4078	1
[904]	Kit-repair clutch slave cylinder	Change point - VIN end KA045958	Also serviced as part of a kit, Transmission LT 77	514244	1



Gearbox
77mm-5 Speed-Manual-4 Cylinder
Extension Case 1/4

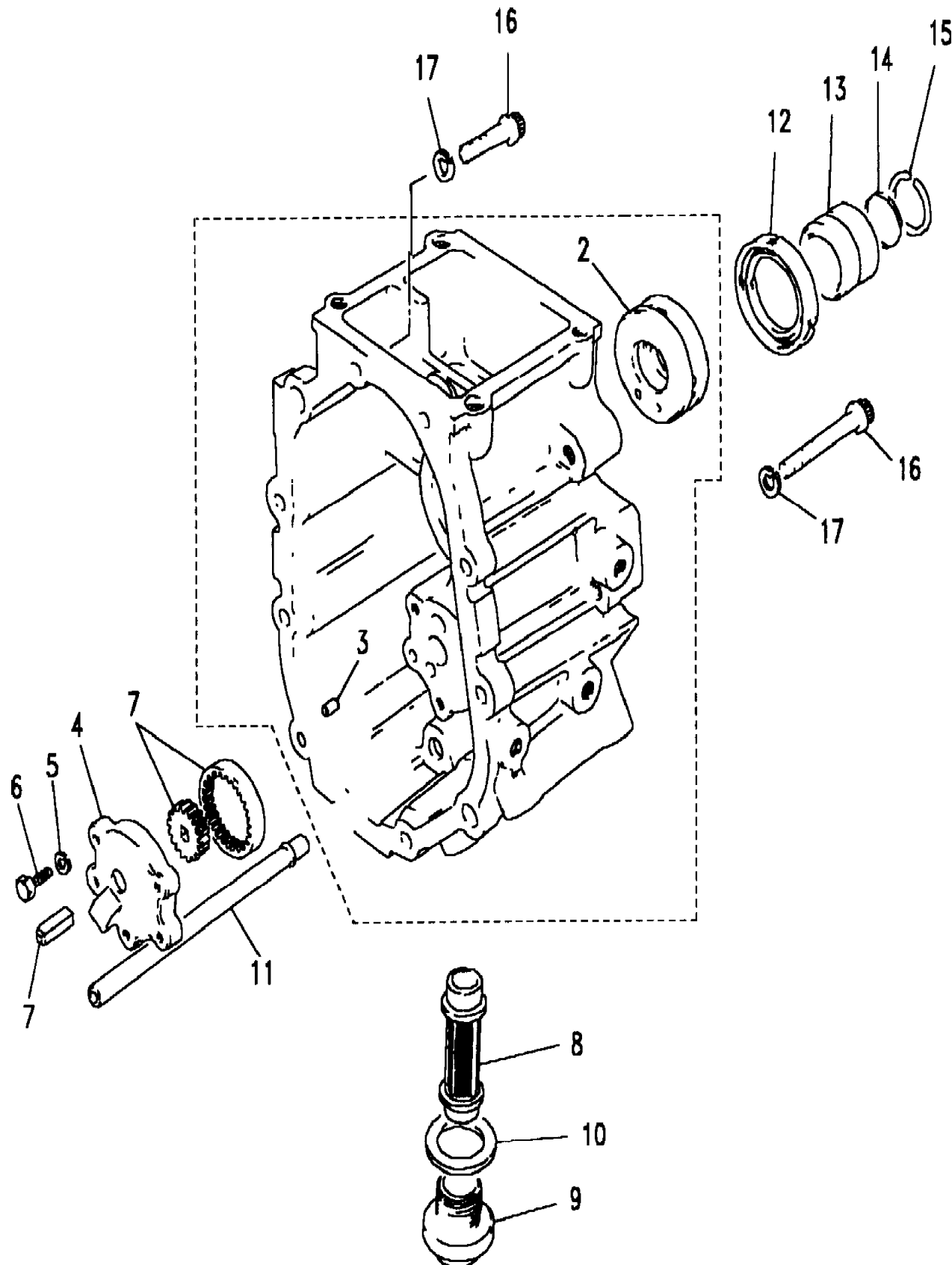
Discovery (FA393361-WA799999)
(CACDGA1A)

Discovery (FA393361-WA799999)

Gearbox
77mm-5 Speed-Manual-4 Cylinder
Extension Case

4 Cylinder, 5 Speed, Manual Transmission

Callout	Name	Application	Remarks & Restrictions	Service No.	Qty
1	Case assembly-extension	Change point - VIN end LA081991, 4 Cyl TDi Diesel, Manual Transmission	Also serviced as part of a kit, Suffix G	FTC1494	1
		Change point - VIN end LA081991, 4 Cyl TDi Diesel, Manual Transmission	Also serviced as part of a kit, Suffix H	FTC1494	1
		Change point - VIN end LA081991, 2.0L I4 16v MPi T Series Petrol	Also serviced as part of a kit, Gearbox 63A Mpi T 16	FTC1494	1
		Change point - VIN end LA081991, 2.0L I4 16v MPi T Series Petrol, 5 Speed Manual Transmission	Also serviced as part of a kit, Gearbox 63A Mpi T 16	FTC1494	1
		Change point - VIN end LA081991, 2.0L I4 16v MPi T Series Petrol	Also serviced as part of a kit, Gearbox 62A Mpi T 16-Zorba	FTC2102	1
		Change point - VIN end LA081991, 2.0L I4 16v MPi T Series Petrol, 5 Speed Manual Transmission	Also serviced as part of a kit, Gearbox 62A Mpi T 16-Zorba	FTC2102	1
		Change point - VIN end LA081991, 2.0L I4 16v MPi T Series Petrol	Also serviced as part of a kit, Gearbox 62A Mpi T 16-Zorba	FTC2210	1
		Change point - VIN end LA081991, 2.0L I4 16v MPi T Series Petrol	Also serviced as part of a kit, Gearbox 62A Mpi T 16-Zorba	UKC2738L	2
2	Ring-mainshaft oil feed	Change point - VIN end LA081991		FTC2210	1
3	Dowel	Change point - VIN end LA081991, 2.0L I4 16v MPi T Series Petrol	Also serviced as part of a kit, Gearbox 62A Mpi T 16-Zorba	UKC2738L	2
		Change point - VIN end LA081991, 2.0L I4 16v MPi T Series Petrol, 5 Speed Manual Transmission	Also serviced as part of a kit, Gearbox 62A Mpi T 16-Zorba	UKC2738L	2
4	Body-transmission oil pump	Change point - VIN end LA081991, 4 Cyl TDi Diesel, Manual Transmission	Also serviced as part of a kit, Suffix G	FTC1403	1
		Change point - VIN end LA081991, 4 Cyl TDi Diesel, Manual Transmission	Also serviced as part of a kit, Suffix H	FTC1403	1
		Change point - VIN end LA081991, 2.0L I4 16v MPi T Series Petrol	Also serviced as part of a kit, Gearbox 63A Mpi T 16	FTC1403	1
		Change point - VIN end LA081991, 2.0L I4 16v MPi T Series Petrol, 5 Speed Manual Transmission	Also serviced as part of a kit, Gearbox 63A Mpi T 16	FTC1403	1
		Change point - VIN end LA081991, 2.0L I4 16v MPi T Series Petrol	Also serviced as part of a kit, Gearbox 62A Mpi T 16-Zorba	FTC1403	1
		Change point - VIN end LA081991, 2.0L I4 16v MPi T Series Petrol, 5 Speed Manual Transmission	Also serviced as part of a kit, Gearbox 62A Mpi T 16-Zorba	FTC1403	1
		Change point - VIN end LA081991, 2.0L I4 16v MPi T Series Petrol	Also serviced as part of a kit, Gearbox 62A Mpi T 16-Zorba	FTC1403	1
		Change point - VIN end LA081991, 2.0L I4 16v MPi T Series Petrol, 5 Speed Manual Transmission	Also serviced as part of a kit, Gearbox 62A Mpi T 16-Zorba	FTC1403	1



Gearbox
77mm-5 Speed-Manual-4 Cylinder
Extension Case 2/4

Discovery (FA393361-WA799999)

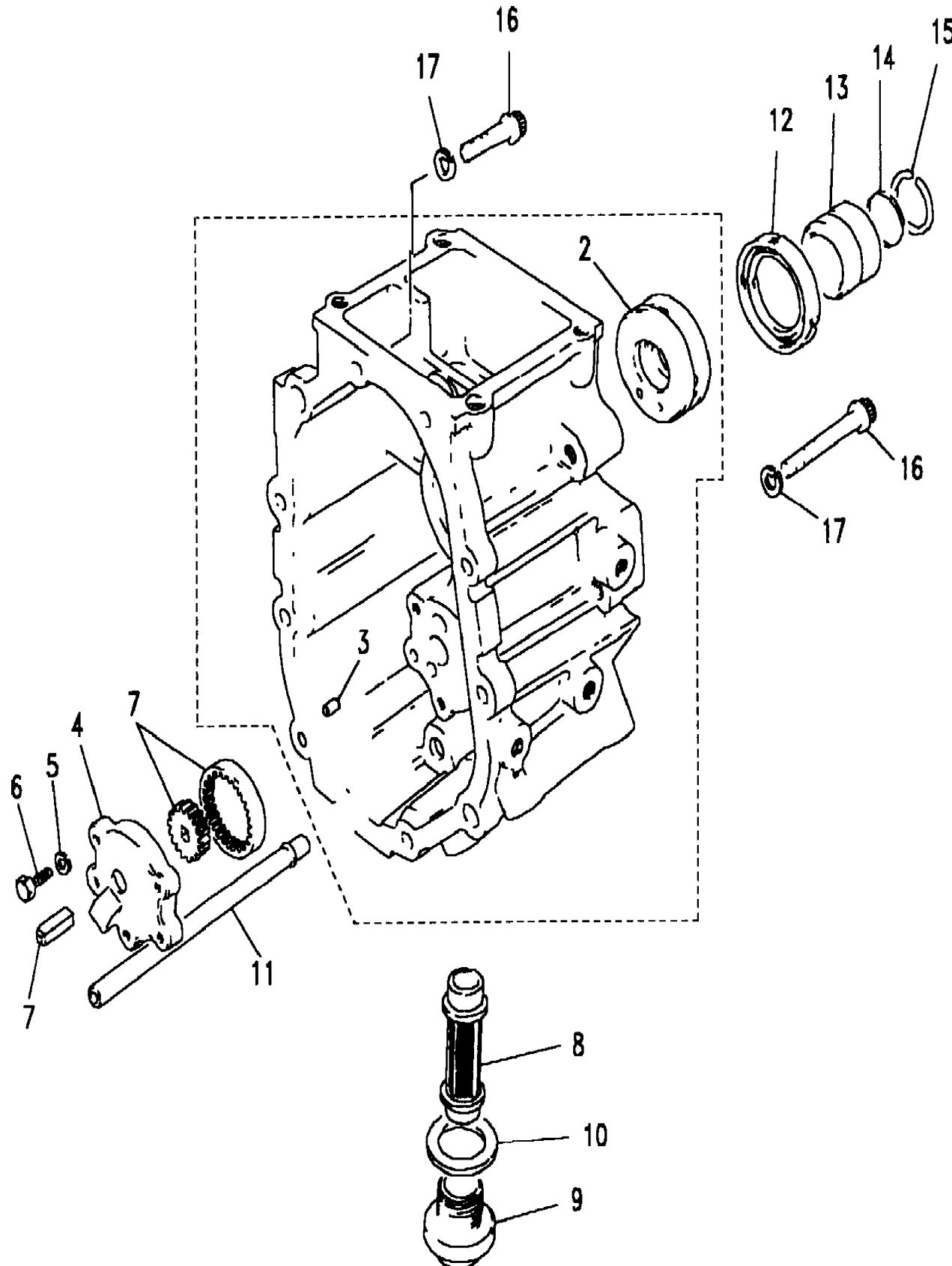
(CACDGA1A)

Discovery (FA393361-WA799999)

Gearbox
77mm-5 Speed-Manual-4 Cylinder
Extension Case

4 Cylinder, 5 Speed, Manual Transmission

Callout	Name	Application	Remarks & Restrictions	Service No.	Qty
4	Body-transmission oil pump	Change point - VIN end LA081991, 2.0L I4 16v MPi T Series Petrol	Also serviced as part of a kit, Gearbox 62A Mpi T16-Zorba	FTC3623	1
		Change point - VIN end LA081991, 2.0L I4 16v MPi T Series Petrol, 5 Speed Manual Transmission	Also serviced as part of a kit, Gearbox 62A Mpi T16-Zorba	FTC3623	1
		Change point - Gearbox end 0207750H, TDi, Manual Transmission	Suffix G, Suffix H	FTC1403	1
		Change point - Gearbox begin 0207751H, Change point - VIN end LA081991, TDi, Manual Transmission	Suffix G, Suffix H	FTC3623	1
		Change point - VIN end LA081991, 2.0L I4 16v MPi T Series Petrol	Gearbox 62A Mpi T16-Zorba	FTC3623	1
		Change point - VIN end LA081991, 2.0L I4 16v MPi T Series Petrol, 5 Speed Manual Transmission	Gearbox 62A Mpi T16-Zorba	FTC3623	1
		5	Washer	Change point - VIN end LA081991, 2.0L I4 16v MPi T Series Petrol	Also serviced as part of a kit, M6, Gearbox 62A Mpi T16-Zorba
Change point - VIN end LA081991, 2.0L I4 16v MPi T Series Petrol, 5 Speed Manual Transmission	Also serviced as part of a kit, M6, Gearbox 62A Mpi T16-Zorba			WA106001L	3
Change point - VIN end LA081991, TDi, Manual Transmission	M6, Suffix G, Suffix H, sprung			WL106001L	3
6	Bolt	Change point - VIN end LA081991, 2.0L I4 16v MPi T Series Petrol	Also serviced as part of a kit, Gearbox 62A Mpi T16-Zorba, hexagonal head, M6 x 30	BH106061L	3
		Change point - VIN end LA081991, 2.0L I4 16v MPi T Series Petrol, 5 Speed Manual Transmission	Also serviced as part of a kit, Gearbox 62A Mpi T16-Zorba, hexagonal head, M6 x 30	BH106061L	3
		Change point - VIN end LA081991, TDi, Manual Transmission	M6 X 20, Suffix G, Suffix H, Flanged Head	FS106201L	3
7	Gear-oil pump	Change point - VIN end LA081991, 4 Cyl TDi Diesel, Manual Transmission	Also serviced as part of a kit, Suffix G	STC822	1
		Change point - VIN end LA081991, 4 Cyl TDi Diesel, Manual Transmission	Also serviced as part of a kit, Suffix H	STC822	1
		Change point - VIN end LA081991, 2.0L I4 16v MPi T Series Petrol	Also serviced as part of a kit, Gearbox 63A Mpi T16	STC822	1



Gearbox
77mm-5 Speed-Manual-4 Cylinder
Extension Case 3/4

Discovery (FA393361-WA799999)

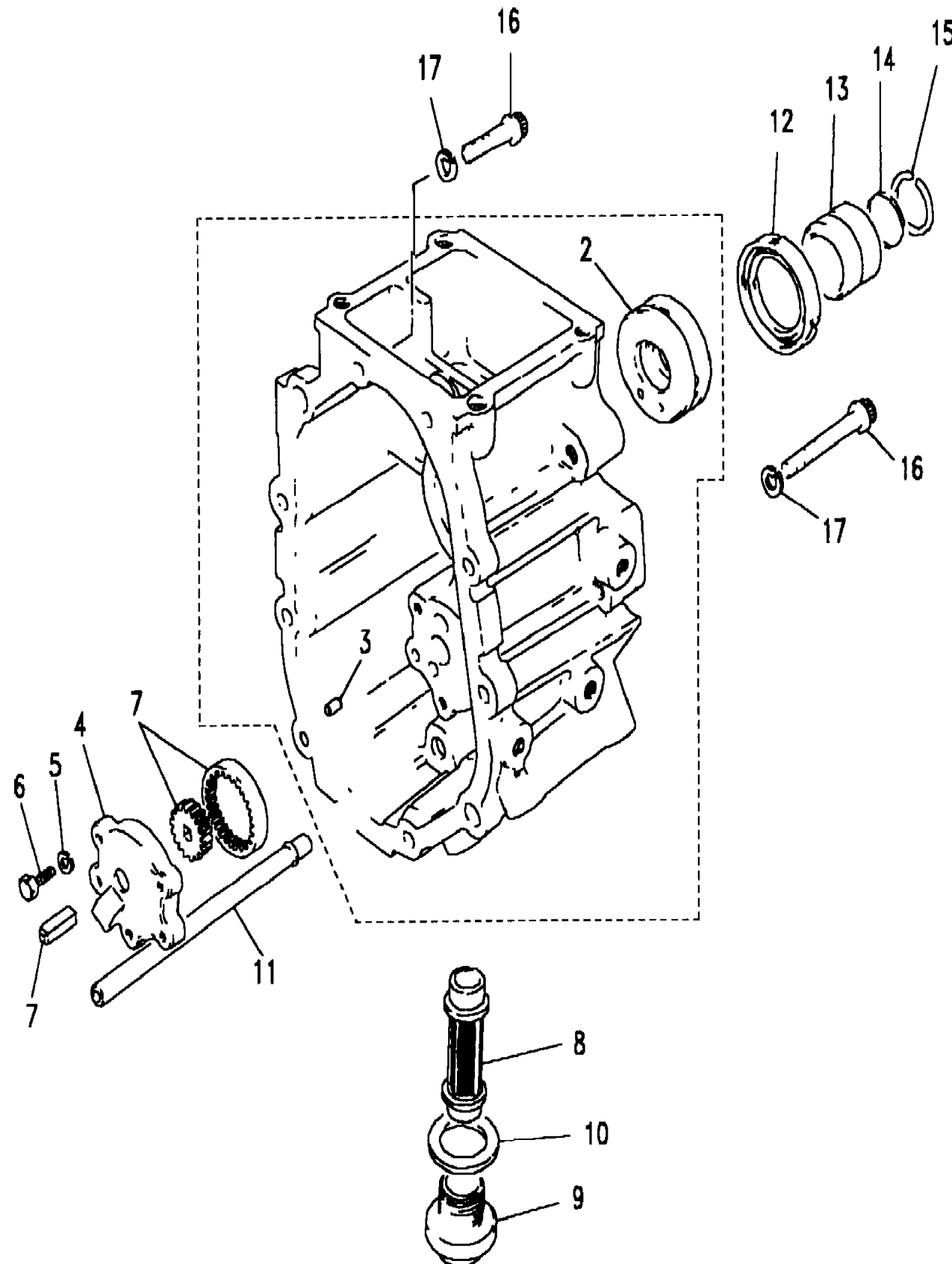
(CACDGA1A)

Discovery (FA393361-WA799999)

Gearbox
77mm-5 Speed-Manual-4 Cylinder
Extension Case

4 Cylinder, 5 Speed, Manual Transmission

Callout	Name	Application	Remarks & Restrictions	Service No.	Qty
7	Gear-oil pump	Change point - VIN end LA081991, 2.0L I4 16v MPi T Series Petrol, 5 Speed Manual Transmission	Also serviced as part of a kit, Gearbox 63A Mpi T16	STC822	1
		Change point - VIN end LA081991, 2.0L I4 16v MPi T Series Petrol	Also serviced as part of a kit, Gearbox 62A Mpi T16-Zorba	STC822	1
		Change point - VIN end LA081991, 2.0L I4 16v MPi T Series Petrol, 5 Speed Manual Transmission	Also serviced as part of a kit, Gearbox 62A Mpi T16-Zorba	STC822	1
		Change point - VIN end LA081991, TDi, Manual Transmission	Suffix G, Suffix H	STC822	2
8	Strainer-transmission oil	Change point - VIN end LA081991, 2.0L I4 16v MPi T Series Petrol	Also serviced as part of a kit, Gearbox 62A Mpi T16-Zorba	FRC6244	1
		Change point - VIN end LA081991, 2.0L I4 16v MPi T Series Petrol, 5 Speed Manual Transmission	Also serviced as part of a kit, Gearbox 62A Mpi T16-Zorba	FRC6244	1
		Change point - VIN end LA081991, TDi, Manual Transmission	Suffix G, Suffix H	FRC6244	1
		Change point - VIN end LA081991, TDi, Manual Transmission	Suffix G, Suffix H	FRC6244	1
9	Plug	Change point - VIN end LA081991, 2.0L I4 16v MPi T Series Petrol	Also serviced as part of a kit, Gearbox 62A Mpi T16-Zorba	90571104	1
		Change point - VIN end LA081991, 2.0L I4 16v MPi T Series Petrol, 5 Speed Manual Transmission	Also serviced as part of a kit, Gearbox 62A Mpi T16-Zorba	90571104	1
		Change point - VIN end LA081991, TDi, Manual Transmission	Suffix G, Suffix H	90571104	1
		Change point - VIN end LA081991, TDi, Manual Transmission	Suffix G, Suffix H	90571104	1
10	Washer-sealing	Change point - VIN end LA081991, 2.0L I4 16v MPi T Series Petrol	Also serviced as part of a kit, Gearbox 62A Mpi T16-Zorba	FRC4810	1
		Change point - VIN end LA081991, 2.0L I4 16v MPi T Series Petrol, 5 Speed Manual Transmission	Also serviced as part of a kit, Gearbox 62A Mpi T16-Zorba	FRC4810	1
		Change point - VIN end LA081991, TDi, Manual Transmission	Suffix G, Suffix H	FRC4810	1
		Change point - VIN end LA081991, TDi, Manual Transmission	Suffix G, Suffix H	FRC4810	1
11	Pipe-transmission oil inlet	Change point - VIN end LA081991, 2.0L I4 16v MPi T Series Petrol	Also serviced as part of a kit, Gearbox 62A Mpi T16-Zorba	FRC8104	1
		Change point - VIN end LA081991, 2.0L I4 16v MPi T Series Petrol, 5 Speed Manual Transmission	Also serviced as part of a kit, Gearbox 62A Mpi T16-Zorba	FRC8104	1



Gearbox
77mm-5 Speed-Manual-4 Cylinder
Extension Case 4/4

Discovery (FA393361-WA799999)

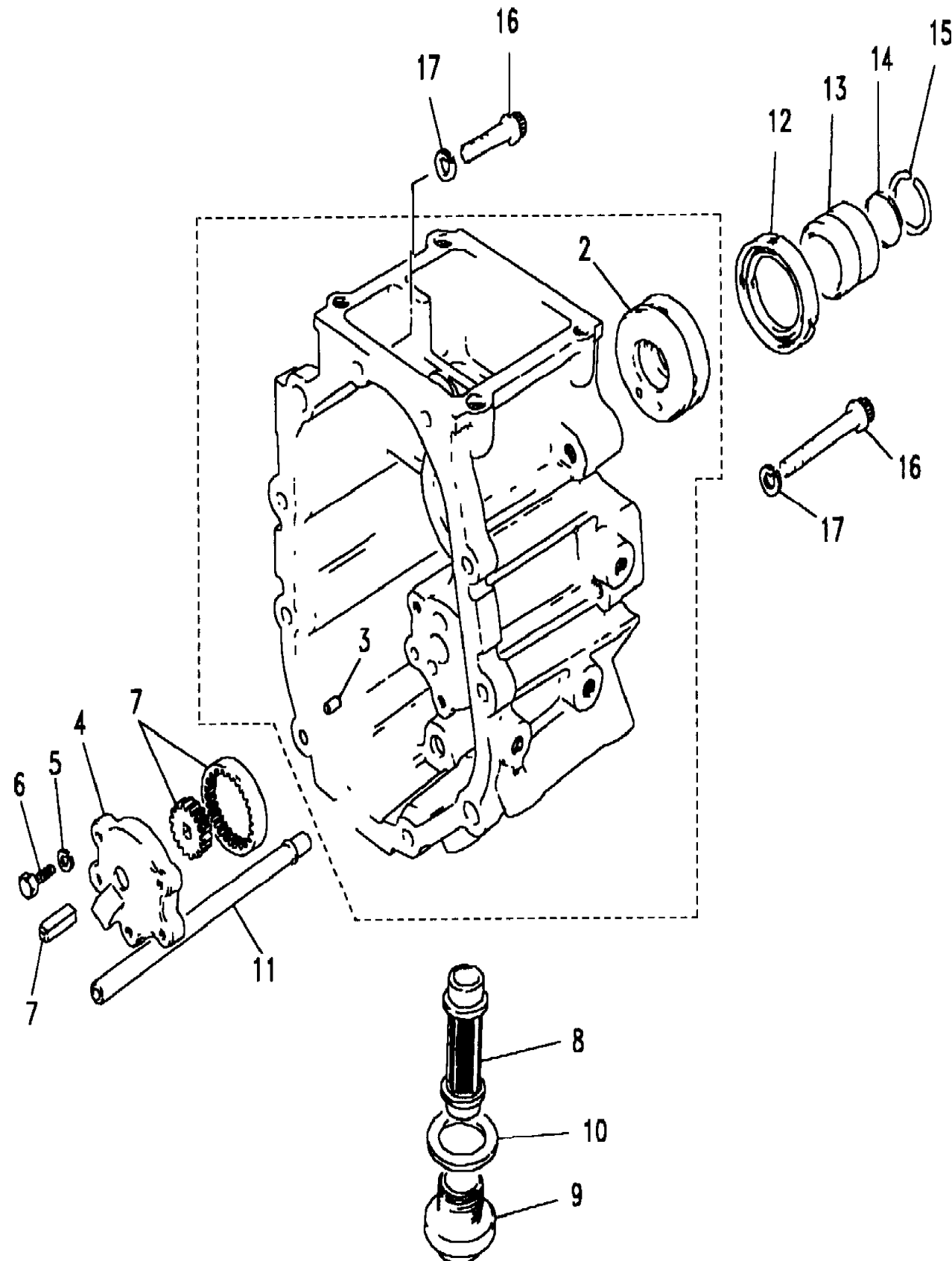
(CACDGA1A)

Discovery (FA393361-WA799999)

Gearbox
77mm-5 Speed-Manual-4 Cylinder
Extension Case

4 Cylinder, 5 Speed, Manual Transmission

Callout	Name	Application	Remarks & Restrictions	Service No.	Qty
11	Pipe-transmission oil inlet	Change point - VIN end LA081991, TDi, Manual Transmission	Suffix G, Suffix H	FRC8104	1
12	Seal	Change point - VIN end LA081991, TDi, Manual Transmission	Suffix G, Suffix H	FRC2365	1
13	Collar	Change point - VIN end LA081991, TDi, Manual Transmission	Suffix G, Suffix H	FRC4493	1
14	O Ring	Change point - VIN end LA081991, TDi, Manual Transmission	Suffix G, Suffix H	FRC4501	1
15	Spring Ring	Change point - VIN end LA081991, TDi, Manual Transmission	Suffix G, Suffix H	FRC4494	1
16	Bolt	Change point - VIN end LA081991, TDi, Manual Transmission	Suffix G, Suffix H, Flanged Head, M8 x 60	FRC4282	8
17	Washer	Change point - VIN end LA081991, TDi, Manual Transmission	M8, Suffix G, Suffix H, sprung	WL108001L	8
[901]	Stud	Change point - VIN end LA081991, 2.0L I4 16v MPi T Series Petrol Change point - VIN end LA081991, 2.0L I4 16v MPi T Series Petrol, 5 Speed Manual Transmission Change point - VIN end LA081991, TDi, Manual Transmission	lifting bracket, Also serviced as part of a kit, Gearbox 62A Mpi T16-Zorba lifting bracket, Also serviced as part of a kit, Gearbox 62A Mpi T16-Zorba Suffix G, Suffix H	FTC890 FTC890 FTC890	1 1 1
[902]	Screw-Grub	Change point - VIN end LA081991, 2.0L I4 16v MPi T Series Petrol Change point - VIN end LA081991, 2.0L I4 16v MPi T Series Petrol, 5 Speed Manual Transmission	Also serviced as part of a kit, Gearbox 62A Mpi T16-Zorba Also serviced as part of a kit, Gearbox 62A Mpi T16-Zorba	FTC1533 FTC1533	1 1



Gearbox
77mm-5 Speed-Manual-4 Cylinder
Gearbox Assembly 1/1

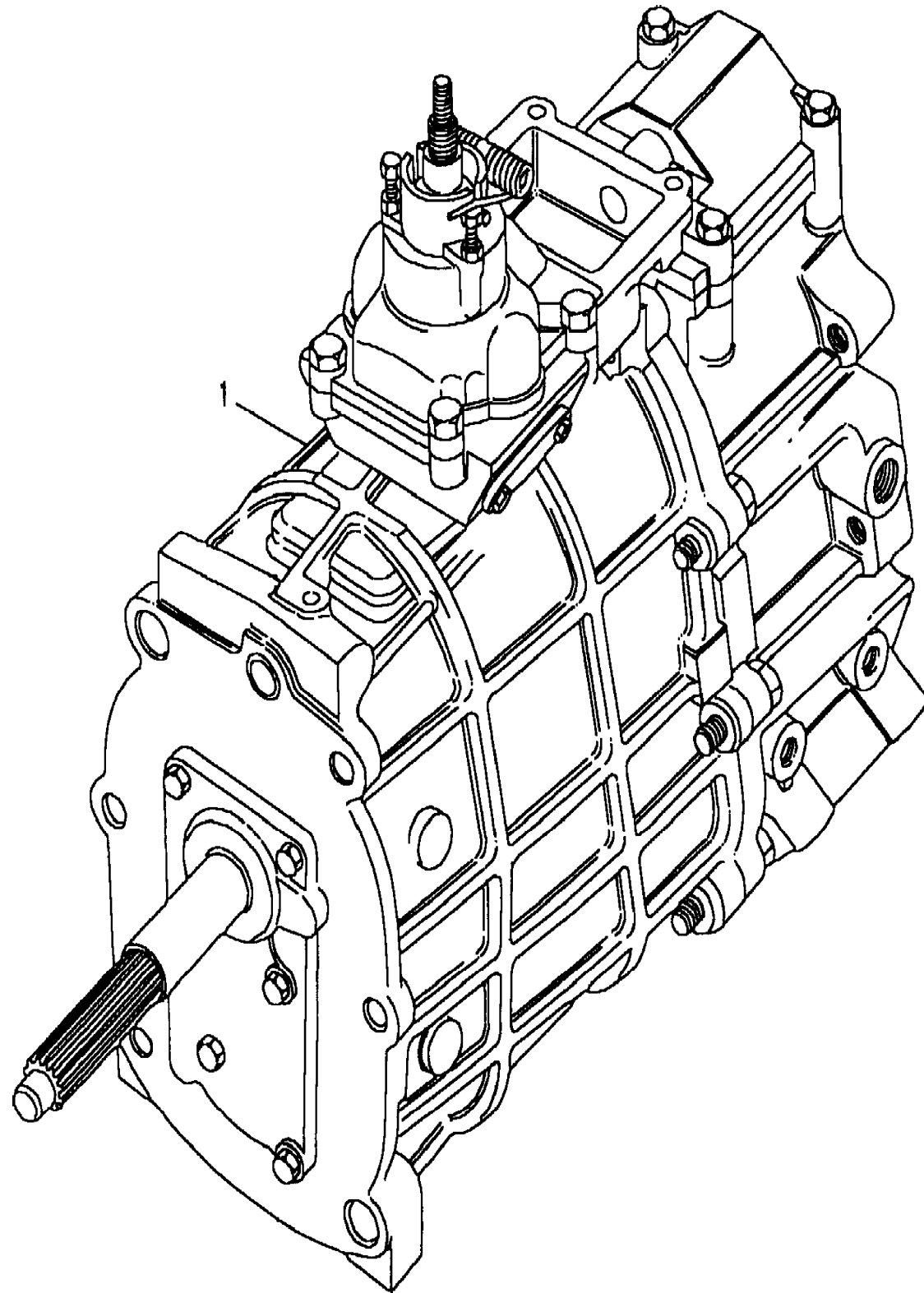
Discovery (FA393361-WA799999)
(CACDAA1A)

Discovery (FA393361-WA799999)

Gearbox
77mm-5 Speed-Manual-4 Cylinder
Gearbox Assembly

4 Cylinder, 5 Speed, Manual Transmission

Callout	Name	Application	Remarks & Restrictions	Service No.	Qty
1	Transmission assembly manual	Change point - VIN end LA081991, 2.5L I4 200 TDi Turbo Diesel, Less Catalyst	Engine Code 12L 2.5 TDI Manual - Gemini, New	FTC4495	1
		Change point - VIN end LA081991, 2.5L I4 200 TDi Turbo Diesel, 5 Speed Manual Transmission	Engine Code 12L 2.5 TDI Manual - Gemini, New	FTC4495	1
		Change point - VIN end LA081991, Manual Transmission	200 TDI, 4 Cylinder, 12L, Engine Code 12L 2.5 TDI Manual - Gemini, New	FTC4497	1
		Change point - VIN end LA081991, 2.5L I4 Diesel	Suffix G, Gearbox 55A Gemini TDI, exchange	RTC6563E	1
		Change point - VIN end LA081991, 2.5L I4 Diesel, 5 Speed Manual Transmission	Suffix G, Gearbox 55A Gemini TDI, exchange	RTC6563E	1
		Change point - VIN end LA081991, 2.5L I4 Diesel	Suffix H, Gearbox 55A Gemini TDI, exchange	STC1093E	1
		Change point - VIN end LA081991, 2.5L I4 Diesel, 5 Speed Manual Transmission	Suffix H, Gearbox 55A Gemini TDI, exchange	STC1093E	1
		Change point - VIN end LA081991, 2.0L I4 Petrol	Suffix H, Gearbox 63A Mpi T16, exchange	STC1514E	1
		Change point - VIN end LA081991, 2.0L I4 Petrol, 5 Speed Manual Transmission	Suffix H, Gearbox 63A Mpi T16, exchange	STC1514E	1
		[901]	Kit-fitting-gearbox R380	Change point - VIN end LA081991, 4 Cylinder, Manual Transmission	
[902]	Kit-gaiter-gearbox	Change point - VIN end LA081991, 4 Cylinder, Manual Transmission		STC2773	1



Gearbox
77mm-5 Speed-Manual-4 Cylinder
Gearcase 1/2

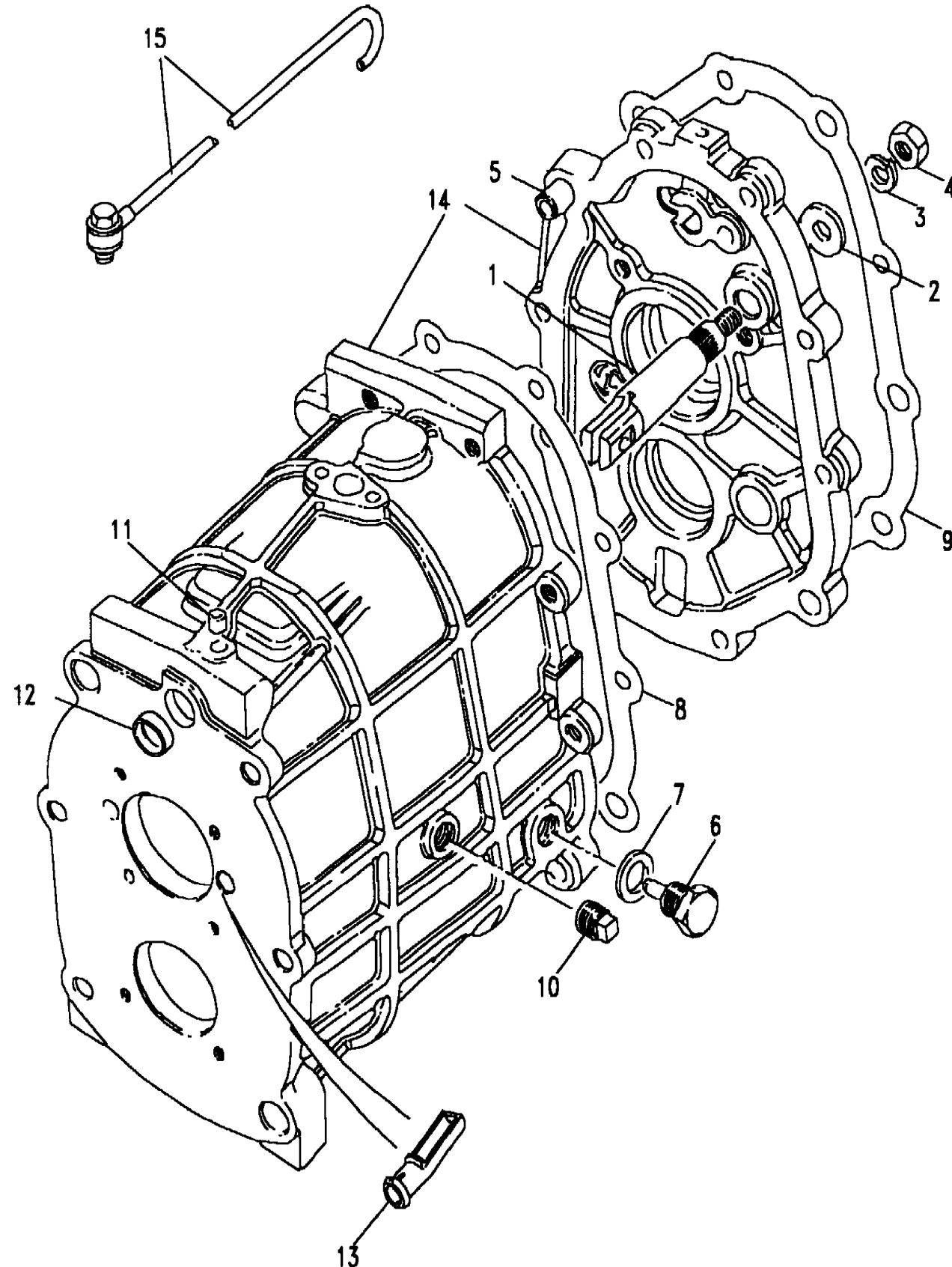
Discovery (FA393361-WA799999)
(CACDEA3A)

Discovery (FA393361-WA799999)

Gearbox
77mm-5 Speed-Manual-4 Cylinder
Gearcase

4 Cylinder, 5 Speed, Manual Transmission

Callout	Name	Application	Remarks & Restrictions	Service No.	Qty
1	Pin-reverse gear selector lever pivot	Change point - VIN end LA081991, 4 Cylinder, Manual Transmission		FRC6950	1
2	Washer	Change point - VIN end LA081991, 4 Cylinder, Manual Transmission	M10	WA110061L	1
3	Washer	Change point - VIN end LA081991, 4 Cylinder, Manual Transmission	M10	WL110001L	1
4	Nut - Hex.	Change point - VIN end LA081991, 4 Cylinder, Manual Transmission	M10, flange	FN110041L	1
		4 Cylinder, Manual Transmission	M10, flange	FN110047	1
5	Dowel	Change point - VIN end LA081991, 4 Cylinder, Manual Transmission		UKC170L	2
		Change point - VIN end LA081991, 4 Cylinder, Manual Transmission	Also serviced as part of a kit	UKC170L	2
6	Plug-Drain	Change point - VIN end LA081991, 4 Cylinder, Manual Transmission		FTC3720	1
7	Washer-sealing	Change point - VIN end LA081991, 4 Cylinder, Manual Transmission	man trans drain plug, Transmission LT 77	FTC4112	1
8	Gasket-centre plate to extension case	Change point - VIN end LA081991, 4 Cylinder, Manual Transmission		TKC1229L	1
9	Gasket-centre plate to extension case	Change point - VIN end LA081991, 4 Cylinder, Manual Transmission		TKC1235L	1
10	Plug-level	Change point - VIN end LA081991, 4 Cylinder, Manual Transmission		3292	1
11	Plug-core	Change point - VIN end LA081991, 4 Cylinder, Manual Transmission	TRANSFER BOX, 6MM	UKC24L	1
12	Plug-core	Change point - VIN end LA081991, 4 Cylinder, Manual Transmission	selector shaft front, 9MM	FTC5119	1
		Change point - VIN end LA081991, 4 Cylinder, Manual Transmission	rivet blanking, 9MM	LYQ100090	1
13	Catcher-manual transmission oil	Change point - VIN end LA081991, 4 Cylinder, Manual Transmission		TKC5779L	1



Gearbox
77mm-5 Speed-Manual-4 Cylinder
Gearcase 2/2

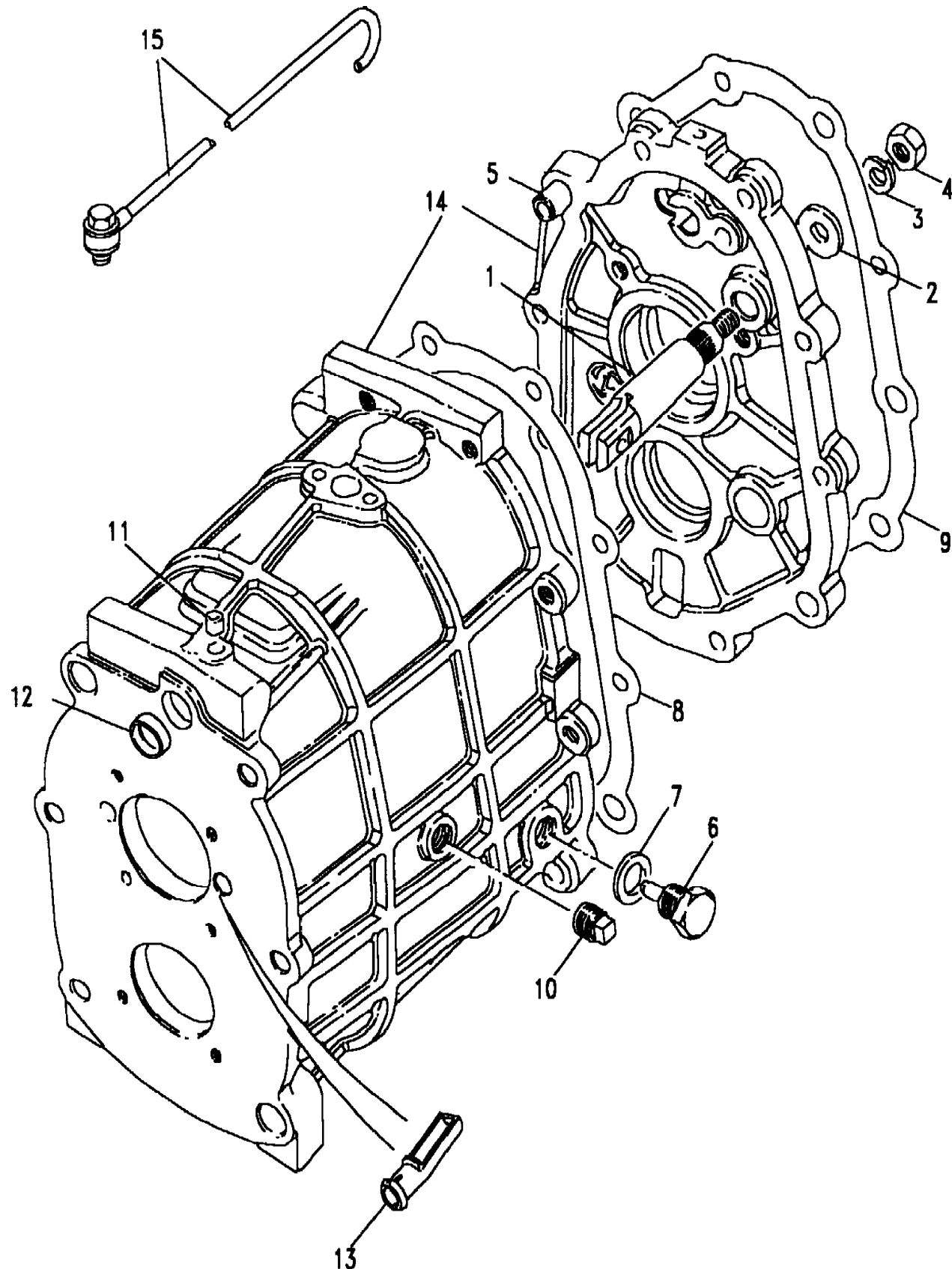
Discovery (FA393361-WA799999)
(CACDEA3A)

Discovery (FA393361-WA799999)

Gearbox
77mm-5 Speed-Manual-4 Cylinder
Gearcase

4 Cylinder, 5 Speed, Manual Transmission

Callout	Name	Application	Remarks & Restrictions	Service No.	Qty
14	Case-manual transmission	Change point - VIN end LA081991, 4 Cylinder, Manual Transmission Change point - VIN end LA081991, 4 Cylinder, Manual Transmission	Also serviced as part of a kit	FTC918 FTC2192	1 1
15	Tube-breather transmission case	Change point - VIN end LA081991, 4 Cylinder, Manual Transmission Change point - VIN end LA081991, 4 Cylinder, Manual Transmission		FRC9427 FRC9430	1 1
[900]	Clip-p	Change point - VIN end LA081991, 4 Cylinder, Manual Transmission	5/16"	BAU1689	1



Gearbox
77mm-5 Speed-Manual-4 Cylinder
Gearchange & Lever 1/3

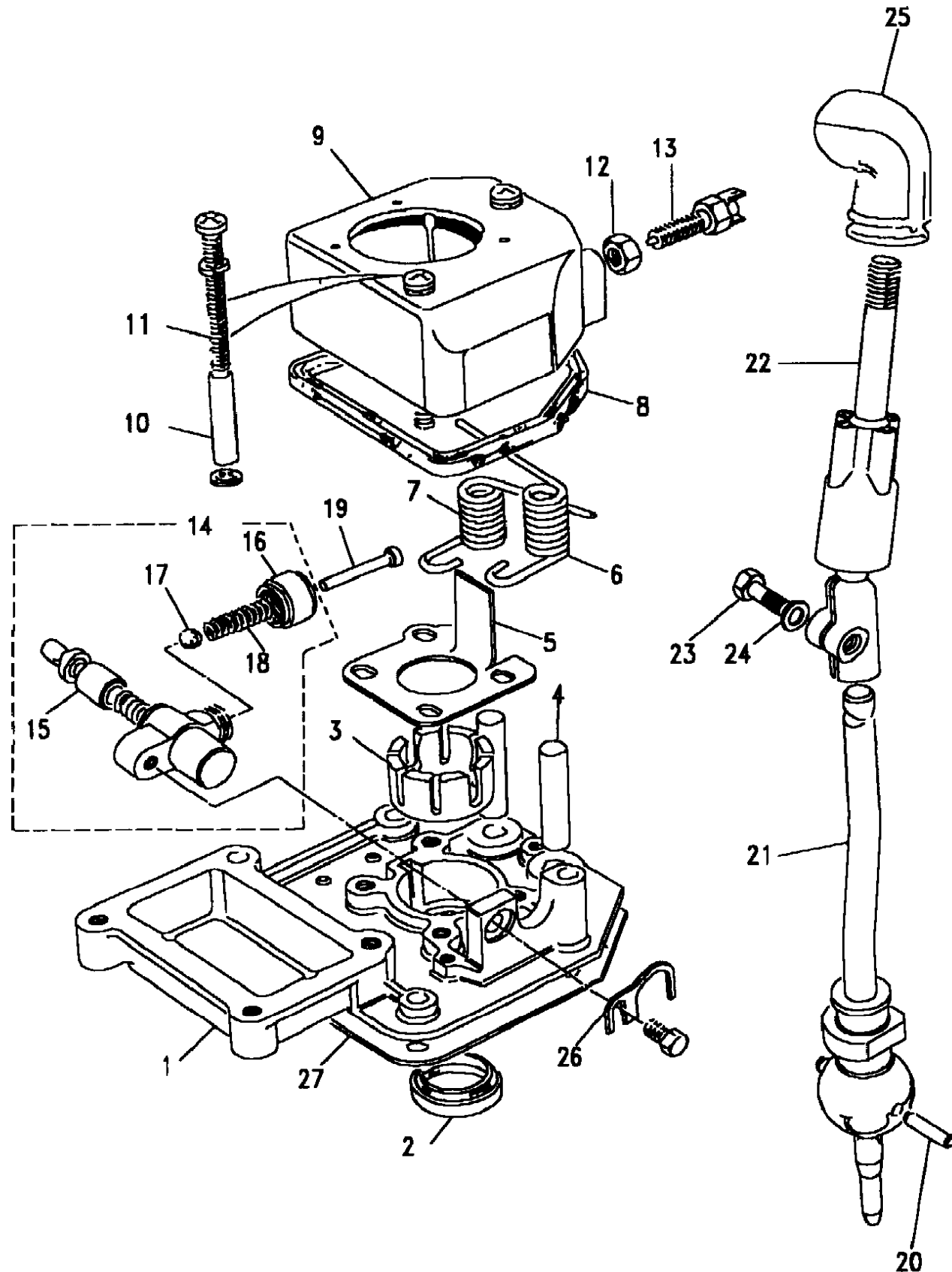
Discovery (FA393361-WA799999)
(CACDKC2A)

Discovery (FA393361-WA799999)

Gearbox
77mm-5 Speed-Manual-4 Cylinder
Gearchange & Lever

4 Cylinder, 5 Speed, Manual Transmission

Callout	Name	Application	Remarks & Restrictions	Service No.	Qty
1	Housing-ball pin gear change-manual transmission	Change point - Gearbox end 55A0119840H, 4 Cylinder, Manual Transmission Change point - Gearbox begin 55A0119841H, Change point - VIN end LA081991, 4 Cylinder, Manual Transmission		FRC8827 FTC2448	1 1
2	Seal	Change point - Gearbox end 55A0119840H, 4 Cylinder, Manual Transmission Change point - Gearbox begin 55A0119841H, Change point - VIN end LA081991, 4 Cylinder, Manual Transmission		FRC9987 FTC2199	1 1
3	Bush-change pivot manual transmission	Change point - VIN end LA081991, 4 Cylinder, Manual Transmission		FRC9985	1
4	Pin-roll-spring tension	Change point - VIN end LA081991, 4 Cylinder, Manual Transmission		FRC9028	2
5	Plate-gearchange bias spring adjuster	Change point - VIN end LA081991, 4 Cylinder, Manual Transmission		FRC9340	1
6	Spring-1st/2nd bias manual transmission	Change point - VIN end LA081991, 4 Cylinder, Manual Transmission		FTC1988	1
7	Spring-5th bias manual transmission	Change point - VIN end LA081991, 4 Cylinder, Manual Transmission		FRC8490	1
8	Seal-dust-gear change/plate manual transmission	Change point - VIN end LA081991, 4 Cylinder, Manual Transmission		FRC8507	1
9	Housing-change ball manual transmission	Change point - VIN end LA081991, 4 Cylinder, Manual Transmission	Also serviced as part of a kit	FRC8915	1
10	Spacer	Change point - VIN end LA081991, 4 Cylinder, Manual Transmission	Also serviced as part of a kit	FRC8520	2
11	Screw	Change point - VIN end LA081991, 4 Cylinder, Manual Transmission	Also serviced as part of a kit, M6 x 60	SE106601	2
12	Locknut	Change point - VIN end LA081991, 4 Cylinder, Manual Transmission	M10	NT110041L	1



Gearbox
77mm-5 Speed-Manual-4 Cylinder
Gearchange & Lever 2/3

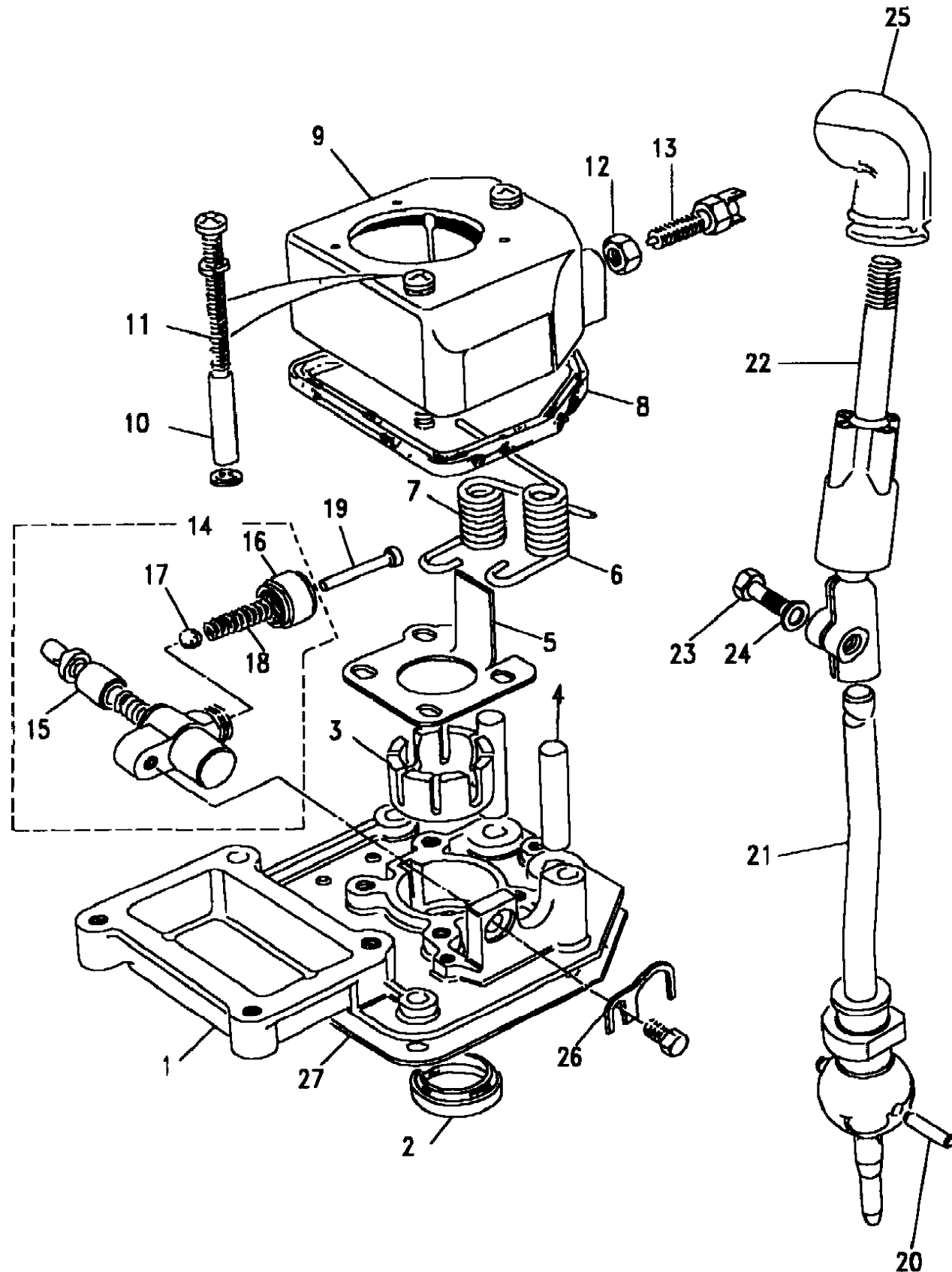
Discovery (FA393361-WA799999)
(CACDKC2A)

Discovery (FA393361-WA799999)

Gearbox
77mm-5 Speed-Manual-4 Cylinder
Gearchange & Lever

4 Cylinder, 5 Speed, Manual Transmission

Callout	Name	Application	Remarks & Restrictions	Service No.	Qty
13	Switch	Change point - VIN end LA081991, 4 Cylinder, Manual Transmission	Reverse Lamp	PRC2911	1
14	Plunger-locking manual transmission	Change point - VIN end LA081991, 4 Cylinder, Manual Transmission	Also serviced as part of a kit	FTC4082	1
15	Spring-coil	Change point - VIN end LA081991, 4 Cylinder, Manual Transmission	Also serviced as part of a kit	FRC6318	1
16	Cover-spring assembly detent arm	Change point - VIN end LA081991, 4 Cylinder, Manual Transmission	Also serviced as part of a kit	FRC8793	1
17	Ball-detent manual transmission	Change point - VIN end LA081991, 4 Cylinder, Manual Transmission	Also serviced as part of a kit	571146	1
18	Spring-plunger manual transmission	Change point - VIN end LA081991, 4 Cylinder, Manual Transmission	Also serviced as part of a kit	FRC8776	1
19	Plunger-reverse switch	Change point - VIN end LA081991, 4 Cylinder, Manual Transmission		FRC8517	1
20	Pin	Change point - VIN end LA081991, 4 Cylinder, Manual Transmission		UKC3092	1
21	Lever-lower manual transmission	Change point - Gearbox end 55A0119840H, 4 Cylinder, Manual Transmission Change point - Gearbox begin 55A0119841H, Change point - VIN end LA081991, 4 Cylinder, Manual Transmission		FRC9669 FTC4026	1 1
22	Lever-upper manual transmission	Change point - VIN end LA081991, 4 Cylinder, Manual Transmission		FTC4129	1
23	Screw	Change point - VIN end LA081991, 4 Cylinder, Manual Transmission	M8 x 25, hexagonal head	SH108251L	1
		4 Cylinder, Manual Transmission	M8 x 25, Flanged Head	FS108251L	1
24	Washer	Change point - VIN end LA081991, 4 Cylinder, Manual Transmission	8MM	WA108051L	1
25	Knob assembly-change manual transmission	Change point - VIN end JA034313, 4 Cylinder, Manual Transmission	Ash Grey	MXC5322LUN	1



Gearbox
77mm-5 Speed-Manual-4 Cylinder
Gearchange & Lever 3/3

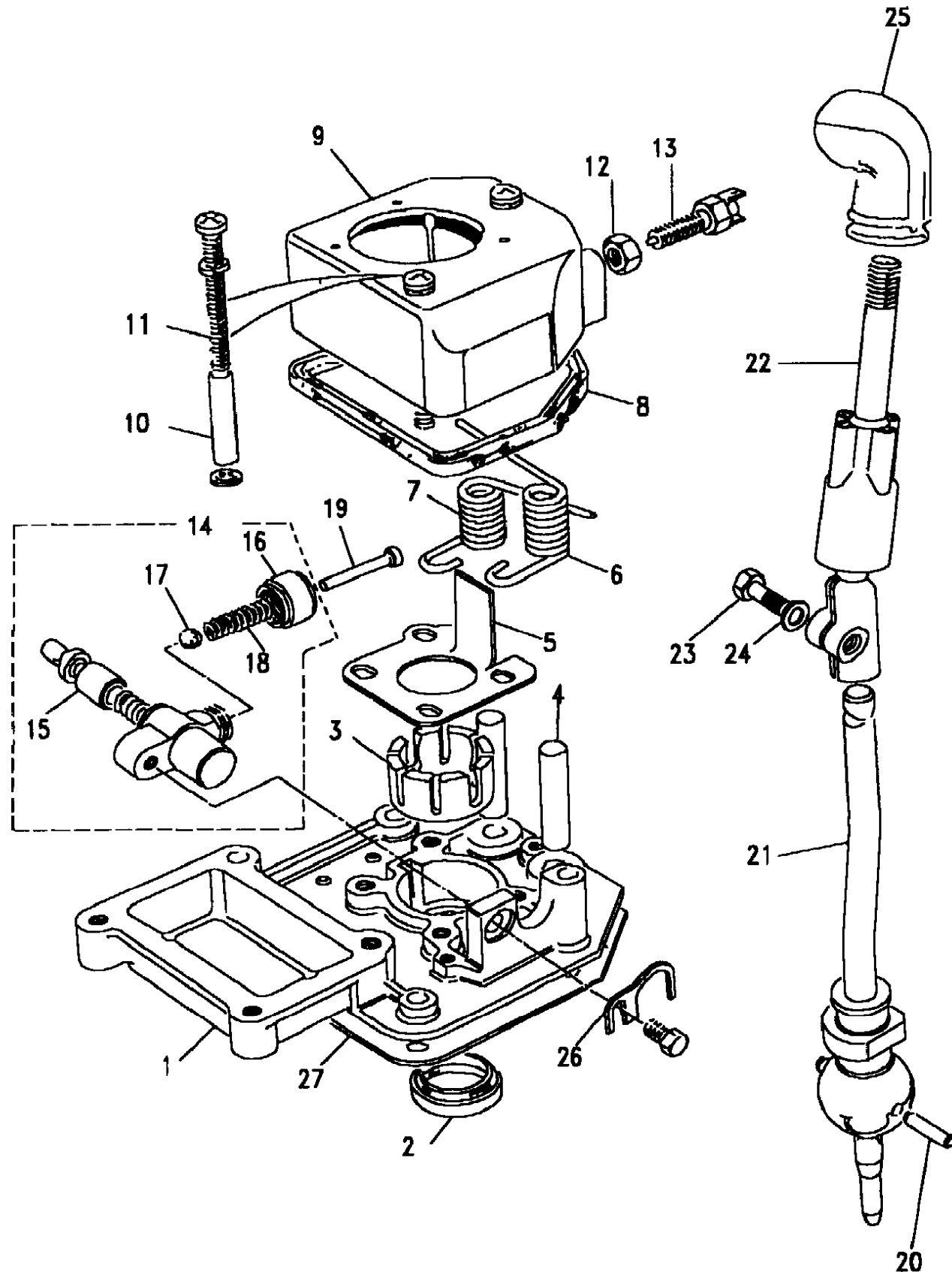
Discovery (FA393361-WA799999)
(CACDKC2A)

Discovery (FA393361-WA799999)

Gearbox
77mm-5 Speed-Manual-4 Cylinder
Gearchange & Lever

4 Cylinder, 5 Speed, Manual Transmission

Callout	Name	Application	Remarks & Restrictions	Service No.	Qty
25	Knob assembly-change manual transmission	Change point - VIN begin KA034314, Change point - VIN end LA081991, 4 Cylinder, Manual Transmission	Ash Grey	MXC5322LNF	1
26	Spacer-reverse gear plunger	Change point - VIN end LA081991, 4 Cylinder, Manual Transmission Change point - VIN end LA081991, 4 Cylinder, Manual Transmission		FRC8496 FRC8497	1 1
27	Gasket-gearchange ball pin housing	Change point - VIN end LA081991, 4 Cylinder, Manual Transmission		FRC8505	1
[901]	Pin-Spring	Change point - VIN end LA081991, 4 Cylinder, Manual Transmission		FRC2626	2



Gearbox
77mm-5 Speed-Manual-4 Cylinder
Layshaft 1/4

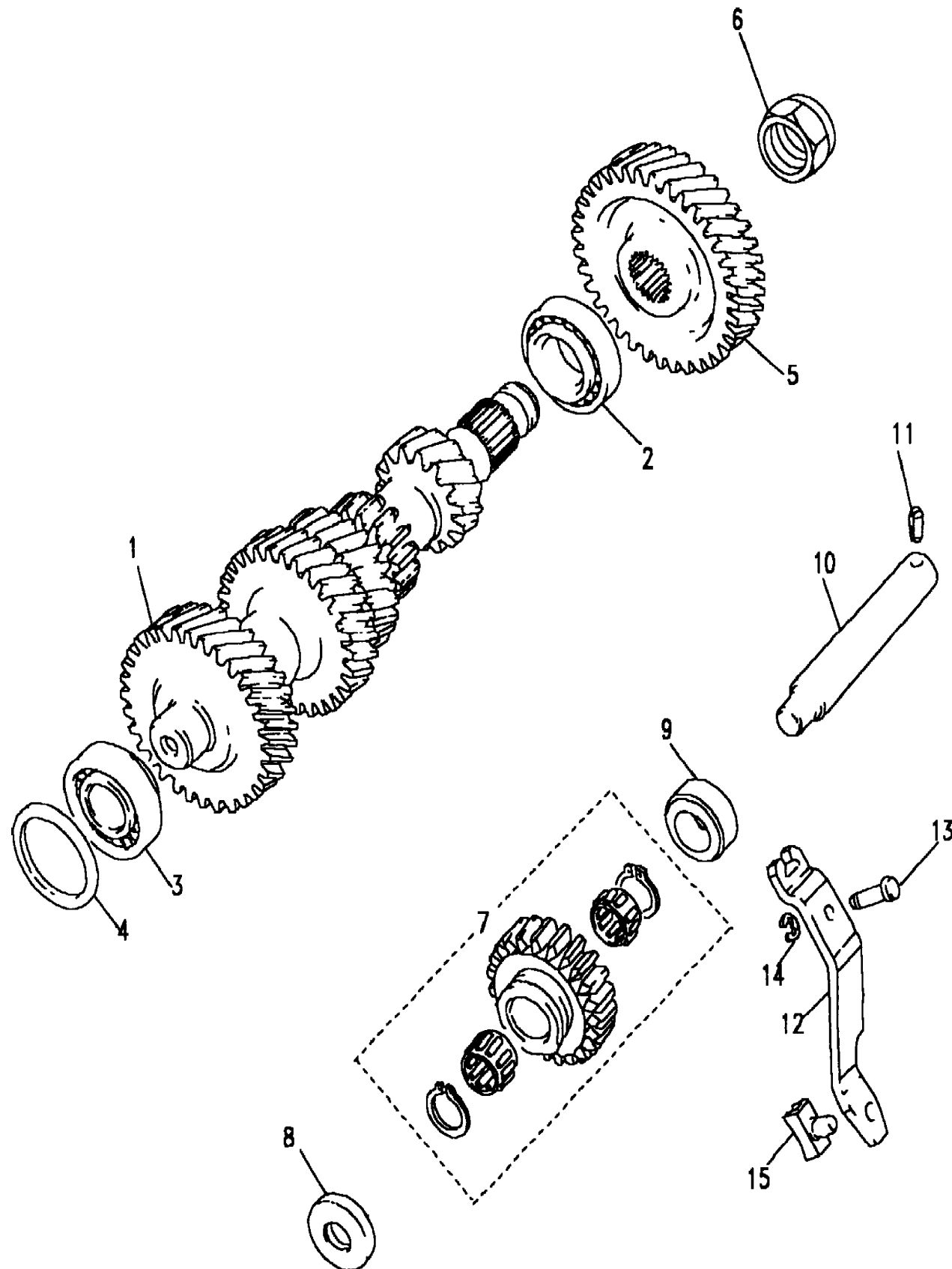
Discovery (FA393361-WA799999)
(CACDIE1A)

Discovery (FA393361-WA799999)

Gearbox
77mm-5 Speed-Manual-4 Cylinder
Layshaft

4 Cylinder, 5 Speed, Manual Transmission

Callout	Name	Application	Remarks & Restrictions	Service No.	Qty
1	Shaft-lay	Change point - VIN end LA081991, 2.5L I4 TDi	Suffix G, Suffix H, Gearbox 55A Gemini TDI	FTC1074	1
		Change point - VIN end LA081991, 2.5L I4 TDi, 5 Speed Manual Transmission	Suffix G, Suffix H, Gearbox 55A Gemini TDI	FTC1074	1
		Change point - VIN end LA081991, 2.0L I4 MPi Petrol	Transmission LT 77, Gearbox 63A Mpi T 16	FTC1073	1
		Change point - VIN end LA081991, 2.0L I4 MPi Petrol, 5 Speed Manual Transmission	Transmission LT 77, Gearbox 63A Mpi T 16	FTC1073	1
2	Bearing-taper roller	Change point - VIN end LA081991, 2.5L I4 Diesel	(-) MPI, Suffix G, Suffix H, Gearbox 55A Gemini TDI, 31.75 x 59.0	FTC317	1
		Change point - VIN end LA081991, 2.5L I4 Diesel, 5 Speed Manual Transmission	(-) MPI, Suffix G, Suffix H, Gearbox 55A Gemini TDI, 31.75 x 59.0	FTC317	1
3	Bearing-taper roller	Change point - VIN end LA081991, 2.5L I4 Diesel	(-) MPI, Suffix H, Gearbox 55A Gemini TDI, 31.75 x 62.0	FTC248	1
		Change point - VIN end LA081991, 2.5L I4 Diesel, 5 Speed Manual Transmission	(-) MPI, Suffix H, Gearbox 55A Gemini TDI, 31.75 x 62.0	FTC248	1
4	Shim	Change point - VIN end LA081991, 2.5L I4 TDi	man trans countershaft bearing/front cover, Suffix G, Suffix H, Gearbox 55A Gemini TDI, 1.39MM	FTC263	1
		Change point - VIN end LA081991, 2.5L I4 TDi, 5 Speed Manual Transmission	man trans countershaft bearing/front cover, Suffix G, Suffix H, Gearbox 55A Gemini TDI, 1.39MM	FTC263	1
		Change point - VIN end LA081991, 2.5L I4 TDi	man trans countershaft bearing/front cover, 1.45MM, Suffix G, Suffix H, Gearbox 55A Gemini TDI	FTC265	1
		Change point - VIN end LA081991, 2.5L I4 TDi, 5 Speed Manual Transmission	man trans countershaft bearing/front cover, 1.45MM, Suffix G, Suffix H, Gearbox 55A Gemini TDI	FTC265	1
		Change point - VIN end LA081991, 2.5L I4 TDi	man trans countershaft bearing/front cover, Suffix G, Suffix H, Gearbox 55A Gemini TDI, 1.51MM	FTC267	1
		Change point - VIN end LA081991, 2.5L I4 TDi, 5 Speed Manual Transmission	man trans countershaft bearing/front cover, Suffix G, Suffix H, Gearbox 55A Gemini TDI, 1.51MM	FTC267	1
		Change point - VIN end LA081991, 2.5L I4 TDi	man trans countershaft bearing/front cover, 1.57MM, Suffix G, Suffix H, Gearbox 55A Gemini TDI	FTC269	1
		Change point - VIN end LA081991, 2.5L I4 TDi, 5 Speed Manual Transmission	man trans countershaft bearing/front cover, 1.57MM, Suffix G, Suffix H, Gearbox 55A Gemini TDI	FTC269	1
		Change point - VIN end LA081991, 2.5L I4 TDi, 5 Speed Manual Transmission	man trans countershaft bearing/front cover, 1.57MM, Suffix G, Suffix H, Gearbox 55A Gemini TDI	FTC269	1



Gearbox
77mm-5 Speed-Manual-4 Cylinder
Layshaft 2/4

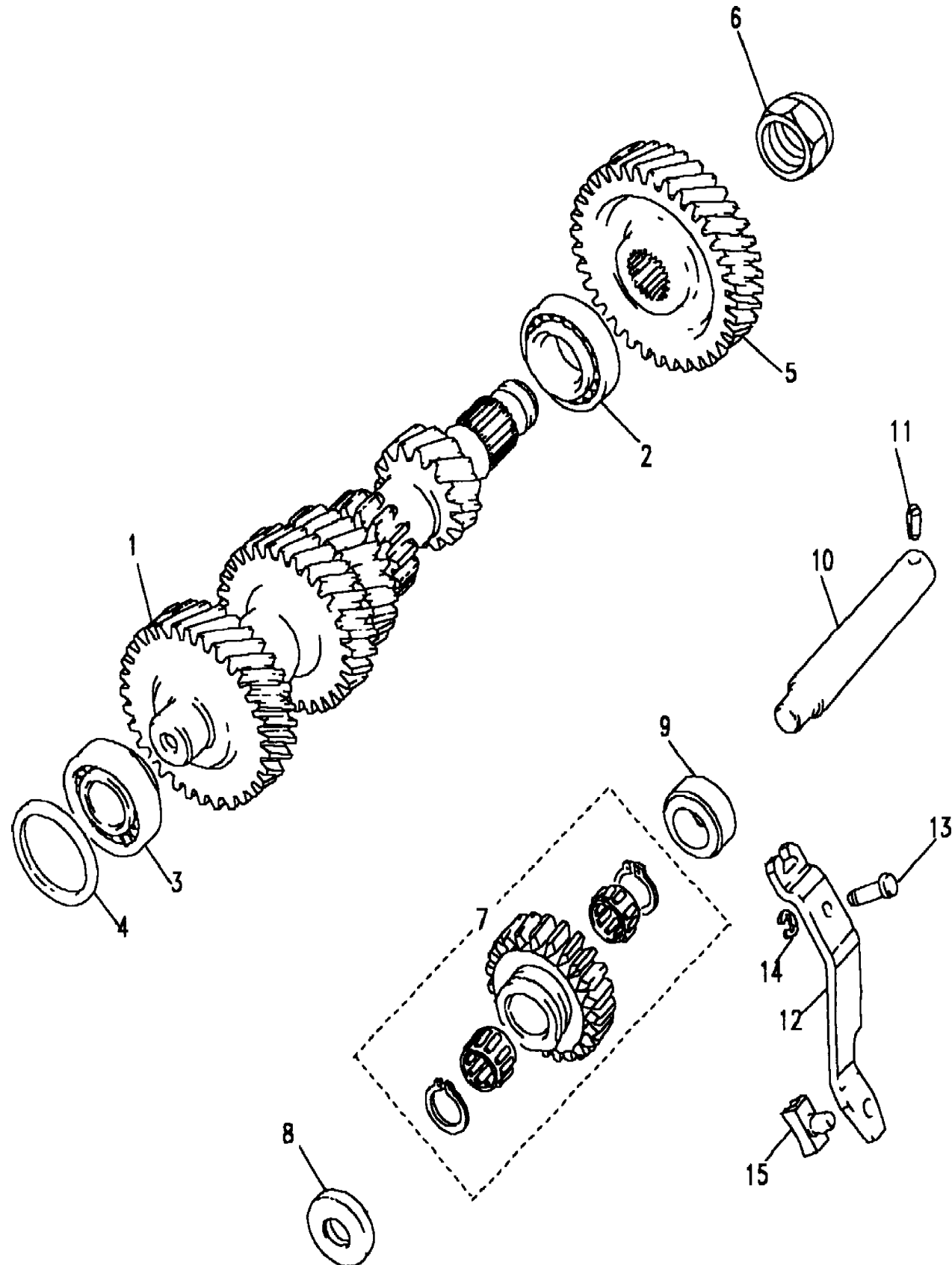
Discovery (FA393361-WA799999)
(CACDIE1A)

Discovery (FA393361-WA799999)

Gearbox
77mm-5 Speed-Manual-4 Cylinder
Layshaft

4 Cylinder, 5 Speed, Manual Transmission

Callout	Name	Application	Remarks & Restrictions	Service No.	Qty
4	Shim	Change point - VIN end LA081991, 2.5L I4 TDi	man trans countershaft bearing/front cover, 1.63MM, Suffix G, Suffix H, Gearbox 55A Gemini TDi	FTC271	1
		Change point - VIN end LA081991, 2.5L I4 TDi, 5 Speed Manual Transmission	man trans countershaft bearing/front cover, 1.63MM, Suffix G, Suffix H, Gearbox 55A Gemini TDi	FTC271	1
		Change point - VIN end LA081991, 2.5L I4 TDi	man trans countershaft bearing/front cover, 1.69MM, Suffix G, Suffix H, Gearbox 55A Gemini TDi	FTC273	1
		Change point - VIN end LA081991, 2.5L I4 TDi, 5 Speed Manual Transmission	man trans countershaft bearing/front cover, 1.69MM, Suffix G, Suffix H, Gearbox 55A Gemini TDi	FTC273	1
		Change point - VIN end LA081991, 2.5L I4 TDi	man trans countershaft bearing/front cover, 1.75MM, Suffix G, Suffix H, Gearbox 55A Gemini TDi	FTC275	1
		Change point - VIN end LA081991, 2.5L I4 TDi, 5 Speed Manual Transmission	man trans countershaft bearing/front cover, 1.75MM, Suffix G, Suffix H, Gearbox 55A Gemini TDi	FTC275	1
		Change point - VIN end LA081991, 2.5L I4 TDi	man trans countershaft bearing/front cover, 1.81MM, Suffix G, Suffix H, Gearbox 55A Gemini TDi	FTC277	1
		Change point - VIN end LA081991, 2.5L I4 TDi, 5 Speed Manual Transmission	man trans countershaft bearing/front cover, 1.81MM, Suffix G, Suffix H, Gearbox 55A Gemini TDi	FTC277	1
		Change point - VIN end LA081991, 2.5L I4 TDi	man trans countershaft bearing/front cover, 1.87MM, Suffix G, Suffix H, Gearbox 55A Gemini TDi	FTC279	1
		Change point - VIN end LA081991, 2.5L I4 TDi, 5 Speed Manual Transmission	man trans countershaft bearing/front cover, 1.87MM, Suffix G, Suffix H, Gearbox 55A Gemini TDi	FTC279	1
		Change point - VIN end LA081991, 2.5L I4 TDi	man trans countershaft bearing/front cover, 1.93MM, Suffix G, Suffix H, Gearbox 55A Gemini TDi	FTC281	1
		Change point - VIN end LA081991, 2.5L I4 TDi, 5 Speed Manual Transmission	man trans countershaft bearing/front cover, 1.93MM, Suffix G, Suffix H, Gearbox 55A Gemini TDi	FTC281	1
		Change point - VIN end LA081991, 2.5L I4 TDi	man trans countershaft bearing/front cover, 1.99MM, Suffix G, Suffix H, Gearbox 55A Gemini TDi	FTC283	1
		Change point - VIN end LA081991, 2.5L I4 TDi, 5 Speed Manual Transmission	man trans countershaft bearing/front cover, 1.99MM, Suffix G, Suffix H, Gearbox 55A Gemini TDi	FTC283	1
		Change point - VIN end LA081991, 2.5L I4 TDi	man trans countershaft bearing/front cover, 2.05MM, Suffix G, Suffix H, Gearbox 55A Gemini TDi	FTC285	1



Gearbox
77mm-5 Speed-Manual-4 Cylinder
Layshaft 3/4

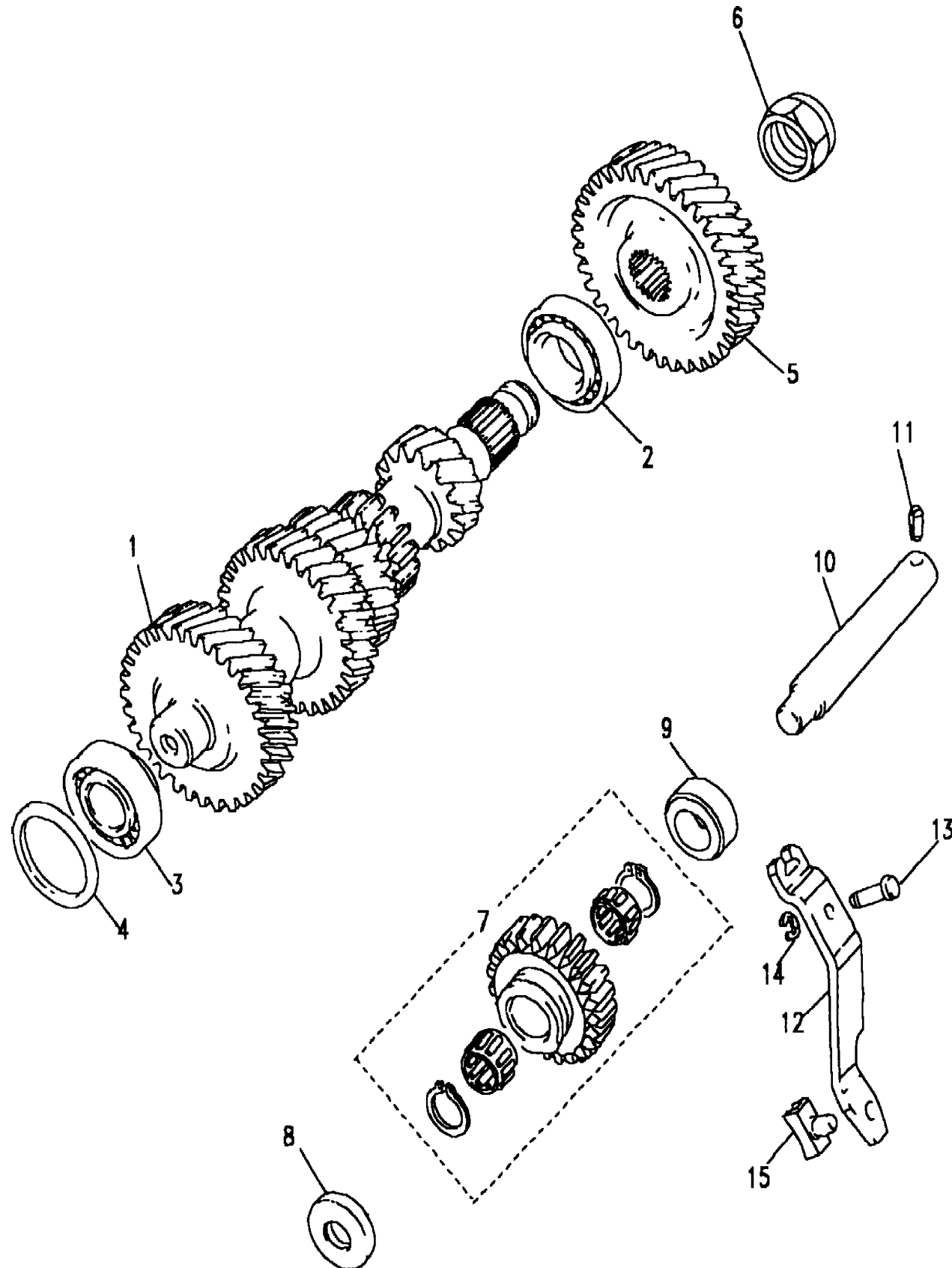
Discovery (FA393361-WA799999)
(CACDIE1A)

Discovery (FA393361-WA799999)

Gearbox
77mm-5 Speed-Manual-4 Cylinder
Layshaft

4 Cylinder, 5 Speed, Manual Transmission

Callout	Name	Application	Remarks & Restrictions	Service No.	Qty		
4	Shim	Change point - VIN end LA081991, 2.5L I4 TDi, 5 Speed Manual Transmission	man trans countershaft bearing/front cover, 2.05MM, Suffix G, Suffix H, Gearbox 55A Gemini TDI	FTC285	1		
		Change point - VIN end LA081991, 2.5L I4 TDi	man trans countershaft bearing/front cover, 2.11MM, Suffix G, Suffix H, Gearbox 55A Gemini TDI	FTC287	1		
		Change point - VIN end LA081991, 2.5L I4 TDi, 5 Speed Manual Transmission	man trans countershaft bearing/front cover, 2.11MM, Suffix G, Suffix H, Gearbox 55A Gemini TDI	FTC287	1		
		Change point - VIN end LA081991, 2.5L I4 TDi	man trans countershaft bearing/front cover, 2.17MM, Suffix G, Suffix H, Gearbox 55A Gemini TDI	FTC289	1		
		Change point - VIN end LA081991, 2.5L I4 TDi, 5 Speed Manual Transmission	man trans countershaft bearing/front cover, 2.17MM, Suffix G, Suffix H, Gearbox 55A Gemini TDI	FTC289	1		
		Change point - VIN end LA081991, 2.5L I4 TDi	man trans countershaft bearing/front cover, Suffix G, Suffix H, Gearbox 55A Gemini TDI, 2.23MM	FTC291	1		
		Change point - VIN end LA081991, 2.5L I4 TDi, 5 Speed Manual Transmission	man trans countershaft bearing/front cover, Suffix G, Suffix H, Gearbox 55A Gemini TDI, 2.23MM	FTC291	1		
		Change point - VIN end LA081991, 2.5L I4 TDi	man trans countershaft bearing/front cover, Suffix G, Suffix H, Gearbox 55A Gemini TDI, 2.29MM	FTC293	1		
		Change point - VIN end LA081991, 2.5L I4 TDi, 5 Speed Manual Transmission	man trans countershaft bearing/front cover, Suffix G, Suffix H, Gearbox 55A Gemini TDI, 2.29MM	FTC293	1		
		Change point - VIN end LA081991, 2.5L I4 TDi	man trans countershaft bearing/front cover, Suffix G, Suffix H, Gearbox 55A Gemini TDI, 2.35MM	FTC295	1		
		Change point - VIN end LA081991, 2.5L I4 TDi, 5 Speed Manual Transmission	man trans countershaft bearing/front cover, Suffix G, Suffix H, Gearbox 55A Gemini TDI, 2.35MM	FTC295	1		
		5	Gear-5th speed countershaft manual transmission	Change point - VIN end LA081991, 4 Cylinder, Manual Transmission	(-) MPI, Suffix G, Suffix H	FTC419	1
				Change point - VIN end LA081991, 4 Cyl MPI, Manual Transmission	Suffix G, Suffix H	FTC1562	1
6	Nut-stake	Change point - VIN end LA081991, 4 Cylinder, Manual Transmission	Suffix G, Suffix H	FRC7214	1		
7	Gear-reverse manual transmission	Change point - VIN end LA081991, 4 Cylinder, Manual Transmission	Suffix G, Suffix H	FRC8285	1		



Gearbox
77mm-5 Speed-Manual-4 Cylinder
Layshaft 4/4

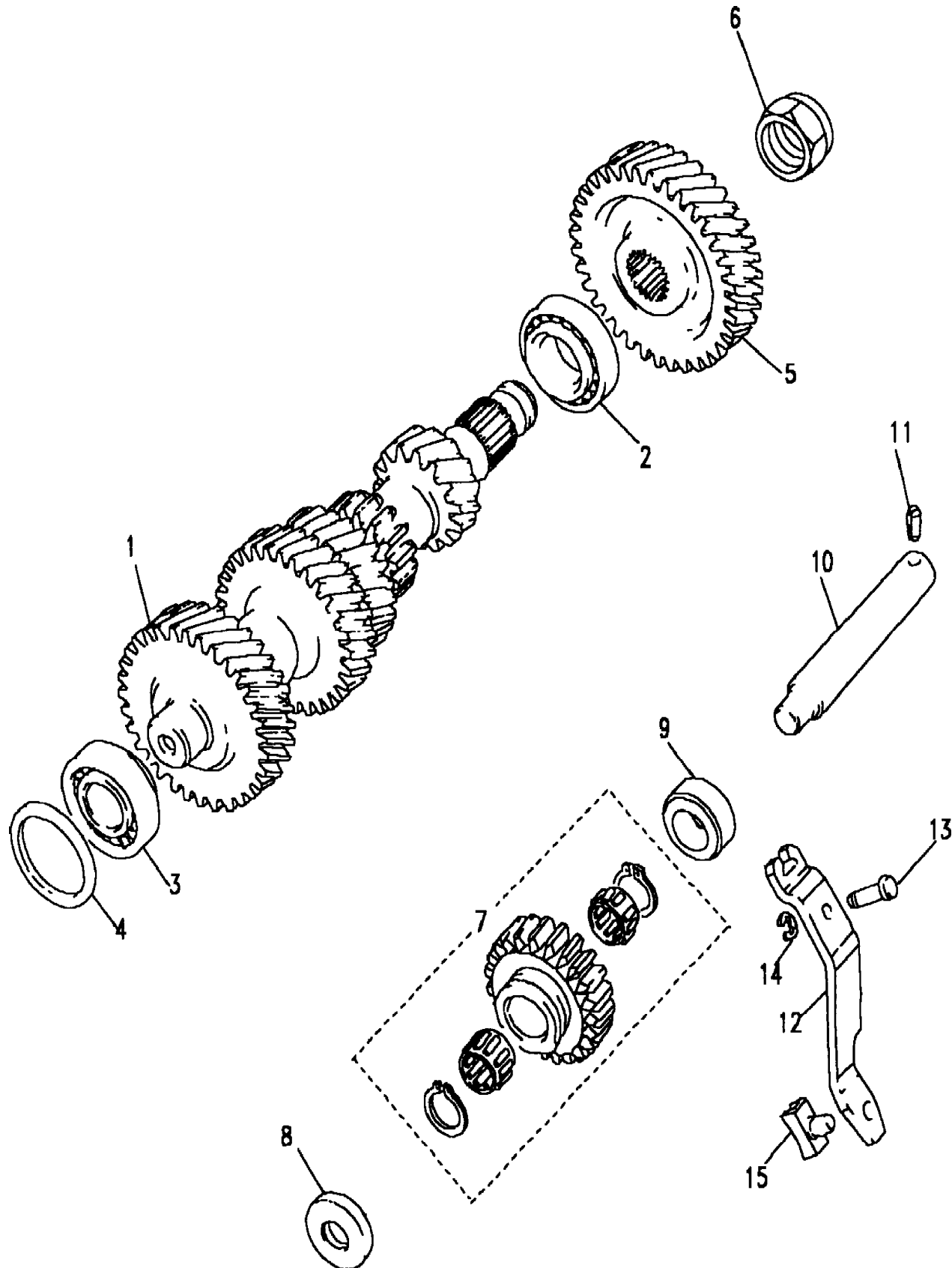
Discovery (FA393361-WA799999)
(CACDIE1A)

Discovery (FA393361-WA799999)

Gearbox
77mm-5 Speed-Manual-4 Cylinder
Layshaft

4 Cylinder, 5 Speed, Manual Transmission

Callout	Name	Application	Remarks & Restrictions	Service No.	Qty
8	Spacer	Change point - VIN end LA081991, 4 Cylinder, Manual Transmission	Suffix G, Suffix H	FRC4947	1
9	Spacer	Change point - VIN end LA081991, 4 Cylinder, Manual Transmission	Rear, Suffix G, Suffix H	FRC5186	1
10	Shaft-reverse idler assembly-manual transmission	Change point - VIN end LA081991, 4 Cylinder, Manual Transmission	Suffix G, Suffix H	FRC5095	1
11	Pin	Change point - VIN end LA081991, 4 Cylinder, Manual Transmission	Suffix G, Suffix H	UKC18L	1
12	Lever-selector selector mechanism	Change point - VIN end LA081991, 4 Cylinder, Manual Transmission	Suffix G, Suffix H	FRC8246	1
13	Pin-reverse gear selector lever pivot	Change point - VIN end LA081991, 4 Cylinder, Manual Transmission	Suffix G, Suffix H	FRC8382	1
14	Circlip	Change point - VIN end LA081991, 4 Cylinder, Manual Transmission	Suffix G, Suffix H	13H2023L	1
15	Pad-reverse gear selector lever	Change point - VIN end LA081991, 4 Cylinder, Manual Transmission	Suffix G, Suffix H	FTC1435	1



Gearbox
77mm-5 Speed-Manual-4 Cylinder
Mainshaft 1/3

Discovery (FA393361-WA799999)

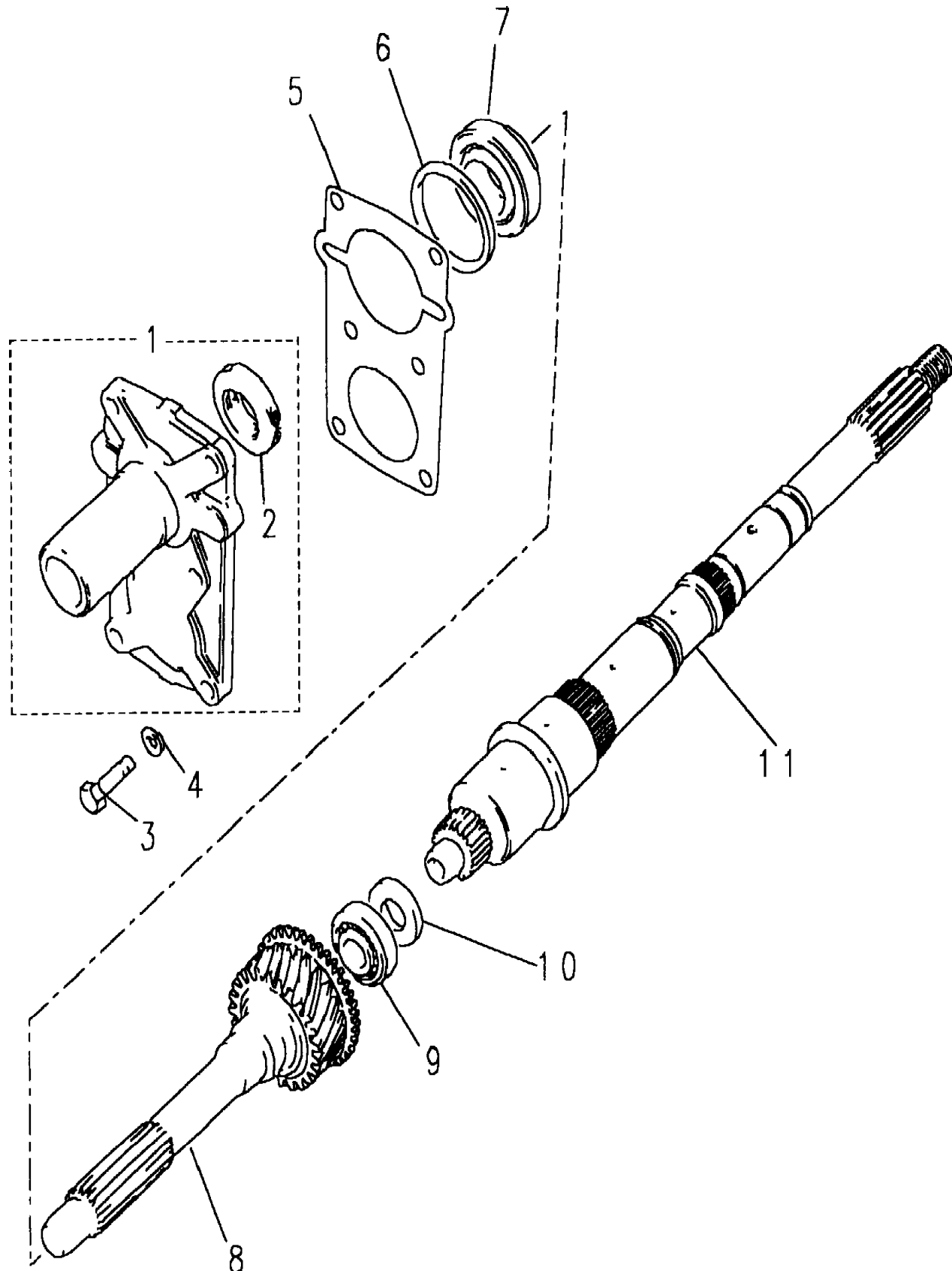
(CACDIA1A)

Discovery (FA393361-WA799999)

Gearbox
77mm-5 Speed-Manual-4 Cylinder
Mainshaft

4 Cylinder, 5 Speed, Manual Transmission

Callout	Name	Application	Remarks & Restrictions	Service No.	Qty
1	Cover-end manual transmission	Change point - VIN end LA081991, Twin Carb, Manual Transmission	Also serviced as part of a kit, Long, Front, Suffix G	FTC311	1
		Change point - VIN end LA081991, EFI, Manual Transmission	Also serviced as part of a kit, Long, Front, Suffix G	FTC917	1
		Change point - VIN end LA081991, EFI, Manual Transmission	Also serviced as part of a kit, Front, Short, Suffix H	FTC2822	1
2	Seal	Change point - VIN end VA544651, Twin Carb	man trans primary shaft, Also serviced as part of a kit, Suffix G	UKC1060L	1
		Change point - VIN end VA713099, Twin Carb	man trans primary shaft, Also serviced as part of a kit, Suffix G	UKC1060L	1
		Change point - VIN begin VA544652, Twin Carb	man trans primary shaft, Also serviced as part of a kit, Suffix G	FTC5303	1
		Change point - VIN begin VA713100, Twin Carb	man trans primary shaft, Also serviced as part of a kit, Suffix G	FTC5303	1
		Change point - VIN end VA544651, EFI	man trans primary shaft, Also serviced as part of a kit, Suffix G	UKC1060L	1
		Change point - VIN end VA713099, EFI	man trans primary shaft, Also serviced as part of a kit, Suffix G	UKC1060L	1
		Change point - VIN end LA081991, EFI, Manual Transmission	man trans primary shaft, Also serviced as part of a kit, Suffix H	UKC1060L	1
		Change point - VIN end LA081991, EFI, Manual Transmission	man trans primary shaft, Also serviced as part of a kit, Suffix H	FTC5303	1
3	Screw	Change point - VIN end LA081991, 4 Cylinder, Manual Transmission	M8 x 25, Suffix G, Flanged Head	FS108251L	6
		Change point - VIN end LA081991, 4 Cylinder, Manual Transmission	M8 x 25, Suffix G, Flanged Head	FS108257L	6
4	Washer	Change point - VIN end LA081991, 4 Cylinder, Manual Transmission	8MM, Suffix G	WA108051L	6
5	Gasket-front cover manual transmission	Change point - VIN end LA081991, 4 Cylinder, Manual Transmission	Suffix G	FTC316	1
6	Shim	Change point - VIN end LA081991, 4 Cylinder, Manual Transmission	man trans primary shaft bearing/front cover, Suffix G, 1.51MM	FRC4327	X
		Change point - VIN end LA081991, 4 Cylinder, Manual Transmission	man trans primary shaft bearing/front cover, 1.57MM, Suffix G	FRC4329	X
		Change point - VIN end LA081991, 4 Cylinder, Manual Transmission	man trans primary shaft bearing/front cover, 1.63MM, Suffix G	FRC4331	X



Gearbox
77mm-5 Speed-Manual-4 Cylinder
Mainshaft 2/3

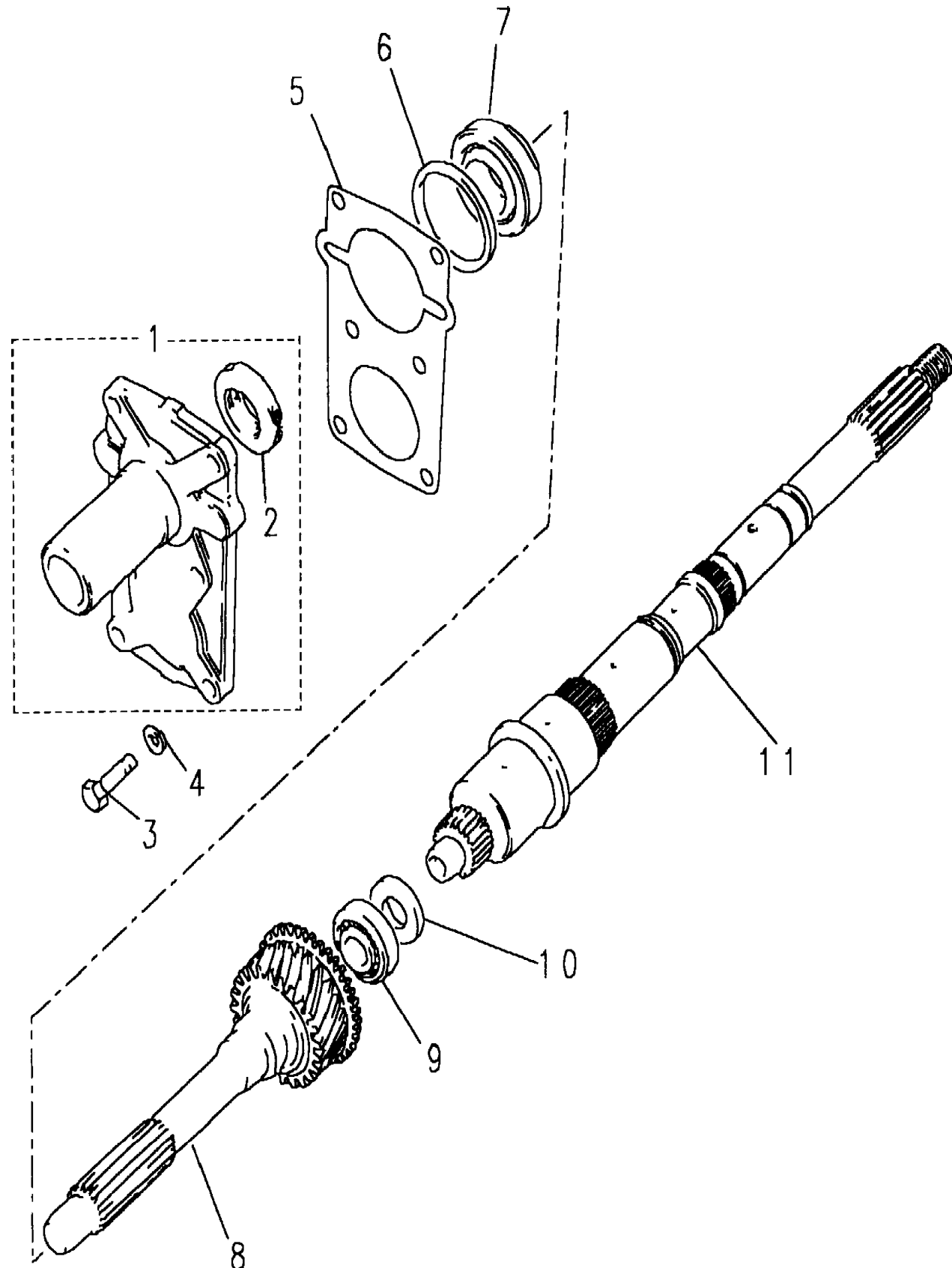
Discovery (FA393361-WA799999)
(CACDIA1A)

Discovery (FA393361-WA799999)

Gearbox
77mm-5 Speed-Manual-4 Cylinder
Mainshaft

4 Cylinder, 5 Speed, Manual Transmission

Callout	Name	Application	Remarks & Restrictions	Service No.	Qty
6	Shim	Change point - VIN end LA081991, 4 Cylinder, Manual Transmission	man trans primary shaft bearing/front cover, 1.69MM, Suffix G	FRC4333	X
		Change point - VIN end LA081991, 4 Cylinder, Manual Transmission	man trans primary shaft bearing/front cover, 1.75MM, Suffix G	FRC4335	X
		Change point - VIN end LA081991, 4 Cylinder, Manual Transmission	man trans primary shaft bearing/front cover, 1.81MM, Suffix G	FRC4337	X
		Change point - VIN end LA081991, 4 Cylinder, Manual Transmission	man trans primary shaft bearing/front cover, 1.87MM, Suffix G	FRC4339	X
		Change point - VIN end LA081991, 4 Cylinder, Manual Transmission	man trans primary shaft bearing/front cover, 1.93MM, Suffix G	FRC4341	X
		Change point - VIN end LA081991, 4 Cylinder, Manual Transmission	man trans primary shaft bearing/front cover, 1.99MM, Suffix G	FRC4343	X
		Change point - VIN end LA081991, 4 Cylinder, Manual Transmission	man trans primary shaft bearing/front cover, 2.05MM, Suffix G	FRC4345	X
		Change point - VIN end LA081991, 4 Cylinder, Manual Transmission	man trans primary shaft bearing/front cover, 2.11MM, Suffix G	FRC4347	X
		Change point - VIN end LA081991, 4 Cylinder, Manual Transmission	man trans primary shaft bearing/front cover, 2.17MM, Suffix G	FRC4349	X
		Change point - VIN end LA081991, 4 Cylinder, Manual Transmission	man trans primary shaft bearing/front cover, Suffix G, 2.23MM	FRC4351	X
		Change point - VIN end LA081991, 4 Cylinder, Manual Transmission	man trans primary shaft bearing/front cover, Suffix G, 2.29MM	FRC4353	X
		Change point - VIN end LA081991, 4 Cylinder, Manual Transmission	man trans primary shaft bearing/front cover, Suffix G, 2.35MM	FRC4355	X
		Change point - VIN end LA081991, 4 Cylinder, Manual Transmission	man trans primary shaft bearing/front cover, Suffix G, 2.41MM	FRC4357	X
		Change point - VIN end LA081991, 4 Cylinder, Manual Transmission	man trans primary shaft bearing/front cover, Suffix G, 2.47MM	FRC4359	X
		Change point - VIN end LA081991, 4 Cylinder, Manual Transmission	man trans primary shaft bearing/front cover, Suffix G, 2.53MM	FRC4361	X
		Change point - VIN end LA081991, 4 Cylinder, Manual Transmission	man trans primary shaft bearing/front cover, Suffix G, 2.59MM	FRC4363	X
		Change point - VIN end LA081991, 4 Cylinder, Manual Transmission	man trans primary shaft bearing/front cover, Suffix G, 2.65MM	FRC4365	X
		Change point - VIN end LA081991, 4 Cylinder, Manual Transmission	man trans primary shaft bearing/front cover, Suffix G, 2.71mm	FRC4367	X
		Change point - VIN end LA081991, 4 Cylinder, Manual Transmission	man trans primary shaft bearing/front cover, Suffix G, 2.77MM	FRC4369	X
		7	Bearing-taper roller	Change point - VIN end LA081991, 4 Cylinder, Manual Transmission	35.0 x 68.5



Gearbox
77mm-5 Speed-Manual-4 Cylinder
Mainshaft 3/3

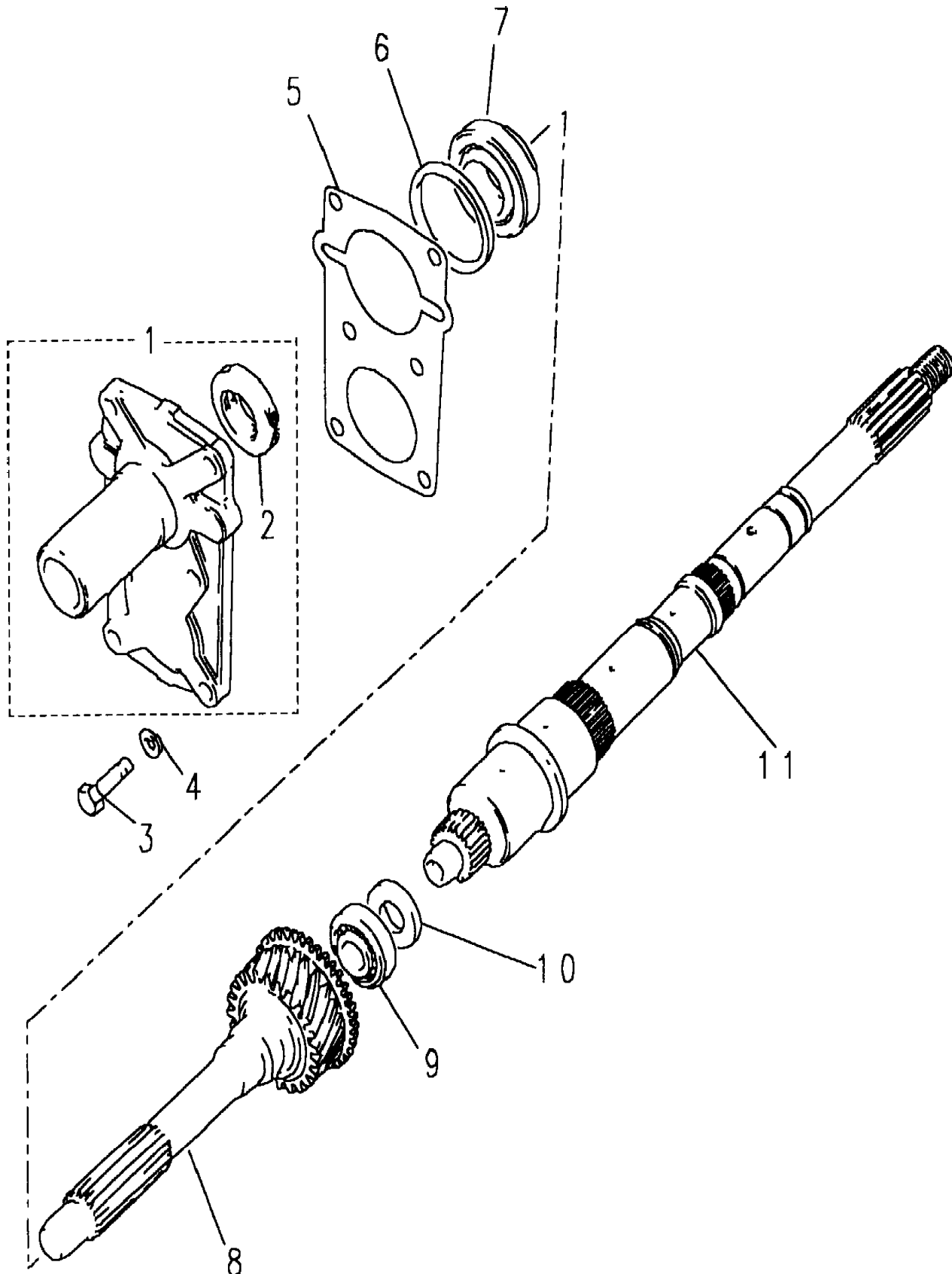
Discovery (FA393361-WA799999)
(CACDIA1A)

Discovery (FA393361-WA799999)

Gearbox
77mm-5 Speed-Manual-4 Cylinder
Mainshaft

4 Cylinder, 5 Speed, Manual Transmission

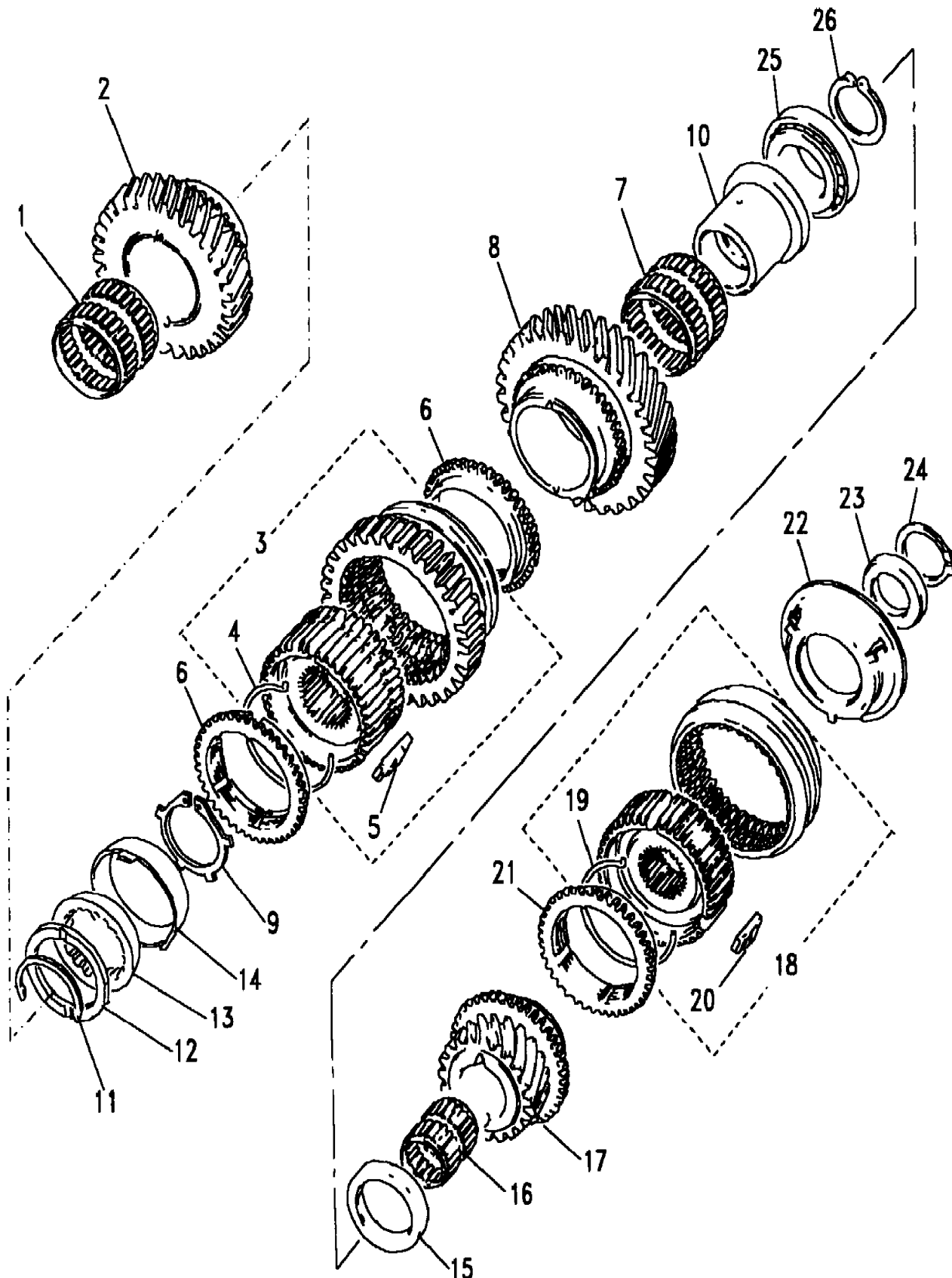
Callout	Name	Application	Remarks & Restrictions	Service No.	Qty		
8	Shaft-pinion differential	Change point - VIN end LA081991, 2.5L I4 Diesel	Also serviced as part of a kit, Gearbox 55A Gemini TDI	FTC1426	1		
		Change point - VIN end LA081991, 2.5L I4 Diesel, 5 Speed Manual Transmission	Also serviced as part of a kit, Gearbox 55A Gemini TDI	FTC1426	1		
		Change point - VIN end LA081991, 2.0L I4 Petrol	Gearbox 62A Mpi T16-Zorba	FTC2770	1		
		Change point - VIN end LA081991, 2.0L I4 Petrol, 5 Speed Manual Transmission	Gearbox 62A Mpi T16-Zorba	FTC2770	1		
		Change point - VIN end LA081991, 2.0L I4 Petrol	Gearbox 63A Mpi T16	FTC3664	1		
		Change point - VIN end LA081991, 2.0L I4 Petrol, 5 Speed Manual Transmission	Gearbox 63A Mpi T16	FTC3664	1		
		9	Bearing-taper roller	Change point - VIN end LA081991, 4 Cylinder, Manual Transmission	17.5 x 40.0	UKC8L	1
				10	Spacer	Change point - VIN end LA081991, 4 Cylinder, Manual Transmission	UKC37L
11	Shaft-main manual transmission					Change point - VIN end LA081991, 4 Cylinder, Manual Transmission	Suffix G
		Change point - VIN end LA081991, 4 Cylinder, Manual Transmission	Suffix H	STC1889	1		



Gearbox
77mm-5 Speed-Manual-4 Cylinder
Mainshaft Gears 1st/2nd/5th 1/4

Discovery (FA393361-WA799999)

(CACDIC2A)



Discovery (FA393361-WA799999)

Gearbox
77mm-5 Speed-Manual-4 Cylinder
Mainshaft Gears 1st/2nd/5th

4 Cylinder, 5 Speed, Manual Transmission

Callout	Name	Application	Remarks & Restrictions	Service No.	Qty
1	Bearing-needle roller	Change point - VIN end LA081991, 4 Cylinder, Manual Transmission	Suffix G	FRC5678	2
		Change point - VIN end LA081991, 4 Cylinder, Manual Transmission	Suffix H	FTC1312	1
		Change point - VIN end LA081991, 4 Cylinder, Manual Transmission	Suffix H	TUK10011L	1
2	Gear-2nd driven manual transmission	Change point - VIN end LA081991, 4 Cylinder, Manual Transmission	Suffix G	FTC357	1
		Change point - VIN end LA081991, 4 Cylinder, Manual Transmission	(-) MPI, Suffix H	FTC2462	1
		Change point - VIN end LA081991, 4 Cyl MPI, Manual Transmission	Suffix H	FTC2461	1
3	Synchroniser assembly-1st & 2nd mainshaft assembly	Change point - VIN end LA081991, 4 Cylinder, Manual Transmission	Also serviced as part of a kit, Transmission LT 77, Suffix G	FTC1327	1
		Change point - VIN end LA081991, 4 Cylinder, Manual Transmission	Also serviced as part of a kit, Transmission LT 77, Suffix H	STC8577	1
4	Spring 1st & 2nd synchroniser	Change point - VIN end LA081991, 4 Cylinder, Manual Transmission	Also serviced as part of a kit, Transmission LT 77, Suffix G	UKC31L	1
5	Plate-synchroniser	Change point - VIN end LA081991, 4 Cylinder, Manual Transmission	Also serviced as part of a kit, Transmission LT 77, Suffix G	UKC3531L	3
6	Ring-baulk	Change point - VIN end LA081991, 4 Cylinder, Manual Transmission	1st/2nd gear, Also serviced as part of a kit, Suffix G	FRC8232	2
		Change point - Gearbox end 55A0242819H, 4 Cylinder, Manual Transmission	1st/2nd gear, Suffix H	FTC2282	2
		Change point - Gearbox begin 55A0242820H, Change point - VIN end LA081991, 4 Cylinder, Manual Transmission	1st/2nd gear, Suffix H	FTC4007	2
7	Bearing-needle roller manual transmission	Change point - VIN end LA081991, 4 Cylinder, Manual Transmission	Suffix G	FRC5679	1
		Change point - VIN end LA081991, 4 Cylinder, Manual Transmission	Suffix H	FTC1311	1
8	Gear-1st driven manual transmission	Change point - VIN end LA081991, 4 Cylinder, Manual Transmission	Suffix G	FTC2090	1
		Change point - VIN end LA081991, 4 Cylinder, Manual Transmission	(-) MPI, Suffix H	FTC1989	1

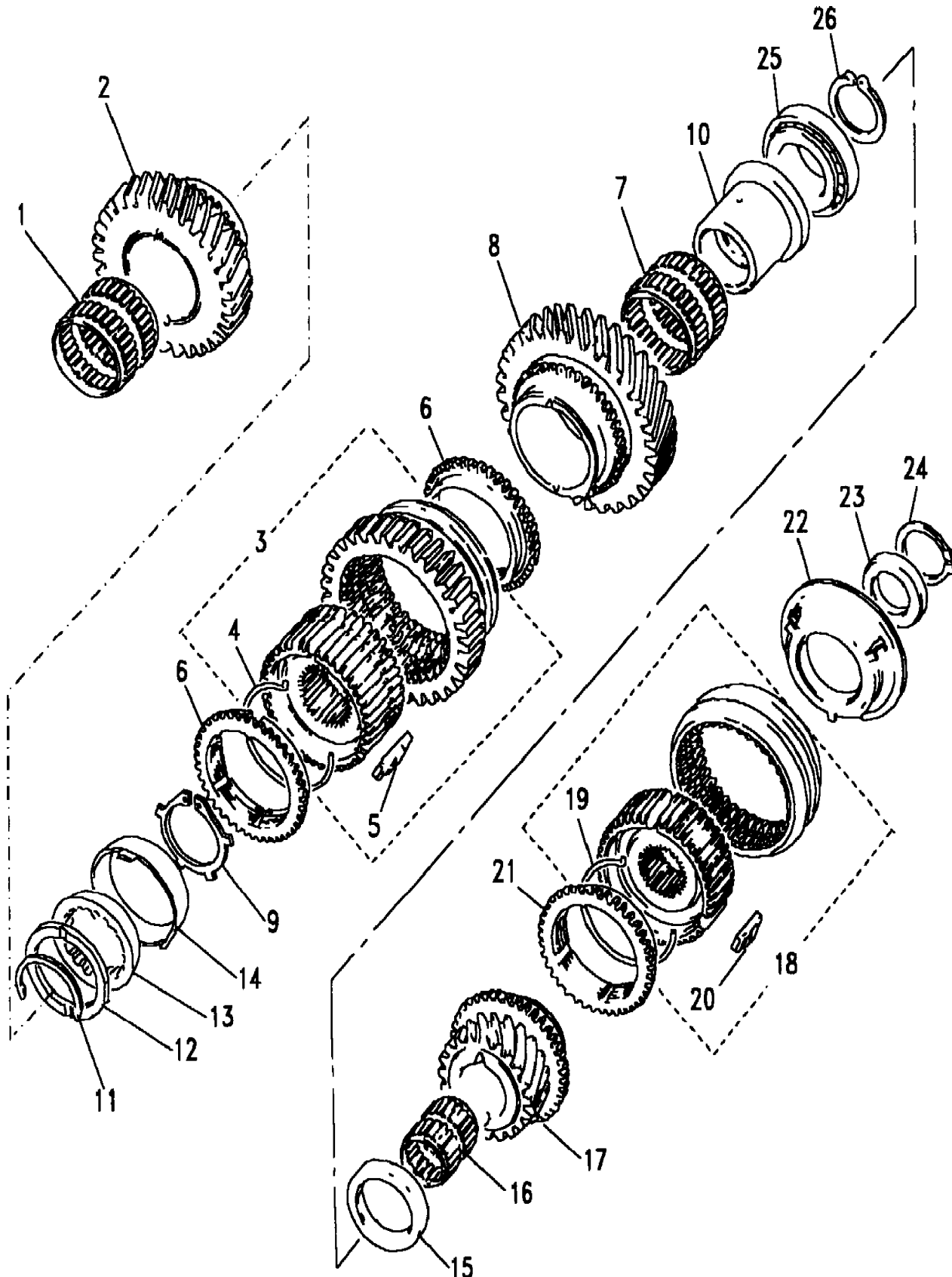
Gearbox
77mm-5 Speed-Manual-4 Cylinder
Mainshaft Gears 1st/2nd/5th 2/4

Discovery (FA393361-WA799999)
(CACDIC2A)

Discovery (FA393361-WA799999)

Gearbox
77mm-5 Speed-Manual-4 Cylinder
Mainshaft Gears 1st/2nd/5th

4 Cylinder, 5 Speed, Manual Transmission



Callout	Name	Application	Remarks & Restrictions	Service No.	Qty
8	Gear-1st driven manual transmission	Change point - VIN end LA081991, 4 Cyl MPI, Manual Transmission	Suffix H	FTC1982	1
9	Circlip	Change point - Gearbox begin 55A0242820H, Change point - VIN end LA081991, 4 Cylinder, Manual Transmission	man trans 1st & 2nd synchroniser hub, Suffix H	FTC4009	2
		Change point - Gearbox end 55A0242819H, 4 Cylinder, Manual Transmission	man trans 1st & 2nd synchroniser hub, Suffix H	FTC2084	2
10	Bush-1st gear selective	Change point - VIN end LA081991, 4 Cylinder, Manual Transmission	Suffix G, 40.16 to 40.21mm	FRC5243	1
		Change point - VIN end LA081991, 4 Cylinder, Manual Transmission	Suffix G, 40.21 to 40.26mm	FRC5244	1
		Change point - VIN end LA081991, 4 Cylinder, Manual Transmission	Suffix G, 40.26 to 40.31mm	FRC5245	1
		Change point - VIN end LA081991, 4 Cylinder, Manual Transmission	Suffix G, 40.31 to 40.36mm	FRC5246	1
		Change point - VIN end LA081991, 4 Cylinder, Manual Transmission	Suffix G, 40.36 to 40.41mm	FRC5247	1
		Change point - VIN end LA081991, 4 Cylinder, Manual Transmission	Suffix H, 30.905 to 30.955mm	FTC2005	1
		4 Cylinder, Manual Transmission	Suffix H, 30.905 to 30.955mm	TUJ100050	1
		Change point - VIN end LA081991, 4 Cylinder, Manual Transmission	Suffix H, 30.955 to 31.005mm	FTC2006	1
		Change point - VIN end LA081991, 4 Cylinder, Manual Transmission	Suffix H, 31.005 to 31.055mm	FTC2007	1
		Change point - VIN end LA081991, 4 Cylinder, Manual Transmission	Suffix H, 31.055 to 31.105mm	FTC2008	1
		Change point - VIN end LA081991, 4 Cylinder, Manual Transmission	Suffix H, 31.105 to 31.155mm	FTC2009	1
11	Circlip	Change point - VIN end LA081991, 4 Cylinder, Manual Transmission	man trans 2nd gear thrust washer, Suffix H	FTC1752	2
12	Washer-thrust manual transmission	Change point - VIN end LA081991, 4 Cylinder, Manual Transmission	1st/2nd gear, Suffix H	FTC1301	2
13	Cone-synchronizer inner	Change point - Gearbox end 55A0242819H, 4 Cylinder, Manual Transmission	Suffix H	FTC2283	2

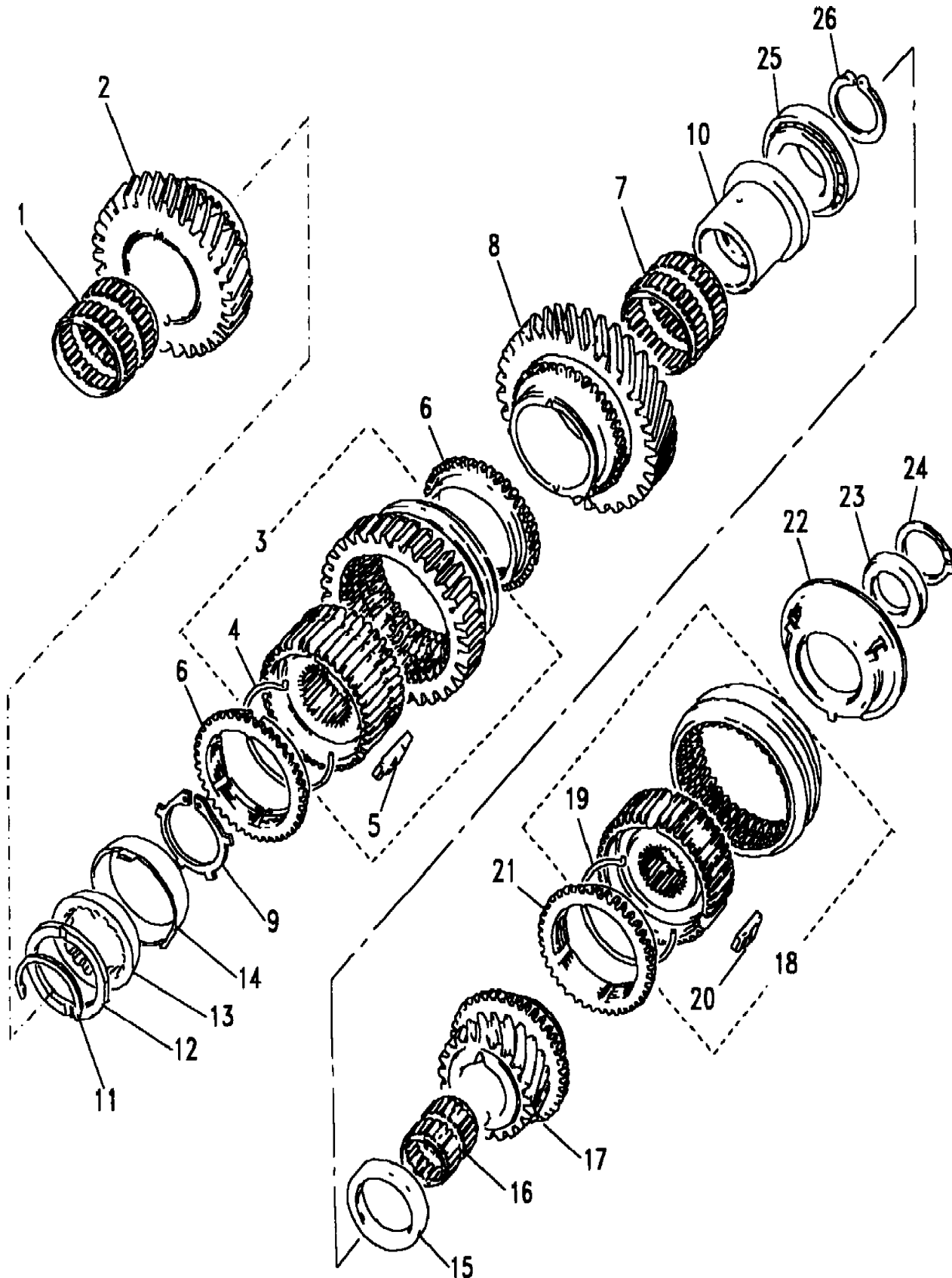
Gearbox
77mm-5 Speed-Manual-4 Cylinder
Mainshaft Gears 1st/2nd/5th 3/4

Discovery (FA393361-WA799999)
(CACDIC2A)

Discovery (FA393361-WA799999)

Gearbox
77mm-5 Speed-Manual-4 Cylinder
Mainshaft Gears 1st/2nd/5th

4 Cylinder, 5 Speed, Manual Transmission



Callout	Name	Application	Remarks & Restrictions	Service No.	Qty
13	Cone-synchronizer inner	Change point - Gearbox begin 55A0242820H, Change point - VIN end LA081991, 4 Cylinder, Manual Transmission	Suffix H	FTC4008	2
14	Ring-synchroniser friction	Change point - Gearbox end 55A0242819H, 4 Cylinder, Manual Transmission Change point - Gearbox begin 55A0242820H, Change point - VIN end LA081991, 4 Cylinder, Manual Transmission	Suffix H Suffix H	FTC2284 FTC4010	2 2
15	Collar-distance manual transmission	Change point - VIN end LA081991, 4 Cylinder, Manual Transmission		FTC916	1
16	Bearing-needle roller manual transmission	Change point - VIN end LA081991, 4 Cylinder, Manual Transmission		FRC5280	1
17	Gear-5th speed main shaft manual transmission	Change point - VIN end LA081991, 4 Cylinder, Manual Transmission		FTC1791	1
18	Synchroniser assembly-5th gear mainshaft assembly	Change point - VIN end LA081991, 4 Cylinder, Manual Transmission Change point - VIN end LA081991, 4 Cylinder, Manual Transmission	Also serviced as part of a kit, Transmission LT 77, Suffix G Also serviced as part of a kit, Transmission LT 77, Suffix H	FRC9388 FTC1329	1 1
19	Spring 1st & 2nd synchroniser	Change point - VIN end LA081991, 4 Cylinder, Manual Transmission	Also serviced as part of a kit, Transmission LT 77, Suffix H	UKC31L	1
20	Plate-synchroniser	Change point - VIN end LA081991, 4 Cylinder, Manual Transmission	Also serviced as part of a kit, Transmission LT 77, Suffix H	UKC3530L	3
21	Ring-baulk	Change point - VIN end LA081991, 4 Cylinder, Manual Transmission	5th Gear	FRC8232	1
22	Plate-5th gear synchroniser support	Change point - VIN end LA081991, 4 Cylinder, Manual Transmission		FRC5235	1
23	Shim	Change point - VIN end LA081991, 4 Cylinder, Manual Transmission Change point - VIN end LA081991, 4 Cylinder, Manual Transmission Change point - VIN end LA081991, 4 Cylinder, Manual Transmission	man trans 5th gear synchroniser hub, 5.16mm man trans 5th gear synchroniser hub, 5.22mm man trans 5th gear synchroniser hub, 5.28mm	FRC5286 FRC5288 FRC5290	X X X

Gearbox
77mm-5 Speed-Manual-4 Cylinder
Mainshaft Gears 1st/2nd/5th 4/4

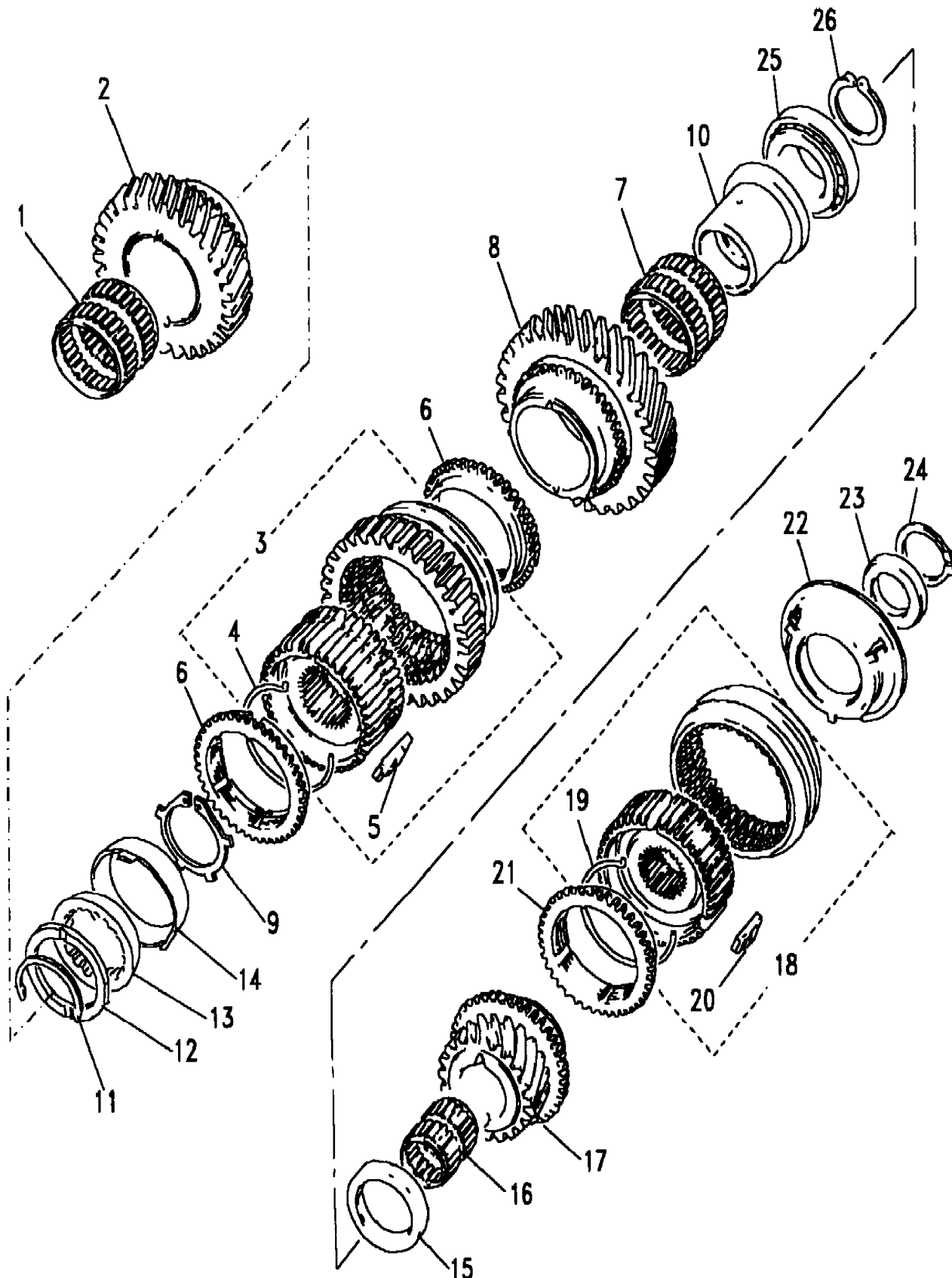
Discovery (FA393361-WA799999)

(CACDIC2A)

Discovery (FA393361-WA799999)

Gearbox
77mm-5 Speed-Manual-4 Cylinder
Mainshaft Gears 1st/2nd/5th

4 Cylinder, 5 Speed, Manual Transmission



Callout	Name	Application	Remarks & Restrictions	Service No.	Qty		
23	Shim	Change point - VIN end LA081991, 4 Cylinder, Manual Transmission	man trans 5th gear synchroniser hub, 5.34mm	FRC5292	X		
		Change point - VIN end LA081991, 4 Cylinder, Manual Transmission	man trans 5th gear synchroniser hub, 5.40mm	FRC5294	X		
		Change point - VIN end LA081991, 4 Cylinder, Manual Transmission	man trans 5th gear synchroniser hub, 5.46mm	FRC5296	X		
		Change point - VIN end LA081991, 4 Cylinder, Manual Transmission	man trans 5th gear synchroniser hub, 5.52mm	FRC5298	X		
		Change point - VIN end LA081991, 4 Cylinder, Manual Transmission	man trans 5th gear synchroniser hub, 5.58mm	FRC5300	X		
		Change point - VIN end LA081991, 4 Cylinder, Manual Transmission	man trans 5th gear synchroniser hub, 5.64mm	FRC5302	X		
		Change point - VIN end LA081991, 4 Cylinder, Manual Transmission	man trans 5th gear synchroniser hub, 5.10mm	FRC5284	X		
		24	Circlip	Change point - VIN end LA081991, 4 Cylinder, Manual Transmission	man trans 5th gear synchroniser hub	FRC9526	X
		25	Bearing-taper roller	Change point - VIN end LA081991, 4 Cylinder, Manual Transmission		RTC2914	1
26	Circlip	Change point - VIN end LA081991, 4 Cylinder, Manual Transmission		FRC9812	1		
[902]	Spacer	Change point - VIN end LA081991, 4 Cylinder, Manual Transmission		UKC37L	1		

Gearbox
77mm-5 Speed-Manual-4 Cylinder
Mainshaft Gears 3rd/4th 1/1

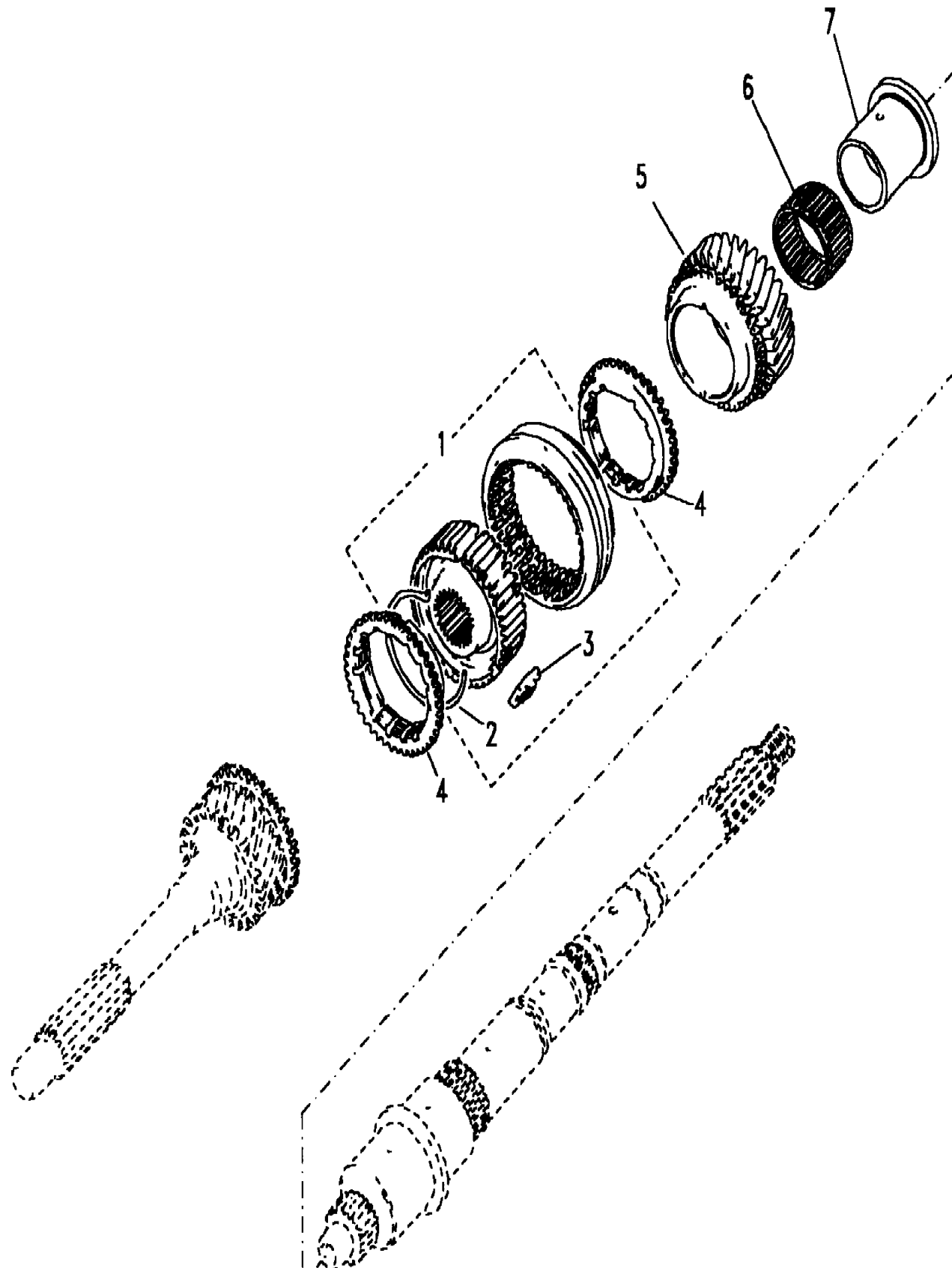
Discovery (FA393361-WA799999)
(CACDIC1A)

Discovery (FA393361-WA799999)

Gearbox
77mm-5 Speed-Manual-4 Cylinder
Mainshaft Gears 3rd/4th

4 Cylinder, 5 Speed, Manual Transmission

Callout	Name	Application	Remarks & Restrictions	Service No.	Qty
1	Synchroniser assembly-3rd & 4th mainshaft assembly	Change point - VIN end LA081991, 4 Cylinder, Manual Transmission	Also serviced as part of a kit, Transmission LT 77, Suffix G, Suffix H	FRC9792L	1
2	Spring 1st & 2nd synchroniser	Change point - VIN end LA081991, 4 Cylinder, Manual Transmission	Also serviced as part of a kit, Transmission LT 77, Suffix G, Suffix H	UKC31L	2
3	Plate-synchroniser	Change point - VIN end LA081991, 4 Cylinder, Manual Transmission	Also serviced as part of a kit, Transmission LT 77, Suffix G, Suffix H	UKC3530L	3
4	Ring-baulk	Change point - VIN end LA081991, 4 Cylinder, Manual Transmission Change point - VIN end LA081991, 4 Cylinder, Manual Transmission	Also serviced as part of a kit, Transmission LT 77, Suffix G, Suffix H 3rd/4th gear, Also serviced as part of a kit, Transmission LT 77, Suffix G, Suffix H	FRC8232 FRC8232	2 2
5	Gear-3rd driven manual transmission	Change point - VIN end LA081991, 4 Cylinder, Manual Transmission Change point - VIN end LA081991, 4 Cyl MPI, Manual Transmission Change point - VIN end LA081991, 4 Cylinder, Manual Transmission	(-) MPI, Suffix H Suffix H Suffix G	FTC2505 FTC2504 FTC358	1 1 1
6	Bearing-needle roller	Change point - VIN end LA081991, 4 Cylinder, Manual Transmission Change point - VIN end LA081991, 4 Cylinder, Manual Transmission	Suffix G Suffix H	FRC5678 FTC1313	1 1
7	Bush-3rd gear	Change point - VIN end LA081991, 4 Cylinder, Manual Transmission	Suffix G, Suffix H	FTC1310	1



Gearbox
77mm-5 Speed-Manual-4 Cylinder
Selectors & Forks 1/2

Discovery (FA393361-WA799999)

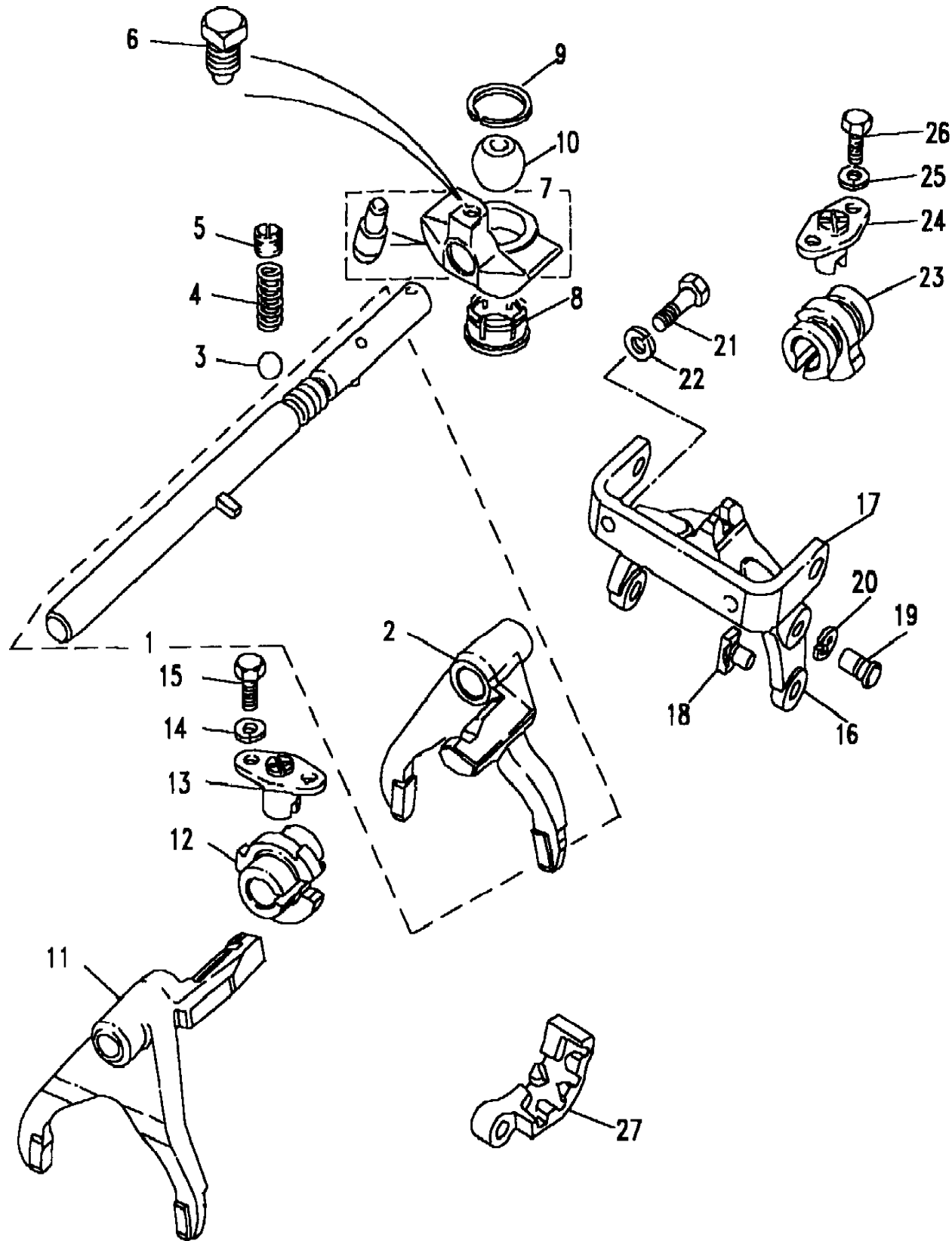
(CACDKA1A)

Discovery (FA393361-WA799999)

Gearbox
77mm-5 Speed-Manual-4 Cylinder
Selectors & Forks

4 Cylinder, 5 Speed, Manual Transmission

Callout	Name	Application	Remarks & Restrictions	Service No.	Qty
1	Shaft & lever assembly-selector manual transmission	Change point - VIN end LA081991	Also serviced as part of a kit, Suffix G	FTC1491	1
		Change point - VIN end LA081991	Also serviced as part of a kit, Suffix H	FTC1316	1
2	Fork assembly-selector-1st/ 2nd manual transmission	Change point - VIN end LA081991	Also serviced as part of a kit, Suffix G	FTC1490	1
		Change point - VIN end LA081991	Also serviced as part of a kit, Suffix H	FTC2450	1
3	Ball-detent manual transmission	Change point - VIN end LA081991		BLS112L	1
4	Spring-detent manual transmission	Change point - VIN end LA081991	Suffix G	FRC7195	1
		Change point - VIN end LA081991	Suffix H	FTC2195	1
5	Plug	Change point - VIN end LA081991	Suffix G	UKC75	1
		Change point - VIN end LA081991	Suffix H	FTC2193	1
6	Screw-Grub	Change point - VIN end LA081991	Also serviced as part of a kit	FTC4536	1
7	Yoke assembly-selector rod	Change point - Gearbox end 55A119840H	Also serviced as part of a kit	FTC1486	1
		Change point - Gearbox begin 55A119841H, Change point - VIN end LA081991	Also serviced as part of a kit	STC1063	1
8	Bush-selector yoke spherical	Change point - Gearbox end 55A119840H		FRC9986	1
		Change point - Gearbox begin 55A119841H, Change point - VIN end LA081991		FTC2203	1
9	Ring-Snap	Change point - VIN end LA081991		FRC8882	1
10	Ball-selector yoke	Change point - VIN end LA081991		FRC8485	1
11	Fork assembly-3rd & 4th manual transmission	Change point - VIN end LA081991		FTC1489	1
12	Spool-interlock	Change point - VIN end LA081991		TKC290L	1
13	Retainer-interlock	Change point - VIN end LA081991		UKC3660L	1



136477/B

Gearbox
77mm-5 Speed-Manual-4 Cylinder
Selectors & Forks 2/2

Discovery (FA393361-WA799999)

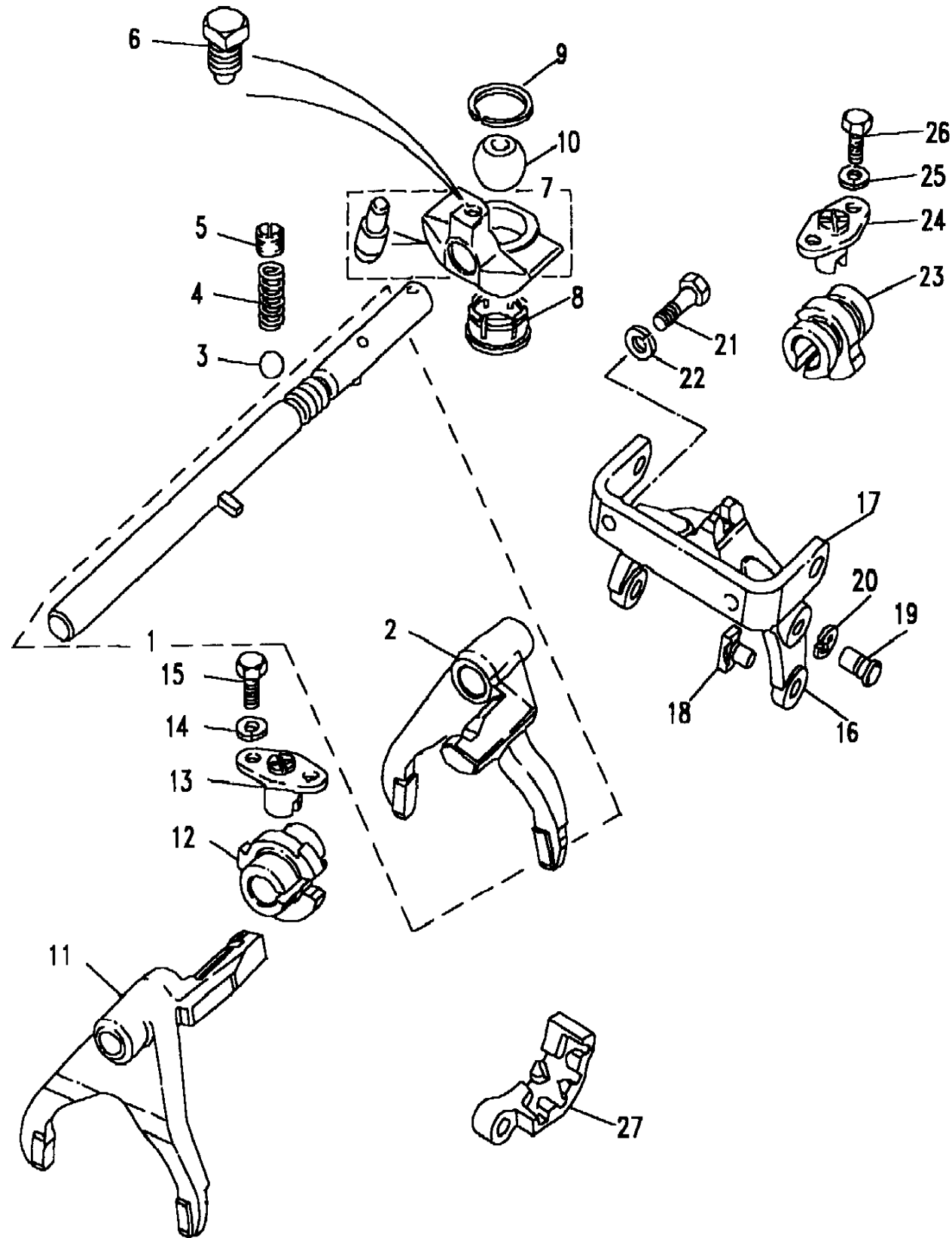
(CACDKA1A)

Discovery (FA393361-WA799999)

Gearbox
77mm-5 Speed-Manual-4 Cylinder
Selectors & Forks

4 Cylinder, 5 Speed, Manual Transmission

Callout	Name	Application	Remarks & Restrictions	Service No.	Qty
14	Washer-Spring	Change point - VIN end LA081991	M6, Square	WM106001L	2
15	Screw-flanged head	Change point - VIN end LA081991	M6 X 16, Flanged Head	FS106167L	2
16	Fork assembly-5th manual transmission	Change point - VIN end LA081991		FRC8482	1
17	Bracket-5th gear selector fork support	Change point - VIN end LA081991		FRC8481	1
18	Pad-5th gear selector fork	Change point - VIN end LA081991		532943	1
19	Pin-clevis/pivot	Change point - VIN end LA081991		UKC2089L	2
20	Circlip	Change point - VIN end LA081991		UKC2105L	2
21	Screw-flanged head	Change point - VIN end LA081991	M6 X 16, Flanged Head	FS106167L	2
22	Washer	Change point - VIN end LA081991	M8, sprung	WL108001L	2
23	Spool-interlock	Change point - VIN end LA081991		FRC7192	1
24	Retainer-interlock	Change point - VIN end LA081991		FRC4905	1
25	Washer	Change point - VIN end LA081991	M6, sprung	WL106001L	2
26	Screw-flanged head	Change point - VIN end LA081991	M6 X 16, Flanged Head	FS106167L	2
27	Plate-lever-gating selector mechanism	Change point - VIN end LA081991		FTC1512	1
[901]	Pin-selector lever/shaft manual transmission	Change point - VIN end LA081991	Also serviced as part of a kit, Suffix G	FRC8127	1
[902]	Pin-selector manual transmission	Change point - Gearbox end 55A119840H	Also serviced as part of a kit	FTC1488	1
[903]	O Ring	Change point - VIN end LA081991		FRC8170	1
[904]	Dowel	Change point - VIN end LA081991		FRC2481	2



156477/B

Gearbox
77mm-5 Speed-Manual-4 Cylinder
Transmission Mountings 1/1

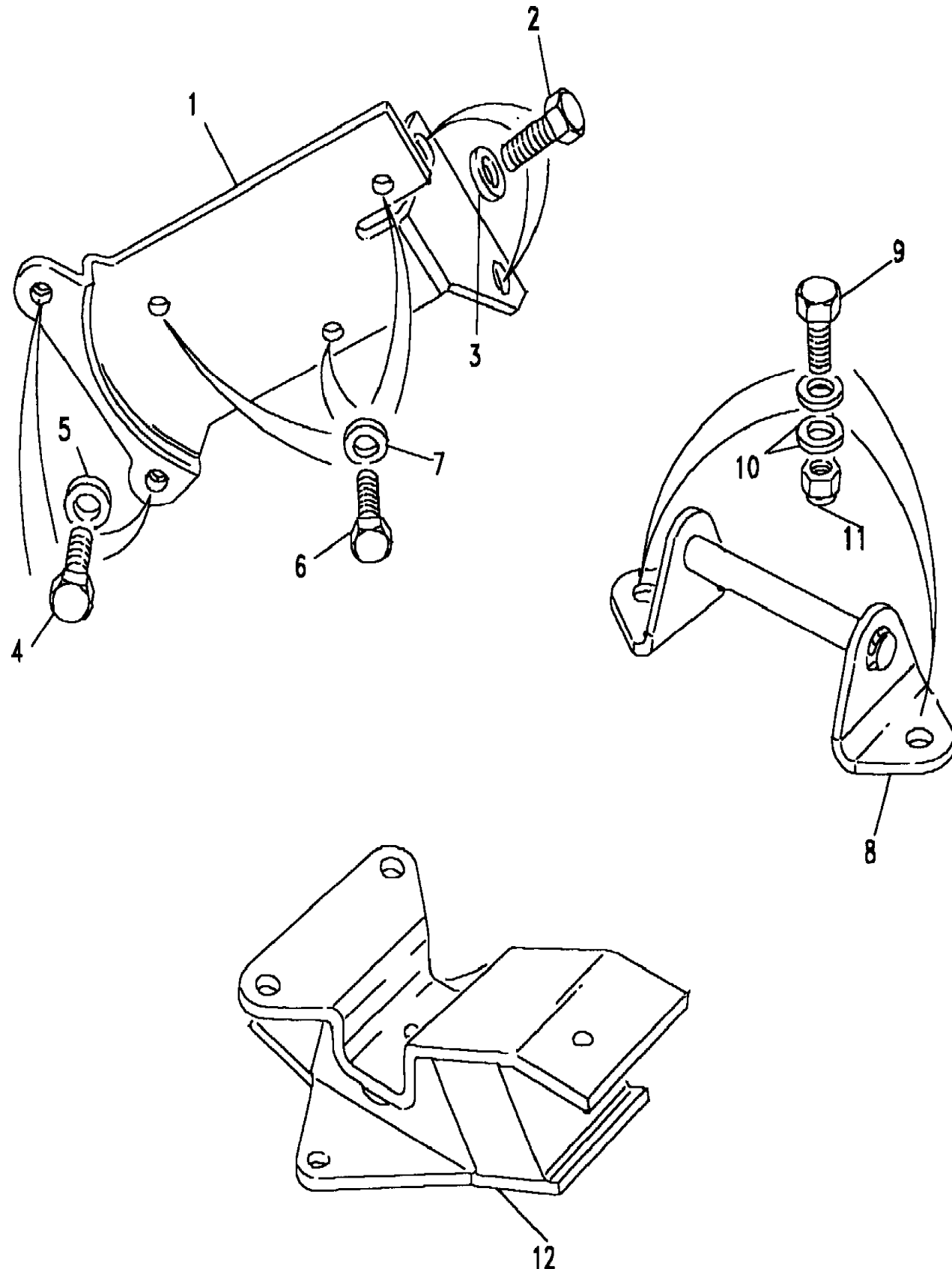
Discovery (FA393361-WA799999)
(CACDMA1A)

Discovery (FA393361-WA799999)

Gearbox
77mm-5 Speed-Manual-4 Cylinder
Transmission Mountings

4 Cylinder TDi Diesel, 5 Speed, Manual Transmission

Callout	Name	Application	Remarks & Restrictions	Service No.	Qty
1	Bracket-Transmission Mounting	4 Cyl TDi Diesel, Manual Transmission		NTC7558	1
2	Screw	4 Cyl TDi Diesel, Manual Transmission	hexagonal head, M10 x 25	SH110251L	2
3	Washer	4 Cyl TDi Diesel, Manual Transmission	M10	WA110061L	2
4	Screw	4 Cyl TDi Diesel, Manual Transmission		SH108161L***	2
5	Washer	4 Cyl TDi Diesel, Manual Transmission	8MM	WA108051L	2
6	Screw	4 Cyl TDi Diesel, Manual Transmission	M8 x 25, hexagonal head	SH108251L	3
		4 Cyl TDi Diesel, Manual Transmission	M8 x 25, Flanged Head	FS108251L	3
7	Washer	4 Cyl TDi Diesel, Manual Transmission	8MM	WA108051L	3
8	Bar-gearbox snubbing	4 Cyl TDi Diesel, Manual Transmission		NTC7853	1
9	Screw	4 Cyl TDi Diesel, Manual Transmission	hexagonal head, M10 x 25	SH110251L	2
10	Washer	4 Cyl TDi Diesel, Manual Transmission	M10	WA110061L	4
11	Nut - Hex.	4 Cyl TDi Diesel, Manual Transmission	M10, nyloc, flange	NY110047L	2
12	Mounting-gearbox	4 Cyl TDi Diesel, Manual Transmission		NTC6282	1



Gearbox
77mm-5 Speed-Manual-V8
Bell Housing 1/1

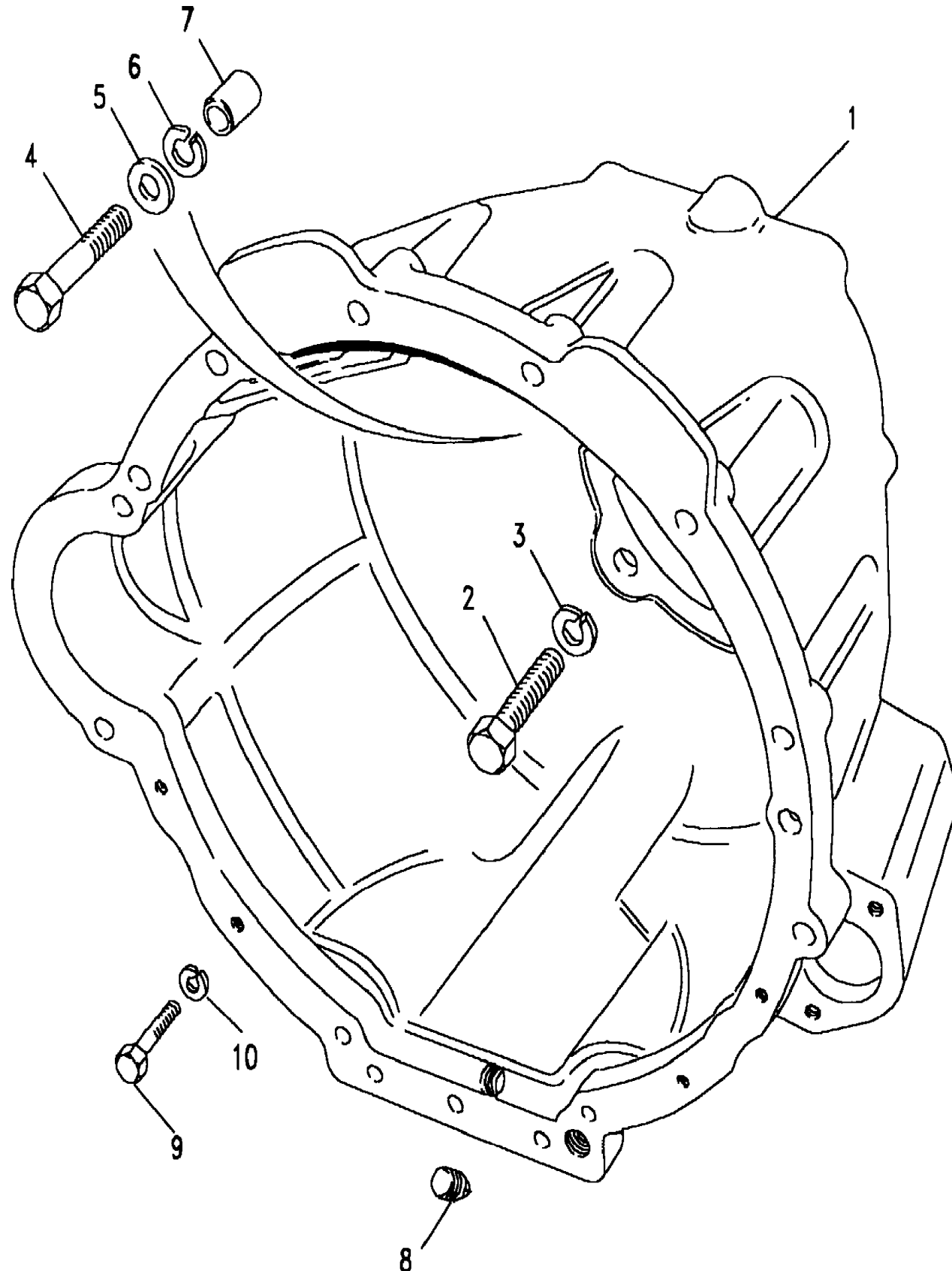
Discovery (FA393361-WA799999)
(CACEEA1A)

Discovery (FA393361-WA799999)

Gearbox
77mm-5 Speed-Manual-V8
Bell Housing

V8 Petrol, 5 Speed Manual Transmission

Callout	Name	Application	Remarks & Restrictions	Service No.	Qty
1	Housing-clutch manual transmission	Change point - VIN end LA081991, V8, Manual Transmission	Suffix G, Suffix H	FRC6154	1
2	Screw	Change point - VIN end LA081991, V8, Manual Transmission	hexagonal head, M12 x 30	SH112301L	4
3	Washer	Change point - VIN end LA081991, V8, Manual Transmission		WL112001L	4
4	Bolt	Change point - VIN end LA081991, V8, Manual Transmission	M12 x 45	BH112091L	2
5	Washer	Change point - VIN end LA081991, V8, Manual Transmission	M12, Plain, Standard	WA112081L	2
6	Washer	Change point - VIN end LA081991, V8, Manual Transmission		WL112001L	2
7	Dowel	Change point - VIN end LA081991, V8, Manual Transmission		UKC25L	2
8	Plug-coolant drain	Change point - VIN end LA081991, V8, Manual Transmission		3290	1
9	Bolt	Change point - VIN end LA081991, V8, Manual Transmission	hexagonal head, 3/8UNC x 2	BH506161L	8
10	Washer	Change point - VIN end LA081991, V8, Manual Transmission	3/8", Square	WM600061L	8



Gearbox
77mm-5 Speed-Manual-V8
Bottom Cover 1/1

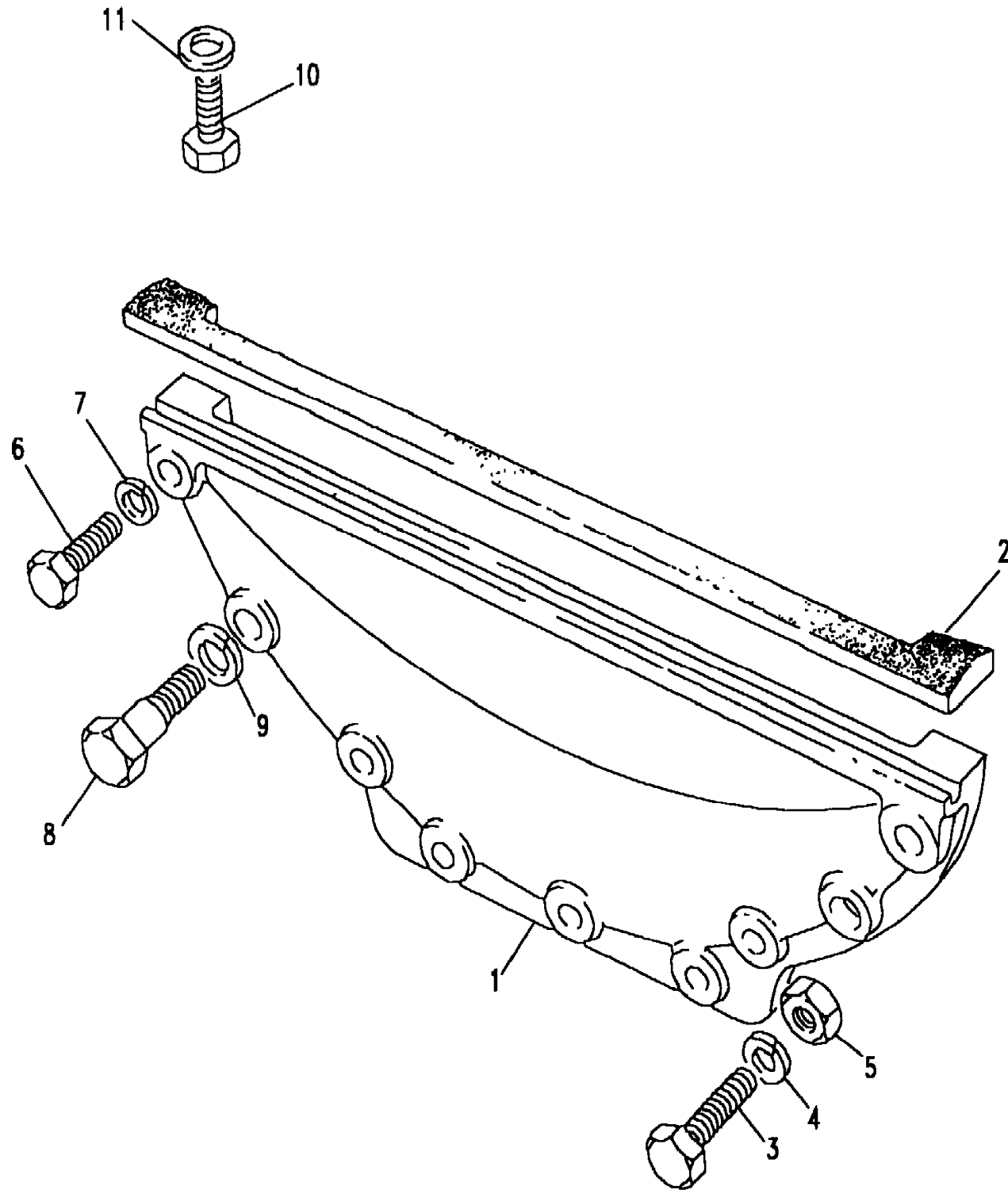
Discovery (FA393361-WA799999)
(CACEEA2A)

Discovery (FA393361-WA799999)

Gearbox
77mm-5 Speed-Manual-V8
Bottom Cover

V8 Petrol, 5 Speed Manual Transmission

Callout	Name	Application	Remarks & Restrictions	Service No.	Qty
1	Cover-bell housing	Change point - VIN end LA081991, V8, Manual Transmission	bottom	FRC2859	1
2	Seal	Change point - VIN end LA081991, V8, Manual Transmission	bottom	594087	1
3	Screw	Change point - VIN end LA081991, V8, Manual Transmission	hexagonal head, M6 x 45	SH106451L	5
4	Washer	Change point - VIN end LA081991, V8, Manual Transmission	M6, sprung	WL106001L	5
5	Nut - Hex.	Change point - VIN end LA081991, V8, Manual Transmission	M6, nyloc, Hexagonal	NH106041L	5
6	Screw	Change point - VIN end LA081991, V8, Manual Transmission	Flanged Head, M6 x 25	FS106255L	2
7	Washer	Change point - VIN end LA081991, V8, Manual Transmission	M6, sprung	WL106001L	2
8	Bolt	Change point - VIN end LA081991, V8, Manual Transmission		594134	2
9	Washer	Change point - VIN end LA081991, V8, Manual Transmission	M8, sprung	WL108001L	2
10	Bolt	Change point - VIN end LA081991, V8, Manual Transmission		253023	2
11	Washer	Change point - VIN end LA081991, V8, Manual Transmission		232038	2



VS 1637

Gearbox
77mm-5 Speed-Manual-V8
Clutch Release 1/2

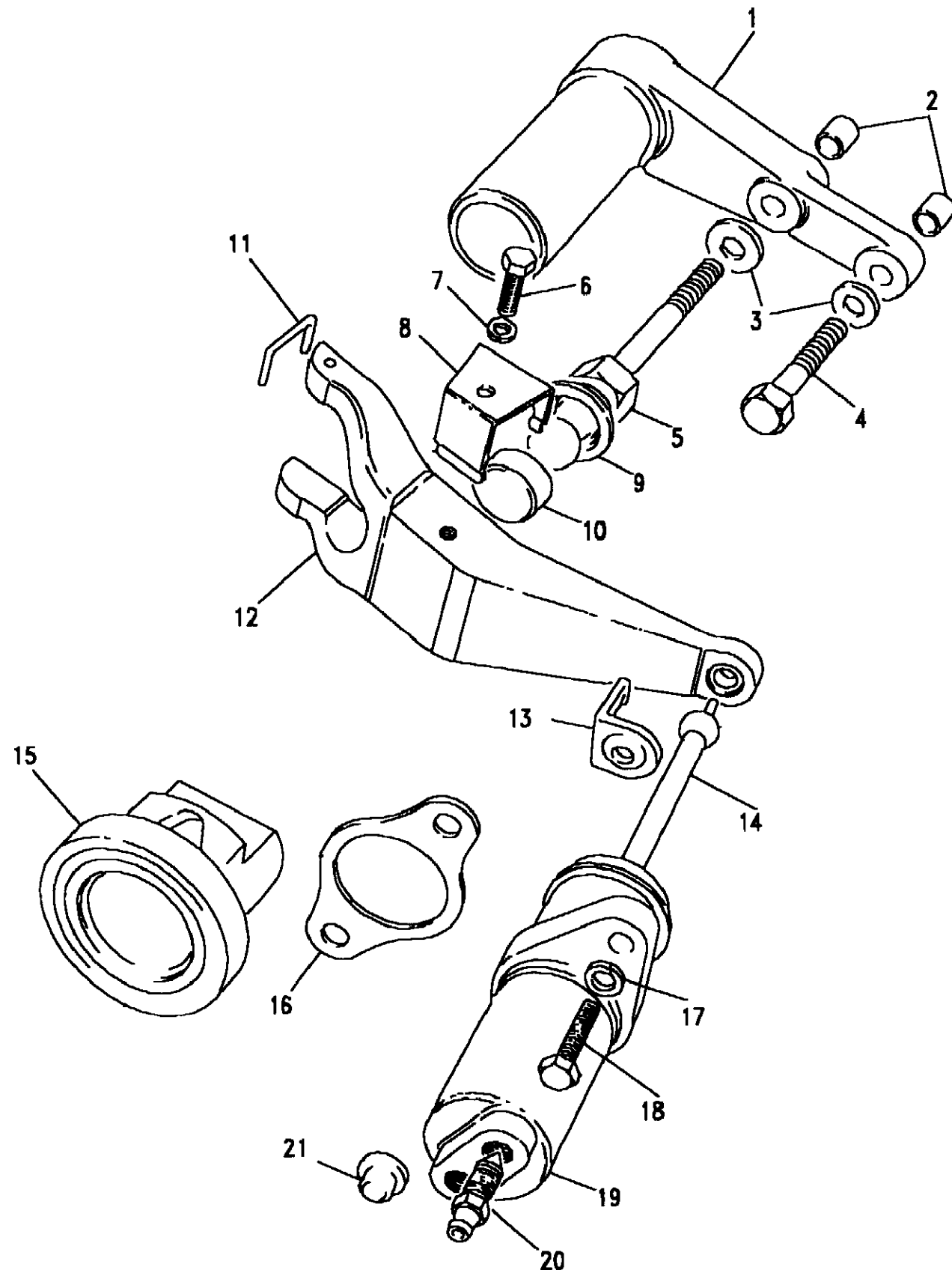
Discovery (FA393361-WA799999)
(CACECA1A)

Discovery (FA393361-WA799999)

Gearbox
77mm-5 Speed-Manual-V8
Clutch Release

V8 Petrol, 5 Speed Manual Transmission

Callout	Name	Application	Remarks & Restrictions	Service No.	Qty
1	Guide-clutch release bearing	Change point - VIN end LA081991, V8, Manual Transmission		FRC4803	1
2	Dowel	Change point - VIN end LA081991, V8, Manual Transmission		FRC2481	2
3	Washer	Change point - VIN end LA081991, V8, Manual Transmission	M8, sprung	WL108001L	1
4	Screw	Change point - VIN end LA081991, V8, Manual Transmission	hexagonal head, M8 x 40	SH108401L	1
5	Pivot-clutch release lever	Change point - VIN end LA081991, V8, Manual Transmission		FRC2528	1
6	Screw	Change point - VIN end LA081991, V8, Manual Transmission V8, Manual Transmission	hexagonal head, M6 x 10 M6 x 10	SH106101L FS106101L	1 1
7	Washer	Change point - VIN end LA081991, V8, Manual Transmission	M6, sprung	WL106001L	1
8	Clip-clutch release-pivot post	Change point - VIN end LA081991, V8, Manual Transmission		571163	1
9	Cap-clutch release lever pivot	Change point - VIN end LA081991, V8, Manual Transmission		FRC2975	1
10	Insert-clutch lever	Change point - VIN end LA081991, V8, Manual Transmission		571161	1
11	Retention-bearing clutch release	Change point - VIN end LA081991, V8 Twin Carb, Manual Transmission		576203	1
12	Arm-clutch release clutch	Change point - VIN end KA045958, V8, Manual Transmission Change point - VIN begin KA045959, Change point - VIN end LA081991, V8, Manual Transmission		576137 FTC2957	1 1
13	Clip	Change point - VIN end LA081991, V8, Manual Transmission		576723	1
14	Rod assembly-push slave cylinder	Change point - VIN end LA081991, V8, Manual Transmission		571160	1



Gearbox
77mm-5 Speed-Manual-V8
Clutch Release 2/2

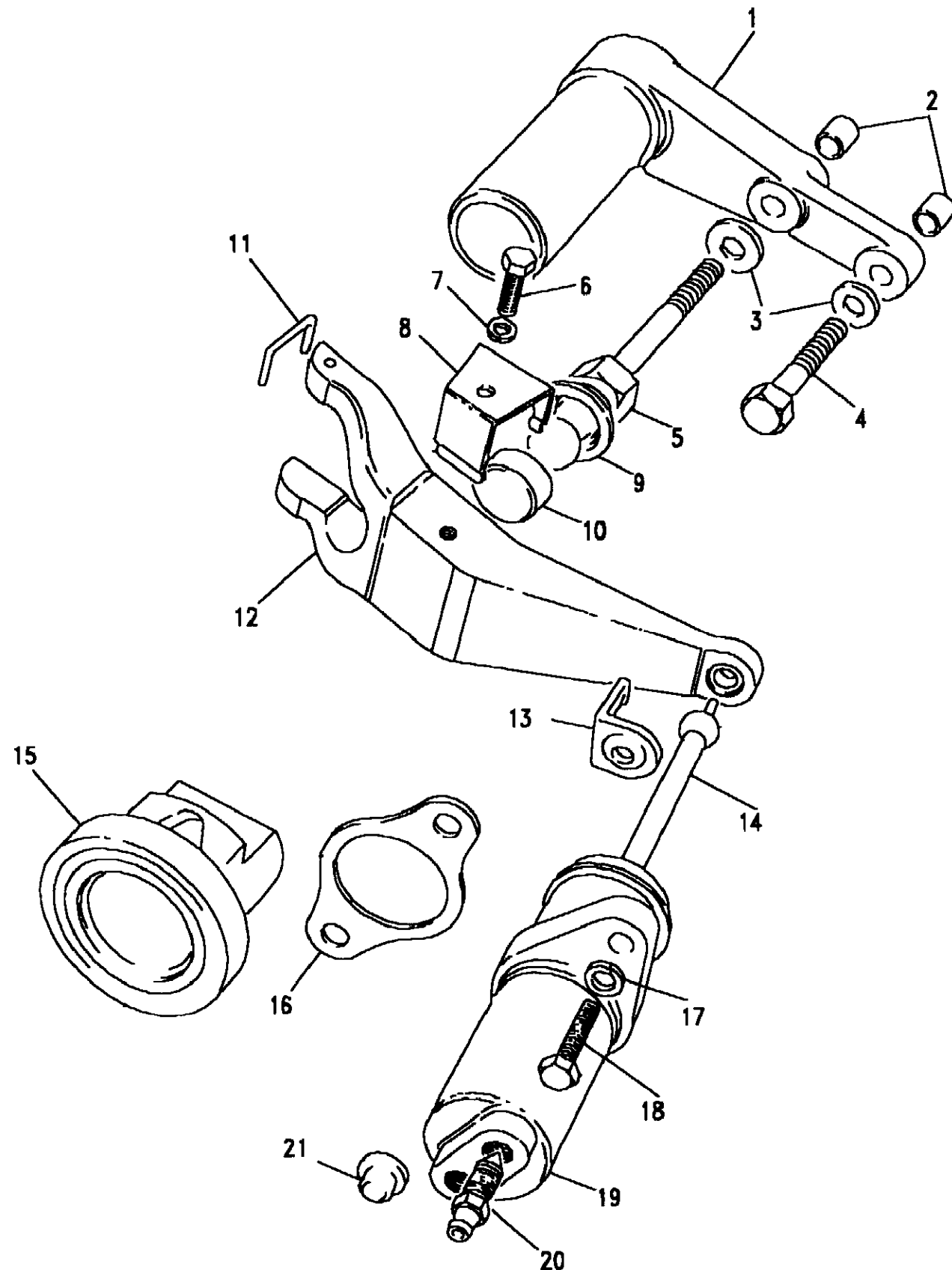
Discovery (FA393361-WA799999)
(CACECA1A)

Discovery (FA393361-WA799999)

Gearbox
77mm-5 Speed-Manual-V8
Clutch Release

V8 Petrol, 5 Speed Manual Transmission

Callout	Name	Application	Remarks & Restrictions	Service No.	Qty
15	Bearing-clutch release	Change point - VIN end LA081991, V8, Manual Transmission	Also serviced as part of a kit	FRC9568	1
16	Plate	Change point - VIN end KA045958, V8, Manual Transmission Change point - VIN begin KA045959, Change point - VIN end LA081991, V8, Manual Transmission		591988 FRC2402	1 1
17	Washer	Change point - VIN end LA081991, V8, Manual Transmission	M8, sprung	WL108001L	2
18	Screw	Change point - VIN end LA081991, V8, Manual Transmission V8, Manual Transmission	M8 x 25, hexagonal head M8 x 25, Flanged Head	SH108251L FS108251L	2 2
19	Slave cylinder clutch	Change point - VIN end KA045958, V8, Manual Transmission Change point - VIN begin KA045959, Change point - VIN end LA081991, V8, Manual Transmission	Also serviced as part of a kit, Transmission LT 77 Also serviced as part of a kit, Transmission LT 77	TKC2786L FTC2498	1 1
20	Screw-bleed clutch slave cylinder	Change point - VIN end LA081991, V8, Manual Transmission		606733	1
21	Cap-protective	Change point - VIN end LA081991, V8, Manual Transmission		594091	1
[900]	Kit-repair clutch slave cylinder	Change point - VIN end KA045958, V8, Manual Transmission	Also serviced as part of a kit, Transmission LT 77	514244	1



Gearbox
77mm-5 Speed-Manual-V8
Extension Case 1/2

Discovery (FA393361-WA799999)

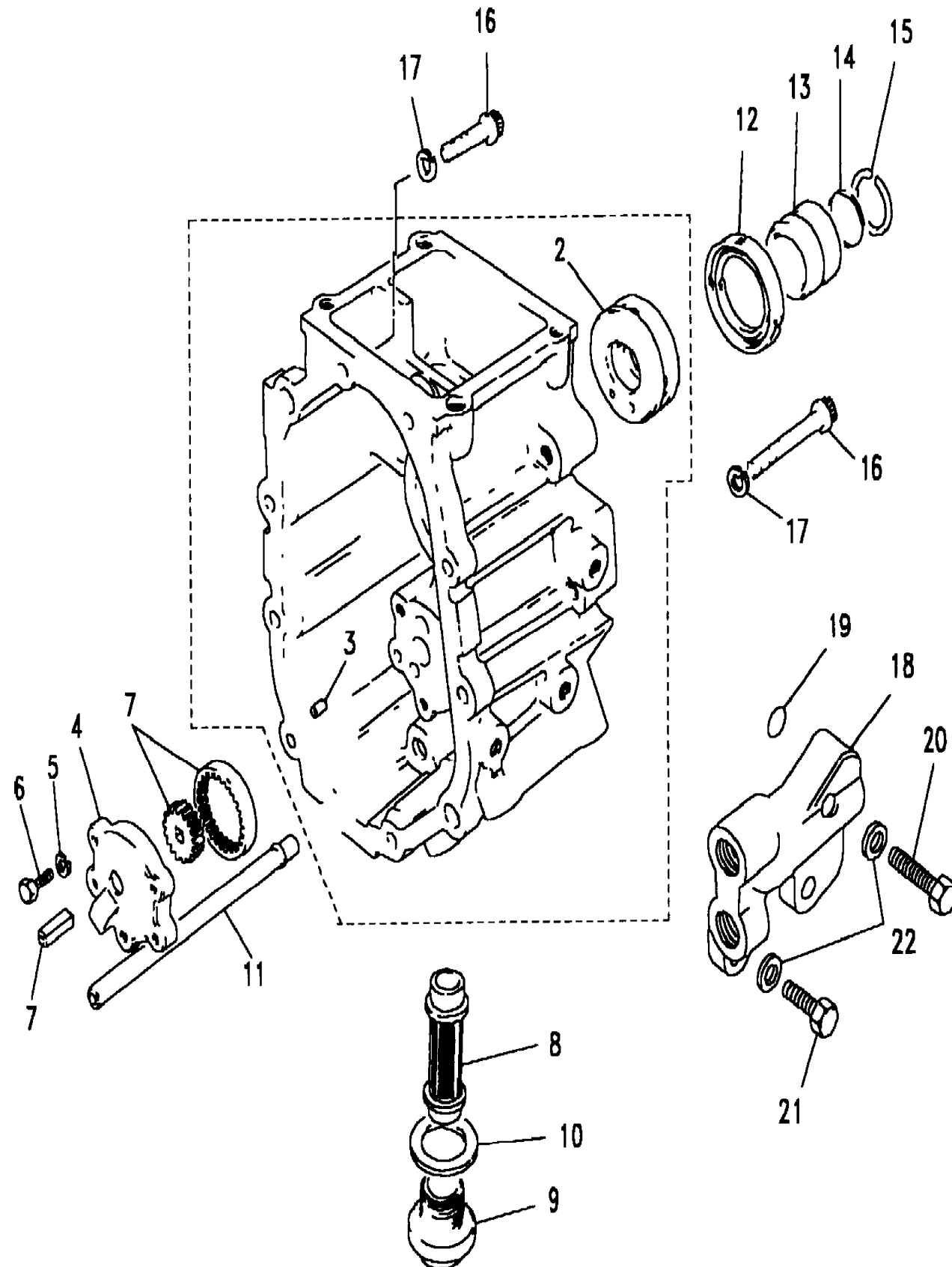
(CACEGA1B)

Discovery (FA393361-WA799999)

Gearbox
77mm-5 Speed-Manual-V8
Extension Case

V8 Petrol, 5 Speed Manual Transmission, Manual Transmission

Callout	Name	Application	Remarks & Restrictions	Service No.	Qty
1	Case assembly-extension	Change point - VIN end LA081991, V8	Also serviced as part of a kit	FTC1482	1
2	Ring-mainshaft oil feed	Change point - VIN end LA081991, V8		FRC4449	1
4	Body-transmission oil pump	Change point - VIN end LA081991 V8 Change point - Gearbox end 0207831H, V8 Change point - Gearbox begin 0207832H, Change point - VIN end LA081991, V8	Also serviced as part of a kit Also serviced as part of a kit	FTC1403 FTC1403 FTC1403 FTC3623	1 1 1 1
5	Washer	Change point - VIN end LA081991, V8	M6, sprung	WL106001L	3
6	Screw	Change point - VIN end LA081991, V8	M6 X 20, Flanged Head	FS106207L	3
7	Gears & shaft assembly-transmission oil pump	Change point - VIN end LA081991, V8		STC779	2
8	Strainer-transmission oil	Change point - VIN end LA081991, V8		FRC6244	1
9	Plug	Change point - VIN end LA081991, V8		90571104	1
10	Washer-sealing	Change point - VIN end LA081991, V8	man trans extension case drain plug	FRC4810	1
11	Pipe-transmission oil inlet	Change point - VIN end LA081991, V8		FRC8104	1
12	Seal	Change point - VIN end LA081991, V8		ICV100000	1
13	Collar	Change point - VIN end LA081991, V8		FRC4493	1
14	O Ring	Change point - VIN end LA081991, V8		FRC4501	1
15	Spring Ring	Change point - VIN end LA081991, V8		FRC4494	1
16	Bolt	Change point - VIN end LA081991, V8	Flanged Head, M8 x 60	FRC4282	8
17	Washer	Change point - VIN end LA081991, V8	M8, sprung	WL108001L	8
18	Housing-transmission thermostat	Change point - VIN end JA034313, V8		FTC1404	1



Gearbox
77mm-5 Speed-Manual-V8
Extension Case 2/2

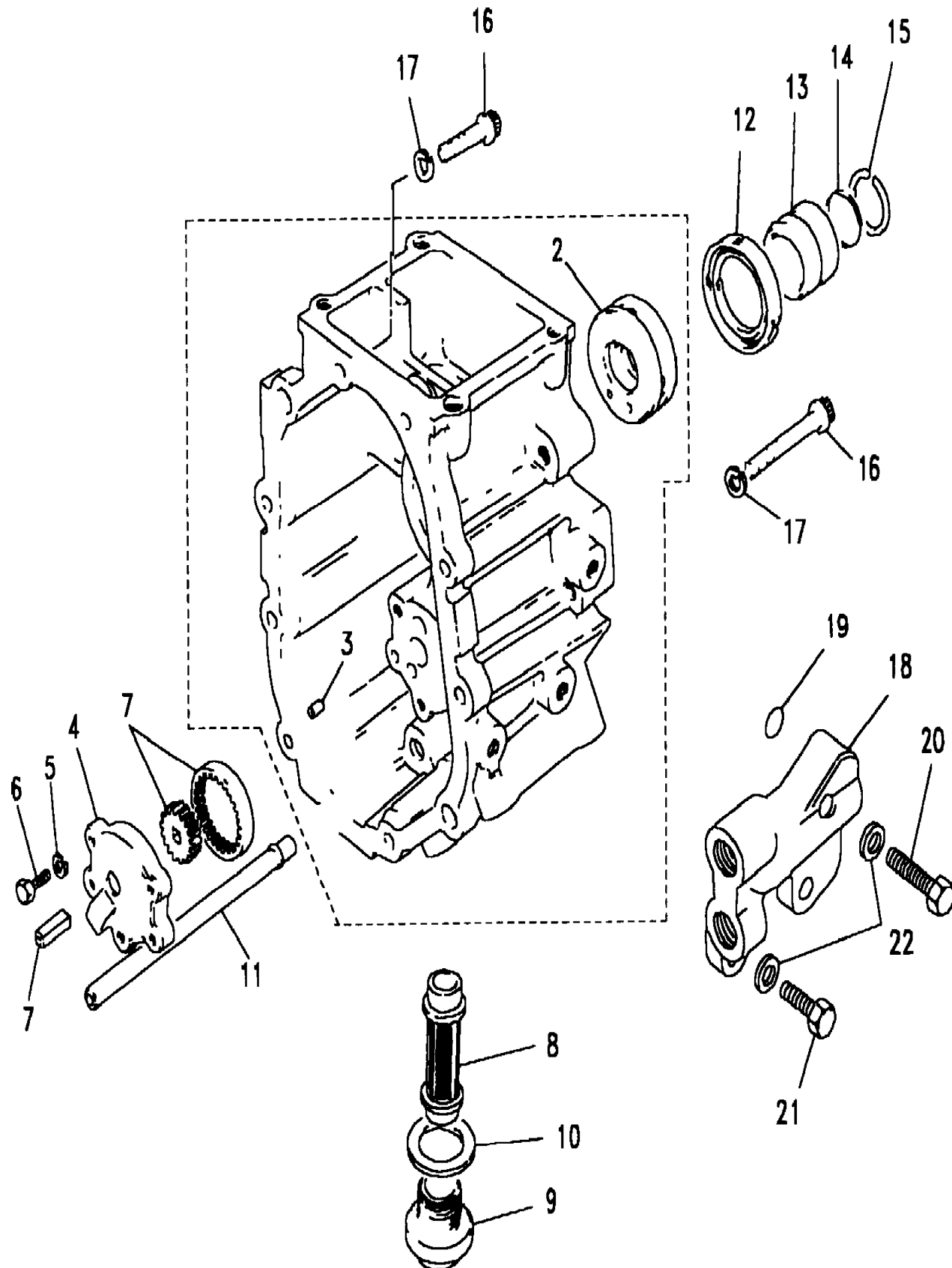
Discovery (FA393361-WA799999)
(CACEGA1B)

Discovery (FA393361-WA799999)

Gearbox
77mm-5 Speed-Manual-V8
Extension Case

V8 Petrol, 5 Speed Manual Transmission, Manual Transmission

Callout	Name	Application	Remarks & Restrictions	Service No.	Qty
18	Housing-transmission thermostat	Change point - VIN begin JA034314, Change point - VIN end LA081991, V8		FTC2687	1
19	O Ring	Change point - VIN end LA081991, V8		FTC1441	2
20	Screw	Change point - VIN end LA081991, V8	hexagonal head, M8 x 40	SH108401L	1
21	Screw	Change point - VIN end LA081991, V8	M8 X 30, hexagonal head M8 X 30, Flanged Head	SH108301L FS108307L	1 1
22	Washer	Change point - VIN end LA081991, V8	8MM	WA108051L	3
[900]	Stud	Change point - VIN end LA081991, V8		FTC890	1
[902]	Gear-oil pump	Change point - VIN end LA081991, V8	Also serviced as part of a kit	STC822	1



Gearbox
77mm-5 Speed-Manual-V8
Gearbox Assembly 1/1

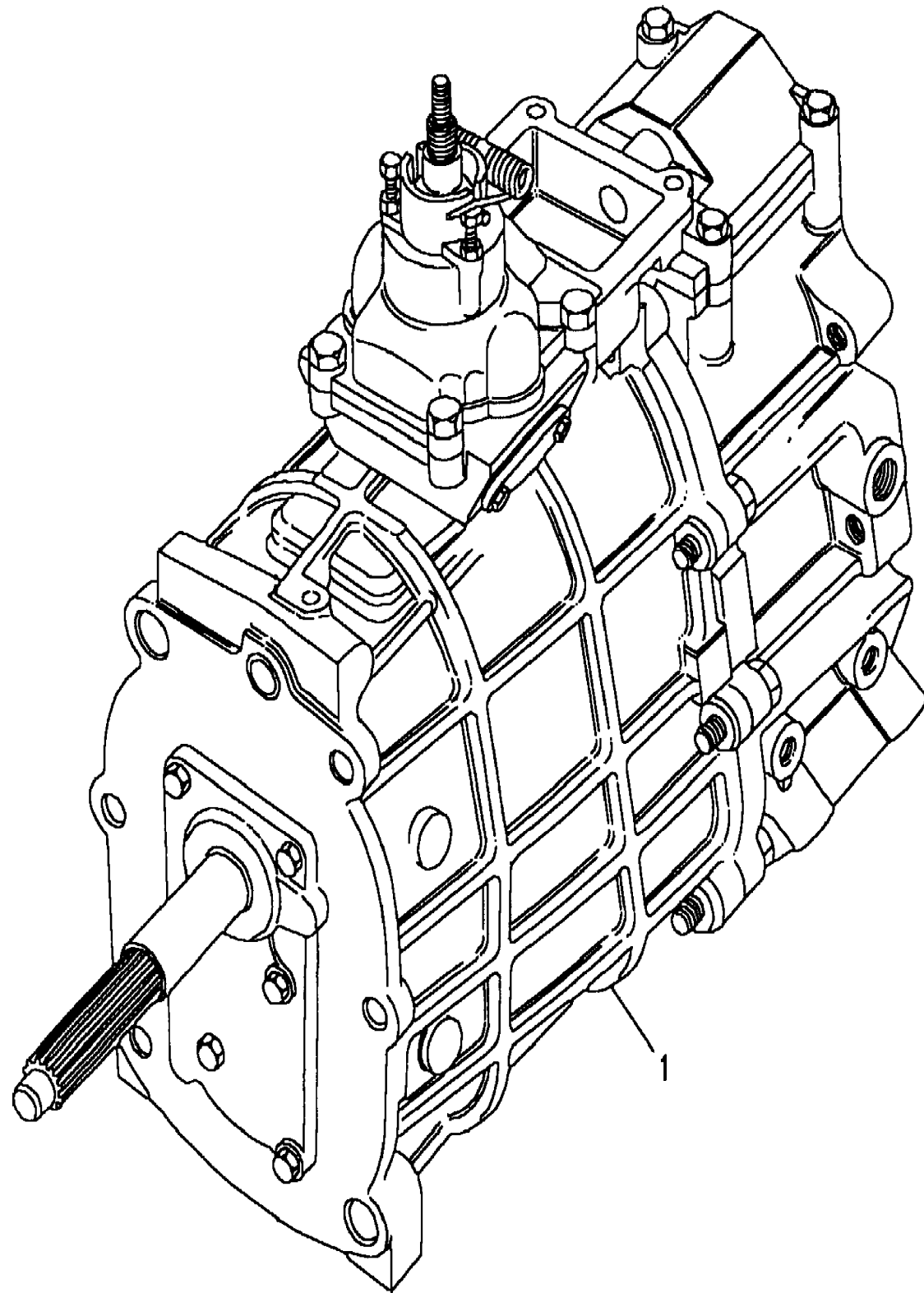
Discovery (FA393361-WA799999)
(CACEAA1A)

Discovery (FA393361-WA799999)

Gearbox
77mm-5 Speed-Manual-V8
Gearbox Assembly

V8 Petrol, 5 Speed Manual Transmission

Callout	Name	Application	Remarks & Restrictions	Service No.	Qty
1	Transmission assembly manual	Change point - VIN end LA081991, 3.5L V8 Twin Carb, Manual Transmission Change point - VIN end LA081991, 3.5L V8 EFI, Manual Transmission Change point - VIN end LA081991, 3.9L V8 EFI, Manual Transmission V8 Twin Carb, Manual Transmission 3.5L V8 EFI Petrol, Manual Transmission 3.5L V8 EFI Petrol 3.5L V8 EFI Petrol, Manual Transmission 3.5L V8 EFI Petrol 3.5L V8 EFI Petrol, Manual Transmission 3.5L V8 EFI Petrol	New Suffix H, New Suffix H, New exchange Suffix G, Gearbox 59A V8 PI, exchange Suffix G, Gearbox 59A V8 PI, exchange Suffix H, Gearbox 59A V8 PI, exchange Suffix H, Gearbox 59A V8 PI, exchange Suffix H, Gearbox 53A Military Low Ratio, exchange Suffix H, Gearbox 53A Military Low Ratio, exchange	RTC6722N FTC4494 FTC4489 RTC6722E STC157E STC157E STC1003E STC1003E STC1000E STC1000E	1 1 1 1 1 1 1 1 1 1
[901]	Kit-fitting-gearbox R380	Change point - VIN end LA081991, V8, Manual Transmission		STC2772	1
[902]	Kit-gaiter-gearbox	Change point - VIN end LA081991, V8, Manual Transmission		STC2773	1



Gearbox
77mm-5 Speed-Manual-V8
Gearcase 1/2

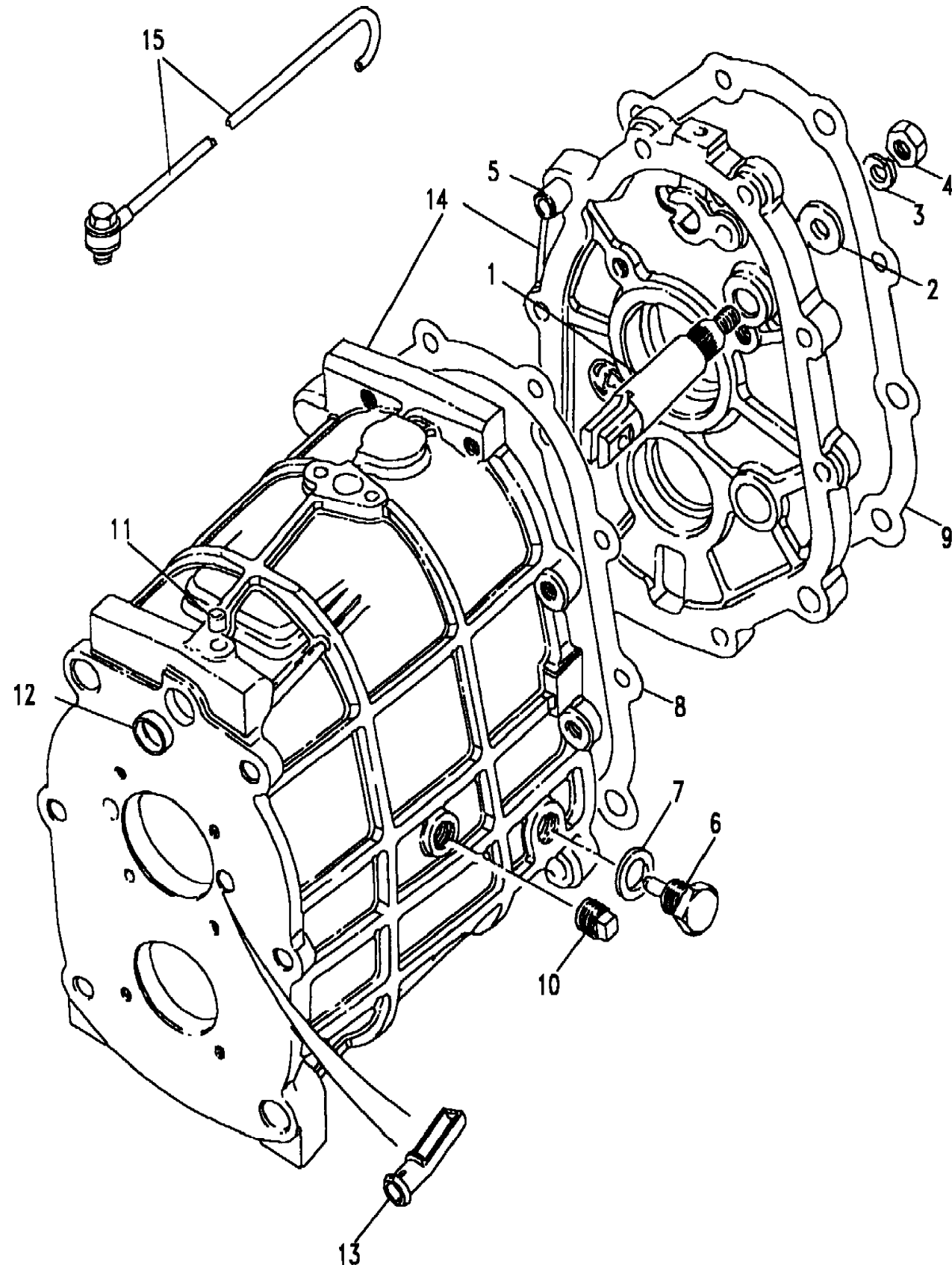
Discovery (FA393361-WA799999)
(CACEEA3A)

Discovery (FA393361-WA799999)

Gearbox
77mm-5 Speed-Manual-V8
Gearcase

V8 Petrol, 5 Speed Manual Transmission, Manual Transmission

Callout	Name	Application	Remarks & Restrictions	Service No.	Qty
1	Pin-reverse gear selector lever pivot	Change point - VIN end LA081991, V8 EFI		FRC6950	1
2	Washer	Change point - VIN end LA081991, V8 EFI, Manual Transmission	M10	WA110061L	1
3	Washer	Change point - VIN end LA081991, V8 EFI		WL100001L	1
4	Locknut	Change point - VIN end LA081991, V8 EFI		NH100041L	1
5	Dowel	Change point - VIN end LA081991, V8 EFI Change point - VIN end LA081991, V8 Twin Carb	Also serviced as part of a kit	UKC170L UKC170L	2 2
6	Plug and magnet assembly-transmission case	Change point - VIN end LA081991, V8 EFI		FRC6145	1
7	Washer-sealing	Change point - VIN end LA081991, V8 EFI	man trans drain plug, Transmission LT 77	FTC4112	1
8	Gasket-centre plate to extension case	Change point - VIN end LA081991, V8 EFI		TKC1229L	1
9	Gasket-centre plate to extension case	Change point - VIN end LA081991, V8 EFI		TKC1235L	1
10	Plug-level	Change point - VIN end LA081991, V8 EFI		3292	1
11	Plug-core	Change point - VIN end LA081991, V8 EFI	TRANSFER BOX, 6MM	UKC24L	1
12	Plug-core	Change point - VIN end LA081991, V8 EFI Change point - VIN end LA081991, V8 EFI	selector shaft front, 9MM rivet blanking, 9MM	FTC5119 LYQ100090	1 1
13	Catcher-manual transmission oil	Change point - VIN end LA081991, V8 EFI		TKC5779L	1
14	Case-manual transmission	Change point - VIN end LA081991, V8 Twin Carb Change point - VIN end LA081991, V8 EFI Change point - VIN end LA081991, V8 EFI	Also serviced as part of a kit Also serviced as part of a kit, Suffix G Suffix H	STC1036 FTC918 FTC2192	1 1 1
15	Tube-breather transmission case	Change point - VIN end LA081991, V8 EFI Change point - VIN end LA081991, V8 EFI		FRC9427 FRC9430	1 1



Gearbox
77mm-5 Speed-Manual-V8
Gearcase 2/2

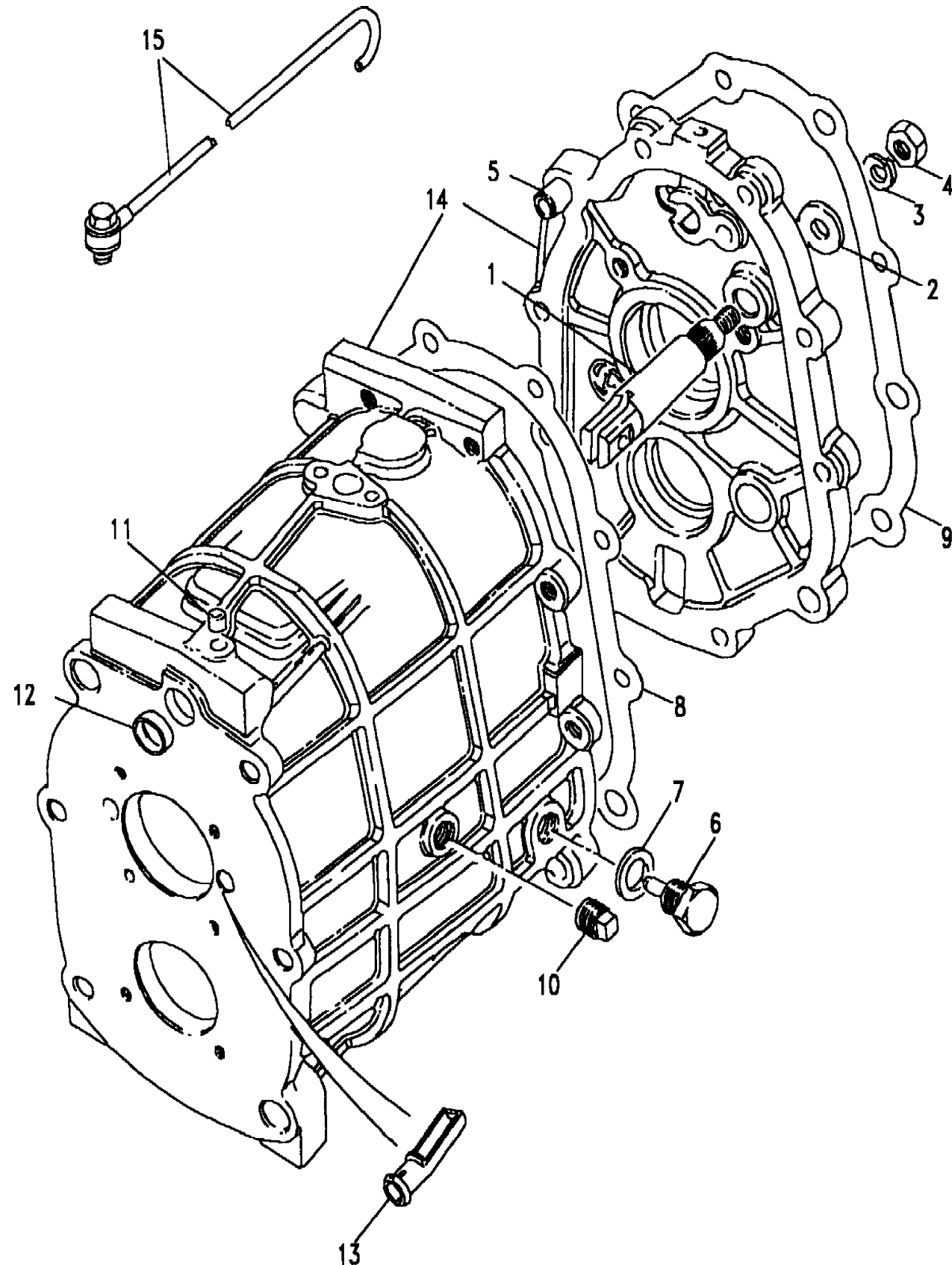
Discovery (FA393361-WA799999)
(CACEEA3A)

Discovery (FA393361-WA799999)

Gearbox
77mm-5 Speed-Manual-V8
Gearcase

V8 Petrol, 5 Speed Manual Transmission, Manual Transmission

Callout	Name	Application	Remarks & Restrictions	Service No.	Qty
[900]	Plug-Drain	Change point - VIN end LA081991, V8 EFI		FTC3720	X
[901]	Clip-p	Change point - VIN end LA081991, V8 EFI	5/16"	BAU1689	1



Gearbox
77mm-5 Speed-Manual-V8
Gearchange & Lever 1/2

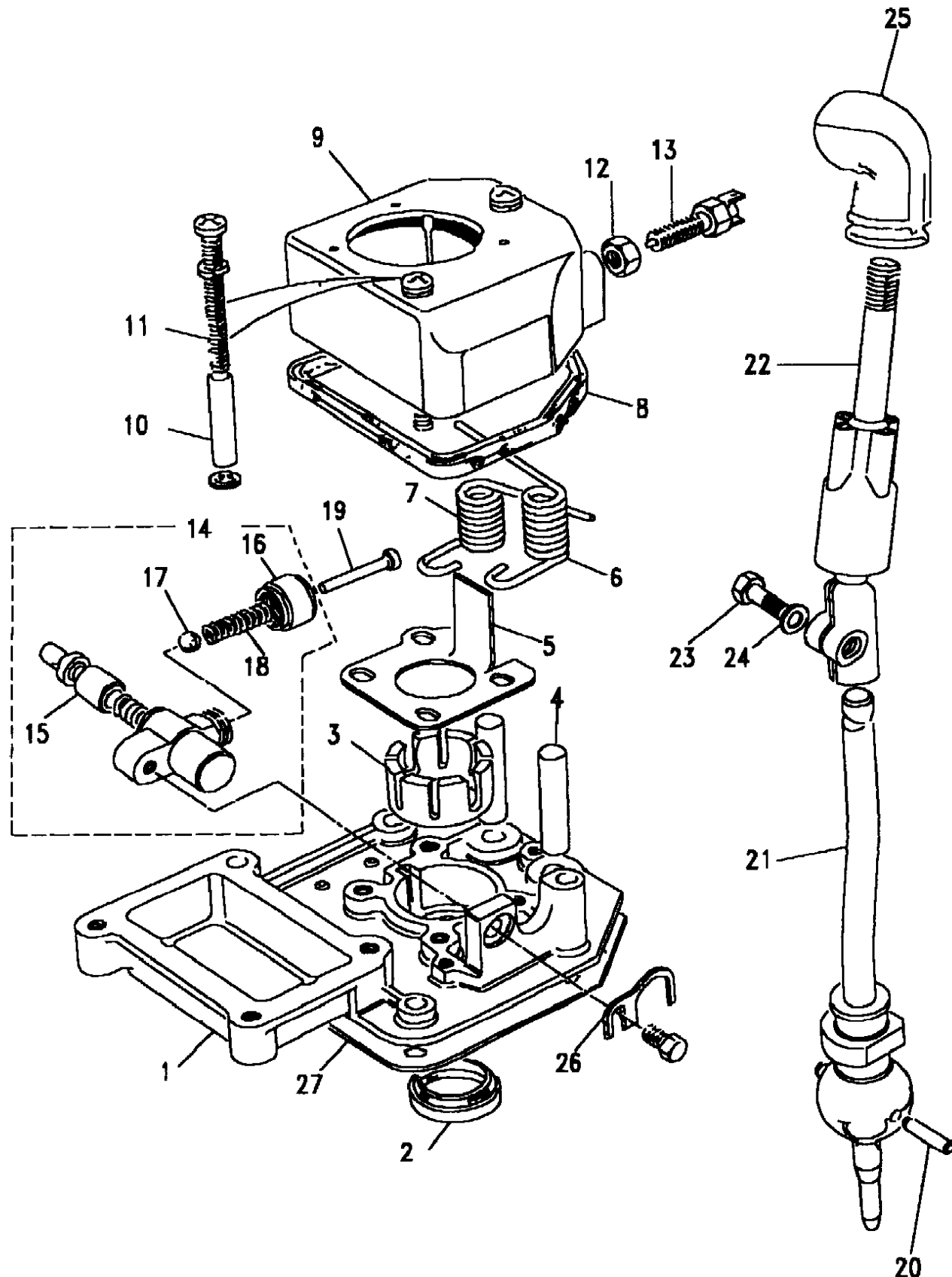
Discovery (FA393361-WA799999)
(CACEKC2A)

Discovery (FA393361-WA799999)

Gearbox
77mm-5 Speed-Manual-V8
Gearchange & Lever

V8 Petrol, 5 Speed Manual Transmission, Manual Transmission

Callout	Name	Application	Remarks & Restrictions	Service No.	Qty
1	Housing-ball pin gear change-manual transmission	Change point - VIN end 59A0120117H, V8 Change point - VIN begin 59A0120118H, Change point - VIN end LA081991, V8		FRC8827 FTC2448	1 1
2	Seal	Change point - VIN end 59A0120117H, V8 Change point - VIN begin 59A0120118H, Change point - VIN end LA081991, V8		FRC9987 FTC2199	1 1
3	Bush-change pivot manual transmission	Change point - VIN end LA081991, V8		FRC9985	1
4	Pin-roll-spring tension	Change point - VIN end LA081991, V8		FRC9028	2
5	Plate-gearchange bias spring adjuster	Change point - VIN end LA081991, V8		FRC9340	1
6	Spring-1st/2nd bias manual transmission	Change point - VIN end LA081991, V8 V8 Change point - VIN end LA081991, V8		FRC9390 FTC1988 FTC1988	1 1 1
7	Spring-5th bias manual transmission	Change point - VIN end LA081991, V8		FRC8490	1
8	Seal-dust-gear change/plate manual transmission	Change point - VIN end LA081991, V8		FRC8507	1
9	Housing-change ball manual transmission	Change point - VIN end LA081991, V8	Also serviced as part of a kit	FRC8915	1
10	Spacer	Change point - VIN end LA081991, V8	Also serviced as part of a kit	FRC8520	2
11	Screw	Change point - VIN end LA081991, V8	Also serviced as part of a kit, M6 x 60	SE106601	2
12	Locknut	Change point - VIN end LA081991, V8	M10	NT110041L	1
13	Switch	Change point - VIN end LA081991, V8	Reverse Lamp	PRC2911	1
14	Plunger-locking manual transmission	Change point - VIN end 59A0120117H, V8 Change point - VIN begin 59A0120118H, Change point - VIN end LA081991, V8	Also serviced as part of a kit Also serviced as part of a kit	FTC1908 FTC4082	1 1



Gearbox
77mm-5 Speed-Manual-V8
Gearchange & Lever 2/2

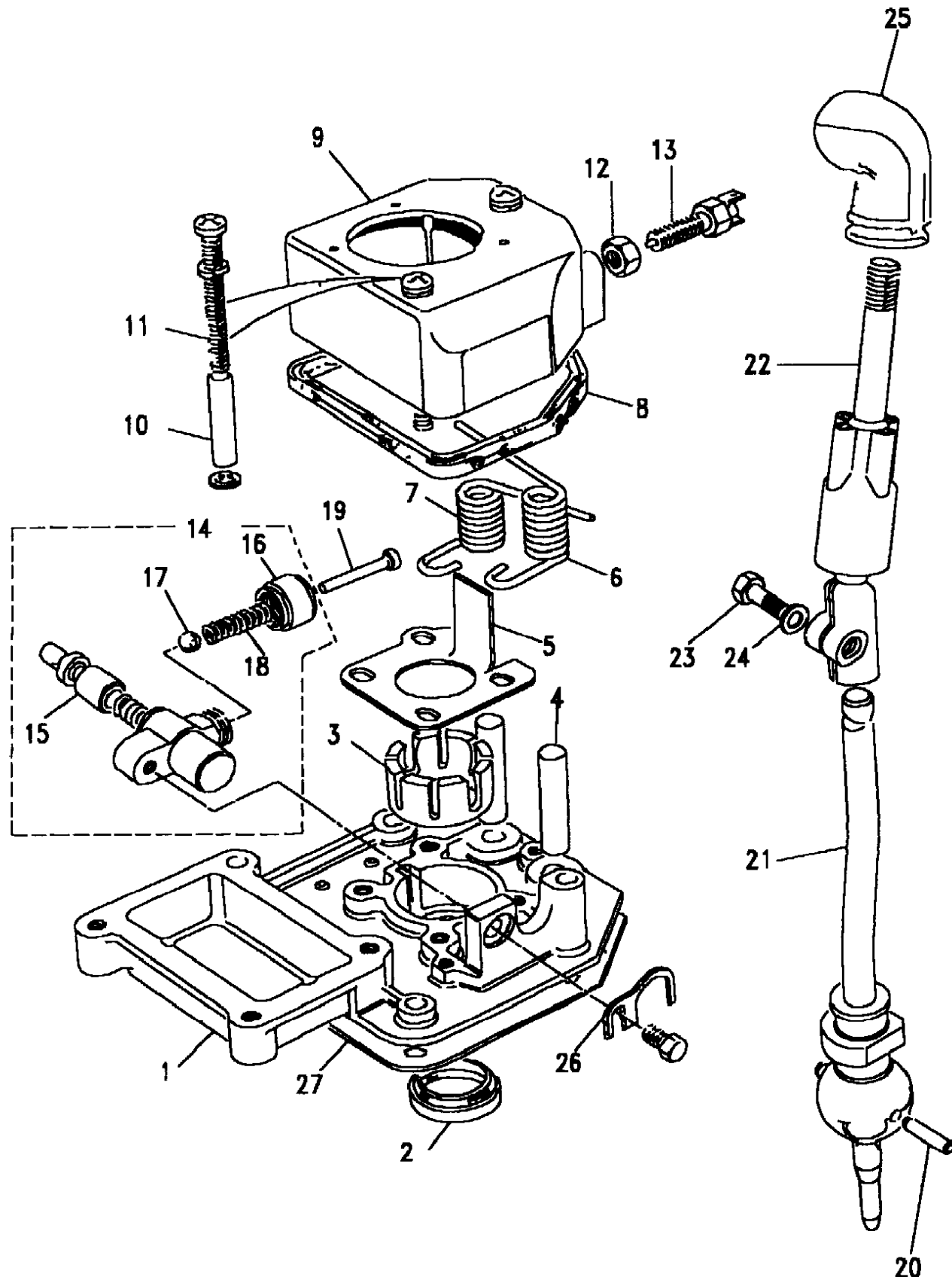
Discovery (FA393361-WA799999)
(CACEKC2A)

Discovery (FA393361-WA799999)

Gearbox
77mm-5 Speed-Manual-V8
Gearchange & Lever

V8 Petrol, 5 Speed Manual Transmission, Manual Transmission

Callout	Name	Application	Remarks & Restrictions	Service No.	Qty
19	Plunger-reverse switch	Change point - VIN end LA081991, V8		FRC8517	1
20	Pin	Change point - VIN end LA081991, V8		UKC3092	2
21	Lever-lower manual transmission	Change point - VIN end 59A0120117H, V8 Change point - VIN begin 59A0120118H, Change point - VIN end LA081991, V8		FRC9669 FTC4026	1 1
22	Lever-upper manual transmission	Change point - VIN end LA081991, V8		FTC4129	1
23	Screw	Change point - VIN end LA081991, V8 V8	M8 x 25, hexagonal head M8 x 25, Flanged Head	SH108251L FS108251L	1 1
24	Washer	Change point - VIN end LA081991, V8	8MM	WA108051L	1
25	Knob assembly-change manual transmission	Change point - VIN end JA034313, V8 Change point - VIN begin KA034314, Change point - VIN end LA081990, V8 Change point - VIN begin LA081991, V8 Change point - VIN end 3A835280, V8 Change point - VIN begin 3A835281, V8	Ash Grey Ash Grey Jet Jet Jet	MXC5322LUN BTR8516LNF BTR8516PMA UKJ100510PMA UKJ500090PMA	1 1 1 1 1
26	Spacer-reverse gear plunger	Change point - VIN end LA081991, V8		FRC8497	1
27	Gasket-gearchange ball pin housing	Change point - VIN end LA081991, V8		FRC8505	1
[902]	Spring-coil	Change point - VIN end 59A0120117H, V8	Also serviced as part of a kit	FRC6318	1
[903]	Cover-spring assembly detent arm	Change point - VIN end 59A0120117H, V8	Also serviced as part of a kit	FRC8793	1
[904]	Ball-detent manual transmission	Change point - VIN end 59A0120117H, V8	Also serviced as part of a kit	571146	1
[905]	Spring-plunger manual transmission	Change point - VIN end 59A0120117H, V8	Also serviced as part of a kit	FRC8776	1
[906]	Pin-Spring	Change point - VIN end LA081991, V8		FRC2626	2



Gearbox
77mm-5 Speed-Manual-V8
Layshaft 1/3

Discovery (FA393361-WA799999)

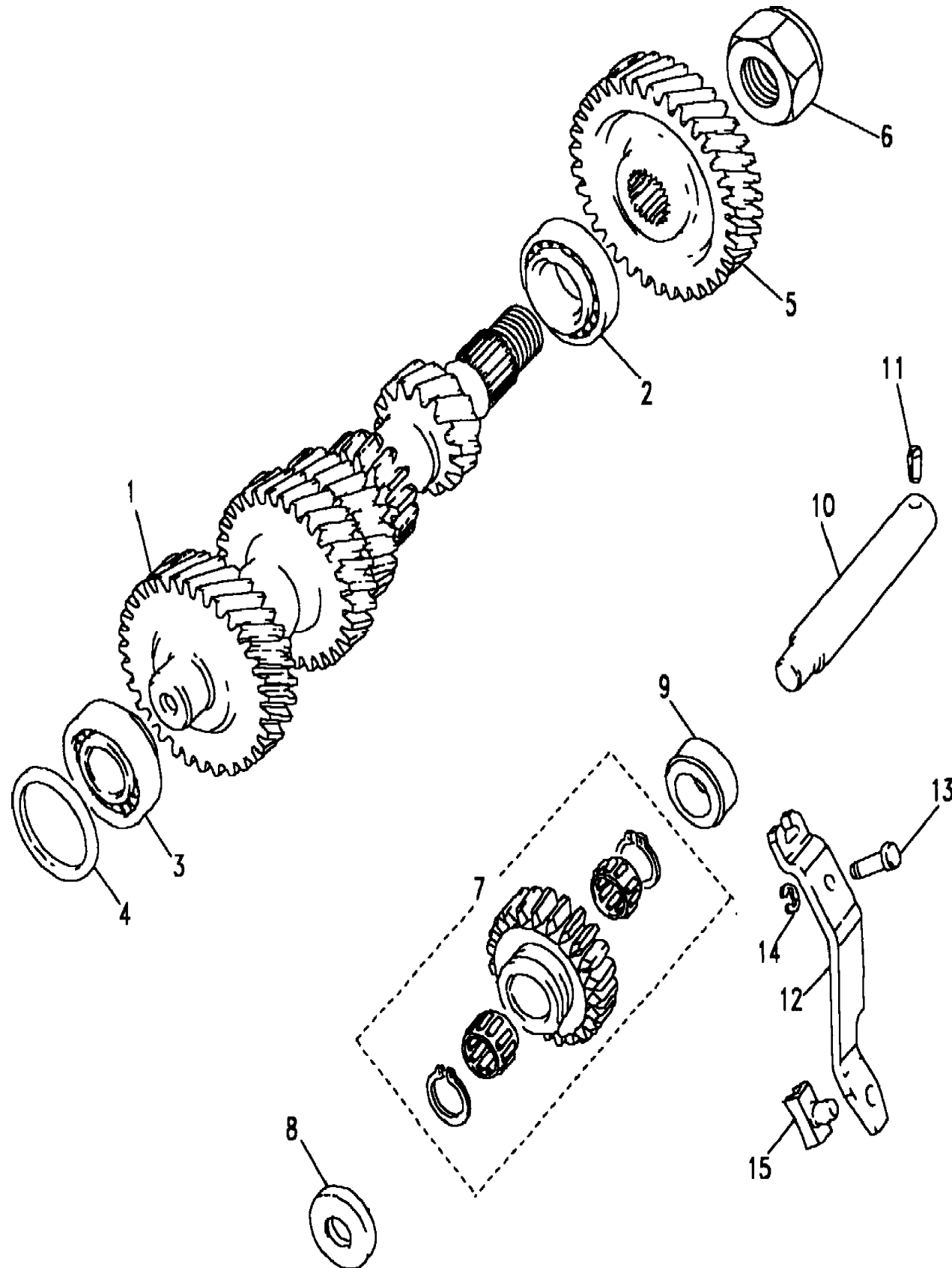
(CACEIE1A)

Discovery (FA393361-WA799999)

Gearbox
77mm-5 Speed-Manual-V8
Layshaft

V8 Petrol, 5 Speed Manual Transmission

Callout	Name	Application	Remarks & Restrictions	Service No.	Qty
1	Shaft-counter manual transmission	Change point - VIN end LA081991, V8 Twin Carb, Manual Transmission	Suffix G	FRC9706	1
		Change point - VIN end LA081991, V8 EFI, Manual Transmission	Transmission LT 77, Suffix H	FTC1073	1
		Change point - VIN end LA081991, V8 EFI, Manual Transmission	Transmission LT 77, Suffix G	FTC1073	1
		Change point - VIN end LA081991, V8 EFI, Manual Transmission			
2	Bearing-taper roller	Change point - VIN end LA081991, V8 Twin Carb, Manual Transmission	31.75 x 59.0	FTC317	1
3	Bearing-taper roller	Change point - VIN end LA081991, V8 Twin Carb, Manual Transmission	31.75 x 62.0	FTC248	1
4	Shim	Change point - VIN end LA081991, V8 EFI, Manual Transmission	man trans countershaft bearing/front cover, 1.39MM	FTC263	1
		Change point - VIN end LA081991, V8 EFI, Manual Transmission	man trans countershaft bearing/front cover, 1.45MM	FTC265	1
		Change point - VIN end LA081991, V8 EFI, Manual Transmission	man trans countershaft bearing/front cover, 1.51MM	FTC267	1
		Change point - VIN end LA081991, V8 EFI, Manual Transmission	man trans countershaft bearing/front cover, 1.57MM	FTC269	1
		Change point - VIN end LA081991, V8 EFI, Manual Transmission	man trans countershaft bearing/front cover, 1.63MM	FTC271	1
		Change point - VIN end LA081991, V8 EFI, Manual Transmission	man trans countershaft bearing/front cover, 1.69MM	FTC273	1
		Change point - VIN end LA081991, V8 EFI, Manual Transmission	man trans countershaft bearing/front cover, 1.75MM	FTC275	1
		Change point - VIN end LA081991, V8 EFI, Manual Transmission	man trans countershaft bearing/front cover, 1.81MM	FTC277	1
		Change point - VIN end LA081991, V8 EFI, Manual Transmission	man trans countershaft bearing/front cover, 1.87MM	FTC279	1
		Change point - VIN end LA081991, V8 EFI, Manual Transmission	man trans countershaft bearing/front cover, 1.93MM	FTC281	1
		Change point - VIN end LA081991, V8 EFI, Manual Transmission	man trans countershaft bearing/front cover, 1.99MM	FTC283	1
		Change point - VIN end LA081991, V8 EFI, Manual Transmission	man trans countershaft bearing/front cover, 2.05MM	FTC285	1
		Change point - VIN end LA081991, V8 EFI, Manual Transmission	man trans countershaft bearing/front cover, 2.11MM	FTC287	1
		Change point - VIN end LA081991, V8 EFI, Manual Transmission	man trans countershaft bearing/front cover, 2.17MM	FTC289	1



Gearbox
77mm-5 Speed-Manual-V8
Layshaft 2/3

Discovery (FA393361-WA799999)

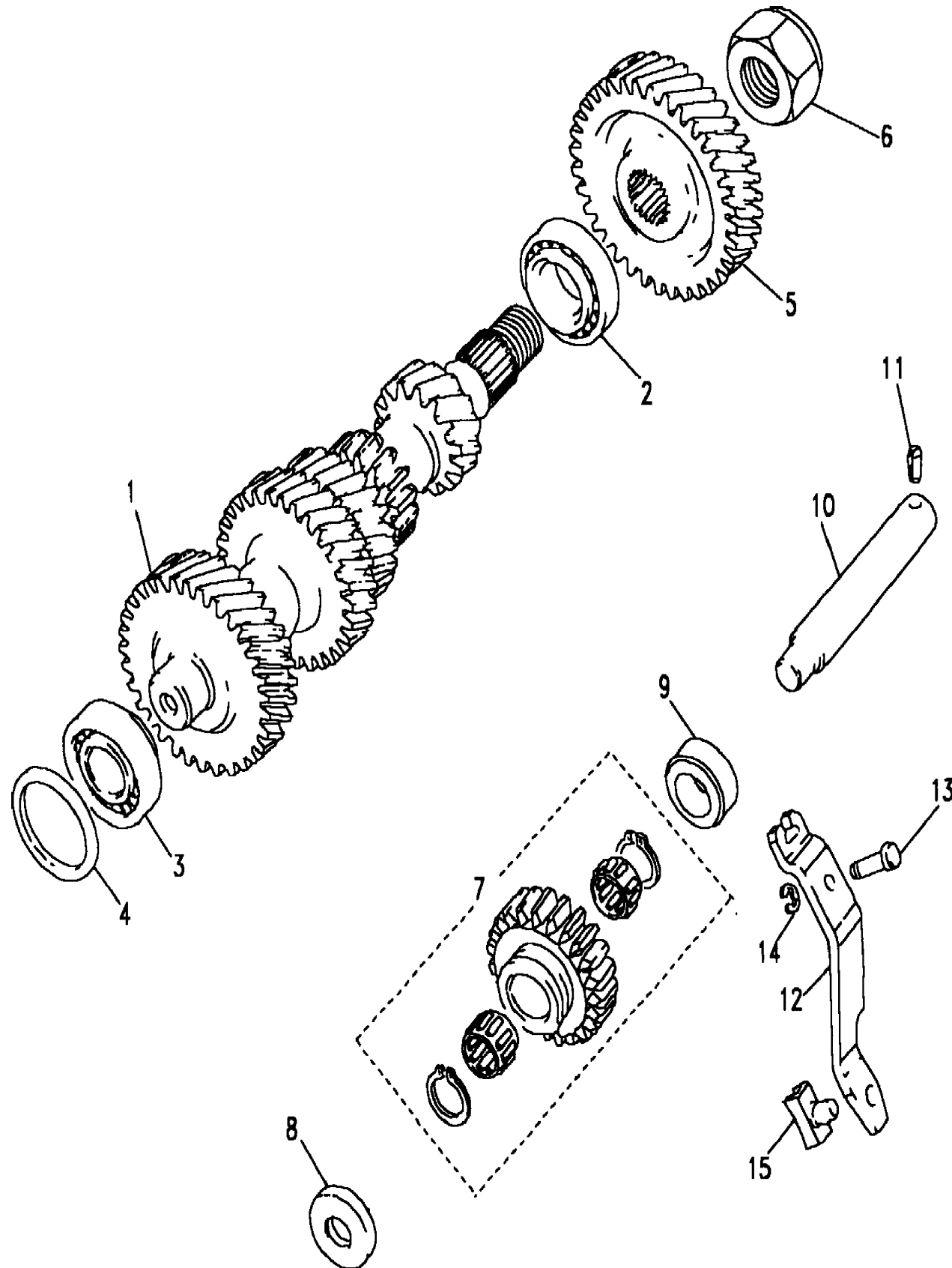
(CACEIE1A)

Discovery (FA393361-WA799999)

Gearbox
77mm-5 Speed-Manual-V8
Layshaft

V8 Petrol, 5 Speed Manual Transmission

Callout	Name	Application	Remarks & Restrictions	Service No.	Qty
4	Shim	Change point - VIN end LA081991, V8 EFI, Manual Transmission	man trans countershaft bearing/front cover, 2.23MM	FTC291	1
		Change point - VIN end LA081991, V8 EFI, Manual Transmission	man trans countershaft bearing/front cover, 2.29MM	FTC293	1
		Change point - VIN end LA081991, V8 EFI, Manual Transmission	man trans countershaft bearing/front cover, 2.35MM	FTC295	1
5	Gear-5th speed countershaft manual transmission	Change point - VIN end LA081991, V8 Twin Carb, Manual Transmission	Suffix G	FTC346	1
		Change point - VIN end LA081991, 3.5L V8 EFI Petrol, Manual Transmission	Suffix G, Gearbox 59A V8 PI	FTC419	1
		Change point - VIN end LA081991, 3.5L V8 EFI Petrol	Suffix G, Gearbox 59A V8 PI	FTC419	1
		Change point - VIN end LA081991, 3.5L V8 EFI Petrol, Manual Transmission	Suffix H, Gearbox 59A V8 PI	FTC419	1
		Change point - VIN end LA081991, 3.5L V8 EFI Petrol	Suffix H, Gearbox 59A V8 PI	FTC419	1
		Change point - VIN end LA081991, 3.5L V8 EFI Petrol	Suffix H, Gearbox 53A Military Low Ratio	FTC1359	1
		Change point - VIN end LA081991, 3.5L V8 EFI Petrol	Suffix H, Gearbox 53A Military Low Ratio	FTC1359	1
		Change point - VIN end LA081991, V8 Twin Carb, Manual Transmission		FRC7214	1
		Change point - VIN end LA081991, V8 Twin Carb, Manual Transmission		FRC8285	1
6	Nut-stake	Change point - VIN end LA081991, V8 Twin Carb, Manual Transmission		FRC7214	1
		Change point - VIN end LA081991, V8 Twin Carb, Manual Transmission		FRC8285	1
7	Gear-reverse manual transmission	Change point - VIN end LA081991, V8 Twin Carb, Manual Transmission		FRC8285	1
8	Spacer	Change point - VIN end LA081991, V8 Twin Carb, Manual Transmission		FRC4947	1
9	Spacer	Change point - VIN end LA081991, V8 Twin Carb, Manual Transmission	Rear	FRC5186	1
10	Shaft-reverse idler assembly-manual transmission	Change point - VIN end LA081991, V8 Twin Carb, Manual Transmission		FRC5095	1
11	Pin	Change point - VIN end LA081991, V8 Twin Carb, Manual Transmission		UKC18L	1



Gearbox
77mm-5 Speed-Manual-V8
Layshaft 3/3

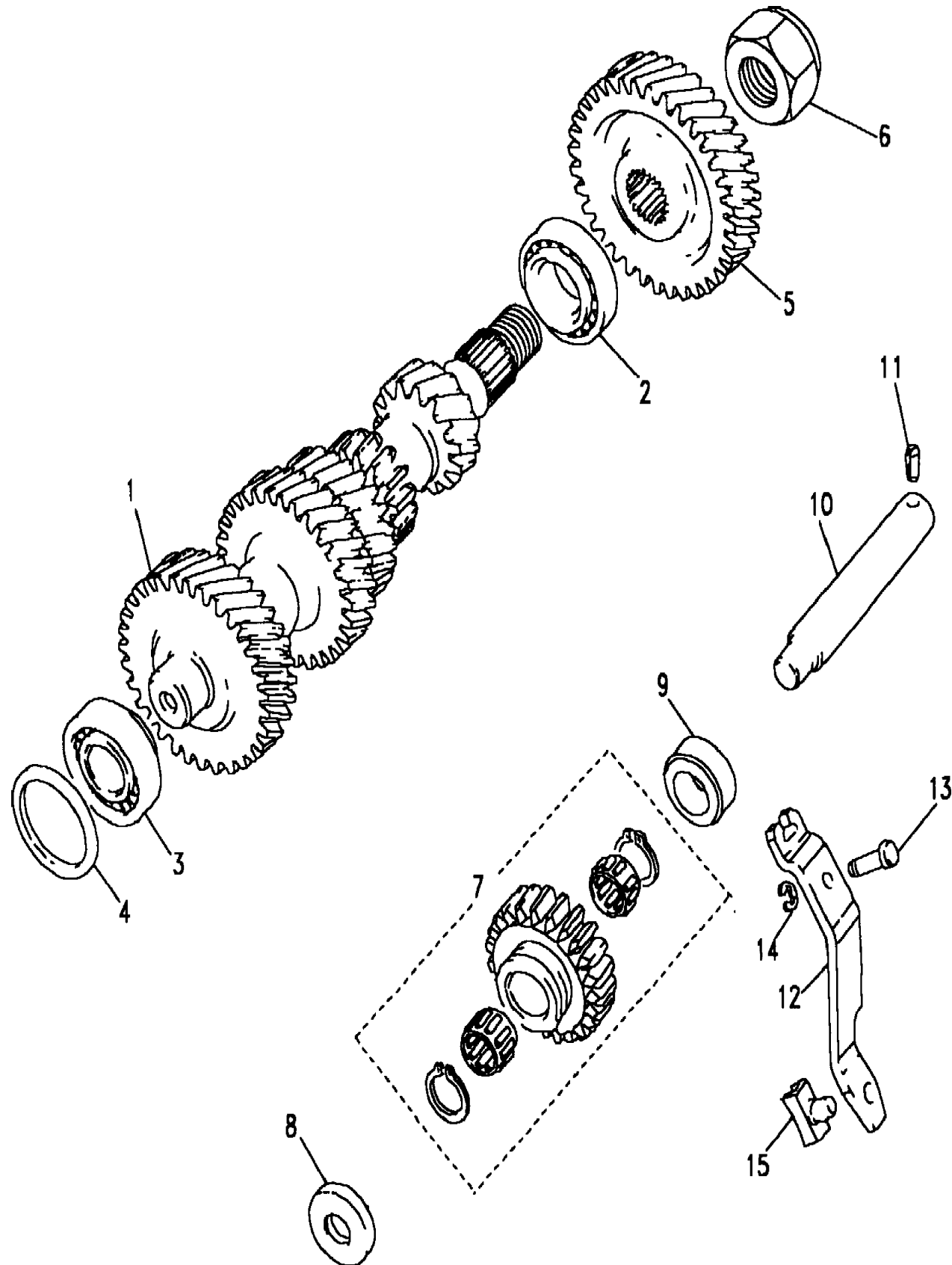
Discovery (FA393361-WA799999)
(CACEIE1A)

Discovery (FA393361-WA799999)

Gearbox
77mm-5 Speed-Manual-V8
Layshaft

V8 Petrol, 5 Speed Manual Transmission

Callout	Name	Application	Remarks & Restrictions	Service No.	Qty
12	Lever-selector selector mechanism	Change point - VIN end LA081991, V8 Twin Carb, Manual Transmission		FRC8246	1
13	Pin-reverse gear selector lever pivot	Change point - VIN end LA081991, V8 Twin Carb, Manual Transmission		FRC8382	1
14	Circlip	Change point - VIN end LA081991, V8 Twin Carb, Manual Transmission		13H2023L	1
15	Pad-reverse gear selector lever	Change point - VIN end LA081991, V8 Twin Carb, Manual Transmission		FTC1435	1



Gearbox
77mm-5 Speed-Manual-V8
Mainshaft 1/3

Discovery (FA393361-WA799999)

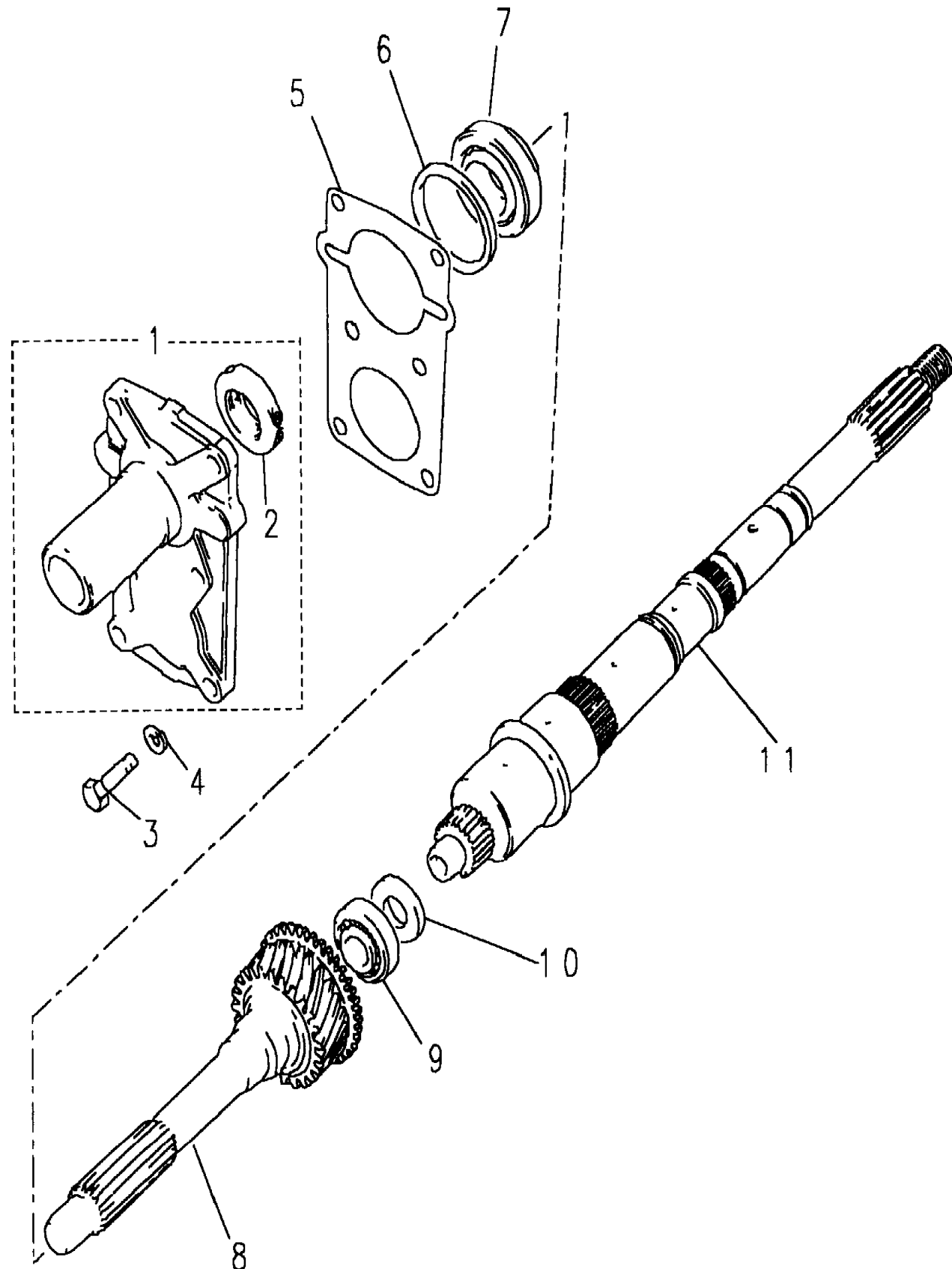
(CACEIA1A)

Discovery (FA393361-WA799999)

Gearbox
77mm-5 Speed-Manual-V8
Mainshaft

V8 Petrol, 5 Speed Manual Transmission

Callout	Name	Application	Remarks & Restrictions	Service No.	Qty		
1	Cover-end manual transmission	Change point - VIN end LA081991, V8 Twin Carb, Manual Transmission	Also serviced as part of a kit, Long, Front, Suffix G	FTC311	1		
		Change point - VIN end LA081991, V8 EFI, Manual Transmission	Also serviced as part of a kit, Long, Front, Suffix H	FTC917	1		
		Change point - VIN end LA081991, V8 EFI, Manual Transmission	Also serviced as part of a kit, Front, Short, Suffix G	FTC2822	1		
2	Seal	Change point - VIN end VA544651, V8 Twin Carb, Manual Transmission	man trans primary shaft, Also serviced as part of a kit, Suffix G	UKC1060L	1		
		Change point - VIN end VA713099, V8 Twin Carb, Manual Transmission	man trans primary shaft, Also serviced as part of a kit, Suffix G	UKC1060L	1		
		Change point - VIN begin VA544652, V8 Twin Carb, Manual Transmission	man trans primary shaft, Also serviced as part of a kit, Suffix G	FTC5303	1		
		Change point - VIN begin VA713100, V8 Twin Carb, Manual Transmission	man trans primary shaft, Also serviced as part of a kit, Suffix G	FTC5303	1		
		Change point - VIN end LA081991, V8 EFI, Manual Transmission	man trans primary shaft, Also serviced as part of a kit, Suffix G	UKC1060L	1		
		Change point - VIN end LA081991, V8 EFI, Manual Transmission	man trans primary shaft, Also serviced as part of a kit, Suffix G	FTC5303	1		
		3	Screw	Change point - VIN end LA081991, V8 Twin Carb, Manual Transmission	M8 x 25, hexagonal head	SH108251L	6
				V8 Twin Carb, Manual Transmission	M8 x 25, Flanged Head	FS108251L	6
4	Washer	Change point - VIN end LA081991, V8 Twin Carb, Manual Transmission	8MM	WA108051L	6		
5	Gasket-front cover manual transmission	Change point - VIN end LA081991, V8 Twin Carb, Manual Transmission		FTC316	1		
6	Shim	Change point - VIN end LA081991, V8 Twin Carb, Manual Transmission	1.87MM	FRC4339	X		
		Change point - VIN end LA081991, V8 Twin Carb, Manual Transmission	1.93MM	FRC4341	X		
		Change point - VIN end LA081991, V8 Twin Carb, Manual Transmission	1.99MM	FRC4343	X		
		Change point - VIN end LA081991, V8 Twin Carb, Manual Transmission	2.05MM	FRC4345	X		
		Change point - VIN end LA081991, V8 Twin Carb, Manual Transmission	2.11MM	FRC4347	X		
		Change point - VIN end LA081991, V8 Twin Carb, Manual Transmission	2.17MM	FRC4349	X		



Gearbox
77mm-5 Speed-Manual-V8
Mainshaft 2/3

Discovery (FA393361-WA799999)

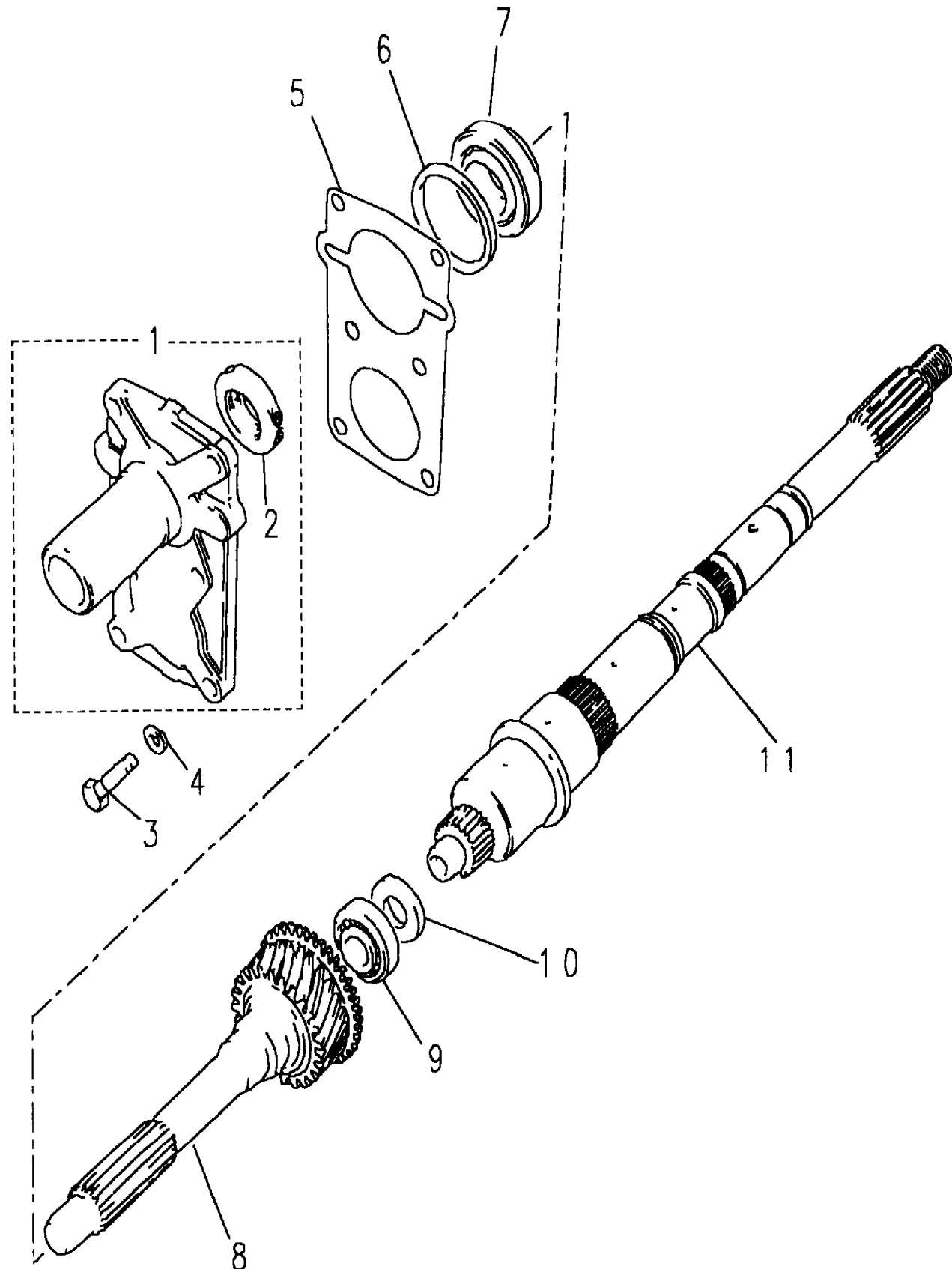
(CACEIA1A)

Discovery (FA393361-WA799999)

Gearbox
77mm-5 Speed-Manual-V8
Mainshaft

V8 Petrol, 5 Speed Manual Transmission

Callout	Name	Application	Remarks & Restrictions	Service No.	Qty		
6	Shim	Change point - VIN end LA081991, V8 Twin Carb, Manual Transmission	2.23MM	FRC4351	X		
		Change point - VIN end LA081991, V8 Twin Carb, Manual Transmission	2.29MM	FRC4353	X		
		Change point - VIN end LA081991, V8 Twin Carb, Manual Transmission	2.35MM	FRC4355	X		
		Change point - VIN end LA081991, V8 Twin Carb, Manual Transmission	2.41MM	FRC4357	X		
		Change point - VIN end LA081991, V8 Twin Carb, Manual Transmission	2.47MM	FRC4359	X		
		Change point - VIN end LA081991, V8 Twin Carb, Manual Transmission	2.53MM	FRC4361	X		
		Change point - VIN end LA081991, V8 Twin Carb, Manual Transmission	2.59MM	FRC4363	X		
		Change point - VIN end LA081991, V8 Twin Carb, Manual Transmission	2.65MM	FRC4365	X		
		Change point - VIN end LA081991, V8 Twin Carb, Manual Transmission	2.71mm	FRC4367	X		
		Change point - VIN end LA081991, V8 Twin Carb, Manual Transmission	2.77MM	FRC4369	X		
		Change point - VIN end LA081991, V8 Twin Carb, Manual Transmission	1.51MM	FRC4327	X		
		Change point - VIN end LA081991, V8 Twin Carb, Manual Transmission	1.57MM	FRC4329	X		
		Change point - VIN end LA081991, V8 Twin Carb, Manual Transmission	1.63MM	FRC4331	X		
		Change point - VIN end LA081991, V8 Twin Carb, Manual Transmission	1.69MM	FRC4333	X		
		Change point - VIN end LA081991, V8 Twin Carb, Manual Transmission	1.75MM	FRC4335	X		
		Change point - VIN end LA081991, V8 Twin Carb, Manual Transmission	1.81MM	FRC4337	X		
		7	Bearing-taper roller	Change point - VIN end LA081991, V8 EFI, Manual Transmission	35.0 x 68.5	RTC6751	1
		8	Shaft-pinion differential	Change point - VIN end LA081991, V8 EFI, Manual Transmission	Also serviced as part of a kit	FTC347	1
		9	Bearing-taper roller	Change point - VIN end LA081991, V8 EFI, Manual Transmission	17.5 x 40.0	UKC8L	1



Gearbox
77mm-5 Speed-Manual-V8
Mainshaft 3/3

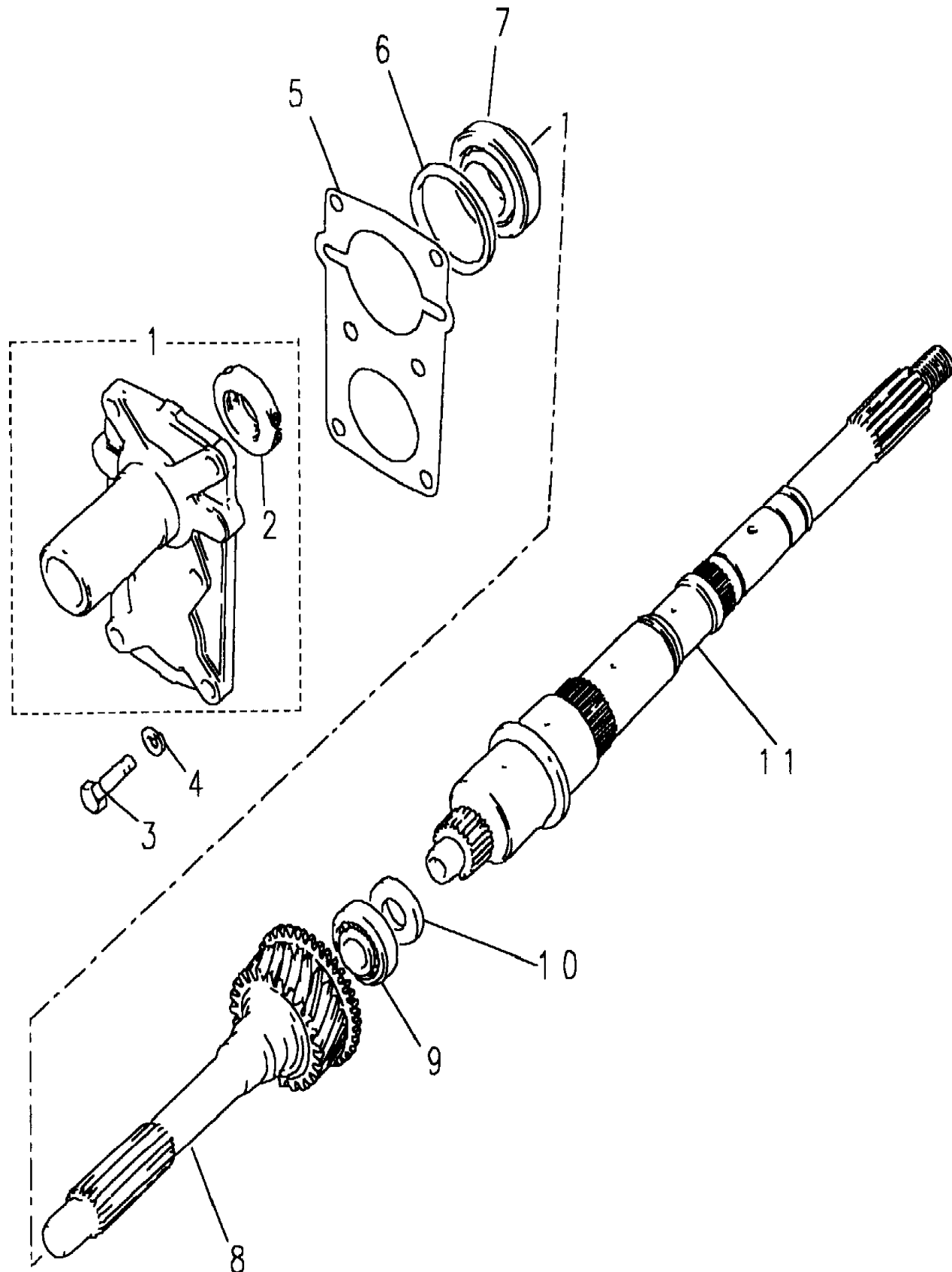
Discovery (FA393361-WA799999)
(CACEIA1A)

Discovery (FA393361-WA799999)

Gearbox
77mm-5 Speed-Manual-V8
Mainshaft

V8 Petrol, 5 Speed Manual Transmission

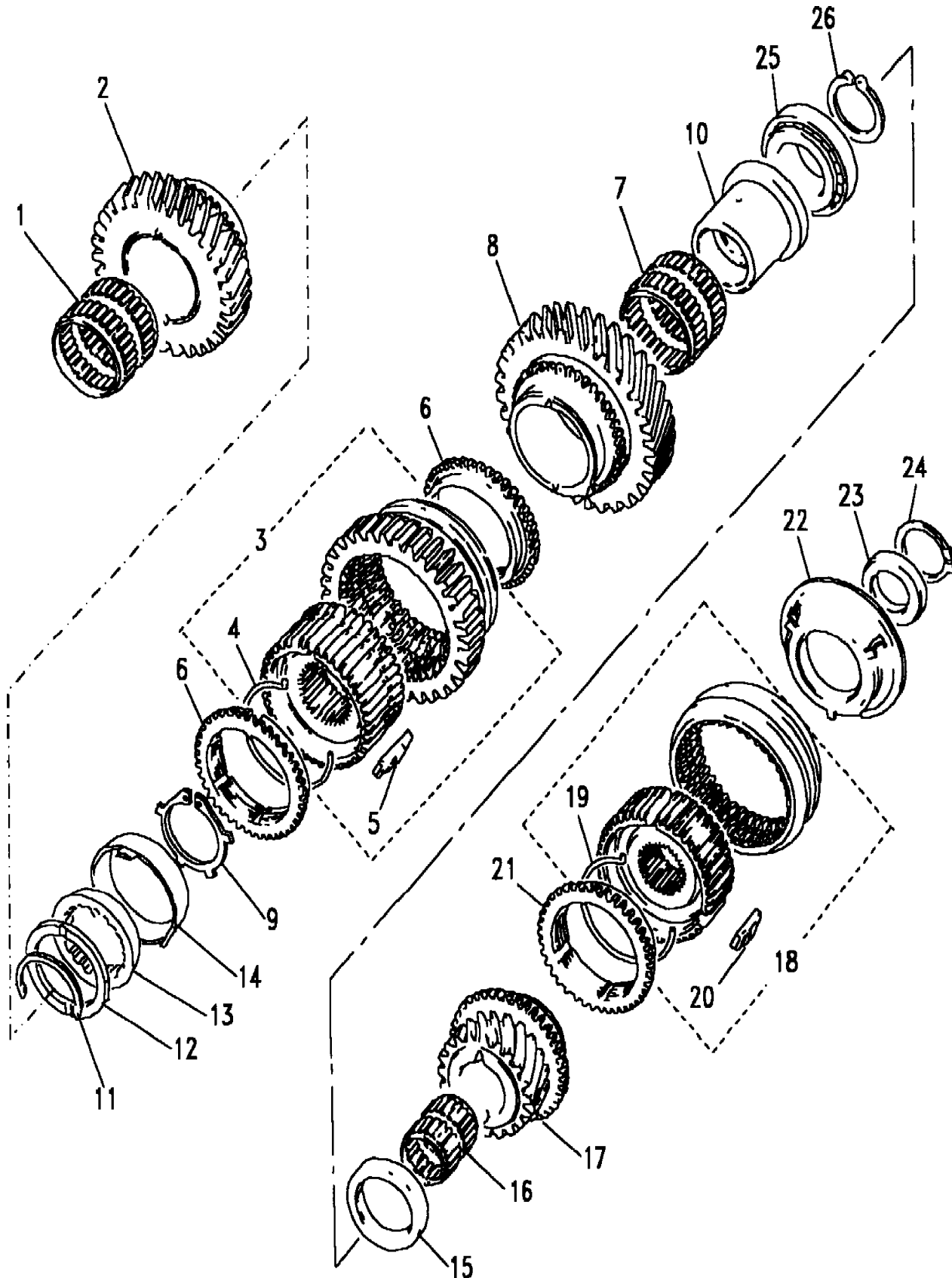
Callout	Name	Application	Remarks & Restrictions	Service No.	Qty
10	Spacer	Change point - VIN end LA081991, V8 EFI, Manual Transmission		UKC37L	1
11	Shaft-main manual transmission	Change point - VIN end LA081991, V8 Twin Carb, Manual Transmission Change point - VIN end LA081991, V8 EFI, Manual Transmission Change point - VIN end LA081991, V8 EFI, Manual Transmission Change point - VIN end LA081991, V8 EFI, Manual Transmission	Suffix G Suffix G Suffix H Suffix H	FRC5305 FTC1446 FTC1282 STC1889	1 1 1 1
[900]	Disc synchro stop-mainshaft	Change point - VIN end LA081991, V8 EFI, Manual Transmission	Also serviced as part of a kit	FTC1293	1



Gearbox
77mm-5 Speed-Manual-V8
Mainshaft Gears 1st/2nd/5th 1/5

Discovery (FA393361-WA799999)

(CACEIC2A)



Discovery (FA393361-WA799999)

Gearbox
77mm-5 Speed-Manual-V8
Mainshaft Gears 1st/2nd/5th

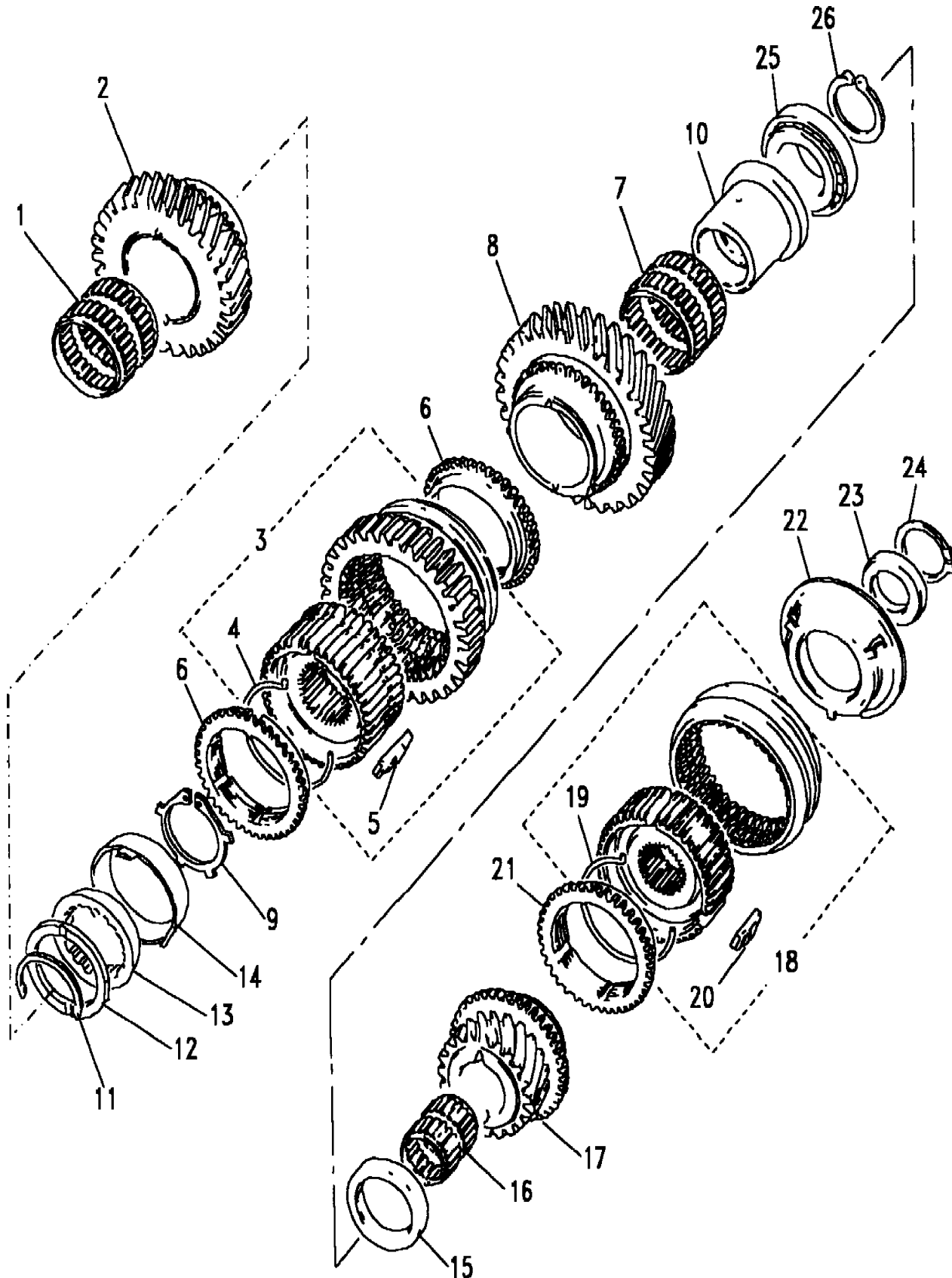
V8 Petrol, 5 Speed Manual Transmission

Callout	Name	Application	Remarks & Restrictions	Service No.	Qty
1	Bearing-needle roller	Change point - VIN end LA081991, V8 EFI, Manual Transmission	Suffix G	FRC5678	2
		Change point - VIN end LA081991, V8 EFI, Manual Transmission	Suffix H	FTC1312	1
		Change point - VIN end LA081991, V8 EFI, Manual Transmission	Suffix H	TUK10011L	1
2	Gear-2nd driven manual transmission	Change point - VIN end LA081991, V8 EFI, Manual Transmission	Suffix G	FTC357	1
		Change point - VIN end LA081991, V8 EFI, Manual Transmission	Suffix H	FTC2461	1
3	Synchroniser assembly-1st & 2nd mainshaft assembly	Change point - VIN end LA081991, V8 EFI, Manual Transmission	Also serviced as part of a kit, Transmission LT 77, Suffix G	FTC1327	1
		Change point - Gearbox end 55A0242819H, V8 EFI, Manual Transmission	Also serviced as part of a kit, Transmission LT 77, Suffix H	STC8577	1
		Change point - Gearbox begin 55A0242820H, Change point - VIN end LA081991, V8 EFI, Manual Transmission	Also serviced as part of a kit, Suffix H	FTC4087	1
4	Spring 1st & 2nd synchroniser	Change point - Gearbox end 55A0242819H, V8 EFI, Manual Transmission	Also serviced as part of a kit, Transmission LT 77, Suffix H	FTC2285	2
		Change point - VIN end LA081991, V8 EFI, Manual Transmission	Also serviced as part of a kit, Transmission LT 77, Suffix G	UKC31L	1
5	Plate-synchroniser	Change point - Gearbox end 55A0242819H, V8 EFI, Manual Transmission	Also serviced as part of a kit, Transmission LT 77, Suffix H	FTC4011	3
		Change point - VIN end LA081991, V8 EFI, Manual Transmission	Also serviced as part of a kit, Transmission LT 77, Suffix G	UKC3531L	3
6	Ring-baulk	Change point - VIN end LA081991, V8 EFI, Manual Transmission	Also serviced as part of a kit, Suffix G	FRC8232	2
		Change point - Gearbox end 55A0242819H, V8 EFI, Manual Transmission	Suffix H	FTC2282	2
		Change point - Gearbox begin 55A0242820H, Change point - VIN end LA081991, V8 EFI, Manual Transmission	Suffix H	FTC4007	2
7	Bearing-needle roller manual transmission	Change point - VIN end LA081991, V8 EFI, Manual Transmission	Suffix G	FRC5679	1
		Change point - VIN end LA081991, V8 EFI, Manual Transmission	Suffix H	FTC1311	1

Gearbox
77mm-5 Speed-Manual-V8
Mainshaft Gears 1st/2nd/5th 2/5

Discovery (FA393361-WA799999)

(CACEIC2A)



Discovery (FA393361-WA799999)

Gearbox
77mm-5 Speed-Manual-V8
Mainshaft Gears 1st/2nd/5th

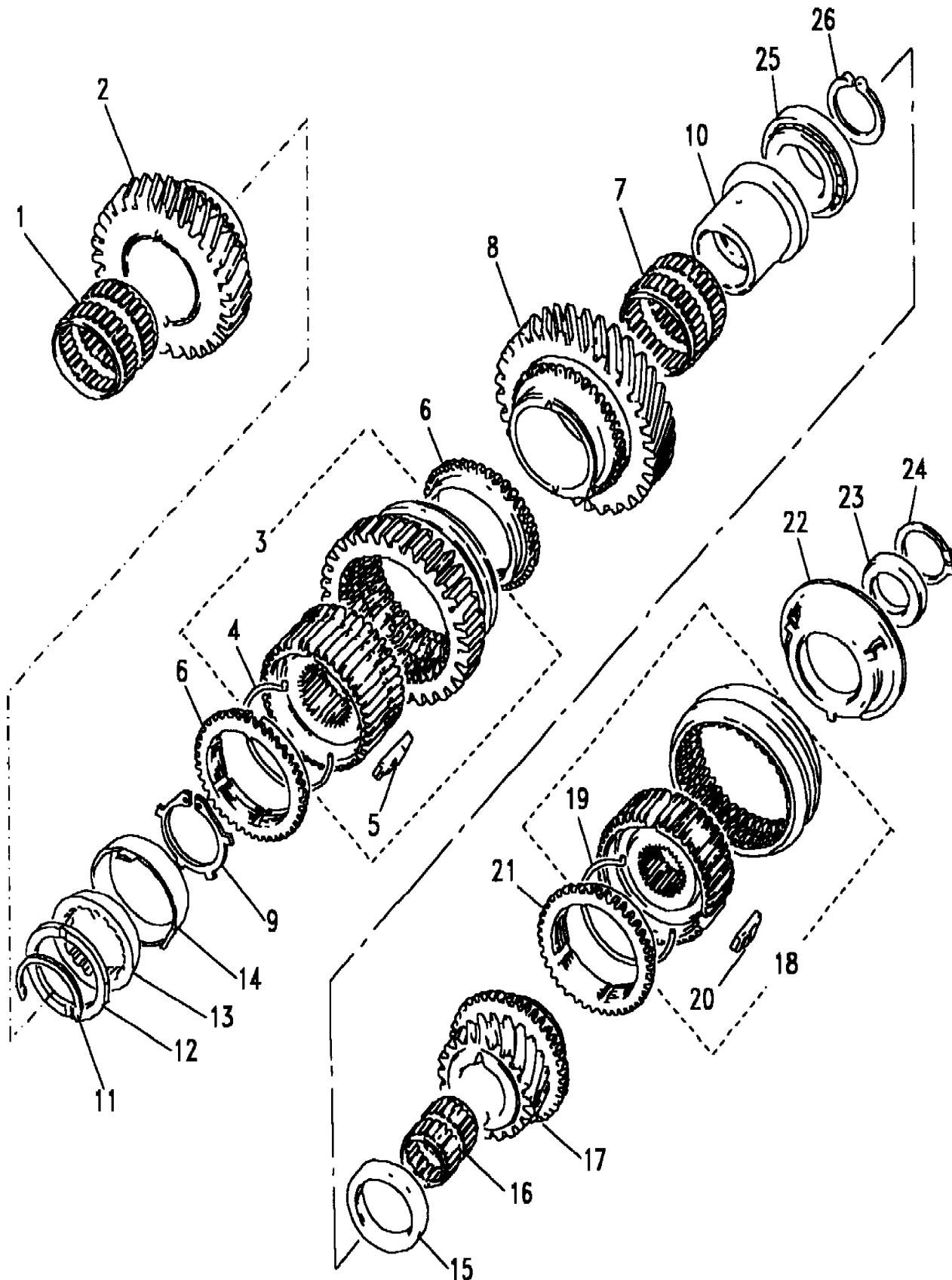
V8 Petrol, 5 Speed Manual Transmission

Callout	Name	Application	Remarks & Restrictions	Service No.	Qty
8	Gear-1st driven manual transmission	Change point - VIN end LA081991, V8 Twin Carb, Manual Transmission	Suffix G	FTC2089	1
		Change point - VIN end LA081991, V8 EFI, Manual Transmission	Suffix G	FTC1408	1
		Change point - VIN end LA081991, V8 EFI, Manual Transmission	Suffix H	FTC1982	1
9	Circlip	Change point - Gearbox end 55A0242819H, V8 EFI, Manual Transmission	man trans 1st & 2nd synchroniser hub, Suffix H	FTC2084	2
		Change point - Gearbox begin 55A0242820H, Change point - VIN end LA081991, V8 EFI, Manual Transmission	man trans 1st & 2nd synchroniser hub, Suffix H	FTC4009	2
10	Bush-1st gear selective	Change point - VIN end LA081991, V8 EFI, Manual Transmission	Suffix G, 40.16 to 40.21mm	FRC5243	1
		Change point - VIN end LA081991, V8 EFI, Manual Transmission	Suffix G, 40.21 to 40.26mm	FRC5244	1
		Change point - VIN end LA081991, V8 EFI, Manual Transmission	Suffix G, 40.26 to 40.31mm	FRC5245	1
		Change point - VIN end LA081991, V8 EFI, Manual Transmission	Suffix G, 40.31 to 40.36mm	FRC5246	1
		Change point - VIN end LA081991, V8 EFI, Manual Transmission	Suffix G, 40.36 to 40.41mm	FRC5247	1
		Change point - VIN end LA081991, V8 EFI, Manual Transmission	Suffix H, 30.905 to 30.955mm	FTC2005	1
		V8 EFI, Manual Transmission	Suffix H, 30.905 to 30.955mm	TUJ100050	1
		Change point - VIN end LA081991, V8 EFI, Manual Transmission	Suffix H, 30.955 to 31.005mm	FTC2006	1
		Change point - VIN end LA081991, V8 EFI, Manual Transmission	Suffix H, 31.005 to 31.055mm	FTC2007	1
		Change point - VIN end LA081991, V8 EFI, Manual Transmission	Suffix H, 31.055 to 31.105mm	FTC2008	1
		Change point - VIN end LA081991, V8 EFI, Manual Transmission	Suffix H, 31.105 to 31.155mm	FTC2009	1
		11	Circlip	Change point - VIN end LA081991, V8 EFI, Manual Transmission	man trans 2nd gear thrust washer, Suffix H
12	Washer-thrust manual transmission	Change point - VIN end LA081991, V8 EFI, Manual Transmission	Suffix H	FTC1301	2

Gearbox
77mm-5 Speed-Manual-V8
Mainshaft Gears 1st/2nd/5th 3/5

Discovery (FA393361-WA799999)

(CACEIC2A)



Discovery (FA393361-WA799999)

Gearbox
77mm-5 Speed-Manual-V8
Mainshaft Gears 1st/2nd/5th

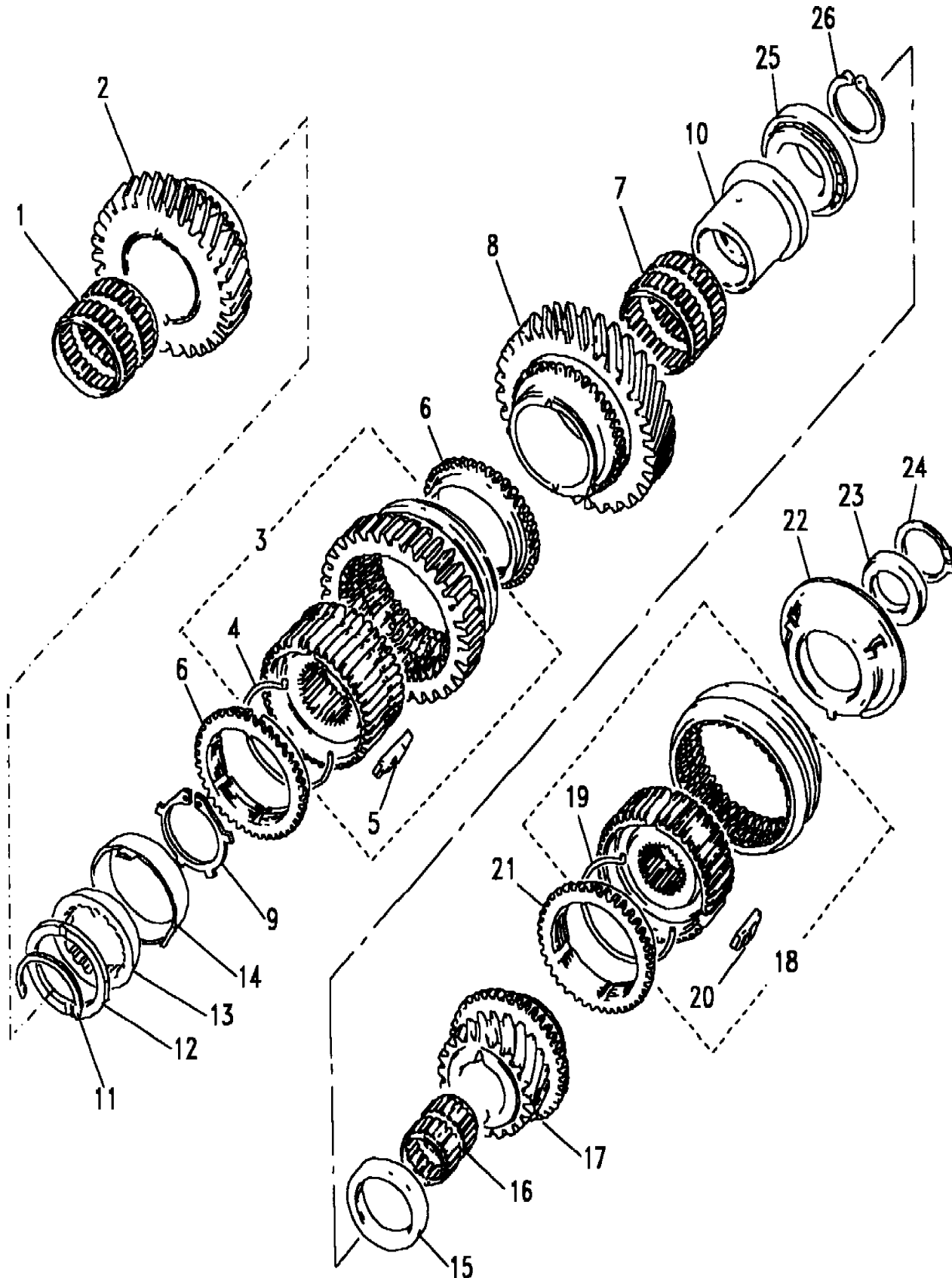
V8 Petrol, 5 Speed Manual Transmission

Callout	Name	Application	Remarks & Restrictions	Service No.	Qty
13	Cone-synchronizer inner	Change point - Gearbox end 55A0242819H, V8 EFI, Manual Transmission	Suffix H	FTC2283	2
		Change point - Gearbox begin 55A0242820H, Change point - VIN end LA081991, V8 EFI, Manual Transmission	Suffix H	FTC4008	2
14	Ring-synchroniser friction	Change point - Gearbox begin 55A0242820H, Change point - VIN end LA081991, V8 EFI, Manual Transmission	Suffix H	FTC4010	2
		Change point - Gearbox end 55A0242819H, V8 EFI, Manual Transmission	Suffix H	FTC2284	2
15	Collar-distance manual transmission	Change point - VIN end LA081991, V8 EFI, Manual Transmission	Suffix G	FTC916	1
		Change point - VIN end LA081991, V8 EFI, Manual Transmission	Suffix H	FTC916	1
16	Bearing-needle roller manual transmission	Change point - VIN end LA081991, V8 EFI, Manual Transmission		FRC5280	1
17	Gear-5th speed main shaft manual transmission	Change point - VIN end LA081991, V8 Twin Carb, Manual Transmission	Suffix G	FTC1791	1
		Change point - VIN end LA081991, 3.5L V8 EFI Petrol, Manual Transmission	Suffix G, Gearbox 59A V8 PI	FTC1791	1
		Change point - VIN end LA081991, 3.5L V8 EFI Petrol	Suffix G, Gearbox 59A V8 PI	FTC1791	1
		Change point - VIN end LA081991, 3.5L V8 EFI Petrol, Manual Transmission	Suffix H, Gearbox 59A V8 PI	FTC1791	1
		Change point - VIN end LA081991, 3.5L V8 EFI Petrol	Suffix H, Gearbox 59A V8 PI	FTC1791	1
		Change point - VIN end LA081991, 3.5L V8 EFI Petrol, Manual Transmission	Suffix H, Gearbox 53A Military Low Ratio	FTC1360	1
		Change point - VIN end LA081991, 3.5L V8 EFI Petrol	Suffix H, Gearbox 53A Military Low Ratio	FTC1360	1
		Change point - VIN end LA081991, V8 Twin Carb, Manual Transmission	Also serviced as part of a kit, Transmission LT 77, Suffix G	FRC9388	1
18	Synchroniser assembly-5th gear mainshaft assembly	Change point - VIN end LA081991, V8 EFI, Manual Transmission	Also serviced as part of a kit, Transmission LT 77, Suffix G	FTC1455	1

Gearbox
77mm-5 Speed-Manual-V8
Mainshaft Gears 1st/2nd/5th 4/5

Discovery (FA393361-WA799999)

(CACEIC2A)



Discovery (FA393361-WA799999)

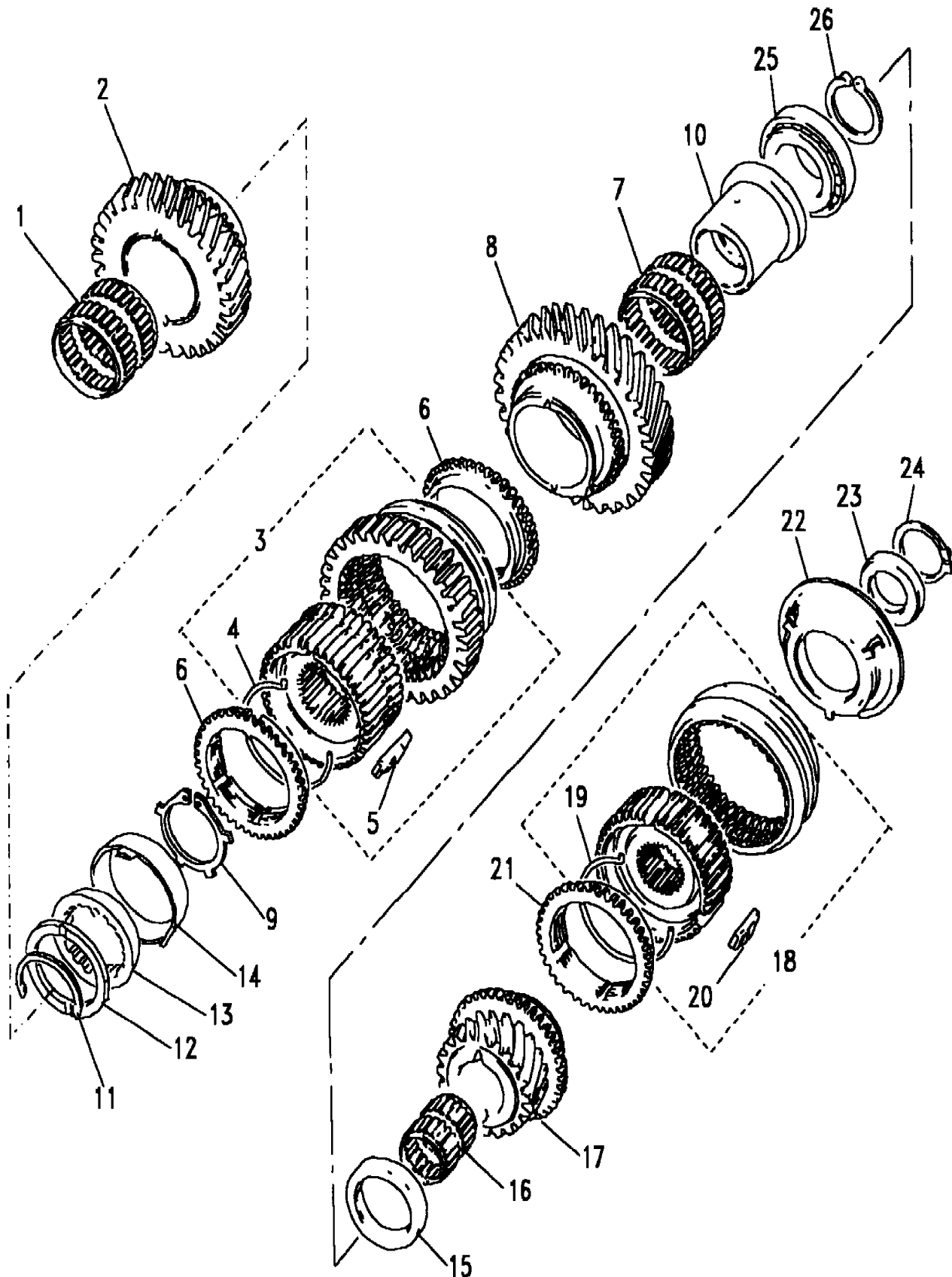
Gearbox
77mm-5 Speed-Manual-V8
Mainshaft Gears 1st/2nd/5th

V8 Petrol, 5 Speed Manual Transmission

Callout	Name	Application	Remarks & Restrictions	Service No.	Qty
18	Synchroniser assembly-5th gear mainshaft assembly	Change point - VIN end LA081991, V8 EFI, Manual Transmission	Also serviced as part of a kit, Transmission LT 77, Suffix H	FTC1329	1
19	Spring 1st & 2nd synchroniser	Change point - VIN end LA081991, V8 EFI, Manual Transmission	Also serviced as part of a kit, Transmission LT 77, Suffix H	UKC31L	1
20	Plate-synchroniser	Change point - VIN end LA081991, V8 EFI, Manual Transmission	Also serviced as part of a kit, Transmission LT 77, Suffix H	UKC3530L	3
21	Ring-baulk	Change point - VIN end LA081991, V8 EFI, Manual Transmission		FRC8232	1
22	Plate-5th gear synchroniser support	Change point - VIN end LA081991, V8 EFI, Manual Transmission		FRC5235	1
23	Shim	Change point - VIN end LA081991, V8 EFI, Manual Transmission	man trans 5th gear synchroniser hub, 5.10mm	FRC5284	X
		Change point - VIN end LA081991, V8 EFI, Manual Transmission	man trans 5th gear synchroniser hub, 5.16mm	FRC5286	X
		Change point - VIN end LA081991, V8 EFI, Manual Transmission	man trans 5th gear synchroniser hub, 5.22mm	FRC5288	X
		Change point - VIN end LA081991, V8 EFI, Manual Transmission	man trans 5th gear synchroniser hub, 5.28mm	FRC5290	X
		Change point - VIN end LA081991, V8 EFI, Manual Transmission	man trans 5th gear synchroniser hub, 5.34mm	FRC5292	X
		Change point - VIN end LA081991, V8 EFI, Manual Transmission	man trans 5th gear synchroniser hub, 5.40mm	FRC5294	X
		Change point - VIN end LA081991, V8 EFI, Manual Transmission	man trans 5th gear synchroniser hub, 5.46mm	FRC5296	X
		Change point - VIN end LA081991, V8 EFI, Manual Transmission	man trans 5th gear synchroniser hub, 5.52mm	FRC5298	X
		Change point - VIN end LA081991, V8 EFI, Manual Transmission	man trans 5th gear synchroniser hub, 5.58mm	FRC5300	X
		Change point - VIN end LA081991, V8 EFI, Manual Transmission	man trans 5th gear synchroniser hub, 5.64mm	FRC5302	X
24	Circlip	Change point - VIN end LA081991, V8 EFI, Manual Transmission	man trans 5th gear synchroniser hub	FRC9526	X
25	Bearing-taper roller	Change point - VIN end LA081991, V8 EFI, Manual Transmission		RTC2914	1

Gearbox
77mm-5 Speed-Manual-V8
Mainshaft Gears 1st/2nd/5th 5/5

Discovery (FA393361-WA799999)
(CACEIC2A)



Discovery (FA393361-WA799999)

Gearbox
77mm-5 Speed-Manual-V8
Mainshaft Gears 1st/2nd/5th

V8 Petrol, 5 Speed Manual Transmission

Callout	Name	Application	Remarks & Restrictions	Service No.	Qty
26	Circlip	Change point - VIN end LA081991, V8 EFI, Manual Transmission		FRC9812	1
[900]	Spacer	Change point - VIN end LA081991, V8 EFI, Manual Transmission		UKC37L	1

Gearbox
77mm-5 Speed-Manual-V8
Mainshaft Gears 3rd/4th 1/1

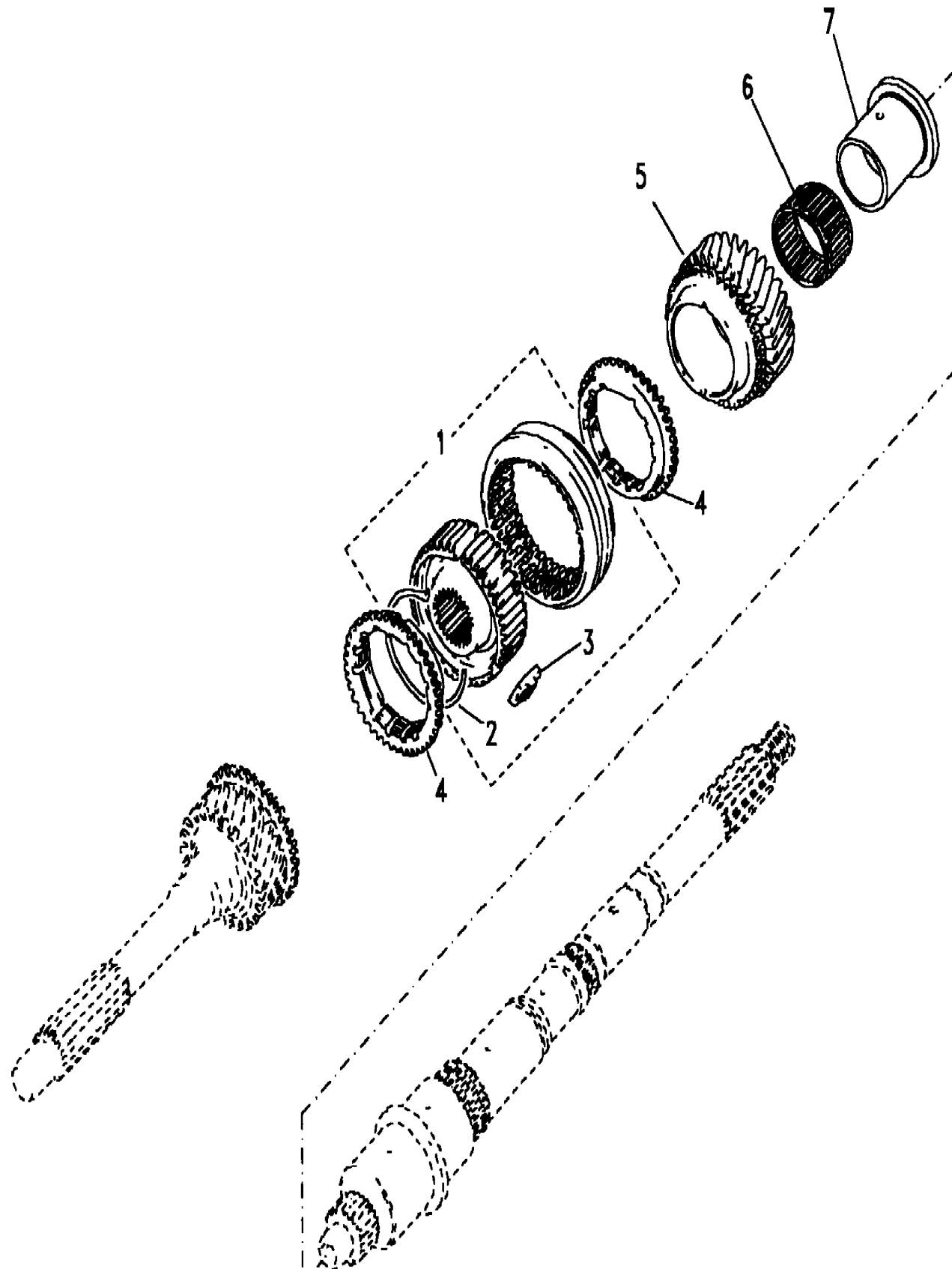
Discovery (FA393361-WA799999)
(CACEIC1A)

Discovery (FA393361-WA799999)

Gearbox
77mm-5 Speed-Manual-V8
Mainshaft Gears 3rd/4th

V8 Petrol, 5 Speed Manual Transmission, Manual Transmission

Callout	Name	Application	Remarks & Restrictions	Service No.	Qty
1	Synchroniser assembly-3rd & 4th mainshaft assembly	Change point - VIN end LA081991, V8 EFI	Also serviced as part of a kit, Transmission LT 77, Suffix G, Suffix H	FRC9792L	1
4	Ring-baulk	Change point - VIN end LA081991, V8 EFI	Also serviced as part of a kit, Transmission LT 77, Suffix G, Suffix H	FRC8232	2
		Change point - VIN end LA081991, V8 EFI	Suffix G, Suffix H	FRC8232	2
5	Gear-3rd driven manual transmission	Change point - VIN end LA081991, V8 EFI	LESS EFI, Suffix G	FTC358	1
		Change point - VIN end LA081991, V8 EFI	Suffix H	FTC2504	1
6	Bearing-needle roller	Change point - VIN end LA081991, V8 EFI	Suffix G	FRC5678	2
		Change point - VIN end LA081991, V8 EFI	Suffix H	FTC1313	2
7	Bush-3rd gear	Change point - VIN end LA081991, V8 EFI	Suffix G, Suffix H	FTC1310	1



Gearbox
77mm-5 Speed-Manual-V8
Oil Cooler 1/2

Discovery (FA393361-WA799999)

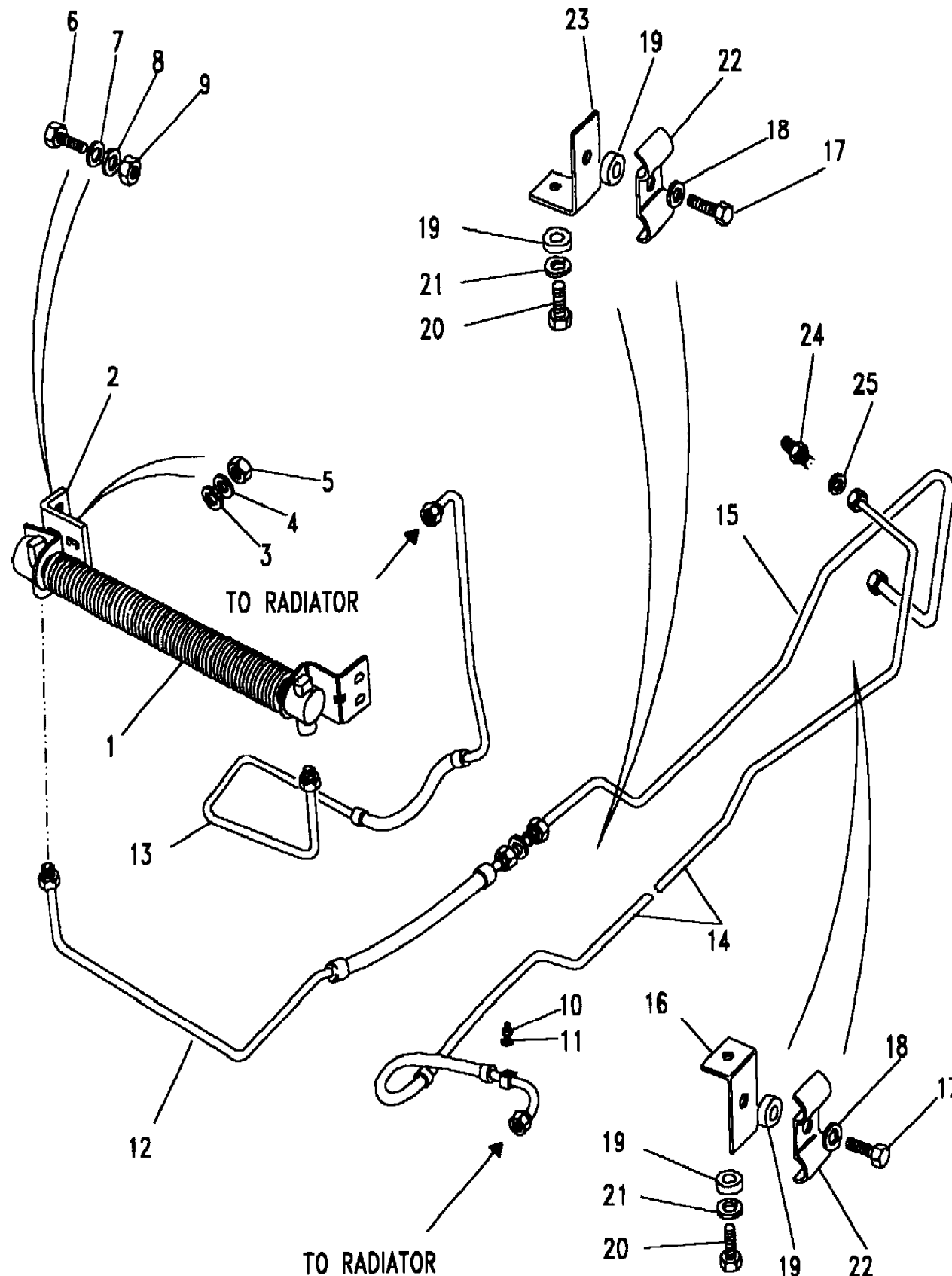
(CACEOA1B)

Discovery (FA393361-WA799999)

Gearbox
77mm-5 Speed-Manual-V8
Oil Cooler

V8 Petrol, 5 Speed Manual Transmission, Manual Transmission

Callout	Name	Application	Remarks & Restrictions	Service No.	Qty
1	Oil cooler transmission	Change point - VIN begin FA393361, Change point - VIN end GA456980, V8		NTC6166	1
		Change point - VIN begin HA456981, Change point - VIN end HA473001, V8		NTC6166	1
		Change point - VIN begin JA012333, V8		ESR295	1
		Change point - VIN begin HA000001, Change point - VIN end HA012332, V8		ESR295	1
		Change point - VIN begin HA473002, Change point - VIN end HA486551, V8		ESR295	1
		Change point - VIN begin KA034314, Change point - VIN end LA081990, V8		ESR1256	1
2	Bracket-mounting oil cooler	Change point - VIN end LA081990, V8		NTC1868	1
3	Washer	Change point - VIN end LA081990, V8	6MM	WA106041L	2
4	Washer	Change point - VIN end LA081990, V8	M6, sprung	WL106001L	2
5	Nut - Hex.	Change point - VIN end LA081990, V8	M6, nyloc, Hexagonal	NH106041L	2
6	Screw-flanged head	Change point - VIN end LA081990, V8	M6 X 16, Flanged Head	FS106167L	4
7	Washer	Change point - VIN end LA081990, V8	6MM	WA106041L	4
8	Washer	Change point - VIN end LA081990, V8	M6, sprung	WL106001L	4
9	Nut - Hex.	Change point - VIN end LA081990, V8	M6, nyloc, Hexagonal	NH106041L	4
10	Switch-transmission oil cooler temperature	Change point - VIN end LA081990, V8		PRC3139	1
		Change point - VIN end LA081990, V8		PRC8473	1
11	Washer-sealing	Change point - VIN end LA081990, V8		232039	1
12	Pipe-oil cooler/transmission	Change point - VIN end JA034313, V8	Also serviced as part of a kit, Front	NTC5799	1
		Change point - VIN begin KA034314, Change point - VIN end LA081990, V8, Manual Transmission	Also serviced as part of a kit	ESR1243	1
13	Pipe-oil cooler/transmission	Change point - VIN end JA034313, V8		NTC7275	1



Gearbox
77mm-5 Speed-Manual-V8
Oil Cooler 2/2

Discovery (FA393361-WA799999)

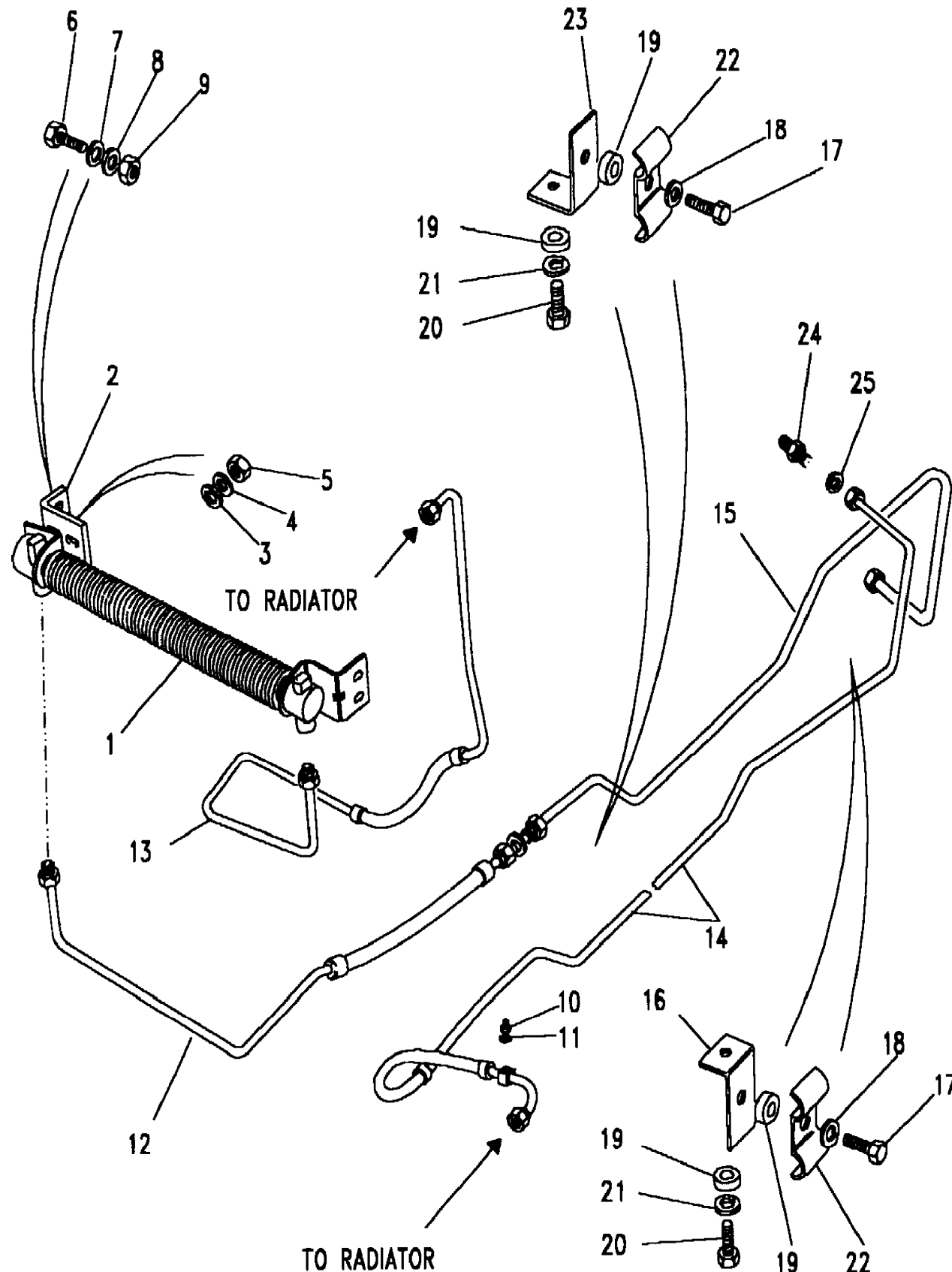
(CACEOA1B)

Discovery (FA393361-WA799999)

Gearbox
77mm-5 Speed-Manual-V8
Oil Cooler

V8 Petrol, 5 Speed Manual Transmission, Manual Transmission

Callout	Name	Application	Remarks & Restrictions	Service No.	Qty
13	Pipe-oil cooler/transmission	Change point - VIN begin KA034314, Change point - VIN end LA081990, V8	Also serviced as part of a kit	ESR1247	1
14	Pipe-oil cooler/transmission	Change point - VIN end JA034313, V8 Change point - VIN begin KA034314, Change point - VIN end LA081990, V8		ESR269 ESR2094	1 1
15	Pipe-oil cooler/transmission	Change point - VIN end JA034313, V8 Change point - VIN begin KA034314, Change point - VIN end LA081990, V8	Also serviced as part of a kit	ESR270 ESR2093	1 1
16	Bracket-mounting oil pipe	Change point - VIN end LA081990, V8		NTC5794	1
17	Screw	Change point - VIN end LA081990, V8	hexagonal head, 5/8UNC x 1	SH505081L	2
18	Washer	Change point - VIN end LA081990, V8	M6, sprung	WL106001L	2
19	Washer-Plain	Change point - VIN end LA081990, V8		4266L	4
20	Screw	Change point - VIN end LA081990, V8	hexagonal head, 5/8UNC x 1	SH505081L	2
21	Washer	Change point - VIN end LA081990, V8	M8, sprung	WL108001L	2
22	Clamp	Change point - VIN end LA081990, V8		594637	2
23	Bracket-mounting oil pipe	Change point - VIN end LA081990, V8		NTC5897	1
24	Adaptor-pipe-dual male	Change point - VIN end LA081990, V8		FTC815	2
25	Seal	Change point - VIN end LA081990, V8		FTC1525	2
[902]	O Ring	Change point - VIN begin KA034314, Change point - VIN end LA081990, V8	transmission oil cooler hose, Also serviced as part of a kit	ESR1594L	1



Gearbox
77mm-5 Speed-Manual-V8
Selectors & Yoke Assembly 1/3

Discovery (FA393361-WA799999)

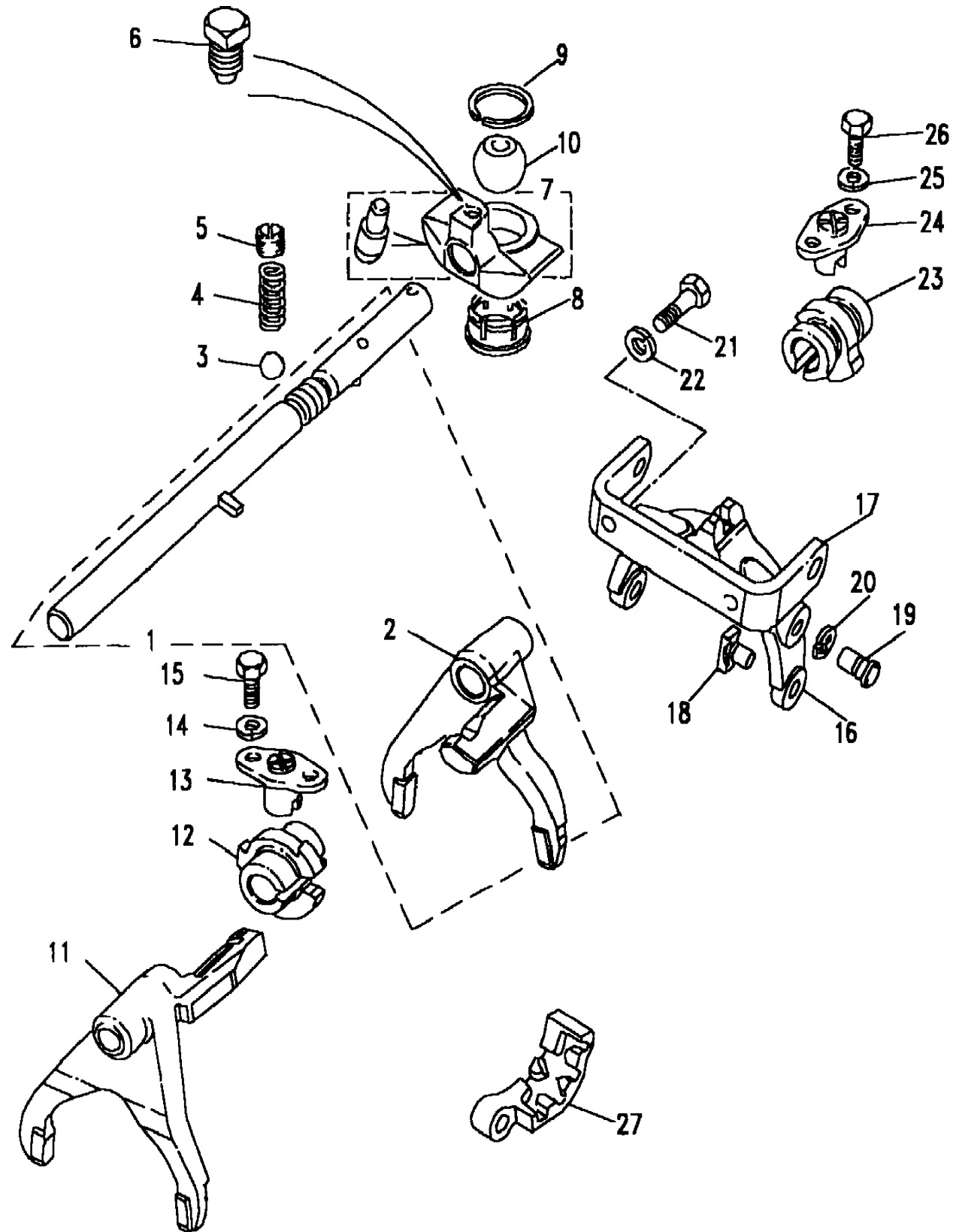
(CACEKA1A)

Discovery (FA393361-WA799999)

Gearbox
77mm-5 Speed-Manual-V8
Selectors & Yoke Assembly

V8 Petrol, 5 Speed Manual Transmission, Manual Transmission

Callout	Name	Application	Remarks & Restrictions	Service No.	Qty
1	Shaft & lever assembly-selector manual transmission	Change point - VIN end LA081991, V8	Also serviced as part of a kit, Suffix G	FTC1491	1
		Change point - VIN end LA081991, V8	Also serviced as part of a kit, Suffix H	FTC1316	1
2	Fork assembly-selector-1st/ 2nd manual transmission	Change point - VIN end LA081991, V8	Also serviced as part of a kit, Suffix G	FTC1490	1
		Change point - VIN end LA081991, V8	Also serviced as part of a kit, Suffix H	FTC2450	1
3	Ball-detent manual transmission	Change point - VIN end LA081991, V8		BLS112L	1
4	Spring-detent manual transmission	Change point - VIN end LA081991, V8	Suffix G	FRC7195	1
		Change point - VIN end LA081991, V8	Suffix H	FTC3382	1
5	Plug	Change point - VIN end LA081991, V8	Suffix G	UKC75	1
		Change point - VIN end LA081991, V8	Suffix H	FTC2193	1
6	Screw-Grub	Change point - VIN end LA081991, V8	Also serviced as part of a kit	FTC4536	1
7	Yoke assembly-selector rod	Change point - VIN end 59A0120117H, V8	Also serviced as part of a kit	FTC1486	1
		Change point - VIN begin 59A0120118H, Change point - VIN end LA081991, V8	Also serviced as part of a kit	STC1063	1
8	Bush-selector yoke spherical	Change point - VIN end 59A0120117H, V8		FRC9986	1
		Change point - VIN begin 59A0120118H, Change point - VIN end LA081991, V8	Also serviced as part of a kit	FTC2203	1
9	Ring-Snap	Change point - VIN end LA081991, V8		FRC8882	1
10	Ball-selector yoke	Change point - VIN end LA081991, V8		FRC8485	1
11	Fork assembly-3rd & 4th manual transmission	Change point - VIN end LA081991, V8	Suffix G	FTC1489	1
		Change point - VIN end LA081991, V8	Suffix H	FTC1489	1
12	Spool-interlock	Change point - VIN end LA081991, V8		TKC290L	1



156417/B

Gearbox
77mm-5 Speed-Manual-V8
Selectors & Yoke Assembly 2/3

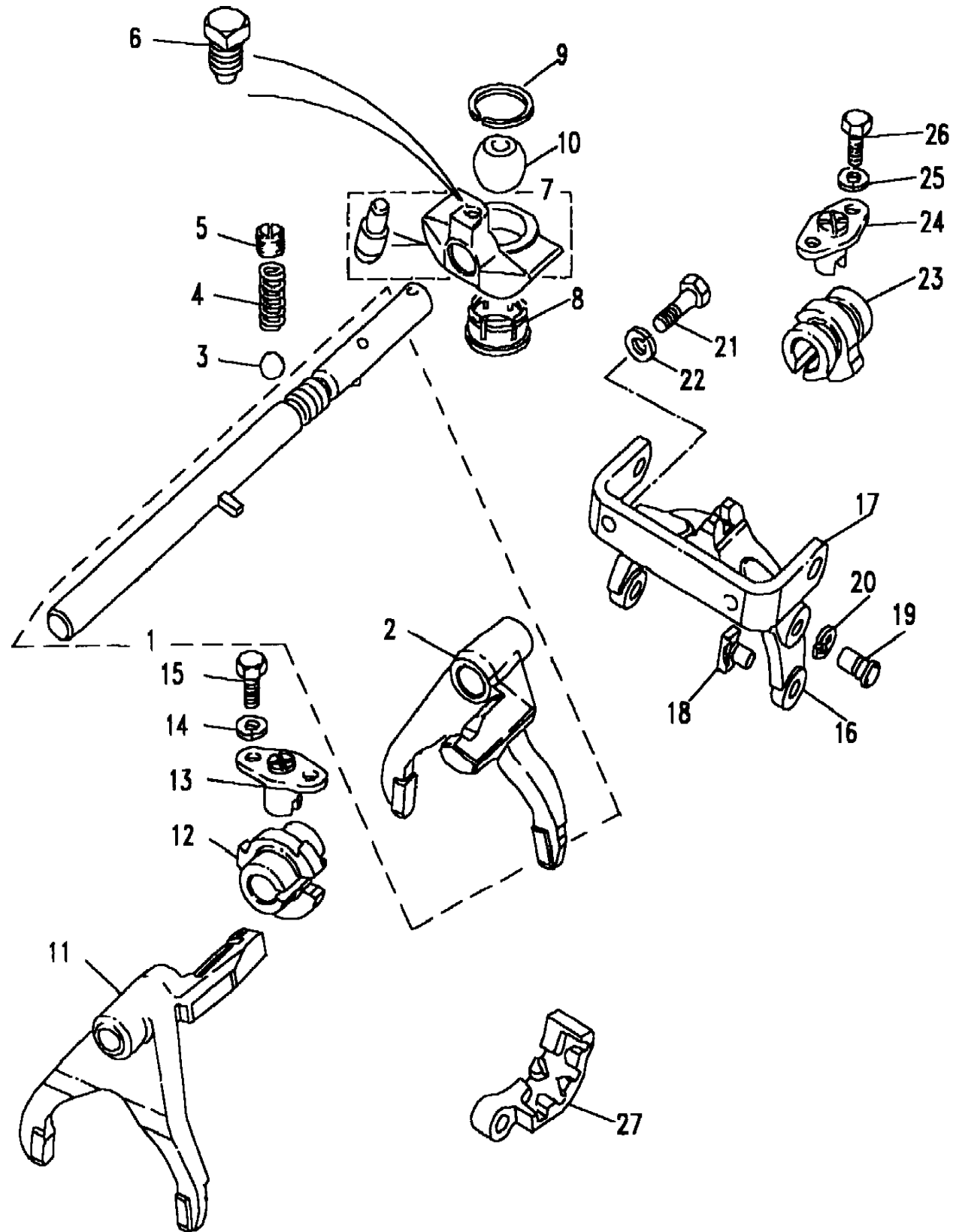
Discovery (FA393361-WA799999)
(CACEKA1A)

Discovery (FA393361-WA799999)

Gearbox
77mm-5 Speed-Manual-V8
Selectors & Yoke Assembly

V8 Petrol, 5 Speed Manual Transmission, Manual Transmission

Callout	Name	Application	Remarks & Restrictions	Service No.	Qty
13	Retainer-interlock	Change point - VIN end LA081991, V8		UKC3660L	1
14	Washer-Spring	Change point - VIN end LA081991, V8	M6, Square	WM106001L	2
15	Screw-flanged head	Change point - VIN end LA081991, V8	M6 X 16, Flanged Head	FS106167L	2
16	Fork assembly-5th manual transmission	Change point - VIN end LA081991, V8		FRC8482	1
17	Bracket-5th gear selector fork support	Change point - VIN end LA081991, V8		FRC8481	1
18	Pad-5th gear selector fork	Change point - VIN end LA081991, V8		532943	1
19	Pin-clevis/pivot	Change point - VIN end LA081991, V8		UKC2089L	2
20	Circlip	Change point - VIN end LA081991, V8		UKC2105L	2
21	Screw-flanged head	Change point - VIN end LA081991, V8	M6 X 16, Flanged Head	FS106167L	2
22	Washer	Change point - VIN end LA081991, V8	M8, sprung	WL108001L	2
23	Spool-interlock	Change point - VIN end LA081991, V8		FRC7192	1
24	Retainer-interlock	Change point - VIN end LA081991, V8		FRC4905	1
25	Washer	Change point - VIN end LA081991, V8	M6, sprung	WL106001L	2
26	Screw-flanged head	Change point - VIN end LA081991, V8 Change point - Gearbox end 55A0183938H, V8 V8	M6 X 16, Flanged Head M8 X 35, hexagonal head M8 X 35, Flanged Head	FS106167L SH108351L FS108357	2 2 2
27	Plate-lever-gating selector mechanism	Change point - Gearbox end 55A0183938H, V8		FTC1512	1
[901]	Pin-selector lever/shaft manual transmission	Change point - VIN end LA081991, V8	Also serviced as part of a kit, Suffix G	FRC8127	1
		Change point - VIN end LA081991, V8	Also serviced as part of a kit, Suffix H	FRC8127	1
[902]	Pin-selector manual transmission	Change point - VIN end 59A0120117H, V8	Also serviced as part of a kit	FTC1488	1



156477/B

Gearbox
77mm-5 Speed-Manual-V8
Selectors & Yoke Assembly 3/3

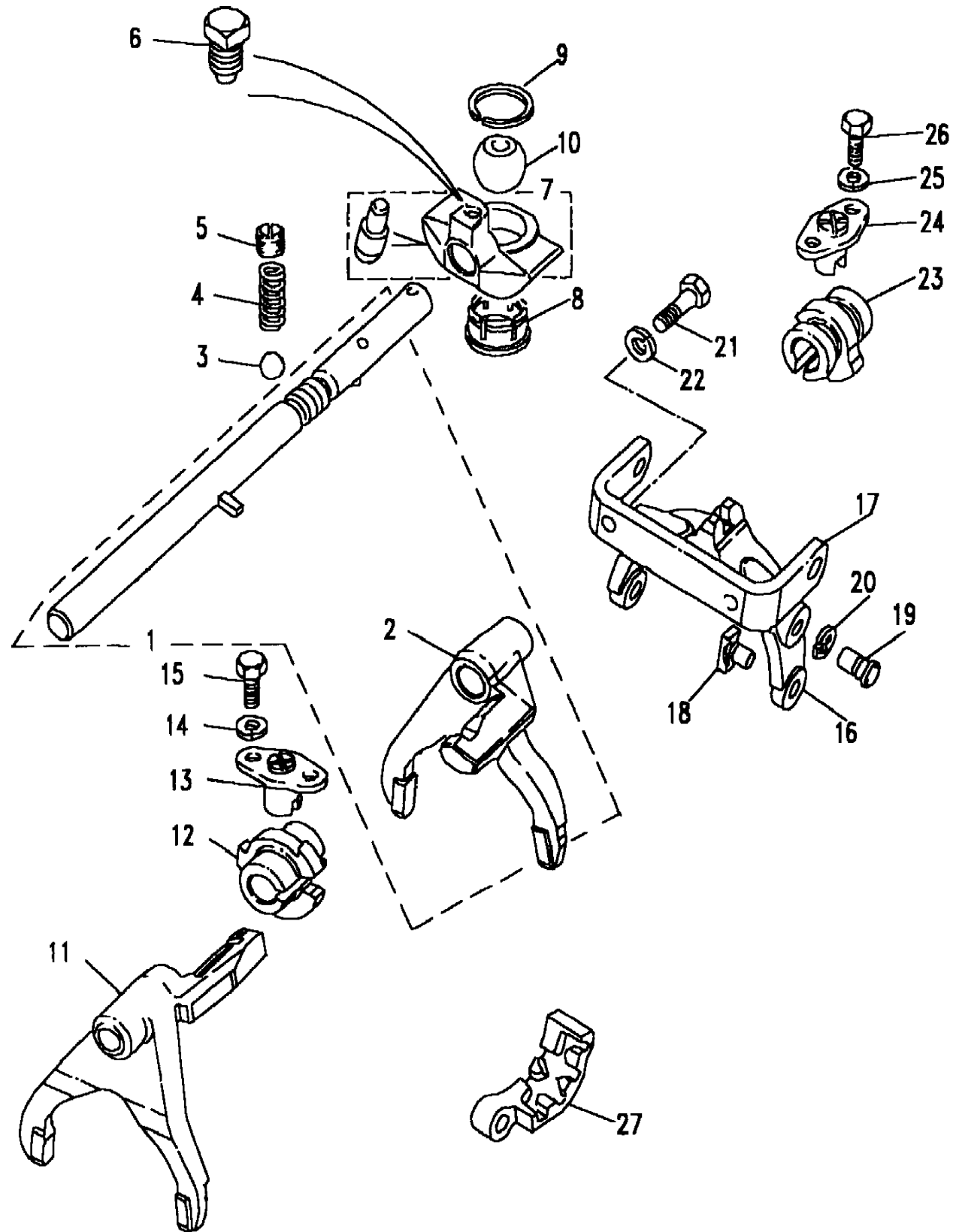
Discovery (FA393361-WA799999)
(CACEKA1A)

Discovery (FA393361-WA799999)

Gearbox
77mm-5 Speed-Manual-V8
Selectors & Yoke Assembly

V8 Petrol, 5 Speed Manual Transmission, Manual Transmission

Callout	Name	Application	Remarks & Restrictions	Service No.	Qty
[903]	Retainer-interlock	Change point - VIN end LA081991, V8		FRC8239	1
[904]	O Ring	Change point - VIN end LA081991, V8		FRC8170	1
[905]	Dowel	Change point - VIN end LA081991, V8		FRC2481	2

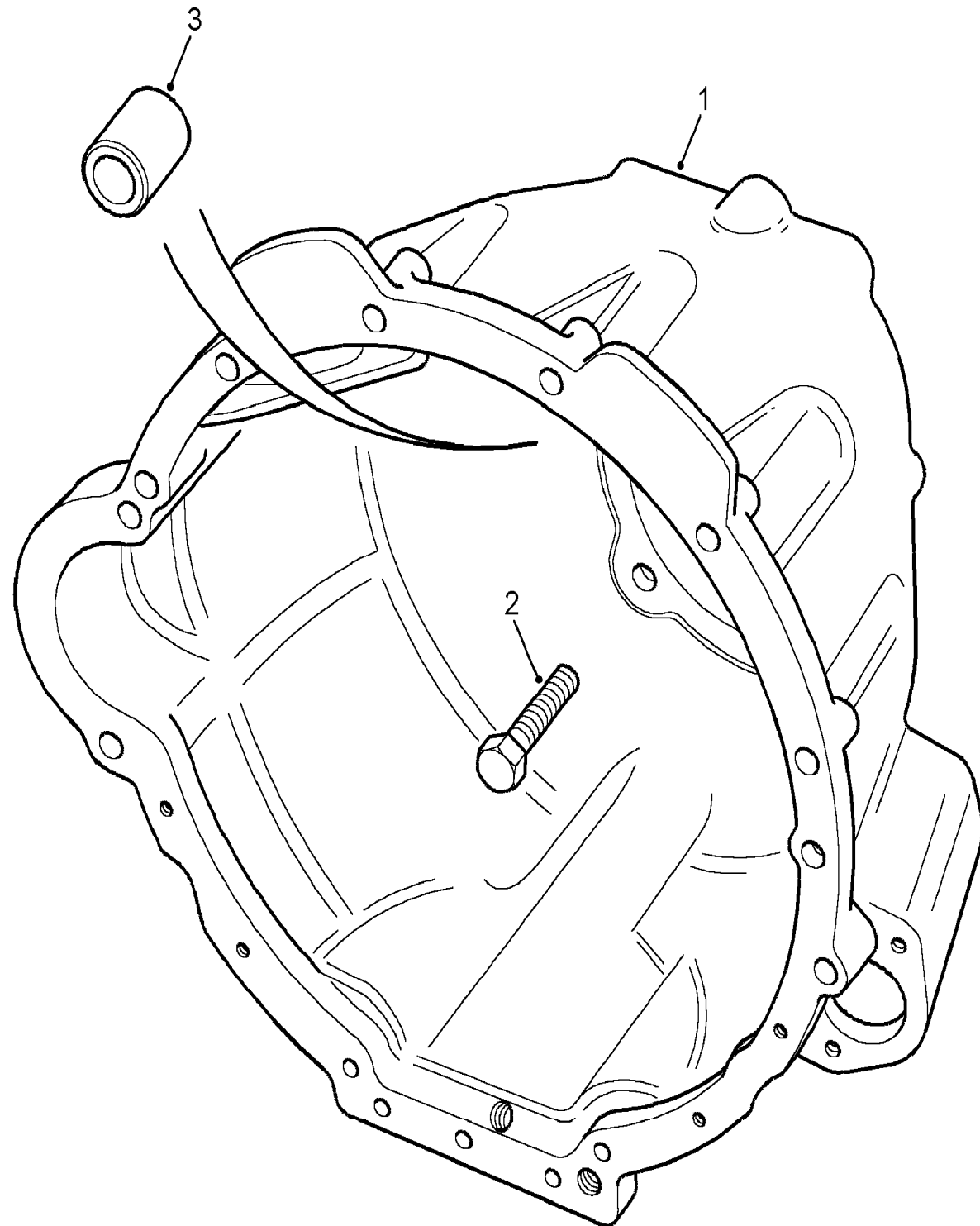


156477/B

Gearbox
R380-5 Speed-Manual
Bell Housing 1/2

Discovery (FA393361-WA799999)

(AHCFEA2A)



AHCFEA2A

Discovery (FA393361-WA799999)

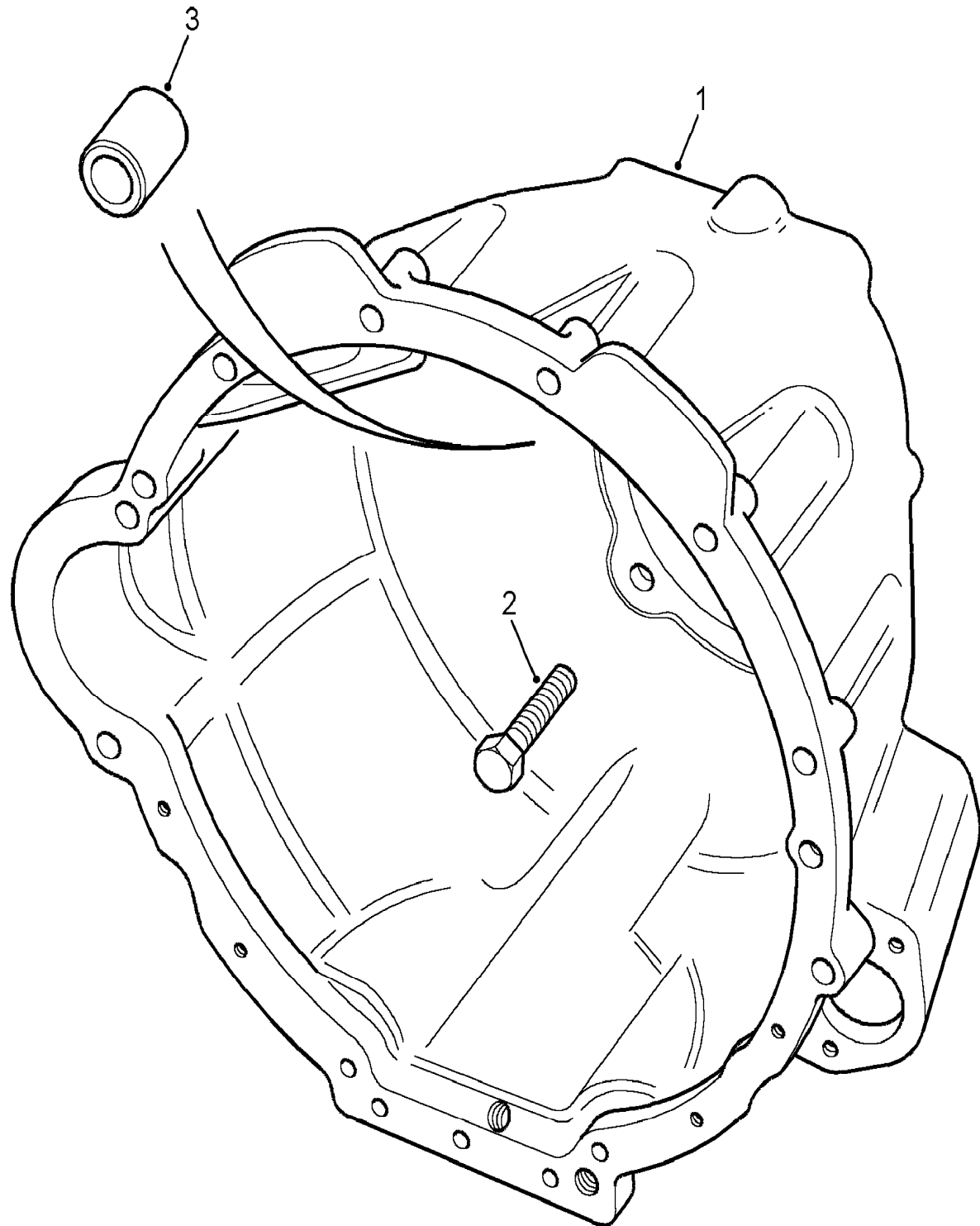
Gearbox
R380-5 Speed-Manual
Bell Housing

5 Speed Manual Transmission

Callout	Name	Application	Remarks & Restrictions	Service No.	Qty
1	Housing-clutch manual transmission	MPi, Manual Transmission	Also serviced as part of a kit, Transmission R 380	FTC3921	1
		V8 Twin Carb	Also serviced as part of a kit, Transmission R 380	FTC3922	1
		TDi Diesel, Manual Transmission	Also serviced as part of a kit, Transmission R 380	FTC3921	1
		V8 EFI Petrol	Also serviced as part of a kit, Transmission R 380	FTC3922	1
		V8 Petrol, Manual Transmission	Transmission R 380	UNB100190	1
2	Screw-flanged head	TDi, Manual Transmission,	Transmission R 380, M12 x 40	FS112401L	6
		V8, Manual Transmission	Transmission R 380, hexagonal head, M5 x 16	SH105161L	1
		4 Cyl TDi, Manual Transmission	M8 X 14, Transmission R 380, hexagonal head	SH108141L	1
3	Dowel	TDi, Manual Transmission,	housing to gear case, Transmission R 380	UKC25L	2
		4 Cyl TDi, Manual Transmission	Transmission R 380	571134	2
		4 Cyl MPi, Manual Transmission	Transmission R 380	571134	2
[900]	Plug-coolant drain	TDi, Manual Transmission,	Transmission R 380	3290	1
[901]	Bolt	V8, Manual Transmission	Transmission R 380, hexagonal head, 3/8UNC x 2	BH506161L	8
		4 Cyl TDi, Manual Transmission	Transmission R 380, Flanged Head, M10 x 35	FB110071L	4
[902]	Clip-cable	V8, Manual Transmission	Transmission R 380	586440	1
[903]	Nut-hexagonal	V8, Manual Transmission	M5, Transmission R 380	NH105041L	1
[904]	Washer	V8, Manual Transmission	M5, Transmission R 380, Plain, Standard	WA105001L	1
		V8, Manual Transmission	M5, Transmission R 380, retaining	WL105001L	1
		4 Cyl MPi, Manual Transmission	M10, Transmission R 380	WA110061L	13
[905]	Nut - Hex.	4 Cyl TDi, Manual Transmission	M10, Transmission R 380, flange	FN110041L	9
		4 Cyl MPi, Manual Transmission	M10, Transmission R 380, flange	FN110041L	13
[906]	Nut-flange	4 Cyl TDi, Manual Transmission	M10, Transmission R 380, flange	FN110047	9
		4 Cyl MPi, Manual Transmission	M10, Transmission R 380, flange	FN110047	13
[907]	Clip-Pipe	4 Cyl TDi, Manual Transmission	Transmission R 380	622324	1
		4 Cyl MPi, Manual Transmission	Transmission R 380	622324	1

Gearbox
R380-5 Speed-Manual
Bell Housing 2/2

Discovery (FA393361-WA799999)
(AHCFEA2A)



Discovery (FA393361-WA799999)

Gearbox
R380-5 Speed-Manual
Bell Housing

5 Speed Manual Transmission

Callout	Name	Application	Remarks & Restrictions	Service No.	Qty
[908]	Stud	4 Cyl MPi, Manual Transmission	Transmission R 380, M10 x 30	TE110061L	13
[909]	Jacket insulation upper	V8, Manual Transmission,	Transmission R 380	FTC4829	1
[910]	Jacket insulation lower	V8, Manual Transmission,	Transmission R 380	FTC4830	1
[911]	Fixing clip jacket	V8, Manual Transmission,	Transmission R 380	FTC4900	4

Gearbox
R380-5 Speed-Manual
Bottom Cover 1/1

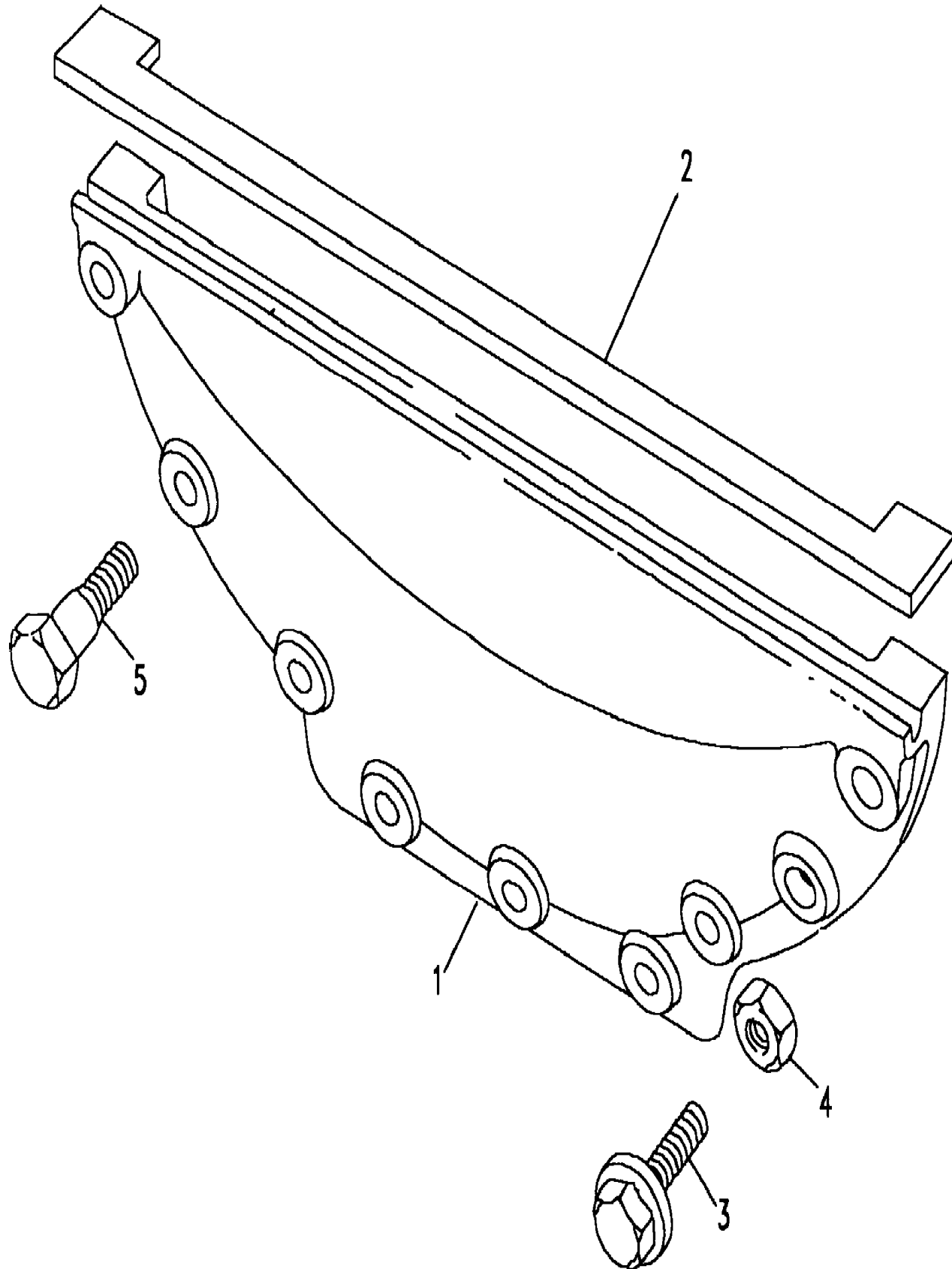
Discovery (FA393361-WA799999)
(CACFEA2A)

Discovery (FA393361-WA799999)

Gearbox
R380-5 Speed-Manual
Bottom Cover

5 Speed, Manual Transmission

Callout	Name	Application	Remarks & Restrictions	Service No.	Qty
1	Cover-bell housing		bottom	FRC2859	1
2	Seal		bottom	594087	1
3	Screw		Flanged Head, M6 x 25	FS106255L	2
4	Nut-flange		M6	FN106047L	3
5	Bolt			594134	2



Gearbox
R380-5 Speed-Manual
Clutch Release Mechanism 1/1

Discovery (FA393361-WA799999)

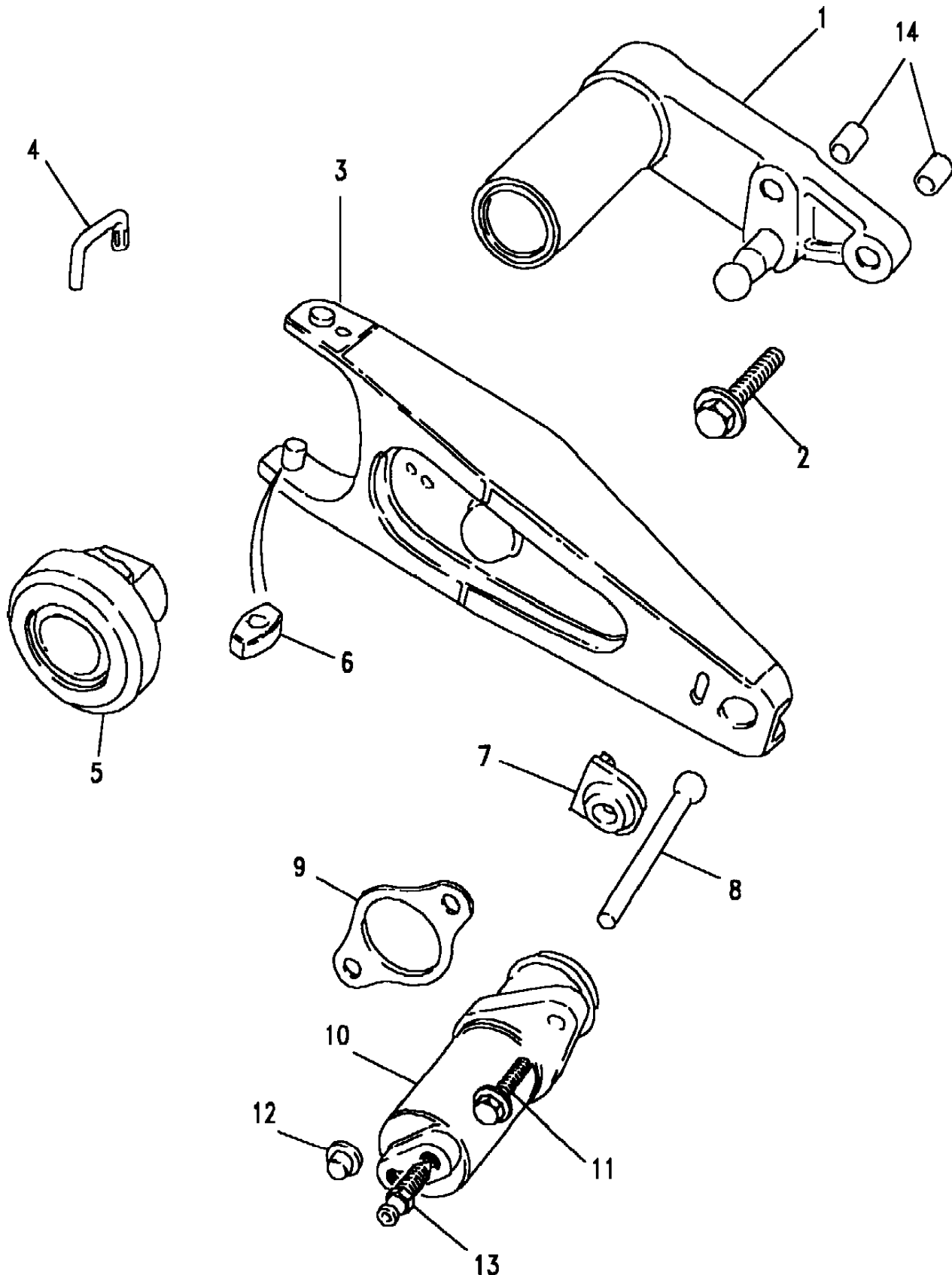
(CACFCA2A)

Discovery (FA393361-WA799999)

Gearbox
R380-5 Speed-Manual
Clutch Release Mechanism

4 Cylinder TDi Diesel, Manual Transmission, 5 Speed

Callout	Name	Application	Remarks & Restrictions	Service No.	Qty
1	Guide-clutch release bearing	TDi, Manual Transmission	Aluminium, Suffix J	FTC1271	1
		TDi, Manual Transmission	Cast Iron, Suffix K	FTC5218	1
2	Bolt	TDi, Manual Transmission	Flanged Head, M8 x 40	FB108081L	2
3	Arm-clutch release clutch	TDi, Manual Transmission		FTC2957	1
4	Retention-bearing clutch release	TDi, Manual Transmission		FRC3416	1
5	Bearing-clutch release	TDi, Manual Transmission	Also serviced as part of a kit	FRC9568	1
		TDi, Manual Transmission		FTC5200	1
6	Pad-clutch release lever slipper	TDi, Manual Transmission		FRC5255	2
7	Clip	TDi, Manual Transmission		FRC3327	1
8	Rod-push slave cylinder	TDi, Manual Transmission		FTC3912	1
9	Plate	TDi, Manual Transmission		FRC2402	1
10	Slave cylinder clutch	Change point - Gearbox end 437139J, TDi, Manual Transmission		FTC3911	1
		Change point - Gearbox begin 437140J, TDi, Manual Transmission	Transmission R 380	FTC5072	1
11	Screw	TDi, Manual Transmission	M8 x 25, Flanged Head	FS108251ML	2
12	Cap-protective	TDi, Manual Transmission		594091	1
13	Screw-bleed clutch slave cylinder	TDi, Manual Transmission		606733	1
14	Dowel	TDi, Manual Transmission		FRC2481	2
[900]	Kit-repair clutch slave cylinder	TDi, Manual Transmission		STC2818	1



Gearbox
R380-5 Speed-Manual
Clutch Release Mechanism 1/2

Discovery (FA393361-WA799999)

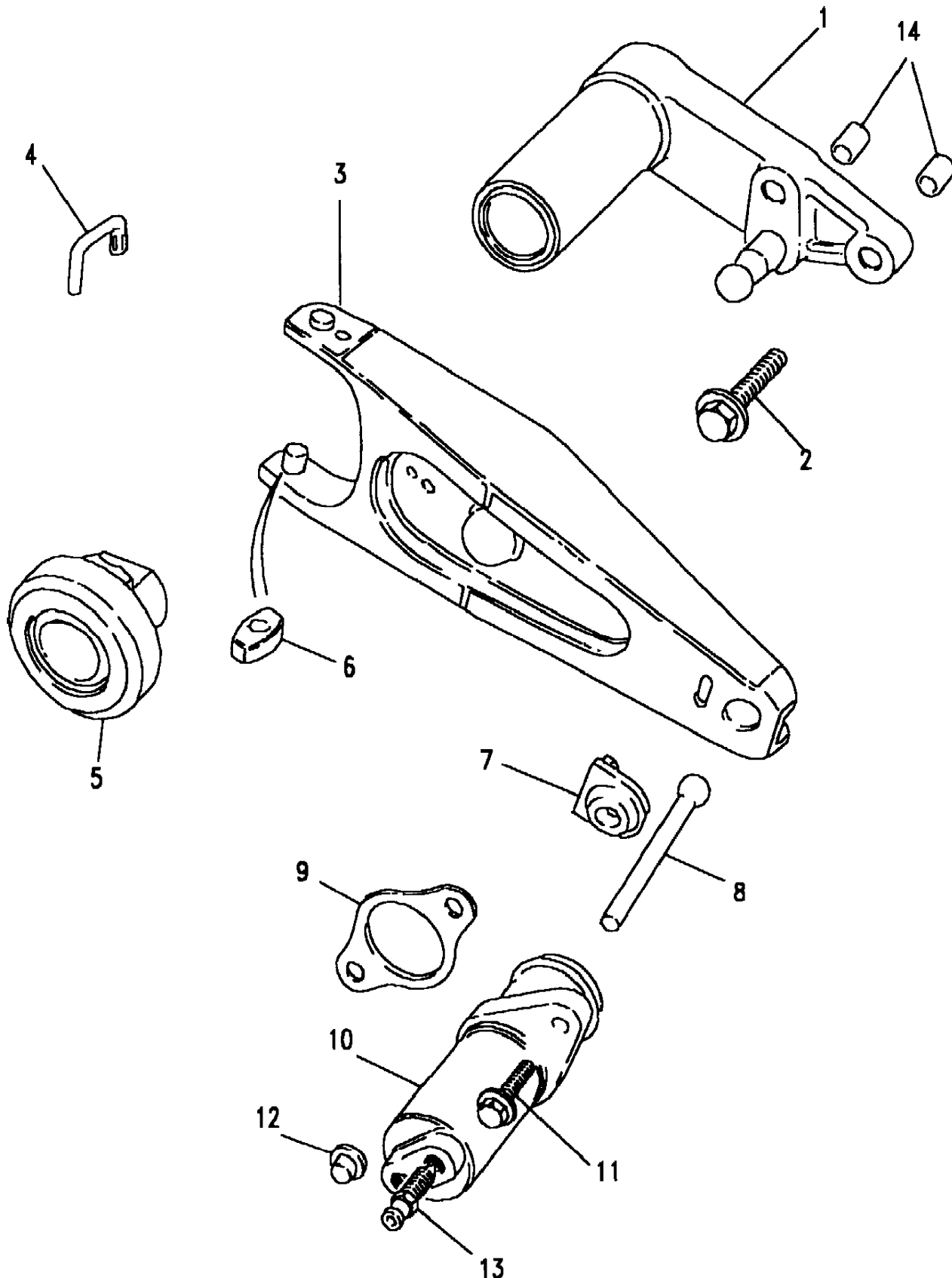
(CACFCA1A)

Discovery (FA393361-WA799999)

Gearbox
R380-5 Speed-Manual
Clutch Release Mechanism

4 Cyl MPi Petrol, Manual Transmission, 5 Speed

Callout	Name	Application	Remarks & Restrictions	Service No.	Qty
1	Guide-clutch release bearing	Change point - VIN begin MA081992, MPi, Manual Transmission	Aluminium, Suffix J	FTC1271	1
2	Bolt	Change point - VIN begin MA081992, MPi, Manual Transmission	Flanged Head, M8 x 40	FB108081L	2
3	Arm-clutch release clutch	Change point - VIN begin MA081992, MPi, Manual Transmission		FTC2957	1
4	Retention-bearing clutch release	Change point - VIN begin MA081992, MPi, Manual Transmission		FRC3416	1
5	Bearing-clutch release	Change point - VIN begin MA081992, MPi, Manual Transmission	Also serviced as part of a kit	FTC2772	1
6	Pad-clutch release lever slipper	Change point - VIN begin MA081992, MPi, Manual Transmission		FRC5255	2
7	Clip	Change point - VIN begin MA081992, MPi, Manual Transmission		FRC3327	1
8	Rod-push slave cylinder	Change point - VIN begin MA081992, MPi, Manual Transmission		FTC3912	1
9	Plate	Change point - Gearbox end 437139J, MPi, Manual Transmission		FRC2402	1
10	Slave cylinder clutch	Change point - Gearbox end 437139J, MPi, Manual Transmission Change point - Gearbox begin 437140J, MPi, Manual Transmission	Transmission R 380	FTC3911 FTC5072	1 1
11	Screw	Change point - VIN begin MA081992, MPi, Manual Transmission	M8 x 25, Flanged Head	FS108251ML	2
12	Cap-protective	Change point - VIN begin MA081992, MPi, Manual Transmission		594091	1
13	Screw-bleed clutch slave cylinder	Change point - VIN begin MA081992, MPi, Manual Transmission		606733	1
14	Dowel	Change point - VIN begin MA081992, MPi, Manual Transmission		FRC2481	2



Gearbox
R380-5 Speed-Manual
Clutch Release Mechanism 2/2

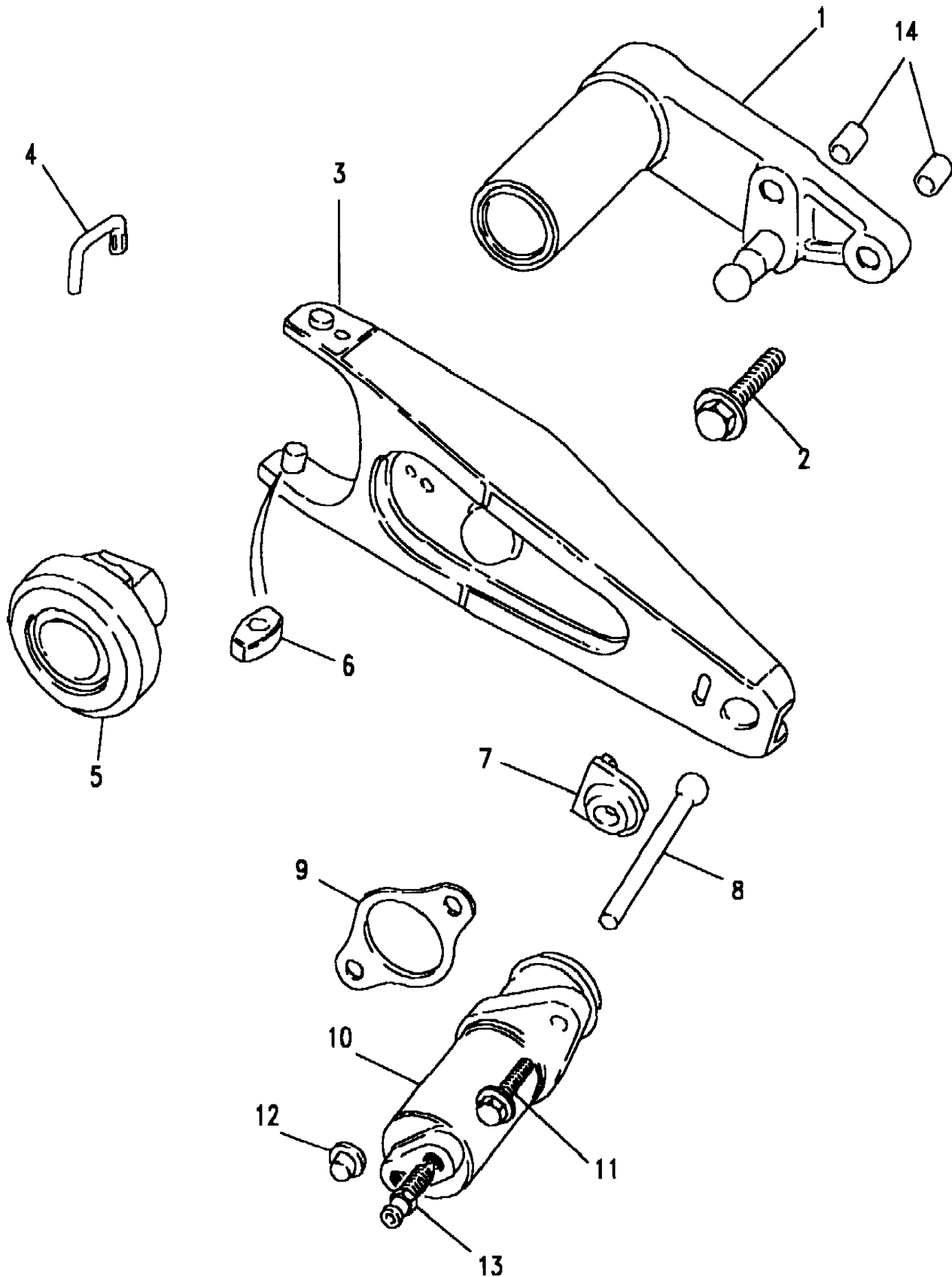
Discovery (FA393361-WA799999)
(CACFCA1A)

Discovery (FA393361-WA799999)

Gearbox
R380-5 Speed-Manual
Clutch Release Mechanism

4 Cyl MPi Petrol, Manual Transmission, 5 Speed

Callout	Name	Application	Remarks & Restrictions	Service No.	Qty
[900]	Guide-clutch release bearing	MPi, Manual Transmission	Cast Iron, Suffix K	FTC5218	1
[901]	Kit-repair clutch slave cylinder	Change point - VIN begin MA081992, MPi, Manual Transmission		STC2818	1



Gearbox
R380-5 Speed-Manual
Clutch Release Mechanism 1/2

Discovery (FA393361-WA799999)

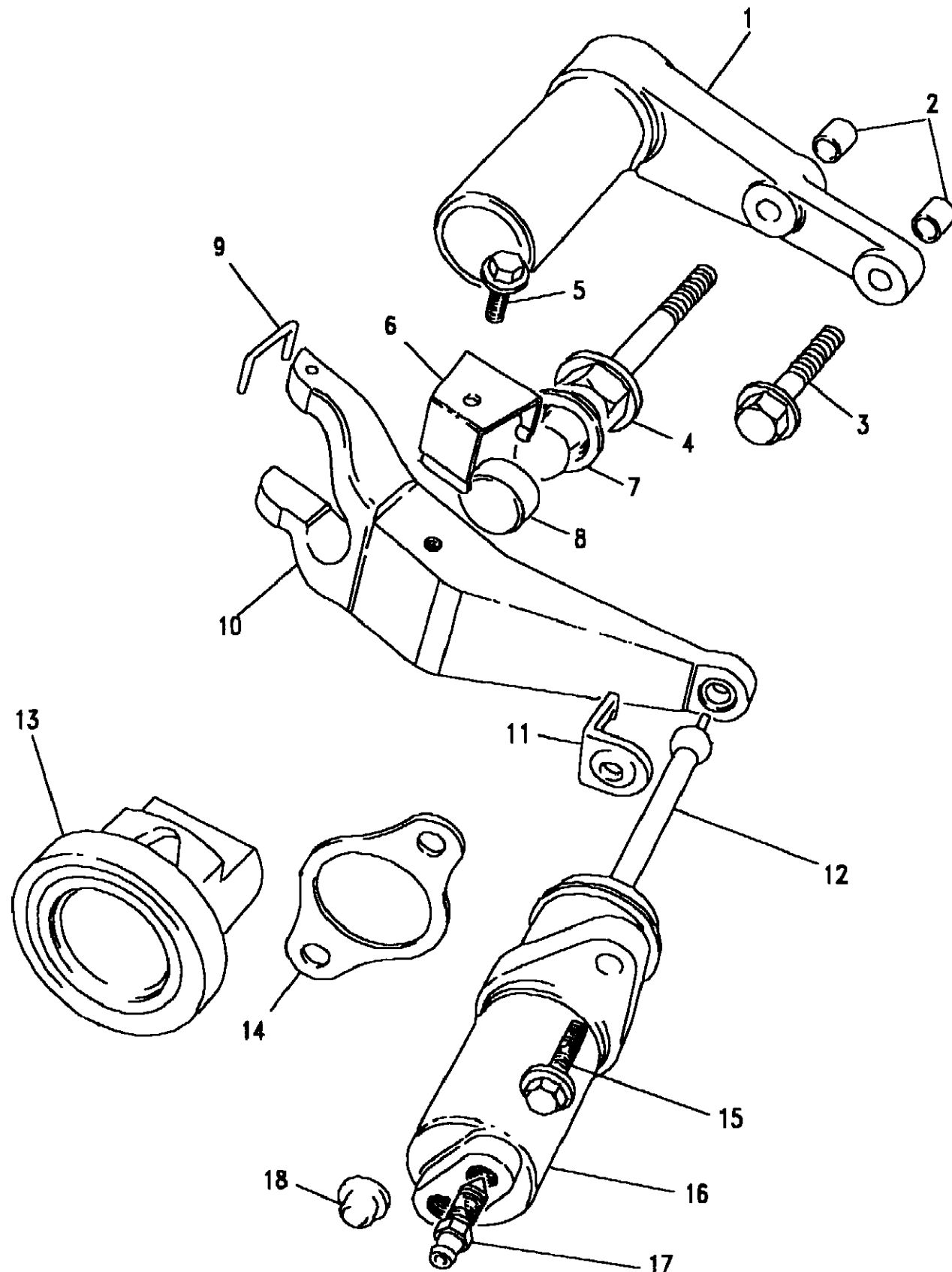
(CACFCA3A)

Discovery (FA393361-WA799999)

Gearbox
R380-5 Speed-Manual
Clutch Release Mechanism

V8 EFI Petrol, V8 Twin Carb L/R Petrol, Manual Transmission, 5 Speed

Callout	Name	Application	Remarks & Restrictions	Service No.	Qty
1	Guide-clutch release bearing	V8 EFI, Manual Transmission		FRC4803	1
2	Dowel	V8 EFI, Manual Transmission		FRC2481	2
3	Bolt	V8 EFI, Manual Transmission	Flanged Head, M8 x 40	FB108081L	1
4	Pivot-clutch release lever	V8 EFI, Manual Transmission		FRC2528	1
5	Screw-flanged head	V8 EFI, Manual Transmission	M6 x 10	FS106101L	1
6	Clip-clutch release-pivot post	V8 EFI, Manual Transmission		571163	1
7	Cap-clutch release lever pivot	V8 EFI, Manual Transmission		FRC2975	1
8	Insert-clutch lever	V8 EFI, Manual Transmission		571161	1
9	Retention-bearing clutch release	V8 EFI, Manual Transmission		576203	1
10	Arm-clutch release clutch	V8 EFI, Manual Transmission		576137	1
11	Clip	V8 EFI, Manual Transmission		576723	1
12	Rod assembly-push slave cylinder	V8 EFI, Manual Transmission		FTC3913	1
13	Bearing-clutch release	V8 EFI, Manual Transmission	Also serviced as part of a kit	FRC9568	1
14	Plate	Change point - Gearbox end 437139J, V8 EFI, Manual Transmission		FRC2402	1
15	Screw	V8 EFI, Manual Transmission	M8 x 25, Flanged Head	FS108251ML	2
16	Slave cylinder clutch	Change point - Gearbox end 437139J, V8 EFI, Manual Transmission V8 EFI, Manual Transmission	Transmission R 380	FTC3911 FTC5072	1 1
17	Screw-bleed clutch slave cylinder	V8 EFI, Manual Transmission		606733	1
18	Cap-protective	V8 EFI, Manual Transmission		594091	1



Gearbox
R380-5 Speed-Manual
Clutch Release Mechanism 2/2

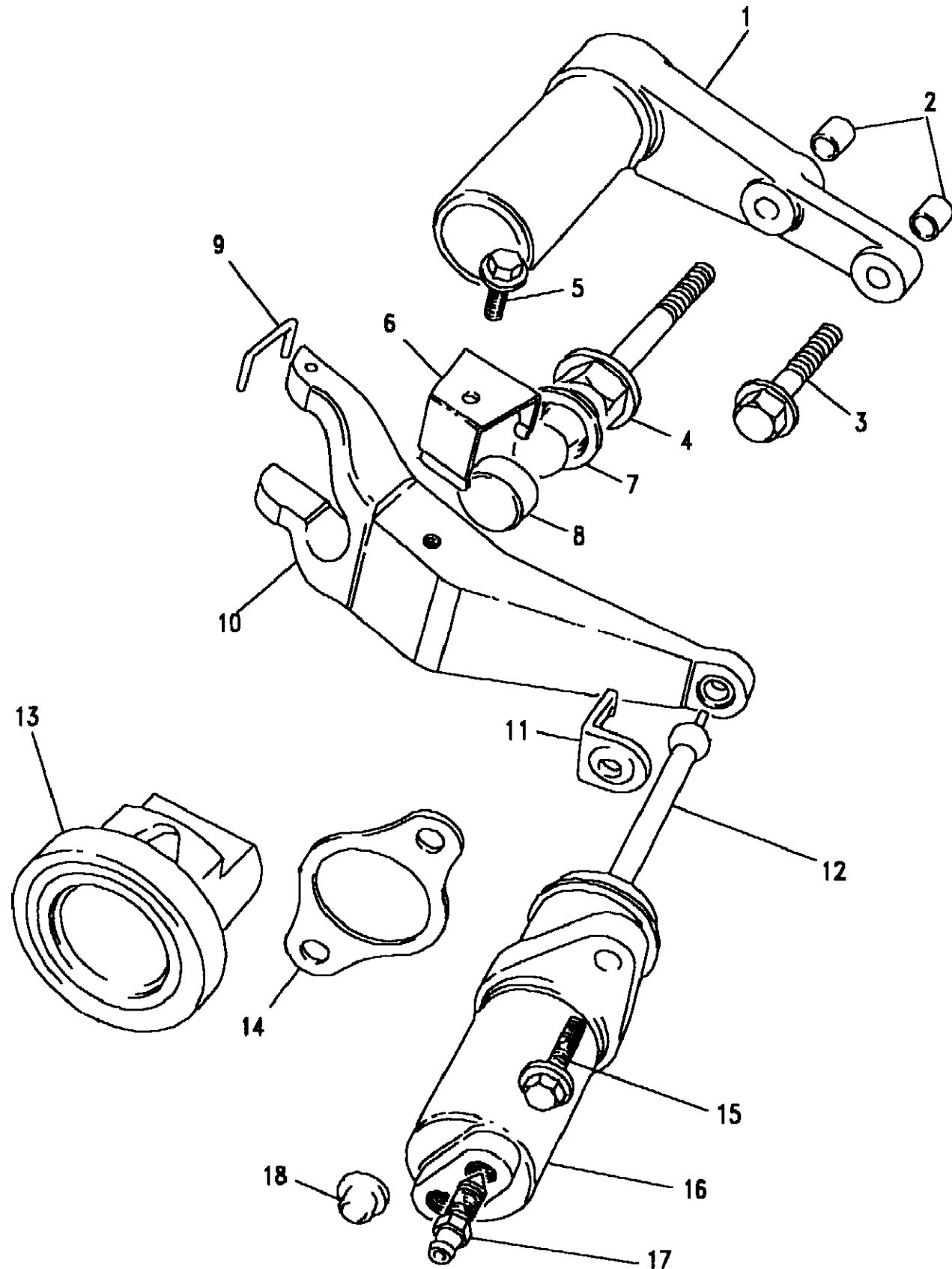
Discovery (FA393361-WA799999)
(CACFCA3A)

Discovery (FA393361-WA799999)

Gearbox
R380-5 Speed-Manual
Clutch Release Mechanism

V8 EFI Petrol, V8 Twin Carb L/R Petrol, Manual Transmission, 5 Speed

Callout	Name	Application	Remarks & Restrictions	Service No.	Qty
[901]	Kit-repair clutch slave cylinder	V8 EFI, Manual Transmission		STC2818	1



Gearbox
R380-5 Speed-Manual
Extension Case 1/2

Discovery (FA393361-WA799999)

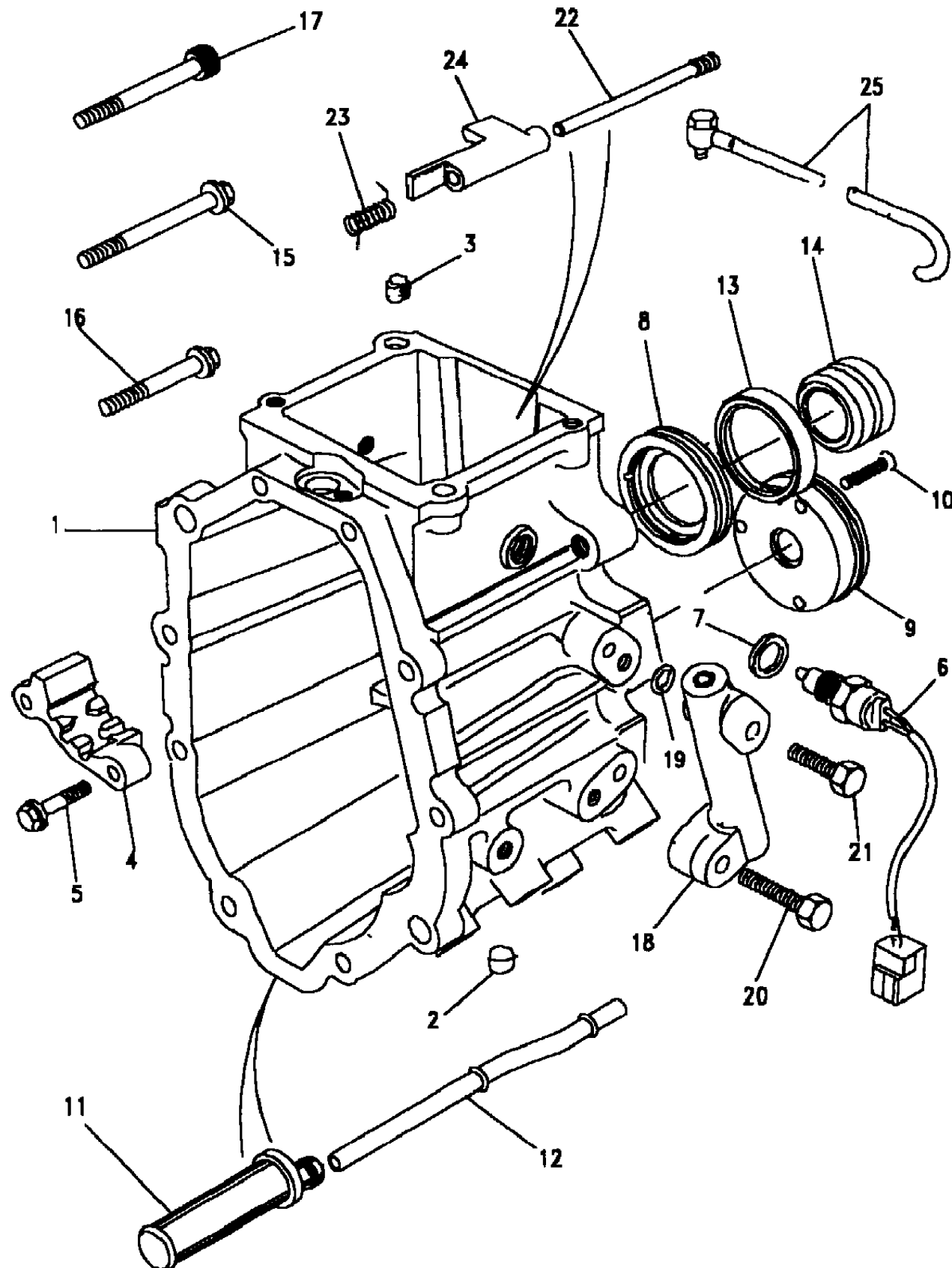
(CACFGA1A)

Discovery (FA393361-WA799999)

Gearbox
R380-5 Speed-Manual
Extension Case

5 Speed, Manual Transmission

Callout	Name	Application	Remarks & Restrictions	Service No.	Qty
1	Case assembly-extension	Change point - VIN begin MA081992, Change point - VIN end MA109620 Change point - VIN begin MA109621	Also serviced as part of a kit	FTC4241	1
			Also serviced as part of a kit	FTC4522	1
2	Plug-blanking	Change point - VIN begin MA081992, Change point - VIN end MA109620	Also serviced as part of a kit	LYQ100050	1
3	Pin-Spring	Change point - VIN begin MA081992, Change point - VIN end MA109620	Also serviced as part of a kit	FRC2626	2
4	Guide-gear lever	Change point - VIN begin MA081992, Change point - VIN end MA109620	Also serviced as part of a kit	FTC2392	1
6	Switch-reverse light manual transmission	Change point - VIN begin MA081992, Change point - VIN end MA109620 Change point - VIN begin MA109621	Also serviced as part of a kit	CDU51	1
			Also serviced as part of a kit	AMR3918	1
7	Washer-sealing	Change point - VIN begin MA081992, Change point - VIN end MA109620	man trans reverse light switch, Also serviced as part of a kit	ALU1403L	1
8	Ring-mainshaft oil feed	Change point - VIN begin MA081992, Change point - Gearbox end 53A0410128J Change point - VIN begin MA081992, Change point - Gearbox end 55A0410128J Change point - VIN begin MA081992, Change point - Gearbox end 63A0410128J Change point - Gearbox begin 53A0410129 Change point - Gearbox begin 55A0410129 Change point - Gearbox begin 63A0410129		FTC3701	1
				FTC3701	1
				FTC3701	1
				FTC4991	1
				FTC4991	1
				FTC4991	1
9	Pump-transmission oil		Also serviced as part of a kit	FTC4206	1
10	Screw-torx-flange		M5 x 30	FTC4449	3
11	Strainer-transmission oil			FRC7855	1
12	Pipe-transmission oil inlet			FTC3387	1
13	Seal		man trans output shaft	FTC2383	1



Gearbox
R380-5 Speed-Manual
Extension Case 2/2

Discovery (FA393361-WA799999)

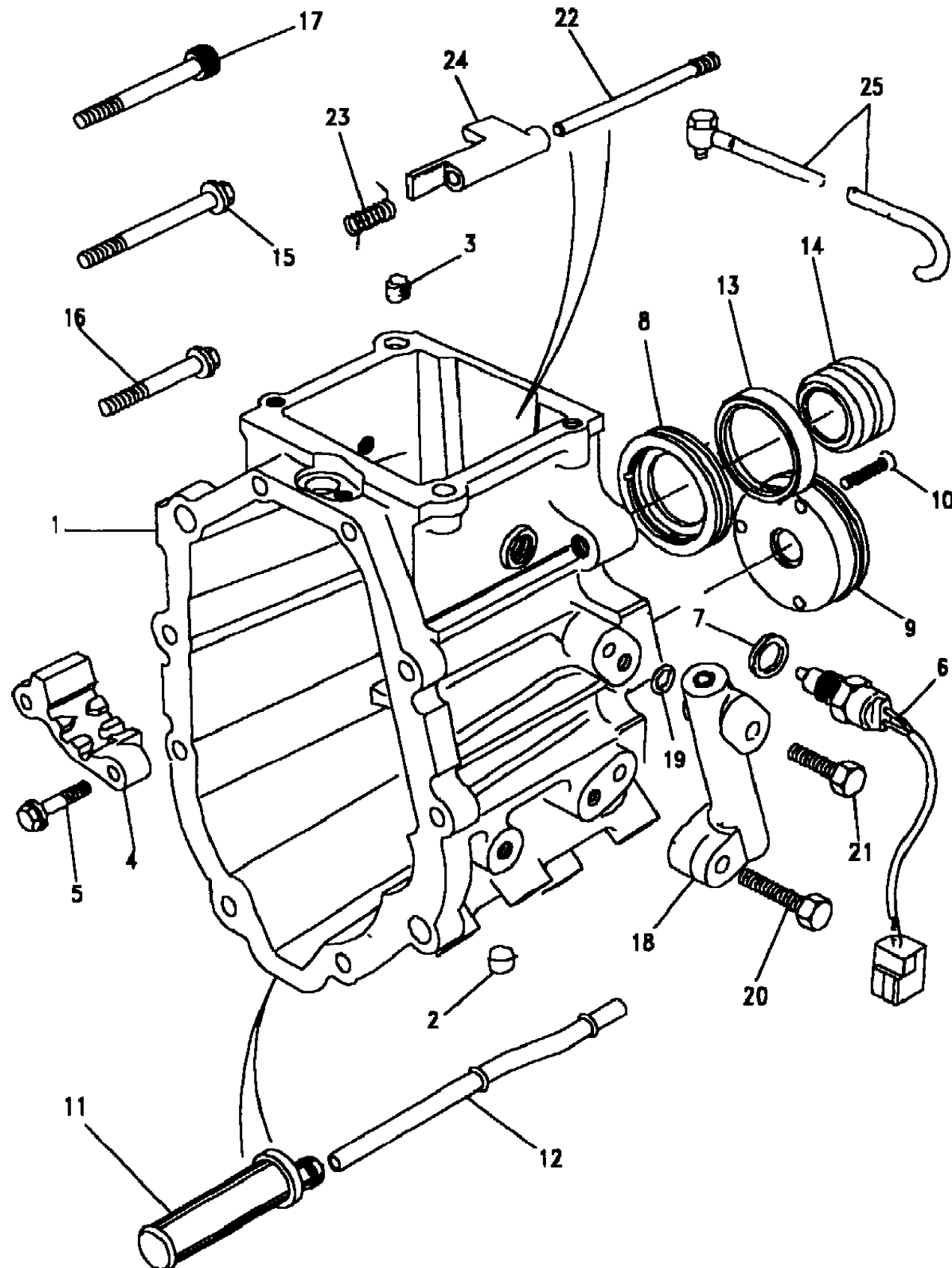
(CACFGA1A)

Discovery (FA393361-WA799999)

Gearbox
R380-5 Speed-Manual
Extension Case

5 Speed, Manual Transmission

Callout	Name	Application	Remarks & Restrictions	Service No.	Qty
14	Collar-distance manual transmission			FTC4021	1
15	Bolt		Flanged Head, M8 x 55	FB108111L	6
16	Bolt		Long, Flanged Head, M8 x 85	FB108171L	2
17	Screw		M8 x 70	FB108141S	2
18	Pipe-transmission oil inlet	4 Cyl MPi 4 Cyl TDi V8 EFI	(-) MPI	FTC4053 FTC4053 FTC2687	1 1 1
19	O Ring			FTC1441	2
20	Bolt	TDi MPi V8 EFI	Flanged Head, M8 x 40 Flanged Head, M8 x 40 Flanged Head, M8 x 40	FB108081L FB108081L FB108081L	2 2 1
21	Screw	V8 EFI V8 EFI	M8 X 30, Flanged Head M8 X 30, Flanged Head	FS108301L FS108307L	2 2
22	Shaft-camshaft reverse lock			FTC3711	1
23	Spring-torsion			FTC4483	1
24	Camshaft-reverse lock manual transmission			FTC3713	1
25	Tube-breather transmission case			FRC9430	1
[900]	Case-extension-gearbox	Change point - VIN begin MA081992, Change point - VIN end MA109620	Also serviced as part of a kit	FTC3730	1
[901]	Screw	Change point - VIN begin MA081992, Change point - VIN end MA109620	Also serviced as part of a kit, M8 x 25, Flanged Head	FS108257L	2
[902]	Harness-link	Change point - VIN begin MA081992, Change point - VIN end MA109620		AMR3859	1
[903]	O ring-oil pump seal		Also serviced as part of a kit	BZV1051	1



Gearbox
R380-5 Speed-Manual
Gearbox Assembly 1/1

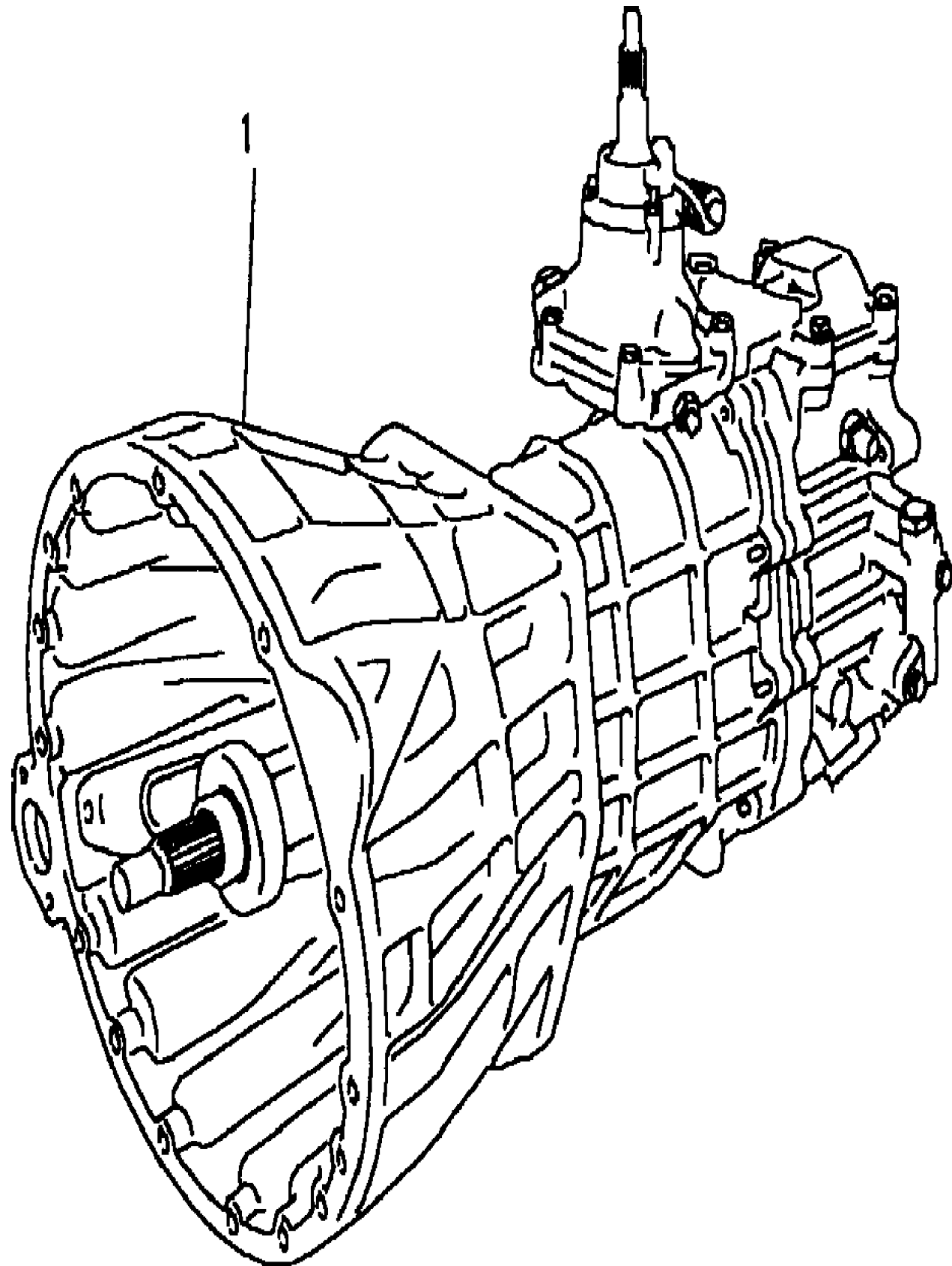
Discovery (FA393361-WA799999)
(CACFAA1A)

Discovery (FA393361-WA799999)

Gearbox
R380-5 Speed-Manual
Gearbox Assembly

5 Speed, Manual Transmission

Callout	Name	Application	Remarks & Restrictions	Service No.	Qty
1	Transmission assembly manual	Change point - VIN begin MA081992, 2.0L I4 MPI Petrol	Suffix J, Gearbox 63A Mpi T16, exchange	STC1541E	1
		Change point - VIN begin MA081992, 2.0L I4 MPI Petrol, 5 Speed Manual Transmission	Suffix J, Gearbox 63A Mpi T16, exchange	STC1541E	1
		2.0L I4 MPI Petrol	Suffix K, Gearbox 63A Mpi T16, New	TRC103040	1
		2.0L I4 MPI Petrol, 5 Speed Manual Transmission	Suffix K, Gearbox 63A Mpi T16, New	TRC103040	1
		Change point - VIN begin MA081992, 3.5L V8 Petrol	Suffix J, Gearbox 53A Military Low Ratio, exchange	STC1543E	1
		Change point - VIN begin MA081992, 3.5L V8 Petrol, 5 Speed Manual Transmission	Suffix J, Gearbox 53A Military Low Ratio, exchange	STC1543E	1
		3.5L V8 Petrol	Suffix K, Gearbox 53A Military Low Ratio, New	TRC102940	1
		3.5L V8 Petrol, 5 Speed Manual Transmission	Suffix K, Gearbox 53A Military Low Ratio, New	TRC102940	1
		3.5L V8 Petrol	Suffix K, Gearbox 53A Military Low Ratio, exchange	TRC102940E	1
		3.5L V8 Petrol, 5 Speed Manual Transmission	Suffix K, Gearbox 53A Military Low Ratio, exchange	TRC102940E	1
		Change point - VIN begin MA081992, 2.5L I4 TDi, 5 Speed Manual Transmission	Suffix J, Gearbox 55A Gemini TDI, exchange	STC1544E	1
		2.5L I4 TDi	Suffix K, Gearbox 55A Gemini TDI, New	TRC102960	1
		2.5L I4 TDi, 5 Speed Manual Transmission	Suffix K, Gearbox 55A Gemini TDI, New	TRC102960	1
		4 Cyl TDi, Manual Transmission	Suffix K, Engine Code 55A, exchange	TRC102960E	1
		2.5L I4 TDi	Suffix L, Gearbox 55A Gemini TDI, New	TRC103400	1
2.5L I4 TDi, 5 Speed Manual Transmission	Suffix L, Gearbox 55A Gemini TDI, New	TRC103400	1		
2.5L I4 TDi	Suffix L, Gearbox 55A Gemini TDI, exchange	TRC103400E	1		
2.5L I4 TDi, 5 Speed Manual Transmission	Suffix L, Gearbox 55A Gemini TDI, exchange	TRC103400E	1		



Gearbox
R380-5 Speed-Manual
Gearcase 1/4

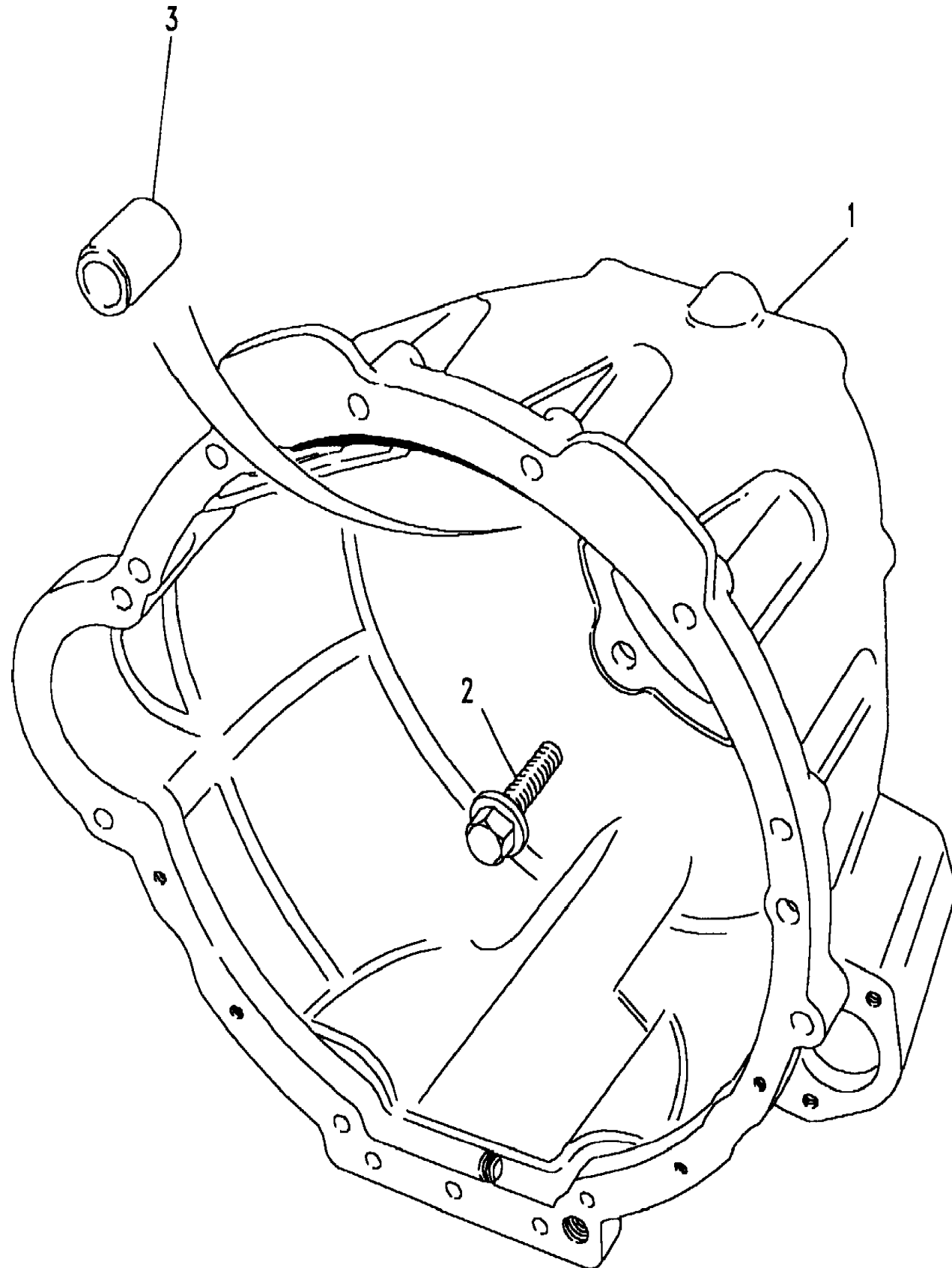
Discovery (FA393361-WA799999)
(CACFEA1B)

Discovery (FA393361-WA799999)

Gearbox
R380-5 Speed-Manual
Gearcase

5 Speed, Manual Transmission

Callout	Name	Application	Remarks & Restrictions	Service No.	Qty
1	Case-manual transmission	Manual Transmission	Suffix J	FTC3848	1
			Suffix K	TRE100460	1
2	Plate-baffle	Manual Transmission		FTC4131	1
3	Screw-flanged head	Manual Transmission	M6 X 16	FS106161ML	2
4	Plug	Manual Transmission		FTC4108	1
5	Spring-detent manual transmission	Manual Transmission		FTC3382	2
6	Ball-detent manual transmission	Manual Transmission		BLS112L	2
7	Dowel	Manual Transmission		UKC170L	2
8	Washer-sealing	4 Cylinder, Manual Transmission	man trans drain plug, Transmission R 380	FTC4112	1
9	Plug and magnet assembly-transmission case	Manual Transmission		FRC6145	1
10	Plug-level	Manual Transmission		FTC4056	1
11	Plug-core	Manual Transmission	9MM	LYQ100090	1
12	Plug-core	Manual Transmission	9MM	UKC30L	1
13	Shim	Manual Transmission	man trans mainshaft bearing/centre plate, 1.740/1.715mm	FTC3739	X
			man trans mainshaft bearing/centre plate, 1.790/1.765mm	FTC3741	X
			man trans mainshaft bearing/centre plate, 1.840/1.815mm	FTC3743	X
			man trans mainshaft bearing/centre plate, 1.890/1.865mm	FTC3745	X
			man trans mainshaft bearing/centre plate, 1.940/1.915mm	FTC3747	X
			man trans mainshaft bearing/centre plate, 1.990/1.965mm	FTC3749	X
			man trans mainshaft bearing/centre plate, 2.040/2.015mm	FTC3751	X
			man trans mainshaft bearing/centre plate, 2.090/2.065mm	FTC3753	X
			man trans mainshaft bearing/centre plate, 2.140/2.115mm	FTC3755	X



Gearbox
R380-5 Speed-Manual
Gearcase 2/4

Discovery (FA393361-WA799999)

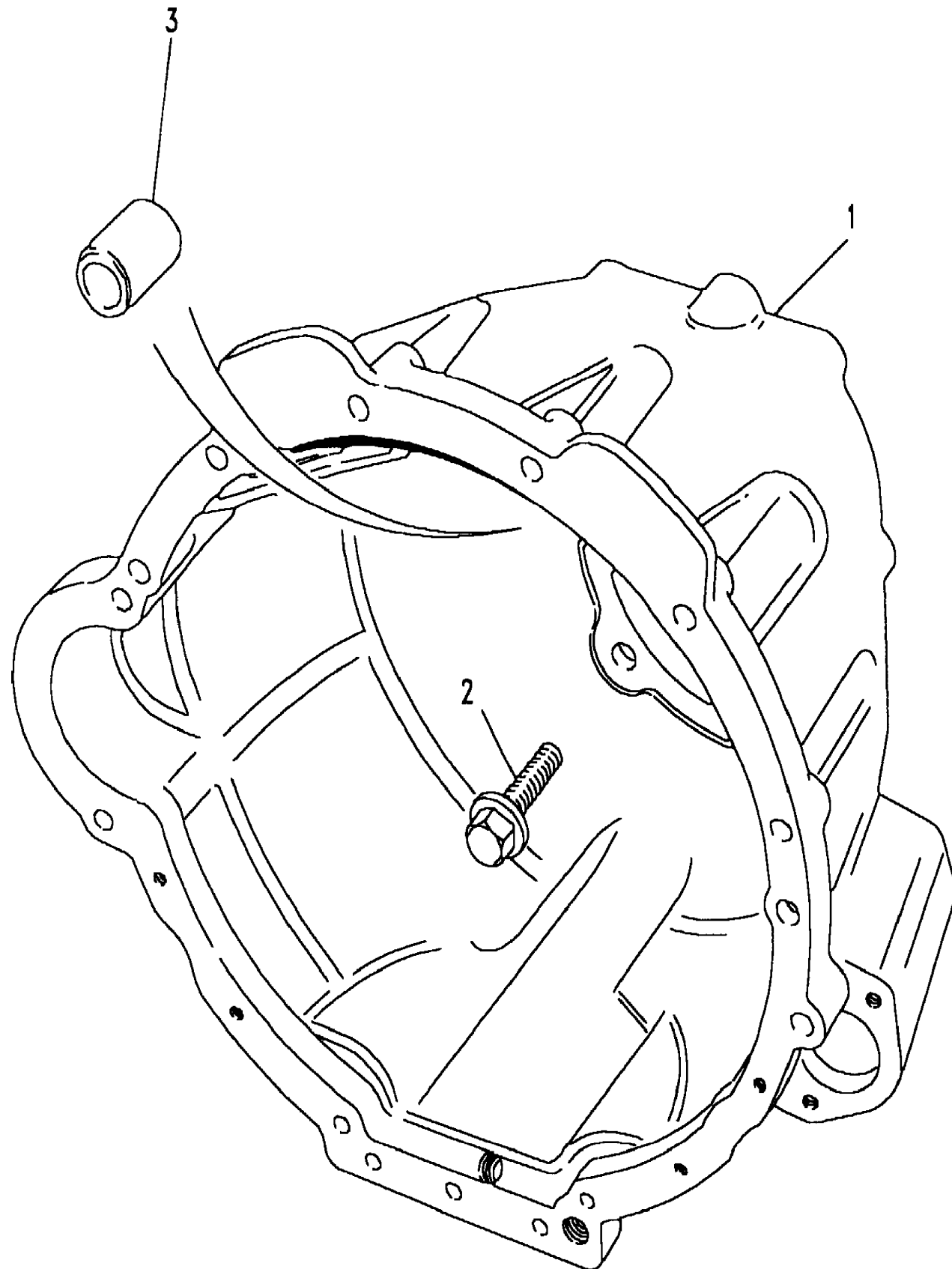
(CACFEA1B)

Discovery (FA393361-WA799999)

Gearbox
R380-5 Speed-Manual
Gearcase

5 Speed, Manual Transmission

Callout	Name	Application	Remarks & Restrictions	Service No.	Qty
13	Shim	Manual Transmission	man trans mainshaft bearing/centre plate, 2.190/2.165mm	FTC3757	X
		Manual Transmission	man trans mainshaft bearing/centre plate, 2.240/2.215mm	FTC3759	X
		Manual Transmission	man trans mainshaft bearing/centre plate, 2.290/2.265mm	FTC3761	X
		Manual Transmission	man trans mainshaft bearing/centre plate, Suffix J, 2.340/2.315mm	FTC3763	X
		Manual Transmission	man trans mainshaft bearing/centre plate, Suffix J, 2.390/2.365mm	FTC3765	X
		Manual Transmission	man trans mainshaft bearing/centre plate, Suffix J, 2.440/2.415mm	FTC3767	X
		Manual Transmission	man trans mainshaft bearing/centre plate, Suffix J, 2.490/2.465mm	FTC3769	X
		Manual Transmission	man trans mainshaft bearing/centre plate, Suffix J, 2.540/2.515mm	FTC3771	X
		Manual Transmission	man trans mainshaft bearing/centre plate, Suffix J, 2.590/2.565mm	FTC3773	X
		Manual Transmission	man trans mainshaft bearing/centre plate, Suffix J, 2.640/2.615mm	FTC3775	X
		Manual Transmission	man trans mainshaft bearing/centre plate, Suffix J, 2.690/2.665mm	FTC3777	X
		Manual Transmission	man trans mainshaft bearing/centre plate, Suffix J, 2.740/2.715mm	FTC3779	X
		Manual Transmission	man trans mainshaft bearing/centre plate, Suffix J, 2.790/2.765mm	FTC3781	X
		Manual Transmission	man trans mainshaft bearing/centre plate, Suffix J, 2.840/2.815mm	FTC3783	X
		Manual Transmission	man trans mainshaft bearing/centre plate, Suffix J, 2.890/2.865mm	FTC3785	X
		Manual Transmission	man trans mainshaft bearing/centre plate, Suffix J, 2.940/2.915mm	FTC3787	X
14	Shim	Manual Transmission	man trans countershaft bearing/centre plate, Suffix J, 1.477/1.452mm	FTC4296	X
		Manual Transmission	man trans countershaft bearing/centre plate, Suffix J, 1.527/1.502mm	FTC4298	X
		Manual Transmission	man trans countershaft bearing/centre plate, Suffix J, 1.577/1.552mm	FTC4300	X
		Manual Transmission	man trans countershaft bearing/centre plate, Suffix J, 1.627/1.602mm	FTC4302	X



Gearbox
R380-5 Speed-Manual
Gearcase 3/4

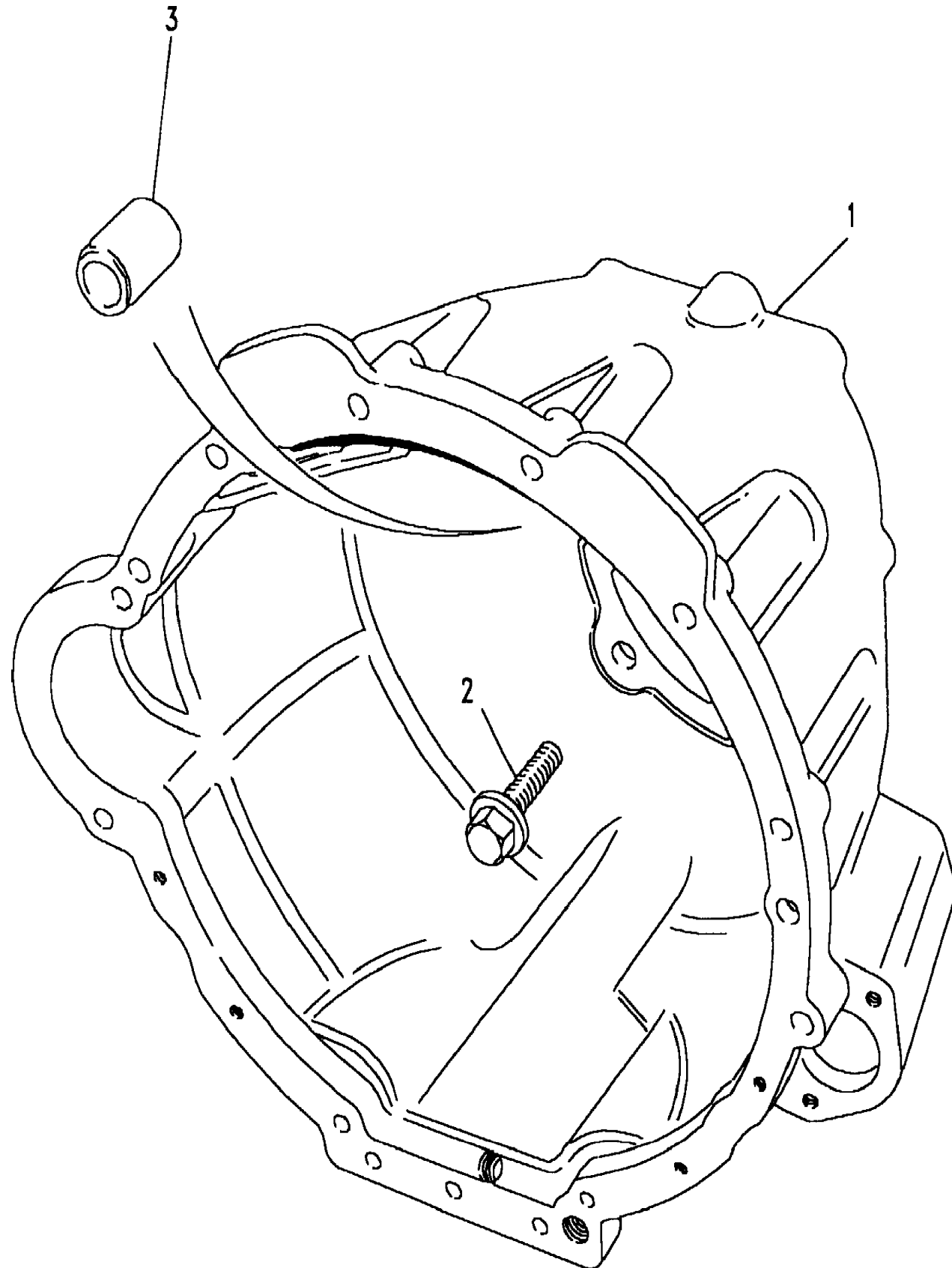
Discovery (FA393361-WA799999)
(CACFEA1B)

Discovery (FA393361-WA799999)

Gearbox
R380-5 Speed-Manual
Gearcase

5 Speed, Manual Transmission

Callout	Name	Application	Remarks & Restrictions	Service No.	Qty
14	Shim	Manual Transmission	man trans countershaft bearing/centre plate, Suffix J, 1.677/1.652mm	FTC4304	X
		Manual Transmission	man trans countershaft bearing/centre plate, Suffix J, 1.727/1.702mm	FTC4306	X
		Manual Transmission	man trans countershaft bearing/centre plate, Suffix J, 1.777/1.752mm	FTC4308	X
		Manual Transmission	man trans countershaft bearing/centre plate, Suffix J, 1.827/1.802mm	FTC4310	X
		Manual Transmission	man trans countershaft bearing/centre plate, Suffix J, 1.877/1.852mm	FTC4312	X
		Manual Transmission	man trans countershaft bearing/centre plate, Suffix J, 1.927/1.902mm	FTC4314	X
		Manual Transmission	man trans countershaft bearing/centre plate, Suffix J, 1.977/1.952mm	FTC4316	X
		Manual Transmission	man trans countershaft bearing/centre plate, Suffix J, 2.027/2.002mm	FTC4318	X
		Manual Transmission	man trans countershaft bearing/centre plate, Suffix J, 2.077/2.052mm	FTC4320	X
		Manual Transmission	man trans countershaft bearing/centre plate, Suffix J, 2.127/2.102mm	FTC4322	X
		Manual Transmission	man trans countershaft bearing/centre plate, Suffix J, 2.177/2.152mm	FTC4324	X
		Manual Transmission	man trans countershaft bearing/centre plate, Suffix J, 2.227/2.202mm	FTC4326	X
		Manual Transmission	man trans countershaft bearing/centre plate, Suffix K, 1.477/1.452mm	TUZ100020	X
		Manual Transmission	man trans countershaft bearing/centre plate, Suffix K, 1.502/1.477mm	TUZ100040	X
		Manual Transmission	man trans countershaft bearing/centre plate, Suffix K, 1.577/1.552mm	TUZ100060	X
		Manual Transmission	man trans countershaft bearing/centre plate, Suffix K, 1.627/1.602mm	TUZ100080	X
		Manual Transmission	man trans countershaft bearing/centre plate, Suffix K, 1.677/1.652mm	TUZ100100	X
		Manual Transmission	man trans countershaft bearing/centre plate, Suffix K, 1.727/1.702mm	TUZ100120	X
		Manual Transmission	man trans countershaft bearing/centre plate, Suffix K, 1.777/1.752mm	TUZ100140	X
		Manual Transmission	man trans countershaft bearing/centre plate, Suffix K, 1.827/1.802mm	TUZ100160	X



Gearbox
R380-5 Speed-Manual
Gearcase 4/4

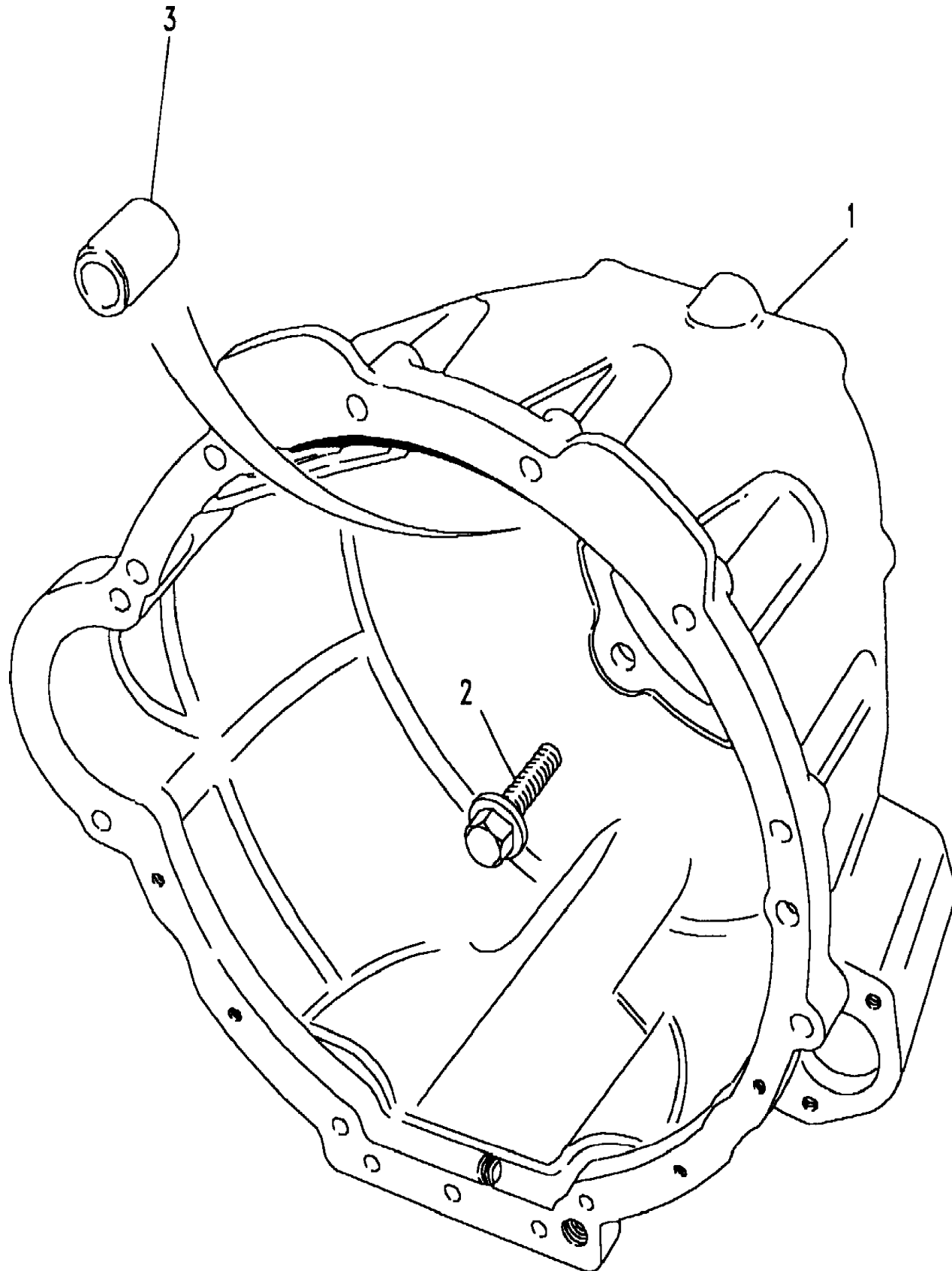
Discovery (FA393361-WA799999)
(CACFEA1B)

Discovery (FA393361-WA799999)

Gearbox
R380-5 Speed-Manual
Gearcase

5 Speed, Manual Transmission

Callout	Name	Application	Remarks & Restrictions	Service No.	Qty
14	Shim	Manual Transmission	man trans countershaft bearing/centre plate, Suffix K, 1.927/1.902mm	TUZ100200	X
		Manual Transmission	man trans countershaft bearing/centre plate, Suffix K, 1.977/1.952mm	TUZ100220	X
		Manual Transmission	man trans countershaft bearing/centre plate, Suffix K, 2.027/2.002mm	TUZ100240	X
		Manual Transmission	man trans countershaft bearing/centre plate, Suffix K, 2.077/2.052mm	TUZ100270	X
		Manual Transmission	man trans countershaft bearing/centre plate, Suffix K, 2.127/2.102mm	TUZ100290	X
		Manual Transmission	man trans countershaft bearing/centre plate, Suffix K, 2.177/2.152mm	TUZ100310	X
		Manual Transmission	man trans countershaft bearing/centre plate, Suffix K, 2.227/2.202mm	TUZ100330	X
		15	Bearing-taper roller	Manual Transmission	38.0 x 68.5
16	Sealant - Silicone		Loctite 5900	STC50550	1



Gearbox
R380-5 Speed-Manual
Gearchange & Lever 1/2

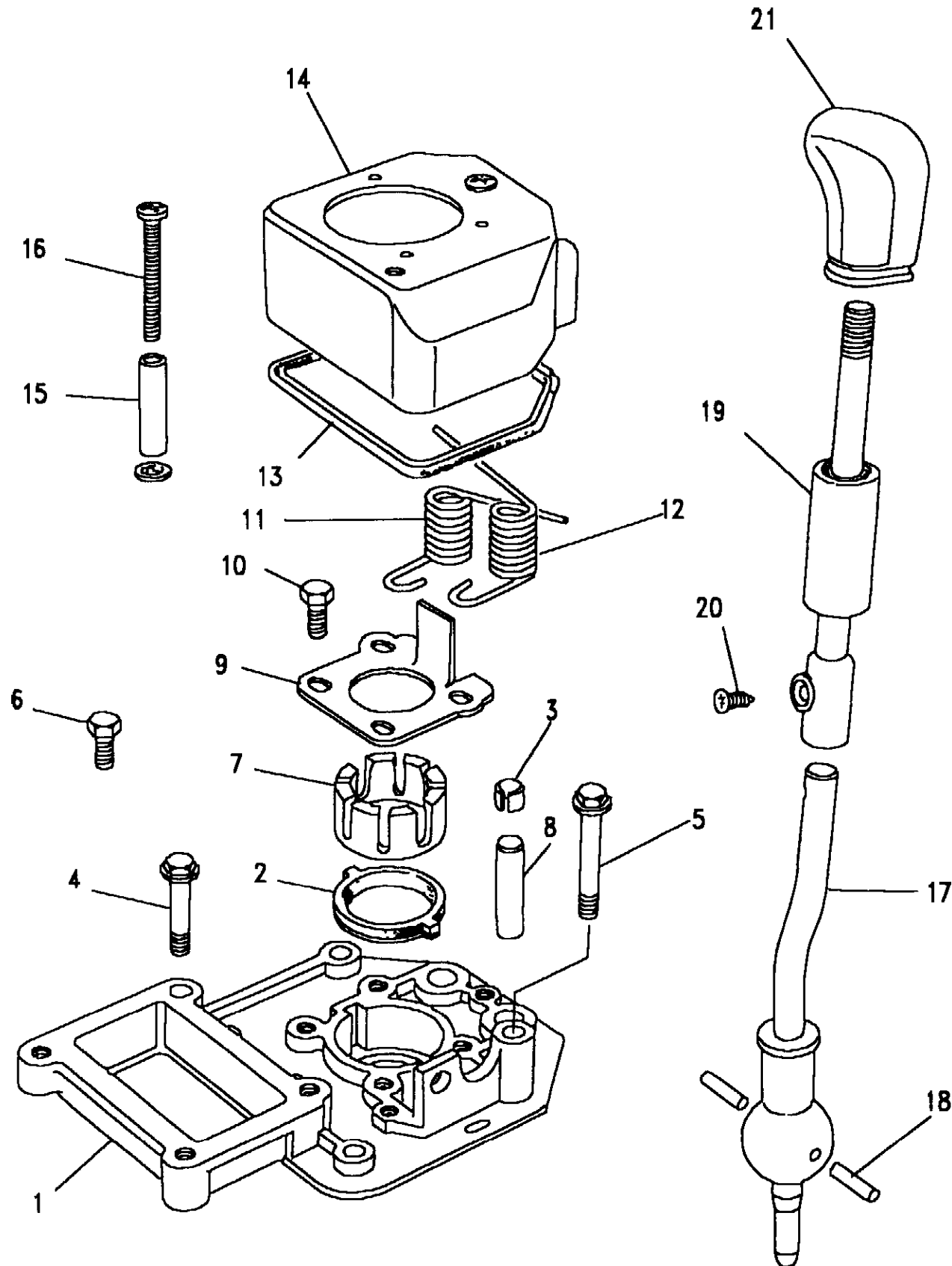
Discovery (FA393361-WA799999)
(CACFKC1A)

Discovery (FA393361-WA799999)

Gearbox
R380-5 Speed-Manual
Gearchange & Lever

5 Speed, Manual Transmission

Callout	Name	Application	Remarks & Restrictions	Service No.	Qty
1	Housing-gear selector	Manual Transmission		FTC4122	1
2	Seal	Manual Transmission		FTC2199	1
3	Pin-Spring	Manual Transmission		FRC2626	2
4	Bolt	Manual Transmission	Flanged Head, M8 x 55	FB108111L	1
5	Bolt	Manual Transmission	Flanged Head, M8 x 60	FB108121L	1
6	Screw	Manual Transmission Manual Transmission	M8 x 25, Flanged Head M8 x 25, Flanged Head	FS108251L FS108257L	4 4
7	Bush-change pivot manual transmission	Manual Transmission		FRC9985	1
8	Pin-roll-spring tension	Manual Transmission		FRC9028	2
9	Plate-gearchange bias spring adjuster	Manual Transmission		FRC9340	1
10	Screw	Manual Transmission	M8 x 25, Flanged Head	FS108251ML	4
11	Spring-1st/2nd bias manual transmission	Manual Transmission		FTC4123	1
12	Spring-5th bias manual transmission	Manual Transmission		FTC4124	1
13	Seal-dust-gear change/plate manual transmission	Manual Transmission		FRC8507	1
14	Cover-transfer box gear change housing	Manual Transmission	Also serviced as part of a kit	FTC4125	1
15	Spacer	Manual Transmission	Also serviced as part of a kit	FRC8520	2
16	Screw	Manual Transmission	Also serviced as part of a kit, M6 x 55	SE106551S	2
17	Lever-change manual transmission	Manual Transmission	Also serviced as part of a kit	FTC3807	1
18	Pin	Manual Transmission	Also serviced as part of a kit	UKC3092	1
19	Lever-upper manual transmission	Manual Transmission	Change point - VIN end MA118209 Change point - VIN begin MA118210, Manual Transmission Manual Transmission	FTC3806 FTC4537 FTC5246	1 1 1
20	Screw-torx-countersunk	Manual Transmission	M8	ANU1269L	1



Gearbox
R380-5 Speed-Manual
Gearchange & Lever 2/2

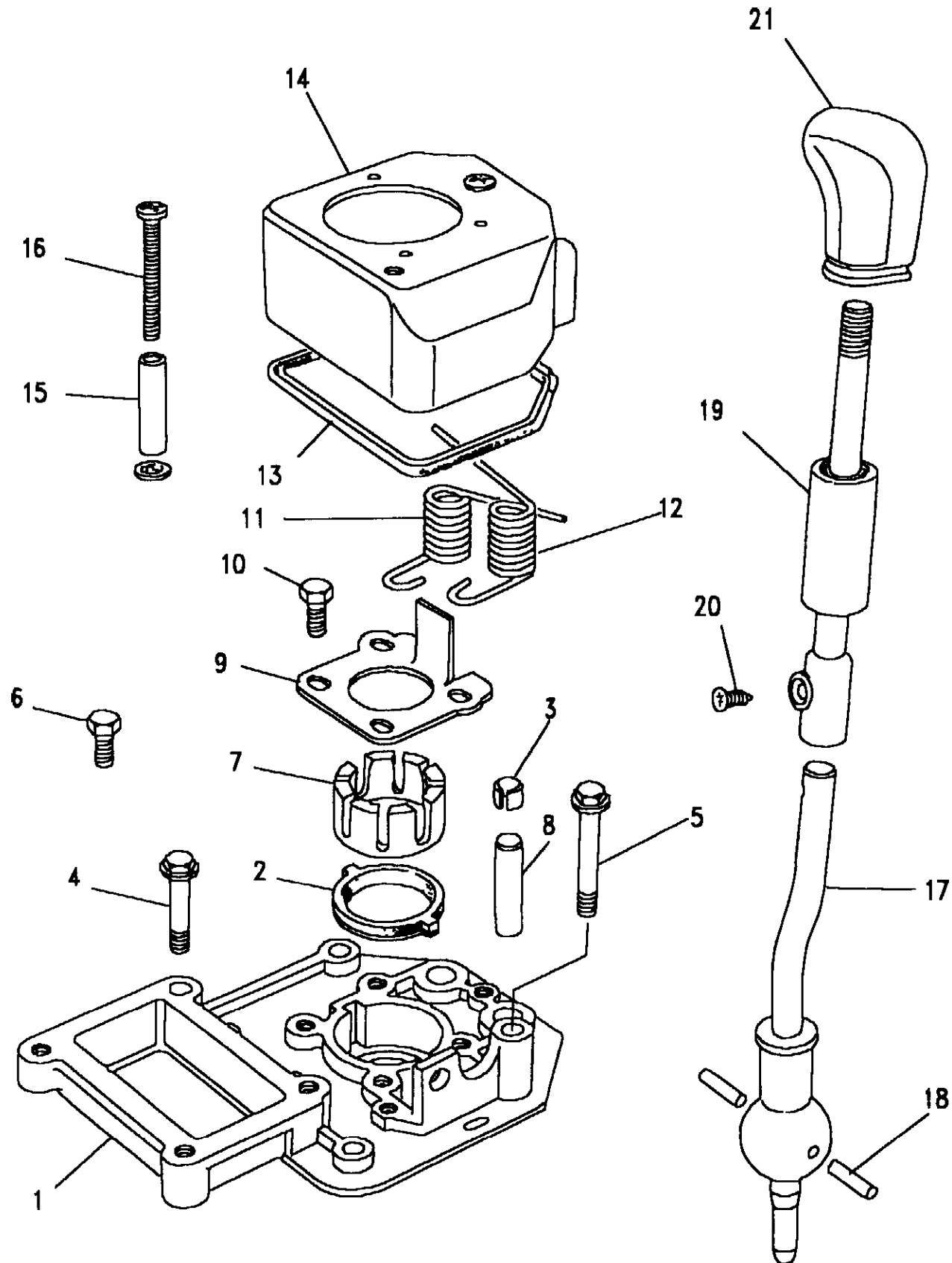
Discovery (FA393361-WA799999)
(CACFKC1A)

Discovery (FA393361-WA799999)

Gearbox
R380-5 Speed-Manual
Gearchange & Lever

5 Speed, Manual Transmission

Callout	Name	Application	Remarks & Restrictions	Service No.	Qty
21	Knob assembly-change manual transmission	Manual Transmission	Jet	BTR8516PMA	1
		Change point - VIN end 3A835280, V8, Manual Transmission	Jet	UKJ100510PMA	1
		Change point - VIN begin 3A835281, V8, Manual Transmission	Jet	UKJ500090PMA	1



Gearbox
R380-5 Speed-Manual
Layshaft 1/2

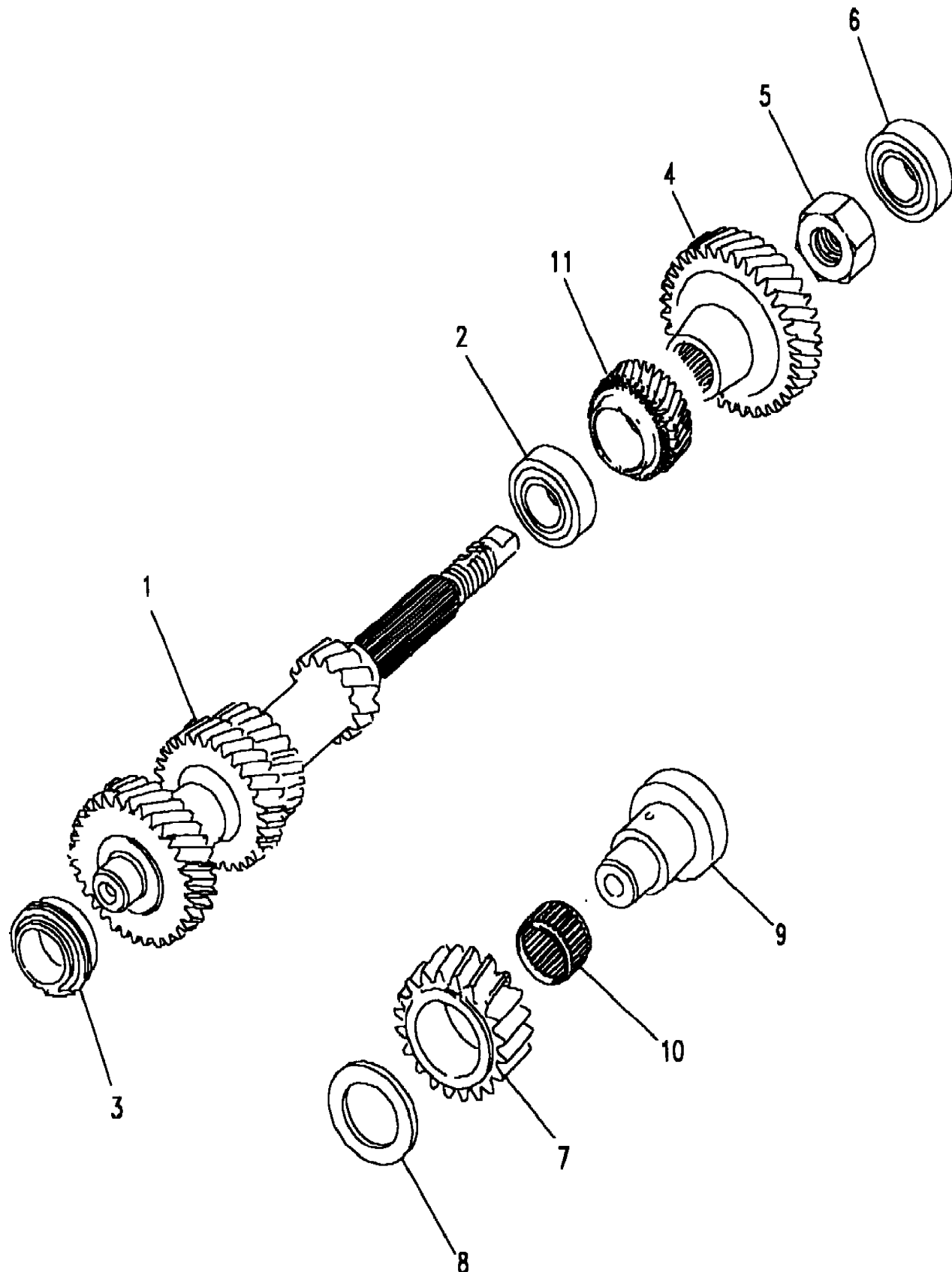
Discovery (FA393361-WA799999)
(CACFIE1A)

Discovery (FA393361-WA799999)

Gearbox
R380-5 Speed-Manual
Layshaft

5 Speed, Manual Transmission

Callout	Name	Application	Remarks & Restrictions	Service No.	Qty
1	Shaft-lay	Change point - Gearbox end 416033J, With Diesel Engines		FTC2941	1
		Change point - Gearbox begin 416034J, With Diesel Engines	Transmission R 380, Suffix J	FTC4982	1
		Change point - Gearbox end 416033J, With Petrol Engines	Transmission R 380, Suffix J	FTC2723	1
		Change point - Gearbox begin 416034J, With Petrol Engines	Transmission R 380, Suffix J	FTC4980	1
		With Petrol Engines, Manual Transmission	Transmission R 380, Suffix K	TUO100260	1
		With Diesel Engines, Manual Transmission	Transmission R 380, Suffix K	TUO100240	1
		2	Bearing-taper roller	With Diesel Engines	man trans countershaft/centre plate, Suffix J, 31.75 x 59.0
Manual Transmission	man trans countershaft/centre plate, Suffix K, 31.75 x 62.0			TZZ100200	1
3	Bearing-taper roller		man trans countershaft/main case, 31.75 x 62.0	FTC248	1
4	Gear-5th speed countershaft manual transmission	Change point - Gearbox end 416033J, V8 Petrol		FTC2724	1
		Change point - Gearbox begin 416034J, V8 Petrol		FTC4977	1
		Change point - Gearbox end 416033J, 4 Cyl TDi Diesel		FTC2945	1
		Change point - Gearbox begin 416034J, 4 Cyl TDi Diesel	37 Teeth	FTC4978	1
		Change point - Gearbox end 416033J, 4 Cyl MPi Petrol		FTC3810	1
		Change point - Gearbox begin 416034J, 4 Cyl MPi Petrol		FTC4976	1
5	Nut-stake		man trans countershaft	EJP7738L	1
6	Bearing-taper roller	With Diesel Engines	man trans countershaft/extension case	FTC2385	1
7	Gear-reverse idler assembly manual transmission	With Diesel Engines		FTC2725	1
8	Spacer	With Diesel Engines	Suffix J	FTC3847	1
		Manual Transmission	Suffix K	TUZ100000	1
9	Shaft-reverse idler assembly-manual transmission	With Diesel Engines		FTC3850	1



Gearbox
R380-5 Speed-Manual
Mainshaft 1/1

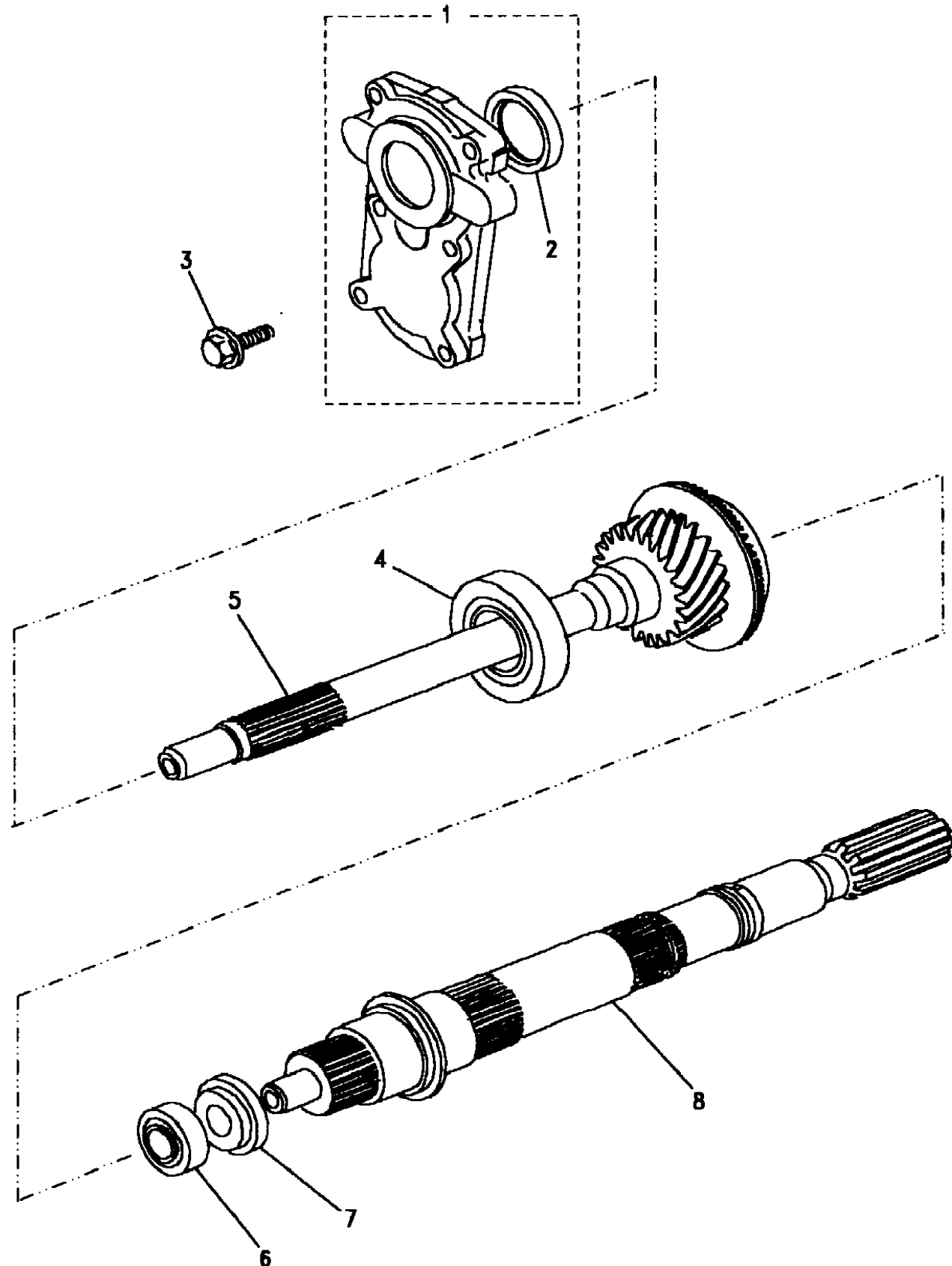
Discovery (FA393361-WA799999)
(CACFIA1A)

Discovery (FA393361-WA799999)

Gearbox
R380-5 Speed-Manual
Mainshaft

5 Speed, Manual Transmission

Callout	Name	Application	Remarks & Restrictions	Service No.	Qty
1	Cover-end manual transmission		Also serviced as part of a kit, Front, Suffix J Also serviced as part of a kit, Suffix K	FTC3696 TVQ100130	1 1
2	Seal		man trans primary shaft, Also serviced as part of a kit, Suffix J man trans primary shaft, Also serviced as part of a kit, Suffix K	UKC1060L FTC5303	1 1
3	Screw		M8 x 25, Suffix J, Flanged Head Gearbox extension housing front, M8 X 30, Suffix K	FS108251ML FS108301S	6 6
4	Bearing-taper roller		Suffix J, 35.0 x 68.5 Suffix K, 35.0 x 72.0	RTC6751 TZZ100190	1 1
5	Shaft primary manual transmission	Change point - VIN begin MA081992, 4 Cyl MPi MPi Change point - VIN begin MA081992, 4 Cyl TDi TDi Change point - VIN begin MA081992, V8 TDi V8	Suffix J Suffix K Suffix J Suffix K Suffix J Suffix K Suffix K	FTC5048 TUD102370 FTC5046 TUD101970 FTC5044 TUD102580 TUD102340	1 1 1 1 1 1 1
6	Bearing-taper roller		man trans primary shaft, 17.5 x 40.0	UKC8L	1
7	Spacer		Mainshaft	FTC2737	1
8	Shaft-main manual transmission		Suffix K	FTC3703 FTC5287 TUD101720	1 1 1



Gearbox
R380-5 Speed-Manual
Mainshaft Gears 1st/2nd 1/2

Discovery (FA393361-WA799999)

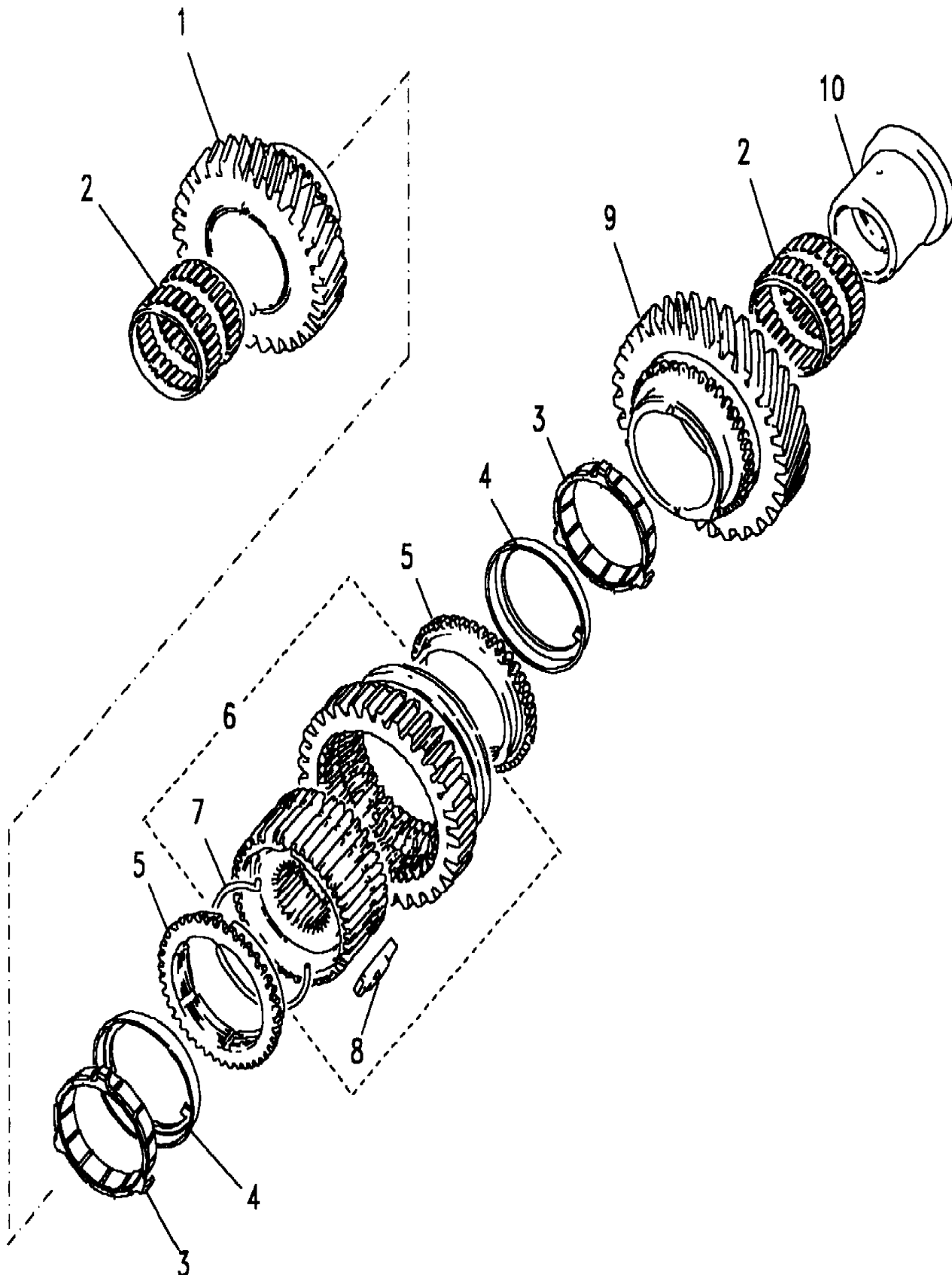
(CACFIC1A)

Discovery (FA393361-WA799999)

Gearbox
R380-5 Speed-Manual
Mainshaft Gears 1st/2nd

5 Speed, Manual Transmission

Callout	Name	Application	Remarks & Restrictions	Service No.	Qty
1	Gear-2nd driven manual transmission	Change point - VIN begin MA081992, Change point - Gearbox end 0417152J Change point - Gearbox begin 0417153J		FTC2714 FTC5038	1 1
2	Bearing-needle roller manual transmission		Suffix J Suffix K	FTC1311 TUK100340	2 2
3	Ring-synchroniser inner	Change point - VIN begin MA081992, Change point - Gearbox end 0417152J Change point - Gearbox begin 0417153J	Also serviced as part of a kit, Transmission R 380	FTC5019 FTC2397 FTC5019	2 2 2
4	Ring-synchroniser intermediate		Also serviced as part of a kit, Transmission R 380	FTC2396 FTC2396	2 2
5	Ring-baulk		Also serviced as part of a kit, Transmission R 380	FTC3584 FTC3584	2 2
6	Synchroniser assembly-1st & 2nd mainshaft assembly	Change point - Gearbox begin 0417153J Change point - VIN begin MA081992, Change point - Gearbox end 0417152J Change point - Gearbox begin 0417153J	Also serviced as part of a kit, Transmission R 380 Also serviced as part of a kit Also serviced as part of a kit, Transmission R 380	FTC5100 FTC2733 FTC5100	1 1 1
7	Spring Ring	Change point - Gearbox begin 0417153J Change point - VIN begin MA081992, Change point - Gearbox end 0417152J Change point - Gearbox begin 0417153J	Also serviced as part of a kit, Transmission R 380 Also serviced as part of a kit Also serviced as part of a kit, Transmission R 380	FTC4992 FTC4172 FTC4992	2 2 2
8	Plate-synchroniser	Change point - Gearbox begin 0417153J Change point - VIN begin MA081992, Change point - Gearbox end 0417152J	Also serviced as part of a kit, Transmission R 380 Also serviced as part of a kit	FTC4171 FTC4171	3 3
9	Gear-1st driven manual transmission	Change point - VIN begin MA081992, Change point - Gearbox end 0417152J, 4 Cylinder Diesel Change point - Gearbox begin 0417153J, 4 Cylinder Diesel		FTC2948 FTC5037 TUB101800	1 1 1



Gearbox
R380-5 Speed-Manual
Mainshaft Gears 1st/2nd 2/2

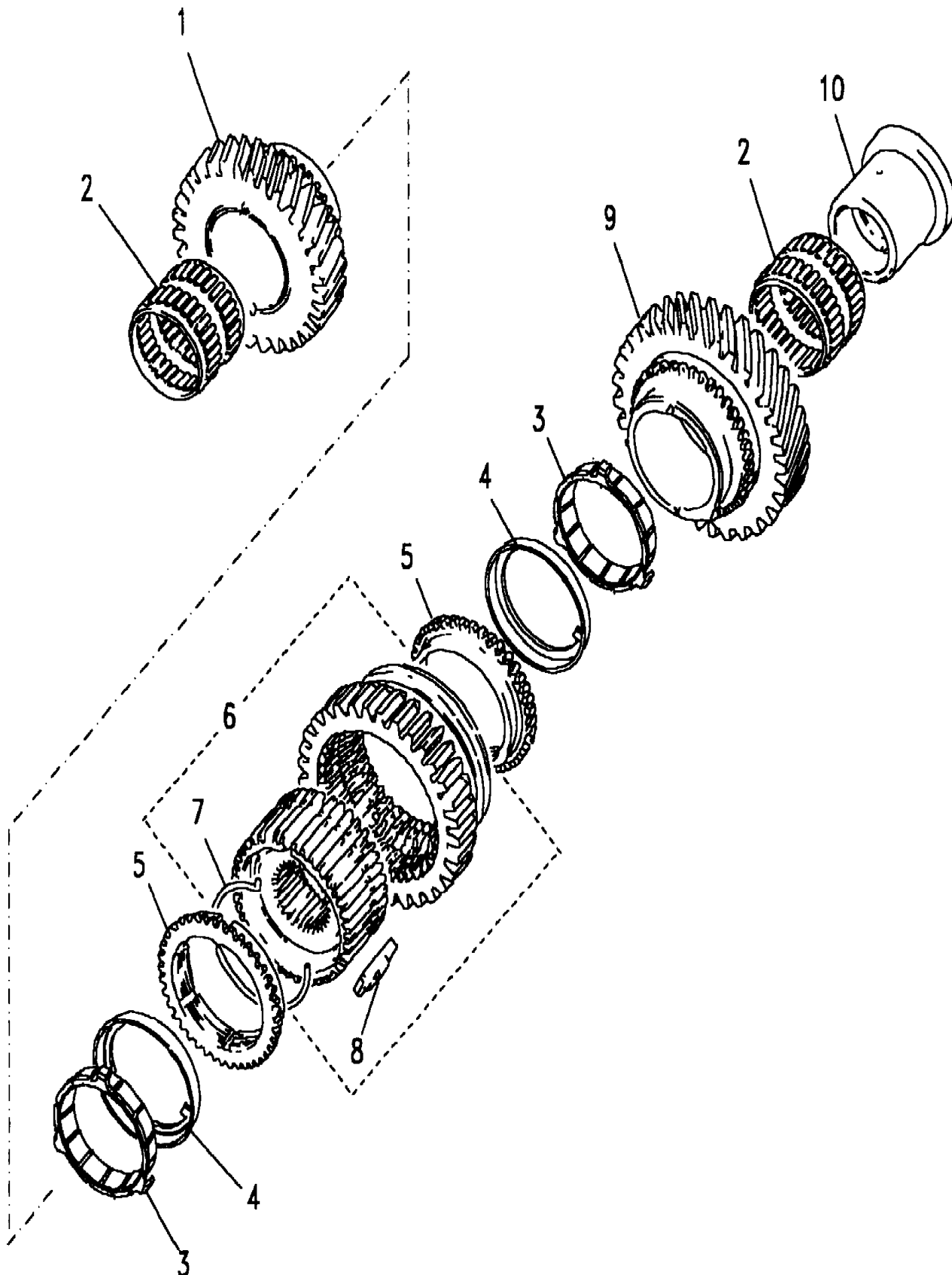
Discovery (FA393361-WA799999)
(CACFIC1A)

Discovery (FA393361-WA799999)

Gearbox
R380-5 Speed-Manual
Mainshaft Gears 1st/2nd

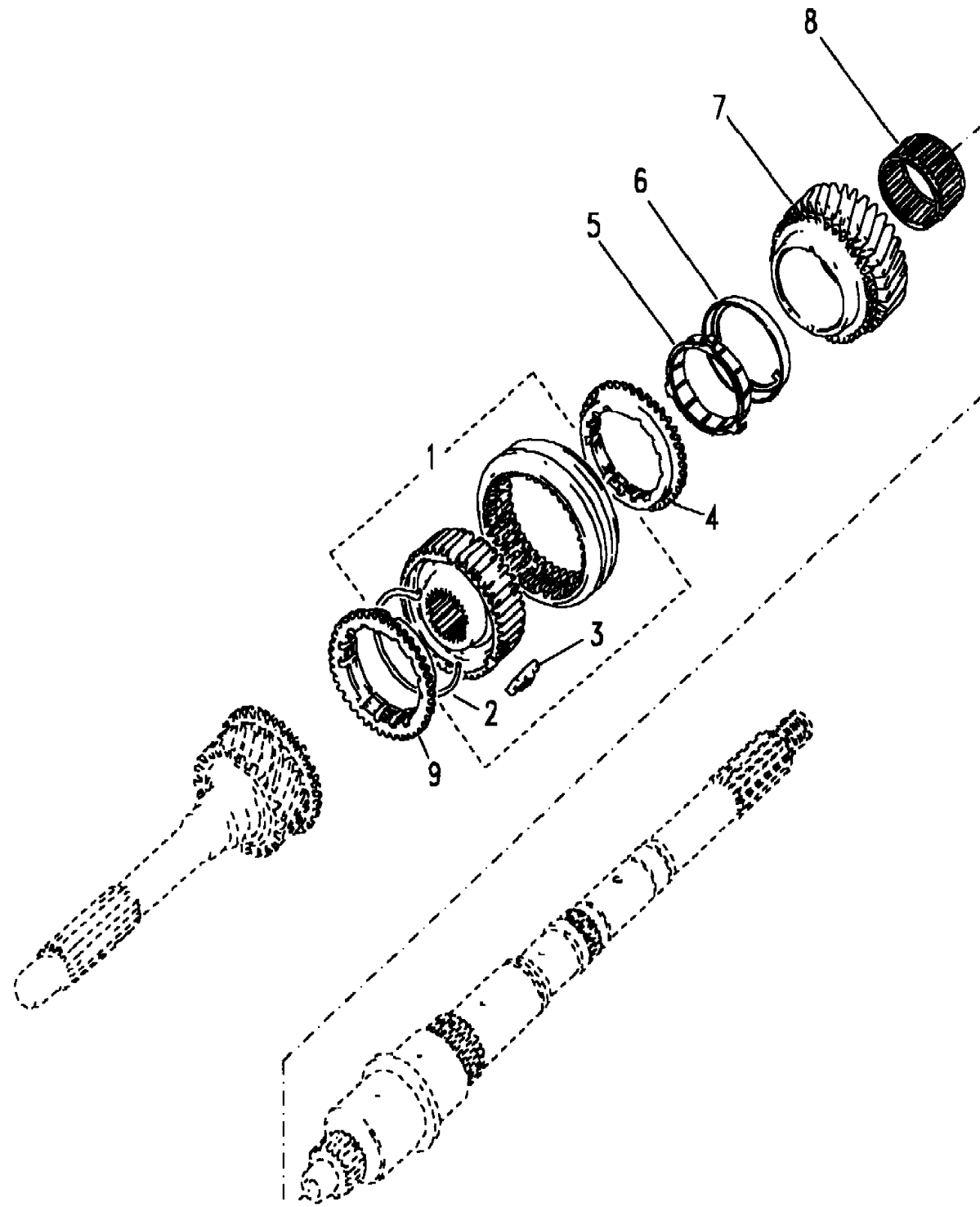
5 Speed, Manual Transmission

Callout	Name	Application	Remarks & Restrictions	Service No.	Qty
9	Gear-1st driven manual transmission	Change point - VIN begin MA081992, Change point - Gearbox end 0417152J, With Petrol Engines Change point - Gearbox begin 0417153J, With Petrol Engines	31 teeth	FTC2716 FTC5036	1 1
10	Bush-1st gear selective		Suffix J, 30.905 to 30.955mm Suffix K, 30.905 to 30.955mm	FTC2005 TUV100050	1 1
[900]	Kit-gears-1st/2nd		Also serviced as part of a kit, Transmission R 380	STC3375	1



Gearbox
R380-5 Speed-Manual
Mainshaft Gears 3rd/4th 1/2

Discovery (FA393361-WA799999)
(CACFIC2A)



Discovery (FA393361-WA799999)

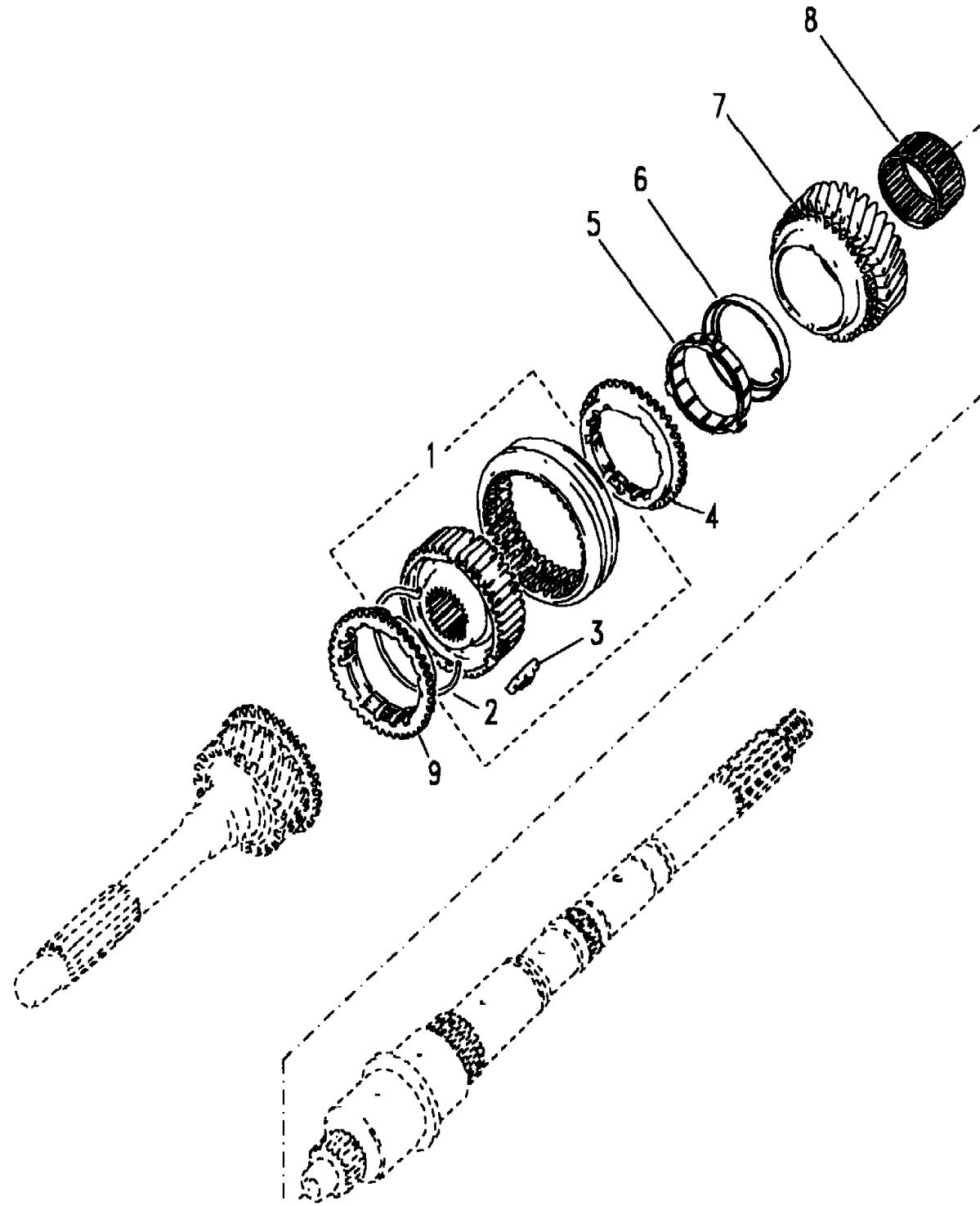
Gearbox
R380-5 Speed-Manual
Mainshaft Gears 3rd/4th

5 Speed, Manual Transmission

Callout	Name	Application	Remarks & Restrictions	Service No.	Qty
1	Synchroniser assembly-3rd & 4th mainshaft assembly	Change point - VIN begin MA081992, Change point - Gearbox end 0417152J	Also serviced as part of a kit	FTC2887	1
		Change point - Gearbox begin 0417153J	Also serviced as part of a kit, Transmission R 380	FTC5101	1
		Change point - Gearbox begin 0417153J	Also serviced as part of a kit, Transmission R 380	FTC5101	1
2	Spring Ring	Change point - VIN begin MA081992, Change point - Gearbox end 0417152J	Also serviced as part of a kit	FTC4172	2
		Change point - VIN begin MA081992, Change point - Gearbox end 0417152J	Also serviced as part of a kit	FTC4992	1
		Change point - Gearbox begin 0417153J	Also serviced as part of a kit, Transmission R 380	FTC4992	2
		Change point - Gearbox begin 0417153J	Also serviced as part of a kit, Transmission R 380	FTC4992	2
3	Plate-synchroniser	Change point - VIN begin MA081992, Change point - Gearbox end 0417152J	Also serviced as part of a kit	FTC4171	3
		Change point - Gearbox begin 0417153J	Also serviced as part of a kit, Transmission R 380	FTC4171	3
4	Ring-baulk		3rd/4th gear, Transmission R 380	FTC3584	1
			Also serviced as part of a kit, Transmission R 380	FTC3584	1
5	Ring-synchroniser inner	Change point - VIN begin MA081992, Change point - Gearbox end 0417152J		FTC2397	1
		Change point - Gearbox begin 0417153J		FTC5019	1
			Also serviced as part of a kit, Transmission R 380	FTC5019	1
6	Ring-synchroniser intermediate			FTC2396	1
			Also serviced as part of a kit, Transmission R 380	FTC2396	1
7	Gear-3rd driven manual transmission	Change point - VIN begin MA081992, Change point - Gearbox end 0417152J	27 teeth	FTC2712	1
		Change point - Gearbox begin 0417153J	27 teeth	FTC5041	1
			Also serviced as part of a kit, Transmission R 380, 27 teeth	FTC5041	1
8	Bearing-needle roller manual transmission		Suffix J	FTC1311	1
9	Ring-baulk	Change point - VIN begin MA081992, Change point - Gearbox end 0417152J	4th/5th gear	FTC2731	1

Gearbox
R380-5 Speed-Manual
Mainshaft Gears 3rd/4th 2/2

Discovery (FA393361-WA799999)
(CACFIC2A)



Discovery (FA393361-WA799999)

Gearbox
R380-5 Speed-Manual
Mainshaft Gears 3rd/4th

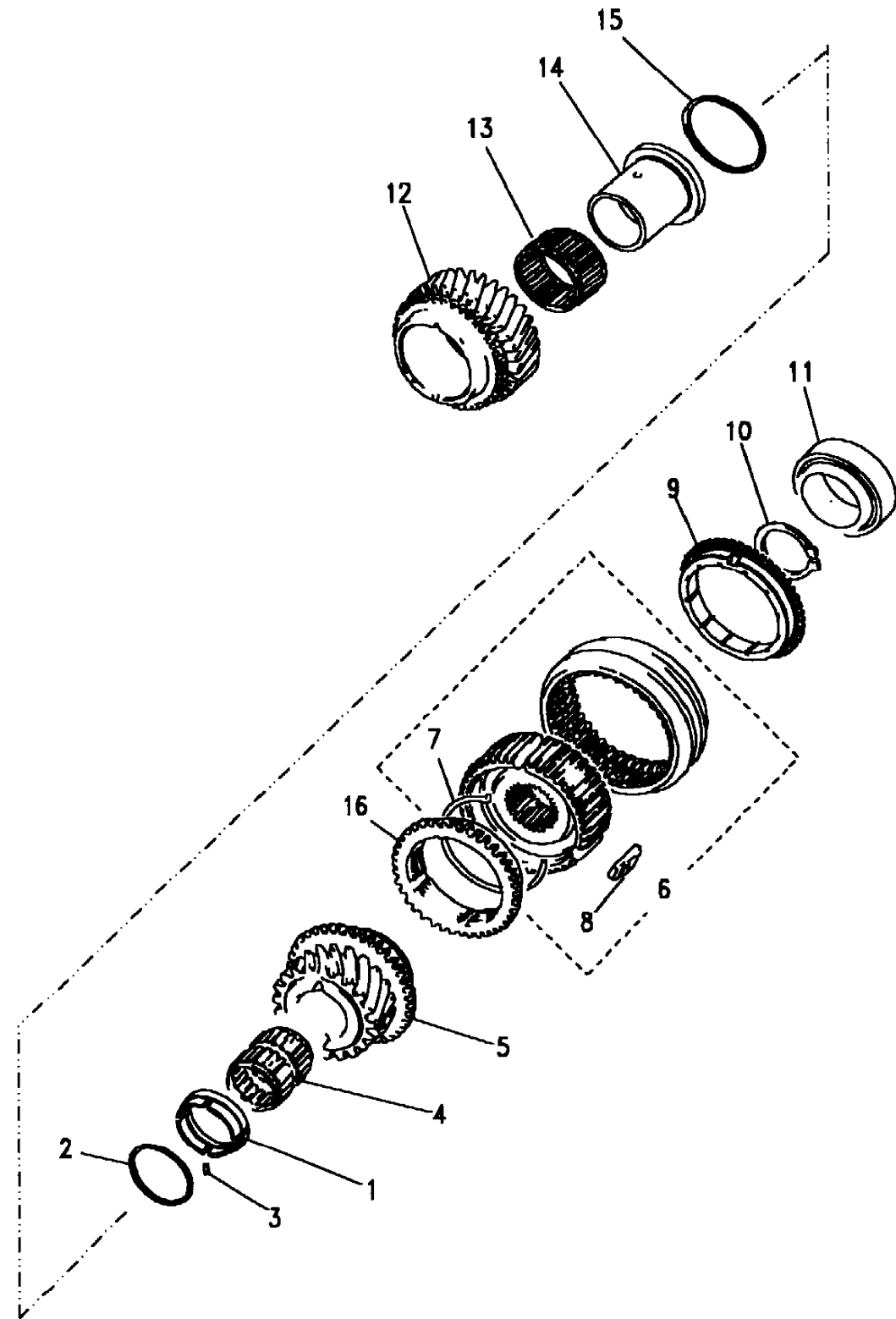
5 Speed, Manual Transmission

Callout	Name	Application	Remarks & Restrictions	Service No.	Qty
9	Ring-baulk	Change point - Gearbox begin 0417153J	4th/5th gear	FTC5018	1
[900]	Bearing-needle roller manual transmission		Suffix K	TUK100340	2
[902]	Kit-gears-3rd/4th		Also serviced as part of a kit, Transmission R 380	STC3376	1

Gearbox
R380-5 Speed-Manual
Mainshaft Gears 5th/Reverse 1/3

Discovery (FA393361-WA799999)

(CACFIC3A)



Discovery (FA393361-WA799999)

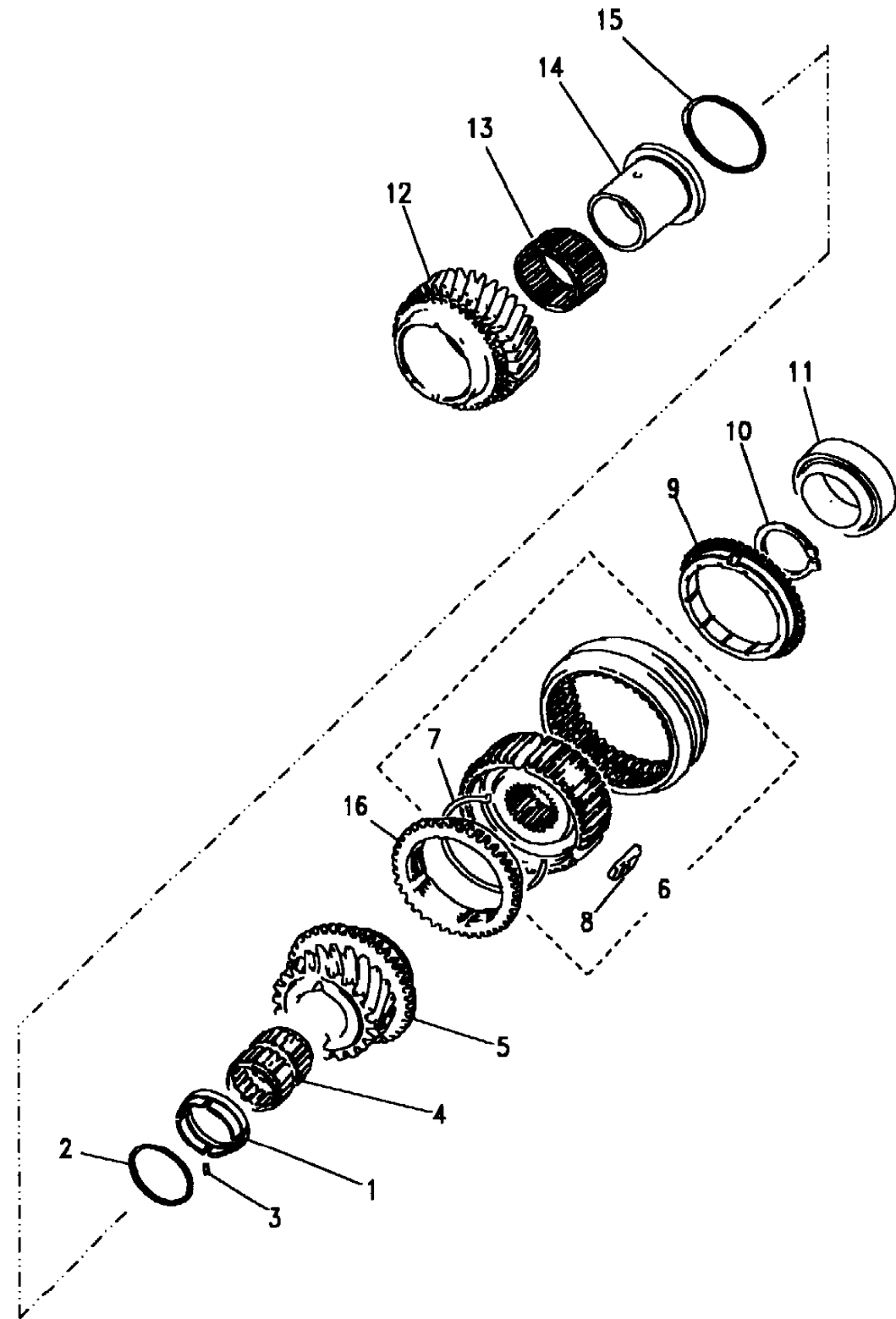
Gearbox
R380-5 Speed-Manual
Mainshaft Gears 5th/Reverse

5 Speed, Manual Transmission

Callout	Name	Application	Remarks & Restrictions	Service No.	Qty
1	Washer-thrust manual transmission	Change point - VIN begin MA081992, Change point - Gearbox end 0410128J, Manual Transmission		FTC3699	1
		Change point - Gearbox begin 0410129J, Manual Transmission		FTC4989	1
		Change point - Gearbox begin 0410129J		FTC5288	1
		Change point - VIN begin MA081992		FTC5288	1
		Manual Transmission	Also serviced as part of a kit, Transmission R 380	FTC4989	2
		Manual Transmission	Also serviced as part of a kit, Transmission R 380	FTC5288	2
2	Ring-retention	Change point - VIN begin MA081992, Change point - Gearbox end 0410128J, Manual Transmission		FTC4524	1
		Change point - Gearbox begin 0410129J, Manual Transmission		FTC4990	1
		Manual Transmission	Also serviced as part of a kit, Transmission R 380	FTC4990	1
3	Pin-Spring	Change point - VIN begin MA081992, Change point - Gearbox end 0410128J, Manual Transmission		PA108101L	1
4	Bearing-needle roller manual transmission	Change point - VIN begin MA081992, Manual Transmission		FRC5280	1
5	Gear-5th driven manual transmission	Change point - VIN begin MA081992, Change point - Gearbox end 0417152J, With Diesel Engines, Manual Transmission		FTC4539	1
		Change point - Gearbox begin 0417153J, With Diesel Engines, Manual Transmission	19 Teeth	FTC5043	1
		Change point - VIN begin MA081992, Change point - Gearbox end 0417152J, With Petrol Engines, Manual Transmission		FTC4538	1
		Change point - Gearbox begin 0417153J, With Petrol Engines, Manual Transmission	20 Teeth	FTC5042	1
6	Synchroniser assembly-5th gear mainshaft assembly	Change point - VIN begin MA081992, Change point - Gearbox end 0417152J, Manual Transmission	Also serviced as part of a kit	FTC2727	1
		Change point - Gearbox begin 0417153J, Manual Transmission	Also serviced as part of a kit, Transmission R 380	FTC5102	1

Gearbox
R380-5 Speed-Manual
Mainshaft Gears 5th/Reverse 2/3

Discovery (FA393361-WA799999)
(CACFIC3A)



Discovery (FA393361-WA799999)

Gearbox
R380-5 Speed-Manual
Mainshaft Gears 5th/Reverse

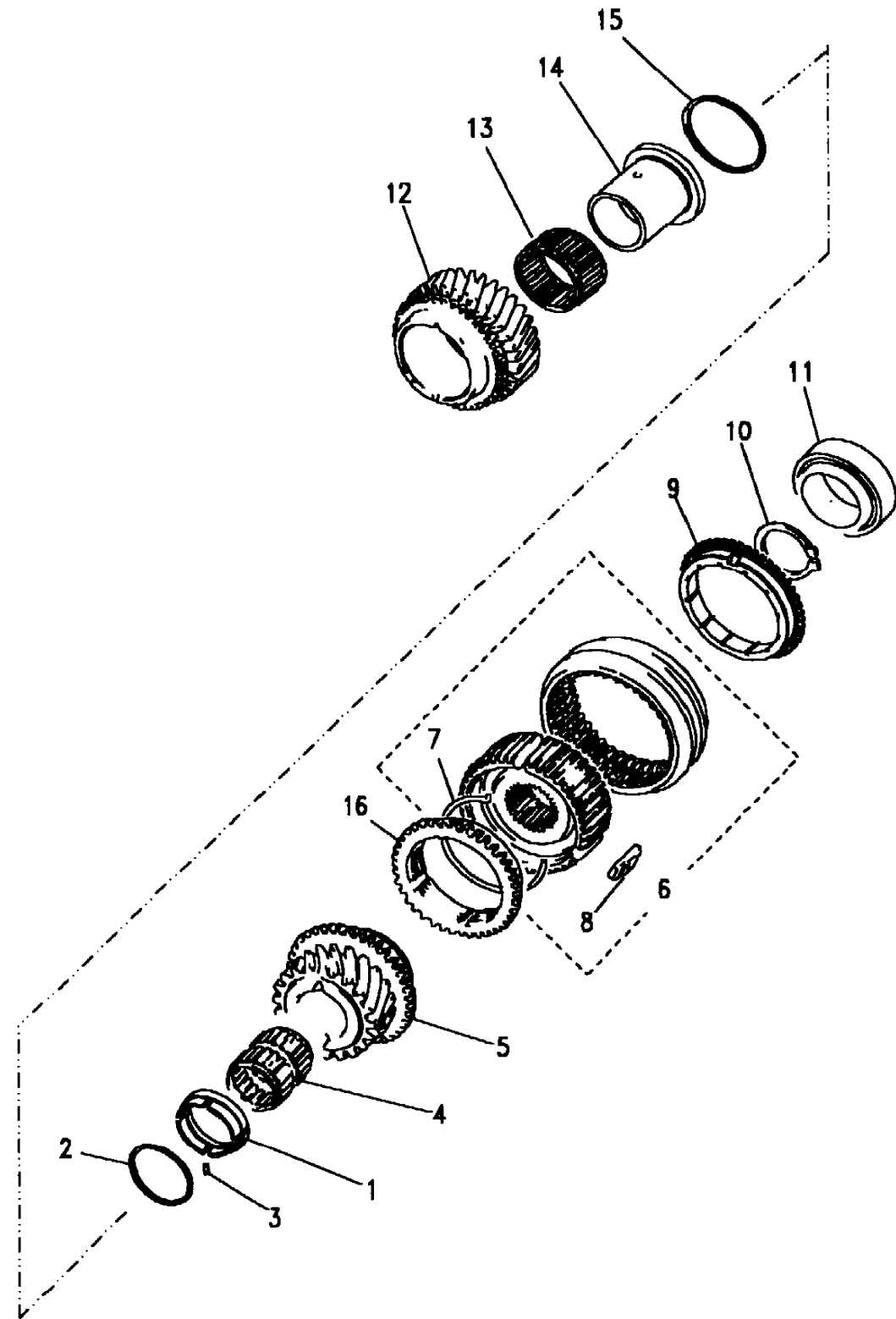
5 Speed, Manual Transmission

Callout	Name	Application	Remarks & Restrictions	Service No.	Qty
6	Synchroniser assembly-5th gear mainshaft assembly	Change point - Gearbox begin 0417153J, Manual Transmission	Also serviced as part of a kit, Transmission R 380	FTC5102	1
7	Spring Ring	Change point - VIN begin MA081992, Change point - Gearbox end 0417152J, Manual Transmission	Also serviced as part of a kit	FTC4245	2
		Change point - Gearbox begin 0417153J, Manual Transmission	Also serviced as part of a kit, Transmission R 380	FTC4992	2
		Change point - Gearbox begin 0417153J, Manual Transmission	Also serviced as part of a kit, Transmission R 380	FTC4992	2
8	Plate-synchroniser	Change point - VIN begin MA081992, Change point - Gearbox end 0417152J, Manual Transmission	Also serviced as part of a kit	FTC4171	3
		Change point - Gearbox begin 0417153J, Manual Transmission	Also serviced as part of a kit, Transmission R 380	FTC4171	3
		Change point - Gearbox begin 0417153J, Manual Transmission	Also serviced as part of a kit, Transmission R 380	FTC4171	3
9	Ring-baulk	Change point - VIN begin MA081992, Change point - Gearbox end 0417152J, Manual Transmission		FTC2731	1
		Change point - Gearbox begin 0417153J, Manual Transmission		FTC5018	1
		Manual Transmission	Also serviced as part of a kit, Transmission R 380	FTC5018	1
10	Circlip	Change point - VIN begin MA081992, Manual Transmission	man trans mainshaft/centre plate bearing	FTC3697	1
11	Bearing-taper roller	Change point - VIN begin MA081992, Manual Transmission	man trans mainshaft/primary shaft	FTC3371	1
12	Gear-reverse manual transmission	Change point - VIN begin MA081992, Change point - Gearbox end 0417152J, Manual Transmission		FTC4242	1
		Change point - Gearbox begin 0417153J, Manual Transmission		FTC5070	1
		Manual Transmission	Also serviced as part of a kit, Transmission R 380	FTC5070	1
13	Bearing-needle roller manual transmission	Change point - VIN begin MA081992, Manual Transmission	Suffix J	FTC1311	1
		Manual Transmission	Suffix K	TUK100340	2

Gearbox
R380-5 Speed-Manual
Mainshaft Gears 5th/Reverse 3/3

Discovery (FA393361-WA799999)

(CACFIC3A)



Discovery (FA393361-WA799999)

Gearbox
R380-5 Speed-Manual
Mainshaft Gears 5th/Reverse

5 Speed, Manual Transmission

Callout	Name	Application	Remarks & Restrictions	Service No.	Qty		
14	Bush-1st gear selective	Change point - VIN begin MA081992, Manual Transmission	Suffix J, 30.905 to 30.955mm	FTC2005	1		
		Manual Transmission	Suffix J, 30.905 to 30.955mm	TUJ100050	1		
		Manual Transmission	Suffix K, 30.905 to 30.955mm	TUJ100050	1		
15	Shim	Manual Transmission	man trans reverse gear bush, 2.475/2.450mm	FTC3951	X		
		Manual Transmission	man trans reverse gear bush, 2.425/2.400mm	FTC3953	X		
		Manual Transmission	man trans reverse gear bush, 2.375/2.350mm	FTC3955	X		
		Manual Transmission	man trans reverse gear bush, 2.325/2.300mm	FTC3957	X		
		Manual Transmission	man trans reverse gear bush, 2.275/2.250mm	FTC3959	X		
		Manual Transmission	man trans reverse gear bush, 2.225/2.200mm	FTC3961	X		
		Manual Transmission	man trans reverse gear bush, 2.175/2.150mm	FTC3963	X		
		Manual Transmission	man trans reverse gear bush, 2.125/2.100mm	FTC3965	X		
		Manual Transmission	man trans reverse gear bush, 2.075/2.050mm	FTC3967	X		
		Manual Transmission	man trans reverse gear bush, 2.025/2.000mm	FTC3969	X		
		16	Ring-baulk	Change point - VIN begin MA081992, Manual Transmission		FTC3584	1
				Manual Transmission	Also serviced as part of a kit, Transmission R 380	FTC3584	1
[901]	Ring-mainshaft oil feed	Change point - Gearbox begin 0410129J		FTC4991	1		
		Change point - VIN begin MA081992		FTC4991	1		
		Manual Transmission	Also serviced as part of a kit, Transmission R 380	FTC4991	1		
[902]	Kit-synchroniser assembly-main shaft-5th & reverse gear	Manual Transmission	Also serviced as part of a kit, Transmission R 380	STC3377	1		

Gearbox
R380-5 Speed-Manual
Oil Cooler 1/1

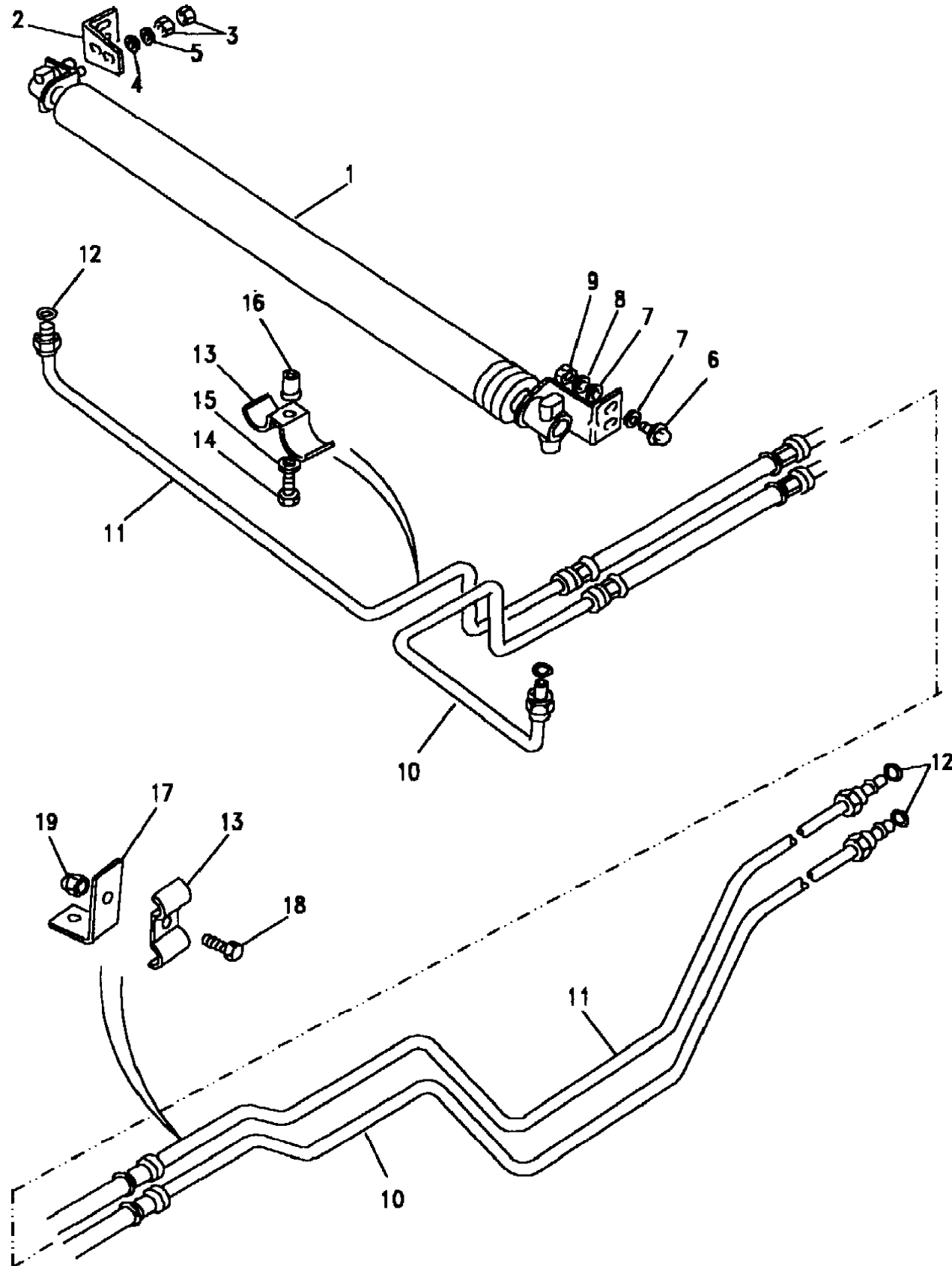
Discovery (FA393361-WA799999)
(CACFOA1A)

Discovery (FA393361-WA799999)

Gearbox
R380-5 Speed-Manual
Oil Cooler

V8, Manual Transmission, 5 Speed

Callout	Name	Application	Remarks & Restrictions	Service No.	Qty
1	Oil cooler transmission	V8, Manual Transmission		ESR1703	1
2	Bracket-mounting oil cooler	V8, Manual Transmission		NTC1868	1
3	Nut - Hex.	V8, Manual Transmission	M6, nyloc, Hexagonal	NH106041L	2
4	Washer	V8, Manual Transmission	6MM	WA106041L	2
5	Washer	V8, Manual Transmission	M6, sprung	WL106001L	2
6	Screw-flanged head	V8, Manual Transmission	M6 X 16, Flanged Head	FS106167L	4
7	Washer	V8, Manual Transmission	6MM	WA106041L	8
8	Washer	V8, Manual Transmission	M6, sprung	WL106001L	4
9	Nut - Hex.	V8, Manual Transmission	M6, nyloc, Hexagonal	NH106041L	4
10	Pipe-transmission/oil cooler	V8, Manual Transmission	Also serviced as part of a kit	ESR2808	1
11	Pipe-oil cooler/transmission	V8, Manual Transmission	Also serviced as part of a kit	ESR2809	1
12	O Ring	V8, Manual Transmission	transmission oil cooler hose, Also serviced as part of a kit	ESR1594L	4
13	Clamp	V8, Manual Transmission		ESR2806	2
14	Screw	V8, Manual Transmission	hexagonal head, M6 x 35	SH106351L	1
15	Washer	V8, Manual Transmission	M6, sprung	WL106001L	1
16	Nutsert-blind	V8, Manual Transmission	M6	NN106021	1
17	Bracket-mounting oil pipe	V8, Manual Transmission		NTC5794	1
18	Screw-flanged head	V8, Manual Transmission	M6 X 16, Flanged Head	FS106167L	1
19	Nut - Hex.	V8, Manual Transmission	M6, nyloc, flange	NY106041	1



Gearbox
R380-5 Speed-Manual
Selectors & Shafts 1/1

Discovery (FA393361-WA799999)

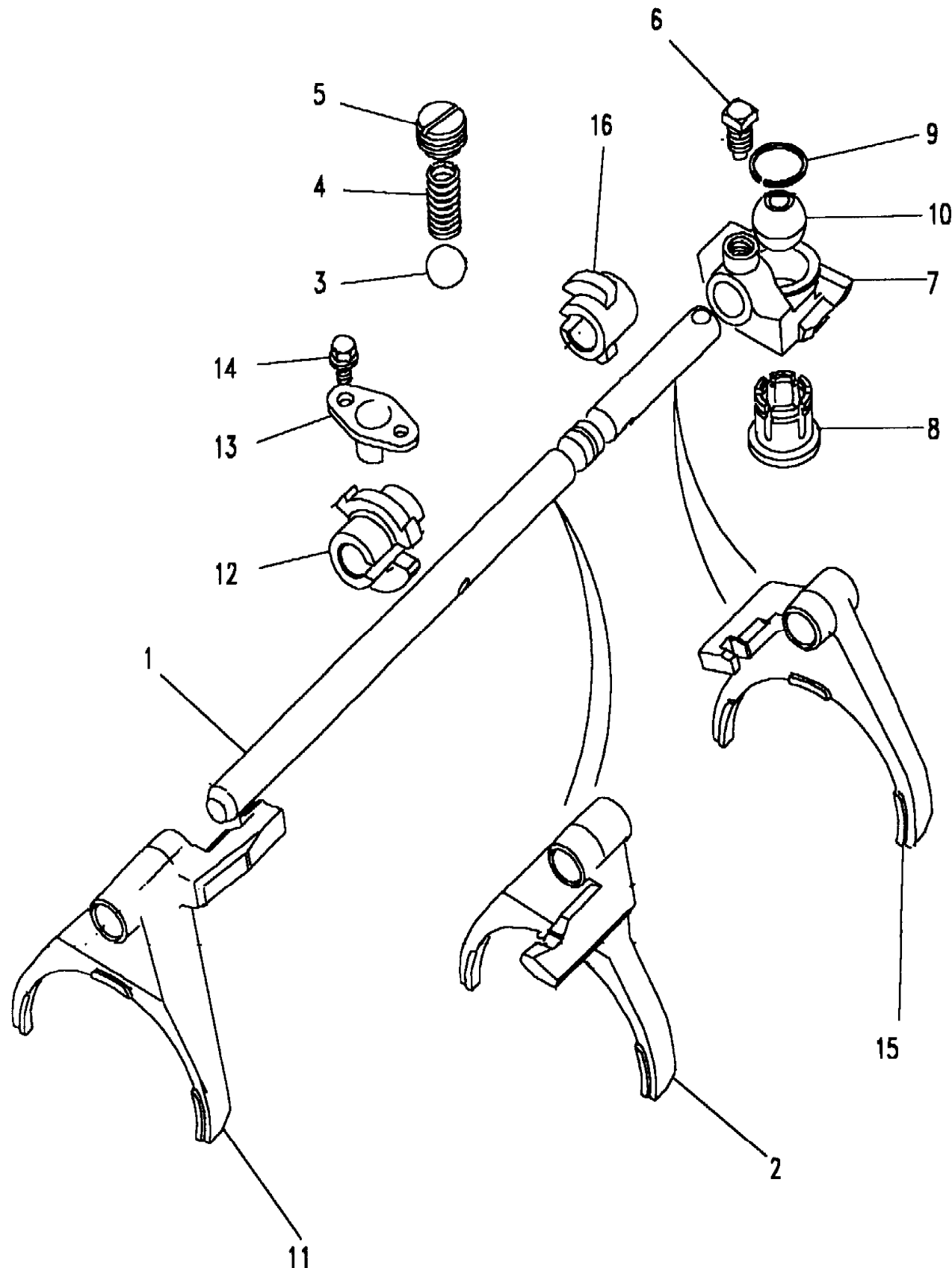
(CACFKA1A)

Discovery (FA393361-WA799999)

Gearbox
R380-5 Speed-Manual
Selectors & Shafts

5 Speed, Manual Transmission

Callout	Name	Application	Remarks & Restrictions	Service No.	Qty
1	Shaft-selector manual transmission	Manual Transmission		FTC3381	1
		Manual Transmission		FTC4590	1
2	Fork assembly-selector-1st/ 2nd manual transmission	Manual Transmission		FTC3581	1
3	Ball-detent manual transmission	Manual Transmission		FTC4596	2
4	Spring-detent manual transmission	Manual Transmission		FTC3382	2
5	Plug	Manual Transmission		FTC2193	1
6	Screw-Grub		Also serviced as part of a kit	FTC4536	1
7	Yoke-shift rod manual transmission		Also serviced as part of a kit	FTC4622	1
8	Bush-selector yoke spherical		Also serviced as part of a kit	FTC2203	1
9	Ring-Snap		Also serviced as part of a kit	FTC4458	1
10	Ball-selector yoke		Also serviced as part of a kit	FTC4249 FRC8485	1 1
			Change point - VIN end 55A0269111J, Manual Transmission Change point - VIN begin 55A0269112J, Manual Transmission	FTC4249	1
11	Fork assembly-3rd & 4th manual transmission	Manual Transmission		FTC3582	1
12	Interlock manual transmission	Manual Transmission		FTC3370	1
13	Retainer-interlock	Manual Transmission		FRC8239	1
14	Screw	Manual Transmission	M6 X 16, hexagonal head	SH106161M	2
15	Fork assembly-5th manual transmission			FTC3583	1
16	Interlock-5th/reverse	Manual Transmission		FTC2885	1
[906]	Pin-selector lever/shaft manual transmission	Manual Transmission		FRC8127	1
[907]	Pin-selector manual transmission		Also serviced as part of a kit	FTC1488	1



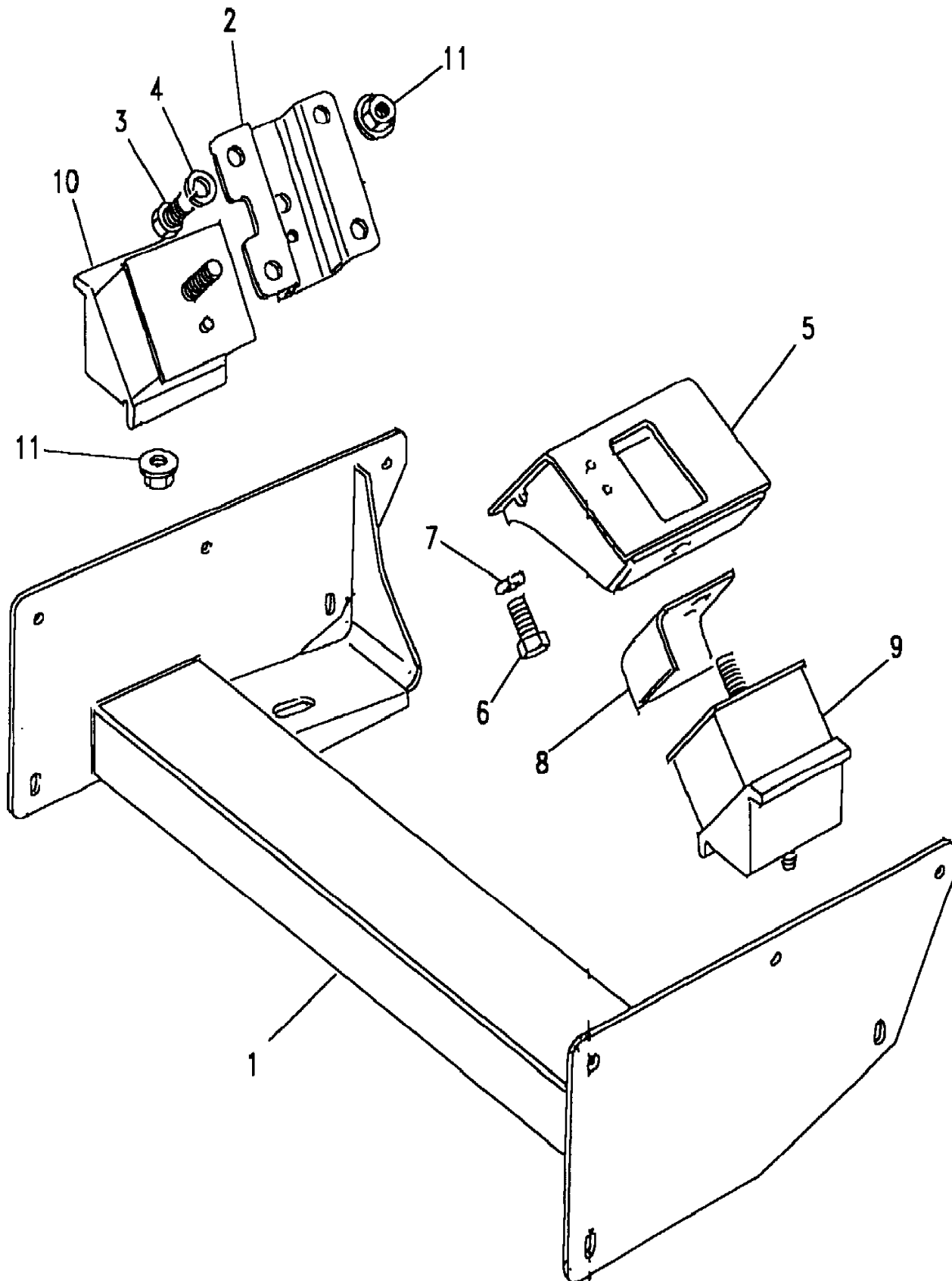
Gearbox
R380-5 Speed-Manual
Transmission Mountings 1/1

Discovery (FA393361-WA799999)
(CACFMA1A)

Discovery (FA393361-WA799999)

Gearbox
R380-5 Speed-Manual
Transmission Mountings

Manual Transmission, 5 Speed



Callout	Name	Application	Remarks & Restrictions	Service No.	Qty
1	Crossmember assembly-chassis frame			ANR2278	1
2	Bracket-Transmission Mounting		RH	ANR2898	1
3	Screw		hexagonal head, M12 x 25	SH112251L	4
4	Washer			WL112001L	4
5	Bracket-Transmission Mounting		LH	ANR3225	1
6	Screw		hexagonal head, M12 x 25	SH112251L	4
7	Washer			WL112001L	4
8	Heatshield assembly exhaust-downpipe			ANR3138	1
9	Mounting-rubber		Transmission, LH	ANR3201	1
10	Mounting-rubber		Transmission, RH	ANR3200	1
11	Nut-flange		M10	FX110041L	4

Gearbox
ZF-4 Speed-Automatic
Adaptor Plate 1/1

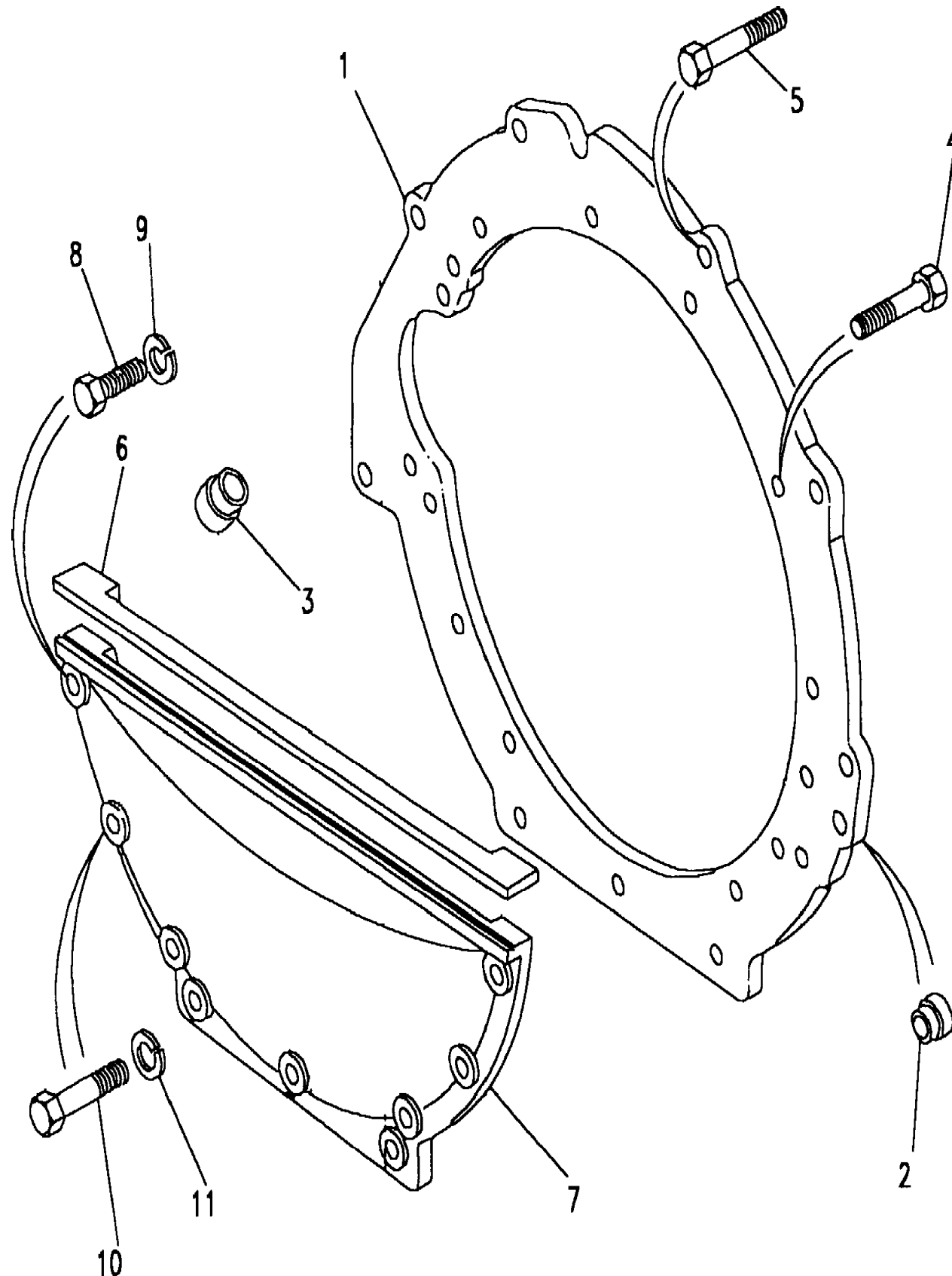
Discovery (FA393361-WA799999)
(CACPEA1A)

Discovery (FA393361-WA799999)

Gearbox
ZF-4 Speed-Automatic
Adaptor Plate

Automatic Transmission

Callout	Name	Application	Remarks & Restrictions	Service No.	Qty
1	Adaptor-transmission mounting plate	Change point - VIN end KA064754, V8 Petrol Change point - VIN end KA064754, 4 Cyl TDi Diesel	Also serviced as part of a kit	FRC5007 ERR4612	1 1
2	Dowel	Change point - VIN end KA064754		FRC5054	2
3	Dowel	Change point - VIN end KA064754		FRC5024	2
4	Bolt	Change point - VIN end KA064754	3/8UNC x 1 7/8	BH506131L	8
5	Bolt	Change point - VIN end KA064754		BH608181L	1
6	Seal		bottom	594087	1
7	Cover-bell housing		bottom	FRC2859	1
8	Screw		cover bottom to plate, Flanged Head, M6 x 25	FS106255L	7
9	Washer-Spring		M6, Square	WM106001L	7
10	Bolt		cover bottom to plate	594134	2
11	Washer-Spring		M8	WM108001L	2



Gearbox
ZF-4 Speed-Automatic
Brake 'C-C' 1/1

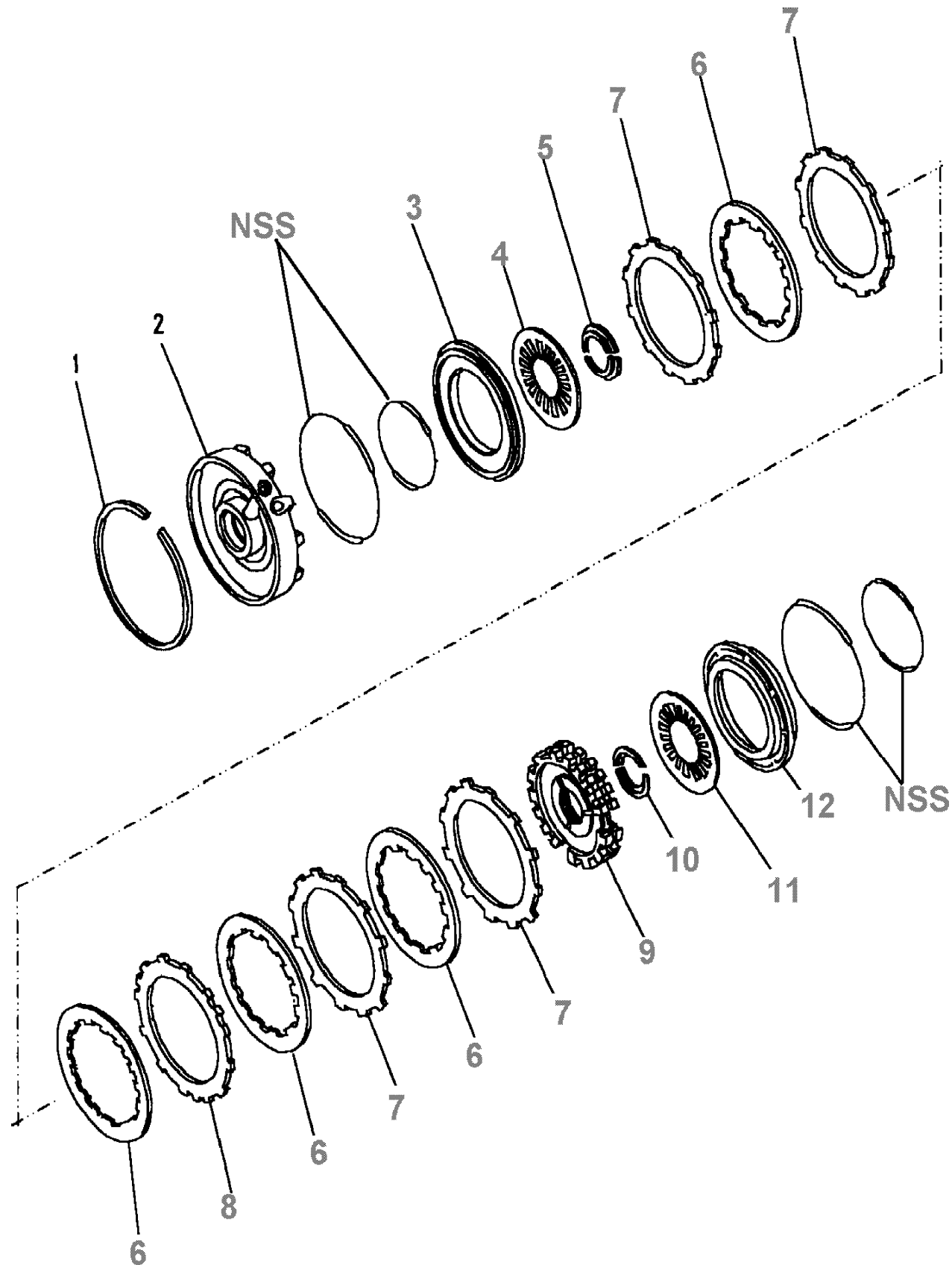
Discovery (FA393361-WA799999)
(CACPGG2B)

Discovery (FA393361-WA799999)

Gearbox
ZF-4 Speed-Automatic
Brake 'C-C'

Automatic Transmission

Callout	Name	Application	Remarks & Restrictions	Service No.	Qty
1	Ring-snap automatic transmission		Large	RTC5173	1
2	Plate		Centre	RTC5174	1
3	Piston-clutch-automatic			RTC5175	1
4	Spring			RTC5176	1
5	Ring-backing automatic transmission			RTC5177	1
6	Disc-clutch automatic transmission			RTC5122	4
7	Disc-clutch automatic transmission		Outer	RTC5126	4
8	Disc-clutch automatic transmission		end	RTC5123	1
9	Drive assembly-freewheel			RTC5178	1
10	Ring-backing automatic transmission			RTC5177	1
11	Spring			RTC5176	1
12	Piston-clutch-automatic			RTC5179	1



Gearbox
ZF-4 Speed-Automatic
Brake 'D' 1/1

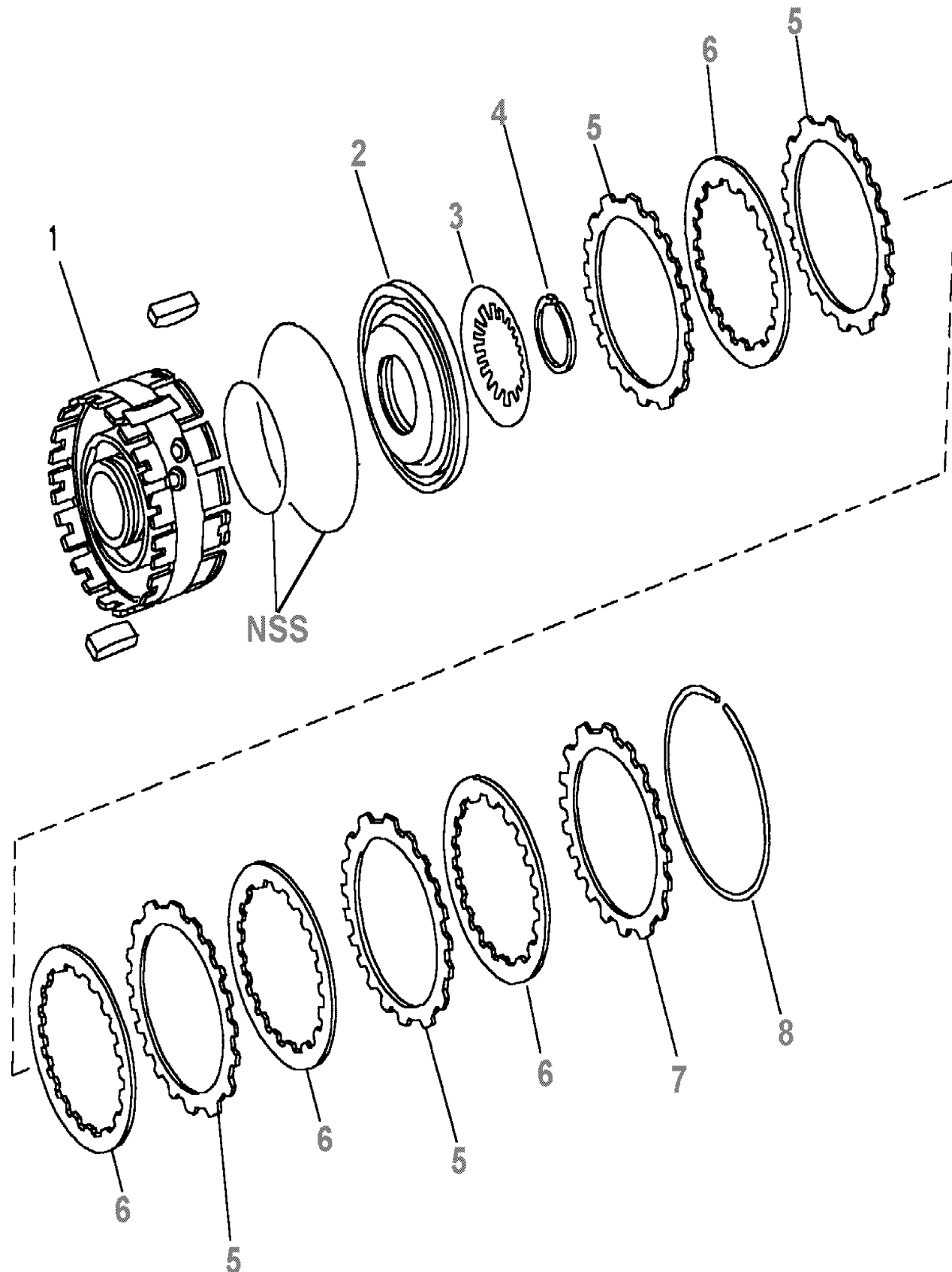
Discovery (FA393361-WA799999)
(CACPGG3B)

Gearbox
ZF-4 Speed-Automatic
Brake 'D'

Discovery (FA393361-WA799999)

Automatic Transmission

Callout	Name	Application	Remarks & Restrictions	Service No.	Qty
1	Cylinder			RTC5151	1
2	Piston-clutch-automatic			RTC5152	1
3	Spring			RTC5153	1
4	Connector fit			RTC5154	1
5	Disc-clutch automatic transmission		Outer	RTC5126	4
6	Disc-clutch automatic transmission		lined	RTC5127	4
7	Disc-clutch automatic transmission		Outer	RTC5125	1
8	Ring-snap automatic transmission			RTC5128	1



Gearbox
ZF-4 Speed-Automatic
Brakes 'F' 1/1

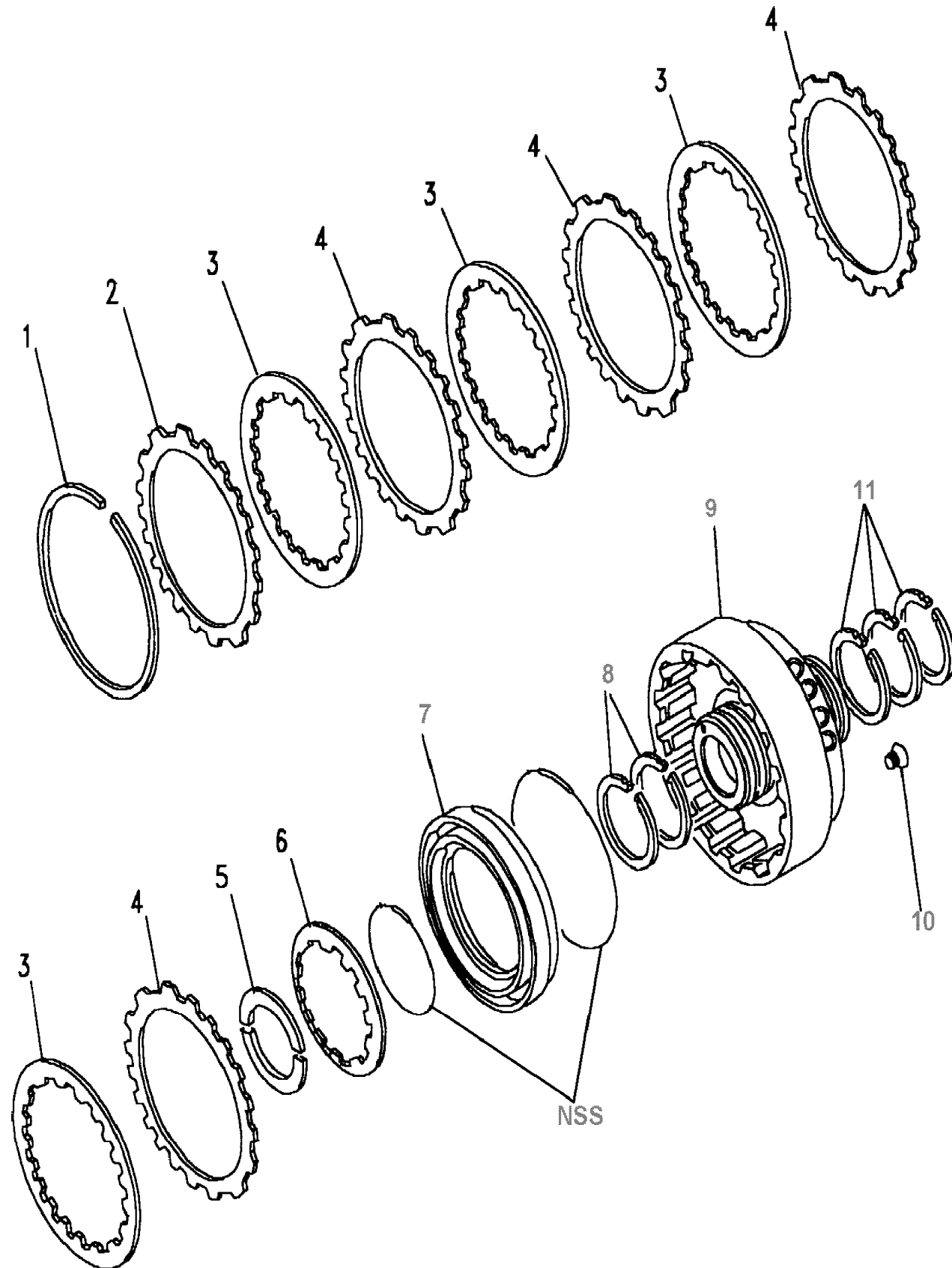
Discovery (FA393361-WA799999)
(CACPGG1A)

Discovery (FA393361-WA799999)

Gearbox
ZF-4 Speed-Automatic
Brakes 'F'

Automatic Transmission

Callout	Name	Application	Remarks & Restrictions	Service No.	Qty
1	Ring-snap automatic transmission			RTC5137	1
2	Plate-automatic transmission clutch end			RTC5136	1
3	Disc-clutch automatic transmission		lined	RTC5135	4
4	Disc-clutch automatic transmission			RTC5134	4
5	Ring-backing automatic transmission			RTC5160	1
6	Disc-brake spring			RTC5159	1
7	Piston-clutch-automatic			RTC5158	1
8	Ring-piston-forward shaft automatic transmission			RTC5157	2
9	Cylinder			RTC5155	1
10	Screw			RTC5156	10
11	Ring set assembly-piston			RTC4660	3



Gearbox
ZF-4 Speed-Automatic
Casing & Sump 1/2

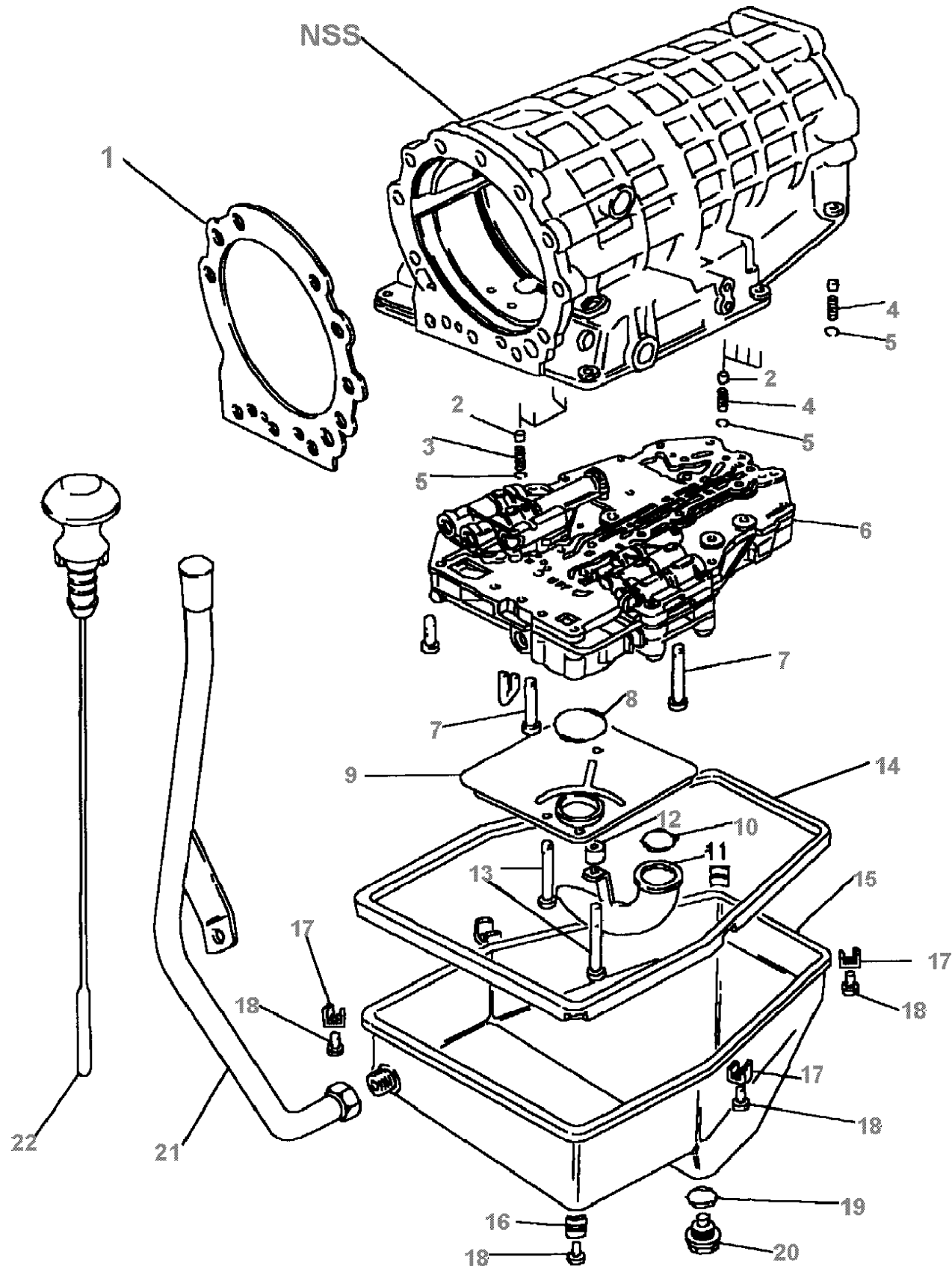
Discovery (FA393361-WA799999)
(CACPEA3A)

Discovery (FA393361-WA799999)

Gearbox
ZF-4 Speed-Automatic
Casing & Sump

Automatic Transmission

Callout	Name	Application	Remarks & Restrictions	Service No.	Qty
1	Gasket-end cover automatic transmission			RTC4320	1
2	Sleeve		Short Long	RTC4280 RTC5209	8 1
3	Spring		Short	RTC4281	4
4	Spring		Long	RTC4282	5
5	Circlip			RTC4657	9
6	Valve-block	3.5L V8 3.9L V8 4 Cyl TDi		STC906 STC930 STC1582	1 1 1
7	Screw		block to gearbox, Long, 83mm block to gearbox, Long, 65MM block to gearbox, Long, 60MM block to gearbox, Long, 30MM	RTC4649 RTC4278 RTC4277 RTC4279	1 4 3 8
8	O Ring		auto trans strainer to control unit	RTC4276	1
9	Strainer-oil-automatic transmission fluid automatic transmission			RTC4653	1
10	O Ring		auto trans fluid suction pipe	RTC5818	1
11	Pipe-suction automatic transmission			RTC4655	1
12	Sleeve			RTC4656	1
13	Screw		oil screen to block, Long, 65MM oil strainer to block, Long, 83mm	RTC4278 RTC4649	2 1
14	Gasket-sump/ transmission case automatic transmission			RTC4268	1
15	Pan assembly-oil transmission case			RTC4652	1
16	Plate		Corner	RTC5733	4
17	Plate			RTC5734	2



Gearbox
ZF-4 Speed-Automatic
Casing & Sump 2/2

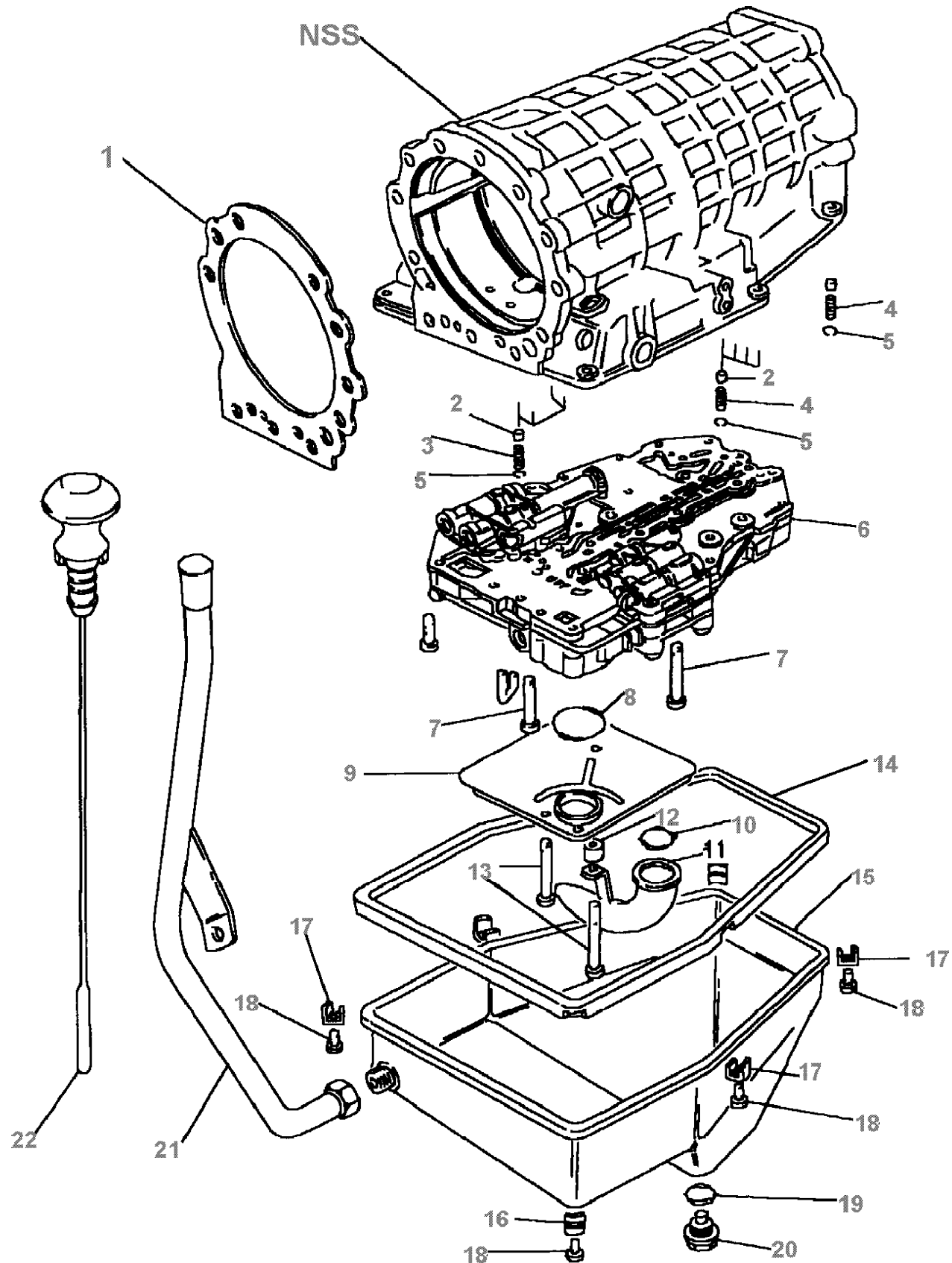
Discovery (FA393361-WA799999)
(CACPEA3A)

Discovery (FA393361-WA799999)

Gearbox
ZF-4 Speed-Automatic
Casing & Sump

Automatic Transmission

Callout	Name	Application	Remarks & Restrictions	Service No.	Qty
18	Screw			RTC5735	6
19	Washer-sealing		drain plug-automatic transmission	STC1060	1
20	Plug and magnet assembly-transmission case			RTC4647	1
21	Pipe-dipstick automatic transmission	V8 2.5L I4 200 TDi Turbo Diesel, Less Catalyst 2.5L I4 200 TDi Turbo Diesel, 5 Speed Manual Transmission, Less Catalyst 4 Cyl 300 Series/TDi Diesel	Engine Code 12L 2.5 TDI Manual - Gemini Engine Code 12L 2.5 TDI Manual - Gemini (-) 12L 2.5 TDI Manual - Gemini	FTC1356 FTC4054 FTC4054 FTC1609	1 1 1 1
22	Dipstick automatic transmission	V8 V8 4 Cyl TDi 4 Cyl TDi	689mm 693mm	FTC1357 FTC4474 FTC2069 FTC4475	1 1 1 1



Gearbox
ZF-4 Speed-Automatic
Clutch 'A' 1/1

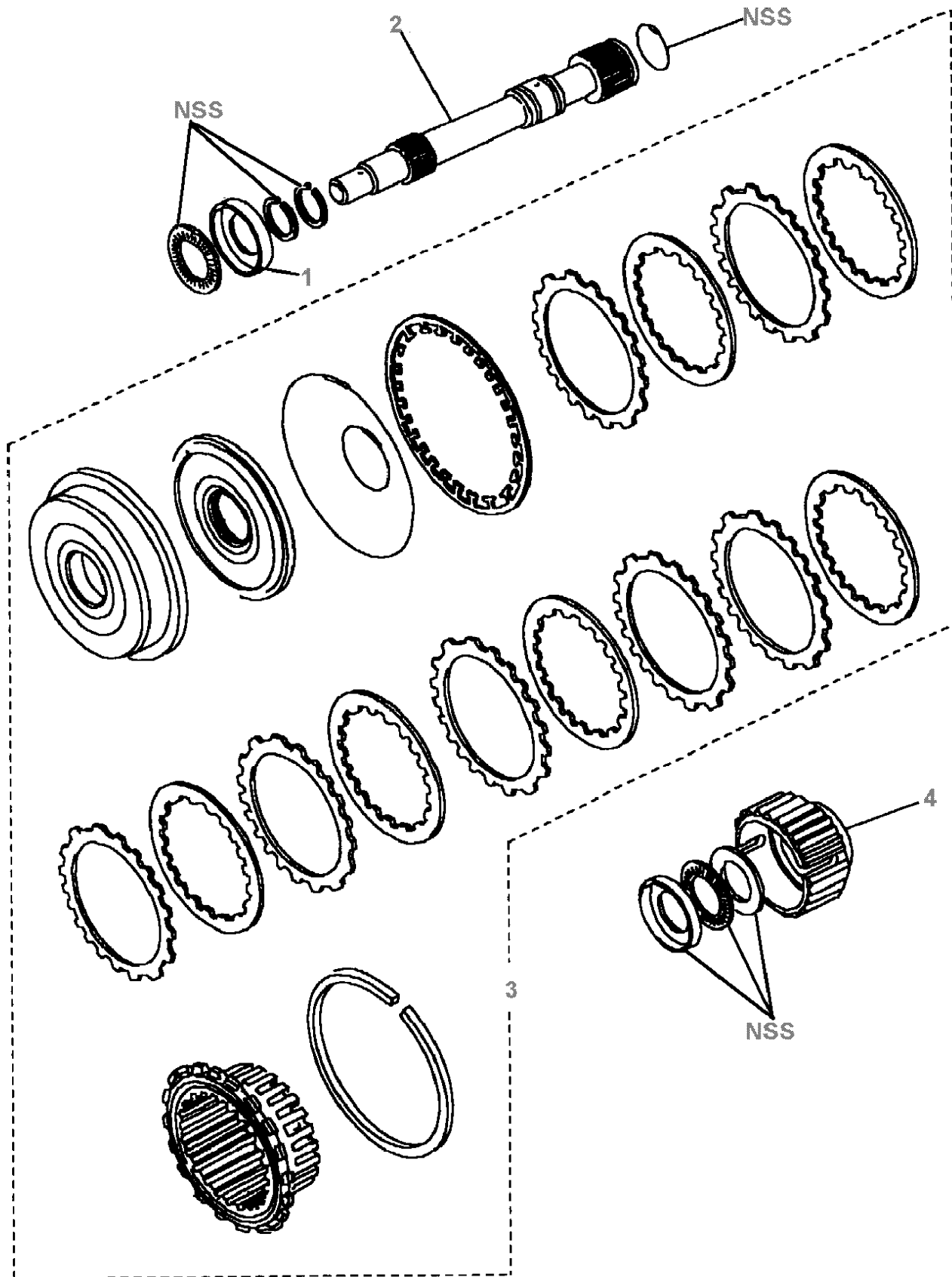
Discovery (FA393361-WA799999)
(CACPGE1B)

Discovery (FA393361-WA799999)

Gearbox
ZF-4 Speed-Automatic
Clutch 'A'

Automatic Transmission

Callout	Name	Application	Remarks & Restrictions	Service No.	Qty
1	Retainer-bearing automatic transmission			RTC5143	1
2	Shaft-counter automatic transmission			RTC5141	1
3	Kit-clutch			RTC5142	1
4	Carrier-gear automatic transmission			RTC5144	1



Gearbox
ZF-4 Speed-Automatic
Clutch 'B' 1/1

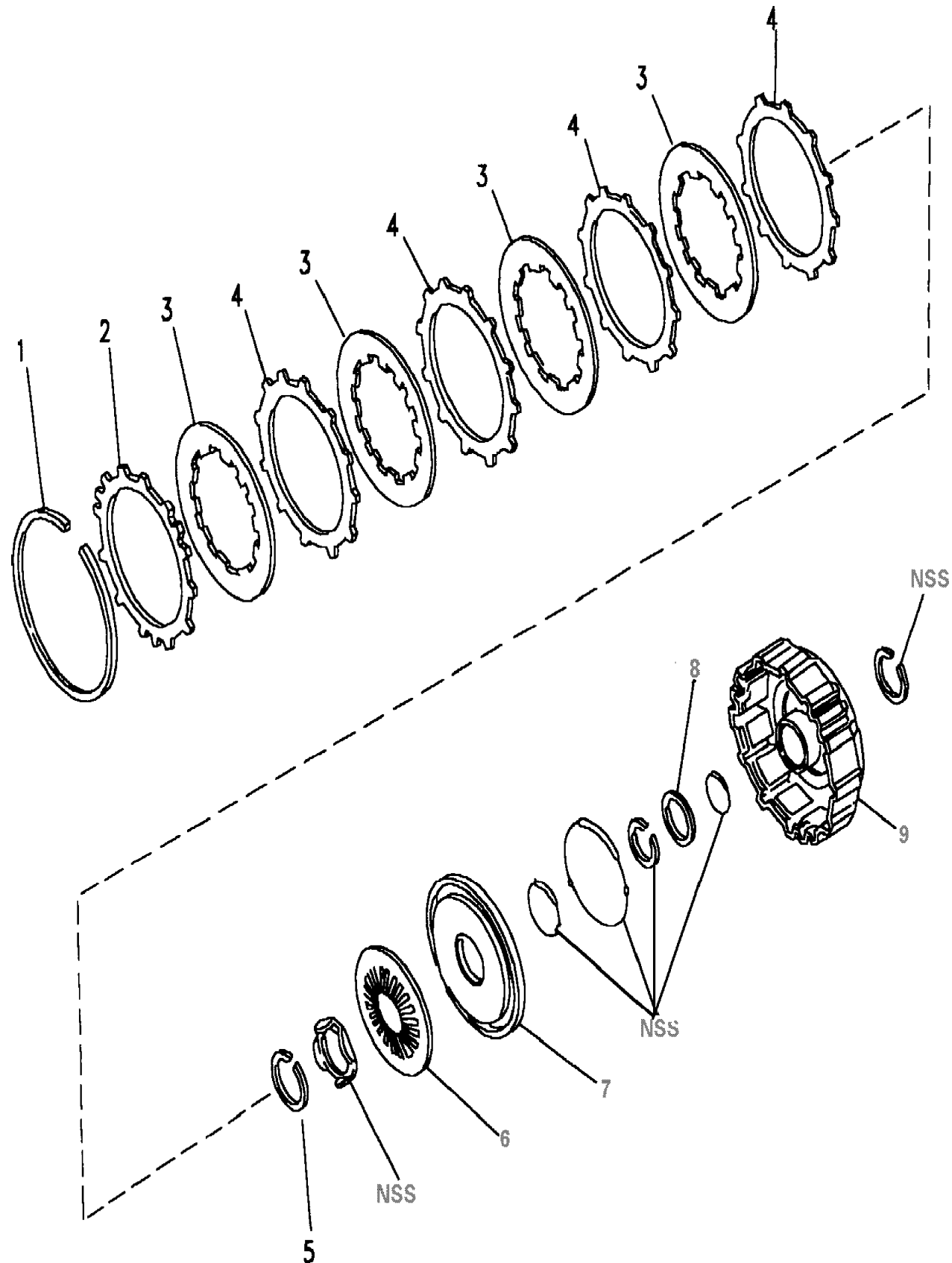
Discovery (FA393361-WA799999)
(CACPGE2A)

Discovery (FA393361-WA799999)

Gearbox
ZF-4 Speed-Automatic
Clutch 'B'

Automatic Transmission

Callout	Name	Application	Remarks & Restrictions	Service No.	Qty
1	Ring-snap automatic transmission			RTC5124	1
2	Disc-clutch automatic transmission		end	RTC5123	1
3	Disc-clutch automatic transmission		lined	RTC5122	4
4	Disc-clutch automatic transmission		Outer, Steel	RTC5121	4
5	Ring-snap automatic transmission			RTC5148	1
6	Spring			RTC5147	1
7	Piston-clutch-automatic			RTC5146	1
8	Ring-support			RTC5149	1
9	Guide automatic transmission			RTC5145	1



Gearbox
ZF-4 Speed-Automatic
Clutch 'E' 1/1

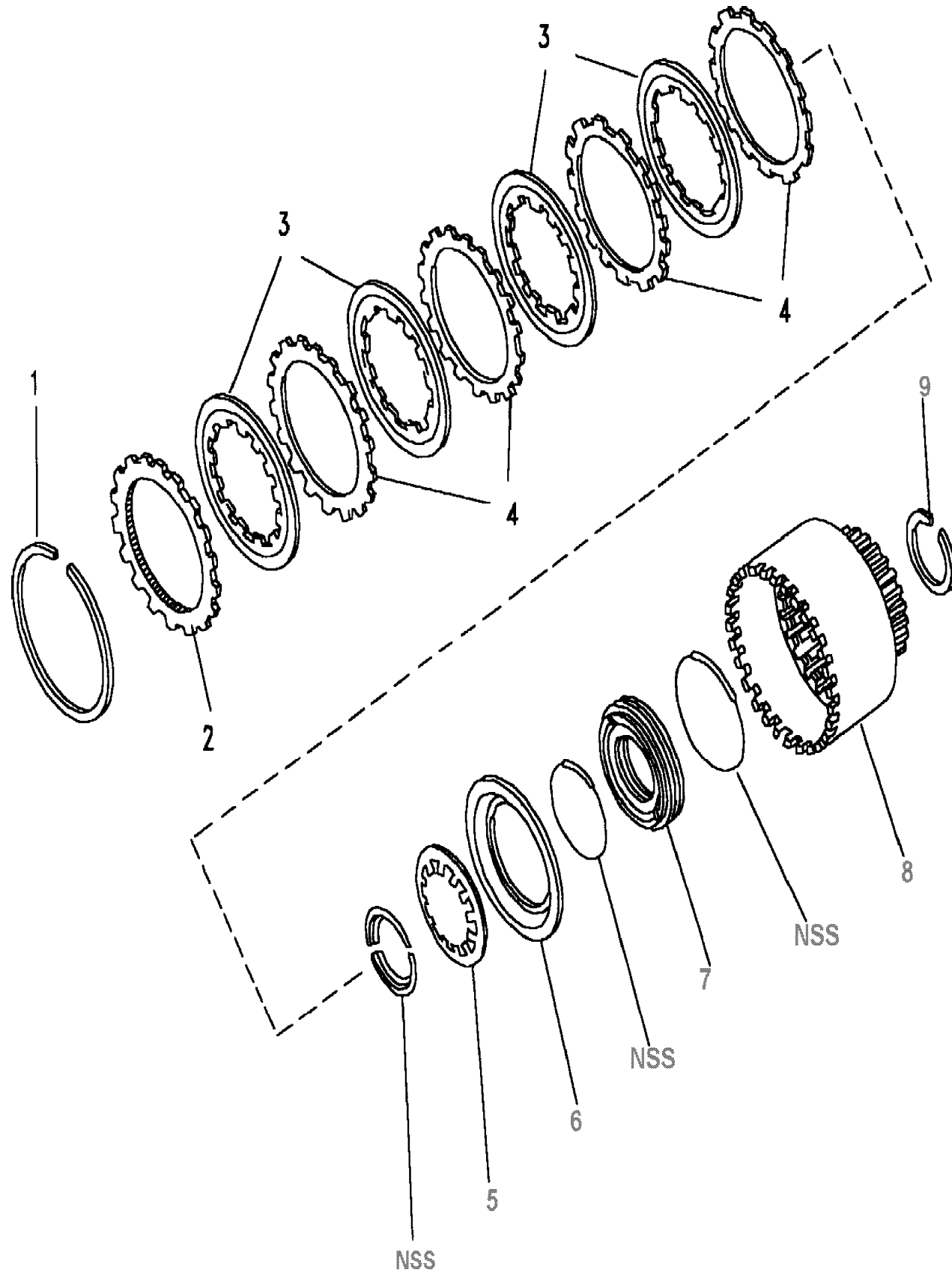
Discovery (FA393361-WA799999)
(CACPGE3B)

Discovery (FA393361-WA799999)

Gearbox
ZF-4 Speed-Automatic
Clutch 'E'

Automatic Transmission

Callout	Name	Application	Remarks & Restrictions	Service No.	Qty
1	Ring-snap automatic transmission			RTC5137	1
2	Disc-clutch automatic transmission		end	RTC5139	1
3	Disc-clutch automatic transmission		lined	RTC5135	4
4	Disc-clutch automatic transmission		Outer	RTC5138	4
5	Spring			RTC5164	1
6	Plate-forward clutch pressure			RTC5163	1
7	Piston-clutch-automatic			RTC5162	1
8	Cylinder			RTC5161	1
9	Ring-snap automatic transmission		Small	RTC5171	1



Gearbox
ZF-4 Speed-Automatic
Gearbox Assembly 1/1

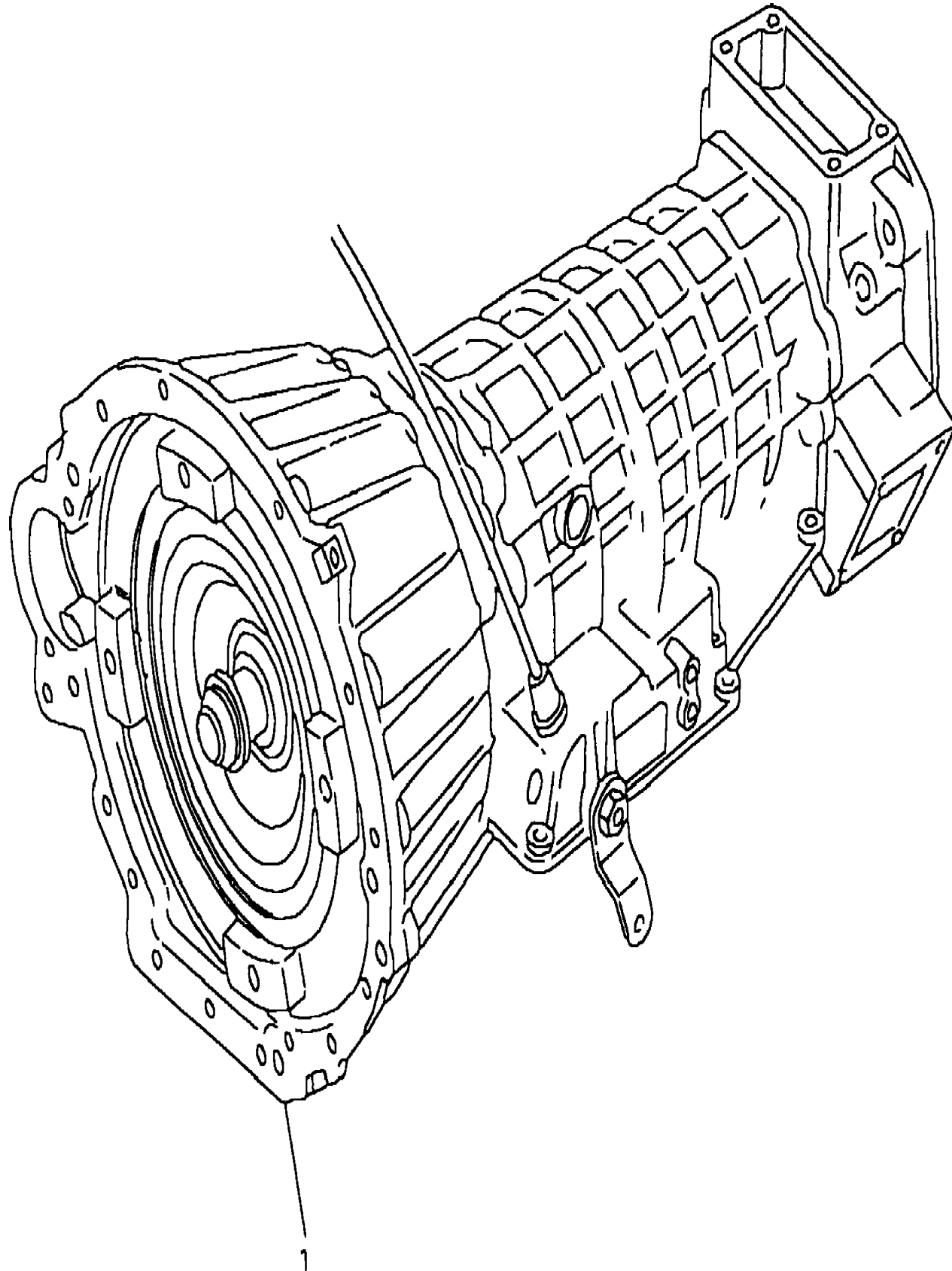
Discovery (FA393361-WA799999)
(CACPA1A)

Discovery (FA393361-WA799999)

Gearbox
ZF-4 Speed-Automatic
Gearbox Assembly

Automatic Transmission

Callout	Name	Application	Remarks & Restrictions	Service No.	Qty
1	Transmission assembly automatic	3.5L V8 Petrol	New	FTC2258N	1
		Change point - Engine end 36D52139C, 3.9L V8 Petrol	New	FTC3099	1
		Change point - Engine end 19L00409, 4 Cyl TDi, (-)"AUS"	New	FTC2756	1
		Change point - Engine begin 36D52140C, 3.9L V8 Petrol	New	FTC4969	1
		Change point - Engine begin 19L00410A, 4 Cyl TDi	New	FTC4552	1
		Change point - Engine begin 20L, 4 Cyl TDi, (+)"AUS"	New	FTC2756	1
		Change point - Engine begin 20L, 4 Cyl TDi, (+)"AUS"	exchange	FTC2756E	1
		3.5L V8 Petrol	exchange	FTC2258E	1
		3.9L V8 Petrol	reconditioned	FTC3099R	1
		Change point - Engine end 36D52139C, 3.9L V8 Petrol	exchange	FTC3099E	1
		4 Cyl TDi	reconditioned	FTC2756R	1
		4 Cyl TDi, Less EDC	exchange	FTC2756E	1
		Change point - Engine begin 19L00410A, 4 Cyl TDi, EDC	exchange	FTC4552E	1
		Change point - Engine begin 36D52140C, 3.9L V8 Petrol	exchange	FTC4969E	1



Gearbox
ZF-4 Speed-Automatic
Gearchange 1/3

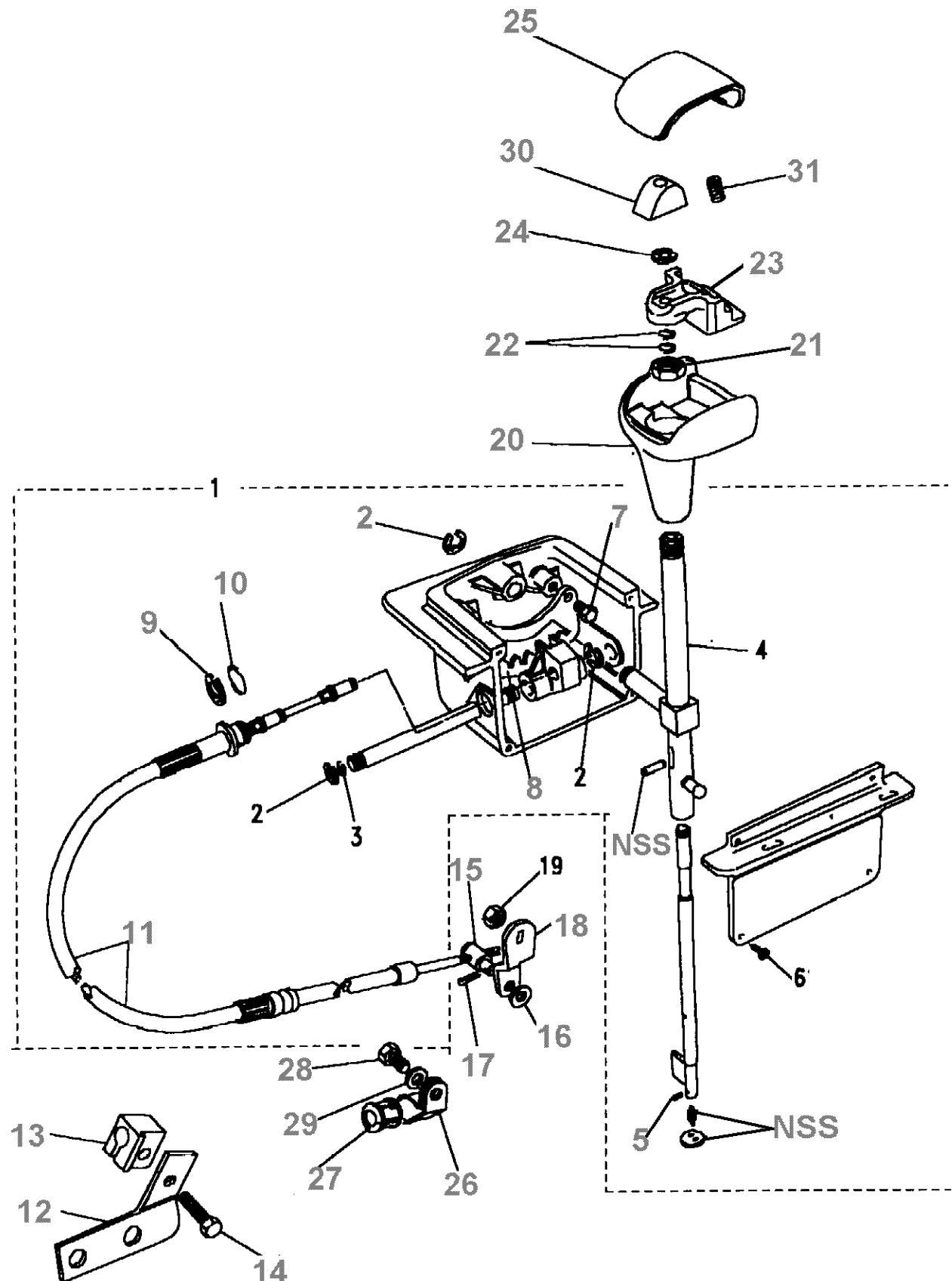
Discovery (FA393361-WA799999)
(CACPKC1A)

Discovery (FA393361-WA799999)

Gearbox
ZF-4 Speed-Automatic
Gearchange

Automatic Transmission

Callout	Name	Application	Remarks & Restrictions	Service No.	Qty
1	Lever assembly-operating/ selector automatic transmission	Change point - VIN end MA081990	Also serviced as part of a kit	FTC2903	1
		Change point - VIN begin MA081991	Also serviced as part of a kit	FTC3907	1
2	Clip-e	Change point - VIN end MA081990	Also serviced as part of a kit	FRC8707	3
		Change point - VIN begin MA081991	Also serviced as part of a kit	FRC8707	3
3	O Ring	Change point - VIN end MA081990	Also serviced as part of a kit	FRC8711	2
		Change point - VIN begin MA081991	Also serviced as part of a kit	FRC8711	2
4	Lever-selector selector mechanism	Change point - VIN end MA081990	Also serviced as part of a kit	RTC5008	1
		Change point - VIN begin MA081991	Also serviced as part of a kit	STC2799	1
5	Pin-Spring	Change point - VIN end MA081990	Also serviced as part of a kit	PA103061	1
		Change point - VIN begin MA081991	Also serviced as part of a kit	PA103061	1
6	Screw	Change point - VIN end MA081990	Also serviced as part of a kit, Self Tapping, No 6 x 1/2	AB606041	4
		Change point - VIN begin MA081991	Also serviced as part of a kit, Self Tapping, No 6 x 1/2	AB606041	4
7	Screw-flanged head	Change point - VIN end MA081990	Also serviced as part of a kit, M6 x 10	FS106101L	2
		Change point - VIN begin MA081991	Also serviced as part of a kit, M6 x 10	FS106101L	2
8	Hub-selector automatic transmission	Change point - VIN end MA081990	Also serviced as part of a kit	FRC9220	1
9	Clip-e	Change point - VIN end MA081990	Also serviced as part of a kit	FRC8709	1
		Change point - VIN end MA081990	Also serviced as part of a kit	FRC8710	1
		Change point - VIN begin MA081991	Also serviced as part of a kit	FRC8709	1
		Change point - VIN begin MA081991	Also serviced as part of a kit	FRC8710	1
		Change point - VIN begin MA081991	Also serviced as part of a kit	FRC8710	1
10	O Ring	Change point - VIN end MA081990	Also serviced as part of a kit	FRC8712	1
		Change point - VIN begin MA081991	Also serviced as part of a kit	FRC8712	1
11	Cable-selector automatic transmission	Change point - VIN end MA081990	Also serviced as part of a kit	FTC566	1



Gearbox
ZF-4 Speed-Automatic
Gearchange 2/3

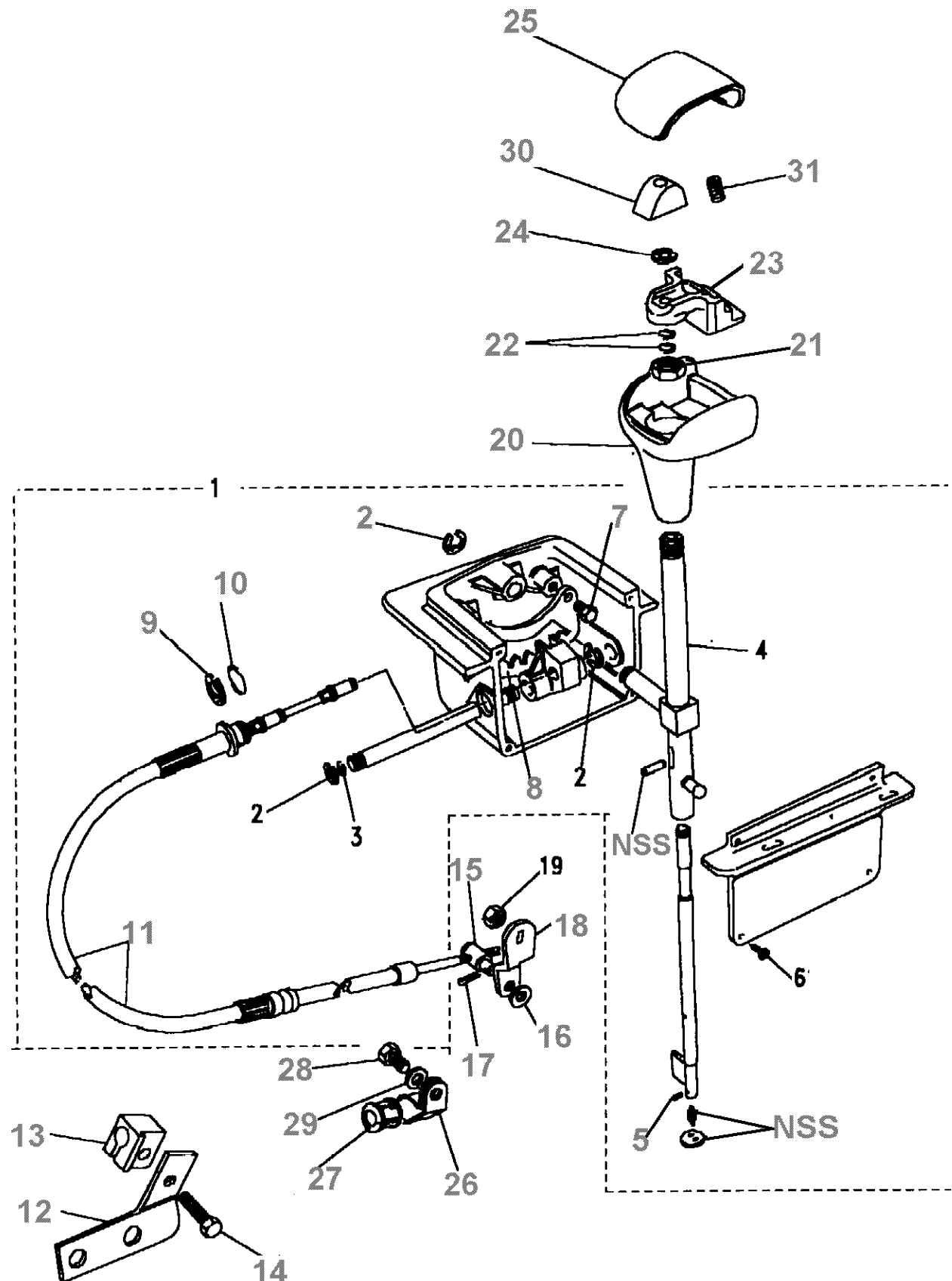
Discovery (FA393361-WA799999)
(CACPKC1A)

Discovery (FA393361-WA799999)

Gearbox
ZF-4 Speed-Automatic
Gearchange

Automatic Transmission

Callout	Name	Application	Remarks & Restrictions	Service No.	Qty
11	Cable-selector automatic transmission	Change point - VIN begin MA081991	Also serviced as part of a kit	FTC566	1
12	Bracket-support selector cable		(-) TDi	FRC8742	1
13	Clamp-Cable		TDi	FTC3976	1
14	Screw		clamp to bracket, M8 X 30, Flanged Head	FRC8743	1
15	Nipple-cable automatic transmission			FS108307L	1
16	Washer		8MM	FRC7630	1
17	Pin-split			WA108051L	1
18	Lever assembly-operating automatic transmission			PS104127L	1
19	Nut - Hex.		M8	FRC8744	1
20	Knob-selector drive	Change point - VIN end LA081990		FRC6915	1
		Change point - VIN end LA081990	Ash Grey	FRC9357	1
		Change point - VIN begin MA081991, RHD	Black	BTR8333LNF	1
		Change point - VIN end LA081990	Ash Grey	BTR8333PMA	1
		Change point - VIN begin MA081991, LHD	Black	BTR8332LNF	1
				BTR8332PMA	1
21	Nut - Hex.			BTR8332LNF	1
22	O Ring			BTR8332PMA	1
23	Button-lever release selector handle	Change point - VIN end LA081990		FRC8468	1
		Change point - VIN begin MA081991	Ash Grey	FRC9359	2
		Change point - VIN begin MA081991	Black	FTC578	1
				BTR8334LNF	1
				BTR8334PMA	1
24	Clip-e	Change point - VIN end LA081990		FRC8708	1
		Change point - VIN begin MA081991		FTC3727	1
25	Cover-handle selector mechanism	Change point - VIN end LA081990, V8		FTC3233	1



Gearbox
ZF-4 Speed-Automatic
Gearchange 3/3

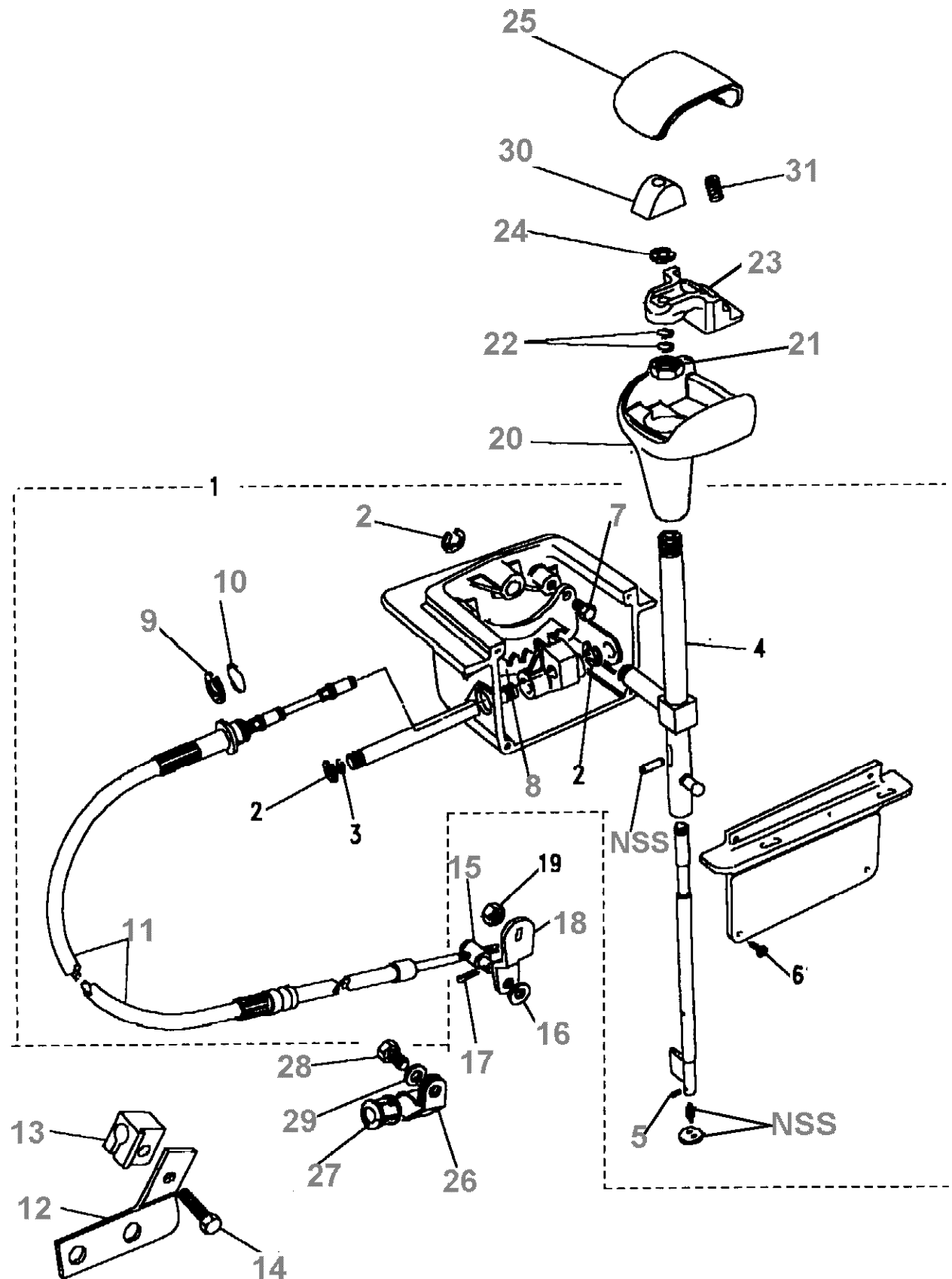
Discovery (FA393361-WA799999)
(CACPKC1A)

Discovery (FA393361-WA799999)

Gearbox
ZF-4 Speed-Automatic
Gearchange

Automatic Transmission

Callout	Name	Application	Remarks & Restrictions	Service No.	Qty
25	Cover-handle selector mechanism	Change point - VIN end LA081990, 4 Cyl TDi Change point - VIN begin MA081991 Change point - VIN begin MA081991	Ash Grey Black	FRC8698 BTR8335LNF BTR8335PMA	1 1 1
26	Clip-p	V8		50641	1
27	Grommet	V8 4 Cyl TDi	17/32" hole Rubber, 17/64" hole	589254 6860L	1 1
28	Screw		M8 X 16, Flanged Head	FS108161L	1
29	Washer		8MM	WA108051L	1
30	Slide selector mechanism	Change point - VIN begin MA081991		BTR8336	1
31	Spring-release button selector mechanism	Change point - VIN begin MA081991		BTR9623	1
[900]	Clip-Hose	4 Cyl TDi	Steel, 14.5MM, 25/64" hole	240407	1



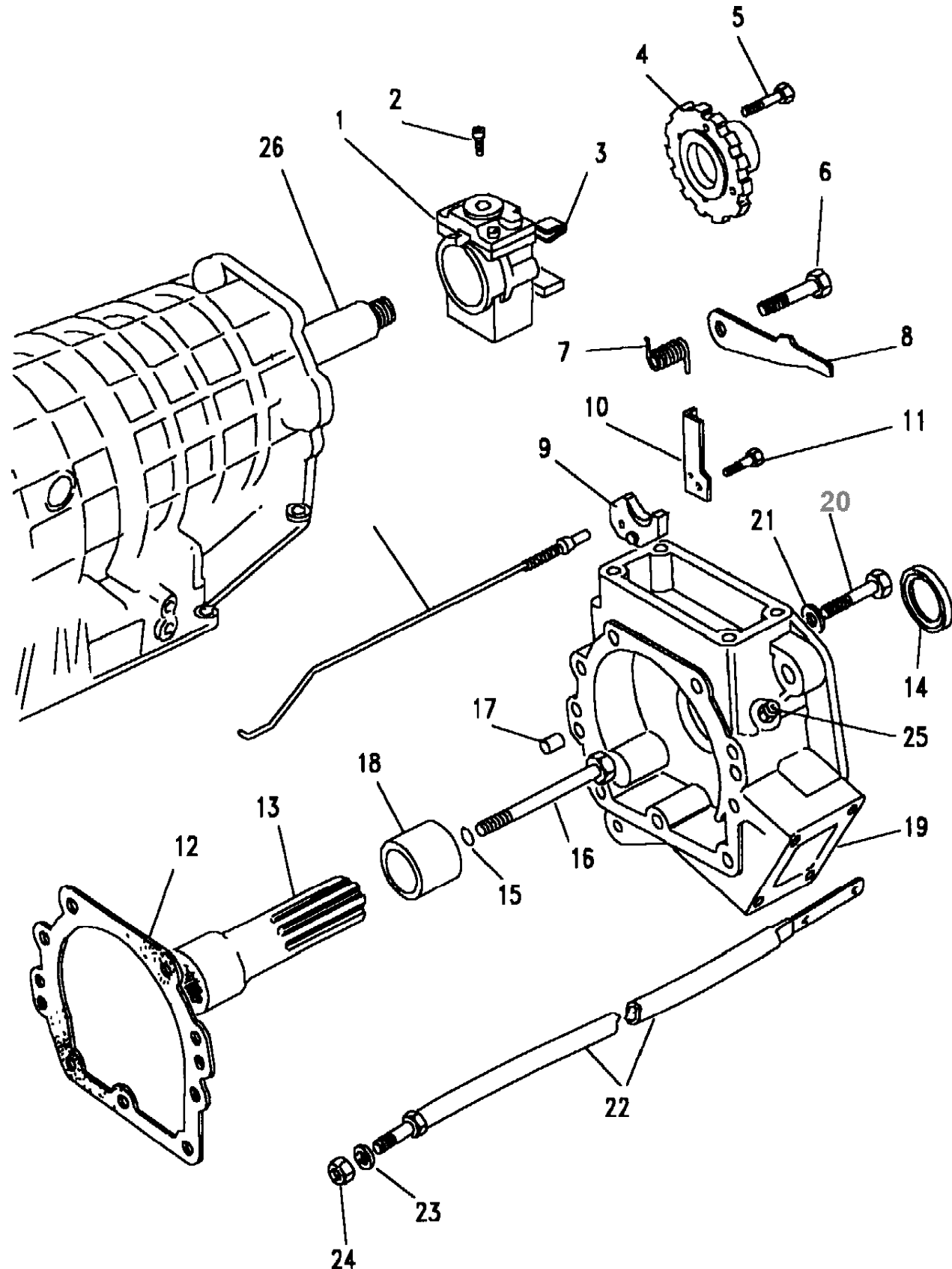
Gearbox
ZF-4 Speed-Automatic
Governor & Extension Housing 1/2

Discovery (FA393361-WA799999)
(CACPII1A)

Discovery (FA393361-WA799999)

Gearbox
ZF-4 Speed-Automatic
Governor & Extension Housing

Automatic Transmission



Callout	Name	Application	Remarks & Restrictions	Service No.	Qty
1	Hub-governor	V8 4 Cyl TDi		RTC4314 STC1576	1 1
2	Screw			RTC4313	2
3	Clamp			RTC4315	1
4	Gear-parking automatic transmission			RTC4662	1
5	Screw		gear to hub	RTC4313	4
6	Bolt		pawl to housing	RTC4661	1
7	Spring-parking pawl automatic transmission			RTC4308	1
8	Pawl-parklock automatic transmission			RTC4307	1
9	Plate- guide		guide-pawl	RTC5212	1
10	Plate		guide-pawl	RTC4663	1
11	Screw		plate to housing	RTC5211	1
12	Gasket-rear extension housing			RTC4295	1
13	Shaft automatic transmission	Change point - VIN end TA509008 Change point - VIN end TA178213 Change point - VIN begin TA178214 Change point - VIN begin TA509009		FTC3981 FTC3981 FTC5090 FTC5090	1 1 1 1
14	Seal		auto trans output shaft	RTC4650	1
15	O Ring			FRC5575	1
16	Bolt		output shaft to mainshaft, M10 x 130, zinc	BH110261L	1
17	Dowel			RTC4301	2
18	Spacer	TDi	OUTPUT SHAFT	FTC3275	1
19	Housing-governor extension	V8 4 Cyl TDi		RTC4659 STC1578	1 1

Gearbox
ZF-4 Speed-Automatic
Governor & Extension Housing 2/2

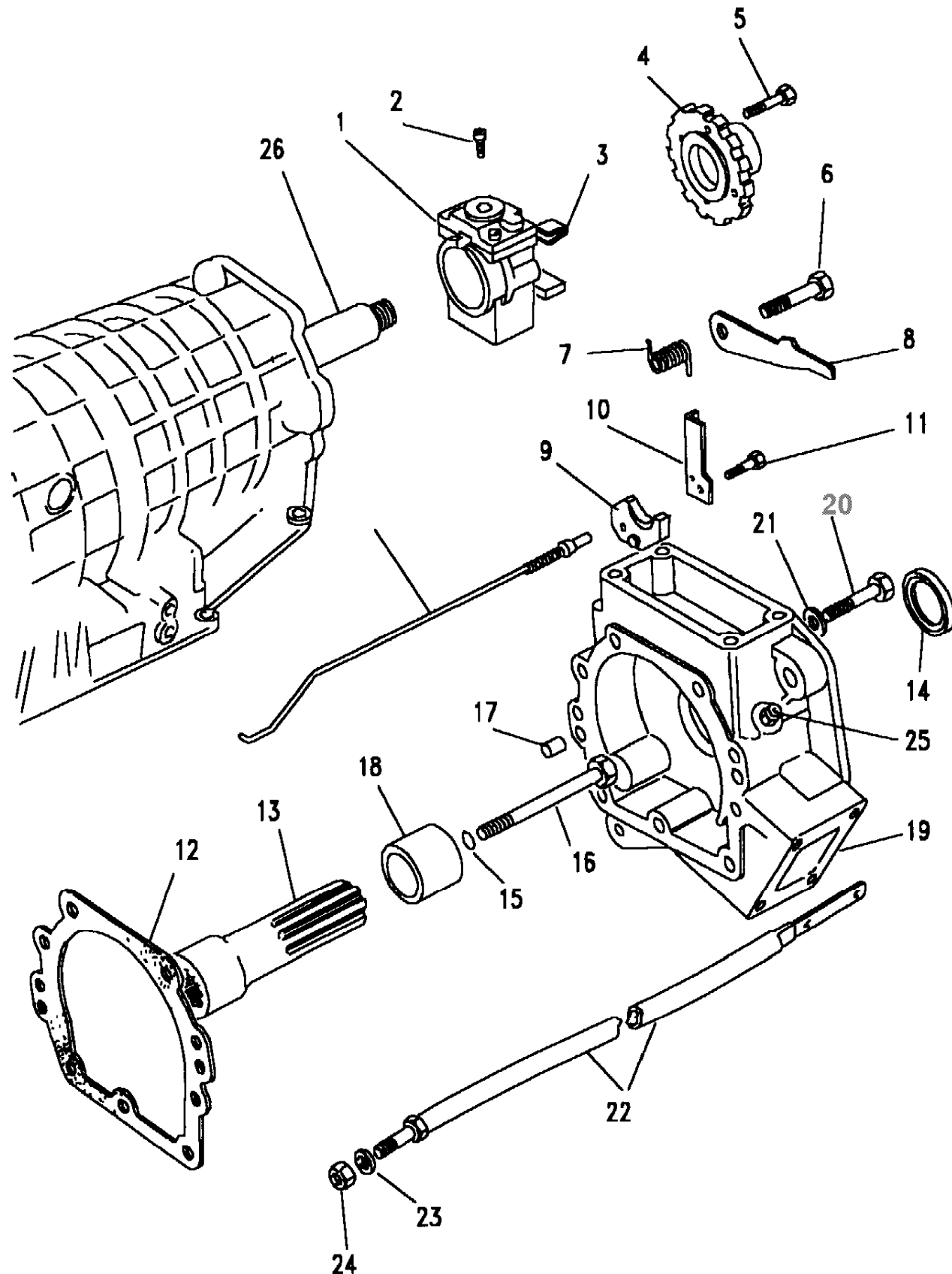
Discovery (FA393361-WA799999)
(CACPII1A)

Discovery (FA393361-WA799999)

Gearbox
ZF-4 Speed-Automatic
Governor & Extension Housing

Automatic Transmission

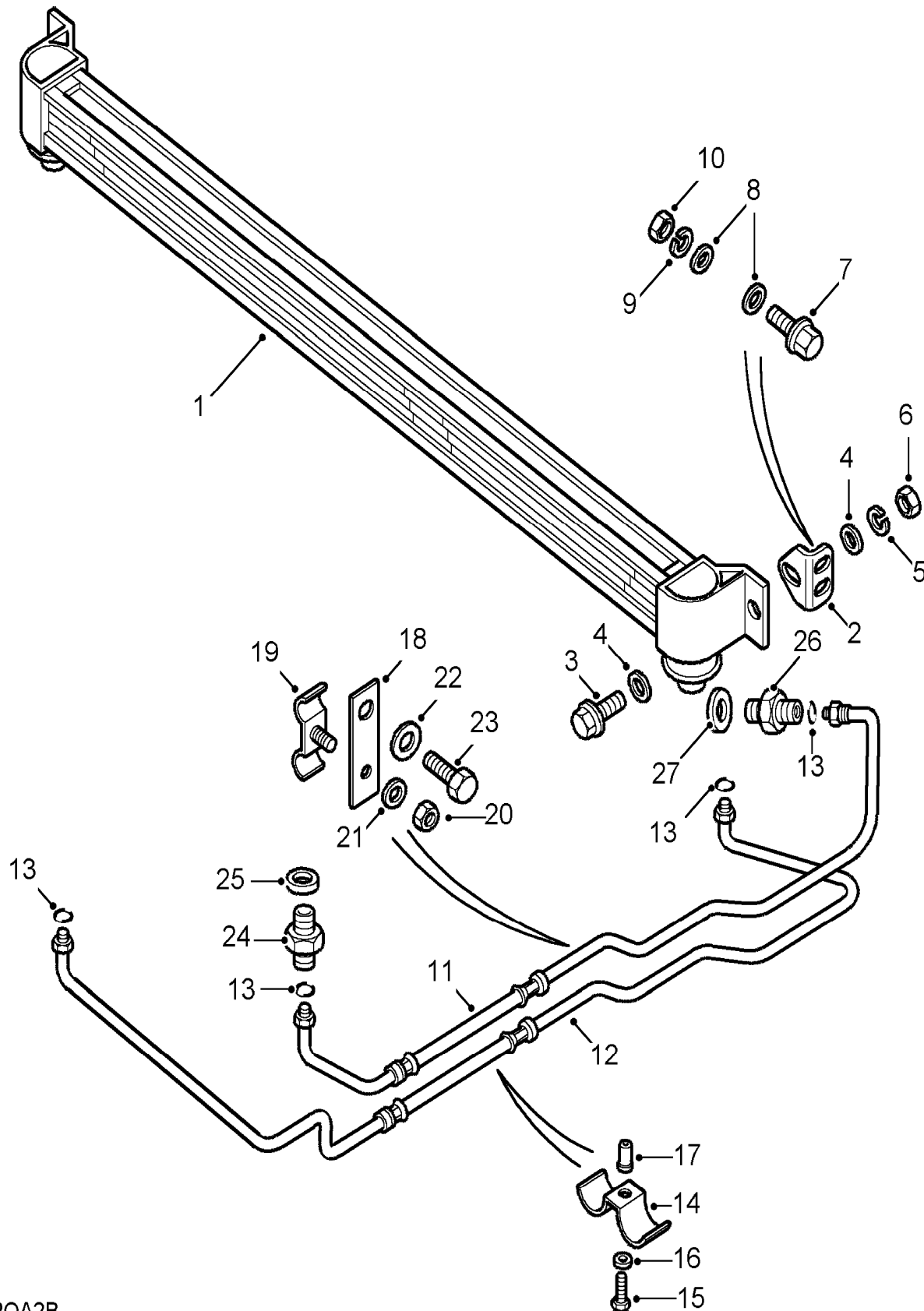
Callout	Name	Application	Remarks & Restrictions	Service No.	Qty
20	Screw		governor housing to gearbox, M6 X 12, hexagonal head	SH106121L	9
21	Washer		6MM	WA106041L	9
22	Rod-transmission support		Also serviced as part of a kit	FRC7500	1
23	Washer		M10	WA110061L	1
24	Nut - Hex.		M10, nyloc, flange	NY110047L	1
25	Tube-breather transmission case	V8 4 Cyl TDi		FRC9427 FRC9430	1 1
26	Shaft assembly-main automatic transmission	V8 4 Cyl TDi		RTC5150 STC1584	1 1
[902]	Stud		lifting bracket	FTC890	1
[903]	Weight-governor	V8 4 Cyl TDi		RTC5792 STC1579	1 1



Gearbox
ZF-4 Speed-Automatic
Oil Cooler 1/2

Discovery (FA393361-WA799999)

(CACPOA2B)



CACPOA2B

Discovery (FA393361-WA799999)

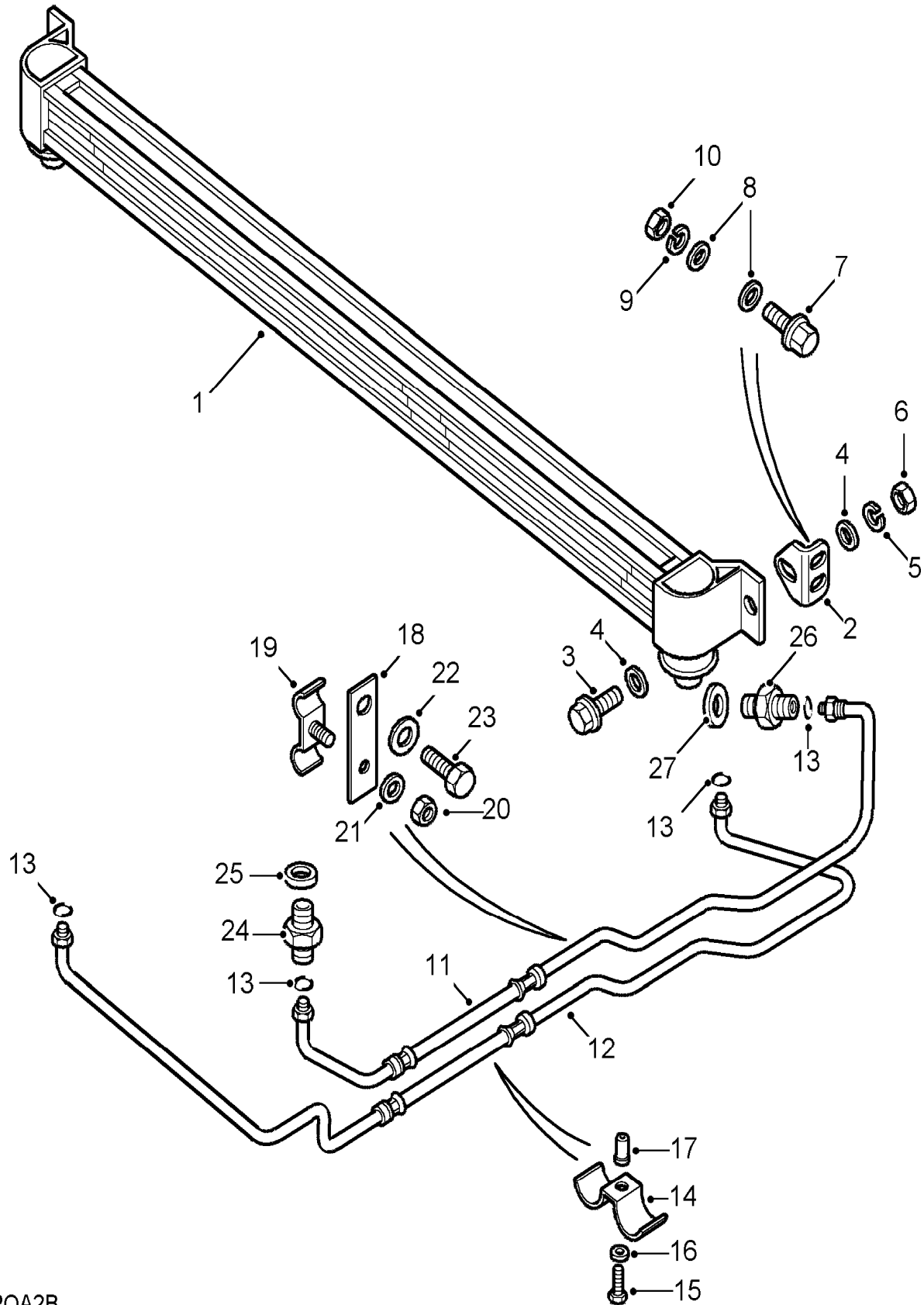
Gearbox
ZF-4 Speed-Automatic
Oil Cooler

Change point - VIN begin MA081992, 4 Cylinder TDi Diesel, Automatic Transmission

Callout	Name	Application	Remarks & Restrictions	Service No.	Qty
1	Oil cooler transmission	TDi		ESR3228	1
2	Bracket-mounting oil cooler	TDi		ESR2311	2
3	Screw-flanged head	TDi	M6 X 16, Flanged Head	FS106167L	2
4	Washer	TDi	6MM	WA106041L	4
5	Washer	TDi	M6, sprung	WL106001L	2
6	Nut - Hex.	TDi	M6, nyloc, Hexagonal	NH106041L	2
7	Screw-flanged head	TDi	M6 X 16, Flanged Head	FS106167L	4
8	Washer	TDi	6MM	WA106041L	8
9	Washer	TDi	M6, sprung	WL106001L	4
10	Nut - Hex.	TDi	M6, nyloc, Hexagonal	NH106041L	4
11	Pipe-oil cooler/transmission	TDi	Also serviced as part of a kit	ESR3239	1
12	Pipe-oil cooler/transmission	TDi	Also serviced as part of a kit	ESR3240	1
13	O Ring	TDi	transmission oil cooler hose, Also serviced as part of a kit	ESR1594L	2
14	Clamp	TDi		ESR2806	1
15	Screw	TDi	hexagonal head, M6 x 35	SH106351L	1
16	Washer	TDi	M6, sprung	WL106001L	1
17	Nutsert-blind	TDi	M6	NN106021	1
18	Bracket-mounting oil pipe	TDi		ESR2416	1
19	Clamp	TDi		ESR2579	1
20	Nut - Hex.	TDi	M6, nyloc, flange	NY106041	1
21	Washer	TDi	6MM	WA106041L	1
22	Screw	TDi	hexagonal head, M12 x 20	SH112201	1
23	Washer	TDi	M12	WA112081	1
24	Switch-transmission oil cooler temperature	TDi		AMR4948	1
		TDi		8510043	1

Gearbox
ZF-4 Speed-Automatic
Oil Cooler 2/2

Discovery (FA393361-WA799999)
(CACPOA2B)



CACPOA2B

Discovery (FA393361-WA799999)

Gearbox
ZF-4 Speed-Automatic
Oil Cooler

Change point - VIN begin MA081992, 4 Cylinder TDi Diesel, Automatic Transmission

Callout	Name	Application	Remarks & Restrictions	Service No.	Qty
25	Washer-sealing	TDi		232039	1
26	Adaptor-pipe-dual male	TDi		ESR1253	2
27	Seal	TDi		FTC1525	2

Gearbox
ZF-4 Speed-Automatic
Oil Cooler 1/2

Discovery (FA393361-WA799999)

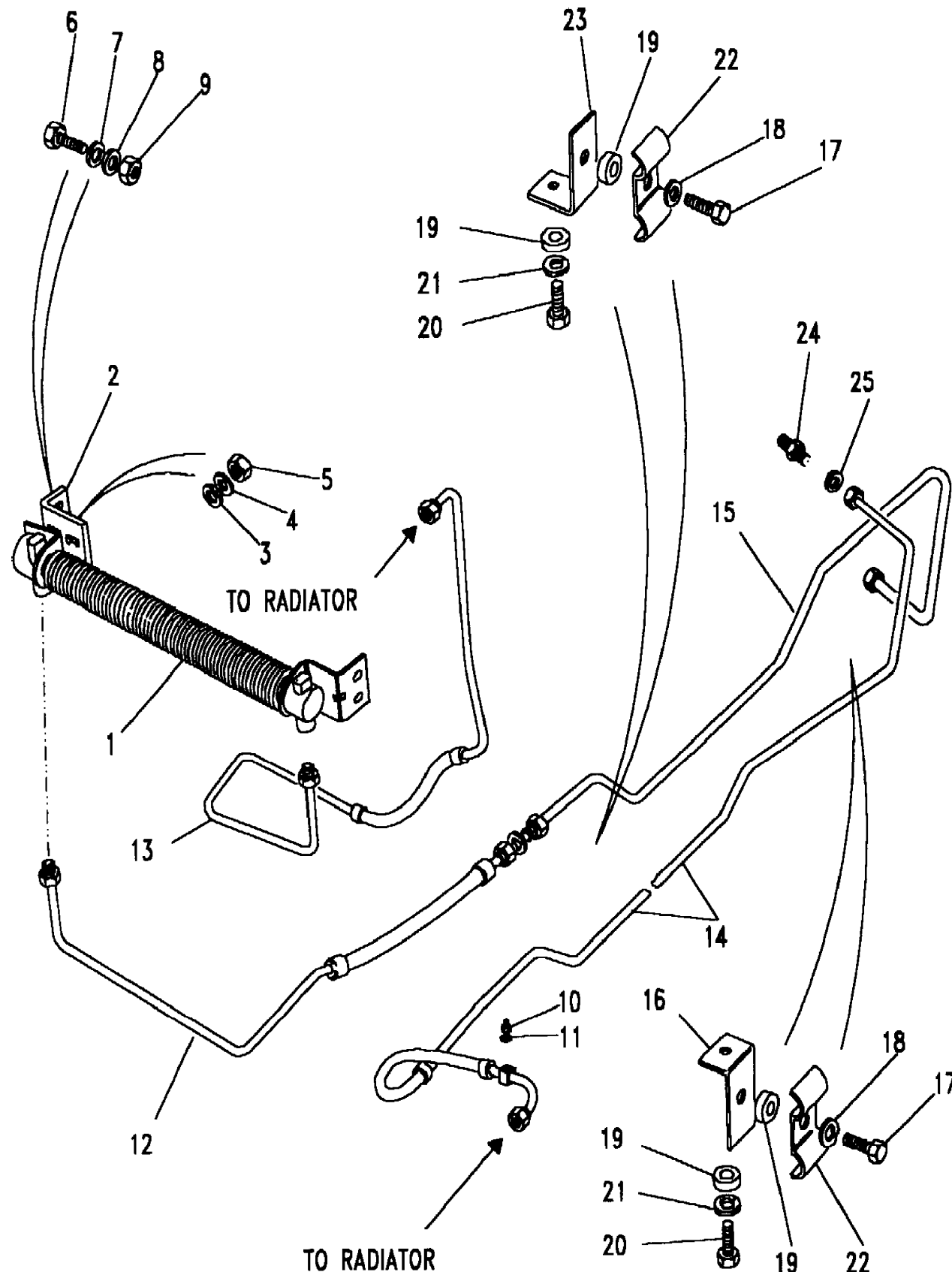
(CACPOA1A)

Discovery (FA393361-WA799999)

Gearbox
ZF-4 Speed-Automatic
Oil Cooler

Change point - VIN end LA081991, With Petrol Engines, Automatic Transmission

Callout	Name	Application	Remarks & Restrictions	Service No.	Qty
1	Oil cooler transmission	Change point - VIN begin KA034314, Change point - VIN end LA081990, V8 Change point - VIN end LA081990, 4 Cyl TDi		ESR1703 ESR2288	1 1
2	Bracket-mounting oil cooler	Change point - VIN end LA081990, V8 Change point - VIN end LA081990, 4 Cyl TDi		NTC1868 ESR2311	1 1
3	Washer	Change point - VIN end LA081990	6MM	WA106041L	2
4	Washer	Change point - VIN end LA081990	M6, sprung	WL106001L	2
5	Nut - Hex.	Change point - VIN end LA081990	M6, nyloc, Hexagonal	NH106041L	2
6	Screw-flanged head	Change point - VIN end LA081990	M6 X 16, Flanged Head	FS106167L	4
7	Washer	Change point - VIN end LA081990	6MM	WA106041L	4
8	Washer	Change point - VIN end LA081990	M6, sprung	WL106001L	4
9	Nut - Hex.	Change point - VIN end LA081990	M6, nyloc, Hexagonal	NH106041L	4
10	Switch-transmission oil cooler temperature	Change point - VIN end 22L05451 Change point - VIN end LA081991, Change point - VIN begin 22L05452		PRC8473 AMR4948 8510043	1 1 1
11	Washer-sealing	Change point - VIN end LA081990		232039	1
12	Pipe-oil cooler/transmission	Change point - VIN begin KA034314, Change point - VIN end LA081990, V8 Change point - VIN end KA064754, TDi Change point - VIN begin LA064755, Change point - VIN end LA081990, TDi	Also serviced as part of a kit	ESR1243 ESR3240 ESR2877	1 1 1
13	Pipe-transmission/oil cooler	Change point - VIN begin KA034314, Change point - VIN end LA081990, V8 Change point - VIN end KA064754, TDi	Also serviced as part of a kit, Front	ESR1591 ESR2290	1 1
14	Pipe-transmission/oil cooler	Change point - VIN end KA064754, TDi	Also serviced as part of a kit, Intermediate	ESR1242	1



Gearbox
ZF-4 Speed-Automatic
Oil Cooler 2/2

Discovery (FA393361-WA799999)

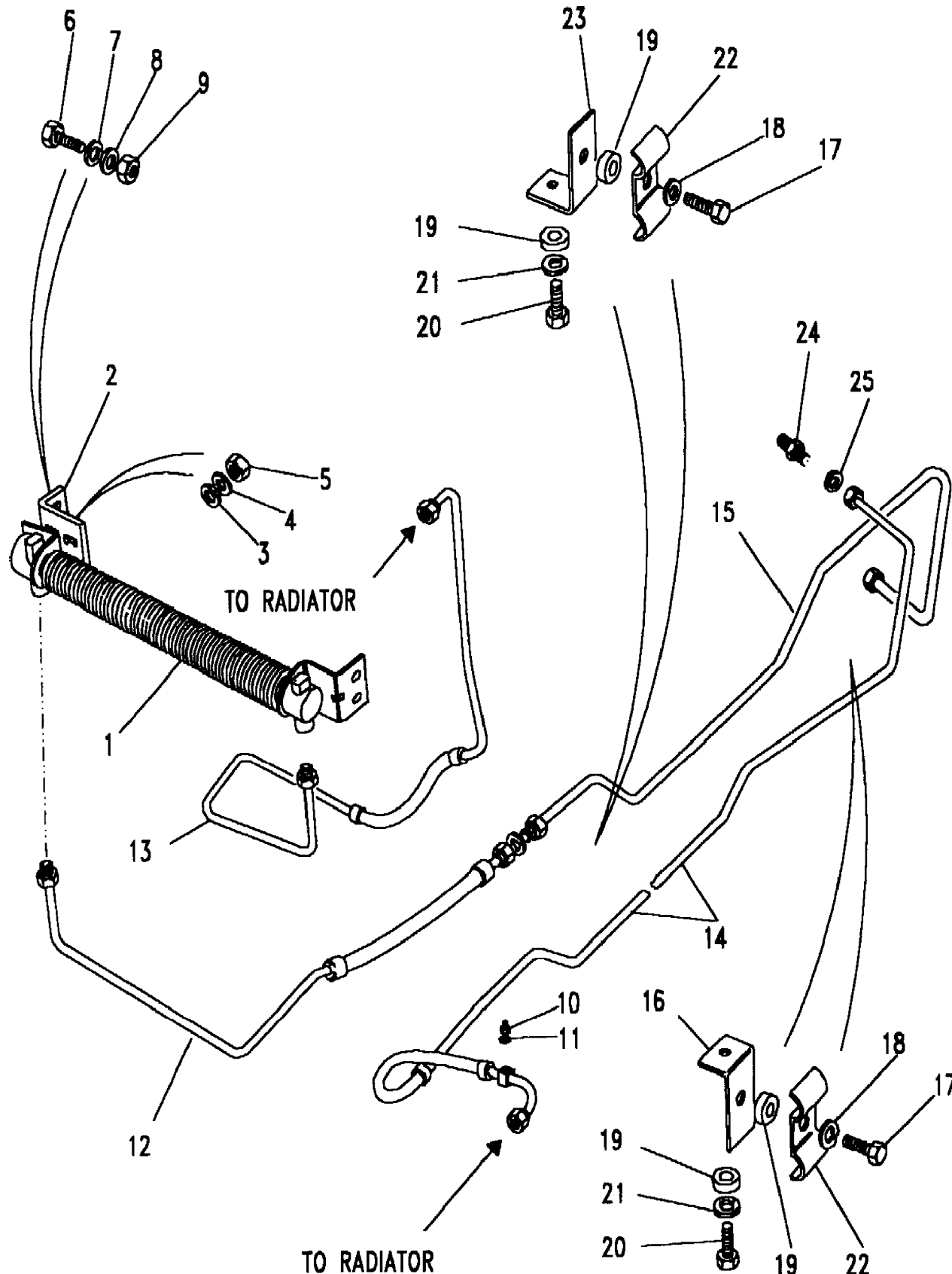
(CACPOA1A)

Discovery (FA393361-WA799999)

Gearbox
ZF-4 Speed-Automatic
Oil Cooler

Change point - VIN end LA081991, With Petrol Engines, Automatic Transmission

Callout	Name	Application	Remarks & Restrictions	Service No.	Qty
14	Pipe-transmission/oil cooler	Change point - VIN begin LA059330, Change point - VIN end LA081990 Change point - VIN begin LA064755, Change point - VIN end LA081990, TDi	Also serviced as part of a kit Also serviced as part of a kit, discharge	ESR2641 ESR2876	1 1
15	Pipe-oil cooler/transmission	Change point - VIN end LA081990	Also serviced as part of a kit	ESR2253	1
16	Bracket-mounting oil pipe	Change point - VIN end LA081990, V8 Change point - VIN end KA064754, TDi Change point - VIN begin LA064755, TDi		NTC5794 NTC5794 ESR2753	1 1 1
17	Screw	Change point - VIN end LA081990	hexagonal head, 5/8UNC x 1	SH505081L	2
18	Washer	Change point - VIN end LA081990	M6, sprung	WL106001L	2
19	Washer-Plain	Change point - VIN end LA081990		4266L	4
20	Screw	Change point - VIN end LA081990	hexagonal head, 5/8UNC x 1	SH505081L	2
21	Washer	Change point - VIN end LA081990	M8, sprung	WL108001L	2
22	Clamp	Change point - VIN end LA081990		594637	2
23	Bracket-mounting oil pipe	Change point - VIN end LA081990		NTC5897	1
24	Adaptor-pipe-dual male	Change point - VIN end LA081990, V8 Change point - VIN end LA081990, 4 Cyl TDi		FTC815 ESR1253	2 2
25	Seal	Change point - VIN end LA081990		FTC1525	2
[903]	O Ring	Change point - VIN begin KA034314, Change point - VIN end LA081990, V8 Change point - VIN end KA064754, TDi Change point - VIN end LA081990	Also serviced as part of a kit Also serviced as part of a kit Also serviced as part of a kit	ESR1594L ESR1594L ESR1594L	1 2 2



Gearbox
ZF-4 Speed-Automatic
Oil Cooler-V8 Automatic 1/2

Discovery (FA393361-WA799999)

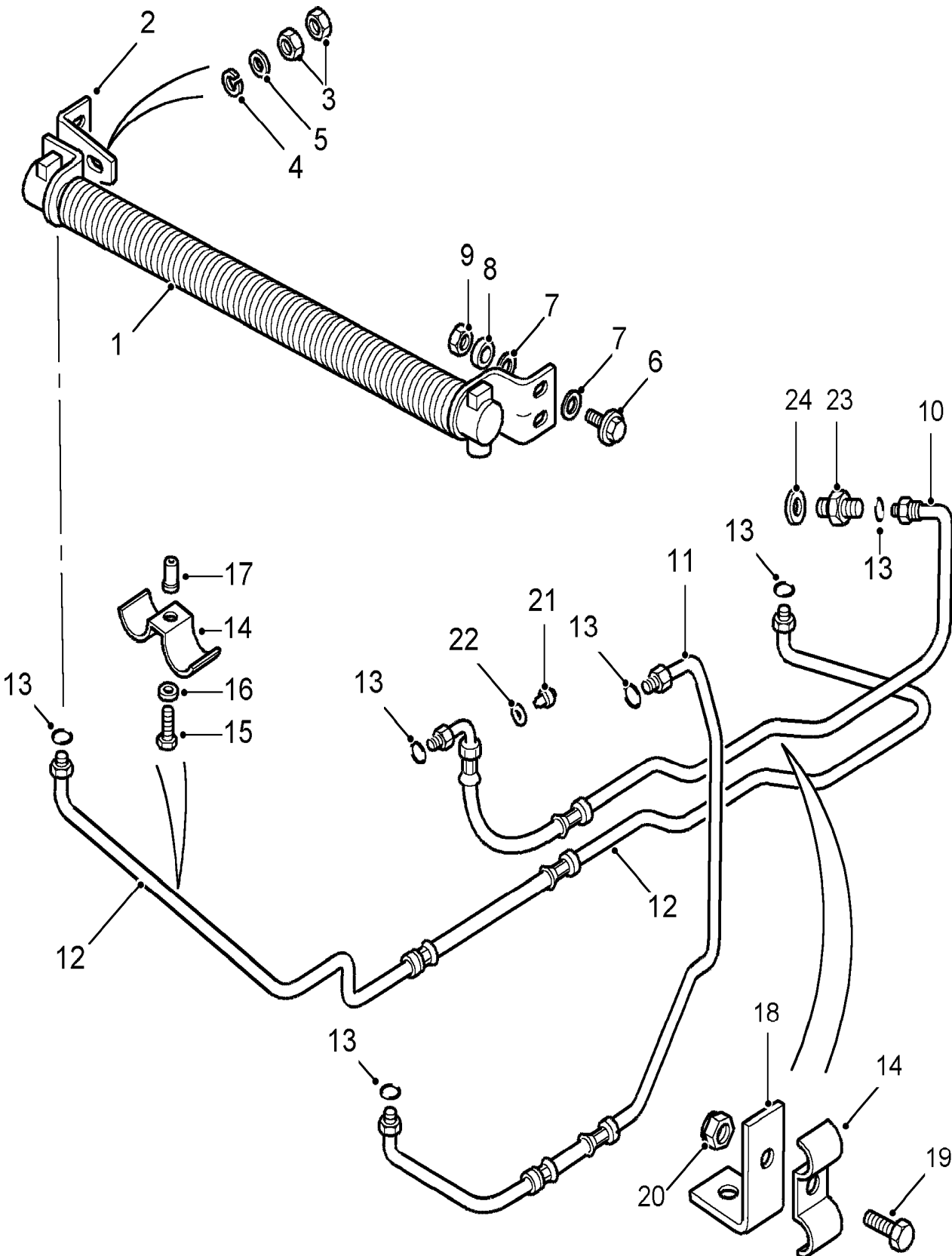
(CACPOA2A)

Discovery (FA393361-WA799999)

Gearbox
ZF-4 Speed-Automatic
Oil Cooler-V8 Automatic

Change point - VIN begin MA081992, Petrol V8 L/R, Automatic Transmission

Callout	Name	Application	Remarks & Restrictions	Service No.	Qty
1	Oil cooler transmission	V8		ESR1703	1
2	Bracket-mounting oil cooler	V8		NTC1868	1
3	Nut - Hex.	V8	M6, nyloc, Hexagonal	NH106041L	2
4	Washer	V8	6MM	WA106041L	2
5	Washer	V8	M6, sprung	WL106001L	2
6	Screw-flanged head	V8	M6 X 16, Flanged Head	FS106167L	4
7	Washer	V8	6MM	WA106041L	8
8	Washer	V8	M6, sprung	WL106001L	4
9	Nut - Hex.	V8	M6, nyloc, Hexagonal	NH106041L	4
10	Pipe-transmission/oil cooler	V8	Also serviced as part of a kit, Rear	ESR2249	1
		V8	Rear	ESR3694	1
		V8	Rear	UBP101030	1
11	Pipe-oil cooler/transmission	V8	Also serviced as part of a kit, Intermediate	ESR2664	1
		V8	Intermediate	ESR3695	1
12	Pipe-oil cooler/transmission	V8	Also serviced as part of a kit	ESR2810	1
		V8		UBP101020	1
13	O Ring	Change point - VIN begin MA081992, V8	transmission oil cooler hose	ESR1594L	6
14	Clamp	V8		ESR2806	2
15	Screw	V8	hexagonal head, M6 x 35	SH106351L	1
16	Washer	V8	M6, sprung	WL106001L	1
17	Nutsert-blind	V8	M6	NN106021	1
18	Bracket-mounting oil pipe	V8		NTC5897	1
19	Screw-flanged head	V8	M6 X 16, Flanged Head	FS106167L	1
20	Nut - Hex.	V8	M6, nyloc, flange	NY106041	1
21	Switch-transmission oil cooler temperature	Change point - Engine end 36D45566B, V8		PRC8473	1
		Change point - Engine begin 36D45567B, V8		AMR4948	1
		V8		8510043	1



CACPOA2A

Gearbox
ZF-4 Speed-Automatic
Oil Cooler-V8 Automatic 2/2

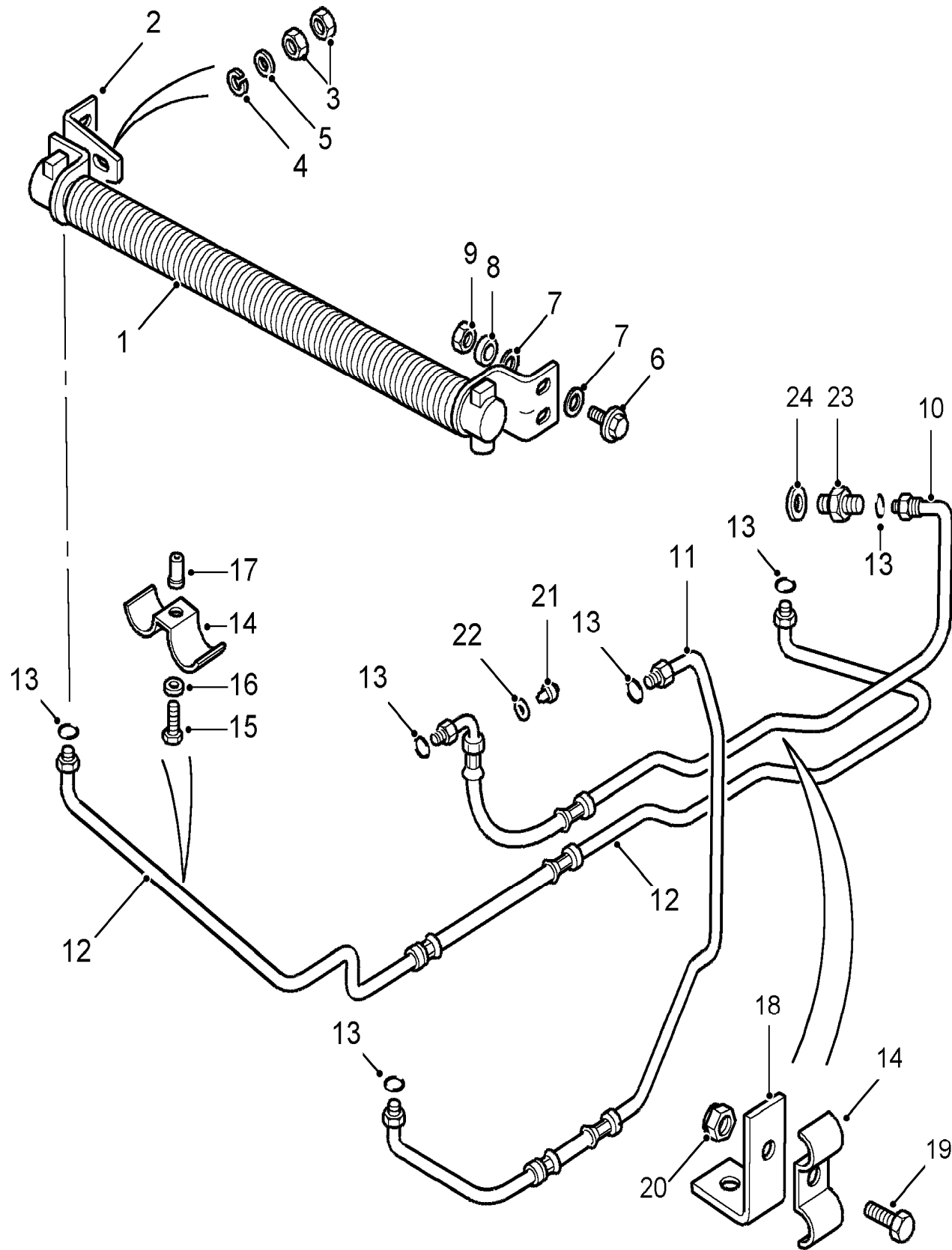
Discovery (FA393361-WA799999)
(CACPOA2A)

Discovery (FA393361-WA799999)

Gearbox
ZF-4 Speed-Automatic
Oil Cooler-V8 Automatic

Change point - VIN begin MA081992, Petrol V8 L/R, Automatic Transmission

Callout	Name	Application	Remarks & Restrictions	Service No.	Qty
22	Washer-sealing	V8		232039	1
23	Adaptor-pipe-dual male	V8		ESR1253	2
24	Seal	V8		FTC1525	2



Gearbox
ZF-4 Speed-Automatic
Oil Pump 1/1

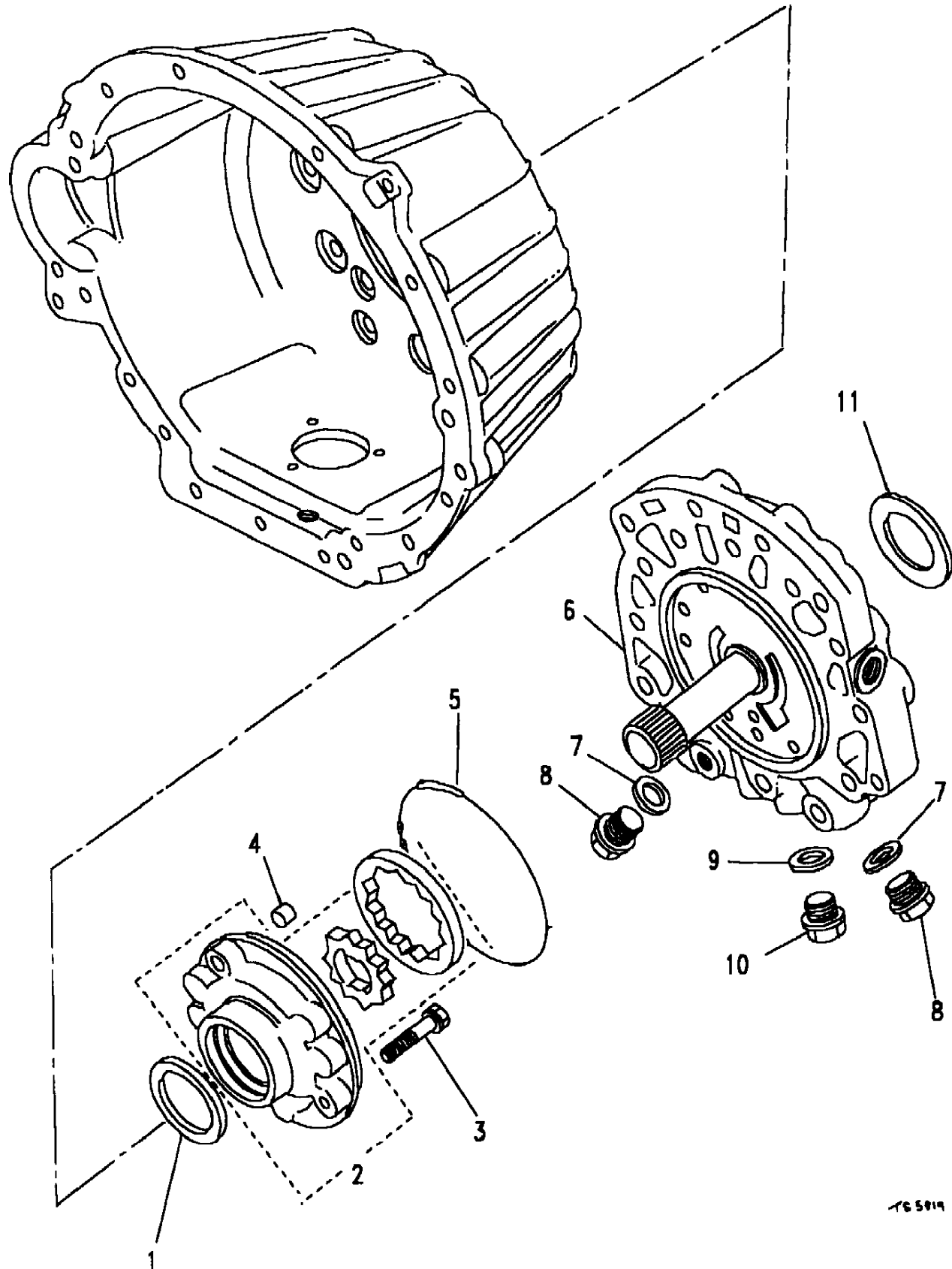
Discovery (FA393361-WA799999)
(CACPGA1A)

Discovery (FA393361-WA799999)

Gearbox
ZF-4 Speed-Automatic
Oil Pump

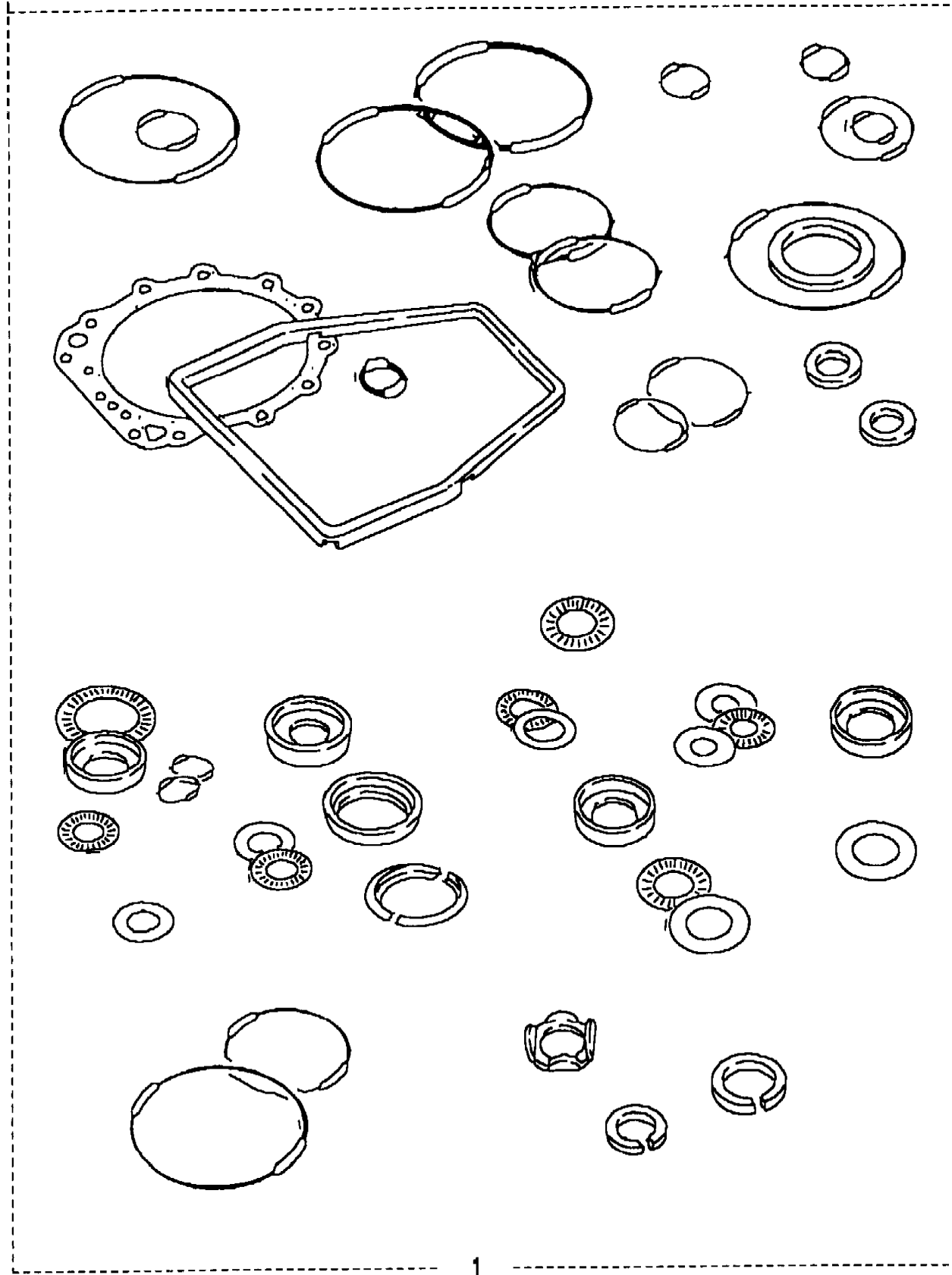
Automatic Transmission

Callout	Name	Application	Remarks & Restrictions	Service No.	Qty
1	Seal		auto trans oil pump	RTC5102	1
2	Pump-transmission oil			STC1836	1
3	Screw		plate mounting to pump, M6 x 28	RTC5105	8
4	Dowel-pin			RTC5106	1
5	O Ring			RTC5103	1
6	Plate		Intermediate	RTC5107	1
7	Washer-sealing			RTC4339	2
8	Plug-blanking			RTC4335	2
9	Washer-sealing			RTC4338	1
10	Plug-blanking			RTC4336	1
11	Shim		2.8MM 2.6MM 2.4MM 2.20MM 2.00MM 1.80MM 1.6MM 1.40MM 1.20MM 1.0MM	RTC5108 RTC5109 RTC5110 RTC5111 RTC5112 RTC5113 RTC5114 RTC5115 RTC5116 RTC5117	X X X X X X X X X X



Gearbox
ZF-4 Speed-Automatic
Service Kits 1/1

Discovery (FA393361-WA799999)
(CACPMC1A)



1

Discovery (FA393361-WA799999)

Gearbox
ZF-4 Speed-Automatic
Service Kits

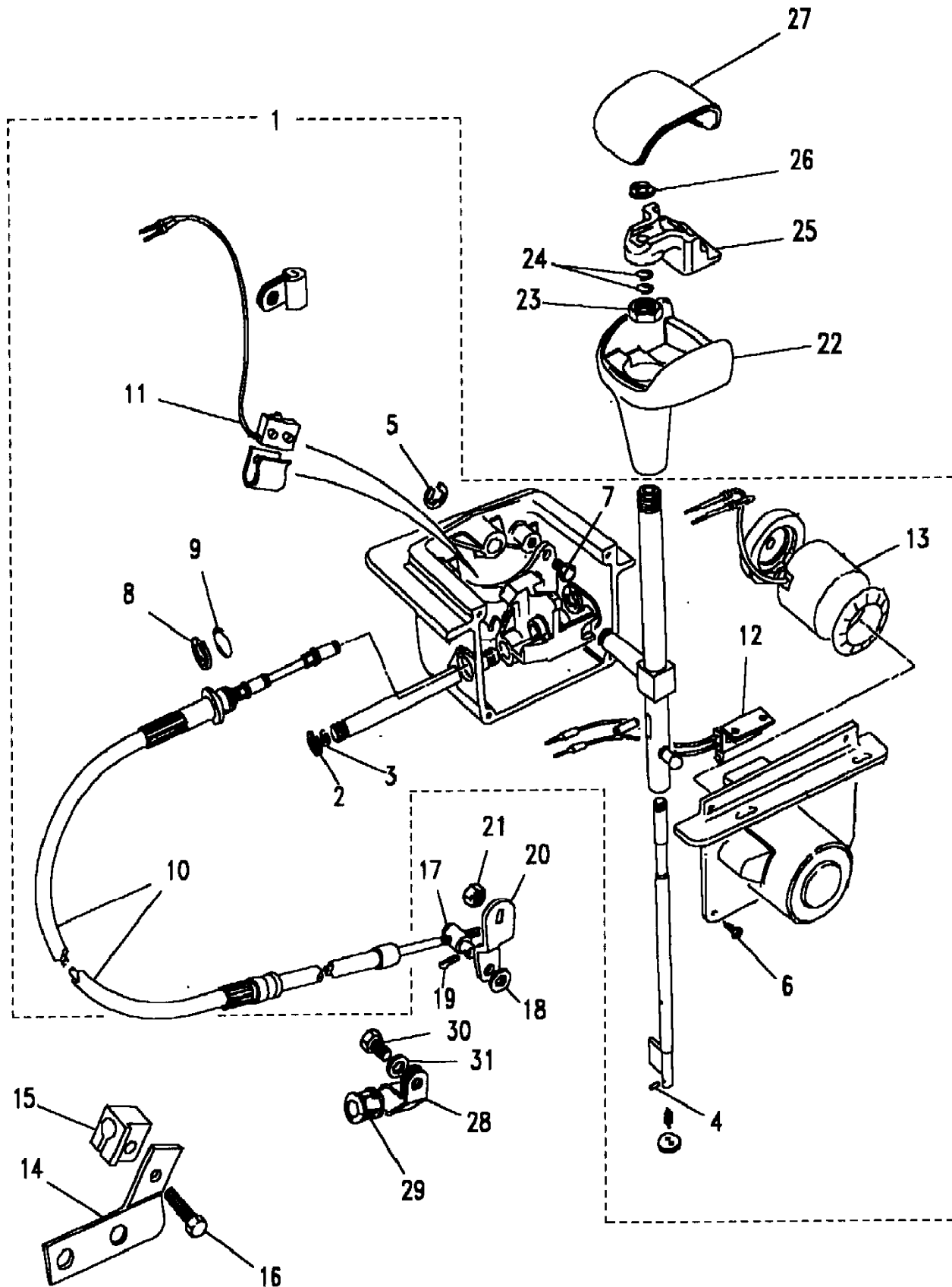
Automatic Transmission

Callout	Name	Application	Remarks & Restrictions	Service No.	Qty
1	Kit-automatic transmission bearing overhaul			RTC5101	1
[900]	Kit-gasket automatic transmission			RTC5100	1

Gearbox
ZF-4 Speed-Automatic
Shift Interlock 1/2

Discovery (FA393361-WA799999)

(BDCPKC2A)



Discovery (FA393361-WA799999)

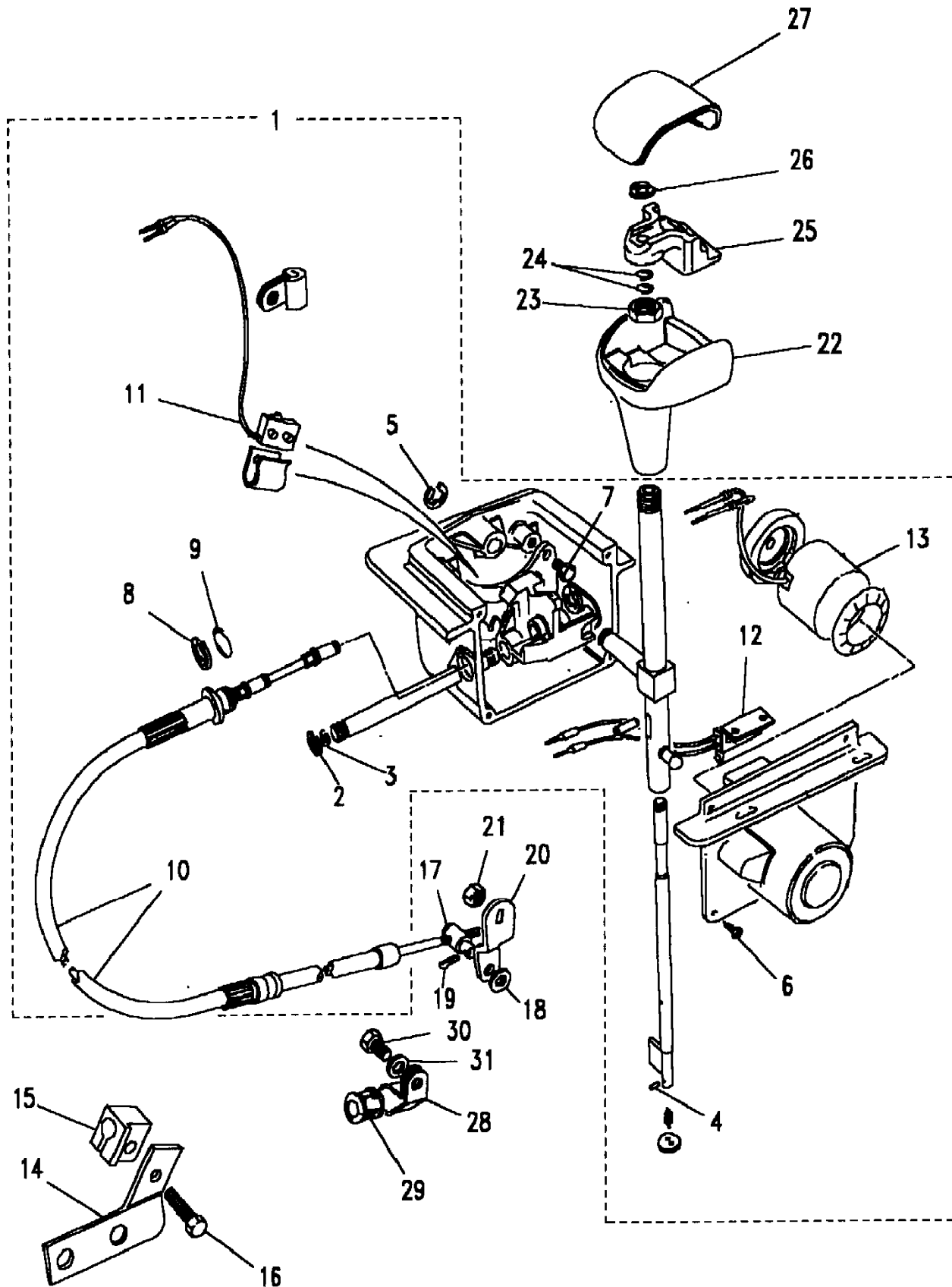
Gearbox
ZF-4 Speed-Automatic
Shift Interlock

Automatic Transmission, 4 Speed, (+)"J"

Callout	Name	Application	Remarks & Restrictions	Service No.	Qty
1	Lever assembly-operating/ selector automatic transmission	Change point - VIN end HA012332	Shift Interlock, Also serviced as part of a kit	FTC2497	1
		Change point - VIN begin JA012333	Shift Interlock, Also serviced as part of a kit	FTC3908	1
2	Clip-e	Change point - VIN end HA012332	Shift Interlock, Also serviced as part of a kit	FRC8707	2
3	O Ring	Change point - VIN end HA012332	Shift Interlock, Also serviced as part of a kit	FRC8711	2
4	Pin-Spring	Change point - VIN end HA012332	Shift Interlock, Also serviced as part of a kit	PA103061	1
5	Screw	Change point - VIN end HA012332	Shift Interlock, Also serviced as part of a kit, Self Tapping, No 6 x 1/2	AB606041L	4
6	Screw	Change point - VIN end HA012332	Shift Interlock, Also serviced as part of a kit, hexagonal head, M6 x 10	SH106101L	1
7	Clip-e	Change point - VIN end HA012332	Shift Interlock, Also serviced as part of a kit	FRC8709	X
8	Clip-e	Change point - VIN begin JA012333	Shift Interlock, Also serviced as part of a kit	FRC8709	1
9	O Ring	Change point - VIN end HA012332	Shift Interlock, Also serviced as part of a kit	FRC8712	1
10	Cable-selector automatic transmission	Change point - VIN end HA012332	Shift Interlock, Also serviced as part of a kit	FTC566	1
11	Micro switch N.C contacts	Change point - VIN end HA012332	Shift Interlock, Also serviced as part of a kit	PRC9677	1
12	Micro switch N.O contacts	Change point - VIN end HA012332	Shift Interlock, Also serviced as part of a kit	PRC9859	1
13	Solenoid-gear change lock	Change point - VIN end HA012332	Shift Interlock, Also serviced as part of a kit	FTC3283	1
14	Bracket-support selector cable		Shift Interlock	FRC8742	1
15	Clamp-Cable		Shift Interlock	FRC8743	1
16	Screw		Shift Interlock, M8 X 30, hexagonal head	SH108301L	1
17	Nipple-cable automatic transmission		Shift Interlock	FRC7630	1

Gearbox
ZF-4 Speed-Automatic
Shift Interlock 2/2

Discovery (FA393361-WA799999)
(BDCPKC2A)



Discovery (FA393361-WA799999)

Gearbox
ZF-4 Speed-Automatic
Shift Interlock

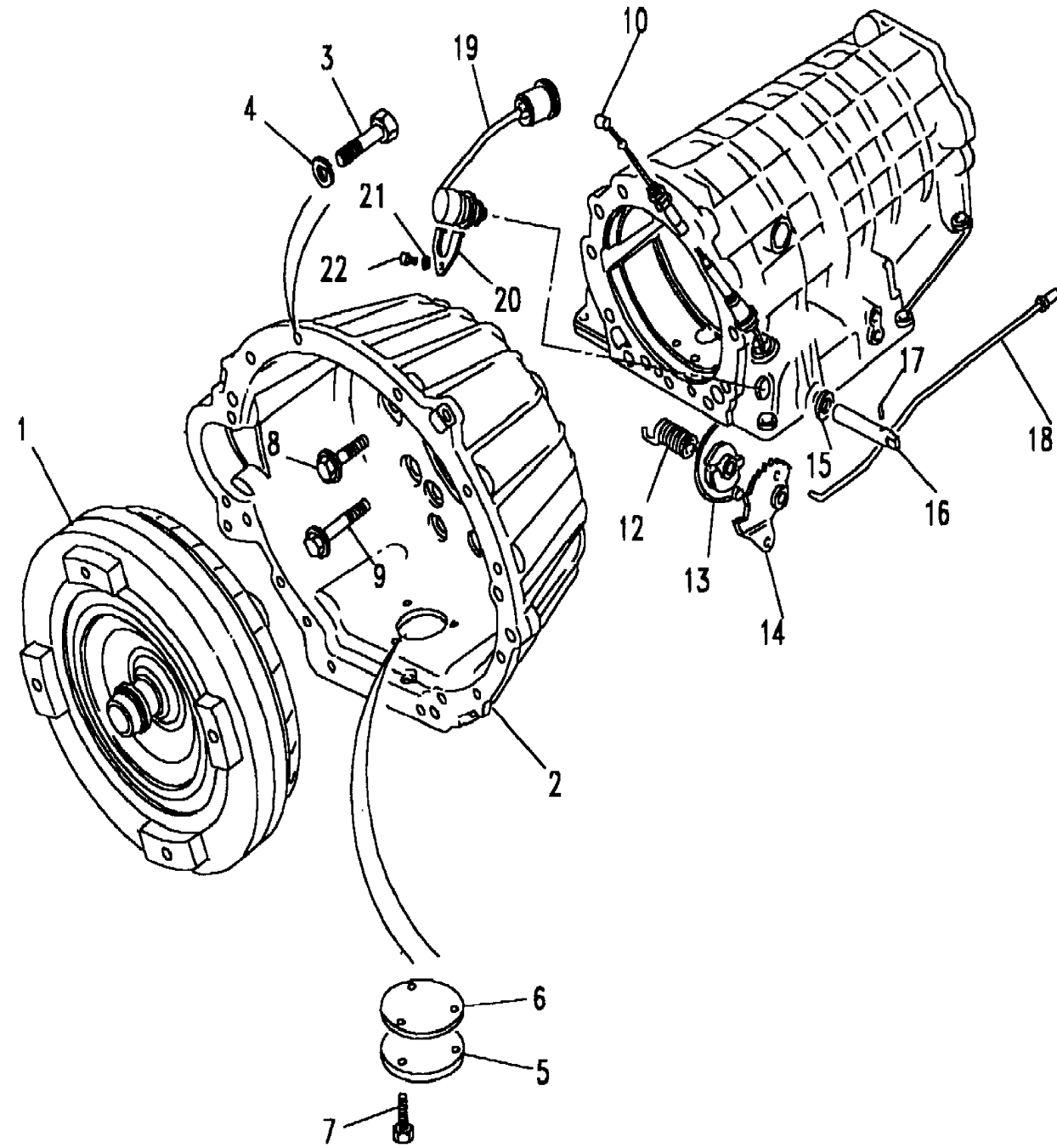
Automatic Transmission, 4 Speed, (+)"J"

Callout	Name	Application	Remarks & Restrictions	Service No.	Qty
18	Washer		Shift Interlock, 8MM	WA108051L	1
19	Pin-split		Shift Interlock	PS104127L	1
20	Lever assembly-operating automatic transmission		Shift Interlock	FRC8744	1
21	Nut - Hex.		Shift Interlock, M8	FRC6915	1
22	Knob-selector drive		Shift Interlock	FRC9357	1
23	Nut - Hex.		Shift Interlock	STC1128	1
24	O Ring		Shift Interlock	FRC9359	1
25	Button-lever release selector handle		Shift Interlock	FTC578	1
26	Clip-e		Shift Interlock	FRC8708	1
27	Cover-handle selector mechanism		Shift Interlock	FRC8698	1
28	Clip-p		Shift Interlock	50641	1
29	Grommet		Shift Interlock, 17/32" hole	589254	1
30	Screw		Shift Interlock, M8 X 16, hexagonal head	SH108161L	1
31	Washer		Shift Interlock, 8MM	WA108051L	1

Gearbox
ZF-4 Speed-Automatic
Torque Converter & Housing 1/2

Discovery (FA393361-WA799999)

(CACPEA2A)



13 6035/A

Discovery (FA393361-WA799999)

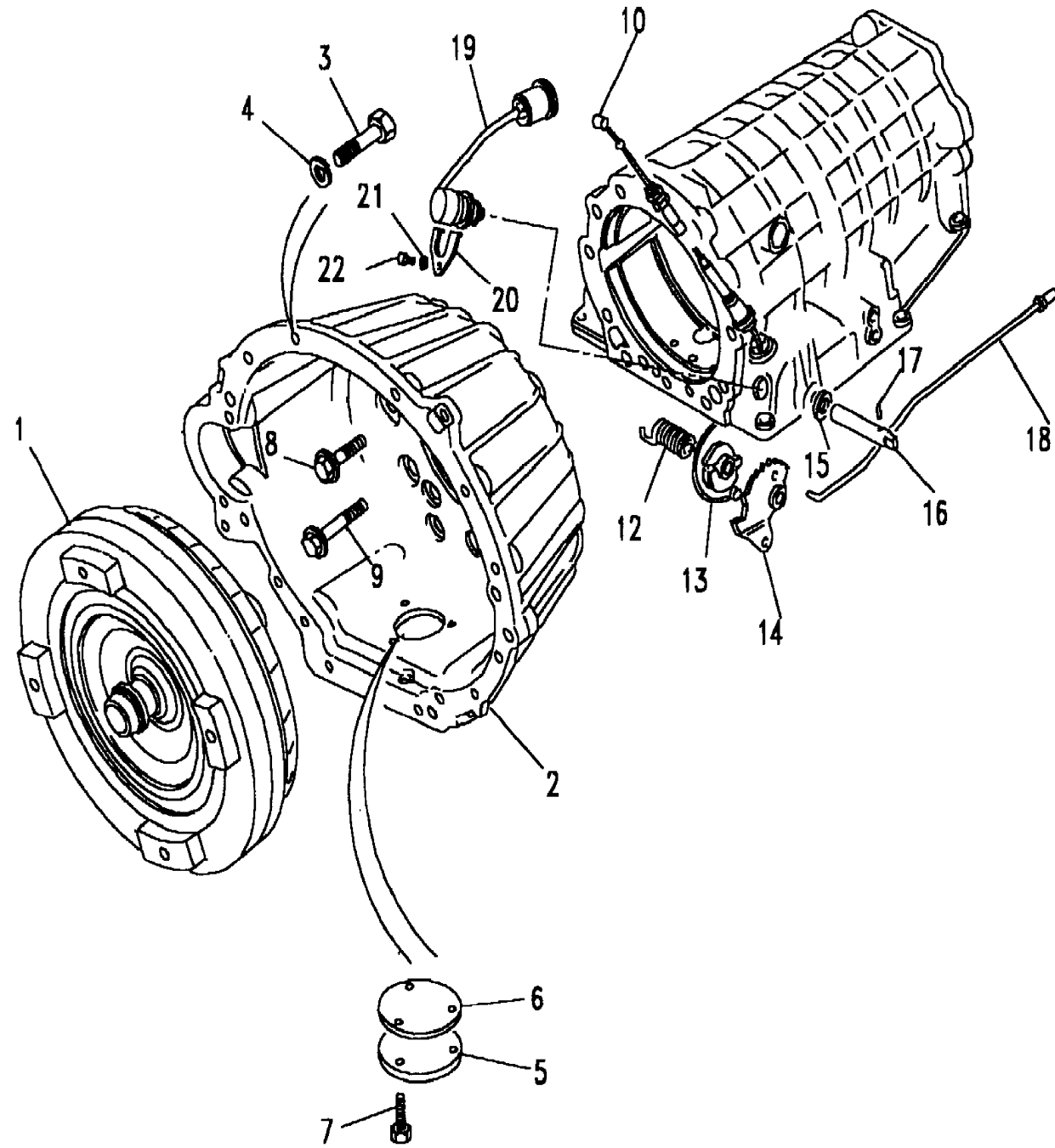
Gearbox
ZF-4 Speed-Automatic
Torque Converter & Housing

Automatic Transmission

Callout	Name	Application	Remarks & Restrictions	Service No.	Qty
1	Converter assembly automatic transmission	Change point - Engine end 36D52139C, V8		FRC5981	1
		Change point - Engine begin 36D52140C, V8		STC3600	1
		4 Cyl TDi		STC1580	1
2	Housing assembly-torque converter automatic transmission	V8		RTC6594	1
		4 Cyl TDi		STC1581	1
3	Bolt	V8	HOUSING TO BLOCK, hexagonal head, 3/8UNC x 2	BH506161L	8
		TDi	HOUSING TO BLOCK, Flanged Head, M10 x 35	FB110071L	5
		TDi	HOUSING TO BLOCK, M10 x 55	FB110111L	6
		TDi	HOUSING TO BLOCK, M10 x 60	FB110121L	2
4	Washer-Spring	V8	3/8	WL600061L	8
5	Cover assembly-coverter automatic transmission			FRC7706	1
6	Gasket-converter housing lower access cover			FRC7707	1
7	Screw		cover to housing, hexagonal head, M6 x 15	SH106151L	3
8	Screw-flanged head	TDi	HOUSING TO BLOCK, M10 x 14	FS110141M	4
			PUMP TO HOUSING, M10 x 30, top	FS110301	6
			PUMP TO HOUSING, Flanged Head, M10 x 30, top	FS110301L	6
9	Bolt		housing to gear case, Flanged Head, M10 x 70	FB110141L	12
10	Cable assembly-kickdown automatic transmission	V8		RTC4854	1
		4 Cyl TDi		STC1583	1
11	O Ring			RTC4648	1
12	Spring-lever detent selector mechanism			RTC4288	1

Gearbox
ZF-4 Speed-Automatic
Torque Converter & Housing 2/2

Discovery (FA393361-WA799999)
(CACPEA2A)



Discovery (FA393361-WA799999)

Gearbox
ZF-4 Speed-Automatic
Torque Converter & Housing

Automatic Transmission

Callout	Name	Application	Remarks & Restrictions	Service No.	Qty
13	Lever assembly-selector selector mechanism			RTC4658	1
14	Lever-detent automatic transmission			RTC4286	1
15	Seal selector mechanism			RTC4289	1
16	Shaft automatic transmission			RTC4285	1
17	Pin-roll-spring tension			RTC4290	1
18	Rod assembly-kickdown automatic transmission			RTC4291	1
19	Switch-inhibitor change selector			RTC4937	1
20	Plate-inhibitor switch detent			RTC4644	1
21	Washer-Spring			RTC4643	1
22	Screw			RTC4645	1
[901]	Plug-core	TDi		FTC4389	1
[902]	Nut - Hex.	TDi	M10, flange	FN110041L	8
[903]	Plate-transfer box detent spring retaining			RTC5203	1

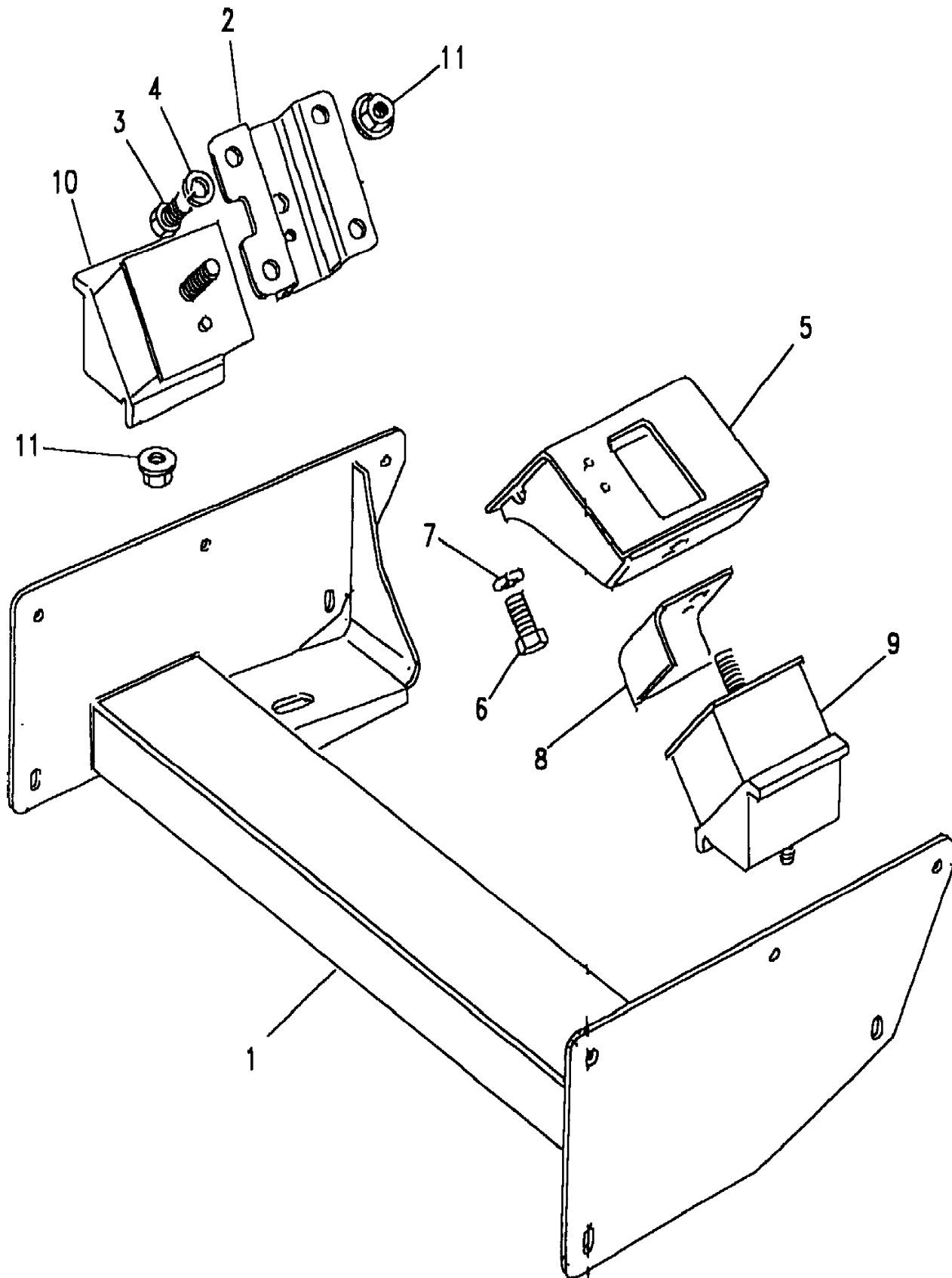
Gearbox
ZF-4 Speed-Automatic
Transmission Mounting 1/1

Discovery (FA393361-WA799999)
(CACPMA1A)

Discovery (FA393361-WA799999)

Gearbox
ZF-4 Speed-Automatic
Transmission Mounting

4 Cylinder, Automatic Transmission



Callout	Name	Application	Remarks & Restrictions	Service No.	Qty
1	Crossmember assembly-chassis frame			ANR2278	1
2	Bracket-Transmission Mounting		RH	ANR2898	1
3	Screw		bracket to gearbox, hexagonal head, M12 x 25	SH112251L	4
4	Washer			WL112001L	4
5	Bracket-Transmission Mounting		LH	ANR3225	1
6	Screw		bracket to gearbox, hexagonal head, M12 x 25	SH112251L	4
7	Washer			WL112001L	4
8	Heatshield assembly exhaust-downpipe			ANR3138	1
9	Mounting-rubber		Transmission, LH	ANR3201	1
10	Mounting-rubber		Transmission, RH	ANR3200	1
11	Nut-flange		M10	FX110041L	4

Gearbox
ZF-4 Speed-Automatic
Web Shaft & Fourth Gear 1/2

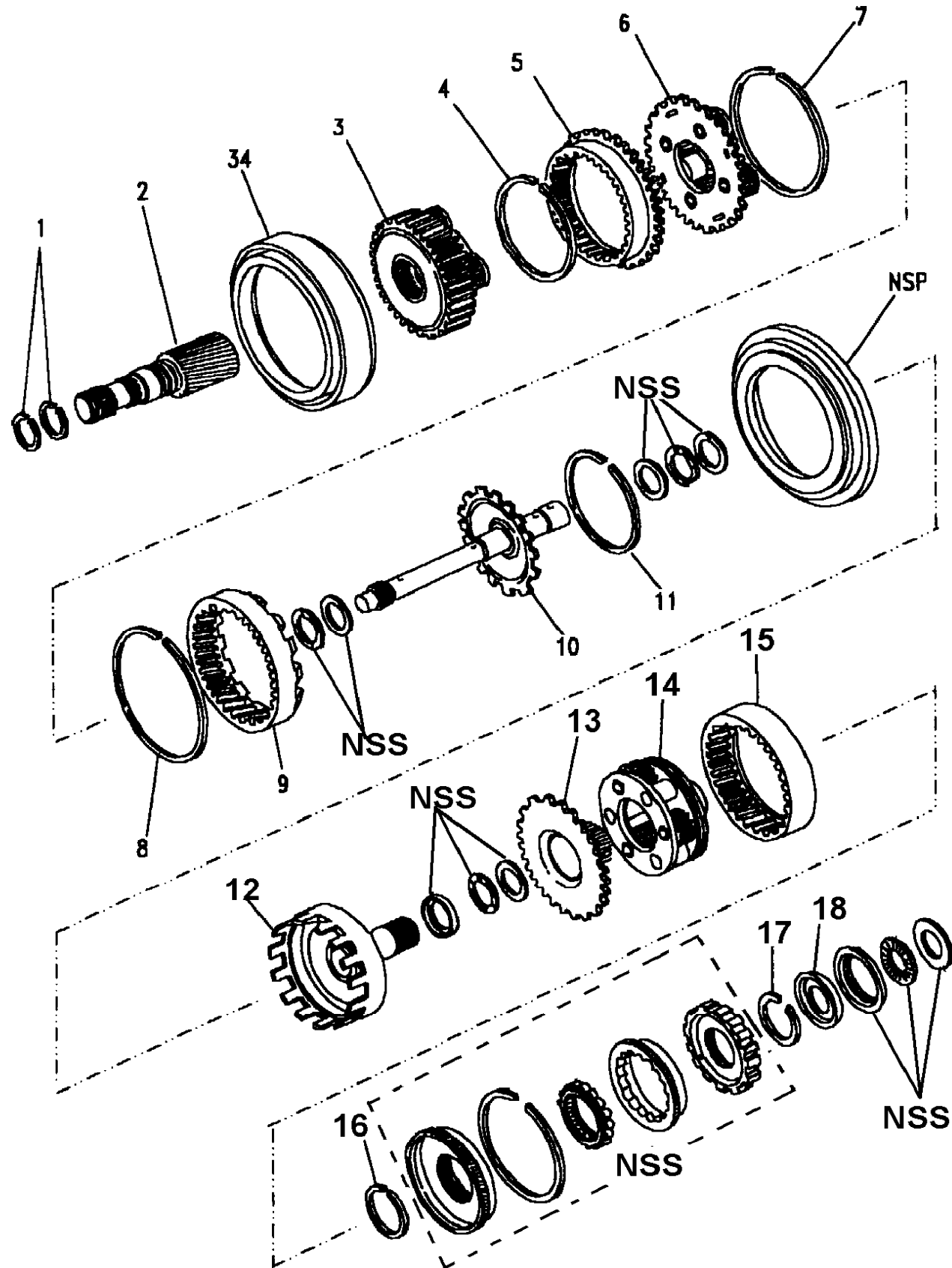
Discovery (FA393361-WA799999)
(CACPIA1B)

Discovery (FA393361-WA799999)

Gearbox
ZF-4 Speed-Automatic
Web Shaft & Fourth Gear

Automatic Transmission

Callout	Name	Application	Remarks & Restrictions	Service No.	Qty
1	Set-ring automatic transmission			RTC5183	2
2	Shaft-sun gear			RTC5182	1
3	Gear assembly-planetary automatic transmission	Front		RTC5185	1
4	Ring-snap automatic transmission			RTC5181	1
5	Gear-ring automatic transmission	Front		RTC5180	1
6	Gear assembly-planetary automatic transmission	Front		RTC5188	1
7	Ring-snap automatic transmission	Rear, Large		RTC5190	1
8	Ring-snap automatic transmission			RTC5181	1
9	Gear-ring automatic transmission	Centre		RTC5184	1
10	Shaft-intermediate transmission			RTC5186	1
11	Ring-snap automatic transmission	Rear		RTC5187	1
12	Shaft-spider			RTC5189 STC996	1 1
13	Gear-automatic transmission sun			RTC5191	1
14	Gear assembly-planetary automatic transmission	Rear		RTC5192	1
15	Gear-ring automatic transmission	Rear		RTC5193	1
16	Ring-snap automatic transmission	Small		RTC5171	1
17	Ring-snap automatic transmission	Small		RTC5172	1



Gearbox
ZF-4 Speed-Automatic
Web Shaft & Fourth Gear 2/2

Discovery (FA393361-WA799999)
(CACPIA1B)

Discovery (FA393361-WA799999)

Gearbox
ZF-4 Speed-Automatic
Web Shaft & Fourth Gear

Automatic Transmission

Callout	Name	Application	Remarks & Restrictions	Service No.	Qty
18	Ring-backing automatic transmission			RTC5129	1
[901]	O Ring			STC334	3

