

Body Electrics
Ancillaries
ABS 1/1

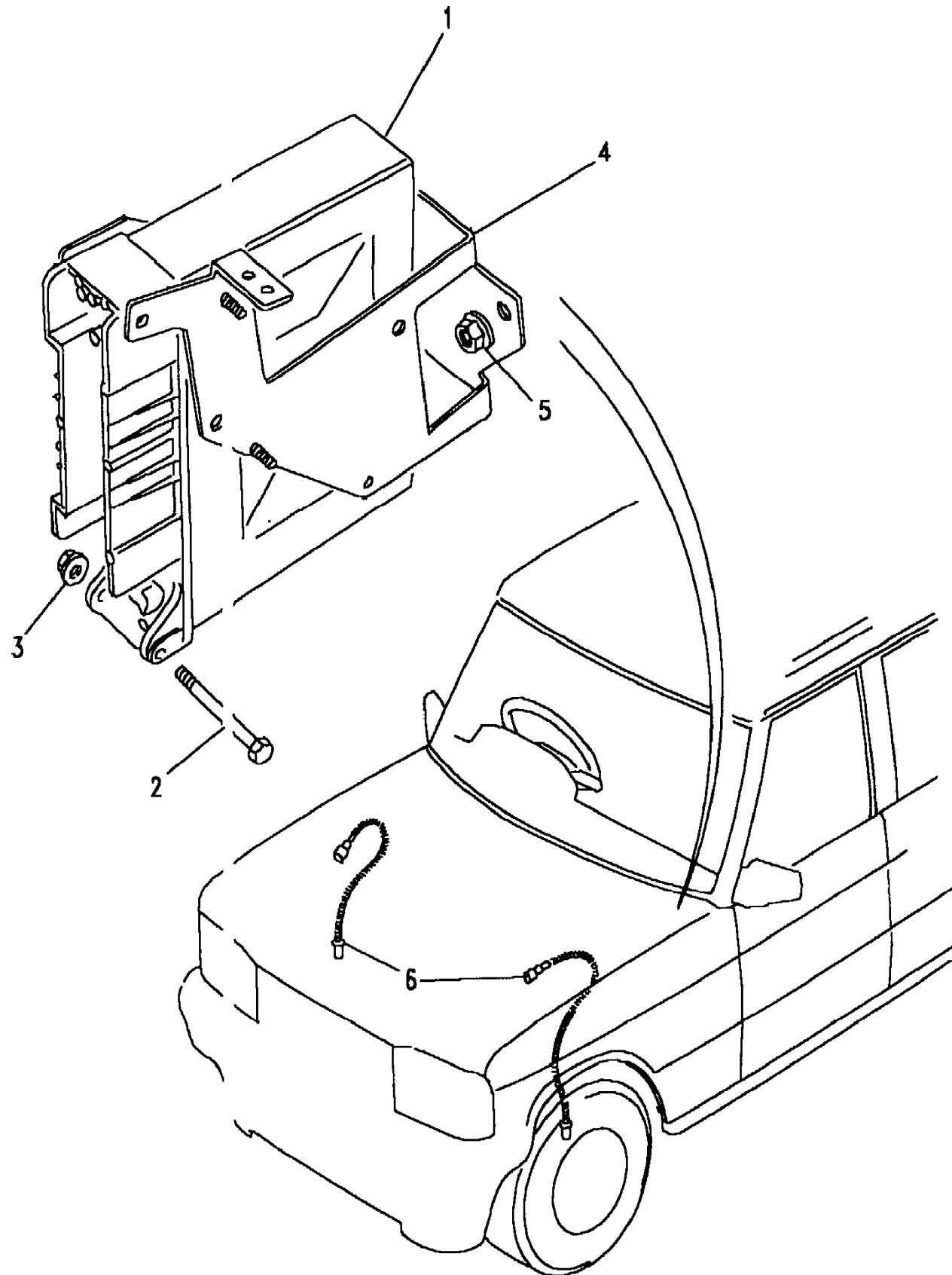
Discovery (FA393361-WA799999)
(CAMXHA1A)

Discovery (FA393361-WA799999)

Body Electrics
Ancillaries
ABS

All Wheel Anti-Lock Braking System

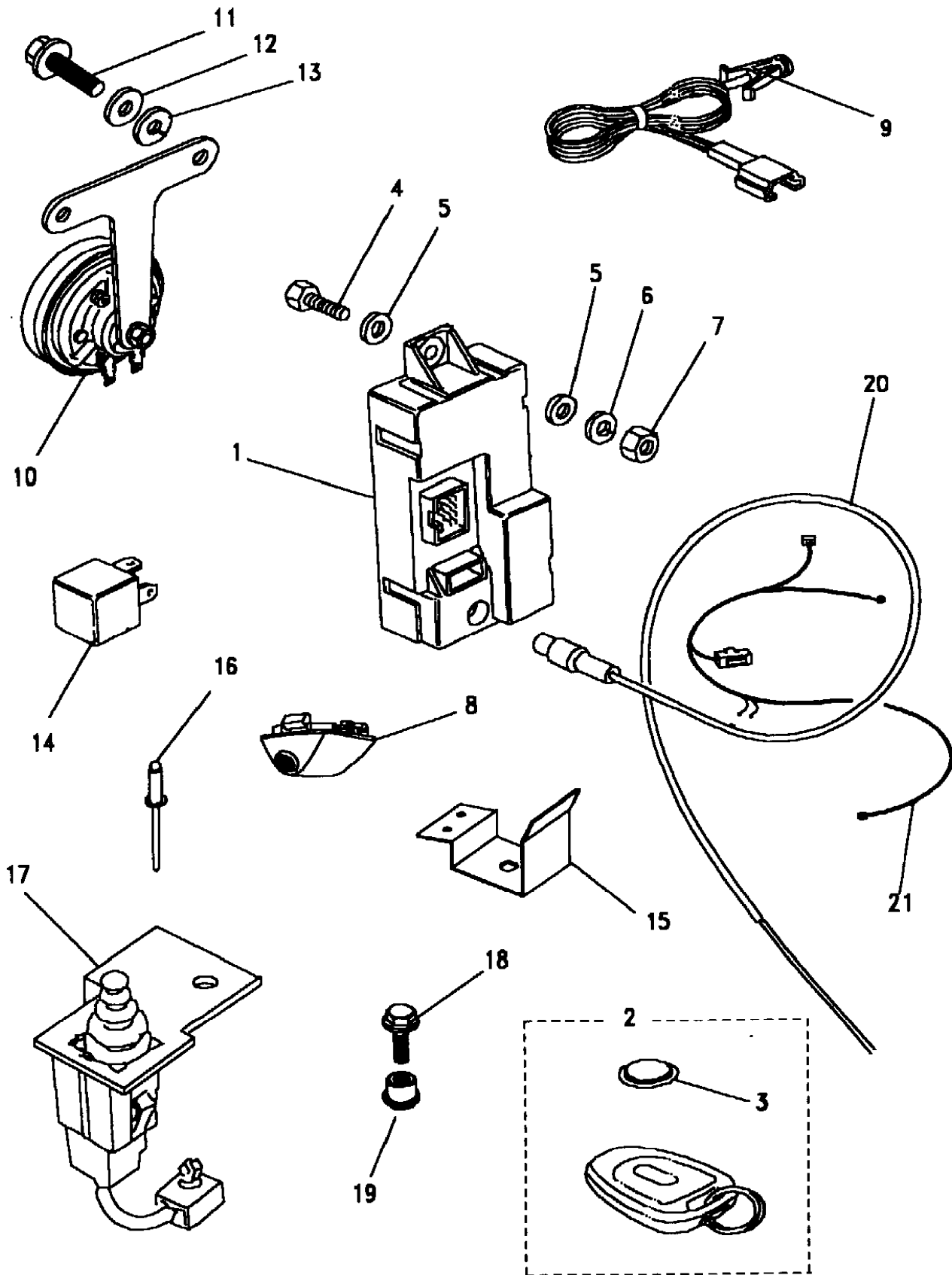
Callout	Name	Application	Remarks & Restrictions	Service No.	Qty
1	Electric control unit antilock brakes	Change point - VIN end TA508779		AMR1097	1
		Change point - VIN end TA180925		AMR1097	1
		Change point - VIN begin TA180926		AMR5557	1
		Change point - VIN begin TA508780		AMR5557	1
2	Bolt		fixing ECU, M6 x 65	BH106131	2
3	Nut-flange		fixing ECU, M6	FN106047	2
			fixing ECU, M6	FN106047L	2
4	Bracket assembly-electric control unit mounting	RHD		AMR2741	1
		LHD		AMR2742	1
5	Nut - Hex.		fixing bracket, M8, flange	FN108041	2
6	Sensor assembly antilock brakes	Front		STC1749	2
		Rear		STC1750	1



Body Electrics
Ancillaries
Alarm / Remote Locking System 1/5

Discovery (FA393361-WA799999)

(CAMXGK1A)



Discovery (FA393361-WA799999)

Body Electrics
Ancillaries
Alarm / Remote Locking System

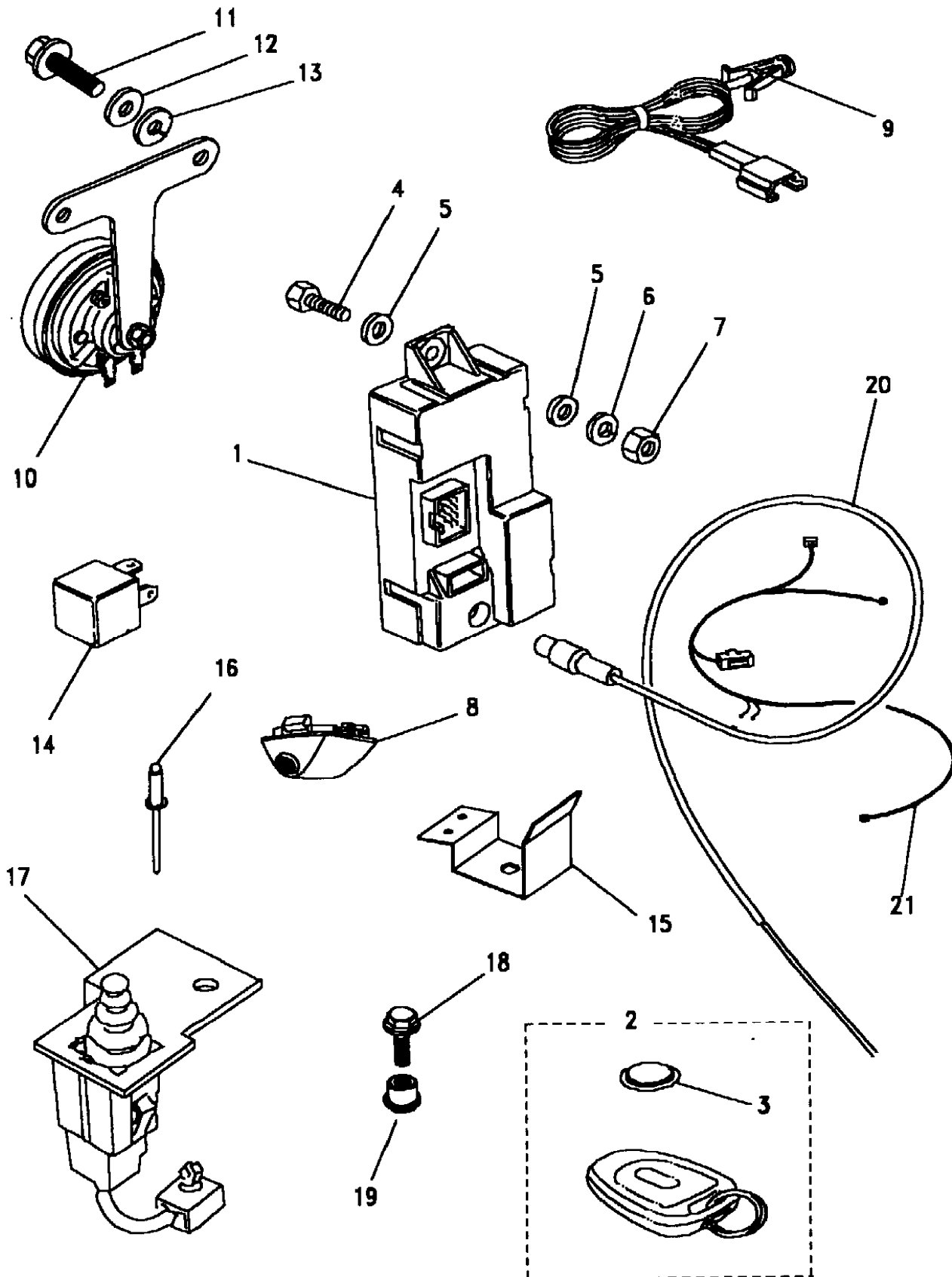
Change point - VIN begin KA034314, Change point - VIN end MA163103, Change point - VIN begin KA034314, Change point - VIN end MA501919, Change point - VIN begin KA034314, Change point - VIN end MA163103, Change point - VIN begin KA034314, Change point - VIN end MA501919, With Central Locking System, With Anti-Theft Alarm, Less Immobilisation

Callout	Name	Application	Remarks & Restrictions	Service No.	Qty
1	Control unit-remote locking	Change point - VIN begin KA034314, Change point - VIN end LA081991, (+)"GB"	418 MHz	AMR2106	1
		Change point - VIN begin MA081992, (+)"GB"	433 MHz	AMR2109	1
		Change point - VIN begin KA034314, (+)"F"	224 MHz	AMR2107	1
		Change point - VIN begin KA034314, (+)"D"	433 MHz	AMR2109	1
		Change point - VIN begin KA034314, (+)"I"	315 MHz	AMR2108	1
		Change point - VIN begin KA034314, Change point - VIN end LA081991, (+)"CH"	433 MHz	AMR2110	1
		Change point - VIN begin KA034314, Change point - VIN end LA081991, (+)"DK"	433 MHz	AMR2110	1
		Change point - VIN end MA501919, Change point - VIN begin MA081992, (+)"CH"	433 MHz	AMR2591	1
		Change point - VIN end MA501919, Change point - VIN begin MA081992, (+)"DK"	433 MHz	AMR2591	1
		Change point - VIN begin KA034314, (+)"Europe"	433 MHz	AMR2109	1
		Change point - VIN begin KA034314, Change point - VIN end LA081991, (+)"AUS"	315 MHz	AMR2108	1
		Change point - VIN begin MA081992, (+)"AUS"	315 MHz	AMR2469	1
		Change point - VIN begin KA034314, (+)"ZA"	With East Africa, 315 MHz	AMR2108	1
		Change point - VIN begin KA034314, Change point - VIN end LA081991, (+)"GCC"	315 MHz	AMR2108	1
		Change point - VIN begin KA034314, (+)"GCC"	315 MHz	AMR2469	1
		Change point - VIN begin MA081992, (+)"GCC"	315 MHz	AMR2469	1
		Change point - VIN begin KA034314, (+)"J"	315 MHz	AMR2108	1
		Change point - VIN begin KA034314, Change point - VIN end LA081991, (-)"GB"	315 MHz	AMR2108	1
		Change point - VIN begin MA081992, (-)"GB"	315 MHz	AMR2469	1
		Change point - VIN begin KA034314, (-)"GB"	433 MHz	AMR2109	1

Body Electrics
Ancillaries
Alarm / Remote Locking System 2/5

Discovery (FA393361-WA799999)

(CAMXGK1A)



Discovery (FA393361-WA799999)

Body Electrics
Ancillaries
Alarm / Remote Locking System

Change point - VIN begin KA034314, Change point - VIN end MA163103, Change point - VIN begin KA034314, Change point - VIN end MA501919, Change point - VIN begin KA034314, Change point - VIN end MA163103, Change point - VIN begin KA034314, Change point - VIN end MA501919, With Central Locking System, With Anti-Theft Alarm, Less Immobilisation

Callout	Name	Application	Remarks & Restrictions	Service No.	Qty
1	Control unit-remote locking	Change point - VIN end RA113127, (+)"CDN/MEX/USA"	315 MHz	AMR3248	1
		Change point - VIN begin RA113128, (+)"CDN/MEX/USA"	315 MHz	AMR4110	1
2	Remote unit-locking system	Change point - VIN begin KA034314, Change point - VIN end LA081991, (+)"GB"	NO LONGER AVAILABLE, Key Activated-Not Replaced, Also serviced as part of a kit, 418 MHz	AMR3720	1
		Change point - VIN begin MA081992, Change point - VIN end MA123592, (+)"GB"	NO LONGER AVAILABLE, Key Activated-Not Replaced, Also serviced as part of a kit, 433 MHz	AMR3723	1
		Change point - VIN begin MA123593, (+)"GB"	NO LONGER AVAILABLE, Key Activated-Not Replaced, Also serviced as part of a kit, 433 MHz	AMR4867	1
		Change point - VIN begin KA034314, Change point - VIN end LA081991, (+)"F"	Also serviced as part of a kit, 224 MHz	AMR2025	1
		Change point - VIN begin MA081992, (+)"F"	NO LONGER AVAILABLE, Key Activated-Not Replaced, Also serviced as part of a kit, 224 MHz	AMR3721	1
		Change point - VIN begin KA034314, Change point - VIN end LA081991, (+)"D"	NO LONGER AVAILABLE, Key Activated-Not Replaced, Also serviced as part of a kit, 433 MHz	AMR3723	1
		Change point - VIN begin MA081992, (+)"D"	NO LONGER AVAILABLE, Key Activated-Not Replaced, Also serviced as part of a kit, 433 MHz	AMR3725	1
		Change point - VIN begin KA034314, (+)"I"	Also serviced as part of a kit, 315 MHz	AMR3722	1
		Change point - VIN begin KA034314, Change point - VIN end LA081991, (+)"CH"	NO LONGER AVAILABLE, Key Activated-Not Replaced, Also serviced as part of a kit, 433 MHz	AMR3723	1
		Change point - VIN begin KA034314, Change point - VIN end LA081991, (+)"DK"	NO LONGER AVAILABLE, Key Activated-Not Replaced, Also serviced as part of a kit, 433 MHz	AMR3723	1
		Change point - VIN begin KA034314, Change point - VIN end LA081991, (+)"Europe"	NO LONGER AVAILABLE, Key Activated-Not Replaced, Also serviced as part of a kit, 433 MHz	AMR3723	1
		Change point - VIN begin KA034314, (+)"AUS"	Also serviced as part of a kit, 315 MHz	AMR3722	1
		Change point - VIN begin KA034314, (+)"ZA"	With East Africa, Also serviced as part of a kit, 315 MHz	AMR3722	1
		Change point - VIN begin KA034314, (+)"GCC"	Also serviced as part of a kit, 315 MHz	AMR3722	1
Change point - VIN begin KA034314, (+)"J"	Also serviced as part of a kit, 315 MHz	AMR3722	1		

Body Electrics
Ancillaries
Alarm / Remote Locking System 4/5

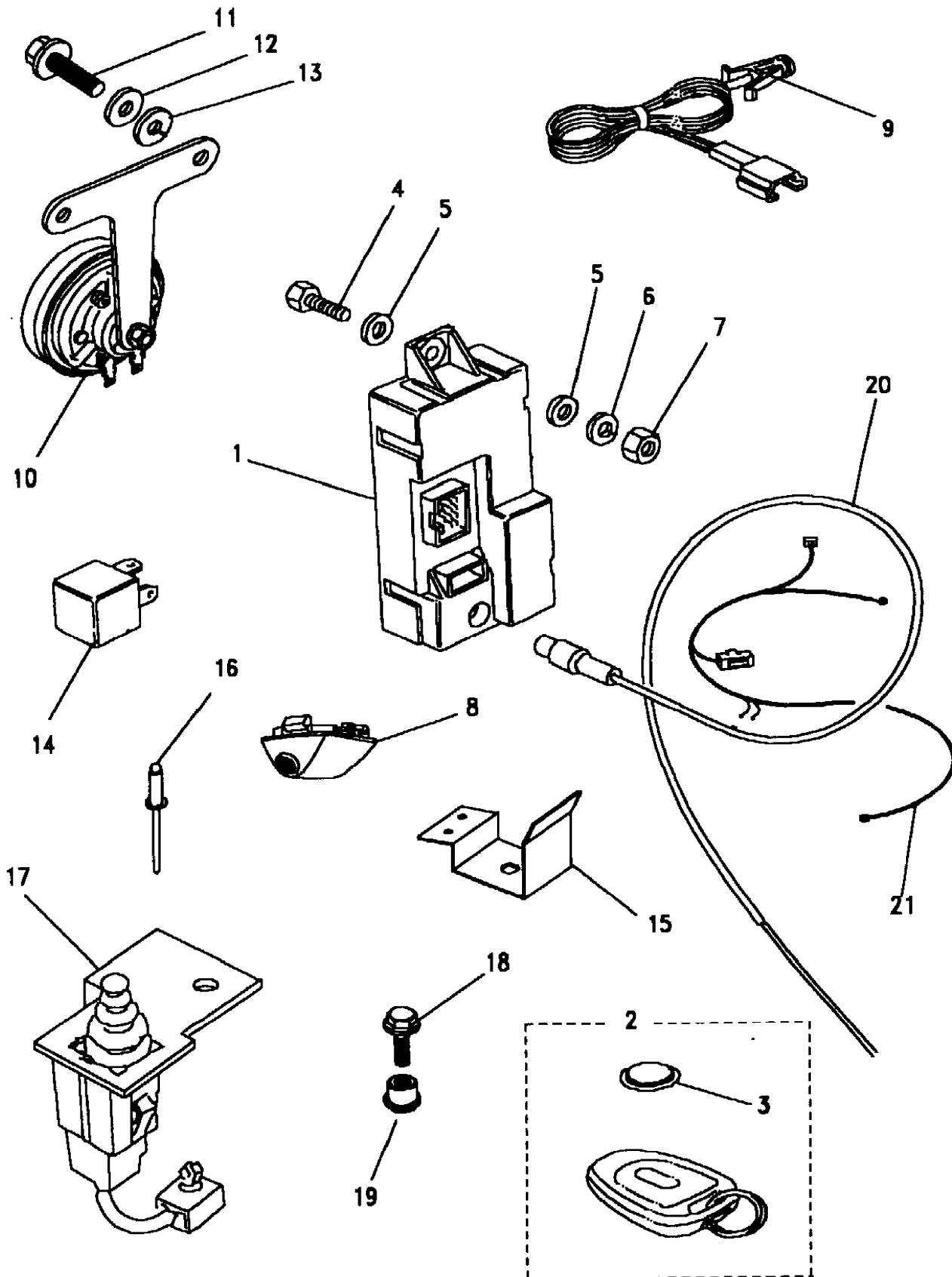
Discovery (FA393361-WA799999)

(CAMXGK1A)

Discovery (FA393361-WA799999)

Body Electrics
Ancillaries
Alarm / Remote Locking System

Change point - VIN begin KA034314, Change point - VIN end MA163103, Change point - VIN begin KA034314, Change point - VIN end MA501919, Change point - VIN begin KA034314, Change point - VIN end MA163103, Change point - VIN begin KA034314, Change point - VIN end MA501919, With Central Locking System, With Anti-Theft Alarm, Less Immobilisation



Callout	Name	Application	Remarks & Restrictions	Service No.	Qty
14	Relay	Change point - VIN begin KA034314 Change point - VIN begin KA034314	Brown, twin make	AMR1088 YWB10027L	1 1
15	Bracket-alarm switch mounting	Change point - VIN end LA081991 Change point - VIN begin MA081992		PRC9868 AMR3490	1 1
16	Rivet	Change point - VIN begin KA034314	fixing bracket	RA608123L	2
17	Switch-contact-bonnet burglar alarm	Change point - VIN end LA081991 Change point - VIN begin MA081992		YUE10015L AMR2022	1 1
18	Screw-flanged head	Change point - VIN begin MA081992 Change point - VIN end LA081991	fixing switch bonnet, M6 X 16, Flanged Head fixing switch bonnet, M6 X 16, Flanged Head	FS106167L FS106167L	2 1
19	Nutsert-blind		fixing switch bonnet, M6	NN106021	1
20	Aerial-receiver central door locking & alarm			AMR2034	1
21	Harness-link	Change point - VIN end LA081991, (+)"GCC" Change point - VIN end LA081991, RHD, (-)"GCC" Change point - VIN end LA081991, LHD, (-)"GCC"	Burglar Alarm Burglar Alarm	AMR2214 PRC9527 PRC9572	1 1 1
[900]	Screw		fixing horn, Flanged Head, M8 x 20	FS108207L	2
[901]	Kit transmitter & control unit	(+)"GB" (+)"F"	NO LONGER AVAILABLE, Key Activated-Not Replaced, Also serviced as part of a kit NO LONGER AVAILABLE, Key Activated-Not Replaced, Also serviced as part of a kit	STC4640 STC4640	1 1
[902]	Control unit-remote locking	(+)"GB" (+)"F"	Also serviced as part of a kit, 433 MHz Also serviced as part of a kit, 433 MHz	AMR2109 AMR2109	1 1
[903]	Remote unit-locking system	(+)"GB"	NO LONGER AVAILABLE, Key Activated-Not Replaced, Also serviced as part of a kit, 433 MHz	AMR3723	2

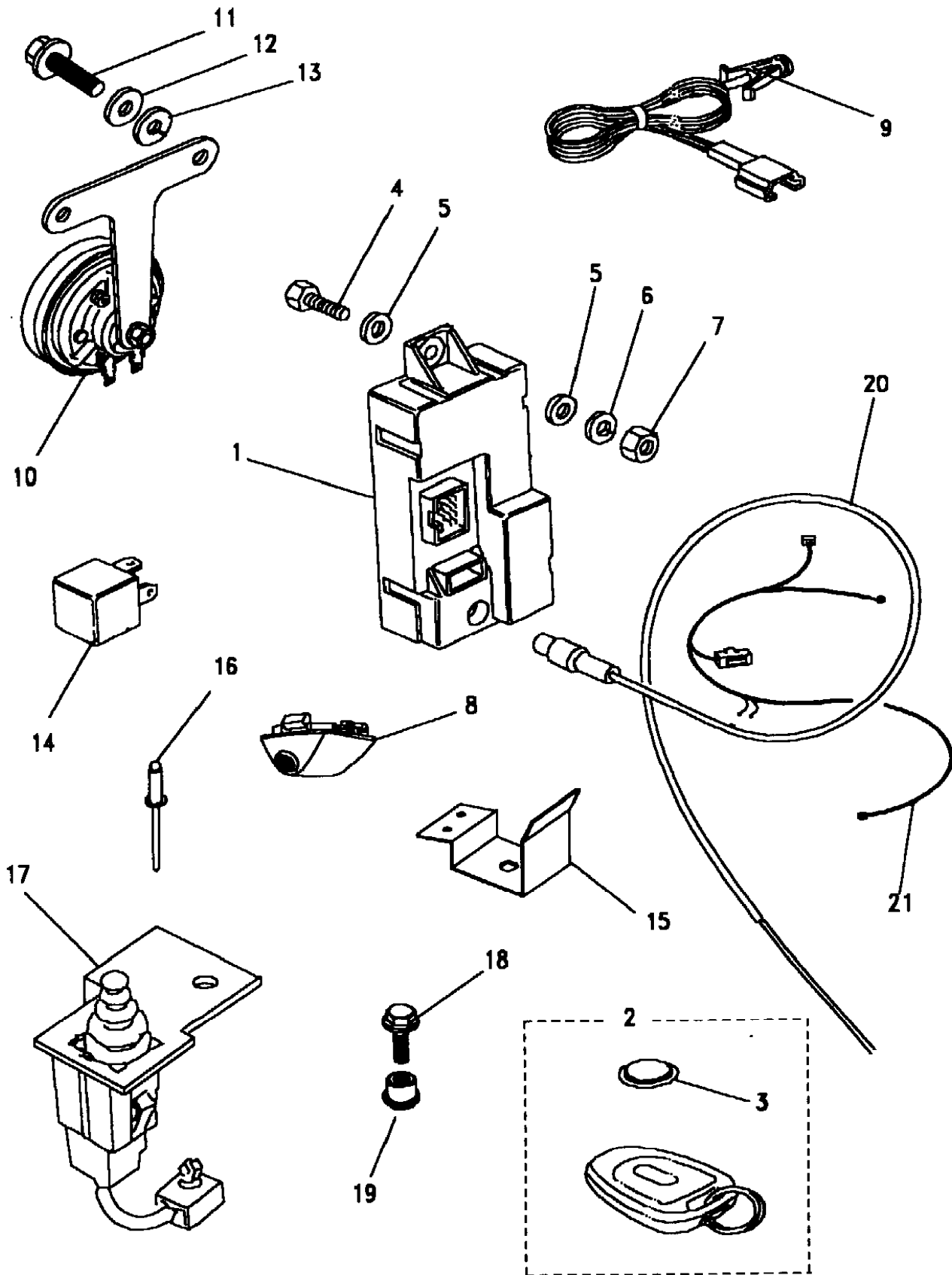
Body Electrics
Ancillaries
Alarm / Remote Locking System 5/5

Discovery (FA393361-WA799999)
(CAMXGK1A)

Discovery (FA393361-WA799999)

Body Electrics
Ancillaries
Alarm / Remote Locking System

Change point - VIN begin KA034314, Change point - VIN end MA163103, Change point - VIN begin KA034314, Change point - VIN end MA501919, Change point - VIN begin KA034314, Change point - VIN end MA163103, Change point - VIN begin KA034314, Change point - VIN end MA501919, With Central Locking System, With Anti-Theft Alarm, Less Immobilisation



Callout	Name	Application	Remarks & Restrictions	Service No.	Qty
[903]	Remote unit-locking system	(+)"F"	NO LONGER AVAILABLE, Key Activated-Not Replaced, Also serviced as part of a kit, 433 MHz	AMR3723	2
[905]	Relay		changeover, Yellow	YWB000150	1
[906]	Washer		fixing horn, 8MM, sprung	WL108007	2

Body Electrics
Ancillaries
Alarms & Immobilisation 1/5

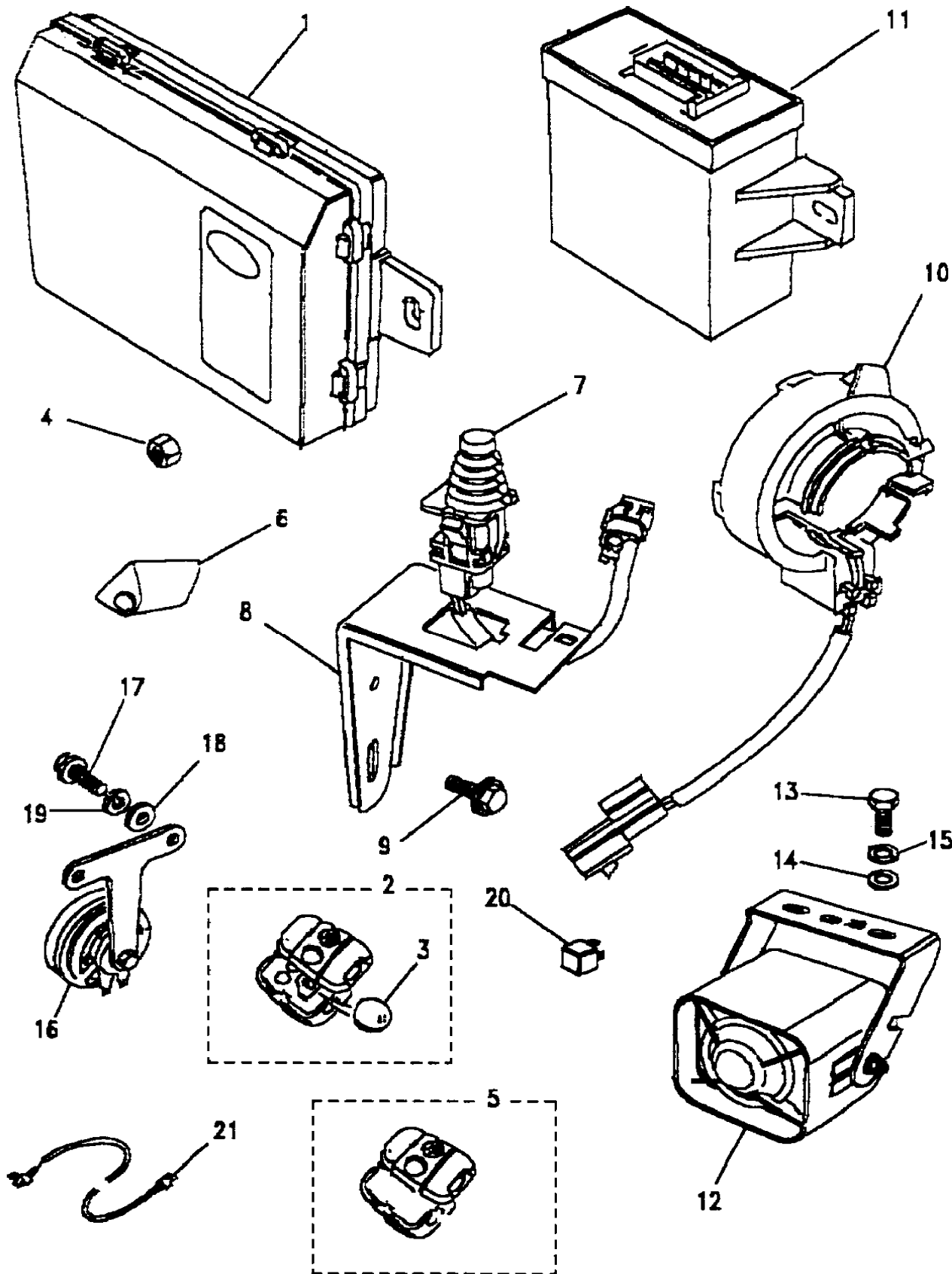
Discovery (FA393361-WA799999)

(CAMXGK2A)

Discovery (FA393361-WA799999)

Body Electrics
Ancillaries
Alarms & Immobilisation

Change point - VIN begin TA163104, Change point - VIN begin TA501920, Change point - VIN begin TA163104, Change point - VIN begin TA501920, With Central Locking System, With Anti-Theft Alarm, With Immobilisation



Callout	Name	Application	Remarks & Restrictions	Service No.	Qty
1	Control unit burglar alarm	Change point - VIN begin TA501920, Change point - VIN end TA534103, (+)"Europe"	433 MHz	AMR4886	1
		Change point - VIN begin TA501920, Change point - VIN end TA534103, (+)"GCC"	315 MHz	AMR4885	1
		Change point - VIN begin TA163104, Change point - VIN end TA703236, (+)"GCC"	315 MHz	AMR4885	1
		Change point - VIN begin TA501920, Change point - VIN end TA534103, (-)"GB"	315 MHz	AMR4885	1
		Change point - VIN begin TA163104, Change point - VIN end TA703236, (-)"GB"	315 MHz	AMR4885	1
		Change point - VIN begin VA534104, Change point - VIN end VA540100, EDC, (+)"Europe"	433 MHz	AMR5413	1
		Change point - VIN begin VA534104, Change point - VIN end VA540100, Less EDC, (+)"Europe"	433 MHz	AMR6250	1
		Change point - VIN begin VA709324, EDC, (+)"Europe"	433 MHz	AMR6429	1
		Change point - VIN begin TA501920, EDC, (+)"Europe"	433 MHz	YWC106280	1
		Change point - VIN begin VA534104, Change point - VIN end VA540100, (+)"GCC"	315 MHz	AMR5412	1
		Change point - VIN begin VA703237, Change point - VIN end VA709323, (+)"GCC"	315 MHz	AMR5412	1
		Change point - VIN begin VA540101, Change point - VIN end VA734626, (+)"GCC"	315 MHz	AMR6428	1
		Change point - VIN begin VA709324, Change point - VIN end VA734626, (+)"GCC"	315 MHz	AMR6428	1
		Change point - VIN begin VA734627, (+)"GCC"	315 MHz	YWC105830	1
		EDC, (-)"GB"	315 MHz	YWC106290	1
		(+)"GCC"	315 MHz	YWC106290	1
		Change point - VIN begin VA534104, Change point - VIN end VA540100, EDC, (-)"GB"	315 MHz	AMR5412	1

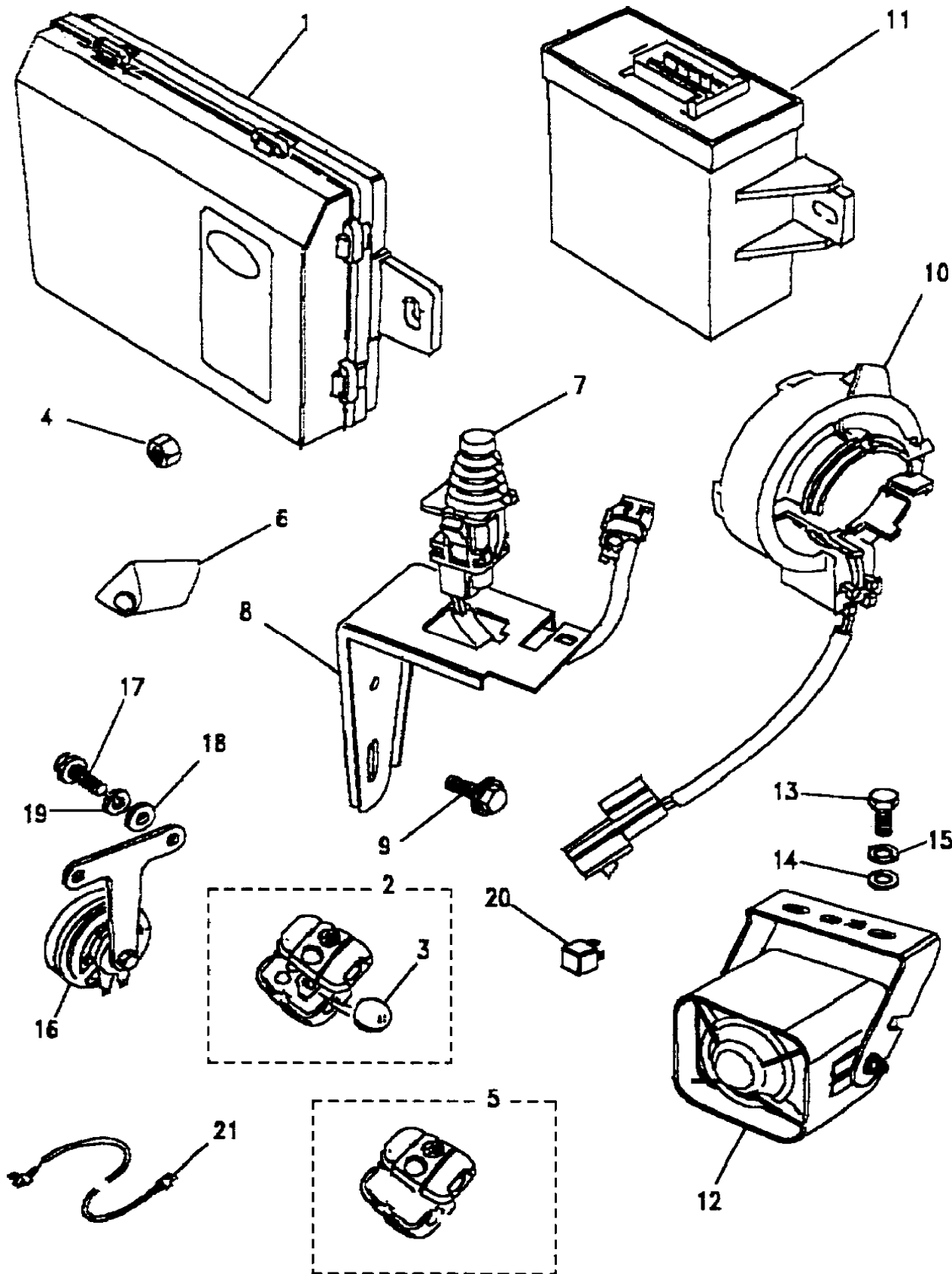
Body Electrics
Ancillaries
Alarms & Immobilisation 2/5

Discovery (FA393361-WA799999)
(CAMXGK2A)

Discovery (FA393361-WA799999)

Body Electrics
Ancillaries
Alarms & Immobilisation

Change point - VIN begin TA163104, Change point - VIN begin TA501920, Change point - VIN begin TA163104, Change point - VIN begin TA501920, With Central Locking System, With Anti-Theft Alarm, With Immobilisation



Callout	Name	Application	Remarks & Restrictions	Service No.	Qty
1	Control unit burglar alarm	Change point - VIN begin VA703237, Change point - VIN end VA709323, EDC, (-)"GB"	315 MHz	AMR5412	1
		Change point - VIN begin VA534104, Change point - VIN end VA540100, Less EDC, (-)"GB"	315 MHz	AMR6249	1
		Change point - VIN begin VA703237, Change point - VIN end VA709323, Less EDC, (-)"GB"	315 MHz	AMR6249	1
		Change point - VIN begin VA540101, Change point - VIN end WA746541, EDC, (-)"GB"	315 MHz	AMR6428	1
		Change point - VIN begin VA709324, Change point - VIN end WA746541, EDC, (-)"GB"	315 MHz	AMR6428	1
		Change point - VIN begin WA746542, EDC, (-)"GB"	315 MHz	YWC105830	1
2	Transmitter plip burglar alarm	Change point - VIN begin TA501920, Change point - VIN end TA534103, (+)"Europe"	Also serviced as part of a kit, 433 MHz	AMR4893	1
		Change point - VIN begin TA501920, Change point - VIN end TA534103, (+)"GCC"	Also serviced as part of a kit, 315 MHz	AMR4890	1
		Change point - VIN begin TA501920, Change point - VIN end TA534103, (+)"GCC"	Also serviced as part of a kit, 315 MHz	AMR4892	1
		Change point - VIN begin TA501920, (+)"GCC"	315 MHz	YWX101230	1
		Change point - VIN begin VA534104, (+)"Europe"	Also serviced as part of a kit, 433 MHz	AMR4893	1
		Change point - VIN begin TA501920, (+)"Europe"	433 MHz	YWX101220	1
		Change point - VIN begin VA534104, (+)"GCC"	Also serviced as part of a kit, 315 MHz	AMR4890	1
		Change point - VIN begin VA534104, (+)"GCC"	Also serviced as part of a kit, 315 MHz	AMR4892	1
		Change point - VIN begin TA501920, Change point - VIN end TA534103, (+)"Europe"	Also serviced as part of a kit	YWK10003L	1
		Change point - VIN begin VA534104, (+)"GCC"	Also serviced as part of a kit	YWK10003L	1
3	Battery	Change point - VIN begin TA501920, Change point - VIN end TA534103, (+)"Europe"	Also serviced as part of a kit	YWK10003L	1
		Change point - VIN begin VA534104, (+)"Europe"	Also serviced as part of a kit	YWK10003L	1
		Change point - VIN begin VA534104, (+)"GCC"	Also serviced as part of a kit	YWK10003L	1
4	Nut - Hex.	Change point - VIN begin VA534104	fixing control unit	MXC8807 MXC8807	2 2

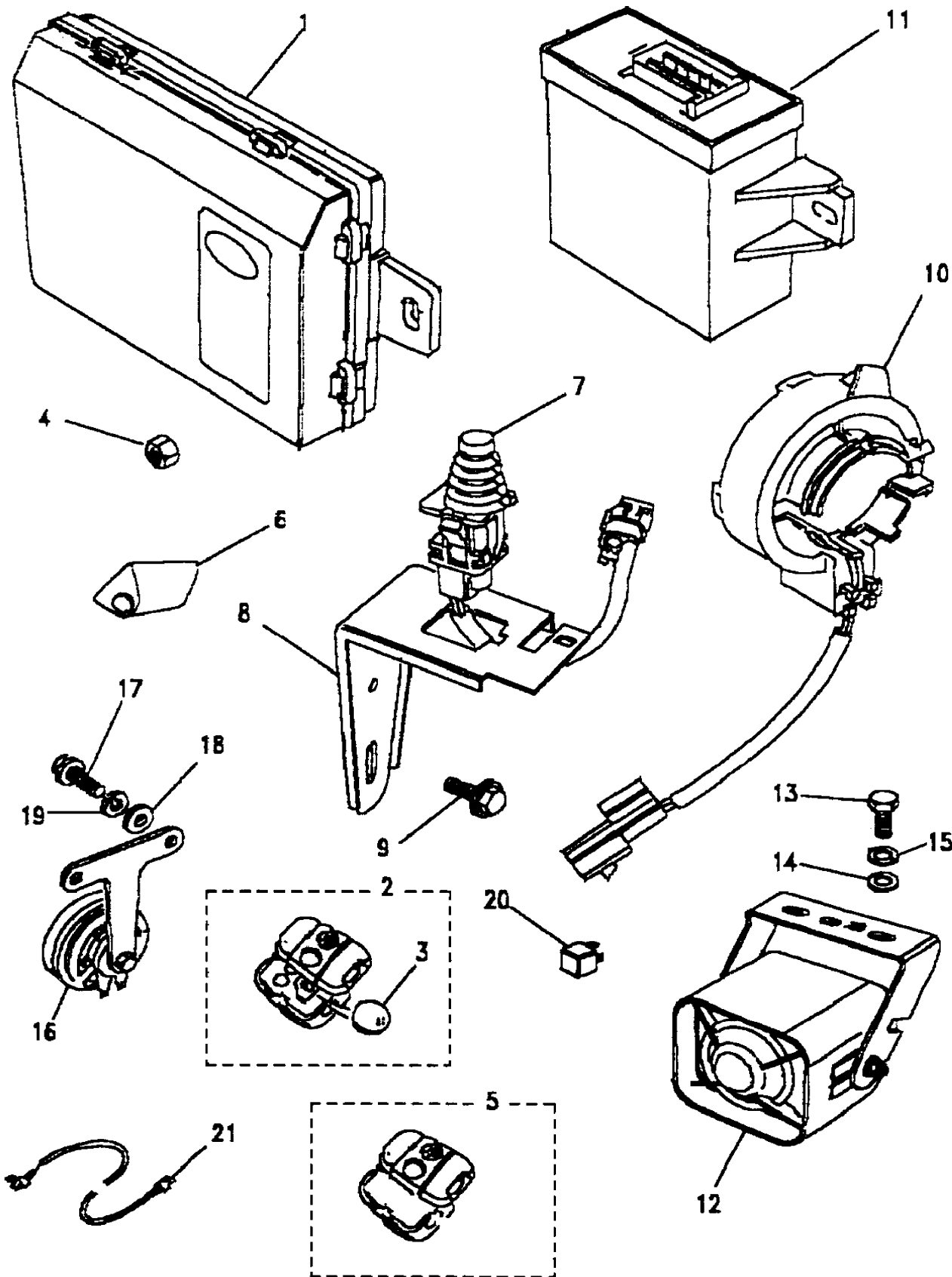
Body Electrics
Ancillaries
Alarms & Immobilisation 3/5

Discovery (FA393361-WA799999)
(CAMXGK2A)

Discovery (FA393361-WA799999)

Body Electrics
Ancillaries
Alarms & Immobilisation

Change point - VIN begin TA163104, Change point - VIN begin TA501920, Change point - VIN begin TA163104, Change point - VIN begin TA501920, With Central Locking System, With Anti-Theft Alarm, With Immobilisation



Callout	Name	Application	Remarks & Restrictions	Service No.	Qty
4	Nut - Hex.	Change point - VIN begin VA703237	fixing control unit	MXC8807	2
5	Case-remote plip	(+)"Europe" (+)"GCC" Change point - VIN begin VA534104, (-)"GB" Change point - VIN begin VA534104, (+)"Europe" Change point - VIN begin VA534104, With 49 State Emission Requirements, (+)"GCC" Change point - VIN begin VA703237, With 49 State Emission Requirements, (+)"GCC"		YWX101070L YWX101060L YWX101070L YWX101070L YWX101060L YWX101060L	1 1 1 1 1 1
6	Sensor ultrasonic	Change point - VIN begin VA534104 Change point - VIN begin VA703237	Mink Grey Mink Grey Mink Grey	YWC103640LUM YWC103640LUM YWC103640LUM	1 1 1
7	Switch-contact-bonnet burglar alarm	Change point - VIN begin VA534104 Change point - VIN begin VA703237		AMR2022 AMR2022 AMR2022	1 1 1
8	Bracket-alarm switch mounting	Change point - VIN begin VA534104 Change point - VIN begin VA703237		AMR5458 AMR5458 AMR5458	1 1 1
9	Screw-flanged head	Change point - VIN begin VA534104 Change point - VIN begin VA703237	M6 X 16, Flanged Head fixing bracket, M6 X 16, Flanged Head fixing bracket, M6 X 16, Flanged Head	FS106167L FS106167L FS106167L	2 2 2
10	Coil-engine immobilizer	Change point - VIN begin VA534104 Change point - VIN begin VA703237		AMR4888 AMR4888 AMR4888	1 1 1
11	Unit assembly-immobilization	Change point - VIN begin VA534104		AMR4889 AMR4889	1 1

Body Electrics
Ancillaries
Alarms & Immobilisation 4/5

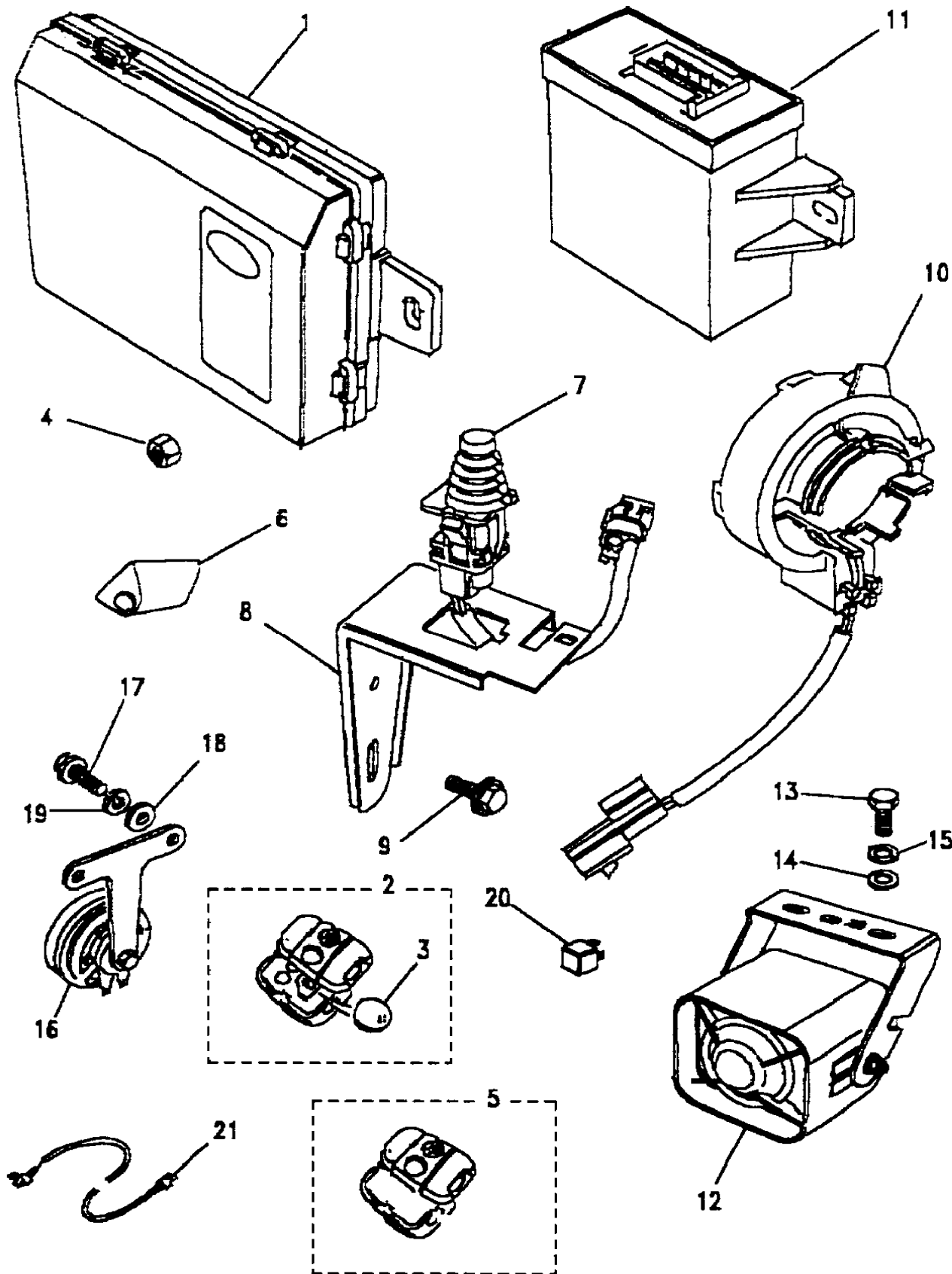
Discovery (FA393361-WA799999)

(CAMXGK2A)

Discovery (FA393361-WA799999)

Body Electrics
Ancillaries
Alarms & Immobilisation

Change point - VIN begin TA163104, Change point - VIN begin TA501920, Change point - VIN begin TA163104, Change point - VIN begin TA501920, With Central Locking System, With Anti-Theft Alarm, With Immobilisation



Callout	Name	Application	Remarks & Restrictions	Service No.	Qty
11	Unit assembly-immobilization	Change point - VIN begin VA703237		AMR4889	1
12	Sounder unit burglar alarm	Change point - VIN begin VA534104	with battery back up	AMR4974	1
		Change point - VIN begin VA703237	with battery back up	AMR4974	1
13	Screw	Change point - VIN begin VA534104	fixing sounder unit, hexagonal head, M8 x 20	SH108201	2
		Change point - VIN begin VA703237	fixing sounder unit, hexagonal head, M8 x 20	SH108201	2
14	Washer	Change point - VIN begin VA534104	fixing sounder unit, 8MM	WA108051L	4
		Change point - VIN begin VA703237	fixing sounder unit, 8MM	WA108051L	4
15	Washer	Change point - VIN begin VA534104	fixing sounder unit, M8, sprung	WL108001	2
		Change point - VIN begin VA703237	fixing sounder unit, M8, sprung	WL108001	2
16	Horn assembly	Change point - VIN begin VA534104		AMR1427	1
		Change point - VIN begin VA703237		AMR1427	1
17	Screw	Change point - VIN begin VA534104	fixing horn, hexagonal head, M8 x 20	SH108201	2
		Change point - VIN begin VA703237	fixing horn, hexagonal head, M8 x 20	SH108201	2
18	Washer	Change point - VIN begin VA534104	fixing horn, 8MM	WA108051L	4
		Change point - VIN begin VA703237	fixing horn, 8MM	WA108051L	4
19	Washer	Change point - VIN begin VA534104	fixing horn, M8, sprung	WL108001	2
		Change point - VIN begin VA703237	fixing horn, M8, sprung	WL108001	2
20	Relay	Change point - VIN begin VA534104		YWB10027L	1
		Change point - VIN begin VA703237		YWB10027L	1
21	Harness console	Change point - VIN begin VA534104	immobilisation	AMR4956	1
			immobilisation	AMR4965	1

Body Electrics
Ancillaries
Alarms & Immobilisation 5/5

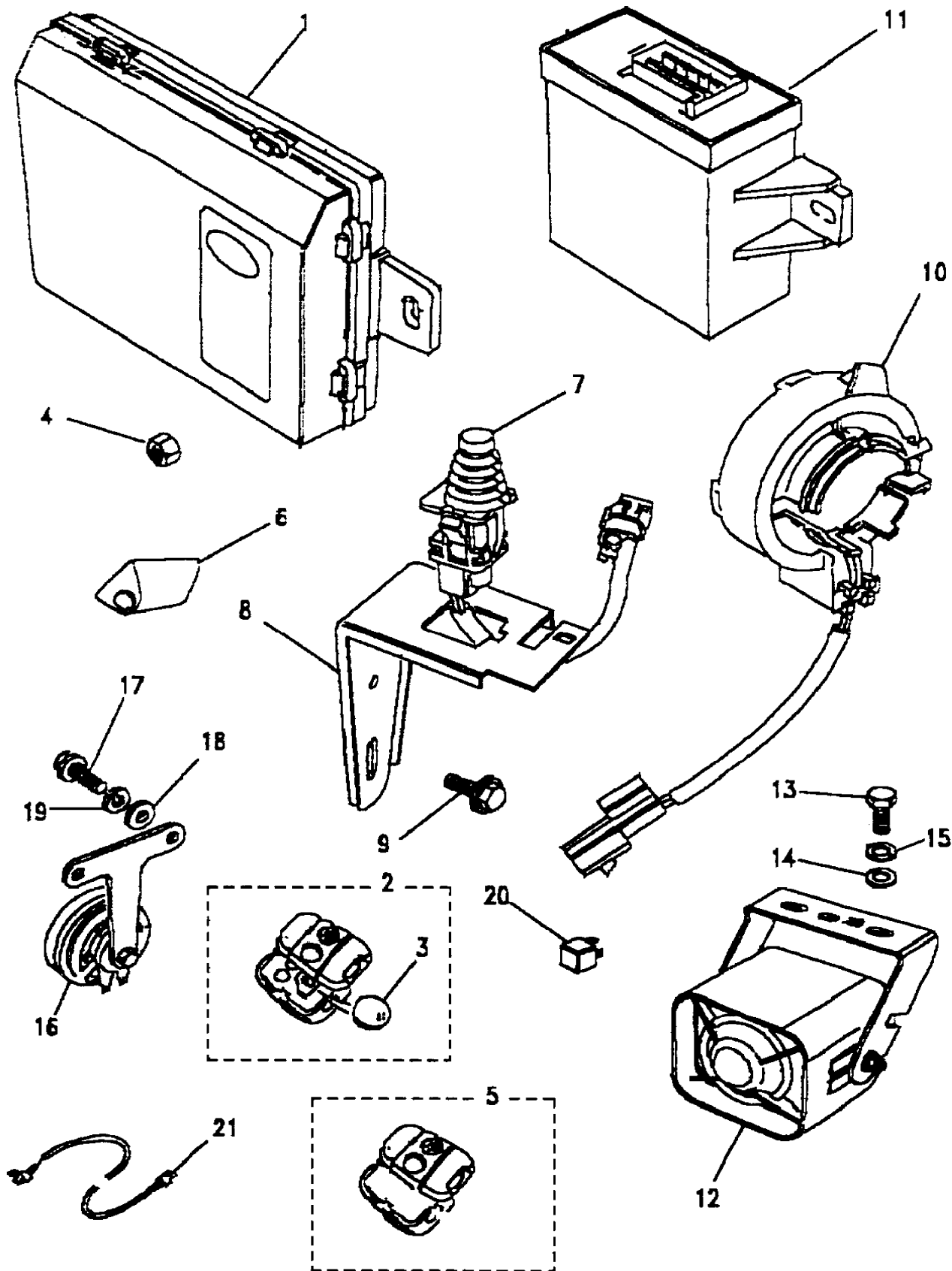
Discovery (FA393361-WA799999)
(CAMXGK2A)

Discovery (FA393361-WA799999)

Body Electrics
Ancillaries
Alarms & Immobilisation

Change point - VIN begin TA163104, Change point - VIN begin TA501920, Change point - VIN begin TA163104, Change point - VIN begin TA501920, With Central Locking System, With Anti-Theft Alarm, With Immobilisation

Callout	Name	Application	Remarks & Restrictions	Service No.	Qty
21	Harness console	Change point - VIN begin VA703237	immobilisation	AMR4965	1
[900]	Relay		changeover, Yellow	YWB000150	1
[901]	Clip-self adhesive	Change point - VIN begin VA534104	6MM	AFU3081L	1
		Change point - VIN begin VA703237	6MM	AFU3081L	1



Body Electrics
Ancillaries
Cruise Control 1/1

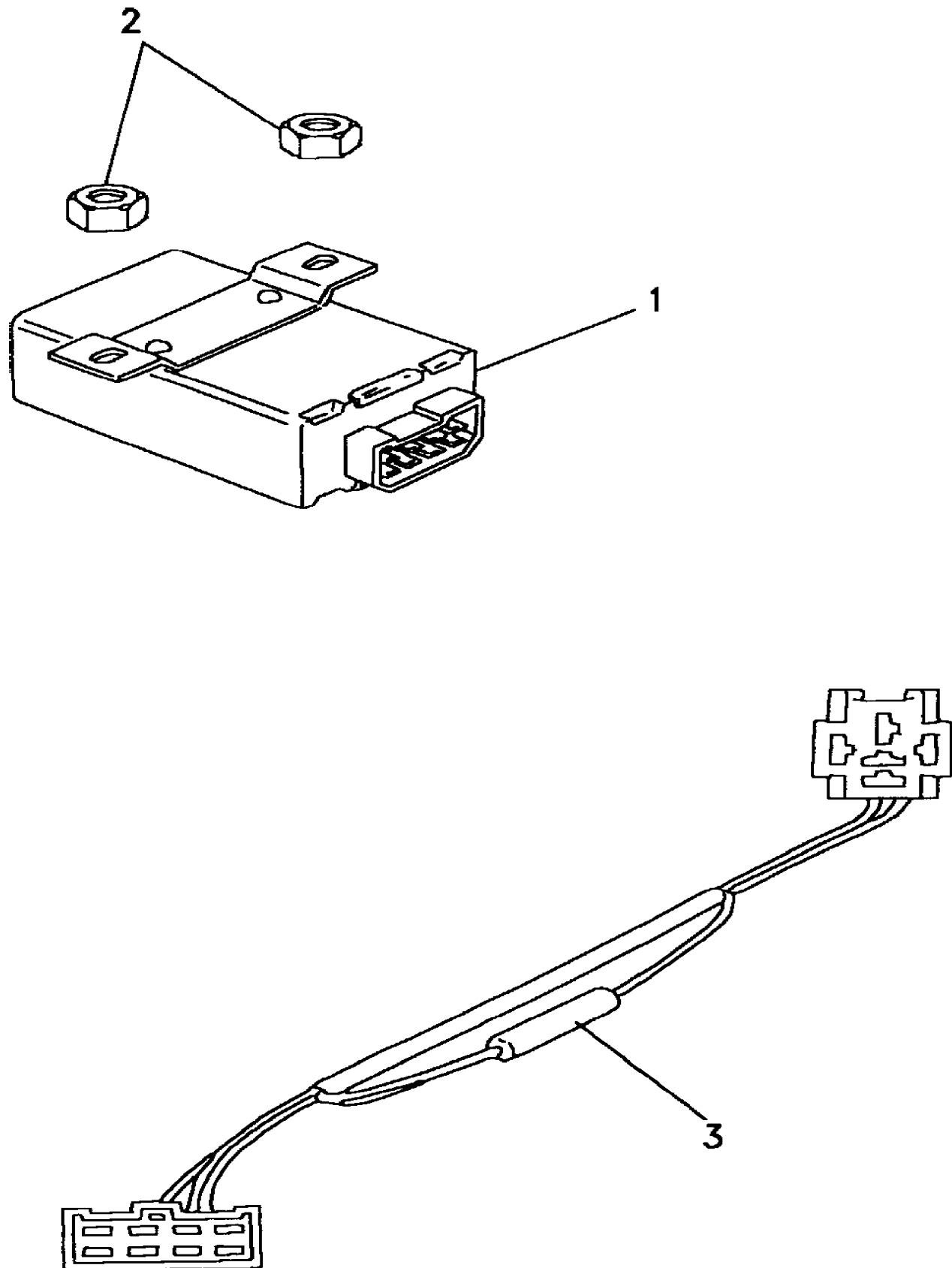
Discovery (FA393361-WA799999)
(CAMXVE1B)

Discovery (FA393361-WA799999)

Body Electrics
Ancillaries
Cruise Control

With Cruise Control

Callout	Name	Application	Remarks & Restrictions	Service No.	Qty
1	Electric control unit cruise control	Change point - VIN begin MA081992, With Petrol Engines Change point - VIN begin TA163104, With Diesel Engines Change point - VIN begin TA501920, With Diesel Engines		AMR1173 AMR5441 AMR5441	1 1 1
2	Nut - Hex.	Change point - VIN begin MA081992	M4	NH104041	2
3	Cable assembly cruise control	Change point - VIN begin MA081992, Manual Transmission Change point - VIN begin MA081992, Automatic Transmission		AMR1835 PRC9991	1 1



Body Electrics
Ancillaries
Heated Front Screen 1/1

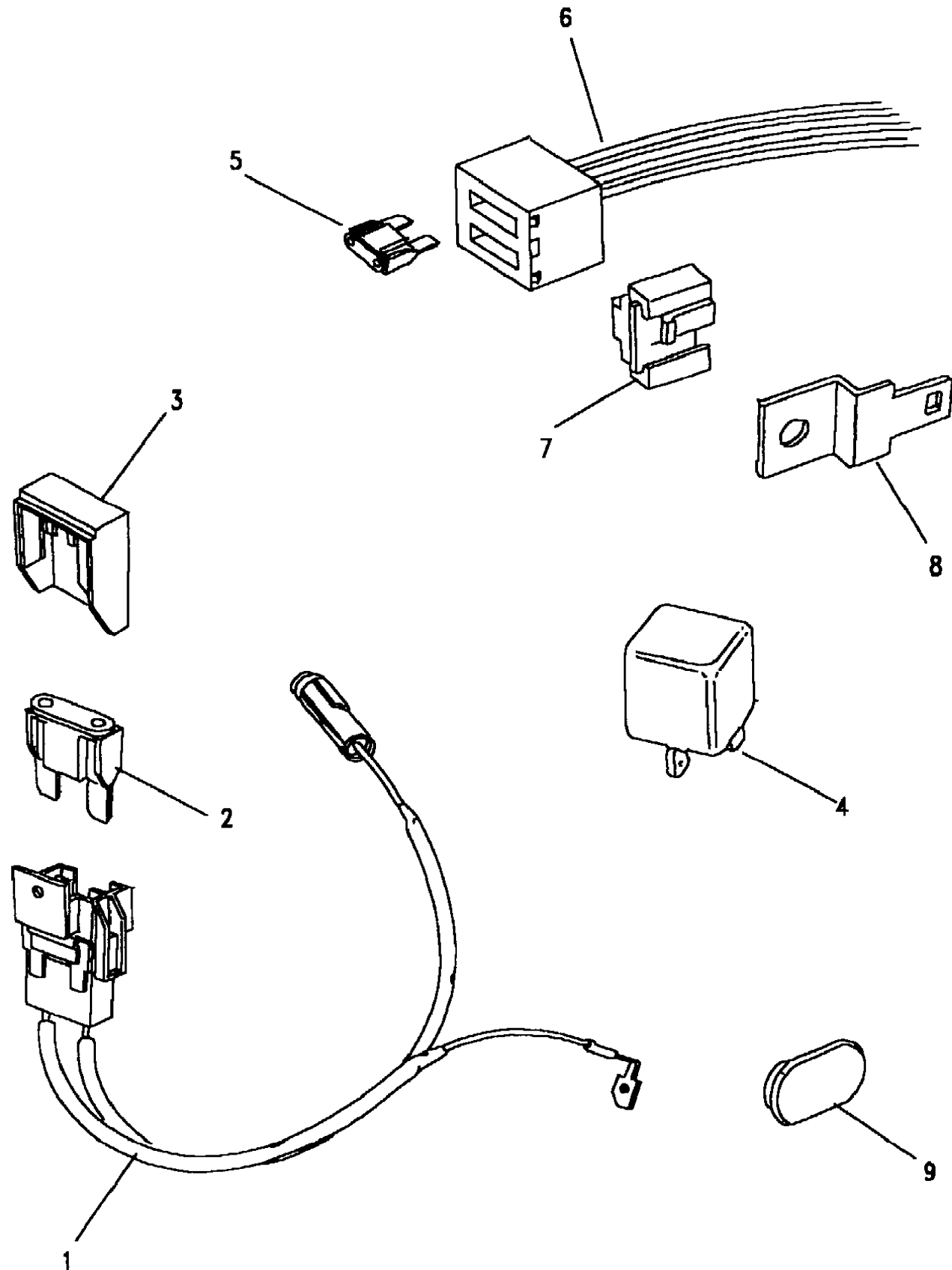
Discovery (FA393361-WA799999)
(CAMXMK1A)

Discovery (FA393361-WA799999)

Body Electrics
Ancillaries
Heated Front Screen

Change point - VIN begin VA534104, Change point - VIN begin VA703237

Callout	Name	Application	Remarks & Restrictions	Service No.	Qty
1	Lead-heated screen fuse			AMR6248	1
2	Fuse	With Heated Windscreen	60 AMP, Blue., maxi, Large	YQG10011L	1
3	Cover-fuse			AMR3464L	1
5	Fuse		AUTO, 30 AMP, Standard	RTC4507	2
7	Clip-harness			YQU10017L	1
8	Bracket-mounting		Steel	AMR1935	1
9	Grommet-cable blanking			AMR5619	2



SEP 04

711

Body Electrics
Ancillaries
Horn 1/1

Discovery (FA393361-WA799999)
(CAMXGE1A)

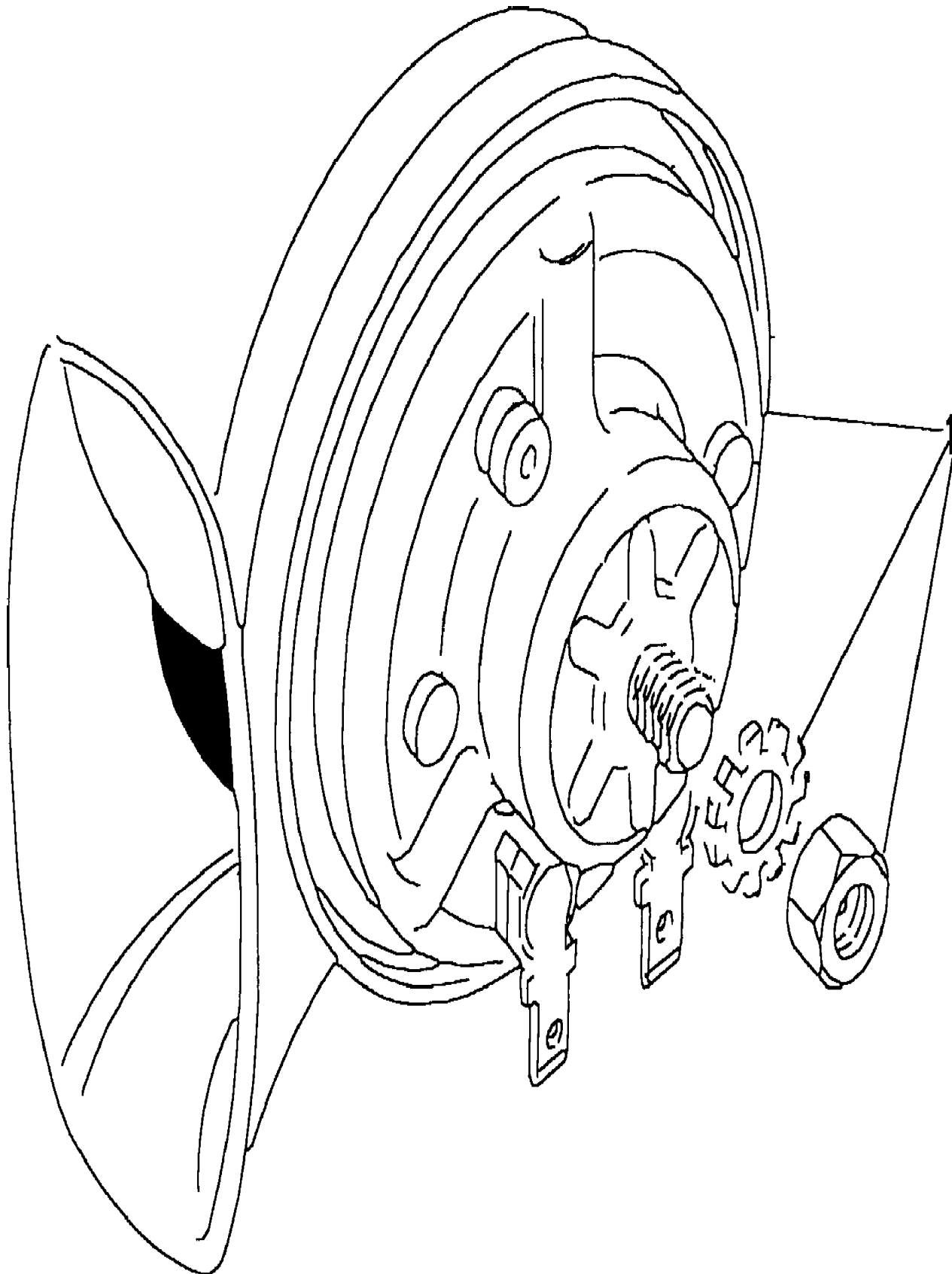
711

SEP 04

Discovery (FA393361-WA799999)

Body Electrics
Ancillaries
Horn

Callout	Name	Application	Remarks & Restrictions	Service No.	Qty
1	Horn assembly	Change point - VIN end LA081991	HIGH NOTE	YEB10026	1
		Change point - VIN end LA081991	Low Note	YEB10027	1
		Change point - VIN begin MA081992	HIGH NOTE	AMR3466	1
		Change point - VIN begin MA081992	Low Note	AMR3467	1



Body Electrics
Ancillaries
Speedo Cable 1/1

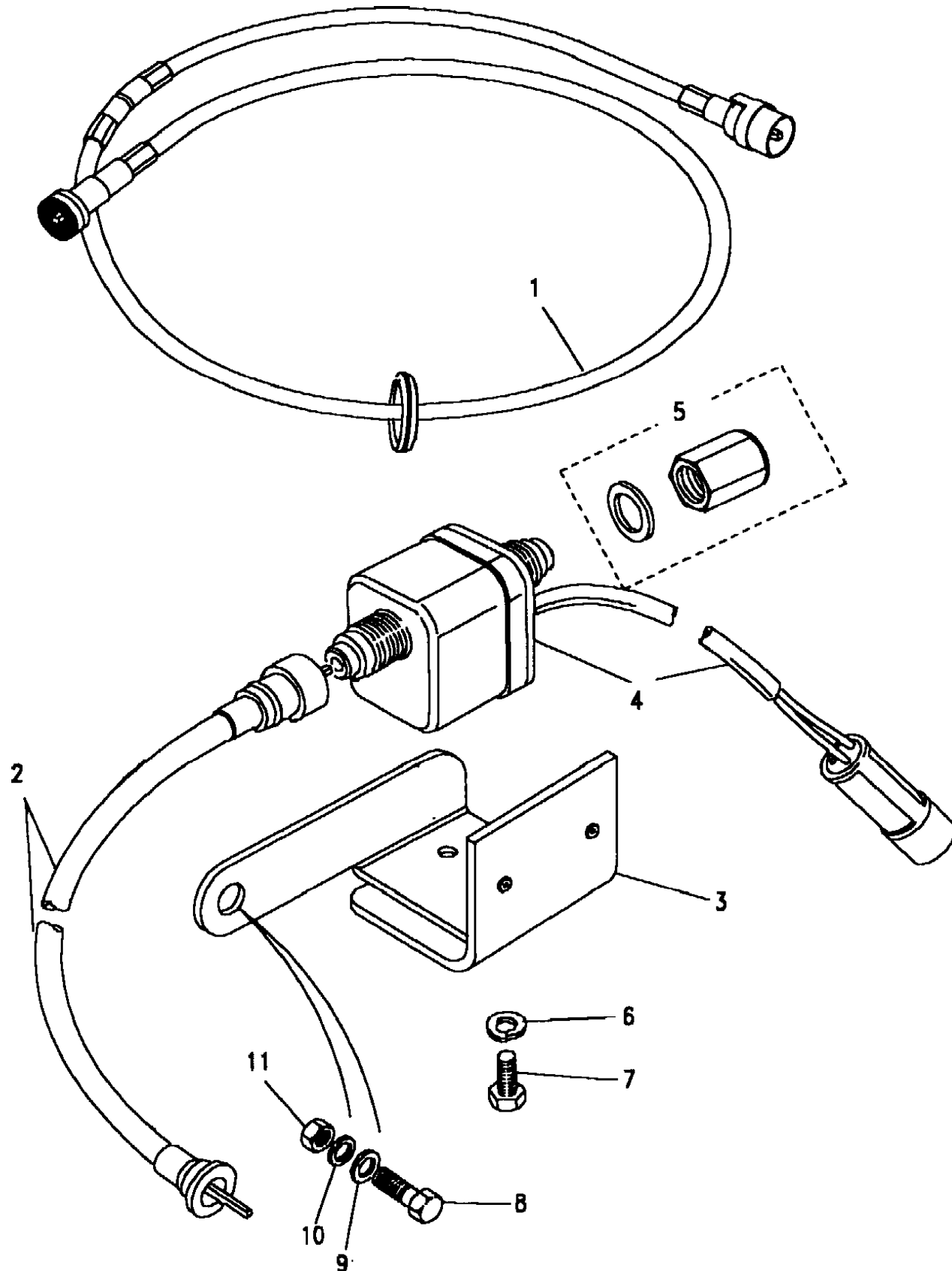
Discovery (FA393361-WA799999)
(CAMXIA2A)

Discovery (FA393361-WA799999)

Body Electrics
Ancillaries
Speedo Cable

Change point - VIN end LA081991, Petrol V8 L/R EFI

Callout	Name	Application	Remarks & Restrictions	Service No.	Qty
1	Cable Assy - Speedometer Drive	Change point - VIN end JA018544, V8 EFI Petrol, LHD Change point - VIN begin JA018545, Change point - VIN end LA081991, V8 EFI Petrol, LHD Change point - VIN end LA081991, V8 EFI Petrol, RHD		PRC8481 PRC9871 PRC8232	1 1 1
2	Cable Assy - Speedometer Drive	Change point - VIN begin GA394352, Change point - VIN end GA456980, V8 EFI Petrol Change point - VIN begin HA473732, Change point - VIN end HA486551, V8 EFI Petrol	transducer/gearbox transducer/gearbox	PRC6320 PRC7949	1 1
3	Bracket speedometer cable	V8 EFI Petrol		PRC8437	1
4	Transducer speed	V8 EFI Petrol		PRC5956	1
5	Kit-transducer speed	V8 EFI Petrol	end fixings	STC699	1
6	Washer	V8 EFI Petrol	M5, starlock	WF105001L	2
7	Screw	V8 EFI Petrol	M5	SE105101L	2
8	Bolt	V8 EFI Petrol	hexagonal head, M8 x 100	BH108201L	1
9	Washer	V8 EFI Petrol	8MM	WA108051L	1
10	Washer	V8 EFI Petrol	M8, sprung	WL108001L	1
11	Nut - Hex.	V8 EFI Petrol V8 EFI Petrol	M8, hexagonal head M8, flange	NH108041L FN108041L	1 1
[900]	Washer	V8 EFI Petrol	8MM, sprung	WL108007	1



Body Electrics
Ancillaries
Speedo Cable 1/1

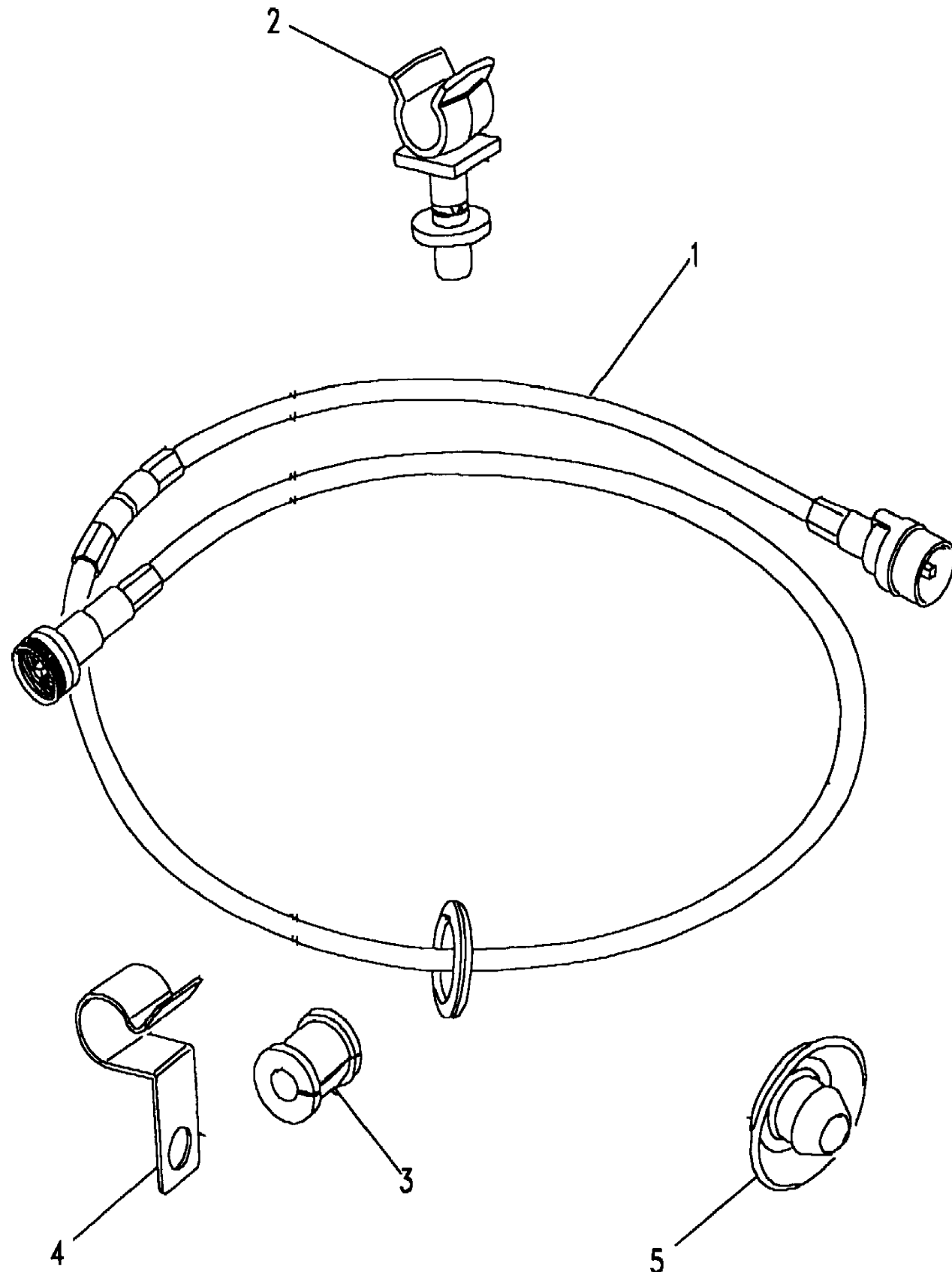
Discovery (FA393361-WA799999)
(CAMXIA2B)

Discovery (FA393361-WA799999)

Body Electrics
Ancillaries
Speedo Cable

Change point - VIN end LA081991

Callout	Name	Application	Remarks & Restrictions	Service No.	Qty		
1	Cable Assy - Speedometer Drive	Change point - VIN end JA018456, V8 Petrol, RHD		PRC6430	1		
		Change point - VIN end JA018456, 2.5L TDi Diesel, RHD		PRC6430	1		
		Change point - VIN begin JA018457, Change point - VIN end LA081991, V8 Petrol, RHD		PRC9872	1		
		Change point - VIN begin JA018457, Change point - VIN end LA081991, 2.5L TDi Diesel, RHD		PRC9872	1		
		Change point - VIN end JA018343, V8 Petrol, LHD		PRC8114	1		
		Change point - VIN end JA018343, 2.5L TDi Diesel, LHD		PRC8114	1		
		Change point - VIN begin JA018344, Change point - VIN end LA081991, V8 Petrol, LHD		PRC9873	1		
		Change point - VIN begin JA018344, Change point - VIN end LA081991, 2.5L TDi Diesel, LHD		PRC9873	1		
		Change point - VIN end LA081991, 4 Cyl MPi Petrol, RHD		PRC9872	1		
		Change point - VIN end LA081991, 4 Cyl MPi Petrol, LHD		PRC9873	1		
		2	Clip		retaining speedo cable, Single	PRC3180	3
		3	Grommet		retaining speedo cable, Rubber, 17/64" hole	6860L	1
		4	Clip-speedometer cable		retaining grommet & cable	278010	1
		5	Plug-blanking		Plastic, 32MM	BD155888	1



Body Electrics
Ancillaries
Speedo Transducer 1/1

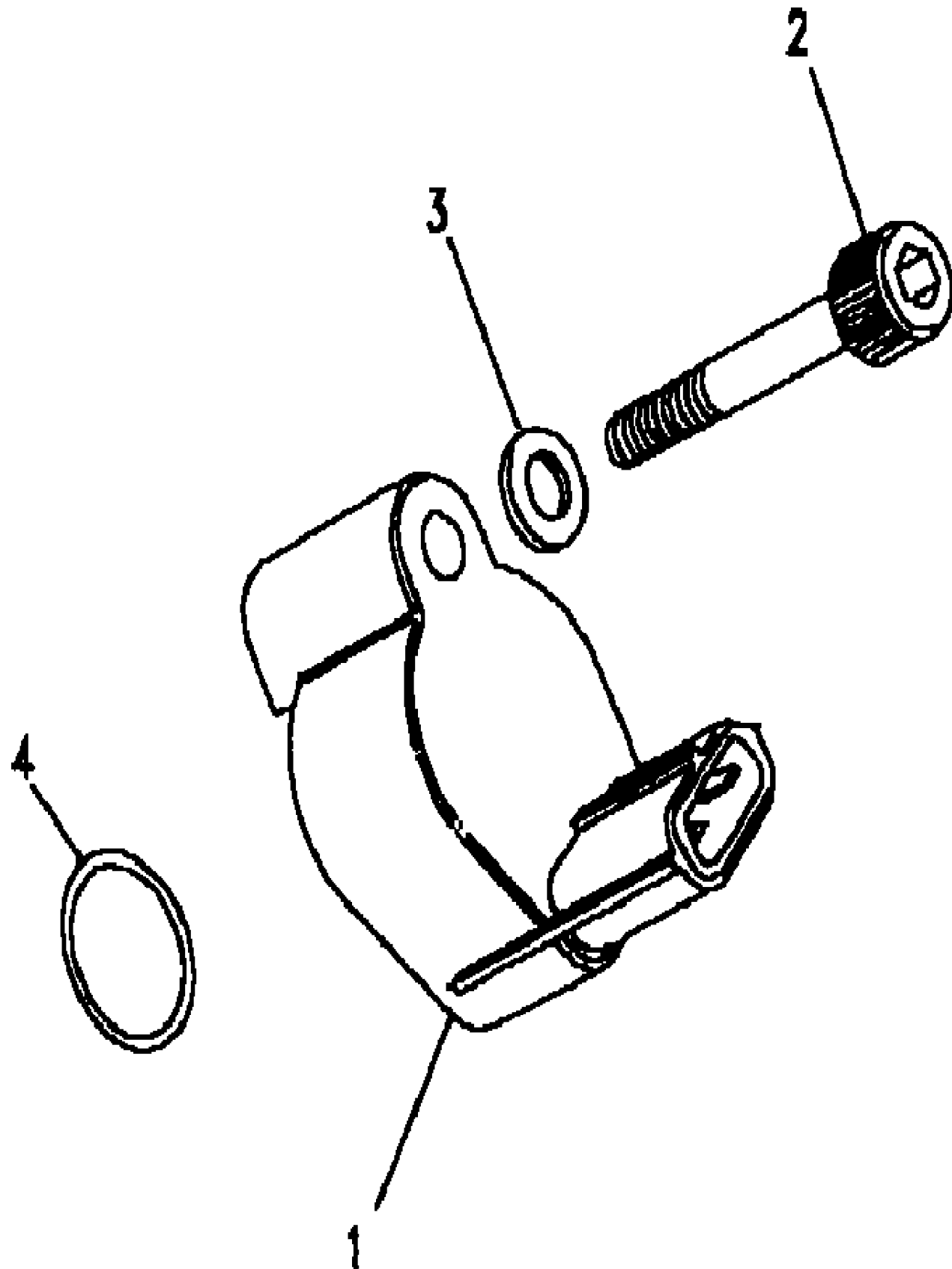
Discovery (FA393361-WA799999)
(CAMXIA2C)

Discovery (FA393361-WA799999)

Body Electrics
Ancillaries
Speedo Transducer

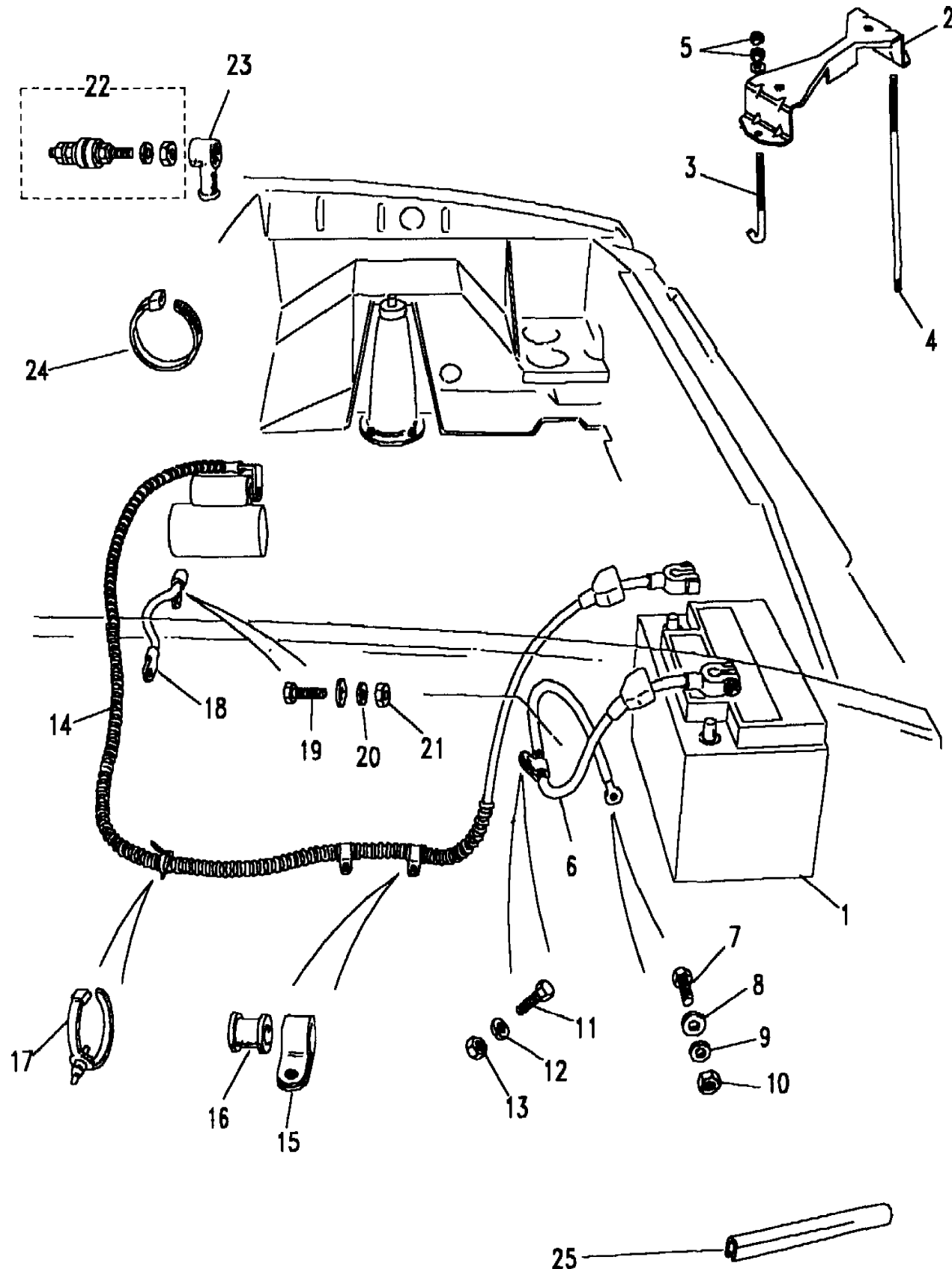
Change point - VIN begin MA081992

Callout	Name	Application	Remarks & Restrictions	Service No.	Qty
1	Transducer speed			AMR1253	1
2	Screw-hexagon socket		fixing transducer	SS106351	1
3	Washer		fixing transducer, 6MM	WA106041L	1
4	O Ring		seal transducer	571665	1



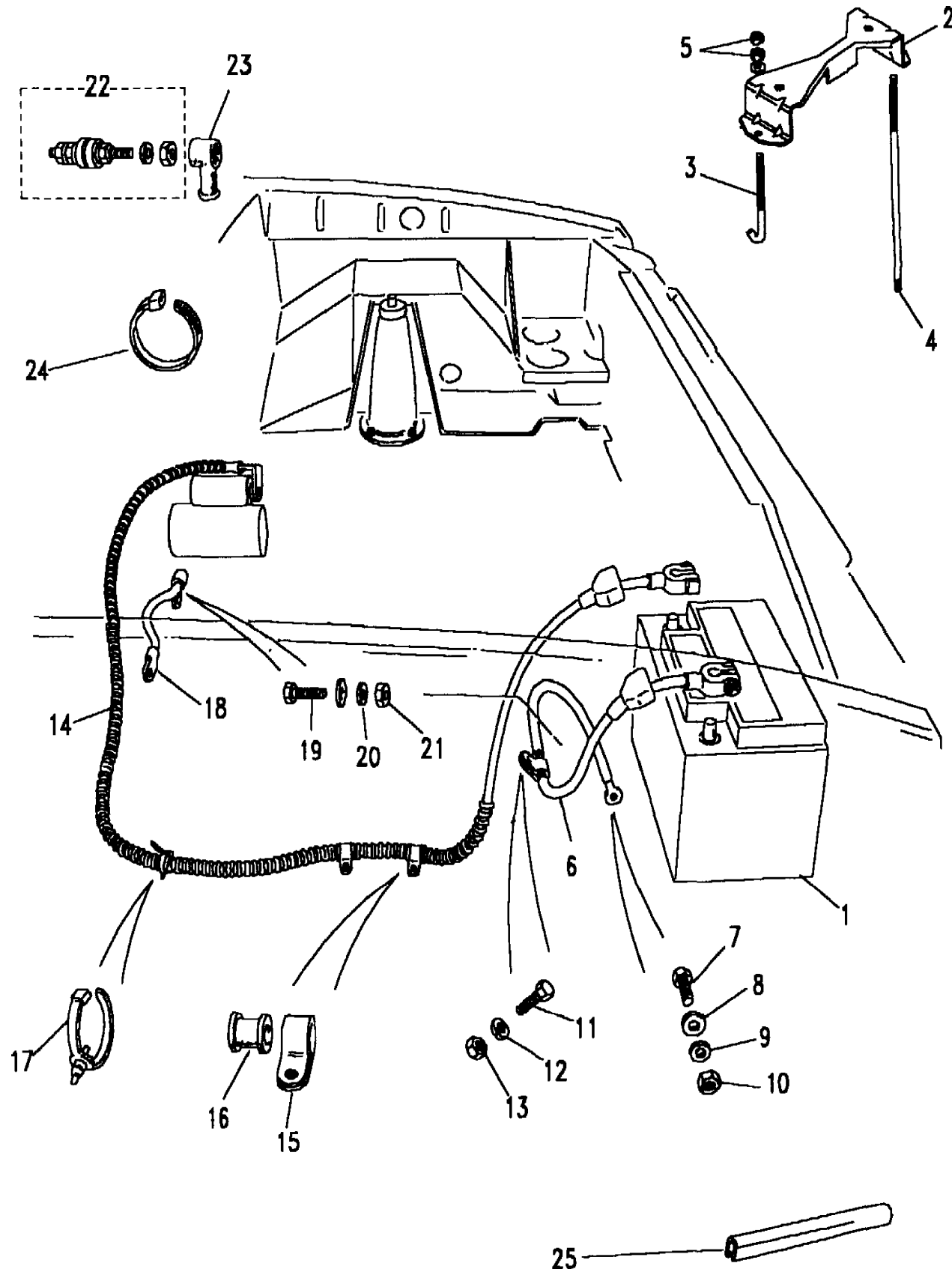
Change point - VIN begin MA081992, 4 Cylinder TDi Diesel

Callout	Name	Application	Remarks & Restrictions	Service No.	Qty
1	Battery	Change point - VIN begin MA081992, 2.5L 4 Cyl TDi Diesel	072-bbms, wet	STC8267	1
		Change point - VIN begin MA081992, 2.5L 4 Cyl TDi Diesel	072-bbms, dry	STC8269	1
2	Clamp-fixing battery	Change point - VIN begin MA081992, 2.5L 4 Cyl TDi Diesel		AMR3679	1
3	J bolt-fixing battery	Change point - VIN begin MA081992, 2.5L 4 Cyl TDi Diesel	Short	AMR3680	1
4	J bolt-fixing battery	Change point - VIN begin MA081992, 2.5L 4 Cyl TDi Diesel	Long	AMR3681	1
5	Nut - Hex.	Change point - VIN begin MA081992, 2.5L 4 Cyl TDi Diesel	M6, nyloc, Hexagonal	NH106041L	4
6	Cable-battery negative	Change point - VIN begin MA081992, 2.5L 4 Cyl TDi Diesel	Also serviced as part of a kit	PRC5235	1
7	Screw	Change point - VIN begin MA081992, 2.5L 4 Cyl TDi Diesel	M8 x 25, hexagonal head	SH108251L	1
		Change point - VIN begin MA081992, 2.5L 4 Cyl TDi Diesel	M8 x 25, Flanged Head	FS108251L	1
8	Washer	Change point - VIN begin MA081992, 2.5L 4 Cyl TDi Diesel	8MM	WA108051L	1
9	Washer	Change point - VIN begin MA081992, 2.5L 4 Cyl TDi Diesel	M8, sprung	WL108001L	1
10	Nut - Hex.	Change point - VIN begin MA081992, 2.5L 4 Cyl TDi Diesel	M8, hexagonal head	NH108041L	1
		Change point - VIN begin MA081992	M8, flange	FN108041L	1
11	Screw	Change point - VIN begin MA081992, 2.5L 4 Cyl TDi Diesel	hexagonal head, 1/4UNF x 5/8	SH604051L	1
12	Washer	Change point - VIN begin MA081992, 2.5L 4 Cyl TDi Diesel	M6, sprung	WL106001L	1
13	Nut - Hex.	Change point - VIN begin MA081992, 2.5L 4 Cyl TDi Diesel	M6, nyloc, Hexagonal	NH106041L	1



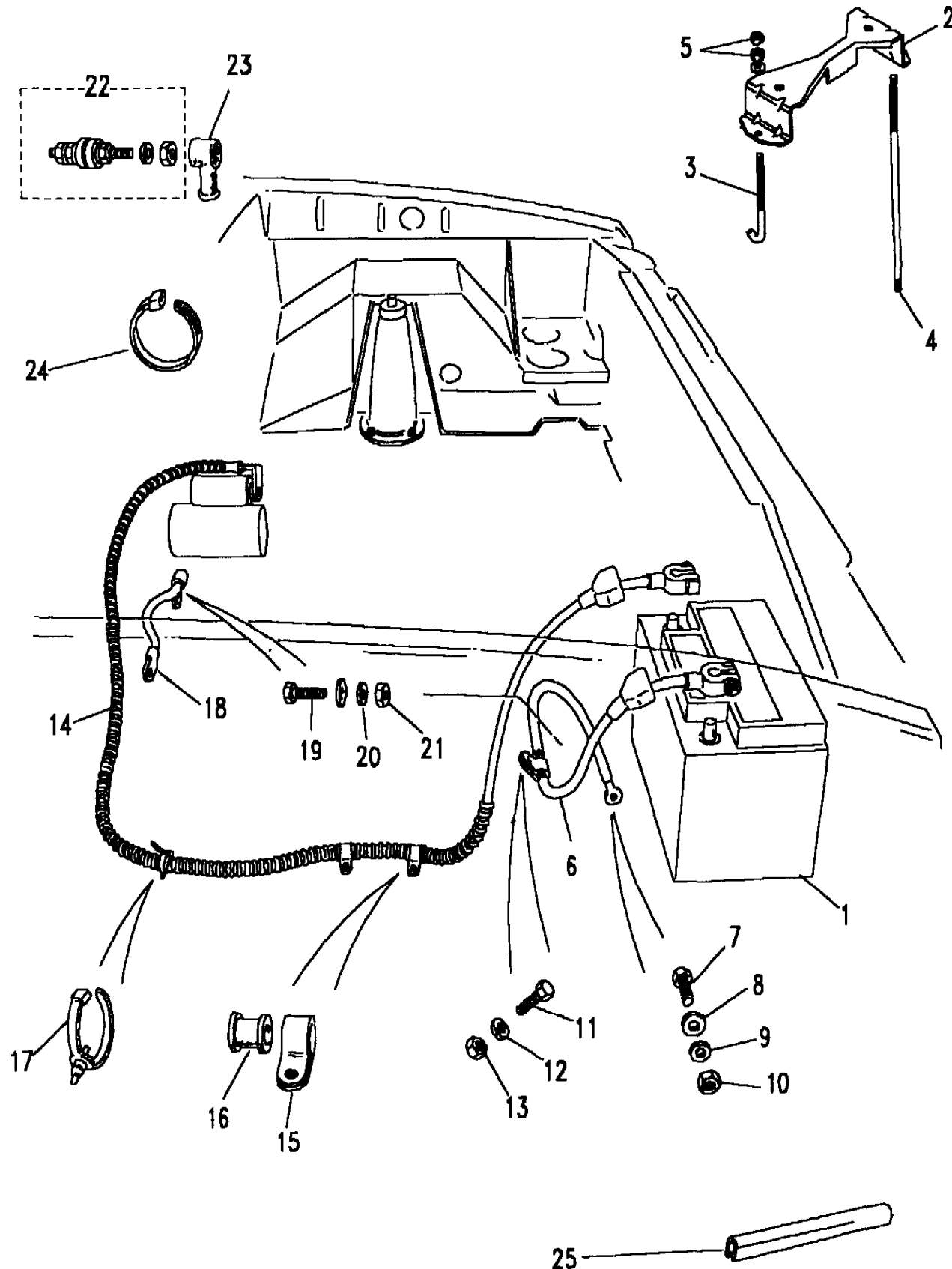
Change point - VIN begin MA081992, 4 Cylinder TDi Diesel

Callout	Name	Application	Remarks & Restrictions	Service No.	Qty
14	Cable-battery positive	Change point - VIN begin MA081992, 2.5L 4 Cyl TDi Diesel	Also serviced as part of a kit	AMR2216	1
15	Clip-p	Change point - VIN begin MA081992, 2.5L 4 Cyl TDi Diesel		50641	1
16	Grommet	Change point - VIN begin MA081992, 2.5L 4 Cyl TDi Diesel	17/32" hole	589254	1
17	Tie-cable	Change point - VIN begin MA081992, 2.5L 4 Cyl TDi Diesel	4.8 x 270mm, inside serated	568680	1
18	Cable assembly starter & earth	Change point - VIN begin MA081992, 2.5L 4 Cyl TDi Diesel		AMR1057	1
19	Screw	Change point - VIN begin MA081992, 2.5L 4 Cyl TDi Diesel	hexagonal head, 1/4UNF x 5/8	SH604051L	1
20	Washer-starlock	Change point - VIN begin MA081992, 2.5L 4 Cyl TDi Diesel		WE600041L	1
21	Nut - Hex.	Change point - VIN begin MA081992, 2.5L 4 Cyl TDi Diesel	hexagonal head, Coarse Thread, 1/4UNF	NH604041L	1
22	Post-terminal	Change point - VIN begin MA081992, 2.5L 4 Cyl TDi Diesel		PRC7100	1
23	Cover-terminal post	Change point - VIN begin MA081992, 2.5L 4 Cyl TDi Diesel		PRC7093	1
24	Tie-cable	Change point - VIN begin MA081992, 2.5L 4 Cyl TDi Diesel		UKC6684	1
25	Strip-edge protection	Change point - VIN begin MA081992, Change point - VIN end WA791617, 2.5L 4 Cyl TDi Diesel Change point - VIN begin WA791618, 2.5L 4 Cyl TDi Diesel	89mm 89mm	JRC7549 YQJ100200	2 2
[900]	Screw	2.5L 4 Cyl TDi Diesel	M8 x 25, hexagonal head	SH108257	1
[901]	Battery	Change point - VIN begin MA081992, 2.5L 4 Cyl TDi Diesel	072-bbms, dry	STC4766	1
[902]	Washer	2.5L 4 Cyl TDi Diesel	8MM, sprung	WL108007	1



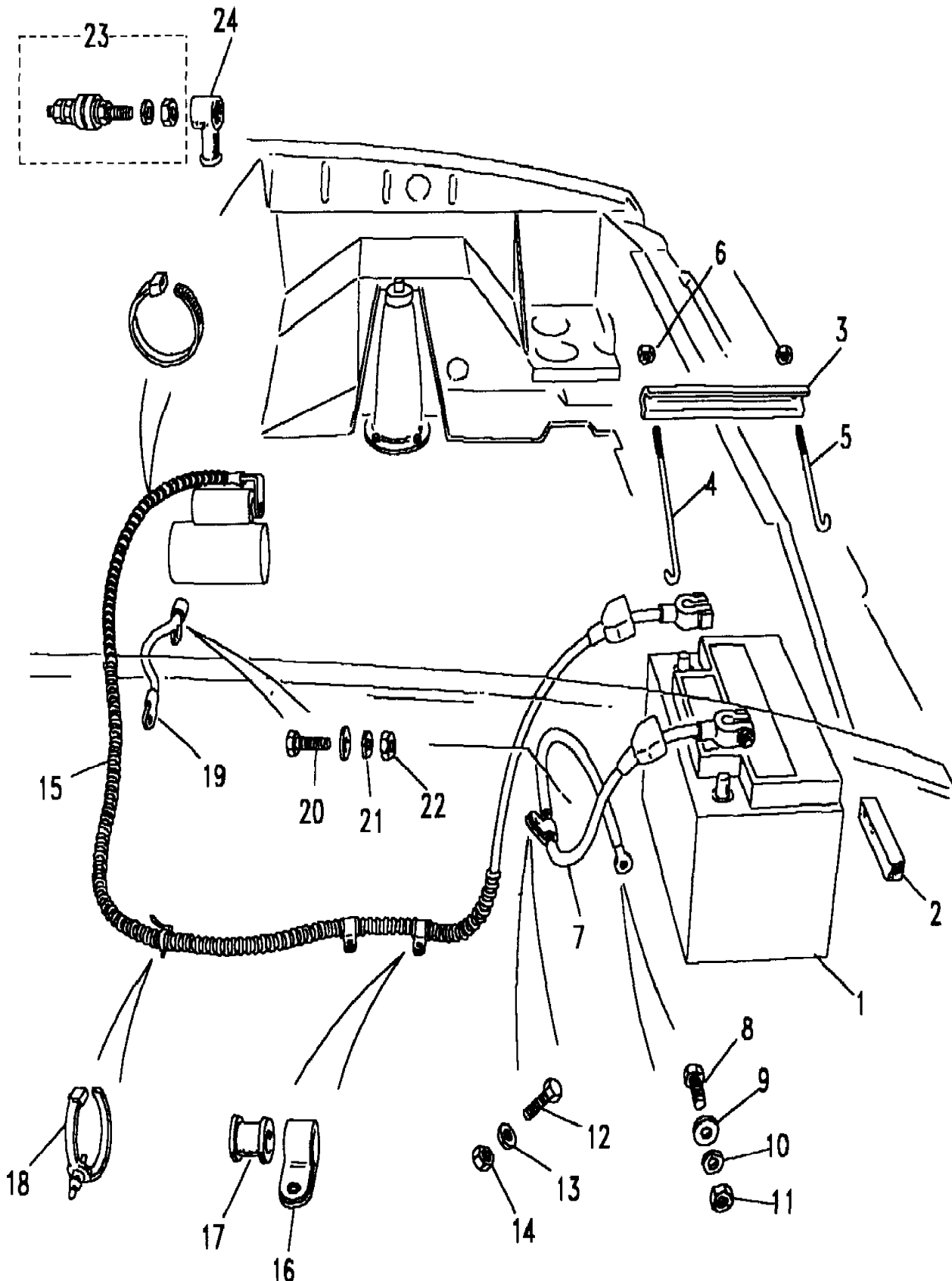
Change point - VIN begin MA081992, 4 Cylinder TDi Diesel

Callout	Name	Application	Remarks & Restrictions	Service No.	Qty
[903]	Bolt-terminal cable-battery	Change point - VIN begin MA081992, 2.5L 4 Cyl TDi Diesel	Also serviced as part of a kit	STC3305	1



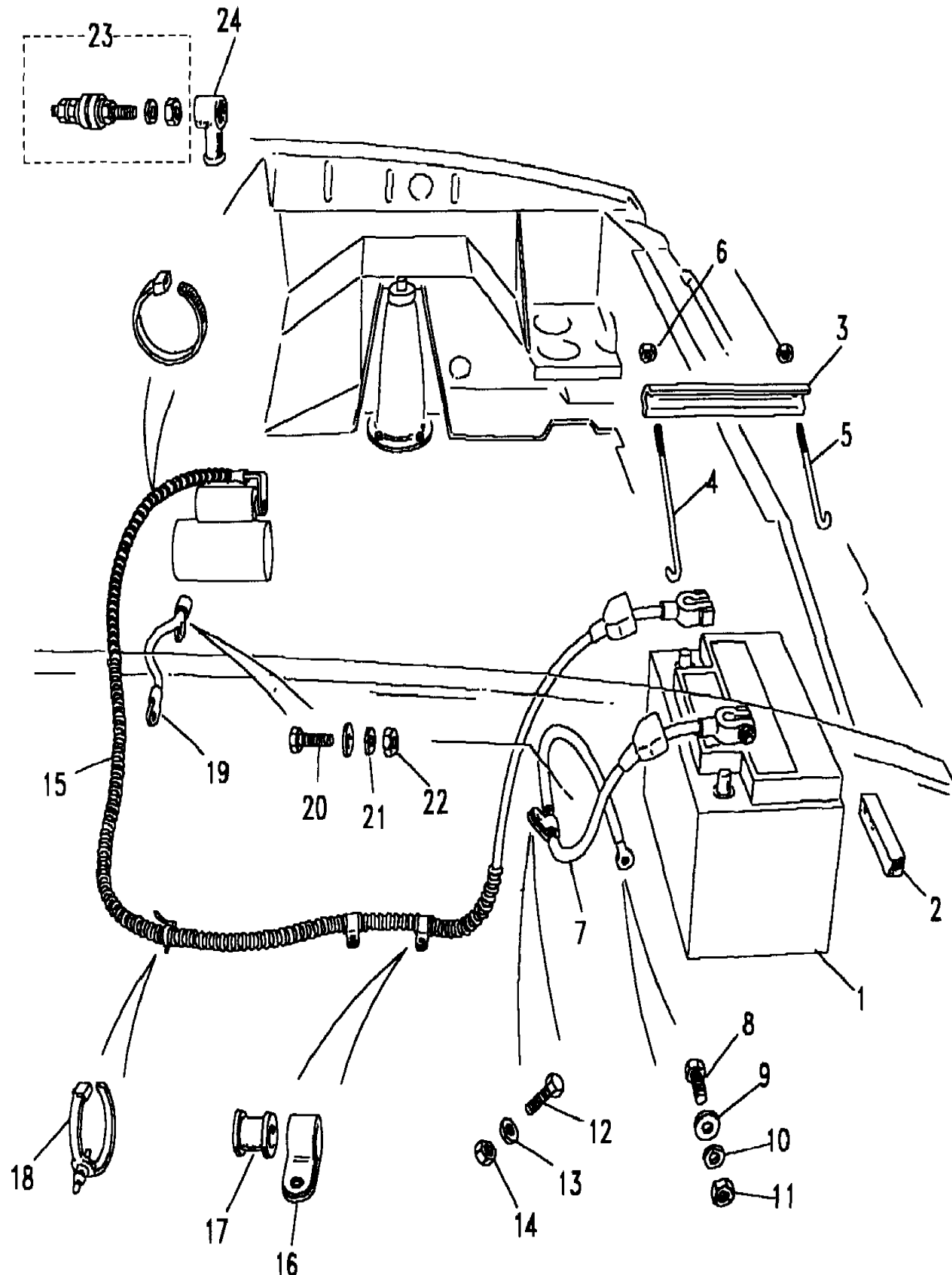
Change point - VIN end LA081991, 4 Cylinder TDi Diesel

Callout	Name	Application	Remarks & Restrictions	Service No.	Qty
1	Battery	Change point - VIN end LA081991, 2.5L 4 Cyl TDi Diesel	072-bbms, wet	STC8267	1
		Change point - VIN end LA081991, 2.5L 4 Cyl TDi Diesel	072-bbms, dry	STC8269	1
2	Buffer-stop	Change point - VIN end LA081991, 2.5L 4 Cyl TDi Diesel		MTC7451	1
3	Clamp-fixing battery	Change point - VIN end LA081991, 2.5L 4 Cyl TDi Diesel		MUC6514	1
4	J bolt-fixing battery	Change point - VIN end LA081991, 2.5L 4 Cyl TDi Diesel	Long	MRC7133	1
5	J bolt-fixing battery	Change point - VIN end LA081991, 2.5L 4 Cyl TDi Diesel	Short	MUC6513	1
6	Nut - Hex.	Change point - VIN end LA081991, 2.5L 4 Cyl TDi Diesel	M6, nyloc, Hexagonal	NH106041L	2
7	Cable-battery negative	Change point - VIN end LA081991, 2.5L 4 Cyl TDi Diesel	Also serviced as part of a kit	PRC4138	1
8	Screw	Change point - VIN end LA081991, 2.5L 4 Cyl TDi Diesel	M8 x 25, hexagonal head	SH108251L	1
		2.5L 4 Cyl TDi Diesel	M8 x 25, Flanged Head	FS108251L	1
9	Washer	Change point - VIN end LA081991, 2.5L 4 Cyl TDi Diesel	8MM	WA108051L	1
10	Washer	Change point - VIN end LA081991, 2.5L 4 Cyl TDi Diesel	M8, sprung	WL108001L	1
11	Nut - Hex.	Change point - VIN end LA081991, 2.5L 4 Cyl TDi Diesel	M8, hexagonal head	NH108041L	1
			M8, flange	FN108041L	1
12	Screw	Change point - VIN end LA081991, 2.5L 4 Cyl TDi Diesel	hexagonal head, 1/4UNF x 5/8	SH604051L	1
13	Washer-starlock	Change point - VIN end LA081991, 2.5L 4 Cyl TDi Diesel		WE600041L	1



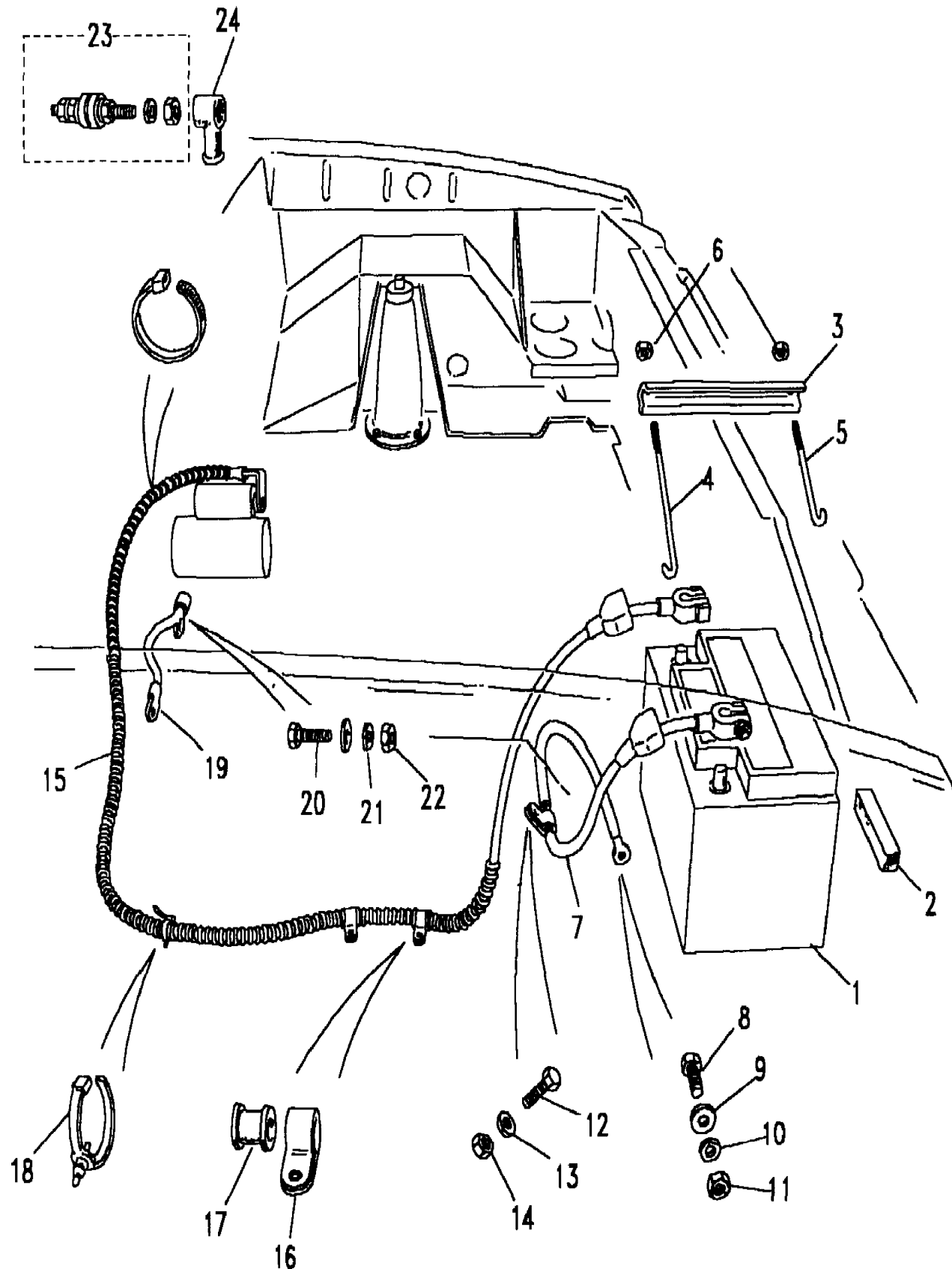
Change point - VIN end LA081991, 4 Cylinder TDi Diesel

Callout	Name	Application	Remarks & Restrictions	Service No.	Qty
14	Nut - Hex.	Change point - VIN end LA081991, 2.5L 4 Cyl TDi Diesel	hexagonal head, Coarse Thread, 1/4UNF	NH604041L	1
15	Cable-battery positive	Change point - VIN end JA034313, 2.5L 4 Cyl TDi Diesel Change point - VIN begin KA034314, Change point - VIN end LA081991, 2.5L 4 Cyl TDi Diesel	Also serviced as part of a kit Also serviced as part of a kit	PRC8566 AMR2216	1 1
16	Clip-p	Change point - VIN end LA081991, 2.5L 4 Cyl TDi Diesel		50641	1
17	Grommet	Change point - VIN end LA081991, 2.5L 4 Cyl TDi Diesel	17/32" hole	589254	1
18	Tie-cable	Change point - VIN end LA081991, 2.5L 4 Cyl TDi Diesel	4.8 x 270mm, inside serated	568680	1
19	Cable assembly starter & earth	Change point - VIN end LA081991, 2.5L 4 Cyl TDi Diesel		PRC5237	1
20	Screw	Change point - VIN end LA081991, 2.5L 4 Cyl TDi Diesel	hexagonal head, 1/4UNF x 5/8	SH604051L	1
21	Washer-Spring	Change point - VIN end LA081991, 2.5L 4 Cyl TDi Diesel	1/4 dia, Square	WM600041L	1
22	Nut - Hex.	Change point - VIN end LA081991, 2.5L 4 Cyl TDi Diesel	hexagonal head, Coarse Thread, 1/4UNF	NH604041L	1
23	Post-terminal	Change point - VIN end JA034313, 2.5L 4 Cyl TDi Diesel		PRC7100	1
24	Cover-terminal post	Change point - VIN end JA034313, 2.5L 4 Cyl TDi Diesel Change point - VIN end LA081991, 2.5L 4 Cyl TDi Diesel		PRC7093 PRC7093	1 1
[900]	Screw	2.5L 4 Cyl TDi Diesel	M8 x 25, hexagonal head	SH108257	1
[901]	Battery	Change point - VIN end LA081991, 2.5L 4 Cyl TDi Diesel	072-bbms, dry	STC4766	1
[902]	Washer	2.5L 4 Cyl TDi Diesel	8MM, sprung	WL108007	1



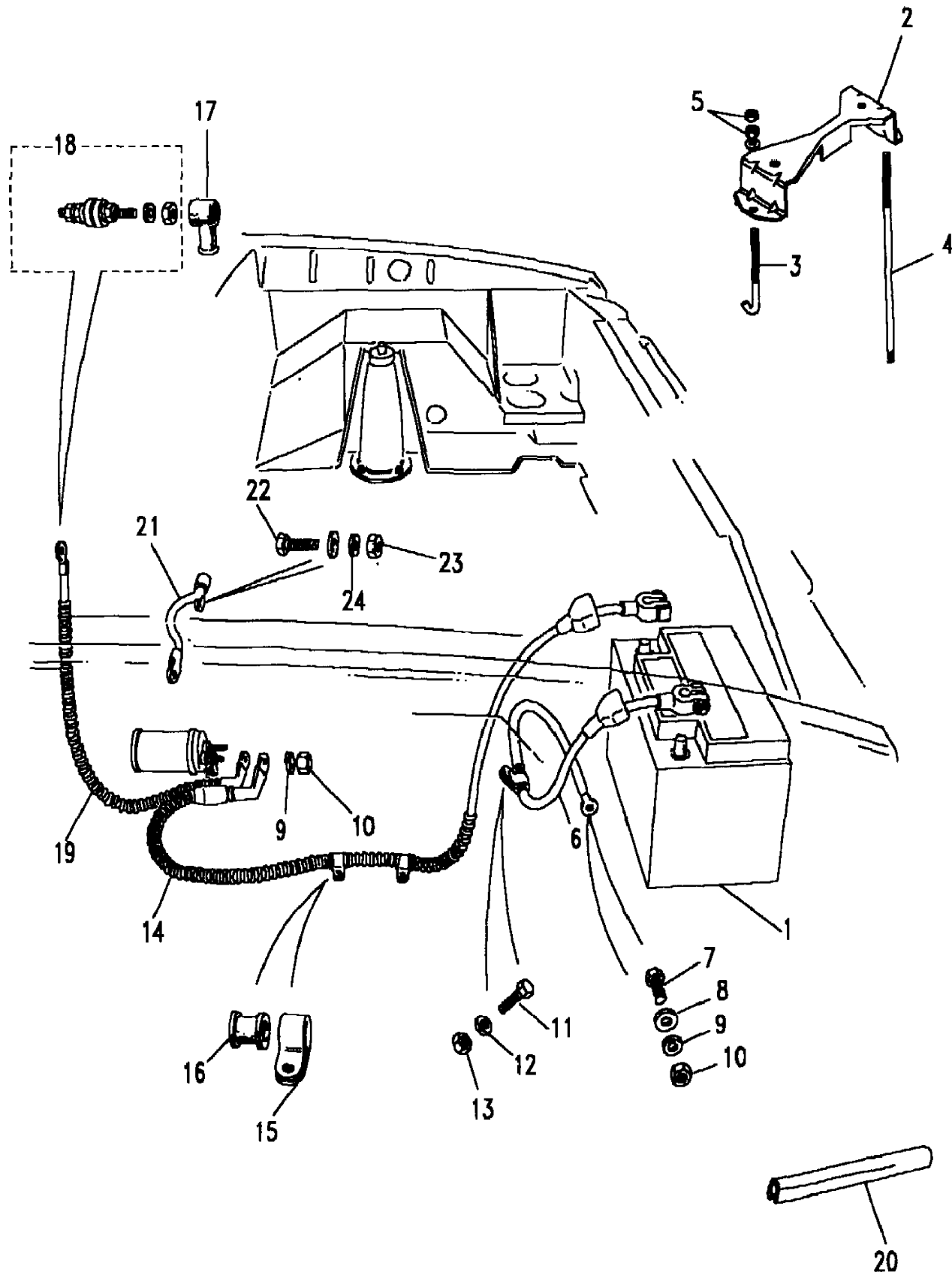
Change point - VIN end LA081991, 4 Cylinder TDi Diesel

Callout	Name	Application	Remarks & Restrictions	Service No.	Qty
[903]	Bolt-terminal cable-battery	Change point - VIN end LA081991, 2.5L 4 Cyl TDi Diesel	Also serviced as part of a kit	STC3305	1
		Change point - VIN end JA034313, 2.5L 4 Cyl TDi Diesel	Also serviced as part of a kit	STC3305	1



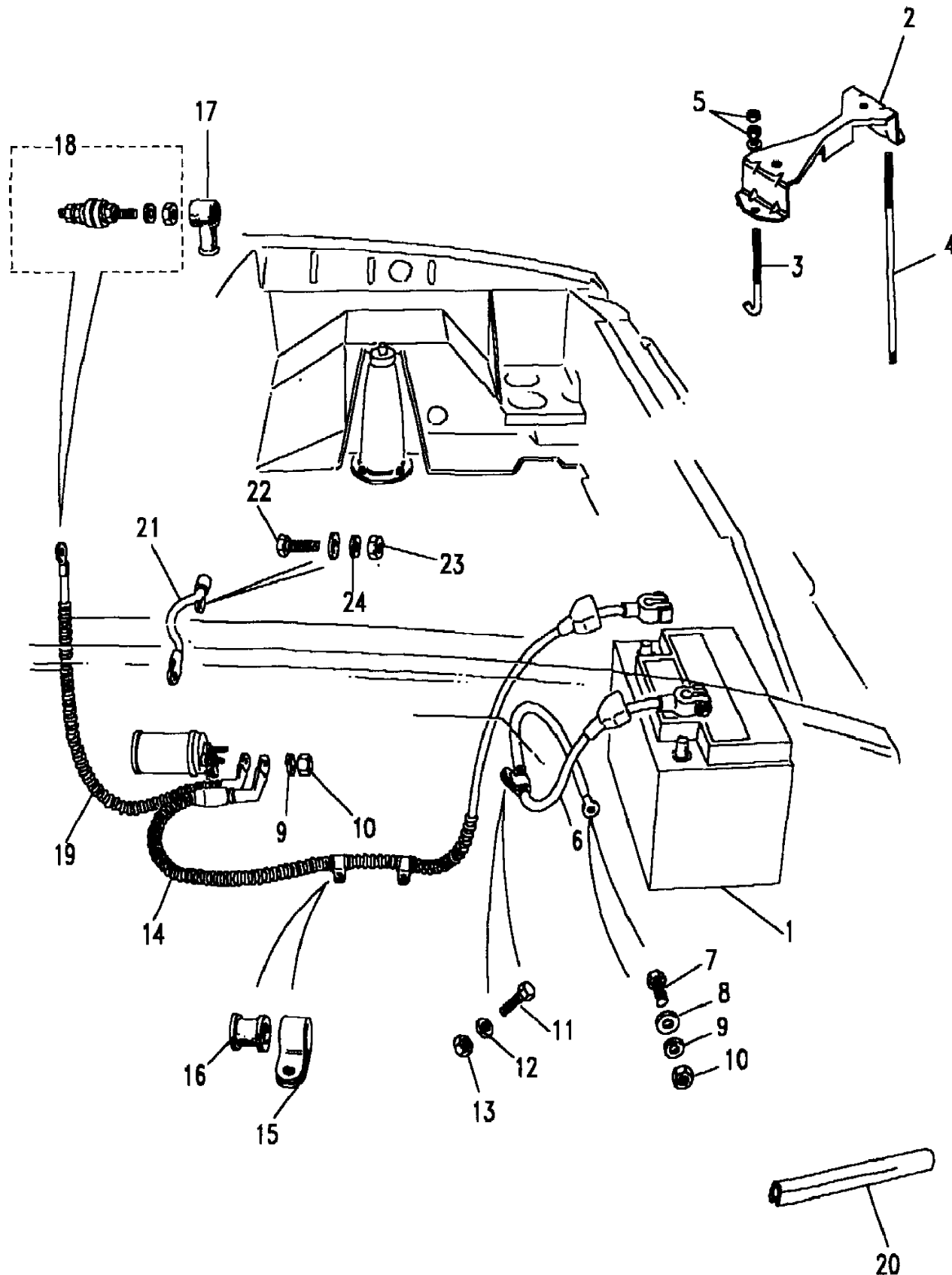
Change point - VIN begin MA081992, 4 Cylinder MPi T Series Petrol

Callout	Name	Application	Remarks & Restrictions	Service No.	Qty
1	Battery	Change point - VIN begin MA081992, With Petrol Engines	wet, 091-bbms, Standard	STC8268	1
		Change point - VIN begin MA081992, With Petrol Engines	dry, 091-bbms, Standard	STC8270	1
		Change point - VIN begin MA081992, With Petrol Engines	072-bbms, wet	STC8267	1
		Change point - VIN begin MA081992, With Petrol Engines	072-bbms, dry	STC8269	1
		Change point - VIN begin MA081992, With Petrol Engines			
2	Clamp-fixing battery	Change point - VIN begin MA081992, With Petrol Engines		AMR3679	1
3	J bolt-fixing battery	Change point - VIN begin MA081992, With Petrol Engines	Short	AMR3680	1
4	J bolt-fixing battery	Change point - VIN begin MA081992, With Petrol Engines	Long	AMR3681	1
5	Nut - Hex.	Change point - VIN begin MA081992, With Petrol Engines	M6, nyloc, Hexagonal	NH106041L	4
6	Cable-battery negative	Change point - VIN begin MA081992, With Petrol Engines	Also serviced as part of a kit	PRC4138	1
7	Screw	Change point - VIN begin MA081992, With Petrol Engines	M8 x 25, hexagonal head	SH108251L	1
		With Petrol Engines	M8 x 25, Flanged Head	FS108251L	1
8	Washer	Change point - VIN begin MA081992, With Petrol Engines	8MM	WA108051L	1
9	Washer	Change point - VIN begin MA081992, With Petrol Engines	M8, sprung	WL108001L	2
10	Nut - Hex.	Change point - VIN begin MA081992, With Petrol Engines	M8, hexagonal head	NH108041L	2
11	Screw	Change point - VIN begin MA081992, With Petrol Engines	hexagonal head, 1/4UNF x 5/8	SH604051L	1
12	Washer-starlock	Change point - VIN begin MA081992, With Petrol Engines		WE600041L	1



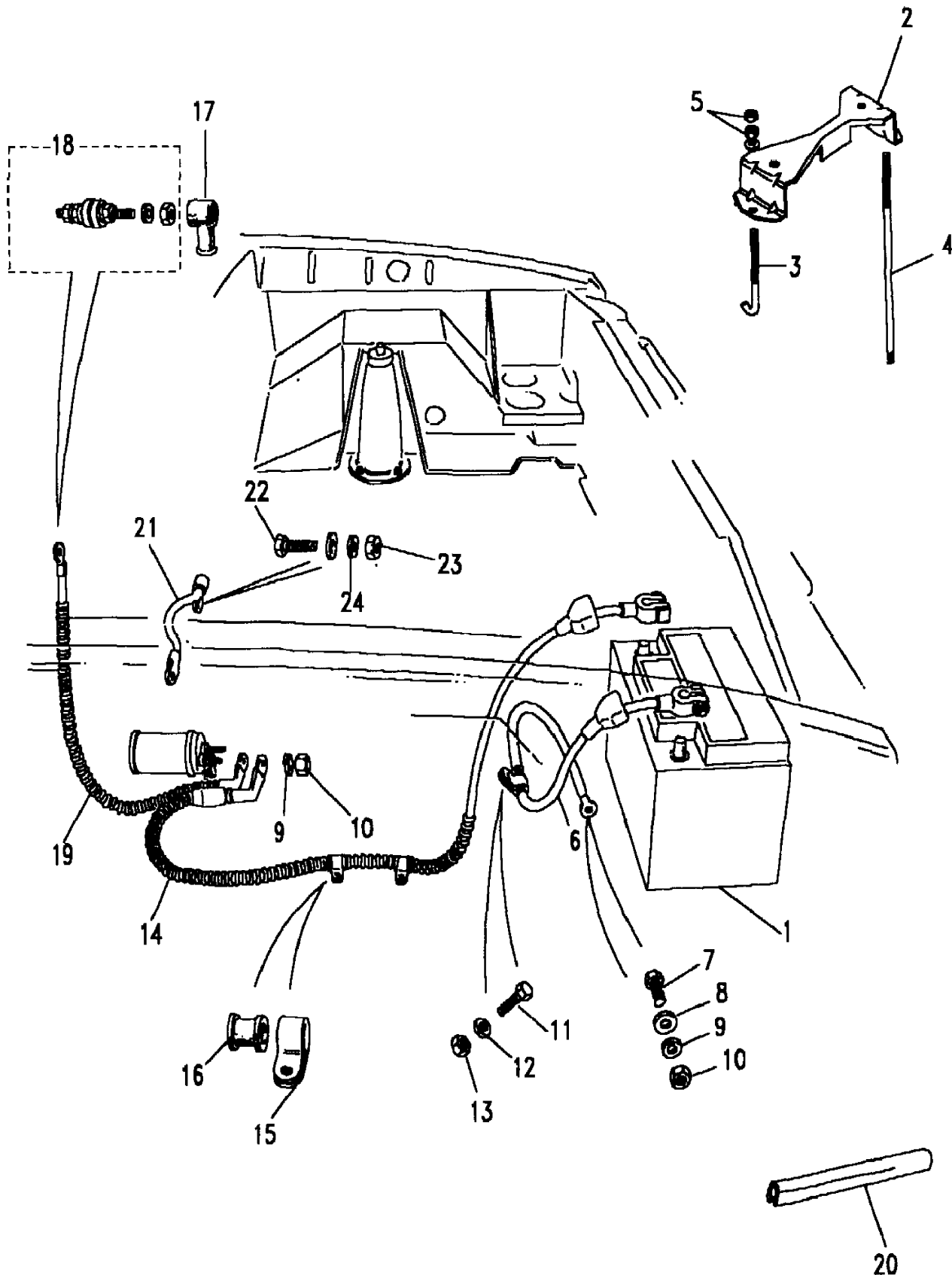
Change point - VIN begin MA081992, 4 Cylinder MPi T Series Petrol

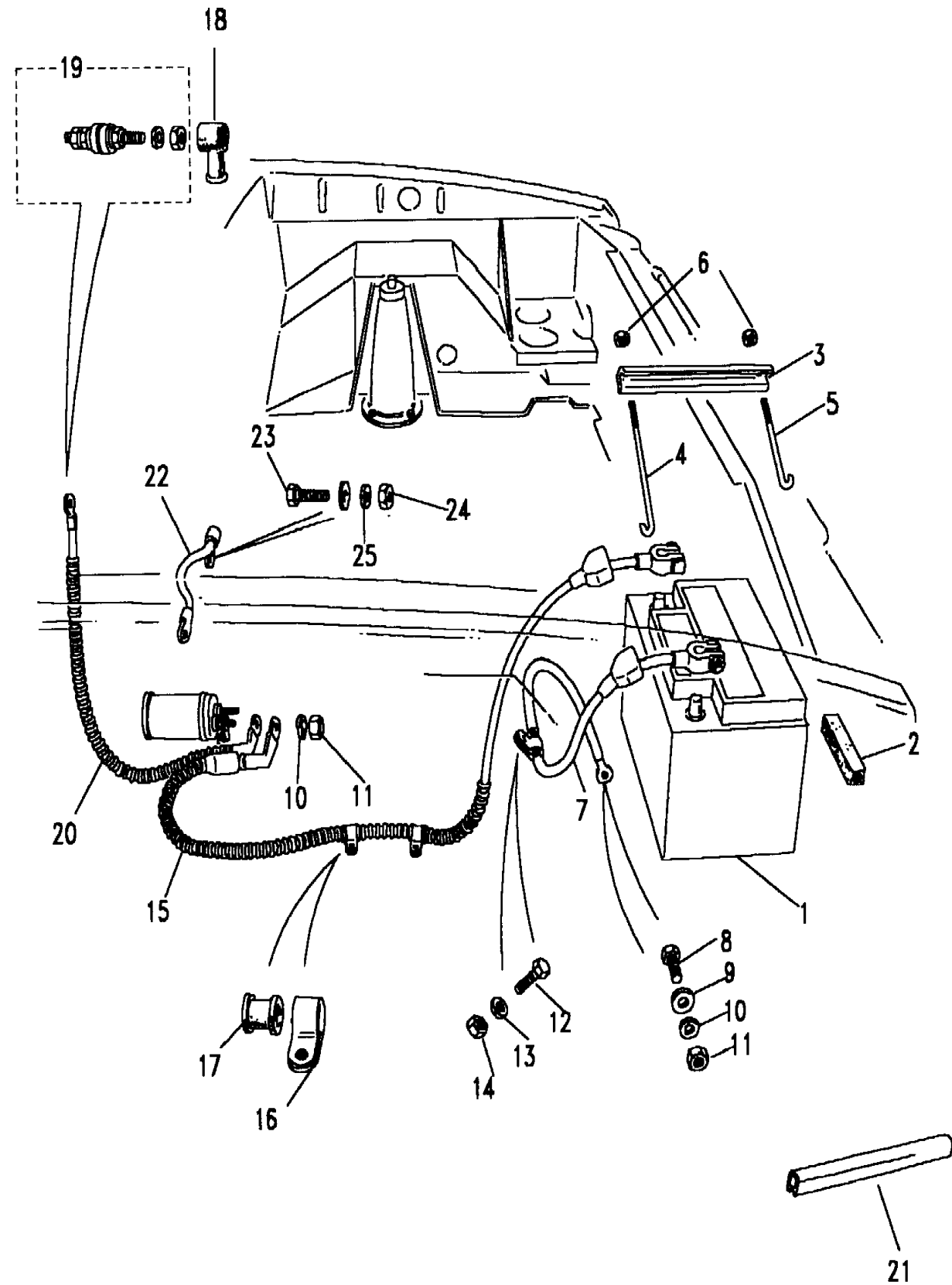
Callout	Name	Application	Remarks & Restrictions	Service No.	Qty
13	Nut - Hex.	Change point - VIN begin MA081992, With Petrol Engines	hexagonal head, Coarse Thread, 1/4UNF	NH604041L	1
14	Cable-battery positive	Change point - VIN begin MA081992, With Petrol Engines	Also serviced as part of a kit	AMR2543	1
15	Clip-p	Change point - VIN begin MA081992, With Petrol Engines		50641	2
16	Grommet	Change point - VIN begin MA081992, With Petrol Engines	17/32" hole	589254	2
17	Cover-terminal post	Change point - VIN begin MA081992, With Petrol Engines		PRC7093	1
18	Post-terminal	Change point - VIN begin MA081992, With Petrol Engines		PRC7100	1
19	Cable.	Change point - VIN begin MA081992, With Petrol Engines		PRC6580	1
20	Strip-edge protection	Change point - VIN begin MA081992, Change point - VIN end WA791617, With Petrol Engines	89mm	JRC7549	2
		Change point - VIN begin WA791618, With Petrol Engines	89mm	YQJ100200	2
21	Cable assembly starter & earth	Change point - VIN begin MA081992, With Petrol Engines		PRC3623	1
22	Screw	Change point - VIN begin MA081992, With Petrol Engines	M6 X 16, hexagonal head	SH106161	1
		With Petrol Engines	M6 X 16, Flanged Head	FS106167L	1
23	Nut - Hex.	Change point - VIN begin MA081992, With Petrol Engines	M6, hexagonal head	NH106041	1
		With Petrol Engines	M6, nyloc, Hexagonal	NH106041L	1
24	Washer-Spring	Change point - VIN begin MA081992, With Petrol Engines	6MM	WL106041	1
[900]	Screw	With Petrol Engines	M8 x 25, hexagonal head	SH108257	1
[901]	Battery	Change point - VIN begin MA081992, With Petrol Engines	072-bbms, dry	STC4766	1



Change point - VIN begin MA081992, 4 Cylinder MPi T Series Petrol

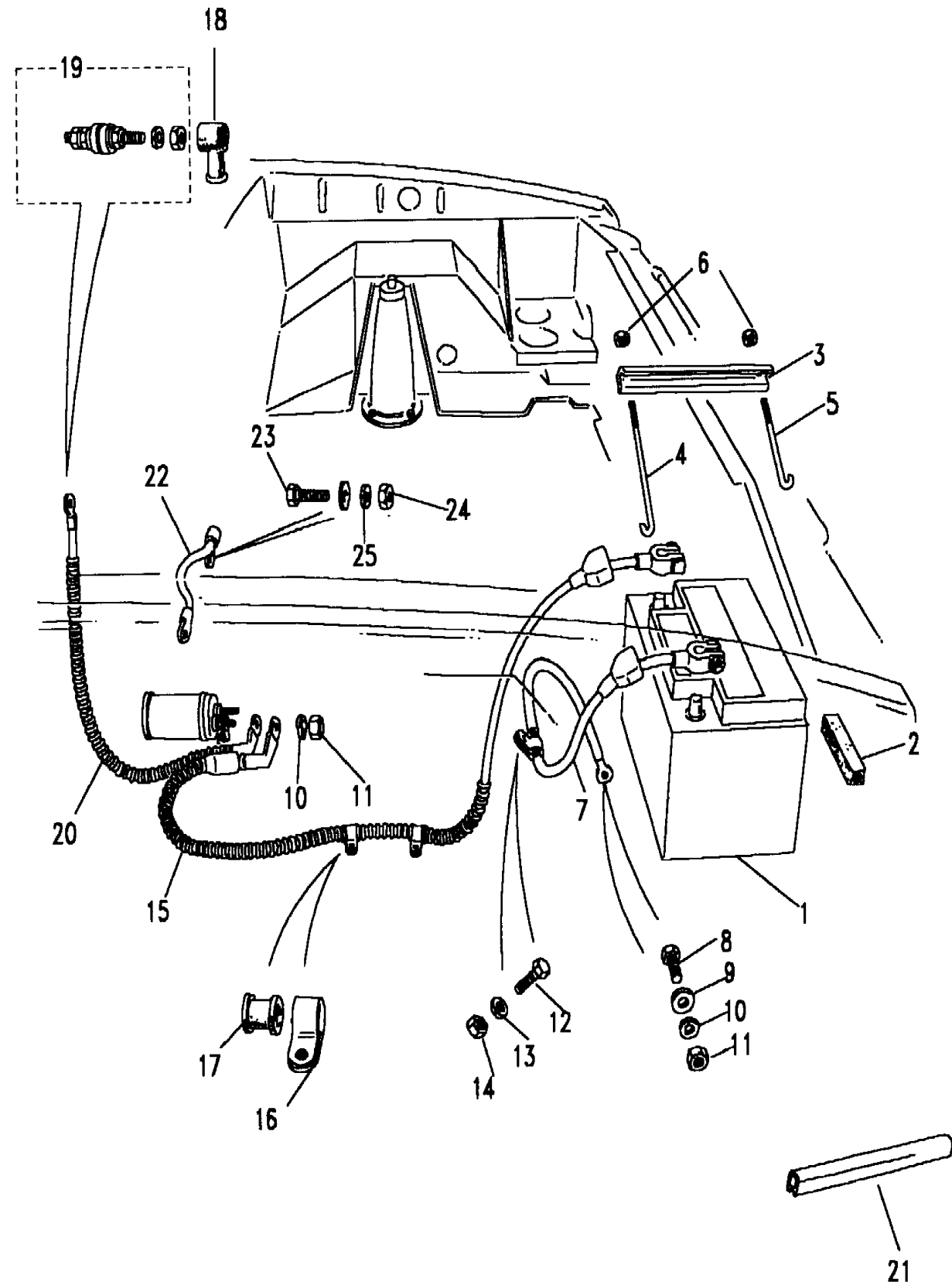
Callout	Name	Application	Remarks & Restrictions	Service No.	Qty
[902]	Washer	With Petrol Engines	8MM, sprung	WL108007	2
[903]	Bolt-terminal cable-battery	Change point - VIN begin MA081992, With Petrol Engines	Also serviced as part of a kit	STC3305	1
[904]	Nut - Hex.		M8, flange	FN108041L	1





Change point - VIN end LA081991, 4 Cylinder MPi T Series Petrol

Callout	Name	Application	Remarks & Restrictions	Service No.	Qty
1	Battery	Change point - VIN end LA081991, With Petrol Engines	072-bbms, dry	STC8269	1
		Change point - VIN end LA081991, With Petrol Engines	wet, 091-bbms, Standard	STC8268	1
		Change point - VIN end LA081991, With Petrol Engines	dry, 091-bbms, Standard	STC8270	1
		Change point - VIN end LA081991, With Petrol Engines	072-bbms, wet	STC8267	1
		Change point - VIN end LA081991, With Petrol Engines			
2	Buffer-stop	Change point - VIN end LA081991, With Petrol Engines		MTC7451	1
3	Clamp-fixing battery	Change point - VIN end LA081991, With Petrol Engines		MUC6514	1
4	J bolt-fixing battery	Change point - VIN end LA081991, With Petrol Engines	Long	MRC7133	1
5	J bolt-fixing battery	Change point - VIN end LA081991, With Petrol Engines	Short	MUC6513	1
6	Nut - Hex.	Change point - VIN end LA081991, With Petrol Engines	M6, nyloc, Hexagonal	NH106041L	2
7	Cable-battery negative	Change point - VIN end LA081991, With Petrol Engines	Also serviced as part of a kit	PRC4138	1
8	Screw	Change point - VIN end LA081991, With Petrol Engines	M8 x 25, hexagonal head	SH108251L	1
		With Petrol Engines	M8 x 25, Flanged Head	FS108251L	1
9	Washer	Change point - VIN end LA081991, With Petrol Engines	8MM	WA108051L	1
10	Washer	Change point - VIN end LA081991, With Petrol Engines	M8, sprung	WL108001L	1
11	Nut - Hex.	Change point - VIN end LA081991, With Petrol Engines	M8, hexagonal head	NH108041L	1
12	Screw	Change point - VIN end LA081991, With Petrol Engines	hexagonal head, 1/4UNF x 5/8	SH604051L	1

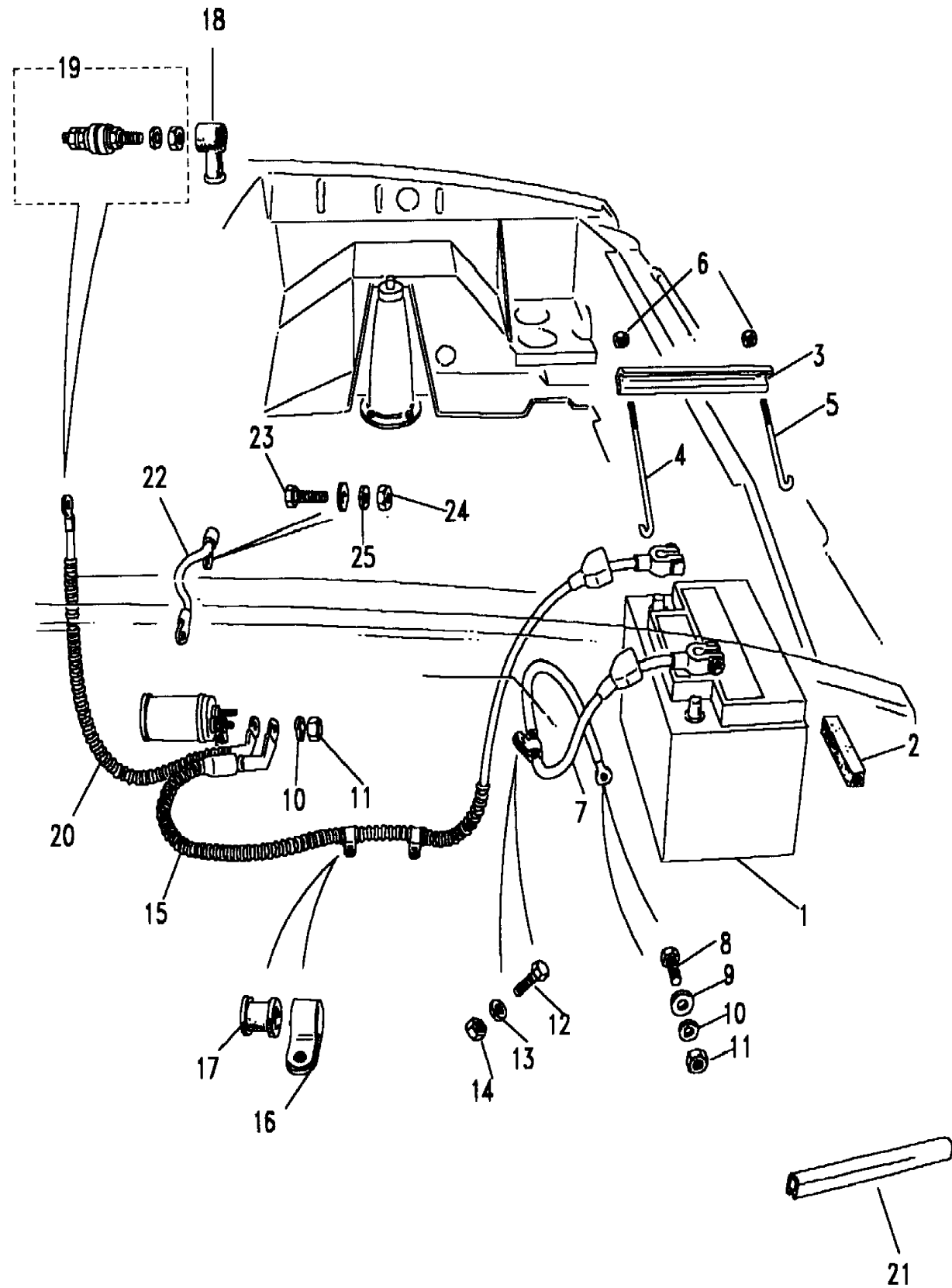


Change point - VIN end LA081991, 4 Cylinder MPi T Series Petrol

Callout	Name	Application	Remarks & Restrictions	Service No.	Qty
13	Washer-starlock	Change point - VIN end LA081991, With Petrol Engines		WE600041L	1
14	Nut - Hex.	Change point - VIN end LA081991, With Petrol Engines	hexagonal head, Coarse Thread, 1/4UNF	NH604041L	1
15	Cable-battery positive	Change point - VIN end KA038821, With Petrol Engines Change point - VIN begin KA038822, With Petrol Engines Change point - VIN end LA081991	Also serviced as part of a kit Also serviced as part of a kit Also serviced as part of a kit	AMR2202 AMR2933 AMR2933	1 1 1
16	Clip-p	Change point - VIN end LA081991, With Petrol Engines		50641	2
17	Grommet	Change point - VIN end LA081991, With Petrol Engines	17/32" hole	589254	2
18	Cover-terminal post	Change point - VIN end LA081991, With Petrol Engines		PRC7093	1
19	Post-terminal	Change point - VIN end LA081991, With Petrol Engines		PRC7100	1
20	Cable.	Change point - VIN end LA081991, With Petrol Engines	T post to starter	PRC6580	1
21	Strip-edge protection	Change point - VIN end LA081991, With Petrol Engines	89mm	JRC7549	2
22	Cable assembly starter & earth	Change point - VIN end LA081991, With Petrol Engines		PRC3623	1
23	Screw	Change point - VIN end LA081991, With Petrol Engines With Petrol Engines	M6 X 16, hexagonal head M6 X 16, Flanged Head	SH106161 FS106167L	1 1
24	Nut - Hex.	Change point - VIN end LA081991, With Petrol Engines With Petrol Engines	M6, hexagonal head M6, nyloc, Hexagonal	NH106041 NH106041L	1 1
25	Washer-Spring	Change point - VIN end LA081991, With Petrol Engines	6MM	WL106041	1

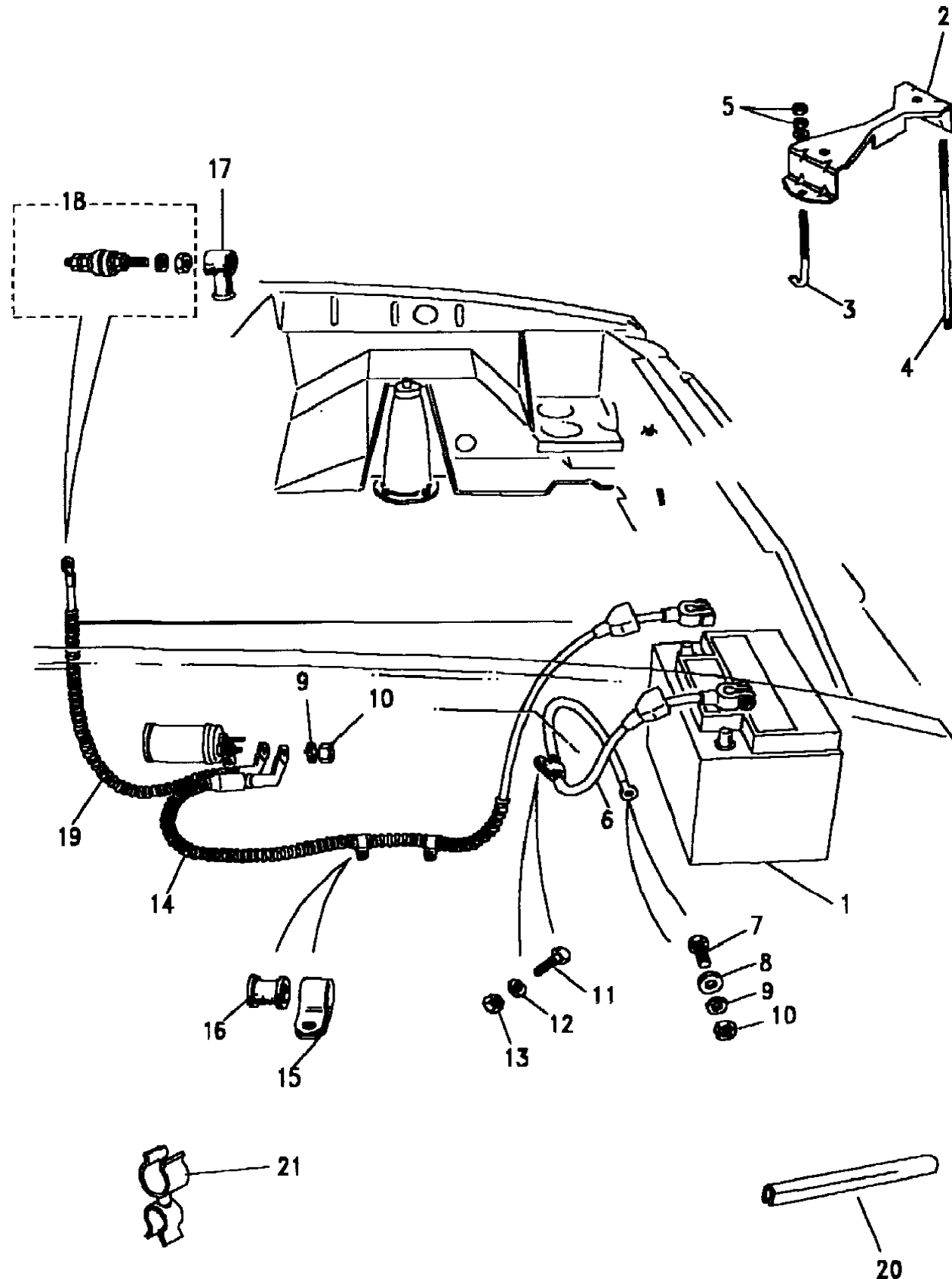
Change point - VIN end LA081991, 4 Cylinder MPi T Series Petrol

Callout	Name	Application	Remarks & Restrictions	Service No.	Qty
[900]	Bolt-terminal cable-battery	Change point - VIN end LA081991	Also serviced as part of a kit	STC3305	1
[901]	Screw	With Petrol Engines	M8 x 25, hexagonal head	SH108257	1
[902]	Battery	Change point - VIN end LA081991, With Petrol Engines	072-bbms, dry	STC4766	1
[903]	Washer	With Petrol Engines	8MM, sprung	WL108007	1



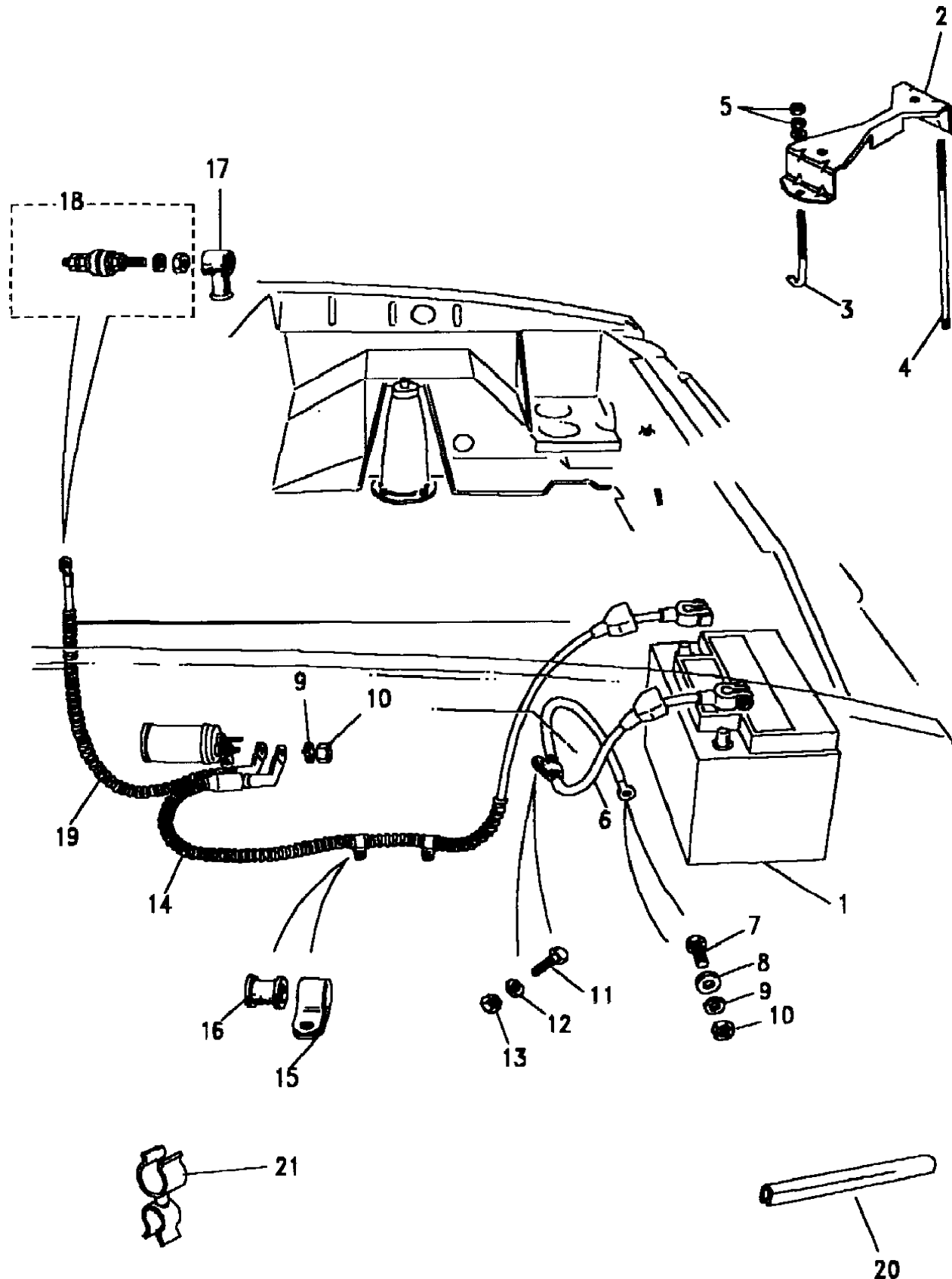
Change point - VIN begin MA081992, Petrol V8 L/R EFI

Callout	Name	Application	Remarks & Restrictions	Service No.	Qty
1	Battery	Change point - VIN begin MA081992, V8 Petrol	wet, 091-bbms, Standard	STC8268	1
		Change point - VIN begin MA081992, V8 Petrol	dry, 091-bbms, Standard	STC8270	1
		Change point - VIN begin MA081992, V8 Petrol	072-bbms, wet	STC8267	1
		Change point - VIN begin MA081992, V8 Petrol	072-bbms, dry	STC8269	1
2	Clamp-fixing battery	Change point - VIN begin MA081992, V8 Petrol		AMR3679	1
3	J bolt-fixing battery	Change point - VIN begin MA081992, V8 Petrol	Short	AMR3680	1
4	J bolt-fixing battery	Change point - VIN begin MA081992, V8 Petrol	Long	AMR3681	1
5	Nut - Hex.	Change point - VIN begin MA081992, V8 Petrol	M6, nyloc, Hexagonal	NH106041L	4
6	Cable-battery negative	Change point - VIN begin MA081992, V8 Petrol	Also serviced as part of a kit	PRC4138	1
7	Screw	V8 Petrol	M8 x 25, Flanged Head	FS108251L	1
		Change point - VIN begin MA081992, V8 Petrol	M8 x 25, hexagonal head	SH108251L	1
8	Washer	Change point - VIN begin MA081992, V8 Petrol	8MM	WA108051L	1
9	Washer	Change point - VIN begin MA081992, V8 Petrol	M8, sprung	WL108001L	1
10	Nut - Hex.	Change point - VIN begin MA081992, V8 Petrol	M8, hexagonal head	NH108041L	1
		V8 EFI Petrol	M8, flange	FN108041L	1
11	Screw	Change point - VIN begin MA081992, V8 Petrol	hexagonal head, 1/4UNF x 5/8	SH604051L	1
12	Washer-starlock	Change point - VIN begin MA081992, V8 Petrol		WE600041L	1
13	Nut - Hex.	Change point - VIN begin MA081992, V8 Petrol	hexagonal head, Coarse Thread, 1/4UNF	NH604041L	1
14	Cable-battery positive	Change point - VIN begin MA081992, Change point - VIN end MA163103, V8 Petrol	Also serviced as part of a kit, Please Refer To Preface For Further Information	AMR2215	1
		Change point - VIN begin MA081992, Change point - VIN end MA501919, V8 Petrol	Also serviced as part of a kit, Please Refer To Preface For Further Information	AMR2215	1
		Change point - VIN begin TA163104, V8 Petrol	Also serviced as part of a kit, Please Refer To Preface For Further Information	AMR4803	1



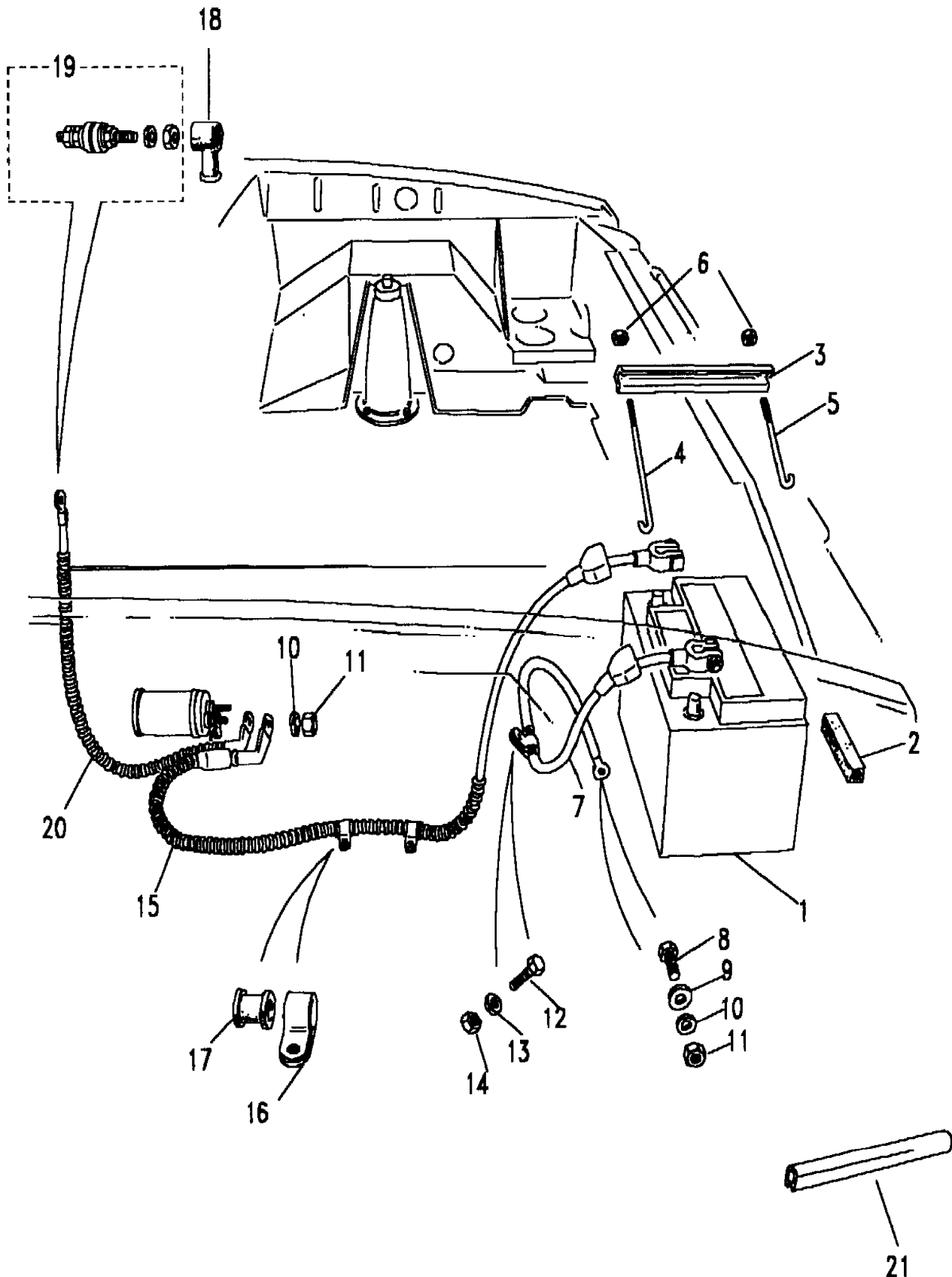
Change point - VIN begin MA081992, Petrol V8 L/R EFI

Callout	Name	Application	Remarks & Restrictions	Service No.	Qty
14	Cable-battery positive	Change point - VIN begin TA501920, V8 Petrol	Also serviced as part of a kit, Please Refer To Preface For Further Information	AMR4803	1
15	Clip-p	Change point - VIN begin MA081992, V8 Petrol		50641	2
16	Grommet	Change point - VIN begin MA081992, V8 Petrol	17/32" hole	589254	2
17	Cover-terminal post	Change point - VIN begin MA081992, V8 Petrol		PRC7093	1
18	Post-terminal	Change point - VIN begin MA081992, V8 Petrol		PRC7100	1
19	Cable.	Change point - VIN begin MA081992, V8 Petrol		PRC6580	1
20	Strip-edge protection	Change point - VIN begin MA081992, Change point - VIN end WA791617, V8 Petrol	89mm	JRC7549	2
		Change point - VIN begin WA791618, V8 Petrol	89mm	YQJ100200	2
21	Clip-swivel	V8 Petrol	15 x 10mm	ADU7739L	1
[900]	Bolt-terminal cable-battery	Change point - VIN begin MA081992, V8 Petrol	Also serviced as part of a kit	STC3305	1
[901]	Screw	V8 Petrol	M8 x 25, hexagonal head	SH108257	1
[902]	Battery	Change point - VIN begin MA081992, V8 Petrol	072-bbms, dry	STC4766	1
[903]	Washer	V8 Petrol	8MM, sprung	WL108007	1



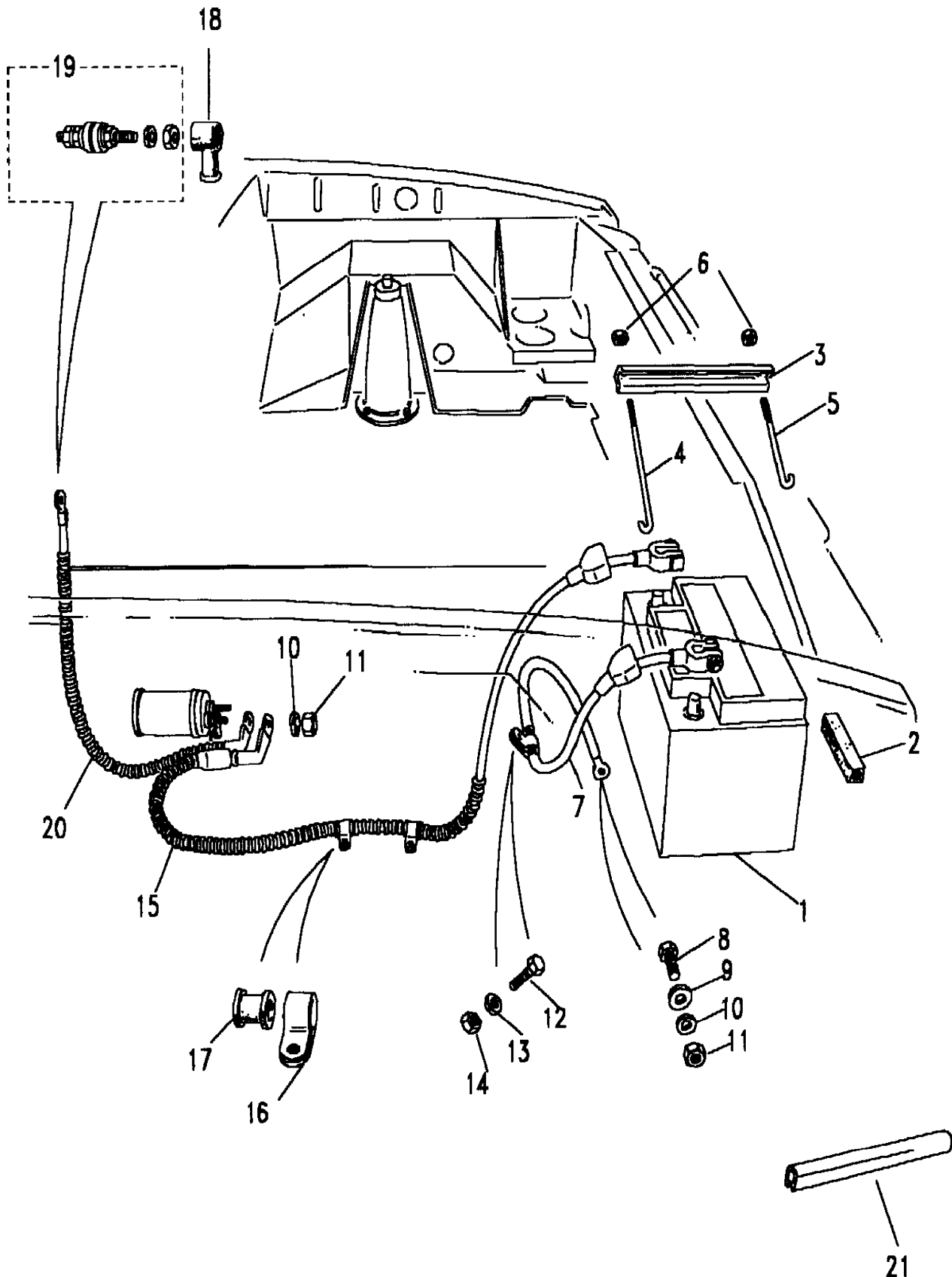
Change point - VIN end LA081991, Petrol V8 L/R EFI

Callout	Name	Application	Remarks & Restrictions	Service No.	Qty
1	Battery	Change point - VIN end LA081991, V8 Petrol	wet, 091-bbms, Standard	STC8268	1
		Change point - VIN end LA081991, V8 Petrol	dry, 091-bbms, Standard	STC8270	1
		Change point - VIN end LA081991, V8 Petrol	072-bbms, wet	STC8267	1
		Change point - VIN end LA081991, V8 Petrol	072-bbms, dry	STC8269	1
2	Buffer-stop	Change point - VIN end LA081991, V8 Petrol		MTC7451	1
3	Clamp-fixing battery	Change point - VIN end LA081991, V8 Petrol		MUC6514	1
4	J bolt-fixing battery	Change point - VIN end LA081991, V8 Petrol	Long	MRC7133	1
5	J bolt-fixing battery	Change point - VIN end LA081991, V8 Petrol	Short	MUC6513	1
6	Nut - Hex.	Change point - VIN end LA081991, V8 Petrol	M6, nyloc, Hexagonal	NH106041L	2
7	Cable-battery negative	Change point - VIN end LA081991, V8 Petrol	Also serviced as part of a kit	PRC4138	1
8	Screw	Change point - VIN end LA081991, V8 Petrol	M8 x 25, hexagonal head	SH108251L	1
		V8 Petrol	M8 x 25, Flanged Head	FS108251L	1
9	Washer	Change point - VIN end LA081991, V8 Petrol	8MM	WA108051L	1
10	Washer	Change point - VIN end LA081991, V8 Petrol	M8, sprung	WL108001L	1
11	Nut - Hex.	Change point - VIN end LA081991, V8 Petrol	M8, hexagonal head	NH108041L	1
			M8, flange	FN108041L	2
12	Screw	Change point - VIN end LA081991, V8 Petrol	hexagonal head, 1/4UNF x 5/8	SH604051L	1
13	Washer-starlock	Change point - VIN end LA081991, V8 Petrol		WE600041L	1
14	Nut - Hex.	Change point - VIN end LA081991, V8 Petrol	hexagonal head, Coarse Thread, 1/4UNF	NH604041L	1
15	Cable-battery positive	Change point - VIN end JA034313, V8 Petrol	Also serviced as part of a kit	PRC7416	1
		Change point - VIN end LA081991, V8 Petrol	Also serviced as part of a kit	AMR2215	1
		Change point - VIN begin JA034314	Also serviced as part of a kit	AMR2215	1



Change point - VIN end LA081991, Petrol V8 L/R EFI

Callout	Name	Application	Remarks & Restrictions	Service No.	Qty
16	Clip-p	Change point - VIN end LA081991, V8 Petrol		50641	2
17	Grommet	Change point - VIN end LA081991, V8 Petrol	17/32" hole	589254	2
18	Cover-terminal post	Change point - VIN end JA034313, V8 Petrol		PRC7093	1
19	Post-terminal	Change point - VIN end JA034313, V8 Petrol		PRC7100	1
20	Cable.	Change point - VIN end JA034313, V8 Petrol		PRC6580	1
21	Strip-edge protection	Change point - VIN end LA081991, V8 Petrol	89mm	JRC7549	2
[900]	Screw	V8 Petrol	M8 x 25, hexagonal head	SH108257	1
[901]	Battery	Change point - VIN end LA081991, V8 Petrol	072-bbms, dry	STC4766	1
[902]	Washer	V8 Petrol	8MM, sprung	WL108007	1
[903]	Bolt-terminal cable-battery	Change point - VIN end LA081991, V8 Petrol	Also serviced as part of a kit	STC3305	1



Body Electrics
Batteries & Harnesses
Wiring Harness 1/1

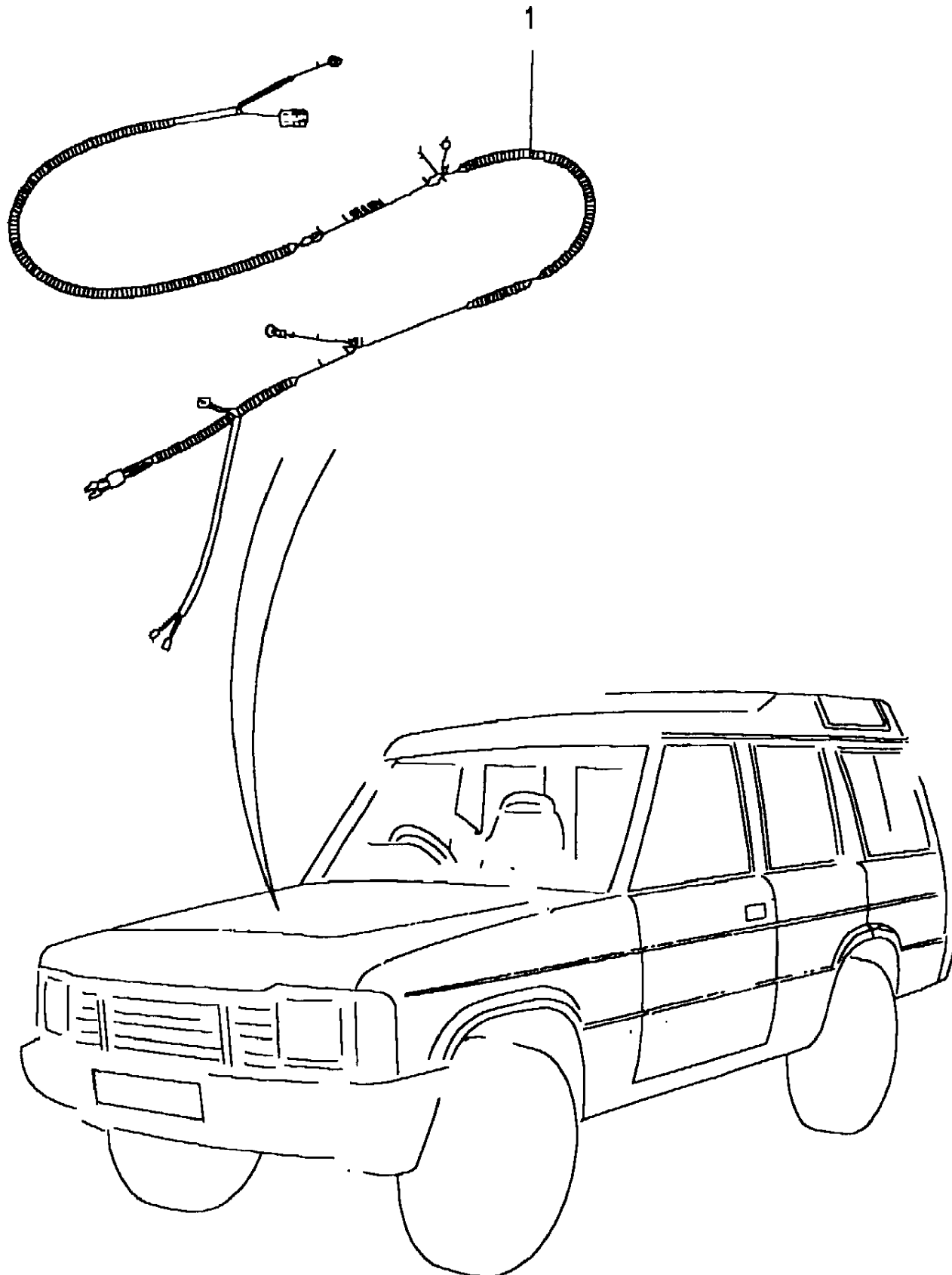
Discovery (FA393361-WA799999)
(CAMXCE6A)

Discovery (FA393361-WA799999)

Body Electrics
Batteries & Harnesses
Wiring Harness

With Air Conditioning

Callout	Name	Application	Remarks & Restrictions	Service No.	Qty
1	Harness air conditioning	V8 Twin Carb, RHD		PRC6453	1
		V8 Twin Carb, LHD		PRC6454	1
		Change point - VIN end JA034313, V8 EFI, RHD		PRC8534	1
		Change point - VIN begin KA034314, Change point - VIN end KA064754, V8 EFI, RHD		PRC9451	1
		Change point - VIN begin LA064755, V8 EFI, RHD		AMR3277	1
		Change point - VIN end JA034313, V8 EFI, LHD		PRC8535	1
		Change point - VIN begin KA034314, Change point - VIN end KA064754, V8 EFI, LHD		PRC9452	1
		Change point - VIN begin LA064755, V8 EFI, LHD		AMR3277	1
		Change point - VIN end JA034313, 2.5L TDi Diesel, Manual Transmission, RHD		PRC8572	1
		Change point - VIN begin KA034314, Change point - VIN end KA064754, 2.5L TDi Diesel, Manual Transmission, RHD		PRC9451	1
		Change point - VIN begin LA064755, 2.5L TDi Diesel, Manual Transmission, RHD		AMR3277	1
		Change point - VIN end JA034313, 2.5L TDi Diesel, Manual Transmission, LHD		PRC7282	1
		Change point - VIN begin KA034314, Change point - VIN end KA064754, 2.5L TDi Diesel, Manual Transmission, LHD		PRC9452	1
		Change point - VIN begin LA064755, 2.5L TDi Diesel, Manual Transmission, LHD		AMR3278	1
		2.5L TDi Diesel, Automatic Transmission, RHD		AMR3273	1
		2.5L TDi Diesel, Automatic Transmission, LHD		AMR3274	1



Body Electrics
Batteries & Harnesses
Harness-Body & Tail Door-To (V) LA081991 1/3

Discovery (FA393361-WA799999)

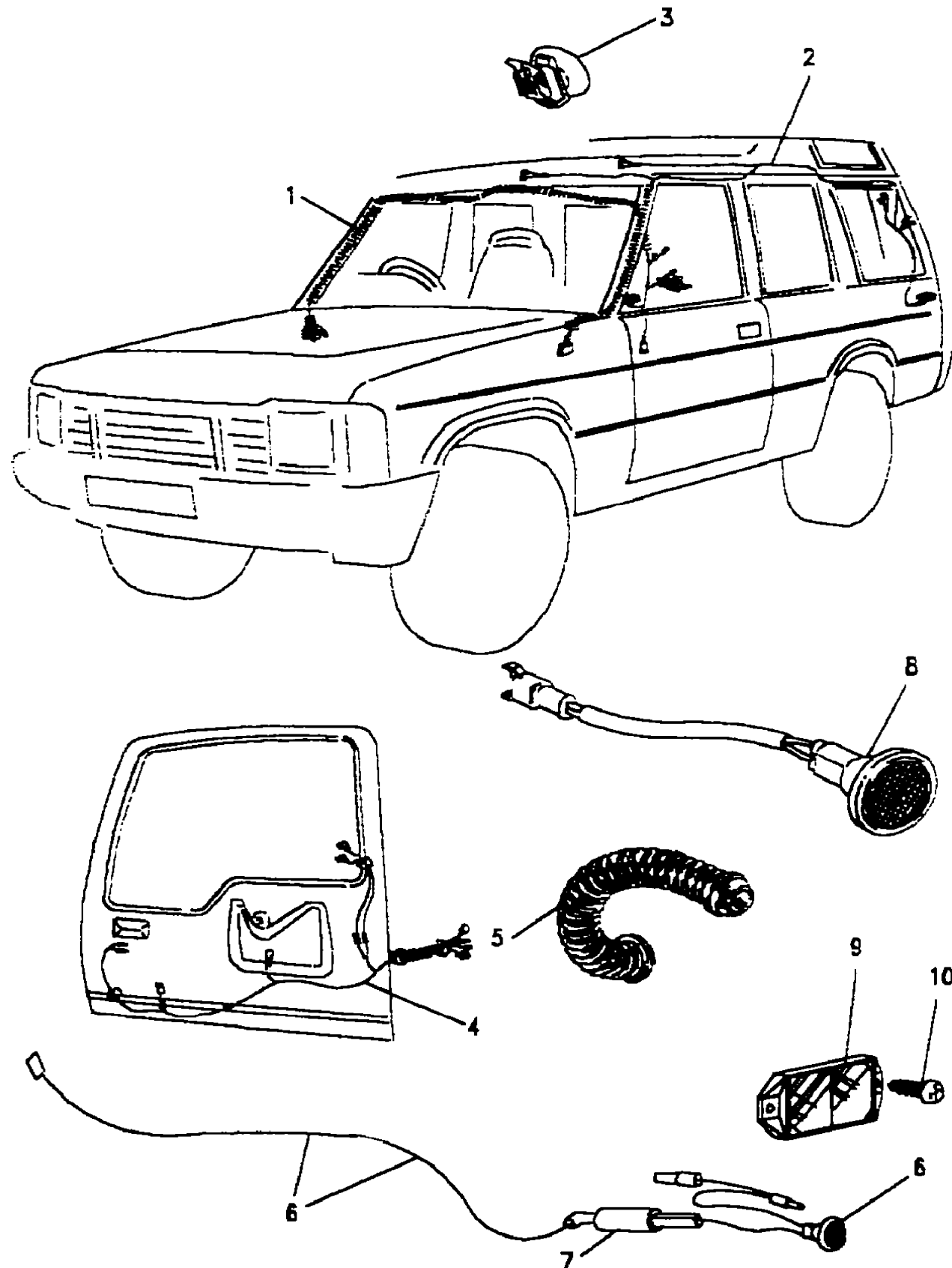
(CAMXCE3C)

Discovery (FA393361-WA799999)

Body Electrics
Batteries & Harnesses
Harness-Body & Tail Door-To (V) LA081991

Change point - VIN end LA081991

Callout	Name	Application	Remarks & Restrictions	Service No.	Qty		
1	Harness body	Change point - VIN end JA030856, V8 Petrol, With High Line	RH	PRC6413	1		
		Change point - VIN end JA030856, 2.5L TDi Diesel, With High Line	RH	PRC6413	1		
		Change point - VIN begin JA030857, Change point - VIN end LA081991, V8 Petrol, With High Line	RH	PRC8978	1		
		Change point - VIN begin JA030857, Change point - VIN end LA081991, 2.5L TDi Diesel, With High Line	RH	PRC8978	1		
		Change point - VIN end JA030856, V8 Petrol, With Low Line	RH	PRC7423	1		
		Change point - VIN end JA030856, 2.5L TDi Diesel, With Low Line	RH	PRC7423	1		
		Change point - VIN begin JA030857, Change point - VIN end LA081991, V8 Petrol, With Low Line	RH	PRC8981	1		
		Change point - VIN begin JA030857, Change point - VIN end LA081991, 2.5L TDi Diesel, With Low Line	RH	PRC8981	1		
		Change point - VIN end KA038821, 2.0L MPi Petrol	RH	PRC8978	1		
		Change point - VIN begin KA038822, Change point - VIN end LA081991, 2.0L MPi Petrol, With Low Line		AMR1527	1		
		Change point - VIN begin KA038822, Change point - VIN end LA081991, 2.0L MPi Petrol, With High Line		AMR1528	1		
		2	Harness body	Change point - VIN end JA030856, V8 Petrol, With High Line	LH	PRC8185	1
				Change point - VIN end JA030856, 2.5L TDi Diesel, With High Line	LH	PRC8185	1
				Change point - VIN begin JA030857, Change point - VIN end KA064754, V8 Petrol, With High Line	LH	PRC8979	1
				Change point - VIN begin JA030857, Change point - VIN end KA064754, 2.5L TDi Diesel, With High Line	LH	PRC8979	1
				Change point - VIN begin LA064755, Change point - VIN end LA081991, V8 Petrol, With High Line	LH	AMR3437	1
Change point - VIN begin LA064755, Change point - VIN end LA081991, 2.5L TDi Diesel, With High Line	LH	AMR3437	1				



Body Electrics
Batteries & Harnesses
Harness-Body & Tail Door-To (V) LA081991 3/3

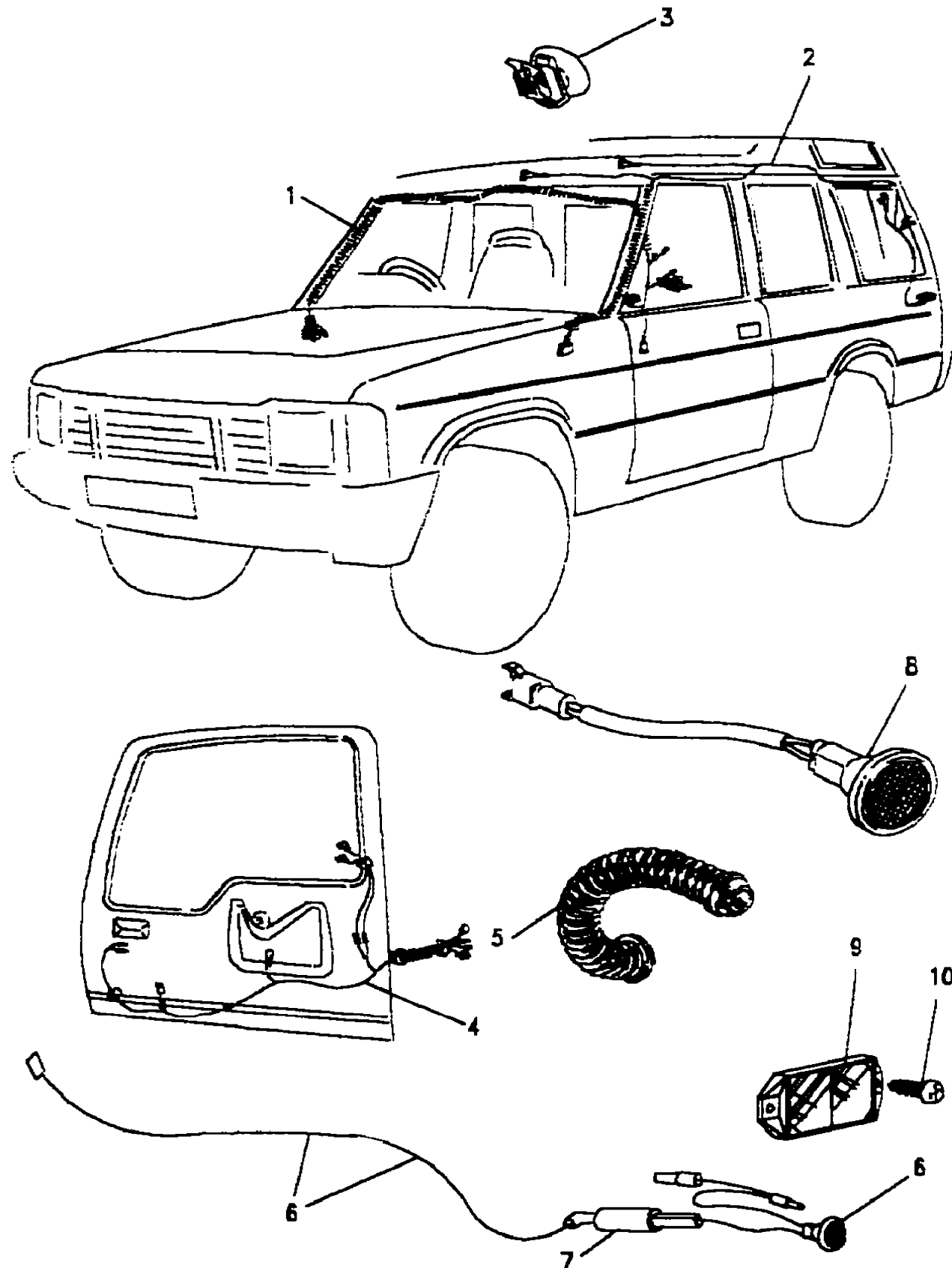
Discovery (FA393361-WA799999)
(CAMXCE3C)

Discovery (FA393361-WA799999)

Body Electrics
Batteries & Harnesses
Harness-Body & Tail Door-To (V) LA081991

Change point - VIN end LA081991

Callout	Name	Application	Remarks & Restrictions	Service No.	Qty
5	Grommet	Change point - VIN begin JA030857, Change point - VIN end LA081991 Change point - VIN end JA030856 Change point - VIN begin JA030857, Change point - VIN end LA081991	rear end door for harness rear end door for harness rear end door, rear end door	AMR1040 PRC7145 AMR1040	1 1 1
6	Lamp-stand alone warning	Change point - VIN begin GA450690, Change point - VIN end LA081991, 2.0L MPi Petrol	marker rear end door, Also serviced as part of a kit	PRC8749	1
7	Diode Assy	Change point - VIN begin GA450690, Change point - VIN end LA081991, 2.0L MPi Petrol	Also serviced as part of a kit, Pektron	AAU5034	1
8	Lamp-stand alone warning		door open rear end door, Red	PRC8077	1
9	Reflector-rear	Change point - VIN begin GA450690, Change point - VIN end LA081991, 2.0L MPi Petrol	rectangular	MWC1722	1
10	Screw	Change point - VIN begin GA450690, Change point - VIN end LA081991, 2.0L MPi Petrol	fixing reflector	AB608035	2
[900]	Screw		Self Tapping, No 8 x 3/8	AB608031L	1



Body Electrics
Batteries & Harnesses
Harness-Body,Facia & Strg Column-From (V) MA081992 1/5

Discovery (FA393361-WA799999)

(CAMXCE1B)

Discovery (FA393361-WA799999)

Body Electrics
Batteries & Harnesses
Harness-Body,Facia & Strg Column-From (V) MA081992

Change point - VIN begin MA081992

Callout	Name	Application	Remarks & Restrictions	Service No.	Qty
1	Harness body	Change point - VIN begin MA081992, Change point - VIN end MA135907, Less Rear Air Conditioning, Less CD Player, Less ICE Remote Control, With 2 Speakers		AMR3556	1
		Change point - VIN begin MA081992, Change point - VIN end MA135907, Less Rear Air Conditioning, Less CD Player, Less ICE Remote Control, With 4 Speakers		AMR3556	1
		Change point - VIN begin MA081992, Change point - VIN end MA135907, Less Rear Air Conditioning, Less CD Player, With Mid Line, With 5 Speakers	ICE Remote Control	AMR3557	1
		Change point - VIN begin MA081992, Change point - VIN end MA135907, Less Rear Air Conditioning, Less CD Player, With Mid Line, With 7 Speakers	ICE Remote Control	AMR3557	1
		Change point - VIN begin MA081992, Change point - VIN end MA135907, Less Rear Air Conditioning, With CD Player, With High Line	ICE Remote Control	AMR3557	1
		Change point - VIN begin MA081992, Change point - VIN end MA135907, With Rear Air Conditioning		AMR3558	1
		Change point - VIN begin MA135908, Change point - VIN end MA163103, Less Rear Air Conditioning		AMR4877	1
		Change point - VIN begin MA135908, Change point - VIN end TA501919, Less Rear Air Conditioning		AMR4877	1
		Change point - VIN begin TA163104, Change point - VIN end TA172381, Less Rear Air Conditioning		AMR4219	1
		Change point - VIN begin TA501920, Change point - VIN end TA504321, Less Rear Air Conditioning		AMR4219	1
		Change point - VIN begin TA172382, Less Rear Air Conditioning		AMR5548	1
		Change point - VIN begin TA504322, Less Rear Air Conditioning		AMR5548	1



Body Electrics
Batteries & Harnesses
Harness-Body,Facia & Strg Column-From (V) MA081992 2/5

Discovery (FA393361-WA799999)

(CAMXCE1B)

Discovery (FA393361-WA799999)

Body Electrics
Batteries & Harnesses
Harness-Body,Facia & Strg Column-From (V) MA081992

Change point - VIN begin MA081992

Callout	Name	Application	Remarks & Restrictions	Service No.	Qty		
1	Harness body	Change point - VIN begin VA534104, Less Rear Air Conditioning		AMR5238	1		
		Change point - VIN begin VA703237, Less Rear Air Conditioning		AMR5238	1		
		Change point - VIN begin MA135908, Change point - VIN end MA163103, With Rear Air Conditioning		AMR4879	1		
		Change point - VIN begin MA135908, Change point - VIN end MA501919, With Rear Air Conditioning		AMR4879	1		
		Change point - VIN begin TA163104, Change point - VIN end TA172381, With Rear Air Conditioning		AMR3921	1		
		Change point - VIN begin TA501920, Change point - VIN end TA504321, With Rear Air Conditioning		AMR3921	1		
		Change point - VIN begin TA172382, With Rear Air Conditioning		AMR5549	1		
		Change point - VIN begin TA504322, With Rear Air Conditioning		AMR5549	1		
		Change point - VIN begin VA534104, With Rear Air Conditioning		AMR5239	1		
		Change point - VIN begin VA703237, With Rear Air Conditioning		AMR5239	1		
		2	Harness facia	Change point - VIN begin MA081992, Change point - VIN end MA163103, (-)"J", Less CD Player, Less ICE Remote Control		AMR3608	1
				Change point - VIN begin MA081992, Change point - VIN end MA501919, (-)"J", Less CD Player, Less ICE Remote Control		AMR3608	1
				Change point - VIN begin TA163104, (-)"J", Less CD Player, Less ICE Remote Control		AMR4214	1
				Change point - VIN begin TA501920, (-)"J", Less CD Player, Less ICE Remote Control		AMR4214	1
Change point - VIN begin VA534104, (-)"J", Less CD Player, Less ICE Remote Control				AMR5241	1		



Body Electrics
Batteries & Harnesses
Harness-Body,Facia & Strg Column-From (V) MA081992 3/5

Discovery (FA393361-WA799999)

(CAMXCE1B)

Discovery (FA393361-WA799999)

Body Electrics
Batteries & Harnesses
Harness-Body,Facia & Strg Column-From (V) MA081992

Change point - VIN begin MA081992

Callout	Name	Application	Remarks & Restrictions	Service No.	Qty
2	Harness facia	Change point - VIN begin VA703237, (-)"J", Less CD Player, Less ICE Remote Control		AMR5241	1
		Change point - VIN begin MA081992, Change point - VIN end MA163104, (-)"J", Less CD Player, With Mid Line	ICE Remote Control	AMR3609	1
		Change point - VIN begin MA081992, Change point - VIN end MA501919, (-)"J", Less CD Player, With Mid Line	ICE Remote Control	AMR3609	1
		Change point - VIN begin TA163104, (-)"J", Less CD Player, With Mid Line	ICE Remote Control	AMR4215	1
		Change point - VIN begin TA501920, (-)"J", Less CD Player, With Mid Line	ICE Remote Control	AMR4215	1
		Change point - VIN begin VA534104, (-)"J", Less CD Player, With Mid Line	ICE Remote Control	AMR5242	1
		Change point - VIN begin VA703237, (-)"J", Less CD Player, With Mid Line	ICE Remote Control	AMR5242	1
		Change point - VIN begin MA081992, Change point - VIN end MA163103, (-)"J", With CD Player, With High Line	ICE Remote Control	AMR3610	4
		Change point - VIN begin MA081992, Change point - VIN end MA501919, (-)"J", With CD Player, With High Line	ICE Remote Control	AMR3610	4
		Change point - VIN begin TA163104, (-)"J", With CD Player, With High Line	ICE Remote Control	AMR4216	1
		Change point - VIN begin TA501920, (-)"J", With CD Player, With High Line	ICE Remote Control	AMR4216	1
		Change point - VIN begin VA534104, (-)"J", With CD Player, With High Line	ICE Remote Control	AMR5243	1
		Change point - VIN begin VA703237, (-)"J", With CD Player, With High Line	ICE Remote Control	AMR5243	1
		Change point - VIN begin MA081992, Change point - VIN end MA163103, (+)"J"		AMR3611	1
		Change point - VIN begin MA081992, Change point - VIN end MA501919, (+)"J"		AMR3611	1
		Change point - VIN begin TA163104, (+)"J"		AMR3685	1
		Change point - VIN begin TA501920, (+)"J"		AMR3685	1



Body Electrics
Batteries & Harnesses
Harness-Body,Facia & Strg Column-From (V) MA081992 4/5

Discovery (FA393361-WA799999)

(CAMXCE1B)

Discovery (FA393361-WA799999)

Body Electrics
Batteries & Harnesses
Harness-Body,Facia & Strg Column-From (V) MA081992

Change point - VIN begin MA081992

Callout	Name	Application	Remarks & Restrictions	Service No.	Qty
2	Harness facia	Change point - VIN begin VA534104, Change point - VIN end VA550522, (+)"J"		AMR5245	1
		Change point - VIN begin VA703237, Change point - VIN end VA717858, (+)"J"		AMR5245	1
		Change point - VIN begin VA550523, (+)"J"		AMR6681	1
		Change point - VIN begin VA717859, (+)"J"		AMR6681	1
		Change point - VIN begin MA081992, Change point - VIN end MA163103, (-)"J", Less Cruise Control	Less Rover Airbag System, Less Shift Interlock, with horn push only	AMR3579	1
		Change point - VIN begin MA081992, Change point - VIN end MA501919, (-)"J", Less Cruise Control	Less Rover Airbag System, Less Shift Interlock, with horn push only	AMR3579	1
3	Harness steering column	Change point - VIN begin MA081992, Change point - VIN end MA163103, (-)"J", Less Cruise Control	Rover Airbag System, Less Shift Interlock	AMR3580	1
		Change point - VIN begin MA081992, Change point - VIN end MA501919, (-)"J", With Cruise Control	Rover Airbag System, Less Shift Interlock	AMR3580	1
		Change point - VIN begin MA081992, Change point - VIN end MA163103, (-)"J", Less Cruise Control	Less Rover Airbag System, Shift Interlock	AMR3581	1
		Change point - VIN begin MA081992, Change point - VIN end MA501919, (-)"J", Less Cruise Control	Less Rover Airbag System, Shift Interlock	AMR3581	1
		Change point - VIN begin MA081992, Change point - VIN end MA163103, (-)"J", With Cruise Control	Rover Airbag System, Shift Interlock	AMR3582	1
		Change point - VIN begin MA081992, Change point - VIN end MA501919, (-)"J", With Cruise Control	Rover Airbag System, Shift Interlock	AMR3582	1
		Change point - VIN begin MA081992, Change point - VIN end MA163103, (+)"J"	Less Rover Airbag System	AMR3374	1
		Change point - VIN begin MA081992, Change point - VIN end MA501919, (+)"J"	Less Rover Airbag System	AMR3374	1
		Change point - VIN begin MA081992, Change point - VIN end MA163103		ANR3202	1
		Change point - VIN begin MA081992, Change point - VIN end MA501919		ANR3202	1
5	Bracket-steering column	Change point - VIN begin TA163104	without harness support	ANR5110	1



Body Electrics
Batteries & Harnesses
Harness-Body,Facia & Strg Column-From (V) MA081992 5/5

Discovery (FA393361-WA799999)

(CAMXCE1B)

Discovery (FA393361-WA799999)

Body Electrics
Batteries & Harnesses

Harness-Body,Facia & Strg Column-From (V) MA081992
Change point - VIN begin MA081992

Callout	Name	Application	Remarks & Restrictions	Service No.	Qty
5	Bracket-steering column	Change point - VIN begin TA501920	without harness support	ANR5110	1



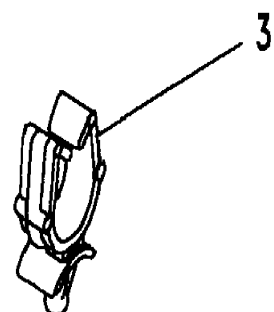
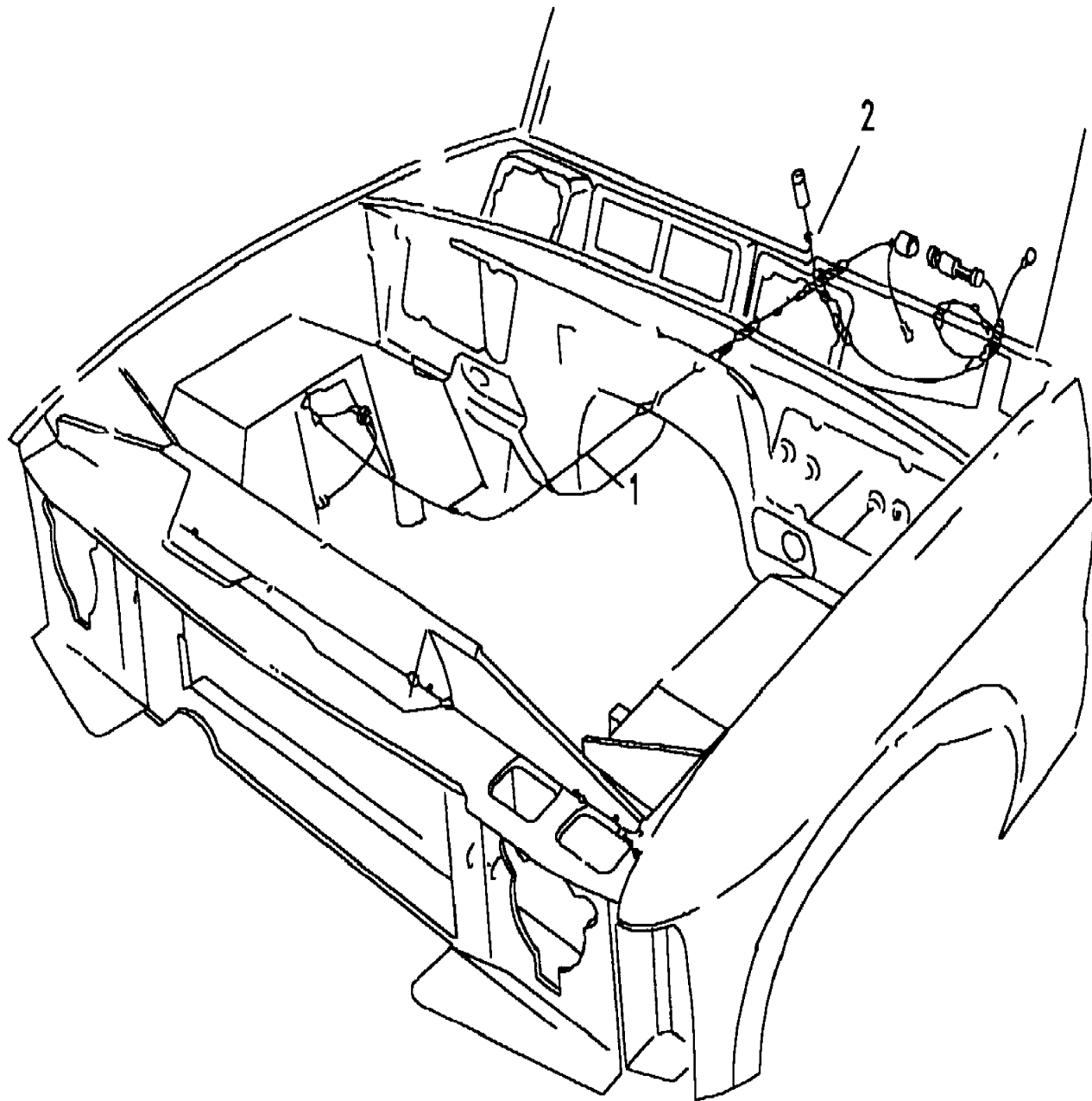
Body Electrics
 Batteries & Harnesses
 Harness-Brake Pad Wear 1/1

Discovery (FA393361-WA799999)
 (CAMXCF5A)

Discovery (FA393361-WA799999)

Body Electrics
 Batteries & Harnesses
 Harness-Brake Pad Wear

Callout	Name	Application	Remarks & Restrictions	Service No.	Qty
1	Harness-pad wear	Change point - VIN end JA034313	Front	PRC8211	1
		Change point - VIN begin KA034314	Front	AMR2299	1
2	Harness-pad wear		Rear	PRC8322	1
3	Clip-harness		14.5MM, 6.5mm hole	ADU8363L	2



Body Electrics
Batteries & Harnesses
Harness-Doors & 'A' Post-To (V) LA081991 1/1

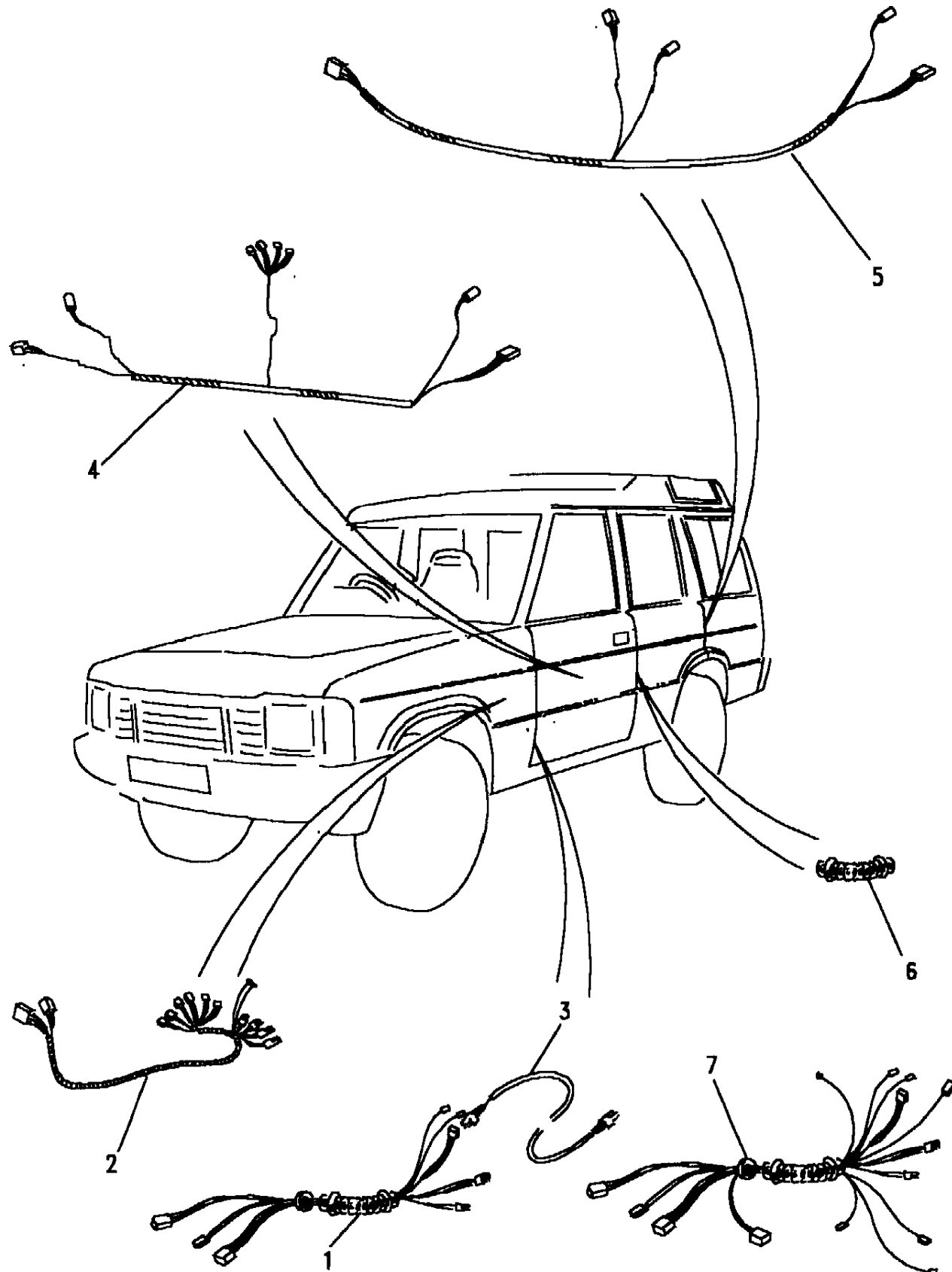
Discovery (FA393361-WA799999)
(CAMXCE2B)

Discovery (FA393361-WA799999)

Body Electrics
Batteries & Harnesses
Harness-Doors & 'A' Post-To (V) LA081991

Change point - VIN end LA081991

Callout	Name	Application	Remarks & Restrictions	Service No.	Qty
1	Harness-link	Change point - VIN end JA034313	A post	PRC6422	2
		Change point - VIN begin KA034314, Change point - VIN end LA081991	A post	AMR1101	2
2	Harness front door	Change point - VIN begin JA013672, With Central Locking System	Electric Door Mirrors, Electric Windows	PRC6425	1
		Change point - VIN begin JA013673, Change point - VIN end JA034313, With Central Locking System	Electric Door Mirrors, Electric Windows	PRC9604	1
		Change point - VIN begin KA034314, Change point - VIN end LA081991	Electric Windows	AMR1709	1
3	Harness-central door locking		Driver	PRC4719	1
			Passenger	PRC4721	1
4	Harness rear door			PRC9094	1
5	Harness rear door		LH	PRC8803	1
			RH	PRC8804	1
6	Grommet-convolute			MUC6521	2
7	Harness drivers door	Change point - VIN begin KA034314, Change point - VIN end LA081991, With Central Locking System, With Anti-Theft Alarm	Burglar Alarm, Electric Door Mirrors, Electric Windows	AMR2201	1
		Change point - VIN begin KA034314, Change point - VIN end LA081991, Less Anti-Theft Alarm	Less Burglar Alarm	PRC8973	1



Body Electrics
Batteries & Harnesses
Harness-Doors & Taildoor-From (V) MA081992 1/2

Discovery (FA393361-WA799999)

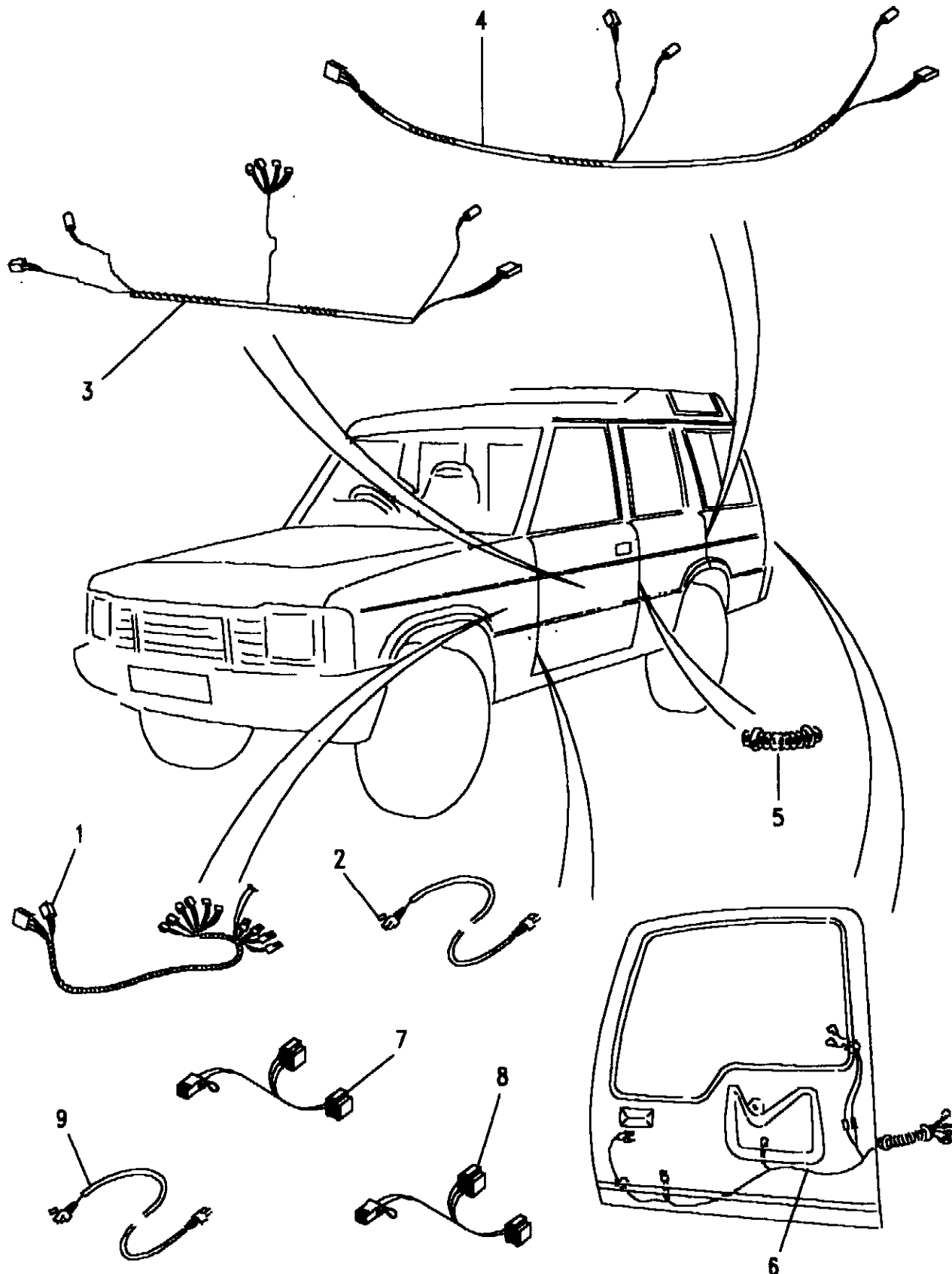
(CAMXCE1C)

Discovery (FA393361-WA799999)

Body Electrics
Batteries & Harnesses
Harness-Doors & Taildoor-From (V) MA081992

Change point - VIN begin MA081992

Callout	Name	Application	Remarks & Restrictions	Service No.	Qty
1	Harness front door	Change point - VIN begin MA081992, Change point - VIN end MA137189, Less Anti-Theft Alarm	Less Burglar Alarm, Driver	AMR3617	1
		Change point - VIN begin MA137190, Less Anti-Theft Alarm	Less Burglar Alarm, Driver	AMR4239	1
		Change point - VIN begin MA081992, Change point - VIN end MA137189, With Anti-Theft Alarm	Burglar Alarm, Driver	AMR3618	1
		Change point - VIN begin MA137190, With Anti-Theft Alarm	Burglar Alarm, Driver	AMR4240	1
		Change point - VIN begin MA081992, Change point - VIN end MA137189	Passenger	AMR3619	1
		Change point - VIN begin MA137190	Passenger	AMR4241	1
		2	Harness-supplementary audio system		
3	Harness rear door	Change point - VIN begin MA081992, Change point - VIN end MA163103	rear door service	AMR3638	1
		Change point - VIN begin MA081992, Change point - VIN end MA501919	rear door service	AMR3638	1
		Change point - VIN begin TA163104	rear door service	AMR5517	1
		Change point - VIN begin TA501920	rear door service	AMR5517	1
4	Harness rear door	Change point - VIN begin MA081992, Change point - VIN end MA137189	RH	AMR3639	1
		Change point - VIN begin MA137190	LH	AMR4243	1
		Change point - VIN begin MA081992, Change point - VIN end MA137189	LH	AMR3640	1
		Change point - VIN begin MA137190	RH	AMR4242	1
5	Grommet-convolute			MUC6521	2
6	Harness-rear end door	Change point - VIN begin MA081992, Change point - VIN end MA127226, With Low Line		AMR3566	1
		Change point - VIN begin MA127227, Change point - VIN end MA163103, With Low Line		AMR3864	1
		Change point - VIN begin MA127227, Change point - VIN end MA501919, With Low Line		AMR3864	1



Body Electrics
Batteries & Harnesses
Harness-Doors & Taildoor-From (V) MA081992 2/2

Discovery (FA393361-WA799999)

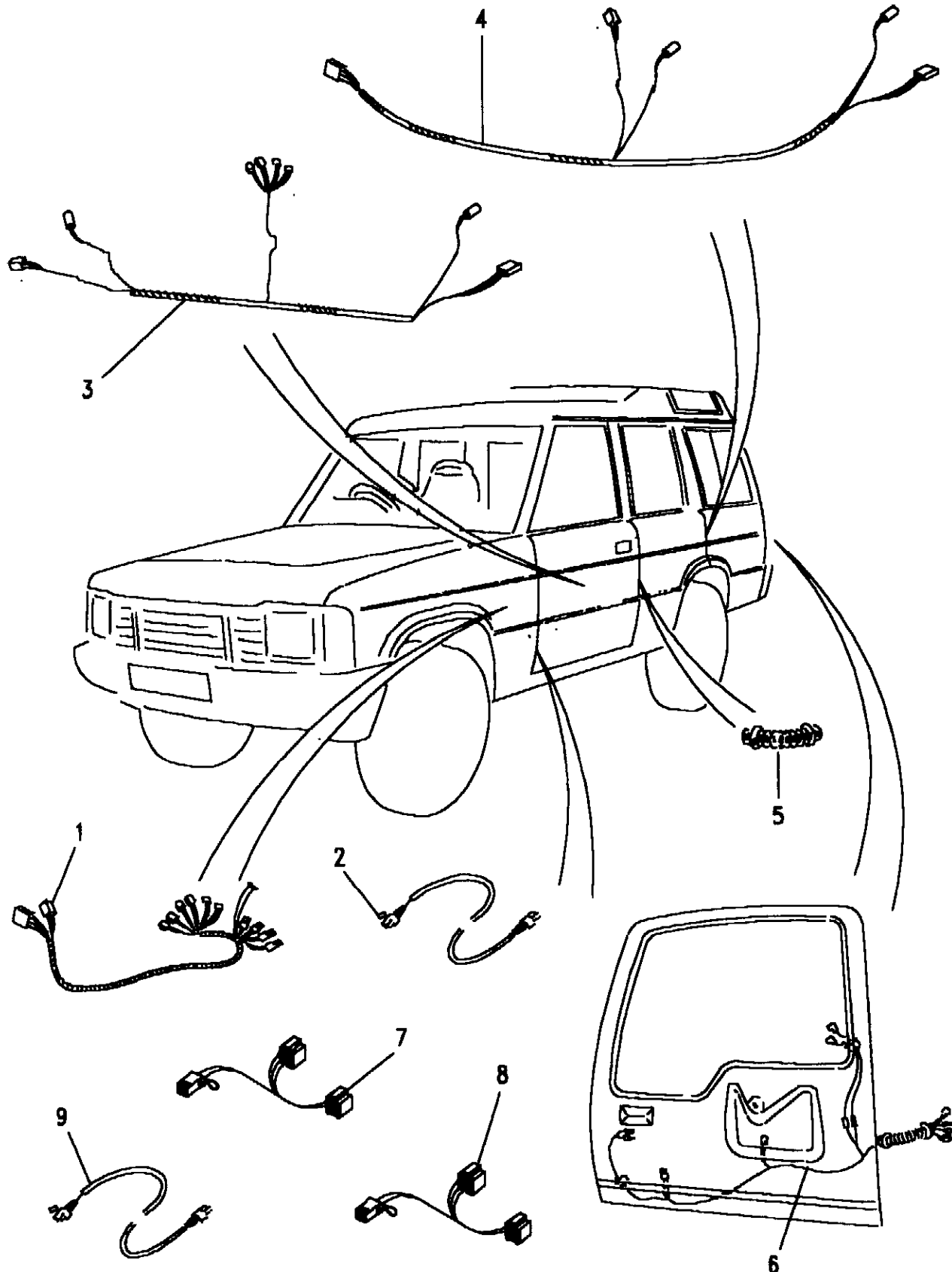
(CAMXCE1C)

Discovery (FA393361-WA799999)

Body Electrics
Batteries & Harnesses
Harness-Doors & Taildoor-From (V) MA081992

Change point - VIN begin MA081992

Callout	Name	Application	Remarks & Restrictions	Service No.	Qty
6	Harness-rear end door	Change point - VIN begin TA163104, Change point - VIN end WA746541, With Low Line		AMR5438	1
		Change point - VIN begin TA501920, Change point - VIN end WA746541, With Low Line		AMR5438	1
		Change point - VIN begin WA746542, With Low Line		YMN102120	1
		Change point - VIN begin MA081992, Change point - VIN end MA127226, With High Line		AMR3567	1
		Change point - VIN begin MA127227, Change point - VIN end MA163103, With High Line		AMR3865	1
		Change point - VIN begin MA127227, Change point - VIN end MA501919, With High Line		AMR3865	1
		Change point - VIN begin TA163104, Change point - VIN end WA746541, With High Line		AMR5439	1
		Change point - VIN begin TA501920, Change point - VIN end WA746541, With High Line		AMR5439	1
		Change point - VIN begin WA746542, With High Line		YMN102130	1
		7	Harness-link-heated rear window		
8	Harness-link-heated rear window/high mounted stop lamp			AMR3332	1
9	Harness-link			AMR3641	1
[900]	Cable-wiper motor	Change point - VIN begin MA081991	rear end door	STC1825	1
[901]	Clip-cable		8mm hole	AFU1090L	1
[902]	Tie-cable		Also serviced as part of a kit, Black, inside serated, 3.5 x 150mm	UKC6684L	1



Body Electrics
Batteries & Harnesses
Engine Harness 1/4

Discovery (FA393361-WA799999)

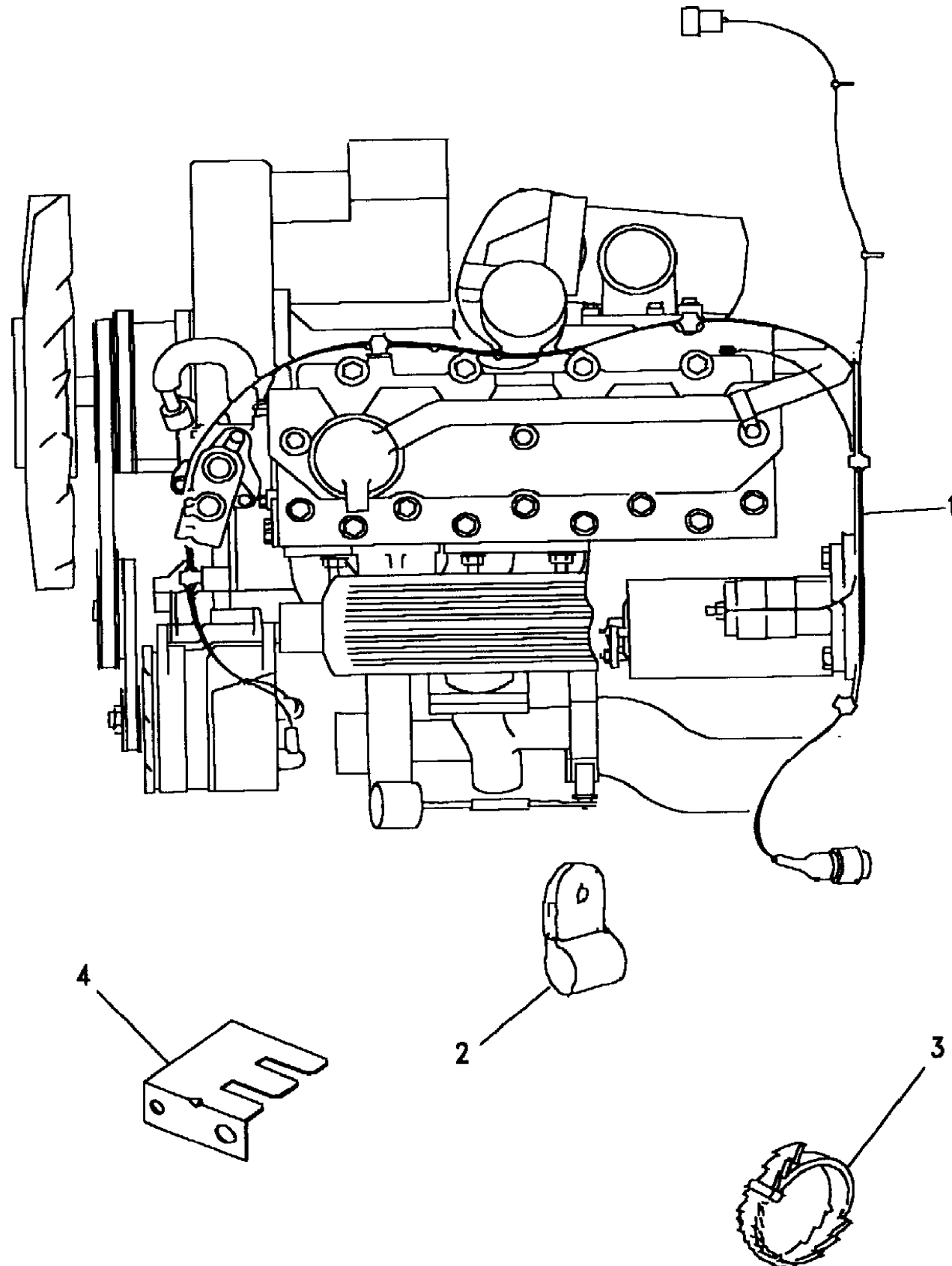
(CAMXCF3B)

Discovery (FA393361-WA799999)

Body Electrics
Batteries & Harnesses
Engine Harness

Change point - VIN begin MA081992, TDi Diesel

Callout	Name	Application	Remarks & Restrictions	Service No.	Qty
1	Harness Engine	Change point - VIN begin VA534104, 2.5L I4 TDi Turbo Diesel, Less Air Conditioning	Engine Code 18L 2.5 TDI GEM 111 Manual, Engine Code 20L 2.5 TDI GEM 111 Auto	AMR6109	1
		Change point - VIN begin VA703237, 2.5L I4 TDi Turbo Diesel, Less Air Conditioning	Engine Code 18L 2.5 TDI GEM 111 Manual, Engine Code 20L 2.5 TDI GEM 111 Auto	AMR6109	1
		Change point - VIN begin VA534104, 2.5L I4 TDi Turbo Diesel, With Air Conditioning	Engine Code 18L 2.5 TDI GEM 111 Manual, Engine Code 20L 2.5 TDI GEM 111 Auto	AMR6110	1
		Change point - VIN begin VA703237, 2.5L I4 TDi Turbo Diesel, With Air Conditioning	Engine Code 18L 2.5 TDI GEM 111 Manual, Engine Code 20L 2.5 TDI GEM 111 Auto	AMR6110	1
		Change point - VIN begin VA534104, 2.5L I4 TDi Turbo Diesel, Less Air Conditioning	Engine Code 21L 2.5 TDI GEM 111 Electronic EGR, Engine Code 22L 2.5 TDI GEM 111 Electronic EGR	AMR5555	1
		Change point - VIN begin VA703237, 2.5L I4 TDi Turbo Diesel, Less Air Conditioning	Engine Code 21L 2.5 TDI GEM 111 Electronic EGR, Engine Code 22L 2.5 TDI GEM 111 Electronic EGR	AMR5555	1
		Change point - VIN begin VA534104, 2.5L I4 TDi Turbo Diesel, With Air Conditioning	Engine Code 21L 2.5 TDI GEM 111 Electronic EGR, Engine Code 22L 2.5 TDI GEM 111 Electronic EGR	AMR5556	1
		Change point - VIN begin VA703237, 2.5L I4 TDi Turbo Diesel, With Air Conditioning	Engine Code 21L 2.5 TDI GEM 111 Electronic EGR, Engine Code 22L 2.5 TDI GEM 111 Electronic EGR	AMR5556	1
		Change point - VIN begin VA534104, Change point - VIN end WA746541, 2.5L I4 TDi Turbo Diesel, Less Air Conditioning	Engine Code 17L 2.5 TDI GEM 111 EDC Electronic, Engine Code 19L 2.5 TDI GEM 111 Auto	AMR5683	1
		Change point - VIN end WA746541, Change point - VIN begin VA703237, 2.5L I4 TDi Turbo Diesel, Less Air Conditioning	Engine Code 17L 2.5 TDI GEM 111 EDC Electronic, Engine Code 19L 2.5 TDI GEM 111 Auto	AMR5683	1
		Change point - VIN begin WA746542, 2.5L I4 TDi Turbo Diesel, Less Air Conditioning	Engine Code 17L 2.5 TDI GEM 111 EDC Electronic, Engine Code 19L 2.5 TDI GEM 111 Auto	YSB105780	1
		Change point - VIN begin VA534104, Change point - VIN end WA746541, 2.5L I4 TDi Turbo Diesel, With Air Conditioning	Engine Code 17L 2.5 TDI GEM 111 EDC Electronic, Engine Code 19L 2.5 TDI GEM 111 Auto	AMR5684	1
		Change point - VIN end WA746541, Change point - VIN begin VA703237, 2.5L I4 TDi Turbo Diesel, With Air Conditioning	Engine Code 17L 2.5 TDI GEM 111 EDC Electronic, Engine Code 19L 2.5 TDI GEM 111 Auto	AMR5684	1
		Change point - VIN begin WA746542, 2.5L I4 TDi Turbo Diesel, With Air Conditioning	Engine Code 17L 2.5 TDI GEM 111 EDC Electronic, Engine Code 19L 2.5 TDI GEM 111 Auto	YSB105790	1



Body Electrics
Batteries & Harnesses
Engine Harness 2/4

Discovery (FA393361-WA799999)

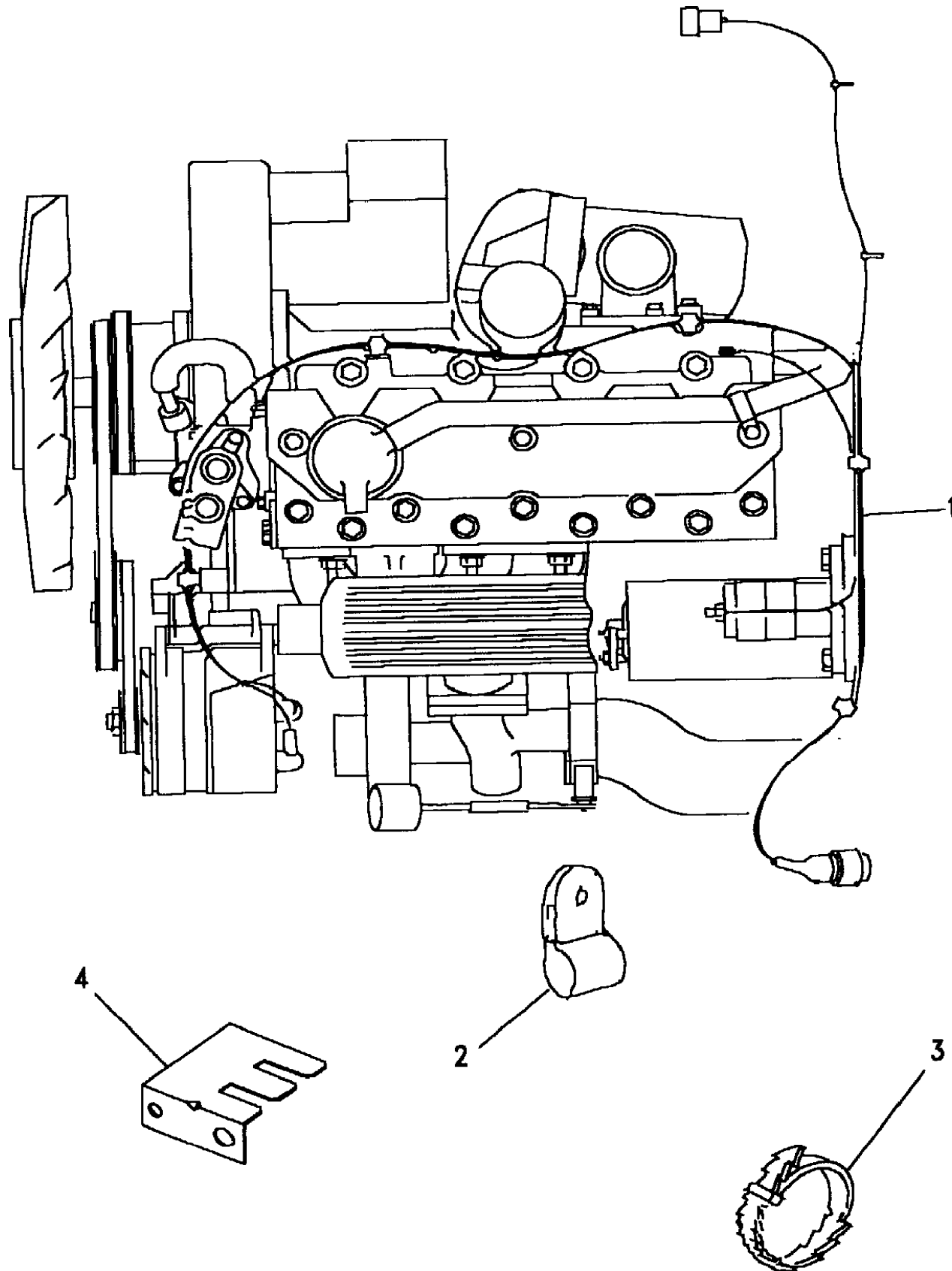
(CAMXCF3B)

Discovery (FA393361-WA799999)

Body Electrics
Batteries & Harnesses
Engine Harness

Change point - VIN begin MA081992, TDi Diesel

Callout	Name	Application	Remarks & Restrictions	Service No.	Qty
1	Harness Engine	Change point - VIN begin TA163104, 2.5L I4 TDi Turbo Diesel, EGR, Less Air Conditioning	Engine Code 21L 2.5 TDI GEM 111 Electronic EGR, Engine Code 22L 2.5 TDI GEM 111 Electronic EGR	AMR4721	1
		Change point - VIN begin TA501920, 2.5L I4 TDi Turbo Diesel, EGR, Less Air Conditioning	Engine Code 21L 2.5 TDI GEM 111 Electronic EGR, Engine Code 22L 2.5 TDI GEM 111 Electronic EGR	AMR4721	1
		Change point - VIN begin TA163104, 2.5L I4 TDi Turbo Diesel, EGR, With Air Conditioning	Engine Code 21L 2.5 TDI GEM 111 Electronic EGR, Engine Code 22L 2.5 TDI GEM 111 Electronic EGR	AMR4722	1
		Change point - VIN begin TA501920, 2.5L I4 TDi Turbo Diesel, EGR, With Air Conditioning	Engine Code 21L 2.5 TDI GEM 111 Electronic EGR, Engine Code 22L 2.5 TDI GEM 111 Electronic EGR	AMR4722	1
		Change point - VIN begin TA163104, 2.5L I4 TDi Turbo Diesel, EDC, Less Air Conditioning	Engine Code 17L 2.5 TDI GEM 111 EDC Electronic, Engine Code 19L 2.5 TDI GEM 111 Auto	AMR4234	1
		Change point - VIN begin TA501920, 2.5L I4 TDi Turbo Diesel, EDC, Less Air Conditioning	Engine Code 17L 2.5 TDI GEM 111 EDC Electronic, Engine Code 19L 2.5 TDI GEM 111 Auto	AMR4234	1
		Change point - VIN begin TA163104, 2.5L I4 TDi Turbo Diesel, EDC, With Air Conditioning	Engine Code 17L 2.5 TDI GEM 111 EDC Electronic, Engine Code 19L 2.5 TDI GEM 111 Auto	AMR4220	1
		Change point - VIN begin TA501920, 2.5L I4 TDi Turbo Diesel, EDC, With Air Conditioning	Engine Code 17L 2.5 TDI GEM 111 EDC Electronic, Engine Code 19L 2.5 TDI GEM 111 Auto	AMR4220	1
		Change point - VIN begin MA081992, Change point - VIN end MA163103, 2.5L I4 TDi Turbo Diesel, With Air Conditioning	Engine Code 18L 2.5 TDI GEM 111 Manual, Engine Code 20L 2.5 TDI GEM 111 Auto	AMR3632	1
		Change point - VIN begin MA081992, Change point - VIN end MA501919, 2.5L I4 TDi Turbo Diesel, With Air Conditioning	Engine Code 18L 2.5 TDI GEM 111 Manual, Engine Code 20L 2.5 TDI GEM 111 Auto	AMR3632	1
		Change point - VIN begin MA081992, Change point - VIN end MA163103, 2.5L I4 TDi Turbo Diesel, Less Air Conditioning	Engine Code 21L 2.5 TDI GEM 111 Electronic EGR, Engine Code 22L 2.5 TDI GEM 111 Electronic EGR	AMR3633	1
		Change point - VIN begin MA081992, Change point - VIN end MA501919, 2.5L I4 TDi Turbo Diesel, Less Air Conditioning	Engine Code 21L 2.5 TDI GEM 111 Electronic EGR, Engine Code 22L 2.5 TDI GEM 111 Electronic EGR	AMR3633	1
		Change point - VIN begin MA081992, Change point - VIN end MA106103, 2.5L I4 TDi Turbo Diesel, With Air Conditioning	Engine Code 21L 2.5 TDI GEM 111 Electronic EGR, Engine Code 22L 2.5 TDI GEM 111 Electronic EGR	AMR3634	1
		Change point - VIN begin MA081992, Change point - VIN end MA501919, 2.5L I4 TDi Turbo Diesel, With Air Conditioning	Engine Code 21L 2.5 TDI GEM 111 Electronic EGR, Engine Code 22L 2.5 TDI GEM 111 Electronic EGR	AMR3634	1



Body Electrics
Batteries & Harnesses
Engine Harness 3/4

Discovery (FA393361-WA799999)

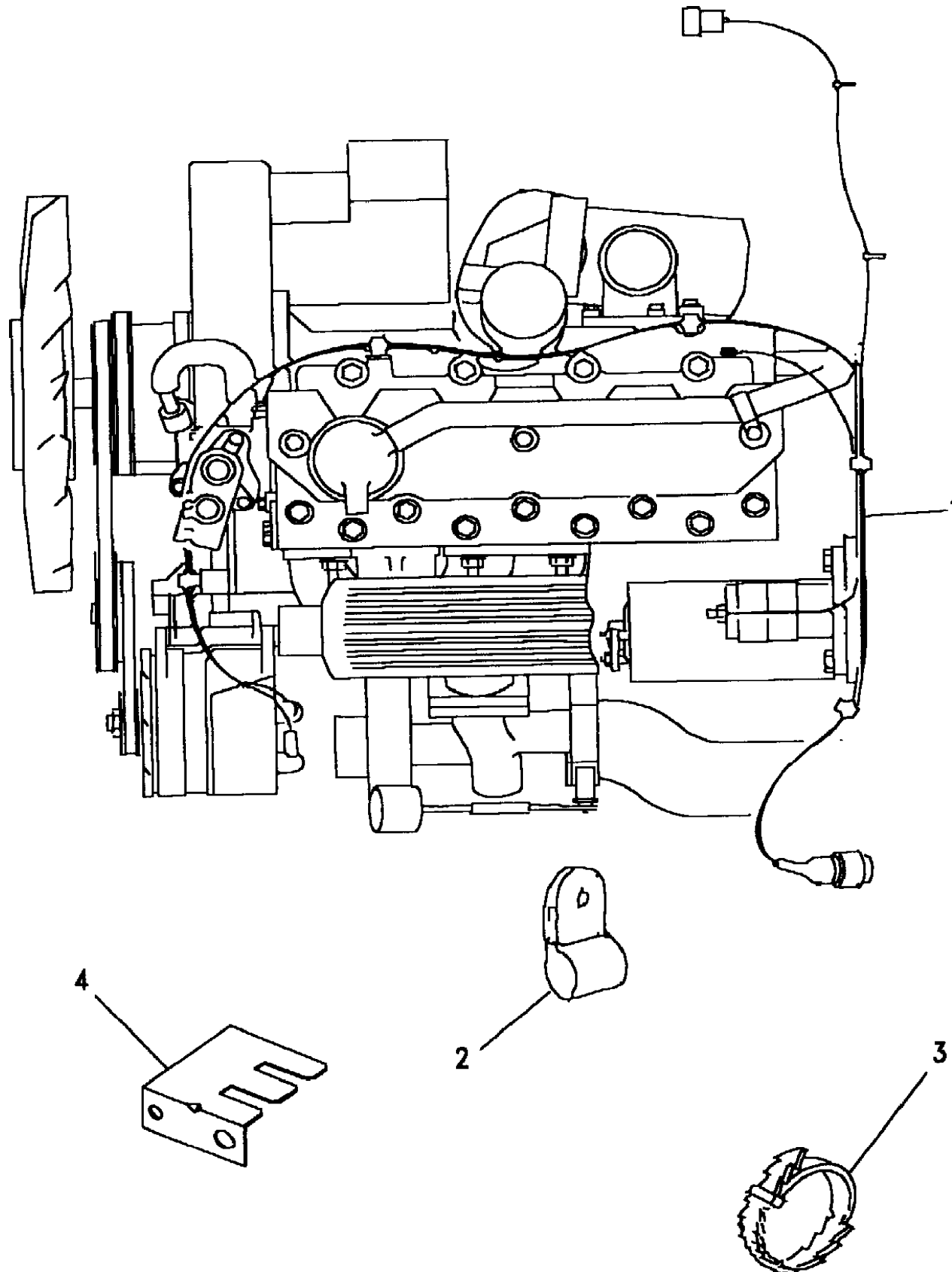
(CAMXCF3B)

Discovery (FA393361-WA799999)

Body Electrics
Batteries & Harnesses
Engine Harness

Change point - VIN begin MA081992, TDi Diesel

Callout	Name	Application	Remarks & Restrictions	Service No.	Qty
1	Harness Engine	Change point - VIN begin MA081992, Change point - VIN end MA106103, 2.5L I4 TDi Turbo Diesel, Less Air Conditioning	Engine Code 17L 2.5 TDI GEM 111 EDC Electronic, Engine Code 19L 2.5 TDI GEM 111 Auto	AMR4225	1
		Change point - VIN begin MA081992, Change point - VIN end MA501919, 2.5L I4 TDi Turbo Diesel, Less Air Conditioning	Engine Code 17L 2.5 TDI GEM 111 EDC Electronic, Engine Code 19L 2.5 TDI GEM 111 Auto	AMR4225	1
		Change point - VIN begin MA081992, Change point - VIN end MA163103, 2.5L I4 TDi Turbo Diesel, With Air Conditioning	Engine Code 17L 2.5 TDI GEM 111 EDC Electronic, Engine Code 19L 2.5 TDI GEM 111 Auto	AMR4226	1
		Change point - VIN begin MA081992, Change point - VIN end MA501919, 2.5L I4 TDi Turbo Diesel, With Air Conditioning	Engine Code 17L 2.5 TDI GEM 111 EDC Electronic, Engine Code 19L 2.5 TDI GEM 111 Auto	AMR4226	1
		Change point - VIN begin TA163104, 2.5L I4 TDi Turbo Diesel, Less Air Conditioning	Engine Code 18L 2.5 TDI GEM 111 Manual, Engine Code 20L 2.5 TDI GEM 111 Auto	AMR4719	1
		Change point - VIN begin TA501919, 2.5L I4 TDi Turbo Diesel, Less Air Conditioning	Engine Code 18L 2.5 TDI GEM 111 Manual, Engine Code 20L 2.5 TDI GEM 111 Auto	AMR4719	1
		Change point - VIN begin TA163104, 2.5L I4 TDi Turbo Diesel, With Air Conditioning	Engine Code 18L 2.5 TDI GEM 111 Manual, Engine Code 20L 2.5 TDI GEM 111 Auto	AMR4720	1
		Change point - VIN begin TA501919, 2.5L I4 TDi Turbo Diesel, With Air Conditioning	Engine Code 18L 2.5 TDI GEM 111 Manual, Engine Code 20L 2.5 TDI GEM 111 Auto	AMR4720	1
		Change point - VIN begin MA081992, Change point - VIN end MA163103, 2.5L I4 TDi Turbo Diesel, Less Air Conditioning	Engine Code 18L 2.5 TDI GEM 111 Manual, Engine Code 20L 2.5 TDI GEM 111 Auto	AMR3631	1
		Change point - VIN begin MA081992, Change point - VIN end MA501919, 2.5L I4 TDi Turbo Diesel, Less Air Conditioning	Engine Code 18L 2.5 TDI GEM 111 Manual, Engine Code 20L 2.5 TDI GEM 111 Auto	AMR3631	1
		Change point - VIN begin MA081992, Change point - VIN end WA799999, 2.5L TDi Diesel		50641	1
		Change point - VIN begin MA081992, Change point - VIN end WA799999, 2.5L TDi Diesel	fir tree, Black, 3.5 x 150mm	UKC6684L	3
		Change point - VIN begin MA081992, Change point - VIN end TA703236	for EDC engine harness	AMR2606	1



Body Electrics
Batteries & Harnesses
Engine Harness 4/4

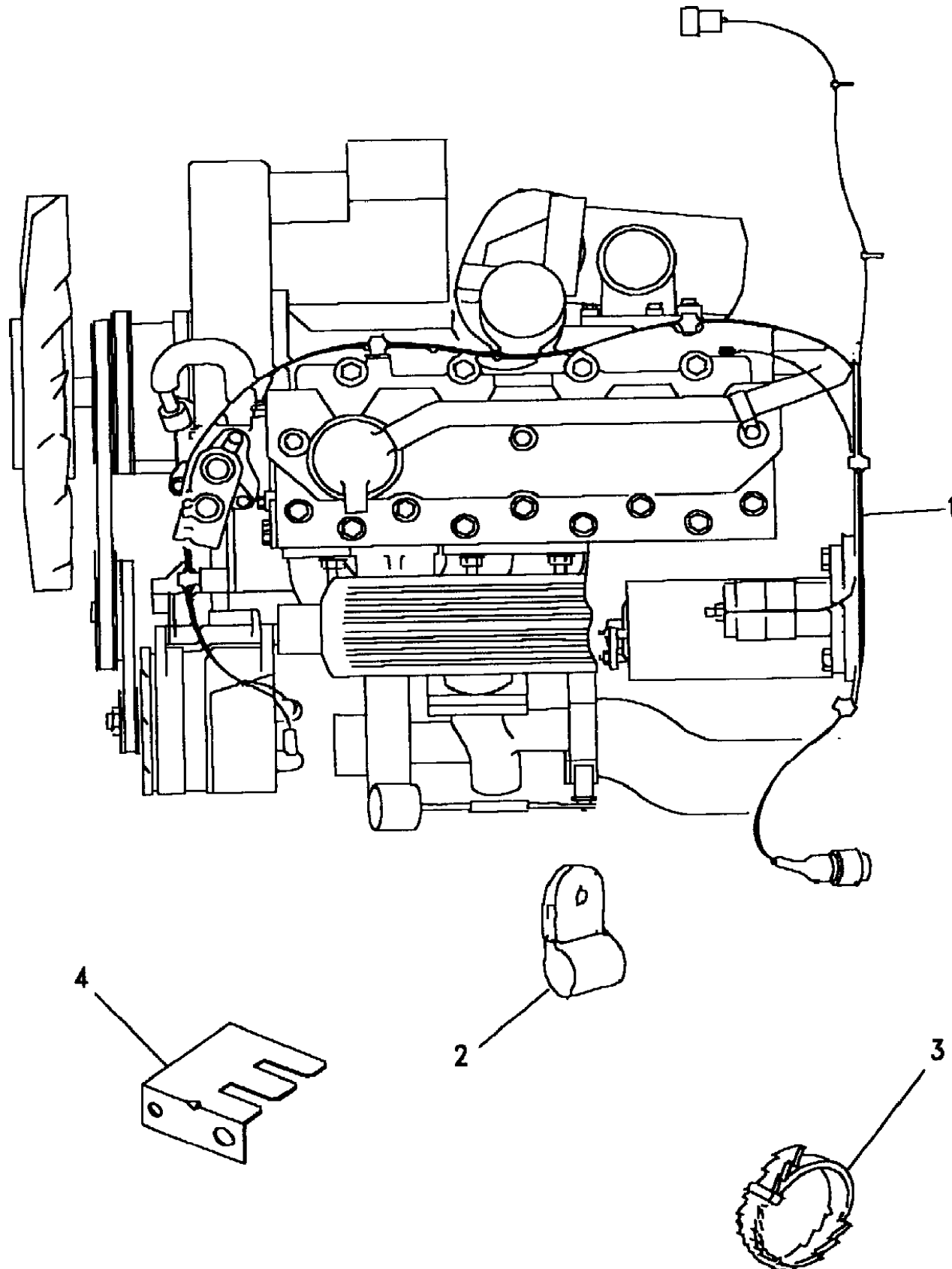
Discovery (FA393361-WA799999)
(CAMXCF3B)

Discovery (FA393361-WA799999)

Body Electrics
Batteries & Harnesses
Engine Harness

Change point - VIN begin MA081992, TDi Diesel

Callout	Name	Application	Remarks & Restrictions	Service No.	Qty
4	Bracket Mounting	Change point - VIN begin MA081992, Change point - VIN end TA534103	for EDC engine harness	AMR2606	1
		Change point - VIN begin VA534104	for EDC engine harness	AMR6305	1
		Change point - VIN begin VA703237	for EDC engine harness	AMR6305	1



Body Electrics
Batteries & Harnesses
Engine Harness 1/1

Discovery (FA393361-WA799999)

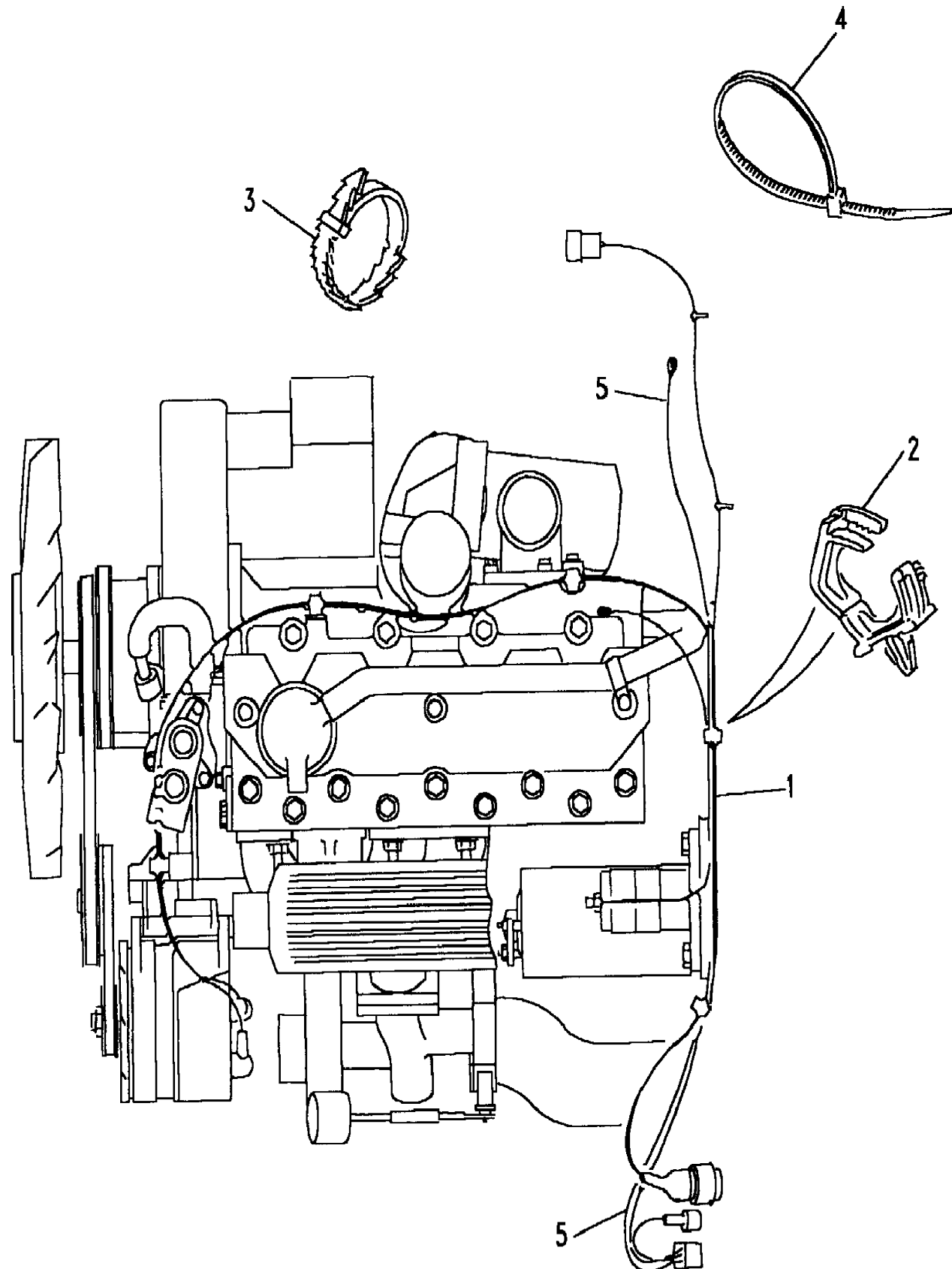
(CAMXCF2A)

Discovery (FA393361-WA799999)

Body Electrics
Batteries & Harnesses
Engine Harness

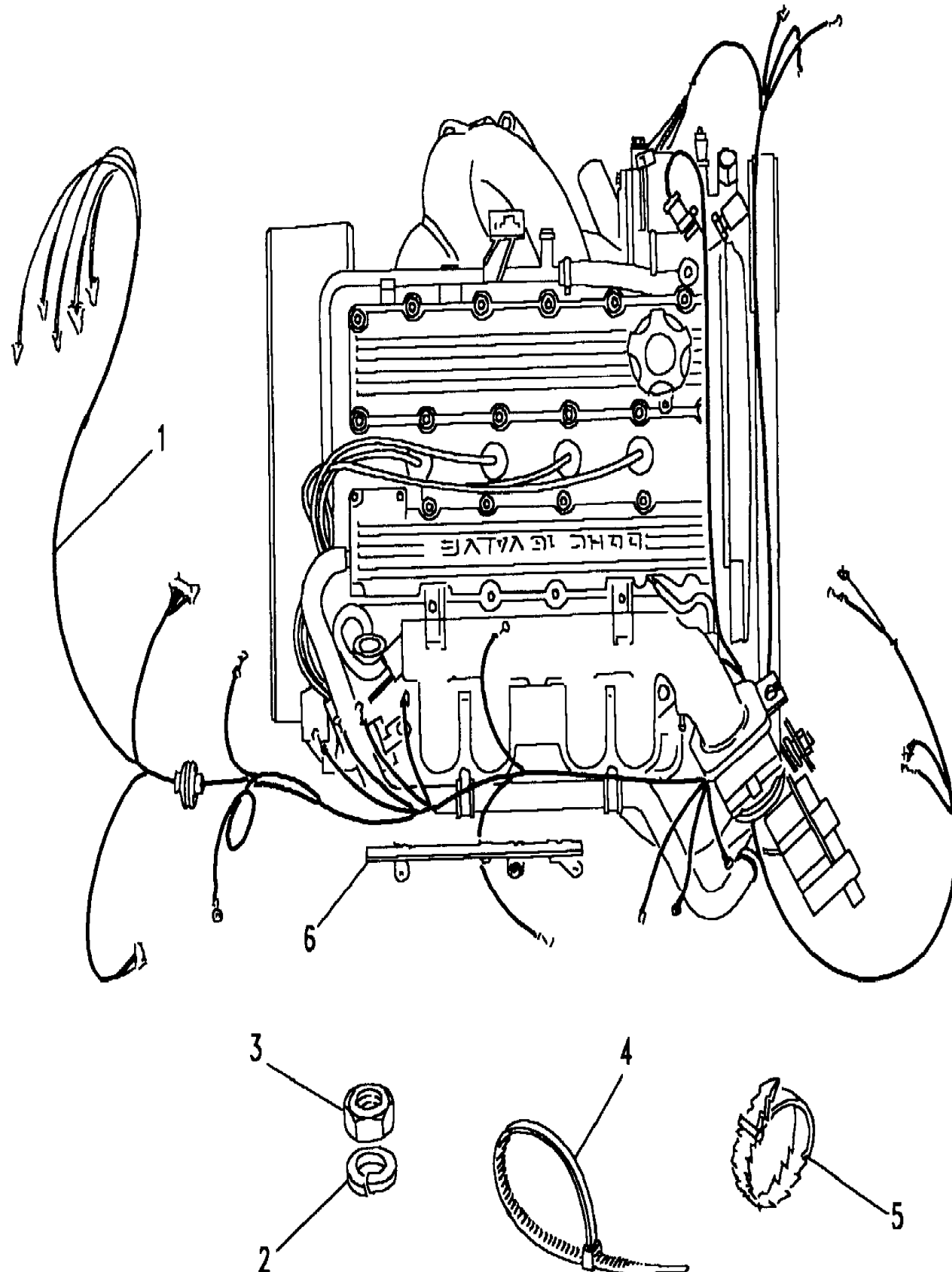
Change point - VIN end LA081991, 4 Cylinder TDi Diesel

Callout	Name	Application	Remarks & Restrictions	Service No.	Qty
1	Harness Engine	Change point - VIN end JA018174, 2.5L TDi Diesel		PRC8088	1
		Change point - VIN begin JA018175, Change point - VIN end JA034313, 2.5L TDi Diesel		AMR1055	1
		Change point - VIN begin KA034314, Change point - VIN end KA052770, 2.5L TDi Diesel		PRC9543	1
		Change point - VIN begin KA052771, Change point - VIN end LA081991, 2.5L TDi Diesel		AMR3065	1
2	Clip-pivot-snap	Change point - VIN end LA081991, 2.5L TDi Diesel	Grey, 13-17mm, 7mm hole	DBP8169L	5
3	Tie-cable	Change point - VIN end LA081991, 2.5L TDi Diesel	fir tree, Also serviced as part of a kit, Black, inside serated, 3.5 x 150mm	UKC6684L	2
4	Tie-cable	Change point - VIN end LA081991, 2.5L TDi Diesel	4.8 x 270mm, inside serated	568680	2
5	Cable-heater plug ignition	Change point - VIN end JA034313, 2.5L TDi Diesel, RHD		PRC7284	1
		Change point - VIN end JA034313, 2.5L TDi Diesel, LHD		PRC7285	1
		Change point - VIN begin KA034314, Change point - VIN end LA081991, 2.5L TDi Diesel, RHD		PRC9544	1
		Change point - VIN begin KA034314, Change point - VIN end LA081991, 2.5L TDi Diesel, LHD		PRC9542	1



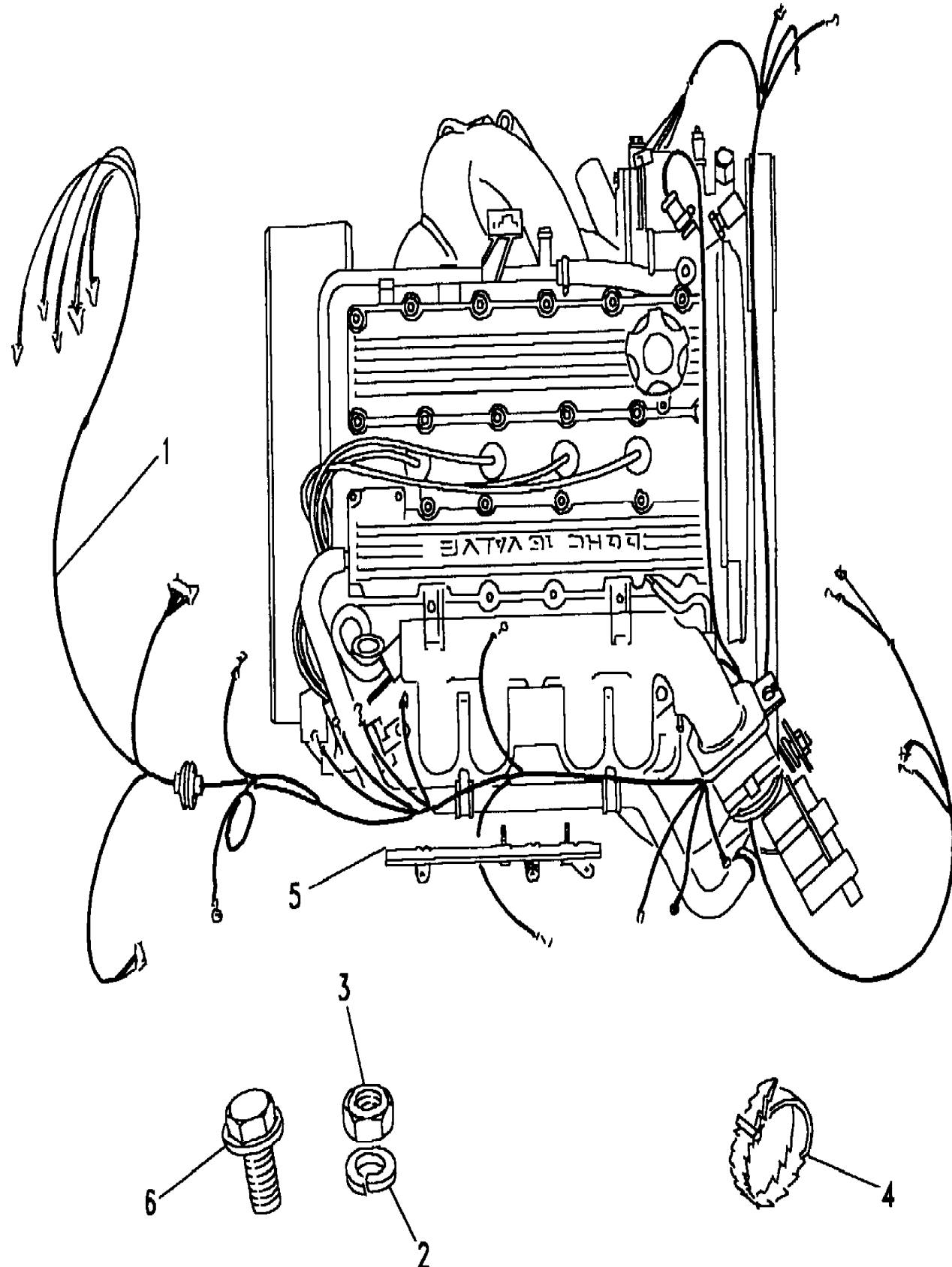
Change point - VIN begin MA081992, 4 Cylinder MPi T Series Petrol

Callout	Name	Application	Remarks & Restrictions	Service No.	Qty
1	Harness Engine	Change point - VIN begin MA081992, Change point - VIN end MA501919, 2.0L 4 Cyl MPi Petrol, Less Air Conditioning	Please Refer To Preface For Further Information	AMR3628	1
		Change point - VIN begin MA081992, Change point - VIN end MA163103, 2.0L 4 Cyl MPi Petrol, Less Air Conditioning	Please Refer To Preface For Further Information	AMR3628	1
		Change point - VIN begin TA163104, 2.0L 4 Cyl MPi Petrol, Less Air Conditioning	Please Refer To Preface For Further Information	AMR4716	1
		Change point - VIN begin TA501919, 2.0L 4 Cyl MPi Petrol, Less Air Conditioning	Please Refer To Preface For Further Information	AMR4716	1
		Change point - VIN begin MA081992, Change point - VIN end MA163103, 2.0L 4 Cyl MPi Petrol, With Air Conditioning	Please Refer To Preface For Further Information	AMR3629	1
		Change point - VIN begin MA081992, Change point - VIN end MA501919, 2.0L 4 Cyl MPi Petrol, With Air Conditioning	Please Refer To Preface For Further Information	AMR3629	1
		Change point - VIN begin TA163104, 2.0L 4 Cyl MPi Petrol, With Air Conditioning	Please Refer To Preface For Further Information	AMR4717	1
		Change point - VIN begin TA501919, 2.0L 4 Cyl MPi Petrol, With Air Conditioning	Please Refer To Preface For Further Information	AMR4717	1
		Change point - VIN begin MA081992, 2.0L MPi Petrol	fixing bracket, M6, sprung	WL106001L	1
		Change point - VIN begin MA081992, 2.0L MPi Petrol	fixing bracket, M6, nyloc, Hexagonal	NH106041L	1
		Change point - VIN begin MA081992, 2.0L MPi Petrol	4.8 x 270mm, inside serated	568680	5
		Change point - VIN begin MA081992, 2.0L MPi Petrol	inside serated, 4.6 x 385mm, White.	594594	1
		Change point - VIN begin MA081992, 2.0L MPi Petrol		AMR2930	1



Change point - VIN end LA081991, 4 Cylinder MPi T Series Petrol

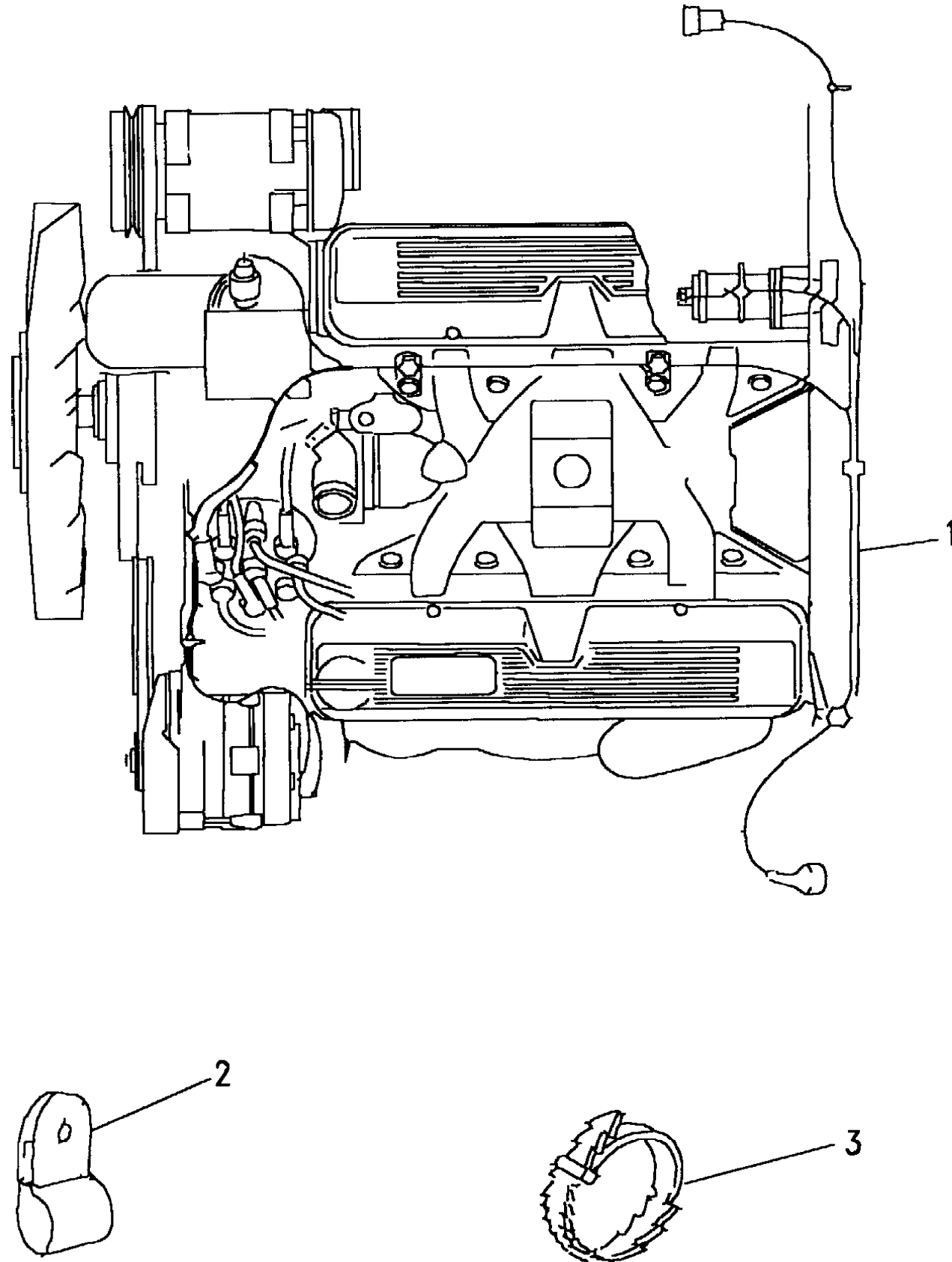
Callout	Name	Application	Remarks & Restrictions	Service No.	Qty
1	Harness Engine	Change point - VIN end JA055568, 2.0L 4 Cyl MPi Petrol		AMR2082	1
		Change point - VIN begin KA055569, Change point - VIN end LA081991, 2.0L 4 Cyl MPi Petrol, Less Air Conditioning		AMR2886	1
		Change point - VIN begin KA055569, Change point - VIN end LA081991, 2.0L 4 Cyl MPi Petrol, With Air Conditioning		AMR2082	1
2	Washer	Change point - VIN end LA081991, 2.0L MPi Petrol	M6, sprung	WL106001L	1
3	Nut - Hex.	Change point - VIN end LA081991, 2.0L MPi Petrol	M6, nyloc, Hexagonal	NH106041L	1
4	Tie-cable	Change point - VIN end LA081991, 2.0L MPi Petrol	Also serviced as part of a kit, Black, inside serated, 3.5 x 150mm	UKC6684L	4
5	Bracket-harness protector	Change point - VIN begin KA055569, Change point - VIN end LA081991, 2.0L MPi Petrol		AMR2294	1
6	Screw-flanged head	Change point - VIN begin KA055569, Change point - VIN end LA081991, 2.0L MPi Petrol	M6 x 10	FS106101L	3



Body Electrics
Batteries & Harnesses
Engine Harness 1/3

Discovery (FA393361-WA799999)

(CAMXCF1B)



Discovery (FA393361-WA799999)

Body Electrics
Batteries & Harnesses
Engine Harness

Change point - VIN begin MA081992, Change point - VIN begin MA081992, Change point - VIN begin MA081992, Petrol V8 L/R EFI, V8 EFI Petrol, V8 Twin Carb L/R Petrol

Callout	Name	Application	Remarks & Restrictions	Service No.	Qty
1	Harness Engine	Change point - VIN begin TA163104, V8 Petrol, Less Air Conditioning, Less Catalyst	Please Refer To Preface For Further Information	AMR4712	1
		Change point - VIN begin TA501920, V8 Petrol, Less Air Conditioning, Less Catalyst	Please Refer To Preface For Further Information	AMR4712	1
		Change point - VIN begin TA163104, V8 Petrol, Less Air Conditioning, With Catalyst	Please Refer To Preface For Further Information	AMR4711	1
		Change point - VIN begin TA501920, V8 Petrol, Less Air Conditioning, With Catalyst	Please Refer To Preface For Further Information	AMR4711	1
		Change point - VIN begin TA163104, V8 Petrol, With Air Conditioning, Less Catalyst	Please Refer To Preface For Further Information	AMR4714	1
		Change point - VIN begin TA501920, V8 Petrol, With Air Conditioning, Less Catalyst	Please Refer To Preface For Further Information	AMR4714	1
		Change point - VIN begin TA163104, V8 Petrol, With Air Conditioning, With Catalyst	Please Refer To Preface For Further Information	AMR4713	1
		Change point - VIN begin TA501920, V8 Petrol, With Air Conditioning, With Catalyst	Please Refer To Preface For Further Information	AMR4713	1
		Change point - VIN begin MA081992, Change point - VIN end MA093018, V8 Petrol, Less Air Conditioning, Less Catalyst		AMR3623	1
		Change point - VIN begin MA093019, Change point - VIN end MA112624, V8 Petrol, Less Air Conditioning, Less Catalyst		AMR3950	1
		Change point - VIN begin MA112625, Change point - VIN end MA163103, V8 Petrol, Less Air Conditioning, Less Catalyst	Please Refer To Preface For Further Information	AMR4254	1
		Change point - VIN begin MA112625, Change point - VIN end MA501919, V8 Petrol, Less Air Conditioning, Less Catalyst	Please Refer To Preface For Further Information	AMR4254	1

Body Electrics
Batteries & Harnesses
Engine Harness 2/3

Discovery (FA393361-WA799999)

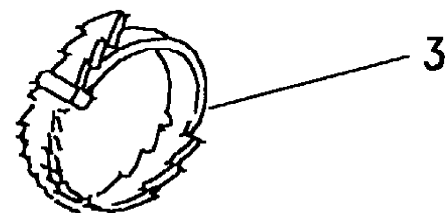
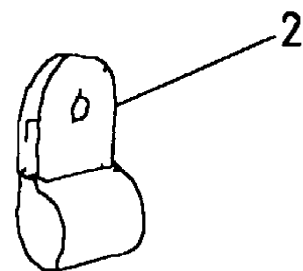
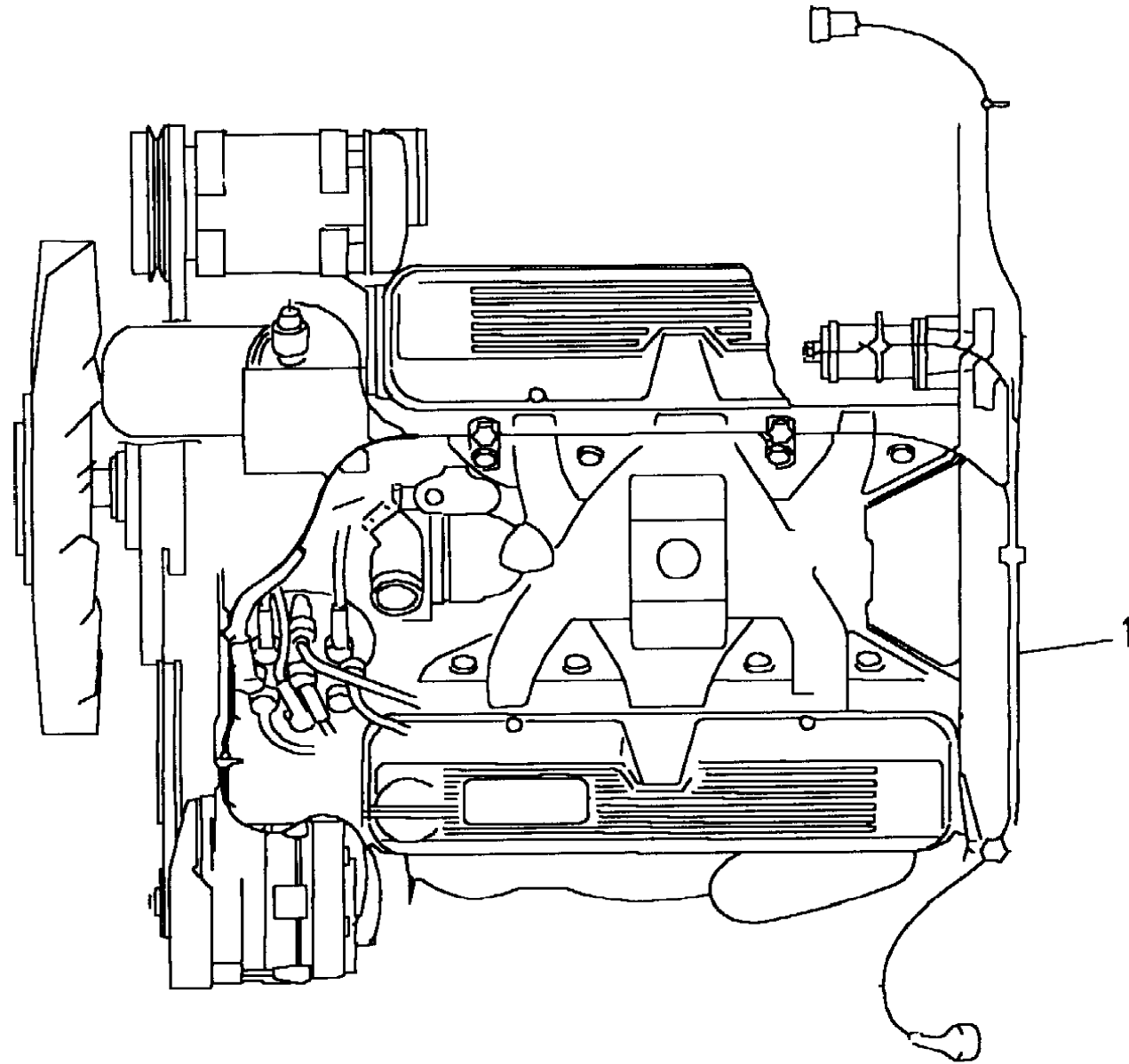
(CAMXCF1B)

Discovery (FA393361-WA799999)

Body Electrics
Batteries & Harnesses
Engine Harness

Change point - VIN begin MA081992, Change point - VIN begin MA081992, Change point - VIN begin MA081992, Petrol V8 L/R EFI, V8 EFI Petrol, V8 Twin Carb L/R Petrol

Callout	Name	Application	Remarks & Restrictions	Service No.	Qty
1	Harness Engine	Change point - VIN begin MA081992, Change point - VIN end MA093018, V8 Petrol, Less Air Conditioning, With Catalyst		AMR3622	1
		Change point - VIN begin MA093019, Change point - VIN end MA112624, V8 Petrol, Less Air Conditioning, With Catalyst		AMR3949	1
		Change point - VIN begin MA112625, Change point - VIN end MA163103, V8 Petrol, Less Air Conditioning, With Catalyst	Please Refer To Preface For Further Information	AMR4253	1
		Change point - VIN begin MA112625, Change point - VIN end MA501919, V8 Petrol, Less Air Conditioning, With Catalyst	Please Refer To Preface For Further Information	AMR4253	1
		Change point - VIN begin MA081992, Change point - VIN end MA093018, V8 Petrol, With Air Conditioning, Less Catalyst		AMR3625	1
		Change point - VIN begin MA093019, Change point - VIN end MA112624, V8 Petrol, With Air Conditioning, Less Catalyst		AMR3952	1
		Change point - VIN begin MA112807, Change point - VIN end MA163103, V8 Petrol, With Air Conditioning, Less Catalyst	Please Refer To Preface For Further Information	AMR4256	1
		Change point - VIN begin MA112807, Change point - VIN end MA501919, V8 Petrol, With Air Conditioning, Less Catalyst	Please Refer To Preface For Further Information	AMR4256	1
		Change point - VIN begin MA081992, Change point - VIN end MA093018, V8 Petrol, With Air Conditioning, With Catalyst		AMR3624	1
		Change point - VIN begin MA093019, Change point - VIN end MA112806, V8 Petrol, With Air Conditioning, Less Catalyst		AMR3951	1



Body Electrics
Batteries & Harnesses
Engine Harness 3/3

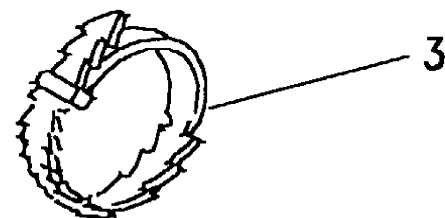
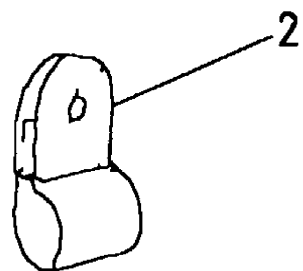
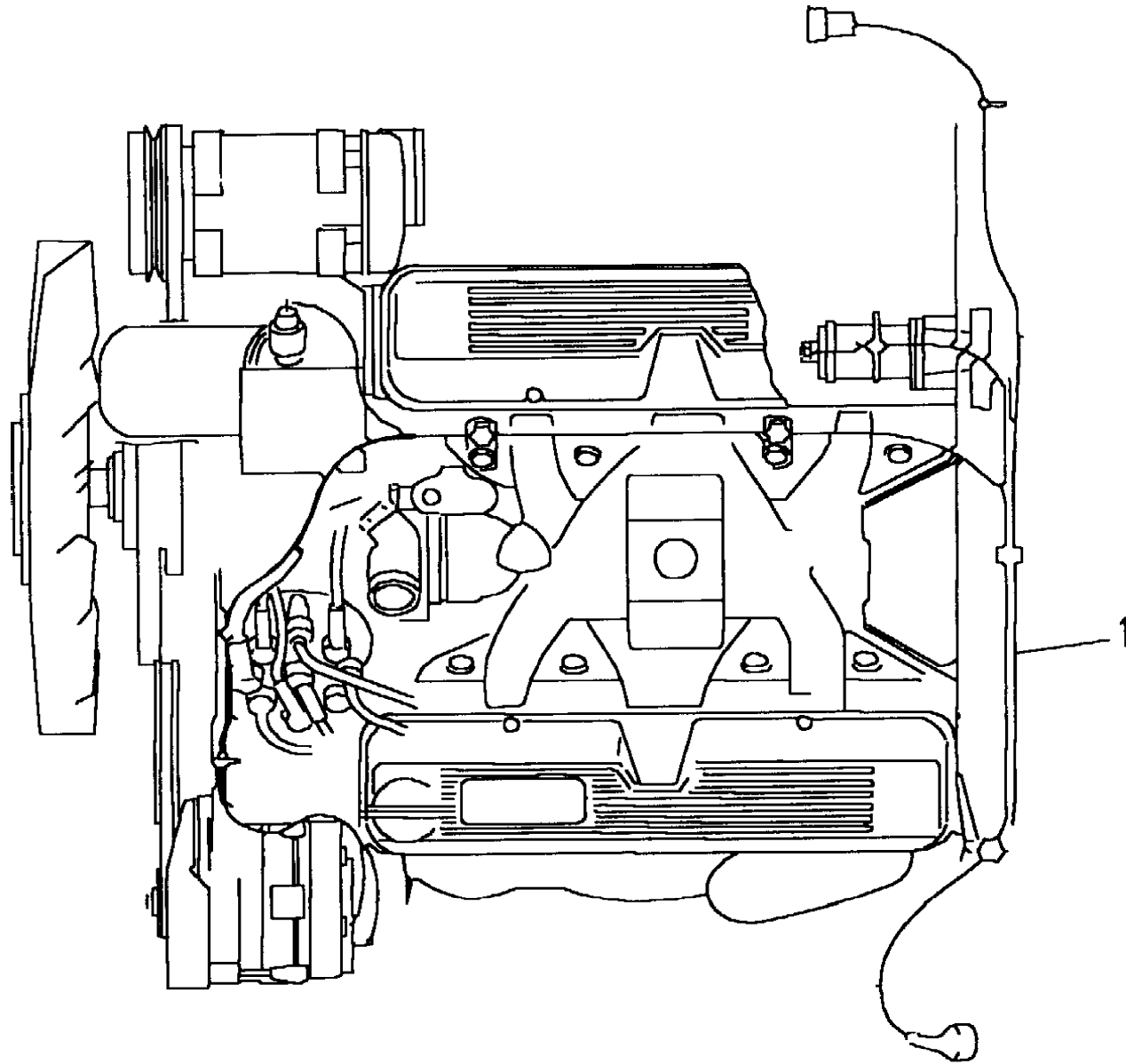
Discovery (FA393361-WA799999)
(CAMXCF1B)

Discovery (FA393361-WA799999)

Body Electrics
Batteries & Harnesses
Engine Harness

Change point - VIN begin MA081992, Change point - VIN begin MA081992, Change point - VIN begin MA081992, Petrol V8 L/R EFI, V8 EFI Petrol, V8 Twin Carb L/R Petrol

Callout	Name	Application	Remarks & Restrictions	Service No.	Qty
1	Harness Engine	Change point - VIN begin MA112807, Change point - VIN end MA163103, V8 Petrol, With Air Conditioning, With Catalyst Change point - VIN begin MA112807, Change point - VIN end MA501919, V8 Petrol, With Air Conditioning, With Catalyst	Please Refer To Preface For Further Information Please Refer To Preface For Further Information	AMR4255 AMR4255	1 1
2	Clip-p	V8 Petrol		50641	1
3	Tie-cable	Change point - VIN begin MA081992, Change point - VIN end WA799999, V8 Petrol	Also serviced as part of a kit, Black, inside serated, 3.5 x 150mm	UKC6684L	2



Body Electrics
Batteries & Harnesses
Engine Harness 1/2

Discovery (FA393361-WA799999)

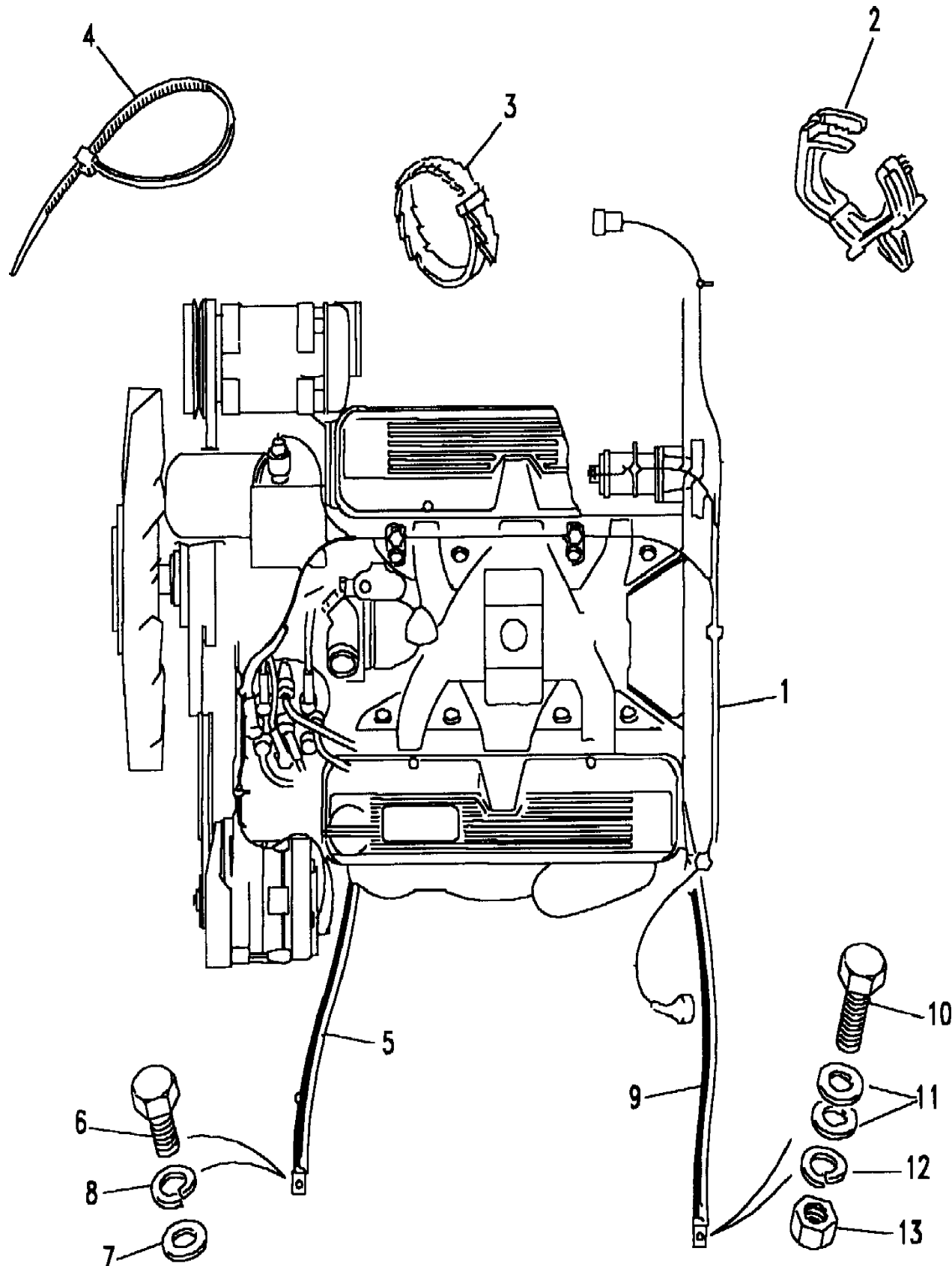
(CAMXCF1A)

Discovery (FA393361-WA799999)

Body Electrics
Batteries & Harnesses
Engine Harness

Change point - VIN end LA081991, Change point - VIN end LA081991, Change point - VIN end LA081991, Petrol V8 L/R EFI, V8 EFI Petrol, V8 Twin Carb L/R Petrol

Callout	Name	Application	Remarks & Restrictions	Service No.	Qty		
1	Harness Engine	Change point - VIN end LA081991, V8 Twin Carb Petrol		PRC8082	1		
		Change point - Engine end 22D06718D, V8 EFI Petrol		PRC8134	1		
		Change point - Engine end 24D15919D, V8 EFI Petrol		PRC8134	1		
		Change point - Engine begin 22D06719D, Change point - VIN end JA034313, V8 EFI Petrol		PRC8890	1		
		Change point - Engine begin 24D15920D, Change point - VIN end JA034313, V8 EFI Petrol		PRC8890	1		
		Change point - VIN begin KA034314, Change point - VIN end KA042357, V8 EFI Petrol		PRC9541	1		
		Change point - VIN begin KA042358, Change point - VIN end KA064754, V8 EFI Petrol		AMR2908	1		
		Change point - VIN begin LA064755, Change point - VIN end LA081991, V8 EFI Petrol		AMR3279	1		
		2	Clip-pivot-snap	Change point - VIN end JA034313	Grey, 13-17mm, 7mm hole	DBP8169L	5
		3	Tie-cable	Change point - VIN end LA081991	fir tree, Also serviced as part of a kit, Black, inside serated, 3.5 x 150mm	UKC6684L	4
4	Tie-cable	Change point - VIN end JA034313	4.8 x 270mm, inside serated	568680	1		
5	Harness earth bond	Change point - VIN end LA081991, V8 Petrol	front of engine to ignition coil	PRC4628	1		
6	Screw	Change point - VIN end LA081991, V8 Petrol	hexagonal head, 5/8UNC x 1	SH505081	1		
7	Washer	Change point - VIN end LA081991, V8 Petrol	8MM	WA108051L	1		
8	Washer-Spring	Change point - VIN end LA081991, V8 Petrol	Also serviced as part of a kit, 5/16"	WM600051L	1		
9	Harness earth bond	Change point - VIN end JA028687, V8 Petrol	rear of engine to bulkhead	PRC4628	1		
		Change point - VIN end JA028687, V8 Petrol	from bulkhead to bonnet fixing	PRC7409	1		
10	Screw	Change point - VIN end JA028687, V8 Petrol	hexagonal head, 5/8UNC x 7/8	SH505071	1		



Body Electrics
Batteries & Harnesses
Engine Harness 2/2

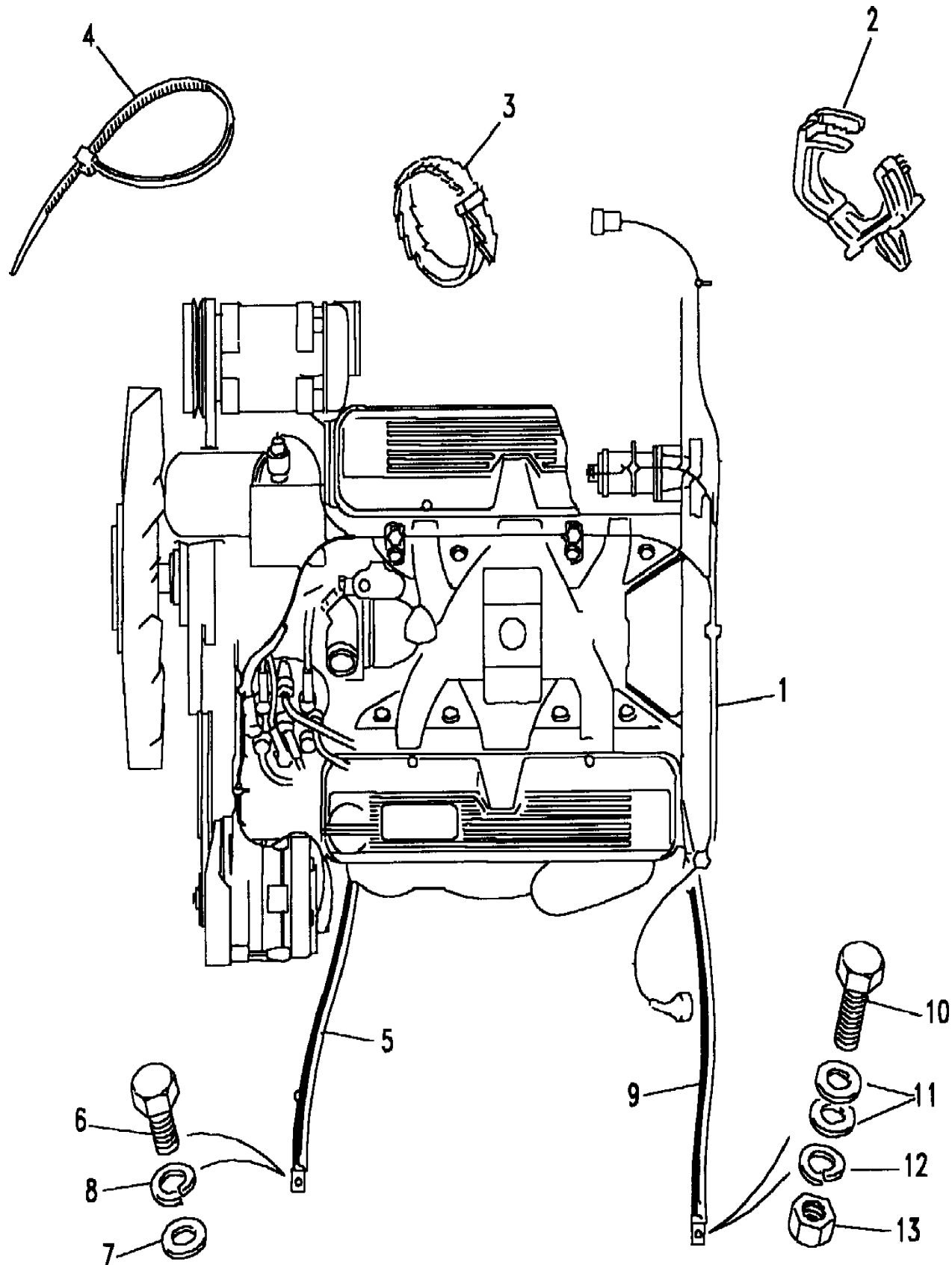
Discovery (FA393361-WA799999)
(CAMXCF1A)

Discovery (FA393361-WA799999)

Body Electrics
Batteries & Harnesses
Engine Harness

Change point - VIN end LA081991, Change point - VIN end LA081991, Change point - VIN end LA081991, Petrol V8 L/R EFI, V8 EFI Petrol, V8 Twin Carb L/R Petrol

Callout	Name	Application	Remarks & Restrictions	Service No.	Qty
10	Screw	Change point - VIN end JA028687, V8 Petrol V8 Petrol	M6 X 16, hexagonal head	SH106161	1
			M6 X 16, Flanged Head	FS106167L	1
11	Washer	Change point - VIN end JA028687, V8 Petrol Change point - VIN end JA028687, V8 Petrol	8MM	WA108051L	1
			6MM	WA106041L	2
12	Washer-Spring	Change point - VIN end JA028687, V8 Petrol Change point - VIN end JA028687, V8 Petrol	Engine to bulkhead, Also serviced as part of a kit, 5/16"	WM600051L	1
			bulkhead to bonnet fixing, M6, sprung	WL106001L	1
13	Nut - Hex.	Change point - VIN end JA028687, V8 Petrol	M6, nyloc, Hexagonal	NH106041L	1



Body Electrics
Batteries & Harnesses
Harness-Front Wing-To (V) LA081991 1/3

Discovery (FA393361-WA799999)

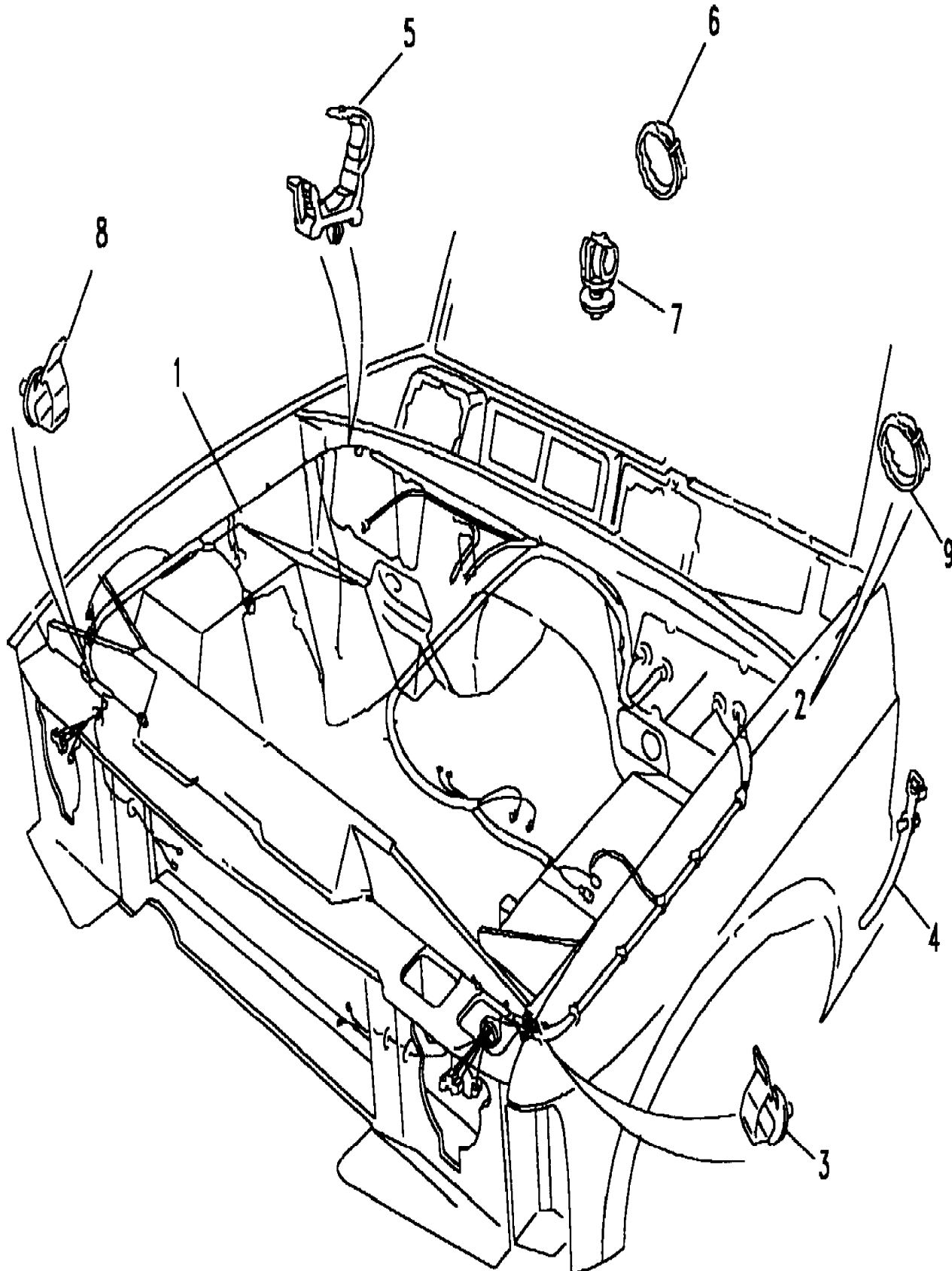
(CAMXCE2A)

Discovery (FA393361-WA799999)

Body Electrics
Batteries & Harnesses
Harness-Front Wing-To (V) LA081991

Change point - VIN end LA081991

Callout	Name	Application	Remarks & Restrictions	Service No.	Qty		
1	Harness-front wing	Change point - VIN end JA034313, RHD, Less Headlamp Levelling	RH	PRC8080	1		
		Change point - VIN begin KA034314, Change point - VIN end KA052662, RHD, Less Headlamp Levelling	RH	PRC9447	1		
		Change point - VIN begin KA052663, Change point - VIN end LA081991, RHD, Less Headlamp Levelling	RH	AMR2712	1		
		Change point - VIN end JA028787, RHD, With Manual Headlamp Levelling	RH	PRC8731	1		
		Change point - VIN begin JA028788, Change point - VIN end JA034313, RHD, With Manual Headlamp Levelling	RH	AMR1732	1		
		Change point - VIN begin KA034314, Change point - VIN end KA052662, RHD, With Manual Headlamp Levelling	RH	PRC9449	1		
		Change point - VIN begin KA052663, Change point - VIN end LA081991, RHD, With Manual Headlamp Levelling	RH	AMR2714	1		
		Change point - VIN end JA034313, RHD, Less Headlamp Levelling	LH	PRC8081	1		
		Change point - VIN begin KA034314, Change point - VIN end LA081991, RHD, Less Headlamp Levelling	LH	PRC9045	1		
		Change point - VIN end JA028919, RHD, With Manual Headlamp Levelling	LH	PRC8692	1		
		Change point - VIN begin JA028920, Change point - VIN end JA034313, RHD, With Manual Headlamp Levelling	LH	AMR1730	1		
		Change point - VIN begin KA034314, Change point - VIN end KA052662, RHD, With Manual Headlamp Levelling	LH	PRC9047	1		
		Change point - VIN begin KA052663, Change point - VIN end LA081991, RHD, With Manual Headlamp Levelling	LH	AMR2986	1		
		2	Harness-front wing	Change point - VIN end JA034313, LHD, Less Headlamp Levelling	RH	PRC8078	1



Body Electrics
Batteries & Harnesses
Harness-Front Wing-To (V) LA081991 2/3

Discovery (FA393361-WA799999)

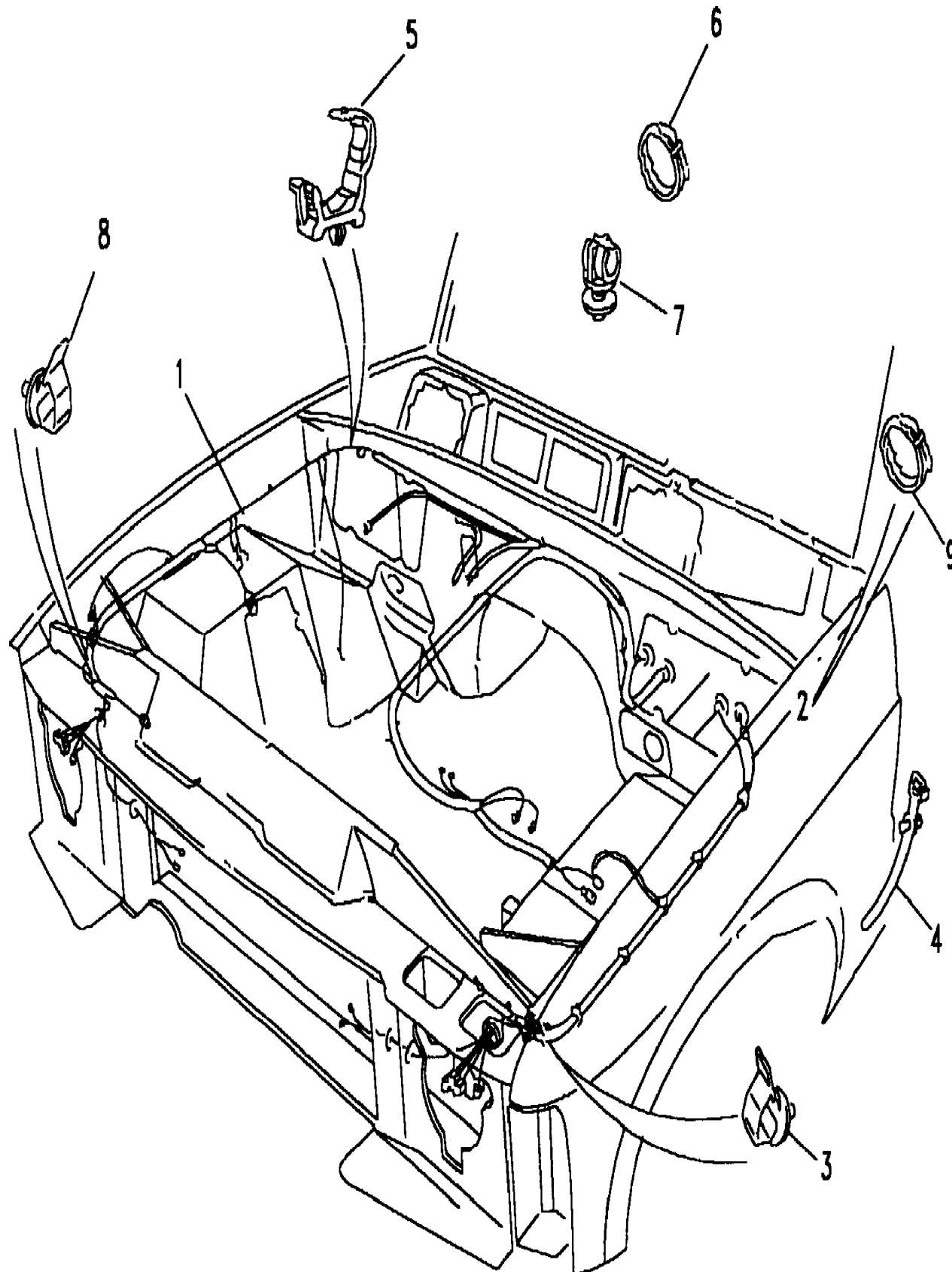
(CAMXCE2A)

Discovery (FA393361-WA799999)

Body Electrics
Batteries & Harnesses
Harness-Front Wing-To (V) LA081991

Change point - VIN end LA081991

Callout	Name	Application	Remarks & Restrictions	Service No.	Qty		
2	Harness-front wing	Change point - VIN begin KA034314, Change point - VIN end KA052662, LHD, Less Headlamp Levelling	RH	PRC9448	1		
		Change point - VIN begin KA052663, Change point - VIN end LA081991, LHD, Less Headlamp Levelling	RH	AMR2713	1		
		Change point - VIN end JA028919, LHD, With Manual Headlamp Levelling	RH	PRC8089	1		
		Change point - VIN begin JA028920, Change point - VIN end JA034313, LHD, With Manual Headlamp Levelling	RH	AMR1729	1		
		Change point - VIN begin KA034314, Change point - VIN end KA052662, LHD, With Manual Headlamp Levelling	RH	PRC9450	1		
		Change point - VIN begin KA052663, Change point - VIN end LA081991, LHD, With Manual Headlamp Levelling	RH	AMR2715	1		
		Change point - VIN end JA034313, LHD, Less Headlamp Levelling	LH	PRC8079	1		
		Change point - VIN begin JA034314, Change point - VIN end LA081991, LHD, Less Headlamp Levelling	LH	PRC9046	1		
		Change point - VIN end JA028787, LHD, With Manual Headlamp Levelling	LH	PRC8730	1		
		Change point - VIN begin JA028788, Change point - VIN end KA034313, LHD, With Manual Headlamp Levelling	LH	AMR1731	1		
		Change point - VIN begin KA034314, Change point - VIN end KA052662, LHD, With Manual Headlamp Levelling	LH	PRC9048	1		
		Change point - VIN begin KA052663, Change point - VIN end LA081991, LHD, With Manual Headlamp Levelling	LH	AMR2987	1		
		3	Clip-cable		8mm hole	AFU1090L	2
		4	Tie-cable		6.5mm hole, 8.0 x 155mm	AAU3686	6
5	Clip-pivot-snap		Grey, 13-17mm, 7mm hole	DBP8169L	5		



Body Electrics
 Batteries & Harnesses
 Harness-Front Wing-To (V) LA081991 3/3

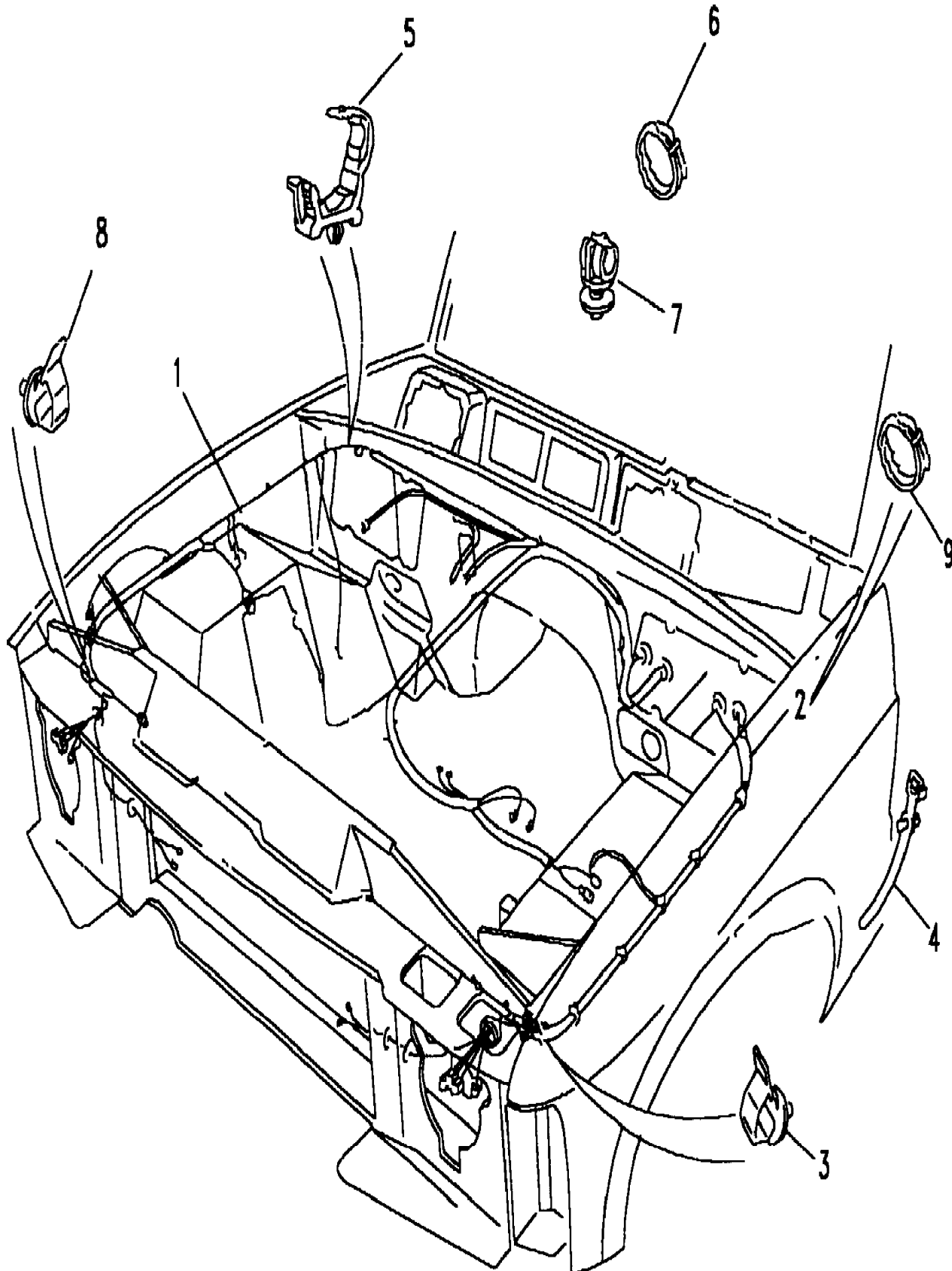
Discovery (FA393361-WA799999)
 (CAMXCE2A)

Discovery (FA393361-WA799999)

Body Electrics
 Batteries & Harnesses
 Harness-Front Wing-To (V) LA081991

Change point - VIN end LA081991

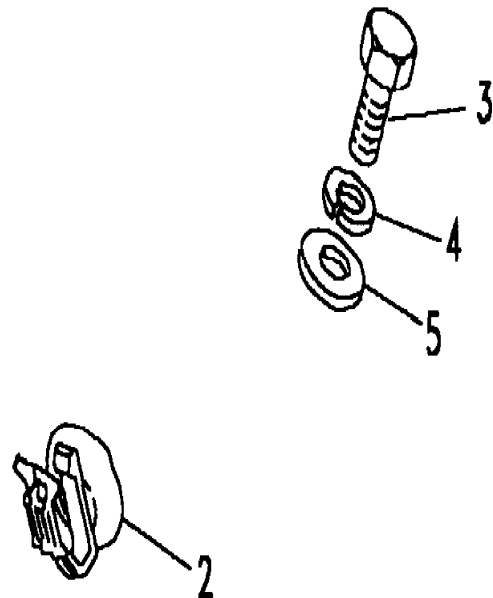
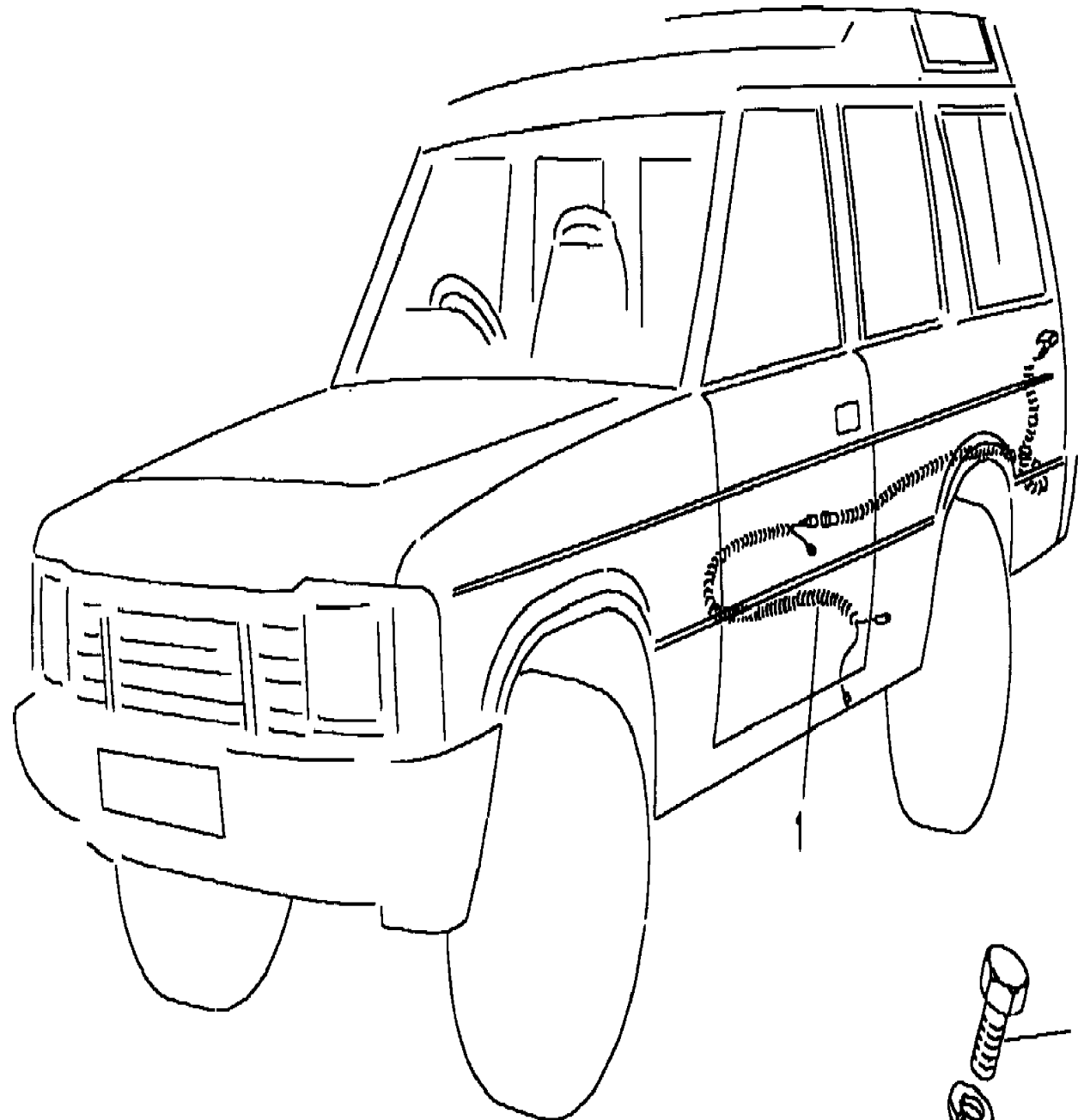
Callout	Name	Application	Remarks & Restrictions	Service No.	Qty
6	Tie-cable	Change point - VIN begin KA034314, Change point - VIN end LA081991	inside serated, 4.6 x 385mm, White.	594594	2
7	Clip		8MM	79122	5
8	Clip-cable		8mm hole	AFU1090L	4
9	Tie-cable		Black, inside serated, 3.5 x 150mm	UKC6684L	4



Body Electrics
Batteries & Harnesses
Harness-Fuel Pump-V8 EFI, 200 & 300 TDI 1/2

Discovery (FA393361-WA799999)

(CAMXC11A)



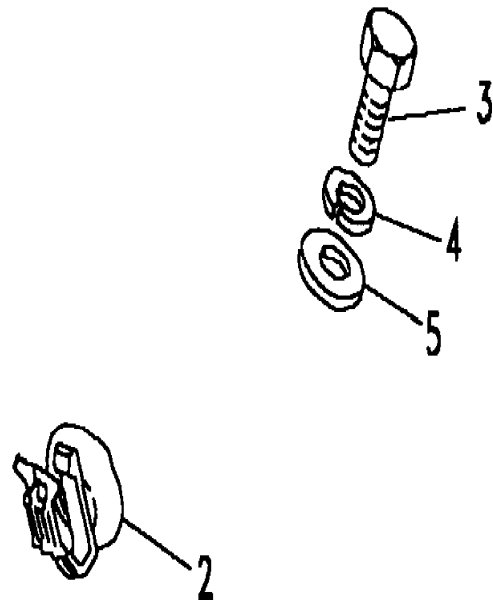
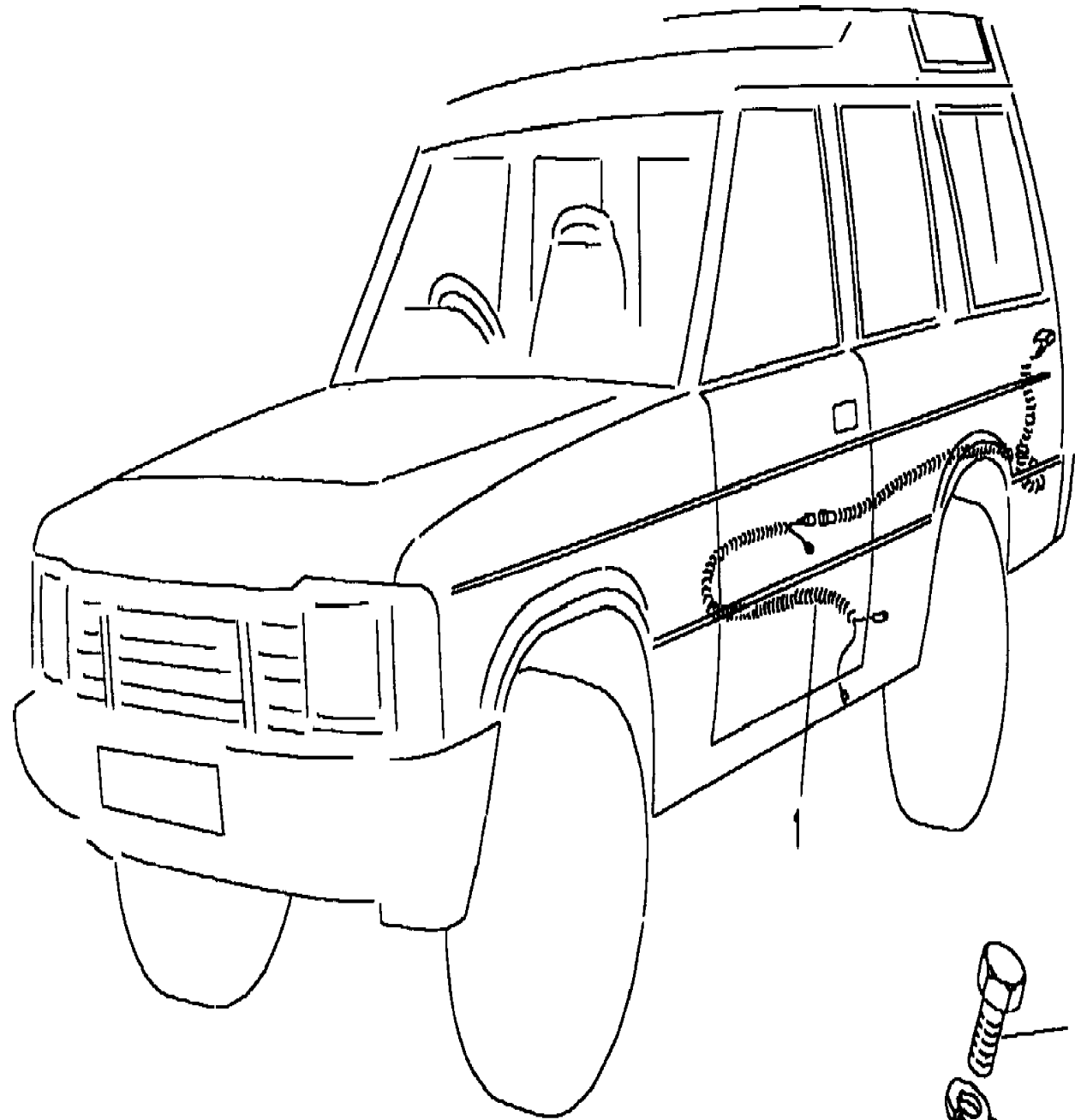
Discovery (FA393361-WA799999)

Body Electrics
Batteries & Harnesses
Harness-Fuel Pump-V8 EFI, 200 & 300 TDI

Callout	Name	Application	Remarks & Restrictions	Service No.	Qty
1	Harness-link	Change point - VIN end JA030856, V8 Petrol	Fuel Pump	PRC7943	1
		Change point - VIN end JA030856, 2.5L TDi Diesel	Fuel Pump	PRC7943	1
		Change point - VIN begin JA030857, Change point - VIN end LA081991, V8 Petrol	Fuel Pump	AMR2164	1
		Change point - VIN begin JA030857, Change point - VIN end LA081991, 2.5L TDi Diesel	Fuel Pump	AMR2164	1
		Change point - VIN begin MA081992, Change point - VIN end MA163103, V8 Petrol	Fuel Pump	AMR2587	1
		Change point - VIN begin MA081992, Change point - VIN end MA501919, V8 Petrol	Fuel Pump	AMR2587	1
		Change point - VIN begin MA081992, Change point - VIN end MA163103, 2.5L TDi Diesel	Fuel Pump	AMR2587	1
		Change point - VIN begin MA081992, Change point - VIN end MA501919, 2.5L TDi Diesel	Fuel Pump	AMR2587	1
		Change point - VIN begin TA163104, V8 Petrol	Fuel Pump	AMR4806	1
		Change point - VIN begin TA501920, V8 Petrol	Fuel Pump	AMR4806	1
		Change point - VIN begin TA163104, 2.5L TDi Diesel	Fuel Pump	AMR4806	1
		Change point - VIN begin TA501920, 2.5L TDi Diesel	Fuel Pump	AMR4806	1
		Change point - VIN begin VA534104, V8 Petrol	Fuel Pump	AMR5670	1
		Change point - VIN begin VA703237, V8 Petrol	Fuel Pump	AMR5670	1
		Change point - VIN begin VA534104, 2.5L TDi Diesel	Fuel Pump	AMR5670	1
		Change point - VIN begin VA703237, 2.5L TDi Diesel	Fuel Pump	AMR5670	1
		Change point - VIN end KA038821, 4 Cyl MPi Petrol	Fuel Pump	AMR2164	1
		Change point - VIN begin KA038822, Change point - VIN end MA163103, 4 Cyl MPi Petrol	Fuel Pump	AMR2587	1
		Change point - VIN begin KA038822, Change point - VIN end MA501919, 4 Cyl MPi Petrol	Fuel Pump	AMR2587	1
		Change point - VIN begin TA163104, 4 Cyl MPi Petrol	Fuel Pump	AMR4806	1

Body Electrics
Batteries & Harnesses
Harness-Fuel Pump-V8 EFI, 200 & 300 TDI 2/2

Discovery (FA393361-WA799999)
(CAMXC11A)



Discovery (FA393361-WA799999)

Body Electrics
Batteries & Harnesses
Harness-Fuel Pump-V8 EFI, 200 & 300 TDI

Callout	Name	Application	Remarks & Restrictions	Service No.	Qty
1	Harness-link	Change point - VIN begin TA501920, 4 Cyl MPI Petrol	Fuel Pump	AMR4806	1
		Change point - VIN begin VA534104, 4 Cyl MPI Petrol	Fuel Pump	AMR5670	1
		Change point - VIN begin VA703237, 4 Cyl MPI Petrol	Fuel Pump	AMR5670	1
2	Clip-cable		8mm hole	AFU1090L	2
3	Screw		hexagonal head, M5 x 16	SH105161L	1
4	Washer		M5, retaining	WL105001L	1
5	Washer		M5, Plain, Standard	WA105001L	1

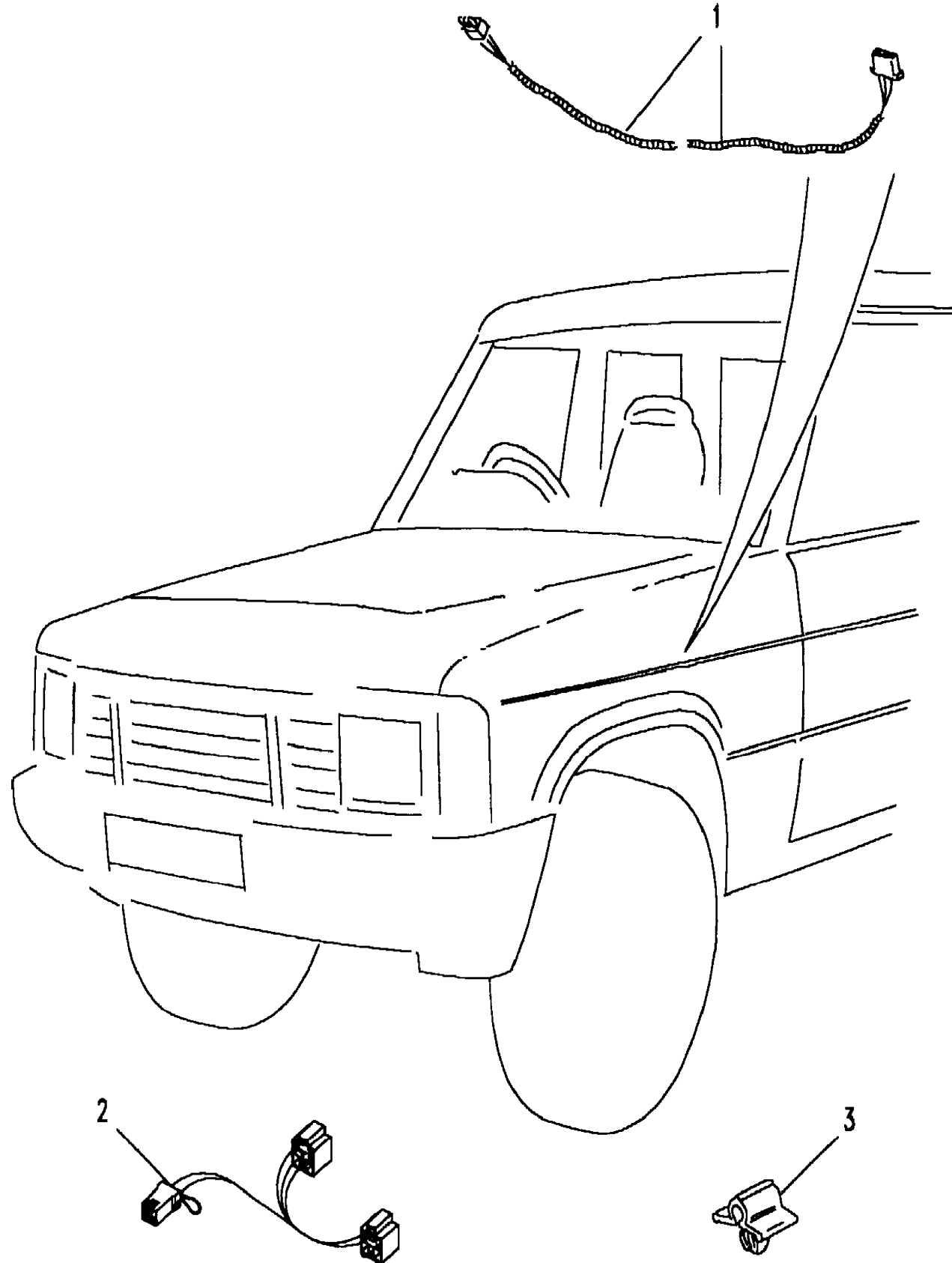
Body Electrics
Batteries & Harnesses
Harness-Headlamp Levelling/Powerwash & Seatbelt Link Leads 1/1

Discovery (FA393361-WA799999)

(CAMXC12A)

Discovery (FA393361-WA799999)

Body Electrics
Batteries & Harnesses
Harness-Headlamp Levelling/Powerwash & Seatbelt Link Leads



Callout	Name	Application	Remarks & Restrictions	Service No.	Qty
1	Harness-link	Change point - VIN end LA081991	headlamp levelling	PRC7941	1
2	Harness-link	(+)"GCC"	seatbelt warning	PRC8826	1
3	Clip-harness	(+)"GCC"	seat buckle lead	AFU2881	1
[900]	Harness powerwash	EFI		PRC8414	1

Body Electrics
Batteries & Harnesses
Harness-Heater & Air Con Switch Links-From (V) MA081992 1/1

Discovery (FA393361-WA799999)

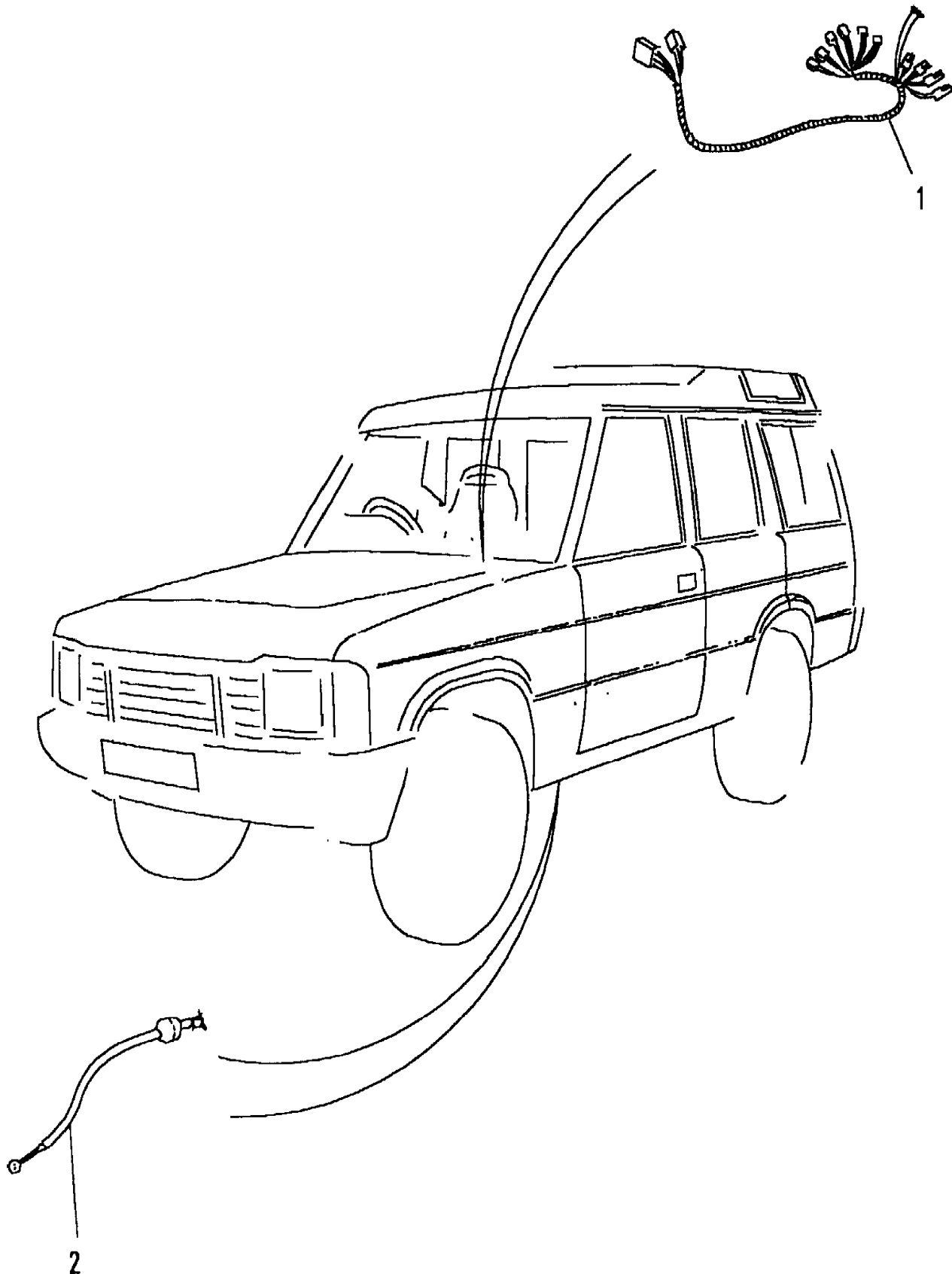
(CAMXCE1E)

Discovery (FA393361-WA799999)

Body Electrics
Batteries & Harnesses

Harness-Heater & Air Con Switch Links-From (V) MA081992
Change point - VIN begin MA081992

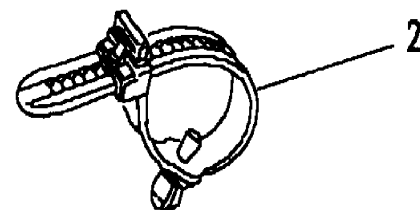
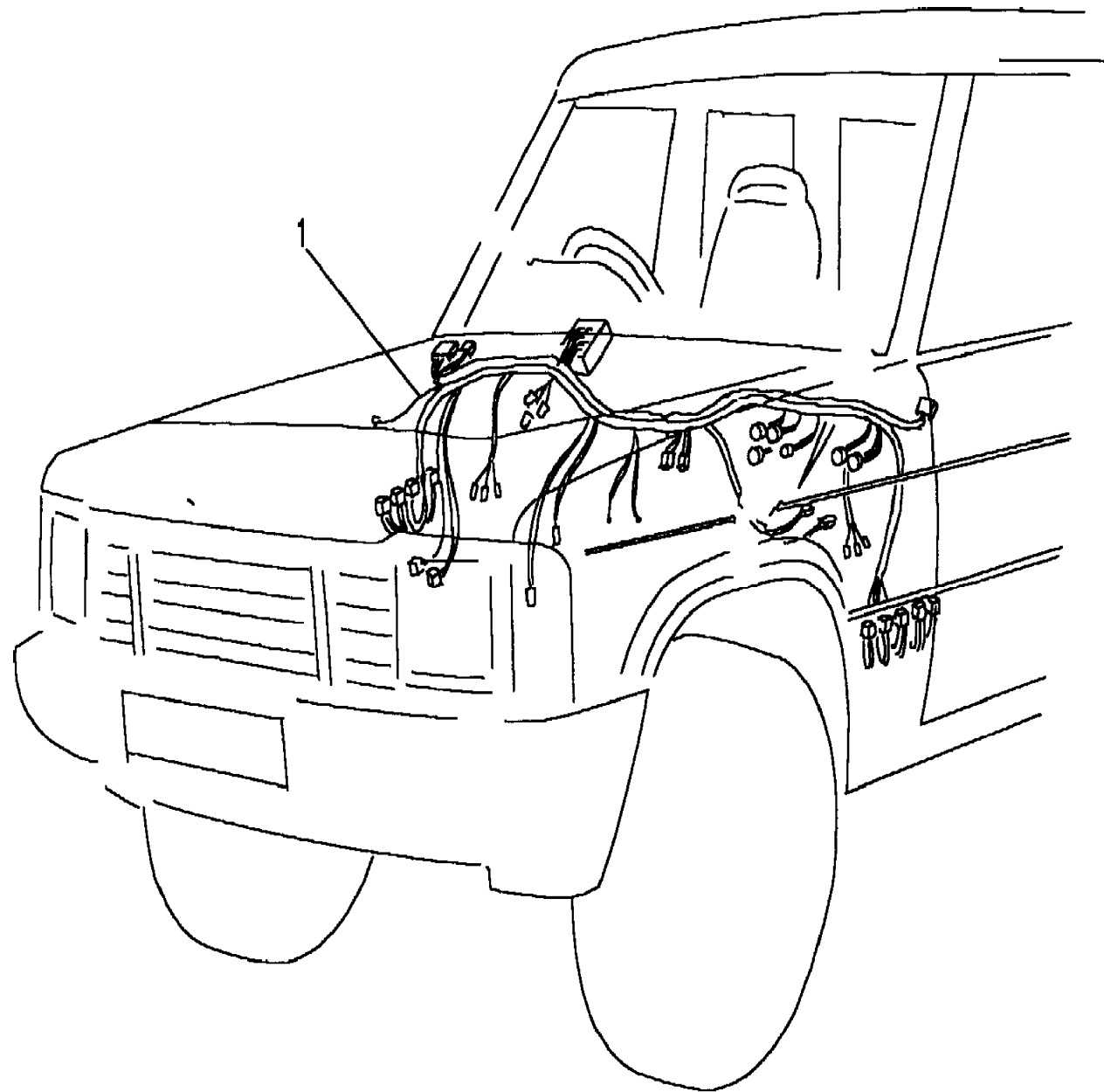
Callout	Name	Application	Remarks & Restrictions	Service No.	Qty
1	Harness blower-air conditioning	With Air Conditioning	Front	AMR3614	1
		With Rear Air Conditioning	front & rear	AMR3615	1
2	Harness-link	Change point - VIN begin MA081992, Change point - VIN end MA152906	oil-temp warning	PRC7292	1
		Change point - VIN begin MA152907	oil-temp warning	AMR4952	1
[900]	Harness blower-heater			AMR3613	1



Body Electrics
Batteries & Harnesses
Harness-Main-With Wing Harness-From (V) MA081992 1/8

Discovery (FA393361-WA799999)

(CAMXCC2A)



Discovery (FA393361-WA799999)

Body Electrics
Batteries & Harnesses
Harness-Main-With Wing Harness-From (V) MA081992

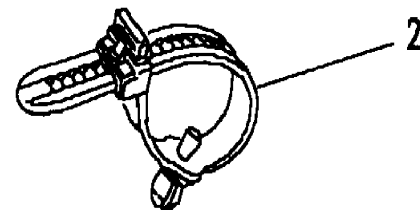
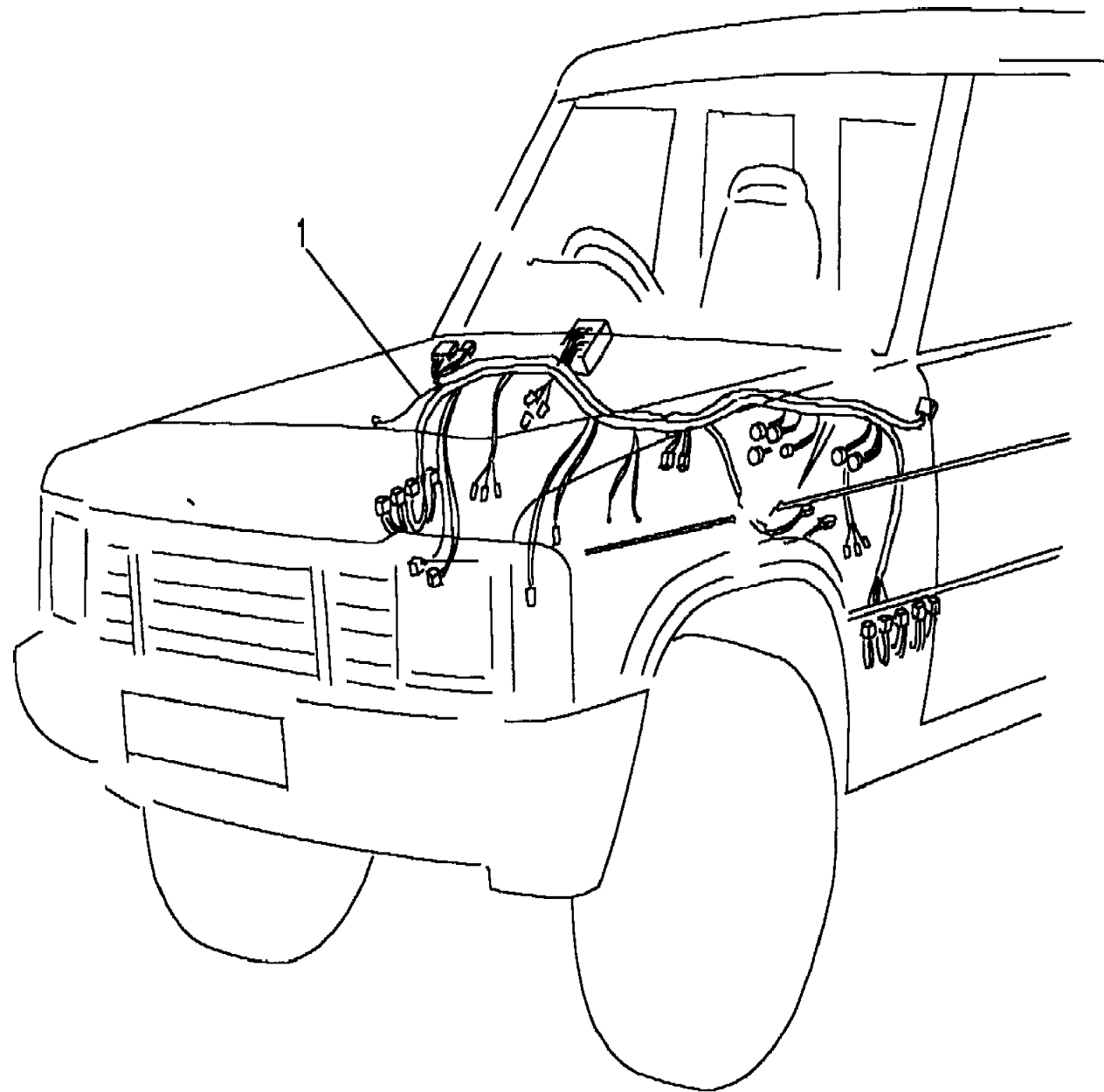
Change point - VIN begin MA081992

Callout	Name	Application	Remarks & Restrictions	Service No.	Qty
1	Harness Main	Change point - VIN begin TA163104, RHD, Less Air Conditioning, (+)"J", Less Anti-Lock Braking System, Less Cruise Control	Electric seats	AMR4206	1
		Change point - VIN begin TA501920, RHD, Less Air Conditioning, (+)"J", Less Anti-Lock Braking System, Less Cruise Control	Electric seats	AMR4206	1
		Change point - VIN begin TA163104, LHD, Less Air Conditioning, Less Electric Driver Seat Adjuster, Less Electric Pass.Seat Adjuster, Less Anti-Lock Braking System, Less Cruise Control		AMR4208	1
		Change point - VIN begin TA501920, LHD, Less Air Conditioning, Less Electric Driver Seat Adjuster, Less Electric Pass.Seat Adjuster, Less Anti-Lock Braking System, Less Cruise Control		AMR4208	1
		Change point - VIN begin TA163104, LHD, With Air Conditioning, Less Electric Driver Seat Adjuster, Less Electric Pass.Seat Adjuster, Less Anti-Lock Braking System, With Cruise Control		AMR4209	1
		Change point - VIN begin TA501920, LHD, With Air Conditioning, Less Electric Driver Seat Adjuster, Less Electric Pass.Seat Adjuster, Less Anti-Lock Braking System, With Cruise Control		AMR4209	1
		Change point - VIN begin TA163104, LHD, With Air Conditioning, Less Electric Driver Seat Adjuster, Less Electric Pass.Seat Adjuster, All Wheel Anti-Lock Braking System, With Cruise Control		AMR4210	1
		Change point - VIN begin TA501920, LHD, With Air Conditioning, Less Electric Driver Seat Adjuster, Less Electric Pass.Seat Adjuster, All Wheel Anti-Lock Braking System, With Cruise Control		AMR4210	1
		Change point - VIN begin TA163104, LHD, With Air Conditioning, All Wheel Anti-Lock Braking System, With Cruise Control	Electric seats	AMR4211	1

Body Electrics
Batteries & Harnesses
Harness-Main-With Wing Harness-From (V) MA081992 2/8

Discovery (FA393361-WA799999)

(CAMXCC2A)



Discovery (FA393361-WA799999)

Body Electrics
Batteries & Harnesses
Harness-Main-With Wing Harness-From (V) MA081992

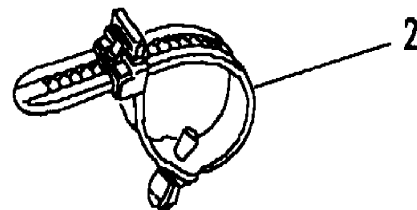
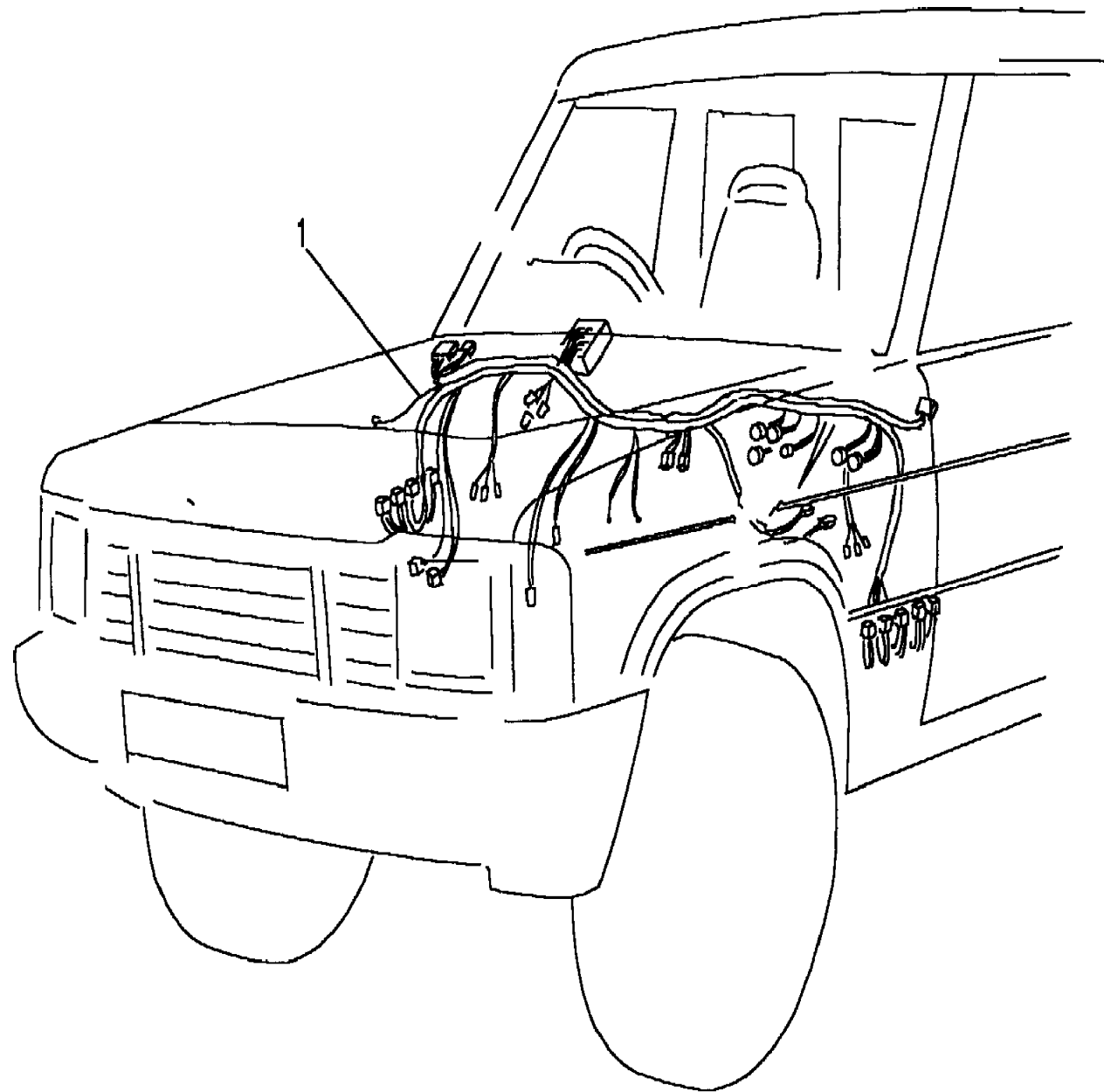
Change point - VIN begin MA081992

Callout	Name	Application	Remarks & Restrictions	Service No.	Qty
1	Harness Main	Change point - VIN begin TA501920, LHD, With Air Conditioning, All Wheel Anti-Lock Braking System, With Cruise Control Change point - VIN begin VA534104, Change point - VIN end WA746541, RHD, Less Air Conditioning, (-)"J", Less Electric Driver Seat Adjuster, Less Electric Pass.Seat Adjuster, Less Anti-Lock Braking System, Less Cruise Control Change point - VIN begin VA703237, Change point - VIN end WA746541, RHD, Less Air Conditioning, (-)"J", Less Electric Driver Seat Adjuster, Less Electric Pass.Seat Adjuster, Less Anti-Lock Braking System, Less Cruise Control Change point - VIN begin WA746542, RHD, Less Air Conditioning, (-)"J", Less Electric Driver Seat Adjuster, Less Electric Pass.Seat Adjuster, Less Anti-Lock Braking System, Less Cruise Control Change point - VIN begin VA534104, Change point - VIN end WA746541, RHD, With Air Conditioning, (-)"J", Less Electric Driver Seat Adjuster, Less Electric Pass.Seat Adjuster, Less Anti-Lock Braking System, With Cruise Control Change point - VIN begin VA703237, Change point - VIN end WA746541, RHD, With Air Conditioning, (-)"J", Less Electric Driver Seat Adjuster, Less Electric Pass.Seat Adjuster, Less Anti-Lock Braking System, With Cruise Control Change point - VIN begin WA746542, RHD, With Air Conditioning, (-)"J", Less Electric Driver Seat Adjuster, Less Electric Pass.Seat Adjuster, Less Anti-Lock Braking System, With Cruise Control	Electric seats	AMR4211 AMR5218 AMR5218 YMC129990 AMR5219 AMR5219 YMC130030	1 1 1 1 1 1

Body Electrics
Batteries & Harnesses
Harness-Main-With Wing Harness-From (V) MA081992 3/8

Discovery (FA393361-WA799999)

(CAMXCC2A)



Discovery (FA393361-WA799999)

Body Electrics
Batteries & Harnesses
Harness-Main-With Wing Harness-From (V) MA081992

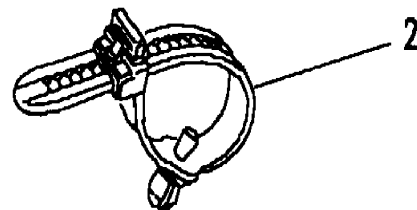
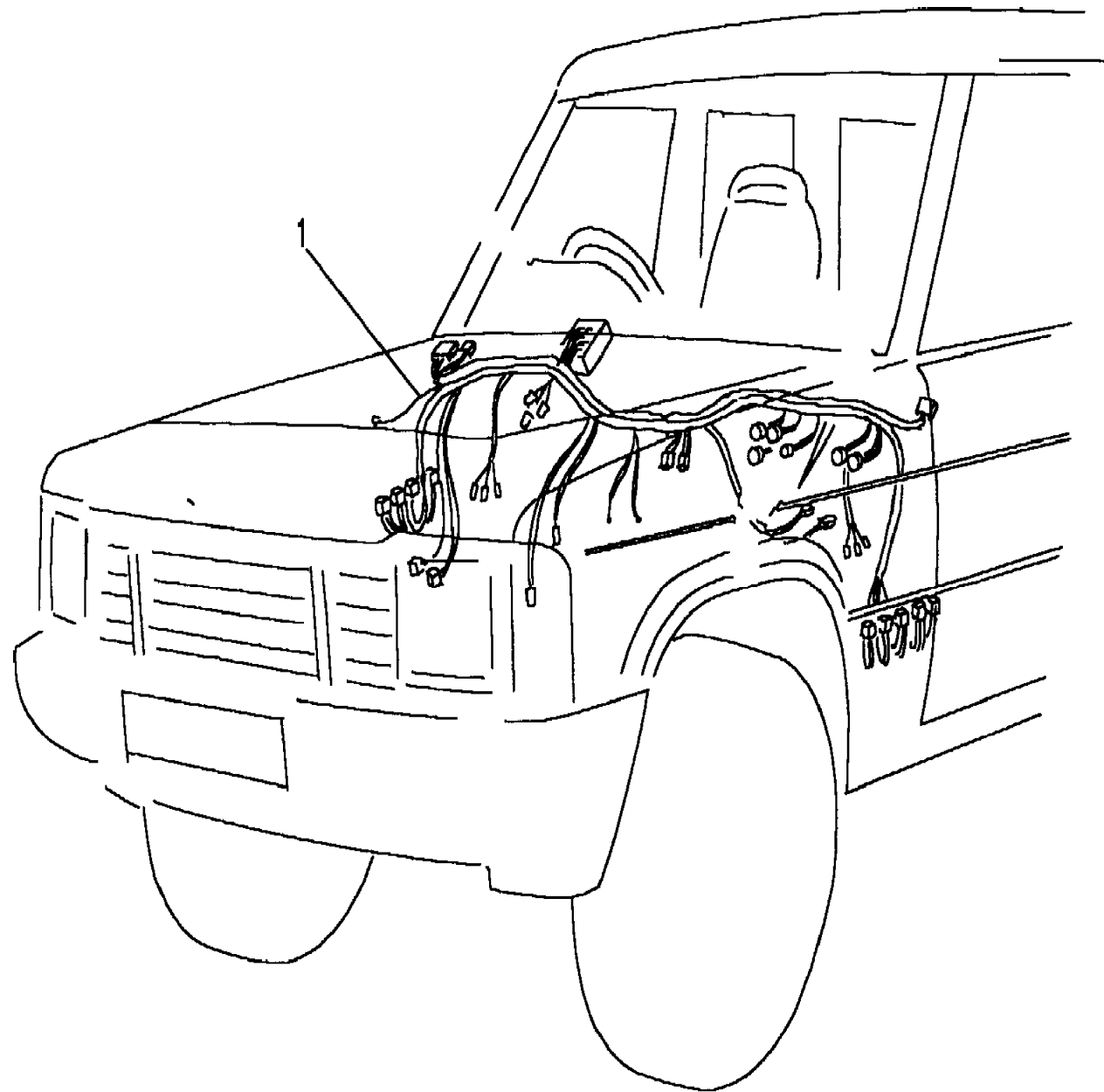
Change point - VIN begin MA081992

Callout	Name	Application	Remarks & Restrictions	Service No.	Qty
1	Harness Main	Change point - VIN begin VA534104, Change point - VIN end WA746541, RHD, With Air Conditioning, (-)"J", Less Electric Driver Seat Adjuster, Less Electric Pass.Seat Adjuster, All Wheel Anti-Lock Braking System, With Cruise Control		AMR5220	1
		Change point - VIN begin VA703237, Change point - VIN end WA746541, RHD, With Air Conditioning, (-)"J", Less Electric Driver Seat Adjuster, Less Electric Pass.Seat Adjuster, All Wheel Anti-Lock Braking System, With Cruise Control		AMR5220	1
		Change point - VIN begin WA746542, RHD, With Air Conditioning, (-)"J", Less Electric Driver Seat Adjuster, Less Electric Pass.Seat Adjuster, All Wheel Anti-Lock Braking System, With Cruise Control		YMC130050	1
		Change point - VIN begin VA534104, RHD, With Air Conditioning, (-)"J", All Wheel Anti-Lock Braking System, With Cruise Control	Electric seats	AMR5223	1
		Change point - VIN begin VA703237, RHD, With Air Conditioning, (-)"J", All Wheel Anti-Lock Braking System, With Cruise Control	Electric seats	AMR5223	1
		Change point - VIN begin VA534104, Change point - VIN end VA550522, RHD, (+)"J", Less Electric Driver Seat Adjuster, Less Electric Pass.Seat Adjuster, All Wheel Anti-Lock Braking System		AMR5221	1
		Change point - VIN begin VA703237, Change point - VIN end VA717858, RHD, (+)"J", Less Electric Driver Seat Adjuster, Less Electric Pass.Seat Adjuster, All Wheel Anti-Lock Braking System		AMR5221	1

Body Electrics
Batteries & Harnesses
Harness-Main-With Wing Harness-From (V) MA081992 4/8

Discovery (FA393361-WA799999)

(CAMXCC2A)



Discovery (FA393361-WA799999)

Body Electrics
Batteries & Harnesses
Harness-Main-With Wing Harness-From (V) MA081992

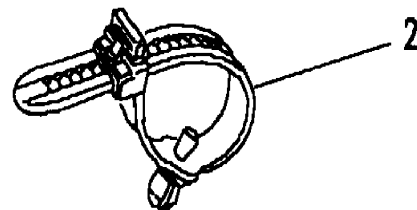
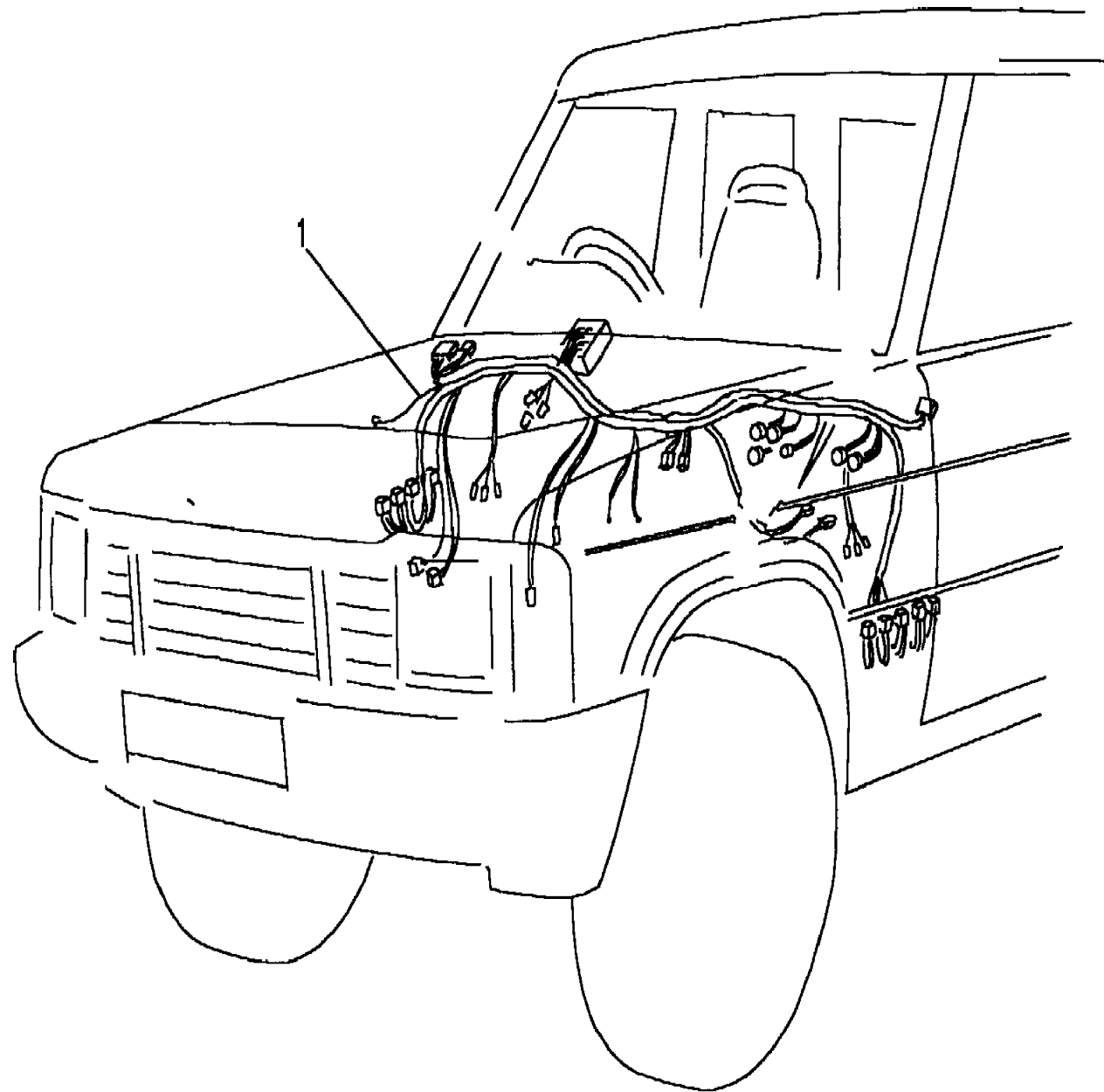
Change point - VIN begin MA081992

Callout	Name	Application	Remarks & Restrictions	Service No.	Qty
1	Harness Main	Change point - VIN begin VA550523, Change point - VIN end WA746541, RHD, (+)"J", Less Electric Driver Seat Adjuster, Less Electric Pass.Seat Adjuster, All Wheel Anti-Lock Braking System		AMR6683	1
		Change point - VIN begin VA717859, Change point - VIN end WA746541, RHD, (+)"J", Less Electric Driver Seat Adjuster, Less Electric Pass.Seat Adjuster, All Wheel Anti-Lock Braking System		AMR6683	1
		Change point - VIN begin WA746542, RHD, (+)"J", Less Electric Driver Seat Adjuster, Less Electric Pass.Seat Adjuster, All Wheel Anti-Lock Braking System		YMC130130	1
		Change point - VIN begin VA534104, Change point - VIN end VA550522, RHD, (+)"J", Less Anti-Lock Braking System	Electric seats	AMR5222	1
		Change point - VIN begin VA703237, Change point - VIN end VA717858, RHD, (+)"J", Less Anti-Lock Braking System	Electric seats	AMR5222	1
		Change point - VIN begin VA550523, RHD, (+)"J", Less Anti-Lock Braking System	Electric seats	AMR6682	1
		Change point - VIN begin VA717859, RHD, (+)"J", Less Anti-Lock Braking System	Electric seats	AMR6682	1
		Change point - VIN begin VA534104, Change point - VIN end WA746541, LHD, Less Air Conditioning, Less Electric Driver Seat Adjuster, Less Electric Pass.Seat Adjuster, Less Anti-Lock Braking System, Less Cruise Control		AMR5226	1
		Change point - VIN begin VA703237, Change point - VIN end WA746541, LHD, Less Air Conditioning, Less Electric Driver Seat Adjuster, Less Electric Pass.Seat Adjuster, Less Anti-Lock Braking System, Less Cruise Control		AMR5226	1

Body Electrics
Batteries & Harnesses
Harness-Main-With Wing Harness-From (V) MA081992 5/8

Discovery (FA393361-WA799999)

(CAMXCC2A)



Discovery (FA393361-WA799999)

Body Electrics
Batteries & Harnesses
Harness-Main-With Wing Harness-From (V) MA081992

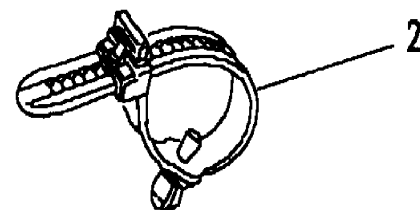
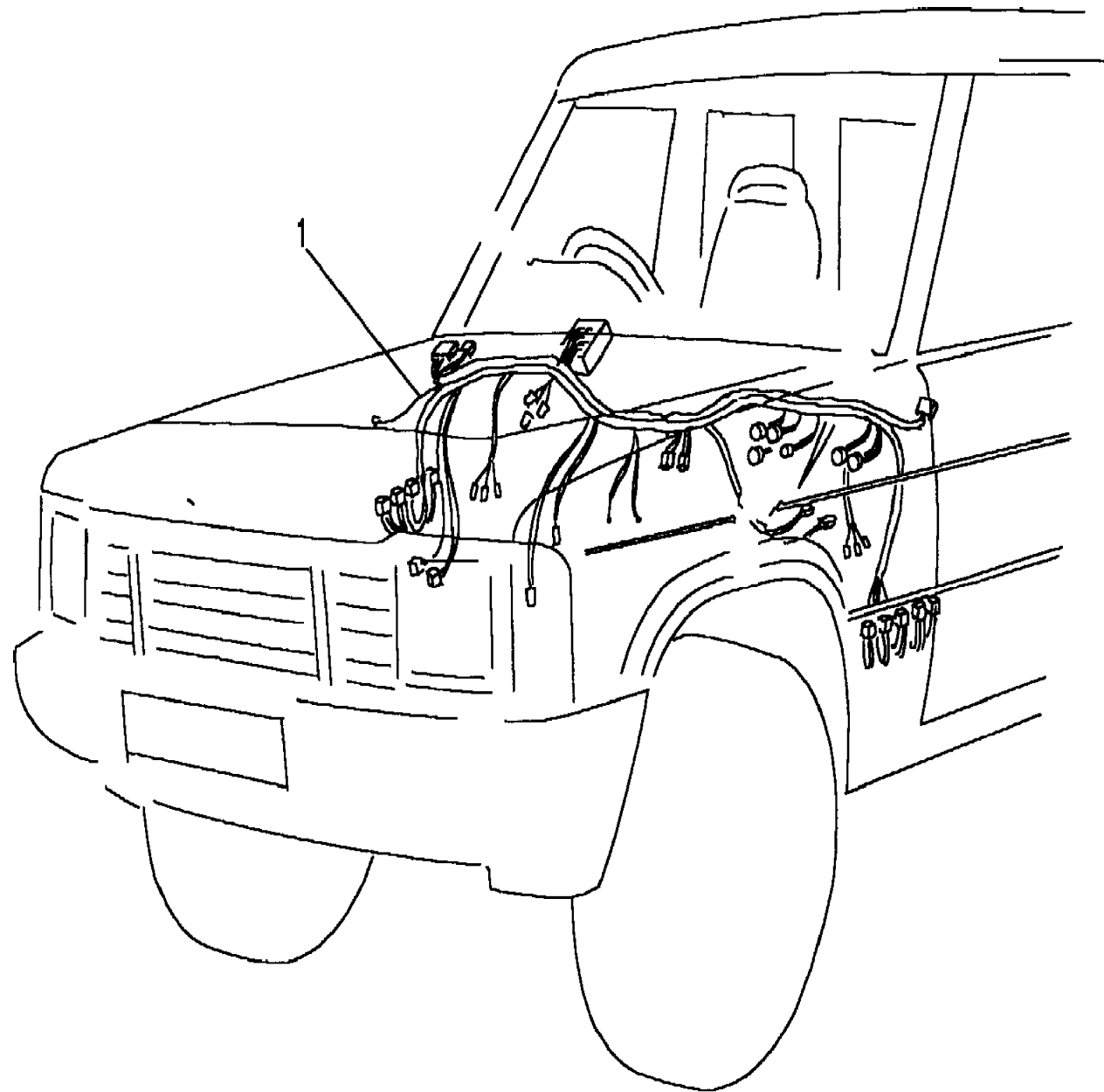
Change point - VIN begin MA081992

Callout	Name	Application	Remarks & Restrictions	Service No.	Qty
1	Harness Main	Change point - VIN begin WA746542, LHD, Less Air Conditioning, Less Electric Driver Seat Adjuster, Less Electric Pass.Seat Adjuster, Less Anti-Lock Braking System, Less Cruise Control		YMC130010	1
		Change point - VIN begin VA534104, Change point - VIN end WA746541, LHD, With Air Conditioning, Less Electric Driver Seat Adjuster, Less Electric Pass.Seat Adjuster, Less Anti-Lock Braking System, With Cruise Control		AMR5227	1
		Change point - VIN begin VA703237, Change point - VIN end WA746541, LHD, With Air Conditioning, Less Electric Driver Seat Adjuster, Less Electric Pass.Seat Adjuster, Less Anti-Lock Braking System, With Cruise Control		AMR5227	1
		Change point - VIN begin WA746542, LHD, With Air Conditioning, Less Electric Driver Seat Adjuster, Less Electric Pass.Seat Adjuster, Less Anti-Lock Braking System, With Cruise Control		YMC130020	1
		Change point - VIN begin VA534104, Change point - VIN end WA746541, LHD, With Air Conditioning, Less Electric Driver Seat Adjuster, Less Electric Pass.Seat Adjuster, All Wheel Anti-Lock Braking System, With Cruise Control		AMR5228	1
		Change point - VIN begin VA703237, Change point - VIN end WA746541, LHD, With Air Conditioning, Less Electric Driver Seat Adjuster, Less Electric Pass.Seat Adjuster, All Wheel Anti-Lock Braking System, With Cruise Control		AMR5228	1
		Change point - VIN begin WA746542, LHD, With Air Conditioning, Less Electric Driver Seat Adjuster, Less Electric Pass.Seat Adjuster, All Wheel Anti-Lock Braking System, With Cruise Control		YMC130040	1

Body Electrics
Batteries & Harnesses
Harness-Main-With Wing Harness-From (V) MA081992 6/8

Discovery (FA393361-WA799999)

(CAMXCC2A)



Discovery (FA393361-WA799999)

Body Electrics
Batteries & Harnesses
Harness-Main-With Wing Harness-From (V) MA081992

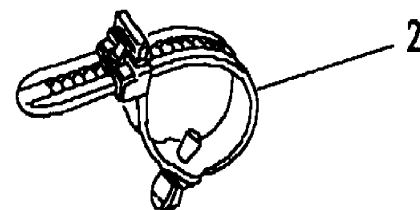
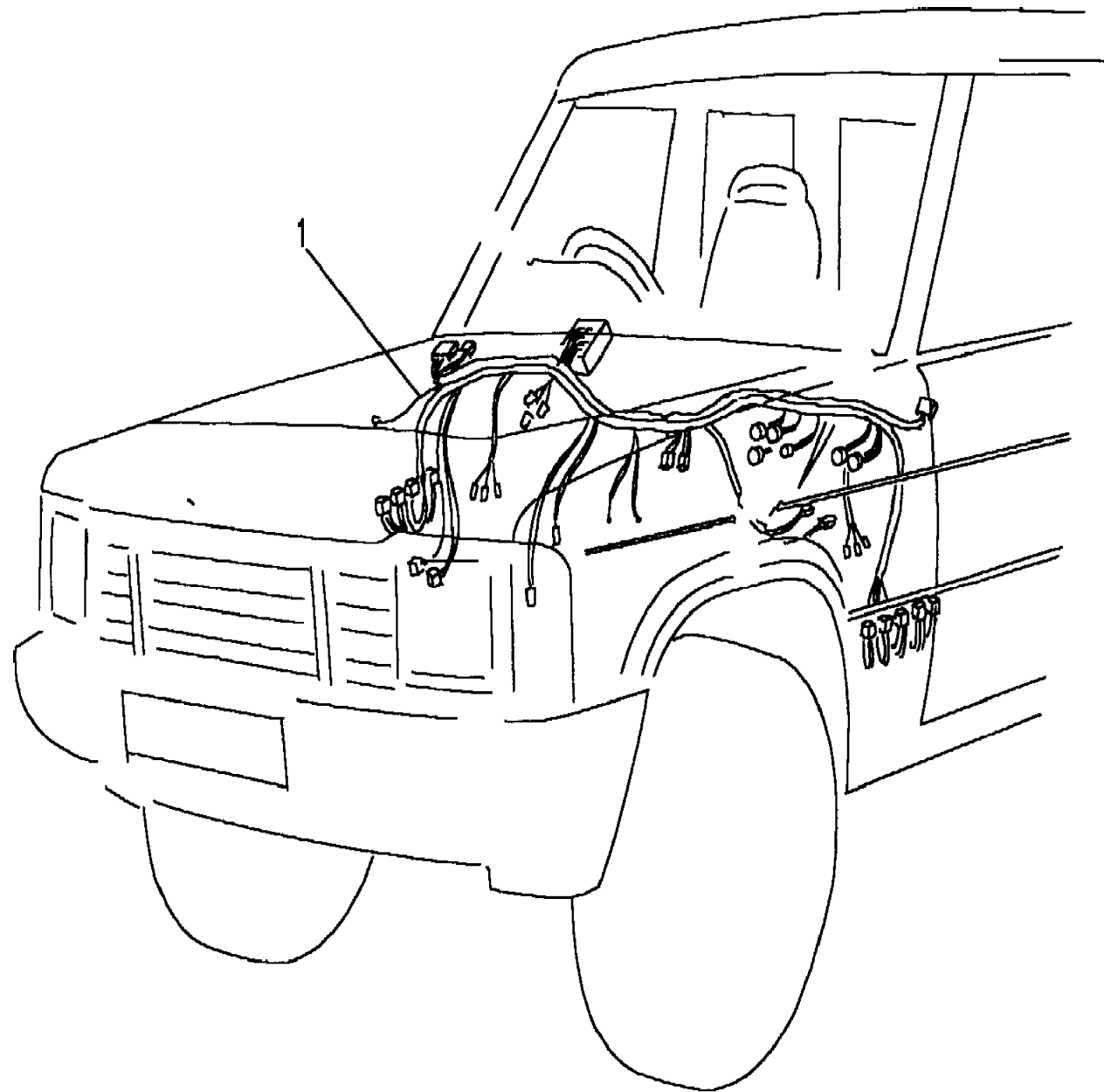
Change point - VIN begin MA081992

Callout	Name	Application	Remarks & Restrictions	Service No.	Qty
1	Harness Main	Change point - VIN begin VA534104, LHD, With Air Conditioning, Less Anti-Lock Braking System, With Cruise Control	Electric seats	AMR5681	1
		Change point - VIN begin VA703237, LHD, With Air Conditioning, Less Anti-Lock Braking System, With Cruise Control	Electric seats	AMR5681	1
		Change point - VIN begin VA534104, LHD, With Air Conditioning, All Wheel Anti-Lock Braking System, With Cruise Control	Electric seats	AMR5230	1
		Change point - VIN begin VA703237, LHD, With Air Conditioning, All Wheel Anti-Lock Braking System, With Cruise Control	Electric seats	AMR5230	1
		Change point - VIN begin MA081992, Change point - VIN end MA091471, RHD, Less Air Conditioning, (+)"J", All Wheel Anti-Lock Braking System, Less Cruise Control		AMR3576	1
		Change point - VIN begin MA091472, RHD, Less Air Conditioning, (+)"J", All Wheel Anti-Lock Braking System		AMR3878	1
		LHD, Less Air Conditioning, Less Anti-Lock Braking System, Less Cruise Control		AMR3571	1
		LHD, With Air Conditioning, Less Anti-Lock Braking System, With Cruise Control		AMR3573	1
		LHD, With Air Conditioning, All Wheel Anti-Lock Braking System, With Cruise Control		AMR3575	1
		Change point - VIN begin TA163104, RHD, Less Air Conditioning, (-)"J", Less Electric Driver Seat Adjuster, Less Electric Pass.Seat Adjuster, Less Anti-Lock Braking System, Less Cruise Control		AMR4203	1
		Change point - VIN begin TA501920, RHD, Less Air Conditioning, (-)"J", Less Electric Driver Seat Adjuster, Less Electric Pass.Seat Adjuster, Less Anti-Lock Braking System, Less Cruise Control		AMR4203	1

Body Electrics
Batteries & Harnesses
Harness-Main-With Wing Harness-From (V) MA081992 7/8

Discovery (FA393361-WA799999)

(CAMXCC2A)



Discovery (FA393361-WA799999)

Body Electrics
Batteries & Harnesses
Harness-Main-With Wing Harness-From (V) MA081992

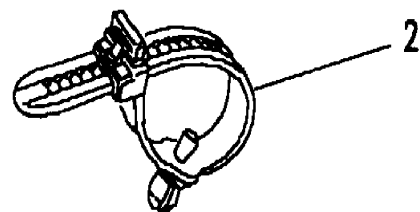
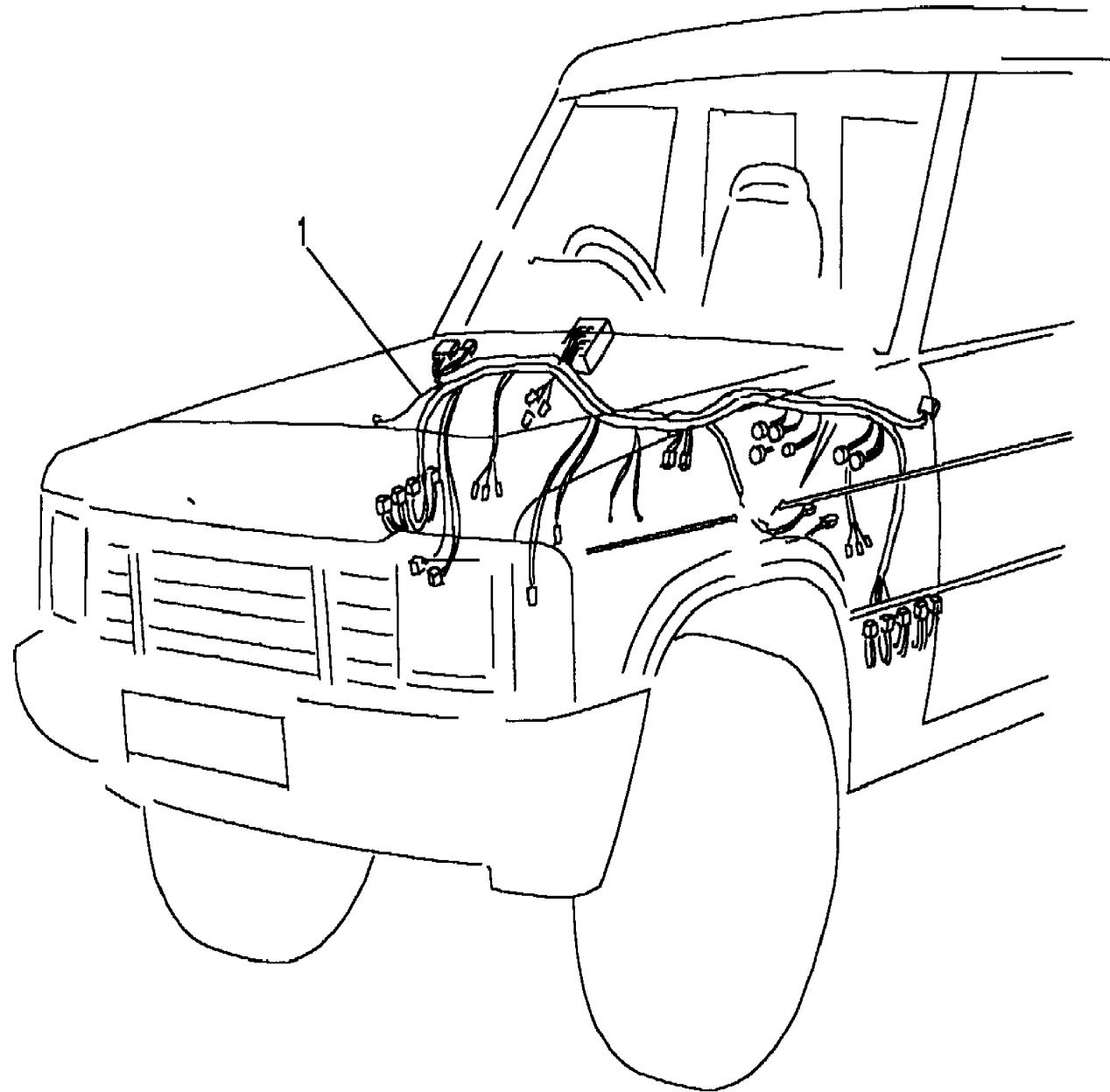
Change point - VIN begin MA081992

Callout	Name	Application	Remarks & Restrictions	Service No.	Qty
1	Harness Main	Change point - VIN begin TA163104, RHD, With Air Conditioning, (-)"J", Less Electric Driver Seat Adjuster, Less Electric Pass.Seat Adjuster, Less Anti-Lock Braking System, With Cruise Control		AMR4204	1
		Change point - VIN begin TA501920, RHD, With Air Conditioning, (-)"J", Less Electric Driver Seat Adjuster, Less Electric Pass.Seat Adjuster, Less Anti-Lock Braking System, With Cruise Control		AMR4204	1
		Change point - VIN begin TA163104, RHD, With Air Conditioning, (-)"J", Less Electric Driver Seat Adjuster, Less Electric Pass.Seat Adjuster, All Wheel Anti-Lock Braking System, With Cruise Control		AMR4205	1
		Change point - VIN begin TA501920, RHD, With Air Conditioning, (-)"J", Less Electric Driver Seat Adjuster, Less Electric Pass.Seat Adjuster, All Wheel Anti-Lock Braking System, With Cruise Control		AMR4205	1
		Change point - VIN begin TA163104, RHD, With Air Conditioning, (-)"J", All Wheel Anti-Lock Braking System, With Cruise Control	Electric seats	AMR4207	1
		Change point - VIN begin TA501920, RHD, With Air Conditioning, (-)"J", All Wheel Anti-Lock Braking System, With Cruise Control	Electric seats	AMR4207	1
		Change point - VIN begin TA163104, RHD, Less Air Conditioning, (+)"J", Less Electric Driver Seat Adjuster, Less Electric Pass.Seat Adjuster, All Wheel Anti-Lock Braking System, Less Cruise Control		AMR3682	1
		Change point - VIN begin TA501920, RHD, Less Air Conditioning, (+)"J", Less Electric Driver Seat Adjuster, Less Electric Pass.Seat Adjuster, All Wheel Anti-Lock Braking System, Less Cruise Control		AMR3682	1

Body Electrics
Batteries & Harnesses
Harness-Main-With Wing Harness-From (V) MA081992 8/8

Discovery (FA393361-WA799999)

(CAMXCC2A)



Discovery (FA393361-WA799999)

Body Electrics
Batteries & Harnesses
Harness-Main-With Wing Harness-From (V) MA081992

Change point - VIN begin MA081992

Callout	Name	Application	Remarks & Restrictions	Service No.	Qty		
1	Harness Main	Change point - VIN begin MA081992, Change point - VIN end MA091471, RHD, Less Air Conditioning, (-)"J", Less Anti-Lock Braking System, Less Cruise Control		AMR3570	1		
		Change point - VIN begin MA091472, RHD, Less Air Conditioning, (-)"J", Less Anti-Lock Braking System		AMR3875	1		
		Change point - VIN begin MA081992, Change point - VIN end MA091471, RHD, With Air Conditioning, (-)"J", Less Anti-Lock Braking System, With Cruise Control		AMR3572	1		
		Change point - VIN begin MA091472, RHD, With Air Conditioning, (-)"J", Less Anti-Lock Braking System, With Cruise Control		AMR3876	1		
		Change point - VIN begin MA081992, Change point - VIN end MA091471, RHD, With Air Conditioning, (-)"J", All Wheel Anti-Lock Braking System, With Cruise Control		AMR3574	1		
		Change point - VIN begin MA091472, RHD, With Air Conditioning, (-)"J", All Wheel Anti-Lock Braking System		AMR3877	1		
		Change point - VIN begin VA534104	6.5mm hole, 8.0 x 155mm	AAU3686	5		
		Change point - VIN begin VA703237	6.5mm hole, 8.0 x 155mm	AAU3686	5		
		2	Tie-cable				

Body Electrics
Batteries & Harnesses
Harness-Main-Without Wing Harness-To (V) LA081991 1/6

Discovery (FA393361-WA799999)

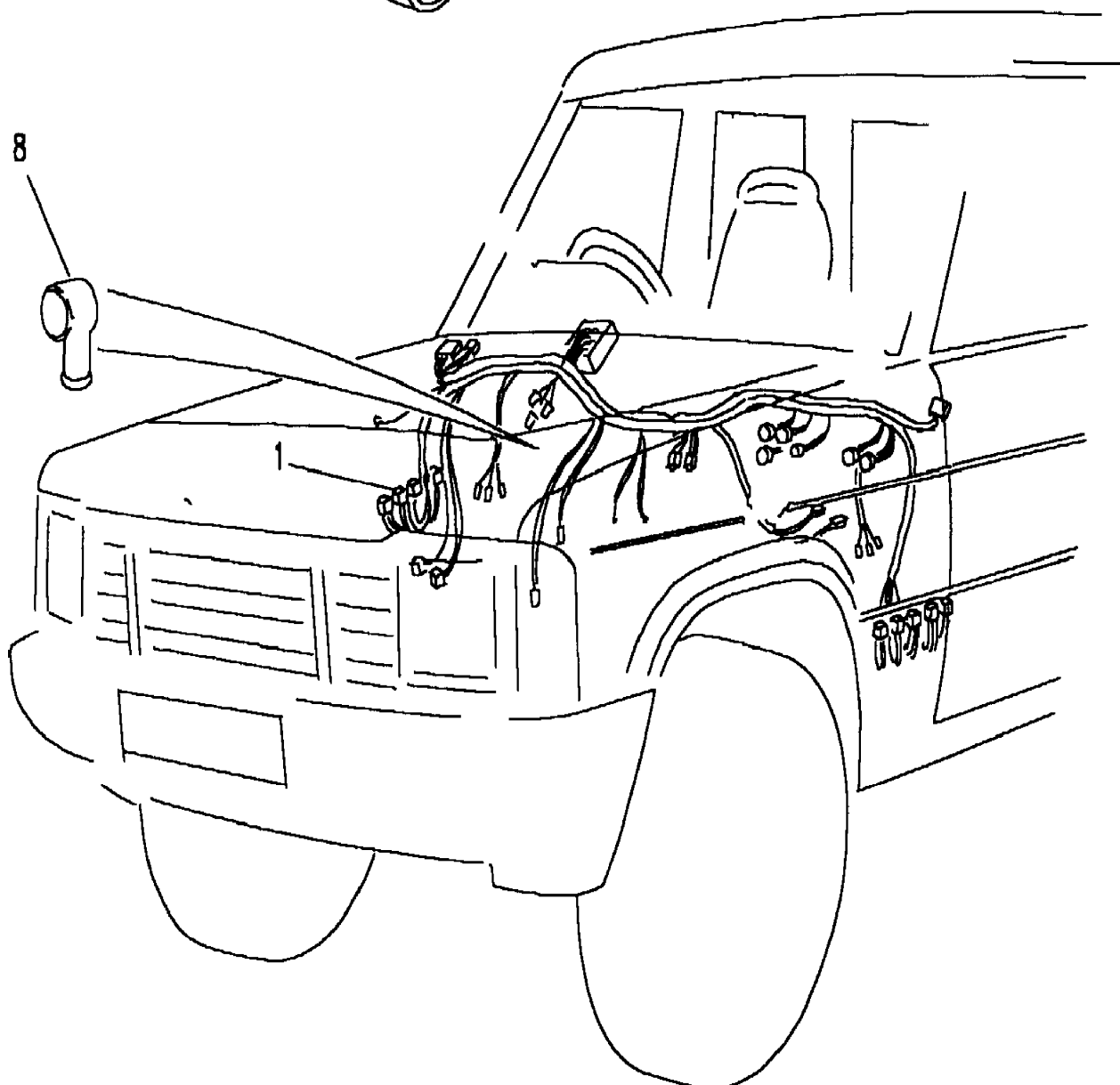
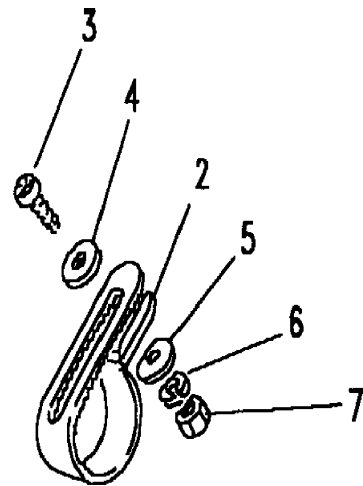
(CAMXCC1G)

Discovery (FA393361-WA799999)

Body Electrics
Batteries & Harnesses
Harness-Main-Without Wing Harness-To (V) LA081991

Change point - VIN end LA081991

Callout	Name	Application	Remarks & Restrictions	Service No.	Qty
1	Harness Main	Change point - VIN begin GA394352, Change point - VIN end GA456980, V8 Twin Carb Petrol, Less Air Conditioning, Less Central Door Locking, Less Headlamp Levelling	Less Electric Door Mirrors, Less Electric Windows	PRC8181	1
		Change point - VIN begin GA394352, Change point - VIN end GA456980, 4 Cyl TDi Diesel, Less Air Conditioning, Less Central Door Locking, Less Headlamp Levelling	Less Electric Door Mirrors, Less Electric Windows	PRC8181	1
		Change point - VIN begin GA394352, Change point - VIN end GA456980, V8 Twin Carb Petrol, With Air Conditioning, With Central Locking System, Less Headlamp Levelling	Electric Door Mirrors, Electric Windows	PRC8182	1
		Change point - VIN begin GA394352, Change point - VIN end GA456980, 4 Cyl TDi Diesel, With Air Conditioning, With Central Locking System, Less Headlamp Levelling	Electric Door Mirrors, Electric Windows	PRC8182	1
		Change point - VIN begin GA394352, Change point - VIN end GA456980, V8 Twin Carb Petrol, With Air Conditioning, With Central Locking System, With Manual Headlamp Levelling	Electric Door Mirrors, Electric Windows	PRC8183	1
		Change point - VIN begin GA394352, Change point - VIN end GA456980, 4 Cyl TDi Diesel, With Air Conditioning, With Central Locking System, With Manual Headlamp Levelling	Electric Door Mirrors, Electric Windows	PRC8183	1
		Change point - VIN begin GA394352, Change point - VIN end GA456980, V8 EFI Petrol, Less Air Conditioning, Less Central Door Locking, Less Headlamp Levelling	Less Electric Door Mirrors, Less Electric Windows	PRC8694	1
		Change point - VIN begin HA000001, Change point - VIN end HA012332, V8 EFI Petrol		PRC8695	1
		Change point - VIN begin HA456981, Change point - VIN end HA486551, V8 EFI Petrol		PRC8695	1



Body Electrics
Batteries & Harnesses
Harness-Main-Without Wing Harness-To (V) LA081991 2/6

Discovery (FA393361-WA799999)

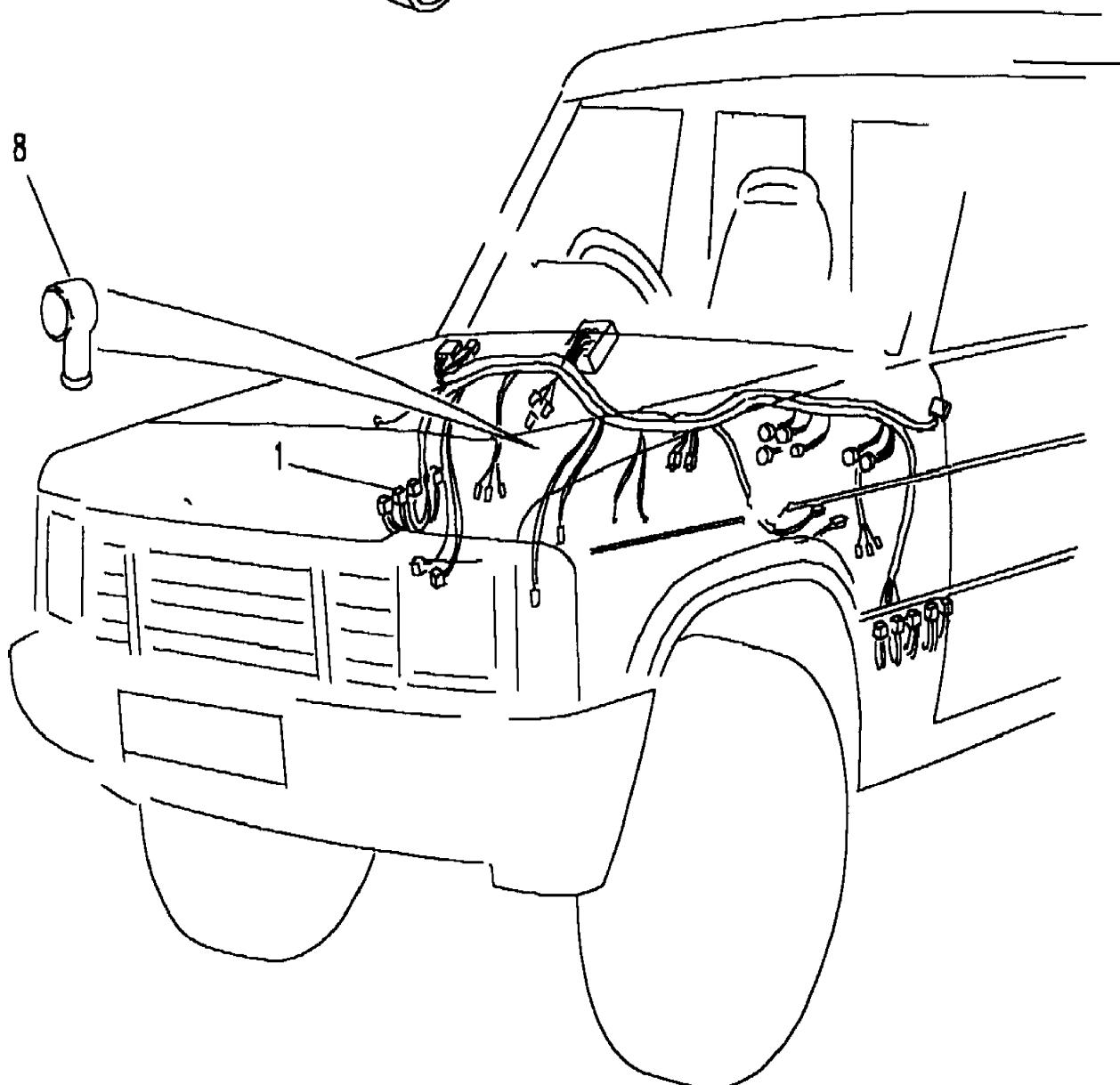
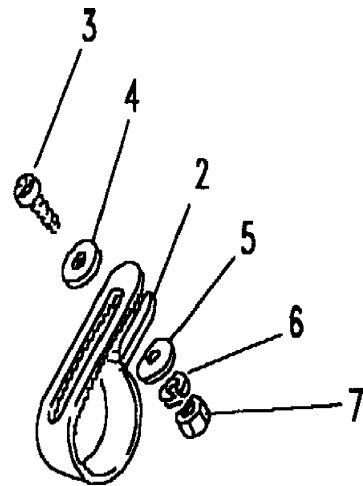
(CAMXCC1G)

Discovery (FA393361-WA799999)

Body Electrics
Batteries & Harnesses
Harness-Main-Without Wing Harness-To (V) LA081991

Change point - VIN end LA081991

Callout	Name	Application	Remarks & Restrictions	Service No.	Qty
1	Harness Main	Change point - VIN begin HA000001, Change point - VIN end HA012332, 4 Cyl TDi Diesel, Less Air Conditioning		PRC8696	1
		Change point - VIN begin HA456981, Change point - VIN end HA486551, 4 Cyl TDi Diesel, Less Air Conditioning		PRC8696	1
		Change point - VIN begin HA000001, Change point - VIN end HA012332, 4 Cyl TDi Diesel, With Air Conditioning	Less Electric Door Mirrors	PRC8182	1
		Change point - VIN begin HA456981, Change point - VIN end HA486551, 4 Cyl TDi Diesel, With Air Conditioning	Less Electric Door Mirrors	PRC8182	1
		Change point - VIN begin JA012333, Change point - VIN end JA013706, V8 EFI Petrol, (-)"GCC"		PRC8695	1
		Change point - VIN begin JA013707, Change point - VIN end JA020963, V8 EFI Petrol, (-)"GCC"		PRC9659	1
		Change point - VIN begin JA020964, Change point - VIN end JA034313, V8 EFI Petrol, (-)"GCC"		AMR1126	1
		Change point - VIN begin JA012333, Change point - VIN end JA021991, V8 EFI Petrol, (-)"GCC"		PRC9231	1
		Change point - VIN begin JA021992, Change point - VIN end JA034313, V8 EFI Petrol, (-)"GCC"		AMR1128	1
		Change point - VIN begin JA012333, Change point - VIN end JA013709, 4 Cyl TDi Diesel, Less Air Conditioning, (-)"GCC", Less Central Door Locking	Less Electric Door Mirrors, Less Electric Windows	PRC8696	1
		Change point - VIN begin JA013710, Change point - VIN end JA021305, 4 Cyl TDi Diesel, Less Air Conditioning, (-)"GCC", Less Central Door Locking	Less Electric Door Mirrors, Less Electric Windows	PRC9660	1
		Change point - VIN begin JA021306, Change point - VIN end JA034313, 4 Cyl TDi Diesel, Less Air Conditioning, (-)"GCC", Less Central Door Locking	Less Electric Door Mirrors, Less Electric Windows	AMR1281	1



Body Electrics
Batteries & Harnesses
Harness-Main-Without Wing Harness-To (V) LA081991 3/6

Discovery (FA393361-WA799999)

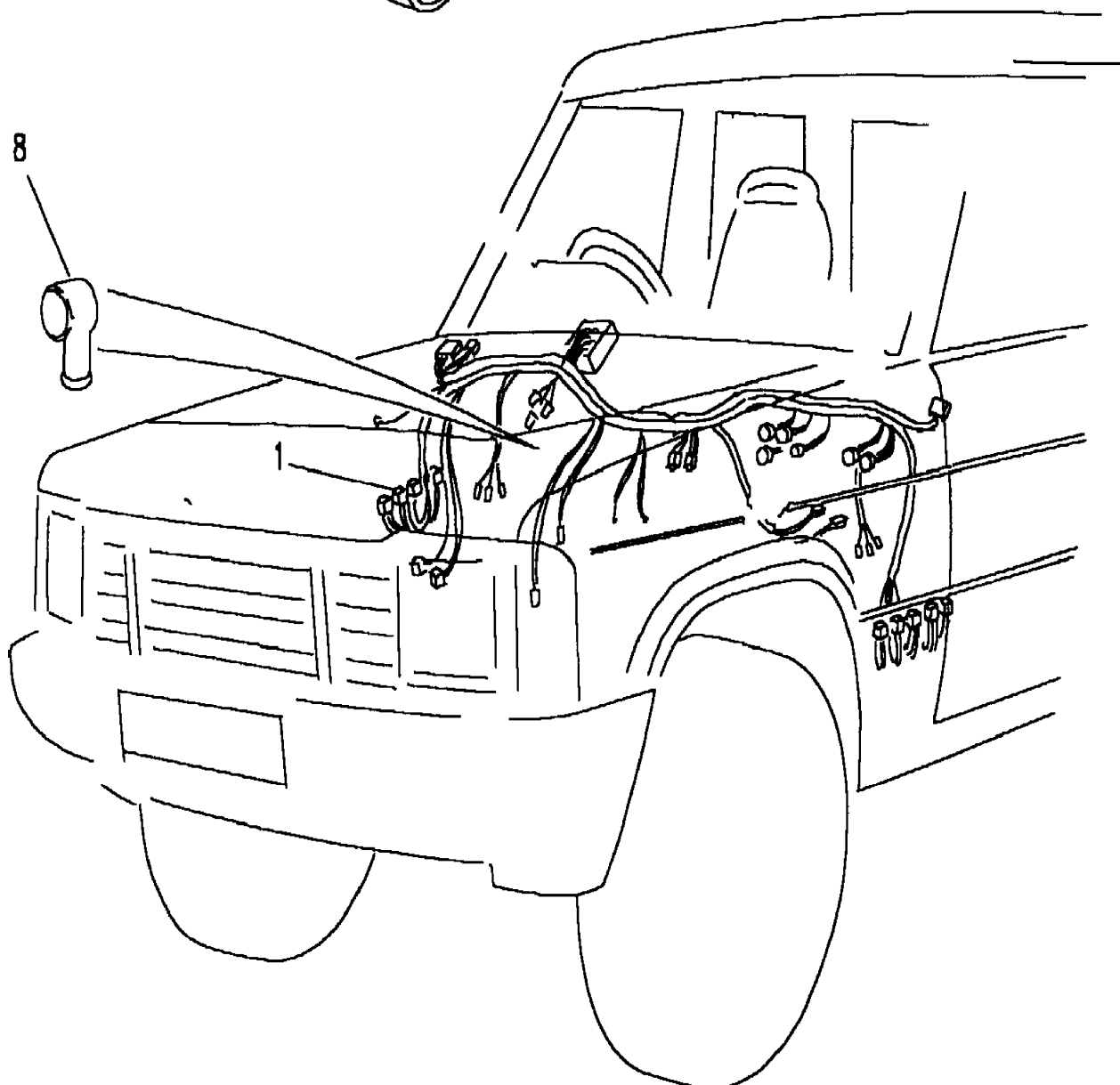
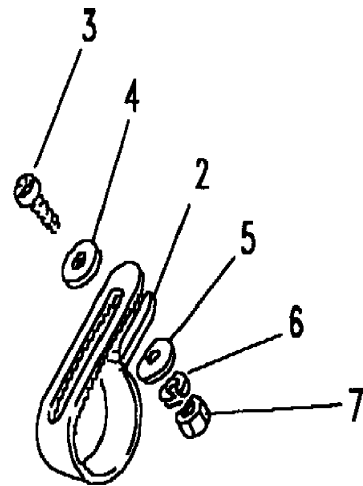
(CAMXCC1G)

Discovery (FA393361-WA799999)

Body Electrics
Batteries & Harnesses
Harness-Main-Without Wing Harness-To (V) LA081991

Change point - VIN end LA081991

Callout	Name	Application	Remarks & Restrictions	Service No.	Qty
1	Harness Main	Change point - VIN begin JA012333, Change point - VIN end JA013684, 4 Cyl TDi Diesel, With Air Conditioning, (-)"GCC", With Central Locking System	Electric Door Mirrors, Electric Windows	PRC8698	1
		Change point - VIN begin JA013685, Change point - VIN end JA020976, 4 Cyl TDi Diesel, With Air Conditioning, (-)"GCC", With Central Locking System	Electric Door Mirrors, Electric Windows	PRC9661	1
		Change point - VIN begin JA020977, Change point - VIN end JA034313, 4 Cyl TDi Diesel, With Air Conditioning, (-)"GCC", With Central Locking System	Electric Door Mirrors, Electric Windows	AMR1127	1
		Change point - VIN begin JA012333, Change point - VIN end JA034313, 4 Cyl TDi Diesel, (+)"AUS"		AMR1191	1
		Change point - VIN begin JA012333, Change point - VIN end JA025388, 4 Cyl TDi Diesel, (+)"GCC"		PRC9943	1
		Change point - VIN begin JA025389, Change point - VIN end JA034313, 4 Cyl TDi Diesel, (+)"GCC"		AMR1268	1
		Change point - VIN begin KA034314, Change point - VIN end KA064754, V8 EFI Petrol, Less Air Conditioning, (-)"AUS", Less Central Door Locking System	Less Electric Door Mirrors, Less Electric Windows	PRC9445	1
		Change point - VIN begin KA034314, Change point - VIN end KA064754, V8 EFI Petrol, Less Air Conditioning, (-)"AUS", With Central Locking System	Electric Door Mirrors, Electric Windows	PRC9445	1
		Change point - VIN begin KA034314, Change point - VIN end KA064754, V8 EFI Petrol, With Air Conditioning, (-)"AUS", Less Central Door Locking System	Less Electric Door Mirrors, Less Electric Windows	PRC9446	1
		Change point - VIN begin KA034314, Change point - VIN end KA064754, V8 EFI Petrol, With Air Conditioning, (-)"AUS", With Central Locking System	Electric Door Mirrors, Electric Windows	PRC9043	1
		Change point - VIN begin KA034314, Change point - VIN end KA064754, V8 EFI Petrol, (+)"AUS"		PRC9044	1



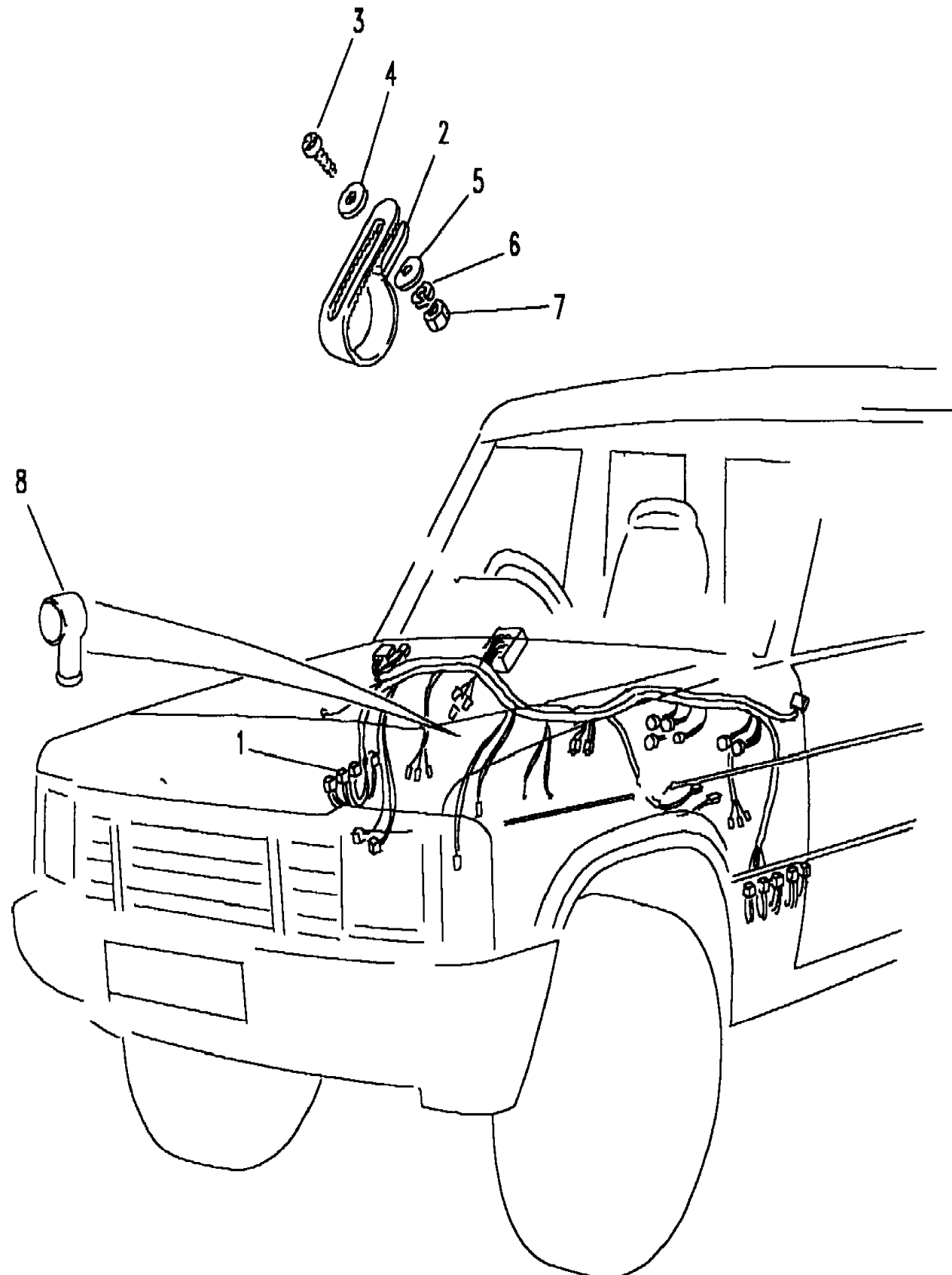
Body Electrics
Batteries & Harnesses
Harness-Main-Without Wing Harness-To (V) LA081991 4/6

Discovery (FA393361-WA799999)

(CAMXCC1G)

Discovery (FA393361-WA799999)

Body Electrics
Batteries & Harnesses
Harness-Main-Without Wing Harness-To (V) LA081991
Change point - VIN end LA081991



Callout	Name	Application	Remarks & Restrictions	Service No.	Qty
1	Harness Main	Change point - VIN begin KA034314, Change point - VIN end KA064754, 4 Cyl MPi Petrol		PRC9043	1
		Change point - VIN begin KA034314, Change point - VIN end KA064754, 4 Cyl TDi Diesel, Less Air Conditioning, (-)"AUS", Less Central Door Locking	Less Electric Door Mirrors, Less Electric Windows	PRC9041	1
		Change point - VIN begin KA034314, Change point - VIN end KA064754, 4 Cyl TDi Diesel, Less Air Conditioning, (-)"AUS", With Central Locking System	Electric Door Mirrors, Electric Windows	PRC9443	1
		Change point - VIN begin KA034314, Change point - VIN end KA064754, 4 Cyl TDi Diesel, With Air Conditioning, (-)"AUS", Less Central Door Locking	Less Electric Door Mirrors, Less Electric Windows	PRC9444	1
		Change point - VIN begin KA034314, Change point - VIN end KA064754, 4 Cyl TDi Diesel, With Air Conditioning, (-)"AUS", With Central Locking System	Electric Door Mirrors, Electric Windows	PRC9042	1
		Change point - VIN begin KA034314, Change point - VIN end KA064754, 4 Cyl TDi Diesel, With Air Conditioning, (+)"AUS"		AMR1168	1
		Change point - VIN begin LA064755, Change point - VIN end LA065556, V8 EFI Petrol, Less Air Conditioning, (-)"AUS", Less Central Door Locking	Less Electric Door Mirrors, Less Electric Windows	PRC9445	1
		Change point - VIN begin LA065557, Change point - VIN end LA081991, V8 EFI Petrol, Less Air Conditioning, (-)"AUS", Less Central Door Locking	Less Electric Door Mirrors, Less Electric Windows	AMR3440	1
		Change point - VIN begin LA064755, Change point - VIN end LA065556, V8 EFI Petrol, Less Air Conditioning, (-)"AUS", With Central Locking System	Electric Door Mirrors, Electric Windows	PRC9445	1
		Change point - VIN begin LA065557, Change point - VIN end LA081991, V8 EFI Petrol, Less Air Conditioning, (-)"AUS", With Central Locking System	Electric Door Mirrors, Electric Windows	AMR3440	1

Body Electrics
Batteries & Harnesses
Harness-Main-Without Wing Harness-To (V) LA081991 5/6

Discovery (FA393361-WA799999)

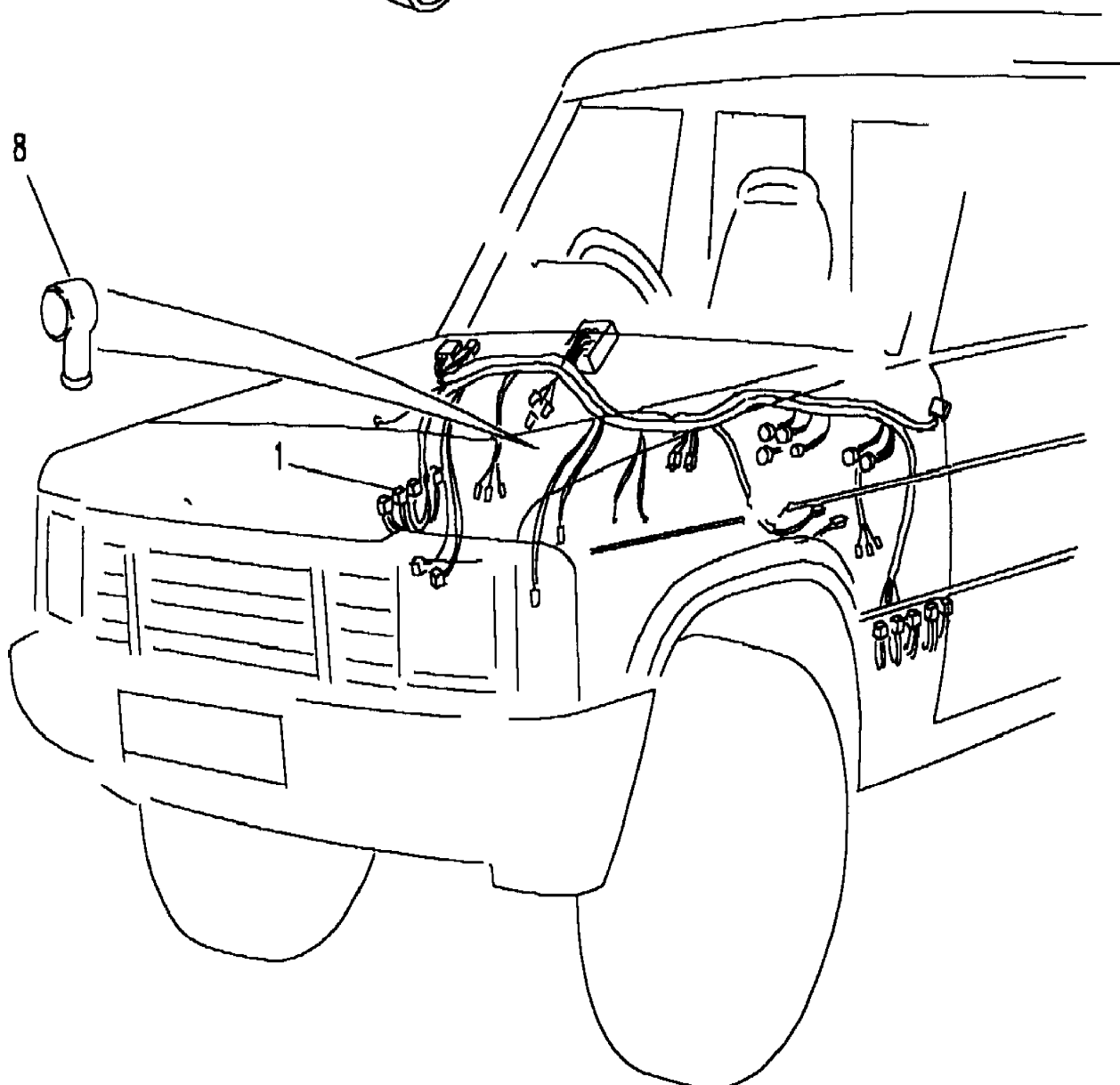
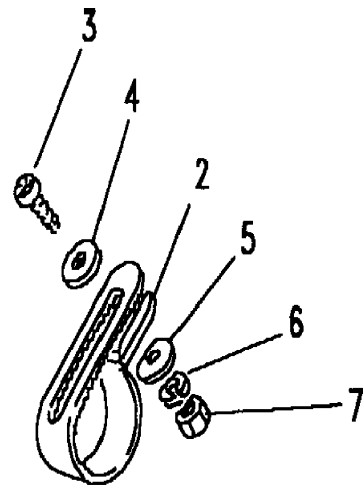
(CAMXCC1G)

Discovery (FA393361-WA799999)

Body Electrics
Batteries & Harnesses
Harness-Main-Without Wing Harness-To (V) LA081991

Change point - VIN end LA081991

Callout	Name	Application	Remarks & Restrictions	Service No.	Qty
1	Harness Main	Change point - VIN begin LA064755, Change point - VIN end LA065556, V8 EFI Petrol, With Air Conditioning, (-)"AUS", Less Central Door Locking	Less Electric Door Mirrors, Less Electric Windows	PRC9446	1
		Change point - VIN begin LA065557, Change point - VIN end LA081991, V8 EFI Petrol, With Air Conditioning, (-)"AUS", Less Central Door Locking	Less Electric Door Mirrors, Less Electric Windows	AMR3441	1
		Change point - VIN begin LA064755, Change point - VIN end LA065556, V8 EFI Petrol, With Air Conditioning, (-)"AUS", With Central Locking System	Electric Door Mirrors, Electric Windows	PRC9043	1
		Change point - VIN begin LA065557, Change point - VIN end LA081991, V8 EFI Petrol, With Air Conditioning, (-)"AUS", With Central Locking System	Electric Door Mirrors, Electric Windows	AMR3438	1
		Change point - VIN begin LA064755, Change point - VIN end LA065556, V8 EFI Petrol, (+)"AUS"		PRC9044	1
		Change point - VIN begin LA065557, Change point - VIN end LA081991, V8 EFI Petrol, (+)"AUS"		AMR3439	1
		Change point - VIN begin LA064755, Change point - VIN end LA081991, 4 Cyl MPi Petrol		PRC9043	1
		Change point - VIN begin LA064755, Change point - VIN end LA081991, 4 Cyl TDi Diesel, Less Air Conditioning, (-)"AUS", Less Central Door Locking	Less Electric Door Mirrors, Less Electric Windows	AMR3079	1
		Change point - VIN begin LA064755, Change point - VIN end LA081991, 4 Cyl TDi Diesel, Less Air Conditioning, (-)"AUS", With Central Locking System	Electric Door Mirrors, Electric Windows	AMR3081	1
		Change point - VIN begin LA064755, Change point - VIN end LA081991, 4 Cyl TDi Diesel, With Air Conditioning, (-)"AUS", Less Central Door Locking	Less Electric Door Mirrors, Less Electric Windows	AMR3082	1



Body Electrics
Batteries & Harnesses
Harness-Main-Without Wing Harness-To (V) LA081991 6/6

Discovery (FA393361-WA799999)

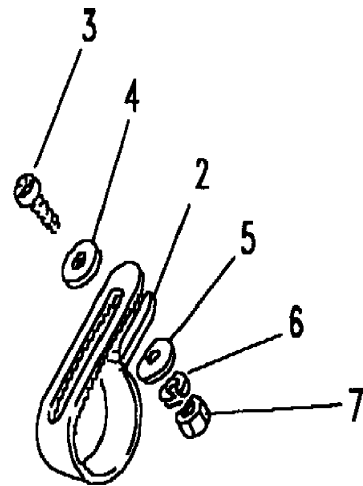
(CAMXCC1G)

Discovery (FA393361-WA799999)

Body Electrics
Batteries & Harnesses
Harness-Main-Without Wing Harness-To (V) LA081991

Change point - VIN end LA081991

Callout	Name	Application	Remarks & Restrictions	Service No.	Qty
1	Harness Main	Change point - VIN begin LA064755, Change point - VIN end LA081991, 4 Cyl TDi Diesel, With Air Conditioning, (-)"AUS", With Central Locking System Change point - VIN begin LA064755, Change point - VIN end LA081991, 4 Cyl TDi Diesel, With Air Conditioning, (+)"AUS"	Electric Door Mirrors, Electric Windows	AMR3080 AMR3083	1 1
2	Clip-p	Change point - VIN begin LA064755, Change point - VIN end LA081991	Plastic, Adjustable, White., 4.0/12.0mm	C39377L	2
3	Screw	Change point - VIN begin LA064755, Change point - VIN end LA081991	hexagonal head, M5 x 25	SH105251L	2
4	Washer	Change point - VIN begin LA064755, Change point - VIN end LA081991	M5, Plain, Standard	WA105001L	2
5	Washer	Change point - VIN begin LA064755, Change point - VIN end LA081991	M5, oversize, Plain	WJ105001L	2
6	Washer	Change point - VIN begin LA064755, Change point - VIN end LA081991	M5, retaining	WL105001L	2
7	Nut-hexagonal	Change point - VIN begin LA064755, Change point - VIN end LA081991	M5	NH105041L	2
8	Cover-terminal post	Change point - VIN begin LA064755, Change point - VIN end LA081991		PRC7093	1



Body Electrics
Batteries & Harnesses
Harness-SRS (Air Bag) 1/2

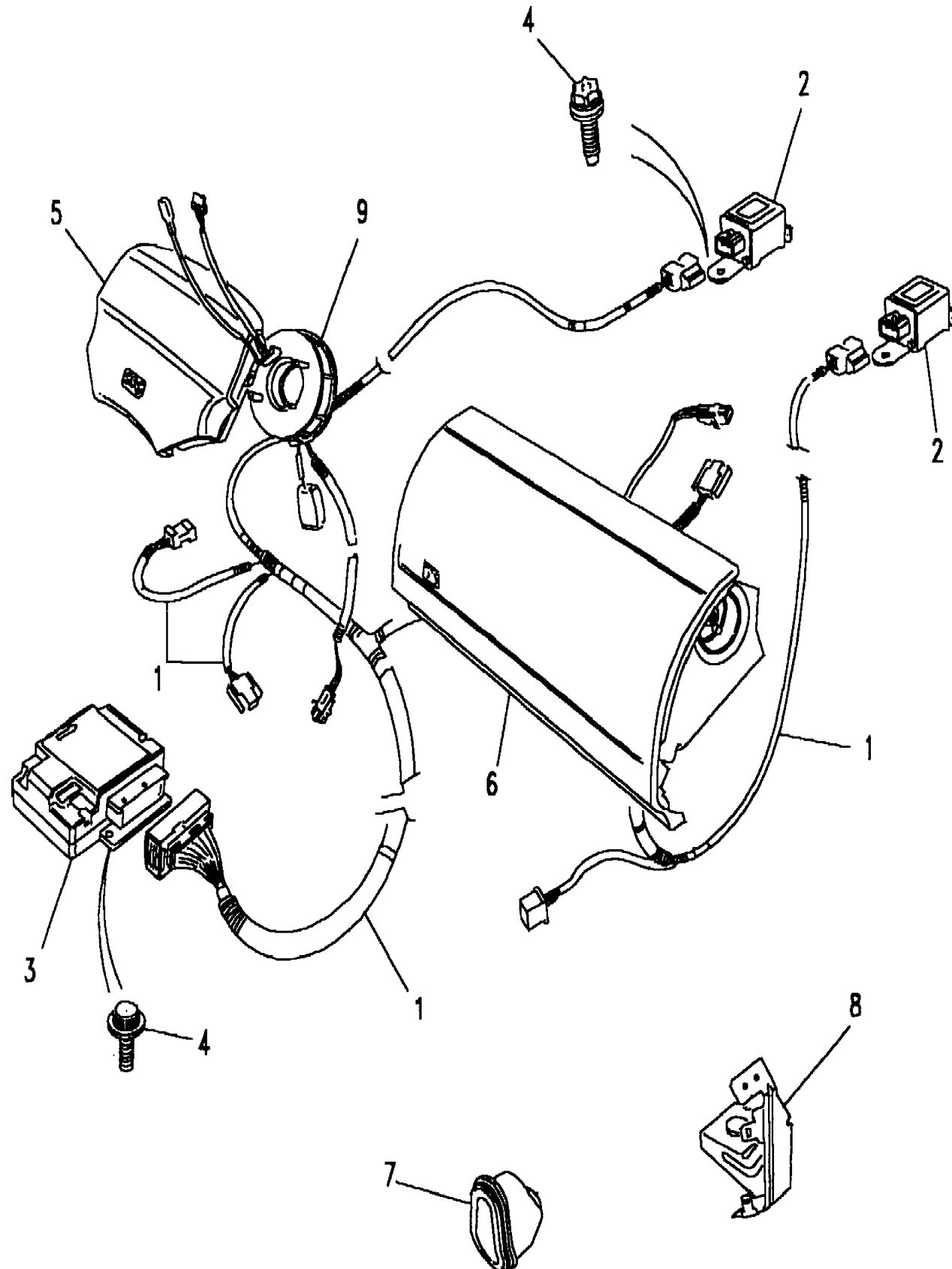
Discovery (FA393361-WA799999)
(CAMXCK1A)

Discovery (FA393361-WA799999)

Body Electrics
Batteries & Harnesses
Harness-SRS (Air Bag)

LHD, RHD, With Driver Air Bag, With Passenger Air Bag

Callout	Name	Application	Remarks & Restrictions	Service No.	Qty		
1	Harness air bag	Change point - VIN end MA108771, RHD		AMR3668	1		
		Change point - VIN end MA108771, LHD		AMR3669	1		
		Change point - VIN begin MA108772, Change point - VIN end TA534104		AMR3994	1		
		Change point - VIN begin MA108772, Change point - VIN end TA703236		AMR3994	1		
		Change point - VIN begin MA108772, Change point - VIN end TA534104		AMR3995	1		
		Change point - VIN begin MA108772, Change point - VIN end TA703236		AMR3995	1		
		Change point - VIN end MA108771, RHD		AMR3666	1		
		Change point - VIN end MA108771, LHD		AMR3667	1		
		Change point - VIN begin MA108772, Change point - VIN end TA534104		AMR3992	1		
		Change point - VIN begin MA108772, Change point - VIN end TA703236		AMR3992	1		
		Change point - VIN begin MA108772, Change point - VIN end TA534104		AMR3993	1		
		Change point - VIN begin MA108772, Change point - VIN end TA703236		AMR3993	1		
		2	Switch-crash sensor air bag	Change point - VIN end TA534104		AMR2705	2
				Change point - VIN end TA703236		AMR2705	2
		3	Control & diagnostic unit air bag	Change point - VIN end MA133682		YWC10151	1
				Change point - VIN begin MA133683, Change point - VIN end TA534104		AMR4905	1
				Change point - VIN begin MA133683, Change point - VIN end TA703236		AMR4905	1
		4	Screw-powerlok	Change point - VIN end TA534104		BTR6656	6
Change point - VIN end TA703236				BTR6656	6		
5	Module & cover assembly-driver air bag	Change point - VIN end MA147168	Ash Grey	BTR7692LNF	1		
		Change point - VIN begin MA147169, Change point - VIN end TA534104	Ash Grey	AWR3498LNF	1		



Body Electrics
Batteries & Harnesses
Harness-SRS (Air Bag) 2/2

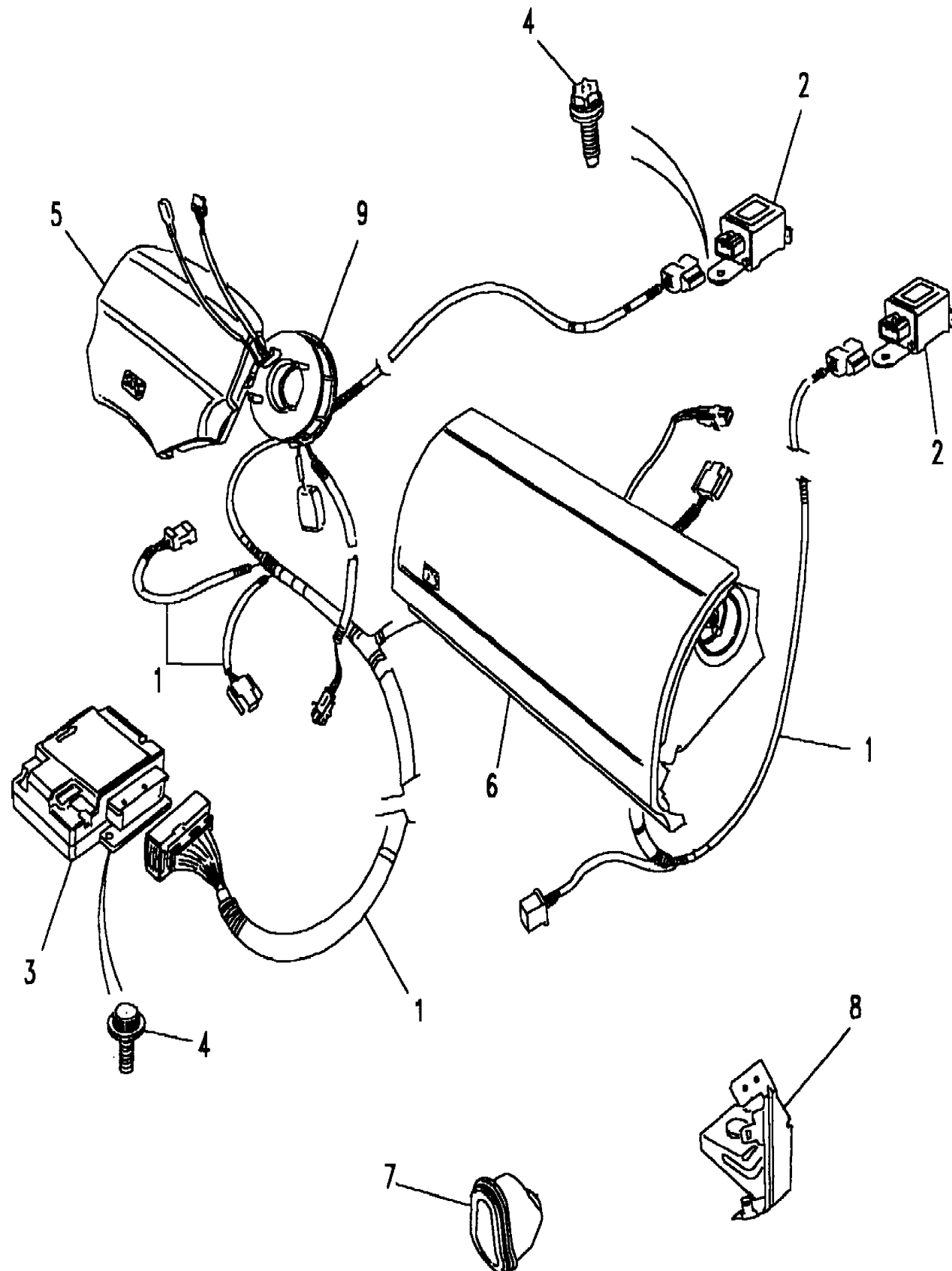
Discovery (FA393361-WA799999)
(CAMXCK1A)

Discovery (FA393361-WA799999)

Body Electrics
Batteries & Harnesses
Harness-SRS (Air Bag)

LHD, RHD, With Driver Air Bag, With Passenger Air Bag

Callout	Name	Application	Remarks & Restrictions	Service No.	Qty
6	Module & cover assembly-passenger air bag	Change point - VIN end TA534104	Dark Granite	BTR7690LOY	1
		Change point - VIN end TA703236	Dark Granite	BTR7690LOY	1
		Change point - VIN end TA534104	Bahama Beige	BTR7690SUC	1
		Change point - VIN end TA703236	Bahama Beige	BTR7690SUC	1
7	Grommet-sealing	Change point - VIN end TA534104	airbag, Also serviced as part of a kit	ANR2933	1
		Change point - VIN end TA703236	airbag, Also serviced as part of a kit	ANR2933	1
8	Bracket-air bag mounting	Change point - VIN end TA534104		AMR3304	1
		Change point - VIN end TA703236		AMR3304	1
9	Coupler-rotary steering column	Change point - VIN end MA117421		AMR3647	1
		Change point - VIN begin MA117422, Change point - VIN end TA180418		AMR4726	1
		Change point - VIN begin MA117422, Change point - VIN end TA512138		AMR4726	1
		Change point - VIN begin TA180419, Change point - VIN end WA762768		AMR5631	1
		Change point - VIN begin TA512139, Change point - VIN end WA762768		AMR5631	1
		Change point - VIN begin WA762769		YRC100350	1



Body Electrics
Batteries & Harnesses
Harness-SRS (SPS)-From (V) VA703323/VA534104 1/2

Discovery (FA393361-WA799999)

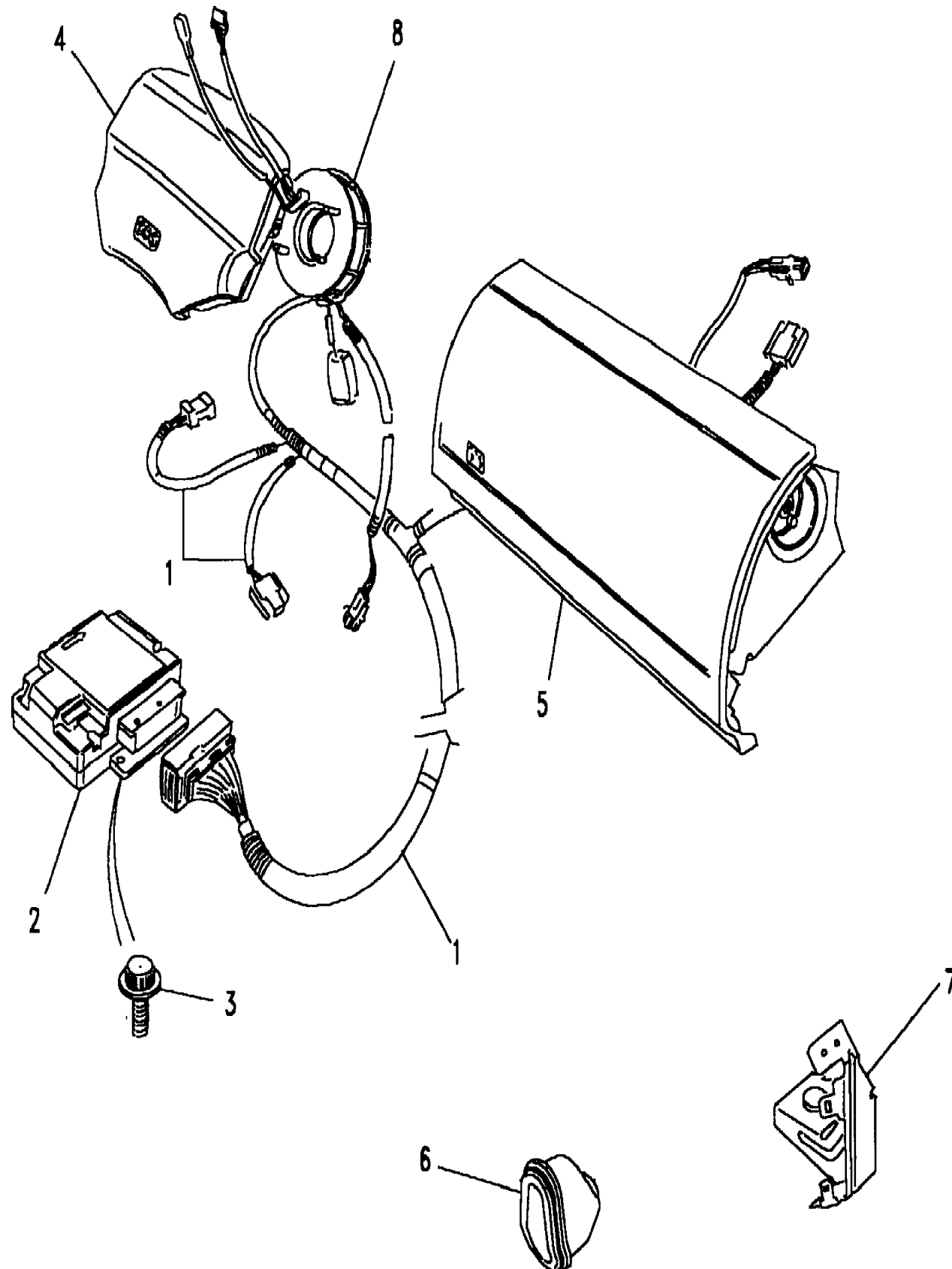
(CAMXCK2A)

Discovery (FA393361-WA799999)

Body Electrics
Batteries & Harnesses
Harness-SRS (SPS)-From (V) VA703323/VA534104

Change point - VIN begin VA534104, Passive Restraint

Callout	Name	Application	Remarks & Restrictions	Service No.	Qty
1	Harness-crash sensor airbag	Change point - VIN begin VA534104, RHD		AMR5164	1
		Change point - VIN begin VA703237, RHD		AMR5164	1
		Change point - VIN begin VA534104, LHD		AMR5165	1
		Change point - VIN begin VA703237, LHD		AMR5165	1
2	Control unit passive restraint	Change point - VIN begin VA534104, With Driver Air Bag	sensor fitted internally	AWR6533	1
		Change point - VIN begin VA703237, With Driver Air Bag	sensor fitted internally	AWR6533	1
		Change point - VIN begin VA534104, With Driver Air Bag, With Passenger Air Bag	sensor fitted internally	AWR6534	1
		Change point - VIN begin VA703237, With Driver Air Bag, With Passenger Air Bag	sensor fitted internally	AWR6534	1
3	Screw-powerlok	Change point - VIN begin VA534104		EYG100150L	2
		Change point - VIN begin VA703237		EYG100150L	2
4	Module & cover assembly-driver air bag	Change point - VIN begin VA534104	Ash Grey	AWR3498LNF	1
		Change point - VIN begin VA703237	Ash Grey	AWR3498LNF	1
5	Module & cover assembly-passenger air bag	Change point - VIN begin VA534104	Dark Granite	BTR7690LOY	1
		Change point - VIN begin VA703237	Dark Granite	BTR7690LOY	1
		Change point - VIN begin VA534104	Bahama Beige	BTR7690SUC	1
		Change point - VIN begin VA703237	Bahama Beige	BTR7690SUC	1
6	Grommet-sealing	Change point - VIN begin VA534104	airbag, Also serviced as part of a kit	ANR2933	1
		Change point - VIN begin VA703237	airbag, Also serviced as part of a kit	ANR2933	1
7	Bracket-air bag mounting	Change point - VIN begin VA534104		AMR3304	1
		Change point - VIN begin VA703237		AMR3304	1
8	Coupler-rotary steering column	Change point - VIN begin VA534104, Change point - VIN end WA762768		AMR5631	1

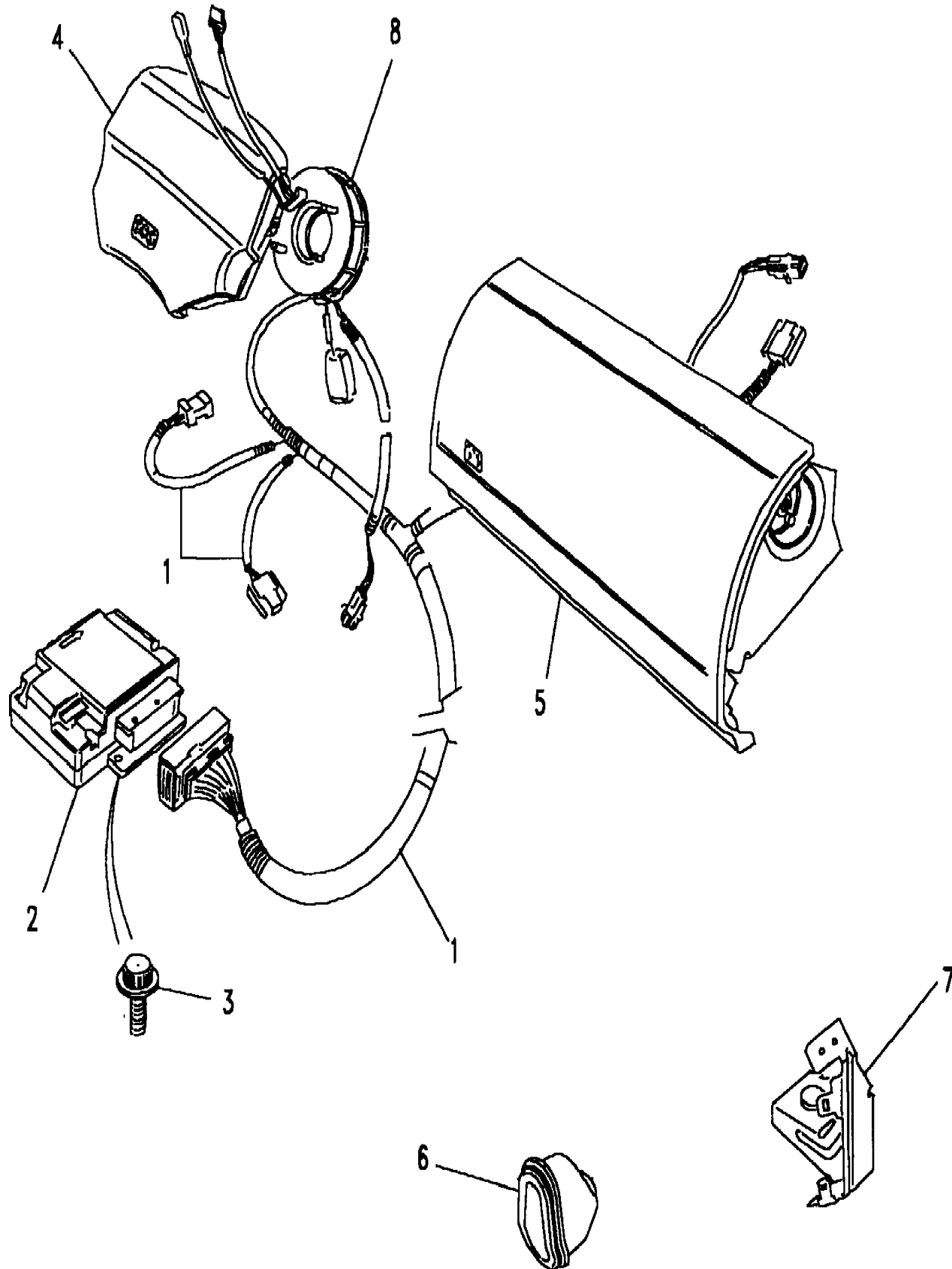


Body Electrics
 Batteries & Harnesses
 Harness-SRS (SPS)-From (V) VA703323/VA534104 2/2

Discovery (FA393361-WA799999)
 (CAMXCK2A)

Discovery (FA393361-WA799999)

Body Electrics
 Batteries & Harnesses
 Harness-SRS (SPS)-From (V) VA703323/VA534104
 Change point - VIN begin VA534104, Passive Restraint



Callout	Name	Application	Remarks & Restrictions	Service No.	Qty
8	Coupler-rotary steering column	Change point - VIN begin VA703237, Change point - VIN end WA762768 Change point - VIN begin WA762769		AMR5631 YRC100350	1 1

Body Electrics
Batteries & Harnesses
Harness-Transmission-From (V) GA394352 To (V) JA034313 1/1

Discovery (FA393361-WA799999)

(CAMXCF4A)



Discovery (FA393361-WA799999)

Body Electrics
Batteries & Harnesses
Harness-Transmission-From (V) GA394352 To (V) JA034313

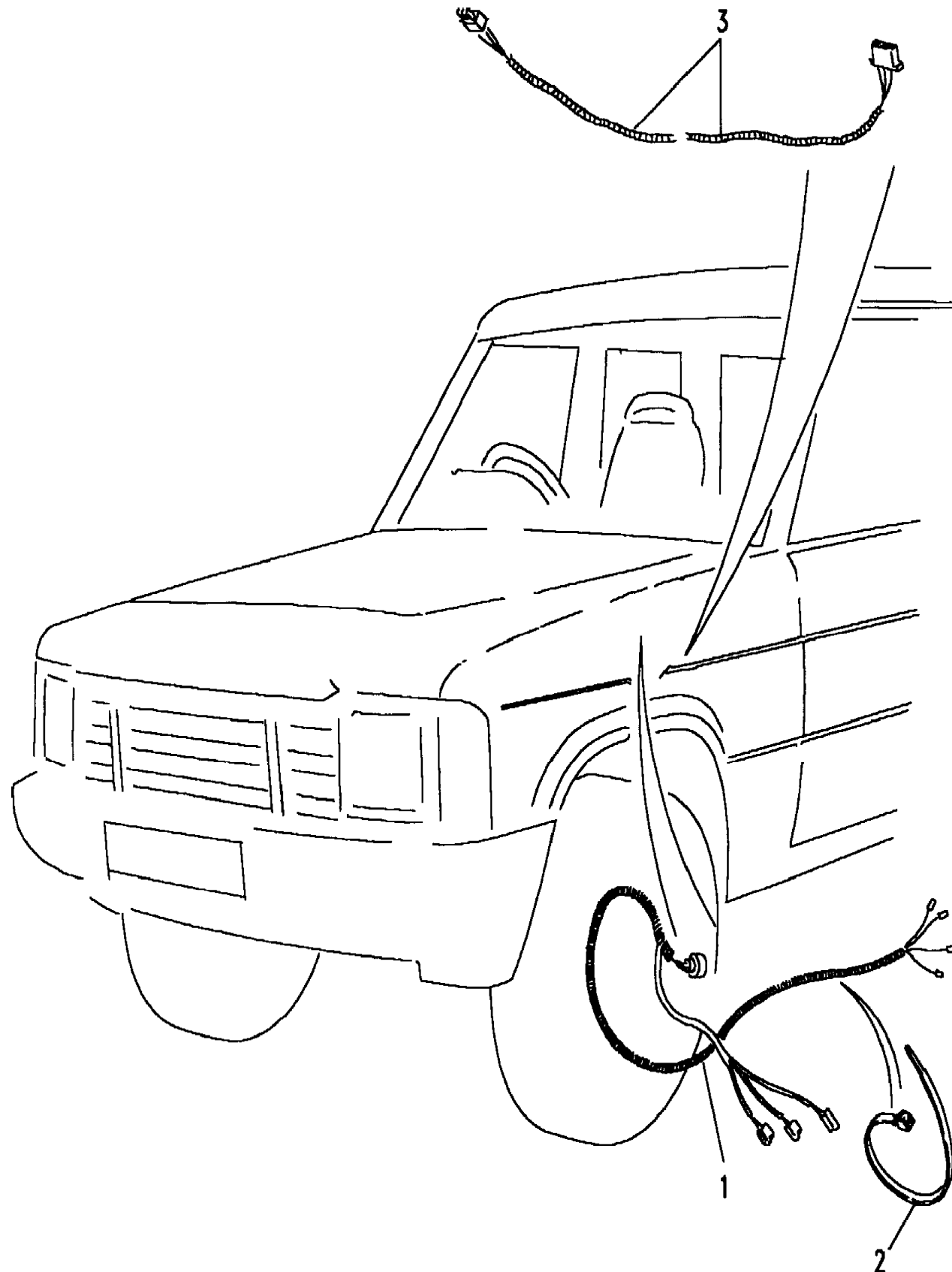
Change point - VIN begin GA394352, Change point - VIN end JA034313

Callout	Name	Application	Remarks & Restrictions	Service No.	Qty
1	Harness-transmission	Change point - VIN begin KA034314, Change point - VIN end KA064754, 2.5L TDi Diesel, Manual Transmission, (+)"GCC" TDi Diesel, (-)"GCC" V8 Twin Carb V8 EFI Petrol TDi Diesel, (+)"GCC" Change point - VIN begin KA034314, Change point - VIN end KA064754, V8 EFI Petrol, Manual Transmission Change point - VIN begin KA034314, Change point - VIN end KA064754, V8 EFI Petrol, Automatic Transmission Change point - VIN begin KA034314, Change point - VIN end KA038821, 4 Cyl MPi Petrol Change point - VIN begin KA038822, Change point - VIN end KA064754, 4 Cyl MPi Petrol Change point - VIN begin KA034314, Change point - VIN end KA064754, 2.5L TDi Diesel, Manual Transmission, (-)"GCC"		AMR2200 PRC6455 PRC6455 PRC8147 PRC9944 PRC9480 PRC8969 PRC9480 AMR1533 PRC9481	1 1 1 1 1 1 1 1 1 1
2	Tie-cable	Change point - VIN begin KA034314, Change point - VIN end KA064754	fir tree, Also serviced as part of a kit, Black, inside serated, 3.5 x 150mm 4.8 x 270mm, inside serated	UKC6684L 568680	2 2
[900]	Clip-p	Change point - VIN begin KA034314, Change point - VIN end KA064754		PRC6525	1

Body Electrics
Batteries & Harnesses
Harness-Transmission-From (V) LA064755 To (V) LA081991 1/1

Discovery (FA393361-WA799999)

(CAMXCF4C)



Discovery (FA393361-WA799999)

Body Electrics
Batteries & Harnesses

Harness-Transmission-From (V) LA064755 To (V) LA081991

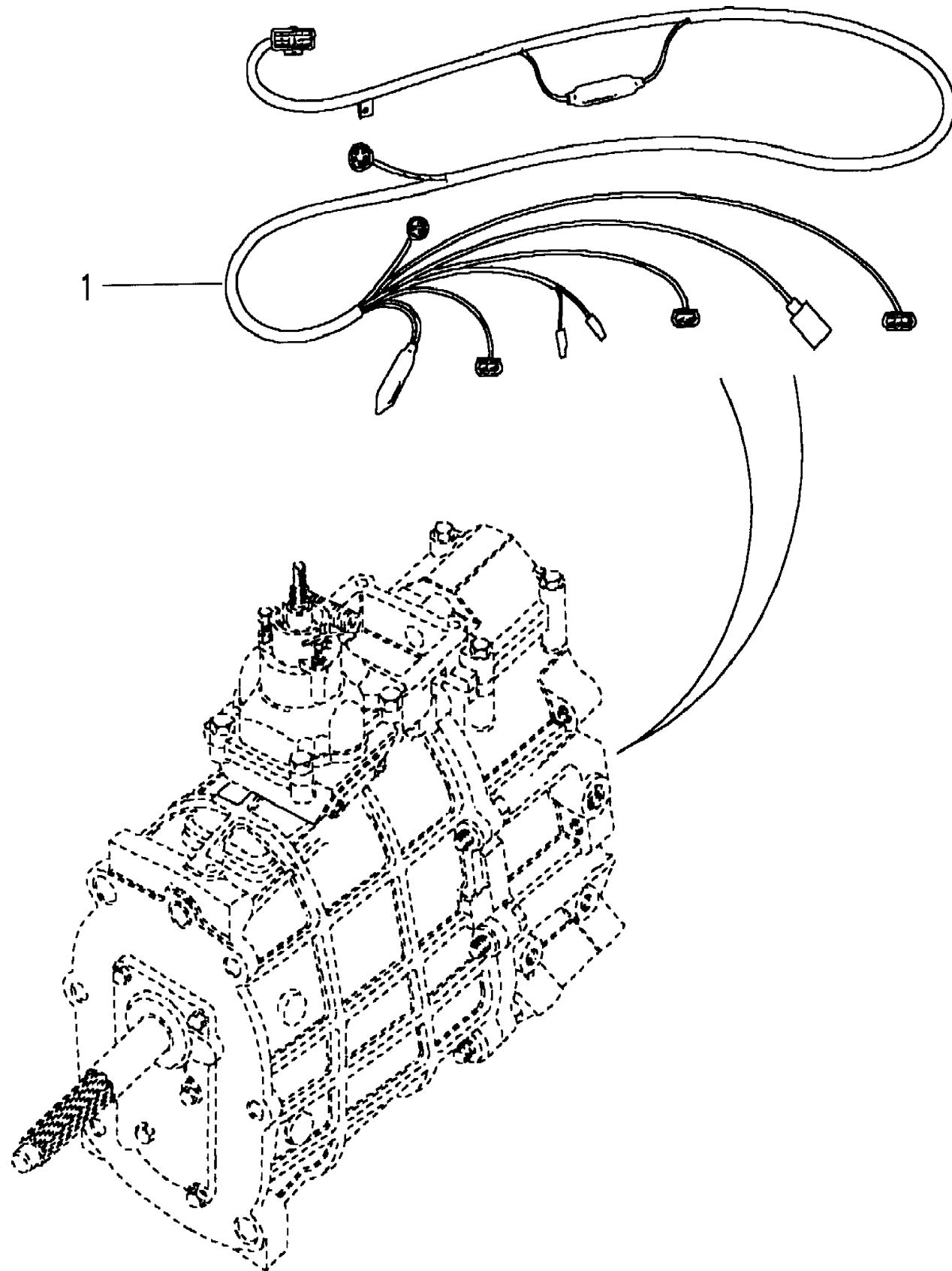
Change point - VIN begin LA064755, Change point - VIN end LA081991

Callout	Name	Application	Remarks & Restrictions	Service No.	Qty
1	Harness-transmission	V8 EFI Petrol, Manual Transmission V8 EFI Petrol, Automatic Transmission 4 Cyl MPi Petrol 2.5L TDi Diesel, Manual Transmission, (-)"GCC" 2.5L TDi Diesel, Automatic Transmission, (-)"GCC" 2.5L TDi Diesel, Manual Transmission, (+)"GCC" 2.5L TDi Diesel, Automatic Transmission, (+)"GCC"		PRC9480 PRC8969 AMR1533 AMR3077 AMR3078 AMR3084 AMR3235	1 1 1 1 1 1 1
2	Tie-cable		fir tree, Also serviced as part of a kit, Black, inside serated, 3.5 x 150mm	UKC6684L	2
3	Harness-link	2.5L TDi Diesel, Automatic Transmission	gearbox-temperature	AMR3275	1
[900]	Clip-p			PRC6525	1

Body Electrics
Batteries & Harnesses
Harness-Transmission-From (V) MA081992 1/2

Discovery (FA393361-WA799999)

(CAMXCF4D)



Discovery (FA393361-WA799999)

Body Electrics
Batteries & Harnesses
Harness-Transmission-From (V) MA081992

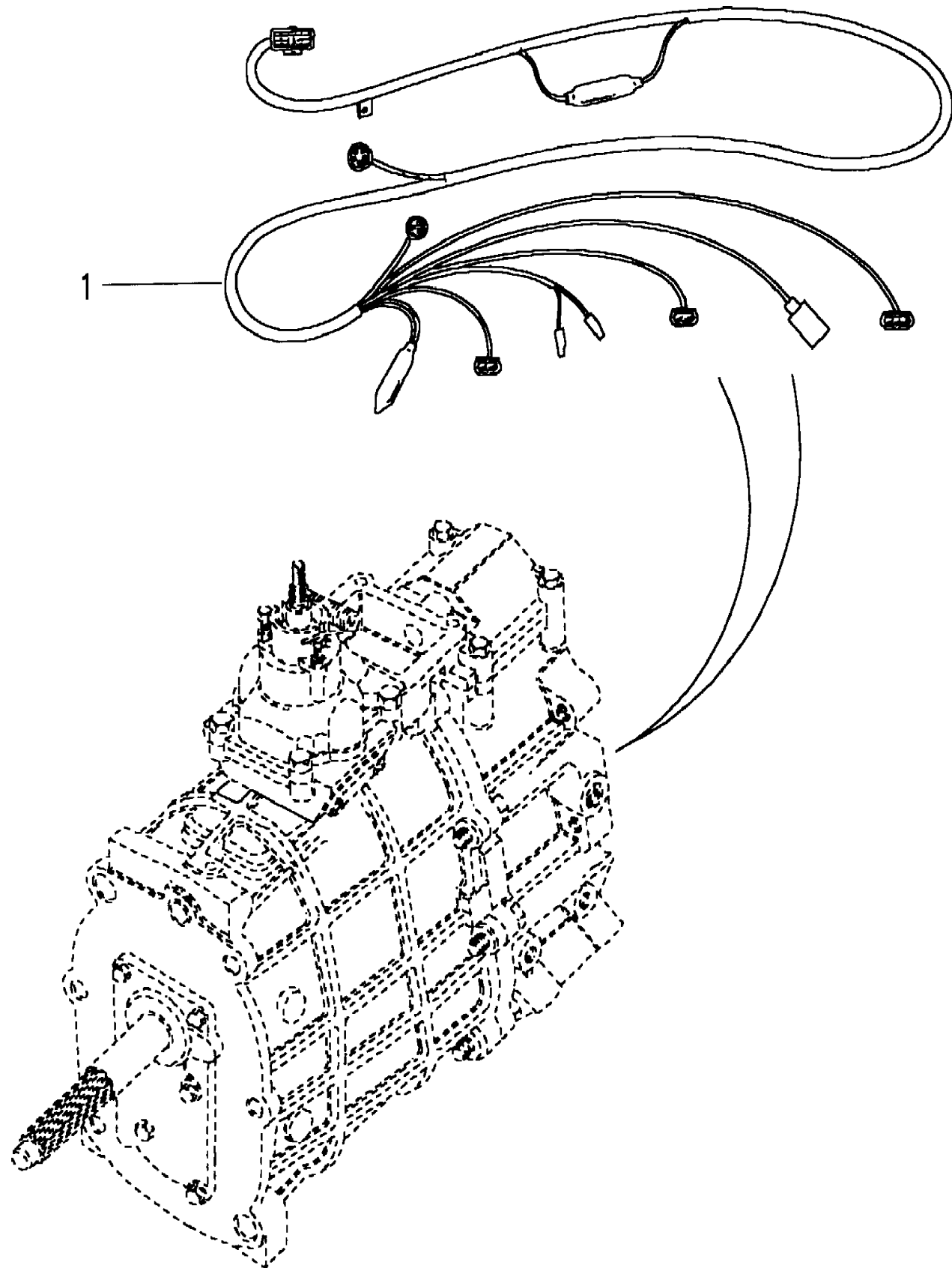
Change point - VIN begin MA081992

Callout	Name	Application	Remarks & Restrictions	Service No.	Qty
1	Harness-transmission	Change point - VIN begin MA081992, Change point - VIN end MA109620, V8 EFI Petrol, Manual Transmission, (-)"J"		AMR3562	1
		Change point - VIN begin MA081992, Change point - VIN end MA109620, 4 Cyl MPi Petrol, Manual Transmission, (-)"J"		AMR3562	1
		Change point - VIN begin MA109621, Change point - VIN end MA163103, V8 EFI Petrol, Manual Transmission, (-)"J"		AMR4091	1
		Change point - VIN begin MA109621, Change point - VIN end MA501919, V8 EFI Petrol, Manual Transmission, (-)"J"		AMR4091	1
		Change point - VIN begin MA109621, Change point - VIN end MA163103, 4 Cyl MPi Petrol, Manual Transmission, (-)"J"		AMR4091	1
		Change point - VIN begin MA109621, Change point - VIN end MA501919, 4 Cyl MPi Petrol, Manual Transmission, (-)"J"		AMR4091	1
		Change point - VIN begin TA163104, V8 EFI Petrol, Manual Transmission, (-)"J"		AMR5140	1
		Change point - VIN begin TA501920, V8 EFI Petrol, Manual Transmission, (-)"J"		AMR5140	1
		Change point - VIN begin TA163104, 4 Cyl MPi Petrol, Manual Transmission, (-)"J"		AMR5140	1
		Change point - VIN begin TA501920, 4 Cyl MPi Petrol, Manual Transmission, (-)"J"		AMR5140	1
		Change point - VIN begin MA081992, Change point - VIN end MA109620, 2.5L TDi Diesel, Manual Transmission, (-)"J"		AMR3561	1
		Change point - VIN begin MA109621, Change point - VIN end MA163103, 2.5L TDi Diesel, Manual Transmission, (-)"J"		AMR4090	1
		Change point - VIN begin MA109621, Change point - VIN end MA501919, 2.5L TDi Diesel, Manual Transmission, (-)"J"		AMR4090	1

Body Electrics
Batteries & Harnesses
Harness-Transmission-From (V) MA081992 2/2

Discovery (FA393361-WA799999)

(CAMXCF4D)



Discovery (FA393361-WA799999)

Body Electrics
Batteries & Harnesses
Harness-Transmission-From (V) MA081992

Change point - VIN begin MA081992

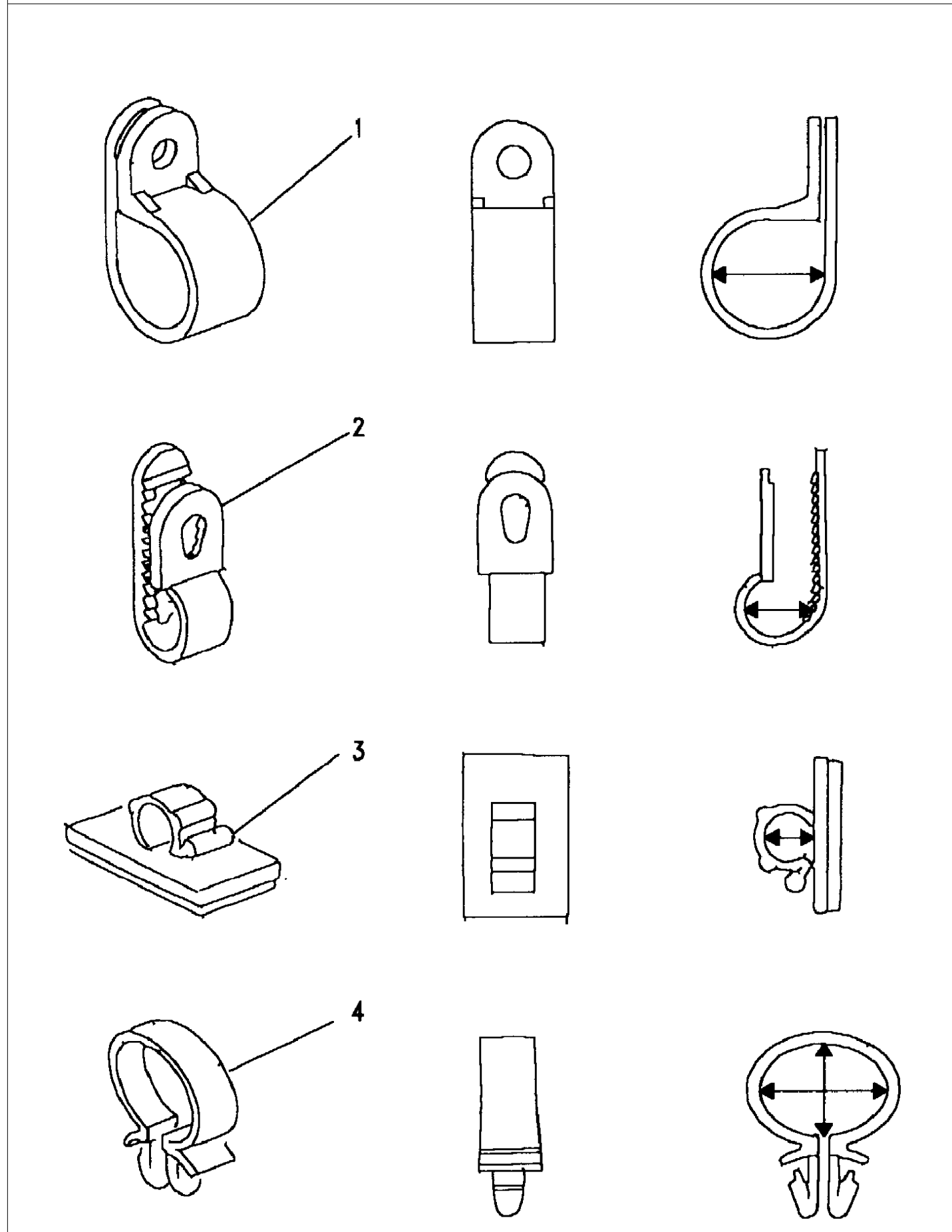
Callout	Name	Application	Remarks & Restrictions	Service No.	Qty
1	Harness-transmission	Change point - VIN begin TA163104, 2.5L TDi Diesel, Manual Transmission, (-)"J"		AMR5139	1
		Change point - VIN begin TA501920, 2.5L TDi Diesel, Manual Transmission, (-)"J"		AMR5139	1
		V8 EFI Petrol, Automatic Transmission, (-)"J"		AMR3563	1
		2.5L TDi Diesel, Automatic Transmission, (-)"J"		AMR3563	1
		Change point - VIN begin TA163104, V8 EFI Petrol, Automatic Transmission, (-)"J"		AMR5141	1
		Change point - VIN begin TA501920, V8 EFI Petrol, Automatic Transmission, (-)"J"		AMR5141	1
		Change point - VIN begin TA163104, 2.5L TDi Diesel, Automatic Transmission, (-)"J"		AMR5141	1
		Change point - VIN begin TA501920, 2.5L TDi Diesel, Automatic Transmission, (-)"J"		AMR5141	1
		V8 EFI Petrol, Automatic Transmission, (+)"J"	Shift Interlock	AMR3564	1
		TDi Diesel, Automatic Transmission, (+)"J"	Shift Interlock	AMR3564	1
		Change point - VIN begin TA163104, V8 EFI Petrol, Automatic Transmission, (+)"J"	Shift Interlock	AMR5142	1
		Change point - VIN begin TA501920, V8 EFI Petrol, Automatic Transmission, (+)"J"	Shift Interlock	AMR5142	1
		Change point - VIN begin TA163104, TDi Diesel, Automatic Transmission, (+)"J"	Shift Interlock	AMR5142	1
		Change point - VIN begin TA501920, TDi Diesel, Automatic Transmission, (+)"J"	Shift Interlock	AMR5142	1
2	Tie-cable		fir tree, Also serviced as part of a kit, Black, inside serated, 3.5 x 150mm	UKC6684L	X

Body Electrics
Cable Clips, Ties & Grommets
Cable Clips 1/1

Discovery (FA393361-WA799999)
(CAMXWA2A)

Discovery (FA393361-WA799999)

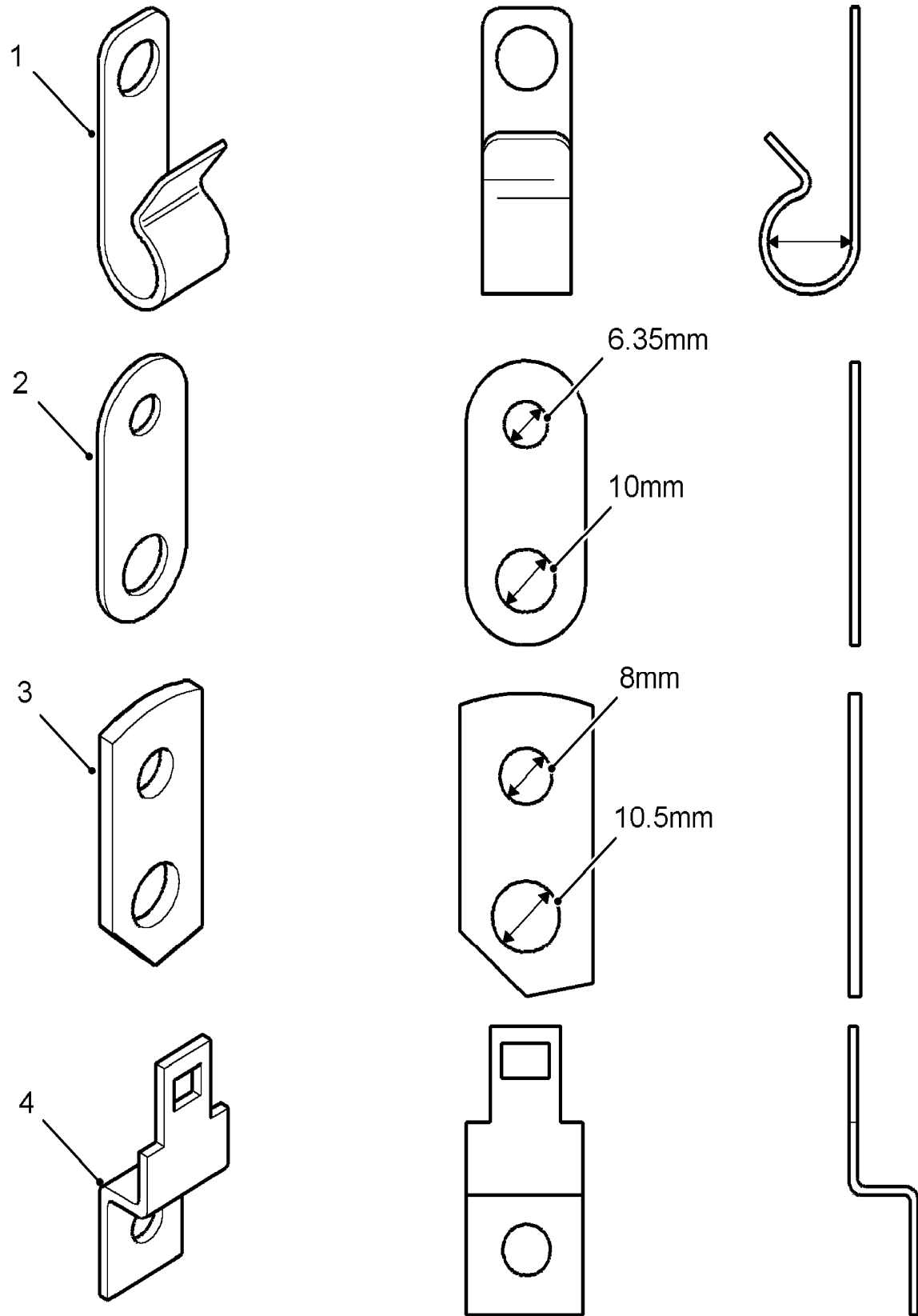
Body Electrics
Cable Clips, Ties & Grommets
Cable Clips



Callout	Name	Application	Remarks & Restrictions	Service No.	Qty
1	Clip-p		Black, Plastic, 13.6mm Black, Plastic, 17.4/20.0mm	AAU3715L PRC4543	X X
2	Clip-p		Plastic, Adjustable, White., 4.0/12.0mm Black, Plastic, Adjustable, 11.0/20.0mm	C39377L C393771L	X X
3	Clip-self adhesive		6MM 8MM	AFU3081L DRC5017L	X X
4	Clip-omega		Grey, 6.5mm hole, 10.5 x 8mm 6.5mm hole, White., 14 x 10mm Blue., 6.5mm hole, 17 x 13mm	PRC5273 PRC5274 PRC5275	X X X

Body Electrics
 Cable Clips, Ties & Grommets
 Cable Clips & Brackets 1/1

Discovery (FA393361-WA799999)
 (CAMXWA5A)



CDMXWA5A

Discovery (FA393361-WA799999)

Body Electrics
 Cable Clips, Ties & Grommets
 Cable Clips & Brackets

Callout	Name	Application	Remarks & Restrictions	Service No.	Qty
1	Clip-Hose		Steel, 14.5MM, 25/64" hole	240407	X
2	Bracket-clipping		Steel	PRC2979	X
3	Bracket Harness			ERC9404	X
4	Bracket-mounting		Steel	AMR1935	X

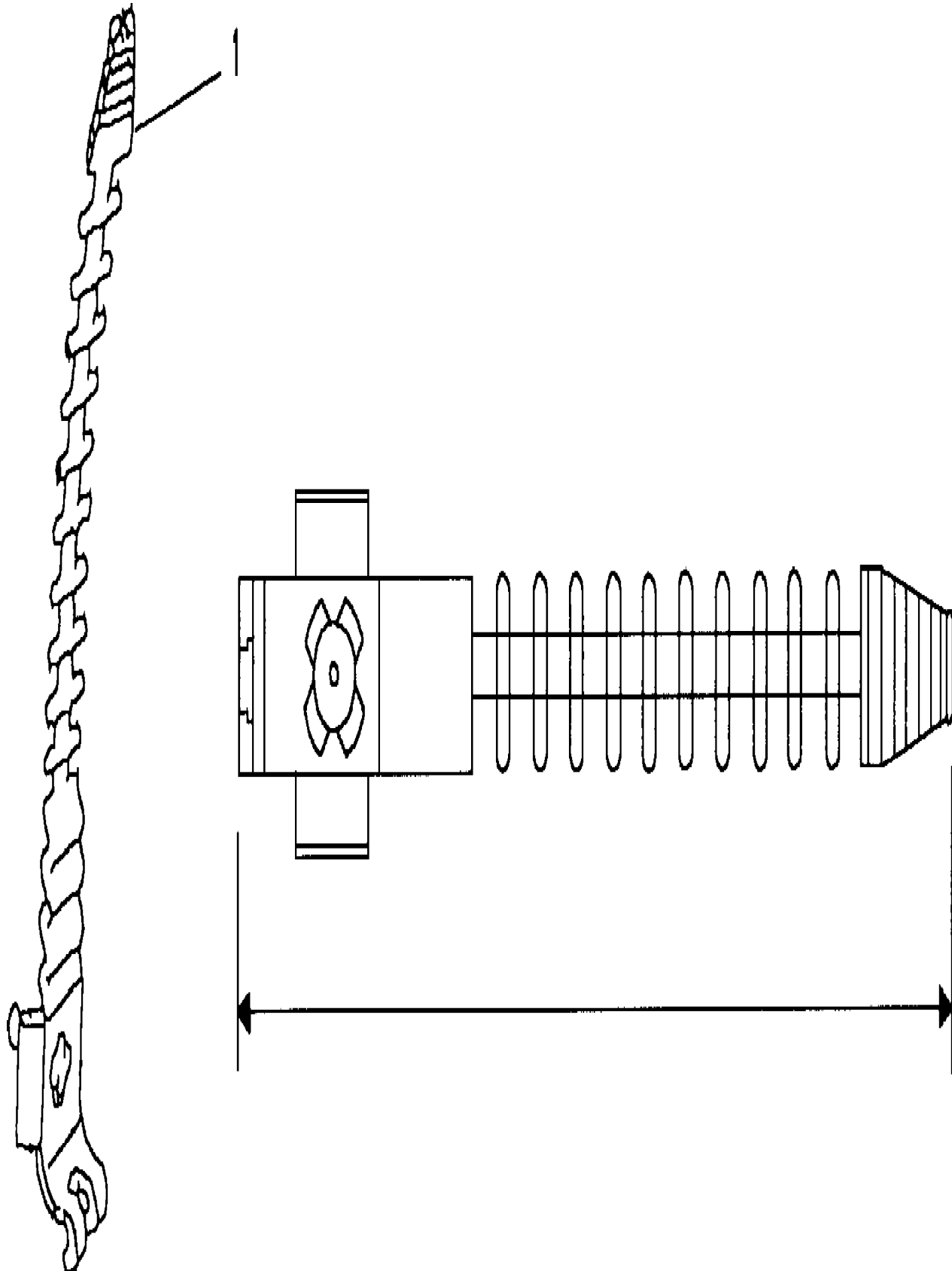
Body Electrics
 Cable Clips, Ties & Grommets
 Cable Tie-Stud Type 1/1

Discovery (FA393361-WA799999)
 (CAMXWA1B)

Discovery (FA393361-WA799999)

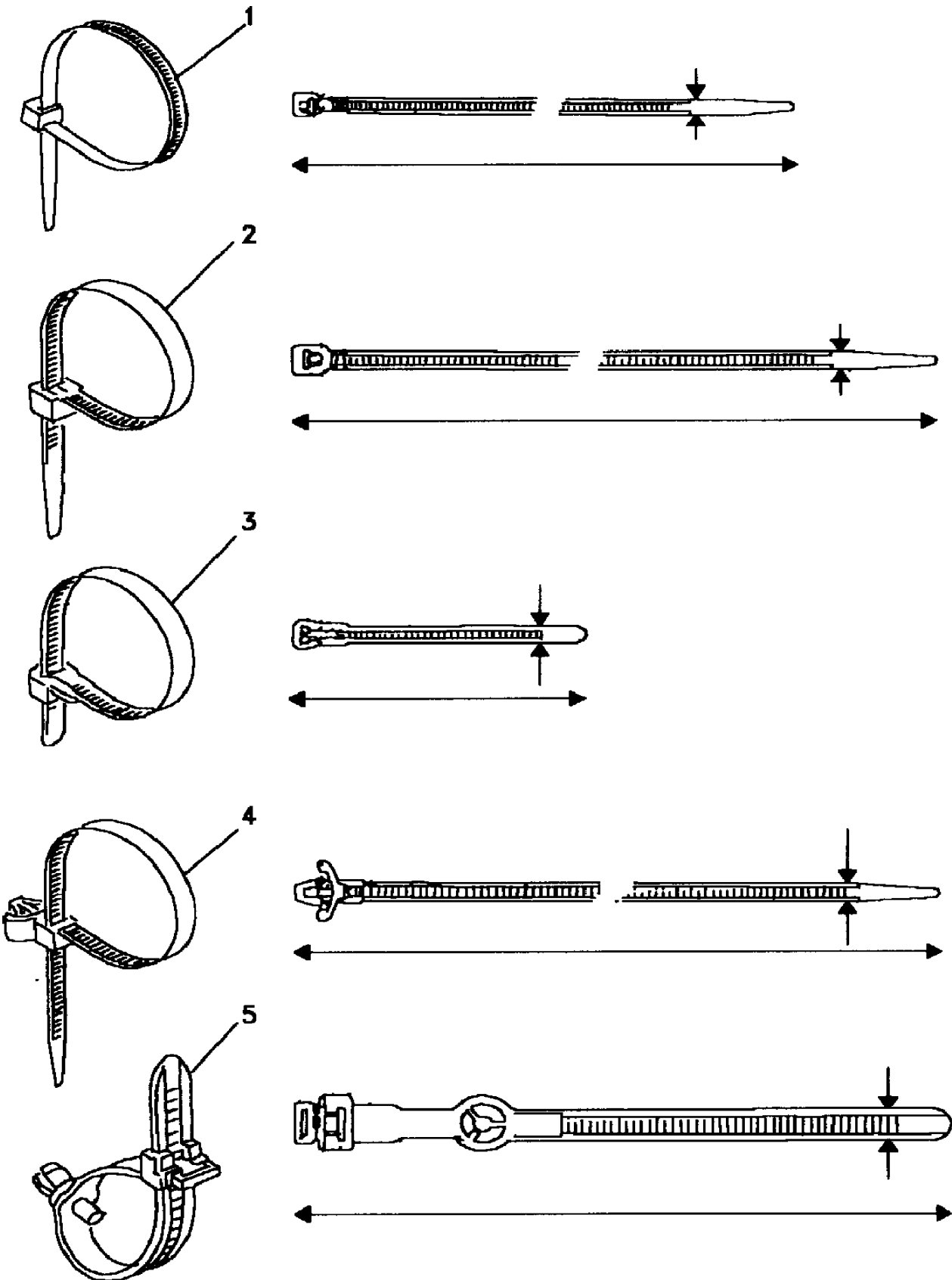
Body Electrics
 Cable Clips, Ties & Grommets
 Cable Tie-Stud Type

Callout	Name	Application	Remarks & Restrictions	Service No.	Qty
1	Tie-cable		97MM, Plastic, Adjustable, 24mm diameter, 6.4mm hole 122MM, Plastic, Adjustable, 6.4mm hole, 32mm diameter stud fixing, Clear., fixed contact	ADU7981L ADU8981 YYC10294L	X X X



Body Electrics
Cable Clips, Ties & Grommets
Cable Ties 1/1

Discovery (FA393361-WA799999)
(CAMXWA1A)



Discovery (FA393361-WA799999)

Body Electrics
Cable Clips, Ties & Grommets
Cable Ties

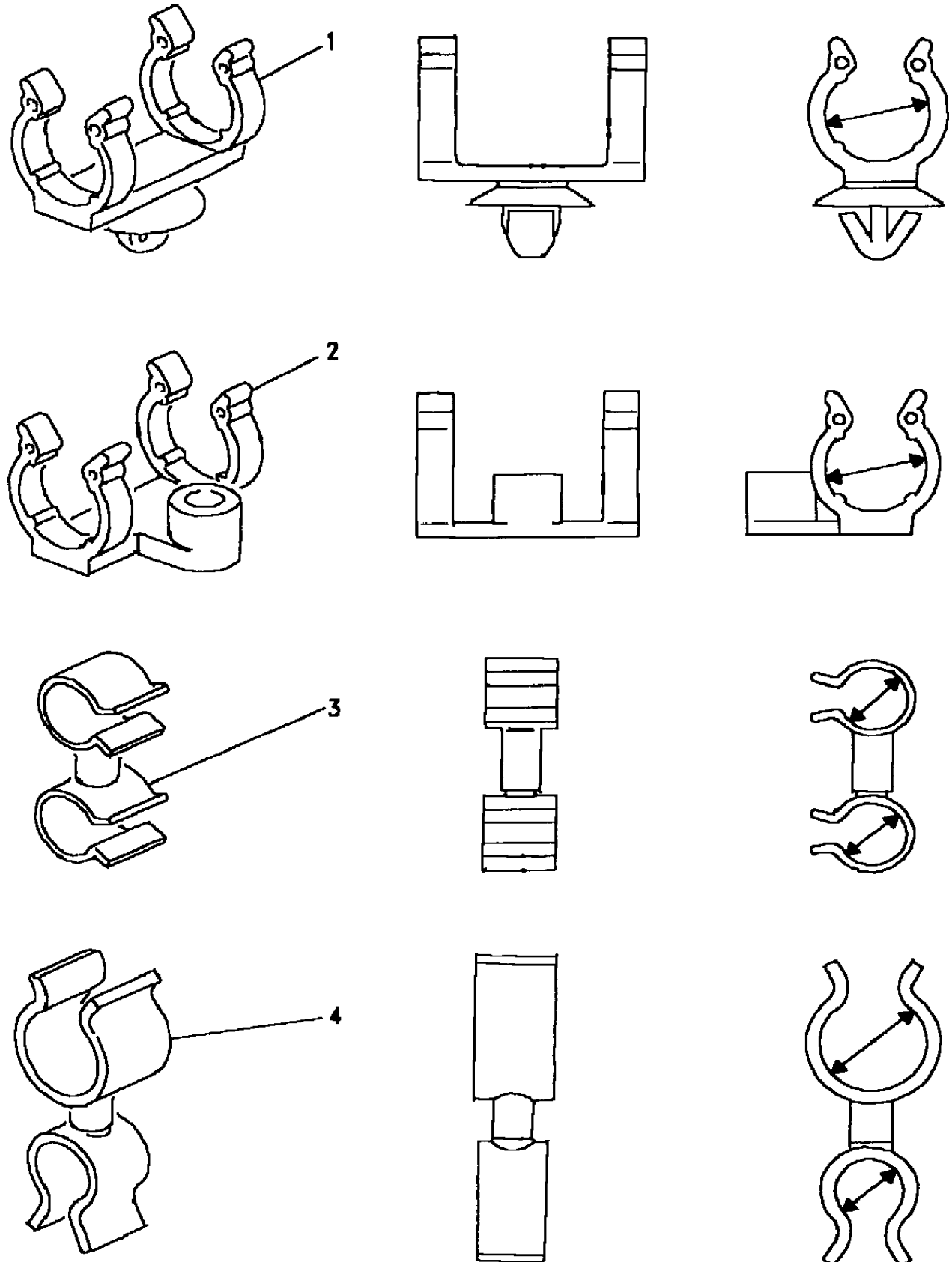
Callout	Name	Application	Remarks & Restrictions	Service No.	Qty
1	Tie-cable		Black, 2.5 x 100mm, outside serated	C43640 573256	X X
2	Tie-cable		Black, inside serated, 2.5 x 100mm Black, 2.5 x 100mm, outside serated Also serviced as part of a kit, Black, inside serated, 3.5 x 150mm inside serated, 3.5 x 300mm inside serated, 4.6 x 385mm, White. Black, inside serated, 4.8 x 115mm Black, inside serated, 4.8 x 135mm 4.8 x 270mm, inside serated Black, inside serated, 13.0 x 540mm	DRC1538 C43640 UKC6684L NTC1154 594594 573246 RTC3772 568680 ESR3301	X X X X X X X X
3	Tie-cable		Black, 6.5 x 100mm, releasable Black, releasable, 7.5 x 145mm Black, releasable, 8.8 x 770mm	13H9704L 13H9727L AFU4173	X X X
4	Tie-cable		for panels up to 4mm thick, 4.50MM, 7mm hole, 4.6 x 165mm for panels up to 2.5mm thick, Grey, 4.6 x 165mm 8mm hole, 4.6 x 215mm	YQR10016L YQR10075 YYD10003	X X X
5	Tie-cable		6.5mm hole, 8.0 x 155mm	AAU3686	X

Body Electrics
Cable Clips, Ties & Grommets
Clips-Cradle & Swivel 1/1

Discovery (FA393361-WA799999)
(CAMXWA3C)

Discovery (FA393361-WA799999)

Body Electrics
Cable Clips, Ties & Grommets
Clips-Cradle & Swivel



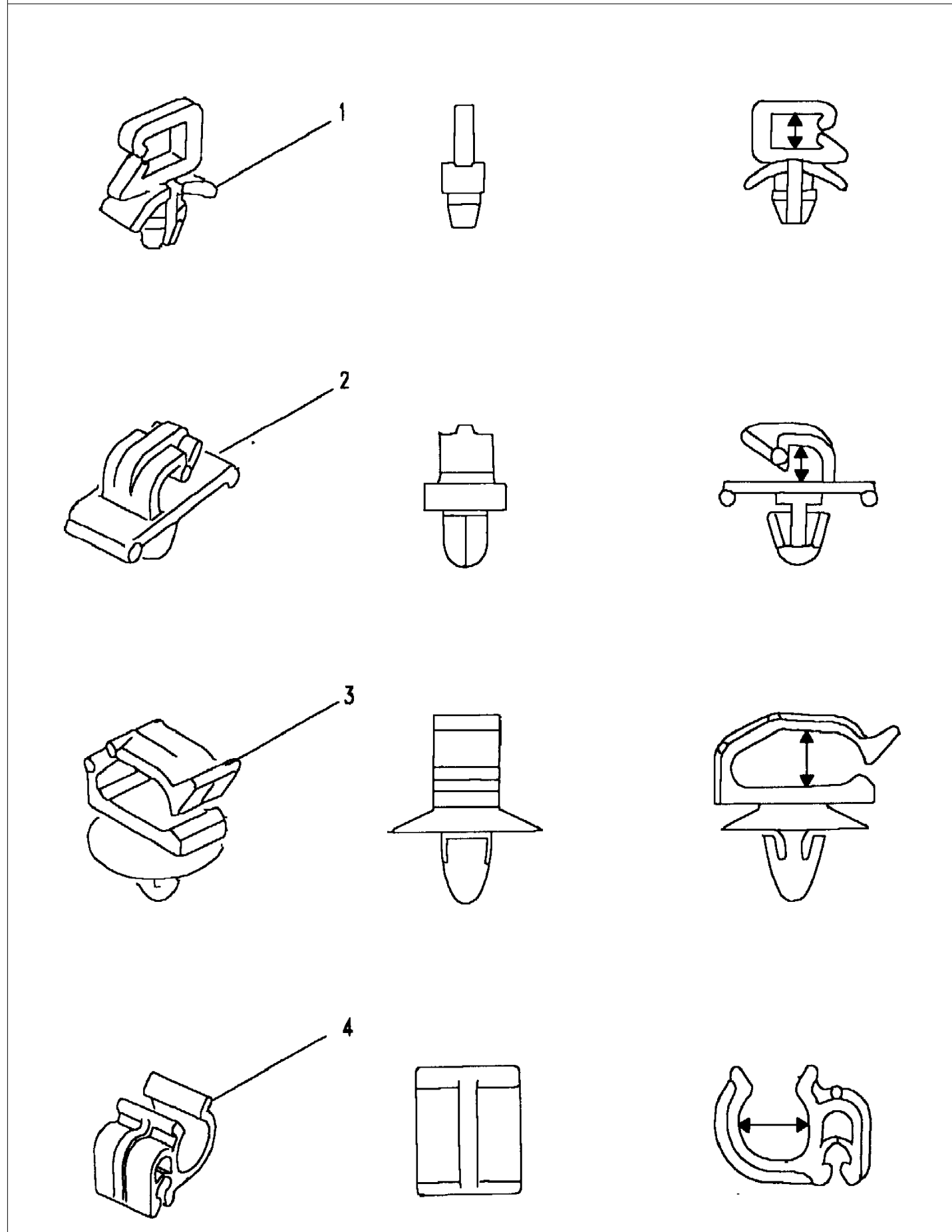
Callout	Name	Application	Remarks & Restrictions	Service No.	Qty
1	Clip-cradle		13MM, 8mm hole	CLP8934	X
2	Clip-cradle		13MM, 5MM	AMR2323	X
3	Clip-swivel		10 x 10mm	ESR301	X
4	Clip-swivel		15 x 10mm	ADU7739L	X

Body Electrics
Cable Clips, Ties & Grommets
Clips-Panel & Edge 1/1

Discovery (FA393361-WA799999)
(CAMXWA3A)

Discovery (FA393361-WA799999)

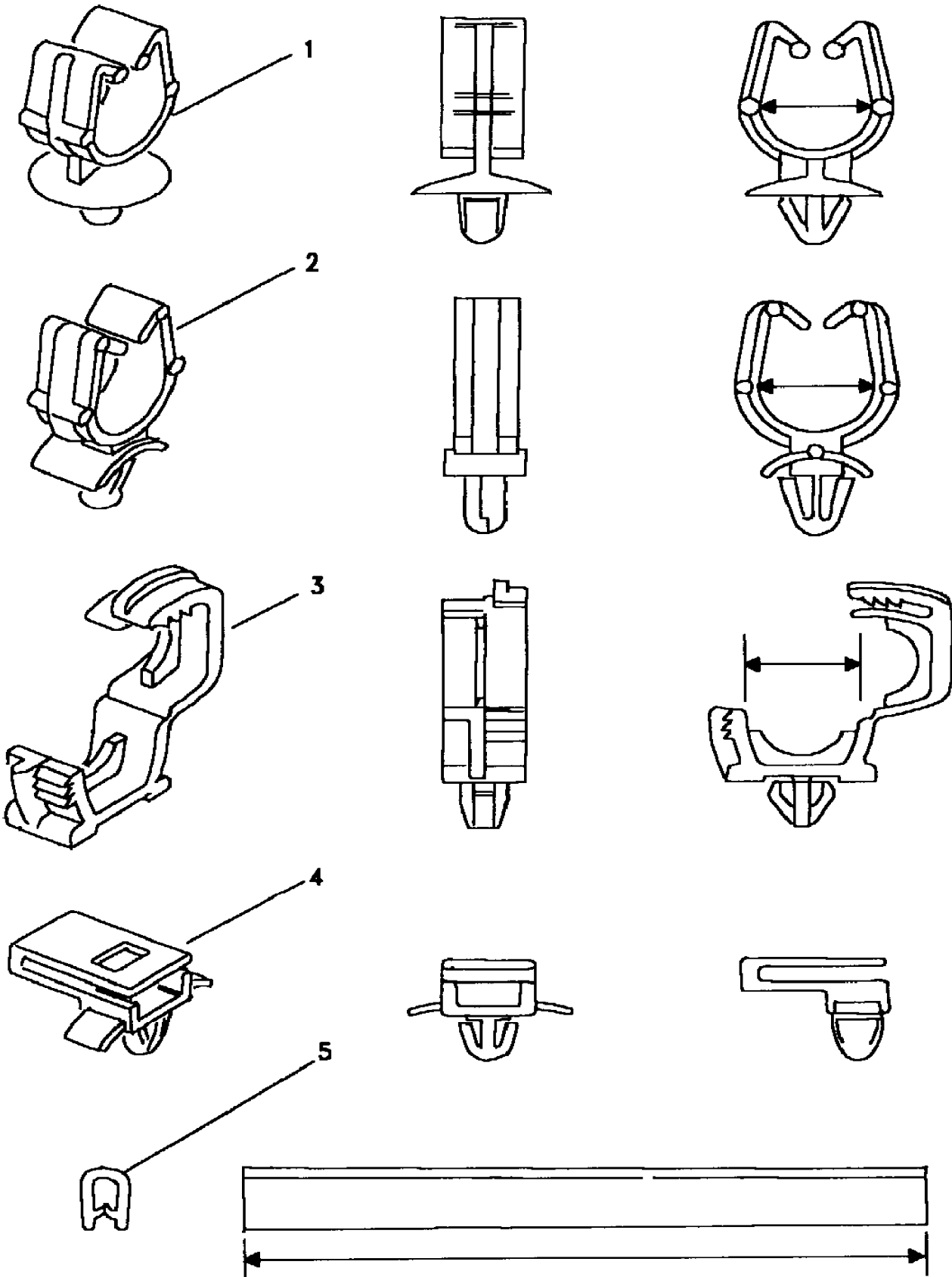
Body Electrics
Cable Clips, Ties & Grommets
Clips-Panel & Edge



Callout	Name	Application	Remarks & Restrictions	Service No.	Qty
1	Clip-panel fixing		4.8mm hole, 5MM	PRC3702	X
2	Clip		6.5mm hole, 5MM	AFU2879	X
3	Clip-cable		8mm hole	AFU1090L	X
4	Clip-edge harness		12MM, Clear.	AFU1296	X

Body Electrics
Cable Clips, Ties & Grommets
Clips-Panel & Edge (Cont') 1/1

Discovery (FA393361-WA799999)
(CAMXWA3B)



Discovery (FA393361-WA799999)

Body Electrics
Cable Clips, Ties & Grommets
Clips-Panel & Edge (Cont')

Callout	Name	Application	Remarks & Restrictions	Service No.	Qty
1	Clip-harness		14MM, 6mm hole	ADU8267	X
2	Clip-harness		14.5MM, 6.5mm hole	ADU8363L	X
3	Clip-pivot-snap		Grey, 13-17mm, 7mm hole	DBP8169L	X
4	Clip-harness		6.5mm hole, adaptor	YYC10030L	X
5	Strip-edge protection		89mm	JRC7549	X
[900]	Strip-edge protection		89mm	YQJ100200	X

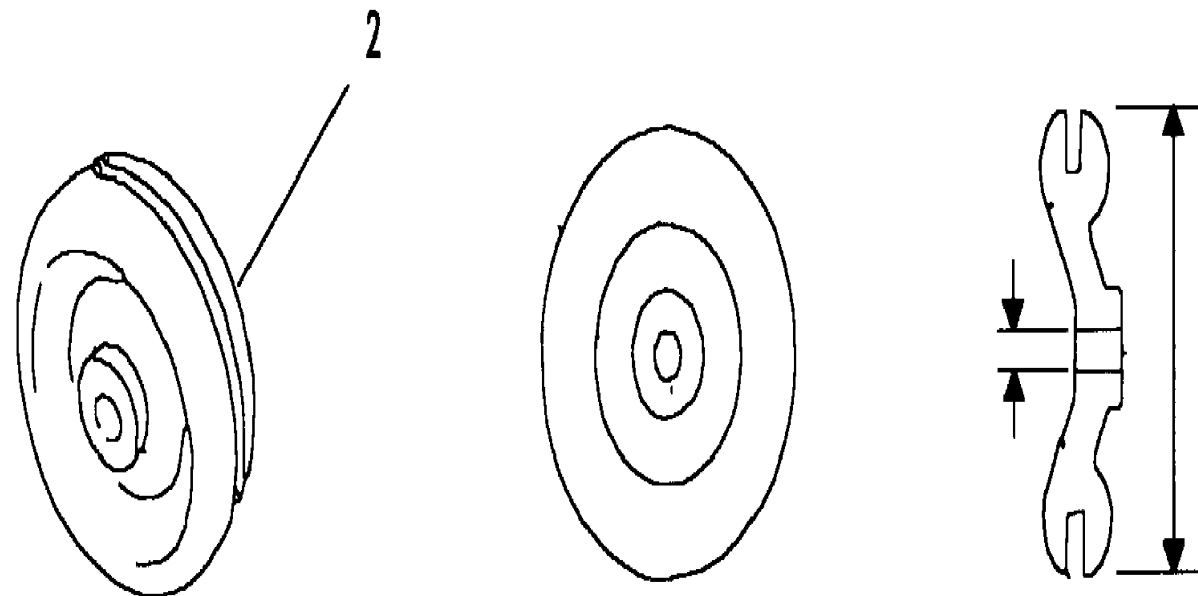
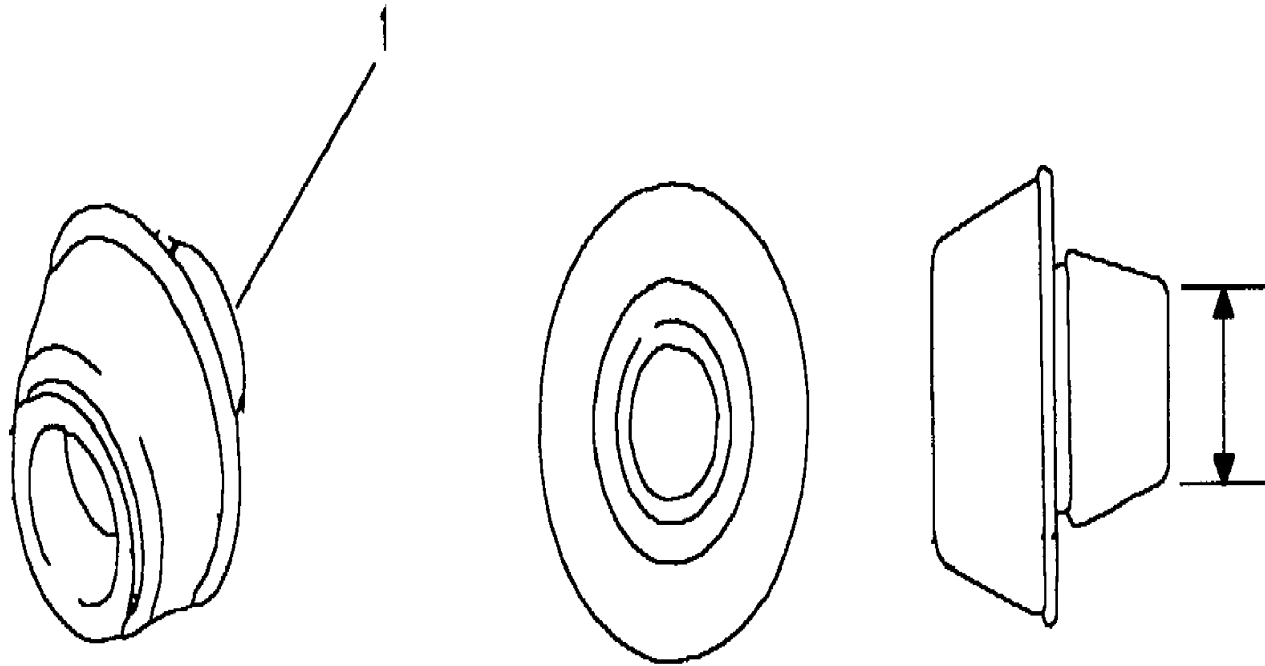
Body Electrics
Cable Clips, Ties & Grommets
Grommets 1/1

Discovery (FA393361-WA799999)
(CAMXWA4A)

Discovery (FA393361-WA799999)

Body Electrics
Cable Clips, Ties & Grommets
Grommets

Callout	Name	Application	Remarks & Restrictions	Service No.	Qty
1	Plug-blanking		8MM, Plastic	338029	X
			9.5MM, Plastic	338013	X
			Plastic, 11MM	338014	X
			Plastic, 13MM	338015	X
			13.5MM, Plastic	ANR1369	X
			14MM, Plastic	338017	X
			Plastic, 16MM	338018	X
			Plastic, 17.5mm	338019	X
			Plastic, 19MM	338020	X
			Plastic, 20.5MM	338021	X
			25.5MM, Plastic	338023	X
			Plastic, 32MM	BD155888	X
			35MM, Plastic	338025	X
			38MM, Plastic	338026	X
			Plastic, 41.5mm	AFU2627	X
			47.5MM, Plastic	338009	X
			Plastic, 50MM	338028	X
2	Grommet		Black, 3 x 19mm, cable	233244	X
			Black, cable, 3 x 25.5mm	233243	X
			Black, cable, 6 x 33.5mm	269257	X
			cable, 6 x 33.5mm, Red	555711	X
			Black, cable, 6 x 41.5mm	276054	X
			Black, cable, 7 x 53mm	589452	X
			cable, 12.5 x 48mm, Red	233566	X



Body Electrics
Electronic Control Units
ECU-EGR 1/1

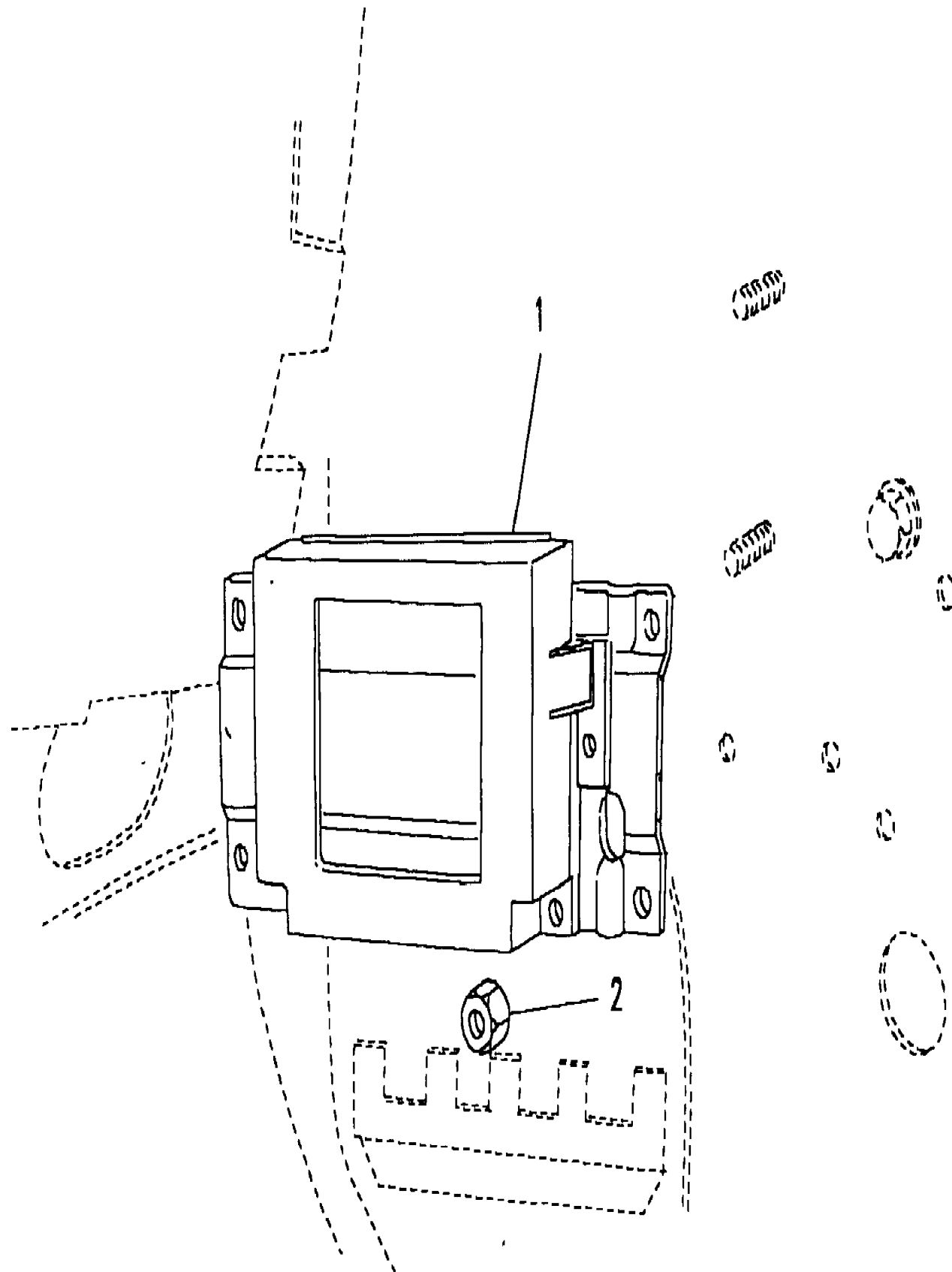
Discovery (FA393361-WA799999)
(CAMXGI2A)

Discovery (FA393361-WA799999)

Body Electrics
Electronic Control Units
ECU-EGR

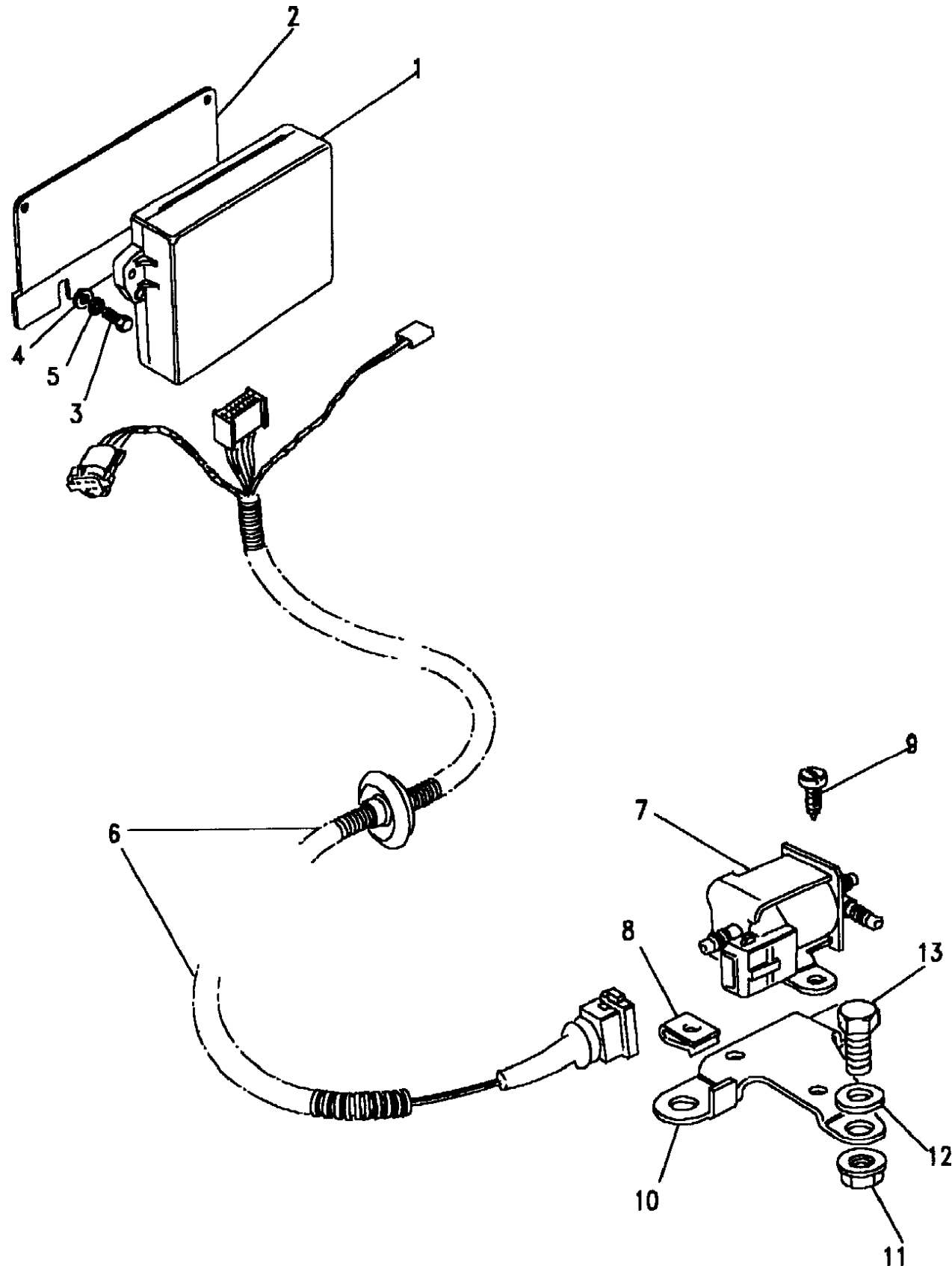
Change point - VIN begin MA081992, 4 Cylinder TDi Diesel, EGR

Callout	Name	Application	Remarks & Restrictions	Service No.	Qty
1	Electronic control unit-exhaust gas recirculation diesel	Change point - VIN begin MA081992, Change point - VIN end MA163103 Change point - VIN begin MA081992, Change point - VIN end MA501919 Change point - VIN begin TA163104 Change point - VIN begin TA501920		ERR4196 ERR4196 ERR6234 ERR6234	1 1 1 1
2	Nut-plastic		push on, M5 push on, M5 push on, M5	NTC7314 CYH10001 CYH10001L	2 2 2



Change point - VIN end LA081991, 4 Cylinder TDi Diesel, EGR

Callout	Name	Application	Remarks & Restrictions	Service No.	Qty
1	Electronic control unit-exhaust gas recirculation diesel			PRC9147	1
2	Bracket-electronic control unit mounting			PRC9148	1
3	Screw		fixing bracket ECU, hexagonal head	SH105101	2
4	Washer		fixing bracket ECU, Also serviced as part of a kit, M5, oversize, Plain	WJ105001L	2
5	Washer		fixing bracket ECU, M5, retaining	WL105001L	2
6	Harness-link		exhaust gas recirculation	PRC9579	1
7	Valve-solenoid-exhaust gas recirculation diesel			PRC9146	1
8	Nut-spring-u type		fixing solenoid EGR	AK608141L	2
9	Screw-self tapping		fixing solenoid EGR, M8 x 10	DA608031L	2
10	Bracket-mounting			ERR2381	1
11	Nut - Hex.		fixing bracket EGR, M8, flange	FN108041L	3
12	Screw		fixing bracket EGR, M8 X 16, hexagonal head fixing bracket EGR, M8 X 16, Flanged Head	SH108161L FS108161L	3 3
13	Washer		fixing bracket EGR, M8	WC108051L	3



Body Electrics
Electronic Control Units
ECU-Electronic Diesel Control 1/2

Discovery (FA393361-WA799999)

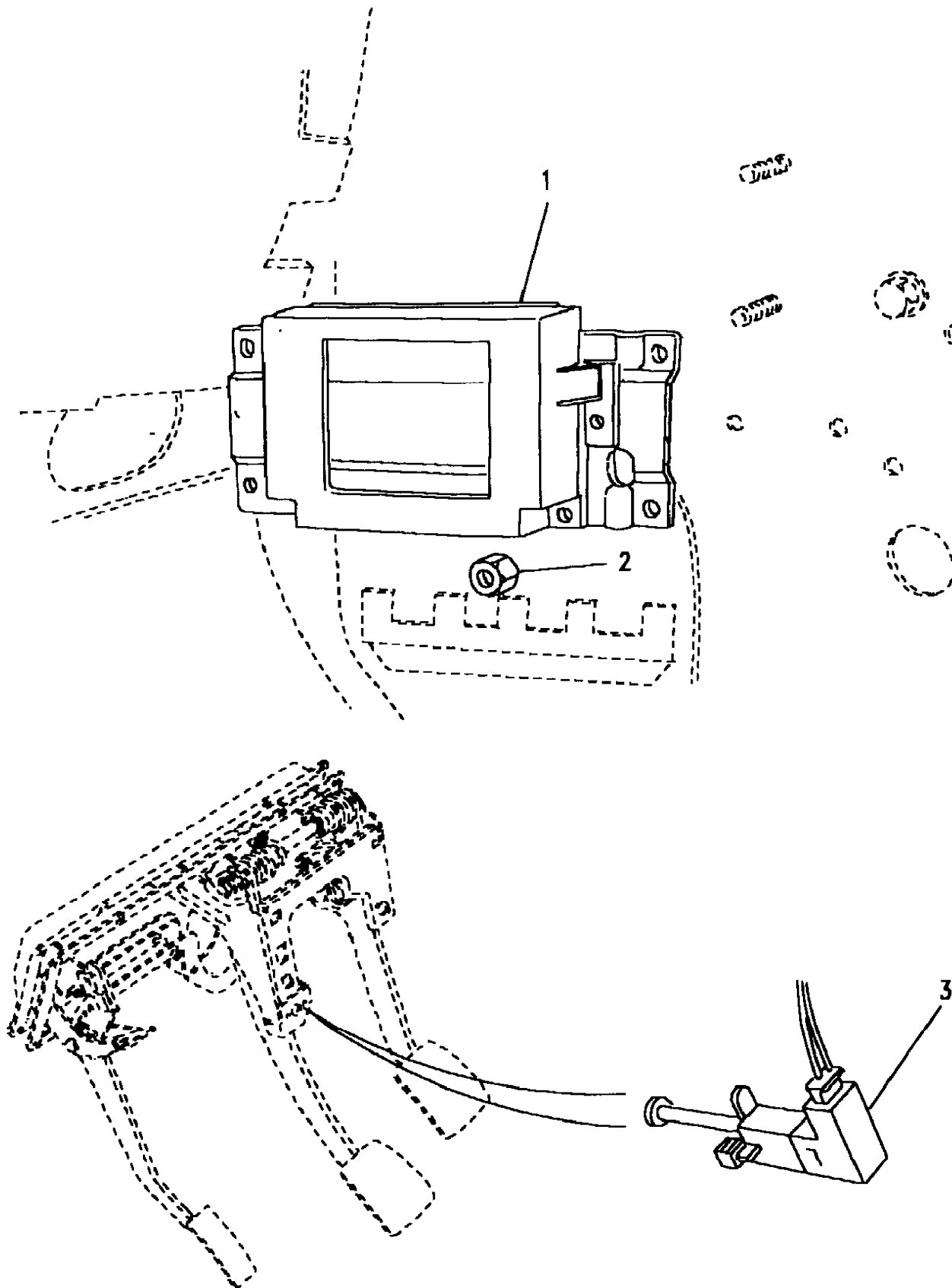
(CAMXGC2C)

Discovery (FA393361-WA799999)

Body Electrics
Electronic Control Units
ECU-Electronic Diesel Control

4 Cylinder TDi Diesel, EDC

Callout	Name	Application	Remarks & Restrictions	Service No.	Qty
1	Electric control unit-fuel control	Change point - VIN end MA501919, 2.5L TDi Diesel, (+)"Europe"		ERR5985	1
		Change point - VIN begin TA501920, Change point - VIN end TA502708, 2.5L TDi Diesel, (+)"Europe"		ERR6363	1
		Change point - VIN begin TA502709, Change point - VIN end TA701708, 2.5L TDi Diesel, (+)"Europe"		AMR5623	1
		Change point - VIN begin TA701709, 2.5L TDi Diesel, (+)"Europe"		AMR6228	1
		Change point - VIN end MA501919, 2.5L TDi Diesel, (+)"CH"		ERR4843	1
		Change point - VIN end MA501919, 2.5L TDi Diesel, (+)"A"		ERR4843	1
		Change point - VIN begin TA501920, 2.5L TDi Diesel, (+)"CH"		ERR6201	1
		Change point - VIN begin TA501920, 2.5L TDi Diesel, (+)"A"		ERR6201	1
		2.5L TDi Diesel, Manual Transmission, (+)"J"		ERR3338	1
		Change point - VIN end MA501919, 2.5L TDi Diesel, Automatic Transmission, (+)"J"		ERR4844	1
		Change point - VIN end MA163103, 2.5L TDi Diesel, Automatic Transmission, (+)"J"		ERR4844	1
		Change point - VIN begin TA163104, Change point - VIN end TA166278, 2.5L TDi Diesel, Automatic Transmission, (+)"J"		ERR6208	1
		Change point - VIN begin TA501920, Change point - VIN end TA502708, 2.5L TDi Diesel, Automatic Transmission, (+)"J"		ERR6208	1
		Change point - VIN begin TA166279, 2.5L TDi Diesel, Automatic Transmission, (+)"J"		AMR5624	1
		Change point - VIN begin TA502709, 2.5L TDi Diesel, Automatic Transmission, (+)"J"		AMR5624	1
		Change point - VIN begin VA534104, 2.5L TDi Diesel, Automatic Transmission, (+)"J"		ERR6803	1
		Change point - VIN begin VA703237, 2.5L TDi Diesel, Automatic Transmission, (+)"J"		ERR6803	1



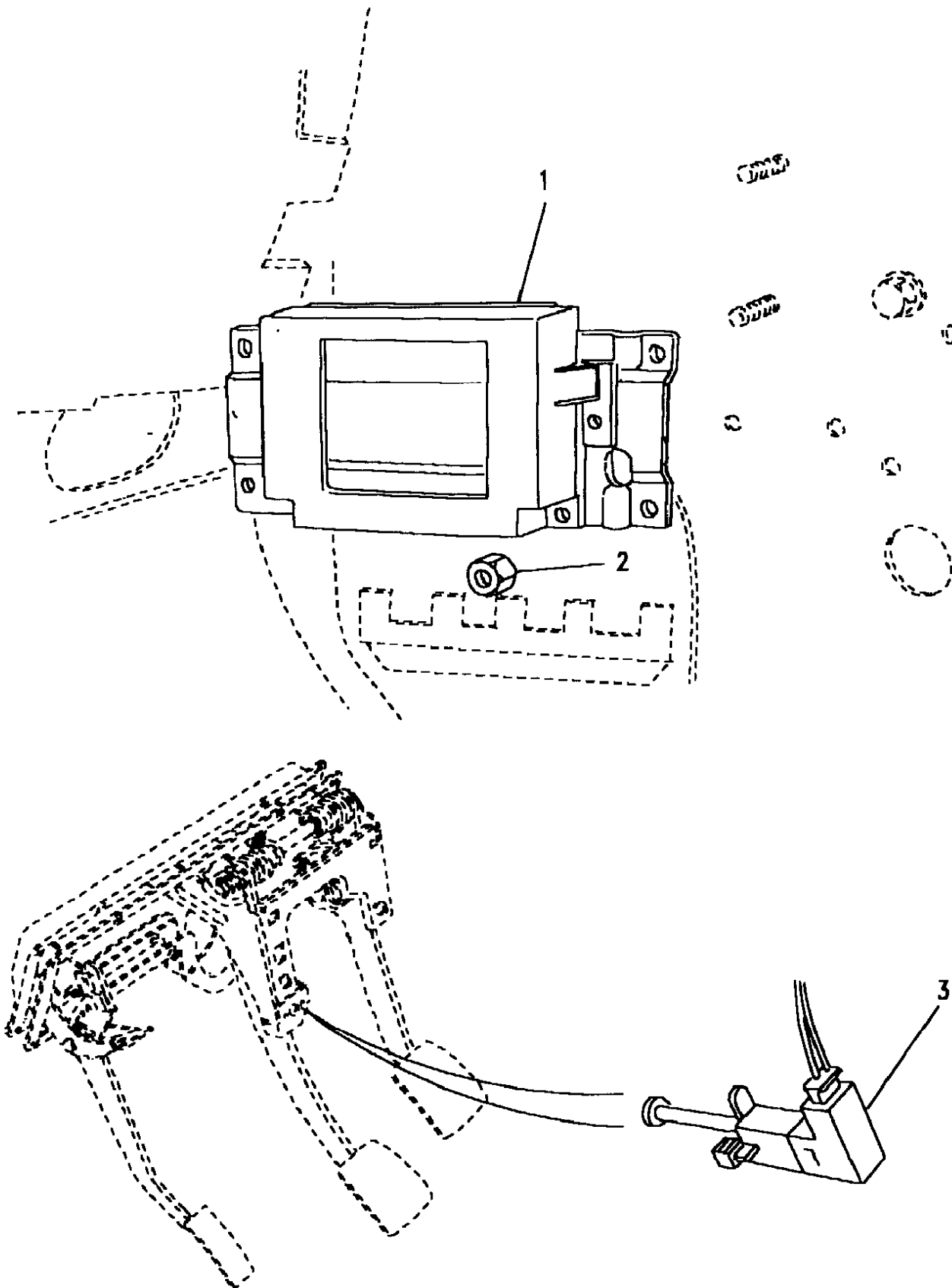
Body Electrics
 Electronic Control Units
 ECU-Electronic Diesel Control 2/2

Discovery (FA393361-WA799999)
 (CAMXGC2C)

Discovery (FA393361-WA799999)

Body Electrics
 Electronic Control Units
 ECU-Electronic Diesel Control

4 Cylinder TDi Diesel, EDC



Callout	Name	Application	Remarks & Restrictions	Service No.	Qty
3	Switch-electronic diesel control	Change point - VIN end MA501920, 2.5L TDi Diesel Change point - VIN end MA163103, 2.5L TDi Diesel	Brake Brake	AMR3735 AMR3735	1 1
[900]	Electric control unit-fuel control	Change point - VIN begin TA701709, 2.5L TDi Diesel, (+)"Europe"		AMR6228W	1
[901]	Nut-plastic	2.5L TDi Diesel	push on-fixing ECU, M5	CYH10001L	2

Body Electrics
Electronic Control Units
ECU-Fuel Control 1/1

Discovery (FA393361-WA799999)

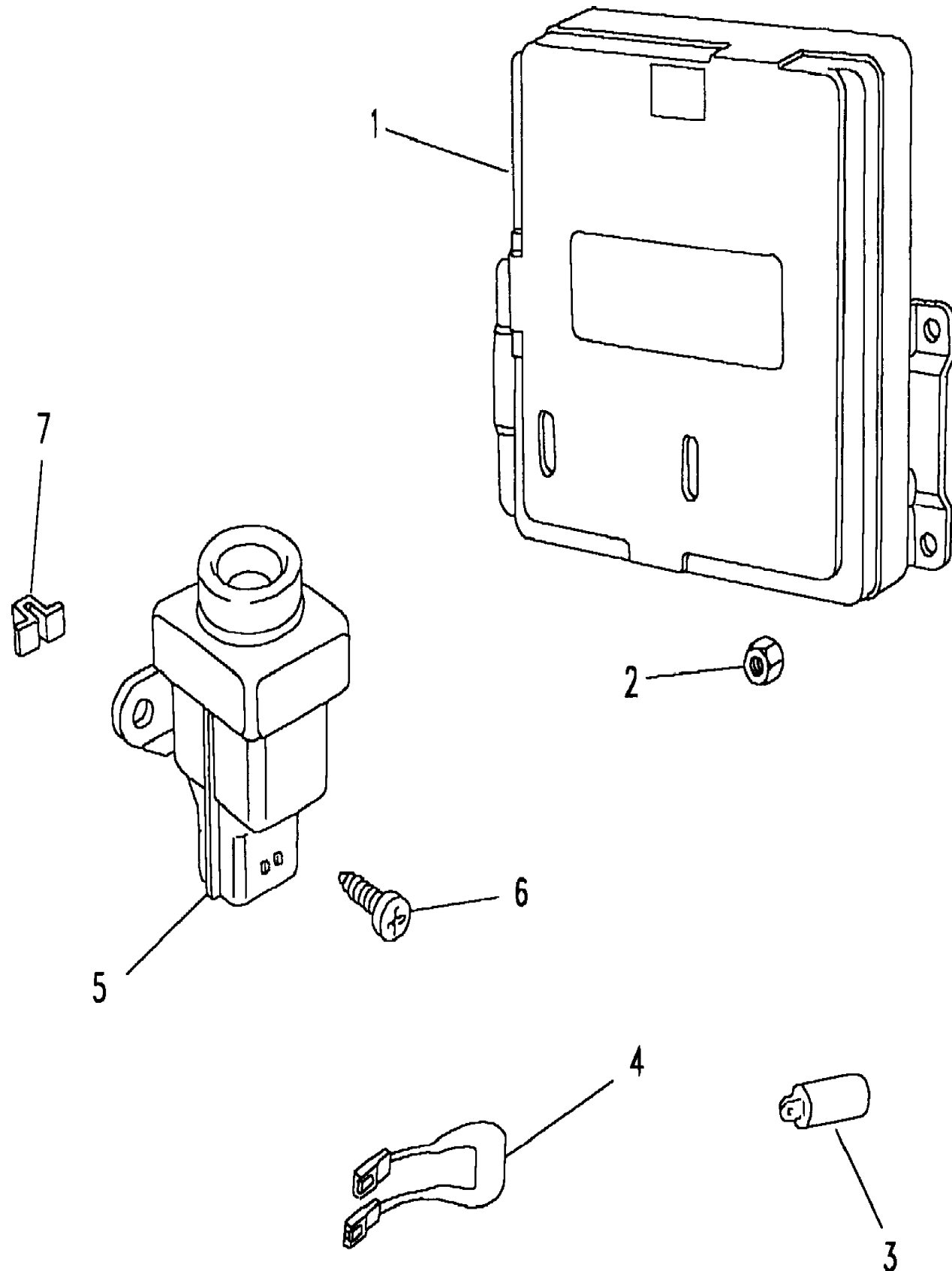
(CAMXGC2D)

Body Electrics
Electronic Control Units
ECU-Fuel Control

Discovery (FA393361-WA799999)

Change point - VIN begin MA081992, Change point - VIN begin MA081992, Petrol V8 L/R EFI, V8 EFI

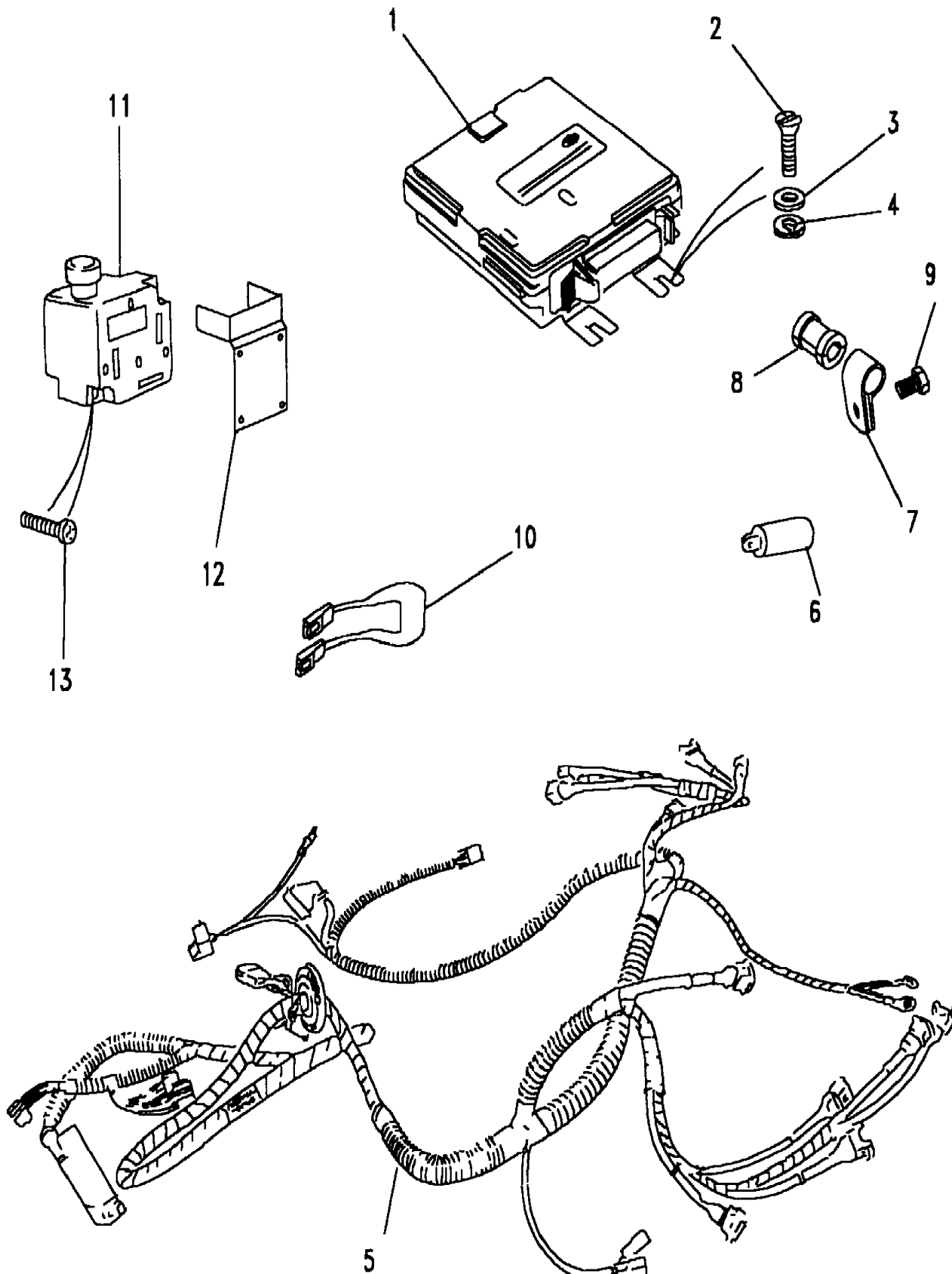
Callout	Name	Application	Remarks & Restrictions	Service No.	Qty		
1	Electric control unit-fuel control	Change point - VIN begin MA081992, V8 Petrol		AMR3242	1		
		Change point - VIN end TA534103, V8 Petrol		AMR3242	1		
		Change point - VIN end TA703236, V8 Petrol		AMR3242	1		
		Change point - VIN begin VA534104, V8 Petrol	New	ERR6802	1		
		Change point - VIN begin VA703237, V8 Petrol	New	ERR6802	1		
		Change point - VIN begin VA534104, V8 Petrol	exchange	ERR6802E	1		
		Change point - VIN begin VA703237, V8 Petrol	exchange	ERR6802E	1		
		2	Nut-plastic	V8 Petrol	push on-fixing ECU, M5	CYH10001L	2
		3	Resistor Assy	Change point - VIN begin MA081992, V8 Petrol		DRC1752L	1
4	Resistor Assy	Change point - VIN begin MA081992, 3.9L V8 Petrol, Less Catalyst	470 OHM, Green	PRC8172	1		
		Change point - VIN begin MA081992, 3.9L V8 Petrol, With Catalyst	White., 3k9 ohm	PRC8009	1		
		Change point - VIN begin MA081992, V8 Petrol, (+)"AUS"	180 ohm, Red	PRC8005	1		
		Change point - VIN begin MA081992, V8 Petrol, (+)"GCC"	Yellow, 910 ohm	PRC8007	1		
		5	Switch-inertia remote fuel pump	Change point - VIN begin MA081992, Change point - VIN end MA141580 Change point - VIN begin MA141581		WQT10001L WQT100030L	1 1
6	Screw-self tapping AB		fixing inertia switch, M8 x 12	AB610041L	2		
7	Locknut		fixing inertia switch	CZG1946	2		



Body Electrics
Electronic Control Units
ECU-Fuel Control 1/2

Discovery (FA393361-WA799999)

(CAMXGC1A)



Discovery (FA393361-WA799999)

Body Electrics
Electronic Control Units
ECU-Fuel Control

Change point - VIN end LA081991, Change point - VIN end LA081991, Change point - VIN end LA081991, Petrol V8 L/R EFI, V8 EFI, V8 Twin Carb L/R Petrol

Callout	Name	Application	Remarks & Restrictions	Service No.	Qty
1	Electric control unit-fuel/ignition	Change point - VIN end JA018541, V8 Petrol	New	PRC9059	1
		Change point - VIN begin JA018542, Change point - VIN end JA034313, V8 Petrol	New	PRC9612	1
		Change point - VIN begin JA018542, Change point - VIN end JA034313, V8 Petrol	exchange	PRC9612E	1
		Change point - VIN begin KA034314, Change point - VIN end KA064754, V8 Petrol	New	PRC9235	1
		Change point - VIN begin KA034314, Change point - VIN end KA064754, V8 Petrol	exchange	PRC9235E	1
		Change point - VIN begin LA064755, Change point - VIN end LA081991, V8 Petrol	New	AMR3276	1
		Change point - VIN begin LA064755, Change point - VIN end LA081991, V8 Petrol	exchange	AMR3276E	1
		Change point - VIN begin GA394352, Change point - VIN end GA456980, V8 Petrol, Less Catalyst	Also serviced as part of a kit	PRC8617	1
		Change point - VIN begin HA000001, Change point - VIN end HA008625, V8 Petrol, Less Catalyst	Also serviced as part of a kit	PRC8617	1
		Change point - VIN begin HA456981, Change point - VIN end HA486551, V8 Petrol, Less Catalyst	Also serviced as part of a kit	PRC8617	1
2	Screw	V8 Petrol	fixing ECU, M5 X 10, hexagonal head	FS105107	2
		V8 Petrol	fixing ECU, Also serviced as part of a kit, M5, oversize, Plain	WJ105001L	2
3	Washer	V8 Petrol	fixing ECU, Also serviced as part of a kit, M5, oversize, Plain	WJ105001L	2
4	Washer	V8 Petrol	fixing ECU, M5, retaining	WL105001L	2
5	Harness-fuel injector engine	Change point - VIN begin GA394352, Change point - VIN end GA456980, V8 Petrol, Less Catalyst	Also serviced as part of a kit	PRC8617	1
		Change point - VIN begin HA000001, Change point - VIN end HA008625, V8 Petrol, Less Catalyst	Also serviced as part of a kit	PRC8617	1
		Change point - VIN begin HA456981, Change point - VIN end HA486551, V8 Petrol, Less Catalyst	Also serviced as part of a kit	PRC8617	1
		Change point - VIN begin HA008626, Change point - VIN end HA012332, V8 Petrol, Less Catalyst	Also serviced as part of a kit	PRC8889	1
		Change point - VIN begin JA012333, Change point - VIN end JA034313, V8 Petrol, Less Catalyst	Also serviced as part of a kit	PRC8889	1
		Change point - VIN begin KA034314, Change point - VIN end LA081991, V8 Petrol, Less Catalyst	Also serviced as part of a kit	PRC9663	1
		Change point - VIN begin KA034314, Change point - VIN end LA081991, V8 Petrol, Less Catalyst	Also serviced as part of a kit	PRC9663	1

Body Electrics
Electronic Control Units
ECU-Fuel Control 2/2

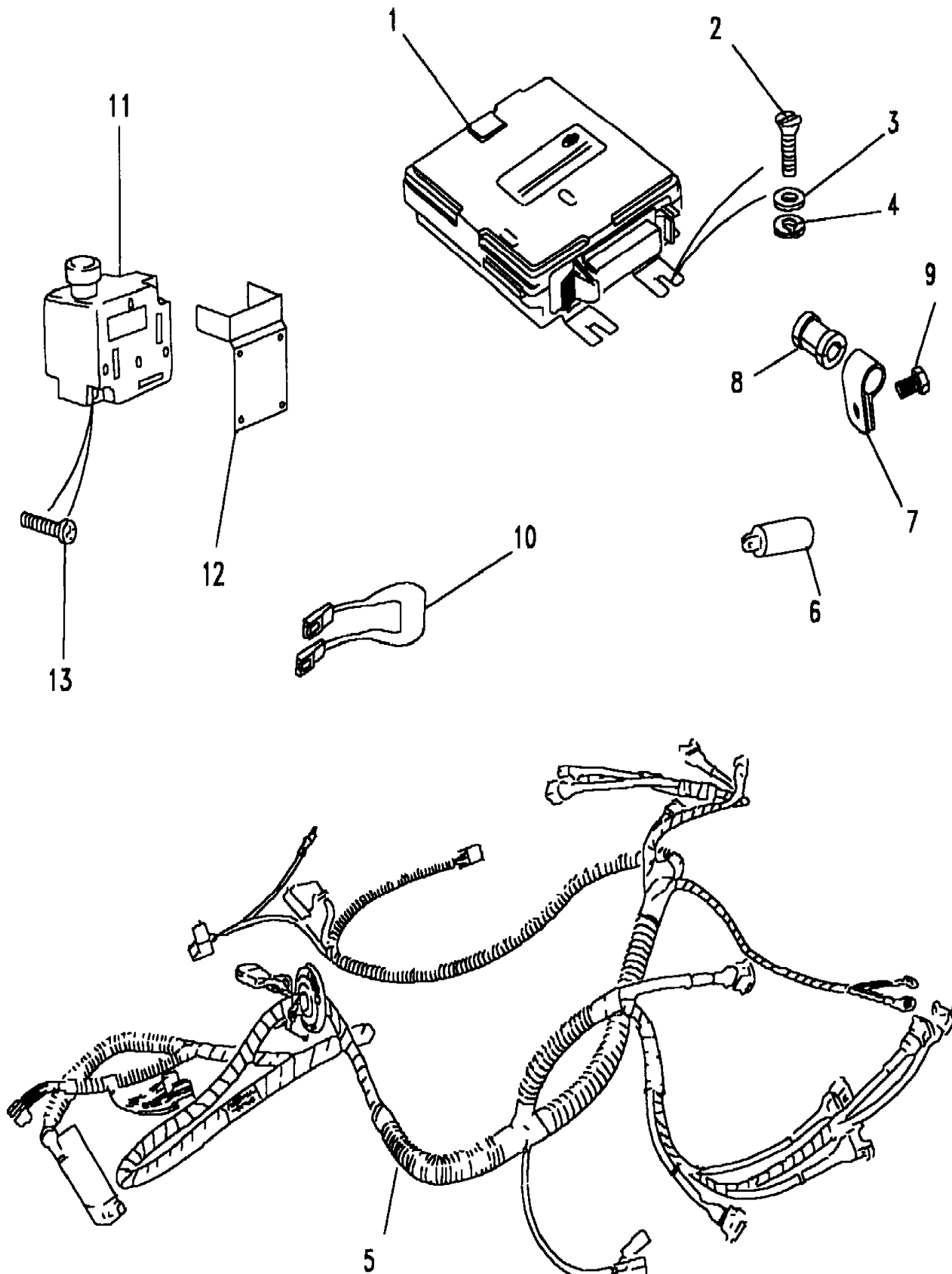
Discovery (FA393361-WA799999)

(CAMXGC1A)

Discovery (FA393361-WA799999)

Body Electrics
Electronic Control Units
ECU-Fuel Control

Change point - VIN end LA081991, Change point - VIN end LA081991, Change point - VIN end LA081991, Petrol V8 L/R EFI, V8 EFI, V8 Twin Carb L/R Petrol



Callout	Name	Application	Remarks & Restrictions	Service No.	Qty
5	Harness-fuel injector engine	Change point - VIN end JA034313, V8 Petrol, With Catalyst Change point - VIN begin KA034314, Change point - VIN end LA081991, V8 Petrol, With Catalyst	Also serviced as part of a kit	PRC8888	1
			Also serviced as part of a kit	PRC9662	1
7	Clip-p	V8 Petrol	3/4"	AEU1446	5
8	Grommet	V8 Petrol	17/32" hole	589254	5
9	Screw	V8 Petrol	fixing p clip, Self Tapping, 10 x 3/8	AB610031L	5
10	Resistor Assy	Change point - VIN end LA081991, V8 Petrol, With Catalyst Change point - VIN end LA081991, Change point - VIN begin MA081992, 3.9L V8 Petrol, Less Catalyst Change point - VIN end LA081991, Change point - VIN begin MA081992, 3.9L V8 Petrol, With Catalyst	Also serviced as part of a kit	DRC1752L	1
			470 OHM, Green	PRC8172	1
			White., 3k9 ohm	PRC8009	1
			180 ohm, Red	PRC8005	1
			Yellow, 910 ohm	PRC8007	1
11	Switch-inertia	V8 Petrol		DBC2022L	1
12	Shield-inertia switch	Change point - VIN end JA015800 Change point - VIN begin JA015801, Change point - VIN end LA081991		PRC8891	1
				PRC9895	1
13	Screw	V8 Petrol	fixing inertia switch, Self Tapping, No10	AB610121L	2
[900]	Screw	V8 Petrol	fixing ECU, M5 X 10, Flanged Head	FS105107L	2
[901]	Tie-cable	V8 Petrol	4.8 x 270mm, inside serated	568680	X

Body Electrics
Electronic Control Units
ECU-MPi-From (V) MA081992 1/1

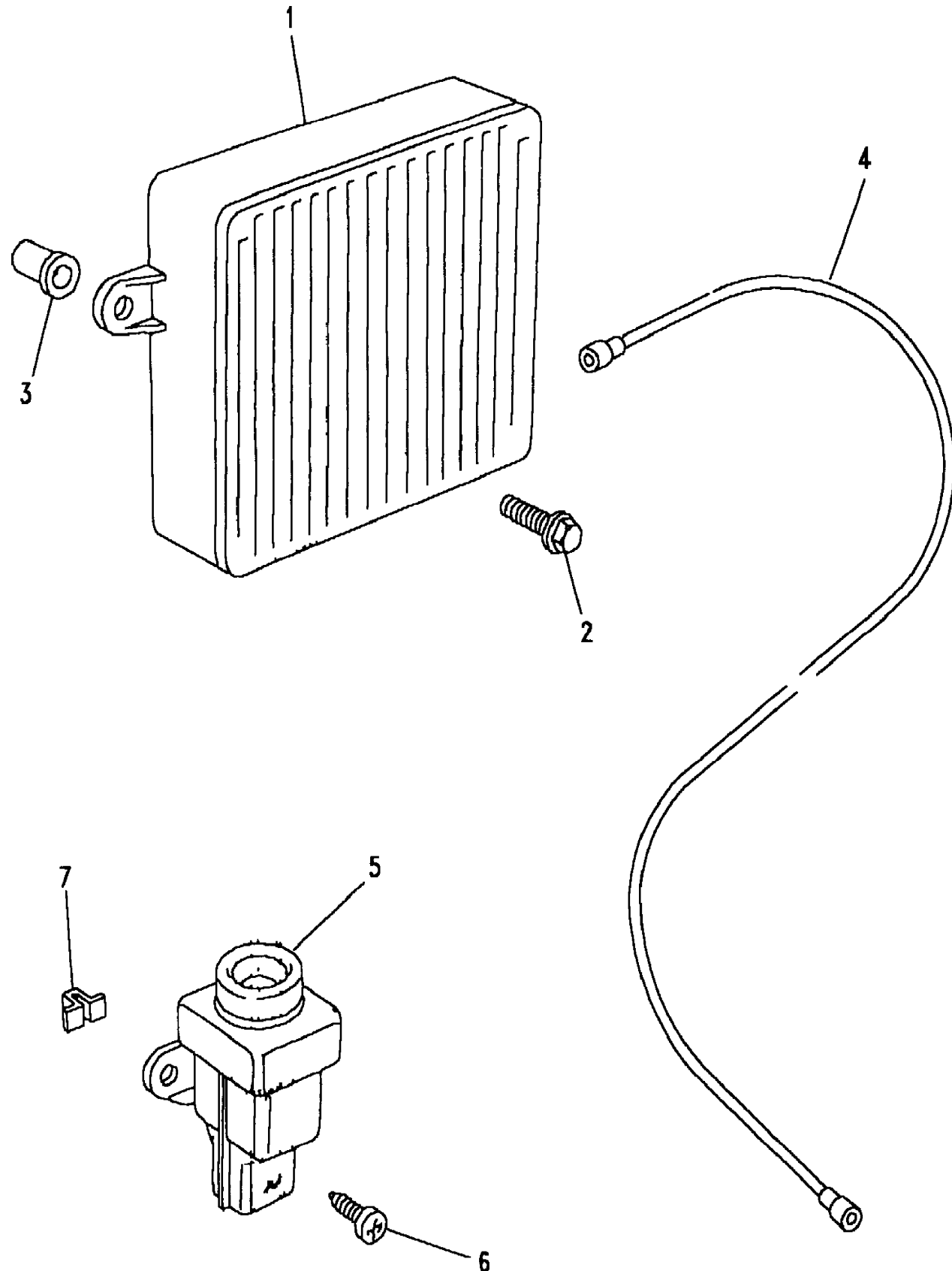
Discovery (FA393361-WA799999)
(CAMXGC2A)

Discovery (FA393361-WA799999)

Body Electrics
Electronic Control Units
ECU-MPi-From (V) MA081992

Change point - VIN begin MA081992, Change point - VIN end LA081991

Callout	Name	Application	Remarks & Restrictions	Service No.	Qty
1	Electric control unit-fuel/ignition	2.0L 4 Cyl MPi T Series Petrol	exchange	MKC101390	1
		2.0L 4 Cyl MPi T Series Petrol		MKC101390E	1
		4.0L V8 EFI, Automatic Transmission, (+)"CDN/MEX/USA", With Catalyst		MKC104620	1
2	Screw	2.0L MPi Petrol	M5 x 12	SH105121L	3
3	Nutsert-blind	2.0L MPi Petrol		MXC7420	3
4	Pipe-inlet manifold vacuum	2.0L MPi Petrol		ERR4641	1
5	Switch-inertia remote fuel pump	Change point - VIN begin MA081992, Change point - VIN end MA141580, 2.0L 4 Cyl MPi Petrol		WQT10001L	1
		Change point - VIN begin MA141581, 2.0L 4 Cyl MPi Petrol		WQT100030L	1
6	Screw-self tapping AB	2.0L MPi Petrol	fixing inertia switch, M8 x 12	AB610041L	2
7	Locknut	2.0L MPi Petrol	fixing inertia switch	CZG1946	2



Body Electrics
Electronic Control Units
ECU-MPi-To (V) LA081991 1/1

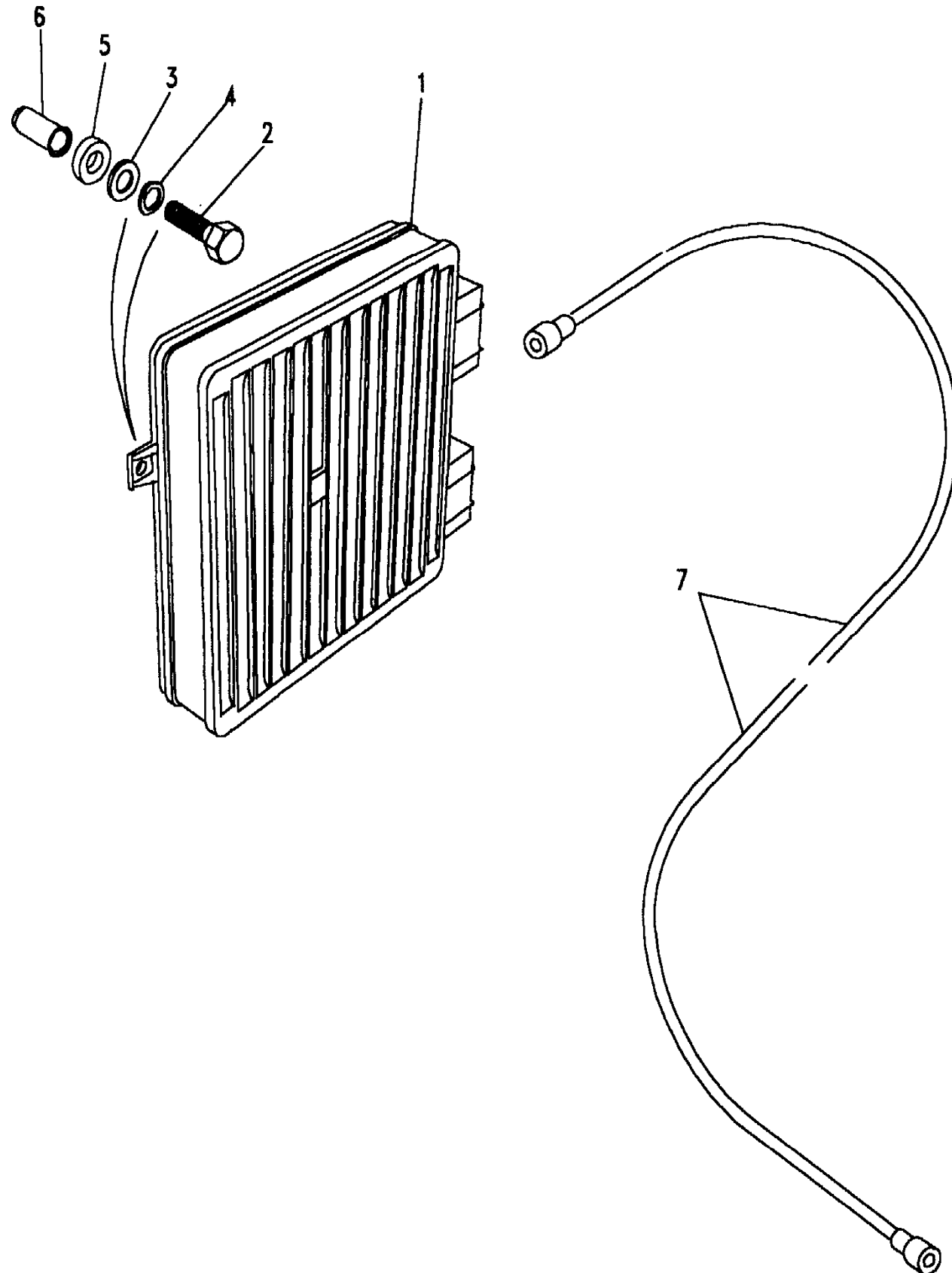
Discovery (FA393361-WA799999)
(CAMXGC1B)

Discovery (FA393361-WA799999)

Body Electrics
Electronic Control Units
ECU-MPi-To (V) LA081991

Change point - VIN end LA081991, 2.0L 4 Cyl MPi T Series Petrol

Callout	Name	Application	Remarks & Restrictions	Service No.	Qty
1	Electric control unit-fuel/ignition	Change point - VIN end KA038821, 2.0L MPi Petrol		MKC10121	1
		Change point - VIN begin KA038822, Change point - VIN end LA081991, 2.0L MPi Petrol		MKC101720	1
2	Screw	Change point - VIN end KA038821, 2.0L MPi Petrol	fixing ECU, hexagonal head, M5 x 20	SH105201L	3
		Change point - VIN begin KA038822, Change point - VIN end LA081991, 2.0L MPi Petrol, LHD, With Catalyst	fixing ECU, hexagonal head, M5 x 20	SH105201L	3
		Change point - VIN begin KA038822, Change point - VIN end LA081991, Less Catalyst	hexagonal head, M5 x 20	SH105201L	3
		Change point - VIN begin KA038822, Change point - VIN end LA081991, 2.0L MPi Petrol, RHD, With Catalyst	fixing ECU, hexagonal head, M5 x 12	SH105121L	3
3	Washer	2.0L MPi Petrol	fixing ECU, M5, Plain, Standard	WA105001L	3
4	Washer	2.0L MPi Petrol	fixing ECU, M5, retaining	WL105001L	3
5	Bush	Change point - VIN end KA038821, 2.0L MPi Petrol	fixing ECU	390939	3
		Change point - VIN begin KA038822, Change point - VIN end LA081991, 2.0L MPi Petrol, LHD, With Catalyst	fixing ECU	390939	3
		Change point - VIN begin KA038822, Change point - VIN end LA081991, Less Catalyst	fixing ECU	390939	3
6	Nutsert-blind	2.0L MPi Petrol	fixing ECU	MXC7420	3
7	Pipe-inlet manifold vacuum	Change point - VIN end KA038821, 2.0L MPi Petrol		ERR2950	1
		Change point - VIN begin KA038822, Change point - VIN end LA081991, 2.0L MPi Petrol		ERR4641	1
[900]	Electric control unit-fuel/ignition	Change point - VIN begin KA038822, Change point - VIN end LA081991, 2.0L MPi Petrol		MKC101720E	1
		2.0L MPi Petrol		MKC101720E	1



Body Electrics
Electronic Control Units
ECU-Sunroof Control Unit 1/1

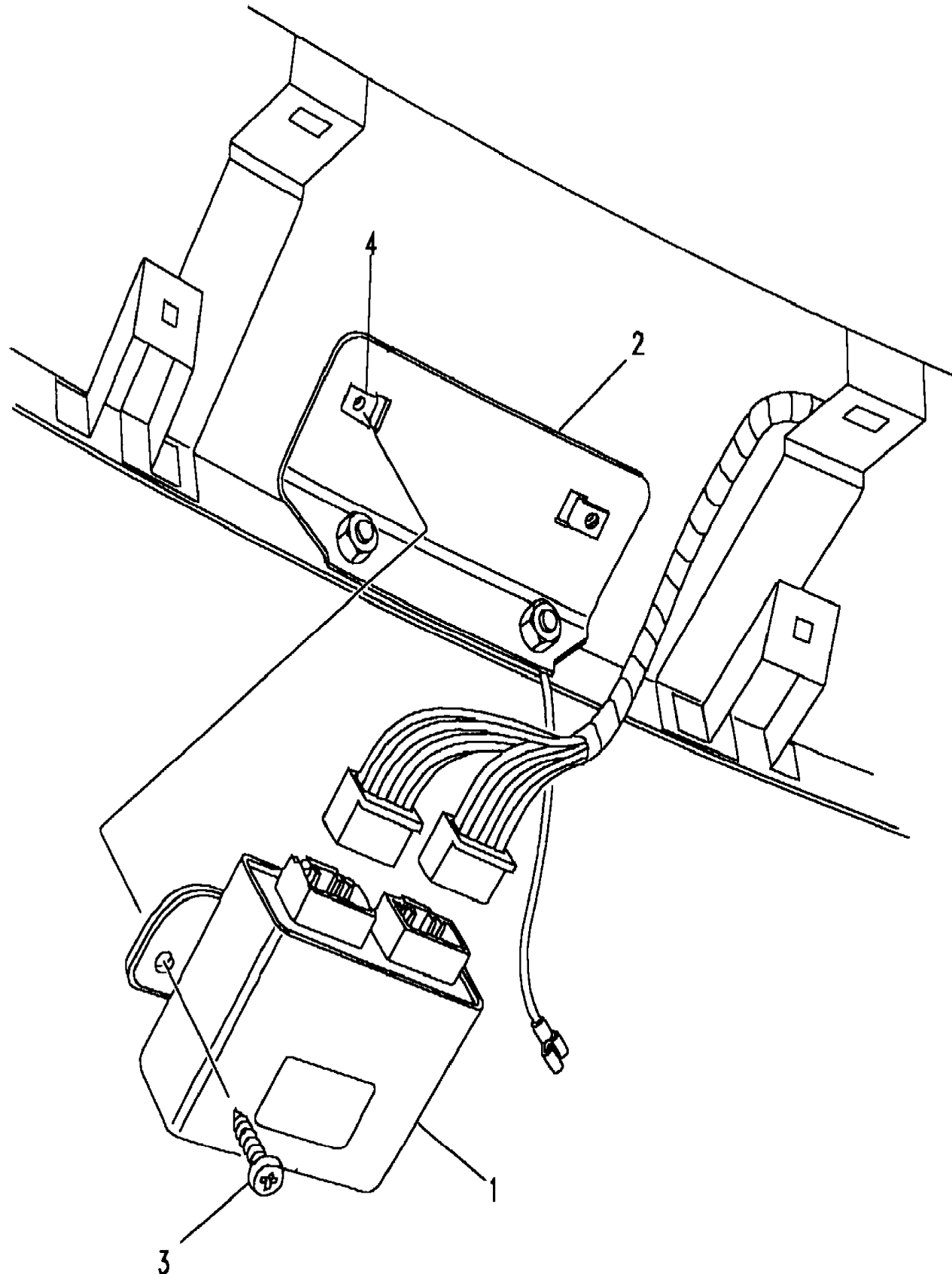
Discovery (FA393361-WA799999)
(CAMXTA1A)

Discovery (FA393361-WA799999)

Body Electrics
Electronic Control Units
ECU-Sunroof Control Unit

With Electric Slide Sunroof

Callout	Name	Application	Remarks & Restrictions	Service No.	Qty
1	Control unit sunroof	Change point - VIN begin MA081992		AMR2128	1
2	Bracket-electric control unit mounting	Change point - VIN begin MA081992		BTR9725	1
3	Screw	Change point - VIN begin MA081992	fixing control unit-sunroof, Self Tapping	AB606051	2
4	Nut-spring-u type	Change point - VIN begin MA081992	fixing control unit-sunroof	BTR475	2



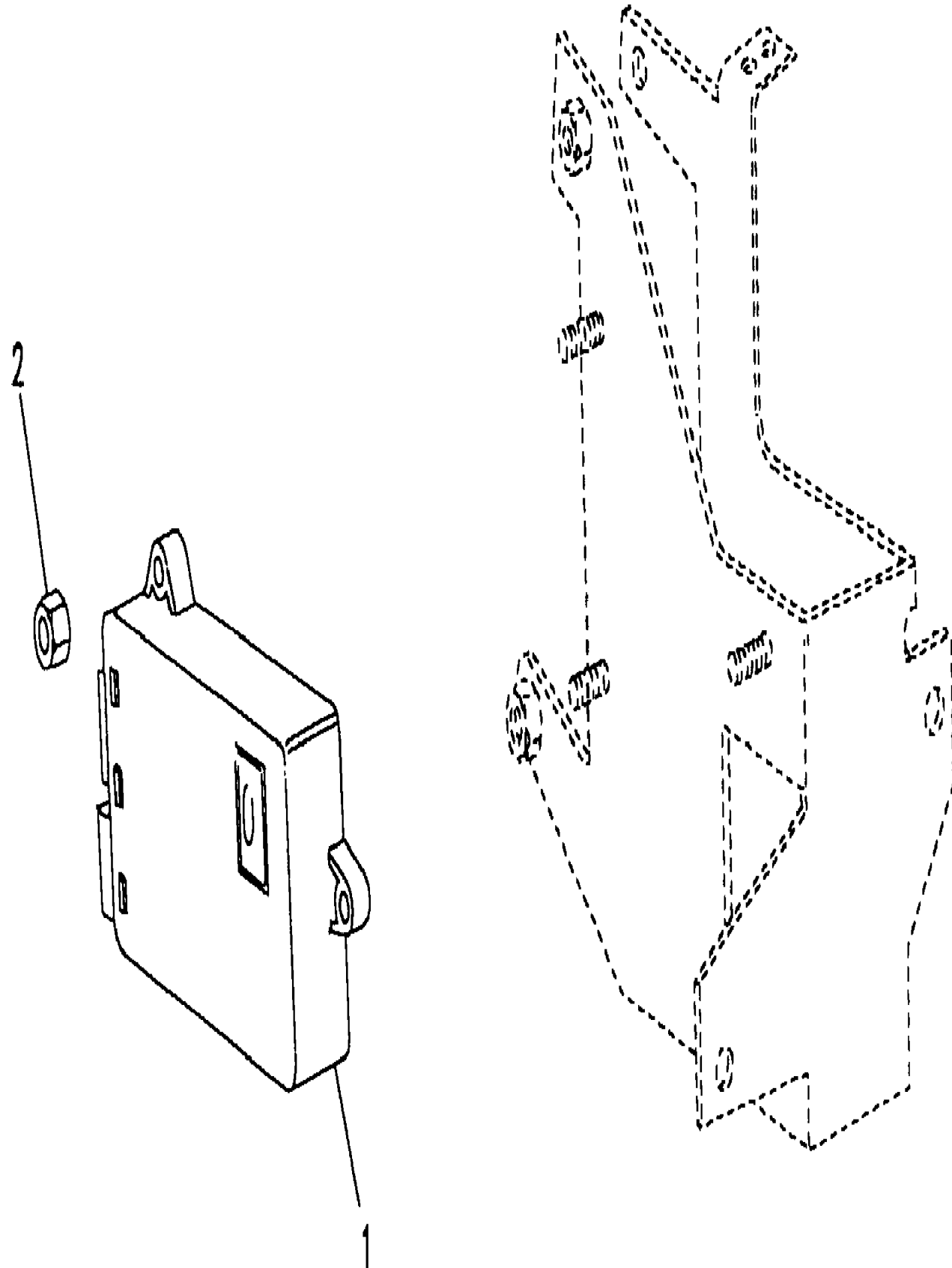
Body Electrics
Electronic Control Units
ECU-Window Lift 1/1

Discovery (FA393361-WA799999)
(CAMXPA1A)

Discovery (FA393361-WA799999)

Body Electrics
Electronic Control Units
ECU-Window Lift

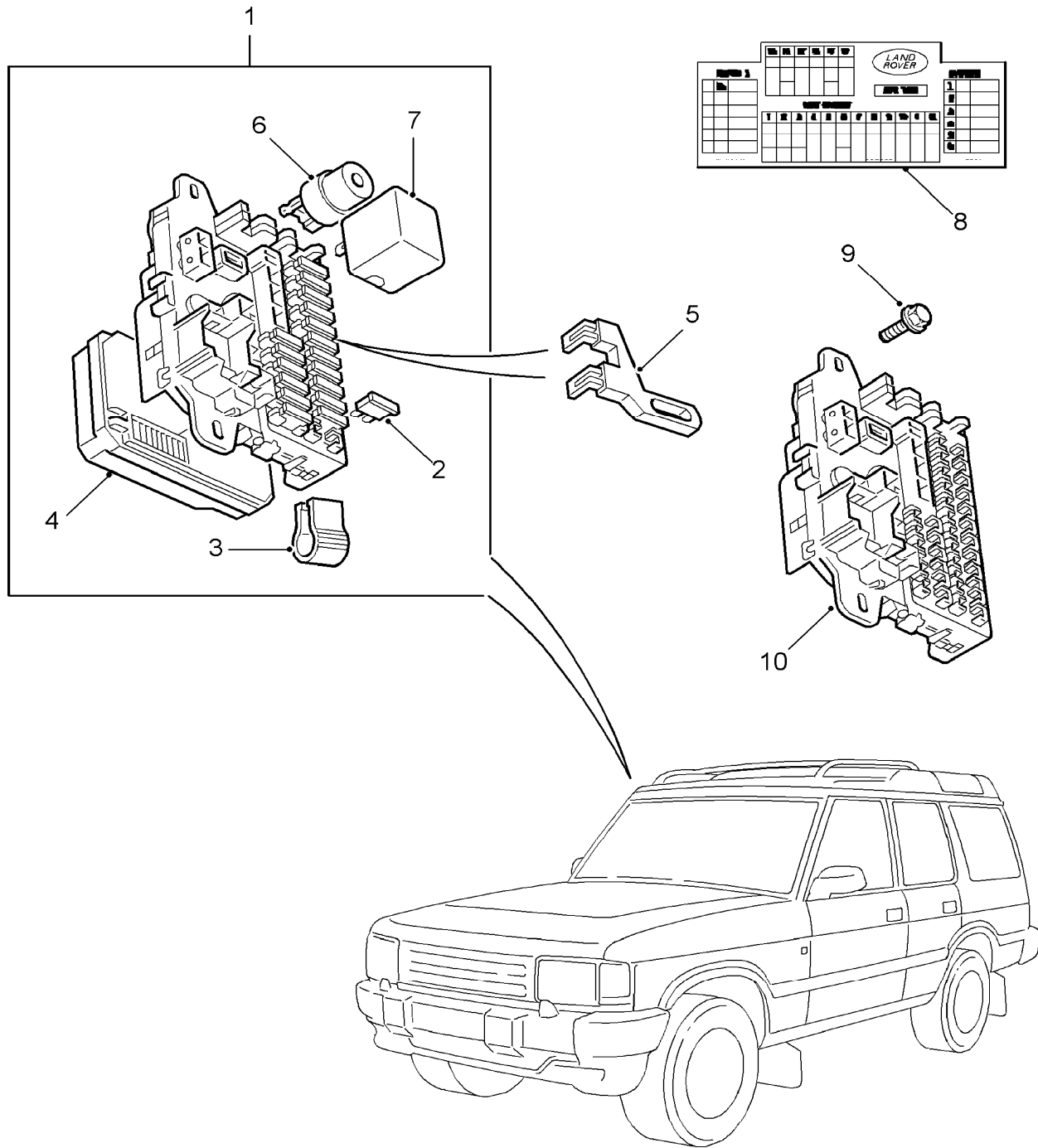
Callout	Name	Application	Remarks & Restrictions	Service No.	Qty
1	ECU-electric windows	Change point - VIN begin MA081992	Electric Windows	AMR1282	1
2	Nut - Hex.	Change point - VIN begin MA081992	Electric Windows, fixing ECU, M4	NH104041	3



Body Electrics
Fuse Box
Interior Main 1/2

Discovery (FA393361-WA799999)

(LM0182)



D05.005
07-2003
L4
LM0182

Discovery (FA393361-WA799999)

Body Electrics
Fuse Box
Interior Main

Callout	Name	Application	Remarks & Restrictions	Service No.	Qty
1	Fusebox assembly passenger compartment	Change point - VIN end VA534103		AMR1552	1
		Change point - VIN end VA703236		AMR1552	1
		Change point - VIN begin VA534104		AMR5420	1
		Change point - VIN begin VA703237		AMR5420	1
2	Fuse	Change point - VIN end VA534103	20 AMP, AUTO, standard.	RTC4504	3
		Change point - VIN end VA703236	20 AMP, AUTO, standard.	RTC4504	3
		Change point - VIN end VA534103	15 AMP, AUTO, standard.	RTC4503	2
		Change point - VIN end VA703236	15 AMP, AUTO, standard.	RTC4503	2
		Change point - VIN end VA534103	10 AMP, AUTO, Standard	RTC4501	18
		Change point - VIN end VA703236	10 AMP, AUTO, Standard	RTC4501	18
3	Extractor blade fuse	Change point - VIN end VA534103		AFU3017L	1
		Change point - VIN end VA703236		AFU3017L	1
4	Control unit multi function	Change point - VIN end VA534103		AMR1280	1
		Change point - VIN end VA703236		AMR1280	1
		Change point - VIN begin VA534104		AMR5360	1
		Change point - VIN begin VA703237		AMR5360	1
5	Inhibitor connector	Change point - VIN begin VA534104		AMR3434	1
		Change point - VIN begin VA703237		AMR3434	1
6	Relay	Change point - VIN end VA534103		DJP8473L	1
		Change point - VIN end VA703236		DJP8473L	1
7	Flasher unit electronic	Change point - VIN end VA534103	for towing	YWT10002L	1
		Change point - VIN end VA703236	for towing	YWT10002L	1
		Change point - VIN end VA534103	without trailer socket, 3 Pin	YWT10003	1
		Change point - VIN end VA703236	without trailer socket, 3 Pin	YWT10003	1
		Change point - VIN end VA534103	89W	AMR4873	1
		Change point - VIN end VA703236	89W	AMR4873	1
		Change point - VIN begin VA534104	for towing	YWT10002L	1

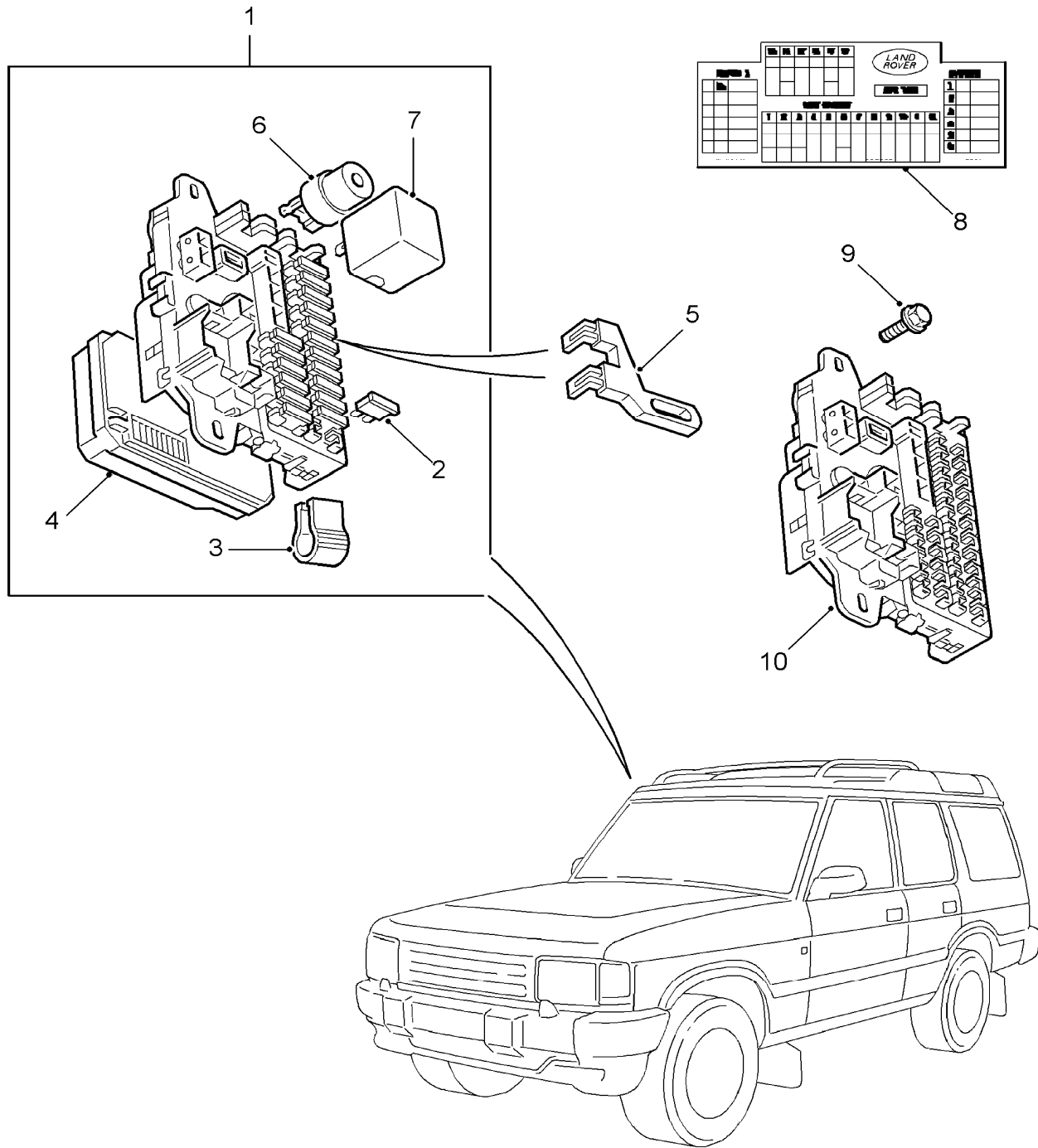
Body Electrics
Fuse Box
Interior Main 2/2

Discovery (FA393361-WA799999)
(LM0182)

Discovery (FA393361-WA799999)

Body Electrics
Fuse Box
Interior Main

Callout	Name	Application	Remarks & Restrictions	Service No.	Qty
7	Flasher unit electronic	Change point - VIN begin VA703237	for towing	YWT10002L	1
8	Label-fusebox	Change point - VIN begin VA534104 Change point - VIN begin VA703237		AMR3871 AMR3871	1 1
9	Bolt-flanged head	Change point - VIN begin VA534104 Change point - VIN begin VA703237		FS105161P FS105161P	4 4
10	Mounting Assy		Fuses	YPP100290L	1

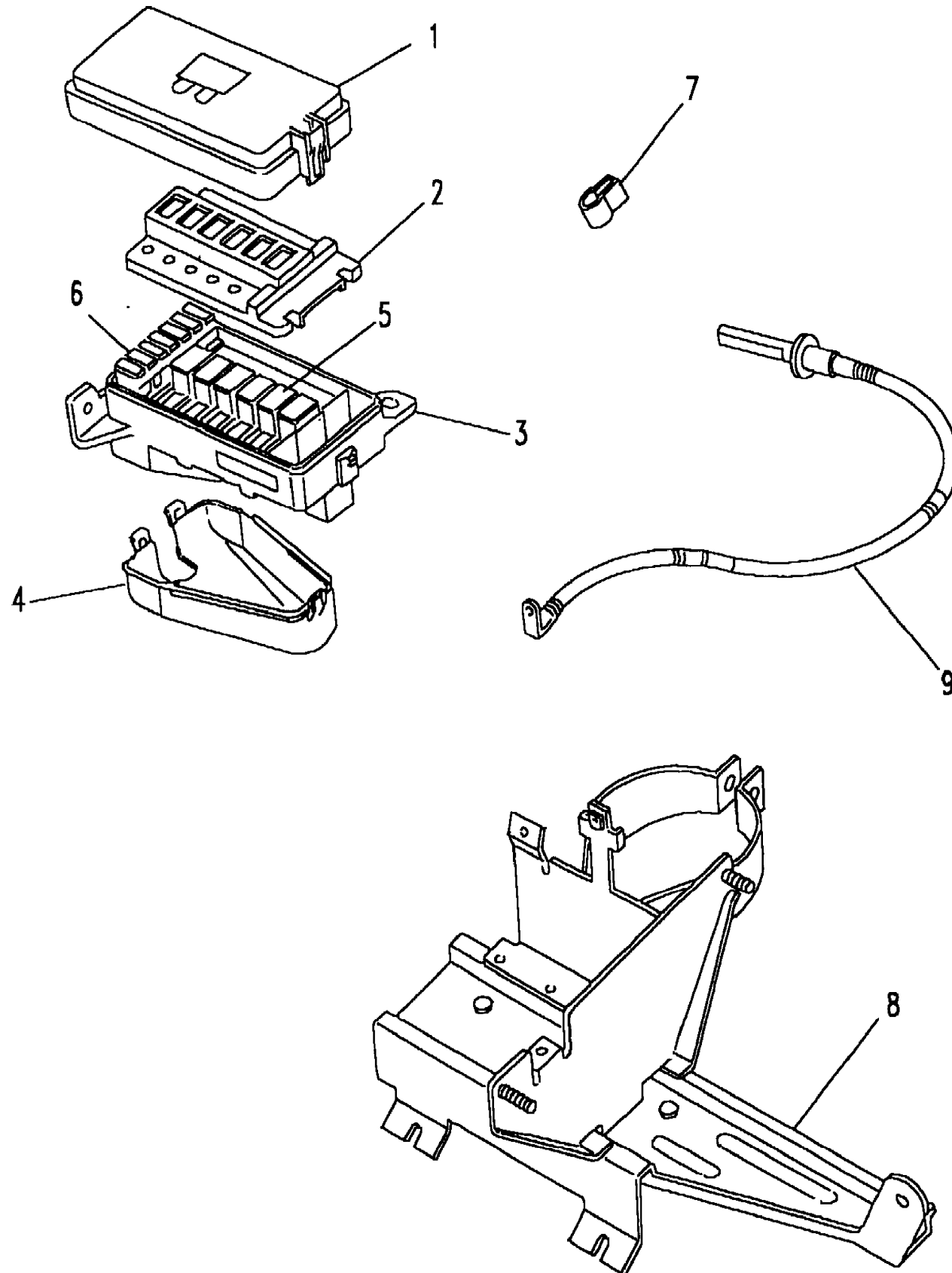


Body Electrics
Fuse Box
Under Bonnet 1/2

Discovery (FA393361-WA799999)
(CAMXCC2B)

Discovery (FA393361-WA799999)

Body Electrics
Fuse Box
Under Bonnet



Callout	Name	Application	Remarks & Restrictions	Service No.	Qty
1	Cover fusebox	Change point - VIN begin MA081992		AMR3258	1
2	Cover fusebox	Change point - VIN begin MA081992	Inner	YQH10004L	1
3	Fusebox assembly engine compartment	Change point - VIN begin MA081992		AMR1553	1
4	Cover fusebox	Change point - VIN begin MA081992	bottom	YQH10002L	1
5	Link-fusible	Change point - VIN begin MA081992	100 AMP, Blue.	STC1757	1
		Change point - VIN begin MA081992	60 AMP, Yellow	STC1758	3
		Change point - VIN begin MA081992	40 AMP, Green	STC1759	1
		Change point - VIN begin MA081992	30 AMP, Pink.	STC1760	1
6	Fuse	Change point - VIN begin MA081992	AUTO, 30 AMP, Standard	RTC4507	4
		Change point - VIN begin MA081992	20 AMP, AUTO, standard.	RTC4504	2
		Change point - VIN begin MA081992	15 AMP, AUTO, standard.	RTC4503	1
7	Extractor blade fuse	Change point - VIN begin MA081992		AFU3017L	1
8	Bracket fusebox	Change point - VIN begin MA081992, Change point - VIN end MA163103		ESR2958	1
		Change point - VIN begin MA081992, Change point - VIN end MA501919		ESR2958	1
		Change point - VIN begin TA163104		ESR3860	1
		Change point - VIN begin TA501920		ESR3860	1
9	Harness-link	Change point - VIN begin MA081992, Change point - VIN end MA163103		AMR3643	1
		Change point - VIN begin MA081992, Change point - VIN end MA501919		AMR3643	1
		Change point - VIN begin TA163104		AMR3923	1
		Change point - VIN begin TA501920		AMR3923	1
[900]	Fusebox			YPP100310L	1
				YQE000180	1
[901]	Screw-flanged head	Change point - VIN begin MA081992	M6 x 10	FS106101L	2
[902]	Nut-flange	Change point - VIN begin MA081992	M6	FN106047L	2

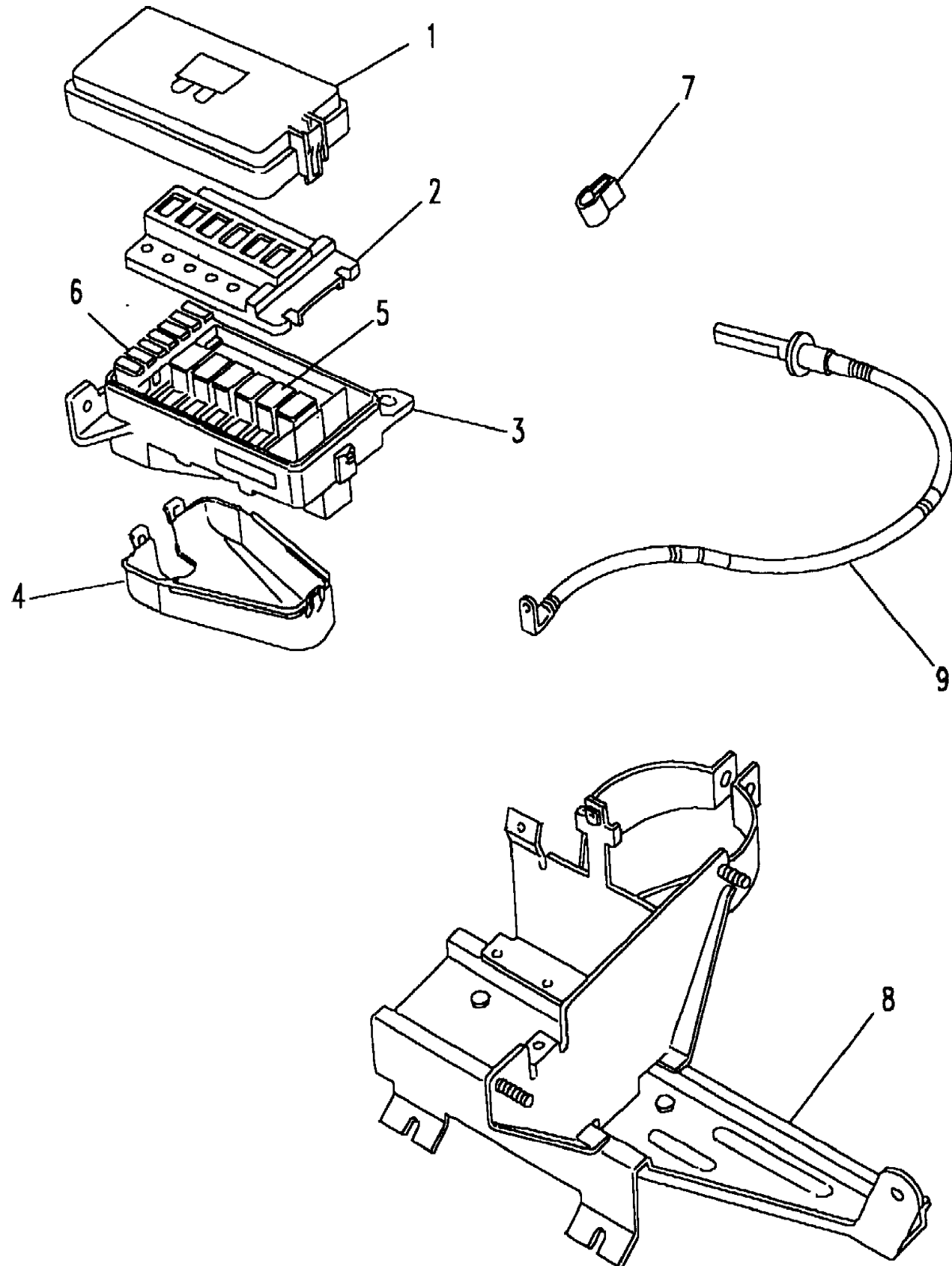
Body Electrics
Fuse Box
Under Bonnet 2/2

Discovery (FA393361-WA799999)
(CAMXCC2B)

Discovery (FA393361-WA799999)

Body Electrics
Fuse Box
Under Bonnet

Callout	Name	Application	Remarks & Restrictions	Service No.	Qty
[903]	Screw	Change point - VIN begin MA081992	hexagonal head, M4 x 10	SH104101L	2
[904]	Screw-pan	Change point - VIN begin MA081992		DYP100920L	1



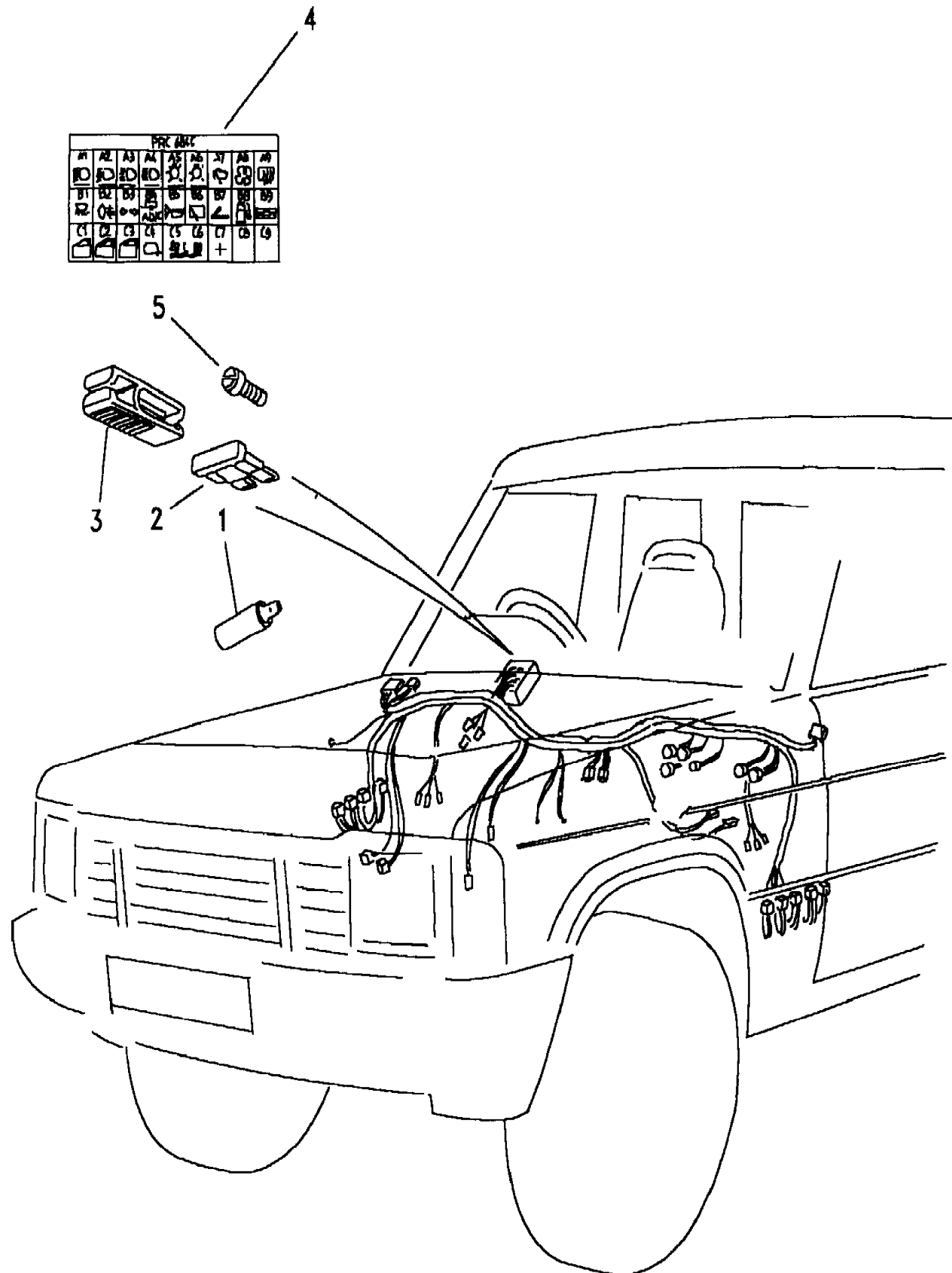
Body Electrics
 Fuse Box & Relays
 Fuse Box & Fuses 1/1

Discovery (FA393361-WA799999)
 (CAMXCC3A)

Discovery (FA393361-WA799999)

Body Electrics
 Fuse Box & Relays
 Fuse Box & Fuses

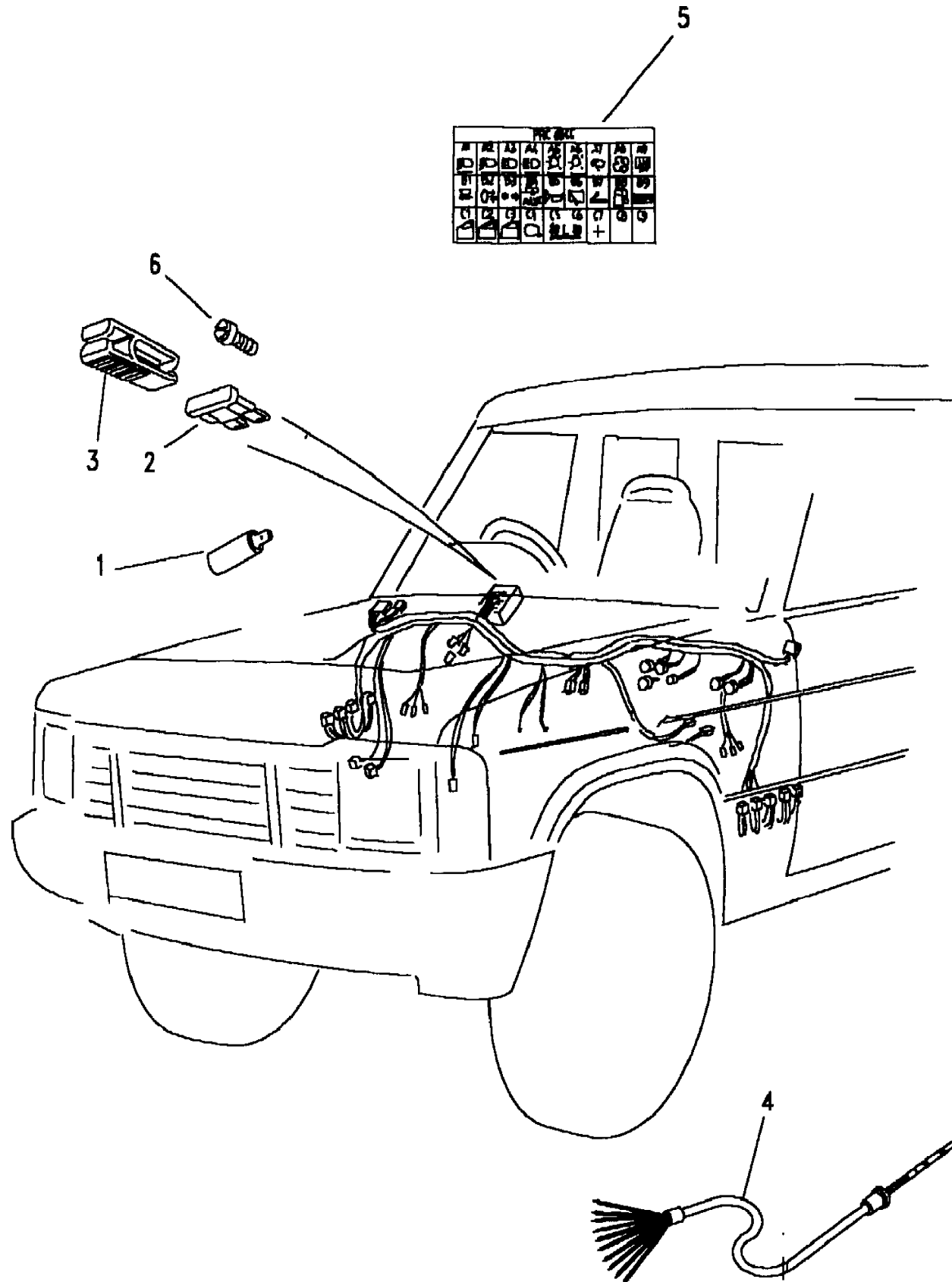
Callout	Name	Application	Remarks & Restrictions	Service No.	Qty
1	Diode Assy	Change point - VIN end JA034313	Pektron	AAU5034	4
2	Fuse	Change point - VIN end JA034313	3 AMP, AUTO, standard.	RTC4481	1
		Change point - VIN end JA034313	5 AMP, AUTO, Standard	RTC4497	3
		Change point - VIN end JA034313	7.5 AMP, AUTO, standard.	RTC4498	4
		Change point - VIN end JA034313	10 AMP, AUTO, Standard	RTC4501	4
		Change point - VIN end JA034313	15 AMP, AUTO, standard.	RTC4503	2
		Change point - VIN end JA034313	20 AMP, AUTO, standard.	RTC4504	3
		Change point - VIN end JA034313	25 AMP, AUTO, standard.	RTC4506	1
		Change point - VIN end JA034313	AUTO, 30 AMP, Standard	RTC4507	1
		3	Extractor blade fuse	Change point - VIN end JA034313	
4	Label-fusebox	Change point - VIN end JA034313, V8 Twin Carb Petrol, Less Air Conditioning, Less Central Door Locking	Less Electric Door Mirrors, Less Electric Windows	PRC7828	1
		Change point - VIN end JA034313, 4 Cyl TDi Diesel, Less Air Conditioning, Less Central Door Locking	Less Electric Door Mirrors, Less Electric Windows	PRC7828	1
		Change point - VIN end JA034313, V8 Twin Carb Petrol, With Air Conditioning, With Central Locking System	Electric Door Mirrors, Electric Windows	PRC8591	1
		Change point - VIN end JA034313, 4 Cyl TDi Diesel, With Air Conditioning, With Central Locking System	Electric Door Mirrors, Electric Windows	PRC8591	1
		Change point - VIN end JA034313, V8 EFI Petrol		PRC8592	1
		Change point - VIN end JA034313			
5	Screw	Change point - VIN end JA034313	Self Tapping, No 6 x 1/2	AB606044L	24



Body Electrics
Fuse Box & Relays
Fuses 1/1

Discovery (FA393361-WA799999)

(CAMXCC3B)



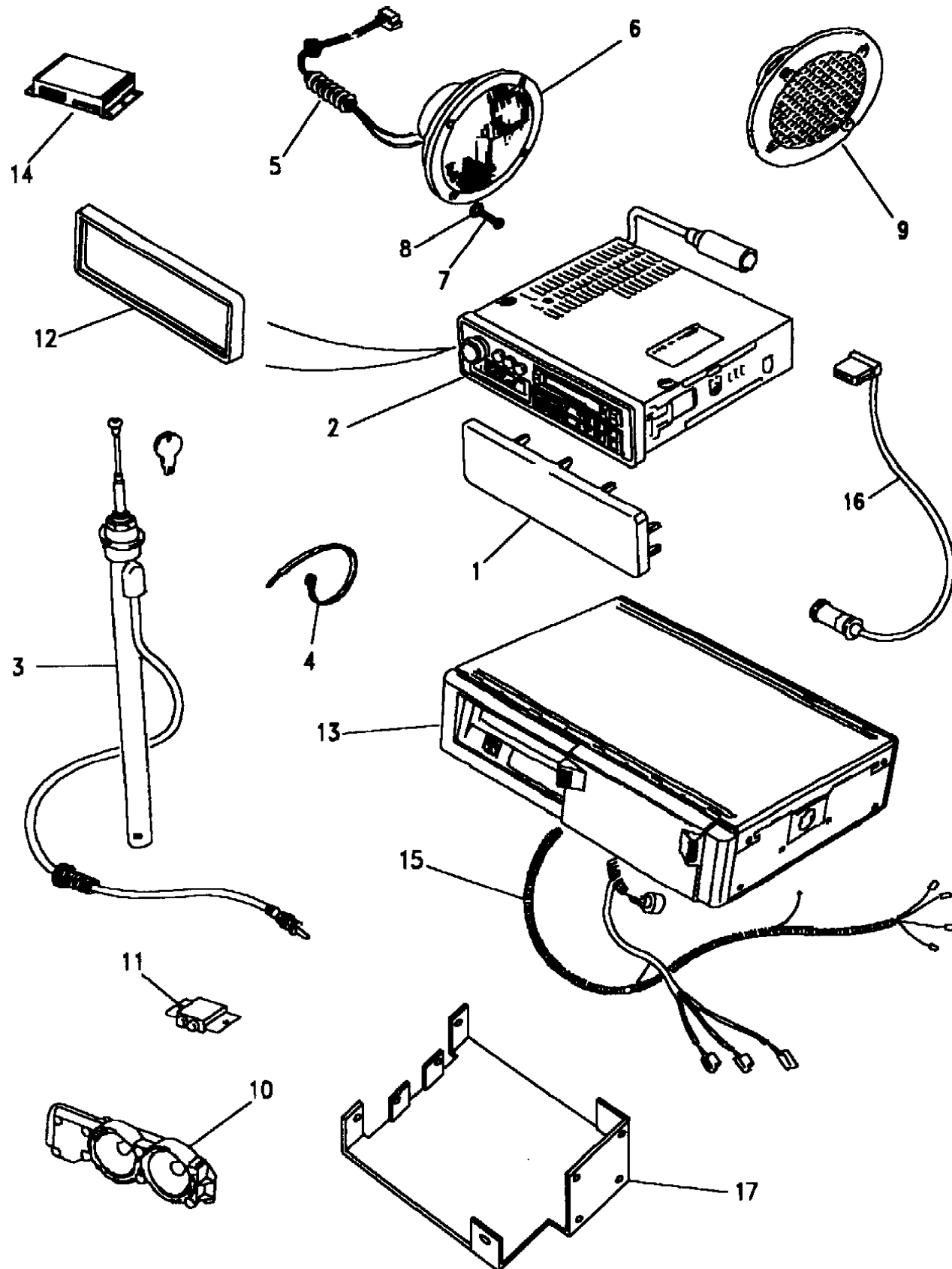
Discovery (FA393361-WA799999)

Body Electrics
Fuse Box & Relays
Fuses

Callout	Name	Application	Remarks & Restrictions	Service No.	Qty		
1	Diode Assy	Change point - VIN begin KA034314, Change point - VIN end LA081991	Pektron	AAU5034	4		
2	Fuse	Change point - VIN begin KA034314, Change point - VIN end LA081991	3 AMP, AUTO, standard.	RTC4481	1		
		Change point - VIN begin KA034314, Change point - VIN end LA081991	5 AMP, AUTO, Standard	RTC4497	3		
		Change point - VIN begin KA034314, Change point - VIN end LA081991	7.5 AMP, AUTO, standard.	RTC4498	4		
		Change point - VIN begin KA034314, Change point - VIN end LA081991	10 AMP, AUTO, Standard	RTC4501	4		
		Change point - VIN begin KA034314, Change point - VIN end LA081991	15 AMP, AUTO, standard.	RTC4503	2		
		Change point - VIN begin KA034314, Change point - VIN end LA081991	20 AMP, AUTO, standard.	RTC4504	3		
		Change point - VIN begin KA034314, Change point - VIN end LA081991	25 AMP, AUTO, standard.	RTC4506	1		
		Change point - VIN begin KA034314, Change point - VIN end LA081991	AUTO, 30 AMP, Standard	RTC4507	1		
		3	Extractor blade fuse	Change point - VIN begin KA034314, Change point - VIN end LA081991		PRC4412	1
		4	Kit-fusible link	Change point - VIN begin KA034314, Change point - VIN end LA081991		AMR3927	1
5	Label-fusebox	Change point - VIN begin KA034314, Change point - VIN end KA064754, With Air Conditioning		PRC9562	1		
		Change point - VIN begin LA064755, Change point - VIN end LA081991, With Air Conditioning		AMR3435	1		
		Change point - VIN begin KA034314, Change point - VIN end KA064754, Less Air Conditioning		PRC9561	1		
		Change point - VIN begin LA064755, Change point - VIN end LA081991, Less Air Conditioning		AMR3435	1		
6	Screw	Change point - VIN begin KA034314, Change point - VIN end LA081991	Self Tapping, No 6 x 1/2	AB606044L	24		

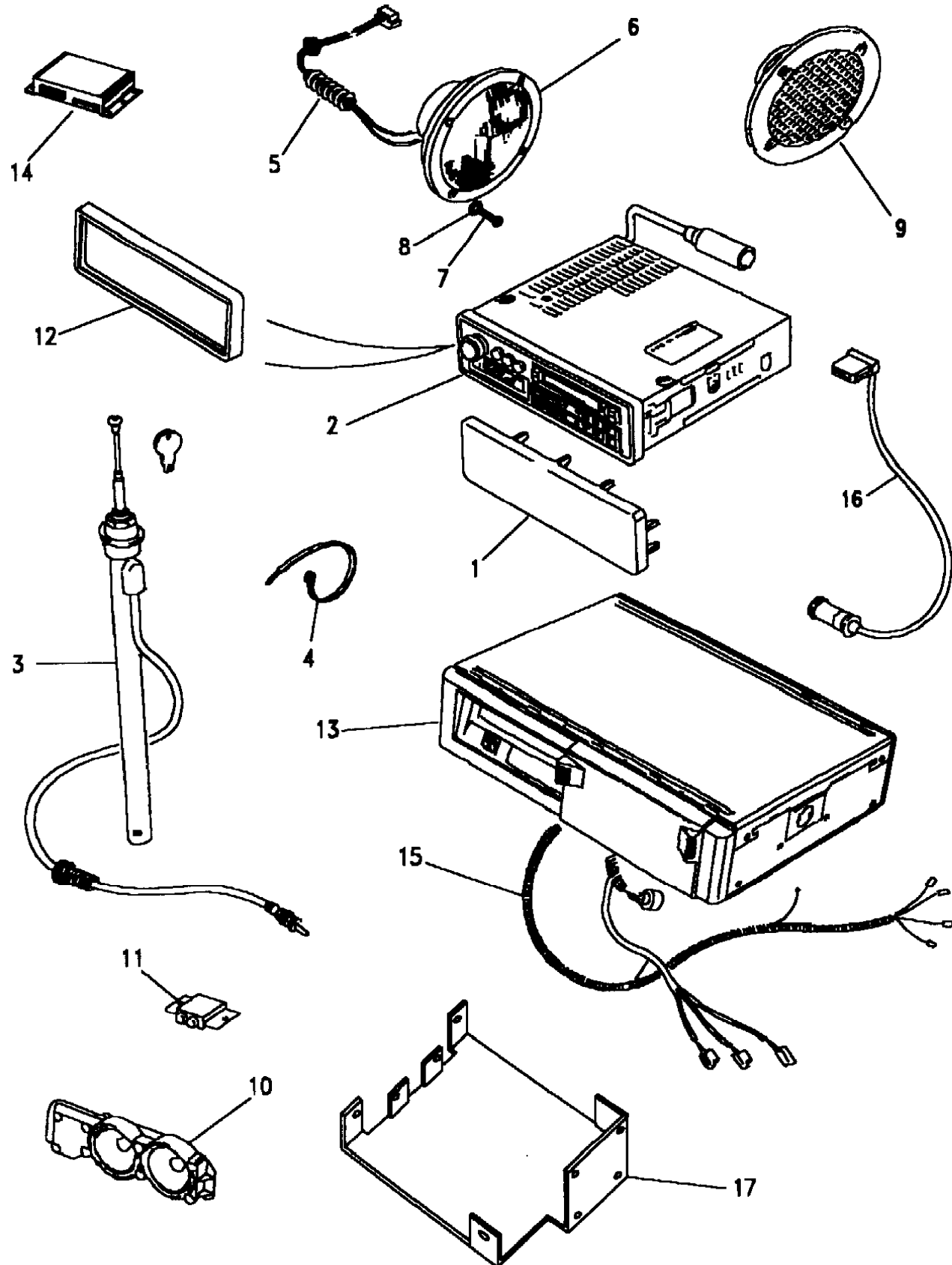
Change point - VIN begin KA034314, Change point - VIN end LA081991

Callout	Name	Application	Remarks & Restrictions	Service No.	Qty
1	Blank-facia radio aperture			PRC7410LNF	1
2	Radio cassette electronic-auto/reversal	Less CD Player, Less ICE Remote Control, With 2 Speakers Less CD Player, With 4 Speakers With CD Player	Ash Grey ICE Remote Control, Plus Subwoofer System, Ash Grey ICE Remote Control, Ash Grey	AMR1029LNF PRC9463LNF AMR1782LNF	1 1 1
3	Aerial front fender			AMR2014	1
4	Tie-cable		Also serviced as part of a kit, Black, inside serated, 3.5 x 150mm	UKC6684L	3
5	Harness-passenger door		door speakers	AMR1102	2
6	Speaker-front single cone		Front Door, Ash Grey	AMR1030LNF	2
7	Screw		fixing speaker front door, M6, Self Tapping fixing speaker rear E post, Self Tapping, No8 x 7/8 fixing speaker to rear end door, pan head, recessed, M5 x 30 amplifier to rear end door, pan head, M5 x 12 fixing CD autochanger, hexagonal head, M4 x 10 fixing CD autochanger bracket, hexagonal head, M5 x 20	AB606074 AB608074 SE105301L SP105121 SH104101L SH105201	8 8 8 2 4 4
8	Washer		fixing speaker front door, M4, Plain fixing speaker to rear end door, Also serviced as part of a kit, M5, oversize, Plain fixing CD autochanger bracket, M5, Metric, oversize fixing CD autochanger bracket, M5, oversize, Plain	WA104004L WJ105001L WJ105001 WJ105001L	8 8 4 4
9	Speaker assembly rear		E-post, Ash Grey	PRC8930LNF	2
10	Speaker assembly rear		rear end door	STC947	1
11	Amplifier audio power		rear end door	STC1824	1
12	Spacer		Radio, Ash Grey	BTR5498LNF	1



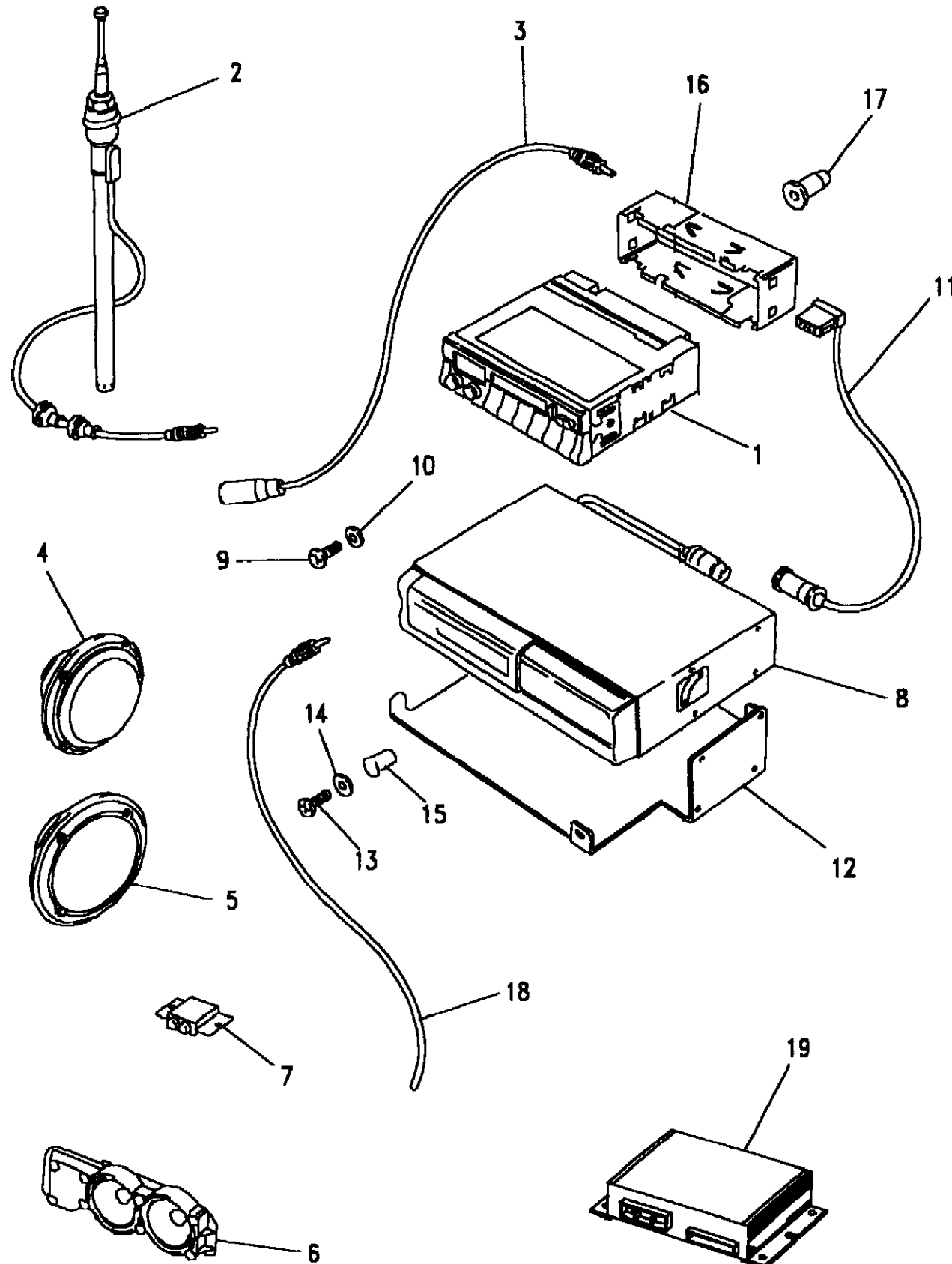
Change point - VIN begin KA034314, Change point - VIN end LA081991

Callout	Name	Application	Remarks & Restrictions	Service No.	Qty
13	CD automatic changer		Also serviced as part of a kit, Philips	AMR3154	1
14	Amplifier assembly-audio power			AMR3853	1
15	Harness-link		amplifier remote, Also serviced as part of a kit	AMR1117	1
16	Harness-link		CD data lead	AMR3460	1
17	Bracket-compact disc mounting			AMR1785	1
[900]	Finisher-facia console radio		Ash Grey	FBV10065LNF	1
[901]	Hexsert		fixing speaker to rear end door	BTR6580	8
[902]	Magazine-automatic changer compact disc player		Also serviced as part of a kit	STC1624	1
[903]	Washer		fixing CD autochanger, M4	WC104001	4
[904]	Nut - Hex.		fixing CD autochanger bracket	ADU3325	4



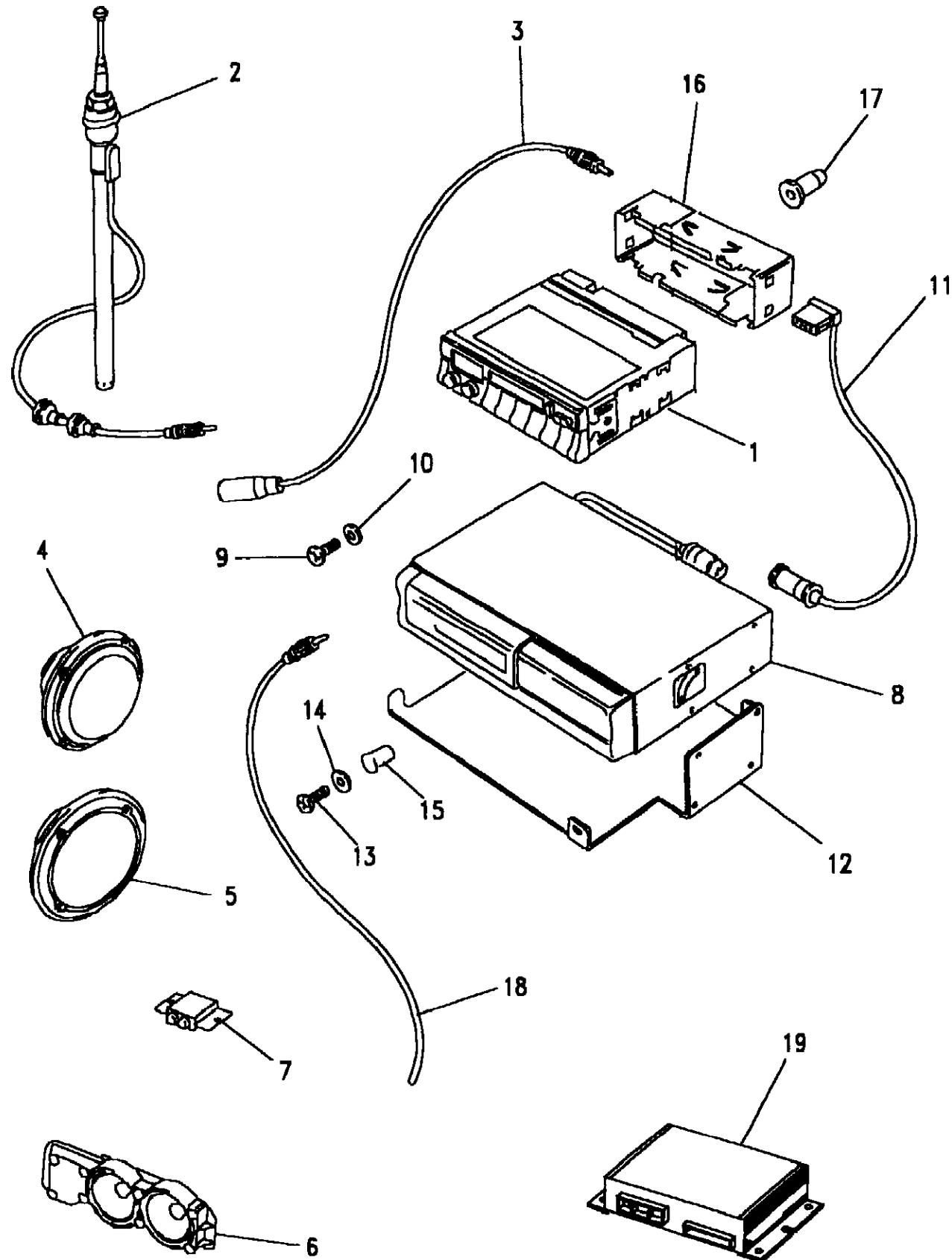
Change point - VIN begin MA081992, Change point - VIN end MA163103, Change point - VIN begin MA500000, Change point - VIN end MA501919

Callout	Name	Application	Remarks & Restrictions	Service No.	Qty
1	Radio cassette assembly- electronic	With Low Line	Ash Grey, Clarion	AMR2193LNF	1
		With Mid Line	Ash Grey, Clarion	AMR2194LNF	1
		With High Line	Ash Grey, Philips	AMR2195LNF	1
2	Aerial front fender			AMR3461	1
3	Lead Antenna			AMR3462	1
4	Speaker-front door	With Low Line	Ash Grey, twin cone	AMR2159LNF	2
		With Mid Line	Ash Grey, twin cone	AMR2159LNF	1
		With High Line	Ash Grey, Coaxial	AMR2590LNF	2
5	Speaker assembly rear		Ash Grey	PRC8930LNF	2
6	Speaker assembly rear			STC947	1
7	Amplifier audio power	Change point - VIN begin MA081992, Change point - VIN end MA156059	rear end door	STC1824	1
		Change point - VIN begin MA500000, Change point - VIN end MA503294	rear end door	STC1824	1
		Change point - VIN begin MA156060, Change point - VIN end MA163103	rear end door	STC2935	1
		Change point - VIN begin MA156060, Change point - VIN end MA501919	rear end door	STC2935	1
8	CD automatic changer		Also serviced as part of a kit, Philips	AMR3154	1
9	Screw	With Mid Line	fixing speaker rear E post, Self Tapping, No8 x 7/8	AB608074	8
		With Mid Line	speaker to door, pan head, recessed, M5 x 30	SE105301L	8
		With Mid Line	fixing amplifier, pan head, M5 x 12	SP105121	2
		With Mid Line	hexagonal head, M4 x 10	SH104101L	4
10	Washer		M4	WC104001	4
11	Harness-link	(-)"J"	CD data lead	AMR3460	1
		(+)"J"	CD data lead	AMR2619	1
12	Bracket-compact disc mounting	(-)"J"		AMR1785	1
		(+)"J"		AMR3029	1
13	Screw		hexagonal head, M5 x 20	SH105201	4
14	Washer-Plain		M5, Metric, oversize	WJ105001	4



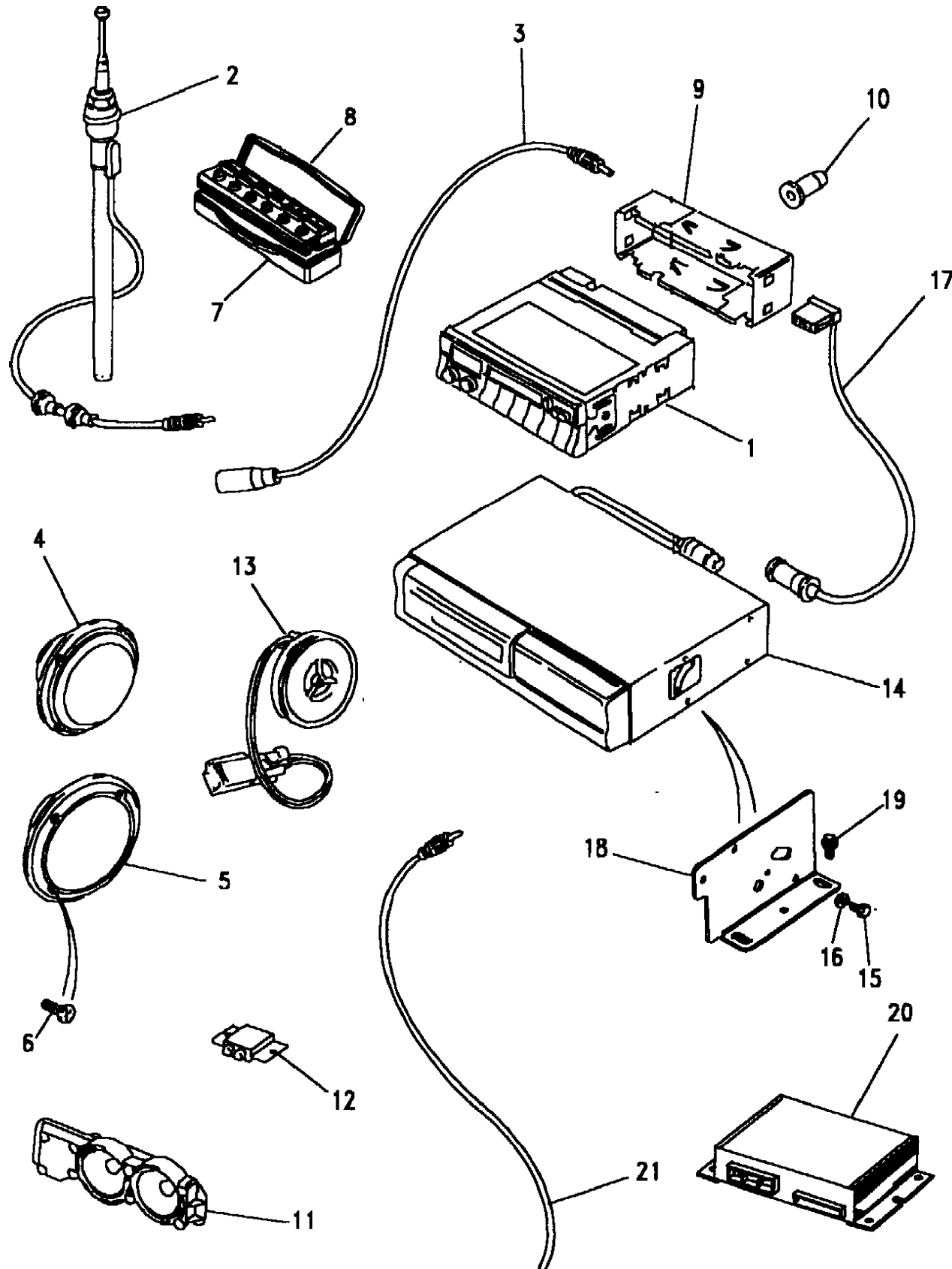
Change point - VIN begin MA081992, Change point - VIN end MA163103, Change point - VIN begin MA500000, Change point - VIN end MA501919

Callout	Name	Application	Remarks & Restrictions	Service No.	Qty
14	Washer-Plain	Change point - VIN begin MA500000, Change point - VIN end MA501919	M5, oversize, Plain	WJ105001L	4
15	Nut - Hex.			ADU3325	4
16	Bracket-radio housing			AMR2125	1
17	Bung-rubber radio fixing			XQJ10002L	1
18	Lead-link radio	(+)"J"	Local Supply	AMR2776	1
19	Amplifier assembly-audio power	Change point - VIN begin MA081992, Change point - VIN end MA156059, (+)"J" Change point - VIN begin MA156060, Change point - VIN end MA163103, (+)"J" Change point - VIN begin MA156060, Change point - VIN end MA501919, (+)"J"		AMR3853 AMR5117 AMR5117	1 1 1
[900]	Finisher-facia console radio	Change point - VIN begin MA500000, Change point - VIN end MA501919	Ash Grey Black	FBV10065LNF FBV10065PMP	
[901]	Hexsert		speaker to door	BTR6580	8
[902]	Magazine-automatic changer compact disc player		Also serviced as part of a kit	STC1624	1



Change point - VIN begin TA163104, Change point - VIN end TA199999, Change point - VIN begin TA501920, Change point - VIN end TA534103, Change point - VIN begin TA700000, Change point - VIN end TA703236

Callout	Name	Application	Remarks & Restrictions	Service No.	Qty
1	Radio cassette assembly- electronic	Change point - VIN end TA701283, With Low Line	ICE Detachable Keypad, Also serviced as part of a kit, Ash Grey, Philips	AMR4794LNF	1
		Change point - VIN end TA532127, With Low Line	ICE Detachable Keypad, Also serviced as part of a kit, Ash Grey, Philips	AMR4794LNF	1
		Change point - VIN begin TA532128, With Low Line	ICE Detachable Keypad, Also serviced as part of a kit, Ash Grey, Philips	AMR5696LNF	1
		Change point - VIN begin TA701284, With Low Line	ICE Detachable Keypad, Also serviced as part of a kit, Ash Grey, Philips	AMR5696LNF	1
		Change point - VIN begin TA163104, With Mid Line	Ash Grey, Clarion	AMR2194LNF	1
		Change point - VIN begin TA501920, With Mid Line	Ash Grey, Philips	AMR2194LNF	1
		Change point - VIN begin TA163104, With High Line	Ash Grey, Philips	AMR4188LNF	1
		Change point - VIN begin TA501920, With High Line	Ash Grey, Philips	AMR4188LNF	1
			Ash Grey, Philips	XQD101170LNF	1
2	Aerial front fender	Change point - VIN begin TA163104		AMR3461	1
		Change point - VIN begin TA501920		AMR3461	1
3	Lead Antenna	Change point - VIN begin TA163104		AMR3462	1
		Change point - VIN begin TA501920		AMR3462	1
4	Speaker assembly-front single cone	Change point - VIN begin TA163104	Door, Ash Grey	AMR4187LNF	2
		Change point - VIN begin TA501920	Door, Ash Grey	AMR4187LNF	2
5	Speaker assembly rear	Change point - VIN begin TA163104	E-post, Ash Grey	PRC8930LNF	2
		Change point - VIN begin TA501920	E-post, Ash Grey	PRC8930LNF	2
6	Screw	Change point - VIN begin TA163104	fixing speaker to rear end door, pan head, recessed, M5 x 30	SE105301L	8
		Change point - VIN begin TA501920	fixing speaker to rear end door, pan head, recessed, M5 x 30	SE105301L	8
		Change point - VIN begin TA163104	amplifier to rear end door, pan head, M5 x 12	SP105121	2
		Change point - VIN begin TA501920	amplifier to rear end door, pan head, M5 x 12	SP105121	2
		Change point - VIN begin TA163104	fixing speaker rear E post, Self Tapping, No8 x 7/8	AB608074	8
		Change point - VIN begin TA501920	fixing speaker rear E post, Self Tapping, No8 x 7/8	AB608074	8



Body Electrics
In-Car Entertainment
Radio System 2/4

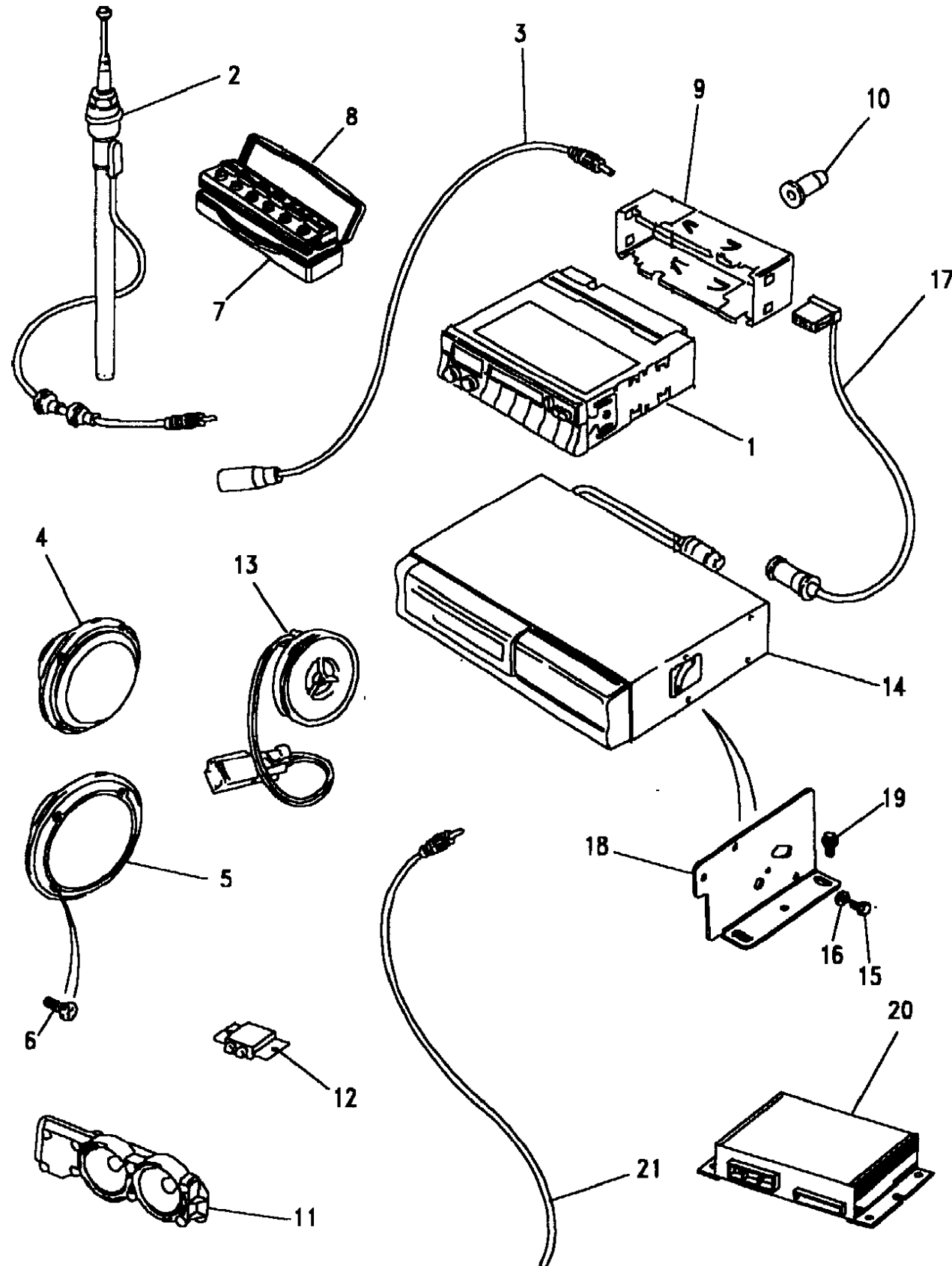
Discovery (FA393361-WA799999)
(CAMXKA4A)

Discovery (FA393361-WA799999)

Body Electrics
In-Car Entertainment
Radio System

Change point - VIN begin TA163104, Change point - VIN end TA199999, Change point - VIN begin TA501920, Change point - VIN end TA534103, Change point - VIN begin TA700000, Change point - VIN end TA703236

Callout	Name	Application	Remarks & Restrictions	Service No.	Qty
7	Pad-detachable-key radio	Change point - VIN end TA701283, With Low Line	ICE Detachable Keypad, Also serviced as part of a kit	STC3078	1
		Change point - VIN end TA532127, With Low Line	ICE Detachable Keypad, Also serviced as part of a kit	STC3078	1
		Change point - VIN begin TA532128, With Low Line	ICE Detachable Keypad, Also serviced as part of a kit	XQI100040L	1
		Change point - VIN begin TA701284, With Low Line	ICE Detachable Keypad, Also serviced as part of a kit	XQI100040L	1
8	Box-key pad radio	Change point - VIN begin TA163104, With Low Line		AMR5361	1
		Change point - VIN begin TA501920, With Low Line		AMR5361	1
9	Bracket-radio housing	Change point - VIN begin TA163104, Change point - VIN end TA191911		AMR2125	1
		Change point - VIN begin TA501920, Change point - VIN end TA522424		AMR2125	1
		Change point - VIN begin TA191912	Philips	PRC9941	1
		Change point - VIN begin TA522424	Philips	PRC9941	1
10	Bung-rubber radio fixing	Change point - VIN begin TA163104		XQJ10002L	1
		Change point - VIN begin TA501920		XQJ10002L	1
11	Speaker assembly rear	Change point - VIN begin TA163104	end door	STC947	1
		Change point - VIN begin TA501920	end door	STC947	1
12	Amplifier audio power	Change point - VIN begin TA163104	rear end door	STC2935	1
		Change point - VIN begin TA501920	rear end door	STC2935	1
14	CD automatic changer	Change point - VIN begin TA163104	Also serviced as part of a kit, Philips	AMR3154	1
		Change point - VIN begin TA501920	Also serviced as part of a kit, Philips	AMR3154	1
15	Screw	Change point - VIN begin TA163104	fixing CD autochanger, hexagonal head, M4 x 10	SH104101L	4
		Change point - VIN begin TA501920	fixing CD autochanger, hexagonal head, M4 x 10	SH104101L	4
16	Washer	Change point - VIN begin TA163104	fixing CD autochanger, M4	WC104001	4
		Change point - VIN begin TA501920	fixing CD autochanger, M4	WC104001	4



Body Electrics
In-Car Entertainment
Radio System 3/4

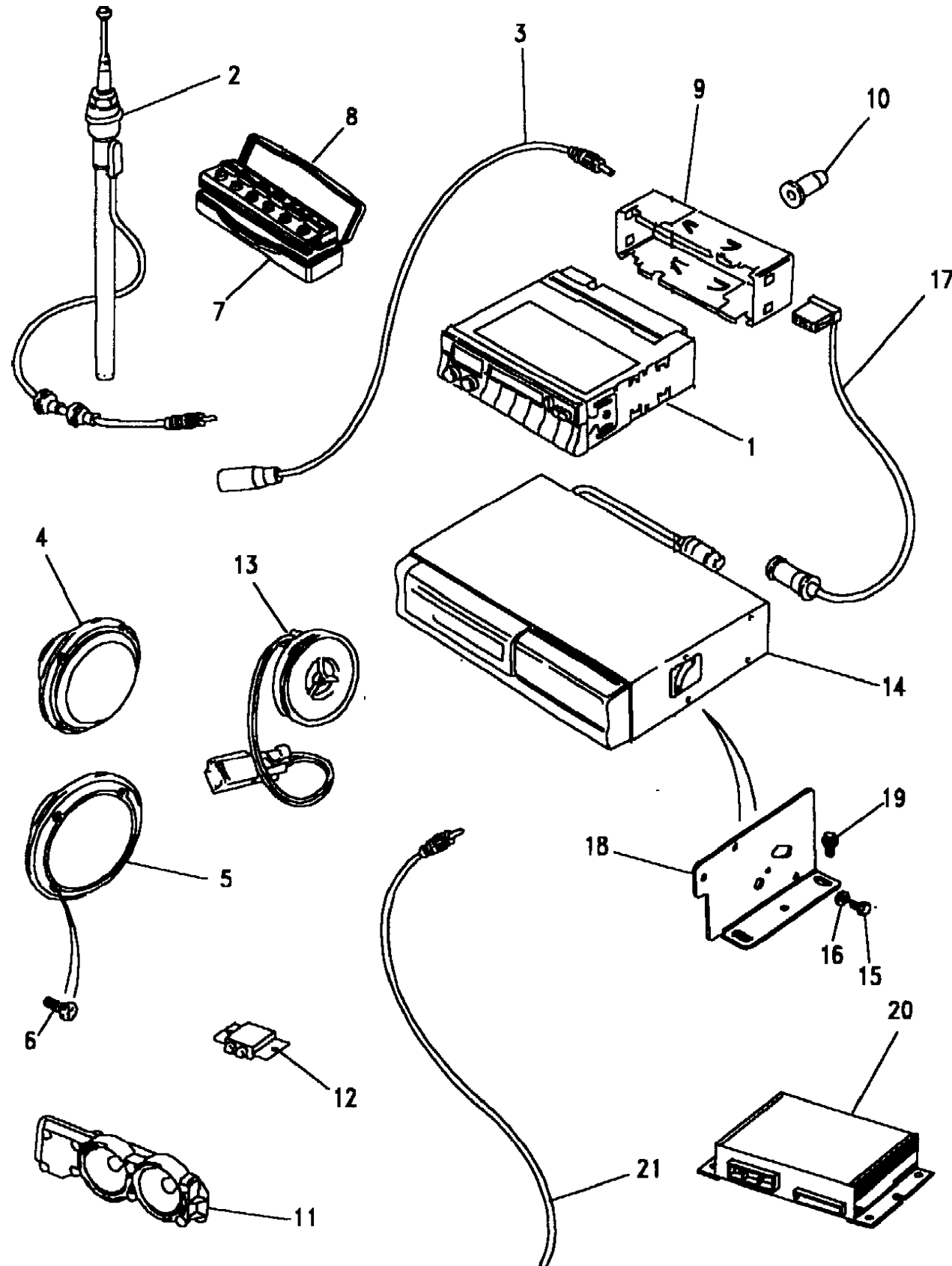
Discovery (FA393361-WA799999)
(CAMXKA4A)

Discovery (FA393361-WA799999)

Body Electrics
In-Car Entertainment
Radio System

Change point - VIN begin TA163104, Change point - VIN end TA199999, Change point - VIN begin TA501920, Change point - VIN end TA534103, Change point - VIN begin TA700000, Change point - VIN end TA703236

Callout	Name	Application	Remarks & Restrictions	Service No.	Qty
17	Link-compact disc automatic changer	Change point - VIN begin TA163104, (-)"J"	Philips	AMR4831L	1
		Change point - VIN begin TA501920, (-)"J"	Philips	AMR4831L	1
		Change point - VIN begin TA163104, (+)"J"	Pioneer	AMR4832	1
		Change point - VIN begin TA501919, (+)"J"	Pioneer	AMR4832	1
18	Bracket-compact disc mounting	Change point - VIN begin TA163104	RH	AMR4184	1
		Change point - VIN begin TA501920	RH	AMR4184	1
		Change point - VIN begin TA163104	LH	AMR4183	1
		Change point - VIN begin TA501920	LH	AMR4183	1
19	Screw	Change point - VIN begin TA163104	fixing CD bracket, M5 X 10, hexagonal head	FS105107	4
		Change point - VIN begin TA501920	fixing CD bracket, M5 X 10, hexagonal head	FS105107	4
20	Amplifier assembly-audio power	Change point - VIN begin TA163104, (+)"J"	footwell	AMR5117	1
		Change point - VIN begin TA501919, (+)"J"	footwell	AMR5117	1
[900]	Hexsert	Change point - VIN begin TA163104	fixing speaker to rear end door	BTR6580	8
		Change point - VIN begin TA501920	fixing speaker to rear end door	BTR6580	8
[901]	Washer	Change point - VIN begin TA163104	fixing speaker to rear end door, Also serviced as part of a kit, M5, oversize, Plain	WJ105001L	8
		Change point - VIN begin TA501920	fixing speaker to rear end door, Also serviced as part of a kit, M5, oversize, Plain	WJ105001L	8
[902]	Magazine-automatic changer compact disc player	Change point - VIN begin TA163104	Also serviced as part of a kit	STC1624	1
		Change point - VIN begin TA501920	Also serviced as part of a kit	STC1624	1
[903]	Radio cassette electronic-auto/reversal		Ash Grey, Philips	AMR5505LNF	1
[904]	Bracket-radio housing		Philips	XQU000020	1
[905]	Screw	Change point - VIN begin TA163104	fixing CD bracket, M5 X 10, Flanged Head	FS105107L	4



Body Electrics
In-Car Entertainment
Radio System 4/4

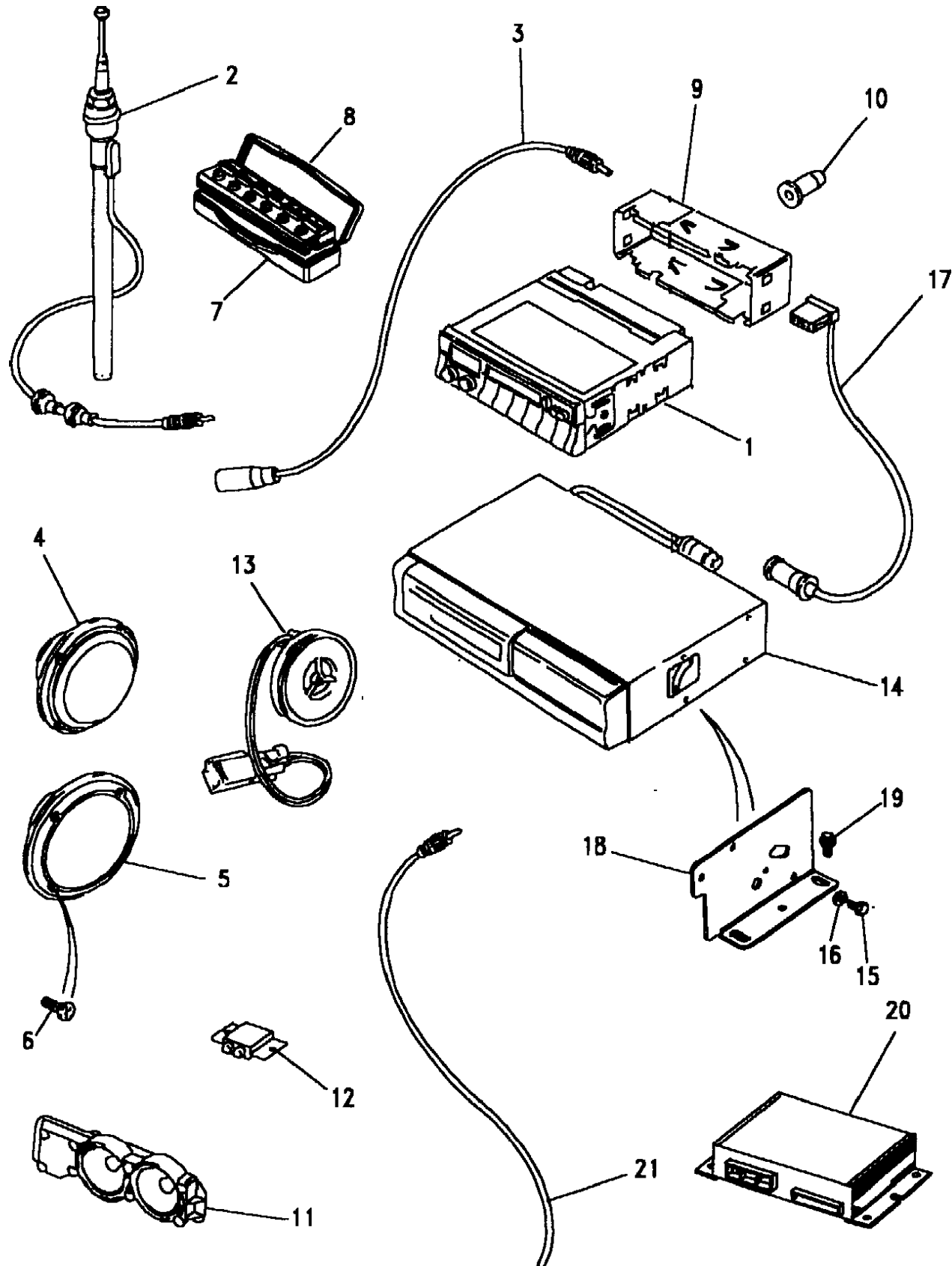
Discovery (FA393361-WA799999)
(CAMXKA4A)

Discovery (FA393361-WA799999)

Body Electrics
In-Car Entertainment
Radio System

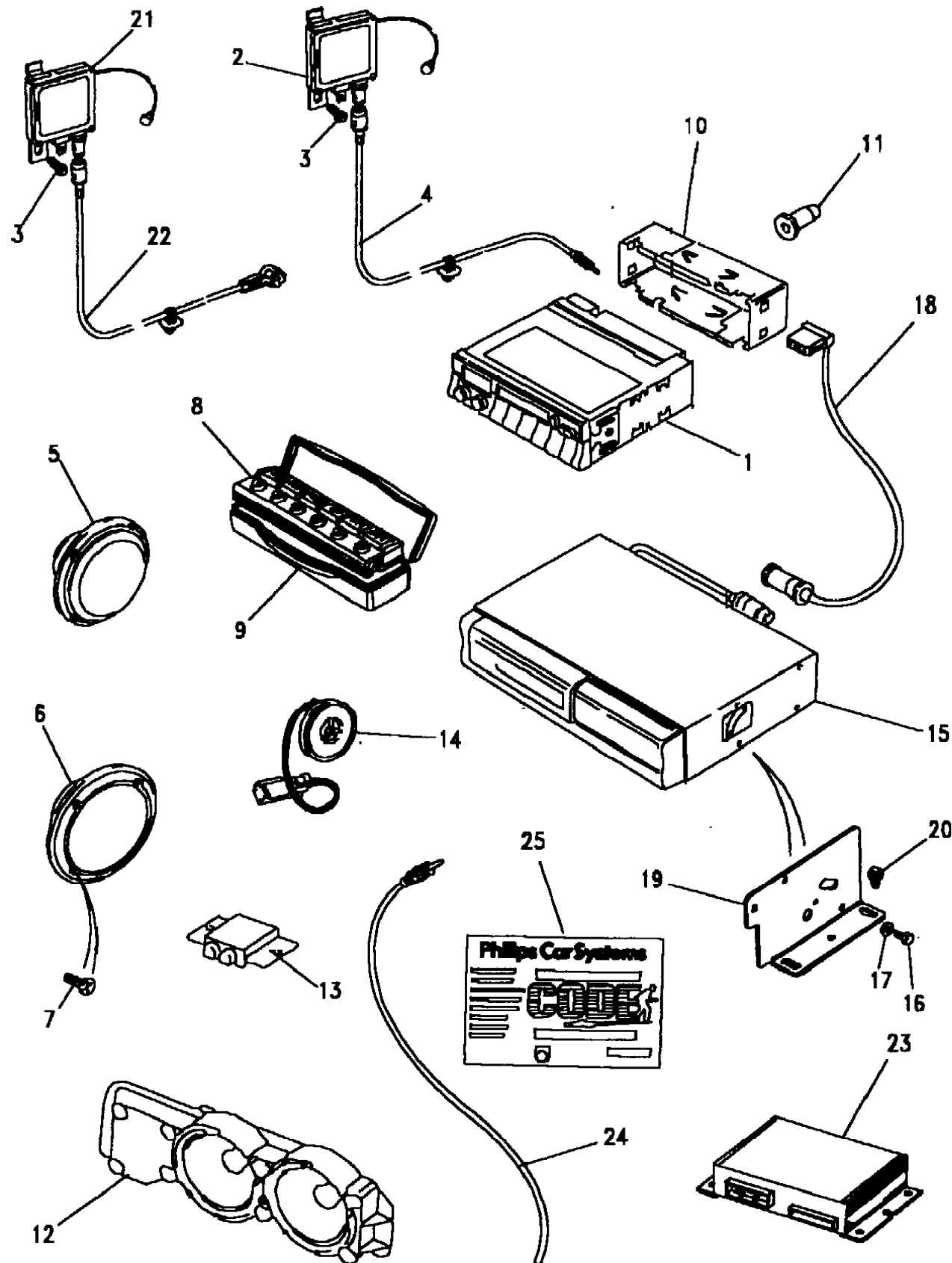
Change point - VIN begin TA163104, Change point - VIN end TA199999, Change point - VIN begin TA501920, Change point - VIN end TA534103, Change point - VIN begin TA700000, Change point - VIN end TA703236

Callout	Name	Application	Remarks & Restrictions	Service No.	Qty
[905]	Screw	Change point - VIN begin TA501920	fixing CD bracket, M5 X 10, Flanged Head	FS105107L	4
			fixing CD bracket, M5 X 10, Flanged Head	FS105107L	4
[906]	Finisher-facia console radio	Change point - VIN begin TA163104	Ash Grey	FBV10065LNF	1
		Change point - VIN begin TA501920	Ash Grey	FBV10065LNF	1
		Change point - VIN end TA703236, Change point - VIN begin TA501920	Black	FBV10065PMP	1



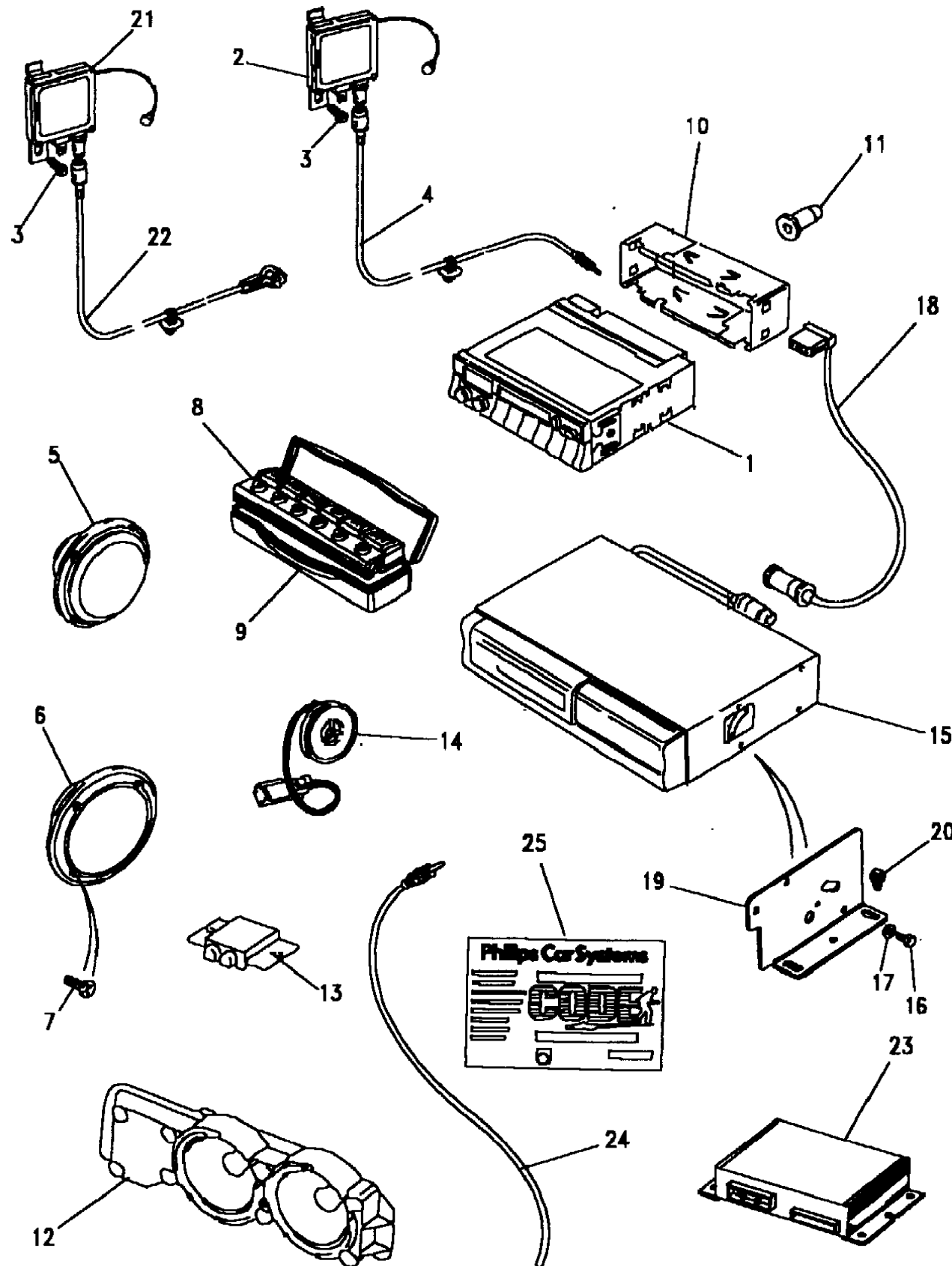
Change point - VIN begin VA534104, Change point - VIN begin VA703237

Callout	Name	Application	Remarks & Restrictions	Service No.	Qty
1	Radio cassette assembly- electronic	With Low Line	ICE Detachable Keypad, Also serviced as part of a kit, Ash Grey, Philips	AMR5696LNF	1
		Change point - VIN begin VA534104, (+)RDS, With EON	Ash Grey, Clarion	AMR2194LNF	1
		Change point - VIN begin VA534104, (+)RDS, With Mid Line	Ash Grey, Philips	AMR4188LNF	1
		Change point - VIN begin VA534104, Change point - VIN end WA756115, With CD Player, With High Line	Ash Grey, Philips	AMR4188LNF	1
		Change point - VIN begin VA703237, Change point - VIN end WA756115, With CD Player, With High Line	Ash Grey, Philips	XQD101170LNF	1
		Change point - VIN begin WA756116, With CD Player, With High Line			
		2	Amplifier-audio antenna		AM/FM, Pioneer
3	Screw-thread forming		fixing amplifier, M6 X 12 fixing amplifier, M6 X 12	SN106127 SN106127L	1 1
4	Lead Antenna	(-)"J" (+)"J"	AM/FM AM/FM	AMR5362 AMR5363	1 1
5	Speaker assembly-front single cone		Door, Ash Grey	AMR4187LNF	2
6	Speaker assembly rear		E-post, Ash Grey	PRC8930LNF	2
7	Screw		fixing speaker rear E post, Self Tapping, No8 x 7/8 fixing speaker to rear end door, pan head, recessed, M5 x 30 fixing amplifier, pan head, M5 x 12	AB608074 SE105301L SP105121	8 8 2
8	Pad-detachable-key radio	With Low Line	ICE Detachable Keypad, Also serviced as part of a kit	XQI100040L	1
9	Box-key pad radio			AMR5361	1
10	Bracket-radio housing		Philips	PRC9941	1
11	Bung-rubber radio fixing			XQJ10002L	1
12	Speaker assembly rear		end door	STC947	1



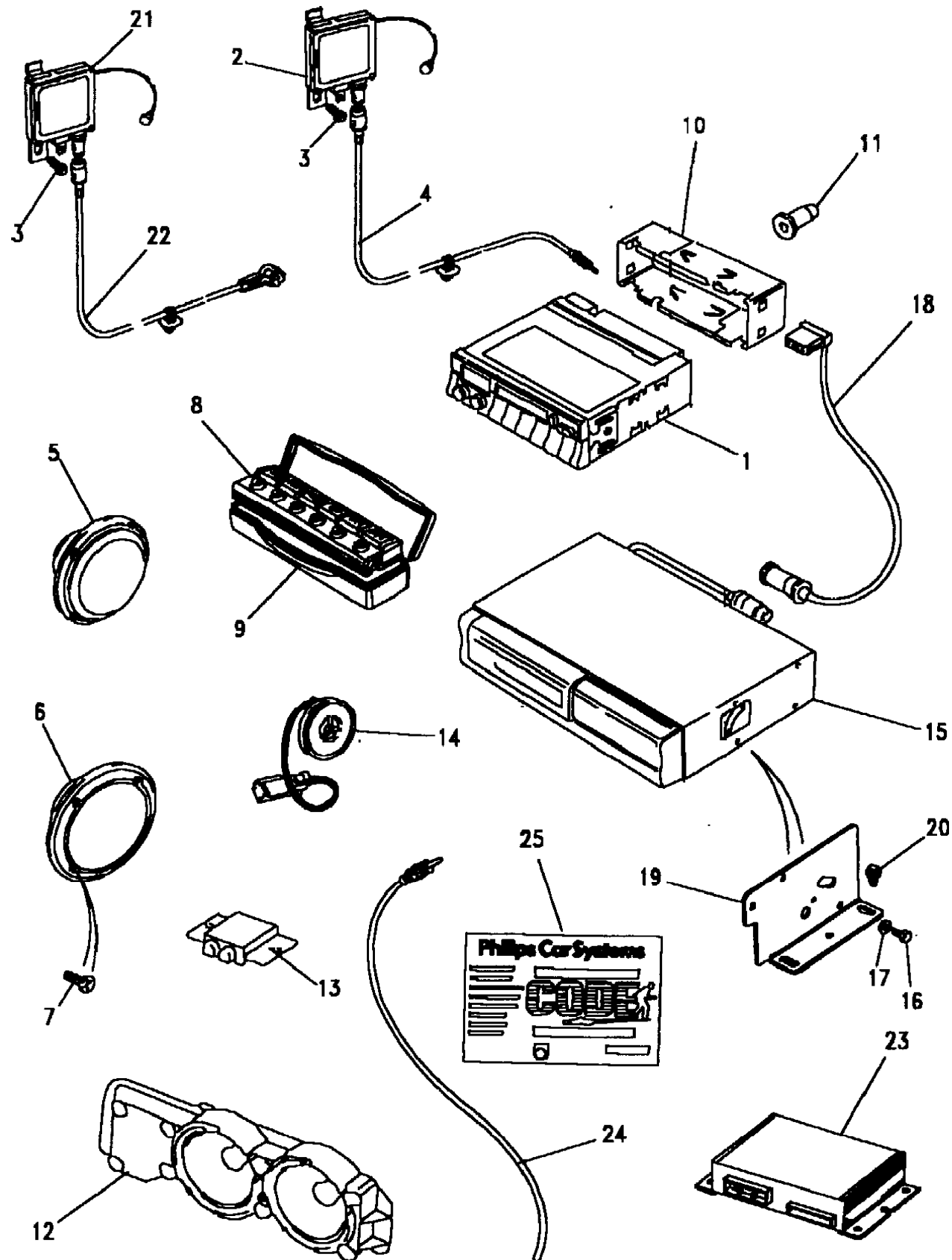
Change point - VIN begin VA534104, Change point - VIN begin VA703237

Callout	Name	Application	Remarks & Restrictions	Service No.	Qty
13	Amplifier audio power		rear end door	STC2935	1
14	Tweeter assembly-A post audio	Change point - VIN begin WA746542		XQM101280	2
15	CD automatic changer		Also serviced as part of a kit, Philips	AMR3154	1
16	Screw		fixing CD autochanger, hexagonal head, M4 x 10	SH104101L	4
17	Washer		fixing CD autochanger, M4	WC104001	4
18	Link-compact disc automatic changer	(-)"J" (+)"J"	Philips Pioneer	AMR4831L AMR4832	1 1
19	Bracket-compact disc mounting		RH LH	AMR4184 AMR4183	1 1
20	Screw		fixing CD bracket, M5 X 10, hexagonal head	FS105107	4
21	Amplifier-audio antenna	(+)"J"	LH rear quarter window, (FM)	AMR5271	1
22	Lead Antenna	(+)"J"	(FM)	AMR5538	1
23	Amplifier assembly-audio power	(+)"J"	footwell	AMR5117	1
25	Label-warning			STC3709	2
[900]	Hexsert		fixing speaker to rear end door	BTR6580	8
[901]	Washer		fixing speaker to rear end door, Also serviced as part of a kit, M5, oversize, Plain	WJ105001L	8
[902]	Magazine-automatic changer compact disc player		Also serviced as part of a kit	STC1624	1
[903]	Radio cassette electronic-auto/reversal	With CD Player, With High Line	Ash Grey, Philips	AMR5505LNF	1
[904]	Bracket-radio housing		Philips	XQU000020	1
[905]	Screw		fixing CD bracket, M5 X 10, Flanged Head	FS105107L	4
[906]	Finisher-facia console radio		Ash Grey	FBV10065LNF	1



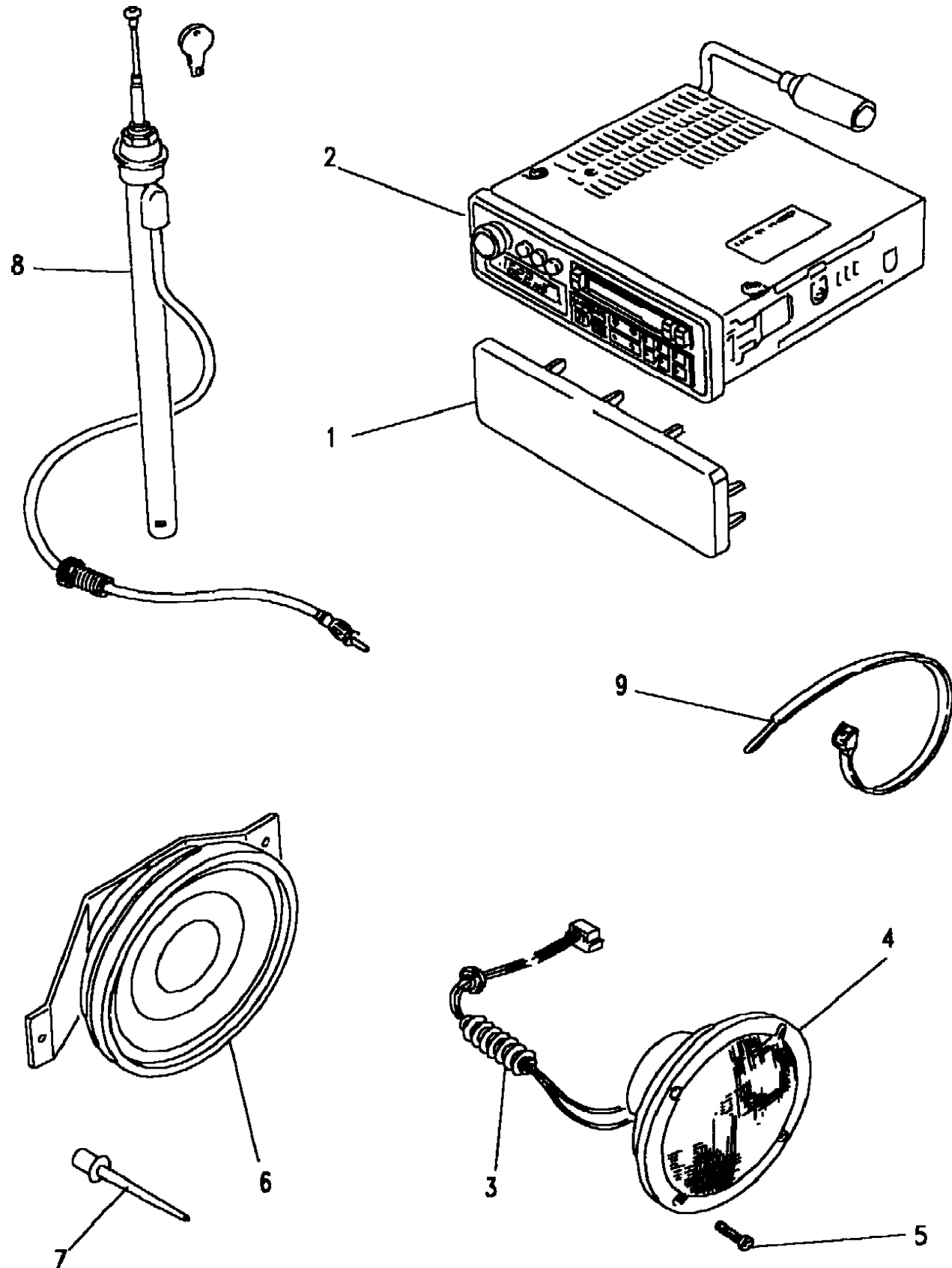
Change point - VIN begin VA534104, Change point - VIN begin VA703237

Callout	Name	Application	Remarks & Restrictions	Service No.	Qty
[906]	Finisher-facia console radio	Change point - VIN begin VA534104	Black	FBV10065PMP	1



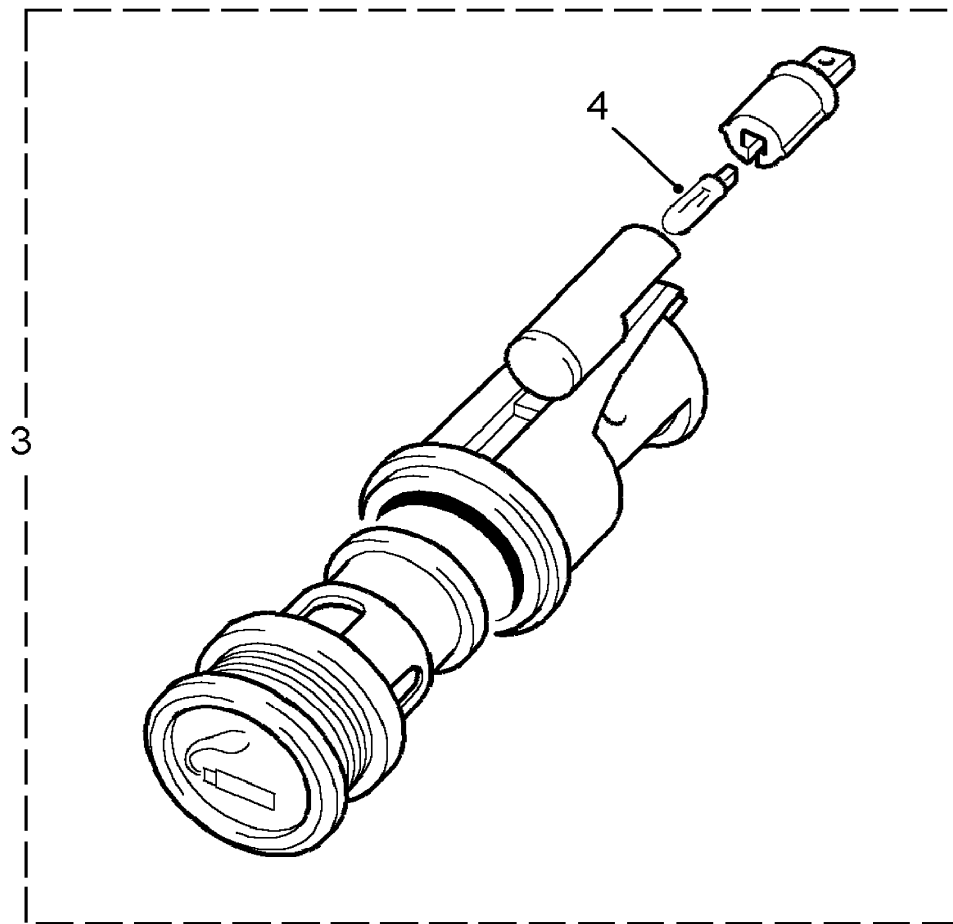
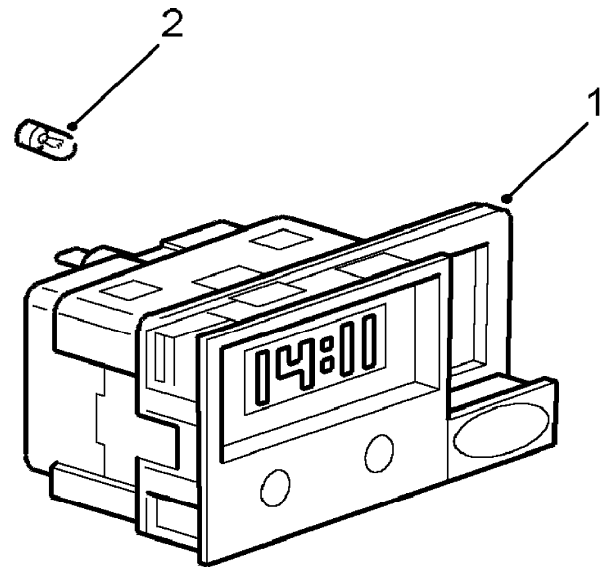
Change point - VIN end JA034313

Callout	Name	Application	Remarks & Restrictions	Service No.	Qty
1	Blank-facia radio aperture		Ash	PRC7410LUN	1
2	Radio cassette electronic-auto/reversal	(+)"GB", Less ICE Remote Control, With 2 Speakers (+)"GB", Less ICE Remote Control, With 2 Speakers (+)"GB", With High Line, With 6 Speakers (+)"GB", With High Line, With 6 Speakers (+)"D", With High Line, With 6 Speakers	Ash Ash ICE Remote Control, Ash ICE Remote Control, Ash Grey ICE Remote Control, Ash	PRC6492LUN PRC9466LUN PRC6499LUN PRC9463LNF PRC7379LUN	1 1 1 1 1
3	Harness-link	With Low Line, With 2 Speakers (+)"D", With High Line, With 6 Speakers	FRONT DOOR SPEAKER FRONT DOOR SPEAKER, ICE Remote Control	PRC6848 PRC6848	2 2
4	Speaker-front single cone	With Low Line, With 2 Speakers (+)"D", With High Line, With 6 Speakers	Door, Ash Door, ICE Remote Control, Ash, Bass	PRC9484LUN PRC8301LUN	2 2
5	Screw	With Low Line, With 2 Speakers (+)"D", With High Line, With 6 Speakers (+)"D", With High Line, With 6 Speakers	front door speaker fixing, M6, Self Tapping ICE Remote Control, fixing bass speaker, Self Tapping, No 6 x 40 ICE Remote Control, fixing tweeter, M6, Self Tapping	AB606074 AB606124 AB606074	8 8 8
6	Speaker assembly rear	(+)"D", With High Line, With 6 Speakers (+)"D", With High Line, With 6 Speakers	ICE Remote Control, E-post, RH ICE Remote Control, E-post, LH	PRC8564 PRC8565	1 1
7	Rivet-pop-steel	(+)"D", With High Line, With 6 Speakers	ICE Remote Control, fixing speaker rear E post	RA608127	6
8	Aerial front fender			PRC7471	1
9	Tie-cable		Also serviced as part of a kit, Black, inside serated, 3.5 x 150mm	UKC6684L	3
[900]	Finisher-facia console radio		Ash Grey Change point - VIN end JA034313 Black	FBV10065LNF FBV10065PMP	1 1
[901]	Tweeter audio system	(+)"D", With High Line, With 6 Speakers	Front Door, ICE Remote Control, Ash	PRC8496LUN	2



Body Electrics
Instruments & Clock
Clock & Cigar Lighter 1/1

Discovery (FA393361-WA799999)
(CAMXIA3B)



Discovery (FA393361-WA799999)

Body Electrics
Instruments & Clock
Clock & Cigar Lighter

Change point - VIN begin MA081992

Callout	Name	Application	Remarks & Restrictions	Service No.	Qty
1	Clock digital-LCD		without hazard switch - Silver, Also serviced as part of a kit without hazard switch - Gold, Also serviced as part of a kit	STC1800 STC4113	1 1
2	Holder & bulb assembly clock		Also serviced as part of a kit	STC1983	1
3	Cigar lighter facia		Also serviced as part of a kit	YUJ10037L	1
4	Bulb-wedge illumination		Also serviced as part of a kit, 1.2 WATT, 12V	RTC3635	1

Body Electrics
Instruments & Clock
Clock & Cigar Lighter 1/1

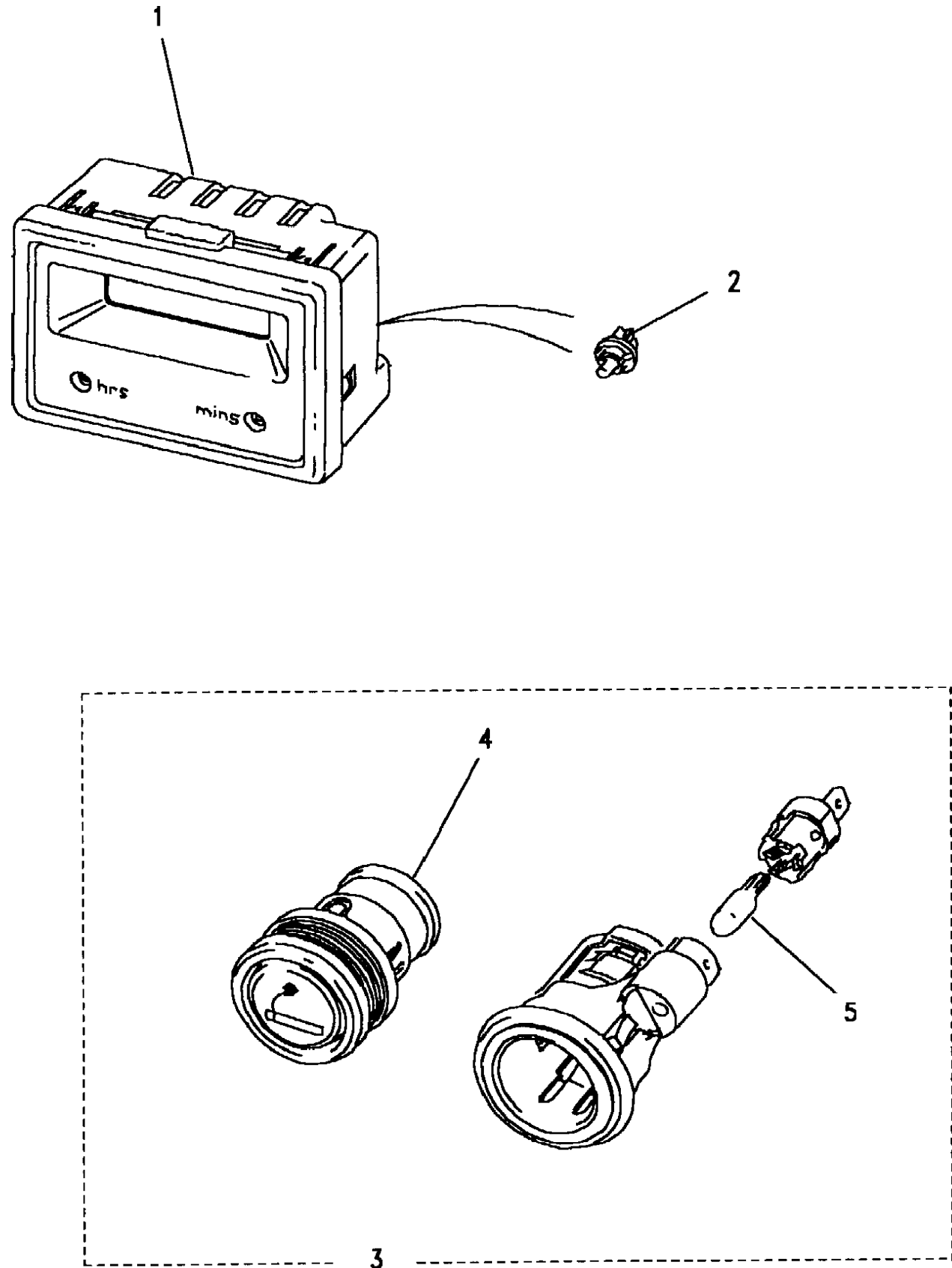
Discovery (FA393361-WA799999)
(CAMXIA3A)

Discovery (FA393361-WA799999)

Body Electrics
Instruments & Clock
Clock & Cigar Lighter

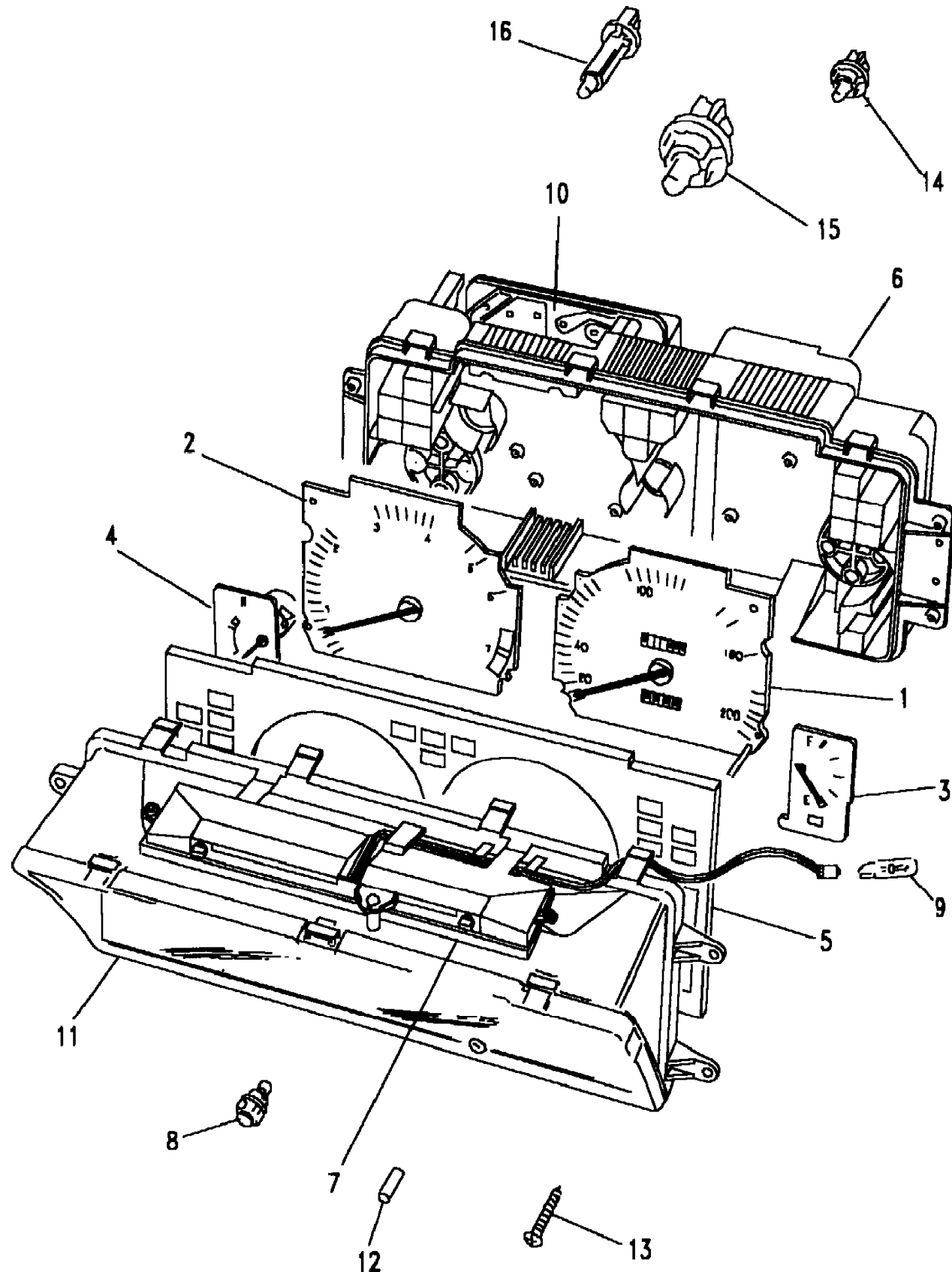
Change point - VIN end LA081991

Callout	Name	Application	Remarks & Restrictions	Service No.	Qty
1	Clock digital-LCD		Also serviced as part of a kit	DBP8537L	1
2	Holder & bulb assembly clock		Also serviced as part of a kit	BAU5311L	1
3	Cigar lighter facia	Change point - VIN end JA020916	Also serviced as part of a kit	DRC8584	1
		Change point - VIN begin JA020917, Change point - VIN end LA081991	Also serviced as part of a kit	PRC9410	1
4	Pop out unit cigar lighter	Change point - VIN end JA020916	Also serviced as part of a kit	DRC8398	1
		Change point - VIN begin JA020917, Change point - VIN end LA081991	Also serviced as part of a kit	STC733	1
5	Bulb-wedge illumination	Change point - VIN end JA020916	Also serviced as part of a kit, 1.2 WATT, 12V	RTC3635	1
		Change point - VIN begin JA020917, Change point - VIN end LA081991	Also serviced as part of a kit, 1.2 WATT, 12V	RTC3635	1



Body Electrics
Instruments & Clock
Instrument Comp'ts-From (V) MA081992 To (V) MA163103/MA501919 1/8 (CAMXIA1B)

Discovery (FA393361-WA799999)



Discovery (FA393361-WA799999)

Body Electrics
Instruments & Clock
Instrument Comp'ts-From (V) MA081992 To (V) MA163103/MA501919
Change point - VIN begin MA081992, Change point - VIN end MA163103, Change point - VIN begin MA500000, Change point - VIN end MA501919

Callout	Name	Application	Remarks & Restrictions	Service No.	Qty
1	Speedometer	Change point - VIN begin MA081992, Change point - VIN end MA163103	135mph	STC1310	1
		Change point - VIN begin MA081992, Change point - VIN end MA501919	135mph	STC1310	1
		Change point - VIN begin MA081992, Change point - VIN end MA163103	210km/h	STC1311	1
		Change point - VIN begin MA081992, Change point - VIN end MA501919	210km/h	STC1311	1
2	Tachometer Assy	Change point - VIN begin MA081992, Change point - VIN end MA501919, V8 EFI	Less Rover Airbag System	STC1314	1
		Change point - VIN begin MA081992, Change point - VIN end MA501919, 2.5L TDi Diesel	Less Rover Airbag System	STC1314	1
		Change point - VIN begin MA081992, Change point - VIN end MA501919, V8 EFI	Rover Airbag System	STC1316	1
		Change point - VIN begin MA081992, Change point - VIN end MA501919, 2.5L TDi Diesel	Rover Airbag System	STC1316	1
		Change point - VIN begin MA081992, Change point - VIN end MA501919, 4 Cyl MPI Petrol	Rover Airbag System	STC1317	1
		Change point - VIN begin MA081992, Change point - VIN end MA501919, 4 Cyl MPI Petrol	Less Rover Airbag System	STC1315	1
3	Gauge-fuel	Change point - VIN begin MA081992, Change point - VIN end MA163103		STC1318	1
		Change point - VIN begin MA081992, Change point - VIN end MA501919		STC1318	1
4	Gauge-temperature	Change point - VIN begin MA081992, Change point - VIN end MA163103		STC1319	1
		Change point - VIN begin MA081992, Change point - VIN end MA501919		STC1319	1
5	Mask assembly instrument pack	Change point - VIN begin MA081992, Change point - VIN end MA163103, V8 EFI, (+)"GB"		STC1321	1
		Change point - VIN begin MA081992, Change point - VIN end MA501919, V8 EFI, (+)"GB"		STC1321	1

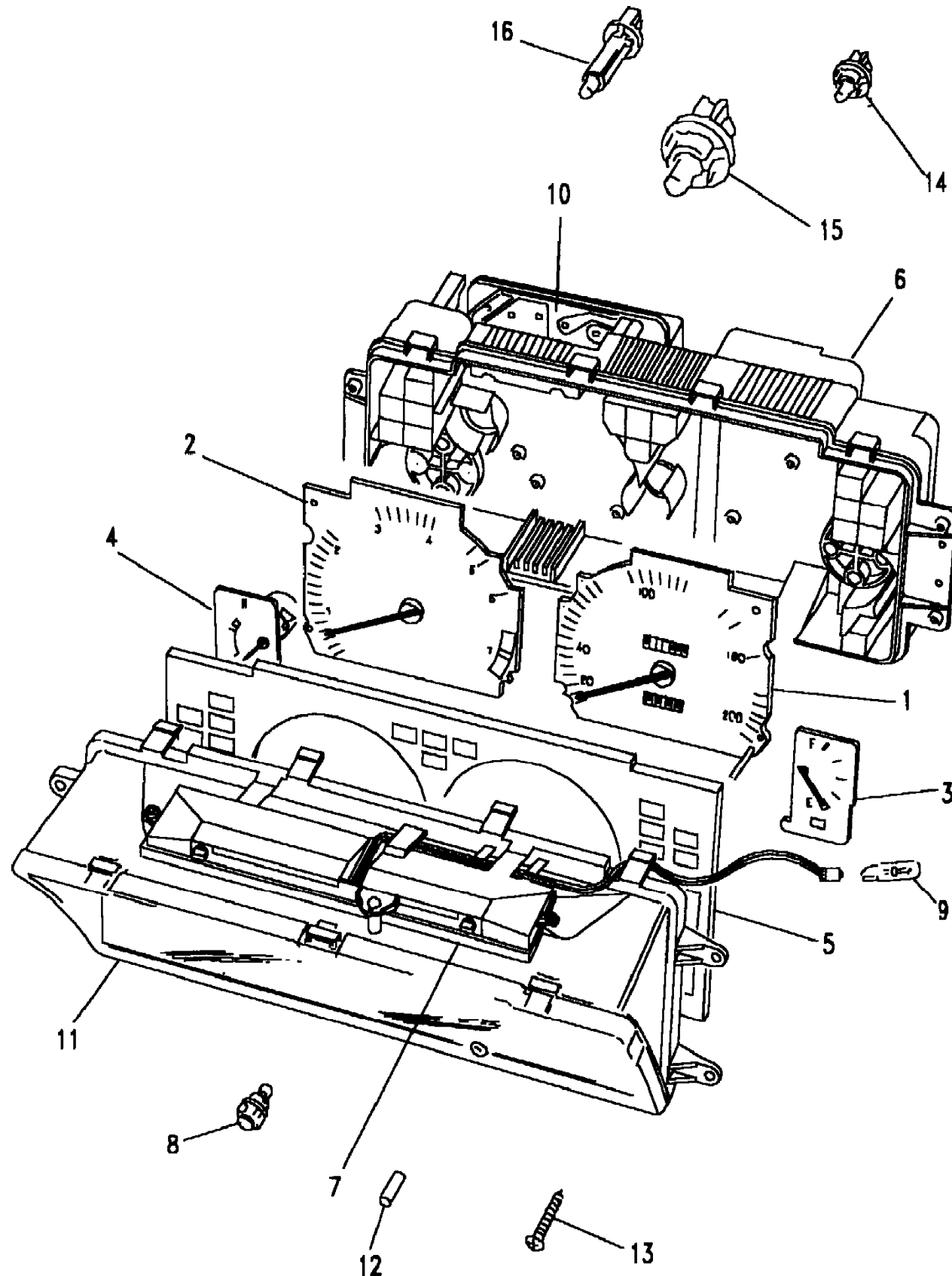
Body Electrics
Instruments & Clock
Instrument Comp'ts-From (V) MA081992 To (V) MA163103/MA501919 2/8 (CAMXIA1B)

Discovery (FA393361-WA799999)

Discovery (FA393361-WA799999)

Body Electrics
Instruments & Clock
Instrument Comp'ts-From (V) MA081992 To (V) MA163103/MA501919

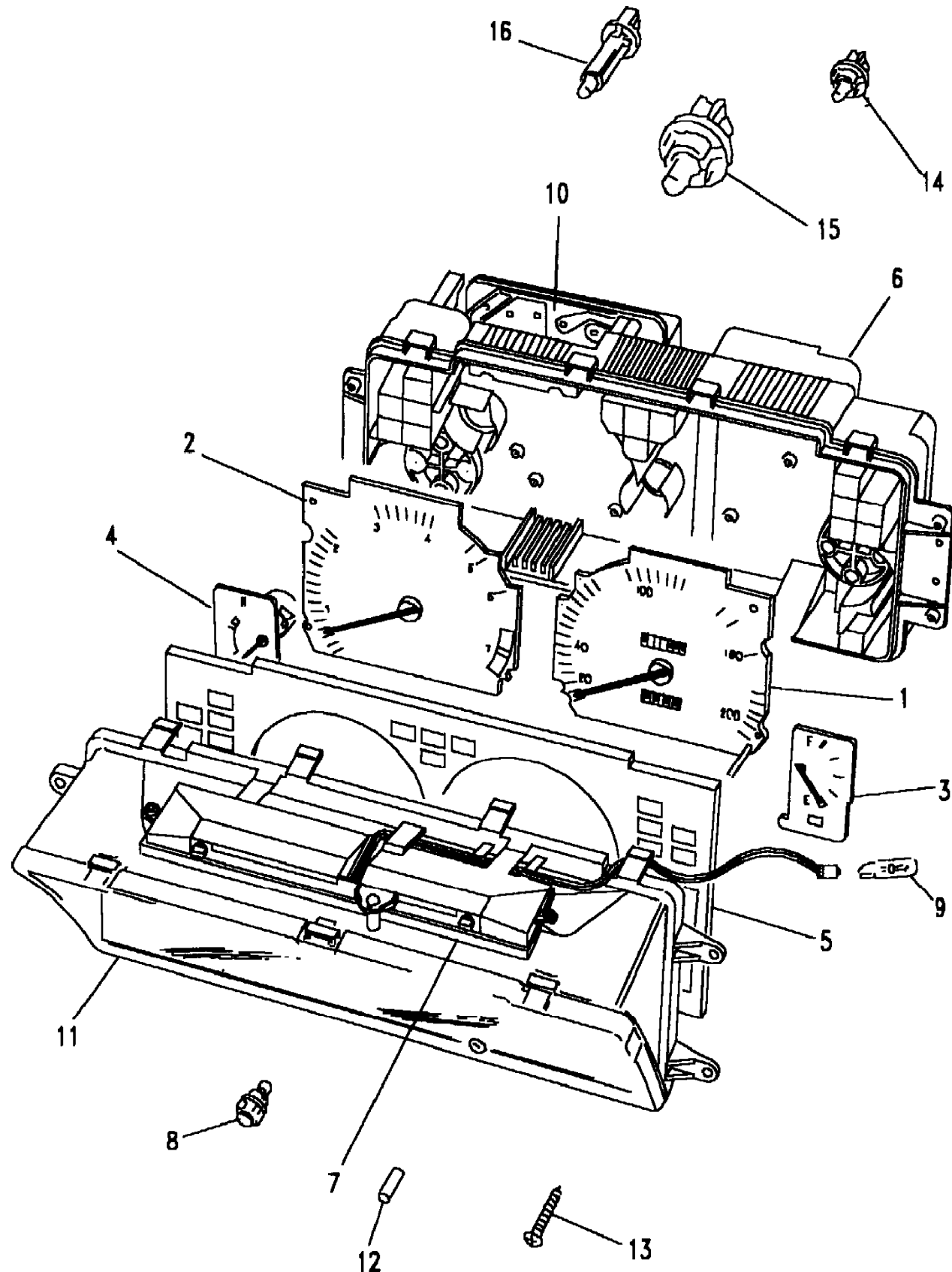
Change point - VIN begin MA081992, Change point - VIN end MA163103, Change point - VIN begin MA500000, Change point - VIN end MA501919



Callout	Name	Application	Remarks & Restrictions	Service No.	Qty
5	Mask assembly instrument pack	Change point - VIN begin MA081992, Change point - VIN end MA163103, 2.5L TDi Diesel, (+)"GB"		STC1321	1
		Change point - VIN begin MA081992, Change point - VIN end MA501919, 2.5L TDi Diesel, (+)"GB"		STC1321	1
		Change point - VIN begin MA081992, Change point - VIN end MA163103, V8 EFI, (+)"GCC"		STC1322	1
		Change point - VIN begin MA081992, Change point - VIN end MA501919, V8 EFI, (+)"GCC"		STC1322	1
		Change point - VIN begin MA081992, Change point - VIN end MA501919, 2.5L TDi Diesel, (+)"GCC"		STC1322	1
		Change point - VIN begin MA081992, Change point - VIN end MA163103, V8 EFI, (+)"AUS"		STC1323	1
		Change point - VIN begin MA081992, Change point - VIN end MA501919, V8 EFI, (+)"AUS"		STC1323	1
		Change point - VIN begin MA081992, Change point - VIN end MA163103, 2.5L TDi Diesel, (+)"AUS"		STC1323	1
		Change point - VIN begin MA081992, Change point - VIN end MA501919, 2.5L TDi Diesel, (+)"AUS"		STC1323	1
		Change point - VIN begin MA081992, Change point - VIN end MA163103, V8 EFI, (+)"J"		STC1327	1
		Change point - VIN begin MA081992, Change point - VIN end MA501919, V8 EFI, (+)"J"		STC1327	1
		Change point - VIN begin MA081992, Change point - VIN end MA163103, 2.5L TDi Diesel, (+)"J"		STC1327	1
		Change point - VIN begin MA081992, Change point - VIN end MA501919, 2.5L TDi Diesel, (+)"J"		STC1327	1
		Change point - VIN begin MA081992, Change point - VIN end MA163103, MPi, (+)"GB"		STC1324	1
		Change point - VIN begin MA081992, Change point - VIN end MA501919, MPi, (+)"GB"		STC1324	1

Body Electrics
Instruments & Clock
Instrument Comp'ts-From (V) MA081992 To (V) MA163103/MA501919 3/8 (CAMXIA1B)

Discovery (FA393361-WA799999)



Discovery (FA393361-WA799999)

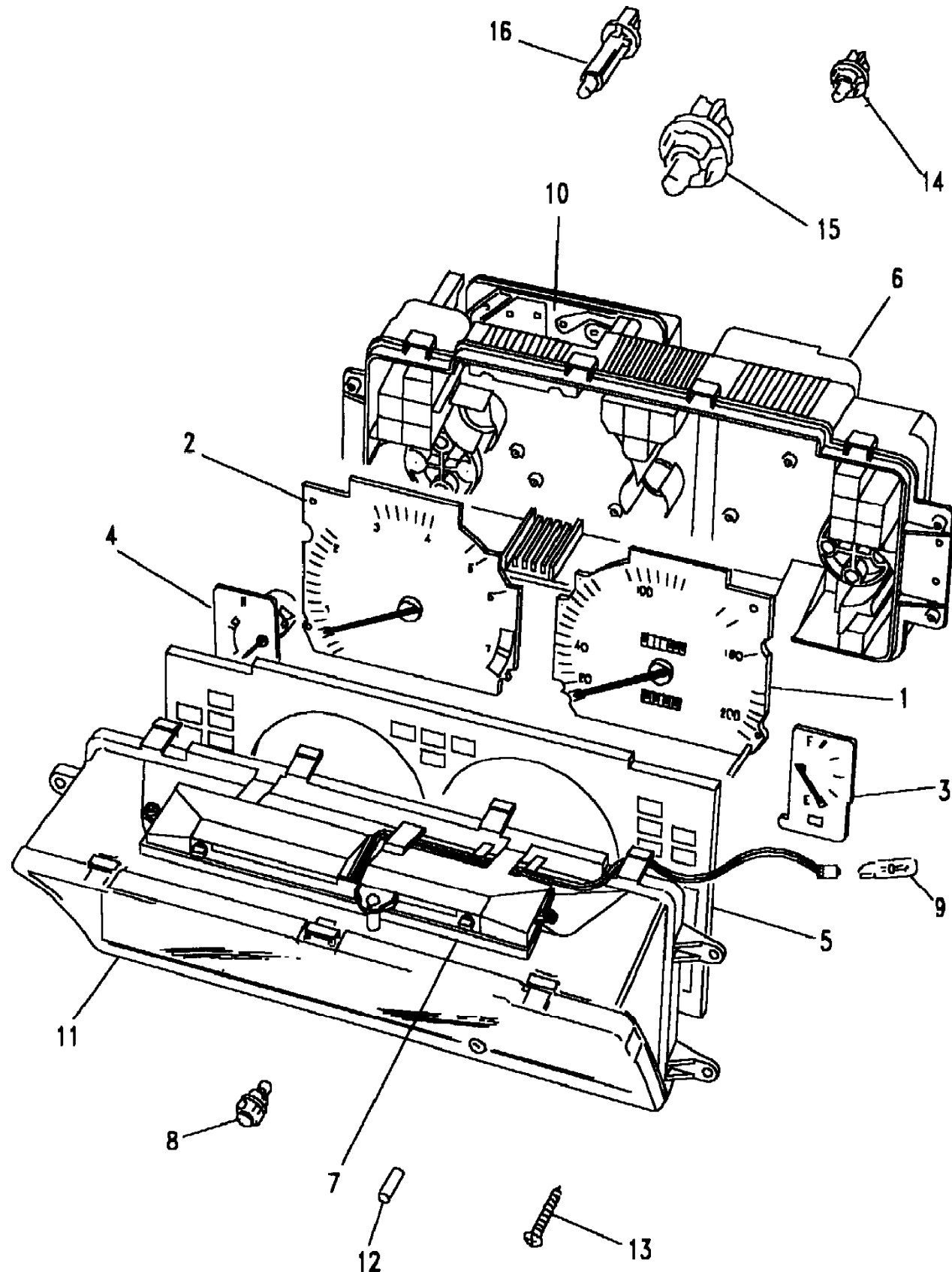
Body Electrics
Instruments & Clock
Instrument Comp'ts-From (V) MA081992 To (V) MA163103/MA501919

Change point - VIN begin MA081992, Change point - VIN end MA163103, Change point - VIN begin MA500000, Change point - VIN end MA501919

Callout	Name	Application	Remarks & Restrictions	Service No.	Qty
5	Mask assembly instrument pack	Change point - VIN begin MA081992, Change point - VIN end MA501919, MPi, (+)"Europe"		STC1325	1
		Change point - VIN begin MA081992, Change point - VIN end MA501919, MPi, (-)"GB"		STC1325	1
6	Case assembly instrument pack	Change point - VIN begin MA081992, Change point - VIN end MA163103, V8 EFI Petrol	Less Rover Airbag System	STC1437	1
		Change point - VIN begin MA081992, Change point - VIN end MA501919, V8 EFI Petrol	Less Rover Airbag System	STC1437	1
		Change point - VIN begin MA081992, Change point - VIN end MA163103, 2.5L TDi Diesel	Less Rover Airbag System	STC1437	1
		Change point - VIN begin MA081992, Change point - VIN end MA501919, 2.5L TDi Diesel	Less Rover Airbag System	STC1437	1
		Change point - VIN begin MA081992, Change point - VIN end MA163103, V8 EFI Petrol	Rover Airbag System	STC1440	1
		Change point - VIN begin MA081992, Change point - VIN end MA501919, V8 EFI Petrol	Rover Airbag System	STC1440	1
		Change point - VIN begin MA081992, Change point - VIN end MA163103, 2.5L TDi Diesel	Rover Airbag System	STC1440	1
		Change point - VIN begin MA081992, Change point - VIN end MA501919, 2.5L TDi Diesel	Rover Airbag System	STC1440	1
		Change point - VIN begin MA081992, Change point - VIN end MA163103, 4 Cyl MPi Petrol	Less Rover Airbag System	STC1438	1
		Change point - VIN begin MA081992, Change point - VIN end MA501919, 4 Cyl MPi Petrol	Less Rover Airbag System	STC1438	1
		Change point - VIN begin MA081992, Change point - VIN end MA163103, 4 Cyl MPi Petrol	Rover Airbag System	STC1441	1
		Change point - VIN begin MA081992, Change point - VIN end MA501919, 4 Cyl MPi Petrol	Rover Airbag System	STC1441	1
7	Illumination assembly-instrument pack	Change point - VIN begin MA081992, Change point - VIN end MA163103	Also serviced as part of a kit	STC1443	1

Body Electrics
Instruments & Clock
Instrument Comp'ts-From (V) MA081992 To (V) MA163103/MA501919 4/8 (CAMXIA1B)

Discovery (FA393361-WA799999)



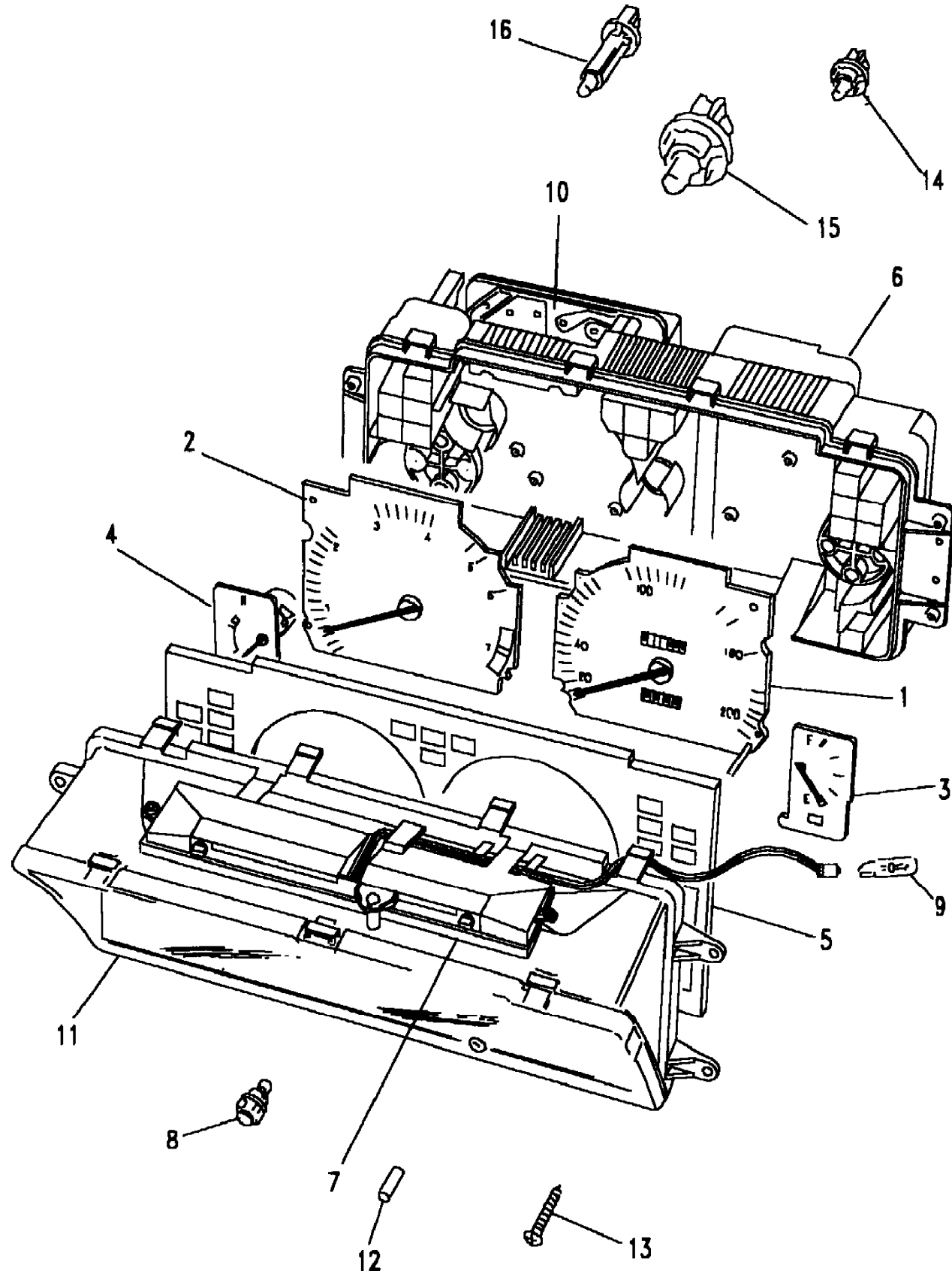
Discovery (FA393361-WA799999)

Body Electrics
Instruments & Clock
Instrument Comp'ts-From (V) MA081992 To (V) MA163103/MA501919
Change point - VIN begin MA081992, Change point - VIN end MA163103, Change point - VIN begin MA500000, Change point - VIN end MA501919

Callout	Name	Application	Remarks & Restrictions	Service No.	Qty
7	Illumination assembly-instrument pack	Change point - VIN begin MA081992, Change point - VIN end MA501919	Also serviced as part of a kit	STC1443	1
8	Bulb & holder assembly	Change point - VIN begin MA081992, Change point - VIN end MA163103	Also serviced as part of a kit, Clear., black base	RTC6607	2
		Change point - VIN begin MA081992, Change point - VIN end MA501919	Also serviced as part of a kit, Clear., black base	RTC6607	2
9	Bulb instrument pack	Change point - VIN begin MA081992, Change point - VIN end MA163103		STC1442	1
		Change point - VIN begin MA081992, Change point - VIN end MA501919		STC1442	1
10	Printed circuit board instrument pack	Change point - VIN begin MA081992, Change point - VIN end MA163103, V8 Petrol, (+)"GB"	without bulb check, Low fuel warning	STC1344	1
		Change point - VIN begin MA081992, Change point - VIN end MA501919, V8 Petrol, (+)"GB"	without bulb check, Low fuel warning	STC1344	1
		Change point - VIN begin MA081992, Change point - VIN end MA163103, V8 EFI Petrol, (+)"GCC"	without bulb check, Low fuel warning	STC1344	1
		Change point - VIN begin MA081992, Change point - VIN end MA501919, V8 EFI Petrol, (+)"GCC"	without bulb check, Low fuel warning	STC1344	1
		Change point - VIN begin MA081992, Change point - VIN end MA163103, TDi Diesel, (+)"GCC"	without bulb check, Low fuel warning	STC1344	1
		Change point - VIN begin MA081992, Change point - VIN end MA501919, TDi Diesel, (+)"GCC"	without bulb check, Low fuel warning	STC1344	1
		Change point - VIN begin MA081992, Change point - VIN end MA501919, (+)"AUS"	with bulb check, Low fuel warning	STC1345	1
		Change point - VIN begin MA081992, Change point - VIN end MA501919, (+)"J"	with bulb check, Low fuel warning	STC1345	1
		Change point - VIN begin MA081992, Change point - VIN end MA163103, 4 Cyl MPi Petrol, (+)"Europe"	with bulb check, Low fuel warning	STC1345	1
		Change point - VIN begin MA081992, Change point - VIN end MA501919, 4 Cyl MPi Petrol, (+)"Europe"	with bulb check, Low fuel warning	STC1345	1

Body Electrics
Instruments & Clock
Instrument Comp'ts-From (V) MA081992 To (V) MA163103/MA501919 5/8 (CAMXIA1B)

Discovery (FA393361-WA799999)



Discovery (FA393361-WA799999)

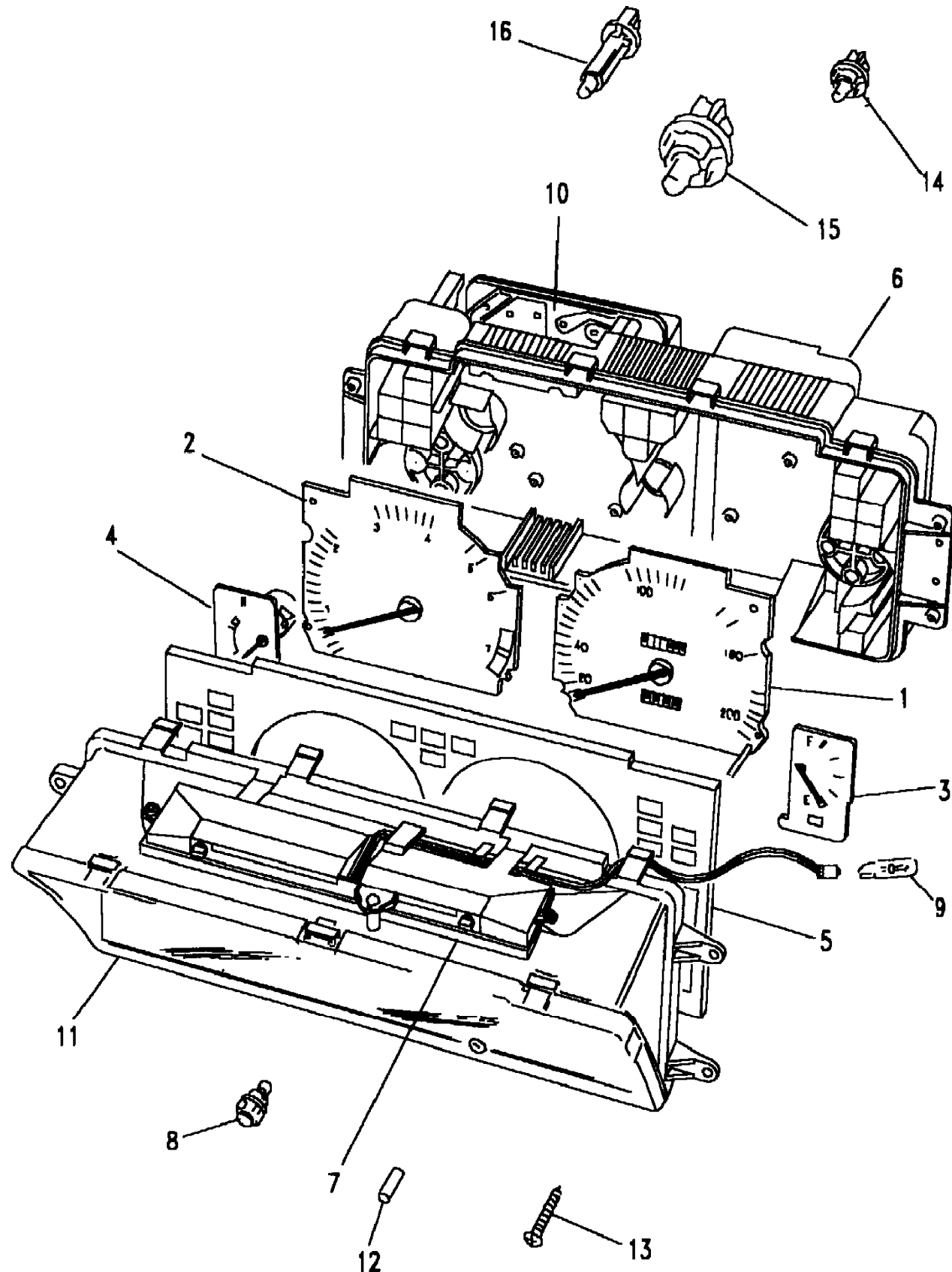
Body Electrics
Instruments & Clock
Instrument Comp'ts-From (V) MA081992 To (V) MA163103/MA501919

Change point - VIN begin MA081992, Change point - VIN end MA163103, Change point - VIN begin MA500000, Change point - VIN end MA501919

Callout	Name	Application	Remarks & Restrictions	Service No.	Qty
10	Printed circuit board instrument pack	Change point - VIN begin MA081992, Change point - VIN end MA501919, V8 EFI Petrol, (+)"Europe"	Less Rover Airbag System	STC1332	1
		Change point - VIN begin MA081992, Change point - VIN end MA501919, V8 EFI Petrol, (-)"GB"	Less Rover Airbag System	STC1332	1
		Change point - VIN begin MA081992, Change point - VIN end MA501919, 2.5L TDi Diesel, (+)"Europe"	Less Rover Airbag System	STC1332	1
		Change point - VIN begin MA081992, Change point - VIN end MA501919, 2.5L TDi Diesel, (-)"GB"	Less Rover Airbag System	STC1332	1
		Change point - VIN begin MA081992, Change point - VIN end MA163103, V8 EFI Petrol, (+)"AUS"	Less Rover Airbag System	STC1333	1
		Change point - VIN begin MA081992, Change point - VIN end MA501919, V8 EFI Petrol, (+)"AUS"	Less Rover Airbag System	STC1333	1
		Change point - VIN begin MA081992, Change point - VIN end MA163103, 2.5L TDi Diesel, (+)"AUS"	Less Rover Airbag System	STC1333	1
		Change point - VIN begin MA081992, Change point - VIN end MA501919, 2.5L TDi Diesel, (+)"AUS"	Less Rover Airbag System	STC1333	1
		Change point - VIN begin MA081992, Change point - VIN end MA163103, V8 EFI Petrol, (+)"J"	Less Rover Airbag System	STC1337	1
		Change point - VIN begin MA081992, Change point - VIN end MA501919, V8 EFI Petrol, (+)"J"	Less Rover Airbag System	STC1337	1
		Change point - VIN begin MA081992, Change point - VIN end MA163103, 2.5L TDi Diesel, (+)"J"	Less Rover Airbag System	STC1337	1
		Change point - VIN begin MA081992, Change point - VIN end MA501919, 2.5L TDi Diesel, (+)"J"	Less Rover Airbag System	STC1337	1
		Change point - VIN begin MA081992, Change point - VIN end MA501919, V8 EFI Petrol, (+)"Europe"	Rover Airbag System	STC1335	1
		Change point - VIN begin MA081992, Change point - VIN end MA501919, V8 EFI Petrol, (-)"GB"	Rover Airbag System	STC1335	1
		Change point - VIN begin MA081992, Change point - VIN end MA501919, 2.5L TDi Diesel, (+)"Europe"	Rover Airbag System	STC1335	1

Body Electrics
Instruments & Clock
Instrument Comp'ts-From (V) MA081992 To (V) MA163103/MA501919 6/8 (CAMXIA1B)

Discovery (FA393361-WA799999)



Discovery (FA393361-WA799999)

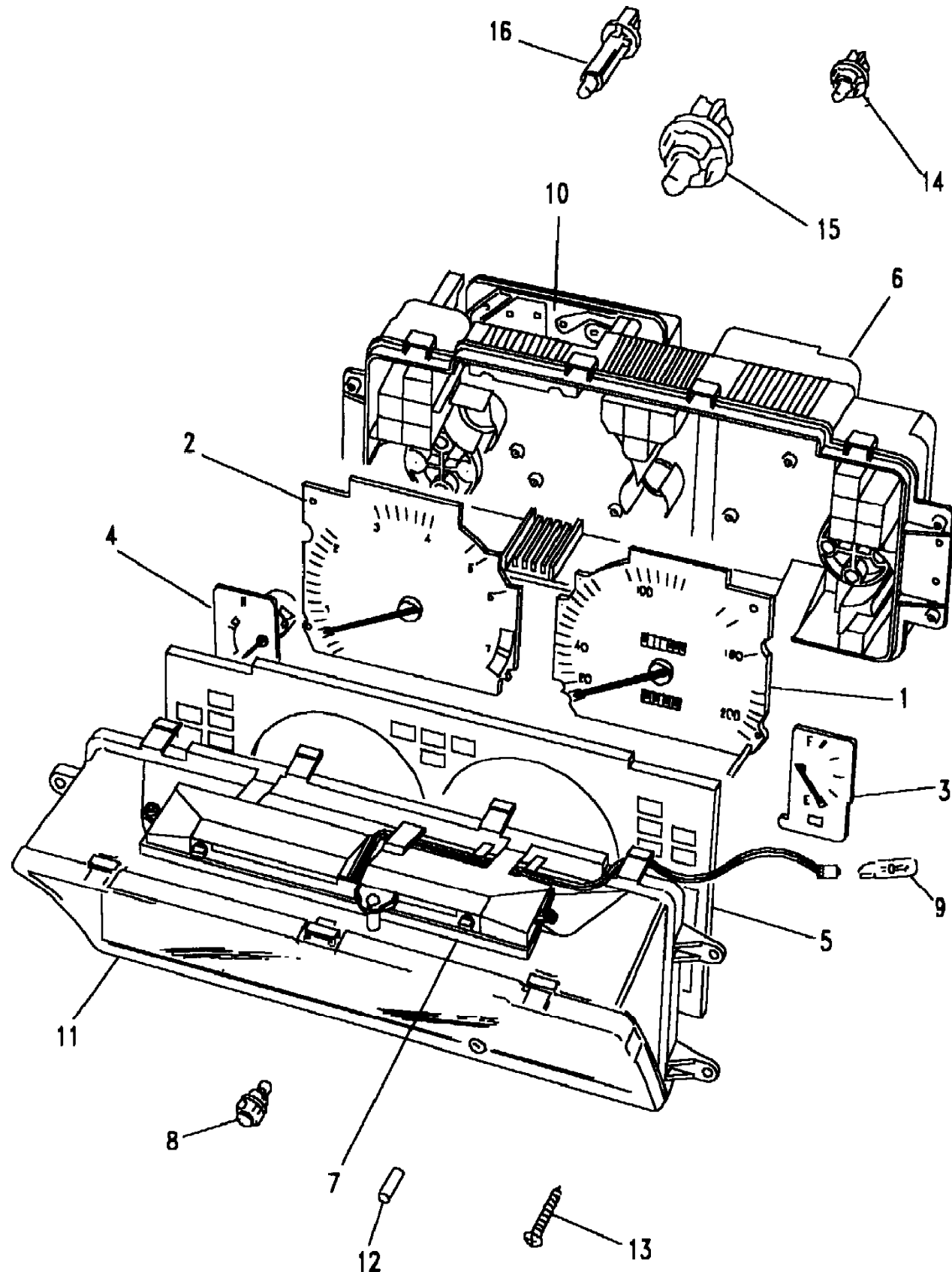
Body Electrics
Instruments & Clock
Instrument Comp'ts-From (V) MA081992 To (V) MA163103/MA501919

Change point - VIN begin MA081992, Change point - VIN end MA163103, Change point - VIN begin MA500000, Change point - VIN end MA501919

Callout	Name	Application	Remarks & Restrictions	Service No.	Qty
10	Printed circuit board instrument pack	Change point - VIN begin MA081992, Change point - VIN end MA501919, 2.5L TDi Diesel, (-)"GB"	Rover Airbag System	STC1335	1
		Change point - VIN begin MA081992, Change point - VIN end MA163103, V8 EFI Petrol, (+)"AUS"	Rover Airbag System	STC1336	1
		Change point - VIN begin MA081992, Change point - VIN end MA501919, V8 EFI Petrol, (+)"AUS"	Rover Airbag System	STC1336	1
		Change point - VIN begin MA081992, Change point - VIN end MA163103, 2.5L TDi Diesel, (+)"AUS"	Rover Airbag System	STC1336	1
		Change point - VIN begin MA081992, Change point - VIN end MA501919, 2.5L TDi Diesel, (+)"AUS"	Rover Airbag System	STC1336	1
		Change point - VIN begin MA081992, Change point - VIN end MA163103, V8 EFI Petrol, (+)"J"	Rover Airbag System	STC1338	1
		Change point - VIN begin MA081992, Change point - VIN end MA501919, V8 EFI Petrol, (+)"J"	Rover Airbag System	STC1338	1
		Change point - VIN begin MA081992, Change point - VIN end MA163103, 2.5L TDi Diesel, (+)"J"	Rover Airbag System	STC1338	1
		Change point - VIN begin MA081992, Change point - VIN end MA501919, 2.5L TDi Diesel, (+)"J"	Rover Airbag System	STC1338	1
		Change point - VIN begin MA081992, Change point - VIN end MA163103, 4 Cyl MPi Petrol, (+)"GB"	Less Rover Airbag System	STC1332	1
		Change point - VIN begin MA081992, Change point - VIN end MA501919, 4 Cyl MPi Petrol, (+)"GB"	Less Rover Airbag System	STC1332	1
		Change point - VIN begin MA081992, Change point - VIN end MA501919, 4 Cyl MPi Petrol, (-)"GB"	Less Rover Airbag System	STC1337	1
		Change point - VIN begin MA081992, Change point - VIN end MA501919, 4 Cyl MPi Petrol, (+)"Europe"	Less Rover Airbag System	STC1337	1
		Change point - VIN begin MA081992, Change point - VIN end MA163103, 4 Cyl MPi Petrol, (+)"GB"	Rover Airbag System	STC1335	1
		Change point - VIN begin MA081992, Change point - VIN end MA501919, 4 Cyl MPi Petrol, (+)"GB"	Rover Airbag System	STC1335	1

Body Electrics
Instruments & Clock
Instrument Comp'ts-From (V) MA081992 To (V) MA163103/MA501919 7/8 (CAMXIA1B)

Discovery (FA393361-WA799999)



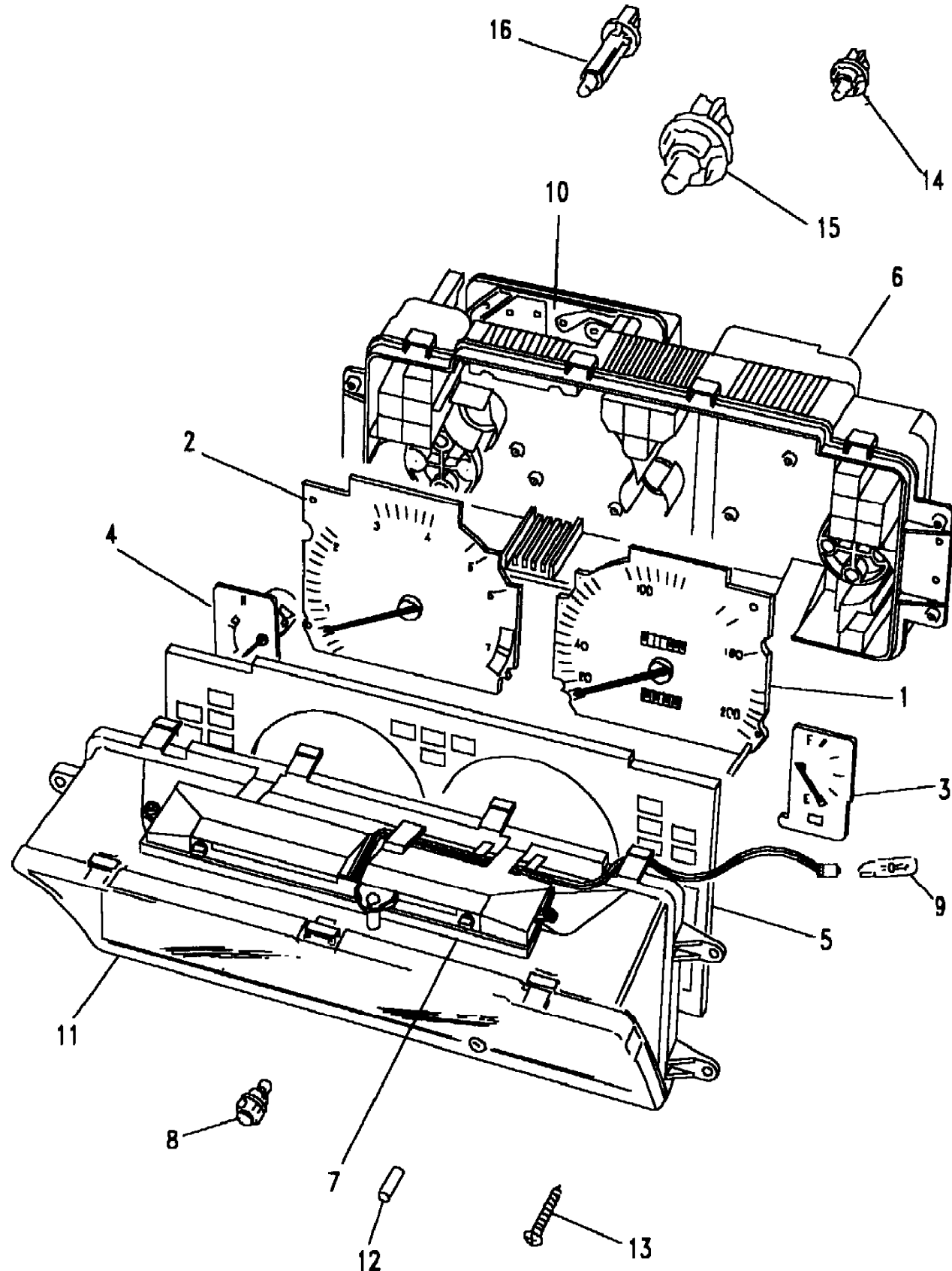
Discovery (FA393361-WA799999)

Body Electrics
Instruments & Clock
Instrument Comp'ts-From (V) MA081992 To (V) MA163103/MA501919
Change point - VIN begin MA081992, Change point - VIN end MA163103, Change point - VIN begin MA500000, Change point - VIN end MA501919

Callout	Name	Application	Remarks & Restrictions	Service No.	Qty
10	Printed circuit board instrument pack	Change point - VIN begin MA081992, Change point - VIN end MA501919, 4 Cyl MPi Petrol, (-)"GB"	Rover Airbag System	STC1338	1
		Change point - VIN begin MA081992, Change point - VIN end MA501919, 4 Cyl MPi Petrol, (+)"Europe"	Rover Airbag System	STC1338	1
11	Cowl assembly instrument pack	Change point - VIN begin MA081992, Change point - VIN end MA163103		STC1320	1
		Change point - VIN begin MA081992, Change point - VIN end MA501919		STC1320	1
12	Knob trip reset	Change point - VIN begin MA081992, Change point - VIN end MA163103		YAL10001L	1
		Change point - VIN begin MA081992, Change point - VIN end MA501919		YAL10001L	1
13	Screw	Change point - VIN begin MA081992, Change point - VIN end MA163103	fixing instrument cowl	YYP10011L	1
		Change point - VIN begin MA081992, Change point - VIN end MA501919	fixing instrument cowl	YYP10011L	1
14	Bulb & holder assembly	Change point - VIN begin MA081992, Change point - VIN end MA163103	black base, Clear., black base	RTC6607	X
		Change point - VIN begin MA081992, Change point - VIN end MA501919	black base, Clear., black base	RTC6607	X
		Change point - VIN begin MA081992, Change point - VIN end MA163103	blue base, Clear., blue base	STC1339	1
		Change point - VIN begin MA081992, Change point - VIN end MA501919	blue base, Clear., blue base	STC1339	1
		Change point - VIN begin MA081992, Change point - VIN end MA163103	black base, Green, black base	STC1341	2
		Change point - VIN begin MA081992, Change point - VIN end MA501919	black base, Green, black base	STC1341	2
		Change point - VIN begin MA081992, Change point - VIN end MA501919	black base, Green, black base	STC1341	2
15	Bulb & holder assembly	Change point - VIN begin MA081992, Change point - VIN end MA163103	black base, Green, black base	STC1340	1
		Change point - VIN begin MA081992, Change point - VIN end MA501919	black base, Green, black base	STC1340	1

Body Electrics
Instruments & Clock
Instrument Comp'ts-From (V) MA081992 To (V) MA163103/MA501919 8/8 (CAMXIA1B)

Discovery (FA393361-WA799999)



Discovery (FA393361-WA799999)

Body Electrics
Instruments & Clock
Instrument Comp'ts-From (V) MA081992 To (V) MA163103/MA501919
Change point - VIN begin MA081992, Change point - VIN end MA163103, Change point - VIN begin MA500000, Change point - VIN end MA501919

Callout	Name	Application	Remarks & Restrictions	Service No.	Qty
16	Bulb & holder assembly	Change point - VIN begin MA081992, Change point - VIN end MA163103 Change point - VIN begin MA081992, Change point - VIN end MA501919	grey base, Green, grey base grey base, Green, grey base	STC1342 STC1342	1 1
[900]	Kit-foam gasket	Change point - VIN begin MA081992, Change point - VIN end MA163103 Change point - VIN begin MA081992, Change point - VIN end MA501919	light seals light seals	STC2895 STC2895	1 1

Body Electrics
Instruments & Clock
Instrument Comp'ts-From (V) TA163104/TA501920 1/2

Discovery (FA393361-WA799999)

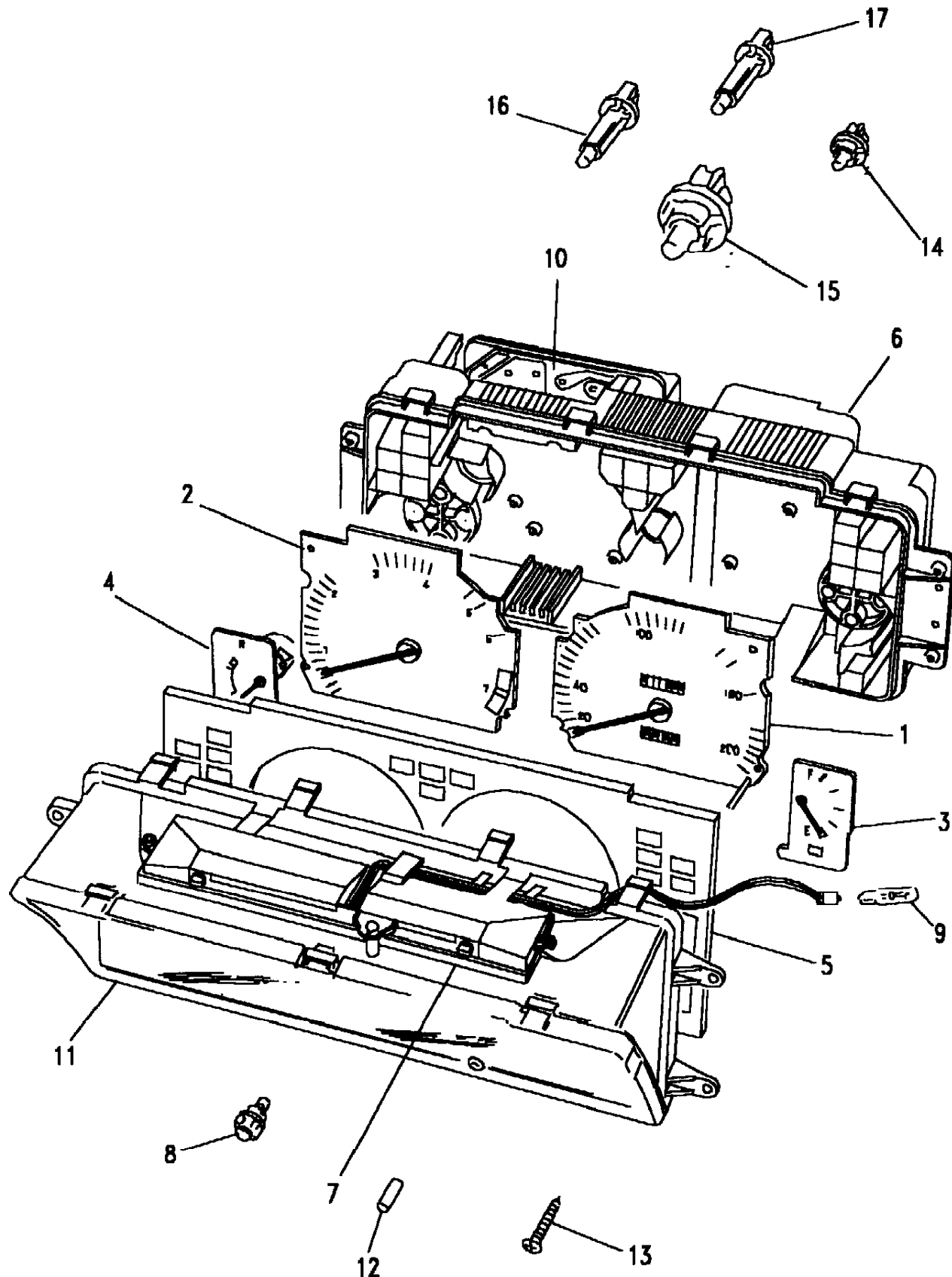
(CAMXIA1C)

Discovery (FA393361-WA799999)

Body Electrics
Instruments & Clock
Instrument Comp'ts-From (V) TA163104/TA501920

Change point - VIN begin TA163104, Change point - VIN begin TA501920

Callout	Name	Application	Remarks & Restrictions	Service No.	Qty
1	Speedometer		135mph 210km/h	STC2965 STC2966	1 1
2	Tachometer Assy	Change point - VIN begin TA501920, V8 EFI Petrol Change point - VIN begin TA501920, 2.5L TDi Diesel Change point - VIN begin TA501920, V8 EFI Petrol Change point - VIN begin TA501920, 2.5L TDi Diesel Change point - VIN begin TA501920, 4 Cyl MPi Petrol Change point - VIN begin TA501920, 4 Cyl MPi Petrol	Less Rover Airbag System Less Rover Airbag System Rover Airbag System Rover Airbag System Less Rover Airbag System Rover Airbag System	STC2968 STC2968 STC2969 STC2969 STC1315 STC1317	1 1 1 1 1 1
3	Gauge-fuel			STC1318	1
4	Gauge-temperature			STC1319	1
6	Case assembly instrument pack	V8 EFI Petrol 2.5L TDi Diesel V8 EFI Petrol 2.5L TDi Diesel 4 Cyl MPi Petrol 4 Cyl MPi Petrol	Less Rover Airbag System Less Rover Airbag System Rover Airbag System Rover Airbag System Less Rover Airbag System Rover Airbag System	STC2970 STC2970 STC2971 STC2971 STC2972 STC2973	1 1 1 1 1 1
7	Illumination assembly-instrument pack		Also serviced as part of a kit	STC1443	1
8	Bulb & holder assembly		Also serviced as part of a kit, Clear., black base	RTC6607	2
9	Bulb instrument pack			STC1442	1
10	Printed circuit board instrument pack	Change point - VIN begin TA501920, V8 EFI Petrol, (+)"GCC" Change point - VIN begin TA501920, 2.5L TDi Diesel, (+)"GCC" V8 EFI Petrol, (+)"AUS" 2.5L TDi Diesel, (+)"AUS" V8 EFI Petrol, (+)"J" 2.5L TDi Diesel, (+)"J" 4 Cyl MPi Petrol, (+)"GB" 4 Cyl MPi Petrol, (+)"Europe" Change point - VIN begin TA501920, V8 EFI Petrol, (+)"GCC"	low fuel warning low fuel warning low fuel warning low fuel warning low fuel warning low fuel warning without bulb check, Low fuel warning	STC2974 STC2974 STC2977 STC2977 STC2975 STC2975 STC2974 STC2975 STC1344	1 1 1 1 1 1 1 1



Body Electrics
Instruments & Clock
Instrument Comp'ts-From (V) TA163104/TA501920 2/2

Discovery (FA393361-WA799999)

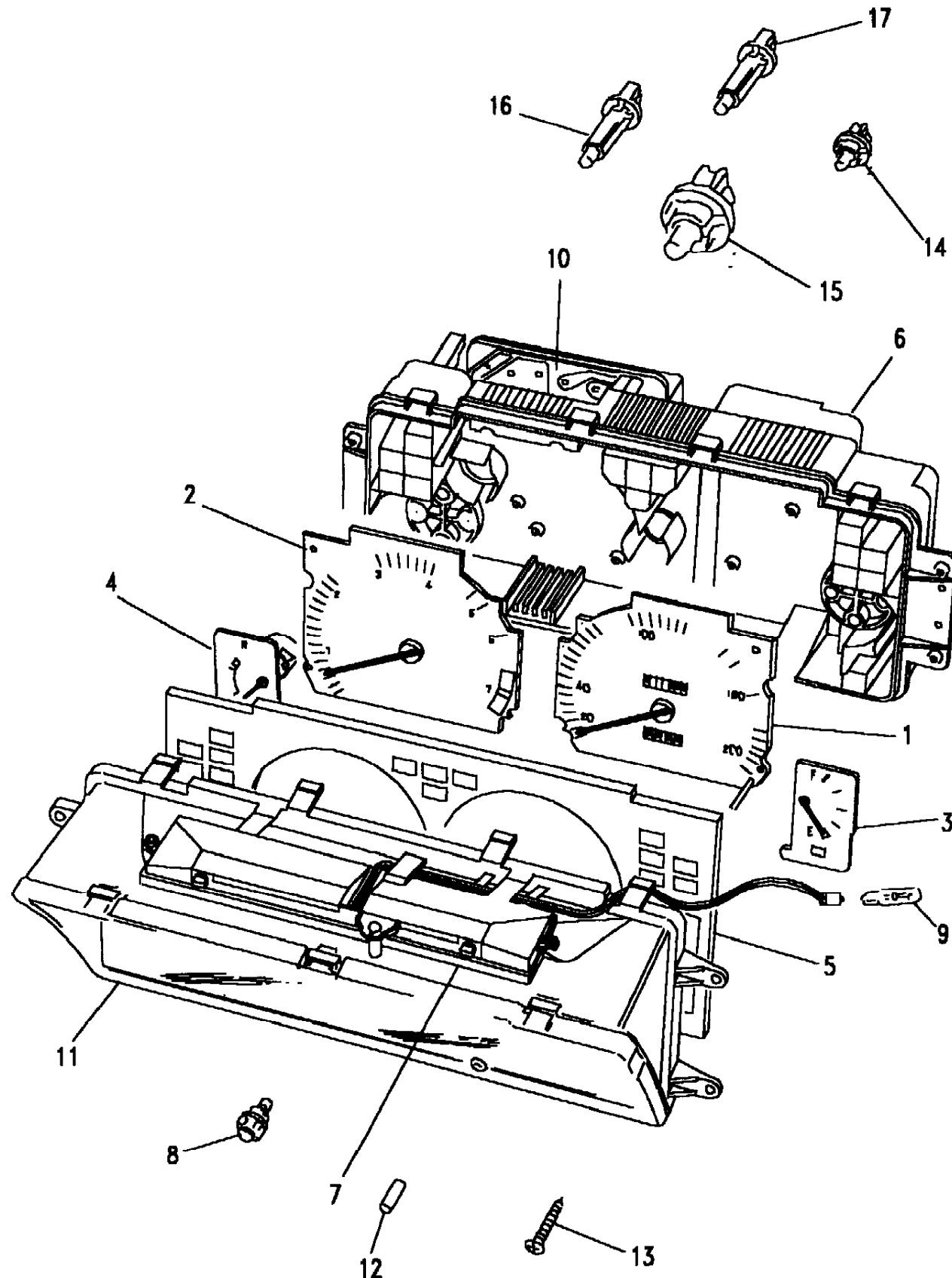
(CAMXIA1C)

Discovery (FA393361-WA799999)

Body Electrics
Instruments & Clock
Instrument Comp'ts-From (V) TA163104/TA501920

Change point - VIN begin TA163104, Change point - VIN begin TA501920

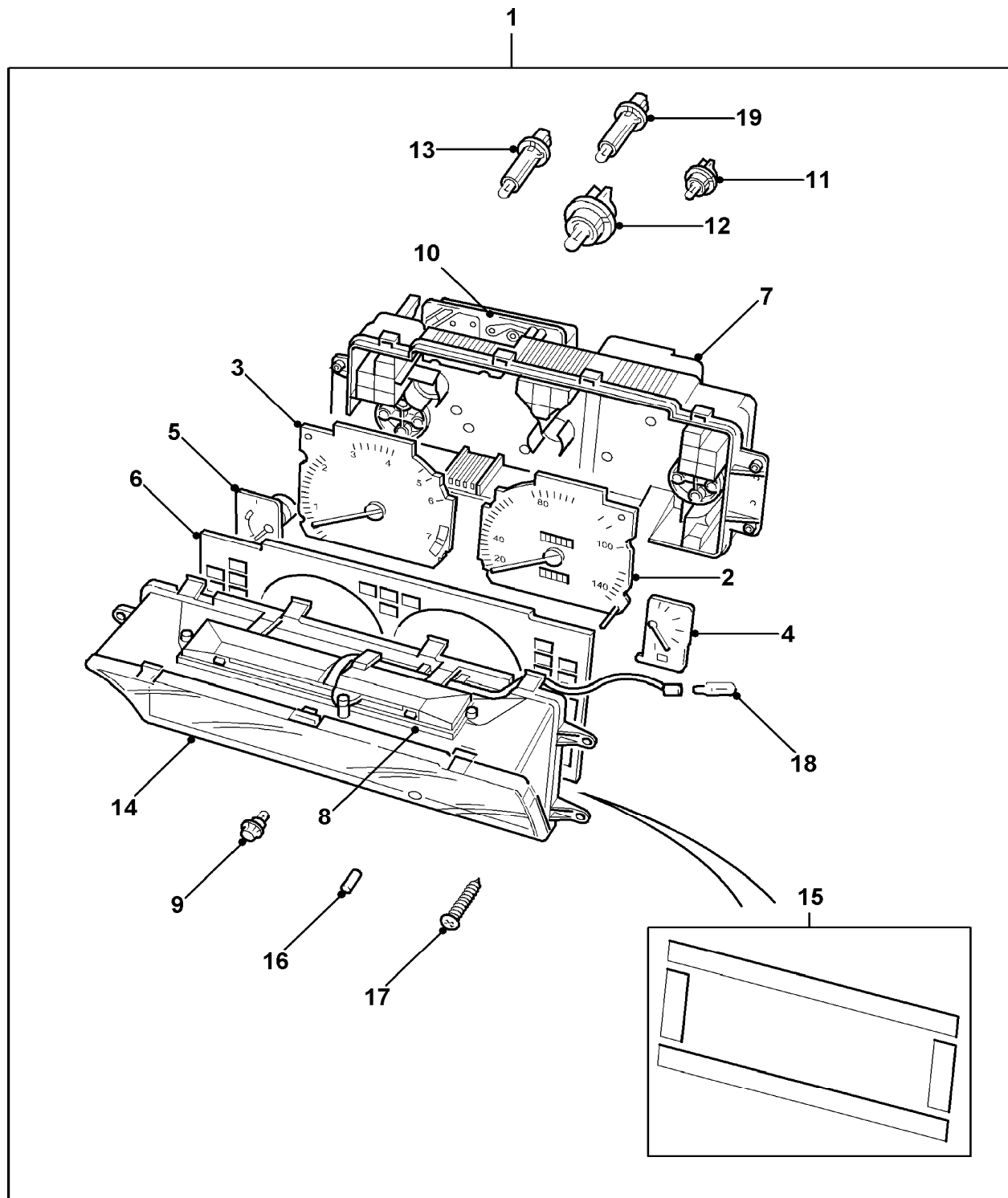
Callout	Name	Application	Remarks & Restrictions	Service No.	Qty
10	Printed circuit board instrument pack	2.5L TDi Diesel, (+)"GCC"	without bulb check, Low fuel warning	STC1344	1
		Change point - VIN begin TA501920, V8 Twin Carb Petrol, (+)"GCC"	without bulb check, Low fuel warning	STC1344	1
		Change point - VIN begin TA501920, (+)"AUS"	with bulb check, Low fuel warning	STC1345	1
		Change point - VIN begin TA501920, (+)"J"	with bulb check, Low fuel warning	STC1345	1
		4 Cyl MPi Petrol, (+)"Europe"	with bulb check, Low fuel warning	STC1345	1
11	Cowl assembly instrument pack			STC1320	1
12	Knob trip reset			YAL10001L	1
13	Screw		cowl fixing	YYP10011L	4
14	Bulb & holder assembly		black base, Clear., black base	RTC6607	X
			blue base, Clear., blue base	STC1339	1
			black base, Green, black base	STC1341	2
15	Bulb & holder assembly		black base, Green, black base	STC1340	1
16	Bulb & holder assembly		grey base, Green, grey base	STC1342	1
17	Indicator-light emitting diode burglar alarm			YAJ100320L	1



Body Electrics
Instruments & Clock
Instruments 1/2

Discovery (FA393361-WA799999)

(CAMXIA1D)



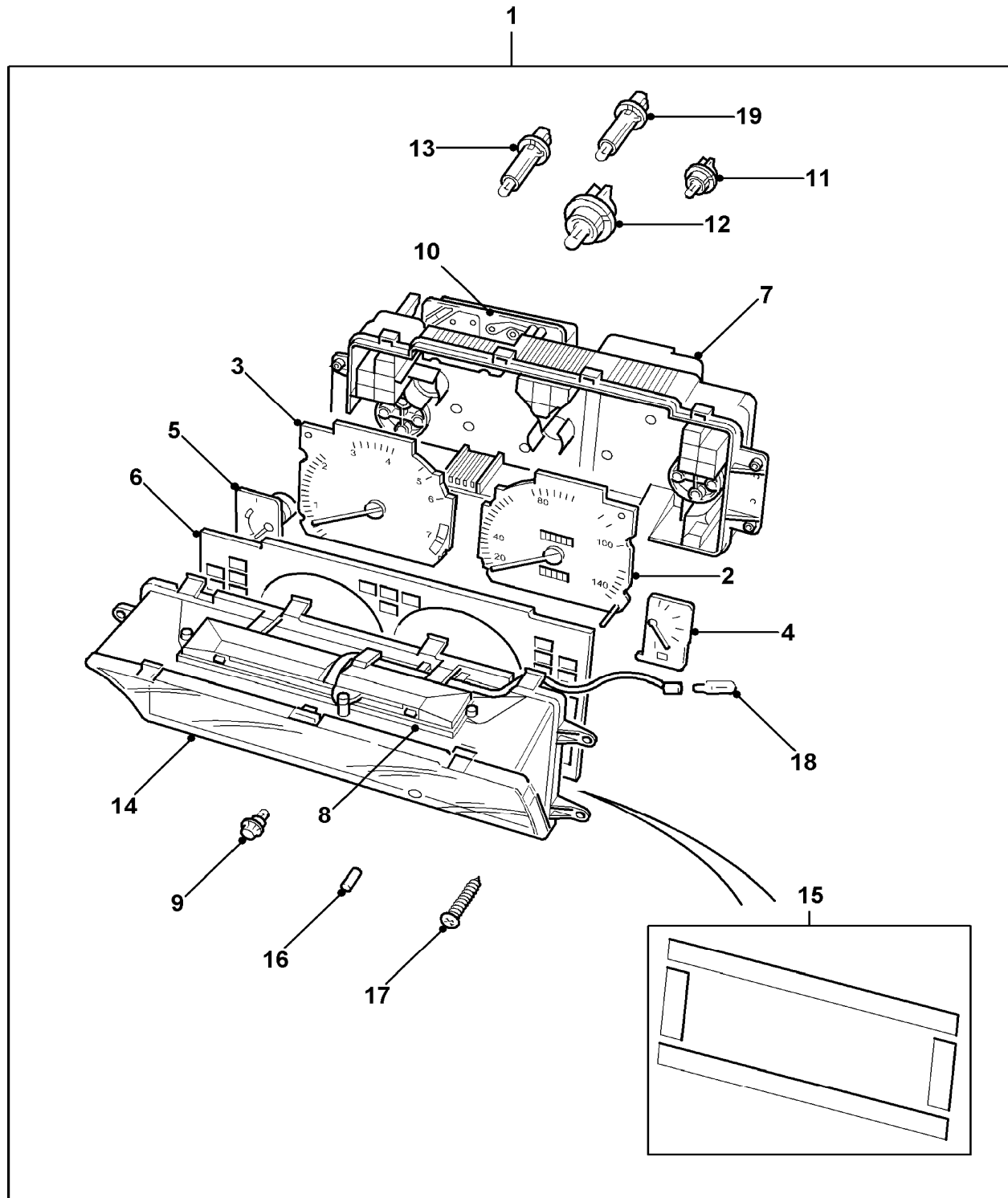
D08.021
11-2002
L4
CAMXIA1D

Discovery (FA393361-WA799999)

Body Electrics
Instruments & Clock
Instruments

LHD, (+)"CDN/MEX/USA", (+)"CDN"

Callout	Name	Application	Remarks & Restrictions	Service No.	Qty		
1	Instrument pack	Change point - VIN end SA163099	MPH	AMR1266	1		
		Change point - VIN end SA501919	MPH	AMR1266	1		
		Change point - VIN begin TA163100	MPH	AMR4756	1		
		Change point - VIN begin TA501920	MPH	AMR4756	1		
		Change point - VIN end SA163099	KPH	AMR1261	1		
		Change point - VIN end SA501919	KPH	AMR1261	1		
		Change point - VIN begin TA163100	KPH	AMR4755	1		
		Change point - VIN begin TA501920	KPH	AMR4755	1		
		2	Speedometer	Change point - VIN end SA163099	135mph	STC1312	1
				Change point - VIN end SA501919	135mph	STC1312	1
Change point - VIN begin TA163100	135mph			STC2965	1		
Change point - VIN begin TA501920	135mph			STC2965	1		
Change point - VIN end SA163099	210km/h			STC1313	1		
Change point - VIN end SA501919	210km/h			STC1313	1		
Change point - VIN begin TA163100	210km/h			STC2966	1		
Change point - VIN begin TA501920	210km/h			STC2966	1		
3	Tachometer Assy			Change point - VIN end SA163099		STC1316	
				Change point - VIN end SA501919		STC1316	
		Change point - VIN begin TA163100		STC2969			
		Change point - VIN begin TA501920		STC2969			
4	Gauge-fuel			STC1318	1		
5	Gauge-temperature			STC1319	1		
6	Mask assembly instrument pack			STC1328	1		
		(+)"CDN"		STC1326	1		
7	Case assembly instrument pack	Change point - VIN end SA163099		STC1439	1		
		Change point - VIN end SA501919		STC1439	1		
		Change point - VIN begin TA163100		STC2971	1		
		Change point - VIN begin TA501920		STC2971	1		



D08.021
11-2002
L4
CAMXIA1D

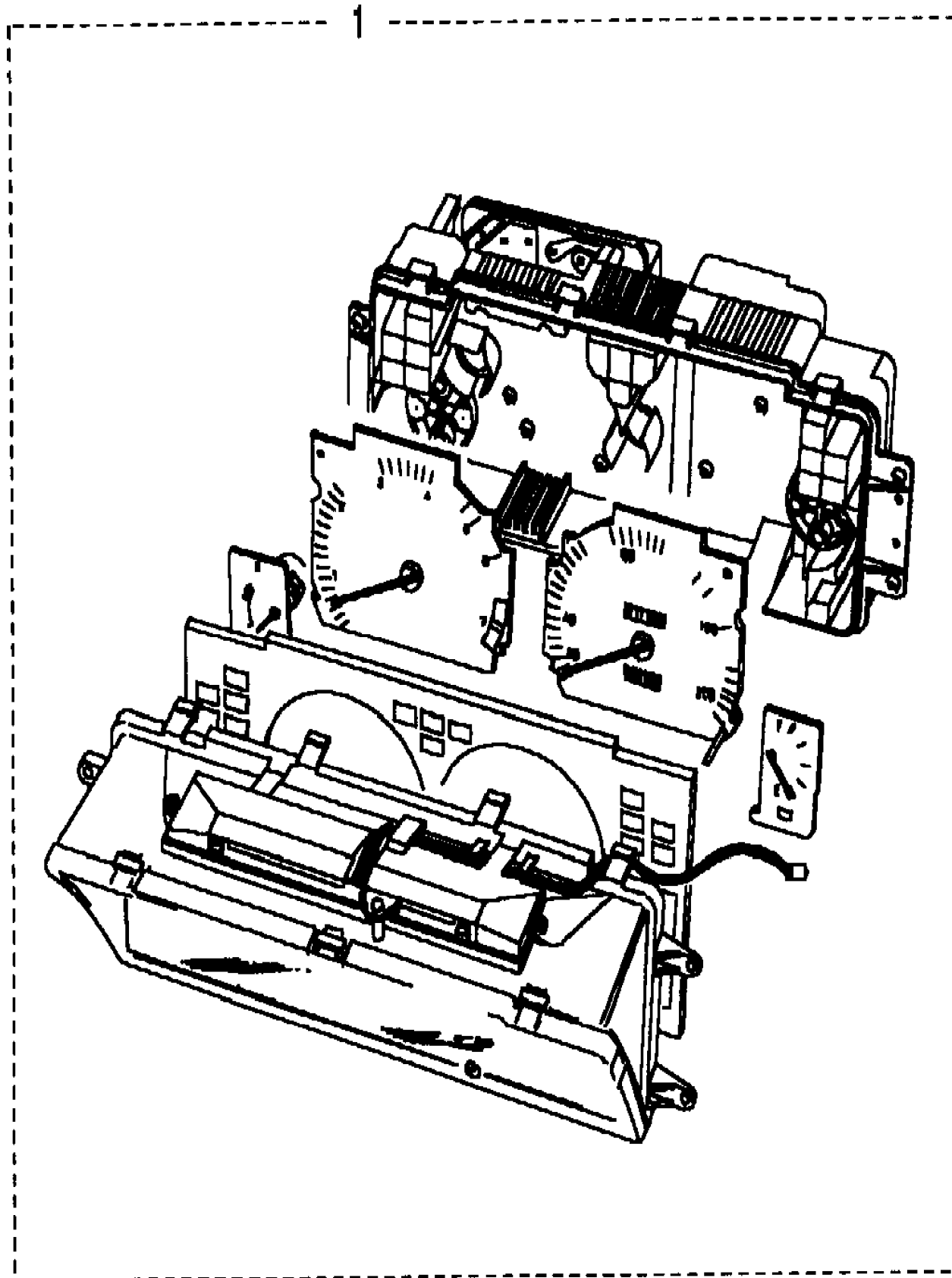
LHD, (+)"CDN/MEX/USA", (+)"CDN"

Callout	Name	Application	Remarks & Restrictions	Service No.	Qty
8	Illumination assembly-instrument pack			STC1443	1
9	Bulb & holder assembly			RTC6607	1
10	Printed circuit board instrument pack	Change point - VIN end SA163099	flexible	STC1334	1
		Change point - VIN end SA501919	flexible	STC1334	1
		Change point - VIN begin TA163100	flexible	STC2976	1
		Change point - VIN begin TA501920	flexible	STC2976	1
			Rigid	STC1345	
11	Bulb & holder assembly		Clear, black base	RTC6607	1
			Clear, blue base	STC1339	1
			Green, black base	STC1341	1
12	Bulb & holder assembly		Green, black base	STC1340	1
13	Bulb & holder assembly		Green, grey base	STC1342	2
14	Cowl assembly instrument pack			STC1320	1
15	Kit-foam gasket		light seals	STC2895	1
16	Knob trip reset			YAL10001L	1
17	Screw		fixing instrument cowl	YYP10011L	1
18	Bulb			STC1442	
19	Bulb		ALARM	YAJ100320L	

Body Electrics
Instruments & Clock
Instruments 1/3

Discovery (FA393361-WA799999)

(CAMXIA5B)



Discovery (FA393361-WA799999)

Body Electrics
Instruments & Clock
Instruments

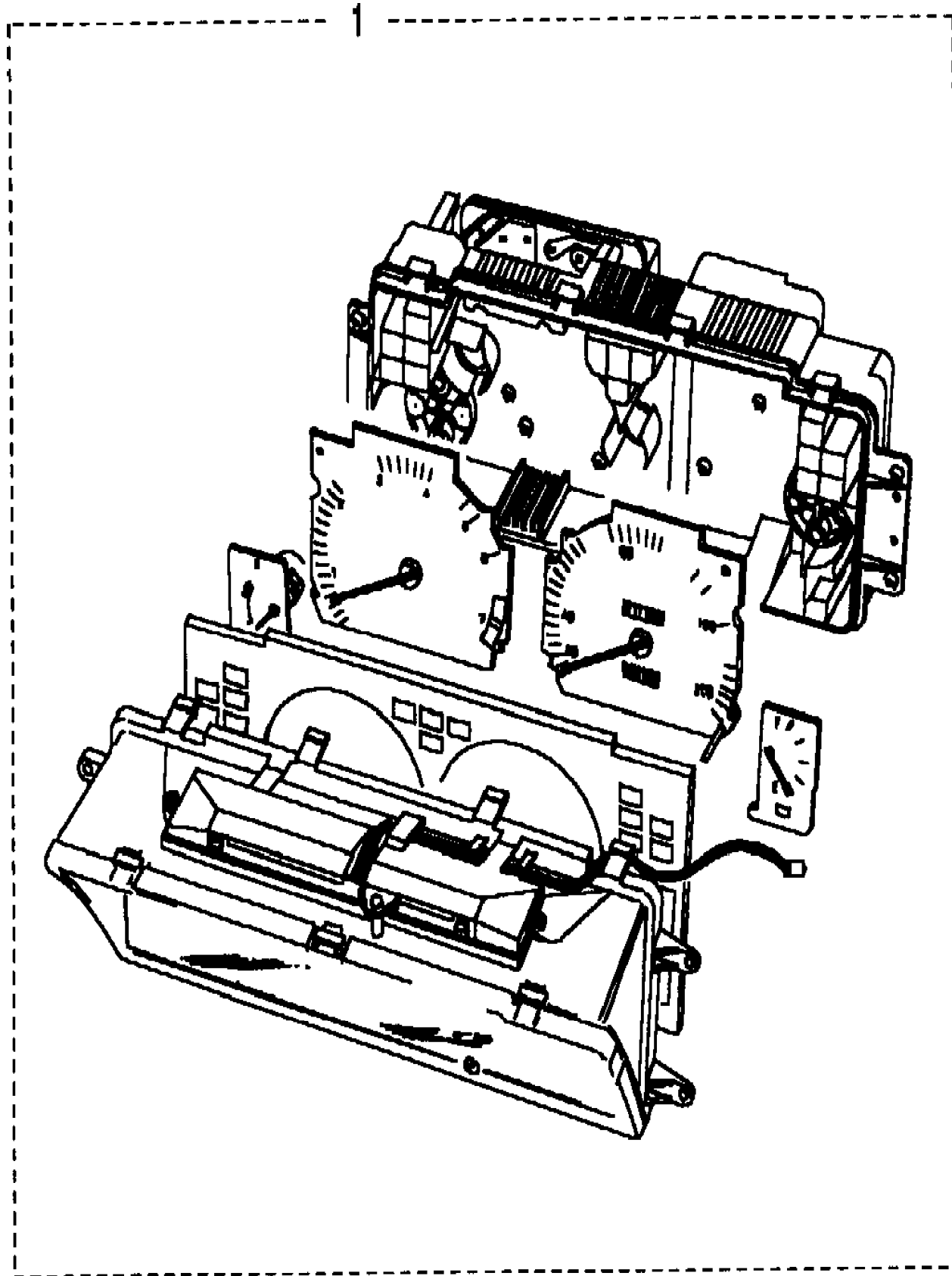
Change point - VIN begin MA081992, Change point - VIN end MA163103, Change point - VIN begin MA500000, Change point - VIN end MA501919

Callout	Name	Application	Remarks & Restrictions	Service No.	Qty
1	Instrument pack	Change point - VIN begin MA081992, Change point - VIN end MA163103, V8 EFI Petrol, (+)"AUS"	Rover Airbag System	AMR1345	1
		Change point - VIN begin MA081992, Change point - VIN end MA501919, V8 EFI Petrol, (+)"AUS"	Rover Airbag System	AMR1345	1
		Change point - VIN begin MA081992, Change point - VIN end MA163103, 2.5L TDi Diesel, (+)"AUS"	Rover Airbag System	AMR1345	1
		Change point - VIN begin MA081992, Change point - VIN end MA501919, 2.5L TDi Diesel, (+)"AUS"	Rover Airbag System	AMR1345	1
		Change point - VIN begin MA081992, Change point - VIN end MA163103, V8 EFI Petrol, (+)"J"	Rover Airbag System	AMR1349	1
		Change point - VIN begin MA081992, Change point - VIN end MA501919, V8 EFI Petrol, (+)"J"	Rover Airbag System	AMR1349	1
		Change point - VIN begin MA081992, Change point - VIN end MA163103, 2.5L TDi Diesel, (+)"J"	Rover Airbag System	AMR1349	1
		Change point - VIN begin MA081992, Change point - VIN end MA501919, 2.5L TDi Diesel, (+)"J"	Rover Airbag System	AMR1349	1
		Change point - VIN begin MA081992, Change point - VIN end MA163103, 4 Cyl MPi Petrol, (+)"GB"	Rover Airbag System, with tachometer	AMR1343	1
		Change point - VIN begin MA081992, Change point - VIN end MA501919, 4 Cyl MPi Petrol, (+)"GB"	Rover Airbag System, with tachometer	AMR1343	1
		Change point - VIN begin MA081992, Change point - VIN end MA501919, 4 Cyl MPi Petrol, (+)"Europe"	Rover Airbag System, with tachometer	AMR1344	1
		Change point - VIN begin MA081992, Change point - VIN end MA501919, 4 Cyl MPi Petrol, (-)"GB"	Rover Airbag System, with tachometer	AMR1344	1
		Change point - VIN begin MA081992, Change point - VIN end MA163103, V8 EFI Petrol, (+)"GB"	Less Rover Airbag System	AMR1233	1
		Change point - VIN begin MA081992, Change point - VIN end MA501919, V8 EFI Petrol, (+)"GB"	Less Rover Airbag System	AMR1233	1
		Change point - VIN begin MA081992, Change point - VIN end MA163103, 2.5L TDi Diesel, (+)"GB"	Less Rover Airbag System	AMR1233	1

Body Electrics
Instruments & Clock
Instruments 2/3

Discovery (FA393361-WA799999)

(CAMXIA5B)



Discovery (FA393361-WA799999)

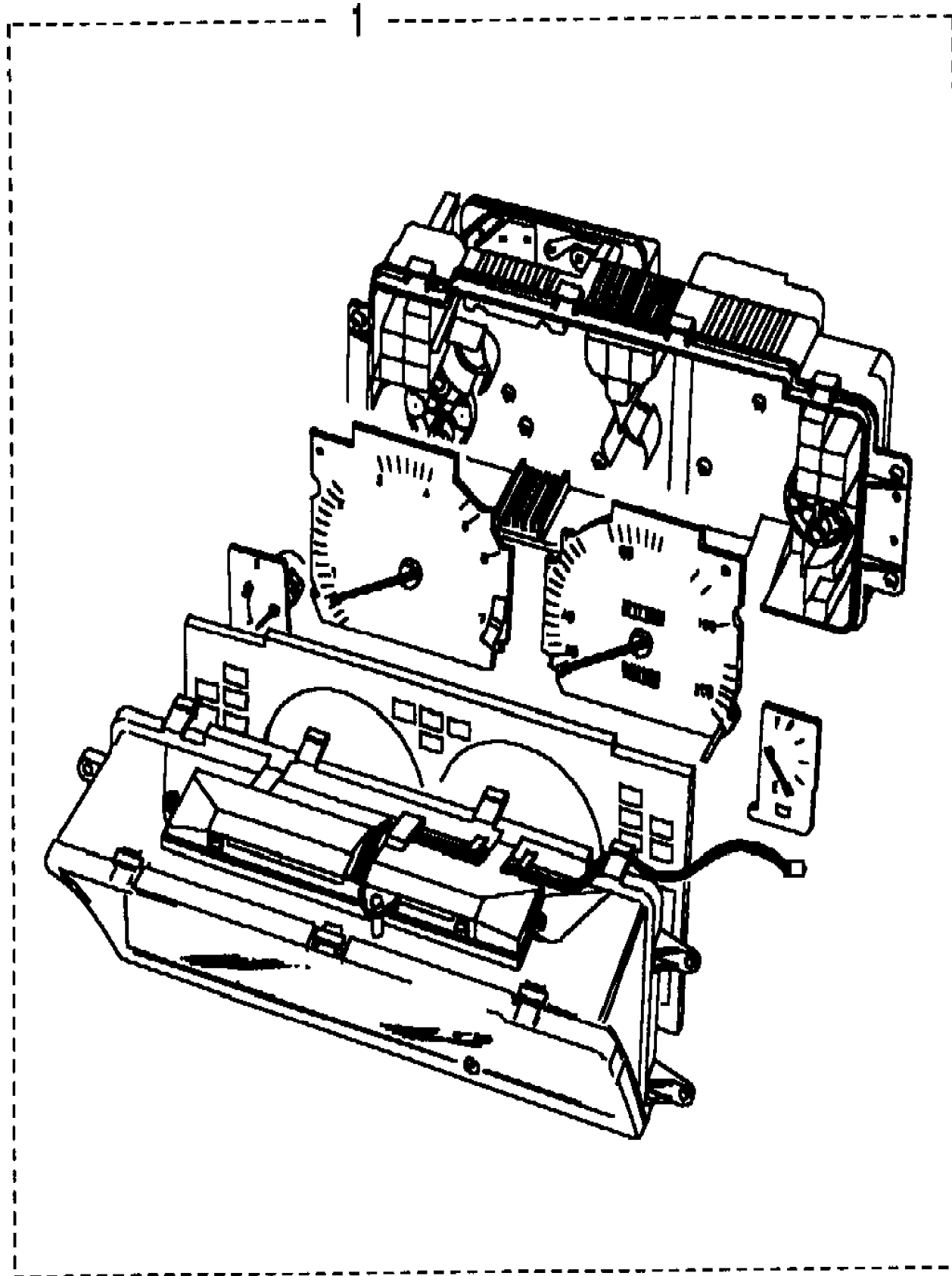
Body Electrics
Instruments & Clock
Instruments

Change point - VIN begin MA081992, Change point - VIN end MA163103, Change point - VIN begin MA500000, Change point - VIN end MA501919

Callout	Name	Application	Remarks & Restrictions	Service No.	Qty
1	Instrument pack	Change point - VIN begin MA081992, Change point - VIN end MA501919, 2.5L TDi Diesel, (+)"GB"	Less Rover Airbag System	AMR1233	1
		Change point - VIN begin MA081992, Change point - VIN end MA501919, V8 EFI Petrol, (+)"GCC"	Less Rover Airbag System	AMR1234	1
		Change point - VIN begin MA081992, Change point - VIN end MA501919, 2.5L TDi Diesel, (+)"GCC"	Less Rover Airbag System	AMR1234	1
		Change point - VIN begin MA081992, Change point - VIN end MA163103, V8 EFI Petrol, (+)"AUS"	Less Rover Airbag System	AMR1237	1
		Change point - VIN begin MA081992, Change point - VIN end MA501919, V8 EFI Petrol, (+)"AUS"	Less Rover Airbag System	AMR1237	1
		Change point - VIN begin MA081992, Change point - VIN end MA163103, 2.5L TDi Diesel, (+)"AUS"	Less Rover Airbag System	AMR1237	1
		Change point - VIN begin MA081992, Change point - VIN end MA501919, 2.5L TDi Diesel, (+)"AUS"	Less Rover Airbag System	AMR1237	1
		Change point - VIN begin MA081992, Change point - VIN end MA163103, V8 EFI Petrol, (+)"J"	Less Rover Airbag System	AMR1262	1
		Change point - VIN begin MA081992, Change point - VIN end MA501919, V8 EFI Petrol, (+)"J"	Less Rover Airbag System	AMR1262	1
		Change point - VIN begin MA081992, Change point - VIN end MA163103, 2.5L TDi Diesel, (+)"J"	Less Rover Airbag System	AMR1262	1
		Change point - VIN begin MA081992, Change point - VIN end MA501919, 2.5L TDi Diesel, (+)"J"	Less Rover Airbag System	AMR1262	1
		Change point - VIN begin MA081992, Change point - VIN end MA163103, 4 Cyl MPi Petrol, (+)"GB"	Less Rover Airbag System, with tachometer	AMR1256	1
		Change point - VIN begin MA081992, Change point - VIN end MA501919, 4 Cyl MPi Petrol, (+)"GB"	Less Rover Airbag System, with tachometer	AMR1256	1
		Change point - VIN begin MA081992, Change point - VIN end MA501919, 4 Cyl MPi Petrol, (+)"Europe"	Less Rover Airbag System, with tachometer	AMR1257	1
		Change point - VIN begin MA081992, Change point - VIN end MA501919, 4 Cyl MPi Petrol, (-)"GB"	Less Rover Airbag System, with tachometer	AMR1257	1

Body Electrics
Instruments & Clock
Instruments 3/3

Discovery (FA393361-WA799999)
(CAMXIA5B)



Discovery (FA393361-WA799999)

Body Electrics
Instruments & Clock
Instruments

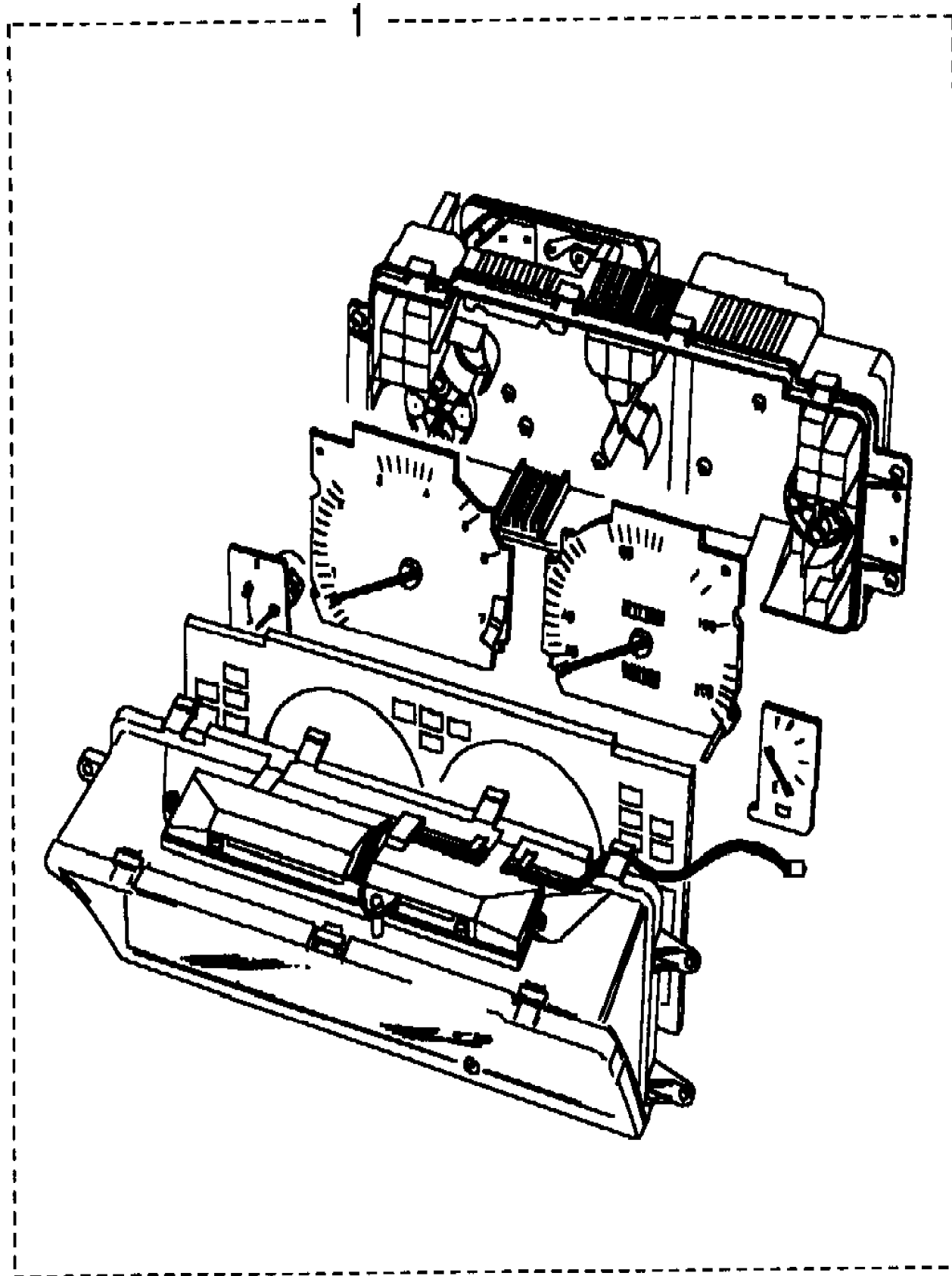
Change point - VIN begin MA081992, Change point - VIN end MA163103, Change point - VIN begin MA500000, Change point - VIN end MA501919

Callout	Name	Application	Remarks & Restrictions	Service No.	Qty
1	Instrument pack	Change point - VIN begin MA081992, Change point - VIN end MA163103, V8 EFI Petrol, (+)"GB"	Rover Airbag System	AMR1339	1
		Change point - VIN begin MA081992, Change point - VIN end MA501919, V8 EFI Petrol, (+)"GB"	Rover Airbag System	AMR1339	1
		Change point - VIN begin MA081992, Change point - VIN end MA163103, 2.5L TDi Diesel, (+)"GB"	Rover Airbag System	AMR1339	1
		Change point - VIN begin MA081992, Change point - VIN end MA501919, 2.5L TDi Diesel, (+)"GB"	Rover Airbag System	AMR1339	1
		Change point - VIN begin MA081992, Change point - VIN end MA501919, V8 EFI Petrol, (+)"GCC"	Rover Airbag System	AMR1340	1
		Change point - VIN begin MA081992, Change point - VIN end MA501919, 2.5L TDi Diesel, (+)"GCC"	Rover Airbag System	AMR1340	1

Body Electrics
Instruments & Clock
Instruments 1/1

Discovery (FA393361-WA799999)

(CAMXIA5B)



Discovery (FA393361-WA799999)

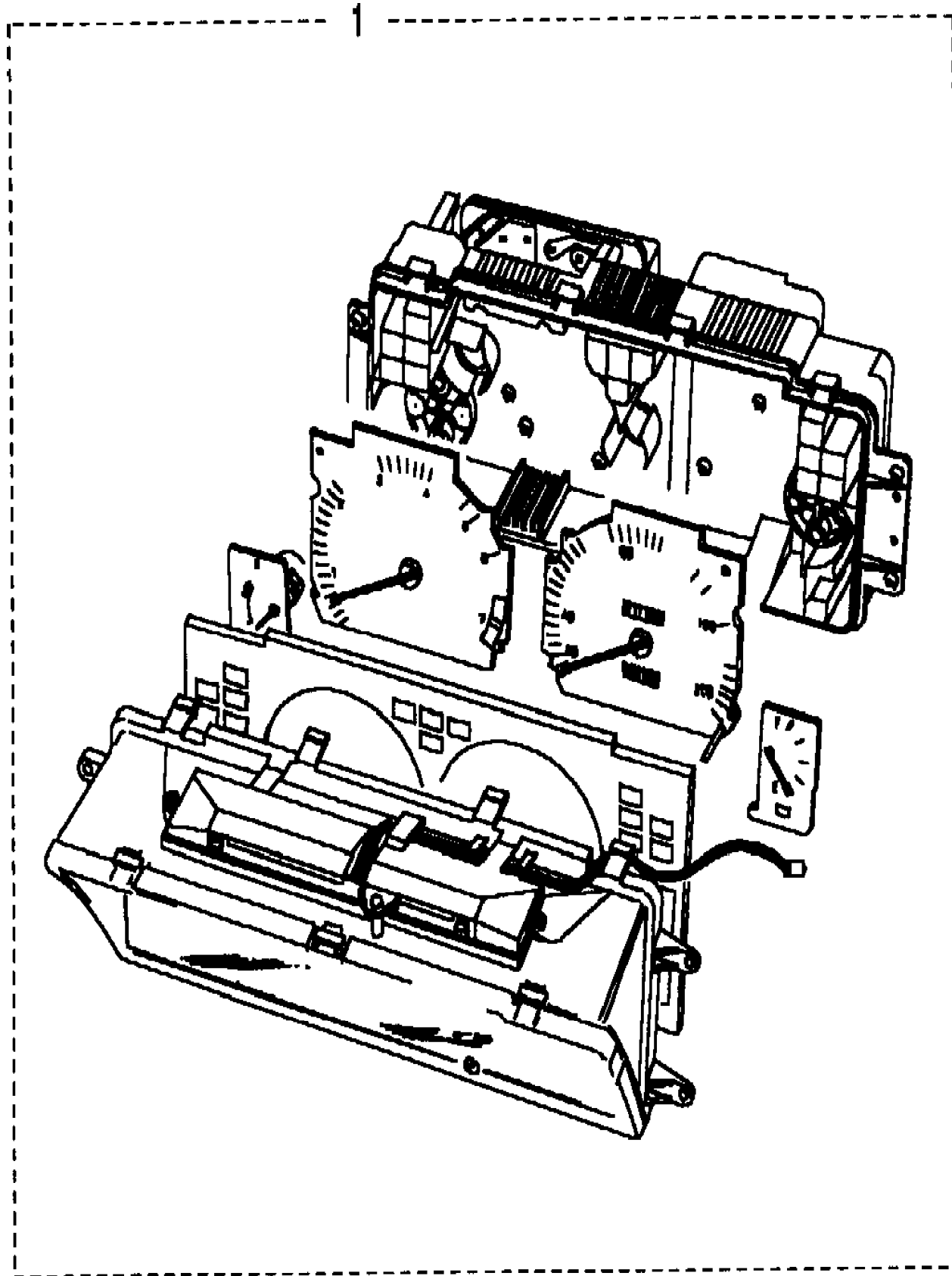
Body Electrics
Instruments & Clock
Instruments

Change point - VIN begin TA163104, Change point - VIN begin TA501920

Callout	Name	Application	Remarks & Restrictions	Service No.	Qty
1	Instrument pack with warning lights-including tachometer	V8 EFI Petrol, (+)"J"	Less Rover Airbag System	AMR4753	1
		2.5L TDi Diesel, (+)"J"	Less Rover Airbag System	AMR4753	1
		4 Cyl MPi Petrol, (+)"GB"	Less Rover Airbag System	AMR4745	1
		4 Cyl MPi Petrol, (+)"Europe"	Less Rover Airbag System	AMR4743	1
		Change point - VIN begin TA501920, V8 EFI Petrol, RHD	Rover Airbag System	AMR4750	1
		Change point - VIN begin TA501920, 2.5L TDi Diesel, RHD	Rover Airbag System	AMR4750	1
		Change point - VIN begin TA501920, V8 EFI Petrol, LHD, (-)"GB"	Rover Airbag System	AMR4748	1
		Change point - VIN begin TA501920, V8 EFI Petrol, LHD, (+)"Europe"	Rover Airbag System	AMR4748	1
		Change point - VIN begin TA501920, 2.5L TDi Diesel, LHD, (+)"Europe"	Rover Airbag System	AMR4748	1
		Change point - VIN begin TA501920, 2.5L TDi Diesel, LHD, (-)"GB"	Rover Airbag System	AMR4748	1
		V8 EFI Petrol, (+)"GCC"	Rover Airbag System	AMR4846	1
		2.5L TDi Diesel, (+)"GCC"	Rover Airbag System	AMR4846	1
		V8 EFI Petrol, (+)"AUS"	Rover Airbag System	AMR4752	1
		2.5L TDi Diesel, (+)"AUS"	Rover Airbag System	AMR4752	1
		V8 EFI Petrol, (+)"J"	Rover Airbag System	AMR4754	1
		2.5L TDi Diesel, (+)"J"	Rover Airbag System	AMR4754	1
		4 Cyl MPi Petrol, (+)"GB"	Rover Airbag System	AMR4746	1
		4 Cyl MPi Petrol, (+)"Europe"	Rover Airbag System	AMR4744	1
		Change point - VIN begin TA501920, V8 EFI Petrol, RHD	Less Rover Airbag System	AMR4749	1
		Change point - VIN begin TA501920, 2.5L TDi Diesel, RHD	Less Rover Airbag System	AMR4749	1
		Change point - VIN begin TA501920, V8 EFI Petrol, LHD, (-)"GB"	Less Rover Airbag System	AMR4747	1
		Change point - VIN begin TA501920, V8 EFI Petrol, LHD, (+)"Europe"	Less Rover Airbag System	AMR4747	1
		Change point - VIN begin TA501920, 2.5L TDi Diesel, LHD, (+)"Europe"	Less Rover Airbag System	AMR4747	1
		Change point - VIN begin TA501920, 2.5L TDi Diesel, LHD, (-)"GB"	Less Rover Airbag System	AMR4747	1
		V8 EFI Petrol, (+)"GCC"	Less Rover Airbag System	AMR4845	1
		2.5L TDi Diesel, (+)"GCC"	Less Rover Airbag System	AMR4845	1
		V8 EFI Petrol, (+)"AUS"	Less Rover Airbag System	AMR4751	1
		2.5L TDi Diesel, (+)"AUS"	Less Rover Airbag System	AMR4751	1

Body Electrics
Instruments & Clock
Instruments 1/1

Discovery (FA393361-WA799999)
(CAMXIA5B)



Discovery (FA393361-WA799999)

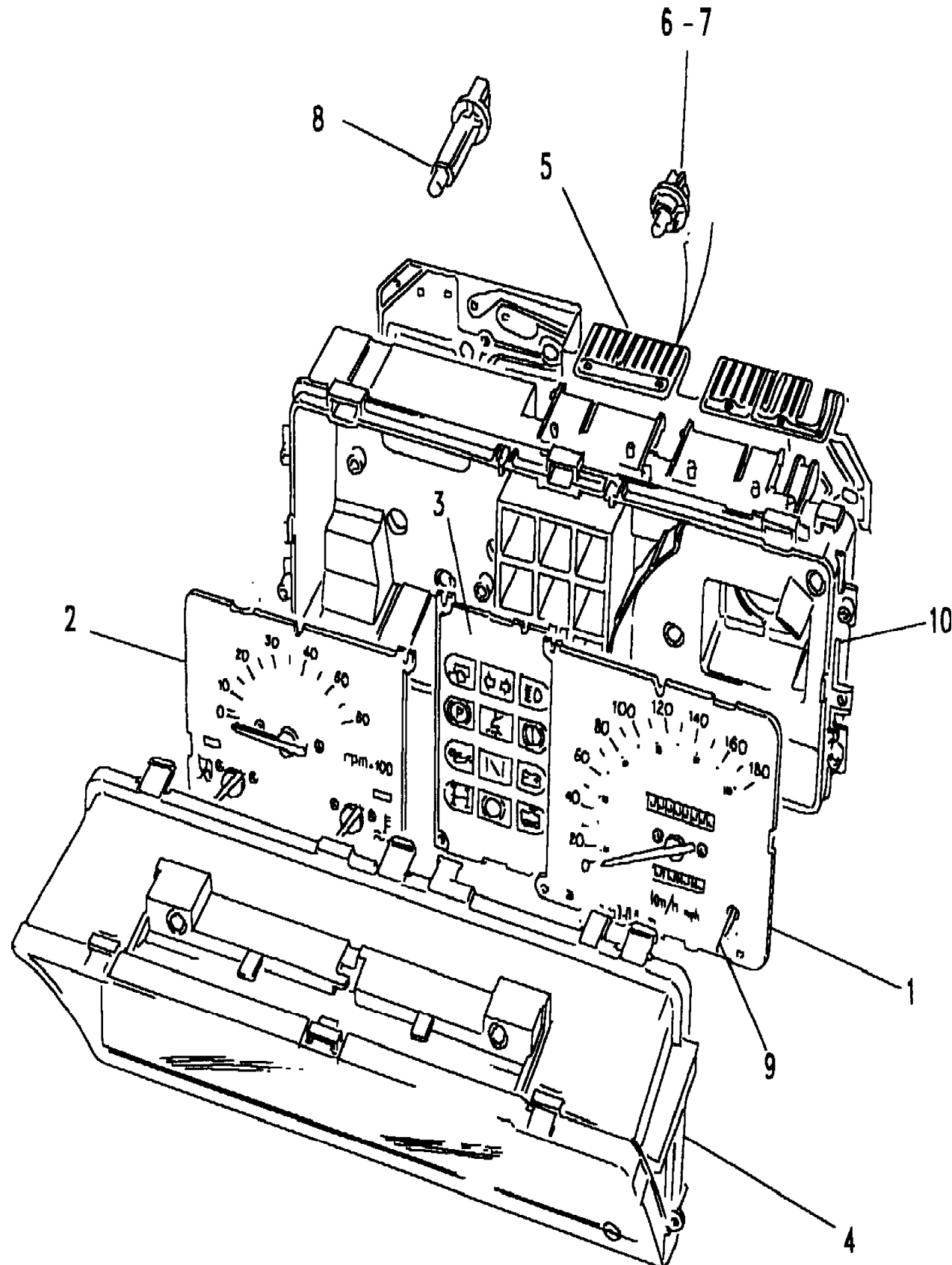
Body Electrics
Instruments & Clock
Instruments

With Police Vehicle

Callout	Name	Application	Remarks & Restrictions	Service No.	Qty
1	Instrument pack	Change point - VIN begin MA081992, Change point - VIN end MA163103	Less Rover Airbag System, UK police specification	AMR3929	1
		Change point - VIN begin MA081992, Change point - VIN end MA501919	Less Rover Airbag System, UK police specification	AMR3929	1
		Change point - VIN begin MA081992, Change point - VIN end MA163103	Rover Airbag System, UK police specification	AMR3930	1
		Change point - VIN begin MA081992, Change point - VIN end MA501919	Rover Airbag System, UK police specification	AMR3930	1
		Change point - VIN begin TA163104	Less Rover Airbag System, UK police specification	AMR4757	1
		Change point - VIN begin TA501920	Less Rover Airbag System, UK police specification	AMR4757	1
		Change point - VIN begin TA163104	Rover Airbag System, UK police specification	AMR4758	1
		Change point - VIN begin TA501920	Rover Airbag System, UK police specification	AMR4758	1

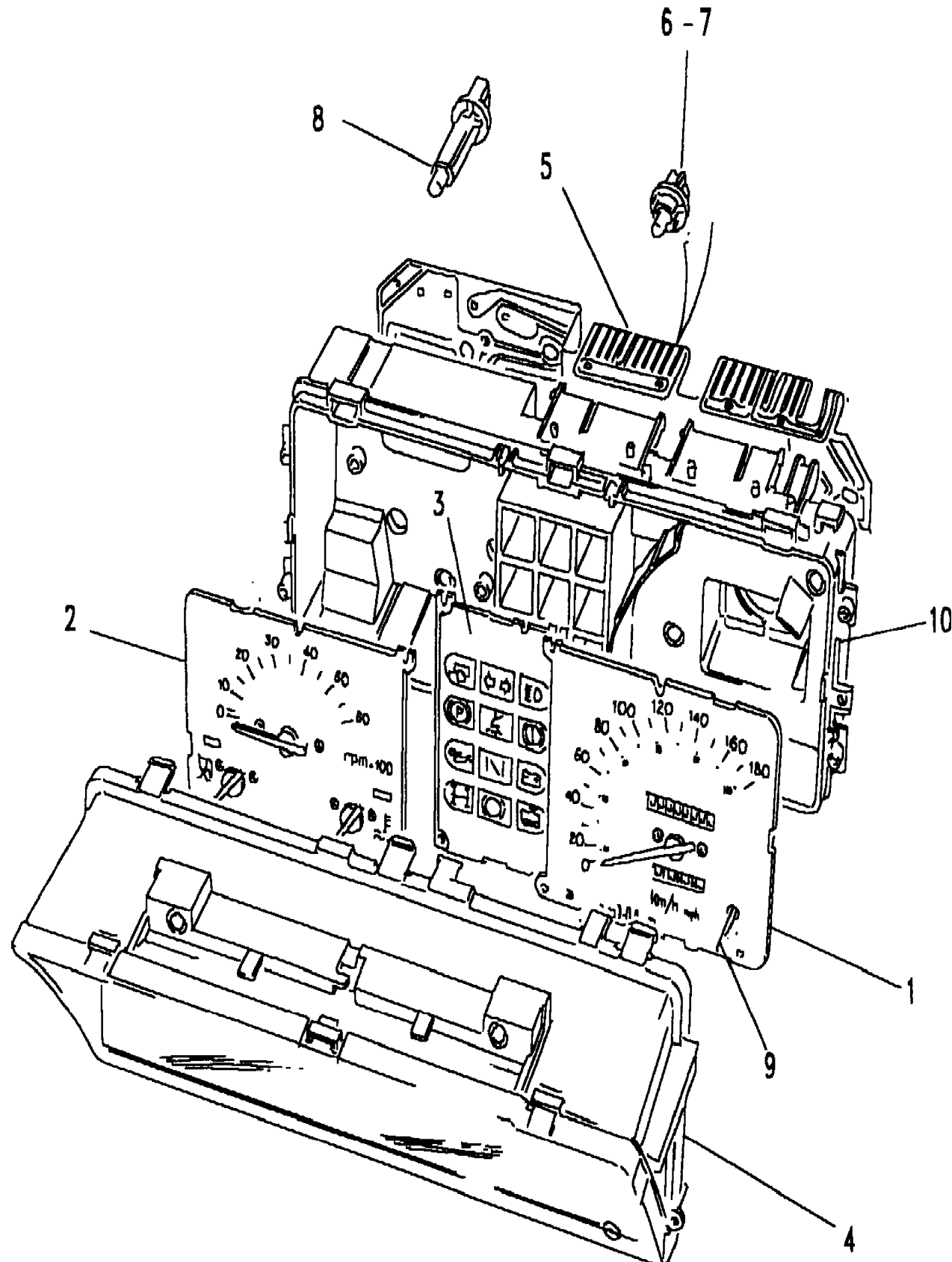
Change point - VIN end LA081991

Callout	Name	Application	Remarks & Restrictions	Service No.	Qty
1	Speedometer	V8 Petrol, (-)"AUS"	MPH, with tachometer	RTC6569	1
		2.5L TDi Diesel, (-)"AUS"	MPH, with tachometer	RTC6569	1
		Change point - VIN end JA028096, V8 Petrol, (-)"AUS"	with tachometer, KMH	RTC6570	1
		Change point - VIN end JA028096, 2.5L TDi Diesel, (-)"AUS"	with tachometer, KMH	RTC6570	1
		Change point - VIN begin JA028097, Change point - VIN end LA081991, V8 Petrol, (-)"AUS"	with tachometer, KMH	STC553	1
		Change point - VIN begin JA028097, Change point - VIN end LA081991, 2.5L TDi Diesel, (-)"AUS"	with tachometer, KMH	STC553	1
		V8 Petrol, (-)"AUS"	MPH, without tachometer	RTC6571	1
		2.5L TDi Diesel, (-)"AUS"	MPH, without tachometer	RTC6571	1
		Change point - VIN end JA028096, V8 Petrol, (-)"AUS"	without tachometer, KMH	RTC6572	1
		Change point - VIN end JA028096, 2.5L TDi Diesel, (-)"AUS"	without tachometer, KMH	RTC6572	1
		Change point - VIN begin JA028097, Change point - VIN end LA081991, V8 Petrol, (-)"AUS"	without tachometer, KMH	STC745	1
		Change point - VIN begin JA028097, Change point - VIN end LA081991, 2.5L TDi Diesel, (-)"AUS"	without tachometer, KMH	STC745	1
		Change point - VIN begin JA028097, Change point - VIN end LA081991, (+)"AUS"	with tachometer, KMH	STC553	1
		4 Cyl MPi Petrol, (-)"AUS"	MPH, with tachometer	RTC6569	1
Change point - VIN begin JA028097, Change point - VIN end LA081991, 4 Cyl MPi Petrol, (-)"AUS"	with tachometer, KMH	STC553	1		
2	Gauge-tachometer/ fuel/ temperature	(-)"GCC"	(-) MPI, with tachometer	RTC6573	1
		4 Cyl MPi Petrol, (-)"GCC" (+)"GCC"	with tachometer with tachometer	STC857 STC813	1 1
3	Lens-warning instrument pack	Change point - VIN end JA028096, TDi		RTC6575	1
		Change point - VIN begin JA028097, Change point - VIN end LA081991, TDi		STC642	1
		EFI, (-)"J"		STC135	1
		EFI, (+)"J"		STC641	1
4	Cowl assembly instrument pack	2.5L TDi Diesel, (+)"J"		STC642	1
				RTC6576	1



Change point - VIN end LA081991

Callout	Name	Application	Remarks & Restrictions	Service No.	Qty		
5	Printed circuit board instrument pack	Change point - VIN begin GA394352, Change point - VIN end GA440844, V8 Twin Carb Petrol		RTC6578	1		
		Change point - VIN begin GA394352, Change point - VIN end GA440844, 2.5L TDi Diesel		RTC6578	1		
		Change point - VIN begin GA440845, Change point - VIN end GA456980, V8 EFI Petrol		STC136	1		
		Change point - VIN begin HA000001, Change point - VIN end HA012332, V8 EFI Petrol		STC136	1		
		Change point - VIN begin HA456981, Change point - VIN end HA486551, V8 EFI Petrol		STC136	1		
		Change point - VIN begin JA012333, Change point - VIN end LA081991, V8 EFI Petrol		STC136	1		
		Change point - VIN begin GA440845, Change point - VIN end GA456980, 2.5L TDi Diesel		STC136	1		
		Change point - VIN begin HA000001, Change point - VIN end HA012332, 2.5L TDi Diesel		STC136	1		
		Change point - VIN begin HA456981, Change point - VIN end HA486551, 2.5L TDi Diesel		STC136	1		
		Change point - VIN begin JA012333, Change point - VIN end LA081991, 2.5L TDi Diesel		STC136	1		
		6	Bulb & holder assembly		Grey	RTC6579	11
		7	Bulb & holder assembly		Blue.	RTC6580	1
		8	Bulb & holder assembly		Brown, Short, with tachometer	PRC7451	1
	Long, Brown, with tachometer			RTC6582	3		
9	Knob trip reset			RTC6583	1		
10	Case assembly instrument pack			STC983	1		
[900]	Gauge-fuel & temperature		without tachometer	RTC6574	1		



Body Electrics
Instruments & Clock
Instruments 3/3

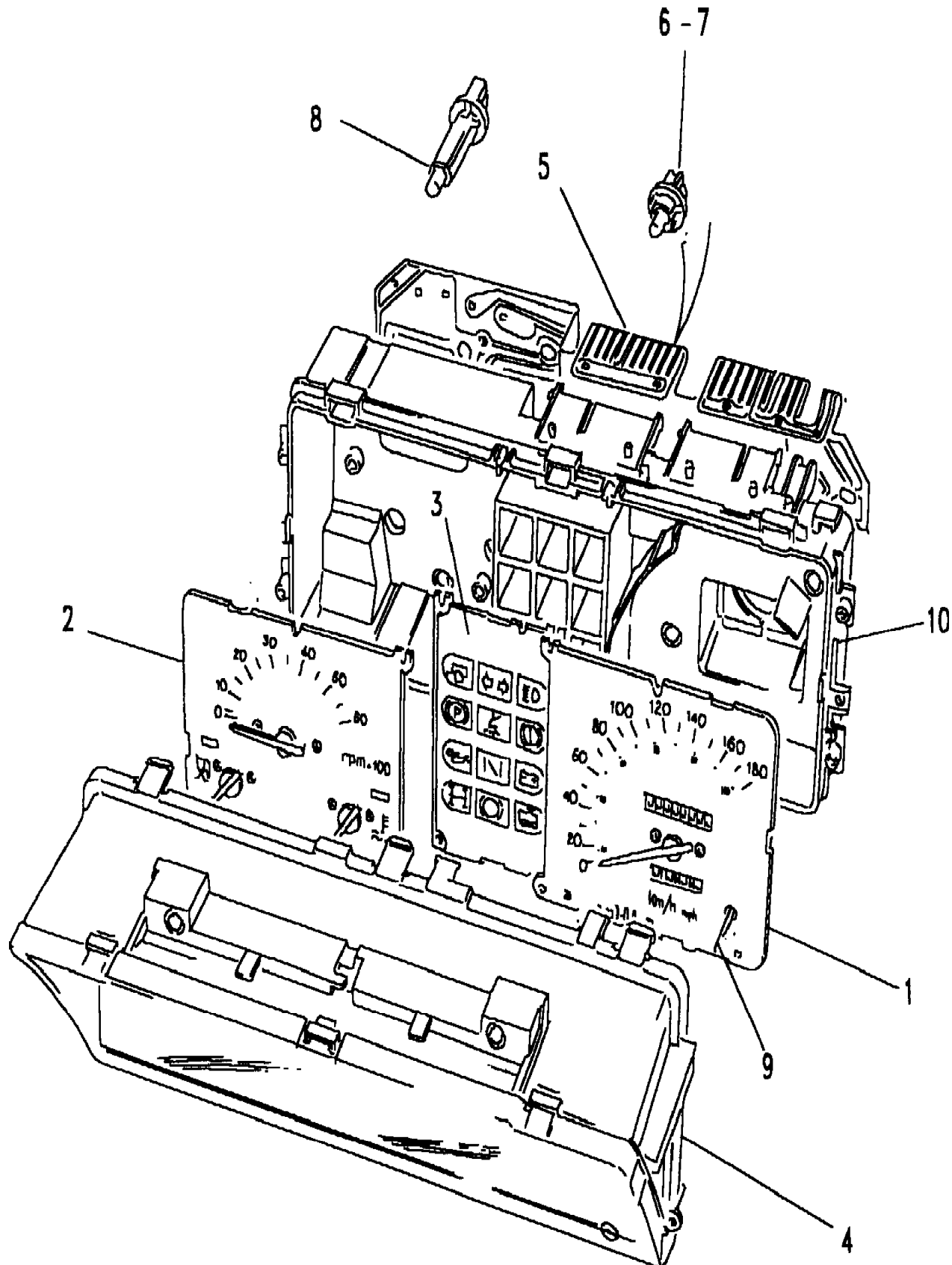
Discovery (FA393361-WA799999)
(CAMXIA1A)

Discovery (FA393361-WA799999)

Body Electrics
Instruments & Clock
Instruments

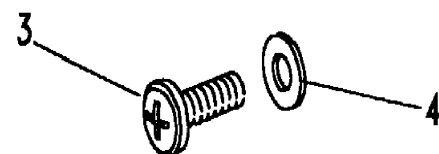
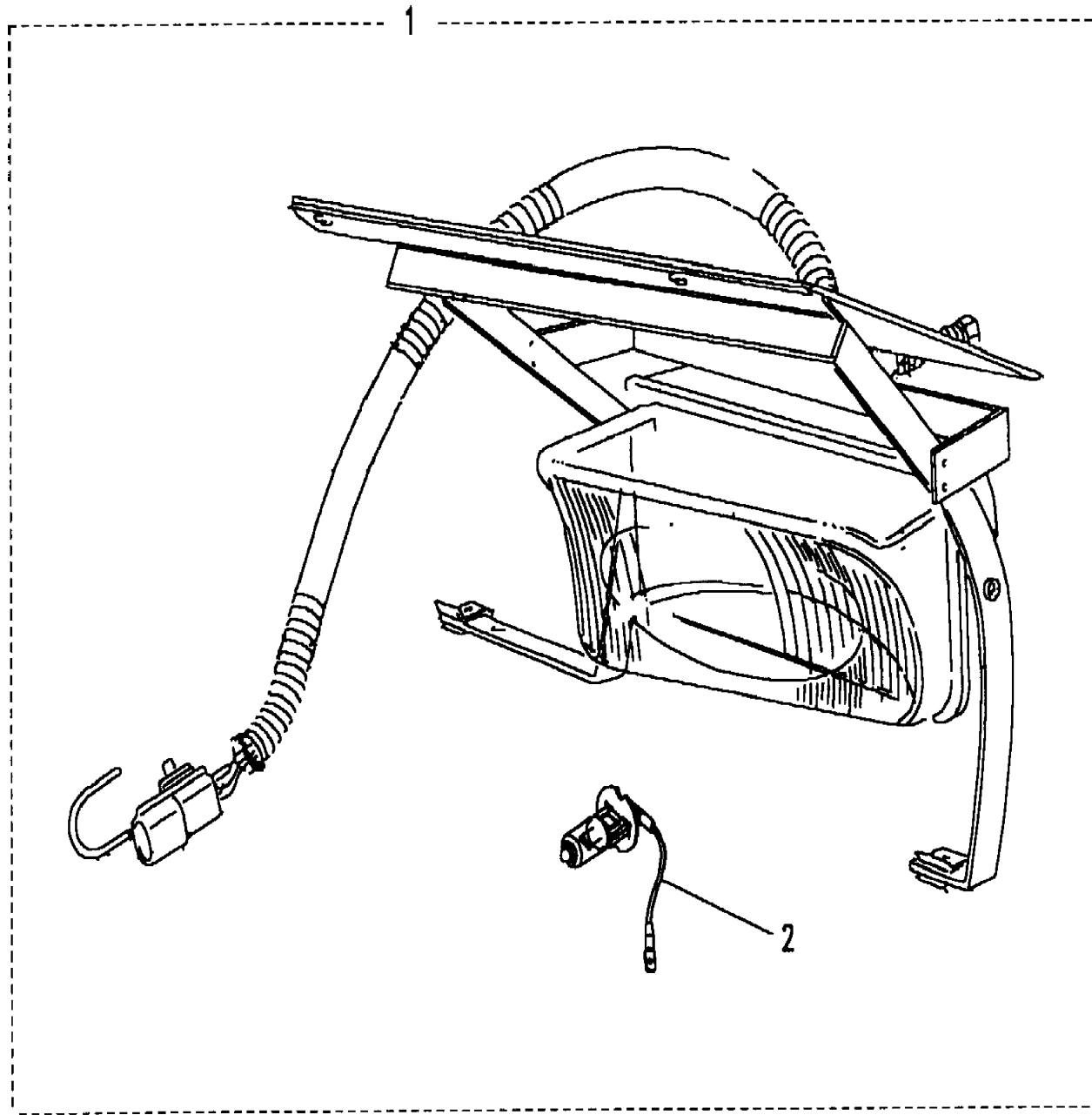
Change point - VIN end LA081991

Callout	Name	Application	Remarks & Restrictions	Service No.	Qty
[901]	Harness instrument pack			RTC6577	1



Body Electrics
Lighting
Auxiliary 1/1

Discovery (FA393361-WA799999)
(CAMXAA3A)



Discovery (FA393361-WA799999)

Body Electrics
Lighting
Auxiliary

Callout	Name	Application	Remarks & Restrictions	Service No.	Qty
1	Lamp-front lighting fog	Change point - VIN begin TA163104	Also serviced as part of a kit, RH, festoon	AMR4137	1
		Change point - VIN begin TA501920	Also serviced as part of a kit, RH, festoon	AMR4137	1
		Change point - VIN begin TA163104	Also serviced as part of a kit, festoon, LH	AMR4136	1
		Change point - VIN begin TA501920	Also serviced as part of a kit, festoon, LH	AMR4136	1
2	Bulb-headlamp-h3-55 Watt	Change point - VIN begin TA163104	Also serviced as part of a kit	STC3085	2
		Change point - VIN begin TA501920	Also serviced as part of a kit	STC3085	2
3	Screw	Change point - VIN begin TA163104	M5	SE105168L	8
		Change point - VIN begin TA501920	M5	SE105168L	8
4	Washer	Change point - VIN begin TA163104	M5	WC105048L	8
		Change point - VIN begin TA501920	M5	WC105048L	8
[900]	Fog Lamp			AMR5617 AMR5618	1 1

Body Electrics
Lighting
Front Indicator 1/1

Discovery (FA393361-WA799999)

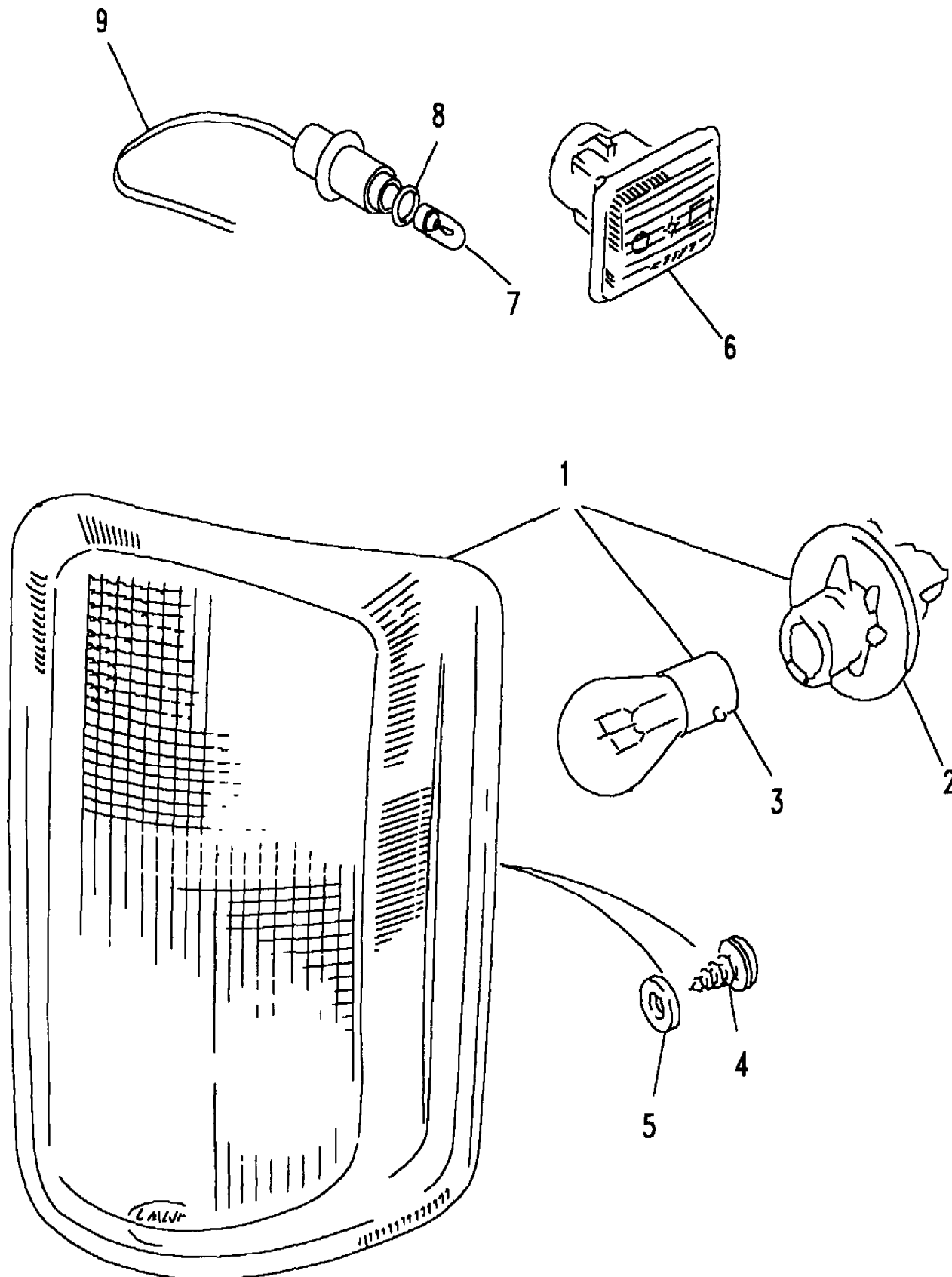
(CAMXAC1C)

Discovery (FA393361-WA799999)

Body Electrics
Lighting
Front Indicator

Change point - VIN begin MA081992

Callout	Name	Application	Remarks & Restrictions	Service No.	Qty		
1	Lamp-front direction indicator	Change point - VIN begin VA545614	Also serviced as part of a kit, RH	AMR6512	1		
		Change point - VIN begin VA714020	Also serviced as part of a kit, RH	AMR6512	1		
		Change point - VIN begin VA714020	Also serviced as part of a kit, RH	XBD100760	1		
		Change point - VIN begin VA545614	Also serviced as part of a kit, LH	AMR6511	1		
		Change point - VIN begin VA714020	Also serviced as part of a kit, LH	AMR6511	1		
		Change point - VIN begin VA714020	LH	XBD100770	1		
		Change point - VIN begin MA081992, Change point - VIN end MA148717	Also serviced as part of a kit, RH	AMR1283	1		
		Change point - VIN begin MA081992, Change point - VIN end MA148717	Also serviced as part of a kit, LH	AMR1284	1		
		Change point - VIN begin MA148718, Change point - VIN end VA545613	Also serviced as part of a kit, RH	AMR5100	1		
		Change point - VIN begin MA148718, Change point - VIN end VA714019	Also serviced as part of a kit, RH	AMR5100	1		
		Change point - VIN begin MA148718, Change point - VIN end VA545613	Also serviced as part of a kit, LH	AMR5101	1		
		Change point - VIN begin MA148718, Change point - VIN end VA714019	Also serviced as part of a kit, LH	AMR5101	1		
		2	Holder-single pole bulb	Change point - VIN begin VA545614	Also serviced as part of a kit, 21W	XBP100180	1
				Change point - VIN begin VA714020	Also serviced as part of a kit, 21W	XBP100180	1
3	Bulb-382-p25/1-21 Watt	Change point - VIN begin VA545614	Also serviced as part of a kit, 12V	264591	1		
		Change point - VIN begin VA714020	Also serviced as part of a kit, 12V	264591	1		
4	Screw			PRC7445	4		
5	Washer		Also serviced as part of a kit, M5, oversize, Plain	WJ105001L	4		
6	Lamp-auxiliary lighting side repeater			PRC9916	2		
7	Bulb-501-w10/5-5 Watt		12V	AFU4481	2		
8	O Ring			AFU3112L	2		
9	Kit-side repeater harness			STC966	2		



Body Electrics
Lighting
Front Indicator 1/2

Discovery (FA393361-WA799999)

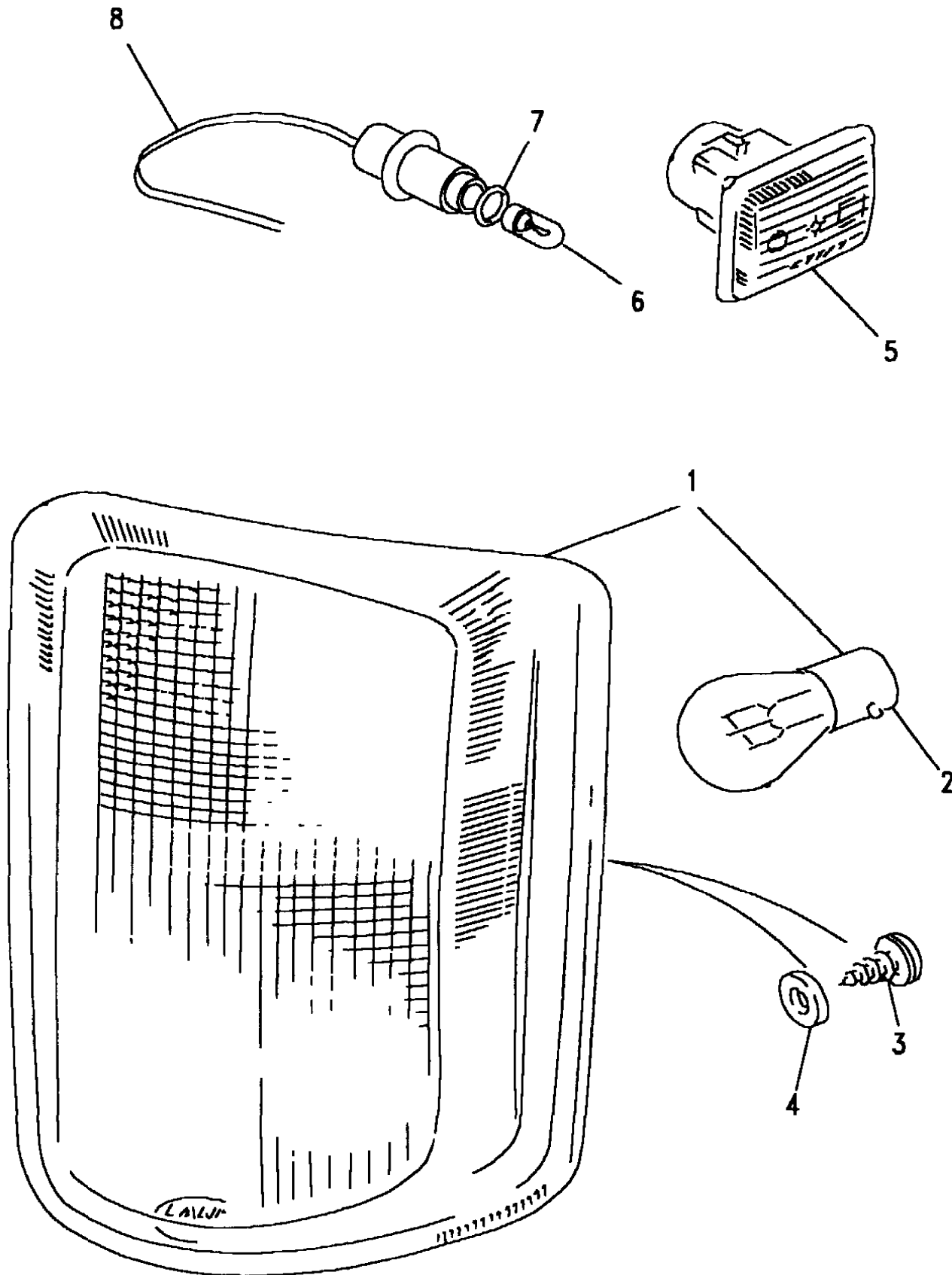
(CAMXAC1B)

Discovery (FA393361-WA799999)

Body Electrics
Lighting
Front Indicator

Change point - VIN end LA081991

Callout	Name	Application	Remarks & Restrictions	Service No.	Qty		
1	Lamp-front direction indicator	Change point - VIN begin FA393361, Change point - VIN end GA456980	Also serviced as part of a kit, RH	PRC6471	1		
		Change point - VIN begin HA000001, Change point - VIN end HA009406	Also serviced as part of a kit, RH	PRC6471	1		
		Change point - VIN begin HA456981, Change point - VIN end HA486551	Also serviced as part of a kit, RH	PRC6471	1		
		Change point - VIN begin FA393361, Change point - VIN end GA456980	Also serviced as part of a kit, LH	PRC6472	1		
		Change point - VIN begin HA000001, Change point - VIN end HA009406	Also serviced as part of a kit, LH	PRC6472	1		
		Change point - VIN begin HA456981, Change point - VIN end HA486551	Also serviced as part of a kit, LH	PRC6472	1		
		Change point - VIN begin HA009407, Change point - VIN end HA012332	Also serviced as part of a kit, RH	PRC9306	1		
		Change point - VIN begin JA012333, Change point - VIN end LA081991	Also serviced as part of a kit, RH	PRC9306	1		
		Change point - VIN begin HA009407, Change point - VIN end HA012332	Also serviced as part of a kit, LH	PRC9307	1		
		Change point - VIN begin JA012333, Change point - VIN end LA081991	Also serviced as part of a kit, LH	PRC9307	1		
		2	Bulb-382-p25/1-21 Watt	Change point - VIN begin FA393361, Change point - VIN end GA456980	Also serviced as part of a kit, 12V	264591	2
				Change point - VIN begin HA000001, Change point - VIN end HA009406	Also serviced as part of a kit, 12V	264591	2
				Change point - VIN begin HA456981, Change point - VIN end HA486551	Also serviced as part of a kit, 12V	264591	2
		3	Screw			PRC7445	4
4	Washer		Also serviced as part of a kit, M5, oversize, Plain	WJ105001L	4		
5	Lens-auxiliary lighting side repeater	Change point - VIN end JA031114		DCP8048	2		
		Change point - VIN begin JA031115, Change point - VIN end LA081991		PRC9916	2		
6	Bulb-501-w10/5-5 Watt	Change point - VIN begin KA046106	Side Repeater, 12V	570829	2		
		Change point - VIN begin KA046107, Change point - VIN end LA081991	Side Repeater, 12V	AFU4481	2		



Body Electrics
Lighting
Front Indicator 2/2

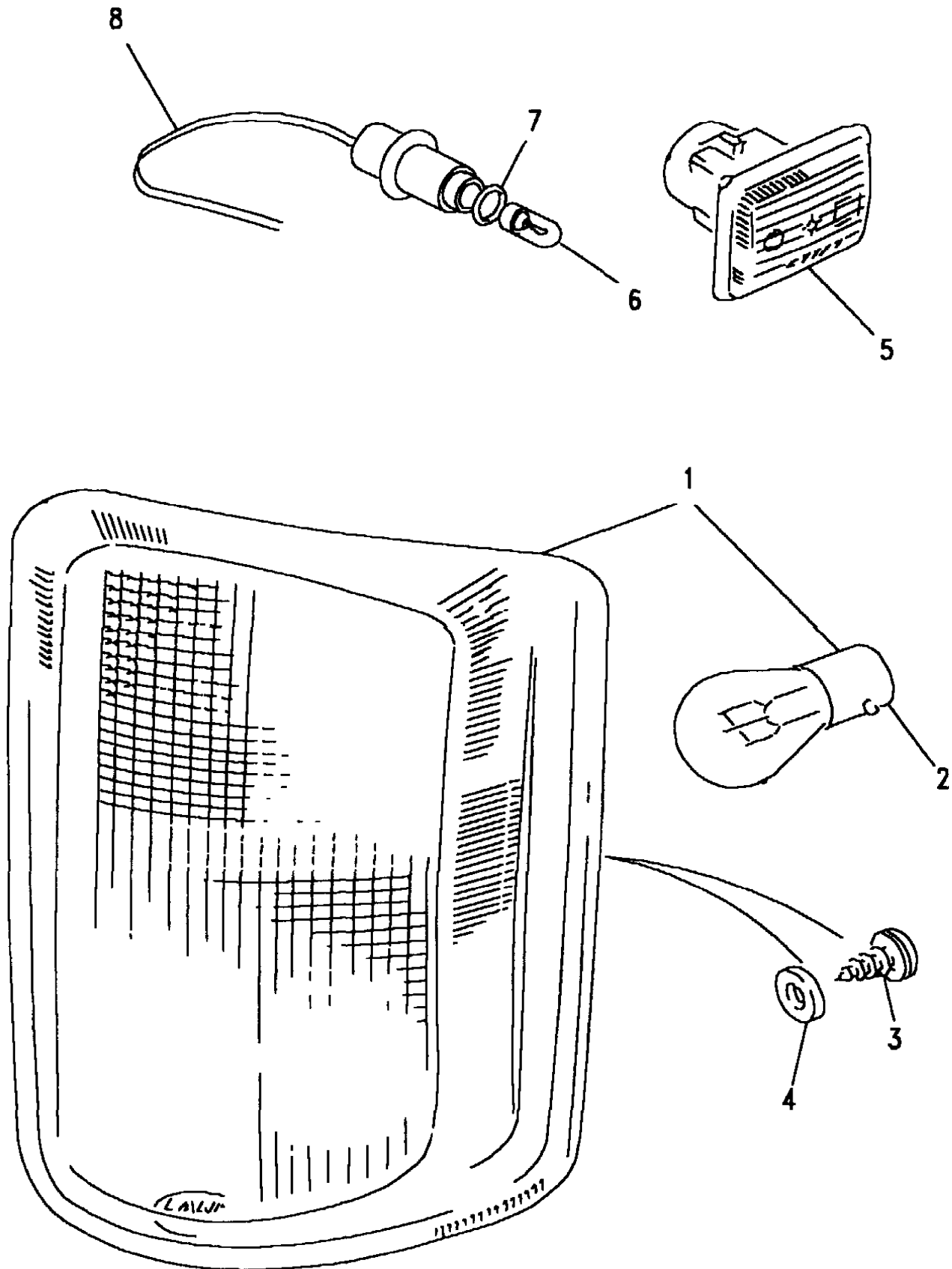
Discovery (FA393361-WA799999)
(CAMXAC1B)

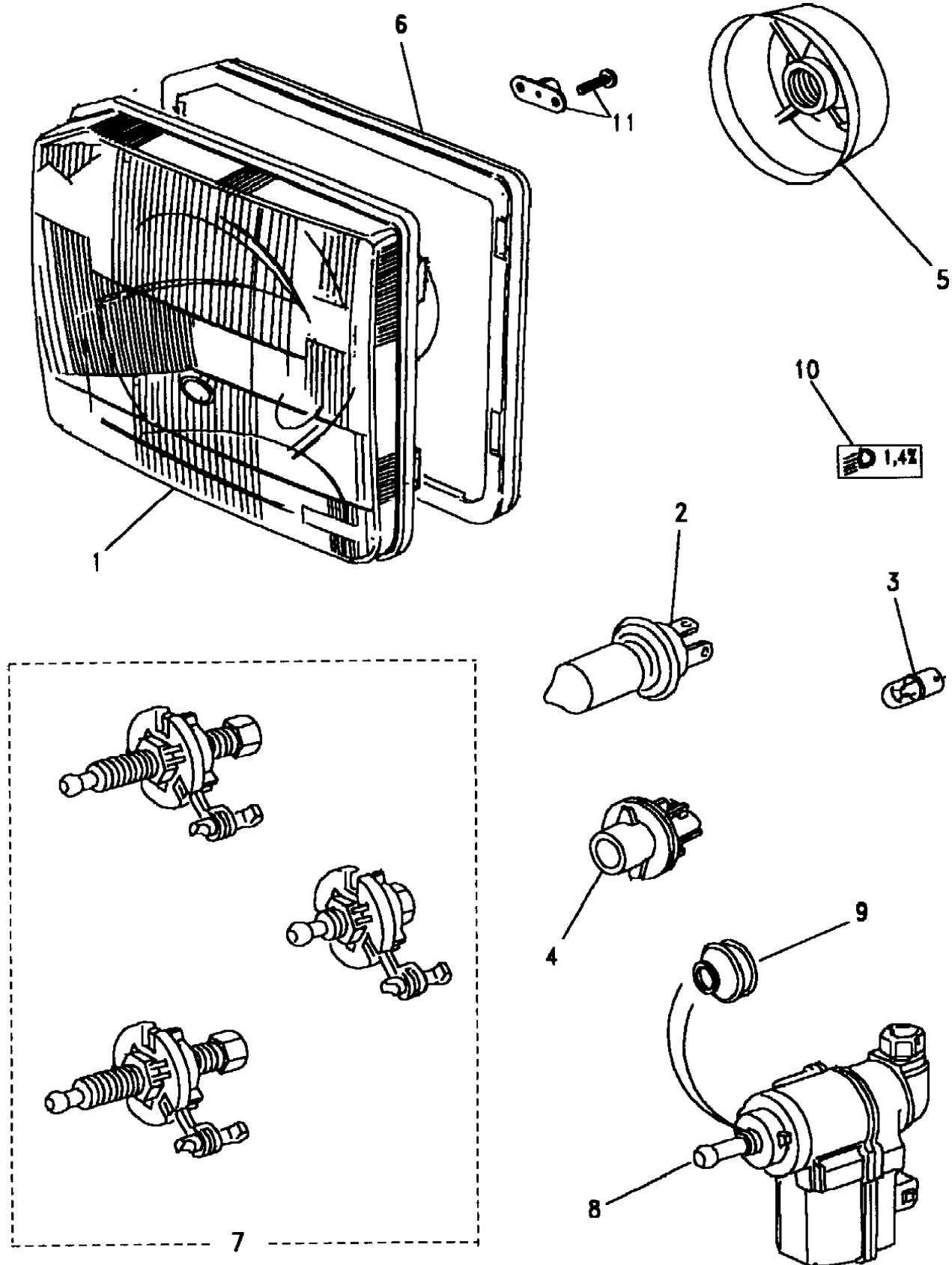
Discovery (FA393361-WA799999)

Body Electrics
Lighting
Front Indicator

Change point - VIN end LA081991

Callout	Name	Application	Remarks & Restrictions	Service No.	Qty
7	O Ring	Change point - VIN begin KA046107, Change point - VIN end LA081991	Side Repeater	AFU3112L	2
8	Kit-side repeater harness			STC966	2
[900]	Bulb-501-w10/5-5 Watt	Change point - VIN end LA081991, Change point - VIN begin	Side Repeater, 12V	AFU4481	2





Change point - VIN begin MA081992

Callout	Name	Application	Remarks & Restrictions	Service No.	Qty
1	Headlamp assembly-load levelling	(+)"CDN/MEX/USA"	RH	STC1237	1
		(+)"CDN/MEX/USA"	LH	STC1238	1
		RHD	RH, Carello	STC1233	1
		RHD	Carello, LH	STC1234	1
		LHD	RH, Carello	STC1235	1
		LHD	Carello, LH	STC1236	1
2	Bulb-headlamp-h4-60/65 Watt		main & dipped front light, Quartz Halogen, Clear.	589783	2
3	Bulb-501-w10/5-5 Watt		sidelamp, 12V	570829	2
4	Holder-front lighting bulb			STC1240	2
5	Cover-headlamp bulb insulation			STC1239	2
6	Gasket-headlamp lens		RH	STC1713	1
			LH	STC1714	1
7	Kit-headlamp fittings			STC1232	2
8	Motor-headlamp-load levelling		Also serviced as part of a kit	AMR2706	2
9	Grommet		Also serviced as part of a kit	STC8646	2
10	Label-headlamp leveling information			PRC8171	1
11	Adjuster unit-headlamp			STC3368	4
[900]	Bulb-501-w10/5-5 Watt	Change point - VIN begin	12V	AFU4481	2

Body Electrics
Lighting
Headlamps-Wipac To (V) LA081991 1/1

Discovery (FA393361-WA799999)

(CAMXAA1A)

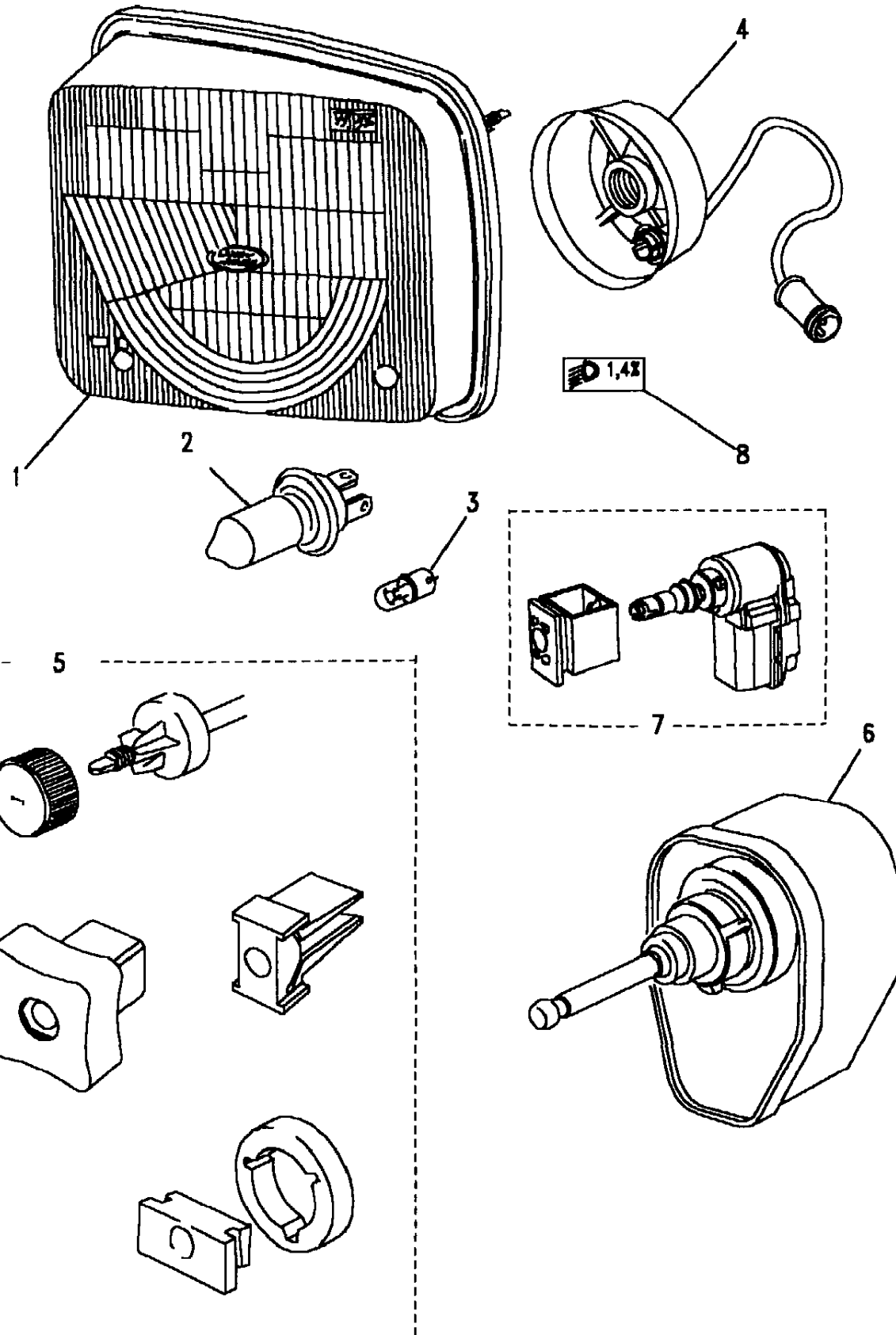
Discovery (FA393361-WA799999)

Body Electrics
Lighting

Headlamps-Wipac To (V) LA081991

Change point - VIN end LA081991

Callout	Name	Application	Remarks & Restrictions	Service No.	Qty
1	Headlamp assembly-front lighting	(+)"CDN/MEX/USA"	RH	STC1237	
		(+)"CDN/MEX/USA"	LH	STC1238	
		RHD	RH, 5 band type	RTC6469	1
		RHD	5 band type, LH	RTC6470	1
		RHD	RH, Wipac, 4 band type	STC765	1
		RHD	Wipac, 4 band type, LH	STC766	1
		LHD	RH, 5 band type	RTC6471	1
		LHD	5 band type, LH	RTC6472	1
		LHD	RH, Wipac, 4 band type	STC767	1
		LHD	Wipac, 4 band type, LH	STC768	1
2	Bulb-headlamp-h4-60/65 Watt	(-)"F"	Quartz Halogen, Clear.	589783	2
		(+)"F"	Quartz Halogen, Yellow	PRC2167	2
3	Bulb-501-w10/5-5 Watt		sidelamp, 12V	570829	2
4	Cover & harness assembly-headlamp			STC113	2
5	Kit-headlamp cover			STC778	1
6	Motor-headlamp-load levelling	Change point - VIN end JA028787, With Manual Headlamp Levelling		PRC7885	2
7	Motor-headlamp-load levelling	Change point - VIN begin JA028788, Change point - VIN end KA052662, With Manual Headlamp Levelling		AMR1728	2
		Change point - VIN begin KA052663, Change point - VIN end LA081991, With Manual Headlamp Levelling		AMR2985	2
8	Label-headlamp leveling information	RHD		PRC8171	1
[900]	Bulb-501-w10/5-5 Watt	Change point - VIN end LA081991, Change point - VIN begin	sidelamp, 12V	AFU4481	2
[901]	Motor-headlamp-load levelling	With Manual Headlamp Levelling		NSP	1

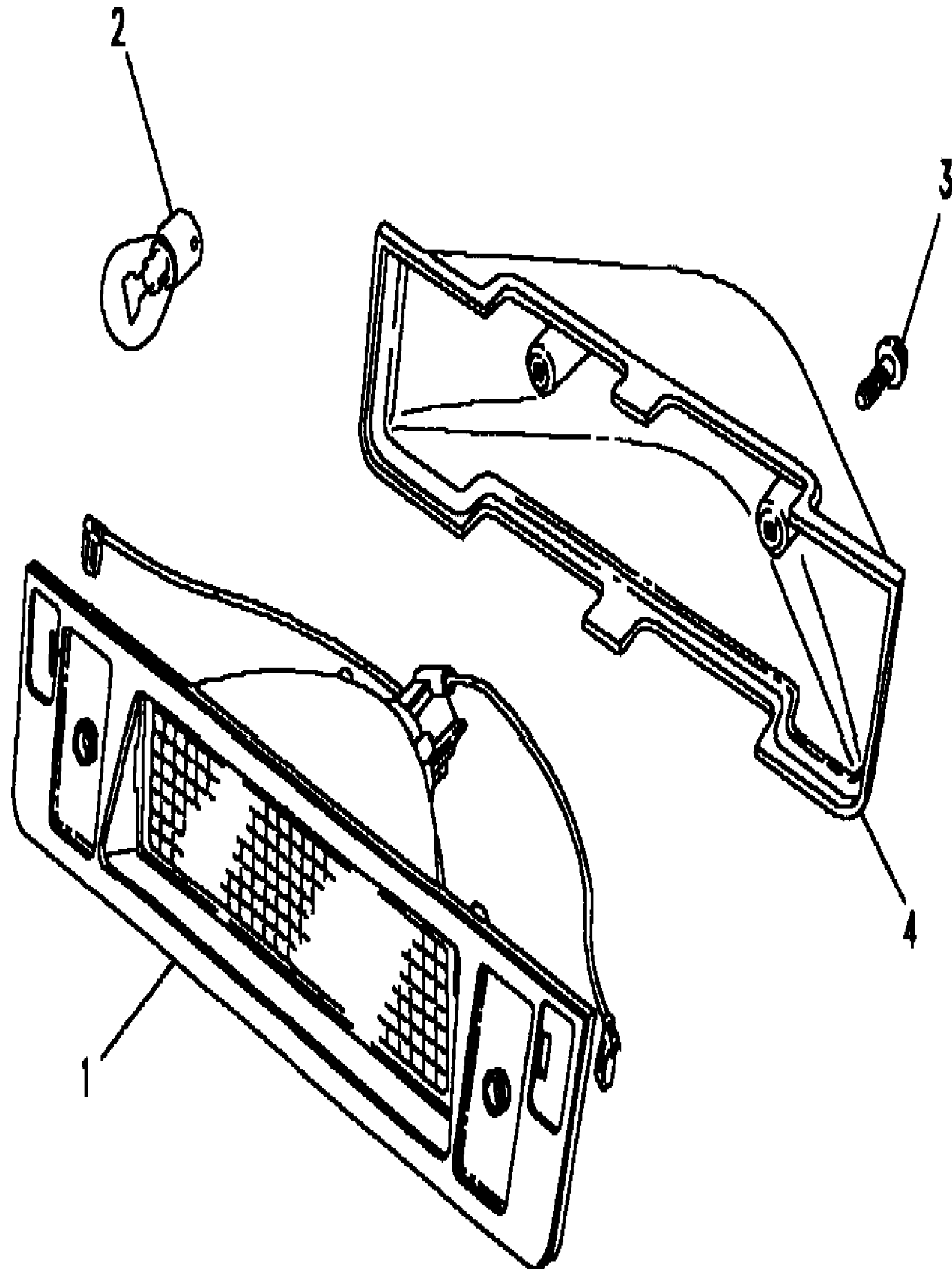


Body Electrics
Lighting
High Level Stop Lamp 1/1

Discovery (FA393361-WA799999)
(CAMXAC5A)

Discovery (FA393361-WA799999)

Body Electrics
Lighting
High Level Stop Lamp



Callout	Name	Application	Remarks & Restrictions	Service No.	Qty
1	Lamp-rear high mounted stop	Change point - VIN end VA588233	Also serviced as part of a kit	AMR1285	1
		Change point - VIN end VA724059	Also serviced as part of a kit	AMR1285	1
		Change point - VIN begin VA558234	Also serviced as part of a kit	XFG100330	1
		Change point - VIN begin VA724060	Also serviced as part of a kit	XFG100330	1
		(+)"CDN/MEX/USA"		XFG100340	1
2	Bulb-382-p25/1-21 Watt	Change point - VIN end VA588233	Also serviced as part of a kit, 12V	264591	1
		Change point - VIN end VA724059	Also serviced as part of a kit, 12V	264591	1
3	Screw	Change point - VIN begin MA081992	3.5 x 16	BTR2940	2
4	Cover-high mounted stop lamp integral	Change point - VIN begin MA081992		BTR4414	1
				XFK100290	1

Body Electrics
Lighting
Interior Lamps 1/1

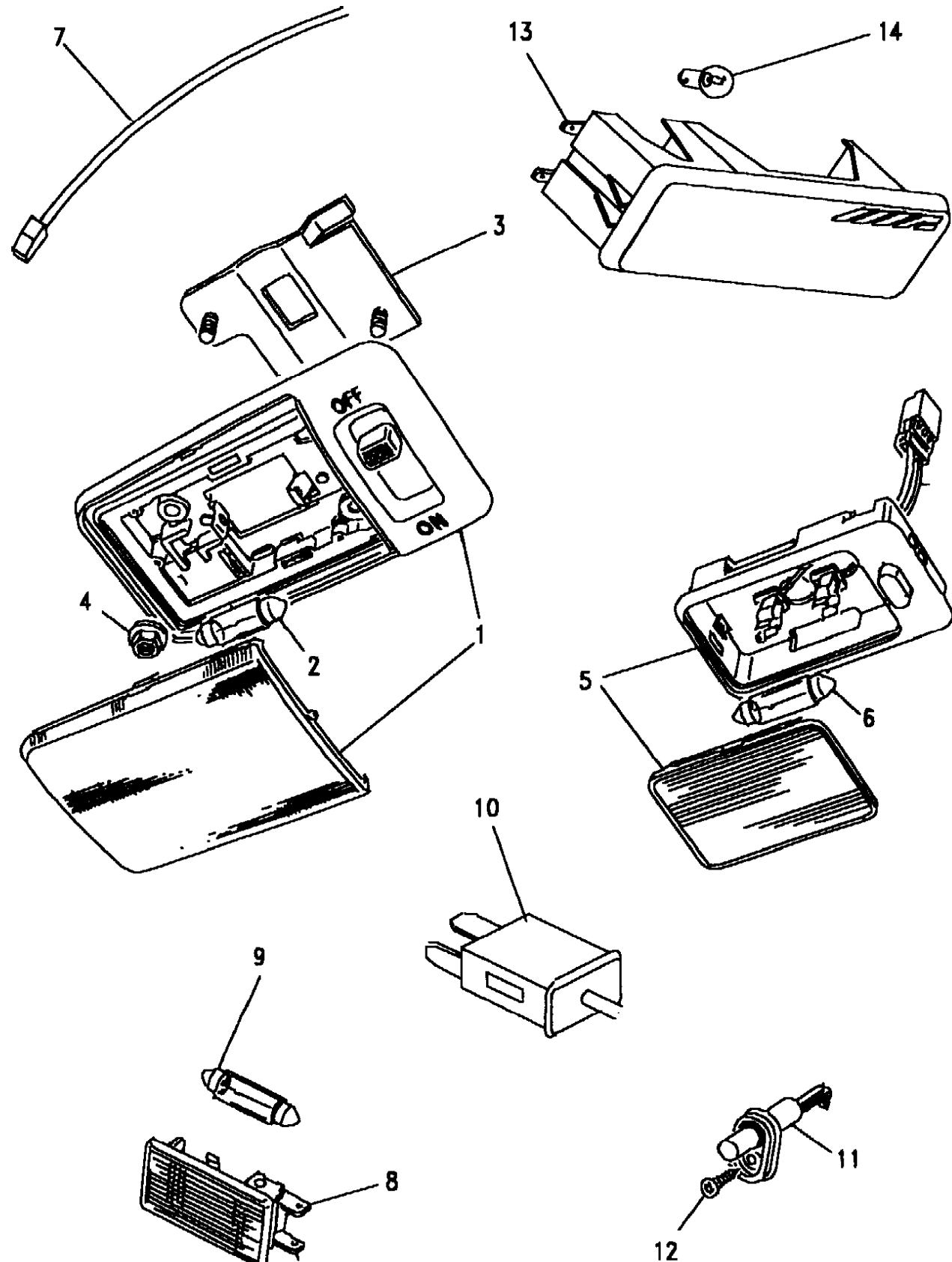
Discovery (FA393361-WA799999)
(CAMXAE2B)

Discovery (FA393361-WA799999)

Body Electrics
Lighting
Interior Lamps

Change point - VIN begin MA081992

Callout	Name	Application	Remarks & Restrictions	Service No.	Qty
1	Lamp-interior courtesy		Also serviced as part of a kit	AMR2577	1
2	Bulb-272-10 Watt		Also serviced as part of a kit, festoon, 36x10.5mm	586438	1
3	Bracket-courtesy lamp			BTR9724	1
4	Nut - Hex.		M5, Flanged Head	FN105047L	2
5	Lamp-rear headlining interior courtesy		Also serviced as part of a kit	AMR2329	1
6	Bulb-239-c11-5 Watt		Also serviced as part of a kit, festoon	RTC3633	1
7	Harness interior light			AMR3701	1
8	Lamp-glove box illumination		Also serviced as part of a kit	ADU2066L	1
9	Bulb-239-c11-5 Watt		Also serviced as part of a kit, festoon	RTC3633	1
10	Switch-contact glovebox lamp			YUE10005L	1
11	Switch-contact courtesy light			PRC8548	5
12	Screw			PRC6518L	5
13	Lamp-trunk/loadspace interior courtesy		Also serviced as part of a kit, Rear, without switch	AFU4091	1
14	Bulb-245-r19/10-10 Watt		Also serviced as part of a kit	STC1203	1
[900]	Switch-contact glovebox lamp			NSP	1
[901]	Lamp-trunk/loadspace interior courtesy		Rear, without switch	AFU4091L	1



Body Electrics

Discovery (FA393361-WA799999)

Lighting

Interior Lamps-Strip Lamp 1/1

(CAMXAE3A)

Discovery (FA393361-WA799999)

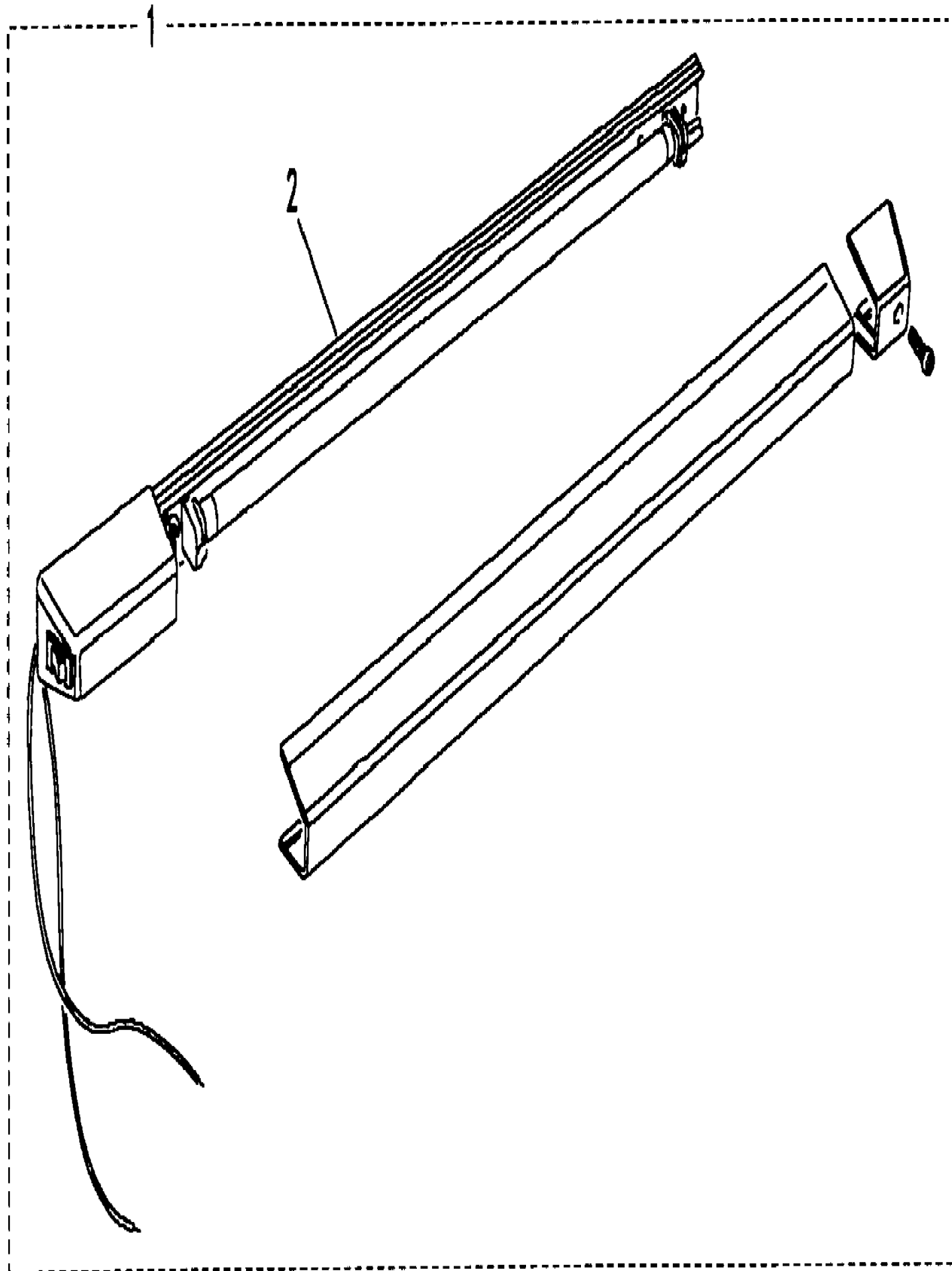
Body Electrics

Lighting

Interior Lamps-Strip Lamp

Commercial

Callout	Name	Application	Remarks & Restrictions	Service No.	Qty
1	Strip lamp fluorescent		Also serviced as part of a kit	STC7031	1
2	Tube fluorescent		Also serviced as part of a kit	STC3298	1



Body Electrics
Lighting
Interior Lamps 1/1

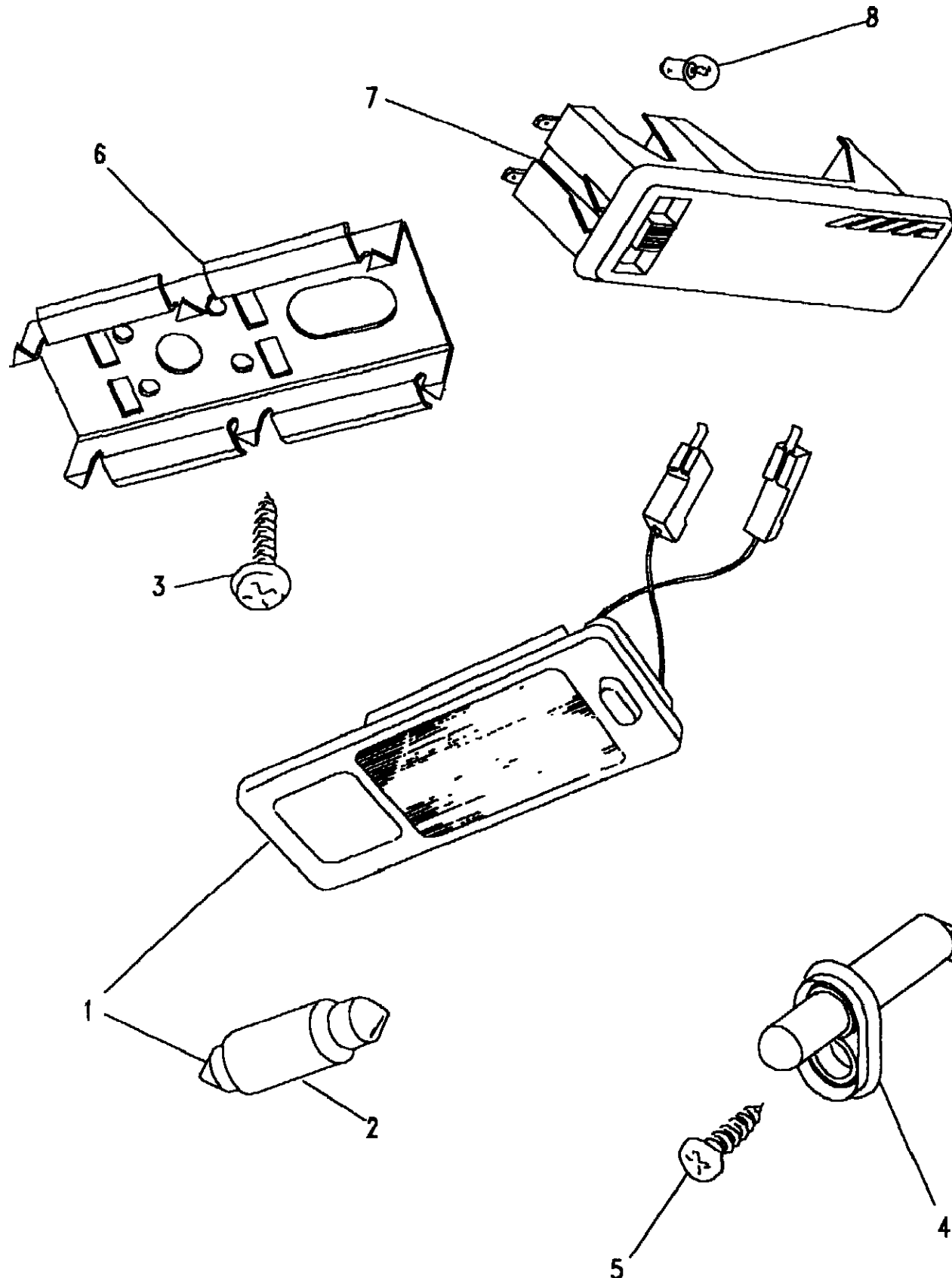
Discovery (FA393361-WA799999)
(CAMXAE2A)

Discovery (FA393361-WA799999)

Body Electrics
Lighting
Interior Lamps

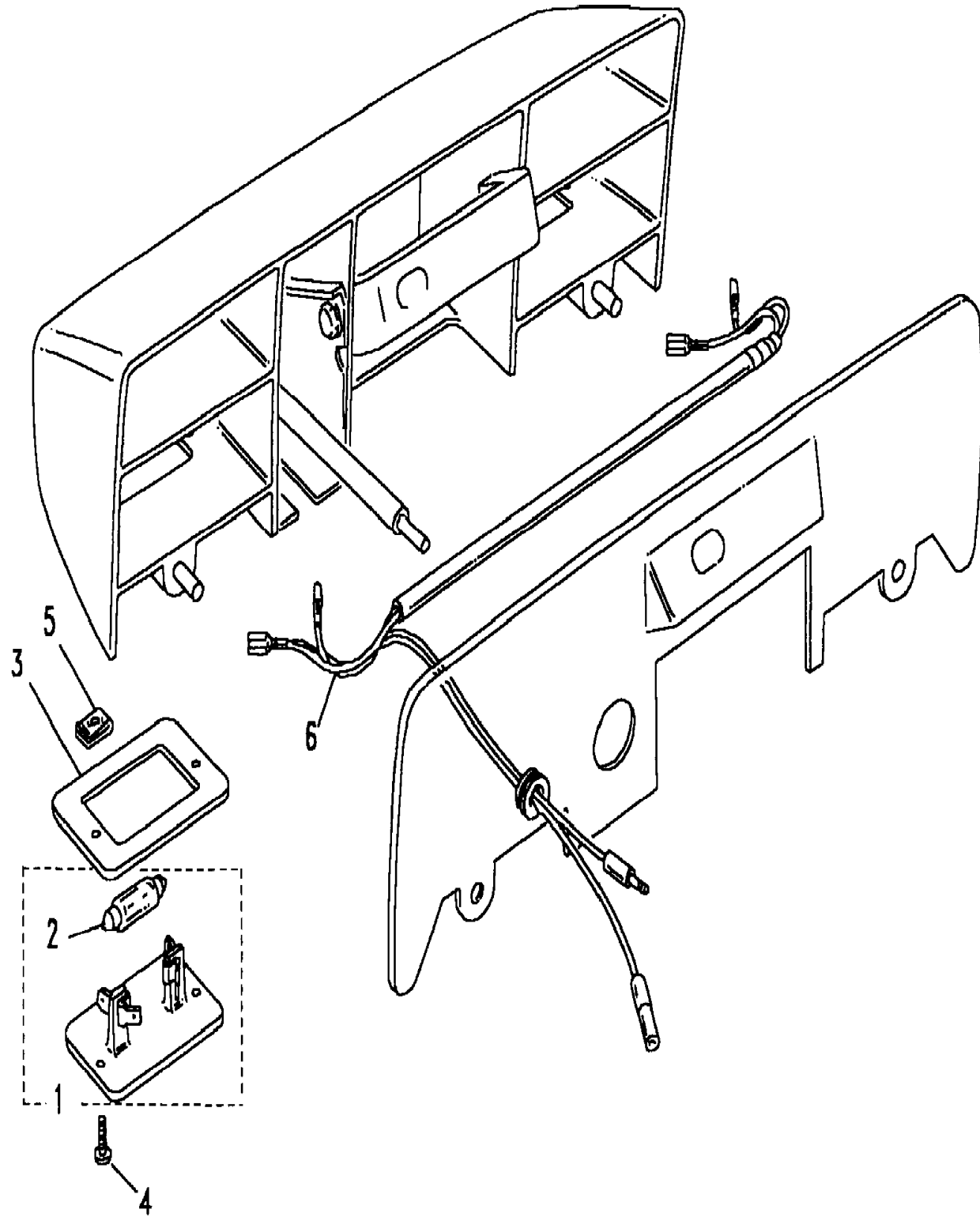
Change point - VIN end LA081991

Callout	Name	Application	Remarks & Restrictions	Service No.	Qty
1	Lamp-centre headlining interior courtesy		Also serviced as part of a kit, Aspen Grey	AMR1183LUP	2
2	Bulb-272-10 Watt		Also serviced as part of a kit, festoon, 36x10.5mm	586438	2
3	Screw			DA608061	8
4	Switch-contact courtesy light	Change point - VIN begin GA394352, Change point - VIN end GA456980 Change point - VIN begin HA000001, Change point - VIN end HA008255 Change point - VIN begin HA456981, Change point - VIN end HA486551 Change point - VIN begin HA008256, Change point - VIN end HA012332 Change point - VIN begin JA012333, Change point - VIN end LA081991		PRC6970	5
5	Screw			PRC6970	5
6	Bracket-courtesy lamp			PRC8548	5
7	Lamp-interior courtesy	Change point - VIN end LA064754 Change point - VIN begin LA064755	Also serviced as part of a kit, with on/off switch Also serviced as part of a kit, Rear, without switch	PRC8548	5
8	Bulb-245-r19/10-10 Watt	Change point - VIN begin LA064755	Also serviced as part of a kit	PRC6518L	3
[900]	Lamp-trunk/loadspace interior courtesy	Change point - VIN begin LA064755, Change point - VIN end LA081991	Also serviced as part of a kit, Rear, without switch	MXC2015	1
[901]	Bulb-245-r19/10-10 Watt	Change point - VIN begin LA064755, Change point - VIN end LA081991	Also serviced as part of a kit	AFU4092L	1
				AFU4091L	1
				STC1203	1
				AFU4091	1
				STC1203	1



Body Electrics
Lighting
Lamp Number Plate 1/1

Discovery (FA393361-WA799999)
(CAMXAC2A)



Discovery (FA393361-WA799999)

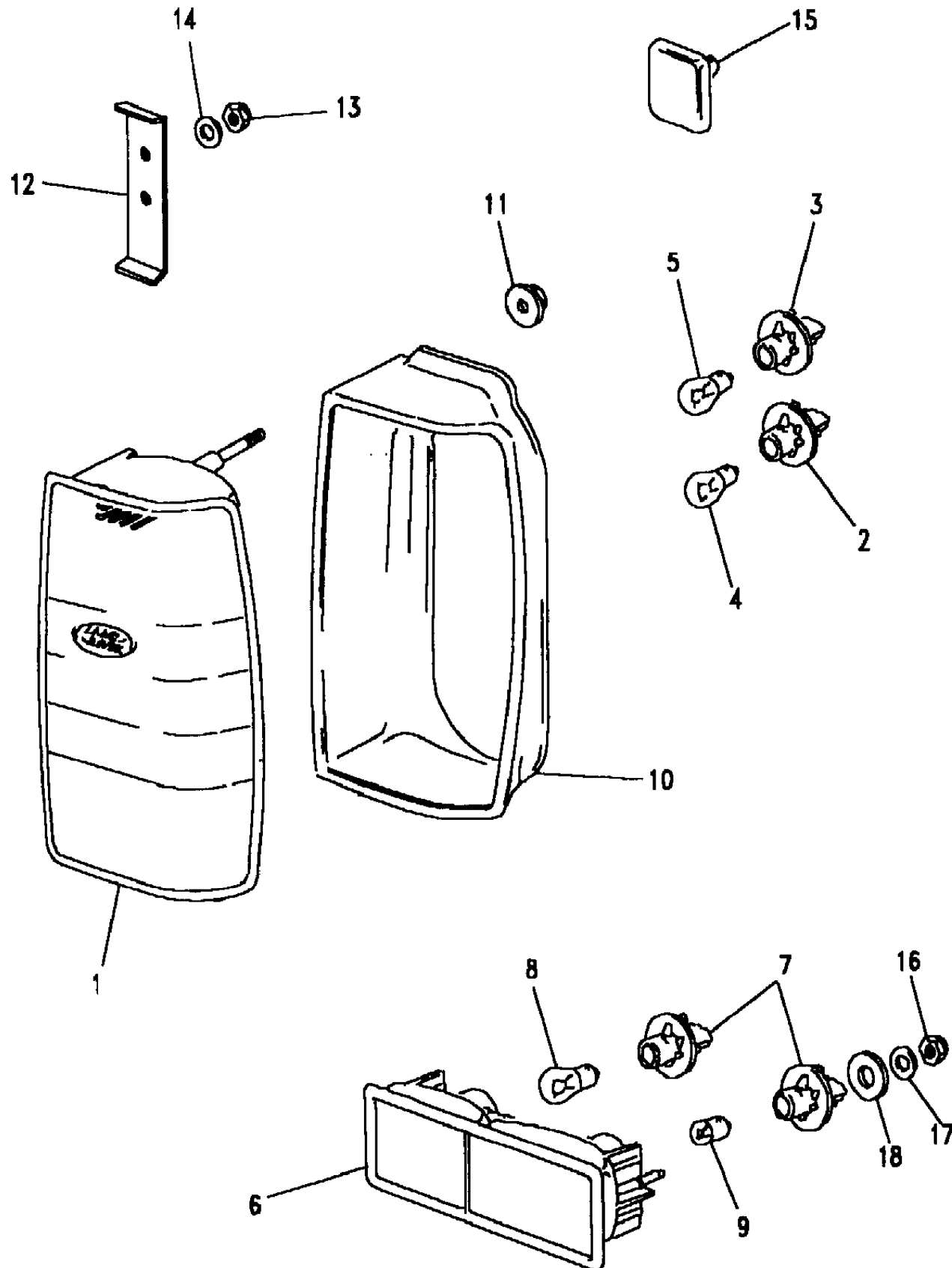
Body Electrics
Lighting
Lamp Number Plate

Callout	Name	Application	Remarks & Restrictions	Service No.	Qty
1	Lamp-rear licence plate		Also serviced as part of a kit	PRC5838	2
2	Bulb-239-c11-5 Watt		Also serviced as part of a kit, festoon	RTC3633	2
3	Gasket-rear lamp assembly			PRC7246	2
4	Screw-self tapping AB			DA606041	4
5	Nut-spring-u type			AK606021L	4
6	Harness-licence plate lamp		Rear	PRC7266	1

Body Electrics
Lighting
Rear Lamps 1/4

Discovery (FA393361-WA799999)

(CAMXAC3B)



Discovery (FA393361-WA799999)

Body Electrics
Lighting
Rear Lamps

Change point - VIN begin MA081992

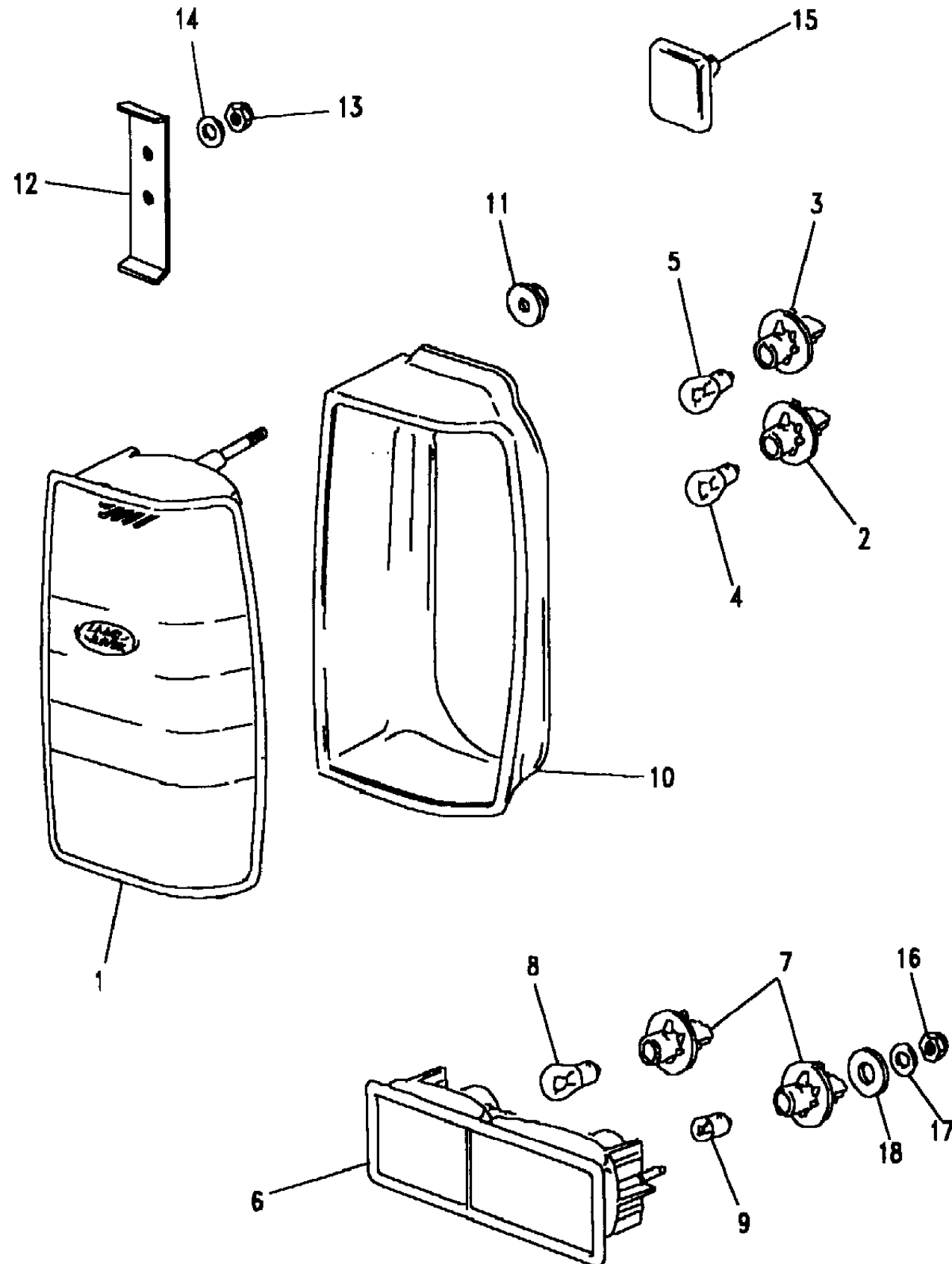
Callout	Name	Application	Remarks & Restrictions	Service No.	Qty
1	Lamp assembly-rear	Change point - VIN begin MA081992, Change point - VIN end MA135907, (-)"J"	RH	AMR1295	1
		Change point - VIN begin MA081992, Change point - VIN end MA135907, (-)"J"	LH	AMR1294	1
		Change point - VIN begin MA081992, Change point - VIN end MA135907, (+)"J"	RH	AMR3955	1
		Change point - VIN begin MA081992, Change point - VIN end MA135907, (+)"J"	LH	AMR3954	1
		Change point - VIN begin MA135908, Change point - VIN end MA162389, (+)"GB"	RH	PRC6475	1
		Change point - VIN begin MA135908, Change point - VIN end MA162389, (-)"AUS/J"	RH	PRC6475	1
		Change point - VIN begin MA135908, Change point - VIN end MA162389, (-)"Europe"	RH	PRC6475	1
		Change point - VIN begin MA135908, Change point - VIN end MA162389, (+)"GB"	LH	PRC6476	1
		Change point - VIN begin MA135908, Change point - VIN end MA162389, (-)"AUS/J"	LH	PRC6476	1
		Change point - VIN begin MA135908, Change point - VIN end MA162389, (-)"Europe"	LH	PRC6476	1
		Change point - VIN begin MA135908, Change point - VIN end MA162389, (+)"AUS"	RH	AMR1295	1
		Change point - VIN begin MA135908, Change point - VIN end MA162389, (+)"Europe"	RH	AMR1295	1
		Change point - VIN begin MA135908, Change point - VIN end MA162389, (+)"AUS"	LH	AMR1294	1
		Change point - VIN begin MA135908, Change point - VIN end MA162389, (+)"Europe"	LH	AMR1294	1
		Change point - VIN begin MA135908, Change point - VIN end MA162389, (+)"J"	RH	AMR3955	1

Body Electrics
Lighting
Rear Lamps 2/4

Discovery (FA393361-WA799999)
(CAMXAC3B)

Discovery (FA393361-WA799999)

Body Electrics
Lighting
Rear Lamps



Change point - VIN begin MA081992

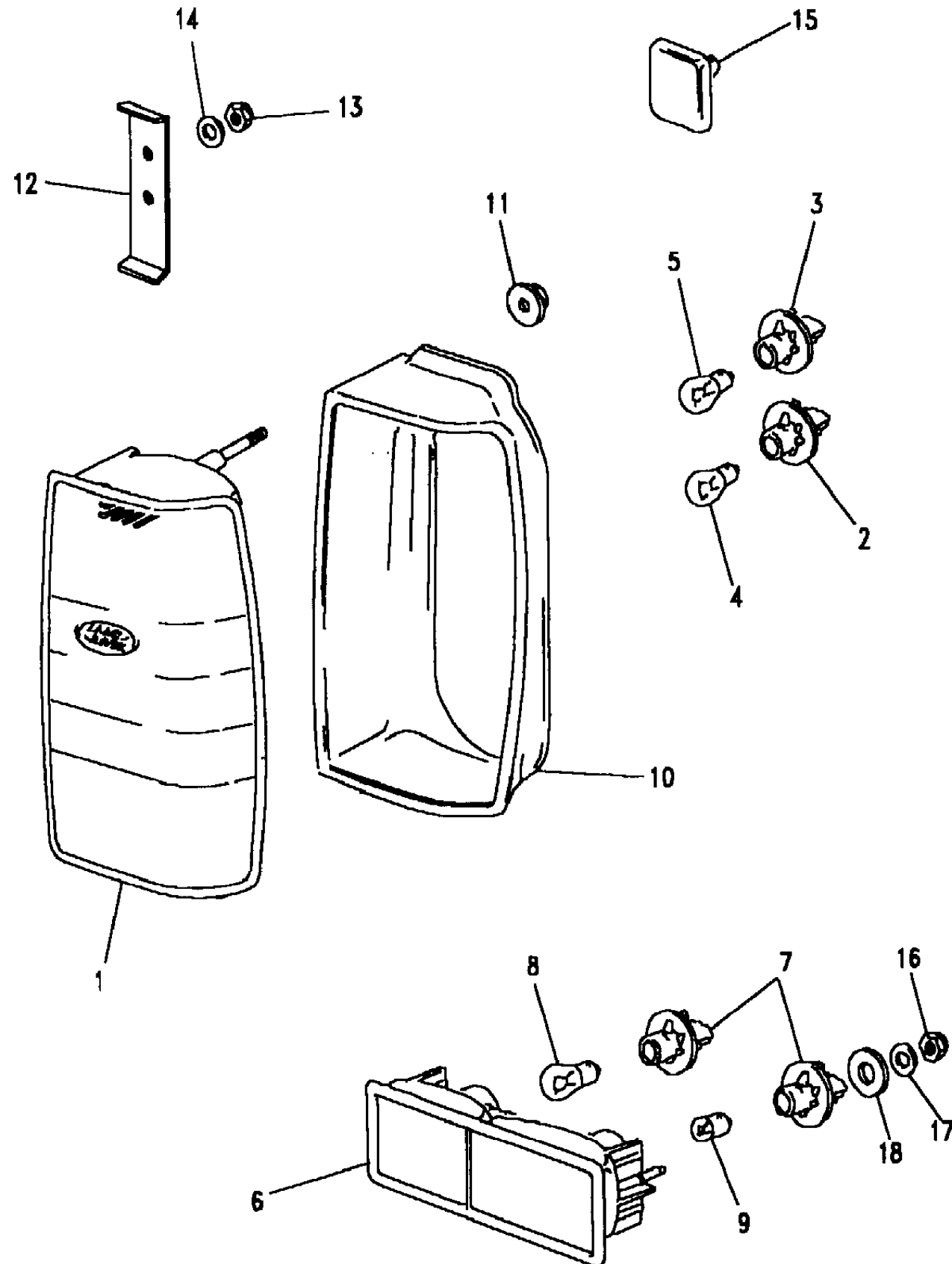
Callout	Name	Application	Remarks & Restrictions	Service No.	Qty
1	Lamp assembly-rear	Change point - VIN begin MA135908, Change point - VIN end MA501704, (+)"J"	RH	AMR3955	1
		Change point - VIN begin MA135908, Change point - VIN end MA162389, (+)"J"	LH	AMR3954	1
		Change point - VIN begin MA135908, Change point - VIN end MA501704, (+)"J"	LH	AMR3954	1
		Change point - VIN begin MA501705, Change point - VIN end WA746541, (+)"GB/J"	RH	AMR5151	1
		Change point - VIN begin MA501705, Change point - VIN end WA746541, (-)"Europe"	RH	AMR5151	1
		Change point - VIN begin MA162390, Change point - VIN end WA746541, (+)"GB/J"	RH	AMR5151	1
		Change point - VIN begin MA162390, Change point - VIN end WA746541, (-)"Europe"	RH	AMR5151	1
		Change point - VIN begin MA501705, Change point - VIN end WA746541, (-)"AUS"	RH	AMR5151	1
		Change point - VIN begin MA162390, Change point - VIN end WA746541, (-)"AUS"	RH	AMR5151	1
		Change point - VIN begin MA501705, Change point - VIN end WA746541, (+)"GB/J"	LH	AMR5150	1
		Change point - VIN begin MA501705, Change point - VIN end WA746541, (-)"Europe"	LH	AMR5150	1
		Change point - VIN begin MA162390, Change point - VIN end WA746541, (+)"GB/J"	LH	AMR5150	1
		Change point - VIN begin MA162390, Change point - VIN end WA746541, (-)"Europe"	LH	AMR5150	1
		Change point - VIN begin MA501705, Change point - VIN end WA746541, (-)"AUS"	LH	AMR5150	1
		Change point - VIN begin MA162390, Change point - VIN end WA746541, (-)"AUS"	LH	AMR5150	1

Body Electrics
Lighting
Rear Lamps 3/4

Discovery (FA393361-WA799999)
(CAMXAC3B)

Discovery (FA393361-WA799999)

Body Electrics
Lighting
Rear Lamps



Change point - VIN begin MA081992

Callout	Name	Application	Remarks & Restrictions	Service No.	Qty
1	Lamp assembly-rear	Change point - VIN begin MA501705, Change point - VIN end WA746541, (+)"Europe"	RH	AMR1295	1
		Change point - VIN begin MA501705, Change point - VIN end WA746541, (+)"AUS"	RH	AMR1295	1
		Change point - VIN begin MA162390, Change point - VIN end WA746541, (+)"Europe"	RH	AMR1295	1
		Change point - VIN begin MA162390, Change point - VIN end WA746541, (+)"AUS"	RH	AMR1295	1
		Change point - VIN begin MA501705, Change point - VIN end WA746541, (+)"Europe"	LH	AMR1294	1
		Change point - VIN begin MA501705, Change point - VIN end WA746541, (+)"AUS"	LH	AMR1294	1
		Change point - VIN begin MA162390, Change point - VIN end WA746541, (+)"Europe"	LH	AMR1294	1
		Change point - VIN begin MA162390, Change point - VIN end WA746541, (+)"AUS"	LH	AMR1294	1
		Change point - VIN begin WA746542, (+)"Europe"	RH	AMR1295	1
		Change point - VIN begin WA746542, (+)"GB"	RH	AMR1295	1
		Change point - VIN begin WA746542, (+)"Europe"	LH	AMR1294	1
		Change point - VIN begin WA746542, (+)"GB"	LH	AMR1294	1
		Change point - VIN begin WA746542, (-)"Europe"	RH	AMR5151	1
		Change point - VIN begin WA746542, (-)"GB"	RH	AMR5151	1
		Change point - VIN begin WA746542, (-)"Europe"	LH	AMR5150	1
		Change point - VIN begin WA746542, (-)"GB"	LH	AMR5150	1
2	Holder-single pole bulb			BAU5029L	X
3	Holder-double pole bulb			BAU5028L	X
4	Bulb-382-p25/1-21 Watt		12V	264591	X
5	Bulb-380-p25/2-21/5 Watt		12V	264590	X

Body Electrics
Lighting
Rear Lamps 4/4

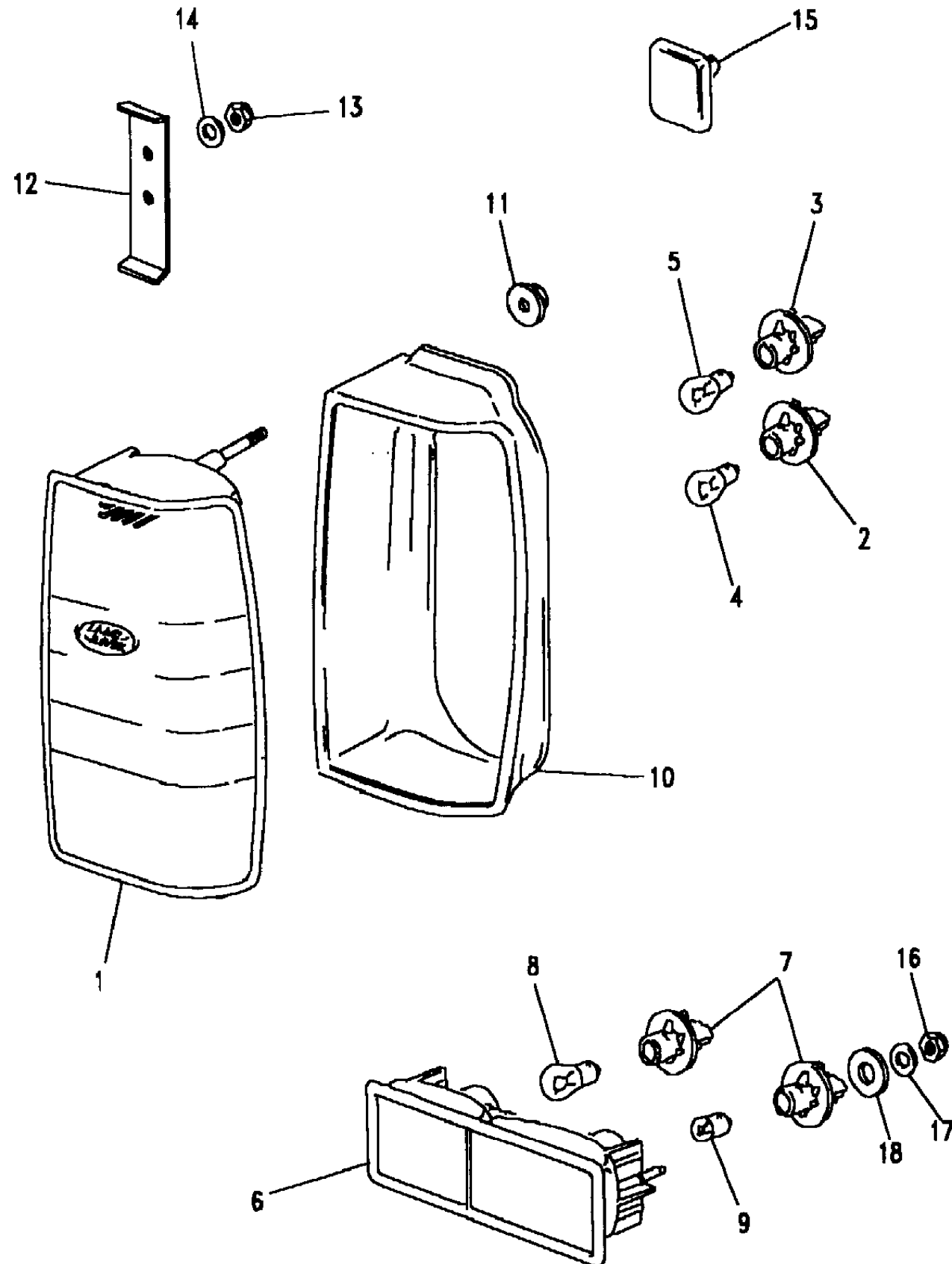
Discovery (FA393361-WA799999)
(CAMXAC3B)

Discovery (FA393361-WA799999)

Body Electrics
Lighting
Rear Lamps

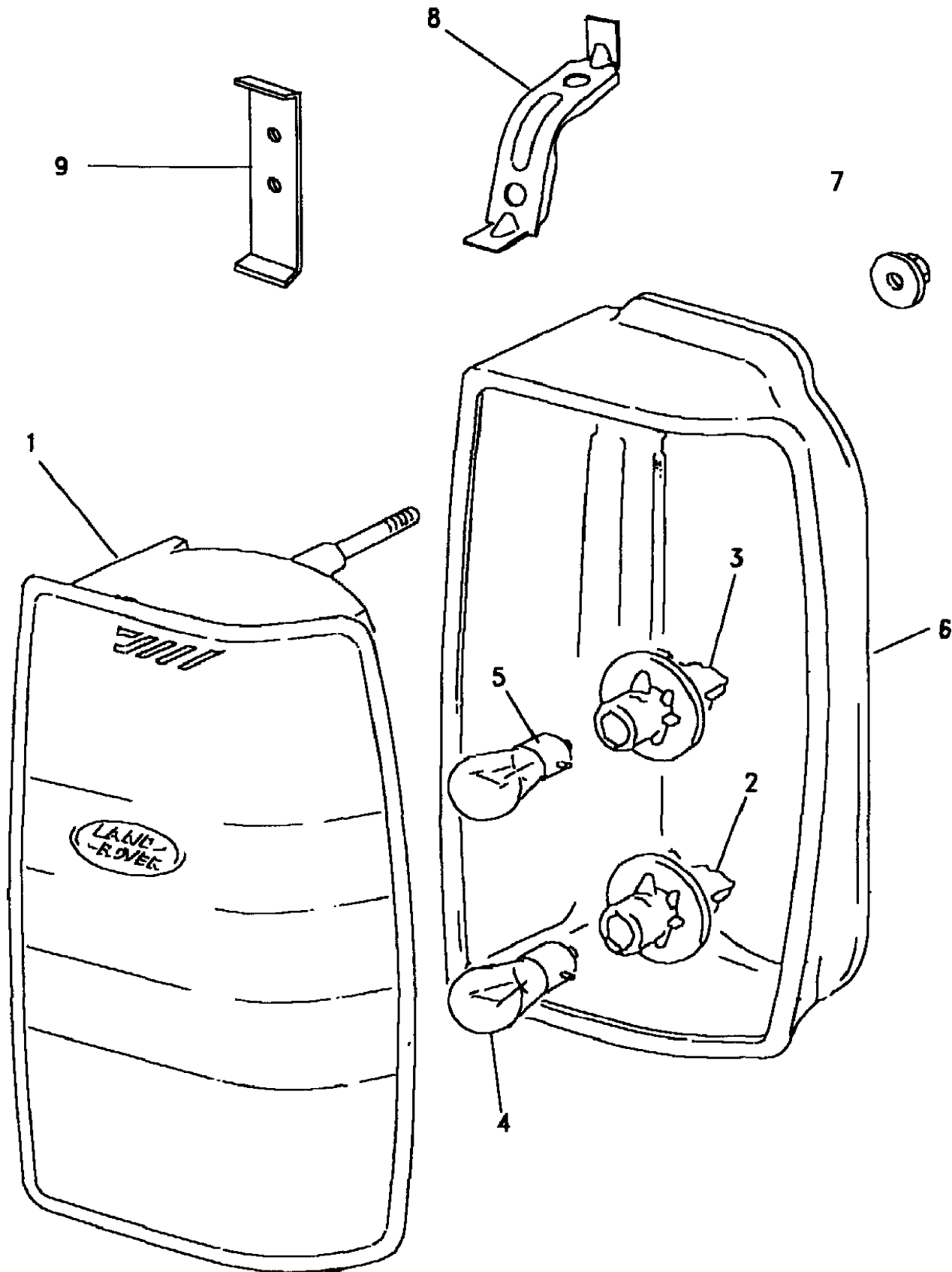
Change point - VIN begin MA081992

Callout	Name	Application	Remarks & Restrictions	Service No.	Qty		
6	Lamp assembly-rear bumper	Change point - VIN begin MA081992, Change point - VIN end MA110580	LH	AMR3353	1		
		Change point - VIN begin MA081992, Change point - VIN end MA110580	RH	AMR3354	1		
		Change point - VIN begin MA110581, Change point - VIN end VA545613	LH	AMR4791	1		
		Change point - VIN begin MA110581, Change point - VIN end VA714019	LH	AMR4791	1		
		Change point - VIN begin MA110581, Change point - VIN end VA545613	RH	AMR4790	1		
		Change point - VIN begin MA110581, Change point - VIN end VA714019	RH	AMR4790	1		
		Change point - VIN begin VA545614	LH	AMR6509	1		
		Change point - VIN begin VA714020	LH	AMR6509	1		
		Change point - VIN begin VA545614	RH	AMR6510	1		
		Change point - VIN begin VA714020	RH	AMR6510	1		
		7	Holder-single pole bulb		21W	XBP100180	4
		8	Bulb			10211	2
		9	Bulb-382-p25/1-21 Watt		12V	264591	2
10	Seal		Rear, RH Rear, LH	MXC1048 MXC1047	1 1		
11	Nut - Hex.			ADU4682	4		
12	Bracket-rear lamp retaining			AMR2421	2		
13	Nut-hexagonal-nyloc		M5	NY105041L	4		
14	Washer-Plain		M5	WA105041	4		
15	Blank-facia headlamp levelling			FBV10040LNFL	2		
16	Nut-hexagonal-nyloc		M5	NY105041L	4		
17	Washer-Plain		M5	WA105041	4		
18	Washer-Plain		M6	3831L	4		



Body Electrics
Lighting
Rear Lamps 1/1

Discovery (FA393361-WA799999)
(CAMXAC3A)



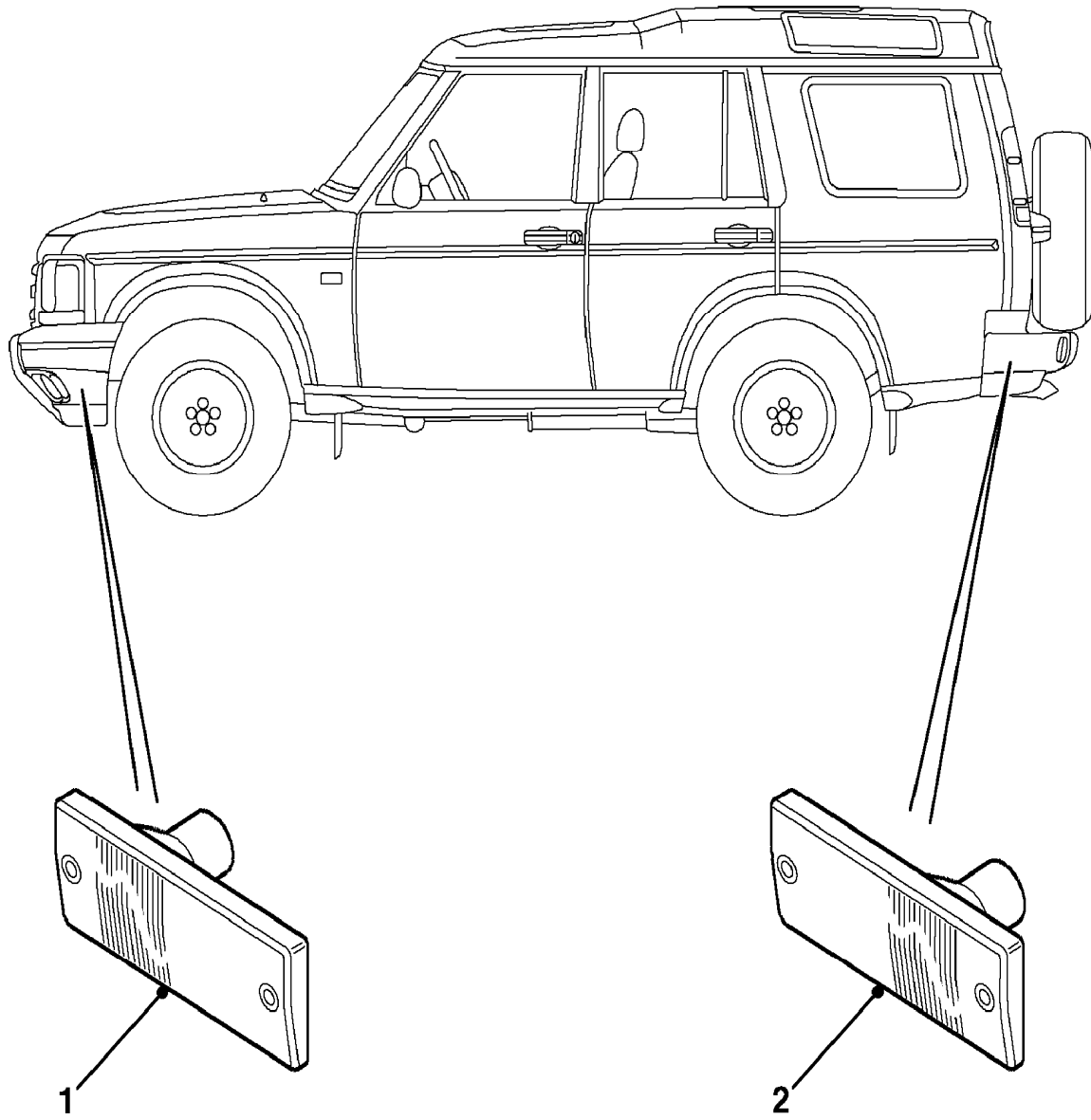
Discovery (FA393361-WA799999)

Body Electrics
Lighting
Rear Lamps

Change point - VIN end LA081991

Callout	Name	Application	Remarks & Restrictions	Service No.	Qty
1	Lamp assembly-rear		Also serviced as part of a kit, RH Also serviced as part of a kit, LH	PRC6475 PRC6476	1 1
2	Holder-single pole bulb		Also serviced as part of a kit	BAU5029L	X
3	Holder-double pole bulb		Also serviced as part of a kit	BAU5028L	X
4	Bulb-382-p25/1-21 Watt		Also serviced as part of a kit, 12V	264591	X
5	Bulb-380-p25/2-21/5 Watt		stop tail, Also serviced as part of a kit, 12V	264590	X
6	Seal		Rear, RH Rear, LH	MXC1048 MXC1047	1 1
7	Nut - Hex.			ADU4682	4
8	Bracket-rear lamp retaining	Change point - VIN end JA034313		MXC7738	2
9	Bracket-rear lamp retaining	Change point - VIN begin KA034314, Change point - VIN end LA081991		AMR2421	2

Callout	Name	Application	Remarks & Restrictions	Service No.	Qty
1	Lamp Assy - Side Marker	(+)"CDN/MEX/USA"	RH, Front	AMR1292	1
		(+)"CDN/MEX/USA"	LH, Front	AMR2575	1
2	Lamp Assy - Side Marker	(+)"CDN/MEX/USA"	Rear, RH	AMR1293	1
		(+)"CDN/MEX/USA"	Rear, LH	AMR2576	1
[900]	Bulb			AFU4481	1
[901]	"O" Ring			AFU3112L	1
[902]	Screw - Self-Tapping			AB608074	1
[903]	Wire Assy		BULB & HOLDER	STC966	



D09.065

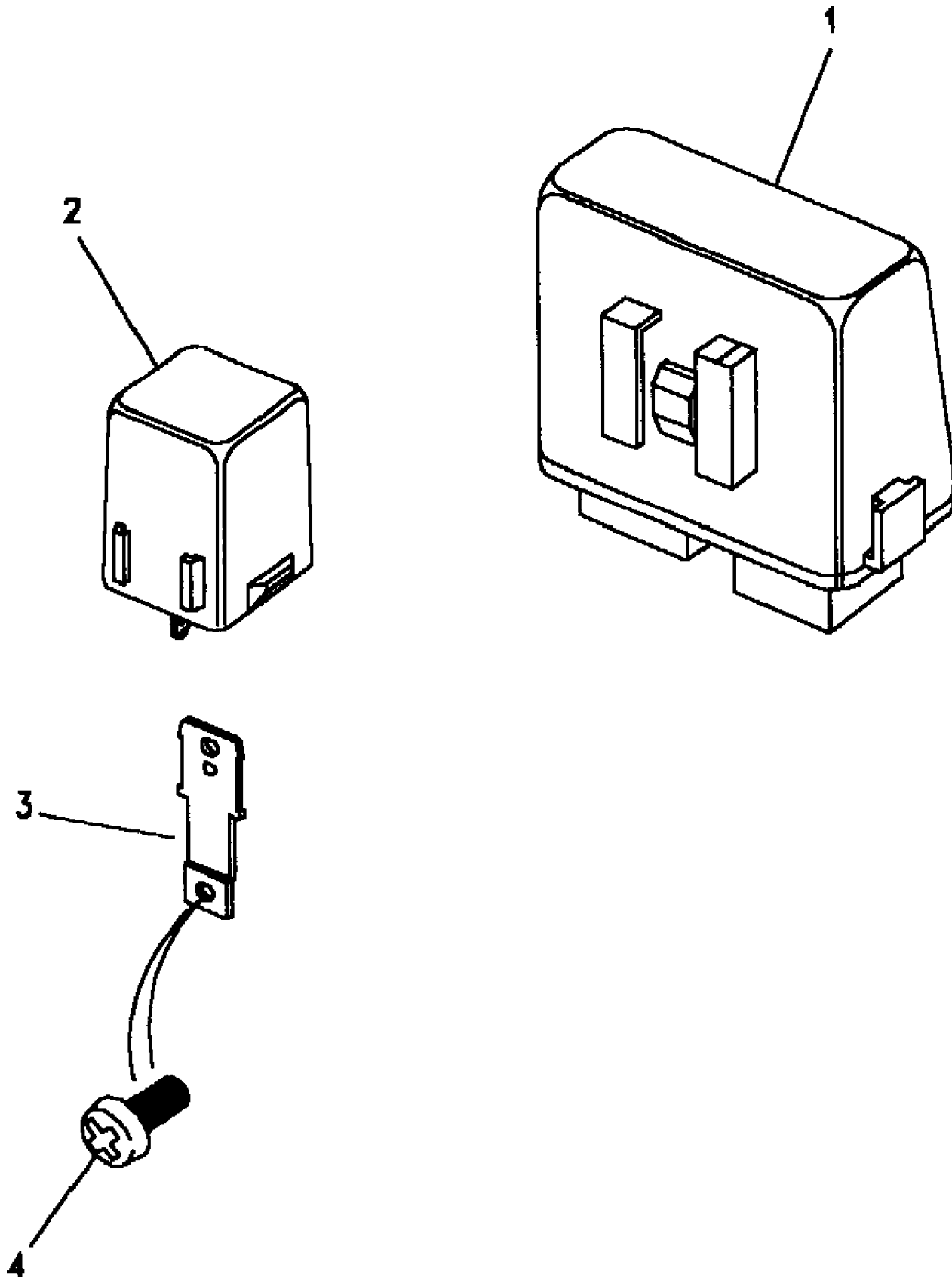
10-2002

L4

LM0166

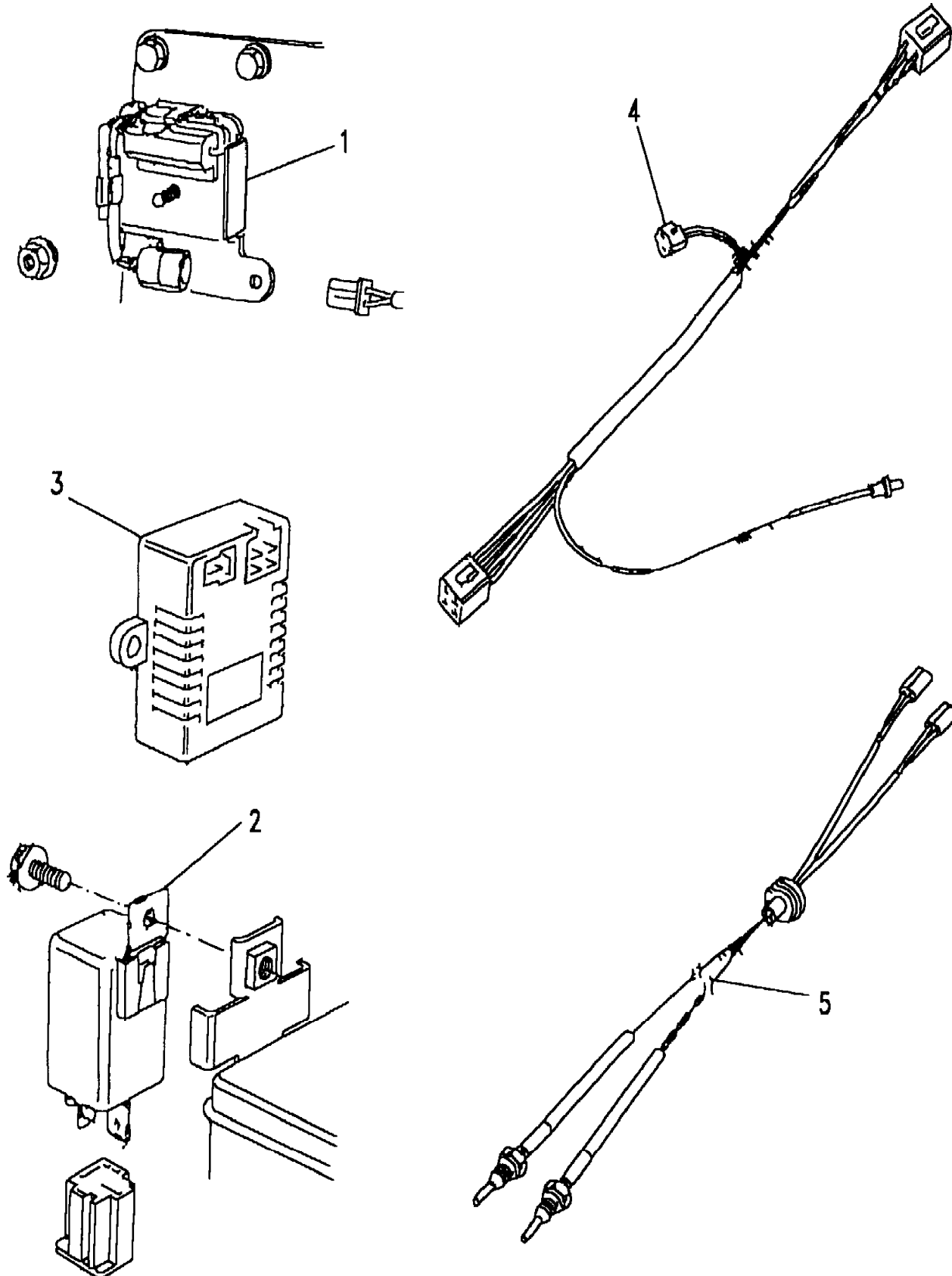
MpI

Callout	Name	Application	Remarks & Restrictions	Service No.	Qty
1	Relay assembly multi function	Change point - VIN end LA081991		YWB10041L	1
2	Control Unit	Change point - VIN end LA081991	fan timer, Green	AMR3678	1
3	Bracket-relay mounting	Change point - VIN end LA081991		DRC1245	1
4	Screw	Change point - VIN end LA081991	Self Tapping, No 8 x 3/8	AB608031L	1
[900]	Bracket-relay	Change point - VIN begin KA038822, Change point - VIN end LA081991		AMR2885	1



Body Electrics
Relays
Glow Plug Timer, Dim Dip System & Amp Overheat Warning 1/1

Discovery (FA393361-WA799999)
(CAMXGA2A)



Discovery (FA393361-WA799999)

Body Electrics
Relays
Glow Plug Timer, Dim Dip System & Amp Overheat Warning

Callout	Name	Application	Remarks & Restrictions	Service No.	Qty
1	Relay	Change point - VIN begin MA081992	dim dip	YWB10027L	1
2	Relay-ignition heater plug	Change point - VIN begin MA081992, 2.5L TDi Diesel	12V	PRC6913	1
3	Amplifier-sounder unit catalyst overheat	Change point - VIN begin MA081992, (+)"J"		AMR2608	2
4	Harness-link	Change point - VIN begin MA081992, (+)"J"	catalyst overheat	AMR2447	1
5	Thermocouple assembly	Change point - VIN begin MA081992, (+)"J"	catalyst overheat	AMR2463	1
[900]	Relay		dim dip, changeover, Yellow	YWB000150	1
[901]	Resistor-dim dip	Change point - VIN begin MA081992		XBL10004L	1
[902]	Screw	Change point - VIN begin MA081992, 2.5L TDi Diesel	fixing ignition heater plug, hexagonal head, 10UNF x 3/4	SH910241L	1
[903]	Washer-Lock	Change point - VIN begin MA081992, 2.5L TDi Diesel	fixing ignition heater plug	WE105001L	1

Body Electrics
Relays
Relays-Behind Glove Box 1/1

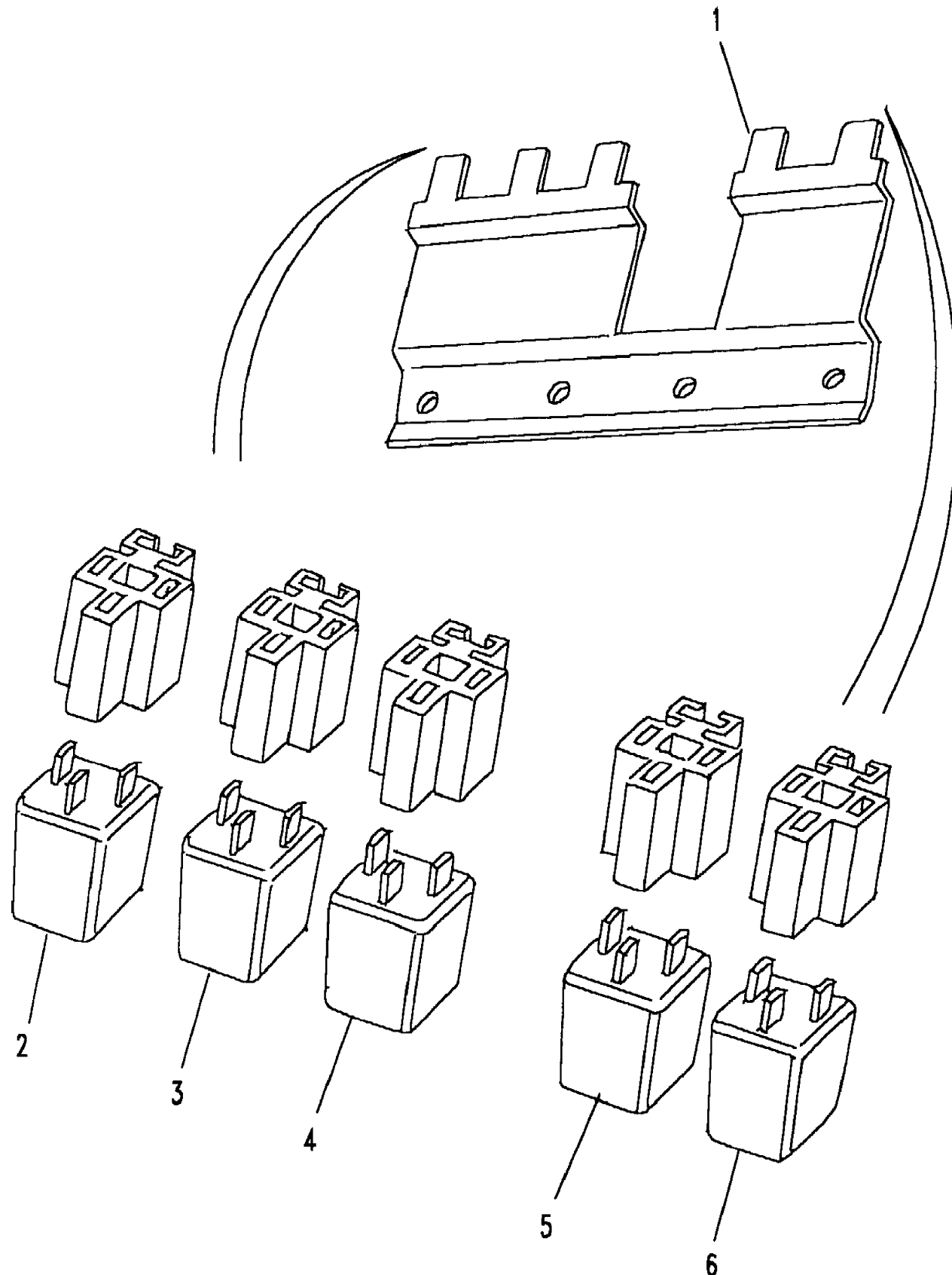
Discovery (FA393361-WA799999)
(CAMXGA3D)

Discovery (FA393361-WA799999)

Body Electrics
Relays
Relays-Behind Glove Box

RHD

Callout	Name	Application	Remarks & Restrictions	Service No.	Qty
1	Bracket-relay mounting	Change point - VIN begin MA081992, (+)"J"		AMR3134	1
		Change point - VIN begin MA081992, (-)"J"		AMR3134	1
2	Relay	Change point - VIN begin MA081992, (+)"J"	Shift Interlock, Green, changeover	YWB10032L	1
3	Relay	Change point - VIN begin MA081992, (+)"J"	Shift Interlock	YWB10027L	1
4	Relay	Change point - VIN begin MA081992, (+)"J"	catalyst warning	YWB10027L	1
5	Relay	Change point - VIN begin MA081992, (+)"J"	power amplifier	YWB10027L	1
6	Relay normally open	Change point - VIN begin VA534104, With Heated Windscreen	Black	AMR3773	1
		Change point - VIN begin VA703237, With Heated Windscreen	Black	AMR3773	1
[900]	Relay	(+)"J"	Shift Interlock, changeover, Yellow	YWB000150	1
		(+)"J"	catalyst warning, changeover, Yellow	YWB000150	1
		(+)"J"	power amplifier, changeover, Yellow	YWB000150	1
		(+)"J"	Shift Interlock, Green, changeover	YWB000160	1



Body Electrics
Relays
Relays 1/2

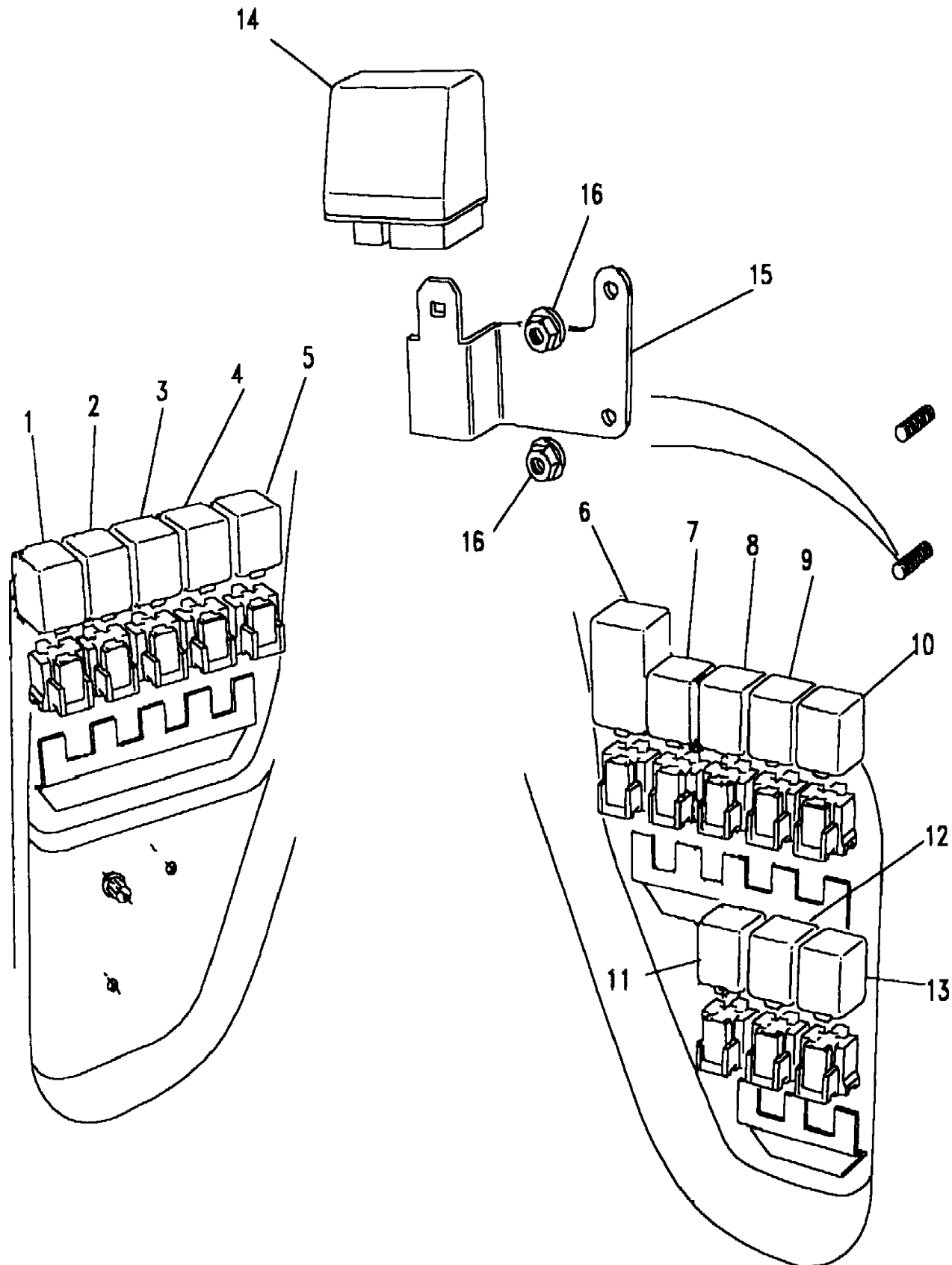
Discovery (FA393361-WA799999)
(CAMXGA3A)

Discovery (FA393361-WA799999)

Body Electrics
Relays
Relays

Change point - VIN begin MA081992, RHD

Callout	Name	Application	Remarks & Restrictions	Service No.	Qty
1	Relay		Horn	YWB10027L	1
2	Relay		aux. key position	YWB10027L	1
3	Relay		REAR WIPER, Green, changeover	YWB10032L	1
4	Relay		alarm sound	YWB10027L	1
5	Relay	Change point - VIN begin MA081992, Change point - VIN end MA163104	alarm hazard warning, Brown, twin make	AMR1088	1
		Change point - VIN begin MA081992, Change point - VIN end MA501920	alarm hazard warning, Brown, twin make	AMR1088	1
		Change point - VIN begin TA163104	dim dip 2	YWB10027L	1
		Change point - VIN begin TA501920	dim dip 2	YWB10027L	1
6	Control Unit	Change point - VIN begin MA081992, Change point - VIN end TA173886, V8 EFI	fan timer, Green	AMR3678	1
		Change point - VIN begin MA081992, Change point - VIN end TA504867, V8 EFI	fan timer, Green	AMR3678	1
		Change point - VIN begin TA173887, V8 EFI	fan timer, Green	AMR3076	1
		Change point - VIN begin TA504868, V8 EFI	fan timer, Green	AMR3076	1
7	Relay	Change point - VIN begin MA081992, Change point - VIN end WA746541, V8 EFI	PI main injection, Aluminium	AFU2913L	1
8	Relay	Change point - VIN begin MA081992, Change point - VIN end WA746541, V8 EFI	PI fuel pump, Aluminium	AFU2913L	1
		Change point - VIN begin MA081992, Change point - VIN end WA746541, 2.5L TDi Diesel, EDC	PI fuel pump, Aluminium	AFU2913L	1
		Change point - VIN begin WA746542, 2.5L TDi Diesel, EDC	PI fuel pump, Green	YWB100790L	1
9	Relay	V8 EFI	Air Con Clutch	YWB10027L	1
		2.5L TDi Diesel, EDC	Air Con Clutch	YWB10027L	1
		MPi	Cooling Fan	YWB10027L	1
10	Relay	V8 EFI	air con logic	YWB10027L	1
		MPi	air con logic	YWB10027L	1
		2.5L TDi Diesel, EDC	air con logic	YWB10027L	1
11	Relay		ignition/heat & a/c	YWB10027L	1



Body Electrics
Relays
Relays 2/2

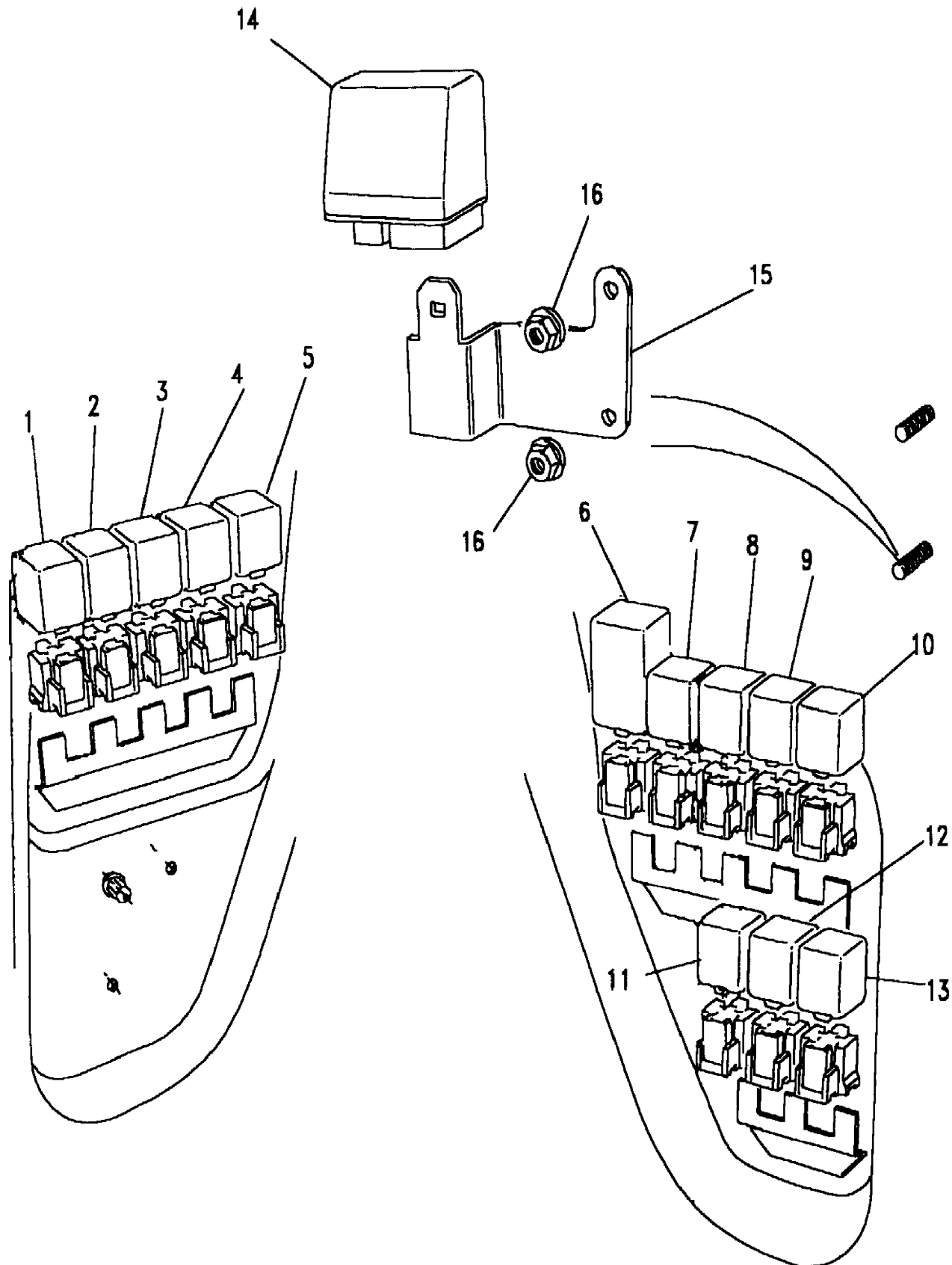
Discovery (FA393361-WA799999)
(CAMXGA3A)

Discovery (FA393361-WA799999)

Body Electrics
Relays
Relays

Change point - VIN begin MA081992, RHD

Callout	Name	Application	Remarks & Restrictions	Service No.	Qty
12	Relay		Starter	YWB10027L	1
13	Relay		Front Wiper, Green, changeover	YWB10032L	1
14	Relay assembly multi function			YWB10041L	1
15	Bracket-relay			AMR2911	1
[900]	Relay		Horn, changeover, Yellow	YWB000150	1
			aux. key position, changeover, Yellow	YWB000150	1
			alarm sound, changeover, Yellow	YWB000150	1
			dim dip 2, changeover, Yellow	YWB000150	1
		V8 EFI	Air Con Clutch, changeover, Yellow	YWB000150	1
		MPi	Cooling Fan, changeover, Yellow	YWB000150	1
		V8 EFI	air con logic, changeover, Yellow	YWB000150	1
			ignition/heat & a/c, changeover, Yellow	YWB000150	1
		2.5L TDi Diesel, EDC	Starter, changeover, Yellow	YWB000150	1
		2.5L TDi Diesel, EDC	Air Con Clutch, changeover, Yellow	YWB000150	1
		2.5L TDi Diesel, EDC	air con logic, changeover, Yellow	YWB000150	1
		MPi	air con logic, changeover, Yellow	YWB000150	1
			REAR WIPER, Green, changeover	YWB000160	1
			Front Wiper, Green, changeover	YWB000160	1
[901]	Nut-plastic		M5	CYH10001L	2



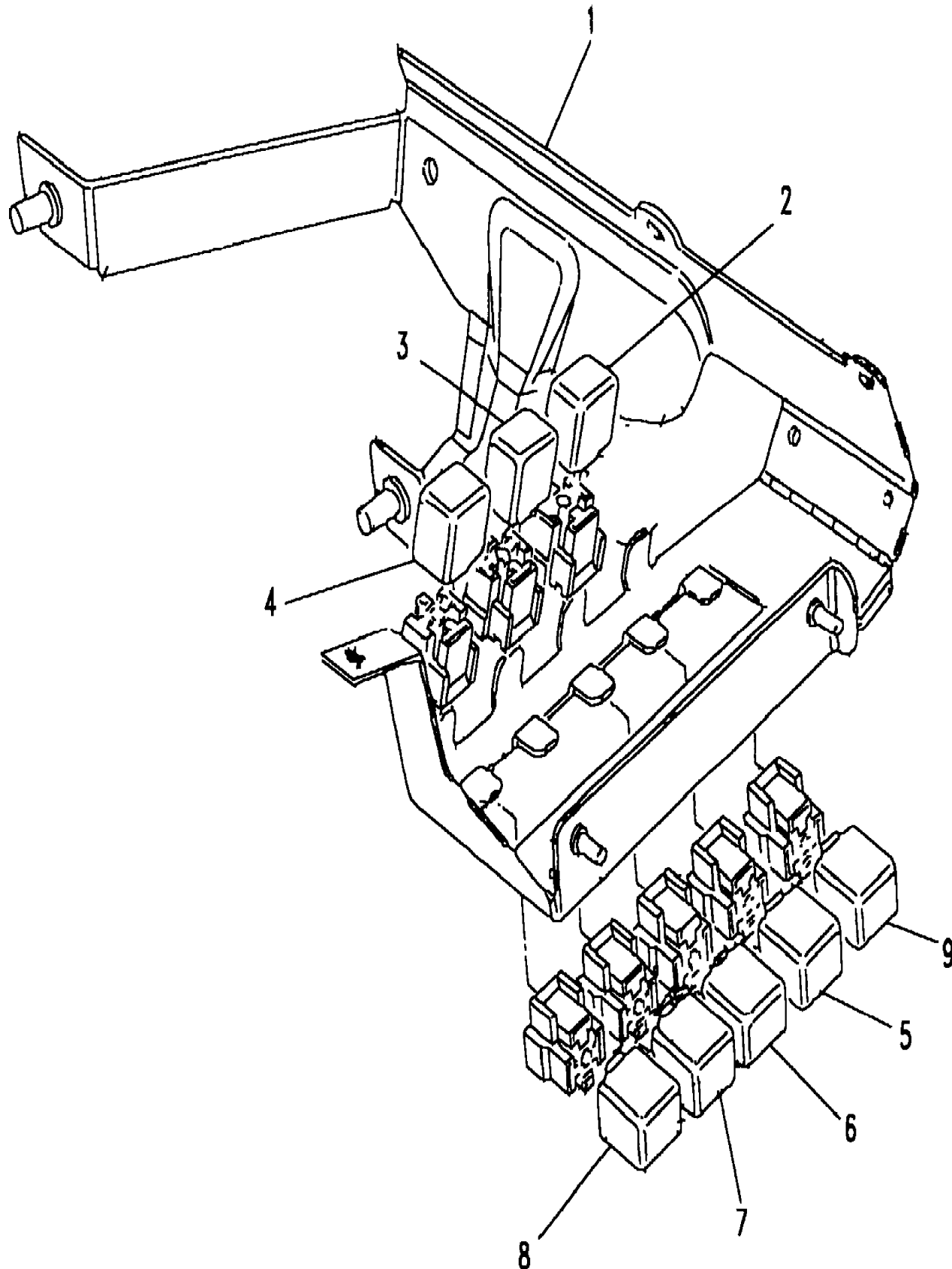
Body Electrics
Relays
Evaporator Assembly 1/1

Discovery (FA393361-WA799999)
(CAMXGA3C)

Discovery (FA393361-WA799999)

Body Electrics
Relays
Evaporator Assembly

Change point - VIN begin MA081992, LHD



Callout	Name	Application	Remarks & Restrictions	Service No.	Qty
1	Bracket-relay	Change point - VIN begin MA081992, Change point - VIN end MA110669		AMR3067	1
		Change point - VIN begin MA110670		AMR4140	1
2	Relay	Change point - VIN begin TA163104	power wash	YWB10027L	1
		Change point - VIN begin TA501920	power wash	YWB10027L	1
3	Relay		ABS warning, Green, changeover	YWB10032L	1
4	Relay normally open		ABS pump, Black	AMR3773	1
5	Relay	Change point - VIN begin TA163104	a/c condenser fans	YWB10027L	1
		Change point - VIN begin TA501920	a/c condenser fans	YWB10027L	1
7	Relay	Change point - VIN begin TA163104	ABS valve	YWB10027L	1
		Change point - VIN begin TA501920	ABS valve	YWB10027L	1
8	Switch-volt sensitive	Manual Transmission	cruise speed trip, Black	PRC9666	1
		Automatic Transmission	For Speed Control, Green, changeover	YWB10032L	1
9	Relay	Change point - VIN begin TA163104	Fog Lamps Front	YWB10027L	1
		Change point - VIN begin TA501920	Fog Lamps Front	YWB10027L	1
		Change point - VIN begin TA163104	fog lamps rear, Green, changeover	YWB10032L	1
		Change point - VIN begin TA501920	fog lamps rear, Green, changeover	YWB10032L	1
[900]	Relay		power wash, changeover, Yellow	YWB000150	1
			a/c condenser fans, changeover, Yellow	YWB000150	1
			ABS valve, changeover, Yellow	YWB000150	1
			Fog Lamps Front, changeover, Yellow	YWB000150	1
			ABS warning, Green, changeover	YWB000160	1
		Automatic Transmission	For Speed Control, Green, changeover	YWB000160	1
			fog lamps rear, Green, changeover	YWB000160	1

Body Electrics
Relays
Relays-Passenger Footwell-RHD 1/2

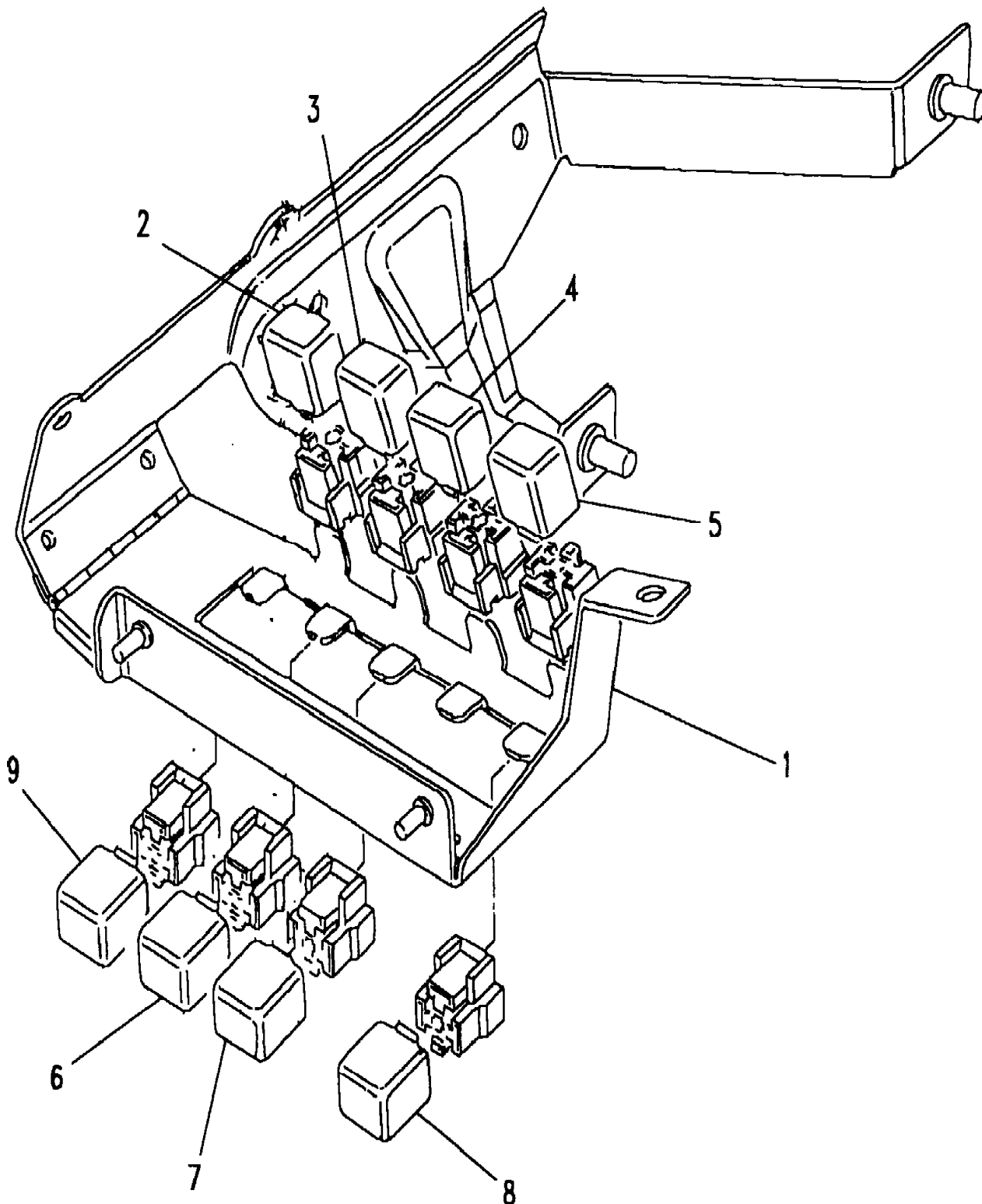
Discovery (FA393361-WA799999)

(CAMXGA3B)

Discovery (FA393361-WA799999)

Body Electrics
Relays
Relays-Passenger Footwell-RHD

Change point - VIN begin MA081992, Change point - VIN begin MA081992, RHD, LHD



Callout	Name	Application	Remarks & Restrictions	Service No.	Qty
1	Bracket-relay	Change point - VIN begin MA081992, Change point - VIN end MA110669		AMR3066	1
		Change point - VIN begin MA110670		AMR4139	1
2	Relay	Change point - VIN begin MA081992, Change point - VIN end MA163103	dim dip	YWB10027L	1
		Change point - VIN begin MA081992, Change point - VIN end MA501919	dim dip	YWB10027L	1
		Change point - VIN begin TA163104, With Dim - Dip Headlamps	dim dip 1	YWB10027L	1
		Change point - VIN begin TA501920, With Dim - Dip Headlamps	dim dip 1	YWB10027L	1
3	Relay	Change point - VIN begin TA163104	power wash	YWB10027L	1
		Change point - VIN begin TA501920	power wash	YWB10027L	1
4	Relay	Change point - VIN begin TA163104	ABS warning, Green, changeover	YWB10032L	1
		Change point - VIN begin TA501920	ABS warning, Green, changeover	YWB10032L	1
5	Relay normally open		ABS pump, Black	AMR3773	1
6	Relay	Change point - VIN begin TA163104	a/c condenser fans	YWB10027L	1
		Change point - VIN begin TA501920	a/c condenser fans	YWB10027L	1
7	Relay	Change point - VIN begin TA163104	ABS valve	YWB10027L	1
		Change point - VIN begin TA501920	ABS valve	YWB10027L	1
8	Switch-volt sensitive	Manual Transmission	Black	PRC9666	1
9	Relay	Change point - VIN begin TA163104, Automatic Transmission	For Speed Control, Green, changeover	YWB10032L	1
		Change point - VIN begin TA501920, Automatic Transmission	For Speed Control, Green, changeover	YWB10032L	1
		Change point - VIN begin TA163104	Fog Lamps Front	YWB10027L	1
		Change point - VIN begin TA501920	Fog Lamps Front	YWB10027L	1
		Change point - VIN begin TA163104	fog lamps rear, Green, changeover	YWB10032L	1
		Change point - VIN begin TA501920	fog lamps rear, Green, changeover	YWB10032L	1
[900]	Relay		dim dip, changeover, Yellow	YWB000150	1

Body Electrics
Relays
Relays-Passenger Footwell-RHD 2/2

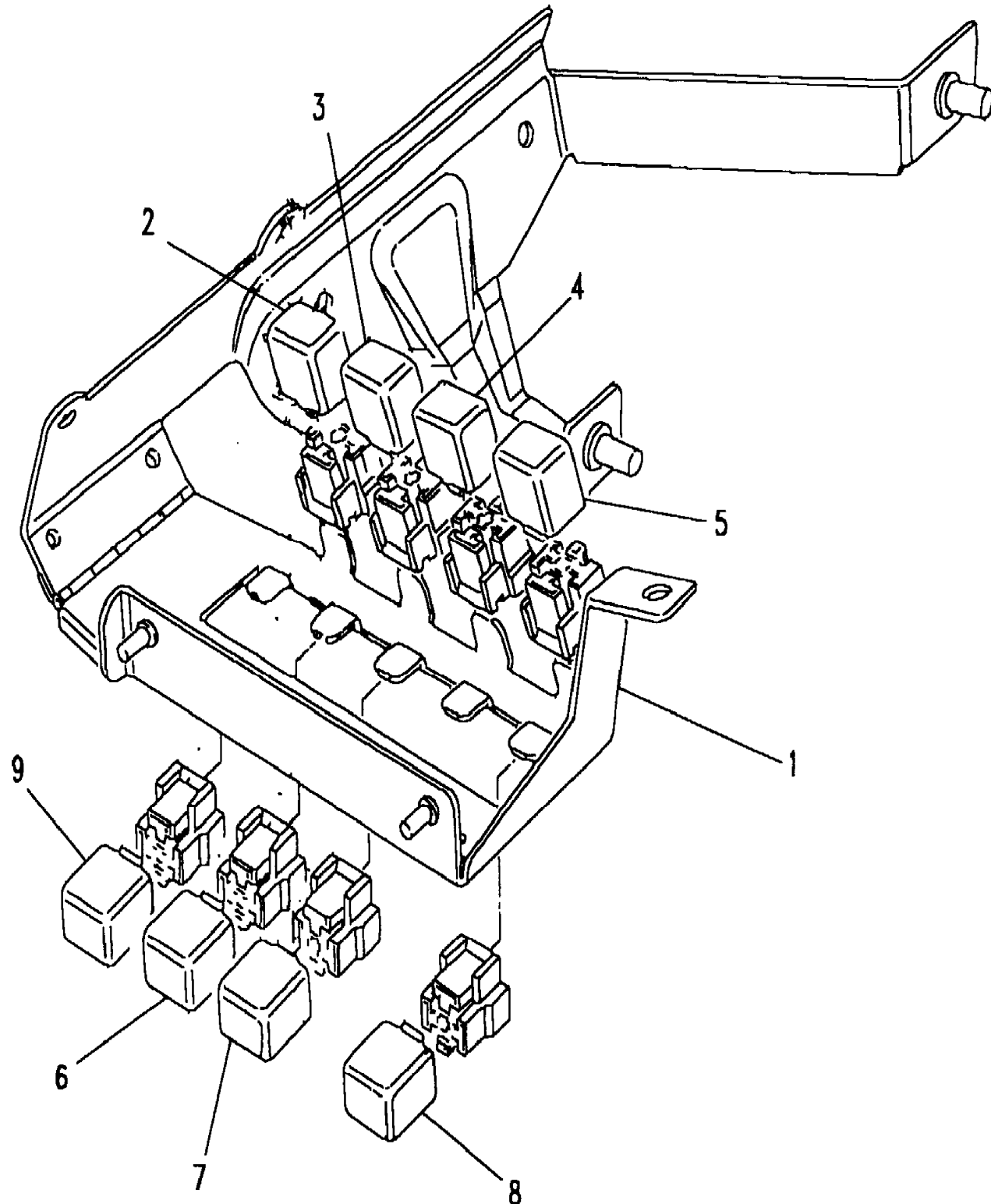
Discovery (FA393361-WA799999)
(CAMXGA3B)

Discovery (FA393361-WA799999)

Body Electrics
Relays
Relays-Passenger Footwell-RHD

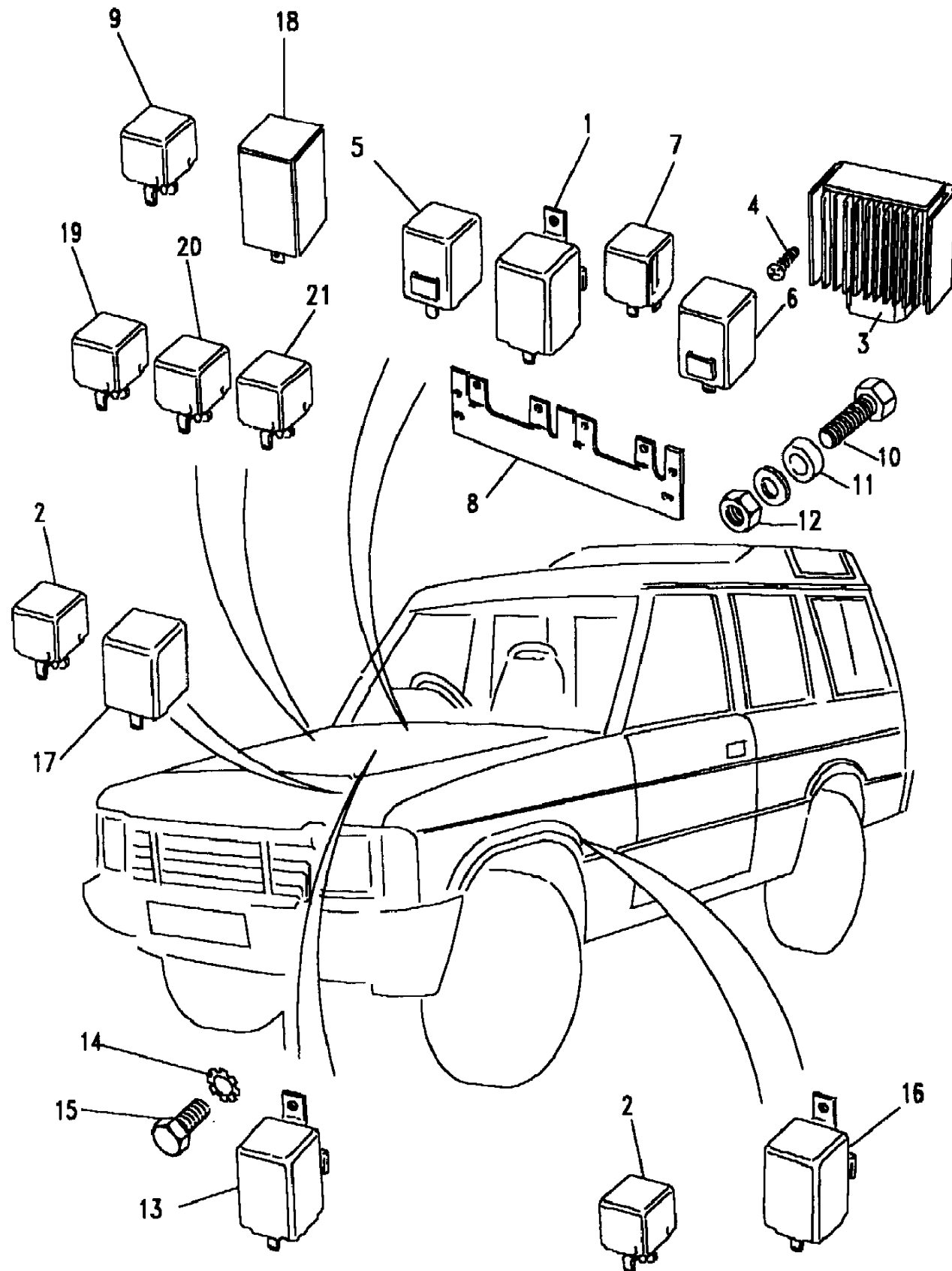
Change point - VIN begin MA081992, Change point - VIN begin MA081992, RHD, LHD

Callout	Name	Application	Remarks & Restrictions	Service No.	Qty
[900]	Relay	With Dim - Dip Headlamps	dim dip 1, changeover, Yellow	YWB000150	1
			power wash, changeover, Yellow	YWB000150	1
			a/c condenser fans, changeover, Yellow	YWB000150	1
			ABS valve, changeover, Yellow	YWB000150	1
			Fog Lamps Front, changeover, Yellow	YWB000150	1
			ABS warning, Green, changeover	YWB000160	1
		Automatic Transmission	For Speed Control, Green, changeover	YWB000160	1
			fog lamps rear, Green, changeover	YWB000160	1



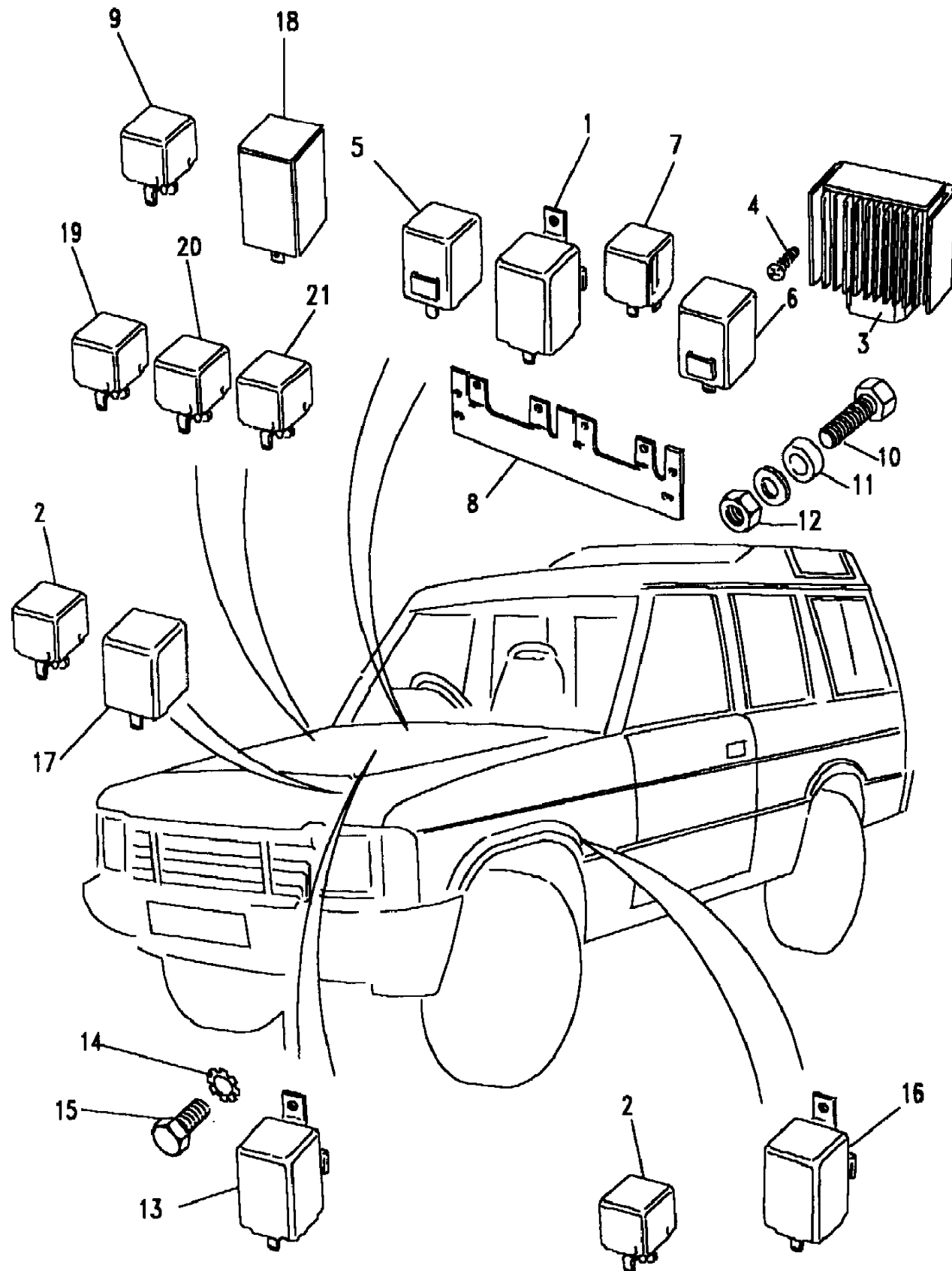
Change point - VIN end LA081991

Callout	Name	Application	Remarks & Restrictions	Service No.	Qty
1	Flasher unit electronic	Change point - VIN begin GA394352, Change point - VIN end GA456980 Change point - VIN begin HA000001, Change point - VIN end HA002488 Change point - VIN begin HA456981, Change point - VIN end HA486551 Change point - VIN begin HA002489, Change point - VIN end HA012332 Change point - VIN end LA081991, Change point - VIN begin JA012333		PRC5082	1
2	Relay	Change point - VIN begin GA394352, Change point - VIN end GA456980 Change point - VIN begin HA000001, Change point - VIN end HA012332 Change point - VIN begin HA456981, Change point - VIN end HA486551 Change point - VIN begin JA012333, Change point - VIN end JA013684 Change point - VIN begin JA013685, Change point - VIN end LA081991	Green, changeover	YWB10032L	4
			Green, changeover	YWB10032L	4
			Green, changeover	YWB10032L	4
			Green, changeover	YWB10032L	4
				YWB10027L	4
3	Control unit dim dip		Quartz Halogen	PRC8123	1
4	Screw		Self Tapping, No10 x 3/4	AB610061L	2
5	Switch-volt sensitive		switch volt sensitive, 45 AMP	PRC4427	1
6	Monitor unit-overspeed	(+)"GCC"	Black	PRC4268	1
7	Buzzer passive restraint	(+)"GCC"		PRC4299	1
8	Plate-relay mounting		LESS EFI	PRC4642	2
		EFI		PRC8892	2
9	Relay	EFI	Aluminium	AFU2913L	1
10	Screw		10UNF x 3/4	257020	4
11	Bush			390939	4
12	Nut - Hex.		UNF, No10	257011	4
13	Relay-ignition heater plug	With Diesel Engines	12V	PRC6913	1



Change point - VIN end LA081991

Callout	Name	Application	Remarks & Restrictions	Service No.	Qty
14	Washer-Lock			WE105001L	1
15	Screw		M5 X 10, hexagonal head	FS105107	1
16	Timer headlamp wash	With Headlamp Washer	time delay-headlamp wash	ADU1784L	1
		Less Headlamp Wash/Wipe	time delay-starter circuit	ADU1784L	1
17	Relay	Change point - VIN end JA034313	Front Wiper, 12V, delay unit, Red	PRC6864	1
		Change point - VIN begin KA034314, Change point - VIN end LA081991	Front Wiper	YWC10152L	1
18	Relay-delay unit	Change point - VIN end JA020963	REAR WIPER, Blue.	PRC7404	1
		Change point - VIN begin JA020964, Change point - VIN end LA081991	REAR WIPER	YWC10153L	1
19	Relay	(+)"AUS", With Heated Windscreen	front screen-timer, Grey	PRC6796	1
20	Relay	(+)"AUS", With Heated Windscreen	Heated Front Screen, Black, 70 AMP	PRC7303	1
21	Relay	(+)"AUS", With Heated Windscreen	Heated Front Screen	YWB10027L	1
[900]	Screw		M5 X 10, Flanged Head	FS105107L	1
[901]	Relay	(+)"AUS", With Heated Windscreen	changeover, Yellow Heated Front Screen, changeover, Yellow Green, changeover	YWB000150 YWB000150 YWB000160	4 1 4
[902]	Bracket-relay mounting			DRC1245	1



Body Electrics
Relays
Relays-Under LH Front Seat 1/1

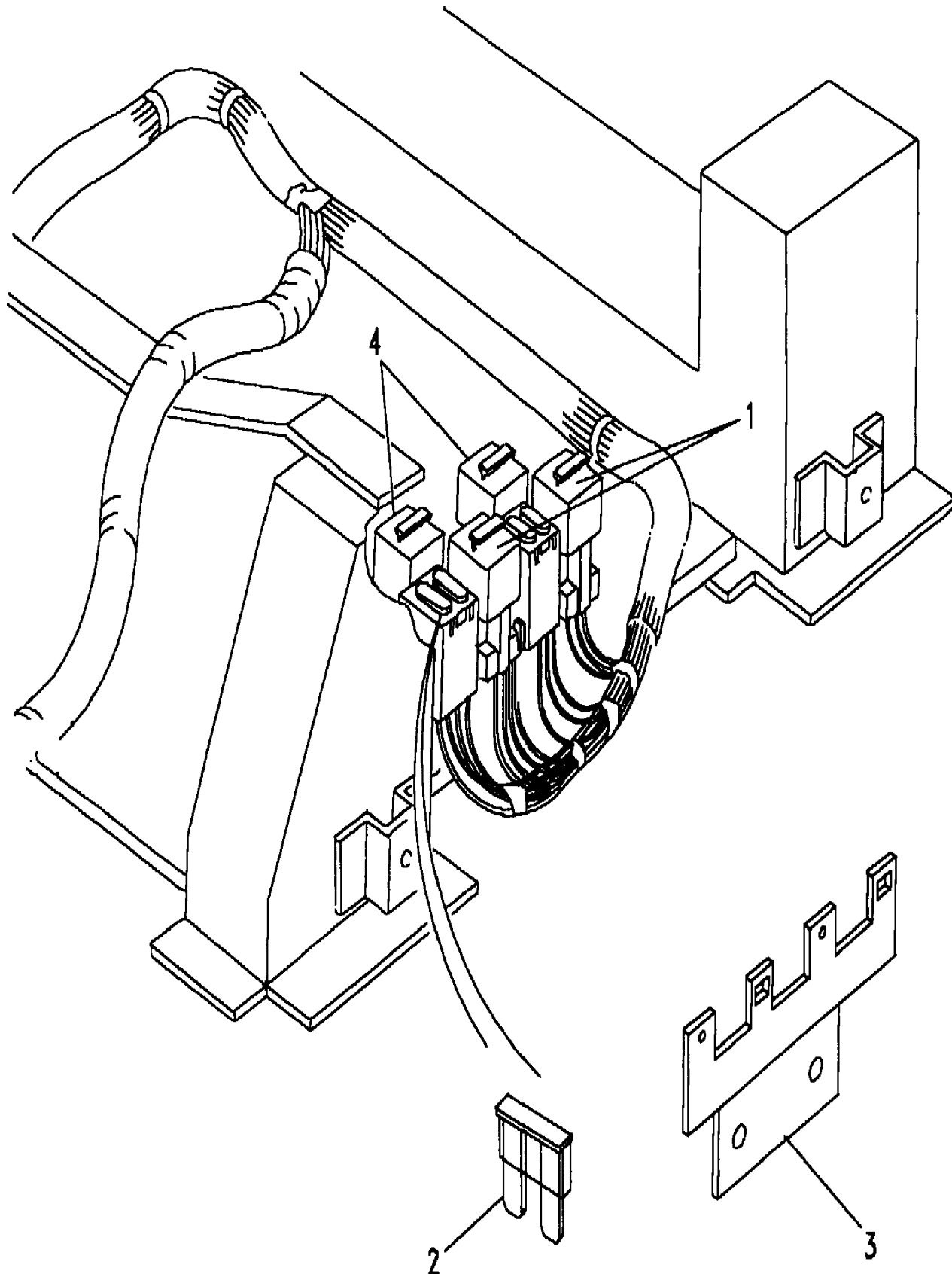
Discovery (FA393361-WA799999)
(CAMXGA4A)

Discovery (FA393361-WA799999)

Body Electrics
Relays
Relays-Under LH Front Seat

RHD

Callout	Name	Application	Remarks & Restrictions	Service No.	Qty
1	Relay	Change point - VIN begin TA163104	electric seat	YWB10027L	2
		Change point - VIN begin TA501920	electric seat	YWB10027L	2
2	Fuse	Change point - VIN begin TA163104	electric seat, AUTO, 30 AMP, Standard	RTC4507	4
		Change point - VIN begin TA501920	electric seat, AUTO, 30 AMP, Standard	RTC4507	4
3	Bracket-relay mounting	Change point - VIN begin TA163104 Change point - VIN begin TA501920	electric seat	AMR5485	1
			electric seat	AMR5485	1
				AMR5697	1
4	Relay		Heated Seat	YWB10027L	2
[900]	Relay		electric seat, changeover, Yellow Heated Seat, changeover, Yellow	YWB000150 YWB000150	2 2



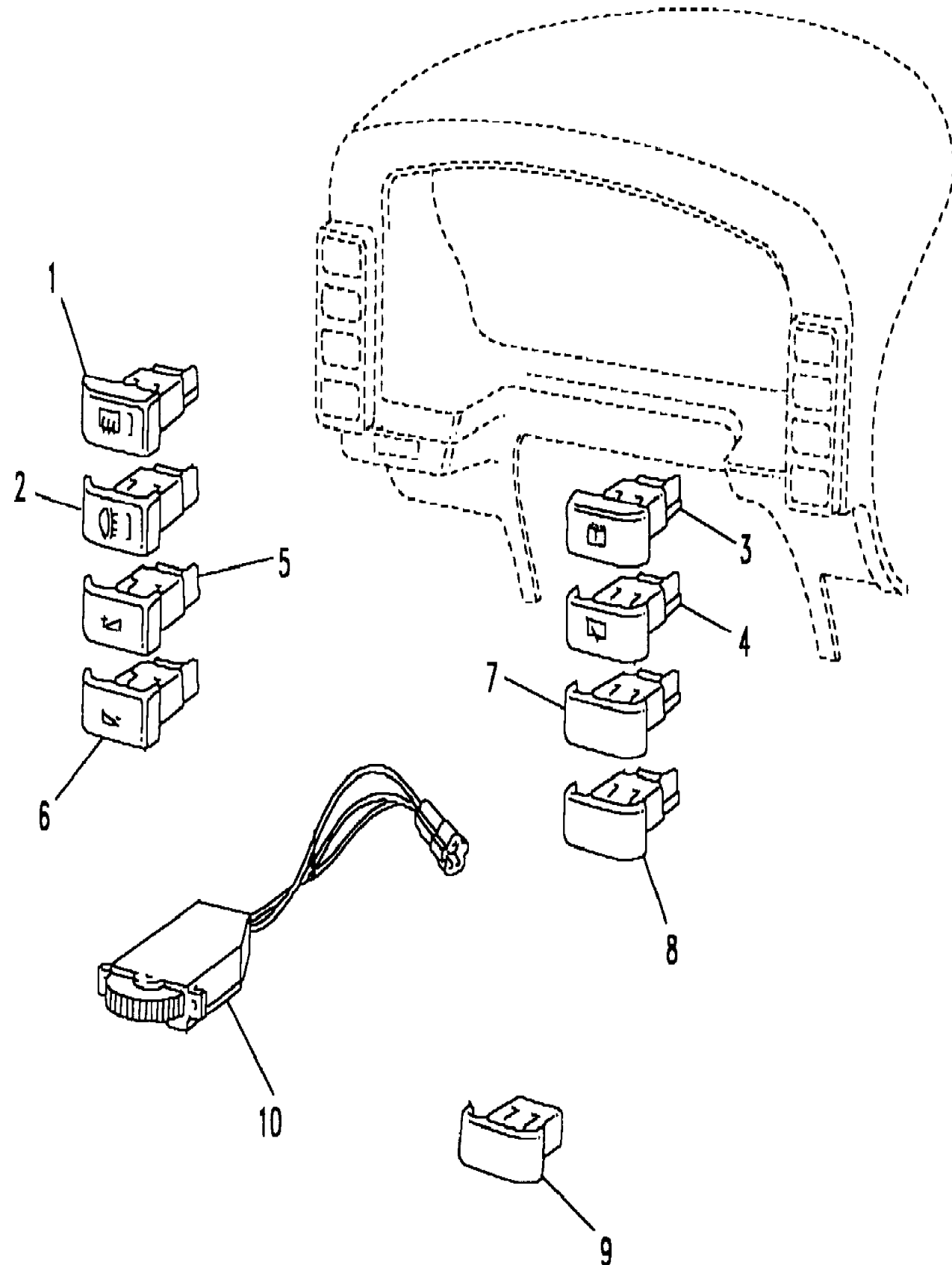
Body Electrics
Switches
Binnacle 1/2

Discovery (FA393361-WA799999)

(CAMXE3B)

Discovery (FA393361-WA799999)

Body Electrics
Switches
Binnacle



Change point - VIN begin MA081992

Callout	Name	Application	Remarks & Restrictions	Service No.	Qty
1	Switch-push push heated rear window		Also serviced as part of a kit	AMR3750	1
2	Switch-push push fog-rear		Also serviced as part of a kit	AMR3751	1
		Change point - VIN begin VA534104	Also serviced as part of a kit	AMR5178	1
		Change point - VIN begin VA703237	Also serviced as part of a kit	AMR5178	1
3	Switch-push push-rear wash		Also serviced as part of a kit	AMR3748	1
4	Switch-rear wiper push push		Also serviced as part of a kit	AMR3749	1
5	Switch remote in car entertainment	Change point - VIN begin MA081992, Change point - VIN end VA543813	ICE Remote Control, volume up, Also serviced as part of a kit	AMR3741	1
		Change point - VIN begin MA081992, Change point - VIN end VA712444	ICE Remote Control, volume up, Also serviced as part of a kit	AMR3741	1
		Change point - VIN begin VA543814	ICE Remote Control, volume up, Also serviced as part of a kit	AMR6462	1
		Change point - VIN begin VA712445	ICE Remote Control, volume up, Also serviced as part of a kit	AMR6462	1
6	Switch remote in car entertainment	Change point - VIN begin MA081992, Change point - VIN end VA543813	ICE Remote Control, volume down, Also serviced as part of a kit	AMR3742	1
		Change point - VIN begin MA081992, Change point - VIN end VA712444	ICE Remote Control, volume down, Also serviced as part of a kit	AMR3742	1
		Change point - VIN begin VA543814	ICE Remote Control, volume down, Also serviced as part of a kit	AMR6463	1
		Change point - VIN begin VA712445	ICE Remote Control, volume down, Also serviced as part of a kit	AMR6463	1
7	Switch remote in car entertainment	Change point - VIN begin MA081992, Change point - VIN end VA543813	ICE Remote Control, next station/track, Also serviced as part of a kit	AMR3743	1
		Change point - VIN begin MA081992, Change point - VIN end VA712444	ICE Remote Control, next station/track, Also serviced as part of a kit	AMR3743	1
		Change point - VIN begin VA543814	ICE Remote Control, next station/track, Also serviced as part of a kit	AMR6464	1
		Change point - VIN begin VA712445	ICE Remote Control, next station/track, Also serviced as part of a kit	AMR6464	1
8	Switch remote in car entertainment	Change point - VIN begin MA081992, Change point - VIN end VA543813	ICE Remote Control, band/CD select, Also serviced as part of a kit	AMR3744	1

Body Electrics
Switches
Binnacle 2/2

Discovery (FA393361-WA799999)

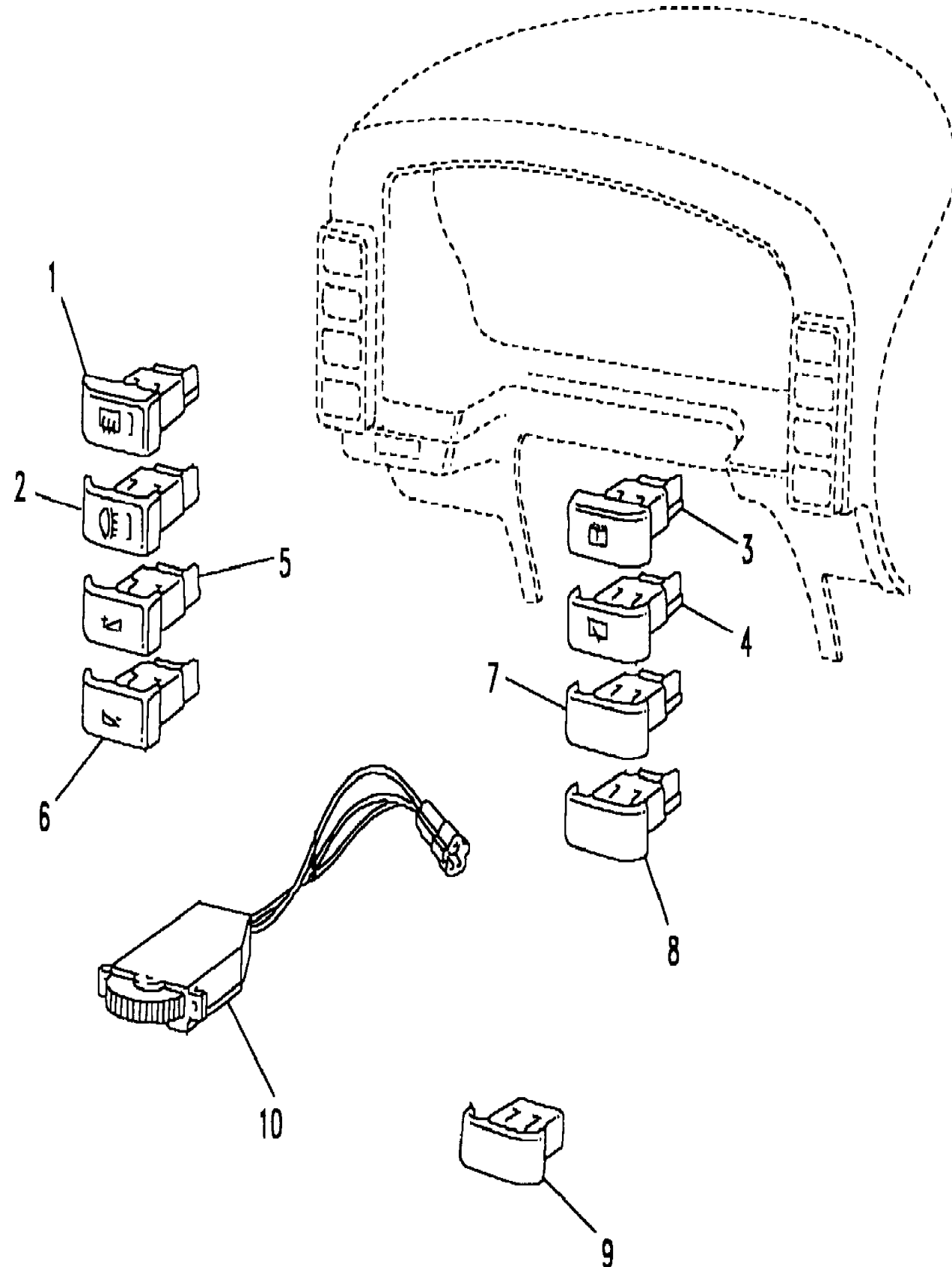
(CAMXE3B)

Discovery (FA393361-WA799999)

Body Electrics
Switches
Binnacle

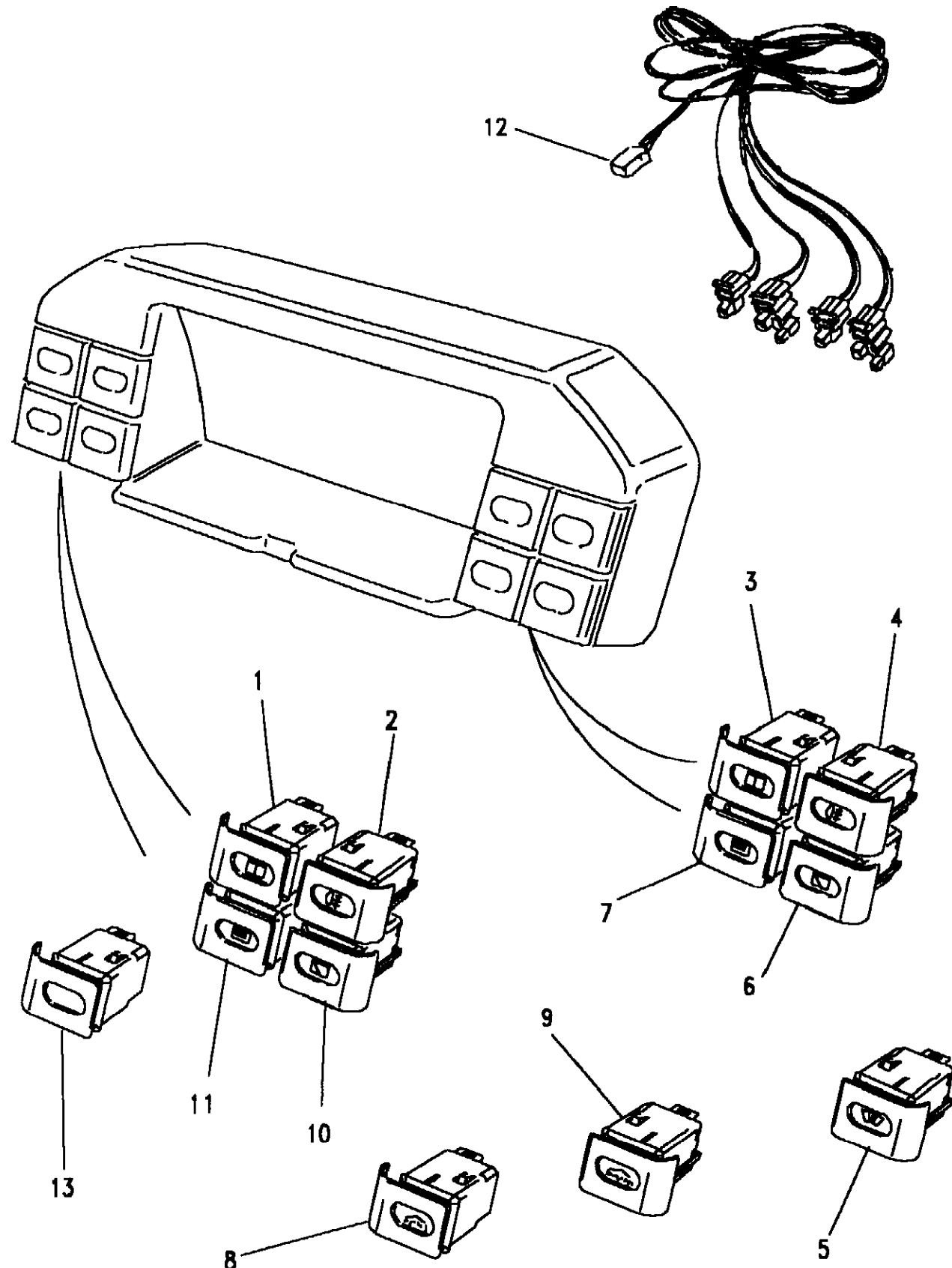
Change point - VIN begin MA081992

Callout	Name	Application	Remarks & Restrictions	Service No.	Qty
8	Switch remote in car entertainment	Change point - VIN begin MA081992, Change point - VIN end VA712444	ICE Remote Control, band/CD select, Also serviced as part of a kit	AMR3744	1
		Change point - VIN begin VA543814	ICE Remote Control, band/CD select, Also serviced as part of a kit	AMR6465	1
		Change point - VIN begin VA712445	ICE Remote Control, band/CD select, Also serviced as part of a kit	AMR6465	1
9	Blank-instrument bezel switch	Less ICE Remote Control		AMR3740	4
10	Switch-thumbwheel illumination control		Also serviced as part of a kit	AMR2745	1
[900]	Bulb & holder assembly	Change point - VIN begin VA543814	Also serviced as part of a kit, Orange	STC1877	X
		Change point - VIN begin VA712445	Also serviced as part of a kit, Orange	STC1877	X
		Change point - VIN begin VA543814	Also serviced as part of a kit, Green	STC1878	X
		Change point - VIN begin VA712445	Also serviced as part of a kit, Green	STC1878	X
		Change point - VIN begin MA081992, Change point - VIN end VA543813	ICE Remote Control, Also serviced as part of a kit, Orange	STC1877	X
		Change point - VIN begin MA081992, Change point - VIN end VA712444	ICE Remote Control, Also serviced as part of a kit, Orange	STC1877	X
		Change point - VIN begin MA081992, Change point - VIN end VA543813	ICE Remote Control, Also serviced as part of a kit, Green	STC1878	X
		Change point - VIN begin MA081992, Change point - VIN end VA712444	ICE Remote Control, Also serviced as part of a kit, Green	STC1878	X
		Change point - VIN begin VA543814	ICE Remote Control, Also serviced as part of a kit, Orange	STC1877	X
		Change point - VIN begin VA712445	ICE Remote Control, Also serviced as part of a kit, Orange	STC1877	X
		Change point - VIN begin VA543814	ICE Remote Control, Also serviced as part of a kit, Green	STC1878	X
		Change point - VIN begin VA712445	ICE Remote Control, Also serviced as part of a kit, Green	STC1878	X



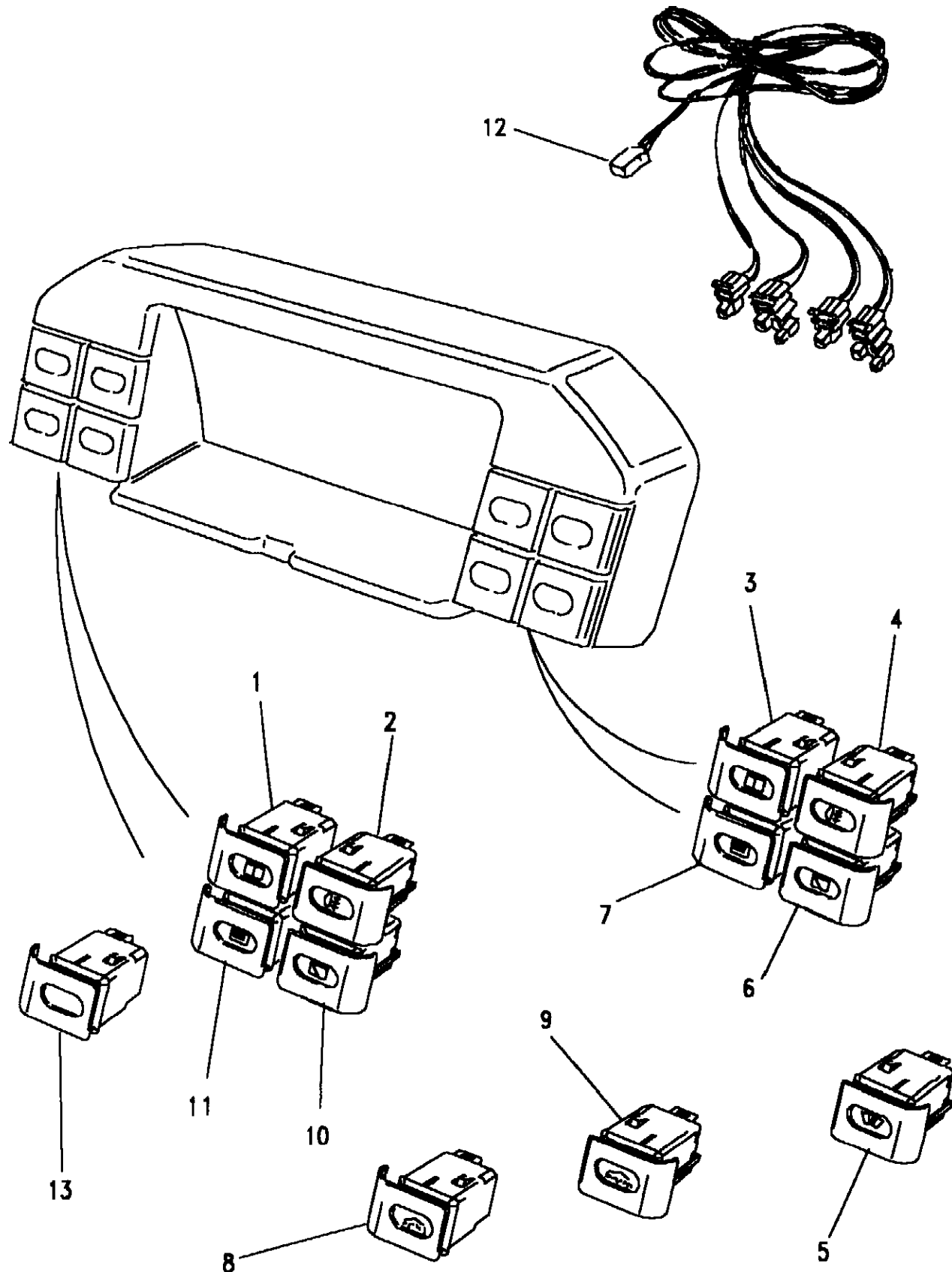
Change point - VIN end LA081991

Callout	Name	Application	Remarks & Restrictions	Service No.	Qty
1	Switch-push push heated rear window	Change point - VIN begin GA440893, Change point - VIN end LA081991		PRC8395	1
		Change point - VIN end GA440892		PRC6945	1
2	Switch-push push fog-rear	Change point - VIN begin GA440893, Change point - VIN end LA081991		PRC8392	1
		Change point - VIN end GA440892		PRC6942	1
3	Switch-push push-rear wash	Change point - VIN end GA440892		PRC6943	1
		Change point - VIN begin GA440893, Change point - VIN end LA081991		PRC8393	1
4	Switch-rear wipe push push	Change point - VIN end GA440892		PRC6944	1
		Change point - VIN begin GA440893, Change point - VIN end JA025388		PRC8498	1
		Change point - VIN begin JA025389		PRC8394	1
5	Switch-push push heated windscreen	2.5L TDi Diesel, (+)"AUS"		AMR1051	1
6	Switch remote in car entertainment	Change point - VIN end GA440892	waveband	PRC6810	1
		Change point - VIN begin GA440893, Change point - VIN end LA081991	waveband	PRC8390	1
7	Switch remote in car entertainment	Change point - VIN end GA440892	station select	PRC6811	1
		Change point - VIN begin GA440893, Change point - VIN end LA081991	station select	PRC8391	1
8	Switch remote in car entertainment	Change point - VIN end GA440892	volume down	PRC6809	1
		Change point - VIN begin GA440893, Change point - VIN end LA081991	volume down	PRC8389	1
9	Switch remote in car entertainment	Change point - VIN end GA440892	volume up	PRC6808	1
		Change point - VIN begin GA440893, Change point - VIN end LA081991	volume up	PRC8388	1
10	Switch remote in car entertainment	Change point - VIN begin GA440893, Change point - VIN end LA081991, With CD Player	seek/track	AMR2118	1



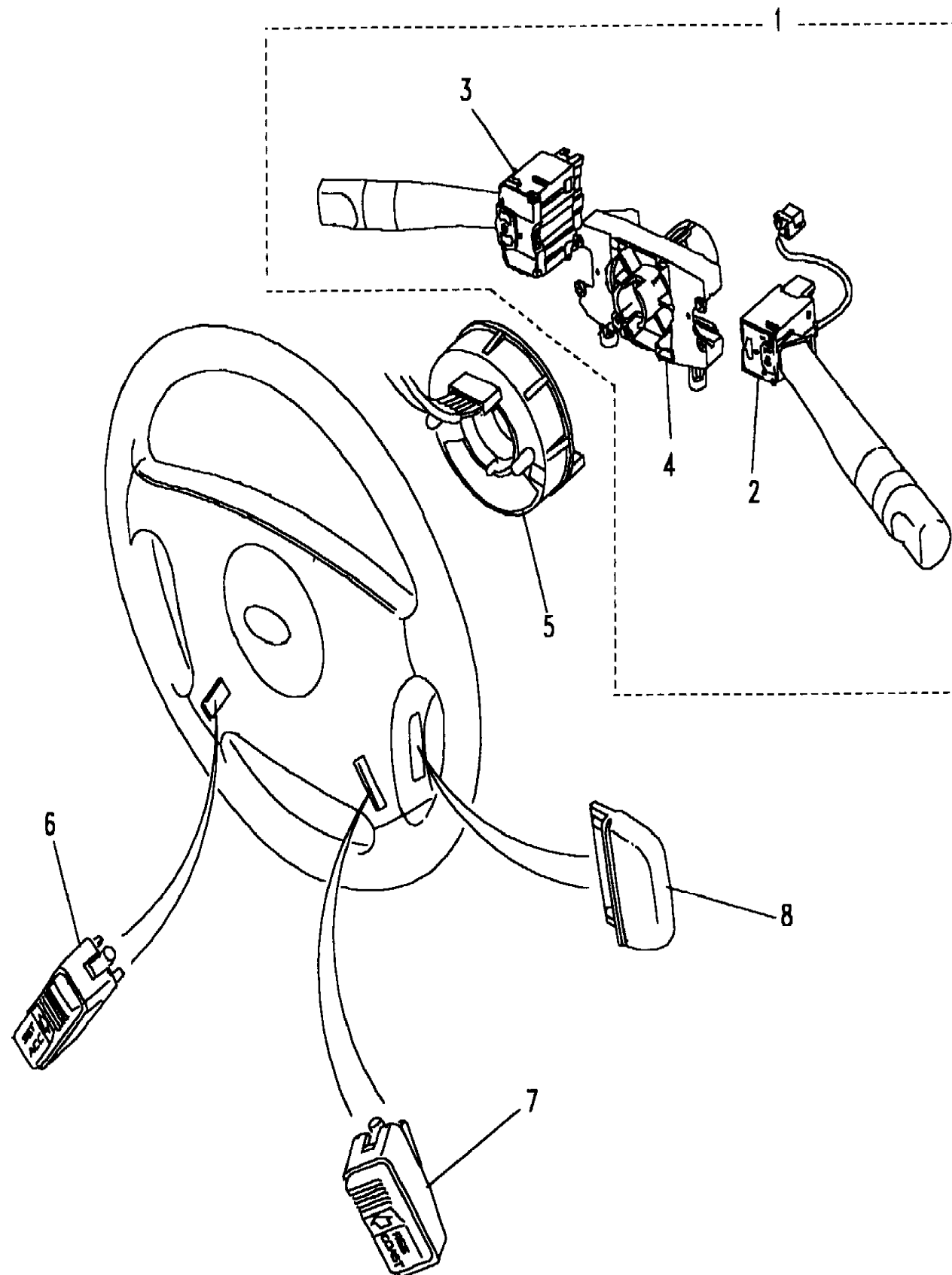
Change point - VIN end LA081991

Callout	Name	Application	Remarks & Restrictions	Service No.	Qty
11	Switch remote in car entertainment	Change point - VIN begin GA440893, Change point - VIN end LA081991, With CD Player	waveband/disc	AMR2117	1
12	Harness-link	Change point - VIN begin GA440893, Change point - VIN end LA081991, Less CD Player Change point - VIN begin GA440893, Change point - VIN end LA081991, With CD Player	radio switches CD switches, Also serviced as part of a kit	PRC6813 AMR1117	1 1
13	Blank-facia switch			PRC8396	4
[900]	Bulb-wedge illumination	Change point - VIN begin GA440893, Change point - VIN end LA081991, With CD Player	Also serviced as part of a kit, 1.2 WATT, 12V	RTC3635	X



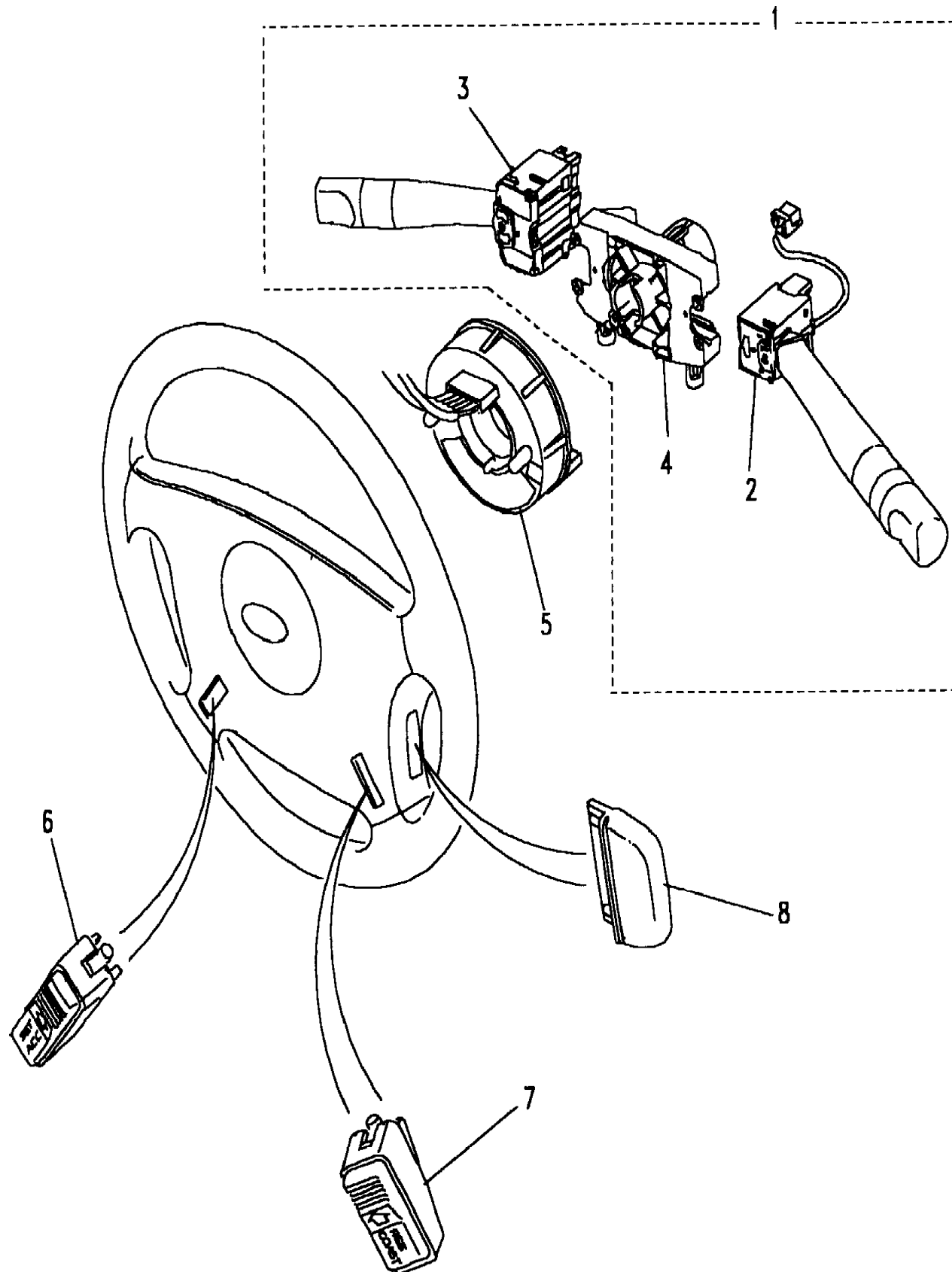
Change point - VIN begin MA081992

Callout	Name	Application	Remarks & Restrictions	Service No.	Qty
1	Switch assembly steering column	With Cruise Control	Rover Airbag System, Also serviced as part of a kit	AMR3841	1
		Less Cruise Control	Less Rover Airbag System	AMR3842	1
2	Switch-wash/wipe windscreen	With Cruise Control	Rover Airbag System, Also serviced as part of a kit	STC1790	1
		Less Cruise Control	Less Rover Airbag System, Also serviced as part of a kit	STC1790	1
3	Switch-master lighting /indicator/headlamp dip	With Cruise Control	Rover Airbag System, Also serviced as part of a kit	STC1791	1
		Less Cruise Control	Less Rover Airbag System, Also serviced as part of a kit	STC1791	1
4	Housing-centre column switches	With Cruise Control	Rover Airbag System, Also serviced as part of a kit	STC2835	1
		Less Cruise Control	Less Rover Airbag System, Also serviced as part of a kit	STC2834	1
5	Coupler-rotary steering column	Change point - VIN begin MA081992, Change point - VIN end MA117421	Less Rover Airbag System	AMR3649	1
		Change point - VIN begin MA117422, Change point - VIN end TA186857	Less Rover Airbag System	AMR4727	1
		Change point - VIN begin MA117422, Change point - VIN end TA516645	Less Rover Airbag System	AMR4727	1
		Change point - VIN begin TA186858, Change point - VIN end WA762768	Less Rover Airbag System	AMR5632	1
		Change point - VIN begin TA516646, Change point - VIN end WA762768	Less Rover Airbag System	AMR5632	1
		Change point - VIN begin WA762769	Less Rover Airbag System	YRC100360	1
		Change point - VIN begin MA081992, Change point - VIN end MA117421	Rover Airbag System	AMR3647	1
		Change point - VIN begin MA117422, Change point - VIN end TA180418	Rover Airbag System	AMR4726	1
		Change point - VIN begin MA117422, Change point - VIN end TA512138	Rover Airbag System	AMR4726	1
		Change point - VIN begin TA180419, Change point - VIN end WA762768	Rover Airbag System	AMR5631	1
6	Switch-cruise control set/resume	Change point - VIN begin TA512139, Change point - VIN end WA762768	Rover Airbag System	AMR5631	1
		Change point - VIN begin WA762769	Rover Airbag System	YRC100350	1
		Less Rover Airbag System	PRC5797	1	



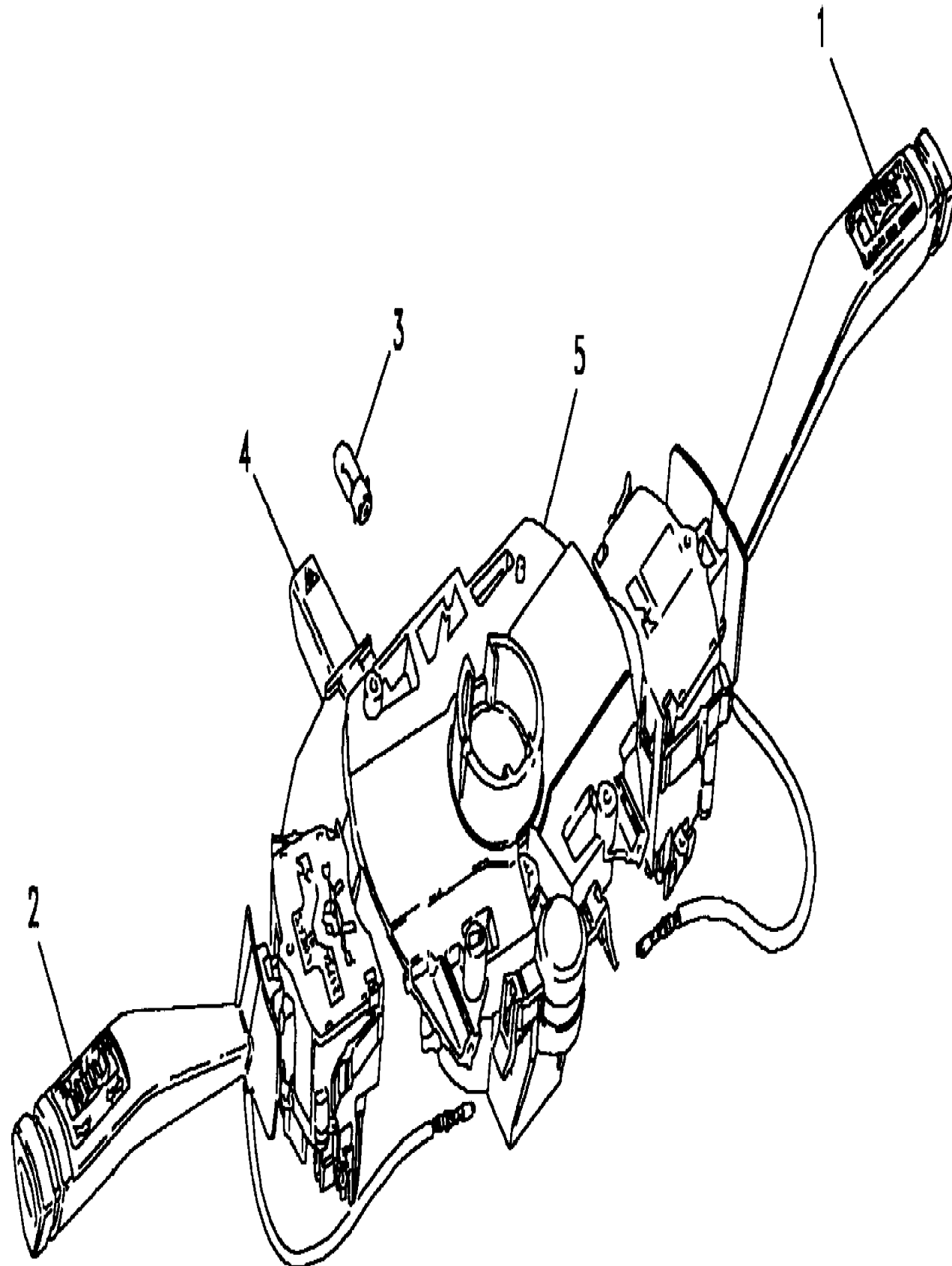
Change point - VIN begin MA081992

Callout	Name	Application	Remarks & Restrictions	Service No.	Qty
7	Switch-cruise control-resume/cancel		Less Rover Airbag System	PRC6590	1
8	Switch-cruise control set/resume		Rover Airbag System	AMR3361	1



Change point - VIN end LA081991

Callout	Name	Application	Remarks & Restrictions	Service No.	Qty
1	Switch-wash/wipe windscreen	Change point - VIN begin GA394352, Change point - VIN end GA456980		PRC8724	1
		Change point - VIN begin HA000001, Change point - VIN end HA012332		STC357	1
		Change point - VIN begin HA456981, Change point - VIN end HA486551		STC357	1
		Change point - VIN begin JA012333, Change point - VIN end JA027299		STC357	1
		Change point - VIN begin JA027300, Change point - VIN end LA081991		STC866	1
				RTC6618	1
				STC358	1
2	Switch-master lighting /indicator/headlamp dip	Change point - VIN begin GA394352, Change point - VIN end GA456980		STC358	1
		Change point - VIN begin HA000001, Change point - VIN end HA012332		STC358	1
		Change point - VIN begin HA456981, Change point - VIN end HA486551		STC358	1
		Change point - VIN begin JA012333, Change point - VIN end JA027299		STC358	1
		Change point - VIN begin JA027300, Change point - VIN end LA081991		STC865	1
3	Bulb-wedge illumination		1.2 WATT, 12V	RTC3635	1
4	Knob-switch		Hazard Warning Switch	RTC5691	1
5	Housing-centre column switches	Change point - VIN end JA027299		PRC5438	1
		Change point - VIN begin JA027300, Change point - VIN end LA081991		STC1597	1

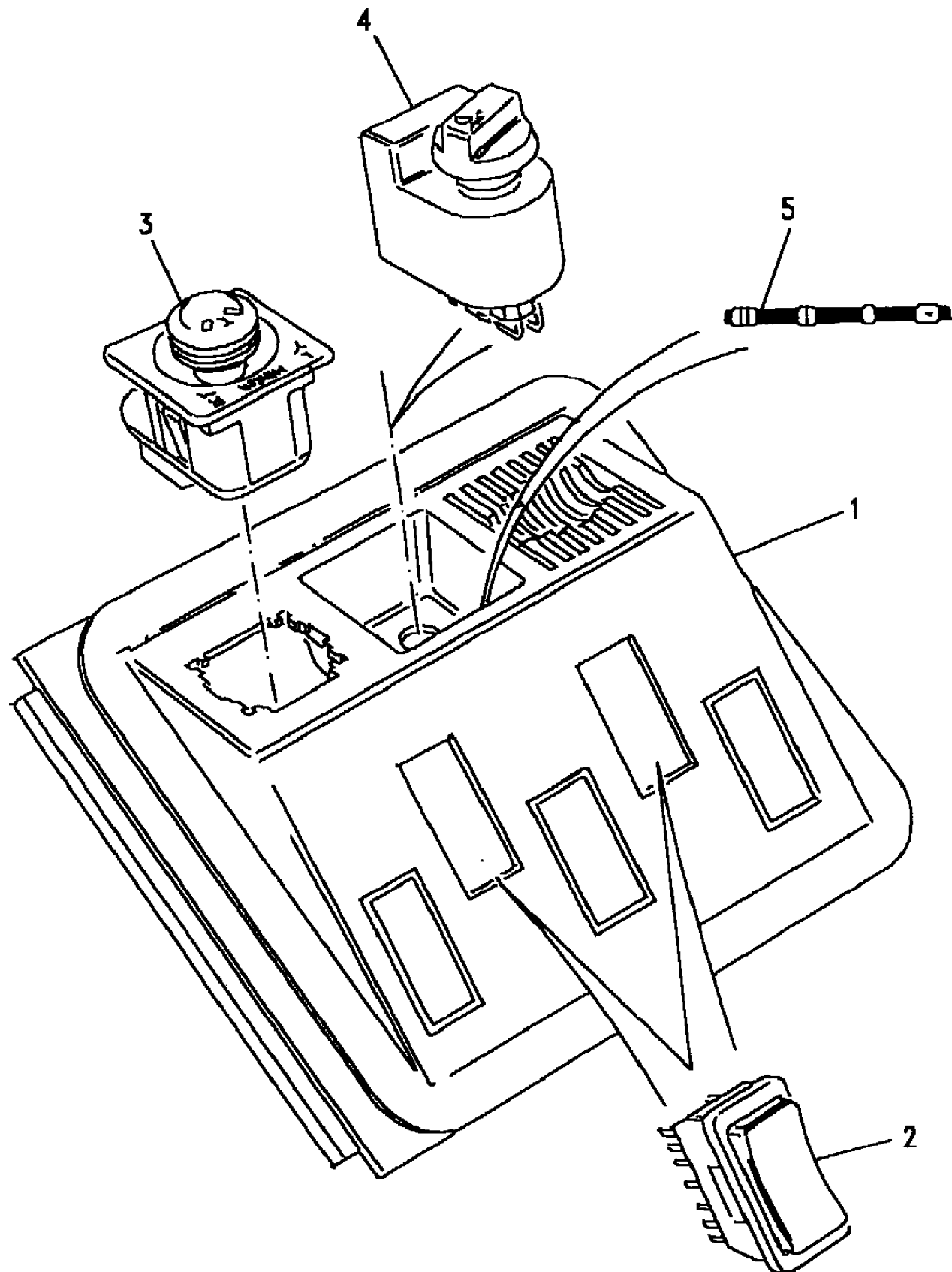


Body Electrics
Switches
Console Front 1/4

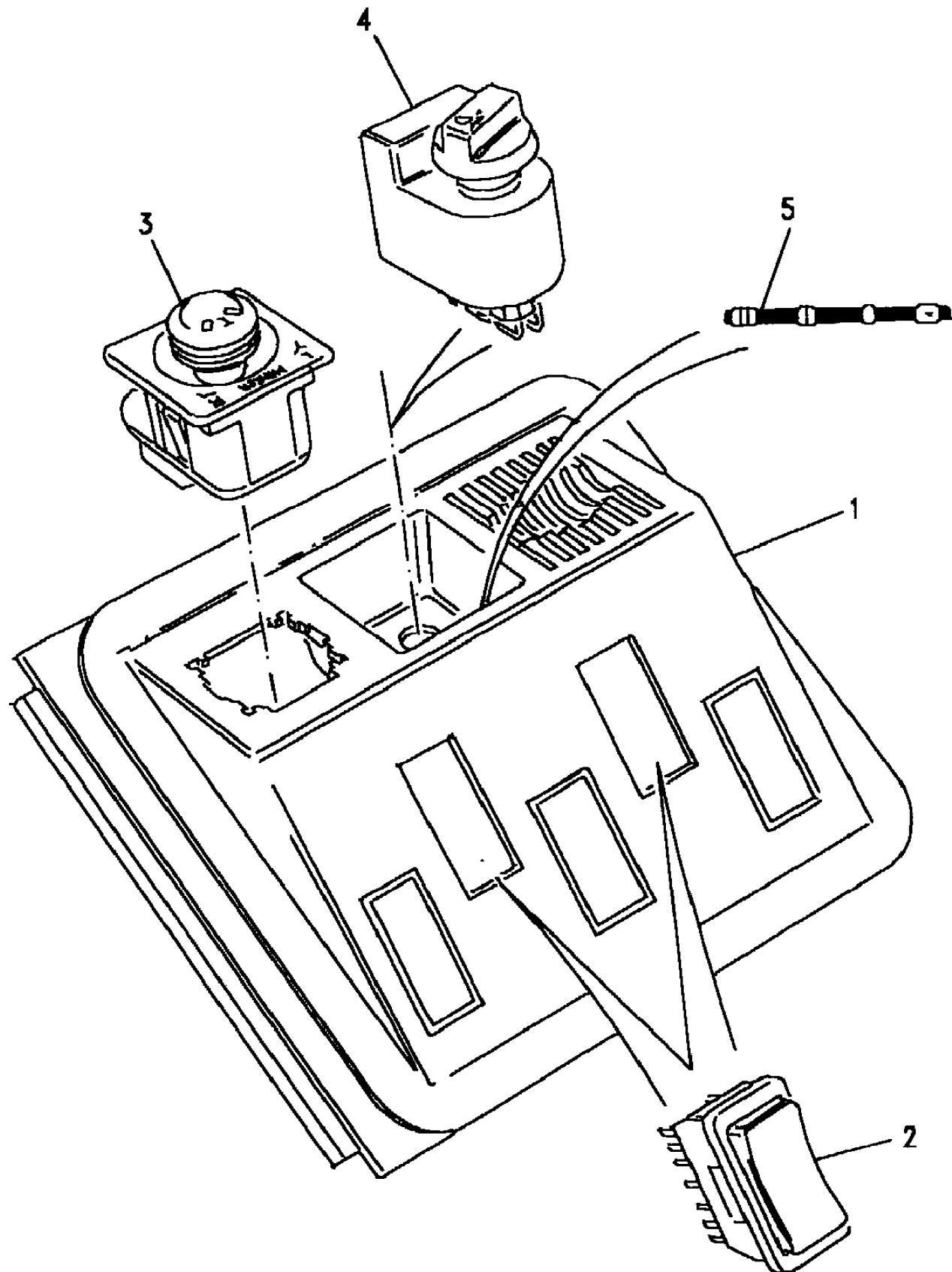
Discovery (FA393361-WA799999)
(CAMXEC2A)

Discovery (FA393361-WA799999)

Body Electrics
Switches
Console Front



Callout	Name	Application	Remarks & Restrictions	Service No.	Qty
1	Housing-tunnel console switch	Change point - VIN end JA034313, 5 Door Station Wagon, RHD, With Drivers Manual Mirror, With Passenger Manual Mirror, With Manual Headlamp Levelling	Electric Windows, Ash Grey	BTR1528LUN	1
		Change point - VIN end JA034313, 5 Door Station Wagon, LHD, With Drivers Manual Mirror, With Passenger Manual Mirror, With Manual Headlamp Levelling	Electric Windows, Ash Grey	BTR1529LUN	1
		Change point - VIN begin KA034314, Change point - VIN end LA081991, 5 Door Station Wagon, RHD, With Drivers Manual Mirror, With Passenger Manual Mirror, With Manual Headlamp Levelling	Electric Windows, Ash Grey	BTR1528LNF	1
		Change point - VIN begin KA034314, Change point - VIN end LA081991, 5 Door Station Wagon, LHD, With Drivers Manual Mirror, With Passenger Manual Mirror, With Manual Headlamp Levelling	Electric Windows, Ash Grey	BTR1529LNF	1
		Change point - VIN end JA016651, 5 Door Station Wagon, RHD, With Drivers Power Mirror, With Passenger Power Mirror, With Manual Headlamp Levelling	Electric Windows, Ash Grey	BTR733LUN	1
		Change point - VIN end JA016651, 5 Door Station Wagon, LHD, With Drivers Power Mirror, With Passenger Power Mirror, With Manual Headlamp Levelling	Electric Windows, Ash Grey	MXC7810LUN	1
		Change point - VIN begin JA016652, Change point - VIN end JA034313, 5 Door Station Wagon, RHD, With Drivers Power Mirror, With Passenger Power Mirror, With Manual Headlamp Levelling	Electric Windows, Ash Grey	BTR1526LUN	1
		Change point - VIN begin JA016652, Change point - VIN end JA034313, 5 Door Station Wagon, LHD, With Drivers Power Mirror, With Passenger Power Mirror, With Manual Headlamp Levelling	Electric Windows, Ash Grey	BTR1527LUN	1



Callout	Name	Application	Remarks & Restrictions	Service No.	Qty
1	Housing-tunnel console switch	Change point - VIN begin KA034314, Change point - VIN end LA081991, 5 Door Station Wagon, RHD, With Drivers Power Mirror, With Passenger Power Mirror, With Manual Headlamp Levelling	Electric Windows, Ash Grey	BTR1526LNF	1
		Change point - VIN begin KA034314, Change point - VIN end LA081991, 5 Door Station Wagon, LHD, With Drivers Power Mirror, With Passenger Power Mirror, With Manual Headlamp Levelling	Electric Windows, Ash Grey	BTR1527LNF	1
		Change point - VIN end JA034313, 3 Door Station Wagon, RHD, Less Headlamp Levelling	Electric Windows, Ash Grey	MWC9140LUN	1
		Change point - VIN end JA034313, 3 Door Station Wagon, LHD, Less Headlamp Levelling	Electric Windows, Ash Grey	MWC9141LUN	1
		Change point - VIN begin KA034314, Change point - VIN end LA081991, 3 Door Station Wagon, RHD, Less Headlamp Levelling	Electric Windows, Ash Grey	MWC9140LNF	1
		Change point - VIN begin KA034314, Change point - VIN end LA081991, 3 Door Station Wagon, LHD, Less Headlamp Levelling	Electric Windows, Ash Grey	MWC9141LNF	1
		Change point - VIN end JA034313, 3 Door Station Wagon, RHD, With Drivers Manual Mirror, With Passenger Manual Mirror, With Manual Headlamp Levelling	Electric Windows, Ash Grey	BTR1528LUN	1
		Change point - VIN end JA034313, 3 Door Station Wagon, LHD, With Drivers Manual Mirror, With Passenger Manual Mirror, With Manual Headlamp Levelling	Electric Windows, Ash Grey	BTR1529LUN	1
		Change point - VIN begin KA034314, Change point - VIN end LA081991, 3 Door Station Wagon, RHD, With Drivers Manual Mirror, With Passenger Manual Mirror, With Manual Headlamp Levelling	Electric Windows, Ash Grey	BTR1528LNF	1
		Change point - VIN end LA081991, 3 Door Station Wagon, LHD, With Drivers Manual Mirror, With Passenger Manual Mirror, With Manual Headlamp Levelling	Electric Windows, Ash Grey	BTR1528LNF	1

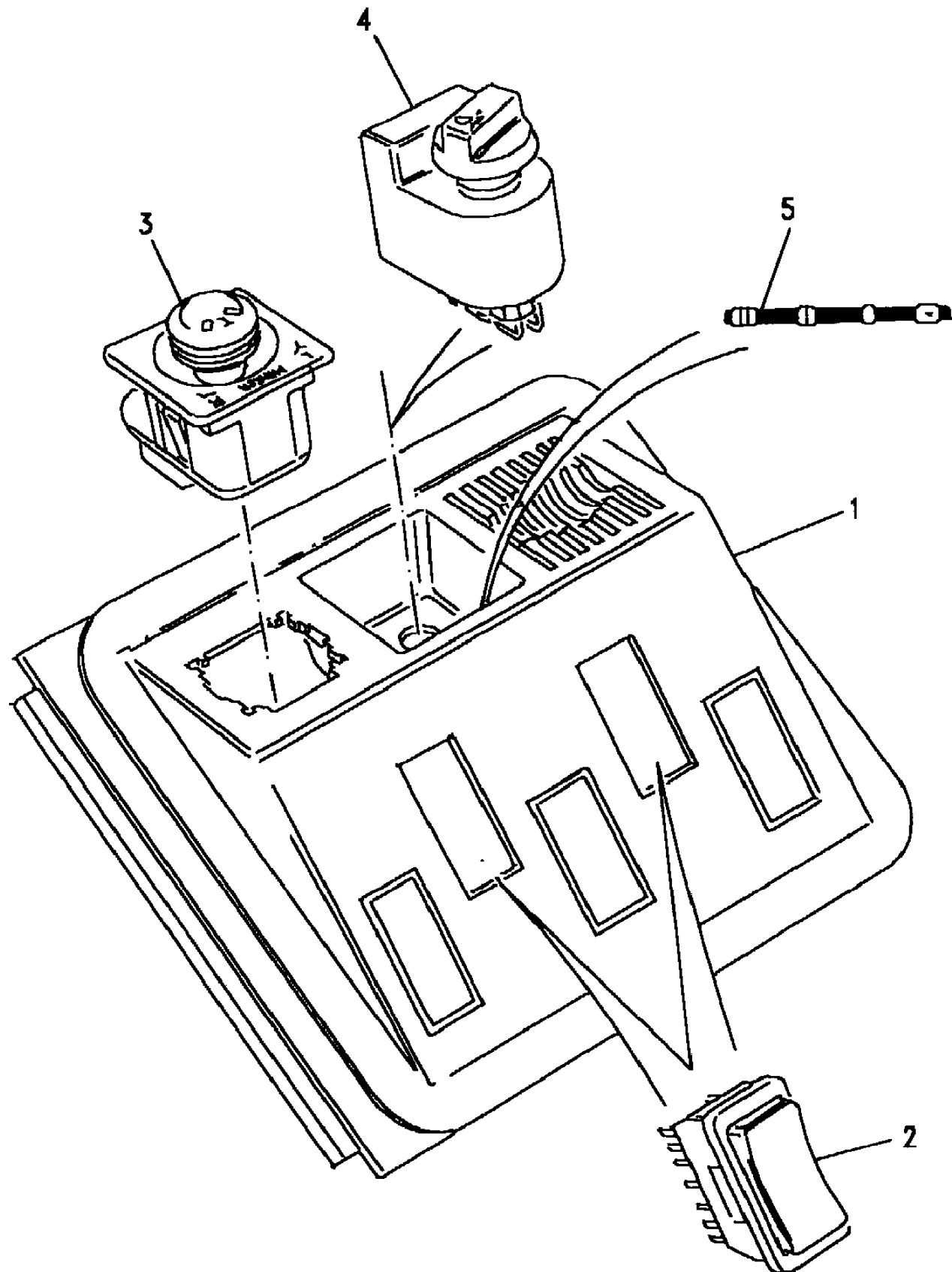
Body Electrics
Switches
Console Front 3/4

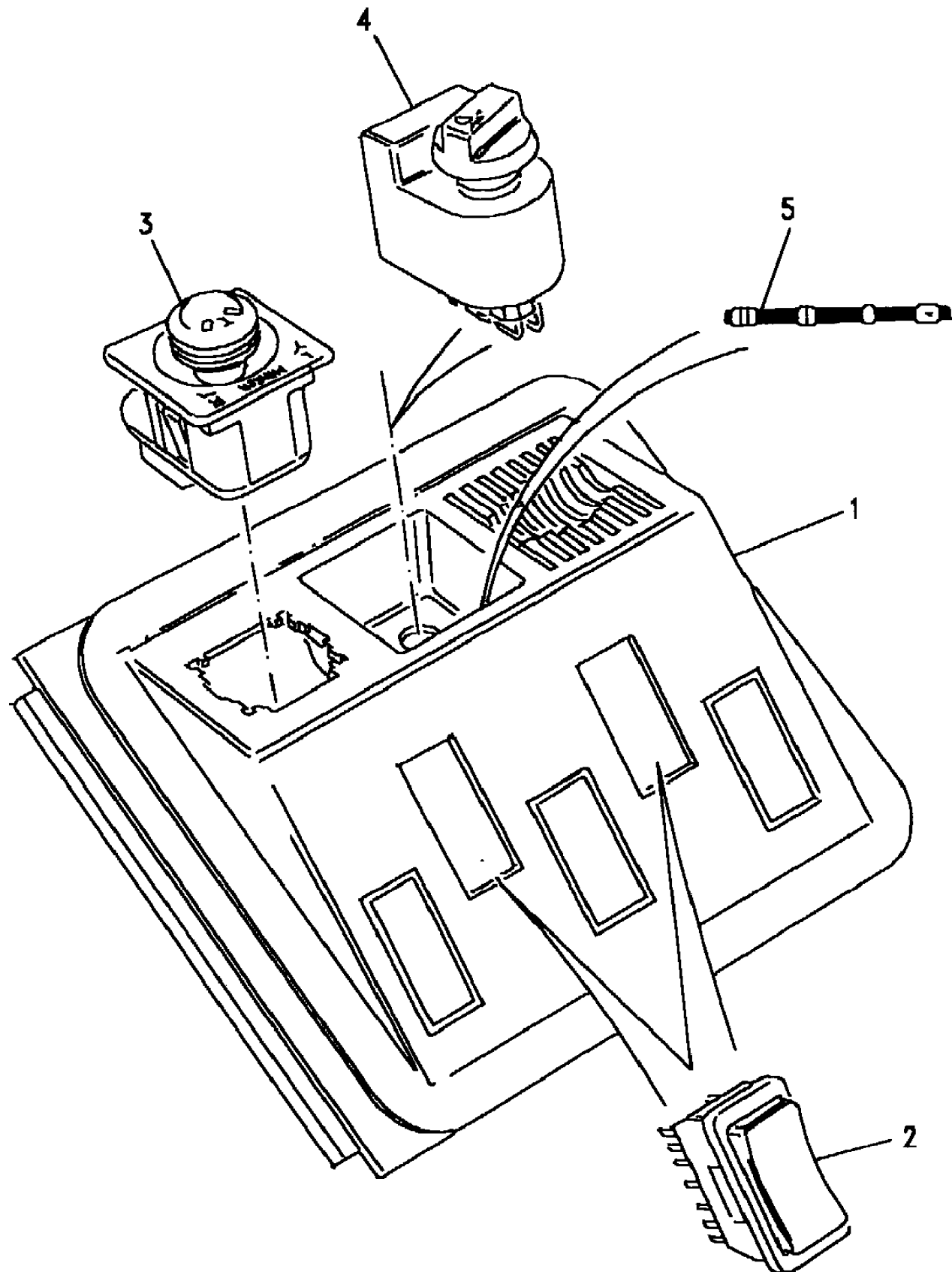
Discovery (FA393361-WA799999)
(CAMXEC2A)

Discovery (FA393361-WA799999)

Body Electrics
Switches
Console Front

Callout	Name	Application	Remarks & Restrictions	Service No.	Qty
1	Housing-tunnel console switch	Change point - VIN begin KA034314, Change point - VIN end LA081991, 3 Door Station Wagon, LHD, With Drivers Manual Mirror, With Passenger Manual Mirror, With Manual Headlamp Levelling	Electric Windows, Ash Grey	BTR1529LNF	1
		Change point - VIN end JA016651, 3 Door Station Wagon, RHD, With Drivers Power Mirror, With Passenger Power Mirror, With Manual Headlamp Levelling	Electric Windows, Ash Grey	BTR733LUN	1
		Change point - VIN end JA016651, 3 Door Station Wagon, LHD, With Drivers Power Mirror, With Passenger Power Mirror, With Manual Headlamp Levelling	Electric Windows, Ash Grey	MXC7810LUN	1
		Change point - VIN begin JA016652, Change point - VIN end JA034313, 3 Door Station Wagon, RHD, With Drivers Power Mirror, With Passenger Power Mirror, With Manual Headlamp Levelling	Electric Windows, Ash Grey	BTR1524LUN	1
		Change point - VIN begin JA016652, Change point - VIN end JA034313, 3 Door Station Wagon, LHD, With Drivers Power Mirror, With Passenger Power Mirror, With Manual Headlamp Levelling	Electric Windows, Ash Grey	BTR1525LUN	1
		Change point - VIN begin KA034314, Change point - VIN end LA081991, 3 Door Station Wagon, RHD, With Drivers Power Mirror, With Passenger Power Mirror, With Manual Headlamp Levelling	Electric Windows, Ash Grey	BTR1524LNF	1
		Change point - VIN begin KA034314, Change point - VIN end LA081991, 3 Door Station Wagon, LHD, With Drivers Power Mirror, With Passenger Power Mirror, With Manual Headlamp Levelling	Electric Windows, Ash Grey	BTR1525LNF	1
		Change point - VIN end JA034313, 5 Door Station Wagon, RHD, Less Headlamp Levelling	Electric Windows, Ash Grey	MWC9288LUN	1
		Change point - VIN end JA034313, 5 Door Station Wagon, LHD, Less Headlamp Levelling	Electric Windows, Ash Grey	MWC9289LUN	1





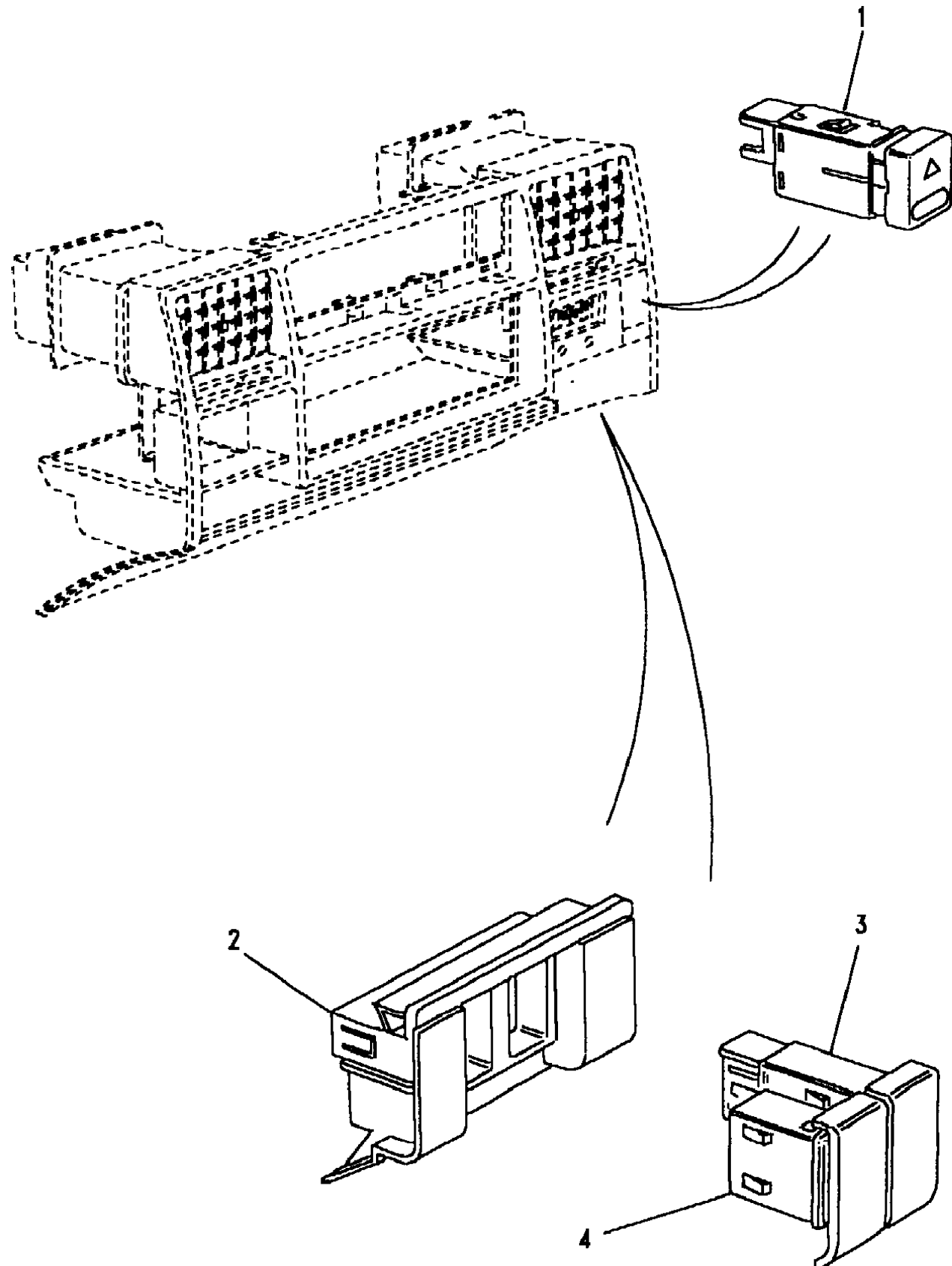
Callout	Name	Application	Remarks & Restrictions	Service No.	Qty
1	Housing-tunnel console switch	Change point - VIN begin KA034314, Change point - VIN end LA081991, 5 Door Station Wagon, RHD, Less Headlamp Levelling	Electric Windows, Ash Grey	MWC9288LNF	1
		Change point - VIN begin KA034314, Change point - VIN end LA081991, 5 Door Station Wagon, LHD, Less Headlamp Levelling	Electric Windows, Ash Grey	MWC9289LNF	1
2	Switch-rocker electric window lift	Change point - VIN end LA081991	Driver, Electric Windows	PRC5255	2
		Change point - VIN end JA013672	Passenger, Electric Windows	PRC5254	2
		Change point - VIN begin JA013673, Change point - VIN end LA081991	Passenger, Electric Windows	PRC5255	2
3	Switch-mirror	Change point - VIN end LA081991	Electric Windows	PRC6829	1
4	Switch-rotary headlamp leveling	Change point - VIN end LA081991	Electric Windows	PRC7886	1
5	Label-headlamp leveling information	Change point - VIN end LA081991	Electric Windows	PRC7944	1
[900]	Switch-push push isolator-electric window lift	Change point - VIN end LA081991	Electric Windows	PRC4754	1

Body Electrics
Switches
Facia Assembly 1/1

Discovery (FA393361-WA799999)
(CAMXEC4B)

Discovery (FA393361-WA799999)

Body Electrics
Switches
Facia Assembly



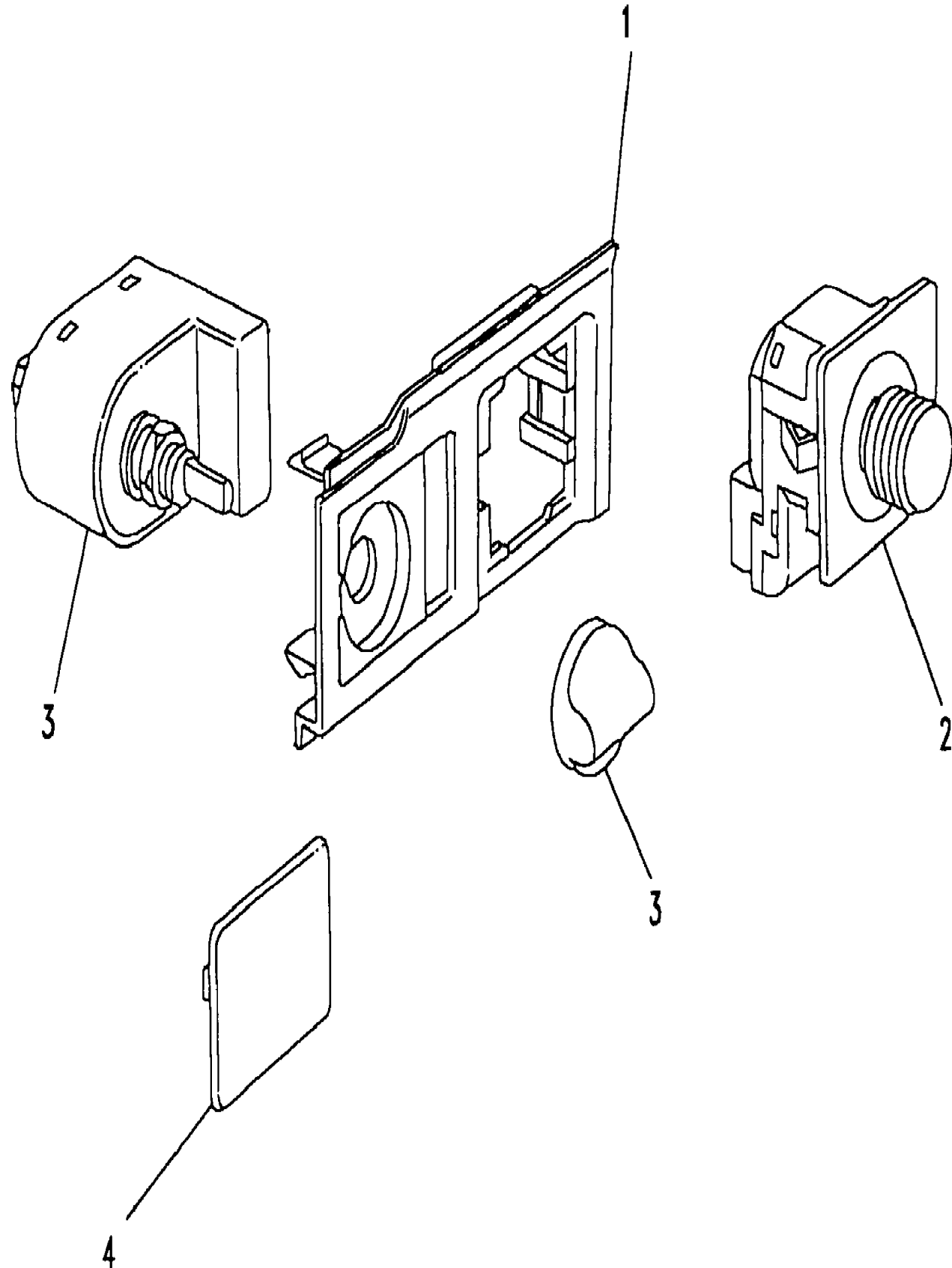
Callout	Name	Application	Remarks & Restrictions	Service No.	Qty
1	Switch-push push hazard		Also serviced as part of a kit	YUG10067L	1
2	Housing-facia console switches	Change point - VIN begin MA081992, Change point - VIN end TA534103	for 2 switches	AWR1198LNF	1
		Change point - VIN begin MA081992, Change point - VIN end TA703236	for 2 switches	AWR1198LNF	1
		Change point - VIN begin VA534104	for 3 switches	AWR3330LNF	1
		Change point - VIN begin VA703237	for 3 switches	AWR3330LNF	1
3	Switch-cruise control enable/disable	Change point - VIN begin MA081992	Also serviced as part of a kit	AMR3752	1
4	Blank-instrument bezel switch	Change point - VIN begin MA081992		AMR3740	X
[900]	Bulb & holder assembly		Also serviced as part of a kit, Clear.	STC1205	1
		Change point - VIN begin VA534104	Also serviced as part of a kit, Orange	STC1877	X
		Change point - VIN begin VA703237	Also serviced as part of a kit, Orange	STC1877	X
		Change point - VIN begin VA534104	Also serviced as part of a kit, Green	STC1878	X
		Change point - VIN begin VA703237	Also serviced as part of a kit, Green	STC1878	X
[901]	Switch-push push fog-front	Change point - VIN begin TA163104	Also serviced as part of a kit	AMR4138	1
		Change point - VIN begin TA501920	Also serviced as part of a kit	AMR4138	1
[902]	Switch-push push heated windscreen	Change point - VIN begin VA534104	Also serviced as part of a kit	AMR5177	1
		Change point - VIN begin VA703237	Also serviced as part of a kit	AMR5177	1

Body Electrics
Switches
Facia-Headlamp Levelling & Mirror 1/1

Discovery (FA393361-WA799999)
(CAMXEC5B)

Discovery (FA393361-WA799999)

Body Electrics
Switches
Facia-Headlamp Levelling & Mirror



Callout	Name	Application	Remarks & Restrictions	Service No.	Qty		
1	Bezel-facia headlamp levelling switch	Change point - VIN begin MA081992, Change point - VIN end VA745654, RHD	Electric Door Mirrors, Ash Grey	AMR2781LNF	1		
		Change point - VIN begin MA081992, Change point - VIN end VA745654, LHD	Electric Door Mirrors, Ash Grey	AMR2783LNF	1		
		Change point - VIN begin MA081992, Change point - VIN end VA745654, RHD	Less Electric Door Mirrors, Ash Grey	AMR2782LNF	1		
		Change point - VIN begin MA081992, Change point - VIN end VA745654, LHD	Less Electric Door Mirrors, Ash Grey	AMR2784LNF	1		
		Change point - VIN begin VA745655, RHD	Electric Door Mirrors, Ash Grey	FAV101160LNF	1		
		Change point - VIN begin VA745655, LHD	Electric Door Mirrors, Ash Grey	FAV101180LNF	1		
		Change point - VIN begin VA745655, RHD	Less Electric Door Mirrors, Ash Grey	FAV101170LNF	1		
		Change point - VIN begin VA745655, LHD	Less Electric Door Mirrors, Ash Grey	FAV101190LNF	1		
		2	Switch-mirror	Change point - VIN begin MA081992	Without power folding, Less Memory	AMR2498	1
				3	Switch-rotary headlamp leveling	Change point - VIN begin MA081992, Change point - VIN end VA745654	AMR3935
Change point - VIN begin VA745655	AMR6424	1					
4	Blank-facia headlamp levelling	Change point - VIN begin MA081992		FBV10040LNFL	1		
[900]	Blank-facia headlamp levelling	Change point - VIN begin MA081992		FBV100970LNF	1		
				FBV100970LNF	1		

Body Electrics
Switches
Sunroof 1/1

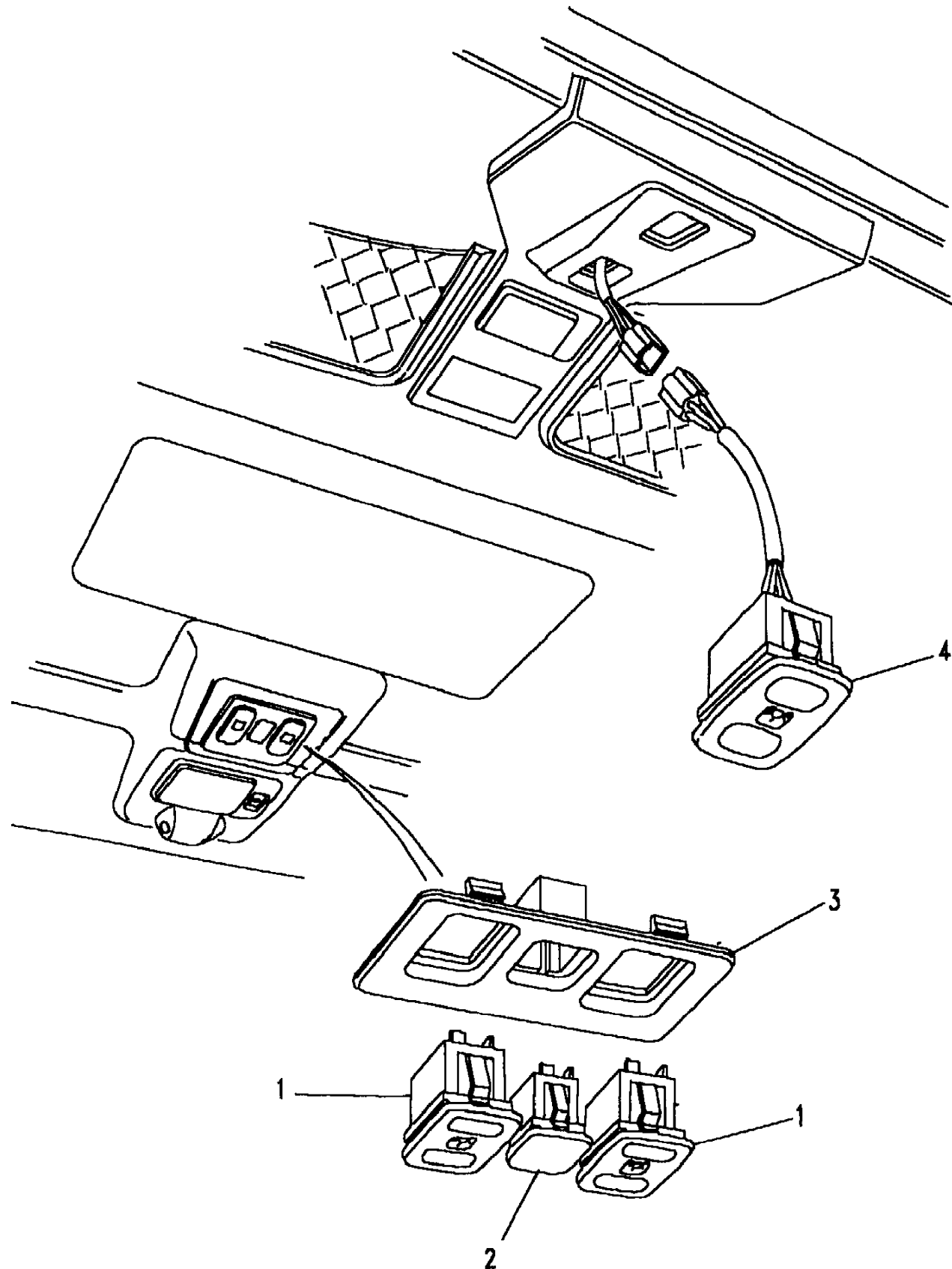
Discovery (FA393361-WA799999)
(CAMXEC2D)

Discovery (FA393361-WA799999)

Body Electrics
Switches
Sunroof

With Electric Slide Sunroof

Callout	Name	Application	Remarks & Restrictions	Service No.	Qty
1	Switch-rocker sunroof	Change point - VIN begin MA081992	Front	AMR2471	2
2	Switch-sunroof isolator push push	Change point - VIN begin MA081992	Front	AMR3653	1
3	Bezel	Change point - VIN begin MA081992	Mist Grey	BTR6984LUM	1
4	Switch-rocker sunroof	Change point - VIN begin MA081992	Rear	AMR3652	1

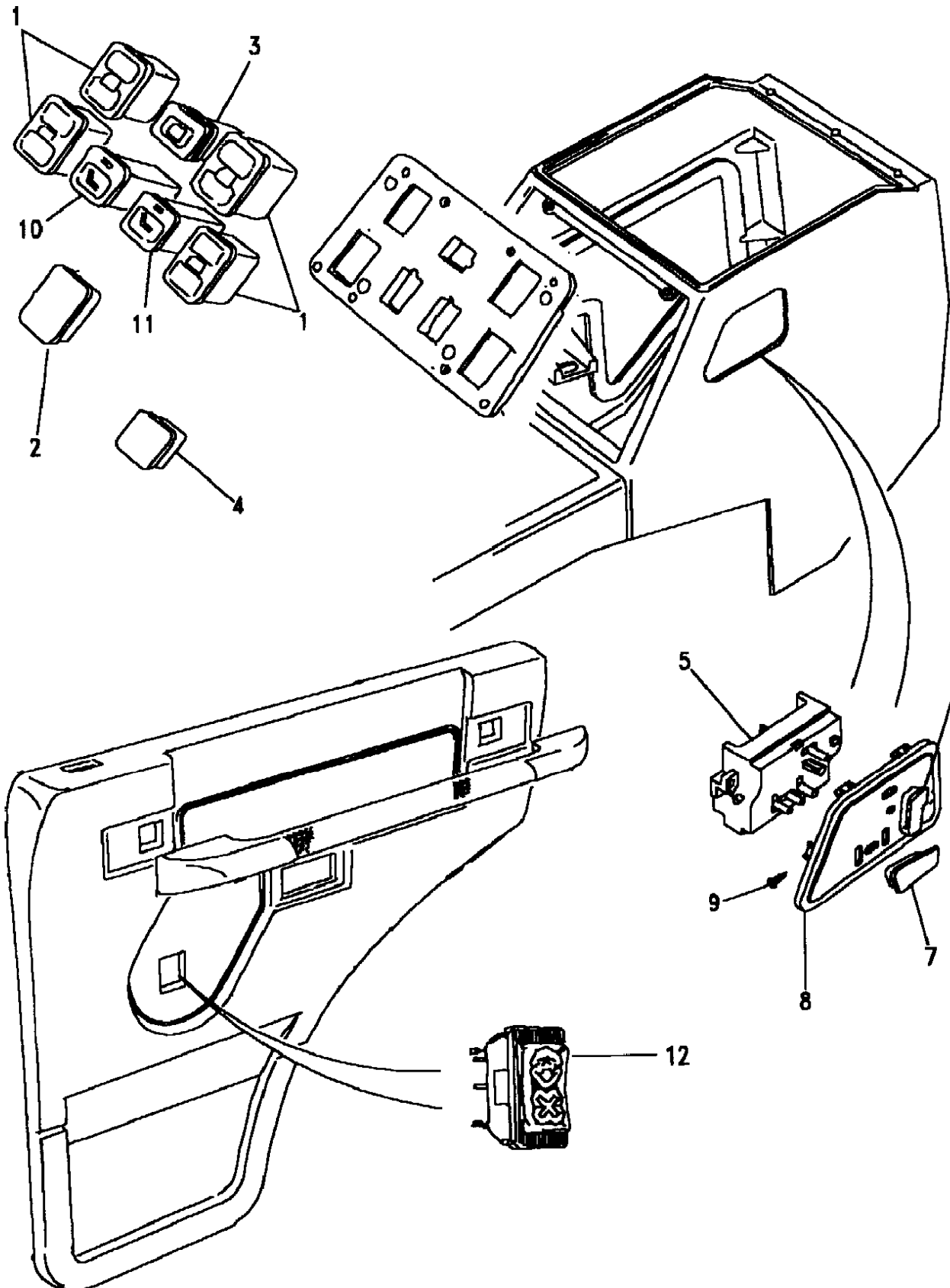


Body Electrics
Switches
Switches Console & Rear Door 1/2

Discovery (FA393361-WA799999)
(CAMXEC2C)

Discovery (FA393361-WA799999)

Body Electrics
Switches
Switches Console & Rear Door



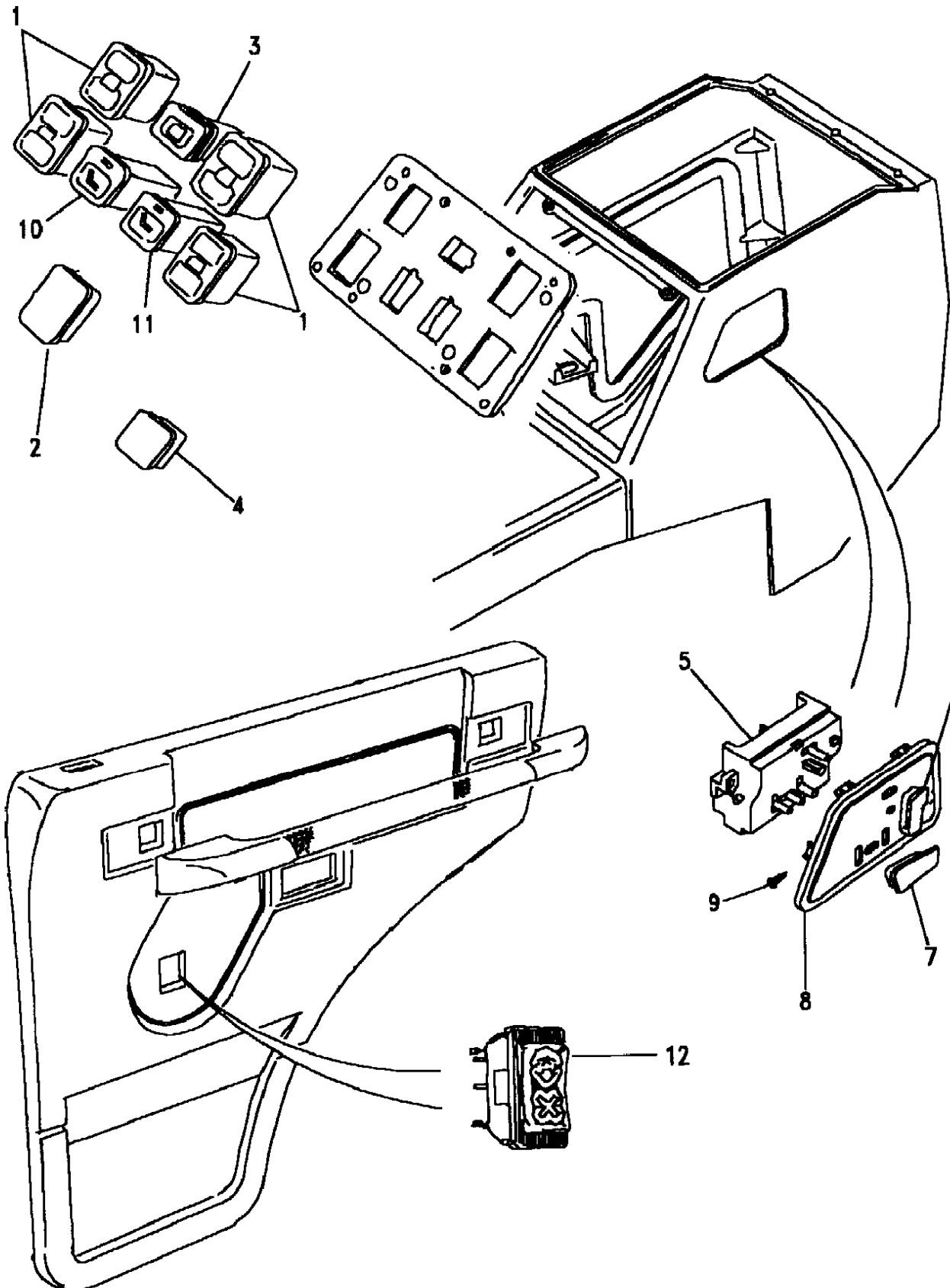
Callout	Name	Application	Remarks & Restrictions	Service No.	Qty
1	Switch-rocker electric window lift	Change point - VIN begin MA081992	Electric Windows, Also serviced as part of a kit	AMR2496	4
2	Blank-electric window lift switch-tunnel console	Change point - VIN begin MA081992	Electric Windows	FJA10001LNF	2
3	Switch-push push isolator-electric window lift	Change point - VIN begin MA081992	Electric Windows, Also serviced as part of a kit	AMR2497	1
4	Blank-electric window lift switch-tunnel console	Change point - VIN begin MA081992	Electric Windows, Ash Grey, Rear	AMR3236LNF	1
5	Switch pack assembly seat	Change point - VIN begin TA163104 Change point - VIN begin TA501920 Change point - VIN begin TA163104 Change point - VIN begin TA501920	RH, non memory RH, non memory non memory, LH non memory, LH	PRC8095 PRC8095 PRC8096 PRC8096	1 1 1 1
6	Switch	Change point - VIN begin TA163104 Change point - VIN begin TA501920 Change point - VIN begin TA163104 Change point - VIN begin TA501920	RH, squab RH, squab squab, LH squab, LH	PRC6030 PRC6030 PRC6029 PRC6029	1 1 1 1
7	Switch	Change point - VIN begin TA163104 Change point - VIN begin TA501920 Change point - VIN begin TA163104 Change point - VIN begin TA501920	RH, Cushion RH, Cushion LH, Cushion LH, Cushion	PRC6032 PRC6032 PRC6031 PRC6031	1 1 1 1
8	Blank-centre panel switch-tunnel console	Change point - VIN begin TA163104 Change point - VIN begin TA501920 Change point - VIN begin TA163104 Change point - VIN begin TA501920	RH RH LH LH	AWR2212 AWR2212 AWR2211 AWR2211	1 1 1 1
9	Screw-self tapping	Change point - VIN begin TA163104 Change point - VIN begin TA501920	No 4 x 1/4 No 4 x 1/4	AB604021L AB604021L	4 4
10	Switch Heated Seats	Change point - VIN begin VA534104 Change point - VIN begin VA703237	Heated Seats, Also serviced as part of a kit, RH Heated Seats, Also serviced as part of a kit, RH	AMR3602 AMR3602	1 1

Body Electrics
Switches
Switches Console & Rear Door 2/2

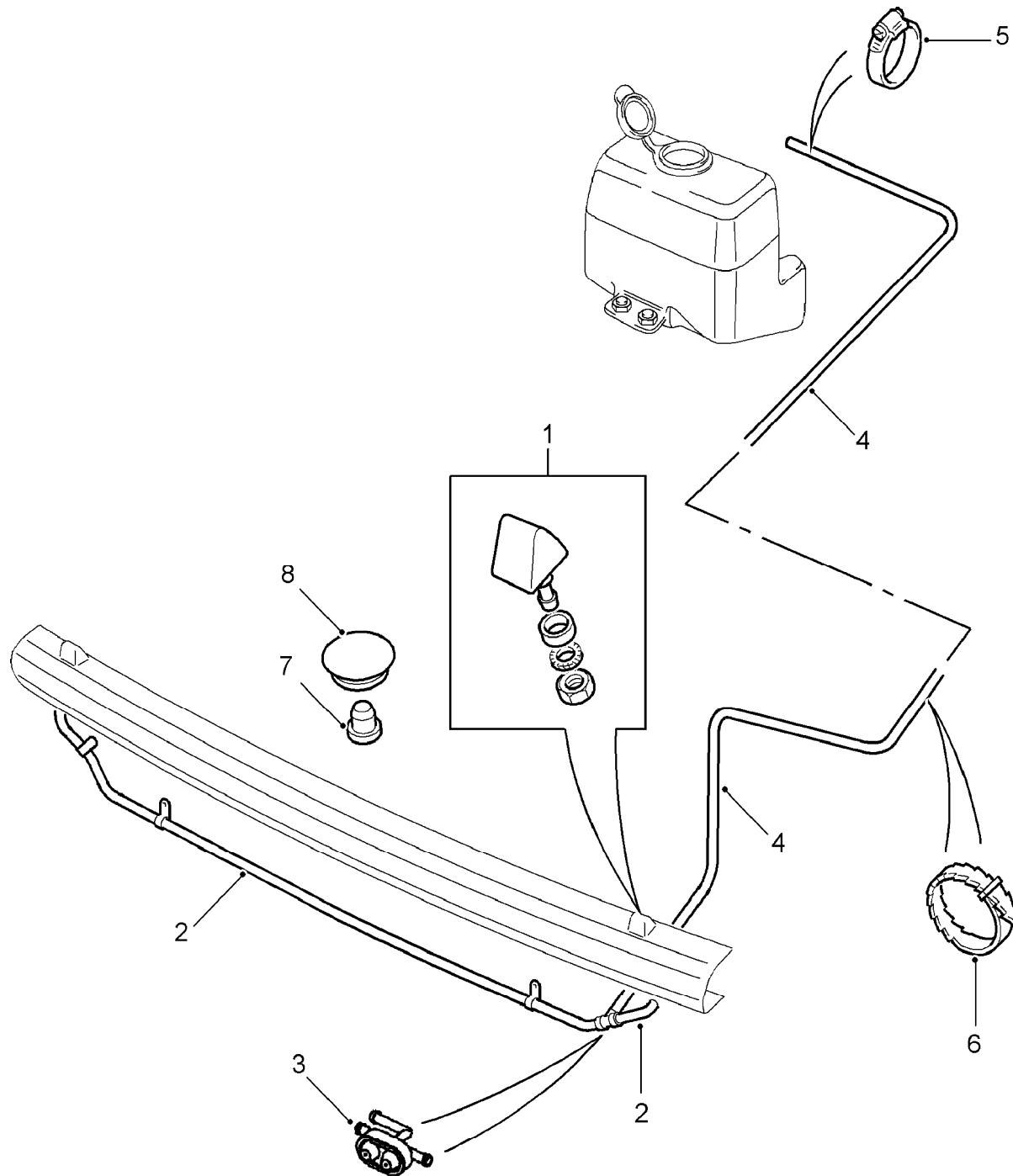
Discovery (FA393361-WA799999)
(CAMXEC2C)

Discovery (FA393361-WA799999)

Body Electrics
Switches
Switches Console & Rear Door



Callout	Name	Application	Remarks & Restrictions	Service No.	Qty
11	Switch Heated Seats	Change point - VIN begin VA534104	Heated Seats, Also serviced as part of a kit, LH	AMR3601	1
		Change point - VIN begin VA703237	Heated Seats, Also serviced as part of a kit, LH	AMR3601	1
12	Switch-rocker electric window lift	Change point - VIN begin MA081992, RHD	Rear Door	PRC5254	2
		Change point - VIN begin MA081992, LHD	Rear Door	PRC5255	2
[900]	Bulb & holder assembly	Change point - VIN begin MA081992	Electric Windows, Also serviced as part of a kit, Orange	STC1877	X
		Change point - VIN begin MA081992	Electric Windows, Also serviced as part of a kit, Green	STC1878	X
		Change point - VIN begin VA534104	Heated Seats, Also serviced as part of a kit, Orange	STC1877	X
		Change point - VIN begin VA703237	Heated Seats, Also serviced as part of a kit, Orange	STC1877	X
		Change point - VIN begin VA534104	Heated Seats, Also serviced as part of a kit, Green	STC1878	X
		Change point - VIN begin VA703237	Heated Seats, Also serviced as part of a kit, Green	STC1878	X

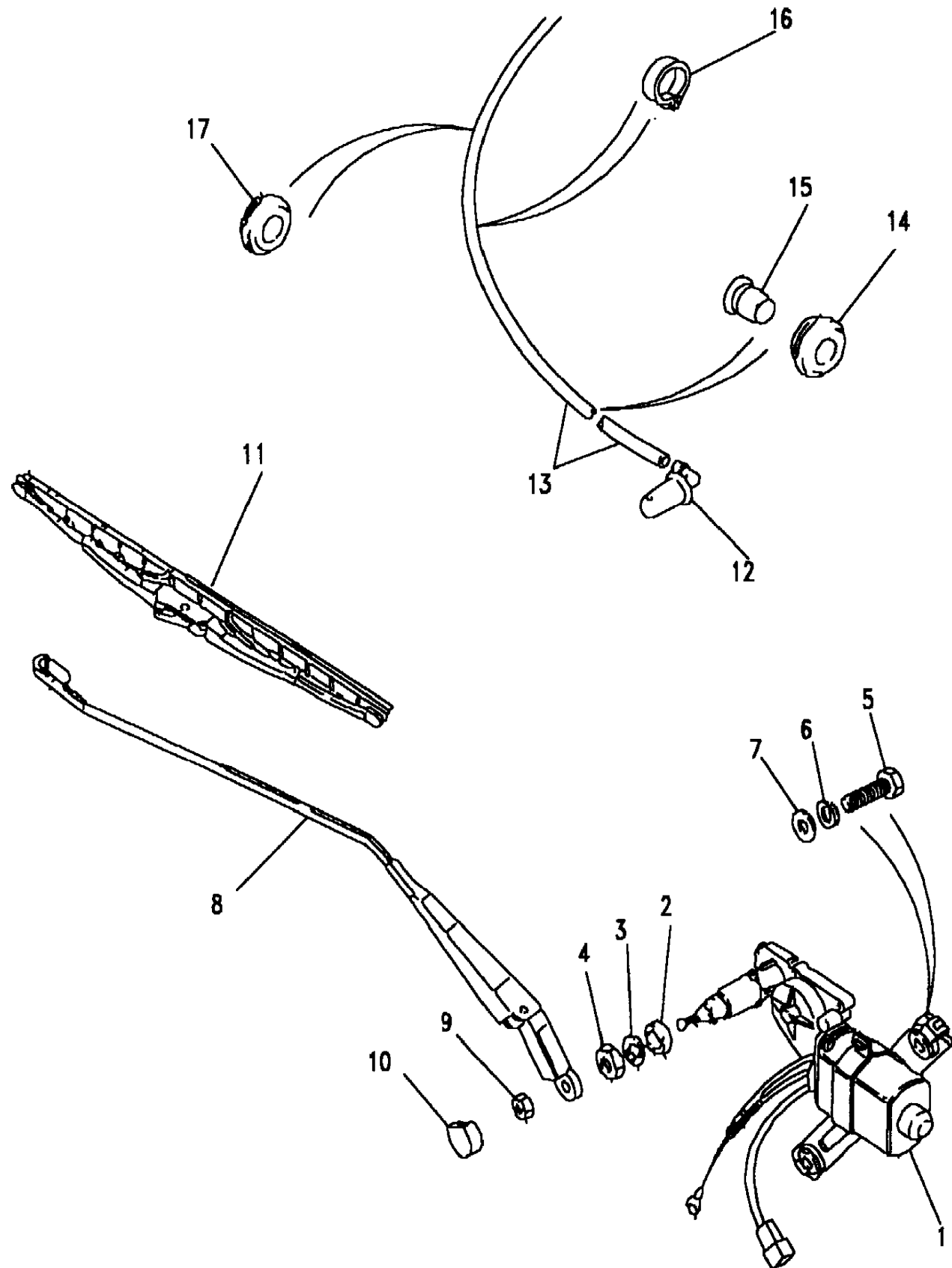


D12.005
06-2003
L4
CAMXMG1B

Callout	Name	Application	Remarks & Restrictions	Service No.	Qty
1	Jet assembly-headlamp wash single	Change point - VIN begin MA081992		AMR1890	2
		Change point - VIN end LA081991		PRC4615	2
2	Hose-headlamp wash	Change point - VIN begin MA081992	10mm ID x 5M	RTC4848	X
		Change point - VIN end LA081991	10mm ID x 5M	RTC4848	X
3	T Piece			DCP6656	1
4	Hose-headlamp wash	Change point - VIN begin MA081992	10mm ID x 5M	RTC4848	X
		Change point - VIN end LA081991	10mm ID x 5M	RTC4848	X
5	Clip-Hose	Change point - VIN begin MA081992	20MM	CN100208L	6
		Change point - VIN end LA081991	20MM	CN100208L	6
6	Tie-cable	Change point - VIN begin MA081992	Also serviced as part of a kit, Black, inside serated, 3.5 x 150mm	UKC6684L	3
		Change point - VIN end LA081991	Also serviced as part of a kit, Black, inside serated, 3.5 x 150mm	UKC6684L	3
7	Grommet	Change point - VIN begin MA081992		NTC2804	2
		Change point - VIN end LA081991		NTC2804	2
8	Plug-blanking	Change point - VIN end LA081991		MUC8478	2
		Change point - VIN begin MA081992		MUC8478	2

Change point - VIN begin MA081992

Callout	Name	Application	Remarks & Restrictions	Service No.	Qty
1	Motor-backlight wiper	Change point - VIN begin JA021176, Change point - VIN end MA125531 Change point - VIN begin MA125532		AMR1039	3
2	Grommet	Change point - VIN begin MA125532		AMR3872	1
3	Washer	Change point - VIN begin MA125532	Plastic	AMR3932	1
4	Nut - Hex.	Change point - VIN begin MA125532		AMR3933	1
5	Screw		M6 X 20, hexagonal head M6 X 20, Flanged Head	AMR3934	1
6	Washer		M6, sprung	SH106201L FS106201	2
7	Washer-Plain		M6	WL106001L	2
8	Arm assembly-backlight wiper	Change point - VIN begin MA081992, Change point - VIN end MA125531 Change point - VIN begin MA125532		AMR3932	1
9	Nut - Hex.		M8, hexagonal head M8, flange	AMR2306	1
10	Cap-backlight wiper spindle			AMR3873	1
11	Blade-backlight wiper			NH108041L FN108041L	1
12	Jet assembly-backlight wash single nozzle	Change point - VIN begin MA081992, Change point - VIN end TA169775 Change point - VIN begin MA081992, Change point - VIN end TA503643 Change point - VIN begin TA169776 Change point - VIN begin TA503644		PRC8160	1
13	Hose assembly-wash system	RHD LHD	Rear Rear	AMR1806	1
14	Grommet-wash hose connector			PRC9008	1
15	Clip-snap-sack			PRC9008	1
16	Clip-omega		Grey, 6.5mm hole, 10.5 x 8mm	PRC6496	1



Body Electrics
Wash Wipe Systems
Rear Screen Wiper/Wash 2/2

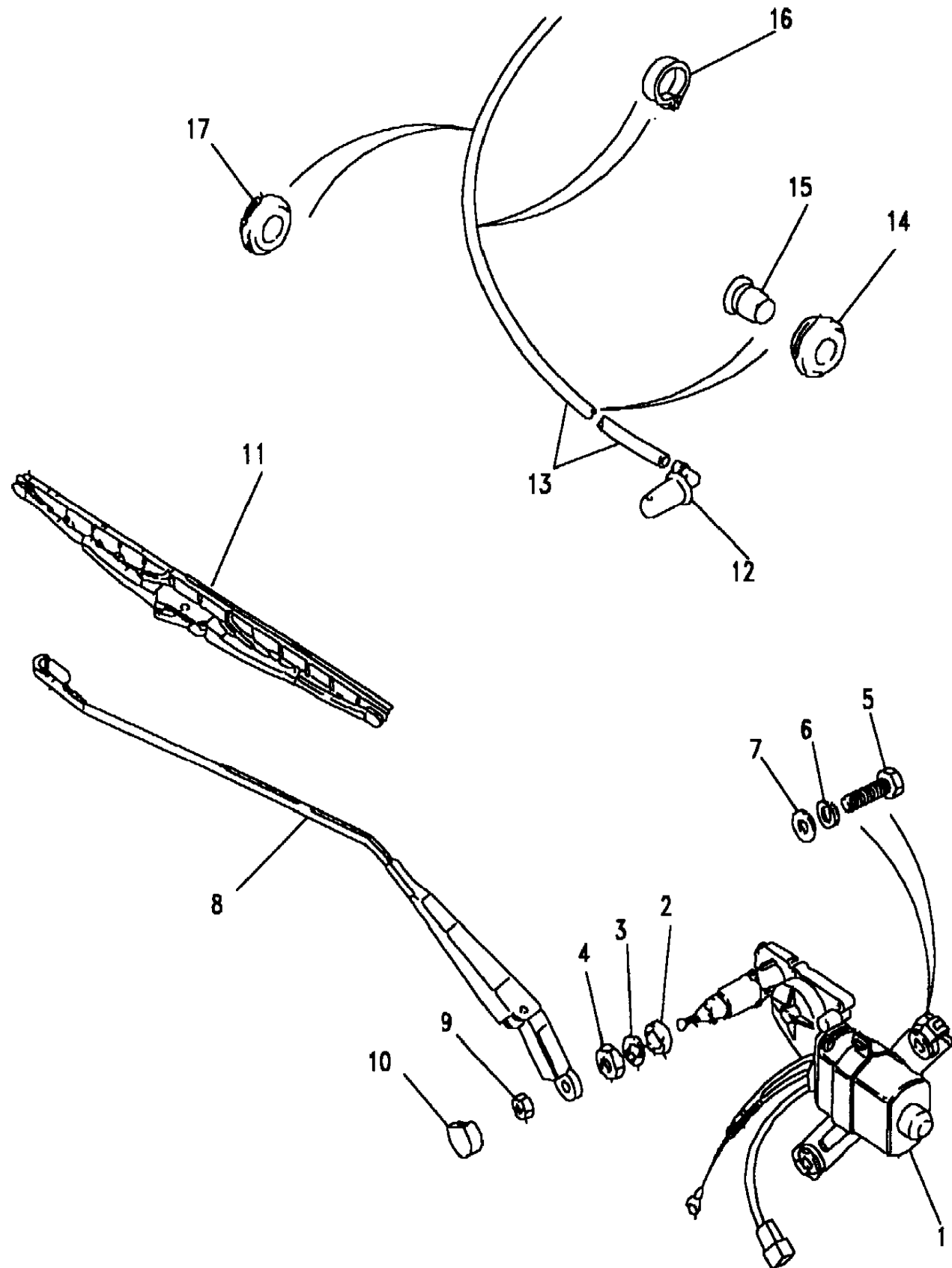
Discovery (FA393361-WA799999)
(CAMXM11B)

Discovery (FA393361-WA799999)

Body Electrics
Wash Wipe Systems
Rear Screen Wiper/Wash

Change point - VIN begin MA081992

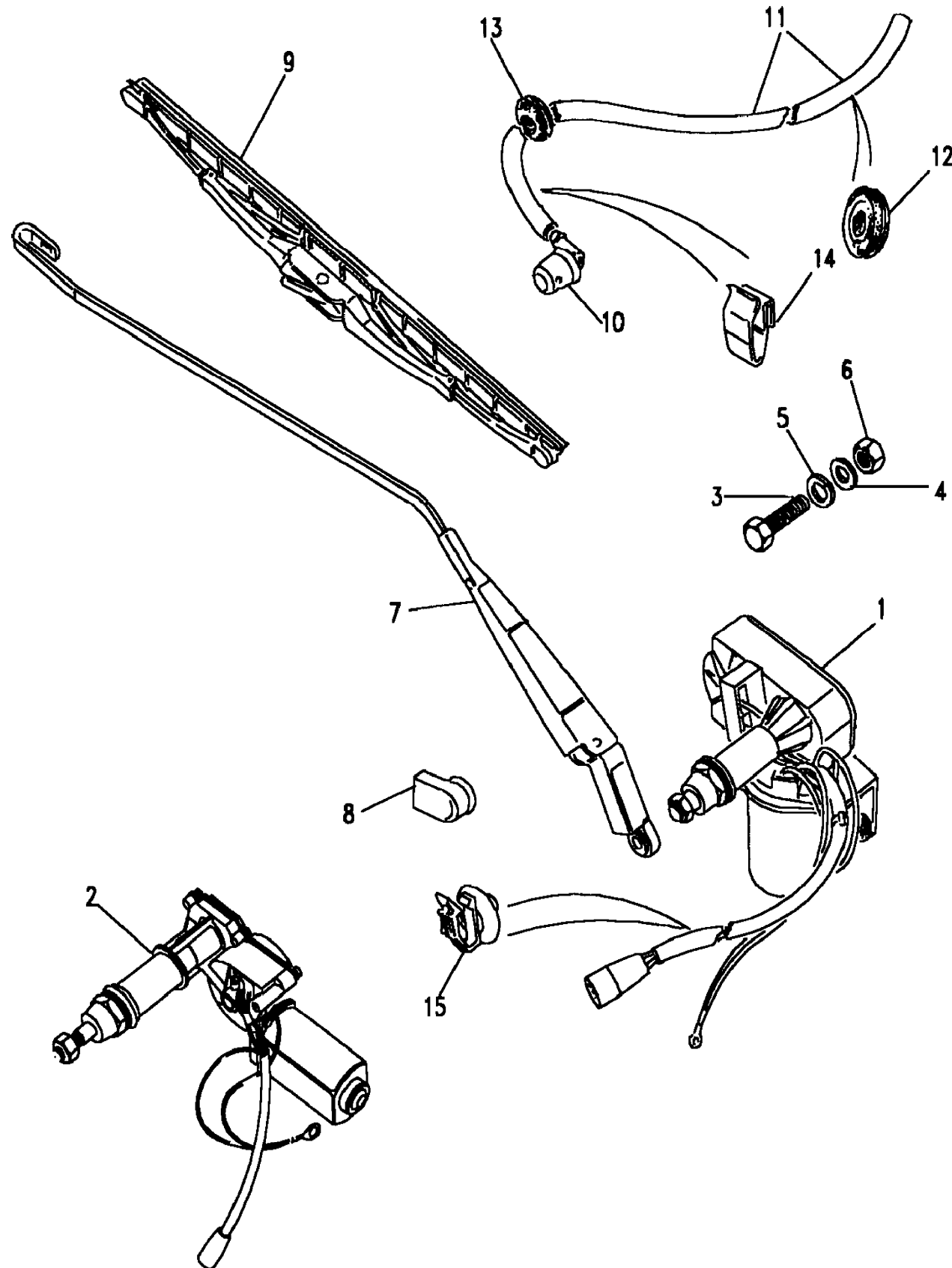
Callout	Name	Application	Remarks & Restrictions	Service No.	Qty
17	Grommet			AMR3550	1
[900]	Motor & bracket assembly-backlight wiper			DLB101640	1



Body Electrics
Wash Wipe Systems
Rear Screen Wiper/Wash 1/1

Discovery (FA393361-WA799999)

(CAMXMI1A)



Discovery (FA393361-WA799999)

Body Electrics
Wash Wipe Systems
Rear Screen Wiper/Wash

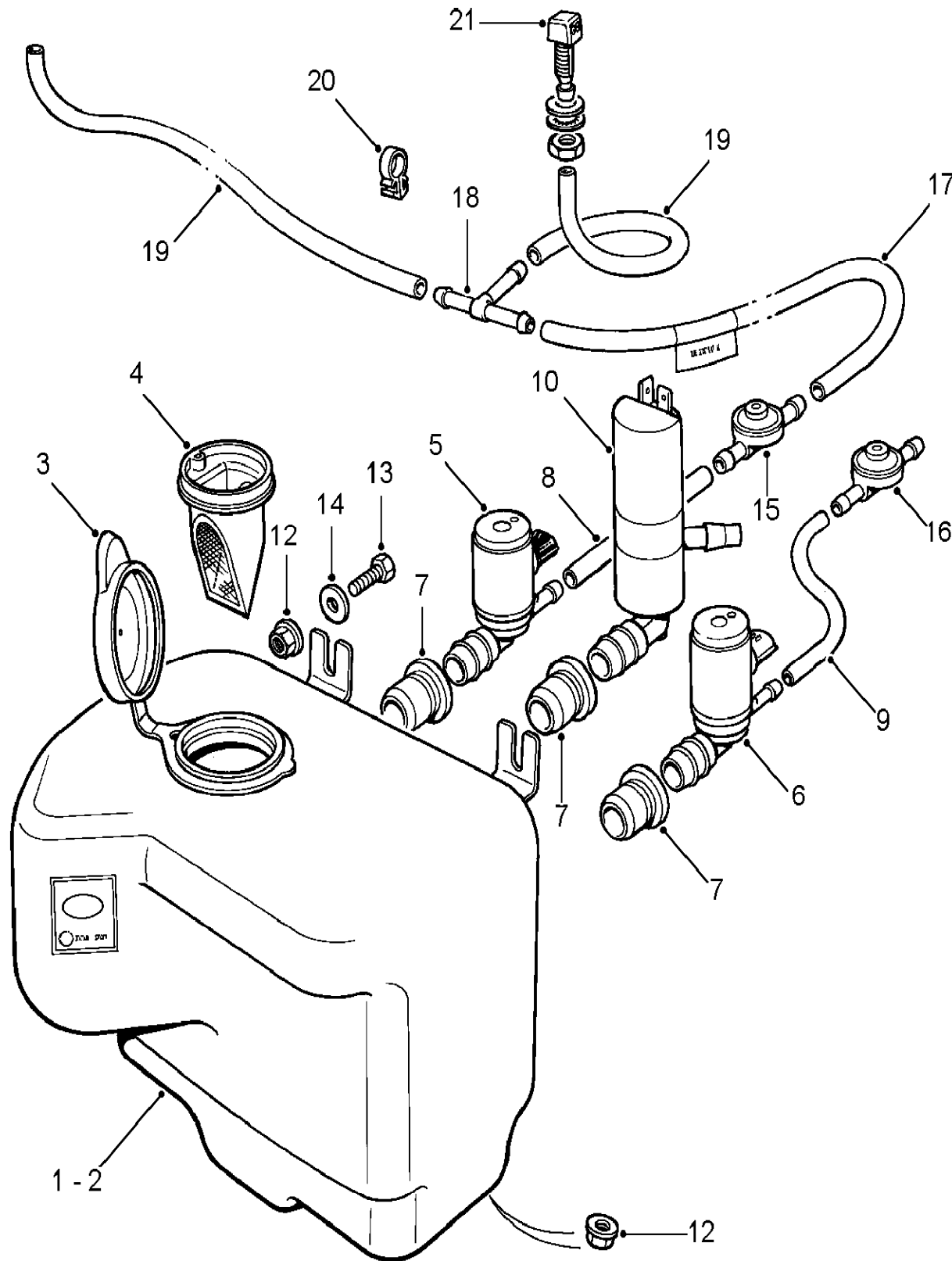
Change point - VIN end LA081991

Callout	Name	Application	Remarks & Restrictions	Service No.	Qty
1	Motor-backlight wiper	Change point - VIN begin MA081992		STC1384	1
				STC3316	1
2	Motor-backlight wiper	Change point - VIN end JA021175		PRC6482	1
3	Screw		hexagonal head, M5 x 20	SH105201L	5
4	Washer		Also serviced as part of a kit, M5, oversize, Plain	WJ105001L	5
5	Washer		M5, retaining	WL105001L	5
6	Nut-hexagonal	Change point - VIN begin JA021176, Change point - VIN end LA081991	M5	NH105041L	5
7	Arm assembly-backlight wiper	Change point - VIN end JA033862		PRC6484	1
		Change point - VIN begin JA033863, Change point - VIN end LA081991		AMR2306	1
8	Cap-backlight wiper spindle			PRC8160	1
9	Blade-backlight wiper	Change point - VIN end JA033862		PRC6447	1
		Change point - VIN begin JA033863, Change point - VIN end LA081991		AMR1806	1
10	Jet assembly-backlight wash single nozzle	Change point - VIN end JA034313		PRC6496	1
		Change point - VIN begin KA034314, Change point - VIN end LA081991		PRC9008	1
11	Hose-wash system			RTC3650	X
12	Grommet		Black, cable, 3 x 25.5mm	233243	1
13	Grommet-wash hose connector			PRC7417	1
14	Clip-Pipe		Rear	369092	3
15	Clip-cable		8mm hole	AFU1090L	2

Body Electrics
Wash Wipe Systems
Windscreen And Headlamp Washer 1/2

Discovery (FA393361-WA799999)

(LM0121)



LM0121

Discovery (FA393361-WA799999)

Body Electrics
Wash Wipe Systems
Windscreen And Headlamp Washer

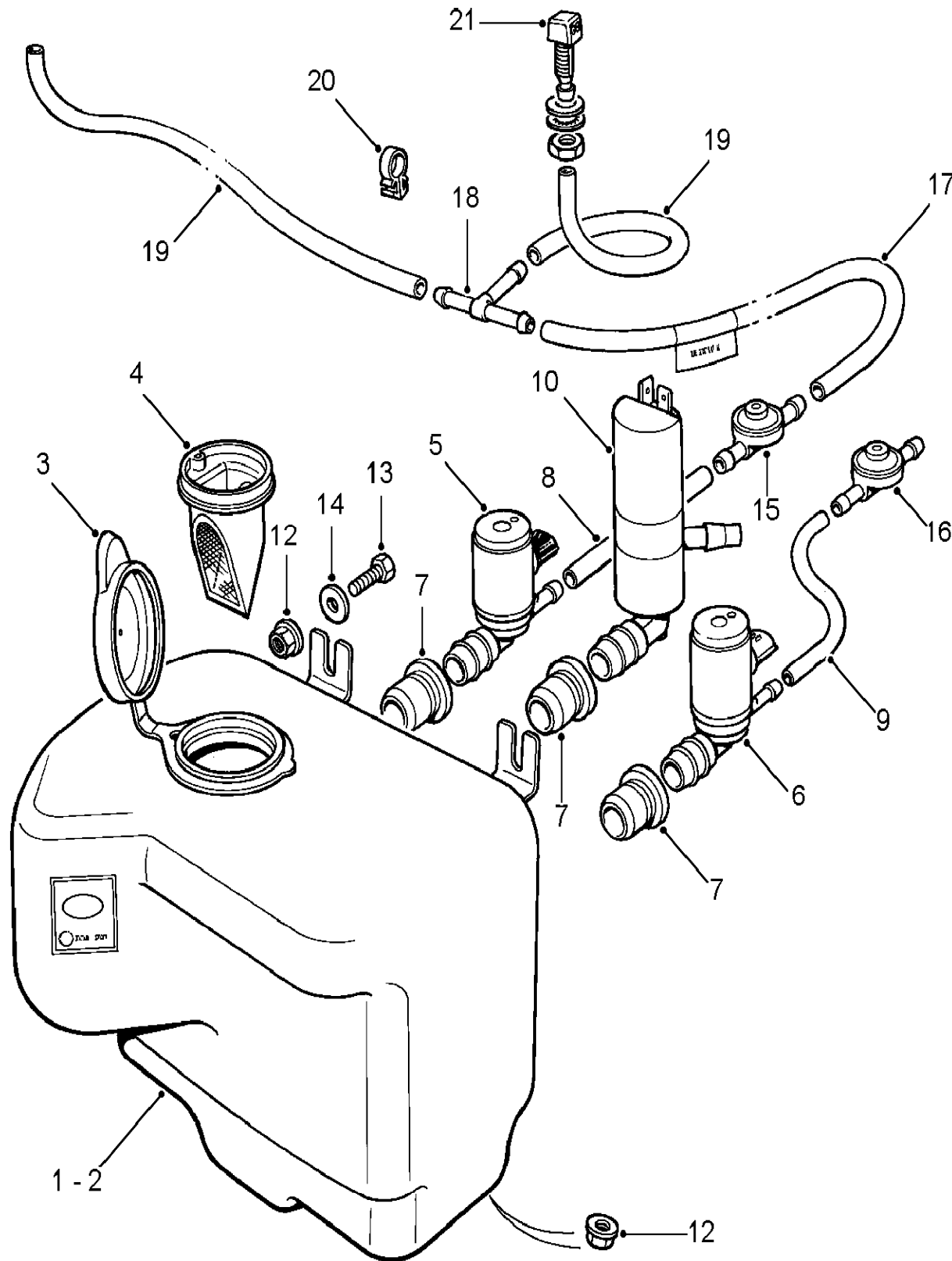
Change point - VIN begin MA081992

Callout	Name	Application	Remarks & Restrictions	Service No.	Qty
1	Container-dual wash & headlamp wash	Change point - VIN begin MA081992, Change point - VIN end MA163103	Also serviced as part of a kit	AMR1788	1
		Change point - VIN begin MA081992, Change point - VIN end MA501919	Also serviced as part of a kit	AMR1788	1
		Change point - VIN begin TA163104	Also serviced as part of a kit	AMR5083	1
		Change point - VIN begin TA501920	Also serviced as part of a kit	AMR5083	1
2	Container-dual wash & headlamp wash	Change point - VIN begin MA081992, Change point - VIN end MA163103	Also serviced as part of a kit	AMR3655	1
		Change point - VIN begin MA081992, Change point - VIN end MA501919	Also serviced as part of a kit	AMR3655	1
		Change point - VIN begin TA163104	Also serviced as part of a kit	STC2933	1
		Change point - VIN begin TA501920	Also serviced as part of a kit	STC2933	1
3	Cap-washer system	Change point - VIN begin MA081992, Change point - VIN end MA163103	Also serviced as part of a kit	AMR3657	1
		Change point - VIN begin MA081992, Change point - VIN end MA501919	Also serviced as part of a kit	AMR3657	1
4	Filter-container assembly filler neck	Change point - VIN end MA501919		AMR3266	1
5	Pump assembly-windscreen wash	Change point - VIN begin MA081992, Change point - VIN end MA163103	Also serviced as part of a kit, Red	AMR3660	1
		Change point - VIN begin MA081992, Change point - VIN end MA501919	Also serviced as part of a kit, Red	AMR3660	1
6	Pump assembly-backlight wash	Change point - VIN begin MA081992, Change point - VIN end MA163103	Also serviced as part of a kit, Black	STC1946	1
		Change point - VIN begin MA081992, Change point - VIN end MA501919	Also serviced as part of a kit, Black	STC1946	1
7	Grommet	Change point - VIN begin MA081992, Change point - VIN end MA163103	Also serviced as part of a kit	AFU4506	2
		Change point - VIN begin MA081992, Change point - VIN end MA501919	Also serviced as part of a kit	AFU4506	2
8	Hose-wash system pump to non return valve	Change point - VIN begin MA081992, Change point - VIN end MA163103	Also serviced as part of a kit, 5MM	AMR3658	1
		Change point - VIN begin MA081992, Change point - VIN end MA501919	Also serviced as part of a kit, 5MM	AMR3658	1

Body Electrics
Wash Wipe Systems
Windscreen And Headlamp Washer 2/2

Discovery (FA393361-WA799999)

(LM0121)



LM0121

Discovery (FA393361-WA799999)

Body Electrics
Wash Wipe Systems
Windscreen And Headlamp Washer

Change point - VIN begin MA081992

Callout	Name	Application	Remarks & Restrictions	Service No.	Qty
9	Hose-wash system pump to non return valve	Change point - VIN begin MA081992, Change point - VIN end MA163103 Change point - VIN begin MA081992, Change point - VIN end MA501919	Also serviced as part of a kit, 4MM Also serviced as part of a kit, 4MM	AMR3659 AMR3659	1 1
10	Pump assembly-headlamp wash	Change point - VIN begin MA081992, Change point - VIN end MA163103 Change point - VIN begin MA081992, Change point - VIN end MA501919	Also serviced as part of a kit Also serviced as part of a kit	AMR3661 AMR3661	1 1
12	Nut-flange		M6 M6	FN106047 FN106047L	4 4
13	Screw		M6 X 16, hexagonal head M6 X 16, Flanged Head	SH106161 FS106167L	2 2
14	Washer-Plain		M6	WJ106001L	2
15	Valve-wash system non return		Front, 5MM	PRC6857	1
16	Valve-wash system non return		4MM	ACU5037	1
17	Hose-wash system		720mm/long	PRC6852	X
18	Connector-wash system tee piece			PRC9460	1
19	Hose-wash system jet to tee valve		50m	RTC3641	X
20	Clip-omega		Grey, 6.5mm hole, 10.5 x 8mm	PRC5273	1
21	Jet assembly-nozzle wash system	Change point - VIN begin MA081992		PRC7304	2
[900]	Pump assembly-windscreen wash		Front	AMR3271	1
[901]	Pump assembly-backlight wash		Rear	DMC10023	1

Body Electrics
Wash Wipe Systems
Windscreen And Headlamp Washer 1/2

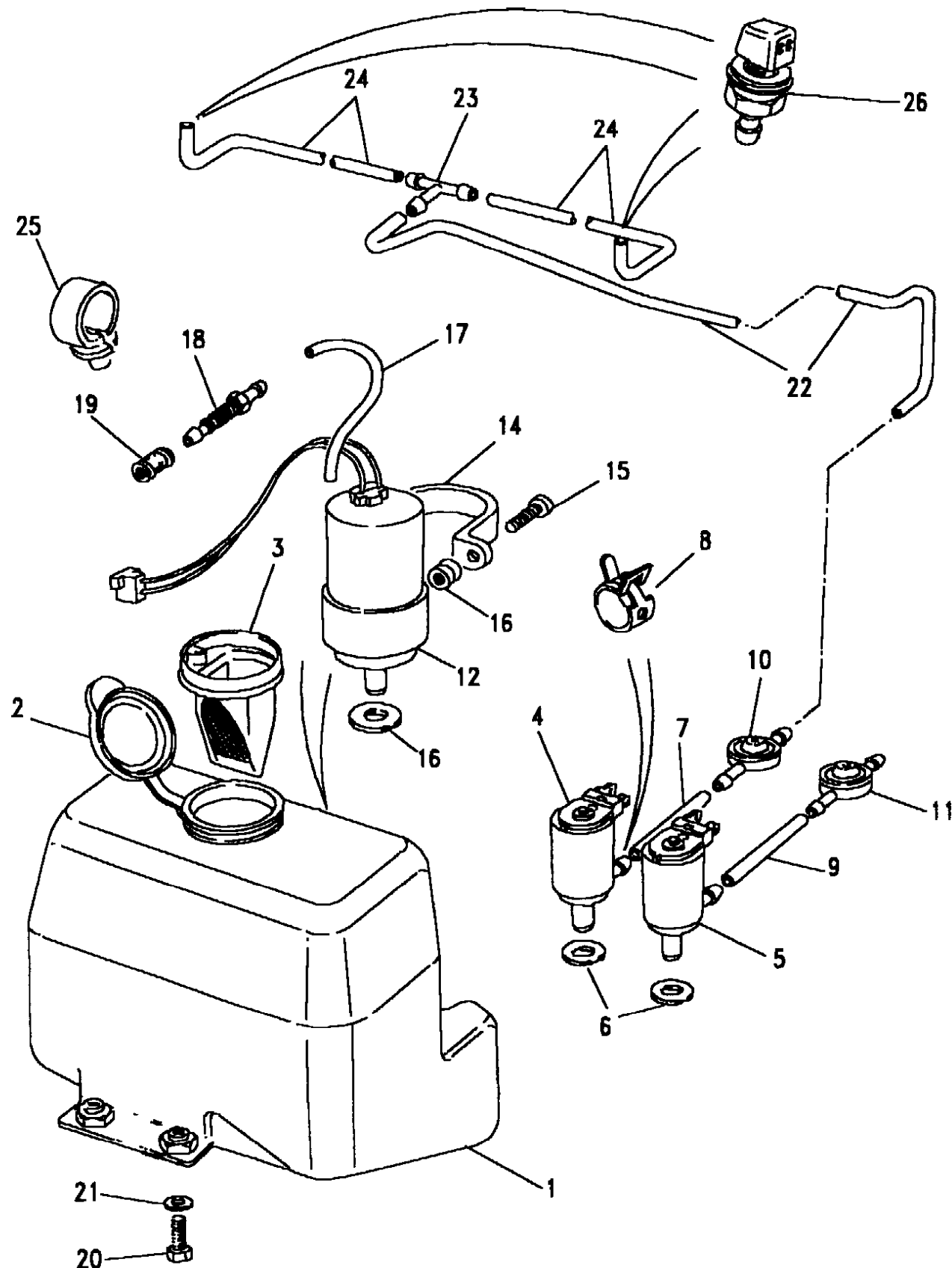
Discovery (FA393361-WA799999)

(CAMXME1A)

Discovery (FA393361-WA799999)

Body Electrics
Wash Wipe Systems
Windscreen And Headlamp Washer

Change point - VIN end LA081991



Callout	Name	Application	Remarks & Restrictions	Service No.	Qty
1	Container-dual wash & headlamp wash		Also serviced as part of a kit	PRC7459	1
2	Cap-washer system		Also serviced as part of a kit	RTC3961	1
3	Filter-container assembly filler neck		Also serviced as part of a kit	STC206	1
4	Pump assembly-windscreen wash		Also serviced as part of a kit, Front	PRC7045	1
5	Pump assembly-windscreen wash		Also serviced as part of a kit	ADU3905	1
6	Grommet-container assembly pump		Also serviced as part of a kit	RTC3959	2
7	Hose-wash system pump to non return valve		Also serviced as part of a kit, 5MM	AMR3658	1
8	Clip-Hose		Also serviced as part of a kit, 5mm/ID	AMR4060	1
9	Hose-wash system pump to non return valve		Also serviced as part of a kit, 4MM	AMR3659	1
10	Valve-wash system non return		Also serviced as part of a kit, Front, 5MM	PRC6857	1
11	Valve-wash system non return		Also serviced as part of a kit, 4MM	ACU5037	1
12	Pump assembly-headlamp wash		Also serviced as part of a kit	AFU4146	1
13	Grommet-container assembly pump		Also serviced as part of a kit	ADU6418L	1
14	Clamp		fixing pump, Also serviced as part of a kit	STC1657	1
15	Screw		fixing pump, Also serviced as part of a kit	RTC3957	2
16	Nut-plastic		fixing pump, Also serviced as part of a kit	RTC3958	2
17	Hose-wash system		Also serviced as part of a kit	RTC3650	X
18	Connector-wash system straight		Also serviced as part of a kit	RTC4614	1
19	Nut-plastic		Also serviced as part of a kit	RTC4779	1

Body Electrics
Wash Wipe Systems
Windscreen And Headlamp Washer 2/2

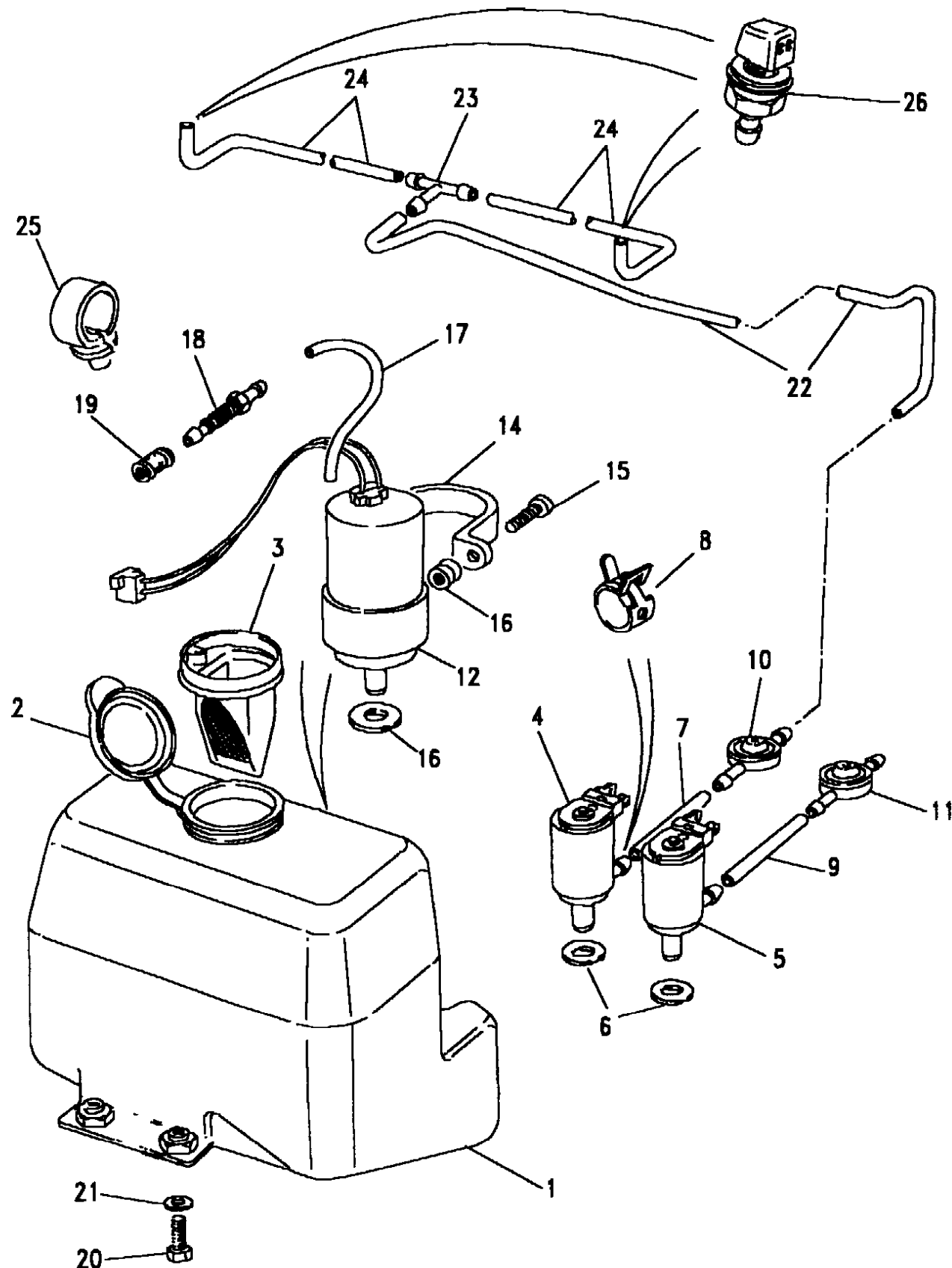
Discovery (FA393361-WA799999)
(CAMXME1A)

Discovery (FA393361-WA799999)

Body Electrics
Wash Wipe Systems
Windscreen And Headlamp Washer

Change point - VIN end LA081991

Callout	Name	Application	Remarks & Restrictions	Service No.	Qty
20	Screw		fixing container, hexagonal head, 1/4UNF x 3/4	SH604061L	3
21	Washer-Lock		fixing container	WF600041L	3
22	Hose-wash system		720mm/long	PRC6852	X
23	T Piece			C15644L	1
24	Hose-wash system jet to tee valve		50m	RTC3641	X
25	Clip-omega		Grey, 6.5mm hole, 10.5 x 8mm	PRC5273	1
26	Jet assembly-nozzle wash system	Change point - VIN end LA081991		PRC7304	2
[900]	Pump assembly-headlamp wash			STC3079	1
[901]	Container assembly-dual wash		Also serviced as part of a kit	PRC7308	1



Body Electrics
Wash Wipe Systems
Windscreen Washer 1/2

Discovery (FA393361-WA799999)

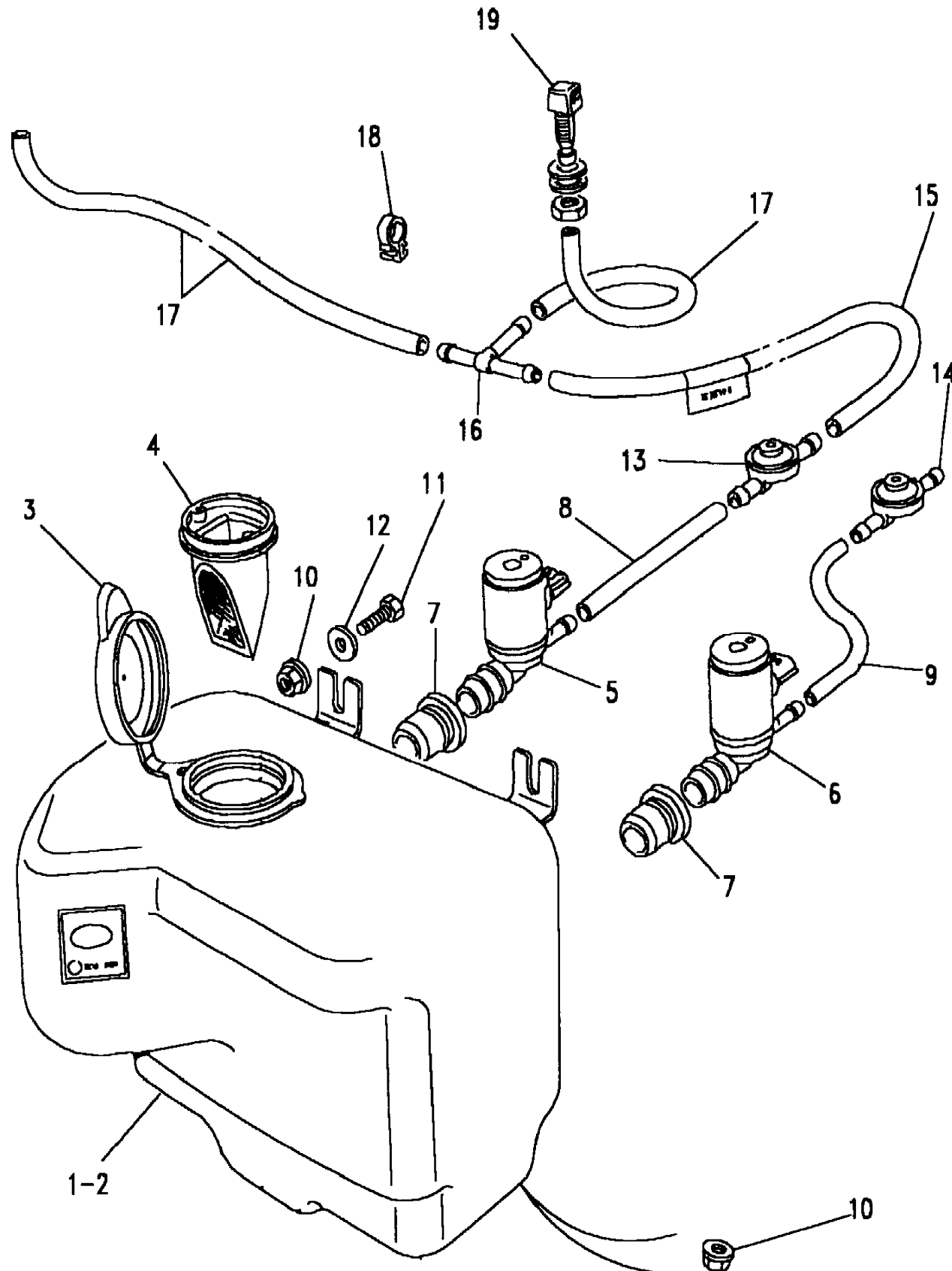
(CAMXMC1B)

Discovery (FA393361-WA799999)

Body Electrics
Wash Wipe Systems
Windscreen Washer

Change point - VIN begin MA081992

Callout	Name	Application	Remarks & Restrictions	Service No.	Qty
1	Container assembly-dual wash	Change point - VIN begin MA081992, Change point - VIN end MA163103	Also serviced as part of a kit	AMR1789	1
		Change point - VIN begin MA081992, Change point - VIN end MA501919	Also serviced as part of a kit	AMR1789	1
		Change point - VIN begin TA163104	Also serviced as part of a kit	AMR5084	1
		Change point - VIN begin TA501920	Also serviced as part of a kit	AMR5084	1
2	Container & bracket-windscreen wash	Change point - VIN begin MA081992, Change point - VIN end MA163103	Also serviced as part of a kit	AMR3656	1
		Change point - VIN begin MA081992, Change point - VIN end MA501919	Also serviced as part of a kit	AMR3656	1
		Change point - VIN begin TA163104	Also serviced as part of a kit	STC2934	1
		Change point - VIN begin TA501920	Also serviced as part of a kit	STC2934	1
3	Cap-washer system	Change point - VIN begin MA081992, Change point - VIN end MA163103	Also serviced as part of a kit	AMR3657	1
		Change point - VIN begin MA081992, Change point - VIN end MA501919	Also serviced as part of a kit	AMR3657	1
4	Filter-container assembly filler neck	Change point - VIN end MA501919		AMR3266	1
5	Pump assembly-windscreen wash	Change point - VIN begin MA081992, Change point - VIN end MA163103	Also serviced as part of a kit, Red	AMR3660	1
		Change point - VIN begin MA081992, Change point - VIN end MA501919	Also serviced as part of a kit, Red	AMR3660	1
6	Pump assembly-backlight wash	Change point - VIN begin MA081992, Change point - VIN end MA163103	Also serviced as part of a kit, Black	STC1946	1
		Change point - VIN begin MA081992, Change point - VIN end MA501919	Also serviced as part of a kit, Black	STC1946	1
7	Grommet	Change point - VIN begin MA081992, Change point - VIN end MA163103	Also serviced as part of a kit	AFU4506	2
		Change point - VIN begin MA081992, Change point - VIN end MA501919	Also serviced as part of a kit	AFU4506	2
8	Hose-wash system pump to non return valve	Change point - VIN begin MA081992, Change point - VIN end MA163103	Also serviced as part of a kit, 5MM	AMR3658	1
		Change point - VIN begin MA081992, Change point - VIN end MA501919	Also serviced as part of a kit, 5MM	AMR3658	1



Body Electrics
Wash Wipe Systems
Windscreen Washer 2/2

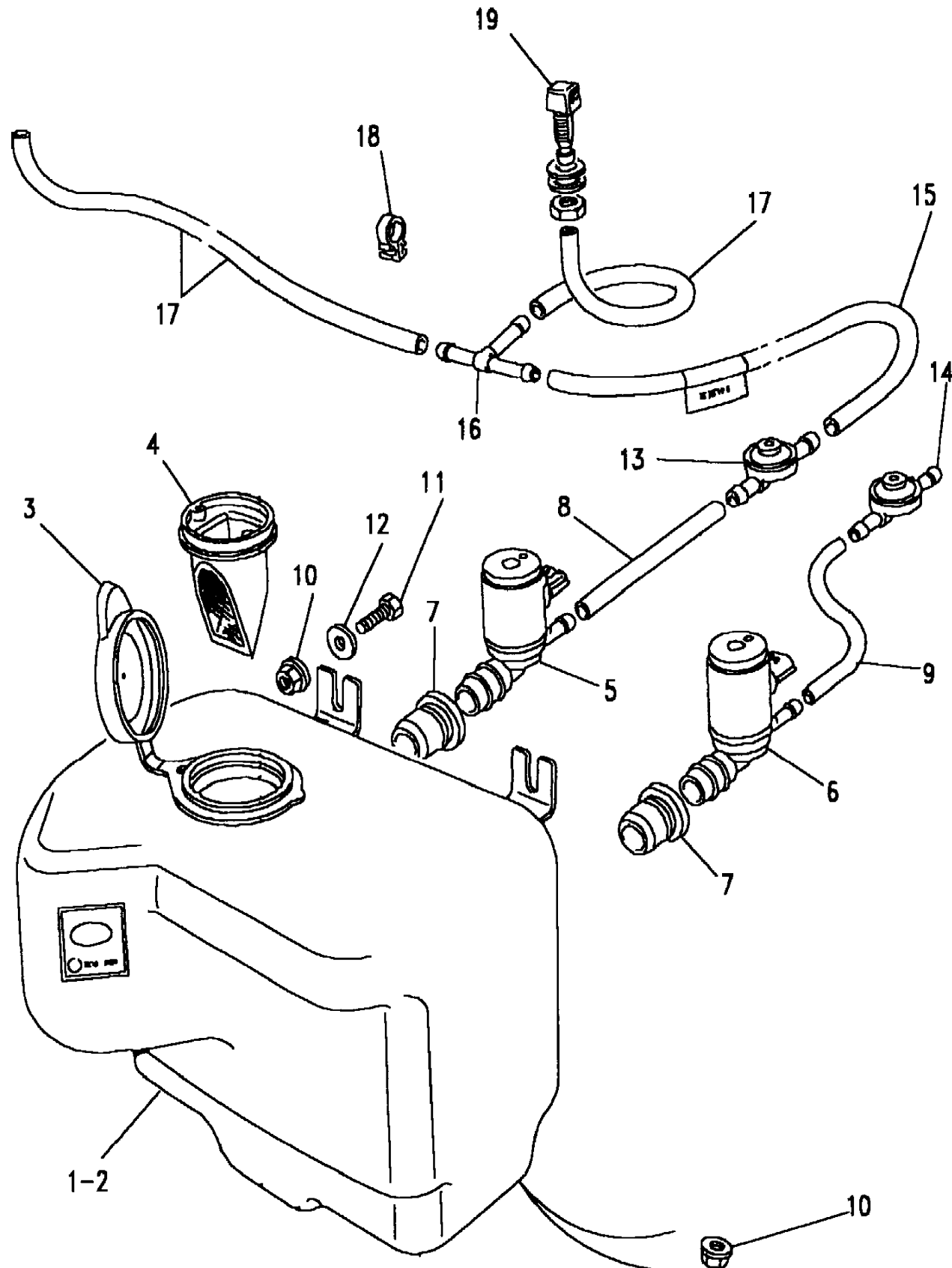
Discovery (FA393361-WA799999)
(CAMXMC1B)

Discovery (FA393361-WA799999)

Body Electrics
Wash Wipe Systems
Windscreen Washer

Change point - VIN begin MA081992

Callout	Name	Application	Remarks & Restrictions	Service No.	Qty
9	Hose-wash system pump to non return valve	Change point - VIN begin MA081992, Change point - VIN end MA163103 Change point - VIN begin MA081992, Change point - VIN end MA501919	Also serviced as part of a kit, 4MM Also serviced as part of a kit, 4MM	AMR3659 AMR3659	1 1
10	Nut-flange		M6 M6	FN106047 FN106047L	4 4
11	Screw		M6 X 16, hexagonal head M6 X 16, Flanged Head	SH106161 FS106167L	2 2
12	Washer-Plain		M6	WJ106001L	2
13	Valve-wash system non return		Front, 5MM	PRC6857	1
14	Valve-wash system non return		4MM	ACU5037	1
15	Hose-wash system		720mm/long	PRC6852	X
16	Connector-wash system tee piece			PRC9460	1
17	Hose-wash system jet to tee valve		50m	RTC3641	X
18	Clip-omega		Grey, 6.5mm hole, 10.5 x 8mm	PRC5273	1
19	Jet assembly-nozzle wash system	Change point - VIN begin MA081992		PRC7304	2
[900]	Pump assembly-windscreen wash		Front	AMR3271	1
[901]	Pump assembly-backlight wash		Rear	DMC10023	1



Body Electrics
Wash Wipe Systems
Windscreen Washer 1/1

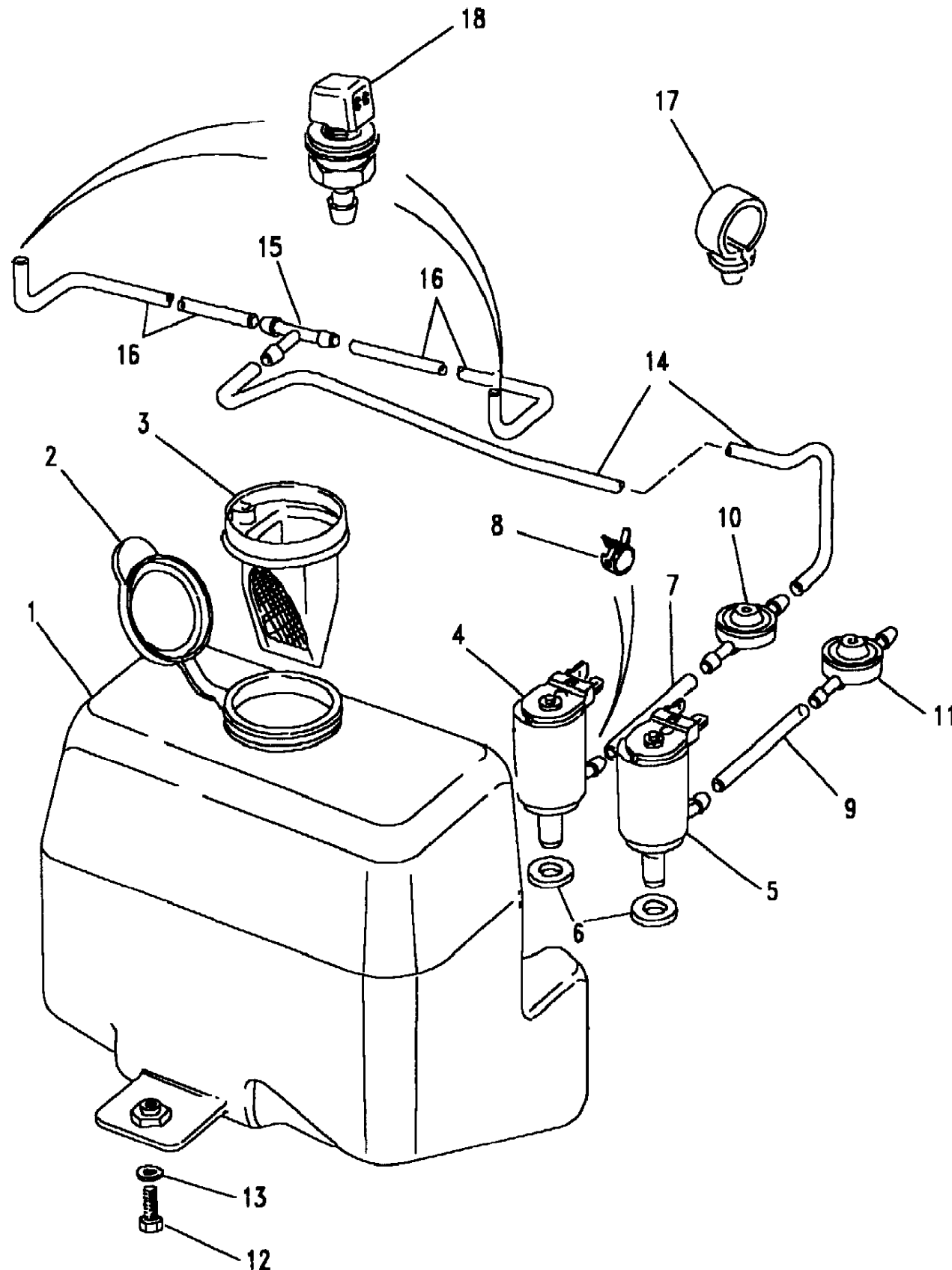
Discovery (FA393361-WA799999)
(CAMXMC1A)

Discovery (FA393361-WA799999)

Body Electrics
Wash Wipe Systems
Windscreen Washer

Change point - VIN end LA081991

Callout	Name	Application	Remarks & Restrictions	Service No.	Qty
1	Container-windscreen wash		Also serviced as part of a kit	PRC7460	1
2	Cap-washer system		Also serviced as part of a kit	RTC3961	1
3	Filter-container assembly filler neck		Also serviced as part of a kit	STC206	1
4	Pump assembly-windscreen wash		Also serviced as part of a kit, Front	PRC7045	1
5	Pump assembly-windscreen wash		Also serviced as part of a kit	ADU3905	1
6	Grommet-container assembly pump		Also serviced as part of a kit	RTC3959	2
7	Hose-wash system pump to non return valve		Also serviced as part of a kit, 5MM	AMR3658	1
8	Clip-Hose		Also serviced as part of a kit, 5mm/ID	AMR4060	1
9	Hose-wash system pump to non return valve		Also serviced as part of a kit, 4MM	AMR3659	1
10	Valve-wash system non return		Also serviced as part of a kit, Front, 5MM	PRC6857	1
11	Valve-wash system non return		Also serviced as part of a kit, 4MM	ACU5037	1
12	Screw		hexagonal head, 1/4UNF x 3/4	SH604061L	3
13	Washer-Lock			WF600041L	3
14	Hose-wash system		720mm/long	PRC6852	X
15	T Piece			C15644L	1
16	Hose-wash system jet to tee valve		50m	RTC3641	X
17	Clip-omega		Grey, 6.5mm hole, 10.5 x 8mm	PRC5273	1
18	Jet assembly-nozzle wash system	Change point - VIN end LA081991		PRC7304	2
[900]	Container assembly-windscreen wash		Also serviced as part of a kit	PRC7307	1



Body Electrics
Wash Wipe Systems
Windscreen Wiper 1/1

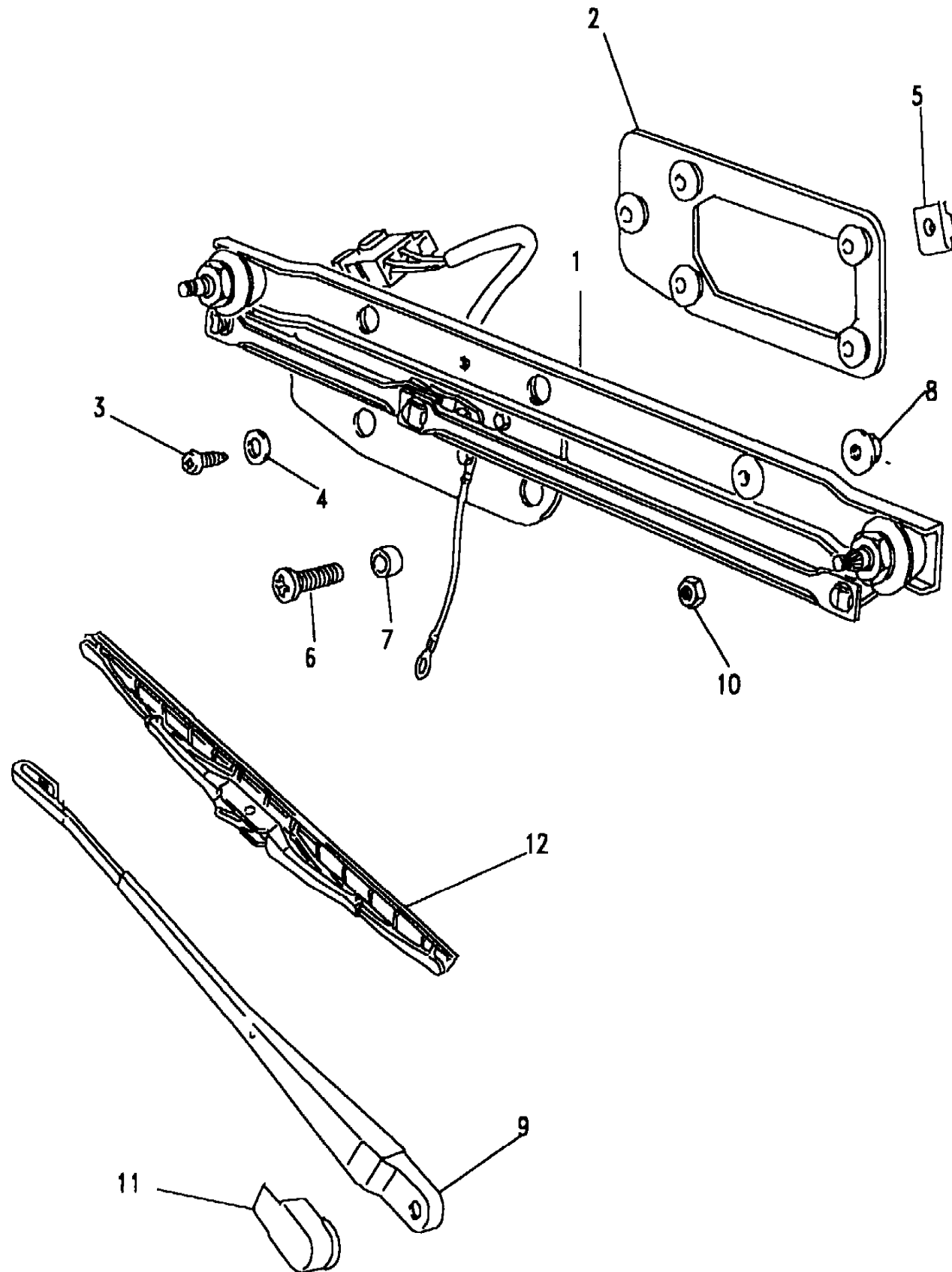
Discovery (FA393361-WA799999)
(CAMXMA1B)

Discovery (FA393361-WA799999)

Body Electrics
Wash Wipe Systems
Windscreen Wiper

Change point - VIN begin MA081992

Callout	Name	Application	Remarks & Restrictions	Service No.	Qty
1	Motor & bracket assembly-windscreen wiper	Change point - VIN begin MA081992, Change point - VIN end MA090726, RHD Change point - VIN begin MA090727, RHD LHD		AMR1514 AMR3869 AMR1515 AMR1882	1 1 1 1
2	Seal-wiper linkage joint				1
3	Screw			79131	6
4	Screw			NSP	6
5	Nut - Hex.			AK612011L	6
6	Screw		Long, M6 X 20, zinc, hexagonal socket M6 X 20, Flanged Head	SH106201 FS106201L	1 1
7	Spacer			PRC1352	1
8	Nut-flange		M6	FM106041	1
9	Arm-windscreen wiper	Change point - VIN begin MA081992, Change point - VIN end WA753922, RHD Change point - VIN begin MA081992, Change point - VIN end WA753922, LHD Change point - VIN begin WA753923, RHD Change point - VIN begin WA753923, LHD		PRC8235 PRC8236 DKB102720 DKB102710	2 2 2 2
10	Nut - Hex.		M8, hexagonal head	NH108041L	2
11	Cap-windscreen wiper spindle			PRC8253	2
12	Blade-windscreen wiper	Change point - VIN begin MA081992, Change point - VIN end WA753922 Change point - VIN begin WA753923 Change point - VIN begin WA753923, RHD Change point - VIN begin WA753923, LHD	Passenger Driver, with air spoiler Driver, with air spoiler	AMR1805 DKC100920 DKC100900 DKC100910	2 2 1 1



Body Electrics
Wash Wipe Systems
Windscreen Wiper 1/1

Discovery (FA393361-WA799999)
(CAMXMA1A)

Discovery (FA393361-WA799999)

Body Electrics
Wash Wipe Systems
Windscreen Wiper

Change point - VIN end LA081991

Callout	Name	Application	Remarks & Restrictions	Service No.	Qty
1	Motor & bracket assembly-windscreen wiper			PRC7096	1
3	Link assembly-windscreen wiper	RHD LHD		STC1306 STC1307	1 1
4	Screw			78759	1
5	Washer		8MM	WP8019L	1
6	Spacer			PRC1352	1
7	Nutsert-blind			79240	1
8	Screw-flanged head		M6 X 16, Flanged Head	FS106167L	1
9	Washer		6MM	WA106041L	1
10	Washer		M6, sprung	WL106001L	1
11	Seal-windscreen wiper motor mounting bracket			PRC7781	1
12	Screw-self tapping B		No 12 x 1"	AB612081L	4
13	Washer-Plain		M6	WJ106001L	4
14	Nut - Hex.			AK612011L	4
15	Arm-windscreen wiper	RHD LHD		PRC8235 PRC8236	2 2
16	Nut - Hex.		M8, hexagonal head	NH108041L	2
17	Cap-windscreen wiper spindle			PRC8253	2
18	Blade-windscreen wiper			AMR1805	2
[900]	Seal-wiper linkage joint			STC1308	1

