

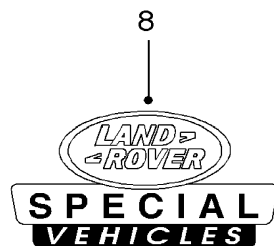
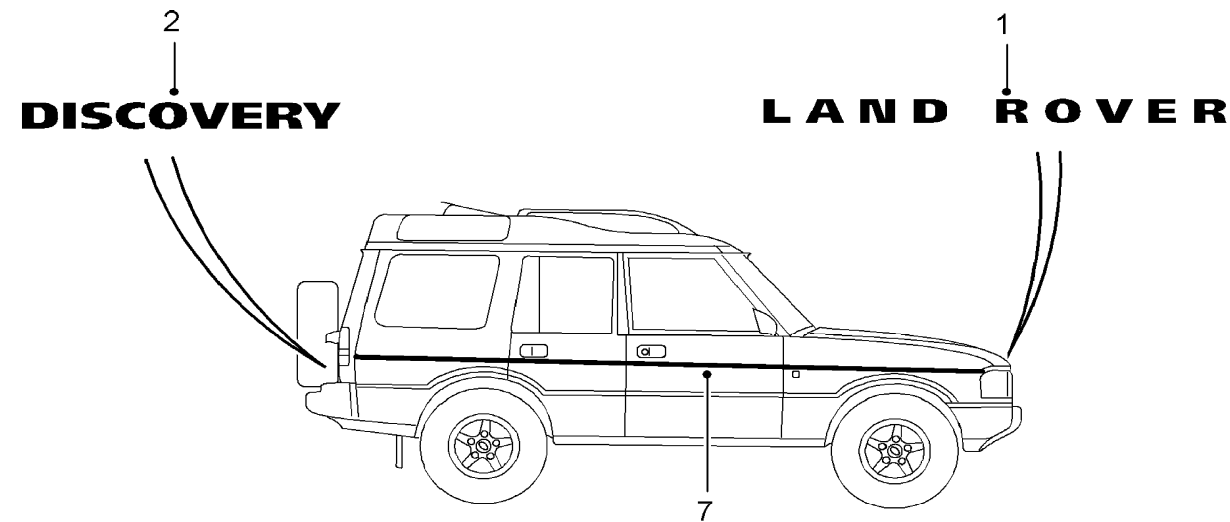
BODY COLOUR IDENTIFICATION			
MXC7713	DAVOS	RTC4058A	AEROSOL
	WHITE	RTC4058T	TOUCH-UP.

Callout	Name	Application	Remarks & Restrictions	Service No.	Qty
1	Label-body colour adhesive		Davas White	MXC7713	1
			Zanzibar Silver	MXC7717	1
			Corallin Red	MXC7714	1
			Mistrale Light Blue	MXC7718	1
			Foxfire Red	MXC7719	1
			Caracal Black	MXC7716	1
			Marseilles Blue	MXC7720	1
			Windjammer Blue	MXC7715	1
			Arken Grey	MXC7721	1
			Eskdale Green	MXC8215	1
			Peddlestone Beige	MXC8216	1
			Carridga Green	MXC8217	1
			Savarin White	MXC8336	1
			Pennine Grey	MXC8337	1
			Armada Gold	MXC8218	1
			Tintern	MXC9582	1
			Ionian Blue	MXC9583	1
			Cairngorm Brown	ALR1816	1
			Aegean Blue/Bright	ALR1817	1
			Aspen Silver	ALR2292	1
			Sonoran Brown	MXC9692	1
			Sandglow	ALR5085	1
			Montpellier Red	ALR6500	1
			Coniston Green	ALR6501	1
			Plymouth Blue	ALR6927	1
			Niagara Grey	ALR6928	1
			Avalon Blue	ALR6929	1
			Slate Grey	ALR6930	1
			Caprice Turquoise	ALR7601	1
			Biaritz Blue	ALR8715	1
			Epsom Green	ALR8716	1

Body & Chassis
Body
Body Tapes 1/2

Discovery (FA393361-WA799999)

(LN0269)



C01.010
01-2004
L4
LN0269

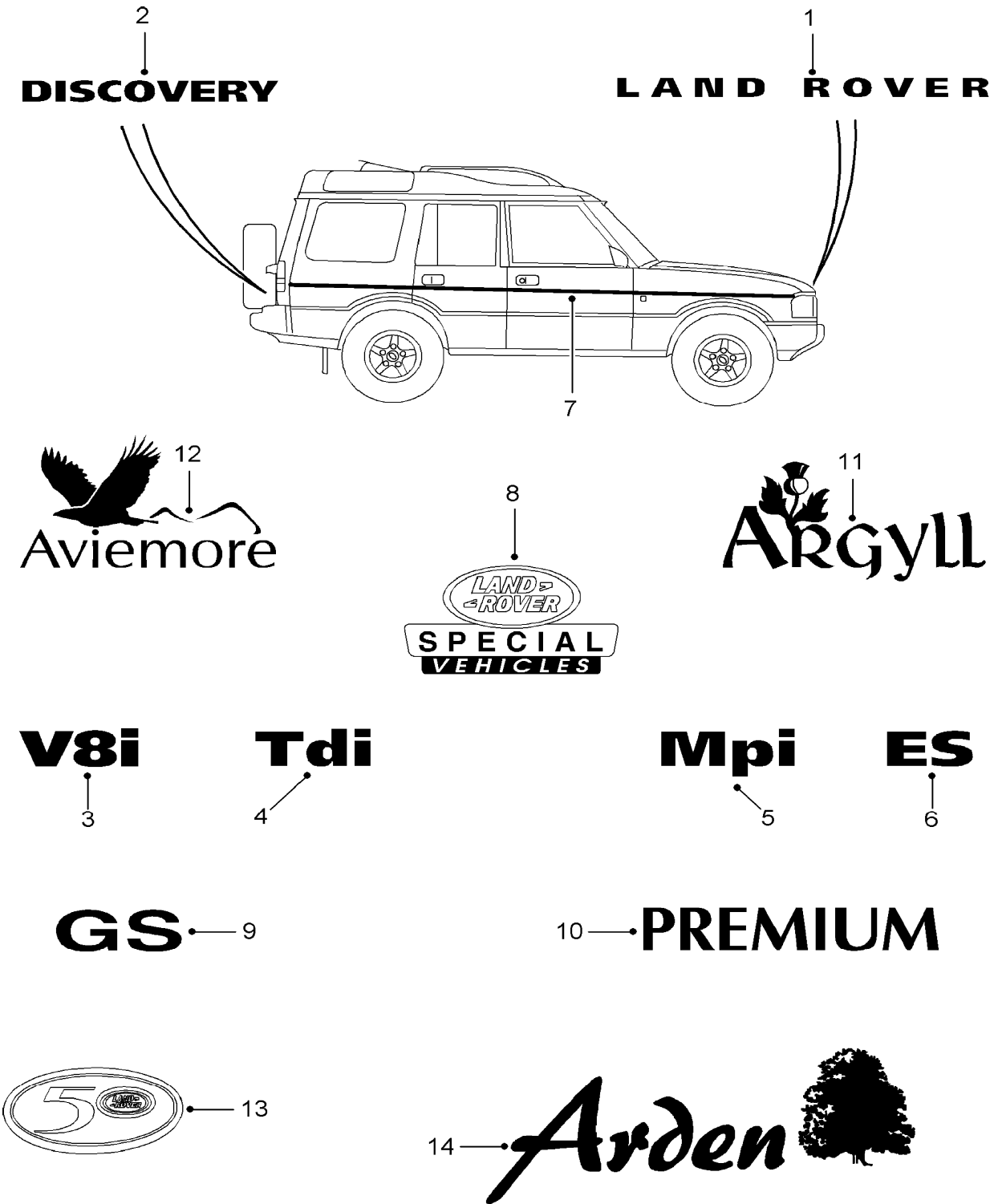
Discovery (FA393361-WA799999)

Body & Chassis
Body
Body Tapes

Callout	Name	Application	Remarks & Restrictions	Service No.	Qty
1	Decal-bonnet	Change point - VIN begin MA081991	Mid Silver	BTR9897MUK	1
		Change point - VIN begin MA081991	Grey	BTR9897LAV	1
2	Decal-tailgate	Change point - VIN begin MA081991	Mid Silver	BTR9896MUK	1
		Change point - VIN begin MA081991	Grey	BTR9896LAV	1
3	Decal-tailgate	Change point - VIN begin MA081991, V8	Mid Silver	BTR9898MUK	1
		Change point - VIN begin MA081991, V8	Grey	BTR9898LAV	1
4	Decal-tailgate	Change point - VIN begin MA081991, TDi	Mid Silver	BTR9899MUK	1
		Change point - VIN begin MA081991, TDi	Grey	BTR9899LAV	1
5	Decal-tailgate	Change point - VIN begin MA081991, MPi	Mid Silver	BTR9900MUK	1
		Change point - VIN begin MA081991, MPi	Grey	BTR9900LAV	1
6	Name Plate	Change point - VIN begin MA081991, ES		AWR1153	2
7	Tape sidestripe	Change point - VIN begin MA081991, ES	Mid Silver, 10M	MXC1172MUK	X
		Change point - VIN begin MA081991, ES	Black, 10M	MXC1172PME	X
8	Name Plate	Special Vehicles	Badge, Please Contact Land Rover Special Vehicles With VIN Number On Fax 00 44 (0)121 700 9015 To Order	CONTACTSVO	1
		Special Vehicles	Please Contact Land Rover Special Vehicles With VIN Number On Fax 00 44 (0)121 700 9015 To Order, Decal, Small	STC7052	2
		Special Vehicles	Please Contact Land Rover Special Vehicles With VIN Number On Fax 00 44 (0)121 700 9015 To Order, Decal, Large	STC7053	1
9	Badge-GS model		Mid Silver Grey	DAH100620MUK DAH100620LAV	2 2
10	Name Plate		Premium	DAM100650	2
11	Decal-Argyll			STC4111	2
12	Decal-Aviemore			STC4112	2
13	Name Plate		Grille-front, 50th Anniversary	DAM100720	2

Body & Chassis
 Body
 Body Tapes 2/2

Discovery (FA393361-WA799999)
 (LN0269)



C01.010
 01-2004
 L4
 LN0269

Discovery (FA393361-WA799999)

Body & Chassis
 Body
 Body Tapes

Callout	Name	Application	Remarks & Restrictions	Service No.	Qty
14	Decal		Please Contact Land Rover Special Vehicles With VIN Number On Fax 00 44 (0)121 700 9015 To Order	CONTACTSVO	2
15	Decal		Please Contact Land Rover Special Vehicles With VIN Number On Fax 00 44 (0)121 700 9015 To Order	CONTACTSVO	2

Body & Chassis
 Body
 Body Tapes 1/2

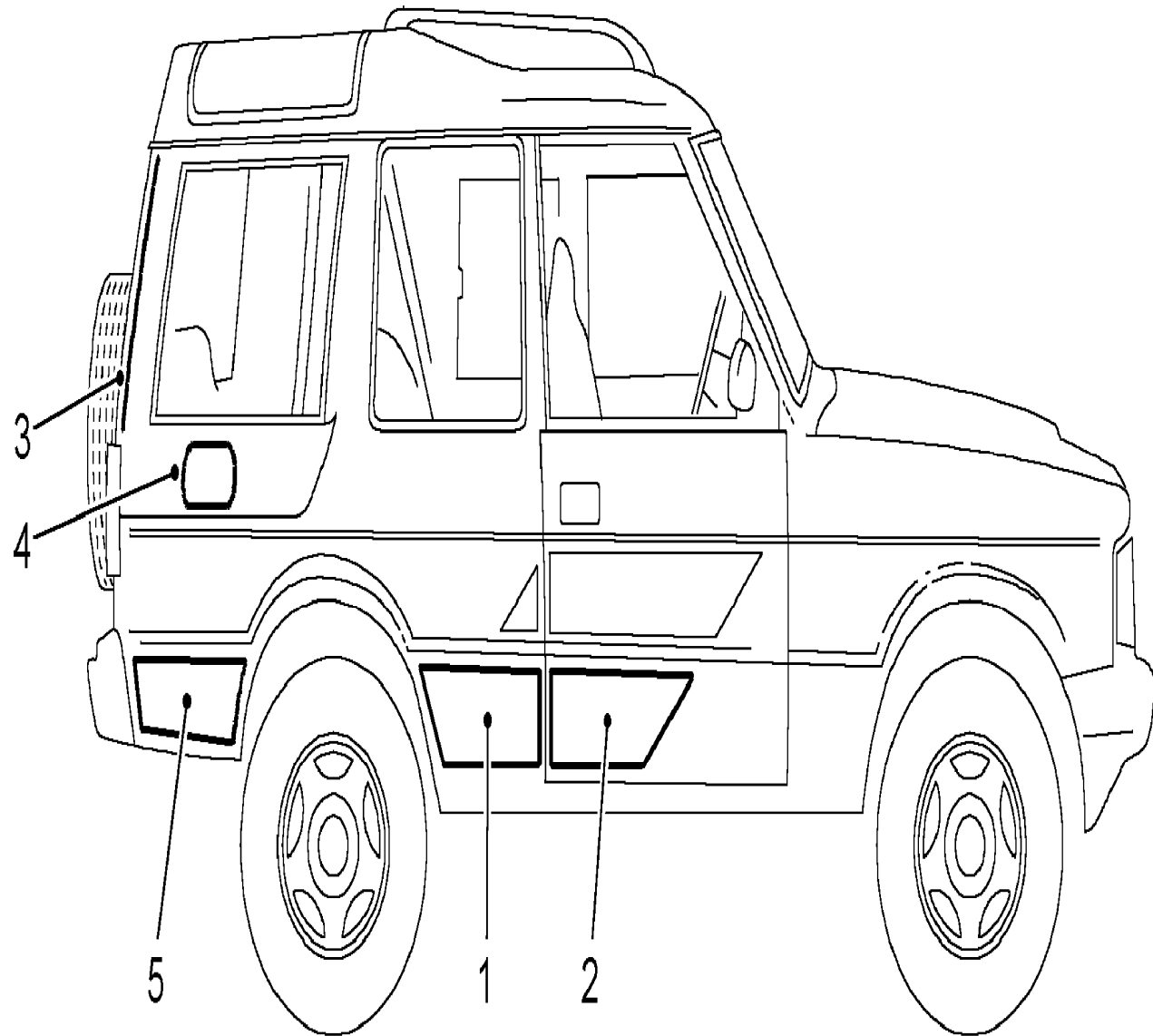
Discovery (FA393361-WA799999)
 (CANXQA1D)

Discovery (FA393361-WA799999)

Body & Chassis
 Body
 Body Tapes

3 Door Station Wagon

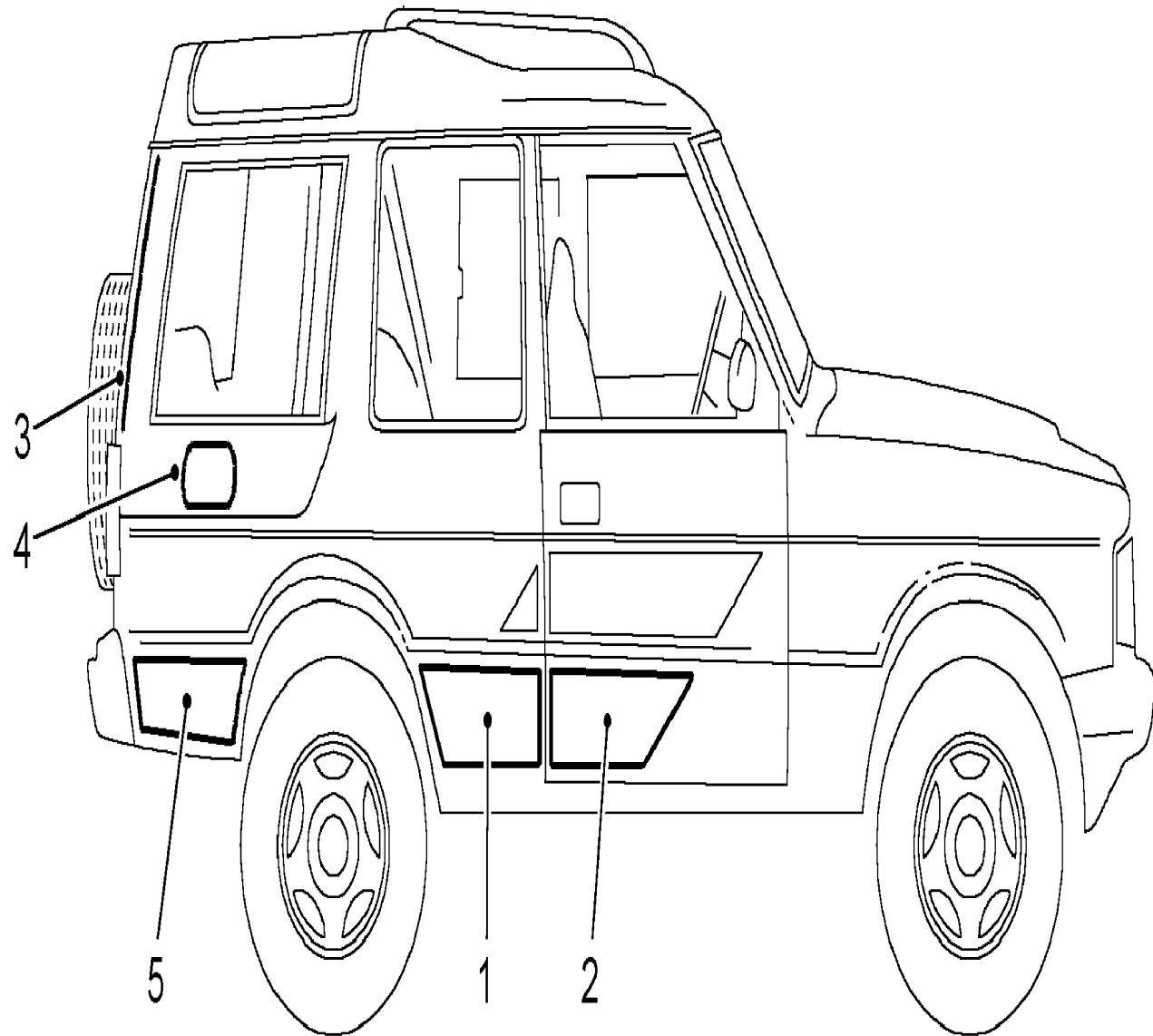
Callout	Name	Application	Remarks & Restrictions	Service No.	Qty		
1	Decal-body side	Change point - VIN end HA012333	Grey, Silver, RH, Blue.	MWC3726RUR	1		
		Change point - VIN end HA012333	Grey, Silver, Blue., LH	MWC3727RUR	1		
		Change point - VIN begin GA394352, Change point - VIN end GA456980	Grey, RH, Silver/Green	MWC3726RUS	1		
		Change point - VIN begin HA000001, Change point - VIN end HA002104	Grey, RH, Silver/Green	MWC3726RUS	1		
		Change point - VIN begin HA456981, Change point - VIN end HA486551	Grey, RH, Silver/Green	MWC3726RUS	1		
		Change point - VIN begin GA394352, Change point - VIN end GA456980	Grey, Silver/Green, LH	MWC3727RUS	1		
		Change point - VIN begin HA000001, Change point - VIN end HA002104	Grey, Silver/Green, LH	MWC3727RUS	1		
		Change point - VIN begin HA456981, Change point - VIN end HA486551	Grey, Silver/Green, LH	MWC3727RUS	1		
		Change point - VIN begin HA002105	Grey, RH, Silver/Green	MWC3726RUZ	1		
		Change point - VIN begin HA002105	Grey, Silver/Green, LH	MWC3727RUZ	1		
		2	Decal-door	Change point - VIN end HA012333	Grey, Silver, Front, RH, Blue.	MWC3724RUR	1
				Change point - VIN end HA012333	Grey, Silver, Front, Blue., LH	MWC3725RUR	1
				Change point - VIN begin GA394352, Change point - VIN end GA456980	Grey, Front, RH, Silver/Green	MWC3724RUS	1
				Change point - VIN begin HA000001, Change point - VIN end HA001957	Grey, Front, RH, Silver/Green	MWC3724RUS	1
Change point - VIN begin HA456981, Change point - VIN end HA486551	Grey, Front, RH, Silver/Green			MWC3724RUS	1		
Change point - VIN begin GA394352, Change point - VIN end GA456980	Grey, Front, Silver/Green, LH			MWC3725RUS	1		
Change point - VIN begin HA000001, Change point - VIN end HA001957	Grey, Front, Silver/Green, LH			MWC3725RUS	1		
Change point - VIN begin HA456981, Change point - VIN end HA486551	Grey, Front, Silver/Green, LH			MWC3725RUS	1		
Change point - VIN begin HA002105	Grey, Front, RH, Silver/Green			MWC3724RUZ	1		
Change point - VIN begin HA002105	Grey, Front, Silver/Green, LH			MWC3725RUZ	1		
3	Decal-tonneau	Change point - VIN end HA012333	Grey, Silver, RH, Blue.	MWC3728RUR	1		
		Change point - VIN end HA012333	Grey, Silver, Blue., LH	MXC5736RUR	1		
		Change point - VIN end HA002104	Grey, RH, Silver/Green	MWC3728RUS	1		



CANXQA1D

Body & Chassis
 Body
 Body Tapes 2/2

Discovery (FA393361-WA799999)
 (CANXQA1D)



CANXQA1D

Discovery (FA393361-WA799999)

Body & Chassis
 Body
 Body Tapes

3 Door Station Wagon

Callout	Name	Application	Remarks & Restrictions	Service No.	Qty
3	Decal-tonneau	Change point - VIN end HA002104	Grey, Silver/Green, LH	MXC5736RUS	1
		Change point - VIN begin HA002105	Grey, RH, Silver/Green	MWC3728RUZ	1
		Change point - VIN begin HA002105	Grey, Silver/Green, LH	MXC5736RUZ	1
4	Decal-fuel filler door	Change point - VIN end HA012333	Grey, Silver, Blue.	MXC6748RUR	1
		Change point - VIN end HA002104	Grey, Silver/Green	MXC6748RUS	1
		Change point - VIN begin HA002105	Grey, Silver/Green	MXC6748RUZ	1
5	Decal-body side	Change point - VIN end HA012333	Grey, Silver, RH, Blue.	MXC5734RUR	1
		Change point - VIN end HA012333	Grey, Silver, Blue., LH	MXC5735RUR	1
		Change point - VIN end HA002104	Grey, RH, Silver/Green	MXC5734RUS	1
		Change point - VIN end HA002104	Grey, Silver/Green, LH	MXC5735RUS	1
		Change point - VIN begin HA002105	Grey, RH, Silver/Green	MXC5734RUZ	1
		Change point - VIN begin HA002105	Grey, Silver/Green, LH	MXC5735RUZ	1

SEP 04

906

Body & Chassis

Discovery (FA393361-WA799999)

Body

Body Tapes 1/1

(CANXQA1E)

906

SEP 04

Discovery (FA393361-WA799999)

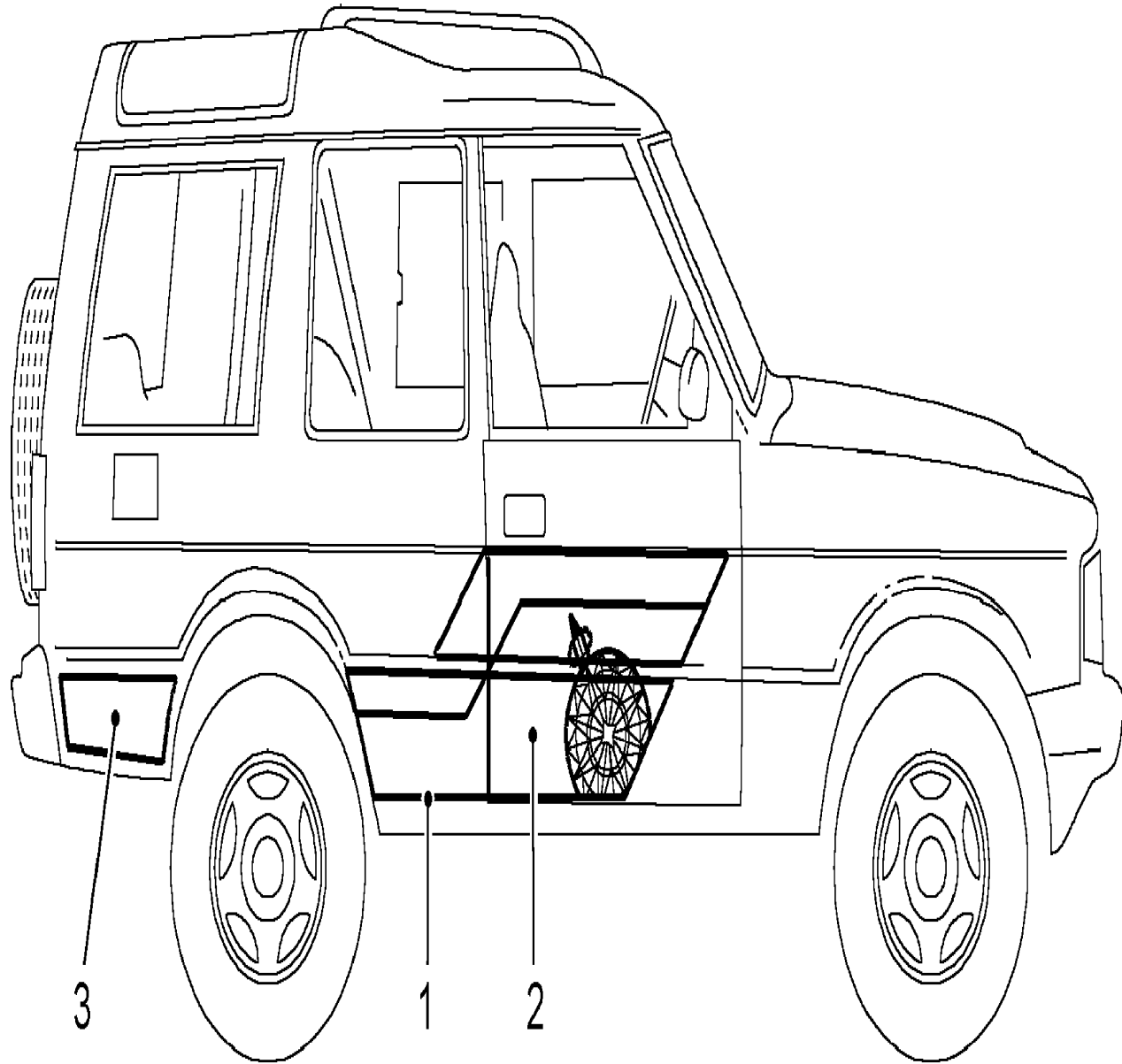
Body & Chassis

Body

Body Tapes

3 Door Station Wagon

Callout	Name	Application	Remarks & Restrictions	Service No.	Qty
1	Decal-body side	Change point - VIN begin JA012334	Grey, RH, Silver/Green	BTR2078RWE	1
		Change point - VIN begin JA012334	Grey, Silver/Green, LH	BTR2079RWE	1
2	Decal-door	Change point - VIN begin JA012334	Grey, RH, Silver/Green	BTR2074RWE	1
		Change point - VIN begin JA012334	Grey, Silver/Green, LH	BTR2075RWE	1
3	Decal-body side	Change point - VIN begin JA012334	Grey, RH, Silver/Green	BTR2082RWE	1
		Change point - VIN begin JA012334	Grey, Silver/Green, LH	BTR2083RWE	1



CANXQA1E

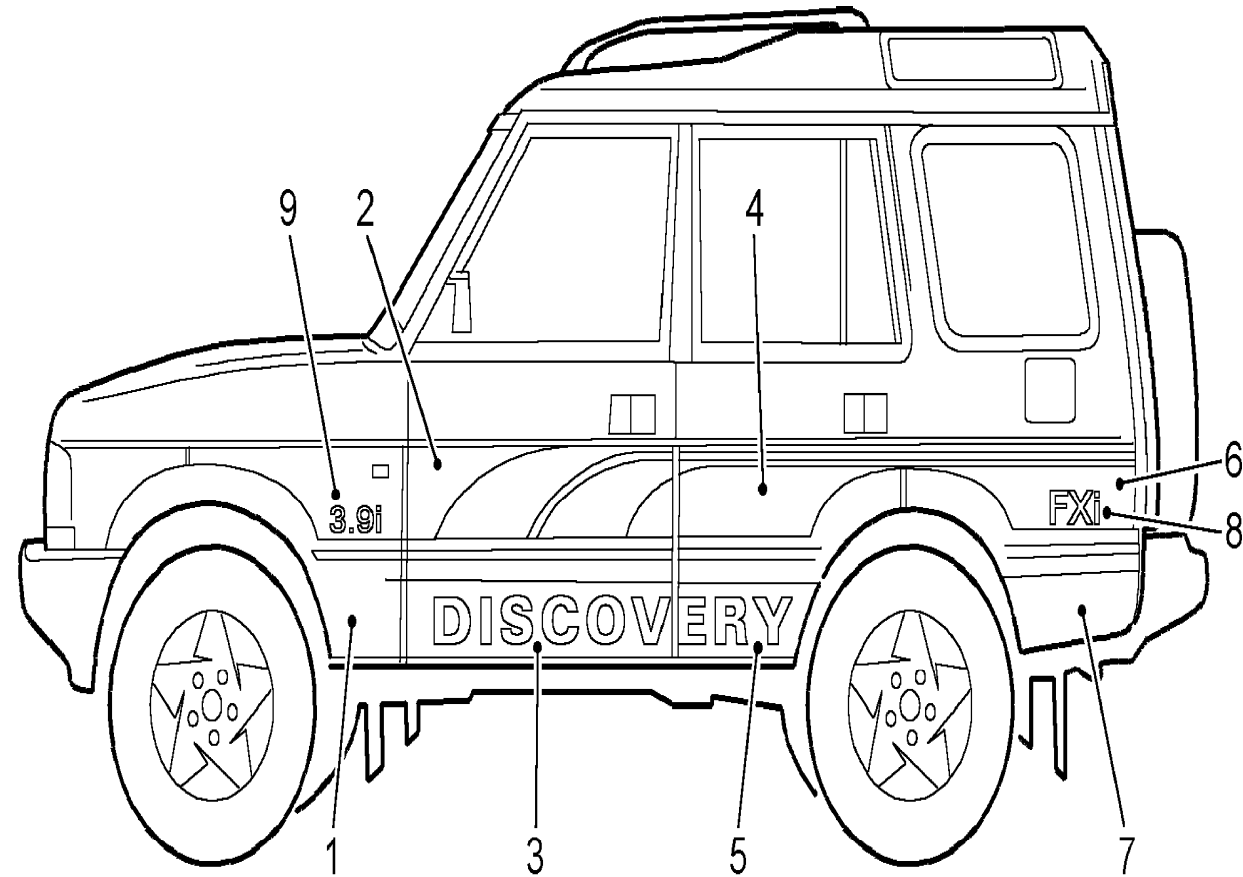
Body & Chassis

Discovery (FA393361-WA799999)

Body

Body Tapes-FXi 1996 1/2

(CANXQA1N)



CANXQA1N

Discovery (FA393361-WA799999)

Body & Chassis

Body

Body Tapes-FXi 1996

Callout	Name	Application	Remarks & Restrictions	Service No.	Qty
1	Tape front wing	Change point - VIN begin TA163104	RH	AWR4078RGI	1
		Change point - VIN begin TA501920	RH	AWR4078RGI	1
		Change point - VIN begin TA163104	LH	AWR4079RGI	1
		Change point - VIN begin TA501920	LH	AWR4079RGI	1
2	Tape front door	Change point - VIN begin TA163104	RH, Upper	AWR4072RAI	1
		Change point - VIN begin TA501920	RH, Upper	AWR4072RAI	1
		Change point - VIN begin TA163104	Upper, LH	AWR4073RAI	1
		Change point - VIN begin TA501920	Upper, LH	AWR4073RAI	1
3	Tape front door	Change point - VIN begin TA163104	RH, Lower	AWR4080RGI	1
		Change point - VIN begin TA501920	RH, Lower	AWR4080RGI	1
		Change point - VIN begin TA163104	Lower, LH	AWR4081RGI	1
		Change point - VIN begin TA501920	Lower, LH	AWR4081RGI	1
4	Tape rear side door	Change point - VIN begin TA163104	RH, Lower	AWR4074RAI	1
		Change point - VIN begin TA501920	RH, Lower	AWR4074RAI	1
		Change point - VIN begin TA163104	Upper, LH	AWR4075RAI	1
		Change point - VIN begin TA501920	Upper, LH	AWR4075RAI	1
5	Tape rear side door	Change point - VIN begin TA163104	RH, Lower	AWR4082RGI	1
		Change point - VIN begin TA501920	RH, Lower	AWR4082RGI	1
		Change point - VIN begin TA163104	Lower, LH	AWR4083RGI	1
		Change point - VIN begin TA501920	Lower, LH	AWR4083RGI	1
6	Tape rear quarter	Change point - VIN begin TA163104	RH, Upper	AWR4076RAI	1
		Change point - VIN begin TA501920	RH, Upper	AWR4076RAI	1
		Change point - VIN begin TA163104	Upper, LH	AWR4077RAI	1
		Change point - VIN begin TA501920	Upper, LH	AWR4077RAI	1
7	Tape rear quarter	Change point - VIN begin TA163104	RH, Lower	AWR4084RGI	1
		Change point - VIN begin TA501920	RH, Lower	AWR4084RGI	1
		Change point - VIN begin TA163104	Lower, LH	AWR4085RGI	1

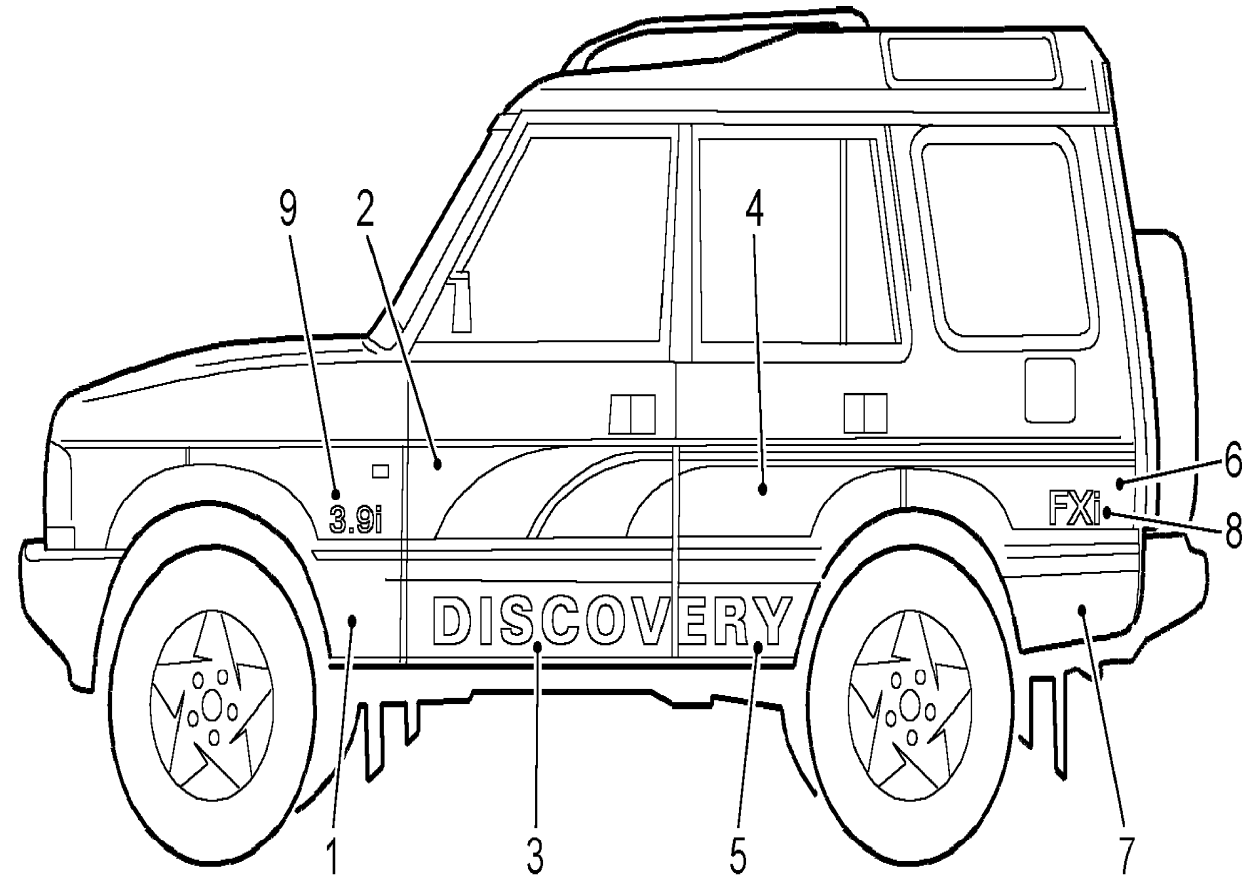
Body & Chassis

Discovery (FA393361-WA799999)

Body

Body Tapes-FXi 1996 2/2

(CANXQA1N)



CANXQA1N

Discovery (FA393361-WA799999)

Body & Chassis

Body

Body Tapes-FXi 1996

Callout	Name	Application	Remarks & Restrictions	Service No.	Qty
7	Tape rear quarter	Change point - VIN begin TA501920	Lower, LH	AWR4085RGI	1
8	Tape	Change point - VIN begin TA163104		AWR2492REI	2
		Change point - VIN begin TA501920		AWR2492REI	2
9	Tape	Change point - VIN begin TA163104		AWR2493REI	2
		Change point - VIN begin TA501920		AWR2493REI	2

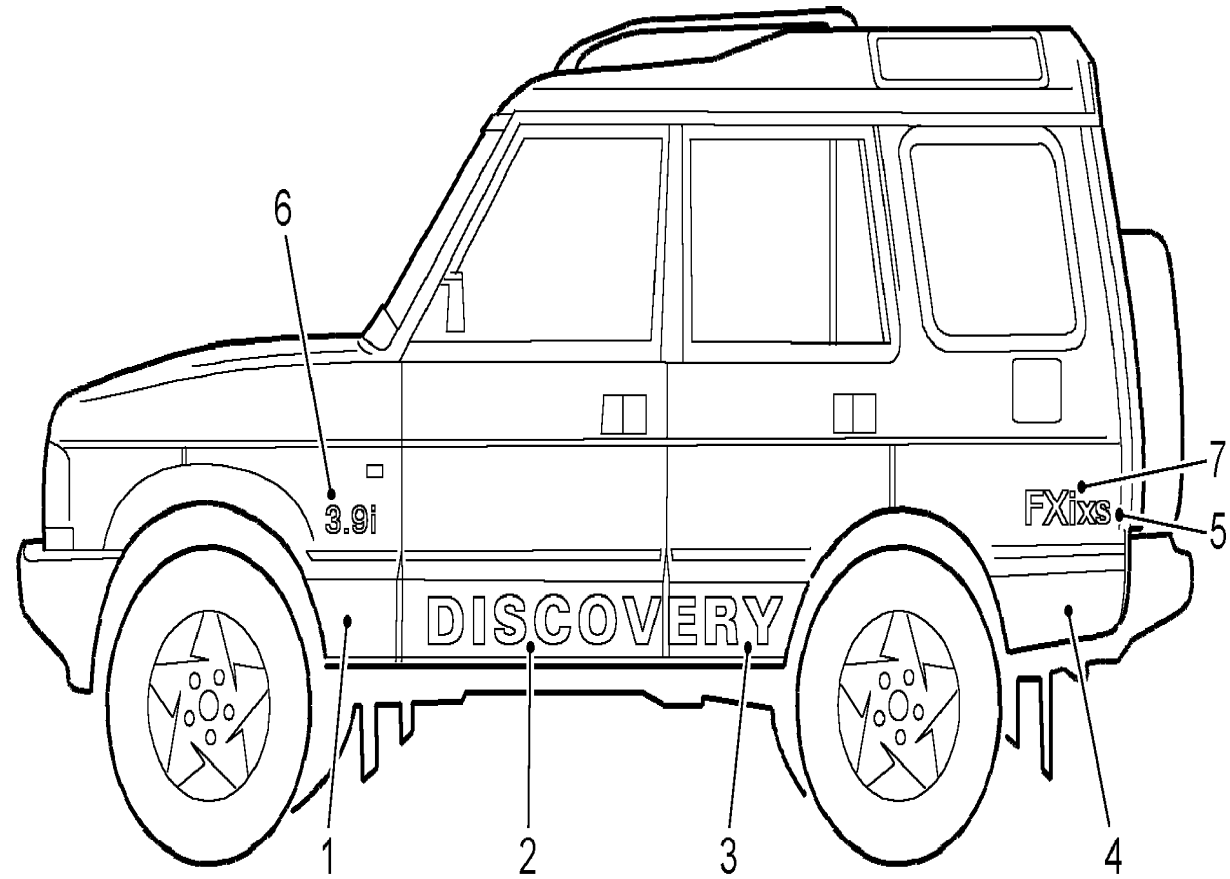
Body & Chassis

Discovery (FA393361-WA799999)

Body

Body Tapes-FXi XS-Gulf States 1/1

(CANXQA1K)



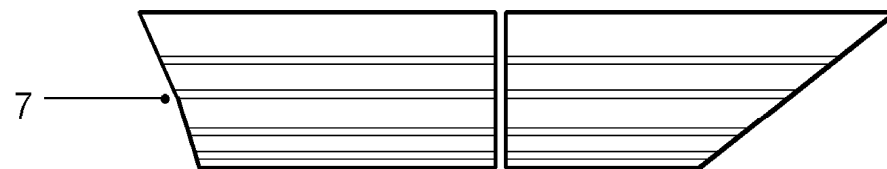
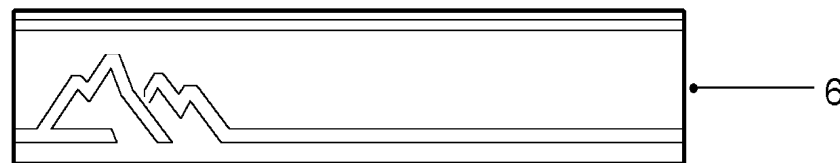
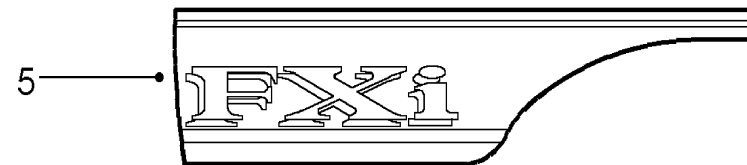
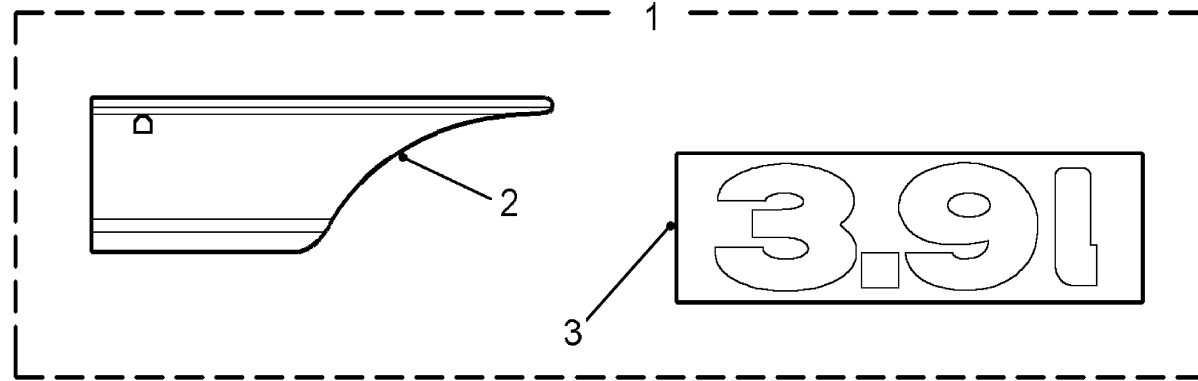
Discovery (FA393361-WA799999)

Body & Chassis

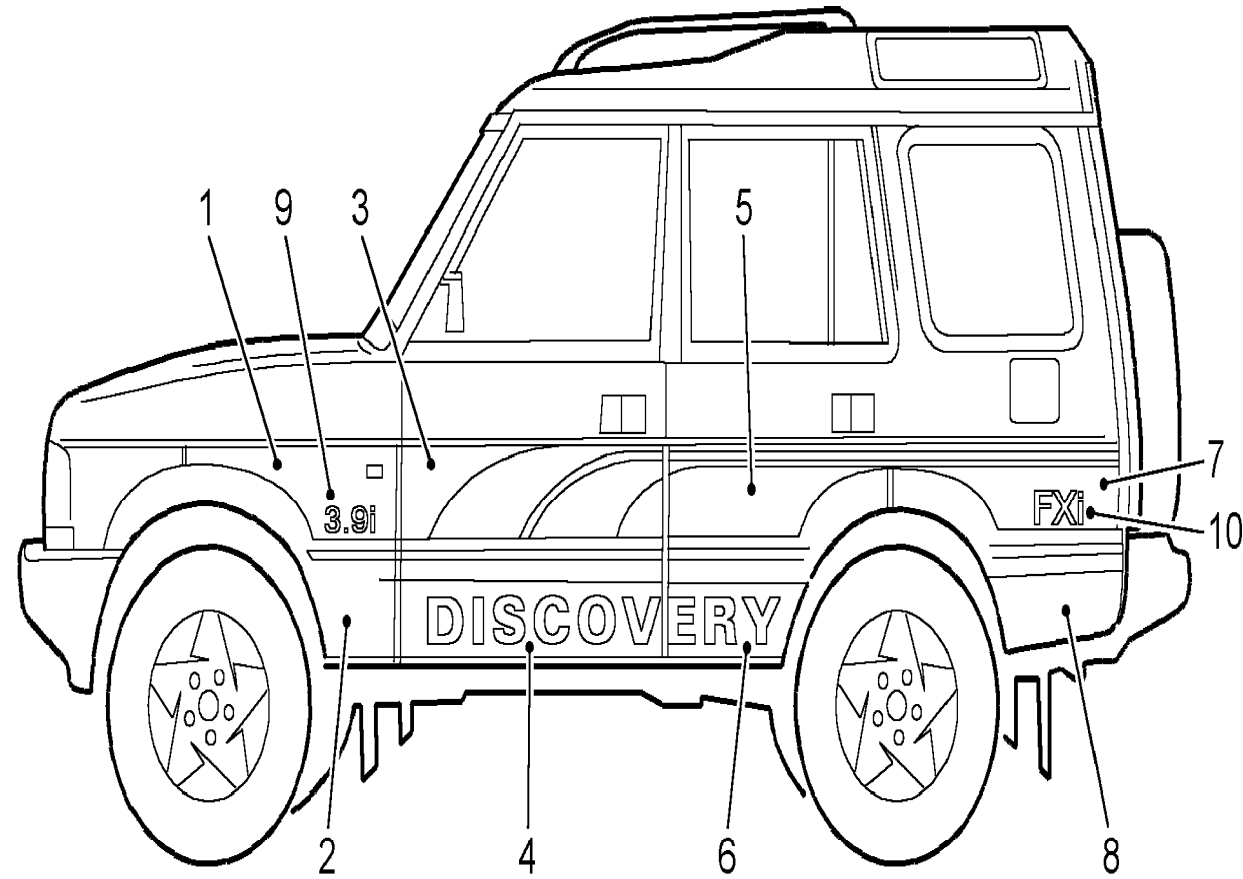
Body

Body Tapes-FXi XS-Gulf States

Callout	Name	Application	Remarks & Restrictions	Service No.	Qty
1	Decal front fender	(+)"GCC"	RH, Lower	AWR2484RGI	1
		(+)"GCC"	Lower, LH	AWR2485RGI	1
2	Decal-door	(+)"GCC"	Front, RH, Lower	AWR2486RGI	1
		(+)"GCC"	Front, Lower, LH	AWR2487RGI	1
3	Decal-door	(+)"GCC"	Rear, RH, Lower, Side	AWR2488RGI	1
		(+)"GCC"	Rear, Lower, Side, LH	AWR2489RGI	1
4	Tape rear quarter	(+)"GCC"	RH, Lower	AWR2490RGI	1
		(+)"GCC"	Lower, LH	AWR2491RGI	1
5	Tape	(+)"GCC"	XS graphic	AWR2494REI	2
6	Tape	(+)"GCC"	3.9i graphic	AWR2493REI	2
7	Tape	(+)"GCC"	FXI graphic	AWR2492REI	2



Callout	Name	Application	Remarks & Restrictions	Service No.	Qty
1	Decal-front fender rear	(+)"GCC"	Also serviced as part of a kit, Blue., LH	STC4225RCH	1
		(+)"GCC"	Also serviced as part of a kit, RH, Blue.	STC4226RCH	1
		(+)"GCC"	Also serviced as part of a kit, Silver, LH	STC4225RCJ	1
		(+)"GCC"	Also serviced as part of a kit, Silver, RH	STC4226RCJ	1
2	Decal-front fender rear	(+)"GCC"	Also serviced as part of a kit, Blue., LH	BTR8998RCH	1
		(+)"GCC"	Also serviced as part of a kit, RH, Blue.	BTR8999RCH	1
		(+)"GCC"	Also serviced as part of a kit, Silver, LH	BTR8998RCJ	1
		(+)"GCC"	Also serviced as part of a kit, Silver, RH	BTR8999RCJ	1
3	Decal-front fender rear	(+)"GCC"	Also serviced as part of a kit, Silver, LH	BTR9008RCJ	1
		(+)"GCC"	Also serviced as part of a kit, Silver, RH	BTR9009RCJ	1
		(+)"GCC"	Also serviced as part of a kit, Blue., LH	BTR9008RCH	1
		(+)"GCC"	Also serviced as part of a kit, RH, Blue.	BTR9009RCH	1
4	Decal-door	(+)"GCC"	Rear, Blue., LH	BTR9002RCH	1
		(+)"GCC"	Rear, RH, Blue.	BTR9003RCH	1
		(+)"GCC"	Silver, Rear, LH	BTR9002RCJ	1
		(+)"GCC"	Silver, Rear, RH	BTR9003RCJ	1
5	Tape rear quarter	(+)"GCC"	Blue., LH	BTR9004RCH	1
		(+)"GCC"	RH, Blue.	BTR9005RCH	1
		(+)"GCC"	Silver, LH	BTR9004RCJ	1
		(+)"GCC"	Silver, RH	BTR9005RCJ	1
6	Decal-door	(+)"GCC"	Front, Blue., LH	BTR9000RCH	1
		(+)"GCC"	Front, RH, Blue.	BTR9001RCH	1
		(+)"GCC"	Silver, Front, LH	BTR9000RCJ	1
		(+)"GCC"	Silver, Front, RH	BTR9001RCJ	1
7	Decal-door	(+)"GCC"	Rear, Blue., LH	BTR9006RCH	1
		(+)"GCC"	Rear, RH, Blue.	BTR9007RCH	1
		(+)"GCC"	Silver, Rear, LH	BTR9006RCJ	1
		(+)"GCC"	Silver, Rear, RH	BTR9007RCJ	1



Callout	Name	Application	Remarks & Restrictions	Service No.	Qty
1	Decal front fender	(+)"GCC"	RH, Upper	AWR2476RAI	1
		(+)"GCC"	Upper, LH	AWR2477RAI	1
2	Decal front fender	(+)"GCC"	RH, Lower	AWR2484RGI	1
		(+)"GCC"	Lower, LH	AWR2485RGI	1
3	Decal-door	(+)"GCC"	Front, RH, Upper	AWR2478RAI	1
		(+)"GCC"	Front, Upper, LH	AWR2479RAI	1
4	Decal-door	(+)"GCC"	Front, RH, Lower	AWR2486RGI	1
		(+)"GCC"	Front, Lower, LH	AWR2487RGI	1
5	Decal-door	(+)"GCC"	Rear, RH, Upper, Side	AWR2480RAI	1
		(+)"GCC"	Rear, Upper, Side, LH	AWR2481RAI	1
6	Decal-door	(+)"GCC"	Rear, RH, Lower, Side	AWR2488RGI	1
		(+)"GCC"	Rear, Lower, Side, LH	AWR2489RGI	1
7	Tape rear quarter	(+)"GCC"	RH, Upper	AWR2482RAI	1
		(+)"GCC"	Upper, LH	AWR2483RAI	1
8	Tape rear quarter	(+)"GCC"	RH, Lower	AWR2490RGI	1
		(+)"GCC"	Lower, LH	AWR2491RGI	1
9	Tape	(+)"GCC"	3.9i graphic	AWR2493REI	2
10	Tape	(+)"GCC"	FXI graphic	AWR2492REI	2

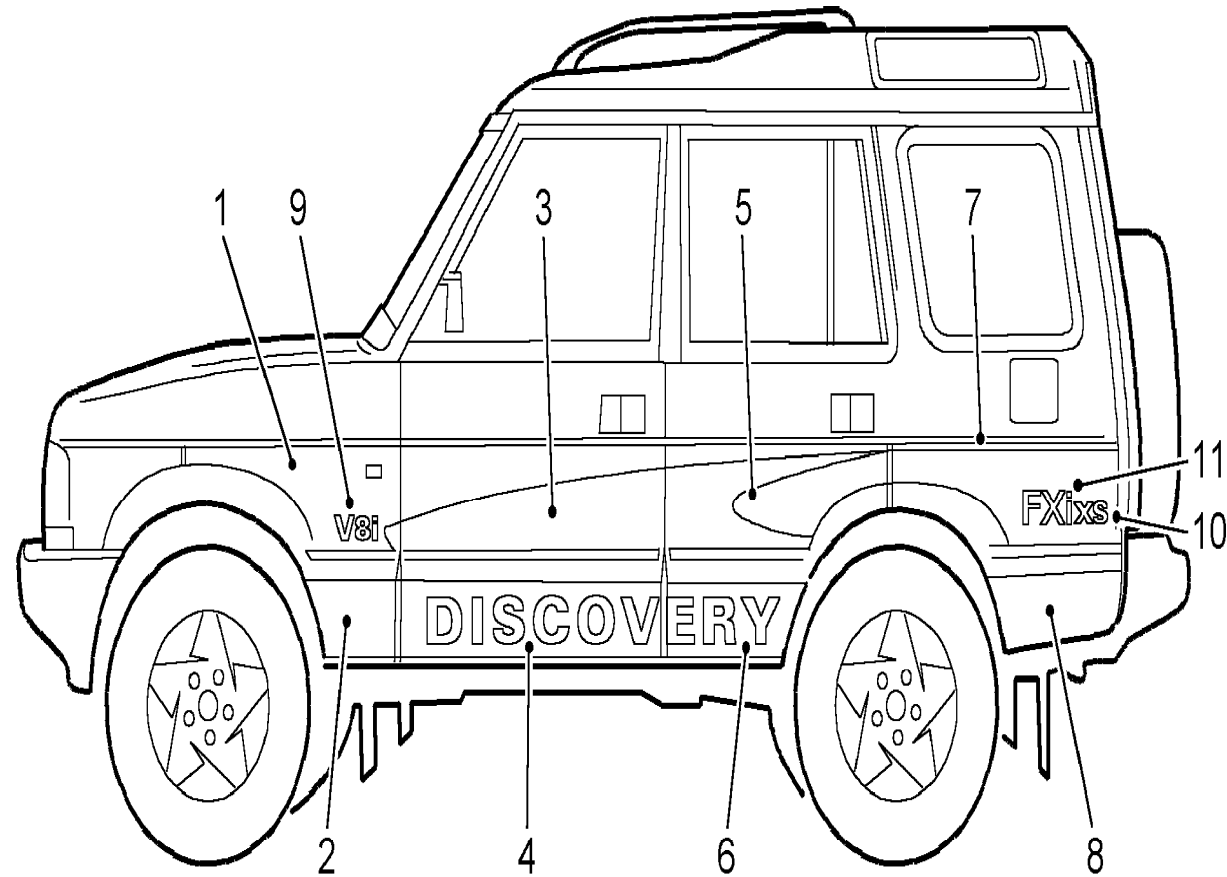
Body & Chassis

Discovery (FA393361-WA799999)

Body

Body Tapes-FXi4-Gulf States 1/2

(CANXQA10)



CANXQA10

Discovery (FA393361-WA799999)

Body & Chassis

Body

Body Tapes-FXi4-Gulf States

Callout	Name	Application	Remarks & Restrictions	Service No.	Qty
1	Tape	Change point - VIN begin VA534104, (+)"GCC"	Front, RH, Upper	AWR5572RAI	1
		Change point - VIN begin VA703237, (+)"GCC"	Front, RH, Upper	AWR5572RAI	1
		Change point - VIN begin VA534104, (+)"GCC"	Front, Upper, LH	AWR5573RAI	1
		Change point - VIN begin VA703237, (+)"GCC"	Front, Upper, LH	AWR5573RAI	1
2	Tape	Change point - VIN begin VA534104, (+)"GCC"	Front, RH, Lower	AWR5580RGI	1
		Change point - VIN begin VA703237, (+)"GCC"	Front, RH, Lower	AWR5580RGI	1
		Change point - VIN begin VA534104, (+)"GCC"	Front, Lower, LH	AWR5581RGI	1
		Change point - VIN begin VA703237, (+)"GCC"	Front, Lower, LH	AWR5581RGI	1
3	Tape	Change point - VIN begin VA534104, (+)"GCC"	Front, RH, Upper	AWR5574RAI	1
		Change point - VIN begin VA703237, (+)"GCC"	Front, RH, Upper	AWR5574RAI	1
		Change point - VIN begin VA534104, (+)"GCC"	Front, Upper, LH	AWR5575RAI	1
		Change point - VIN begin VA703237, (+)"GCC"	Front, Upper, LH	AWR5575RAI	1
4	Tape	Change point - VIN begin VA534104, (+)"GCC"	Front, RH, Lower	AWR5582RGI	1
		Change point - VIN begin VA703237, (+)"GCC"	Front, RH, Lower	AWR5582RGI	1
		Change point - VIN begin VA534104, (+)"GCC"	Front, Lower, LH	AWR5583RGI	1
		Change point - VIN begin VA703237, (+)"GCC"	Front, Lower, LH	AWR5583RGI	1
5	Tape	Change point - VIN begin VA534104, (+)"GCC"	Rear, RH, Upper, Side	AWR5576RAI	1
		Change point - VIN begin VA703237, (+)"GCC"	Rear, RH, Upper, Side	AWR5576RAI	1
		Change point - VIN begin VA534104, (+)"GCC"	Rear, Upper, Side, LH	AWR5577RAI	1
		Change point - VIN begin VA703237, (+)"GCC"	Rear, Upper, Side, LH	AWR5577RAI	1
6	Tape	Change point - VIN begin VA534104, (+)"GCC"	Rear, RH, Lower, Side	AWR5584RGI	1
		Change point - VIN begin VA703237, (+)"GCC"	Rear, RH, Lower, Side	AWR5584RGI	1
		Change point - VIN begin VA534104, (+)"GCC"	Rear, Lower, Side, LH	AWR5585RGI	1
		Change point - VIN begin VA703237, (+)"GCC"	Rear, Lower, Side, LH	AWR5585RGI	1
7	Tape rear quarter	Change point - VIN begin VA534104, (+)"GCC"	RH, Upper	AWR5578RAI	1
		Change point - VIN begin VA703237, (+)"GCC"	RH, Upper	AWR5578RAI	1
		Change point - VIN begin VA534104, (+)"GCC"	Upper, LH	AWR5579RAI	1

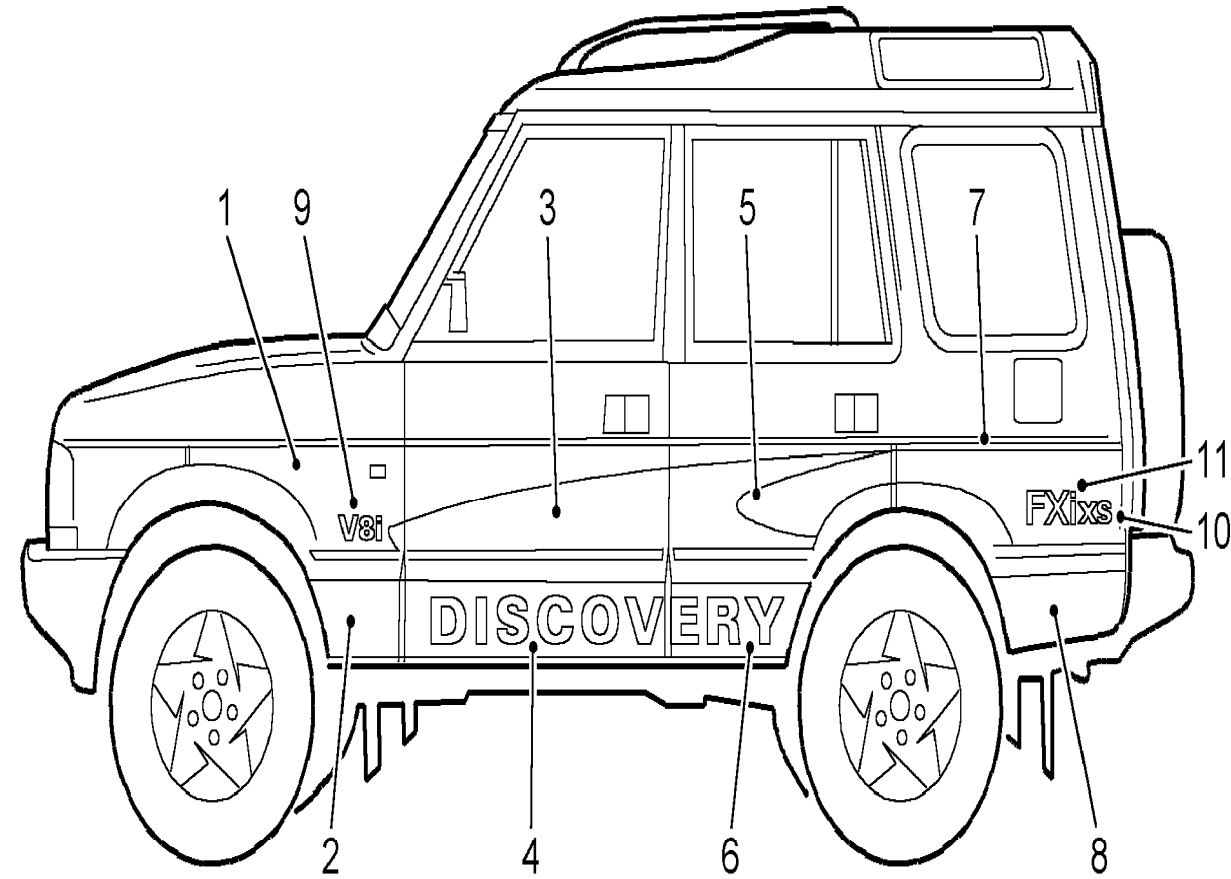
Body & Chassis

Discovery (FA393361-WA799999)

Body

Body Tapes-FXi4-Gulf States 2/2

(CANXQA10)



Discovery (FA393361-WA799999)

Body & Chassis

Body

Body Tapes-FXi4-Gulf States

Callout	Name	Application	Remarks & Restrictions	Service No.	Qty
7	Tape rear quarter	Change point - VIN begin VA703237, (+)"GCC"	Upper, LH	AWR5579RAI	1
8	Tape rear quarter	Change point - VIN begin VA534104, (+)"GCC"	RH, Lower	AWR5586RGI	1
		Change point - VIN begin VA703237, (+)"GCC"	RH, Lower	AWR5586RGI	1
		Change point - VIN begin VA534104, (+)"GCC"	Lower, LH	AWR5587RGI	1
		Change point - VIN begin VA534104, (+)"GCC"	Lower, LH	AWR5587RGI	1
		Change point - VIN begin VA703237, (+)"GCC"	Lower, LH	AWR5587RGI	1
9	Decal V8	Change point - VIN begin VA534104, (+)"GCC"	Grey	AWR6691RHI	2
		Change point - VIN begin VA703237, (+)"GCC"	Grey	AWR6691RHI	2
10	Decal XS	Change point - VIN begin VA534104, (+)"GCC"	Grey	AWR2494RHI	2
		Change point - VIN begin VA703237, (+)"GCC"	Grey	AWR2494RHI	2
11	Decal FXI	Change point - VIN begin VA534104, (+)"GCC"	Grey	AWR2492RHI	2
		Change point - VIN begin VA703237, (+)"GCC"	Grey	AWR2492RHI	2

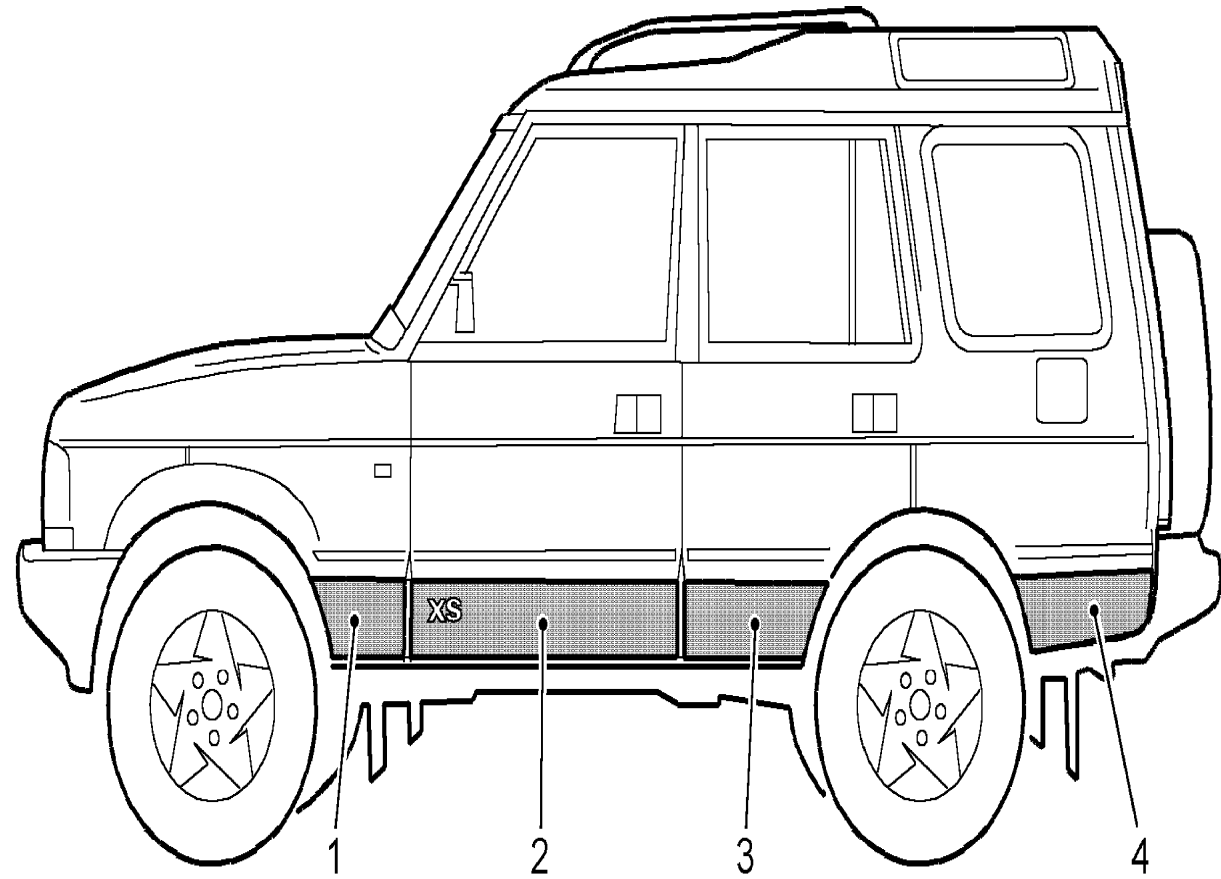
Body & Chassis

Discovery (FA393361-WA799999)

Body

Body Tapes-XS 1996 1/1

(CANXQA1M)



Discovery (FA393361-WA799999)

Body & Chassis

Body

Body Tapes-XS 1996

Callout	Name	Application	Remarks & Restrictions	Service No.	Qty
1	Tape front wing	Change point - VIN begin TA163104	Dark Grey, RH	AWR2800RCI	1
		Change point - VIN begin TA501920	Dark Grey, RH	AWR2800RCI	1
		Change point - VIN begin TA163104	Dark Grey, LH	AWR2801RCI	1
		Change point - VIN begin TA501920	Dark Grey, LH	AWR2801RCI	1
2	Tape front door	Change point - VIN begin TA163104	Dark Grey, RH	AWR2802RCI	1
		Change point - VIN begin TA501920	Dark Grey, RH	AWR2802RCI	1
		Change point - VIN begin TA163104	Dark Grey, LH	AWR2803RCI	1
		Change point - VIN begin TA501920	Dark Grey, LH	AWR2803RCI	1
3	Tape rear side door	Change point - VIN begin TA163104	Dark Grey, RH	AWR2804RCI	1
		Change point - VIN begin TA501920	Dark Grey, RH	AWR2804RCI	1
		Change point - VIN begin TA163104	Dark Grey, LH	AWR2805RCI	1
		Change point - VIN begin TA501920	Dark Grey, LH	AWR2805RCI	1
4	Tape rear quarter	Change point - VIN begin TA163104	Dark Grey, RH	AWR2806RCI	1
		Change point - VIN begin TA501920	Dark Grey, RH	AWR2806RCI	1
		Change point - VIN begin TA163104	Dark Grey, LH	AWR2807RCI	1
		Change point - VIN begin TA501920	Dark Grey, LH	AWR2807RCI	1

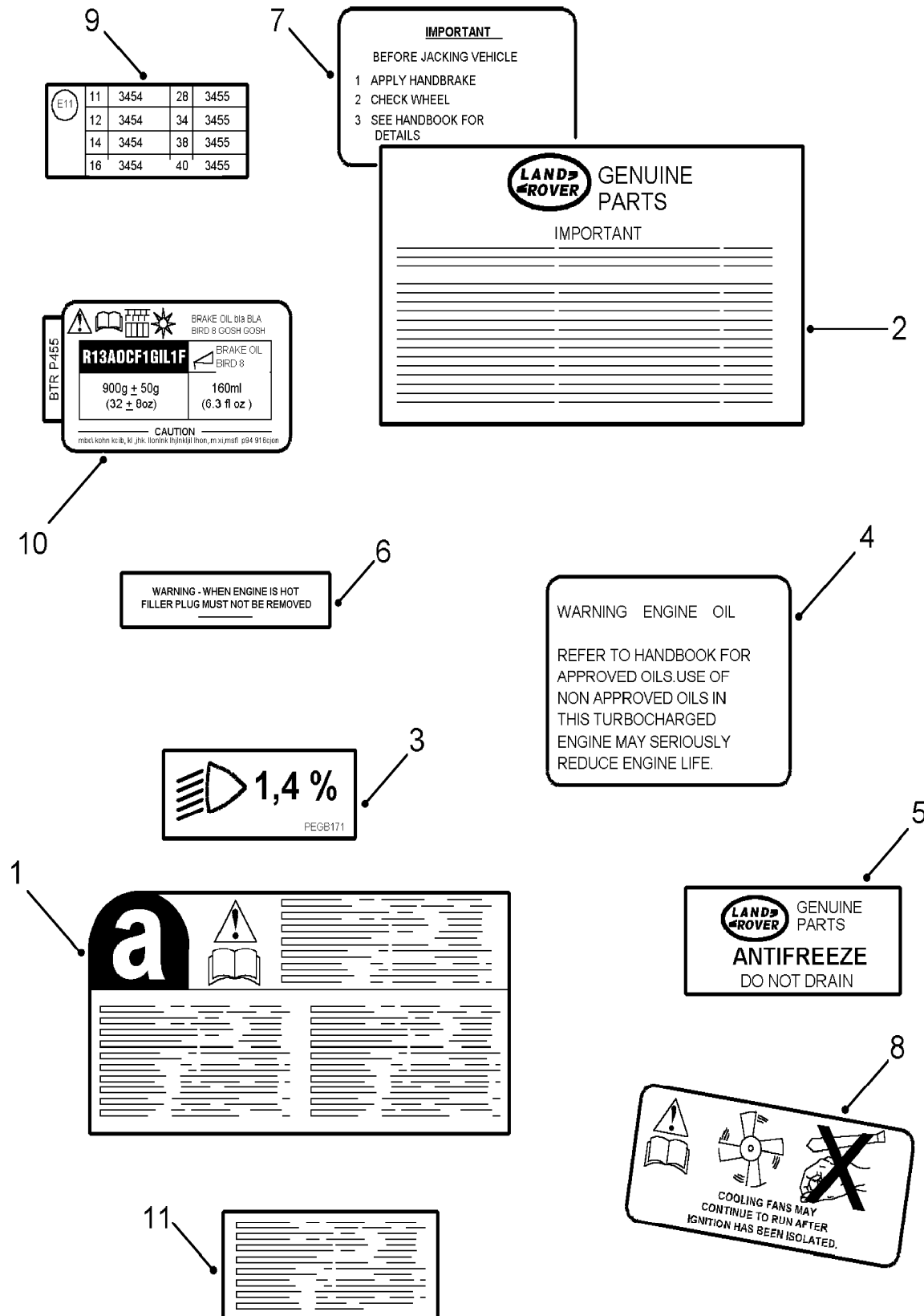
Body & Chassis

Discovery (FA393361-WA799999)

Body

Body Warning Labels 1/1

(CANXBV1B)



Discovery (FA393361-WA799999)

Body & Chassis

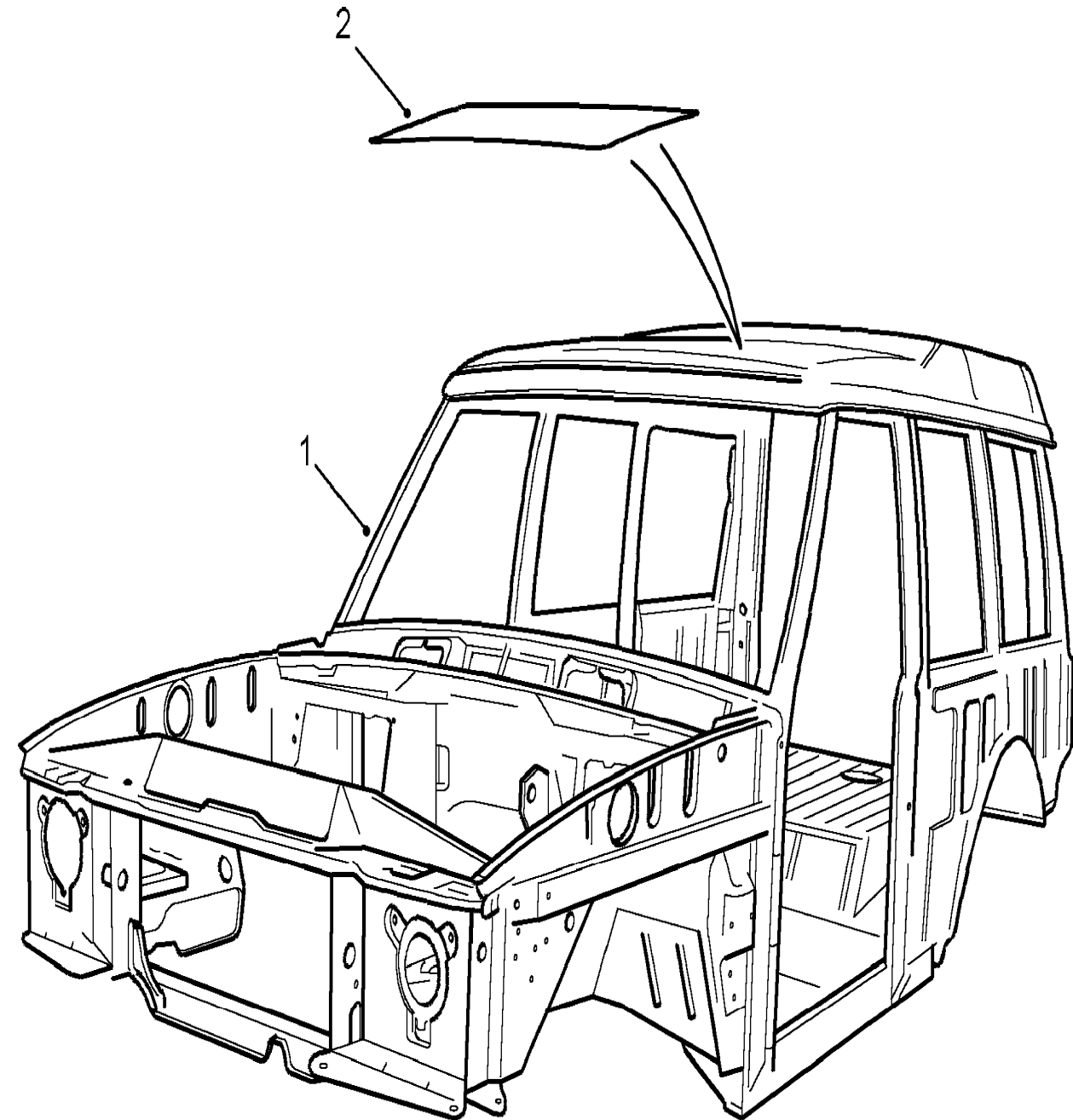
Body

Body Warning Labels

Callout	Name	Application	Remarks & Restrictions	Service No.	Qty
1	Label-underbonnet asbestos			BTR389	1
2	Label-underbonnet data			BTR358	1
3	Label-headlamp leveling information			PRC8171	1
4	Label-oil/diesel	TDi (+)"CDN/MEX/USA"		MUC8975 MUC5310	1 1
5	Label anti freeze			BTR328	1
6	Label-underbonnet radiator caution			ERR321	1
7	Label-jack information			NTC6857	1
8	Label-air conditioning			MXC2931	1
9	Label-E mark	Change point - VIN end MA501919 Change point - VIN end MA163103 Change point - VIN begin TA163104 Change point - VIN begin TA501920		BTR2726 BTR2726 AWR4857 AWR4857	1 1 1 1
10	Label-warning-CFC free			AWR1322	1
11	Label-underbonnet smoke absorption coefficient			ERR4928	1
12	Label-underbonnet emissions	Change point - VIN end LA113127, (+)"MEX/USA" Change point - VIN begin MA113128, With 49 State Emission Requirements, (+)"MEX/USA"	3.9L 3.9L	AWR1303 AWR2087	1 1

Body & Chassis
Body
Bodyshell 1/2

Discovery (FA393361-WA799999)
(CANXBA1A)



CANXBA1A

Discovery (FA393361-WA799999)

Body & Chassis
Body
Bodyshell

3 Door Station Wagon

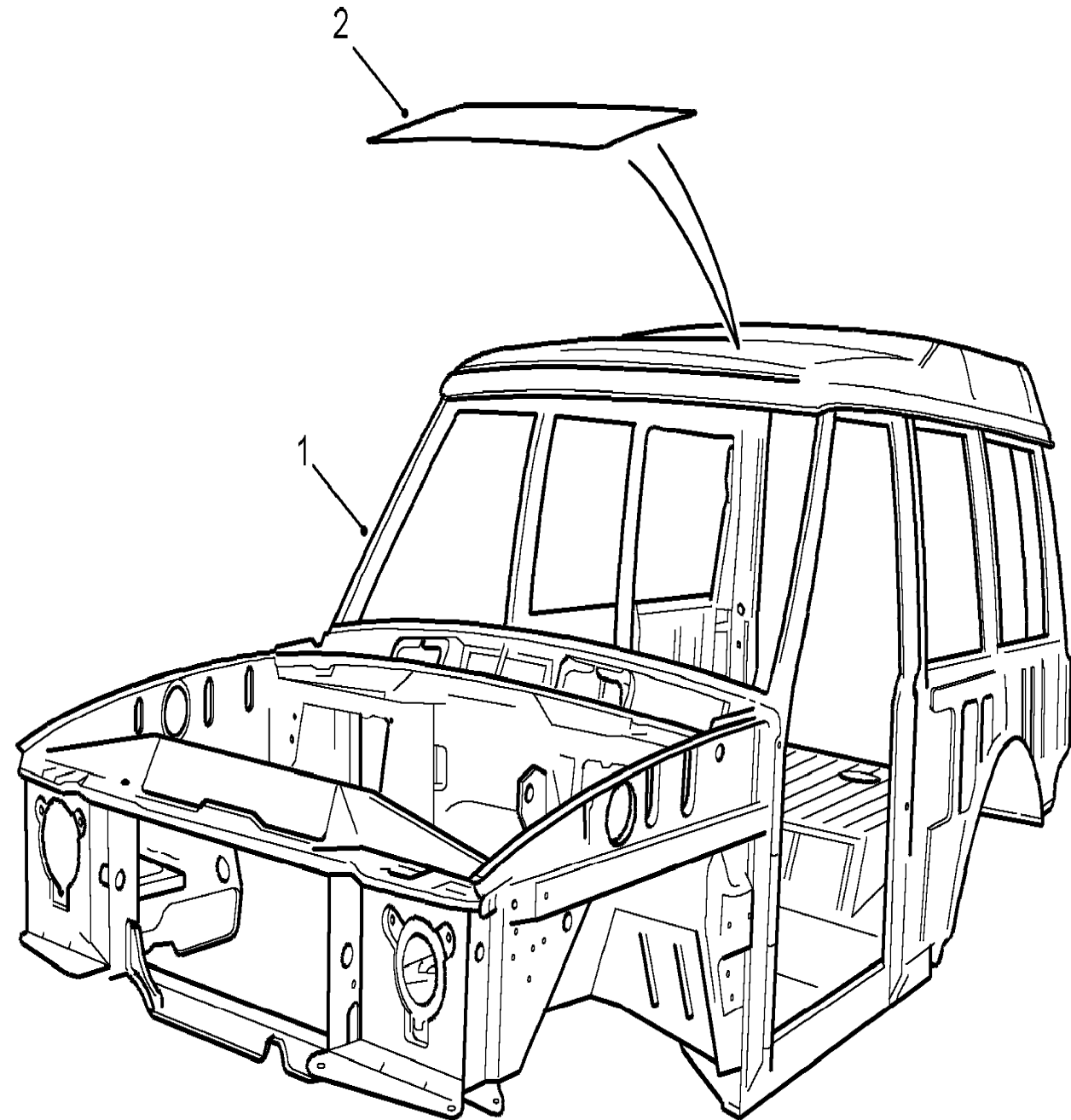
Callout	Name	Application	Remarks & Restrictions	Service No.	Qty
1	Body Shell	Change point - VIN begin MA081991, Change point - VIN end TA534103, With Roof Rack, Less Twin Sunroof		ALR7694	1
		Change point - VIN begin MA081991, Change point - VIN end TA703236, With Roof Rack, Less Twin Sunroof		ALR7694	1
		Change point - VIN begin VA534104, With Roof Rack, Less Twin Sunroof		ALR9854	1
		Change point - VIN begin VA703237, With Roof Rack, Less Twin Sunroof		ALR9854	1
		Change point - VIN begin VA534104, With Roof Rack, Less Twin Sunroof		ASR2335	1
		Change point - VIN begin VA703237, With Roof Rack, Less Twin Sunroof		ASR2335	1
		Change point - VIN begin MA081991, Change point - VIN end TA534103, With Roof Rack, With Twin Sunroof		ALR7695	1
		Change point - VIN begin MA081991, Change point - VIN end TA703236, With Roof Rack, With Twin Sunroof		ALR7695	1
		Change point - VIN begin VA534104, With Roof Rack, With Twin Sunroof		ALR9855	1
		Change point - VIN begin VA703237, With Roof Rack, With Twin Sunroof		ALR9855	1
		Change point - VIN end LA081990		STC1817	1
		Change point - VIN begin MA081991, Change point - VIN end TA534103, Less Roof Rack, Less Twin Sunroof		ALR7696	1
		Change point - VIN begin MA081991, Change point - VIN end TA703236, Less Roof Rack, Less Twin Sunroof		ALR7696	1
		Change point - VIN begin VA534104, Less Roof Rack, Less Twin Sunroof		ALR9856	1
		Change point - VIN begin VA703237, Less Roof Rack, Less Twin Sunroof		ALR9856	1
		Change point - VIN begin MA081991, Change point - VIN end TA534103, Less Roof Rack, With Twin Sunroof		ALR7697	1

SEP 04

917

Body & Chassis
Body
Bodyshell 2/2

Discovery (FA393361-WA799999)
(CANXBA1A)



CANXBA1A

917

SEP 04

Discovery (FA393361-WA799999)

Body & Chassis
Body
Bodyshell

3 Door Station Wagon

Callout	Name	Application	Remarks & Restrictions	Service No.	Qty
1	Body Shell	Change point - VIN begin MA081991, Change point - VIN end TA703236, Less Roof Rack, With Twin Sunroof		ALR7697	1
		Change point - VIN begin VA534104, Less Roof Rack, With Twin Sunroof		ALR9857	1
		Change point - VIN begin VA703237, Less Roof Rack, With Twin Sunroof		ALR9857	1
		Change point - VIN begin VA534104, Less Roof Rack, With Twin Sunroof		ASR2337	1
		Change point - VIN begin VA703237, Less Roof Rack, With Twin Sunroof		ASR2337	1
		Change point - VIN begin VA703237, Less Roof Rack, With Twin Sunroof			
2	Template-sunroof	Change point - VIN end LA081990		STC1822	1

Body & Chassis
Body
Bodyshell 1/2

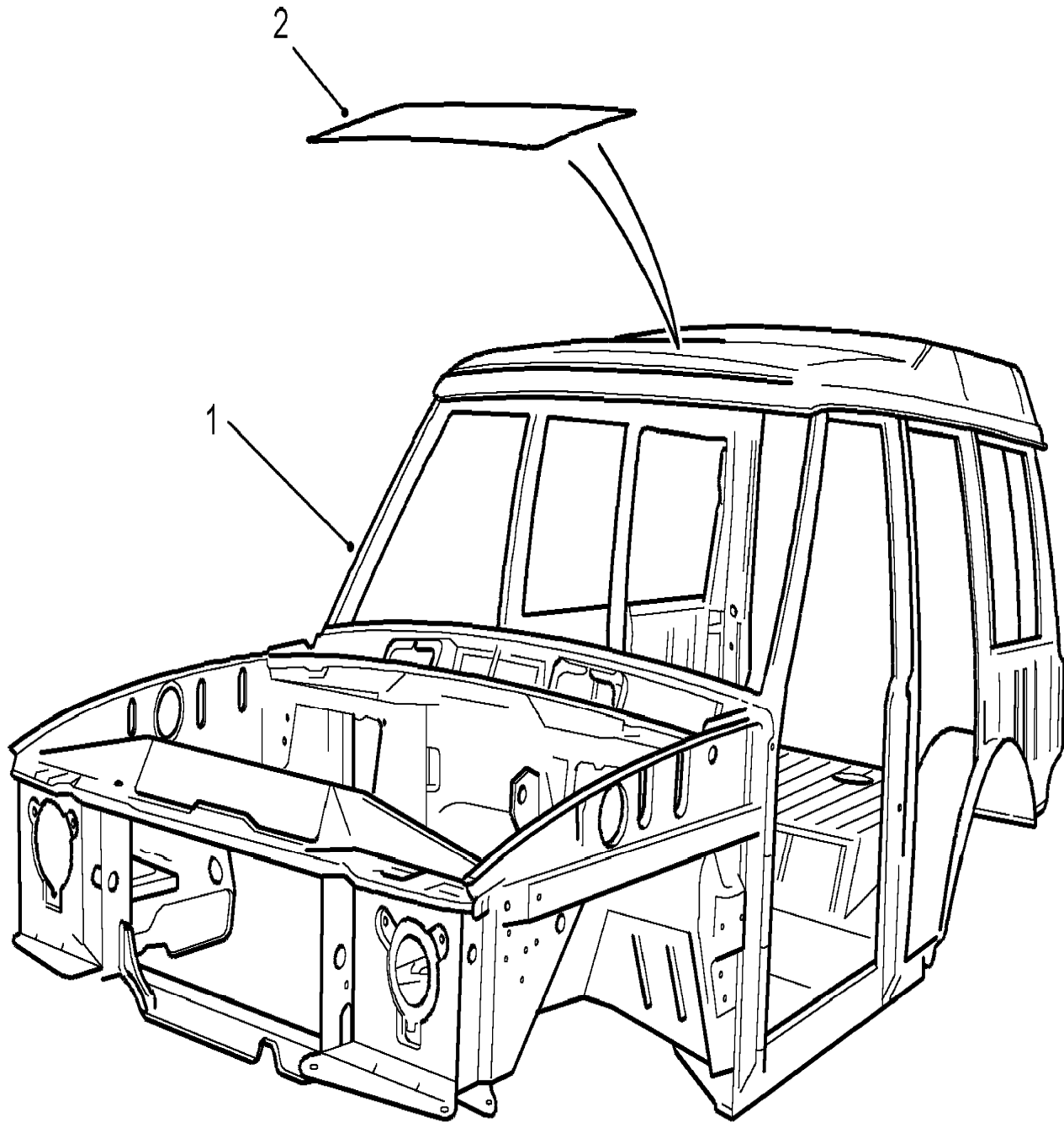
Discovery (FA393361-WA799999)
(CANXBA2A)

Discovery (FA393361-WA799999)

Body & Chassis
Body
Bodyshell

5 Door Station Wagon

Callout	Name	Application	Remarks & Restrictions	Service No.	Qty
1	Body Shell	Change point - VIN end LA081990, Less Sun Roof		STC1833	1
		Change point - VIN begin LA081991, Change point - VIN end MA163103, Less Roof Rack, Less Twin Sunroof		ALR3752	1
		Change point - VIN begin TA163104, Less Roof Rack, Less Twin Sunroof		ALR9852	1
		Change point - VIN begin TA501920, Less Roof Rack, Less Twin Sunroof		ALR9852	1
		Change point - VIN begin TA163104, Change point - VIN end WA746541, Less Roof Rack, Less Twin Sunroof		ASR2332	1
		Change point - VIN begin TA501920, Change point - VIN end WA746541, Less Roof Rack, Less Twin Sunroof		ASR2332	1
		Change point - VIN begin WA746542, Less Roof Rack, Less Twin Sunroof		AAB700030	1
		Change point - VIN begin MA081991, Change point - VIN end MA163103, Less Roof Rack, With Twin Sunroof		ALR3753	1
		Change point - VIN begin MA081991, Change point - VIN end MA501919, Less Roof Rack, With Twin Sunroof		ALR3753	1
		Change point - VIN begin TA501920, Change point - VIN end TA534103, Less Roof Rack, With Twin Sunroof		ALR7693	1
		Change point - VIN begin TA163104, Change point - VIN end TA703236, Less Roof Rack, With Twin Sunroof		ALR7693	1
		Change point - VIN begin VA534104, Less Roof Rack, With Twin Sunroof		ALR9853	1
		Change point - VIN begin VA703237, Less Roof Rack, With Twin Sunroof		ALR9853	1
		Change point - VIN begin TA163104, Less Roof Rack, With Twin Sunroof		ASR2333	1
		Change point - VIN begin TA501920, Less Roof Rack, With Twin Sunroof		ASR2333	1
		Change point - VIN end WA746541, Less Roof Rack, With Twin Sunroof		ASR2333	1



CANXBA2A

Body & Chassis
Body
Bodyshell 2/2

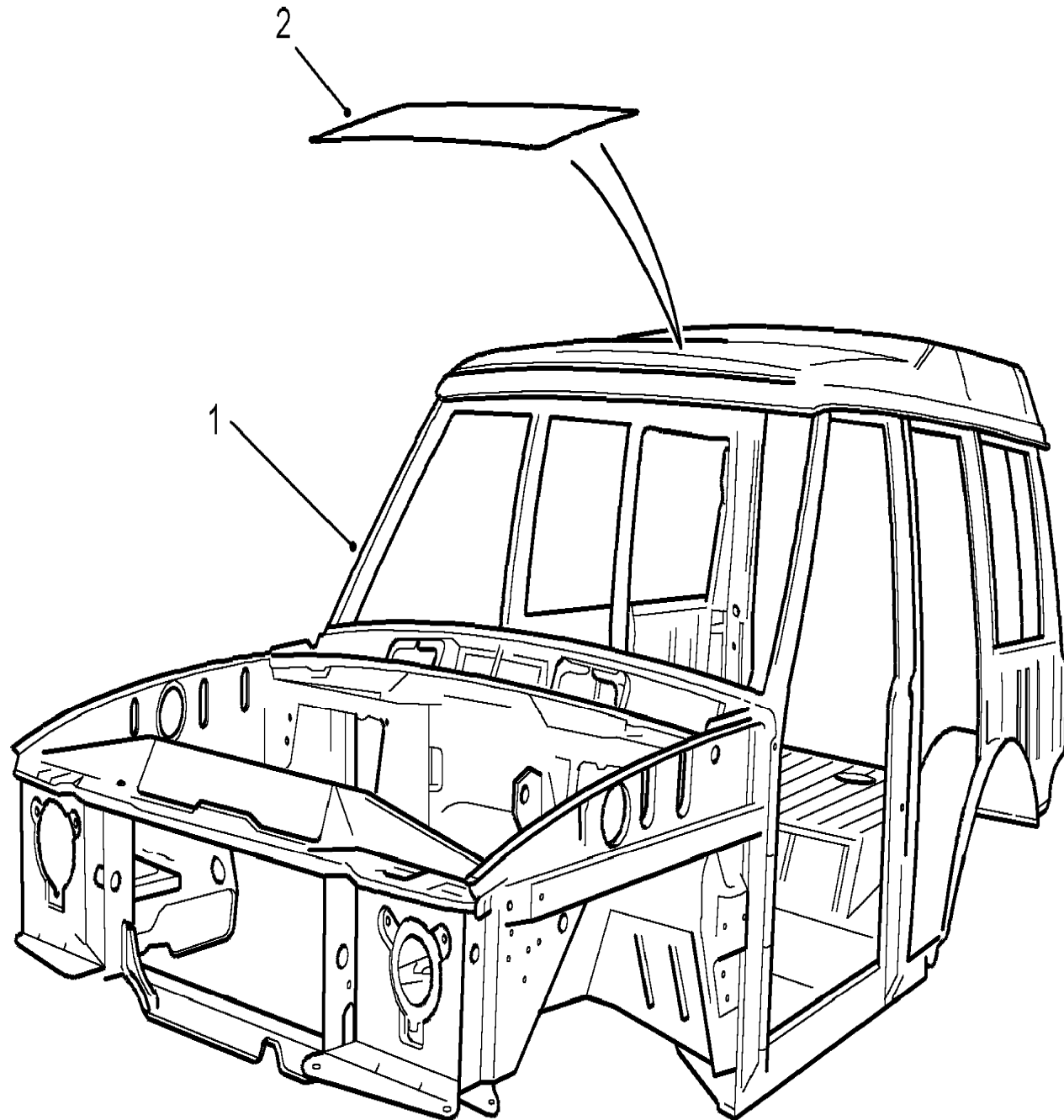
Discovery (FA393361-WA799999)
(CANXBA2A)

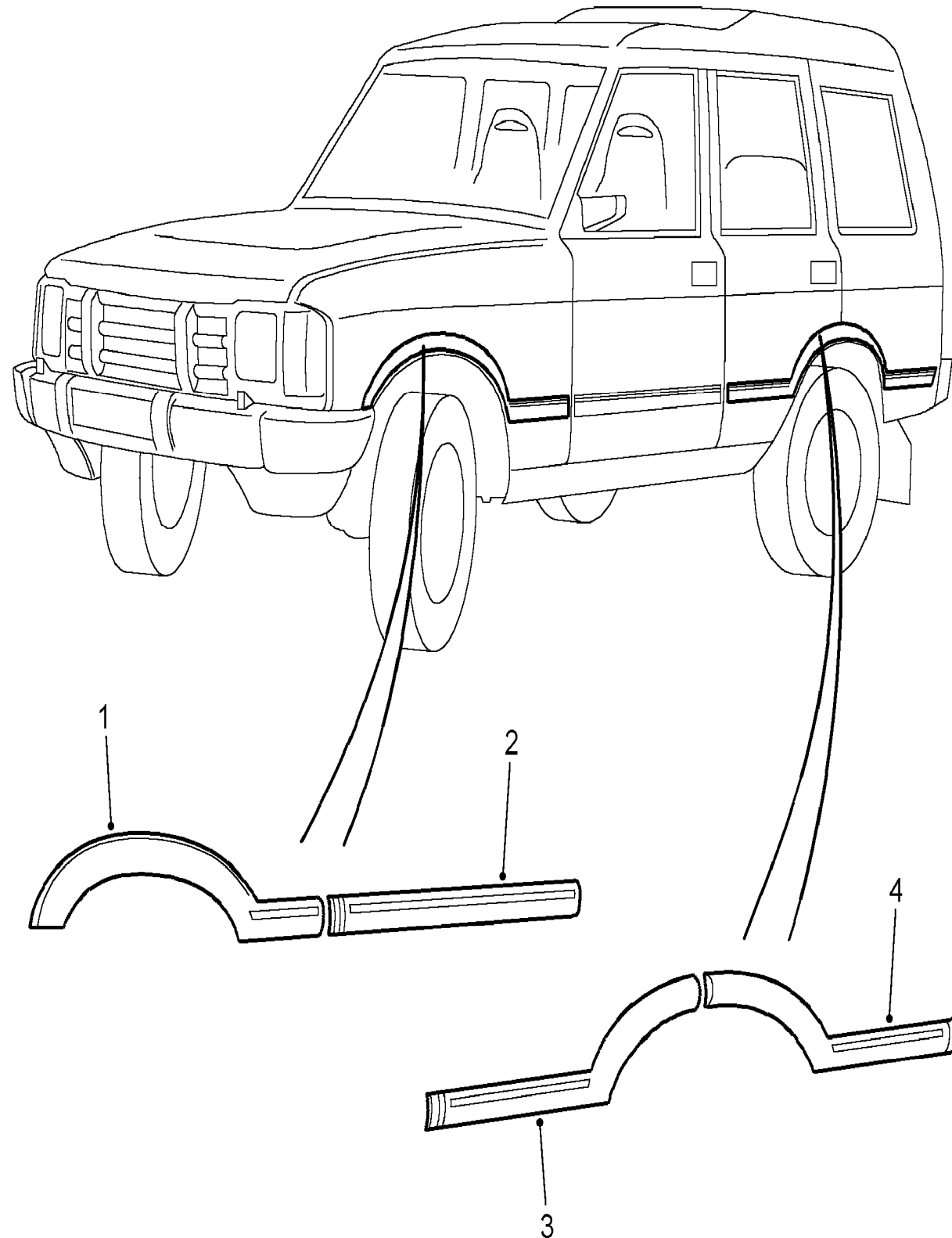
Discovery (FA393361-WA799999)

Body & Chassis
Body
Bodyshell

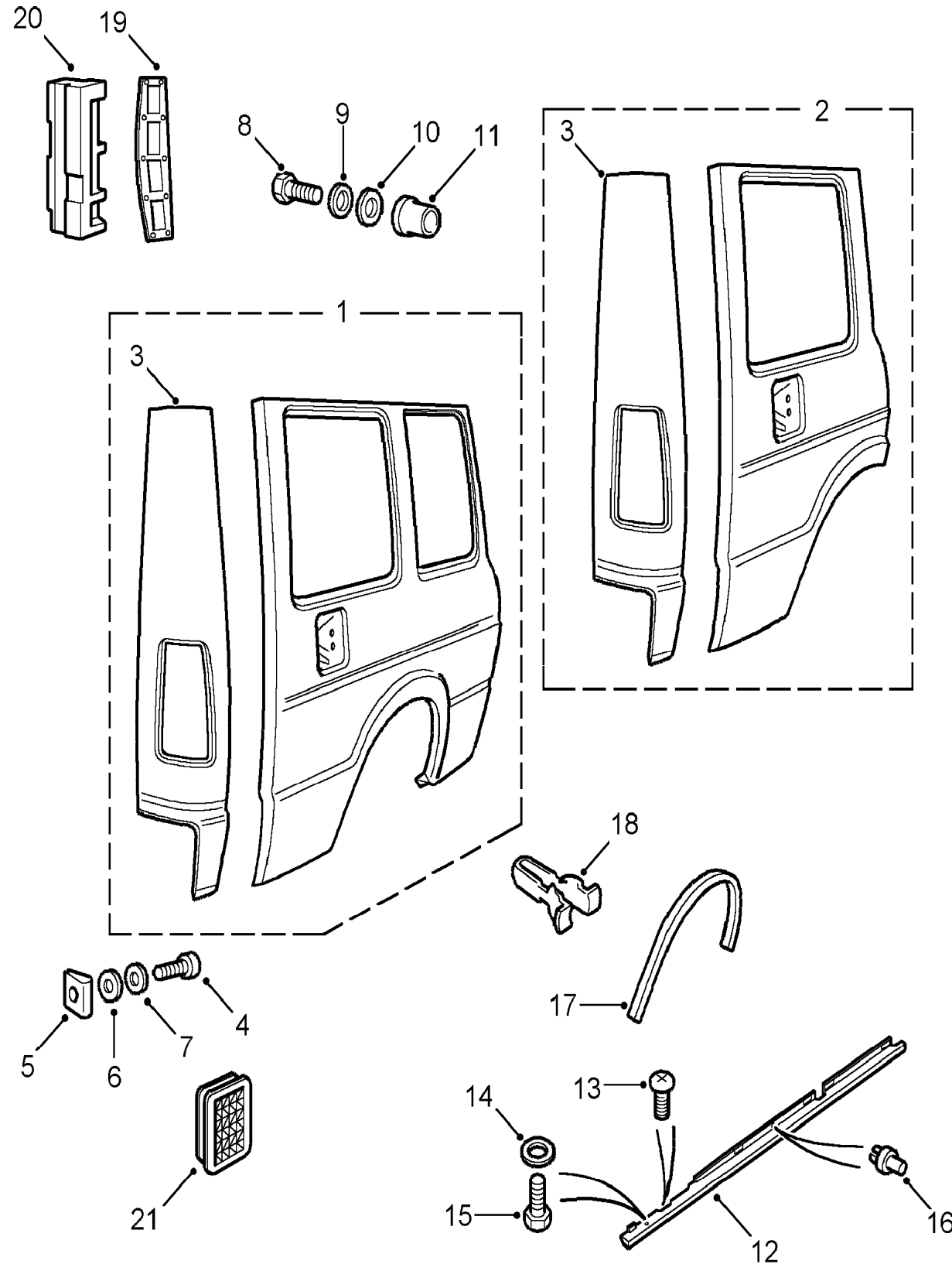
5 Door Station Wagon

Callout	Name	Application	Remarks & Restrictions	Service No.	Qty		
1	Body Shell	Change point - VIN begin WA746542, Less Roof Rack, With Twin Sunroof		AAB700040	1		
		Change point - VIN begin MA081991, Change point - VIN end MA163103, With Roof Rack, Less Twin Sunroof		ALR3740	1		
		Change point - VIN begin MA081991, Change point - VIN end MA501919, With Roof Rack, Less Twin Sunroof		ALR3740	1		
		Change point - VIN begin TA163104, With Roof Rack, Less Twin Sunroof		ALR9851	1		
		Change point - VIN begin TA501920, With Roof Rack, Less Twin Sunroof		ALR9851	1		
		Change point - VIN begin TA163104, With Roof Rack, Less Twin Sunroof		ASR2331	1		
		Change point - VIN begin TA501920, With Roof Rack, Less Twin Sunroof		ASR2331	1		
		Change point - VIN end WA746541, With Roof Rack, Less Twin Sunroof		ASR2331	1		
		Change point - VIN begin WA746542, With Roof Rack, Less Twin Sunroof		AAB700020	1		
		Change point - VIN begin MA081991, Change point - VIN end MA163103, With Roof Rack, With Twin Sunroof		ALR3751	1		
		Change point - VIN begin MA081991, Change point - VIN end MA501919, With Roof Rack, With Twin Sunroof		ALR3751	1		
		Change point - VIN begin TA163104, With Roof Rack, With Twin Sunroof		ALR9850	1		
		Change point - VIN begin TA501920, With Roof Rack, With Twin Sunroof		ALR9850	1		
		Change point - VIN end WA746541, Change point - VIN begin TA501920, With Roof Rack, With Twin Sunroof		ASR2330	1		
		Change point - VIN begin WA746542, With Roof Rack, With Twin Sunroof		AAB700010	1		
		2	Template-sunroof	Change point - VIN end LA081990		STC1822	1





Callout	Name	Application	Remarks & Restrictions	Service No.	Qty
1	Rubbing strip assembly-front fender	Change point - VIN begin TA163104	Black, RH, with chrome inserts	AWR2098PMD	1
		Change point - VIN begin TA501920	Black, RH, with chrome inserts	AWR2098PMD	1
		Change point - VIN begin TA163104	Black, RH, with chrome inserts	AWR2098PMD	1
		Change point - VIN begin TA163104	Black, with chrome inserts, LH	AWR2099PMD	1
		Change point - VIN begin TA501920	Black, with chrome inserts, LH	AWR2099PMD	1
		Change point - VIN begin TA163104	Black, with chrome inserts, LH	AWR2099PMD	1
		Change point - VIN begin TA163104	Black, with chrome inserts, LH	AWR2099PMD	1
2	Rubbing strip assembly-front door	Change point - VIN begin TA163104	Black, RH, with chrome inserts	AWR2100PMD	1
		Change point - VIN begin TA501920	Black, RH, with chrome inserts	AWR2100PMD	1
		Change point - VIN begin TA163104	Black, RH, with chrome inserts	AWR2100PMD	1
		Change point - VIN begin TA163104	Black, with chrome inserts, LH	AWR2101PMD	1
		Change point - VIN begin TA501920	Black, with chrome inserts, LH	AWR2101PMD	1
		Change point - VIN begin TA163104	Black, with chrome inserts, LH	AWR2101PMD	1
		Change point - VIN begin TA163104	Black, with chrome inserts, LH	AWR2101PMD	1
3	Rubbing strip-rear door	Change point - VIN begin TA163104	Black, RH, with chrome inserts	AWR2102PMD	1
		Change point - VIN begin TA501920	Black, RH, with chrome inserts	AWR2102PMD	1
		Change point - VIN begin TA163104	Black, RH, with chrome inserts	AWR2102PMD	1
		Change point - VIN begin TA163104	Black, with chrome inserts, LH	AWR2103PMD	1
		Change point - VIN begin TA501920	Black, with chrome inserts, LH	AWR2103PMD	1
		Change point - VIN begin TA163104	Black, with chrome inserts, LH	AWR2103PMD	1
		Change point - VIN begin TA163104	Black, with chrome inserts, LH	AWR2103PMD	1
4	Rubbing strip-rear fender	Change point - VIN begin TA163104	Black, RH, with chrome inserts	AWR2104PMD	1
		Change point - VIN begin TA501920	Black, RH, with chrome inserts	AWR2104PMD	1
		Change point - VIN begin TA163104	Black, RH, with chrome inserts	AWR2104PMD	1
		Change point - VIN begin TA163104	Black, with chrome inserts, LH	AWR2105PMD	1
		Change point - VIN begin TA501920	Black, with chrome inserts, LH	AWR2105PMD	1
		Change point - VIN begin TA163104	Black, with chrome inserts, LH	AWR2105PMD	1
		Change point - VIN begin TA163104	Black, with chrome inserts, LH	AWR2105PMD	1

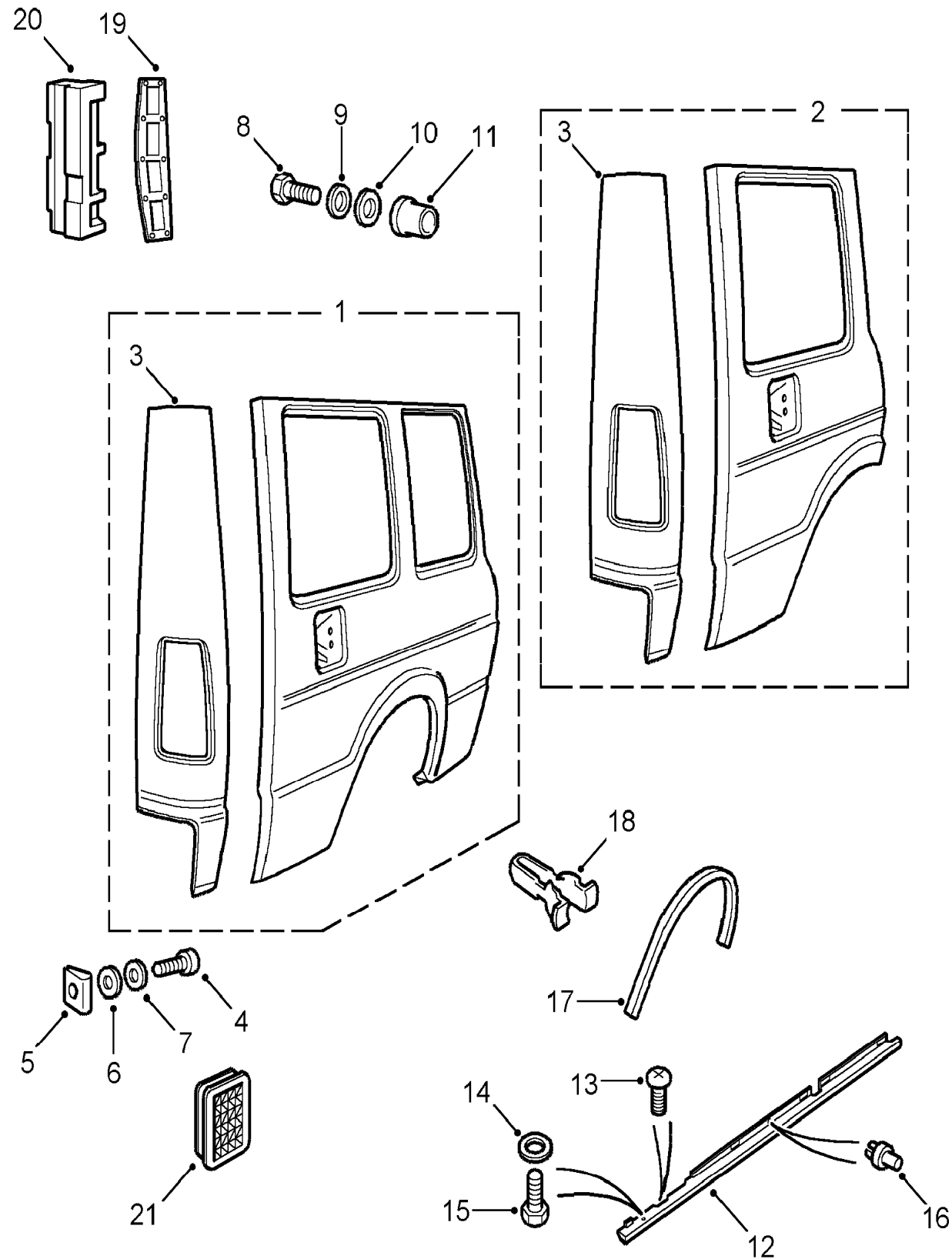


Callout	Name	Application	Remarks & Restrictions	Service No.	Qty		
1	Body side-rear	Change point - VIN end LA081990, 3 Door Station Wagon	Also serviced as part of a kit, RH	MWC8084	1		
		Change point - VIN begin MA081991, Change point - VIN end MA163103, 3 Door Station Wagon	Also serviced as part of a kit, RH	ALR5722	1		
		Change point - VIN begin MA081991, Change point - VIN end MA501919, 3 Door Station Wagon	Also serviced as part of a kit, RH	ALR5722	1		
		Change point - VIN begin MA081991, Change point - VIN end MA163103, 3 Door Station Wagon	Also serviced as part of a kit, RH	ALR5722	1		
		Change point - VIN begin MA501920, 3 Door Station Wagon	Also serviced as part of a kit, RH	ALR7800	1		
		Change point - VIN begin TA163104, 3 Door Station Wagon	Also serviced as part of a kit, RH	ALR7800	1		
		Change point - VIN begin TA163104, 3 Door Station Wagon	Also serviced as part of a kit, RH	ALR7800	1		
		Change point - VIN begin VA534104, 3 Door Station Wagon	Also serviced as part of a kit, RH	ALR9874	1		
		Change point - VIN begin VA703237, 3 Door Station Wagon	Also serviced as part of a kit, RH	ALR9874	1		
		Change point - VIN begin VA703237, 3 Door Station Wagon	Also serviced as part of a kit, RH	ALR9874	1		
		Change point - VIN end LA081990, 3 Door Station Wagon	Also serviced as part of a kit, LH	MWC8085	1		
		Change point - VIN begin MA081991, 3 Door Station Wagon	Also serviced as part of a kit, LH	ALR5723	1		
		Change point - VIN begin VA534104, 3 Door Station Wagon	Also serviced as part of a kit, LH	ALR9873	1		
		Change point - VIN begin VA703237, 3 Door Station Wagon	Also serviced as part of a kit, LH	ALR9873	1		
		Change point - VIN begin VA703237, 3 Door Station Wagon	Also serviced as part of a kit, LH	ALR9873	1		
		2	Body side-rear	Change point - VIN end LA081990, 5 Door Station Wagon	Also serviced as part of a kit, RH	MWC8070	1
				Change point - VIN begin MA081991, Change point - VIN end MA163103, 5 Door Station Wagon	Also serviced as part of a kit, RH	ALR5720	1
				Change point - VIN begin MA081991, Change point - VIN end MA501919, 5 Door Station Wagon	Also serviced as part of a kit, RH	ALR5720	1
				Change point - VIN begin MA081991, Change point - VIN end MA163103, 5 Door Station Wagon	Also serviced as part of a kit, RH	ALR5720	1
				Change point - VIN begin MA081991, Change point - VIN end MA163103, 5 Door Station Wagon	Also serviced as part of a kit, RH	ALR5720	1

Body & Chassis
Body
Bodyside Outer Panels 2/3

Discovery (FA393361-WA799999)

(CANXKA1A)



CANXKA1A

Discovery (FA393361-WA799999)

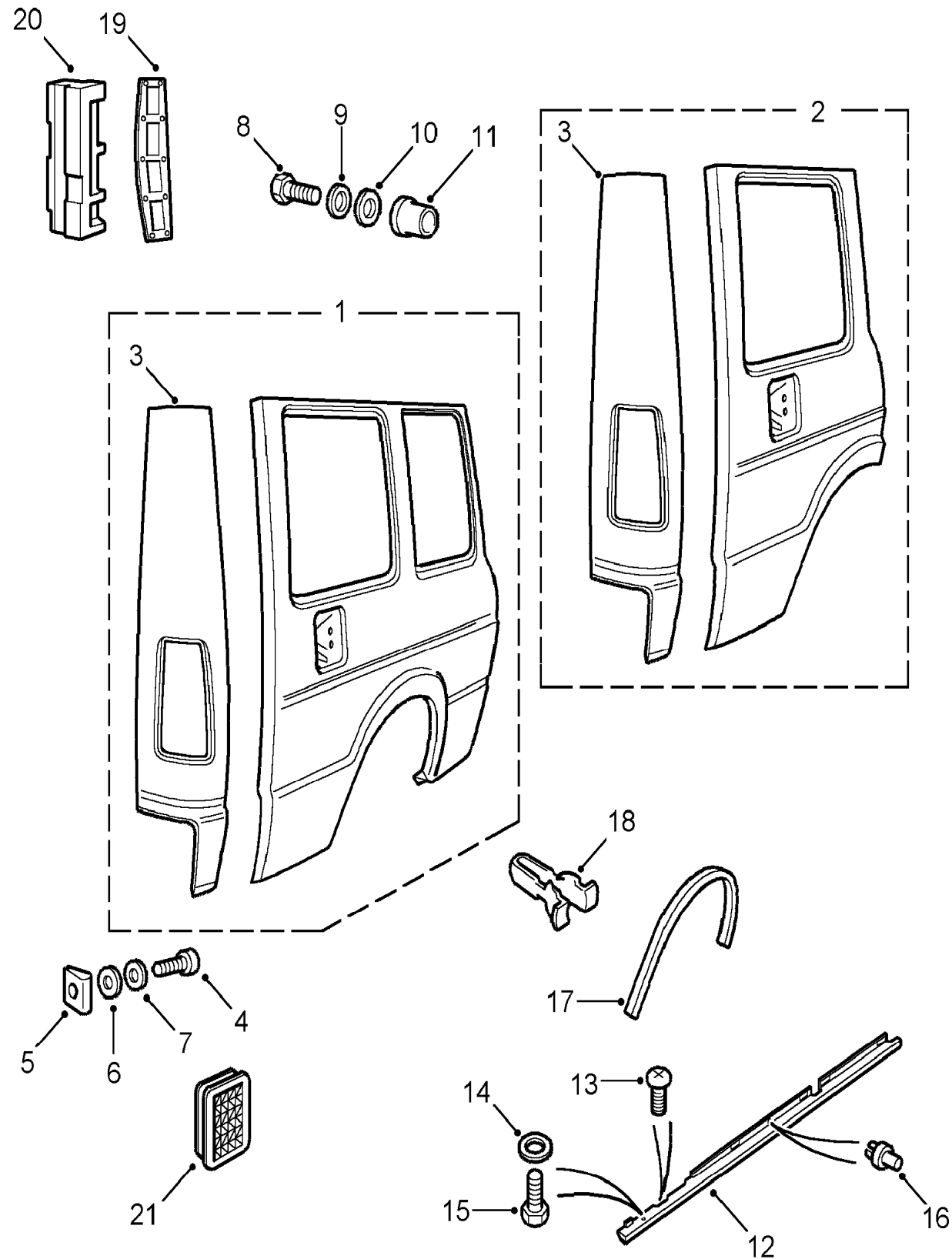
Body & Chassis
Body
Bodyside Outer Panels

Callout	Name	Application	Remarks & Restrictions	Service No.	Qty		
2	Body side-rear	Change point - VIN begin TA163104, 5 Door Station Wagon	Also serviced as part of a kit, RH	ALR7798	1		
		Change point - VIN begin TA501920, 5 Door Station Wagon	Also serviced as part of a kit, RH	ALR7798	1		
		Change point - VIN begin TA163104, 5 Door Station Wagon	Also serviced as part of a kit, RH	ALR7798	1		
		Change point - VIN begin VA534104, 5 Door Station Wagon	Also serviced as part of a kit, RH	ALR9876	1		
		Change point - VIN begin VA703237, 5 Door Station Wagon	Also serviced as part of a kit, RH	ALR9876	1		
		Change point - VIN begin VA703237, 5 Door Station Wagon	Also serviced as part of a kit, RH	ALR9876	1		
		Change point - VIN end LA081990, 5 Door Station Wagon	Also serviced as part of a kit, LH	MWC8071	1		
		Change point - VIN end MA501919, 5 Door Station Wagon	Also serviced as part of a kit, LH	ALR5721	1		
		Change point - VIN end MA163103, 5 Door Station Wagon	Also serviced as part of a kit, LH	ALR5721	1		
		Change point - VIN end MA163103, 5 Door Station Wagon	Also serviced as part of a kit, LH	ALR5721	1		
		Change point - VIN begin TA163104, 5 Door Station Wagon	Also serviced as part of a kit, LH	ALR8571	1		
		Change point - VIN begin TA501920, 5 Door Station Wagon	Also serviced as part of a kit, LH	ALR8571	1		
		Change point - VIN begin TA163104, 5 Door Station Wagon	Also serviced as part of a kit, LH	ALR8571	1		
		Change point - VIN begin VA534104, 5 Door Station Wagon	Also serviced as part of a kit, LH	ALR9875	1		
		Change point - VIN begin VA703237, 5 Door Station Wagon	Also serviced as part of a kit, LH	ALR9875	1		
		Change point - VIN begin VA703237, 5 Door Station Wagon	Also serviced as part of a kit, LH	ALR9875	1		
		3	Quarter assembly-rear		Also serviced as part of a kit, RH	MWC6804	1
					Also serviced as part of a kit, LH	MWC6805	1
		4	Screw		No 8 x 1/2, Self Tapping	78322	14
					No 8 x 1/2, Self Tapping	AB608047L	14
5	Nut-spring-self thread			AK608045	14		
6	Washer		M5, Plain, Standard	WA105001L	14		
7	Washer		M5, retaining	WL105001L	14		

Body & Chassis
Body
Bodyside Outer Panels 3/3

Discovery (FA393361-WA799999)

(CANXKA1A)



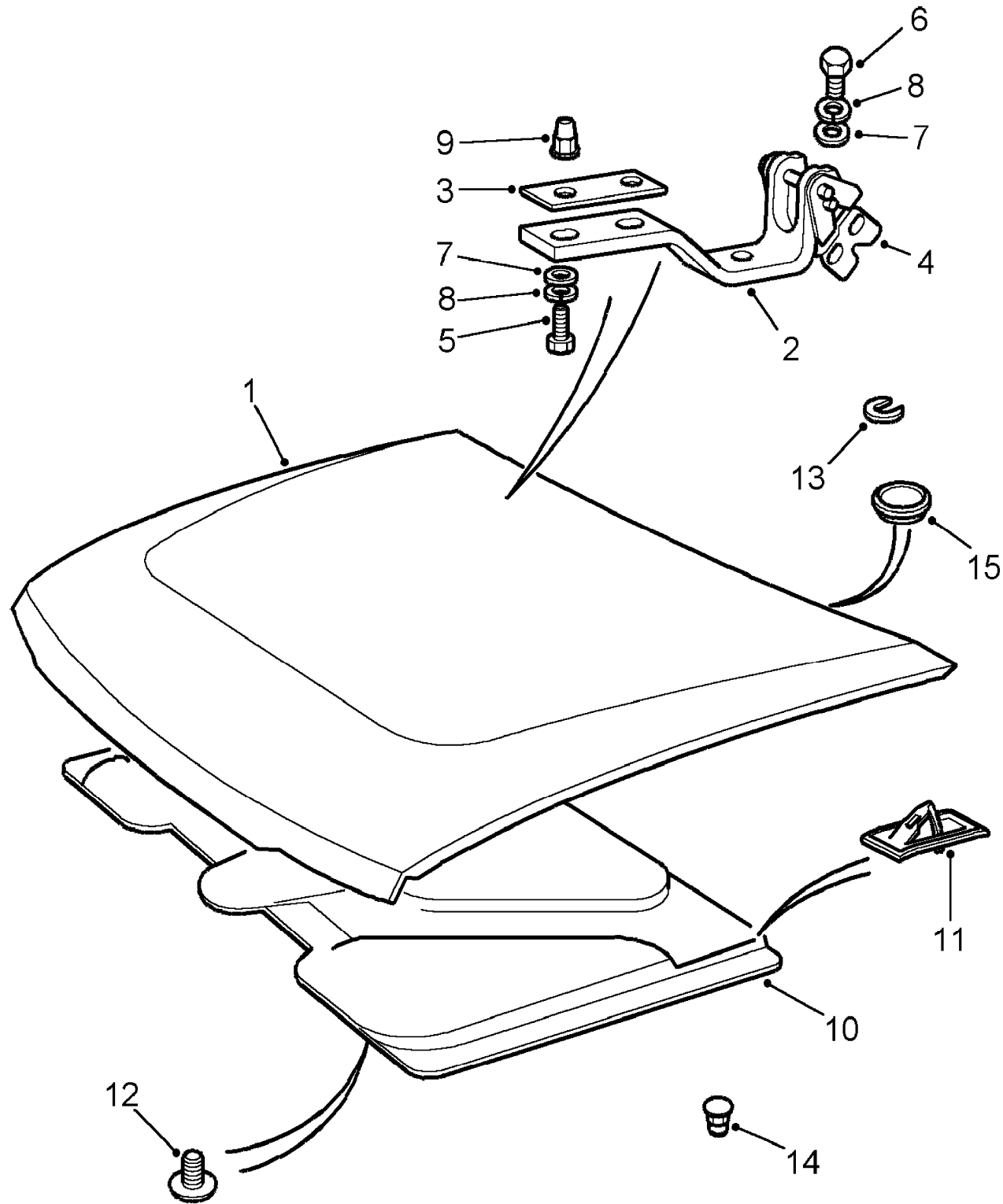
CANXKA1A

Discovery (FA393361-WA799999)

Body & Chassis
Body
Bodyside Outer Panels

Callout	Name	Application	Remarks & Restrictions	Service No.	Qty
8	Bolt		M6 X 20	SR106201	52
9	Washer		M6, sprung	WL106001L	52
10	Washer-Plain		M6	WJ106001L	38
11	Hexsert		Black	MXC1089	34
12	Finisher-body side sill	5 Door Station Wagon 5 Door Station Wagon Change point - VIN end JA031297, 3 Door Station Wagon Change point - VIN begin JA031298, 3 Door Station Wagon Change point - VIN end JA031297, 3 Door Station Wagon Change point - VIN begin JA031298, 3 Door Station Wagon	Black, RH Black, LH Black, RH Black, RH Black, LH Black, LH	BTR5704PUB BTR5703PUB MXC2676PUB BTR5706PUB MXC2677PUB BTR5705PUB	1 1 1 1 1 1
13	Screw-self tapping		No 12 x 3/4	AB612061L	2
14	Washer-Plain			RTC613	2
15	Screw		M5, hexagonal head, 6MM	SH604081L	2
16	Rivet-plastic-drive			79086 79086L	40 40
17	Seal-wheelarch flare			MXC5752	2
18	Clip			MXC3177L	10
19	Moulding-E post upper air vent	Change point - VIN end JA019457 Change point - VIN begin JA019458		MXC7580 BTR1691	1 1
20	Baffle-air vent	Change point - VIN begin KA038822	Rear	BTR8110	1
21	Vent assembly-air extractor	Change point - VIN begin MA081991		BTR3996	2
[900]	Seal air intake	(+)"GCC"		BTR4383	1
[901]	Finisher-body side sill	3 Door Station Wagon	Black, LH	BTR5705PUB	1

Callout	Name	Application	Remarks & Restrictions	Service No.	Qty
1	Bonnet assembly		Also serviced as part of a kit	MWC6702	1
2	Hinge assembly-bonnet		Also serviced as part of a kit, RH	MWC6704	1
			Also serviced as part of a kit, LH	MWC6705	1
3	Gasket-bonnet hinge			MXC1031	2
4	Gasket-bonnet hinge			MXC1032	2
5	Screw			MXC1638	4
6	Screw		M8 X 35, Flanged Head	FS108357	4
7	Washer		M8	WC108051L	8
8	Washer		M8, sprung	WL108001L	8
9	Hexsert			MXC3134	4
10	Pad-insulation bonnet			MXC5359 BTR3605 BTR7805 AWR4148	1 1 1 1
11	Clip	Change point - VIN end KA054484		MXC5597	8
12	Clip-insulation pad retention	Change point - VIN begin KA054485		AFU3711L	8
13	Spacer			MWC4560	6
14	Hexsert			ALR8650	2
15	Grommet			MXC8157	4
[900]	Hinge assembly-bonnet		RH	BKB700020	1
			LH	BKB700030	1
[901]	Washer		8MM, sprung	WL108007	8



CANXDE1A

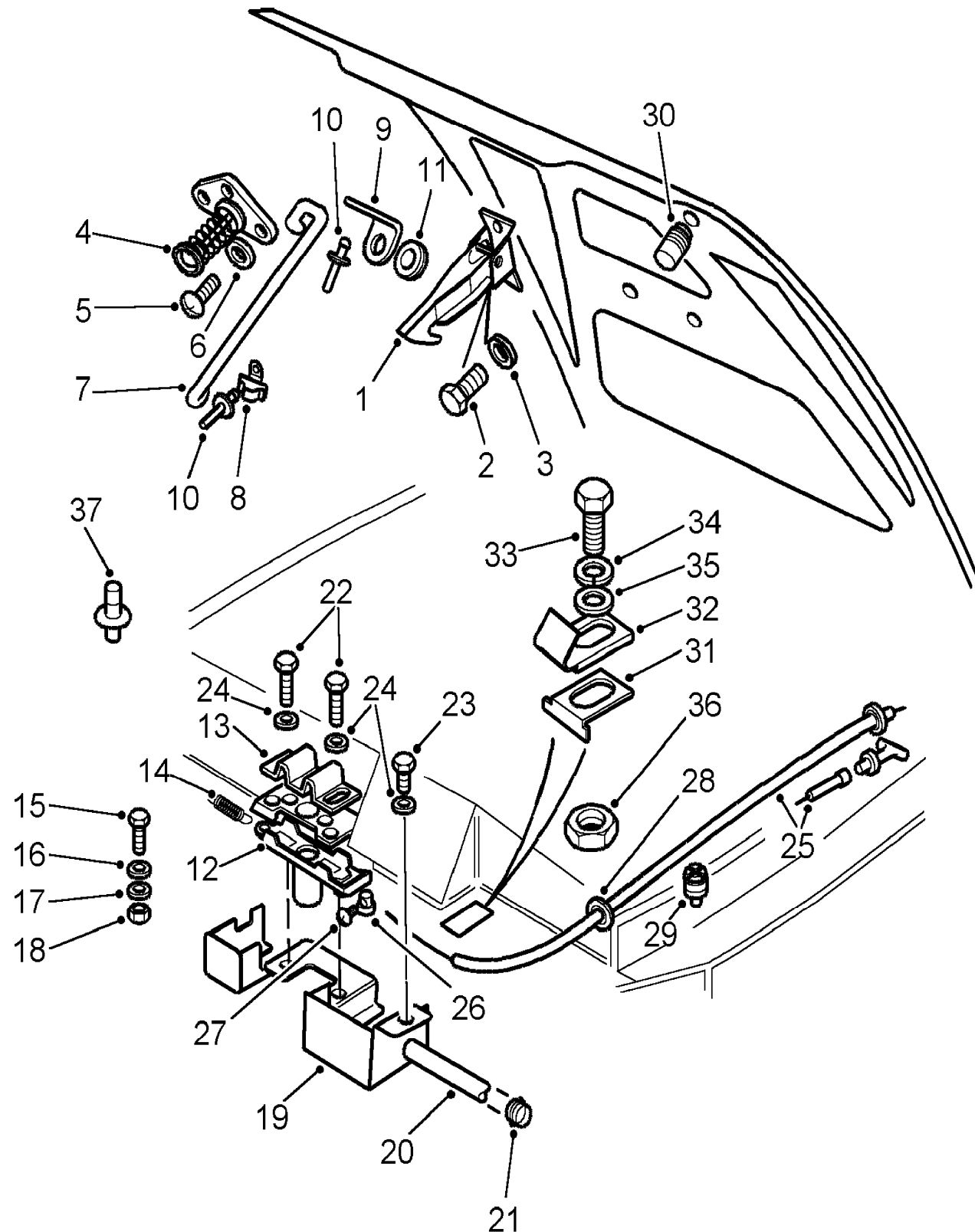
Body & Chassis
Body
Bonnet Locking & Release 1/4

Discovery (FA393361-WA799999)

(CANXDC1B)

Discovery (FA393361-WA799999)

Body & Chassis
Body
Bonnet Locking & Release



Callout	Name	Application	Remarks & Restrictions	Service No.	Qty
1	Catch assembly-bonnet safety	Change point - VIN end TA512897		392928	1
		Change point - VIN end TA182321		392928	1
		Change point - VIN begin TA182322		ASR1429	1
		Change point - VIN begin TA512898		ASR1429	1
		Change point - VIN end VA742126		ASR1429	1
		Change point - VIN begin VA742127		FPD100060	1
		2	Screw	Change point - VIN begin TA182322	pan head, M5 x 12
Change point - VIN begin TA512898	pan head, M5 x 12			SE105121L	2
3	Washer		M5, Plain, Standard	WA105001L	2
4	Striker-bonnet			MWC6193	1
5	Screw		Flanged Head, M8 x 20	FS108207L	3
6	Washer-Plain		8MM	WA108041L	3
7	Stay-bonnet			MXC7964 BKD700020	1 1
8	Clip-bonnet stay			368830	1
9	Bracket-bonnet stay pivot			391184	1
10	Rivet			RU608183L	6
11	Grommet			AYA10004L	1
12	Catch assembly-bonnet safety	RHD		STC924	1
		LHD	Also serviced as part of a kit	STC925	1
13	Plate-striker			350343	1
14	Spring-return			351991	1
15	Screw	Change point - VIN begin GA394352, Change point - VIN end GA456980	M5, hexagonal head, 6MM	SH604081L	2
		Change point - VIN begin HA000001, Change point - VIN end HA000577	M5, hexagonal head, 6MM	SH604081L	2
		Change point - VIN begin HA456981, Change point - VIN end HA486551	M5, hexagonal head, 6MM	SH604081L	2

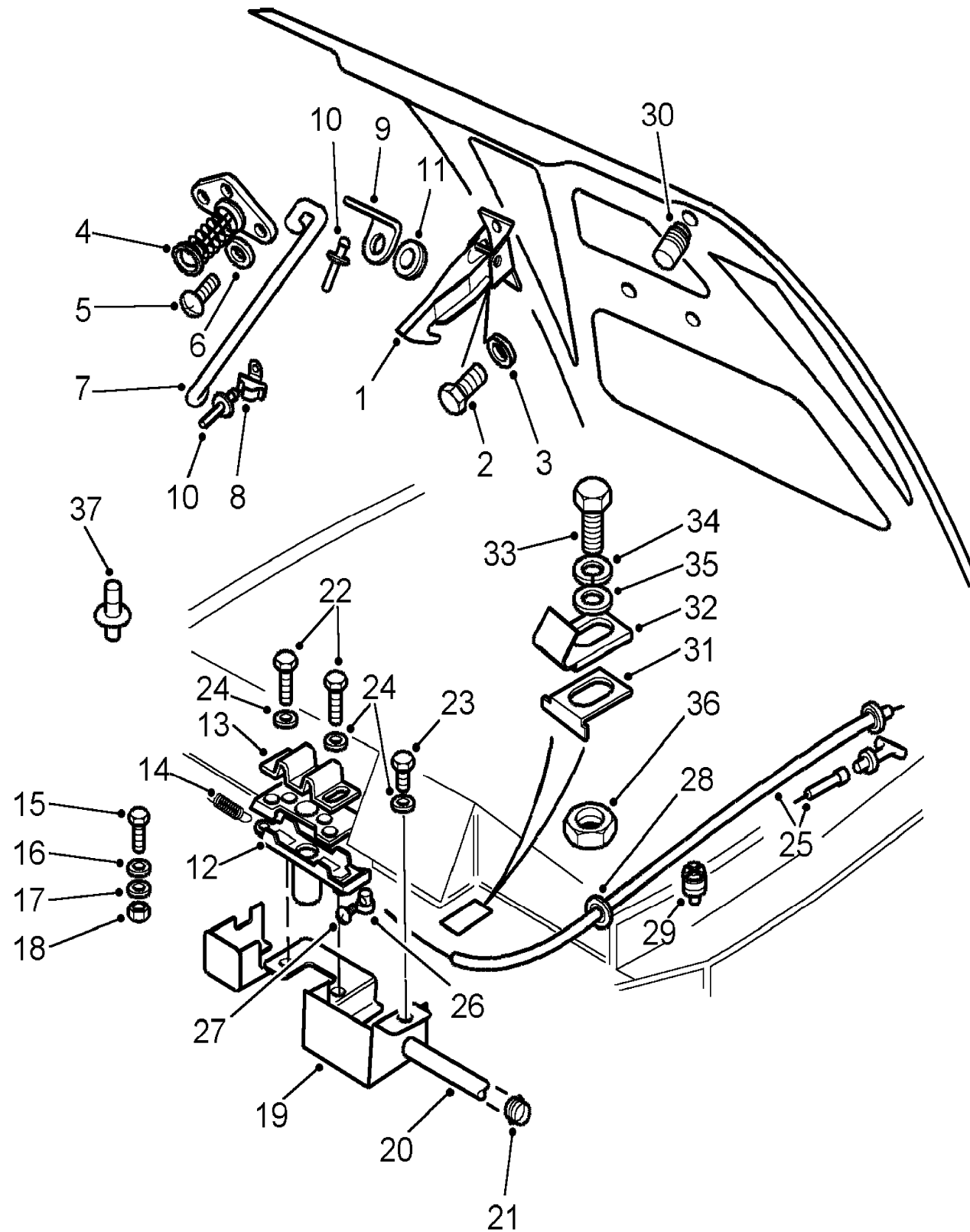
Body & Chassis
Body
Bonnet Locking & Release 2/4

Discovery (FA393361-WA799999)

(CANXDC1B)

Discovery (FA393361-WA799999)

Body & Chassis
Body
Bonnet Locking & Release



Callout	Name	Application	Remarks & Restrictions	Service No.	Qty
16	Washer-Plain	Change point - VIN begin GA394352, Change point - VIN end GA456980	M6	3831L	4
		Change point - VIN begin HA000001, Change point - VIN end HA000577	M6	3831L	4
		Change point - VIN begin HA456981, Change point - VIN end HA486551	M6	3831L	4
17	Washer-Spring	Change point - VIN begin GA394352, Change point - VIN end GA456980	1/4 dia, Square	WM600041L	2
		Change point - VIN begin HA000001, Change point - VIN end HA000577	1/4 dia, Square	WM600041L	2
		Change point - VIN begin HA456981, Change point - VIN end HA486551	1/4 dia, Square	WM600041L	2
18	Nut - Hex.	Change point - VIN begin GA394352, Change point - VIN end GA456980	hexagonal head, Coarse Thread, 1/4UNF	NH604041L	2
		Change point - VIN begin HA000001, Change point - VIN end HA000577	hexagonal head, Coarse Thread, 1/4UNF	NH604041L	2
		Change point - VIN begin HA456981, Change point - VIN end HA486551	hexagonal head, Coarse Thread, 1/4UNF	NH604041L	2
19	Cover Plate	Change point - VIN begin TA183943 Change point - VIN begin TA514734		AWR4767 AWR4767	1 1
20	Tube	Change point - VIN begin TA183943		BTR635	1
		Change point - VIN begin TA514734		BTR635	1
21	Clip	Change point - VIN begin TA183943		BTR657	1
		Change point - VIN begin TA514734		BTR657	1
22	Screw	Change point - VIN begin TA183943	hexagonal head, M6 x 30	SH106301L	2
		Change point - VIN begin TA514734	hexagonal head, M6 x 30	SH106301L	2
23	Screw	Change point - VIN begin TA183943	M6 X 12, hexagonal head	SH106121L	1
		Change point - VIN begin TA514734	M6 X 12, hexagonal head	SH106121L	1
24	Washer-Plain	Change point - VIN begin TA183943	M6, Standard	WA106047L	3
		Change point - VIN begin TA514734	M6, Standard	WA106047L	3

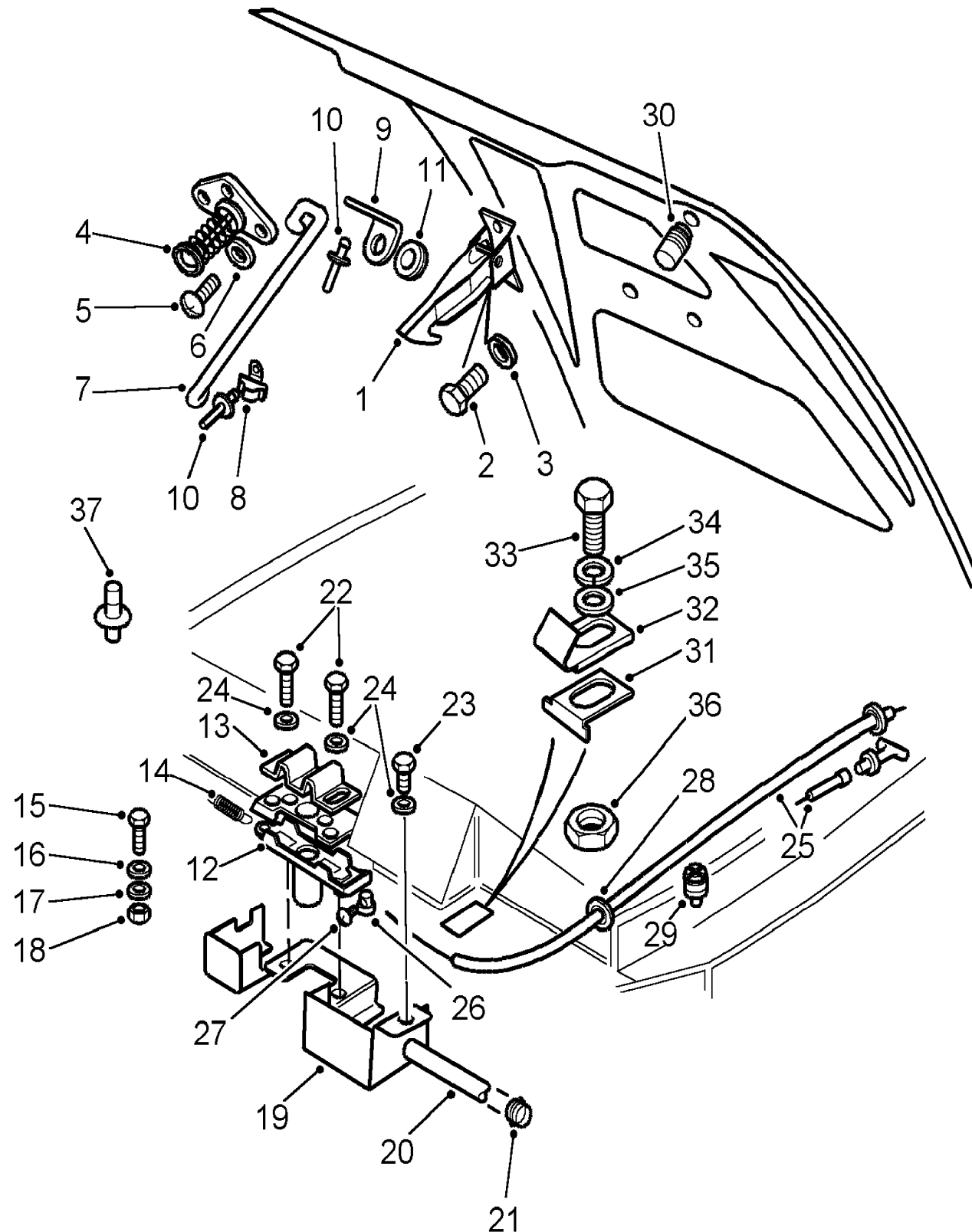
Body & Chassis
Body
Bonnet Locking & Release 3/4

Discovery (FA393361-WA799999)

(CANXDC1B)

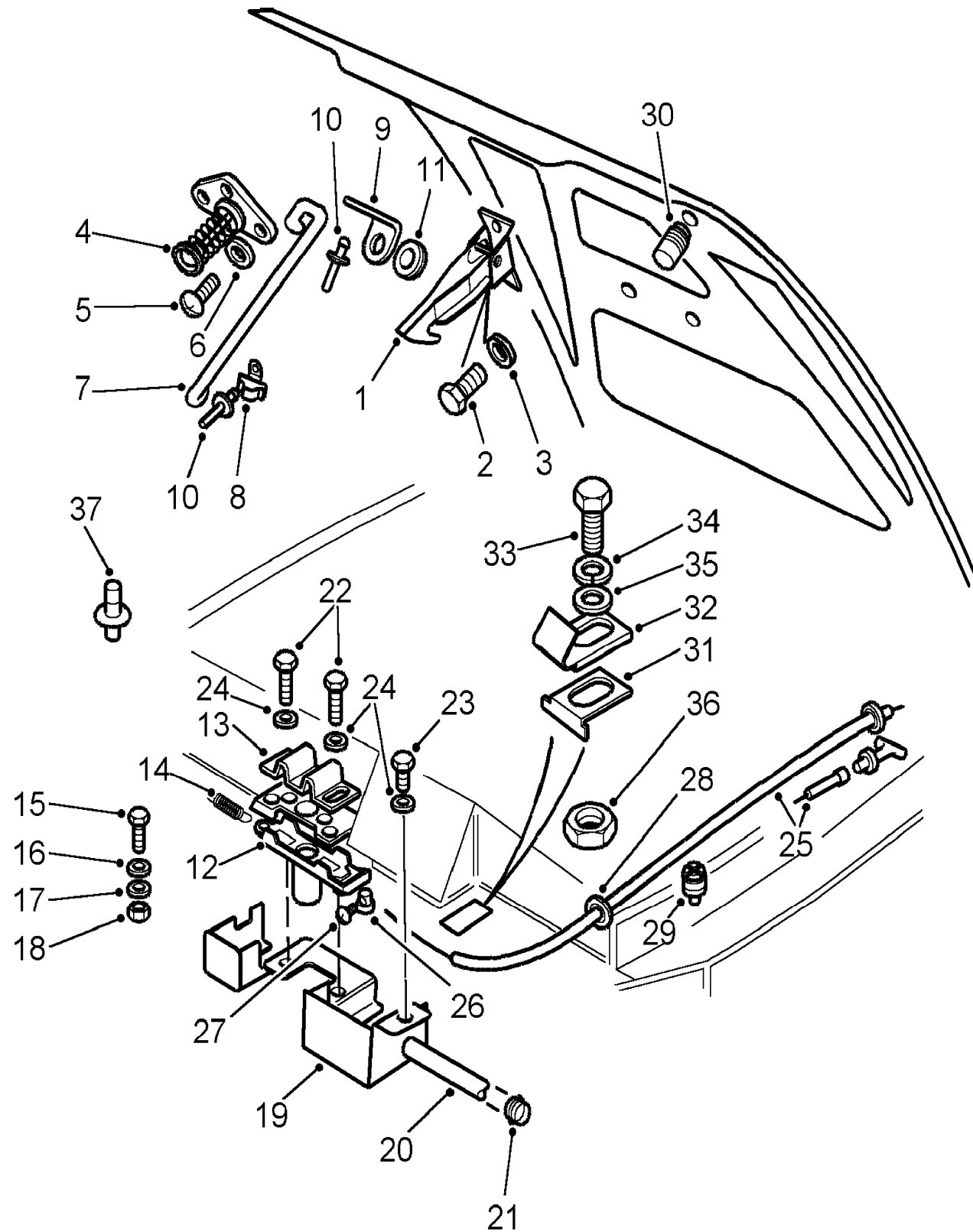
Discovery (FA393361-WA799999)

Body & Chassis
Body
Bonnet Locking & Release



Callout	Name	Application	Remarks & Restrictions	Service No.	Qty		
25	Cable assembly-bonnet release assembly	Change point - VIN end MA117986		MXC6324	1		
		Change point - VIN begin MA117986, Change point - VIN end TA164840		ALR7062	1		
		Change point - VIN begin TA500000, Change point - VIN end TA502372		ALR7062	1		
		Change point - VIN begin MA117986, Change point - VIN end TA164840		ALR7062	1		
		Change point - VIN begin TA164841, Change point - VIN end TA183942		ASR1062	1		
		Change point - VIN begin TA502373, Change point - VIN end TA514733		ASR1062	1		
		Change point - VIN begin TA164841, Change point - VIN end TA183942		ASR1062	1		
		Change point - VIN begin TA514734		ASR1405	1		
		Change point - VIN begin TA183943, Change point - VIN end TA199999		ASR1405	1		
		26	Retainer	Change point - VIN begin TA183943		356225	1
				Change point - VIN begin TA514734		356225	1
				Change point - VIN begin TA183943		356225	1
		27	Screw	Change point - VIN begin TA183943		257194	1
Change point - VIN begin TA514734				257194	1		
Change point - VIN begin TA183943				257194	1		
28	Grommet			235113	2		
29	Clip - Brake Pipe			CRC1250L	4		
30	Buffer-bonnet			BTR966	2		
31	Plate	Lower		ALR3004	1		
32	Plate Adjusting	Upper		ALR1441	1		
33	Screw	M6 X 20, Flanged Head		FS106207L	1		
34	Washer	M6, sprung		WL106001L	2		
35	Washer	6MM		WA106041L	1		
36	Nut - Hex.	M6, nyloc, Hexagonal		NH106041L	1		

Callout	Name	Application	Remarks & Restrictions	Service No.	Qty
37	Stop-bonnet cable-bonnet lock			ALR7063	1
[901]	Kit-bonnet locking			STC926	1



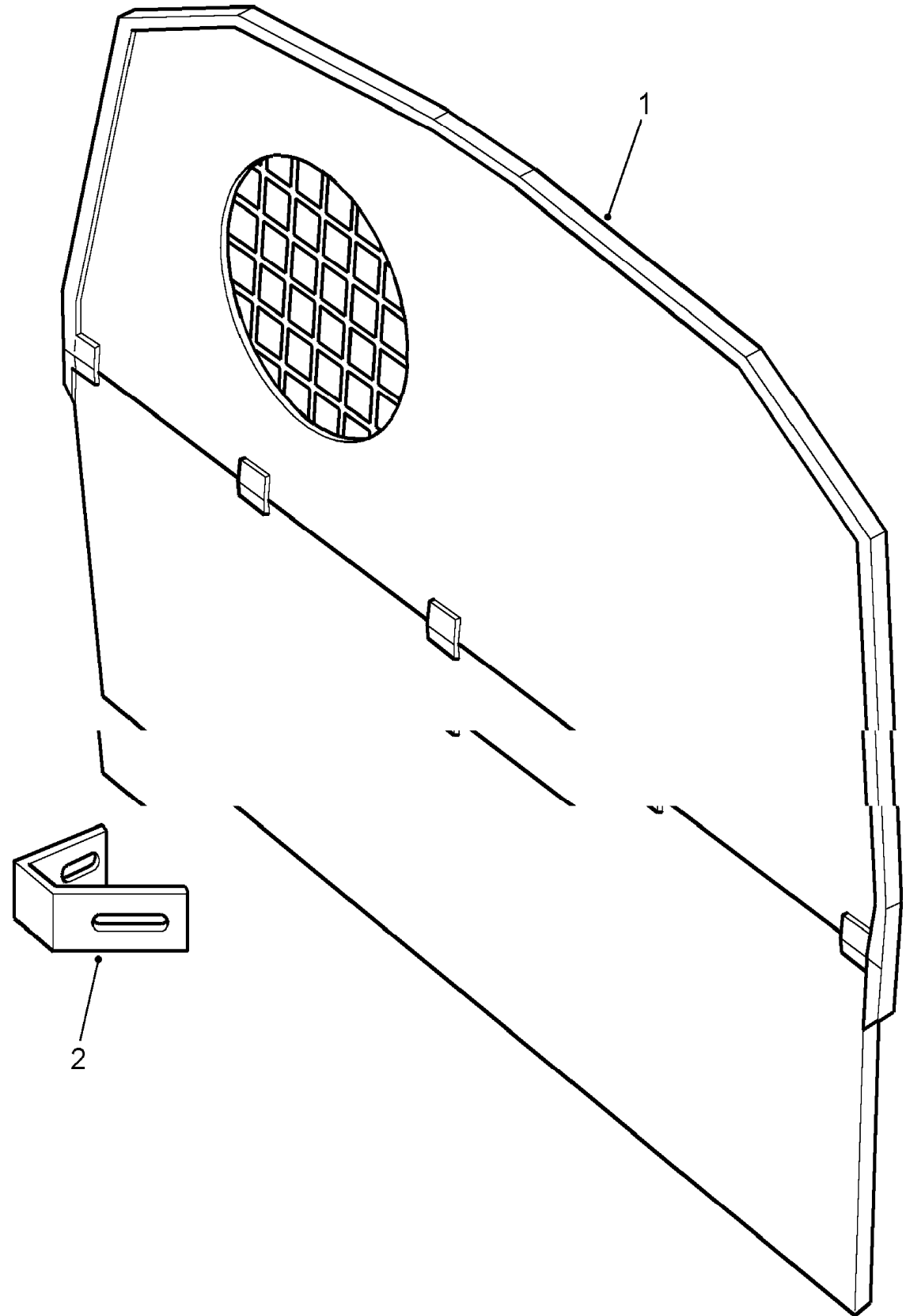
Body & Chassis

Discovery (FA393361-WA799999)

Body

Dog Guard-Commercial Only 1/1

(CANXVA1A)



CANXVA1A

Discovery (FA393361-WA799999)

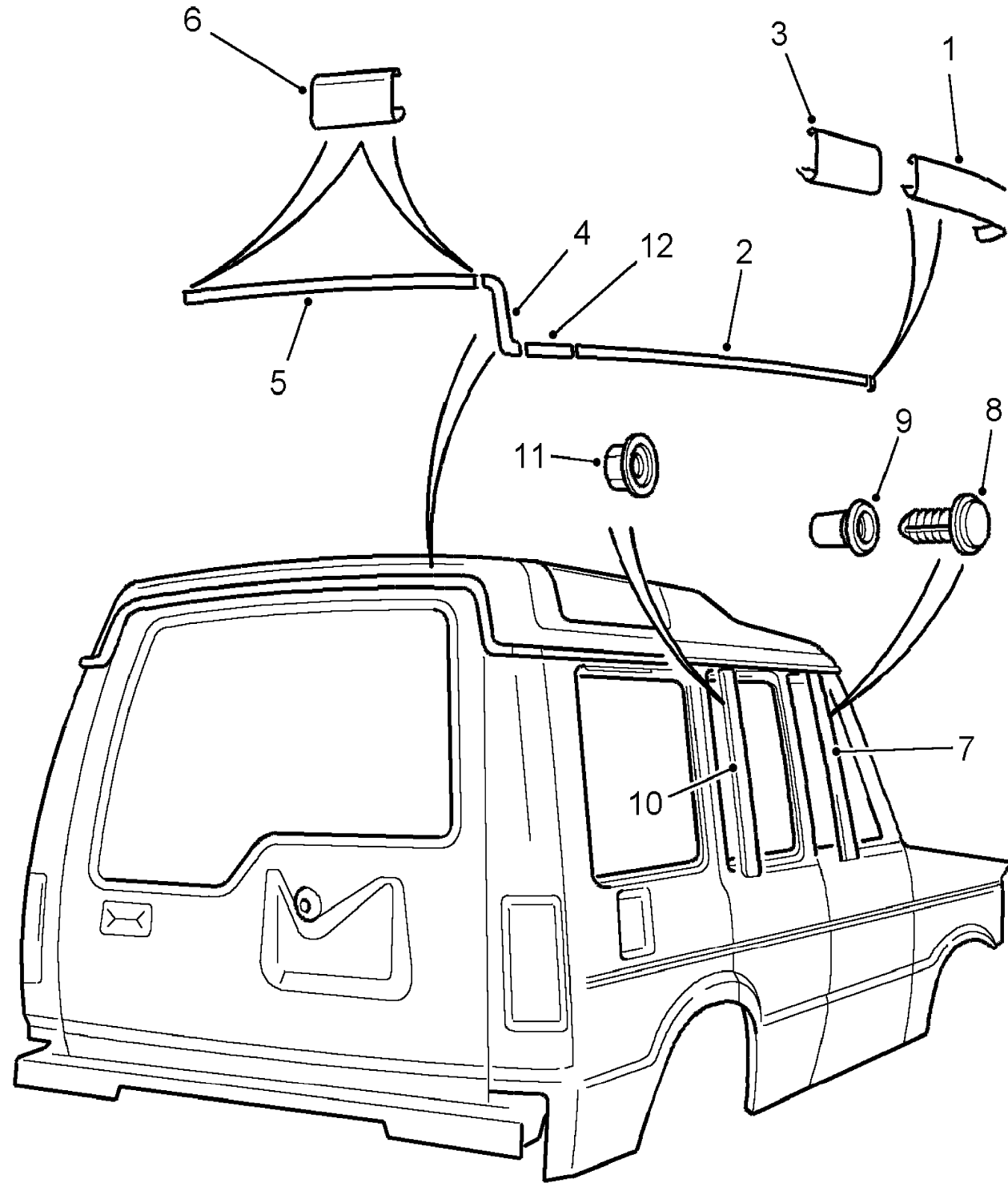
Body & Chassis

Body

Dog Guard-Commercial Only

Commercial

Callout	Name	Application	Remarks & Restrictions	Service No.	Qty
1	Guard-dog-loadspace			STC7017	1
2	Bracket			STC7018	2



CANXOA2A

Callout	Name	Application	Remarks & Restrictions	Service No.	Qty	
1	End Cap		Black, Front, RH	BTR922PUB	1	
			Black, Front, LH	BTR923PUB	1	
2	Finisher-roof drip rail	Change point - VIN end JA020248	Black, RH, Side	BTR917PUB	1	
			Black, Side, LH	BTR918PUB	1	
			Black, Side	BTR4401PUB	2	
			Change point - VIN begin JA020249, Change point - VIN end LA081990			
			Change point - VIN begin MA081991	Black, Side	AWR1030PMA	2
3	Clip-drip finisher		Black, Front	BTR916PUB	4	
4	Finisher-roof drip rail		Black, Rear, RH Black, Rear, LH	BTR919PUB BTR920PUB	1 1	
5	Finisher-roof drip rail	Change point - VIN begin GA394352, Change point - VIN end GA456980	Rear	MXC2094	1	
			Rear	MXC2094	1	
			Change point - VIN begin HA456981, Change point - VIN end HA471662			
			Change point - VIN begin JA012333	Black, Rear	BTR921PUB	1
			Change point - VIN begin HA000001, Change point - VIN end HA012332	Black, Rear	BTR921PUB	1
			Change point - VIN begin HA471663, Change point - VIN end HA486551	Black, Rear	BTR921PUB	1
6	Clip-drip finisher		Black, Rear	BTR915PUB	2	
7	Finisher-BC post	Change point - VIN end GA442450, 3 Door Station Wagon	RH	MWC8104	1	
			LH	MWC8105	1	
			Change point - VIN begin GA442451, 3 Door Station Wagon	Black, RH	MXC8397PUB	1
			Change point - VIN begin GA442451, 3 Door Station Wagon	Black, LH	MXC8398PUB	1
8	Clip			MUC3186	8	
9	Clip-snap-sack			MUC3187	8	
10	Finisher-D post	Change point - VIN end VA739462	Outer, LH	BTR953	1	
			Outer, RH	BTR954	1	
			Change point - VIN begin VA739463	Outer, RH	DDG100300	1
			Change point - VIN begin VA739463	Outer, LH	DDG100310	1

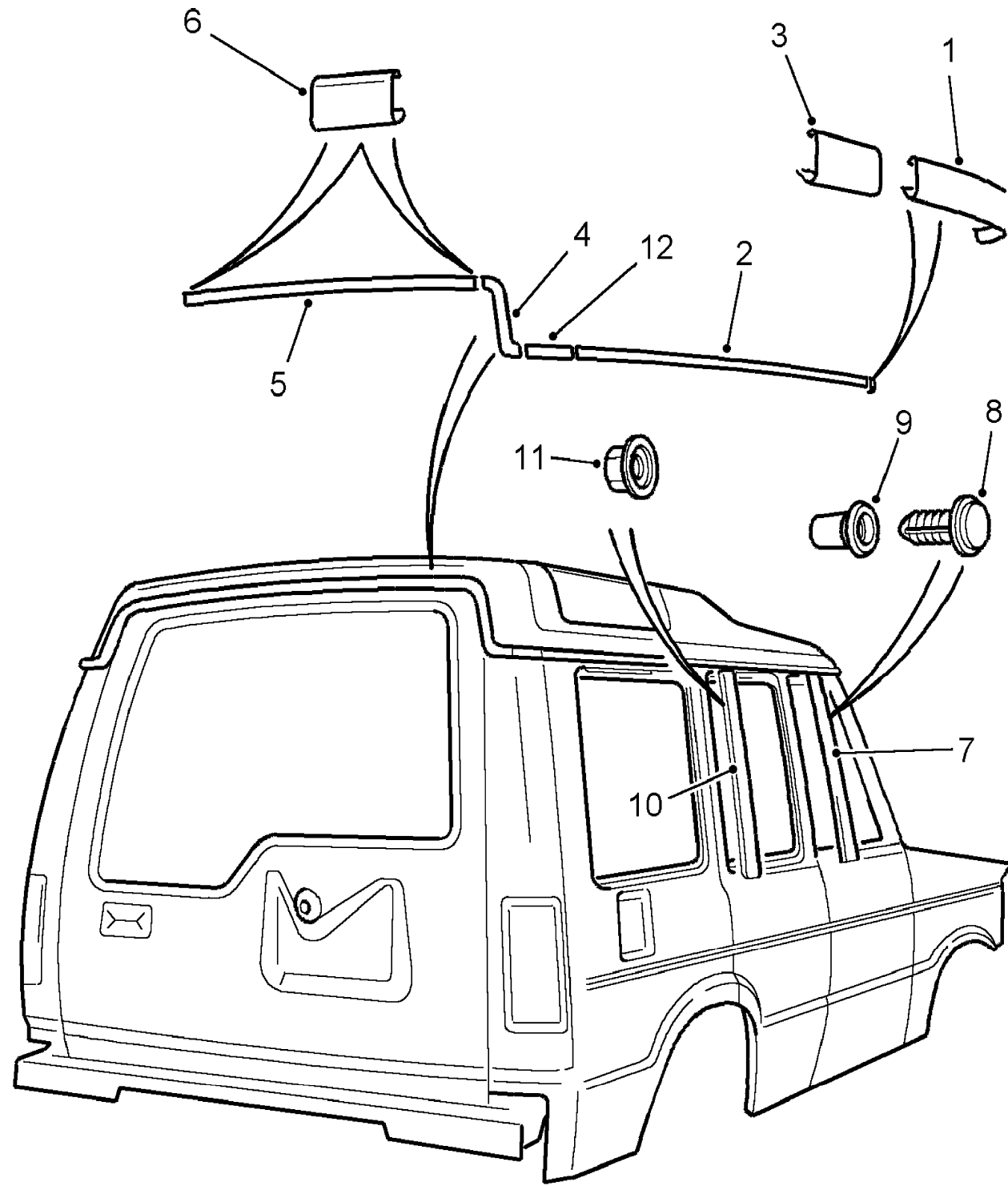
Body & Chassis

Discovery (FA393361-WA799999)

Body

Drip Rail Mouldings 2/2

(CANXOA2A)



CANXOA2A

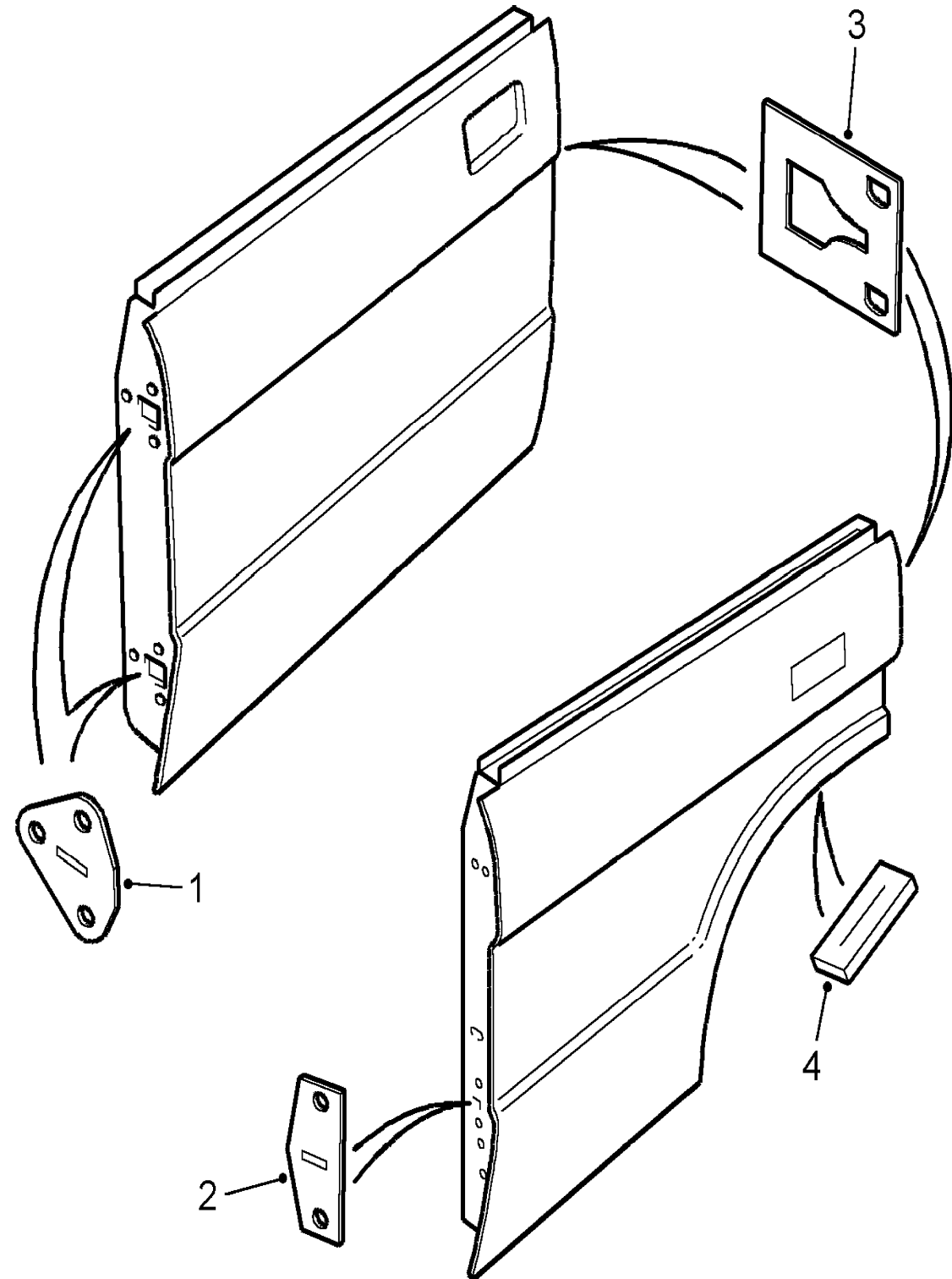
Discovery (FA393361-WA799999)

Body & Chassis

Body

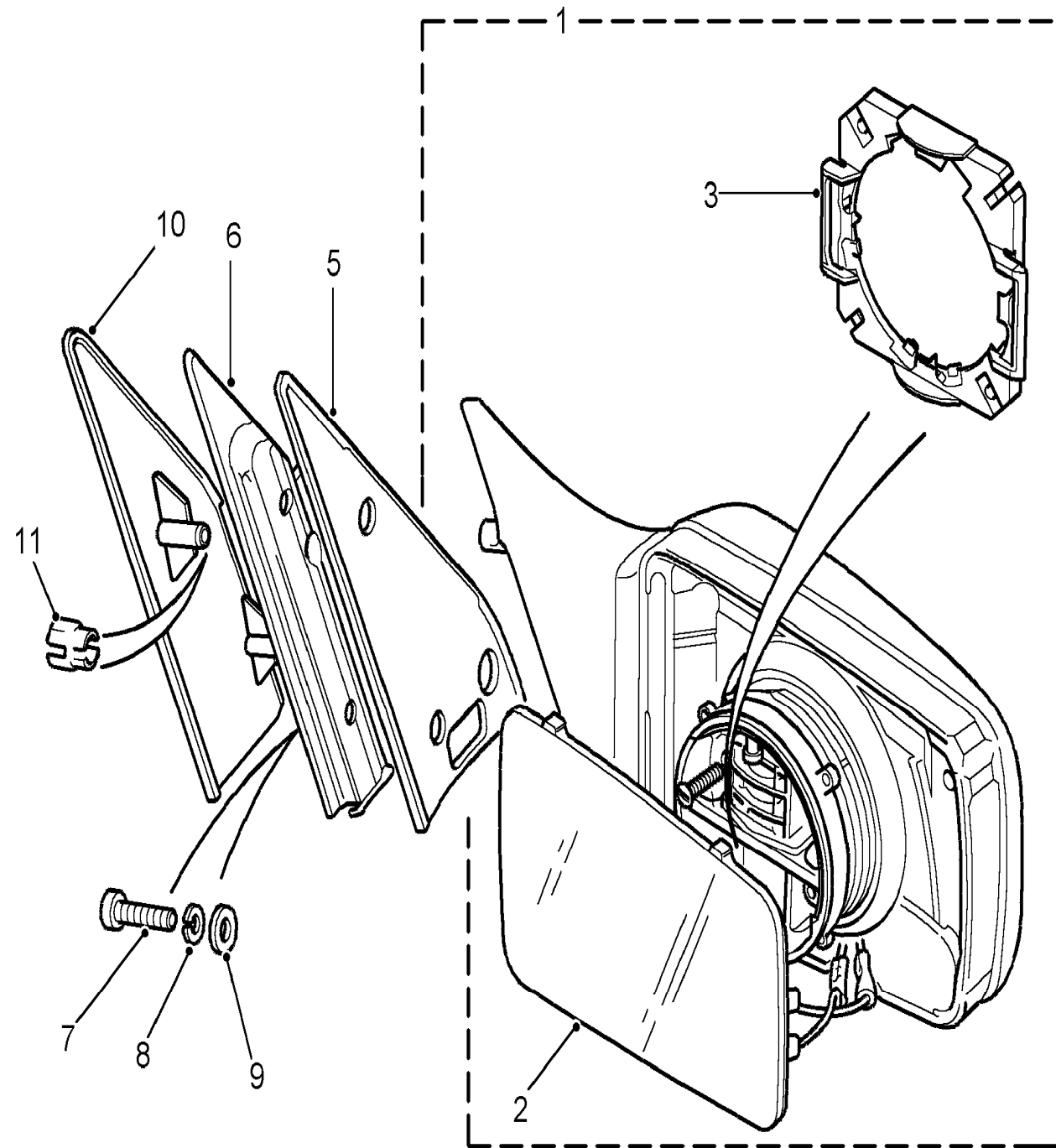
Drip Rail Mouldings

Callout	Name	Application	Remarks & Restrictions	Service No.	Qty
11	Nut - Hex.			MXC8807	6
12	Finisher-roof drip rail	Change point - VIN begin MA081991	Black, Rear, RH, LH	BTR5048PUB	1



CANXBM1A

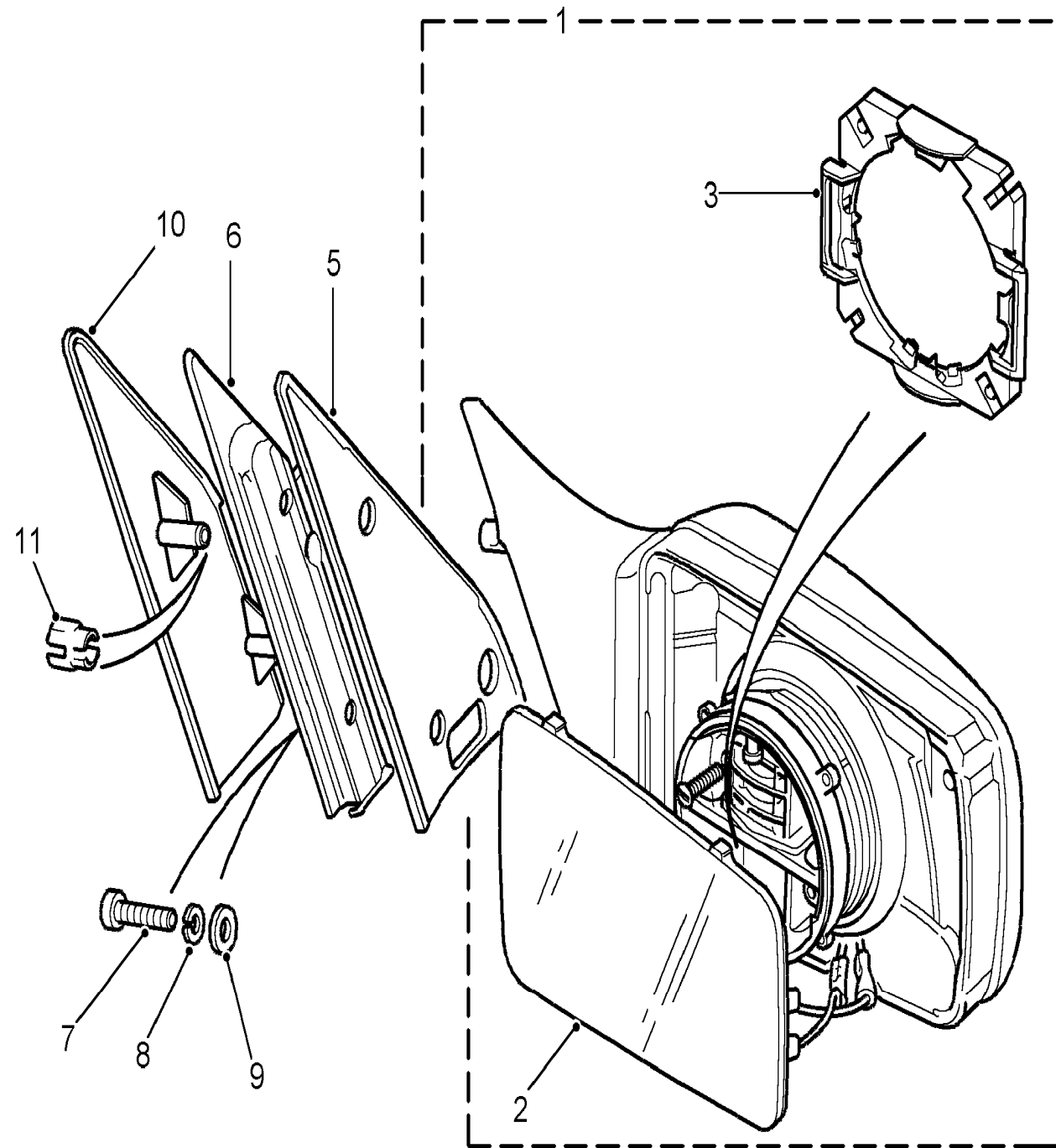
Callout	Name	Application	Remarks & Restrictions	Service No.	Qty
1	Seal		Front	MUC1818	4
2	Seal		Rear	MUC1819	2
3	Seal			MUC1822	4
4	Seal			MUC1820	2



CANXRA1A

Change point - VIN begin MA081991

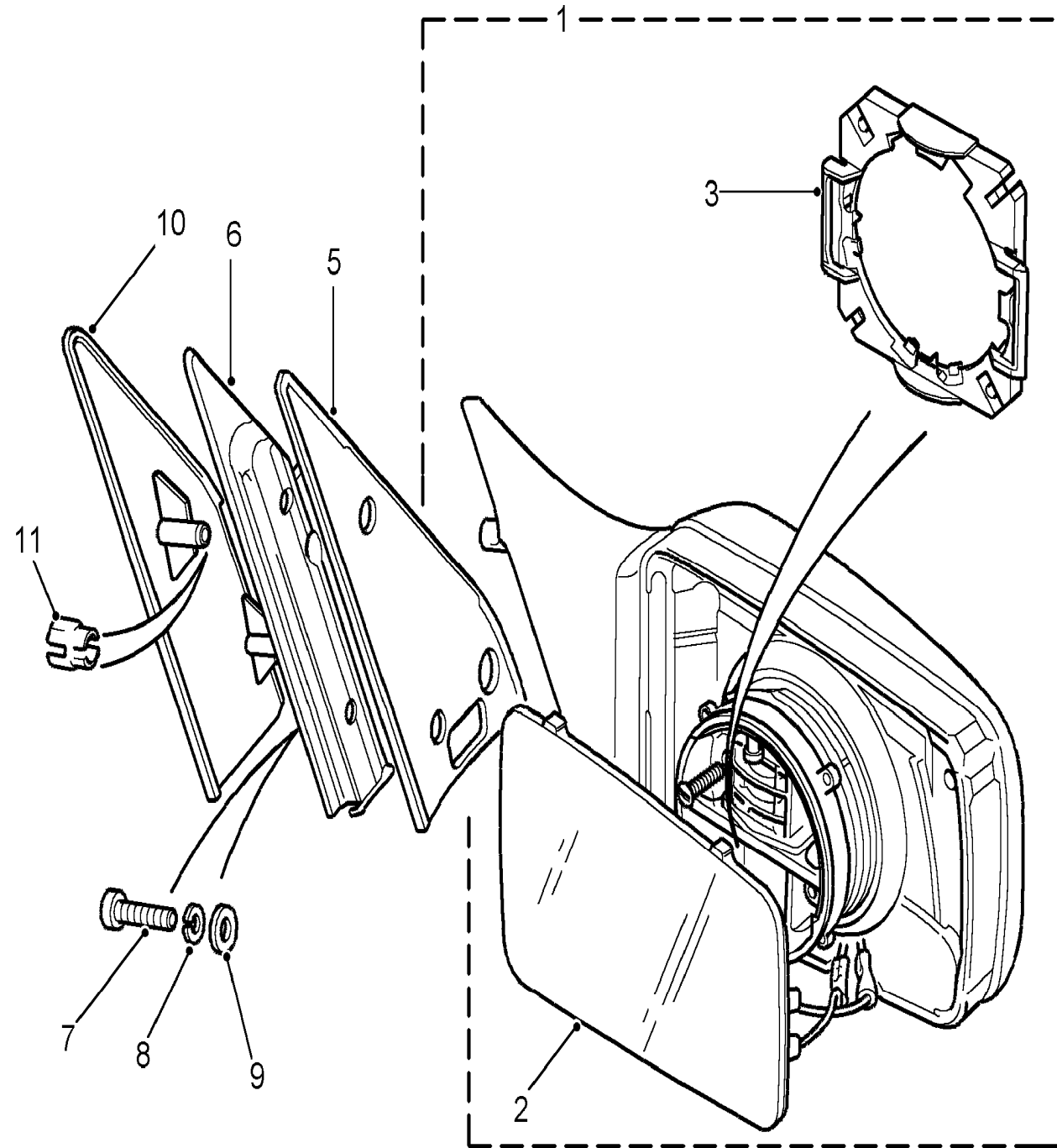
Callout	Name	Application	Remarks & Restrictions	Service No.	Qty
1	Mirror assembly-electric control exterior	Change point - VIN end MA129286, (-)"GCC"	Electric Door Mirrors, Self Colour, convex, LH	BTR4325	1
		Change point - VIN end MA129286, (-)"GCC"	Electric Door Mirrors, RH, Self Colour, convex	BTR4326	1
		Change point - VIN begin MA129287, (-)"GCC"	Electric Door Mirrors, Self Colour, convex, LH	AWR1505	1
		Change point - VIN begin MA129287, (-)"GCC"	Electric Door Mirrors, RH, Self Colour, convex	AWR1504	1
		Change point - VIN end MA129286, (+)"AUS"	Electric Door Mirrors, Flat, RH, Self Colour	BTR4328	1
		Change point - VIN end MA129286, (+)"AUS"	Electric Door Mirrors, Self Colour, convex, LH	BTR4325	1
		Change point - VIN begin MA129287, (+)"AUS"	Electric Door Mirrors, Flat, RH, Self Colour	AWR1507	1
		Change point - VIN begin MA129287, (+)"AUS"	Electric Door Mirrors, Self Colour, convex, LH	AWR1505	1
		Change point - VIN begin VA534104, Change point - VIN end VA557505, (+)"GCC"	Electric Door Mirrors, RH, Self Colour, convex	AWR6338	1
		Change point - VIN begin VA703237, Change point - VIN end VA723454, (+)"GCC"	Electric Door Mirrors, RH, Self Colour, convex	AWR6338	1
		Change point - VIN begin VA557506, (+)"GCC"	Electric Door Mirrors, RH, Self Colour	CRB108860	1
		Change point - VIN begin VA723455, (+)"GCC"	Electric Door Mirrors, RH, Self Colour	CRB108860	1
		Change point - VIN begin VA534104, Change point - VIN end VA557505, (+)"GCC"	Electric Door Mirrors, Self Colour, convex, LH	AWR6339	1
		Change point - VIN begin VA703237, Change point - VIN end VA723454, (+)"GCC"	Electric Door Mirrors, Self Colour, convex, LH	AWR6339	1
		Change point - VIN begin VA557506, (+)"GCC"	Electric Door Mirrors, Self Colour, LH	CRB108870	1
		Change point - VIN begin VA723455, (+)"GCC"	Electric Door Mirrors, Self Colour, LH	CRB108870	1
		Change point - VIN begin VA723451, (+)"CDN/MEX/USA"	Electric Door Mirrors, RH, Self Colour	CRB108840	1
		Change point - VIN begin VA557507, (+)"CDN/MEX/USA"	Electric Door Mirrors, RH, Self Colour	CRB108840	1
		Change point - VIN begin VA723451, (+)"CDN/MEX/USA"	Electric Door Mirrors, Self Colour, LH	CRB108850	1
		Change point - VIN begin VA557507, (+)"CDN/MEX/USA"	Electric Door Mirrors, Self Colour, LH	CRB108850	1
2	Glass-exterior mirror assembly	Change point - VIN end MA129286, (-)"GCC"	Electric Door Mirrors, Also serviced as part of a kit, convex, LH	STC1429	1
		Change point - VIN end MA129286, (-)"GCC"	Electric Door Mirrors, Also serviced as part of a kit, RH, convex	STC1430	1



CANXRA1A

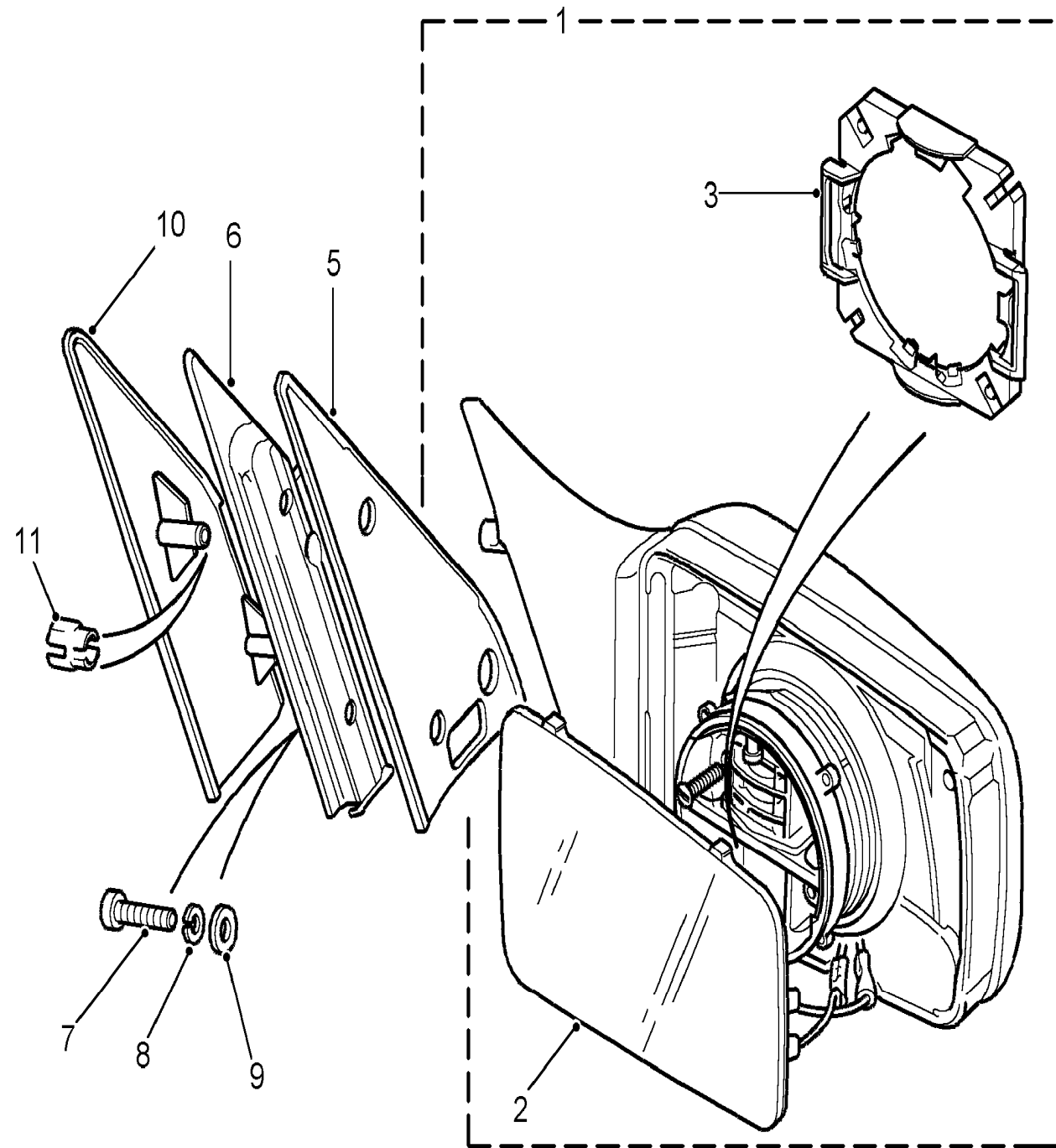
Change point - VIN begin MA081991

Callout	Name	Application	Remarks & Restrictions	Service No.	Qty
2	Glass-exterior mirror assembly	(-)"GCC"	Electric Door Mirrors, convex, LH	CRD100650	1
		(-)"GCC"	Electric Door Mirrors, RH, convex	CRD100640	1
		Change point - VIN end MA129286, (+)"AUS"	Electric Door Mirrors, Also serviced as part of a kit, Flat, RH	STC1432	1
		Change point - VIN end MA129286, (+)"AUS"	Electric Door Mirrors, Also serviced as part of a kit, convex, LH	STC1429	1
		(+)"AUS"	Electric Door Mirrors, Flat, RH	CRD100680	1
		Change point - VIN begin VA534104, Change point - VIN end VA557505, (+)"GCC"	Electric Door Mirrors, Also serviced as part of a kit, RH, convex	STC1430	1
		Change point - VIN begin VA703237, Change point - VIN end VA723454, (+)"GCC"	Electric Door Mirrors, Also serviced as part of a kit, RH, convex	STC1430	1
		Change point - VIN begin VA557506, (+)"GCC"	Electric Door Mirrors, Also serviced as part of a kit, RH, convex	AWR6861	1
		Change point - VIN begin VA723455, (+)"GCC"	Electric Door Mirrors, Also serviced as part of a kit, RH, convex	AWR6861	1
		Change point - VIN begin VA534104, Change point - VIN end VA557505, (+)"GCC"	Electric Door Mirrors, Also serviced as part of a kit, convex, LH	STC1429	1
		Change point - VIN begin VA703237, Change point - VIN end VA723454, (+)"GCC"	Electric Door Mirrors, Also serviced as part of a kit, convex, LH	STC1429	1
		Change point - VIN begin VA557506, (+)"GCC"	Electric Door Mirrors, Also serviced as part of a kit, convex, LH	AWR6862	1
		Change point - VIN begin VA723455, (+)"GCC"	Electric Door Mirrors, Also serviced as part of a kit, convex, LH	AWR6862	1
		3	Adaptor-exterior mirror assembly motor mounting	Change point - VIN end MA129286, (-)"GCC"	Electric Door Mirrors, Also serviced as part of a kit
Change point - VIN end MA129286, (+)"AUS"	Electric Door Mirrors, Also serviced as part of a kit			STC2920	1
Change point - VIN begin VA534104, Change point - VIN end VA557505, (+)"GCC"	Electric Door Mirrors, Also serviced as part of a kit			STC2920	1
Change point - VIN begin VA703237, Change point - VIN end VA723454, (+)"GCC"	Electric Door Mirrors, Also serviced as part of a kit			STC2920	1
5	Gasket-exterior mirror		Electric Door Mirrors	MUC1792	2
6	Plate-exterior mirror retaining		Electric Door Mirrors, RH	BTR7838	1
			Electric Door Mirrors, RH Electric Door Mirrors, LH	CRW500060 BTR7837	1 1



Change point - VIN begin MA081991

Callout	Name	Application	Remarks & Restrictions	Service No.	Qty
6	Plate-exterior mirror retaining		Electric Door Mirrors, LH	CRW500070	1
7	Screw		Electric Door Mirrors, M5 x 20	FA105201	6
8	Washer		Electric Door Mirrors, M5, Plain, Standard	WA105001L	6
9	Washer		Electric Door Mirrors, M5, retaining	WL105001L	6
10	Cheater-exterior mirror		Electric Door Mirrors, RH, Inner	BTR8206	1
			Electric Door Mirrors, Inner, LH	BTR8207	1
11	Clip		Electric Door Mirrors	BTR8205	2
[900]	Adaptor-exterior mirror assembly motor mounting	(+)"GB"	Electric Door Mirrors	STC4625	X
		(+)"AUS"	Electric Door Mirrors	STC4625	X
		(+)"GCC"	Electric Door Mirrors	STC4625	X
[901]	Foam-pad-self adhesive	Change point - VIN begin VA557506, (+)"GCC"	Electric Door Mirrors, Also serviced as part of a kit	CTT100030	1
		Change point - VIN begin VA723455, (+)"GCC"	Electric Door Mirrors, Also serviced as part of a kit	CTT100030	1



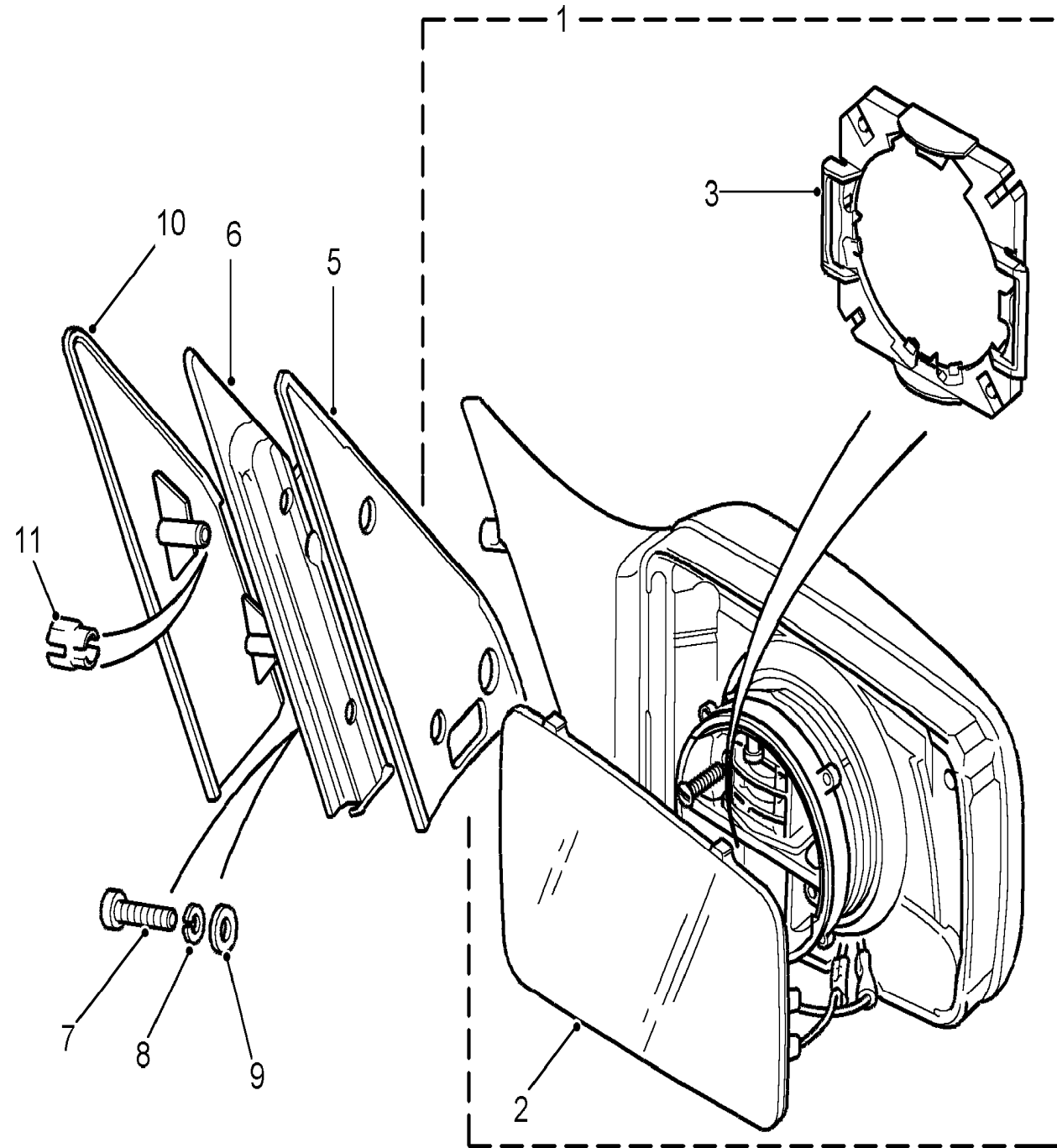
CANXRA1A

Change point - VIN end LA081990

Callout	Name	Application	Remarks & Restrictions	Service No.	Qty
1	Mirror assembly-electric control exterior	Change point - VIN end JA033904, (-)"AUS"	Electric Door Mirrors, RH, Self Colour, convex	MTC5830	1
		Change point - VIN begin JA033905, Change point - VIN end LA081990, (-)"AUS"	Electric Door Mirrors, RH, Self Colour, convex	BTR5202	1
		Change point - VIN end JA033904, (+)"AUS"	Electric Door Mirrors, RH, Self Colour, convex	BTR1475	1
		Change point - VIN begin JA033905, Change point - VIN end LA081990, (+)"AUS"	Electric Door Mirrors, Flat, RH, Self Colour	BTR5205	1
		Change point - VIN end JA033904	Electric Door Mirrors, Self Colour, convex, LH	MTC5831	1
		Change point - VIN begin JA033905, Change point - VIN end LA081880	Electric Door Mirrors, Self Colour, convex, LH	BTR5203	1
2	Glass-exterior mirror assembly	Change point - VIN end JA033904, (-)"AUS"	Electric Door Mirrors, Heated, RH, convex	MTC6538	1
		Change point - VIN end JA033904	Electric Door Mirrors, Heated, convex, LH	MUC1609	1
		Change point - VIN begin JA033905, Change point - VIN end LA081880	Electric Door Mirrors, Heated, convex, LH	MUC1609	1
		Change point - VIN end JA033904, (+)"AUS"	Electric Door Mirrors, RH	STC350	1
3	Motor assembly-exterior mirror assembly electric	Change point - VIN end JA033904, (-)"AUS"	Electric Door Mirrors	RTC3263	1
		Change point - VIN end JA033904, (+)"AUS"	Electric Door Mirrors	RTC3263	1
		Change point - VIN end JA033904	Electric Door Mirrors	RTC3263	1
		Change point - VIN begin JA033905, Change point - VIN end LA081880	Electric Door Mirrors	RTC3263	1
5	Plate-exterior mirror retaining	Electric Door Mirrors, RH	MWC8526	1	
		Electric Door Mirrors, LH	MWC8527	1	
6	Gasket-exterior mirror	Electric Door Mirrors	MUC1792	2	
7	Screw	Change point - VIN end LA081990	Electric Door Mirrors, Self Tapping, No10 x 3/4	AB610061L	6
8	Washer	Electric Door Mirrors, M5, retaining	WL105001L	6	
9	Washer	Electric Door Mirrors, M5, Plain, Standard	WA105001L	6	
10	Cheater-exterior mirror	Electric Door Mirrors, Black, RH, Inner	MXC5291PMA	1	

Body & Chassis
 Body
 Exterior Mirrors 2/2

Discovery (FA393361-WA799999)
 (CANXRA1A)



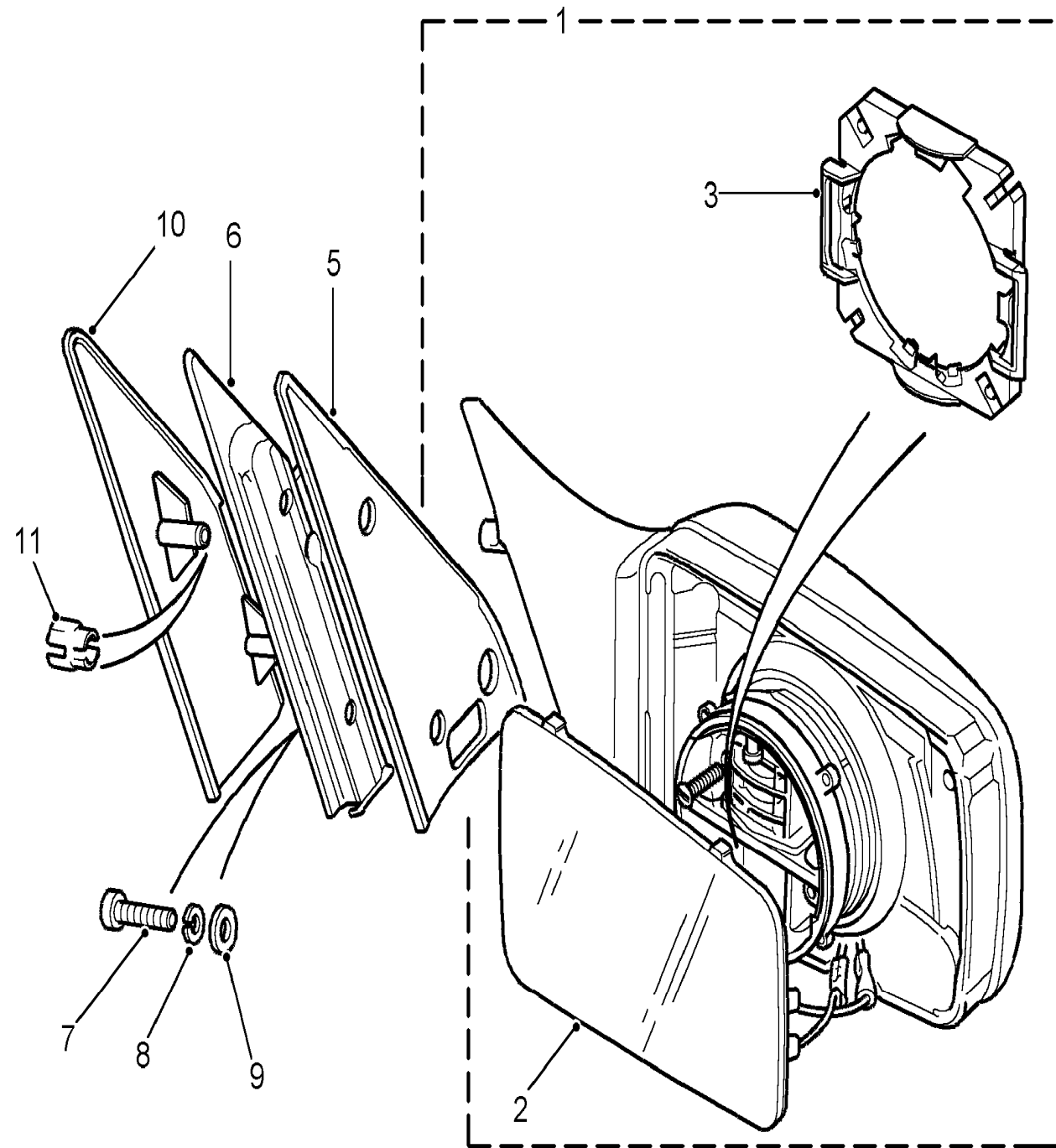
CANXRA1A

Discovery (FA393361-WA799999)

Body & Chassis
 Body
 Exterior Mirrors

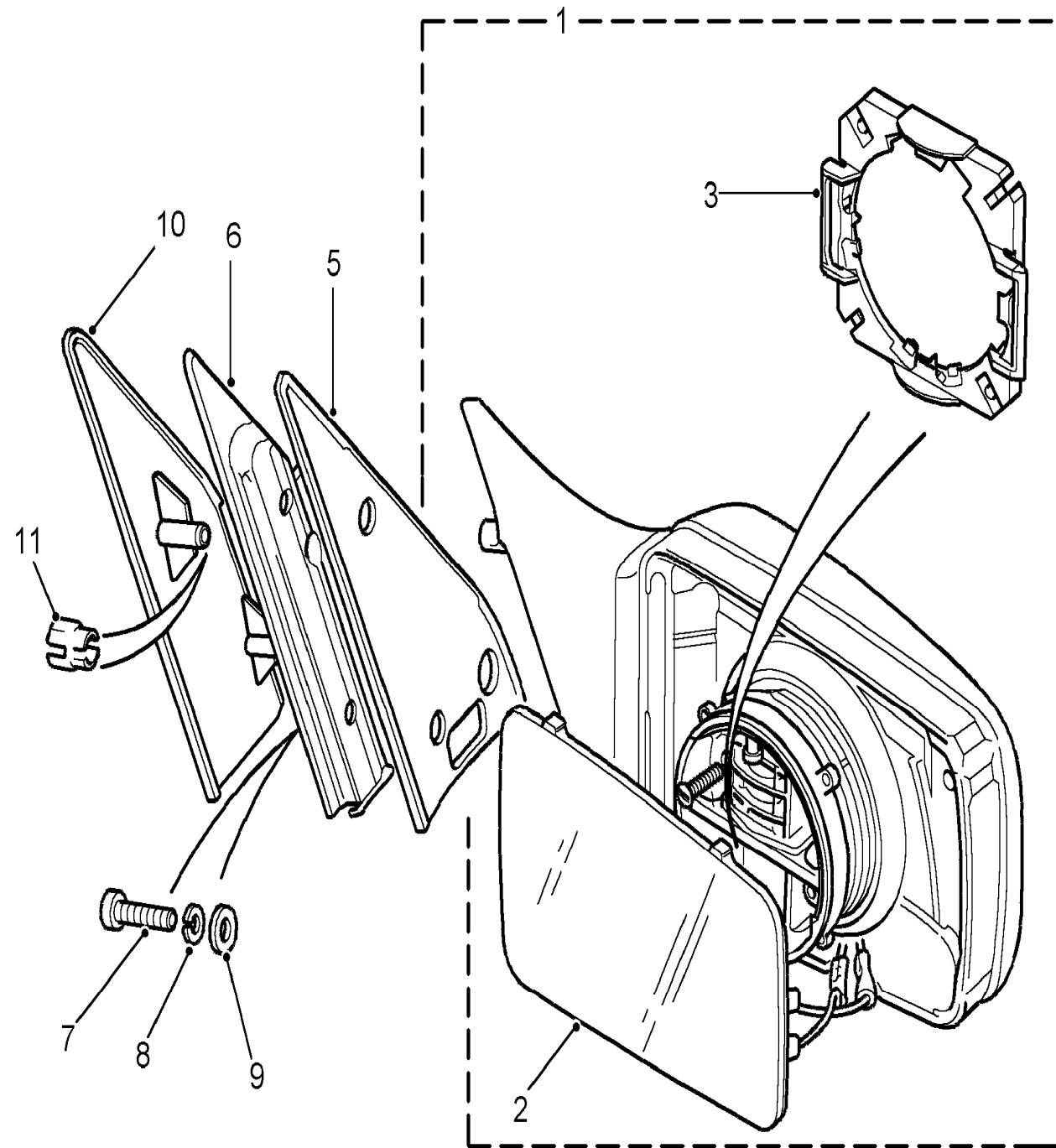
Change point - VIN end LA081990

Callout	Name	Application	Remarks & Restrictions	Service No.	Qty
10	Cheater-exterior mirror		Electric Door Mirrors, Black, Inner, LH	MXC5292PMA	1
11	Clip		Electric Door Mirrors	AFU3009	4



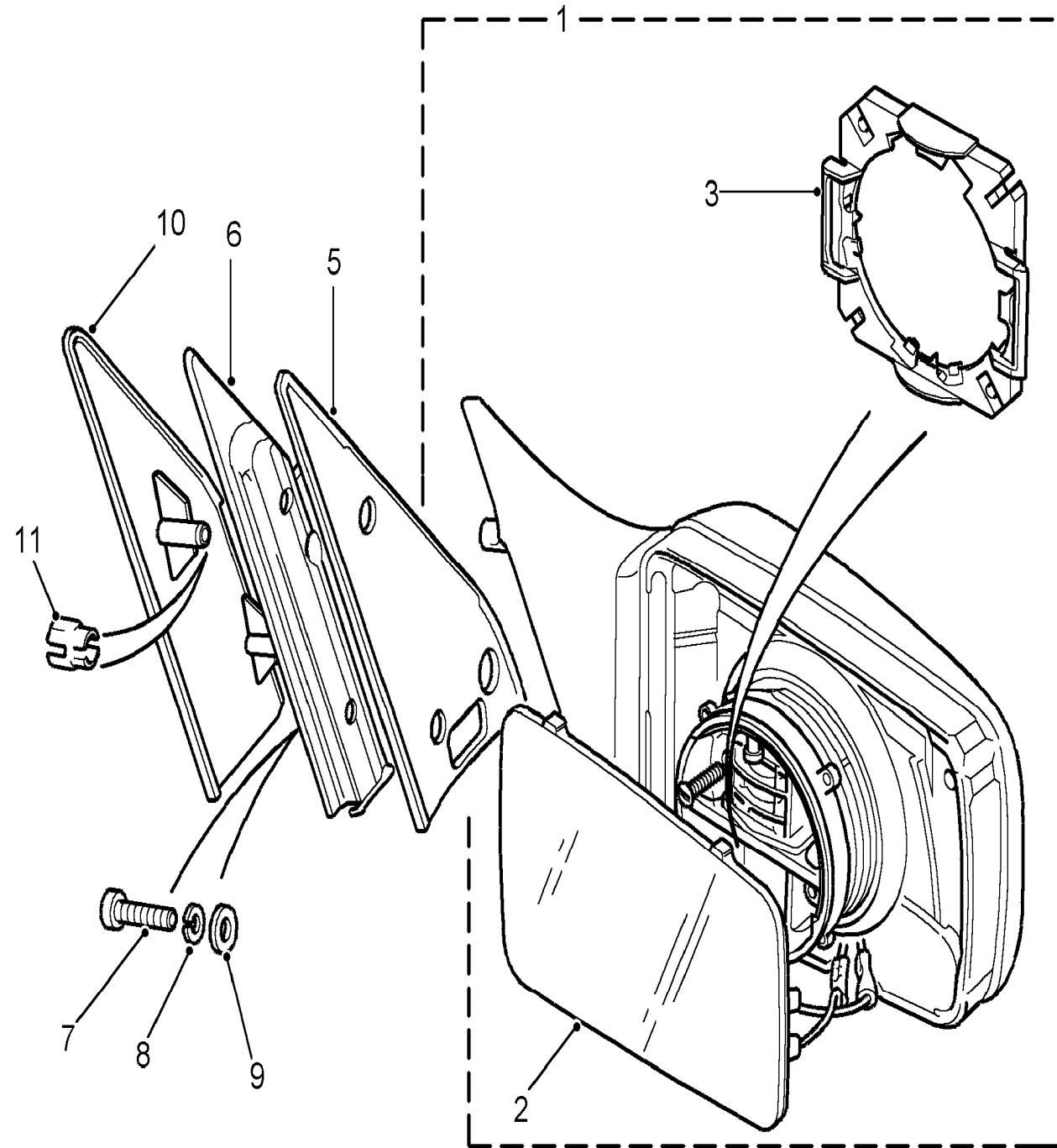
CANXRA1A

Callout	Name	Application	Remarks & Restrictions	Service No.	Qty		
1	Mirror assembly-hand set self colour exterior	Change point - VIN begin MA081991, Change point - VIN end MA129286, (-)"GCC"	Hand Set Door Mirrors, Also serviced as part of a kit, convex, LH	BTR4323	1		
		Change point - VIN begin MA129287, (-)"GCC"	Hand Set Door Mirrors, Also serviced as part of a kit, RH, convex	AWR1502	1		
		(-)"GCC"	Hand Set Door Mirrors, Also serviced as part of a kit, LH	CRB108890	1		
		Change point - VIN begin MA081991, Change point - VIN end MA129286, (-)"GCC"	Hand Set Door Mirrors, Also serviced as part of a kit, Flat, RH	BTR4330	1		
		Change point - VIN begin MA129287, (-)"GCC"	Hand Set Door Mirrors, Also serviced as part of a kit, Flat, RH	AWR1506	1		
		(+)"GCC"	Hand Set Door Mirrors, Also serviced as part of a kit, RH, convex	AWR6820	1		
		Change point - VIN begin MA081991, (+)"GCC"	Hand Set Door Mirrors, Also serviced as part of a kit, convex, LH	AWR6821	1		
		Change point - VIN end LA081990, (-)"AUS"	Hand Set Door Mirrors, Also serviced as part of a kit, RH, convex	BTR4825	1		
		Change point - VIN end LA081990, (-)"AUS"	Hand Set Door Mirrors, Also serviced as part of a kit, convex, LH	BTR4826	1		
		Change point - VIN end LA081990, (+)"AUS"	Hand Set Door Mirrors, Also serviced as part of a kit, Flat, RH	BTR5204	1		
		Change point - VIN begin MA081991, Change point - VIN end MA129286, (-)"GCC"	Hand Set Door Mirrors, Also serviced as part of a kit, RH, convex	BTR4324	1		
		2	Glass-exterior mirror assembly	Change point - VIN begin VA557506, (-)"GCC"	Hand Set Door Mirrors, Also serviced as part of a kit, RH, convex	CRD100640	1
				Change point - VIN begin VA723455, (-)"GCC"	Hand Set Door Mirrors, Also serviced as part of a kit, RH, convex	CRD100640	1
				Change point - VIN end VA557505, (-)"GCC"	Hand Set Door Mirrors, Also serviced as part of a kit, RH, convex	STC1430	1
Change point - VIN end VA723454, (-)"GCC"	Hand Set Door Mirrors, Also serviced as part of a kit, RH, convex			STC1430	1		
Change point - VIN end VA557505, (-)"GCC"	Hand Set Door Mirrors, Also serviced as part of a kit, convex, LH			STC1429	1		
Change point - VIN end VA723454, (-)"GCC"	Hand Set Door Mirrors, Also serviced as part of a kit, convex, LH			STC1429	1		
Change point - VIN begin VA557506, (-)"GCC"	Hand Set Door Mirrors, Also serviced as part of a kit, convex, LH			CRD100650	1		
Change point - VIN begin VA723455, (-)"GCC"	Hand Set Door Mirrors, Also serviced as part of a kit, convex, LH			CRD100650	1		
	(-)"GCC"	Hand Set Door Mirrors, Also serviced as part of a kit, convex, LH	CRD100650	1			



CANXRA1A

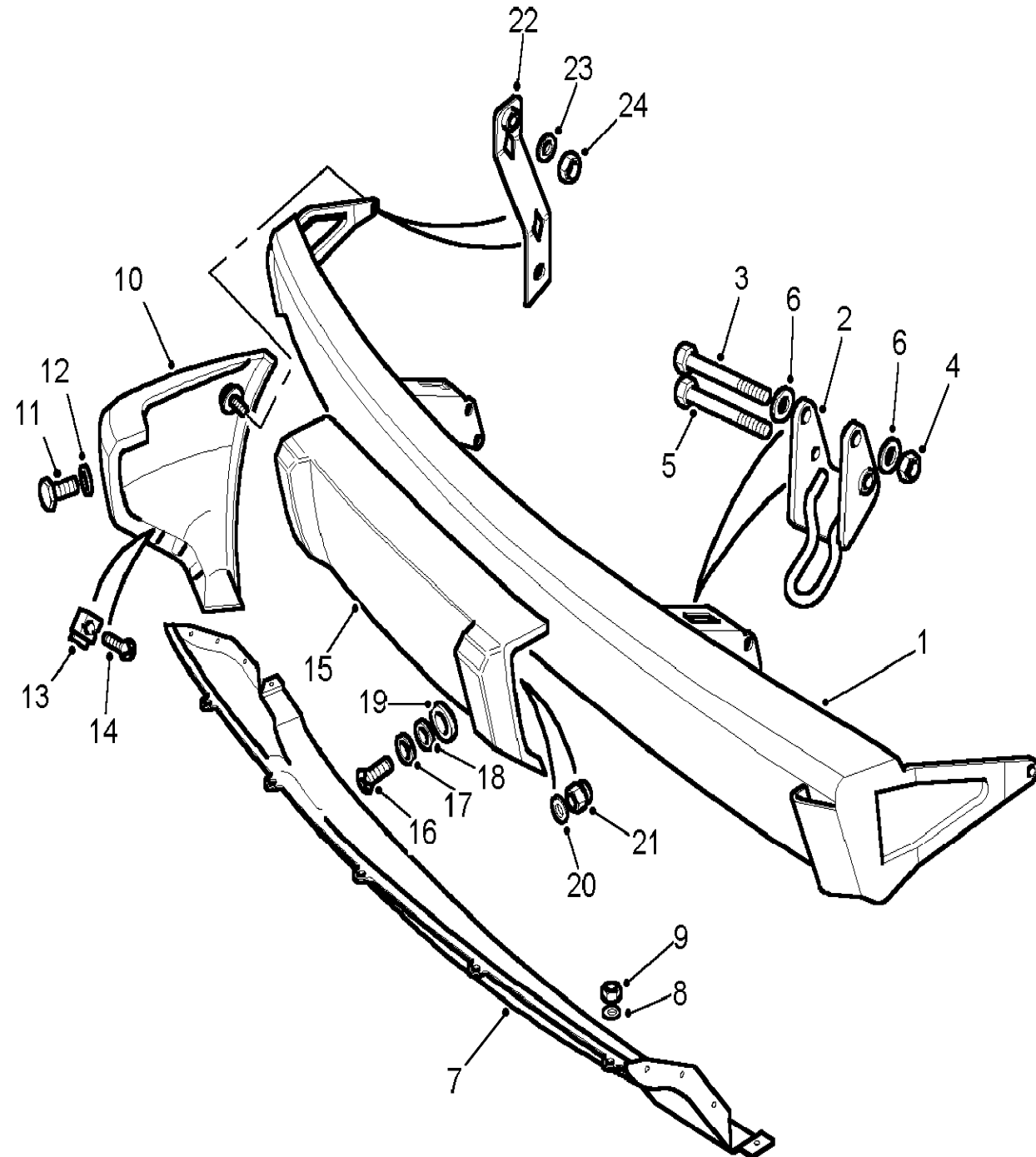
Callout	Name	Application	Remarks & Restrictions	Service No.	Qty
2	Glass-external mirror assembly	Change point - VIN end LA081990, (-)"AUS"	Hand Set Door Mirrors, Also serviced as part of a kit, Heated, RH, convex	MTC6538	1
		Change point - VIN end LA081990, (-)"AUS"	Hand Set Door Mirrors, Also serviced as part of a kit, Heated, convex, LH	MUC1609	1
3	Pivot assembly-external mirror assembly glass	Change point - VIN begin MA081991, Change point - VIN end MA129286, (-)"GCC"	Hand Set Door Mirrors, Also serviced as part of a kit	STC1434	1
		Change point - VIN begin MA129287, (-)"GCC" (+)"GCC"	Hand Set Door Mirrors, Also serviced as part of a kit	STC1434	2
		Change point - VIN begin MA129287, (-)"GCC" (+)"GCC"	Hand Set Door Mirrors, Also serviced as part of a kit	STC1434	2
		Change point - VIN end LA081990, (-)"AUS"	Hand Set Door Mirrors, Also serviced as part of a kit	RTC3264	1
4	Adaptor-external mirror assembly motor mounting	Change point - VIN begin MA081991, Change point - VIN end MA129286, (-)"GCC" (+)"GCC"	Hand Set Door Mirrors, Also serviced as part of a kit	STC2920	1
		Change point - VIN begin MA081991, Change point - VIN end MA129286, (-)"GCC" (+)"GCC"	Hand Set Door Mirrors, Also serviced as part of a kit	STC2920	1
5	Gasket-external mirror	Change point - VIN begin MA081991	Hand Set Door Mirrors	MUC1792	2
		Change point - VIN end LA081990	Hand Set Door Mirrors	MUC1792	2
6	Plate-external mirror retaining	Change point - VIN begin MA081991	Hand Set Door Mirrors, RH	BTR7838	1
		Change point - VIN begin MA081991	Hand Set Door Mirrors, RH Hand Set Door Mirrors, LH	CRW500060 BTR7837	1 1
		Change point - VIN end LA081990	Hand Set Door Mirrors, LH Hand Set Door Mirrors, RH	CRW500070 MWC8526	1 1
		Change point - VIN end LA081990	Hand Set Door Mirrors, LH	MWC8527	1
7	Screw	Change point - VIN begin MA081991	Hand Set Door Mirrors, M5 x 20	FA105201	6
		Change point - VIN end LA081990	Hand Set Door Mirrors, Self Tapping, No10 x 3/4	AB610061L	6
8	Washer	Change point - VIN begin MA081991	Hand Set Door Mirrors, M5, Plain, Standard	WA105001L	6
		Change point - VIN end LA081990	Hand Set Door Mirrors, M5, Plain, Standard	WA105001L	6
9	Washer	Change point - VIN begin MA081991	Hand Set Door Mirrors, M5, retaining	WL105001L	6
		Change point - VIN end LA081990	Hand Set Door Mirrors, M5, retaining	WL105001L	6
10	Cheater-external mirror	Change point - VIN begin MA081991	Hand Set Door Mirrors, RH, Inner	BTR8206	1
		Change point - VIN begin MA081991	Hand Set Door Mirrors, Inner, LH	BTR8207	1



Callout	Name	Application	Remarks & Restrictions	Service No.	Qty
10	Cheater-exterior mirror	Change point - VIN end LA081990	Hand Set Door Mirrors, Black, RH, Inner	MXC5291PMA	1
		Change point - VIN end LA081990	Hand Set Door Mirrors, Black, Inner, LH	MXC5292PMA	1
11	Clip	Change point - VIN begin MA081991	Hand Set Door Mirrors	BTR8205	2
		Change point - VIN end LA081990	Hand Set Door Mirrors	AFU3009	4
[900]	Glass-exterior mirror assembly	Change point - VIN begin VA557506, (+)"GCC"	Hand Set Door Mirrors, Also serviced as part of a kit, Flat, LH	CRD100690	1
		Change point - VIN begin VA723455, (+)"GCC"	Hand Set Door Mirrors, Also serviced as part of a kit, Flat, LH	CRD100690	1
		Change point - VIN end VA557505, (-)"GCC"	Hand Set Door Mirrors, Also serviced as part of a kit, Flat, RH	STC1432	1
		Change point - VIN end VA723454, (-)"GCC"	Hand Set Door Mirrors, Also serviced as part of a kit, Flat, RH	STC1432	1
		Change point - VIN begin VA557506, (-)"GCC"	Hand Set Door Mirrors, Also serviced as part of a kit, Flat, RH	CRD100680	1
		Change point - VIN begin VA723455, (-)"GCC"	Hand Set Door Mirrors, Also serviced as part of a kit, Flat, RH	CRD100680	1
		Change point - VIN end VA557505, (+)"GCC"	Hand Set Door Mirrors, Also serviced as part of a kit, Flat, RH	STC1432	1
		Change point - VIN end VA723454, (+)"GCC"	Hand Set Door Mirrors, Also serviced as part of a kit, Flat, RH	STC1432	1
		Change point - VIN begin VA557506, (+)"GCC"	Hand Set Door Mirrors, Also serviced as part of a kit, Flat, RH	CRD100680	1
		Change point - VIN begin VA723455, (+)"GCC"	Hand Set Door Mirrors, Also serviced as part of a kit, Flat, RH	CRD100680	1
[901]	Glass-exterior mirror assembly flat	Change point - VIN end VA557505, (+)"GCC"	Hand Set Door Mirrors, Also serviced as part of a kit, LH	STC1431	1
		Change point - VIN end VA723454, (+)"GCC"	Hand Set Door Mirrors, Also serviced as part of a kit, LH	STC1431	1
		Change point - VIN end LA081990, (+)"AUS"	Hand Set Door Mirrors, Also serviced as part of a kit, RH	STC350	1
[902]	Adaptor-exterior mirror assembly motor mounting	(-)"GCC"	Hand Set Door Mirrors	STC4625	X
		(+)"GCC"	Hand Set Door Mirrors	STC4625	X

Body & Chassis
Body
Front Bumper Assembly 1/2

Discovery (FA393361-WA799999)
(CANXAC1A)



CANXAC1A

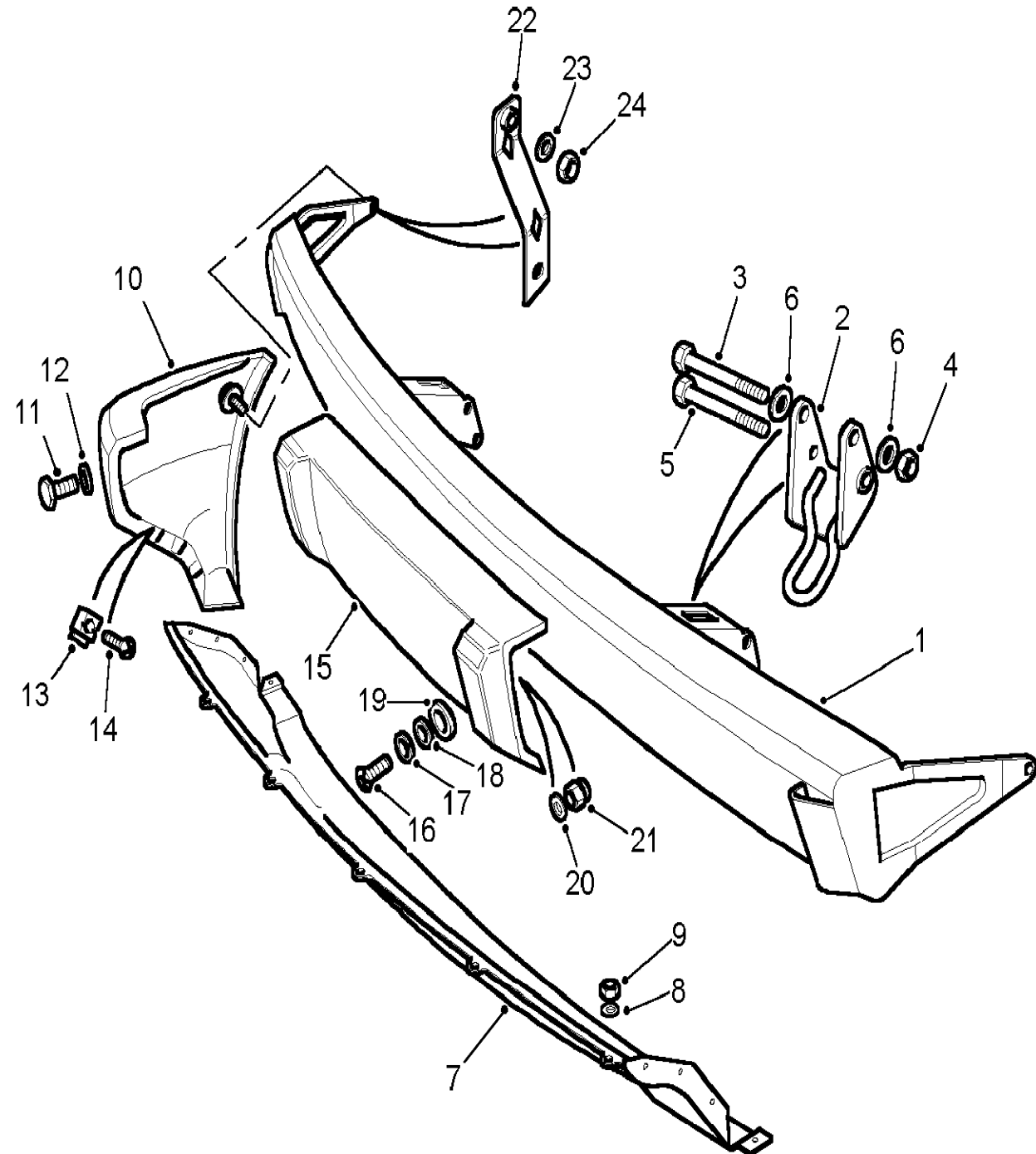
Discovery (FA393361-WA799999)

Body & Chassis
Body
Front Bumper Assembly

Callout	Name	Application	Remarks & Restrictions	Service No.	Qty
1	Bumper assembly-front-painted	Change point - VIN end LA081990 Change point - VIN begin MA081991		NTC5077 ANR2029	1 1
2	Hook-front sub frame towing			ANR3255	1
3	Bolt		3/8UNF	BH606361L	2
4	Nut - Hex.		tow loop to bumper, hexagonal head, 3/8UNF	NH606041L	4
5	Bolt	Change point - VIN end KA040246 Change point - VIN begin KA040247	3/8UNF	NRC2384 BH606361L	2 2
6	Washer-Plain			3036L	8
7	Valance front-lower	Change point - VIN end LA081991 Change point - VIN begin MA081992 Change point - VIN begin TA163104 Change point - VIN begin TA501920	LESS FRONT FOG LAMPS LESS FRONT FOG LAMPS For Fog Lamps For Fog Lamps	MWC8004PUB AWR1479PMD AWR2438PMD AWR2438PMD	1 1 1 1
8	Washer		For Fog Lamps, M8	WC108051L	6
9	Nut - Hex.		M8, Flanged Head	FN108047L	6
10	End cap-front bumper	Change point - VIN end LA081991 Change point - VIN begin MA081992 Change point - VIN begin MA081992 Change point - VIN end LA081991 (+)"CDN/MEX/USA" (+)"CDN/MEX/USA"	For Fog Lamps, Black, LH Black, RH Black, LH For Fog Lamps, Black, RH Black, LH Black, RH	NTC5083PUB AWR2988PMD AWR2987PMD NTC5082PUB AWR2991PMD AWR2992PMD	1 1 1 1 1 1
11	Screw		M6 X 20, Flanged Head M6 X 20, Flanged Head	FS106201L FS106207L	2 2
12	Washer		6MM	WA106041L	4
13	Nut-spring-special		No10	AL610011L	8
14	Screw-flanged head		Flanged Head, No10	DA610051L	8
15	Plinth-licence plate	Change point - VIN begin MA081992 Change point - VIN begin MA081992 Change point - VIN end LA081991	Black, with bull bar Black, without bull bar Black, without bull bar	STC8836AA AWR6883PMD NTC5486PUB	1 1 1

Body & Chassis
Body
Front Bumper Assembly 2/2

Discovery (FA393361-WA799999)
(CANXAC1A)

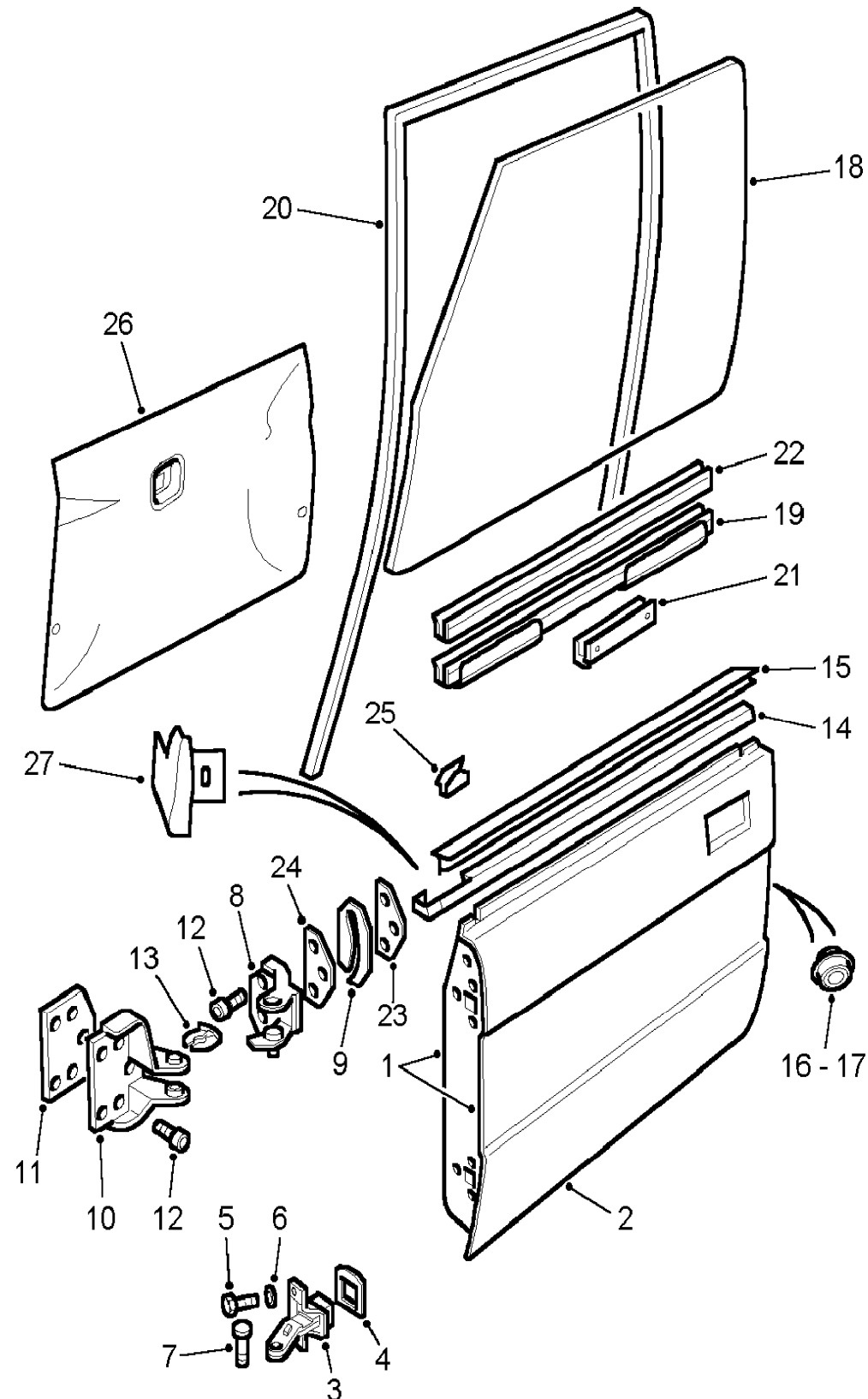


CANXAC1A

Discovery (FA393361-WA799999)

Body & Chassis
Body
Front Bumper Assembly

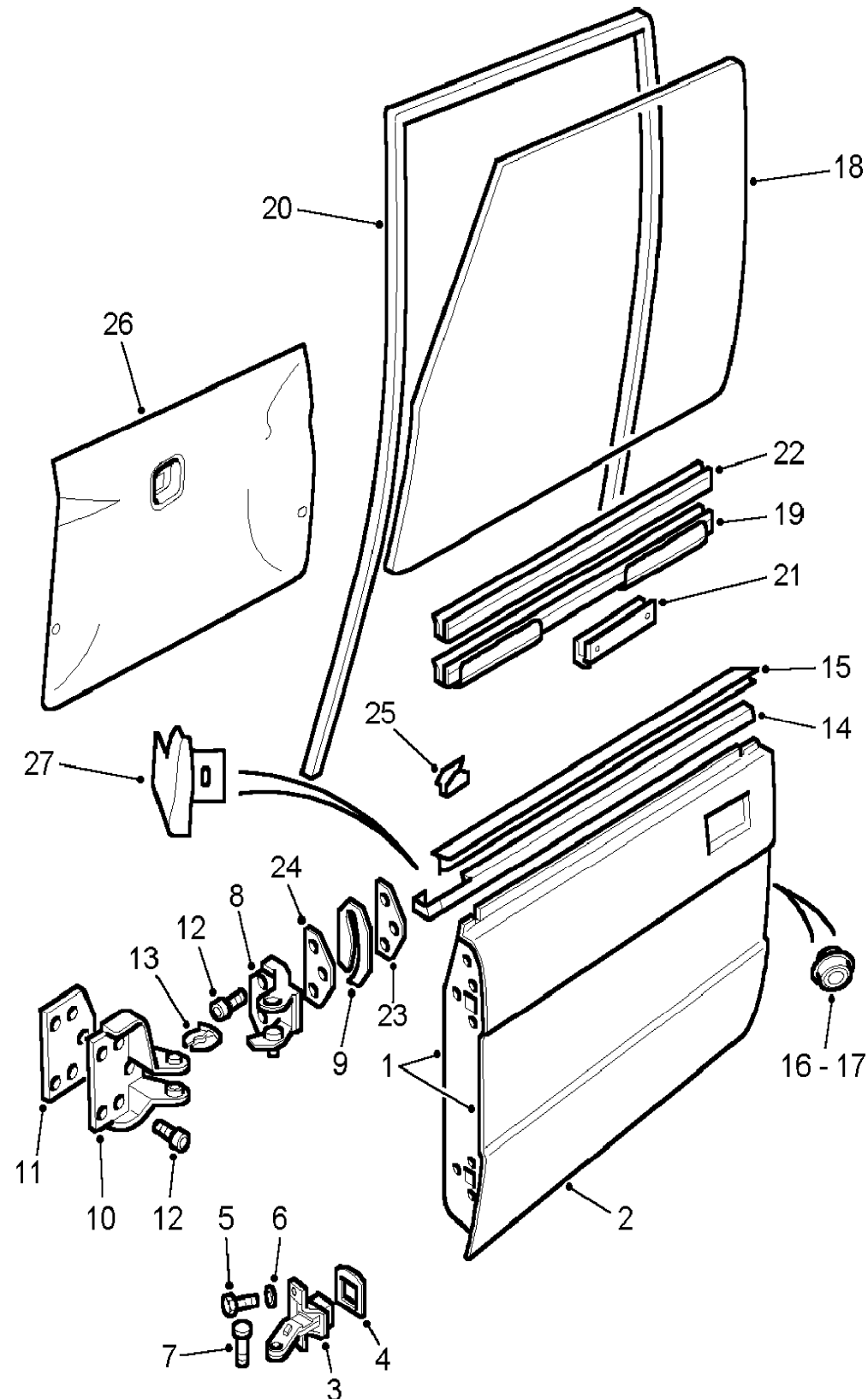
Callout	Name	Application	Remarks & Restrictions	Service No.	Qty
16	Screw		poly top	BTR9688	2
17	Washer		retaining	BTR9634	2
18	Washer		M5, oversize, Plain	WJ105001L	2
19	Washer			WS108001L	2
20	Washer		6MM	WA106041L	2
21	Nut - Hex.		M6, hexagonal head, nyloc M6, hexagonal head, nyloc	NY106041L NY106047L	2 2
22	Bracket-front bumper support	Change point - VIN end LA081991 Change point - VIN begin MA081992		NTC7482 ANR2741	2 2
23	Washer		6MM	WA106041L	2
24	Nut - Hex.		bracket support to front bumper, M6, nyloc, Hexagonal	NH106041L	2
[900]	Screw-washer	Change point - VIN begin TA163104 Change point - VIN begin TA501920	For Fog Lamps, M5 x 20 For Fog Lamps, M5 x 20	DYP10035L DYP10035L	4 4



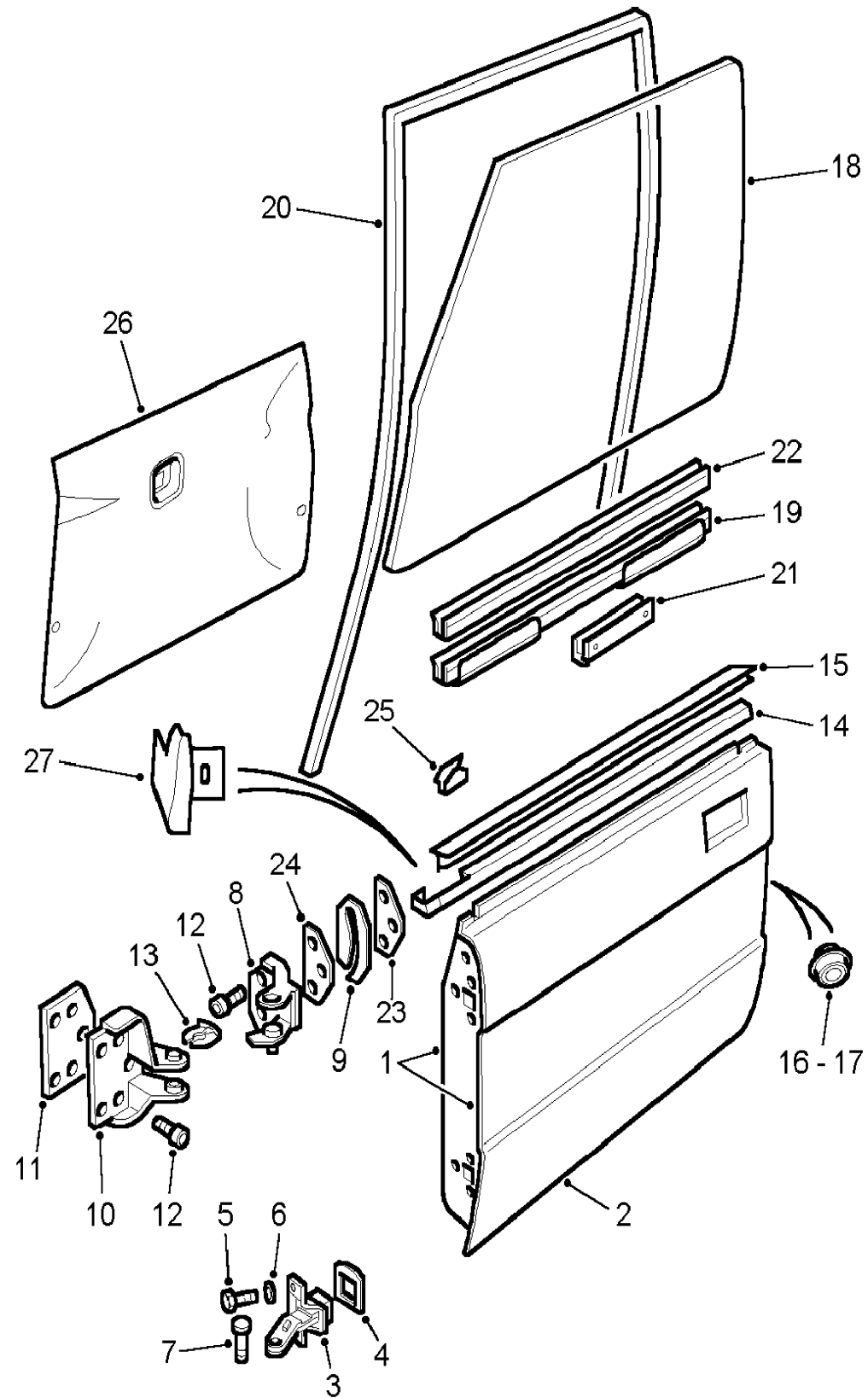
CANXGA2A

UNIPART

Callout	Name	Application	Remarks & Restrictions	Service No.	Qty		
1	Door assembly-front	Change point - VIN end MA501919	Also serviced as part of a kit, RH	ALR5592	1		
		Change point - VIN end MA163103	Also serviced as part of a kit, RH	ALR5592	1		
		Change point - VIN end MA501919	Also serviced as part of a kit, LH	ALR5591	1		
		Change point - VIN end MA163103	Also serviced as part of a kit, LH	ALR5591	1		
		Change point - VIN begin TA163104	RH	ALR8578	1		
		Change point - VIN begin TA501920	RH	ALR8578	1		
		Change point - VIN begin TA163104	RH	ALR8578	1		
		Change point - VIN begin TA163104	LH	ALR8579	1		
		Change point - VIN begin TA501920	LH	ALR8579	1		
		Change point - VIN begin TA163104	LH	ALR8579	1		
		2	Door-outer front	Change point - VIN end MA501919	Also serviced as part of a kit, RH	ALR5822	1
				Change point - VIN end MA163103	Also serviced as part of a kit, RH	ALR5822	1
				Change point - VIN end MA501919	Also serviced as part of a kit, LH	ALR5823	1
Change point - VIN end MA163103	Also serviced as part of a kit, LH			ALR5823	1		
Change point - VIN begin TA163104	Also serviced as part of a kit, RH			ALR8576	1		
Change point - VIN begin TA501920	Also serviced as part of a kit, RH			ALR8576	1		
Change point - VIN begin TA163104	Also serviced as part of a kit, RH			ALR8576	1		
Change point - VIN begin TA163104	Also serviced as part of a kit, LH			ALR8577	1		
Change point - VIN begin TA501920	Also serviced as part of a kit, LH			ALR8577	1		
Change point - VIN begin TA163104	Also serviced as part of a kit, LH			ALR8577	1		
3	Check strap			Change point - VIN end KA048963	RH	MXC1966	1
				Change point - VIN end KA048963	LH	MXC1967	1
				Change point - VIN begin KA048964	RH	ALR4726	1
		Change point - VIN begin KA048964	LH	ALR4727	1		
4	Gasket			MXC8335	2		
5	Screw		M6 X 12, hexagonal head	SH106121L	6		
6	Washer		M6, starlock	WF106001L	6		
7	Pin-door check arm	Change point - VIN end MA129951		CLP6552L	2		
		Change point - VIN begin MA129952		BDM10001L	2		



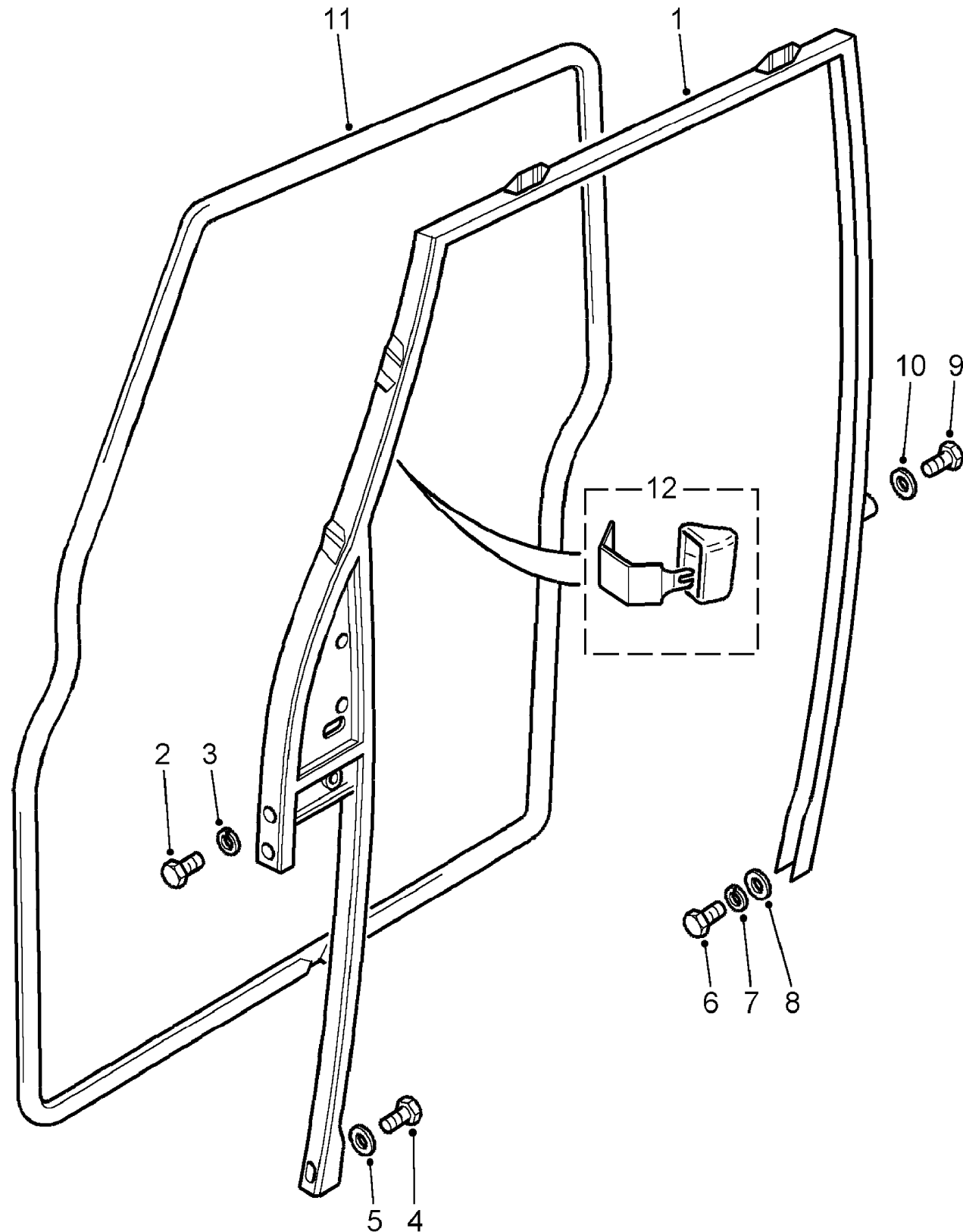
Callout	Name	Application	Remarks & Restrictions	Service No.	Qty
8	Hinge assembly-front door		RH	MXC2166	2
			LH	MXC2167	2
9	Shim-door hinge		1.30MM	ALR1976	4
			0.50MM	MXC9336	4
10	Hinge A post		RH, Upper	MXC2164	1
			Upper, LH	MXC2165	1
			RH, Lower	MXC5770	1
			Lower, LH	MXC5771	1
11	Shim-door hinge			MWC8680	4
12	Screw			MXC1638	28
13	Circlip			MXC5267	4
14	Seal-waist-front door	Change point - VIN end LA081990	Outer, LH	BTR8865	1
			Outer, RH	BTR8864	1
			Change point - VIN begin MA081991	BTR9255	1
			Change point - VIN begin MA081991	BTR9256	1
15	Seal-front door waist inner	Change point - VIN end LA060522		MXC5891	2
			Change point - VIN begin LA060523	BTR8301	2
			LH	AWR5993	1
			RH	AWR5994	1
16	Plug-blanking		9.5MM, Plastic	338013	2
17	Plug-blanking		25.5MM, Plastic	338023	4
18	Glass door front		RH, 4.0MM	MWC8436	1
			4.0MM, LH	MWC8437	1
19	Channel-front door glass lift	Change point - VIN end LA081990		MUC2322	2
			Change point - VIN begin MA081991, Change point - VIN end MA137189	ALR6482	2
			Change point - VIN begin MA137190	ALR8022	1
20	Channel-front door glass run		4.0MM	MWC9602	2
21	Channel locating			MWC2941	2
22	Glazing rubber	Change point - VIN end MA139664	5.0MM	MUC2325	1
			Change point - VIN begin MA139665	ALR8990	1



CANXGA2A

UNIPART

Callout	Name	Application	Remarks & Restrictions	Service No.	Qty
23	Plate-Retaining			MXC1867	2
24	Shim-door hinge			ALR4722	2
25	Clip-Retaining		waist seal	331071	1
26	Water curtain		RH LH	BTR7134 BTR7135	1 1
27	Grommet		hinge face, RH hinge face, LH	AWR1440 AWR1441	1 1
[900]	Pin-door check arm			BDM100050	2

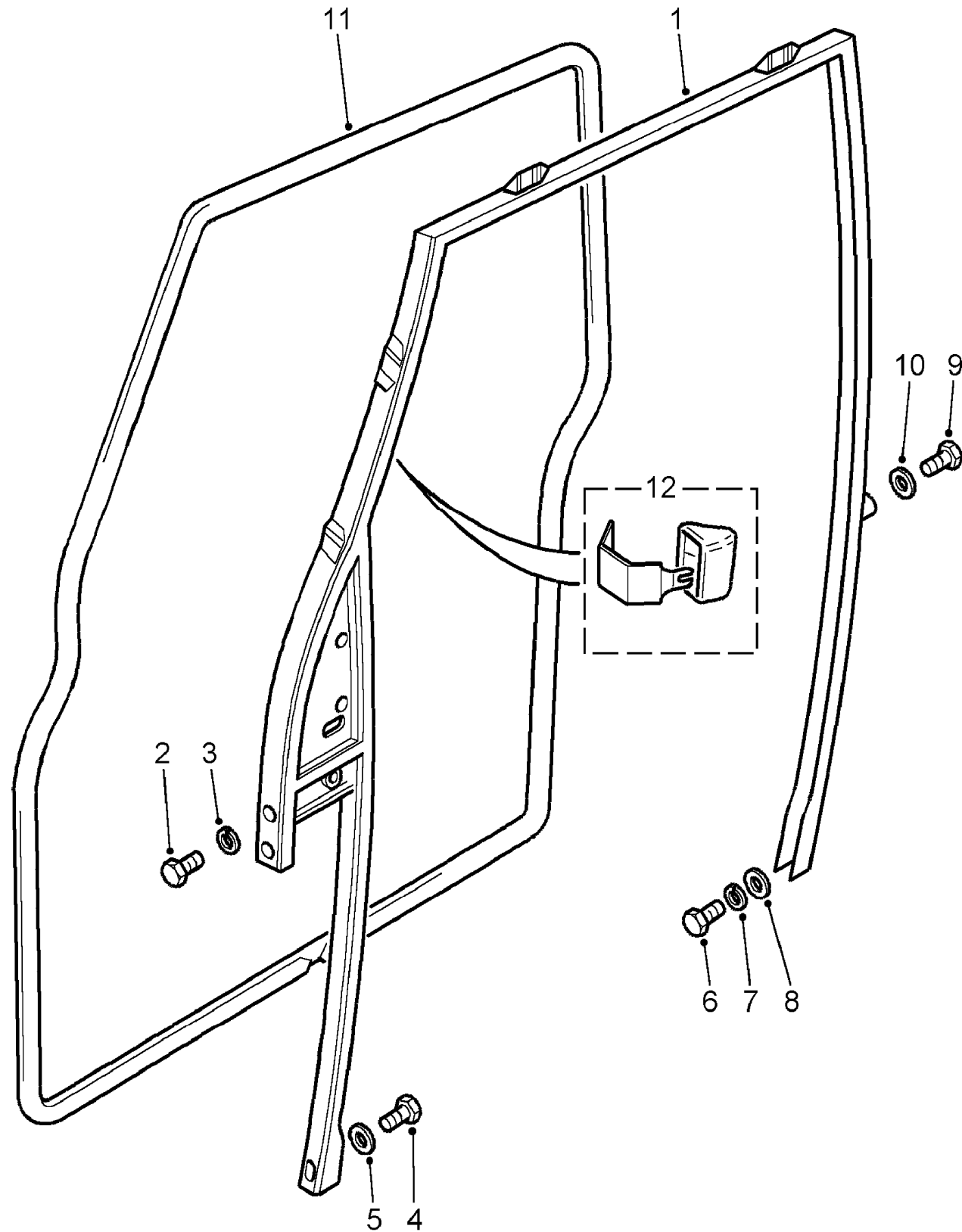


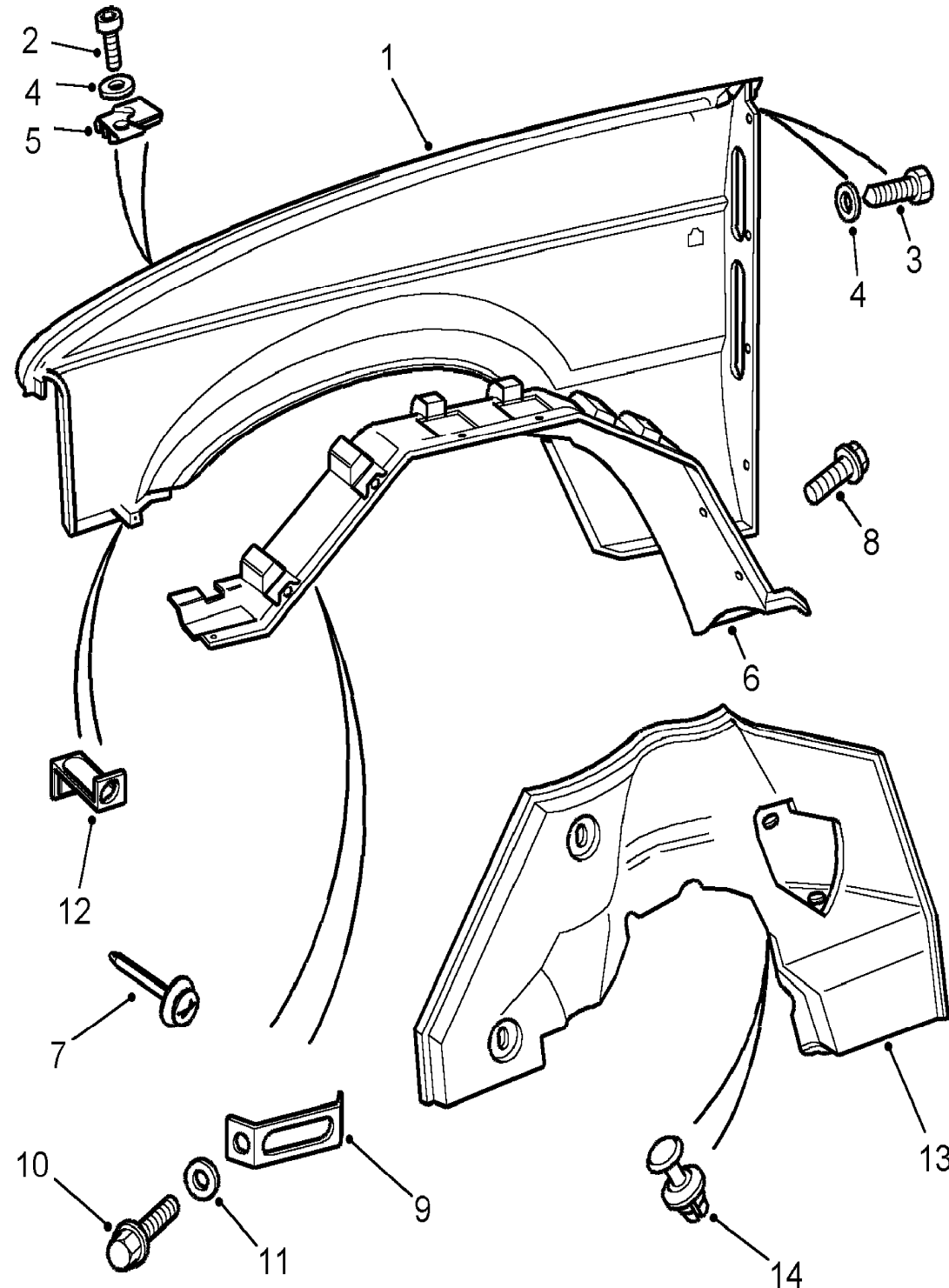
CANXGC1A

Callout	Name	Application	Remarks & Restrictions	Service No.	Qty
1	Frame-front door	Change point - VIN end LA081990	RH	MXC8922	1
		Change point - VIN end LA081990	LH	MXC8923	1
		Change point - VIN begin MA081991, Change point - VIN end MA129286	RH	ALR2968	1
		Change point - VIN begin MA081991, Change point - VIN end MA129286	LH	ALR2967	1
		Change point - VIN begin MA129287	RH	ALR7970	1
		Change point - VIN begin MA129287	LH	ALR7969	1
		2	Screw		Torx Drive
3	Washer		M8, starlock	WF108001L	4
4	Screw			GG106301L	4
5	Washer		M6	WA106001L	4
6	Screw		M8 X 15, hexagonal head	SH108151L	2
7	Washer		8MM	WA108051L	2
8	Washer		M8, sprung	WL108001L	2
9	Screw	Change point - VIN end KA036477	hexagonal head, M8 x 12	SH108121L	2
		Change point - VIN begin KA036478	hexagonal head, M8 x 10	SH108101L	2
10	Washer	Change point - VIN end KA036477	M8, sprung	WL108001L	2
11	Seal-front door		No Longer Available - Use Black Seals, RH, Sonar Blue	ALR1590JUL	1
			No Longer Available - Use Black Seals, RH, Bahama Beige	ALR1590SUC	1
			No Longer Available - Use Black Seals, RH, Dark Granite	ALR1590LOY	1
			No Longer Available - Use Black Seals, Sonar Blue, LH	ALR1591JUL	1
			No Longer Available - Use Black Seals, Bahama Beige, LH	ALR1591SUC	1
			No Longer Available - Use Black Seals, Dark Granite, LH	ALR1591LOY	1
12	Guide-front door glass			ALR6498	2
[900]	Guide-front door glass			CUC100140	2

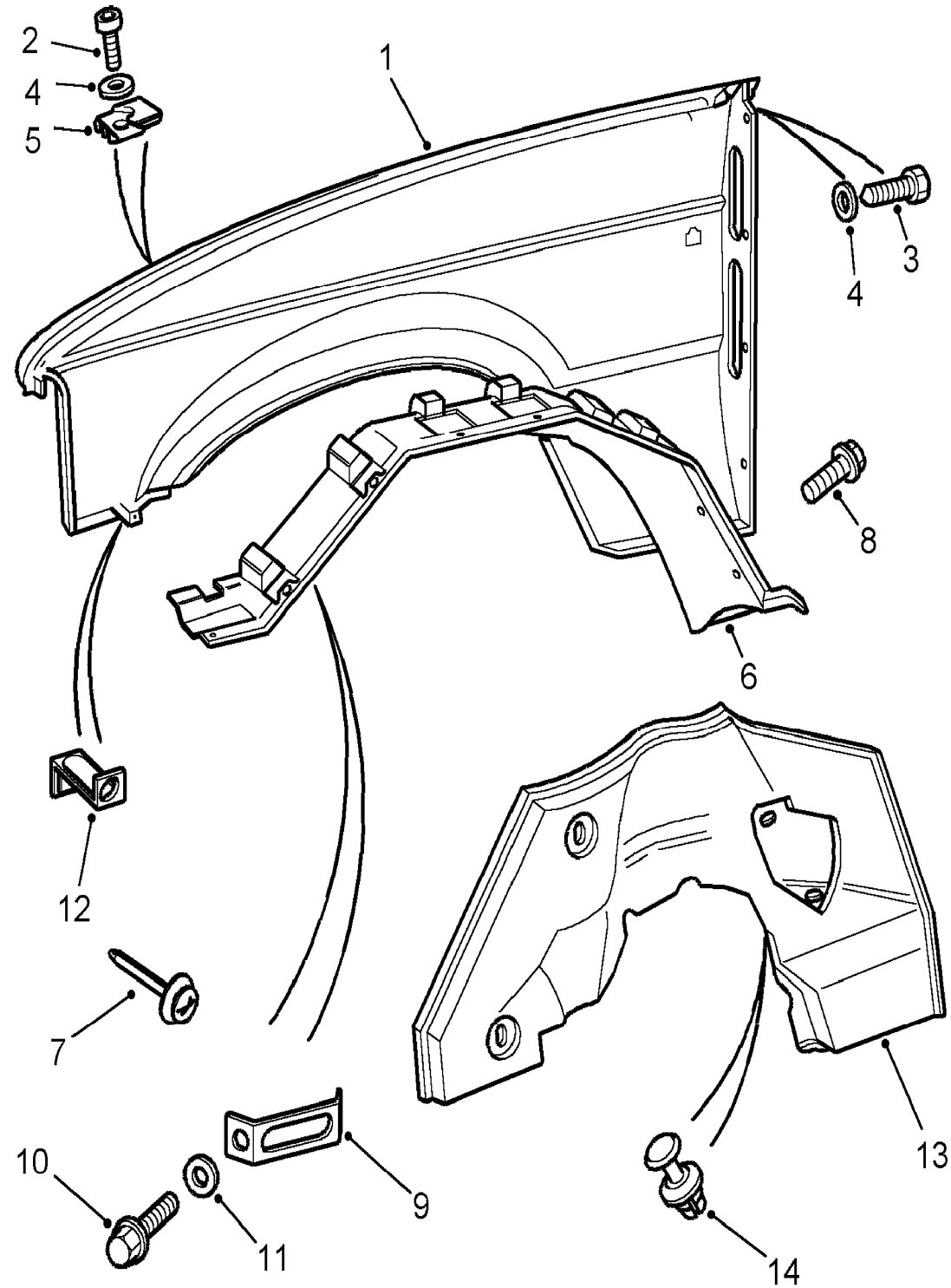
Callout	Name	Application	Remarks & Restrictions	Service No.	Qty
---------	------	-------------	------------------------	-------------	-----

[901]	Washer		8MM, sprung	WL108007	2
-------	--------	--	-------------	----------	---



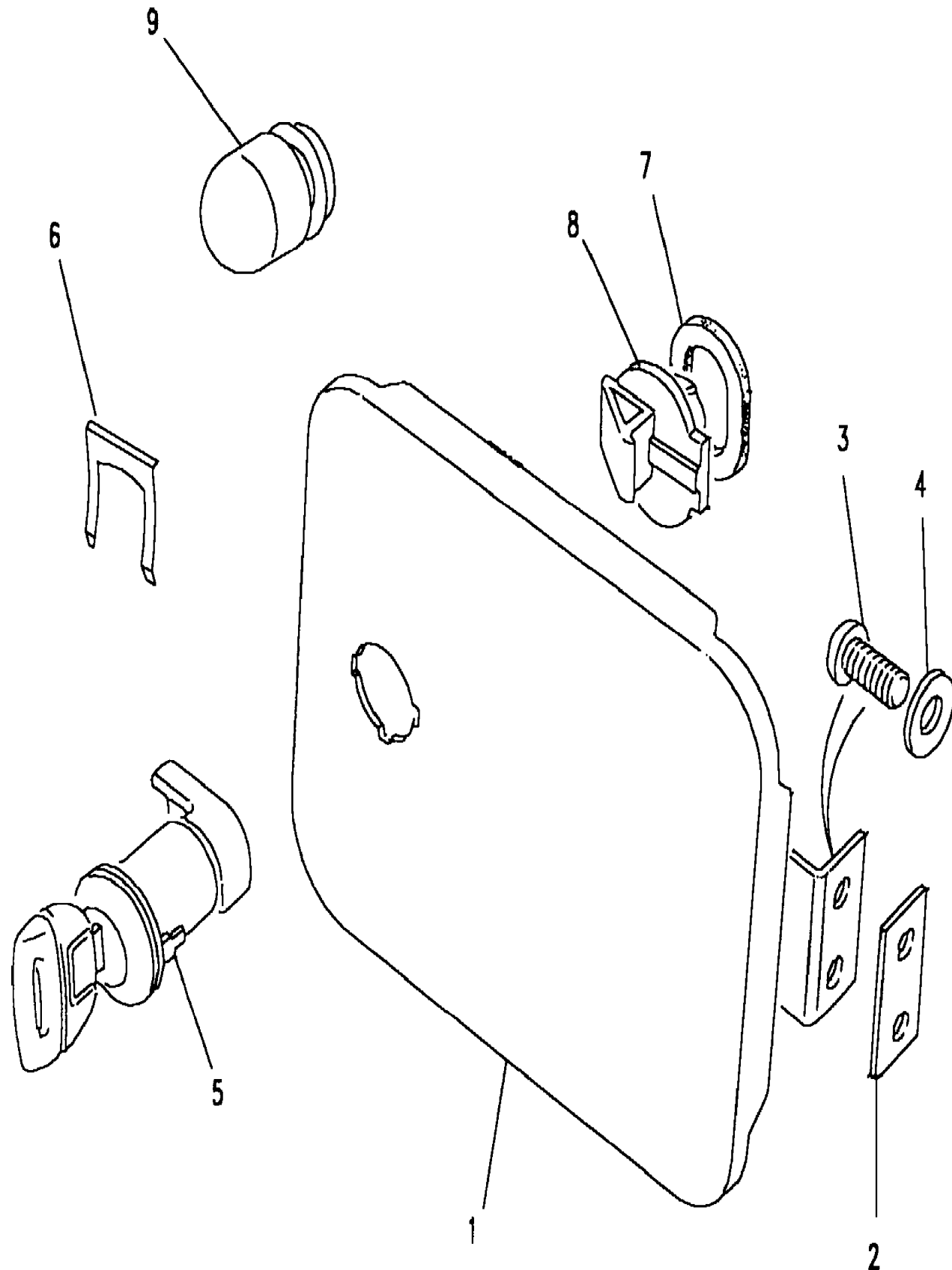


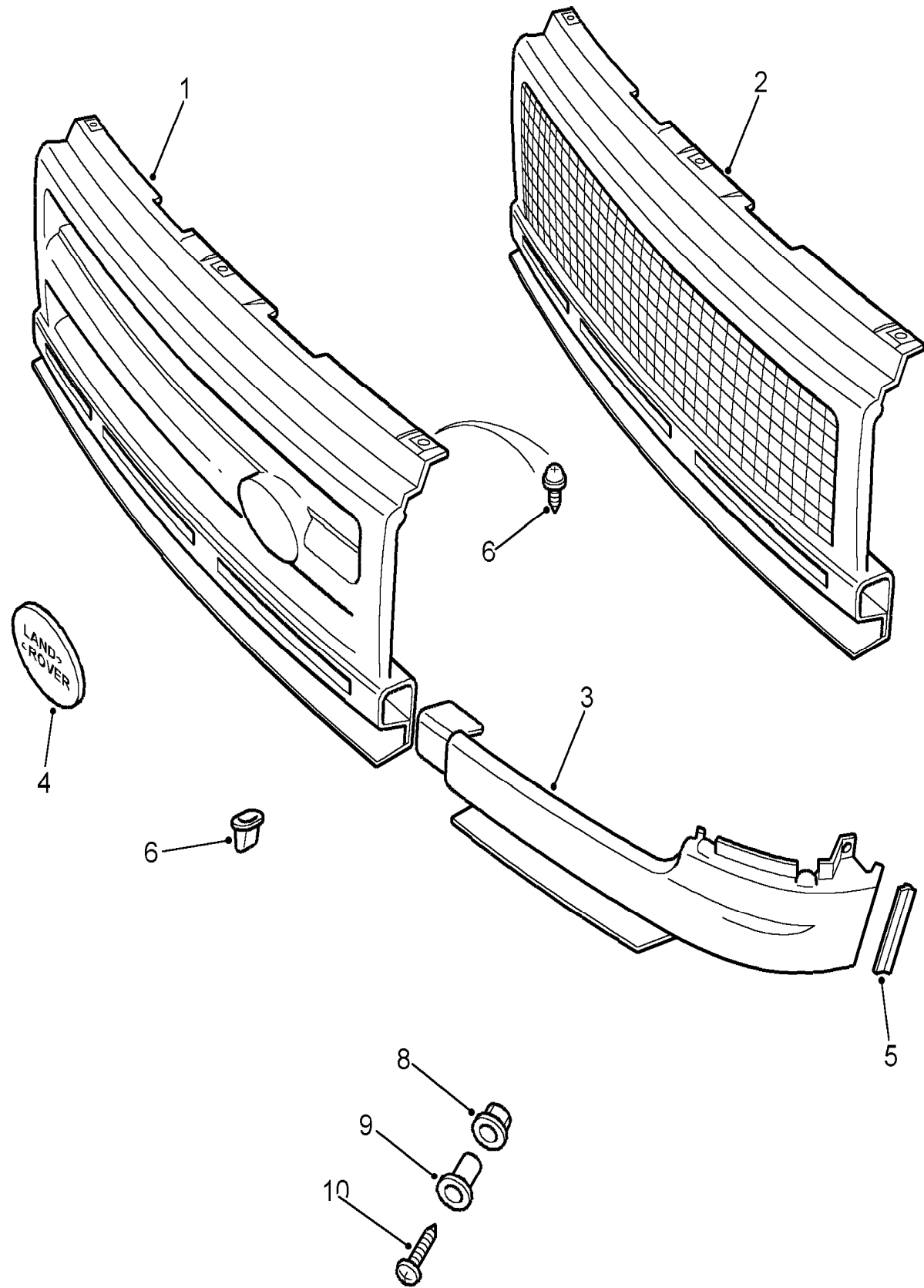
Callout	Name	Application	Remarks & Restrictions	Service No.	Qty
1	Wing front	Change point - VIN end LA081990	RH	MWC6754	1
		Change point - VIN end LA081990	LH	MWC6755	1
		Change point - VIN begin MA081991, Change point - VIN end MA163103	RH	ALR6682	1
		Change point - VIN begin MA500000, Change point - VIN end MA501919	RH	ALR6682	1
		Change point - VIN begin MA081991, Change point - VIN end MA163103	RH	ALR6682	1
		Change point - VIN begin MA081991, Change point - VIN end MA163103	LH	ALR6681	1
		Change point - VIN begin MA500000, Change point - VIN end MA501919	LH	ALR6681	1
		Change point - VIN begin MA081991, Change point - VIN end MA163103	LH	ALR6681	1
		Change point - VIN begin TA163104, Change point - VIN end TA199999	RH	ALR8568	1
		Change point - VIN begin TA501920, Change point - VIN end TA534103	RH	ALR8568	1
		Change point - VIN begin TA700000, Change point - VIN end TA703236	RH	ALR8568	1
		Change point - VIN begin TA163104, Change point - VIN end TA199999	RH	ALR8568	1
		Change point - VIN begin TA501920, Change point - VIN end TA534103	RH	ALR8568	1
		Change point - VIN begin TA163104, Change point - VIN end TA199999	LH	ALR8569	1
		Change point - VIN begin TA501920, Change point - VIN end TA534103	LH	ALR8569	1
		Change point - VIN begin TA700000, Change point - VIN end TA703236	LH	ALR8569	1
		Change point - VIN begin TA163104, Change point - VIN end TA199999	LH	ALR8569	1
		Change point - VIN begin TA501920, Change point - VIN end TA534103	LH	ALR8569	1
		Change point - VIN begin VA534104	RH	ALR9878	1
		Change point - VIN begin VA703237	RH	ALR9878	1
		Change point - VIN begin VA703237	RH	ALR9878	1
		Change point - VIN begin VA534104	LH	ALR9877	1
		Change point - VIN begin VA703237	LH	ALR9877	1



Callout	Name	Application	Remarks & Restrictions	Service No.	Qty
1	Wing front	Change point - VIN begin VA703237	LH	ALR9877	1
2	Screw-self tapping		No 12 x 3/4	AB612061L	14
3	Bolt		M6 X 20	SR106201	12
4	Washer		M6, oversize	WC106041L	26
5	Nut-spire			79019	14
6	Liner-front wheelarch	Change point - VIN end LA081990	RH	BTR2911	1
		Change point - VIN end LA081990	LH	BTR2912	1
		Change point - VIN begin MA081991	LH	BTR8931	1
		Change point - VIN begin MA081991	RH	BTR8932	1
7	Rivet	Change point - VIN end MA142912	liner to wing	BTR9126	6
		Change point - VIN begin MA142913	liner to wing	RY612363	6
8	Screw			MXC3120	4
9	Stay			MXC1097	2
10	Screw-flanged head		M6 X 16, Flanged Head	FS106167L	2
11	Washer		Standard	3900L	2
12	Bracket-fender support		Front	MXC1054	2
13	Liner-fender	Change point - VIN begin VA703237	RH	AWR3842	1
		Change point - VIN begin VA534104	RH	AWR3842	1
		Change point - VIN end VA731768	RH	AWR3842	1
		Change point - VIN begin VA731769	RH	CLF101500	1
		Change point - VIN begin VA534104	LH	AWR3841	1
		Change point - VIN begin VA703237	LH	AWR3841	1
		Change point - VIN begin VA703237	LH	AWR3841	1
14	Rivet-plastic-drive	Change point - VIN begin VA534104	liner to wing	ANR2224	4
		Change point - VIN begin VA703237	liner to wing	ANR2224	4
		Change point - VIN begin VA703237	liner to wing	ANR2224	4

Callout	Name	Application	Remarks & Restrictions	Service No.	Qty
1	Fuel filler door assembly		Also serviced as part of a kit	ALR5404	1
2	Shim			MXC6366	X
3	Screw		M8 X 16	SE104161L	2
4	Washer-Plain			WC104001L	2
5	Lock-fuel filler flap		Also serviced as part of a kit	RTC6687	1
6	Clip		Also serviced as part of a kit	CDP6702L	1
7	Washer-sealing			CDP1568L	1
8	Striker-fuel filler door			CDP1567L	1
9	Buffer filler flap			MWC9919	2
[900]	Spring-fuel fill door		Also serviced as part of a kit	CCP2208	1





Change point - VIN begin MA081992

Callout	Name	Application	Remarks & Restrictions	Service No.	Qty
1	Grille assembly-radiator	Change point - VIN begin MA081991		AWR2541	1
				DHB102510LML	1
2	Grille assembly-radiator		Less Alternatives	DHB102590LML	1
		(+)"GCC"		DHB102590LML	1
3	Finisher-primed headlamp	Change point - VIN begin MA081991	RH	AWR2544	1
		Change point - VIN begin MA081991	RH	DHH100760LML	1
			LH	AWR2543	1
			LH	DHH100770LML	1
4	Badge-Land Rover	Change point - VIN begin MA081991	grille radiator, Silver.	BTR8401	1
5	Finisher-headlamp	Change point - VIN begin MA081991		AWR1032	1
6	Grommet	Change point - VIN begin MA081991		BTR6638	2
7	Screw-pan	Change point - VIN begin MA081991		AB610055	3
8	Nut - Hex.	Change point - VIN begin MA081991	M5, flange, D Terminal	FN105041L	1
9	Clip-snap-sack	Change point - VIN begin MA081991		MWC9136	1
				EYC101460	1
10	Screw	Change point - VIN begin MA081991	Black, M5 x 16	SE105165L	1
[900]	Grille assembly-radiator		Highland Green	DHB102480HPG	1
[901]	Screw			AB610055L	3

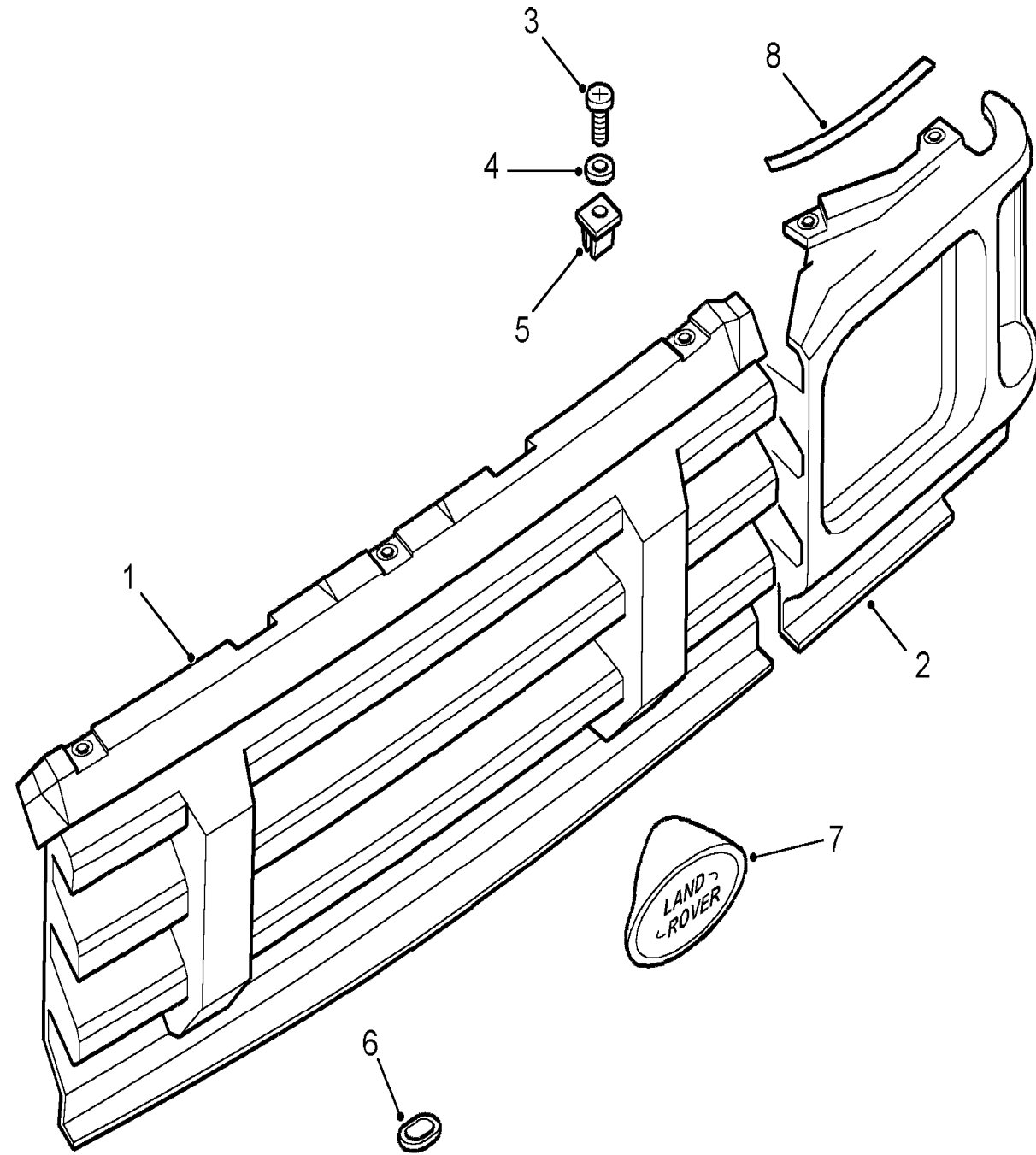
Body & Chassis

Discovery (FA393361-WA799999)

Body

Grille & Headlamp Surround 1/1

(CANXDA1B)



Discovery (FA393361-WA799999)

Body & Chassis

Body

Grille & Headlamp Surround

Change point - VIN end LA081990

Callout	Name	Application	Remarks & Restrictions	Service No.	Qty
1	Grille assembly-radiator		Black	MXC5649PUB	1
2	Finisher-headlamp	Change point - VIN end LA070171	Black, RH	MXC6383PUB	1
		Change point - VIN end LA070171	Black, LH	MXC6384PUB	1
		Change point - VIN begin LA070172, Change point - VIN end LA081990	RH	BTR8918	1
		Change point - VIN begin LA070172, Change point - VIN end LA081990	LH	BTR8919	1
3	Screw-pan	Change point - VIN begin GA394352, Change point - VIN end GA456980	10MM	AB610045	7
		Change point - VIN begin HA000001, Change point - VIN end HA010244	10MM	AB610045	7
		Change point - VIN begin HA456981, Change point - VIN end HA486551	10MM	AB610045	7
		Change point - VIN begin JA012333		AB610055	7
		Change point - VIN begin HA010245, Change point - VIN end HA012332		AB610055	7
4	Washer			WC702105	7
5	Nut-lokut			RTC3743	7
6	Grommet			MXC1552	6
7	Badge-Land Rover			MXC5323	1
8	Seal			BTR8917	1
[900]	Screw			AB610055L	7

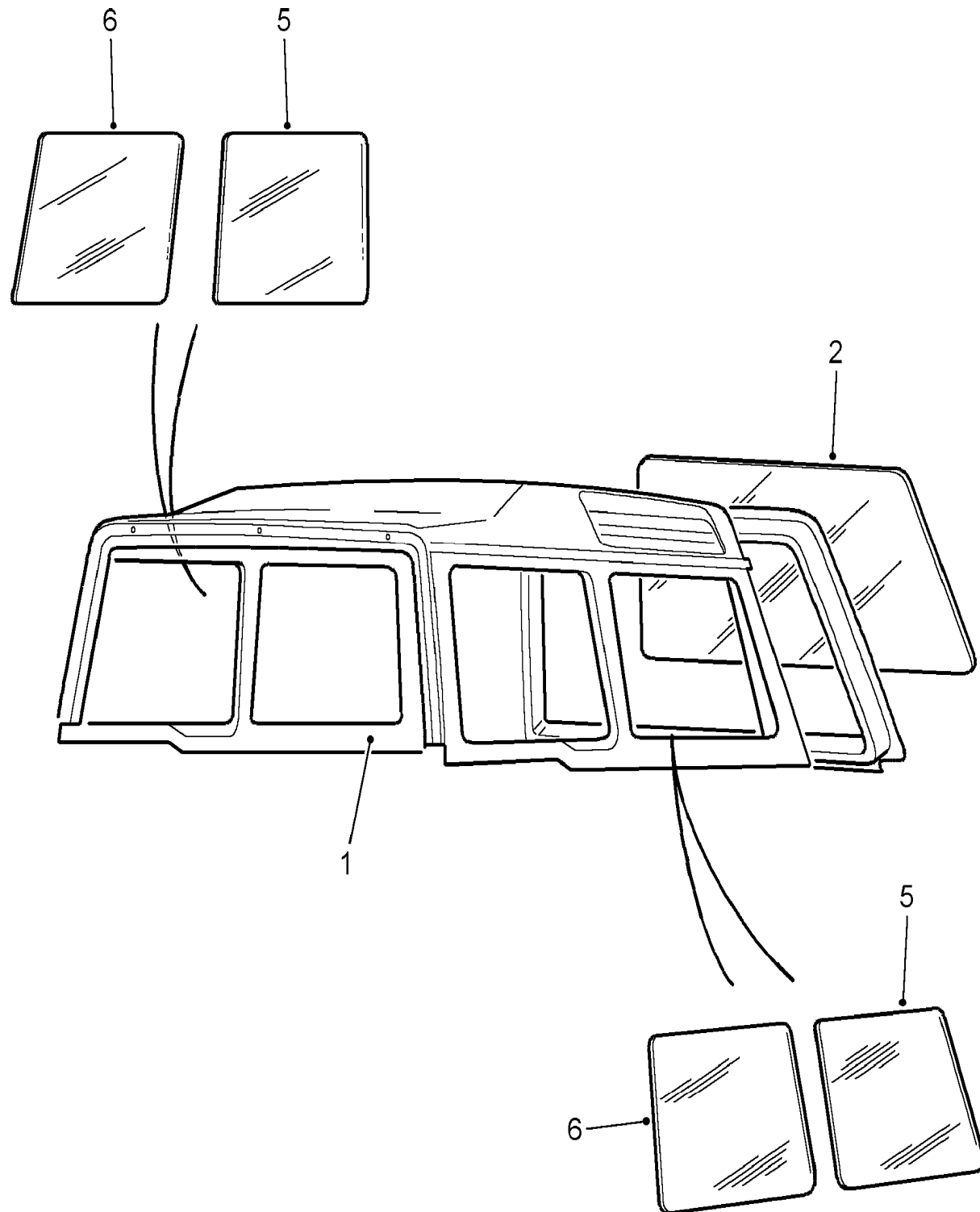
Body & Chassis

Discovery (FA393361-WA799999)

Body

Hard Top & Glass-Pick Up-Denmark 1/1

(CANXVC1A)



Discovery (FA393361-WA799999)

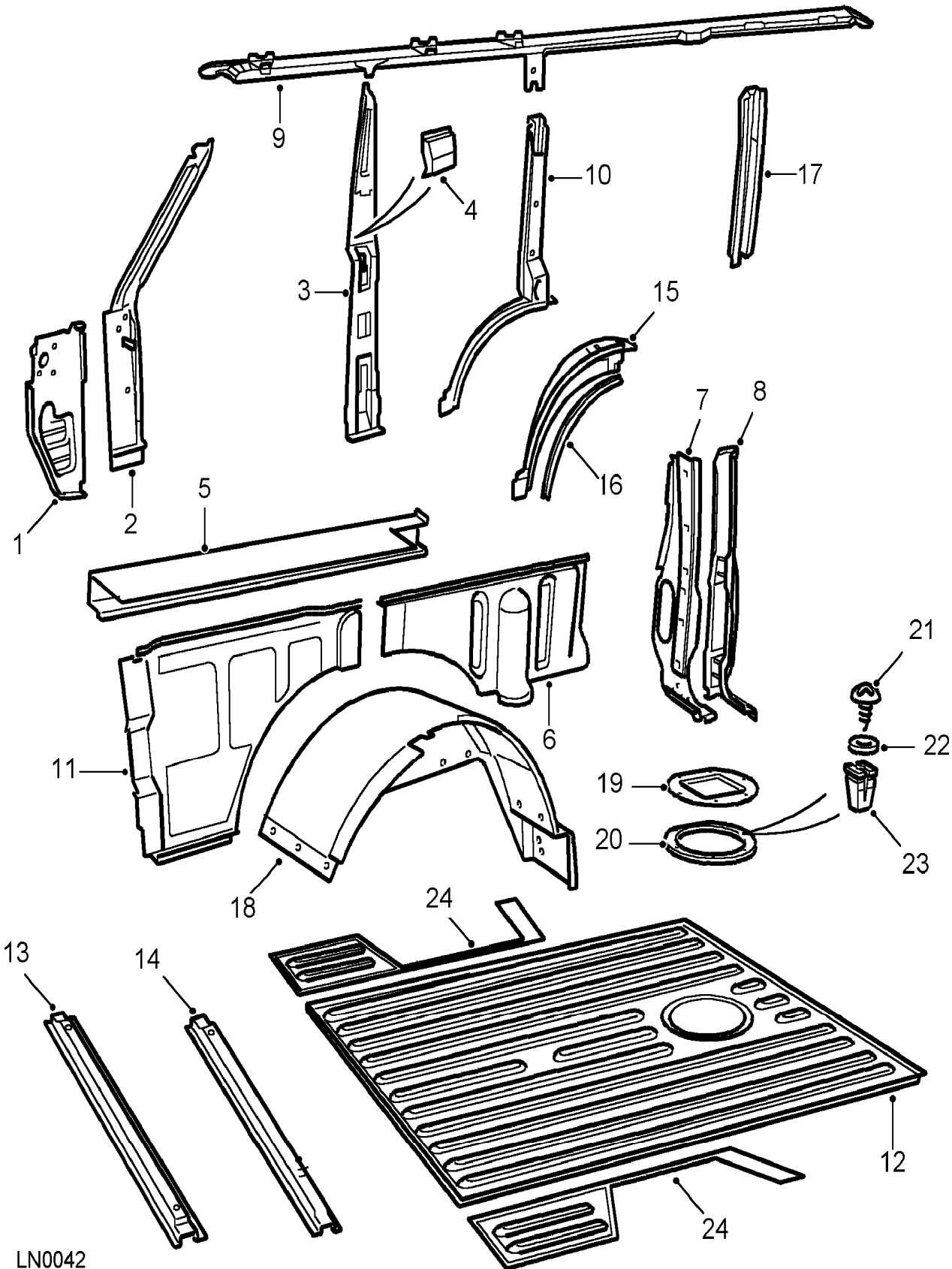
Body & Chassis

Body

Hard Top & Glass-Pick Up-Denmark

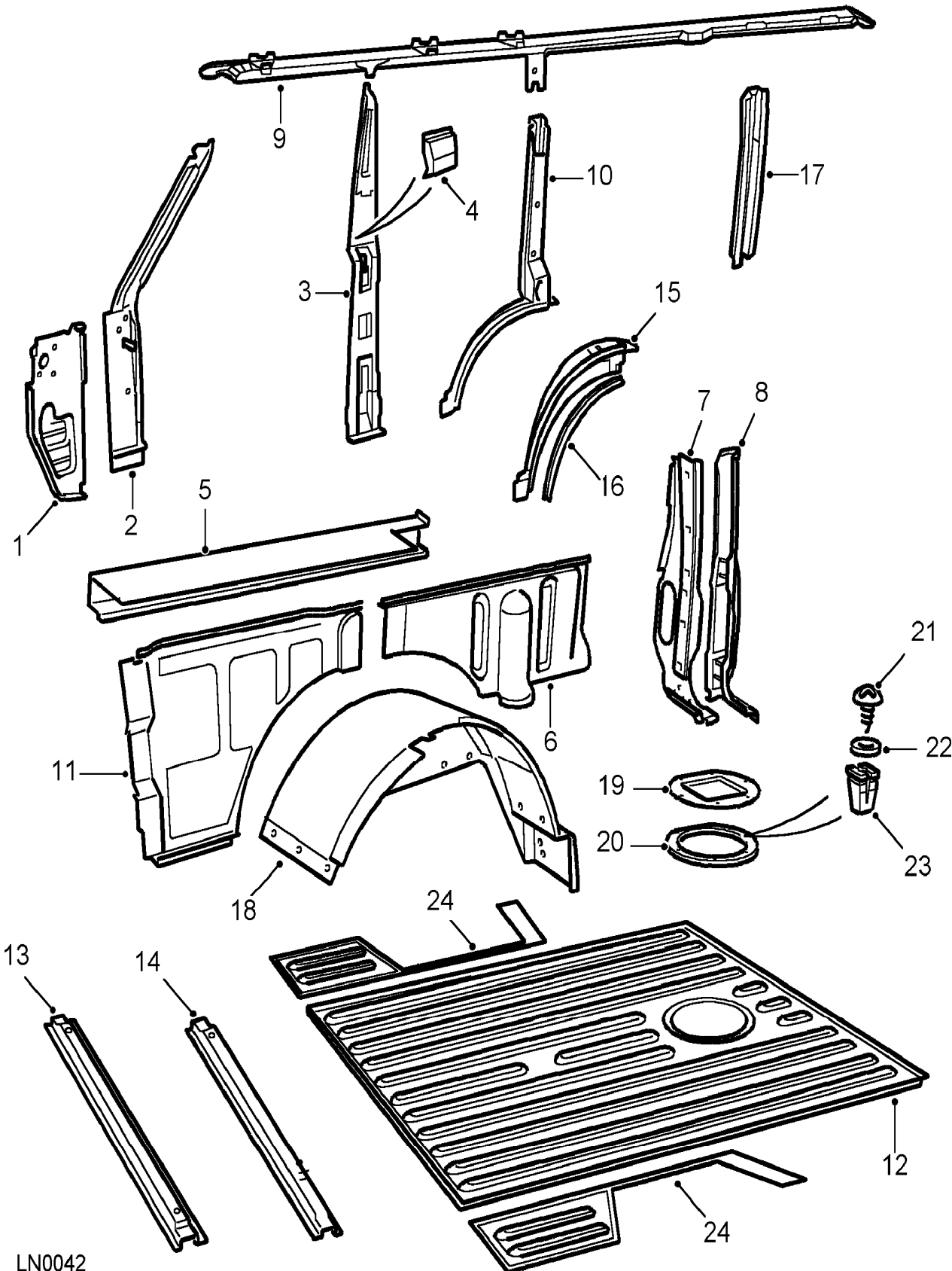
(+)"DK"

Callout	Name	Application	Remarks & Restrictions	Service No.	Qty
1	Hardtop assembly		C/W tailgate, Also serviced as part of a kit	STC7156	1
2	Tailgate assembly		Also serviced as part of a kit, glass reinforced plastic, Upper	STC60092	1
3	Hinge assembly-tailgate		Also serviced as part of a kit, Upper	STC7158	2
4	Glass-rear door clear			STC7155	1
5	Strut-tailgate gas			STC7157	2
6	Glass-rear quarter		RH LH	STC7154 STC7153	1 1
7	Glass-rear quarter		RH LH	STC7152 STC7151	1 1



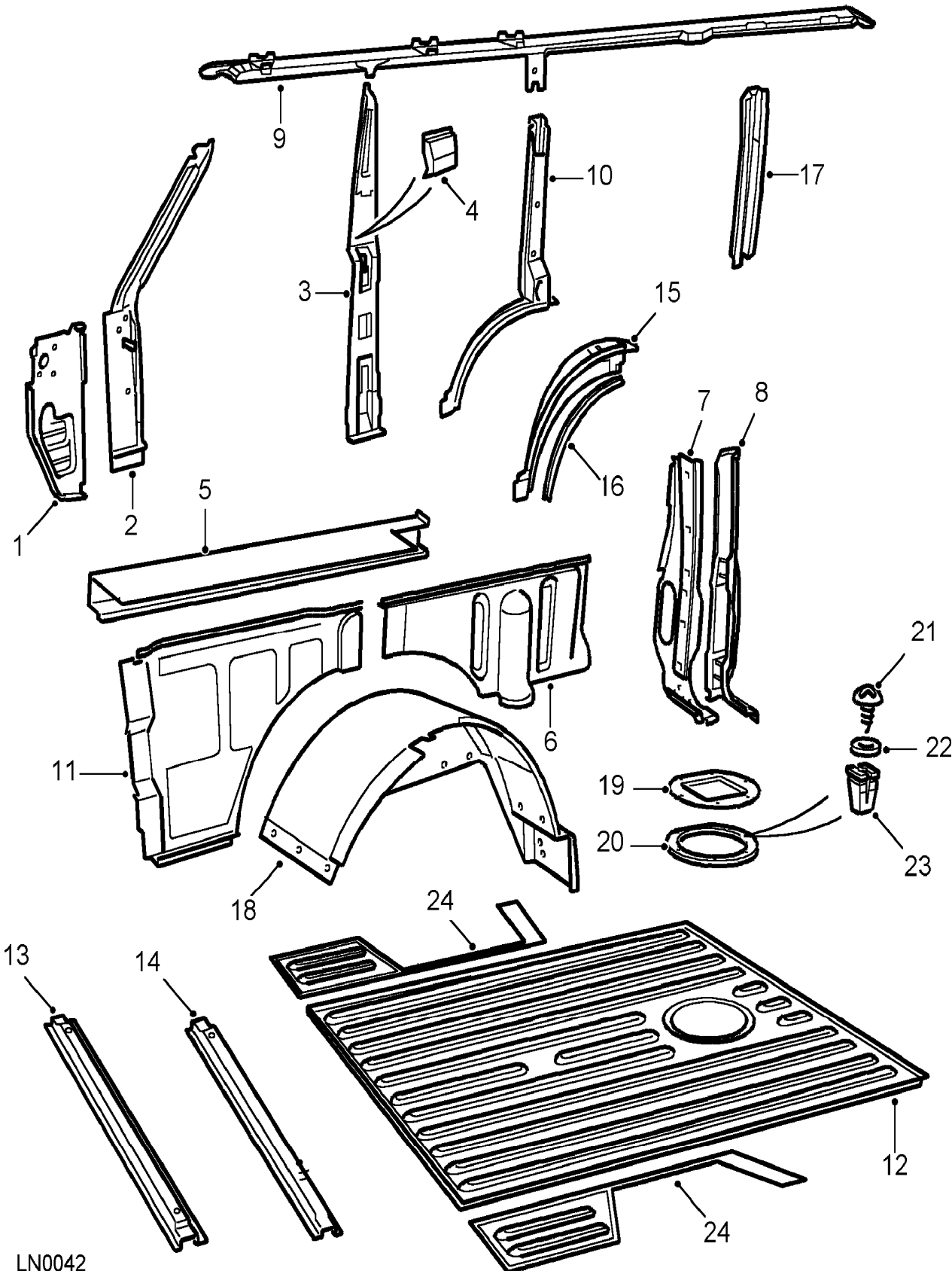
LN0042

Callout	Name	Application	Remarks & Restrictions	Service No.	Qty
1	Panel-longitudinal/dash side	Twin Carb	RH	MWC8394	1
		Twin Carb	LH	MWC8395	1
		Change point - VIN end LA081990	Less Twin Carburettor, RH	MXC7452	1
		Change point - VIN end LA081990	Less Twin Carburettor, LH	MXC7453	1
		Change point - VIN begin MA081991, Change point - VIN end MA163103	Less Twin Carburettor, RH	ALR5632	1
		Change point - VIN begin MA500000, Change point - VIN end TA501919	Less Twin Carburettor, RH	ALR5632	1
		Change point - VIN begin MA081991, Change point - VIN end MA163103	Less Twin Carburettor, LH	ALR5633	1
		Change point - VIN begin MA500000, Change point - VIN end TA501919	Less Twin Carburettor, LH	ALR5633	1
		Change point - VIN begin TA163104	Less Twin Carburettor, LH	ALR9345	1
		Change point - VIN begin TA501920	Less Twin Carburettor, LH	ALR9345	1
		Change point - VIN begin TA163104	Less Twin Carburettor, RH	ALR9344	1
		Change point - VIN begin TA501920	Less Twin Carburettor, RH	ALR9344	1
		2	A post	Change point - VIN end LA081990	RH
Change point - VIN end LA081990	LH			MXC1029	1
Change point - VIN begin MA081991	RH			ALR6994	1
Change point - VIN begin MA081991	LH			ALR6993	1
3	BC post	Change point - VIN end LA081990, 3 Door Station Wagon	RH	MWC7484	1
		Change point - VIN end LA081990, 3 Door Station Wagon	LH	MWC7485	1
		Change point - VIN begin MA081991, 3 Door Station Wagon	RH	ALR3872	1
		Change point - VIN begin MA081991, 3 Door Station Wagon	LH	ALR3871	1
		5 Door Station Wagon	LH	ALR4457	1
		5 Door Station Wagon	RH	ALR4458	1
4	Escutcheon- BC post lower			BTR1684	1
5	Sill	Change point - VIN end JA034313, 3 Door Station Wagon	Outer, RH	MWC7502	1
		Change point - VIN end JA034313, 3 Door Station Wagon	Outer, LH	MWC7503	1



LN0042

Callout	Name	Application	Remarks & Restrictions	Service No.	Qty
5	Sill	Change point - VIN begin KA034314, 3 Door Station Wagon	Outer, RH	ALR3784	1
		Change point - VIN begin KA034314, 3 Door Station Wagon	Outer, LH	ALR3783	1
		5 Door Station Wagon	Outer, RH	ALR3282	1
		5 Door Station Wagon	Outer, LH	ALR3283	1
			RH, Inner Inner, LH	MWC9060 MWC9061	1 1
6	Panel inner	Change point - VIN end JA034313	RH	MXC7464	1
		Change point - VIN begin KA034314, Change point - VIN end LA081990	RH	ALR4472	1
		Change point - VIN end LA081990	LH	ALR4473	1
		Change point - VIN begin MA081991, Change point - VIN end MA094034	RH	ALR3748	1
		Change point - VIN begin MA081991, Change point - VIN end MA094034	LH	ALR3747	1
		Change point - VIN begin MA094035, Change point - VIN end MA163103	RH	ALR7604	1
		Change point - VIN end MA501919	RH	ALR7604	1
		Change point - VIN begin MA094035, Change point - VIN end MA163103	LH	ALR7603	1
		Change point - VIN end MA501919	LH	ALR7603	1
		Change point - VIN begin TA163104	RH	ALR9608	1
		Change point - VIN begin TA501920	RH	ALR9608	1
		Change point - VIN begin TA163104	LH	ALR9607	1
		Change point - VIN begin TA501920	LH	ALR9607	1
		7	Panel closing	Change point - VIN end JA034313	RH
Change point - VIN end JA034313	LH			MXC7758	1
Change point - VIN begin KA034314	RH			ALR6054	1
Change point - VIN begin KA034314	LH			ALR6055	1
8	Panel outer		Outer, RH	MWC7564	1
			Outer, LH	MWC7565	1
9	Cantrail assembly	Change point - VIN end LA081990	RH	MWC7488	1
		Change point - VIN end LA081990	LH	MWC7489	1
		Change point - VIN begin MA081991	RH	ALR5576	1



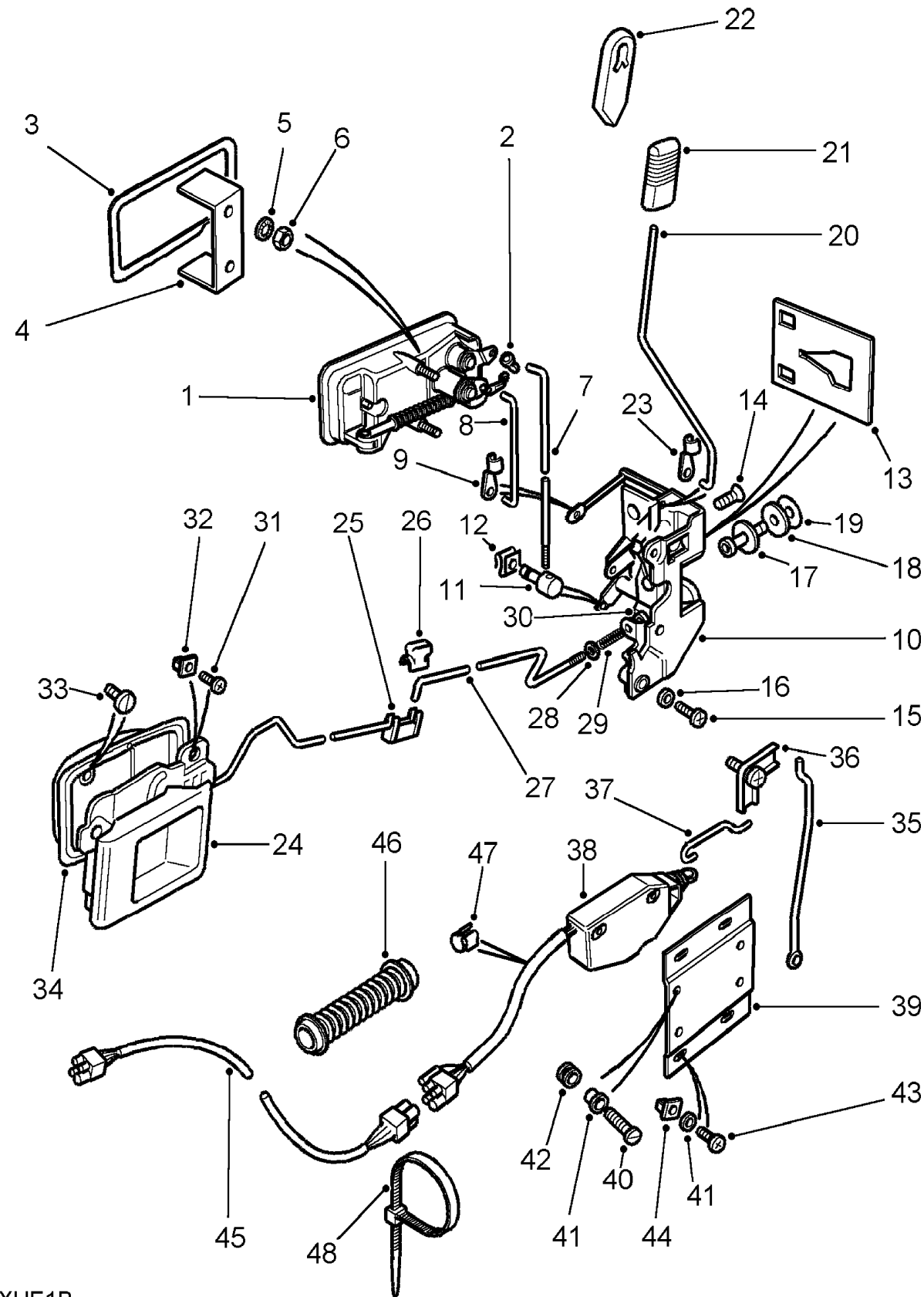
LN0042

Callout	Name	Application	Remarks & Restrictions	Service No.	Qty
9	Cantrail assembly	Change point - VIN begin MA081991	LH	ALR5577	1
10	D post	5 Door Station Wagon 5 Door Station Wagon	RH LH	STC378 STC379	1 1
11	Panel outer	3 Door Station Wagon 3 Door Station Wagon	LH RH	MXC7019 MXC7020	1 1
12	Panel Floor	Change point - VIN end TA518820 Change point - VIN end TA188059 Change point - VIN begin TA188060 Change point - VIN begin TA518821	Inner Inner Inner Inner	MWC7600 MWC7600 ASR1186 ASR1186	1 1 1 1
13	Crossmember Floor	Change point - VIN begin TA188060 Change point - VIN begin TA518821	Rear Rear Front	ASR1187 ASR1187 ALR8519	2 2 1
14	Crossmember Rear			ALR8520	1
15	Panel wheelarch	5 Door Station Wagon 5 Door Station Wagon	LH RH	MWC4841 MWC4840	1 1
16	Panel make up piece	5 Door Station Wagon 5 Door Station Wagon	LH RH	MXC9553 MXC9552	1 1
17	Panel inner D post	3 Door Station Wagon 3 Door Station Wagon	RH LH	MXC8662 MXC8663	1 1
18	Wheelarch assembly-rear	5 Door Station Wagon 5 Door Station Wagon	LH RH	ALR3789 ALR3790	1 1
19	Plate-fuel tank inspection		Also serviced as part of a kit	MXC1420	1
20	Seal-fuel tank inspection plate		Also serviced as part of a kit	MXC1421	1
21	Screw-self tapping AB		M8 x 12	AB610041L	6
22	Washer-Plain			WC702101L	6
23	Nut-lokut			RTC3743	6
24	Panel Floor		RH, Side Side, LH	ASR1594 ASR1595	1 1
[900]	Panel-floor extension	Commercial		STC7019	1

Body & Chassis
Body
Locks & Handles-Front Door 1/5

Discovery (FA393361-WA799999)

(CANXHE1B)



CANXHE1B

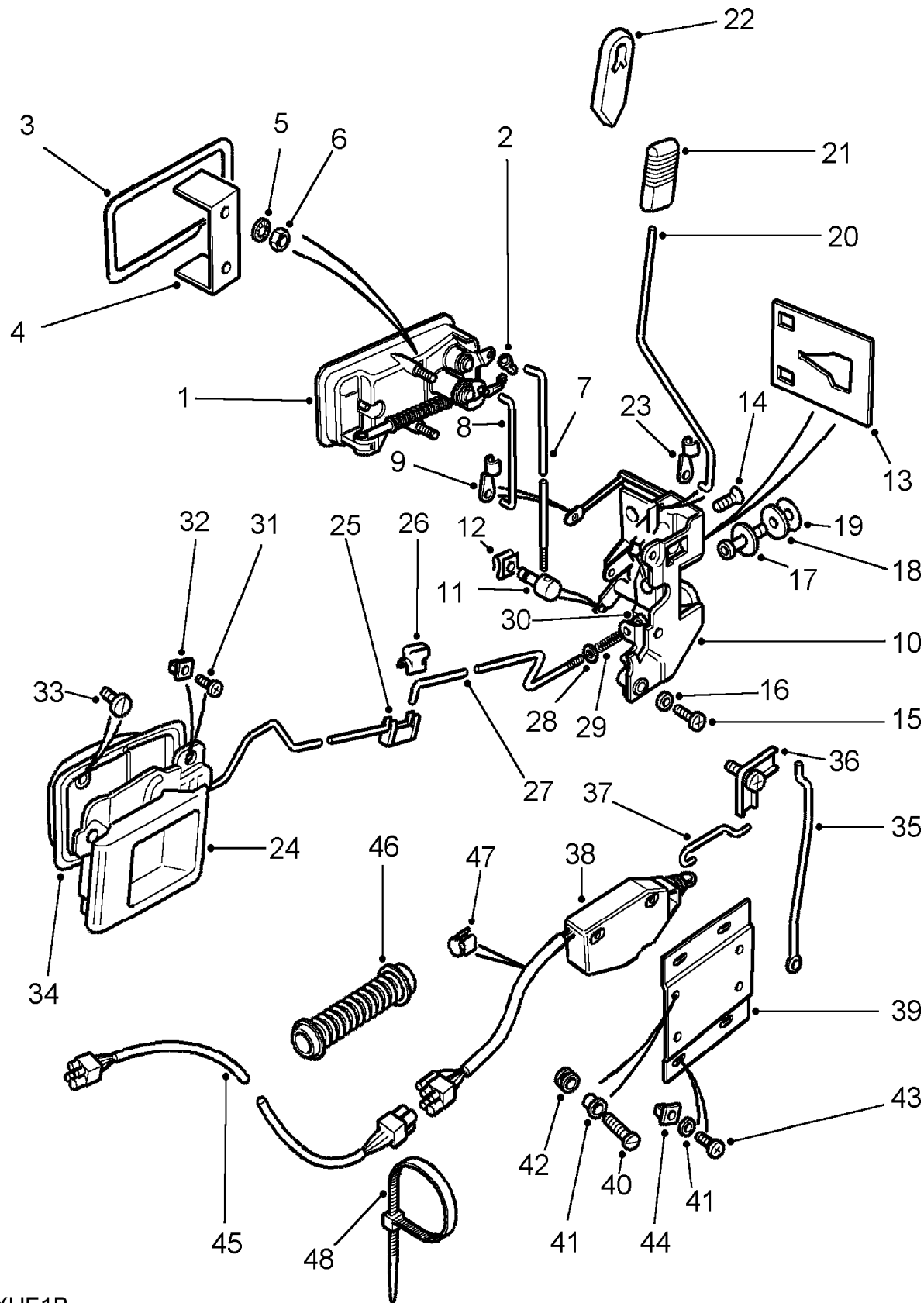
Discovery (FA393361-WA799999)

Body & Chassis
Body
Locks & Handles-Front Door

Callout	Name	Application	Remarks & Restrictions	Service No.	Qty
1	Handle assembly-front door	Less Anti-Theft Alarm	Less Burglar Alarm, Also serviced as part of a kit, RH	RTC6685	1
		Less Anti-Theft Alarm	Less Burglar Alarm, Also serviced as part of a kit, LH	RTC6686	1
		With Anti-Theft Alarm	Burglar Alarm, Also serviced as part of a kit, RH	ALR2254	1
		With Anti-Theft Alarm	Burglar Alarm, Also serviced as part of a kit, LH	ALR2255	1
2	Clip-linkage			BFP1265L	2
3	Seal			MXC3178	2
4	Bracket		Rear	MTC7188	2
5	Washer-Spring		rectangular, No 10, single coil	WL700101L	4
6	Nut - Hex.			251335	4
7	Link-handle			MTC9145	2
8	Link - locks	Change point - VIN end JA034313		MTC7029	2
		Change point - VIN begin KA034314		ALR3361	2
9	Clip			MTC9623	2
10	Latch assembly-front door		RH	MTC7593	1
			LH	MTC7592	1
11	Link adjusting			MTC9289	2
12	Clip-retainer pin			MTC9290	2
13	Seal			MUC1822	2
14	Screw	Change point - VIN end KA038343	No 6 x 12	SF106121L	4
		Change point - VIN begin KA038344	M6 X 16	SE106161L	4
15	Screw-pan		M6 X 12, pan head	SE106121L	2
16	Washer-Lock			WF702101L	2
17	Striker-Door Lock			390448	2
18	Seal-door lock striker			MWC7677	2
			Self Adhesive	FYF100150	2
19	Shim			391591	2
20	Link-front door sill button/latch	3 Door Station Wagon	RH	MXC6135	1
		3 Door Station Wagon	LH	MXC6136	1

Body & Chassis
Body
Locks & Handles-Front Door 2/5

Discovery (FA393361-WA799999)
(CANXHE1B)



CANXHE1B

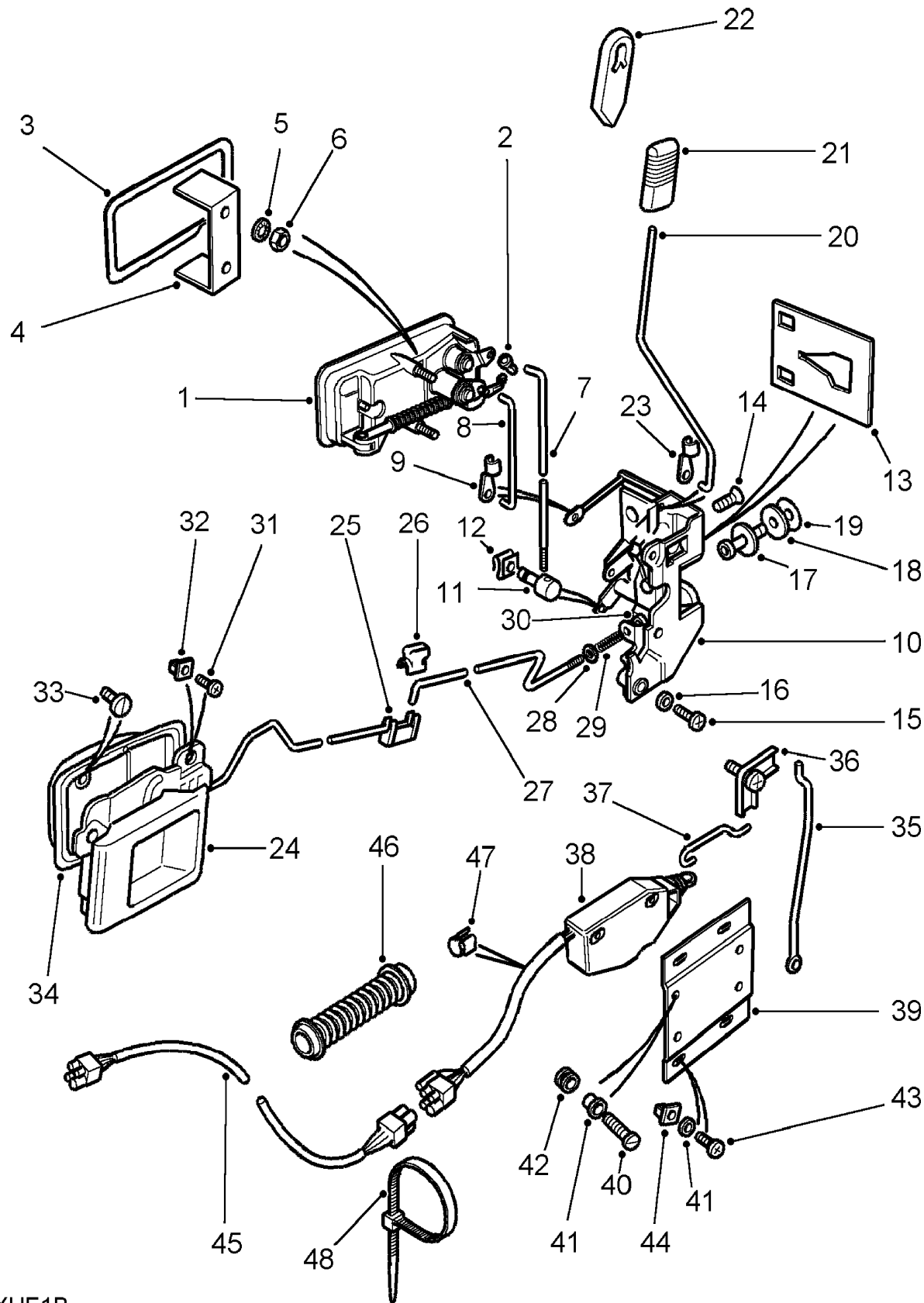
Discovery (FA393361-WA799999)

Body & Chassis
Body
Locks & Handles-Front Door

Callout	Name	Application	Remarks & Restrictions	Service No.	Qty		
20	Link-front door sill button/latch	Change point - VIN end JA034313, 5 Door Station Wagon	RH	BTR1059LUN	1		
		Change point - VIN end JA034313, 5 Door Station Wagon	LH	BTR1060LUN	1		
		Change point - VIN begin KA034314, Change point - VIN end VA703236, 5 Door Station Wagon	RH	BTR1059LNF	1		
		Change point - VIN begin KA034314, Change point - VIN end VA534103, 5 Door Station Wagon	RH	BTR1059LNF	1		
		Change point - VIN begin VA703237, 5 Door Station Wagon	Ash Grey, RH	AWR5266LNF	1		
		Change point - VIN begin VA534104, 5 Door Station Wagon	Ash Grey, RH	AWR5266LNF	1		
		Change point - VIN begin KA034314, Change point - VIN end VA703236, 5 Door Station Wagon	LH	BTR1060LNF	1		
		Change point - VIN begin KA034314, Change point - VIN end VA534103, 5 Door Station Wagon	LH	BTR1060LNF	1		
		Change point - VIN begin VA703237, 5 Door Station Wagon	Ash Grey, LH	AWR5267LNF	1		
		Change point - VIN begin VA534104, 5 Door Station Wagon	Ash Grey, LH	AWR5267LNF	1		
		21	Button sill	Change point - VIN end JA034313	Ash Grey	MXC3175LUN	2
				Change point - VIN begin KA034314, Change point - VIN end TA534103	Ash Grey	MXC3175LNF	2
				Change point - VIN begin KA034314, Change point - VIN end TA703236	Ash Grey	MXC3175LNF	2
22	Button sill	Change point - VIN begin VA534104	Ash Grey	AWR5250LNF	2		
		Change point - VIN begin VA703237	Ash Grey	AWR5250LNF	2		
23	Clip-linkage			BRC1393	2		
24	Handle assembly-door	Change point - VIN end JA034313	Ash Grey, RH, Inner	MXC2722LUN	1		
		Change point - VIN end JA034313	Ash Grey, Inner, LH	MXC2723LUN	1		
		Change point - VIN begin KA034314	Ash Grey, RH, Inner	MXC2722LNF	1		
		Change point - VIN begin KA034314	Ash Grey, Inner, LH	MXC2723LNF	1		
25	Connector fit			AFU3019	2		

Body & Chassis
Body
Locks & Handles-Front Door 3/5

Discovery (FA393361-WA799999)
(CANXHE1B)



CANXHE1B

Discovery (FA393361-WA799999)

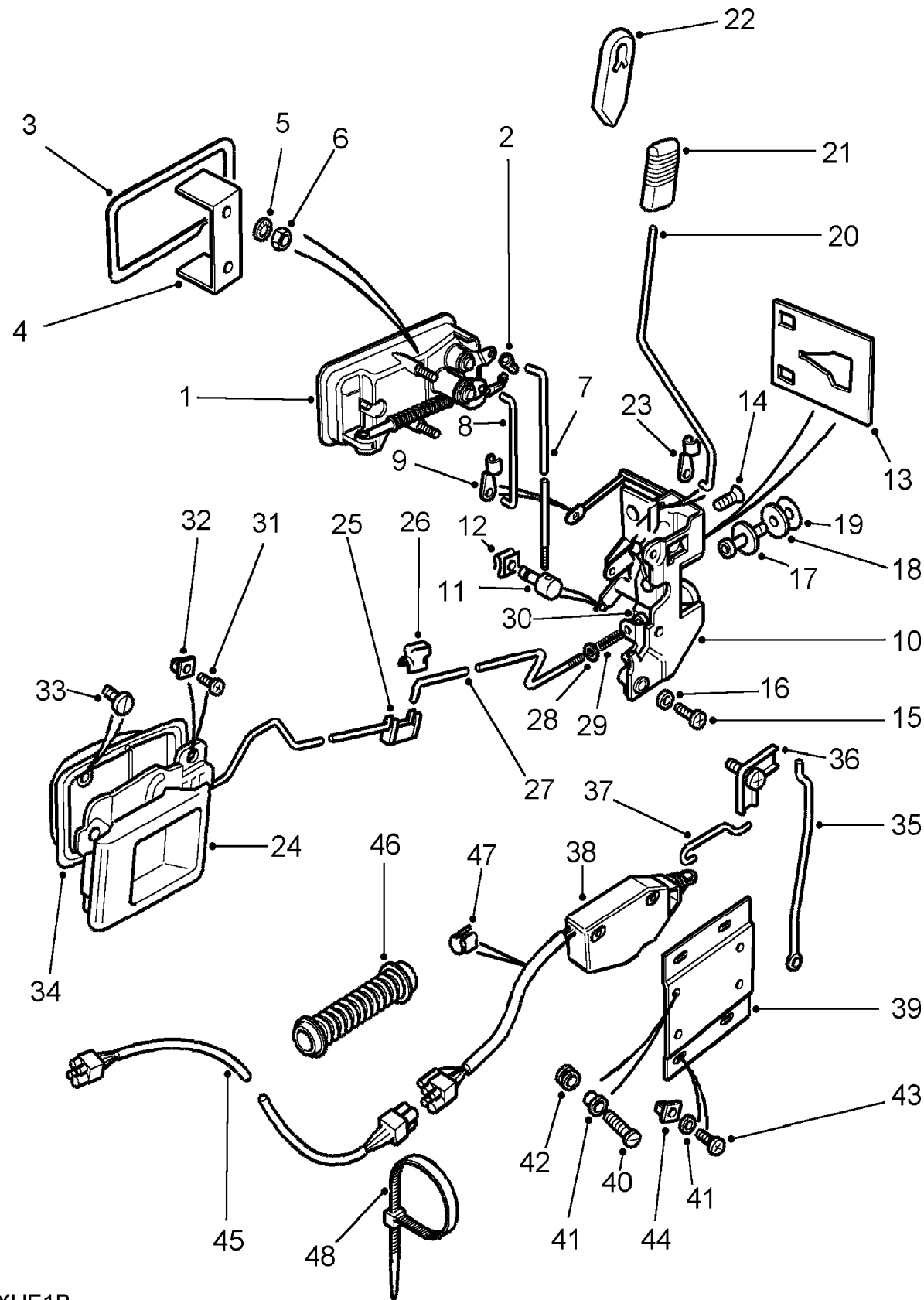
Body & Chassis
Body
Locks & Handles-Front Door

Callout	Name	Application	Remarks & Restrictions	Service No.	Qty
26	Clip-edge harness			MTC6264	2
27	Link-front door lock/latch	Change point - VIN end TA527977		MWC6621	2
		Change point - VIN end TA197189		MWC6621	2
		Change point - VIN begin TA197190	RH	ASR1443	1
		Change point - VIN begin TA527978	RH	ASR1443	1
		Change point - VIN end VA743153	RH	ASR1443	1
		Change point - VIN begin TA197190	LH	ASR1442	1
		Change point - VIN begin TA527978	LH	ASR1442	1
		Change point - VIN end VA743153	LH	ASR1442	1
		Change point - VIN begin VA743154	LH	FQP101070	1
		Change point - VIN begin VA743154	RH	FQP101060	1
28	Washer			WA704061	2
29	Spring			MTC9505	2
30	Nut - Hex.		M4	NY104041L	2
31	Screw		Black, Self Tapping, No8 x 5/8	AB608051L	4
32	Nut-lokut			CZK3264L	4
33	Screw-self tapping		Self Tapping, M8 x 13	DA608044L	2
34	Housing-inner panel door release assembly	Change point - VIN end JA034313	RH, Mist Grey	DBP6532LUN	1
		Change point - VIN end JA034313	Mist Grey, LH	DBP6533LUN	1
		Change point - VIN begin KA034314	Ash Grey, RH	DBP6532LNF	1
		Change point - VIN begin KA034314	Ash Grey, LH	DBP6533LNF	1
35	Link - locks		LH	MTC7032	2
36	Bellcrank-door	Change point - VIN end GA454477		DZA1435L	2
		Change point - VIN begin GA454478	RH	MXC7336	2
		Change point - VIN end MA501342	LH	MXC7337	2
		Change point - VIN end MA161280	LH	MXC7337	2
		Change point - VIN begin MA161281	RH	ALR8704	2
		Change point - VIN begin MA501343	RH	ALR8704	2

Body & Chassis
Body
Locks & Handles-Front Door 4/5

Discovery (FA393361-WA799999)

(CANXHE1B)

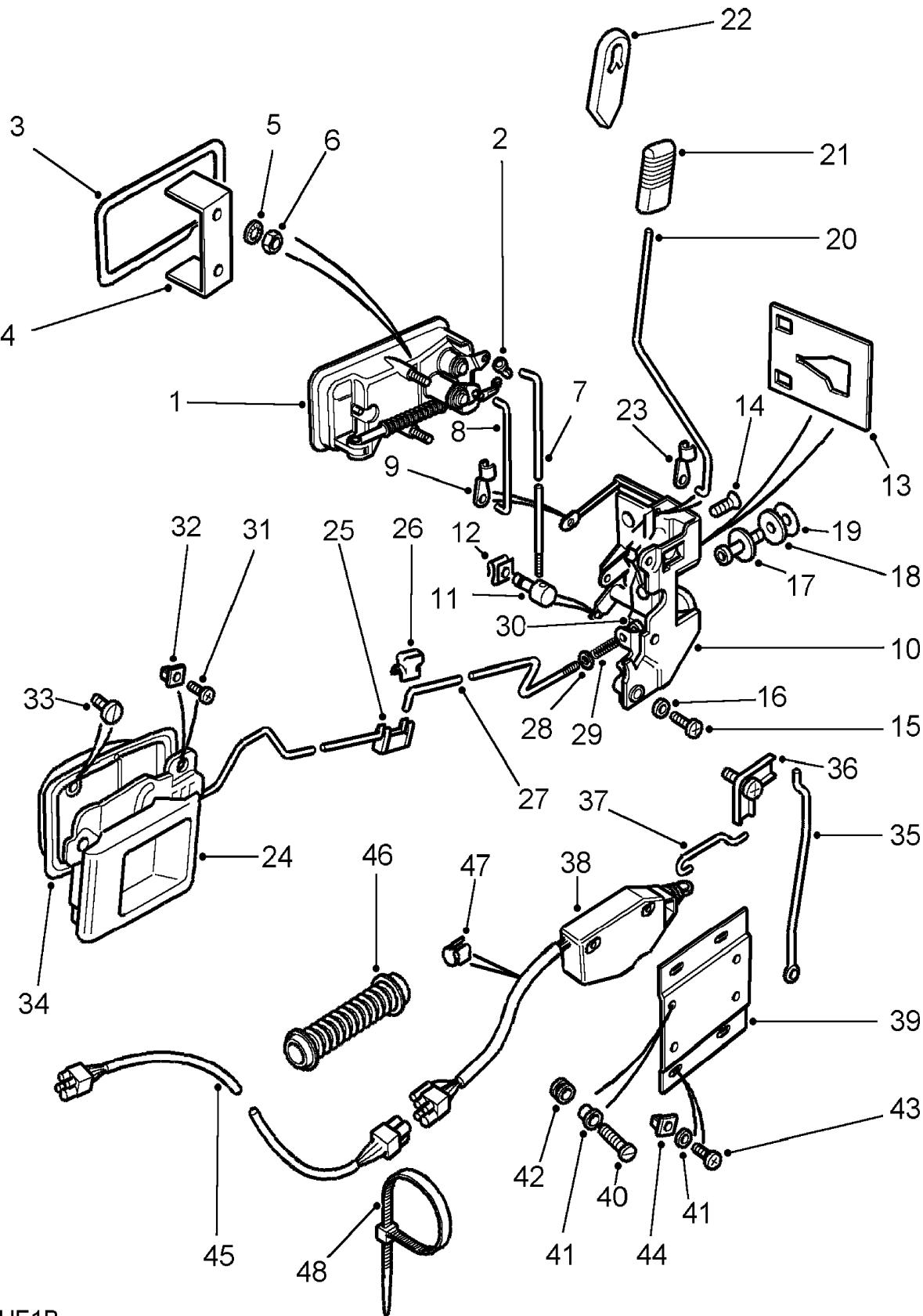


CANXHE1B

Discovery (FA393361-WA799999)

Body & Chassis
Body
Locks & Handles-Front Door

Callout	Name	Application	Remarks & Restrictions	Service No.	Qty		
36	Bellcrank-door	Change point - VIN begin MA161281	LH	ALR8705	2		
		Change point - VIN begin MA501343	LH	ALR8705	2		
37	Link - locks			MXC8701	2		
38	Actuator-central door locking	Change point - VIN end LA081990, Less Anti-Theft Alarm	Less Burglar Alarm, Driver	PRC4831	1		
		Change point - VIN end LA081990, Less Anti-Theft Alarm	Less Burglar Alarm, Passenger	PRC3916	1		
		Change point - VIN end LA081990, With Anti-Theft Alarm	Burglar Alarm, Driver	PRC8098	1		
		Change point - VIN end LA081990, With Anti-Theft Alarm	Burglar Alarm, Passenger	PRC3916	1		
		Change point - VIN begin MA081991, Less Anti-Theft Alarm	Less Burglar Alarm, Driver	AMR3383	1		
		Change point - VIN begin MA081991, Less Anti-Theft Alarm	Less Burglar Alarm, Passenger	AMR3382	1		
		Change point - VIN begin MA081991, With Anti-Theft Alarm	Burglar Alarm, Driver	AMR3384	1		
		Change point - VIN begin MA081991, With Anti-Theft Alarm	Burglar Alarm, Passenger	AMR3382	1		
		39	Plate-door actuator mounting	Change point - VIN end VA711791		MWC5126	2
				Change point - VIN end VA542991		MWC5126	2
Change point - VIN begin VA542992				ASR2476	2		
Change point - VIN begin VA542992				ASR2476	2		
Change point - VIN begin VA711792				ASR2476	2		
40	Screw		Black, Self Tapping, No8 x 5/8	AB608051L	4		
41	Bush			EAM9067L	8		
42	Grommet			EAM9066L	4		
43	Screw			ADU6780L	8		
44	Nut-lokut			CZK3264L	8		
45	Harness-central door locking		Driver	PRC4719	1		
			Passenger	PRC4721	1		
46	Grommet-convolute			MUC6521	2		
47	Clip	Change point - VIN end VA022852	Plastic	PRC4496	2		



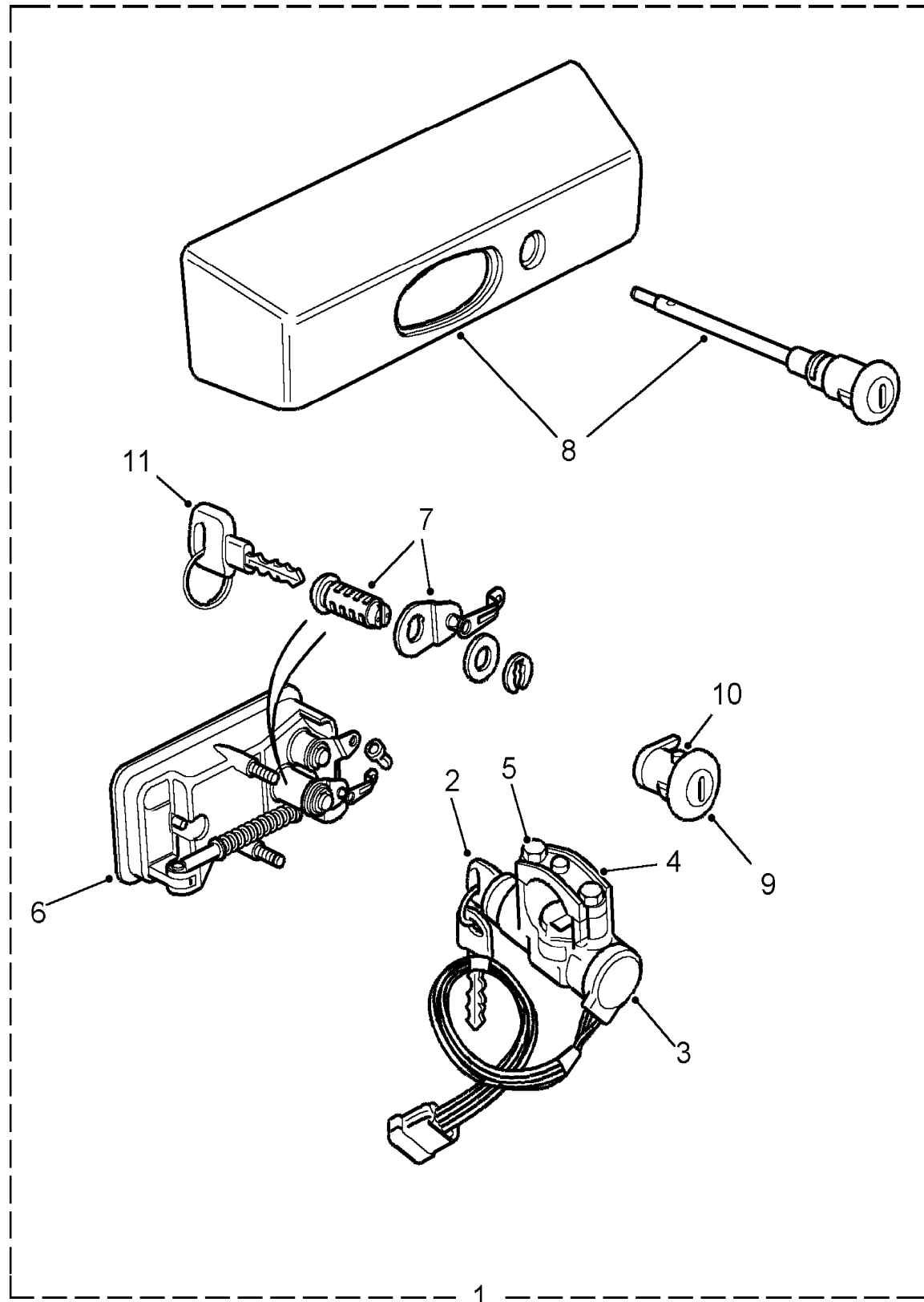
CANXHE1B

Callout	Name	Application	Remarks & Restrictions	Service No.	Qty
48	Tie-cable	Change point - VIN begin GA022853	Also serviced as part of a kit, Black, inside serated, 3.5 x 150mm	UKC6684L	2
[900]	Washer-fibre		Self Adhesive	FYF100150	3
[901]	Tie-cable		Black, inside serated, 3.5 x 150mm	UKC6684L	2
[902]	Handle assembly-front door		Ash Grey, inner RH inner RH, Ash inner RH, Bokhara Ash Grey, inner LH Ash, inner LH Bokhara, inner LH	MXC2704LNF MXC2704LUN MXC2704RUN MXC2703LNF MXC2703LUN MXC2703RUN	1 1 1 1 1 1
[903]	Link-door latch			MUC5784 MUC5949	1 1
[904]	Washer-Plain	Change point - VIN begin KA038344		AFU1069	4

Body & Chassis
Body
Locksets 1/3

Discovery (FA393361-WA799999)

(CANXHK1A)



CANXHK1A

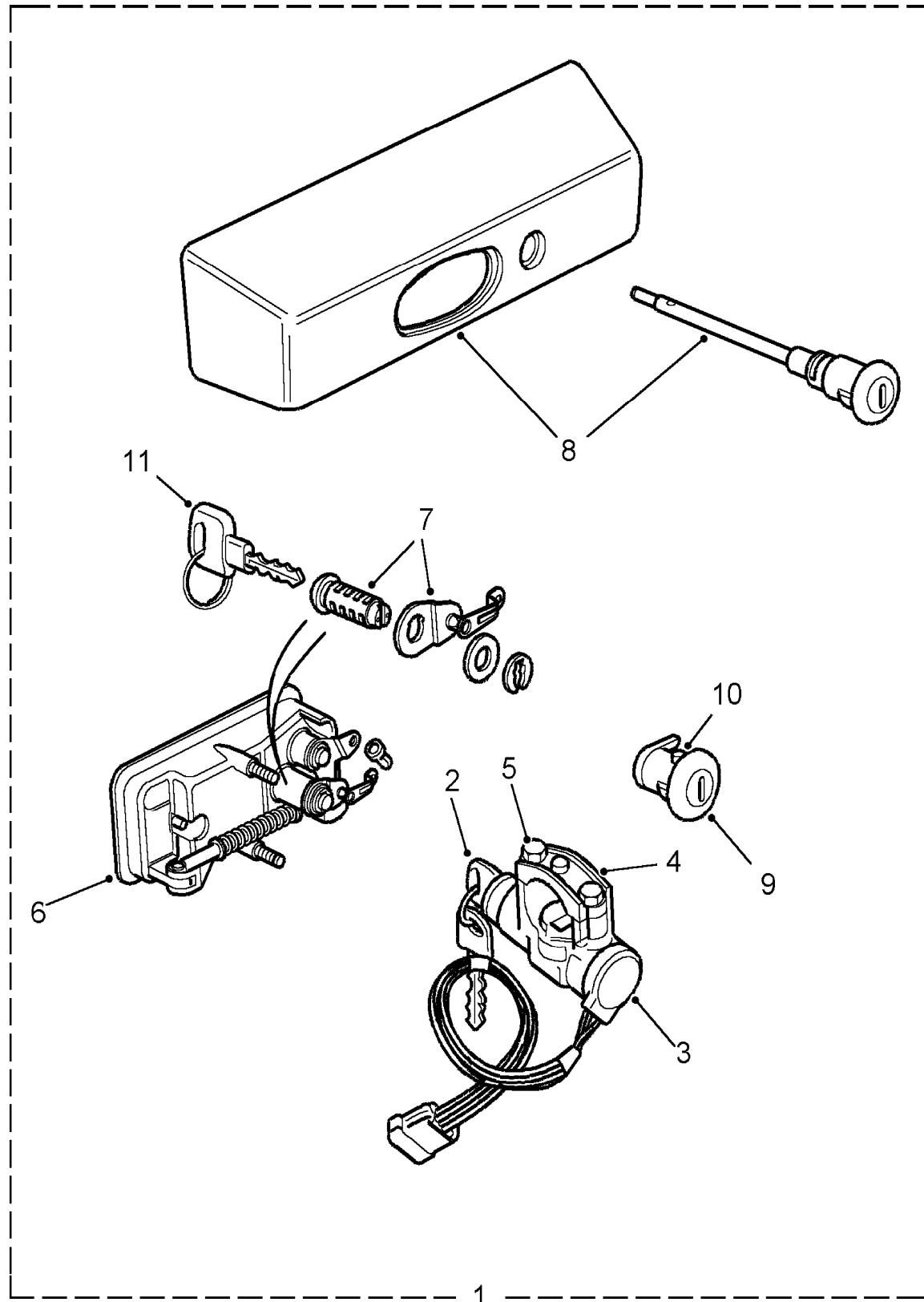
Discovery (FA393361-WA799999)

Body & Chassis
Body
Locksets

Callout	Name	Application	Remarks & Restrictions	Service No.	Qty		
1	Lock Set	Change point - VIN end LA081990, RHD, (-)"J", With Anti-Theft Alarm	Burglar Alarm, Less Shift Interlock	ALR2252	1		
		Change point - VIN end LA081990, LHD, (+)"J", With Anti-Theft Alarm	Burglar Alarm, Less Shift Interlock	ALR2253	1		
		Change point - VIN begin MA081991, (-)"J", Less Anti-Theft Alarm	Less Burglar Alarm, Less Shift Interlock	ALR3272	1		
		Change point - VIN end LA081990, (-)"J", Less Anti-Theft Alarm	Less Burglar Alarm, Less Shift Interlock	MXC6549	1		
		Change point - VIN begin MA081991, RHD, With Anti-Theft Alarm	Burglar Alarm, Less Shift Interlock	ALR3933	1		
		Change point - VIN begin MA081991, LHD, (-)"J", With Anti-Theft Alarm	Burglar Alarm, Less Shift Interlock	ALR3937	1		
		Change point - VIN begin MA081991, (+)"J"	Shift Interlock	ALR5071	1		
		2	Lock assembly-steering column	Change point - VIN end LA081990, (-)"J"	Less Shift Interlock	STC981	1
				Change point - VIN begin MA081991		STC1435	1
Manual Transmission, (+)"CDN/MEX/USA" Automatic Transmission, (+)"CDN/MEX/USA"				STC1435 STC1436	1 1		
3	Switch-ignition	Change point - VIN end LA081990, RHD, (-)"J", With Anti-Theft Alarm	Burglar Alarm, Less Shift Interlock, Also serviced as part of a kit	PRC3408	1		
		Change point - VIN begin MA081991, (-)"J", Less Anti-Theft Alarm	Less Burglar Alarm, Less Shift Interlock, Also serviced as part of a kit	STC1746	1		
		Change point - VIN end LA081990, (-)"J", Less Anti-Theft Alarm	Less Burglar Alarm, Less Shift Interlock, Also serviced as part of a kit	PRC3408	1		
		Change point - VIN begin MA081991, LHD, (-)"J", With Anti-Theft Alarm	Burglar Alarm, Less Shift Interlock, Also serviced as part of a kit	STC1746	1		
		Change point - VIN begin MA081991, (+)"J"	Shift Interlock, Also serviced as part of a kit	STC1746	1		
		4	Clamp-lock steering column	Change point - VIN end LA081990, (-)"J"	Less Shift Interlock	589238	1
Change point - VIN begin MA081991				STC3721	1		
5	Bolt-shear-lock steering column	Change point - VIN end LA081990, (-)"J"	Less Shift Interlock, M8 x 20	NTC4610	2		
		Change point - VIN begin MA081991	M8 x 12	STC2867	2		
6	Handle assembly-front door	Change point - VIN end LA081990, RHD, (-)"J", With Anti-Theft Alarm	Burglar Alarm, Less Shift Interlock, Also serviced as part of a kit, RH	ALR2254	1		
		Change point - VIN end LA081990, RHD, (-)"J", With Anti-Theft Alarm	Burglar Alarm, Less Shift Interlock, Also serviced as part of a kit, LH	ALR2255	1		

Body & Chassis
Body
Locksets 2/3

Discovery (FA393361-WA799999)
(CANXHK1A)



CANXHK1A

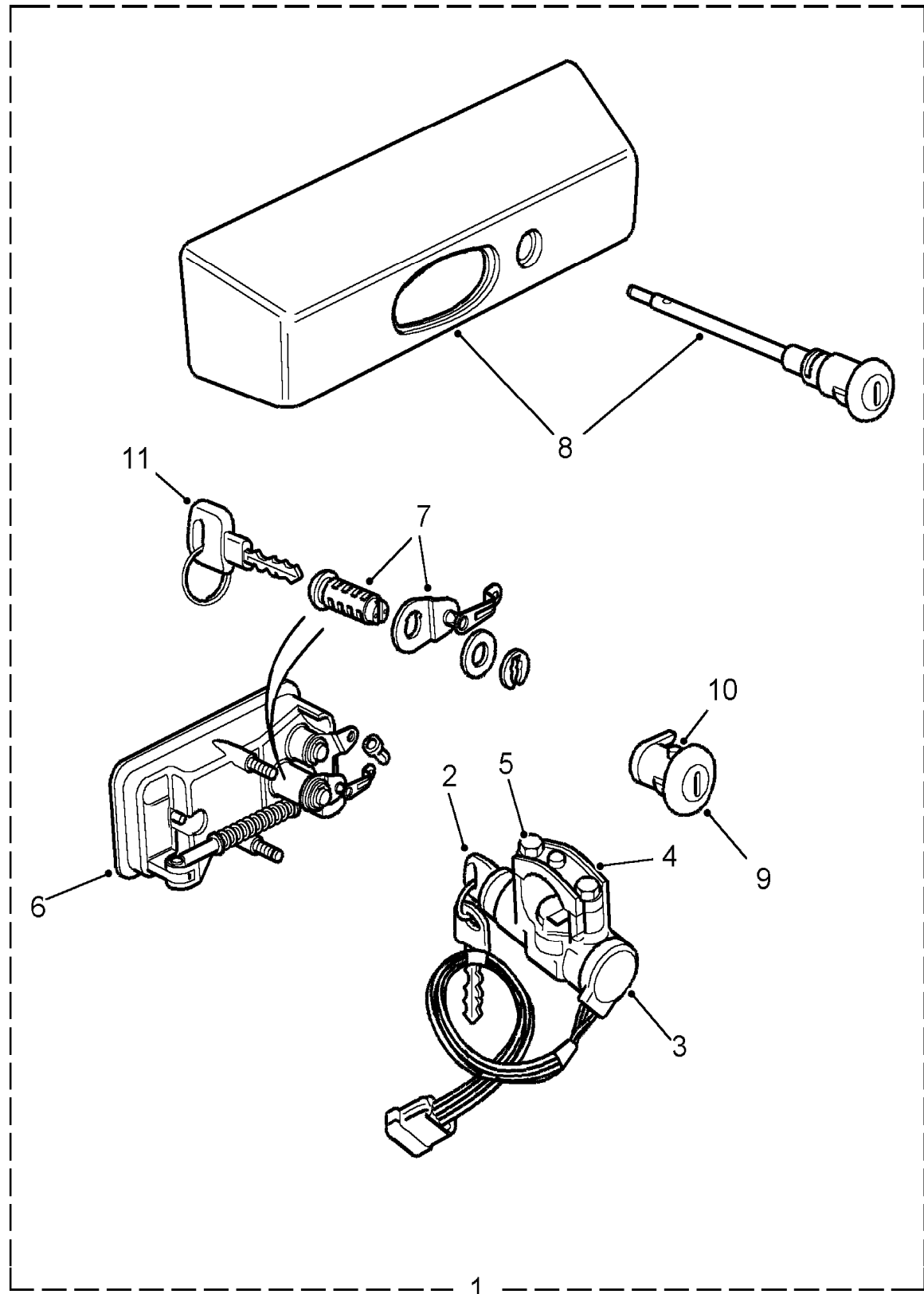
Discovery (FA393361-WA799999)

Body & Chassis
Body
Locksets

Callout	Name	Application	Remarks & Restrictions	Service No.	Qty		
6	Handle assembly-front door	Change point - VIN begin MA081991, (-)"J", Less Anti-Theft Alarm	Less Burglar Alarm, Less Shift Interlock, Also serviced as part of a kit, RH	RTC6685	1		
		Change point - VIN begin MA081991, (-)"J", Less Anti-Theft Alarm	Less Burglar Alarm, Less Shift Interlock, Also serviced as part of a kit, LH	RTC6686	1		
		Change point - VIN end LA081990, (-)"J", Less Anti-Theft Alarm	Less Burglar Alarm, Less Shift Interlock, Also serviced as part of a kit, RH	RTC6685	1		
		Change point - VIN end LA081990, (-)"J", Less Anti-Theft Alarm	Less Burglar Alarm, Less Shift Interlock, Also serviced as part of a kit, LH	RTC6686	1		
		Change point - VIN begin MA081991, LHD, (-)"J", With Anti-Theft Alarm	WITH KEYS, Burglar Alarm, Less Shift Interlock, Also serviced as part of a kit, RH	RTC6685	1		
		Change point - VIN begin MA081991, LHD, (-)"J", With Anti-Theft Alarm	Burglar Alarm, Less Shift Interlock, without keys, Also serviced as part of a kit, RH	ALR2254	1		
		Change point - VIN begin MA081991, LHD, (-)"J", With Anti-Theft Alarm	WITH KEYS, Burglar Alarm, Less Shift Interlock, Also serviced as part of a kit, LH	RTC6686	1		
		Change point - VIN begin MA081991, LHD, (-)"J", With Anti-Theft Alarm	Burglar Alarm, Less Shift Interlock, without keys, Also serviced as part of a kit, LH	ALR2255	1		
		Change point - VIN begin MA081991, (+)"J"	Shift Interlock, Also serviced as part of a kit, RH	ALR2254	1		
		Change point - VIN begin MA081991, (+)"J"	Shift Interlock, Also serviced as part of a kit, LH	RTC6686	1		
		7	Kit-door key & lock cylinder	Change point - VIN end LA081990, RHD, (-)"J", With Anti-Theft Alarm	Burglar Alarm, Less Shift Interlock, Also serviced as part of a kit, RH red cam	RTC6689	1
				Change point - VIN end LA081990, RHD, (-)"J", With Anti-Theft Alarm	Burglar Alarm, Less Shift Interlock, Also serviced as part of a kit, LH blue cam	RTC6690	1
				Change point - VIN begin MA081991, (-)"J", Less Anti-Theft Alarm	Less Burglar Alarm, Less Shift Interlock, Also serviced as part of a kit, RH red cam	RTC6689	1
Change point - VIN begin MA081991, (-)"J", Less Anti-Theft Alarm	Less Burglar Alarm, Less Shift Interlock, Also serviced as part of a kit, LH blue cam			RTC6690	1		
Change point - VIN end LA081990, (-)"J", Less Anti-Theft Alarm	Less Burglar Alarm, Less Shift Interlock, Also serviced as part of a kit, RH red cam			RTC6689	1		
Change point - VIN end LA081990, (-)"J", Less Anti-Theft Alarm	Less Burglar Alarm, Less Shift Interlock, Also serviced as part of a kit, LH blue cam			RTC6690	1		
Change point - VIN begin MA081991, LHD, (-)"J", With Anti-Theft Alarm	Burglar Alarm, Less Shift Interlock, Also serviced as part of a kit, RH red cam			RTC6689	1		
Change point - VIN begin MA081991, LHD, (-)"J", With Anti-Theft Alarm	Burglar Alarm, Less Shift Interlock, Also serviced as part of a kit, LH blue cam			RTC6690	1		
Change point - VIN begin MA081991, (+)"J"	Shift Interlock, Also serviced as part of a kit, RH red cam			RTC6689	1		
Change point - VIN begin MA081991, (+)"J"	Shift Interlock, Also serviced as part of a kit, LH blue cam			RTC6690	1		
8	Lock assembly-tailgate			RTC6688	1		
9	Lock-fuel filler flap			RTC6687	1		

Body & Chassis
 Body
 Locksets 3/3

Discovery (FA393361-WA799999)
 (CANXHK1A)

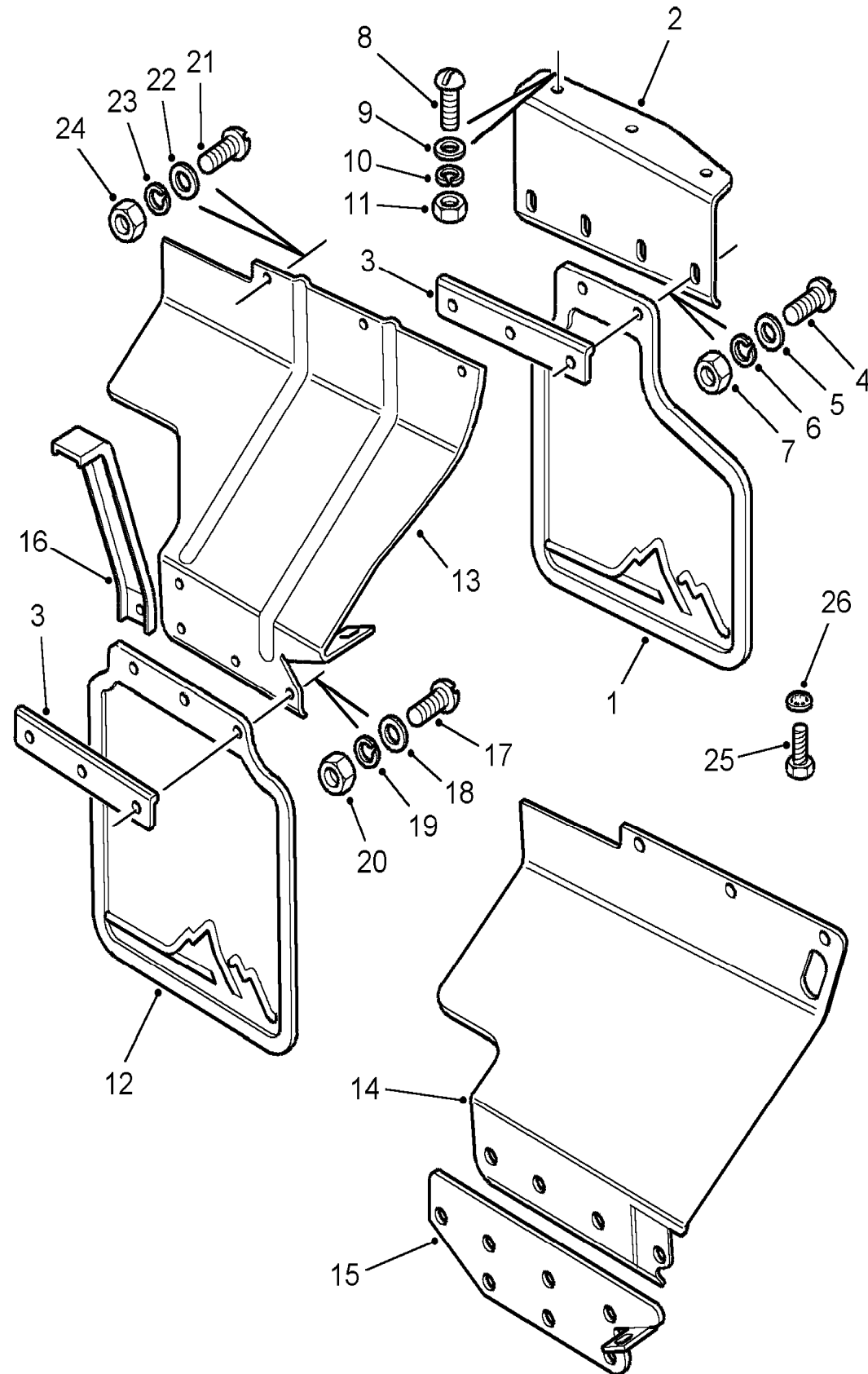


CANXHK1A

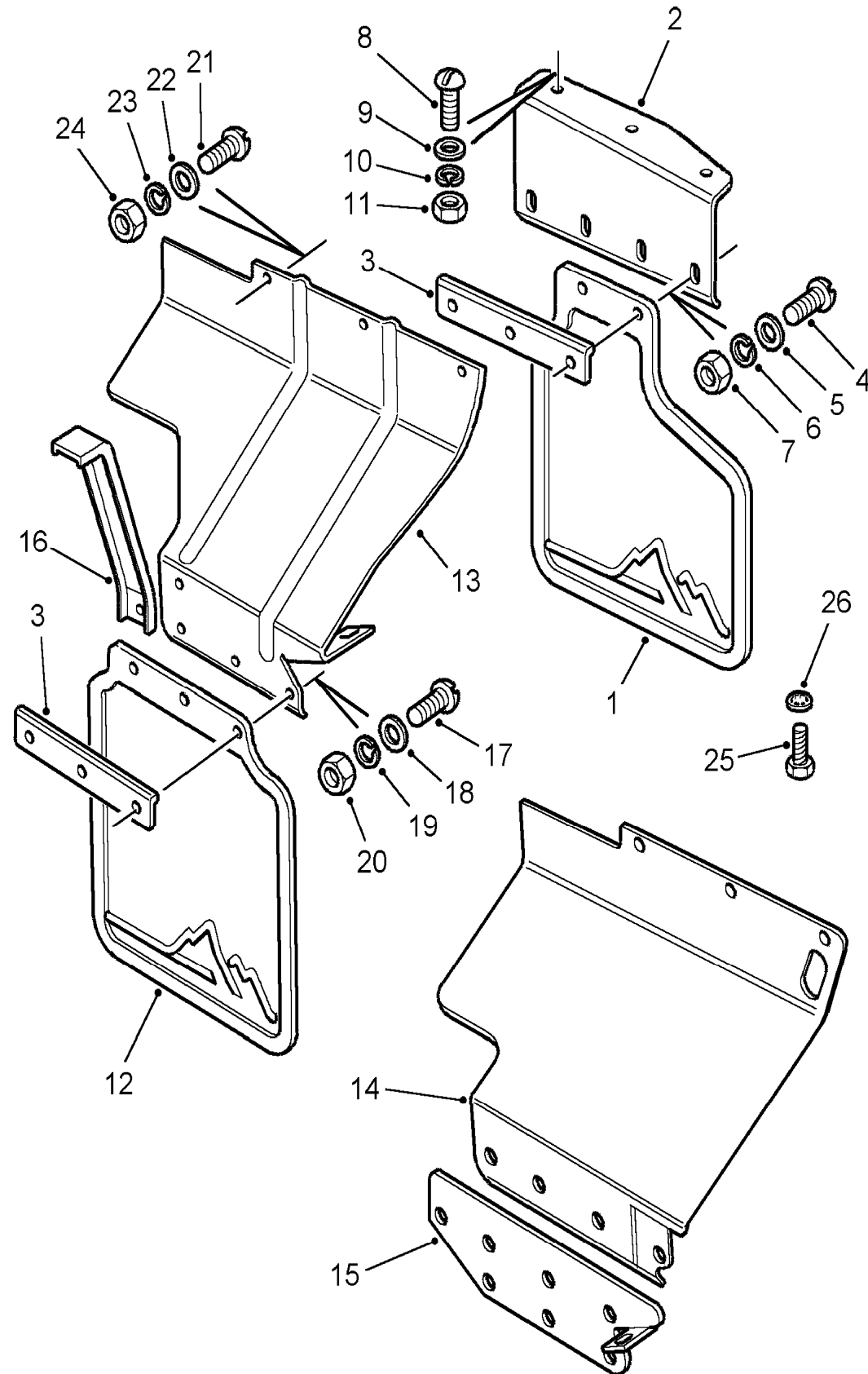
Discovery (FA393361-WA799999)

Body & Chassis
 Body
 Locksets

Callout	Name	Application	Remarks & Restrictions	Service No.	Qty
10	Clip			CDP6702L	1
11	Key-blank owner	Change point - VIN end LA081990 Change point - VIN begin MA081991		MXC6548 CWE10032L	1 1



Callout	Name	Application	Remarks & Restrictions	Service No.	Qty
1	Mudflaps-kit front	Less Police	Production Fit	RTC6820	1
2	Bracket		Front, RH Front, LH	392678 392679	1 1
3	Bracket			MXC6094	X
4	Screw		M6 X 12, hexagonal head	SH106121L	3
5	Washer		6MM	WA106041L	3
6	Washer		M6, sprung	WL106001L	3
7	Nut - Hex.		M6, nyloc, Hexagonal	NH106041L	3
8	Screw		M6 X 16	SE106161L	6
9	Washer		6MM	WA106041L	6
10	Washer		M6, sprung	WL106001L	6
11	Nut - Hex.		M6, nyloc, Hexagonal	NH106041L	6
12	Mudflaps-kit rear	Less Police	Production Fit	RTC6821	1
13	Bracket		Rear, RH Rear, LH	MXC6509 MXC6510	1 1
14	Panel-mudflap mounting	MPi, With Catalyst	Rear, RH	BTR558	1
		MPi, With Catalyst	Rear, LH	BTR559	1
15	Plate-mudflap support	MPi, With Catalyst	Rear, RH	BTR560	1
		MPi, With Catalyst	Rear, LH	BTR561	1
16	Stay-rear mudflap		Change point - VIN end KA038264 Change point - VIN begin KA038265	MXC6651PUB BTR6172	2 2
17	Screw		M6 X 12, hexagonal head	SH106121L	10
18	Washer		6MM	WA106041L	10
19	Washer		M6, sprung	WL106001L	10
20	Nut - Hex.		M6, nyloc, Hexagonal	NH106041L	10
21	Screw		M6 X 16	SE106161L	6
22	Washer		6MM	WA106041L	12
23	Washer		M6, sprung	WL106001L	1
24	Nut - Hex.		M6, nyloc, Hexagonal	NH106041L	6



Callout	Name	Application	Remarks & Restrictions	Service No.	Qty
25	Screw-paint clearing	Change point - VIN begin TA177328	M6 x 25	GG106251L	1
		Change point - VIN begin TA508149	M6 x 25	GG106251L	1
26	Clip	Change point - VIN begin TA177328		ESR2928	2
		Change point - VIN begin TA508149		ESR2928	2

Body & Chassis

Discovery (FA393361-WA799999)

Body

Plenum Moulding 1/1

(CANXOA1A)

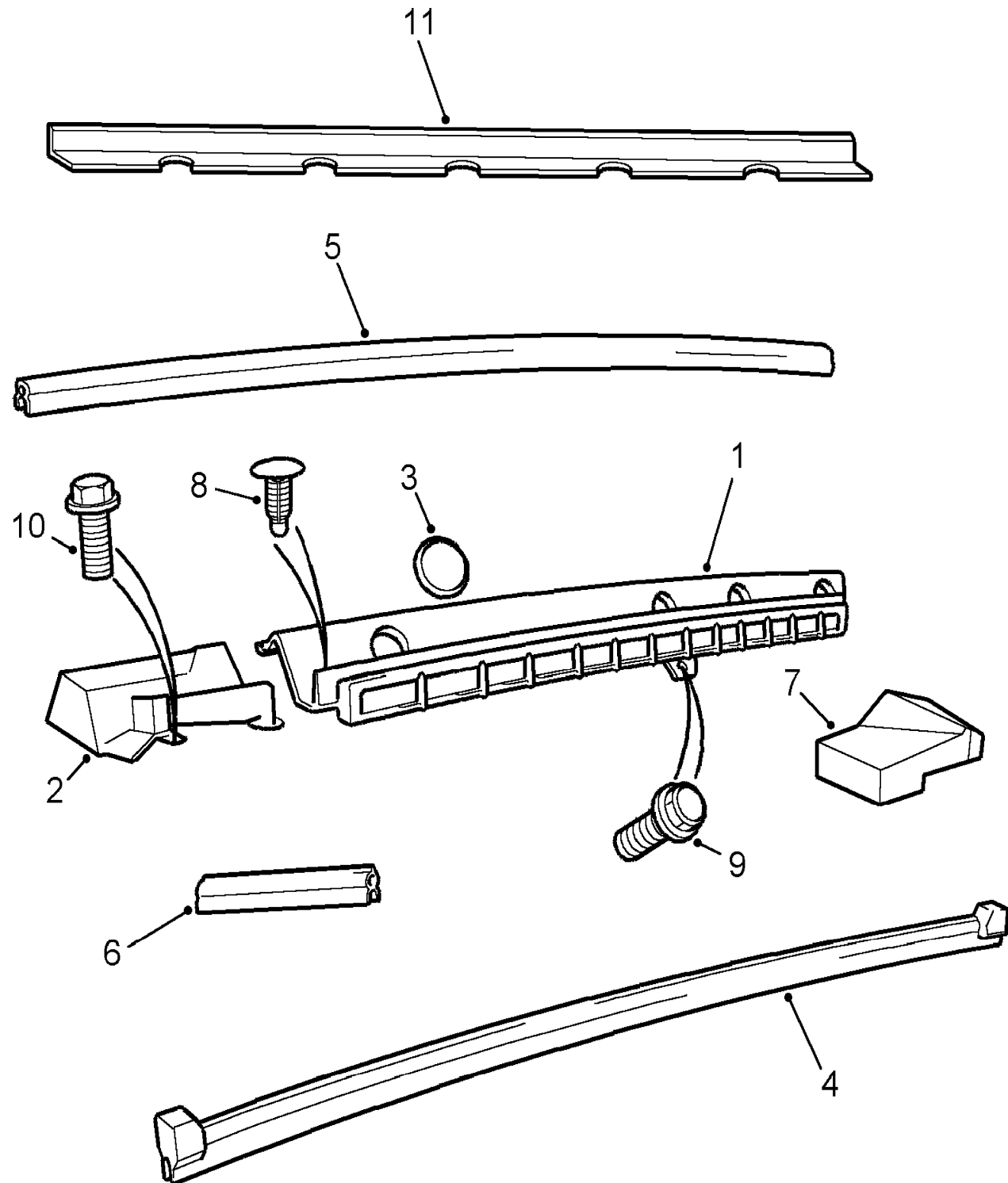
Discovery (FA393361-WA799999)

Body & Chassis

Body

Plenum Moulding

Callout	Name	Application	Remarks & Restrictions	Service No.	Qty
1	Grille-plenum		Also serviced as part of a kit	MXC6374PMD	1
2	Moulding-plenum air intake extension		Black, RH	MXC6372PMD	1
			Black, RH	ECH100100PMD	1
			Black, LH	MXC6373PMD	1
			Black, LH	ECH100110PMD	1
3	Plug-blanking			MXC3112	2
4	Seal-scuttle panel		Front	MXC3115	1
5	Seal			MXC5888	1
6	Seal-scuttle panel		Side	MXC3117	2
7	Cap-plenum moulding end		LH	MXC5886	1
			RH	MXC5887	1
8	Fastener-drive		Black	MXC3130PUB	2
9	Screw		M6 X 20, Flanged Head	FS106207L	1
10	Screw			MXC3120	2
11	Seal	Change point - VIN begin MA129376		AWR2947	1
[900]	Kit-air intake duct pollen filter		Also serviced as part of a kit	STC738	1

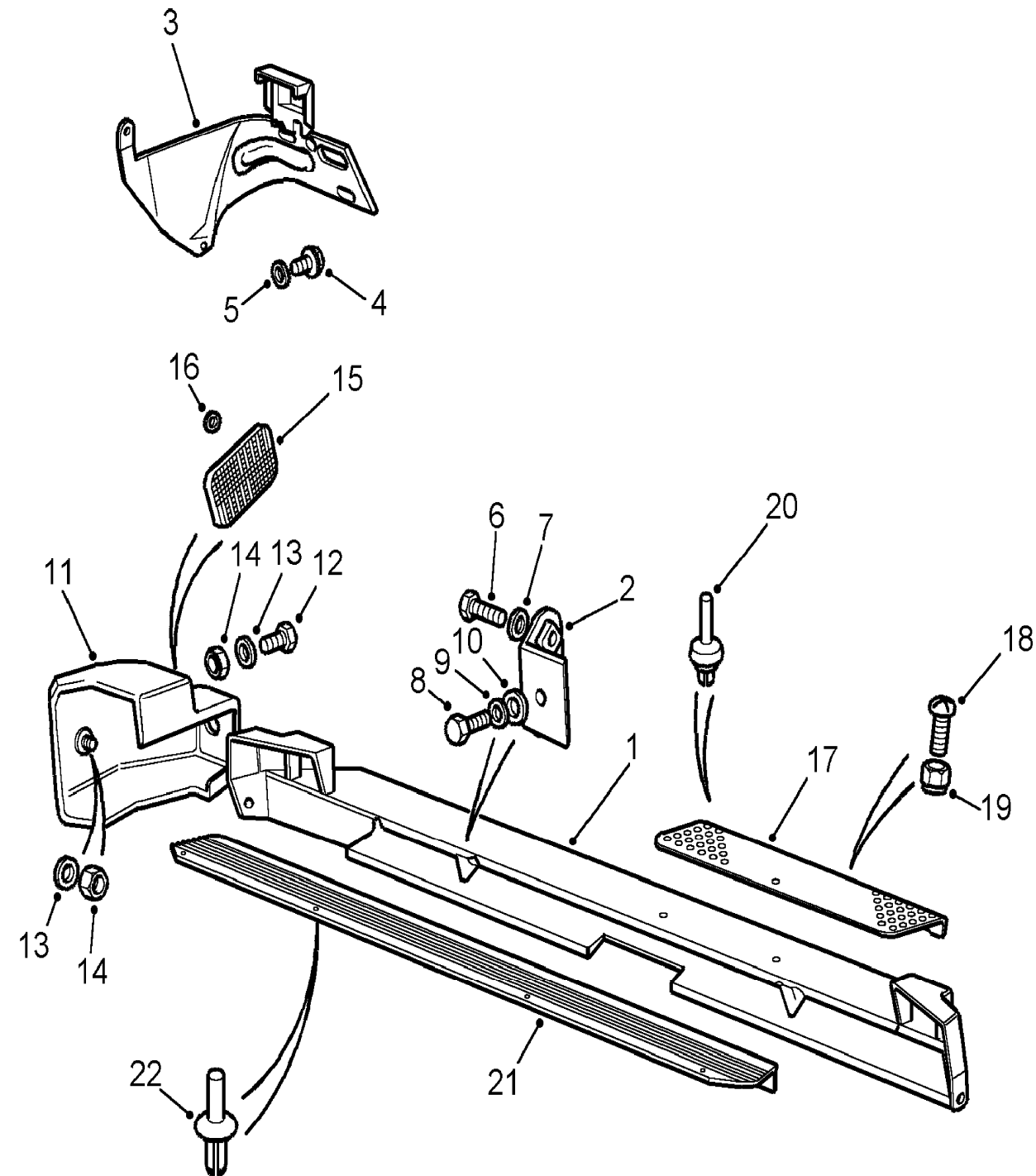


CANXOA1A

Body & Chassis
Body
Rear Bumper Assembly 1/2

Discovery (FA393361-WA799999)

(CANXAE1B)



CANXAE1B

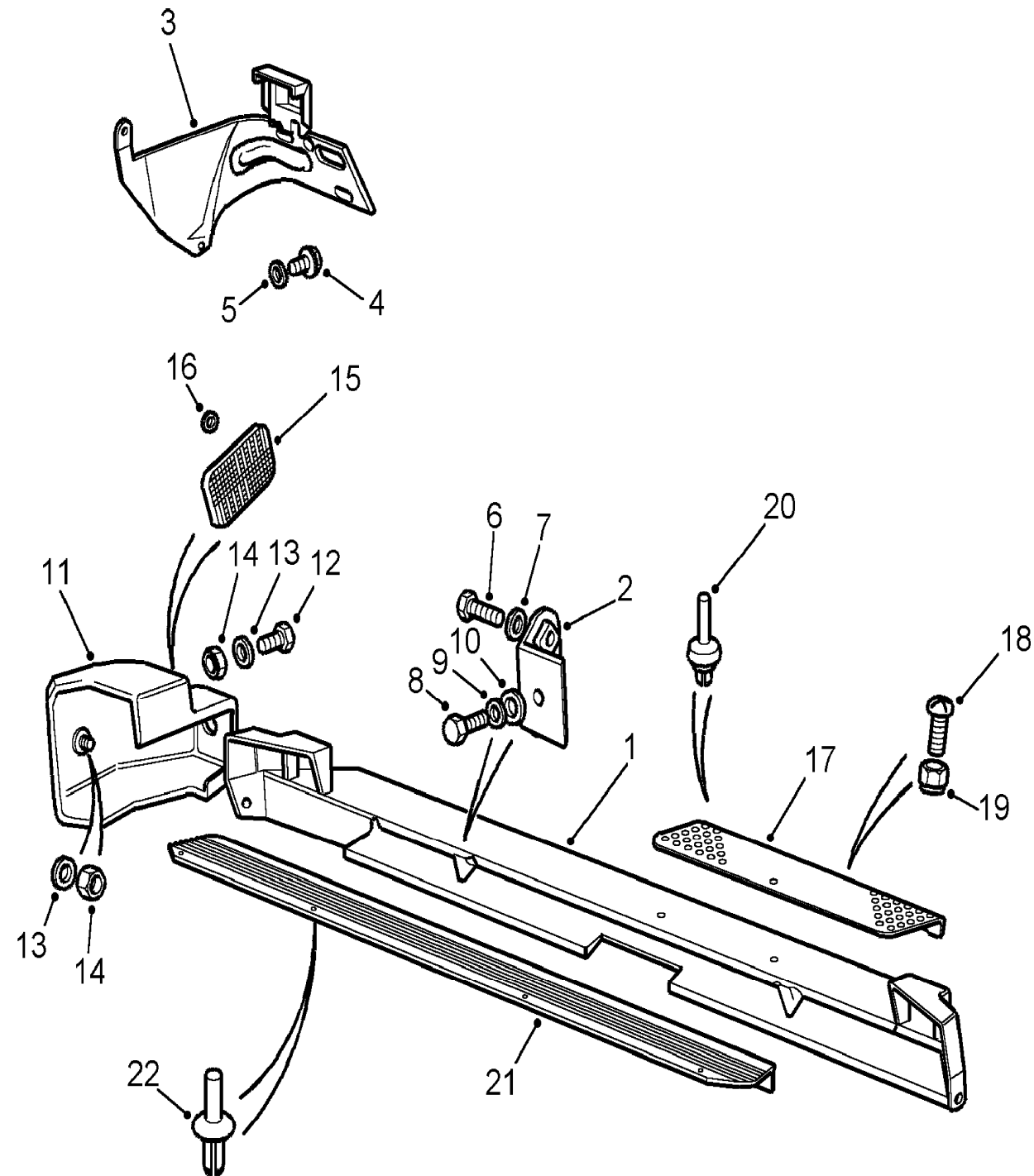
Discovery (FA393361-WA799999)

Body & Chassis
Body
Rear Bumper Assembly

Callout	Name	Application	Remarks & Restrictions	Service No.	Qty
1	Bumper assembly-painted rear	Change point - VIN end KA055950		NTC5097	1
		Change point - VIN begin KA055951, Change point - VIN end LA081991	Black	NTC9665PUB	1
		Change point - VIN begin MA081992		ANR2743	1
2	Bracket-rear bumper mounting			NTC5106	2
3	Bracket-rear bumper mounting	Change point - VIN begin MA081991	LH	ANR3026	1
		Change point - VIN begin MA081991	RH	ANR3025	1
4	Screw		M8 x 25, Flanged Head	FS108257L	2
5	Washer	Change point - VIN begin MA081991	8MM	WA108001L	4
6	Screw		hexagonal head, M10 x 25	SH110251L	4
7	Washer		M10	WL110001L	4
8	Screw		hexagonal head, M10 x 25	SH110251L	2
9	Washer		M10, oversize, Plain	WC110061L	2
10	Washer		M10	WL110001L	2
11	End cap assembly-rear bumper	Change point - VIN end LA081991	Black, RH	NTC5098PUB	1
		Change point - VIN end LA081991	Black, LH	NTC5099PUB	1
		Change point - VIN begin MA081992, Change point - VIN end TA164023	Black, RH	AWR1002PMD	1
		Change point - VIN begin MA500000, Change point - VIN end TA502127	Black, RH	AWR1002PMD	1
		Change point - VIN begin MA081992, Change point - VIN end TA164023	Black, LH	AWR1001PMD	1
		Change point - VIN begin MA500000, Change point - VIN end TA502127	Black, LH	AWR1001PMD	1
		Change point - VIN begin TA164024	Black, RH	AWR2984PMD	1
		Change point - VIN begin TA502128	Black, RH	AWR2984PMD	1
		Change point - VIN begin TA164024	Black, LH	AWR2985PMD	1
		Change point - VIN begin TA502128	Black, LH	AWR2985PMD	1
		(+)"CDN/MEX/USA"	Black, RH	AWR2990PMD	1
(+)"CDN/MEX/USA"	Black, LH	AWR2989PMD	1		

Body & Chassis
Body
Rear Bumper Assembly 2/2

Discovery (FA393361-WA799999)
(CANXAE1B)



CANXAE1B

Discovery (FA393361-WA799999)

Body & Chassis
Body
Rear Bumper Assembly

Callout	Name	Application	Remarks & Restrictions	Service No.	Qty
12	Screw	Change point - VIN begin MA081992	M5 X 10, poly top	BTR9689	2
			M6 X 12, hexagonal head	SH106121L	2
13	Washer		6MM	WA106041L	4
14	Nut - Hex.		M6, nyloc, Hexagonal	NH106041L	4
15	Reflector	Change point - VIN end KA055950 Change point - VIN begin KA055951, Change point - VIN end LA067187 Change point - VIN begin LA067188		NTC5101	2
				AMR2330	2
				NTC5101	2
16	Clip	Change point - VIN begin KA055950		BTR7051	2
17	Mat-rear bumper step	Change point - VIN end KA034313 Change point - VIN begin KA034314 Change point - VIN begin MA081992	Black, 4 Holes	NTC5102PUB	1
			Black	BTR3542PUB	1
			Black, 6 Holes	BTR9434PMD	1
18	Screw	Change point - VIN end JA034313		SE106168L	6
19	Nut - Hex.	Change point - VIN end JA034313		NY106047L	6
20	Rivet-plastic-drive	Change point - VIN begin KA034314 Change point - VIN begin MA081992	Black	BTR3543PMD	4
			Black	BTR3543PMD	4
21	Plate-rear bumper tread	Change point - VIN end LA081991 Change point - VIN end LA081991 Change point - VIN begin MA081992 Change point - VIN begin MA081992	Black	NTC5488PUB	1
			Black	BTR925PUB	1
			Black	BTR8254PMD	1
			Black	AWR2710PMD	1
22	Rivet-plastic-drive			79086	8
				79086L	8
[900]	Shim			NTC8830	2

Body & Chassis

Discovery (FA393361-WA799999)

Body

Rear Door Frame 1/1

(CANXGK1A)

Discovery (FA393361-WA799999)

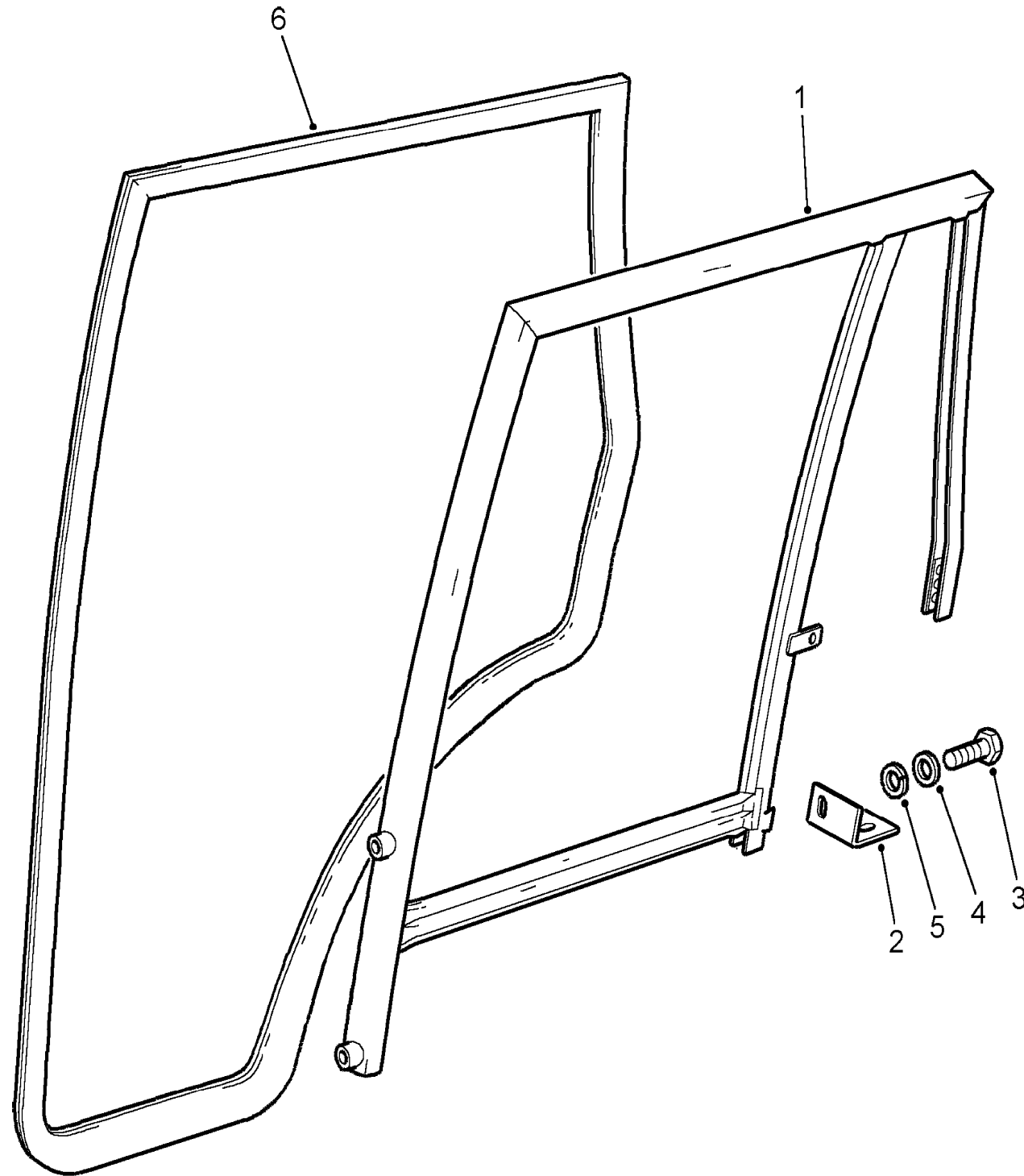
Body & Chassis

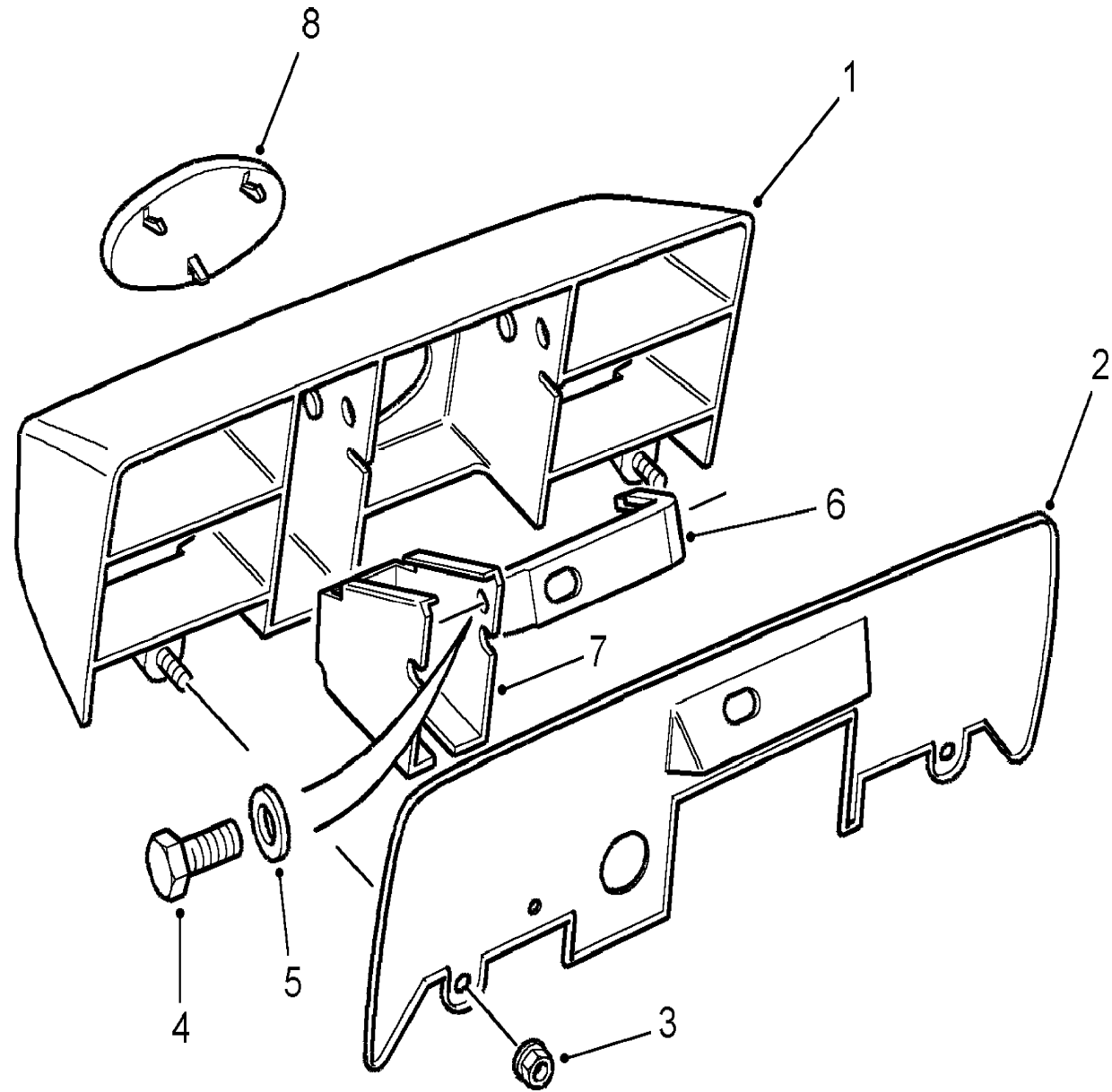
Body

Rear Door Frame

5 Door Station Wagon

Callout	Name	Application	Remarks & Restrictions	Service No.	Qty
1	Frame-rear door upper		RH	MXC8706	1
			LH	MXC8707	1
2	Bracket Mounting		RH	MTC9164	1
			LH	MTC9163	1
3	Screw		hexagonal head	SH604031L	4
4	Washer		Standard	3900L	4
5	Washer		M6, sprung	WL106001L	4
6	Seal-Rear Door		No Longer Available - Use Black Seals, RH, Sonar Blue	MXC5570JUL	1
			No Longer Available - Use Black Seals, RH, Bahama Beige	MXC5570SUC	1
			No Longer Available - Use Black Seals, RH, Dark Granite	MXC5570LOY	1
			No Longer Available - Use Black Seals, Sonar Blue, LH	MXC5571JUL	1
			No Longer Available - Use Black Seals, Bahama Beige, LH	MXC5571SUC	1
			No Longer Available - Use Black Seals, Dark Granite, LH	MXC5571LOY	1



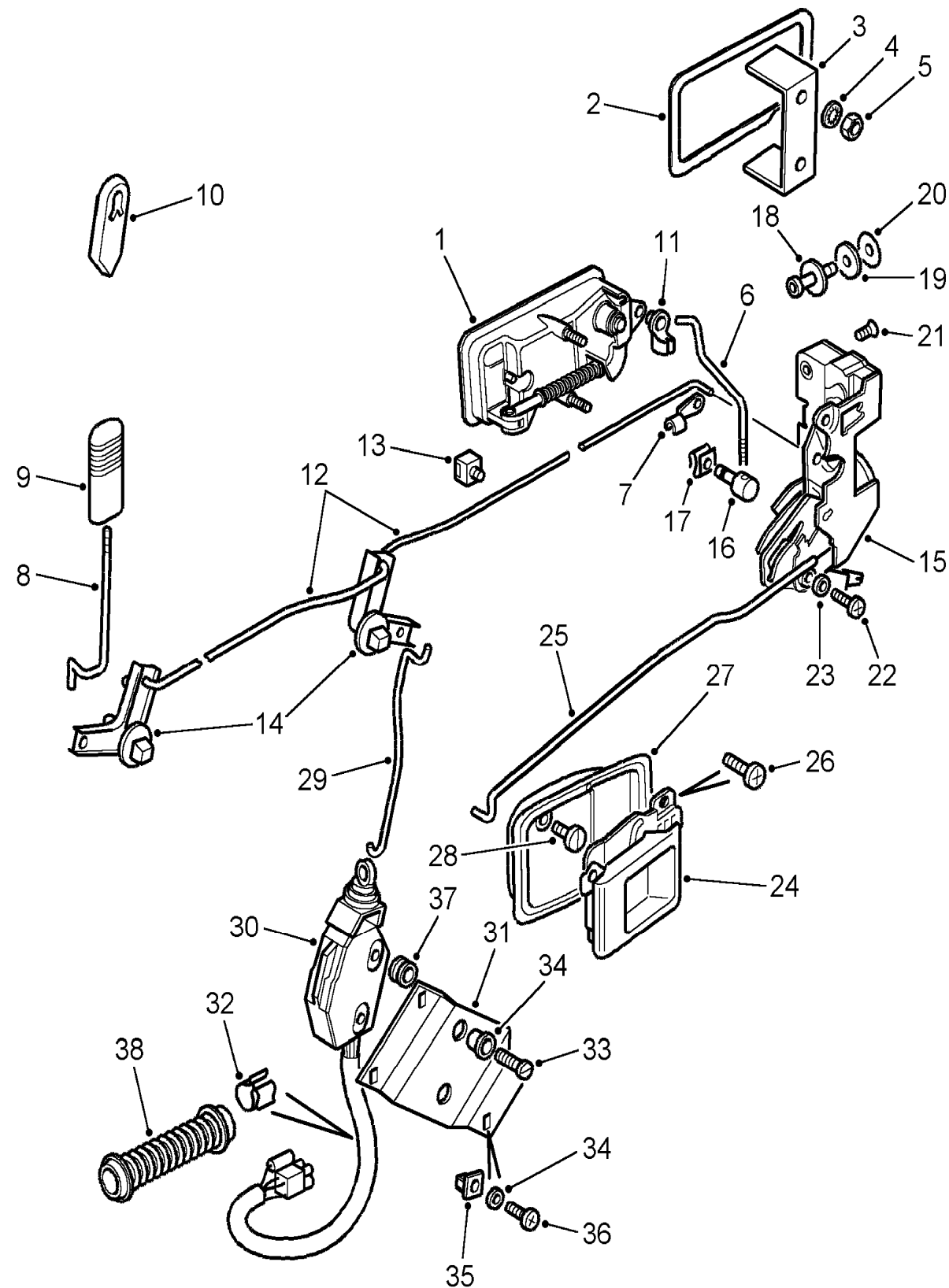


Callout	Name	Application	Remarks & Restrictions	Service No.	Qty
1	Cover-tail door handle-exterior			MWC6733	1
2	Gasket-door handle			MWC9171	1
3	Nut-flange		M6	FN106047L	2
4	Screw		M6 X 12, hexagonal head	SH106121L	3
5	Washer		6MM	WA106041L	3
6	Bracket-load/tail door		Centre	MXC1245	1
7	Bracket-load/tail door			MXC1256	1
8	Badge-Land Rover		Silver. Gold	MXC2519 DAG100330 FVH100110	1 1 1

Body & Chassis
Body
Rear Door Locks 1/3

Discovery (FA393361-WA799999)

(CANXHG1B)



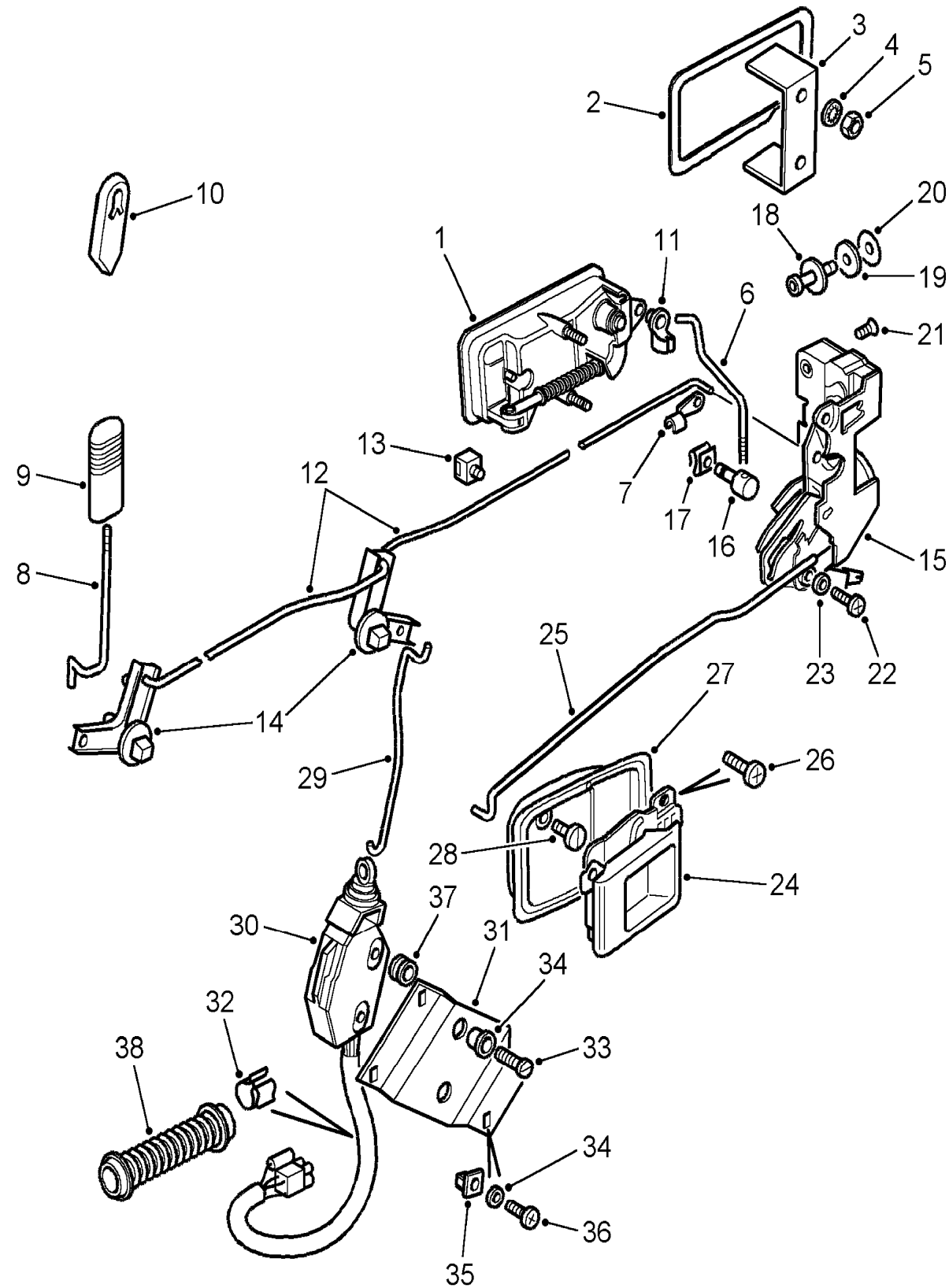
CANXHG1B

Discovery (FA393361-WA799999)

Body & Chassis
Body
Rear Door Locks

5 Door Station Wagon

Callout	Name	Application	Remarks & Restrictions	Service No.	Qty
1	Handle assembly-rear door		RH LH	MXC1254 MXC1255	1 1
2	Seal			MXC3178	2
3	Bracket		Rear	MTC7188	2
4	Washer-Spring		rectangular, No 10, single coil	WL700101L	4
5	Locknut			NY910041L	4
6	Link-rear door handle			MXC4605	2
7	Clip-linkage			BFP1265L	1
8	Link-rear door sill button/crank			MXC3818	2
9	Button sill	Change point - VIN end JA034313	Ash Grey	MXC3175LUN	2
9	Button sill	Change point - VIN begin KA034314	Ash Grey	MXC3175LNF	2
10	Button sill	Change point - VIN begin VA534104	Ash Grey	AWR5250LNF	2
10	Button sill	Change point - VIN begin VA703237	Ash Grey	AWR5250LNF	2
11	Clip-linkage			BRC1393	2
12	Link-rear door crank/latch		RH LH	MWC5150 MWC5151	1 1
13	Clip		Rear	MTC9625	2
14	Bellcrank-door			DZA1435L	4
15	Latch assembly-rear door		RH LH	MTC9204 MTC9203	1 1
16	Link adjusting			MTC9289	2
17	Clip-retainer pin			MTC9290	2
18	Striker-Door Lock			390448	2
19	Seal-door lock striker		Self Adhesive	MWC7677 FYF100150	2 2
20	Shim			391591	2



CANXHG1B

5 Door Station Wagon

Callout	Name	Application	Remarks & Restrictions	Service No.	Qty
21	Screw	Change point - VIN end KA038343	No 6 x 12	SF106121L	4
		Change point - VIN begin KA0348344	M6 X 16	SE106161L	4
22	Screw-pan		M6 X 12, pan head	SE106121L	2
23	Washer-Lock			WF702101L	2
24	Handle-door grab	Change point - VIN end JA034313	RH, Ash Grey/Light Granite, Inner	DBP5840LUN	1
		Change point - VIN end JA034313	Ash Grey/Light Granite, Inner, LH	DBP5841LUN	1
		Change point - VIN begin KA034314	RH, Ash Grey/Granite, Inner	DBP5840LNF	1
		Change point - VIN begin KA034314	Ash Grey/Granite, Inner, LH	DBP5841LNF	1
25	Link-rear door handle		RH	MWC5144	1
			LH	MWC5145	1
26	Screw-self tapping B		No 4 x 1/2	AB604044	4
27	Housing-inner panel door release assembly	Change point - VIN end JA034313	RH, Mist Grey	DBP6532LUN	1
		Change point - VIN end JA034313	Mist Grey, LH	DBP6533LUN	1
		Change point - VIN begin KA034314	Ash Grey, RH	DBP6532LNF	1
		Change point - VIN begin KA034314	Ash Grey, LH	DBP6533LNF	1
28	Screw-self tapping		Self Tapping, M8 x 13	DA608044L	2
29	Link - locks		RH	MWC5148	1
			LH	MWC5149	1
30	Actuator-central door locking	Change point - VIN end LA081990	Passenger	PRC3916	2
		Change point - VIN begin MA081991	Passenger	AMR3382	2
31	Plate-rear door actuator		RH	MWC6432	1
			LH	MWC6433	1
32	Clip-cable		Rear	345662	X
33	Screw		Black, Self Tapping, No8 x 5/8	AB608051L	8
34	Bush			EAM9067L	8
35	Nut-lokut-seal			CZK3264	8
				CZK3264L	8

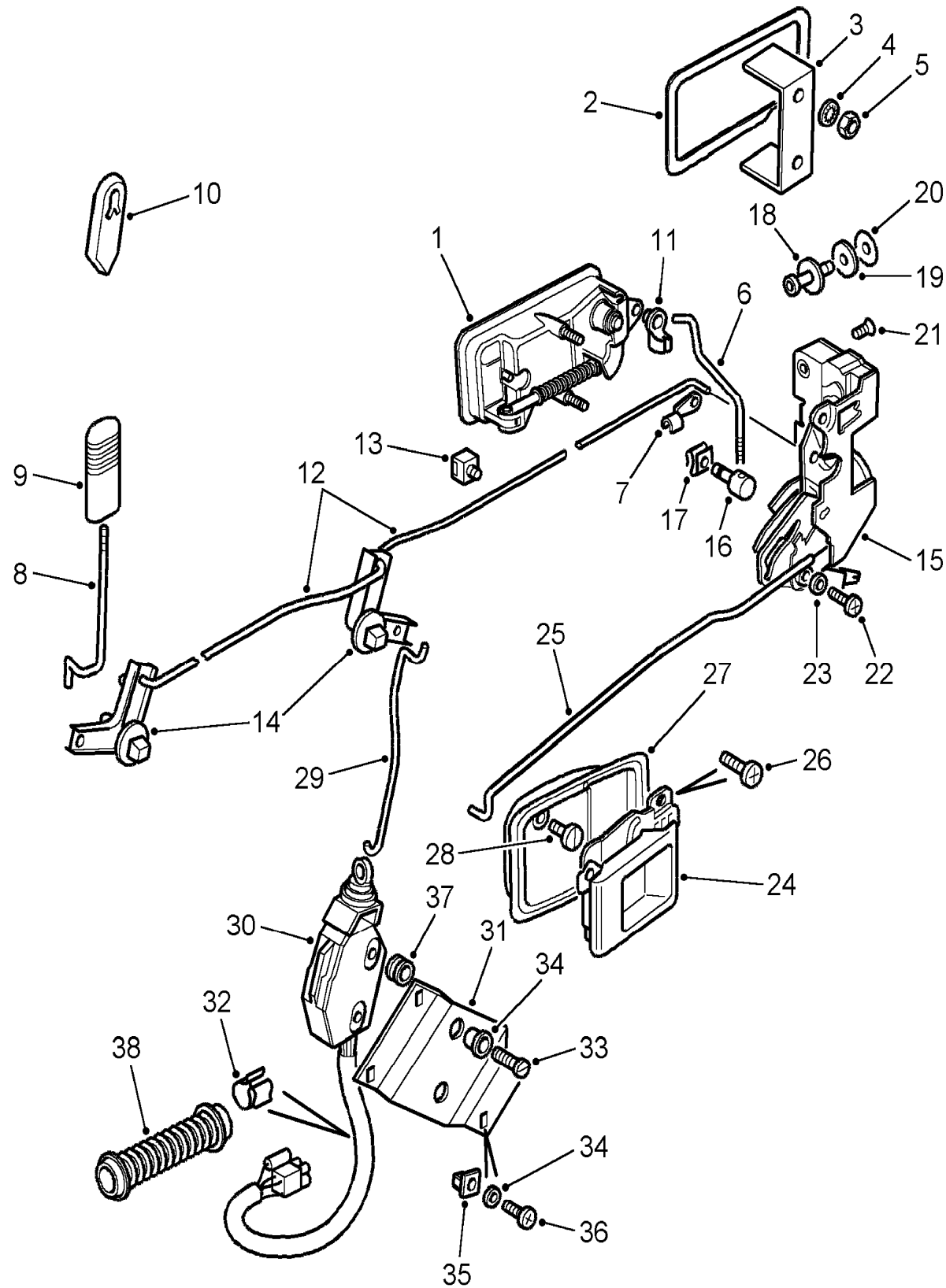
Body & Chassis

Discovery (FA393361-WA799999)

Body

Rear Door Locks 3/3

(CANXHG1B)



CANXHG1B

Discovery (FA393361-WA799999)

Body & Chassis

Body

Rear Door Locks

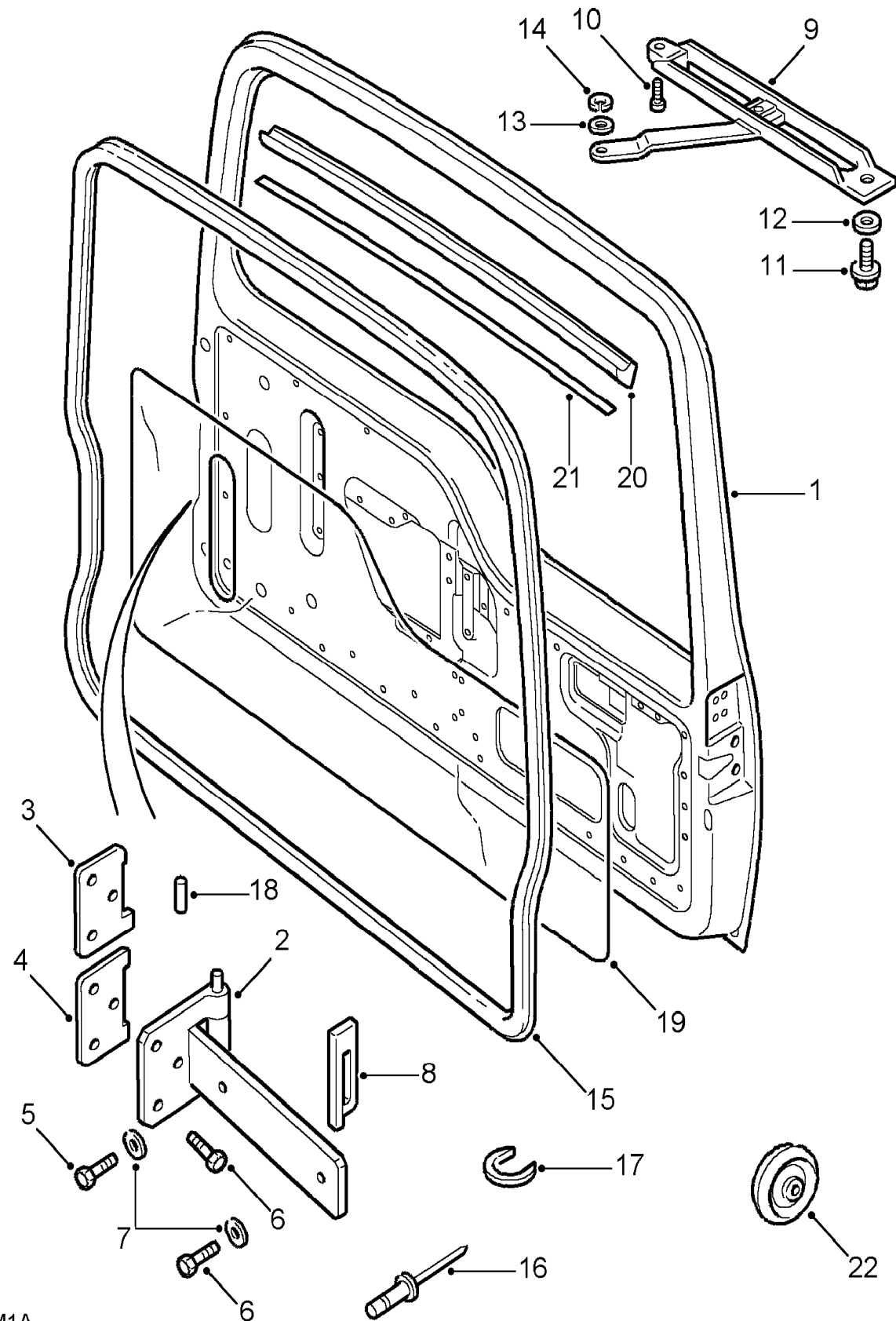
5 Door Station Wagon

Callout	Name	Application	Remarks & Restrictions	Service No.	Qty
36	Screw		plastite	ADU6780	8
37	Grommet			EAM9066L	4
38	Grommet-convolute			MUC6521	2
[900]	Washer-Plain	Change point - VIN begin KA0348344		AFU1069	4

Body & Chassis
Body
Rear End Door Assembly 1/2

Discovery (FA393361-WA799999)

(CANXGM1A)



CANXGM1A

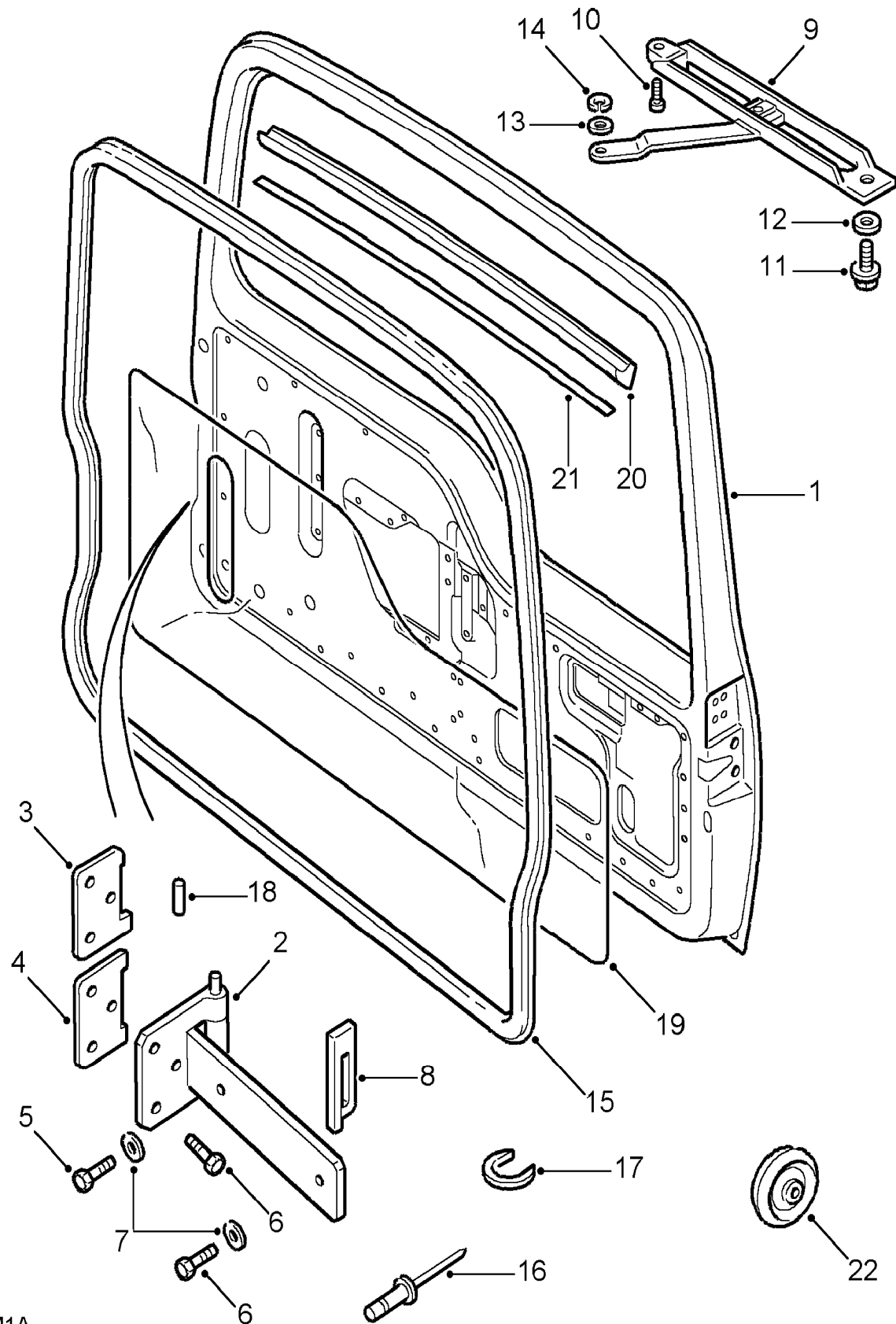
Discovery (FA393361-WA799999)

Body & Chassis
Body
Rear End Door Assembly

Callout	Name	Application	Remarks & Restrictions	Service No.	Qty
1	Load door assembly			ALR4450 BHD700030	1 1
2	Hinge assembly-load/tail door		top	MXC8531	2
			bottom	ALR2400	1
3	Gasket-tail door hinge		Upper	MXC1094	1
4	Gasket-tail door hinge		Lower	MXC1095	1
5	Bolt		hexagonal head, M8 x 55	BX108111	4
6	Bolt		hexagonal head, M8 x 90	BH108181L	6
7	Washer		M8	WC108051L	10
8	Seal			MXC5288	2
9	Stay assembly-load/tail stop			MXC6677	1
10	Screw		M6 X 20, Flanged Head	FS106207L	1
11	Screw		M8 X 35, Flanged Head	FS108357	1
12	Washer		M8	WC108051L	1
13	Washer-Plain		M10	WJ110007L	1
14	Circlip			CR120105L	1
15	Seal-load/tail door	Change point - VIN end VA702245	No Longer Available - Use Black Seals, Bahama Beige	MXC2687SUC	1
		Change point - VIN end VA533121	No Longer Available - Use Black Seals, Bahama Beige	MXC2687SUC	1
		Change point - VIN end VA702298	No Longer Available - Use Black Seals, Dark Granite	MXC2687LOY	1
		Change point - VIN end VA532188	No Longer Available - Use Black Seals, Dark Granite	MXC2687LOY	1
		Change point - VIN begin VA532189	Black	ASR1070	1
		Change point - VIN begin VA533122	Black	ASR1070	1
		Change point - VIN begin VA702246	Black	ASR1070	1
		Change point - VIN begin VA702299	Black	ASR1070	1
			No Longer Available - Use Black Seals, Sonar Blue	MXC2687JUL	1
16	Monobolt		1/4"	AFU1350	2
17	Spacer			MWC4560	2

Body & Chassis
Body
Rear End Door Assembly 2/2

Discovery (FA393361-WA799999)
(CANXGM1A)

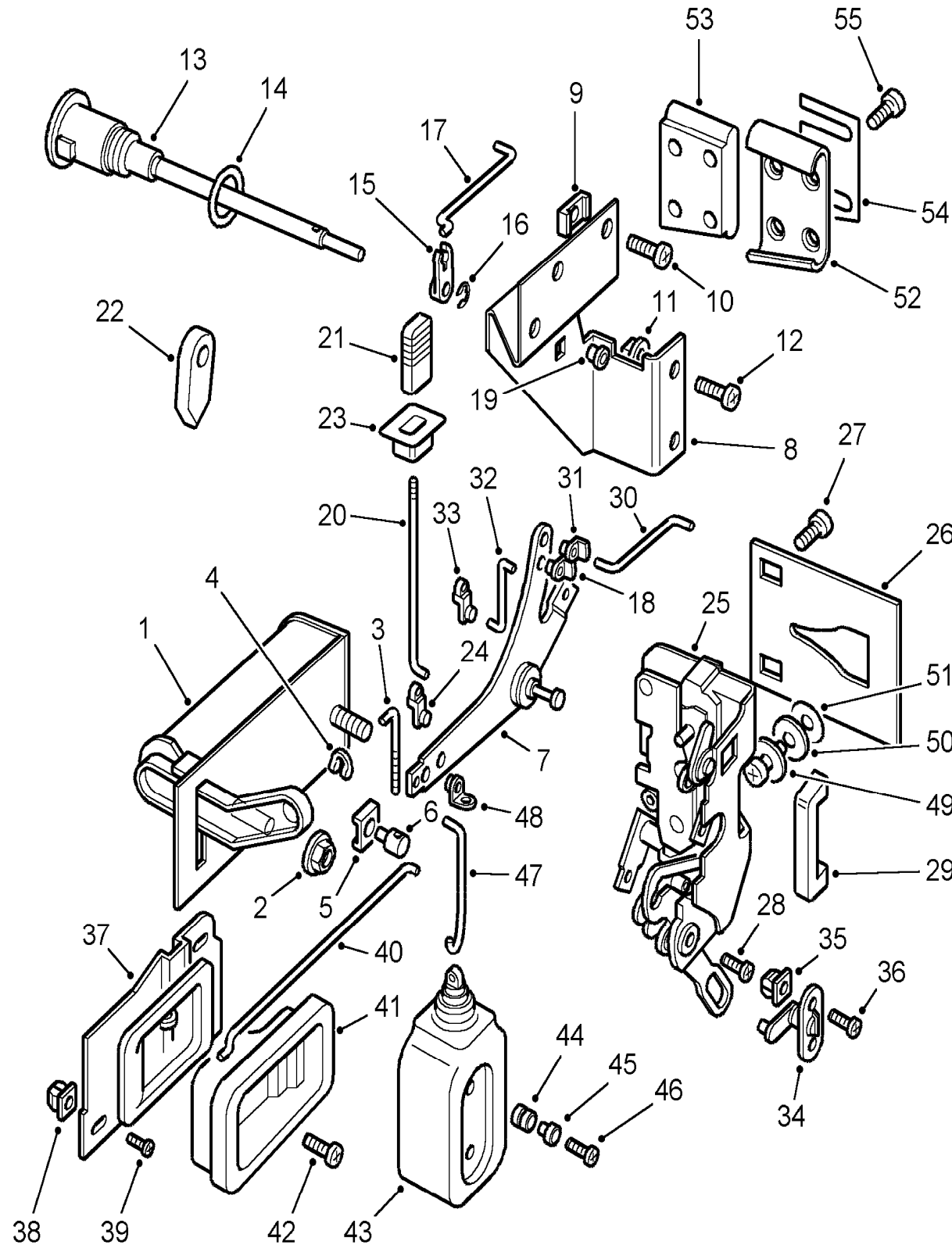


CANXGM1A

Discovery (FA393361-WA799999)

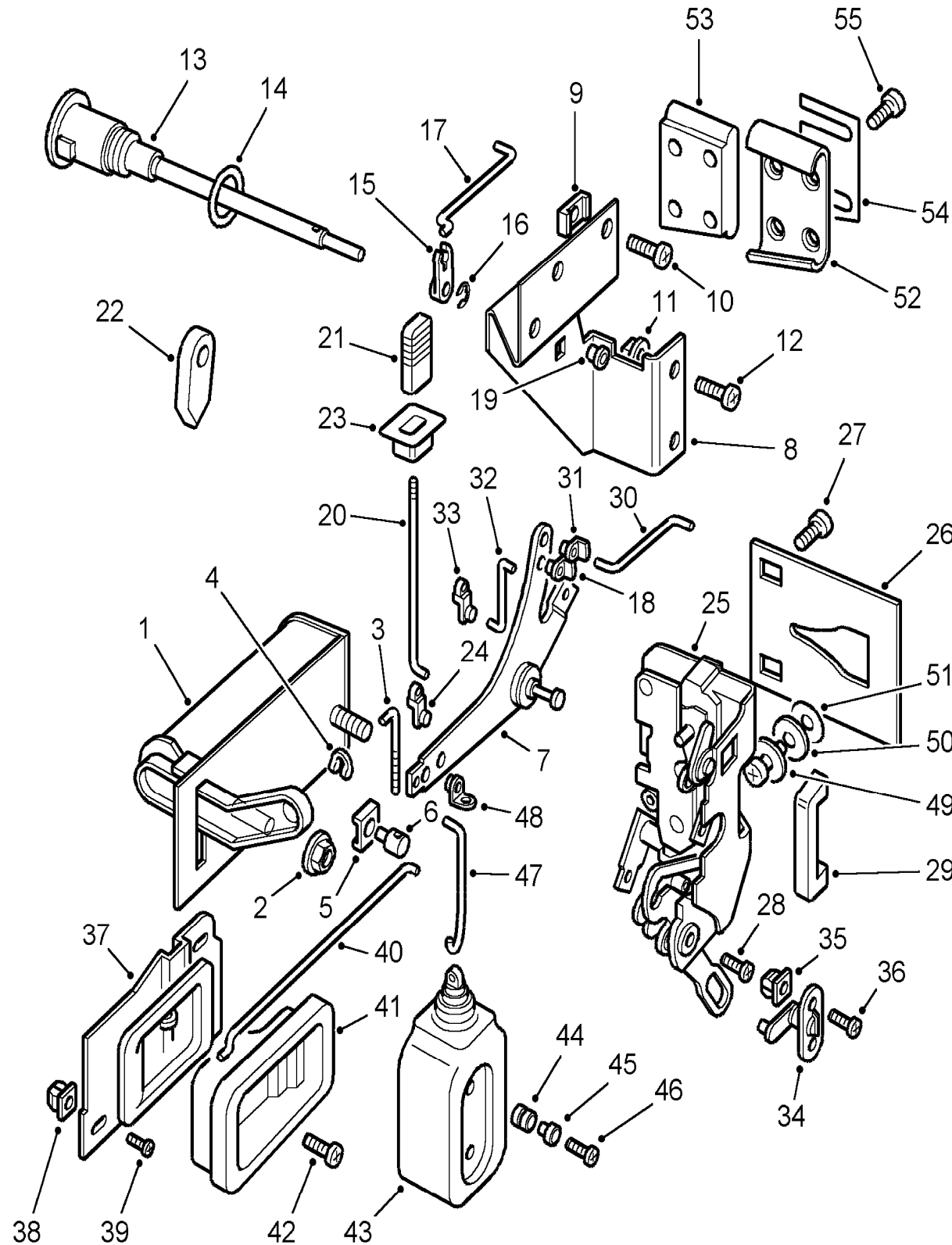
Body & Chassis
Body
Rear End Door Assembly

Callout	Name	Application	Remarks & Restrictions	Service No.	Qty
18	Pin-pivot check link			MXC1087	1
19	Shedder-rear door water		less subwoofer subwoofer	EOT100000 EOT100010	1 1
20	Seal-tailgate		Outer	BHK700010	1
21	Tape		Sonar Blue Bahama Beige Grey	18389 18546 19137	X X X
22	Plug-blanking		25.5MM, Plastic Plastic, 13MM	338023 338015	1 1
[900]	Protector rear window	Commercial		STC7022	1
[901]	Load door assembly			STC4390	1
[902]	Monobolt		3/16 dia	AFU1843	2
[903]	Seal-Rear Door			CKE101000	1
[904]	Glass-tail door	(+)"J"	with high-level stop lamp, Tinted..	AWR6674	1



CANXH12B

Callout	Name	Application	Remarks & Restrictions	Service No.	Qty
1	Handle assembly-door			BTR8036	1
2	Nut-flange		M6	FN106047L	2
3	Link-load/tail door exterior release handle/latch			MWC6724	1
4	Clip			MWC6727	1
5	Clip-retainer pin			MTC9290	1
6	Link adjusting			MTC9289	1
7	Crank assembly-door bell	Change point - VIN end LA077450 Change point - VIN begin LA077451, Change point - VIN end VA544174 Change point - VIN begin LA077451, Change point - VIN end VA712537 Change point - VIN begin VA544175 Change point - VIN begin VA712538		MWC6723 ALR6078 ALR6078 ASR2445 ASR2445	1 1 1 1 1
8	Bracket-load/tail door	Change point - VIN begin VA544175 Change point - VIN begin VA712538		MXC6581 MXC6581	1 1
9	Nut - Hex.	Change point - VIN begin VA544175 Change point - VIN begin VA712538	M6 M6	NK106061L NK106061L	2 2
10	Screw	Change point - VIN begin VA544175 Change point - VIN begin VA712538	M6 X 12 M6 X 12	SE106121 SE106121	2 2
11	Nut-lokut	Change point - VIN begin VA544175 Change point - VIN begin VA712538		CZK3264L CZK3264L	2 2
12	Screw	Change point - VIN begin VA544175 Change point - VIN begin VA712538	Black, Self Tapping, No8 x 5/8 Black, Self Tapping, No8 x 5/8	AB608051L AB608051L	2 2
13	Lock assembly-tailgate	Change point - VIN begin VA544175 Change point - VIN begin VA712538		RTC6688 RTC6688	1 1
14	Gasket-barrel lock	Change point - VIN begin VA544175		MWC9169	1



Callout	Name	Application	Remarks & Restrictions	Service No.	Qty
14	Gasket-barrel lock	Change point - VIN begin VA712538		MWC9169	1
15	Clip-tail door lock link	Change point - VIN begin VA544175 Change point - VIN begin VA712538		MWC6734 MWC6734	1 1
16	Circlip	Change point - VIN begin VA544175 Change point - VIN begin VA712538		MWC9168 MWC9168	1 1
17	Link-load/tail door latch/crank	Change point - VIN begin VA544175 Change point - VIN begin VA712538		MWC6735 MWC6735	1 1
18	Clip	Change point - VIN end LA081990 Change point - VIN begin MA081991		MWC9174 ALR6082	1 1
19	Bush			MWC9176	1
20	Link-load/tail door sill button/crank			MWC6729	1
21	Button sill	Change point - VIN end JA034313 Change point - VIN begin KA034314	Ash Grey Ash Grey	MXC3175LUN MXC3175LNF	1 1
22	Button sill	Change point - VIN begin VA534104 Change point - VIN begin VA703237	Ash Grey Ash Grey	AWR5250LNF AWR5250LNF	1 1
23	Escutcheon-door-lock	Change point - VIN end JA034313 Change point - VIN begin KA034314, Change point - VIN end KA057908 Change point - VIN begin KA057909	Ash Grey Ash Grey/Granite Ash Grey/Granite	MXC7436LUN MXC7436LNF BTR8247LNF	1 1 1
24	Clip	Change point - VIN end LA081990 Change point - VIN begin MA081991		MWC9174 ALR6082	1 1
25	Latch assembly-load/tail door			MXC2008	1
26	Seal			MUC1822	1
27	Screw		No 6 x 12	SF106121L	1
28	Screw-pan		M6 X 12, pan head	SE106121L	1

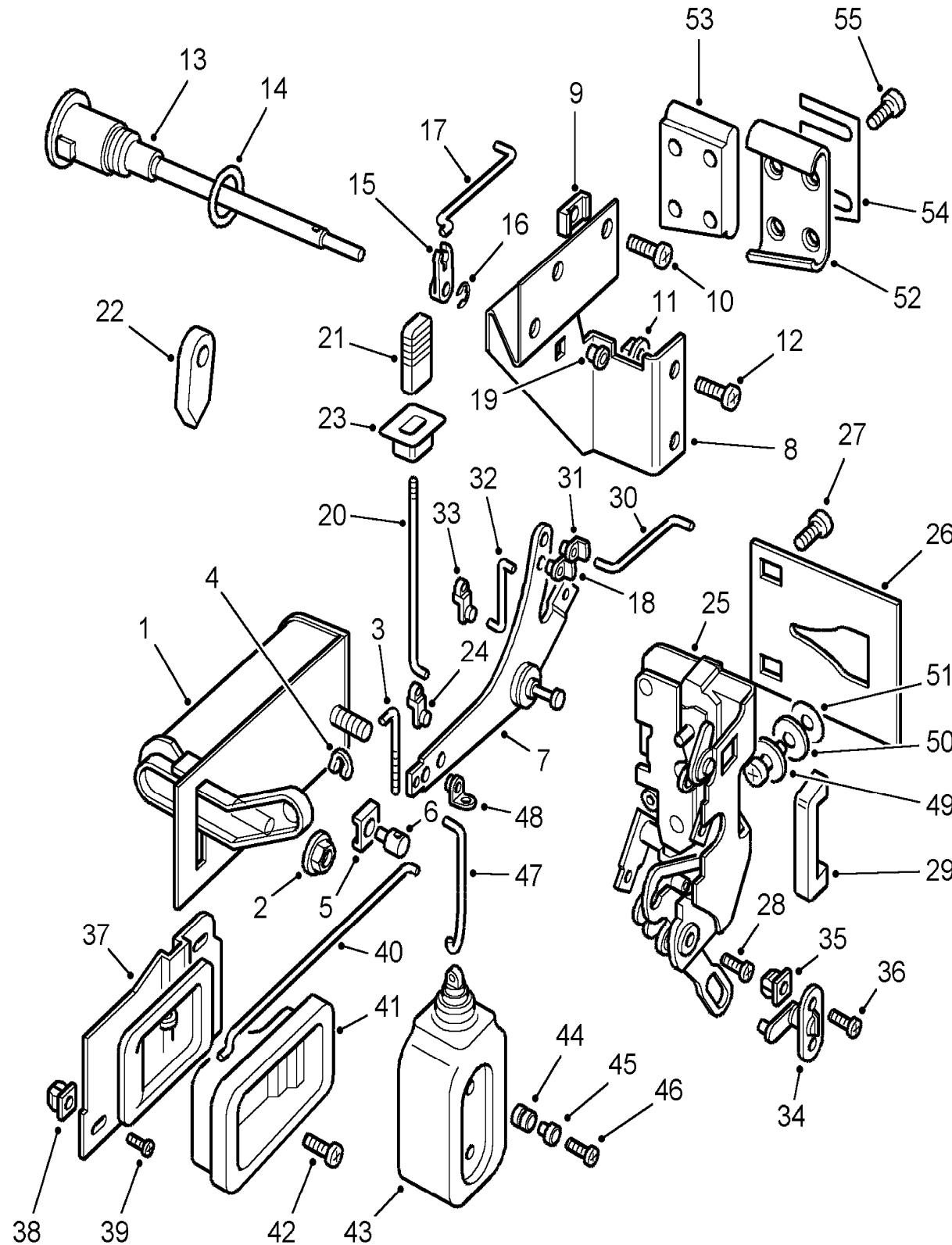
Body & Chassis

Discovery (FA393361-WA799999)

Body

Rear End Door Lock 3/4

(CANXH12B)



CANXH12B

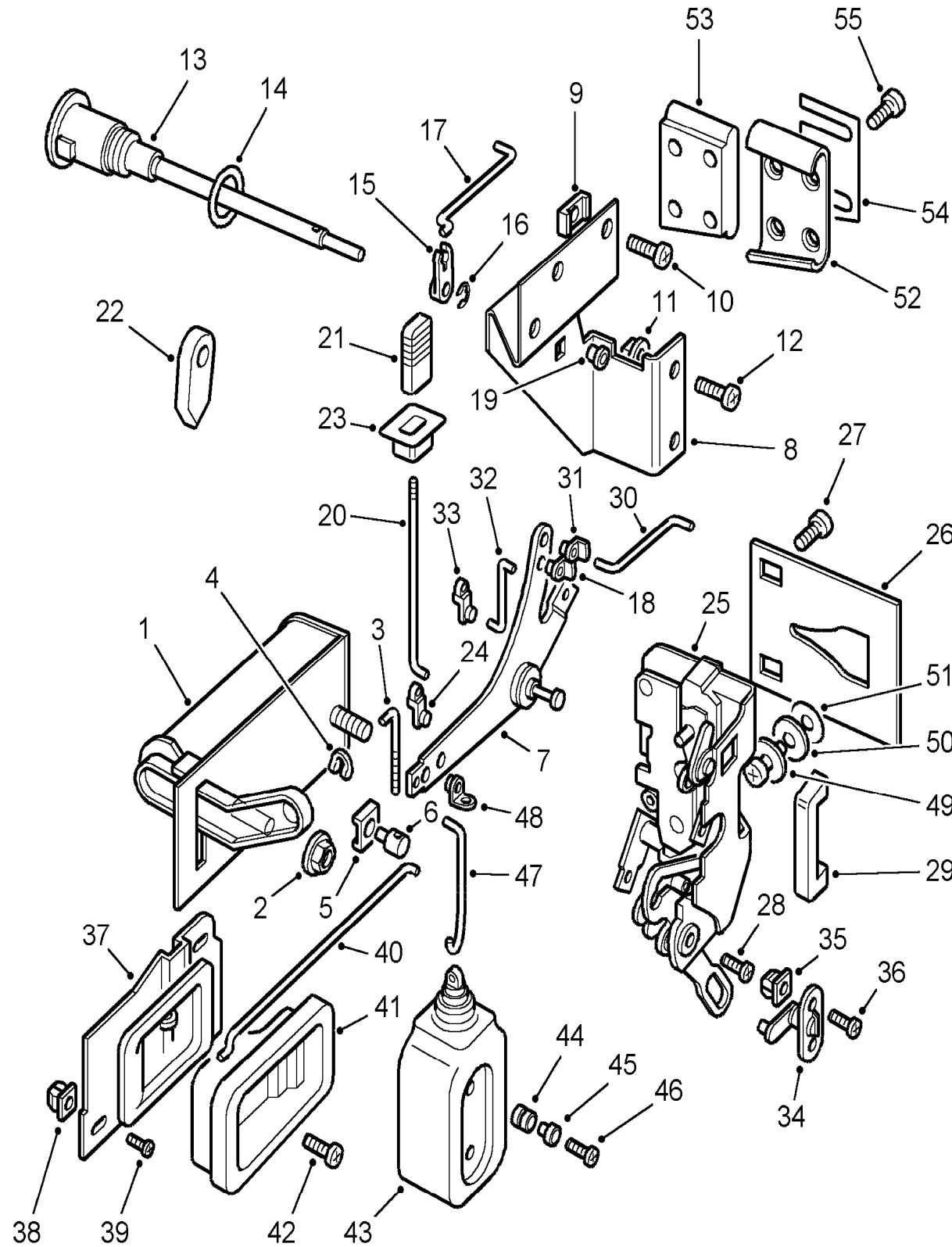
Discovery (FA393361-WA799999)

Body & Chassis

Body

Rear End Door Lock

Callout	Name	Application	Remarks & Restrictions	Service No.	Qty
29	Seal			MWC9173	1
30	Link-load/tail door exterior release handle/latch			MWC6728	1
31	Clip			MWC9174	2
32	Link-load/tail door exterior release handle/latch			MWC9172	1
33	Clip			MWC9174	2
34	Lever.		child proof lock	MXC2028	1
35	Nut-lokut			CZK3264L	2
36	Screw			ADU6780L	2
37	Handle-door grab	Change point - VIN end JA034313	RH, Ash Grey/Light Granite, Inner	DBP5840LUN	1
		Change point - VIN end JA034313	Ash Grey/Light Granite, Inner, LH	DBP5841LUN	1
		Change point - VIN begin KA034314	RH, Ash Grey/Granite, Inner	DBP5840LNF	1
		Change point - VIN begin KA034314	Ash Grey/Granite, Inner, LH	DBP5841LNF	1
38	Nut-lokut			CZK3264L	2
39	Screw		Black, Self Tapping, No8 x 5/8	AB608051L	2
40	Link-rear door interior release handle/latch			MWC6732	1
41	Housing-inner panel door release assembly	Change point - VIN end JA034313	RH, Mist Grey	DBP6532LUN	1
		Change point - VIN begin KA034314	Ash Grey, RH	DBP6532LNF	1
42	Screw-self tapping		Self Tapping, M8 x 13	DA608044L	1
43	Actuator-central door locking	Change point - VIN end LA081990	Passenger	PRC3916	1
		Change point - VIN begin MA081991	Passenger	AMR3382	1
44	Grommet			EAM9066L	2
45	Bush			EAM9067L	2
46	Screw		Black, Self Tapping, No8 x 5/8	AB608051L	2
47	Link-central door locking motor to latch			BTR157	1



Callout	Name	Application	Remarks & Restrictions	Service No.	Qty
48	Clip			MWC9174	1
49	Striker-Door Lock			390448	1
50	Shim			391591	1
51	Seal-door lock striker		Self Adhesive	MWC7677 FYF100150	1 2
52	Dovetail female-rear door	Change point - VIN end MA099941 Change point - VIN begin MA099942		MXC2630 ALR5691	1 1
53	Dovetail male-rear door	Change point - VIN end MA099941 Change point - VIN begin MA099942		MXC2631 ALR6306	1 1
54	Shim			MXC3132	X
55	Screw		M6 X 20, counter sunk, recessed	SF106201L	8
[900]	Dovetail male-rear door			CKT700020 CKT700030 CKT700010	1 1 1
[901]	Escutcheon-door-lock		Ash Grey/Granite	EKC100350LNF	1
[902]	Handle assembly-tailgate		Also serviced as part of a kit	CXB102190	1
[903]	Clip		Also serviced as part of a kit	FVF10002	1
[904]	Link-rear door sill button/crank			FQK101400	1
[905]	Screw-powerlok		M6, pan head	DCP5044L	2
[906]	Washer-Lock			WF507L	2

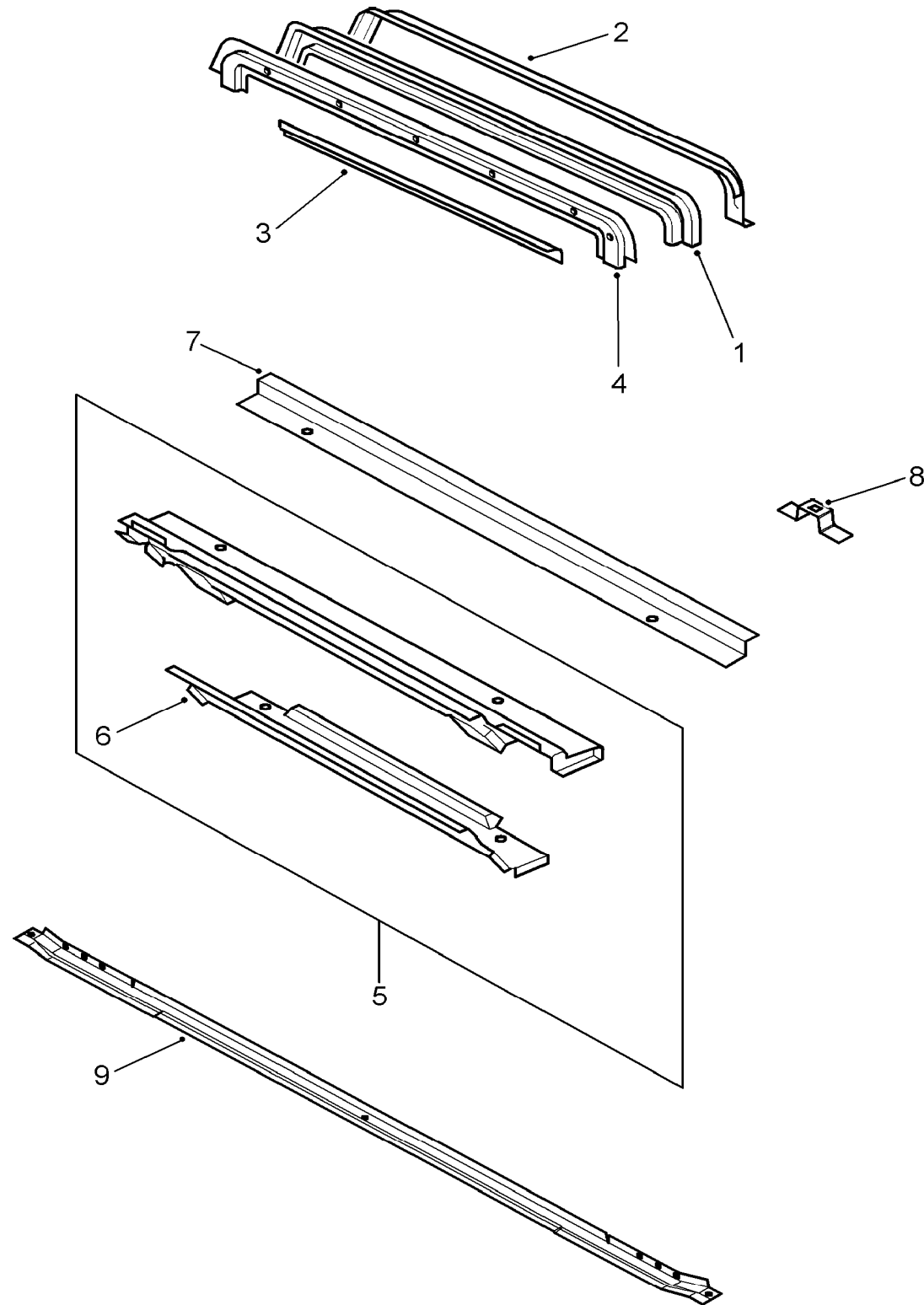
Body & Chassis
 Body
 Rear End Panels 1/1

Discovery (FA393361-WA799999)
 (CDNXBR1B)

Discovery (FA393361-WA799999)

Body & Chassis
 Body
 Rear End Panels

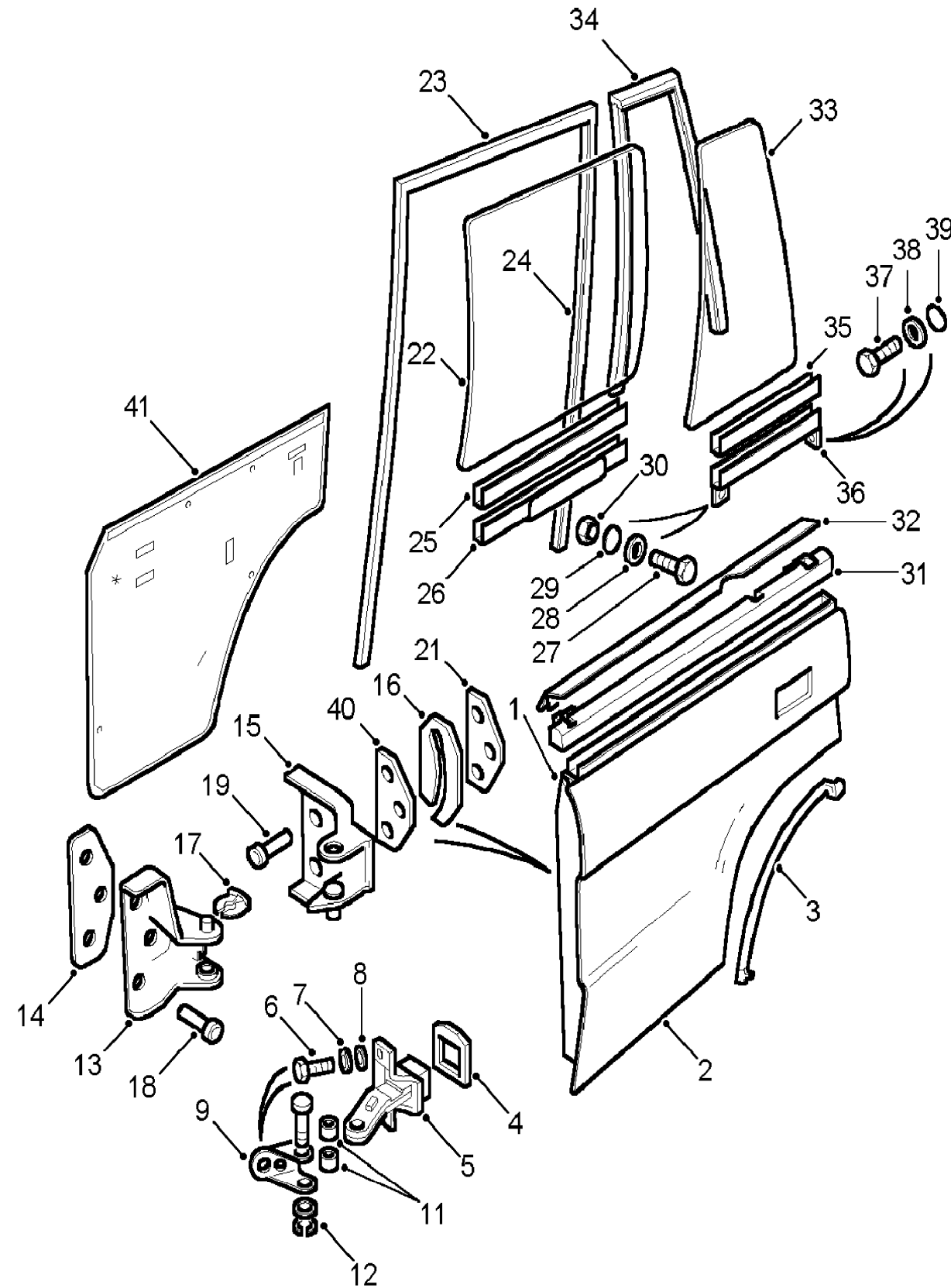
Callout	Name	Application	Remarks & Restrictions	Service No.	Qty
1	Panel header roof		Outer	ALR6238	1
2	Panel header roof	Change point - VIN end VA737406	Rear	MXC8657	1
		Change point - VIN begin VA737407	Rear	ASR1862	1
3	Finisher-headlining		Rear	MXC1280	1
			Rear	ASR1677	1
4	Panel closing	Change point - VIN end VA737406, (-)"AUS"		ALR6176	1
		Change point - VIN begin VA737407, (-)"AUS"		AQH700010	1
		Change point - VIN end LA081990, (+)"AUS"		MXC9314	1
		Change point - VIN begin MA081991, (+)"AUS"		ALR6749	1
5	Crossmember assembly-rear floor		Also serviced as part of a kit	STC1066	1
6	Panel-rear end		Also serviced as part of a kit, Lower	MWC7584	1
7	Closing-rear crossmember		Also serviced as part of a kit	MWC7562	1
8	Support Bracket			MXC5278	X
[9]	Panel		floor to rear end	ALR1773	1



C01.215
 02-2004
 L4
 CDNXBR1B

Body & Chassis
Body
Rear Side Door Assembly 1/4

Discovery (FA393361-WA799999)
(CANXGI2A)



CANXGI2A

Discovery (FA393361-WA799999)

Body & Chassis
Body
Rear Side Door Assembly

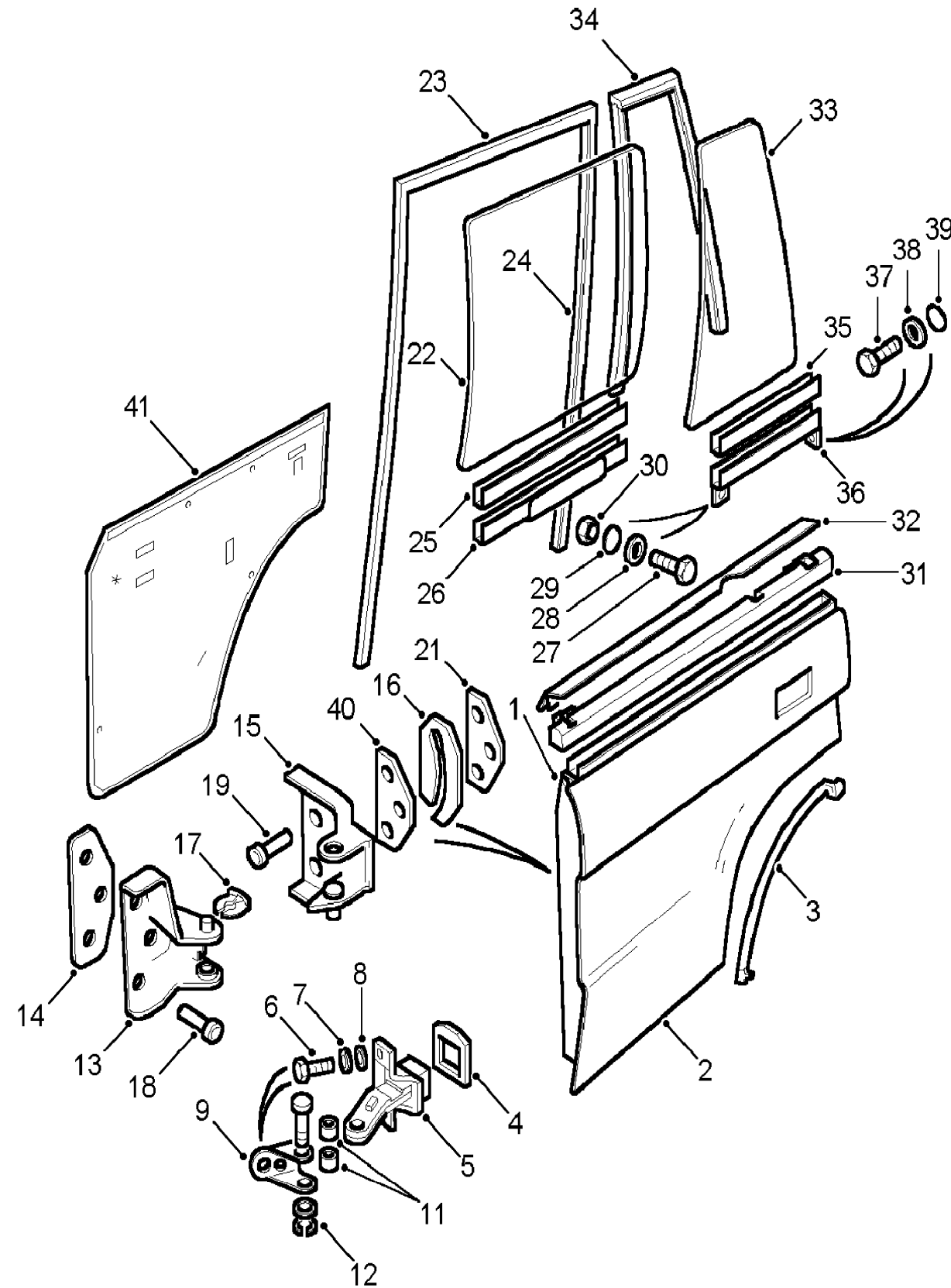
5 Door Station Wagon

Callout	Name	Application	Remarks & Restrictions	Service No.	Qty		
1	Door assembly-rear	Change point - VIN end MA112622	Also serviced as part of a kit, RH	MWC6588	1		
		Change point - VIN end MA112622	Also serviced as part of a kit, LH	MWC6589	1		
		Change point - VIN begin TA163104	Also serviced as part of a kit, RH	ALR8574	1		
		Change point - VIN begin TA501920	Also serviced as part of a kit, RH	ALR8574	1		
		Change point - VIN begin TA163104	Also serviced as part of a kit, LH	ALR8575	1		
		Change point - VIN begin TA501920	Also serviced as part of a kit, LH	ALR8575	1		
		Change point - VIN begin MA112623, Change point - VIN end MA163103	Also serviced as part of a kit, RH	ALR8020	1		
		Change point - VIN begin MA112623, Change point - VIN end MA501919	Also serviced as part of a kit, RH	ALR8020	1		
		Change point - VIN begin MA112623, Change point - VIN end MA163103	Also serviced as part of a kit, LH	ALR8019	1		
		Change point - VIN begin MA112623, Change point - VIN end MA501919	Also serviced as part of a kit, LH	ALR8019	1		
		2	Panel-rear door facing	Change point - VIN end MA112622	Also serviced as part of a kit, RH	MWC9084	1
				Change point - VIN end MA112622	Also serviced as part of a kit, LH	MWC9085	1
				Change point - VIN begin TA163104	Also serviced as part of a kit, RH	ALR8572	1
				Change point - VIN begin TA501920	Also serviced as part of a kit, RH	ALR8572	1
Change point - VIN begin TA163104	Also serviced as part of a kit, LH			ALR8573	1		
Change point - VIN begin TA501920	Also serviced as part of a kit, LH			ALR8573	1		
Change point - VIN begin MA112623, Change point - VIN end MA163103	Also serviced as part of a kit, RH			MWC9084	1		
Change point - VIN begin MA112623, Change point - VIN end MA501919	Also serviced as part of a kit, RH			MWC9084	1		
Change point - VIN begin MA112623, Change point - VIN end MA163103	Also serviced as part of a kit, LH			MWC9085	1		
Change point - VIN begin MA112623, Change point - VIN end MA501919	Also serviced as part of a kit, LH			MWC9085	1		
3	Seal			ALR2371	2		
4	Gasket			MXC8335	2		
5	Check strap	Change point - VIN end KA049863		MXC1965	2		
		Change point - VIN begin KA048963		ALR4725	2		

Body & Chassis
Body
Rear Side Door Assembly 2/4

Discovery (FA393361-WA799999)

(CANXGI2A)



CANXGI2A

Discovery (FA393361-WA799999)

Body & Chassis
Body
Rear Side Door Assembly

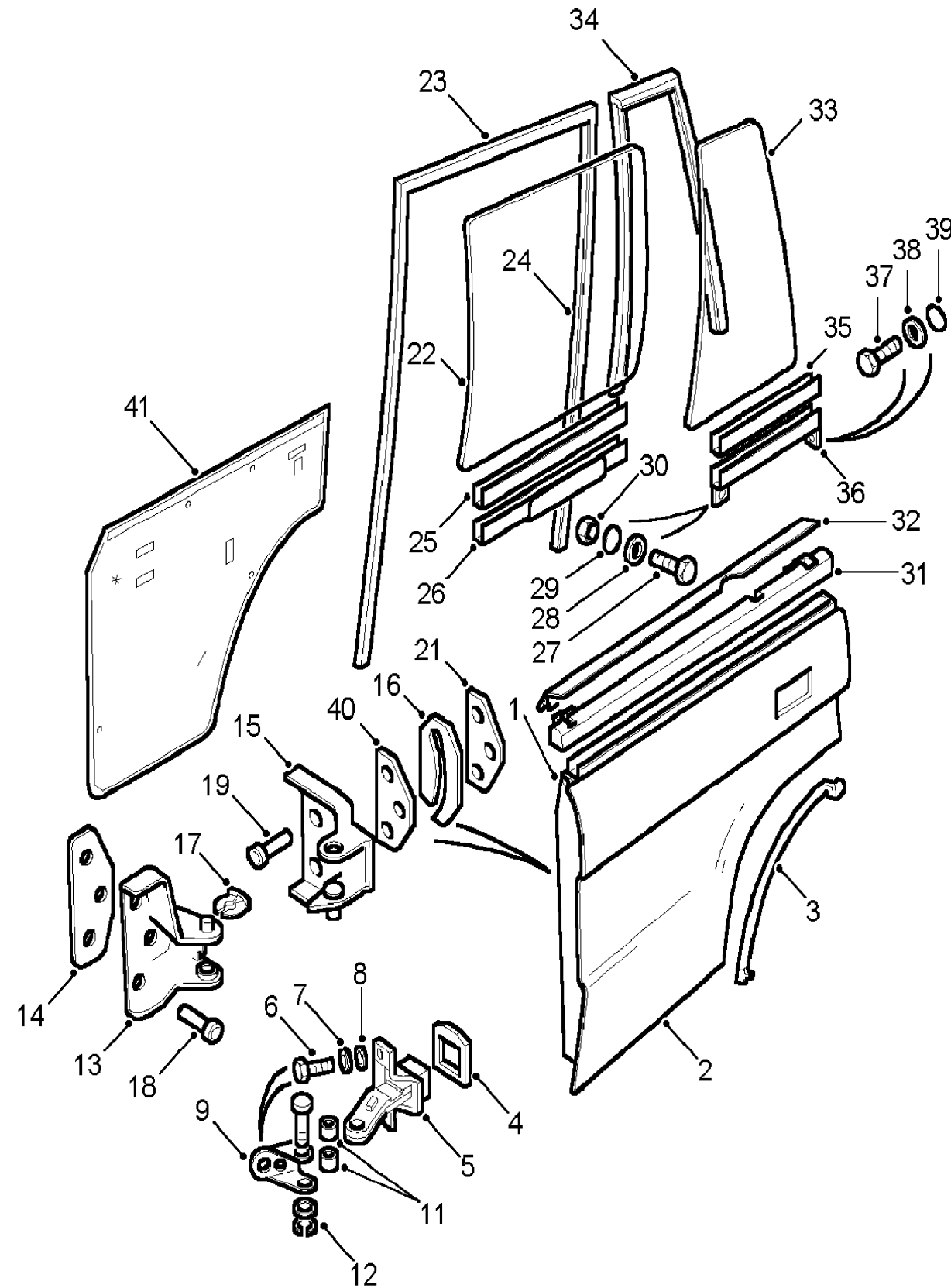
5 Door Station Wagon

Callout	Name	Application	Remarks & Restrictions	Service No.	Qty
6	Screw-flanged head		M6 X 16, Flanged Head	FS106167L	8
7	Washer		M6, sprung	WL106001L	8
8	Washer		6MM	WA106041L	8
9	Bracket			MTC9066	2
10	Pin			MTC9630	2
11	Spacer			MTC9631	4
12	Circlip			MTC9632	2
13	Hinge B post		RH, Upper Upper, LH RH, Lower Lower, LH	MXC2162 MXC2163 MXC5768 MXC5769	1 1 1 1
14	Shim-door hinge		Lower	MXC1361	4
15	Hinge assembly-front door		RH LH	MXC2166 MXC2167	2 2
16	Shim-door hinge		1.30MM 0.50MM	ALR1976 MXC9336	2 2
17	Circlip			MXC5267	4
18	Screw-pan			MXC4918	12
19	Screw			MXC1638	12
20	Washer-Plain			RTC613	12
21	Plate-Retaining			MXC1867	4
22	Glass-rear-door		RH, 4.0MM 4.0MM, LH	MWC8438 MWC8439	1 1
23	Channel-rear door glass run		Front, top, 4.0MM	MWC9603	2
24	Channel-rear door glass run			MTC9177	2
25	Channel-rear door glass run	Change point - VIN end LA081990 Change point - VIN begin MA081991, Change point - VIN end MA137189 Change point - VIN begin MA137190	Rubber Rubber Rubber	MTC7290 ALR6541 ALR8991	2 1 1

Body & Chassis
Body
Rear Side Door Assembly 3/4

Discovery (FA393361-WA799999)

(CANXGI2A)



CANXGI2A

Discovery (FA393361-WA799999)

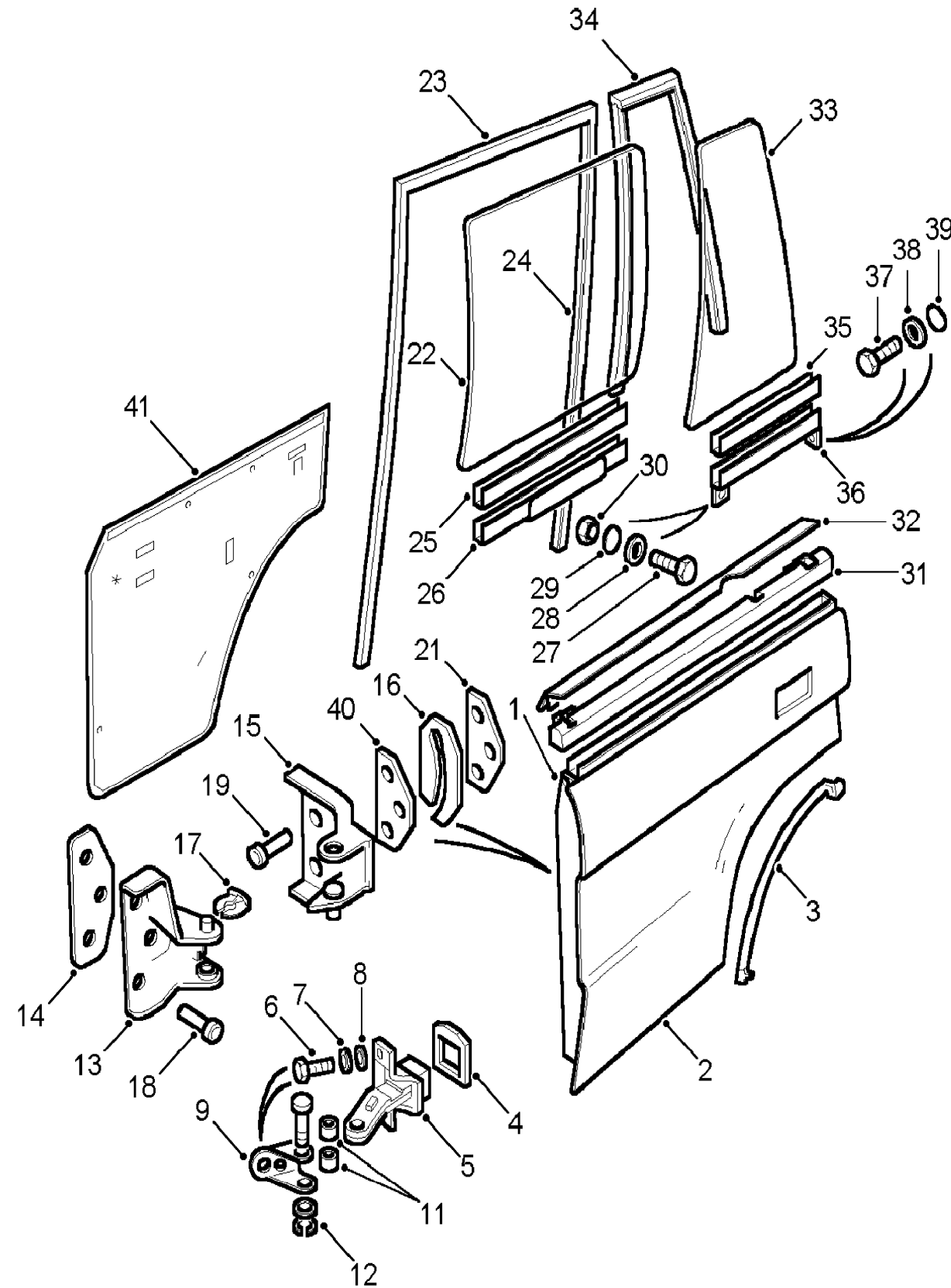
Body & Chassis
Body
Rear Side Door Assembly

5 Door Station Wagon

Callout	Name	Application	Remarks & Restrictions	Service No.	Qty		
26	Channel-rear door glass lift	Change point - VIN begin LA081991, Change point - VIN end MA137189	RH	MUC1218	1		
		Change point - VIN begin LA081991, Change point - VIN end MA137189	LH	MUC1219	1		
		Change point - VIN begin MA137190		ALR8024	1		
27	Screw		hexagonal head, 1/4UNF x 1/2	SH604041L	2		
28	Washer		6MM	WA106041L	2		
29	Washer-Lock			WF600041L	2		
30	Nut - Hex.		hexagonal head, Coarse Thread, 1/4UNF	NH604041L	2		
31	Seal-waist-rear door	Change point - VIN end LA073434	Outer, RH	MXC3810	1		
		Change point - VIN end LA073434	Outer, LH	MXC3811	1		
		Change point - VIN begin LA073435, Change point - VIN end VA546092	Outer, RH	BTR8866	1		
		Change point - VIN end VA714595	Outer, RH	BTR8866	1		
		Change point - VIN begin LA073435, Change point - VIN end VA546092	Outer, LH	BTR8867	1		
		Change point - VIN end VA714595	Outer, LH	BTR8867	1		
		Change point - VIN begin VA546093	Outer, RH	ASR2524	1		
		Change point - VIN begin VA714596	Outer, RH	ASR2524	1		
		Change point - VIN begin VA546093	Outer, LH	ASR2525	1		
		Change point - VIN begin VA714596	Outer, LH	ASR2525	1		
		32	Seal-waist-rear door	Change point - VIN end LA060522	RH, Inner	BTR421	1
				Change point - VIN end LA060522	Inner, LH	BTR422	1
Change point - VIN begin LA060523, Change point - VIN end TA533910	RH, Inner			BTR8302	1		
Change point - VIN end TA703021	RH, Inner			BTR8302	1		
Change point - VIN begin LA060523, Change point - VIN end TA533910	Inner, LH			BTR8303	1		
Change point - VIN end TA703021	Inner, LH			BTR8303	1		
Change point - VIN begin TA533911	RH, Inner	AWR5996	1				

Body & Chassis
Body
Rear Side Door Assembly 4/4

Discovery (FA393361-WA799999)
(CANXGI2A)



CANXGI2A

Discovery (FA393361-WA799999)

Body & Chassis
Body
Rear Side Door Assembly

5 Door Station Wagon

Callout	Name	Application	Remarks & Restrictions	Service No.	Qty
32	Seal-waist-rear door	Change point - VIN begin TA703022	RH, Inner	AWR5996	1
		Change point - VIN begin TA533911	Inner, LH	AWR5995	1
		Change point - VIN begin TA703022	Inner, LH	AWR5995	1
33	Glass-rear quarter		RH	MTC5956	1
			LH	MTC5955	1
34	Seal-rear quarter glass			MTC9131	2
35	Channel-rear door glass run		Rubber	MTC7290	X
36	Channel locating		RH	MTC9274	1
			LH	MTC9273	1
37	Screw		hexagonal head 6MM	SH604031L WA106041L	2 2
39	Washer-Lock			WF600041L	2
40	Shim-door hinge		Lower	ALR4723	2
41	Water curtain		RH	BTR972	1
			LH	BTR973	1
[900]	Seal waist outer	Change point - VIN begin VA546093	RH	ASR2526	1
		Change point - VIN begin VA714596	RH	ASR2526	1
[901]	Plinth-licence plate	Change point - VIN begin VA557660	without bull bar, Black, without bull bar	AWR6883PMD	1
		Change point - VIN begin VA723594	without bull bar, Black, without bull bar	AWR6883PMD	1
[902]	Glass-rear door tinted	(+)"J"	RH	AWR6688	1
		(+)"J"	LH	AWR6687	1
[903]	Glass-rear quarter	(+)"J"	RH	AWR6690	1
		(+)"J"	LH	AWR6689	1

Body & Chassis

Discovery (FA393361-WA799999)

Body

Roof Assembly-Plain 1/1

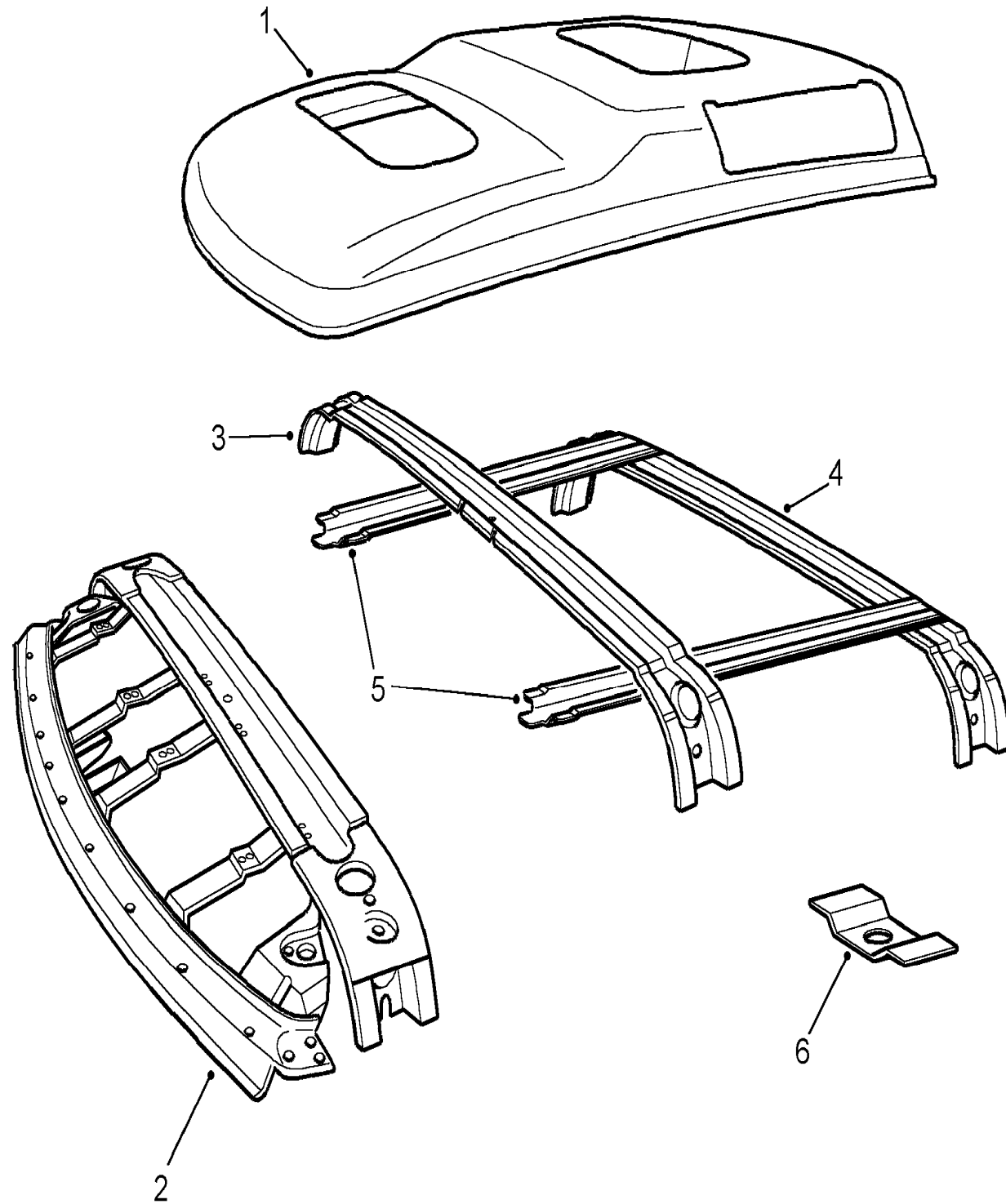
(CANXBP1A)

Discovery (FA393361-WA799999)

Body & Chassis

Body

Roof Assembly-Plain



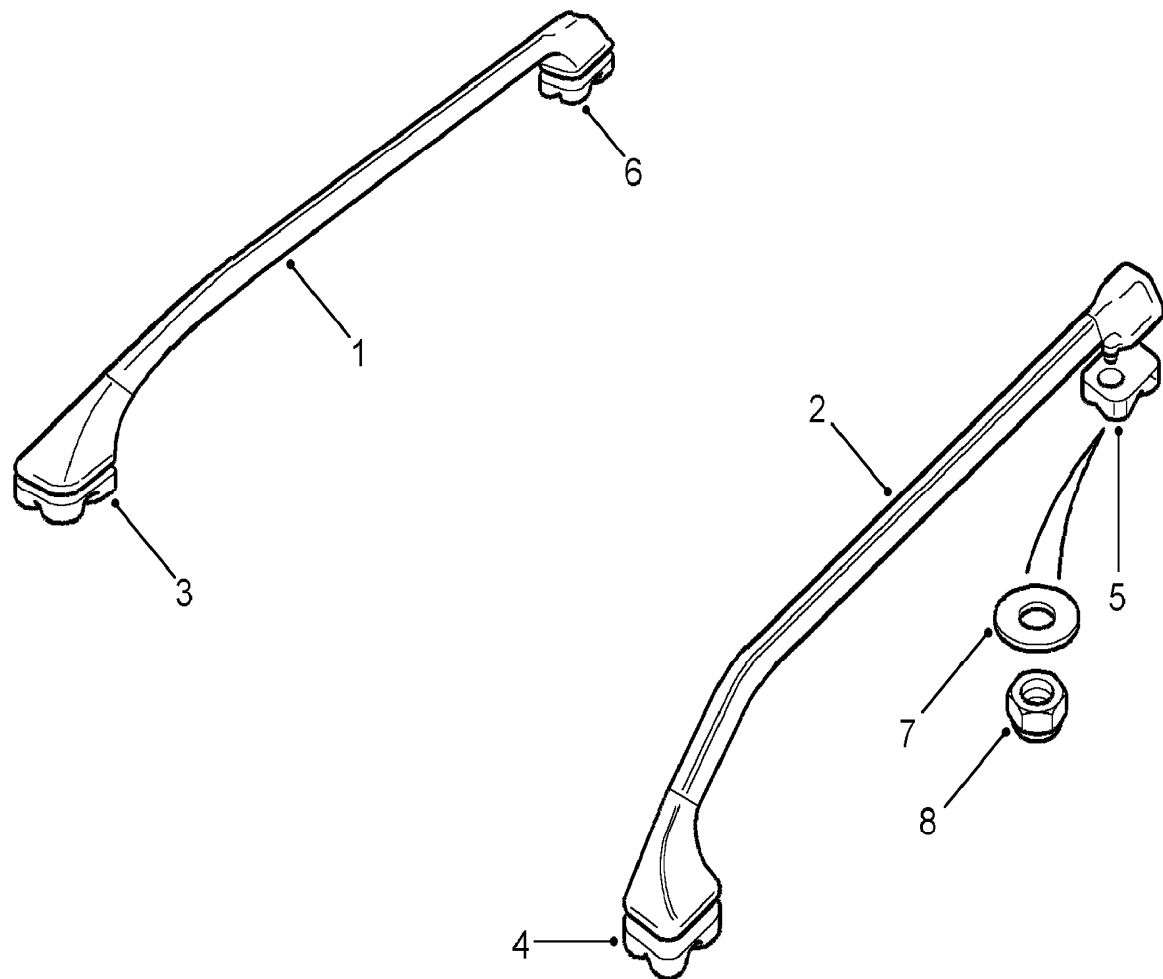
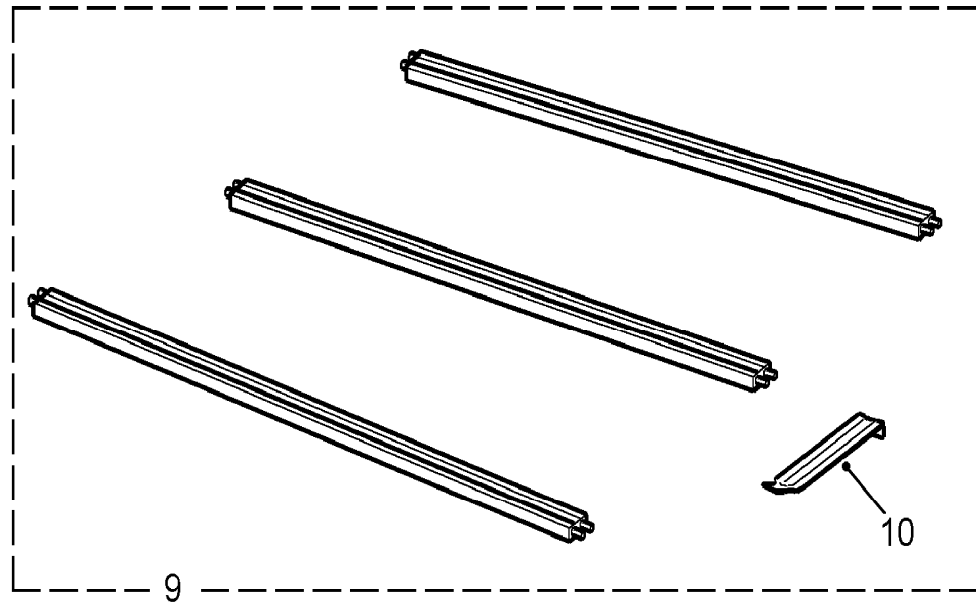
CANXBP1A

BODY - ROOF ASSEMBLY - DISCOVERY

Callout	Name	Application	Remarks & Restrictions	Service No.	Qty
1	Roof Panel	Less Roof Rack, Less Sun Roof		MXC5293	1
		Change point - VIN end LA081990, Less Roof Rack, With Twin Sunroof		MXC5294	1
		Change point - VIN begin MA081991, Less Roof Rack, With Twin Sunroof		ALR3775	1
		With Roof Rack, Less Sun Roof		MWC4246	1
		Change point - VIN end LA081990, With Roof Rack, With Twin Sunroof		MWC6767	1
		Change point - VIN begin MA081991, With Roof Rack, With Twin Sunroof		ALR2811	1
2	Panel header roof	Change point - VIN end LA081991		STC104	1
		Change point - VIN begin MA081992		ALR7845	1
3	Roof bow-centre	Change point - VIN end LA081990		STC1484	1
		Change point - VIN begin MA081991		ALR2701	1
4	Roof bow-rear			STC1517	1
5	Reinforcement-roof			ALR5074	2
6	Bracket-roof bow support			MUC9211	1

Body & Chassis
Body
Roof Rack 1/2

Discovery (FA393361-WA799999)
(CANXBP2A)



CANXBP2A

Discovery (FA393361-WA799999)

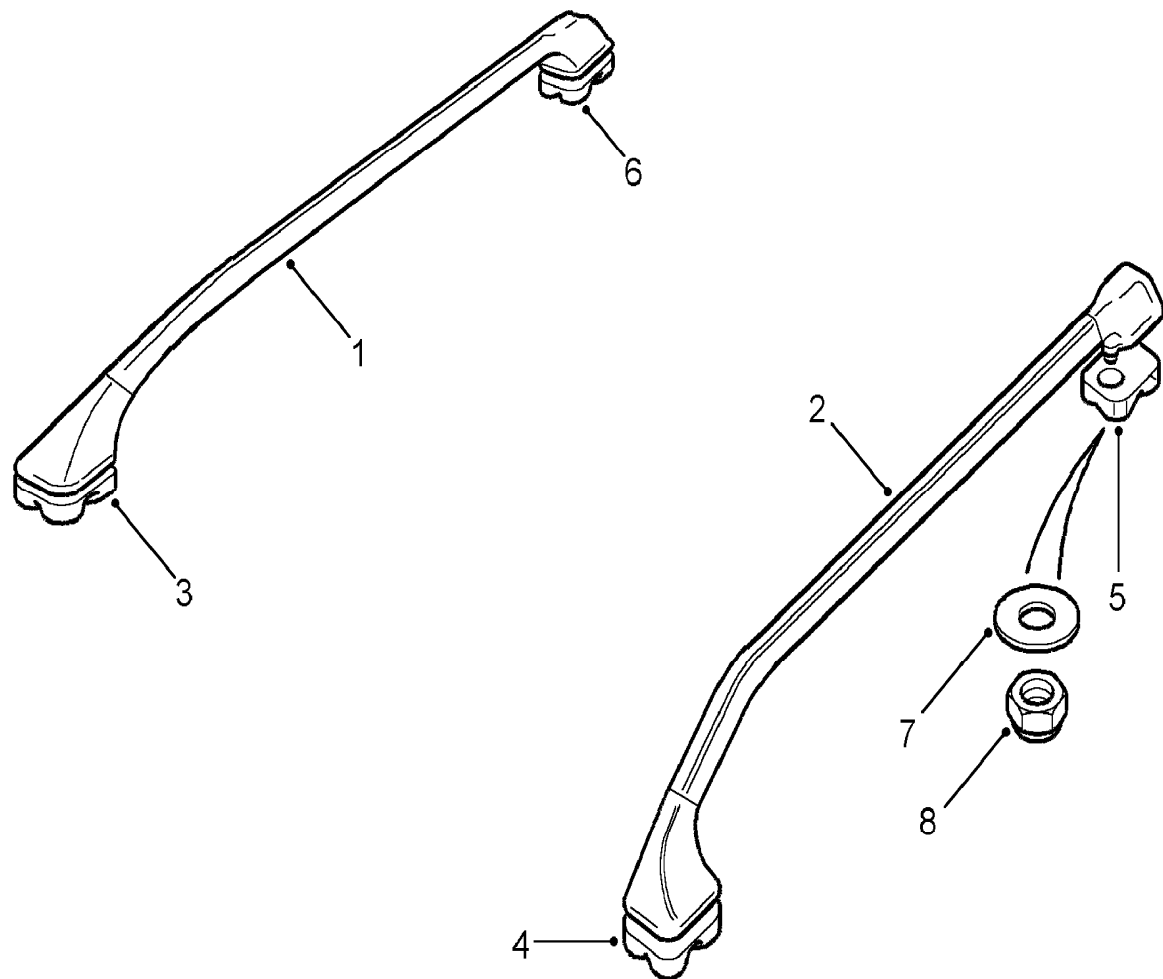
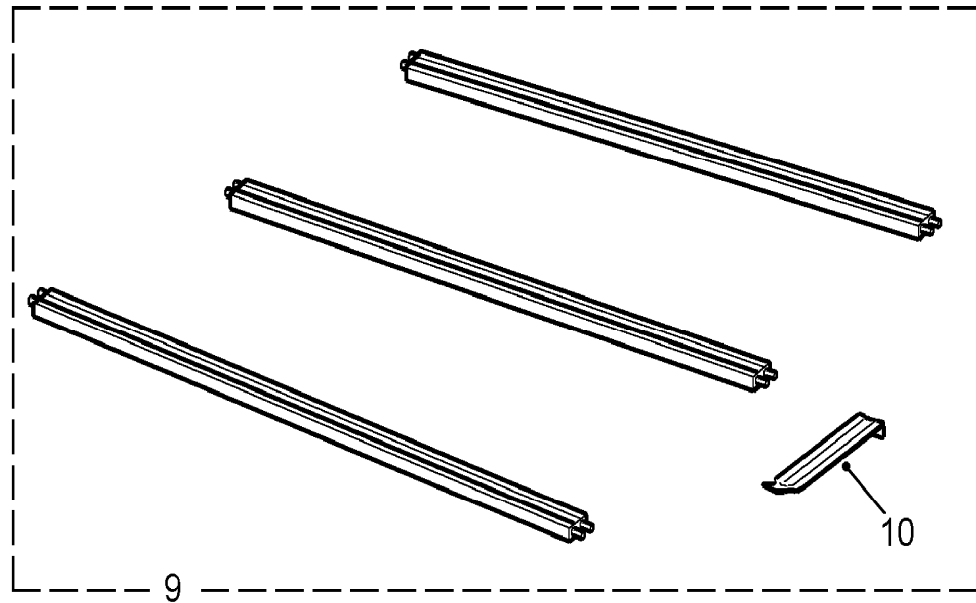
Body & Chassis
Body
Roof Rack

With Roof Rack

Callout	Name	Application	Remarks & Restrictions	Service No.	Qty		
1	Rail-roof rack side	Change point - VIN begin VA558851	RH	CAC100180	1		
		Change point - VIN begin VA724358	RH	CAC100180	1		
		Change point - VIN end VA558850	RH	MWC8186	1		
		Change point - VIN end VA724357	RH	MWC8186	1		
2	Rail-roof rack side	Change point - VIN begin VA558851	LH	CAC100190	1		
		Change point - VIN begin VA724358	LH	CAC100190	1		
		Change point - VIN end VA558850	LH	MWC8187	1		
		Change point - VIN end VA724357	LH	MWC8187	1		
3	Gasket-roof rack side rail front	Change point - VIN end VA558850	RH	MWC8759	1		
		Change point - VIN end VA724357	RH	MWC8759	1		
		Change point - VIN begin VA558851	RH, Upper	CAJ100160	1		
		Change point - VIN begin VA724358	RH, Upper	CAJ100160	1		
		Change point - VIN begin VA558851	RH, Lower	CAJ100200	1		
		Change point - VIN begin VA724358	RH, Lower	CAJ100200	1		
4	Gasket-roof rack side rail front	Change point - VIN end VA558850	LH	MWC8760	1		
		Change point - VIN end VA724357	LH	MWC8760	1		
		Change point - VIN begin VA558851	Upper, LH	CAJ100170	1		
		Change point - VIN begin VA724358	Upper, LH	CAJ100170	1		
		Change point - VIN begin VA558851	Lower, LH	CAJ100210	1		
		Change point - VIN begin VA724358	Lower, LH	CAJ100210	1		
		5	Gasket-roof rack side rail rear	Change point - VIN end VA558850	LH	MXC4652	1
				Change point - VIN end VA724357	LH	MXC4652	1
Change point - VIN begin VA558851	Upper, LH			CAJ100190	1		
Change point - VIN begin VA724358	Upper, LH			CAJ100190	1		
Change point - VIN begin VA558851	Lower, LH			CAJ100230	1		
Change point - VIN begin VA724358	Lower, LH			CAJ100230	1		
6	Gasket-roof rack side rail rear	Change point - VIN end VA558850	RH	MXC4653	1		

Body & Chassis
Body
Roof Rack 2/2

Discovery (FA393361-WA799999)
(CANXBP2A)



CANXBP2A

Discovery (FA393361-WA799999)

Body & Chassis
Body
Roof Rack

With Roof Rack

Callout	Name	Application	Remarks & Restrictions	Service No.	Qty
6	Gasket-roof rack side rail rear	Change point - VIN end VA724357	RH	MXC4653	1
		Change point - VIN begin VA558851	RH, Upper	CAJ100180	1
		Change point - VIN begin VA724358	RH, Upper	CAJ100180	1
		Change point - VIN begin VA558851	RH, Lower	CAJ100220	1
		Change point - VIN begin VA724358	RH, Lower	CAJ100220	1
7	Washer-Plain			CLP9089L	2
8	Nut - Hex.		M8, nyloc	NY108041L	4
9	Kit-roof rack conversion		c/w bag, Also serviced as part of a kit	MXC6568	1
10	Spanner-roof rack assembly		Also serviced as part of a kit	MXC6273	1
[900]	Gasket-roof rack side rail rear		RH, Lower	CAJ100320	1
			Lower, LH	CAJ100330	1
			RH, Upper	CAJ100340	1
			Upper, LH	CAJ100350	1
[901]	Gasket-roof rack side rail front		RH, Lower	CAJ100360	1
			Lower, LH	CAJ100370	1
			RH, Upper	CAJ100380	1
			Upper, LH	CAJ100390	1
[902]	Rail-roof rack side		RH	CAC100180	1
			LH	CAC100190	1

Body & Chassis

Discovery (FA393361-WA799999)

Body

Rubbing Strips-Except XS 1/5

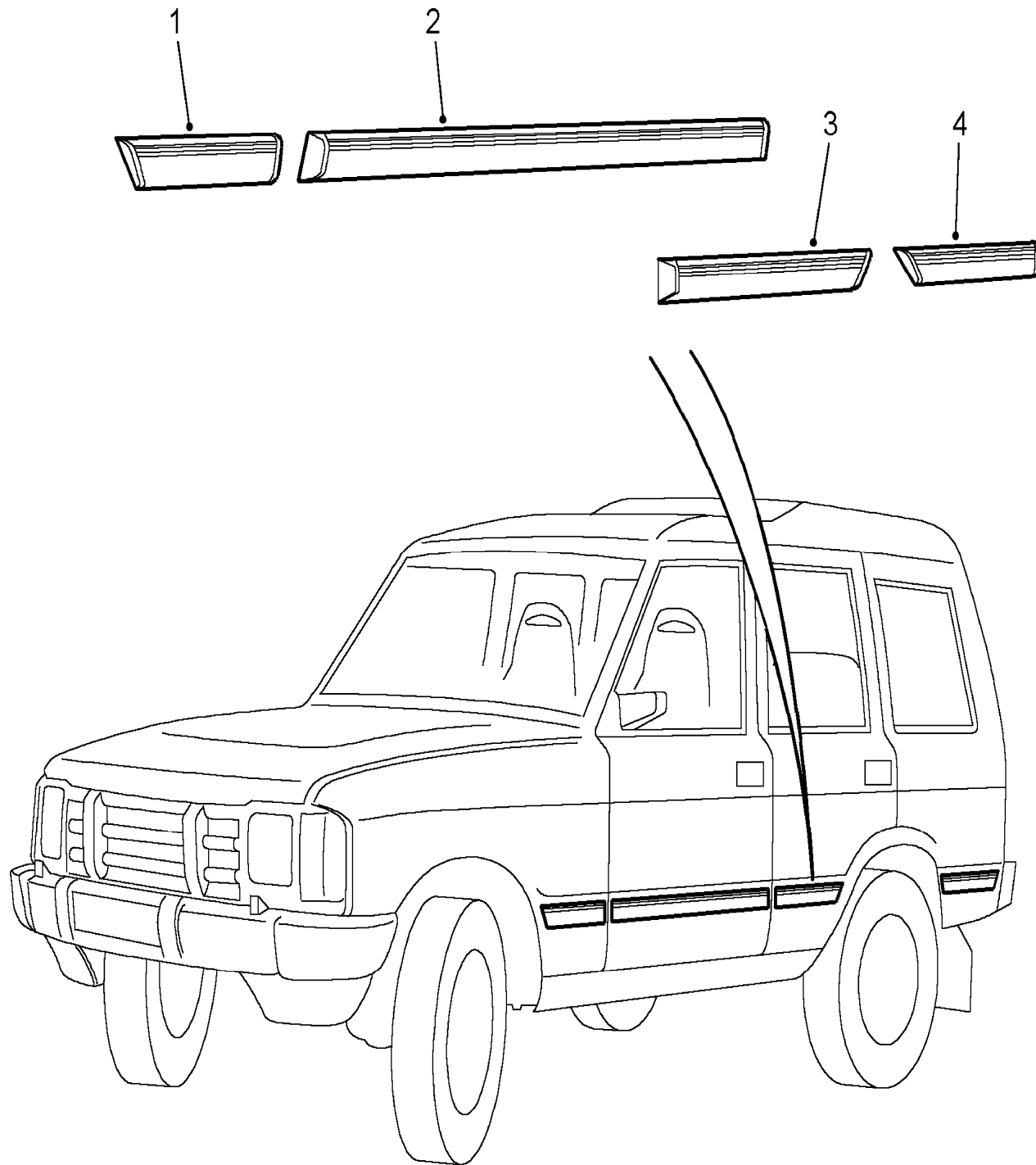
(CANXOA4A)

Discovery (FA393361-WA799999)

Body & Chassis

Body

Rubbing Strips-Except XS



CANXOA4A

Callout	Name	Application	Remarks & Restrictions	Service No.	Qty		
1	Rubbing strip-front fender	Change point - VIN end MA501919, 5 Door Station Wagon	RH, with chrome inserts	BTR503LUZ	1		
		Change point - VIN end MA163103, 5 Door Station Wagon	RH, with chrome inserts	BTR503LUZ	1		
		Change point - VIN end MA501919, 5 Door Station Wagon	with chrome inserts, LH	BTR504LUZ	1		
		Change point - VIN end MA163103, 5 Door Station Wagon	with chrome inserts, LH	BTR504LUZ	1		
		Change point - VIN end MA501919	RH, Black insert	BTR8680PMD	1		
		Change point - VIN end MA163103	RH, Black insert	BTR8680PMD	1		
		Change point - VIN end MA501919, 5 Door Station Wagon	Black insert, LH	BTR8681PMD	1		
		Change point - VIN end MA163103, 5 Door Station Wagon	Black insert, LH	BTR8681PMD	1		
		Change point - VIN begin TA163104, 5 Door Station Wagon	RH, with chrome inserts	AWR4334LUZ	1		
		Change point - VIN begin TA501920, 5 Door Station Wagon	RH, with chrome inserts	AWR4334LUZ	1		
		Change point - VIN begin TA163104, 5 Door Station Wagon	with chrome inserts, LH	AWR4335LUZ	1		
		Change point - VIN begin TA501920, 5 Door Station Wagon	with chrome inserts, LH	AWR4335LUZ	1		
		Change point - VIN begin TA163104, 3 Door Station Wagon	RH, Black insert	AWR4334PMD	1		
		Change point - VIN begin TA501920, 3 Door Station Wagon	RH, Black insert	AWR4334PMD	1		
		Change point - VIN begin TA163104, 5 Door Station Wagon	RH, Black insert	AWR4334PMD	1		
		Change point - VIN begin TA501920, 5 Door Station Wagon	RH, Black insert	AWR4334PMD	1		
		Change point - VIN begin TA163104, 3 Door Station Wagon	Black insert, LH	AWR4335PMD	1		
		Change point - VIN begin TA501920, 3 Door Station Wagon	Black insert, LH	AWR4335PMD	1		
		Change point - VIN begin TA163104, 5 Door Station Wagon	Black insert, LH	AWR4335PMD	1		
		Change point - VIN begin TA501920, 5 Door Station Wagon	Black insert, LH	AWR4335PMD	1		
		2	Rubbing strip-front door	Change point - VIN end MA501919, 5 Door Station Wagon	RH, with chrome inserts	BTR505LUZ	1

Body & Chassis

Discovery (FA393361-WA799999)

Body

Rubbing Strips-Except XS 2/5

(CANXOA4A)

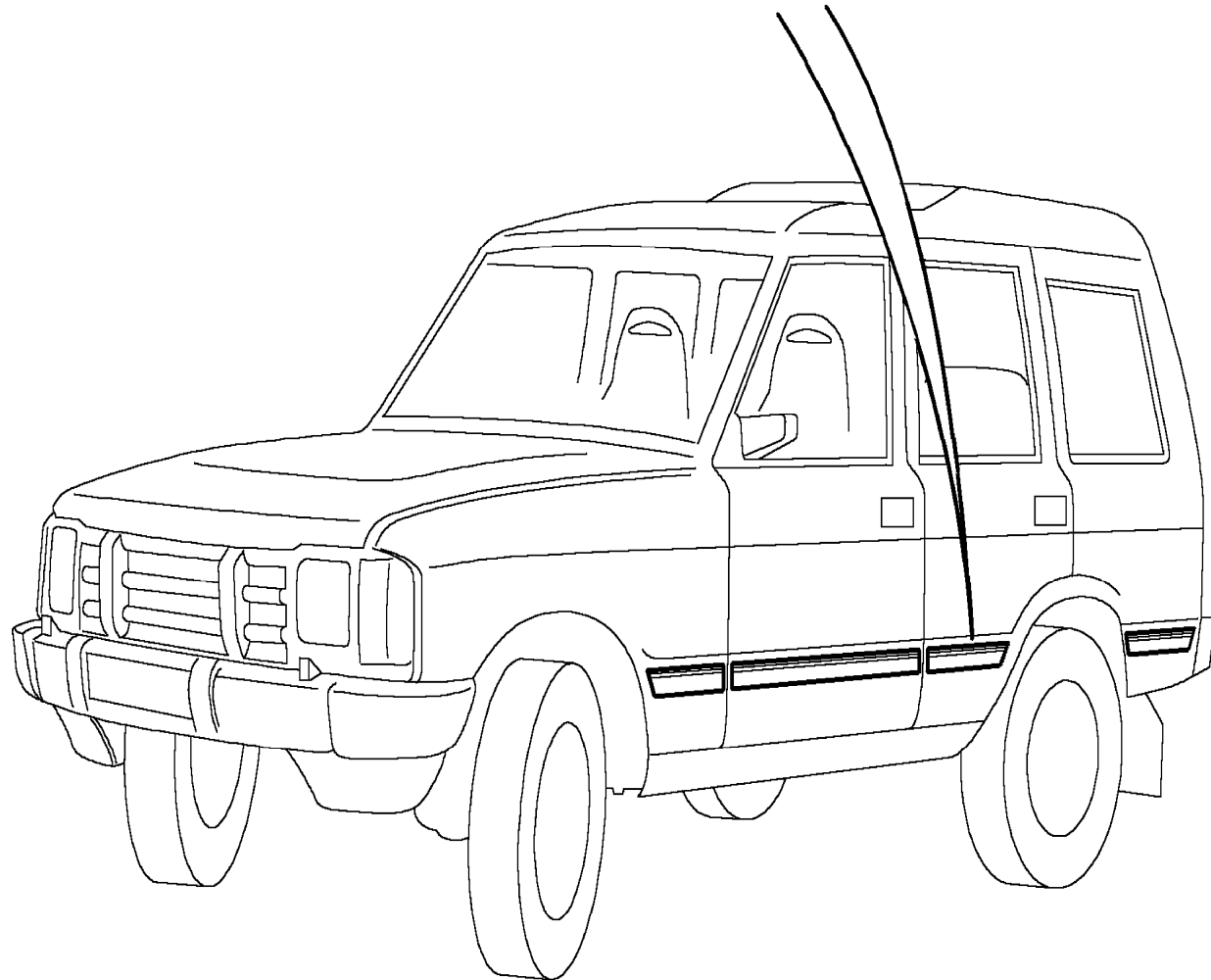
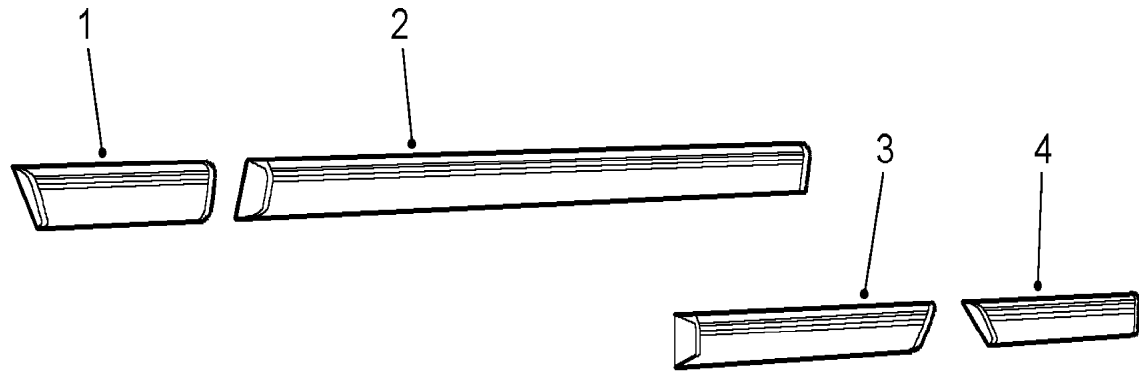
Discovery (FA393361-WA799999)

Body & Chassis

Body

Rubbing Strips-Except XS

Callout	Name	Application	Remarks & Restrictions	Service No.	Qty
2	Rubbing strip-front door	Change point - VIN end MA163103, 5 Door Station Wagon	RH, with chrome inserts	BTR505LUZ	1
		Change point - VIN end MA501919, 5 Door Station Wagon	with chrome inserts, LH	BTR506LUZ	1
		Change point - VIN end MA163103, 5 Door Station Wagon	with chrome inserts, LH	BTR506LUZ	1
		Change point - VIN end MA501919, 5 Door Station Wagon	RH, Black insert	BTR8682PMD	1
		Change point - VIN end MA163103, 5 Door Station Wagon	RH, Black insert	BTR8682PMD	1
		Change point - VIN end MA501919, 5 Door Station Wagon	Black insert, LH	BTR8683PMD	1
		Change point - VIN end MA163103, 5 Door Station Wagon	Black insert, LH	BTR8683PMD	1
		Change point - VIN begin TA163104, 5 Door Station Wagon	RH, with chrome inserts	AWR4336LUZ	1
		Change point - VIN begin TA501920, 5 Door Station Wagon	RH, with chrome inserts	AWR4336LUZ	1
		Change point - VIN begin TA163104, 5 Door Station Wagon	with chrome inserts, LH	AWR4337LUZ	1
		Change point - VIN begin TA501920, 5 Door Station Wagon	with chrome inserts, LH	AWR4337LUZ	1
		Change point - VIN begin TA163104, 3 Door Station Wagon	RH, Black insert	AWR4336PMD	1
		Change point - VIN begin TA501920, 3 Door Station Wagon	RH, Black insert	AWR4336PMD	1
		Change point - VIN begin TA163104, 5 Door Station Wagon	RH, Black insert	AWR4336PMD	1
		Change point - VIN begin TA501920, 5 Door Station Wagon	RH, Black insert	AWR4336PMD	1
		Change point - VIN begin TA163104, 3 Door Station Wagon	Black insert, LH	AWR4337PMD	1
		Change point - VIN begin TA501920, 3 Door Station Wagon	Black insert, LH	AWR4337PMD	1
		Change point - VIN begin TA163104, 5 Door Station Wagon	Black insert, LH	AWR4337PMD	1
		Change point - VIN begin TA501920, 5 Door Station Wagon	Black insert, LH	AWR4337PMD	1
		3	Rubbing strip-rear door	Change point - VIN end MA501919, 5 Door Station Wagon	RH, with chrome inserts



CANXOA4A

Body & Chassis

Discovery (FA393361-WA799999)

Body

Rubbing Strips-Except XS 3/5

(CANXOA4A)

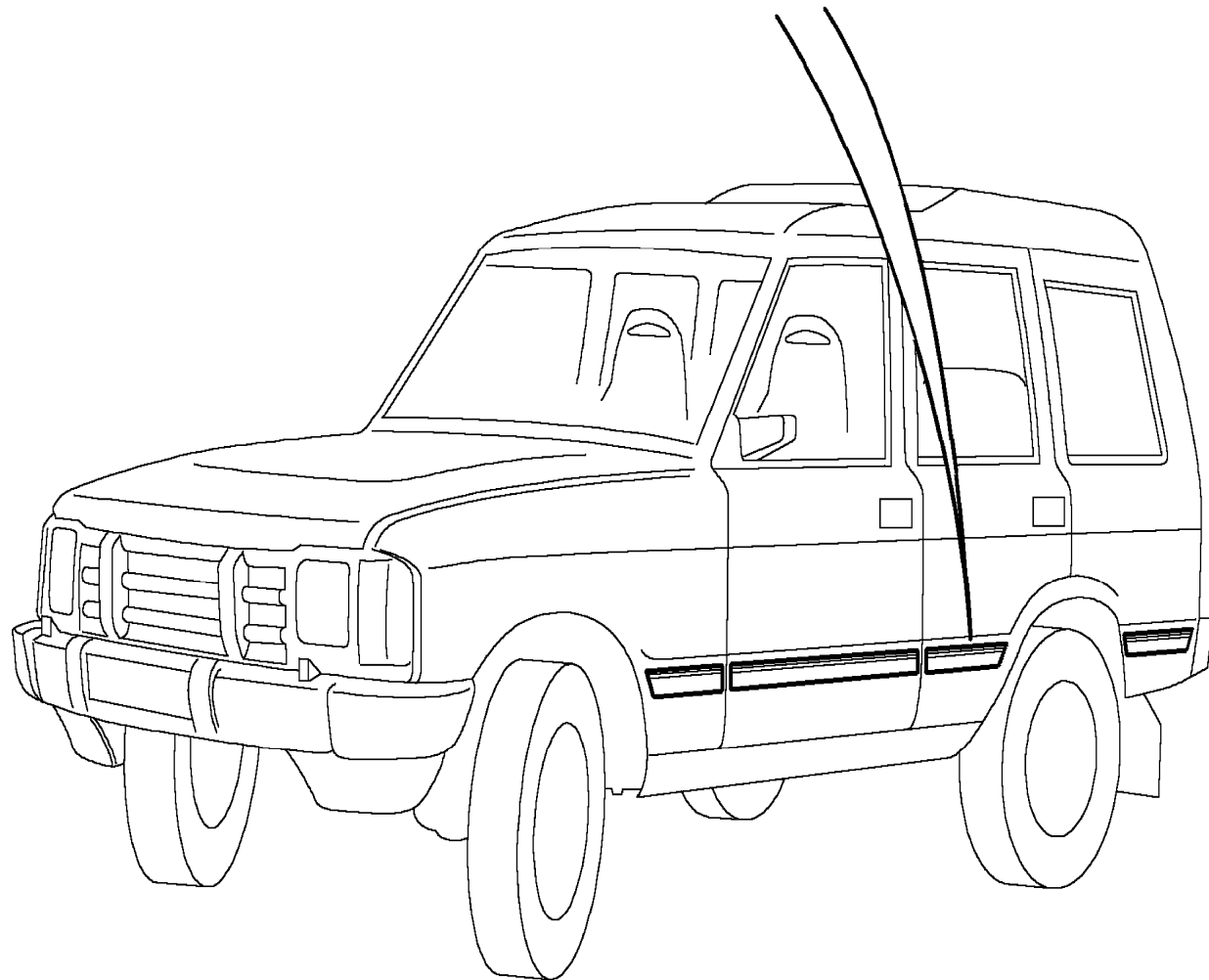
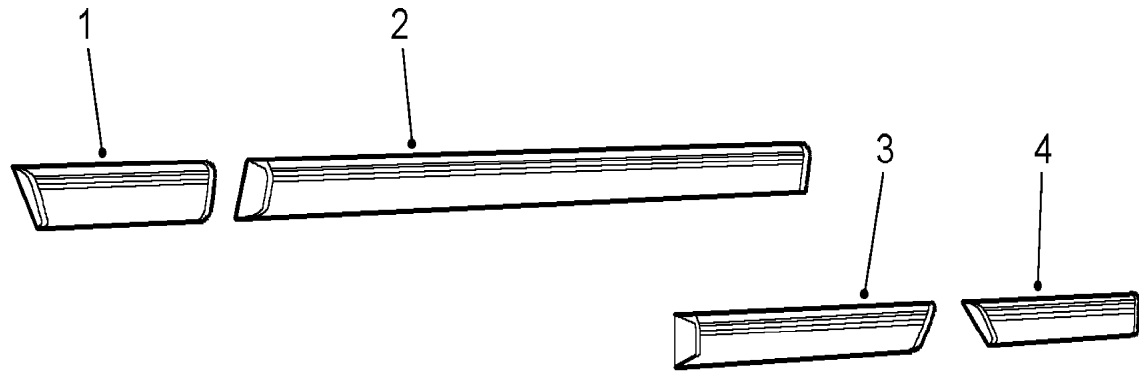
Discovery (FA393361-WA799999)

Body & Chassis

Body

Rubbing Strips-Except XS

Callout	Name	Application	Remarks & Restrictions	Service No.	Qty
3	Rubbing strip-rear door	Change point - VIN end MA163103, 5 Door Station Wagon	RH, with chrome inserts	BTR507LUZ	1
		Change point - VIN end MA501919, 5 Door Station Wagon	with chrome inserts, LH	BTR508LUZ	1
		Change point - VIN end MA163103, 5 Door Station Wagon	with chrome inserts, LH	BTR508LUZ	1
		Change point - VIN end MA501919, 5 Door Station Wagon	RH, Black insert	BTR8684PMD	1
		Change point - VIN end MA163103, 5 Door Station Wagon	RH, Black insert	BTR8684PMD	1
		Change point - VIN end MA501919, 5 Door Station Wagon	Black insert, LH	BTR8685PMD	1
		Change point - VIN end MA163103, 5 Door Station Wagon	Black insert, LH	BTR8685PMD	1
		Change point - VIN begin TA163104, 5 Door Station Wagon	RH, with chrome inserts	AWR4338LUZ	1
		Change point - VIN begin TA501920, 5 Door Station Wagon	RH, with chrome inserts	AWR4338LUZ	1
		Change point - VIN begin TA163104, 5 Door Station Wagon	with chrome inserts, LH	AWR4339LUZ	1
		Change point - VIN begin TA501920, 5 Door Station Wagon	with chrome inserts, LH	AWR4339LUZ	1
		Change point - VIN begin TA163104, 3 Door Station Wagon	RH, Black insert	AWR4338PMD	1
		Change point - VIN begin TA501920, 3 Door Station Wagon	RH, Black insert	AWR4338PMD	1
		Change point - VIN begin TA163104, 5 Door Station Wagon	RH, Black insert	AWR4338PMD	1
		Change point - VIN begin TA501920, 5 Door Station Wagon	RH, Black insert	AWR4338PMD	1
		Change point - VIN begin TA163104, 3 Door Station Wagon	Black insert, LH	AWR4339PMD	1
		Change point - VIN begin TA501920, 3 Door Station Wagon	Black insert, LH	AWR4339PMD	1
		Change point - VIN begin TA163104, 5 Door Station Wagon	Black insert, LH	AWR4339PMD	1
		Change point - VIN begin TA501920, 5 Door Station Wagon	Black insert, LH	AWR4339PMD	1
		4	Rubbing strip-rear quarter	Change point - VIN end LA081990, 5 Door Station Wagon	RH, with chrome inserts



CANXOA4A

Body & Chassis

Discovery (FA393361-WA799999)

Body

Rubbing Strips-Except XS 4/5

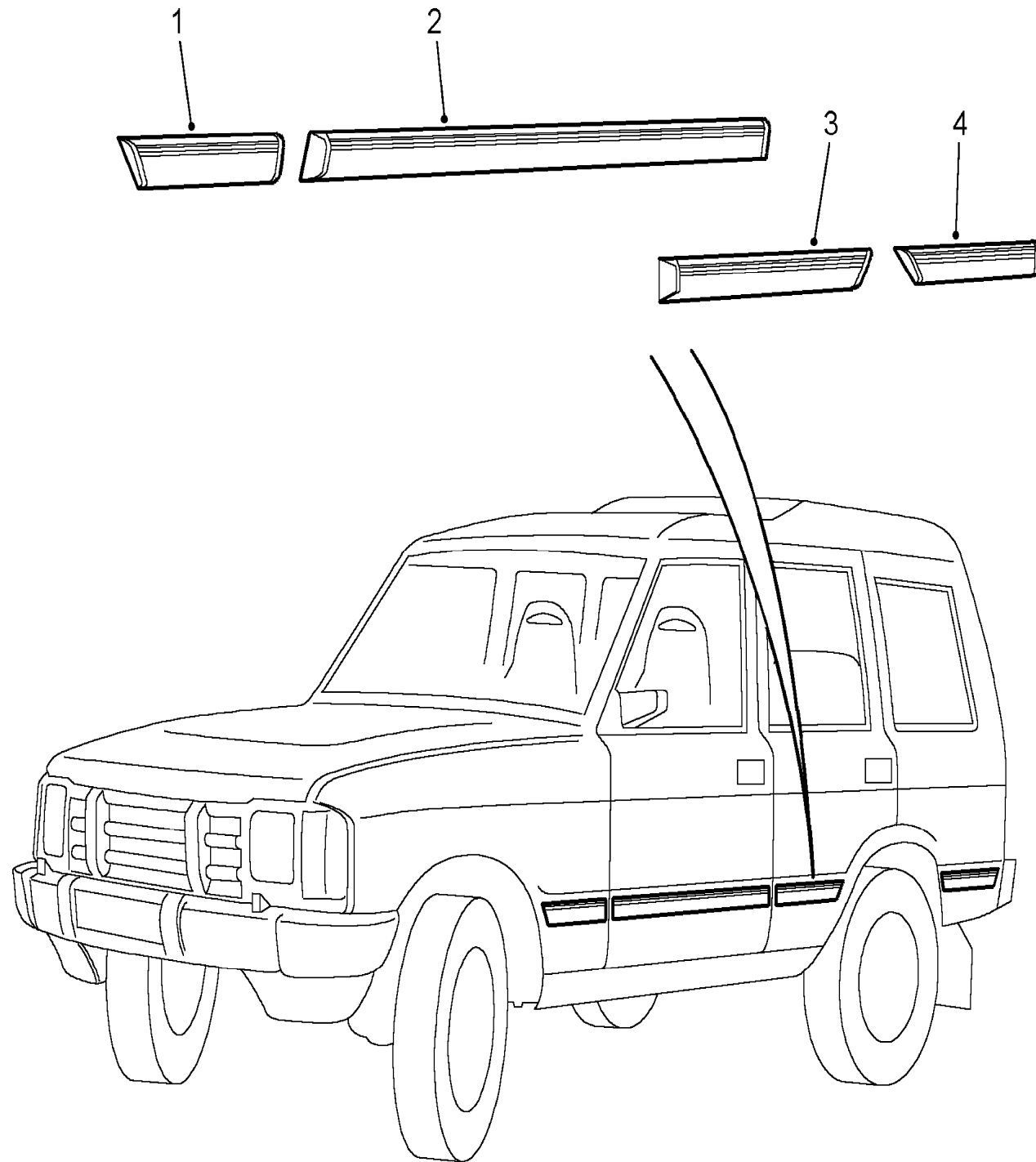
(CANXOA4A)

Discovery (FA393361-WA799999)

Body & Chassis

Body

Rubbing Strips-Except XS



CANXOA4A

Callout	Name	Application	Remarks & Restrictions	Service No.	Qty
4	Rubbing strip-rear quarter	Change point - VIN end LA081990, 5 Door Station Wagon	with chrome inserts, LH	BTR510LUZ	1
		Change point - VIN begin MA081991, Change point - VIN end MA163103, 5 Door Station Wagon	RH, with chrome inserts	BTR8238LUZ	1
		Change point - VIN begin MA081991, Change point - VIN end MA501919, 5 Door Station Wagon	RH, with chrome inserts	BTR8238LUZ	1
		Change point - VIN begin MA081991, Change point - VIN end MA163103, 5 Door Station Wagon	with chrome inserts, LH	BTR8237LUZ	1
		Change point - VIN begin MA081991, Change point - VIN end MA501919, 5 Door Station Wagon	with chrome inserts, LH	BTR8237LUZ	1
		Change point - VIN end LA081990, 5 Door Station Wagon	RH, Black insert	BTR8686PMD	1
		Change point - VIN end LA081990, 5 Door Station Wagon	Black insert, LH	BTR8687PMD	1
		Change point - VIN begin MA081991, Change point - VIN end MA163103, 5 Door Station Wagon	RH, Black insert	BTR8700PMD	1
		Change point - VIN end MA501919, 5 Door Station Wagon	RH, Black insert	BTR8700PMD	1
		Change point - VIN begin MA081991, Change point - VIN end MA163103, 5 Door Station Wagon	Black insert, LH	BTR8701PMD	1
		Change point - VIN end MA501919, 5 Door Station Wagon	Black insert, LH	BTR8701PMD	1
		Change point - VIN begin TA163104, 5 Door Station Wagon	RH, with chrome inserts	AWR4340LUZ	1
		Change point - VIN begin TA501920, 5 Door Station Wagon	RH, with chrome inserts	AWR4340LUZ	1
		Change point - VIN begin TA163104, 5 Door Station Wagon	with chrome inserts, LH	AWR4341LUZ	1
		Change point - VIN begin TA501920, 5 Door Station Wagon	with chrome inserts, LH	AWR4341LUZ	1
		Change point - VIN begin TA163104, 3 Door Station Wagon	RH, Black insert	AWR4340PMD	1
		Change point - VIN begin TA501920, 3 Door Station Wagon	RH, Black insert	AWR4340PMD	1
		Change point - VIN begin TA163104, 5 Door Station Wagon	RH, Black insert	AWR4340PMD	1
		Change point - VIN begin TA501920, 5 Door Station Wagon	RH, Black insert	AWR4340PMD	1

Body & Chassis

Discovery (FA393361-WA799999)

Body

Rubbing Strips-Except XS 5/5

(CANXOA4A)

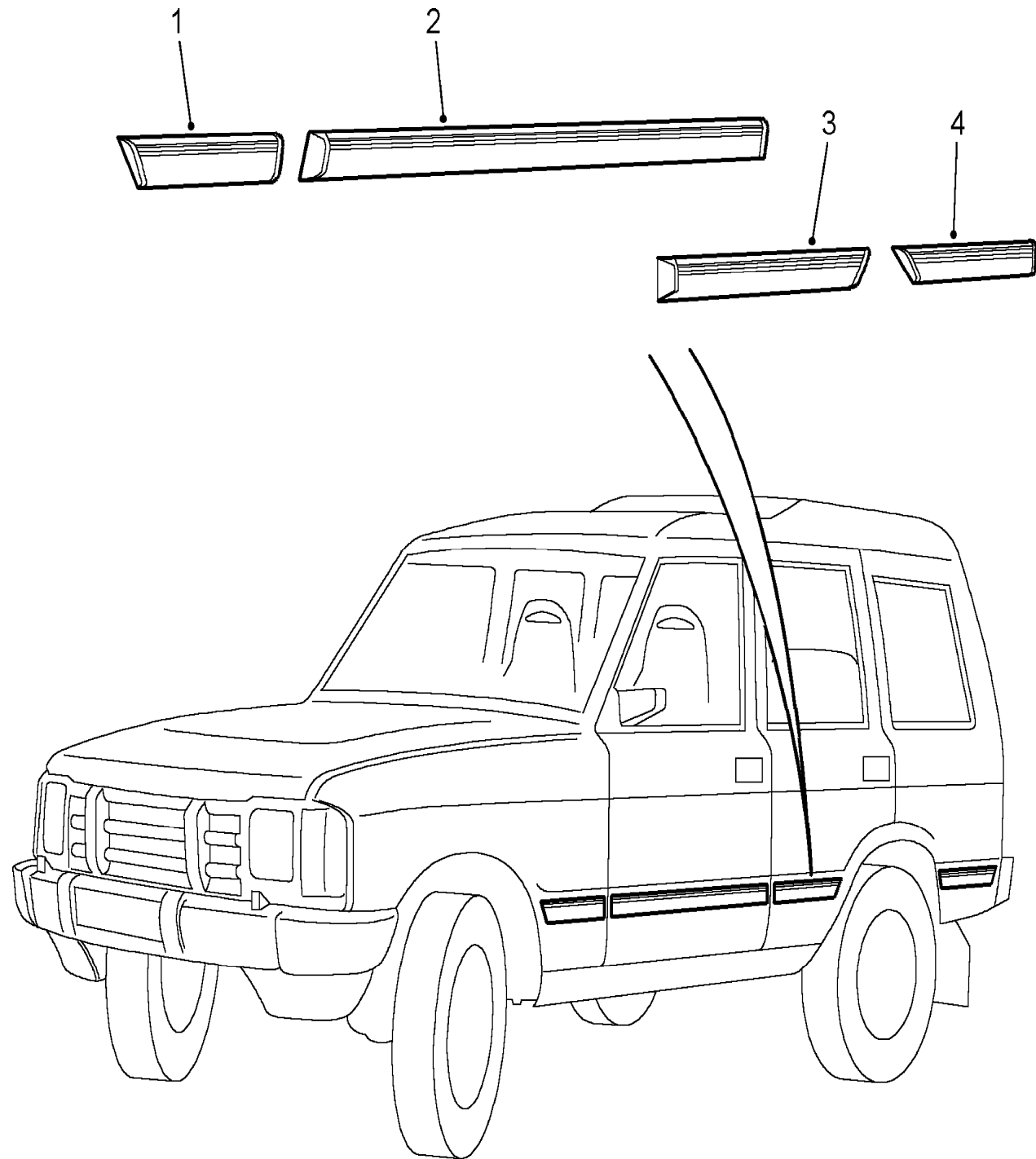
Discovery (FA393361-WA799999)

Body & Chassis

Body

Rubbing Strips-Except XS

Callout	Name	Application	Remarks & Restrictions	Service No.	Qty
4	Rubbing strip-rear quarter	Change point - VIN begin TA163104, 3 Door Station Wagon	Black insert, LH	AWR4341PMD	1
		Change point - VIN begin TA501920, 3 Door Station Wagon	Black insert, LH	AWR4341PMD	1
		Change point - VIN begin TA163104, 5 Door Station Wagon	Black insert, LH	AWR4341PMD	1
		Change point - VIN begin TA501920, 5 Door Station Wagon	Black insert, LH	AWR4341PMD	1



CANXOA4A

Body & Chassis

Discovery (FA393361-WA799999)

Body

Rubbing Strips 1/1

(CANXOA3A)

Discovery (FA393361-WA799999)

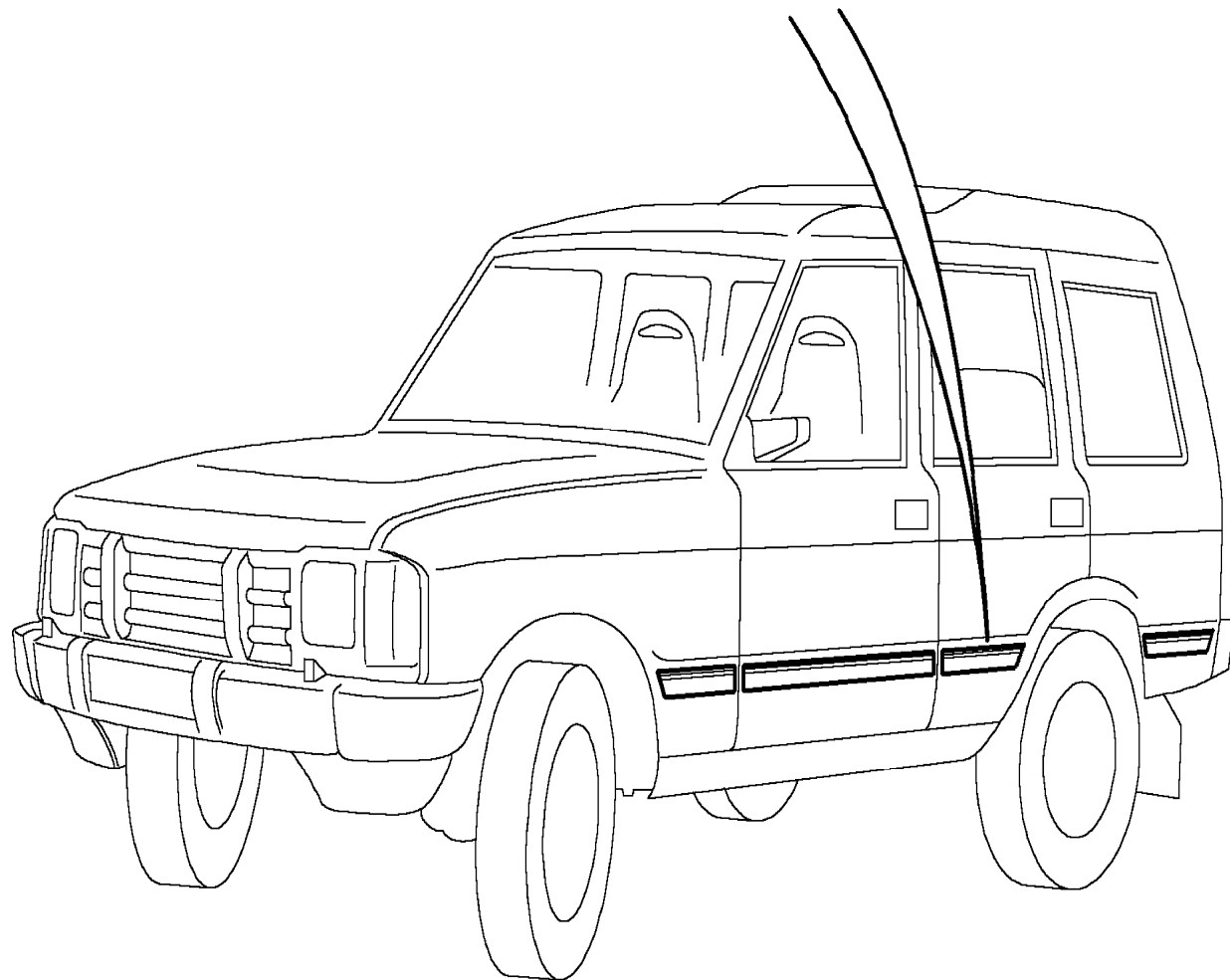
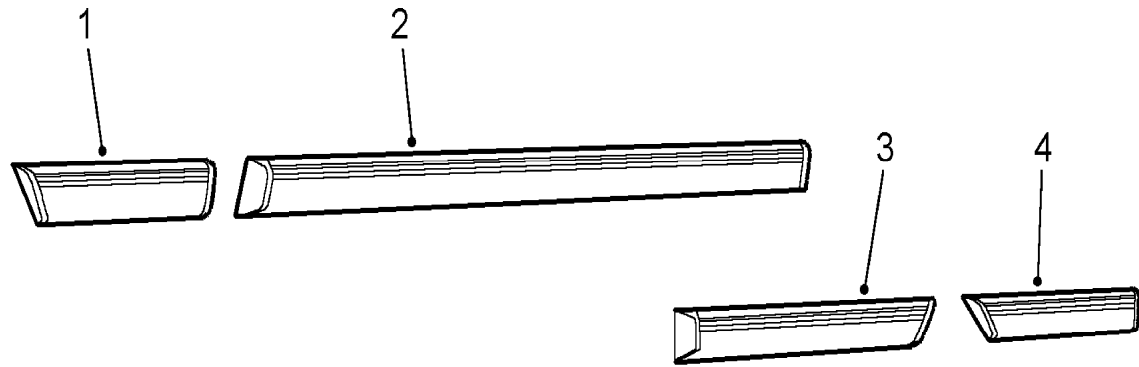
Body & Chassis

Body

Rubbing Strips

(+)"I"

Callout	Name	Application	Remarks & Restrictions	Service No.	Qty
1	Rubbing strip-front fender		Black, RH	BTR503PUB	1
			Black, LH	BTR504PUB	1
2	Rubbing strip-front door		Black, RH	BTR505PUB	1
			Black, LH	BTR506PUB	1
3	Rubbing strip-rear door		Black, RH	BTR507PUB	1
			Black, LH	BTR508PUB	1
4	Rubbing strip-rear fender		Black, RH	BTR509PUB	1
			Black, LH	BTR510PUB	1



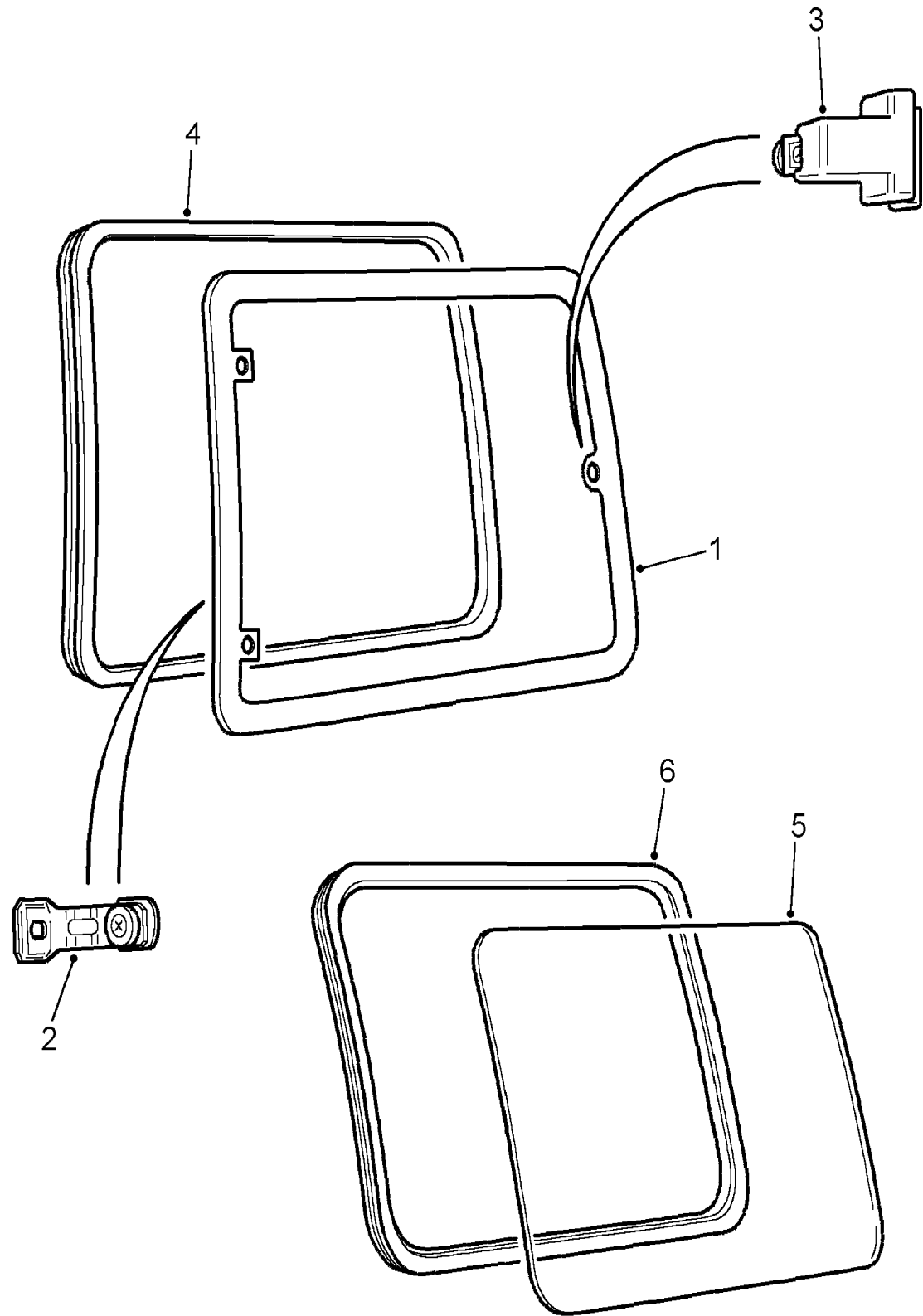
Body & Chassis

Discovery (FA393361-WA799999)

Body

Quarter Windows 1/5

(CANXLA1A)



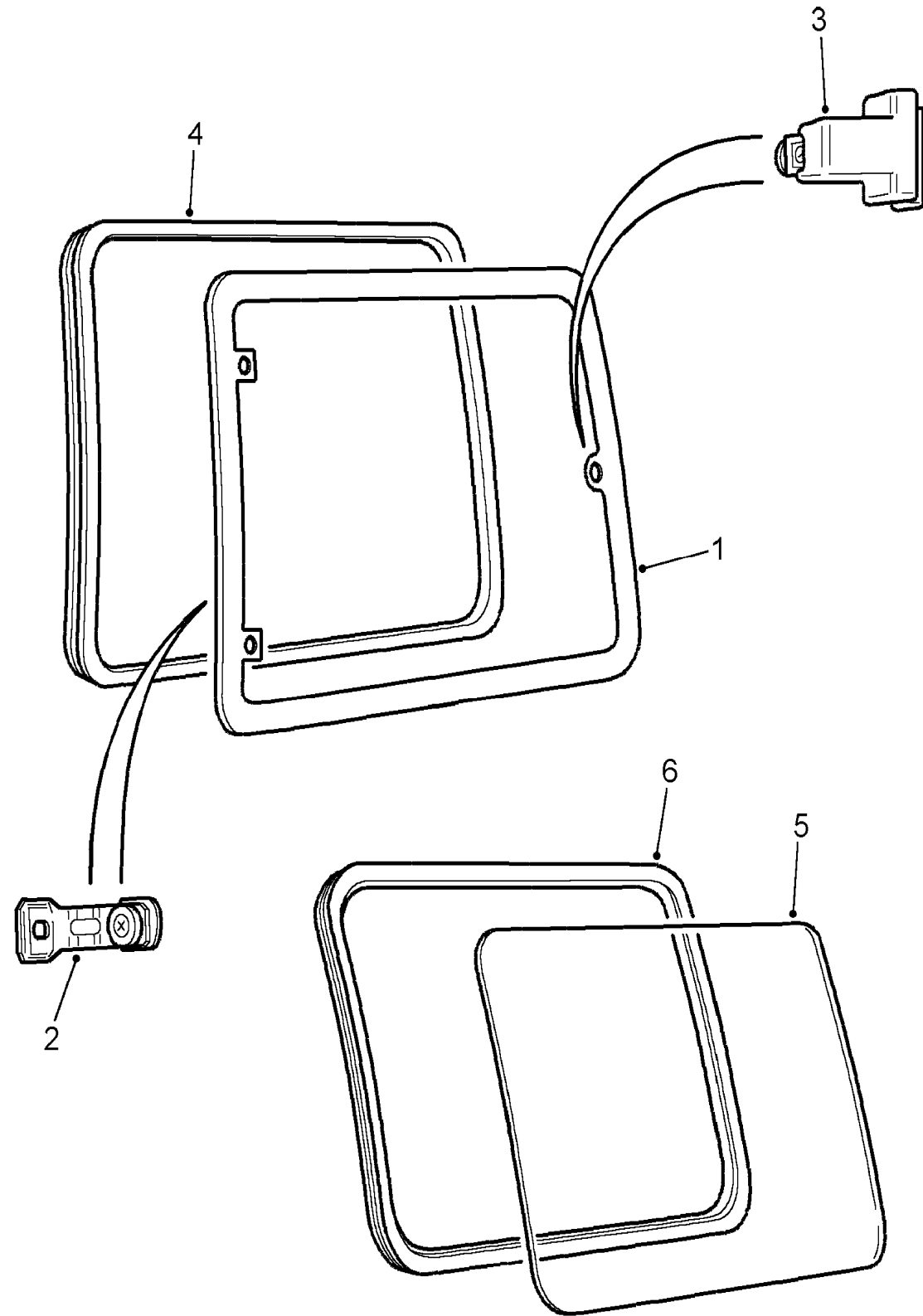
Discovery (FA393361-WA799999)

Body & Chassis

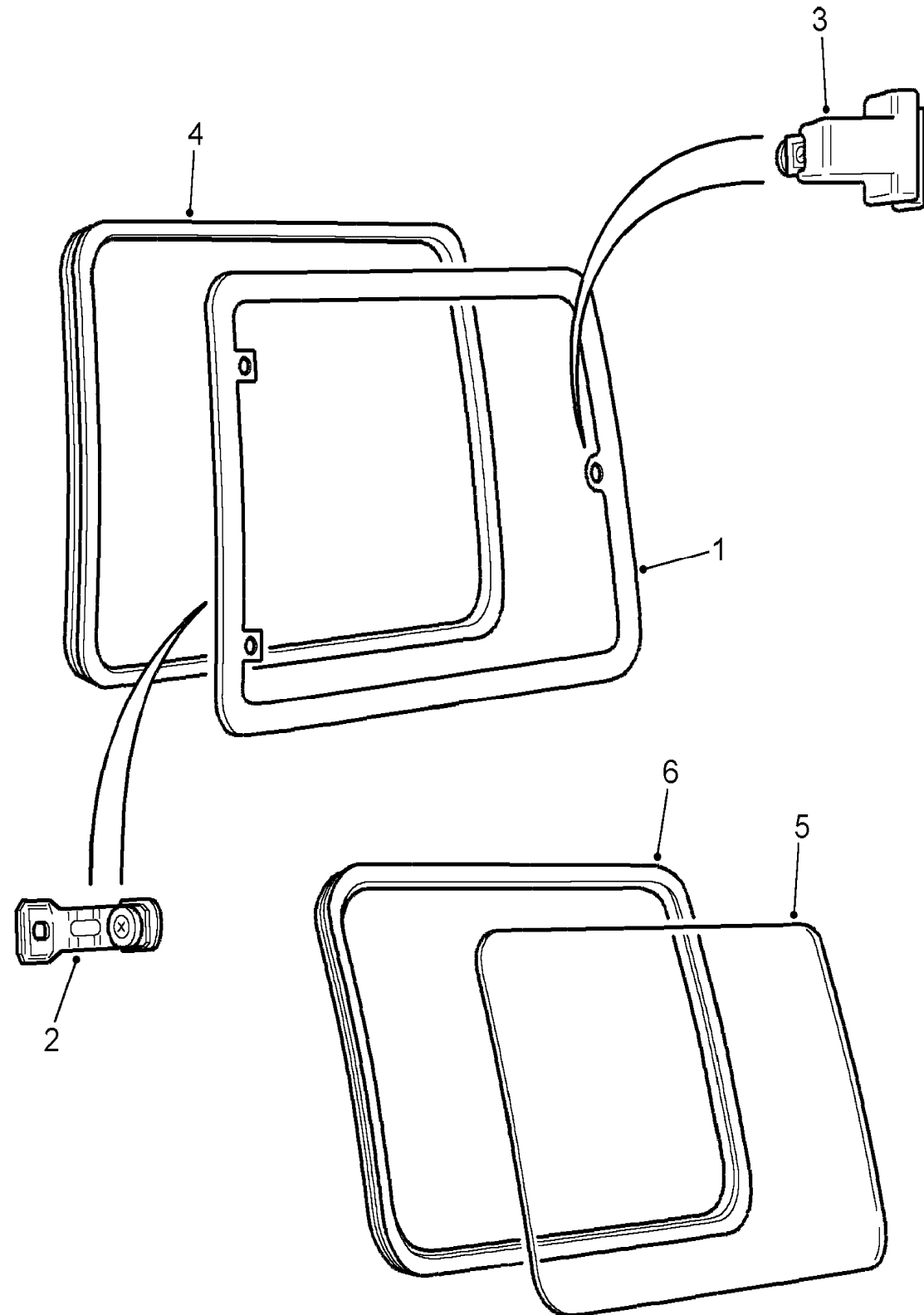
Body

Quarter Windows

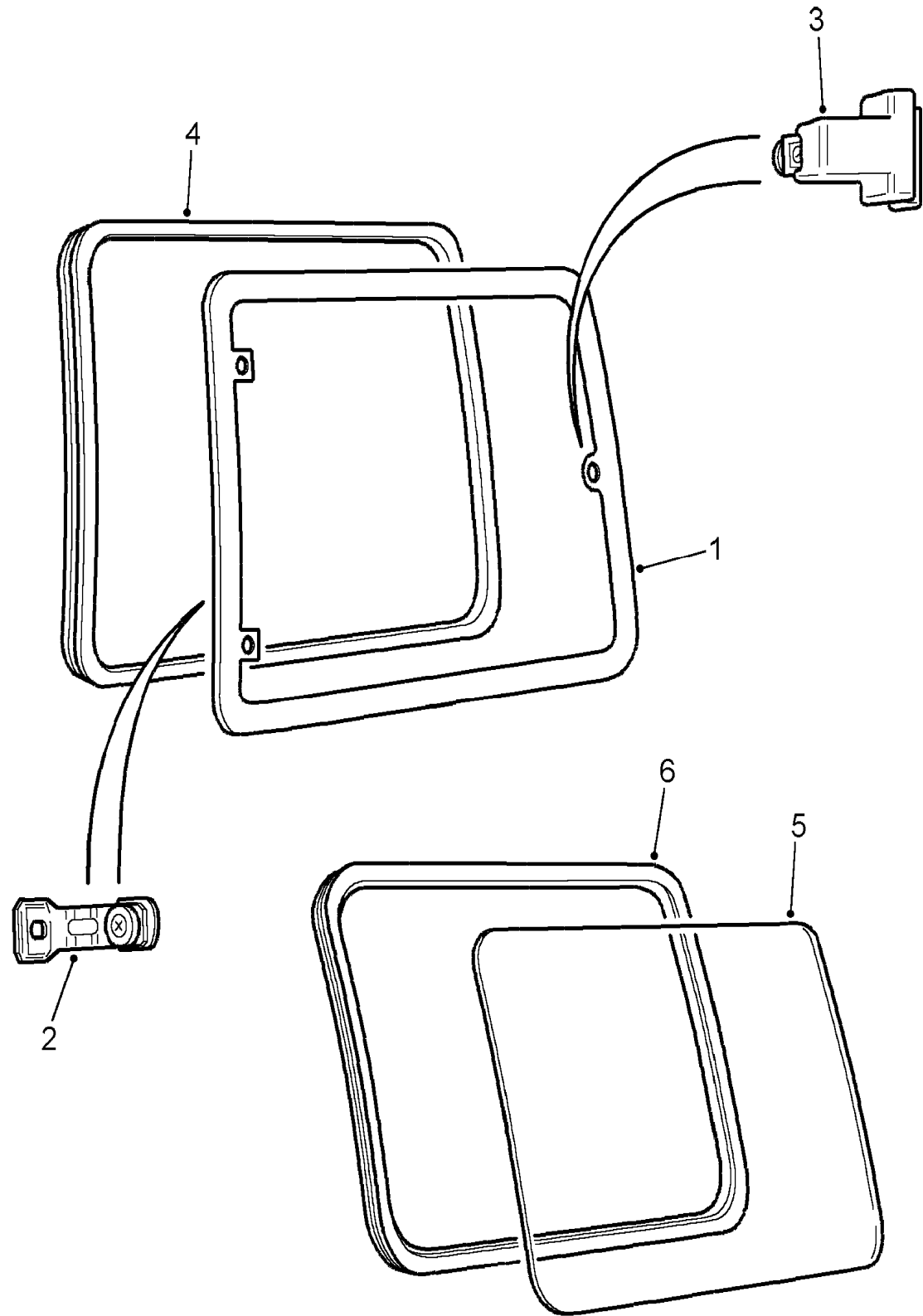
Callout	Name	Application	Remarks & Restrictions	Service No.	Qty
1	Glass-quarterlight tinted	Change point - VIN end JA034313, 3 Door Station Wagon	Front, LH	MWC7439	1
		Change point - VIN end JA034313, 3 Door Station Wagon	Front, RH	MWC7438	1
		Change point - VIN begin KA034314, 3 Door Station Wagon	Front, LH	BTR1569	1
		Change point - VIN begin KA034314, 3 Door Station Wagon	Front, RH	BTR1570	1
2	Hinge-side opening window	Change point - VIN end JA032325, 3 Door Station Wagon		RTC6393	4
		Change point - VIN begin JA032326, Change point - VIN end JA034313, 3 Door Station Wagon	Ash Grey	STC896LUN	4
		Change point - VIN begin KA034314, 3 Door Station Wagon	Ash Grey	STC883LNF	4
3	Catch assembly-side opening window	Change point - VIN end JA034313, 3 Door Station Wagon	Also serviced as part of a kit, Ash Grey	RTC6816LUN	2
		Change point - VIN begin KA034314, 3 Door Station Wagon	Also serviced as part of a kit, Ash Grey	STC884LNF	2
4	Weatherstrip-quarterlight	3 Door Station Wagon	RH	BTR290	1
		3 Door Station Wagon	LH	BTR289	1
5	Glass-rear quarter	Change point - VIN end TA534103, 3 Door Station Wagon, Less Rear Air Conditioning	no aerial, LH	MXC6813	1
		Change point - VIN end TA703236, 3 Door Station Wagon, Less Rear Air Conditioning	no aerial, LH	MXC6813	1
		Change point - VIN end TA703236, 3 Door Station Wagon, Less Rear Air Conditioning	no aerial, LH	MXC6813	1
		Change point - VIN begin VA534104, 3 Door Station Wagon	RH, with aerial	AWR3290	1
		Change point - VIN begin VA703237, 3 Door Station Wagon	RH, with aerial	AWR3290	1
		Change point - VIN begin VA703237, 3 Door Station Wagon	RH, with aerial	AWR3290	1
		Change point - VIN begin VA534104, 3 Door Station Wagon, Less Rear Air Conditioning	no aerial, LH	MXC6813	1



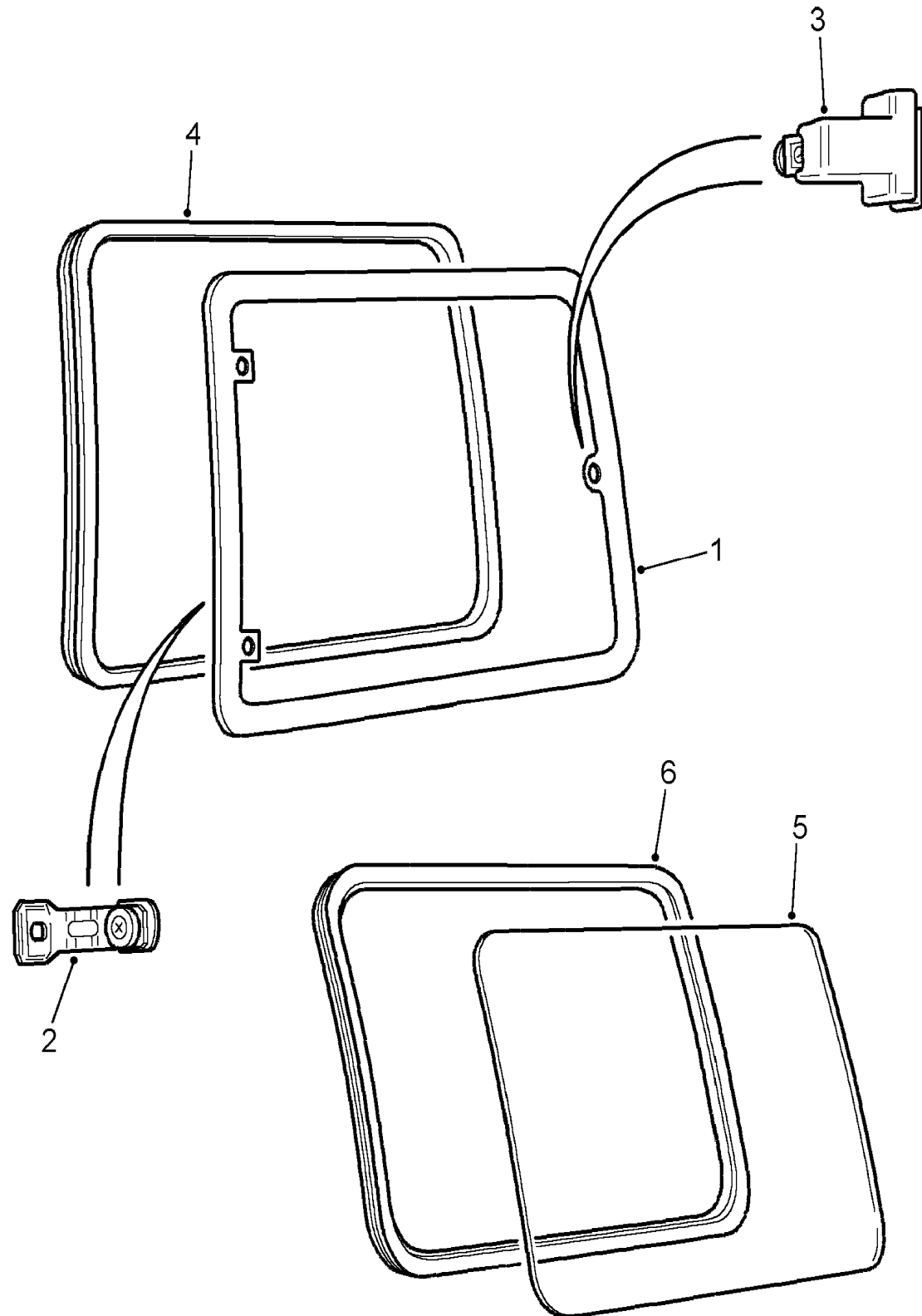
Callout	Name	Application	Remarks & Restrictions	Service No.	Qty
5	Glass-rear quarter	Change point - VIN begin VA703237, 3 Door Station Wagon, Less Rear Air Conditioning	no aerial, LH	MXC6813	1
		Change point - VIN begin VA703237, 3 Door Station Wagon, Less Rear Air Conditioning	no aerial, LH	MXC6813	1
		Change point - VIN end TA534103, 3 Door Station Wagon	RH, no aerial	MXC6812	1
		Change point - VIN end TA703236, 3 Door Station Wagon	RH, no aerial	MXC6812	1
		Change point - VIN end TA703236, 3 Door Station Wagon	RH, no aerial	MXC6812	1
		Change point - VIN end TA534103, 3 Door Station Wagon, With Rear Air Conditioning	no aerial, LH	BTR9643	1
		Change point - VIN end TA703236, 3 Door Station Wagon, With Rear Air Conditioning	no aerial, LH	BTR9643	1
		Change point - VIN end TA703236, 3 Door Station Wagon, With Rear Air Conditioning	no aerial, LH	BTR9643	1
		Change point - VIN begin VA534104, 3 Door Station Wagon, With Rear Air Conditioning	no aerial, LH	BTR9643	1
		Change point - VIN begin VA703237, 3 Door Station Wagon, With Rear Air Conditioning	no aerial, LH	BTR9643	1
		Change point - VIN begin VA703237, 3 Door Station Wagon, With Rear Air Conditioning	no aerial, LH	BTR9643	1
		Change point - VIN end TA534103, 5 Door Station Wagon	RH, no aerial	MXC1210	1
		Change point - VIN end TA703236, 5 Door Station Wagon	RH, no aerial	MXC1210	1
		Change point - VIN end TA703236, 5 Door Station Wagon	RH, no aerial	MXC1210	1
		Change point - VIN begin VA534104, 5 Door Station Wagon	RH, with aerial	AWR3292	1
		Change point - VIN begin VA703237, 5 Door Station Wagon	RH, with aerial	AWR3292	1
		Change point - VIN begin VA703237, 5 Door Station Wagon	RH, with aerial	AWR3292	1
		5 Door Station Wagon, Less Rear Air Conditioning	no aerial, LH	MXC1211	1



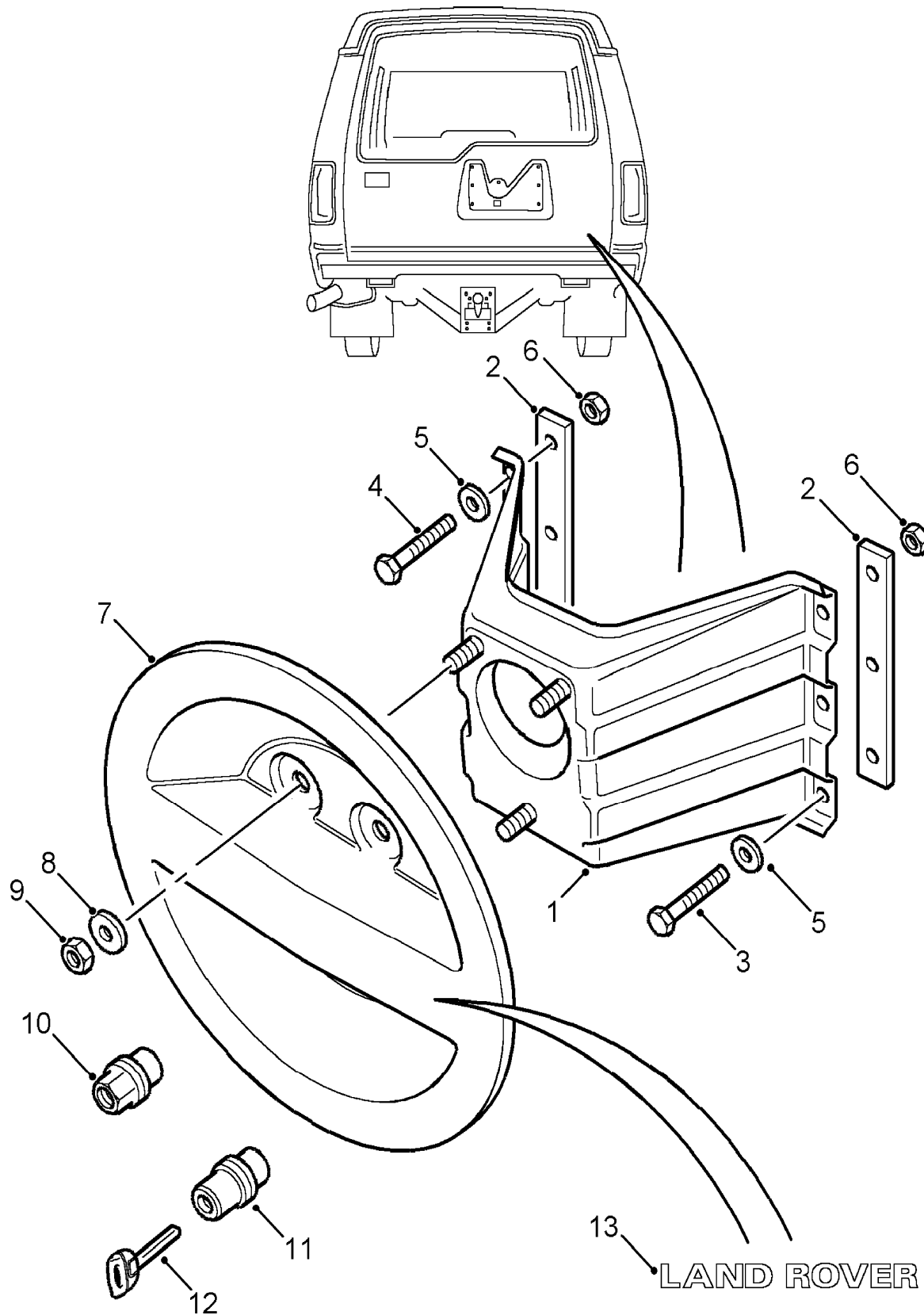
Callout	Name	Application	Remarks & Restrictions	Service No.	Qty		
5	Glass-rear quarter	Change point - VIN begin VA534104, 5 Door Station Wagon, Less Rear Air Conditioning	with aerial, LH	AWR3291	1		
		Change point - VIN begin TA703237, 5 Door Station Wagon, Less Rear Air Conditioning	with aerial, LH	AWR3291	1		
		Change point - VIN begin VA534104, 5 Door Station Wagon, Less Rear Air Conditioning	with aerial, LH	AWR3291	1		
		5 Door Station Wagon, With Rear Air Conditioning	no aerial, LH	BTR9644	1		
		Change point - VIN begin VA534104, 5 Door Station Wagon, With Rear Air Conditioning	with aerial, LH	AWR3294	1		
		Change point - VIN begin VA703237, 5 Door Station Wagon, With Rear Air Conditioning	with aerial, LH	AWR3294	1		
		Change point - VIN begin TA703237, 5 Door Station Wagon, With Rear Air Conditioning	with aerial, LH	AWR3294	1		
		6	Weatherstrip-rear quarter	Change point - VIN end TA534103, 3 Door Station Wagon	RH	MXC7877	1
				Change point - VIN end TA703236, 3 Door Station Wagon	RH	MXC7877	1
				Change point - VIN end TA703236, 3 Door Station Wagon	RH	MXC7877	1
Change point - VIN end TA534103, 3 Door Station Wagon	LH			MXC7878	1		
Change point - VIN end TA703236, 3 Door Station Wagon	LH			MXC7878	1		
Change point - VIN end TA703236, 3 Door Station Wagon	LH			MXC7878	1		
Change point - VIN begin VA534104, 3 Door Station Wagon	RH			AWR5386	1		
Change point - VIN begin VA703237, 3 Door Station Wagon	RH			AWR5386	1		
Change point - VIN begin VA703237, 3 Door Station Wagon	RH			AWR5386	1		
Change point - VIN begin VA534104, 3 Door Station Wagon	LH			AWR5387	1		
Change point - VIN begin VA703237, 3 Door Station Wagon	LH	AWR5387	1				
Change point - VIN begin VA703237, 3 Door Station Wagon	LH	AWR5387	1				



Callout	Name	Application	Remarks & Restrictions	Service No.	Qty		
6	Weatherstrip-rear quarter	Change point - VIN end TA534103, 5 Door Station Wagon	RH	MXC7272	1		
		Change point - VIN end TA703236, 5 Door Station Wagon	RH	MXC7272	1		
		Change point - VIN end TA703236, 5 Door Station Wagon	RH	MXC7272	1		
		Change point - VIN end TA534103, 5 Door Station Wagon	LH	MXC7273	1		
		Change point - VIN end TA703236, 5 Door Station Wagon	LH	MXC7273	1		
		Change point - VIN end TA703236, 5 Door Station Wagon	LH	MXC7273	1		
		Change point - VIN begin VA534104, 5 Door Station Wagon	RH	AWR5388	1		
		Change point - VIN begin VA703237, 5 Door Station Wagon	RH	AWR5388	1		
		Change point - VIN begin VA703237, 5 Door Station Wagon	RH	AWR5388	1		
		Change point - VIN begin VA534104, 5 Door Station Wagon	LH	AWR5389	1		
		Change point - VIN begin VA703237, 5 Door Station Wagon	LH	AWR5389	1		
		Change point - VIN begin VA703237, 5 Door Station Wagon	LH	AWR5389	1		
		[900]	Glass-rear quarter	Change point - VIN end TA534103, 3 Door Station Wagon	RH, no aerial	MXC6812	1
				Change point - VIN end TA703236, 3 Door Station Wagon	RH, no aerial	MXC6812	1
Change point - VIN begin VA534104, 5 Door Station Wagon	RH, with aerial			AWR3292	1		
Change point - VIN begin VA703237, 5 Door Station Wagon	RH, with aerial			AWR3292	1		
Change point - VIN begin VA534104, 5 Door Station Wagon, Less Rear Air Conditioning	no aerial, LH			MXC1211	1		
Change point - VIN begin VA703237, 5 Door Station Wagon, Less Rear Air Conditioning	no aerial, LH			MXC1211	1		
Change point - VIN begin VA534104, 3 Door Station Wagon, With Air Conditioning	LH			AWR3293	1		

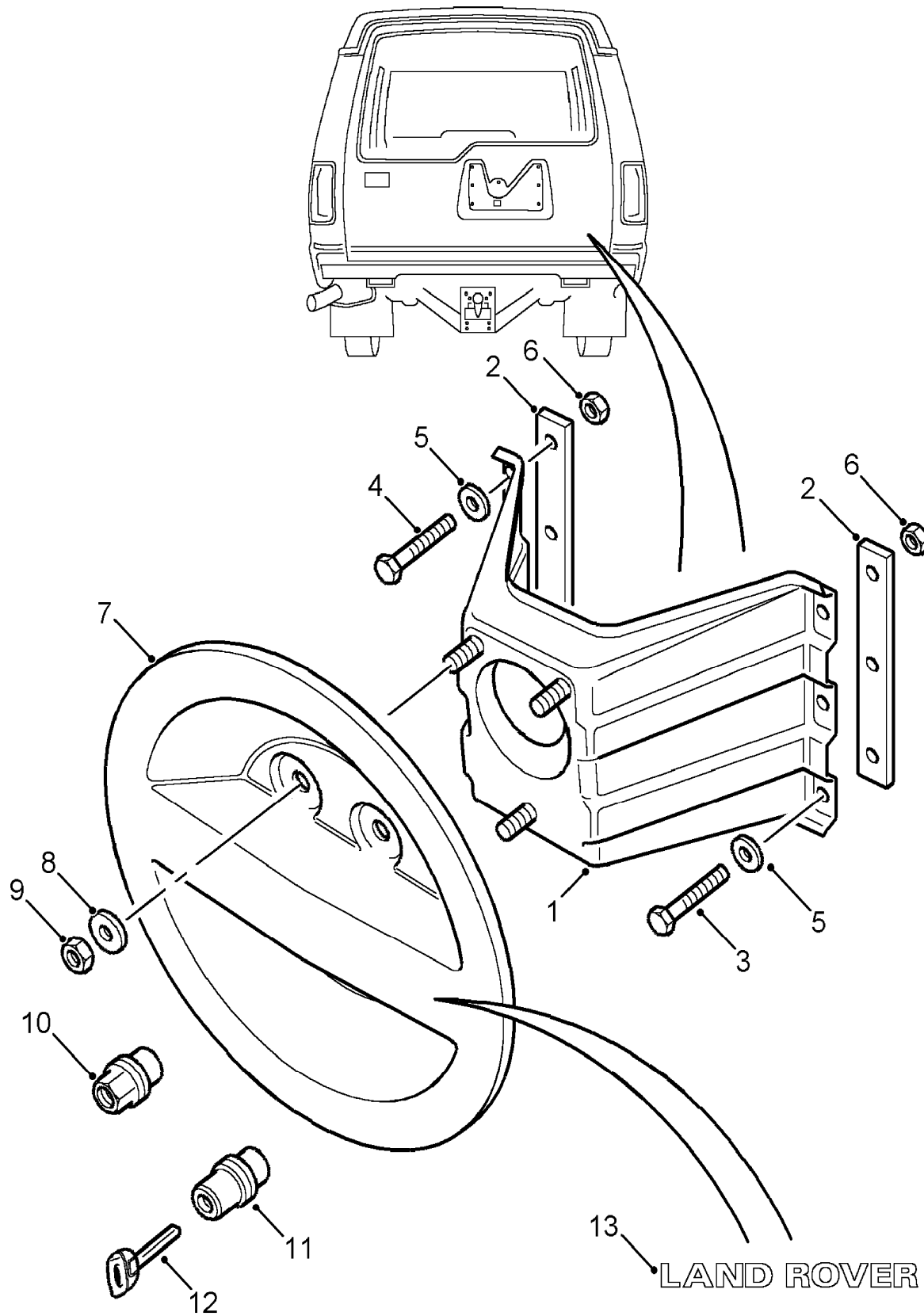


Callout	Name	Application	Remarks & Restrictions	Service No.	Qty
[900]	Glass-rear quarter	Change point - VIN begin VA703237, 3 Door Station Wagon, With Air Conditioning	LH	AWR3293	1
		Change point - VIN begin VA534104, 3 Door Station Wagon	RH, with aerial	AWR3290	1
		Change point - VIN begin VA703237, 3 Door Station Wagon	RH, with aerial	AWR3290	1
		Change point - VIN begin TA703237, 5 Door Station Wagon	RH, with aerial	AWR3292	1
		Change point - VIN begin VA534104, 5 Door Station Wagon	RH, with aerial	AWR3292	1
		Change point - VIN end TA534103, 5 Door Station Wagon	RH, no aerial	MXC1210	1
		Change point - VIN end TA703236, 5 Door Station Wagon	RH, no aerial	MXC1210	1
		Change point - VIN begin VA534104, 5 Door Station Wagon, With Rear Air Conditioning	with aerial, LH	AWR3294	1
		Change point - VIN begin VA703237, 5 Door Station Wagon, With Rear Air Conditioning	with aerial, LH	AWR3294	1
		Change point - VIN begin VA534104, 5 Door Station Wagon, With Rear Air Conditioning	no aerial, LH	BTR9644	1
		Change point - VIN begin VA703237, 5 Door Station Wagon, With Rear Air Conditioning	no aerial, LH	BTR9644	1
		(+) "J"	RH, Tinted..	AWR6675	1
		Less Rear Air Conditioning, (+) "J"	Tinted.., LH	AWR6676	1
		With Air Conditioning, (+) "J"	Tinted.., LH	AWR6677	1
[901]	Catch assembly-side opening window	3 Door Station Wagon	Also serviced as part of a kit, Ash Grey	STC884LNF	4
[902]	Cover-quarterlight pivot bracket catch	3 Door Station Wagon	Also serviced as part of a kit	MXC6295	2
		Change point - VIN begin KA034314, 3 Door Station Wagon	Also serviced as part of a kit	MXC6295	2
[903]	Screw	3 Door Station Wagon	Hinge To Body, pan head, M5 x 12	SE105121L	3
		3 Door Station Wagon	catch to body, pan head, M5 x 16, recessed	SE105161L	6



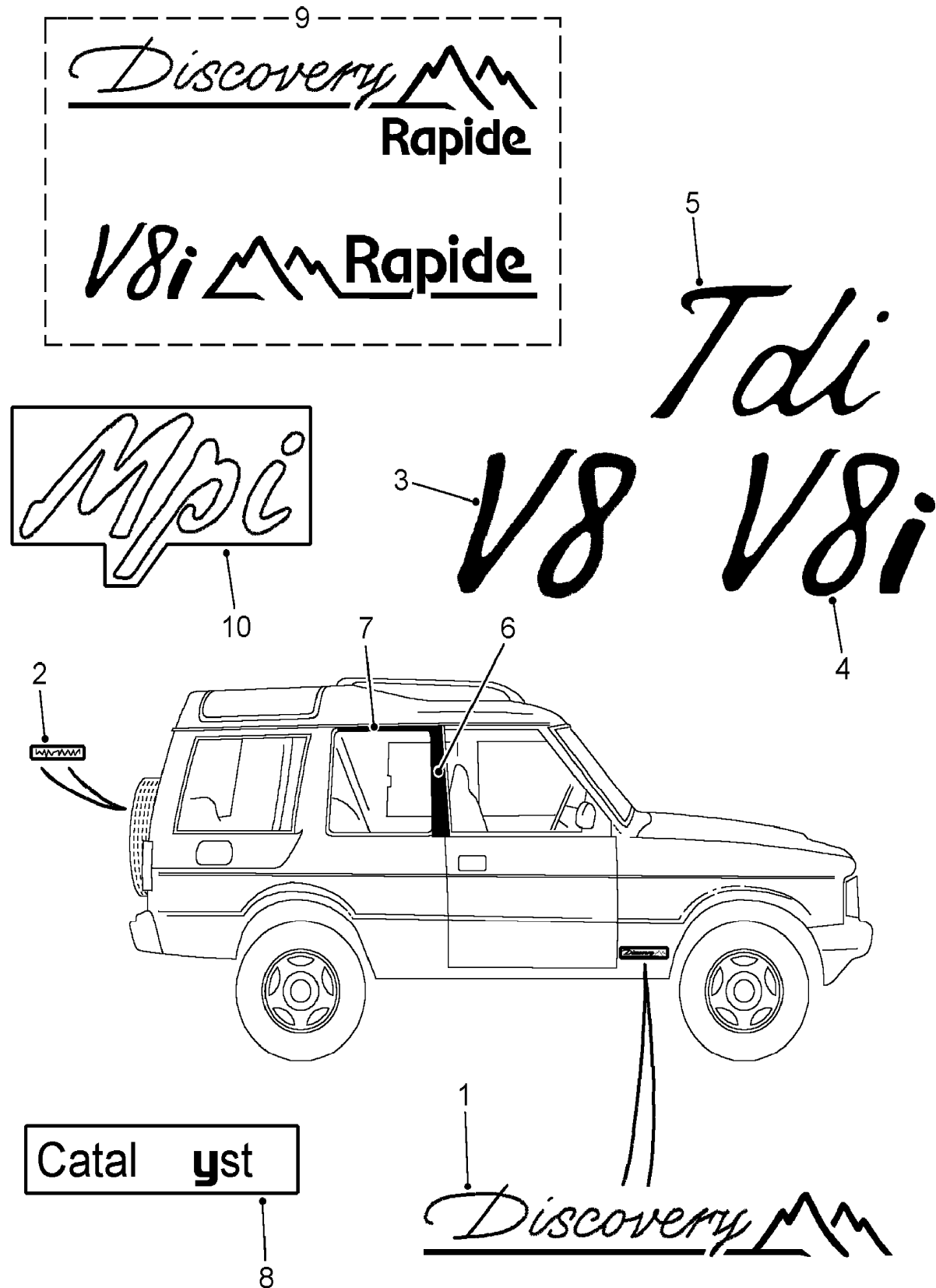
CANXTA2A

Callout	Name	Application	Remarks & Restrictions	Service No.	Qty		
1	Carrier-load/tail door spare wheel mounting	With 205 x 16 Tyre		ALR5693	1		
		Change point - VIN begin MA1411111, With 235/70 x 16 Tyre		ANR4743	1		
2	Spacer			ANR5040	2		
3	Bolt	With 205 x 16 Tyre	hexagonal head, M8 x 70	BH108141L	5		
		With 235/70 x 16 Tyre	Flanged Head, M8 x 80	FB108161L	5		
4	Bolt	With 205 x 16 Tyre	hexagonal head, M8 x 80	BH108161L	1		
		With 235/70 x 16 Tyre	Long, Flanged Head, M8 x 85	FB108171L	1		
5	Washer	With 205 x 16 Tyre	M8	WC108051L	6		
6	Nut - Hex.	With 205 x 16 Tyre	M8	NV108041L	6		
		With 235/70 x 16 Tyre	M8, flange	FN108041L	6		
7	Cover-Spare Wheel	Change point - VIN end LA081991, Less 235/70 x 16 Tyre	Less 235/70 x 16 Tyre, Quicksilver	BTR924MUE	1		
		Change point - VIN begin GA394352, Change point - VIN end GA415597, Less 235/70 x 16 Tyre	Less 235/70 x 16 Tyre, Davas White	MWC9071NCM	1		
		Change point - VIN begin GA415598, Change point - VIN end GA456980, Less 235/70 x 16 Tyre	Less 235/70 x 16 Tyre, Savarin White	BTR924NUC	1		
		Change point - VIN begin JA012333, Less 235/70 x 16 Tyre	Less 235/70 x 16 Tyre, Savarin White	BTR924NUC	1		
		Change point - VIN begin HA000001, Change point - VIN end HA012332, Less 235/70 x 16 Tyre	Less 235/70 x 16 Tyre, Savarin White	BTR924NUC	1		
		Change point - VIN begin HA456981, Change point - VIN end HA486551, Less 235/70 x 16 Tyre	Less 235/70 x 16 Tyre, Savarin White	BTR924NUC	1		
		Change point - VIN begin MA081992, Less 235/70 x 16 Tyre	Less 235/70 x 16 Tyre, Quicksilver	BTR9438MUE	1		
		Change point - VIN begin MA081991, Less 235/70 x 16 Tyre	Less 235/70 x 16 Tyre, Savarin White	BTR9438NUC	1		
		Change point - VIN begin MA081991, Less 235/70 x 16 Tyre	Less 235/70 x 16 Tyre, Silver Sparkle	BTR9438MNH	1		
		With 235/70 x 16 Tyre	with L/R logo	ANR4751	1		
		8	Washer-plastic	With Steel Wheels		MXC7335	3
				For Alloy Wheels		MXC7335	3
		9	Nut - Hex.	With Steel Wheels	M16	MXC7887	3

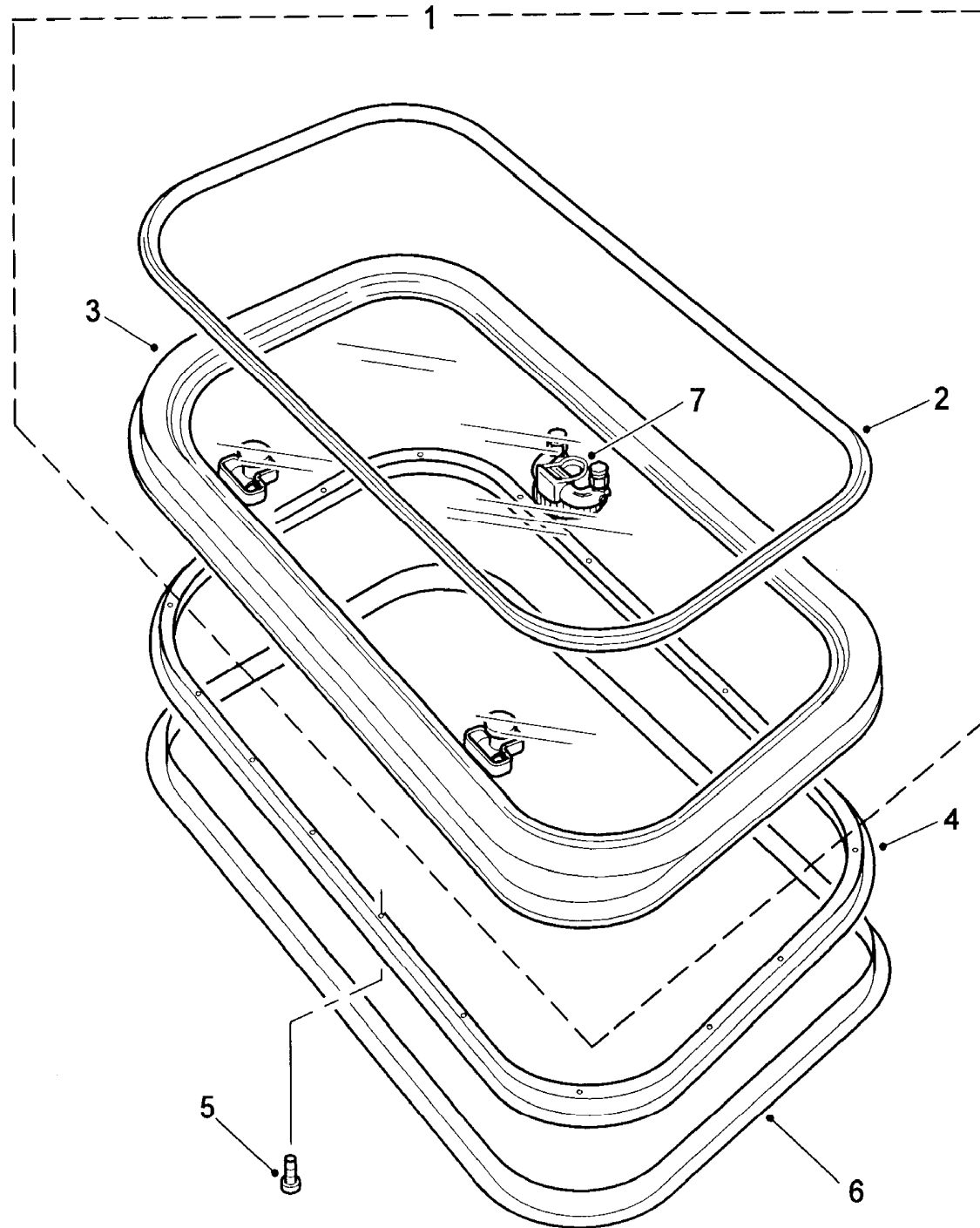


CANXTA2A

Callout	Name	Application	Remarks & Restrictions	Service No.	Qty
10	Nut - Hex.	Change point - VIN end MA146332, For Alloy Wheels Change point - VIN begin MA146333, For Alloy Wheels With Steel Wheels	M16, alloy wheel	NTC8240 ANR4914 ANR3116	2 2 2
11	Nut-locking	For Alloy Wheels Change point - VIN begin WA10750WN, (+)"J"	Also serviced as part of a kit spare wheel retention	NTC8278 RRD100650	1 3
12	Key-blank owner	For Alloy Wheels	Also serviced as part of a kit	STC463	1
13	Badge-Land Rover	Change point - VIN begin MA081991, For Alloy Wheels	Grey	BTR9901LAV	1
[900]	Bolt	With 205 x 16 Tyre	Flanged Head, M8 x 70	FB108141L	5
[901]	Carrier-load/tail door spare wheel mounting	With 205 x 16 Tyre		BHI710030	1
[902]	Cover-Spare Wheel	With 235/70 x 16 Tyre	with L/R logo, Quicksilver	BTR9438MUE	1

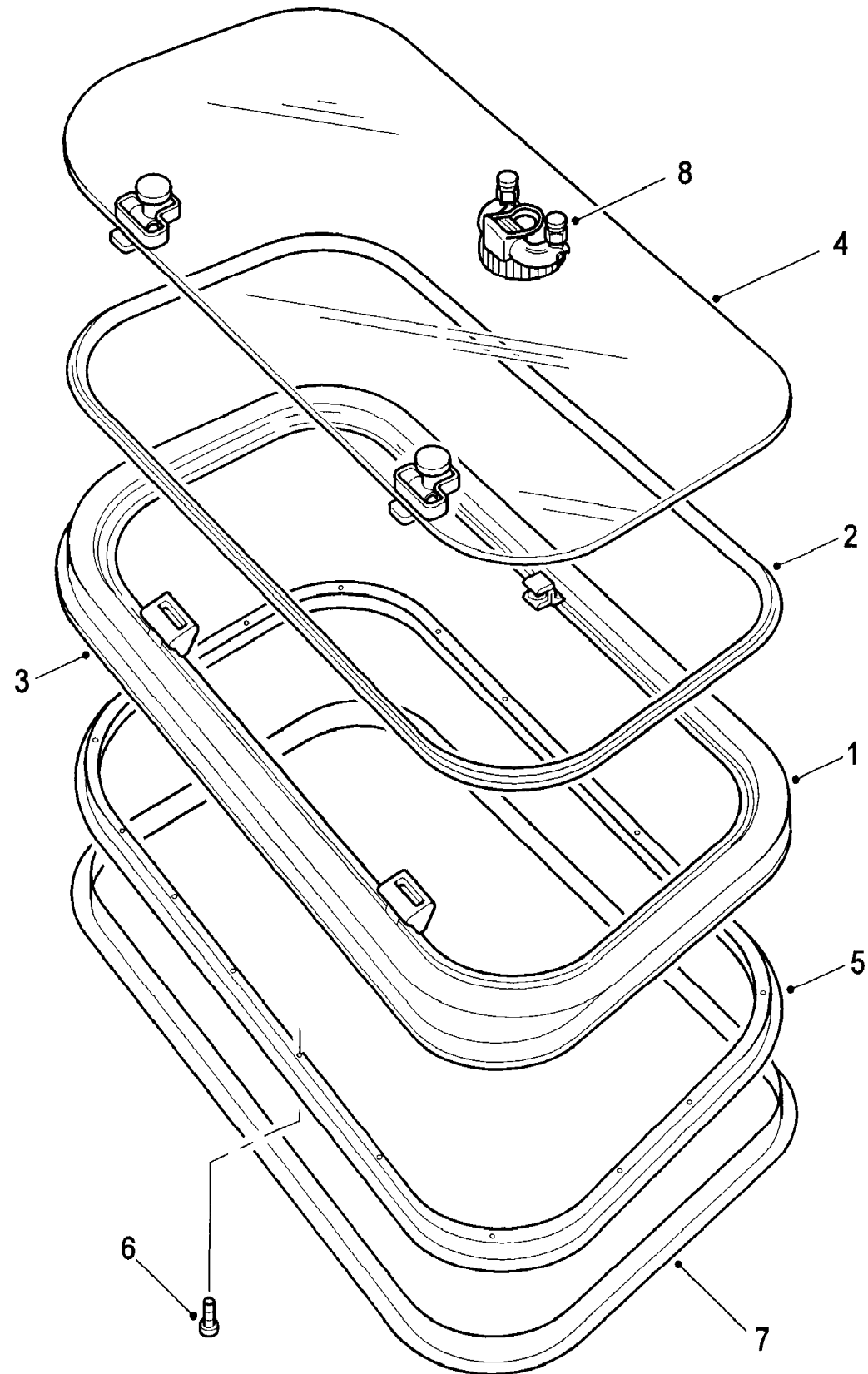


Callout	Name	Application	Remarks & Restrictions	Service No.	Qty		
1	Decal-front fender rear	Discovery	RH, Nimbus	BTR1282LMP	1		
		Discovery	Silver, RH	BTR1282MCF	1		
		Discovery	Nimbus, LH	BTR1283LMP	1		
		Discovery	Silver, LH	BTR1283MCF	1		
2	Decal-tailgate		Rear, Nimbus	MXC7250LMP	1		
3	Decal-front fender rear	V8	Nimbus	MXC8172LMP	2		
		V8	Silver	MXC8172MCF	2		
4	Decal-front fender rear	Change point - VIN begin GA394352, Change point - VIN end GA456980, V8i	Nimbus	MXC8937LMP	2		
		Change point - VIN begin HA000001, Change point - VIN end HA001957, V8i	Nimbus	MXC8937LMP	2		
		Change point - VIN begin HA456981, Change point - VIN end HA486551, V8i	Nimbus	MXC8937LMP	2		
		Change point - VIN begin GA394352, Change point - VIN end GA456980, V8i	Silver	MXC8937MCF	2		
		Change point - VIN begin HA000001, Change point - VIN end HA001957, V8i	Silver	MXC8937MCF	2		
		Change point - VIN begin HA456981, Change point - VIN end HA486551, V8i	Silver	MXC8937MCF	2		
		Change point - VIN begin HA001958, V8i	Nimbus	BTR1284LMP	2		
		Change point - VIN begin HA001958, V8i	Silver	BTR1284MCF	2		
		5	Decal-turbocharger	Tdi Tdi	Nimbus Silver	BTR1285LMP BTR1285MCF	2 2
		6	Decal-B Post blackout		RH	MXC8366	1
	LH			MXC8367	1		
7	Decal-door blackout		Rear, RH, Upper	MXC8368	1		
			Rear, Upper, LH	MXC8369	1		
8	Decal catalyst		Nimbus	MXC8938LMP	2		
			Silver	MXC8938MCF	2		
9	Kit decal	(+)"I"		STC622	1		
10	Decal-front fender rear	MPi	Silver	BTR7815MCF	1		
		MPi	Grey	BTR7815LMP	1		



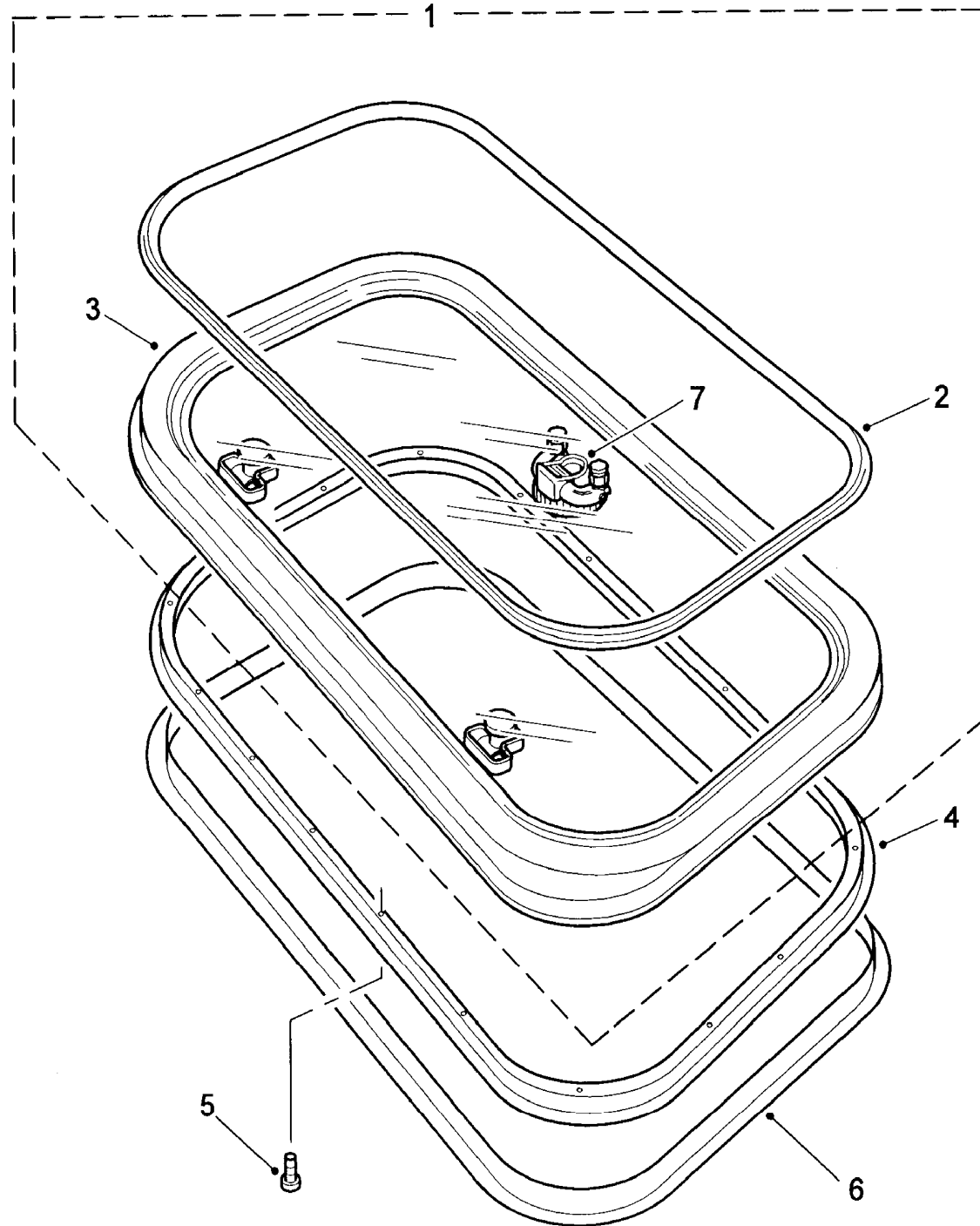
Change point - VIN begin KA034314, With Sunroof

Callout	Name	Application	Remarks & Restrictions	Service No.	Qty
1	Sunroof assembly-glass	With Manual Slide Sunroof	Also serviced as part of a kit, Production Fit	BTR3072	1
2	Seal-rubber	With Manual Slide Sunroof	Also serviced as part of a kit, Production Fit	STC773	1
3	Seal-sunroof frame	With Manual Slide Sunroof	Also serviced as part of a kit, Production Fit	RTC6482	1
4	Frame-sunroof		Lower	MXC3415	1
5	Screw			AR606041L	18
6	Finisher-sunroof		Grey	MXC7882LUP	1
7	Handle assembly-sunroof			STC982	1
8	Hinge-tilt & remove sunroof			STC3682	2



Change point - VIN end JA034313, With Sunroof

Callout	Name	Application	Remarks & Restrictions	Service No.	Qty
1	Frame-front sunroof upper		Also serviced as part of a kit	MXC3414	1
2	Seal-rubber	With Manual Slide Sunroof	Production Fit	RTC6481	1
3	Seal-sunroof frame			RTC6482	1
4	Sunroof assembly-glass	With Manual Slide Sunroof	Production Fit	MXC3413	1
5	Frame-sunroof		Lower	MXC3415	1
6	Screw			AR606041L	18
7	Finisher-sunroof		Grey	MXC7881LUP	1
8	Handle assembly-sunroof			STC982	1
[900]	Finisher-sunroof		Grey	MXC7882LUP	1

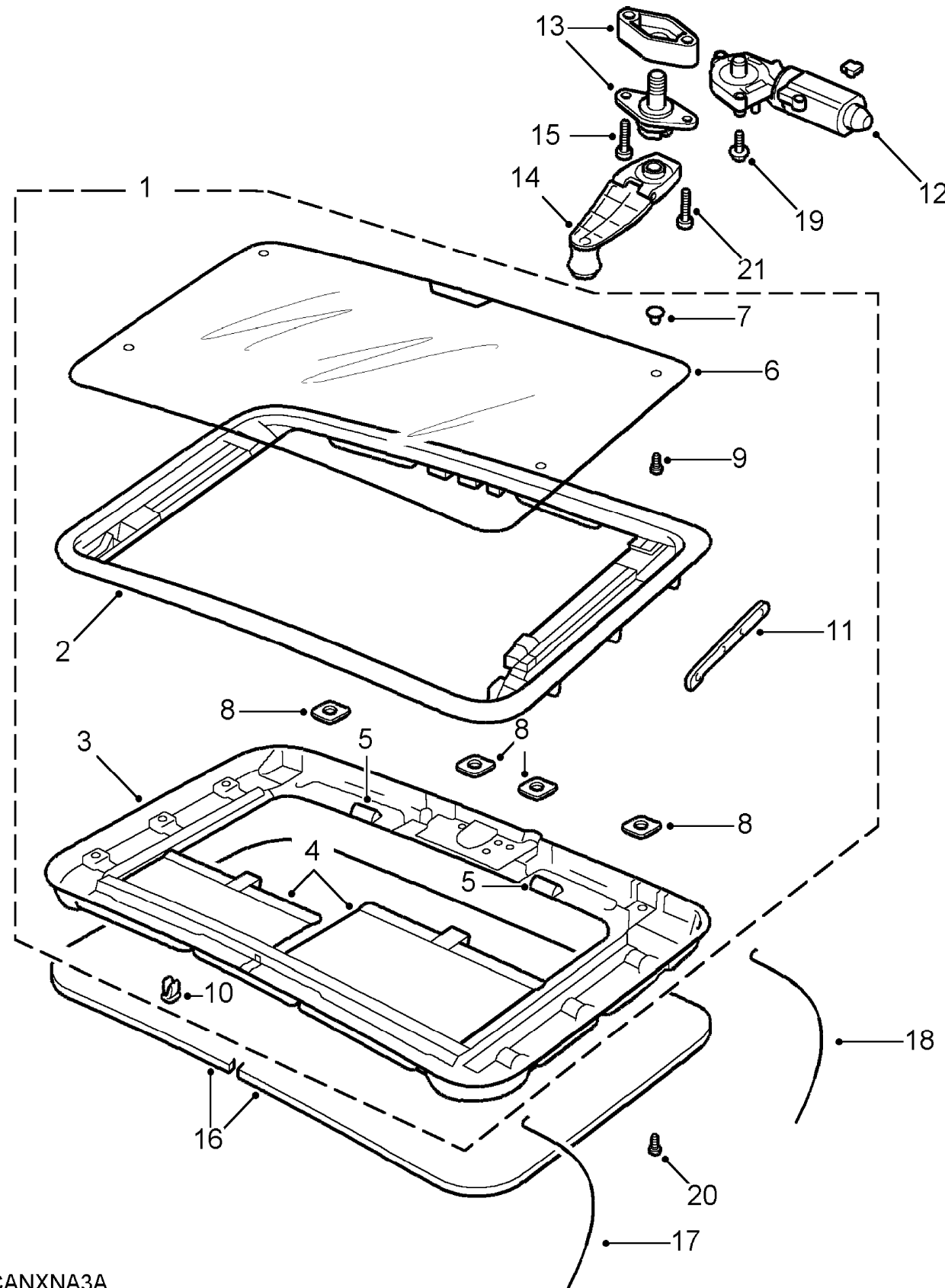


With Sunroof

Callout	Name	Application	Remarks & Restrictions	Service No.	Qty
1	Sunroof assembly-glass	Change point - VIN end JA019144, With Manual Slide Sunroof	Also serviced as part of a kit, Production Fit	MXC6161	1
		Change point - VIN begin JA019145, With Manual Slide Sunroof	Also serviced as part of a kit, Production Fit	BTR3072	1
2	Seal-rubber	Change point - VIN end JA019144, With Manual Slide Sunroof	Also serviced as part of a kit, Production Fit	RTC6481	1
		Change point - VIN begin JA019145, With Manual Slide Sunroof	Also serviced as part of a kit, Production Fit	STC773	1
3	Seal-sunroof frame	Change point - VIN end JA019144, With Manual Slide Sunroof	Also serviced as part of a kit, Production Fit	RTC6482	1
		Change point - VIN begin JA019145, With Manual Slide Sunroof	Also serviced as part of a kit, Production Fit	RTC6482	1
4	Frame-sunroof	Change point - VIN begin KA034314	Lower	MXC3415	1
5	Screw	Change point - VIN begin KA034314		AR606041L	18
6	Finisher-sunroof	Change point - VIN begin KA034314	Grey	MXC7882LUP	1
7	Handle assembly-sunroof	Change point - VIN begin KA034314		STC982	1
8	Hinge-tilt & remove sunroof	Change point - VIN begin KA034314		STC3682	2

Body & Chassis
Body
Sunroof 1/4

Discovery (FA393361-WA799999)
(CANXNA3A)



CANXNA3A

Discovery (FA393361-WA799999)

Body & Chassis
Body
Sunroof

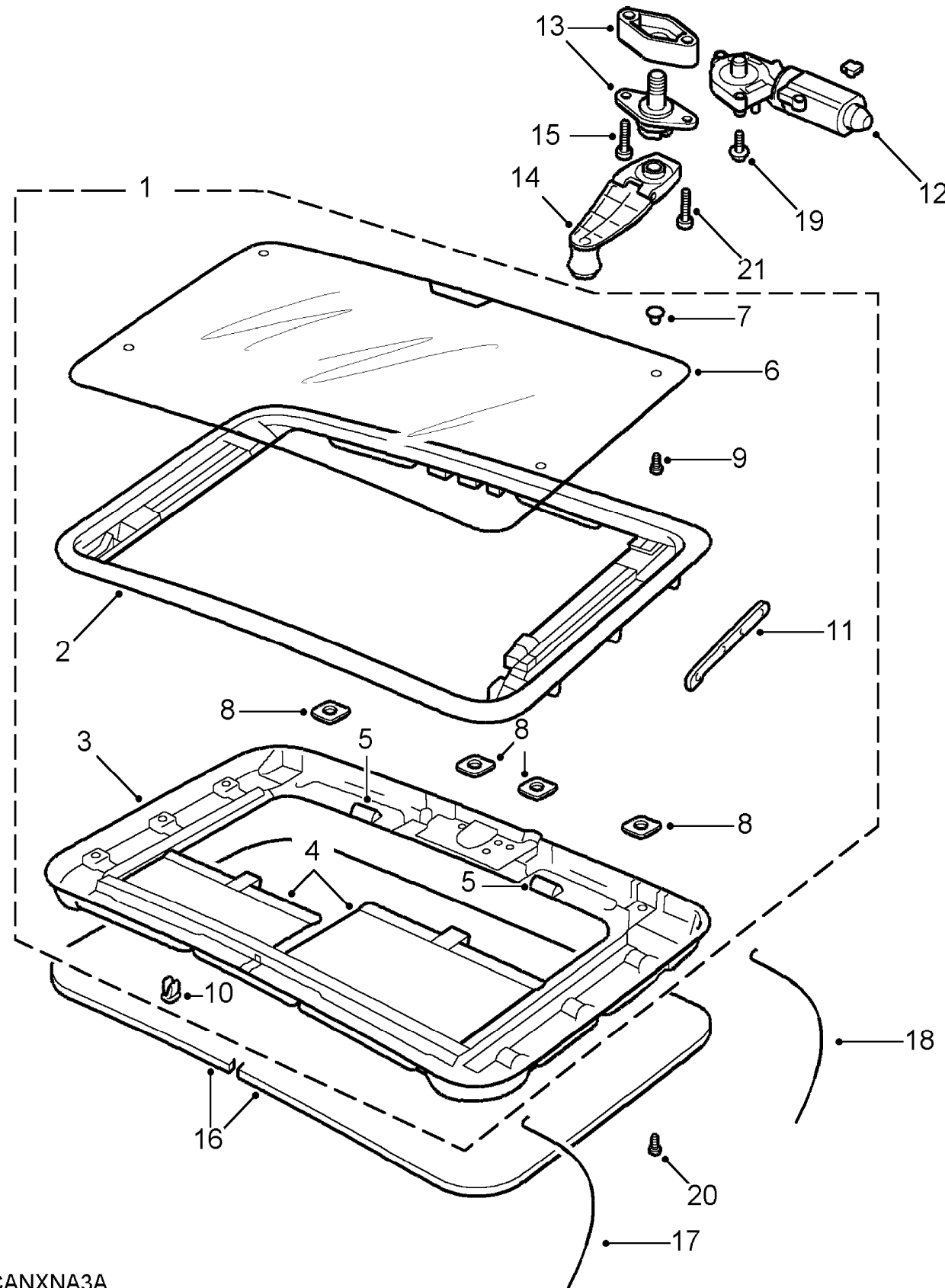
Callout	Name	Application	Remarks & Restrictions	Service No.	Qty
1	Sunroof assembly-glass	Change point - VIN begin LA081991, Change point - VIN end VA534103, With Electric Slide Sunroof	Also serviced as part of a kit	BTR8240	1
		Change point - VIN begin LA081991, Change point - VIN end VA703236, With Electric Slide Sunroof	Also serviced as part of a kit	BTR8240	1
		Change point - VIN begin VA534104, Change point - VIN end VA546829, With Electric Slide Sunroof	Also serviced as part of a kit	AWR6544	1
		Change point - VIN begin VA703237, Change point - VIN end VA714850, With Electric Slide Sunroof	Also serviced as part of a kit	AWR6544	1
		Change point - VIN begin VA546830, Change point - VIN end VA558898, With Electric Slide Sunroof	Also serviced as part of a kit	EED101190	1
		Change point - VIN begin VA714851, Change point - VIN end WA749748, With Electric Slide Sunroof	Also serviced as part of a kit	EED101190	1
		Change point - VIN begin WA749749, With Electric Slide Sunroof	Also serviced as part of a kit	EED101290	1
		Venus 35	EED101470	1	
		Also serviced as part of a kit	EED101310	1	
		2	Frame assy-sunroof-balanced	Change point - VIN begin LA081991, Change point - VIN end VA534103, With Electric Slide Sunroof	Also serviced as part of a kit
Change point - VIN begin LA081991, Change point - VIN end VA703236, With Electric Slide Sunroof	Also serviced as part of a kit			STC3186	1
Change point - VIN begin WA749749, With Electric Slide Sunroof	Also serviced as part of a kit			EFP100250	1
Also serviced as part of a kit, Upper	EFP100260			1	
3	Frame-front sunroof lower	Change point - VIN begin LA081991, Change point - VIN end VA534103, With Electric Slide Sunroof	Also serviced as part of a kit	STC1686	1
		Change point - VIN begin LA081991, Change point - VIN end VA703236, With Electric Slide Sunroof	Also serviced as part of a kit	STC1686	1
		Change point - VIN begin WA749749, With Electric Slide Sunroof	Also serviced as part of a kit	EFP100240	1
		Also serviced as part of a kit	EFP100240	1	
4	Sunshade assembly-sunroof sliding	Change point - VIN begin LA081991, Change point - VIN end VA534103, With Electric Slide Sunroof	Also serviced as part of a kit	STC1685	1

Body & Chassis
Body
Sunroof 2/4

Discovery (FA393361-WA799999)
(CANXNA3A)

Discovery (FA393361-WA799999)

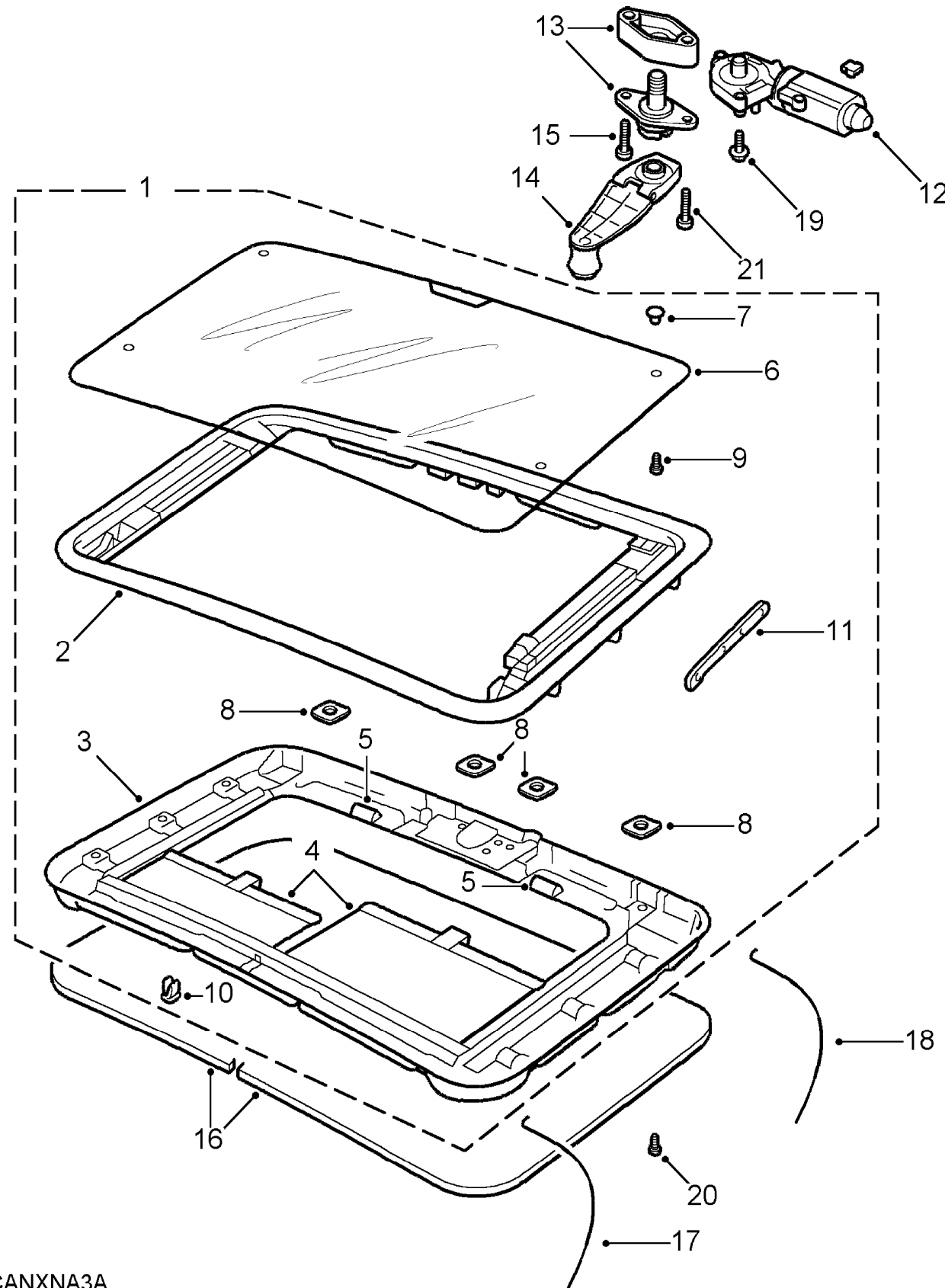
Body & Chassis
Body
Sunroof



Callout	Name	Application	Remarks & Restrictions	Service No.	Qty
4	Sunshade assembly-sunroof sliding	Change point - VIN begin LA081991, Change point - VIN end VA703236, With Electric Slide Sunroof	Also serviced as part of a kit	STC1685	1
		Change point - VIN begin WA749749, With Electric Slide Sunroof	Also serviced as part of a kit	EGT100220	1
			Also serviced as part of a kit	EGT100220	1
5	Retainer-roof trim sunshade	Change point - VIN begin LA081991, Change point - VIN end VA534103, With Electric Slide Sunroof	Also serviced as part of a kit	STC1715	2
		Change point - VIN begin LA081991, Change point - VIN end VA703236, With Electric Slide Sunroof	Also serviced as part of a kit	STC1715	2
		Change point - VIN begin WA749749, With Electric Slide Sunroof	Also serviced as part of a kit	EDR100150	2
			Also serviced as part of a kit	EDR100150	2
6	Glass panel-sunroof	Change point - VIN begin LA081991, Change point - VIN end VA534103, With Electric Slide Sunroof	Also serviced as part of a kit	STC1684	1
		Change point - VIN begin LA081991, Change point - VIN end VA703236, With Electric Slide Sunroof	Also serviced as part of a kit	STC1684	1
		Change point - VIN begin VA534104, Change point - VIN end VA546829, With Electric Slide Sunroof	Also serviced as part of a kit, Venus 35	AWR6577	1
		Change point - VIN begin VA703237, Change point - VIN end VA714850, With Electric Slide Sunroof	Also serviced as part of a kit, Venus 35	AWR6577	1
		Change point - VIN begin WA749749, With Electric Slide Sunroof	Also serviced as part of a kit, Venus 35	AWR6577	1
			Also serviced as part of a kit, Venus 35	AWR6577	1
7	Nut - Hex.	Change point - VIN begin LA081991, Change point - VIN end VA534103, With Electric Slide Sunroof	Also serviced as part of a kit	STC1725	4
		Change point - VIN begin LA081991, Change point - VIN end VA703236, With Electric Slide Sunroof	Also serviced as part of a kit	STC1725	4
		Change point - VIN begin WA749749, With Electric Slide Sunroof	Also serviced as part of a kit	EYH100400	4
			Also serviced as part of a kit	EYH100400	2
8	Spacer	Change point - VIN begin LA081991, Change point - VIN end VA534103, With Electric Slide Sunroof	Also serviced as part of a kit, set of 4	STC3194	1

Body & Chassis
Body
Sunroof 3/4

Discovery (FA393361-WA799999)
(CANXNA3A)



CANXNA3A

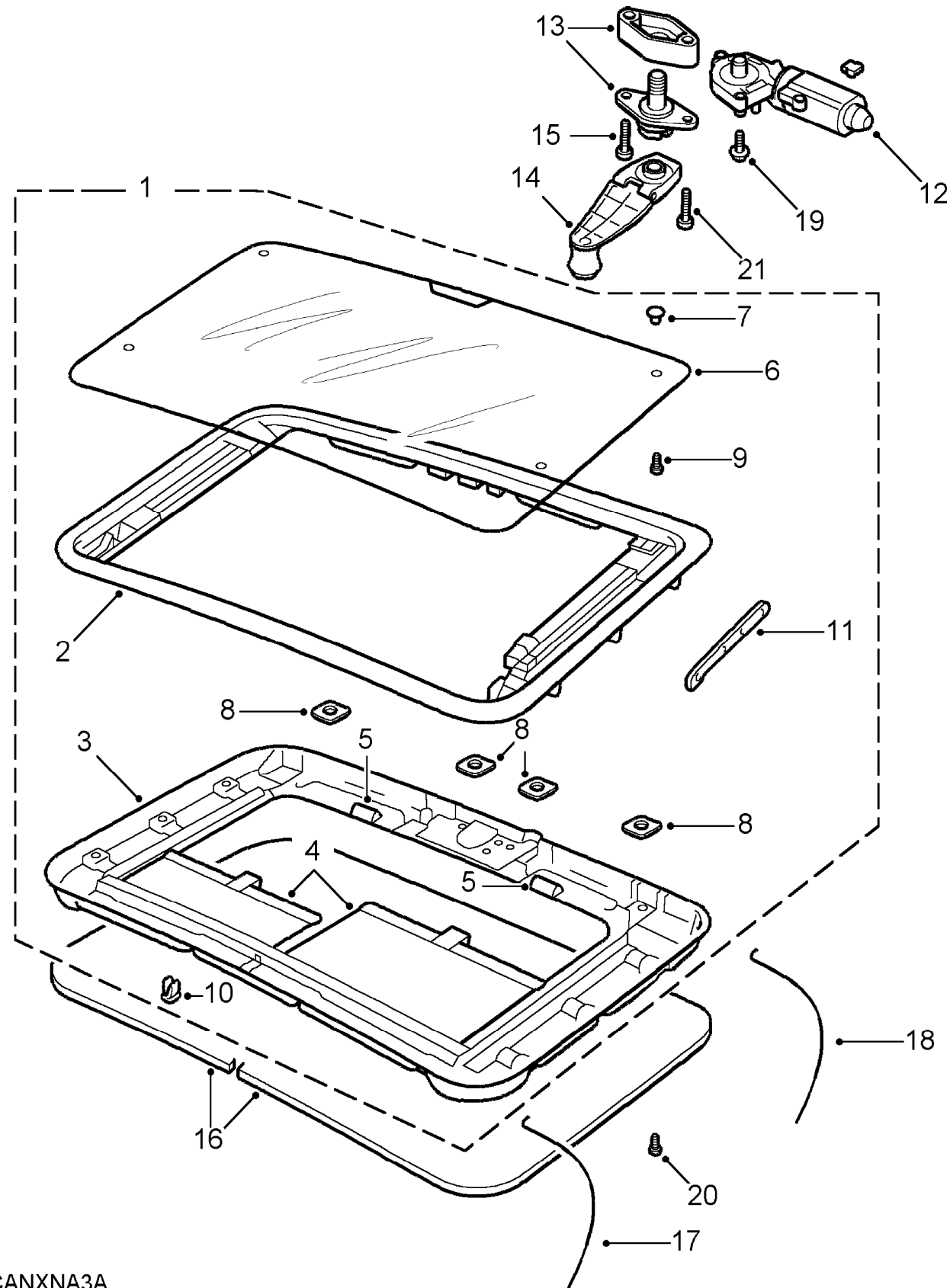
Discovery (FA393361-WA799999)

Body & Chassis
Body
Sunroof

Callout	Name	Application	Remarks & Restrictions	Service No.	Qty
8	Spacer	Change point - VIN begin LA081991, Change point - VIN end VA703236, With Electric Slide Sunroof	Also serviced as part of a kit, set of 4	STC3194	1
		Change point - VIN begin WA749749, With Electric Slide Sunroof	Also serviced as part of a kit	EYF100310	1
9	Screw	Change point - VIN begin LA081991, Change point - VIN end VA534103, With Electric Slide Sunroof	Also serviced as part of a kit, M5	STC1728	4
		Change point - VIN begin LA081991, Change point - VIN end VA703236, With Electric Slide Sunroof	Also serviced as part of a kit, M5	STC1728	4
		Change point - VIN begin WA749749, With Electric Slide Sunroof	Also serviced as part of a kit	EGN100090	4
		Also serviced as part of a kit	EGN100090	2	
10	Clamp-Cable	Change point - VIN begin LA081991, Change point - VIN end VA534103, With Electric Slide Sunroof	Also serviced as part of a kit	STC1727	2
		Change point - VIN begin LA081991, Change point - VIN end VA703236, With Electric Slide Sunroof	Also serviced as part of a kit	STC1727	2
		Change point - VIN begin WA749749, With Electric Slide Sunroof	Also serviced as part of a kit	EYE100030	2
11	Arm link - sunroof assembly	Change point - VIN begin LA081991, Change point - VIN end VA534103, With Electric Slide Sunroof	Also serviced as part of a kit, RH	STC3322	1
		Change point - VIN begin LA081991, Change point - VIN end VA703236, With Electric Slide Sunroof	Also serviced as part of a kit, RH	STC3322	1
		Change point - VIN begin LA081991, Change point - VIN end VA534103, With Electric Slide Sunroof	Also serviced as part of a kit, LH	STC3323	1
		Change point - VIN begin LA081991, Change point - VIN end VA703236, With Electric Slide Sunroof	Also serviced as part of a kit, LH	STC3323	1
		Change point - VIN begin WA749749, With Electric Slide Sunroof	Also serviced as part of a kit, RH	STC3322	1
		Change point - VIN begin WA749749, With Electric Slide Sunroof	Also serviced as part of a kit, LH	STC3323	1
12	Motor assembly-sunroof			BTR8241	1
13	Crankshaft handle-sunroof			BTR8242	1

Body & Chassis
Body
Sunroof 4/4

Discovery (FA393361-WA799999)
(CANXNA3A)



CANXNA3A

Discovery (FA393361-WA799999)

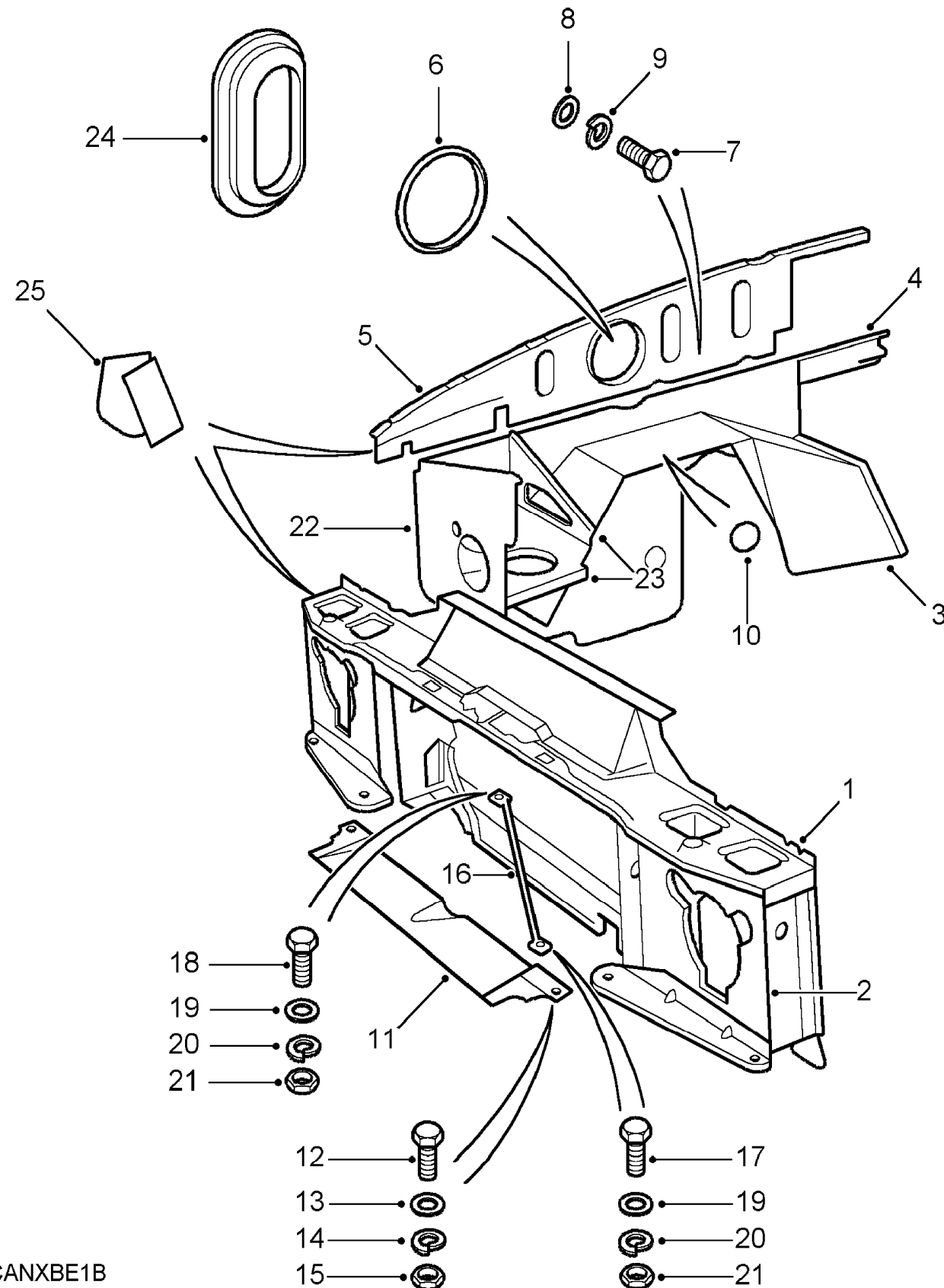
Body & Chassis
Body
Sunroof

Callout	Name	Application	Remarks & Restrictions	Service No.	Qty
14	Handle assembly-sunroof			BTR8243	1
15	Screw		sunroof gearbox	BTR8747	4
16	Finisher-sunroof		Mist Grey	BTR7027LUM	1
17	Tube-sunroof drain		Front	BTR8269	2
18	Tube-sunroof drain		Rear	BTR8270	2
19	Screw		sunroof motor fixing	BTR8748	4
20	Screw		sunroof frame to roof panel	EYP100790L	28
21	Screw		M4 x 12	SE104124L	1
[900]	Motor-sunroof			EGQ100230	1
[901]	Frame-sunroof front	With Electric Slide Sunroof	Upper	EFP100260	1
[902]	Sunroof assembly-glass		Venus 35	EED101471	1
[903]	Guide rail-s/rf	With Electric Slide Sunroof	Pair Pair Also serviced as part of a kit Pair	EGM100192 EGM100192 EGM100200 EGM100191	1 1 1 1
[904]	Screw-sunroof handle special			EYP10036L	1
[905]	Tube-sunroof drain		Front Rear	EEH100720 EEH100730	2 2

Body & Chassis
Body
Wheelarch & Valance 1/3

Discovery (FA393361-WA799999)

(CANXBE1B)



CANXBE1B

Discovery (FA393361-WA799999)

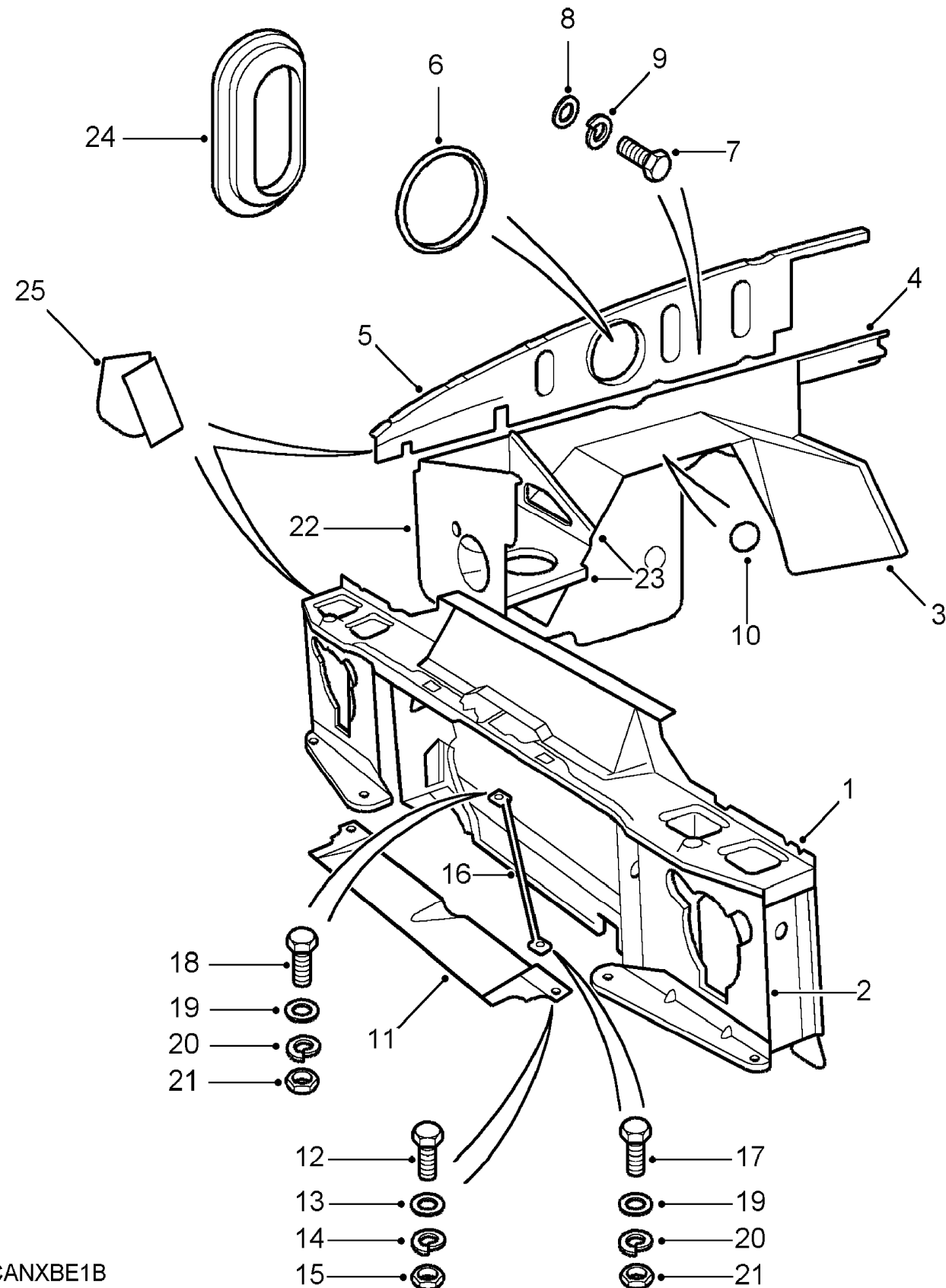
Body & Chassis
Body
Wheelarch & Valance

Callout	Name	Application	Remarks & Restrictions	Service No.	Qty
1	Bulkhead front assembly	Change point - VIN end LA081990	Also serviced as part of a kit	STC1812	1
		Change point - VIN begin MA081991	Also serviced as part of a kit	ALR6272	1
2	Panel-headlamp mounting	Change point - VIN end LA081990	Also serviced as part of a kit, LH	STC1487	1
		Change point - VIN end LA081990	Also serviced as part of a kit, RH	STC1488	1
		Change point - VIN begin MA081991	Also serviced as part of a kit, RH	STC1766	1
		Change point - VIN begin MA081991	Also serviced as part of a kit, LH	STC1767	1
3	Wheelarch & Valance	Change point - VIN end LA081990	RH	MJW121	1
		Change point - VIN end LA081990	LH	MJW122	1
		Change point - VIN end LA081990	RH	ALR2348	1
		Change point - VIN end LA081990	LH	ALR2349	1
		Change point - VIN begin MA081991, Change point - VIN end TA199999	Also serviced as part of a kit, RH	ALR7702	1
		Change point - VIN begin MA500000, Change point - VIN end TA534103	Also serviced as part of a kit, RH	ALR7702	1
		Change point - VIN begin TA700000, Change point - VIN end TA703236	Also serviced as part of a kit, RH	ALR7702	1
		Change point - VIN begin MA081991, Change point - VIN end TA199999	Also serviced as part of a kit, LH	ALR7703	1
		Change point - VIN begin MA500000, Change point - VIN end TA534103	Also serviced as part of a kit, LH	ALR7703	1
		Change point - VIN begin TA700000, Change point - VIN end TA703236	Also serviced as part of a kit, LH	ALR7703	1
		Change point - VIN begin VA534104	Also serviced as part of a kit, RH	ALR9842	1
		Change point - VIN begin VA703237	Also serviced as part of a kit, RH	ALR9842	1
		Change point - VIN begin VA534104	Also serviced as part of a kit, LH	ALR9841	1
		Change point - VIN begin VA703237	Also serviced as part of a kit, LH	ALR9841	1
		4	Reinforcement-valance member	Change point - VIN begin MA081991, Change point - VIN end TA199999	Also serviced as part of a kit, outer RH
Change point - VIN begin MA500000, Change point - VIN end TA534103	Also serviced as part of a kit, outer RH			ALR3034	1
Change point - VIN begin TA700000, Change point - VIN end TA703236	Also serviced as part of a kit, outer RH			ALR3034	1
Change point - VIN begin MA081991, Change point - VIN end TA199999	Also serviced as part of a kit, outer LH			MXC6468	1

Body & Chassis
Body
Wheelarch & Valance 2/3

Discovery (FA393361-WA799999)

(CANXBE1B)



CANXBE1B

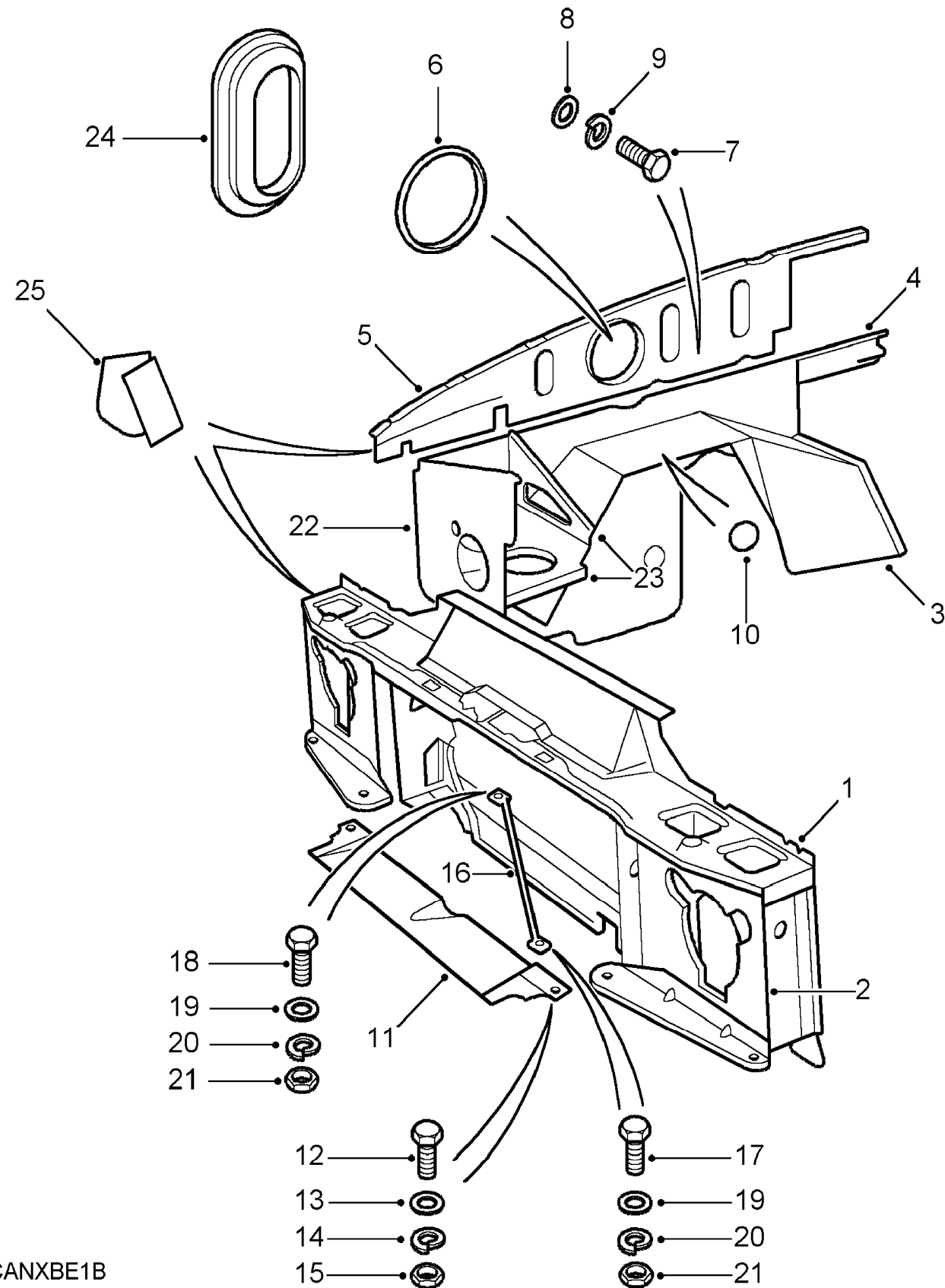
Discovery (FA393361-WA799999)

Body & Chassis
Body
Wheelarch & Valance

Callout	Name	Application	Remarks & Restrictions	Service No.	Qty
4	Reinforcement-valance member	Change point - VIN begin MA500000, Change point - VIN end TA534103	Also serviced as part of a kit, outer LH	MXC6468	1
		Change point - VIN begin TA700000, Change point - VIN end TA703236	Also serviced as part of a kit, outer LH	MXC6468	1
5	Extension-valance	Change point - VIN end LA081990	(-) MPI, RH	ALR3028	1
		Change point - VIN end LA081990	(-) MPI, LH	ALR3029	1
		Change point - VIN begin MA081991, Change point - VIN end MA153366	(-) MPI, RH	ALR6244	1
		Change point - VIN begin MA081991, Change point - VIN end MA153366	(-) MPI, LH	ALR6243	1
		Change point - VIN begin MA153367, Change point - VIN end MA163103	(-) MPI, RH	ALR9210	1
		Change point - VIN end MA501919	(-) MPI, RH	ALR9210	1
		Change point - VIN begin MA153367, Change point - VIN end MA163103	(-) MPI, LH	ALR9209	1
		Change point - VIN end MA501919	(-) MPI, LH	ALR9209	1
		Change point - VIN begin TA163104	(-) MPI, RH	ALR9136	1
		Change point - VIN begin TA501920	(-) MPI, RH	ALR9136	1
		Change point - VIN begin TA163104	(-) MPI, LH	ALR9453	1
		Change point - VIN begin TA501920	(-) MPI, LH	ALR9453	1
		Change point - VIN begin VA534104	(-) MPI, RH	ASR1714	1
		Change point - VIN begin VA703237	(-) MPI, RH	ASR1714	1
		Change point - VIN begin VA534104	(-) MPI, LH	ASR1715	1
		Change point - VIN begin VA703237	(-) MPI, LH	ASR1715	1
6	Grommet			MXC4856	1
7	Bolt	M6 X 20		SR106201	12
8	Washer	M6, oversize		WC106041L	12
9	Washer	M6, sprung		WL106001L	12
10	Tape	Black, 25MM, Thin Black, 25mm diameter		18123 19089	X X
11	Closing panel			MXC1944	1
12	Screw-flanged head	M6 X 16, Flanged Head		FS106167L	2

Body & Chassis
Body
Wheelarch & Valance 3/3

Discovery (FA393361-WA799999)
(CANXBE1B)



CANXBE1B

Discovery (FA393361-WA799999)

Body & Chassis
Body
Wheelarch & Valance

Callout	Name	Application	Remarks & Restrictions	Service No.	Qty
13	Washer		6MM	WA106041L	2
14	Washer		M6, sprung	WL106001L	2
15	Nut - Hex.		M6, nyloc, Hexagonal	NH106041L	2
16	Crossbrace			MXC5603	2
17	Screw		1/4UNF x 5/8	255206	2
18	Screw		hexagonal head, 1/4UNF x 1 1/4	SH604101L	1
19	Washer-Plain		M6	3831L	3
20	Washer-Spring		1/4 dia, Square	WM600041L	3
21	Nut - Hex.		hexagonal head, Coarse Thread, 1/4UNF	NH604041L	3
22	Panel-battery closing	Change point - VIN begin LA064756	RH	ALR5718	1
		Change point - VIN begin LA064756	LH	ALR5717	1
		Change point - VIN end KA064755	RH	ALR1782	1
		Change point - VIN end KA064755	LH	ALR1783	1
23	Panel battery mounting	Change point - VIN end LA081990	RH	ALR4468	1
		Change point - VIN end LA081990	LH	ALR4467	1
		Change point - VIN begin MA081991	RH	ALR3648	1
		Change point - VIN begin MA081991	LH	ALR3647	1
		Change point - VIN begin VA534104	LH	ASR1401	1
		Change point - VIN begin VA703237	LH	ASR1401	1
		Change point - VIN begin VA534104	RH	ASR1400	1
		Change point - VIN begin VA703237	RH	ASR1400	1
24	Grommet-blind	Change point - VIN end LA081990		BTR2885	1
		Change point - VIN begin MA081991		ESR2406	1
25	Gusset-headlamp side		RH	ALR6052	1
			LH	ALR6053	1

SEP 04

1013

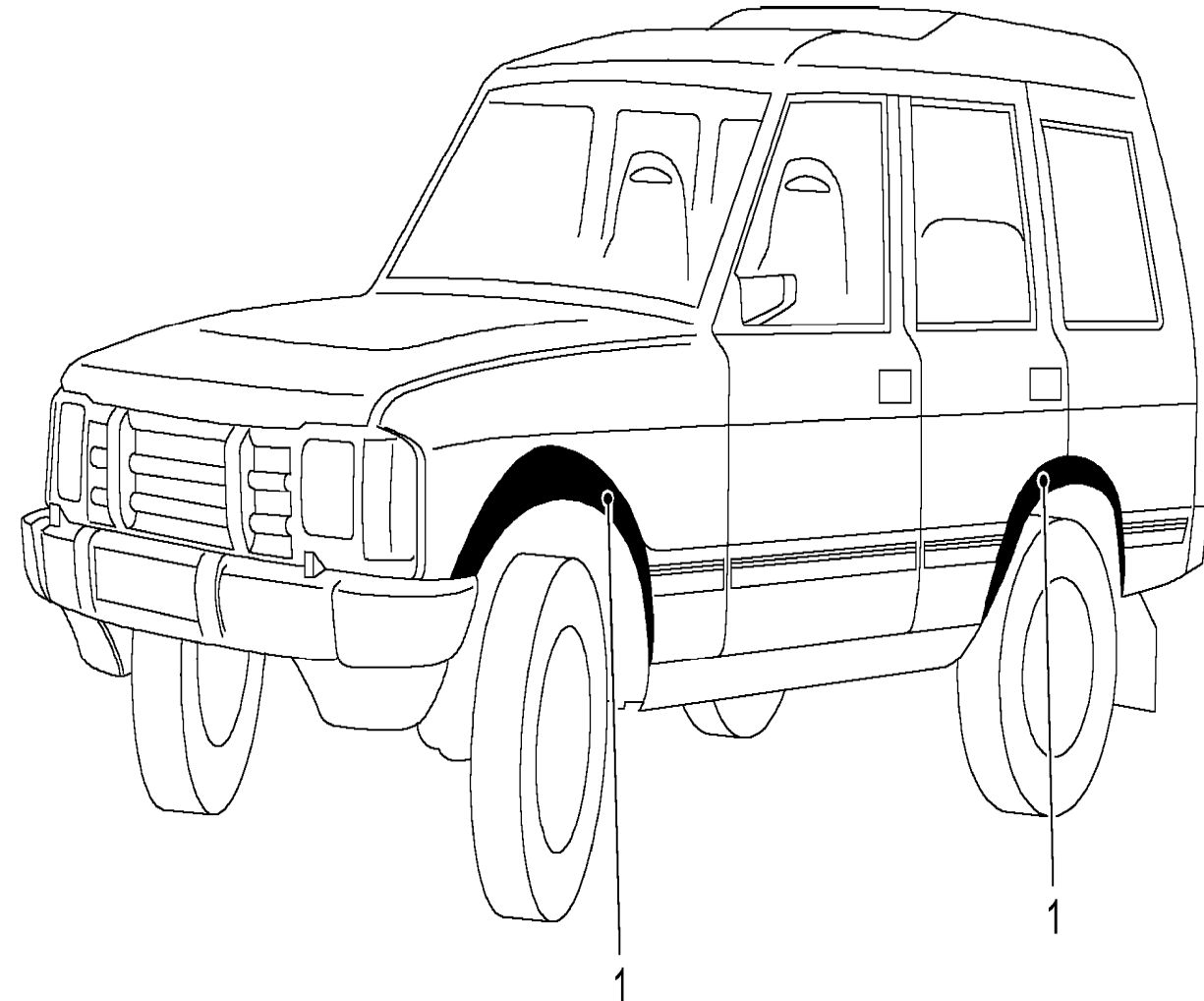
Body & Chassis

Discovery (FA393361-WA799999)

Body

Wheelarch Extension-Germany"Sunseeker" 1/1

(CANXQA1G)



CANXQA1G

1013

SEP 04

Discovery (FA393361-WA799999)

Body & Chassis

Body

Wheelarch Extension-Germany"Sunseeker" (+)"D"

Callout	Name	Application	Remarks & Restrictions	Service No.	Qty
1	Kit-wheelarch flare	3 Door Station Wagon 5 Door Station Wagon		STC8140 STC8139	1 1

Body & Chassis

Discovery (FA393361-WA799999)

Body

Window Regulators Rear 1/1

(CANXHC2A)

Body & Chassis

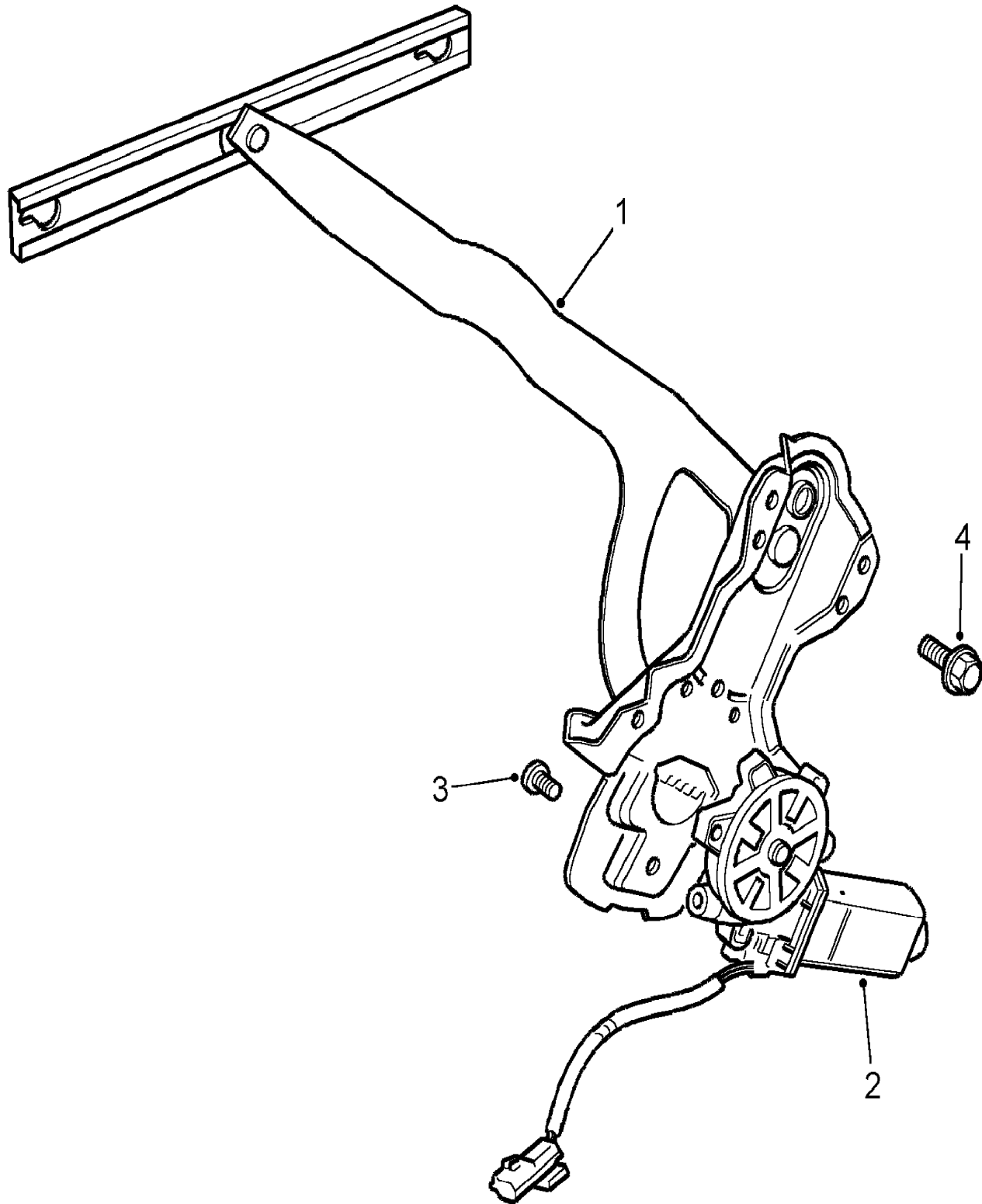
Discovery (FA393361-WA799999)

Body

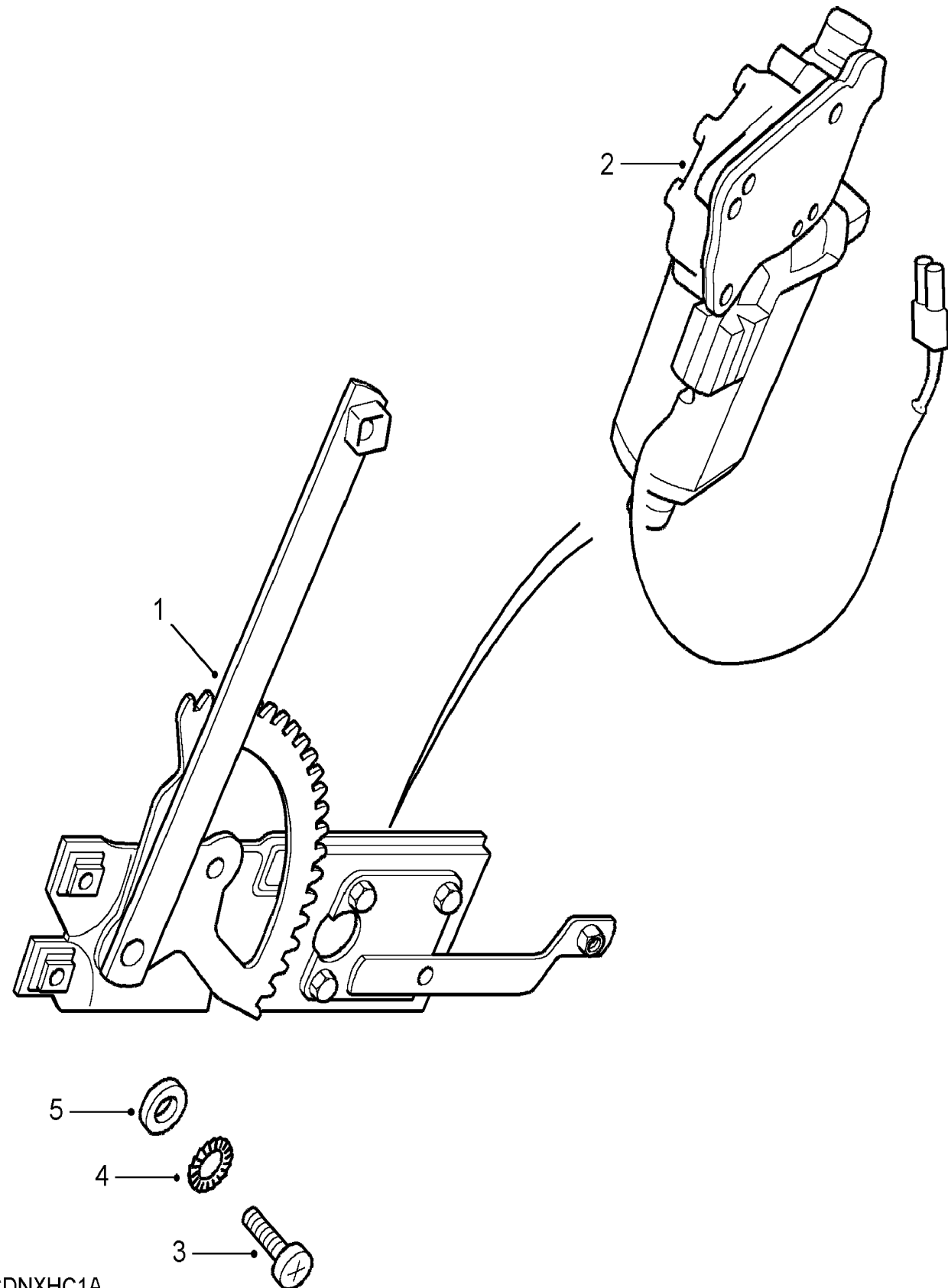
Window Regulators Rear

Change point - VIN begin MA137190, With Electric Rear Windows

Callout	Name	Application	Remarks & Restrictions	Service No.	Qty
1	Regulator-rear door glass		Electric Windows, RH	STC2884	1
			Electric Windows, LH	STC2883	1
2	Motor-window regulator		Rear RH	STC2885	1
			Rear LH	STC2886	1
3	Screw			STC2909	2
4	Screw-flanged head		Electric Windows, M6 X 16, Flanged Head	FS106161L	4
			Electric Windows, M6 X 16, Flanged Head	FS106167L	4
[900]	Motor-window regulator		Rear RH, RH	CVR100160	1
			Rear LH, RH, front & rear	CUR100440	1
			Rear LH, LH	CVR100170	1
			Rear LH, front & rear, LH	CUR100450	1



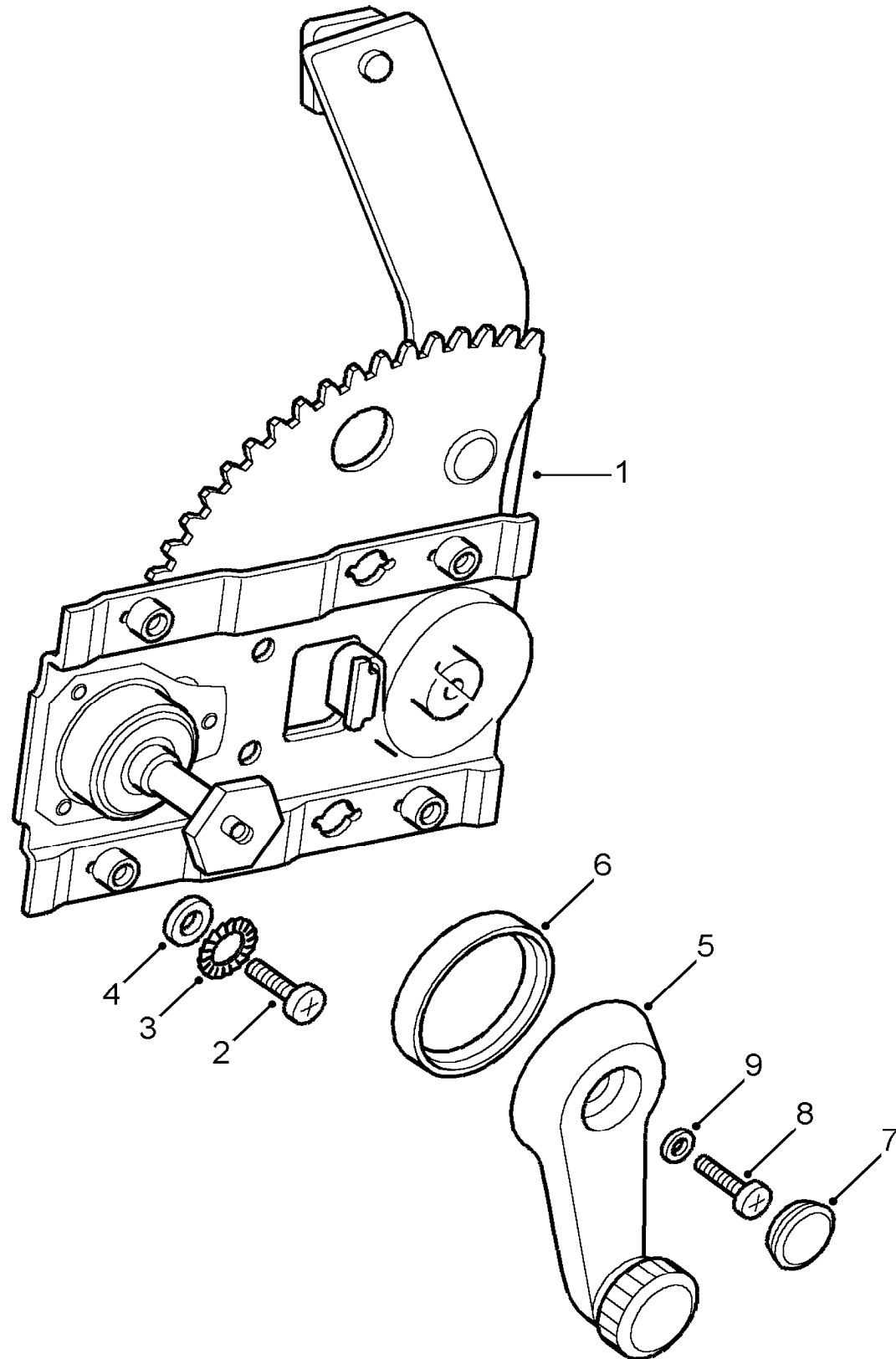
CANXHC2A



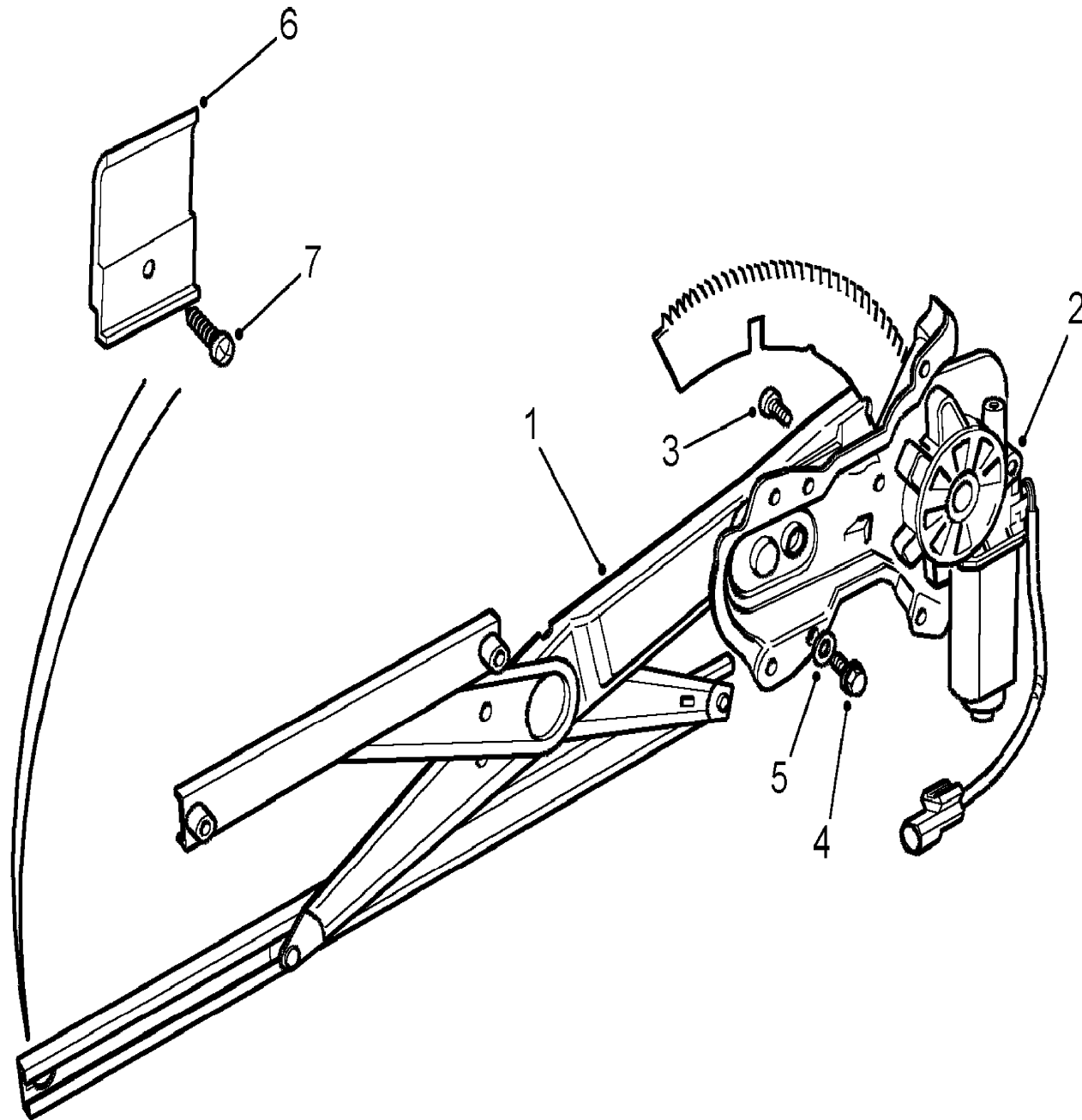
CDNXHC1A

Change point - VIN end MA137189, With Electric Rear Windows

Callout	Name	Application	Remarks & Restrictions	Service No.	Qty
1	Regulator assembly-rear door electric glass		Electric Windows, RH	RTC3816	1
			Electric Windows, LH	RTC3817	1
2	Motor-rear door window regulator		Electric Windows, RH	RTC6643	1
			Electric Windows, LH	RTC6642	1
3	Screw-pan		M6 X 12, pan head	SE106121L	4
4	Washer-Lock			WE106001L	4
5	Washer		6MM	WA106041L	4

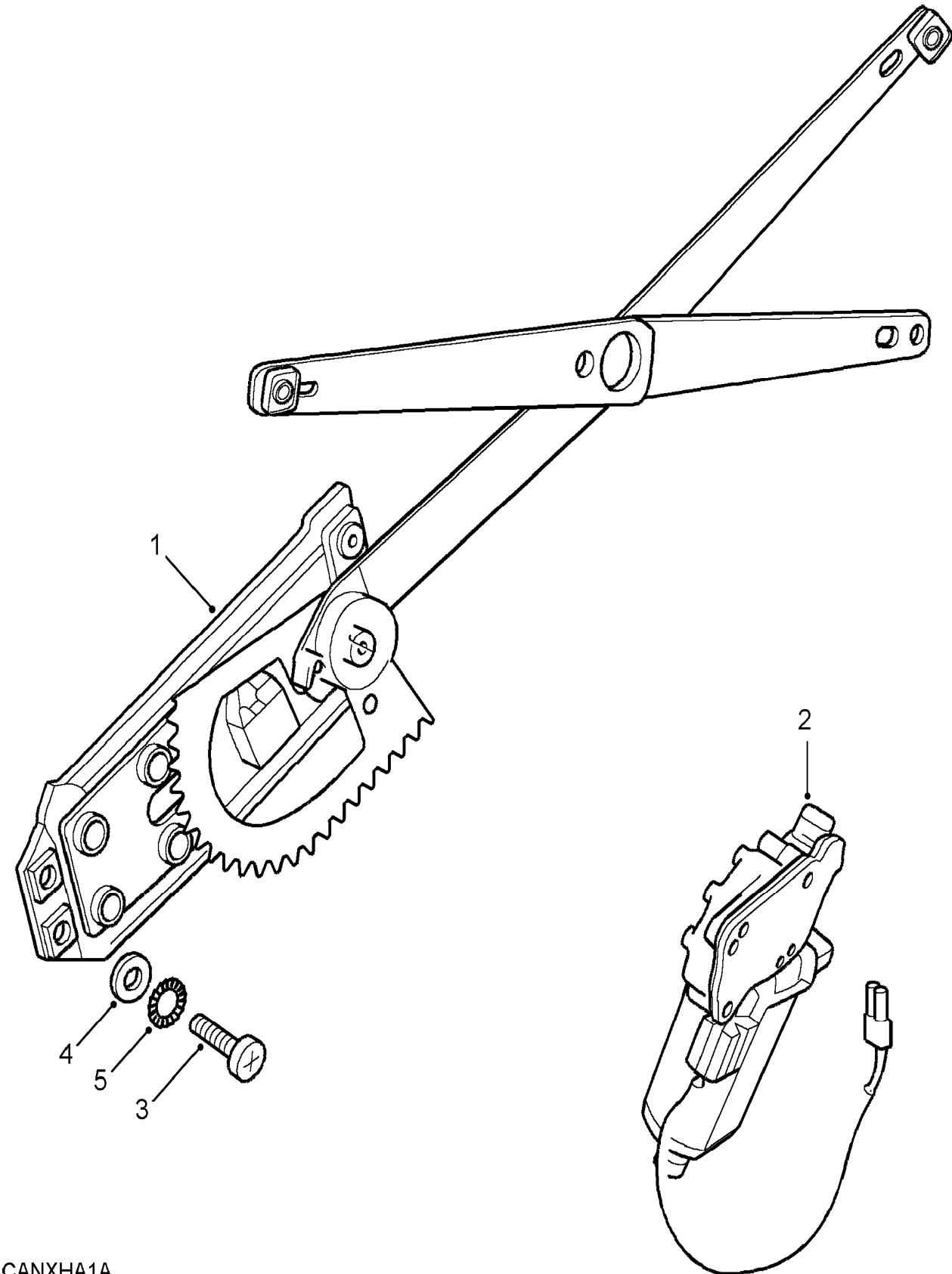


Callout	Name	Application	Remarks & Restrictions	Service No.	Qty
1	Regulator-rear door glass		Manual Windows, RH	MTC8906	1
			Manual Windows, LH	MTC8907	1
2	Screw-pan		Manual Windows, M6 X 12, pan head	SE106121L	4
3	Washer-Lock		Manual Windows	WE106001L	4
4	Washer		Manual Windows, 6MM	WA106041L	4
5	Handle-front/rear door window regulator	Change point - VIN end JA034313	Manual Windows, Ash Grey	MWC6512LUN	2
		Change point - VIN begin KA034314	Manual Windows, Ash Grey	MWC6512LNF	2
6	Escutcheon-window regulator	Change point - VIN end JA034313	Manual Windows, Ash Grey	MXC2049LUN	2
		Change point - VIN begin KA034314	Manual Windows, Ash Grey	MXC2049LNF	2
7	Cover Plate	Change point - VIN end JA034313	Manual Windows, Ash Grey	MWC8021LUN	2
		Change point - VIN begin KA034314	Manual Windows, Ash Grey	MWC8021LNF	2
8	Screw		Manual Windows, pan head, M5 x 16, recessed	SE105161L	2
9	Washer-Lock		Manual Windows	WE105001L	2



Change point - VIN begin MA137190, With Electric Front Windows

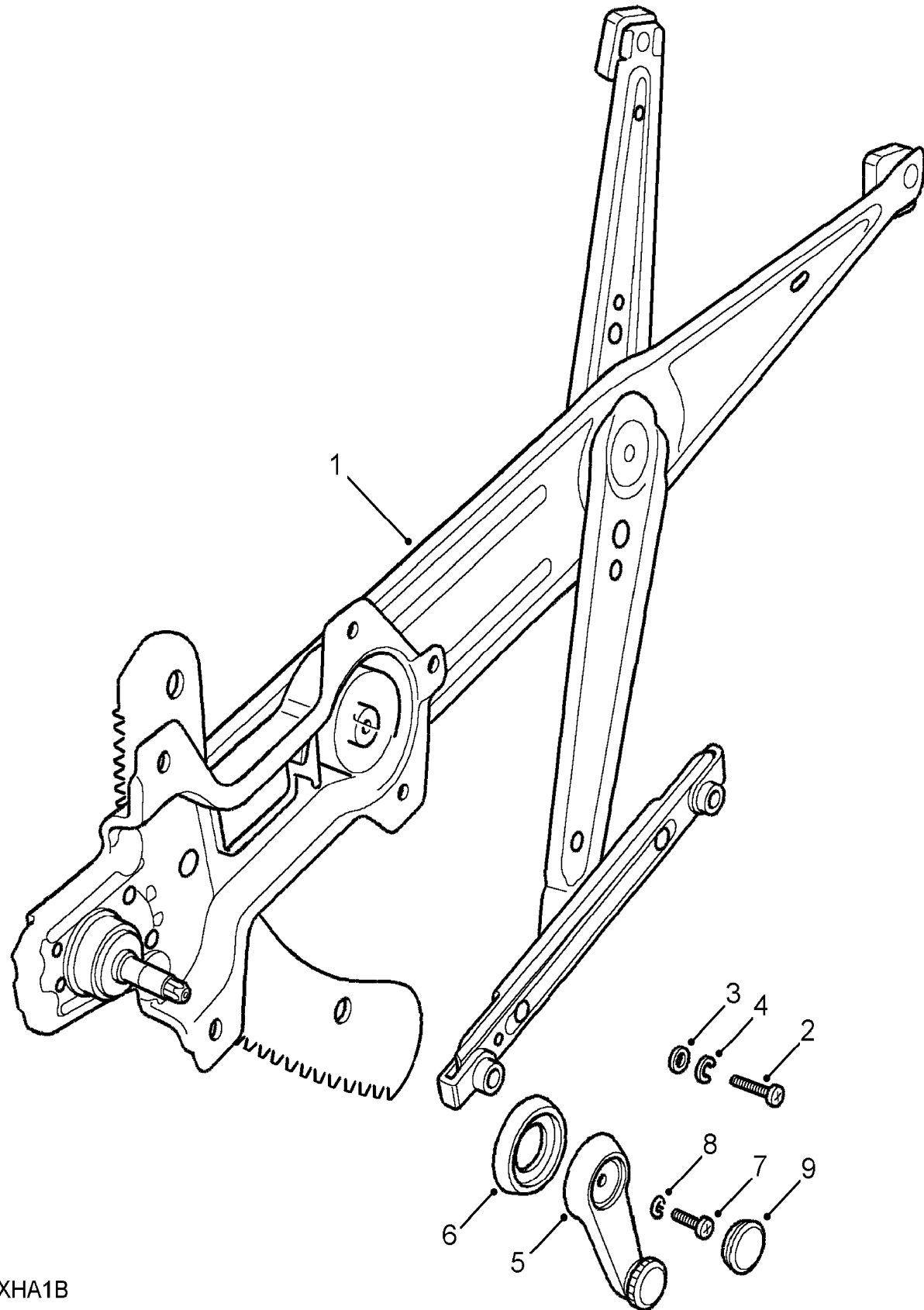
Callout	Name	Application	Remarks & Restrictions	Service No.	Qty
1	Regulator-front door glass		Electric Windows, RH	STC2882	1
			Electric Windows, LH	STC2881	1
2	Motor-window regulator		Front RH, Electric Windows	STC2886	1
			Front LH, Electric Windows	STC2885	1
3	Screw		Electric Windows	STC2909	2
4	Screw-flanged head		Electric Windows, M6 x 10	FS106101L	6
5	Washer		Electric Windows	MRC5529	1
6	Guide-front door glass	Change point - VIN begin MA137190, Change point - VIN end TA172958	Electric Windows	ALR9214	1
			Electric Windows	ALR9214	1
			Electric Windows	ALR9743	1
			Electric Windows	ALR9743	1
7	Screw	Change point - VIN begin TA172959	Electric Windows, Black, Self Tapping, No8 x 5/8	AB608051L	1
			Electric Windows, Black, Self Tapping, No8 x 5/8	AB608051L	1
[900]	Regulator-front door electric glass		Electric Windows, LH	CUH102310	1
			Electric Windows, RH	CUH102300	1
[901]	Motor-window regulator		Front RH, Electric Windows, LH	CVR100170	1
			Front RH, Electric Windows, front & rear, LH	CUR100450	1
			Front LH, Electric Windows, RH	CVR100160	1
			Front RH, Electric Windows, RH, front & rear	CUR100440	1



CANXHA1A

Change point - VIN end MA137189, With Electric Front Windows

Callout	Name	Application	Remarks & Restrictions	Service No.	Qty			
1	Regulator-front door glass		Electric Windows, RH	RTC3814	1			
			Electric Windows, LH	RTC3815	1			
2	Motor-front door window regulator	Change point - VIN begin GA394352, Change point - VIN end GA456980 Change point - VIN begin HA000001, Change point - VIN end HA008666 Change point - VIN begin HA456981, Change point - VIN end HA486551 Change point - VIN begin GA394352, Change point - VIN end GA456980 Change point - VIN begin HA000001, Change point - VIN end HA008666 Change point - VIN begin HA456981, Change point - VIN end HA486551 Change point - VIN begin HA008667, Change point - VIN end HA012332 Change point - VIN begin JA012333 Change point - VIN begin HA008667, Change point - VIN end HA012332 Change point - VIN begin JA012333	Electric Windows, RH	RTC3820	1			
			Electric Windows, RH	RTC3820	1			
			Electric Windows, RH	RTC3820	1			
			Electric Windows, LH	RTC3821	1			
			Electric Windows, LH	RTC3821	1			
			Electric Windows, LH	RTC3821	1			
			Electric Windows, LH	RTC3821	1			
			Electric Windows, RH	RTC6641	1			
			Electric Windows, RH	RTC6641	1			
			Electric Windows, LH	RTC6640	1			
			Electric Windows, LH	RTC6640	1			
			3	Screw		M6 X 20, pan head	SE106201L	8
			4	Washer		6MM	WA106041L	8
5	Washer-Lock			WE106001L	8			

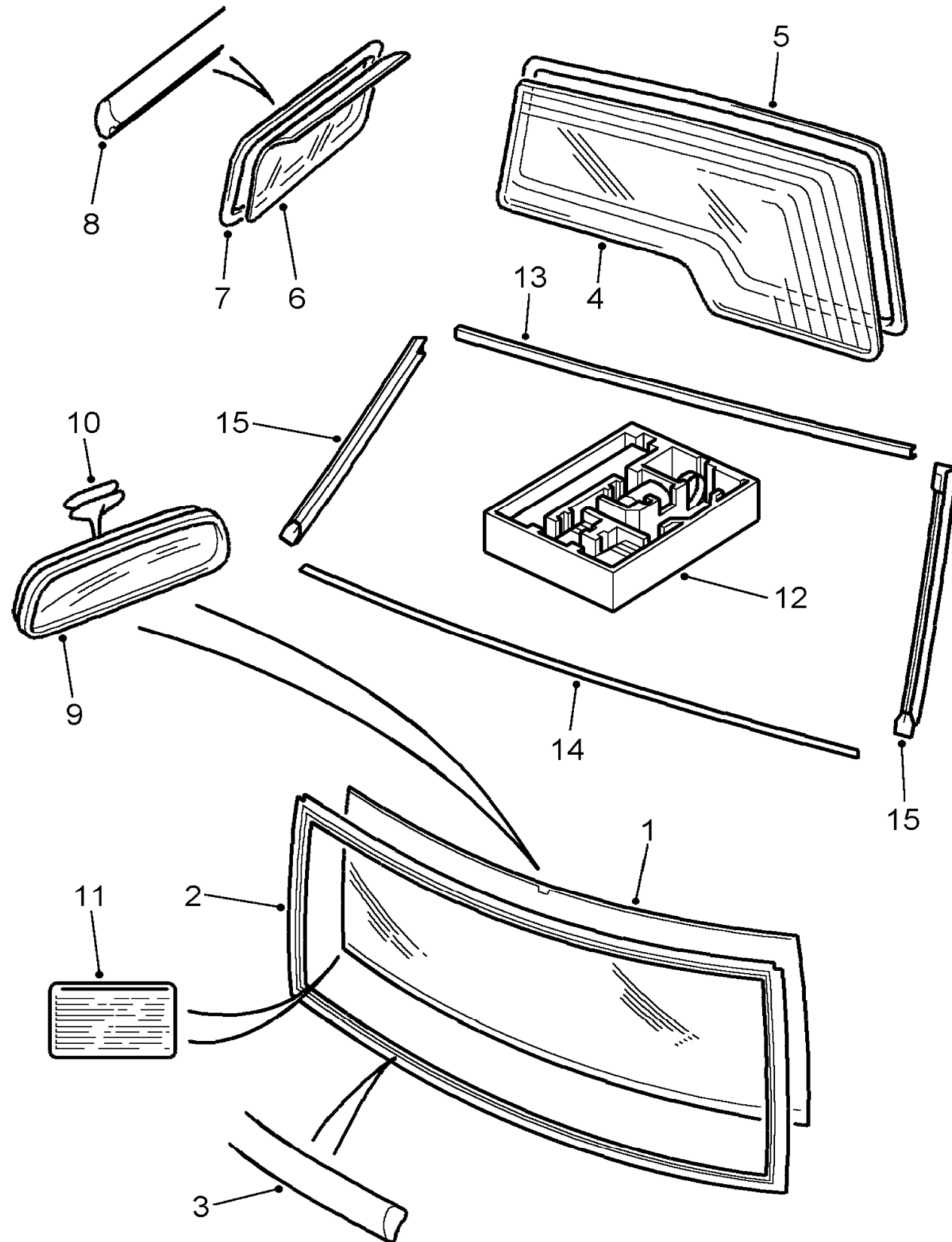


CANXHA1B

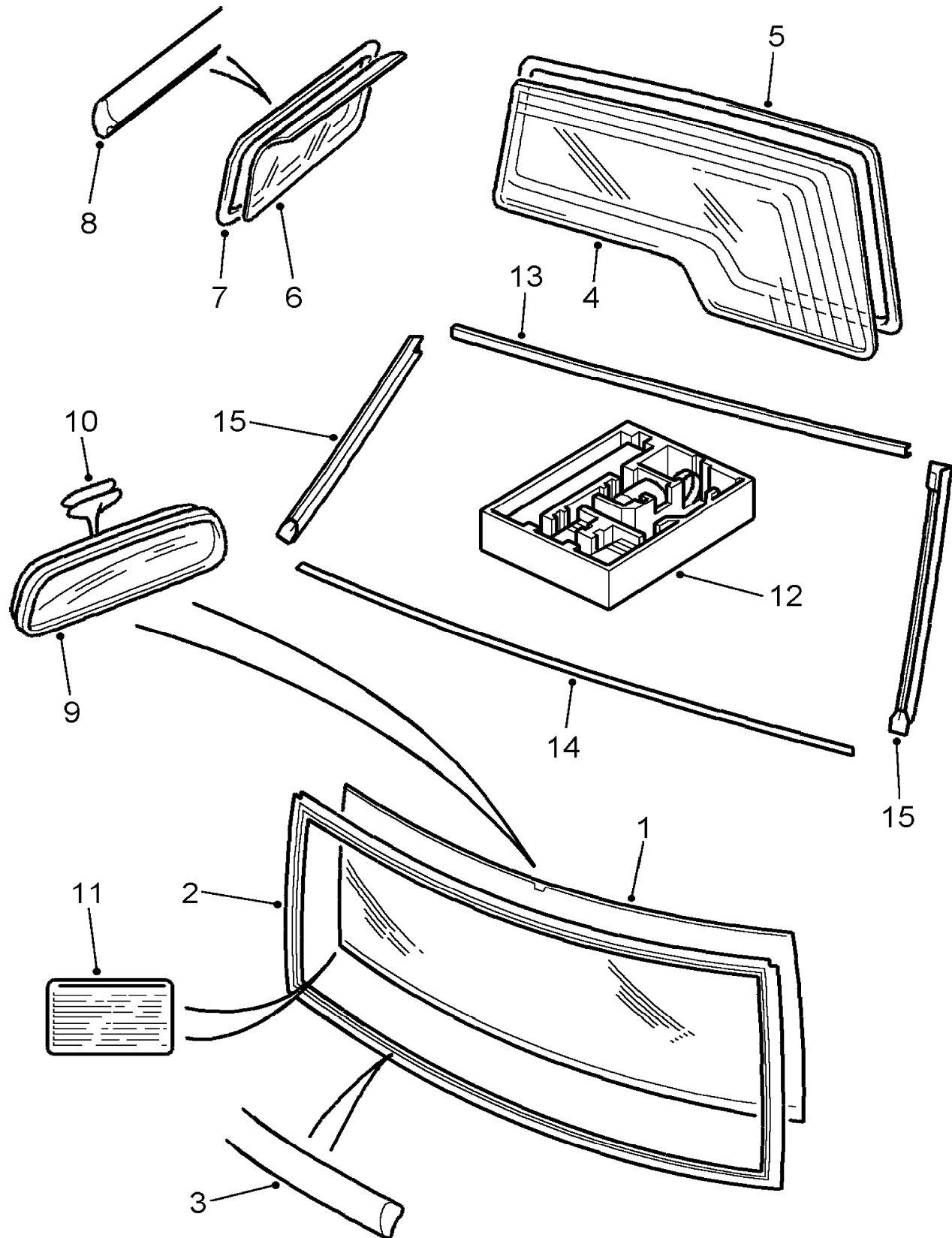
With Manual Front Windows

Callout	Name	Application	Remarks & Restrictions	Service No.	Qty
1	Regulator-front door glass	Change point - VIN end LA081990	RH	MUC2038	1
		Change point - VIN end LA081990	LH	MUC2039	1
		Change point - VIN begin MA081991	RH	ALR6474	1
		Change point - VIN begin MA081991	LH	ALR6473	1
2	Screw		M6 X 20, pan head	SE106201L	8
3	Washer		6MM	WA106041L	8
4	Washer-Lock			WE106001L	8
5	Handle-front/rear door window regulator	Change point - VIN end JA034313	Ash Grey	MWC6512LUN	2
		Change point - VIN begin KA034314, Change point - VIN end MA084854	Ash Grey	MWC6512LNF	2
		Change point - VIN begin MA084855	Ash Grey	BTR9275LNF	2
6	Escutcheon-window regulator	Change point - VIN end JA034313	Ash Grey	MXC2049LUN	2
		Change point - VIN begin KA034314	Ash Grey	MXC2049LNF	2
7	Screw		pan head, M5 x 16, recessed	SE105161L	2
8	Washer-Lock			WE105001L	2
9	Cover Plate	Change point - VIN end JA034313	Ash Grey	MWC8021LUN	2
		Change point - VIN begin KA034314	Ash Grey	MWC8021LNF	2

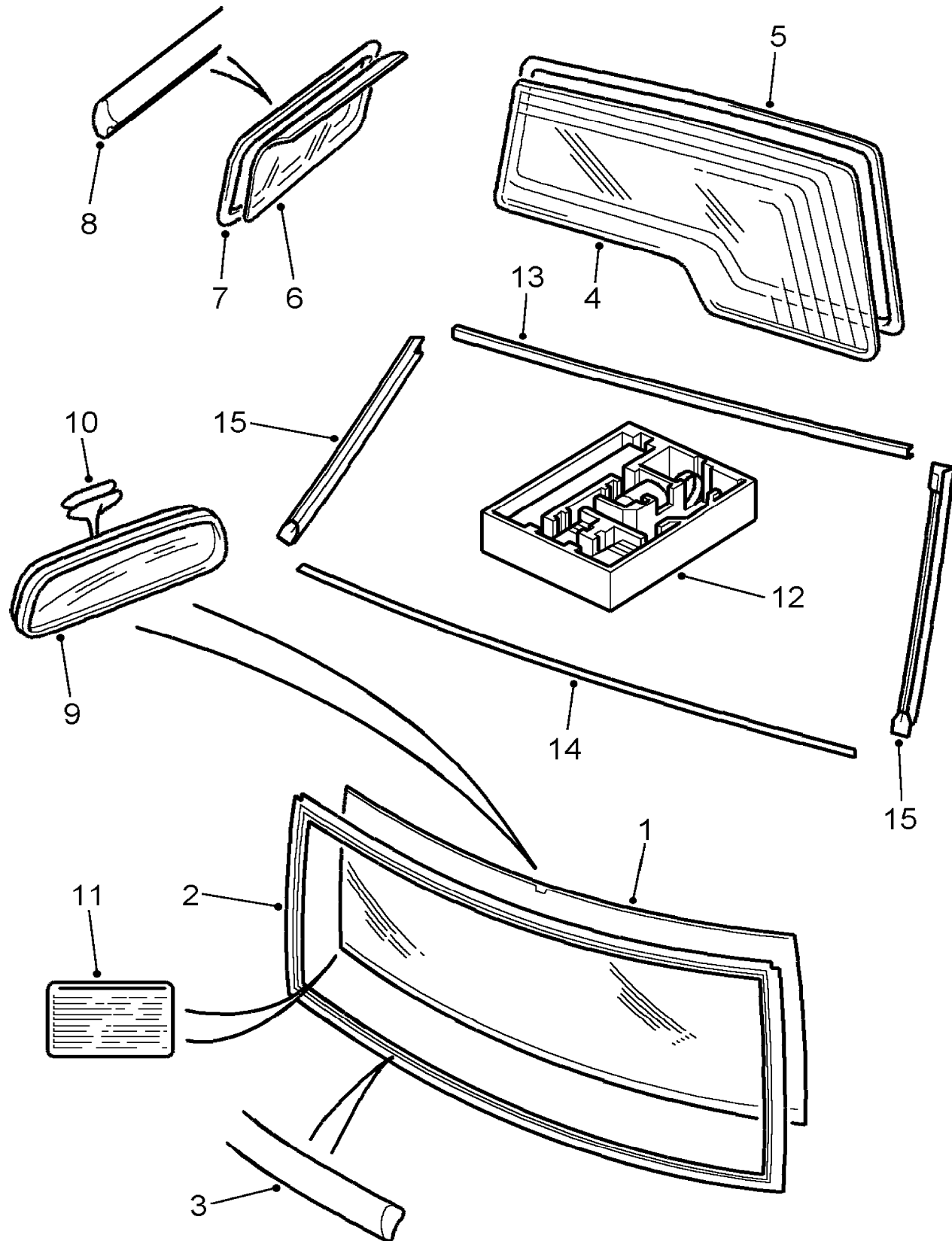
Callout	Name	Application	Remarks & Restrictions	Service No.	Qty		
1	Glass-laminated-windscreen	Change point - VIN end LA081990, (-)"AUS", Less Heated Windscreen	Green	MWC7895	1		
		Change point - VIN begin MA081991, Change point - VIN end MA163103, (-)"AUS", Less Heated Windscreen	Green	BTR9642	1		
		Change point - VIN end MA501919, (-)"AUS", Less Heated Windscreen	Green	BTR9642	1		
		Change point - VIN begin TA163104, (-)"AUS", Less Heated Windscreen	Green	AWR2228	1		
		Change point - VIN begin TA501920, (-)"AUS", Less Heated Windscreen	Green	AWR2228	1		
		Change point - VIN end LA081991, (+)"AUS", Less Heated Windscreen	Clear.	BTR742	1		
		Change point - VIN end LA081991, (+)"AUS", With Heated Windscreen	Green	BTR705	1		
		Change point - VIN begin MA081992, Change point - VIN end MA163103, (+)"AUS", Less Heated Windscreen	Green	BTR9642	1		
		Change point - VIN end MA163104, (+)"AUS", Less Heated Windscreen	Green	BTR9642	1		
		Change point - VIN begin TA163104, (+)"AUS", Less Heated Windscreen	Green	AWR2228	1		
		Change point - VIN begin VA534104, (+)"AUS", With Heated Windscreen	Green	AWR3282	1		
		Change point - VIN begin VA703237, (+)"AUS", With Heated Windscreen	Green	AWR3282	1		
		2	Weatherstrip-windscreen	Change point - VIN end MA081990		MWC8304	1
		3	Strip-facia to windscreen sealing			MXC8199	X
		4	Glass-Green backlight	Change point - VIN end LA081990	without high-level stop lamp	MXC6682	1
Change point - VIN begin MA081991	without high-level stop lamp			BTR6186	1		
	with high-level stop lamp			BTR9652	1		
5	Weatherstrip-rear door			MXC6737	1		
6	Glass-alpine light	(+)"J"	RH, Clear.	MWC7336	1		
			RH, Tinted..	AWR6672	1		
			Clear., LH	MWC7337	1		
		(+)"J"	Tinted., LH	AWR6673	1		



Callout	Name	Application	Remarks & Restrictions	Service No.	Qty
7	Weatherstrip-alpine light	Change point - VIN end LA081990	RH	MXC7879	1
		Change point - VIN end LA081990	LH	MXC7880	1
		Change point - VIN begin MA081991	RH	AWR1146	1
		Change point - VIN begin MA081991	LH	AWR1147	1
8	Seal-windscreen glazing	Change point - VIN end LA081990		MXC5581	X
		Change point - VIN begin MA081991		AWR1145	X
9	Mirror assembly-interior dipping	Change point - VIN end MA501919	Also serviced as part of a kit, manual dim	MWC7894	1
		Change point - VIN end MA163103	Also serviced as part of a kit, manual dim	MWC7894	1
		Change point - VIN begin TA163104	Also serviced as part of a kit, manual dim	AWR2147	1
		Change point - VIN begin TA501920	Also serviced as part of a kit, manual dim	AWR2147	1
		Change point - VIN begin TA163104	Also serviced as part of a kit, auto dim	AWR2146	1
		Change point - VIN begin TA501920	Also serviced as part of a kit, auto dim	AWR2146	1
		Change point - VIN begin WA746542	Also serviced as part of a kit, auto dim, illuminated	CTB100130	1
10	Pad-interior mirror adhesive	Change point - VIN begin TA163104	Also serviced as part of a kit	STC118	1
		Change point - VIN begin TA501920	Also serviced as part of a kit	STC118	1
11	Label-transfer box ratio	Change point - VIN begin TA163104		MXC6877	1
		Change point - VIN begin TA501920		MXC6877	1
12	Sealant-pack	Change point - VIN begin MA081991		BHM705L	1
13	Finisher top	Change point - VIN begin MA141751		BTR9647	1
				AWR2025	1
14	Finisher-lower screen	Change point - VIN end TA534103	unheated	AWR1512	1
		Change point - VIN end TA703236	unheated	AWR1512	1
		Change point - VIN begin VA534104	Heated	AWR5349	1
		Change point - VIN begin VA703237	Heated	AWR5349	1
15	Finisher-windscreen A post	Change point - VIN begin MA081991	RH	BTR9649	1
		Change point - VIN begin MA141751	RH	AWR2023	1
			LH	BTR9650	1



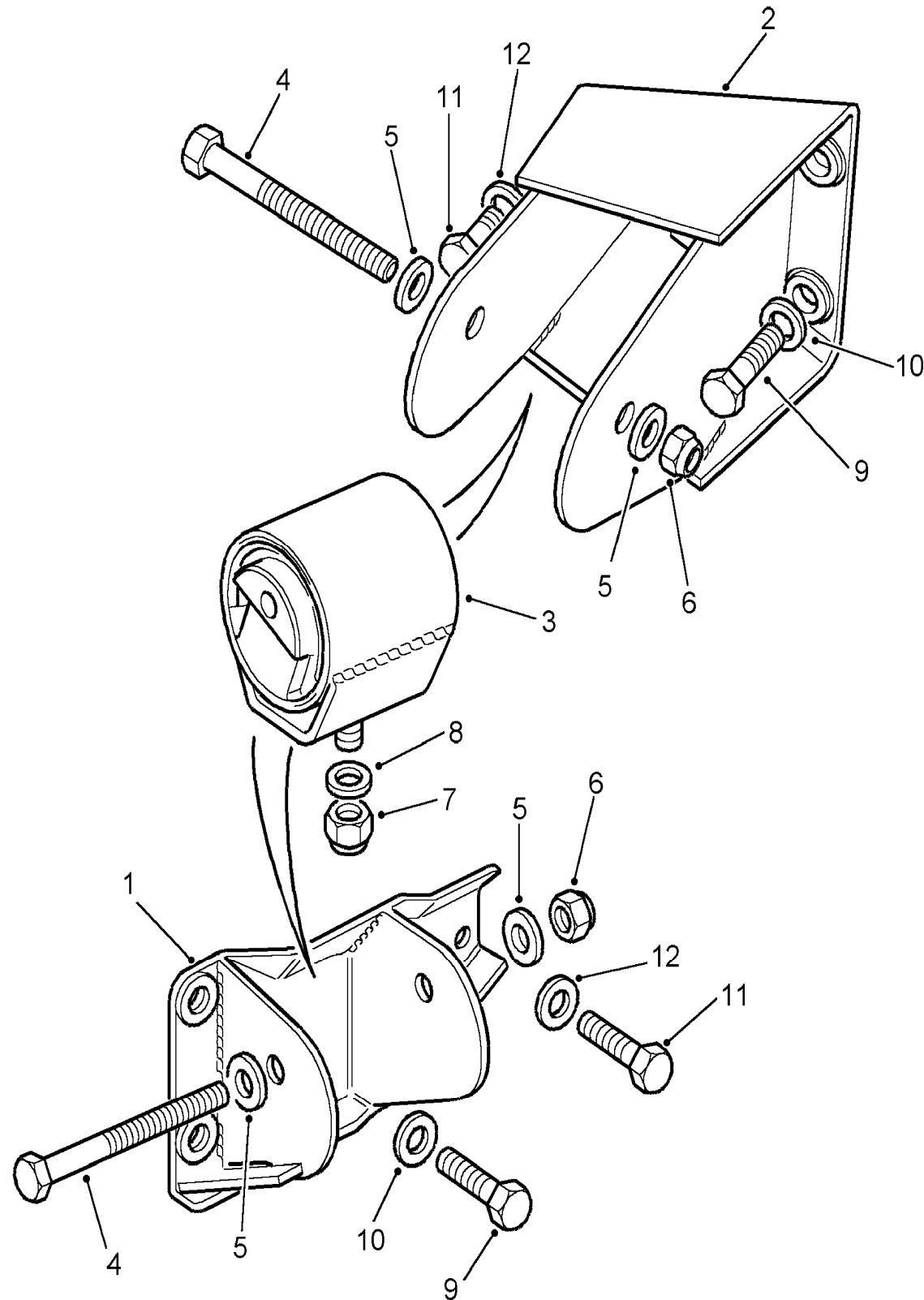
Callout	Name	Application	Remarks & Restrictions	Service No.	Qty
15	Finisher-windscreen A post	Change point - VIN begin MA141751	LH	AWR2024	1
16	Support-windscreen glazing			BTR8213	2
[900]	Weatherstrip-rear door			CDB100230	1
[901]	Mirror assembly-interior dipping	Change point - VIN begin TA163104	manual dim	CTB100160L	1
		Change point - VIN begin TA501920	manual dim	CTB100160L	1
		Change point - VIN begin TA163104	auto dim	CTB100230	1
		Change point - VIN begin TA501920	auto dim	CTB100230	1
		Change point - VIN end MA501919	manual dim	STC4781	1
		Change point - VIN end MA163103	manual dim	STC4781	1
			manual dim	STC4781	1
[902]	Pad-interior mirror adhesive	Change point - VIN begin WA746542	Also serviced as part of a kit	STC118	1



Body & Chassis
Chassis
Engine Mounting 1/2

Discovery (FA393361-WA799999)

(CANXAB2A)



CANXAB2A

Discovery (FA393361-WA799999)

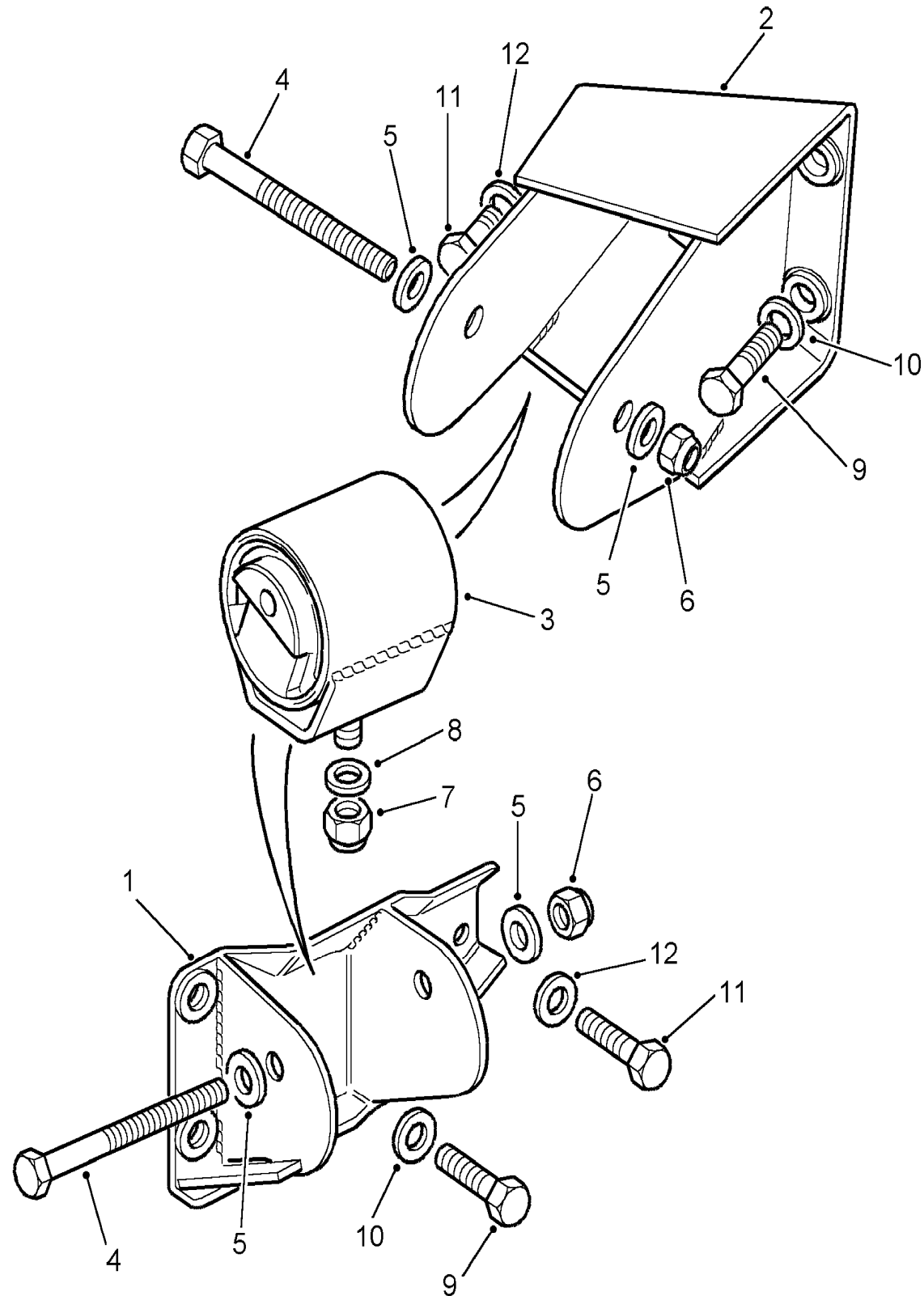
Body & Chassis
Chassis
Engine Mounting

Change point - VIN end LA081991, 2.5L TDi Diesel

Callout	Name	Application	Remarks & Restrictions	Service No.	Qty
1	Bracket-engine mounting	2.5L I4 200 TDi Turbo Diesel, 5 Speed Manual Transmission, Less Catalyst	Engine Code 12L 2.5 TDI Manual - Gemini, LH	NTC6280	1
2	Bracket-engine mounting	2.5L I4 200 TDi Turbo Diesel, 5 Speed Manual Transmission, Less Catalyst	RH, Engine Code 12L 2.5 TDI Manual - Gemini	NTC6281	1
3	Mounting-engine rubber	Change point - VIN end KA064754, 2.5L I4 200 TDi Turbo Diesel, 5 Speed Manual Transmission, Less Catalyst	Engine Code 12L 2.5 TDI Manual - Gemini	NTC6279	2
		Change point - VIN begin LA064755, 2.5L I4 200 TDi Turbo Diesel, 5 Speed Manual Transmission, Less Catalyst	Engine Code 12L 2.5 TDI Manual - Gemini	ANR2488	2
4	Bolt	2.5L I4 200 TDi Turbo Diesel, 5 Speed Manual Transmission, Less Catalyst	bracket mounting to mounting engine rubber, Engine Code 12L 2.5 TDI Manual - Gemini	BH112261L	2
5	Washer	2.5L I4 200 TDi Turbo Diesel, 5 Speed Manual Transmission, Less Catalyst	bracket mounting to mounting engine rubber, M12, Engine Code 12L 2.5 TDI Manual - Gemini, Plain, Standard	WA112081L	4
6	Nut - Hex.	2.5L I4 200 TDi Turbo Diesel, 5 Speed Manual Transmission, Less Catalyst	bracket mounting to mounting engine rubber, M10, Engine Code 12L 2.5 TDI Manual - Gemini, hexagonal head, nyloc	NY110041L	2
		2.5L I4 200 TDi Turbo Diesel, 5 Speed Manual Transmission, Less Catalyst	bracket mounting to mounting engine rubber, M10, Engine Code 12L 2.5 TDI Manual - Gemini, nyloc, flange	NY110047L	2
7	Nut - Hex.	2.5L I4 200 TDi Turbo Diesel, 5 Speed Manual Transmission, Less Catalyst	bracket mounting to mounting engine rubber, M12, Engine Code 12L 2.5 TDI Manual - Gemini, hexagonal head, nyloc	NY112041L	2
8	Washer	2.5L I4 200 TDi Turbo Diesel, 5 Speed Manual Transmission, Less Catalyst	M10, Engine Code 12L 2.5 TDI Manual - Gemini	WA110061L	2
9	Screw	2.5L I4 200 TDi Turbo Diesel, 5 Speed Manual Transmission, Less Catalyst	Engine Code 12L 2.5 TDI Manual - Gemini, hexagonal head, M12 x 25	SH112251L	4

Body & Chassis
Chassis
Engine Mounting 2/2

Discovery (FA393361-WA799999)
(CANXAB2A)



CANXAB2A

Discovery (FA393361-WA799999)

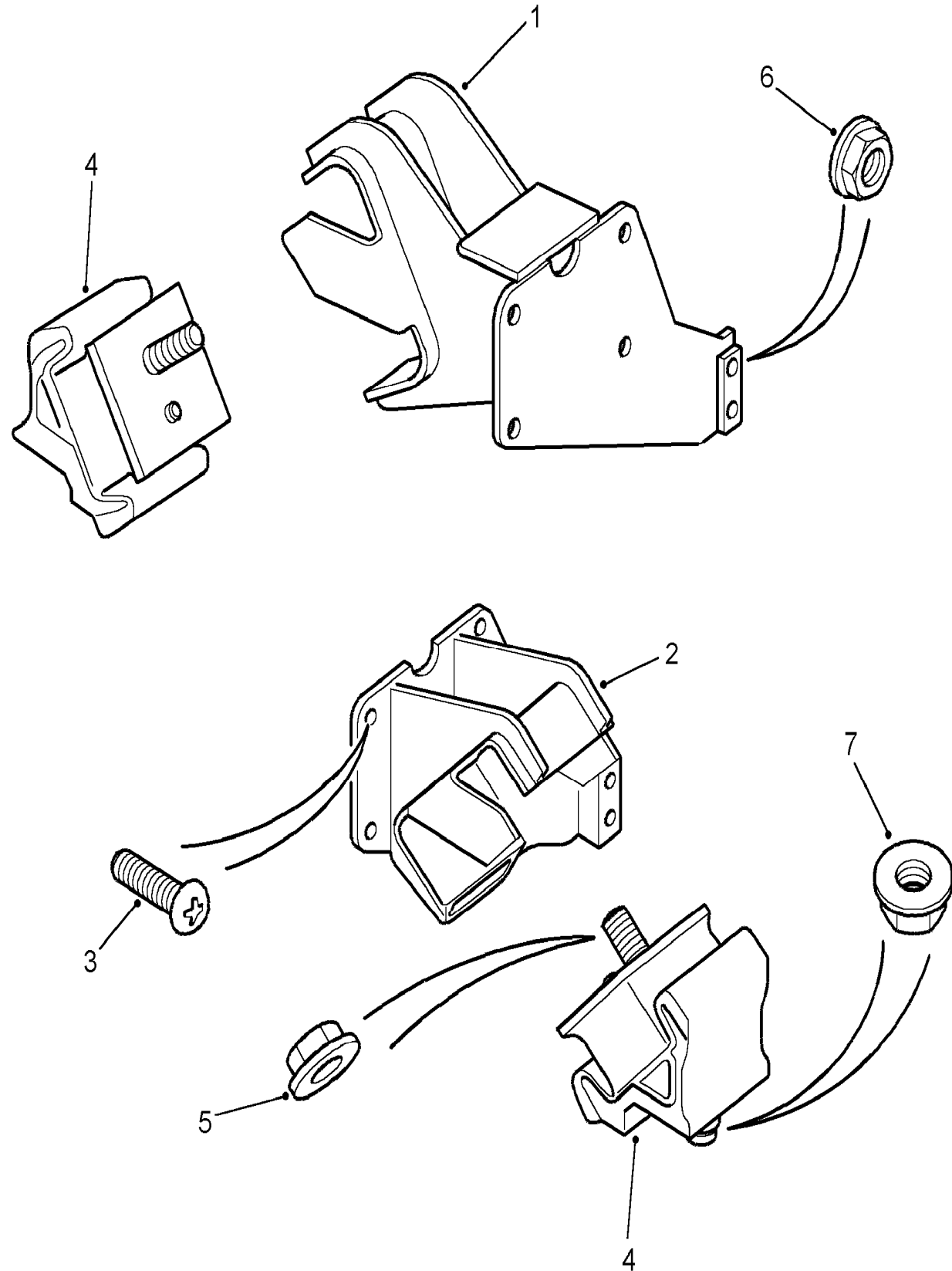
Body & Chassis
Chassis
Engine Mounting

Change point - VIN end LA081991, 2.5L TDi Diesel

Callout	Name	Application	Remarks & Restrictions	Service No.	Qty
10	Washer	2.5L I4 200 TDi Turbo Diesel, 5 Speed Manual Transmission, Less Catalyst	bracket mounting to chassis, M12, Engine Code 12L 2.5 TDI Manual - Gemini, Plain, Standard	WA112081L	4
11	Screw	2.5L I4 200 TDi Turbo Diesel, 5 Speed Manual Transmission, Less Catalyst	bracket mounting to chassis, Engine Code 12L 2.5 TDI Manual - Gemini, hexagonal head, M10 x 20	SH110201L	2
12	Washer	2.5L I4 200 TDi Turbo Diesel, 5 Speed Manual Transmission, Less Catalyst	bracket mounting to chassis, M10, Engine Code 12L 2.5 TDI Manual - Gemini	WA110061L	2

Body & Chassis
Chassis
Engine Mounting 1/1

Discovery (FA393361-WA799999)
(CANXAB3A)



CANXAB3A

Discovery (FA393361-WA799999)

Body & Chassis
Chassis
Engine Mounting

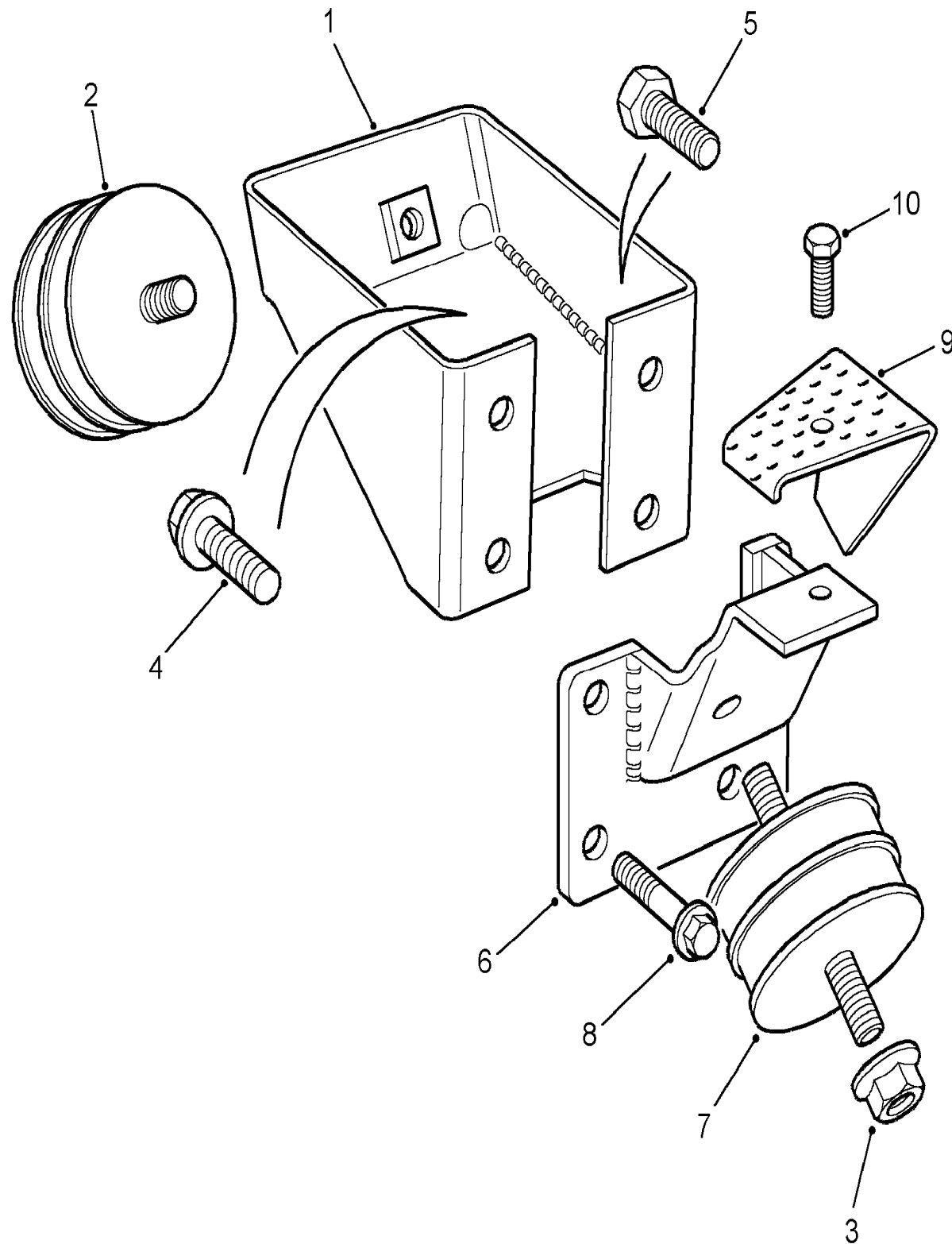
Change point - VIN begin MA081992, 2.5L TDi Diesel

Callout	Name	Application	Remarks & Restrictions	Service No.	Qty
1	Bracket-engine mounting	2.5L 300 TDI Diesel	RH, (-) 12L 2.5 TDI Manual - Gemini	ANR2868	1
2	Bracket-engine mounting	2.5L 300 TDI Diesel	(-) 12L 2.5 TDI Manual - Gemini, LH	NTC9415	1
3	Screw	2.5L 300 TDI Diesel	bracket mounting to chassis, (-) 12L 2.5 TDI Manual - Gemini, hexagonal head, M12 x 20	SH112201	8
4	Bracket-ancillary mounting	2.5L 300 TDI Diesel	(-) 12L 2.5 TDI Manual - Gemini	NTC9416	2
5	Nut-flange	2.5L 300 TDI Diesel	bracket mounting to mounting rubber, Also serviced as part of a kit, M12, (-) 12L 2.5 TDI Manual - Gemini	FX112041L	2
6	Nut-flange	2.5L 300 TDI Diesel	M10, (-) 12L 2.5 TDI Manual - Gemini	FX110041L	2
7	Nut-flange	2.5L 300 TDI Diesel	bracket mounting to chassis, Also serviced as part of a kit, M12, (-) 12L 2.5 TDI Manual - Gemini	FX112041L	2
[900]	Nut-flange	2.5L 300 TDI Diesel	M10, (-) 12L 2.5 TDI Manual - Gemini	FX110047L	2

Body & Chassis
Chassis
Engine Mounting 1/1

Discovery (FA393361-WA799999)

(CANXAB4A)



CANXAB4A

Discovery (FA393361-WA799999)

Body & Chassis
Chassis
Engine Mounting

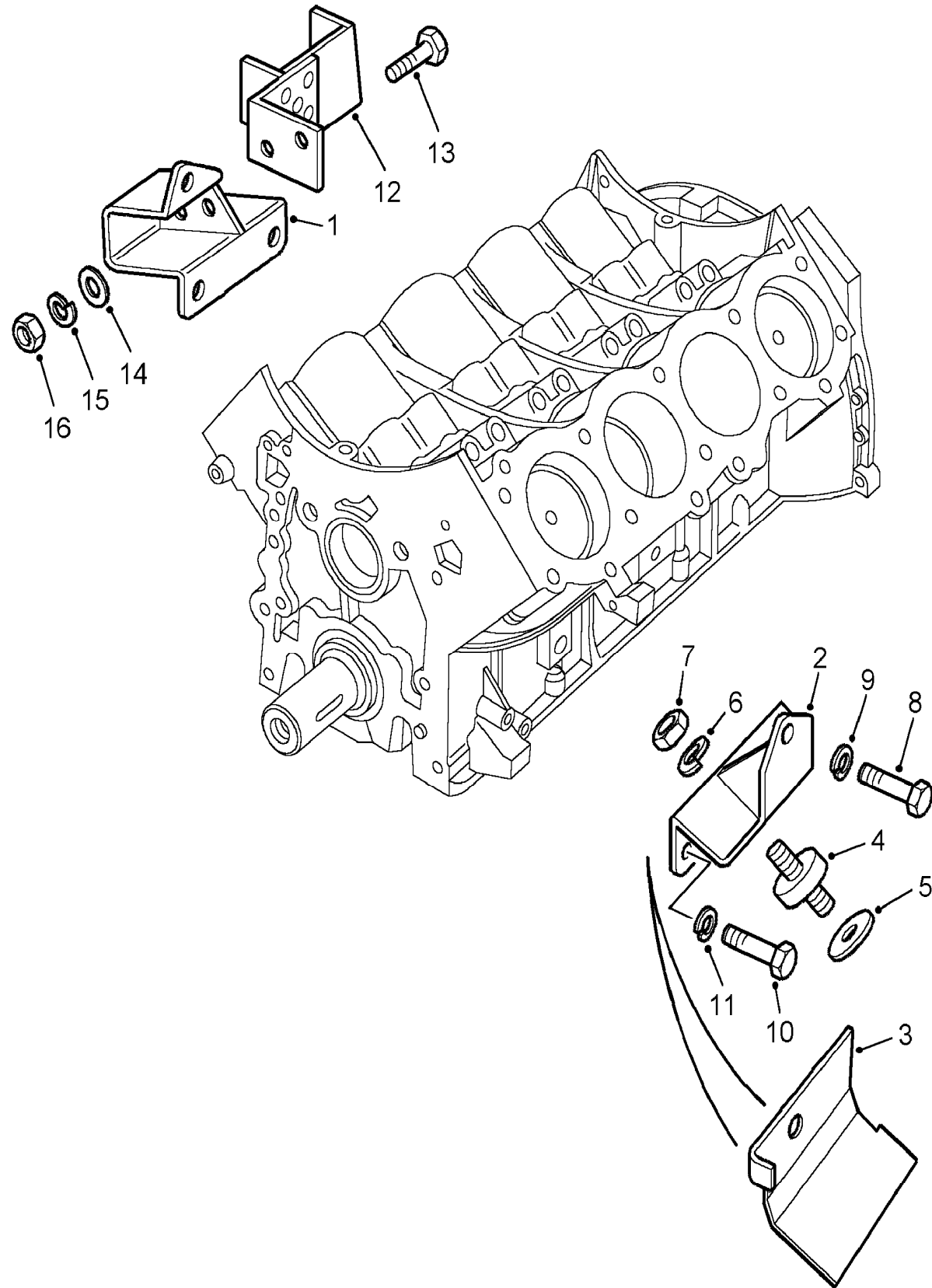
2.0L 4 Cyl MPI T Series Petrol

Callout	Name	Application	Remarks & Restrictions	Service No.	Qty
1	Bracket-engine mounting	Change point - VIN end LA081991, 2.0L MPI Petrol	RH	ANR2663	1
		Change point - VIN begin MA081992, 2.0L MPI Petrol	RH	ANR3642	1
2	Mounting-rubber	Change point - VIN end LA081991, 2.0L MPI Petrol	M10	NTC5890	1
		Change point - VIN begin MA081992, MPI Petrol	M12	ANR2804	1
3	Nut-flange	2.0L MPI Petrol	M10	FX110047L	2
4	Screw	2.0L MPI Petrol	Flanged Head, M10 x 30, top	FS110301L	2
5	Screw	2.0L MPI Petrol	hexagonal head, M10 x 20	SH110201L	2
6	Bracket-engine mounting	Change point - VIN end LA081991, 2.0L MPI Petrol	LH	ANR2106	1
		Change point - VIN begin MA081992, 2.0L MPI Petrol	LH	ANR3641	1
7	Mounting-engine rubber	Change point - VIN end LA081991, 2.0L MPI Petrol	M10, LH	ANR2471	1
		Change point - VIN begin MA081992, MPI Petrol	M12	ANR2804	1
8	Bolt	2.0L MPI Petrol	M8 x 50, Flanged Head	FB108101	3
9	Heatshield-front engine mounting	Change point - VIN end KA038821, 2.0L MPI Petrol		ANR1892	1
		Change point - VIN begin KA038822, 2.0L MPI Petrol		ANR2479	1
10	Screw	2.0L MPI Petrol	Flanged Head, M8 x 20	FS108207L	1
[900]	Bolt	2.0L MPI Petrol	M8 x 50, Flanged Head	FB108101L	3

Body & Chassis
Chassis
Engine Mounting 1/2

Discovery (FA393361-WA799999)

(CANXAB1A)



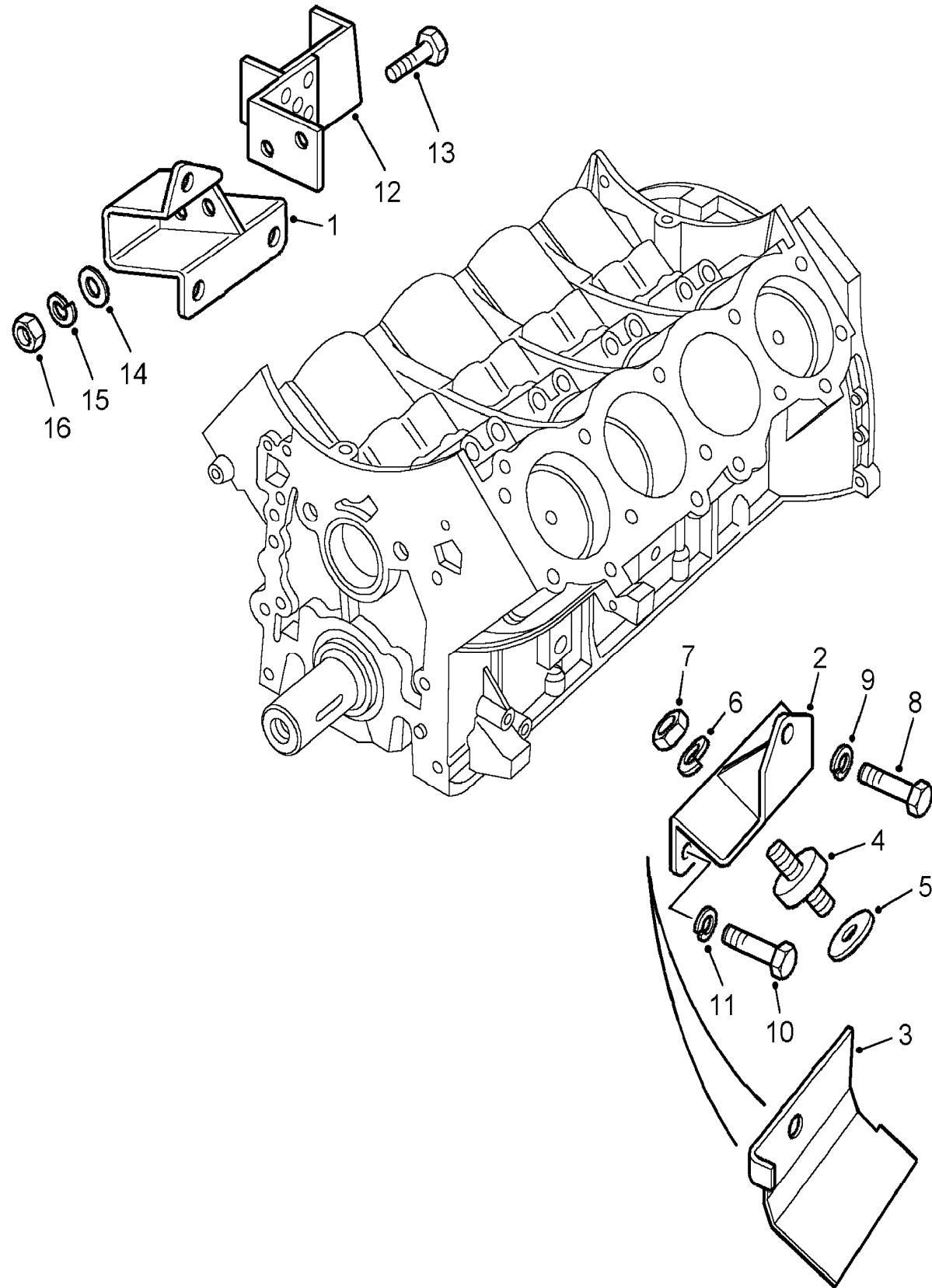
CANXAB1A

Discovery (FA393361-WA799999)

Body & Chassis
Chassis
Engine Mounting

V8 Twin Carb L/R Petrol, Petrol V8 L/R EFI

Callout	Name	Application	Remarks & Restrictions	Service No.	Qty
1	Bracket-engine mounting	Change point - VIN end LA081990, V8 Petrol	RH	NRC1302	1
		Change point - VIN begin MA081991, Change point - VIN end MA163103, V8 Petrol	RH	ANR2815	1
		Change point - VIN begin MA081991, Change point - VIN end MA501919, V8 Petrol	RH	ANR2815	1
		Change point - VIN begin TA501920, V8 Petrol	RH	ANR4697	1
2	Bracket-engine mounting	Change point - VIN end LA081990, V8 Petrol	LH	NRC3314	1
		Change point - VIN begin MA081991, Change point - VIN end MA163103, V8 Petrol	LH	ANR2816	1
		Change point - VIN begin MA081991, Change point - VIN end MA501919, V8 Petrol	LH	ANR2816	1
		Change point - VIN begin TA163104, V8 Petrol	LH	ANR4696	1
		Change point - VIN begin TA501920, V8 Petrol	LH	ANR4696	1
3	Heatshield-front engine mounting		LH	NTC4205	1
4	Mounting-engine rubber		body to engine block, Also serviced as part of a kit	STC434	2
5	Washer		Also serviced as part of a kit, M10, oversize, Plain	WC110061L	2
6	Washer		Also serviced as part of a kit, M10	WL110001L	4
7	Nut - Hex.		Also serviced as part of a kit, M10, hexagonal head, Coarse Thread	NH110041L	4
8	Screw		body to engine block, hexagonal head, 5/16UNC x 7/8	SH505071L	2
9	Washer-Spring		body to engine block, Also serviced as part of a kit, 5/16"	WM600051L	2
10	Screw		body to engine block, hexagonal head, 7/16UNC x 1 1/8	SH507091L	4
11	Washer		body to engine block, 7/16", sprung	WM600071L	4



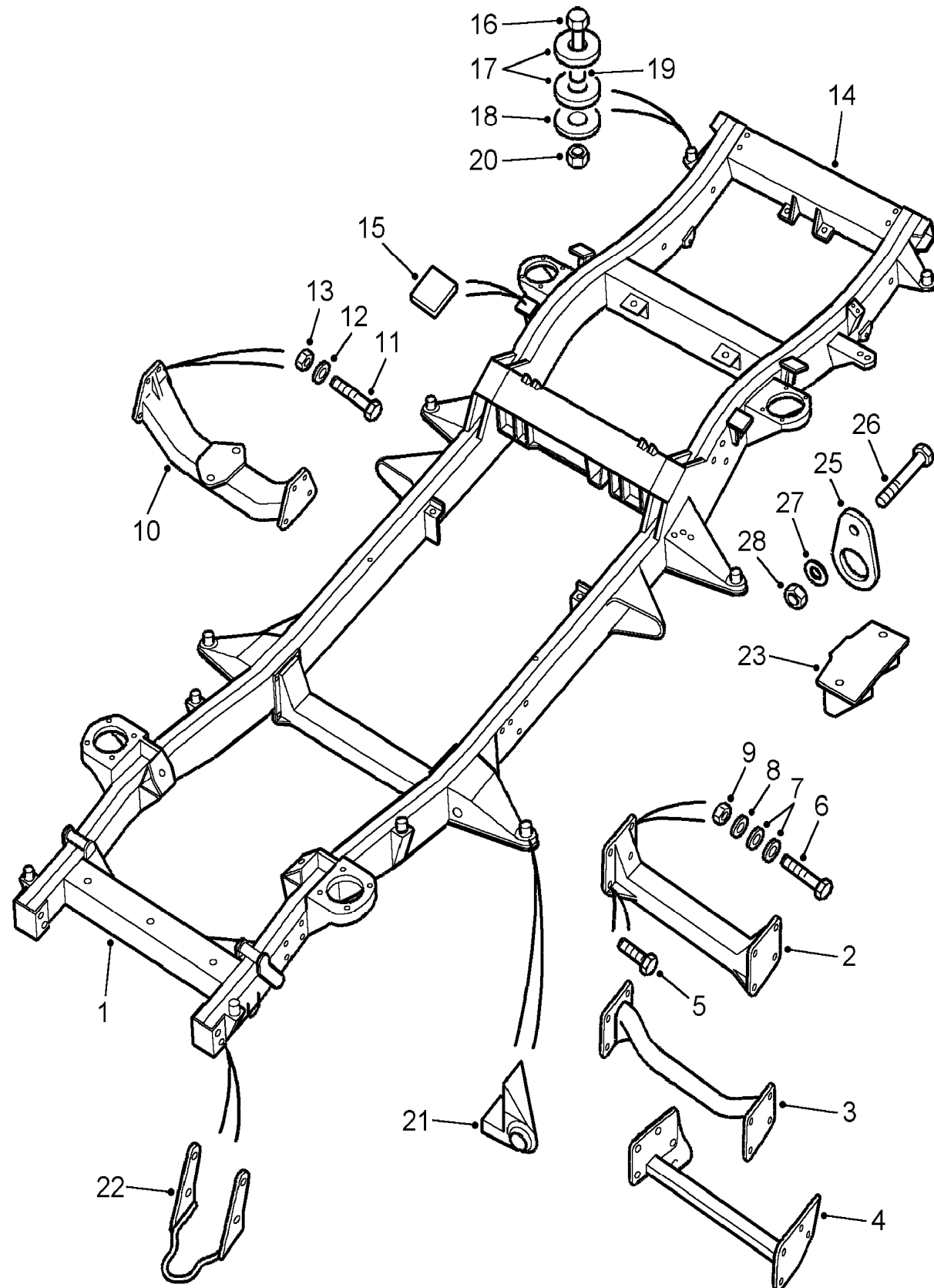
V8 Twin Carb L/R Petrol, Petrol V8 L/R EFI

Callout	Name	Application	Remarks & Restrictions	Service No.	Qty
12	Heatshield engine exhaust		RH	577846	1
13	Screw		bracket mounting to heatshield exhaust, hexagonal head, 1/4UNF x 7/8	SH604071L	2
14	Washer		bracket mounting to heatshield exhaust, 6MM	WA106041L	2
15	Washer-Spring		bracket mounting to heatshield exhaust, 1/4 dia, Square	WM600041L	2
16	Nut - Hex.		hexagonal head, Coarse Thread, 1/4UNF	NH604041L	2

Body & Chassis
Chassis
Frame Assembly 1/2

Discovery (FA393361-WA799999)

(CANXAA1A)



CANXAA1A

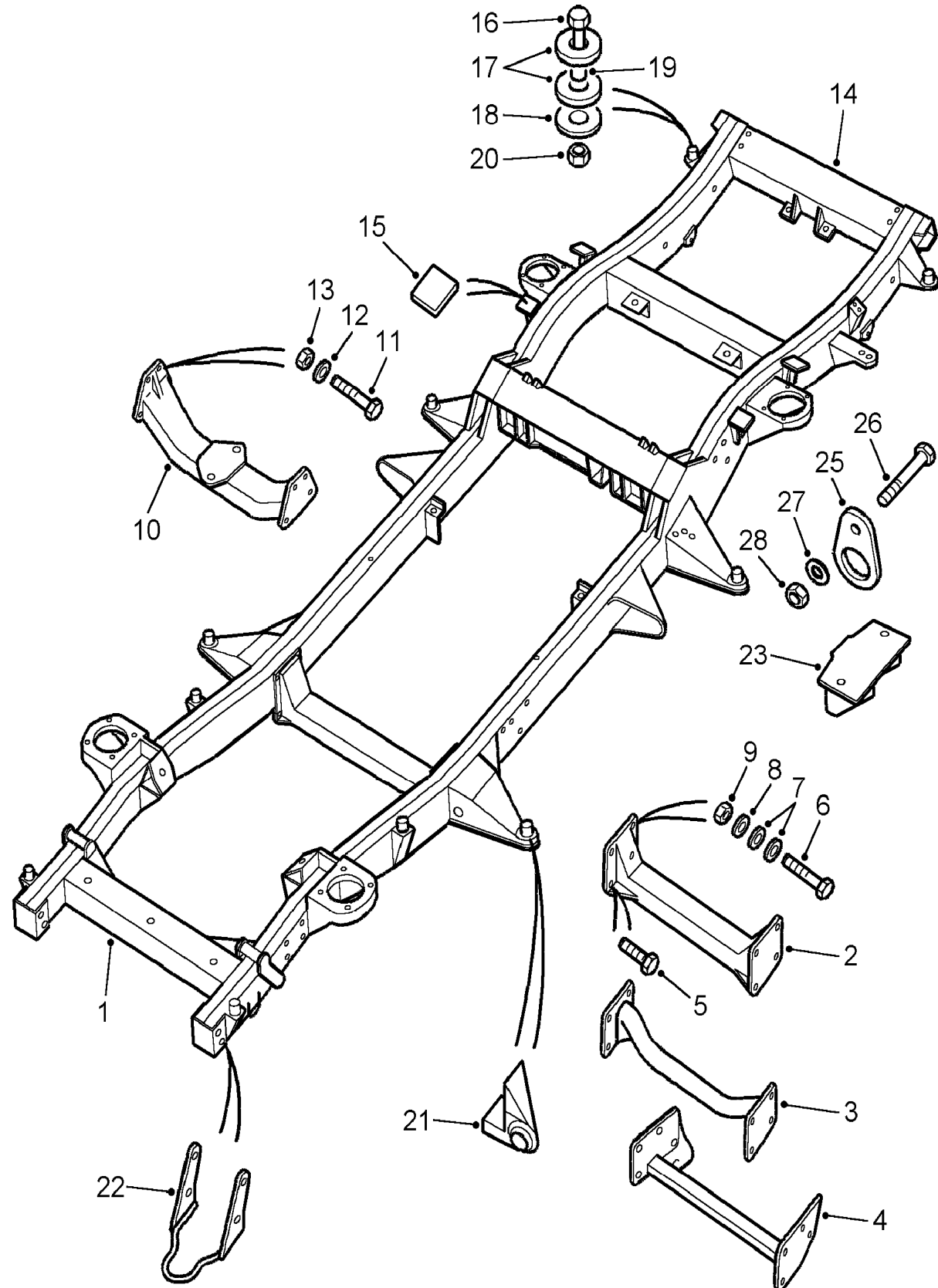
Discovery (FA393361-WA799999)

Body & Chassis
Chassis
Frame Assembly

Callout	Name	Application	Remarks & Restrictions	Service No.	Qty		
1	Frame assembly-chassis	V8 Twin Carb Petrol	Also serviced as part of a kit	NTC7656	1		
		Change point - VIN end LA081991, V8 EFI Petrol	Also serviced as part of a kit	ANR3189	1		
		Change point - VIN begin MA081992, V8 EFI Petrol	Also serviced as part of a kit	NTC9981	1		
		Change point - VIN end LA081991, TDi Diesel, Manual Transmission	Also serviced as part of a kit	ANR3190	1		
		Change point - VIN begin MA081992, TDi Diesel, Manual Transmission	Also serviced as part of a kit	ANR1035	1		
		Change point - VIN end LA081991, TDi Diesel, Automatic Transmission	Also serviced as part of a kit	ANR2840	1		
		Change point - VIN begin MA081992, TDi Diesel, Automatic Transmission	Also serviced as part of a kit	ANR1035	1		
		2.0L 4 Cyl MPi Petrol	Also serviced as part of a kit	NTC9982	1		
		2	Crossmember assembly-chassis frame	V8 Twin Carb Petrol	Also serviced as part of a kit	NRC7768	1
				3	Crossmember assembly-chassis frame	Change point - VIN end LA081991, V8 EFI Petrol	Also serviced as part of a kit
Change point - VIN end LA081991, TDi Diesel, Manual Transmission	Also serviced as part of a kit	ANR3246	1				
4	Crossmember assembly-chassis frame	Change point - VIN begin MA081992, TDi Diesel, Manual Transmission	Also serviced as part of a kit	ANR2278	1		
		2.0L 4 Cyl MPi Petrol	Also serviced as part of a kit	NTC9420	1		
5	Screw	V8 Twin Carb Petrol	Also serviced as part of a kit, hexagonal head, M10 x 25	SH110251L	4		
6	Bolt	V8 Twin Carb Petrol	Also serviced as part of a kit, hexagonal head, M10 x 100	BH110201L	4		
7	Washer	V8 Twin Carb Petrol	Also serviced as part of a kit, M10	WA110051L	16		
8	Washer	V8 Twin Carb Petrol	Also serviced as part of a kit, M10	WL110001L	8		
9	Nut - Hex.	V8 Twin Carb Petrol	Also serviced as part of a kit, M10, hexagonal head, Coarse Thread	NH110041L	8		
10	Crossmember assembly-chassis frame	Change point - VIN end JA034313, TDi Diesel, Manual Transmission	Also serviced as part of a kit	NTC6285	1		
		Change point - VIN begin KA034314, TDi Diesel, Manual Transmission	Also serviced as part of a kit	NTC7557	1		

Body & Chassis
Chassis
Frame Assembly 2/2

Discovery (FA393361-WA799999)
(CANXAA1A)



CANXAA1A

Discovery (FA393361-WA799999)

Body & Chassis
Chassis
Frame Assembly

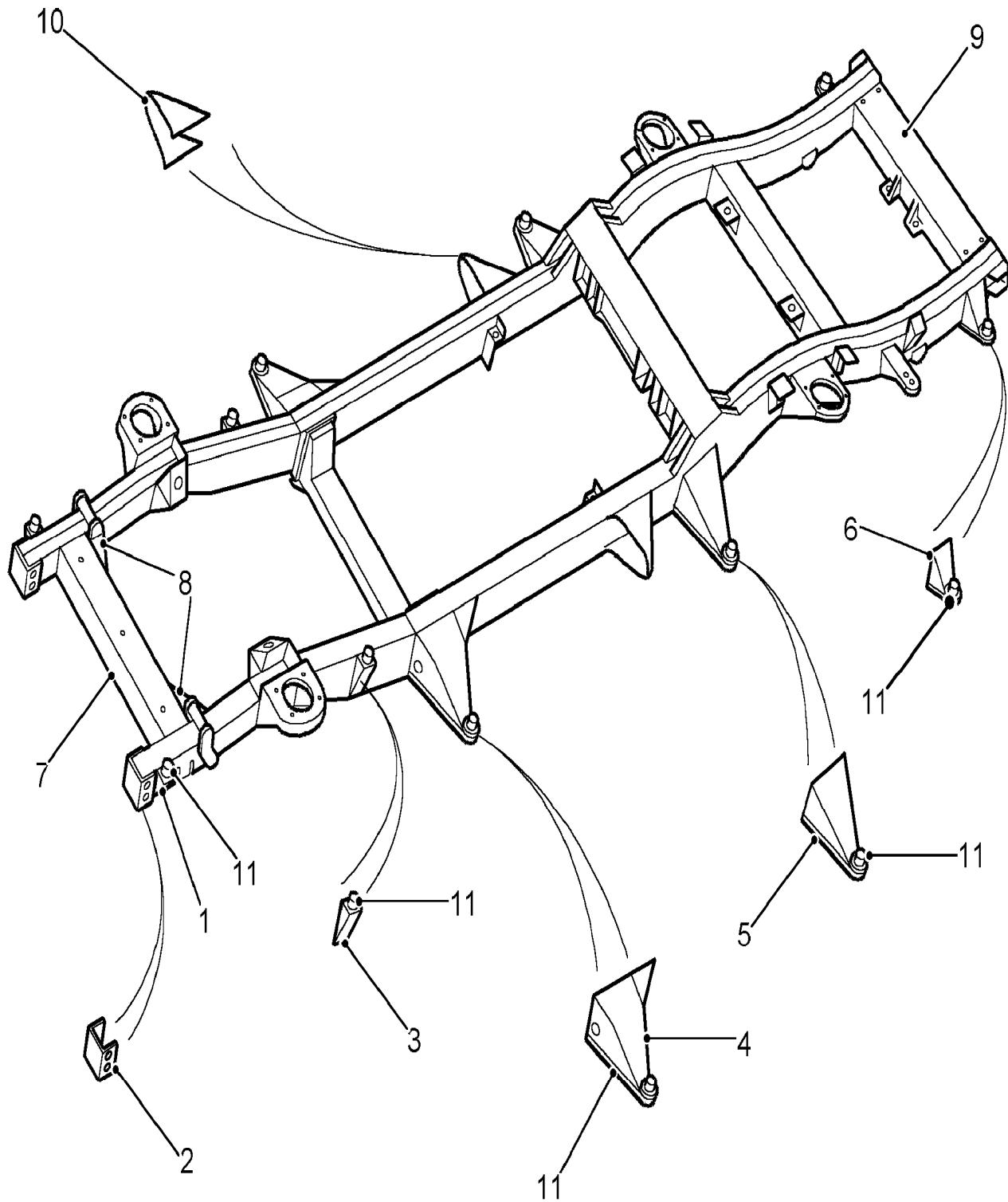
Callout	Name	Application	Remarks & Restrictions	Service No.	Qty
11	Bolt	TDi	hexagonal head, M8 x 100	BH108201L	8
12	Washer	TDi	8MM	WA108051L	16
13	Nut - Hex.	TDi	M8, hexagonal head	NH108041L	8
14	Crossmember-rear lower	TDi		ANR3432	1
15	Pad-buffer	Change point - VIN end MA138720, TDi Diesel Change point - VIN begin MA138721, TDi Diesel		90575573 ALR8268	4 4
16	Bolt	Change point - VIN end MA133939, TDi Diesel Change point - VIN begin MA133940, TDi Diesel	3/8UNF x 3 1/2	595098 ANR4519	10 10
17	Washer-rubber	Change point - VIN end KA046332, TDi Diesel Change point - VIN begin KA046333, TDi Diesel		572295 ANR1504	20 20
18	Washer-Plain	TDi	10mm ID	566580	10
19	Spacer	TDi		566581	10
20	Nut - Hex.	TDi	nyloc, 7/16UNF	NY607041L	10
21	Bracket-body/chassis mounting	TDi	RH	ANR3428	1
		TDi	LH	ANR3429	1
22	Towing attachment assembly	TDi		NTC7831	1
23	Bracket-mounting-exhaust	All 2.0 Petrol Engines		ANR1706	4
24	Spacer	Change point - VIN begin MA151907, TDi Diesel	9MM	ANR4904	4
25	Bracket-towing	TDi	front & rear, Less Spoiler	90577509	2
26	Bolt	TDi		NRC2384	2
27	Washer	TDi	M10	WA110061L	2
28	Nut - Hex.	TDi	hexagonal head, 3/8, UNF, nyloc	NY606041L	2
[900]	Chassis-no3 b/mtg	TDi TDi	LH RH	STC4409 STC4410	1 1

Body & Chassis
Chassis
Replacement Outriggers 1/1

Discovery (FA393361-WA799999)
(CANXAA1D)

Discovery (FA393361-WA799999)

Body & Chassis
Chassis
Replacement Outriggers

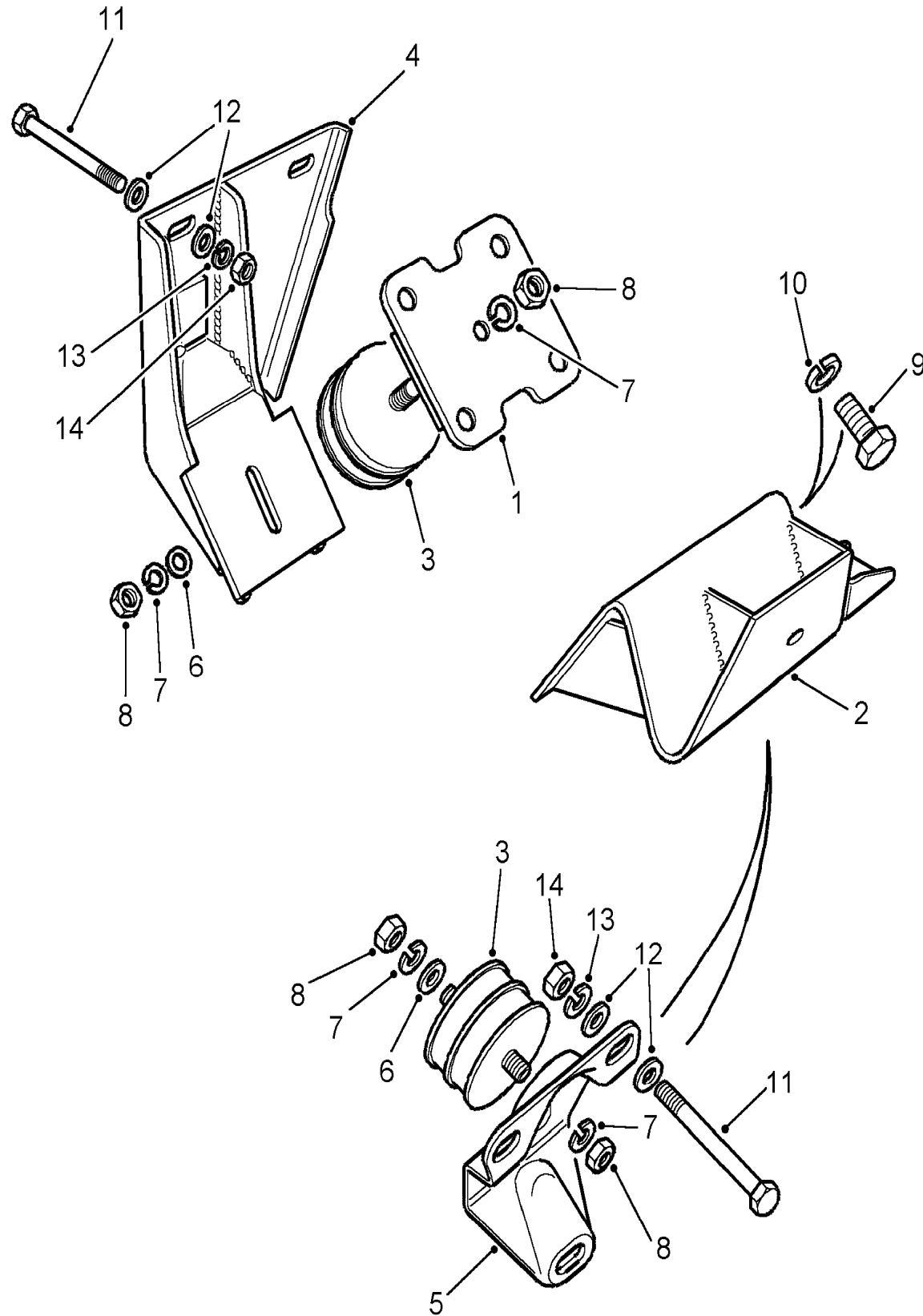


CANXAA1D

Callout	Name	Application	Remarks & Restrictions	Service No.	Qty
1	Chassis-fnt body mtg			STC9127	1
2	Chassis-front end		RH LH	STC9126 STC9125	1 1
3	Chassis-no2 body mtg			STC9128	2
4	Chassis-no3 b/mtg		LH RH	STC9129 STC9130	1 1
5	Chassis-no4 b/mtg		LH RH	STC9131 STC9132	1 1
6	Chassis-no5 b/mtg		LH RH	STC9133 STC9134	1 1
7	Crossmember assembly-chassis frame		Front	STC9135	1
8	Chassis-guss f/c/mem			STC9137	1
9	Crossmember			STC9136	1
10	Chassis-btm l/brk		LH RH	STC9138 STC9139	1 1
11	Chassis-b/mtg	Change point - VIN end LA081991 Change point - VIN begin MA081992	Short Long	STC9140 STC9141	8 8
[900]	Chassis-no3 b/mtg		LH RH	STC4409 STC4410	1 1
[901]	Crossmember-rear lower			ANR3432	1

Body & Chassis
Chassis
Transmission Mounts 1/2

Discovery (FA393361-WA799999)
(CANXAB5A)



CANXAB5A

Discovery (FA393361-WA799999)

Body & Chassis
Chassis
Transmission Mounts

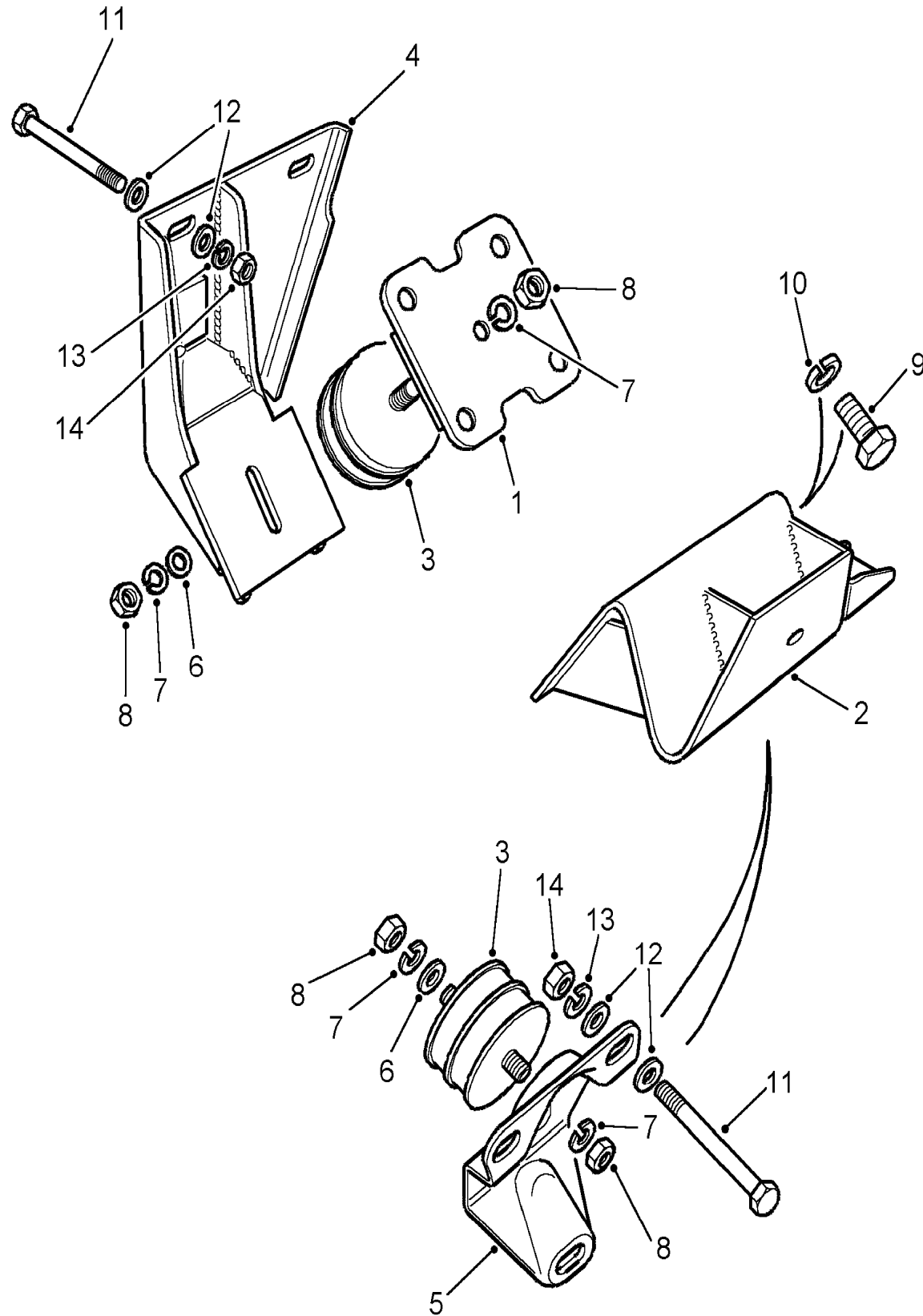
Callout	Name	Application	Remarks & Restrictions	Service No.	Qty		
1	Plate Mounting	V8 Petrol	RH	NRC8204	1		
		V8 Petrol	RH	ANR2819	1		
2	Bracket-Transmission Mounting	2.5L TDi Diesel	RH	ANR2898	1		
		2.0L MPi Petrol	RH	ANR2898	1		
		Change point - VIN end LA081990, V8 Petrol	Rear, LH	NRC6528	1		
		Change point - VIN begin MA081991, Change point - VIN end MA163103, V8 Petrol	Rear, LH	ANR2817	1		
		Change point - VIN begin MA081991, Change point - VIN end MA501919, V8 Petrol	Rear, LH	ANR2817	1		
		Change point - VIN begin MA163104, V8 Petrol	LH	ANR4615	1		
		Change point - VIN begin MA501920, V8 Petrol	LH	ANR4615	1		
		Change point - VIN end LA075278, 2.5L TDi Diesel	LH	ANR2897	1		
		Change point - VIN end LA075278, 2.0L MPi Petrol	LH	ANR2897	1		
		Change point - VIN begin LA075279, 2.5L TDi Diesel	LH	ANR3225	1		
		Change point - VIN begin LA075279, 2.0L MPi Petrol	LH	ANR3225	1		
		3	Mounting-rubber	Change point - VIN end LA081990, V8 Petrol	body to chassis frame, M10	NTC5890	2
				Change point - VIN begin MA081991, V8 Petrol	body to chassis frame	ANR2805	2
				Change point - VIN end MA086333, 2.5L TDi Diesel	body to chassis frame, RH	ANR2128	1
Change point - VIN end MA086333, 2.0L MPi Petrol	body to chassis frame, RH			ANR2128	1		
Change point - VIN end MA086333, 2.5L TDi Diesel	body to chassis frame, LH			ANR2127	1		
Change point - VIN end MA086333, 2.0L MPi Petrol	body to chassis frame, LH			ANR2127	1		
Change point - VIN begin MA086334, 2.5L TDi Diesel	body to chassis frame, RH			ANR3200	1		
Change point - VIN begin MA086334, 2.0L MPi Petrol	body to chassis frame, RH			ANR3200	1		
Change point - VIN begin MA086334, 2.5L TDi Diesel	body to chassis frame, LH			ANR3201	1		
Change point - VIN begin MA086334, 2.0L MPi Petrol	body to chassis frame, LH			ANR3201	1		

Body & Chassis
Chassis
Transmission Mounts 2/2

Discovery (FA393361-WA799999)
(CANXAB5A)

Discovery (FA393361-WA799999)

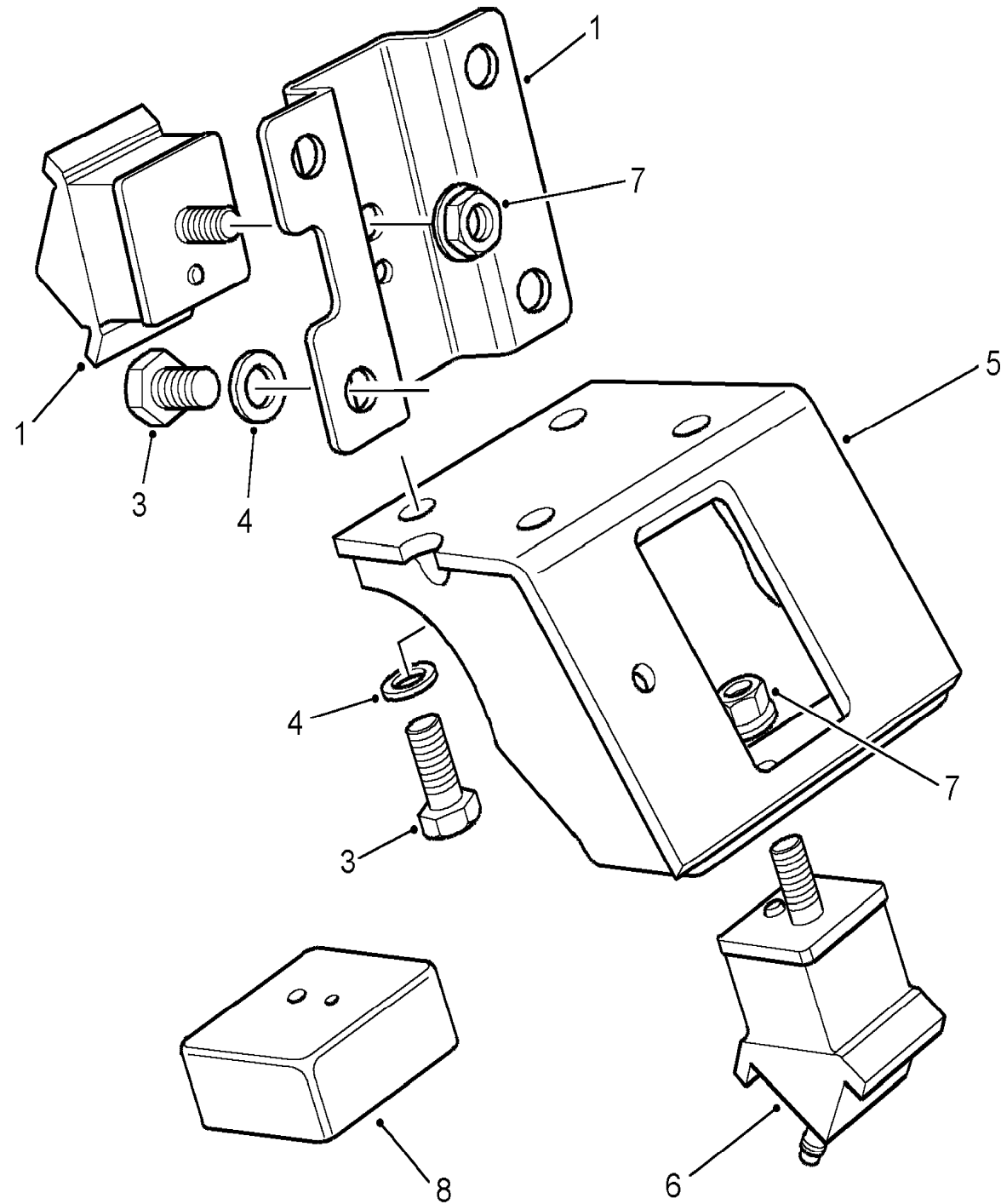
Body & Chassis
Chassis
Transmission Mounts



Callout	Name	Application	Remarks & Restrictions	Service No.	Qty
4	Bracket-Transmission Mounting	V8 Petrol	Rear, RH	ANR2818	1
5	Bracket-Transmission Mounting	V8 Petrol	Rear, LH	90575585	1
		V8 Petrol	Rear, LH	ANR2820	1
6	Washer		M10	WA110061L	2
7	Washer		3/8", Square	WM600061L	4
8	Nut - Hex.		hexagonal head, 3/8UNF	NH606041L	6
9	Screw		hexagonal head, M12 x 25	SH112251L	6
10	Washer			WL112001L	6
11	Bolt		hexagonal head, M8 x 100	BH108201L	6
12	Washer		8MM	WA108051L	12
13	Washer		M8, sprung	WL108001L	6
14	Nut - Hex.		M8, hexagonal head	NH108041L	6
[900]	Washer		8MM, sprung	WL108007	6

Body & Chassis
Chassis
Transmission Mounts 1/1

Discovery (FA393361-WA799999)
(CANXAB6A)



Discovery (FA393361-WA799999)

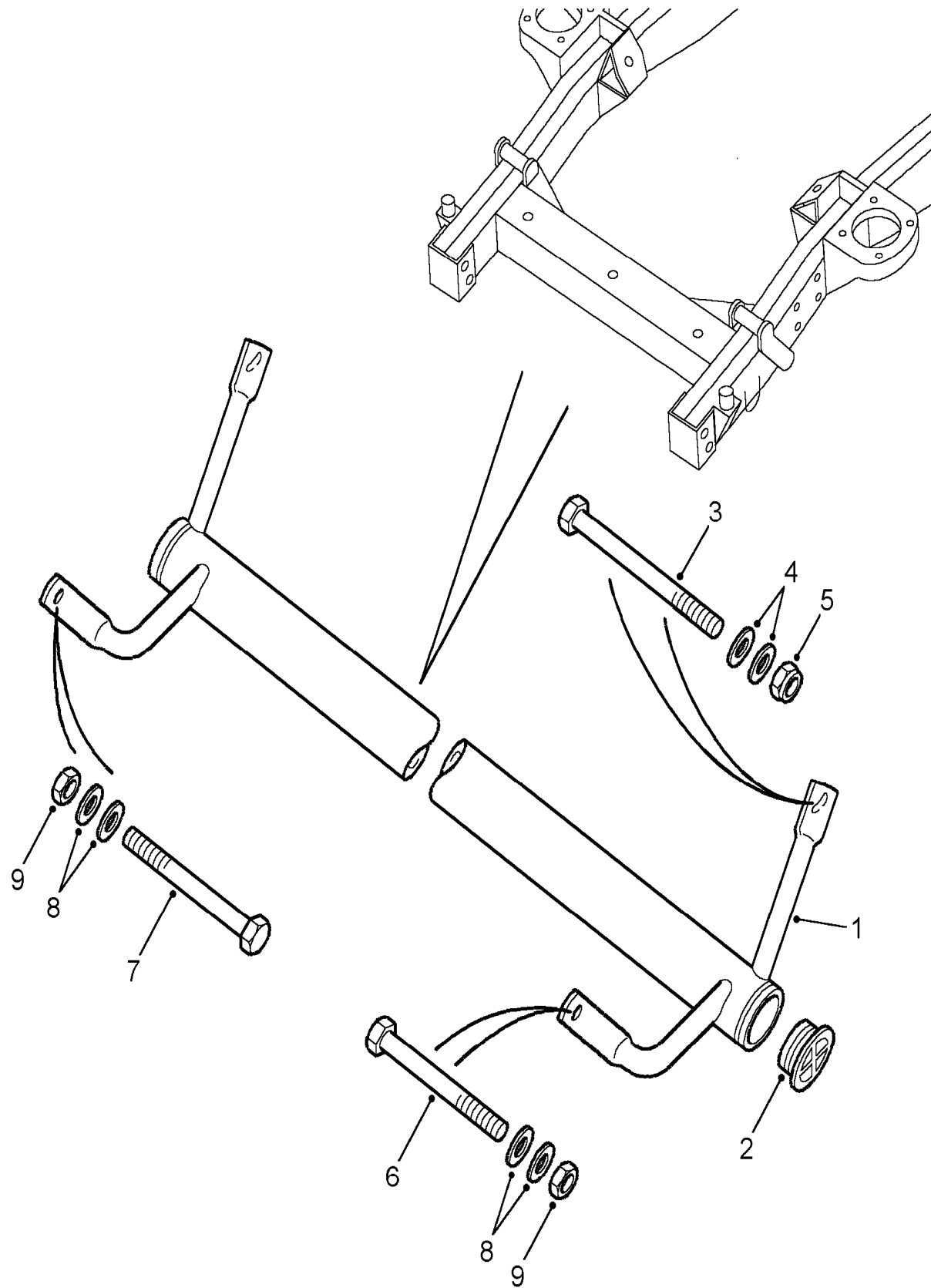
Body & Chassis
Chassis
Transmission Mounts

MPI, (+)"GR"

Callout	Name	Application	Remarks & Restrictions	Service No.	Qty
1	Bracket-Transmission Mounting	Change point - VIN end KA038821, 2.0L MPi Petrol	RH	NTC9424	1
2	Mounting-rubber	Change point - VIN end KA064754, 2.0L MPi Petrol	Transmission, RH	ANR2128	1
		Change point - VIN begin LA064755, 2.0L MPi Petrol	Transmission, RH	ANR3200	1
3	Screw	Change point - VIN end KA038821, 2.0L MPi Petrol	hexagonal head, M12 x 25	SH112251L	8
4	Washer	Change point - VIN end KA038821, 2.0L MPi Petrol		WL112001L	8
5	Bracket-Transmission Mounting	Change point - VIN end KA038821, 2.0L MPi Petrol	LH	NTC9425	1
6	Mounting-rubber	Change point - VIN end KA064754, 2.0L MPi Petrol	Transmission, LH	ANR2127	1
		Change point - VIN begin LA064755, 2.0L MPi Petrol	Transmission, RH	ANR3200	1
7	Nut-flange	Change point - VIN end KA038821, 2.0L MPi Petrol	bracket mounting to mounting rubber, M10	FX110041L	2
8	Heatshield assembly exhaust-downpipe	Change point - VIN begin LA064755, 2.0L MPi Petrol		ANR3138	1
[900]	Nut-flange	2.0L MPi Petrol	bracket mounting to mounting rubber, M10	FX110047L	2

Body & Chassis
Chassis
Under Ride Protection Bar 1/1

Discovery (FA393361-WA799999)
(CANXA11A)



CANXA11A

Discovery (FA393361-WA799999)

Body & Chassis
Chassis
Under Ride Protection Bar

Callout	Name	Application	Remarks & Restrictions	Service No.	Qty
1	Bar-underride protection			NTC8239	1
2	Plug-blanking			NRC5886	2
3	Bolt		1/2UNF x 6 1/4	253948	1
4	Washer-Plain		M12 x 28	WC112081L	3
5	Nut - Hex.		nyloc, Hexagonal, 1/2UNF	NY608041L	1
6	Bolt		3/8UNF x 5	BH606401	1
7	Bolt			BH606361	1
8	Washer-Plain			3036L	8
9	Nut - Hex.		hexagonal head, Coarse Thread, 1/4UNF	NH604041L	4