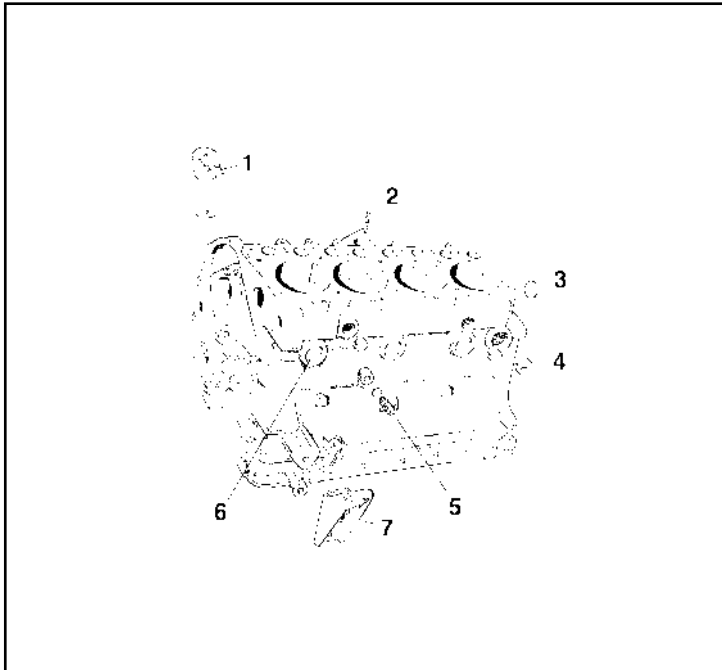


ENGINES & ENGINE REBUILD KITS

Ref #	Description	Qty	Part #	Ref #	Description	Qty	Part #
	SHORT BLOCK REBUILD KIT		3817		TIMING CHAIN KIT		3819
→	Kit Includes:			→	Kit Includes:		
	4 Piston Assemblies Std. (Specify Size)				1 Cam Shaft Chainwheel		
	1 Thrust Washer Set (Specify Size)				1 Chain Tensioner Wheel		
	1 Front Engine Oil Seal				1 Chain Vibration Damper		
	1 Full Engine Gasket Set				1 Ratchet		
	1 Rod Bearing Set (Specify Size)				1 Timing Chain Tensioner Cylinder		
	4 Rod Bushings				1 Crankshaft Chainwheel		
	1 Rear Engine Oil Seal				1 Spring for Ratchet		
	1 Main Bearing Set (Specify Size)				1 Spring for Tensioner		
					1 Timing Chain		
	CYLINDER HEAD OVERHAUL KIT		3818		CAMSHAFT REBUILD KIT		3820
→	Kit Includes:			→	Kit Includes:		
	4 Stellite Exhaust Valves • 8 Valve Springs				1 Cam Bearing Set (finished)		
	4 Intake Valves • 1 Head Set • 4 Exhaust Valve Guides				8 Tappet Assembly Sets		
	8 Spring Caps • 4 Intake Valve Guides • 16 Valve Keepers						
	TURNER ENGINE, 3 MAIN BEARING, REMANUFACTURED 2.25L		*NLA 3804		WARRANTY - ENGINES AND HEADS		
	TURNER ENGINE, 3 MAIN BEARING, REMANUFACTURED 2.25L PETROL*		3804HP				
→	Includes:				Atlantic British Parts Ltd. provides a 12-month warranty against defects in parts or workmanship. Part must be returned to Atlantic British, FREIGHT PREPAID. Atlantic British is not responsible for Labor or Freight or any incidental or consequential damages or related costs associated with removal, transportation, interim transportation, or installation of warranted parts or replacement of warranted parts.		
	Block, Machined, not to exceed .040 Standard						
	New Piston Assemblies						
	New Main Bearings						
	New Cam Shaft Bearings						
	New Connecting Rod Bushings & Bearings						
	New Rod Bolts & Nuts						
	Polished Cam Shaft						
	Polished or Cut Crank Shaft, as Required						
	New or Remanufactured 8:1 Head						
	New Intake Valves						
	New Exhaust Valves - Stellite						
	New Intake & Exhaust Valve Guides						
	New Valve Springs & Keepers						
	New Timing Chain & Gears • New Oil Pump						
	Valve Cover & Sump Pan • Rebuilt Rocker Shaft Assembly						
	*30% More Horsepower Than Original Unit						
					*NLA = No longer available.		



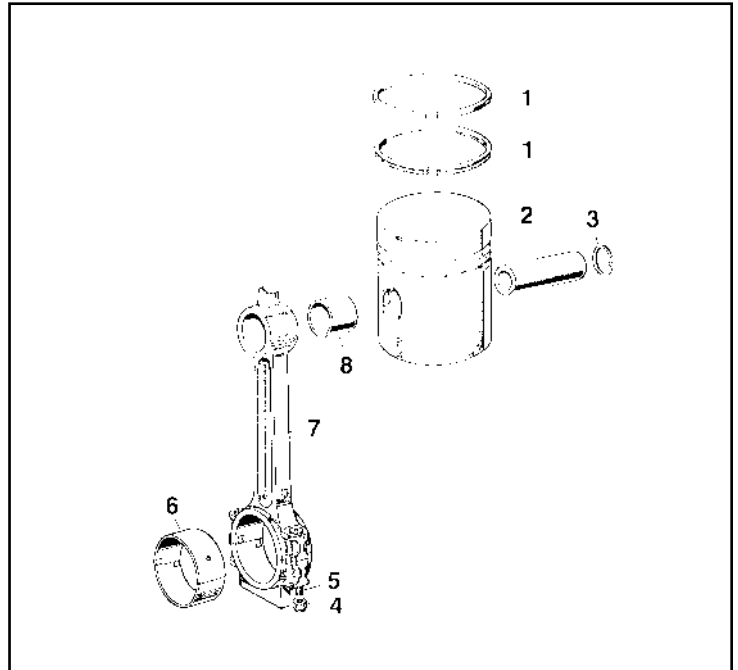
Engine



BLOCK ASSEMBLY

Ref #	Description	Qty	Part #
1	Engine Mount, RH Series I	1	*NLA 1541
not shown	Motor Mount, Rubber, 2-1/4 Petrol	2	1566
not shown	Motor Mount, Rubber, 2 & 2-1/4 Diesel	2	5765
not shown	Motor Mount, Rubber, Front 2-litre	2	141
2	Stud, For Sump	1	*NLA 1496
3	Plug, 1-1/2"	2	3996
3	Plug, 1 3/8"	2	3995
4	Plug for Redundant Heater Hole 1 NLS		
5	Drain Tap	1	4067
6	Cup Plug	3	3999
7	Engine Mount, LH, FT II & IIA	1	*NLA 1535
not shown	Cylinder Liners 2-1/4 Petrol & Diesel, all	4	4011

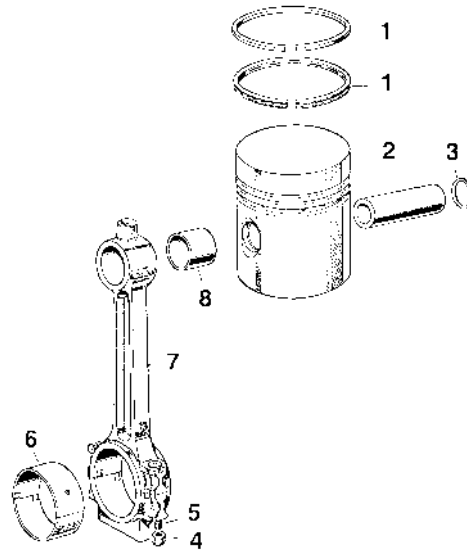
*NLA = No longer available.



PISTONS & RINGS

Ref #	Description	Qty	Part #
1	Piston Ring Set 2-1/4, II, IIA, III		
	Standard	4	6797
	Oversize .010	4	6984
	Oversize .020	4	6798
	Oversize .030	4	6799
	Oversize .040	4	6985
1	Piston Ring Set IIA & III Diesel		
	Standard	4	6459
	Oversize .010	4	6460
	Oversize .020	4	*NLA 6461
	Oversize .030	4	6462
	Oversize .040	4	6463
1	Piston Ring Set 2.6 Litre		
	Standard	6	3870
	Oversize .010	6	3871
	Oversize .020	6	*NLA 3872
	Oversize .040	6	3874
1	Piston Ring Set Petrol (55-58)		
	Standard 4		3860
	Oversize .020	4	3862
	Oversize .030	4	3863
	Oversize .040	4	3864
1	Piston Ring Set 2 Litre Diesel -		
	Standard	4	6448
2	Piston Assembly, 2-1/4 Petrol		
	Standard	4	6794
	Oversize .020	4	6795
	Oversize .030	4	6796
	Oversize .040	4	7026

*NLA = No longer available.

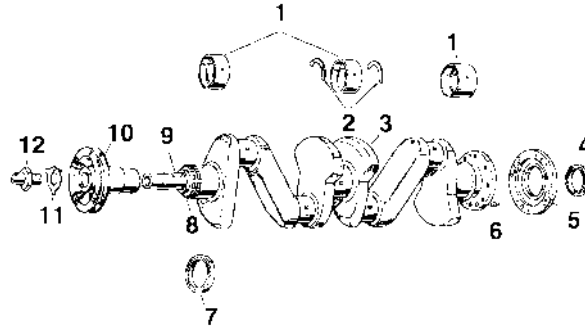


PISTONS & RINGS

Ref #	Description	Qty	Part #	Ref #	Description	Qty	Part #
2	Piston Assembly 2-1/4 Diesel			6	Connecting Rod Bearing Set 2.6 Litre		
	Standard	4	6691		Standard	1	5555
	Oversize .020	4	6693		Oversize .010	1	6086
	Oversize .030	4	6694		Oversize .020	1	6087
	Oversize .040	4	6695		Oversize .030	1	6088
2	Piston Assembly 2.6 Litre				Oversize .040	1	6089
	Standard	6	3880	6	Connecting Rod Bearing Set 2-1/4 (58-61) & 2 Litre Diesel		
	Oversize .020	6	3881		Standard	1	5336
2	Piston Assembly 2 Litre (55-58)				Oversize .010	1	*NLA 5337
	Standard	4	3875		Oversize .020	1	5338
	Oversize .020	4	3876		Oversize .030	1	*NLA 5339
	Oversize .030	4	3877		Oversize .040	1	5340
3	Circlip for Grudgeon Pin 2-1/4 Petrol - all	4	1394	6	Connecting Rod Bearing Set (55-58)		
3	Circlip for Grudgeon Pin 2-1/4 Diesel - all	4	1393		Standard	1	5331
4	Self Locking Nut 2-1/4 - all 8 1389				Oversize .010	1	5332
	Self Locking Nut 2 Litre	8	1396		Oversize .020	1	5333
5	Bolt 2-1/4 - all	8	5120		Oversize .030	1	5334
6	Connecting Rod Bearing Set 2-1/4 IIA & III - all				Oversize .040	1	5335
	Standard	1	5341	7	Connecting Rod 2-1/4 IIA & III Petrol	4	3500
	Oversize .010	1	5342	7	Connecting Rod 2-1/4 IIA & III Diesel	4	3865
	Oversize .020	1	5343	7	Connecting Rod 2.6 Litre (Special Order)	6	3866
	Oversize .030	1	5344	8	Bushing, 2-1/4 Petrol - all	4	171
	Oversize .040	1	5345a	8	Bushing, 2-1/4 Diesel - all	4	*NLA 335
				8	Bushing, 2 Litre Petrol (55-58)	4	273
				8	Bushing, 2.6 Litre	6	273
				not shown	Cylinder Liner IIA & III - all	4	4011

*NLA = No longer available.

Some items in this section may be available on a special order basis or phone-order only. Please call for pricing and availability.



CRANK SHAFT

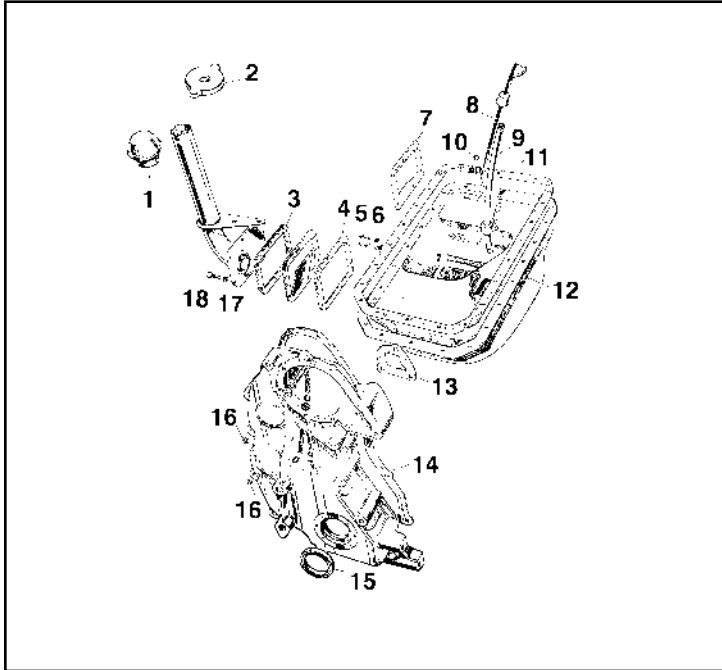
Ref #	Description	Qty	Part #
1	Main Bearing Set 2-1/4 61 on		
	Standard	1	5548
	.010	1	5544
	.020	1	5545
	.030	1	5546
	.040	1	5547
1	Main Bearing Set II (58-61), (2 Litre Diesel I & II)		
	Standard 1 5554		
	.010	1	*NLA 5541
	.020	1	5542
	.030	1	5543
	.040	1	5556
1	Main Bearing Set (55-58) (Special Order)		
	.020	1	5551
	.030	1	5552
	.040	1	5553
1	Main Bearing Set 2.6 Litre (Special Order)		
	Standard 1 5841		
	.010	1	*NLA 5842
	.020	1	5843
	.030	1	5844
	.040	1	5845

*NLA = No longer available.

Some items in this section may be available on a special order basis or phone-order only. Please call for pricing and availability.

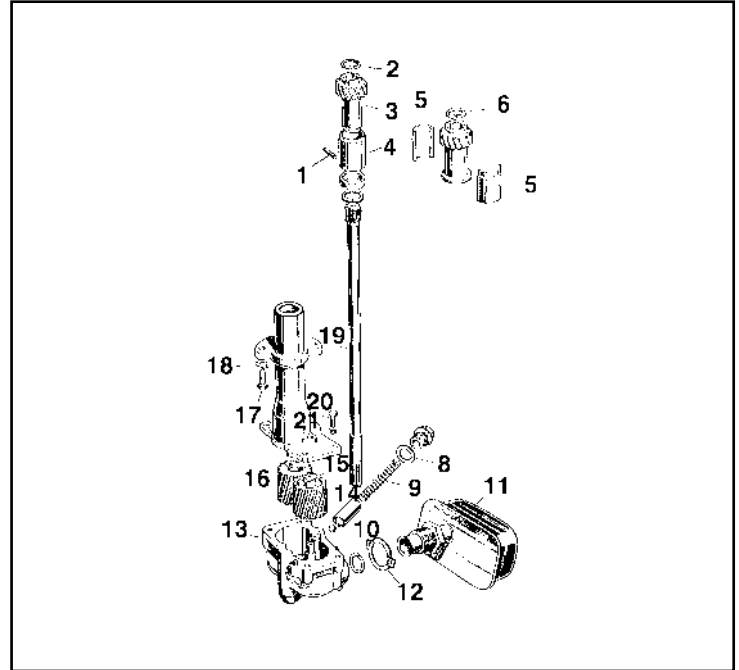
Ref #	Description	Qty	Part #
2	Thrust Washer, 2-1/4 All		
	Standard	2	2056
	.0025	2	2057
	.0050	2	2058
2	Thrust Washer 2-1/4 (58-61)		
	Standard	2	384
2	Thrust Washer (55-58)		
	Standard	2	5255
	.0025	2	5256
	.0050	2	5257
2	Thrust Washer		
	Standard	2	6082
	.0025	2	5566
	.0050	2	*NLA 6083
3	Crank Shaft, 2-1/4 Petrol - Standard	1	*NLA 4769
3	Crankshaft, 2-1/4 Diesel - Standard	1	*NLA 3788
3	Crankshaft, 2.6 Litre - Standard	1	*NLA 3790
4	Oil Seal, Rear Main	1	3061
5	Oil Seal Retainer (2 req.)	2	2043
6	Dowel for Flywheel	1	1324
7	Oil Seal, Front timing Cover	1	3
8	Chainwheel, Crankshaft	1	3601
9	Key, Chainwheel	1	5156
10	Crankshaft Pulley	1	6139
not shown	Crankshaft Pulley, Double Flange	1	*NLA 2816
11	Lockwasher, Starting Dog	1	1386
12	Starting Dog	1	6447

*NLA = No longer available.



OIL PAN, COVERS AND CAPS

Ref #	Description	Qty	Part #
1	Oil Filler Cap - Breather Type	1	5119
2	Oil Filler Cap - Later Style	1	5773
3&4	Joint Washer for Oil Filler Tube	2	950
5	Drain Plug for Crankcase	1	1802
6	Washer for Drain Plug	1	1391
7	Joint Washer for Side Cover Rear	1	951
8	Dip Stick	1	6297
9	Tube for Dipstick	1	96
10	Sealing Ring for Rod	1	308
11	Oil Pan Gasket	1	949
12	Spring Washer, Oil Pan	22	5690
13	Joint Washer Water Inlet	1	6189
14	Front Cover Gasket	1	952
15	Oil Seal for Front Cover	1	3
16	Spring Washer, Front Cover	15	5690
17	Spring Washer, Front Side Cover	7	5690
18	Bolt, Front Side Cover	7	1509
not shown	Spring Washer, rear Side Cover	6	5690
not shown	Bolt Rear Side Cover	6	5504

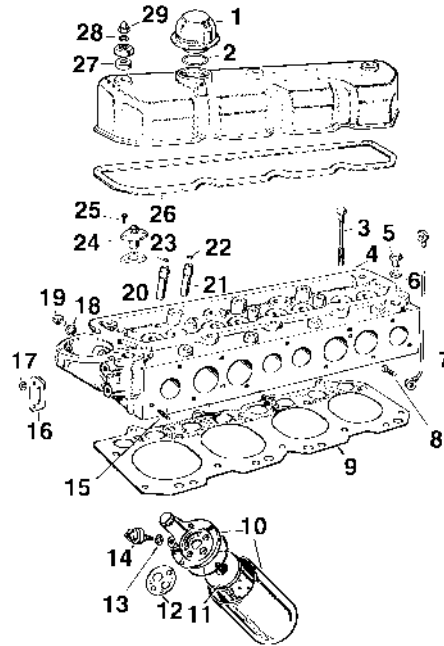


OIL PUMP

Ref #	Description	Qty	Part #
	OIL PUMP ASSEMBLY	1	3785
1	Locating Screw for Drive Shaft	1	218
2	Circlip for Drive Shaft	1	1307
3	Drive Shaft Assembly	1	3783
4	Bush for Drive Shaft Gear	1	6137
5	Split Bush for Drive Shaft Gear	1	1804
6	Circlip for Drive Shaft	1	1307
8	Washer	1	*NLA 1397
9	Spring for Oil Pressure Release 1 5883		
9	Spring for Oil Pressure Release - 2.6 Litre	1	6391
10	Steel Ball (2-1/4 Litre)	1	939
10	Steel Ball (2.6 Litre)	1	6390
11	Oil Filter for Pump	1	1477
12	Lock Washer	1	5197
13	Oil Pump Body	1	218
14	Oil Pump Gear, Idler (2-1/4 & 2.6)	1	6366
15	Bush for Idler Gear	1	727
16	Oil Pump Gear, Driver (2-1/4 & 2.6)	1	6367
17	Set Bolt	2	5504
18	Lockwasher	2	3068
19	Drive Shaft	1	*NLA 4780
20	Set Bolt	4	1510
21	Spring Washer	4	5690

*NLA = No longer available.

Heads



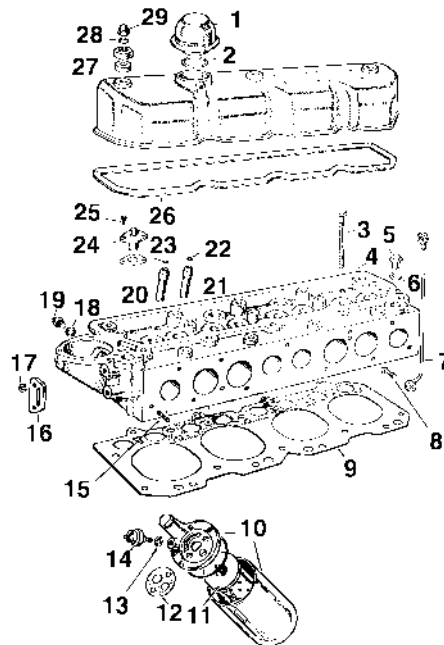
HEADS - OIL FILTER ASSEMBLY

Ref #	Description	Qty	Part #
1	Breather Filter	1	*NLA 1885
2	Sealing Ring for Filter	1	5681
3	Head Bolt (Medium)	9	80
4	Cylinder Head 8:1, 2-1/4 Petrol (new)	1	*NLA 3805
4	CYLINDER HEAD 8:1, 2-1/4 PETROL, NEW	1	3824
4	Cylinder Head 8:1 2-1/4 Petrol High Performance – New (adds 5 – 10 more horsepower at medium speed.)	1	3824HP
4	Cylinder Head, 2-1/4 Stripped, Diesel 1 3789		
5	Plug	1	1802
6	Joint Washer for 1802	1	1391
7	Oil Pipe	1	24
8	Banjo Bolt Fixing Oil Pipe	2	595478
9	Head Gasket 2-1/4 Petrol	1	5629
9	Head Gasket 2-1/4 Diesel	1	5675
9	Head Gasket 2.6 - all	1	5674
10	Engine Oil Filter	1	1301
11	Oil Filter Element IIA (After 69 & all Series III) - Includes O Ring (4 5/8") 1 3069		
11	Oil Filter Element II & IIA (6.81") includes O ring	1	150
11	Oil Filter Element II & IIA Diesel (6.81") includes O ring	1	150
11	Oil Filter Series II 2 Litre & 2.6 Litre includes O ring	1	10
12	Joint Washer for Filter Assembly	1	1300
13	Joint Washer for Switch	1	*NLA 1458
14	Oil Pressure Switch for Green Warning light on Dash	1	1958
14	Oil Pressure Switch, Series II	1	241

*NLA = No longer available.

Ref #	Description	Qty	Part #
15	See Manifolds		
16	Lifting Bracket, Front	1	*NLA 1478
17	Spring Washer	4	5690
18	Joint Washer for part #802		1 1391
19	Temp. Sender	1	6026
20	Valve Guide, Exhaust, II, IIA & III	4	5669
20	Valve Guide, Exhaust 2-1/4 Diesel	4	6488
20	Valve Guide, Exhaust 2 Litre Petrol (53-58) & 2.6 Litre - all 4 116		
21	Valve Guide, Inlet II, IIA & III	4	5668
21	Valve Guide, Inlet 2-1/4 Diesel	4	*NLA 6487
21	Valve Guide, Inlet (48-51), (53-58)	4	3888
21	Valve Guide, Inlet 2.6 European	4	115
22	Seal, Inlet Valve 2-1/4 - all (lip type seal, will replace earlier O ring type)	4	5596
22	Seal, Inlet Valve, 2-1/4 - all (earlier O ring type)	4	692
22	Seal, Inlet Valve, 2.6 Litre - all	4	692
22	Seal, Inlet Valve, (48-51), (53-58)	4	643
23	Seal, Exhaust, 2-1/4 - all (lip type seal, will replace earlier O ring type)	4	5597
23	Seal, Exhaust, 2-1/4 - all (earlier O Ring type)	4	643
23	Seal, Exhaust, (53-58) & 2.6 Litre - None used		
24	Thermostat Switch	1	1959
25	Set Bolt	3	1441
26	Valve Cover Gasket, 2-1/4 Petrol	1	344
26	Valve Cover Gasket, 2-1/4 Diesel	1	345
26	Valve Cover Gasket, Series II (55-58)	1	1359

*NLA = No longer available.



HEADS - OIL FILTER ASSEMBLY

Ref #	Description	Qty	Part #
26	Valve Cover Gasket, Top, 2.6 Litre NADA *NLA	1	NLS 3884
26	Valve Cover Gasket, Top, 2.6 Litre European	1	5788
26	Valve Cover Gasket, Side 2.6 Litre - all	1	6296
27	Rubber washer	3	6132
28	Sealing Washer	3	1548
29	Acorn Nut	3	5159
→	CYLINDER HEAD OVERHAUL KIT, 2-1/4 PETROL	KIT	3818
	Includes:		
	4 - #1860 Stellite Valves, 8 - #5734 Valve Springs,		
	4 - #5668 Intake Guides, 1 - #2028 Head Set,		
	4 - #5669 Exhaust Valve Guides, 4 - #1283 Intake Valves,		
	8 - #519 Valve Spring Caps, 16 - #187 Valve Keepers		
→	VALVE COVER TUNE UP KIT, 2-1/4 PETROL	KIT	3175
	Includes:		
	Gasket, 3 - Acorn Nuts, 3 - Rubber Washers		

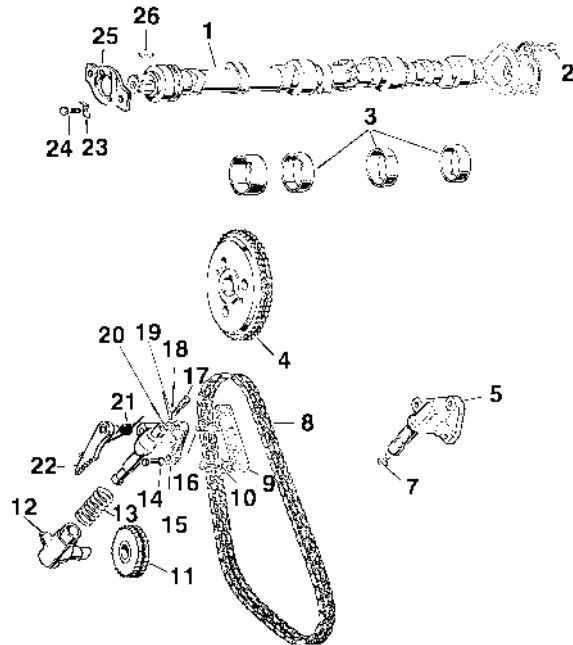
*NLA = No longer available.

Ref #	Description	Qty	Part #
GASKETS SETS			
	Head Sets 2-1/4 Petrol	1	2028
	Full Engine Set 2-1/4 Petrol	1	102
	Head Set 2-1/4 Diesel	1	1918
	Full Engine Set Diesel	1	1916
	Head Set 2.6 Litre - NADA	1	7262
	Block Set 2.6 Litre - all	1	5974
	Head Set 2.6 Litre European	1	5732
	Head Set (55-58)	1	5491
	Block Set (55-58)	1	99
	Head Set (52-54)	1	*NLA 3780
	Block Set (52-54)	1	*NLA 3784

*NLA = No longer available.

Some items in this section may be available on a special order basis or phone-order only. Please call for pricing and availability.

Timing Components



TIMING COMPONENTS, CAMSHAFT

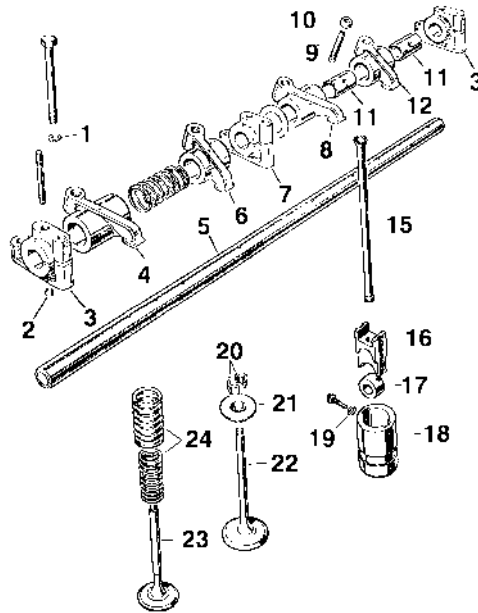
Ref #	Description	Qty	Part #
1	Camshaft 2-1/4 Petrol	1	3760
1	Camshaft 2-1/4 Diesel	1	*NLA 3788
1	Camshaft 2.6 Petrol	1	*NLA 3790
2	Set Bolt 3 1507		
3	Cam Bearing Set 2-1/4 - All (finished)	1	5317
3	Cam Bearing Set 2.6 Petrol	1	6288
3	Cam Bearing Set (53-58)	1	5316
4	Chainwheel for Camshaft	1	6317
5	Piston for Timing Chain to Engine 151017422	1	*NLA 457
7	Retainer for Steel Ball	1	447
8	Timing Chain 2? - all	1	78
8	Timing Chain 2.6 Litre	1	*NLA 9
9	Vibration Damper - all	1	6411
10	Locking Plate	2	3763
11	Idler Gear	1	6318
12	Cylinder for Adjuster	1	3507
13	Spring for Tensioner	1	6320
14	Spring Washer	2	5690
15	Piston for Adjuster (later style)	1	6412
16	Stud	1	*NLA 1469
17	Plug for Retainer	1	446
18	Spring Retainer	1	447
19	Steel Ball	1	454
20	Nut	1	1436
21	Spring, Adjuster Ratchet	1	6319
22	Ratchet	1	3077
23	Locker, Thrust Plate	2	3762
24	Set Bolt 2	1	508
25	Thrust Plate	1	3761
26	Key, Chainwheel	1	3759

*NLA = No longer available.

Ref #	Description	Qty	Part #
not shown	Timing Pointer, Front Pulley	1	6316
not shown	Tension Assembly 2.6 only	1	3077
not shown	Crankshaft Chainwheel	1	3601
not shown	Key, Crankshaft Chainwheel	1	5156
→	TIMING CHAIN RENEW KIT	KIT	3819
	Includes:		
	1 - Cam Chainwheel, 1 - Crank Chainwheel, 1 - Idler Gear,		
	1 - Ratchet Spring, 1 - Tensioner Spring,		
	1 - Vibration Damper, 1 - Ratchet, 1 - Timing Chain,		
	1 - Tensioner Cylinder		
→	CAMSHAFT OVERHAUL KIT	KIT	3820
	Includes:		
	1 - #5317 Cam Bearing Set, 2-1/4 finished,		
	8 - #1916 Tappet Assembly		

Some items in this section may be available on a special order basis or phone-order only. Please call for pricing and availability.

Rocker Shaft



VALVES & ROCKER SHAFT ASSEMBLY

Ref #	Description	Qty	Part #
1	Spring Washer	5	5690
2	Locating Dowel	4	57
3	Rocker Bracket Series II only	3	*NLA 1557
4	Valve Rocker, Exhaust LH	2	165
5	Valve Rocker Shaft IIA & III - all	1	6144
6	Valve Rocker, Inlet RH	2	168
8	Valve Rocker, Inlet LH	2	169
9	Tappet Adjusting Screw	8	6133
9	Tappet Adjusting Screw 2 Litre (54-58)	8	5412
10	Locknut for Adjusting Screw	8	5446
10	Locknut for 5412	8	*NLA 5262
11	Bush, Inlet & Exhaust Rocker	8	172
12	Valve Rocker, Exhaust RH	2	166
15	Push Rod IIA & III - all	8	1965
16	Tappet	8	6134
17	Roller	8	1962
18	Tappet Assembly, (Tappet, Roller, Guide, Bolt)	8	1966
19	Copper Washer	8	1548
20	Valve Keeper	16	187
20	Valve Keeper (48-51) - (53-58)	16	002
21	Valve Cap	8	519
22	Valve, Inlet 2-1/4 II, IIA, III	4	1783
22	Valve, Inlet 2-1/4 IIA, III Diesel	4	*NLA 1886
22	Valve, Inlet (48-51) - (53-58)	4	1776
22	Valve, Inlet 2.6 NADA	6	7260
22	Valve, Inlet 2.6 European	6	1421
23	Valve, Exhaust, Stellite 2-1/4	4	1860A

*NLA = No longer available.

Ref #	Description	Qty	Part #
23	Valve, Exhaust 2-1/4 Non-hardened	4	1859
23	Valve, Exhaust 2-1/4 Diesel	4	*NLA 5870
23	Valve, Exhaust 2.6 NADA	6	*NLA 7261
23	Valve, Exhaust (53-58)	4	1780
not shown	Valve Seat, Exhaust 2-1/4 Diesel	4	5519
not shown	Valve Seat, Exhaust 2.6 NADA	6	603
not shown	Valve Seat Exhaust, (53-58)	4	603
24	Valve Spring, 2-1/4 IIA & III - all	8	5734
24	Valve Spring Inlet, 2.6 NADA	6	5780
24	Valve Spring Exhaust 2.6 NADA	6	5529
24	Valve Spring (53-58)	8	1972

→ CYLINDER HEAD OVERHAUL KIT, 2-1/4 PETROL

KIT 3818

Includes:

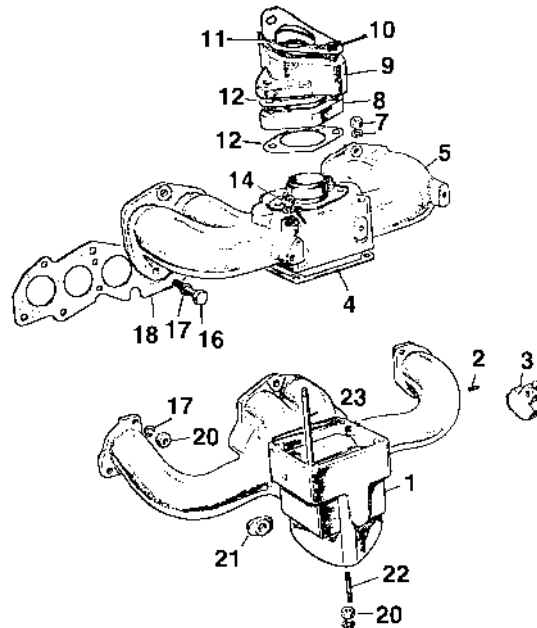
- 4 - #1860 Stellite Valves, 8 - #5734 Valve Springs,
- 4 - #5668 Intake Guides, 1 - #2028 Head Set,
- 4 - #5669 Exhaust Valve Guides, 4 - #1283 Intake Valves,
- 8 - #519 Valve Spring Caps, 16 - #187 Valve Keepers

*NLA = No longer available.

Some items in this section may be available on a special order basis or phone-order only. Please call for pricing and availability.



Manifolds



MANIFOLDS, INTAKE & EXHAUST

Ref #	Description	Qty	Part #	Ref #	Description	Qty	Part #
1	EXHAUST MANIFOLD, II, IIA, III, 2-1/4 PETROL	1	6221	20	Nut 5/16 UNF	3	1436
not shown	Exhaust Manifold, Diesel IIA, III	1	*NLA 7062	21	Clamp for Manifold	2	6966
2	Stop Pin, Adjusting Plate	1	1483	22	Stud for Exhaust	3	5574
3	Counterbalance Weight	1	79	23	Stud 3 11/16	4	5183
	Set Screw for Weight	1	1441	→	EXHAUST MANIFOLD (2.25) FITTING KIT KIT 6221K		
4	Joint Washer	1	2069		(INCLUDES: INTAKE TO EXHAUST STUDS, EXHAUST		
5	Intake Manifold	1	*NLA 3660		MANIFOLD TO FRONT PIPE STUDS, 5/16" NUTS, EXHAUST		
6	Spring Washer	2	3096		MANIFOLD FIX KIT, JOINT WASHER INLET, MANIFOLD		
7	Nut to Manifold	2	1502		GASKET 2-1/4 PETROL)		
8	Block to Adaptor	1	1827	not shown	Spring Washer, Carb to Adaptor	2	5690
9	Carburetor Adaptor	1	362	not shown	Nut 5/16 UNF Carb to Adaptor	2	1436
10	Stud for Carburetor	2	*NLA 1494	not shown	Manifold, 2 Barrel only	1	6222
11	Joint Washer	1	1007				
12	Joint Washer for Adaptor & Block	2	1008				
14	Nut (5/16 UNF)	4	1436				
15	Spring Washer	4	5690				
16	Bolt 5/16 x 2-3/4 UNF	4	*NLA 1511				
17	Spring Washer	11	5690				
18	Manifold Gasket Intake & Exhaust	1	414				

*NLA = No longer available.

Some items in this section may be available on a special order basis or phone-order only. Please call for pricing and availability.

CARBURETORS

Description	Qty	Part #
These sections are broken down by type of carburetor. You will need to know what carburetor you have on your vehicle to order parts. Solex & Rochester are no longer being manufactured. Parts listed for those are available on a first come first served stock only basis.		
ZENITH - SINGLE BARREL CARBURETOR	1	5833
(Original Equipment 1968 on 2? Litre)		
Gasket Base & Adaptor	2	1007
→ ZENITH OVERHAUL KIT	KIT	5714
Zenith Gasket Kit	1	5715
Adaptor, Manifold to Carburetor	1	362
Main Body	1	*NLA 376
Special Screw, Throttle	1	377
Volume Control Screw	1	*NLA 378
Spring, Control Screw	1	*NLA 379
Ball, Piston	1	380
Solenoid, (optional)	1	385
Spindle Spacer	1	5830
Washer, Plain	as needed	5831
Lever Assembly	1	5835
Clip, Linkage	1	5836
Control Rod	1	5837
Lever	1	*NLA 5838
Float, for 5833	1	6093
Clip, Choke Cable	1	291
Rubber Connector, (carburetor to air hose elbow)	1	5834
ROCHESTER		
→ ROCHESTER OVERHAUL KIT	KIT	2152
ZENITH STROMBERG - 6 cyl. IIA & III		
Carburetor	1	*NLA 4767
Washer, Joint	1	214
Washer, Union	1	1392
Jet Bearing	1	395
Joint Washer, Elbow to Carburetor	1	67
Air Cleaner Element	1	*NLA 2852
Rubber Gasket for 2852	2	2853
WEBER - SINGLE BARREL CARBURETOR		
Replaces the Zenith or Solex Carburetor		
CARBURETOR ASSEMBLY	1	2141
→ OVERHAUL KIT	KIT	2142
Gasket, Base 1 1007		
Gasket, Base 1 1008		
→ OVERHAUL KIT, 2 BARREL	KIT	2156
Jet Kit, 2 barrel	1	2149
Exhaust Manifold Block off Plate	1	*NLA 2154
Air Cleaner Element, Paper 1-3/4"	1	2155
Air Cleaner Element, Paper 2-1/2"	1	2155A

*NLA = No longer available.

Description	Qty	Part #
SOLEX CARBURETORS		
Solex Carburetors are no longer being manufactured. Parts are available on a first come, first serve, in stock basis only.		
Solex Parts		
Float, Solex Carburetor #51638	1	*NLA 1322
Packing, Series I	1	1377
Stop Pin Adjusting Plate, Butterfly	1	1483
Fiber washer, Large, Carburetor 4124	1	*NLA 1514
Needle Valve, II- IIA to "H"	1	1517
Float, II & IIA, (58-67)	1	1581
Accelerator Pump	1	*NLA 1817
Plastic Packing Piece	1	1827
Special Screw, Pump	1	194
Jet, II & IIA to "H"	1	197
Jet, Economy, High Speed to "H"	1	198
Joint Washer, Pump	1	204
Special Screw, Solex Body	as needed	215
Gasket Kit, I & II, 2 Litre	1	*NLA 2064
O Ring, Choke Tube	1	*NLA 5004
AIR CLEANER		
Elbow, Hose to Carb "J" on	1	440
Elbow, Hose to Carb. "A" to "H"	1	441
Air Filter, Oil Bath type	1	2666
Air Cleaner Assembly	1	-
Hose, Union to Carburetor Elbow 2 Litre	1	*NLA 1298
Hose, Cleaner to Manifold, Diesel	1	6022
Clamp, for Hose Guides	2	5453
Bracket, Valve Cover, Diesel	1	8165
CHOKE CABLE & PARTS		
Choke Cable, II & IIA, thru "C"	1	5395
Choke Cable, IIA "D" on	1	5396
Choke Cable, Series III	1	5397
Choke Cable Clip, IIA	1	381
Clip, Choke Cable		
Zenith Carburetor	1	291
Switch, Choke Cable IIA & III	1	*NLA 350
Choke Light Grounding Switch, II & IIA	1	1959
FUEL FILTERS		
FUEL FILTER, IN LINE, IIA & III	1	3203
Filter Screen, 2-1/4 Fuel Pump	1	5293
Screen Filter, 2 Litre,		
Sediment Bowl Filter (includes seal)	1	*NLA 1497
Fuel Filter Assembly,		
Firewall Mount, Petrol	1	99577508
Fuel Filter Assembly,		
Firewall Mount, Diesel	1	8169
Fuel Filter Element, Diesel	1	1606
Rubber Seal for Element 1606	2	5722

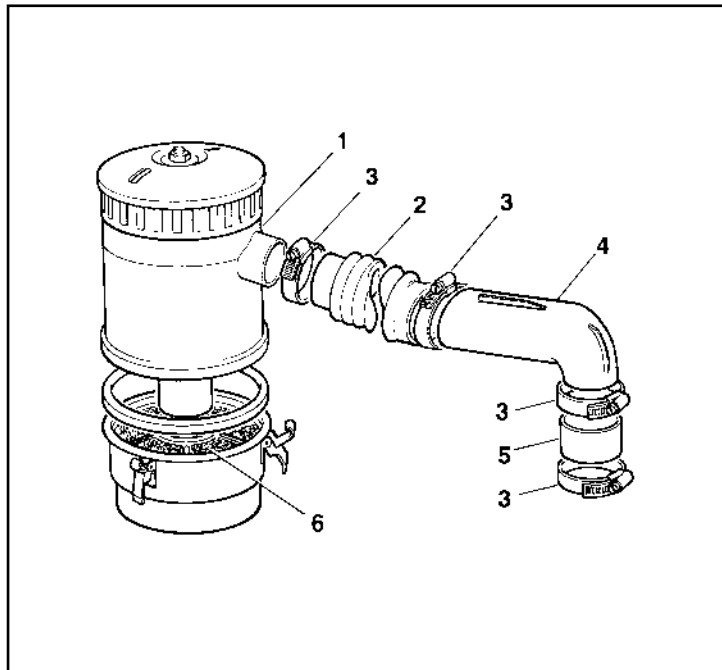
Some items in this section may be available on a special order basis or phone-order only. Please call for pricing and availability.

Carburetors

ACCELERATOR LINKAGE PARTS

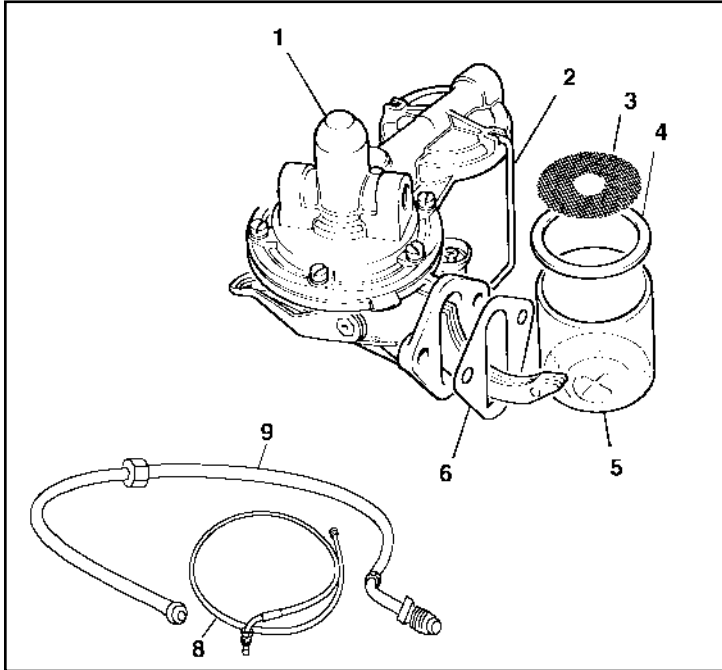
Description	Qty	Part #
ACCELERATOR LINKAGE		
Ball End, Accelerator Lever, 2 Litre Petrol	as needed	1537
Ball End, Accelerator Lever, 2 Litre Diesel	as needed	1537
Ball End, Accelerator Lever, 2-1/4 Diesel	as needed	1537
Ball End, Cross Shaft Lever, 2-1/4 Petrol - thru "A"	as needed	1537
Ball End, Bell Crank Lever, 2-1/4 Petrol Suf. "D" on	as needed	1537
Ball End, Relay Lever, 2-1/4 Petrol thru Suf."C":	as needed	1537
Ball Joint Socket, Bell Crank to Carburetor, 2-1/4 Suf."D" on	1	1807
Ball Joint Socket, Rod from Cross Shaft to Engine 2-1/4 (58-60)	1	1807
Ball Joint Socket, Rod from Pedal Shaft to Extension Shaft, 6 cyl.	1	1807
Ball Joint Socket, All Diesel Models	as needed	1807
Ball Joint Socket, Rod Quadrant Type Hand Throttle	as needed	1807
Ball Joint Socket, Series I Accelerator Rods	as needed	749
Nut, Locking for 1807 & 749	as needed	4045
Ball Joint Socket, Rod Bell Crank to Throttle Lever, thru "C"	as needed	1198
Nut, Locking, for 1198	as needed	1192
Torsion Spring, Bell Crank 2-1/4 thru "H"	1	541
Torsion Spring, Bell Crank 2-1/4 "J" on	1	5871
Cotter Pin, Fixing Parts to Bell Crank	as needed	6871
Shaft, Accelerator Pedal	1	59
Accelerator Cabel, Diesel	1	8159
Rubber Pad, Accelerator Pedal	1	3202
Clip, Holds Rod to Lever	as needed	5836
Spindle Spacer	as needed	5830
Plain Washer	as needed	5831

Some items in this section may be available on a special order basis or phone-order only. Please call for pricing and availability.



AIR CLEANER ASSEMBLY

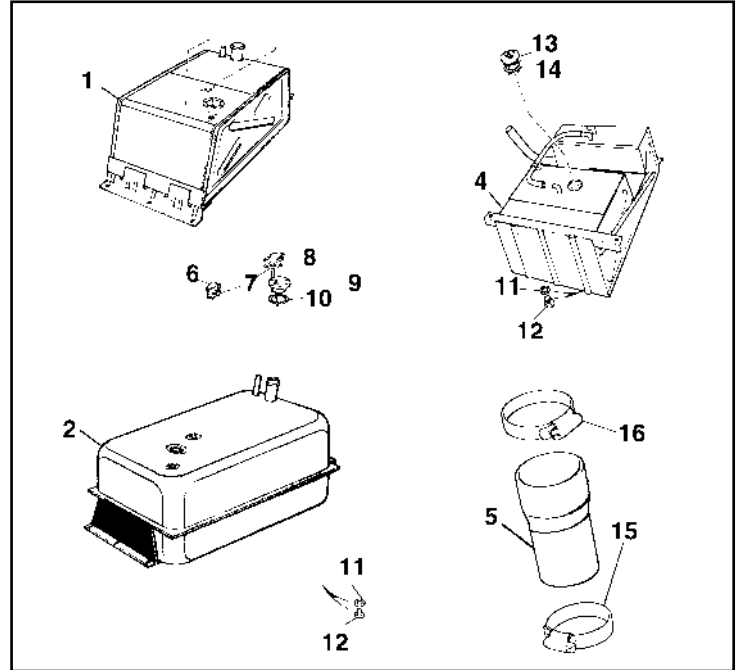
Ref #	Description	Qty	Part #
1	Air Filter Assembly, Oil Bath	1	2666
2	Air Hose	1	7195
3	Clamp for Air Hose	2	5453
4	Elbow Carb to Air Cleaner	1	440
5	Air Inlet Hose	1	5834
6	Element for Air Cleaner	1	411



FUEL PUMP

Ref #	Description	Qty	Part #
1	MECHANICAL FUEL PUMPS, COMPLETE		
	FUEL PUMP FOR 2-1/4 LITRE PETROL	1	5471
not shown	Fuel Pump for 2 & 2-1/4 Litre Diesel, Through Engine Suffix J.	1	5518
not shown	Fuel Pump for 2-1/4 Litre Diesel, Suffix K on	1	5806
	ELECTRIC FUEL PUMPS, COMPLETE		
not shown	Electric Fuel Pump for 2 Litre Petrol	1	*NLA 1801
not shown	Electric Fuel Pump for 2.6 Litre (6 cyl.) Petrol	1	5828
2	Retainer	1	5294
3	Filter Screen	1	5293
4	Gasket	1	780
5	Sediment Bowl	1	1054
6	Fuel Pump Gasket	1	44
8	Fuel Line – Pump to Tank – Petrol	1	235
9	Fuel Line – Pump to Carburetor – Petrol	1	234
	FUEL PUMP PARTS & REPAIR KITS		
→	FUEL PUMP OVERHAUL KIT FOR #5471 MECHANICAL PUMP	KIT	1407
→	FUEL PUMP O/H KIT FOR #5518 & #5806 PUMPS	KIT	5764
not shown	Diaphragm Complete for #5828 Pump (2 required) and #1801 pump (1 used)		6989
not shown	Contact Set complete (points) for #1801 & #5828:		
	#1801 Pump - one set required		607
	#5828 Pump - two sets required		607
	Fuel Filter In Line		3203

Some items in this section may be available on a special order basis or phone-order only. Please call for pricing and availability.



FUEL TANK

Ref #	Description	Qty	Part #
1	Fuel Tank, 88" & 109 Pickup 1 2847		
2	Fuel Tank, "New Style" 88" & 109 Pickup (Stamped Version)	1	2835
not shown	Fuel Tank, Auxilliary	1	2843
4	Fuel Tank, 109 Station Wagon	1	2845
5	Filler Neck, all 88" & 109 Regular	1	5468
6	Fuel Return Pipe, Diesel only	1	*NLA 8167
7	Gasket	2	3754
8	Pick up Pipe	1	444
9	Sending Unit, 88" & 109 Regular "D" on	1	6049
9	Sending Unit, 88" & 109 Regular thru "C"	1	*NLA 3024
10	Gasket, Sending Unit	1	413
11	Washer, Fuel Tank Plug	1	1293
12	Fuel Tank Plug	1	6607
13	Sending Unit, 109 Suffix "D" on	1	6065
13	Sending Unit, 109 Thru "C"	1	*NLA 5408
14	Gasket, Sending Unit	1	413
15	Clamp, for Filler Neck	1	999
16	Clamp	1	5453
not shown	Seal, Foam Rubber, for Fuel Tank Neck	1	5469
not shown	Fuel Gauges - See Instruments		
	Note: Suffix "C" has an Ammeter on Panel		
not shown	Filler Cap - 3 lugs, outside edge	1-Ser III	2851
not shown	Filler Cap, 3 lugs, inside edge	1	1351
not shown	Filler Cap, 2 lug	1	1865
not shown	Sealing Ring, Caps 1865 & 2851	1	5524
not shown	Chain, for Filler Cap	1	*NLA 1387
not shown	Locking Hasp for Gas Cap	1	2822
not shown	Filler Hose, 109 Station Wagon	1	101
→	FUEL TANK GASKET KIT	KIT	413K
	(INCLUDES: SENDING UNIT GASKET #413, 2 GASKETS #3754, 6 SCREWS AND 6 WASHERS)		

*NLA = No longer available.

Exhaust

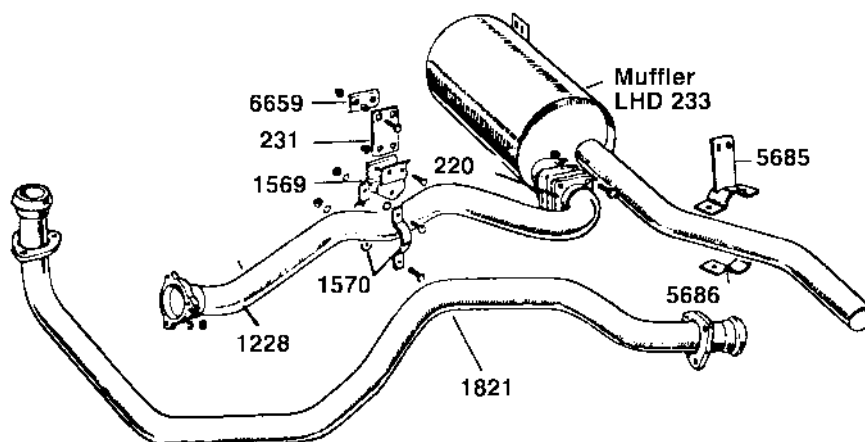
EXHAUST

Application	Front Pipe Standard	Front Pipe Stainless Steel	Intermediate Pipe Standard	Intermediate Pipe Stainless Steel
88 2-1/4 Petrol '61 on	1821	3821	1228	3228
109 2-1/4 Petrol Station Wagon	1226	N/A	2009	N/A
109 2.6 Litre	5861	N/A	5860	N/A
109 2-1/4 Petrol (pickup)	1226	N/A	229	N/A
88 2-1/4 Diesel (4 hole flange)	5943	N/A	N/A	N/A
88 2-1/4 Petrol (58-60) (front pipe exits fender)	N/A	N/A	N/A	N/A
109 2-1/4 Diesel Station Wagon	5367	N/A	2009	N/A
109 2-1/4 Diesel (pickup) 1958 on	5367	N/A	229	N/A
88 2-1/4 Diesel, Series III "B" & on	8168	N/A	1228	N/A
109 2-1/4 Petrol, Series III "C" & on	1821	N/A	3074	N/A
86 & 88 2 Litre Petrol (53-58) Series I & II	5943	N/A	N/A	N/A

Note: Right hand drive vehicles - substitute #1230 Muffler and #1236 Tailpipe Clamp for #5686 Clamp.

STAINLESS STEEL EXHAUST has a LIFETIME WARRANTY to the original purchaser. The part must be returned freight prepaid with a copy of the invoice for Warranty Claim. This will be handled on a part for part basis. No credits will be issued.

N/A - Not available or not Applicable



EXHAUST

Muffler & Tailpipe Standard	Muffler & Tailpipe Stainless Steel	Additional Parts Required for System (Shown "Qty. Required" - "Item #")	EXHAUST SYSTEM STANDARD* KIT	EXHAUST SYSTEM STAINLESS STEEL* KIT
233 (LH exit) 1230 (RH exit)	3233	1-220 3-231 2-1570 1-5685 2 -1569 1-5686 5-6659 1-7529	3160	850
2008	N/A	1-220 6-231 2-1570 1-3110 2-1569 1-3111 3-6659 1-3232	3162	N/A
5859 Muff. 5900 T.P.	N/A	6-231 6-6631 6-1569 6-6659 1-3232	3163	N/A
233	3233	1-220 8-231 6-1570 3-6659 6-1569 1-3232	3161	N/A
233	3233	2-220 6-231 2-1570 1-5685 2-1569 1-5686 2-6659 1-7529	N/A	N/A
233	N/A	1-220 6-231 2-1570 1-5685 2-1569 1-5686 5-6659 1-7529	N/A	N/A
2008	N/A	2-220 6-231 4-1570 3-6659 4-1569 1-3232	N/A	N/A
233	3233	2-220 8-231 1-1570 1-3110 6-1569 1-3111 3-6659 1-3232	N/A	N/A
233	3233	1-220 6-231 1-1570 1-5685 2-1569 1-5686 5-6659 1-1529	N/A	N/A
233	3233	2-220 6-231 2-1570 1-5685 2-1569 1-5686 5-6659 1-7529	N/A	N/A

* Exhaust system kits include the entire system and all the clasps and bolts you need to mount the system.

N/A = Not available or not applicable

ADDITIONAL EXHAUST SYSTEM PARTS

Description	Qty	Part #	Description	Qty	Part #
EXHAUST HEADERS			Gasket - Petrol	1	220
Flexible Hanger	2/fixing point	231	Gasket - Diesel	2	220
Tail Pipe Bracket	1	5685	(located between Intermediate Muffler, square & between manifold front pipe on Diesel Models)		
Bottom Clamp for 5685 Bracket	1	5686	Plate Between Flex Mount & Pipe Clamp	2 per hanger	1569
Bolt Kit 1 7529 (contains the bolts, nuts & washers to bolt up 1 88" system)			Clamp - 4 cylinder models	2 per hanger	1570
Exhaust Manifold 2-1/4 L Petrol	1	6221	Clamp - 6 cylinder models	2 per hanger	6631
Exhaust Manifold Fixing Kit	1	6221K	Clamp Plate for Exhaust Hangers	1 per hanger	6659
			Bolt - upper for 1570 & 6631 Clamps	2 per clamp	5504
			Bolt - Lower for 1570 & 6631 Clamps	2 per clamp	1190

Some items in this section may be available on a special order basis or phone-order only. Please call for pricing and availability.

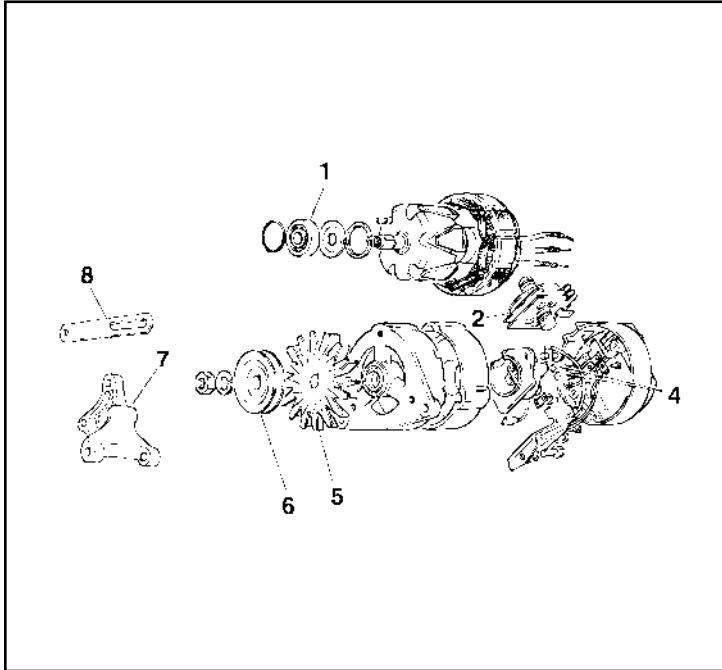


IGNITION & TUNE UP

Description	Qty	Part #
DISTRIBUTOR		
DISTRIBUTOR ASSEMBLY (LUCAS, 41630, NEW STYLE ADVANCE TYPE)	1	ETC5835
DISTRIBUTOR ASSEMBLY, DUCELLIER, USED ON MOST CURRENT PRODUCTION VEHICLES, 1980 ON	1	1583
Distributor Assembly, 2.6 Litre (Special Order)	1	7596
*Lucas Numbers are found on the side of the Distributor body.		
VACUUM ADVANCE UNITS		
Vacuum Advance Unit (for Lucas 41630 New Style)	1	5138
Vacuum Advance Unit (for Lucas 40244, I, II, IIA, "Older Style" Distributor Advance Type)	1	*NLA 5139
DISTRIBUTOR PARTS		
Cork Washer, Distributor Housing at		
Adaptor Plate	1	1460
Distributor Locating Screw	1	1805
Drive Coupling, Blade type, Suffix "G" on	1	7598
Drive Shaft, Spline type thru Suffix "F"	1	*NLA 7597
Low Tension Terminal & Lead to Points, 4 & 6 cyl.	1	5557
Weight Spring Set, Series II, IIA & III, with Advance Type Distributor	1	1462
DISTRIBUTOR CAPS		
Cap, "New Style" Lucas (Squarish cap) (Flat Top)	1	8204
Cap, Older Style Lucas (Dome Shape)	1	6961
Cap, 2.6 Litre	1	*NLA 5525
Cap, Series I, Side Entry	1	*NLA 1280
Cap, 2.6, "New Style" Lucas, 41631	1	4782
Cap, 2.6 Late Style, Push-in type on top Vernier Adjustant	1	5526
Cap, Ducellier 1980 or on Replacement	1	1587
ROTOR		
Rotor, "New Style" Lucas (Squarish cap) (Flat Top)	1	8203
Rotor, "Older Style" Lucas (Round cap) (Dome Shape)	1	295
Rotor, 2.6 Original Distributor	1	5858
Rotor, 2.6 "New Style" Lucas 41631	1	*NLA 4783
Rotor, Ducellier, 1980 or Replacement	1	*NLA 1586

***NLA = No longer available.**

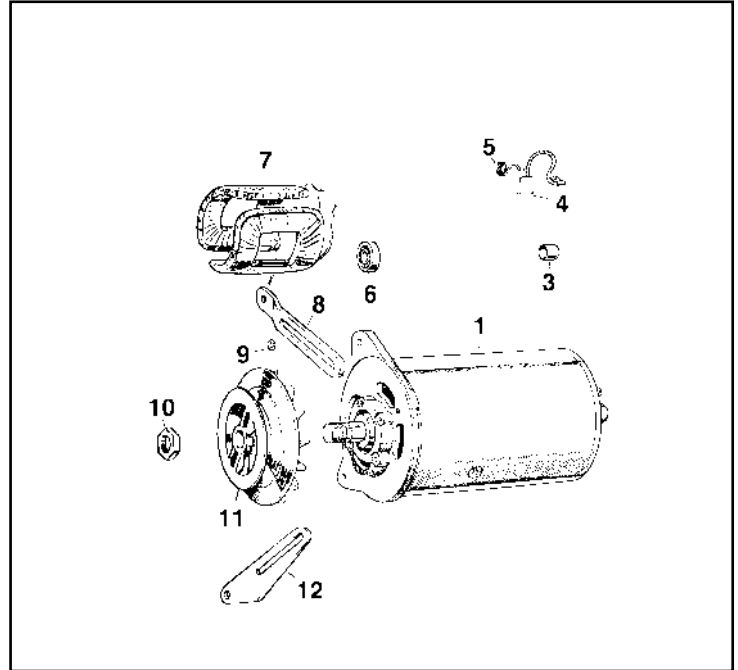
Description	Qty	Part #
POINTS & CONDENSERS		
Point Set, "New Style" Distributor #41630	1	8202
Condenser, "New Style" Distributor #41630	1	8205
Points & Condenser, "Early Style"		
Distributor, 4 & 6 cyl.	1	7500
Point Set, Series I - 1955	1	296
Condenser Series I - 1955	1	RTC3472
Points, 2.6, "New Style" Lucas 41631	1	8202
Condenser, 2.6 "New Style" Lucas 4163	1	8205
Points, Ducellier 1980 on or Replacement	1	1584
Condenser, Ducellier 1980 on or Replacement	1	1585
SPARK PLUGS		
7:1 Ratio Engines, through 1967	4	2031
8:1 Ratio Engines, 1968 on	4	ETC6437
2.6 Litre, 1966 on	6	2031
IGNITION WIRE SETS		
Ignition Wires, Push in Type, Silicone 4 cylinder	1	6825
IGNITION COIL		
All, push-in type	1	6803
ELECTRONIC IGNITION UNITS		
Electronic Ignition Kit, Distributor 41630	1	7266
Electronic Ignition Kit, 25D (round cap)	1	6660
Electronic Ignition Kit, 2.6 Litre	1	*NLA 6661
Electronic Ignition Kit, V8 - all	1	*NLA 6662
These units come with all of the parts & instructions you need to be rid of ignition points forever.		
TUNE-UP KITS*		
→ "NEW STYLE" DISTRIBUTOR, 2032 PLUGS (LUCAS 41630 DISR.)	KIT	3171
→ "OLD STYLE" DISTRIBUTOR, 2032 PLUGS - 1968 ON	KIT	3169
→ "OLD STYLE" DISTRIBUTOR, 2031 PLUGS - TO 1968	KIT	3170
→ DUCCELLIER DISTRIBUTOR	KIT	3174
*All kits include Points, Plugs, Rotor, Distributor Cap, Wires, Condenser.		
*See distributor description at top of this page.		
*NLA = No longer available.		
Some items in this section may be available on a special order basis or phone-order only. Please call for pricing and availability.		



ALTERNATOR

Ref #	Description	Qty	Part #
	ALTERNATOR ASSEMBLY (REBUILT), 12V, 36 AMP	1	6886
not shown	Voltage Regulator, Suffix "B"	1	7013
not shown	Rear Plug	1	*NLA 7627
not shown	Slip Ring	1	*NLA 7628
1	Bearing, Front or Rear	2	5653
2	Rectifier	1	6889
4	Brushes, Set	1	7559
5	Fan	1	6887
6	Pulley	1	6888
7	Mounting Bracket	1	6688
8	Adjusting Arm	1	6689

*NLA = No longer available.



GENERATOR

Ref #	Description	Qty	Part #
	Please check your generator casing for generator type before ordering parts:		
1	2 LITRE & 2-1/4 LITRE, SERIES I, II & IIA PETROL & DIESEL REBUILT TYPE C40, WITHOUT PULLEY OR FAN	1	5697
	6 Cylinder, Series IIA, Rebuilt type C42	1	*NLA 6080
3	Bush, Commutator End	1	600
	Bush, Commutator end - C42	1	6075
4	Brushes, C39	1	4015
	Brushes, C40	1	2026
	Brushes, C42	1	3004
5	Spring Set, C40	1	1935
6	Ball Bearing, Front	1	5653
7	Field Coil	1	1527
8	Adjusting Link-Straight	1	6689
9	Spring Washer	1	5690
10	Special Nut	1	*NLA 1306
11	Pulley Only	1	*NLA 1565
12	Adjusting Link	1	6084
not shown	Voltage Regulator (on Firewall)	1	1575

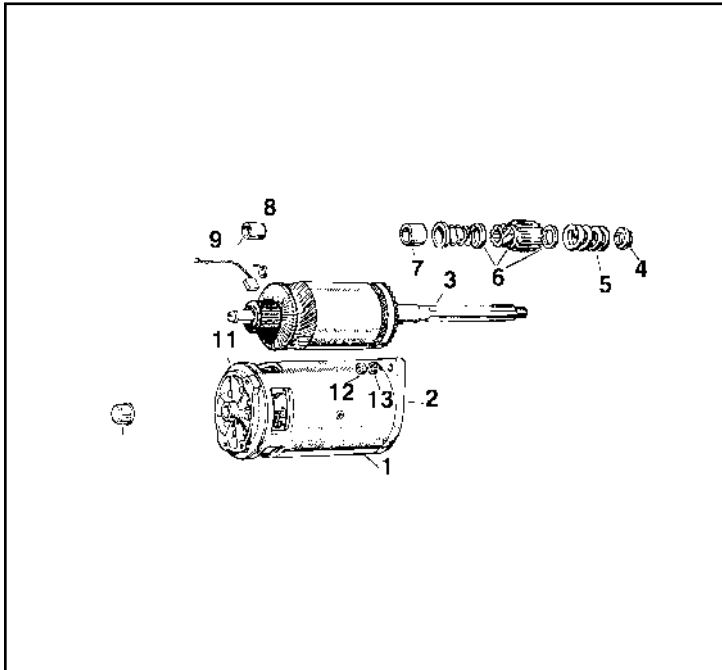
C39 type generator is commonly used on Series I, II & IIA through vehicle suffix C.

C40 Type generator is commonly used on Series IIA, 4 cylinder models.

C42 type generator is used on 6 cylinder models.

*NLA = No longer available.

HEATING & COOLING SYSTEM



STARTER MOTOR

Ref #	Description	Qty	Part #
1	SERIES I, (1955-58), II, IIA, III 4 & 6 CYLINDER, REBUILT	1	161
1	SERIES I, II & IIA DIESEL, REBUILT	1	2090
2	Bracket, Drive end	1	*NLA 1463
3	Armature for 161	1	164
3	Armature for 160	1	3071
4	Nut for Pinion	1	*NLA 1995
5	Large Pinion Spring (all petrol)	1	298
6	Pinion & Sleeve	1	*NLA 738
6	Pinion & Sleeve, Diesel	1	*NLA 2047
7	Bush, Pinion end	1	2025
not shown	Bush Kit Pet. Starter	1	2002
8	Bush, Commutator end - all	1	2001
9	Spring Set (M418G)	1	*NLA 5482
	Brush & Spring Set (2M100)	1	3072
	Brush & Spring Set (Diesel)	1	1934
11	Bracket, Commutator (end)	1	1461
12	Nut, 3/8 UNF	2	1502
13	Spring Washer	2	3096
not shown	Sundry Parts Kit	1	1465
not shown	Cup for Armature	1	7588
not shown	Circlip for Shaft	1	7587
not shown	Retaining Kit for Pinion (M418G)	1	739
not shown	Retaining Kit for Pinion (2M100)	1	3101
not shown	Bolt Fixing Starter	2	*NLA 2911
not shown	Self Locking Nut for Bolt	2	1389
not shown	Flywheel Ring Gear	1	69
not shown	STARTER SOLENOID PETROL* 1 5791		
not shown	STARTER SOLENOID, DIESEL 1 1898		

*Solenoid Mounted on Firewall for Suffix "D" on 4-6 cylinder & Series III.

***NLA = No longer available.**

Description

Qty

Part

RADIATOR

RADIATOR ASSEMBLY, ALL	1	6377
(Requires use of latest style Radiator hoses '69 on)		
Radiator Cap, Two Ear type, 9 lb	1	5741
Radiator Drain Tap	1	4067
Radiator Plug	1	5600
Chain for Filler Cap	1	211
Cap, Radiator Overflow bottle	1	6372
Flushing T	1	8196
Hose Clamp, Radiator (2 per hose)	6	6271

HOSES

	TOP	BOTTOM	INTER
Hose, Radiator, 2-1/4 Petrol '69 on	5979	5978	1564
Hose, Radiator, 2-1/4 '61-'68	1229	1350	1564
Hose, Radiator, 2-1/4 '58-'60	848	*NLA 761	1564
Hose, Radiator, 2 Litre '53-'58	53	71	70
Hose, Radiator, 2.6 Litre, all	*NLA 7601	5946	588
Hose Clamp, Stainless Steel, (2 per hose)	6271	6271	6271

HEATER PARTS

HEATER CORE, 1968 ON	1	3611
Heater Blower Motor, '68 on	1	*NLA 7508
Heat Control Valve, Series III	1	7614
(to fit IIA, need part #7615 & #7616)		
Fitting, Heater Valve to Block	1	7615
Compressible Washer, Seals 7615	1	7616
Heater Hose Clamps	as needed	7613
Intake Grill, IIA & III, Side Mounted	1	5988
Switch, 3 position Toggle	1	5650
Heater Hose Fitting Series III, Rear of Cylinder Head	1	7618
Heater Hose Fitting, Metric Thread, Rear of Cylinder Head	1	*NLA 7627
Cable Clamp, Inner Cable, Heater Valve	1	356
Foam Seal Heater Towing	1	4906

DEFROSTER HOSE

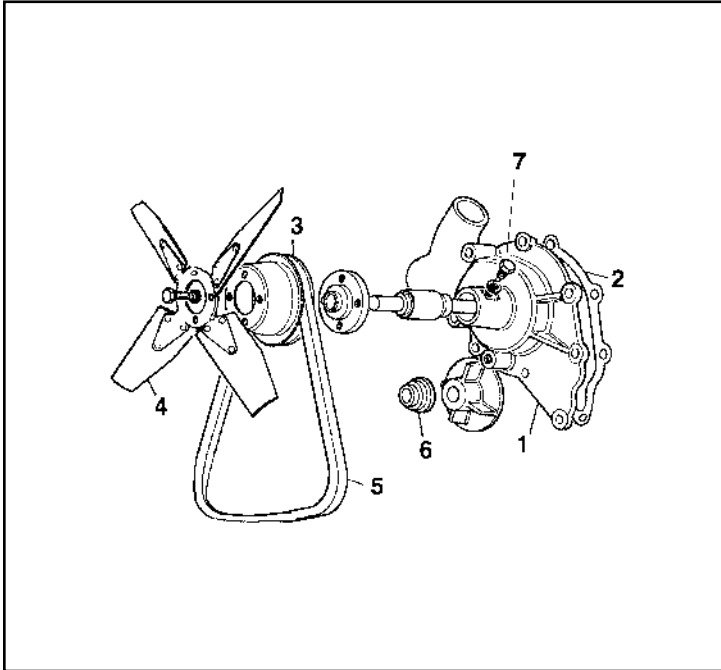
Flexible Hose, Fresh Air Intake, Side, '68 on	1	*NLA 7617
Defroster Hose, 6' x 1-1/4"	1	3013
Defroster Hose, 6' x 1-1/2"	1	3014
Defroster Hose, 6' x 2"	1	3020
Flexible Hose, Fresh Air, Intake, Front, 6' x 4-1/2"	1	*NLA 3016
Flexible Hose, Kodiak, 3.5" - 6'	1	7619

HEATER HOSE, IIA, '68 on

Hose, "L" Shape, Connects Hose at Left Rear Corner	1	*NLA 7607
Hose Clamps	as needed	7613

HEATER HOSES, SERIES III

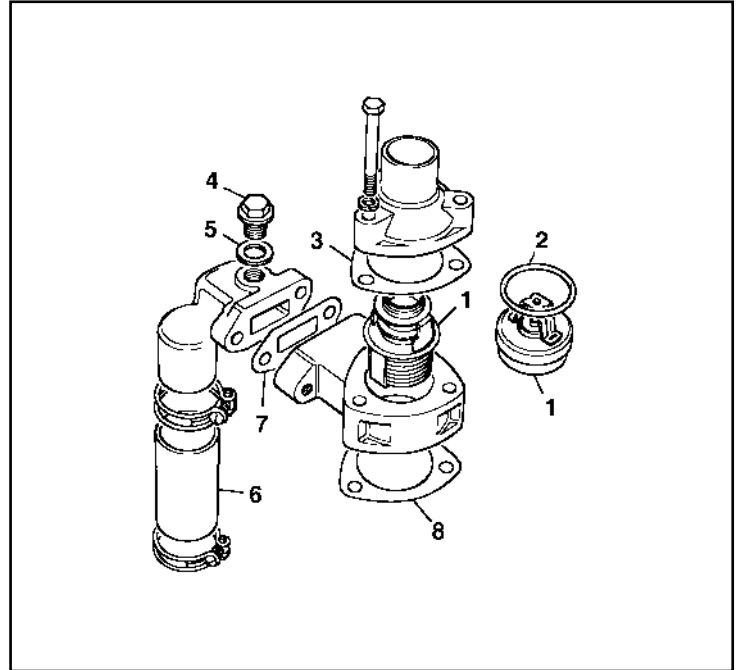
Hose, Into and out of Heater Unit	2	7610
Hose, Tapered at Valve	1	7611
Hose, "L" shape, Pipe to Block, Left front Corner	1	7612
Hose Clamps	as needed	7613



WATERPUMP

Ref #	Description	Qty	Part #
1	WATERPUMP, 2-1/4 IIA & III, PETROL & DIESEL	1	1820
1	Waterpump, 2.6 Litre European	1	5862
2	Waterpump Gasket, 2-1/4 Series II, Petrol & Diesel	1	123
2	Waterpump Gasket, 2-1/4 Series IIA & III	1	5186
3	Fan Pulley	1	283
4	Fan, 4 Blade 1 5372		
5	Fan Belt, Series IIA & III, 1961-on	1	5472
5	Fan Belt, Series I & II (53-58)	1	*NLA 144
5	Fan Belt, Series II 2-1/4 (58-61)	1	175
5	Fan Belt, Series II, Litre Diesel (58-61)	1	175
5	Fan Belt, Series IIA, 6 cyl.	1	7604
6	Carbon Ring	1	358
7	Set Bolt for Bearing	1	5953
→	WATERPUMP OVERHAUL KIT FOR PETROL & DIESEL, II, IIA & III	KIT	118

***NLA = No longer available.**

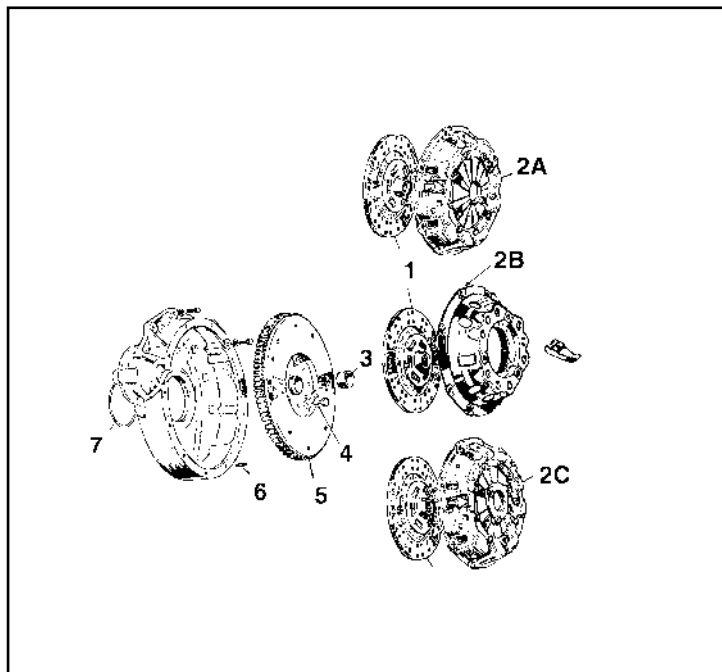


THERMOSTAT HOUSING

Ref #	Description	Qty	Part #
1	Thermostat, Series I & II, 2 Litre Petrol 165o	1	5755
1	Thermostat, Series II, 2-1/4 (58-60)	1	*NLA 1347
1	Thermostat, Series II, 2 1/4 Petrol thru Suf. "C" 165°F	1	5755
1	Thermostat, Series II, 2 Litre Diesel	1	*NLA 1347
1	Thermostat, Series IIA & III, 6 Cylinders, 165o	1	5755
1	Thermostat, Series IIA, Suffix "D" Series III 165°F / 74°C Summer 180°F / 82°C All Year - Winter	1	7194
	Vehicles which can use 5755: Additional Alternatives		
1	Thermostat, 180°	1	*NLA 5753
1	Thermostat, 195°	1	*NLA 5754
2	O Ring using 1347 Thermostat O Ring, using 7194 & 8140	1	5137
1	Thermostat	1	6504
3	Thick Paper Gasket used as upper gasket on Series II Petrol & Diesel, 1961 only, Series IIA & III Petrol & Diesel, 1961 on	1	2067
4	Plug	1	1802
5	Joint Washer, Plug	1	1391
6	Intermediate Hose	1	1564
7	Joint Washer, Bypass	1	213
8	Thin Paper Gasket used as lower on Series II, 2 Litre Diesel, 1961 and Series IIA & III Petrol & Diesel	1	1448
8	Thin Paper Gasket used as only Gasket on Series I Petrol, Series II Petrol & Diesel (58-60)	2	1448
not shown	Gasket, 6 cylinder European & NADA	1	6402

CLUTCH - HYDRAULICS

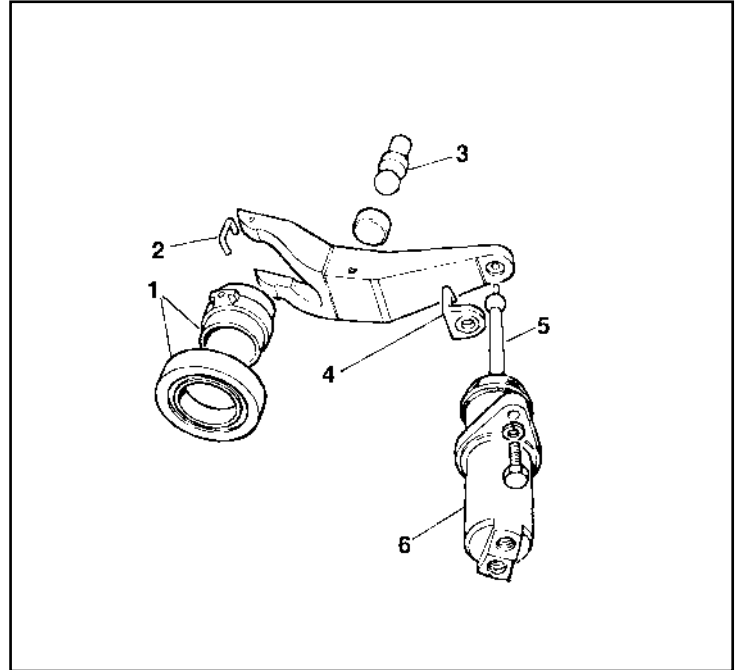
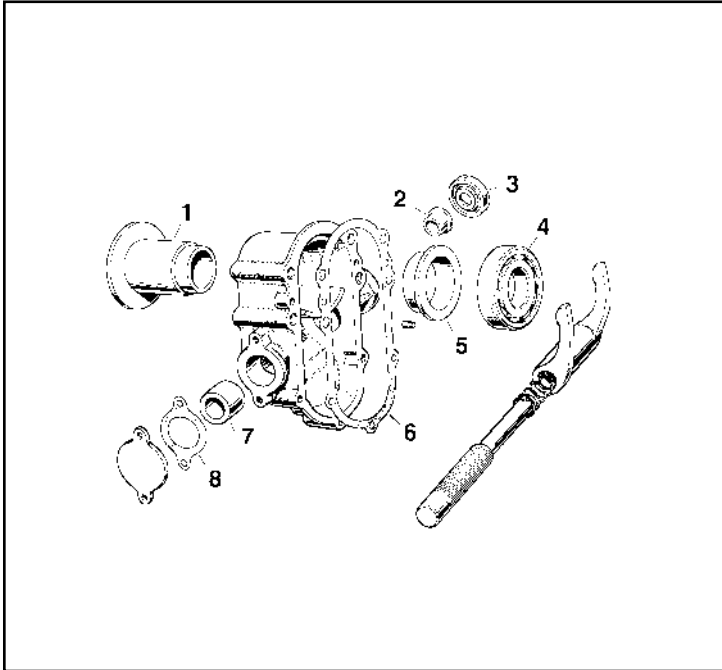
Description	Qty	Part #
CLUTCH MASTER CYLINDERS		
Master Cylinder, Clutch, Shared Reservoir with Brakes Series II & IIA, Non-Girling	1	5737
Master Cylinder - Clutch Shared Reservoir with Brakes Series II & IIA - Girling	1	5738
Master Cylinder, Built-in Reservoir used IIA w/ Power Brakes & all Series III - Non-Girling	1	*NLA 6821
Master Cylinder, Built-in Reservoir IIA with Pwr Brakes & all Series III - Girling	1	6822
Cap for M C with Built-in Reservoir	1	6018
→ SEAL KIT FOR REBUILDING ALL ABOVE	KIT	1945
CLUTCH SLAVE CYLINDERS & PARTS		
Slave Cylinder, II & IIA	1	1999
Push Rod for II & IIA Slave Cylinder	1	1826
Clevis for Slave Cylinder Push Rod	1	6248
Clevis Pin for 6248	1	5887
Cotter Pin for Clevis Pin 5887	1	6871
Bleed Screw	1	5798
Seal Kit to Rebuild Slave Cylinder	1	1957
Slave Cylinder, Series III	1	6751
Push Rod for Slave Cylinder #6751	1	2897
→ SEAL KIT TO REBUILD SLAVE CYLINDER	KIT	1957
RESERVOIR & PIPES		
SERIES II & IIA PIPES		
Reservoir Clutch/Brake Combined (plastic)	1	*NLA 5898
Adaptor - Clutch Pipe to Master Cylinder (3/16" to 1/4")	1	6048
Steel Pipe Reservoir to Clutch Master (LH)	1	5654
Steel Pipe, 3/16" Clutch Master to Hose (LH)	1	*NLA 5656
Steel Pipe, 1/4" Clutch Master to Hose (LH)	1	*NLA 6047
Hose - Flexible for Slave - 15 1/2"	1	77
Cap, Reservoir	1	6018
Clutch Hose 1/4"	1	6897
SERIES III PIPES		
Steel Pipe, Lower, Master Cylinder to Slave	1	6882
Steel Pipe, Upper, Master Cylinder to Slave	1	6896
Hose - Flexible to Slave - 10 1/4"	1	6898
Steel Pipe, Bleed Screw from Slave	1	6752
Bleed Screw	1	5798
BRAKE FLUID		
Due to the higher natural rubber content of British Hydraulic Seals, we recommend that only Castrol LMA Fluid be used. Other Fluids may dissolve your seals.		
Castrol Fluid - 12 oz. Can	as needed	2501
Castrol Fluid - Quart Can	as needed	2521
CLUTCH, MISCELLANEOUS		
Clutch Aligning Tool (plastic)	1	*NLA 2848
Pedal Cover, Clutch/Brake	2	2802
Pedal Return Spring, 3"	1	6542
Pedal Return Spring, 4"	1	5876
Oil Seal Primary Pinion, Series III	1	6709
CROSS SHAFT PARTS		
Connecting tube for Cross Shaft	1	1515
Pin for Cross Shaft	1	3078
Bushing for Cross Shaft	2	827
Felt Ring for Bushing	2	476
Copper Washer for #77 Hose	1	233220



CLUTCH, PLATE & BELL HOUSING

Ref #	Description	Qty	Part #
1	Clutch Disc, 9-1/2" - all	1	5387
1	Clutch Disc, 9" early, using 4074 pressure plate	1	393
2A	Pressure Plate, Series III	1	6827
2B	Pressure Plate, Series I, II, IIA - 9" Clutch (3 finger type) 1 4074	1	6827
2C	Pressure Plate, Series I, II, IIA 9-1/2" Clutch (diaphragm type)	1	5427
not shown	Clutch Aligning Tool	1	*NLA 2848
3	Bush, Primary Pinion	1	8
not shown	Dowel Locating Clutch Cover	2	1310
4	Special Bolt, Flywheel to Crankshaft	8	1468
5	Ring Gear	1	69
6	Stud, Flywheel Housing to Bell Housing	12	1816
7	Sealing Ring, Flywheel Housing	1	442
not shown	Grommet, Bell Housing		
	Clutch Withdrawal Shaft (I, II, IIA)	1	6368
not shown	Grommet, Left Hand Side, Early models	1	6373
not shown	Bellhousing Stud	as needed	1816
not shown	Nut, Bellhousing Stud	as needed	2912
not shown	Dowel, Locating, Flywheel	2	192
not shown	Bolt 3/8" Bellhousing		2912
→	CLUTCH KIT SERIES III	KIT	5380
→	CLUTCH KIT SERIES IIA	KIT	5381
→	CLUTCH KIT SERIES II/IIA 9"	KIT	5382

*NLA = No longer available.



CLUTCH RELEASE, SERIES IIA

Ref #	Description	Qty	Part #
1	Clutch Withdrawal Sleeve	1	6312
2	Bush for Cross Shaft, small	1	*NLA
3	Oil Seal	1	200
4	Withdrawal Thrust Bearing	1	285
5	Bush for Withdrawal race sleeve	1	*NLA 499
6	Joint washer, Suffix "A"	1	*NLA 450
6	Joint washer, Suffix "B" on	1	*NLA 280
7	Bush for Cross shaft, large	1	*NLA
8	Joint washer	1	835
not shown	Boot - Cross Shaft	1	6368

CLUTCH RELEASE, SERIES III

Ref #	Description	Qty	Part #
1	Throw out Bearing	1	7089
2	Fixing staple		
	(should be changed w/bearing)	1	7084
3	Pivot Pin for Clutch Release	1	3779
4	Slave Cylinder Push Rod clip	1	3753
5	Slave Cylinder Push Rod	1	2897
6	Slave Cylinder	1	6751
→	SLAVE CYLINDER REBUILDING KIT	KIT	1957

*NLA = No longer available.

Description Qty Part #

Fairey Overdrive 1 *NLA 2839

Unfortunately, the legendary Fairey Overdrives are out of manufacture once again until further notice. Built specifically for Land Rover Series engines, the Fairey Overdrive bolts onto the PTO in your transfer case to provide both better high-end and low-end RPM performance (and reduced wear and tear on your engine) as well as improved speed and fuel economy.



*NLA = No longer available.

TRANSMISSION & TRANSFER BOX

Description Qty Part #

TRANSMISSION

SERIES IIA TRANSMISSION & TRANSFER CASE-REBUILT	1	3812
SERIES IIA TRANSMISSION ONLY - REBUILT	1	3812A
SERIES III TRANSMISSION & TRANSFER CASE-REBUILT	1	3813
SERIES III TRANSMISSION ONLY - REBUILT	1	3813A

TRANSMISSION MOUNTS

Transmission Mount - Petrol 4 & 6	2	1566
Transmission Mount - all Diesel	2	5765

TRANSMISSION & TRANSFER CASE

GASKETS & SEALS

GASKETS

→ GASKET SET, SERIES I, II, IIA, III	KIT	5182
Gasket, Transfer Case, Bottom Cover	1	819
Gasket PTO Plate (where O.D. mounts)	1	7102
Compression washer for Drain Plug	1	1293
Joint Washer, Cover Plate Transfer Box	1	1376
Joint Washer, Cover Plate - all	1	1381

O RINGS

O Ring - Gear Change Lever	1	4049
O Ring - Seal for Shaft Front Output	1	1986
O Ring - For High Range Pin #7157	1	4053
O Ring - Suffix A Transfer Box Pinion	1	569
O Ring - Suffix B on Transfer Box Pinion	1	5494
O Ring - Forward Selector Shafts	2	1412
O Ring - Reverse Selector Shaft	1	1413

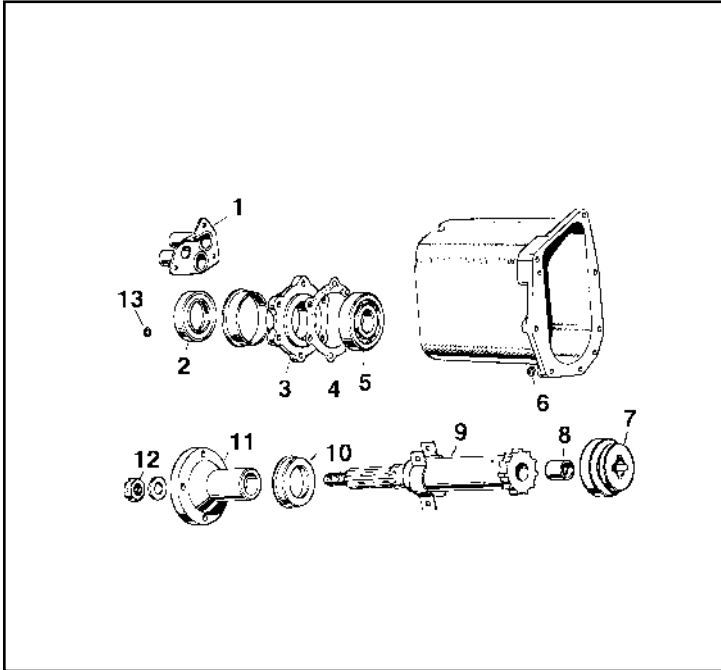
SEALS

Oil Seal Primary Pinion III	1	6709
Oil Seal Transmission to Transfer Case	1	12
Oil Seal Front & Rear output Shaft Transfer Case	2	13
Oil Seal Speedometer Pinion	1	796

TRANSMISSION TRANSFER CASE OIL PLUGS

Gearbox & Transfer Case Drain Plug	2	807
Compression Washer for 807	2	1293
Oil Plug - Transmission "B": on, 1/2" BSP	1	897
Oil Plug - Transmission "A": 3/8" BSP	1	5923

Transmission

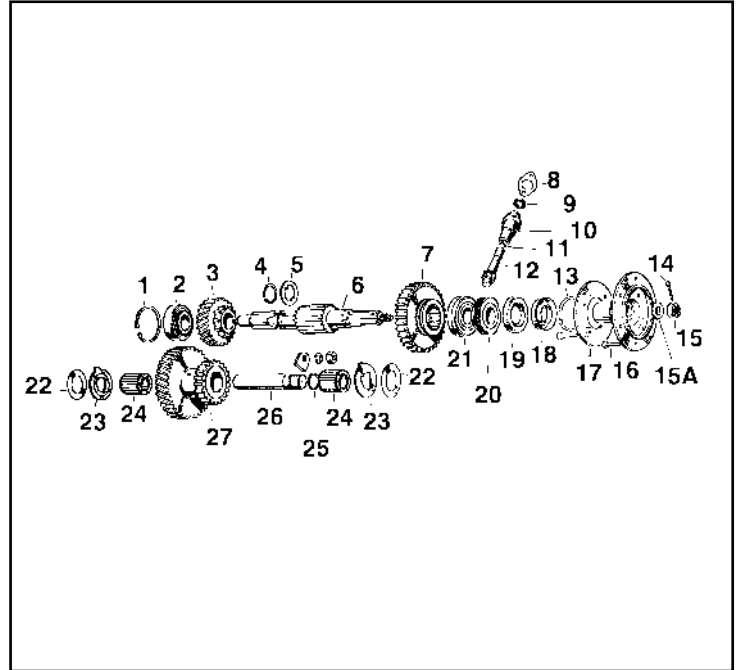


FRONT OUTPUT SHAFT ASSEMBLY

Ref #	Description	Qty	Part #
1	Dust Cover Plate	1	*NLA 1533
2	Oil Seal	1	13
3	Retainer, Oil seal	1	*NLA 1438
4	Joint Washer	1	1430
5	Bearing, Front Output Shaft	1	290
6	Spring Washer	7	5690
7	Locking Dog	1	6355
8	Bush for Shaft	1	8
9	Front Output Shaft Assembly	1	6354
10	Mudshield	1	*NLA 1433
11	Flange, Transfer Shaft	1	324
12	Slotted Nut	1	183
13	Spring Washer	6	5690

*NLA = No longer available.

Some items in this section may be available on a special order basis or phone-order only. Please call for pricing and availability.

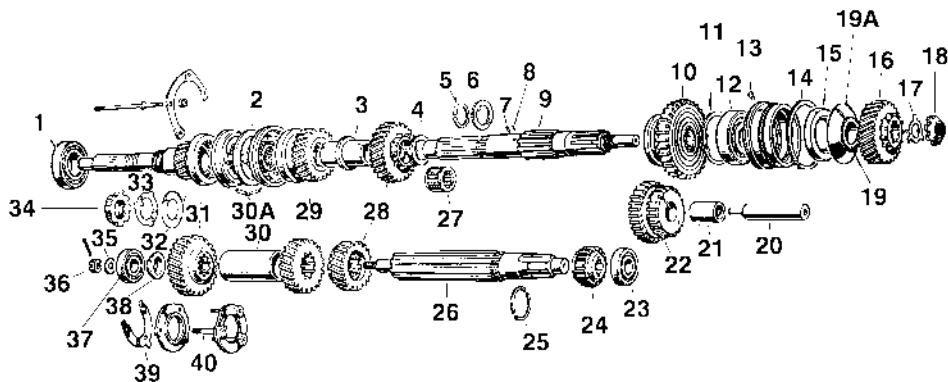


TRANSFER BOX COMPONENTS

Ref #	Description	Qty	Part #
1	Circlip	1	1285
2	Bearing, Output Shaft	1	260
3	High Gear Wheel	1	6236
4	Circlip	1	570
5	Thrust Washer	1	498
6	Output Shaft	1	6353
7	Low Gear Wheel up to Suffix "B"	1	6238
7	Low Gear Wheel Suffix "C" on	1	6240
8	Joint Washer for Sleeve	1	573
9	Oil Seal - Pinion	1	796
11	Sealing Ring for Sleeve	1	569
12	Speedometer Pinion	1	6249
13	Circlip	1	1352
14	Cotter Pin	1	5229
15	Nut	1	183
15A	Washer	1	216
16	Bolt, Brake Drum	6	1353
not shown	Dowel for Flange	2	1326
17	Retaining Flange	1	1354
18	Mudshield	1	*NLA 1433
19	Oil Seal, Output Shaft	1	13
20	Speedometer Worm	1	6352
21	Bearing, Output Shaft	1	261
22	Shim, Intermediate Gear "A"	as required	568
22	Shim, Intermediate Gear "B" on	as required	5799
23	Thrust Washer	2	*NLA 567
23	Thrust Washer, "B" on	2	5410
24	Bearing, Roller	2	*NLA 822
24	Bearing, Roller "B" on	2	2027
25	Sealing Ring, Intermediate Shaft	1	569
25	Sealing Ring, "B" on	1	5494
26	Shaft, Intermediate Gear 1 1/8 Diameter	1	1858
26	Shaft, Intermediate Gear, 1 5/8 Dia	1	5411
27	Gear, Intermediate, Suffix "A"	1	*NLA 6237
27	Gear, Intermediate, Suffix "B"	1	*NLA 6243
27	Gear, Intermediate, Suffix "C"	1	*NLA 6244



Transmission

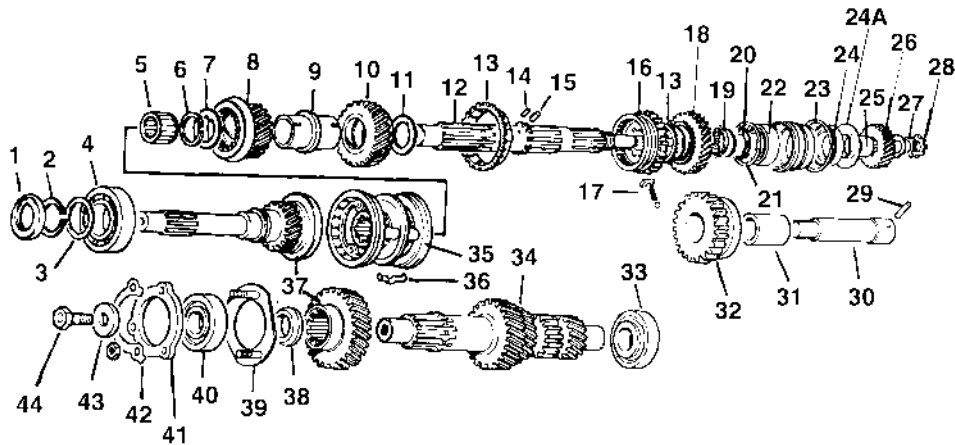


TRANSMISSION COMPONENTS, SERIES I, II, IIA

Ref #	Description	Qty	Part #	Ref #	Description	Qty	Part #
1	Bearing, Primary Pinion	1	287	24	1st Speed Layshaft Gear, Suffix "C" on	1	6135
2	Synchronizing Clutch, 3rd & 4th Gear	1	6021	25	Split Ring, Through Suffix "C"	1	492
3	Distance Sleeve	1	1179	26	Layshaft, Suffix "A"	1	6116
4	Thrust Washer, .125	as required	6230	26	Layshaft, Suffix "B & C"	1	6140
4	Thrust Washer, .128	as required	6231	26	Layshaft, Suffix "D" on	1	6145
4	Thrust Washer, .130	as required	6232	27	Bearing, Front of Main Shaft	1	180
4	Thrust Washer, .135	as required	6233	28	2nd Speed Layshaft & Mainshaft Gear to Suffix "C"	1	6239
5	Spring Ring	1	561	28	2nd Speed Layshaft & Mainshaft Gear, Suffix "D" on	1	6147
6	Thrust Washer, .125	as required	557	29	3rd Speed Layshaft & Mainshaft Gear	1	6240
6	Thrust Washer, .128	as required	*NLA 558	not shown	Thrust Washer for Third Speed .135	1	560
6	Thrust Washer, .130	as required	559	30	Sleeve for Layshaft	1	5175
6	Thrust Washer, .135	as required	560	30A	Detent Spring	3	564
7	Peg	1	460	31	Primary Pinion & Constant Gear up to "B"	1	*NLA 6242
8	Peg	1	615	31	Primary Pinion & Constant Gear from "C" on	1	6245
9	Main Shaft	1	6241	32	Shield for Primary Pinion	1	*NLA 2092
10	1st Speed Mainshaft Gear	1	6234	33	Locker	1	550
10	1st Speed Mainshaft Gear, Suffix "C" on	1	6136	34	Locknut	1	4048
11	Circlip	1	1411	35	Washer, Front of Layshaft, Suffix "A"	1	4038
12	Bearing, Rear - Mainshaft	1	396	35	Washer, Front of Layshaft, Suffix "B" on	1	5595
	Peg housing to casing	1	461	36	Nut, Front of Layshaft, Suffix "A"	1	1294
14	Circlip	1	*NLA 1296	36	Nut, Front of Layshaft, Suffix "B" on	1	5594
15	Oil Seal, Rear Mainshaft	1	12	37	Bearing, Front Layshaft, Suffix "A"	1	288
16	Mainshaft Gear for Transfer Box	1	6519	37	Bearing, Front Layshaft, Suffix "B"	1	5537
17	Locker	1	565	38	Distance Piece, .332, Suffix "A"	1	6436
18	Nut	1	*NLA 1849	38	Distance Piece, .352, Suffix "A"	1	6437
19	Distance Piece Rear of Mainshaft	1	5321	38	Distance Piece, .405, Suffix "B"	1	6438
19A	Oil Thrower	1	1261	38	Distance Piece, .425, Suffix "B"	1	6439
20	Shaft, Reverse Gear, Late type	1	5575	38	Distance Piece, .445, Suffix "B"	1	6141
21	Bush, Reverse Wheel	1	5604	39	Locker Plate, Suffix "A"	1	563
22	Reverse Wheel Assembly, up to Suffix "B"	1	6235	39	Locker Plate, Suffix "B" on	1	5970
22	Reverse Wheel Assembly, Suffix "C" on	1	6362	40	Stud, Bearing cap	3	1341
23	Bearing, Layshaft Rear	1	289				
24	1st Speed Layshaft Gear, up to Suffix "B"	1	6125				

*NLA = No longer available.

Transmission



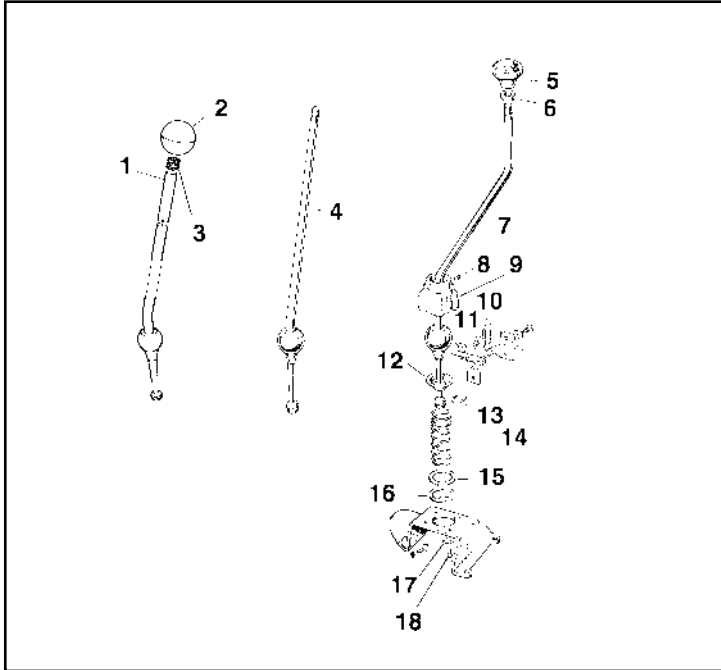
TRANSMISSION COMPONENTS, SERIES III

Ref #	Description	Qty	Part #	Ref #	Description	Qty	Part #
1	Oil Seal, Primary Pinion	1	6709	24	Oil Seal, Transmission to Transfer Case	1	12
2	Circlip	1	1578	24A	Oil Thrower	1	1261
3	Shim, Front, 2.00 mm	as needed	6710	24A	Oil Thrower (from vehicle #3611752)	1	*NLA 1262
3	Shim, Front, 2.05 mm	as needed	6711	25	Distance Piece	1	5321
3	Shim, Front, 2.10mm	as needed	6712	26	Output Gear	1	6519
3	Shim, Front, 2.15mm	as needed	*NLA 6713	27	Locker, Output Gear	1	565
4	Bearing, Primary Pinion through "B"	1	*NLA 6242	28	Nut, Rear of Mainshaft	1	*NLA 1849
4	Bearing, Primary Pinion "C" on	1	287	29	Pin, Reverse Shaft	1	6759
5	Bearing, Front Mainshaft	1	180	30	Shaft, Reverse Gear	1	8017
6	Fixing Ring, 2nd & 3rd Gear	1	561	31	Bush, Reverse Gear	1	5604
7	Thrust Washer, 3rd Speed, .125"	as needed	557	32	Reverse Gear (includes bush)	1	8011
7	Thrust Washer, 3rd Speed, .128"	as needed	*NLA 558	33	Rear Bearing, Layshaft	1	289
7	Thrust Washer, 3rd Speed, .130"	as needed	559	34	Layshaft	1	8016
7	Thrust Washer, 3rd Speed, .135"	as needed	560	35	Synchronizing Clutch Assembly	1	6021
8	3rd Speed Gear	1	8009	36	Spring for Synchronizer	3	564
9	Distance Sleeve, 2nd & 3rd Gear	1	1179	37	Primary Pinions and Constant Gear Set	1	8010
10	2nd Speed Gear	1	8014	38	Distance Piece, .405"	as needed	6438
11	Thrust Washer, 2nd speed, .125"	as needed	6230	38	Distance Piece, .425"	as needed	6439
11	Thrust Washer, 2nd Speed, .128"	as needed	6231	38	Distance Piece, .445"	as needed	6141
11	Thrust Washer, 2nd Speed, .130"	as needed	6232	39	Stud Plate	1	*NLA 1267
11	Thrust Washer, 2nd Speed, .135"	as needed	6233	40	Bearing, Front Layshaft	1	5537
12	Mainshaft	1	7083	41	Retaining Plate, Front Layshaft Bearing	1	1264
13	Synchronizing Rings, 1st & 2nd	2	8012	42	Locker, Front Layshaft Bearing	1	5970
14	Peg, Larger	1	460	43	Washer, Front Layshaft	1	1592
15	Peg, Smaller	1	615	44	Bolt, Front Layshaft	1	1591
16	Reverse Sliding Gear on Mainshaft	1	8015	not shown	Roller Bearing in PTO Plate (rear Mainshaft into Transfer Box)	1	809
17	Block Holding Ball	1	7169	not shown	Transmission & Transfer Case III, Remanufactured	1	3813
17	Spring for Ball	1	6703	not shown	Transmission & Transfer Case IIA, Remanufactured	1	3812
17	Ball for Detent	1	8023	not shown	Transmission III, New-Special Order	1	68
18	First Speed Gear, (includes bush)	1	8013				
19	Bush for First Gear	1	8022				
20	Washer, First Gear	1	6747				
21	Circlip, Rear Bearing	1	1411				
22	Bearing, Rear Mainshaft	1	396				
23	Circlip, Bearing Housing to Casing	1	*NLA 1296				

*NLA = No longer available.



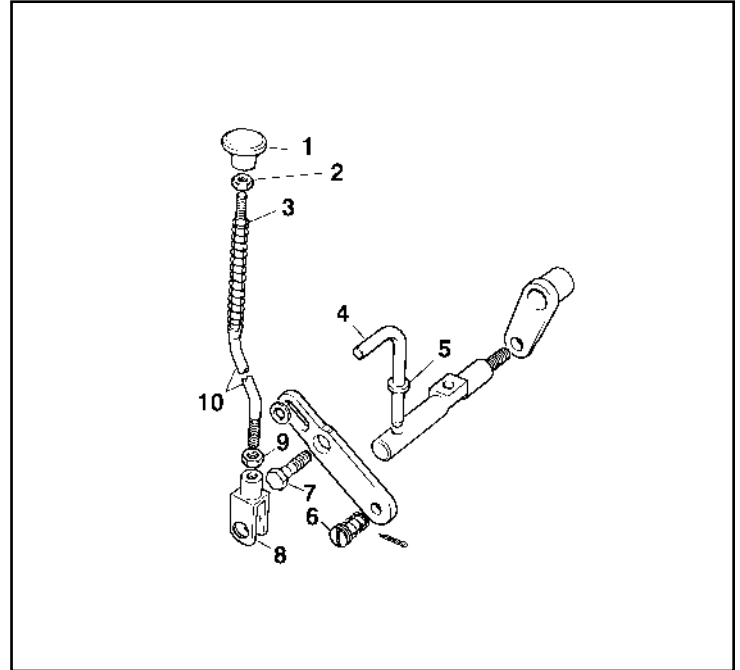
Transmission



MAIN GEARSHIFT LEVER

Ref #	Description	Qty	Part #
1	Main Gearshift Lever, 2-1/4 all, LHD (does not include knob)	1	7144
1	Main Gearshift Lever, 2-1/4 all, RHD (does not include knob)	1	4768
2	Knob for Lever, Sliding	1	2860
3	Tolerance Ring for Knob	1	*NLA 2859
4	Main Gearshift Lever, (2 Litre)	1	*NLA 347
5	Knob, Threaded	1	*NLA 2866
8	Locating Pin for Ball	1	845
9	Housing for Lever	1	1272
10	Spring for Reverse Stop	2	1577
11	Locknut	1	4045
12	Seat for Gear Lever	1	1273
13	O Ring for Gear Change Lever	1	4049
14	Retaining Spring for Lever	1	1274
15	Retaining Plate for Spring	1	3001
16	Circlip for Retainer Plate	1	3002
18	Set Bolt	1	6758
	Transmission Lever Boot	1	6298
→	BOOT & KNOB KIT	KIT	6214
	Includes:		
	1 - #6298 Transmission Boot,		
	1 - #6357 Handbrake Boot,		
	1 - #6299 Transfer Lever Boot,		
	1 - #6213 Transfer Knob (red),		
	1 - #6396 Four Wheel Knob (yellow)		
	1 - #2860 Knob, Gear Shift		

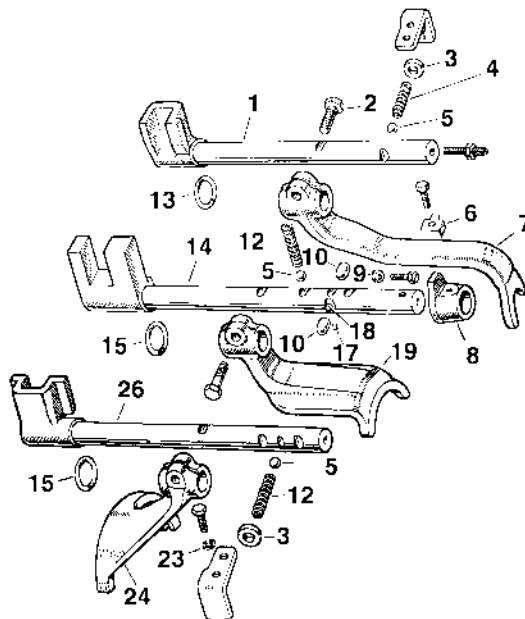
*NLA = No longer available.



TRANSMISSION SELECTOR ROD

Ref #	Description	Qty	Part #
1	Knob, Yellow	1	6396
2	Nut	2	711
3	Spring	1	5817
4	Pin, Forward Pivot Shaft	1	7157
5	O Ring	1	4053
6	Clevis Pin	1	5887
7	Bolt, Four Wheel Drive Lever	1	*NLA 6143
8	Clevis	1	6219
9	Nut	2	711
10	Selector Rod, FWD	1	6146

*NLA = No longer available.



TRANSMISSION ANCILLARY SELECTORS & LEVERS

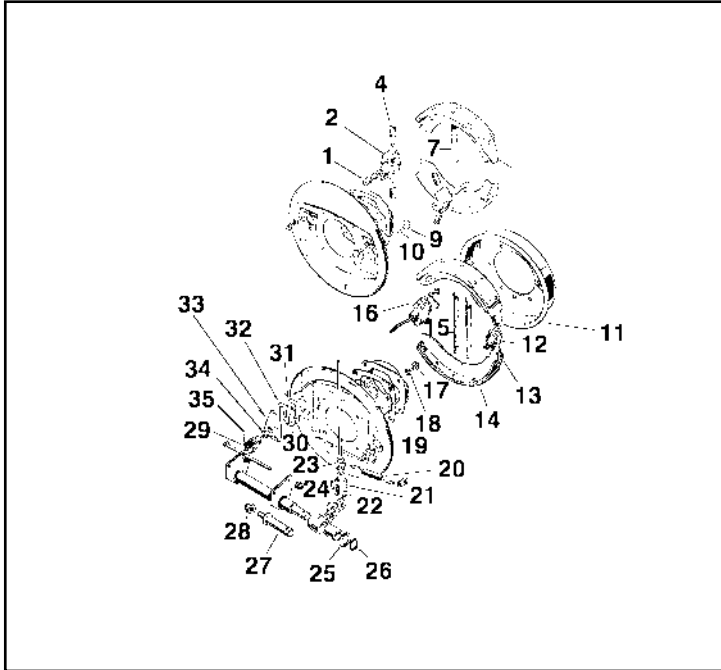
Ref #	Description	Qty	Part #
1	Shaft for Fork, Reverse	1	191
2	Bolt	3	1353
3	Rubber Grommet	2	1362
4	Selector Spring, Reverse	1	797
5	Steel Ball	3	493
6	Locker	1	5688
7	Selector Fork, IIA	1	8191
7	Selector Fork, III	1	8193
8	Stop, Second Speed	1	1334
9	Lock Nut	1	4045
10	Interlocking Plunger	2	5612
12	Selector Spring, Forward	2	*NLA 818
13	Sealing Ring, Reverse	1	1413
14	Shaft Assembly for Fork	1	1342
15	Sealing Ring, Forward Shaft	2	1412
17	Peg Fixing Interlocking Pin	1	5572
18	Interlocking Pin	1	1271

*NLA = No longer available.

Ref #	Description	Qty	Part #
19	Selector Fork, 1st & 2nd Speed, Early Series I	1	6421
19	Selector Fork, 1st & 2nd Speed, Series I, IIA	1	*NLA 8189
19	Selector Fork, 1st & 2nd Speed, Series III	1	8192
23	Spring Washer	4	5690
24	Selector Fork, 3rd & 4th Speed	1	*NLA 1314
26	Shaft for Fork, 3rd & 4th Speed	1	1343

*NLA = No longer available.

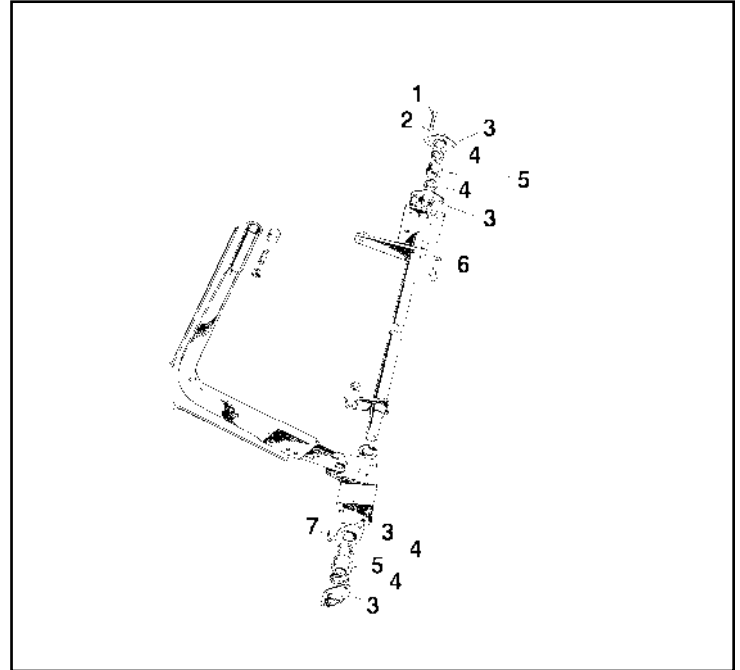
Transmission & Hand Brake



TRANSMISSION BRAKE

Ref #	Description	Qty	Part #
1	Expander Core	1	1374
2	Expander Housing	1	449
4	Plunger, for Expander	2	1373
7	Brake Spring	2	5172
9	Nut	4	1305
10	Spring Washer	4	3096
11	Brake Drum, Transmission Brake	1	1561
12	Adjuster Unit	1	5663
13	Brake Shoes, Pair, Bonded	1	5827
14	Linings, Complete with Rivets	2	*NLA 5170
15	Brake Spring	2	5172
16	Expander Unit Assembly	1	5428
17	Nut, (3/8" BSF)	4	1305
18	Spring Washer	4	3096
19	Nut, (1/4" BSF)	2	1192
20	Return Spring, Brake Rod	1	410
21	Clevis Fork	1	6248
22	Clevis Pin, complete	1	5887
23	Lock Nut, (5/16 UNF)	3	1436
24	Split Pin	2	6871
25	Washer	1	5009
26	Circlip	1	570
27	Shaft, for Relay Lever	1	5008
28	Nut, (3/8" UNF)	1	5005
29	Clevis, Complete	1	6220
30	Locking Plate	1	6589
31	Retaining Spring	1	6590
32	Packing Plate	1	6588
33	Dust Cover	1	5879
35	Split Pin	1	6871

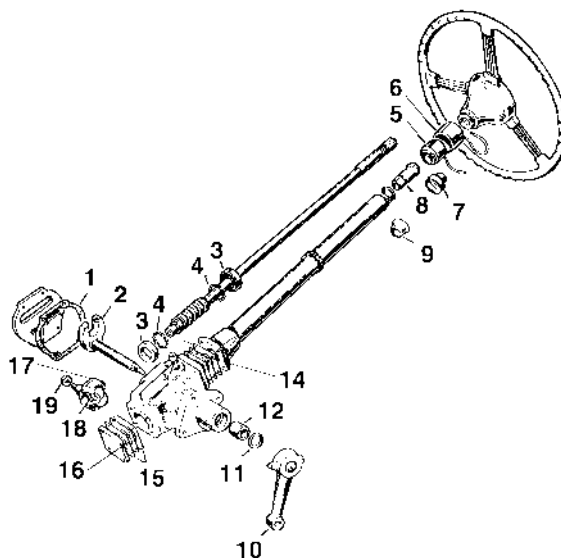
*NLA = No longer available.



HAND BRAKE LEVER

Ref #	Description	Qty	Part #
1	Set Bolt, (5/16" x 7/8)	2	1510
2	Spring Washer	4	5690
3	Housing, Cross Shaft Bearing	4	6431
4	Felt Ring for Bearing	4	476
5	Spherical Bearing for Cross Shaft	2	827
6	Spring Washer	4	3096
7	Distance Piece	2	*NLA 1642
not shown	Rubber Boot, Parking Brake Lever (rectangular Hole)	1	6356

*NLA = No longer available.



STEERING COLUMN

Ref #	Description	Qty	Part #
1	Joint Washer, Side Cover Plate	1	5109
2	Rocker Shaft	1	*NLA 6363
3	Adjustable Ball Race	2	1540
4	Steel Balls for Race	20	593
5	Slip Ring, Complete, for Horn Contact	1	6574
6	Dust Cover & Horn Contact, "C" on	1	6228
5	Dust Cover & Horn Contact to Suffix "B"	1	6349
7	Dust Shield for Inner Column	1	*NLA 1534
8	Bush, Inner Column	1	188
9	Bearing, Inner Column, "C" onwards	1	399
10	Steering Drop Arm	1	*NLA 6342
11	Oil Seal, Rocker Shaft	1	859
12	Bush, Rocker Shaft	1	1644
14	Joint Washer, Steel	as required	1650
14	Joint Washer, Paper	as required	5002
15	Joint Washer, Steel	as required	*NLA 1647
15	Joint Washer, Steel	as required	1650
16	Joint Washer, Steel, .810"	as required	1648
17	Main Nut Assembly, LHSTG	as required	*NLA 1522
18	Steel Ball for Main Nut	12	493
19	Roller for Main Nut	1	1643
→	STEERING BOX KIT	KIT	

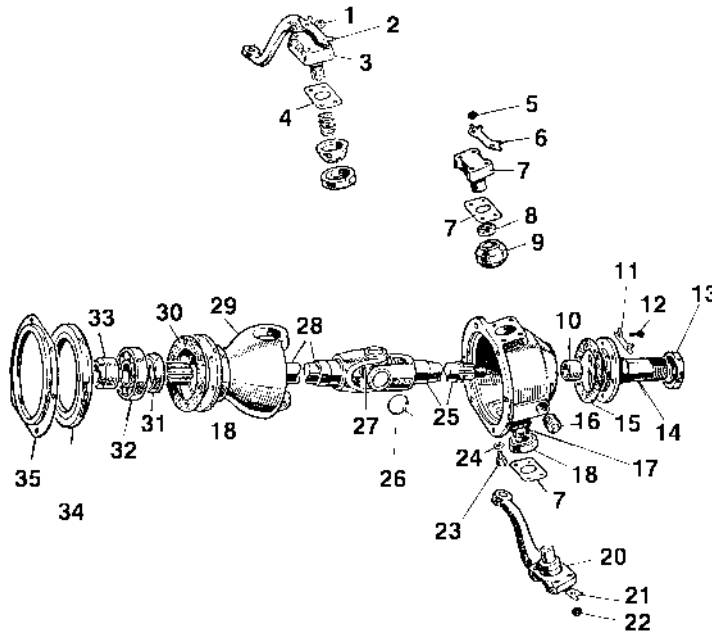
*NLA = No longer available.

Some items in this section may be available on a special order basis or phone-order only. Please call for pricing and availability.

Ref #	Description	Qty	Part #
TIE RODS & ENDS			
TIE ROD ENDS,			
(SOLD IN PAIRS, 1 RH, 1 LH)			
	Tie Rod, Wheel to Wheel (431/8")	3	418
	Tie Rod, Steering Box to Relay	1	6641
	Draglink, Steering Relay to Wheel	1	*NLA 6755
	Dust Boot Tie Rod End	6	6757
	Steering Clamp	6	1423
		6	577898
STEERING RELAY			
(Located in the front Chassis Crossmember)			
STEERING RELAY ASSEMBLY			
	Oil Seal, Top & Bottom	1	6976
	Arm, Top	2	271
	Arm, Bottom	1	5241
	Shaft, for Relay	1	3015
	Distance Piece, for Early Shifts w/removable piece only	1	*NLA 5220
	Gasket, Top & Bottom	2	750
	Ceramic Bushing, in halves	2	5679
	Spring, for Relay	4	*NLA 5366
	Flange	1	857
		1	*NLA 6977
→	STEERING STABILIZER KIT	KIT	7510
Includes:			
	Shock and Mounting Hardware		
	Steering Stabilizer Shock - Regular	1	6497
	Steering Stabilizer Shock - Gas	1	6497B

*NLA = No longer available.

Swivel Balls



FRONT AXLE & SWIVEL HOUSING

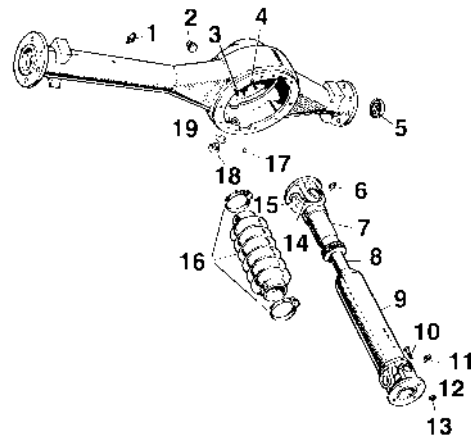
Ref #	Description	Qty	Part #
→	SWIVEL BALL REBUILT KIT COMPL.	KIT	6383
→	GAITER KIT, LEATHER FOR SWIVEL BALLS	KIT	2801
→	SWIVEL PIN REBUILD KIT II & IIA	KIT	4073
→	SWIVEL PIN REBUILD KIT, LATE IIA & III	KIT	4069
2	Locker, 3/8" Studs	8	1254
4	Shim, .003" for 3/8" Studs	as needed	1377
4	Shim, .005" for 3/8" Studs	as needed	1348
4	Shim, .010 for 3/8" Studs	as needed	1349
4	Shim, .030" for 3/8" Studs	as needed	1361
5	Nut, 7/16" BSF for Axles w/ 7/16" Studs	16	*NLA 1302
6	Locker, 7/16" Studs	8	303
6A	Top cap Plate, IIA	2	8241
7	Shim, .003" for 7/16" Studs	as needed	292
7	Shim, .005" for 7/16" Studs	as needed	293
7	Shim, .010 for 7/16" Studs	as needed	294
7	Shim, .030" for 7/16" Studs	as needed	297
8	Thrust Washer / Spacer	2	279
9	Railco Bush	2	443
10	Bush for Driving Shaft, Early Type	2	87
11	Locker	6	41
12	Bolt	6	899
13	Distance Piece, Bearing, Hub Oil Seal	2	1223
14	Stub Axle Assembly	2	7147
15	Joint Washer	2	1967
16	Oil Filler Plug	2	897
17	Special Stud 7/16"	4	304
18	Bearing, Swivel Pin Bottom	2	266
not shown	O Ring, for Steering Lever	2	6028

*NLA = No longer available.

Ref #	Description	Qty	Part #
21	Locker, 7/16" Studs	8	303
22	Nut, 7/16" BSF	16	1302
23	Drain Plug	2	236070
24	Joint Washer, Drain Plug	2	1451
25	Stub Shaft	2	1609
26	Circlip	8	1454
27	Universal Joint	2	286
28	Halfshaft only, RH	1	*NLA 1611
28	Halfshaft only, LH	1	*NLA 1612
29	Housing to Swivel Pin Bearing	2	6380
30	Joint Washer	2	894
31	Distance Piece for Bearing	2	1974
32	Bearing, for Halfshaft	2	91
33	Retaining Collar, for Bearing	2	746
34	Oil Seal, Swivel Ball	2	1419
35	Retainer, Swivel Ball Oil Seal	1	1420

*NLA = No longer available.

Some items in this section may be available on a special order basis or phone-order only. Please call for pricing and availability.



FRONT AXLE & PROPELLER SHAFTS

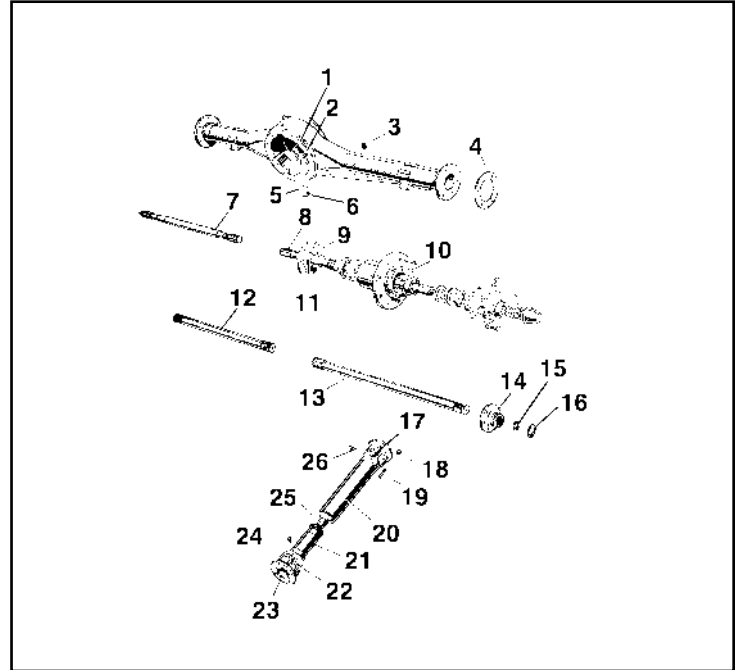
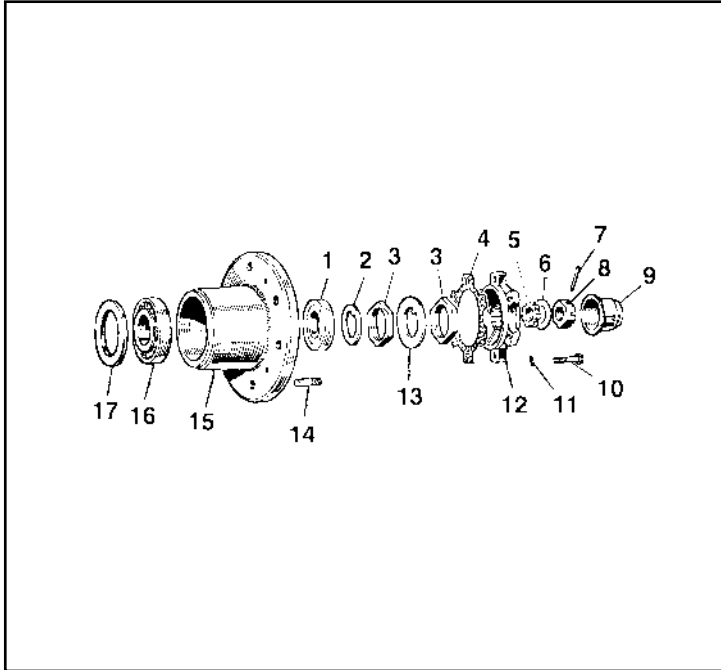
Ref #	Description	Qty	Part #
1	Breather, Axle Casing	1	6524
2	Oil Filler Plug	1	871
3	Special Stud, Short	4	6178
4	Special Stud, Long	6	6179
5	Oil Seal, Axle Casing	2	64
6	Grease Nipple, Shaft Sleeve	1	*NLA 28
7	Propeller Shaft, Female End	1	5436
8	Propeller Shaft, Male End, weld in	1	5579
9	Propeller Shaft Assembly, Front 2-1/4 all	1	3064
9	Propeller Shaft Assembly, Front 2.6 Litre	1	*NLA 5829
10	Bolt	8	2910
not shown	Propeller Shaft 109, Ser III, 4 cyl, 1 ton	1	3062

*NLA = No longer available.

Ref #	Description	Qty	Part #
11	Grease Nipple, Universal Joint	2	*NLA 1425
12	Flange	2	5437
13	Nut, Self Locking	8	1389
14	Universal Joint, Complete 3-7/32, Cap top to Cap top (later)	2	3092
14	Universal Joint, Complete, 2-15/16, Cap top to Cap top	2	286
15	Circlip, Universal Joint	8	1454
16	Rubber Boot Kit	1	1823
17	Locating Dowel	2	1326
18	Drain Plug	1	6607
19	Washer, Drain Plug	1	1293

*NLA = No longer available.

Axles & Hubs



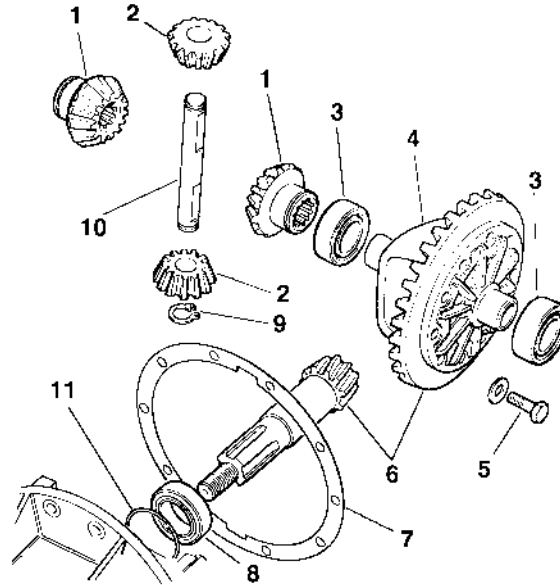
HUB ASSEMBLY FRONT & REAR

Ref #	Description	Qty	Part #
→	FREE WHEELING HUB KIT (2 HUBS)	KIT	2128
→	HUB RESEAL KIT	KIT	330K
	(INCLUDES: 1 EACH #330, #880, #879, #1223 AND #217353)		
1	Bearing, Hub Outer	4	265
2	Key Washer	4	61
3	Special Nut	8	FRC8700
4	Joint Washer	4	879
5	Oil Seal for Stub Shaft	4	880
6	Washer	4	5736
7	Split Pin	4	5229
8	Slotted Nut	4	183
9	Hub Cap	4	415
10	Bolt Member to Front Hub	24	18
11	Spring Washer	24	3096
12	Drive Member, Grease Packed type	4	5891
13	Locker	4	217353
14	Stud for Road Wheel, Serrated Head Type	20	7021
14	Stud for Road Wheel, Series III, Serrated Head Type, Metric Threads.	20	6750
not shown	Lug Nut, Series III, 1 1/16"	20	6738
not shown	Lug Nut, Series IIA 1 1/16"	20	6337
not shown	Lug Nut, Series I, II, IIA 15/16"	20	16
15	Hub Assembly, Metric Threads, (Series III Type, Earlier Style NLS)	4	7201
16	Bearing, Hub, Inner	4	264
17	Oil Seal, Inner Bearing, Rubber	4	330
17	Oil Seal, Inner Bearing, Leather	4	6314
not shown	Hub Nut Socket	1	606435
not shown	Lug Wrench 1-1/6"	1	NTC 7829

*NLA = No longer available.

REAR AXLE & PROPELLER SHAFT

Ref #	Description	Qty	Part #
→	AXLE KIT	KIT	882
	Includes: 1 - #244 Long Axle, 1 - #243 Short Axle, 1 - #881 Fixing Kit		
→	AXLE FIXING KIT	KIT	881
	Includes: 2 - #5229; 2 - #880; 1 - #877; 2 - #879		
1	Special Stud, Long	6	6179
2	Special Stud, Short	4	6178
3	Breather	1	6524
4	Joint Washer, Bearing Sleeve	2	1547
5	Joint Washer, Drain Plug	1	1293
6	Drain Plug	1	6607
7	Axle Shaft, RH (shorter)	1	243
8	Axle Shaft, LH (longer)	1	244
9	Bearing Sleeve	2	*NLA 6285
10	Hub Assembly - See Hub Assembly		
11	Distance Piece for Bearing Sleeve	2	1223
12	Axle Shaft, RH, Env. Type Axle (109 opt)	1	6748
13	Axle Shaft, LH, Env. Type Axle (109 opt)	1	6749
14	Driving Member, Env. Type Axle (109 opt)	2	4900
15	Circlip, Env. Type Axle (109 opt)	2	1236
16	O Ring, Env. Type Axle (109 opt)	2	1231
17	Universal Joint, 2-15/16" Cap to Cap	2	286
18	Nut, Self Locking 3/8" UNF	8	1389
19	Bolt, 3/8" UNF, 1 1/8" long	8	2910
20	Propeller Shaft Assembly, Rear '88	1	5311
20	Propeller Shaft Assembly, Rear 109	1	3038
20	Propeller Shaft Assembly, Rear 109, 2.6 Litre (special order)	1	*NLA 5945
21	Splined Stub Shaft, Female End	1	5436
22	Circlip, For Universal Joints	8	1454
23	Flange	2	5437
24	Grease Nipple, Shaft Sleeve	1	*NLA 28
25	Splined Stub Shaft, Male, Weld-in	1	5579
26	Grease Nipple, Universal Joint	2	*NLA 1425



NEW STYLE DIFFERENTIAL

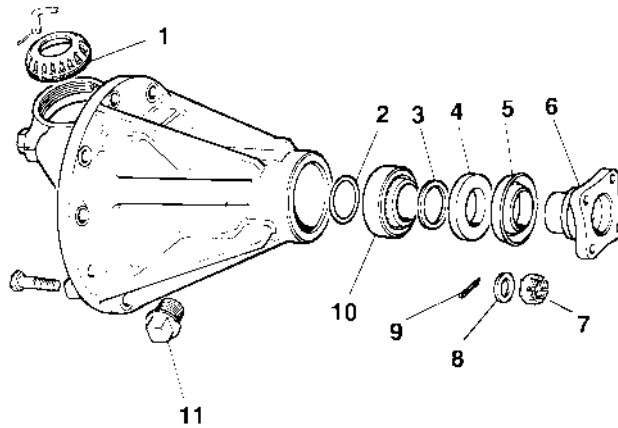
DIFFERENTIAL INTERNAL ASSEMBLY

Ref #	Description	Qty	New Style #	Old Style #
1	Diff. Gear - Larger	2	8027	3018
2	Diff. Gear - Smaller	2	8026	3017
3	Bearing, Diff. Casing	2	269	269
4	Diff. Casing	1	8029	N/A
5	Bolt, Crown Wheel	10	4	N/A
5	Bolt, Crown Wheel, Old Style	8	N/A	899
	Bolt, Lock Plate	5	N/A	622
	Bolt, Special for Crown Wheel	2	N/A	5426
6	Crown Wheel & Pinion W/Flange 4 Spline	1	5967	5967
	Crown Wheel & Pinion W/Flange 24 Spline	1	N/A	5968
7	Gasket, Assembly to Casing	1	877	877
8	Bearing, Pinion End	1	5370	267
9	Circlip for Shaft	2	8028	N/A
	Plain Pin for Shaft	2	N/A	1825
	Split Pin for Shaft	2	N/A	5693
10	Shaft for Spyder Gears, Circlip Type	1	7093	N/A
	Shaft for Spyder Gears, Pin Type	1	N/A	5364
11	Shim, Pinion End, .022 Suffix "B"	as needed	5376	N/A
11	Shim, Pinion End, .024 Suffix "B"	as needed	5377	N/A
11	Shim, Pinion End, .030 Suffix "B"	as needed	6626	N/A
11	Shim, Pinion End, .003 Suffix "A"	as needed	N/A	584
11	Shim, Pinion End, .005 Suffix "A"	as needed	N/A	585
11	Shim, Pinion End, .010 Suffix "A"	as needed	N/A	586
11	Shim, Pinion End, .020 Suffix "A"	as needed	N/A	587
	Thrust Washer, Large Spyder, .040 Suffix "A"	as needed	N/A	872
	Thrust Washer, Large Spyder, .045 Suffix "A"	as needed	N/A	184
	Thrust Washer, Large Spyder, .050 Suffix "A"	as needed	N/A	1700

Some items in this section may be available on a special order basis or phone-order only. Please call for pricing and availability.

Differential

Please call for pricing and availability.



NEW STYLE DIFFERENTIAL

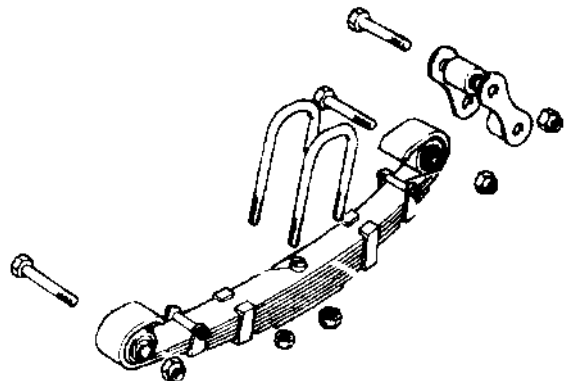
DIFFERENTIAL HOUSING

Ref #	Description	Qty	New Style #	Old Style #
not shown	DIFFERENTIAL ASSEMBLY - REMANUFACTURED	2	2101	N/A
1	Nut, Differential Housing	2	1382	1382
2	Shim, Flange End, .072 Suffix "B"	as needed	6627	N/A
2	Shim, Flange End, .074 Suffix "B"	as needed	6628	N/A
2	Shim, Flange End, .076 Suffix "B"	as needed	6629	0
2	Shim, Flange End, .081 Suffix "B"	as needed	3764	N/A
not shown	Shim, Flange End, .003 Suffix "A"	as needed	N/A	1415
not shown	Shim, Flange End, .005 Suffix "A"	as needed	N/A	1416
not shown	Shim, Flange End, .010 Suffix "A"	as needed	N/A	1417
not shown	Shim, Flange End, .020 Suffix "A"	as needed	N/A	1418
not shown	Shim, Flange End, .030 Suffix "A"	as needed	N/A	N/A
3	Washer, Pinion Bearing	1	539745	N/A
4	Oil Seal, Pinion	1	65	65
5	Mudshield	1	6630	N/A
6	Flange - 4-Spline	1	6247	6247
7	Nut	1	183	183
8	Washer, Diff. Flange	1	216	216
9	Cotter Pin	1	5229	5229
10	Bearing, Flange End	1	5371	268
11	Plug, Housing Pipe Type	1	871	871
not shown	Plug, Drain, Hex Head (all)	1	5467	5467
not shown	Compression Washer for 5467	1	1293	1293
not shown	Locker, Pinion Housing, Suffix "A"	4	N/A	1254
not shown	Gasket, Oil Seal Retainer	1	N/A	1363
not shown	Filler Plug, Series II	1	N/A	3065
not shown	Compression Washer for 3065	1	N/A	3085
not shown	Gasket, Assembly to Axle Casing	1	877	877
not shown	Stud, Fixing Assembly to Casing, Short	4	6178	6178
not shown	Stud, Fixing Assembly to Casing, Long	6	6179	6179
not shown	Nut, Self Locking	10	1389	1389

SUSPENSION

Description	Qty	Part #
SHOCK ABSORBER - PARTS & FITTINGS		
Bushings - Rubber	16	272
Bushings - Rubber 109, Rear Bottom	4	552818
Plain Washer	4	6066
Cotter Pin	4	5699
Nut, Self-Locking, Rear Shock	2	1492
Bolt, 109, Shock Absorber	4	1498
SHOCKS		
Description	Qty	88 STD. 88 HD 109 STD.
Front Shocks	2	6195 7000 7000
Rear Shocks	2	6196 3696 3859
→ SHOCK KIT	KIT	8300 8301 8302
Includes: 2 Front Shocks, 2 Rear Shocks, Bushings, Cotterpins, Washers		
Front Shock - Old Man Emu	2	9714 9714 9714
Rear Shock - Old Man Emu	2	9712 N/A 9715
Shock Kit - Old Man Emu Includes Front & Rear Shocks	KIT	9713 N/A 9716
ROAD SPRINGS		
Description	Qty	88 STD. 88 HD 109 STD.
Front Springs	2	1212 314 314
Rear Springs	2	6578 N/A 6122
Parabolic Springs - Front Pair	1	2113 2113 2113
Parabolic Springs - Rear Pair	1	2114 N/A 2115
Main Leaf - Front	2	315 315 315
Main Leaf - Rear	2	6119 N/A 707
Spring Center Bolts - Front	2	2099 N/A N/A
Spring Center Bolts - Rear	2	2098 N/A 2103
Bushing, - Front Spring	4	5235 5235 5235
Bushing, - Rear Spring	4	5235 5235 5235
Bushing, Chassis, - Front	2	55 55 55
Bushing, Chassis, - Rear	2	5235 5235 5235
→ SUSPENSION KIT	KIT	832 832A 836
Includes: Front Springs, Front Shocks, Rear Springs, Rear Shocks, plus new UBolts & Nuts, Chassis, Bushings		
→ SUSPENSION KIT (FRONT) 88"	KIT	830
→ SUSPENSION KIT (REAR) 88"	KIT	831
SHACKLE, BOLTS, NUTS, PLATES, CHECK STRAPS		
BOLTS & NUTS		
Bolt, Shackle, Front/Front Spring, (UNF)	2	4061
Bolt, Shackle, Rear/Front Spring (UNF)	4	4063
Bolt, Front Frame (UNF)	2	4063
Bolt, Front, Rear Spring (UNF)	4	4061
Bolt, Rear, Rear Spring (UNF)	4	4061
Nut, (UNF)	16	1857
Bolt, Shackle, Front/Front Spring (BSF)	2	23
Bolt, Shackle, Rear Front Spring (BSF)	4	22
Bolt, Front Frame (BSF)	2	22
Bolt, Front Rear Spring (BSF)	4	23
Bolt, Rear, Rear Spring	4	23
Nut, (BSF)	16	502
→ POLYBUSH SET - SERIES III/IIA, 3SWB	1	9787

Description	Qty	Part #
U BOLTS		
U-Bolt, Front Axle, Short, all	3	5642
U-Bolt, Front Axle, Long, all right side	1	5640
U-Bolt, Rear Axle, all	4	66
Self Locking Nuts (2/bolt) for 5640/5642	8	85
Self Locking Nuts (for 66 U-Bolt)	8	911
SHACKLE PLATES		
Shackle Plate, Front Spring, 88" & 109, Plain	2	32
Shackle Plate, Front Spring, 88" & 109, Tapped	2	4071
Shackle Plate, Rear Spring, 88" Plain	2	72
Shackle Plate, Rear Spring, 88" Tapped	2	4060
Shackle Plate, Rear Spring, 109 Plain	2	178
Shackle Plate, Rear Spring 109 Tapped	2	4059
Shackle Plate, Rear, 109 Tapped (BSF)	2	177
CHECK STRAPS		
Check Strap, 88" Drivers Side	1	724
Check Strap, 88" Passenger Side	1	49
Check Strap, 109	2	726
Rod for Check Strap	2	1626
Buffer for Check Strap	4	1630
Nut, 1/4" for Rod Check Strap	2	1636
SPRING STOPS & PLATES		
Spring Stop	4	47
Spring Plate, Bottom LH	2	*NLA 4054
Spring Plate, Bottom, RH	2	4055
→ STEERING STABILIZER KIT	KIT	7510
Includes: Shock & Mounting Hardware		
STEERING STABILIZER SHOCK - REGULAR	1	6497
STEERING STABILIZER SHOCK - GAS	1	6497B



Brakes

BRAKES - DRUMS, LININGS, KITS & CYLINDERS

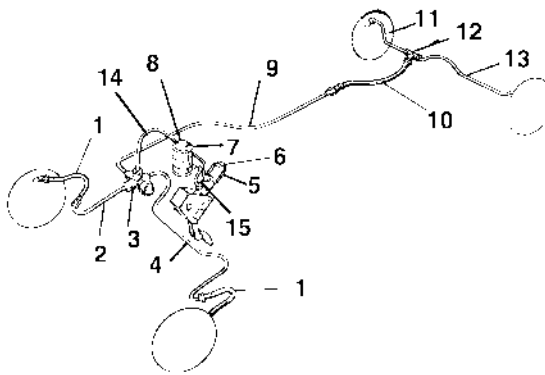
*NLA = No longer available.

Application	Description	FRONT				REAR			
		Left Front	Rebuild Kit #	Right Front	Rebuild Kit #	Left Rear	Rebuild Kit #	Right Rear	Rebuild Kit #
86 & 88	BRAKE REBUILDING KIT FRONT	3151							
86 & 88	BRAKE REBUILDING KIT REAR					3152			
109, 4 CYL	BRAKE REBUILDING KIT FRONT	3153							
109, ALL	BRAKE REBUILDING KIT REAR					3155			
109, 6 CYL.	BRAKE REBUILD KIT, FRONT	3154							
*Includes: 2 pairs of Bonded Brake Shoes, 2 Wheel Cylinder Rebuild Kits, 2 Bleed Screws, 1 12 oz. can of Castrol Fluid									
BRAKE SHOES									
86 & 88	Bonded Linings, Axle Set	5358		set		5358		set	
109, 4 Cyl.	Bonded Linings, Axle Set	5902		set		5949		set	
109, 6 cyl.	Bonded Linings, Axle Set	6904		set		5949		set	
86 & 88	Linings w/rivets, all - 4 Required per Axle	*NLA 5314		*NLA 5314		*NLA 5314		*NLA 5314	
109, 4 Cyl.	Linings w/rivets, Front, 4 required per Axle	*NLA 5233		*NLA 5233		*NLA 5234		*NLA 5234	
109, 6 cyl.	Linings w/rivets, Front, 4 required per Axle	*NLA 5790		*NLA 5790		*NLA 5234		*NLA 5234	
BRAKE DRUMS									
88, 10" 48-71	Brake Drums	3019		3019		3019		3019	
88, 10" 71 on	Brake Drums	7850		7850		7850		7850	
109 4 Cyl.	Brake Drums	3022		3022		3022		3022	
109 6 Cyl.	Brake Drums	6585		6585		3022		3022	
ALL	Drum Screw	437		437		437		437	
86 & 88	Replacement	800	1943	801	1943	802	1880	803	1880
86 & 88	Girling	1875	1943	1876	1943	1877	1880	1878	1880
107&109	11" Brakes, 55-61 - Girling	1914 (2)	1941	1915 (2)	1941	1863	1942	1864	1942
	Replacement		800	1943	801	1943			
107 & 109	'61 on 4 cyl. - Girling	1914 (2)	1941	1915 (2)	1941	1875	1943	1876	1943
	Replacement				800	1943	801	1943	
109 6 cyl.	Wheel Cylinder	5924	5678	5925	5678	1875	1943	1876	1943
ALL	Bleed Screw	5798		5798		5798		5798	
88 ALL	WHEEL CYLINDER KIT (FOUR WHEELS)	804		804		804		804	
Includes: 1 - #800, 1 - #801, 1 - #802, 1 - #803									
BACKING PLATES									
88"	Backing Plate	*NLA 3102		3103		*NLA 3102		3103	
109	Backing Plate	3104		3105		*NLA 3106		*NLA 3107	

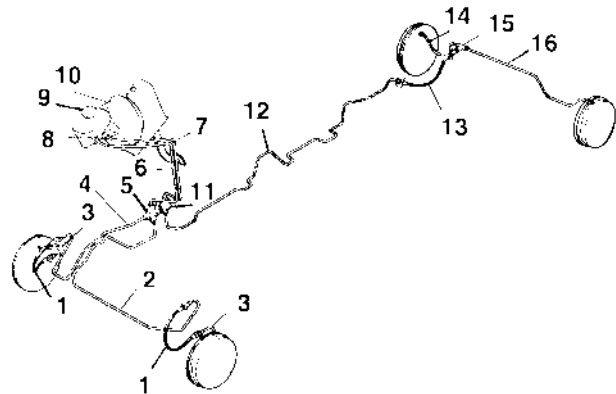
Appl	Description	Qty	Part #
RESERVOIRS			
	Reservoir, II&IIA, Replace, Plastic	1	*NLA 5898
	Cap, Original	1	6018
	Brake Fluid, 12 oz. can	as needed	2501
	Brake Fluid, 1 qt. can	as needed	2521
ADJUSTOR			
	Brake Adjustor Cams, 88	1	2846
	Brake Adjustor Cams, 109	2	2846
BRAKE SPRINGS			
88"	Brake Spring, Bottom	4	189
88"	Brake Spring, Top	4	190
107-109	Brake Spring, Front	4	671
107&109	Brake Spring, Rear, Adjustor End I&II	2	673
107&109	Brake Spring, Rear, Cylinder End I&II	2	674
109 IIA on	Brake Spring, 4&6 cyl. Rear, Top	2	5730
109 IIA on	Brake Spring, 4&6 cyl. Rear, Bottom	2	1853
*NLA = No longer available.			

Appl	Description	Part #	Rebuild Kit #
MASTER CYLINDER			
	M/C, IIA & III, Power Assist.	3505	2039
	Power Brake Assist Unit, IIA & III Dual Brakes	7226	7226A
	M/C, II & IIA,		
	M/C III 109" Dual Brake Assembly	2075	
	Center Valve Type, w/o Dual Brake	5738	1945
	M/C, II & IIA, Center Ball Type (early)	1998	1963
	M/C Seal Kit, '86, '88 & 107		
	w/ 10" Brakes	N/A	1881
	M/C, 109 II & IIA Center Ball Type	1997	1944
	M/C, 109 Center Valve Type	4778	5758
RESTORATION KITS:			
	BRAKE KIT 88 SERIES III COMPLETE		3156
	BRAKE KIT 88 SERIES IIA COMPLETE		3157
KITS INCLUDE: 4 DRUMS, FRONT & REAR SHOES, TOP, BOTTOM SPRINGS, ADJUSTING CAMS, 4 WHEEL CYLINDERS AND 2 CASTROL FLUID-12 OZ. EACH			
NOTE: CB Brake Cyl has a large nut at the end.			

Brake Lines



**SINGLE LINE BRAKE SYSTEM
I, II & IIA**



**DUAL LINE BRAKE SYSTEM
IIA & III**

BRAKE LINES

Ref #	Description	Qty	Part #
BRAKE LINES, SINGLE II & IIA			
→	BRAKE LINE KIT, IIA, SINGLE 88"	KIT	5420
Includes: 1 - #5655, 1 - #5605, 1 - #5607, 1 - #5440, 1 - #5441, 1 - #5442, 1 - #5443, 3 - #77			
1	Flexible Hose, Front	2	77
2	Brake Pipe, Junction to right wheel	1	5441
3	Junction, 5-way	1	6964
4	Junction, Pipe to LH Wheel	1	*NLA 5440
5	Brake Pipe, Reservoir to Master Cylinder	1	5655
6	Master Cylinder - SEE MASTER CYLINDERS		
7	Reservoir, Brake & Clutch	1	*NLA 5898
8	Cap for Metal Reservoir	1	6018
not shown	Washer for Cap	1	7162
9	Brake Pipe, Junction to Rear Hose, 88"	1	5607
9	Brake Pipe, Junction to Rear Hose, 109	1	5608
10	Flexible Hose, Rear, 88"	1	77
10	Flexible Hose, Rear, 109	1	82
not shown	Copper Washer Hose	3	233220
11	Brake pipe, Junction to Right Rear Wheel	1	5443
12	Junction, 3-way	1	*NLA 6965
13	Brake Pipe, Junction to Left Rear Wheel	1	5442
14	Master to Junction	1	5605
15	Reservoir to Brake Master	1	5655
not shown	Pipe Cylinder to Cylinder, 109	2	6034
BRAKE LINES - DUAL BRAKING, III			
→	BRAKE LINE KIT, III 88"	KIT	5422
Includes: 1 - #5964, 1 - #5445, 2 - #5444, 2 - #7282, 1 - #77, 1 - #5443, 1 - #5442, 1 - #5447, 2 - #5963, 1 - #5909			
*NLA = No longer available.			

Ref #	Description	Qty	Part #
1	Flexible Hose, Front Wheel, IIA	2	77
1	Flexible Hose, Front Wheel, III	2	5963
2	Brake Pipe, Junction to Left Front Wheel, IIA	1	*NLA 5440
2	Brake Pipe, Junction to Left Front Wheel, III	1	5444
3	Brake Pipe, Flexible Hose to Wheel Cylinder, III	2	7282
4	Brake Pipe, Junction to Right Front Wheel, IIA	1	5441
4	Brake Pipe, Junction to Right Front Wheel, III	1	5445
5	Junction, 3-way Front	1	5450
6	Brake Pipe, M/C to Junction Front	1	5964
7	Brake Pipe, M/C to Union Rear, IIA	1	5448
7	Brake Pipe, M/C to Union Rear, III	1	5444
8	Master Cylinder, Dual, Power Assisted	1	3505
9	Cap for Reservoir	1	7161
not shown	Sealing Washer for Cap	1	7162
10	Power Assist Unit	1	7226
11	Union, Front Brake Pipe to Rear Brake Pipe	1	5909
12	Brake Pipe, Union to Rear Hose, IIA	1	5449
12	Brake Pipe, Union to Rear Hose, III	1	5447
13	Flexible Hose to Rear Axle	1	77
not shown	Copper Washer Hose	1	233220
14	Brake Pipe, Junction to Right Rear Wheel	1	5443
15	Junction, 3-way	1	5899
16	Brake Pipe, Junction to Left Rear Wheel	1	5442
not shown	Male to Male Coupling Brake Lines	1	3005
not shown	Nut for #77 Brake Hose	1	1504
*NLA = No longer available.			



Wipers, Glass & Windows

WINDSHIELD WIPERS

Description	Qty	Part #
WIPER BLADES		
Wiper Blade for Bayonet type Arms, '69 on, IIA & III	2	7506
Wiper Blade Wrist Type Arm (2 motors)	2	5750
Wiper Blade, Early Pin Type Arm	2	*NLA 1938
WIPER ARMS		
Wiper Arm, LH Bayonet Type	1	6193
Wiper Arm, RH Bayonet Type	1	6194
Wiper Arm, Motor on Window Frame	2	2030
Spindle Adaptor (permits use of newer style arms on older wiper motors)	as needed	7258
WIPER MOTORS		
Wiper Motor, 2-speed, '69 onward	1	6053
Wiper Motor, 1-speed, Motor in Dash	1	5962
Wiper Motor on Windshield (used)	2	3034
Flexdrive Cable (Motor in Dash)	1	6309
Rubber Boot (Motor in Dash)	1	3751
Wheel Box, Series II, Suffix "F"	2	*NLA 2841
Spindle and Gear, Wheel Box, Suffix "D" & "E"	2	2862
Gear/Shaft for 5962 Motor	1	2896
Gear/Shaft for 6053 Motor	1	6789
Spindle & Gear Wheel Box, '69 on	1	2861
WIPER SWITCH		
Wiper Switch, 1-speed 1 5651		
Wiper/Washer Switch, '69 on 1 7553		
WINDSHIELD WIPER/WASHER KITS		
→ WINDSHIELD WASHER KIT, COMPLETE	KIT	2863
Washer Jet, IIA & III	2	97

*NLA = No longer available.

WINDOW GLASS & CHANNELING

Description	Qty	Part #
GLASS		
Windshield	2	4017
Front Door - Sliding	as needed	3952
Front Door - Fixed	as needed	3951
Center Door - Sliding, (109)	as needed	*NLA 4020
Center Door - Fixed, (109)	as needed	*NLA 4019
Alpine Window, Roof	as needed	*NLA 3953
Mounting Strip for 3953	1	3954
Filler Strip for 3954	1	3955
Rear Windows - Sliding	as needed	*NLA 3956
Rear Quarter Glass (fixed by aluminum strips)	as needed	4021
Rear Door Glass	1	4018
Side Window - Fixed	as needed	4023
Mounting Strip for 4023	1	4024
Filler Strip for 4024	1	4025
Rear Quarter Glass, (rubber mounted)	as needed	4022
Mounting Strip for 4022	1	4026
Filler Strip for 4026	1	4027
WINDOW PARTS		
Windscreen Clamp Assembly, III	as needed	3965
T-Bolt, Hinge Arm, III	as needed	8142
Washer Nozzle, Series III, (brass)	as needed	97
Push & Turn Lock for Sliding Windows & Doors	as needed	*NLA 6389
Catch, Front of Rear Sliding Window, 1-1/2"	as needed	3957
Catch, Rear of Rear Sliding Windows, 1"	as needed	*NLA 3958
Tapped Plate for Catch	1	3959
Screw, 3/4", used with 3958	1	5810
Screw, 7/8", used with 3958	1	5811
Washer, Rubber, for Catch & Tapped Plate	2	3960
Washer Kits, - SEE WIPERS		
Rubber Seal, Mounted to Rear Sliding Windows	as needed	3915
Aluminum Strip, Holds 3915 to Window		3750
WINDOW CHANNELING		
→ WINDOW CHANNEL KIT 88"	KIT	6364
Includes the 16 Window Channels needed to replace all existing channel in your '88		
→ WINDOW CHANNEL KIT, 109"	KIT	6364A
Includes the 22 Channels needed to replace all existing Channel in your 109 SW.		
Front Door - Top	2	5767
Front Door - Bottom	2	5768
Front Door - Rear	2	5769
Side Door, 109 SW - Top	2	3963
Side Door, 109 SW - Bottom	2	3963
Side Door, 109 SW - Rear	2	5769
Rear Sliding glass - Top	4	5987
Rear Sliding glass - Inner Bottom	2	6365
Rear Sliding Glass - Outer Bottom	2	6306
Rear Sliding Glass - Side Channel	4	5769

*NLA = No longer available.

LIGHTS, LENSES & BULBS

WIRING HARNESS & FITTINGS

Description	Qty	Part #
HEADLIGHT		
Headlight Assembly, all Models	2	*NLA 5265
Gasket, Headlight & Outer Housing & Fender	2	7591
Headlight Rim, Chromed, Head only	2	*NLA 1952
Gasket, Rubber Headlight Rim	2	NLS
Gasket, Headlight Housing & Grill Panel	2	7590
Headlamp Bowl, 7" (Full Kit)	2	4000
Headlamp Bowl Mounting Ring	2	*NLA 3545
Headlamp Fixing Kit	2	*NLA 3511
See Body Parts for additional information		
PARKING & TURN LAMPS - FRONT		
→ LAMP KIT	KIT	3604
Includes: 2 Front Parking Lamp, 2 Stop & Tail Lamps & 4 Turn Signal lamps		
Lamp Assembly, Clear, Conical Plastic Lens	2	6962
Lens for Assembly 6962, Clear Plastic	2	5558
Lamp Assembly, Amber Conical Plastic Lens	2	3602
Lens for Assembly 3602, Amber Plastic	1	3603
Lens, Amber Conical Glass	2	*NLA 7534
STOP & TURN LAMPS - REAR		
Lamp Assembly, Stop & Tail, Red, Conical, Plastic (current European)	2	3736
Lens for Assembly 3736, Red Plastic	1	3737
Lamp Assembly, Stop & Tail, Steel Body, Plastic Lens, IIA	2	7524
Lens for Assembly 7524, Plastic	1	*NLA 6370
Turn Signal Assembly, Amber, plastic (current European)	4	3602
Lens for Assembly 3602, Amber Plastic	4	3603
SIDE LAMPS		
Lamp Assembly, Front Amber, Replacement (current model)	2	AMR2036
Lens, Amber, Original	1	7533
Lamp Assembly, Rear Red Replacement (current model)	2	AMR2037
Lens, Red, Square Original	1	*NLA 7532
Reflector, Red, Original	1	*NLA 7570
OTHER LAMPS		
Backup Lamp Assembly	2	*NLA 7563
Lens for Assembly 7563, Plastic	1	*NLA 7581
License Plate Light Assembly	1	7539
Lens for Assembly 7539, Clear Glass	1	7540
Dome Light Assembly	1	6186
Lens for Dome Lamp	1	7578
BULBS		
Headlamp Replacement		
Halogen Sealed Beams (pair)	1	*NLA 2923
Headlamp, Replacement, European	1	9691
Headlamp, Replacement, Off-road	2	9665
Replacement Bulb H,4	1	9667
Parking Lamp Bulb, Small Base, early IIA	2	5378
Parking Lamp Bulb, Large Base, Later Models	2	10211
Brake & Tail Light Bulb	2	1870
Turn Signal, Flasher Bulb	4	1868
Side Marker Bulb, (original)	4	5378
License Plate Bulb	2	5378
Backup Lamp Bulb	2	7568
Dome Light Bulb	1	1868
Panel Light, Series III	4	503352
Warning & Panel Light Bulb(screw in)	as needed	5400
Hazard Warning Switch Bulb	1	*NLA 7592

*NLA = No longer available.

Year	Description	Qty	Part #
WIRING HARNESSES			
PB-PVC Coated Wires, Braided Outer Covering			
48-49	Landrover, 4 wheel drive, 80" Chassis, NF96 Regulator Separate Fuse box, 1.6 L Petrol Engine Chassis #860,001 - 6,105830, PB		*NLA 6620A
49-50	Landrover, 4 wheel drive, 80" Chassis, NF95 Regulator, 1.6 L Petrol Engine, Chassis 6,105, 831 - 6,111,546, PB		*NLA 6620B
50-51	Landrover, 4 wheel drive, 80" chassis, 7" Headlamps, 1.6 L Petrol Engine, Chassis #6,111,547 - 16,103,898 PB		6620C
51-53	Landrover, 4 wheel drive, 80" chassis, RB 106 Regulator, L Petrol Engines, separate fuse box, 1.6 L & 2.0 Chassis # 16,103,899 - on , PB		*NLA 6620D
53-55	Landrover, 4 wheel drive, 86" chassis, 2.0 L Petrol Engine, Chassis # 47,100,001 - on, PB		*NLA 6620E
56-57	Landrover, 4 wheel drive, 88" Chassis, 2.0 L Petrol Engine, Dip Switch on floor, Horn on Bulkhead, Chassis # 121,6000,001 - up, PB		*NLA 6620F
SERIES 2 & 2A			
58-60	Landrover Main Positive Earth, Main & Tail, 2.25 L Petrol Engine, Chassis # 14,180,001 - on, Braid Wrap		6620G
(Below, Main & Tail are now listed separately and all wires are PVC)			
60-65	Landrover Main Pos. Earth, 2.25 L Petrol Engine, Chassis #24,100,001A up to/inc. suffix C		6620H
66-71	Landrover Main Neg. Earth, 2.25 L Petrol Engine Chassis # Suffix D to Suffix H		6620J
72 on	Landrover, Main Wiring Harness, PVC Warp		6620K
60-74	Landrover Tail, 88" Chassis, PVC		6620L
60-71	Landrover Tail, 109" Chassis, PVC		6620M
69-on	Landrover Wiper Motor Harness, PVC		6620N
	Landrover Reverse Switch Harness (now incl. in 6620H)		*NLA 6620P
	Landrover Ignition Switch Harness		*NLA 6620Q
MISCELLANEOUS			
All	Wiring Pigtail - Headlight	2	6620R
All	Lead, Starter Motor to Ground	1	1375
IIA	Lead, Battery to Ground	1	*NLA 1443
48-68	Fuse Box Assembly, I & II	1	*NLA 5996
69 on	Fuse Box Assembly, III	1	7001
60-68	Fuse Box Cover, Early Box	1	5515
All	Fuse, 35 amp	as needed	495
All	Junction Box, Front or Rear	1	*NLA 6615
All	Battery Hold Down	1	6866
All	Hold Down Bolt, 5-3/4"	1	*NLA 7019
All	Hold Down Bolt, 7-1/4"	1	6870
All	Wing Nut, Battery Bolts	2	597
FITTINGS			
All	2-Way Connector Tube (female)	as needed	7574
All	4-Way Connector Tube (female)	as needed	7573
All	6-Way Connector Tube (female)	as needed	*NLA 7575
All	Snap Plug, end (male)	as needed	*NLA 7576
All	Dash Socket, Red	as needed	1556
All	Plug for Dash Sockets	as needed	*NLA 7557
All	Ground Clip	as needed	7595

*NLA = No longer available.



SWITCHES

Description	Part #
IGNITION	
Ignition Switch, IIA, Suffix "D" on (Solenoid type)	5667
Lock & Key for Switch 5667 & 7565	2016
Ignition & Lights thru Suffix "C"	7565
(does not include Headlight Knob or Lock/Key)	
Headlight Knob for Switch 7565	*NLA 7560
Ignition & Light thru Suffix "C", Replacement	7565A
Starter Switch, Push Type	2073
Knob for Starter Switch 2073	5926
Ignition Switch, Diesel	*NLA 8166
TURN SIGNAL	
Turn Signal, Dimmer, Horn, Series III	6742
Turn Signal, Column Mounted	5279
Bulb for Switch 5279	7547
Bulb for Turn Signal Indicator (6742)	5400
Flasher Unit, Turn Signal, 1969 on (2 prong)	7046
Flasher Unit, Turn Signal, thru 1968 (3 prong)	4068
HAZARD FLASHERS	
Hazard Warning, four way, Series III	7564
Knob for 7564	386
Bulb for 7564	*NLA 7592
Flasher Unit for Hazard Warning Switch, 1969 on (2 prong)	*NLA 7584
Heavy Duty Flasher - Recommended if towing	7561
SWITCHES, DASH PANEL, HEAD LAMP	
Dimmer Switch, Floor Mounted, 1961-72	1891
Panel Light, Dome Light on any 12V application, Toggle	6495
Panel Light, Dome Light on any 12V Application, Push/Pull	*NLA 2020
Headlights, Parking, Heater Hi, Low, IIA "D" & III, 3-position Toggle	5650
Switch for Wiper/Washer, IIA "F" & III, 2-speed	7553
Switch for Single Speed Wiper	5651
Dip Switch, 58-60	325
MISCELLANEOUS SWITCHES	
Reverse Lamp, found on Transmission	7562
Brake Light, Power Assisted, IIA "F" & III	7566
Brake Light, Hydraulic, Series II & IIA, "E"	5751
Oil Pressure Switch for Green Light, IIA & III	1958
Dash Socket - Black	*NLA 1555
Dash Socket, Red	1556
Dash Plug for 1555 & 1556	*NLA 7557
Choke Light Switch, Late IIA & III (yellow light)	*NLA 350

*NLA = No longer available.

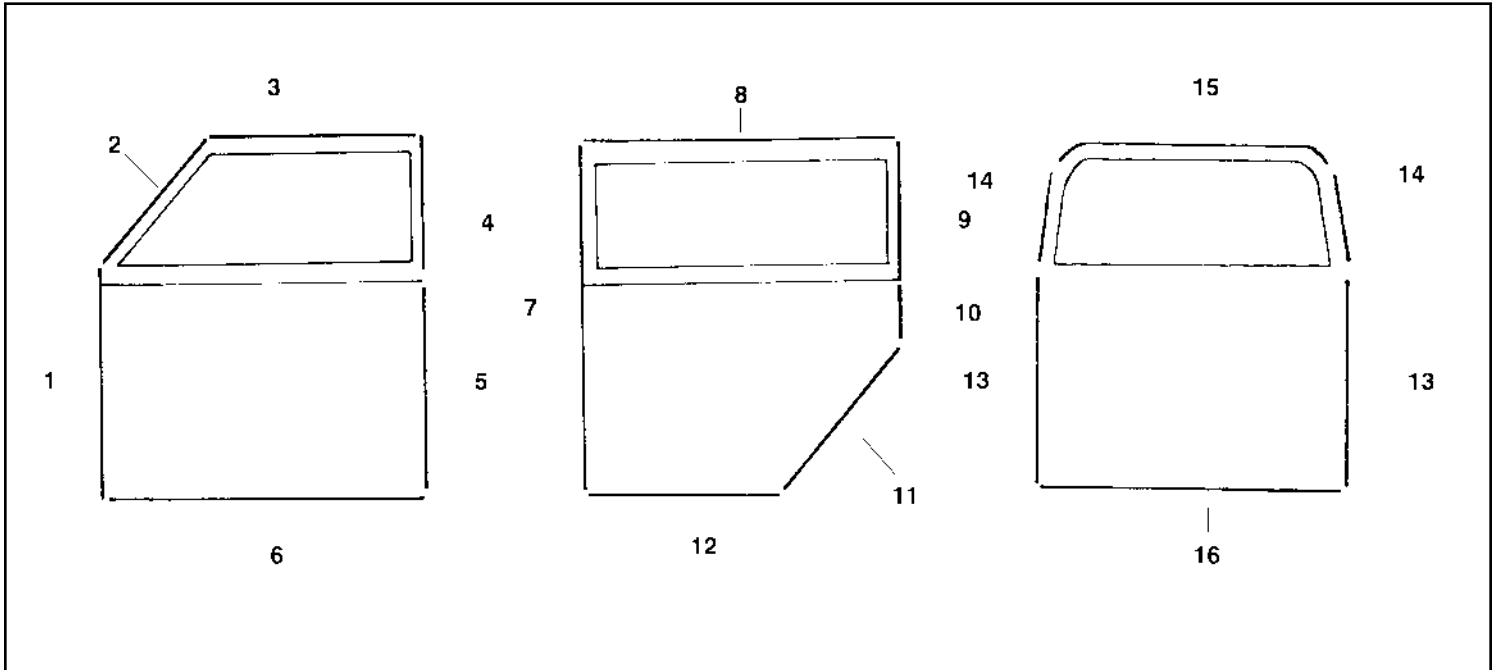
Some items in this section may be available on a special order basis or phone-order only. Please call for pricing and availability.

INSTRUMENTS/GAUGES

Description	Qty	Part #
SPEEDOMETER		
Speedometer, 88", w/Trip, Warning Lights, Series III	1	2837
Speedometer, 88" w/Warning Lights, Series IIA, '69-'71 (Special Order)	1	*NLA 6788
Speedometer, I,II,IIA, thru Suffix "C" (Special Order)	1	5823
Speedometer, I, II, IIA 109", 88" w/16" Tires (Special Order)	1	5601
Speedometer, IIA, 109 6 cyl. (Special Order)	1	5657
SPEEDOMETER CABLE		
Speedometer Cable & Casing, I,II,IIA	1	759
Speedometer Cable & Casing, III	1	6611
Reset Cable, Trip Odometer	1	6614
Cable, Inner Series I, w/nylon Ferrule	1	1538
Speedometer Clip, Series III	1	*NLA 1311
Set Screw Speedo-Cable to Housing	1	1333
GAS GAUGE & SENDER UNITS		
Gas Gauge, 88 & 109, Suffix "D" on	1	*NLA 6501
Gas Gauge, 88 & 109 Regular (before Suffix "D")	1	*NLA 3028
Gas Gauge, 109 Station Wagon	1	5490
Tank Sending Unit, 88 & 109 Regular, Suffix "D" on	1	6049
Tank Sending Unit, 109 Station Wagon, Suffix "D" on	1	6065
Tank Sending Unit, 88 & 109 Regular	1	*NLA 3024
Tank Sending Unit, 109 Station Wagon	1	*NLA 5408
NOTE: 3024 & 5408 may be used on Diesels, however the warning light for low fuel will not operate.		
TEMPERATURE GAUGE		
Engine Temperature Gauge, IIA, Suffix "D" on	1	*NLA 6500
Sending Unit for Gauge 6500	1	6026
VOLTAGE GAUGE		
Voltage Gauge	1	*NLA 2824
AMMETER		
Ammeter, Series I, II, IIA Suffix "C"	1	7585
Ammeter, Calibrated 50-0-50 amps, 2 1/32" lighted	1	*NLA 2828
OIL PRESSURE		
Switch, Oil Pressure Warning Light, IIA & III	1	1958
Gauge, Oil Pressure, Electric	1	*NLA 329
Sending Unit for 329	1	329A
Oil Pipe, Dual Gauge, Flexible, II/IIA	1	2097
Switch, Oil Pressure, Series II	1	241

*NLA = No longer available.

Weatherstripping

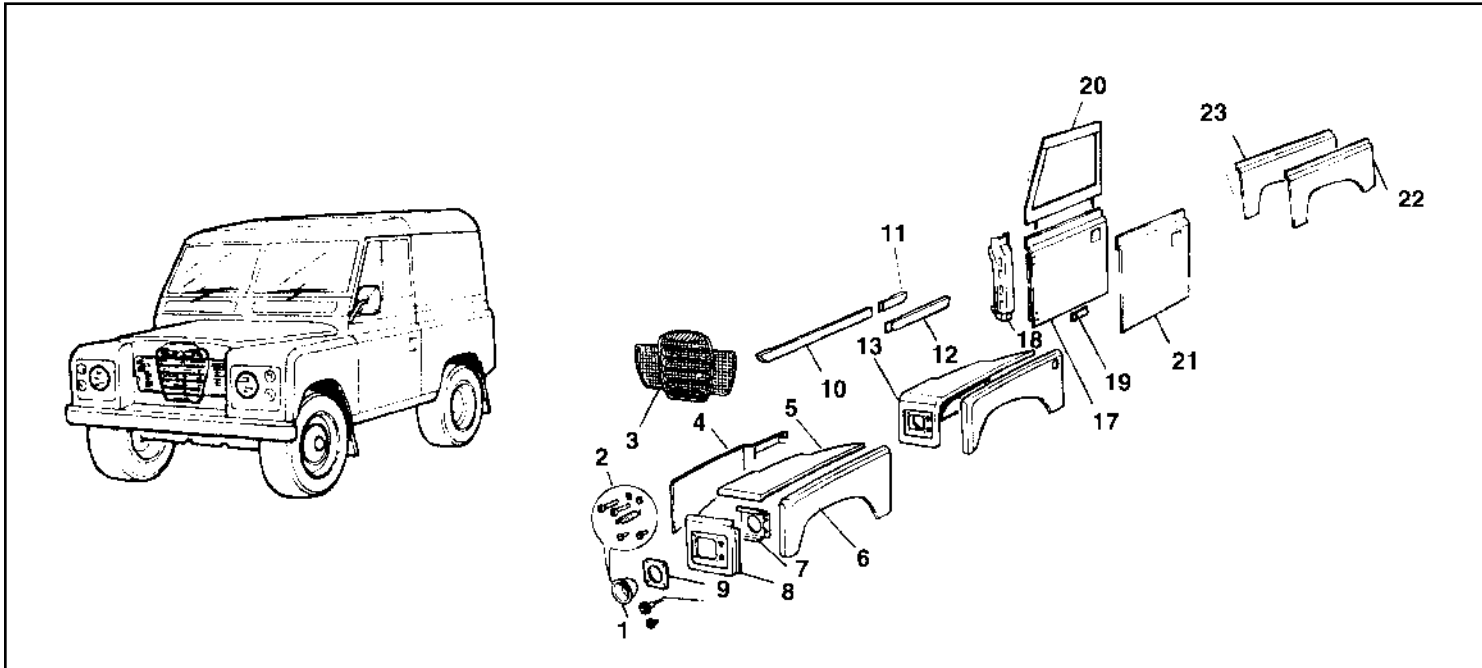


WEATHERSTRIPPING

Ref #	Description	Qty	Part #	Ref #	Description	Qty	Part #	Rivets per door	Req.																																																												
<p>Atlantic British has researched various modern materials available and is offering a NEW Weatherstripping product as an excellent and costeffective alternative to the original multiple- piece riveted approach which we also continue to offer.</p> <p>WEATHERSTRIPPING - NEW STYLE</p> <p>10' length, front door 1 per door 6690 (does not do bottom)</p> <p>11' length, Side Door - 109 SW 1 per door 6687 (does not do bottom)</p> <p>11' Length, Rear Door 1 6687</p> <p>Adhesive (good for 3 pieces) 1 6663</p> <p>→ WEATHERSTRIP KIT 88" KIT 6664</p> <p>Includes: 2 - #6690, 1 - #6687, 1 - #6663</p> <p>→ WEATHERSTRIP KIT, 109 5 DOOR KIT 6665</p> <p>Includes: 2 - #6690, 3 - #6687, 2 - #6663</p> <p>WEATHERSTRIPPING, ORIGINAL STYLE</p> <p>FRONT DOOR</p> <table border="1"> <thead> <tr> <th>Ref #</th> <th>Description</th> <th>Qty per door</th> <th>Part #</th> <th>Rivets Req.</th> </tr> </thead> <tbody> <tr><td>1</td><td>Weatherstrip, Front LH</td><td>1</td><td>3901</td><td>9</td></tr> <tr><td>1</td><td>Weatherstrip, Front RH</td><td>1</td><td>3900</td><td>9</td></tr> <tr><td>2</td><td>Weatherstrip, Front Upper</td><td>1</td><td>6301</td><td>5</td></tr> <tr><td>3</td><td>Weatherstrip, Front, Top Upper</td><td>1</td><td>6303</td><td>3</td></tr> <tr><td>4</td><td>Weatherstrip, Front, Rear Upper</td><td>1</td><td>3904</td><td>5</td></tr> <tr><td>5</td><td>Weatherstrip, Front, Rear Lower LH</td><td>1</td><td>6302</td><td>6</td></tr> <tr><td>5</td><td>Weatherstrip, Front, Rear Lower RH</td><td>1</td><td>6307</td><td>6</td></tr> <tr><td>6</td><td>Weatherstrip, Front, Bottom</td><td>1</td><td>6304</td><td>9</td></tr> <tr><td>not shown</td><td>Weatherstrip, Between Door Top & Bottom</td><td>1</td><td>6347</td><td>5</td></tr> <tr><td>not shown</td><td>Rubber Seal, Sliding Windows</td><td>1</td><td>3915</td><td>N/A</td></tr> <tr><td>not shown</td><td>Aluminum Strip, Holds 3915</td><td>1</td><td>3750</td><td>N/A</td></tr> </tbody> </table>				Ref #	Description	Qty per door	Part #	Rivets Req.	1	Weatherstrip, Front LH	1	3901	9	1	Weatherstrip, Front RH	1	3900	9	2	Weatherstrip, Front Upper	1	6301	5	3	Weatherstrip, Front, Top Upper	1	6303	3	4	Weatherstrip, Front, Rear Upper	1	3904	5	5	Weatherstrip, Front, Rear Lower LH	1	6302	6	5	Weatherstrip, Front, Rear Lower RH	1	6307	6	6	Weatherstrip, Front, Bottom	1	6304	9	not shown	Weatherstrip, Between Door Top & Bottom	1	6347	5	not shown	Rubber Seal, Sliding Windows	1	3915	N/A	not shown	Aluminum Strip, Holds 3915	1	3750	N/A	<p>SIDE DOOR - 109</p> <p>7 Weatherstrip, Side Front Edge 1 3906 11</p> <p>8 Weatherstrip, Side, Top 1 3904 6</p> <p>9 Weatherstrip, Side, Side Top 1 3904 4</p> <p>10 Weatherstrip, Side, Latch Left 1 3908 5</p> <p>10 Weatherstrip, Side, Latch Right 1 3907 5</p> <p>11 Weatherstrip, Side, Side Bottom 1 3904 4</p> <p>12 Weatherstrip, Side, Bottom 1 6304 4</p> <p>not shown Rubber Seal - Sliding Glass 1 3915</p> <p>not shown Aluminum Strip, Holds 3915 1 3750</p> <p>REAR DOOR/TAILGATE</p> <p>13 Weatherstrip, Rear, Side Lower 2 3904 11</p> <p>14 Weatherstrip, Rear, Side Upper 2 3904 11</p> <p>15 Weatherstrip, Rear, Top 1 3905 11</p> <p>16 Weatherstrip, Rear, Bottom 1 3903 8</p> <p>not shown Weatherstrip, Tailgate, Bottom 1 3970 8</p> <p>not shown Weatherstrip, Top of Windshield 1 3909 N/A</p> <p>not shown Weatherstrip, Bottom of Windshield 1 3910 N/A</p> <p>not shown Dash Vent Seal (sold as pair) 1 3902 N/A</p> <p>not shown Adhesive, Tube 1 6663 N/A</p> <p>→ DASH VENT SEAL KIT KIT 3896</p> <p>OTHER WEATHERSTRIPPING</p> <p>Weatherstrip, Top LH Window Panel & Roof 1 3912 N/A</p> <p>Weatherstrip, Top RH Window Panel & Roof 1 3911 N/A</p> <p>Weatherstrip, Bottom Window Panel & Box 2 3913 N/A</p> <p>Weatherstrip, 109 Center Door Post & Roof 2 3914 N/A</p>					
Ref #	Description	Qty per door	Part #	Rivets Req.																																																																	
1	Weatherstrip, Front LH	1	3901	9																																																																	
1	Weatherstrip, Front RH	1	3900	9																																																																	
2	Weatherstrip, Front Upper	1	6301	5																																																																	
3	Weatherstrip, Front, Top Upper	1	6303	3																																																																	
4	Weatherstrip, Front, Rear Upper	1	3904	5																																																																	
5	Weatherstrip, Front, Rear Lower LH	1	6302	6																																																																	
5	Weatherstrip, Front, Rear Lower RH	1	6307	6																																																																	
6	Weatherstrip, Front, Bottom	1	6304	9																																																																	
not shown	Weatherstrip, Between Door Top & Bottom	1	6347	5																																																																	
not shown	Rubber Seal, Sliding Windows	1	3915	N/A																																																																	
not shown	Aluminum Strip, Holds 3915	1	3750	N/A																																																																	



Body Panels



BODY PANELS

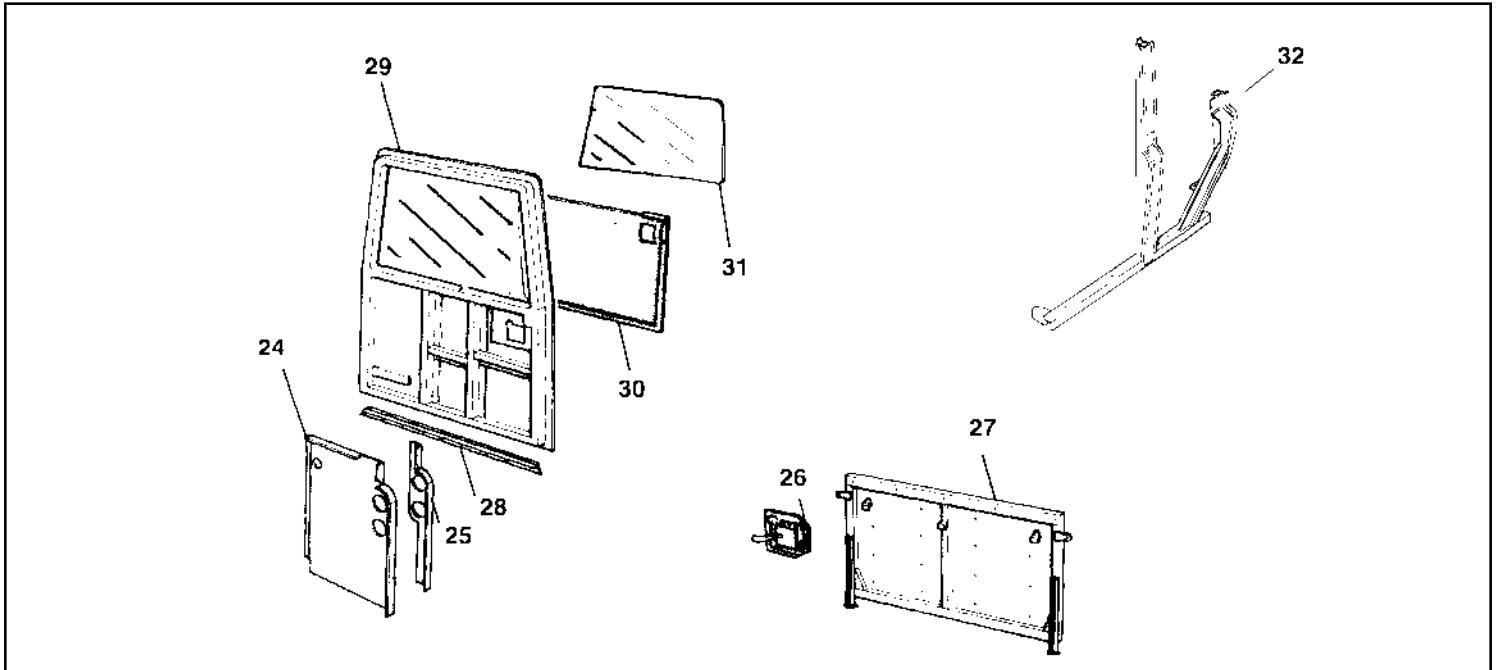
Ref #	Description	Qty	Part #
1	Headlamp Bowl, Plastic	2	4000
2	Fixing Kit	2	*NLA 3511
3	Grill, Plastic, Series III	1	6378
4	Wing, Inner, LH	1	*NLA 3651
not shown	Wing, Inner RH	1	*NLA 3525
5	Wing, Top LH, II & IIA	1	3655
not shown	Wing, Top RH, II & IIA	1	*NLA 3515
6	Wing, Outer LH	1	3794
not shown	Wing, Outer RH, with Air Duct	1	3517
not shown	Wing, Outer RH, no Air Duct	1	3793
7	Headlight Support Panel, LH	1	3923
not shown	Headlight Support Panel, RH	1	3922
8	Front Panel w/Headlight, LH	1	3796
not shown	Front Panel w/Headlight, RH	1	*NLA 3795
9	Bezel, Headlight	2	3797
not shown	Front Panel, no Headlights, RH	1	*NLA 3920
not shown	Front Panel, no Headlights, LH	1	*NLA 3921
10	Sill, Front LH, 3"	1	3931
not shown	Sill, Front RH, 3"	1	3930
not shown	Sill, Front LH, 5"	1	*NLA 3929
not shown	Sill, Front RH, 5"	1	*NLA 3928
11	Sill, Rear LH, 3" (88)	1	3935
not shown	Sill, Rear RH, 3" (88)	1	3934
not shown	Sill, Rear RH, 5" (88)	1	3932
not shown	Sill, Rear LH, 5" (88)	1	*NLA 3933
12	Sill, Rear LH, 3" (109)	1	3939
not shown	Sill, Rear RH, 3" (109)	1	3938
not shown	Sill, Rear LH, 5" (109)	1	*NLA 3937
not shown	Sill, Rear RH, 5" (109)	1	*NLA 3936
not shown	Securing Bracket, Sill Panel	as needed	147
13	Wing Assembly, Top, Front & Inner, IIA & III, LH	1	3972
not shown	Wing Assembly, Top, Front & Inner, IIA & III, RH	1	3971

*NLA = No longer available.

Ref #	Description	Qty	Part #
not shown	Wing Assembly, Top, Front & Inner, II & IIA, RH	1	*NLA 3973
not shown	Wing Assembly, Top, Front & Inner, II & IIA, LH	1	*NLA 3974
17	Door Assembly, Lower LH	1	3943
not shown	Door Assembly, Lower RH	1	3942
18	Door Post, Weld in, LH	1	3003
not shown	Door Post, Weld in, RH	1	3506
19	Hinge Assembly, Series II, LH	2	4007
not shown	Hinge Assembly, Series III, RH	2	4006
not shown	Captive Nut, Hinge	8	4009
not shown	Screw, Hinge to Post	8	4010
not shown	Screw, Hinge to Door	8	4013
not shown	Hinge Assembly, Lower, Rear Door	1	4014
not shown	Hinge Assembly, Upper, Rear Door	1	8197
not shown	Gasket, Door Post to Hinge	4	4008
20	Door Top, Unglazed, LH	1	3899
not shown	Door Top, with Glass, LH	1	7167
not shown	Door Top, Unglazed, RH	1	3528
not shown	Door Top, with Glass, RH	1	7166
21	Door Skin, LH	1	3738
not shown	Door Skin, RH	1	3524
22	Rear Quarter Panel, LH, 88"	1	3950
not shown	Rear Quarter Panel, RH, 88"	1	3949
23	Rear Quarter Panel, LH, 109	1	*NLA 436
not shown	Rear Quarter Panel, RH, 109	1	*NLA 438
24	Rear Panel, LH	1	3948
not shown	Rear Panel, RH	1	3947
25	Corner, LH	1	3946
not shown	Corner, RH	1	3945
26	Door Lock Assembly, LH w/key	1	6577
not shown	109 Side Rear door-RH	1	3670
not shown	109 Side Rear door-LH	1	3671

*NLA = No longer available.

Body Panels



BODY PANELS

Ref #	Description	Qty	Part #
not shown	Door Lock Assembly, Rear & RH, w/key	2	6576
not shown	Door Latch Catch	3	7264
not shown	Door Lock, Push & Turn, LH	1	6831
not shown	Door Lock, Push & Turn, RH	2	6358
not shown	Door Latch Assembly, Push & Turn type, LH	1	6322
not shown	Door Latch Assembly, Push & Turn type, RH	1	6323
not shown	Door Latch Assembly, RH, Series I	1	*NLA 108
not shown	Door Latch Assembly, LH, Series I	1	*NLA 109
27	Tail Gate Assembly	1	3509
→	TAIL GATE FIXING KIT, (used to mount Tail gate)	KIT	3513
→	TAIL GATE CONVERSION KIT	KIT	3514
	Includes: Tail Gate & Fixing Kit		
28	Door Repair Piece, all doors (weld in)	as needed	3540
29	Door Assembly, Rear, w/glass	1	3944
29	Door Assembly, Rear, without glass	1	*NLA 3944A
30	Door Skin, Rear Door	1	3535
31	Glass, Rear Safari Door	1	4018
32	T Piece 109 LH	1	3503
→	T PIECE KIT	KIT	3502
	Includes: 1-3503, 1-3504		
not shown	T Piece 109 RH	1	3504
not shown	Hinge, Upper, Rear Door	1	8197
not shown	Hinge, Lower, Rear Door	1	4014
not shown	Windscreen Hinge Arm T-Bolt, III	2	8142
→	DOOR HINGE PIN KIT COMPLETE	6	5509
not shown	Door Hinge Pin	6	5511
not shown	Door Hinge Pin Spring	6	5512

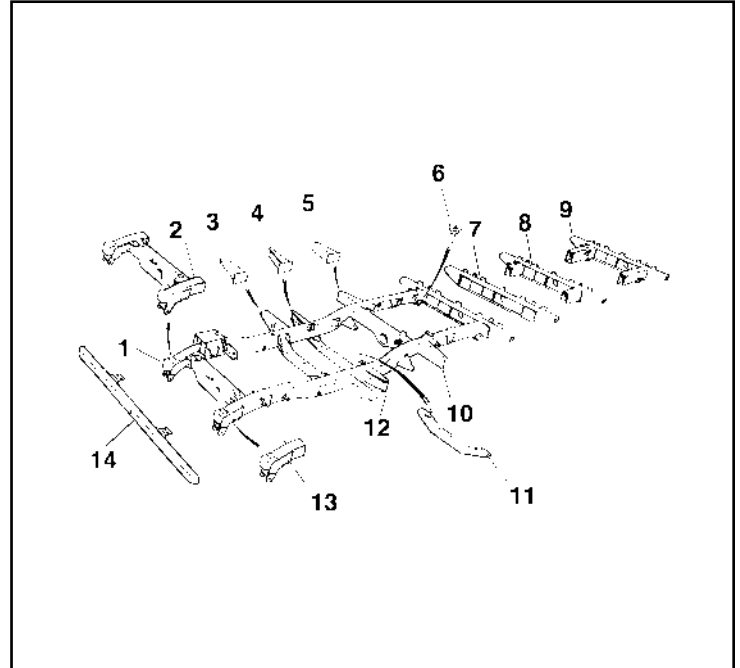
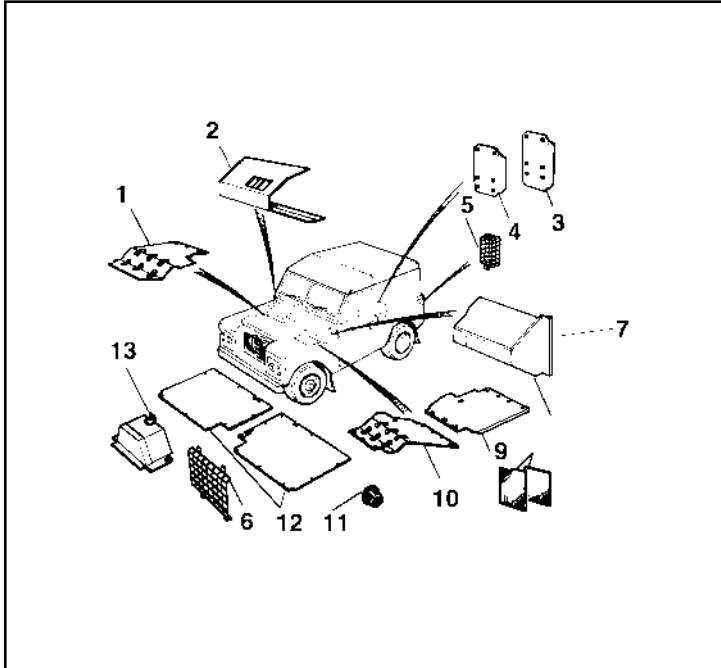
*NLA = No longer available.

Ref #	Description	Qty	Part #
not shown	Door Hinge Pin Locker	6	5513
not shown	Door Hinge Pin Locker Nut	6	5514
not shown	Stud Plate, Door Lock, Bottom	3	152
not shown	Radiator Support Panel, IIA & III	1	6379
not shown	Web Strip, Canvas, Top of Support Panel	1	6776
not shown	Web Strip Clips	10	3962
not shown	Land Rover Name Plate, Front Grill	1	4903
not shown	Grill Wire, Used only	1	6376
not shown	Hinge Bonnet, IIA, RH	1	139
not shown	Hinge Bonnet, IIA, LH	1	140
not shown	Rubber Buffer, Firewall to Hood	2	3782
not shown	Windscreen Clamp	2	3965
not shown	Badge, "Station Wagon", Rear	1	4903
	SOFT TOPS & MOUNTINGS		
not shown	Canvass Top, Full, Khaki Green w/windows, 88"	1	7402
not shown	Canvass Top, Full, Stone/Beige w/windows, 88"	1	7404
not shown	Canvass Top, Full, Blue w/ windows, 88"	1	7403
not shown	3/4 length & 109 also available - Call for Information		
→	HOOP SET, TO MOUNT 88" FULL SOFT TOP	KIT	2814
	(Does not include Tail gate)		
	TROPICAL ROOF		
	Tropical Roof, 88", (Special Order)	1	*NLA 3711
	Washer	48	3709
	Washer	48	3708
	Distance Piece	48	3707
	PICKUP CAB	1	*NLA 3710

*NLA = No longer available.



Body Sub-Panels & Chassis



BODY SUB-PANELS & ACCESSORIES

Ref #	Description	Qty	Part #
1	Mudshield, Late IIA & III, RH	1	3926
2	Footwell, RH Weld in	1	5521
3	Drop Plate, Extended	1	3698
4	Drop Plate, Standard	1	3697
5	Light Guard, Rear	2	7058
6	Light Guard, Front (headlight in fender)	2	2821
7	Footwell, LH, Weld in	1	5520
8	Mud Flap Set, Rear	1	2803
not shown	Mud Flap Set, Front	1	2806
9	Mudshield, Series II, LH	1	3924
10	Mudshield, Series IIA & Early III	1	3927
11	Free Wheeling Hubs, Front or Rear	1	2128
12	Floor Panel Set	1	3992
not shown	Steering Box Cover, LH	1	3985
13	Steering Box Cover, RH	1	3986
→	Light Guard Rear Pair	1	7058A

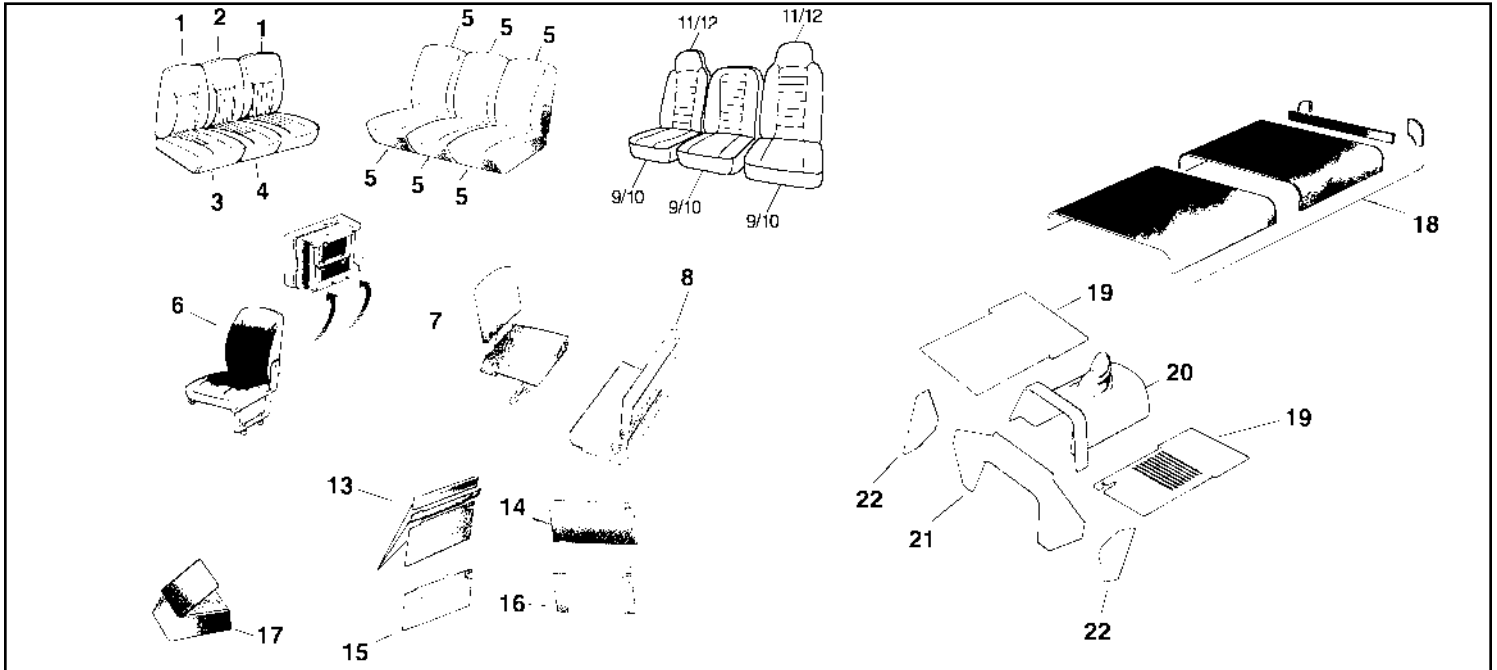
→	Frame Over Kit	Kit	1000
	1-Galvan. Frame, 1-88" Suspension Kit, 4-engine and transmission mounts, 1-brakeline kit, 1-steering relay		

Some items in this section may be available on a special order basis or phone-order only. Please call for pricing and availability.

CHASSIS & STRUCTURALS

Ref #	Description	Qty	Part #
1	Chassis, 88", Galvanized, 4 cyl.	1	1
not shown	Chassis, 109", 4 cyl., 2-door – Galvanized	1	*NLA 7427
not shown	Chassis, 109", 4 cyl., 5-door – Galvanized	1	*NLA 7425
not shown	Chassis, 109", 6 cyl., 5-door – Galvanized	1	*NLA 7426
2	Chassis, Front Quarter	1	3578
3	Outrigger, Bulkhead	2	8198
not shown	Outrigger, Bulkhead, Series I, "S"	2	*NLA 3568
4	Outrigger, Fuel Tank Front, 88" RH	1	4004
5	Outrigger, Fuel Tank, Rear, 88" RH	1	3966
6	Spring Hanger, Rear, 88	2	4003
7	Crossmember, Rear, n/Ext	1	7198
8	Crossmember w/Extensions, Galv	1	7199
8	Crossmember w/Extensions	1	7200
9	Chassis, Rear Quarter	1	7202
10	Outrigger, Rear LH, 88"	1	3967
11	Crossmember Transmission	1	3968
12	Outrigger - Front LH Fuel Tank	1	4005
13	Chassis Leg, LH	1	3844
not shown	Chassis Leg, RH	1	3576
14	Bumper, Front, Standard	1	6426
not shown	Bumper Overrider	2	*NLA 2815
not shown	Sill Channel, Firewall to Box, RH	1	3940
not shown	Sill Channel, Firewall to Box, LH	1	3941
not shown	Grab Handles, Rear	2	2838
not shown	Grab Handles, County Type, Rear LWB (LONG WHEEL BASE)	2	*NLA 3665
not shown	Chassis, 109, 5 door, 4 cyl. (SO)	1	*NLA 7425
not shown	Chassis, 109, 5 door, 6 cyl. (SO)	1	*NLA 7426
not shown	Chassis, 109, 2 door, 4 cyl. (SO)	1	*NLA 7427
not shown	Gear Box Crossmember, 109, (Special Order)	1	3661
not shown	Outrigger, Rear Spring, Front	2	4001
not shown	Spring Hanger, Rear 109	2	4002
not shown	Outrigger, Fuel Tank, Rear RH	1	3564
not shown	Outrigger, Fuel Tank, Rear LH	1	3521
not shown	Outrigger - Front RH 109	1	3574

*NLA = No longer available.



TRIM, INTERIOR

Ref #	Description	Qty	Part #
1	Seat Back, Deluxe, Black - Outer	2	4772
2	Seat Back, Deluxe Black - Center	1	4774
3	Seat Bottom, Deluxe Black - Outer	2	4773
4	Seat Bottom, Deluxe Black - Center	1	4775
→	SEAT SET, DELUXE BLACK, 3 UPPER, 3 LOWER	KIT	7450
5 →	SEAT SET, CAVIAR BLACK & WHITE, 3 UPPER, 3 LOWER	KIT	7451
7	Jump Seat, Black Vinyl, Folding Each	4	*NLA 7481B
8	Bench Seat, Black Vinyl, Folding	2	7481
not shown	Bench Seat, Caviar, (Special Order)	2	7480
9 →	Trakker Seats – Complete 3 Pc. Front Set – Caviar Tweed Cloth	KIT	9062
10 →	Trakker Seats – Complete 3 Pc. Front Set – Black Vinyl	KIT	9066
11 →	Trakker Seats – Complete 2 Pc. Front Set – Caviar Tweed Cloth	KIT	9060
12 →	Trakker Seats – Complete 2 Pc. Front Set – Black Vinyl	1	9061
13 →	DOOR TRIM, 6 PC. BLACK	KIT	7460
14	Door Trim, Rear Door, Black	1	7470
15 →	DOOR TRIM, 6 PC. CAVIAR	KIT	7461
16	Door Trim, Rear Door, Caviar	1	7471
17	Cubby Box	1	7450A
18 →	HEADLINER, STANDARD ROOF, 88"	KIT	*NLA 3716
→	HEADLINER, ALPINE ROOF, 88"	KIT	3717
→	HEADLINER, 109, 5 DOOR	KIT	3718
19	Floor Mat, Front Set, Rubber	1	2829
not shown	Floor Mat - Rear	1	2823
→	FLOOR MAT KIT, 1 RH, 1 LH, 1 REAR	KIT	2808
20	Tunnel Cover	1	3633
21	Center Firewall Trim	1	3634
22	Kick Panels, Pair	1	3635

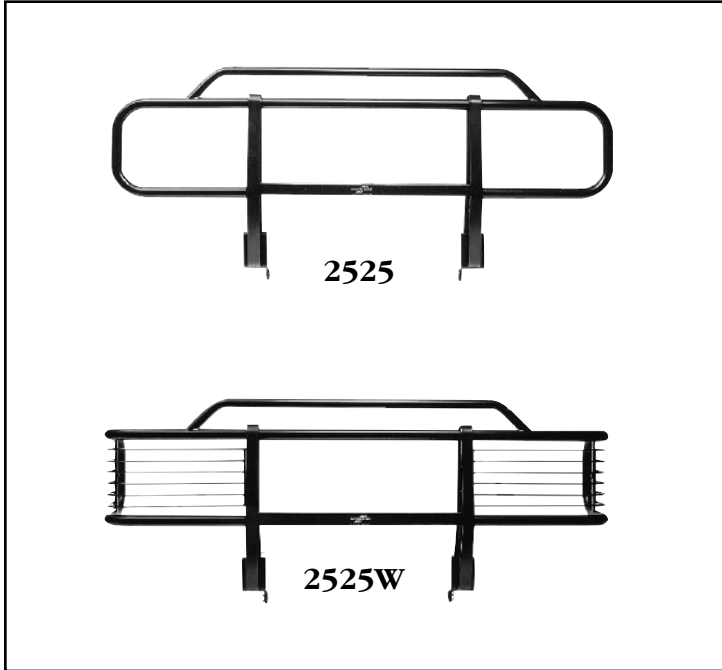
Ref #	Description	Qty	Part #
MISCELLANEOUS INTERIOR TRIM PARTS			
not shown	Door Handle, Inner	2	*NLA 1621
not shown	Grab Handle, Rear Door	1	1625
not shown	Flyscreen, Series III type	2	*NLA 2811
not shown	Interior Sun Visor Assembly	2	*NLA 430
not shown	Seat Slide with Lock	2	459
not shown	Upper Dash Crash Pad, Series III	1	*NLA 7465
not shown	Interior Mirror	1	8194
not shown	Support Bracket Interior Mirror, Late IIA & III	1	*NLA 153
not shown	Vent Control, IIA & III	2	4039
not shown	Spiral Nut, Floor Board	as needed	4907
not shown	Screw, Special for Floor Boards	as needed	4908
not shown	Nut Sert, 1/4 UNF for Dash	as needed	4910
not shown	Nut & Retainer, Series III Dash	as needed	4911
not shown	Bolt, Dash Panel	as needed	4913
not shown	Seat Belt, Lap Assembly	as needed	*NLA 2810
not shown	Hasp, Locker Lip	as needed	90
not shown	Ash Tray, Series III	1	154
not shown	Roof Vent, Tropical Roof	4	*NLA 3712
not shown	Trim Ring, Roof Vent	4	3715
not shown	Gasket, Roof Vent	4	3714
not shown	Vent Knob Dash Vent, Series II		3779

*NLA = No longer available.

Some items in this section may be available on a special order basis or phone-order only. Please call for pricing and availability.



Bars/Bumpers/Mirrors/Racks



BRUSH BARS

Description	Qty	Part #
BRUSH BARS		
Defender/Series Land Rover Straight Brush Bar	1	2525
Defender/Series Land Rover Wrap-Around Brush Bar	1	2525W
BARS & BUMPERS		
Safari Bush Bar, Late IIA & III	1	2525
Safari Bush Bar, Wrap Around	1	2525W
→ TOW RING KIT	KIT	2804
Bumper, Standard	1	6426
Bumper, Heavy Duty	1	*NLA 2849
Jerry Can with Galvanized Bracket	as needed	*NLA 2868
Bumper Override	2	*NLA 2815
Lamp Guard, Headlight in Fender	2	2821
Lamp Guard, Park & Turn, Rear, Pair	1	7058

*NLA = No longer available.

MIRRORS, MUFFS, TIRE COVERS & ROOF RACKS

Description	Qty	Part #
MIRRORS		
Wing Mirror, Boomerang Type	2	3012
Mirror Assembly, 90/110	2	2901
Mirror Kit, 90/110	1	2906
Mirror, Round Black Wing, Stationary	2	5940
Mirrors, Pair 5940	1	5939
Mirror Head, Rectangular	2	2871
Mirror Head, Round	2	5929
Mounting Bracket for 2906, RH	1	*NLA 2903
Mounting Bracket for 2906, LH	1	2904
Mirror Arm for 2902 Mirror	1	*NLA 2905
Mirror Arm for 5940	1	3053
Mirror, Interior	1	8194
MUFFS & TIRE COVERS		
Grill Muff, IIA early	1	*NLA 3645
Grill Muff, IIA & III (Headlight in Fender)	1	*NLA 3646
Spare Tire Cover, 16 x 750	1	3632
Spare Tire Cover, 15 x 950	1	3835
Grill Chaff Guard, IIA & III, Headlight in Fender	1	6381
ROOF RACKS		
Roof Rack, w/Ladder, full length, 88"	1	*NLA 2834
Roof Rack, w/Ladder, full length, 109	1	*NLA 2869
Roof Rack, Ladder only	1	*NLA 2834B
Tower Rack w.66" Bar (requires 9159)	1	9150
High Rise Kit for Tower Rack	1	9159
Tower Locks (4)	1	9151
Tower Locks, (6)	1	9152
Security Cable (1)	1	9162
Basket Case (1)	2	9154
Basket Stretch Net (1)	2	9155
Tie Downs, Heavy Duty, (2)	1	9156
Button Down, (6), Ski Rack	1	9160
Crossbar Pad (2)	as needed	9177
Gunwale Brackets (4)	1	9179
Kayack Stacker (4)	1	9180A
Multi Mounts, Paddles, Mast (2)	1	9178

*NLA = No longer available.

Exterior Accessories & Literature

EXTERIOR ACCESSORIES

Description	Qty	Part #
TIRE MOUNTS & PARTS		
Bolt, Tire Mount, Hood	2	3798
Bracket, Tire Mount Hood	2	3799
Round Rubber Tire Support, Hood	4	138
U-Bolt, Rear Tire Mount	1	*NLA 132
Tire Cover, 950 x 15	1	3835
Tire Cover, 750 x 16	1	3632
→ MUD FLAP KIT, REAR	KIT	2803
→ MUD FLAP KIT, FRONT	KIT	2806
→ MUD FLAP KIT, FRONT & REAR	KIT	2805
STEPS AND PARTS		
→ STEP KIT, SIDE	KIT	2809
Step, Rear	1	398
Hinge Pin, Rear & Side Step	1	210
Buffer, Rear Stop	1	105
Anchor Bracket, Folding Step	3	434
TOOLS		
Socket Set 1/8" – 9/16" Whitworth	1	W100
Ball Joint Separator	1	W116
Automotive Circuit Tester with Probe	1	W106
Fuel Line Clamp	1	W109
Steel Wire Brush	1	W105
Lug Wrench – Series III 1-1/16"	1	NTC7829
Lug Wrench – 15/16"	1	318
Hub Socket	1	606435
Extension Plug Spanner	1	40
Hand Crank, Starter	1	8195
Lug Wrench 1 1/16	1	NTC7829
JACKS		
Hi-Lift 48" Jack	1	9190HL
Accessories		
Hi-Lift Jack Mounting Rack	1	9192HL
Hi-Lift Carry Bag	1	9174HL
Hi-Lift Off-road Kit – includes work gloves, shackle, tow chain and tow strap – all in convenient carrying case	1	8173HL
Hi-Lift Off-road Base – reduces jack sinkage on soft surfaces	1	8172HL
Quick Clamp (adapts jack for use as a clamp or for extra support when hoisting - 4000 lb. capacity)		9184
Shackle, Large - ARB	1	9187
Heavy-duty nylon tow strap (2" x 20')		9188
Heavy-duty nylon tow strap (2" x 30')		9189

*NLA = No longer available.

Some items in this section may be available on a special order basis or phone-order only. Please call for pricing and availability.

Description	Qty	Part #
LITERATURE & MANUALS		
Haynes, Land Rover Restoration Guide		2222
SERIES III		
Owners Manual, Series III		*NLA
Workshop Manual, Series III		2204
Parts Book, Series III		*NLA
Optional Parts Catalog, Series III & IIA		*NLA
V8 Supplement Series III Workshop		*NLA 2213
SERIES IIA		
Workshop Manual, II & IIA		2201
Parts Catalog, II & IIA		*NLA
Optional Parts Catalog, IIA & III		*NLA
Parts Catalog, IIA, 61-71		*NLA
SERIES II		
Owners Manual, Series I & II		*NLA
Workshop Manual, II, & IIA		2201
Parts Catalog, II & IIA		*NLA
Parts Catalog, II, 58-61		*NLA 2232
SERIES I		
Workshop Manual, Series I		*NLA 2234
Parts Catalog, 1948-1953		*NLA 2230
Parts Catalog, 1953-1958		*NLA 2231
Owners Manual, Series I & II		*NLA
OTHER REPAIR MANUALS		
Workshop Manual, 90, non-US version		2229
Land Rover Maintenance Log		*NLA 2214
Weber Carburetor Workshop Manual		*NLA
Series II, IIA, & III Workshop Manual - Haynes		2238
OTHER LITERATURE		
90/110 Workshop Manual		9295LR110
Series I, II, III Service Guide		2245

*NLA = No longer available.

Repair & Parts Manuals are non-returnable, non-refundable.



Cross Reference

ROVER #	ABPART#	ROVER #	ABPART#	ROVER #	ABPART#	ROVER #	ABPART#	ROVER #	ABPART#	ROVER #	ABPART#	ROVER #	ABPART#	ROVER #	ABPART#
001035	6390	18300R	7536	225S	4080	239716	5685	247554	951	265175	1394	274895	2064	320737	7481
001481	1537	18300Y	7538	226S	4081	240087	5686	247555	950	265295	6186	274950	11	320821	2800
001510	437	18G8951	7049	230007	1377	240102	489	247583	335	265461	2102	274956	14	320829	2902
001643	493	18G8953L	7050	230086	1378	240408	1445	247606	345	265627S	314	275199	6248	3278	25
001645	396	1H9077L	5650	230140	1381	240542	7583	247607	1476	265683	1942	275234	6411	3299	5009
002247	4045	2.25 PET DIFFS		230177	1379	240555	6367	247614	172	266661	181	275266	8149	33-63	2848
002392	6871	2101U		230184	750	241110	807	247653	1804	266662	9	275565	44	330113	108
002396	5693	210204	5688	230313	3759	241380	47	247664	1477	266684	1531	275573	17	330115	109
002766	1304	211502	796	230438	584	241649	1447	247665	3068	266684	1941	275679	24	330117	111
002842	5262	212104	993	230439	585	241649	6435	247709	3760	266687	1880	275744	1943	330163	6347
002995	3762	212160	1336	230440	586	241650	6436	247714	1478	266694	1999	276201	28	330295	3949
003075	5690	212383	1339	230511	1451	241651	6437	247726	1409	266752	1532	276323	40	330296	3950
003259	183	212919	1340	230741	449	242056	70	247737	1480	266924	3888	276426	1848	330337	3933
003291	5923	213340	271	230759	857	242108	1449	247738	1481	266945	1393	276484	1823	330380	3940
003292	897	213358	220	231074	6312	242180	1452	247742	1307	266956	1533	276510	6402	330381	3941
003294	871	213416	4048	231075	499	242520	1609	247746	1482	266992	4053	276714	229	330424	3973
003551	1311	213636	1343	231116	1577	242522	1454	247771	1386	267451	6319	276719	1611	330426	3793
003748	939	213637	1342	231155	1384	242669	1453	247819	1483	267572	6230	276720	1612	330427	3794
003819	711	213662	835	231155	3860	242863	1212	247824	2069	267573	6231	276784	6755	330436	3920
003958	8273	213960	7616	231190	1387	242905	674	247874	1448	267574	6232	276954	2801	330437	3921
004035	1631	214649	1423	231505	879	242958	2001	247912	457	267575	6233	277260	1351	330444	3924
004063	5699	214662	1346	231576	8152	243022	1455	247920	175	267668	5788	277289	1967	330622	119
005854	1309	214795	1578	231737	560	243057	272	248909	1484	267780	944	277311	41	330623	120
006395	1310	214995	727	232006	1392	243121	315	248930	1485	267781	1359	277388	3507	330660	3915
006397	180	215331	18	232037	1395	243123	6119	250431	597	267782	573	277390	1389	330661	3750
006405	615	215647	6758	232038	1548	243129	1456	250551	1486	267828	569	277518	67	330901	3805
008185	4038	215808	6219	232041	1399	243130	2098	250830	1487	267837	3754	277633	1198	330953	5511
008188	557	215809	6220	232413	894	243131	2099	250840	3996	267950	2804	277922	5440	330953/7	5509
008566	8	216380	1358	232415	1261	243296	801	250957	1488	268292	519	277923	5441	330955	5512
009065	603	216421	5887	232416	1424	243296G	1876	251323	85	268293	187	277956	57	330956	5513
009102	729	217268	266	232464	7157	243297	800	251324	502	268341	77	278001	76	330957	5514
009225	1319	217325	290	232566	1426	243297G	1875	252161	1490	268635	1535	278025	1858	330999	2814
009561	460	217352	61	232590	5400	243302	803	252163	1491	268887	5681	278109	6366	33113AG	7402
009917	6116	217353	62	232604	6373	243302G	1878	252165	1857	269783	1536	278162	1827	33113AG	7404
009927	461	217354	87	232813	6396	243303	802	252212	1493	269974	125	278163	1008	331275	3755
009931	563	217361	16	233241	6355	243303G	1877	252514	1494	270225	598	278166	2802	331392	2813
009932	1294	217400	64	233326	6320	243611	6354	252529	1495	270287	1254	278286	75	331393	2812
009960	1411	217445	884	233419	643	243714	5169	252621	1496	270420	7019	278372	3875	331401	2823
009961	1296	217453	1348	233427	1776	243743	1914	253809	1436	270520	32	278598	3660	331992	425
03728	9560	217454	1349	233677	1418	243744	1915	253817	1498	270521	31	279011	2047	332047	3890
040758	1320	217455	1361	233678	587	243959	1391	254810	1192	270718	1538	279169	79	332149	3905
041045	269	217476	565	234063	1429	243960	1457	254810	1500	271013	859	279412	6964	332200	4021
042318	673	217477	1849	234525	1430	243965	1458	254811	1501	271014	1645	279418	5607	332324	3957
050702	558	217478	809	234816	1431	243971	1459	254814	1503	271367	1539	279452	5608	332325	3958
050703	559	217490	260	234835	568	244150	91	254852	1504	271372	6363	279649	80	332327	3501
052459	8023	217523	1360	234889	671	244151	1974	255027	1506	271379	1650	279651	441	332329	3959
052459	8266	217526	1285	235438	6238	244162	72	255206	1507	271384	1540	279653	5453	332341	4022
055658	5612	217546	1352	235592	5467	244469	224	255207	1508	271614	600	279679	6122	332434	122
055697	1271	217564	1353	235592	6607	244487	5197	255209	1190	271872	8167	279785	2097	332435	6389
055775	5572	217620	1356	235770	5156	244709	1995	255226	1509	271881	6385	279969	177	332562	438
056854	1327	217622	1357	235968	1420	244711	738	255227	1510	271975	1541	279970	178	332564	3903
067184	1328	217680	1364	236067	6318	244713	1463	255228	5504	272185	1542	27H1330	780	332582	3889
077932	1329	217694	6977	236072	6630	244714	2025	256465	5241	272451	1543	27H8207L	5265	332647	3782
078260	1331	217735	2866	236174	3862	244715	164	257017	1512	272498	1544	300824	6776	332670	4903
078402	5811	217846	1366	236174	3872	244718	1465	257020	4913	272594	1550	301437	6298	332972	3791
078924	1333	217985	476	236175	3863	245004	1280	260055	4505	272596	1412	302165	3742	333035	127
079221	4010	218243	6236	236176	3864	245006	296	260157	452	272597	1413	302174	421	333036	8197
100897	268	218244	6519	236176	3874	245766	6239	260169	1514	272835	6284	302177	3954	333041	1626
10211	1867	218382	1369	236183	1434	245767	6240	260725	1517	272839	1300	302178	3955	333089	4020
108771	5294	218508	8195	236305	12	245926	1466	261483	4015	272922	622	302818	5719	333093	4019
111033A	2254	218983	189	236366	7595	246169	442	261850	1644	272934	5426	302828	3743	333217	130
117252AE	2222	219021	1374	236408	1437	246565	3104	261857	5002	273069	6956	303975	3970	333229	3906
120009AE	2224	219078	5996	236541	1438	246566	3105	261865	1522	273163	273	304234	4023	333253	3945
12H220	6860	219098	415	236632	6247	247078	5953	261869	1643	273936	1555	306287	4024	333254	3946
12VY2902A	2865A	219466	822	236891	1054	247101	847	262703	1525	274068	1557	306287	4026	333261	3907
1314	9561	219468	6237	236969	23	247121	5159	262798	1526	274104	1559	306289	4027	333262	3908
134C	10015	219521	6213	236986	6866	247135	1468	262860	1527	274117	1558	306407	4799	333272	131
135D	10016	219544	267	236998	1440	247144	1469	263878	5175	274171	414	306460	1621	333487	3913
136E	10017	219547	1415	237100	49	247145	1816	264024	6066	274173	344	306471	1630	333835	3712
139082	6048	219548	1416	237119	1441	247166	1470	264137	1780	274423	1561	306564	103		
13H5952L	5791	219549	1417	237140	1442	247170	1471	264195	1228	274609	15	312027	105		
142001	1952	219714	1272	237339	899	247170	6448	264250	6241	274609	1562	320045	4908		
148876	7623	219721	1273	239272	492	247171	1472	264569	1529	274711	3788	320532	2834		
1488PP	6620L	219722	3001	239558	1443	247179	1410	264590	1870	274774	20	320590	2803		
1489PP	6620M	219723	1274	239710	1569	247186	692	264591	1868	274817	6296	320601	2806		
1491PP	6620W	219797	3												

Cross Reference

ROVER #	ABPART#	ROVER #	ABPART#	ROVER #	ABPART#	ROVER #	ABPART#	ROVER #	ABPART#	ROVER #	ABPART#	ROVER #	ABPART#	ROVER #	ABPART#
333836	3713	37H8134	406	506812	5412	523308	5551	533787	184	551369	5478	564308	6966	576907	1592
334073	133	395014	3971	506814	6133	523309	5552	533788	1700	551497	6080	564332	3998	576973	3022
334525	135	395141	2016	507447	845	523310	5553	533794	3018	551508	5667	564456	5883	577137	5008
334612	3911	395185	2811	507829G	1966	523316	5255	534100	311	551595	7582	564704	6426	577138	5006
334613	3912	395459	3918	508895	208	523317	5256	534102	312	552097	5835	564706	1997	577292	7610
334615	3914	395529	3942	509045	209	523318	5257	534340	6044	552174	2847	564719	6372	577346	5979
336451	5767	395530	3943	509448	3816	523320	510	535168	5456	552175/TK90	2835	564899	8162	577354	368
336454	5769	395538	1639	509463	3202	523322	253	535286	3015	552223	5871	564902	8164	577354	5007
336473	138	395598	3900	509769	211	523325	5556	536577	1802	552518	346	564905	8163	577473	6738
336503	3707	395599	3901	510032	3978	523337	256	536803	3078	552575	6228	564907	8161	577609	6377
336535	145	395670	6307	510176	1871	523339	5339	537229	1301	552682	5396	564909	8147	577679	7282
337774	147	395671	6302	510573	5233	523340	5340	537284	7560	552805	1642	565100	5651	579006	369
337801	6576	395672	6301	510575	5234	524151	258	537601	1826	552818	5819	566859	6961	579110	6611
337802	6577	395673	6303	511189	6135	524154	262	537603	317	553084	7169	566865	355	5852	1362
337938	3934	395674	3904	511205	6136	524155	5345	537685	4059	553262	6368	568301	358	587628	3995
337939	3935	396843	3715	511833	2853	524636	270	537686	4060	553412	1363	568333	3601	587696	6316
337942	3930	3M8011	6663	511838	116	524637	263	537687	4071	554055	342	568335	4056	589242	2828
337943	3931	400405	2128	511958	213	524769	1805	537741	4061	554163	1007	568550	5734	589284	5558
337963	3961	42-103 KIT	2855	512018	5372	525124	1421	537742	4063	554383	440	568588	359	589285	3603
338275	153	4402	6498	512140	7261	525428	3999	538038	6189	554418	5834	568664	5574	591039	7850
338380	3962	500133	157	512359	6349	525520	1916A	538039	952	554527	5965	568686	5668	591231	6751
338780	6356	500134	158	512402	215	525975	274	538131	2057	554620	1385	568687	5669	591279	3062
338780	6357	500135	159	512828	5519	526231	7260	538132	2058	555776	6620H	568788	6888	591283	3063
338871	6299	500137	162	512838	5605	526994	6641	538532	320	555778	6495	568789	6689	591362	8013
340391	3960	500138	163	513679	7598	527110	2067	538608	4067	555844	6049	568866	6542	591363	8014
345433	6323	500139	167	514143	221	527167	4769	538628	6075	555845	4065	569006	1866	591364	8012
345434	6322	500144	174	514152	2076	527169	3865	539570	4782	555847	4064	569028	5640	591378	243
345435	6358	500145	176	514192	1935	527235	6504	539703	5364	556010	8009	569291	5877	591379	244
345436	6831	500201	6018	515321	447	528004	171	539706G	5370	556040	6145	569338	7226	591429	6353
345498	469	500289	2009	515366	5428	528683	5970	539707	5371	556204	412	569415	7607	591519	6759
345585	8194	500416	2899	515405	3103	528685	1267	539713	5376	556445	1232	569671G	3505	591527	8017
345620	3922	500513	179	515406	3102	528690	1264	539715	5377	556449	5829	569701	5876	591661	3019
345621	3923	500514	185	515466	5879	528691	5594	539717	6626	556508	3150	569746	55	591704	393
345625	3795	500746	182	515467	6589	528692	5595	539718	6627	556508/PC6858	5798	569955	1229	591705	4074
345626	3796	500978	1547	515468	6590	528701	5537	539720	6628	556628	1233	569956	1350	592364	5445
345631	3797	501389	2103	515470	6588	528702	279	539722	6629	55714	287	570513	7575	592778	231
345701	3893	501616	6125	515599	1293	528703	6140	539724	3764	557432	234	570822	5378	593692	4
345779	3798	501617	6234	515834	225	528720	6438	539741	6380	557523	3763	571059	6709	594019	6712
345855	7508	502096	4068	515845	6524	528721	6439	539742	443	558168	6384	571218	1179	594195	5411
345985	2821	502116	192	515849	5109	528722	6141	539993	324	560410	348	571228	5427	594484R	2101
346341	4014	502201	191	516028	5881	529221	5653	540004	6352	560746	6500	571235	5891	594487	8029
346346	6378	502333	1963	516962	291	530132	281	540842	6143	560775	5751	571435	6710	594622	7615
346436	3525	502482	5321	517469	1821	530304	282	541008	448	560794	6026	571436	6711	594629	7611
346576	4039	502832	5137	517588S	6578	530890	283	541181	3783	560864	3250	571438	6713	594636	7612
346750	7465	502899	5830	517632	5226	530966	284	541860	96	560887	2841	571661	2859	594776	6752
346849	3787	502904	5529	517689	2916	530966	8150	541921	326	56102	797	571711	4900	594822	371
346878	1640	502982	541	517690	8151	530984	292	542231	6245	561195	6178	57171S	4079	595123	6342
346936	5988	503665	6447	517903	7195	530985	293	542410/CV-761	7625	561196	6179	571855	6146	595465	5964
346946	7466	503754	1944	517976	8143	530986	294	542492	3061	561197	5799	571922	5736	595786	5448
346984	8142	503805	6703	518473	6242	530987	297	543108	5642	561221	5817	571936	8264	596225	8140
347019	3976	503900	1817	518671	5186	530992	300	543232	5600	561392	7107	571994	5170	59663	410
347036	436	503901	194	518751	237	531001	303	543764	5468	561601	1591	574048	5183	598110	4767
347262	3799	503904	195	518752	5547	531043	304	543765	624	561661	1515	574749	362	598231	5773
347322	1632	503910	197	518753	238	531388	5837	543946	3968	561886	7021	574871	1564	598473	6221
347363	4007	503911	198	519753	6574	531394	5836	545010	1959	561954	5604	575153	7551	598539	3233
347369	4008	503922	5004	519838	3024	531433	6028	545030	5278	561960	6362	575166	7566	598540	233
347474	3517	503935	3977	519863	241	531888	3106	545049	329	561962	5575	575383	6742	598598	726
347488	5768	503981	190	520849G	1998	531889	3107	545150	331	562481	8154	575395	7001	598700	5987
347489	3963	504105	5898	520941	245	531893	1853	545626	3077	562731	1230	576103	6337	598823	8157
347526	1634	504169	115	520977	246	531906	5443	546440	5119	562737	5859	576203	7084	598848	8156
347548	154	504233	5469	520978	247	532268	4073	546457	5787	562785	5860	576207	288	598850	8160
347556	4906	504517	5442	521328	5410	532319	306	546488	413	562787	5900	576316	2860	598851	8155
347704	2903	504577	5314	521330	6243	532323	5494	546798	1965	562823	6631	576475	6374	598852	8159
347708	6381	504620	5838	521522	1648	532329	4066	546799	1964	562858	5943	576557G	6827	598854	724
347940	1622	504655	1865	522003	8256	532387	308	546841	949	562875	5220	576583	8241	599338	5397
347941	1623	504657	429	522319	248	532453	7194	547820	5674	562885	5861	576686	8016	599378	2008
347955	6379	504697	2822	522593	6585	532572	310	548169	5730	562912	5940	576707	8011	599698	1223
348393	6306	504765	5909	522745	6137	532574	1933	548205	5235	562915	5880	576720	3779	599827	7147
348394	6365	504840	6131	52278	1460	532578	1898	549411	463	562953	6870	576723	3753	599828	6285
348641	97	504997	6391	522913	1565	532809	7524	549461	337	562978	5654	576725	7083		
348678	3714	505158	7505	522938	5722	532880	309	549462	336	563132	5472	576734	8022		
349772	1633	505244	5524	523139	3790	532943	7103	549473	1235	563146	5518	576735	6747		
3503&3504	3502	505805	8144	523181	249	532979	6440	549473	1236	563190	8169	576751	2897		
3739	454	505855	5367	523240	2043	533080	6244	549475	1234	564197	5862	576767	6748		
37H6109L	6370	506069	6132	523277	250	533358	3065	549702	340						

Cross Reference

ROVER #	ABPART#	ROVER #	ABPART#	ROVER #	ABPART#	ROVER #	ABPART#	ROVER #	ABPART#	ROVER #	ABPART#	ROVER #	ABPART#	ROVER #	ABPART#
599869	2027	79048	4909	CE1200	10011	FAM8881L	350	MRC2178	4009	PW10	10012	RTC4188030	6796	RTC7188	7188
599943	8027	790510	6700	CG3800	10010	FHM1202/03	7504	MRC2178	4911	PW14	10013	RTC4188040	7026	RTC7189	7101
599944	8026	79198	1624	CN100408L	6271	FK-116 & PMA50		MRC2595	3972	PW18	10014	RTC41885	6794	RTC7190	8276
599945	7093	79240	4910	CNN112	5010		6660	MRC2762	4013	RANCHO 97435	7510	RTC4190004	6985	RTC7191	8263
600174	5566	79246	4907	CWB320	7576	FK116	FK116	MRC316	7058	RTC1139	4600	RTC4190010	6984	RTC7193	7193
600176	373	7H5007	298	CYB400	7627	FK116 & PM50	7266	MRC4867	1649	RTC1412G	289	RTC4190030	6799	RTC7194	7104
600178	374	8022S	4088	DA 2128	3053	FK117	FK117	MRC5740	6304	RTC1720010	5842	RTC4190050	6797	RTC7195	8271
600178	6083	8022S (QUART)	4083	DA2002	5986	FRC1387	4049	MRC6083	3926	RTC1720STD	5841	RTC4191	6691	RTC7196	8270
600179	375	8078 IN PT.	4089	DA2008N	3844	FRC1454	4768	MRC6084	3927	RTC1721STD	5555	RTC4191030	6694	RTC7197	8254
600200	5924	813-1505	7617	DA2008O	3576	FRC1516	819	MRC6255	3611	RTC1729	5548	RTC419120	6693	RTC7198	8267
600201	5925	813-1506	7619	DA2013	4003	FRC1536	6249	MRC6499	3953	RTC1729 020	5545	RTC419140	6695	RTC773	403
600210	5678	813-1508	3013	DA2014	8198	FRC1691	1265	MRC6980	4773	RTC1729010	5544	RTC4193010	6460	RTC8020	2839
600328	5362	813-1530	3016	DA2015N	3967	FRC1758	6021	MRC6982	4772	RTC1729030	5546	RTC4193020	6461	RTC8020	2839A
600329	5557	815-1001	3020	DA2015O	3966	FRC1780	13	MRC6985	4775	RTC1730	5341	RTC4193020	6462	RTC8141 GAL	2869
600603	5182	815-1002	3014	DA2016	4001	FRC1810	1268	MRC9679	7424	RTC1730010	5342	RTC4193040	6463	RTC819	6193
600613	411	815-5007	3010	DA2019N	4005	FRC1812	1269	MRS9416	152	RTC1730020	5343	RTC41935	6459	RTC822	6194
600656	5437	8407L	5436	DA2020	3574	FRC1813	1270	MTC3181	4774	RTC1730030	5344	RTC4230	6195	RTC9962CC	9298
600916	6147	8566L	505	DA20230	3524	FRC2047	7144	MTC3469	4018	RTC1954	2092	RTC4232	6196	S574661	367
601721	7540	8G8600L	1957	DA2023N	3738	FRC2056	1258	MTC4195	7264	RTC1956	564	RTC4235	3696	SB101	2525
601754	5482	8G8837L	1945	DA2024	3535	FRC2084	1266	MTC4327	3947	RTC1957	561	RTC432/DS-251	1891	SB103	2525W
601790	5579	90214787	200	DA2026O	3506	FRC2297G	5387	MTC4328	3948	RTC1958	8190	RTC4442	3859	SEE NOTE	7450
601846	377	90217389	6235	DA2026N	3003	FRC2720	1251	MTC5217	2901	RTC1963	550	RTC4480	7258	SIB301	2843
601848	378	90217398	746	DA2028	7460	FRC3201	1259	MTC5304	3951	RTC1980	2	RTC4483	7000	SIG3120	6615
601849	379	90217488	498	DA2028CG	7461	FRC4076	1253	MTC5305	3952	RTC2052	3974	RTC4509	496	SM158	6664
601852	380	90217512	261	DA2124/TR608	7470	FRC4077	1252	MTC5314	3956	RTC210	3737	RTC4510	495	SP1974	1881
601858	6093	90217584	1355	DA2126	2141	FRC4586	65	MTC5318	4017	RTC2195	1256	RTC4542	5858	ST900	5279
605048	382	90217984	827	DA2130	2871	FRC4835	3085	MTC5382	3528	RTC2352R NLA	3804	RTC4769	2815	STC1130	285
605092	5714	90512207	165	DA2132	3511	FRC4907	5311	MTC5382G	7166	RTC4827	402	RTC4827	2073	STC121	3064
605093	5715	90515323	6412	DA2133	3697	FRC5116	1262	MTC5383	3899	RTC254	400	RTC4932	1587	STC573	3038
605105	5732	90515552	5505	DA2160	3647	FRC6996	1250	MTC5383G	7167	RTC2685	1257	RTC4933	1586	TR500	7481B
605106	5974	90517429	1962	DA2178	4069	FRC7778	2100	MTC6960	3909	RTC2774020	6798	RTC5012	6962	TR554	7481A
605280	5926	90517567	3590	DA2213	3049	FRC7778	7054	MUC1402	1625	RTC2825	2056	RTC5013	3602	TR600	3630
605482	6487	90519054	5317	DA2221	2874	FRC8549	6172	MUC4299	3902	RTC2990DA	5967	RTC5034	2837	TR640	7450A
605483	6488	90519864	1958	DA3006	4087	FRC8700	5323	MUC6660	3910	RTC3072	118	RTC5083E	6886	TR660	3637
605540	383	90519875	5408	DA3010	4000	FRC9568	7089	MXC8282	4006	RTC3176	2846	RTC5225E	161	TR662	3632
605703	4016	90560612	6065	DA3021	3513	FSLR19 /GEX1372		N5C CHAMPION		RTC3183	10	RTC5249N	2090	TR664	3646
605703	4904	90568489	8153	DA4018N (LEFT)			3821		2031	RTC3184	3069	RTC5523	3736	TR665	3645
605904	2862	90569126	5737		5520	FT58	8196	NH604041L	1636	RTC3185	150	RTC5629	6803	TRS1013L	1986
605934	2854	90569126G	5738	DA4018O (RIGHT)		GDC115	5526	NRC1269	6976	RTC3233	3004	RTC5867/68	418	U-850	8199
606023	5758	90569128	4778		5521	GEX1370	3224	NRC2052	5765	RTC324	399	RTC5903	5963	UKC467	404
606168	3203	90575150	7539	DA5001	5421	GEX1373	3228	NRC2053	141	RTC3255	2026	RTC5940	6898	WB110061L	5831
606187	5929	90575281	7564	DA5002	5422	GEX1375	3229	NRC2054	1566	RTC3278	8204	RTC603	7573	WE11000	8604
606220	7587	90577299	7614	DA5003	5420	GEX1376	3226	NRC236	7198	RTC3284	7559	RTC6079	1606	WM600041L	1628
606286	386	90577449	8158	DVGJETKIT	2149	GEX1377	3209	NRC236E	7200	RTC3286	7515	RTC6248	3944	YRW2	2201
606404	7162	90606002	2809	ERC1561	3761	GEX1563	3367	NRC236EG	7199	RTC3291G	286	RTC6328	1820	YRW3	2204
606415	433	90606422	2039	ERC2250	100	GEX1681	8168	NRC2538	2851	RTC3326	6980	RTC6620	1585		
606420	7161	90608175	3071	ERC2870	363	GEX3302	3208	NRC3115	5978	RTC3335	2028	RTC6621	8205		
606577 (USA)	7565	90608545	4603	ERC2886	5833	GFE1028	2852	NRC3287	6882	RTC3336	1918	RTC6625	1584		
606880	8010	90624031	66	ERC298	365	GG01	9563	NRC3615	416	RTC3346	3092	RTC6806	5471		
606988	3997	92.0286.05	2142	ERC3233	366	GHC1217	999	NRC3897	4055	RTC3353	82	RTC7131	8600		
607172	4601	92.323705	2156	ERC3256	6825	GHC507	7613	NRC3898	4054	RTC3368	6883	RTC7133	8602		
607180	388	9210	417	ERC4110	1583	GLB273/GLB270		NRC4222	6896	RTC3404	5827	RTC7134	8603		
607183	387	99400.292P	2155A	ERC5348	2816		7568	NRC4251	5450	RTC3411	5358	RTC7136	7136		
607185	4602	99400.294P	2155	ERC5349	6139	GRA119	4783	NRC4259	5444A	RTC3416	264	RTC7159	8269		
607187	389	AAU1405	7543	ERC6341	6144	HYG123A	2152	NRC4260	5447	RTC3417	5902	RTC7161	8272		
607324B	2206	AAU2003	1807	ERC6380	5629	LDAWMUS93		NRC4355G	7427	RTC3418	5949	RTC7162	8252		
607688	6889	AAU3381	4781	ERC6794	5870		9295LR10	NRC4609	6757	RTC3424	6904	RTC7163	8253		
608023	7010	AAU3956	6887	ERC6795	1886	LR CABS USED	7410	NRC4642G	1	RTC3426	265	Cross Reference			
608111	5139	AAU5510Z	7563	ERC6986	5290	LR129	3663	NRC5347	6034	RTC3484	759	RTC7164	8274		
608124	102	AAU8469	5790	ERC7150	1783	LR240	3992	NRC5385	1641	RTC3510	330	RTC7165	8255		
608172	2002	AB6100061L	1620	ERC7151	1859	LR250	7202	NRC5829	2845	RTC3510G	6314	RTC7166	7110		
608224	7532	AEU1034	5138	ERC7151ST	1860	LR26	3540	NRC5961	3815	RTC3515	880	RTC7167	8275		
608225	7533	AEU1046	7227	ERC8751	5120	LR3	2834A	NRC7578PM	3048	RTC3516	1231	RTC7169	7108		
608225	7570	AEU2760	1407	ERC9188	4011	LR3 AND LR9	2869A	NRC7725	101	RTC3528	1419	RTC7172	7172		
608283	8015	AFU2627	5439	ERC9453	7621	LR302	6620K	NT112041	8268	RTC3562	7046	RTC7173	7173		
616S	4078	ALR5314/MUC9126		ERC9669	4780	LR308	3986	NT605061L	5446	RTC3610	5741	RTC7174	7174		
622047	7102	3504		ERR1117	3785	LR323 (88")	6620S	NTC5116	2838	RTC3612	295	RTC7175	7175		
624021	8165	ALR5314/MUC9127		ERR607	6134	LR334 (88")	6620N	NY607041L	5005	RTC3614	8203	RTC7176	8257		
624091	7618	3503		ETC4357	6688	LR52 N/S	3925	P31001	2153	RTC364	8202	RTC7177	8258		
625S	4077	ANCO 41-01	2030	ETC4499	78	LR59	3578	P31001	2153A	RTC3670	6497	RTC7178	8259		
636989	5780	AUC2001	395	ETC4709	5596	LR661	3638	PRC1111	2824	RTC3840E	5697	RTC7180	8261		
6421	6421	BHA4602L	5985	ETC4751	5597	LR9	2834B	PRC1330	7506	RTC3862	1575	RTC7181	8262		
7-824	2810	BLS109L	593	ETC5157	3500	M7183 (NRC4259)		PRC2437	98	RTC3864	5729	RTC7182	7182		
7316	877	BTB657	5899	ETC5551	6317		5444	PRC2670	8166	RTC3867	6053	RTC7184	7184		
78321	6560	CCN110	8028	ETC7788	5675	MCA502 12 OZ CN		PRC7987	3	RTC3966	7013	RTC7185	7185		
78401	5810	CCN122L	570	ETC7867	6297		2501	PS608101L	5229	RTC4188020	6795	RTC7186	7186		