

VOLUME 4.1

Land Rover Vehicle Parts and Accessories

**RANGE ROVER • DEFENDER • DISCOVERY
FREELANDER • LR3**



GOLD COAST ROVERS

LAND ROVER PARTS FROM XKs UNLIMITED



850 Fiero Lane
San Luis Obispo,
California 93401 U.S.A.
U.S Toll Free 800-444-5247
International 805-544-7864
www.goldcoastrovers.com

TABLE OF CONTENTS

PERFORMANCE & ACCESSORY SECTION

General Accessories 1	Performance Brake Components 17-18
Car covers, Connolly interior leather products, and running board kits.	EBC pads & rotors and complete overhaul kits.
Roof Racks 2-3	Hi-Lift Off-Road Jacks 19
An assortment of racks and accessories from Land Rover and the aftermarket.	The standard by which other heavy duty jacks are measured.
Exterior Accessories 4-5	Suspension Upgrades 20-21
Wind and rain deflectors, hitches and hardware, sport racks and pet barriers.	Complete and specific suspension upgrades from Old Man Emu™, and coil spring conversions for failed air suspensions.
Interior Accessories 6-10	General Accessories 22-26
From carpet mats to burlwood dash kits to Cordura seat covers; dress-up the interior and add protection at the same time.	K&N® air filters, Redline lubricants, sound proofing by Dynamat, MR. Moly Lubricants, spare wheel covers, locking lug nut kits, accessory badges, decals, key fobs, license plates, hats, shirts and more.
Auxilliary Lighting 11	Books and Manuals 27-30
Hella™ has a solution with additional lighting for adverse and hazardous conditions.	Factory parts manuals, workshop manuals and aftermarket repair and service books.
Exterior Accessories and Warn® Winches 12-15	Autoglym Car Care Products 30-31
Brush bars, sun shades, headlight savers, exterior ladder, gear reduction starter motors, Warn winches.	Tested cleaners, waxes and solvents for the protection of your investment.
Stainless Steel Exhaust 16	Range Rover III Body Kit 32
Full coverage from the worldwide leader, Borla™.	Chrome trim and body kits.

REPLACEMENT PARTS CATALOG SECTION

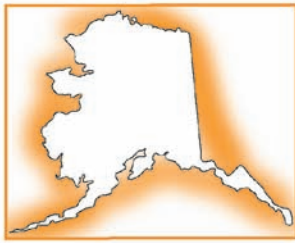
Each Replacement Parts Section is a self-contained mini-manual for that particular model. In each section you will find all the common replacement parts for each system of your Land Rover. From engine and power train to chassis and drive train, it's all listed in an easy-to-read format. You'll be able to locate most any part that you'll likely need. If you need a part not listed, simply call one of our sales reps and get it on **Special Order**.

Range Rover Classic, 1987-1995 33-95	Discovery II, 1999-2004 196-231
Range Rover II, 1995-2002 96-133	Defender, all 232-267
Range Rover III, 2002-on 134-153	Freelander, all 268-289
Discovery I, 1994-1998 154-195	LR-3, all 290-297
	Numerical Parts Index 298-304

Copyright © 2006, XKs Unlimited, Inc., San Luis Obispo, Ca. Production credits to the staff of XKs Unlimited, Inc. This catalog incorporates original designs and images, all wholly owned by XKs Unlimited, Inc. Any reproduction or storage, in part or in whole by any means, is forbidden without the express written permission from XKs Unlimited, Inc. Reference to any and all brand names is for descriptive purposes only and in no way implies any affiliation.

Availability and specifications described herein are subject to change without notice. Any **SPECIAL ORDER ITEM** requires a fifty percent, non-refundable deposit prior to XKs Unlimited placing an order for said goods.

CORE CHARGES are assessed at the time of the sale, CORE CHARGE REFUNDS will be issued pursuant to approval of an acceptable core part.



ALASKA
6:30AM - 4:30PM M-F
8:00AM - 12:00PM Sat

Gold Coast Rovers
San Luis Obispo, California



HAWAII
5:30AM - 3:30PM M-F
7:00AM - 11:00AM Sat.

PACIFIC
7:30AM - 5:30PM M-F
9:00AM - 1:00PM Sat

MOUNTAIN
8:30AM - 6:30PM M-F
10:00AM - 2:00PM Sat.

CENTRAL
9:30AM - 7:30PM M-F
11:00AM - 3:00PM Sat.

EASTERN
10:30AM - 8:30PM M-F
12:00PM - 4:00PM Sat.

XKs Unlimited Sales Office Business Hours By U.S. Time Zones

Same day shipping on all orders placed before 2:00 PM Pacific time. We ship via UPS™, FedEx™, and DHL™ as our primary carriers, if you have special shipping needs please discuss them with your sales representative.

**Toll-free order line for North America (800) 444-5247, International calls (805) 544-7864
Fax (805) 544-1664, e-mail: xksunltd@aol.com ■ Web Site: www.xks.com**

This is the fourth edition of our Land Rover parts catalog. A great deal of research and attention to detail has gone into this book to make it our best ever.

Much about XKs UNLIMITED hasn't changed, however. We still cover all Land Rovers from 1987-on. You'll still talk to a knowledgeable enthusiast when you dial our 800 number. You'll still have our ever-expanding parts inventory and over three decades of experience at your disposal,

and you'll still get the friendly, prompt service we at Gold Coast strive to provide.

Some parts are special-order only. If you don't see what you need, please call with the factory part number.

XKs UNLIMITED has been in business for over three decades serving the Jaguar and Land Rover. Give us a call and let us show you why, (800) 444-5247.

SHOP SAFE AND SECURE, 24-7-365 AT www.goldcoastrovers.com

- Get up-to-date pricing any time you like , simply do a Search by the part number.
- Browse thru the Gold Coast Monthly pages, for up to date news from Land Rover, club events and special projects.
- Many of our Land Rover customers also own Jaguars; we sell parts and accessories for all Jaguars vehicles from 1948 at BIG savings. Go to www.xks.com.
- The Coventry Quarterly on-line features secure on-line purchasing and great deals. Featured are many items on the blowouts page that aren't offered anywhere else.
- Site-level search engine, on many pages of our web site you can type key words into our search feature and links are created to anywhere on the site where those words appear. It's easy! Give it a try today.

The screenshot shows the XKs Unlimited website interface. At the top, there is a navigation menu with links for Home, Restoration, Racing, About XKs, Events, Jaguar Parts, and Land Rover Parts. Below the menu is a large banner with the XKs Unlimited logo and three main categories: Jaguar Parts, Restoration and Racing Services, and Land Rover Parts. A central banner reads "Get Our Latest Catalogs! New and Hot!". Below this, there are several service and promotional boxes: "Shipping" (listing Jaguar Parts, Accessories, Land Rover Parts, etc.), "Restoration & Racing" (listing Restoration Services, Vintage Racing Services, etc.), "Info & Services" (listing Terms & Conditions, etc.), "Community" (listing Jaguar Events, etc.), "Se Habla Español" (Spanish language support), "SALE PARTS" (with a "CLICK HERE FOR DETAILS" button), "Coventry Quarterly" (a quarterly magazine), "Jaguar WorldWide-Monthly Magazine", "Gold Coast Rovers Monthly", "XKs 2005 Open House X-perience" (with a "Register Today!" button), "NINCO" (Slot Cars & Slot Racing Sets), and "Stewart-Warner Performance Exhausts".

POLICIES AND BUSINESS PRACTICES

PHONE ORDERS. You may order by phone Monday-Friday 7 a.m. to 5:30 p.m. and Saturday from 9 a.m. to 1 p.m., Pacific Time. We are closed the Saturday of holiday weekends. No collect calls, please. Minimum order is \$25.00

WALK-IN ORDERS. It's a good idea to place your order in advance so we can have it ready when you arrive. This is especially true on Saturdays as we run a skeleton crew.

PAYMENT. All payments must be made in U.S. funds. The best method of payment is VISA, MasterCard, American Express or Discover. We also accept U.S. cashier's checks or money orders. We can ship UPS/FedEx C.O.D. to the Continental U.S. only. Common carrier truck shipments cannot be C.O.D. With prior approval, you may write a personal check for a C.O.D. order, otherwise we will require cash, cashier's check or money order. Other conditions may apply to C.O.D.s. Personal checks are held for check clearance.

For international orders, payment is best made by credit card or a cashier's check from a U.S.

bank. Or, you can wire us funds; we will be glad to fax instructions. A processing fee will be added to cover fees imposed on us. We regret we cannot accept Canadian postal money orders.



RETURNED CHECKS. All returned checks will be subject to a \$20 charge, plus interest at the prevailing legal rate. The charge may be assessed each time the check is returned plus any and all collection charges, expenses or legal fees. The account will then be on a "Cash Only" basis and credit information may be reported.

SHIPPING. Orders are usually shipped within 24 hours via UPS, FedEx or Parcel Post. Parts too large or heavy for UPS or FedEx will be shipped by common carrier truck, freight prepaid. Shipments outside the Continental U.S. will be shipped via an agreed-upon carrier. Customer pays all shipping, insurance and customs fees. Check regulations governing import duties and restrictions on weight, size and/or merchandise ordered on international shipments.

CLAIMS. Check all shipments before you sign for them. All products are shipped in good condition. If your shipment arrives damaged, you must note that fact on your receipt/bill of lading and have the driver acknowledge with their signature. According to I.C.C. regulations you, the consignee, must notify the carrier immediately upon receipt. Then call us so we can initiate a claim. Claims for shortage or error in shipment must be made within 10 days after receipt of merchandise.

RETURNS. We consider all sales final unless a part is defective or we made an error. All other returns are subject to a 20 percent re-stocking charge. If you do receive an item that is defective, not as ordered, etc., we will make every effort to make a prompt adjustment. Just return the item using the form enclosed with your order. (For returns over \$500, please call Customer Service first.) The part must be in saleable condition, in the original packaging, and not used, damaged or

modified in any way. You will receive a refund/exchange as requested. Please insure the package and include a copy of your invoice. All returns must be prepaid. We will not accept C.O.D.s. Freight costs are usually not refunded unless we made the error. No returns on electrical parts or bearings. No credit will be given if the return is damaged due to poor packaging for its return trip. We reserve the right to verify that a part is truly defective before making a refund. No returns after 45 days, cores excepted. Minimum return amount is \$5.00

CORES. Rebuilt items carry a "core charge," a deposit that is promptly refunded once we receive your rebuildable core. We reserve the right to ensure your core is indeed rebuildable before issuing a credit. Cores must be assembled and match the rebuilt item purchased. Pack cores well; we cannot issue a refund for items damaged in transit.

SPECIAL ORDERS. Some items are special order only. They require a 50 percent deposit. No returns on special order items unless defective or incorrect merchandise was sent.

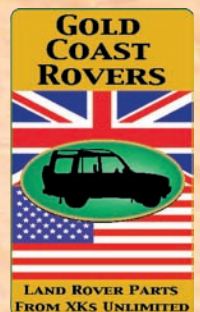
BACK ORDERS. Back ordered items will be indicated on your invoice in the "B/O" column. You will not be charged for those items until they are shipped to you. While we make every effort to keep all parts in stock, we will, from time to time, be out of some items. When a back-ordered item comes in, we will call to confirm you still want it. These items are subject to price increases (and decreases!).

WARRANTY. All parts are subject to the manufacturer's warranty which may cover workmanship and materials, but does not, under any circumstances, cover labor costs. Warranty does not cover failure of a product due to misuse, improper installation or failure of related parts, and is not the liability of XKs Unlimited. Warranty will not exceed the original purchase price of the part. The warranty period becomes effective from the date of shipment from XKs Unlimited, regardless of date of installation. Using a part in a racing application will void any warranty.

PRICING. Due to fluctuation of the Dollar vs. world currencies, prices are subject to change without notice. When the dollar drops we must raise prices, but when the dollar gains or we find a good buy, we pass the savings on to you.

PARTS AVAILABILITY. We've endeavored to ensure that items listed are available. Some are listed for reference only. In some cases, we've listed parts we believe will become available soon. Suppliers do stop production and/or go out of business, which can lead to shortages while we find a new source, which usually doesn't happen overnight. Finally, new items become available constantly—if you do not see what you need, please call.

CATALOG ERRORS. We make every effort to ensure that information in our publications is correct. We will not be held responsible or liable for any inaccuracy or error that exists in specifications or pricing. We reserve the right to correct any errors or make necessary adjustments at any time.



850 Fiero Lane, San Luis Obispo, California 93401 U.S.A.

North America Toll Free 800-444-5247 • International 805-544-7864

www.goldcoastrovers.com • FAX (805) 544-1664



SPECIAL INTERIOR CARE PRODUCTS FROM CONNOLLY

Connolly Hide Food



If your Rover has leather seats you need to "feed" them. No one knows more about leather than Connolly. Hide food is an easy to apply cream that cleans and brings back softness to your expensive leather.

Order Number17-1000

We offer two cover materials: gray poly/cotton and Technalon®. The poly/cotton covers are lighter duty and don't offer the protection of Technalon but feature good breathability and store in a relatively small space. Technalon offers all-weather protection against rain, snow and harmful UV rays. The Technalon covers are more bulky, however.

Connolly Leather Cleaner



Connolly Leather Cleaner is a carefully blended formula containing natural oils in purified water to gently clean and moisturize. To keep leather looking its best requires regular care and attention to avoid stiffening and cracking. Use Connolly Leather Cleaner to deep clean and replenish the loss of essential oils and preservatives caused by evaporation.

Order Number.....17-0999

- Range Rover Classic
 - Short Wheelbase (100"), Poly CottonRV-1710
 - Short Wheelbase (100"), Technalon.....RV-1711
 - Long Wheelbase (108"), Poly Cotton.....RV-1712
 - Long Wheelbase (108"), TechnalonRV-1713
- Range Rover II
 - Without Brush/Bull Bar, Poly CottonRV-1714
 - Without Brush/Bull Bar, TechnalonRV-1715
 - With Brush/Bull Bar, Poly CottonRV-1716
 - With Brush/Bull Bar, Technalon.....RV-1717
- Range Rover III
 - Poly CottonRV-1722
 - TechnalonRV-1723
- Discovery I, with running boards, rear spare tire pocket, factory mount, max spare tire diameter 33".
 - Poly CottonRV-1706
 - TechnalonRV-1707
- Discovery I, with running boards and bull bars and lamp guards, rear spare tire pocket, factory mount, max spare tire diameter 33".
 - Poly CottonRV-1708
 - TechnalonRV-1709
- Discovery II
 - Poly CottonRV-1718
 - TechnalonRV-1719
- Defender 90, with half top, rear spare tire pocket, factory mount, max spare tire diameter 33".
 - Poly CottonRV-1700
 - TechnalonRV-1701
- Defender 90, soft full top, rear spare tire pocket, factory mount, max spare tire diameter 33".
 - Poly CottonRV-1702
 - TechnalonRV-1703
- Defender 90, with hard full top, rear spare tire pocket, factory mount, max spare tire diameter 33".
 - Poly CottonRV-1704
 - TechnalonRV-1705
- Freelander
 - Poly CottonRV-1720
 - TechnalonRV-1721
- LR3
 - Poly CottonRV-1724
 - TechnalonRV-1725



THE CALIFORNIA DUSTER™

These things work! The original is still the best duster available. Extra soft cotton dusters act as magnets for dust and debris. Don't buy a car cover without buying one of these! Friendly to paint. The "California Duster" will work in all states, rest assured.

California Duster17-1055



GENUINE LAND ROVER ROOF RACKS AND CARRIERS

RR III

- Expedition Roof Rack. A tubular steel roof rack coated with corrosion-resistant nylonRV-CAB000050PMA
- Integrated Roof Rail System. Two sliding cross bars attached to rails that run the length of the vehicle's roof. Can support various loads or can be used to support the luggage rack or ski/snowboard carrierRV-CAB000040PMA
- Luggage Rack. A lightweight alloy rack to maximize luggage carrying capacity. Use in conjunction with the roof rail systemRV-LRN50110
- Ski & Snowboard Carrier. Carries up to two pairs of water skis, or three pairs of snow skis with poles or one set of snow skis and one snow board. Use in conjunction with the roof rail systemRV-LRN50143

Freelander

- Luggage Tray. Mounts to standard roof rails.....RV-LRN50110
- G4 Expedition Roof Rack. Rugged, heavy duty tubular rack. Clamp set requiredRV-STC50433
- Clamp Set, G4 Expedition Roof Rack, required to fit STC50433 rackRV-CAP500030

ROOF RACKS AND CARRIERS



Aftermarket Roof Racks

LR3

- Expedition Roof Rack. This alloy rack includes a front wind deflector and carries up to 119 pounds of cargo. In keeping with the LR3's cutting-edge look, this rack is a bit more stylish than other "safari" racks. Adds about 6" to the height of the vehicleRV-CAB500020PMA
- Lockable Crossbars. These attach to the LR3's existing roof rails and support up to 158 pounds. Compatible with Land Rover's range of roof carrying accessoriesRV-CAP500020



LR3 Expedition Roof Rack

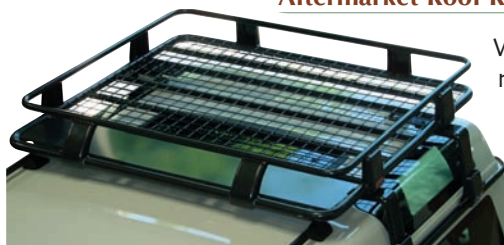


LR3 Lockable Crossbars

WeatherTech™ Rooftop Carrier

For smaller items or things that you'd rather not have the entire motoring public feast their eyes on. Enter the WeatherTech Rooftop Cargo Carrier. It provides 13 cubic feet of capacity (enough to hold four suitcases) and is made from a super-durable polyester with a water repellent PVC coating. The beefy straps and connectors provide secure attachment to your roof rack. A soft, thick, fleece pad on the underside protects your vehicle's finish.

WeatherTech™ Rooftop Carrier.....RV-1536



We offer two brands of roof racks, U.S.A.-Made Wilderness Racks & Accessories brand and ARB Racks from Australia. Both are the tubular "safari" style. Either rack will support far more weight than the rain



gutters can handle. The ARB racks look like they'd carry an elephant, or at least several kangaroos. They are powder coated with a dark grey/silver metallic finish. ARB racks require a separate fitting kit. The Wilderness racks are similarly beefy and powder coated black. They are made from 3/4" heavy-duty square steel tubing and come with black stainless steel mounting hardware and instructions.

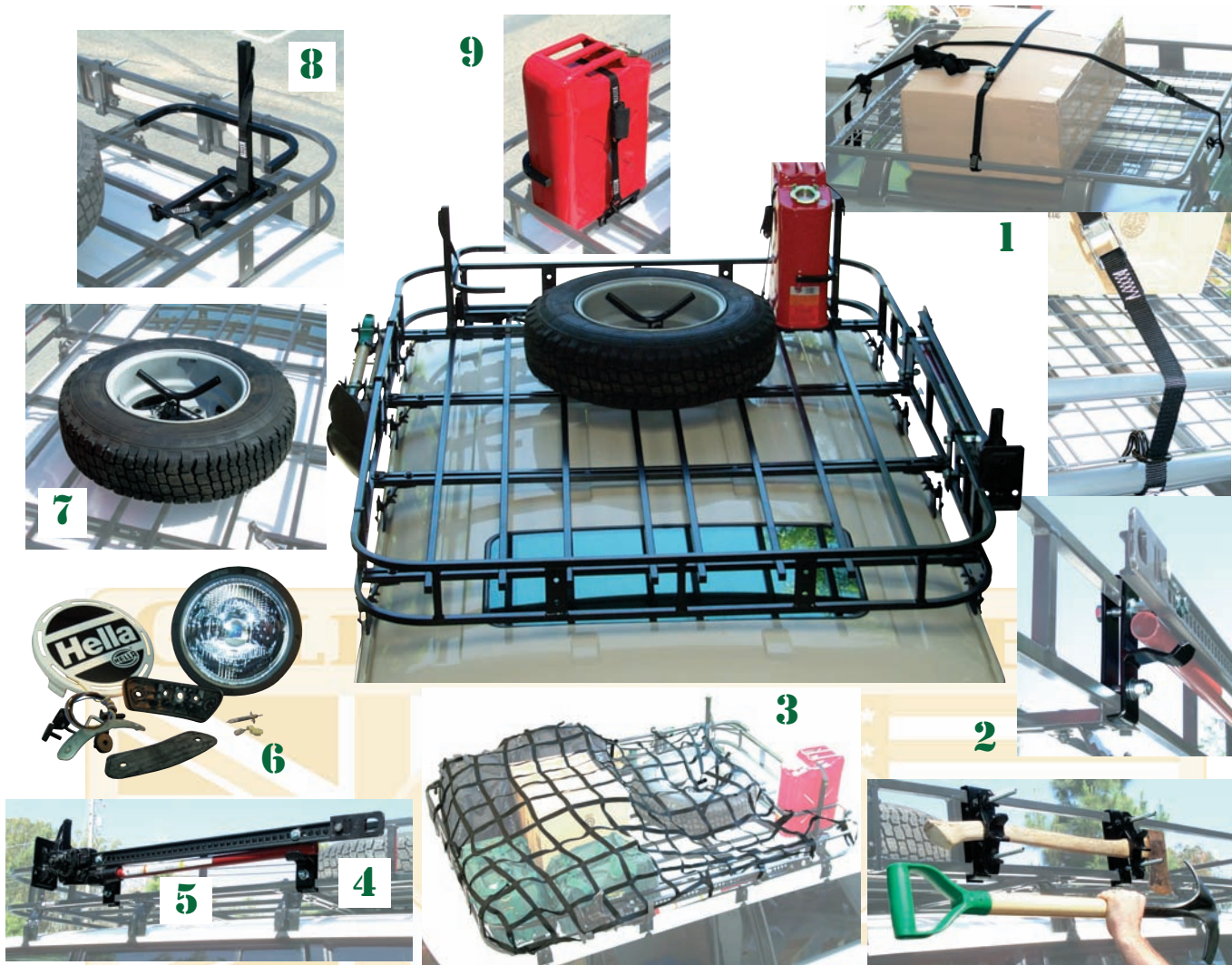
ARB Roof Rack

- Range Rover I, 1987-1995
- 73" x 49"RV-2800
- Fitting kit for above rackRV-28032
- 43" x 49"RV-2802
- Fitting kit for above rackRV-2804
- Discovery Series I or II
- 43" x 49"RV-2802
- Fitting Kit for Above RackRV-2805

(Shown above on Discovery with RV-2805 Fitting Kit)

Wilderness Racks

- Range Rover I, 1987-1995
- 5' x 5' x 4"RV-2813
- 87-95, 5' x 7' x 6" (Shown on Range Rover above).....RV-2814
- Discovery Series I or II **Note: Rear sunroof will not open fully.**
- 4' 6" x 4' x 4"RV-2811
- 4' 6" x 7' x 4"RV-2812
- Defender 90
- 5' x 3' x 6"RV-2810



ROOF RACK ACCESSORIES

Get the most out of your roof rack with accessory brackets and tie downs. Brackets allow you to carry utility items on the outside of the rack and tie downs and cargo nets are essential to secure your load. Jerry can and water

can brackets are great for off-road but also serve well to free up interior space on those long trips. Some of the accessories offered on this page are designed specifically for Wilderness racks as noted.

1. Heavy Duty Tie Down Straps

Featuring quick-release buckles that cinch tight with a single pull, built-in hook rings, and hook covers.
 Tie Down Straps, Pair 1" x 190" each.....RV-2827
 Tie Down Straps, Pair 1" x 161" each.....RV-2828

2. Bracket

Attaches Ax or Shovel to Wilderness brand rackRV-2823
 Bracket, Attaches Ax and Shovel Combo (Wilderness rack) (Shown)RV-2824

3. Heavy Duty Cargo Nets

A buckle tie down at the end of each nylon strap. When you tie down your load with any these nets it will stay put.
 Cargo Net, 4' x 4'RV-2818
 Cargo Net, 4' x 5'RV-2819
 Cargo Net, 5 x 6' (Shown)RV-2820

4. Bracket

Attaches Hi-Lift Jack to Wilderness brand rack.....RV-2822

5. Hi-Lift Jack

Extra tall high-lift jackRV-HL-484

6. Hella 100W Light

White light, matte black case, eachRV-74806
 Hella Fog light with chrome case, each.....RV-76205
Note: Also see page 11 for Hella Lighting accessories.

7. Roof-Mount Spare Tire Bracket

Attaches Spare Tire to Wilderness brand rackRV-2821

8 & 9. Can Holder

Attaches Gas Can (aka "Jerry Can") to Wilderness brand rackRV-2825
 Attaches Water Can to Wilderness brand rackRV-2826



Wind and Rain Deflectors

These highly functional wind and rain deflectors allow fresh air into the vehicle but not an unwanted level of wind and noise. On a rainy day, leave the windows open an inch or two and let fresh air in without getting soaked. Precision crafted in Germany

Range Rover 1987-1995	
Front only, SWB or LWB	RV-1521
Front & rear set, SWB Cars Only.....	RV-1537
Front & rear set, LWB Cars Only.....	RV-1538
Range Rover II	
Front only	RV-1526
Front & rear set	RV-1540
Range Rover III	
Front & rear set, Genuine Land Rover	RV-VUB000610
Front only, Aftermarket	RV-1562
Front & rear set, Aftermarket	RV-1563
Discovery Series I	
Front only	RV-1524
Front & rear set	RV-1539
Front only	RV-1541
Front & rear set	RV-1542
Defender	
Front pair, With Roll-up Windows Only	RV-1523
Freelander	
Front only	RV-1564
Front & rear set	RV-1565
LR3 2005-on	
Front & rear set, Genuine Land Rover	RV-VUB502390



ARB™ Rear Step Bumper

This heavy duty replacement for the stock rear bumper provides a full-width step and a convenient built-in tow hitch that slides off when not in use. Provides far more

protection to the rear corners of your Range Rover I than the standard bumper.

Range Rover I Rear Step Bumper	RV-1589
--------------------------------------	---------



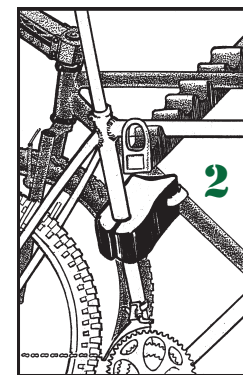
Trailer Hitch Kits and Components

It's easy to add a trailer hitch or receiver to your Rover with these factory kits.

Range Rover I, 1987-1995	
Hitch Kit	RV-RRNA0925
Includes receiver bar, two trailer balls, ball cover and two safety chains	
Wiring Harness	RV-PRC4143
Connects virtually any trailer's electrical system to the vehicle. Requires 3-light to 2-light conversion.	
Range Rover II, 1995-2002	
Hitch Kit	RV-LRNASE5664
Includes 7500-pound-rated receiver bar, three sizes of trailer balls, ball cover and two safety chains.	
Range Rover III, 2002-On	
Hitch Kit	RV-LRK20941
Electrics Kit	RV-YWJ500012
Provides electric power and rear lighting for trailer	
Discovery I, 1994-1998	
Hitch Kit	RV-RRNA0925
Includes receiver bar, two trailer balls, ball cover and two safety chains.	
Wiring harness	RV-PRC4143
Connects virtually any trailer's electrical system to the vehicle. Requires 3-light to 2-light conversion.	
Discovery II, 1999-2004	
Hitch Receiver.....	RV-VUB104850
For SD, SD7 and LE7; comes standard on SE and SE7	
Hitch Kit	RV-LRN50995
Wiring Kit	RV-LRN50990
Defender, All	
Hitch Kit	RV-RRNA0925
Includes receiver bar, two trailer balls, ball cover and two safety chains.	
Wiring Harness	RV-PRC4143
Connects virtually any trailer's electrical system to the vehicle. Requires 3-light to 2-light conversion.	
Freelander, All	
Tow Bar Installation Kit, 1.25" receiver	RV-LRK20910
Hitch Kit, 1.25" ball mount.....	RV-LRK20930
Electrics Kit.....	RV-LRK20920
LR3, All	
Quick Release Tow Hitch Receiver	RV-KNB500023
Electrics Kit	RV-YWJ500220



ACCESSORY SPORTS RACK



Shown installed



For items that are carried short distances or that require frequent access, roof racks are sometimes impractical for vehicles as tall as Land Rovers. That's why this rear mount rack system makes so much sense; it's easy to load and still allows quick access to the vehicle.

- Spring-loaded release lever allows rack to pivot away from vehicle
- Quickly converts from bike rack to ski rack with available accessories
- Optional ski rack attachment holds up to six pairs of skis or four pairs of skis and two snow boards.

- 1. Basic Sports RackRV-1528
- 2. Bike BumpersRV-1532
Two per pack; prevents bikes from scraping together.
- 3. Ski Bag, covers one pair of skis.RV-1530
- 4. Locking Arm, secures bikes to rack.....RV-1531
- 5. Hitch Lock, locks rack to vehicle.RV-1533
- 6. Ski Rack AttachmentRV-1529

LAND ROVER PARTS FROM XK'S UNLIMITED

PET BARRIERS

Just the thing to keep Fido and Spot where they belong. We offer official factory accessories and aftermarket universal versions.



Factory Dog Guards

- Range Rover I, 1986-1992, Mesh StyleRV-RTC8092
- Range Rover I, 1986-1992, Bar Style.....RV-RTC8093
- Range Rover I, 1993-1995, Mesh/Bar StyleRV-STC8161
- Range Rover II.....RV-STC8524
Installation Kit,
Required to install STC8524 for Range Rover IIRV-STC8924
- Range Rover III.....RV-VUB002120

- Discovery I, Grey Mesh StyleRV-STC8414
- Discovery I, Grey Bar StyleRV-STC8413
- Discovery I, For vehicles with rear A/C onlyRV-STC7570
Installation Kit
Required to install all Disco I barriers.....RV-STC8104
- Discovery Series IIRV-STC50082AA
- Freelander.....RV-STC7939AB
- LR3, Full width divider; must be removed when carrying
third-row passengers.....RV-VUB501170
- LR3, Half width; runs down center of cargo area; has lockable
gate at rear. Must be used in conjunction
with VUB501170RV-EOH50040

Aftermarket Universal Bar-Type, Extension Kit Required

- Range Rover I, 1987-1995RV-1534
- Discovery Series I and IIRV-1534
- Extension Kit, Aftermarket Dog GuardRV-1543

CARPET MATS



Nothing puts the finishing touch on a new Rover like a set of premium carpet mats. And, by the same token, nothing else can better revitalize a slightly tired interior. We offer the finest custom-fit carpet mats available for Range Rover, Discovery, Defender and Freelander. Each mat contains a full 32 ounces per yard of premium DuPont nylon yarn, providing double the life of conventional floor mats. Slip-resistant mat backing is made from a specially formulated natural rubber compound. Patented Snap-A-Mat™ fasteners are added to the front mats to further ensure the mats stay put. Mats are finished with an attractive nylon velour edging that can

never unravel. Our mats are exactly cut by computer-controlled equipment for each Land Rover model. Mat colors match or complement each model. Two-year warranty. Mats are available in the colors shown. We have sample swatches available. Please call and we will promptly mail the desired color(s).

Mats are available either plain or with embroidered "PERSONAL NAMES". Only front mats are embroidered.

These are accessory carpet mats that sit on top of the standard carpet. These are not replacement carpet sets. All mats are NON-RETURNABLE special orders.

Carpet Floor Mat Sets

- Three piece sets; cover passenger compartment, except as noted
- Range Rover I, 1987-1989RV-1600
- Range Rover I County, SWB, 1990-1994RV-1601
- Range Rover I County, LWB, 1993-1995RV-1602
- Range Rover I County, LWB 1995.....RV-1603
- Range Rover I Classic, SWB, 1995 Only.....RV-1604
- Range Rover II, 4.0 & 4.6 HS & HSE, 1995-2002RV-1605
- Range Rover III, Available in Jet, Aspen, Navy & SandRV-1626
- Discovery I, 1994 & 1995RV-1606
- Discovery I, 1996-1998RV-1607
- Discovery II, 1999-on.....RV-1608
- Defender 90, 1994 & 1995RV-1609
- Defender 90, 1997-onRV-1610
- Defender 110, 1993RV-1611
- Freelander, With Two-Piece Second-Seat MatRV-1623
- Freelander, With One-Piece Second-Seat Mat.....RV-1627
- LR3, Two Front Mats OnlyRV-1628
- LR3, One-Piece Second Row OnlyRV-1629
- LR3, One-Piece Third Row OnlyRV-1630

Note: LR3 Colors, Ebony, Alpaca II and Black

Carpet Cargo-Area Mats:

- Range Rover I, 1987-1989RV-1612
- Range Rover I, 1992 County SWB With CD ChangerRV-1613
- Range Rover I, 93-95 County SWB W/ CD ChangerRV-1614
- Range Rover I, 90-94 County SWB W/O CD Changer..RV-1614-1
- Range Rover I, 1993-1995 County LWBRV-1615
- Range Rover I, 1995 "Classic" W/O CD ChangerRV-1615-1
- Range Rover I, 1995 "Classic" With CD Changer.....RV-1615-2
- Range Rover II, 1995-2002.....RV-1616
- Range Rover III, 2003-onRV-1631
- Discovery I, 1994 & 1995RV-1617
- Discovery I, 1996-1999RV-1618
- Discovery II, 1999-2004, Without Third Seat OptionRV-1619
- Discovery II, 1999-2004, With Third Seat Option.....RV-1624
- Defender 90, W/ Hardtop, 97-on, 2nd seat/cargo areaRV-1620
- Defender 90, With Soft TopRV-1621
- Defender 110RV-1622
- Freelander, Standard Cargo MatRV-1625
- Freelander, Extended cargo mat under second seatRV-1625-1
- LR3, Without Third SeatRV-1631
- LR3, Behind Third Seat (Small option)RV-1632
- LR3, With Third Seat Folded Flat (Large Option)RV-1633

Note: LR3 mat colors are Ebony, Alpaca II and Black



ALL-WEATHER RUBBER MATS

Ever track mud, snow, sand or leaves into your Land Rover or spill a latte? These mats are unsurpassed at protecting your carpet because they retain what's tracked in while still being comfortable underfoot and kind to fine shoes. Available in Black, Tan or Grey. Universal fit for Range Rover, Discovery, Defender and Freelander.

All-Weather Rubber Mats

Range Rover I & II, Discovery Series I & II	Range Rover III or Discovery II; must be trimmed slightly to fit.
Front Pair, Black.....RV-1503	Rear Pair, BlackRV-1567
Front Pair, TanRV-1505	Rear Pair, TanRV-1569
Front Pair, GreyRV-1507	Rear Pair, GreyRV-1571
Range Rover I & II, Discovery Series I	Freelander
Rear Pair, BlackRV-1504	Front Pair, Black.....RV-1556
Rear Pair, TanRV-1506	Front Pair, TanRV-1557
Front Pair, GreyRV-1508	Front Pair, GreyRV-1558
Range Rover III only	Rear Pair, BlackRV-1504
Front Pair, Black.....RV-1566	Rear Pair, TanRV-1506
Front Pair, TanRV-1568	Rear Pair, GreyRV-1508
Front Pair, GreyRV-1570	
LR3	
Front Pair, BlackRV-1450	
Front Pair, TanRV-1451	
Front Pair, GreyRV-1452	
Rear Pair, Black.....RV-1504	
Rear Pair, TanRV-1506	
Rear Pair, GreyRV-1508	
Set For First Two Rows, Black, OERV-EAH500050PMA	
Third-Row Mat, Black, OERV-EAH500100PMA	

Note: OE Land Rover Parts, differ from other mat sets shown

TOUGH REAR CARGO LINERS

These tough cargo liners match the floor liners above and offer absolute cargo-area protection from all types of wear and tear. Easily installed, they feature a high outside lip to contain spills. WeatherTech™ cargo liners are engineered for toughness and durability. Available in Black, Tan or Grey.

Rear Cargo Liners

Range Rover I, 1987-1995	Discovery Series II
BlackRV-1509	BlackRV-1515
TanRV-1510	TanRV-1516
GreyRV-1511	GreyRV-1517
Range Rover II, 1995-2002	Freelander
BlackRV-1518	BlackRV-1750
TanRV-1519	TanRV-1751
GreyRV-1520	GreyRV-1752
Range Rover III, 2003-on	LR3
BlackRV-1753	BlackRV-1756
TanRV-1754	TanRV-1757
GreyRV-1755	GreyRV-1758
Discovery I	
BlackRV-1512	
TanRV-1513	
GreyRV-1514	

Note: Does not fit LR3 with optional sliding load-space floor.



CORDURA® SEAT COVERS

Even if you don't slog through axle-deep mud for your weekend entertainment, our custom-fit Cordura seat covers offer rugged protection for anyone carrying mess- and spill-prone passengers, whether two- or four-legged. Custom-made for each application, the Cordura Plus fabric is water repellent and rot- and mold-resistant. And when the inevitable does occur, just toss the covers in the washer for easy clean up. Some customers prefer to fit sheepskin covers to the front seats and Cordura to the rear. Also an easy means to revitalize a tired interior. Available in Black, Blue, Grey and Tan (the best match for most Rover interiors). Special order.

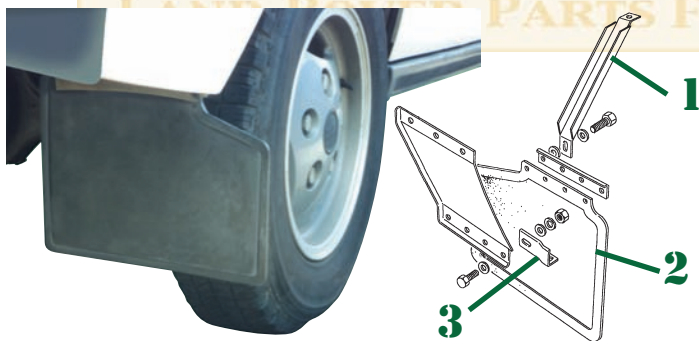


Cordura® Seat Covers

Range Rover Classic 1987-1995, Front pair	RV-1900
Range Rover Classic 1987-1995, Rear pair	RV-1902
Range Rover II, Front pair	RV-1904
Range Rover II, Rear pair	RV-1906
Range Rover III, Front pair	RV-1908
Range Rover III, Rear pair	RV-1910
Discovery Series I to 1997, Front pair, Early Headrests; manual seats	RV-1912
Discovery Series I to 1997, Rear pair, Early Headrests; manual seats	RV-1914
Discovery Series I, 1998 Front Pair, Late Headrests; electric seats	RV-1916
Discovery, Series I, 1998 Rear Pair, Late Headrests; electric seats	RV-1918
Discovery Series II, Front pair	RV-1920
Discovery, Series II, Rear pair	RV-1922
Defender 90, Front pair	RV-1926
Defender 90, Rear pair	RV-1928

Freelander HSE, front pair	RV-1930
Freelander HSE, rear pair	RV-1932
Freelander SE or S, front pair	RV-1933
Freelander SE or S, rear pair	RV-1934
LR3, Front Pair	RV-1935
LR3, Rear, 40/20/40 Split	RV-1936
LR3, Rear, 70/30 Split	RV-1937

MUD FLAP KITS AND PARTS



Range Rover I, 1987-1995 Mud Flap Kit, Front	RV-RTC9562
Mud Flap Kit, Rear, through 1989	RV-7000
Mud Flap Kit, Rear, 1990 to 1995	RV-7001
1. Rear Stay (Short), Left, 1990-1995	RV-MXC5547
1. Rear Stay (Long), Right, 1990-1995	RV-BTR6172
2. Mud Flap Rubber Only, 1990-1995, Fits RH or LH (Aftermarket)	RV-MXC5587
3. Rear Angle Mount, Left, 1990-1995	RV-MXC5545
3. Rear Angle Mount, Right, 1990-1995	RV-MXC5546
Range Rover II Mud Flap Kit, Front	RV-STC8535
Mud Flap Kit, Rear, 1995-1996	RV-STC8536
Mud Flap Kit, Rear, 1997-2002	RV-STC7703
Range Rover III Mud Flap Kit, Front	RV-CAS000150PMA
Mud Flap Kit, Rear	RV-CAT000180PMA

These are genuine factory parts. In some cases where Land Rover does not sell a kit, we have made up our own using original parts. All kits are per pair and include hardware and mounting brackets.

Discovery I Mud Flap Kit, Front	RV-RTC6820
Mud Flap Kit, Rear	RV-RTC6821
Discovery Series II Replacement Mud Flap, without running boards; Right Front or Right Rear	RV-CAS100900
Replacement Mud Flap, without running boards; Left Front or Left Rear	RV-CAS100910
Replacement Mud Flap, with black running boards; Right Side, Front or Rear	RV-STC50221
Replacement Mud Flap, with black running boards; Left Side, Front or Rear	RV-STC50222
Replacement Mud Flap, with stainless steel running boards; Right Side, Front or Rear	RV-STC50223
Replacement Mud Flap, with stainless steel running boards; Left Side, Front or Rear	RV-STC50224
Defender Mud Flap Kit, Front	RV-RTC9479
Freelander Mud Flap Kit, Front, All	RV-STC53075AA
Mud Flap Kit, Rear, Through 2003	RV-STC53076AA
Mud Flap Kit, Rear, 2004-on	RV-CAT500060PMA
LR3 Mud Flap Kit, Front	RV-CAS500010PCL
Mud Flap Kit, Rear	RV-CAT500010PCL

SHEEPSKIN SEAT COVERS

No matter how sumptuous your Rover's standard interior might be, nothing can compare to a set of tailor-made 1" Australian sheepskin seat covers. Like the Cordura covers, they fit each Rover exactly, hugging every curve and contour of your seats. All sheepskins are carefully matched for color, consistency and texture. Special order, specify color choice when ordering.



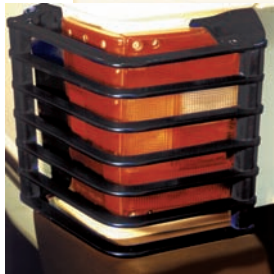
Sheepskin Seat Covers

Range Rover Classic 1987-1995, Front pair	RV-1940	Freelander HSE, front pair	RV-1968
Range Rover Classic 1987-1995, Rear pair	RV-1942	Freelander HSE, rear pair	RV-1970
Range Rover II, Front Pair	RV-1944	Freelander SE or S, front pair	RV-1971
Range Rover II, Rear Pair	RV-1946	Freelander SE or S, rear pair	RV-1972
Range Rover III, Front Pair	RV-1948	LR3, Front Pair	RV-1973
Range Rover III, Rear Pair	RV-1950	LR3, Rear, 40/20/40 Split	RV-1974
Discovery Series I, 1994-1998, Front Pair	RV-1952	LR3, Rear, 70/30 Split	RV-1975
Discovery, Series I, 1994-1998, Rear Pair	RV-1954		
Discovery Series I, 1998, Front Pair			
Late Headrests; electric seats	RV-1956		
Discovery, Series I, 1998, Rear Pair			
Late Headrests; electric seats	RV-1958		
Discovery Series II, Front pair	RV-1960		
Discovery Series II, Rear pair	RV-1963		
Defender 90, Front pair	RV-1964		
Defender 90, Rear pair	RV-1966		



ROVER PARTS LAMP GUARDS UNLIMITED

Protect your Rover's lamps from flying rocks, errant tree branches, angry alligators and the most dreaded menace of them all: stray shopping carts.



Lamp Guard Kits

Range Rover Classic	
Rear Kit, OE	RV-STC8027
Range Rover II	
Front Kit	RV-STC7599
Requires OE wraparound brush bar	
Rear Kit	RV-STC8504AB
Range Rover III	
Front Kit	RV-VUB000800
With Wrap-Around nudge bar	
Front Kit, RH	RV-VUB002420
Without Wrap-Around nudge bar	
Front Kit, LH	RV-VUB002430
Without Wrap-Around nudge bar	
Rear Kit, All	RV-VUB001080
Discovery I	
Front Kit	RV-STC8452
Rear Kit, For Lamps on Body	RV-RTC9503AA
Rear Kit, For Lamps in Bumper	RV-STC8453
Discovery II	
Front Lamp Guard Kit	RV-STC50026
Through 2002	
Front Lamp Guard Kit	RV-STC53181
2003-on; With OEM Wrap-Around	
Front Protection Bar	
Rear Lamp Guard Kit	RV-VUB500680
Upper Lamps	
Rear Lamp Guard Kit	RV-VUB000690
Lower Bumper-Mounted Lamps	
Defender	
Rear Kit	RV-STC1373
Freelander	
Front Kit	RV-VUB502400
For use with VUB501360 protection	
bar	
Rear Kit	RV-STC7960
Through 2003	
Rear Kit	RV-VUB501400
2004-on; set of four pieces	
LR3	
Rear Kit	RV-VUB502590

BURL WOOD DASHBOARD TRIM KITS

Wood Dash Kits



RV-2526 Disco II
Standard Kit



RV-2500 Rover
Standard Kit

Add elegance and distinction to your Rover's interior with a rich, factory-match, burl wood dash kit. All kits use a secret epoxy coating for durability and UV resistance far beyond factory pieces. Carefully crafted for each application, these are the best-fitting kits in the industry. Easily owner-installed. Will not damage any of the vehicle's components or their surfaces. We would be happy to fax or e-mail a contents diagram.



RV-2540 Frelander Dash

We offer a full line of Burl Wood Dash Kits and supplementary upgrade kits to enhance your Land Rover's interior. Easily owner installed.

The best-fitting kits *RV-2502 Rover Console, Extended Kit* in the industry. Will not damage any of the vehicle's components or their surfaces. Please call for a diagram—we'd be happy to send you a fax. All kits are factory-match colors.



Range Rover II	
1995-1998 Standard Kit	RV-2500
1995-1998 Extended Kit; (Front and Rear Door trim panels, Front door arm rests, door locks, instrument surrounds, etc.)	RV-2502
1999	RV-2504
2000	RV-2506
2001 & 2002, Without Navigation	RV-2508
2001 & 2002, 4.6 HSE Model	RV-2509
2001 & 2002, With Navigation.....	RV-2510
Range Rover III	
2003-2004, With Heated Rear Seats, Cherry	RV-2530-1
2003-2004, Without Heated Rear Seats, Cherry	RV-2532-1
2003-2004, With Heated Rear Seats, Walnut	RV-2530
2003-2004, Without Heated Rear Seats, Walnut.....	RV-2532
2005, With Heated Rear Seats, Cherry	RV-2547
2005, Without Heated Rear Seats, Cherry.....	RV-2548
2005, With Heated Rear Seats, Walnut	RV-2549
2005, Without Heated Rear Seats, Walnut	RV-2550
Discovery I	
1995-1996	RV-2520
1997 & 1998, Without Heated Seats	RV-2522
1997 & 1998, With Heated Seats	RV-2523
1999	RV-2524
Discovery II	
1999-2004 Without Heated Seats	RV-2526
1999-2004 With Heated Seats	RV-2527
2004 HSE Model	RV-2548
Freelander	
2002 & 2003, Standard Kit	RV-2540
2002 & 2003, Expanded Kit	RV-2541
2004	RV-2551
LR3	
Cherry.....	RV-2552
Walnut Burl	RV-2553

Supplemental Upgrades for Dash Kits

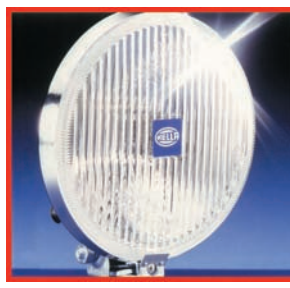
1998-2000 Range Rover II	
Speedo and GPS Upgrade.....	RV-2507
Extra-Piece Kit.....	RV-2508
2003-2005 Range Rover III	
Overhead Trim Kit, Walnut	RV-2534
Overhead Trim Kit, Cherry	RV-2534-1
1995-1998 Discovery I Console Kit. Includes large panel surrounding shift plate and transfer box lever.	
With Automatic Transmission.....	RV-2518M
With Manual Transmission	RV-2518A
1999-2004 Discovery II	
Rear Seat Cup Holder	RV-2536
Front Overhead Option.....	RV-2538
Rear Overhead, No Sunroof	RV-2542
Rear Overhead, With Sunroof.....	RV-2544
Glove Box Trim.....	RV-2546
LR3	
Door, Overhead and Rear Console Trim Kit	
Cherry	RV-2554
Walnut Burl	RV-2555



1. Black Magic Driving lamp



2. Model Rallye 4000 Metal



3. Ultimate Style Chrome 160



4. Model Rallye 4000 Chrome

- 1. Black Magic Driving Lamp Complete Kit17-75804
- 2. Model Rallye 4000 Metal
Single Fog Lamp 55W, white.....17-74805
Single Euro beam lamp 100W with city light, white..RV-74806
- 3. Ultimate Style Chrome
Single Fog LampRV-76205
Single Driving Lamp17-76105
- 4. Model Rallye 4000 Chrome
Single Fog Lamp 55W, Clear.....17-74815
Single Euro beam lamp 100W with city light, white ..17-74816
- 5. Model XL Auxiliary Low-Beam Headlamp
Complete lamp kit with molly mounting.....17-74700
Complete lamp kit without molly mounting17-74704
- 6. Model 550 FF High Performance Fog Lamp System
Clear Lens.....17-74507
Amber Lens.....17-74607
- 7. Halogen H4 Replacement Headlight
Range Rover, 1987-95.....17-70477
- 8. Halogen Back-up Lamp. Wide angle beam, chrome plated housing includes halogen bulb
12V-20W17-81105
- 9. High Performance Wiring Harness.....17-87199
Color coded and equipped with heavy duty relay and in-line 15-amp fuse.
- 10. Hella 3003 Europa Hazard Flasher Lamp17-84100
Flashes can be seen for up to 2 miles; stands up to winds of force 9. Doubles as a work lamp.
- 11. Halogen Map Lamp.....17-87141
Glare-free light, flexible 19" metal arm, halogen bulb 12V-55W; includes extra red lens.
- 12. Halogen Map Lamp.....17-87142
Glare-free light, flexible 7" metal arm, halogen bulb, 12V-55W.
- 13. Halogen Cockpit Hand-held Lamp17-87144
Infinite adjustment; head swivels and hooks into supplied bracket; magnet attaches to metal parts; extendable coiled lead (16" to 10'), plugs into lighter, 12V-55W bulb.
- 14. Magnetic Inspection Lamp17-8310512V
Powerful, permanent magnet holds to metal parts; 15' cable plugs into lighter or 2-pole socket; 12V-55W bulb.



6. Model 550 FF High Performance Fog Lamp System



5. Model XL Auxiliary Low-Beam Headlamp System

For years, automotive racing professionals have chosen Hella High Performance Halogen Headlamps because of their incredibly bright, precisely focused beams, powerful output and outstanding quality. Now, everyday drivers can "legally" experience the same level of lighting performance and driving confidence enjoyed by professional race and rallye drivers.



7. Replacement Headlight



8. Auxiliary Back-up Light



9. HP Wiring Harness



10. Emergency Light



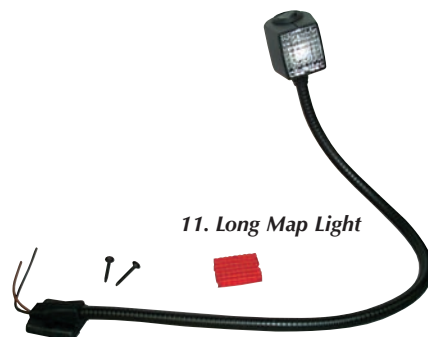
14. Inspection Lamp



13. Hand Held Lamp



12. Short Map Light



11. Long Map Light

Range Rover Classic, 1986-1995

1986-1992, Non Air Bag Compatible

- Straight, with removable lamp guards, OERV-RTC9548
- Wrap-around, with removable lamp guards, OERV-RTC9582
- Wrap around, with lamp guard, stainless steel, OE ..RV-STC8080
- ARB™ Bull Bar, non winch mountRV-1580
- ARB™ Bull Bar, with winch mount (winch not included)RV-1584

1993-1995, Air-Bag Compatible, OE

- Black, straightRV-STC8472
- Black, wraparoundRV-STC8470
- Polished, wraparoundRV-STC8471

Range Rover II, 1995-2002

- Complete Wrap-around front bar, OERV-STC8500AA
- Center A-Frame Only, OERV-STC8501AA
- Kit to add side hoops to A-frame, OERV-STC8873

Range Rover III, 2003-On

- A-Frame Only.....RV-VUB000840
 - Black, Grain-textured polyurethane
- Wrap-AroundRV-VUB000780
 - Black, Nylon-Coated Steel
- Wrap-AroundRV-VUB000790
 - Stainless Steel
- Compete Brush Bar Assembly, BlackRV-VUB001100
 - Black, Grain-textured polyurethane
- Complete Brush Bar Assembly, Primed.....RV-VUB001110
 - Primed, Paint to Match Body Color

Discovery I, 1994-1998

- A-Frame Style, black, OE.....RV-STC7554
- A-Frame Style, stainless, OERV-STC8457
- Wraparound Style, OE
 - With removable lamp guards, blackRV-STC8454AA
 - With removable lamp guards, stainless steelRV-STC8455AA
- ARB™ Bull Bar, non air bag only
 - Non winch mountRV-1581
 - With winch mount (winch not included)RV-1585
- ARB™ Bull Bar, air bag approved
 - Non winch mountRV-1583
 - With winch mount (winch not included)RV-1587

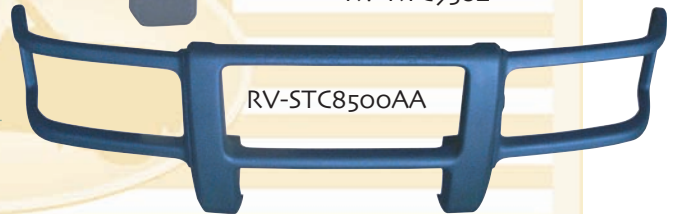
BRUSH BARS



RV-STC8470



RV-RTC9582



RV-STC8500AA

HEADLIGHT SAVERS

While modern "styled" headlights look great, the downside is that they can be incredibly expensive to replace. Our



impact headlight savers provide inexpensive protection for your lights from flying rocks and other debris. They're invisible once installed and meet all DOT requirements. No tools are required to install them and the UV-stabilized material is guaranteed against deterioration from sunlight, salt and harsh chemicals. Vehicle sets.

- Range Rover II, 1995-2002, 6 piecesRV-1001
- Range Rover III, 2003-on, 6 piecesRV-1010
- Discovery Series I, 1994-1999, 4 piecesRV-1000
- Discovery Series II, 1999-2002, 6 piecesRV-1003
- Discovery Series II, 2003-2004, 4 piecesRV-1008
- Defender, 6 piecesRV-1005
- Freelander, 2002 & 2003, 2 piecesRV-1004
- Freelander, 2004-on, 6 piecesRV-1011
- LR3, 2005-on, Car setRV-1012

CUSTOM SUN SHADES



NEW ITEM

Protect your Land Rover's interior from damaging sun rays with our premium-quality, custom-patterned sun shades. Each folding shade has a silver reflective pattern on the outside, a foam core center, and soft felt on the inside. Folds neatly when not in use.

Custom Fit Sun Shades

- Discovery IRV-1803
- Discovery IIRV-1804
- Defender 90RV-1805
- Freelander.....RV-1806
- LR3RV-1807
- Range Rover IRV-1800
- Range Rover IIRV-1801
- Range Rover IIIRV-1802

BRUSH BARS

Discovery II, 1999-2004

- Front Protection Bar, Wrap-AroundRV-STC53173
Black "soft feel" polyurethane
- Front Protection Bar, A-Frame OnlyRV-STC53174
Black "soft feel" polyurethane
- Paintable Insert for above front protection bars ..RV-VUB500480
Provides flush panel below grille
- Front Protection Bar, Wrap-AroundRV-STC53176
Stainless Steel
- Front Protection Bar, Wrap-Around, Black SteelRV-STC53175



Defender

- Black, Includes Defender Decal, OERV-STC550022
- Wraparound with lamp guards, matte black, OERV-LRNA90BBLG
- A-Frame Type, Black, OERV-LRNA9033
- A-Frame Type, Stainless, OERV-LRNA9032
- ARB Bull Bar, non winch mountRV-1582
- ARB Bull Bar, air bag approved, with winch mount (winch not included)RV-1586

Note: See page 1 for the Warn Defender 90 winch-mount bumper, ARB™ Bull Bar-compatible Warn Winches and other Warn products.

LR3

- Without Factory Accessory Winch
- A-Frame Protection Bar, Black Polyurethane.....RV-VUB501210
- A-Frame Protection Bar, Black Nylon-Coated Tubular SteelRV-VUB501270
- With Factory Accessory Winch
- A-Frame Protection Bar, Black Polyurethane.....RV-VUB501230
- A-Frame Protection Bar, Black Nylon-Coated Tubular SteelRV-VUB502660



LR3 Brush Bar

NEW ITEM

Freelander

- Front Protection Bar, Wrap-Around
- Through 2003, Black.....RV-STC50449
- Through 2003, Stainless SteelRV-STC50450
- 2004-on, Black Nylon-Coated Steel.....RV-VUB501360
- Front Protection Bar, A-Frame Only
- 2004-on, soft-feel polyurethane "Technical Silver"RV-VUB501330
- 2004-on, Black Nylon-Coated SteelRV-VUB501340
- 2004-on, Stainless SteelRV-VUB501350



Freelander Wraparound

DISCOVERY REAR LADDER

Just the thing when you need to climb up on the roof to escape that charging rhino (or the neighbor's Rottweiler . . .)



- Discovery I and IIRV-STC50134

Gear Reduction Starter

Bring the latest in starter technology to your Land Rover. These starters produce more torque with less power drain, and they are far lighter. They are smaller than OE starters which makes removing and installing much easier.



- All models 1987-1995RV-1002

WARN WINCHES & ACCESSORIES

When you get serious about going off-road, you need a winch, plain and simple. The standard of the industry is the Warn family of winches

Warn XD9000 Winch For Use With ARB Winch Bull Bars:

Rated at 9,000-pounds, this compact winch bolts right to the ARB bull bars. The 3-stage planetary gears operate in a maintenance-free grease bath which provides a lifetime of dependable pulling power.

Warn XD9000 WinchRV-20801



Range Rover II

A factory kit that's fully compatible with the supplemental restraint system. Includes "A" frame brush bar, 9,000 lbs.-capacity winch, winch accessory kit and hard cover to protect the winch from the elements.

Range Rover IIRV-LRNASEWIN



Original Equipment Winch Kit for Discovery

Fully compatible with the supplemental restraint system. Includes "A" frame brush bar, 9000-lbs.-capacity winch, winch accessory kit and hard cover. Not included are uprated springs to accommodate the extra weight of the winch and "A" frame, available separately.

Winch KitRV-LRNADISWIN
 Uprated Spring, RHRV-NTC8477
 Uprated Spring, LH.....RV-NTC8476



Warn Multi-Mount Winch Mount for Discovery

If you want the advantages of a winch for off-road excursions but don't want one permanently mounted to your vehicle, the elegant Multi-Mount system is the way to go. The front receiver bolts to the chassis and essentially adds a trailer hitch to the front of the vehicle. The winch frame holds the winch and attaches to the front receiver. If you have a standard 2" Class III rear hitch, the winch frame will attach to the rear of the vehicle as well.

Front ReceiverRV-34697
 Winch Frame and Warn XD9000i winch comboRV-37441
 Winch Frame OnlyRV-26370
 Accepts a variety of Warn winches
 Power Lead KitRV-32963
 Required for winching from rear; includes 20' of cable and quick disconnect.



Warn Winch Accessory Kit

Includes snatch block, tree trunk protector, shackle, gloves and 10' of choker chain with hooks.
 Red Cordura case.....RV-25300
 Camouflage bag.....RV-37880



RUNNING BOARD AND STEP KITS



Running boards make vehicle entry and exit much easier and protect rocker panels from off-road damage as well. These are OE factory accessories that mount to the vehicle chassis.

Running Boards

Range Rover Classic, short wheelbase

- Black, partially clad in slip-resistant rubber, sturdy steel construction, mount to vehicle chassis. Front mud flaps (if fitted) must be partially cut prior to installation.....RV-STC8130AB
- Stainless steel, partially clad in slip-resistant rubber, sturdy stainless steel construction, mount to vehicle chassis. Front mud flaps (if fitted) must be partially cut prior to installation. Order NumberRV-STC8087AA

Range Rover Classic, long wheelbase (Shown above)

- Black, clad in slip-resistant rubber, sturdy steel construction, mount to vehicle chassis. Front mud flaps (if fitted) must be partially cut prior to installation.RV-STC8160AA

Range Rover II

- Completely clad in slip-resistant rubber and color-keyed to the door sills. Front mud flaps required for installation.RV-STC8505AA

Range Rover III

- Clad in slip-resistant rubber. Supplied with integrated mud flaps. Genuine Land Rover part.....RV-VTK000010

Discovery I

- Integrated style, matte black, rugged steel construction and black rubber coating for traction. Front mud flaps (if fitted) must be cut prior to installation. OE (Shown above) Order NumberRV-STC8130AB
- Stainless steel, rugged steel construction and black rubber coating for traction. Front mud flaps (if fitted) must be cut prior to installation. OERV-STC8087AA

Discovery II

- Stainless Steel, OERV-STC50032
- Chevron Pattern, OERV-STC50030

Defender 90

- Black, OERV-STC8438AA

Freelander

- Stainless Steel. Functional protection and a convenient step-up platform. Can only be fitted in conjunction with STC53075 mudflaps. Genuine Land Rover parts.....RV-STC53078
- Black. Functional protection and a convenient step-up platform. Can only be fitted in conjunction with STC53075 mudflaps. Genuine Land Rover parts.RV-STC53077

LR3

- These side steps provide a convenient non-slip platform for entering the vehicle or loading the roof. Patterned to match the LR3's rear bumper.RV-VTK500010

Side Protection Tubes

Range Rover III

- Stainless Steel. Provide style and lower body protection. Can be fitted with or without mud flaps (not included). Genuine Land Rover part.RV-VUB001230
- Black Steel. Provide style and lower body protection. Can be fitted with or without mud flaps (not included). Genuine Land Rover part.....RV-VUB002510

LR3

- Stainless Steel. Stylish tubes add flair to the already distinct LR3 styling.RV-VTD500020
- Black Steel. Stylish tubes add flair to the already distinct LR3 styling.....RV-VTD500010

Retractable Rear Step

Discovery I

- Allows easy access to the rear of the vehicle; stud pattern matches step pad on rear bumper, uses a gas strut mechanism to provide a smooth, controlled retractionRV-RTC9505AC
- Service Kit, Retractable Rear Step.....RV-RTC9593AA

HAVE COMPRESSED AIR WHENEVER THE NEED ARISES

ARB Air Compressor

You've reduced the air pressure in your tires to gain traction in sand or snow but now you're back on pavement with under-inflated tires in search of an air source. A compact air compressor such as the quality unit offered by ARB is the answer. Simply attach the clips to your battery and you're in business. Comes with a VDO pressure gauge and convenient carrying case.

Order NumberRV-1588





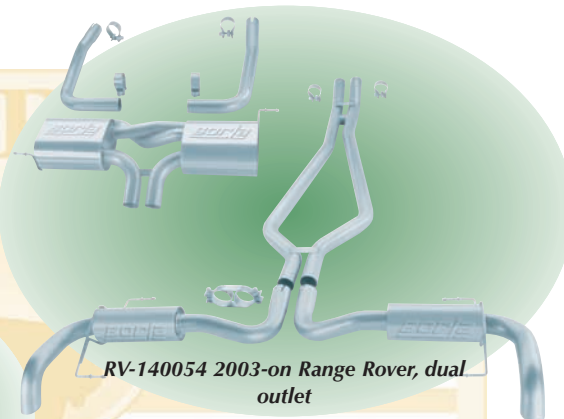
LAND ROVER BORLA

Gold Coast Rovers is a Warehouse Distributor for Borla Exhaust, the leader in late-model performance exhaust systems. Made entirely of aircraft-quality T-304 stainless steel, these "cat-back" systems are entirely mandrel-bent for smooth flow and noticeable power gains. Give your Land Rover a distinctive exhaust note and more power with a Borla stainless steel exhaust system.

NEW ITEM

T/304 STAINLESS STEEL CONSTRUCTION
MANUFACTURED WITH SMOOTH MANDREL BENDS
BACKED BY THE STRONGEST WARRANTY IN THE MARKETPLACE

Defender 90	RV-14764
Discovery Series I	RV-14657
Discovery Series II	RV-14839
1990-1995 Range Rover (LWB or SWB).....	RV-14639
1995-2002 Range Rover, Single Outlet	RV-14660
1995-2002 Range Rover, Dual Outlet	RV-14941
2003-on Range Rover	RV-140054



RV-140054 2003-on Range Rover, dual outlet



RV-14941 1995-2002 Range Rover, dual outlet



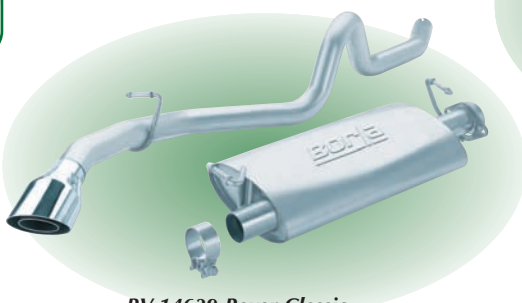
RV-14657 Discovery Series I



RV-14660 1995-2002 Range Rover, single outlet



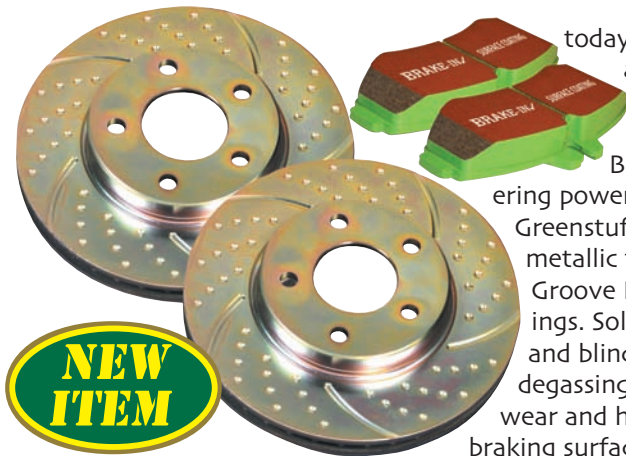
RV-14764 Defender 90



RV-14639 Rover Classic



EBC™ BRAKE PADS AND ROTORS



Land Rovers are notoriously hard on brakes, especially when fully loaded and traveling at today's "on-road" speeds. To combat the problem we offer brake pads and rotors by EBC, one of the most trusted names in high performance brakes. EBC Greenstuff brake pads offer exceptional performance without the drawbacks of a full race brake pad. Braking force comes on strong from first pedal application, delivering powerful braking right up to a blistering 500° C disc temperature. Greenstuff pads contain no carbon black, which deposits on wheels, or metallic fibers, which can cause fast rotor wear and noise. EBC Turbo Groove Rotors are precision CNC-machined using quality grey iron castings. Sold in pairs, Turbo Groove Rotors feature a combination groove and blind hole design. The blind holes resist cracking and help surface degassing under heavy brake load. The grooves promote flat pad and disc wear and help clean debris and dust from the braking surface. Rotors are zinc plated and gold passivated to prevent corrosion in areas not swept by the pad.

The combination of Greenstuff pads and Turbo Groove rotors will yield large gains in braking performance at a reasonable cost.



<p>Range Rover Classic "Greenstuff" Brake Pad Set Front, With Solid Rotors, 1987-1989RV-RTC4518/EBC Front, With Vented Rotors, 1990-1995.....RV-RTC6781/EBC Rear All ClassicRV-RTC6591/EBC Turbo Groove Brake Rotor Pair, Front With Solid Rotors, 1987-1989RV-FRC7329/EBC Front, With Vented Rotors, 1990-1995RV-FTC902/EBC Rear, All ClassicRV-FTC1381/EBC</p> <p>Range Rover II 'Greenstuff" Brake Pad Set FrontRV-SFP100460/EBC RearRV-SFP100470/EBC Turbo Groove Brake Rotor Pair FrontRV-NTC8780/EBC Rear.....RV-SDB000470/EBC</p> <p>Range Rover III "Greenstuff" Brake Pad Set FrontRV-SFC000050/EBC RearRV-SFP000120/EBC Turbo Groove Brake Rotor Pair FrontRV-SDB000201/EBC Rear.....RV-SDB000211/EBC</p> <p>Discovery I "Greenstuff" Brake Pad Set Front (Cut-Off Sensors).....RV-RTC6781/EBC Rear (Cut-Off Sensors)RV-STC2953/EBC Turbo Groove Brake Rotor Pair FrontRV-FRC7329/EBC RearRV-FTC1381/EBC</p>	<p>Discovery II "Greenstuff" Brake Pad Set Front.....RV-SFP100460/EBC RearRV-SFP100470/EBC Turbo Groove Brake Rotor Pair FrontRV-SDB000380/EBC Rear.....RV-SDB000470/EBC</p> <p>Defender "Greenstuff" Brake Pad Set FrontRV-STC1275/EBC RearRV-STC2953/EBC Turbo Groove Brake Rotor Pair FrontRV-FTC902/EBC RearRV-FTC1381/EBC</p> <p>Freelander "Greenstuff" Brake Pad Set Front.....RV-SFP000020/EBC RearN/A Turbo Groove Brake Rotor Pair FrontRV-SDB101070/EBC RearN/A</p>
--	--



HIGH PERFORMANCE KEVLAR BRAKE PADS

The ultimate in hi-performance stopping power. Kevlar pads do not have wear sensors.

<p>Range Rover Classic, 1990-1995 Front, With Vented Rotors OnlyRV-RTC6781K</p> <p>Range Rover II FrontRV-SFP100460K RearRV-SFP100470K</p> <p>Discovery I Front,RV-RTC6781K</p> <p>Discovery II FrontRV-SFP100460K RearRV-SFP100470K</p>
--





BRAKE RENEWAL KITS

Everything you need to change out all four rotors, front-and-rear pads and required seals, gaskets, lock washers and brake pad retaining hardware -- all in one convenient package. All kits supplied with Lockheed-brand pads. And ... check out our new kits that substitute EBC rotors and pads for the ultimate upgrade!

Brake Kits With Standard Pads and Rotors

Range Rover Classic	
with solid front rotors and no ABS	RV-2050
with vented front rotors and ABS	RV-2052
Range Rover II, all 1995-2002	RV-2054
Discovery Series I, all	RV-2056
Discovery Series II, all	RV-2058

Brake Kits With EBC® Pads and Rotors

Range Rover Classic with solid front rotors and no ABS	RV-2051
Range Rover Classic with vented front rotors and ABS...	RV-2053
Range Rover II, 1995-2002	RV-2055
Discovery Series I	RV-2057
Discovery Series II	RV-2059

THE WORLD'S BEST LOCKING DIFFERENTIAL SYSTEM

The ARB Air Locker



The ARB air locker is a driver-controlled differential lock actuated by pushing a dash-mounted button. In only a tenth of a second, compressed air actuates a piston inside the differential which engages a locking gear, instantly locking the differential and directing driving torque to the wheels with maximum traction. The lock is simply disengaged by, again, pushing the button.

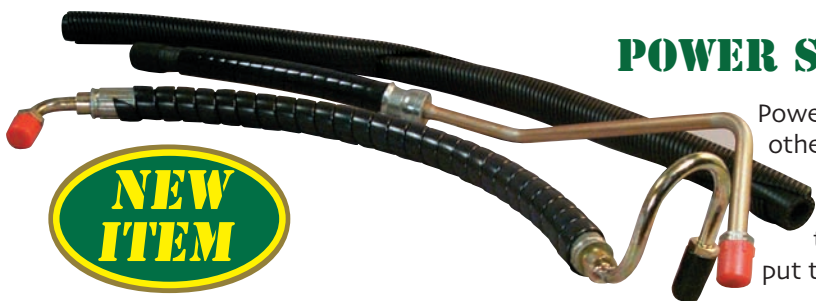
Many types of traction devices have been available for years but until the Air Locker, all were a compromise, performing well either off the road or on, but not both. The Air Locker provides normal differential action on the highway, maintaining safe, predictable handling. Once off the road, by simply pushing the buttons, the Air Lockers lock the axles together, providing 100 percent traction to all wheels allowing you to safely traverse even the most difficult terrain.

Some say that differential locks are only for hard-core off roaders. Not true. Any four-wheel-drive becomes a joy to drive fitted with Air Lockers and allows you to tackle off road situations with confidence and at a much slower and safe pace. Without diff locks, when one wheel loses traction, all the driving torque transfers to that wheel, leaving it spinning helplessly. With the ARB Air Locker activated, you will simply drive out of these situations.

Defender 90, Front or Rear	RV-RD56
Range Rover, to 3/93, Front or Rear	RV-RD03
Discovery, Front or Rear, non traction control	RV-RD56



POWER STEERING HOSE KITS

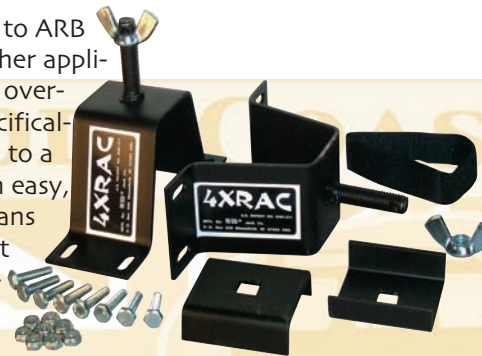


Power steering hoses are no different than any other automotive hose: if one has gone south, the others can't be far behind. And, it's false economy to do anything but replace them all at the same time. To make things easier, we've put together convenient power steering hose kits.

- Range Rover Classic to 1992 w/o air suspensionRV-6500
- Range Rover Classic, 1993 & 1994 with air suspensionRV-6502
- Range Rover Classic, 1995RV-6504
- Discovery Series IRV-6505

Jack Mounting Brackets

Can be adapted to ARB bull bars and other applications, such as overhead racks (specifically for mounting to a flat surface). An easy, inexpensive means to stow a Hi-Lift jack. All mounting hardware and instructions are included; drilling required. (Also see page 3 for jack mount for Wilderness roof racks)



Order NumberRV-4X400



Jacking Point Mount

Made specifically for easy use of a Hi-Lift Jack on an ARB bull bar. Grey powder coat. Supplied with its own fastening wrench.

Order NumberRV-3500040

HIGH-LIFT™ JACK AND ACCESSORIES

Hi-Lift Jack

If there's one off-road product that's universally accepted as the best, it's a High-Lift Jack. Whether you're lifting, pushing, pulling, winching, hoisting or clamping, the incredibly versatile Hi-Lift puts you in command. The Hi-Lift is rated at 2-1/3 tons lifting capacity and has been made from the same durable castings for more than 90 years. Serious off-roaders don't leave the pavement without a Hi-Lift Jack.

Order NumberRV-HL-484



Fix-It Kit



Given the quality of the Hi-Lift Jack, you'll probably never need to actually use this kit, but it's inexpensive peace of mind. Contains all the principle parts for servicing all Hi-Lift Jacks.

Order NumberRV-FK-1



Jack Protector

Made of durable vinyl-coated nylon, the Jack Protector is waterproof and mildew and decay resistant. Drawstring closure.

Order NumberRV-JP350



OLD MAN EMU SUSPENSION

Designed, tested and built in Australia, Old Man Emu produces the toughest suspension products available for your Rover. The twin-tube nitrogen gas shocks feature giant 18mm induction hardened shafts and supplementary welds on all mounting eyes and pins for maximum mount strength. The steering stabilizers are also twin-tube gas and feature a 35mm piston and bore for greater oil volume. Coil springs are shot peened to reduce stress and enhance longevity. Several spring/shock options are available; please call with your requirements and expectations and we'll put together a package to suit your needs. All sold per each.

Range Rover Classic

Front Shock	RV-N45F
Rear Shock, Standard H. D.	RV-N27
Rear Shock, Firm.....	RV-N46
Front Springs, Light Load, 20mm Lift	RV-OME760
Front Springs, Medium Load, 30mm Lift	RV-OME761
Front Springs, Heavy Load, 35mm Lift	RV-OME751
Rear Springs, Medium Load, 40mm Lift	RV-OME764
Rear Springs, Heavy Load, 50mm Lift	RV-OME762
Rear Springs, Extra Heavy, 50mm Lift	RV-OME763
Steering Damper, Heavy Duty.....	RV-OMESD11
Caster Kit	RV-CALR2

Discovery I

Front Shock	RV-N45F
Rear Shock, Standard H. D.	RV-N27
Rear Shock, Firm.....	RV-N46
Front Springs, Light Load, 20mm Lift	RV-OME760
Front Springs, Medium Load, 30mm Lift	RV-OME761
Front Springs, Heavy Load, 35mm Lift	RV-OME751
Rear Springs, Medium Load, 40mm Lift	RV-OME764
Rear Springs, Heavy Load, 50mm Lift	RV-OME762
Rear Springs, Extra Heavy, 50mm Lift	RV-OME763
Steering Damper, Heavy Duty.....	RV-OMESD11
Caster Kit	RV-CALR2

Discovery II

Front Shock	RV-N107C
Front Shock, Firm	RV-N107
Rear Shock	RV-N108C
Rear Shock, Firm.....	RV-N108
Defender 90	
Front Shock.....	RV-N45F
Rear Shock, Standard H. D.	RV-N46
Front springs, Standard H. D., 30mm Lift.....	RV-OME761
Front springs, Heavy, 35mm Lift	RV-OME751
Rear Springs, Medium Load, 40mm Lift	RV-OME764
Rear Springs, Heavy Load, 50mm Lift	RV-OME462
Steering Damper, Heavy Duty.....	RV-OMESD32
Caster Kit	RV-CALR1

Defender 90

Front Shock	
Stock/Light Load, For use with either spring choice; 0-110 pounds additional weight	RV-N45F
Front Shock, Heavy Load, For use with either spring choice; 110-250 pounds additional weight.....	RV-N115
Rear Shock	
Stock/Light Load, For use with OME764 Springs;	
Medium Load	RV-N27
Medium Load, For use with OME764 or OME762 Springs;	
Medium/Heavy Load	RV-N46
Heavy Load, For use with OME762 Springs;	
Heavy Load	RV-N44
Front Spring	
Stock/Light Load, 1.25" Lift, For use with N45F shocks; 0-110 pounds additional weight	RV-OME761
Stock/Light Load, 1.25" Lift, For use with N115 shocks, 110-250 pounds additional weight	RV-OME751
Rear Spring	
Medium Load, 1.50" Lift, For use with N27 or N46 shocks	RV-OME764
Heavy Load, 2.0" Lift, For use with N46 or N44 shocks	RV-OME762
Heavy Duty Steering Damper	
An upgraded, heavy duty version of the standard part; highly recommended	RV-OMESD32
Caster Kit	
Returns caster to standard specification if heavy duty springs are installed; eliminates vehicle "wander."	RV-CALR1



1992-1995 SUSPENSION CONVERSION

Range Rover "Classics" ('92-'95) are known for their troublesome "Air" Suspension. They all seem to go through ride sensor failure, air compressor failure, and valve block failure. Rather than continue to struggle with these expensive problems we offer a standard spring conversion kit featuring Old Man Emu springs. Kit includes four replacement springs, and all the necessary brackets to remove the air system and install a trouble-free suspension system. Not only will this kit offer trouble-free motoring, your Rover will actually handle better, too!



Order Number.....RV-2001

COIL SPRING CONVERSION KIT, 1995-2002 RANGE ROVER 4.0, 4.6



Like most high-tech car parts, Land Rover's Electronic Air Suspension (EAS) system is great until it breaks. If you venture far into the canyons of Utah or are still working on those college loans, we offer a better solution: convert your Range Rover to conventional steel coil springs and eliminate the unreliable EAS entirely.

The conversion takes about four hours to install and requires only conventional tools, although a vehicle lift should be used to ensure safety. Fully illustrated instructions are included with the kit.

Order Number.....RV-2002

HAVING SAID THAT,

Some owners will likely want to rebuild their air suspension when the time comes. Those owners should read on...

AIR SUSPENSION REBUILD PARTS

For those Land Rover owners who wish to retain their vehicle's air suspension system -- but who don't wish to spend a fortune doing so -- we now offer after-market air suspension bellows and complete air spring assemblies at extremely reasonable prices.

Replacement Bellows Only

Range Rover "Classics" Front, 1993-1995, Range Rover II 1995-2002RV-5500
 Range Rover "Classics" Front, 1993-1995, Range Rover II 1995-2002RV-5502

Complete Air Spring Assembly

Front, 1995-2002 Range Rover 4.0/4.6 HE & HSERV-REB101740/X
 Rear, 1995-2002 Range Rover 4.0/4.6 HE & HSERV-RKB101460/X
 Rear, Discovery II.....RV-RKB101200/X





K & N Reusable Air Filter Kits

When it comes to performance air filters, K & N is the industry standard. Not only do they allow for increased airflow (and hence better performance and mileage), but they're far more effective at keeping dirt out of your engine than standard paper filters. In addition, they're reusable, so fewer filters end up in landfills. Filters come pre-oiled and are ready to install. The service kit contains enough filter cleaner and oil to last for years.

Range Rover Classic	
Round "Barrel" Type; as per RTC4683.	RV-1500
1995, Rectangular	RV-1501
Range Rover II	
To VIN VA346794, as per ESR341	RV-1502
1997-on	RV-1499
Discovery Series I	RV-1501
Discovery Series II	RV-1499
Defender, Through 1994	
Round "Barrel" Type; as per RTC4683.	RV-1500
Service Kit	
Contains air filter cleaner and oil.....	17-2600



Dynamat® & Dynashield®

We use these superior products in our restoration shop for sound deadening. Dynamat comes in sheet form with a peel and stick backing. It conforms to body interior contours and is only .060" thick, sheet size is 18" x 32". Dynashield spray offers many of the sound deadening properties of Dynamat for hard-to-reach spots. It can also be used as undercoating.

Dynamat® Sheet	17-3600
DynaShield® Spray (ground shipping only)	17-3601

Red Line Lubricants

Red Line has for decades made some of the best synthetic racing oils available. Two of their products, however, are of particular interest to Land Rover owners.

Red Line WaterWetter. A wetting agent for cooling systems that can reduce coolant temperatures by as much as 30 degrees. It also offers superior rust and corrosion protection than straight glycol-based products. For street engines it must be used in conjunction with standard anti-freeze/coolant.

Red Line WaterWetter	17-0055
----------------------------	---------



Red Line Synthetic Automatic Transmission Fluid. Land Rover transmissions work hard. Redline's synthetic ATF is more than up to the task, offering performance superior to conventional ATF. In cold weather, Redline ATF's lower viscosity ensures quicker shifting. It's superior stability at high temperature prevents varnishing of valves and clutches. Red Line synthetic ATF also provides improved shifting in cold weather

Red Line Synthetic ATF	12-2000
------------------------------	---------



Copaslip™ Anti-seize Compound

Essential in every mechanic's tool box, Copaslip brand anti-seize compound is ideal for threads that need to come apart for a tear-down — and not until!

Order Number	17-0212
--------------------	---------

Mr. Moly™ Additives

Mr. Moly Gear Aide. A heavy duty multi-grade oil with extreme pressure additives to assist in rapid plating of molybdenum disulfide to gears, bearings, splines, etc. Greatly improves shifting effort.

10 fl. oz.	LE-53422
-----------------	----------



Mr. Moly Engine Aide. Contains small particles (.5 microns) of molybdenum disulfide in a heavy duty multi-grade oil. The particles are so small they will not be filtered out. One treatment of at least 5 percent of engine oil capacity will last 10,000 miles.

Mr. Moly Engine Aide	LE-53412
----------------------------	----------



Enamel Body Badges

High quality cloisonne badges can be attached to fenders or dashboard. Supplied with attaching screws or they can be attached using double-sided foam tape.



Order Number17-2112

Colorful Logo Valve Stem Caps/Key Fob Set

Choose from either chromed, polished aluminum, or black graphite with Land Rover logo printed in silver on a green field. Set includes four valve stem caps and key fob/wrench.

Polished AluminumRV-3300
 ChromeRV-3301



Chrome Letters

1. Touring class 3" high letters made from 16swg solid brass finished in bright chrome for that up-market look. Brass screws and nuts are attached for fitting.

Order Number17-0018

GB Badge & Decal

Choose from vinyl or three-dimensional stamped aluminum.

- 2. Vinyl GB17-2113
- 3. Aluminum, 4 1/2" x 3 1/4"17-2114

Locking Wheel Nut Kits

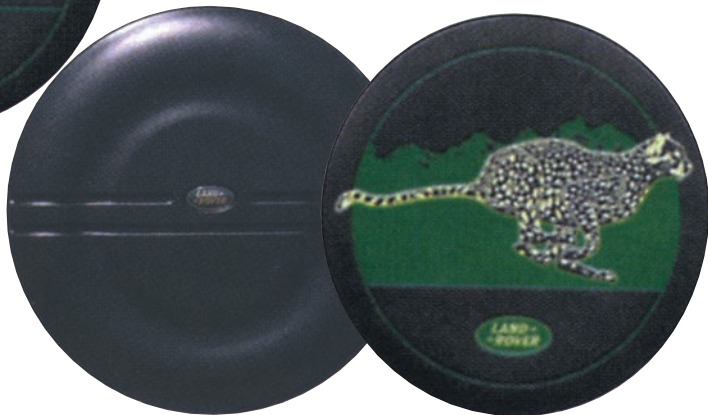
- Range Rover Classic 1986-1995, Set of fourRV-STC8843AA
- Range Rover II, Set of fourRV-STC8513
- Range Rover III, Set of fourRV-RRB500070
- Discovery I, Set of fourRV-STC8843AA
- Discovery II, Set of fourRV-STC50080
- Freelander, Set of fourRV-STC7987
- LR3, Set of fourRV-RRB500070

- Locking Wheel Nut (single) Discovery I Spare Wheel/TireRV-LRNADSSLK



SPARE WHEEL COVERS

- Discovery, with Lion (not shown)RV-LRN50280
- Discovery, with CheetahRV-LRN50220
- Discovery, with ElephantRV-LRNA71737
- Discovery, logo only With 235/70 Tire, RigidRV-STC8486AB
- Discovery, logo only With 235/70 Tire, SoftRV-LRNA71729
- Defender 90 (vinyl)RV-STC8487AA
- Defender 110 (rigid)RV-BTR6163



Note: RV-BTR6163 also requires three RV-MXC7335 plastic washers and three RV-MXC7887 nuts for installation.

Land Rover & Union Jack Decals

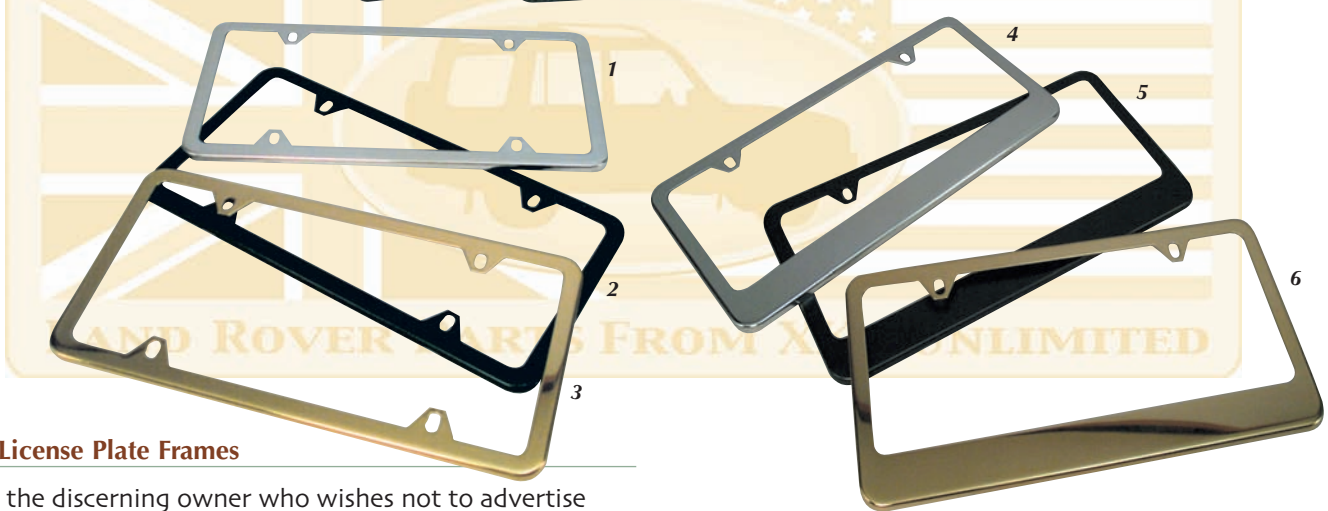
"The Best 4x4xFar" Decal	RV-0049
Land Rover Die Cut 2-3/4" x 1-1/2"	RV-0050
Land Rover Die Cut 4" x 2-1/4"	RV-0051
Land Rover Die Cut 6" x 3-1/2"	RV-0063
Land Rover Die Cut 12" x 6-1/2"	RV-0053
Union Jack Die Cut 2-3/4" x 2"	17-0012
Union Jack Die Cut 5" x 3-1/4"	17-0013
Union Jack Die Cut 6-3/4" x 4-1/4"	17-0014



Classic English Leather Key Fobs

Features hand-laid enameled logos and full grain embossed black leather fobs.

Land Rover	RV-9000
Land Rover Discovery	RV-9001
Range Rover	RV-9002
Union Jack	17-9004



License Plate Frames

For the discerning owner who wishes not to advertise anything, we've found the frame that fits your style. All six frames are made from heavy gauge stainless steel, polished smooth. Available in your choice of three finishes: basic black-satin powder coat, mirror-polished stainless, or the timeless beauty of gold plate. Check the design of your plate to see if the two-screw "wide bottom" is better than the four fastener "slimline" design for your application (supplied with hardware).

- 1. Polished Stainless Slimline Frame17-9074
- 2. Black Powder Coat Slimline Frame17-9076
- 3. Gold Plate Slimline Frame17-9075
- 4. Polished Stainless Wide Bottom Frame.....17-9080
- 5. Black Powder Coat Wide Bottom Frame17-9082
- 6. Gold Plate Wide Bottom Frame17-9081

Union Jack & Union Jack/U.S. Flag License Plates

12" x 6" embossed aluminum license plates have many uses besides the front of your car. May not be legal in your state.

Union Jack/U.S. Flag	RV-0048
Union Jack Flag	17-9009





Fun Tee Shirts For the Anglofile

"Lucas, Prince of Darkness" in black or white (includes famous Joseph Lucas quote "A gentleman does not motor about after dark."), screened on front. "Land Rover - The Best 4 x 4 by Far" screened large on back of shirt, also includes small oval logo over left breast on front. "Great Britain" with Union Jack screened on front. "S.U." logo and carburetor illustration screened on front. "Why do the English drink warm beer? . . . because they have Lucas refrigerators!" Images are screened on front.

Prince of Darkness (Black with White Marking)	17-9012__
Prince of Darkness (White with Black Marking)	17-9013__
Best 4 x 4 x Far	RV-0052__
Great Britain (Union Jack)	17-9005__
S.U.	17-9008__
Lucas Refrigerator.....	17-9007__

Please specify size; adult M, L, XL, XXL.



Red Defender



Blue Freelander



Red Range Rover



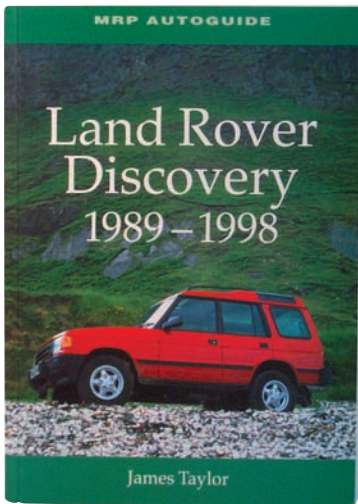
Green Discovery II

Cartoon Land Rovers



Colorful Cartoon Land Rovers are screened large on the back of these white 100% cotton t-shirts, design is repeated over left breast on front. Red Defender with top mounted lights; green Discovery II; blue Freelander; and red Range Rover provide such a difficult choice that you should just buy all four. Please specify size; adult M, L, XL, XXL.

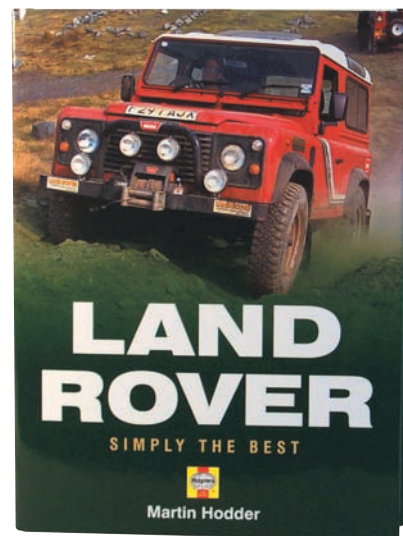
Red Defender	RV-0143__
Blue Freelander	RV-0144__
Red New Range Rover	RV-0145__
Green Discovery II	RV-0146__



Land Rover Discovery 1989-1998

By James Taylor. This heavily illustrated book covers all aspects of Land Rover's Discovery, from what goes in to what you can get out of it. You'll discover how to buy a used Discovery, how to personalize it, and how to take it safely off-road. Includes a great section on the Camel Trophy. Soft bound, 6 3/4" x 9 1/2", 128 pages, Color & B/W illustrations.

RV-8015



Land Rover - Simply The Best

By Martin Hodder. Here is the fascinating inside story of the marque that became legend, from its humble beginnings as a rugged working vehicle in 1948 to its domination of the off-road and modern sport vehicle domain. Told with full-color photography and absorbing detail a must for anyone who considers themselves a Rover Lover. Hard bound, 7 7/8" x 10 1/2", 158 pages.

RV-8018



Range Rover Purchase and Restoration Guide

By Dave Pollard. From upmarket Land Rover to art exhibit in the Louvre, the Range Rover has become the vehicle of choice for affluent SUV buyers. This information-packed volume is filled with Range Rover heritage and 'milestones', what to look for when buying a Range Rover, full V8 strip-down and rebuild with tuning hints and tips, suspension replacement and upgrade, replacing and uprating interior trim and fitting accessories, painting, filling, and aluminum welding techniques. Hard bound, 8 1/4" x 10 1/2", 192 pages, 500+ B/W illustrations.

RV-8006

PARTS AND SERVICE MANUAL ON CD

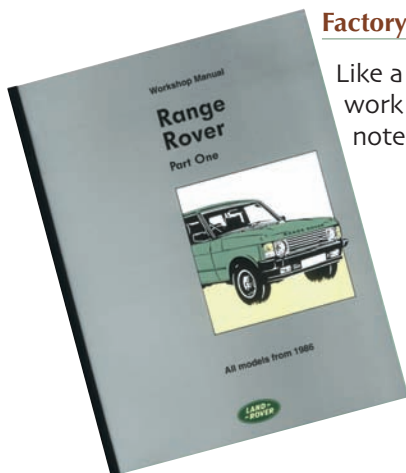


CD ROM 86-94 Range Rover

Land Rover is beginning to put its older parts and service manuals on CD/ROM. The first available CD covers the Range Rover Classic from 1986 to 1995 and includes parts, service, and electrical trouble shooting manuals plus two owner's handbooks. An incredible package that won't break your bookcase.

Order NumberRV-LHP2

Factory Workshop Manuals



Like a parts catalog, a workshop manual will pay for itself in short order if you do any work yourself. These are factory manuals. All are for USA-specification vehicles unless noted otherwise.

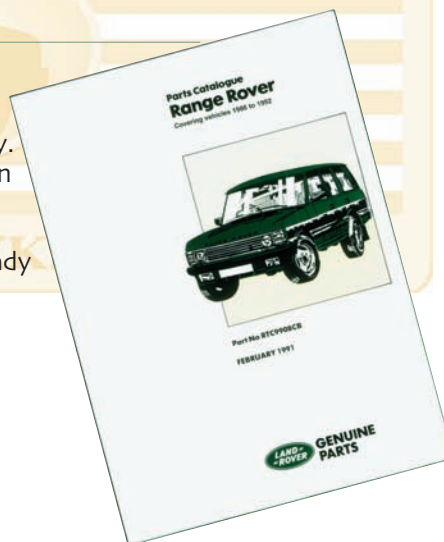
Range Rover Classic, 1986-1995 1986-1989, Gray Market Only (non USA-specification)	RV-B-RR16WH
1987-1989	RV-SRR652USWM
1990-1994	RV-LHAWMUSA01
1995	RV-LRL0030ENG
Range Rover II, 1995-1998	RV-VDR100370
Discovery Series I	RV-LRL0079ENG
Discovery Series II.....	RV-VDR100330
Defender	RV-LDAWMEN93
Freelander, 2001-on	RV-LRL0350ENG
R380 Gearbox Overhaul.....	RV-LRL0003ENG
Engine Overhaul, 3.5/3.9/4.2	RV-LRL0164ENG
Engine Overhaul, 4.0- & 4.6-Liter.....	RV-LRL0004ENG
LT230T Gearbox Overhaul	RV-LRL0081ENG
LT230Q Gearbox Overhaul	RV-LRL0082ENG
B-W Transfer Box Overhaul	RV-LRL0090ENG

Parts Catalogs

Factory parts catalogs are an unbelievably valuable resource.

Not sure how something goes back together? The parts catalog will show you. Need to order an off-beat item not shown in our catalog? Same story. If you do any work on your vehicle, one of these books will pay for itself in short order. Remember, a parts manual does not tell you how to work on the car; it shows every part on the vehicle with a description and a part number. All are for USA-specification vehicles unless noted otherwise. Ready to put in a three-ring binder, not included.

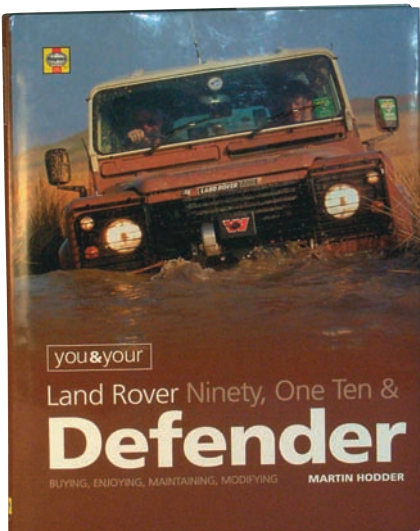
Range Rover, Gray Market.....	RV-RTC9908CB
Range Rover, 1987-1992	RV-RTC9933CC
Range Rover, 1993-1995	RV-RTC9964CC
Range Rover, 4.0 SE/4.6 HSE 1996-on.....	RV-STC9019CC
Discovery Series I, 1994-1998.....	RV-RTC9971CC
Defender 90 & 110	RV-RTC9962CC



Electrical Trouble Shooting Manuals



Range Rover Classic, 1987-1989	RV-RRNA0024HA
Range Rover Classic, 1990	RV-RRNA0024
Range Rover Classic, 1991	RV-RRNA0024MA
Range Rover Classic, 1992.....	RV-LHAEMUSA00
Range Rover Classic, 1993-1994	RV-LHAEMUS93
Range Rover, 1995	RV-LHBEMENL95
Range Rover 4.0 SE 1995	RV-LRL0006ENG
Range Rover, 1996	RV-LRL0046ENG
Range Rover, 1997-1998	RV-LRL0086ENG
Discovery, 1995	RV-LJBEMENL95
Discovery, 1996	RV-LRL0028ENX
Discovery, 1997	RV-LRL0077ENX



You & Your Land Rover 90, 110 & Defender

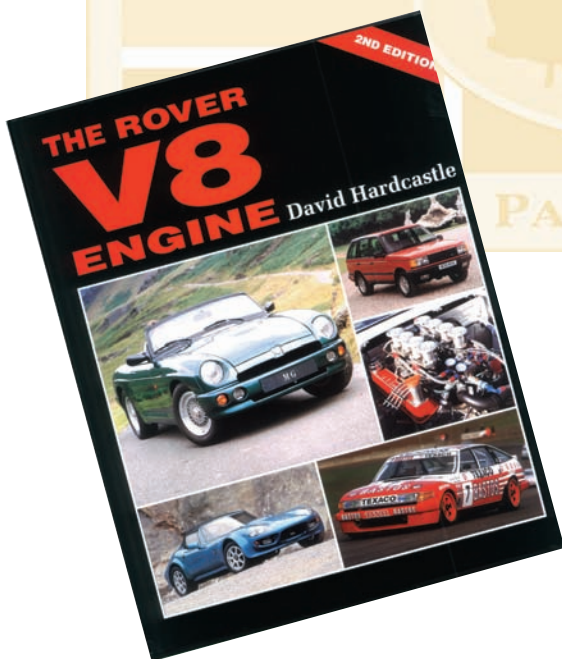
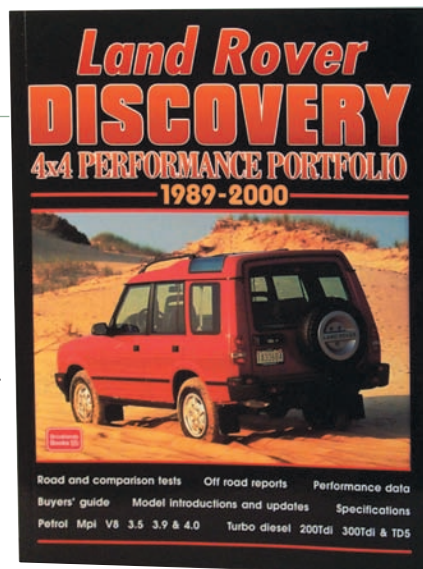
By Martin Hodder. This beautiful volume explains how the "core" Land Rover model came about, why it is so unbeatable off-road, and explores every aspect of ownership. Includes over 150 color photos. Hard bound, 7 7/8" x 10 1/2", 155 pages.

RV-8019

Land Rover Discovery 4x4 Performance Portfolio 1989-2000

Compiled by R. M. Clarke. Includes road & comparison tests, off road reports, performance data, buyer's guide, model introductions & updates, specifications, and more. Data has been gathered from the leading automotive publications of the time. Color & B/W photos, also includes performance graphs. Soft bound, 7 7/8" x 10 3/4", 140 pages.

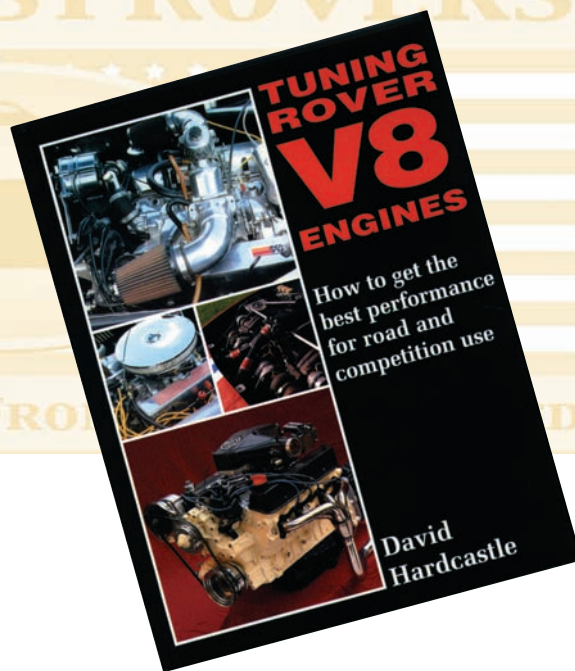
RV-8016



The Rover V8 Engine

By David Hardcastle; Technical assessment of V8 engine and tuning methods for increased power. History of competition Rover saloons, details speed equipment, suppliers, & engine builders.

RV-8008



Tuning Rover V8 Engine: How To Get The Best Performance For Road Or Competition Use

By David Hardcastle. The only available source of information on tuning and building your Rover V8 engine. Reveals tips and secrets used by professionals including every aspect of assembly from selecting components to increasing engine capacity. Your best bet for performance tuning. 190 pages, 214 illustrations.

RV-8012



Handbooks (Wallets) Special Order Only

Defender 110, all (Wallet)	RV-LRNA1993DEF
Defender 90, 1994 (Wallet)	RV-LRNA1994CWDEF90
Defender 90, 1995 (Wallet)	RV-LRNA1995CWDEF90
Defender 90, 1997 (Wallet)	RV-LRNA1997DFCW
Range Rover, 1987-1991	No Longer Available
Range Rover, 1992 (Wallet)	RV-LRNA1992CW
Range Rover, 1993 (Owner's Manual)	RV-LRNA1993OM
Range Rover, 1994 (Owner's Manual)	RV-LRNA1994CW

Range Rover "Classic", 1995 (Wallet)..RV-LRNA1995CW/C	
New Range Rover	
1995, 4.0 (Wallet).....RV-LRNA1995CW/4.0	
1996 (4.0/4.6) (Wallet)	RV-LRNA1996CW
1997 (4.0/4.6) (Wallet)	RV-LRNA1997CW
1998 (4.0/4.6) (Wallet).....RV-LRNA1998CW	
Range rover II, 1999, GEMS engine management (Wallet)	RV-LRNA1999CWGR
Range rover II, 1999, Bosch engine management (Wallet)	RV-LRNA1999CWBR
Discovery, 1994	No Longer Available
Discovery, 1995 (Wallet)	RV-LRNA1995DSCW
Discovery, 1996 (Wallet)	RV-LRNA1996DSCW
Discovery, 1997 (Wallet)	RV-LRNA1997DSCW
Discovery, 1999, GEMS engine management (Wallet)	RV-LRNA1999DSCWG
Discovery II, 1999, Bosch (Wallet).....RV-LRNAD2CW	

CAR CARE FROM AUTOGLYM

1. Autoglym Bumper Care

Safe on all unpainted exterior plastic and rubber components: bumpers, moldings, trim, tires, spoilers, vinyl roofs. Autoglym Bumper Care cleans and revives color, restoring plastic trim to its original finish. The rejuvenating gel continues to protect the surface by forming a tough, translucent, flexible barrier against atmospheric pollution. Ideal for removing dried-on stains and for enhancing the appearance of matte black paintwork on trim, sill panels, grilles and vents.



11 oz. Bottle17-16325

2. Autoglym Super Resin Polish

Internationally acclaimed, Autoglym Super Resin Polish is the ultimate combination cleaner, polish and sealant. It is extremely easy to use and ideal for all types and colors of new or moderately deteriorated vehicle paintwork, including metallic, clearcoat and water based finishes. Periodic use gently removes harmful surface contaminants and imparts a tough, glossy, protective barrier to preserve expensive paintwork from the harsh environment. Autoglym Super Resin Polish contains resins which provide exceptional cosmetic effect and excellent protection from most environmental hazards.

11 oz. Bottle17-01325

5. Autoglym Extra Gloss Protection

Autoglym Extra Gloss Protection is an extra-tough, protective sealant that contains a complex blend of hard resins and waxes. To achieve the ultimate paintwork finish this is the product to use. Unlike a polish, it contains no cleaning or polishing agents and should only be used on clean, dry, blemish-free paintwork ideally pre-treated with Autoglym Super Resin Polish. Suitable for all types of automobile paintwork, including metallic, clearcoat and water-based finishes.

11 oz. Bottle17-15325

3. Autoglym Bodywork Shampoo Conditioner

Autoglym Bodywork Shampoo Conditioner removes traffic film, preserving overall finish and appearance. Special additional ingredients, including rust inhibitors, form a glossy water repellent barrier which protects and extends the effect of Autoglym Super Resin Polish and Autoglym Extra Gloss Protection.

Regular careful use goes a long way toward preserving the finish of your paintwork.

16.9 oz. Bottle17-02500

4. Autoglym Paint Renovator

Contains exceptionally fast working abrasives to give a rapid but controllable cutting and polishing action. The use of any abrasive on paintwork should always be restricted to the area of specific problems such as scratches or oxidation. Always try Autoglym Super Resin Polish first as it may rectify the problem without undue paint removal. If additional treatment is required, Autoglym Paint Renovator contains no silicone and will remove light scratches and oxidation. Areas of treated paintwork should be re-polished with Autoglym Super Resin Polish to restore finish.

11 oz. Bottle17-10325

CAR CARE FROM AUTOGLYM

1. Autoglym Clean Wheels

This is a super effective, spray-on, wash-off cleaner, which rapidly dissolves most contaminants from alloy, and painted wheels. Cleaned regularly, wheels retain their original finish and resist the damage from brake dust. For non original, anodized or specially plated wheel finishes, proceed with special care. Always follow pack instructions.



16.9 oz. Bottle17-07325

2. Autoglym Vinyl and Rubber Care

Conditions and protects interior and exterior surfaces and forms a tough but flexible anti-static barrier against moisture, dust oxidation, staining and fading. Use on fascias, instrument panels, PVC door and seat facing, vinyl roofs, trim strips, and engine compartment components. An amazingly versatile preparation which dramatically simplifies cleaning and maintaining a multitude of surfaces.

11 oz. Bottle17-06325

3. Autoglym Instant Tyre Dressing

Stained, weathered tires spoil the look of an otherwise immaculate car. A quick spray with Autoglym Instant Tyre Dressing is all that is required to achieve the transformation to new looking tires, enhancing the appearance of any car. The blend of durable polymers and protectants will completely revitalize tires, leaving a new-look sheen.

11 oz. Bottle17-22325

4. Autoglym Intensive Tar Remover

Unightly tar spots may permanently stain paint finishes. Autoglym Intensive Tar Remover instantly dissolves tar on paintwork and plastics, enabling it to be wiped off, or washed away during a routine wash. Remove oil, grease, silicones, wax, tree sap, fuel stains and adhesive residues. Re-polished after use to maintain finish and protection. Autoglym Intensive Tar Remover can also be used on synthetic carpets and upholstery to remove oil-based stains.

14.2 oz. Bottle17-19325

5. Autoglym Metal Polish

Imparts a brilliant, long-lasting finish on all types of polishable metal including chrome, stainless steel, copper, brass, aluminum and alloys. Use on deteriorated brightwork including hubcaps, grilles, headlamps, door handles, window trim, castings. For modern chromed plastics and metal surfaces in good to moderate condition, use Autoglym Super Resin Polish.

2.5oz. Tube17-05075

6. Autoglym Glass Polish

Contains specialist cleaning and polishing elements which quickly and easily remove all common contaminants, leaving a crystal-clear, smear-free finish. Use inside and out.



Good visibility is essential for safe driving. Even a washed and polished vehicle does not truly sparkle until the glass has been cleaned thoroughly. Many domestic glass cleaners contain wax and silicone for cosmetic effect which may cause dangerous smearing in wet weather if used on your car. For acrylic, or plastic windows use Autoglym Fast Glass.

Bottle17-04325

7. Autoglym Fast Glass

Use both inside and out to produce a crystal-clear, smear-free finish on glass and plastic windows. Autoglym Fast Glass is free of abrasives, silicones and waxes and leaves no residue. It is especially recommended for use on acrylic and plastic windows where abrasive cleaners could cause surface imperfections with frequent use. Use on paintwork to safely remove insects, some tree sap and bird droppings if immediate washing is inconvenient.

16.9oz. Bottle17-18325

8. Interior Car Shampoo

Autoglym Interior Car Shampoo is a low foam cleaner with exceptional versatility. It contains a carefully balanced blend of surface active ingredients and deodorizing agents to deep-clean quickly and safely. The easy to use spray-and-wipe formula removes stains and grime from synthetic fabric upholstery, carpets, roof linings, vinyl, soft tops, leather and plastics. Ideal for use as a general cleaner in many domestic situations as well.

16.9 oz. Bottle17-03500

9. Autoglym Leather Cream Care

Carefully blended emulsion containing natural oils in purified water to gently clean and moisturize. Leather is a beautiful and durable upholstery material. To keep it looking its best requires regular care and attention to avoid stiffening and cracking. Use Leather Care Cream to replenish the loss of essential oils and preservatives caused by evaporation. Regular light treatment will help to preserve the natural characteristics of leather upholstery for many years. For poorly maintained or heavily soiled leather surfaces first use Autoglym Car Interior Shampoo.

11 oz. Bottle17-13325

CAR CARE

RANGE ROVER III BODY CHROME ACCESSORIES

- Grille Kit, Four PiecesRV-1402
- Side Grille Kit, Four PiecesRV-1404
- Door Handle Recess Chrome Covers, Four PiecesRV-1406
- Bumper CoverRV-1408
- Washer Jet CoversRV-1410
- Sill Plate Set, Four PiecesRV-1412



Side Grille



Washer Jet Cover

Chrome Front Grille

Sill Plates



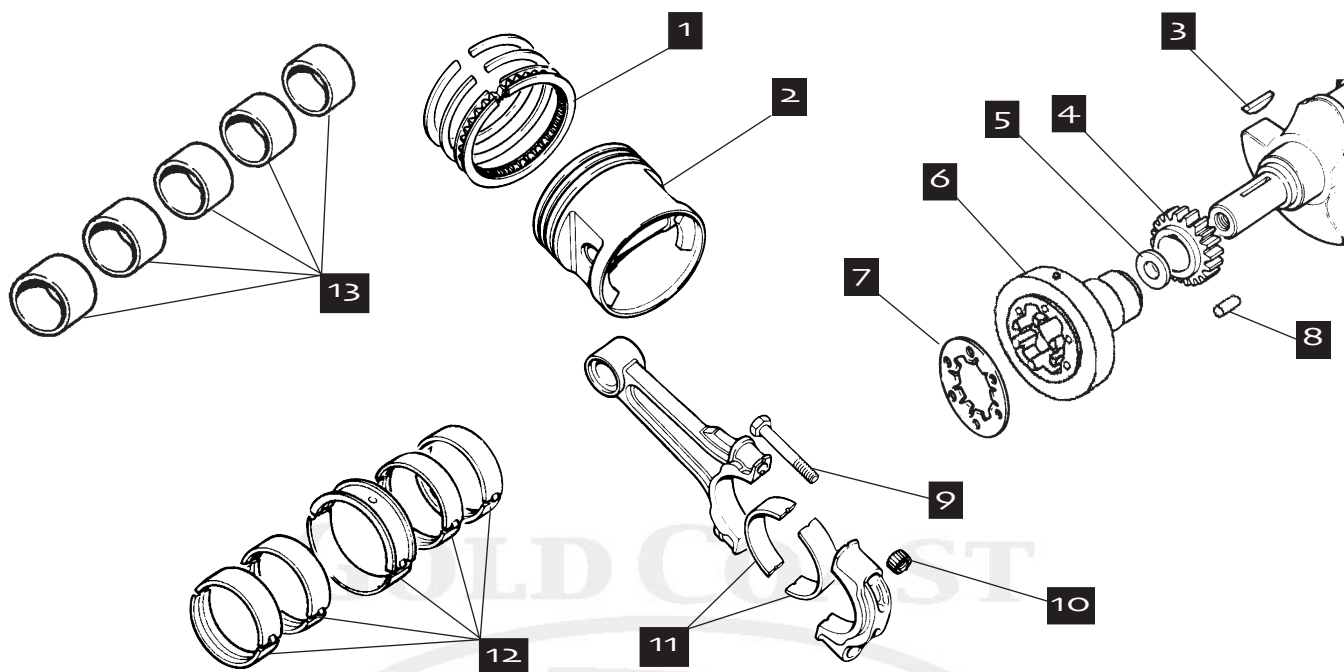
Door Handle Recess Covers

2003-2005 RANGE ROVER III BODY KIT



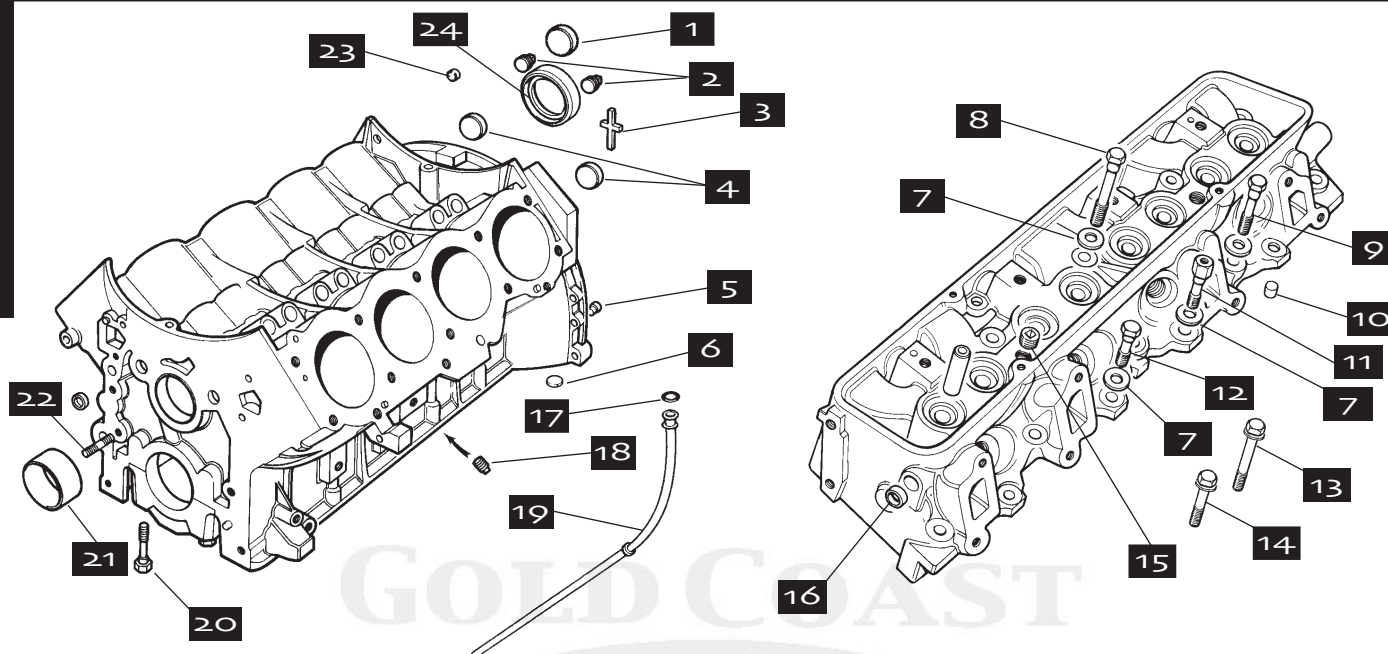
Body Kit for 2003-2005 Range Rover. The current Range Rover offers thoroughly modern styling in a package many feel is the best vehicle of its type offered anywhere at any price. The third generation Range Rover has been so successful that in some quarters they are downright common. So, for those wishing to set their Rover apart from the crowd, we offer this four-piece styling kit consisting of side sills and front and rear fascias. Made in quality composite FRP, it is ready to sand and paint to match your vehicle. Installation is easy, using only factory mounting points this body kit fits perfectly to your beloved range rover with ease. (Note: Vehicle shown with additional modifications/equipment.) Designed and manufactured 100% in southern California by Special Vehicle Concepts: the premier Range Rover outfitter in the United States. **Special Order Item**

Body Kit Order NumberRV-1650



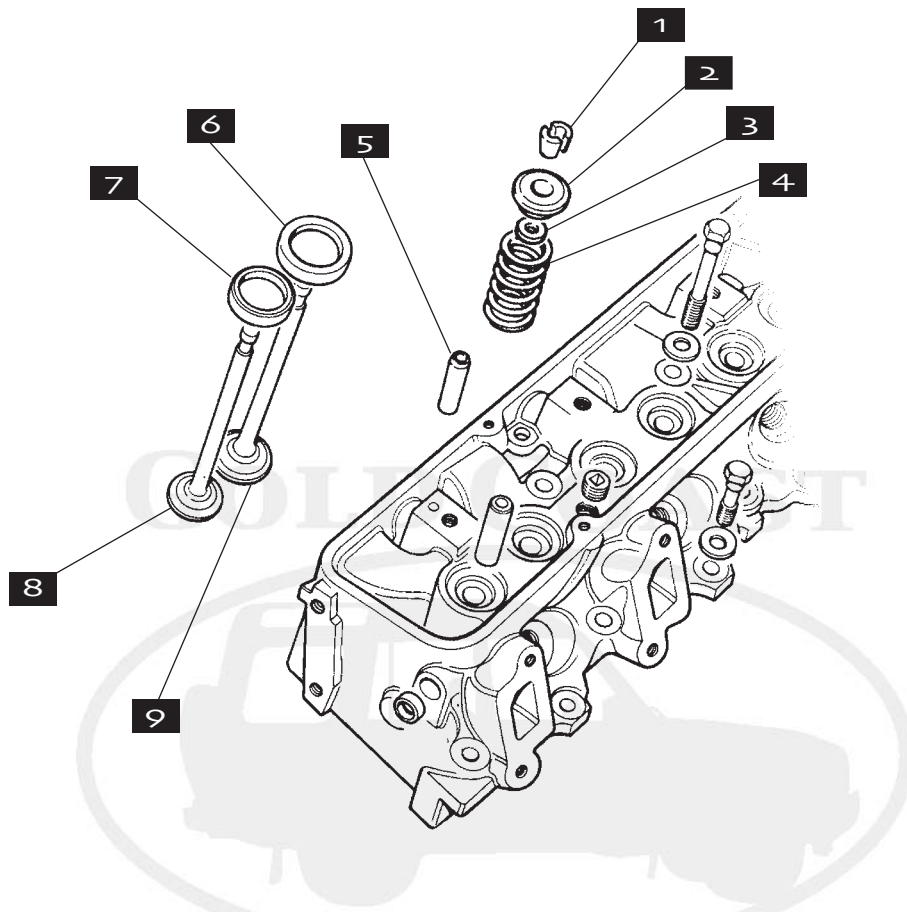
Description	Order Number	Explanatory Notes	Qty
1. Rings, 3.5, standard	RV-RTC2408.000	3.5 STD	A/R
1. Rings, 3.5, +.020"	RV-RTC2408.020	3.5 +.020"	A/R
1. Rings, all 3.9	RV-RTC6066S	Standard Size	A/R
1. Rings, all 3.9	RV-STC362220	.020" Oversize	A/R
1. Rings, 4.2 Liter	RV-STC6066S	Standard Bore	A/R
2. Piston, 3.5, Standard Bore	RV-RTC2186S	3.5-Liter, Standard	A/R
2. Piston, 3.5, +.020"	RV-RTC2186.020	3.5-Liter, +.020"	A/R
2. Piston, 3.9, Standard Bore	RV-STC908S	"38D" 3.9 Liter, 8.13 compression	A/R
2. Piston, 3.9, +.020"	RV-STC64620	"38D" 3.9 Liter, 8.13 compression	A/R
2. Piston, 3.9, standard	RV-STC909S	"36D" or "35D" 3.9-Liter, 9.35 Compression	A/R
2. Piston, 3.9, +.020"	RV-STC64720	"36D" or "35D" 3.9-Liter, 9.35 Compression	A/R
2. Piston, 4.2 Liter	RV-STC1191S	Standard Bore	A/R
3. Crankshaft Key	RV-ERR2846		1
4. Timing Gear on Crankshaft	RV-ERR2958		1
5. Washer, Crankshaft	RV-ERC416		1
6. Crankshaft Damper/Pulley	RV-ETC7340	All Through 1992	1
6. Crankshaft Damper/Pulley	RV-ERR2674	1993-on through engines 36D25154A (3.9) and 40D09581A (4.2)	1
6. Crankshaft Damper/Pulley	RV-ERR3442	3.9 from engine 36D25155B	1
6. Crankshaft Damper/Pulley	RV-ERR4594	4.2 from engine 40D09582B	1
7. Reinforcing Plate	RV-602587		1
8. Spring Pin	RV-603535	Ensures proper orientation of timing marks.	1
9. Rod Bolt	RV-602609		16
10. Rod Nut	RV-602061		16
11. Rod Bearing Set, standard	RV-RTC2117.000*	Standard Size	A/R
11. Rod Bearing Set, +.010"	RV-RTC2117.010*	.010" Oversize	A/R
11. Rod Bearing Set, +.020"	RV-RTC2117.020*	.020" Oversize	A/R
12. Main Bearing Set, standard	RV-RTC1718.000*	Standard Size	A/R
12. Main Bearing Set, +.010"	RV-RTC1718.010*	.010" Oversize	A/R
12. Main Bearing Set, +.020"	RV-RTC1718.020*	.020" Oversize	A/R
13. Cam Bearing Set	RV-RTC5918	3.5, 3.9, 4.2	A/R

* Denotes Aftermarket Part



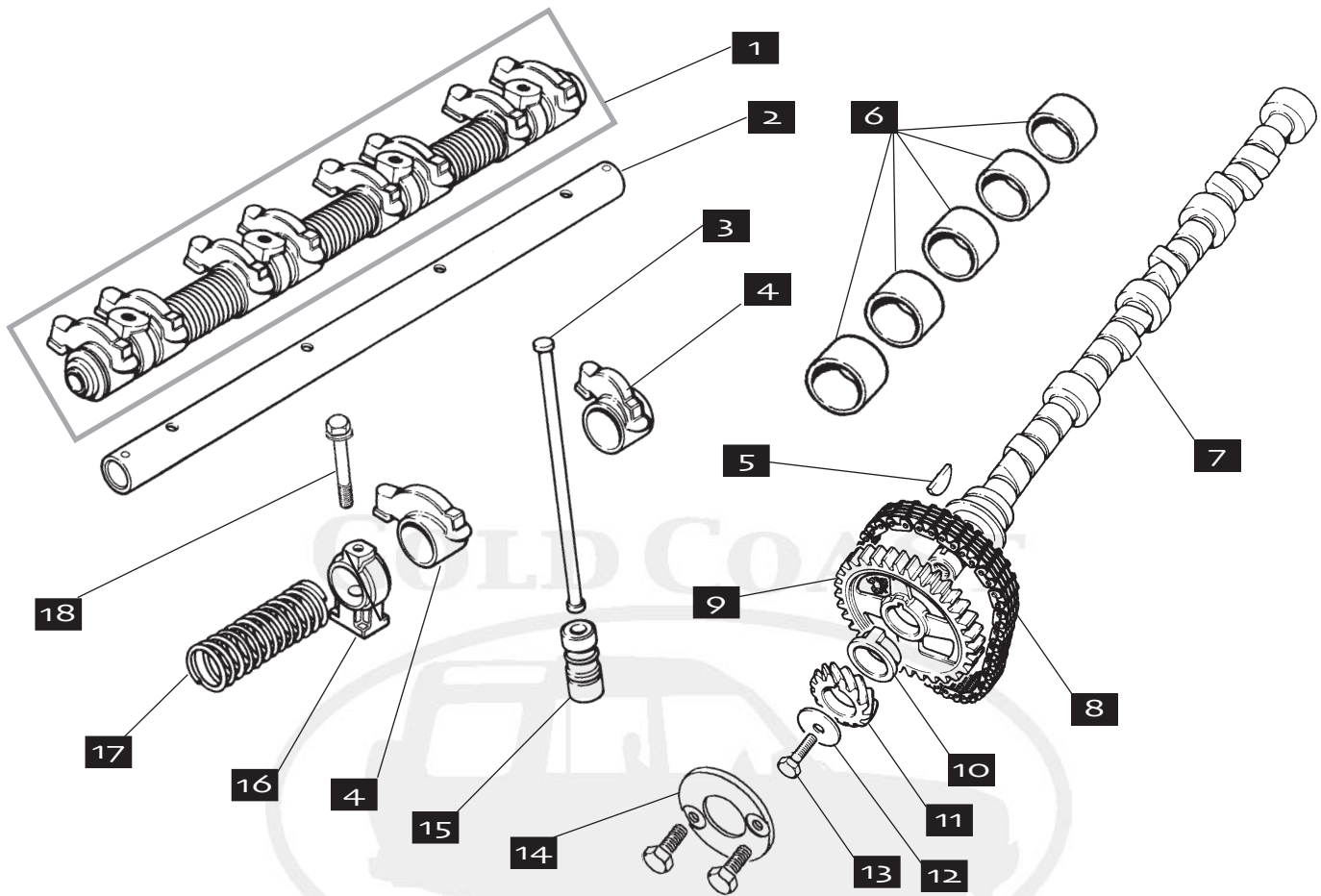
Description	Order Number	Explanatory Notes	Qty
1. Plug, Cam Bore, Rear	RV-602146		1
2. Plug, tappet, rear	RV-602212	1987-1992	2
3. Oil Seal Retainers	RV-LUN000010		2
4. Cup Plug	RV-602152		8
5. Dowel, Flywheel Housing	RV-602141		2
6. Plug, Rear Flange	RV-612898		2
7. Washer, Cylinder Head Bolts	RV-602098	All 3.5 Liter; 36D-Series 3.9-Liter to 36D25154B; all 38D-Series 3.999-Liter; 4.2-Liter to 40D09581B	28
8. Cylinder Head Bolt, 7/16" UNC	RV-602193	Ⓢ All 3.5 Liter; 36D-Series 3.9-Liter to 36D25154B; all 38D-Series 3.999-Liter; 4.2-Liter to 40D09581B	6
9. Cylinder Head Bolt, 7/16" UNC	RV-602192	Ⓢ All 3.5 Liter; 36D-Series 3.9-Liter to 36D25154B; all 38D-Series 3.999-Liter; 4.2-Liter to 40D09581B	13
10. Dowel, head to block	RV-602040		4
11. Cylinder Head Bolt, 7/16" UNC	RV-602200	Ⓢ All 3.5 Liter; 36D-Series 3.9-Liter to 36D25154B; all 38D-Series 3.999-Liter; 4.2-Liter to 40D09581B	1
12. Cylinder Head Bolt, 7/16" UNC	RV-602191	Ⓢ All 3.5 Liter; 36D-Series 3.9-Liter to 36D25154B; all 38D-Series 3.999-Liter; 4.2-Liter to 40D09581B	8
13. Cylinder Head Bolt, 96mm	RV-ERR2944	Ⓢ 36D-Series 3.9-Liter from 36D25155B; 4.2-Liter from 40D09582B	6
14. Cylinder Head Bolt, 66mm	RV-ERR2943	Ⓢ 36D-Series 3.9-Liter from 36D25155B; 4.2-Liter from 40D09582B	14
15. Core Plug	RV-602123		4
16. Cup Plug	RV-602289		4
17. Seal Dipstick Tube	RV-602545		1
18. Plug, Drain	RV-3290	1987-1992	2
18. Plug, Drain	RV-ERR4315	1993-1995	2
19. Dipstick Tube	RV-ERR4556		1
20. Bolt, Main Bearing Cap	RV-602130		10
21. Cam Bearing Set	RV-RTC5918		1
22. Stud, timing assembly	RV-252513	1987-1992	1
23. Plug, Breather Hose	RV-154545		1
24. Oil Seal, Crankshaft	RV-ERR2640		1

Ⓢ Note: Always replace cylinder head bolts when cylinder heads are removed.

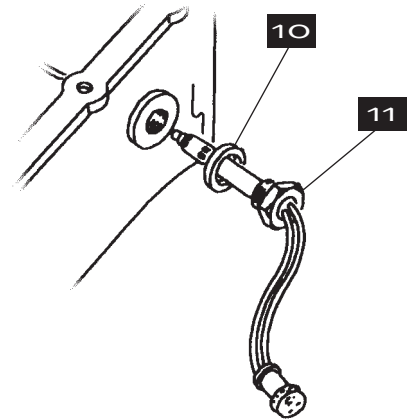
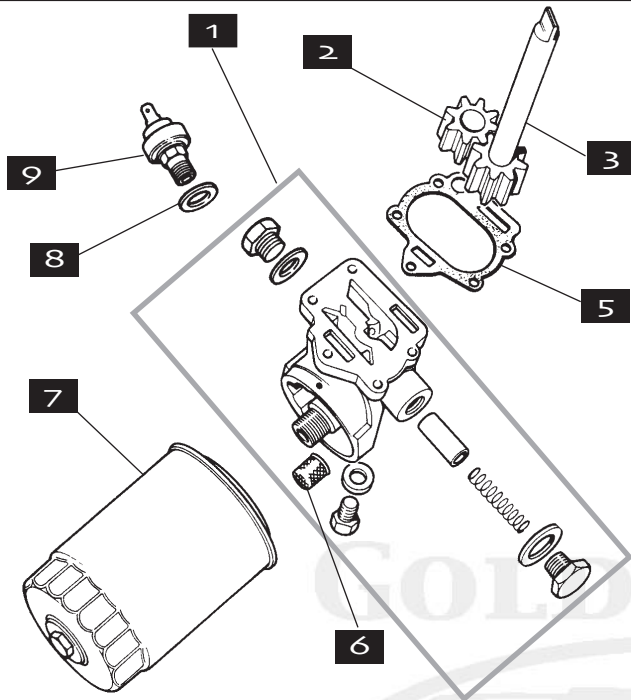


Description	Order Number	Explanatory Notes	Qty
1. Cotter, split (per pair)	RV-ERC1637		16
2. Valve Spring Retaining Cap	RV-ERC573		16
3. Valve Stem Seal	RV-ERC7865	Int. only, all 3.5-Liter; 3.9-Liter to eng. 36D14149A	8
3. Valve Stem Seal	RV-ERR1782	Int. only, 3.9 from engine 36D14150A; all 4.2-Liter	8
4. Valve Spring, sold per each	RV-ERR4628*		16
5. Valve Guide, Intake or Exhaust	RV-603554	Standard, All 3.5-Liter; 3.9-Liter to engine 36D14149A	16
5. Valve Guide, Intake or Exhaust	RV-603554.002	.002" O/S, All 3.5-Liter; 3.9-Liter to engine 36D14149A	A/R
5. Valve Guide, Intake or Exhaust	RV-603554.005	.005" O/S, All 3.5-Liter; 3.9-Liter to engine 36D14149A	A/R
5. Valve Guide, Intake or Exhaust	RV-LGJ100900	Standard, 3.9-Liter from engine 36D14150A; all 4.2-Liter	16
5. Valve Guide, Intake or Exhaust	RV-LGJ100900.002	.002" O/S, 3.9-Liter from engine 36D14150A; all 4.2-Liter	A/R
5. Valve Guide, Intake or Exhaust	RV-LGJ100900.005	.005" O/S, 3.9-Liter from engine 36D14150A; all 4.2-Liter	A/R
6. Valve Seat, Intake, Standard	RV-ERC224	Standard Size	16
6. Valve Seat, Intake, +.010" Oversize	RV-ERC225	+.010" oversize	A/R
7. Valve Seat, Exhaust	RV-ERC210	3.5-Liter only	8
7. Valve Seat, Exhaust	RV-ETC8596	3.9 & 4.2, Standard Size	8
7. Valve Seat, Exhaust	RV-ERC211	3.9 & 4.2, +.010" oversize	A/R
8. Valve, Exhaust	RV-STC1122*	3.5-Liter	8
8. Valve, Exhaust	RV-ETC8684*	To 3.9 engine 36D14149A	8
8. Valve, Exhaust	RV-ERR7338*	3.9-Liter from 36D14149A; all 4.2 Liter	8
9. Valve, Intake	RV-ERC9088*	All 3.5-Liter; 3.9-Liter to eng. 36D14149A	8
9. Valve, Intake	RV-ERR1780*	3.9 from engine 36D14149A-on; all 4.2	8

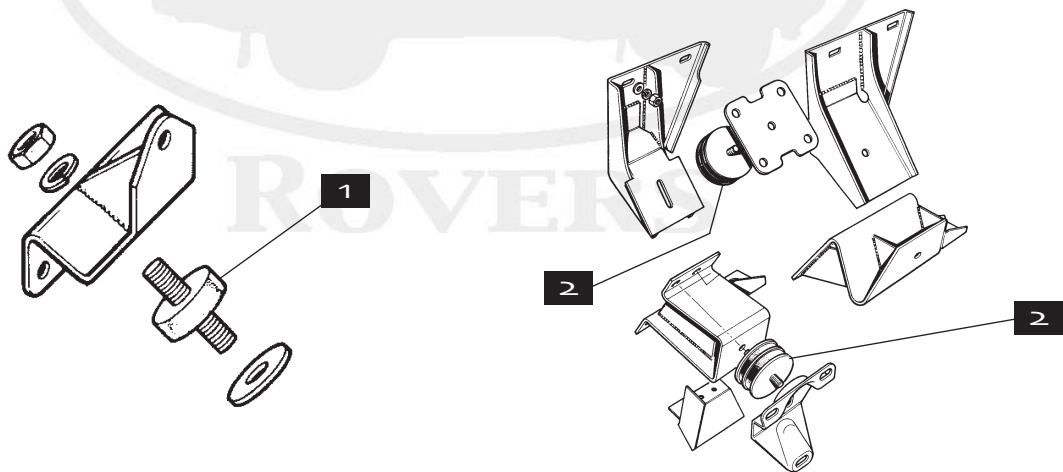
* Denotes Aftermarket Part



Description	Order Number	Explanatory Notes	Qty
1. Updated Rocker Shaft Assembly	RV-611660	①	2
① <i>These are complete assemblies that use alloy rocker arms for less reciprocating mass. Highly recommended</i>			
2. Rocker Shaft Only	RV-611659L		2
3. Push Rod	RV-603378		16
4. Rocker Arm, RH or LH	RV-602153		16
5. Camshaft Key	RV-ERC2838		1
6. Cam Bearing Set	RV-RTC5918	3.5, 3.9, 4.2	1
7. Cam Shaft	RV-ETC6850L	3.5-Liter gray market (pre-'87)	1
7. Cam Shaft	RV-ETC6099	3.5-Liter USA Range Rover	1
7. Cam Shaft	RV-ERR5924	① 3.9-liter	1
① <i>This is an updated camshaft that incorporates a thrust plate to eliminate knock. On early vehicles not drilled to accept the thrust plate, the thrust plate is not used.</i>			
7. Cam Shaft	RV-ERR5925	4.2 Liter	1
8. Timing Chain	RV-ERC7929		1
9. Chain Gear on Camshaft	RV-610289	3.5, 3.9, 4.2	1
10. Spacer, Chain Gear	RV-ERC2839		1
11. Distributor Drive Gear	RV-614188		1
12. Washer, Distributor Drive Gear	RV-ERC6552		1
13. Bolt, Cam Shaft	RV-602227		1
14. Thrust Plate	RV-ERR5926	For ERR5924 Cam Shaft	1
15. Lifter/Tappet	RV-ERC4949		16
16. Rocker Arm Bracket/Stand	RV-603734		8
17. Rocker Shaft Spring	RV-602142		6
18. Special Bolt, Rocker Arm Bracket/Stand	RV-602097		8

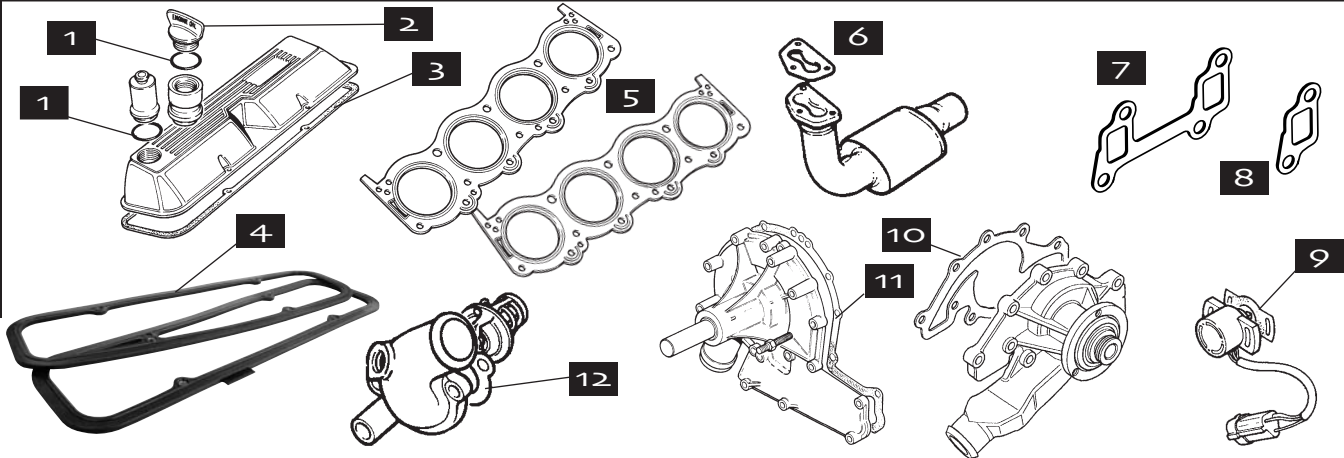


Description	Order Number
1. Oil Pump Housing Assembly	RV-ETC4276
2. Oil Pump Gear	RV-614037
3. Oil Pump Shaft & Gear	RV-ERC1351
4. Oil Pump Repair Kit	RV-RTC4477
<i>Contains seals and oil pressure relief valve pieces.</i>	
5. Gasket	RV-ERR1990
6. Strainer	RV-614202
7. Oil Filter, all	RV-ERR3340*
8. Washer, Oil Pressure Switch	RV-243968
9. Oil Pressure Switch	RV-STC4104K*
10. Seal for Oil Level Indicator	RV-243960
11. Oil Level Indicator	RV-AFU2786L

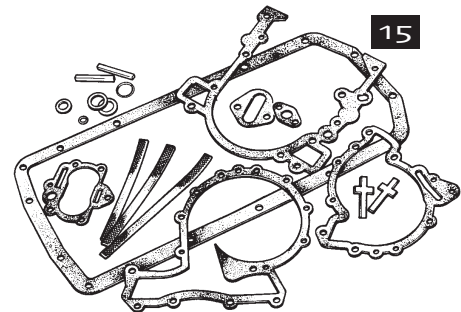
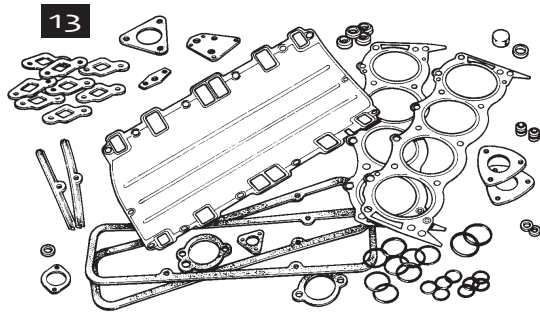


Description	Order Number	Explanatory Notes	Qty
1. Engine Mount	RV-STC434	Front, all 3.5 liter and 38D-Series 3.9 liter; 36D-Series 3.9 liter to 36D25154 and 4.2 liter from 40D09581; 3/8" Studs	2
1. Engine Mount	RV-KKB103120	① Front, 36D-Series 3.9 liter from 36D25155 and 4.2 from 40D09582; 12mm Studs.	2
<i>① Can be used as an upgrade of STC434 if mounting holes are enlarged.</i>			
2. Transfer Box Mount	RV-NTC5890	Through 1994	2
2. Transfer Box Mount	RV-ANR2805	1995	2

GASKETS AND SEALS, RANGE ROVER CLASSIC



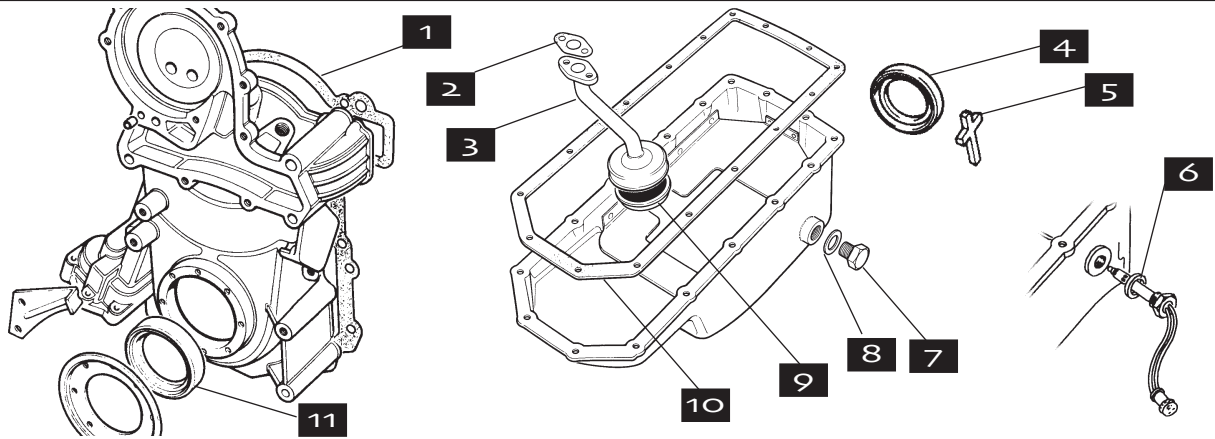
Description	Order Number	Explanatory Notes	Qty
1. O-Ring, Oil Filler Cap to Cover	RV-564258		1
1. O-Ring, Under Cap	RV-564258		1
2. Oil Filler Cap	RV-625038		1
3. Valve Cover Gasket, Cork	RV-602512*		2
4. Valve Cover Gasket, Updated Rubber	RV-LVC100260		2
5. Head Gasket	RV-603796*	3.5 Liter	2
5. Head Gasket	RV-ETC7819*	3.9-Liter to 36D25155B; 4.2 to 40D09582B	2
5. Head Gasket	RV-ERR7217*	Composite, 3.9 from 36D25156B; 4.2 from 40D09583B	A/R
6. Gasket, Exhaust Manifold to Downpipe/Catalyst	RV-ETC4524		A/R
7. Gasket, Exhaust Manifold to Cylinder Head	RV-ERR6733	36D-Series 3.9 liter from 36D25156B; 4.2 liter from 40D09583	4
8. Gasket, Exhaust Manifold to Cylinder Head	RV-ERC3606	All 3.5 liter; all 38D-Series 3.9 liter; 36D-Series 3.9 liter to 36D25155B; 4.2 liter to 40D09582B	8
9. Gasket, Throttle Position Sensor	RV-ERR4944		1
10. Water Pump Gasket	RV-ERR4077	1993-1995, for STC4378 Pump	1
11. Water Pump Gasket	RV-ERR2428	To 1992, for STC483 and earlier pumps	1
12. Gasket, Thermostat/Water Elbow	RV-ERR2429		1



Description	Order Number	Explanatory Notes	Qty
13. Gasket Set, Top End	RV-STC1642	3.5-Liter	A/R
13. Gasket Set, Top End	RV-STC1641*	3.9-Liter through 1992	A/R
13. Gasket Set, Top End	RV-STC4082	3.9-Liter 1993-1995; all 4.2 Liter	A/R
14. Oil Pump Repair Kit	RV-RTC4477	Ⓢ Photo above, center	A/R
15. Gasket Set, Bottom End	RV-STC1639	Through 1994	A/R
15. Gasket Set, Bottom End	RV-STC2823	1995	A/R

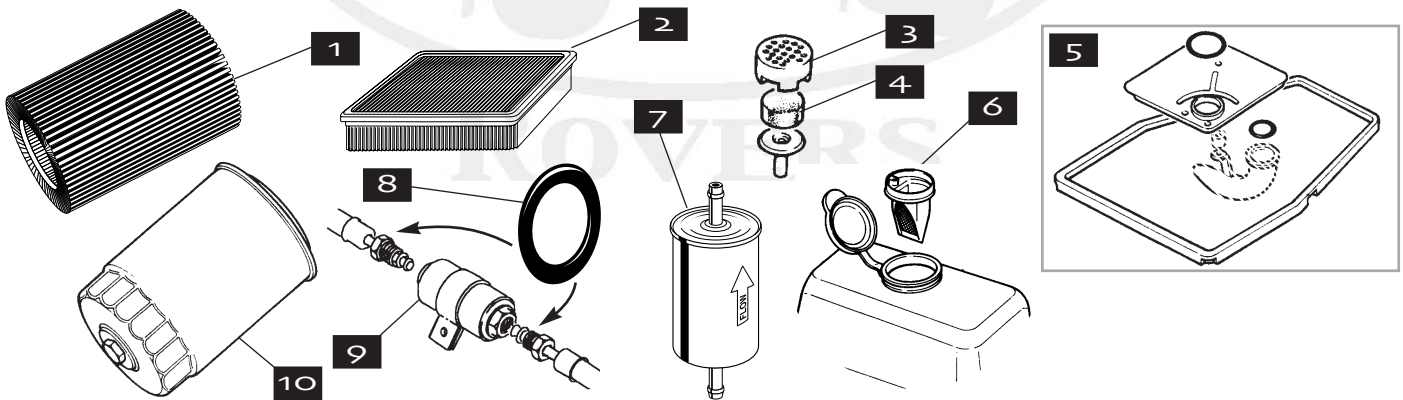
Ⓢ Contains oil pressure relief valve and seals and washers not included in bottom-end gasket set.

GASKETS AND SEALS, RANGE ROVER CLASSIC



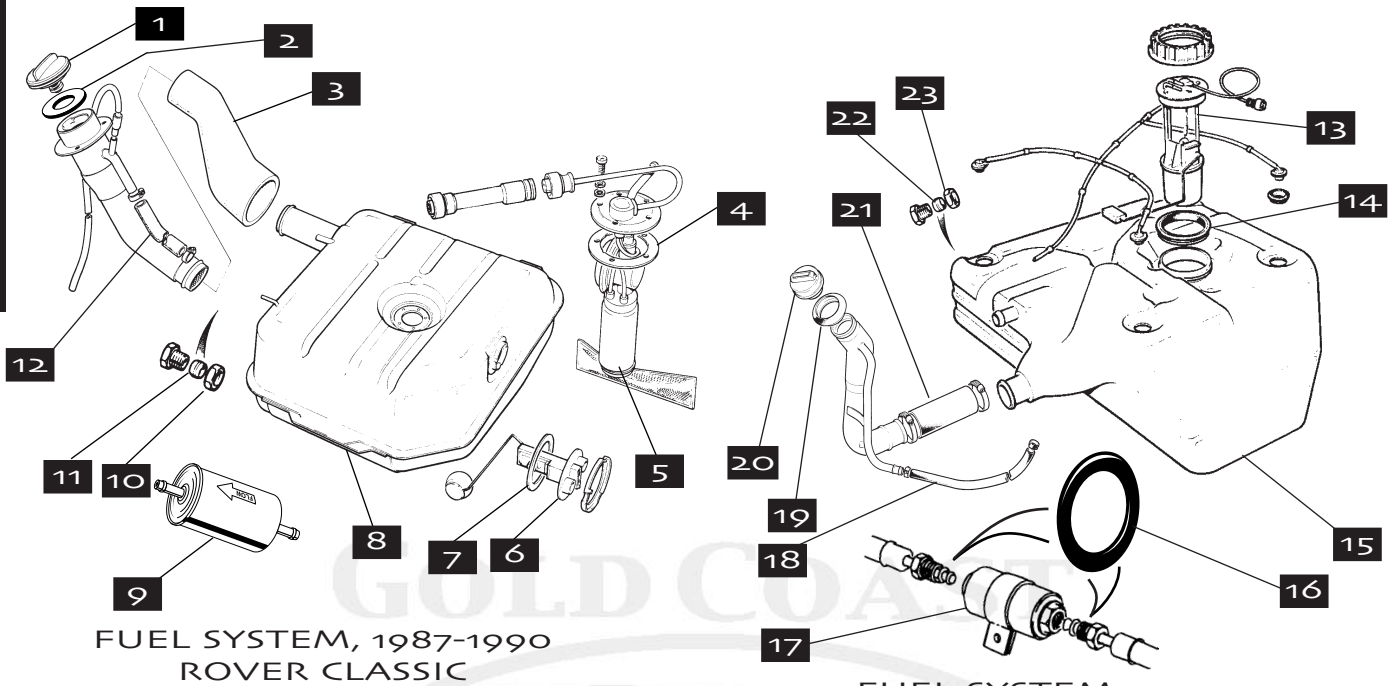
Description	Order Number	Explanatory Notes	Qty
1. Gasket, Timing Cover	RV-ERR4936	To engines 36D25154A and 40D09581B	1
1. Gasket, Timing Cover	RV-ERR7280	From engines 36D25155A and 40D09582B	1
2. Gasket, Oil Filter Suction Pipe	RV-ERR3788		1
3. Oil Filter Suction Pipe	RV-ERR3677		1
4. Rear Crankshaft Seal	RV-ERR2640		1
5. Retainers for Rear Seal	RV-LUN000010		2
6. Seal, Oil Level Indicator in Oil Pan	RV-243960		1
7. Drain Plug, Oil Pan	RV-603659		1
8. Sealing Washer, Oil Pan Drain Plug	RV-213961L		1
9. Oil Screen	RV-602070		1
10. Oil Pan Gasket	RV-602087		1
11. Front Crankshaft Seal	RV-ERR6490		1

FILTERS, AIR, OIL, & FUEL, RANGE ROVER CLASSIC



Description	Order Number	Explanatory Notes	Qty
1. Air Filter, 1987-1994, round type	RV-RTC4683*		1
1. Air Filter, , replaces RTC4683*	17-1448		1
2. Air Filter, 1995, rectangular	RV-ESR1445		1
2. Air Filter, , replaces ESR1445	RV-1501		1
3. Cap for Valve Cover Inlet Filter	RV-ERC3208		1
4. Valve Cover Inlet Filter	RV-ERC3209		1
5. Automatic Transmission Filter Kit, with ZF	RV-RTC4653	Includes Filter, Gasket and two O-Rings	1
6. Windshield Washer Reservoir Filter	RV-STC206		1
7. Fuel Filter, 1987-1990, barbed ends	LU-73201		1
8. O-Rings for threaded fuel filter, 2 required	RV-ESR259		2
9. Fuel Filter, 1991-1995, threaded ends	JA-C2C-4163		1
10. Oil Filter, all	RV-ERR3340*		1

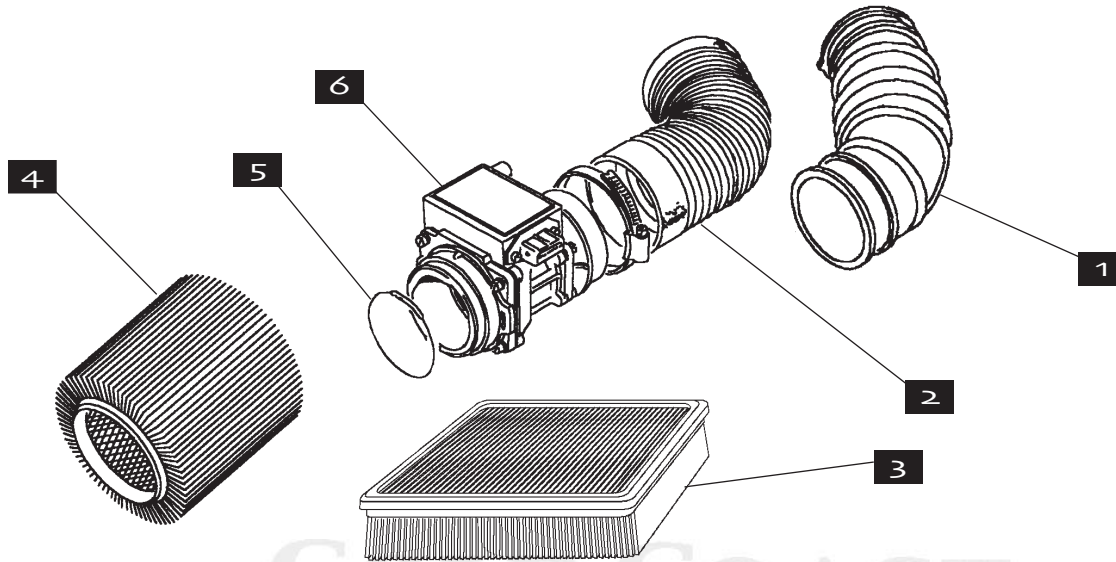
* Denotes Aftermarket Part



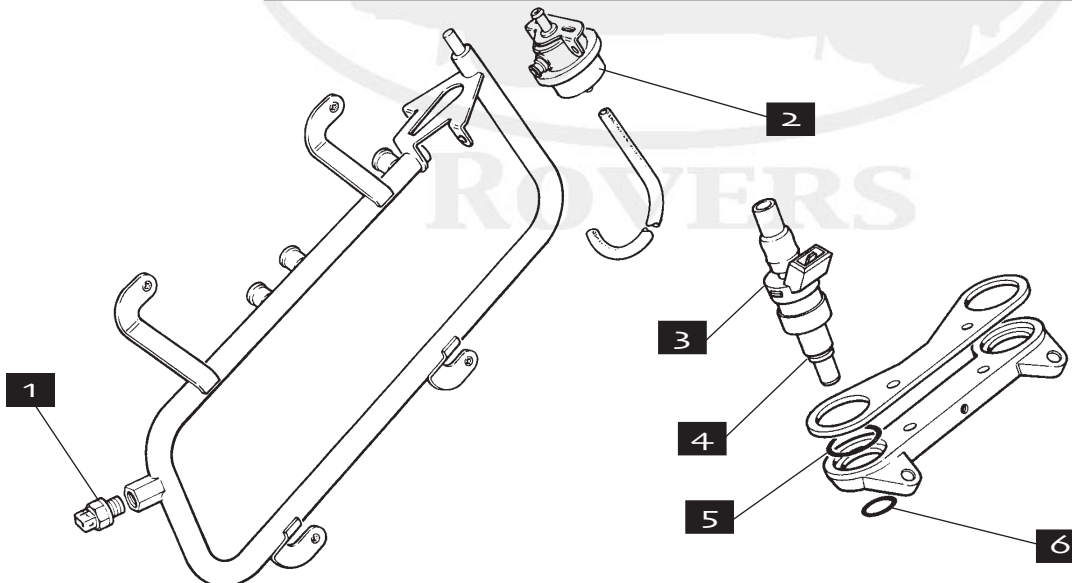
FUEL SYSTEM, 1987-1990
ROVER CLASSIC

FUEL SYSTEM, 1991-1995
ROVER CLASSIC

Description	Order Number	Explanatory Notes	Qty
1. Fuel Filler Cap	RV-TKC3976L	Through 1990	1
2. Seal/Grommet	RV-RTC5638	Through 1990	1
3. Filler Hose	RV-NTC1382	Through 1990	1
4. Seal, pump to tank	RV-WGQ000020	Use with PRC7475 pump	1
5. Fuel Pump	RV-PRC8318	Through 1990	1
6. Fuel Level Sender	RV-PRC8823	Through 1990	1
7. Gasket, Fuel Level Sender	JA-ARA1502	Through 1990	1
8. Fuel Tank	RV-ESR2000K	Through 1990, Steel	1
9. Fuel Filter	LU-73201	Through 1990, Barbed Ends	1
10. Fuel Union Nut	RV-NRC9770	1987-1995	1
11. Fuel Union Olive	RV-NRC9771	1987-1995	1
12. Breather Hose	RV-NTC7344	To end of 1990	1
13. Fuel Pump/Sender	RV-PRC9409	1991-Mid 1994 (VIN RA642682); Also order two RV-NRC9770 & two RV-NRC9771.	1
13. Fuel Pump/Sender	RV-ESR3926	Ⓢ Mid 1994-on (VIN RA642683)	1
Ⓢ <i>The first time updated pump ESR3926 is fitted to vehicles prior to VIN 647645, adapter harness RV-STC3683 must be used.</i>			
14. Seal, pump to tank	RV-NTC5859	Use with PRC9409 or ESR3926 pumps	1
15. Fuel Tank	RV-ESR2585	Ⓢ 1991-1995, plastic	1
Ⓢ <i>Requires RV-ESR1056 breather hose for installation</i>			
16. O-Rings, Fuel Filter	RV-ESR259	Use with JA-C2C-4163	2
17. Fuel Filter	JA-C2C-4163	1991-2002, threaded ends	1
18. Breather Hose	RV-NTC5424	1991-1992	1
18. Breather Hose	RV-ESR1056	1993-1995	1
19. Seal/Grommet	RV-WLR000020	1991-1995	1
20. Fuel Filler Cap	RV-NTC5418	1991-on	1
21. Filler Hose	RV-ESR2834	1991 & 1992	1
21. Filler Hose	RV-ESR1929	All 1993; 1994 to RA646069	1
21. Filler Hose	RV-ESR2834	RA646070-on	1
22. Fuel Union Olive	RV-NRC9771	1987-1995	1
23. Fuel Union Nut	RV-NRC9770	1987-1995	1



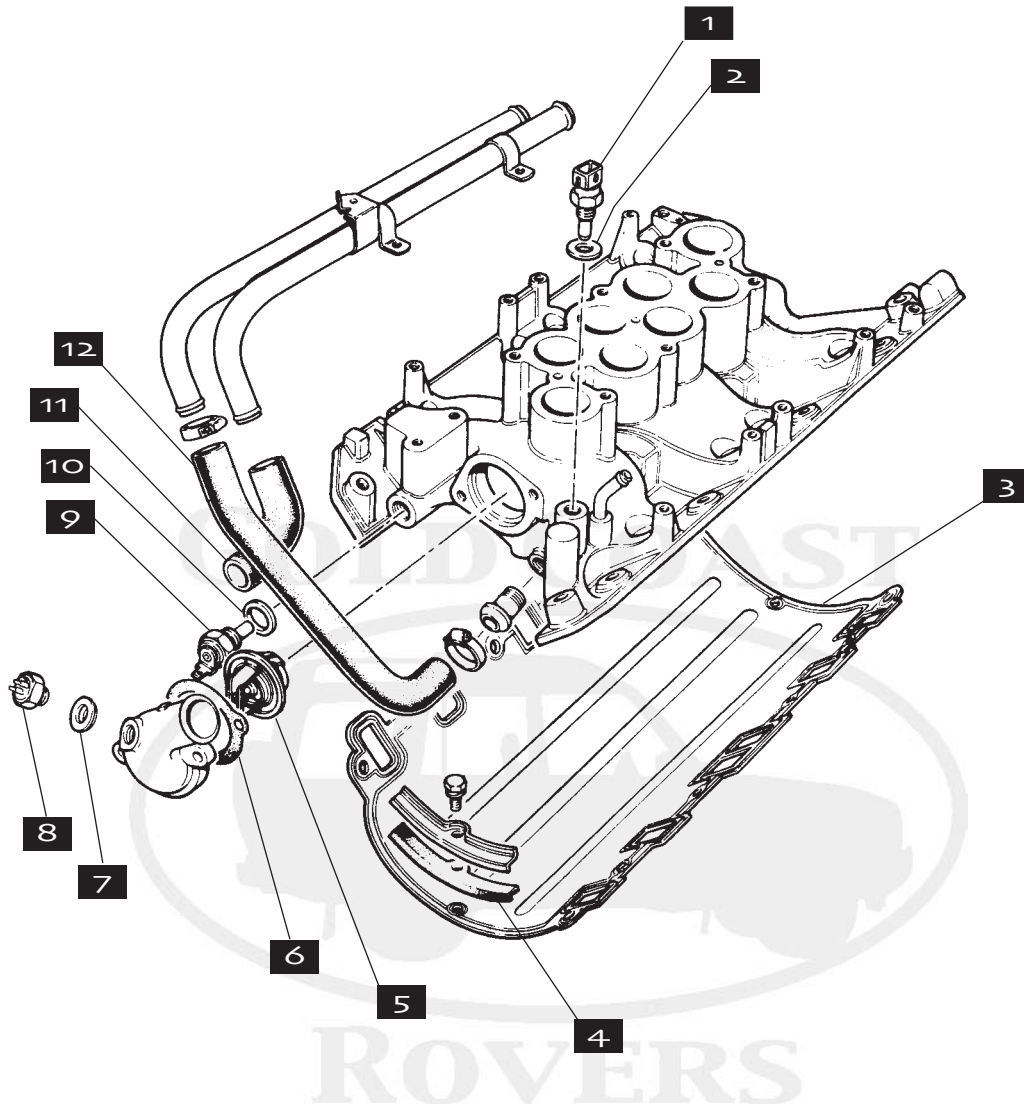
Description	Order Number	Explanatory Notes
1. Intake Hose	RV-ESR1807	With Rectangular Filter
2. Intake Hose	RV-ESR1611L	With Round Filter
3. Air Filter	RV-ESR1445	Rectangular
3. Air Filter	RV-1501	replacement for ESR1445
4. Air Filter	RV-RTC4683*	Round Type, 1987-1994
4. Air Filter	17-1448	replacement for RTC483*
5. O-Ring, Airflow Meter to Canister	RV-NTC3354	With Round Filter
6. Air Flow Meter	JA-DBC12517/E	To VIN SA655826
6. Air Flow Meter	RV-ERR5198	From VIN SA655827



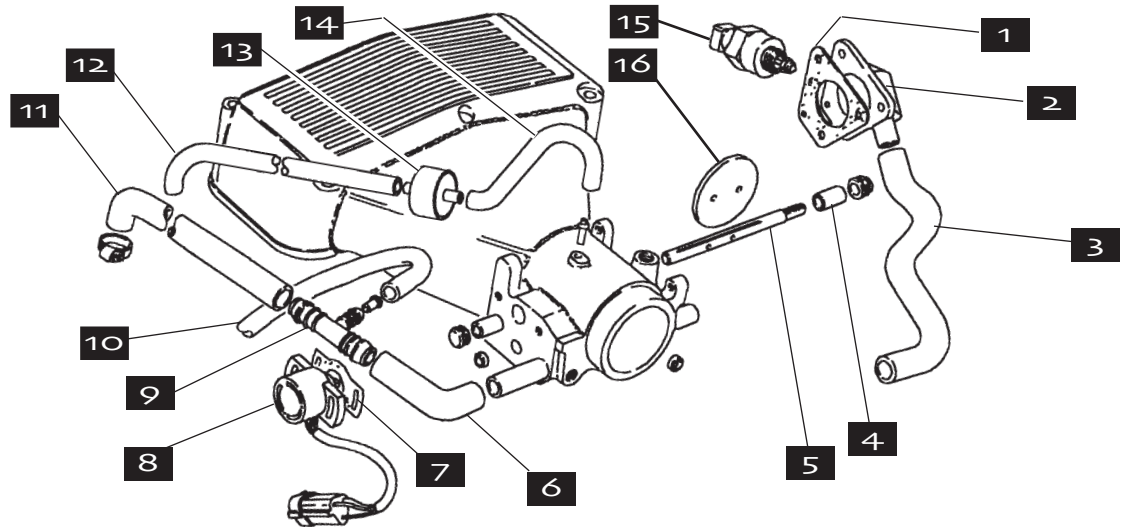
Description	Order Number	Explanatory Notes	Qty
1. Fuel Temperature Sender	RV-ETC6661		1
2. Fuel Pressure Regulator	RV-ETC8494		1
3. Fuel Injector, New	RV-ETC6264	Through 1989	8
3. Fuel Injector, Rebuilt	RV-ETC6264/RB	Through 1989	A/R
3. Fuel Injector, New	RV-ERR722	1990-on	8
4. O-Ring, Injector	RV-RTC5679	Two per injector	16
5. Ring Seal, Upper	RV-EAC2414L		8
6. Ring Seal, Lower	RV-EAC2415L		8

* Denotes Aftermarket Part

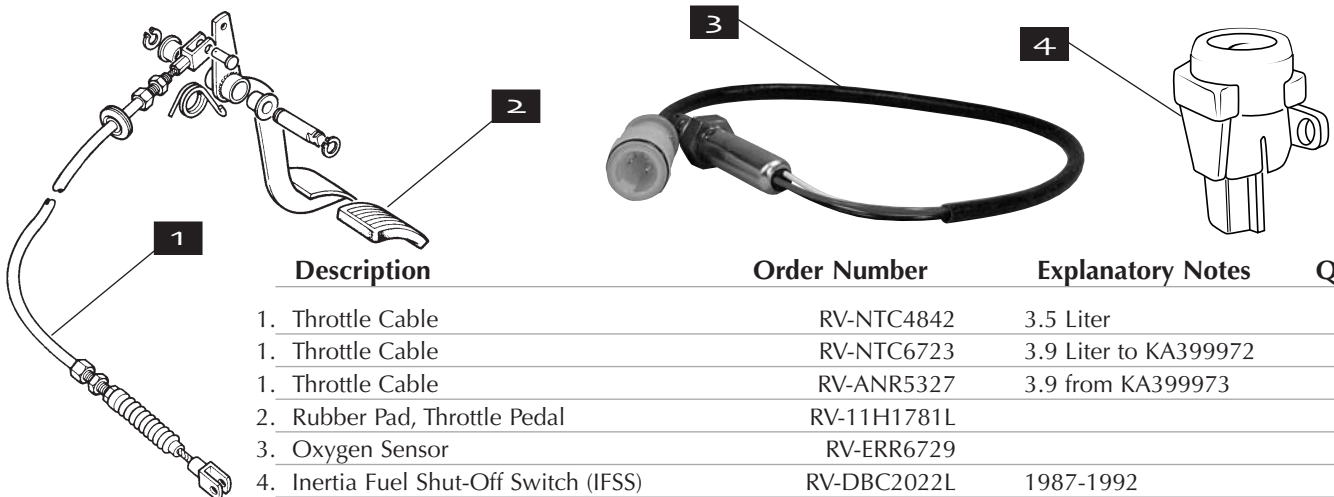
FUEL SYSTEM, INLET MANIFOLD, RANGE ROVER CLASSIC



Description	Order Number	Explanatory Notes	Qty
1. Coolant Temperature Sender for ECU	LU-SNB802	As per EAC3927L/ETC8496	1
2. Sealing Washer for Sender	RV-243967		1
3. Intake Manifold Gasket	RV-LKJ500020		1
4. Seal, front of intake gasket	RV-ERR7283		2
5. Thermostat	RV-ETC4765		1
6. Thermostat Gasket	RV-ERR2429		1
7. Sealing Washer for Switch	RV-C457593		1
8. Fan Switch	RV-PRC3505		1
9. Coolant Temperature Sender for Gauge	RV-PRC6317	3.5-Liter	1
9. Coolant Temperature Sender for Gauge	RV-PRC7918	3.9-Liter to RA647644	1
9. Coolant Temperature Sender for Gauge	RV-AMR1425	3.9 from RA647645; all 4.2-Liter	1
10. Sealing Washer for Sender	RV-90568054		1
11. Heater Return Hose	RV-ETC6889	Front of intake manifold	1
12. Heater Supply Hose	RV-ETC6890	Front of intake manifold, to mid 1995 (VIN SA647645)	1
12. Heater Supply Hose	RV-BTR8725	Front of intake manifold, from VIN SA647645	1

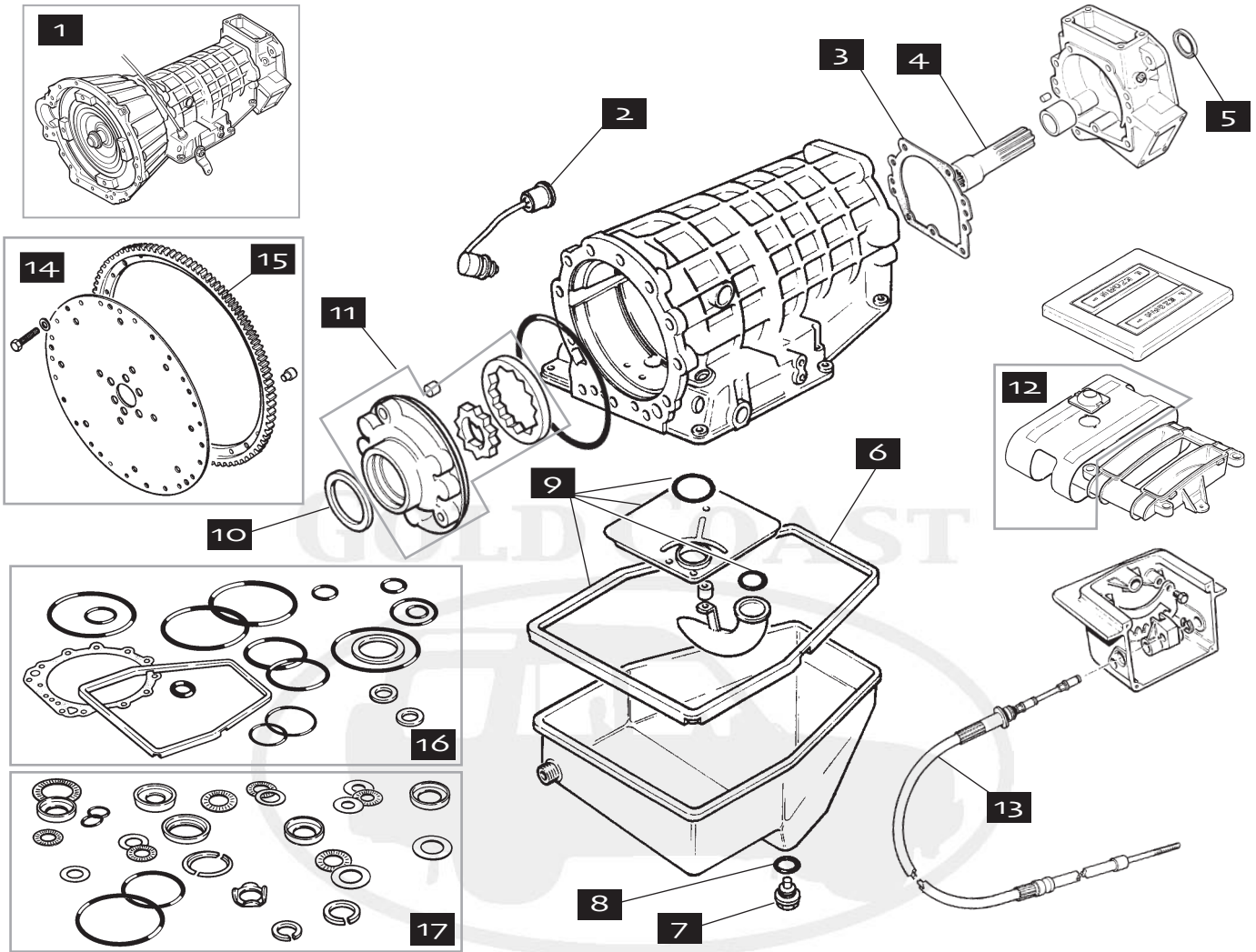


Description	Order Number	Explanatory Notes	Qty
1. Gasket for Housing	RV-ERR2926		1
2. Control Idler Adapter	RV-MKF100200	Through 1994	1
3. Hose, Control Idler to Throttle Body	RV-ETC6209L	3.5-Liter only	1
3. Hose, Control Idler to Throttle Body	RV-ETC7874	3.9 and 4.2	1
4. Bushings for Throttle Shaft	RV-611795	With 31D or 38D	2
4. Bushings for Throttle Shaft	RV-ERR1756	With 36D or 40D	2
5. Shaft in Throttle Body	RV-ETC6223		1
6. Hose, PCV to throttle housing	RV-ERR4763		1
7. Gasket, Throttle Position Sensor, ALL	RV-ERR4944	All	1
8. Throttle Position Sensor	RV-ETC6443	3.5-Liter	1
8. Throttle Position Sensor	RV-ETC8495	All 3.9-Liter; 4.2-Liter up to 40D13271B	1
8. Throttle Position Sensor	RV-ERR2263	4.2-Liter from 40D13272B	1
9. PCV "T"	RV-ERR4765		1
10. Hose, PCV to Manifold	RV-ERR4764		1
11. Hose to PCV Valve Flame Trap	RV-ERR4762		1
12. Hose, Vacuum Unit to Delay Valve	RV-ETC7329	Through 1992	1
13. Vacuum Delay Valve	RV-ERC6997	Through 1992	1
14. Hose, Delay Valve to Throttle Housing	RV-ETC7313	Through 1992	1
14. Hose, Delay Valve to Throttle Housing	RV-RTC3942	Ⓢ 1993-1995	1
Ⓢ One-piece hose was introduced when valve was eliminated.			
15. Stepper Motor; AKA "intake air control valve"	RV-ERR5199		1
16. Throttle Disc	RV-ETC6222		1

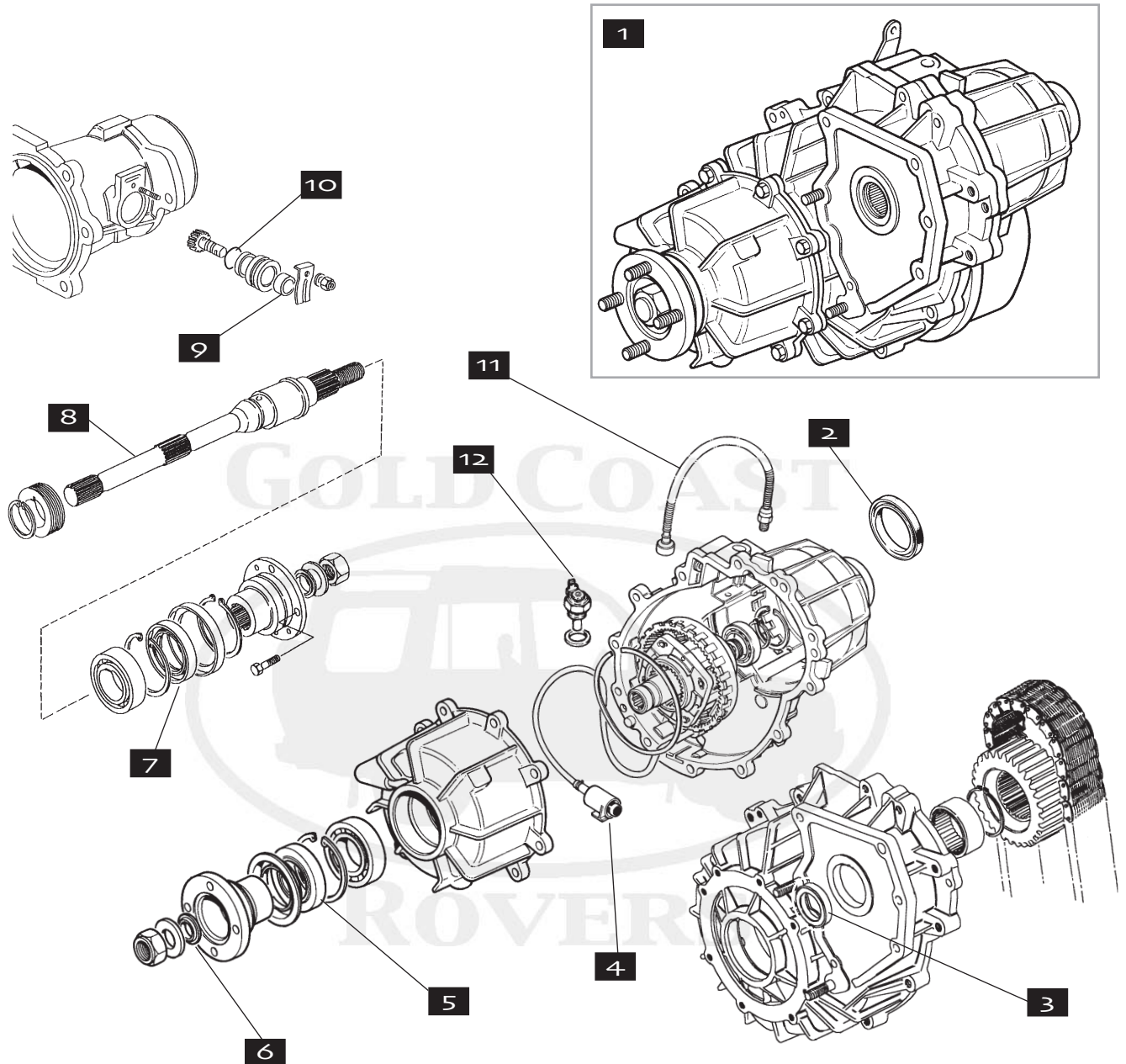


Description	Order Number	Explanatory Notes	Qty
1. Throttle Cable	RV-NTC4842	3.5 Liter	1
1. Throttle Cable	RV-NTC6723	3.9 Liter to KA399972	1
1. Throttle Cable	RV-ANR5327	3.9 from KA399973	1
2. Rubber Pad, Throttle Pedal	RV-11H1781L		1
3. Oxygen Sensor	RV-ERR6729		2
4. Inertia Fuel Shut-Off Switch (IFSS)	RV-DBC2022L	1987-1992	1

TRANSMISSION, RANGE ROVER CLASSIC

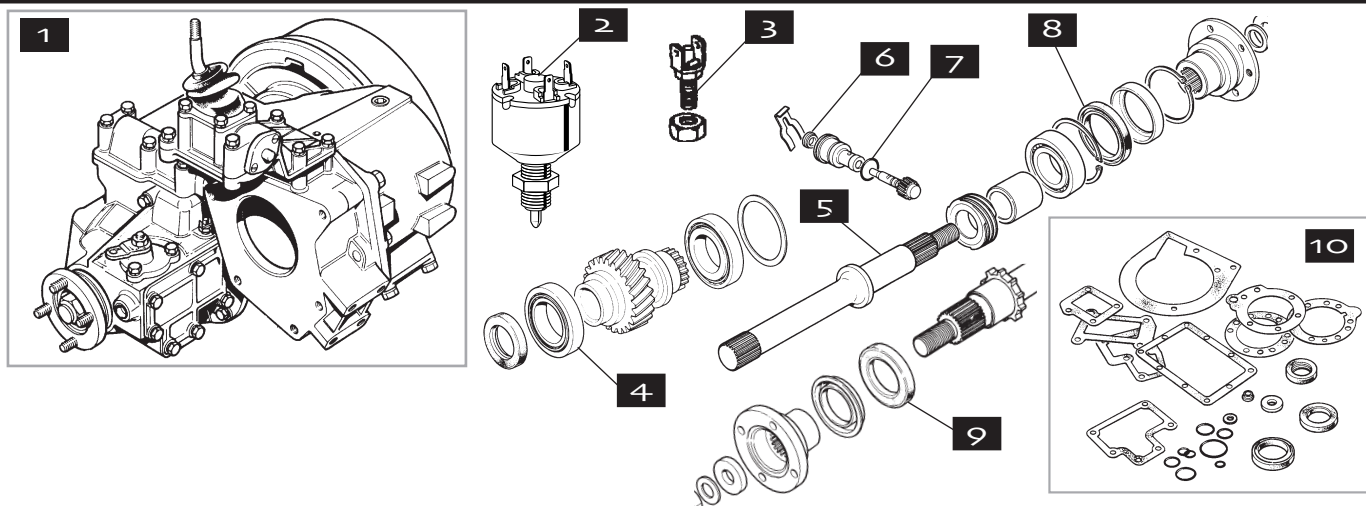


Description	Order Number	Explanatory Notes	Qty
1. Automatic Transmission, New	RV-FTC3099	3.5 & 3.9 Liter	A/R
1. Automatic Transmission, Rebuilt	RV-FTC3099R	3.5 & 3.9 Liter	A/R
1. Automatic Transmission, New	RV-FTC2871E	4.2 Liter	A/R
1. Automatic Transmission, Rebuilt	RV-FTC2871R	4.2 Liter	A/R
2. Start/Inhibit & Reverse Switch	RV-RTC4937		1
3. Gasket, Case to Governor Housing	RV-RTC4295		1
4. Coupling Shaft	RV-FTC5090		1
5. Rear Oil Seal	RV-RTC4650		1
6. Pan Gasket	RV-RTC4268		1
7. Drain Plug	RV-RTC4647		1
8. Washer, Drain Plug	RV-STC1060		1
9. Auto Trans Filter Kit	RV-RTC4653	Includes Filter, Gasket and Two O-Rings.	1
10. Front Oil Seal	RV-RTC5102		1
11. Front Pump Assembly, ZF	RV-STC1836	1993-on	1
12. Illumination Unit, Auto Shifter	RV-RTC6683	Through 1992	1
13. Shift Control Cable	RV-FTC566		1
14. Drive Plate/Ring Gear Assy	RV-FRC7851		1
15. Ring Gear Only	RV-603340		1
16. Gaskets & Seals Kit	RV-RTC5100	Does not include filter.	1
17. Bearings Kit	RV-RTC5101		1



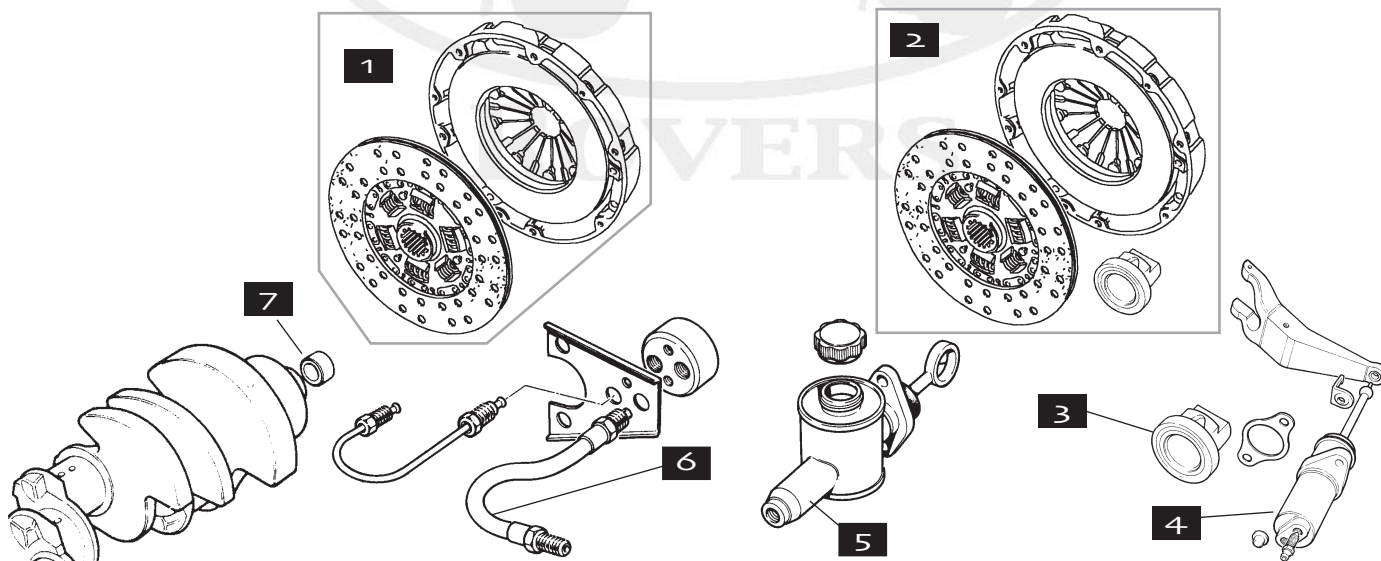
Description	Order Number	Explanatory Notes	Qty
1. Transfer Box, Rebuilt	RV-FTC1464N	1989-on, Borg Warner type	A/R
2. Seal, Output Shaft	RV-FTC4939	1989-on, Borg Warner type	1
3. Front Casing Seal	RV-FRC2365	1989-on, Borg Warner type	1
4. Filter	RV-RTC6011	1989-on, Borg Warner type	1
5. Seal, Front	RV-FRC4939	1989-on, Borg Warner type	1
6. Front Seal, small behind washer	RV-RTC6363	1989-on, Borg Warner type	1
7. Front Main Seal	RV-FTC4939	1989-on, Borg Warner type	1
8. Output shaft, Borg Warner	RV-FTC657	1989-on, Borg Warner type	1
9. Seal, speedometer drive	RV-AAU2304	1989-on, Borg Warner type	1
10. O-ring, speedometer drive	RV-571665	1989-on, Borg Warner type	1
11. Switch, neutral sensing	RV-PRC6609	1989-on, Borg Warner type	1
12. Switch, oil temperature, BW	RV-PRC7984	1989-on, Borg Warner type	1

TRANSFER GEARBOX "LT_{230T}" RANGE ROVER CLASSIC

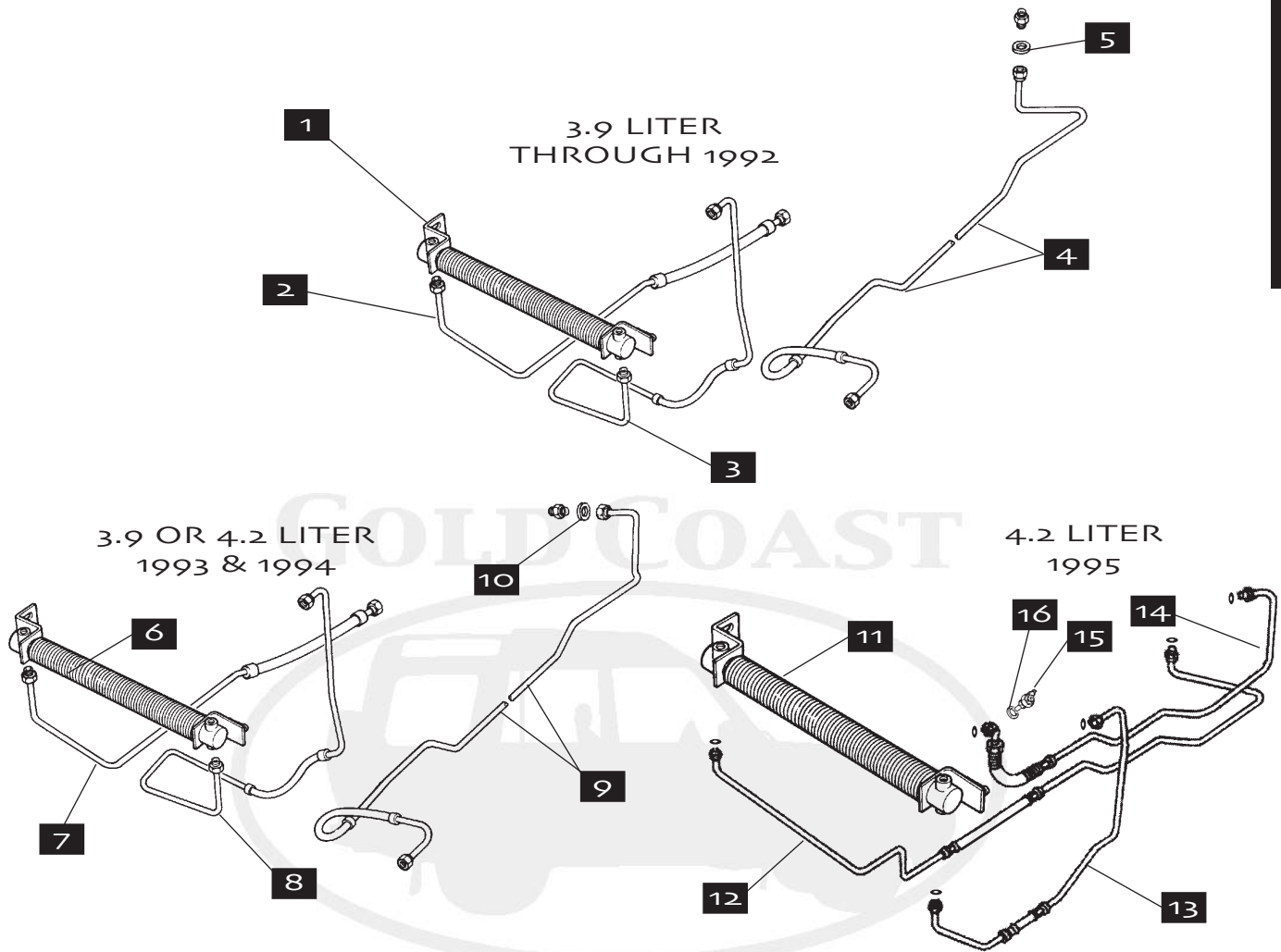


Description	Order Number	Explanatory Notes	Qty
1. Transfer Case, Rebuilt	RV-IAB100020	1987 and 1988	A/R
2. Start/Inhibit & Neutral Switch	RV-34531	1987 and 1988	1
3. Switch, Differential Lock	RV-PRC2911	1987 and 1988	1
4. Seal, Main Shaft	RV-ICV100000	1987 and 1988	1
5. Output shaft	RV-FRC5450	1987 and 1988	1
6. Seal, speedometer drive	RV-AAU2304	1987 and 1988	1
7. O-Ring, speedometer drive	RV-571665	1987 and 1988	1
8. Seal	RV-FTC4939	Rear Flange, 1987 and 1988	1
9. Seal	RV-FTC4939	Front Flange, 1987 and 1988	1
10. Seal & Gasket Kit	RV-RTC3890	1987 and 1988	1

CLUTCH, GRAY MARKET RANGE ROVER CLASSIC

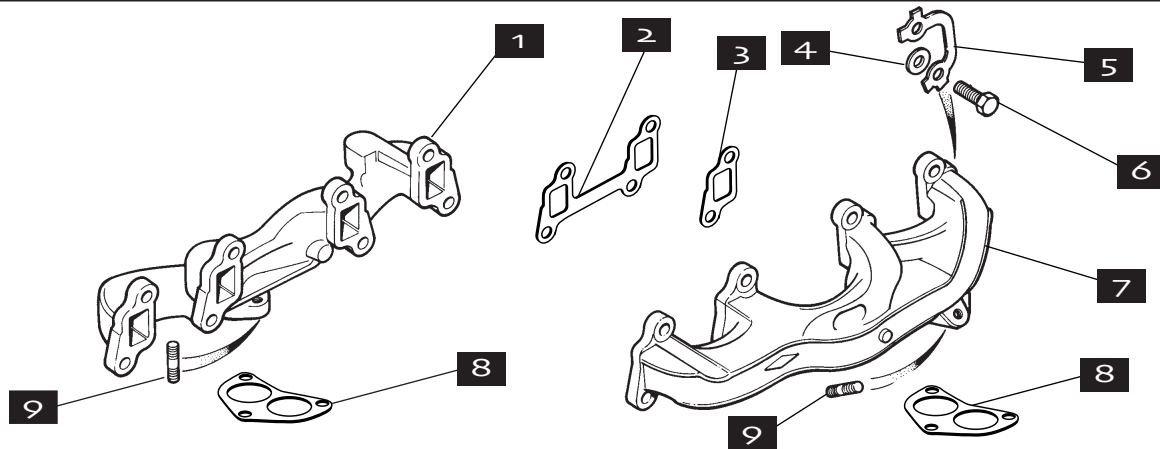


Description	Order Number	Explanatory Notes	Qty
1. Clutch Cover and Plate	RV-FTC4828	3.9 Liter, Gray Market	A/R
2. Clutch Kit	RV-HK9109	Disc, cover plate & bearing, Gray Market	A/R
3. Clutch Throw-out Bearing only	RV-FRC9568	Gray Market	1
4. Clutch Slave Cylinder	RV-TKC2786L	Gray Market	1
5. Clutch Master Cylinder	RV-AEU1714	Gray Market	1
6. Clutch Hose	RV-NTC3400	Gray Market	1
7. Output Shaft Bearing	RV-549911	Gray Market	1

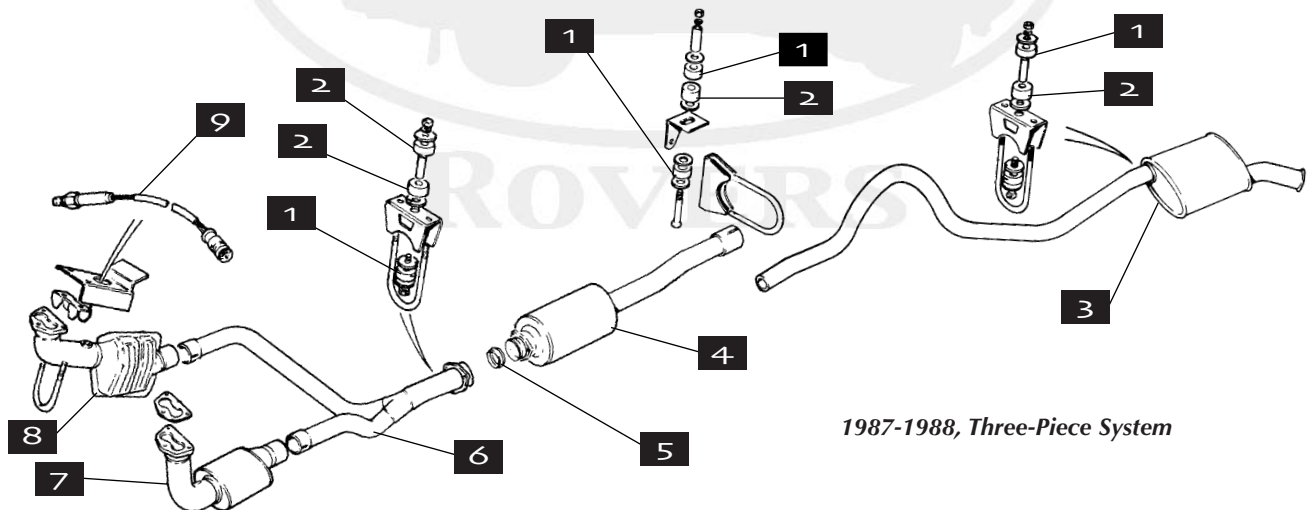


Description	Order Number	Explanatory Notes	Qty
1. Gearbox Cooler	RV-NTC6166	3.9 Liter through 1992	1
2. Flex Hose/Pipe	RV-NTC5799	3.9 Liter through 1992; right side of cooler to pipe	1
3. Flex Hose/Pipe	RV-NTC5743	3.9 Liter through 1992; Left side of cooler to radiator	1
4. Flex Hose/Pipe	RV-NTC5741	3.9 Liter through 1992; Radiator to transmission	1
5. Seal, Hard Lines to Transmission	RV-FTC1525	3.9 Liter through 1992	2
6. Gearbox Cooler	RV-ESR1703	3.9 or 4.2, 1993 & 1994	1
7. Flex Hose/Pipe	RV-ESR1243	3.9 or 4.2, 1993 & 1994; to Right side of cooler	1
8. Flex Hose/Pipe	RV-ESR1242	3.9 or 4.2, 1993 & 1994; Left side of cooler to radiator	1
9. Flex Hose/Pipe	RV-ESR2252	3.9 or 4.2, 1993 & 1994; gearbox to radiator	1
10. Seal, Pipes to Transmission	RV-FTC1525	3.9 or 4.2, 1993 & 1994	2
X. O-Ring, Flex Hose/Pipe	RV-ESR1594L	3.9 or 4.2, 1993 & 1994 (Not Shown)	7
11. Gearbox Cooler	RV-ESR1703	1995	1
12. Flex Hose/Pipe, Automatic transmission	RV-UBP101020	1995; From transmission to RH side of cooler	1
13. Flex Hose/Pipe, Automatic transmission	RV-ESR3695	1995; From radiator to LH side of cooler	1
14. Flex Hose/Pipe, Automatic transmission	RV-UBP101030	1995; From transmission to radiator	1
15. Oil Temp Switch	RV-AMR4948	1995 Only; Fits in RV-UPB101030 hose	1
16. Washer, Oil Temp Switch	RV-232039		1
Y. Seal, Pipes to Transmission	RV-FTC1525	(Not Shown)	2
Z. O-Ring	RV-ESR1594L	1995 (Not Shown)	6

REPLACEMENT EXHAUST, RANGE ROVER CLASSIC

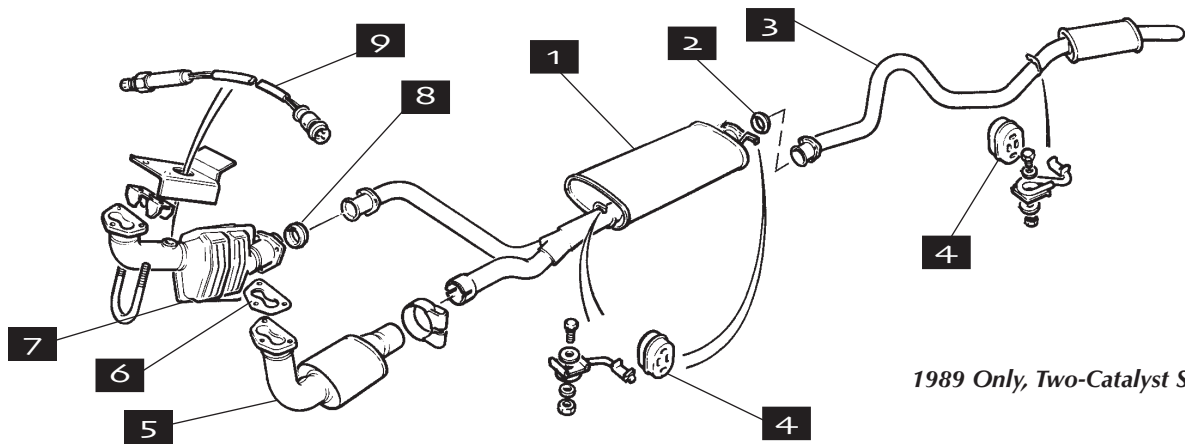


Description	Order Number	Explanatory Notes	Qty
1. Exhaust Manifold, Right	RV-ERR7394		1
2. Gasket, Manifold to Head	RV-ERR6733	36D-Series 3.9 liter from 36D25156B;	2
3. Gasket, Manifold to Head	RV-ERC3606	All 3.5 liter; all 38D-Series 3.9 liter; 36D-Series 3.9 liter to 36D25155B; 4.2 liter from 40D09583.	4
4. Washer, plain	RV-3036L		16
5. Locking Plate	RV-ERC7321		8
6. Bolt	RV-SH506095L		16
7. Exhaust Manifold, Left	RV-ERR7393		1
8. Gasket, Manifold to Downpipe	RV-ETC4524	All	2
9. Stud	RV-ERR551L		6



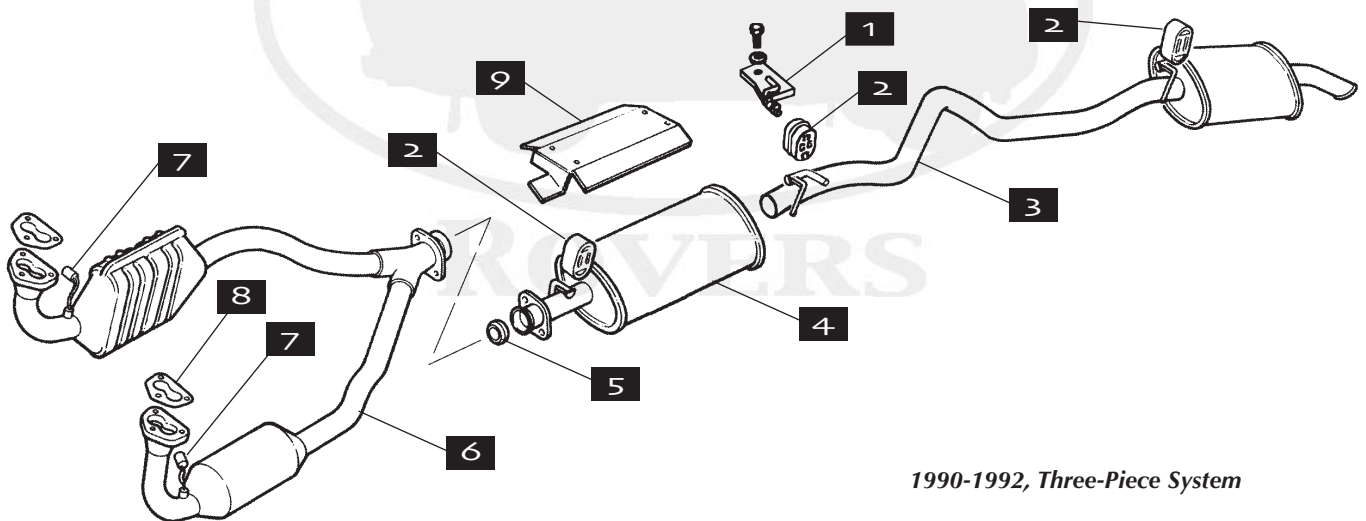
1987-1988, Three-Piece System

Description	Order Number	Explanatory Notes	Qty
1. Mount Bushing, as required	RV-572166		A/R
2. Mount Bushing, as required	RV-572167		A/R
3. Rear Muffler/Tailpipe	RV-NTC4059*		1
Joining pipe from center muffler slips over forward end of this pipe. Rolled lip at rear points back.			
4. Intermediate Muffler/Pipe/Cat	RV-NTC3949		1
5. Olive, "Y" pipe to Center Muffler	RV-NTC1030		1
6. Intermediate "Y" pipe	RV-NTC3912		1
7. Downpipe/Catalyst, LH	RV-NTC3884		1
8. Downpipe/Catalyst, RH	RV-NTC3901		1
9. Oxygen Sensor	RV-ERR6729		2



1989 Only, Two-Catalyst System

Description	Order Number	Explanatory Notes	Qty
1. Intermediate Muffler	RV-NTC5578*	1989; Two inlets, one outlet	1
2. Olive	RV-CRC4579L	1989, Intermediate Muffler to Tailpipe	1
3. Rear Muffler/Tail pipe	RV-NTC5579*	1989; Flair fitting to center muffler; exit faces down.	1
4. Mounting Rubber	RV-NTC5582	1989, Intermediate muffler and tail pipe	1
5. Downpipe/Catalyst, LH	RV-NTC5577	1989	1
6. Gasket, Manifold-to-Catalyst	RV-ETC4524	1989	2
7. Downpipe/Catalyst, RH	RV-NTC5576	1989	1
8. Olive, Catalyst to Intermediate Muffler	RV-NTC1030	1989	1
9. Oxygen Sensor	RV-ERR6729	1989	2

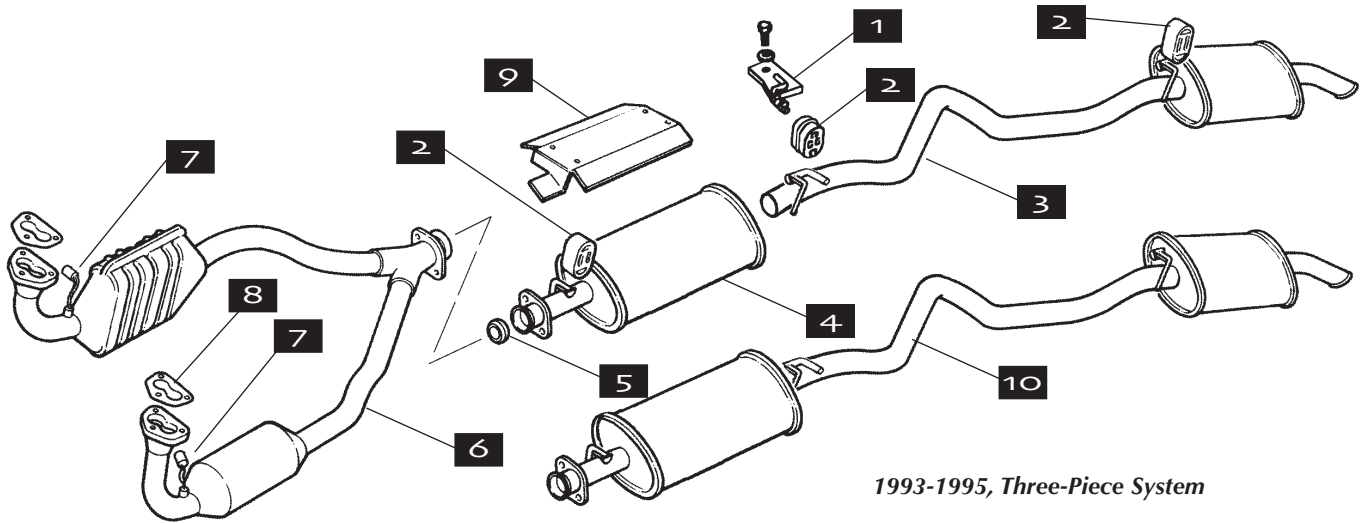


1990-1992, Three-Piece System

Description	Order Number	Explanatory Notes	Qty
1. Mounting Bracket	RV-ESR101	1990-1992	3
2. Mounting Rubber	RV-NTC5582	1990-1992	3
3. Tailpipe/Muffler, aftermarket	RV-ESR1053-2*	1990-1992	1
Note: When purchased from the factory, RV-ESR1053 was one piece, incorporating the center muffler and rear muffler and mounts. The aftermarket version is sold as two pieces, intermediate muffler, and rear muffler/tail pipe. When replacing an original equipment rear pipe assembly, both of these pieces must be purchased.			
4. Intermediate Muffler, aftermarket	RV-ESR1053-1*	1990-1992	1
5. Olive, Catalyst to Intermediate Muffler	RV-CRC4579L	1990-1992	1
6. Downpipe/Catalyst (one piece)	RV-ESR3059	1990-1992	1
7. Oxygen Sensor	RV-ERR6729	1990-1992	2
8. Gasket, Manifold-to-Catalyst	RV-ETC4524	1989	2
9. Heat Shield	RV-NTC7196	1990-1992	1

* Denotes Aftermarket Part

REPLACEMENT EXHAUST, BORLA EXHAUST, RANGE ROVER CLASSIC



1993-1995, Three-Piece System

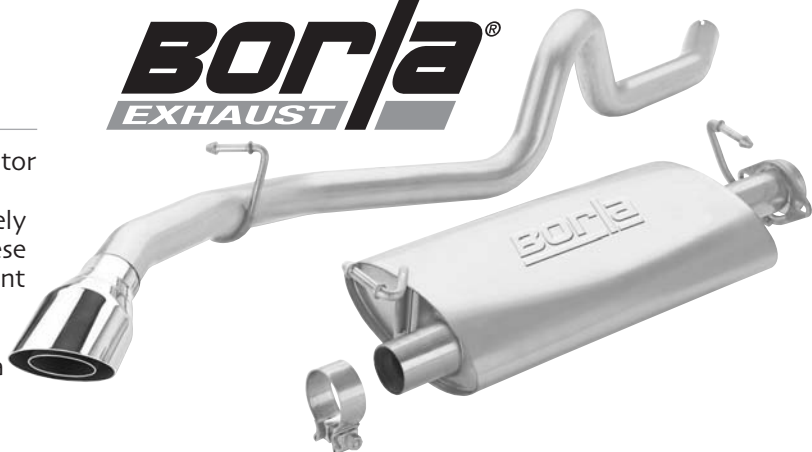
Description	Order Number	Explanatory Notes	Qty
1. Mounting Bracket on Body, 3 required	RV-ESR101	1993-1995	3
2. Mounting Rubber, 3 required	RV-NTC5582	1993-1995	3
3. Tailpipe/Muffler, aftermarket	RV-ESR1053-2*	1993-1995	1
Note: When purchased from the factory, ESR1053 was one piece, incorporating the center muffler and rear muffler and mounts. The aftermarket version is sold as two pieces, intermediate muffler, and rear muffler/tail pipe. When replacing an original equipment rear pipe assembly, both of these pieces must be purchased.			
4. Intermediate Muffler, aftermarket	RV-ESR1053-1*	1993-1995	1
5. Olive, Downpipe to Intermediate Muffler	RV-CRC4579L	1993-1995	1
6. Downpipe/Catalyst, 1993-1995, 100"	RV-ESR3059	1993-1995; 100" wheelbase, California spec.	1
6. Downpipe/Catalyst, 1993-1995, 100"	RV-ESR3573	1993-1995; 100" wheelbase, non-California spec.	1
6. Downpipe/Catalyst, 1993-1995 County	RV-ESR3060	1993-1995 County LWB	1
7. Oxygen Sensor	RV-ERR6729	1993-1995	2
8. Gasket, Manifold-to-Catalyst	RV-ETC4524	1993-1995	2
9. Heat Shield	RV-NTC7196	1993-1995	1
10. Intermediate Muffler/Tailpipe Assembly	RV-WCE104641	1993-1995 LWB (108"), from SA660255	1

ROVERS

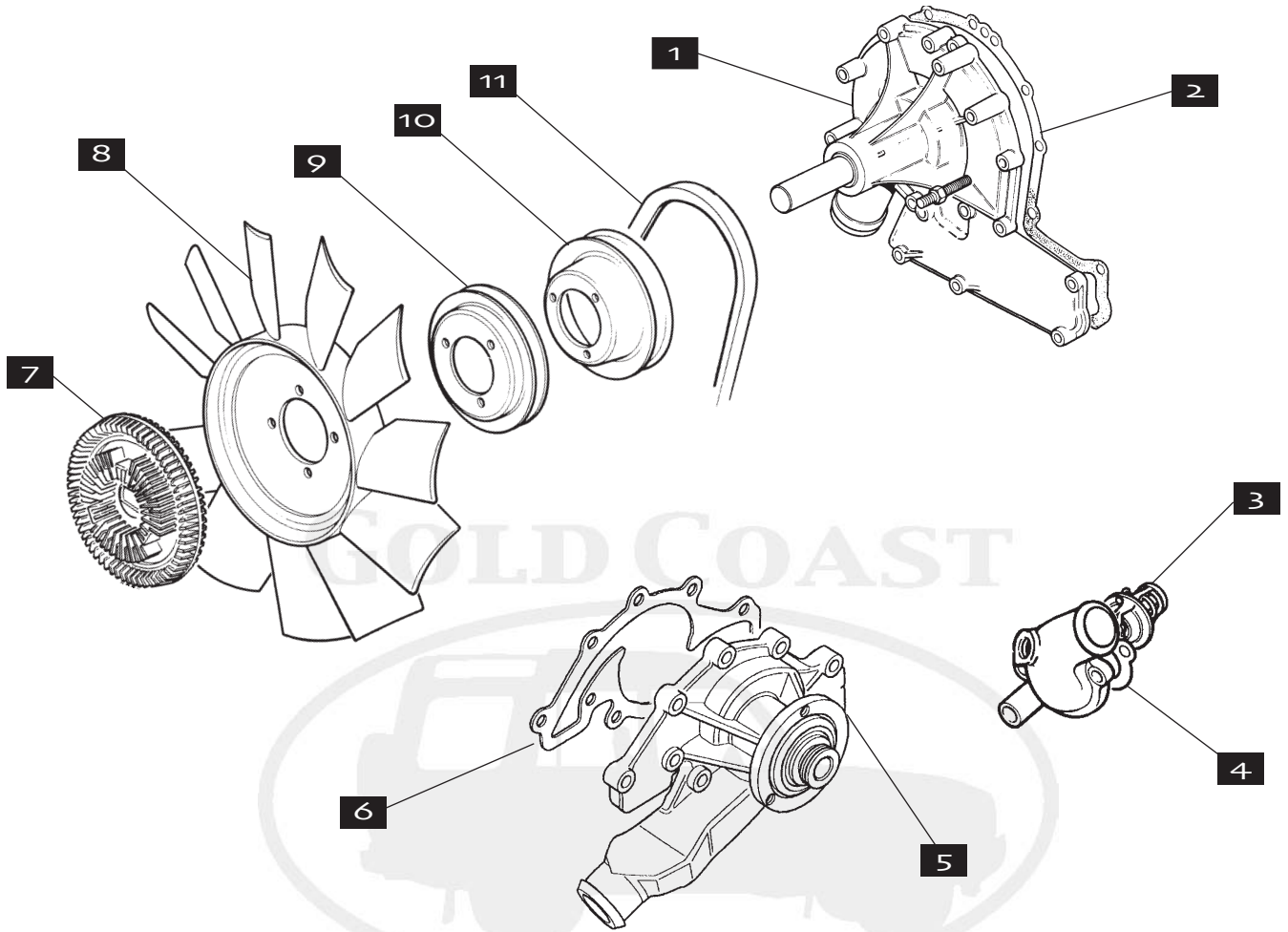
Borla Stainless Exhaust System



Gold Coast Rovers is a Warehouse Distributor for Borla Exhaust, the leader in late-model performance exhaust systems. Made entirely of aircraft-quality T-304 stainless steel, these "cat-back" systems are entirely mandrel-bent for smooth flow and noticeable power gains. Give your Land Rover a distinctive exhaust note and more power with a Borla stainless steel exhaust system.



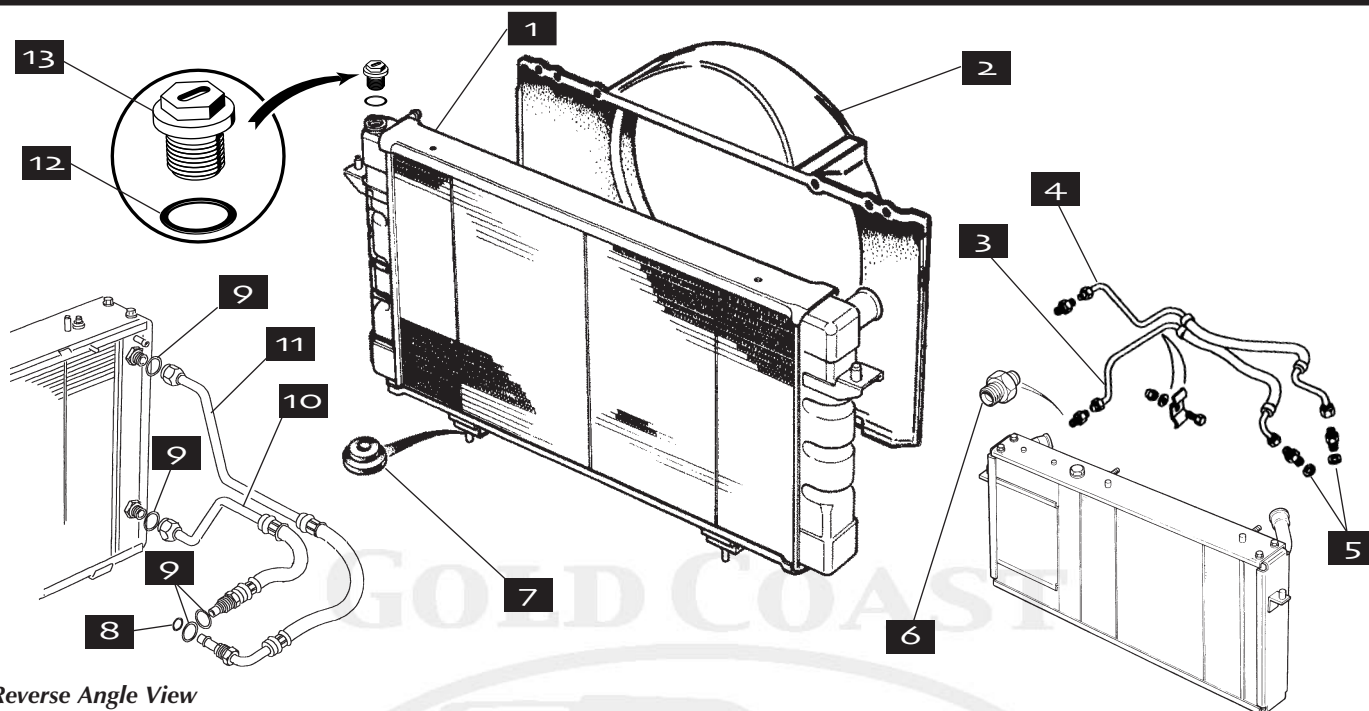
1990-1995 Range Rover (Long Wheelbase only)RV-14639



Description	Order Number	Explanatory Notes	Qty
1. Water Pump	RV-STC1610*	Pre-1987 Gray market vehicles with fan clutch and no A/C	1
1. Water Pump	RV-STC486	1971-1982 Gray market; four studs to mount fan	1
1. Water Pump	RV-STC483*	USA-spec Range Rover, 1987 to early 1993	1
NOTE: RV-STC483* has three holes to mount pulley, with eleven-blade fan; to engines 36D25155B and 40D09582B			
2. Gasket, Water Pump	RV-ERR2428	For STC483 and earlier pumps	1
3. Thermostat	RV-ETC4765	All	1
4. Gasket, Thermostat	RV-ERR2429	All	1
5. Water Pump	RV-STC4378	Early 1993-on USA-spec Range Rover, from engines 36D25156B and 40D09583B	1
6. Gasket, Water Pump	RV-ERR4077	For STC4378	1
7. Fan Clutch	RV-ERC2849	Gray Market only (pre 1987 non-USA)	1
7. Fan Clutch	RV-ETC1260	USA-Spec., 1987 to early 19931 (to engines 36D25155B and 40D09582B)	1
7. Fan Clutch	RV-ERR3443	USA-Spec., early 1993-1995 (engines 36D25155B and 40D09582B-on)	1
8. Fan Blade	RV-ETC1275	White; to engines 36D25155B and 40D09582B	1
8. Fan Blade	RV-ERR3439	Black; from engines 36D25156B and 40D09583B	1
9. Pulley, pump-to-crankshaft	RV-ETC5423		1
10. Pulley, pump to A/C comp.	RV-ETC5422		1
11. Belt, Crankshaft To Waterpump	RV-611612	1992 To 1994	1

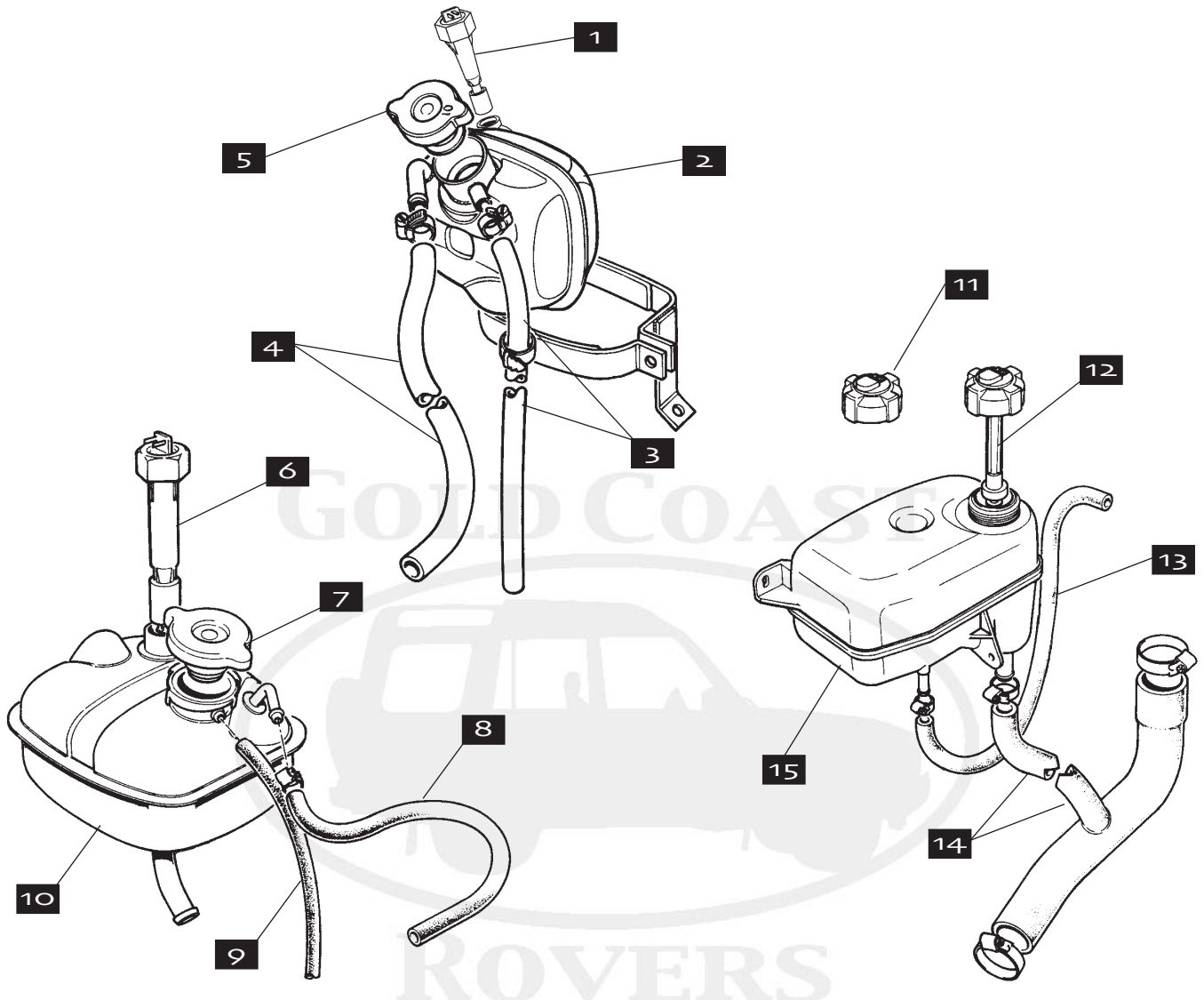
* Denotes Aftermarket Part

COOLING SYSTEM, RADIATOR, RANGE ROVER CLASSIC



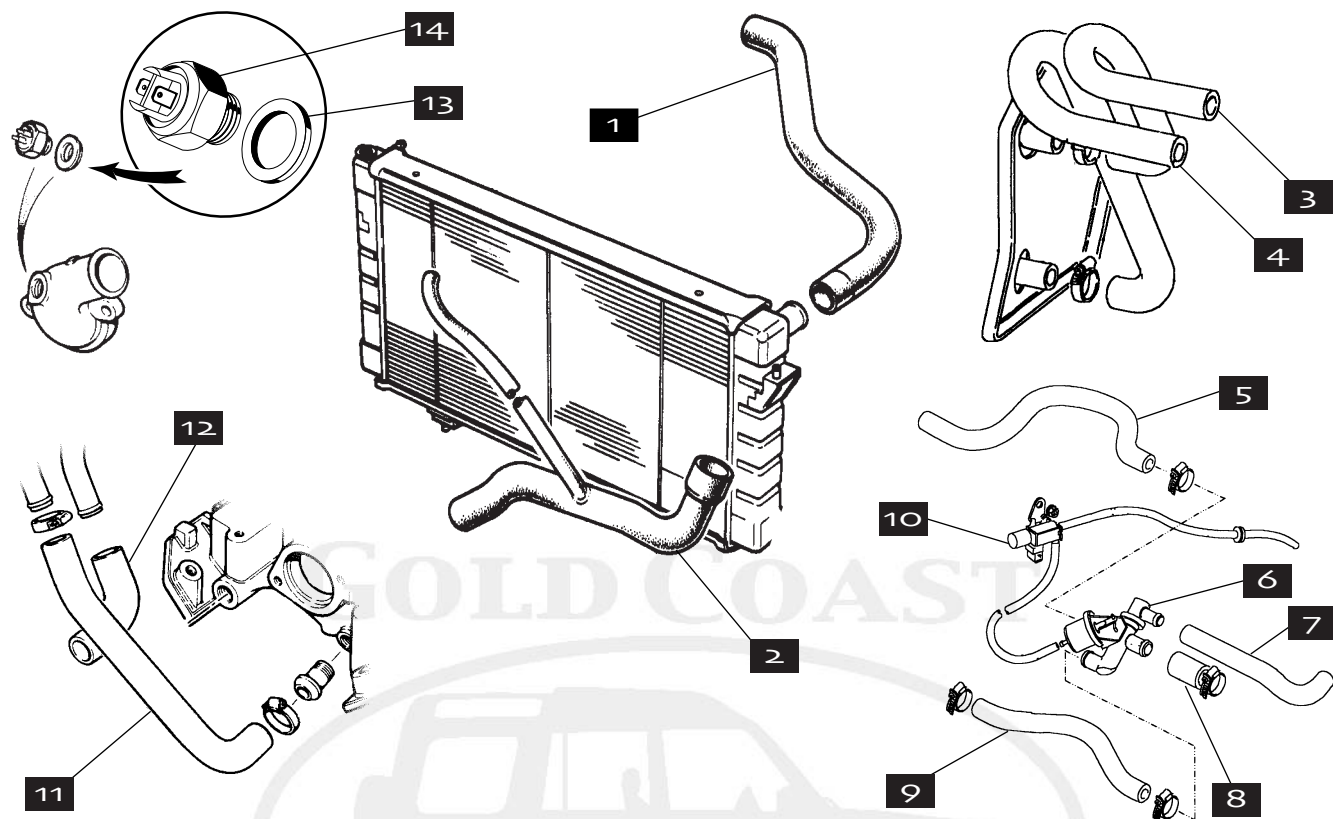
Reverse Angle View

Description	Order Number	Explanatory Notes	Qty
1. Radiator	RV-ESR80	3.5-Liter	1
1. Radiator	RV-ESR3687	3.9-Liter through 1992, 1993-1995	1
2. Radiator Fan Cowl	RV-NTC1173	3.5-liter with original radiator	1
2. Radiator Fan Cowl	RV-ESR1027	3.5-liter with ESR80 radiator; 3.9 RR thru '94	1
2. Radiator Fan Cowl	RV-ESR3226	1995, Upper	1
2. Radiator Fan Cowl	RV-ESR2847	1995, Lower	1
3. Engine Oil Cooler Hose/Pipe	RV-NTC6289	Lower Hose (Outlet from Cooler on Radiator); 3.9-Liter through 1989	1
3. Engine Oil Cooler Hose/Pipe	RV-NTC5972	Lower Hose (Outlet from Cooler on Radiator); 3.9-Liter, 1990 & 1991	1
3. Engine Oil Cooler Hose/Pipe	RV-ESR355	Upper Hose (Inlet to Cooler on Radiator); 3.9-Liter, 1992	1
3. Engine Oil Cooler Hose/Pipe	RV-ESR1672	Lower Hose (Outlet from Cooler on Radiator); 3.9-Liter, 1993 & 1994	1
4. Engine Oil Cooler Hose/Pipe	RV-NTC5620	Upper Hose (Inlet to Cooler on Radiator); 3.9-Liter through 1989	1
4. Engine Oil Cooler Hose/Pipe	RV-ESR137	Upper Hose (Inlet to Cooler on Radiator); 3.9-Liter, 1990 & 1991	1
4. Engine Oil Cooler Hose/Pipe	RV-ESR356	Lower Hose (Outlet from Cooler on Radiator); 3.9-Liter, 1992	1
4. Engine Oil Cooler Hose/Pipe	RV-ESR1671	Upper Hose (Inlet to Cooler on Radiator); 1993 & 1994	1
5. Gasket	RV-ETC9065	Under engine adapters (no gaskets under radiator adapters)	2
6. Adapter, at radiator	RV-NTC3858		1
6. Adapter, at engine	RV-ETC9064		1
7. Radiator Mount Bush	RV-572312		4
8. Small O-Ring	RV-ESR3098		2
9. Large O-Ring	RV-ESR1594L		4
10. Engine Oil Cooler Hose/Pipe	RV-PBP101160	Lower Hose (Outlet from Cooler on Radiator); 1995	1
11. Engine Oil Cooler Hose/Pipe	RV-PBP101150	Upper Hose (Inlet to Cooler on Radiator); 1995	1
12. O-Ring for Bleed Plug	RV-ERR4685	All	1
13. Radiator Bleed Plug	RV-ERR4686	All	1



Description	Order Number	Explanatory Notes
1. Level Sensor in Tank	RV-PRC5077	All 3.5 & 3.9 through end of 1989
2. Expansion Tank	RV-NTC4084	3.5-Liter up to JA336625
3. Bleed Hose off Tank Filler Neck	RV-564724	All 3.5-Liter; 3.9 1989
4. Hose Off Tank	RV-NTC2736	All 3.5-Liter
5. Filler Cap	RV-PCD100150*	All 3.5; 3.9 through end of 1989
6. Level Sensor in Tank	RV-PRC5077	All 3.5 & 3.9 through end of 1989
7. Filler Cap	RV-PCD100150*	All 3.5; 3.9 through end of 1989
8. Hose Off Tank	RV-NTC2736	All 3.5-Liter
8. Hose Off Tank	RV-NTC6858	3.9-Liter, 1989
9. Bleed Hose Off Tank Filler Neck	RV-564724	All 3.5-Liter; 3.9-Liter 1989
10. Expansion Tank	RV-NTC6701	3.5-Liter from JA-336626-JA351032; 3.9 through 1989
11. Filler Cap, 15 PSI	RV-NTC7161	1995
12. Filler Cap/Level Sensor	RV-PRC7925	1990-1994
13. Small Bleed Hose Off Tank	RV-NTC7298	1990-on
14. Large Hose Off Tank	RV-NTC7297	1990-on; This is also the bottom radiator hose
15. Expansion Tank	RV-PCF101590	3.9-Liter 1990-on; all 4.2

* Denotes Aftermarket Part



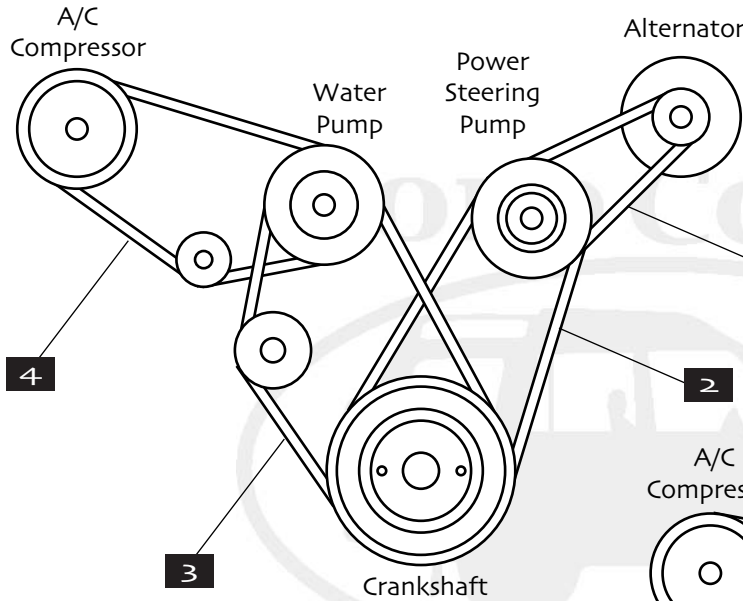
Description	Order Number	Explanatory Notes	Qty
1. Top Hose	RV-ESR3297	All 3.5; all 3.9; 4.2 from SA647650	1
1. Top Hose	RV-ESR2167	4.2 Liter to RA647649	1
2. Bottom Hose	RV-NTC1174	3.5-Liter Radiator to Water Pump	1
2. Bottom Hose	RV-NTC5632	3.5 & 3.9 to end of 1989 Radiator to Pump and Expansion Tank	1
2. Bottom Hose	RV-NTC7297	1990-1994	1
2. Bottom Hose	RV-ESR1818	1995	1
3. Heater Inlet Hose	RV-BTR216		1
4. Heater Outlet Hose	RV-BTR217		1
5. Hose, Valve to Heater	RV-BTR8727	To RA104738 Valve and associated pipes deleted thereafter	1
6. Heater Valve	RV-BTR4022	To RA104738 Valve and associated pipes deleted thereafter	1
7. Hose, Valve to Engine	RV-BTR4008		1
7. Heater Supply Hose	RV-BTR8725	Front of Intake manifold, from mid 1995, VIN SA647646	1
8. Hose, Engine to Valve	RV-BTR4016	To RA104738 Valve and associated pipes deleted thereafter	1
9. Hose, Heater to Valve	RV-BTR8726	To RA104738 Valve and associated pipes deleted thereafter	1
9. Hose, Heater In/Out	RV-PCH000100	From RA104739 to End of SA (1995)	2
10. Vacuum Solenoid	RV-BTR4190	To RA104738 Valve and associated pipes deleted thereafter	1
11. Heater Supply Hose	RV-ETC6890	Front of Intake manifold, to mid 1995, VIN SA647645	1
12. Heater Return Hose	RV-ETC6889	Front of intake manifold, elbow	1
13. Sealing Washer Under Switch	RV-C457593		1
14. Cooling Fan Switch	RV-PRC3505		1



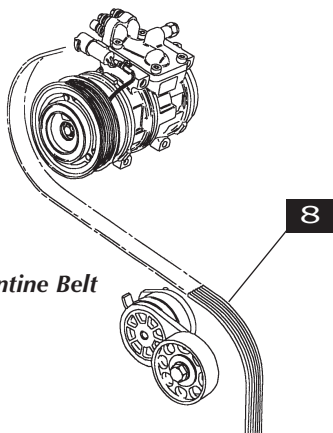
Land Rover Cooling Hose Kits

Replacing one or two hoses at a time almost guarantees the need to go back later and re-trace your steps. Get great peace of mind by changing all the hoses in one shot. These multi-hose kits will cost you less than buying each peacemeal.

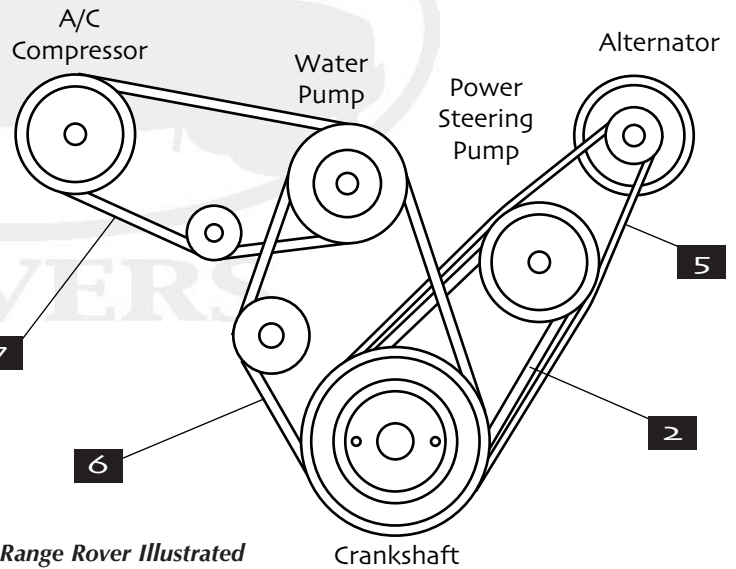
RV-7500	3.5-Liter to JA336625;	8 Pieces	RV-7506	3.9-Liter, 1990-1994;	7 Pieces
RV-7502	3.5-Liter from JA336626-to JA351032;	8 Pieces	RV-7508	3.9-Liter, 1995 Only;	7 Pieces
RV-7504	3.9-Liter, 1989 Only;	8 Pieces	RV-7510	4.2-Liter, 1993 & 1994;	7 Pieces
			RV-7512	4.2-Liter, 1995 Only;	7 Pieces



1990 Range Rover Illustrated



Serpentine Belt

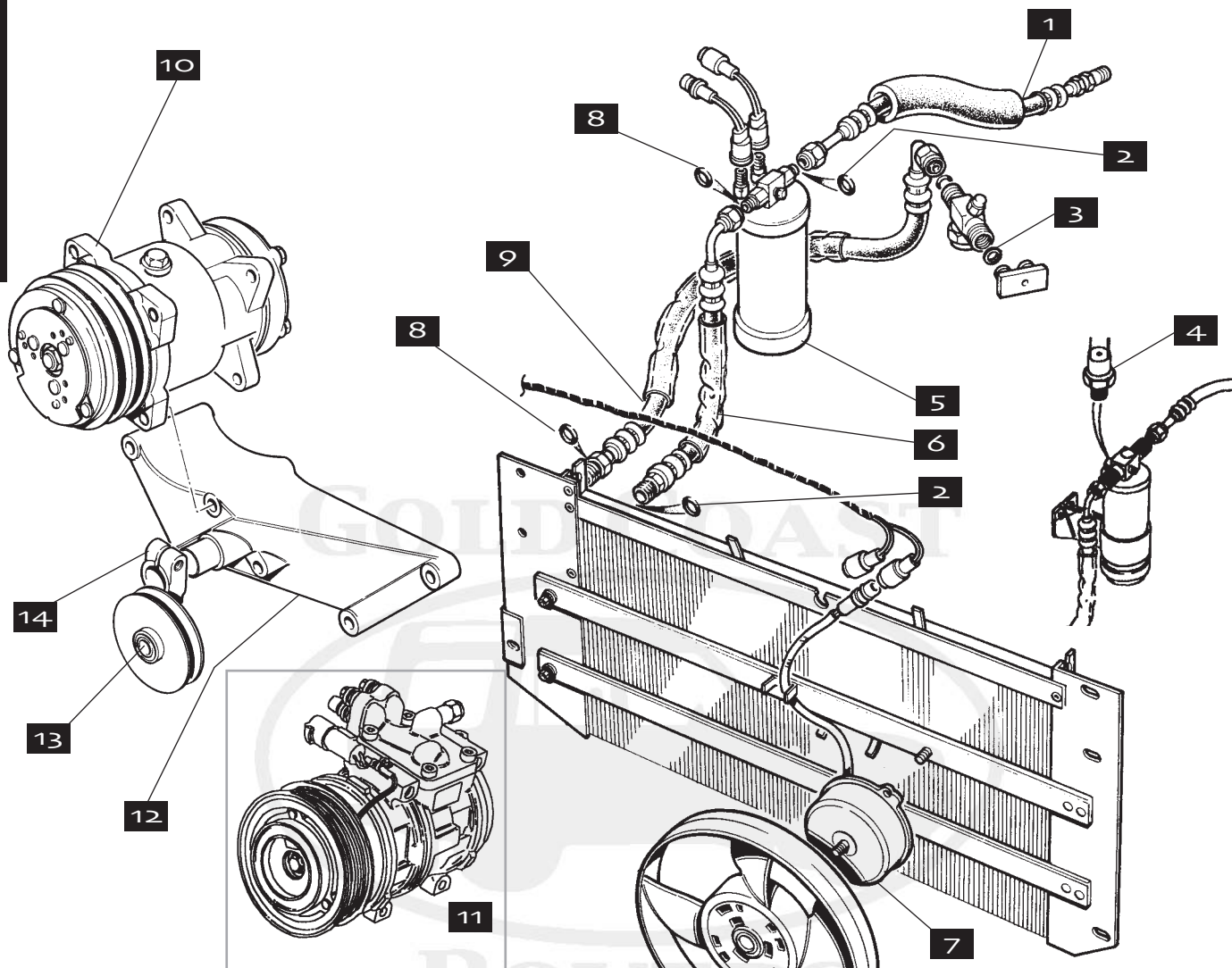


1993 Range Rover Illustrated

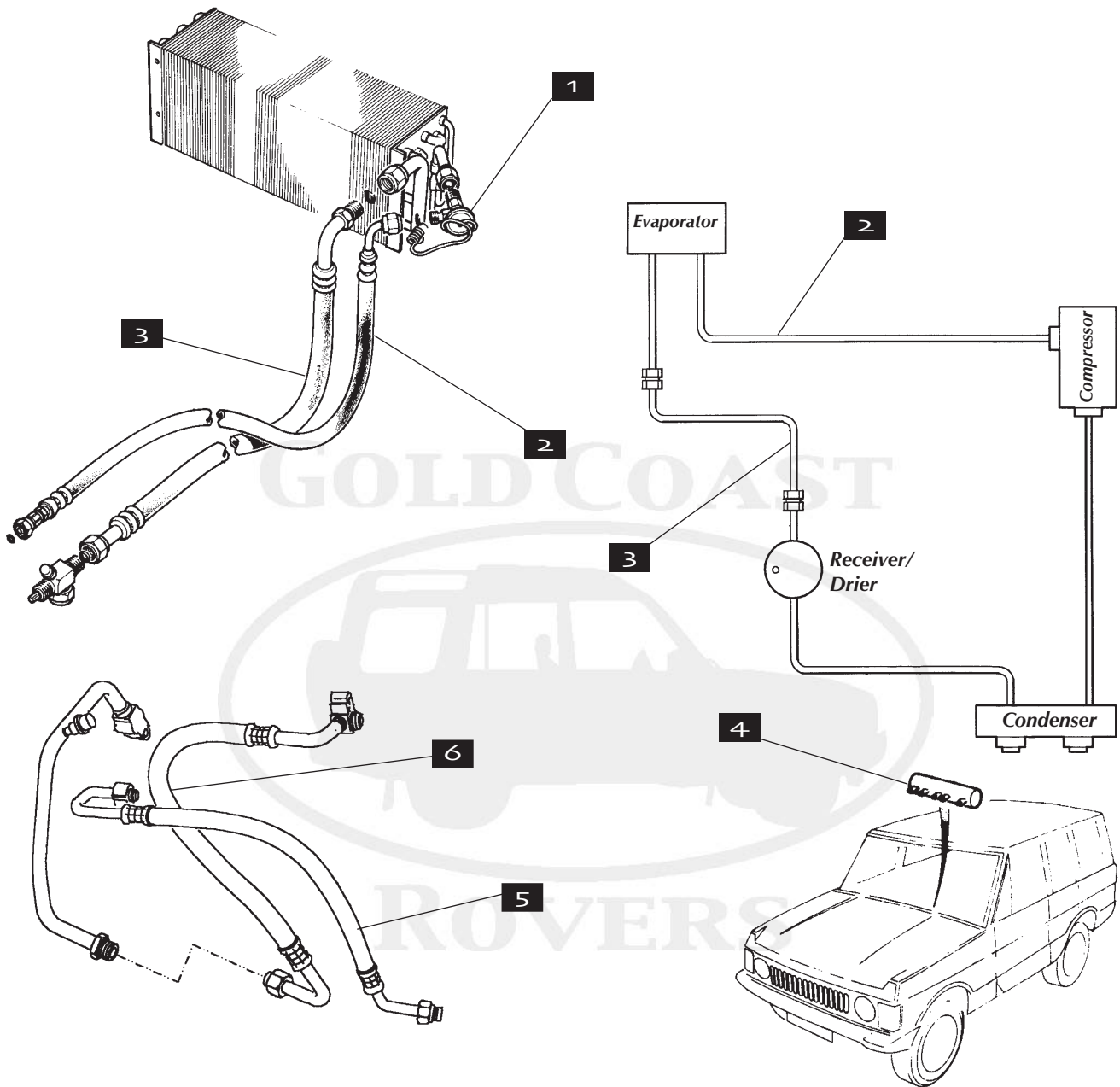
Description	Order Number	Explanatory Notes
1. Steering Pump to Alternator	RV-ERR2073	1987-1992
2. Crankshaft to Steering Pump	RV-ERC675	1987-1992
3. Crankshaft to Water Pump	RV-611612	1987-1992
4. Water Pump to A/C Compress.	RV-611612	1987-1992
5. Crankshaft to Alternator	RV-ERR2678	1993
6. Crankshaft to Water Pump	RV-611612	1993-1995
7. Water Pump to A/C Compress.	RV-611612	1993
8. Crankshaft to A/C Compressor, P/S Pump, Alternator	RV-ERR4623	1994-1995, Serpentine Belt

* Denotes Aftermarket Part

AIR CONDITIONING, RANGE ROVER CLASSIC



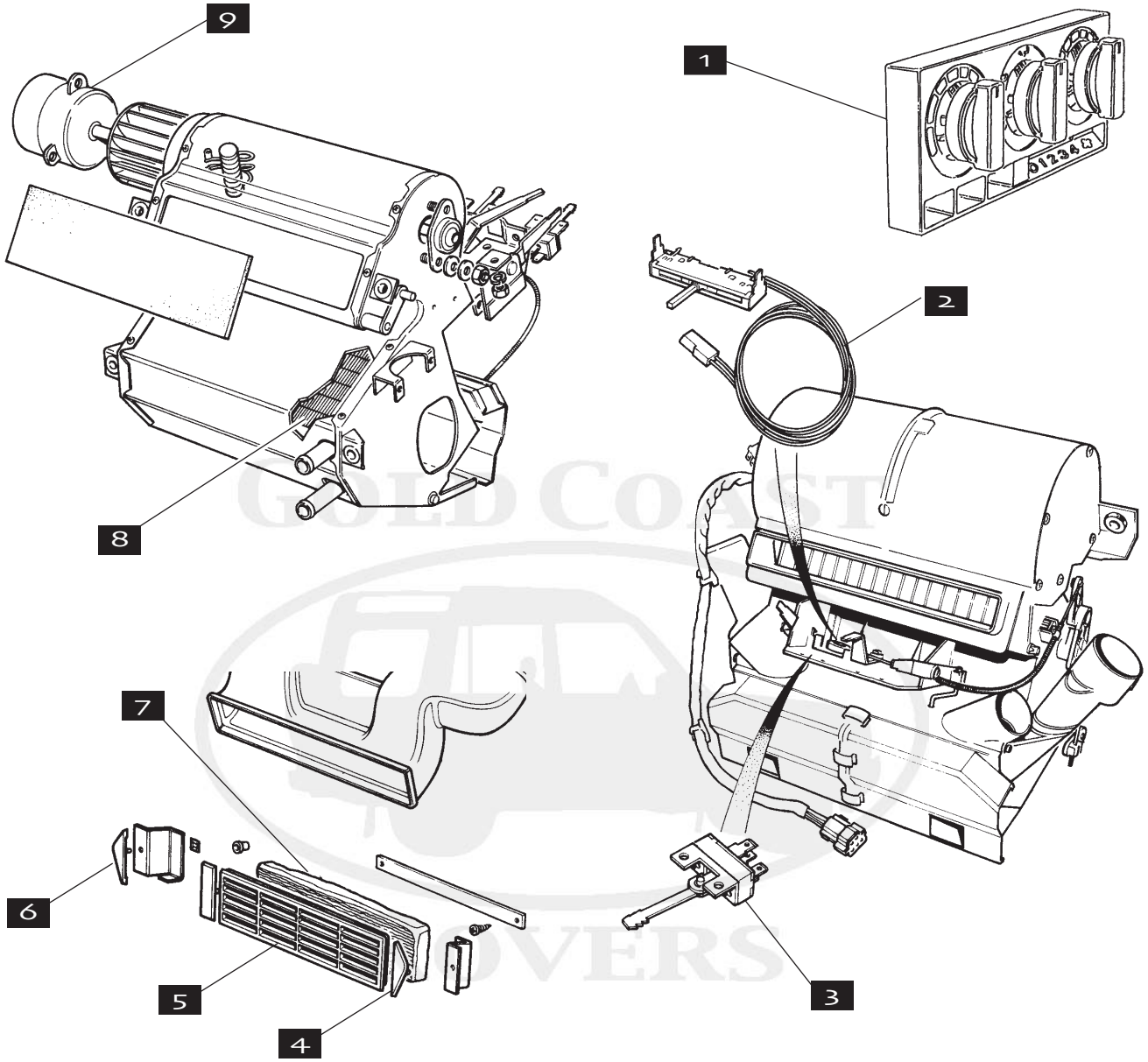
Description	Order Number	Explanatory Notes	Qty
1. A/C Hose, Drier to evaporator	RV-AEU3065	To end of 1989	1
2. O-Ring, compressor, condenser & drier	RV-STC3191		4
3. O-Ring, Expansion valve to adapter	RV-RTC7452		1
4. High Pressure Switch	RV-BTR3720	1993-1995	1
5. Receiver/Drier, to end of 1989	RV-AEU1220		1
5. Receiver/Drier, 1990-to mid 1992	RV-LRNA7258	To VIN NA617613	1
5. Receiver/Drier, 1992-1994	RV-BTR3717		1
6. A/C Hose, Drier to condenser	RV-BTR2564	To end of 1994	1
7. Motor, Aux. fan for A/C condenser/radiator	RV-MXC7269	To end of 1989	1
8. O-Ring, to condenser and drier	RV-STC3192		2
9. A/C Hose, compressor to condenser	RV-MXC6270	1993 & 1994	1
9. A/C Hose, condenser to expansion valve	RV-MXC5310	To end of 1989	1
10. A/C Compressor	RV-ETC7994RB	All 3.5-liter, 3.9 to engines 38D20386A and 36D12271A	A/R
10. A/C Compressor, R-12 system	RV-BTR1301	3.9-liter from engines 38D20387A-on; 36D12272A-on and 4.2	A/R
11. A/C Compressor	RV-BTR5750	1994 & 1995, serpentine belt applications	A/R
12. Mounting Bracket	RV-ERR4521	3.5 and 3.9 compressor	1
13. Bearing only, Shaft, Tensioner	RV-614154	Through 1993	1
14. Tensioner assembly	RV-ETC6159	Through 1993	1



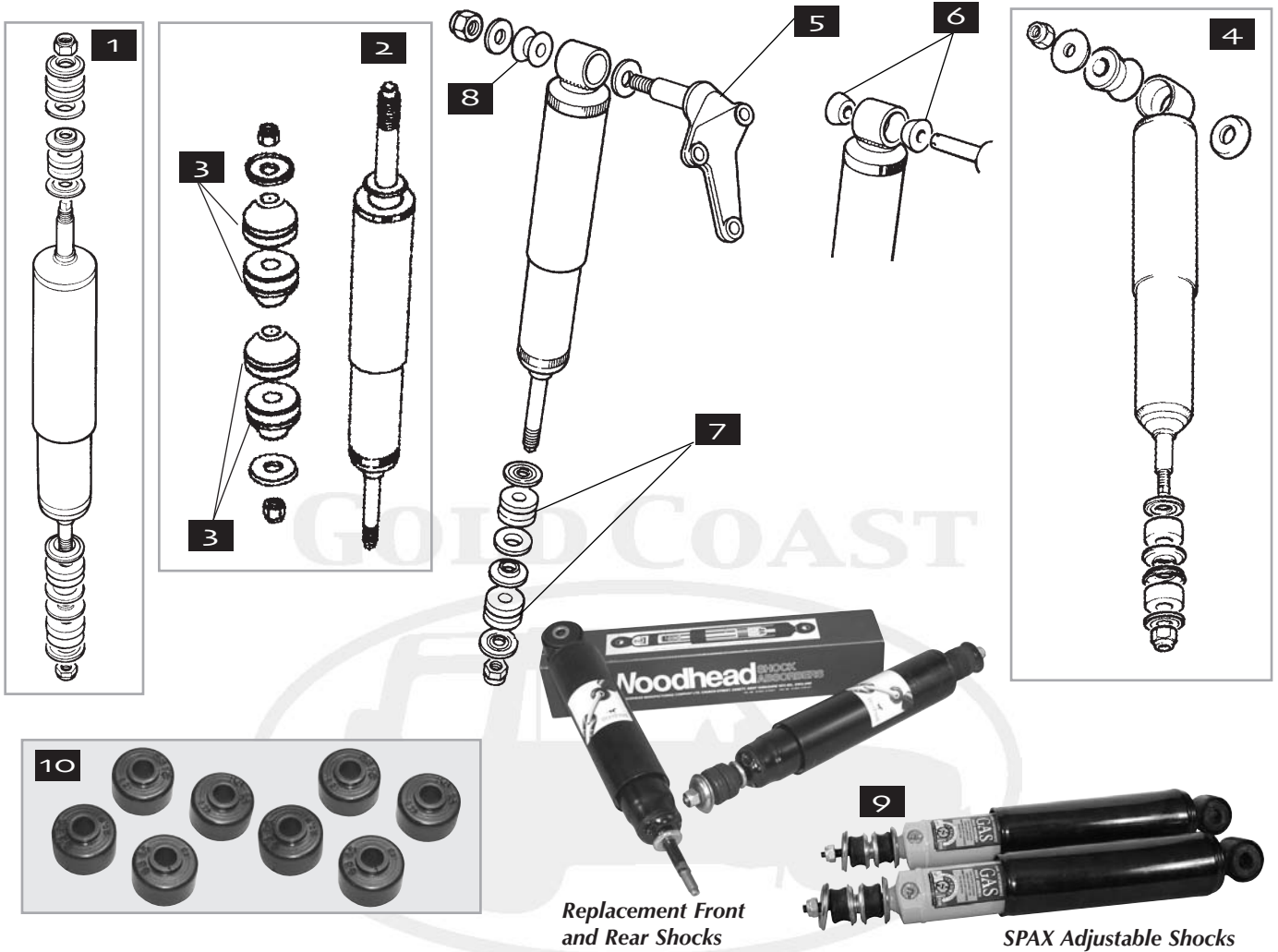
Description	Order Number	Explanatory Notes
1. Expansion Valve	RV-AEU3067	To end of 1989
1. Expansion Valve	RV-RTC6143	1990-1994
2. Hose, Evaporator to Compressor	RV-AEU3054	To end of 1988
2. Hose, Evaporator to Compressor	RV-MXC5308	1989-1992
2. Hose, Compressor to Evaporator	RV-BTR2579	1990-1994, with Service Valve, OEM
2. Hose, Compressor to Evaporator	RV-BTR2579*	1990-1994, w/o Service Valve, Aftermarket
3. Hose, Drier to Evaporator	RV-AEU3044	To end of 1988
3. Hose, Evaporator to Drier Coupler	RV-MXC2491	1989-1994
4. Resistor, 5-pin, for A/C Blower	RV-PRC8010	1990-1995 from VIN LA399973
5. Hose, Evaporator to Compressor	RV-BTR4041	1995
6. Hose, Compressor to Condenser	RV-BTR4045	1995

* Denotes Aftermarket Part

HEATER, RANGE ROVER CLASSIC



Description	Order Number	Explanatory Notes	Qty
1. Heater Assembly Cover Plate with Graphics	RV-BTR6495		1
2. Potentiometer (A/C Resistor)	RV-MXC5705	To VIN NA617613 (1992)	1
2. Potentiometer (A/C Resistor)	RV-BTR3721	From VIN NA617614 (1992-1995)	1
3. Blower Switch, 4-Position	RV-PRC5436	1987-1995	1
4. End Cap, RH	RV-390608	1993-1995	1
5. Air Intake Grille	RV-390607	1987-1995	3
6. End Cap, LH	RV-390609	1993-1995	1
7. A/C Heater Filter Pad	RV-MXC3910	1987-1995	3
8. Heater Core/Matrix	RV-606923	To JA344071 (mid 1988)	1
8. Heater Core/Matrix	RV-RTC6593	From JA344072 thru end of 1992	1
8. Heater Core/Matrix	RV-STC250	1993-1995	1
9. Blower Motor Assembly	RV-RTC6693		1



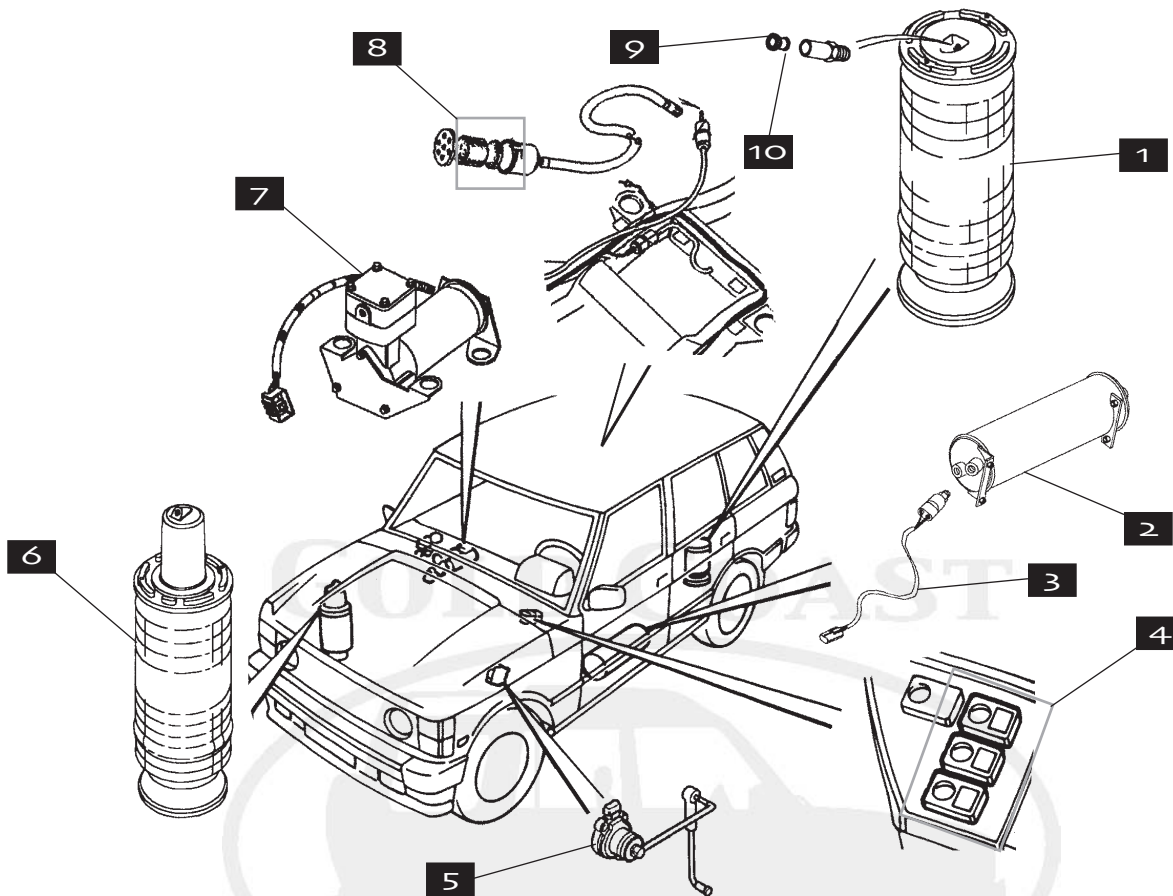
Replacement Front and Rear Shocks

SPAX Adjustable Shocks

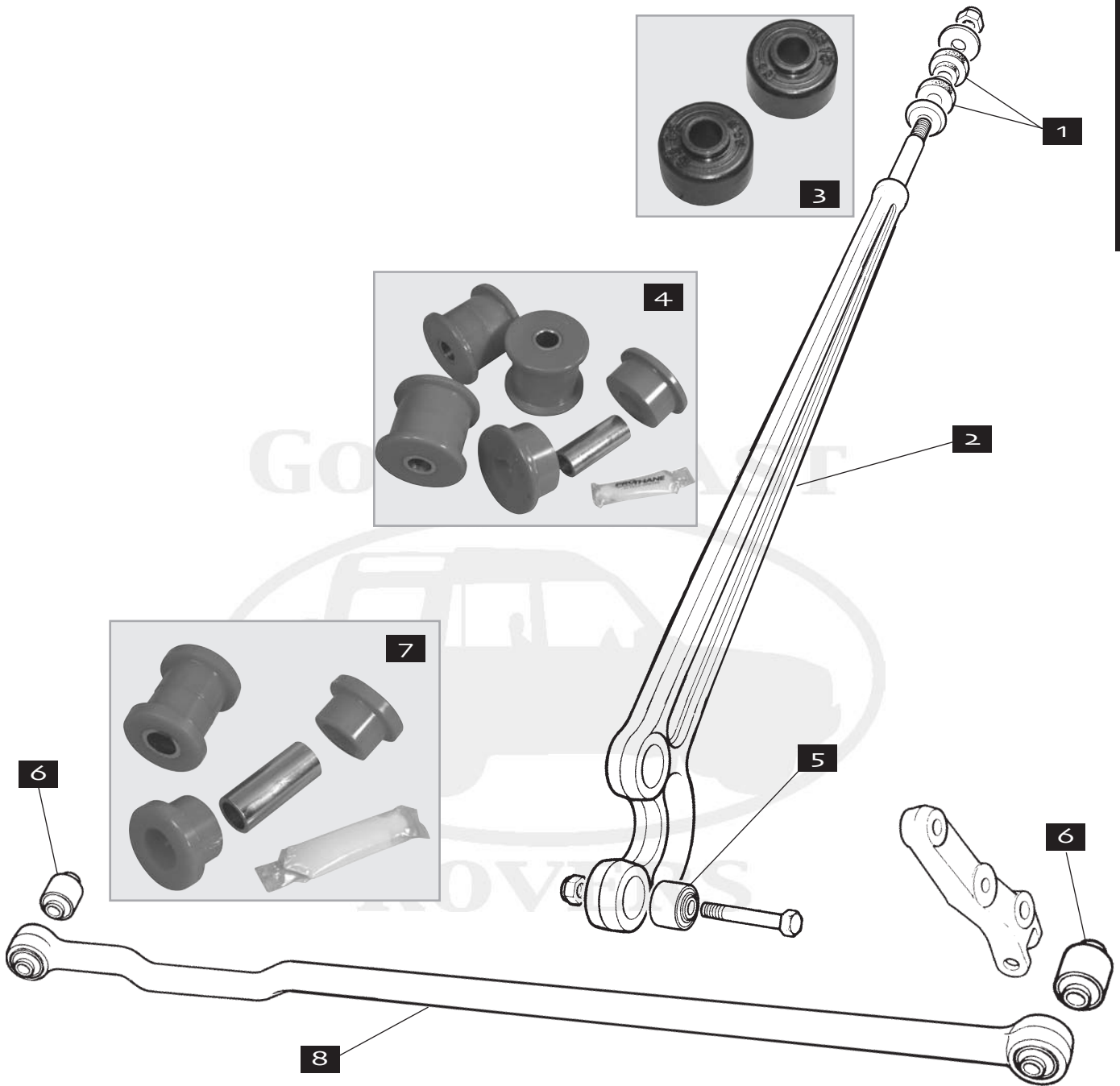
Notice: All shock absorbers are and sold INDIVIDUALLY and are supplied with new bushings and threaded fasteners

Description	Order Number	Explanatory Notes	Qty
1. Front Shock	RV-STC2829	All with no anti-roll bar; or with anti-roll bar, PA640178-on	2
1. Front Shock	RV-STC207	with anti-roll bar, to PA640177	2
2. Front Shock	RV-STC2830	1993-on, with air suspension	2
3. Shock Bushing	RV-RNF100090L	Front or Rear, with air suspension	8
4. Rear Shock	RV-STC3941	No anti-roll bar, to LA417084	2
4. Rear Shock	RV-STC3939	No anti-roll bar, LA417085 to MA471543	2
4. Rear Shock	RV-STC208	With anti-roll bar, to PA640177	2
4. Rear Shock	RV-STC3939	With anti-roll bar, PA640178-on	2
4. Rear Shock	RV-STC2831	Without anti-roll bar, from MA471544	2
4. Rear Shock	RV-STC2831	1993-on with air suspension	2
5. Shock Mounting Bracket, Rear	RV-NRC7981		2
6. Shock Bushing	RV-552819	Cone type, without anti-roll bar	4
7. Shock Bushing	RV-552818	Flat Style	4
8. Shock Bushing	RV-NRC5593	Cone Type, shocks with anti-roll bar, upper on rear air suspension shocks	2
9. SPAX Shock, Rear	RV-G625	Adjustable Performance Shock w/o Air Suspension	2
9. SPAX Shock, Front	RV-G626	Adjustable Performance Shock w/o Air Suspension	2
10. Polyurethane Shock Bushings	RV-6003	Flat style	Kit of 8

SUSPENSION, RANGE ROVER CLASSIC

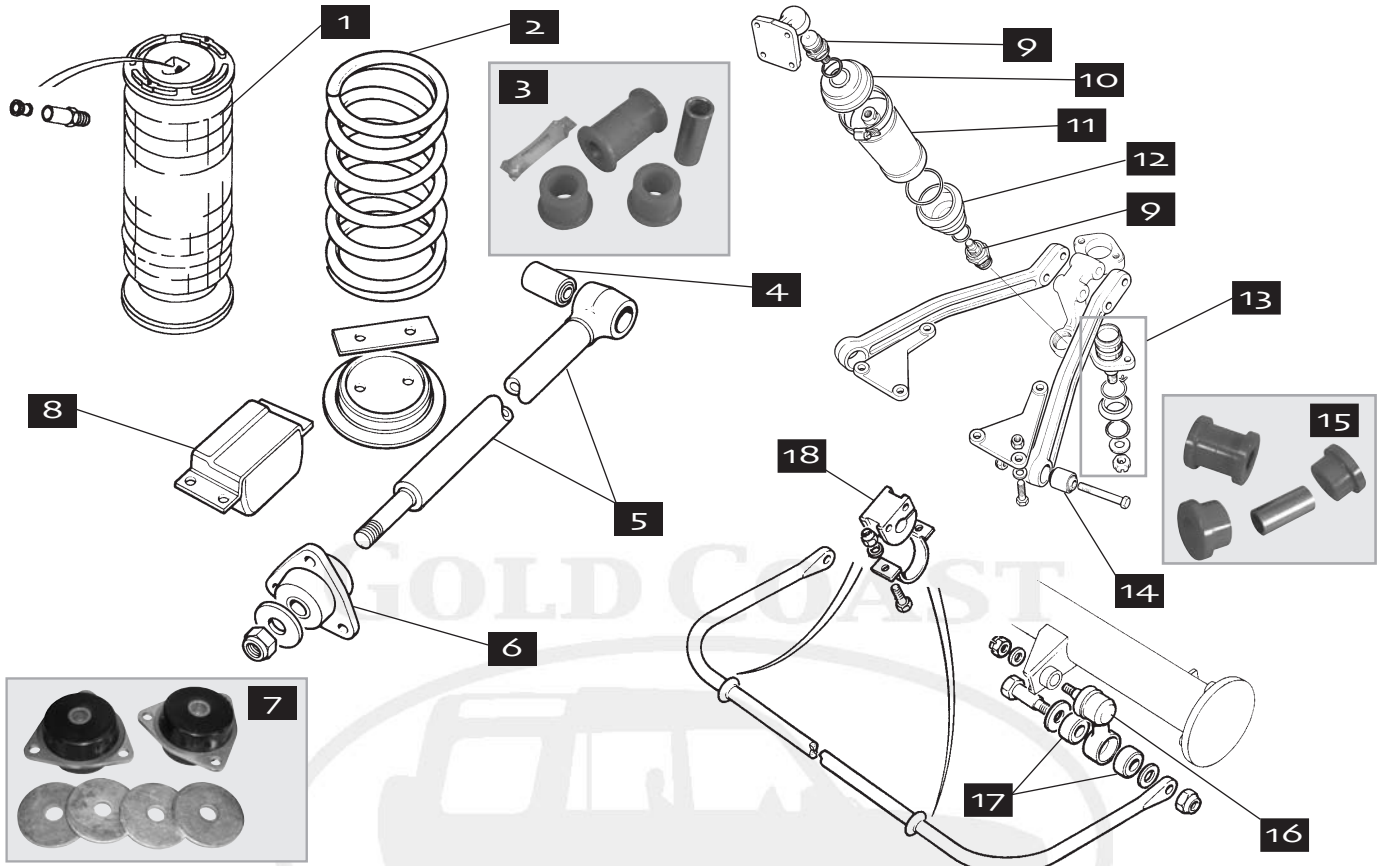


Description	Order Number	Explanatory Notes	Qty
1. Rear Air Spring Assembly	RV-NTC9820		1
1. Replacement Air Spring, Rear	RV-5502	Bellows only; other components must be re-used.	1
2. Reservoir, air suspension	RV-NTC9825		1
3. Switch in Reservoir	RV-NTC9826		1
4. Air Suspension Control Switch, Raise	RV-AMR3290	Through 1994	1
4. Air Suspension Control Switch, Raise	RV-AMR1777	1995 (VIN SA)	1
4. Air Suspension Control Switch, Inhibit	RV-AMR3291	Through 1994	1
4. Air Suspension Control Switch, Inhibit	RV-AMR1776	1995 (VIN SA)	1
4. Air Suspension Control Switch, Lower	RV-AMR3292	Through 1994	1
4. Air Suspension Control Switch, Lower	RV-AMR1778	1995 (VIN SA)	1
5. Sensor Assembly, ride height, front, RH	RV-STC3733AA		1
5. Sensor Assembly, ride height, front, LH	RV-STC3734AA		1
5. Sensor Assembly, ride height, rear, RH	RV-STC3735AA		2
5. Sensor Assembly, ride height, rear, LH	RV-STC3736AA		2
6. Front Air Spring Assembly	RV-NTC9819		1
6. Replacement Air Spring, Front	RV-5500	Bellows only; other components must be re-used.	1
7. Compressor, Air Shocks	RV-ANR4353		1
8. Filter, air inlet	RV-STC970	Filter only	1
9. Collet, Air Pipe Connector, 4mm	RV-NTC9824	Air Pipe Connections	1
9. Collet, Air Pipe Connector, 6mm	RV-NTC9823	Air Pipe Connections	1
9. Collet, Air Pipe Connector, 8mm	RV-NTC9822	Air Pipe Connections	1
10. O-Ring, 4mm	RV-STC2764	Air Pipe Connections	1
10. O-Ring, 6mm	RV-STC2766	Air Pipe Connections	1
10. O-Ring, 8mm	RV-STC2768	Air Pipe Connections	1

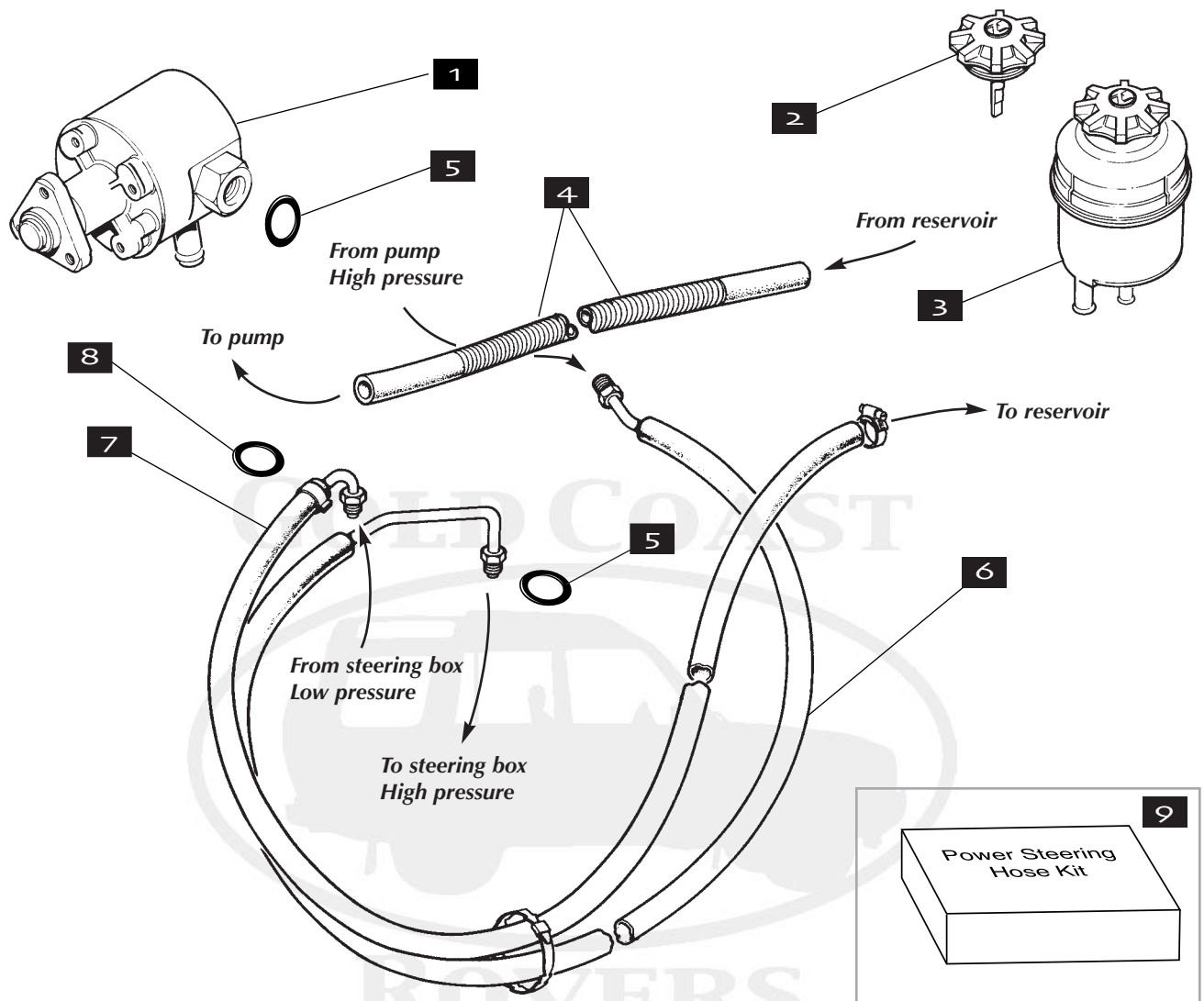


Description	Order Number	Explanatory Notes	Qty
1. Radius Arm Bushing, Chassis End	RV-NRC4514		4
2. Radius Arm Assembly	RV-NTC2694	No anti-roll bar, non air suspension	1
2. Radius Arm Assembly	RV-NTC7331	With anti-roll bar, non air suspension	1
2. Radius Arm Assembly	RV-ANR3480	With air suspension	1
3. Radius Arm Bushing Kit, Polyurethane	RV-6001	Chassis end	1
4. Radius Arm Bushing Kit, Polyurethane	RV-6002	Differential end	1
5. Radius Arm Bushing	RV-NTC6860	Axle end, to LA65443	4
5. Radius Arm Bushing	RV-NTC6781	Axle end, LA464554-RA645531	1
5. Radius Arm Bushing	RV-NTC6860	Axle end, RA645532-on	1
6. Bushing, Panhard Rod	RV-ANR3410		2
7. Polyurethane Bushing Kit, Panhard Rod	RV-6000		1
8. Complete Panhard Rod (w/ bushes)	RV-RBI100000		1

REAR SUSPENSION, RANGE ROVER CLASSIC

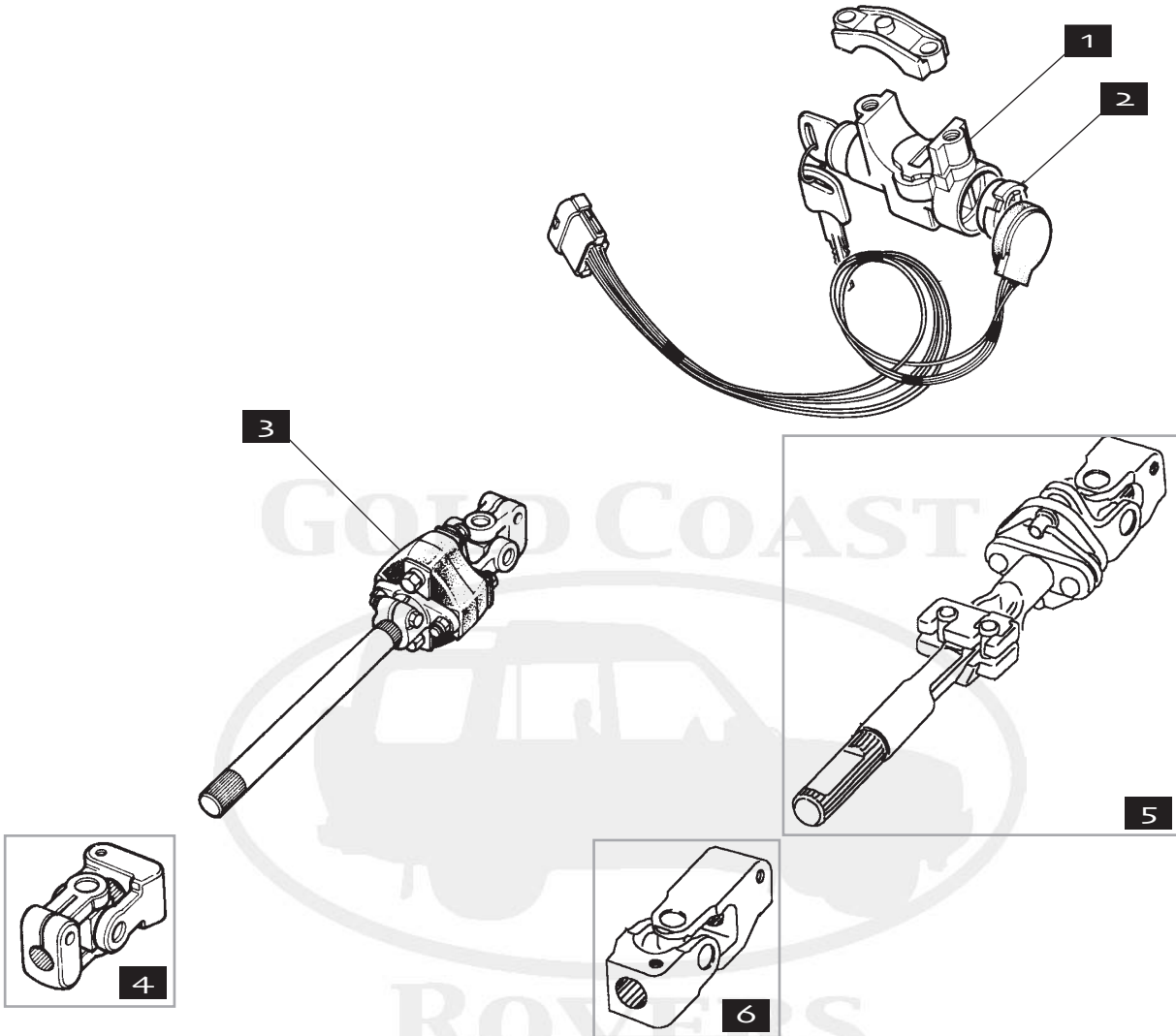


Description	Order Number	Explanatory Notes	Qty
1. Air Spring, rear, with air suspension	RV-NTC9820		2
1. Replacement Air Spring, Rear	RV-5502	Bellows only; other components must be re-used.	1
2. Rear Coil Spring, RH	RV-NRC8113	Pink/purple stripe, thru 1990	1
2. Rear Coil Spring, RH	RV-NRC2119	Green stripe, 1991-1994	1
2. Rear Coil Spring, RH	RV-ANR3520	1995	1
2. Rear Coil Spring, LH	RV-NTC3285	Green/pink stripe, thru 1990	1
2. Rear Coil Spring, LH	RV-NRC4305	Red/yellow stripe, 1991-1994	1
2. Rear Coil Spring, LH	RV-ANR3519	1995	1
3. Bushing, Bottom Link, Polyurethane Kit	RV-6008		1
4. Bushing, Bottom Link	RV-NTC1772		2
5. Lower Link Assembly	RV-NTC8328		2
6. Mount Bushings for Trailing Link, OE Style	RV-STC618	To NA618112	2
6. Mount Bushings for Trailing Link, OE Style	RV-NTC9027	From NA618113	1
7. Mount Bushing Kit, Polyurethane	RV-6006	Early, 16mm center hole	1
7. Mount Bushing Kit, Polyurethane	RV-6007	Late, 20mm center hole	1
8. Bump Stop	RV-ANR4189	Without Air Suspension	1
8. Bump Stop	RV-NTC6086	With Air Suspension	1
9. Ball Joint, Rear	RV-575882*	On top and bottom of self-leveling unit	2
10. Gaiter/Boot/Bellows only on self leveling unit	RV-90575877	Upper	1
11. Self Leveling Unit	RV-NRC4163		1
12. Gaiter/Boot/Bellows only on self leveling unit	RV-NRC6561	Lower	1
13. Upper Ball Joint, rear suspension A-Frame	RV-ANR1799*		1
14. Upper A-Frame Pivot Bushings	RV-NTC1773		2
15. Upper A-Frame Pivot Bushings, Polyurethane Kit	RV-6005		1
16. Ball Joint, Sway Bar	RV-NTC1888		1
17. End Bushing, Anti-roll bar	RV-552819		1
18. Mount Bushing, Rear Anti-Roll Bar	RV-NTC7394		1

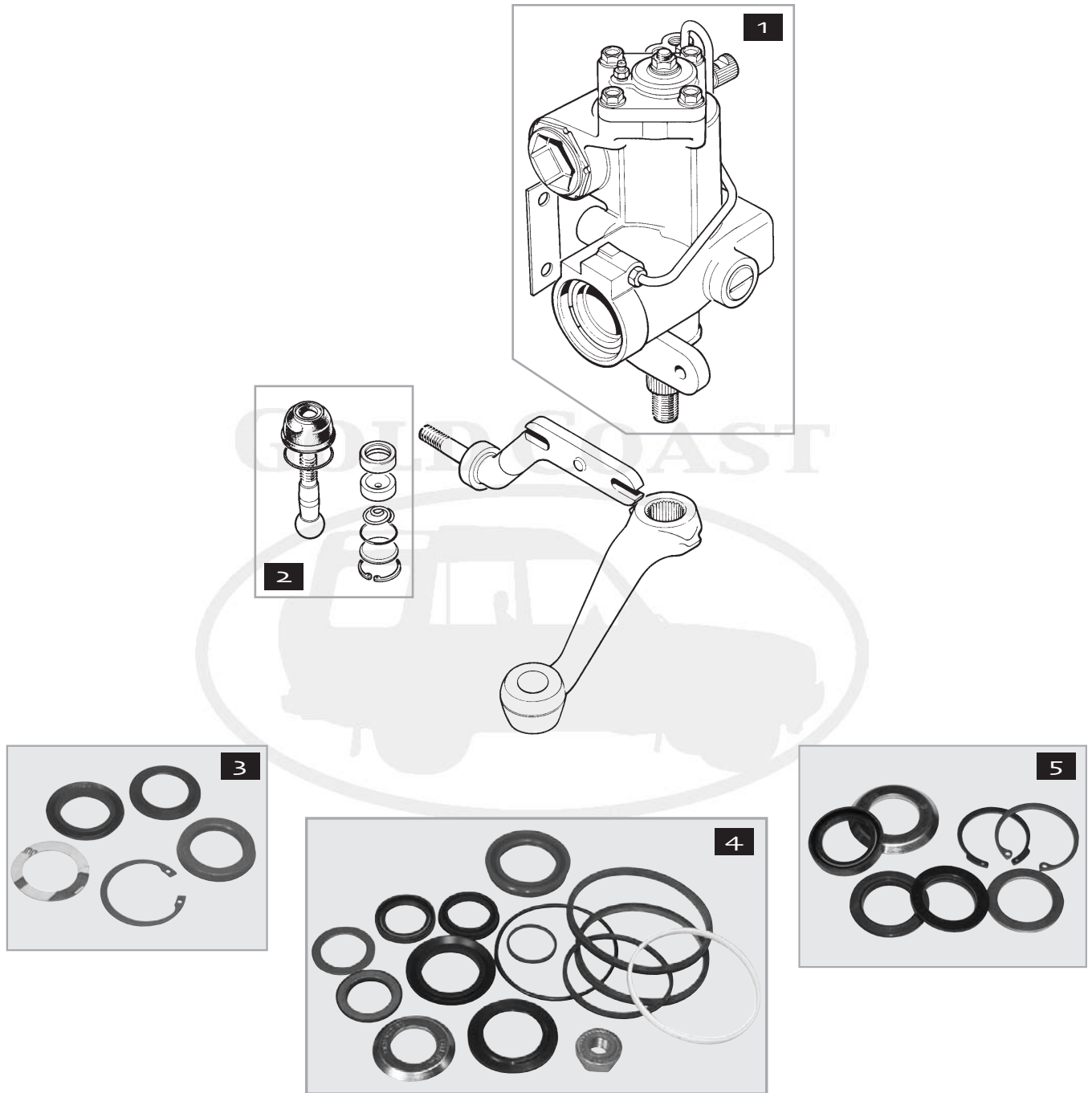


Description	Order Number	Explanatory Notes	Qty
1. Power Steering Pump	RV-ANR2003		1
2. Cap, Steering Reservoir	RV-NTC2723		1
3. Power Steering Reservoir Assembly	RV-QFX000030		1
4. Hose, Reservoir to pump	RV-NTC4245	All, 1987-1995	1
5. O-Ring, Discharge adapter on pump	RV-RTC6074	Small	1
5. O-Ring, Discharge adapter on pump	RV-RTC6075	Large	1
5. O-Ring	RV-RTC4826	for NTC8588, RTC8590, ANR6656 & NTC6790	A/R
6. Hose, Pump to box	RV-NTC6790	1987-1992 without air suspension	1
6. Hose, Pump to box, pump end	RV-NTC8588	With Air Suspension, through 1994	1
6. Hose, Pump to box, box end	RV-NTC8590	With Air Suspension, through 1994	1
6. Hose, Pump to box	RV-ANR6656	With Air Suspension, 1995 only	1
7. Hose, Box to reservoir	RV-NTC8862	To NA610839 (in 1992 model year)	1
7. Hose, Box to reservoir	RV-NTC9429	From NA610840 to end of 1994	1
7. Hose, Box to reservoir	RV-QEH102370	1995 only (pipe makes double "S" bend)	1
8. O-ring for above hoses	RV-RTC4825		A/R
9. Power steering hose kit	RV-6500	Up to 1992, three-piece kit	A/R
9. Power steering hose kit	RV-6502	1993 & 1994, four-piece kit	A/R
9. Power steering hose kit	RV-6504	1995 only, three-piece kit	A/R

STEERING COLUMN, RANGE ROVER CLASSIC

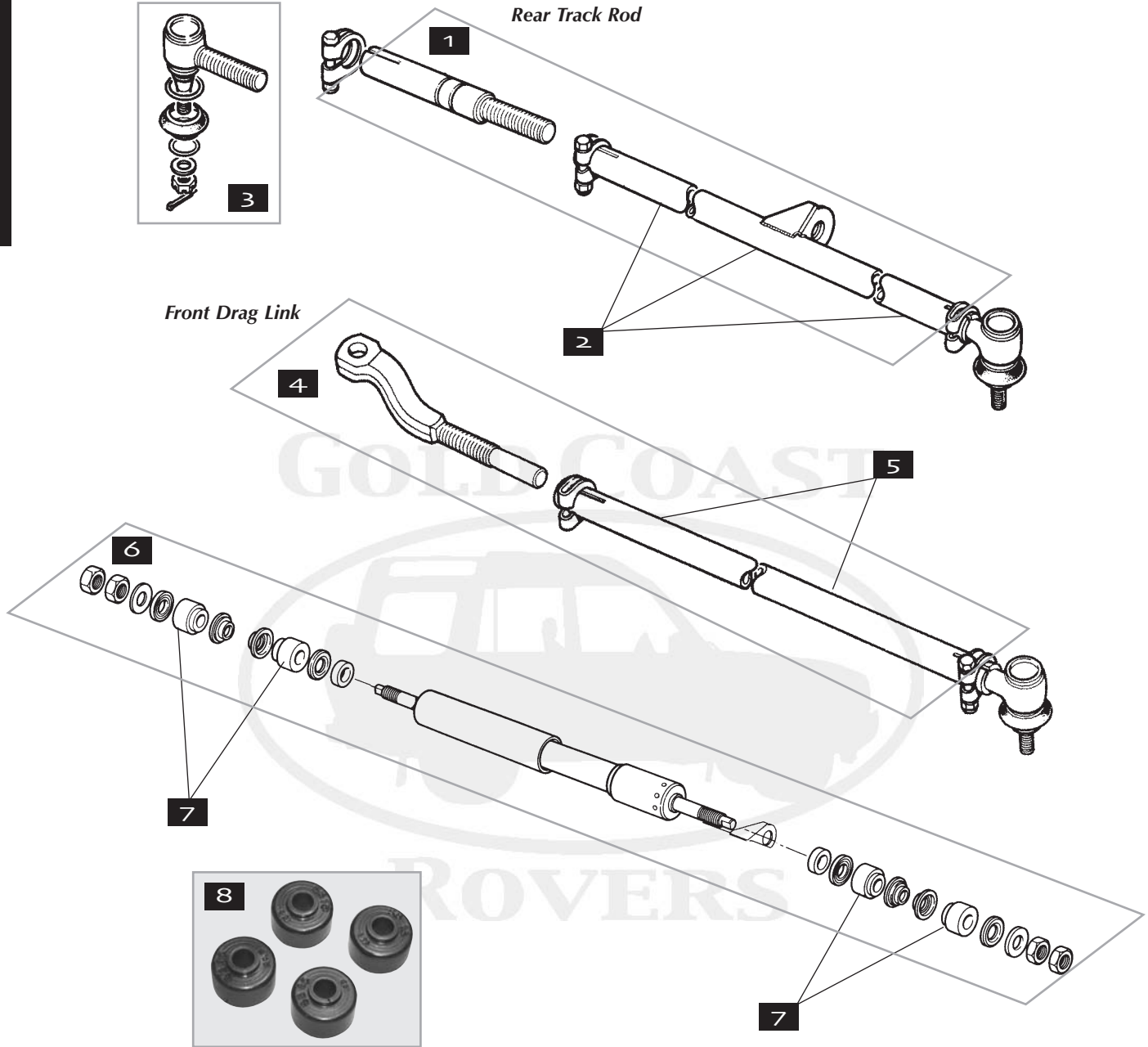


Description	Order Number	Explanatory Notes	Qty
1. Steering Column Lock	RV-PRC5712	1986-1992, without interlock	1
1. Steering Column Lock	RV-NTC9440	1987-1992	1
1. Steering Column Lock	RV-NTC9588	1993 & 1994	1
1. Steering Column Lock	RV-STC1436	1995	1
2. Ignition Switch	RV-PRC3408	1987-1992	1
2. Ignition Switch	RV-STC932	1993 & 1994	1
2. Ignition Switch	RV-STC1746	1995	1
Note: The early type shaft with the rubber coupler is no longer available as an assembly and supersedes to the later assembly. However, the two individual components, below (RV-NTC3486 & RV-NRC7704) are still available separately.			
3. Rubber Coupler	RV-NTC3486	To MA601606	1
4. Lower U-Joint	RV-NRC7704	To MA601606	1
5. Shaft Assembly, Later Type	RV-NTC8478	From MA601607 to end of 1994	1
5. Shaft Assembly, 1995	RV-ANR3171		1
6. Lower U-Joint Only	RV-STC2800	For NTC8478 and ANR3171	1

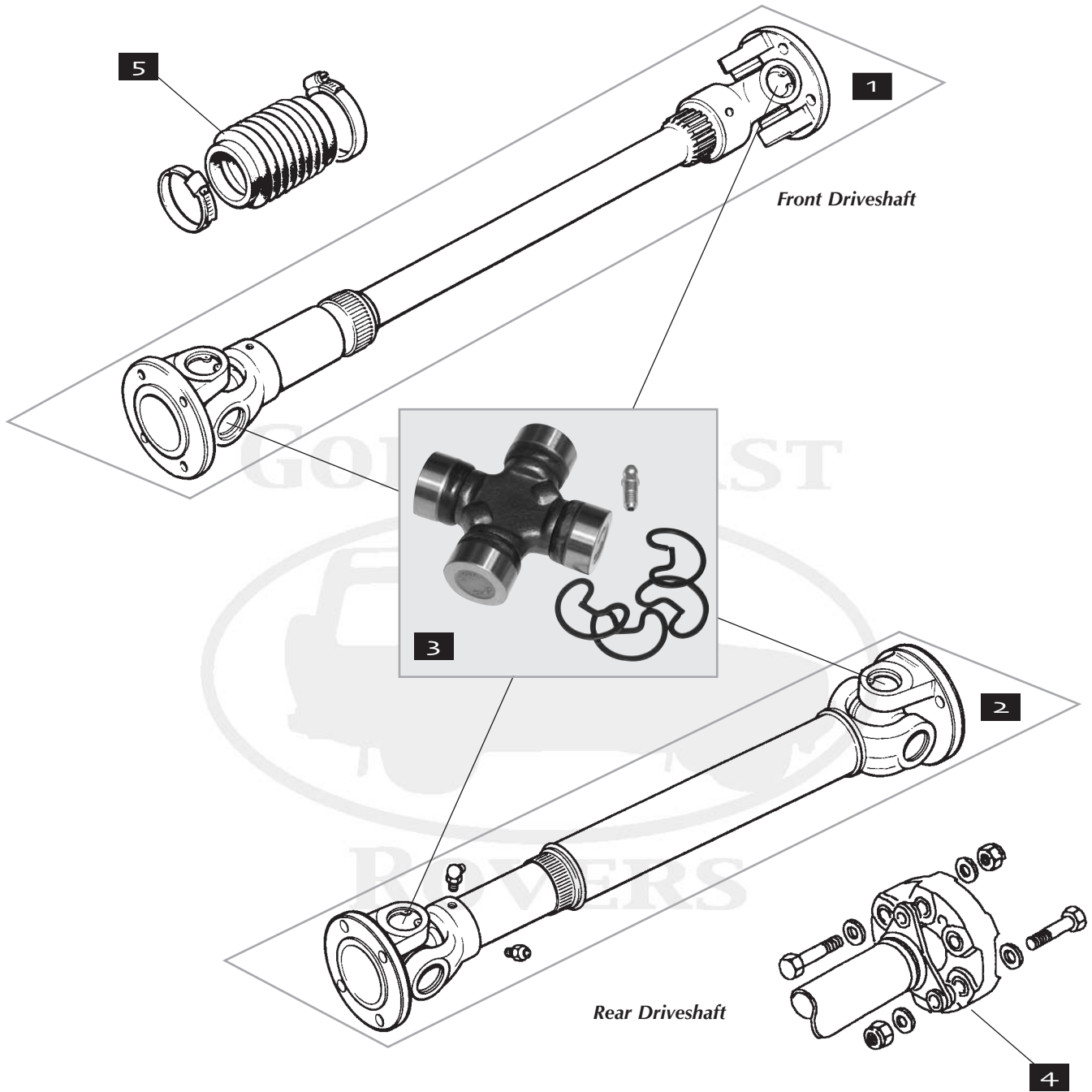


Description	Order Number	Explanatory Notes
1. Steering Box, New	RV-QAF000040	
1. Steering Box, Rebuilt	RV-58296	W/O air bags, does not have flat spot on splined shaft
1. Steering Box, Rebuilt	RV-58297	With air bags, has flat spot on splined shaft
2. Ball Joint/Rod End on Steering Box Arm	RV-STC3295	1987-1992
2. Ball Joint/Rod End on Steering Box Arm	RV-RTC5870	1993-1995
3. Output Shaft Kit	RV-STC2848	All three kits required for complete rebuild
4. Overhaul Kit	RV-STC2847	All three kits required for complete rebuild
5. Input Shaft Kit	RV-STC889	All three kits required for complete rebuild

STEERING LINKAGE, RANGE ROVER CLASSIC



Description	Order Number	Explanatory Notes	Qty
1. Front Drag Link Assembly	RV-NRC3226	To NA611503	1
1. Front Drag Link Assembly	RV-NTC9607	From NA611504 thru 1995	1
2. Front Drag Tube Only	RV-NRC1824	1987-1992	1
2. Front Drag Tube Only	RV-NTC8390	1993-on	1
3. Tie Rod End, RH Thread	RV-RTC5869/X	1987-1992	3
3. Tie Rod End, RH Thread	RV-RTC5869/X	1993-1995	2
3. Tie Rod End, LH Thread	RV-RTC5870	All	1
4. Rear Track Rod Assembly	RV-RTC1799		1
5. Rear Track Rod Tube Only	RV-NRC145		1
6. Steering Damper Assembly	RV-STC786		1
6. Steering Damper Assembly	RV-OMESD11	Heavy Duty, Old Man Emu	A/R
7. Bushings, Rubber, Damper	RV-568858		4
8. Bushings, Polyurethane, Damper	RV-6004	Vehicle Set	1

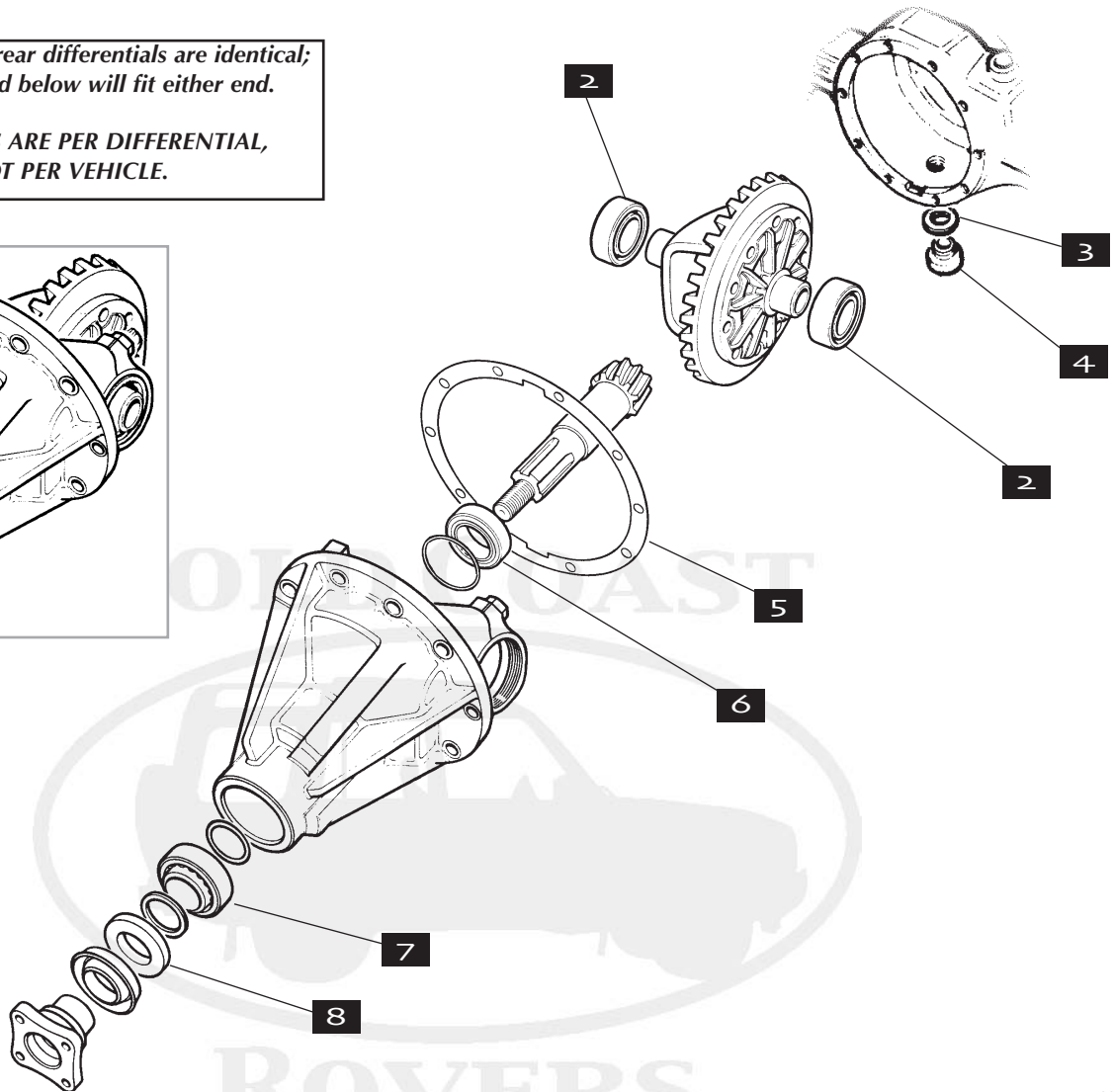
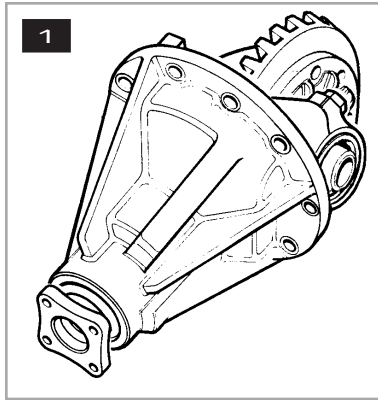


Description	Order Number	Explanatory Notes	Qty
1. Front Driveshaft Assembly	RV-FRC8641	3.5 Liter Only	1
1. Front Driveshaft Assembly	RV-FRC9542	3.9 and 4.2	1
2. Rear Driveshaft Assembly	RV-FRC8387	SWB (100") through 1994	1
2. Rear Driveshaft Assembly	RV-TVB000150	SWB (100"), 1995 only	1
2. Rear Driveshaft Assembly	RV-FRC8389	LWB, through 1994	1
2. Rear Driveshaft Assembly	RV-FTC3910	LWB, 1995 only	1
3. U-Joint Assembly	JA-46	Front Driveshaft, all. Rear Driveshaft, all SWB and 1995-only LWB	4
3. U-Joint, Rear Driveshaft	RV-RTC3458*	LWB through 1994	2
4. Rubber Coupler, Rear Driveshaft	RV-TVF100010	1995 only, Original Equipment	1
4. Rubber Coupler, Rear Driveshaft	RV-TVF100010/X	1995 only, Aftermarket	1
5. Gaiter/Boot, front drive shaft	RV-276483		1

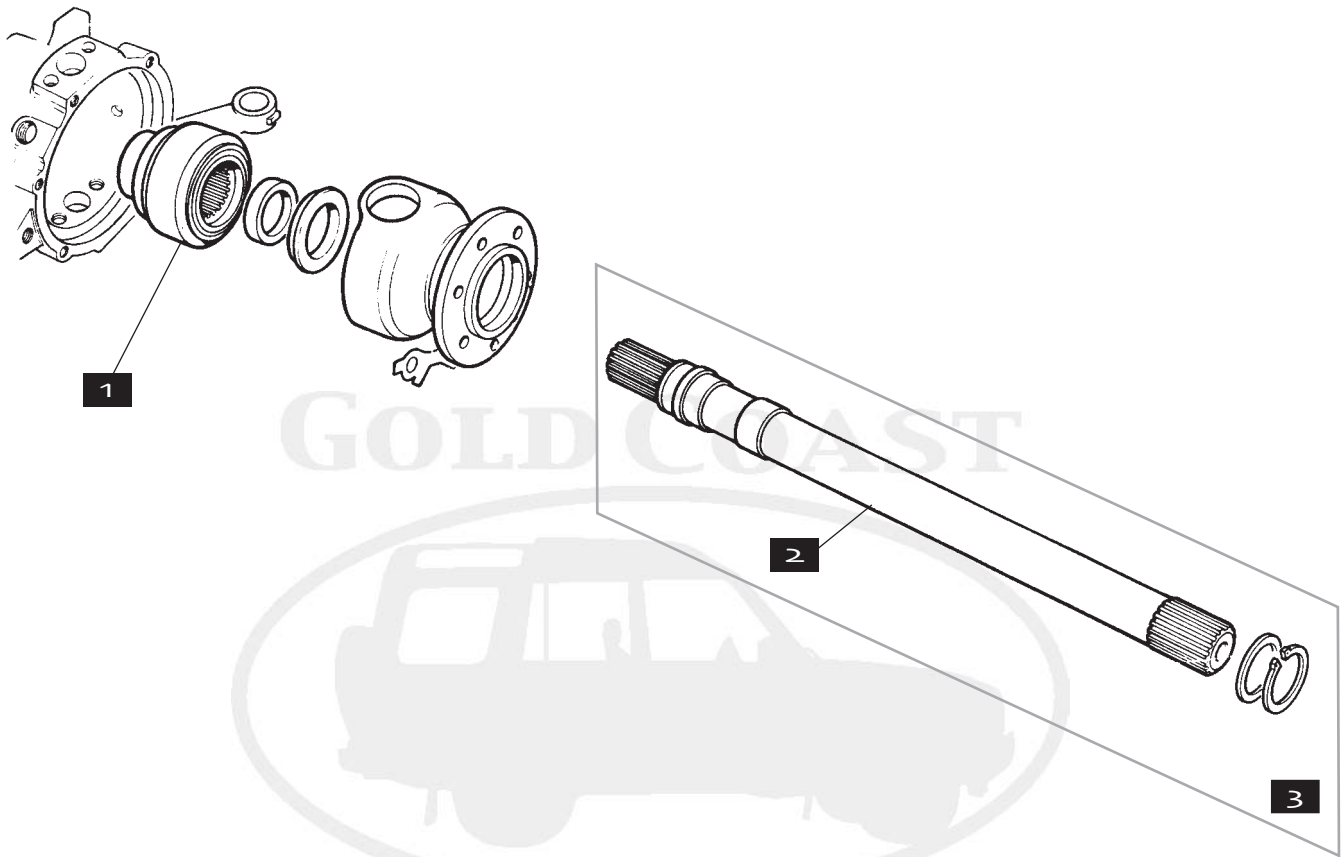
* Denotes Aftermarket Part

Note: Front and rear differentials are identical; the parts listed below will fit either end.

QUANTITIES ARE PER DIFFERENTIAL, NOT PER VEHICLE.

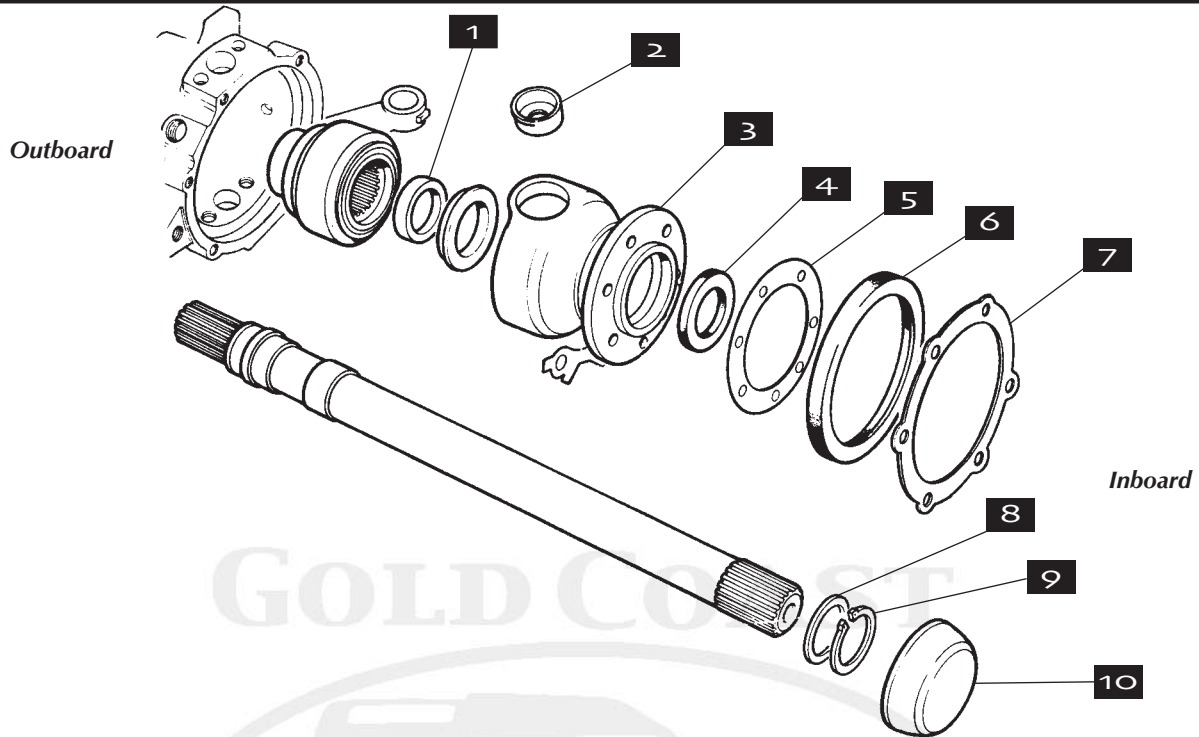


Description	Order Number	Explanatory Notes	Qty/Diff.
For Ten-Spline Axles; used in front to axle numbers 49L11363C/57L05188 and rear up to VIN PA637567 (during 1993 MY)			
1. Differential Assembly, Front or Rear, New	RV-FTC2750		A/R
1. Differential Assembly, Front or Rear, Rebuilt	RV-FTC2750/RB		A/R
For 24-Spline Axles; from axle numbers 49L11364C/57L05189B			
1. Differential Assembly, Front, New	RV-FTC5142		A/R
1. Differential Assembly, Front, Rebuilt	RV-FTC5142/RB		A/R
For 24-Spline Axles; From PA63337568 to RA647644			
1. Differential Assembly, Rear, New	RV-FTC5142		A/R
1. Differential Assembly, Rear, Rebuilt	RV-FTC5142/RB		A/R
For 24-Spline Axles; 1995			
1. Differential Assembly, Rear, New	RV-FTC5143		A/R
1. Differential Assembly, Rear, Rebuilt	RV-FTC5143/RB		A/R
2. Differential Side Bearing	RV-RTC2726	To 49L11363C and 57L05188B	2
2. Differential Side Bearing	RV-RTC3095	From 49L11364C and 57L05189B	2
3. Washer on Drain Plug	RV-515599		1
4. Drain Plug	RV-608246		1
5. Gasket, Housing to Axle	RV-7316		1
6. Pinion Bearing, rear	RV-539706		1
7. Pinion Bearing, front	RV-539707		1
8. Oil Seal, Pinion	RV-FRC8220		1



Description	Order Number	Explanatory Notes
1. Constant-Velocity Joint	RV-606665	Non ABS, suffix "A" Axle
1. Constant-Velocity Joint	RV-RTC5843	Non ABS, suffix "B"-on
1. Constant-Velocity Joint	RV-RTC6811	With ABS, up to 49L11363C/57L05188B
1. Constant-Velocity Joint	RV-TDJ000010	With ABS, from 49L11363C/57L05189B
2. Front Halfshaft, Separate, RH	RV-606662	Non ABS, Suffix "A" Axle (Larger O/D)
2. Front Halfshaft, Separate, LH	RV-606663	Non ABS, Suffix "A" Axle
2. Front Halfshaft, Separate, RH	RV-RTC5840	Non ABS, Suffix "B" Axle (Smaller O/D)
2. Front Halfshaft, Separate, LH	RV-RTC5842	Non ABS, Suffix "B" Axle
2. Front Halfshaft, Separate, RH	RV-RTC6754	With ABS up to 49L11363C/57L05188B
2. Front Halfshaft, Separate, LH	RV-RTC6755	With ABS up to 49L11363C/57L05188B
2. Front Halfshaft, Separate, RH	RV-STC3049	With ABS from 49L11363C/57L05189B
2. Front Halfshaft, Separate, LH	RV-STC3050	With ABS from 49L11363C/57L05189B
3. Front Halfshaft Assembly	RV-571895	Through 1992, RH, no ABS, Suffix "A"
3. Front Halfshaft Assembly	RV-571896	Through 1992, LH, no ABS, Suffix "A"
3. Front Halfshaft Assembly	RV-FRC9518	Through 1992, RH, no ABS, Suffix "B"-on
3. Front Halfshaft Assembly	RV-FRC9519	Through 1992, LH, no ABS, Suffix "B"-on
3. Front Halfshaft Assembly	RV-FTC862	RH, 1993-1995, to 49L11363C & 57L05188B
3. Front Halfshaft Assembly	RV-FTC863	LH, 1993-1995, to 49L11363C & 57L05188B
3. Front Halfshaft Assembly	RV-FTC3146	RH, 1993-1995, from 49L11364C & 57L05189B
3. Front Halfshaft Assembly	RV-FTC3147	LH, 1993-1995, from 49L11364C & 57L05189B

SWIVEL PINS, RANGE ROVER CLASSIC



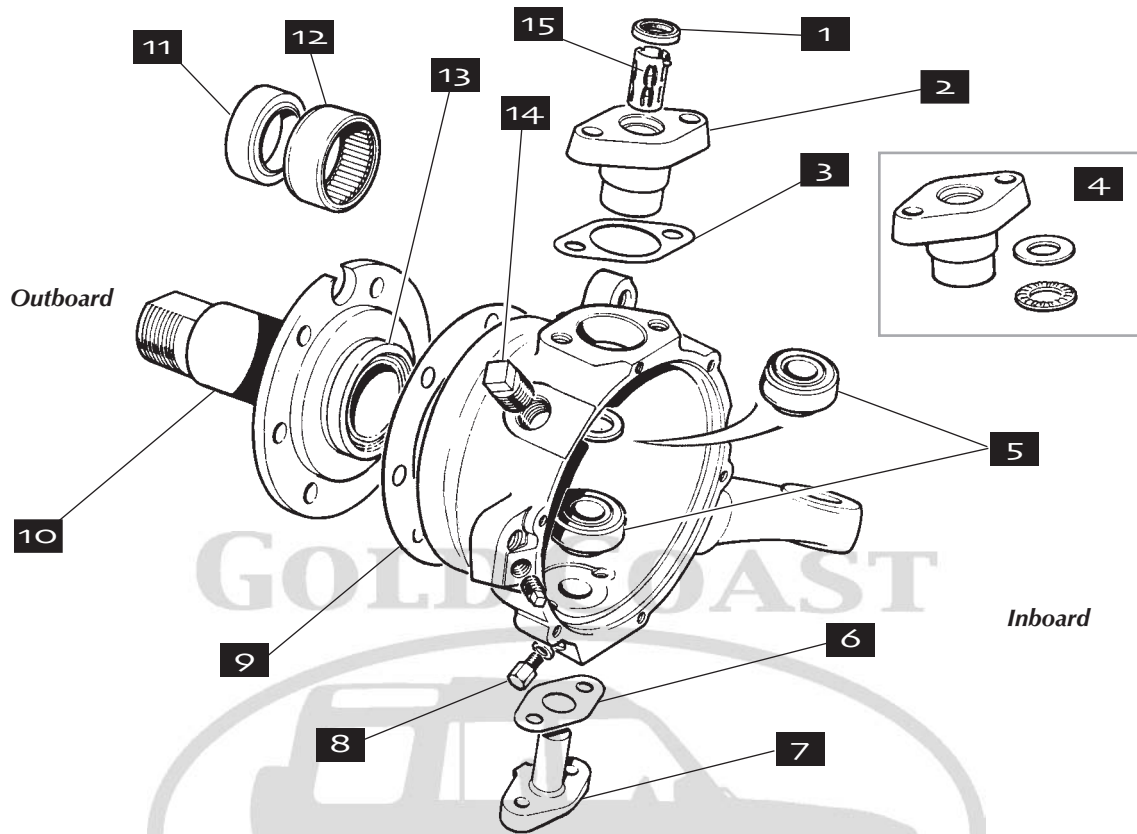
Description	Order Number	Explanatory Notes
1. Spacer	RV-RTC5841	
2. Swivel Pin Bushing, two per side	RV-FTC125	With ABS
3. Bearing Housing (Swivel Ball)	RV-FTC5105	With ABS
3. Bearing Housing (Swivel Ball)	RV-FRC7065	Without ABS
4. Oil Seal, at swivel housing	RV-571718	
5. Gasket, Bearing Housing	RV-FTC3646	
6. Seal, Swivel Pin Housing, Outer	RV-571890	12.5mm thick, without ABS
6. Seal, Swivel Pin Housing, Outer	RV-FTC3401	9mm thick, some non-ABS, all with ABS
Note: For non ABS applications, either seal could have been fitted. Rover is not specific.		
7. Washer	RV-571755	Without ABS
8. Shim, .450mm	RV-FRC6782	With ABS, use as required
8. Shim, .600mm	RV-FRC6783	With ABS, use as required
8. Shim, .750mm	RV-FRC6784	With ABS, use as required
8. Shim, .900mm	RV-FRC6785	With ABS, use as required
8. Shim, 1.050mm	RV-FRC6786	With ABS, use as required
8. Shim, 1.200mm	RV-FRC6787	With ABS, use as required
8. Shim, 1.350mm	RV-FRC6788	With ABS, use as required
8. Shim, 1.500mm	RV-FRC6789	With ABS, use as required
8. Shim, 1.650mm	RV-FRC6790	With ABS, use as required
9. Circlip, RR with ABS	RV-549473	With ABS
10. Hub Cap	RV-FTC5414	With ABS

Originally, Land Rover filled the swivel pins with 90-weight oil, which was prone to leaking. This special grease replaces the gear oil and is packaged in single-use containers. Use one tube per swivel on every service job.

Swivel Pin Grease

RV-STC3435

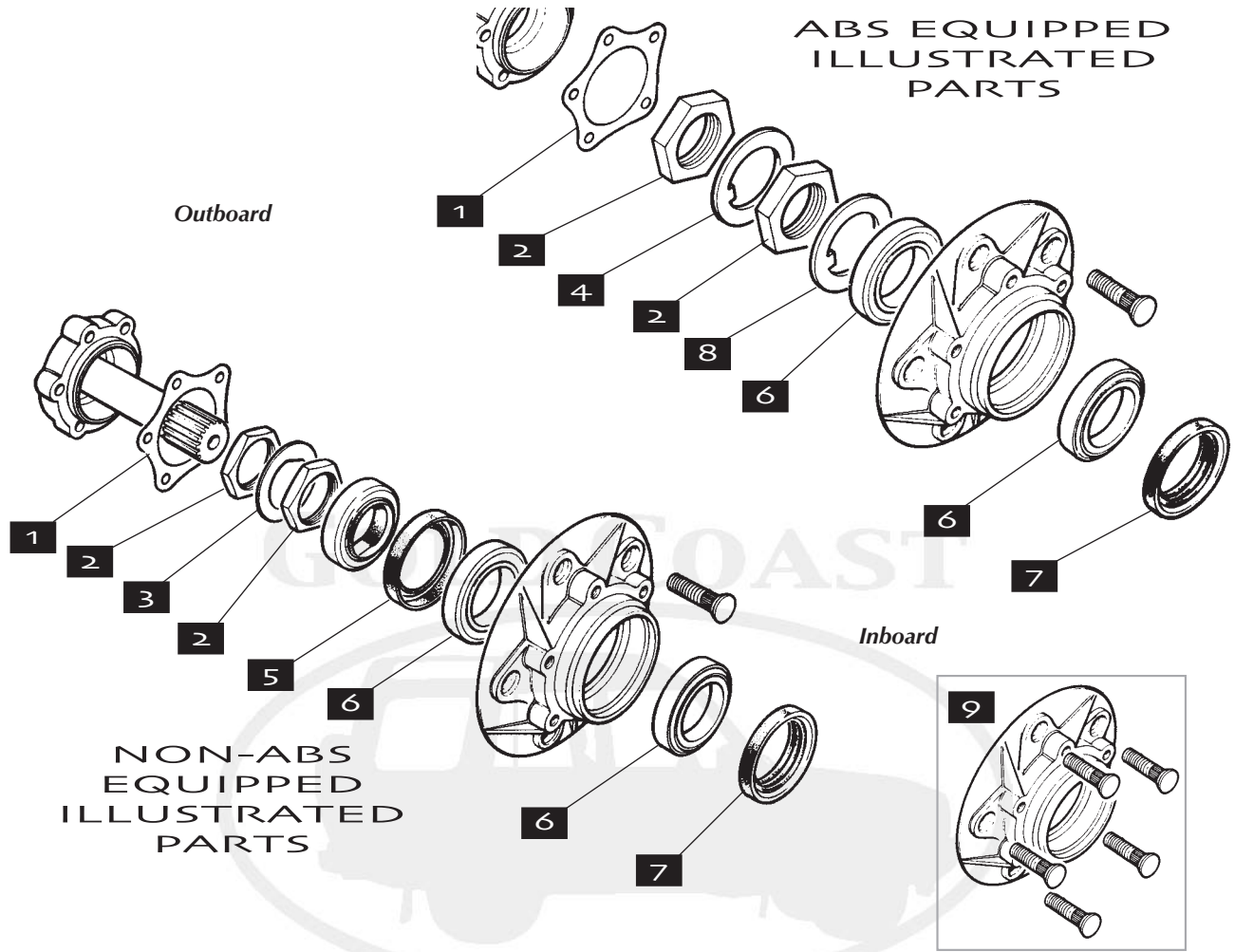




Description	Order Number	Explanatory Notes
1. Seal, Upper Swivel Pin	RV-FTC1376	With ABS
2. Upper Swivel Pin	RV-571756	Without ABS
3. Shim, Upper Swivel Pin, .003"	RV-571743	Without ABS
3. Shim, Upper Swivel Pin, .005"	RV-571744	Without ABS
3. Shim, Upper Swivel Pin, .010"	RV-571745	Without ABS
3. Shim, Upper Swivel Pin, .030"	RV-571746	Without ABS
3. Shim, Upper Swivel Pin, .003"	RV-FRC2883	With ABS
3. Shim, Upper Swivel Pin, .005"	RV-FRC2884	With ABS
3. Shim, Upper Swivel Pin, .010"	RV-FRC2885	With ABS
3. Shim, Upper Swivel Pin, .030"	RV-FRC2886	With ABS
4. Upper Swivel Pin Kit	RV-STC226	With ABS
5. Bearing Only, Upper or Lower Swivel Pin	RV-606666	Without ABS
6. Gasket, Lower Swivel Pin	RV-571815	Without ABS
6. Gasket, Lower Swivel Pin	RV-FTC3647	With ABS
7. Lower Swivel Pin	RV-571819	Without ABS
7. Lower Swivel Pin	RV-FRC2894*	With ABS
8. Drain Plug	RV-236070	
9. Gasket	RV-FTC3648	
10. Stub Axle	RV-FRC8005	Non ABS, Suffix "A" Axles, requires 571821 bushing
10. Stub Axle	RV-FTC57	Non ABS, Suffix "B" Axles
10. Stub Axle	RV-6700	With ABS, through 1992
10. Stub Axle	RV-FTC3154	With ABS, 1993-on
11. Oil Seal, stub axle, in swivel pin housing	RV-FTC840	With ABS to 57L05188B
11. Oil Seal, stub axle, in swivel pin housing	RV-FTC5268	With ABS from 57L05189B
12. Bearing, Stub Axle, in swivel pin housing	RV-FTC861	With ABS
13. Stub Axle Bushing	RV-571821	Non ABS, Suffix A Axles Only
14. Fill Plug	RV-FTC3670	
15. Bushing, ABS Sensor	RV-FTC1374	On upper swivel pin Housing

* Denotes Aftermarket Part

FRONT HUBS, RANGE ROVER CLASSIC



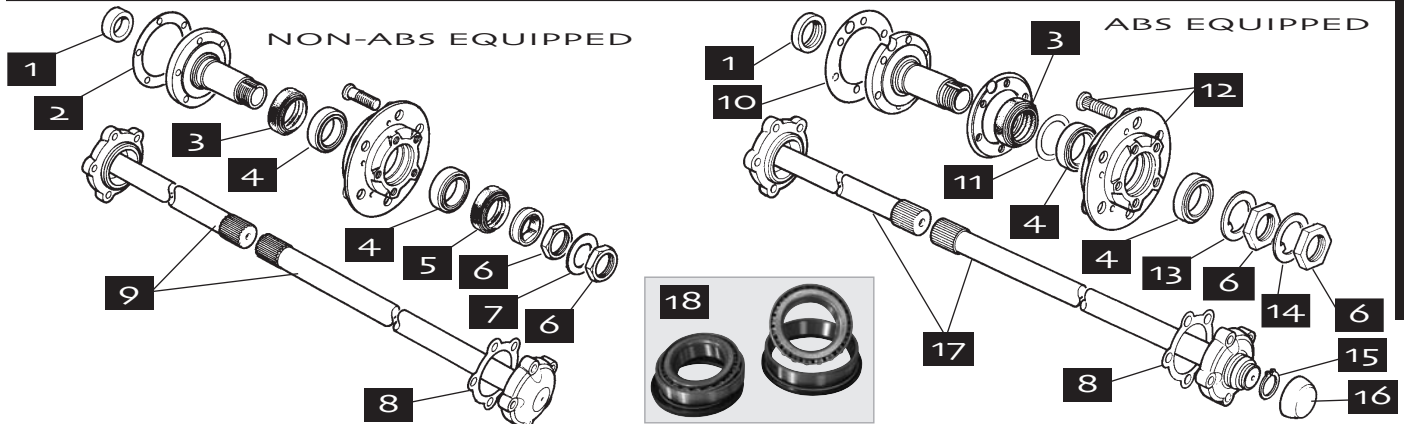
Description	Order Number	Explanatory Notes
1. Hub Gasket	RV-571752	
2. Lock Nut	RV-FRC8700	
3. Key Washer	RV-FRC8002	Without ABS
4. Key Washer	RV-217352	With ABS to end of 1992
4. Key Washer	RV-FTC5241	With ABS, 1993-1995
5. Hub Seal	RV-FRC8222	Without ABS (ABS applications do not use an outer seal.)
6. Bearing	RV-RTC3429	Two per wheel
7. Inner Hub Seal	RV-FTC4785	
8. Washer	RV-217353	With ABS, through 1992
8. Washer	RV-FTC3179	1993-1995; Always replace when changing brake rotors
9. Hub Assembly, with Studs	RV-FTC1457	Without ABS
9. Hub Assembly, with Studs	RV-FTC942	With ABS



Wheel Bearing Kit:
Includes two bearings and seals, each kit will service one front wheel

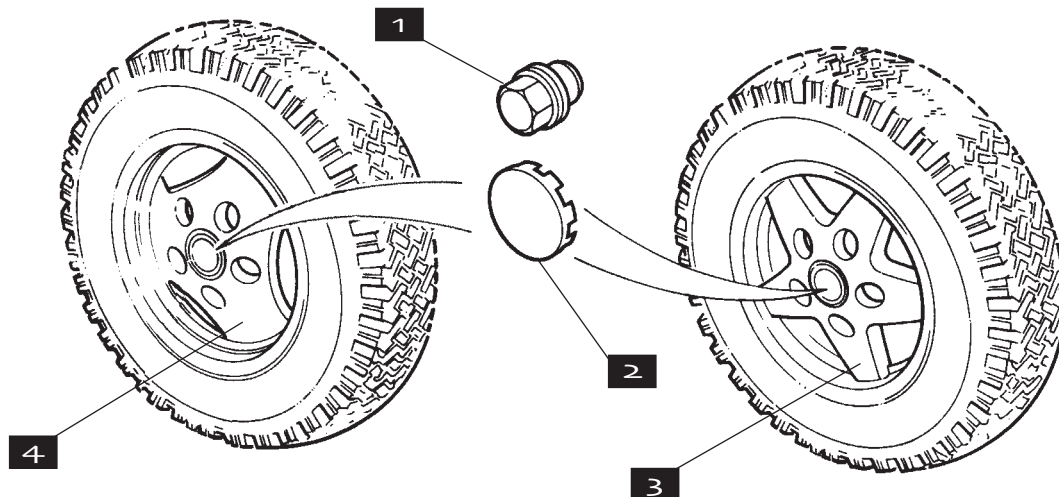
Description	Order Number	Explanatory Notes
Wheel Bearing Kit	RV-5000	1987-1992 Without ABS
Wheel Bearing Kit	RV-5001	1987-1992 With ABS
Wheel Bearing Kit	RV-5002	1993-1995

REAR AXLE AND HUBS, RANGE ROVER CLASSIC



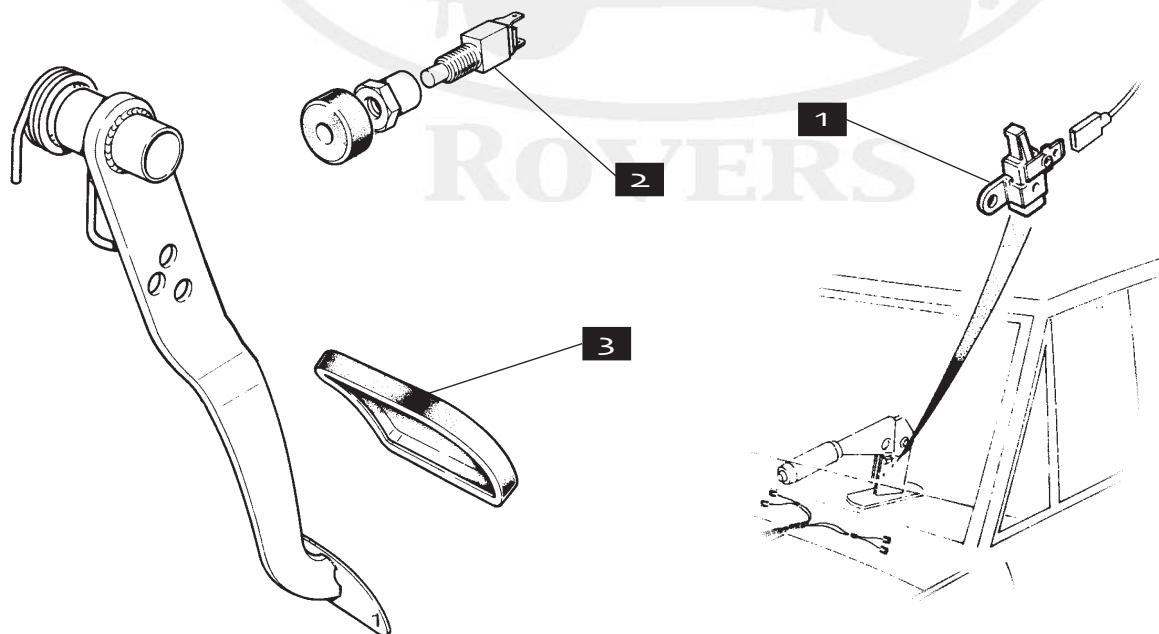
Description	Order Number	Explanatory Notes
1. Seal	RV-FTC5268	
2. Joint Washer	RV-FTC3648	Without ABS
3. Hub Seal, inner	RV-FTC4785	
4. Wheel Bearing	RV-RTC3429	Also see bearing kits, 2/ Wheel
5. Hub Seal, outer	RV-FRC8222	Without ABS
6. Lock Nut	RV-FRC8700	
7. Key Washer	RV-FRC8002	Without ABS
8. Joint Washer	RV-571752	
9. Axle Shaft, RH	RV-571882	Without ABS
9. Axle Shaft, LH	RV-571883	Without ABS
10. Joint Washer	RV-FTC3650	With ABS
11. Shim, .450mm	RV-FRC6782	With ABS through 1992; use as required
11. Shim, .600mm	RV-FRC6783	With ABS through 1992; use as required
11. Shim, .750mm	RV-FRC6784	With ABS through 1992; use as required
11. Shim, .900mm	RV-FRC6785	With ABS through 1992; use as required
11. Shim, 1.050mm	RV-FRC6786	With ABS through 1992; use as required
11. Shim, 1.200mm	RV-FRC6787	With ABS through 1992; use as required
11. Shim, 1.350mm	RV-FRC6788	With ABS through 1992; use as required
11. Shim, 1.500mm	RV-FRC6789	With ABS through 1992; use as required
11. Shim, 1.650mm	RV-FRC6790	With ABS through 1992; use as required
12. Hub Assembly, with Studs	RV-FTC942	With ABS Only
13. Key Washer	RV-217352	With ABS up to 35S16958B (coil suspension) and 37S00315A (air suspension)
13. Key Washer	RV-FTC5241	With ABS from 35S16959B (coil suspension) and 37S00316A (air suspension).
13. Key Washer	RV-FTC3179	With ABS from 35S16959B (coil suspension) and 37S00316A (air suspension).
14. Key Washer	RV-217353	With ABS up to 35S16958B (coil suspension) and 37S00315A (air suspension).
15. Circlip	RV-549473	With ABS through 1992
16. Hub Cap	RV-FTC5414	With ABS through 1992
17. Axle Shaft, RH	RV-FTC870	With ABS Through 1992
17. Axle Shaft, LH	RV-FTC871	With ABS Through 1992
17. Axle Shaft, RH	RV-FTC3186	1993-On, Up to axle numbers 35S18188C & 37S08650B
17. Axle Shaft, LH	RV-FTC3187	1993-On, Up to axle numbers 35S18188C & 37S08650B
17. Axle Shaft, RH	RV-FTC3270	1993-On, From axle numbers 35S18189C & 37S08651B
17. Axle Shaft, LH	RV-FTC3271	1993-On, From axle numbers 35S18189C & 37S08651B
18. Wheel Bearing Kit	RV-5003	Without ABS
18. Wheel Bearing Kit	RV-5004	With ABS 1987-1992 & 1993-1995 without air suspension
18. Wheel Bearing Kit	RV-5005	1993-1995 with air suspension

WHEELS, RANGE ROVER CLASSIC

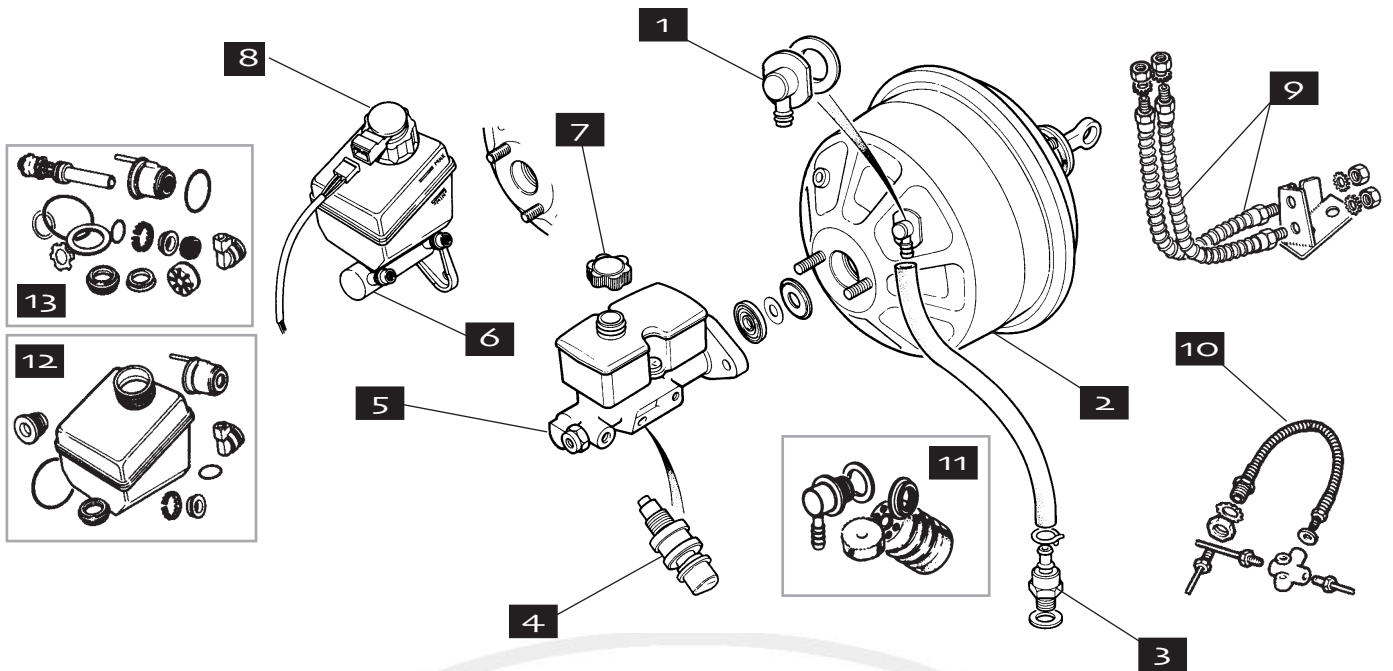


Description	Order Number	Explanatory Notes
1. Lug Nut	RV-NRC7415	Plain steel, to PA635839
1. Lug Nut	RV-ANR2763MMM	Stainless-capped, from PA635840
2. Wheel Center Cap	RV-NRC8254	Three-spoke wheels; "Range Rover" Logo
2. Wheel Center Cap	RV-RTC7641	Three-spoke wheels; "County" Logo
2. Wheel Center Cap	RV-ANR2391MNH	To 1995 with five-spoke wheels; "Silver Sparkle"
2. Wheel Center Cap	RV-ANR2391MUE	To 1995 with five-spoke wheels; "Quicksilver"
3. Alloy Wheel	RV-STC8126	Five-Spoke
4. Alloy Wheel	RV-ANR1406MUE	Three-Spoke

BRAKES, ELECTRICAL AND PEDAL, RANGE ROVER CLASSIC

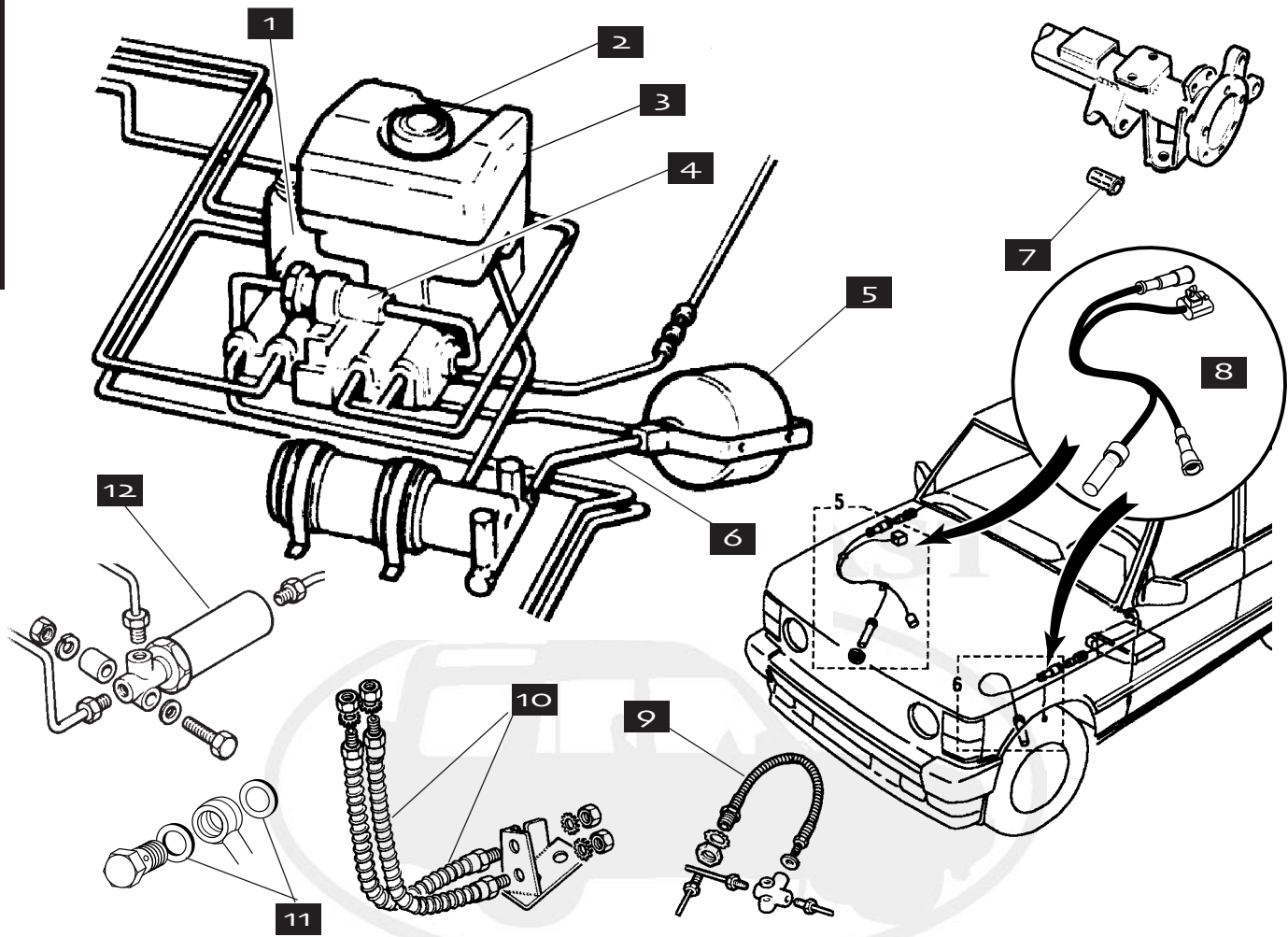


Description	Order Number	Explanatory Notes
1. Handbrake warning switch	RV-ADU2888L	All
2. Brake Light Switch	RV-13H3735L*	Without ABS
2. Brake Light Switch	RV-AMR2010	With ABS
3. Brake Pedal Pad	RV-CRC570	Up to PA638528 (1993)
3. Brake Pedal Pad	RV-ANR2941	BPA638520-on (1993)



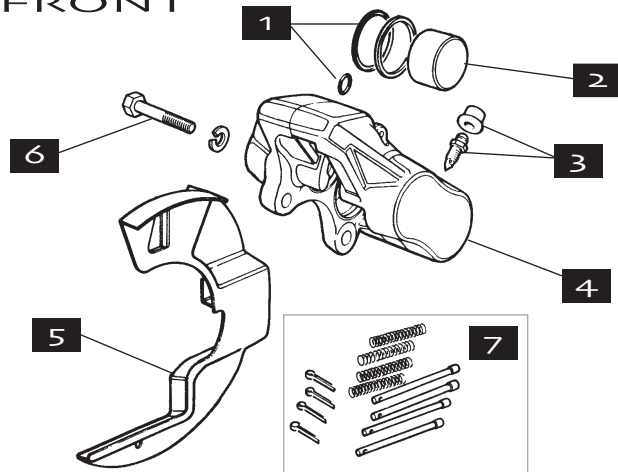
Description	Order Number	Explanatory Notes	Qty
1. Non-return valve on servo	RV-RTC5636	Lockheed Master Cylinder, non ABS (1987 & 1988, reservoir top is flat.)	1
1. Non-return valve on servo	RV-STC780	Girlinging Master Cylinder	1
2. Brake Servo, Lockheed	RV-AEU1715	Lockheed Master Cylinder, non ABS (1987 & 1988, reservoir top is flat.)	1
2. Brake Servo, Girling	RV-STC1286	Girlinging Master Cylinder	1
3. Non-return valve on manifold	RV-LKX100440	Lockheed or Girling Master Cylinder	1
4. Pressure Switch	RV-PRC2583	Lockheed Master Cylinder, non ABS (1987 & 1988, reservoir top is flat.)	1
5. Master Cylinder	RV-RTC3658	Lockheed Master Cylinder, non ABS (1987 & 1988, reservoir top is flat.)	1
6. Master Cylinder	RV-NTC4991	Girlinging Master Cylinder; Reservoir has an angled top; has wire to filler cap; up to JA624755.	1
7. Master Cylinder Cap	RV-513123	Lockheed Master Cylinder, non ABS (1987 & 1988, reservoir top is flat.)	1
8. Filler Cap/Switch on Reservoir	RV-RTC5831	Girlinging Master Cylinder	1
9. Front Brake Hose, per each	RV-NRC4401*	Lockheed Master Cylinder, non ABS (1987 & 1988, reservoir top is flat.)	2
9. Front Brake Hose	RV-NRC4401*	Girlinging Master Cylinder, to VIN MA610293	2
9. Front Brake Hose	RV-NTC7670	Girlinging Master Cylinder, from VIN MA610294	2
10. Rear Brake Hose	RV-NTC3458	Lockheed Master Cylinder, non ABS (1987 & 1988, reservoir top is flat.)	1
10. Rear Brake Hose	RV-NTC3458	Girlinging Master Cylinder	1
11. Rebuild Kit, Lockheed Servo	RV-AEU1021	Lockheed Master Cylinder, non ABS (1987 & 1988, reservoir top is flat.)	1
11. Repair Kit, Girling Servo	RV-RTC5832	Girlinging Master Cylinder	1
12. Brake Reservoir Overhaul Kit	RV-RTC5833	Girlinging Master Cylinder	1
13. Overhaul Kit, Master Cylinder	RV-AEU1894*	Lockheed Master Cylinder, non ABS (1987 & 1988, reservoir top is flat.)	1
13. Overhaul Kit, Master Cylinder	RV-RTC5834	Girlinging Master Cylinder	1

* Denotes Aftermarket Part

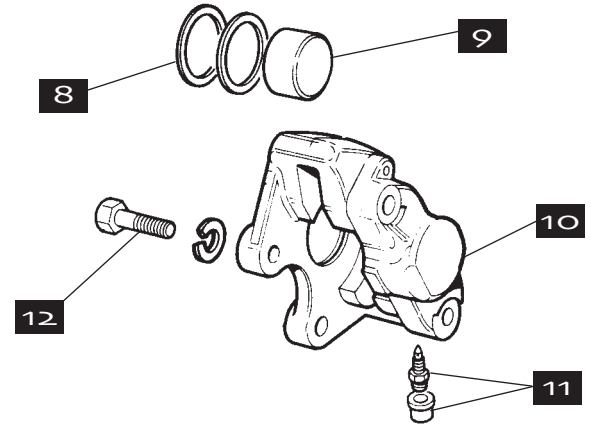


Description	Order Number	Explanatory Notes	Qty
1. Brake Booster	RV-STC886		1
2. Cap, Brake Reservoir	RV-NTC9858		1
2. Seal, Brake Reservoir Cap	RV-RTC6490		1
2. Filter, Brake Reservoir	RV-RTC6493		1
3. Brake Fluid Reservoir	RV-RTC6741		1
4. Pump, pressure, to PA632922	RV-STC885		1
4. Pump, pressure, from PA632923	RV-STC1181		1
5. Brake Accumulator	RV-RTC6498		1
6. High Pressure Hose to Accumulator	RV-NTC5920	Through 1994	1
6. High Pressure Hose to Accumulator	RV-ANR3489	1995	1
7. Bushing, ABS Sensor	RV-FTC1374	On Rear Axle	2
8. Sensor & Harness Assembly, ABS	RV-STC90	Front RH or LH, through 1991	4
8. Sensor & Harness Assembly, ABS	RV-STC1864	Front, Right Side 1992-1995	4
8. Sensor & Harness Assembly, ABS	RV-STC1865	Front, Left Side 1992-1995	4
8. Sensor & Harness Assembly, ABS	RV-STC1866	Rear, all	4
9. Rear Brake Hose	RV-NTC3458		2
10. Front Brake Hose	RV-NRC4401*	to VIN MA610293 (mid 1991); (two per side)	4
10. Front Brake Hose	RV-NTC7670	VIN MA610294-on (mid 1991): two per side)	4
11. Copper Washer on Banjo Fittings	RV-STC1554		2
12. Brake Pressure Reducing Valve	RV-NTC6868L	With or without ABS, except 1993-on "County"	1
12. Brake Pressure Reducing Valve	RV-NTC9753	1993-on "County" models	1

FRONT



REAR



Description

Order Number

Explanatory Notes

1. Rebuild Kit, Front, Brake Calipers	RV-AEU1547*	1987-1995
One kit will rebuild both rear calipers or one front caliper; three kits required per vehicle.		
2. Caliper Piston	RV-606683	Front, 1987-1995, 4 per caliper; OE
2. Caliper Piston	RV-606683SS	Front, 1987-1995, 4 per caliper; stainless steel
3. Bleed Nipple	RV-RTC1526	Front
4. Front Brake Caliper, RH, solid rotors	RV-AEU1718*	1981-1989, new
4. Front Brake Caliper, LH, solid rotors	RV-AEU1719*	1981-1989, new
4. Front Brake Caliper, RH, solid rotors,	RV-AEU1718/RB	1981-1989, rebuilt
4. Front Brake Caliper, LH, solid rotors,	RV-AEU1719/RB	1981-1989, rebuilt
4. Front Brake Caliper, RH, vented rotors	RV-RTC6776*	To 1993 (imperial threads), new
4. Front Brake Caliper, LH, vented rotors	RV-RTC6777*	To 1993 (imperial threads), new
4. Front Brake Caliper, RH	RV-STC1282*	1993-1995 (metric threads), new
4. Front Brake Caliper, LH	RV-STC1283*	1993-1995 (metric threads), new
4. Front Brake Caliper, RH	RV-STC1282/RB	1990-1995, vented rotors, rebuilt
4. Front Brake Caliper, LH	RV-STC1283/RB	1990-1995, vented rotors, rebuilt
5. Front Mud Shield, RH	RV-FTC4838	
5. Front Mud Shield, LH	RV-FTC4839	
6. Front Caliper Mounting Bolt	RV-591065	1987-1992
6. Front Caliper Mounting Bolt	RV-FTC3375	1993-1995
7. Front, Guide Pin Kit	RV-STC8575	
8. Caliper Rebuild Kit, Rear	RV-AEU1547*	1987-1995
One kit will rebuild both rear calipers or one front caliper; three kits required per vehicle.)		
8. Caliper Rebuild Kit, Rear	RV-8G8587	
This kit is 1/2 of RV-AEU1547, above		
9. Brake Piston, Rear	RV-606696	1987-1995; OE
9. Brake Piston, Rear	RV-606696SS	1987-1995; stainless steel
10. Rear Brake Caliper, RH	RV-AEU1716	To 1992, new
10. Rear Brake Caliper, LH	RV-AEU1717	To 1992, new
10. Rear Brake Caliper, RH	RV-AEU1716/RB	To 1992, rebuilt
10. Rear Brake Caliper, LH	RV-AEU1717/RB	To 1992, rebuilt
10. Rear Brake Caliper, RH	RV-STC1264*	1993-1995, metric threads, new
10. Rear Brake Caliper, LH	RV-STC1265*	1993-1995, metric threads, new
10. Rear Brake Caliper, RH	RV-STC1264/RB	1993-1995, metric threads, rebuilt
10. Rear Brake Caliper, LH	RV-STC1265/RB	1993-1995, metric threads, rebuilt
11. Bleed Nipple, Rear	RV-RTC1526	3/8" x 24 UNF
12. Rear Caliper Mounting Bolt	RV-591065	1987-1992
12. Rear Caliper Mounting Bolt	RV-FTC3375	1993-1995

* Denotes Aftermarket Part

BRAKE PADS & PARTS



Front Brake Pads

Pad Retaining Hardware Kit

Rear Brake Pads

Description	Order Number	Explanatory Notes
Brake Pad Sets, Front	RV-GPX831	1981-1985, gray market, no sensors, semi-metallic
Brake Pad Sets, Front	RV-RTC4518/M	1986-1989, solid rotors, standard metallic
Brake Pad Sets, Front	RV-RTC4518/AMM	1986-1989, solid rotors, Axxis® Metal Master
Brake Pad Sets, Front	RV-RTC4518/LK	1986-1989, solid rotors, Lockheed Brand
Brake Pad Sets, Front	RV-RTC6781*	1990-95, vented rotors, organic
Brake Pad Sets, Front	RV-RTC6781/AMM	1990-95, vented rotors, Axxis Metal Master
Brake Pad Sets, Front	RV-RTC6781/LK	1990-95, vented rotors, Lockheed Brand
Brake Pad Sets, Front	RV-RTC6781K	1990-95, vented rotors, Hi-performance Kevlar
Note: Hi-performance Kevlar pads do not have wear sensors. You can keep the light on your dash from coming on by creating a loop in the original sensor wiring (see detail illustration above) but the brake wear warning light will not come on when the pads are worn out.		
Front Pad Retaining Hardware Kit	RV-STC8573	Solid rotors
Front Pad Retaining Hardware Kit	RV-STC8575	Vented rotors
Brake Pad Sets, Rear	RV-STC2953*	1981-1986 Gray Market, organic
Brake Pad Sets, Rear	RV-STC2953/AMM	1981-1986 Gray Market, Axxis MetalMaster Brand
Brake Pad Sets, Rear	RV-STC2953/LK	1981-1986 Gray Market, Lockheed
Brake Pad Sets, Rear	RV-RTC6591/M	1987-1995, Standard Metallic
Brake Pad Sets, Rear	RV-RTC6591/MTX	1987-1995, Mintex Brand
Brake Pad Sets, Rear	RV-RTC6591/LK	1987-1995, Lockheed Brand
Brake Pad Retainer Kit	RV-STC8574	For RV-RTC6591 pads

BRAKE ROTORS



Vented Brake Rotors

Description	Order Number	Explanatory Notes
Brake Rotor/Disc, Front	RV-FRC7329*	Solid (non vented), to end of 1989, for cars w/o ABS
Note: When replacing rotors, also purchase one each of RV-FRC8222 hub seal, RV-FTC4785 inner hub seal and RV-571572 gasket with each rotor. See complete overhaul kits on facing page.		
Brake Rotor/Disc, Front	RV-FTC902*	Vented, 1990-1995
Note: When replacing rotors, also purchase one each of RV-FTC4785 Inner Hub Seal and one RV-571572 Gasket per rotor. See complete overhaul kits on facing page.		
Brake Rotor/Disc, Rear	RV-FTC1381*	All Range Rover to 1995

BRAKE OVERHAUL KITS



Everything you need to change out all four rotors, front-and-rear pads and required seals, gaskets, lock washers and brake pad retaining hardware -- all in one convenient package. All kits supplied with Lockheed-brand pads.

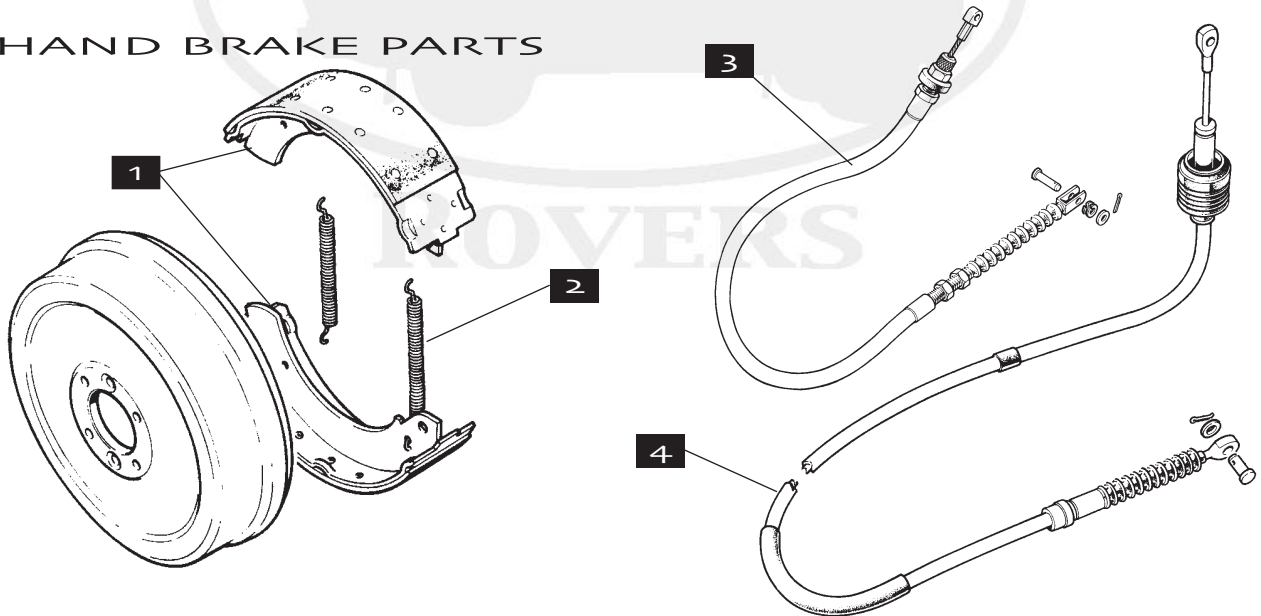
And ... check out our new kits that substitute EBC rotors and pads for the ultimate upgrade!

EBC
BRAKES



Description	Order Number	Explanatory Notes
Brake Kits With Standard Pads and Rotors	RV-2050	With solid front rotors and no ABS
Brake Kits With Standard Pads and Rotors	RV-2052	With vented front rotors and ABS
Brake Kits With EBC® Pads and Rotors	RV-2051	With solid front rotors and no ABS
Brake Kits With EBC® Pads and Rotors	RV-2053	With vented front rotors and ABS

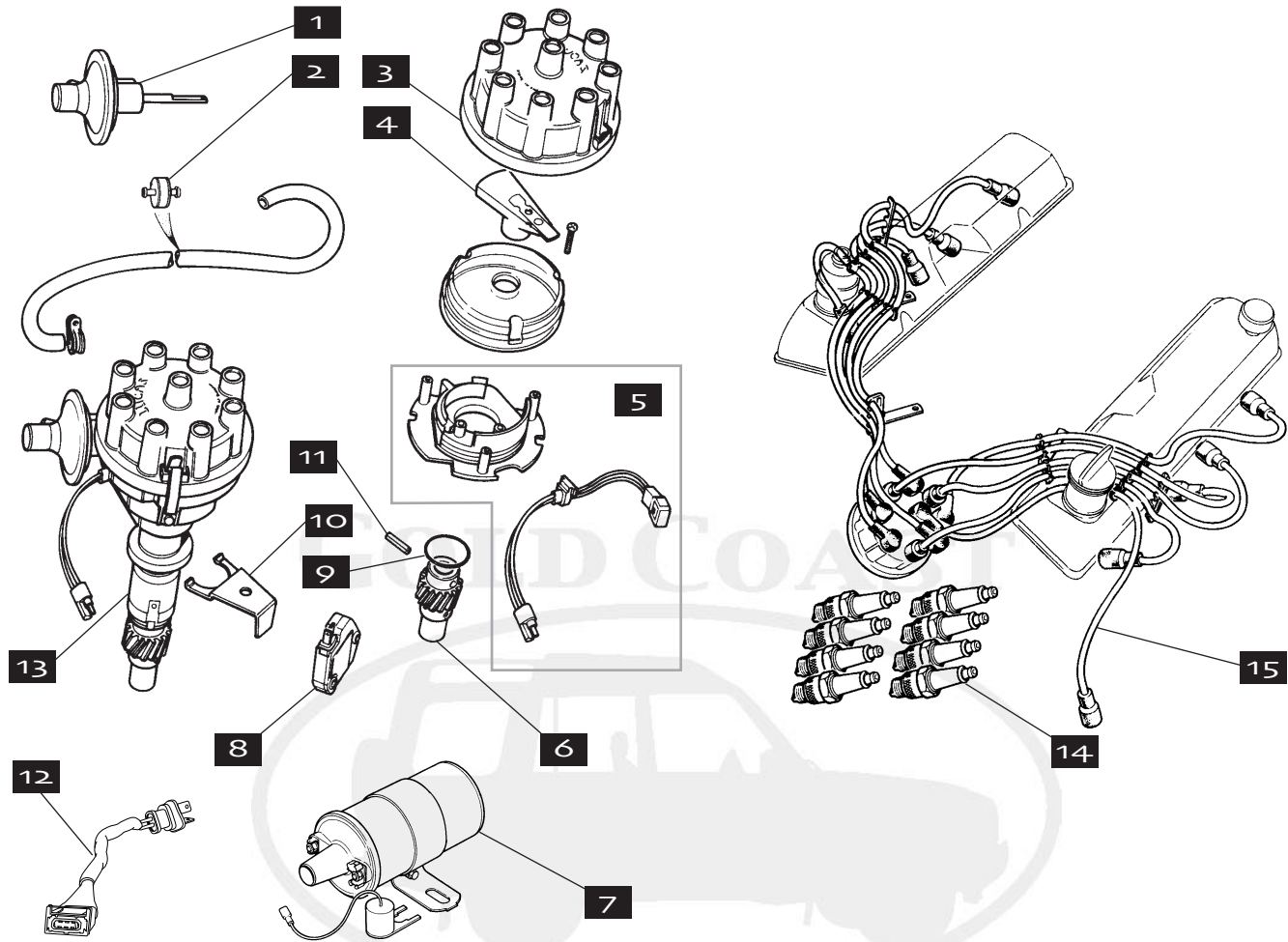
HAND BRAKE PARTS



Description	Order Number	Explanatory Notes	Qty
1. Hand Brake Shoe Kit	RV-STC2990	With LT230T transfer box (1987-1988)	1
1. Hand Brake Shoe Kit	RV-STC965	With Borg-Warner transfer box, 89-on	1
2. Return Springs	RV-FRC8549	all LT230T and BW to July 1990	2
2. Return Spring	RV-STC246	Return Spring, July 1990 to 36D22145A	2
3. Handbrake Cable	RV-NRC5089	Pre-1986 Gray Market	1
3. Handbrake Cable	RV-NTC9400	USA-spec. to end of 1988	1
4. Handbrake Cable	RV-NTC6125	1989 thru 1993 (approx.), to engine 36D22144A	1
4. Handbrake Cable	RV-STC1528	1993-on (approx.), engine 36D22145A-on	1

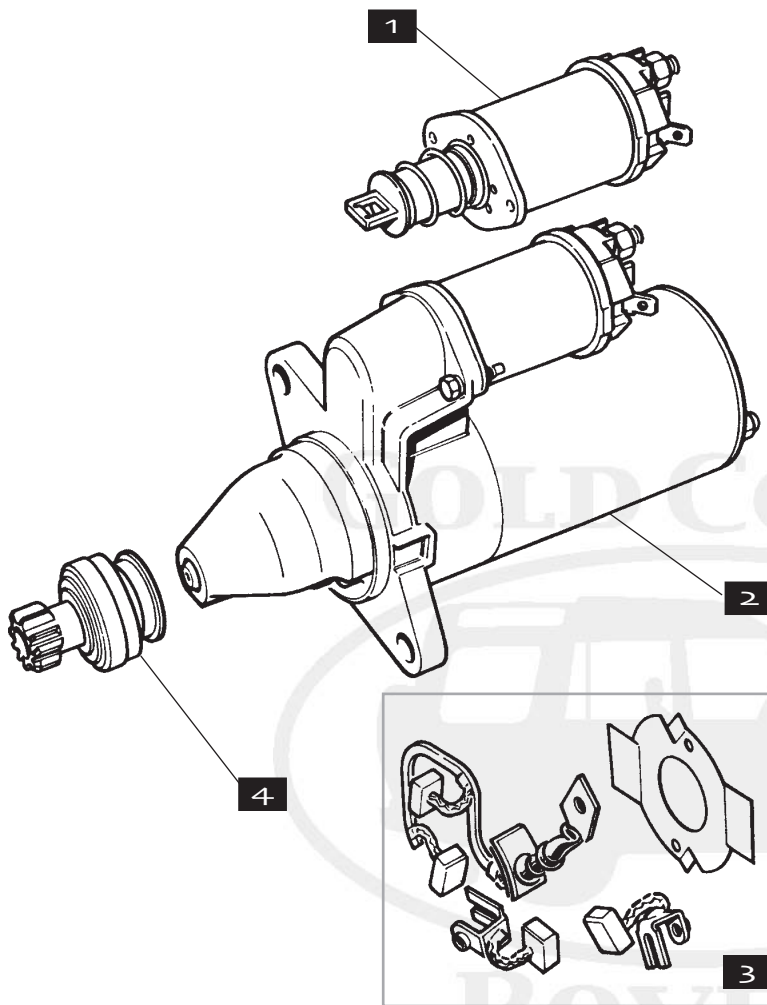
* Denotes Aftermarket Part

IGNITION, RANGE ROVER CLASSIC

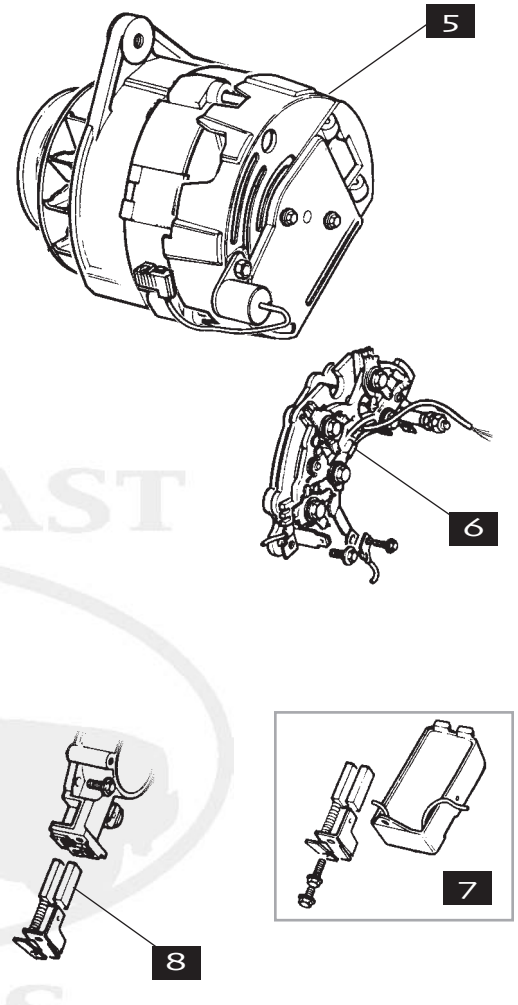


Description	Order Number	Explanatory Notes	Qty
1. Vacuum Advance Unit	RV-RTC5092	With Three-Pin Ignition Control Module	1
1. Vacuum Advance Unit	RV-RTC3201	With Two-Pin Ignition Control Module	1
2. Vacuum Delay	RV-ERC6997	Through 1992	1
3. Distributor Cap	RV-STC8368	OEM	1
3. Distributor Cap	RV-STC8368*	Aftermarket	1
4. Rotor	RV-STC1857	OEM, with silicone tip	1
4. Rotor	RV-STC1857*	Aftermarket	1
5. Distributor Pick-up and Base Unit	RV-RTC5090		1
6. Distributor Drive Gear	RV-ERC1353		1
7. Coil	LU-DLB198	OE Lucas; as per RTC5628	1
7. Coil	LU-DLB198*	Aftermarket, as per RTC5628	1
8. Ignition Control Module	RV-RTC5089*	(a.k.a. Amplifier) Earlier two-pin type	1
8. Ignition Control Module	RV-STC1184	Later three-pin Type	1
9. O-Ring, Bottom of Distributor	RV-603446		1
10. Distributor Hold-Down Bracket	RV-613857		1
11. Roll Pin, Dist. Drive Gear	RV-602953		1
12. Link Lead	RV-STC1212	Used when replacing a distributor or advance unit with a 2-pin system with a distributor with a 3-pin fixing between the advance unit and the engine harness.	1
13. Distributor	RV-ERR4035	1993-on to 36D28463B; STC1212 required up to 36D18873A	1
14. Spark Plug	RV-BPR5EY		8
14. Bosch Platinum Spark Plug	RV-WR9LP		8
15. Spark Plug Wire Set	RV-ETC6484*		1

STARTER MOTOR



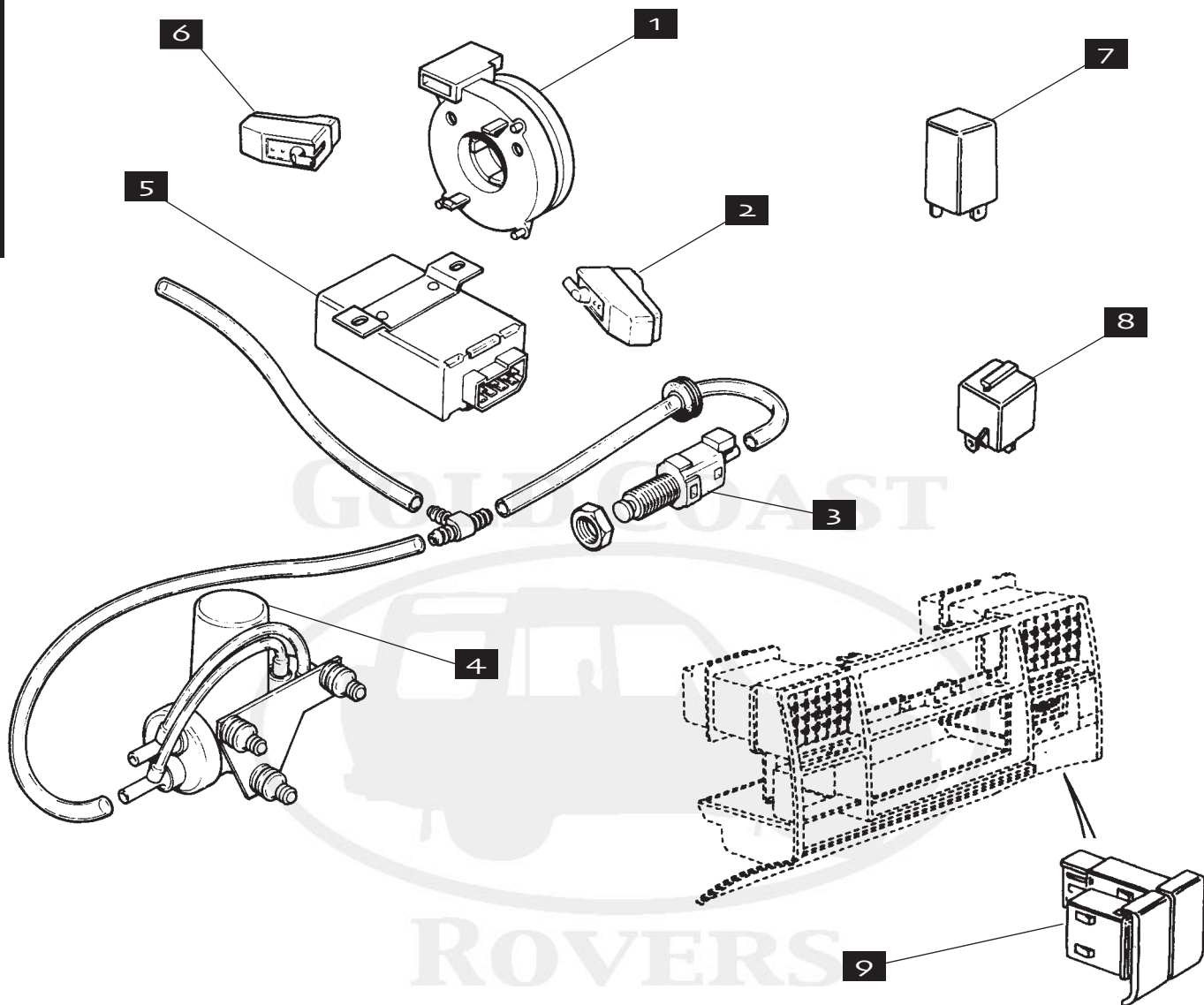
ALTERNATOR



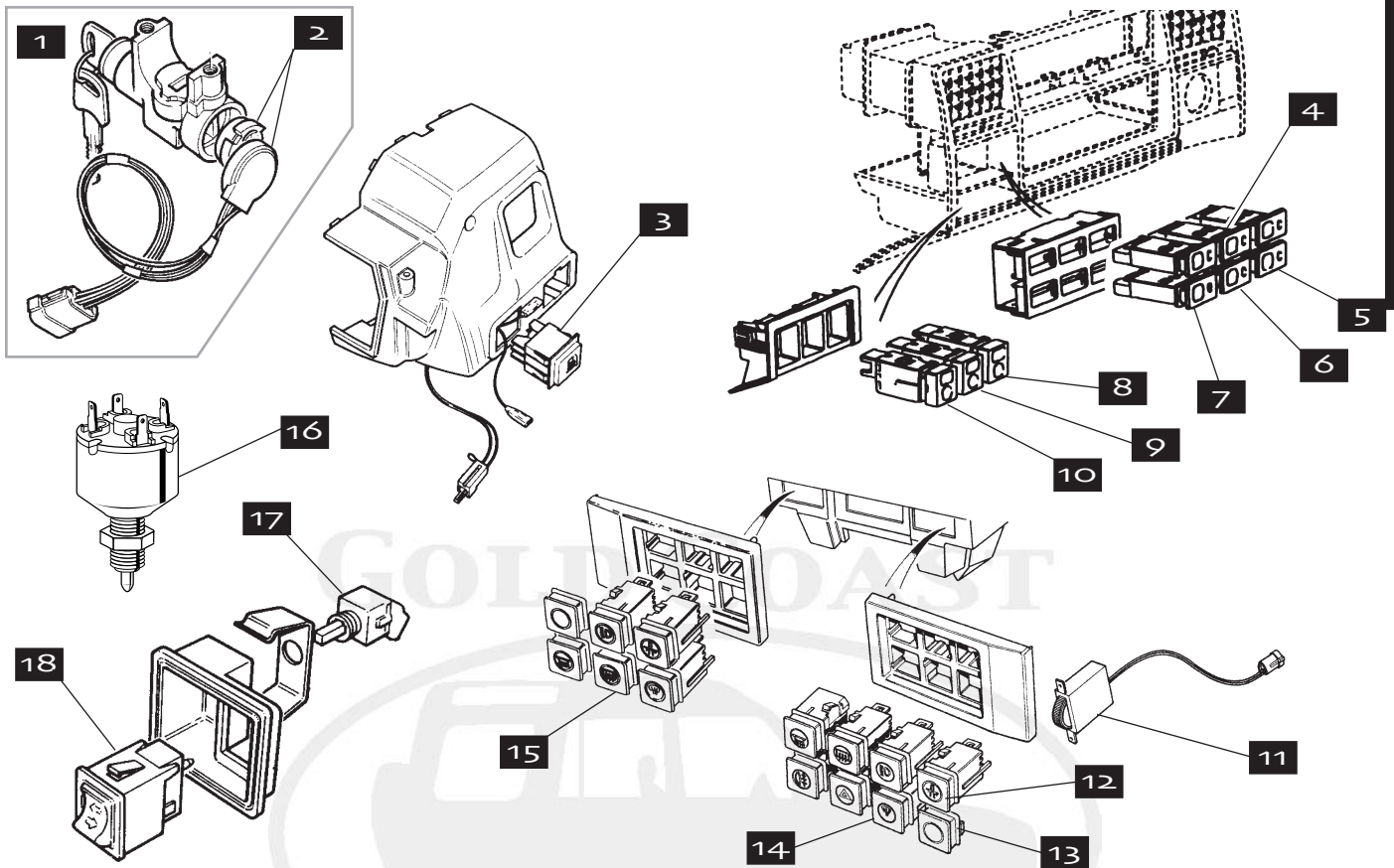
Description	Order Number	Explanatory Notes
1. Solenoid	RV-RTC5049	For RTC6061N
1. Solenoid	RV-STC1242	For ERR6087
2. Starter, Lucas/Marelli	RV-RTC6061N*	Rebuilt, to about January, 1993 (to engines 36D195080A and 40D03276A);
2. Starter, Bosch	RV-ERR6087*	Rebuilt, from January, 1993 (from engines 36D195081A and 40D03277A)
3. Brush Set, Starter	RV-RTC5048	For RTC6061N
3. Brush Set, Starter	RV-STC1243	For ERR6087
4. Drive	RV-RTC5050	For RTC6061N
4. Drive	RV-STC1241	For ERR6087
5. Alternator	RV-STC1753*	Rebuilt, 1987-1992, 80 Amp Lucas (A2516)
5. Alternator	RV-YLE10099*	Rebuilt, 3.9 1993-1995; 85 Amp Lucas
5. Alternator	RV-YLE10124	Rebuilt, 4.2 to SA647649; 100 Amp Lucas
5. Alternator	RV-AMR3107	Rebuilt, from SA647650
6. Rectifier	RV-RTC5609	For STC1753
7. Voltage Regulator	LU-UCB133	All, (RTC5928)
8. Brush Set, Alternator	RV-RTC5611	All

* Denotes Aftermarket Part

CRUISE CONTROL, RANGE ROVER CLASSIC

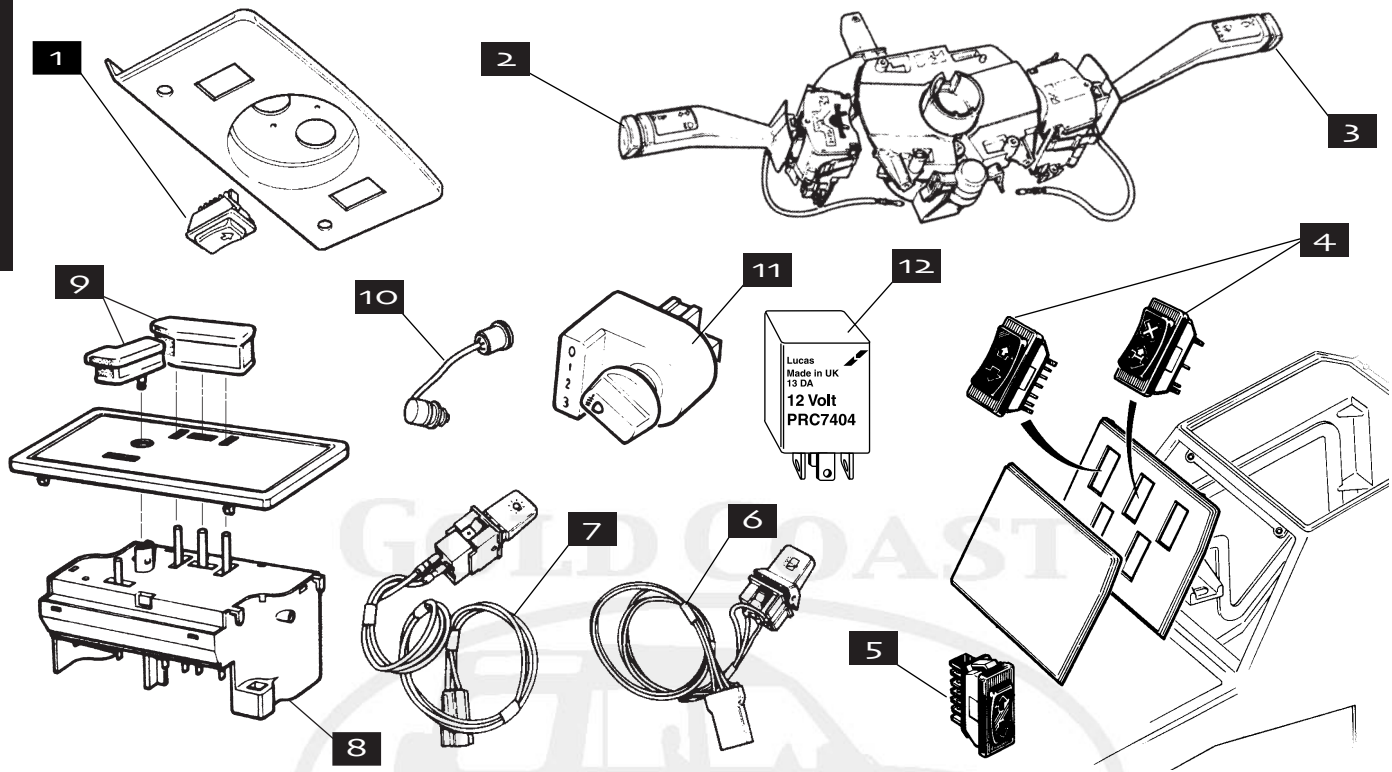


Description	Order Number	Explanatory Notes
1. Rotary Cassette	RV-PRC8746	Through 1994
1. Rotary Cassette	RV-YRC100350	1995
2. Switch, Set/Accelerate	RV-PRC5797	Through 1994
2. Switch, Set/Accelerate	RV-AMR3361	1995
3. Switch and Vent Valve	RV-PRC6259	Through 1994
3. Switch and Vent Valve	RV-ERR2622	1995
4. Vacuum Unit	RV-PRC6260	All
5. Control Unit	RV-PRC5060	Through 1992
5. Control Unit	RV-AMR2524	1993 & 1994
5. Control Unit	RV-AMR1173	1995
6. Switch, Reset/Cancel	RV-PRC6590	Through 1994
7. Relay Module Speed Trip	RV-PRC9666	1993 & 1994
8. Relay, change over	RV-YWB10032L	All
9. Dash Switch, Cruise Enable	RV-ATU1023L	Through 1994
9. Dash Switch, Cruise Enable	RV-AMR3599	1995

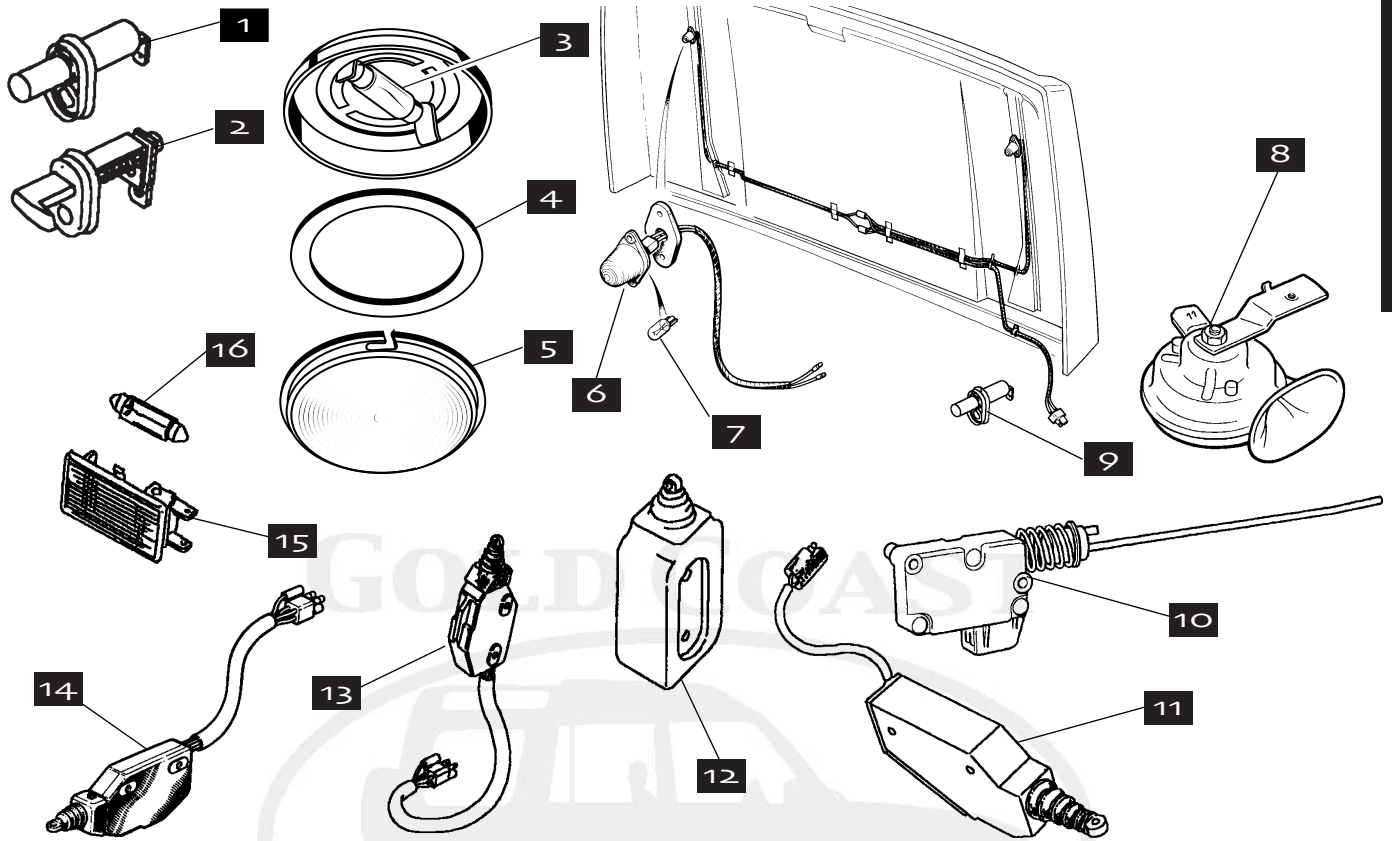


Description	Order Number	Explanatory Notes
1. Ignition Switch And Lock Assembly	RV-NTC9440	1987-1992
1. Ignition Switch And Lock Assembly	RV-NTC9588	1993-1994
1. Ignition Switch And Lock Assembly	RV-STC1436	1993-1995
2. Ignition Switch Only	RV-PRC3408	Through 1992
2. Ignition Switch Only	RV-STC932	1993-1994
2. Ignition Switch Only	RV-STC1746	1995
3. Fuel Filler Door Release Switch	RV-PRC7130	Through 1994
3. Fuel Filler Door Release Switch	RV-AMR3747	1995
4. Driving Lights Switch	RV-AMR3597	1995
5. Defroster Switch, Front Windshield	RV-AMR3603	1995
6. Defroster Switch, Rear Windshield	RV-AMR3604	1995
7. Interior Light Switch, 1995	RV-AMR3600	1995
8. Suspension Switch, Lower	RV-AMR1778	1995
9. Suspension Switch, Inhibit	RV-AMR1776	1995
10. Suspension Switch, Raise	RV-AMR1777	1995
11. Dash Lights Dimmer Switch	RV-AMR3024	Through 1994
12. Cruise Control On/Off Switch	RV-ATU1023L	Through 1994
12. Cruise Control On/Off Switch	RV-AMR3599	1995
13. Auxiliary Lamp (Fog) Switch	RV-ATU1027L	Through 1994
13. Courtesy Light Switch	RV-ATU1020L	Through 1994
14. Defroster Switch, Front Windshield	RV-PRC6797	Through 1994
15. Defroster Switch, Rear Windshield	RV-ATU1021L	Through 1994
16. Inhibitor Starting Switch	RV-34531	With LT230 Transfer box (PRC5642)
17. Mirror Control Switch	RV-DRC2481	Through 1994, non-memory mirrors (six pin)
17. Mirror Control Switch	RV-PRC5752	Through 1994, with memory mirror (five pin)
18. Mirror Selector Switch	RV-PRC5751	All

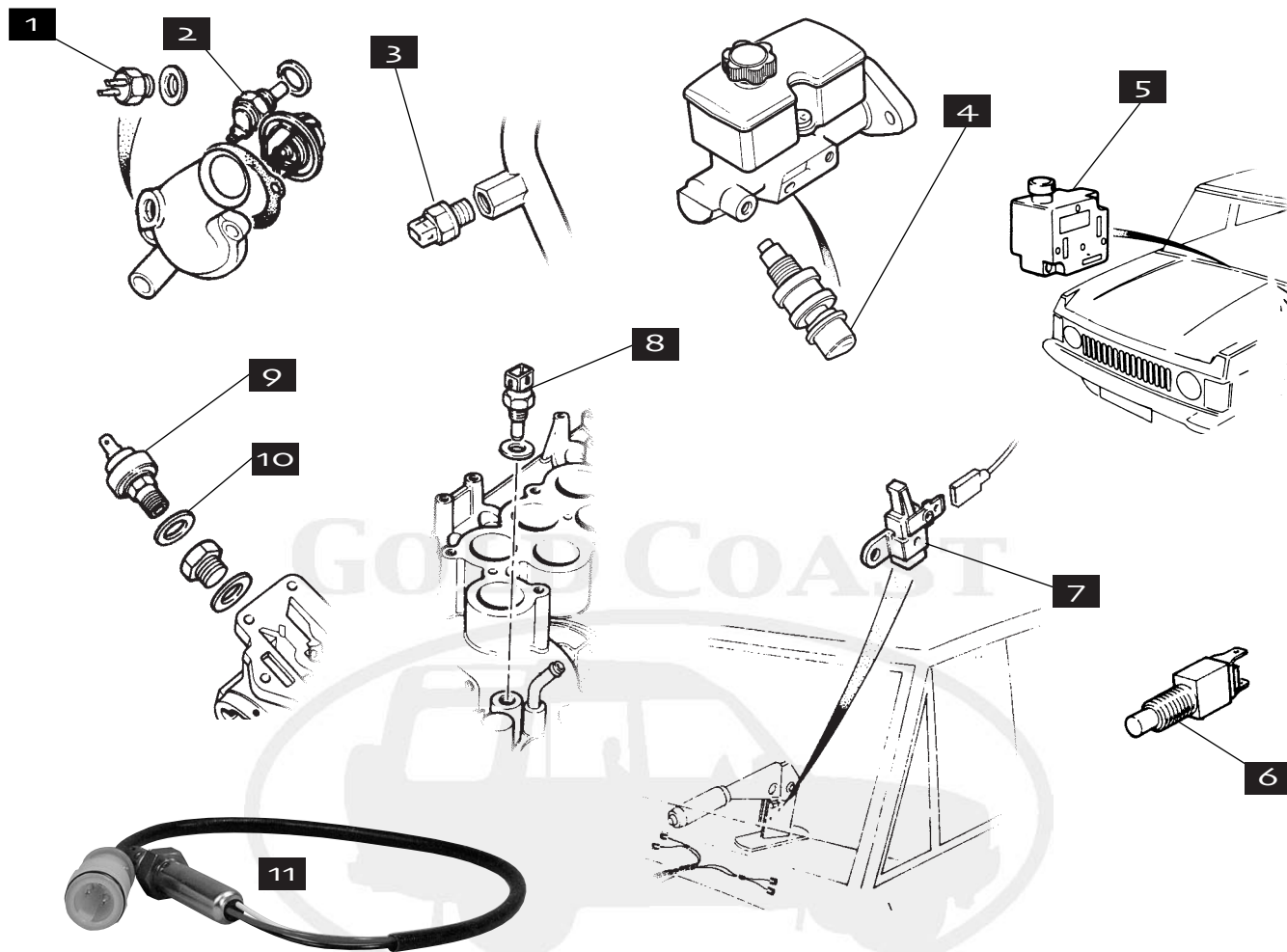
SWITCHES, RANGE ROVER CLASSIC



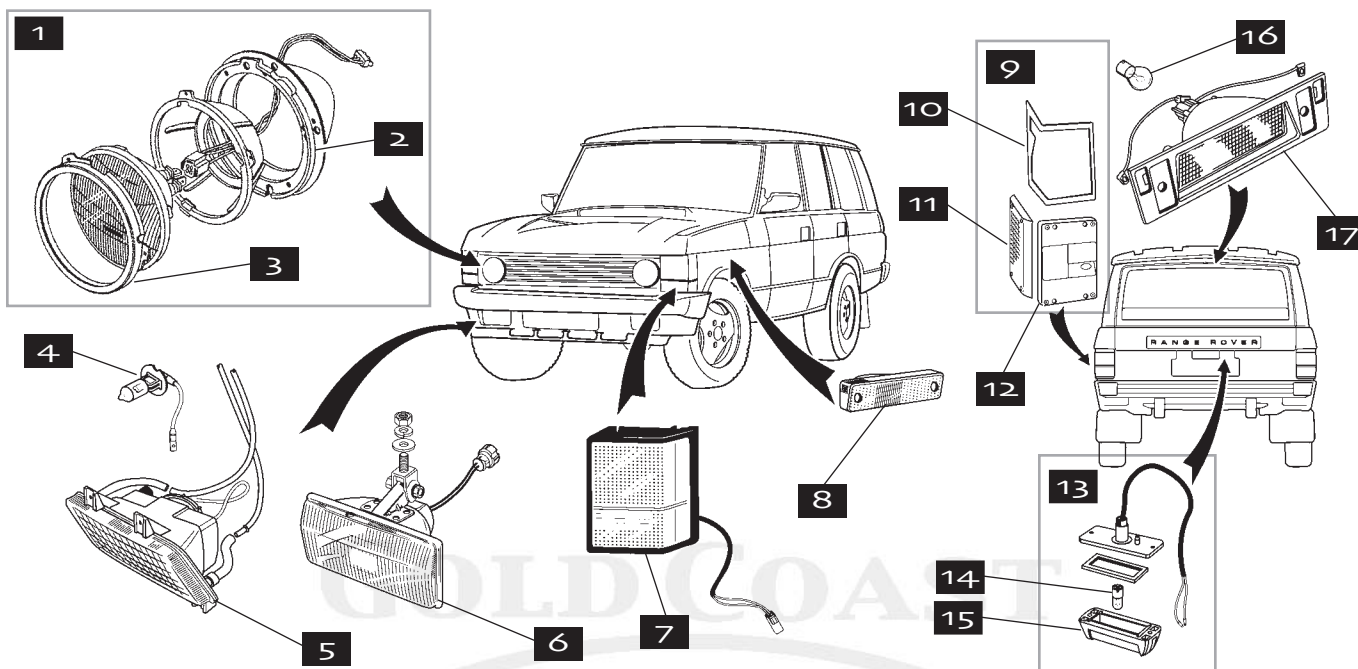
Description	Order Number	Explanatory Notes
1. Sun Roof Switch	RV-PRC5255	
2. Turn Signal Switch	RV-PRC5072	Through 1994 (also headlamp dip, horn and hazard)
2. Turn Signal/Head Lamp Switch	RV-STC4017	1995; Also available as a unit with the wipe switch as RV-AMR3841
3. Wiper/Washer Switch	RV-PRC5073	Through 1988
3. Washer/Wiper Switch	RV-PRC8724	1989-1994
3. Wiper Switch	RV-STC1790	1995; Also available as a unit with the headlight switch as RV-AMR3841)
4. Window Switch	RV-PRC5255	Fitted to center console and LH rear door, 5 req'd, thru 1994
4. Window Switch	RV-PRC5254	Fitted to RH rear door, 1 req'd, through 1995
4. On/Off (Isolator) Switch for Windows	RV-PRC4754	
5. Window Switch	RV-PRC3912	In Rear Arm Rests, through 1992
6. Washer/Wiper Switch, Rear	RV-PRC6284	Through 1988
6. Washer/Wiper Switch, Rear	RV-PRC9956	1989-1994
7. Head and Side Lamp Switch	RV-PRC5425	Through 1994
8. Seat Switch, Right Side	RV-PRC8095	Non memory seats
8. Seat Switch, Left Side	RV-PRC8096	Non memory seats
8. Seat Switch, Left Side	RV-PRC7153	Memory seats
9. Seat Switch Control Button	RV-PRC6030	Right Side Seat Back, Non-Memory Seats
9. Seat Switch Control Button	RV-PRC6029	Left Side Seat Back, Non-Memory Seats
9. Seat Switch Control Button	RV-PRC6032	Right Side Seat Cushion, Non-Memory Seats
9. Seat Switch Control Button	RV-PRC6031	Left Side Seat Cushion, Non-Memory Seats
10. Start/inhibit & reverse switch	RV-RTC4937	On transmission
11. Head Lamp Level Switch	RV-PRC7989	1995
12. Delay Unit, Rear Window Wipe/Wash	RV-37837	1989-1992 (PRC7404)



Description	Order Number	Explanatory Notes	Qty
1. Door Light Courtesy Switch	RV-STC872	Through 1988	4
1. Door Light Courtesy Switch	RV-PRC8548	1989-1995	4
2. Rear Hatch Courtesy Light Switch	RV-PRC7065	To PA633784	1
2. Rear Hatch Courtesy Light Switch	RV-AFU4241L	PA633784-on	1
3. Bulb, Courtesy Light	RV-559186	All	1
4. Gasket, Courtesy Light	RV-567905	All	1
5. Lens, Courtesy Light	RV-PRC1634	All	2
6. Under-Bonnet Lamp	RV-PRC2924	All	2
7. Bulb for above	RV-AFU4481	All	1
8. Horn, High Note	RV-YEB10026	Through 1994	1
8. Horn, Low Note	RV-YEB10027	Through 1994	1
8. Horn, High Note	RV-AMR3337	1995	1
8. Horn, Low Note	RV-AMR3338	1995	1
9. Switch For Bonnet Lamp	RV-PRC8548	All	1
10. Fuel Door Actuator	RV-PRC5085	Through 1989	1
10. Fuel Door Actuator	RV-PRC9681	1990-on	1
11. Rear Hatch Actuator	RV-PRC3916	Through 1994	1
12. Rear Hatch Actuator	RV-AMR3382	1995	1
13. Door Lock Actuator	RV-PRC8099	1990-1994, rear (RH or LH)	1
13. Door Lock Actuator	RV-AMR3382	1995, rear (RH or LH)	1
14. Door Lock Actuator	RV-PRC4831	Through 1989, left front	1
14. Door Lock Actuator	RV-PRC3916	Through 1989, right front	1
14. Door Lock Actuator	RV-PRC8098	1990-1994, front (RH or LH)	1
14. Door Lock Actuator	RV-AMR3384	1995, front (RH or LH)	1
14. Door Lock Actuator	RV-PRC3916	Through 1989, rear (RH or LH)	1
15. Glove Box Lamp	RV-ADU2066L	All	1
16. Bulb for Glove Box Lamp	RV-STC1203	All	1



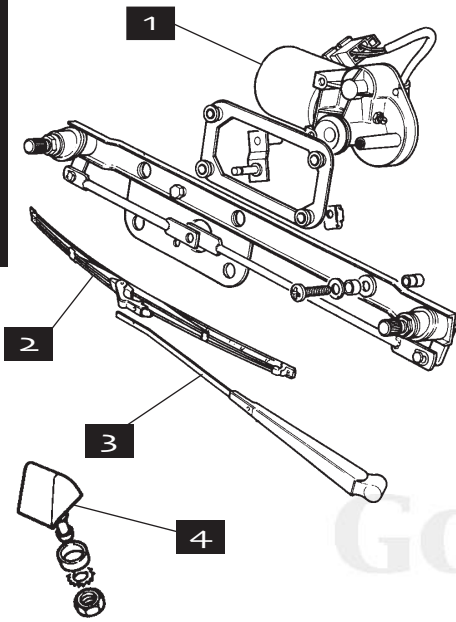
Description	Order Number	Explanatory Notes
1. Cooling Fan Temperature Sender	RV-PRC3505	
2. Temperature Transmitter	RV-560794	Oil temp gauge with 120 dial, Gray Market (pre-1987) Only
2. Temperature Transmitter	RV-568055	Water temp., Gray Market (pre-1987) Only
2. Temperature Transmitter	RV-623050	Oil temperature, Gray Market (pre-1987) Only
3. Fuel Temperature Sender	RV-ETC6661	
4. Pressure Differential Warning Switch	RV-PRC2583	On Brake Master Cylinder, non ABS RR with Lockheed M/C
5. Fuel Cut-Off (inertia) Switch	RV-DBC2022L	Through 1994
5. Fuel Cut-Off (inertia) Switch	RV-WQT100030L	1995
6. Brake Light Switch	RV-13H3735L*	Without ABS
6. Brake Light Switch	RV-AMR2010	With ABS
7. Hand Brake Warning Switch	RV-ADU2888L	
8. Coolant Temperature Sender for Gauge	RV-PRC6317	3.5-Liter
8. Coolant Temperature Sender for Gauge	RV-PRC7918	3.9-Liter to RA647644
8. Coolant Temperature Sender for Gauge	RV-AMR1425	3.9 from RA647645
8. Coolant Temperature Sender for ECU	LU-SNB802	1993-1995
9. Oil Pressure Switch	RV-STC4104K*	On oil filter housing
10. Washer for STC4104K*	RV-243968	
11. Oxygen Sensor	RV-ERR6729	2 Required



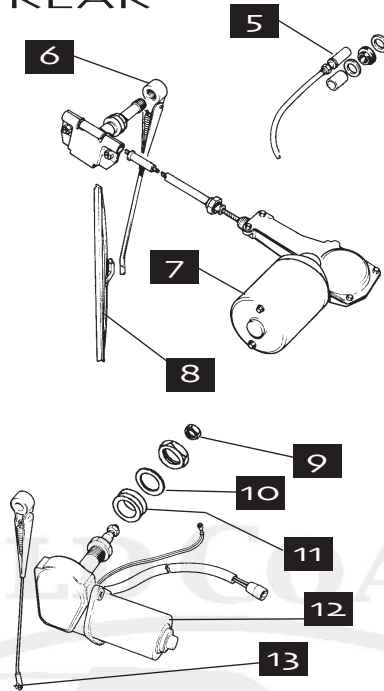
Description	Order Number	Explanatory Notes
1. Head Lamp Assembly	RV-PRC5043	Through 1991
1. Head Lamp Assembly	RV-AMR2069	1992 to PA632634
1. Head Lamp Assembly	RV-AMR3246	PA632635-on
2. Head Lamp Seal	RV-531586	Through 1992
2. Head Lamp Seal	RV-STC1612	1993-on
3. Head Lamp Rim	RV-PRC7992	Through 1992
4. Fog/Driving Lamp Bulb, all	JA-DBC11408	
5. Fog Lamp	RV-PRC8240	Through 1991
5. Fog Lamp	RV-AMR3396	1992-on
6. Driving Lamp	RV-PRC8238	Through 1991
6. Driving Lamp	RV-AMR2005	1992
7. Front Turn Lamp, RH	RV-PRC6164	Through 1991
7. Front Turn Lamp, LH	RV-PRC6165	Through 1991
7. Front Turn Lamp, RH	RV-PRC8947	1992-on
7. Front Turn Lamp, LH	RV-PRC8948	1992-on
7. Euro Style Lamp, White Bottom Lens, RH	RV-PRC8950	
7. Euro Style Lamp, White Bottom Lens, LH	RV-PRC8949	
8. Front Reflector	RV-PRC5463	1987-1992
9. Tail Lamp Assembly	RV-PRC7900	Through 1990, RH
9. Tail Lamp Assembly	RV-PRC7899	Through 1990, LH
9. Tail Lamp Assembly	RV-PRC8954	1991-on, RH
9. Tail Lamp Assembly	RV-PRC8955	1991-on, LH
10. Gasket, Lamp to Body or Lens to Lamp	RV-AEU1525	
11. Side Lens only	RV-RTC5553	Right
11. Side Lens only	RV-RTC5554	Left
12. Tail Lens only	RV-RTC5551	Right
12. Tail Lens only	RV-RTC5552	Left
13. License Plate Lamp	RV-PRC6066	2 Required
14. Bulb for License Lamp	RV-AFU4481	
15. Lens only for License Plate Lamp	RV-RTC3831	
16. Bulb for all above	RV-264591	
17. High Mounted Stop Lamp	RV-PRC9093	

WIPERS, RANGE ROVER CLASSIC

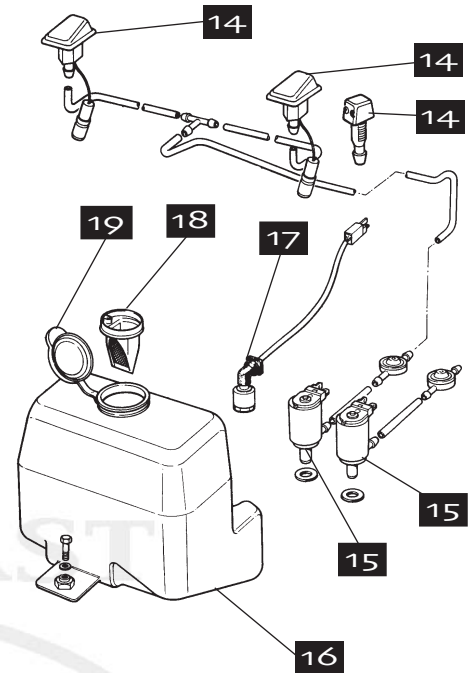
FRONT



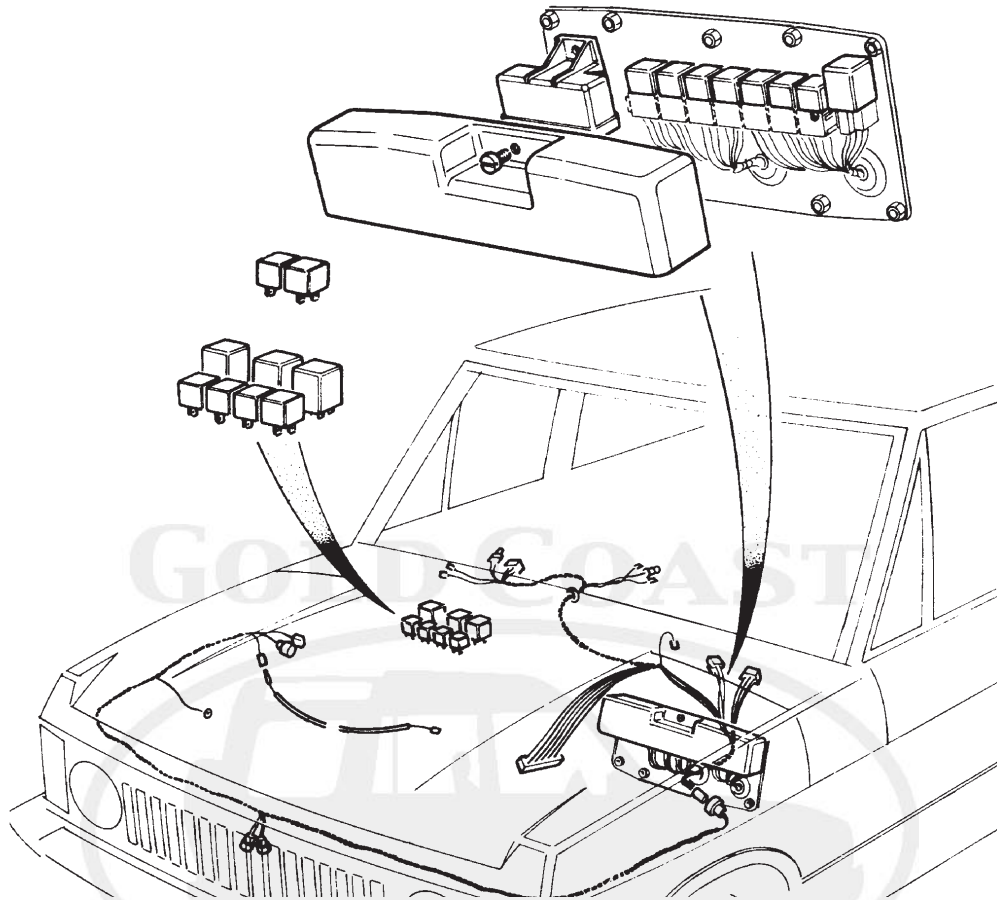
REAR



WASHER PARTS

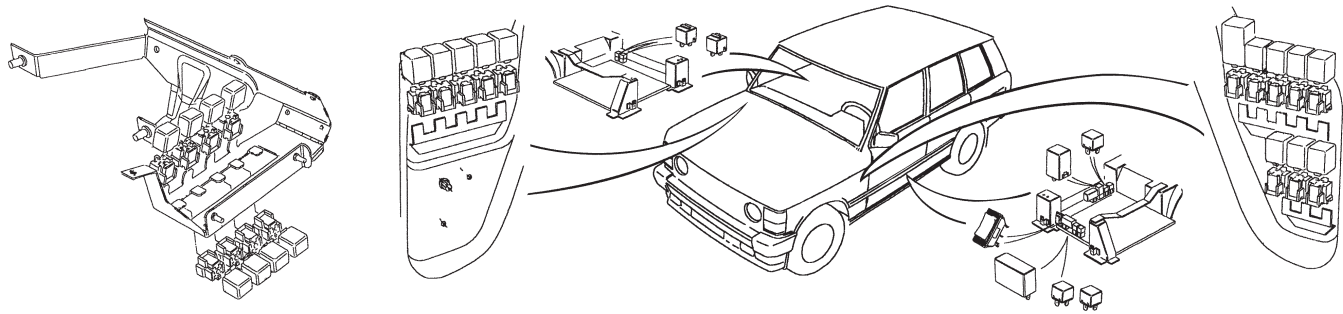


Description	Order Number	Explanatory Notes
1. Wiper Motor, front <i>This is an update kit with a new motor, hardware, etc.</i>	RV-6700	1987-1991
1. Wiper Motor, front	RV-STC495	1992-1994
1. Wiper Motor, front	RV-AMR1517	1995 only
2. Wiper Blade, Front	RV-RTC6787	Through 1989
2. Wiper Blade, Front	RV-DKC100920	1990-on
3. Wiper Arm, Front	RV-PRC1895	Through 1989
3. Wiper Arm, Front	RV-PRC6839	1991-1995
4. Washer Jet, rear, RR	RV-PRC2438	
5. Headlamp Washer Jet	RV-PRC4615	
6. Wiper Arm, Rear	RV-PRC6049	Up to LA413742 (During 1990 Model Year)
6. Wiper Arm, Rear	RV-PRC8223	From LA413743 (During 1990 Model Year)
7. Wiper Motor, Rear	RV-STC3390	Through 1992
7. Wiper Motor, Rear	RV-AMR3958KIT	1993-1995 <i>The original motor is no longer available for these cars. An update kit is required. It includes a later motor, linkage and hardware.</i>
7. Wiper Motor, Rear	RV-AMR3958	1995 from VIN SA659927
8. Wiper Blade, Rear	RV-DKC100920	To RA644141 (1994 MY)
8. Wiper Blade, Rear	RV-PRC9841	1994 & 95 (RA644142-on)
9. 8mm Nut for Rear Wiper Motor	RV-NH108041L	
10. Plastic Washer for Rear Motor	RV-AMR3933	
11. Grommet for Rear Motor	RV-AMR3932	
14. Washer Jet, Non-Heated, front	RV-BDP1723L	
14. Washer Jet, Front, Heated	RV-PRC6895	1993-1995
15. Pump, washer, front or rear	RV-STC1453	Through 1988
15. Pump, washer, front	RV-STC1454	1989-on
15. Pump, washer, rear	RV-STC1453	1989-on
16. Washer Reservoir	RV-AMR3252	Through 1988; also requires RV-AMR3848
16. Washer Reservoir	RV-AMR3252	1989-1994; also requires RV-AMR3848
16. Washer Reservoir	RV-AMR3089	1995
17. Low Fluid Sensor	RV-PRC5440	1993-1995
18. Filter, Washer Reservoir	RV-STC206	
19. Cap, Washer Reservoir	RV-DMG10001L	



Description	Order Number	Explanatory Notes
Flasher Unit	RV-PRC5082	1986-1989
Flasher Unit	RV-PRC8256	1990 & 1991
Interior Light	RV-PRC2832	1986-1990
Interior Light	RV-DCP8989L	1986-1990
Wash/Wipe; Front	RV-PRC5121	1986-1988
Wash/Wipe; Front	RV-AMR2341	1989-1991
Wash/Wipe; Front	RV-PRC4427	1986-1991 Volt-Sensitive
Wash/Wipe; Rear	RV-PRC5638	1986-1988
Wash/Wipe; Rear	RV-PRC9956	1989-1991
Fuel Shut-Off	RV-YWB10032L	1986-1990; to LA4645535
Fuel Shut-Off	RV-YWB10027L	1990-1991; from LA464554-on, 5 Req'd
Window	RV-YWB10032L	1986-1990; to LA464553, 3Req'd
Window	RV-YWB10027L	1990-1991; LA464554-on, 3 Req'd
Window	RV-YWB10027L	1990-1991; LA464554-on
Lamps	RV-ADU1784L	1986-1991; Headlamp Wash
Lamps	RV-YWB10032L	1986-1991; Rear
Ignition Load	RV-YWB10032L	1986-1990; to LA464553
Ignition Load	RV-YWB10027L	1990-1991; LA464554-on
Seat Motor	RV-YWB10032L	1986-1990; to LA464553
Seat Motor	RV-YWB10027L	1990-1991; LA464554-on
Glove Box	RV-YWB10027L	1986-1992
Fuel Injection	RV-AFU2913L	1986-1992; Next to ECU
ABS Light	RV-PRC8531	1986-1992
ABS Valve	RV-PRC9603	1986-1992
ABS Pump	RV-PRC9603	1986-1992

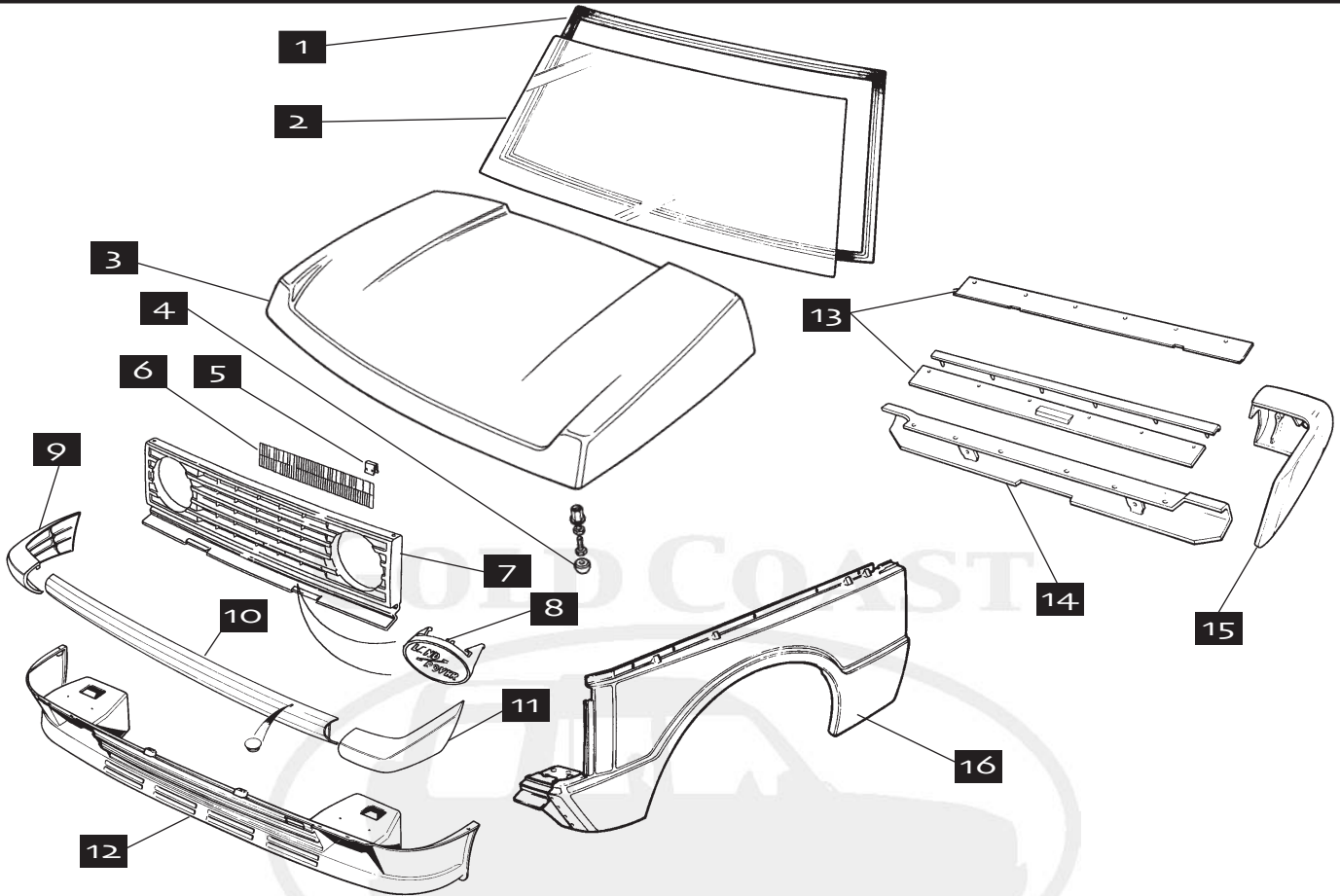
RELAYS, RANGE ROVER CLASSIC



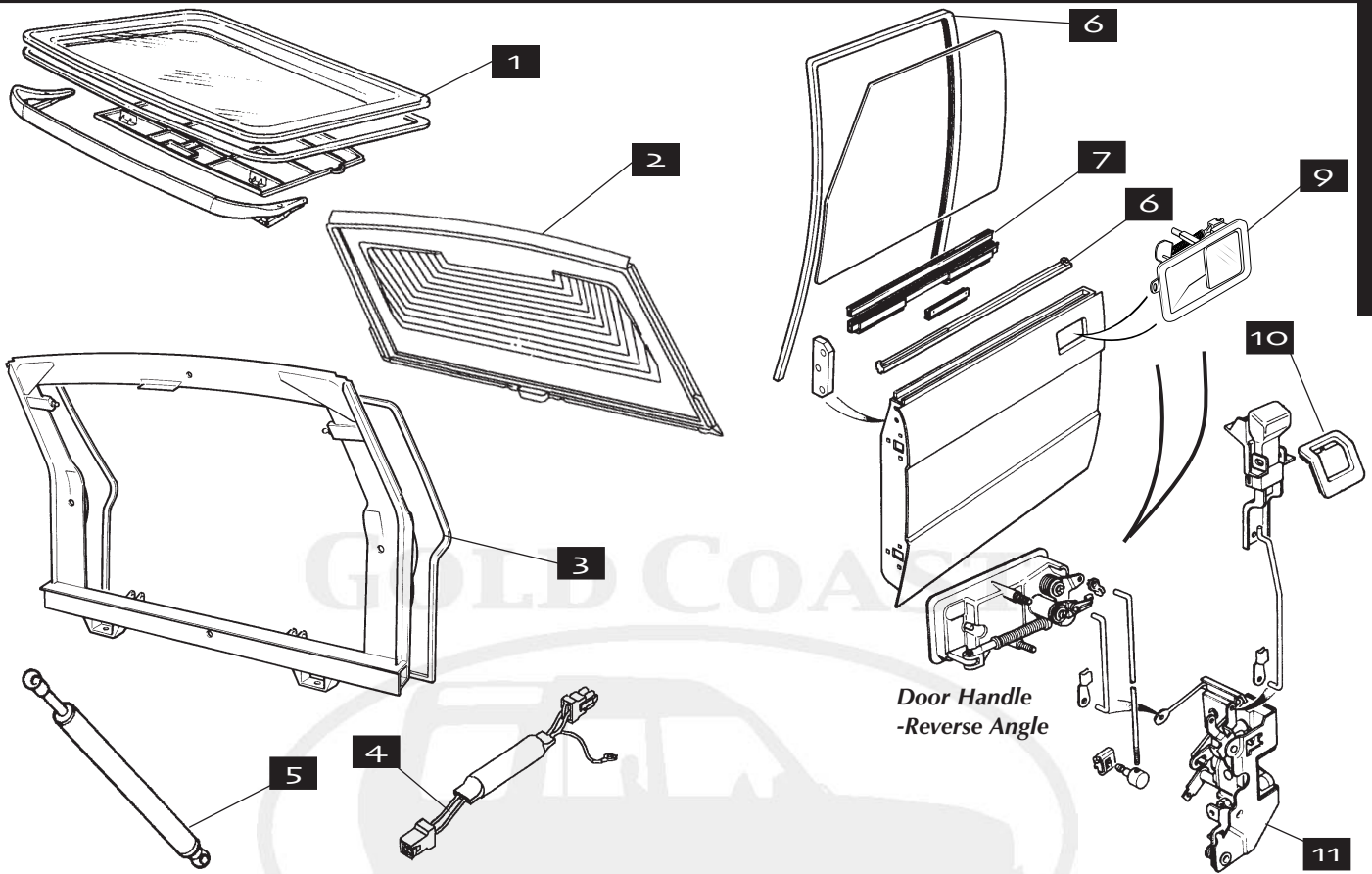
Description	Order Number	Relay Location	Color Code
Ignition Load	RV-YWB10032L	1992, Steering Column Support, Rear	Green
Head Lamp	RV-YWB10027L	1992, Steering Column Support, Rear	Yellow
Heated Rear Window	RV-YWB10027L	1992, Steering Column Support, Rear	Yellow
Starter	RV-YWB10027L	1992, Steering Column Support, Rear	Yellow
Voltage Switch	RV-PRC4427	1992, Steering Column Support, Front	Yellow
Interior Lamps	RV-PRC9948	1992, Steering Column Support, Front	Black
Heated Front Windshield	RV-PRC7303	1992, Steering Column Support, Front	Black
Wiper Motor, Front	RV-AMR2341	1992, Steering Column Support, Front	Red
Wiper Motor, Rear	RV-PRC9956	1992, Steering Column Support, Front	Blue
Flasher Unit	RV-PRC8256	1992, Steering Column Top Bracket	Black
Over-Speed Unit	RV-PRC4268	1992, Steering Column Top Bracket	Black
Fan Timer	RV-AMR3678	1992, Seat Cross Members	Green
Fuel Injection	RV-AFU2913L	1992, Seat Cross Members	Green
Fuel Pump	RV-AFU2913L	1992, Seat Cross Members	Aluminum
Driver's Seat	RV-YWB10032L	1992, Seat Cross Members	Green
Passenger's Seat	RV-YWB10032L	1992, Seat Cross Members	Green
Air Conditioning Diode	RV-PRC7872	1992, RH Footwell, Upper	Orange
Heater & A/C	RV-YWB10032L	1992, RH Footwell, Upper	Green
A/C Clutch	RV-YWB10027L	1992, RH Footwell, Upper	Yellow
A/C Fan	RV-YWB10027L	1992, RH Footwell, Upper	Yellow
Heater & A/C	RV-YWB10027L	1992, RH Footwell, Upper	Yellow
Cruise Control	RV-YWB10032L	1992, RH Footwell, Lower	Green
Load Shed	RV-YWB10027L	1992, RH Footwell, Lower	Yellow
Heated Seat Time	RV-PRC6796	1992, RH Footwell, Lower	Grey
Auxiliary Lamps	RV-YWB10027L	1992, LH Footwell	Yellow
Auto Graphics	RV-YWB10032L	1992, LH Footwell	Green
Sunroof	RV-YWB10027L	1992, LH Footwell	Yellow
Speed Buffer	RV-PRC8882	1992, LH Footwell	White
Starter	RV-YWB10027L	1993-1994, Steering Column Support, Rear	Yellow
Headlamps	RV-YWB10027L	1993-1994, Steering Column Support, Rear	Yellow
Heated Rear Window	RV-YWB10027L	1993-1994, Steering Column Support, Rear	Yellow
Ignition Load	RV-YWB10032L	1993-1994, Steering Column Support, Rear	Green
Auto Graphics	RV-YWB10032L	1993-1994, Steering Column Support, Front	Green
Courtesy Lamps	RV-PRC9948	1993-1994, Steering Column Support, Front	Grey
Heated Front Windshield	RV-PRC7303	1993-1994, Steering Column Support, Front	Black
Front Wiper Unit	RV-AMR2341	1993-1994, Steering Column Support, Front	Black
Rear Wiper Unit	RV-PRC7404	1993-1994, Steering Column Support, Front	Blue
Flasher Unit	RV-PRC8256	1993-1994, Steering Column Top Bracket	Black

Description	Order Number	Relay Location	Color Code
Fuel Injection	RV-AFU2913L	1993-1994, Seat Cross Members	Bosch, Alloy
Fuel Pump	RV-AFU2913L	1993-1994, Seat Cross Members	Bosch, Alloy
Fan Control Module	RV-AMR3678	1993-1994, Seat Cross Members	Green
Delayed Turn-Off	RV-AMR1111	1993-1994, Seat Cross Members	Natural
Passenger's Seat	RV-YWB10027L	1993-1994, Seat Cross Members	Yellow
A/C Compressor	RV-YWB10027L	1993-1994, Seat Cross Members	Yellow
Air Suspension, Green	RV-YWB10032L	1993-1994, Seat Cross Members	Green
Driver's Seat	RV-YWB10032L	1993-1994, Seat Cross Members	Green
A/C Diode	RV-PRC7872	1993-1994, RH Footwell, Upper	Orange
A/C & Heater	RV-YWB10032L	1993-1994, RH Footwell, Upper	Green
A/C Clutch	RV-YWB10027L	1993-1994, RH Footwell, Upper	Yellow
A/C Fan	RV-YWB10027L	1993-1994, RH Footwell, Upper	Yellow
A/C & Heater	RV-YWB10027L	1993-1994, RH Footwell, Upper	Yellow
Cruise Control	RV-YWB10032L	1993-1994, RH Footwell, Lower	Green
Heated Front Screen Timer	RV-PRC6796	1993-1994, RH Footwell, Lower	Grey
Auxiliary Lamps	RV-YWB10027L	1993-1994, LH Footwell	Yellow
Rear Wiper	RV-YWB10027L	1993-1994, LH Footwell	Yellow
Speed Buffer	RV-PRC8882	1993-1994, LH Footwell	White
ABS Warning Light	RV-PRC8531	1993-1994, Under Driver's Seat	Blue
ABS Load	RV-PRC9603	1993-1994, Under Driver's Seat	Black
ABS Pump	RV-PRC9603	1993-1994, Under Driver's Seat	Black
Fan Timer	RV-AMR3678	1995, RH Footwell A-Post	Green
Main Fuel Injection	RV-AFU2913L	1995, RH Footwell A-Post	Bosch, Alloy
Fuel Pump	RV-AFU2913L	1995, RH Footwell A-Post	Bosch, Alloy
A/C	RV-YWB10027L	1995, RH Footwell A-Post	Yellow
A/C	RV-YWB10027L	1995, RH Footwell A-Post	Yellow
Starter	RV-YWB10027L	1995, RH Footwell A-Post	Yellow
Ignition	RV-YWB10032L	1995, RH Footwell A-Post	Green
Front Wiper	RV-YWB10032L	1995, RH Footwell A-Post	Green
Rear Wiper	RV-YWB10032L	1995, LH Footwell A-Post	Green
Horn	RV-YWB10027L	1995, LH Footwell A-Post	Yellow
Aux. Key Position	RV-YWB10027L	1995, LH Footwell A-Post	Yellow
Alarm Sound	RV-YWB10027L	1995, LH Footwell A-Post	Yellow
Hazard Warning	RV-AMR1088	1995, LH Footwell A-Post	Brown
Air Suspension Delay	RV-AMR1111	1995, RH Seat Cross Member	Natural
Heated Seat	RV-YWB10027L	1995, RH Seat Cross Member	Yellow
Power Seat	RV-YWB10027L	1995, RH Seat Cross Member	Yellow
Air Suspension Compressor	RV-YWB10027L	1995, RH Seat Cross Member	Yellow
Air Suspension Warning	RV-YWB10032L	1995, RH Seat Cross Member	Green
Heated Seat	RV-YWB10027L	1995, LH Seat Cross Member	Yellow
Power Seat	RV-YWB10027L	1995, LH Seat Cross Member	Yellow
Bulb Check	RV-YWB10027L	1995, LH Footwell, Hinged Bracket	Yellow
A/C Fans	RV-YWB10027L	1995, LH Footwell, Hinged Bracket	Yellow
Auxiliary Lamps	RV-YWB10027L	1995, LH Footwell, Hinged Bracket	Yellow
Sunroof	RV-YWB10027L	1995, LH Footwell, Hinged Bracket	Yellow
Cruise Control	RV-YWB10032L	1995, LH Footwell, Hinged Bracket	Green
Heated Front Screen	RV-PRC7303	1995, LH Footwell, Hinged Bracket	Black
ABS Warning Light	RV-PRC8531	1995, Under Driver's Seat	Blue
ABS Load	RV-PRC9603	1995, Under Driver's Seat	Black
ABS Pump	RV-PRC9603	1995, Under Driver's Seat	Black

BODY, RANGE ROVER CLASSIC



Description	Order Number	Explanatory Notes	Qty
1. Windshield Seal	RV-MXC7405	Front, LA415621-on	1
2. Windshield	RV-MXC5648	Through 1994	1
2. Windshield	RV-BTR9641	1995	1
3. Bonnet Assembly	RV-RTC6368		1
4. Rubber Buffer, Bonnet	RV-391287		2
5. Clip	RV-MXC3133		2
6. Guard	RV-MXC3070		1
7. Grille	RV-BTR451		1
8. Grille Badge	RV-BTR8068		1
9. Front Bumper Corner Cap	RV-RTC5695	Right	1
10. Front Bumper, Chrome	RV-NTC7041	Through 1994	1
10. Front Bumper, Chrome	RV-ANR2445	1995	1
10. Front Bumper, Black	RV-NTC4281	Through 1994	1
10. Front Bumper, Black	RV-ANR2033	1995	1
11. Front Bumper Corner Cap	RV-RTC5696	Left	1
12. Front Spoiler	RV-MXC6829	1989-1994	1
12. Front Spoiler	RV-BTR7929	1995	1
13. Dust Seal, Rear Bumper	RV-NTC7833		1
14. Rear Bumper	RV-NTC7042	Chrome	1
14. Rear Bumper	RV-NTC3065	Black	1
15. Rear Bumper Corner Cap	RV-NTC5232	Right	1
15. Rear Bumper Corner Cap	RV-NTC5233	Left	1
16. Front Fender	RV-MXC1408	Right, 1990-on	1
16. Front Fender	RV-MXC1409	Left, 1990-on	1

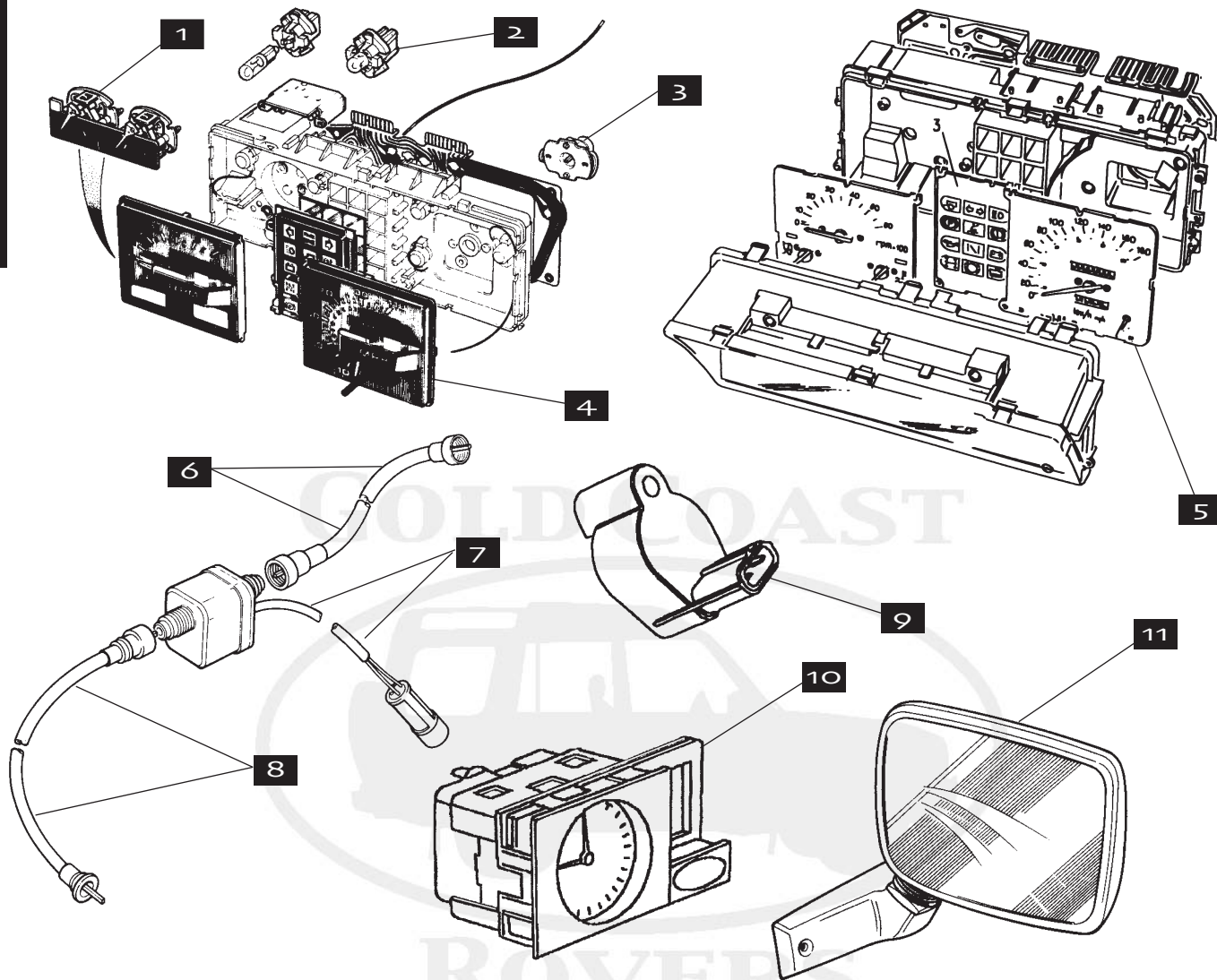


Door Handle
-Reverse Angle

Description	Order Number	Explanatory Notes	Qty
1. Seal for Glass Panel in Sun Roof	RV-EEQ100400		1
2. Upper Tailgate Assembly	RV-ALR4637	Includes glass	1
3. Rear Tailgate Seal	RV-MTC2398		1
4. Rear Tailgate Noise Suppressor	RV-PRC9549	From LA440801	1
5. Tailgate Gas Strut	RV-MXC7833		2
6. Front Door Glass Channel Seal	RV-MWC9602	Fits right or left	2
7. Inner Seal	RV-MUC2325	Top of front door panel	2
8. Outer Window Squeegee Seal	RV-MXC8014	Front, RH	1
8. Outer Window Squeegee Seal	RV-MXC8015	Front, LH	1
8. Outer Window Squeegee Seal	RV-MXC8016	Rear, RH, 100" Wheelbase (SWB)	1
8. Outer Window Squeegee Seal	RV-MXC8017	Rear, LH, 100" Wheelbase (SWB)	1
8. Outer Window Squeegee Seal	RV-ALR4463	Rear, RH, 107" (LWB)	1
8. Outer Window Squeegee Seal	RV-ALR4464	Rear, LH, 107" (LWB)	1
9. Outer Door Handle, Front	RV-MTC6742	Left, Through 1990	1
9. Outer Door Handle, Front	RV-MTC6738	Right, Through 1990	1
9. Outer Door Handle, Front	RV-MXC8925	Left, Heated, 1991 & 1992	1
9. Outer Door Handle, Front	RV-MXC8924	Right, Heated, 1991 & 1992	1
9. Outer Door Handle, Front	RV-ALR3724	Right, Heated, 1993	1
9. Outer Door Handle, Front	RV-ALR3725	Left, Heated, 1993	1
9. Outer Door Handle, Front	RV-ALR2112	Right, Heated, 1994 & 1995	1
9. Outer Door Handle, Front	RV-ALR2113	Left, Heated, 1994 & 1995	1
9. Outer Door Handle, Rear	RV-MTC9113	Left, All	1
9. Outer Door Handle, Rear	RV-MTC9114	Right, All	1
10. Escutcheon, Door Lock Button	RV-MXC4738RUN		4
11. Inner Door Latch Assembly	RV-MTC7593	Right Front	1
11. Inner Door Latch Assembly	RV-MTC7592	Left Front	1

* Denotes Aftermarket Part

GAUGES & MIRRORS, RANGE ROVER CLASSIC



Description	Order Number	Explanatory Notes	Qty
1. Fuel Gauge	RV-PRC5932	1987-1992	1
2. Bulb and Holder	RV-ADU6262L	Through 1988	19
3. Speedo Cable Angle Drive	RV-PRC4352	USA-Spec. to KA399972	1
4. Speedometer, MPH	RV-PRC4348	To KA399972	1
5. Speedometer	RV-RTC6599	1993-1995	1
6. Speedometer Cable	RV-PRC6278	Upper	1
7. Speedometer Transducer	RV-AMR3386	Through 1994	1
8. Speedometer Cable	RV-PRC7826	Through 1989; Lower.	1
Note: This is an updated cable that also requires RV-NTC6115 heat shield and one RV-FN110047 nut.			
8. Speedometer Cable	RV-PRC7949	Lower, 1990	1
9. Speed Sensor	RV-YBE100540	1995	1
10. Clock	RV-STC1802	1995 only	1
11. Door Mirror, Right	RV-STC1587	Through 1989	1
11. Door Mirror, Right	RV-BTR4824	1990-1995, Non-Memory	1
11. Door Mirror, Right	RV-BTR4819	1993-1995, Memory	1
11. Door Mirror, Left	RV-STC1303	Through 1989	1
11. Door Mirror, Left	RV-BTR5816	1990-1995, Non-Memory	1
11. Door Mirror, Left	RV-BTR5817	1993-1995, Memory	1

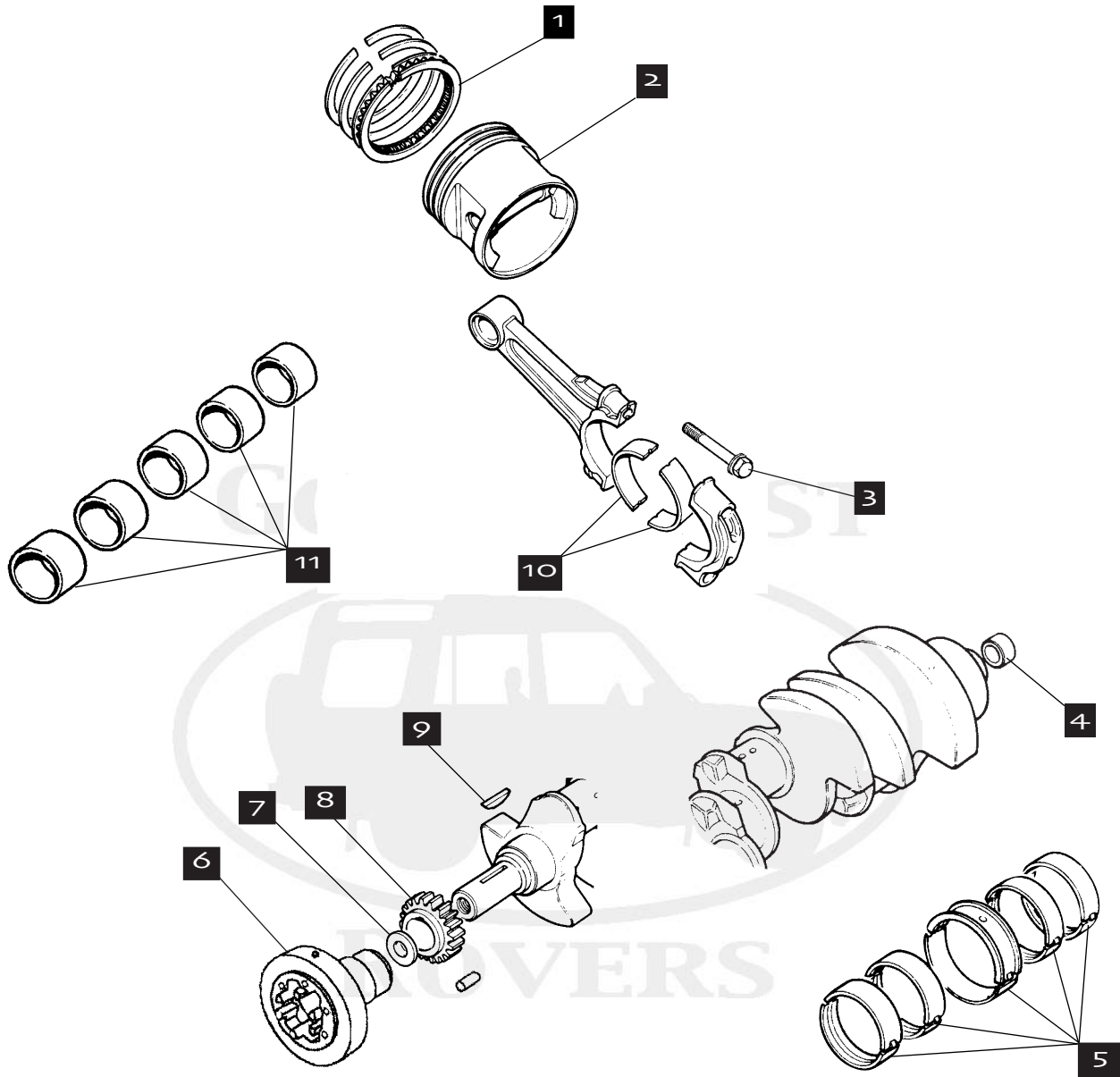
R A N G E R O V E R L A N D R O V E R

County **LWB** County



GOLD COAST

Description	Order Number	Explanatory Notes
"LAND ROVER" Grille Badge	RV-MWC5467	Through 1988
"LAND ROVER" Grille Badge	RV-BTR8068	1989-1995
"RANGE ROVER" Decal	RV-MUC2955LMP	On hood, Through 1989, (not LSE)
"RANGE ROVER" Decal	RV-MUC2955SUA	On hood, Through 1989, LSE Version
"RANGE ROVER" Decal	RV-BTR5653LVC	On hood, 1993-on, Dark Grey up to PA631126
"RANGE ROVER" Decal	RV-BTR7036MUL	On hood, Mid Silver (1993)
"RANGE ROVER" Decal	RV-BTR7033PME	On hood, 1993-on, Black
"RANGE ROVER" Decal	RV-BTR7033MUL	On hood, 1993-on, Silver
"RANGE ROVER" Decal	RV-BTR8571SUA	On hood, 1993-on, Sorrel Brown
"RANGE ROVER" Decal	RV-MUC2956LMP	On Tail Gate, Through 1989, LSE only; Nimbus
"RANGE ROVER" Decal	RV-BTR5652MUK	On Tailgate, Mid Silver (1993)
"RANGE ROVER" Decal	RV-BTR7032PME	On Tailgate, 1993-on, Black
"RANGE ROVER" Decal	RV-BTR7032MUL	On Tailgate, 1993-on, Silver
"RANGE ROVER" Decal	RV-BTR8570SUA	On Tailgate, 1993-on, Sorrel Brown
"RANGE ROVER" Decal	RV-RTC6463	Hood and/or Tailgate, 1990 thru 1992, Brown
"RANGE ROVER" Decal	RV-RTC6465	Hood and/or Tailgate, 1990 thru 1992, Silver
"Hunter" Decal	RV-RTC7661	
"County SE" Decal	RV-RTC7711	
"Land Rover" oval on gate	RV-BTR1047	
"County" Decal	RV-RTC7642	Silver, Through 1992
"County" Decal	RV-RTC7642NG	Grey, Through 1992
"LSE" Decal	RV-RTC7744	
"County" Badge, radio	RV-RTC7643	
"County LWB" Decal, Tailgate	RV-BTR7036PME	Black
"County LWB" Decal, Tailgate	RV-BTR7036MUL	Silver
"County LWB" Decal, Tailgate	RV-BTR8573SUA	Sorrel Brown
"County" Decal, Tailgate (SWB cars)	RV-BTR5940MUK	Mid Silver (1993)
"County" Decal, Tailgate (SWB cars)	RV-BTR7040PME	Black
"County" Decal, Tailgate (SWB cars)	RV-BTR7040MUL	Silver
"County" Decal, Tailgate (SWB cars)	RV-BTR8572SUA	Sorrel Brown
"Range Rover" on Hood	RV-BTR7033PME	25th Anniversary Limited Edition only
"Range Rover" on gate	RV-BTR7032PME	25th Anniversary Limited Edition only
"Classic" Badge, tailgate	RV-AWR2617	25th Anniversary Limited Edition only

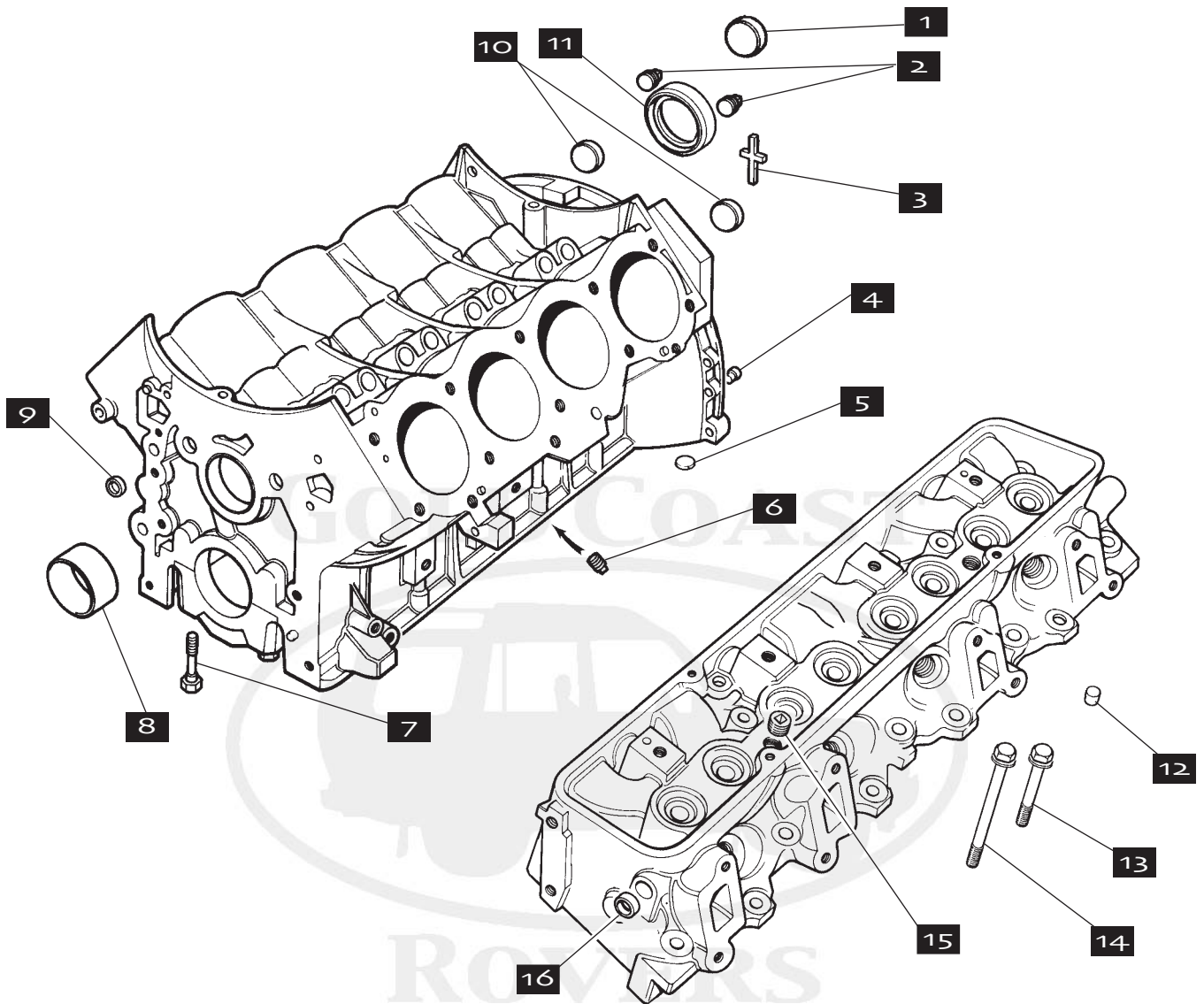


Description

Order Number

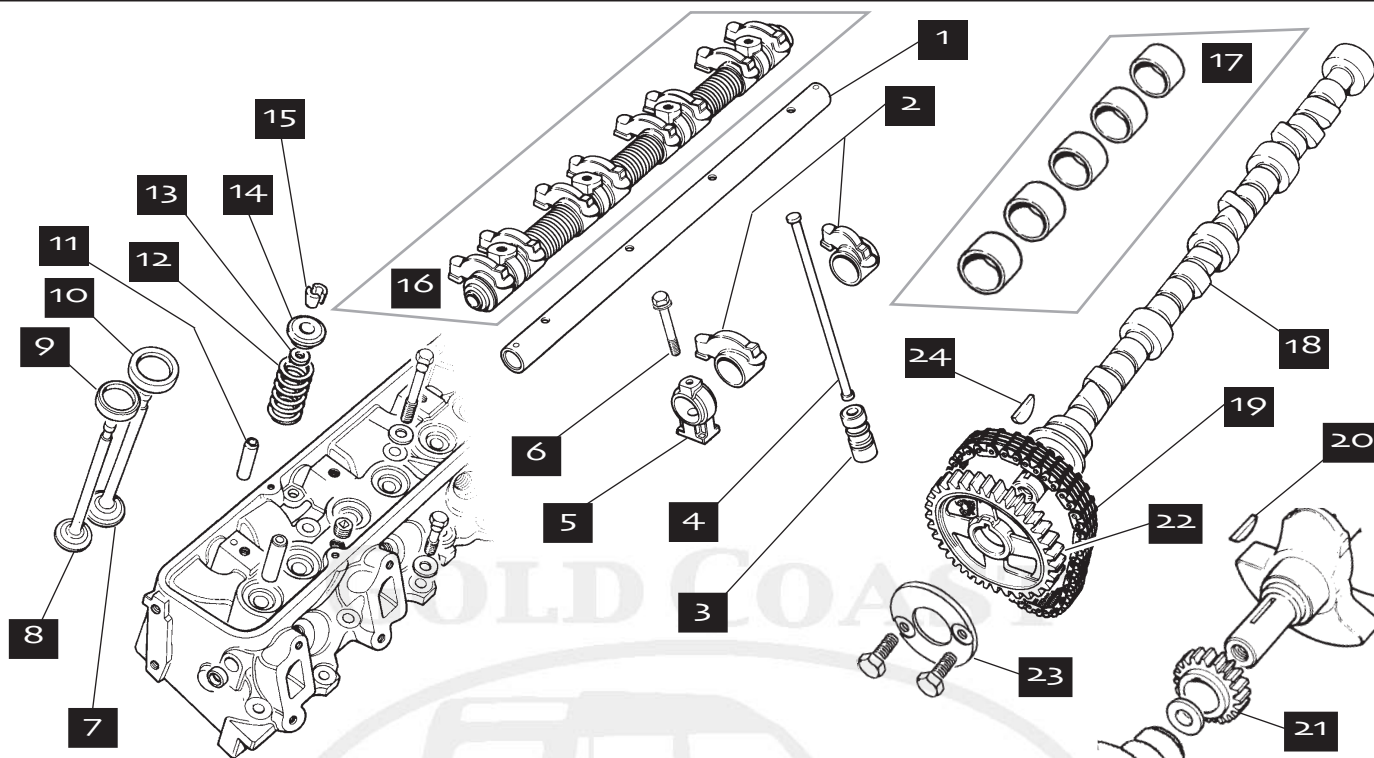
Explanatory Notes

1. Piston Ring Set, 4.0 or 4.6	RV-STC1427	Standard Bore
2. Piston, 4.0 Liter	RV-ERR5553	High Compression, Standard Bore
2. Piston, 4.6 Liter	RV-ERR5554	High Compression, Standard Bore
3. Rod Bolt	RV-ERR1772	
4. Pilot Bushing, end of crankshaft	RV-549911	
5. Main Bearing Set, standard	RV-STC4299	Standard
5. Main Bearing Set, + .010"	RV-STC4299.010	Oversize
6. Crankshaft Damper/Pulley	RV-LHG000060	
7. Washer on Crankshaft	RV-ERC416	
8. Timing Gear on Crankshaft	RV-ERR2958	
9. Crankshaft Key	RV-ERR2846	
10. Rod Bearing Set, Standard	RV-STC1426	
10. Rod Bearing Set, +.010"	RV-STC1426.010	
10. Rod Bearing Set, +.020"	RV-STC1426.020	
11. Cam Bearing Set	RV-STC1961	To WA401102

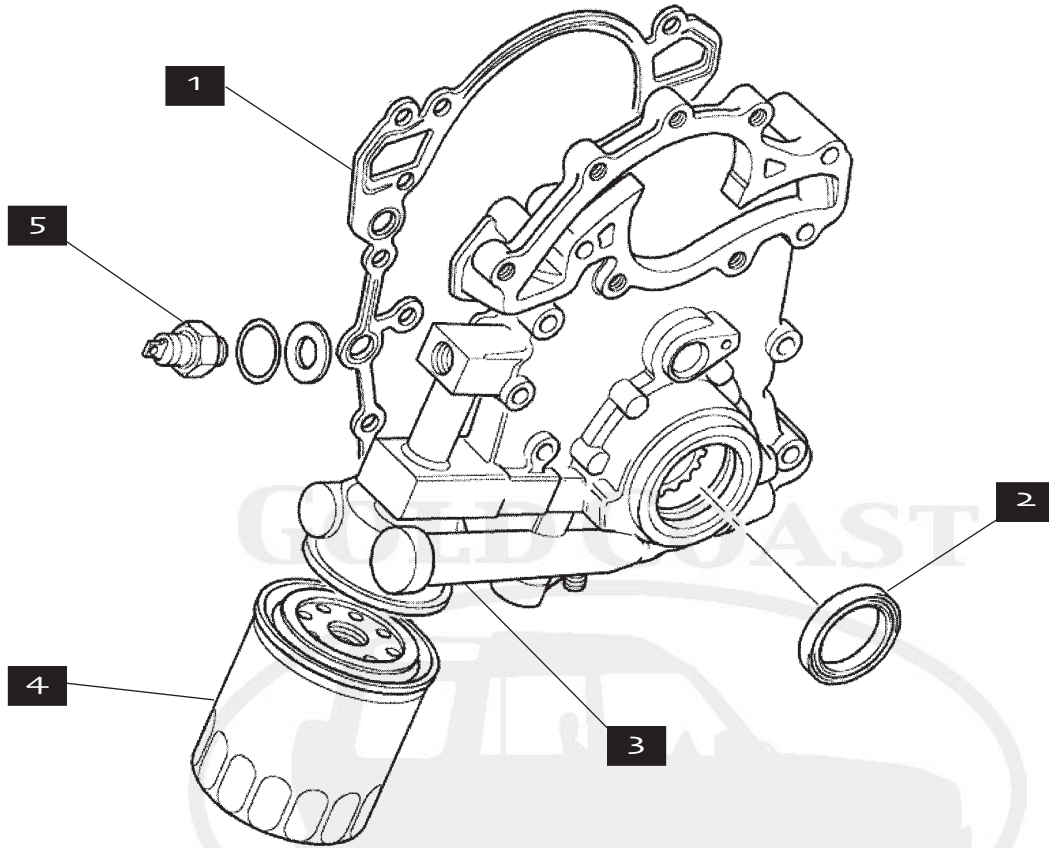


RANGE ROVER II, 1995-2002

Description	Order Number	Explanatory Notes	Qty
1. Plug, Cam Bore, Rear	RV-602146		2
2. Plug, tappet, rear	RV-ERR4314		2
3. Oil Seal Retainers	RV-LUN000010		2
4. Dowel, Flywheel Housing	RV-602141		2
5. Plug, Rear Flange	RV-612898		2
6. Plug, Drain	RV-ERR4315		1
7. Bolt, Bearing Cap	RV-602130		10
8. Cam Bearing Set	RV-STC1961		1
9. Plug, tappet	RV-602147		4
10. Cup Plug	RV-602152	To WA401102	8
11. Oil Seal, Crankshaft	RV-ERR2640		1
12. Dowel, head to block	RV-602040		4
Note: Always replace hold-down bolts when cylinder heads are removed.			
13. Cylinder Head Bolt, 66mm	RV-ERR2943		14
14. Cylinder Head Bolt, 96mm	RV-ERR2944		6
15. Core Plug	RV-602123		
16. Cup Plug	RV-602289		

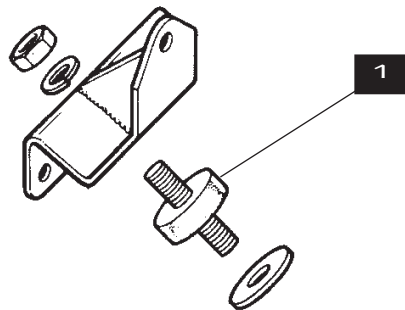


Description	Order Number	Explanatory Notes	Qty
1. Rocker Shaft	RV-611659L	Right or Left	2
2. Rocker Arm	RV-602153	Right or Left	16
3. Lifter/Tappet	RV-ERC4949		16
4. Push Rod	RV-603378		16
5. Rocker Arm Bracket/Stand	RV-603734		8
6. Special Bolt, Rocker Arm Bracket/Stand	RV-602097		8
7. Valve, Intake	RV-ERR1780*		8
8. Valve, Exhaust	RV-ERR7338*		8
9. Valve Seat, Exhaust	RV-ETC8596	Standard Size	8
9. Valve Seat, Exhaust	RV-ERC211	+.010" oversize	A/R
10. Valve Seat, Intake, Standard	RV-ERC224	Standard Size	8
10. Valve Seat, Intake	RV-ERC225	+.010" oversize	A/R
11. Valve Guide, Intake or Exhaust	RV-LGJ100900	Standard Size	16
11. Valve Guide, Intake or Exhaust	RV-LGJ100900.002	.002" oversize	A/R
11. Valve Guide, Intake or Exhaust	RV-LGJ100900.005	.005" oversize	A/R
12. Valve Spring, sold per each	RV-ERR4628*		16
13. Valve Stem Seal	RV-ERR1782		16
14. Valve Spring Retaining Cap	RV-ERC573		16
15. Cotter, split (per pair)	RV-ERC1637		32
16. Updated Rocker Shaft Assembly	RV-611660	①	2
① These are complete assemblies that use alloy rocker arms for less reciprocating mass. Highly recommended.			
17. Cam Bearing Set	RV-STC1961		1
18. Cam Shaft, 4.0-Liter	RV-ERR3720		1
18. Cam Shaft, 4.6-Liter	RV-ERR5250		1
19. Timing Chain	RV-ERC7929		1
20. Crankshaft Key	RV-ERR2846		1
21. Timing Gear on Crankshaft	RV-ERR2958		1
22. Chain Gear on Camshaft	RV-ERR5086	4.0 & 4.6 through 1998	1
22. Chain Gear on Camshaft	RV-ERR7375	4.0 & 4.6 1999-on	1
23. Thrust Plate	RV-ERR2609	4.0 or 4.6	1

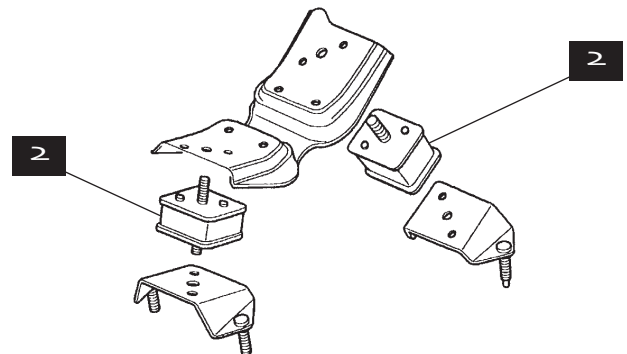


Description	Order Number	Explanatory Notes
1. Gasket, Timing Cover	RV-ERR7280	
2. Crankshaft Seal	RV-ERR6490	
3. Oil Pump/Front Engine Cover	RV-ERR6438	To XA426593
3. Oil Pump/Front Engine Cover	RV-LJR105040	From XA426594
4. Oil Filter	RV-ERR3340*	
5. Oil Pressure Switch	RV-STC4104K*	To XA426594
5. Oil Pressure Switch	RV-NUC100280L	From XA426594

ENGINE MOUNT

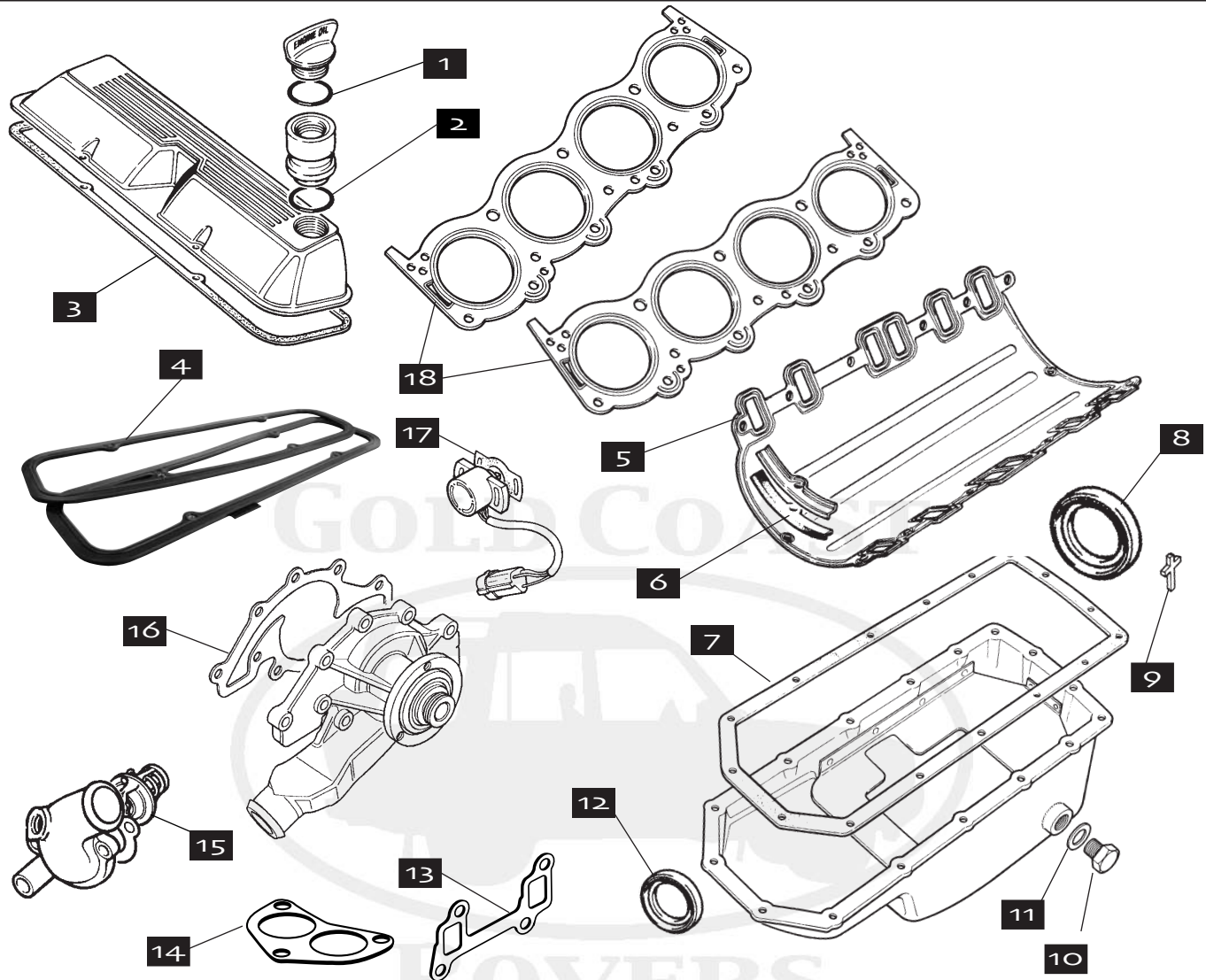


TRANSMISSION MOUNT

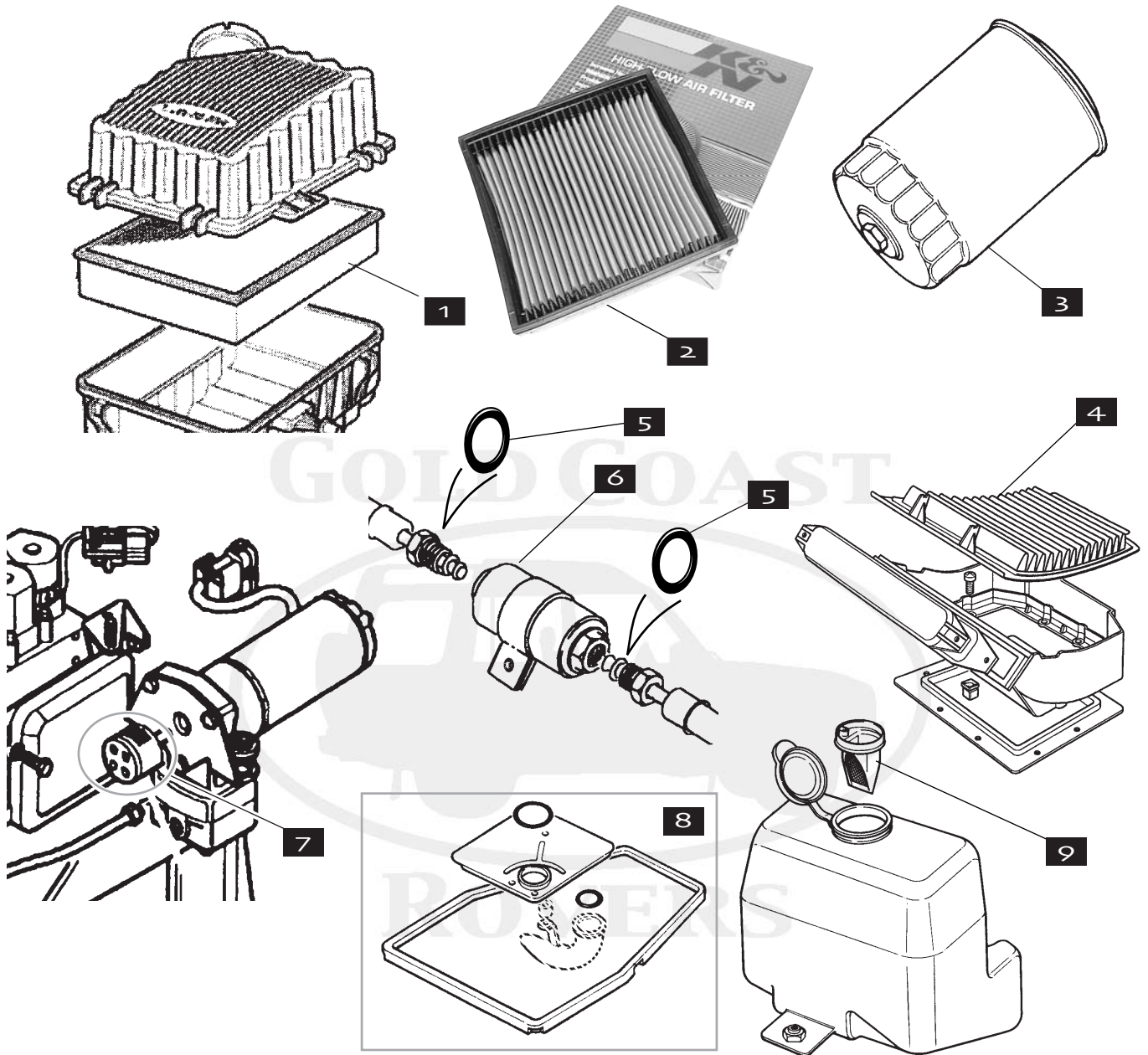


Description	Order Number	Explanatory Notes	Qty
1. Engine Mount	RV-ANR2620		2
2. Transmission Mount	RV-ANR2621		2

* Denotes Aftermarket Part



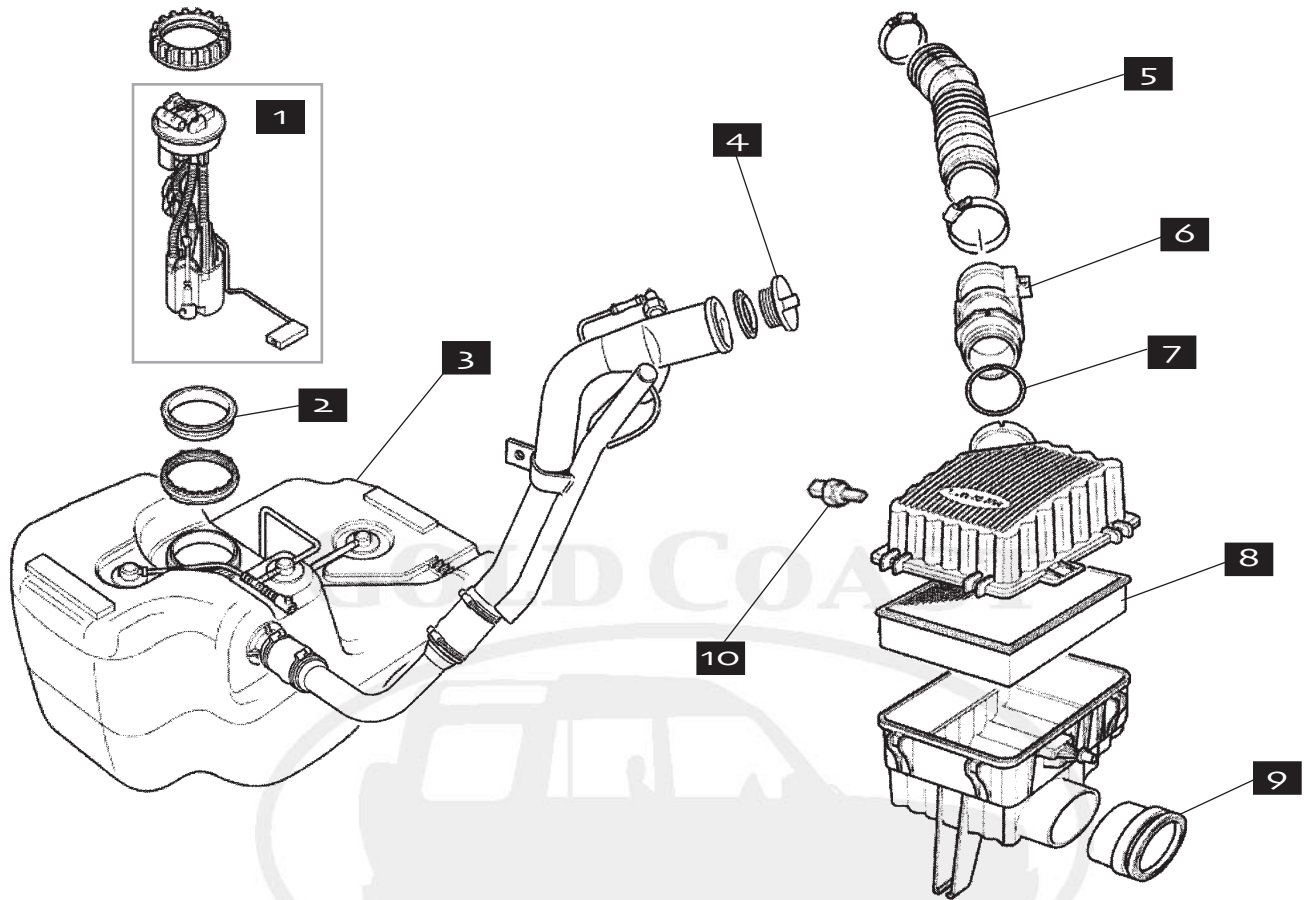
Description	Order Number	Explanatory Notes	Qty
1. O-Ring, Under Cap	RV-ERR5219		1
2. O-Ring, Oil Filler Cap Adapter to Cover	RV-564258		1
3. Valve Cover Gasket, Cork	RV-602512*		2
4. Updated Rubber Valve Cover Gasket	RV-LVC100260		2
5. Intake Manifold Gasket	RV-LKJ500020		1
6. Seal, front of intake gasket	RV-ERR7283		2
7. Oil Pan Gasket	RV-LVF100400		1
8. Rear Crankshaft Seal	RV-ERR2640		1
9. Retainer for Rear Seal	RV-LUN 000010		2
10. Drain Plug, Oil Pan	RV-UAM2957L		1
11. Sealing Washer, Oil Pan Drain Plug	RV-UAM2857L		1
12. Front Crankshaft Seal	RV-ERR6490		1
13. Gasket, Exhaust Manifold	RV-ERR6733		4
14. Gasket, Exhaust Manifold to Downpipe/Catalyst	RV-ESR3260		2
15. Gasket, Thermostat/Water Elbow Gasket	RV-ERR2429		1
16. Water Pump Gasket	RV-ERR4077		1
17. Gasket, throttle position sensor	RV-ERR4944		1
18. Head Gasket	RV-ERR7217*		2




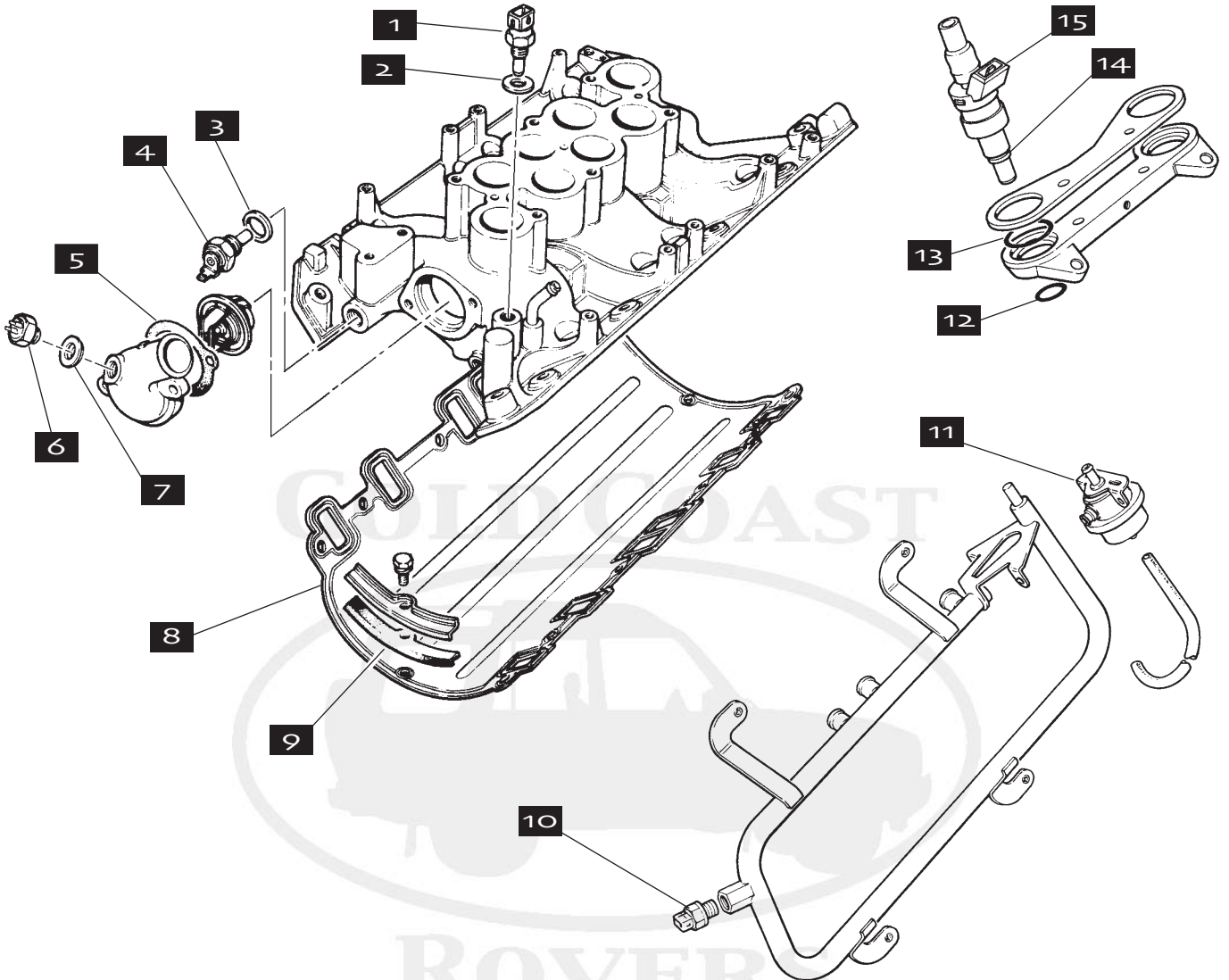
RANGE ROVER II, 1995-2002

Description	Order Number	Explanatory Notes	Qty
1. Air Filter	RV-ESR341	1995 & 1996	1
1. Air Filter	RV-ESR4238	1997	1
1. Air Filter	RV-ESR341	1998, WA376580 to WA385948	1
1. Air Filter	RV-ESR4238	1998, WA385948-on	1
1. Air Filter	RV-ESR4238	1999-2002	1
2. Air Filter	RV-1502	replacement for ESR341	1
2. Air Filter	RV-1499	replacement for ESR4238	1
3. Oil Filter	RV-ERR3340*		1
4. Pollen/Cabin Filter	RV-BTR8037		1
5. O-Rings for Fuel Filter	RV-ESR259		2
6. Fuel Filter	02-NMD6091AC*		1
7. Air Inlet Filter, Air Suspension	RV-STC2759		1
8. Automatic Transmission Filter Kit, with ZF	RV-RTC4653	(Includes Filter, Gasket and two O-rings)	1
9. Windshield Washer Reservoir Filter	RV-AMR3266		1

* Denotes Aftermarket Part

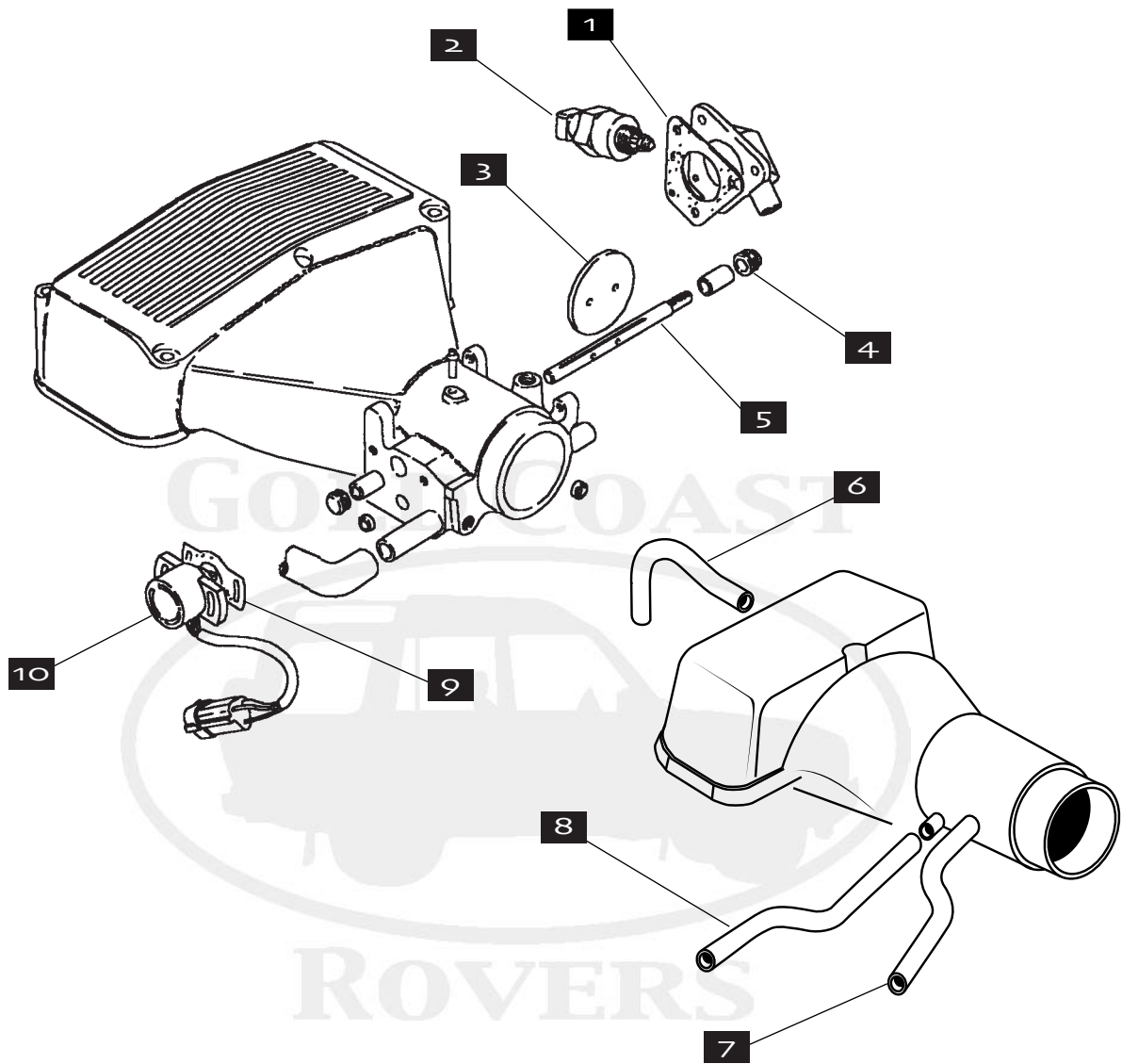


Description	Order Number	Explanatory Notes
1. Fuel Pump	RV-STC4344	1995-1997
1. Fuel Pump	RV-STC4345	1998 only
1. Fuel Pump	RV-WFX101390	1999-2002
2. Seal, pump to tank	RV-NTC5859	Through 1997
2. Seal, pump to tank	RV-WGQ500020	1998-on
3. Fuel Tank	RV-WFE107480	Through 1997
3. Fuel Tank	RV-ESR4039	1998
3. Fuel Tank	RV-WFE107020	1999-2002
4. Fuel Filler Cap	RV-WLD100820	Through 1997
4. Fuel Filler Cap	RV-WLD500100	1998-on
5. Accordion Intake Hose	RV-ESR4216	Through 1998
5. Accordion Intake Hose	RV-PHD104050	1999-2002
6. Air Flow Meter	RV-ERR5595	Through 1998
6. Air Flow Meter	RV-MHK100800	1999-2002
7. O-Ring, Airflow Meter to Filter Housing	RV-NTC3354	Through 1998
7. O-Ring, Airflow Meter to Filter Housing	RV-PHN100220	1999-2002
8. Air Filter	RV-ESR341	1996
8. Air Filter	RV-ESR4238	1997
8. Air Filter	RV-ESR341	1998, WA376580 to WA385948
8. Air Filter	RV-ESR4238	1998, WA385949-on
8. Air Filter	RV-ESR4238	1999-on
8. Air Filter	RV-1502	 replacement for ESR341
9. Seal, Air Filter Canister Intake	RV-ESR3123	Through 1998
9. Seal, Air Filter Canister Intake	RV-PHN100230	1999-2002
10. Sensor, Air Inlet Temperature	RV-ERR2946	Through 1998; Located in air filter box



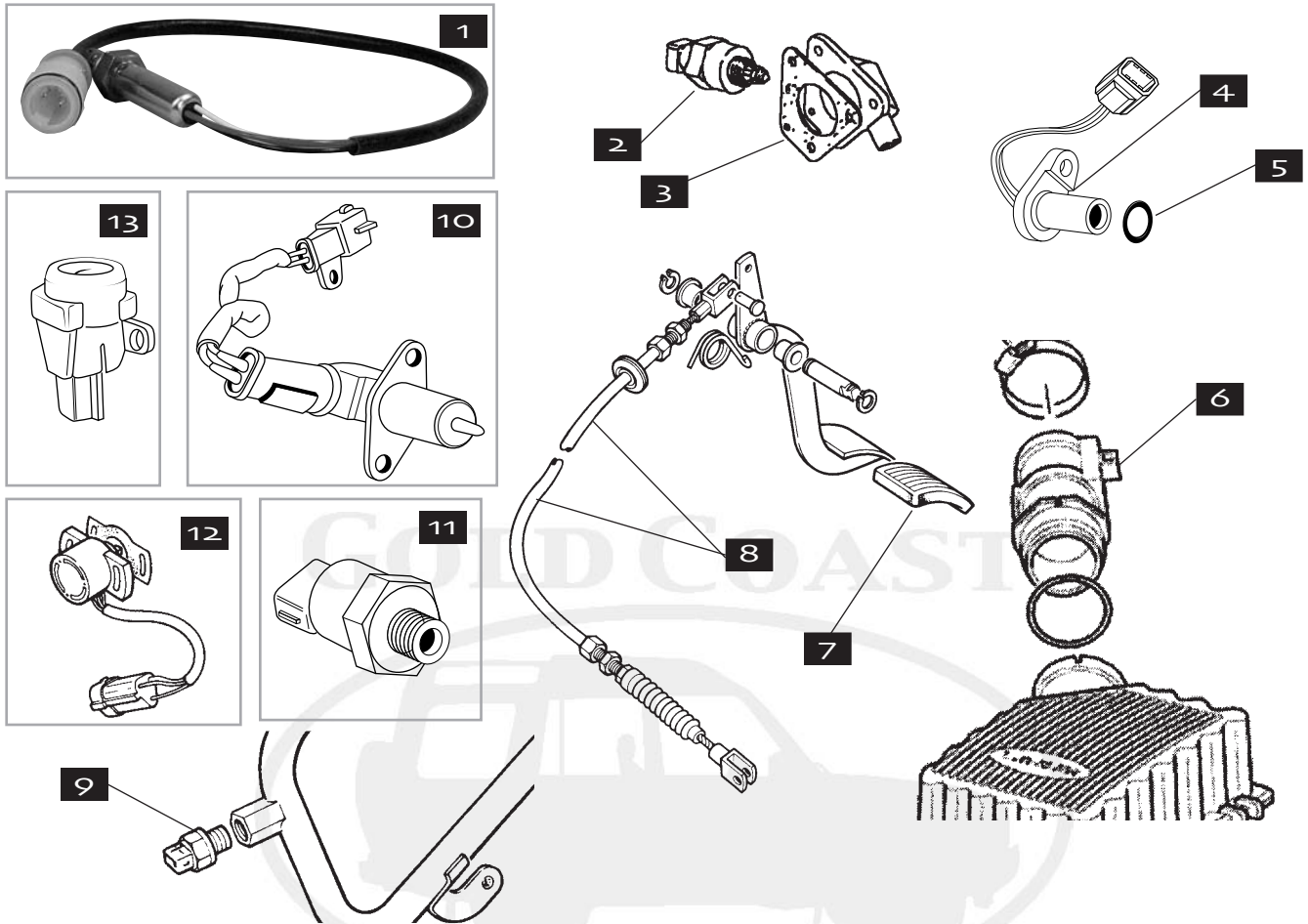
RANGE ROVER II, 1995-2002

Description	Order Number	Explanatory Notes	Qty
1. Coolant Temperature Sender for ECU	LU-SNB802	Through 1998; As per EAC3927L/ETC8496	1
1. Coolant Temperature Sender for ECU	RV-MEK100160	1999-on	1
2. Sealing Washer for Sender for ECU	RV-243967		1
3. Sealing Washer for Sender for Gauge	RV-90568054		1
4. Coolant Temperature Sender for Gauge	RV-AMR1425	Through 1996	1
4. Coolant Temperature Sender for Gauge	RV-AMR5929	1997-On	1
5. Gasket, Coolant Outlet Elbow	RV-ERR2429	a.k.a Thermostat Housing Gasket	1
6. Fan Switch	RV-PRC8170		1
7. Sealing Washer for Fan Switch	RV-C457593		1
8. Intake Manifold Gasket	RV-LKJ500020		1
9. Seal, front of intake gasket	RV-ERR7283		2
10. Fuel Temperature Sender	RV-ETC6661		1
11. Fuel Pressure Regulator	RV-ETC8494		1
12. O-Ring, Injector	RV-ERR7309	Two per injector, through 1999	16
13. Ring Seal, Center	RV-EAC2414L		8
14. O-Ring, Injector	RV-RTC5679	Two per injector, 2000-on	16
15. Fuel Injector	RV-ERR722	Through 1998	8
15. Fuel Injector	RV-ERR6600	1999-on	8



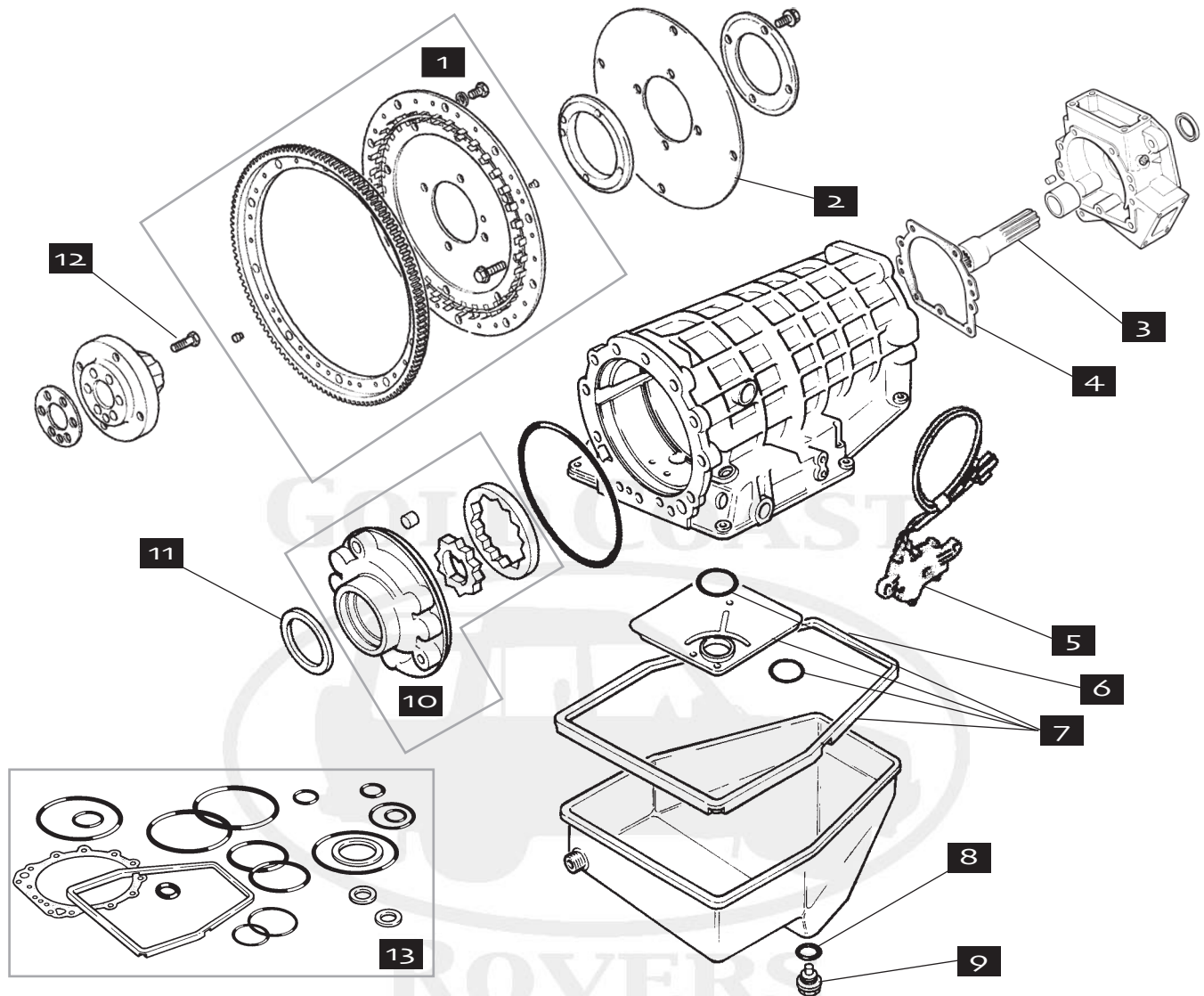
RANGE ROVER II, 1995-2002

Description	Order Number	Explanatory Notes
1. Gasket for ERR4352	RV-ERR3359	
2. Stepper Motor; AKA "intake air control valve"	RV-ERR4352	
3. Throttle Disc	RV-ETC6222	
4. Throttle Shaft Seal	RV-AUD3577L	Front
4. Throttle Shaft Seal	RV-ERR4318	Rear
5. Shaft in Throttle Body	RV-ERR4245	
6. Hose, Rocker to Ram Housing	RV-ERR4258	
7. Hose, Rocker to Plenum,	RV-LLH500100	
8. Hose, Water Manifold to Plenum	RV-ERR4388	
9. Gasket, Throttle Position Sensor	RV-ERR4944	
10. Throttle Position Sensor	RV-ERR4278	

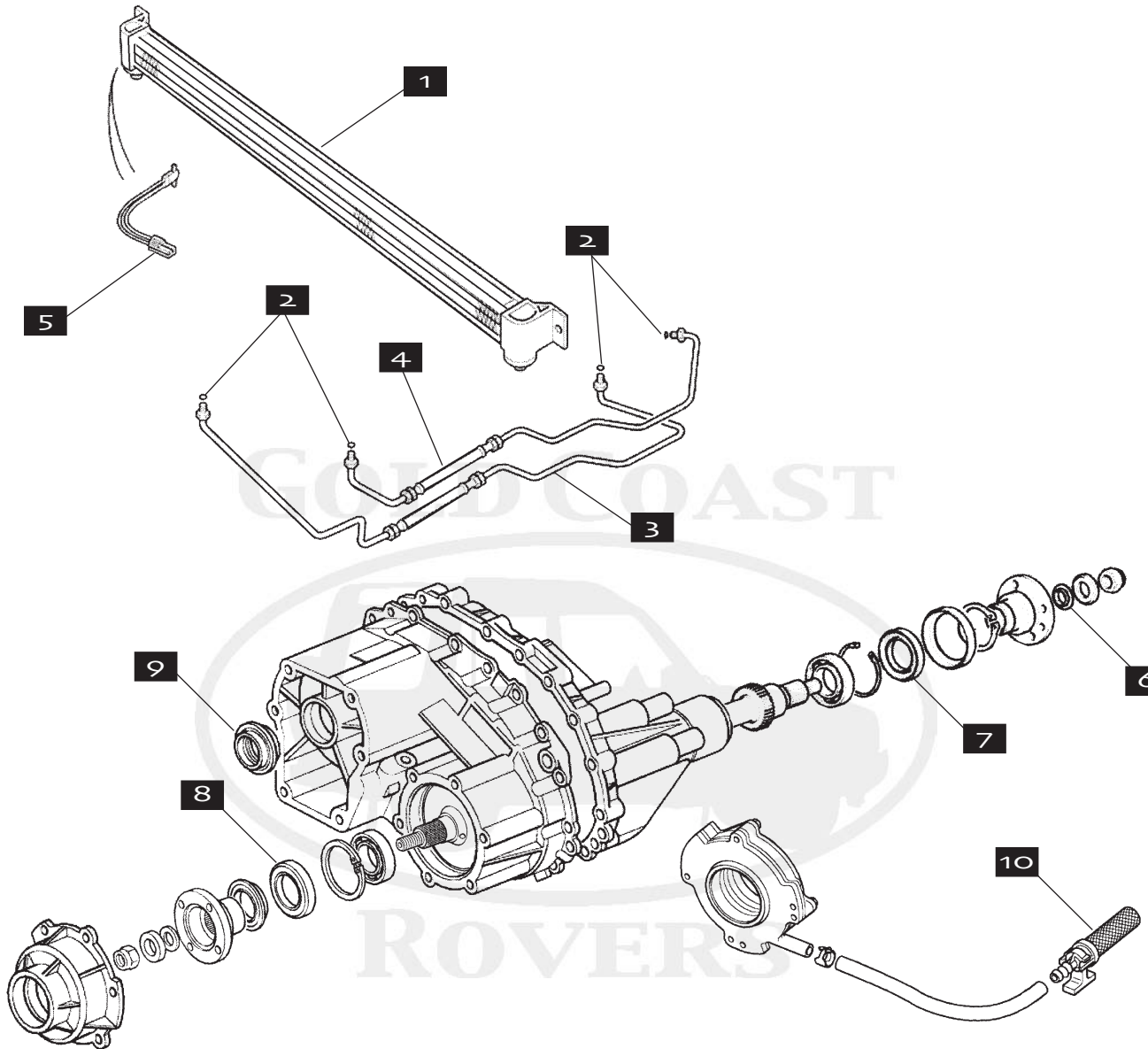


RANGE ROVER II, 1995-2002

Description	Order Number	Explanatory Notes
1. Oxygen Sensor	RV-ERR1834	To VIN VA350101 (In 1997 model year)
1. Oxygen Sensor	RV-AMR6244	From VIN VA350102 to VIN WA410481 (mid 1997 through 1998)
1. Oxygen Sensor, Front	RV-MHK100930	From XA410482 (1999-on)
1. Oxygen Sensor, Rear	RV-MHK100940	From XA410482 (1999-on)
2. Stepper Motor, Fuel Injection	RV-ERR4352	
3. Gasket, Stepper Motor	RV-ERR3359	
4. Position Sensor, Camshaft	RV-ERR2261	Through 1996
4. Position Sensor, Camshaft	RV-ERR6169	1997-on
5. O-Ring, Cam Position Sensor	RV-ERR4815	
6. Airflow Meter	RV-ERR5595	Through 1998
6. Airflow Meter	RV-MHK100800	1999-on
7. Rubber Pad, Throttle Pedal	RV-DCP3974L	All
8. Throttle Cable	RV-SBB104050	Through 1999
8. Throttle Cable	RV-SBB104150	2000-on
9. Temperature Sensor, Fuel	LU-SNB802	Through 1998
9. Temperature Sensor, Fuel	RV-MEK100160	1999-on
10. Position Sensor, Crankshaft	RV-ADU7342L	Through 1996
10. Position Sensor, Crankshaft	RV-ERR6119	1997 & 1998
10. Position Sensor, Crankshaft	RV-ERR7354	1999-on
11. Knock Sensor	RV-ERR5594	Through 1998
11. Knock Sensor	RV-NSC100650	1999-on
12. Throttle Position Sensor	RV-ERR4278	
13. Inertia Switch, Fuel Pump	RV-WQT100030L	

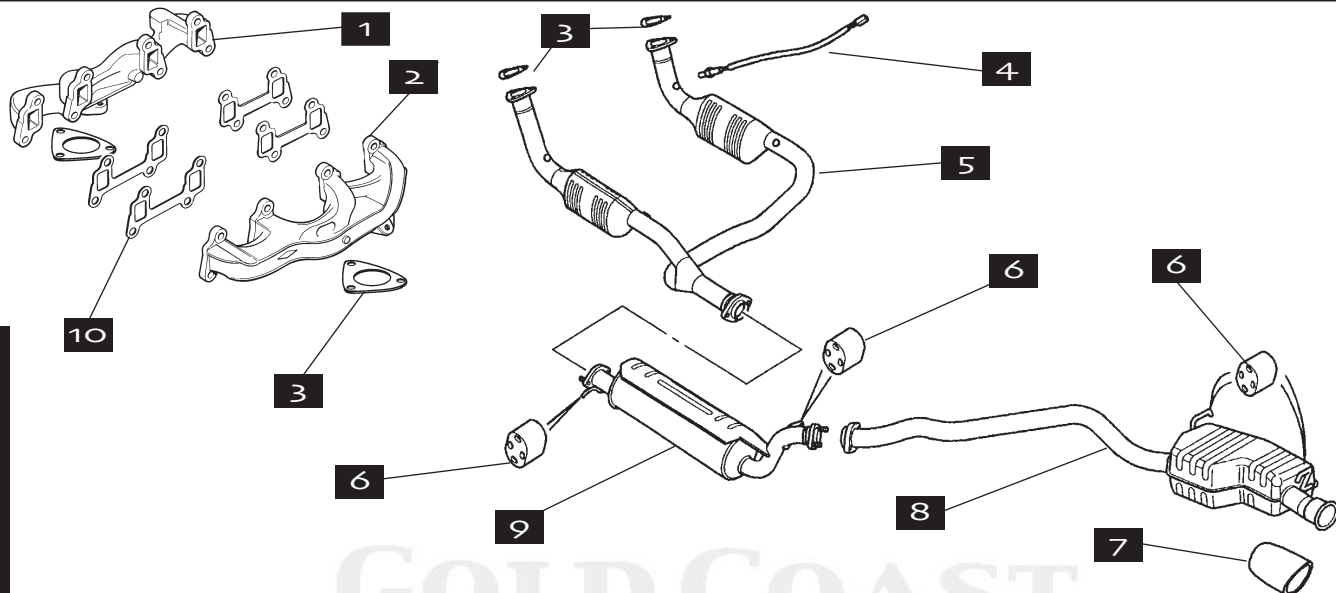


Description	Order Number	Explanatory Notes
1. Drive Plate/Ring Gear Assy	RV-ERR5658	Through 1998
1. Drive Plate/Ring Gear Assy	RV-TPD000040	1999-on
2. Drive Plate	RV-FTC4607	All
3. Coupling Shaft	RV-FTC5090	
4. Gasket, Case to Governor Housing	RV-RTC4295	
5. Switch Assembly, Side of Transmission	RV-STC2944	To WA387941
5. Switch Assembly, Side of Transmission	RV-UHB100180	WA3877942 to WA410481
5. Switch Assembly, Side of Transmission	RV-STC4452	XA410482-on
6. Pan Gasket	RV-RTC4268	
7. Auto Trans Filter Kit	RV-RTC4653	Includes Filter, Gasket and Two O-Rings.
8. Washer, Drain Plug	RV-STC1060	Through 1998
8. Washer, Drain Plug	RV-STC4099	1999-on
9. Drain Plug	RV-RTC4647	Through 1998
9. Drain Plug	RV-STC4098	1999-on
10. Front Pump Assembly	RV-STC1836	Through 1998
11. Front Seal	RV-RTC5102	
12. Bolt to Crankshaft	RV-SS607160	1995 Only, 6 Required
12. Bolt to Crankshaft	RV-SS607120	1996-on, 6 Required
13. Gaskets & Seals Kit	RV-STC4449	

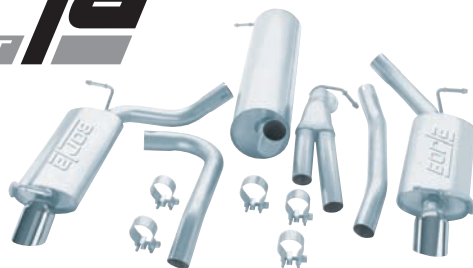


RANGE ROVER II, 1995-2002

Description	Order Number	Explanatory Notes	Qty
Transmission Cooler			
1. Gearbox Cooler	RV-ESR2276		1
2. O-Ring	RV-ESR1594L		4
3. Flex Hose/Pipe, (the longer one)	RV-ESR2904	Oil Cooler to Transmission; Through 1998	1
3. Flex Hose/Pipe, (the longer one)	RV-UBP101040	Oil Cooler to Transmission; 1999-on	1
4. Flex Hose/Pipe, (the shorter one)	RV-ESR2902	Transmission to Oil Cooler; Through 1998	1
4. Flex Hose/Pipe	RV-UBP101050	Transmission to Oil Cooler (the shorter one);1999-on	1
5. Switch, Transmission Oil Temp	RV-ESR4329		1
Transfer Box			
6. Seal, output flange spline	RV-RTC6363		1
7. Seal, output shaft	RV-FTC4939		1
8. Seal, output	RV-FTC4939		1
9. Seal, input shaft	RV-FTC2979	From transmission	1
10. Filter	RV-STC3250		1



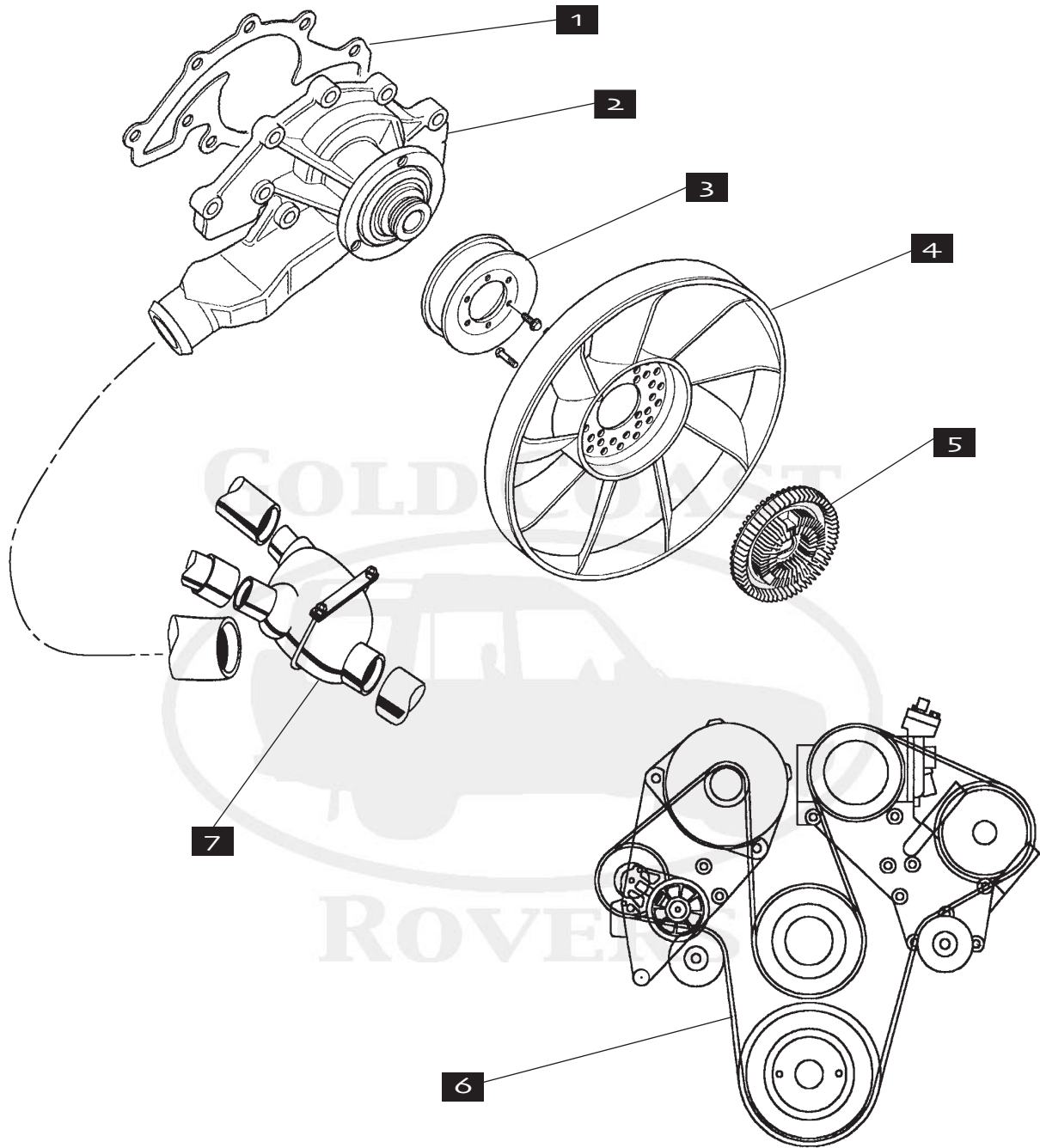
Description	Order Number	Explanatory Notes	Qty
1. Exhaust Manifold, RH	RV-LKC102470		1
2. Exhaust Manifold, LH	RV-LKC102480		1
3. Gasket, Manifolds to Downpipes	RV-ESR3260		2
4. Oxygen Sensor	RV-ERR1834	To VIN VA350101 (In 1997 model year	4
4. Oxygen Sensor	RV-AMR6244	From VIN VA350102 to VIN WA410481 (mid 1997 through 1998)	4
4. Oxygen Sensor, Front	RV-MHK100930	From XA410482	2
4. Oxygen Sensor, Rear	RV-MHK100940	From XA410482	2
5. Downpipe/Catalyst	RV-WCD000860	Genuine, through 1997	1
5. Downpipe/Catalyst	RV-WCD104720	Genuine, 1998 only	1
5. Downpipe/Catalyst	RV-WCD104720*	Aftermarket, all though 1998	1
5. Downpipe/Catalyst	RV-WCD105350	Genuine, 1999-on	1
6. Mount Rubber	RV-ESR3172		4
7. Exhaust Tip	RV-ESR3153		1
8. Tailpipe Assembly, Single Exhaust	RV-ESR3538	To VIN VA346793 (mid 1997)	1
8. Tailpipe Assembly, Single Exhaust	RV-ESR4126	VIN VA346794 to WA410481 (mid 1997 to end of 1998)	1
8. Tailpipe Assembly, Single Exhaust	RV-WDV100250	1999-on	1
Tailpipe Assembly, Dual Exhaust, RH	RV-WDV100270		1
Tailpipe Assembly, Dual Exhaust, LH	RV-WDV100260		1
9. Center Muffler	RV-ESR3195	Through 1997	1
9. Center Muffler	RV-WCE104311	1998-on	1
10. Gasket, Exhaust Manifold to Head	RV-ERR6733		4



RV-14941 1995-2002 Range Rover, dual outlet

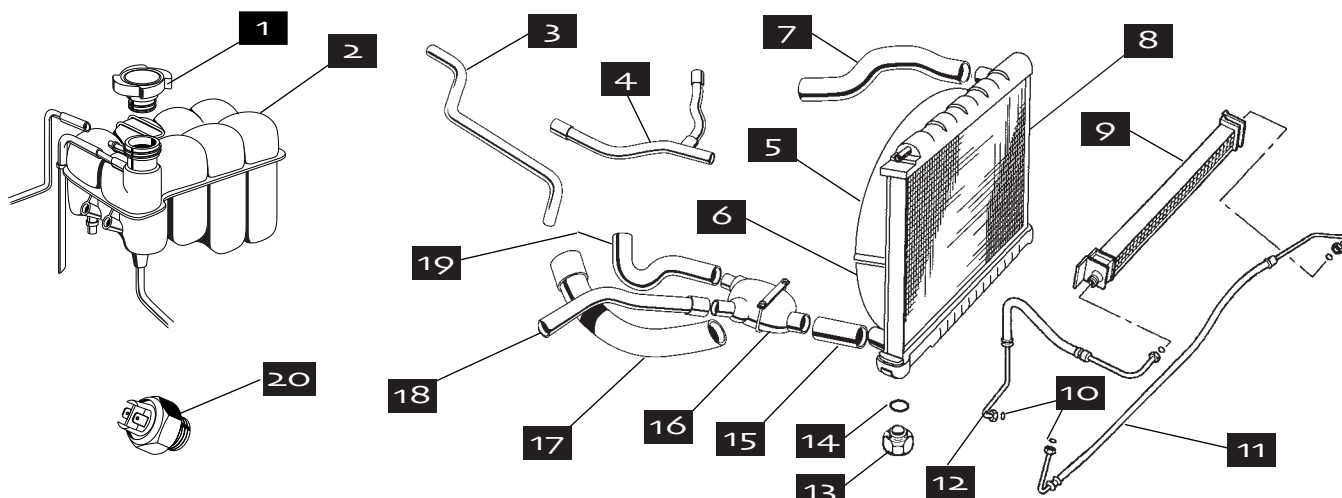
Borla Performance Exhaust

Gold Coast Rovers is a Warehouse Distributor for Borla Exhaust, the leader in late-model performance exhaust systems. Made entirely of aircraft-quality T-304 stainless steel, these "cat-back" systems are entirely mandrel-bent for smooth flow and noticeable power gains. Give your Land Rover a distinctive exhaust note and more power with a Borla stainless steel exhaust system.



RANGE ROVER II, 1995-2002

Description	Order Number	Explanatory Notes
1. Gasket, Water Pump	RV-ERR4077	
2. Water Pump	RV-STC4378	
3. Pulley, with serpentine belt	RV-PQR101050	
4. Fan Blade	RV-ERR4960	
5. Fan Clutch	RV-ERR4996	
6. Serpentine Belt	RV-ERR4460	Through 1998
6. Serpentine Belt	RV-PQS101480	1999-on
7. Thermostat	RV-PEM101130	



RANGE ROVER II, 1995-2002

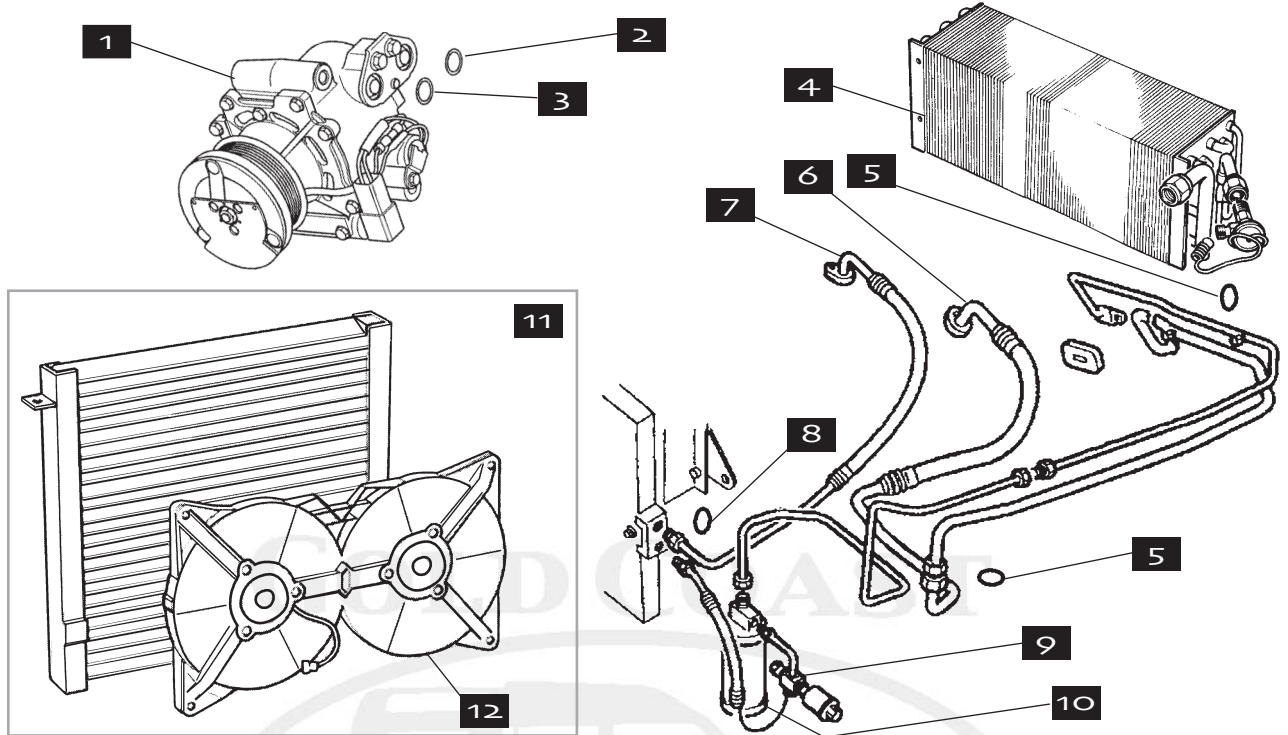
Description	Order Number	Explanatory Notes	Qty
1. Cap, Expansion Tank	RV-PCD000070		1
2. Expansion Tank	RV-ESR2935		1
3. Heater Feed Hose	RV-JHB100920	Has three 90-degree bends	1
4. Heater Return Hose	RV-JHC100420	Three ends	1
4. Heater Return Hose	RV-PCH118830	From XA410482-on	1
5. Radiator Fan Cowl	RV-ESR3291	Upper, to VA410482	1
5. Radiator Fan Cowl	RV-PGK100690	Upper, from XA410842	1
6. Radiator Fan Cowl	RV-ESR3292	Lower	1
7. Top Hose	RV-PCH114840	Through 1998	1
7. Top Hose	RV-PCH000900	1999-on	1
8. Radiator	RV-PCC106940	Through 1998	1
8. Radiator	RV-PCC108080	1999-on	1
9. Engine Oil Cooler	RV-ESR3204	4.0 through 1998	1
9. Engine Oil Cooler	RV-ESR2276	4.0 1999-on	1
9. Engine Oil Cooler	RV-ESR3205	4.6 through 1998	1
9. Engine Oil Cooler	RV-ESR2276	4.6 1999-on	1
10. O-Ring	RV-ESR1594L		4
11. Hose, Cooler to Filter	RV-ESR2697	Through 1998 (to passenger side of cooler)	1
11. Hose, Cooler to Filter	RV-PBP101240	1999-on (to passenger side of cooler)	1
12. Hose, Filter to Cooler	RV-ESR4415	Through 1998 (to driver side of cooler)	1
12. Hose, Filter to Cooler	RV-PBP101180	1999-on (to driver side of cooler)	1
13. Radiator Drain Plug	RV-ERR4686		1
14. O-Ring for Drain Plug	RV-ERR4685		1
15. Hose, Radiator to Thermostat Canister	RV-PCH115480		1
16. Thermostat Canister with Housing	RV-PEM101130		1
17. Hose, thermostat canister to water pump	RV-PEH101010		1
18. Bypass Hose, Engine to Thermostat Canister	RV-PEH101150		1
19. Hose, Heater Return	RV-PEH101160	Through 1998 (thermostat canister to pipe)	1
19. Hose, Heater Return	RV-PCH000900	1999-on (thermostat canister to pipe)	1
20. Cooling Fan Switch	RV-PRC8170		1

Land Rover Cooling Hose Kits



Replacing one or two hoses at a time almost guarantees the need to go back later and re-trace your steps. Get great peace of mind by changing all the hoses in one shot. These multi-hose kits will cost you less than buying each peacemeal.

Cooling Hose Kit	RV-7514	Through 1998; Seven Pieces
Cooling Hose Kit	RV-7516	1999-on; Seven Pieces

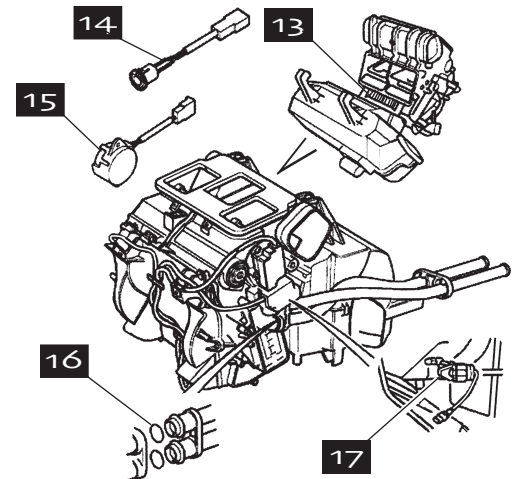


AIR CONDITIONING

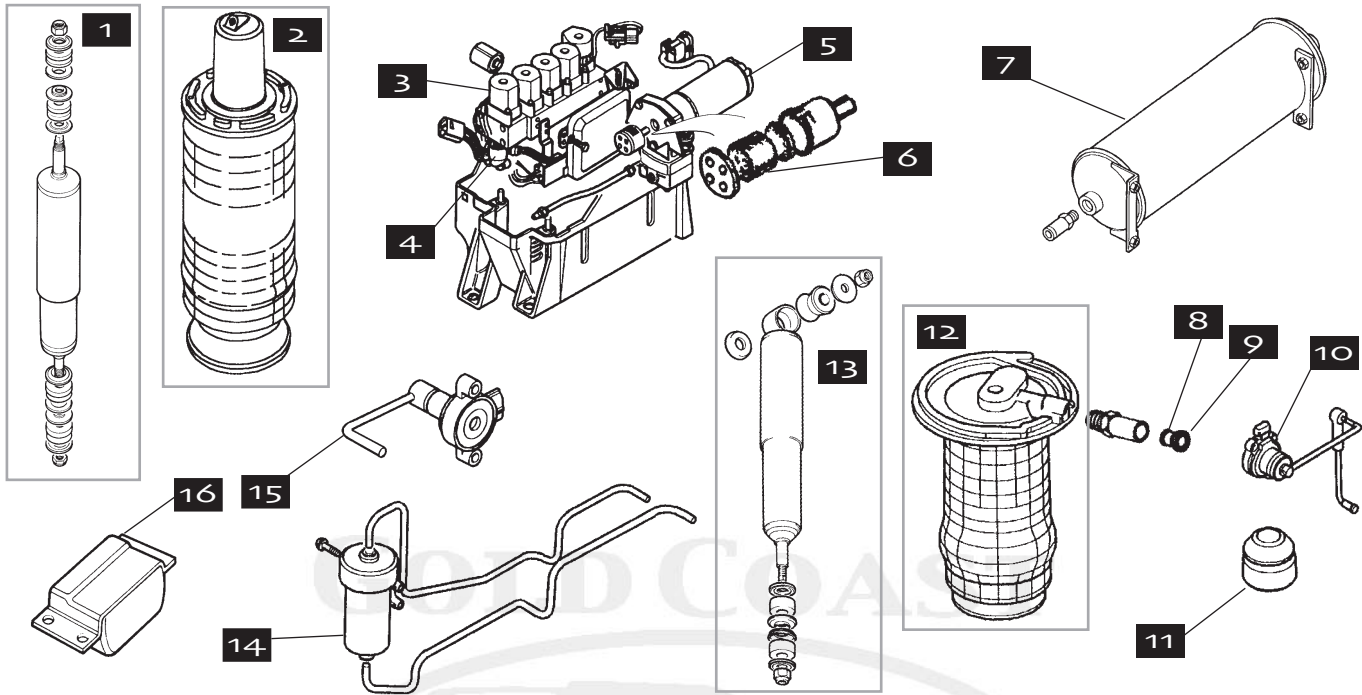
Description	Order Number	Explanatory Notes
1. A/C Compressor	RV-ERR4534	Through 1998
1. A/C Compressor	RV-JPB101330	1999-on
2. O-Ring, Discharge	RV-STC3177	
3. O-Ring, Suction	RV-STC3176	
4. Evaporator Assembly	RV-STC3260	
5. O-Ring for Compressor/Condenser	RV-JUU100110L	11mm diameter
6. Hose, Compressor/Condenser	RV-BTR9543	To MA306723
6. Hose, Compressor/Condenser	RV-AWR2676	MA306724 to WA410481
6. Hose, Compressor/Condenser	RV-JUE108480	from XA410482
7. Hose, Evaporator/Compressor	RV-AWR1987	Through 1996
7. Hose, Evaporator/Compressor	RV-AWR6203	1997 and 1998
7. Hose, Evaporator/Compressor	RV-JUE109220	From XA410482
8. O-Ring for RV-AWR1987	RV-STC3110	
8. O-Ring for RV-AWR6203	RV-JUU100240L	17mm diameter
8. O-Ring for Above RV-JUE109220	RV-JUU100240L	
9. Expansion Valve	RV-JQD100340	
10. Receiver/Drier	RV-AWR1374	
11. Condenser & Fan Assembly	RV-AWR1624	
12. Fan Assembly Only	RV-STC3680	

HEATER CORE

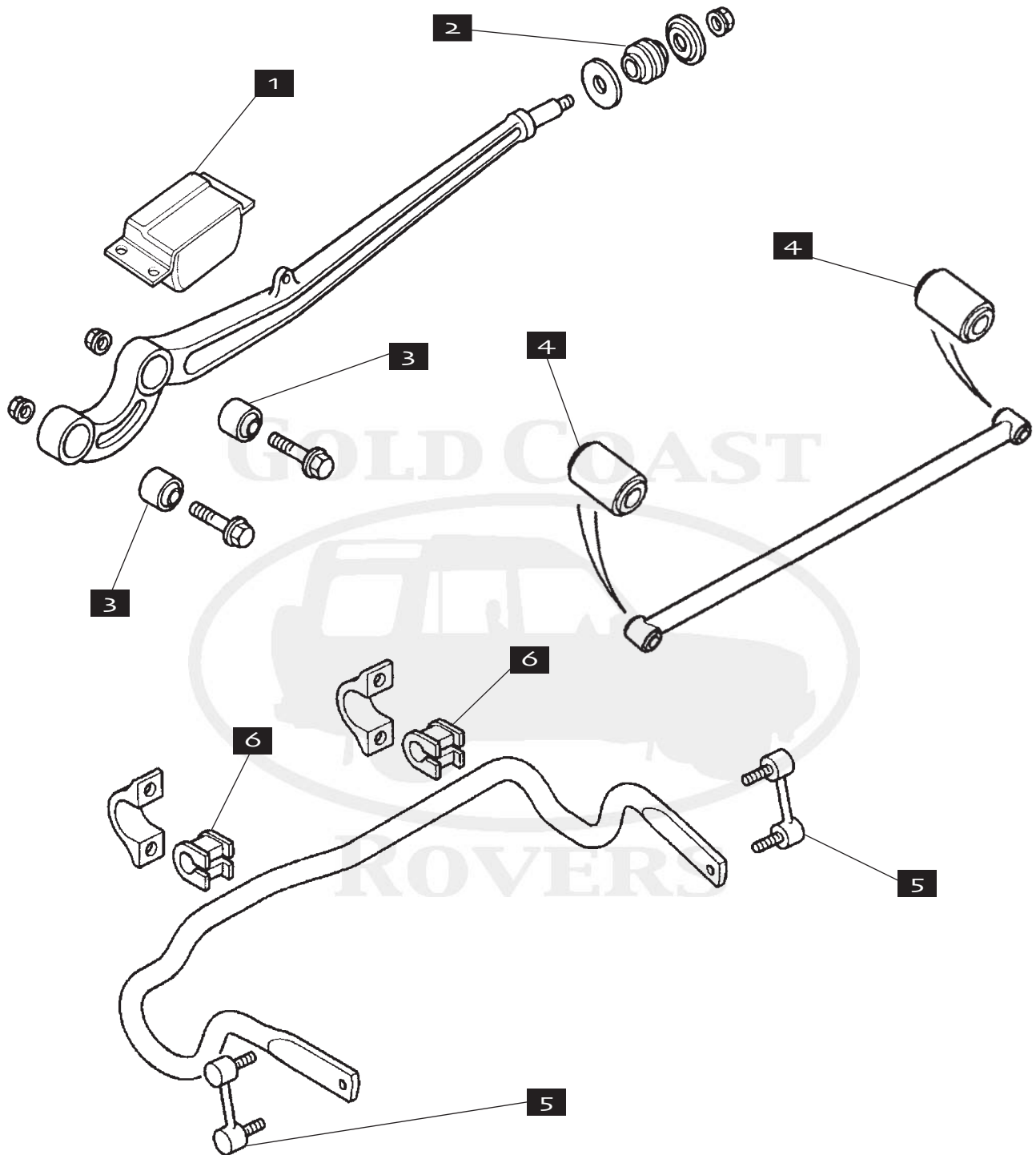
Description	Order Number	Qty
13. Heater Core, Valeo System	RV-STC3261	1
16. O-Ring, Heater Core	RV-STC3262	2
14. Sensor, Solar Automatic	RV-BTR9733	1
15. Sensor, In-Car Temperature	RV-JTF000030	1
17. Sensor, Heater Water Temperature	RV-STC3256	1



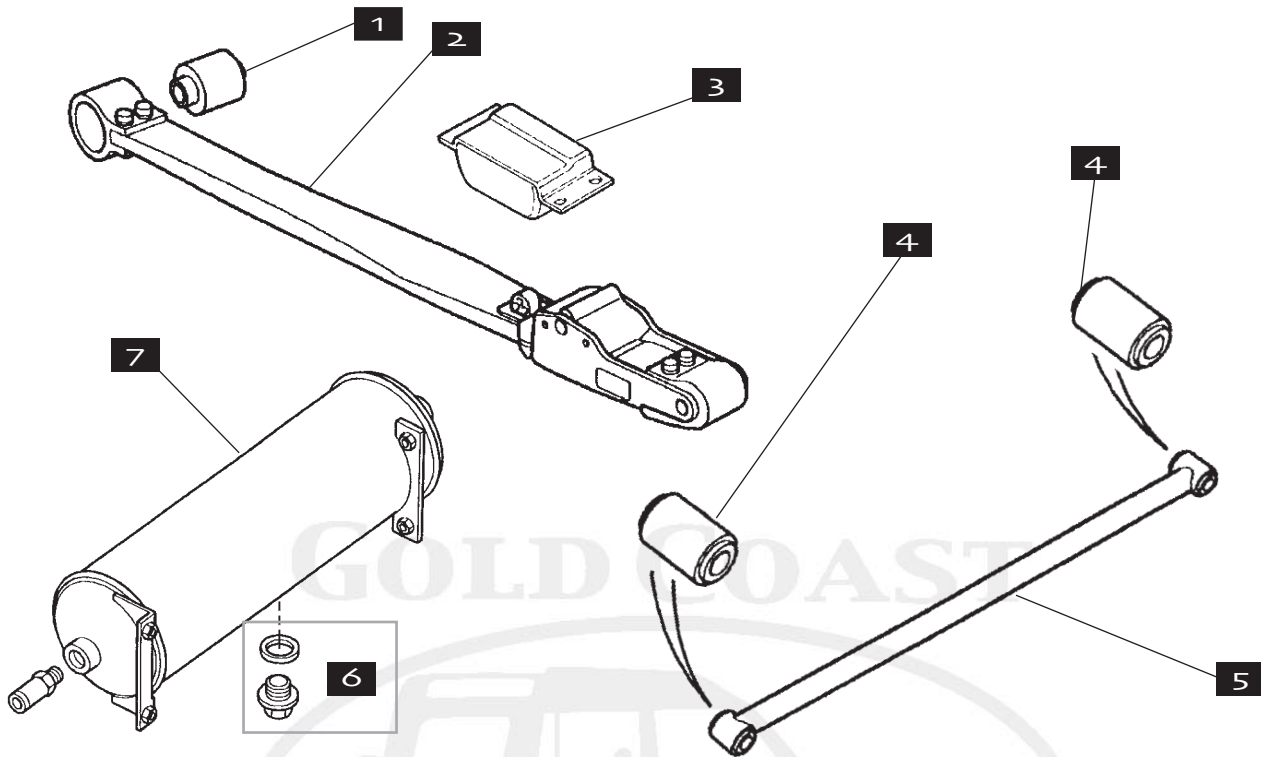
RANGE ROVER II, 1995-2002



Description	Order Number	Explanatory Notes
1. Front Shock	RV-STC3672	For use with Dunlop air spring
1. Front Shock	RV-RSC500010	For use with Firestone air spring
2. Front Air Spring	RV-REB101740	Original Equipment
2. Front Air Spring	RV-REB101740/X	Aftermarket; Great quality at an attractive price.
2. Bellows Only, front Air Spring	RV-5500	Aftermarket. Bellows only -- other components must be re-used.
3. Kit, Valve Block Solenoid Repair	RV-STC2761	4 Required
3. Kit, Valve Block Diaphragm Repair	RV-STC1803	4 Required
4. Switch, Air Suspension Pressure	RV-ANR3902	
5. Compressor Air Shocks	RV-ANR3731	
6. Filter, air inlet	RV-STC2759	Filter only, see detail
7. Reservoir, air suspension	RV-ANR3645	To TA34060
7. Reservoir, air suspension	RV-ANR5135	TA34161-on
8. O-Ring, 4mm	RV-STC2764	Air Pipe Connections
8. O-Ring, 6mm	RV-STC2766	Air Pipe Connections
8. O-Ring, 8mm	RV-STC2768	Air Pipe Connections
9. Collet, Air Pipe Connector, 4mm	RV-NTC9824	Air Pipe Connections
9. Collet, Air Pipe Connector, 6mm	RV-NTC9823	Air Pipe Connections
9. Collet, Air Pipe Connector, 8mm	RV-NTC9822	Air Pipe Connections
10. Sensor Assembly, ride height, rear, RH	RV-STC3593AA	Through 1996
10. Sensor Assembly, ride height, rear, LH	RV-STC3594AA	Through 1996
10. Sensor Assembly, ride height, rear	RV-ANR4687	1997-2002, 2 needed
11. Bump Stop, rear	RV-ANR2556	
12. Rear Air Spring	RV-RKB101460	Original Equipment
12. Rear Air Spring	RV-RKB101460/X	Aftermarket; Great quality at an attractive price.
12. Bellows Only, Rear Air Spring	RV-5502	Aftermarket. Bellows only -- other components must be re-used.
13. Rear Shock	RV-STC3671	
14. Air Dryer	RV-NTC9812	
15. Sensor Assembly, ride height, front	RV-ANR2494	Through 1996, 2 needed
15. Sensor Assembly, ride height, front	RV-ANR4686	1997-2002, 2 needed
16. Bump Stop, front	RV-ANR2556	



Description	Order Number	Explanatory Notes	Qty
1. Bump Stop, front suspension	RV-ANR2556		2
2. Radius Arm Bushing, chassis end	RV-ANR2563		2
3. Radius Arm Bushing, axle end	RV-ANR3332		4
4. Bushing, Panhard Rod	RV-ANR3671		2
5. Link Assembly, Sway Bar	RV-ANR3304		2
6. Sway Bar Mount Bushing	RV-ANR3305		2



Description	Order Number	Explanatory Notes	Qty
1. Bushing, Radius Arm	RV-ANR3285		2
2. Radius Arm Assembly	RV-ANR3543K		2
3. Bump Stop	RV-ANR2556		2
4. Panhard Rod Bushings Only	RV-ANR3671		2
5. Panhard Rod Assembly	RV-ANR3670		1
6. Air Suspension Drain Plug Kit	RV-STC830	To TA340460	1
6. Air Suspension Drain Plug Kit	RV-STC3810	From TA340461	1
7. Air Suspension Reservoir	RV-ANR3645	To TA340460	1
7. Air Suspension Reservoir	RV-ANR5135	From TA340461	1

Spring Conversion

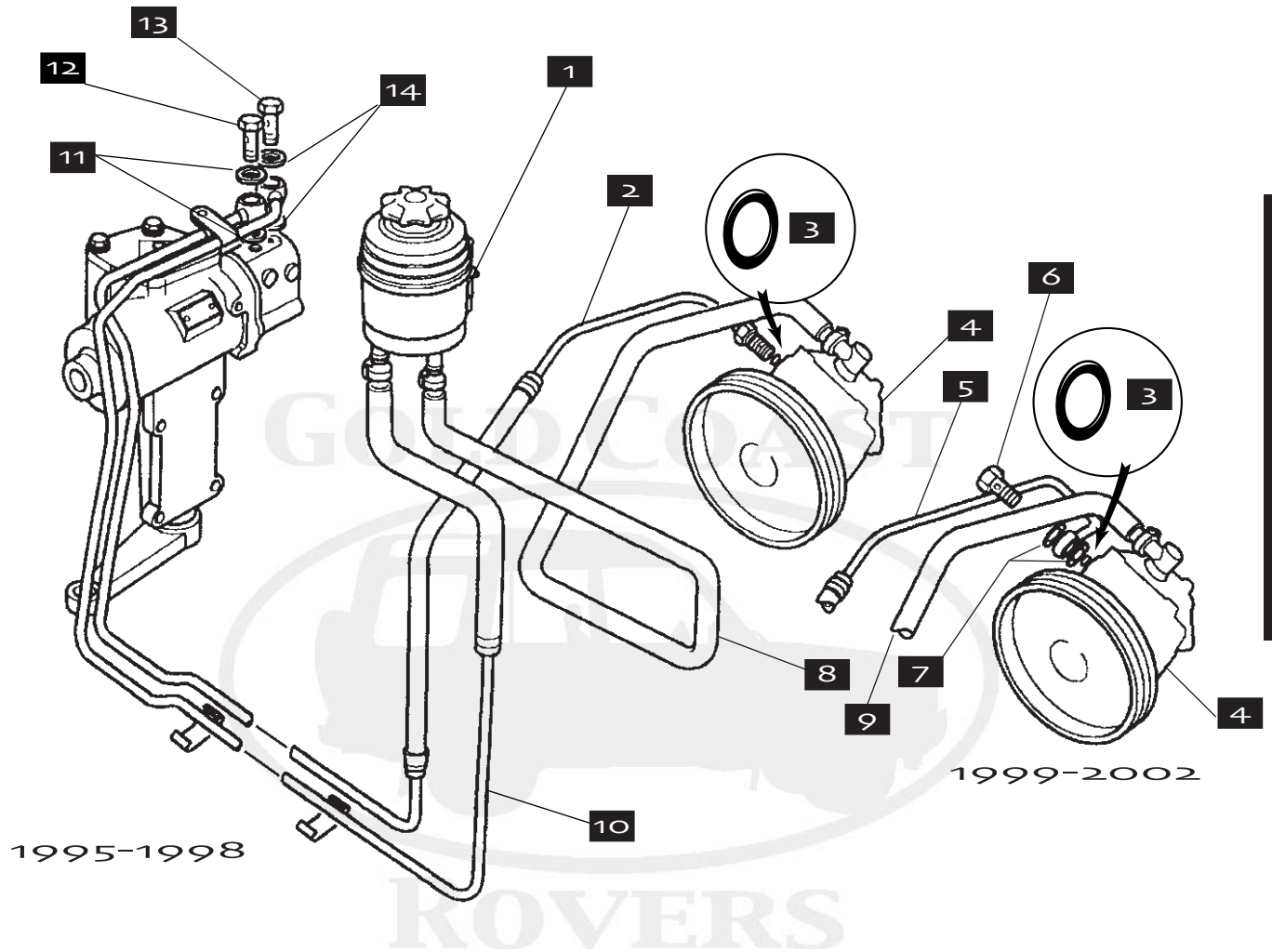
The conversion takes about four hours to install and requires only conventional tools, although a vehicle lift should be used to ensure safety. Fully illustrated instructions are included with the kit.

See page 10 for detailed description.

Air Suspension to Conventional Coil Springs

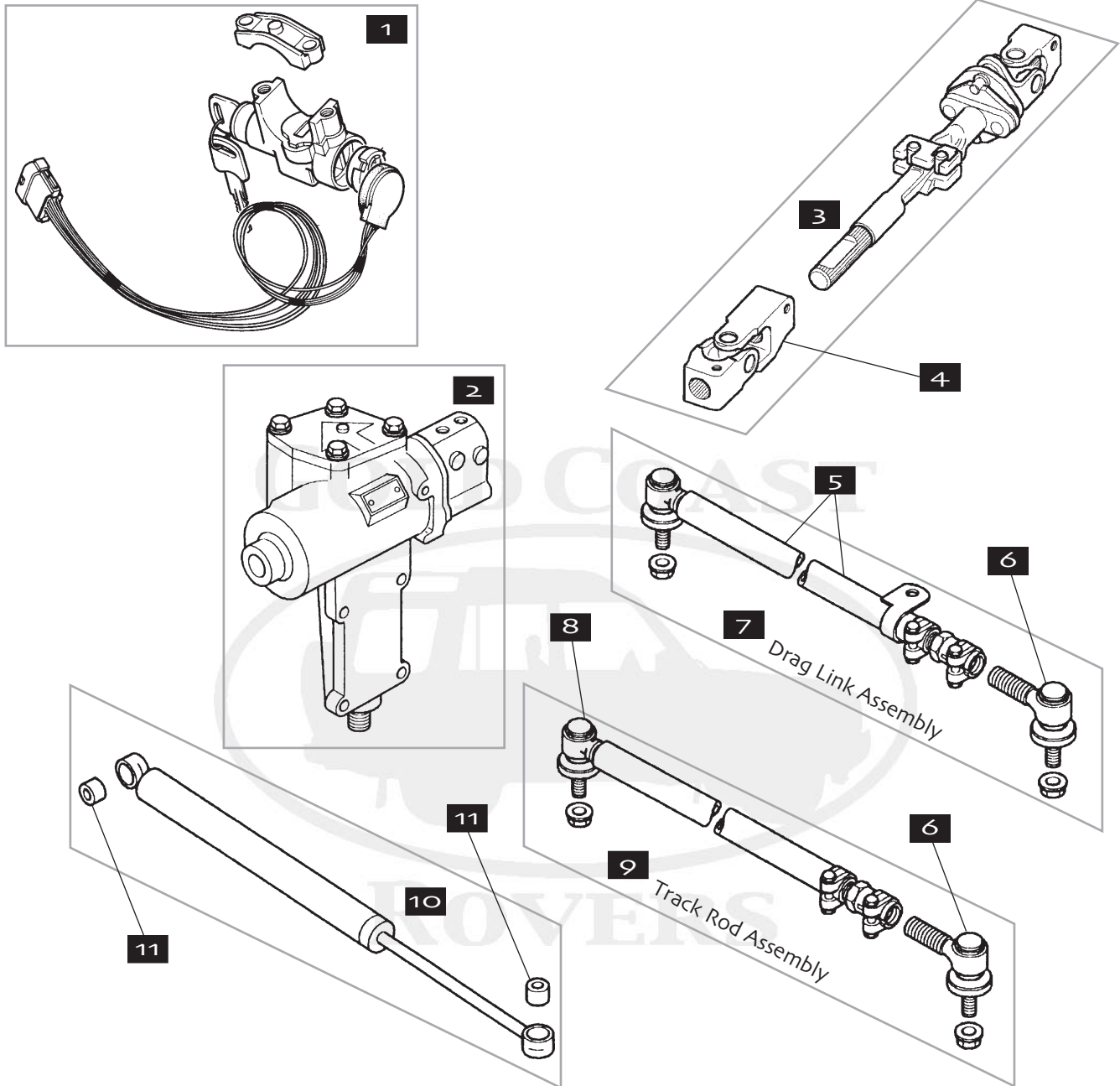
RV-2002



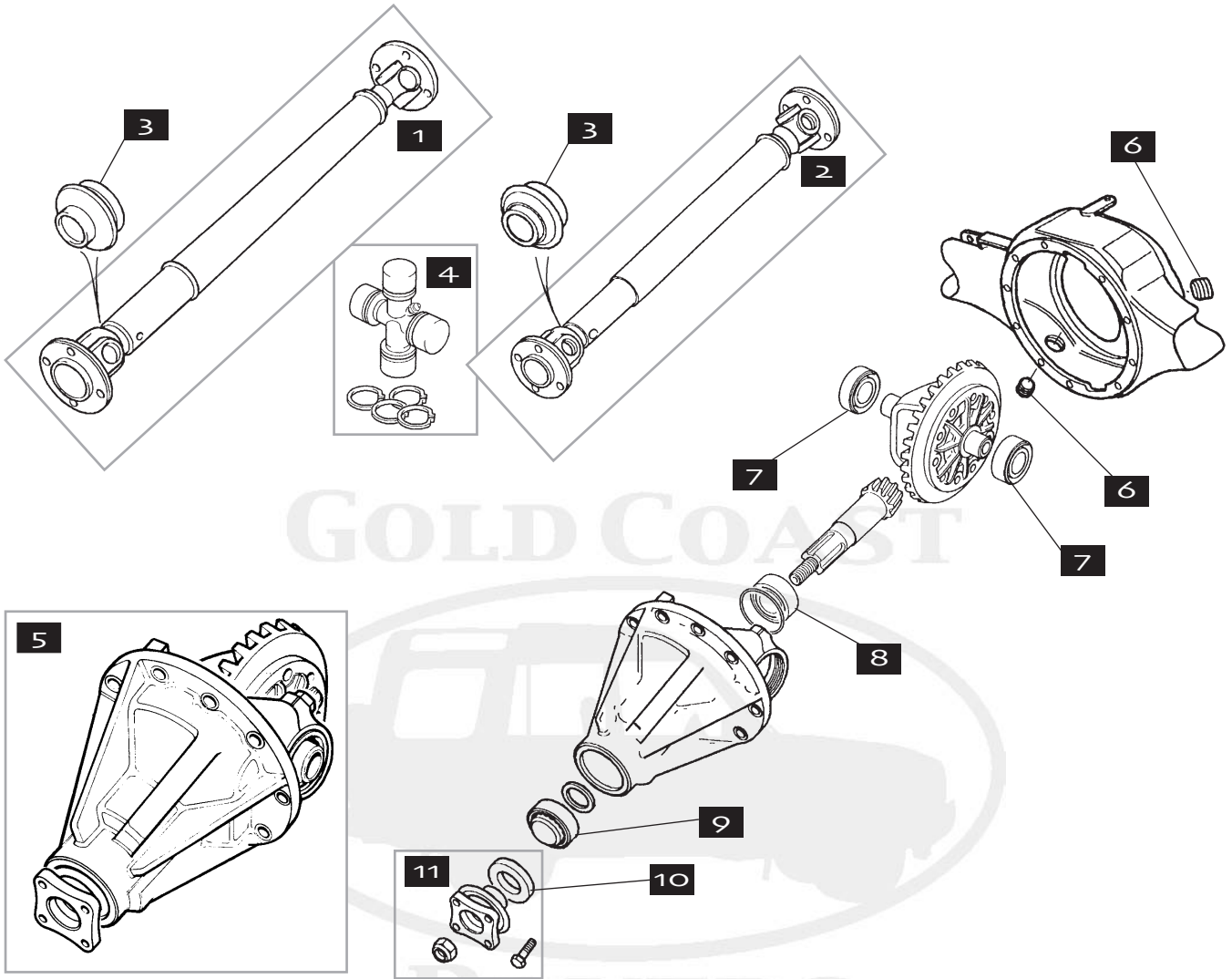


RANGE ROVER II, 1995-2002

Description	Order Number	Explanatory Notes	Qty
1. Power Steering Reservoir Assembly	RV-QFX000010		1
2. Hose/Pipe, pump to box	RV-ANR3856	Through 1998	1
3. O-Ring at pump	RV-ESR259		1
4. Power Steering Pump	RV-QVB101090		1
5. Hose/Pipe, pump to box	RV-QEP104910	1999-2002	1
6. Banjo Bolt on Pump, 14mm	RV-STC1947		1
7. Washer, 14mm on pump banjo	RV-STC1950		2
8. Hose, reservoir to pump	RV-ANR2367	Through 1998	1
9. Hose, reservoir to pump	RV-QEH102230	1999-2002	1
10. Hose/Pipe, steering box to reservoir	RV-ANR3384	Up to VIN TA317511, includes new banjo bolts	1
10. Hose/Pipe, steering box to reservoir	RV-QEP105990	From VIN TA317512, includes new banjo bolts	1
11. Washer, 14mm, on banjos	RV-STC4577		2
12. Banjo Bolt on Box, 14mm	RV-STC1947		1
13. Banjo Bolt on Box, 16mm	RV-STC1949		1
14. Washer, 16mm, on banjos	RV-STC1950		2

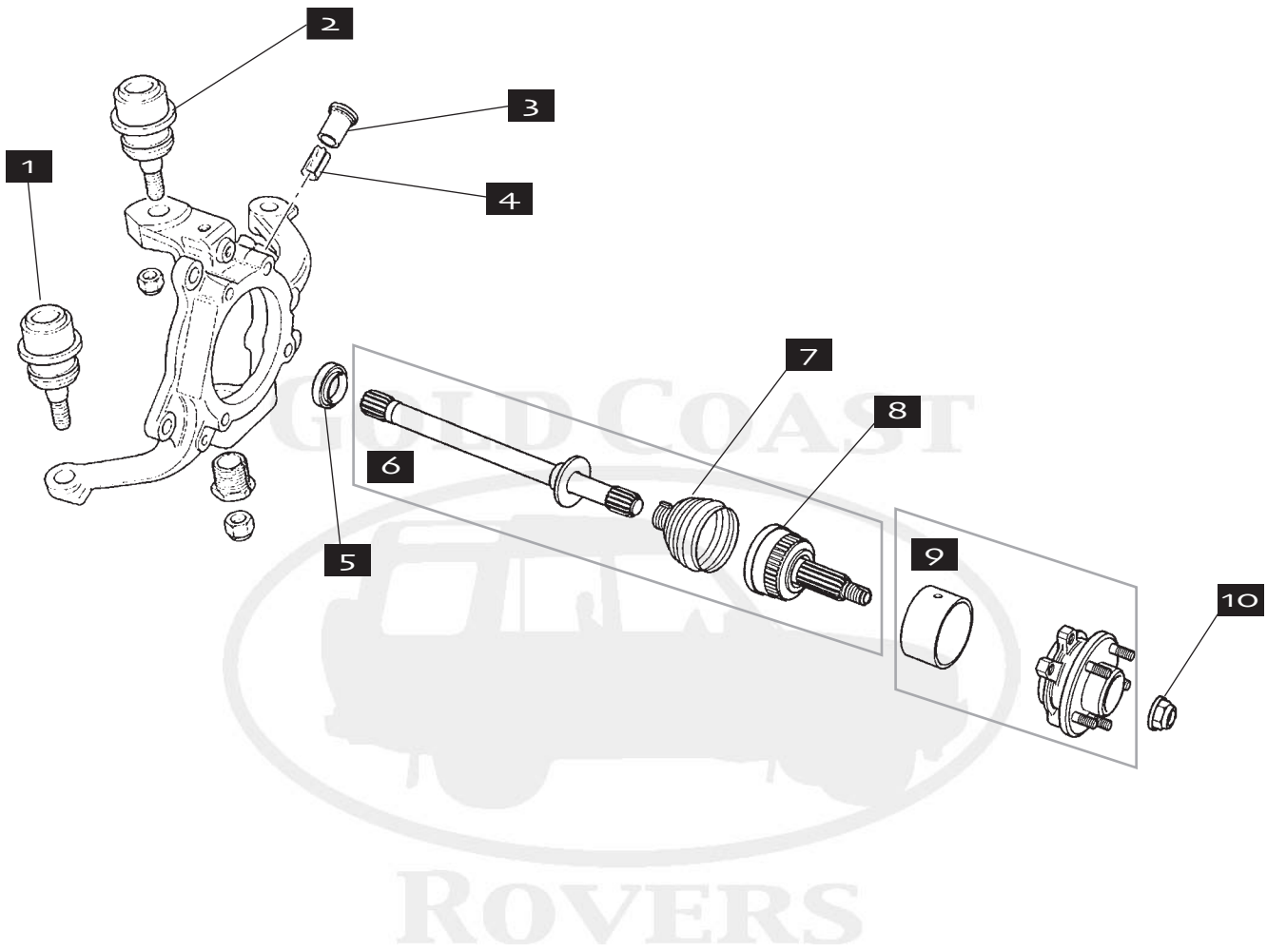


Description	Order Number	Explanatory Notes	Qty
1. Steering Column Lock/Switch	RV-MXC4599H	To MA316175	1
1. Steering Column Lock/Switch	RV-ASR1045H	From TA316176	1
2. Steering Box, New	RV-ANR5321		1
3. Shaft Assembly	RV-ANR3698		1
4. Lower U-Joint only for ANR3698	RV-STC1968		1
5. Front Drag Tube Only	RV-QEK000050		1
6. Tie Rod End, Short Type	RV-QFS000010		3
7. Front Drag Link Assembly	RV-ANR3824		1
8. Tie Rod End, Long Type	RV-QFS000040		1
9. Rear Track Rod Assembly	RV-TIQ000020		1
10. Steering Damper Assembly	RV-ANR2640	Includes Bushings	1
11. Steering Damper Bushings Only	RV-STC1943		2



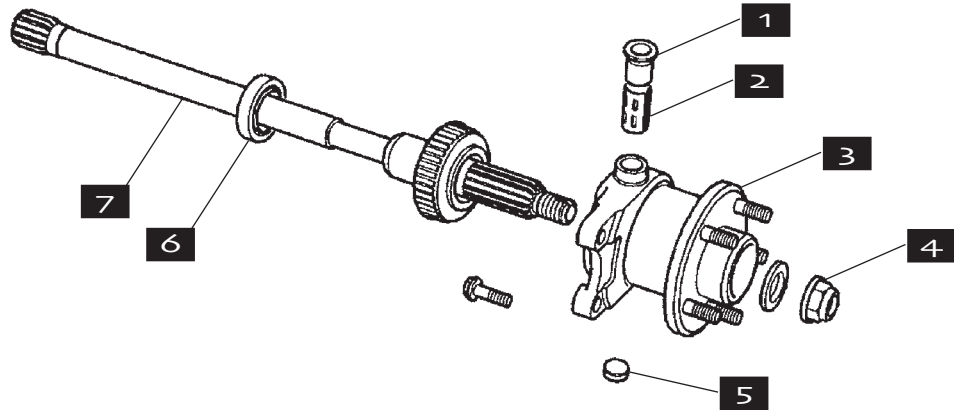
RANGE ROVER II, 1995-2002

Description	Order Number	Explanatory Notes	Qty
1. Front Driveshaft Assembly	RV-FTC4140		1
2. Rear Driveshaft Assembly	RV-FTC4141		1
3. Gaiter/Boot	RV-TVE100000	Front and Rear	2
4. U-Joints, Driveshaft	JA-46	Front & Rear	4
5. Differential Assembly, Front, Rebuilt	RV-FTC3490E	Through 1998	A/R
5. Differential Assembly, Front, New	RV-TBB000270	1999-on	A/R
5. Differential Assembly, Rear, Rebuilt	RV-TBB100840E	Two-Pin	A/R
5. Differential Assembly, Rear, Rebuilt	RV-FTC3483E	Four-Pin, Axle Code 51S; through 1998	A/R
5. Differential Assembly, Rear, New	RV-TBB000270	Four-Pin, Axle Code 55S; 1999-on; Can be used as a new replacement for all.	A/R
6. Drain/Filler Plug	RV-608246	Same front axle or rear axle	2
7. Differential Side Bearing	RV-RTC3095	Same front axle or rear axle	2
8. Pinion Bearing, rearward	RV-STC1156	Same front axle or rear axle	1
9. Pinion Bearing, forward	RV-STC2808	Same front axle or rear axle	1
10. Oil Seal, Pinion	RV-FTC4851	Same front axle or rear axle	1
11. Flange Kit	RV-STC3124	Includes flange, seal, dust shield and hardware. Same front or rear	1



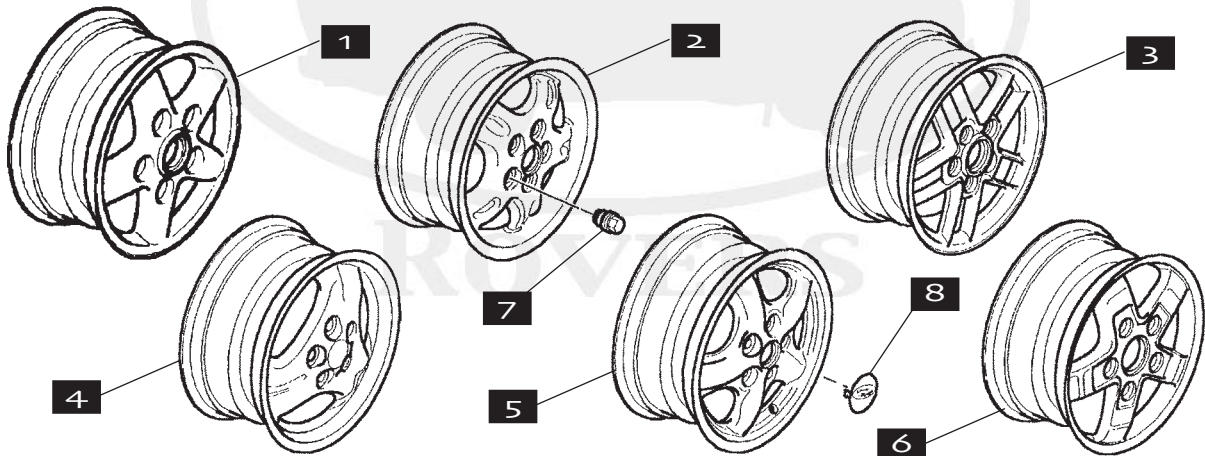
Description	Order Number	Explanatory Notes
1. Lower Ball Joint	RV-FTC3571	
2. Upper Ball Joint	RV-FTC3570	
3. Bushing, ABS Sensor	RV-FTC1374	
4. Adapter, ABS Sensor	RV-FTC2249	
5. Front Driveshaft Seal	RV-FTC4822	
6. Front Halfshaft Assembly, RH	RV-TDB104080	
6. Front Halfshaft Assembly, LH	RV-TDB104090	
7. Gaiter/Boot, Outer Joint Driveshaft	RV-STC3203	
8. Constant-Velocity Joint	RV-STC3204	
9. Front Drive Hub Assembly	RV-FTC3226	Right side
9. Front Drive Hub Assembly	RV-FTC3243	Left side
10. Staked Nut, End of Axle	RV-CDU1534L	

REAR AXLES AND HUBS, RANGE ROVER II

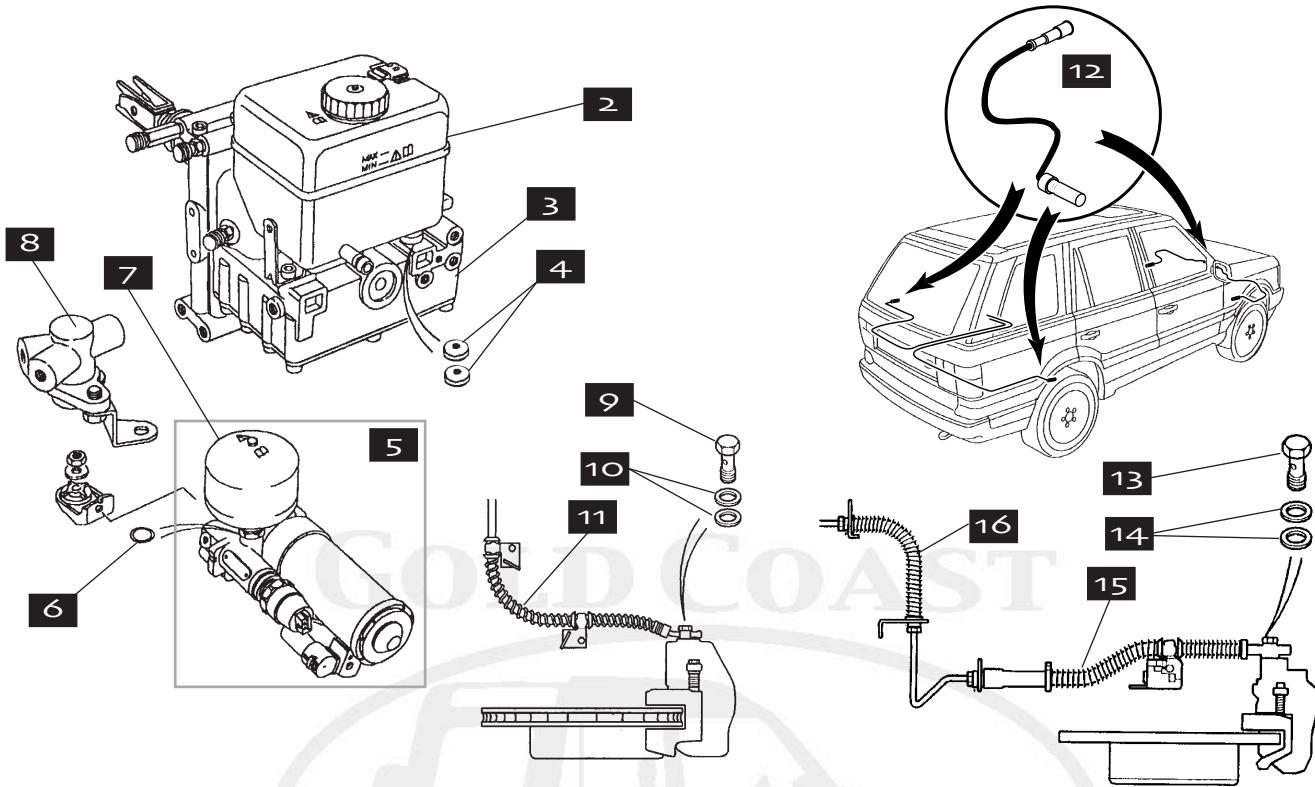


Description	Order Number	Explanatory Notes
1. Anti-lock Brake Sensor Bushing	RV-FTC1374	
2. Adapter, Anti-lock Brake Sensor	RV-FTC2249	
3. Hub Assembly	RV-FTC3223	
4. Nut, Staked, Rear Axle	RV-CDU1534L	
5. Blanking Plug	RV-FTC2999	
6. Seal Assembly	RV-FTC5209	
7. Axle Shaft, LH	RV-TOD100010	
7. Axle Shaft, RH	RV-TOD100000	

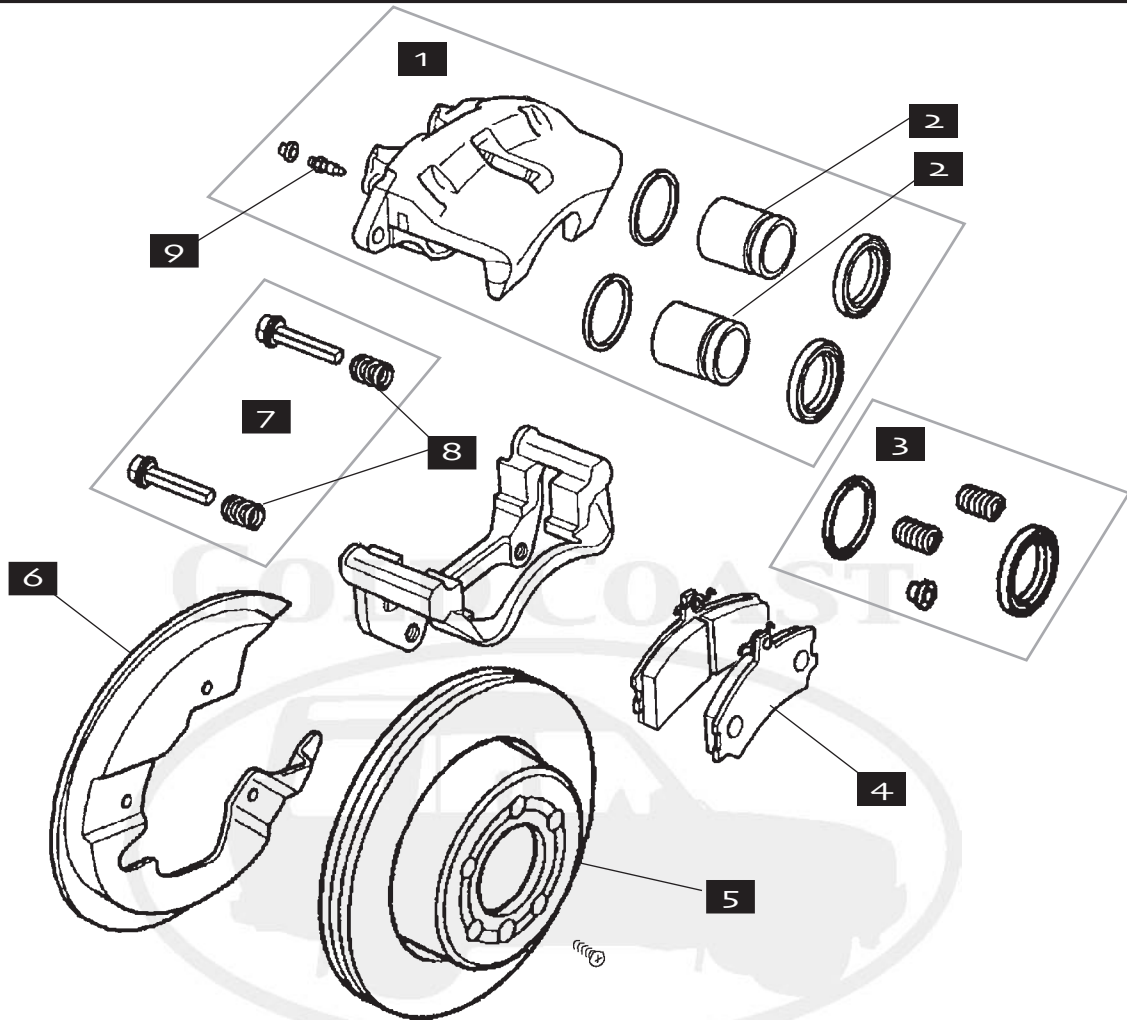
REPLACEMENT WHEELS, RANGE ROVER II



Description	Order Number	Explanatory Notes
1. Alloy Wheel	RV-ANR4848MNH	8J x 16 Silver Sparkle-Mirage
2. Alloy Wheel	RV-ANR4666MNH	5-Spoke 8.0 x 16 Silver Sparkle-Spyder
3. Alloy Wheel	RV-RRC501470MNH	8J x 18 Silver Sparkle-Hurricane
4. Alloy Wheel	RV-ANR4660MNH	3-Spoke 7.0 x 16 Silver Sparkle-Futura
5. Alloy Wheel	RV-RRC112820MNH	8J x 16 Silver Sparkle-Lightning
5. Alloy Wheel	RV-RRC115410MNH	5-Spoke 8J x 18 Silver Sparkle-Mondial from XA412771
5. Alloy Wheel	RV-ANR4849MNH	50th Anniversary 8J x 18 Silver Sparkle-Proline
6. Alloy Wheel	RV-RRC112810MNH	8J x 18 Silver Sparkle-Typhoon
7. Wheel Nut, Alloy Wheels	RV-ANR3679	
8. Center Cap	RV-RRJ500030MNH	Center Cap, Silver Sparkle, from WA378544 to WA410481
8. Center Cap	RV-DAG100310	Land Rover Gold

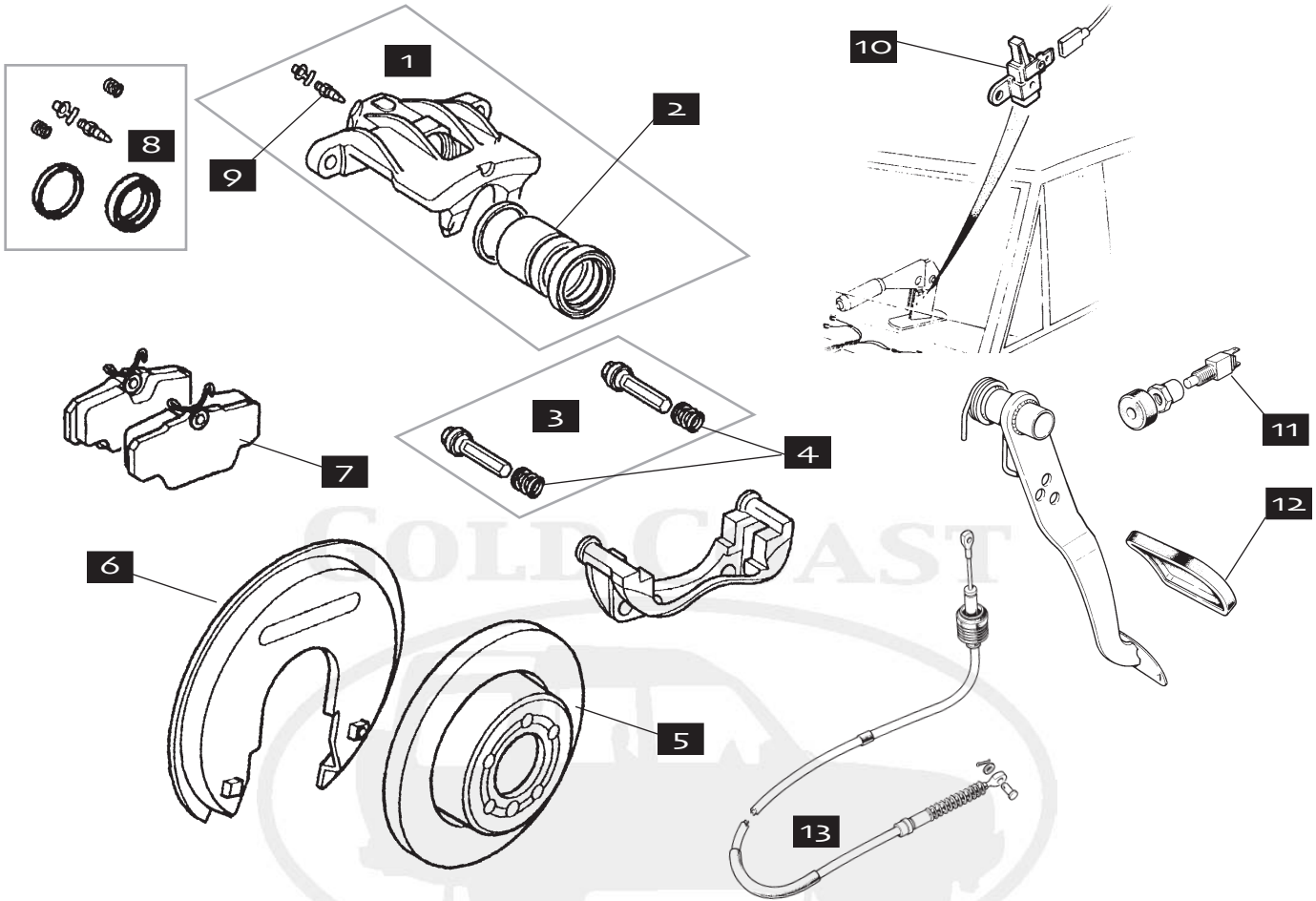


Description	Order Number	Explanatory Notes
1. Reservoir Cap	RV-STC2781	
2. Fluid Reservoir	RV-STC2780	
3. Booster, with traction control, thru '98	RV-STC2778	
3. Booster, with traction control, '99-on	RV-SXC100010	
3. Booster, without traction control	RV-STC2779	
4. Seal, reservoir to booster	RV-RTC6490	
5. ABS Pump (Includes Accumulator)	RV-STC2783	
6. Seal, accumulator to pump	RV-STC2785	
7. ABS Accumulator only	RV-STC2784	
8. Pressure Control Regulator	RV-ANR3323	
9. Banjo Bolt to Caliper (two per side)	RV-STC2659	
10. Washer, Banjo Bolts	RV-577475	4 needed
11. Front Brake Hose, Right Side	RV-ANR3258	
11. Front Brake Hose, Left Side	RV-ANR3259	
12. Sensor and Harness Assembly, front	RV-STC2786	2 needed
12. Sensor and Harness Assembly, rear	RV-STC2787	To rear axle numbers 50S 02483A (two-pin type) and 51S 03121A (four-pin type)
12. Sensor and Harness Assembly, rear	RV-STC2921	Left Side, from Axles 50S 02484A (two-pin type) 51S 03121A (four-pin type)
12. Sensor and Harness Assembly, rear	RV-STC2922	Right Side, from Axles 50S 02484A (two-pin type) and 51S 03122A (four-pin type) to end of 1996 model year
12. Sensor and Harness Assembly, rear	RV-STC3385	Rear Right or Left Side, 1997-on
13. Banjo Bolt to Caliper	RV-STC2659	
14. Washer on Banjo Bolts (two per side)	RV-577475	4 needed
15. Rear Brake Hose to Caliper, RH	RV-ANR4703	
15. Rear Brake Hose to Caliper, LH	RV-ANR4704	
16. Rear Brake Hose, Pipe to rear axle	RV-ANR5916	2 needed

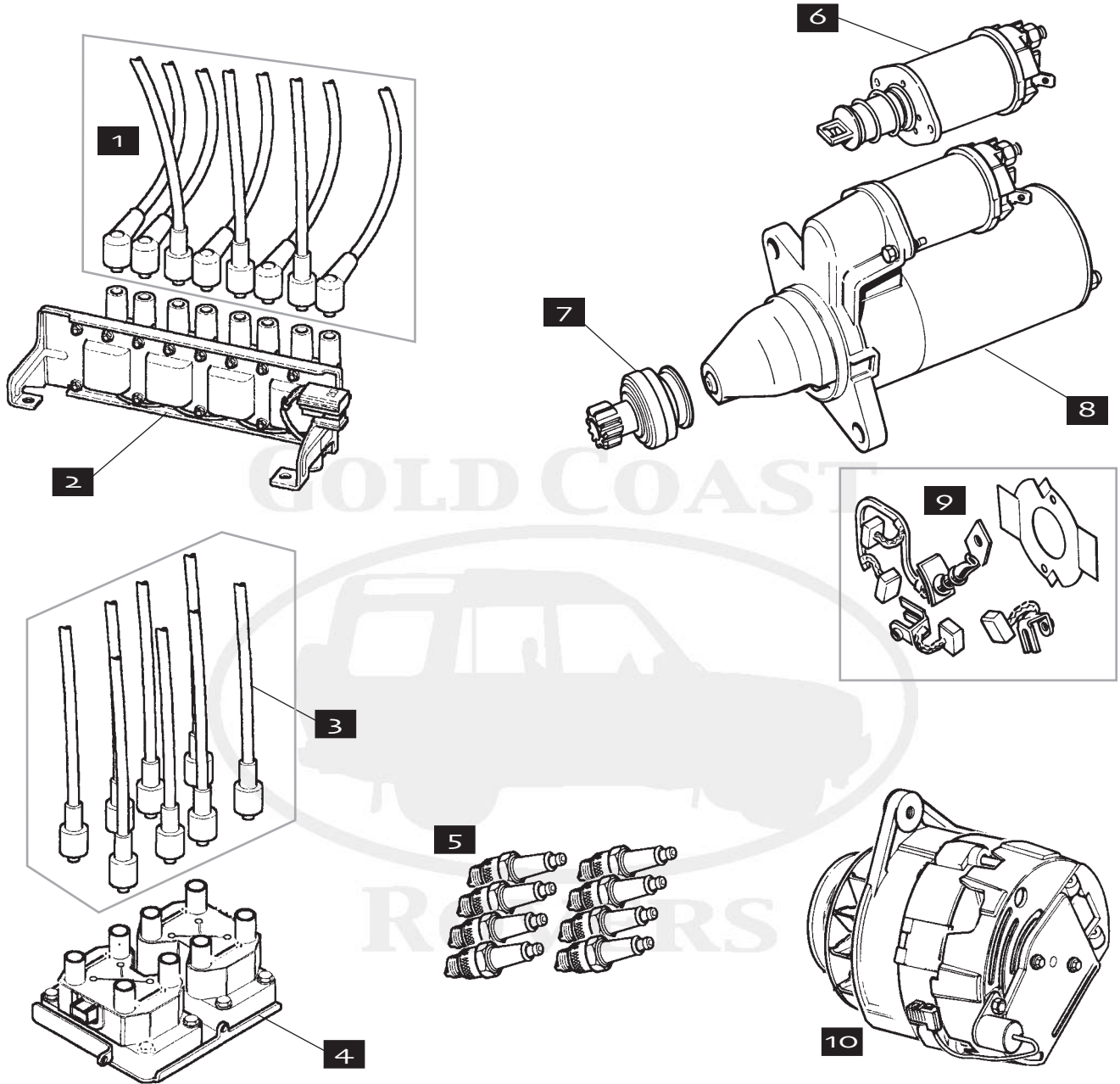


RANGE ROVER II, 1995-2002

Description	Order Number	Explanatory Notes
1. RH Caliper, new	RV-STC1916	
1. LH Caliper, new	RV-STC1915	
1. RH Caliper, rebuilt	RV-STC1916/RB	
1. LH Caliper, rebuilt	RV-STC1915/RB	
Note: Calipers include piston housing only; pad carrier not included.		
2. Brake Piston, front, two per caliper	RV-STC1918	4 needed
3. Caliper Seal Kit	RV-STC1919	Axle Set
4. Brake Pads, Standard Metallic	RV-SFP100460/M	Axle Set
4. Brake Pads, Axxis Metal Master	RV-SFP100460/AMM	Axle Set
4. Brake Pads, Lockheed Brand	RV-SFP100460/LK	Axle Set
4. Brake Pads, Hi-performance Kevlar	RV-SFP100460K	Axle Set
Note: Hi-performance Kevlar pads do not have wear sensors. You can keep the light on your dash from coming on by creating a loop in the original sensor wiring (see detail illustration above) but the brake wear warning light will not come on when the pads are worn out.		
5. Brake Rotor, Front	RV-NTC8780	
6. Mud Shield, RH, to VA376579	RV-FTC3544	
6. Mud Shield, RH, from WA376580	RV-FTC4908	
6. Mud Shield, LH, to VA376579	RV-FTC3545	
6. Mud Shield, LH, from WA376580	RV-FTC4909	
7. Guide Pin Kit for Caliper Carrier, axle set	RV-STC1920	Pins And Boots
8. Dust Cover Kit for guide pins, axle set	RV-STC1911	Boots Only
9. Bleed Nipple	RV-RTC1115	



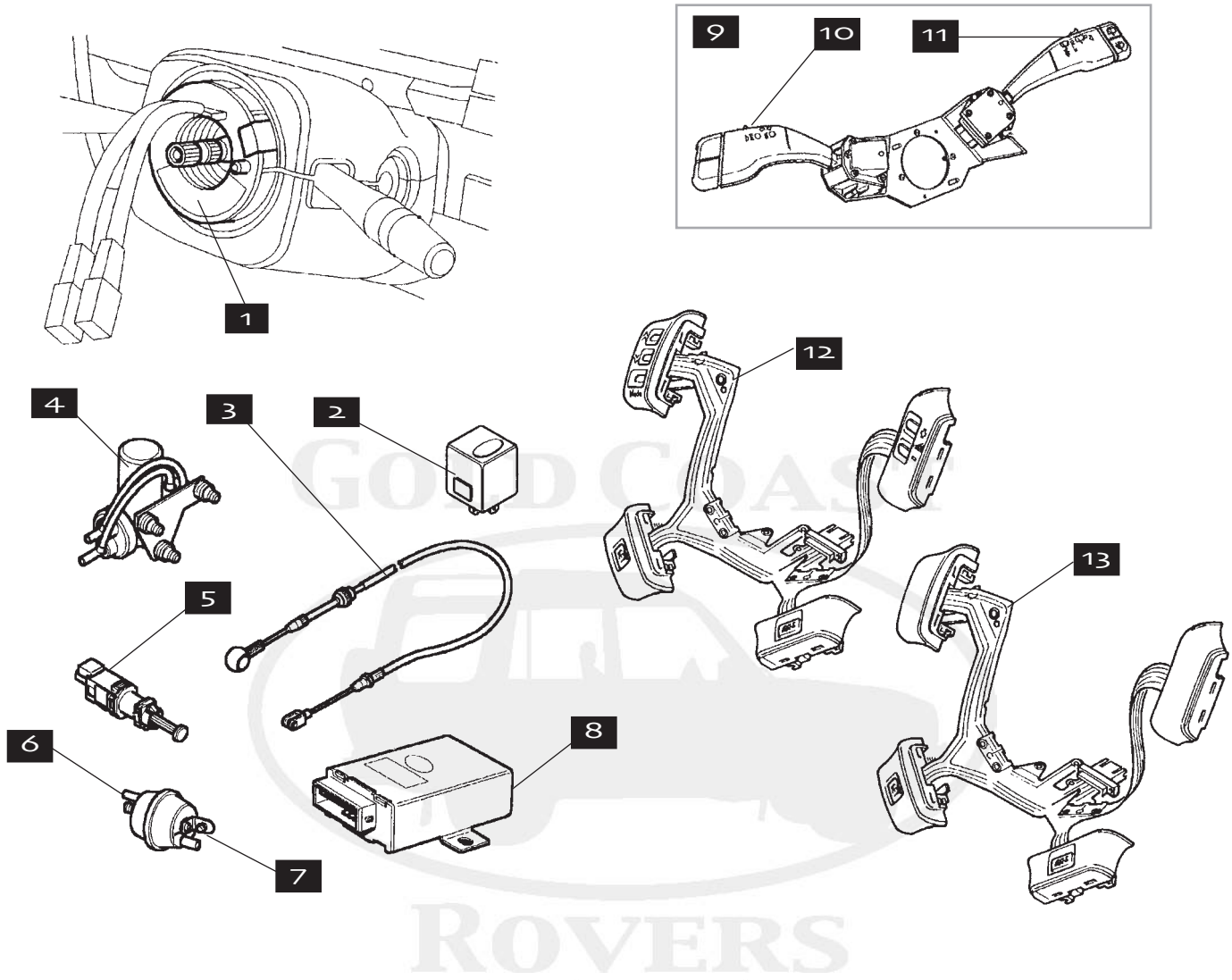
Description	Order Number	Explanatory Notes	Qty
1. Brake Caliper, Right, new	RV-STC1906		1
Note: Calipers include piston housing only; pad carrier not included.			
1. Brake Caliper, Left, new	RV-STC1905		1
Note: Calipers include piston housing only; pad carrier not included.			
1. Brake Caliper, Right, rebuilt	RV-STC1906/RB		1
Note: Calipers include piston housing only; pad carrier not included.			
1. Brake Caliper, Left, rebuilt	RV-STC1905/RB		1
Note: Calipers include piston housing only; pad carrier not included.			
2. Caliper Piston, Rear, One per caliper	RV-STC1908		2
3. Guide Pin Kit for Caliper Carrier, axle set	RV-STC1910		1
4. Dust Cover Kit, for guide pins, axle set	RV-STC1911		1
5. Rear Rotor	RV-SBC000470		2
6. Mud Shield, RH or LH	RV-FTC3546		2
7. Brake Pad Set, Mintex	RV-SFP100470/MTX	Axle Set	1
7. Brake Pad Set, Axxis Metal Master	RV-SFP100470/AMM	Axle Set	1
7. Brake Pad Set, Lockheed	RV-SFP100470/LK	Axle Set	1
7. Brake Pad Set, Hi-performance Kevlar	RV-SFP100470K	Axle Set	1
8. Rebuild Kit, Rear Calipers, axle set	RV-STC1909		1
9. Bleed Nipple	RV-RTC1115		2
10. Brake Light Switch	RV-XKB100170		1
11. Handbrake Warning Switch	RV-STC1951		1
12. Brake Pedal Rubber Pad	RV-ANR1871		1
13. Handbrake Cable	RV-ANR2215		1



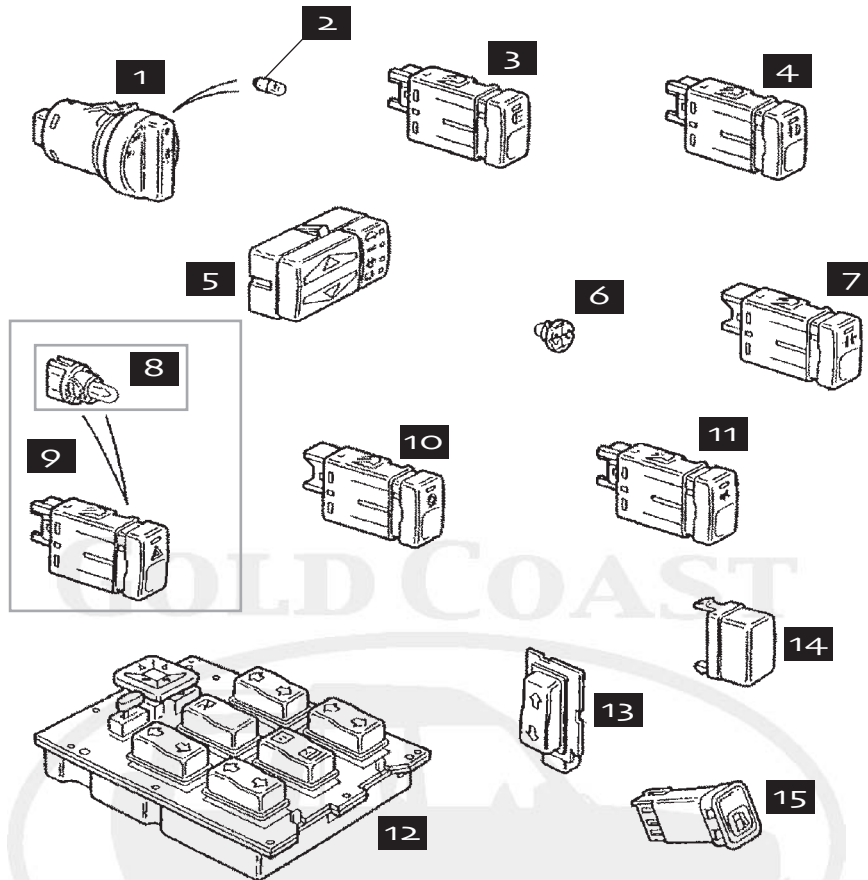
RANGE ROVER II, 1995-2002

Description	Order Number	Explanatory Notes	Qty
1. Spark Plug Wire Set	RV-0789	Through 1998	1
2. Coil Pack	RV-ERR6269	Through 1998	1
3. Spark Plug Wire Set	RV-0790	1999-on	1
4. Coil Pack	RV-ERR6566	1999-on	1
5. Spark Plug	RV-BPR5EY		8
5. Bosch Platinum Spark Plug	RV-WR9LP		8
6. Solenoid, Starter	RV-STC1242		1
7. Drive, Starter	RV-STC1241		1
8. Starter Assembly	RV-ERR6087*	Rebuilt	1
9. Brush Set, Starter	RV-STC1243		1
10. Alternator	RV-AMR2938	Rebuilt	1

* Denotes Aftermarket Part



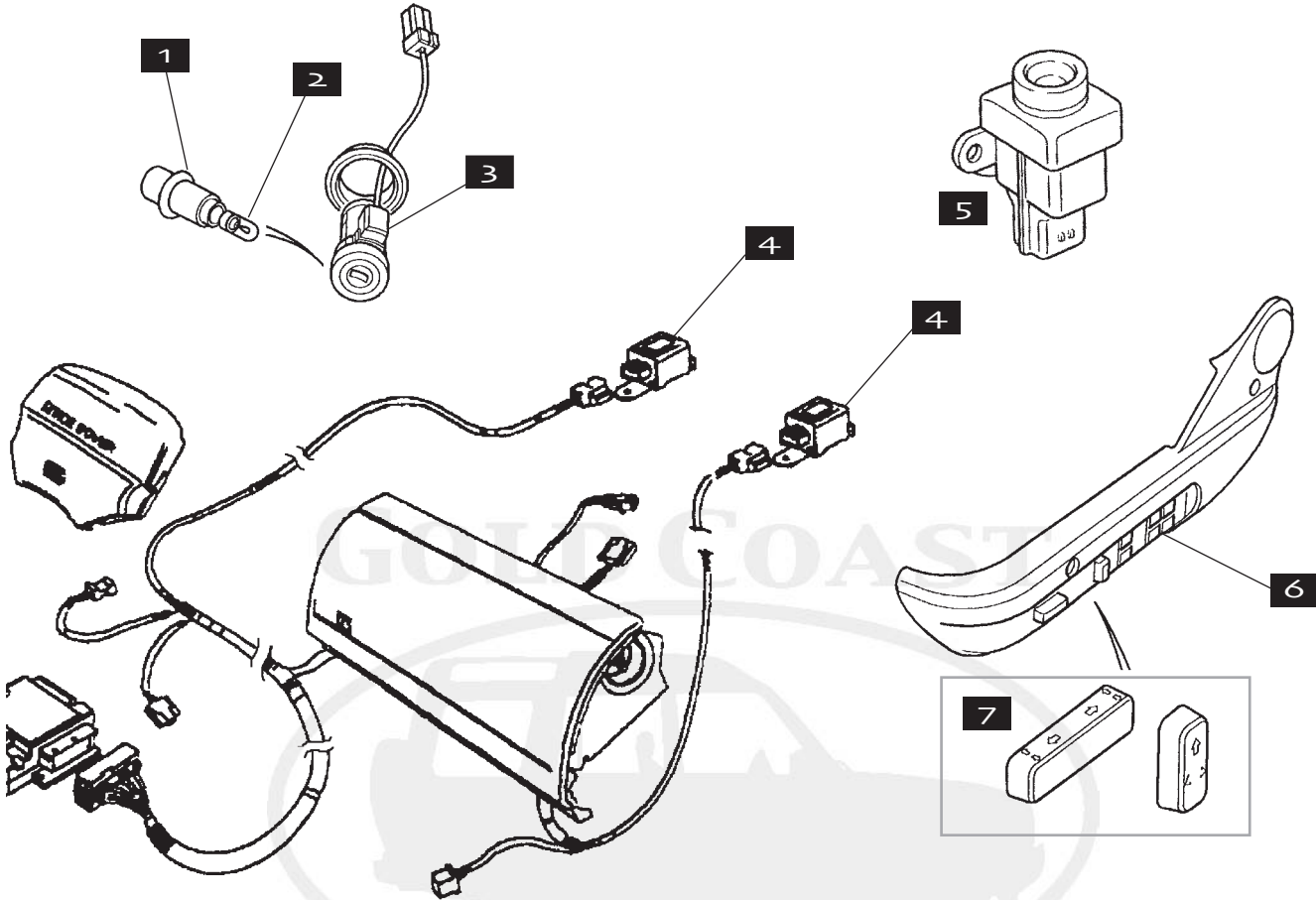
Description	Order Number	Explanatory Notes	Qty
1. Rotary Switch	RV-YRC100350		1
2. Cruise Control Inverter Switch	RV-ERR2621		1
3. Cable Assembly	RV-AMR3705	To TA332091 (TA=1996)	1
3. Cable Assembly	RV-SCD100090	From TA332092 (TA=1996)	1
4. Vacuum Pump	RV-PRC6260		1
5. Switch, Stop/Cruise Brake	RV-ERR2622		1
6. Actuator Assembly	RV-ETC7150		1
7. Actuator Assembly Ball Joint	RV-ETC7149		1
8. Cruise Control Unit	RV-AMR1173	To WA410481 (End of 1998)	1
8. Cruise Control Unit	RV-AMR5700	From XA410842 (Start of 1999)	1
9. Steering Column Switch Assembly	RV-XPB101210	Without Cruise	1
9. Steering Column Switch Assembly	RV-XPB101200	With Cruise	1
11. Wash/Wipe/Windscreen Only	RV-STC2959		1
10. Master Lighting/Indicator/Headlamp Dip Only	RV-STC2960	Without Cruise	1
10. Master Lighting/Indicator/Headlamp Dip Only	RV-STC2961	With Cruise	1
12. Switch, Radio/Cruise on Steering Wheel	RV-YUH100290	To WA410481 (End of 1998)	1
12. Switch, Radio/Cruise on Steering Wheel	RV-YUH100400	From XA410482 (Start of 1999)	1
13. Switch, Cruise Set/Resume	RV-YUH100280	To WA410481, without radio controls	1



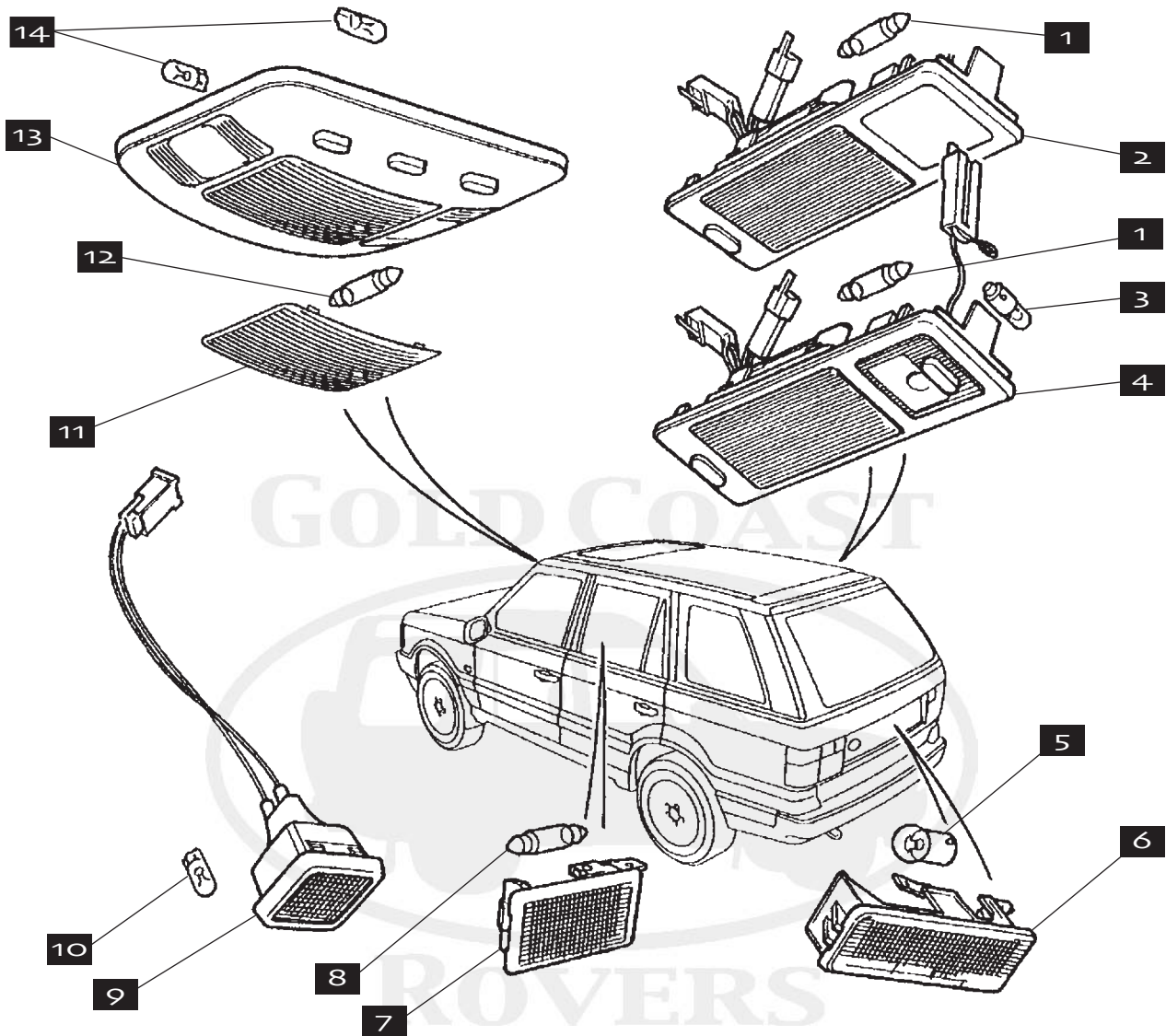
RANGE ROVER II, 1995-2002

Description	Order Number	Explanatory Notes	Qty
1. Lower Lights Rotary Switch	RV-AMR3964	Through 1998	1
1. Lower Lights Rotary Switch	RV-YUK100240	1999-on	1
2. Bulb for Rotary Switch	RV-STC3115		1
3. Lower Push Switch, Rear Fog	RV-AMR3712	Through 1998	1
3. Lower Push Switch, Rear Fog	RV-YUG102260	1999-on	1
4. Lower Push Switch, Front Fog	RV-AMR3711	Through 1998	1
4. Lower Push Switch, Front Fog	RV-YUG102250	1999-on	1
5. Ride Height Control Switch	RV-AMR5823	Through 1998	1
5. Ride Height Control Switch	RV-YUF101930	1999-on	1
6. Bulb Holder Assembly, Orange	RV-STC1877		1
6. Bulb Holder Assembly, Green	RV-STC1878		1
7. Cruise Control Enable/Disable Switch	RV-AMR4141		1
8. Bulb & Holder for Hazard Switch, Clear	RV-STC1205		2
9. Hazard Switch	RV-AMR2691	Through 1998	1
9. Hazard Switch	RV-YUG102480	1999-on	1
10. Ride Height Disable Switch	RV-AMR3709	Through 1998	1
10. Ride Height Disable Switch	RV-YUG102270	1999-on	1
11. Transfer Box High/Low Switch	RV-YUG102240		1
12. Electric Window Lift & Mirror-less Sunroof	RV-YUB100910LNF	In center console	1
12. Electric Window Lift Mirror Sunroof	RV-YUB100930LNF	In center console	1
13. Electric Window Lift Switch, Rear Door	RV-AMR3762	Through 1998	2
13. Electric Window Lift Switch, Rear Door	RV-YUF101570	1999-on	2
14. Blank Fascia Switch	RV-AMR2754	Through 1998	1
14. Blank Fascia Switch	RV-YXJ100170	1999-on	1
15. Fuel Flap Release Switch	RV-AMR3388	Through 1998	1
15. Fuel Flap Release Switch	RV-YUG102490	1999-on	1

* Denotes Aftermarket Part

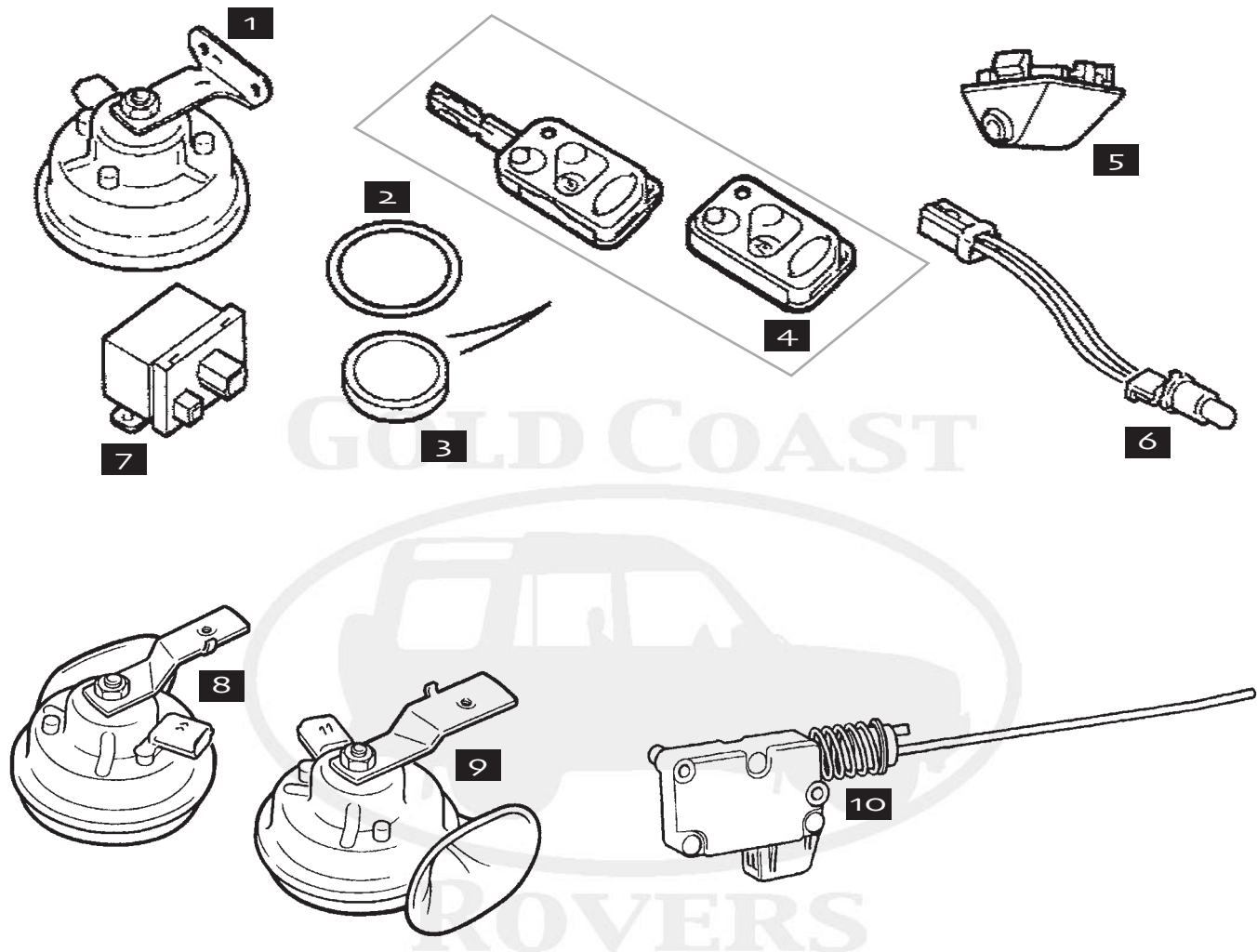


Description	Order Number	Explanatory Notes	Qty
1. Bulb Holder for Ignition Switch Assembly	RV-STC2987		1
2. Bulb for Ignition Switch Assembly	RV-STC2986		1
3. Ignition Switch/Lock Assembly	RV-ASR1045H		1
4. Crash Sensor Air Bag Switch	RV-PRC8618		2
5. Inertia Remote Fuel Pump Switch	RV-WQT100030L		1
Seat Switches, With Memory Seats			
6. Valance Front RH Outer Seat, with switches	RV-BTR9020AUK	Tan	1
6. Valance Front RH Outer Seat, with switches	RV-BTR9020LNF	Ash Grey	1
6. Valance Front RH Outer Seat, with switches	RV-BTR9020LOY	Dark Granite	1
6. Valance Front RH Outer Seat, with switches	RV-BTR9020SMK	Light Stone Grey	1
6. Valance Front LH Outer Seat, with switches	RV-HJA100550AAT	Tan	1
6. Valance Front LH Outer Seat, with switches	RV-BTR9021LNF	Ash Grey	1
6. Valance Front LH Outer Seat, with switches	RV-BTR9021LOY	Dark Granite	1
6. Valance Front LH Outer Seat, with switches	RV-BTR9021SMK	Light Stone Grey	1
7. Seat Switch Knob Kit	RV-STC3688	W/O Memory	1

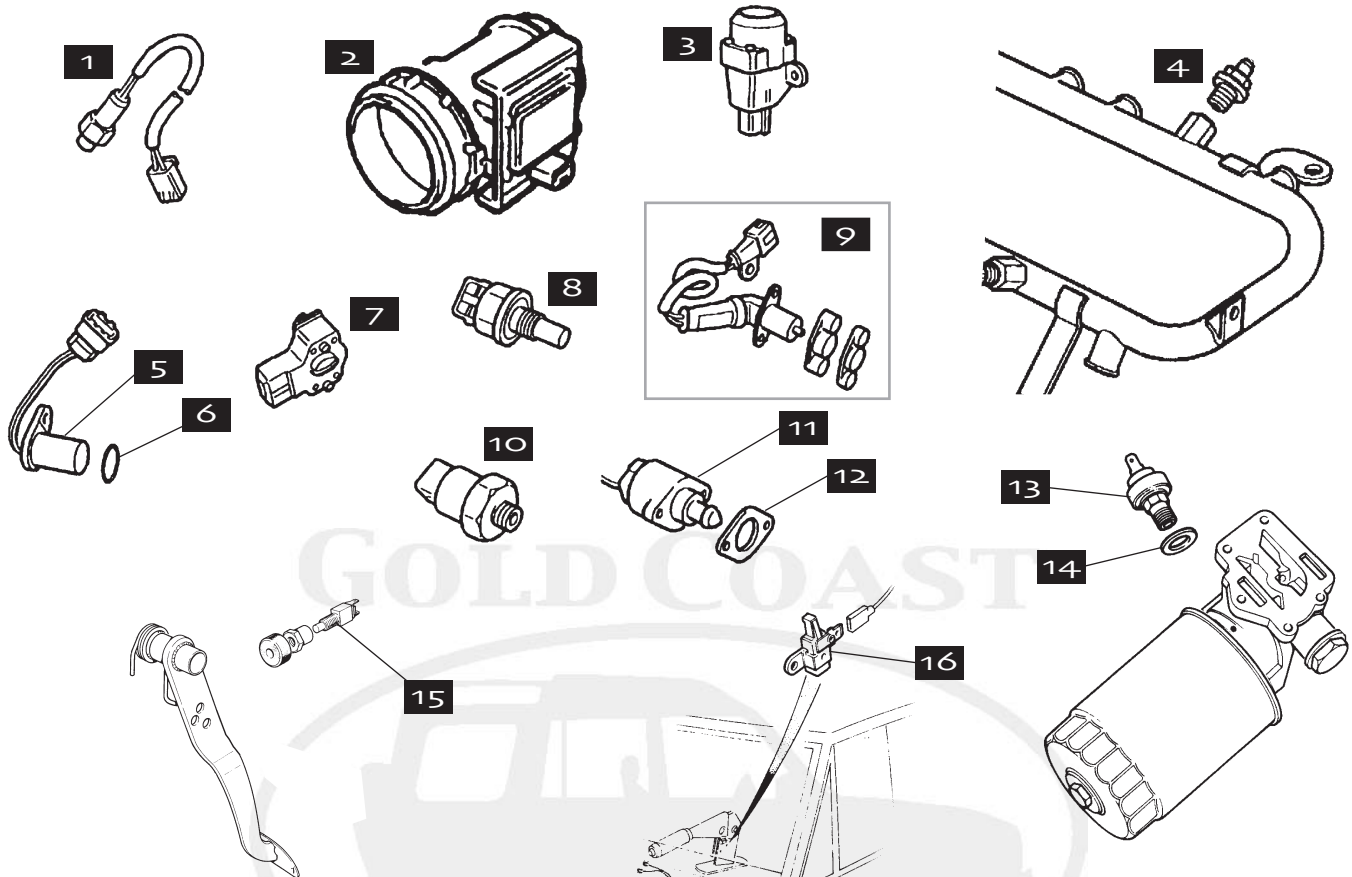


RANGE ROVER II, 1995-2002

Description	Order Number	Explanatory Notes	Qty
1. Large Bulb for Interior Lamps	RV-RTC3633		2
2. Rear Interior Courtesy Lamp	RV-PRC9248LUM	Except 4.6 HSE	2
3. Map Lamp (small) Bulb for Interior Lamps	RV-575312		2
4. Rear Interior Courtesy Lamp	RV-AMR2768LUM	4.6 HSE, RH	1
4. Rear Interior Courtesy Lamp	RV-AMR2769LUM	4.6 HSE, LH	1
5. Bulb for Trunk/Load-space Lamp	RV-STC1203		1
6. Trunk/Load-space Lamp	RV-AFU4091L		1
7. Glove Box Lamp	RV-STC2819		1
7. Rear Foot Well Lamp	RV-PRC9496		1
8. Bulb for Glove Box & Foot Well Lamps	RV-RTC3633		1
9. Front Foot Well Lamp	RV-PRC9499		2
10. Bulb for Front Foot Well Lamp	RV-573289		2
11. Lens for Courtesy Lamp	RV-XDH100120L		1
12. Bulb, Front Interior Courtesy Lamp	RV-586438	10 watt bulb	1
13. Front Interior Courtesy Lamp	RV-XDE100730LUM		1
14. Bulb, Front Interior Courtesy Lamp	RV-AFU4481	5 watt bulb	1



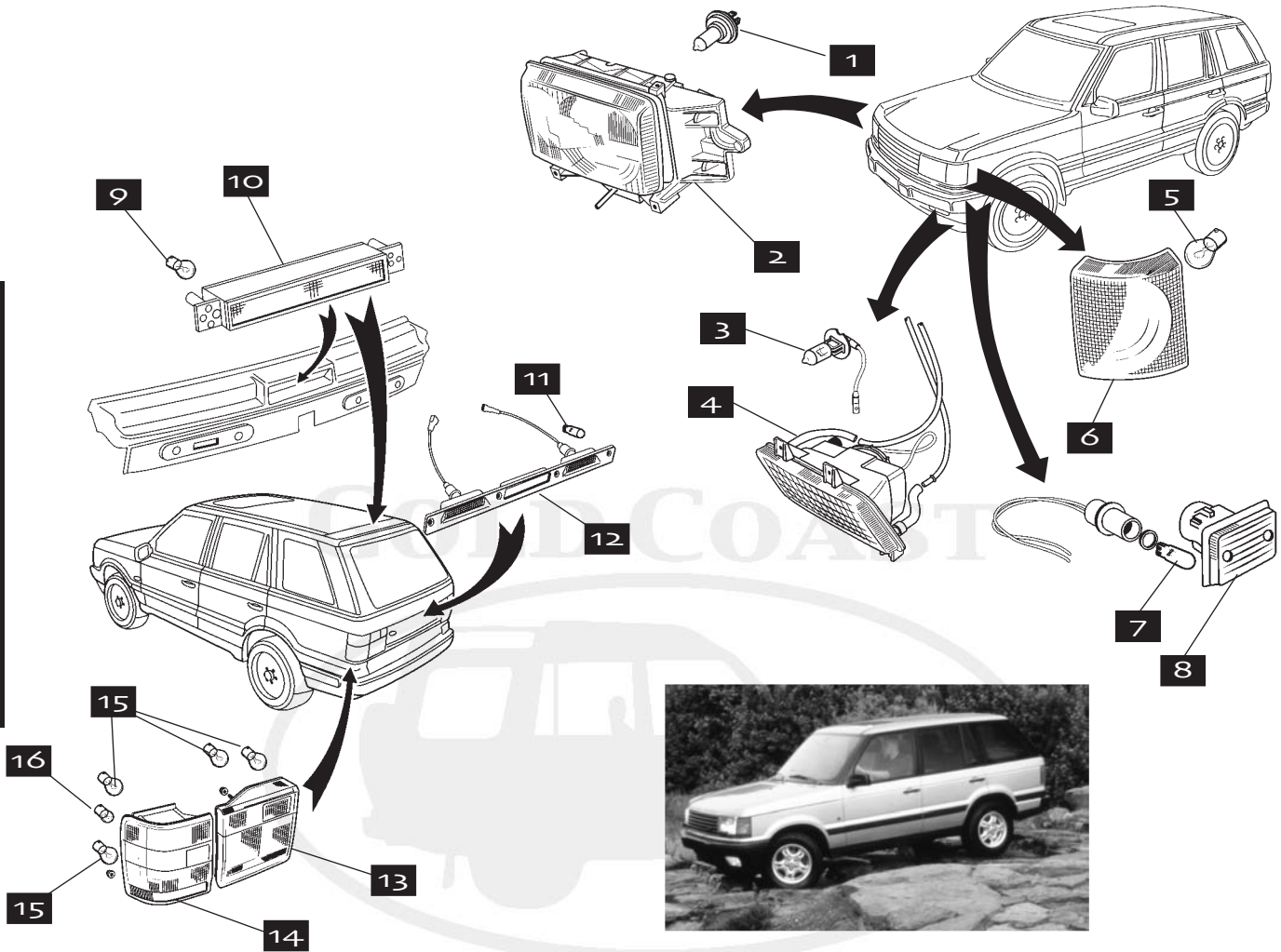
Description	Order Number	Explanatory Notes
Alarm Parts		
1. Burglar Alarm Sounder Unit	RV-AMR3702	
2. O-Ring for Remote Unit	RV-STC1867	
3. Transmitter Battery for Remote Unit	RV-STC4806	
4. Remote Unit & Key, Ash Grey	RV-ASR1944	
4. Remote Unit & Key, Black	RV-ASR1945	
4. Remote Unit & Key, Beige	RV-STC3634	
4. Remote Unit & Key, Blue	RV-STC3635	
5. Ultrasonic Sensor (Mink Grey)	RV-YWC103640LUM	
6. Burglar Alarm Light Emitting Diode	RV-BTR8320	
7. Receiver Radio Remote 315 MHz	RV-ASR1952	
8. High Note Horn	RV-AMR3583	
9. Low Note horn	RV-AMR3584	
10. Fuel Door Actuator	RV-ALR7012	



RANGE ROVER II, 1995-2002

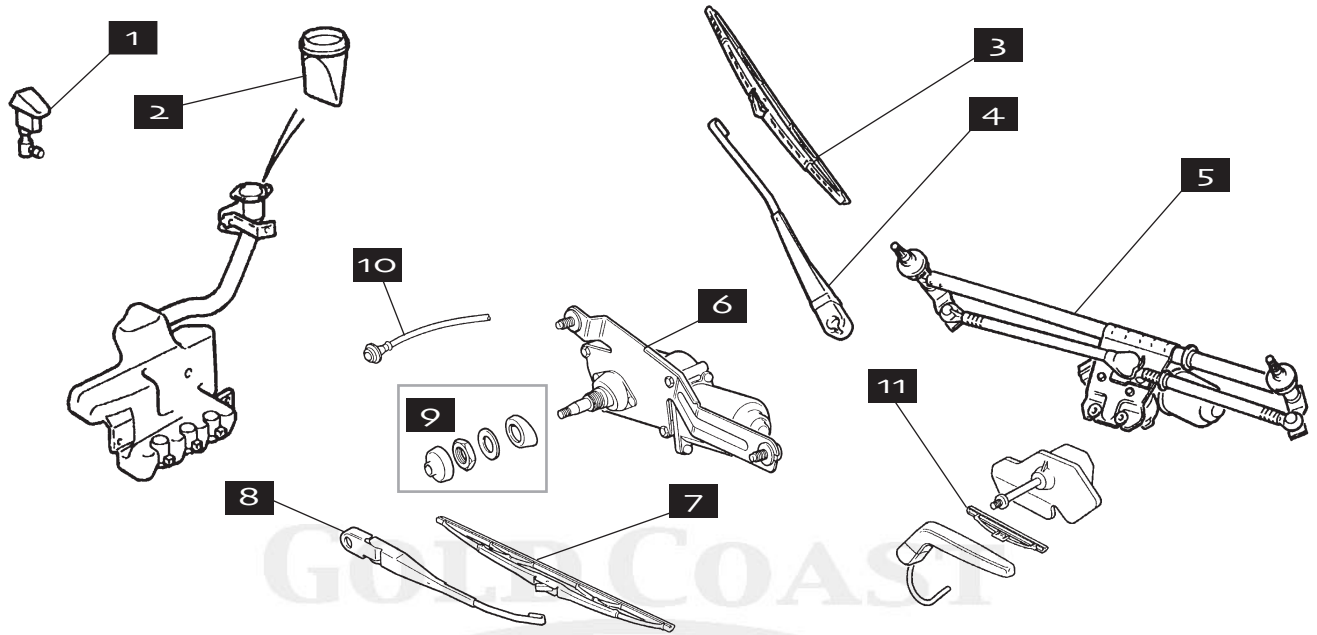
Description	Order Number	Explanatory Notes	Qty
1. Oxygen Sensor	RV-ERR1834	To VIN VA350101 (In 1997 model year)	4
1. Oxygen Sensor	RV-AMR6244	From VIN VA350102 to VIN WA410481 (mid 1997 through 1998)	4
1. Oxygen Sensor, Front	RV-MHK100930	From XA410482	2
1. Oxygen Sensor, Rear	RV-MHK100940	From XA410482	2
2. Airflow Meter	RV-ERR5595	Through 1998	1
2. Airflow Meter	RV-MHK100800	1999-on	1
3. Inertia Switch, Fuel Pump	RV-WQT100030L		1
4. Fuel Temperature Sender	RV-ETC6661		1
5. Position Sensor, Camshaft	RV-ERR2261	Through 1996	1
5. Position Sensor, Camshaft	RV-ERR6169	1997-on	1
6. O-Ring, Cam Position Sensor	RV-ERR4815		1
7. Throttle Position Sensor	RV-ERR4278		1
8. Coolant Temperature Sensor, ECU	LU-SNB802	Through 1998	1
8. Coolant Temperature Sensor, ECU	RV-MEK100160	1999-on	1
9. Position Sensor Crankshaft	RV-ADU7342L	Through 1996	1
9. Position Sensor Crankshaft	RV-ERR6119	1997 & 1998	1
9. Position Sensor Crankshaft	RV-ERR7354	1999-on	1
10. Knock Sensor	RV-ERR5594	Through 1998	2
10. Knock Sensor	RV-NSC100650	1999-on	2
11. Stepper Motor, Fuel Injection	RV-ERR4352		1
12. Gasket, Stepper Motor	RV-ERR3359		1
13. Oil Pressure Switch	RV-STC4104K*	On oil pump housing	1
14. Washer For STC4104K* Oil Pressure Switch	RV-243968		1
15. Brake Light Switch	RV-XKB100170		1
16. Hand Brake Warning Switch	RV-STC1951		1

* Denotes Aftermarket Part



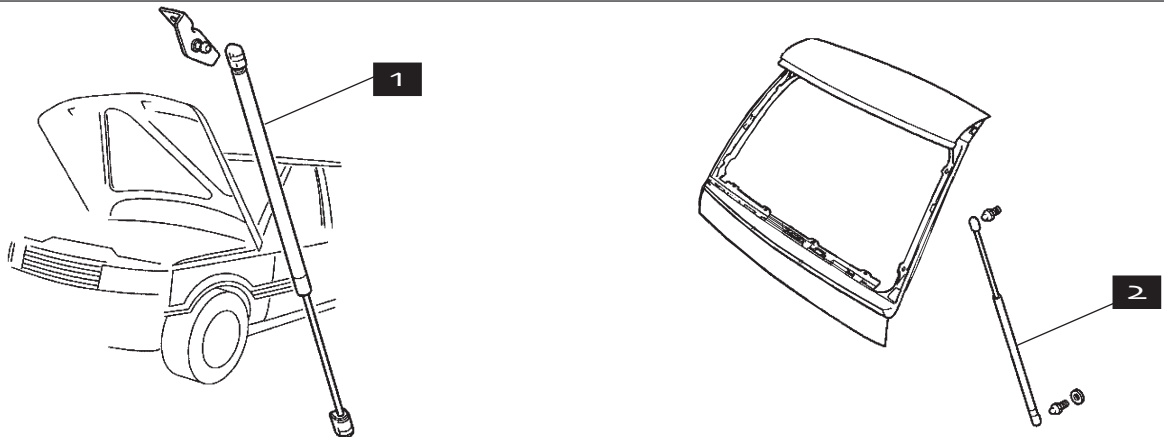
Description	Order Number	Explanatory Notes	Qty
1. Head Lamp Bulb	RV-STC3310		2
2. Head Lamp Assembly	RV-AMR4826	Right Side	1
2. Head Lamp Assembly	RV-AMR4825	Left Side	1
3. Bulb, Fog/Driving Lamp Bulb	JA-DBC11408		2
4. Fog Lamp	RV-AMR3420	Right Side	1
4. Fog Lamp	RV-AMR3421	Left Side	1
5. Bulb, Front Turn Lamp	RV-264590		2
6. Front Turn Lamp	RV-AMR2484	Right Side	1
6. Front Turn Lamp	RV-AMR2485	Left Side	1
7. Bulb Side Repeater	RV-AFU4481		2
8. Lens, Side Repeater	RV-PRC9916		1
9. Bulb, High-Mounted Stop Lamp	RV-AFU4481		5
10. High Mounted stop lamp	RV-PRC7644		1
11. Bulb, License Lamp	RV-AFU4481		4
12. License Lamp Assy	RV-AMR3020		1
13. Tail Lamp	RV-AMR4724	Inner, Right Side	1
13. Tail Lamp	RV-AMR4725	Inner, Left Side	1
14. Tail Lamp	RV-AMR4102	Outer, Right Side	1
14. Tail Lamp	RV-AMR4101	Outer, Left Side	1
15. Bulb	RV-264591	Turn signal, stop lamp, reverse lamp, fog lamp	8
16. Bulb, tail light	RV-10211		2

WIPERS & COMPONENTS, RANGE ROVER II



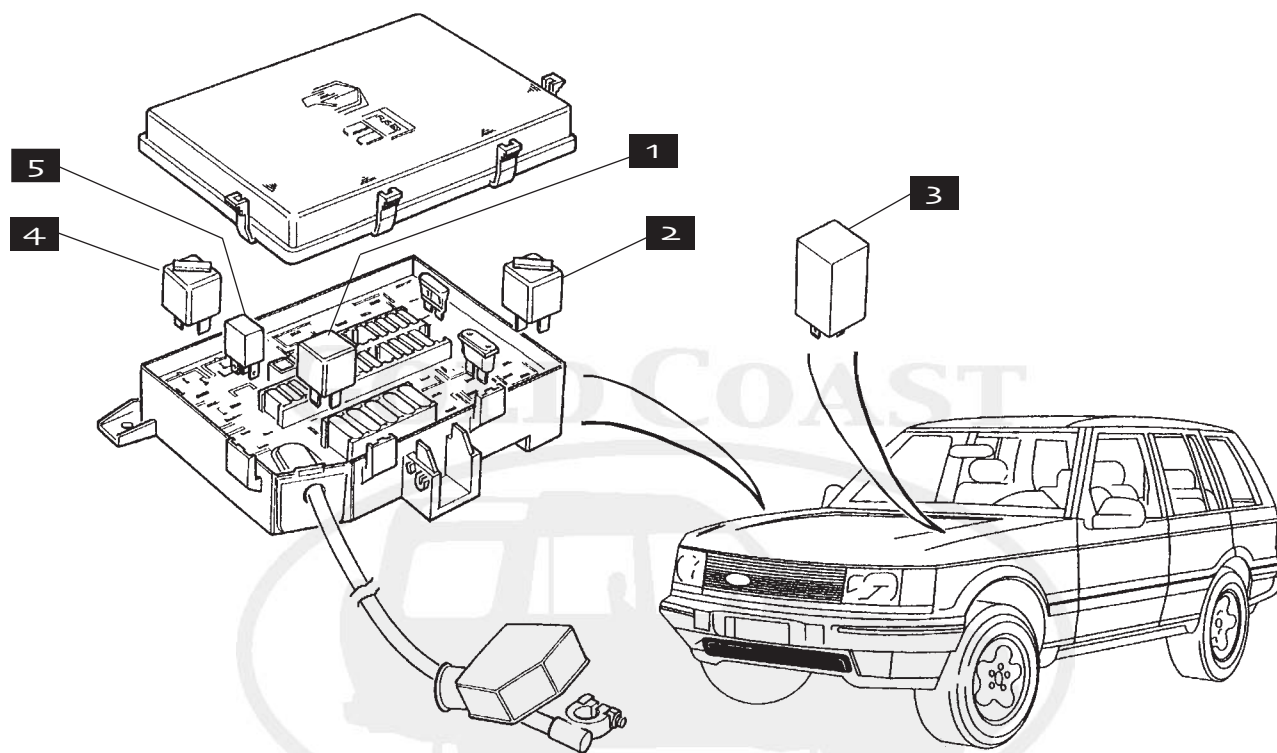
Description	Order Number	Explanatory Notes	Qty
1. Jet/Nozzle, Front	RV-AMR5257	To WA394534 single spray head	2
1. Jet/Nozzle, Front	RV-DNJ100750	From WA394535, twin spray heads	2
2. Washer Reservoir Filter	RV-AMR3266		1
3. Wiper Blade, Front	RV-DKC100830		2
4. Wiper Arm, Right Front	RV-DKB103370		1
4. Wiper Arm, Left Front	RV-DKB103350		1
5. Wiper Motor/Rack Assembly, Front	RV-DLB101770		1
6. Wiper Motor/Rack Assembly, Rear	RV-AMR3265		1
7. Wiper Blade, Rear	RV-PRC7576		1
8. Wiper Arm, Rear	RV-AMR4954		1
9. Bush/Grommet/Nut Kit, Rear	RV-STC2811		1
10. Jet/Nozzle, Rear	RV-AMR4779		1
11. Headlamp Wiper Blade	RV-DKC100860		2

HOOD AND TAILGATE GAS STRUTS, RANGE ROVER II

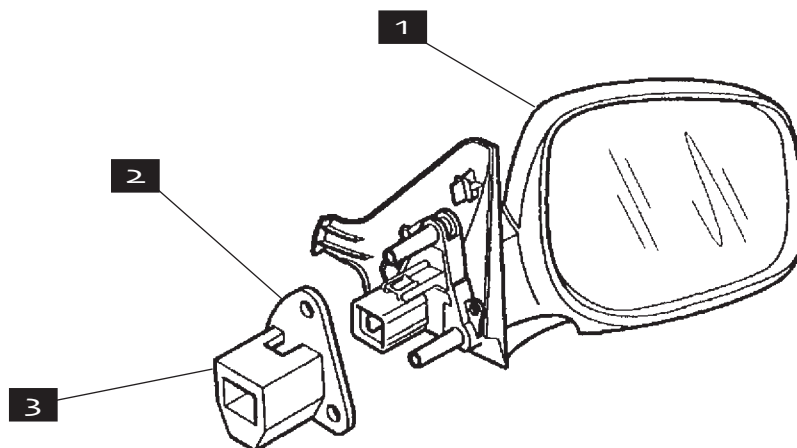


Description	Order Number	Explanatory Notes	Qty
1. Bonnet Gas Strut, Locking	RV-ALR5884		1
1. Bonnet Gas Strut, Non-Locking	RV-ALR5886		1
2. Tail Gate Gas Strut	RV-ALR1050		2

RANGE ROVER II, 1995-2002



Description	Order Number	Relay Location	Color Code
1. ABS Pump	RV-PRC9566	Relay Box in Engine Compartment	Black
2. Front Wiper Control	RV-YWB10031	Relay Box in Engine Compartment	Green
2. Front Wiper Intermittent	RV-YWB10031	Relay Box in Engine Compartment	Green
2. Headlamp Wash/Wipe	RV-YWB10031	Relay Box in Engine Compartment	Green
2. A/C Conditioning. Fan	RV-YWB10031	Relay Box in Engine Compartment	Green
3. Air Suspension Delay	RV-ANR4652	Under LH Seat	
4. ABS Power	RV-YWB10012L	Relay Box in Engine Compartment	Yellow
4. Heated Front Screen	RV-YWB10012L	Relay Box in Engine Compartment	Yellow
4. HEVAC Power	RV-YWB10012L	Relay Box in Engine Compartment	Yellow
4. HEVAC Aux. Power	RV-YWB10012L	Relay Box in Engine Compartment	Yellow
4. Fuel Pump	RV-YWB10012L	Relay Box in Engine Compartment	Yellow
4. Starter Motor	RV-YWB10012L	Relay Box in Engine Compartment	Yellow
4. A/C Control	RV-YWB10012L	Relay Box in Engine Compartment	Yellow
4. Air Suspension Compressor	RV-YWB10012L	Relay Box in Engine Compartment	Yellow
4. Engine Main Control	RV-YWB10012L	Relay Box in Engine Compartment	Yellow
4. Main Fuel Injection Circuit	RV-YWB10012L	Relay Box in Engine Compartment	Yellow
5. Horn	RV-YWB10004L	Relay Box in Engine Compartment	Yellow



Description	Order Number	Explanatory Notes
1. Door Mirror, Right	RV-STC3745	Flat, Memory to VA346793
1. Door Mirror, Left	RV-STC3692	Convex, Memory to VA346793
1. Door Mirror, Right	RV-AWR5289	Convex, Memory from VA346794
1. Door Mirror, Left	RV-AWR6894	Convex, Memory from VA346794
1. Door Mirror, Right	RV-CRB110780HPE	Woodcote Green, 50th Anniversary Model
1. Door Mirror, Left	RV-CRB110790HPE	Woodcote Green, 50th Anniversary Model
2. Mirror Gasket	RV-STC2861	
3. Anti-Rattle Pad	RV-BTR6118	

DECALS AND BADGES, RANGE ROVER II

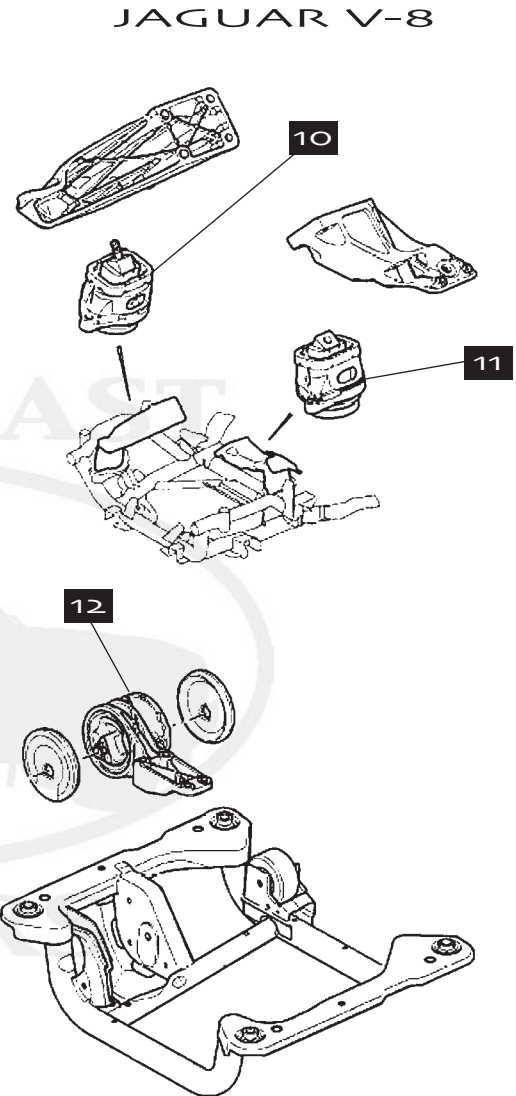
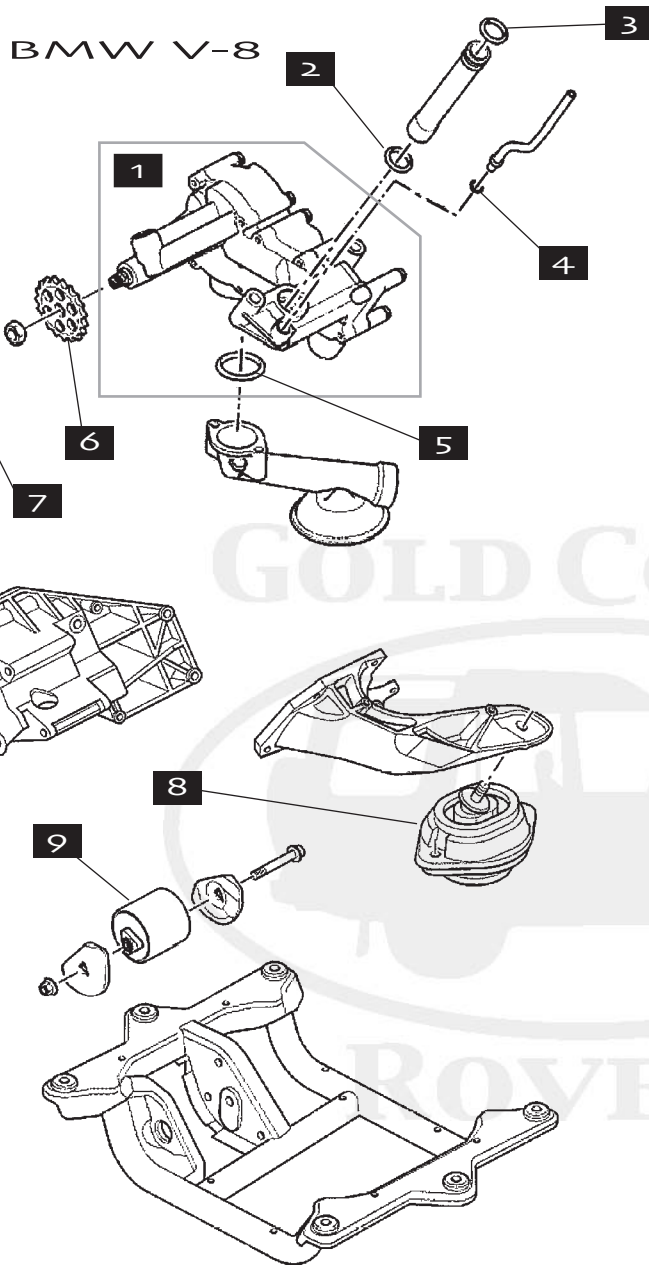


RANGE ROVER

4.0 SE

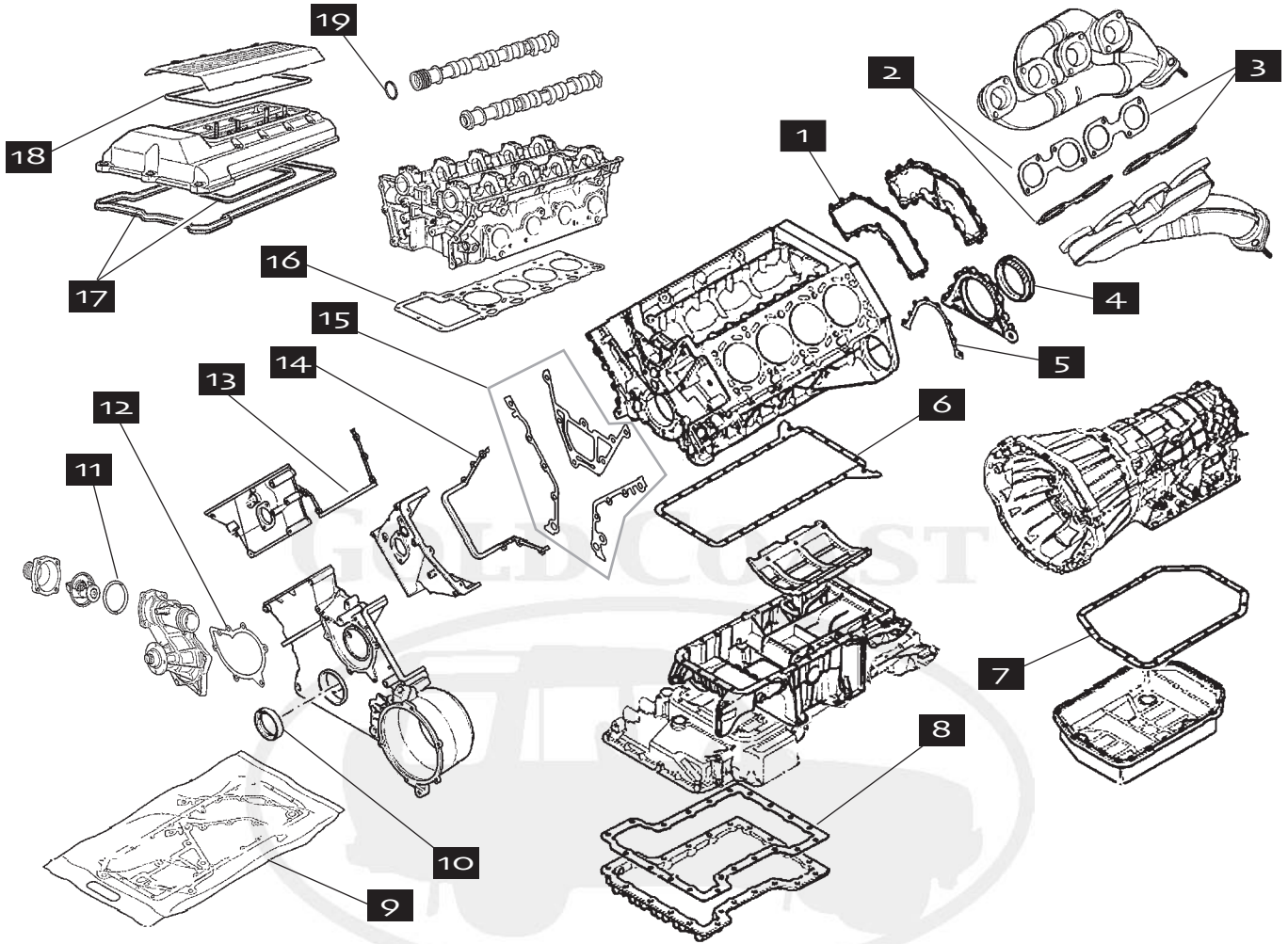
4.6 HSE

Description	Order Number	Explanatory Notes
"Range Rover" Decal on Hood	RV-BTR7939MAD	Silver
"Range Rover" Decal on Hood	RV-BTR7939PUK	Basalt
"Range Rover" Decal on Tail Gate	RV-BTR7940MAD	Silver
"Range Rover" Decal on Tail Gate	RV-BTR7940PUK	Basalt
"4.0 SE" Decal on Tail Gate	RV-AWR1333MAD	Silver
"4.0 SE" Decal on Tail Gate	RV-AWR1333PUK	Basalt
"4.6 HSE" Decal on Tail Gate	RV-AWR1334MAD	Silver
"4.6 HSE" Decal on Tail Gate	RV-AWR1334PUK	Basalt
"Land Rover" Badge, Front Grille	RV-BTR8401	
"Land Rover" Badge on Tail Gate	RV-BTR1047	



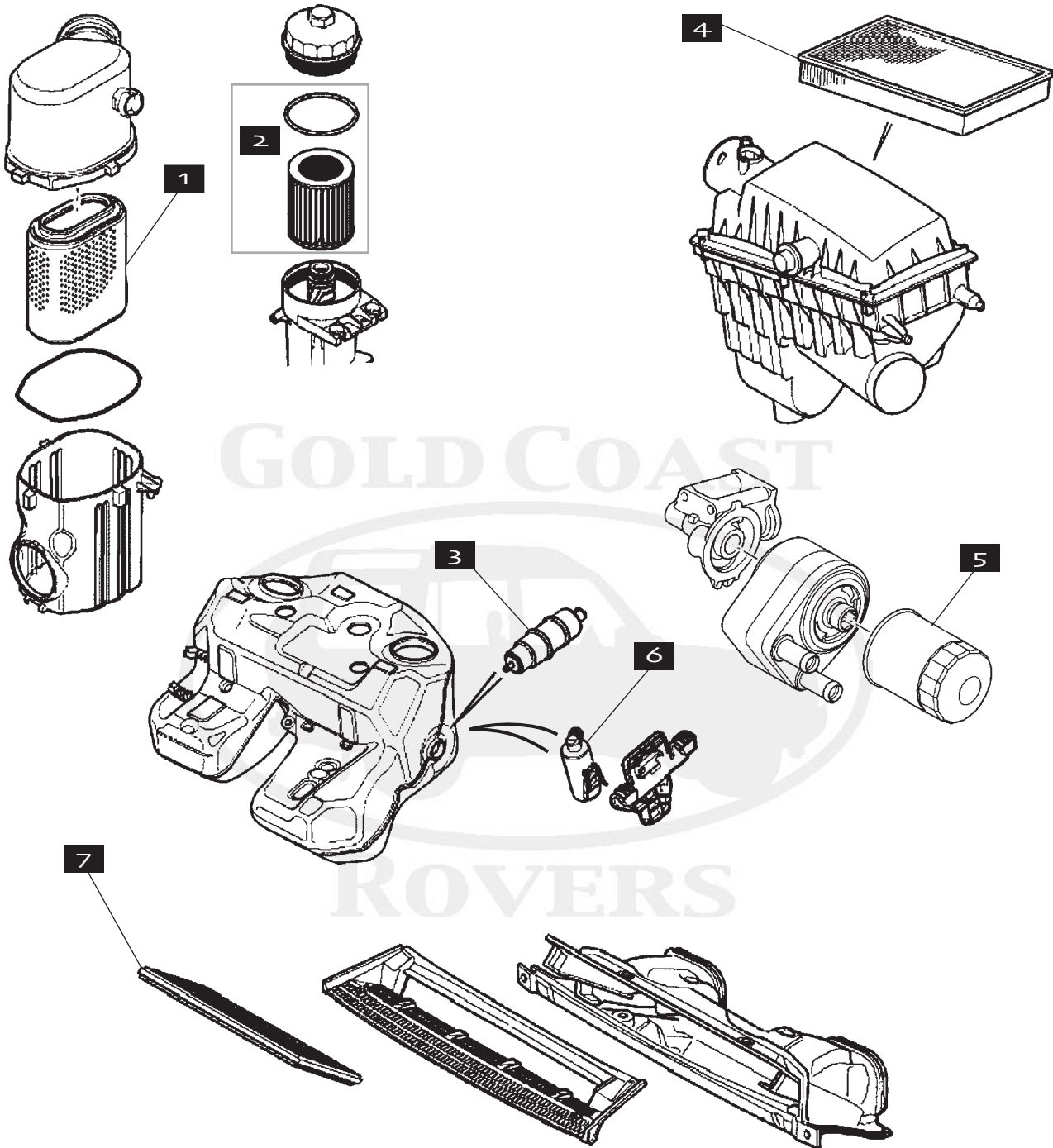
Description	Order Number	Explanatory Notes	Qty
1. Oil Pump	RV-LPF000010	BMW V-8	1
2. O-Ring, Tube, Lower	RV-LYX000030	BMW V-8	1
3. O-Ring, Tube, Upper	RV-LYX000070	BMW V-8	1
4. O-Ring, Small Tube	RV-LYX000060	BMW V-8	1
5. O-Ring, to Pick-up Tube	RV-LYX000080	BMW V-8	1
6. Sprocket, On Oil Pump	RV-LIH000010	BMW V-8	1
7. Drive Chain, Oil Pump	RV-LRC000020	BMW V-8	1
8. Engine Mount, LH	RV-KKB000270	BMW V-8	1
8. Engine Mount, RH	RV-KKB000280	BMW V-8	1
9. Transmission Mount	RV-KQB000040	BMW V-8, Rubber Isolator on transmission cradle.	1
10. Engine Mount, RH	RV-KKB500490	Jaguar V-8	1
11. Engine Mount, LH	RV-KKB500470	Jaguar V-8	1
12. Transmission Mount	RV-KQB500460	Jaguar V-8	1

RANGE ROVER III, 2003-ON



Description	Order Number	Explanatory Notes	Qty
1. Gasket, Engine Block Rear Cover	RV-LDX000020	BMW V-8	1
2. Exhaust Manifold Gasket	RV-LKG000100	Front, BMW V-8	2
3. Exhaust Manifold Gasket	RV-LKG000110	Rear, BMW V-8	2
4. Crankshaft Seal, Rear	RV-LUF000020	BMW V-8	1
5. Gasket, Rear Crankshaft Seal Retainer	RV-LYF000160	BMW V-8	1
6. Oil Sump Gasket, Upper	RV-LVF000030	BMW V-8	1
7. Pan Gasket, Transmission	RV-TYF000110	BMW V-8	1
8. Oil Sump Gasket, Lower	RV-LVF000040	BMW V-8	1
9. Gasket Set, Engine	RV-LVQ000020	Does not include head gaskets, BMW V-8	1
10. Seal, Crankshaft, Front	RV-LUF000010	BMW V-8	1
11. Thermostat O-Ring	RV-PES000020	BMW V-8	1
12. Water Pump Gasket	RV-PET000050	BMW V-8	1
13. Front Cover Gasket, RH	RV-LJQ000050	BMW V-8	1
14. Front Cover Gasket, LH	RV-LJQ000040	BMW V-8	1
15. Gasket Set, Front Cover	RV-LVQ000040	Three Pieces, BMW V-8	1
16. Head Gasket, RH	RV-LVB000340	1.74mm, BMW V-8	1
16. Head Gasket, RH	RV-LVB000350	2.07mm, BMW V-8	1
16. Head Gasket, LH	RV-LVB000360	1.74mm, BMW V-8	1
16. Head Gasket, LH	RV-LVB000370	2.07mm, BMW V-8	1
17. Cam Cover Gasket, RH	RV-LVP000050	BMW V-8	1
17. Cam Cover Gasket, LH	RV-LVP000060	BMW V-8	1
18. Cylinder Head Cover Gasket	RV-LVP000030	BMW V-8	2
19. Front Seal, Camshafts	RV-LUC000010	BMW V-8	3

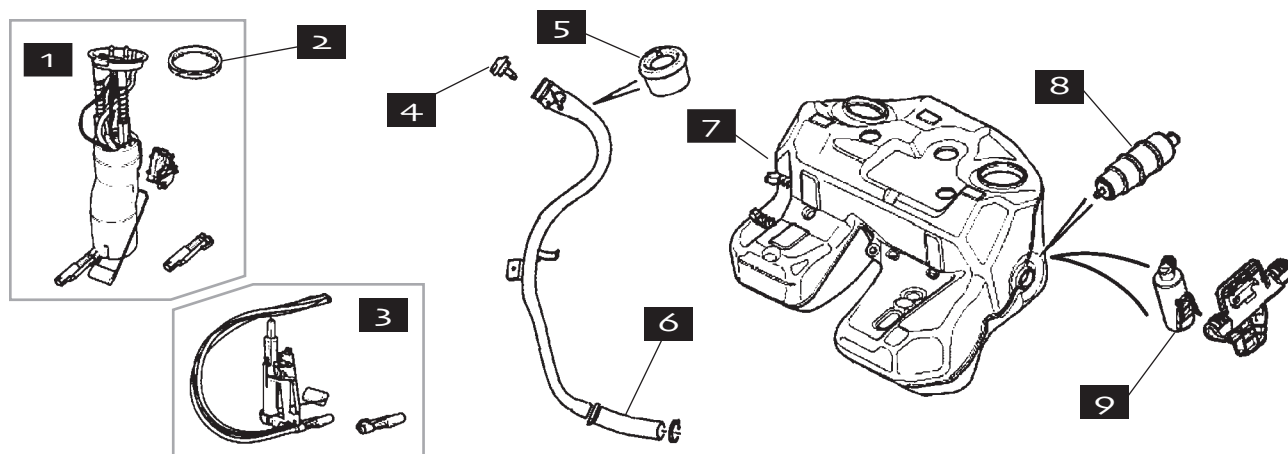
* Denotes Aftermarket Part



RANGE ROVER III, 2003-ON

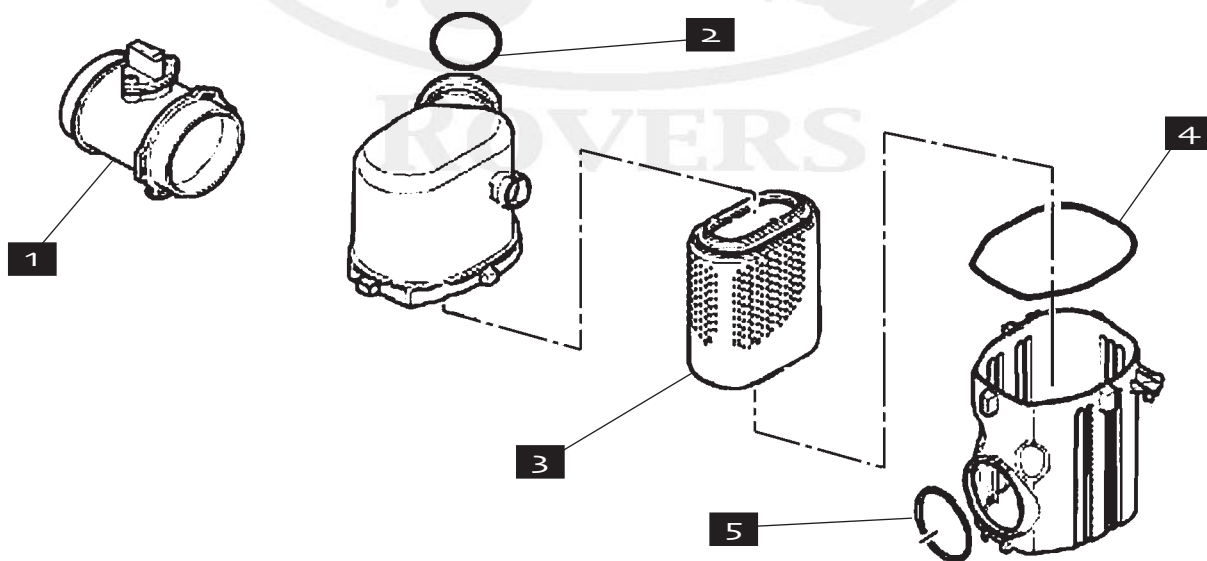
Description	Order Number	Explanatory Notes	Qty
1. Air Filter	RV-PHE000050	BMW V-8	1
2. Oil Filter, OE	RV-LPW000010	BMW V-8, Cartridge Type	1
2. Oil Filter, Aftermarket	RV-LPW000010/X	BMW V-8, Cartridge Type	1
3. Fuel Filter	RV-WFL000021	BMW V-8 Only, Inline	1
4. Air Filter	RV-PHE500021	Jaguar V-8, Supercharged or Normally Aspirated	1
5. Oil Filter	RV-4508334	Jaguar V-8, Supercharged or Normally Aspirated	1
6. Fuel Filter	RV-WTG000010	BMW V-8, Jaguar V-8, Complete Valve Assembly	1
7. Pollen/Cabin Filter	RV-JMO000010	All	1

FUEL SYSTEM, RANGE ROVER III



Description	Order Number	Explanatory Notes	Qty
1. Fuel Pump & Sender	RV-WFX500010	BMW V-8, Complete Assembly	1
2. Gasket, Pump to Tank	RV-WGQ500020	BMW V-8	1
3. Fuel Pump & Sender	RV-WGI500010	BMW V-8, Pump & Sender "guts" only	1
4. Fuel Filler Cap	RV-WLD000070PUY	To 3A132477	1
4. Fuel Filler Cap	RV-LR002239	From 3A132478	1
5. Grommet, Fuel Filler Pipe	RV-WMK000010		1
6. Hose, Filler Pipe to Tank	RV-WJH000120		1
7. Fuel Tank	RV-WFE000172	BMW V-8	1
8. Fuel Filter	RV-WFL000021	BMW V-8	1

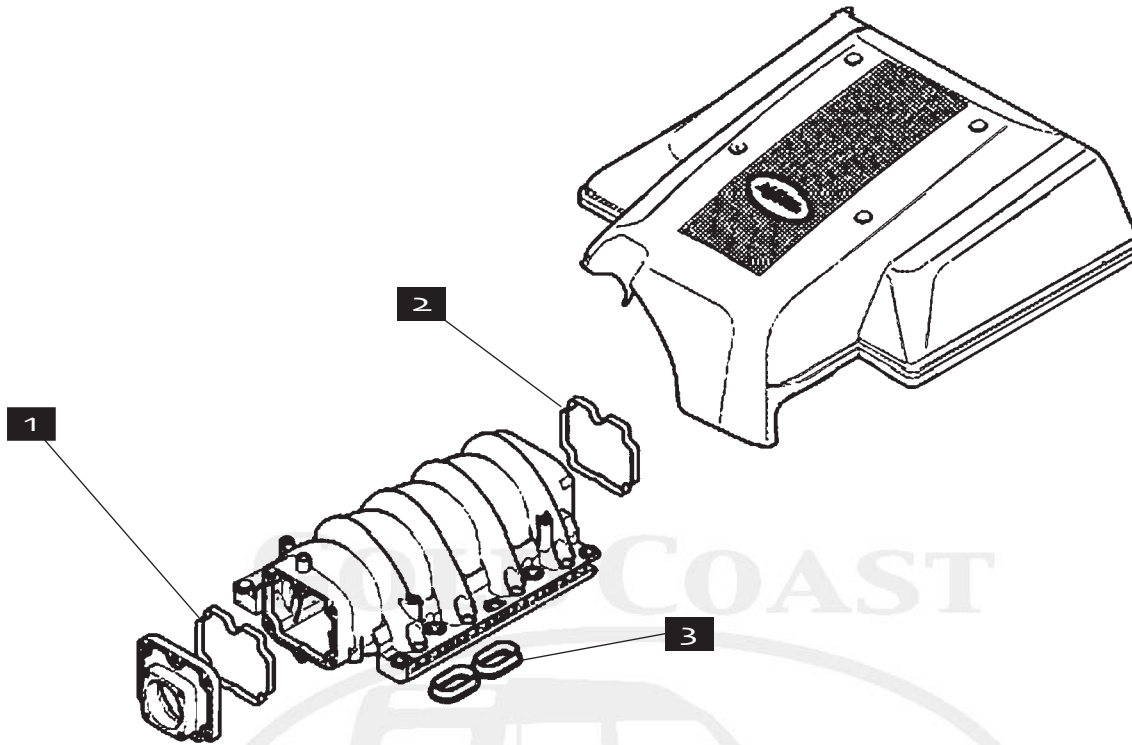
AIR FLOW METER, RANGE ROVER III, BMW V-8



Description	Order Number	Explanatory Notes	Qty
1. Air Flow Meter	RV-MHK000230	BMW V-8	1
2. Gasket, Air Filter Housing, Upper	RV-PHN000020	BMW V-8	1
3. Air Filter	RV-PHE000050	BMW V-8	1
4. Gasket, Air Filter Lid	RV-PHN000030	BMW V-8	1
5. Gasket, Air Filter Housing, Lower	RV-PKX000050	BMW V-8	1

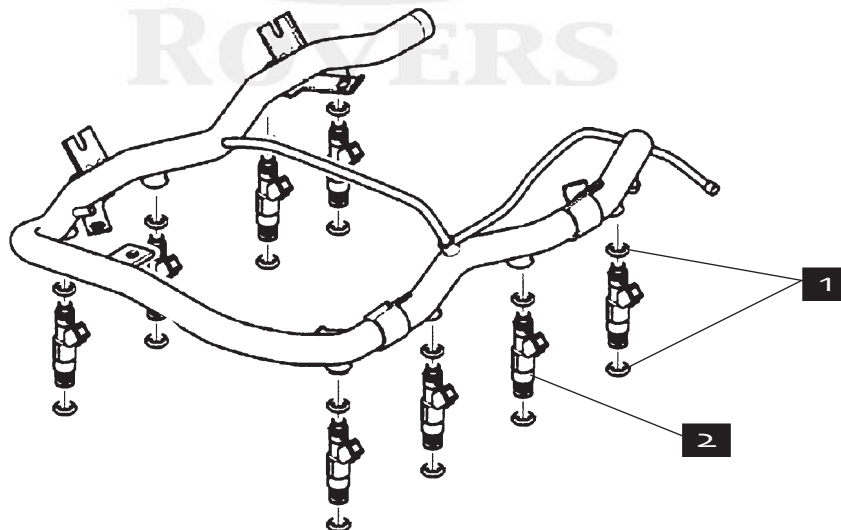
* Denotes Aftermarket Part

INLET MANIFOLD, RANGE ROVER III, BMW V-8

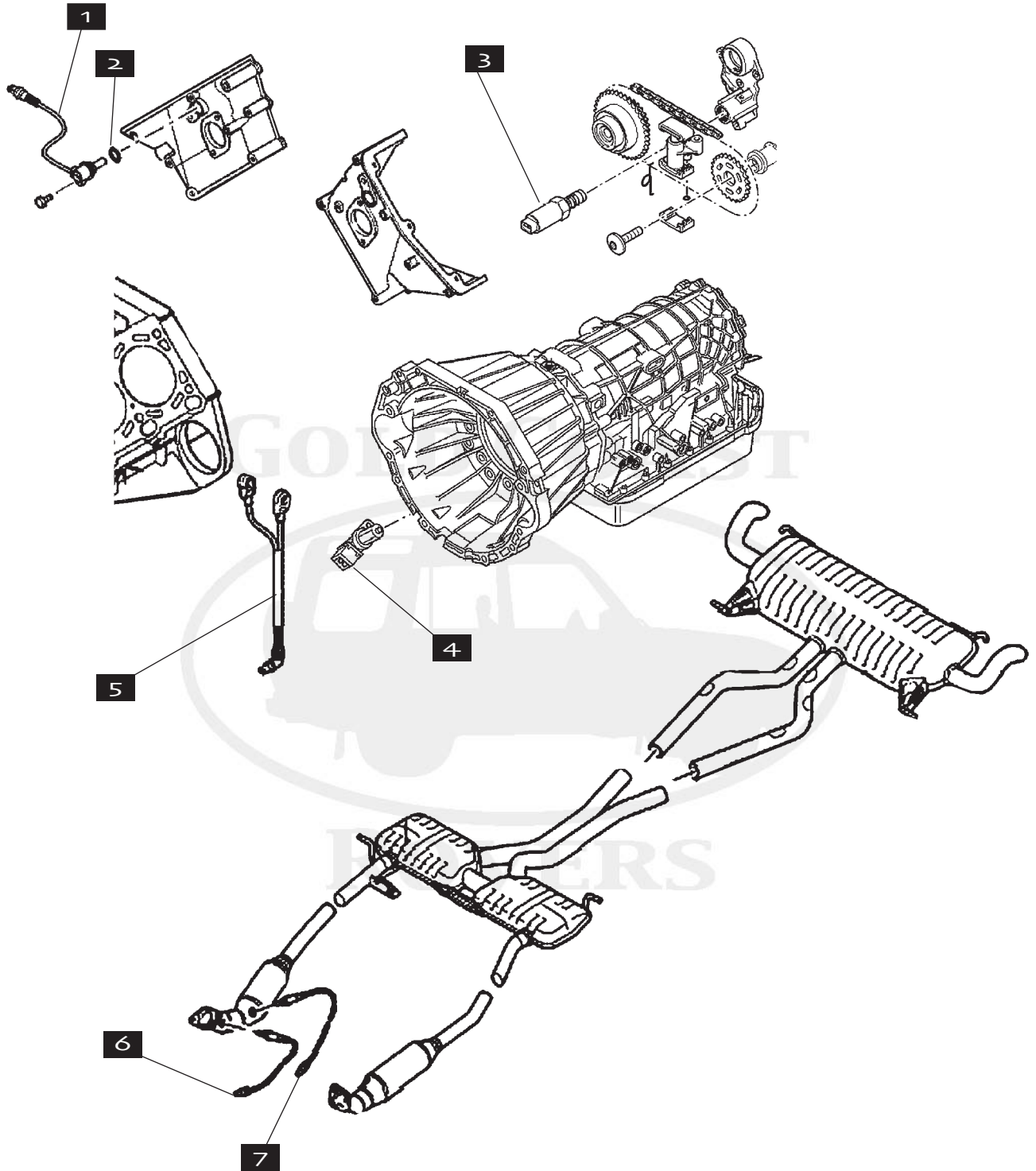


Description	Order Number	Explanatory Notes	Qty
1. Gasket, front of plenum	RV-LKJ000050	BMW V-8	1
2. Gasket, rear of plenum	RV-LKJ000060	BMW V-8	1
3. Ring Gaskets, Bottom of Manifold	RV-LKJ000040	BMW V-8	8

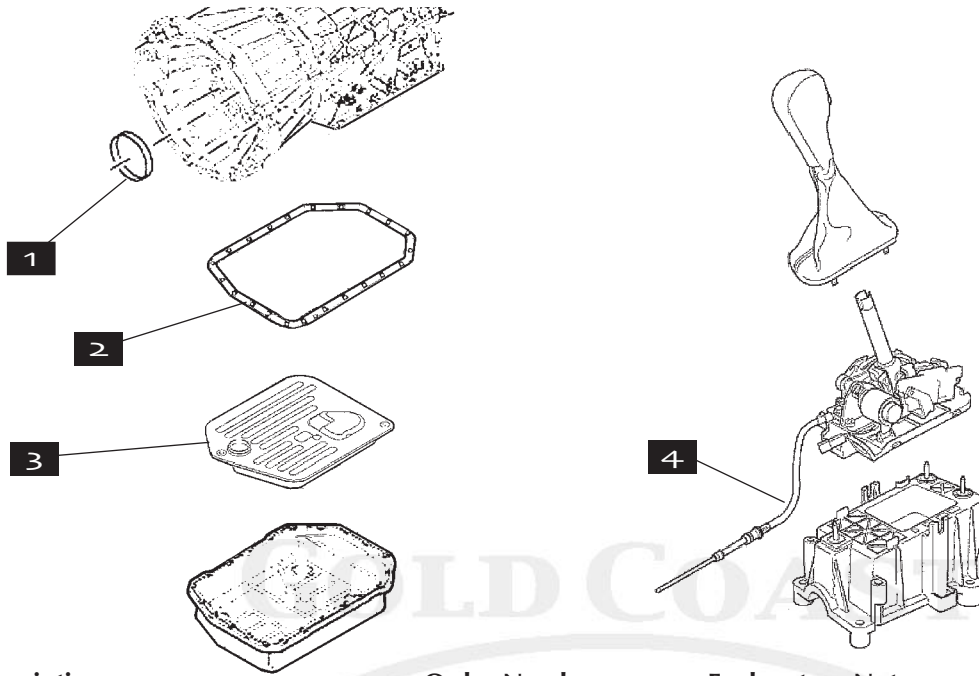
FUEL RAIL, RANGE ROVER III



Description	Order Number	Explanatory Notes	Qty
1. O-Ring, Injector Seal	RV-MYX000050	BMW V-8	16
2. Fuel Injector	RV-MJY000060	BMW V-8	8
2. Fuel Injector	RV-4526563	Jaguar V-8, Non-Supercharged	8
2. Fuel Injector	RV-4650544	Jaguar V-8, Supercharged	8

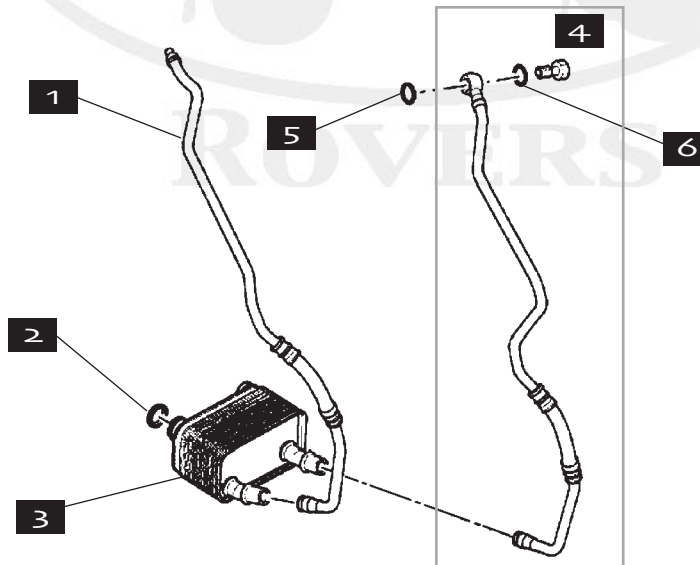


Description	Order Number	Explanatory Notes	Qty
1. Position Sensor, Camshafts	RV-8510301	BMW V-8	1
2. O-Ring, Position Sensor	RV-NYX100070L	BMW V-8	1
3. Solenoid, Variable Valve Timing	RV-8510260	BMW V-8	1
4. Position Sensor, Crankshaft	RV-NSC000050	BMW V-8	1
5. Knock Sensor	RV-NSC000090	BMW V-8	1
6. Oxygen Sensor, Upper	RV-MHK000210	BMW V-8	2
7. Oxygen Sensor, Lower	RV-MHK000220	BMW V-8	2



Description	Order Number	Explanatory Notes	Qty
1. Front Seal	RV-RTC5102	BMW V-8	1
2. Filter	RV-LPW000030	BMW V-8	1
3. Pan Gasket	RV-TYF000110	BMW V-8	1
4. Control Cable	RV-UCV000010	BMW V-8	1

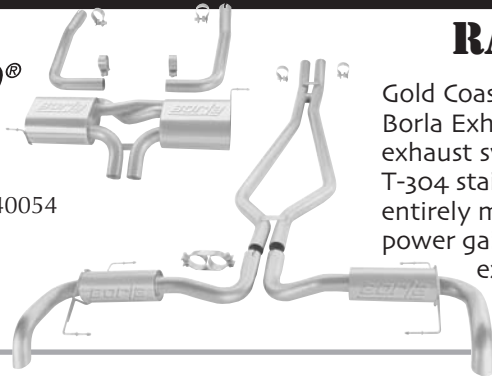
GEARBOX OIL COOLER, RANGE ROVER III



Description	Order Number	Explanatory Notes	Qty
1. Cooler Pipe/Hose	RV-UBP000161	Without Banjo Fitting, BMW V-8	1
2. Sealing Washer, Oil Cooler	RV-PYX000070	BMW V-8	2
3. Oil Cooler	RV-PFD000020	BMW V-8	1
4. Cooler Pipe/Hose	RV-UBP000180	With Banjo Fitting, BMW V-8	1
5. Ring, on Banjo	RV-PYX100230	Between transmission and hose, BMW V-8	1
6. Washer, on banjo	RV-UYF000010	Between bolt and hose, BMW V-8	1

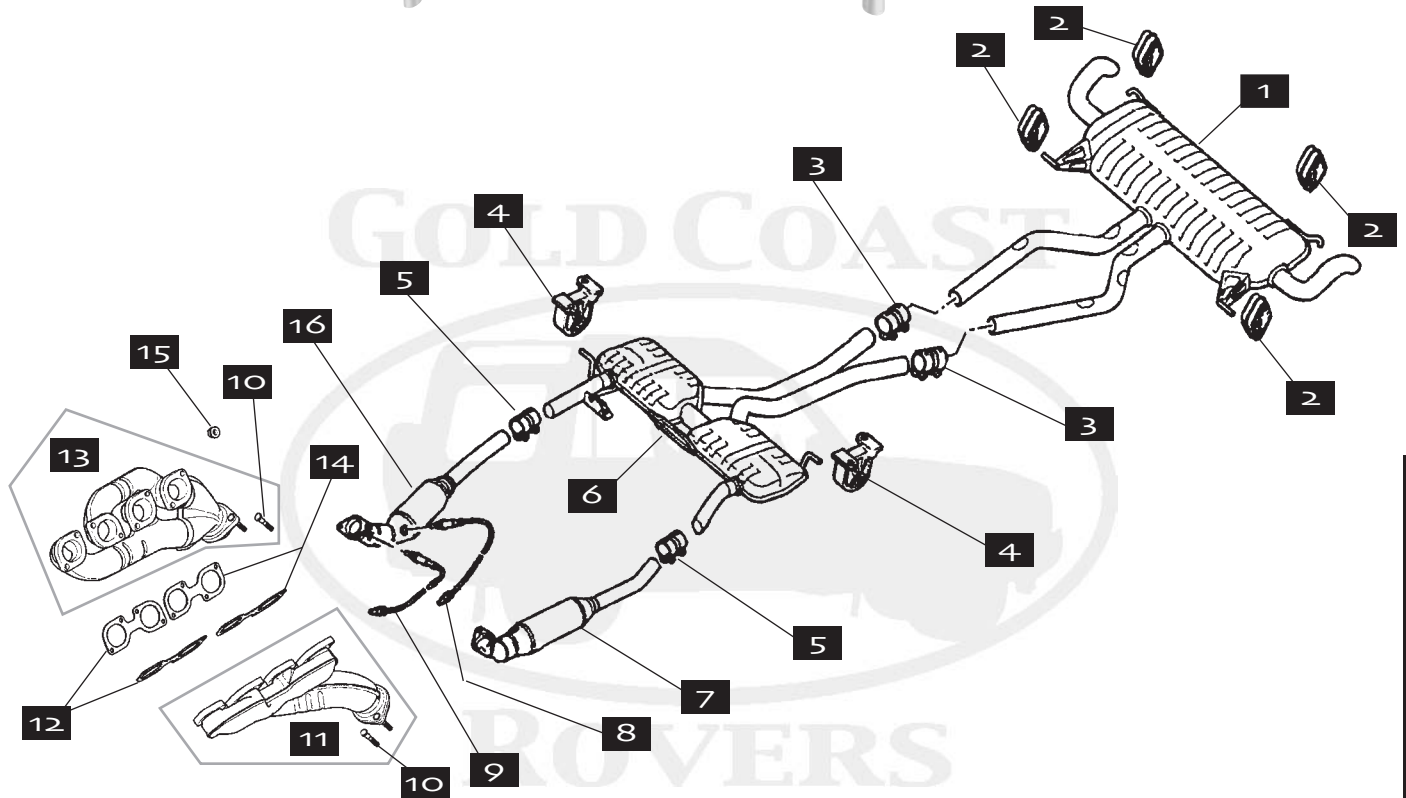


2003-on Range Rover.....RV-140054



RANGE ROVER BORLA

Gold Coast Rovers is a Warehouse Distributor for Borla Exhaust, the leader in late-model performance exhaust systems. Made entirely of aircraft-quality T-304 stainless steel, these "cat-back" systems are entirely mandrel-bent for smooth flow and noticeable power gains. Give your Land Rover a distinctive exhaust note and more power with a Borla stainless steel exhaust system.

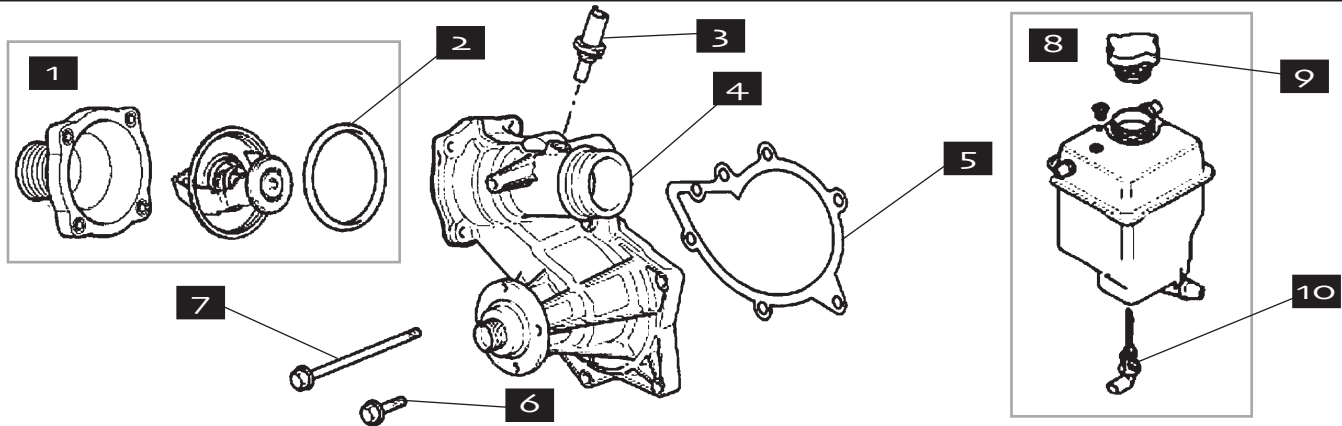


Description	Order Number	Explanatory Notes	Qty
1. Rear Muffler Assembly	RV-WCE000414	To 4A172463, BMW V-8	1
1. Rear Muffler Assembly	RV-WCE500240	4A17464-on, BMW V-8	1
2. Rubber Mount, Rear Muffler Assembly	RV-WCS000110	BMW V-8	4
3. Clamp, Center to Rear Muffler	RV-WCC000020	BMW V-8	2
4. Mount, Center Muffler	RV-WCU000260	BMW V-8	2
5. Clamp	RV-WCC000010	Downpipe/Catalysts to center muffler, BMW V-8	2
6. Center Muffler Assembly	RV-WCE000403	To 4A172463, BMW V-8	1
6. Center Muffler Assembly	RV-WCE500230	4A17464-on, BMW V-8	1
7. Downpipe/Catalyst, LH	RV-WAG000190	BMW V-8	1
8. Oxygen Sensor, Lower	RV-MHK000220	BMW V-8	2
9. Oxygen Sensor, Upper	RV-MHK000210	BMW V-8	2
10. Stud, Manifolds to Catalysts	RV-LYG000190	Two per manifold, BMW V-8	4
11. Exhaust Manifold, LH	RV-LKC000460	BMW V-8	1
12. Exhaust Manifold Gasket	RV-LKG000100	Forward, BMW V-8	2
13. Exhaust Manifold, RH	RV-LKC000450	BMW V-8	1
14. Exhaust Manifold Gasket	RV-LKG000110	Rearward, BMW V-8	2
15. Nut, Manifolds to Heads	RV-LYH000130	BMW V-8	16
16. Downpipe/Catalyst, RH	RV-WAG000180	BMW V-8	1

RANGE ROVER III, 2003-ON

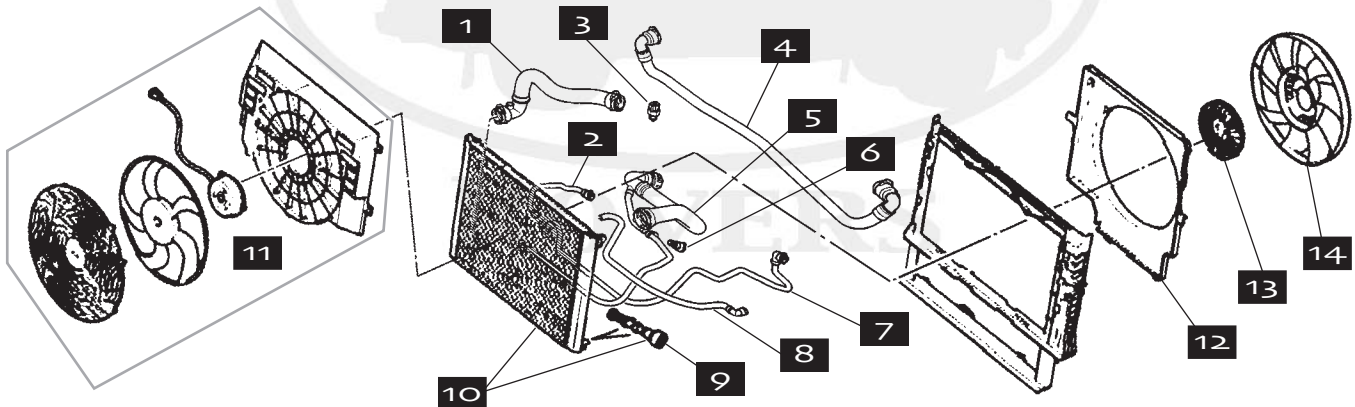
* Denotes Aftermarket Part

WATER PUMP/EXPANSION TANK, BMW V-8, RANGE ROVER III

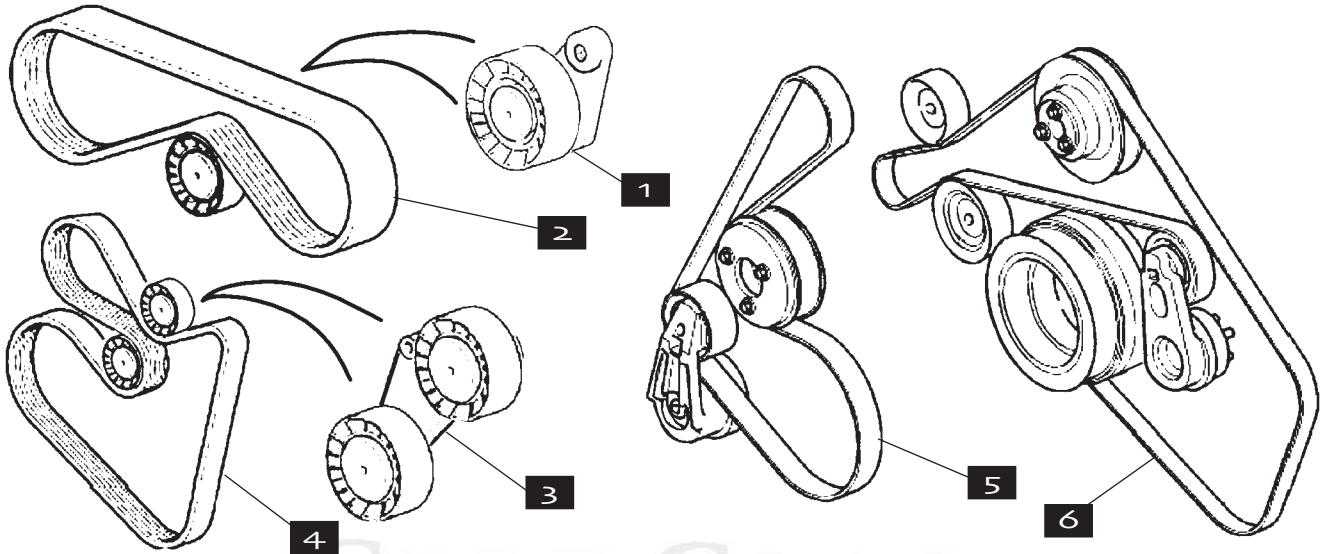


Description	Order Number	Explanatory Notes	Qty
1. Thermostat Assembly	RV-PEL000060		1
2. O-Ring, Thermostat	RV-PES000020		1
3. Temp Sender In Pump	RV-1703993		1
4. Water Pump	RV-8510324	Rebuilt	1
5. Gasket, Water Pump	RV-PET000050		1
6. Bolt, Water Pump, M6 x 30mm	RV-VYP000190		4
7. Bolt, Water Pump, M6 x 100mm	RV-VYP000110		2
8. Expansion Tank	RV-PCF000033	Includes switch but not cap	1
9. Cap, Expansion Tank	RV-PCD000070		1
10. Switch, Low Coolant Level Warning	RV-PCJ500020		1

RADIATOR & HOSES, BMW V-8, RANGE ROVER III

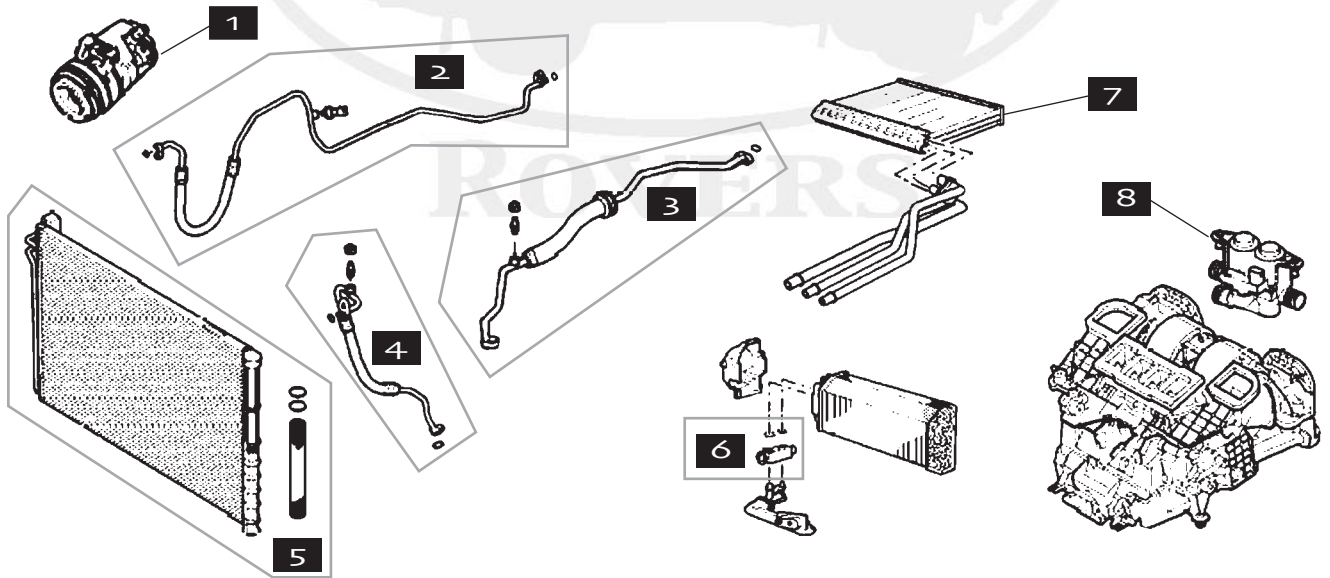


Description	Order Number	Explanatory Notes	Qty
1. Hose Assembly, Lower	RV-PCH001121	BMW V-8	1
2. Hose, Valve to Pump	RV-PCH001140	BMW V-8	1
3. Engine Temperature Sensor	RV-MEK105210	BMW V-8	1
4. Hose Assembly	RV-PCH001600	BMW V-8	1
5. Hose Assembly, Upper	RV-PCH001110	BMW V-8	1
6. Cap	RV-PER000010	BMW V-8	1
7. Hose, Reservoir to Thermostat	RV-PCH001130	BMW V-8	1
8. Hose, Expansion Tank Overflow	RV-PCH001150	BMW V-8	1
9. Drain Plug, Radiator	RV-LCM000010		1
10. Radiator	RV-PCC000850		1
12. Shroud, Fan Assembly	RV-PGK000030		1
13. Fan Clutch	RV-PGB000040		1
14. Fan Assembly	RV-PGG000041		1

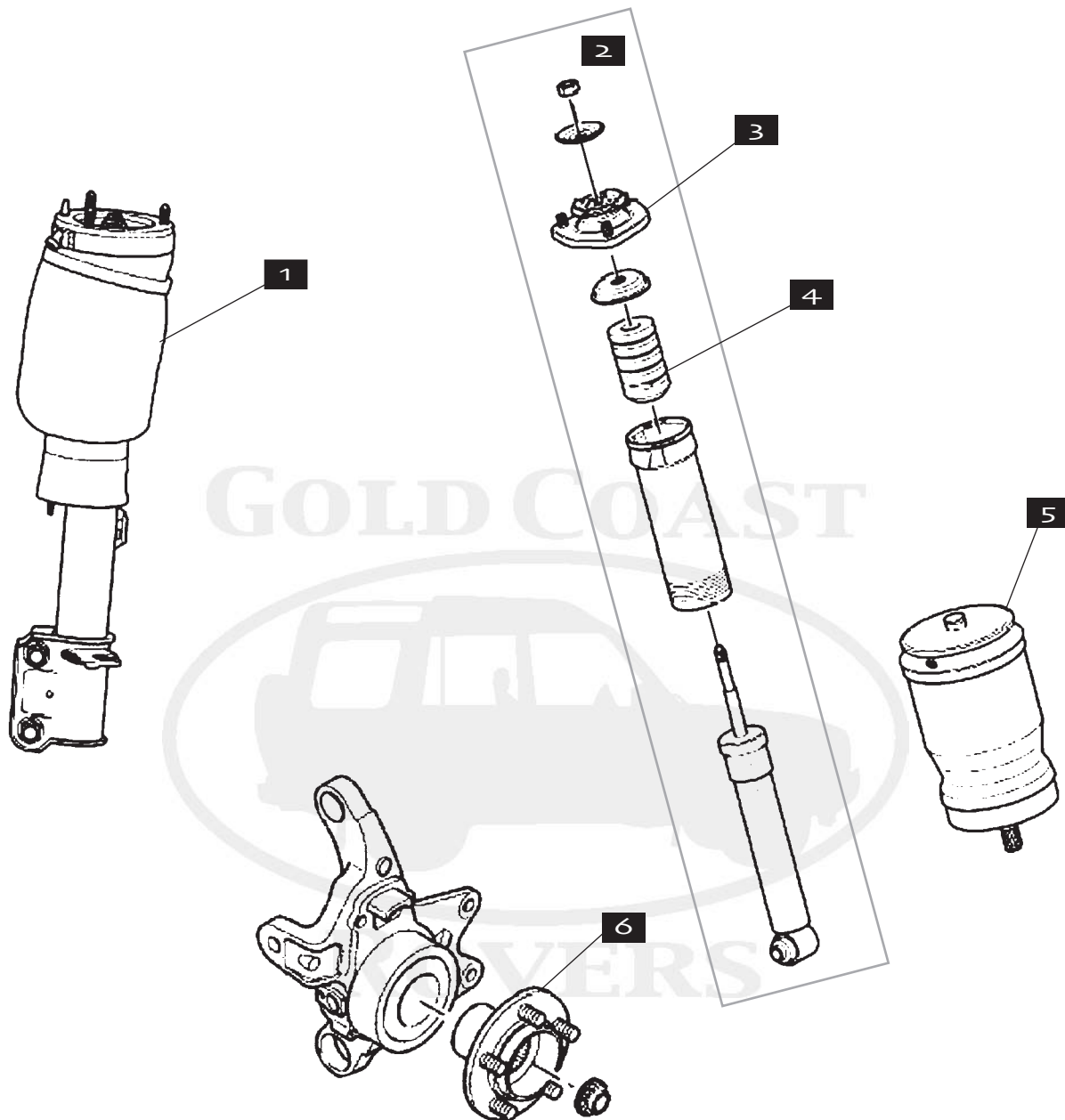


Description	Order Number	Explanatory Notes	Qty
1. Tensioner Assembly, Serpentine Belt	RV-PQR000170	BMW V-8	1
2. Serpentine Belt	RV-PQS000100	BMW V-8	1
3. Tensioner Assembly, A/C Belt	RV-PQR000180	BMW V-8	1
4. Air Conditioning Compressor Belt	RV-PQS000220	BMW V-8	1
5. Serpentine Belt, Secondary	RV-PQS500221	Jaguar V-8, non supercharged	1
5. Serpentine Belt, Secondary	RV-PQS500241	Jaguar V-8 supercharged, drives supercharger	1
6. Serpentine Belt, Primary	RV-PQR500240	Jaguar V-8, All	1

A/C & HEATER, RANGE ROVER III

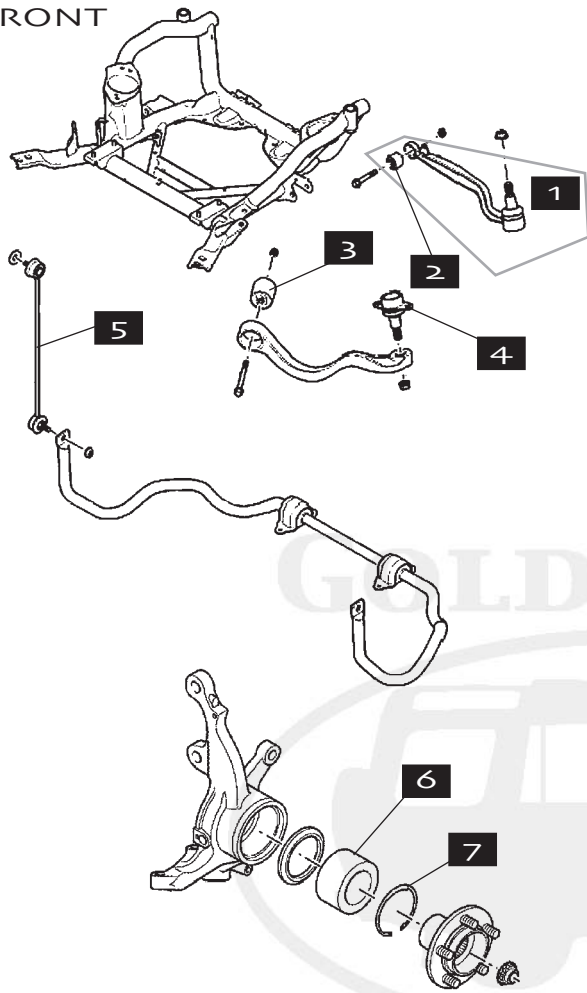


Description	Order Number	Explanatory Notes	Qty
1. Compressor	RV-JPB000110	BMW V-8	1
2. A/C Hose, Evaporator to Compressor	RV-JUE500560	BMW V-8	1
3. A/C Hose	RV-JUE500580	BMW V-8	1
4. A/C Hose, Condenser to Compressor	RV-JUE500570	BMW V-8	1
5. Condenser	RV-JRW000020	BMW V-8	1
6. Expansion Valve	RV-JQD000050	BMW V-8	1
7. Heater Core/Matrix	RV-JEF000040	BMW V-8	1
8. Heater Valve	RV-JQD000010	BMW V-8	1

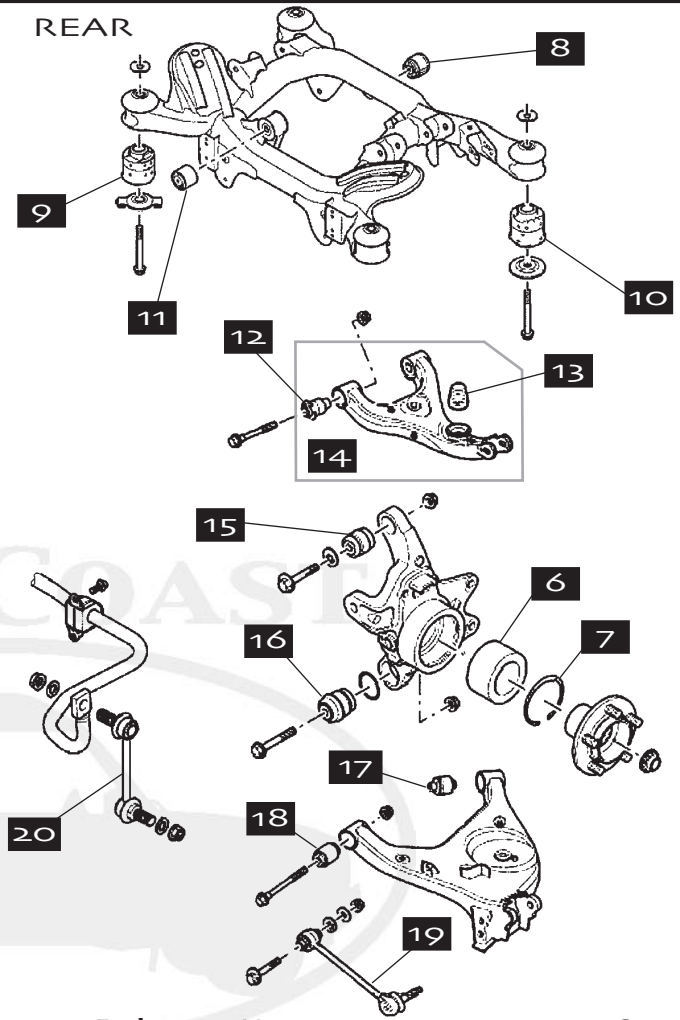


Description	Order Number	Explanatory Notes	Qty
1. Front Strut Assembly, RH	RV-RNB000740	All Non-supercharged	1
1. Front Strut Assembly, LH	RV-RNB000750	All Non-supercharged	1
1. Front Strut Assembly, RH	RV-RNB500540	Supercharged	1
1. Front Strut Assembly, LH	RV-RNB500550	Supercharged	1
2. Rear Strut Assembly	RV-RPD500260	RH or LH, All Non-supercharged	2
2. Rear Strut Assembly	RV-RPD500600	RH or LH, Supercharged	2
3. Upper Mount, Rear Shock	RV-RPF000010	All	2
4. Bump Stop, Rear Shock	RV-RPC000030	All	2
5. Air Spring, Rear	RV-RKB500080	All	2
6. Hub, with Studs	RV-RUC000022	All	2

FRONT



REAR



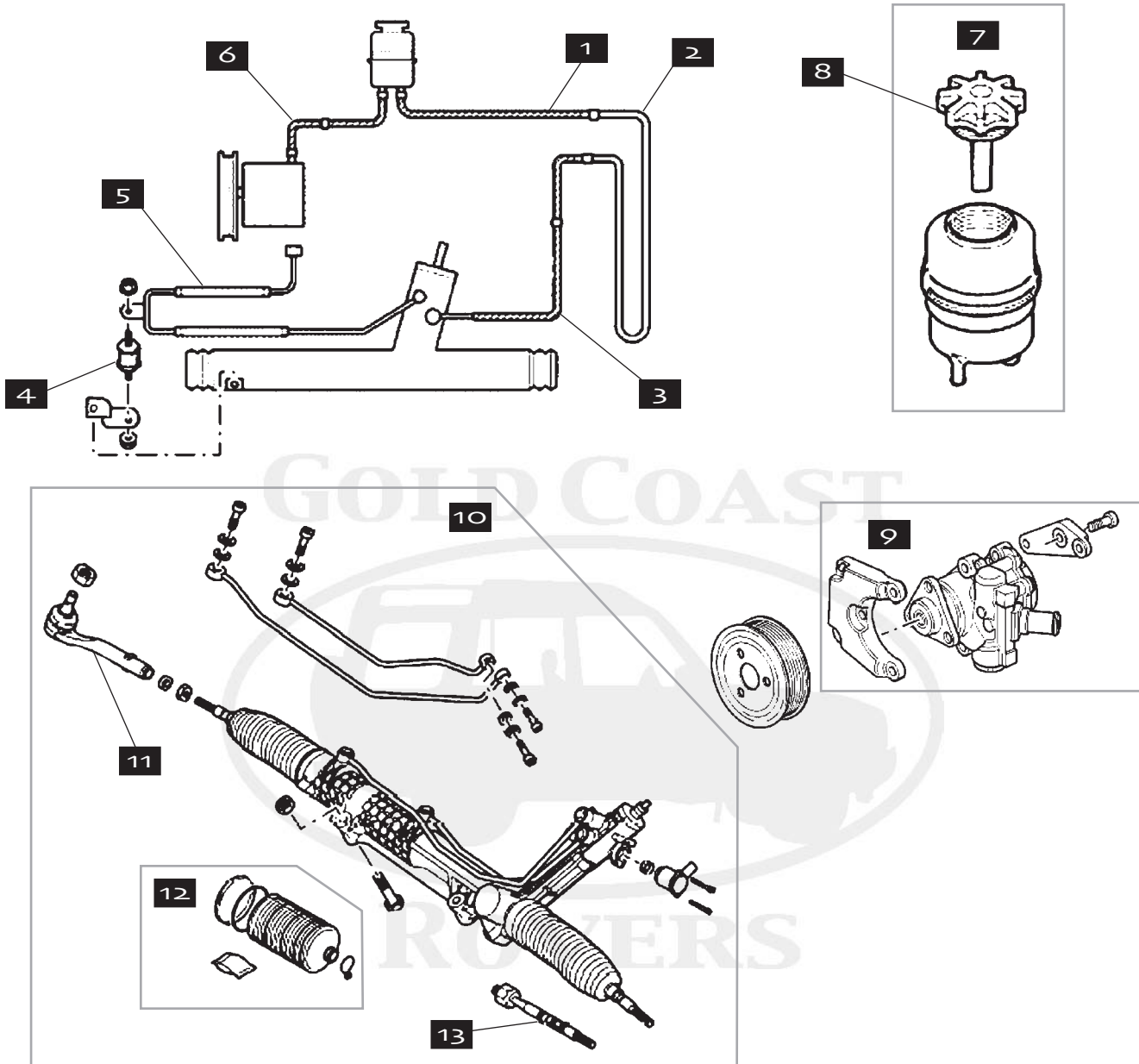
Description

Order Number

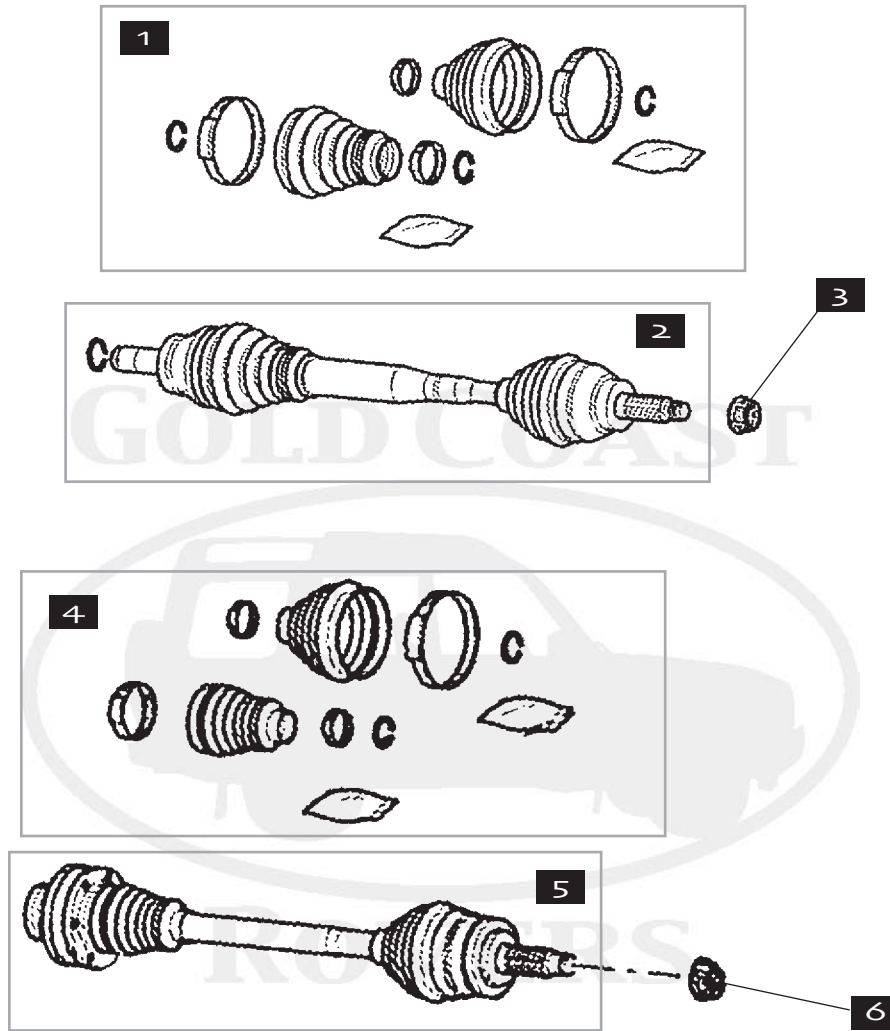
Explanatory Notes

Qty

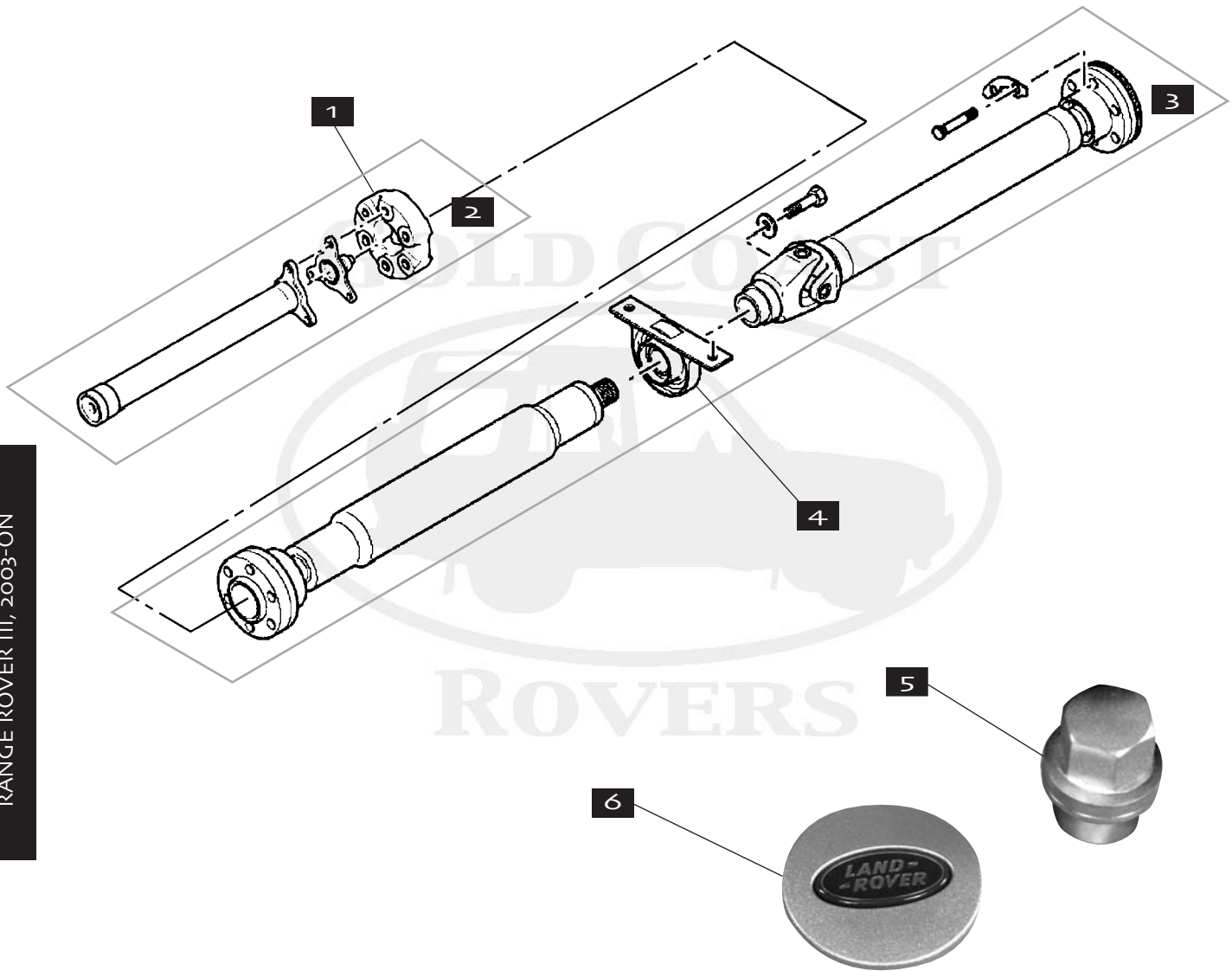
1. Lower Control Arm Assembly	RV-RBJ500710	Includes Arm, bushing and ball joint (ball joint not available separately)	2
2. Bushing Only, Lower Control Arm	RV-RBX000070		2
3. Bushing, Upper Control Arm	RV-RBX000200		2
4. Ball Joint, Upper Control Arm	RV-RBK500150		2
5. Link, Anti-Roll Bar	RV-RBM000011		2
6. Hub Bearing	RV-RLB000011	Front and Rear	4
7. Bearing Circlip Retainer	RV-RUE000010	Front and Rear	4
8. Insulator, Horizontal	RV-KHC000030	Front of Rear Sub frame	1
9. Insulator, Rear of Rear Sub frame	RV-KHC000060		2
10. Insulator, Front of Rear Sub frame	RV-KHC000050		2
11. Insulator, Horizontal	RV-KHC000040	Rear of Rear Sub frame	1
12. Bushing Only, Upper Control Arm	RV-RGX000080		2
13. Bump Stop, Upper Control Arm	RV-KHW000010		2
14. Control Arm Assembly, Upper, RH	RV-RGG000060		1
14. Control Arm Assembly, Upper, LH	RV-RGG000070		1
15. Bushing, Upper, Suspension Upright	RV-RHF000260		2
16. Bushing, Lower, Suspension Upright	RV-RBK000042		2
17. Bushing, Rear, Lower Control Arm	RV-RGX000071		2
18. Bushing, Front, Lower Control Arm	RV-RGX000060		2
19. Tie Arm Assembly	RV-RGD500100		2
20. Link, Rear Anti-Roll Bar	RV-RGD000131	Through 2005	2
20. Link, Rear Anti-Roll Bar	RV-RGD500100	2006-on	2



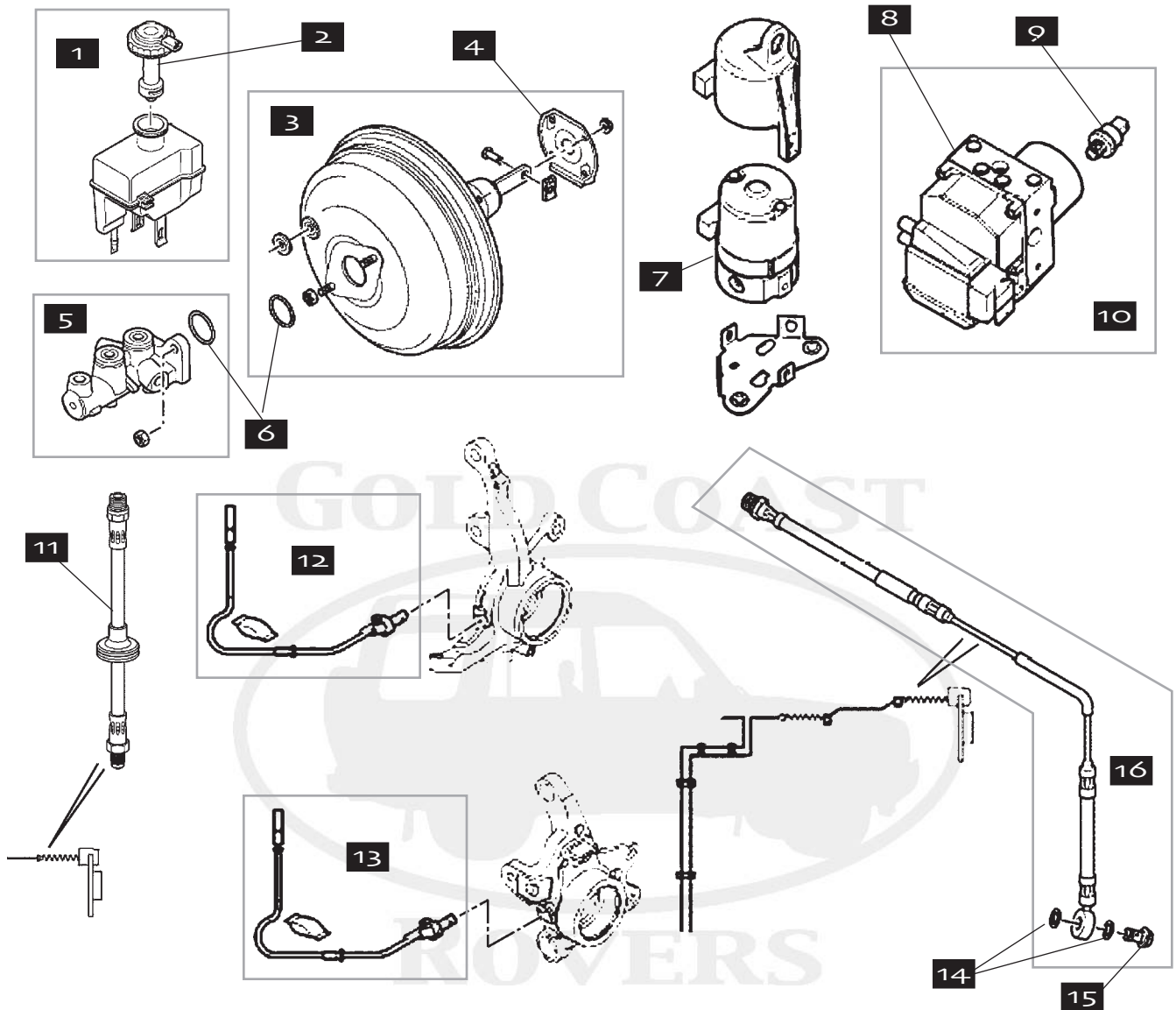
Description	Order Number	Explanatory Notes	Qty
1. Hose, Reservoir to Cooler/Coil	RV-QEH000160	BMW-V8	1
2. Cooler/Coil	RV-QGC500220	BMW-V8	1
3. Hose, Cooler to Steering Rack	RV-QEH000111	BMW-V8	1
4. Isolator/Buffer, Pump to Rack Hose	RV-QVC000010	BMW-V8	1
5. Hose, Pump To Rack	RV-QEP000291	BMW-V8	1
6. Hose, Reservoir to Pump	RV-QEH000103	BMW-V8	1
7. Reservoir Assembly	RV-QFX000071	BMW-V8	1
8. Reservoir Cap Only	RV-QEZ000030	BMW-V8	1
9. Power Steering Pump	RV-QVB000110	BMW-V8	1
10. Power Steering Rack, new	RV-QEB000053	Includes Track Rod Ends; Through 5A99999	1
10. Power Steering Rack, rebuilt	RV-QEB000052E	Includes Track Rod Ends; Through 5A99999	1
10. Power Steering Rack, new	RV-QEB500402	Includes Track Rod Ends; 6A00001 -On	1
11. Track Rod End	RV-TIQ000030	All	2
12. Bellows Kit	RV-QFW000010	All	2
13. Inner Tie Rod	RV-TIQ000040	All	2



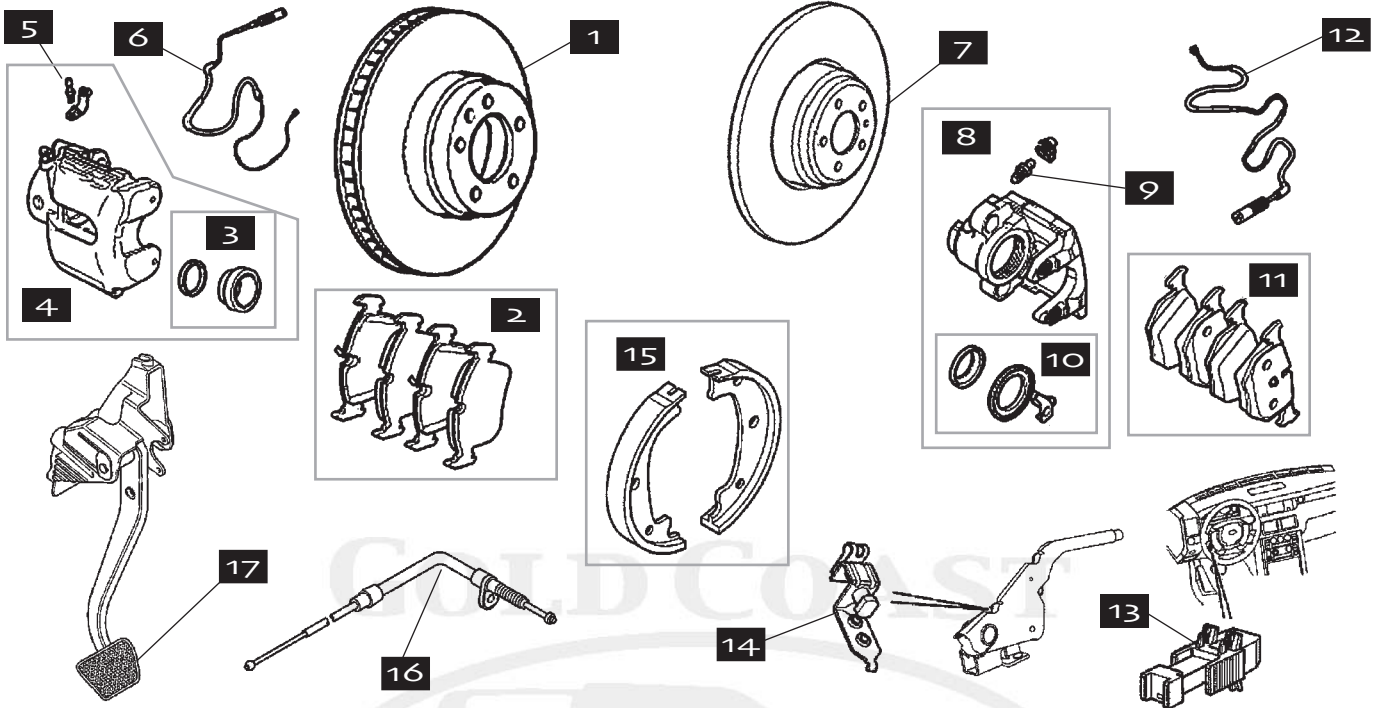
Description	Order Number	Explanatory Notes	Qty
1. Front Axle Boot Kit	RV-TDR000120	One Kit per axle	2
2. Front Drive Axle Assembly, RH	RV-IED500022	All	1
2. Front Drive Axle Assembly, LH	RV-IED500032	All	1
3. Nut, Front Axle, Front	RV-RUH100030	All	2
4. Rear Axle Boot Kit	RV-TDR000130	One kit per axle, All	2
5. Rear Axle Shaft	RV-TOB500330	RH or LH; Through 5A999999	2
5. Rear Axle Shaft	RV-TOB500310	RH; 6A000001-on	1
5. Rear Axle Shaft	RV-TOB500320	LH; 6A000001-on	1
6. Nut, Axle, Rear	RV-RUH100030	All	2



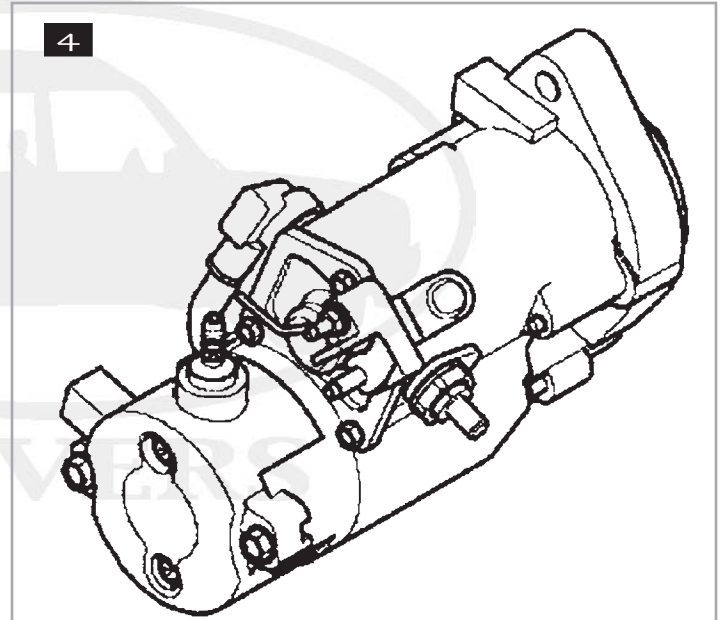
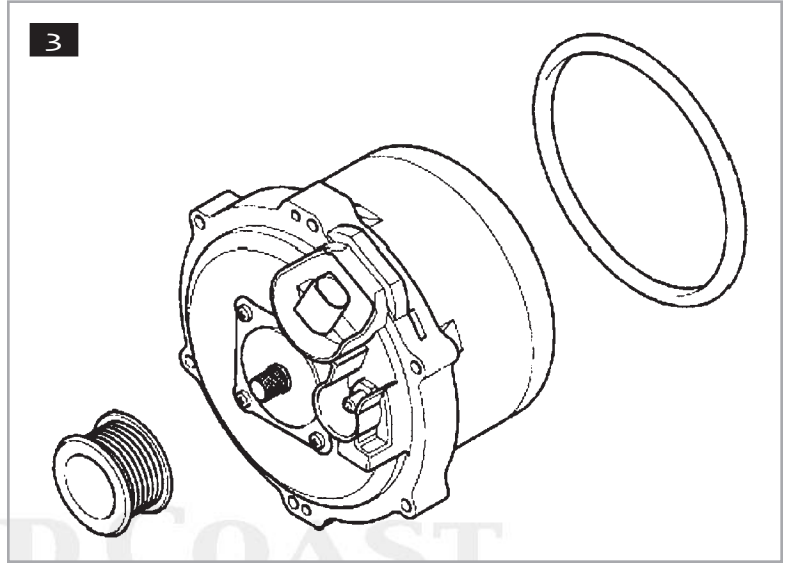
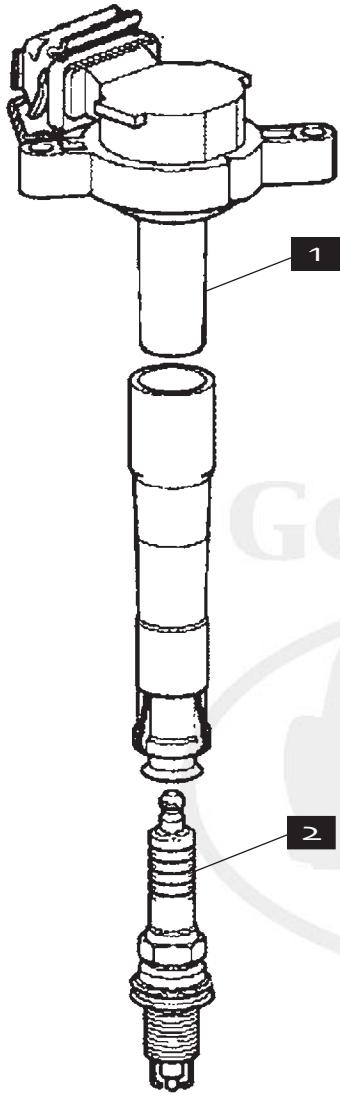
Description	Order Number	Explanatory Notes	Qty
1. Coupling, Front Driveshaft	RV-TIJ000012	All	1
2. Front Driveshaft Assembly	RV-TVB500290	Through 5A999999, BMW V-8	1
2. Front Driveshaft Assembly	RV-TVB500040	6A000001-on, Jaguar V-8	1
3. Rear Driveshaft Assembly	RV-TVB000450	BMW V-8	1
3. Rear Driveshaft Assembly	RV-TVB500400	Jaguar V-8	1
4. Support Bearing, Rear Driveshaft	RV-TOQ000050	All	1
5. Wheel Nut, Alloy Wheels	RV-RRD000011	All	20
6. Center Cap	RV-RRJ500030MNH	Silver Sparkle	4
6. Center Cap	RV-RRJ500030MCM	Bright Polished	4



Description	Order Number	Explanatory Notes	Qty
1. Reservoir and Cap Assembly	RV-SJY000050	All	1
2. Reservoir Cap/Switch Only	RV-SJL000080	All	1
3. Booster Assembly	RV-SJG000090	All Non-Supercharged	1
4. Gasket, Booster	RV-SZB000010	All	1
5. Master Cylinder	RV-SJJ000040	Through 2005	1
6. O-Ring, Master Cylinder to Booster	RV-SYX000010		1
7. Pump Assembly	RV-SRM000020	All Non-Supercharged	1
8. Control Assembly, ABS Hydraulics	RV-SRD000133	Through 2005	1
9. Sensor Switch, ABS, in Control Assy.	RV-SSB000140	Through 2005	1
10. Modulator	RV-SRB000283	Through 2005	1
10. Modulator	RV-SRB500174	2006-on	1
11. Flex Hose, Front Brakes	RV-SHB00011	Same RH or LH; Through 2005	2
12. ABS Sensor in Upright, Front	RV-SSF000011	Through 2005	2
13. ABS Sensor in Upright, Rear	RV-SSF000021	Through 2005	2
14. Washer, Banjo Bolt	RV-SYF000020	Through 2005	4
15. Banjo Bolt, Rear Brake Hose	RV-SYG000040	Through 2005	2
16. Flex Hose, Rear Brakes	RV-SHB500170	Same RH or LH; Through 2005	2



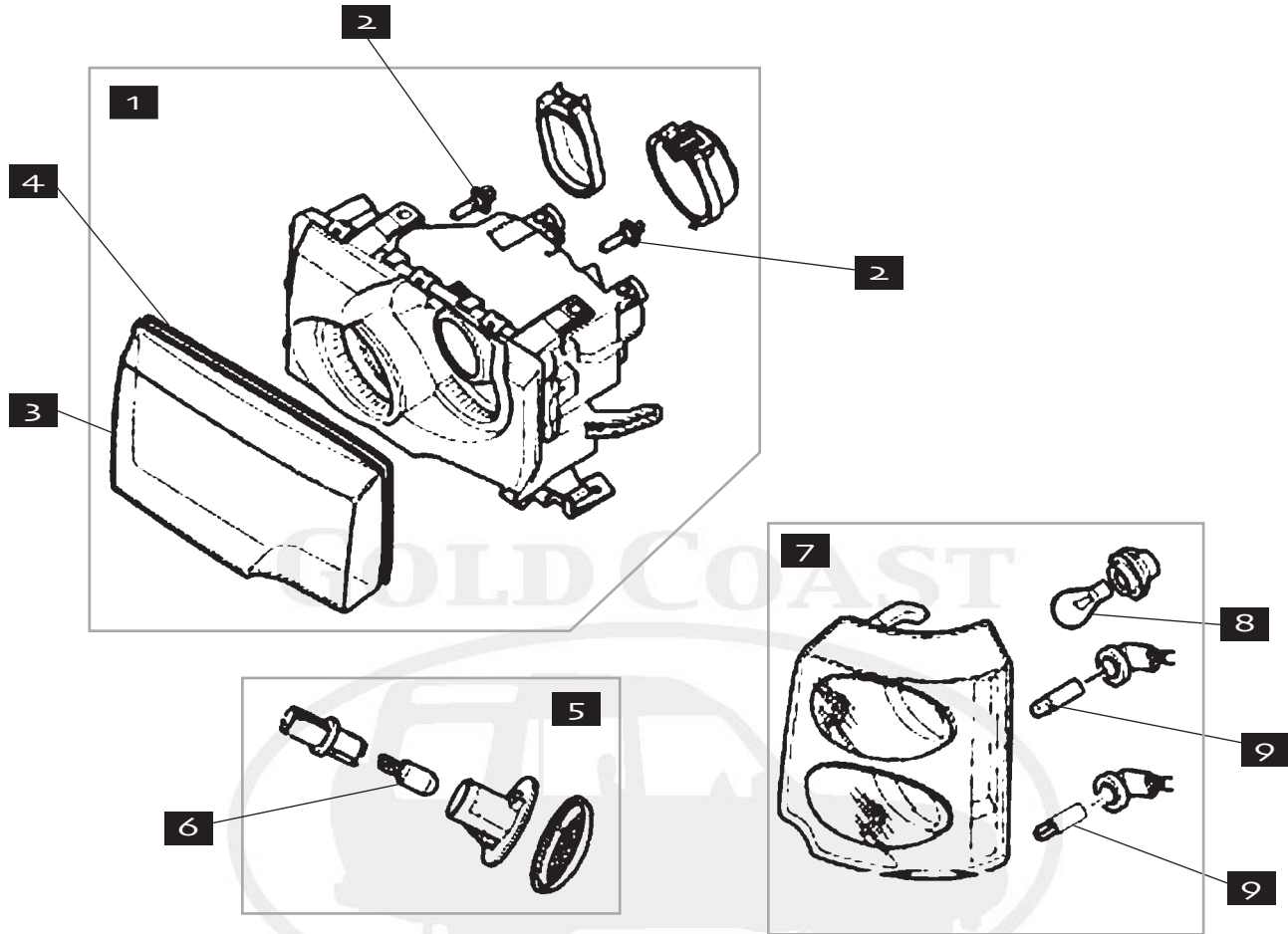
Description	Order Number	Explanatory Notes	Qty
1. Brake Rotor, Front	RV-SDB000201	Through 2005, BMW V-8, Genuine	2
1. Brake Rotor, Front	RV-SDB000201/X	Through 2005, BMW V-8, Aftermarket	2
1. Brake Rotor, Front	RV-SDB500181	2006-on, non-supercharged, Jaguar V-8	2
1. Brake Rotor, Front	RV-SDB500192	2006-on, supercharged	2
2. Brake Pad Set, Front	RV-SFC500050	Through 2005, Genuine	1
2. Brake Pad Set, Front	RV-SFC500050/FR	Through 2005, Ferodo	1
2. Brake Pad Set, Front	RV-SFP500010	2006-on, non-supercharged, Genuine	1
2. Brake Pad Set, Front	RV-SFP500010/L	2006-on, Non-Supercharged, TRW/Lucas	1
2. Brake Pad Set, Front	RV-SFP500070	2006-on, supercharged	1
3. Caliper Seal Kit, Front	RV-SEE000020	Through 2005	2
4. Caliper, RH Front	RV-SEB000280	Through 2005	1
4. Caliper, LH Front	RV-SEB000290	Through 2005	1
5. Bleed Nipple, Front	RV-SJD000020	Through 2005	2
6. Brake Pad Wear Warning Harness	RV-SEM000012	All except supercharged	2
7. Brake Rotor, Rear	RV-SDB000211	Through 2005, solid, Genuine	1
7. Brake Rotor, Rear	RV-SDB000211/X	Through 2005, Solid, Aftermarket	1
7. Brake Rotor, Rear	RV-SDB500201	2006-on, vented	2
8. Caliper, RH Rear	RV-SMC000200	Through 2005 with solid rotors	1
8. Caliper, LH Rear	RV-SMC000210	Through 2005 with solid rotors	1
9. Bleed Nipple, Rear	RV-SJD000020	Through 2005	2
10. Caliper Seal Kit, Rear	RV-SMN000070	Through 2005	2
11. Brake Pad Set, Rear	RV-SFP000120	Through 2005	1
11. Brake Pad Set, Rear	RV-SFP500022	2006-on	1
12. Brake Pad Wear Warning Harness, Rear	RV-SOE000011	Through 2005	2
Miscellaneous Brakes			
13. Stop Lamp Switch	RV-XKB000021	All	1
14. Switch, Handbrake Handle	RV-XLB000010	All	1
15. Handbrake Shoe Set	RV-SFS000050	All	1
16. Handbrake Cable, RH	RV-SPB000043	Through 2005	1
16. Handbrake Cable, LH	RV-SPB000053	Through 2005	1
17. Rubber Pad, Brake Pedal	RV-SKE000010	All	1



RANGE ROVER III, 2003-ON

Description	Order Number	Explanatory Notes	Qty
1. On-Plug Coil	RV-NEC000040	BMW V-8	8
1. On-Plug Coil	RV-4744015	Jaguar V-8, All	8
2. Spark Plug	RV-NLP000030	BMW V-8	8
2. Spark Plug	RV-4550157	Jaguar V-8, All	8

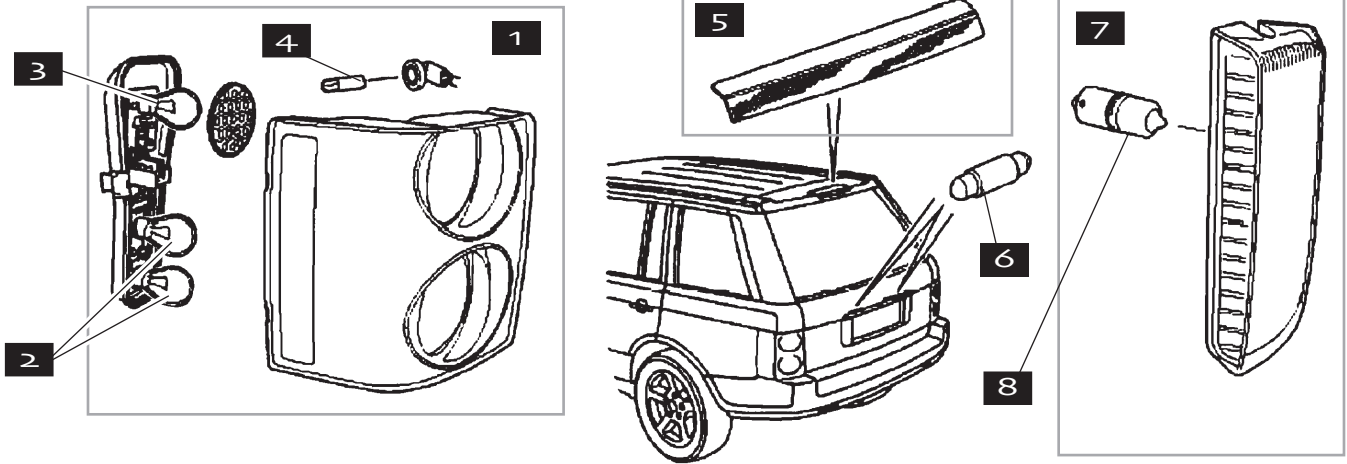
FRONT LAMPS, RANGE ROVER III



RANGE ROVER III, 2003-ON

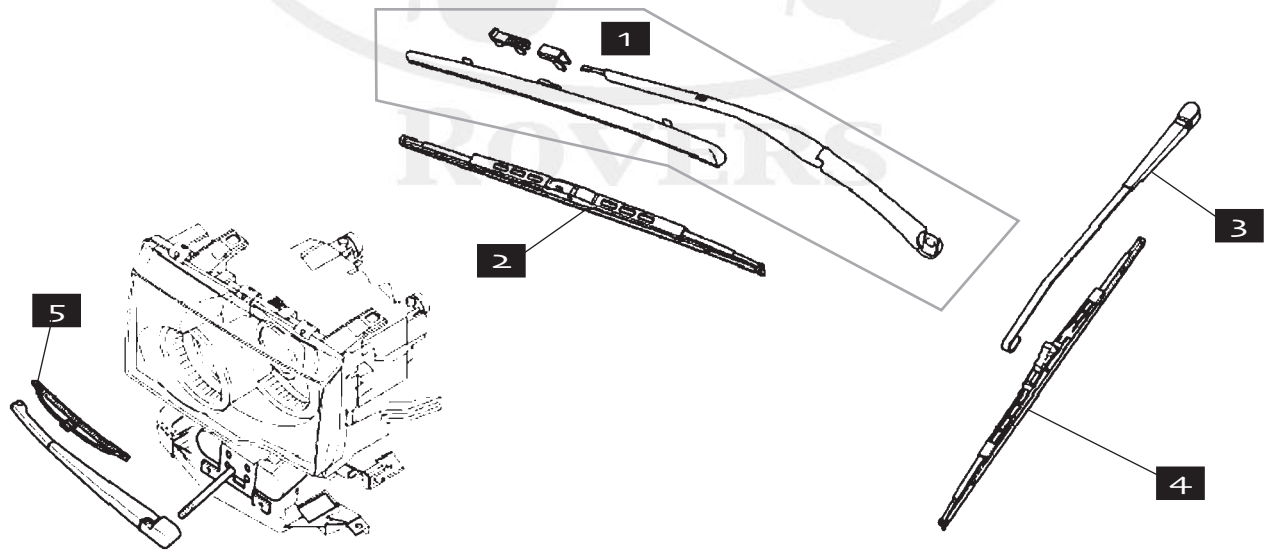
Description	Order Number	Explanatory Notes	Qty
1. Headlamp Assembly	RV-XBC000760	Right, Halogen, through 2005	1
1. Headlamp Assembly	RV-XBC000770	Left, Halogen, through 2005	1
1. Headlamp Assembly	RV-XBC001340	Right, Xenon, to 3A140337	1
1. Headlamp Assembly	RV-XBC001341	Right, Xenon, from 3A140338 Through 2005	1
1. Headlamp Assembly	RV-XBC001350	Left, Xenon, to 3A140337	1
1. Headlamp Assembly	RV-XBC001351	Left, Xenon, from 3A140338 through 2005	1
2. Bulb, High Beam or Low Beam	RV-XZQ000011	Halogen Only	4
2. Bulb, High Beam or Low Beam	RV-XBI000030	Xenon Only	4
3. Headlamp Lens Only	RV-XBV000080	Right, Halogen or Xenon, through 2005	1
3. Headlamp Lens Only	RV-XBC000090	Left, Halogen or Xenon, through 2005	1
4. Seal, Headlamp to Lens	RV-XZB000010	Right or Left, Halogen or Xenon, through 2005	2
5. Lamp Assembly, Side Marker	RV-XGB000012	On Fender	2
6. Bulb, Side Marker on Fender	RV-XZQ000060		2
7. Front Flasher Lamp Assembly	RV-XBD000023	Right, All	1
7. Front Flasher Lamp Assembly	RV-XBD000033	Left, All	1
8. Bulb, Front Sidemarker	RV-XZQ000120		2
9. Bulb, Front Turn Signal	RV-XZQ500010		4

REAR LAMPS, RANGE ROVER III

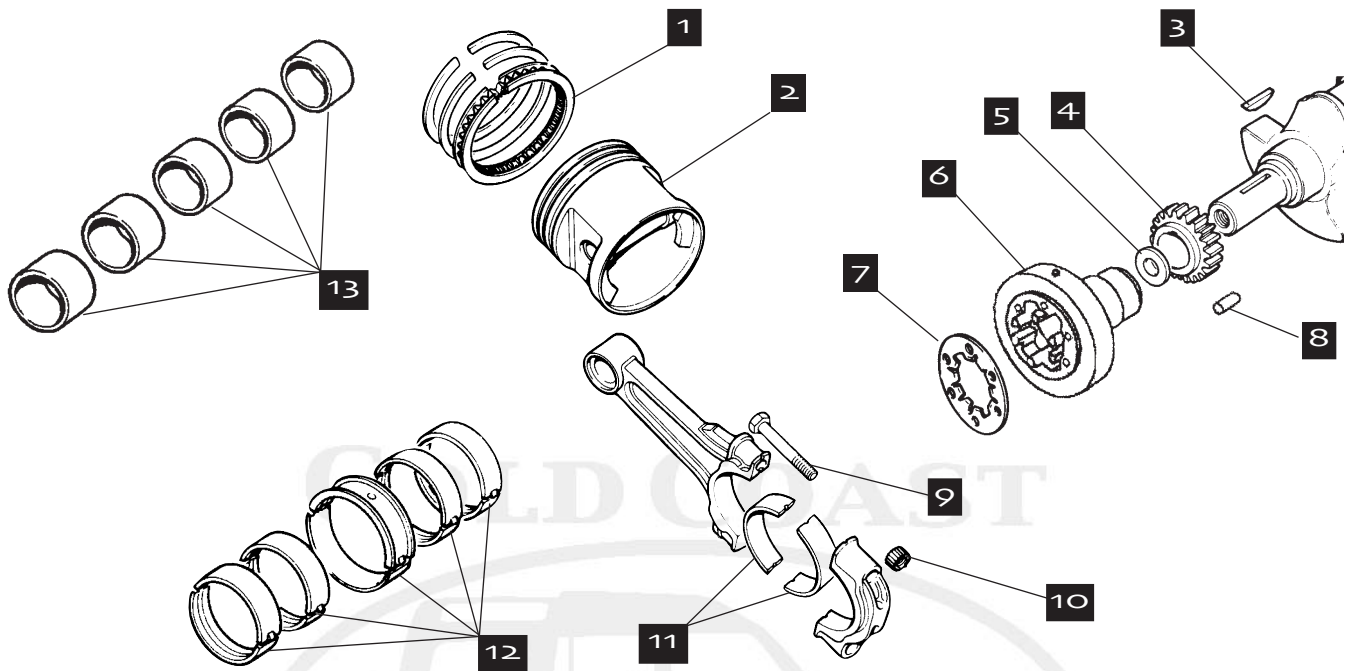


Description	Order Number	Explanatory Notes	Qty
1. Rear Lamp Assembly	RV-XFB500360	Right, Through 2005	1
1. Rear Lamp Assembly	RV-XFB500370	Left, Through 2005	1
2. Bulb	RV-XZQ000030	Turn Signal, Rear Fog Lamp	4
3. Bulb	RV-XZQ000020	Dual-Filament, Tail Lamp	2
4. Bulb	RV-XZQ000060	Side Marker	2
5. High-Mounted Stop Lamp	RV-XFG000040	All	1
6. Bulb	RV-CZQ000010	License Plate, All	2
7. Reverse Lamp Assembly	RV-XFD000043	Right, All	1
7. Reverse Lamp Assembly	RV-XFD000053	Left, All	1
8. Bulb	RV-XZQ000090	Reverse Lamp	2

WIPERS, RANGE ROVER III

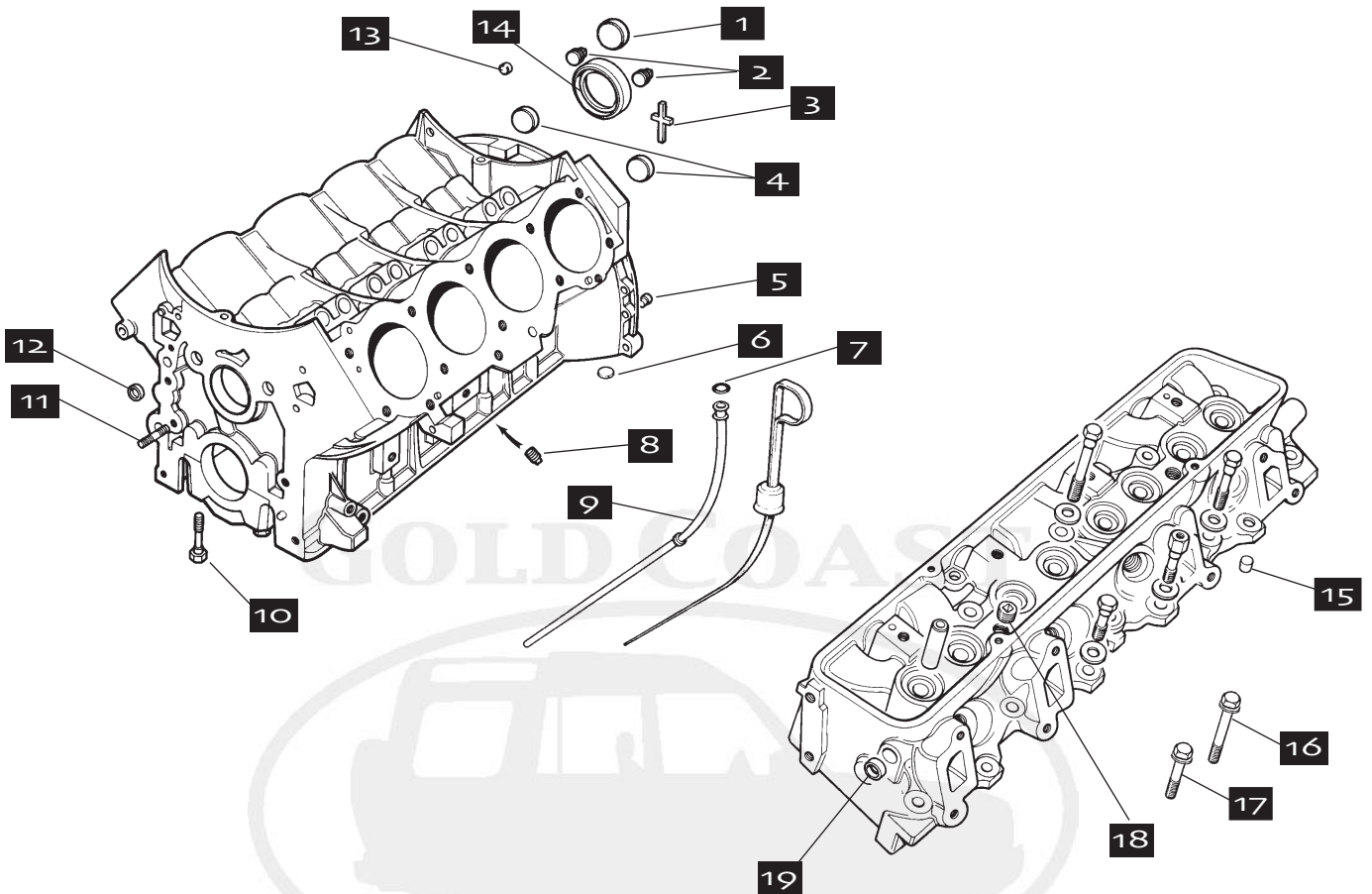


Description	Order Number	Explanatory Notes	Qty
1. Wiper Arm, Front, Left	RV-DKB000160PMD		1
1. Wiper Arm, Front, Right	RV-DKB000200PMD		1
2. Wiper Blade, Front	RV-DKC000040		2
3. Wiper Arm, Rear	RV-DKB000230PMD		1
4. Wiper Blade, Rear	RV-DKC000080PMD		1
5. Wiper Blade, Headlamps	RV-DKC000070		2



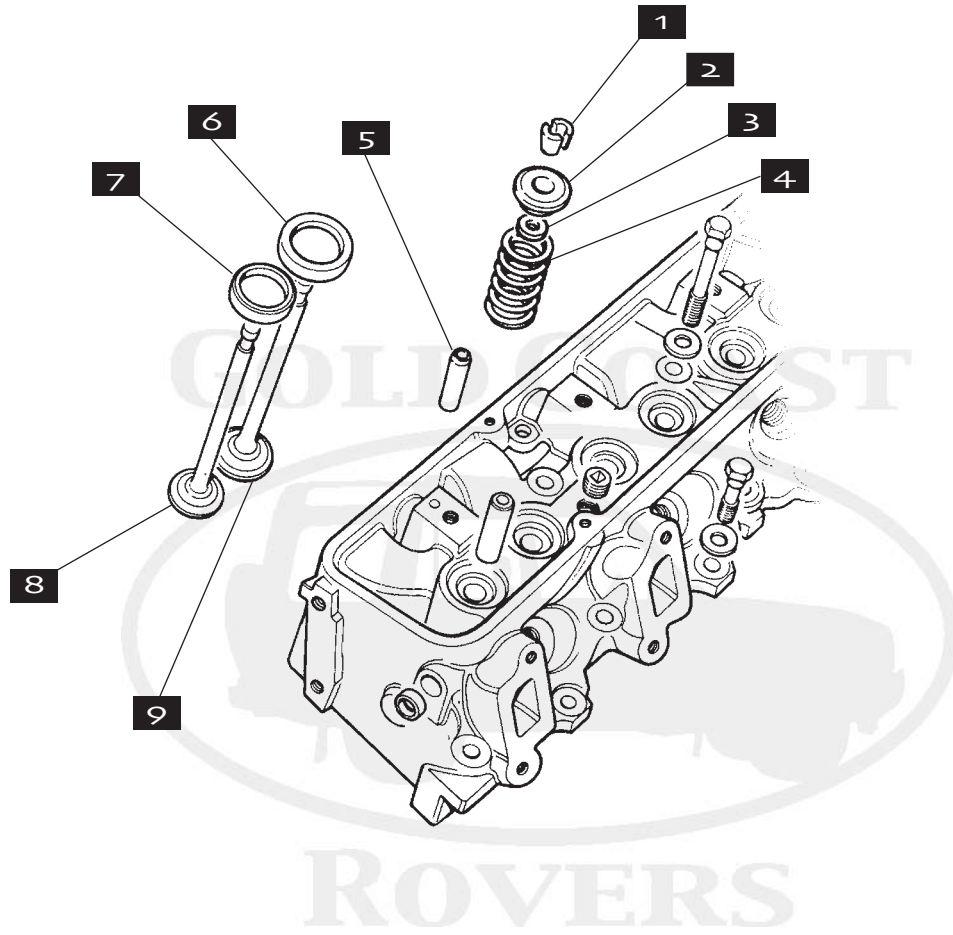
Description	Order Number	Explanatory Notes	Qty
1. Piston Ring Set	RV-STC1427	For ERR5553 Piston	1
2. Piston, 3.9 Liter	RV-STC909S	High Compression, Standard Bore	8
2. Piston, 4.0 Liter	RV-ERR5553	High Compression, Standard Bore	8
3. Crankshaft Key	RV-ERR2846		1
4. Timing Gear on Crankshaft	RV-ERR2958		1
5. Washer on Crankshaft	RV-ERC416		1
6. Crankshaft Damper/Pulley	RV-ERR3442	3.9-Liter	1
6. Crankshaft Damper/Pulley	RV-ERR7373	4.0-Liter	1
7. Reinforcing Plate	RV-602587		1
8. Spring Pin	RV-603535	Ensures proper orientation of timing marks.	1
9. Rod Bolt, 3.9 Liter	RV-602609		16
9. Rod Bolt, 4.0 Liter	RV-ERR1772		16
10. Rod Nut, 3.9 Liter	RV-602061		16
11. Rod Bearing Set, standard	RV-RTC2117.000*	3.9 Liter	1
11. Rod Bearing Set, +.010"	RV-RTC2117.010*	3.9 Liter	A/R
11. Rod Bearing Set, +.020"	RV-RTC2117.020*	3.9 Liter	A/R
11. Rod Bearing Set, Standard	RV-STC1426	4.0, Standard	1
11. Rod Bearing Set, +.010"	RV-STC1426.010	4.0, Oversize	A/R
11. Rod Bearing Set, +.020"	RV-STC1426.020	4.0, Oversize	A/R
12. Main Bearing Set, standard	RV-RTC1718.000*	3.9 Up to 35D08966B & 36D25523B	1
12. Main Bearing Set, +.010"	RV-RTC1718.010*	3.9 Up to 35D08966B & 36D25523B	A/R
12. Main Bearing Set, +.020"	RV-RTC1718.020*	3.9 Up to 35D08966B & 36D25523B	A/R
12. Main Bearing Set, Standard	RV-STC3724	3.9 From 35D08967B & 36D25524B	1
12. Main Bearing Set, Standard	RV-STC4299	4.0 Liter Only	1
12. Main Bearing Set, +.010"	RV-STC4299.010	4.0 Liter Only	A/R
13. Cam Bearing Set, 3.9-Liter	RV-RTC5918		1
13. Cam Bearing Set, 4.0 Liter	RV-STC1961		1

DISCOVERY I 1994-1998



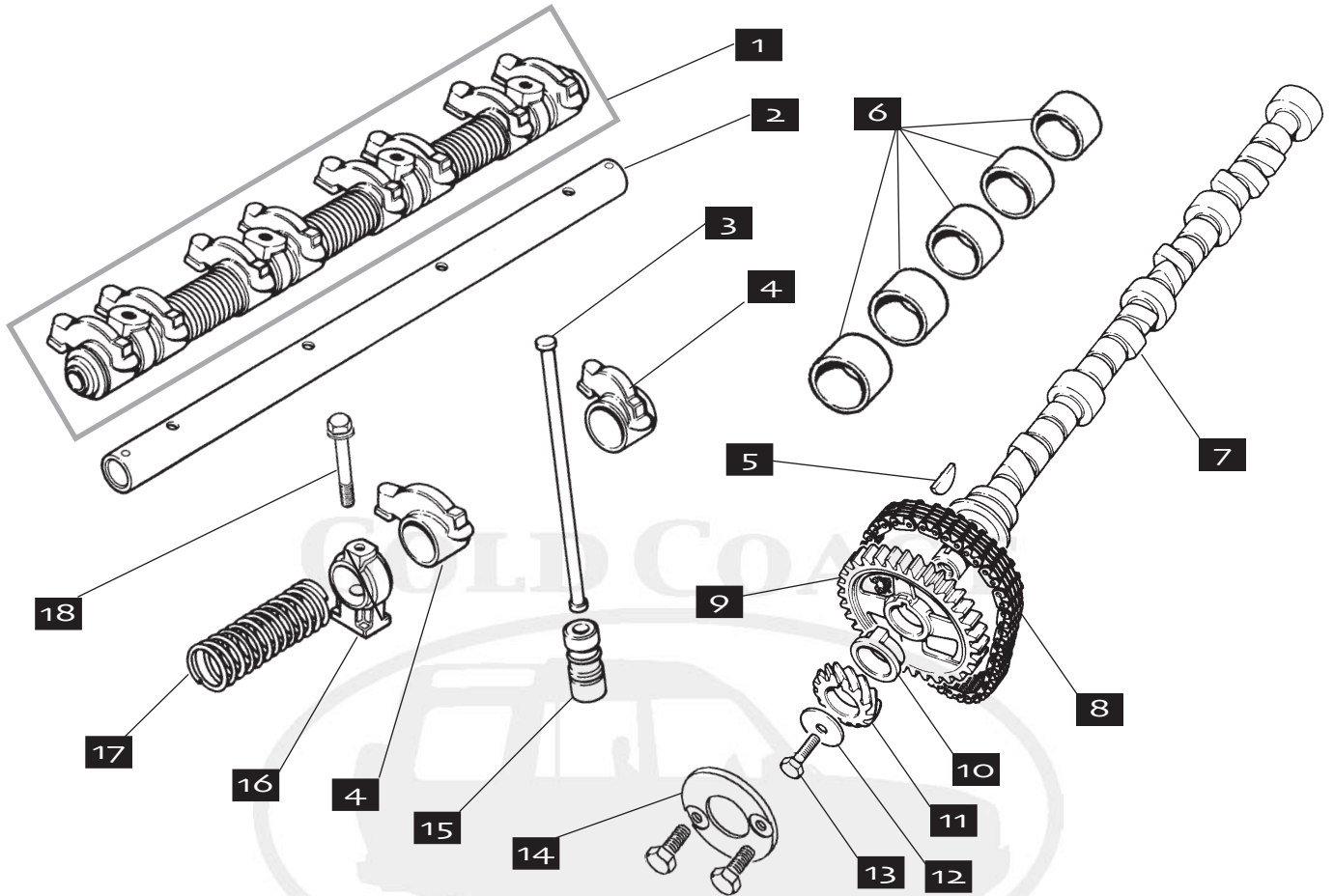
Description	Order Number	Explanatory Notes	Qty
1. Plug, Cam Bore, Rear	RV-602146		1
2. Plug, tappet, rear	RV-602212	3.9 Liter	2
2. Plug, tappet, rear	RV-ERR4314	4.0 Liter	2
3. Oil Seal Retainers	RV-LUN000010		2
4. Cup Plug	RV-602152	3.9 Liter	1
5. Dowel, Flywheel Housing	RV-602141		2
6. Plug, Rear Flange	RV-612898		2
7. Seal, Dipstick Tube	RV-602545		1
8. Plug, Drain	RV-ERR4315		1
9. Dipstick Tube	RV-ERR4556		1
10. Bolt, Main Bearing Cap	RV-602130		10
11. Stud, timing assembly	RV-252513		1
12. Plug, tappet	RV-602147		4
13. Plug, Breather Hose	RV-154545	3.9 Liter	1
14. Oil Seal, Crankshaft	RV-ERR2640		1
15. Dowel, head to block	RV-602040		1
16. Bolt, Cylinder Head, 66mm	RV-ERR2943	Ⓢ	14
17. Bolt, Cylinder Head, 96mm	RV-ERR2944	Ⓢ	6
18. Core Plug	RV-602123		4
19. Cup Plug	RV-602289		4

Ⓢ Note: Always replace hold-down bolts when cylinder heads are removed.



Description	Order Number	Explanatory Notes	Qty
1. Cotter, split (per pair)	RV-ERC1637	AKA "Keepers"	32
2. Valve Spring Retaining Cap	RV-ERC573		16
3. Valve Stem Seal	RV-ERR1782	Intake Only	8
4. Valve Spring, sold per each	RV-ERR4628*		16
5. Valve Guide, Intake or Exhaust, standard	RV-LJG100900		16
5. Valve Guide, Intake or Exhaust	RV-LJG100900.002	.002" O/S	A/R
5. Valve Guide, Intake or Exhaust	RV-LJG100900.005	.005" O/S	A/R
6. Valve Seat, Intake, Standard	RV-ERC224	Standard Size	8
6. Valve Seat, Intake, +.010" O/S	RV-ERC225	+.010" oversize	A/R
7. Valve Seat, Exhaust	RV-ETC8596	Standard Size	8
7. Valve Seat, Exhaust	RV-ERC211	+.010" oversize	A/R
8. Valve, Exhaust	RV-ERR7338*		8
9. Valve, Intake	RV-ERR1780*		8

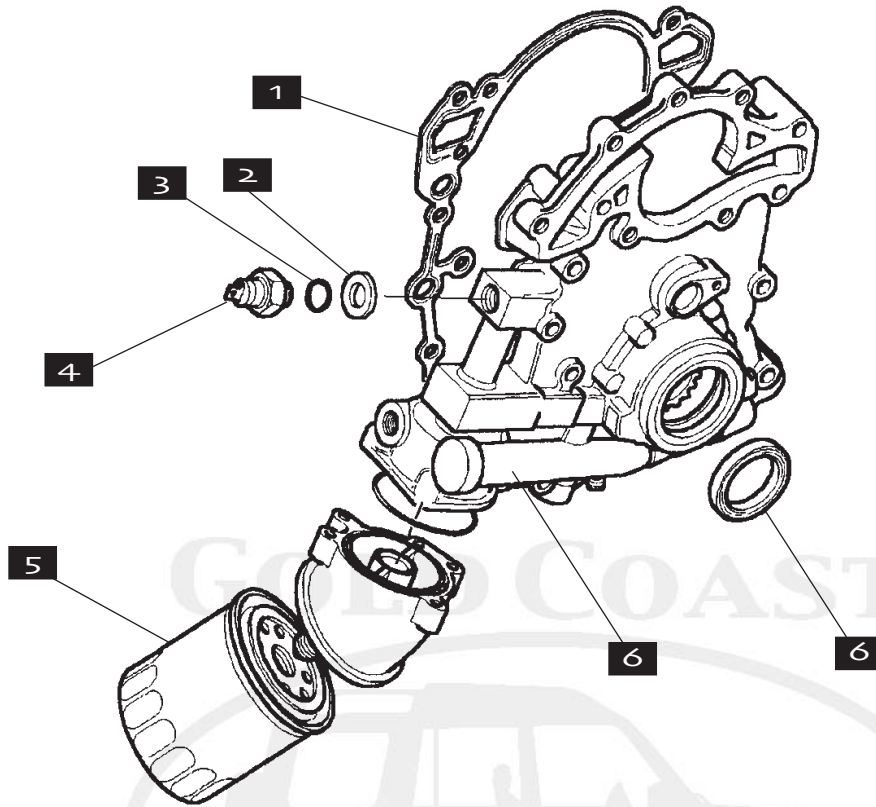
DISCOVERY I 1994-1998



Description	Order Number	Explanatory Notes	Qty
1. Updated Rocker Shaft Assembly	RV-611660		2
<i>Note: These are complete assemblies that use alloy rocker arms for less reciprocating mass. Highly recommended.</i>			
2. Rocker Shaft Only	RV-611659L		2
3. Push Rod	RV-603378		16
4. Rocker Arm, RH or LH	RV-602153		16
5. Camshaft Key	RV-ERC2838	3.9-Liter Only	1
6. Cam Bearing Set	RV-RTC5918	3.9 Liter	1
6. Cam Bearing Set	RV-STC1961	4.0-Liter	1
7. Cam Shaft, 3.9-Liter	RV-ERR5924		1
<i>Note: This is an updated camshaft that incorporates a thrust plate to eliminate knock. On early vehicles not drilled to accept the thrust plate, the thrust plate is not used.</i>			
7. Cam Shaft, 4.0-Liter	RV-ERR3720	4.0-Liter	1
8. Timing Chain	RV-ERC7929		1
9. Chain Gear on Camshaft	RV-610289	3.9-Liter	1
9. Chain Gear on Camshaft	RV-ERR5086	4.0-Liter	1
10. Spacer, Chain Gear	RV-ERC2839	3.9-Liter	1
11. Distributor Drive Gear, RR, DS, DF	RV-614188	3.9-Liter Only	1
12. Washer, Distributor Drive Gear	RV-ERC6552	3.9-Liter Only	1
13. Bolt, Cam Shaft	RV-602227	3.9-Liter Only	1
14. Thrust Plate	RV-ERR5926	For ERR5924 Cam Shaft	1
14. Thrust Plate	RV-ERR2609	For ERR3720 Cam Shaft	1
15. Lifter/Tappet	RV-ERC4949		16
16. Rocker Arm Bracket/Stand	RV-603734		8
17. Rocker Shaft Springs	RV-602142		6
18. Special Bolt, Rocker Arm Bracket/Stand	RV-602097		8

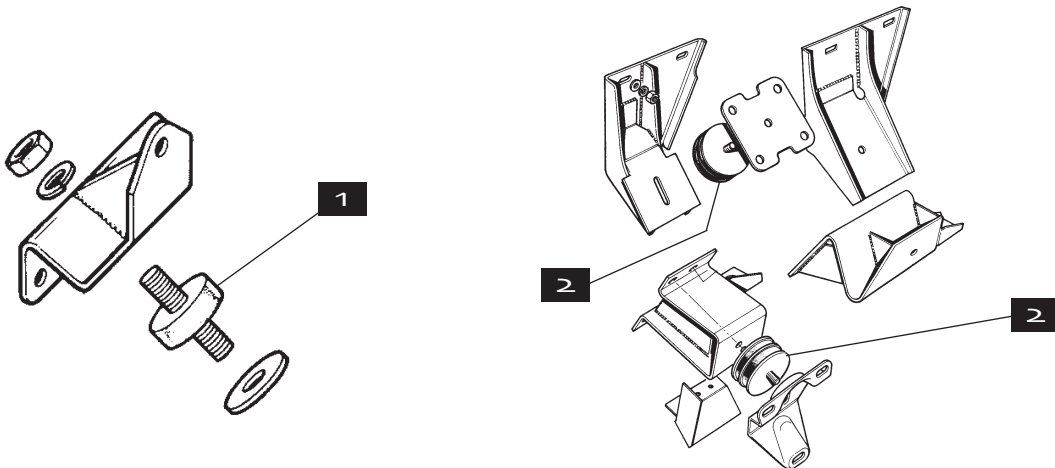
* Denotes Aftermarket Part

ENGINE OIL PUMP & FILTER, DISCOVERY SERIES I

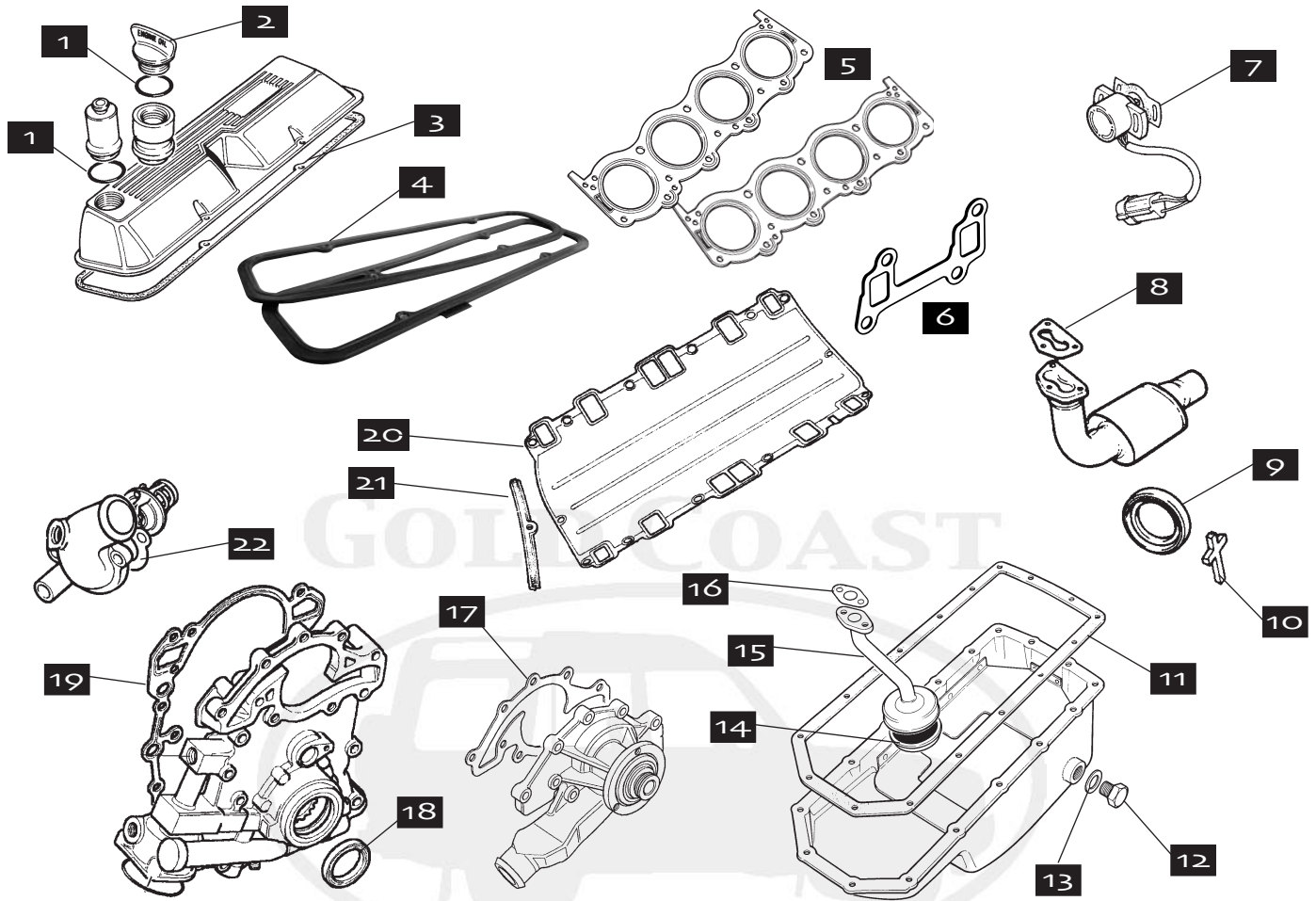


Description	Order Number	Explanatory Notes	Qty
1. Gasket	RV-ERR7280		1
2. Washer, Oil Pressure Switch	RV-243967	Alternative to O-Ring	A/R
3. O-Ring, Oil Pressure Switch	RV-STC3372	Alternative to Washer	A/R
4. Oil Pressure Switch	RV-STC4104K*		1
5. Oil Filter	RV-ERR3340*		1
6. Oil Pump/Front Engine Cover	RV-ERR6815		1
6. Crankshaft Seal	RV-ERR6490		1

ENGINE & TRANSFER BOX MOUNTS, DISCOVERY SERIES I

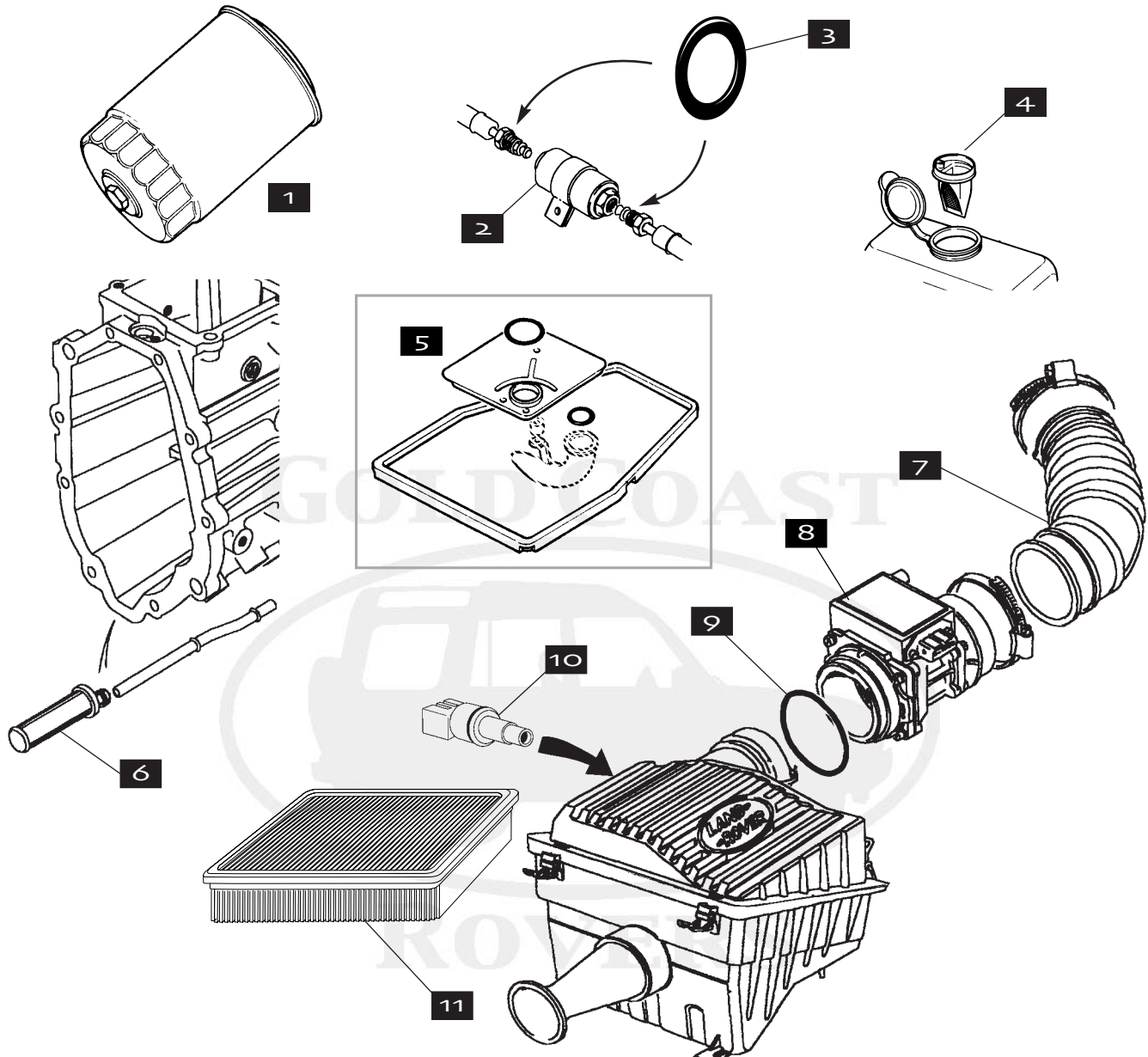



Description	Order Number	Explanatory Notes	Qty
1. Engine Mount	RV-KKB103120		2
2. Transfer Box Mount	RV-ANR2805		2



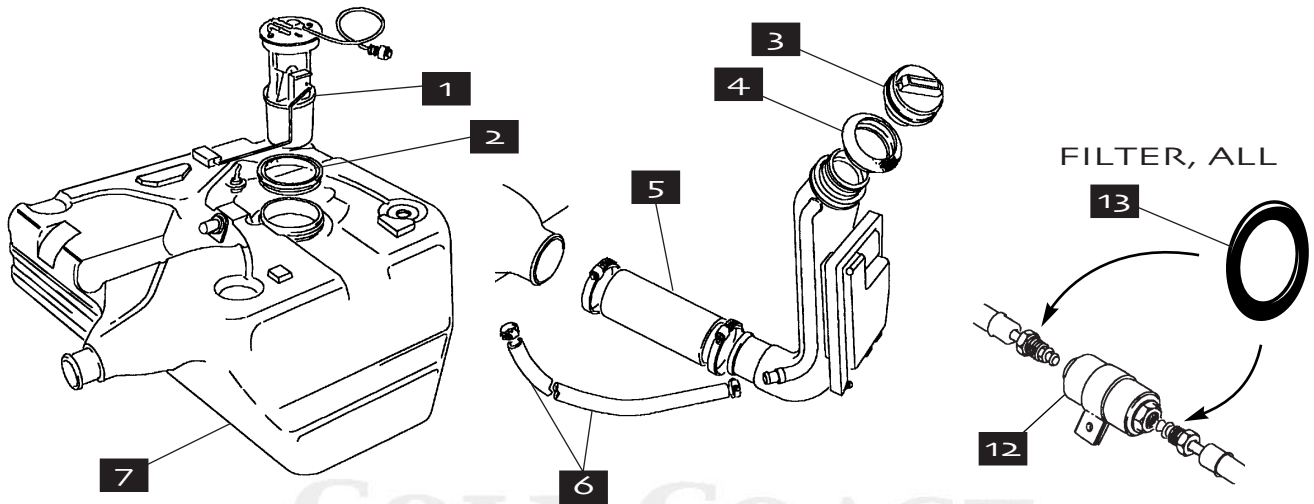
Description	Order Number	Explanatory Notes	Qty
1. O-Ring, Oil Filler Cap to Cover	RV-564258		1
1. O-Ring, Under Cap	RV-564258		1
2. Oil Filler Cap	RV-625038	3.9 Liter	1
3. Valve Cover Gasket, Cork	RV-602512*		2
4. Updated Rubber Valve Cover Gasket	RV-LVC100260		2
5. Head Gasket	RV-ERR7217*		2
6. Gasket, Exhaust Manifold	RV-ERR6733		4
7. Gasket, throttle position sensor	RV-ERR4944		1
8. Gasket, Exhaust Manifold to Downpipe/Catalyst	RV-ETC4524		2
9. Rear Crankshaft Seal	RV-ERR2640		1
10. Retainers for Rear Seal	RV-LN000010		2
11. Oil Pan Gasket	RV-602087		1
12. Drain Plug, Oil Pan	RV-603659		1
13. Sealing Washer, Oil Pan Drain Plug	RV-ETC7398		1
14. Oil Screen	RV-602070		1
15. Oil Filter Suction Pipe	RV-ERR3677		1
16. Gasket, Oil Filter Suction Pipe	RV-ERR3788		1
17. Water Pump Gasket	RV-ERR4077		1
18. Front Crankshaft Seal	RV-ERR6490		1
19. Gasket, Timing Cover	RV-ERR7280		1
20. Intake Manifold Gasket	RV-LKJ500020		1
21. Seal, front of intake gasket	RV-ERR7283		2
22. Gasket, Thermostat/Water Elbow Gasket	RV-ERR2429		1

* Denotes Aftermarket Part

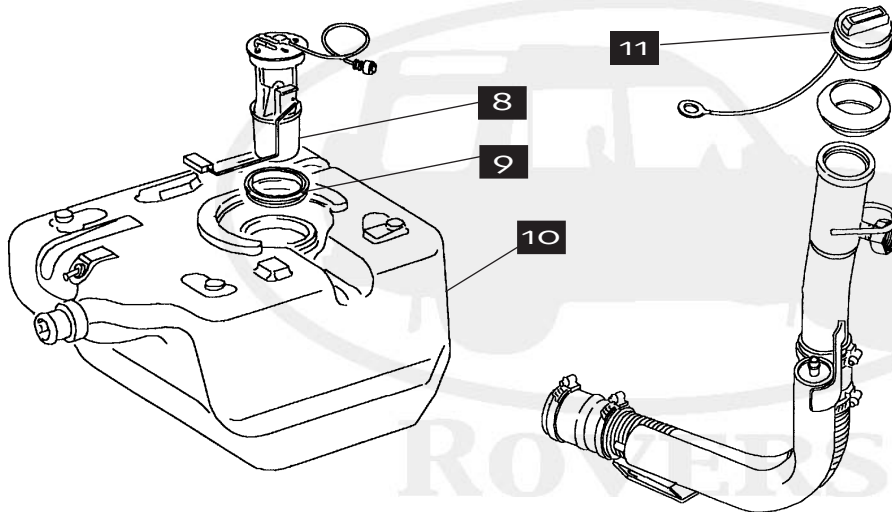


Description	Order Number	Explanatory Notes	Qty
1. Oil Filter	RV-ERR3340*		1
2. Fuel Filter	JA-C2C-4163		1
3. O-Rings for Fuel Filter, two required	RV-ESR259		2
4. Windshield Washer Reservoir Filter	RV-AMR3266		1
5. Automatic Transmission Filter Kit, with ZF	RV-RTC4653	(Includes Filter, Gasket and two O-Rings)	1
6. Manual Transmission Filter	RV-FRC7855		1
7. Intake Hose	RV-ESR1807		1
8. Air Flow Meter	JA-DBC12517/E	To VIN RA112194	1
8. Air Flow Meter	RV-ERR5198	RA112195 to end of 1995	1
8. Air Flow Meter	RV-ERR5595	1996-On	1
9. O-Ring, Airflow Meter to Canister	RV-NTC3354		1
10. Sensor, Air Inlet Temperature	RV-ERR2946	Located in air filter box	1
11. Air Filter	RV-ESR1445		1
11. Air Filter	RV-1501	 replacement for ESR1445	1

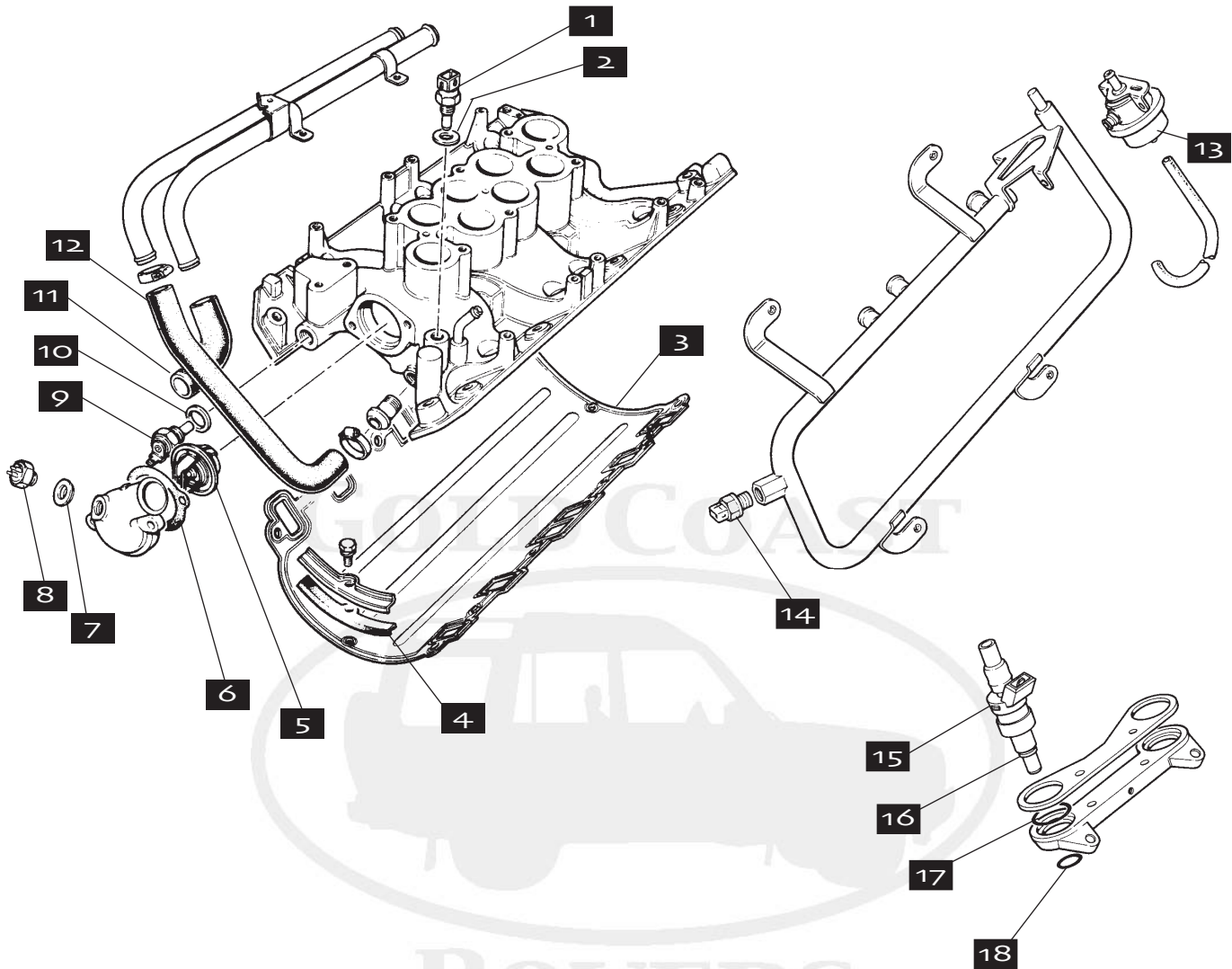
WITHOUT ADVANCED EVAPORATIVE LOSS, UP TO MID 1987



WITH ADVANCED EVAPORATIVE LOSS MID 1987 – ON



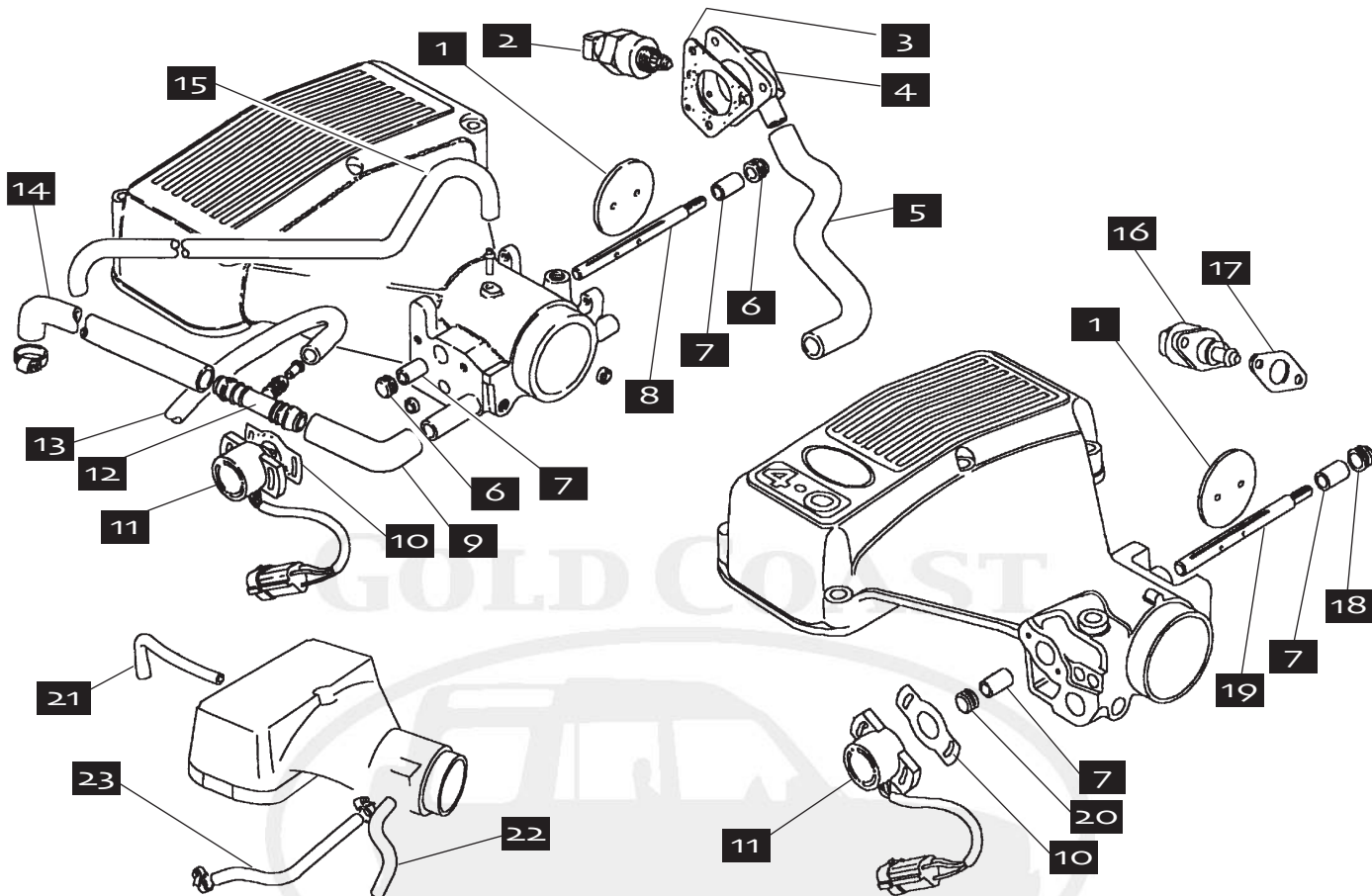
Description	Order Number	Explanatory Notes	Qty
1. Fuel Pump	RV-ESR3926	Up to VA714241/VA546029 (Mid 1997). Note: The first-time updated pump ESR3926 is fitted to vehicles prior to VIN 064760, wiring harness RV-STC3919 must also be used. Two RV-NRC9770 and two RV-NRC9771 required when fitting ESR3926 pump.	1
2. Seal, pump to tank	RV-NTC5859	With ESR3926 Pump	1
3. Fuel Filler Cap	RV-NTC5418	Without A.E.L. (does not have a tether)	1
4. Seal/Grommet	RV-WLR000020	Without A.E.L.	1
5. Filler Hose	RV-ESR2834	Without A.E.L.	1
5. Filler Hose	RV-NTC7344	Without A.E.L.	1
6. Breather Hose	RV-ESR1056	Without A.E.L.	1
7. Fuel Tank	RV-ESR2585	To VINs VA714241/VA546029 (vehicles without Advance Evaporative Loss)	1
8. Fuel Pump	RV-WFX101020	From VINs VA714242/VA546030	1
9. Seal, Pump to Tank	RV-WGQ500020	With WFX101020 Pump	1
10. Fuel Tank	RV-ESR3706	VINS VA714242-on & VA546030-on (with Advance Evaporative Loss)	1
11. Fuel Filler Cap	RV-ESR2872	With A.E.L. (has a tether)	1
12. Fuel Filter	JA-C2C-4163		1
13. O-Rings, Fuel Filter	RV-ESR259		2



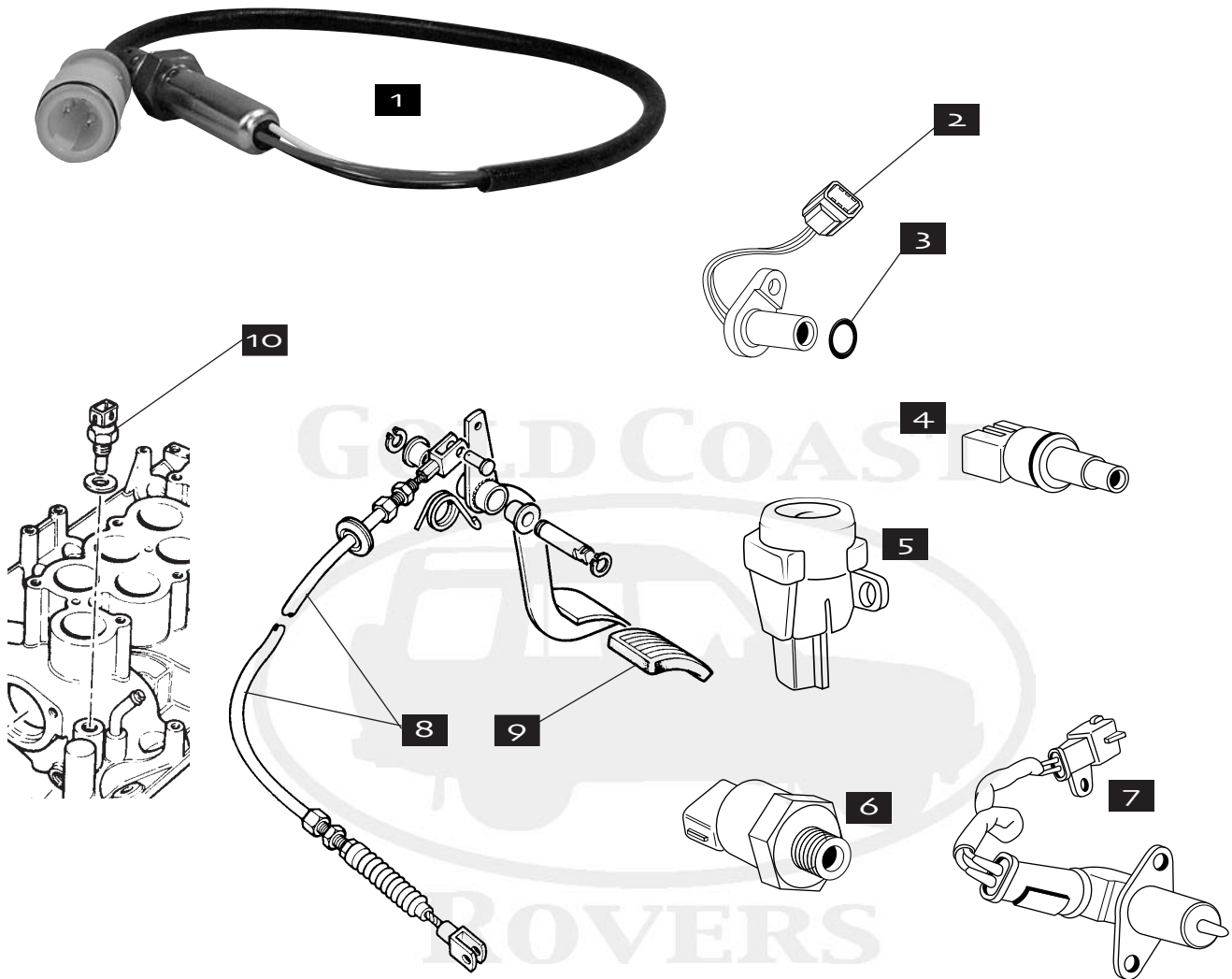
Description	Order Number	Explanatory Notes	Qty
1. Coolant Temperature Sender for ECU	LU-SNB802	Through 1998; As per EAC3927L/ETC8496	1
2. Sealing Washer for Sender	RV-243967		1
3. Intake Manifold Gasket	RV-LKJ500020		1
4. Seal, front of intake gasket	RV-ERR7283		2
5. Thermostat	RV-ETC4765		1
6. Thermostat Gasket	RV-ERR2429		1
7. Sealing Washer for Switch	RV-C457593		1
8. Fan Switch	RV-PRC3505		1
9. Temperature Sender for Gauge	RV-AMR1425		1
10. Sealing Washer for Sender	RV-90568054		1
11. Heater Return Hose	RV-ETC6889	Front of intake manifold	1
12. Heater Supply Hose	RV-ETC6890	Front of intake manifold	1
12. Heater Supply Hose	RV-BTR8725	Front of intake manifold, to VIN RA104738	1
13. Fuel Pressure Regulator	RV-ETC8494		1
14. Fuel Temperature Sender	RV-ETC6661		1
15. Fuel Injector	RV-ERR722		8
16. O-Ring, Injector	RV-RTC5679	Two per injector	16
17. Ring Seal, Upper	RV-EAC2414L		8
18. Ring Seal, Lower	RV-EAC2415L		8

DISCOVERY I 1994-1998

PLENUM CHAMBER, DISCOVERY SERIES I

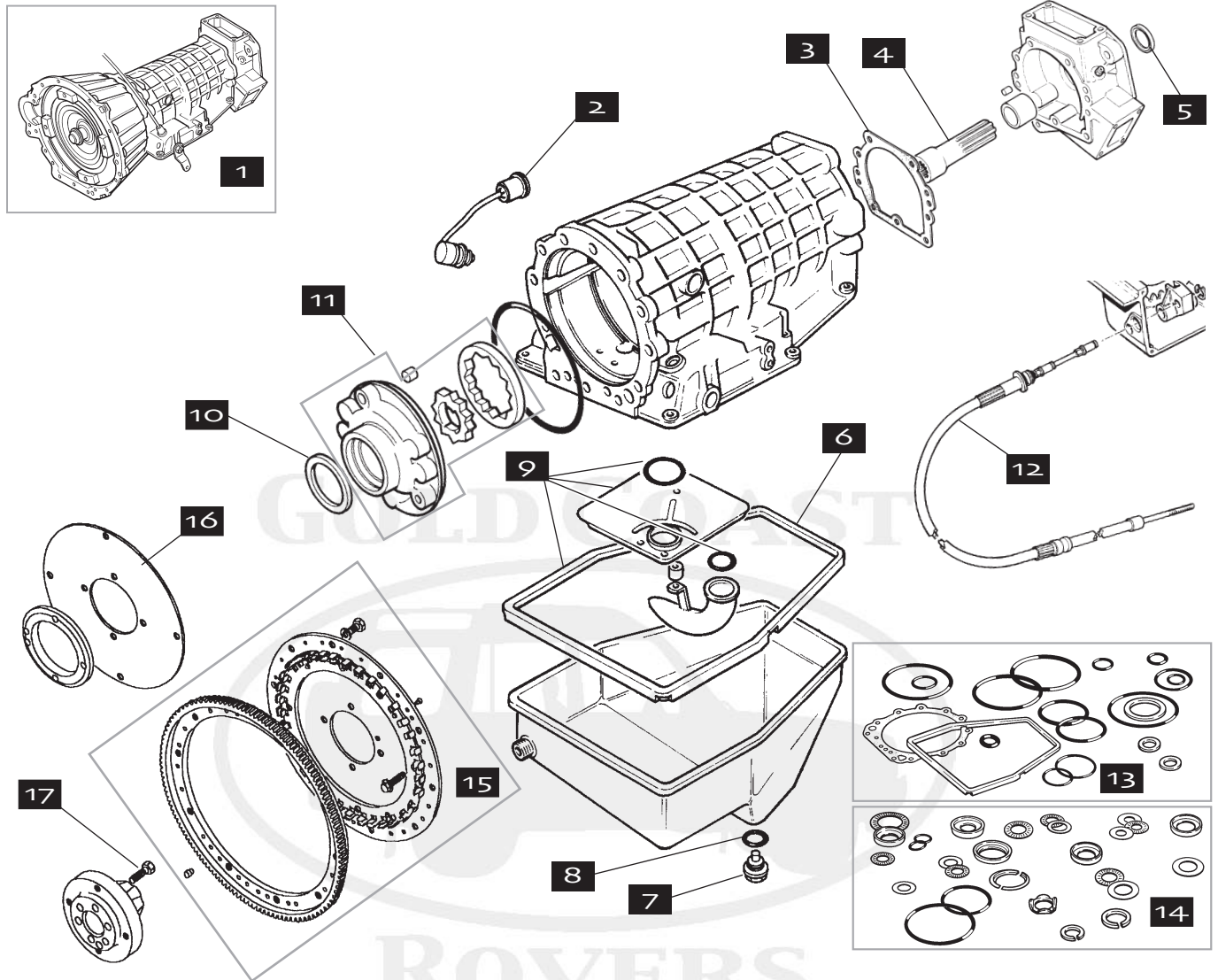


Description	Order Number	Explanatory Notes	Qty
1. Throttle Disc	RV-ETC6222		1
2. Stepper Motor; AKA "intake air control valve"	RV-ERR5199	3.9-Liter	1
3. Gasket for Idler Control Adapter	RV-ERR2926	3.9-Liter	1
4. Idler Control Adapter Assy.	RV-MKF100200		1
5. Hose, Control Idler to Throttle Body	RV-ETC7874	3.9-Liter	1
6. Throttle Shaft Seal	RV-AUD3577L	3.9-Liter, front and rear, to RA104738	2
6. Throttle Shaft Seal	RV-AUD3577L	3.9-Liter, front only, RA104739-on	1
7. Bushings for Throttle Shaft	RV-ERR1756		2
8. Shaft in Throttle Body	RV-ETC6223	3.9-Liter	1
9. Hose, PCV to throttle housing	RV-ERR4763	3.9-Liter	1
10. Gasket, Throttle Position Sensor, ALL	RV-ERR4944	All	1
11. Throttle Position Sensor	RV-ETC8495	Up to RA112194	1
11. Throttle Position Sensor	RV-ERR2263	From RA112195	1
12. PCV Tee	RV-ERR4765	3.9-Liter	1
13. Hose, PCV to Manifold	RV-ERR4764	3.9-Liter	1
14. Hose to PCV Valve Flame Trap	RV-ERR4762	3.9-Liter	1
15. Hose, Delay Valve to Throttle Housing	RV-RTC3942	3.9-Liter	1
16. Stepper Motor; AKA "intake air control valve"	RV-ERR4352	4.0-Liter	1
17. Gasket for Stepper Motor	RV-ERR3359	4.0-Liter	1
18. Throttle Shaft Seal	RV-ERR4318	4.0 Rear	1
19. Shaft in Throttle Body	RV-ERR4225	4.0-Liter	1
20. Throttle Shaft Seal	RV-AUD3577L	4.0 Front	1
21. Hose, Rocker to Ram Housing, ALL	RV-ERR4258	4.0-Liter	1
22. Hose, Rocker to Plenum,	RV-LLH500100	4.0-Liter	1
23. Hose, Water Manifold to Plenum	RV-ERR4388	4.0-Liter	1



Description	Order Number	Explanatory Notes	Qty
1. Oxygen Sensor	RV-ERR6729	Through 1995	2
1. Oxygen Sensor	RV-ERR1834	1996-on, with round charcoal canister	4
1. Oxygen Sensor	RV-AMR6244	With Advance Evaporative Loss, (Square Charcoal Canister)	4
2. Position Sensor, Camshaft	RV-NSC100840		1
3. O-Ring, Cam Position Sensor	RV-ERR4815		1
4. Air Inlet Temperature Sensor	RV-ERR2946	1996-on; In air filter box	1
5. Inertia Fuel Shut-Off Switch (IFSS)	RV-WQT100030L	1996-on	1
6. Knock Sensor	RV-ERR5594		1
7. Position Sensor, Crankshaft	RV-ERR6119		1
8. Throttle Cable	RV-ANR5327		1
9. Rubber Pad, Throttle Pedal	RV-11H1781L		1
10. Coolant Temperature Sensor	LU-SNB802		1

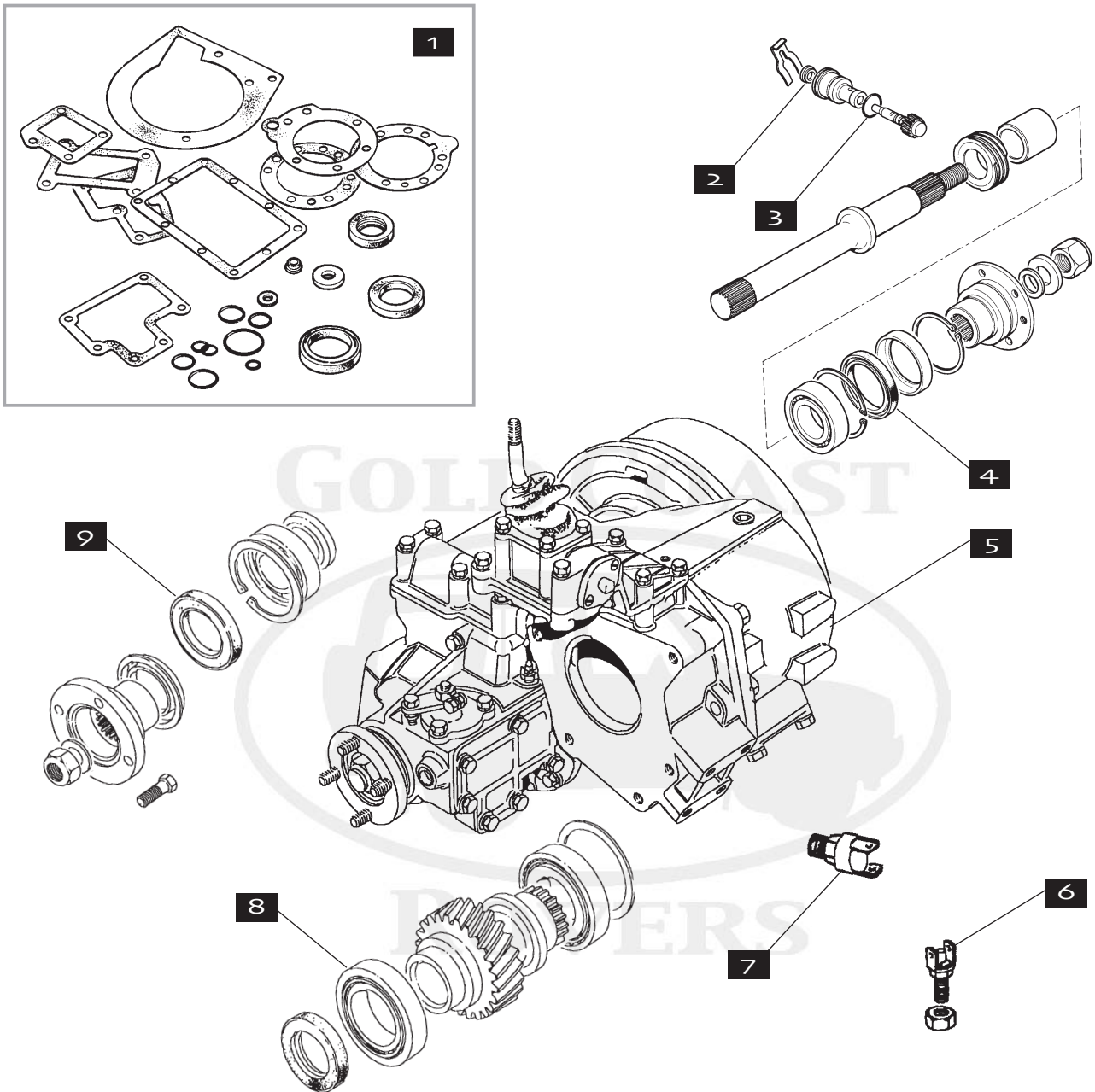
DISCOVERY I 1994-1998



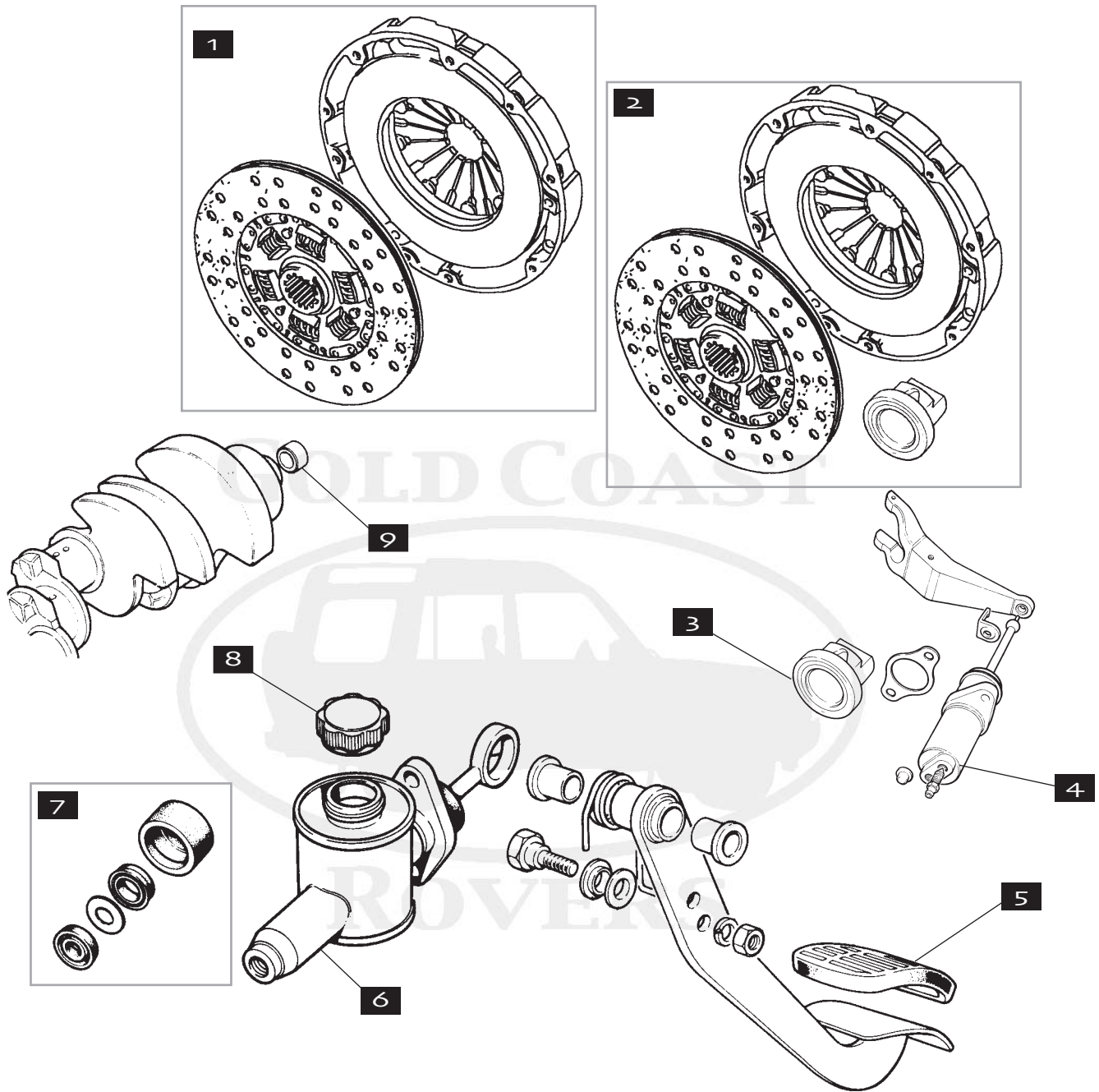
Description	Order Number	Explanatory Notes	Qty
1. Automatic Transmission, New	RV-FTC3099		1
1. Automatic Transmission, Rebuilt	RV-FTC3099R		1
2. Start/Inhibit & Reverse Switch	RV-RTC4937		1
3. Gasket, Case to Governor Housing	RV-RTC4295		1
4. Coupling Shaft	RV-FTC5090	From TA178214/TA509009	1
5. Rear Oil Seal	RV-RTC4650		1
6. Pan Gasket	RV-RTC4268		1
7. Drain Plug	RV-RTC4647		1
8. Washer, Drain Plug	RV-STC1060		1
9. Auto Trans Filter Kit	RV-RTC4653	Includes Filter, Gasket and Two O-Rings.	1
10. Front Oil Seal	RV-RTC5102		1
11. Front Pump Assembly	RV-STC1836		1
12. Control Cable	RV-FTC566		1
13. Gaskets & Seals Kit	RV-RTC5100	Does not include filter.	1
14. Bearings Kit	RV-RTC5101		1
15. Drive Plate/Ring Gear Assy	RV-FRC7851	Through 1995	1
15. Drive Plate/Ring Gear Assy	RV-ERR5658	1996-on	1
16. Drive Plate	RV-FTC4607	All	1
17. Bolt to Crankshaft	RV-SS607160		6

* Denotes Aftermarket Part

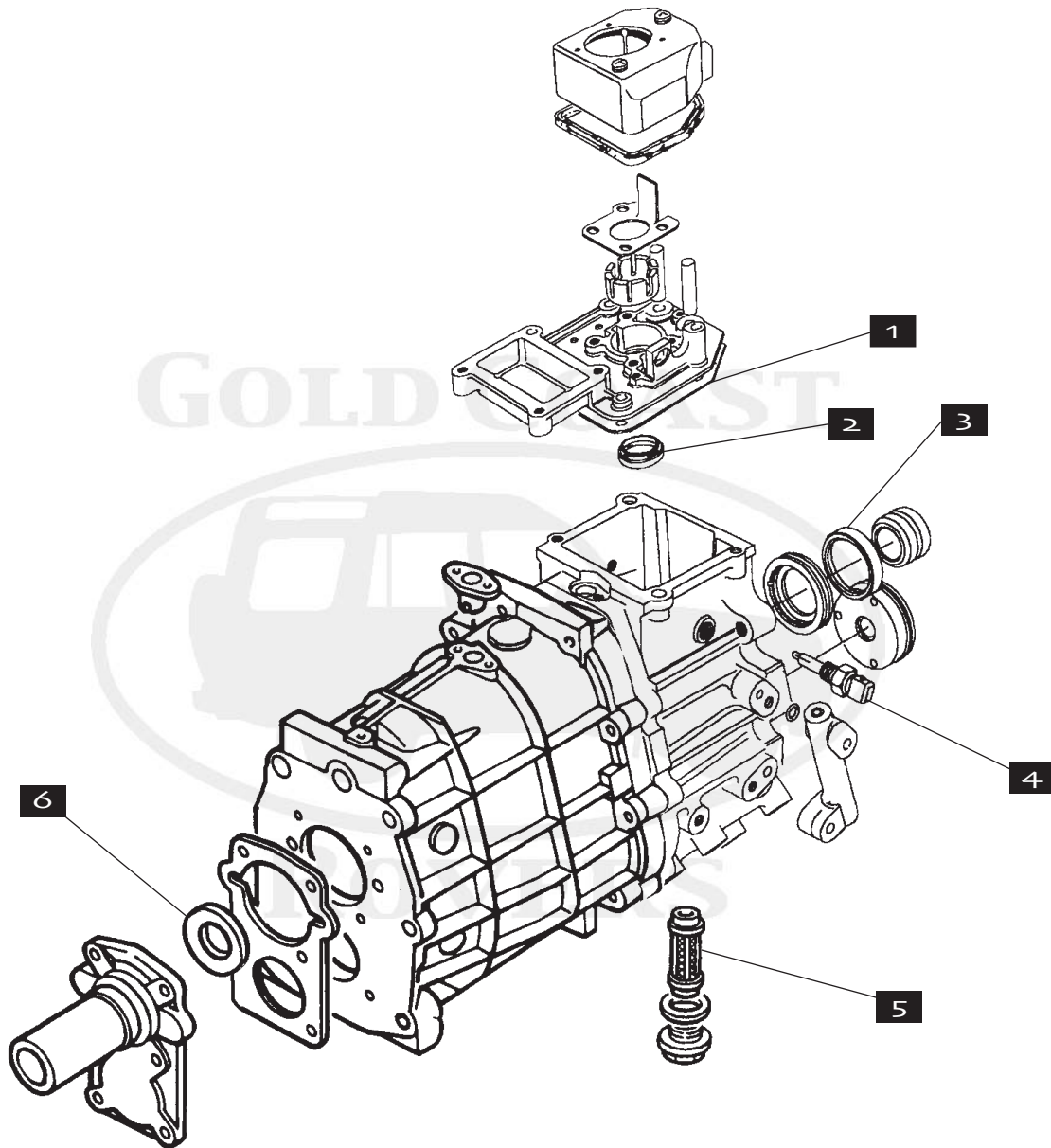
TRANSFER BOX, DISCOVERY SERIES I



Description	Order Number	Explanatory Notes	Qty
1. Seal & Gasket Kit, transfer box	RV-RTC3890		1
2. Seal, speedometer drive	RV-AAU2304		1
3. O-ring, speedometer drive	RV-571665		1
4. Seal, Rear Output Flange	RV-FTC4939		1
5. Transfer Box, New	RV-IAB100200	Manual Transmission	1
5. Transfer Box, Rebuilt	RV-STC3608E	Manual Transmission	1
5. Transfer Box, Rebuilt	RV-IAB500107	Automatic Transmission	1
6. Reverse Lamp Switch	RV-PRC2911		1
7. Switch, oil temperature, BW	RV-PRC7984		1
8. Seal, Input	RV-ICV100000		1
9. Seal, Front Output Flange	RV-FTC4939		1

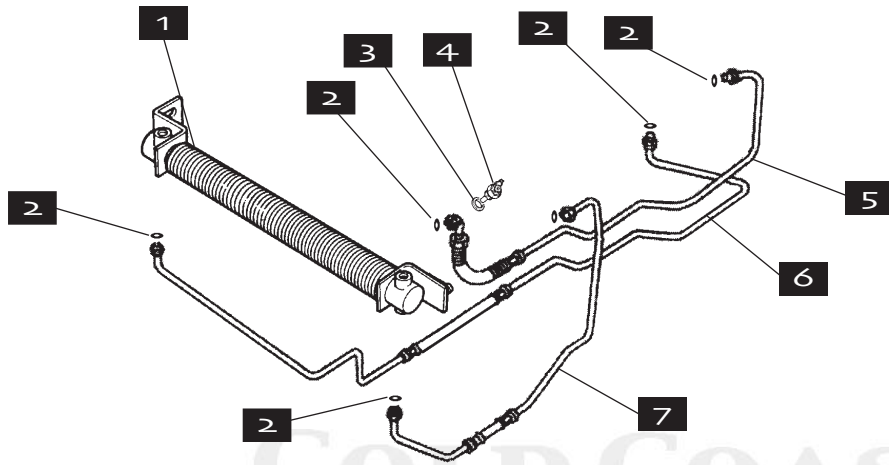


Description	Order Number	Explanatory Notes	Qty
1. Clutch Cover and Plate	RV-FTC2001	Through 1995	1
1. Clutch Cover and Plate	RV-FTC4828	1996-on	1
2. Clutch Kit	RV-HK9109	Disc, cover plate & bearing	A/R
3. Clutch Throw-out Bearing only	RV-FRC9568		1
4. Clutch Slave Cylinder	RV-FTC5072		1
4. Slave Cylinder Repair Kit	RV-STC2818		1
5. Clutch Pedal Rubber Pad	RV-575818		1
6. Clutch Master Cylinder	RV-ANR2186		1
7. Clutch M/C Rebuild Kit	RV-STC1126		1
8. Filler Cap, Clutch M/C	RV-STC1646		1
9. Output Shaft Bearing	RV-549911		1

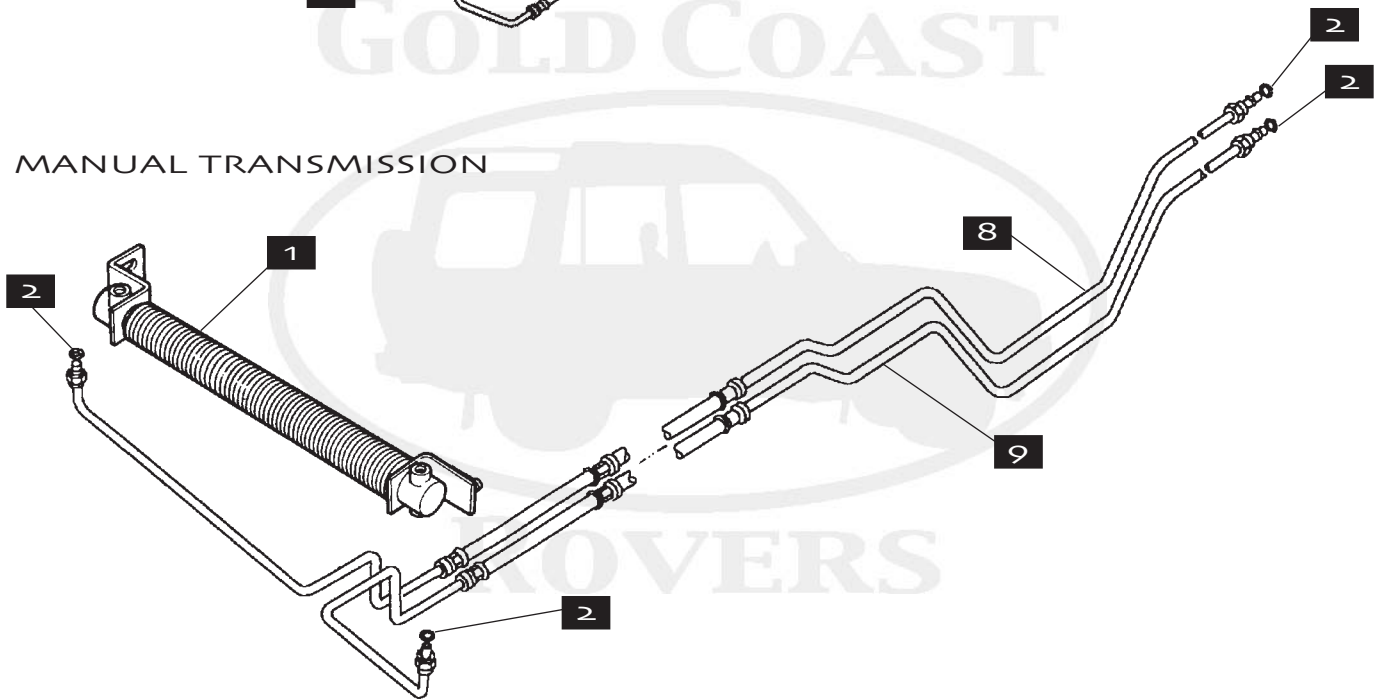


Description	Order Number	Explanatory Notes	Qty
1. Gasket, Top	RV-FRC9340		1
2. Oil Seal, top	RV-FTC2199		1
3. Rear Seal	RV-FTC2383		1
4. Reverse Light Switch	RV-CDU51L	To 53A0410128J	1
4. Reverse Light Switch	RV-AMR3918	From 53A0410129J	1
5. Oil Filter	RV-FRC7855		1
6. Front Seal	RV-FTC5303		1

AUTOMATIC TRANSMISSION

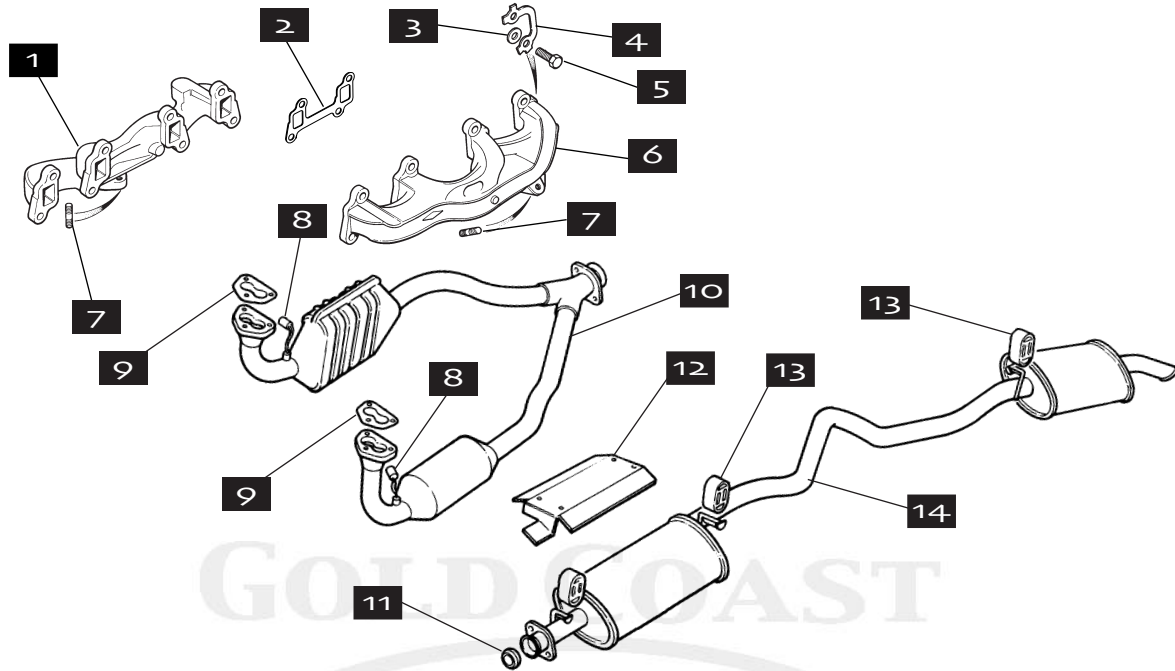


MANUAL TRANSMISSION



Description	Order Number	Explanatory Notes	Qty
1. Gearbox Cooler	RV-ESR1703	Manual or Automatic	10
2. O-Ring	RV-ESR1594L	Four required for manual; 6 for automatic	A/R
3. Washer, Oil Temp Switch	RV-232039		1
4. Oil Temp Switch	RV-AMR4948	Automatic; Fits in UPB101030 hose	1
5. Cooler Pipe/Hose	RV-UBP101020	Automatic transmission, from transmission to RH side of cooler	1
6. Cooler Pipe/Hose	RV-UBP101030	Automatic transmission, from transmission to radiator	1
7. Cooler Pipe/Hose	RV-ESR3695	Automatic transmission, from radiator to LH side of cooler	1
8. Cooler Pipe/Hose	RV-ESR2809	Manual transmission through 1996; to right side of cooler	1
8. Cooler Pipe/Hose	RV-ESR4146	Manual transmission, 1997; to right side of cooler	1
9. Cooler Pipe/Hose	RV-ESR2808	Manual transmission through 1996; to left side of cooler	1
9. Cooler Pipe/Hose	RV-ESR4145	Manual transmission, 1997; to left side of cooler	1

EXHAUST, DISCOVERY SERIES I



Description	Order Number	Explanatory Notes	Qty
1. Exhaust Manifold, Right	RV-ERR7394		1
2. Gasket	RV-ERR6733	Manifold to Head	4
3. Washer, plain	RV-3036L	Through 1996	16
3. Washer	RV-ERR6318	1997-on	16
4. Locking Plate	RV-ERC7321		8
5. Screw	RV-SH506095L	Through 1996	16
5. Screw	RV-ERR6734	1997-on	16
6. Exhaust Manifold, Left	RV-ERR7393		1
7. Stud	RV-ERR551L		6
8. Oxygen Sensor	RV-ERR6729	Through 1995	2
8. Oxygen Sensor	RV-ERR1834	1996-on, with round charcoal canister	4
8. Oxygen Sensor	RV-AMR6244	With Advance Evaporative Loss, (Square Charcoal Canister)	4
9. Gasket	RV-ETC4524	Manifold to Downpipe	2
10. Down Pipe/Catalyst	RV-ESR3063	49-State, W/O AEL; to SA135999 (Mid 1995)	1
10. Down Pipe/Catalyst	RV-ESR3059	49-State, W/O AEL; SA136000 to end of 1995	1
10. Down Pipe/Catalyst	RV-ESR3805	49-State, W/O AEL; TA163100/TA501920 to TA194199/TA525033	1
10. Down Pipe/Catalyst	RV-ESR4188	49-State, W/O AEL; TA194200/TA525034 to end of TA (1996)	1
10. Down Pipe/Catalyst	RV-ESR4106	49-State, W/O AEL; 1997-on	1
10. Down Pipe/Catalyst	RV-ESR3573	California only, W/O AEL; SA145537 to TA19419999/TA525033	1
10. Down Pipe/Catalyst	RV-ESR4097	California only, W/O AEL; From TA194200/TA525034 to TA534103/TA703236	1
10. Down Pipe/Catalyst	RV-ESR4106	California only, W/O AEL; 1997-on	1
10. Down Pipe/Catalyst	RV-WCD104650	All with Advance Evaporative Loss (rectangular charcoal canister)	1
11. Olive	RV-CRC4579L	Between front and rear pipes	1
12. Heat Shield	RV-NTC7196	Up to TA166329/TA502742	1
13. Mounting Rubber	RV-NTC5582		3
14. Intermediate Assembly	RV-WDE100640	Intermed. Muffler/Rear Muffler/Tail pipe. Note: This is a kit consisting of the front and rear mufflers and hardware.	1



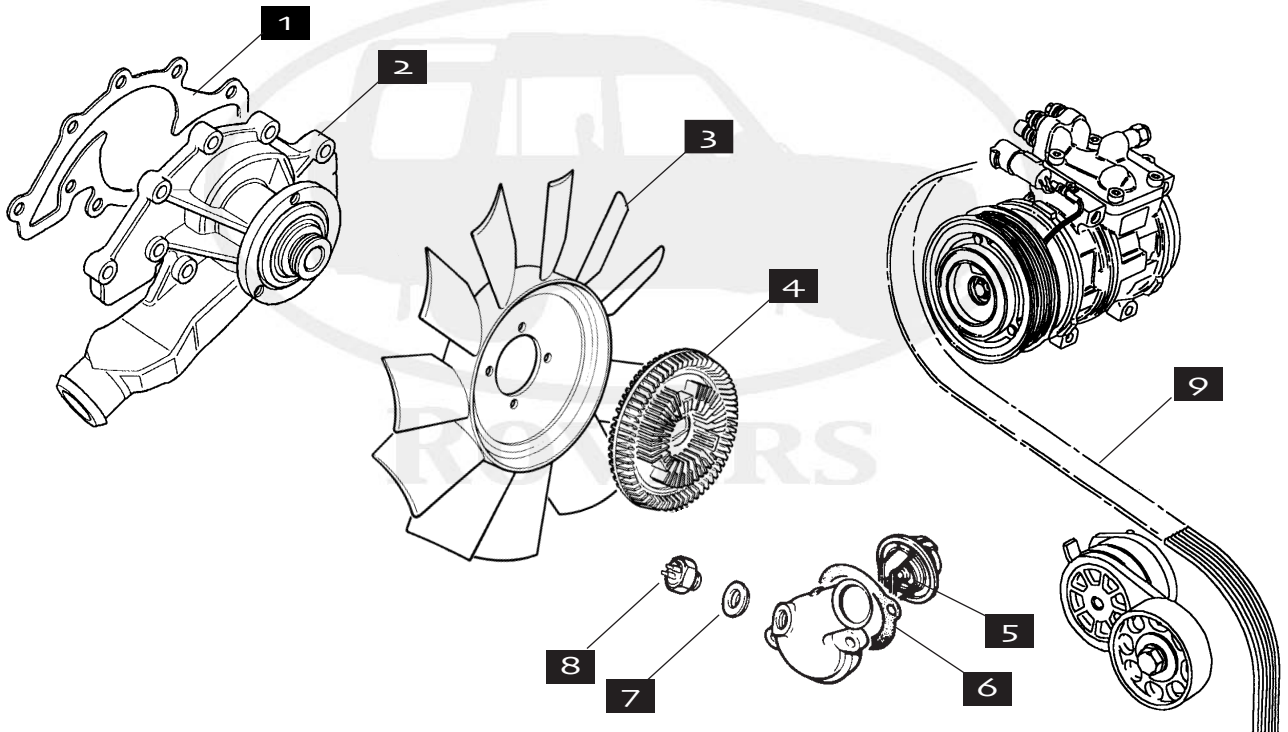
**T/304
STAINLESS STEEL
CONSTRUCTION**
**MANUFACTURED WITH SMOOTH
MANDREL BENDS**
**BACKED BY THE STRONGEST
WARRANTY IN THE
MARKETPLACE**

Gold Coast Rovers is a Warehouse Distributor for Borla Exhaust, the leader in late-model performance exhaust systems. Made entirely of aircraft-quality T-304 stainless steel, these "cat-back" systems are entirely mandrel-bent

for smooth flow and noticeable power gains. Give your Land Rover a distinctive exhaust note and more power with a Borla stainless steel exhaust system.

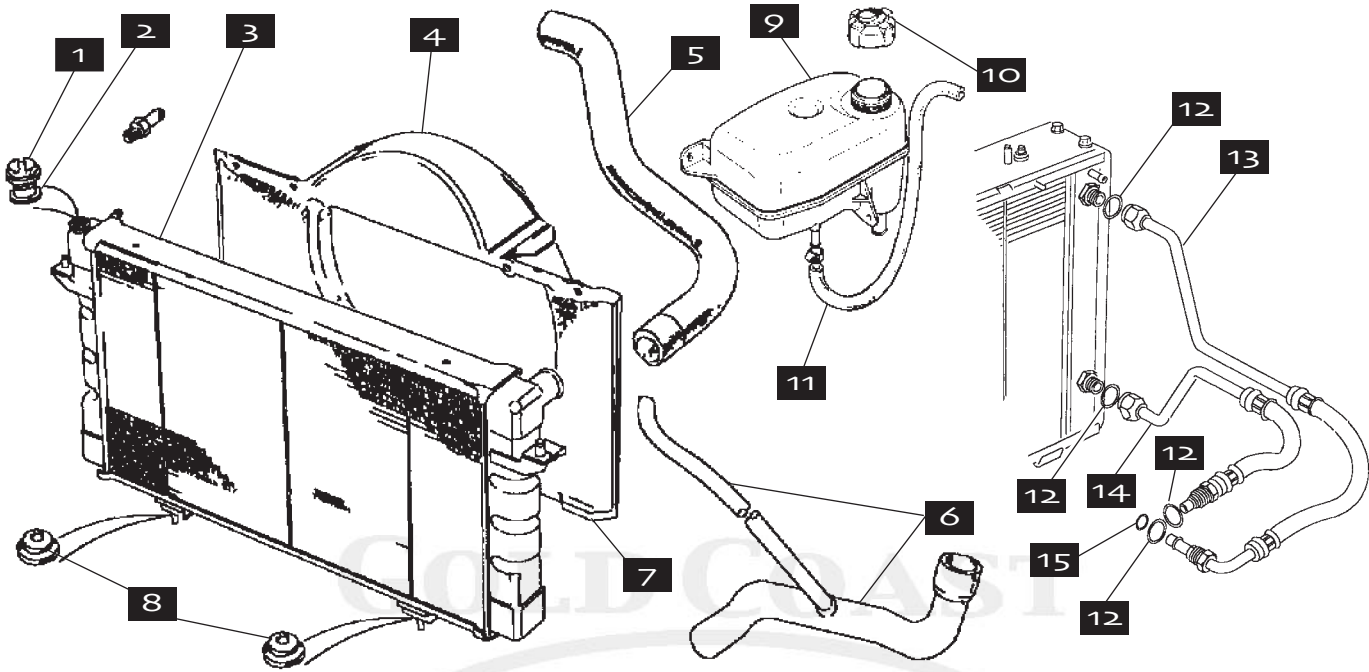
Discovery Series IRV-14657

WATER PUMP AND BELTS, DISCOVERY SERIES I

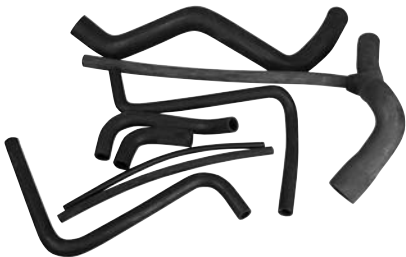


Description	Order Number	Explanatory Notes	Qty
1. Gasket, Water Pump	RV-ERR4077		1
2. Water Pump	RV-STC4378		1
3. Fan Blade	RV-ERR3439		1
4. Fan Clutch	RV-ERR3443		1
5. Thermostat	RV-ETC4765		1
6. Gasket, Thermostat	RV-ERR2429		1
7. Sealing Washer under Switch	RV-C457593		
8. Cooling Fan Switch	RV-PRC3505		
9. Serpentine Belt	RV-ERR4623	Through 1995	1
9. Serpentine Belt	RV-ERR5579	1996-on	1

DISCOVERY I 1994-1998



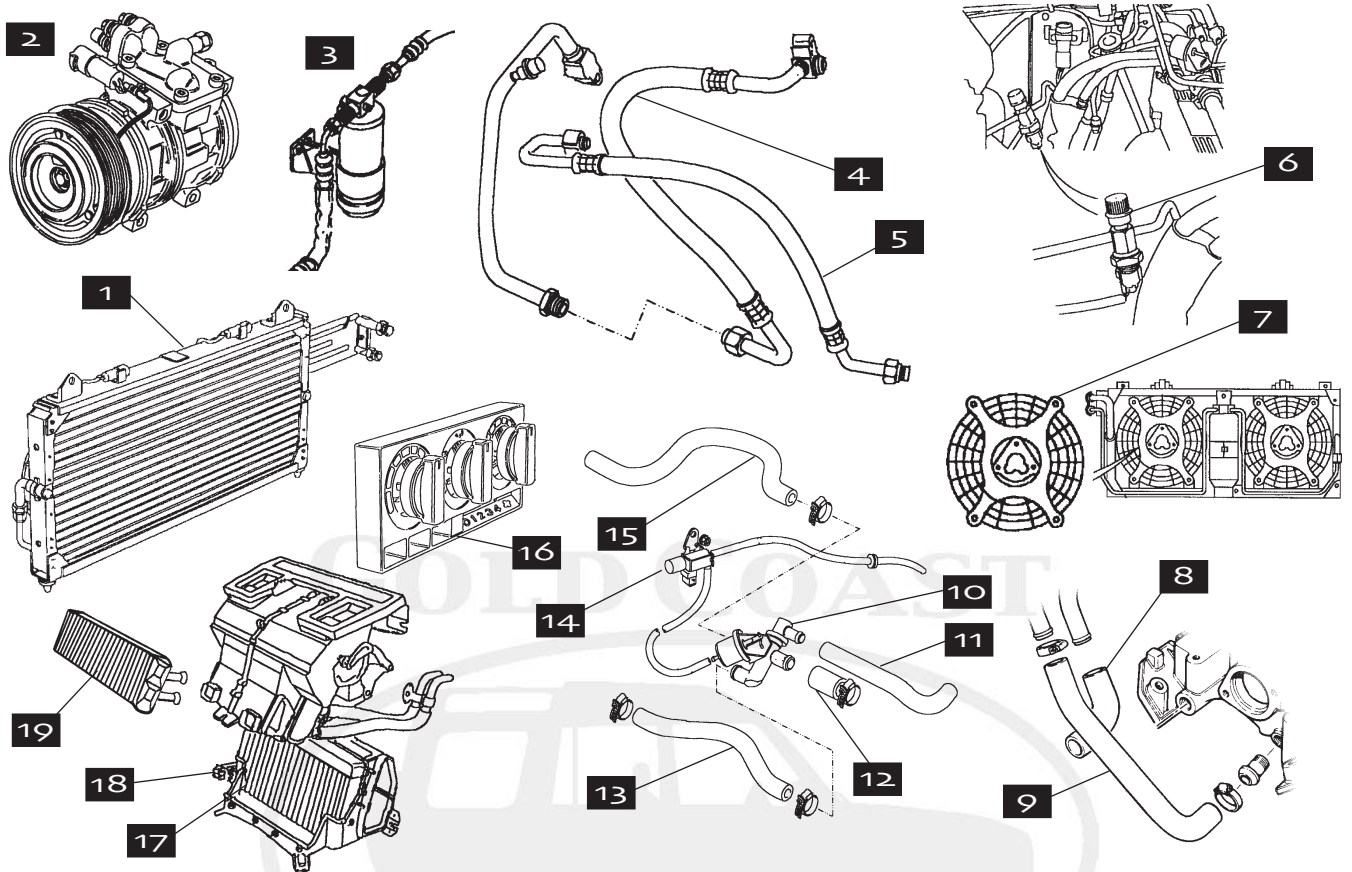
Description	Order Number	Explanatory Notes	Qty
1. Radiator Bleed Plug	RV-ERR4686		1
2. O-Ring for Bleed Plug	RV-ERR4685		1
3. Radiator	RV-ESR3688	Manual Transmission	1
3. Radiator	RV-ESR3687	Automatic Transmission	1
4. Radiator Fan Cowl	RV-ESR3226	Upper	1
5. Top Hose	RV-ESR3297		1
6. Bottom Hose/Large Hose off Tank	RV-ESR1819	To 1997.5; Without Advance Evaporative Loss	1
6. Bottom Hose	RV-PCH000070	With Advance Evaporative Loss	1
7. Radiator Fan Cowl	RV-ESR2847	Lower	1
8. Radiator Mount Bush	RV-572312		4
9. Expansion Tank	RV-PCF101590		1
10. Filler Cap, 15 PSI	RV-NTC7161		1
11. Small Bleed Hose Off Tank	RV-PCH117840	Without Advance Evaporative Loss to RA098379	1
11. Small Bleed Hose Off Tank	RV-PCH000120	Without Advance Evaporative Loss from RA098380	1
11. Small Bleed Hose Off Tank	RV-PCH000090	With Advance Evaporative Loss	1
12. Large O-Ring	RV-ESR1594L		4
13. Engine Oil Cooler Hose/Pipe	RV-PBP101150	Upper Hose (Inlet to Cooler on Radiator)	1
14. Engine Oil Cooler Hose/Pipe	RV-PBP101160	Lower Hose (Outlet from Cooler on Radiator)	1
15. Small O-Ring	RV-ESR3098		2



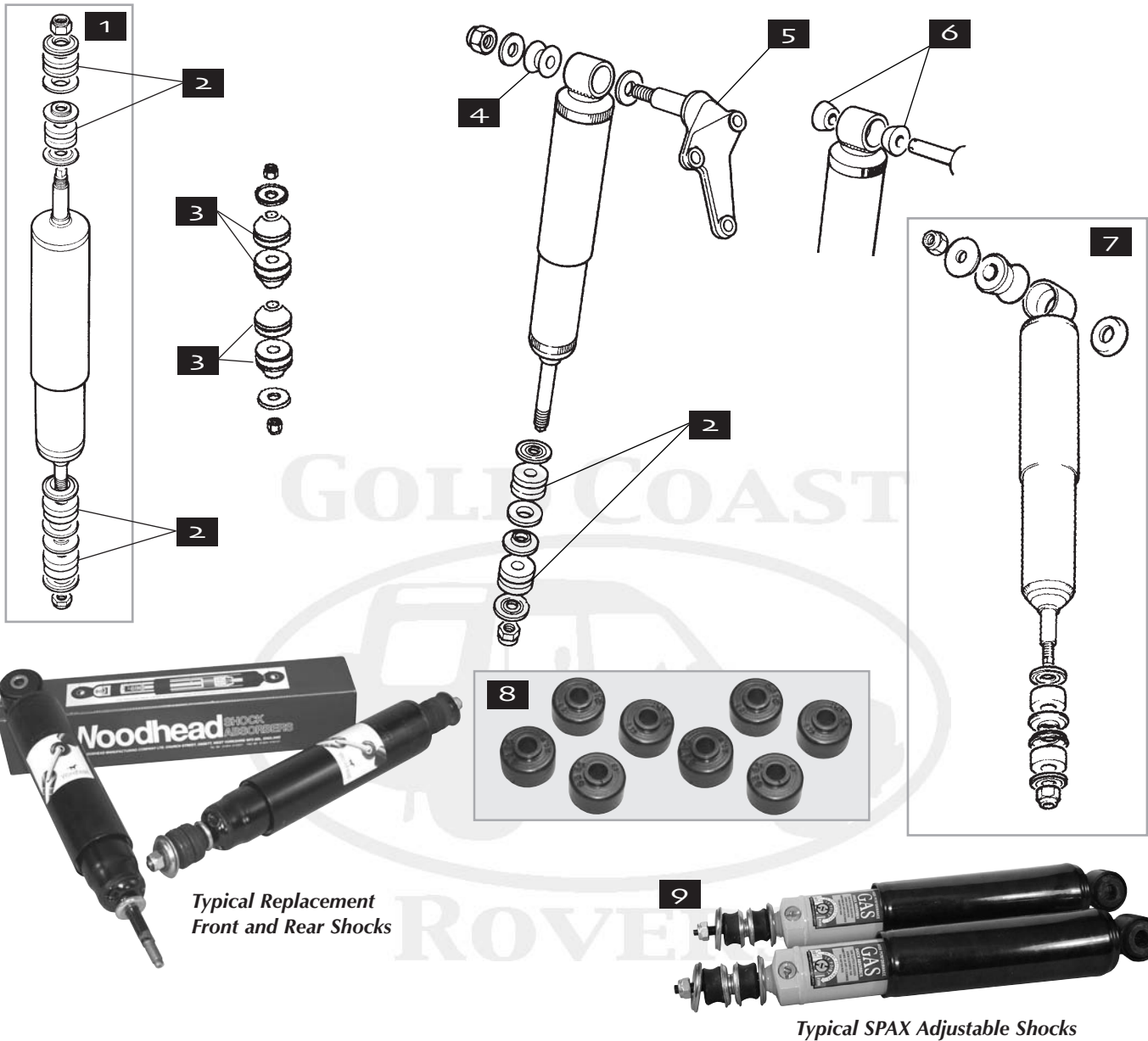
Discovery Cooling Hose Kits

Replacing one or two hoses at a time almost guarantees the need to go back later and re-trace your steps. Get great peace of mind by changing all the hoses in one shot. These multi-hose kits will cost you less than buying each peacemeal.

Cooling Hose Kit	RV-7518	3.9-Liter to RA104738 (mid 1994); Nine Pieces
Cooling Hose Kit	RV-7520	3.9-Liter from RA104739 to end of 1995; Six Pieces
Cooling Hose Kit	RV-7522	4.0-Liter without Advance Evaporative Loss; Six Pieces
Cooling Hose Kit	RV-7524	All with Advance Evaporative Loss; Six Pieces



Description	Order Number	Explanatory Notes	Qty
1. Condenser	RV-BTR6632		1
2. A/C Compressor	RV-BTR5750		1
3. Receiver/Drier	RV-JRJ100550	Note: Receiver/drier is part of condenser assembly on Discovery 1.	1
4. Hose, Evaporator to Compressor	RV-BTR4041		1
5. Hose, Compressor to Evaporator	RV-BTR4045	Includes the service valve	1
6. Switch, Pressure Control	RV-STC3136		1
7. Fan, A/C Condenser	RV-STC3147		2
8. Heater Return Hose	RV-ETC6889	Front of intake manifold	1
9. Heater Supply Hose	RV-ETC6890	Front of intake manifold	1
9. Heater Supply Hose	RV-BTR8725	To RA104738 (Valve and associated pipes deleted thereafter.)	1
10. Heater Valve	RV-BTR4022	To RA104738 (Valve and associated pipes deleted thereafter.)	1
11. Hose, Valve to Engine	RV-BTR4008		1
12. Hose, Engine to Valve	RV-BTR4016	To RA104738 (Valve and associated pipes deleted thereafter.)	1
13. Hose, Heater to Valve	RV-BTR8726	To RA104738 (Valve and associated pipes deleted thereafter.)	1
14. Vacuum Solenoid	RV-BTR4190	To RA104738 (Valve and associated pipes deleted thereafter.)	1
15. Hose, Valve to Heater	RV-BTR8727	To RA104738 (Valve and associated pipes deleted thereafter.)	1
16. Heater Assembly Cover Plate with Graphics	RV-BTR6495		1
17. Evaporator, Core Unit Only	RV-STC3139		1
18. Expansion Valve	RV-STC3134		1
19. Heater Core	RV-STC3135		1



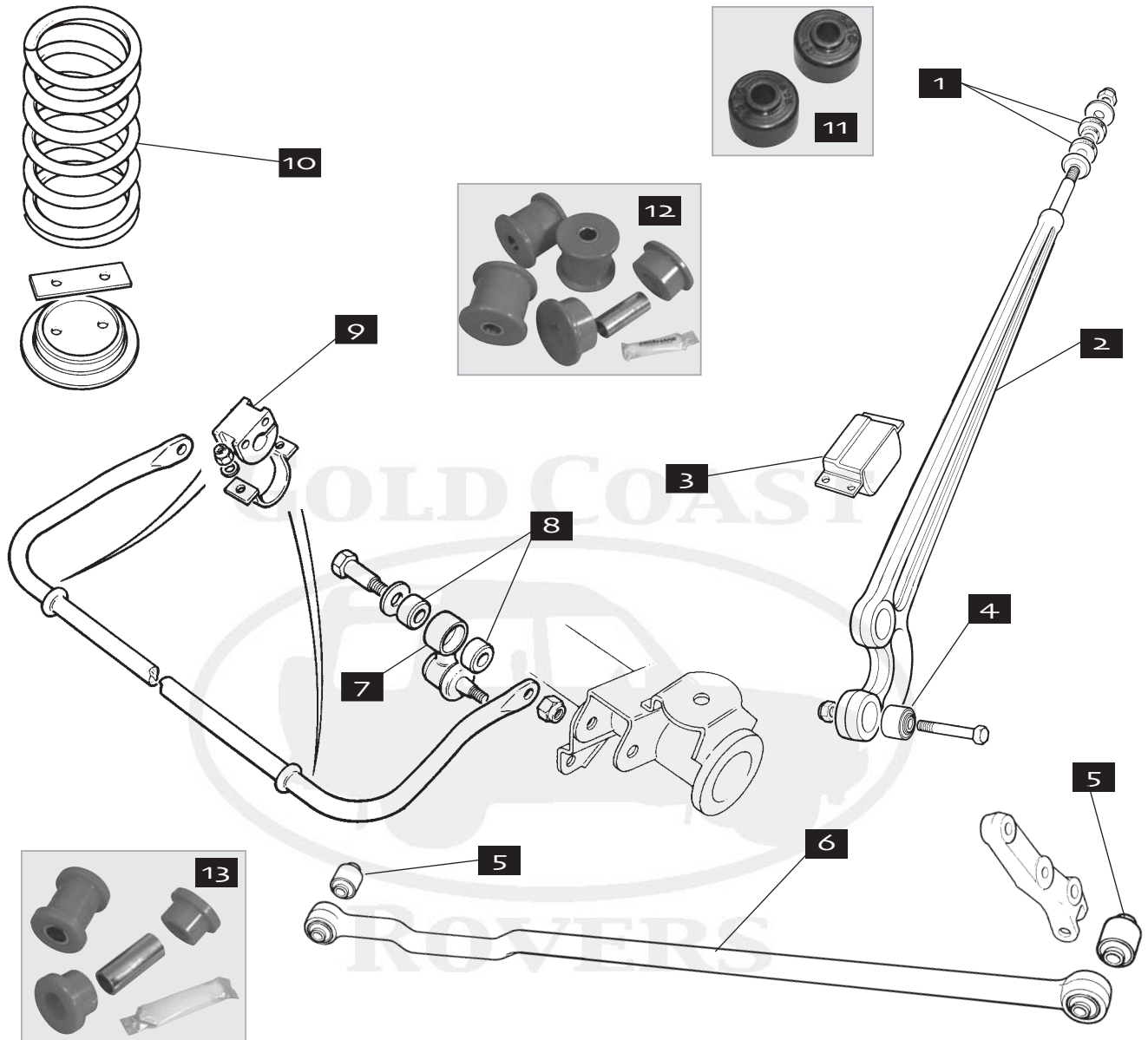
Typical Replacement Front and Rear Shocks

Typical SPAX Adjustable Shocks

Notice: All shock absorbers are and sold INDIVIDUALLY and are supplied with new bushings and threaded fasteners

Description	Order Number	Explanatory Notes	Qty
1. Front Shock	RV-STC3703		2
2. Shock Bushing, Flat Style	RV-552818		12
3. Shock Bushing, Rear, Flat Style	RV-RNF100090L	Alternative to RV-552818	8
4. Shock Bushing	RV-NRC5593	Cone Type, shocks with anti-roll bar, upper on rear air suspension shocks	2
5. Shock Mounting Bracket, Rear	RV-NRC7981		2
6. Shock Bushing, Cone type, without anti-roll bar	RV-552819		4
7. Rear Shock	RV-STC3704		2
8. Polyurethane Shock Bushings, Flat Style	RV-6003	Vehicle Kit of 8	1
9. Spax Shock, rear; Adjustable Performance Shock	RV-G625		2
9. Spax Shock, front; Adjustable Performance Shock	RV-G626		2

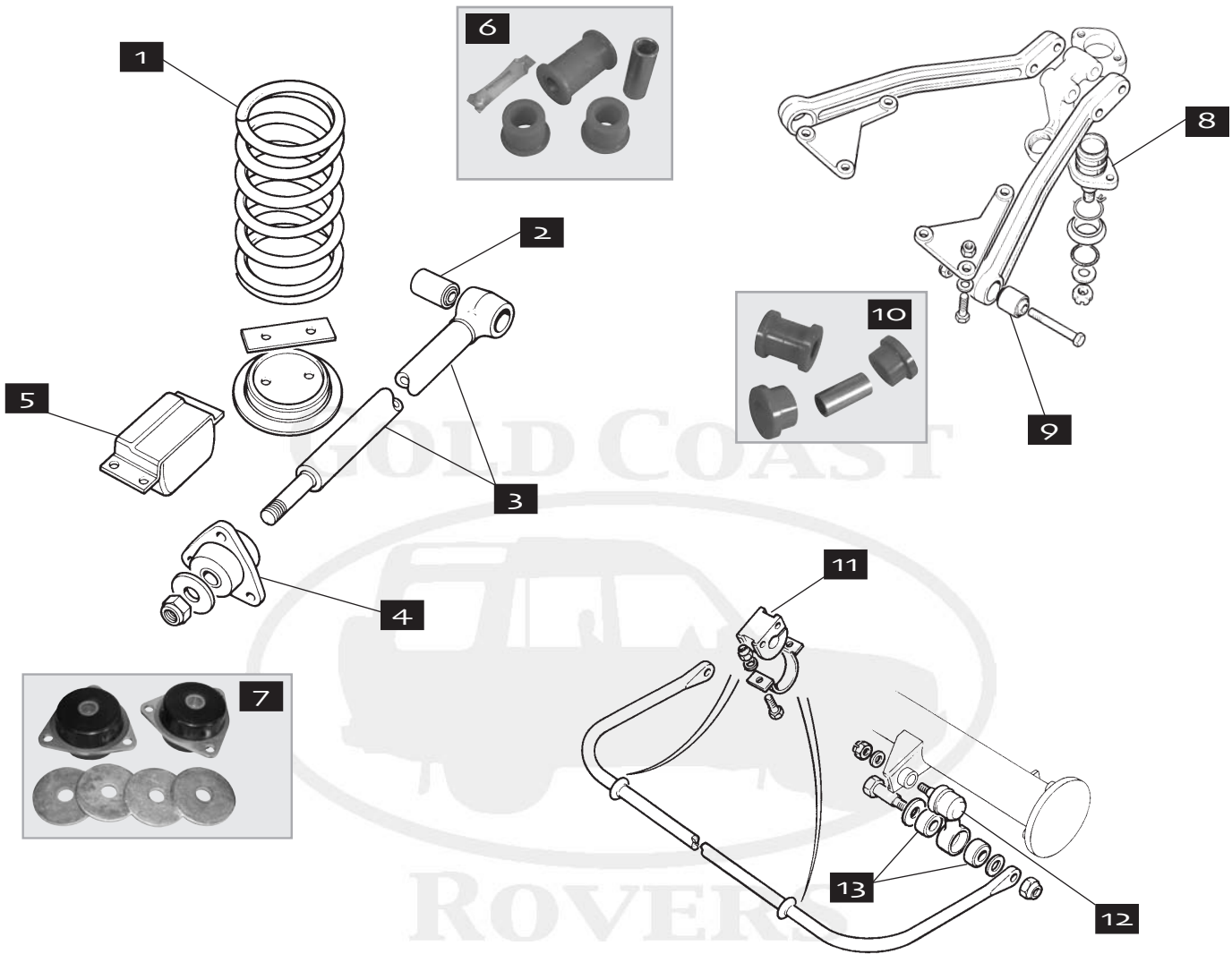
FRONT SUSPENSION GENERAL, DISCOVERY SERIES I



Description	Order Number	Explanatory Notes	Qty
1. Radius Arm Bushing, Chassis End	RV-NRC4514		4
2. Radius Arm Assembly	RV-NTC2694		2
3. Bump Stop, front suspension	RV-ANR4188*	To SA113760	2
3. Bump Stop, front suspension	RV-ANR2420	From SA113761	2
4. Radius Arm Bushing, Axle End	RV-NTC6860		4
5. Bushing, Panhard Rod	RV-ANR3410		2
6. Complete Panhard Rod (w/ bushes)	RV-RBI100000		1
7. Ball Joint Assembly	RV-NTC1888	Mounting front anti-roll bar	2
8. Sway Bar End Bushing	RV-552819		4
9. Sway Bar Mount Bushing	RV-NTC6828		2
10. Front Coil Spring, RH, Blue stripe	RV-572315		2
10. Front Coil Spring, LH, Blue/white stripe	RV-NRC4306		2
11. Radius Arm Bushing Kit, Polyurethane	RV-6001		1
12. Radius Arm Busing Kit, Polyurethane	RV-6002		1
13. Polyurethane Bushing Kit, Panhard Rod	RV-6000		1

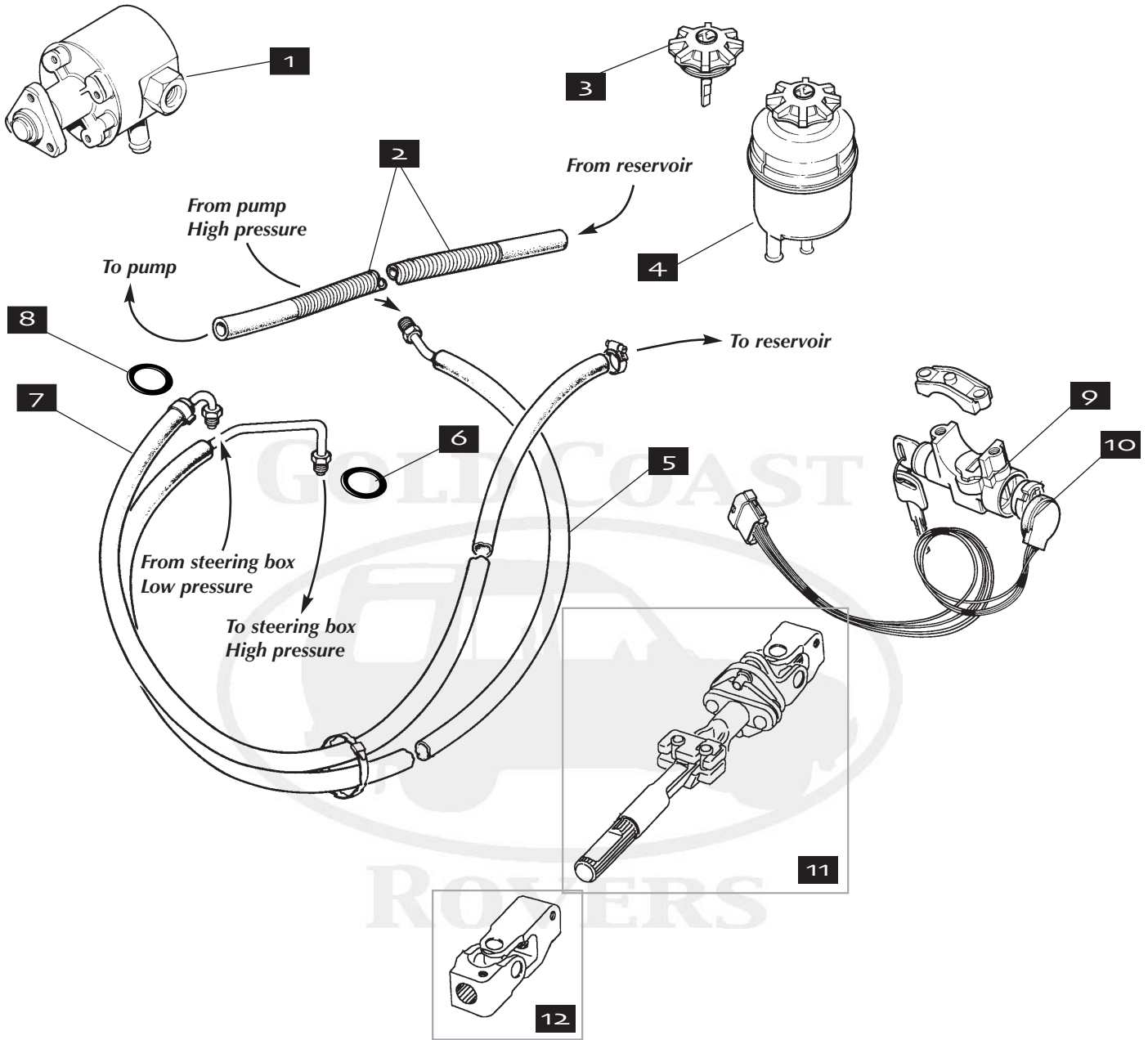
* Denotes Aftermarket Part

SEE PAGE 174 FOR SHOCK ABSORBER APPLICATIONS



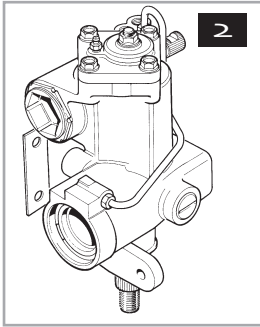
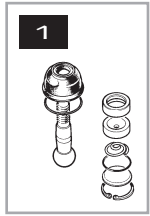
Description	Order Number	Explanatory Notes	Qty
1. Coil Spring	RV-ANR3477	Same RH or LH	2
1. Heavy Duty Spring Set	RV-STC8937	Note: With heavy duty rear springs, a front anti-roll bar must be fitted and the rear anti-roll bar must be removed.	
2. Bushing, Bottom Link	RV-NTC1772		2
3. Lower Link Assembly	RV-NTC8328		2
4. Mount Bushings for Trailing Link, OE Style	RV-NTC9027	May also use RV-STC618 (Sold as pair)	2
5. Bump Stop	RV-ANR2991		2
6. Bushing, Bottom Link, Polyurethane Kit	RV-6008		1
7. Mount Bushing Kit, Polyurethane	RV-6006	Early, 16mm center hole	1
7. Mount Bushing Kit, Polyurethane	RV-6007	Late, 20mm center hole	1
8. Upper Ball Joint, rear suspension A-Frame	RV-ANR1799*		2
9. Upper A-Frame Pivot Bushings	RV-NTC1773		2
10. Upper A-Frame Pivot Bushings, Polyurethane Kit	RV-6005		1
11. Mount Bushing, Rear Anti-Roll Bar	RV-NTC7394		2
12. Ball Joint, Sway Bar	RV-NTC1888		2
13. End Bushing, Anti-roll bar	RV-552819		4

DISCOVERY I 1994-1998

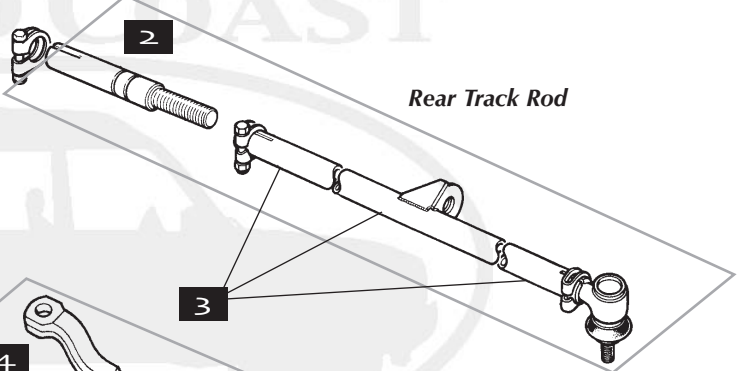


Description	Order Number	Explanatory Notes	Qty
1. Power Steering Pump	RV-QVB101110		1
2. Hose, Reservoir to Pump	RV-NTC9989		1
3. Cap, Steering Reservoir	RV-NTC2723		1
4. Power Steering Reservoir Assembly	RV-QFX000030		1
5. Hose, High Pressure, pump to box	RV-ANR6656		1
6. O-Ring for ANR6656	RV-RTC4826		1
7. Hose, Box to Reservoir	RV-QEH102370		1
8. O-Rings for QEH102370	RV-RTC4825		1
9. Steering Column Lock, Automatic	RV-STC1436		1
9. Steering Column Lock, Manual trans.	RV-STC1435		1
10. Ignition Switch	RV-STC1746		1
11. Shaft Assembly	RV-ANR3171		1
12. Lower U-Joint only for ANR3171	RV-STC2800		1

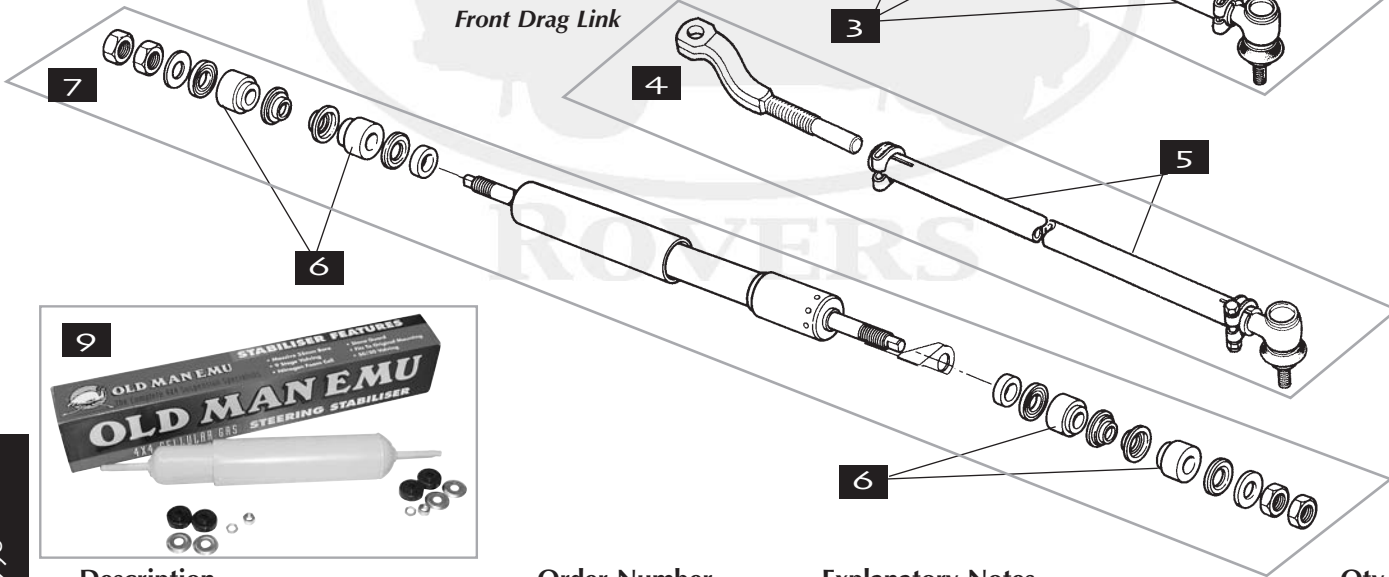
* Denotes Aftermarket Part



Description	Order Number	Explanatory Notes	Qty
1. Ball Joint/Rod End on Steering Box Arm	RV-STC3295		1
2. Steering Box, New	RV-QAF000150		1
2. Steering Box, Rebuilt	RV-58296		1
3. Input Shaft Kit	RV-STC889	All three kits required for complete rebuild	1
4. Overhaul Kit	RV-STC2847	All three kits required for complete rebuild	1
5. Output Shaft Kit	RV-STC2848	All three kits required for complete rebuild	1



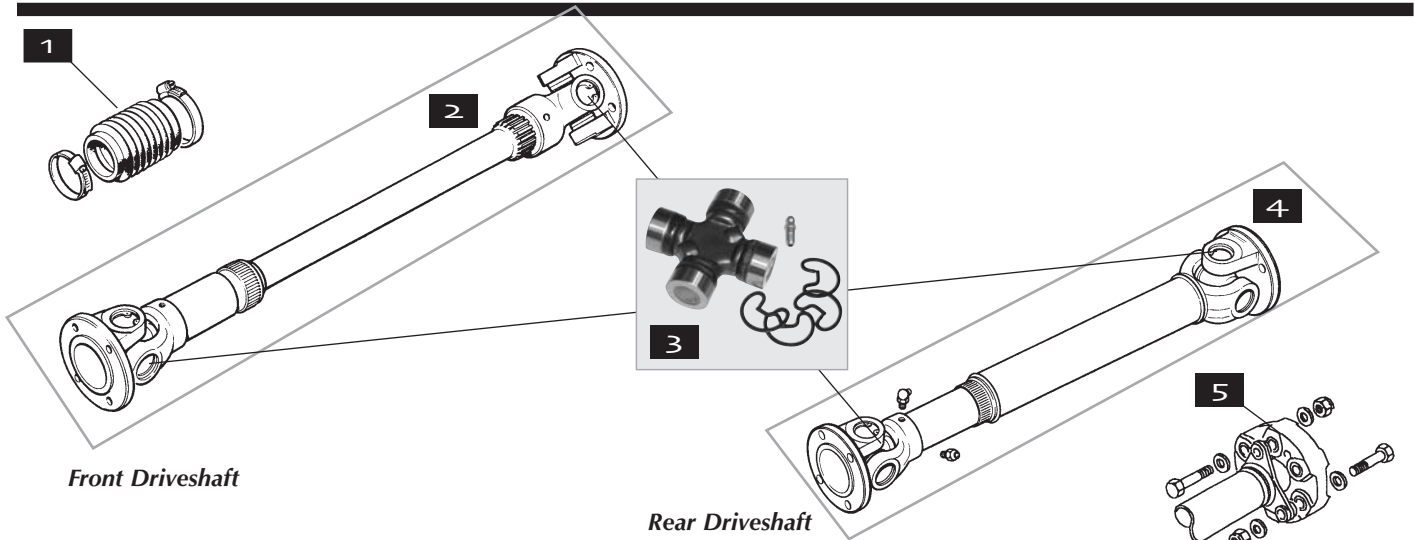
Front Drag Link



Description	Order Number	Explanatory Notes	Qty
1. Tie Rod End, RH Thread	RV-RTC5869/X		2
1. Tie Rod End, LH Thread	RV-RTC5870		1
2. Rear Track Rod Assembly	RV-RTC1799		1
3. Rear Track Rod Tube Only	RV-NRC145		1
4. Front Drag Link Assembly	RV-NTC9607		1
5. Front Drag Tube Only	RV-NTC8390		1
6. Bushings, Rubber, Damper	RV-568858		4
7. Steering Damper Assembly	RV-STC786		1
8. Bushings, Polyurethane, Damper	RV-6004	Vehicle Set	1
9. Steering Damper Assembly, Heavy Duty	RV-OMESD11	Old Man Emu® brand	1

DISCOVERY I 1994-1998

DRIVE COMPONENTS, DISCOVERY SERIES I

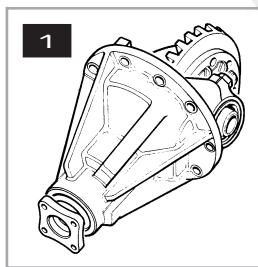


Front Driveshaft

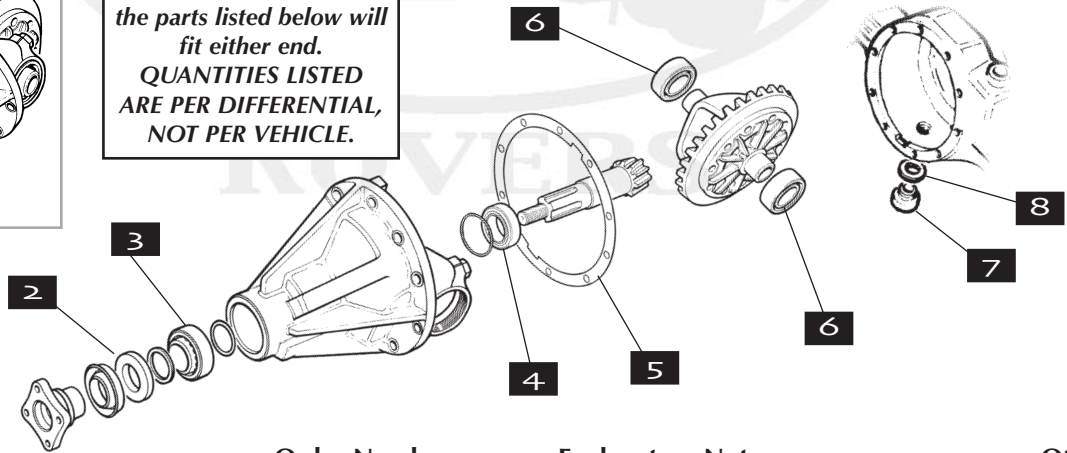
Rear Driveshaft

Description	Order Number	Explanatory Notes	Qty
1. Gaiter/Boot, front drive shaft	RV-276483		1
2. Front Driveshaft Assembly	RV-FRC8641		1
3. U-Joints	JA-46	Front, two required; rear, two required	4
4. Rear Driveshaft Assembly	RV-TVB000150	To VINs VA541628/VA710669	1
4. Rear Driveshaft Assembly	RV-FRC8387	From VINs VA541629/VA710670	1
5. Rubber Coupler, Rear Driveshaft	RV-TVF100010	Original Equipment supply	1
5. Rubber Coupler, Rear Driveshaft	RV-TVF100010/X	Alternate supply	1

DIFFERENTIALS AND COMPONENTS, DISCOVERY SERIES I

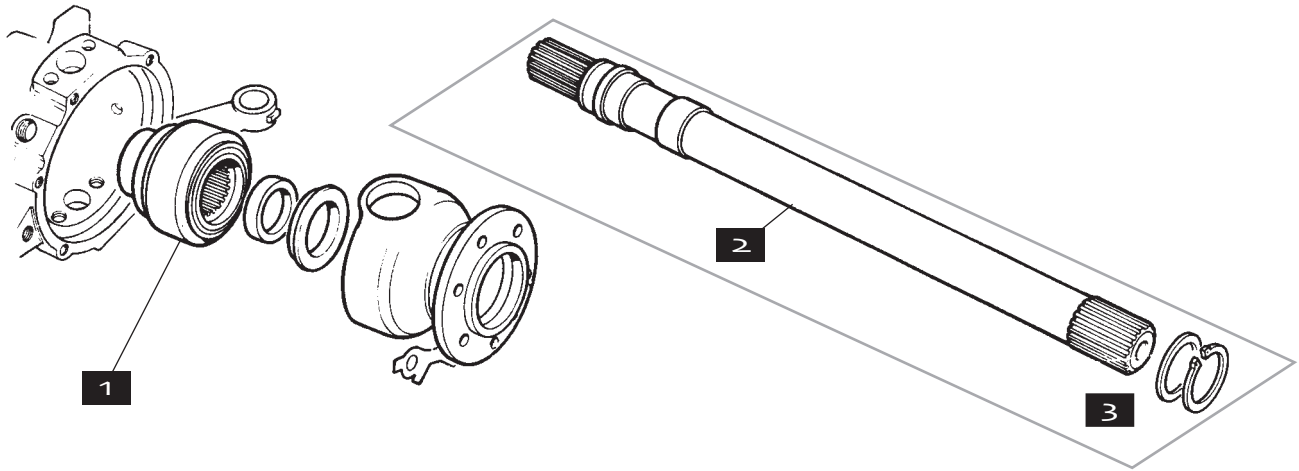


Note: Front and rear differentials are identical; the parts listed below will fit either end.
QUANTITIES LISTED ARE PER DIFFERENTIAL, NOT PER VEHICLE.

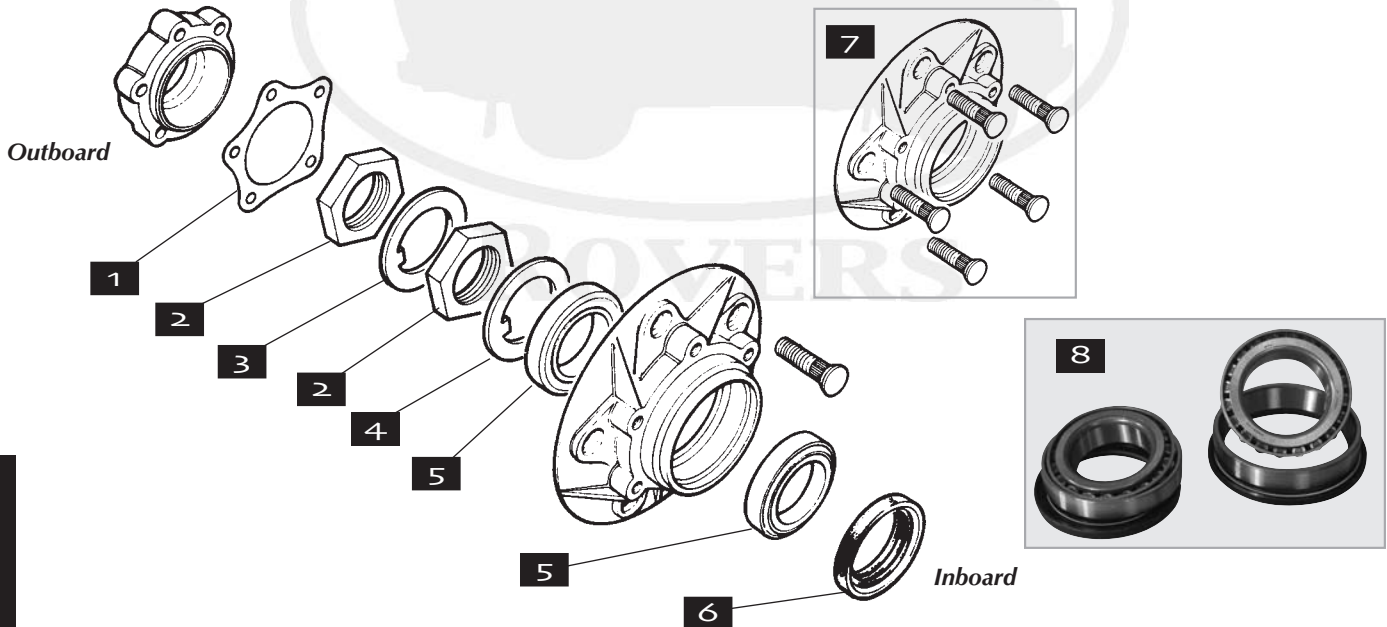


Description	Order Number	Explanatory Notes	Qty/Diff.
1. Differential Assembly, Front, New	RV-FTC5142		A/R
1. Differential Assembly, Front, Rebuilt	RV-FTC5142/RB		A/R
1. Differential Assembly, Rear, New	RV-FTC5143		A/R
1. Differential Assembly, Rear, Rebuilt	RV-FTC5143/RB		A/R
2. Oil Seal, Pinion	RV-FRC8220		1
3. Pinion Bearing, Front	RV-539707		1
4. Pinion Bearing, Rear	RV-539706		1
5. Gasket, housing to Axle	RV-7316		1
6. Differential Side Bearing	RV-RTC3095		2
7. Drain Plug	RV-608246		1
8. Washer on Drain Plug	RV-515599		1

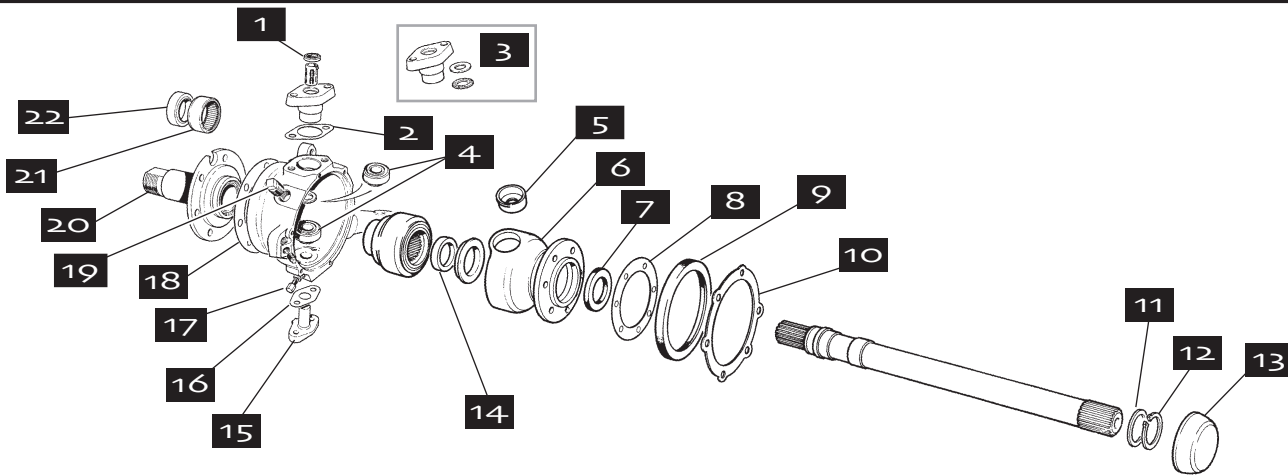
* Denotes Aftermarket Part



Description	Order Number	Explanatory Notes	Qty
1. Constant-Velocity Joint	RV-TDJ000010		2
2. Front Halfshaft, Separate, RH	RV-TDC000020	With ABS from 49L11363C/57L05189B	1
2. Front Halfshaft, Separate, LH	RV-TDC000030	With ABS from 49L11363C/57L05189B	1
3. Front Halfshaft Assembly, RH	RV-FTC3146		1
3. Front Halfshaft Assembly, LH	RV-FTC3147		1



Description	Order Number	Explanatory Notes	Qty
1. Hub Gasket	RV-571752		2
2. Lock Nut	RV-FRC8700		4
3. Key Washer	RV-FTC5241		2
4. Washer	RV-FTC3179		2
5. Bearing	RV-RTC3429		4
6. Inner Hub Seal	RV-FTC4785		2
7. Hub Assembly, with Studs	RV-FTC942		2
8. Wheel Bearing Kit	RV-5002		2



Description	Order Number	Explanatory Notes
1. Seal, Upper Swivel Pin	RV-FTC1376	
2. Shim, Upper Swivel Pin, .003"	RV-FRC2883	
2. Shim, Upper Swivel Pin, .005"	RV-FRC2884	
2. Shim, Upper Swivel Pin, .010"	RV-FRC2885	
2. Shim, Upper Swivel Pin, .030"	RV-FRC2886	
3. Upper Swivel Pin Kit	RV-STC226	
4. Bearing for upper & lower swivel pin	RV-606666	
5. Swivel Pin Bushing	RV-FTC125	Two per side
6. Bearing Housing (Swivel Ball)	RV-FTC5105	
7. Oil Seal, at swivel housing	RV-FTC3276	
8. Gasket, Bearing Housing	RV-FTC3646	
9. Seal, Swivel Pin Housing, Outer	RV-FTC3401	
10. Shim, .450mm	RV-FRC6782	Use as required
10. Shim, .600mm	RV-FRC6783	Use as required
10. Shim, .750mm	RV-FRC6784	Use as required
10. Shim, .900mm	RV-FRC6785	Use as required
10. Shim, 1.050mm	RV-FRC6786	Use as required
10. Shim, 1.200mm	RV-FRC6787	Use as required
10. Shim, 1.350mm	RV-FRC6788	Use as required
10. Shim, 1.500mm	RV-FRC6789	Use as required
10. Shim, 1.650mm	RV-FRC6790	Use as required
11. Washer	RV-571755	
12. Circlip	RV-549473	
13. Hub Cap	RV-FTC5414	
14. Spacer	RV-RTC5841	
15. Lower Swivel Pin	RV-FRC2894*	
16. Gasket, Lower Swivel Pin	RV-FTC3647	
17. Drain Plug	RV-236070	
18. Gasket	RV-FTC3648	
19. Fill Plug	RV-FTC3670	
20. Stub Axle	RV-FTC3154	
21. Bearing, Stub Axle, in swivel pin housing	RV-FTC861	
22. Oil Seal, stub axle, in swivel pin housing	RV-FTC3145	

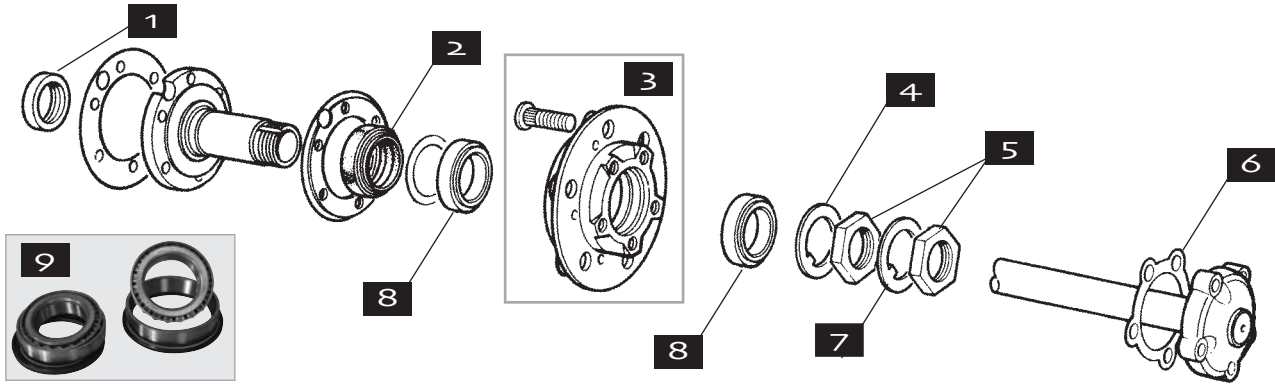
Originally, Land Rover filled the swivel pins with 90-weight oil, which was prone to leaking. This special grease replaces the gear oil and is packaged in single-use containers. Use on every service job.

Swivel Pin Grease

RV-STC3435

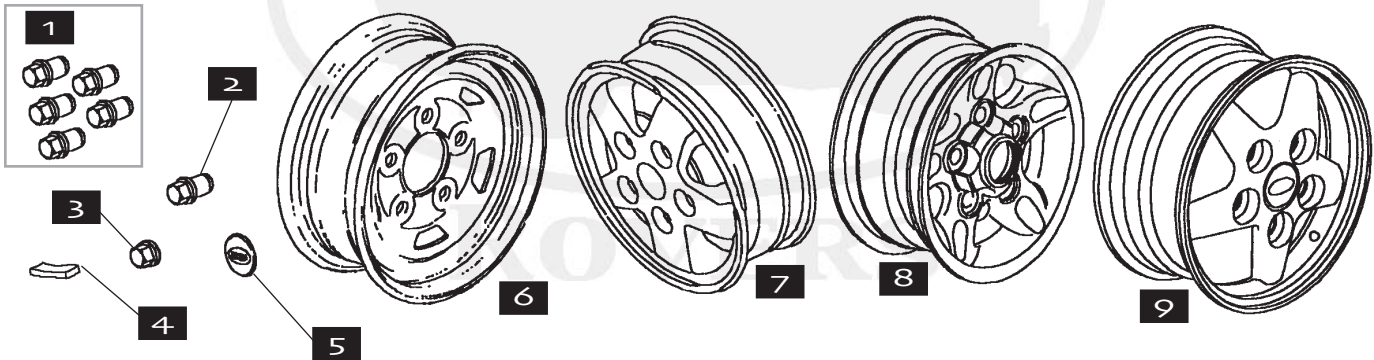


REAR AXLE AND HUBS, DISCOVERY SERIES I

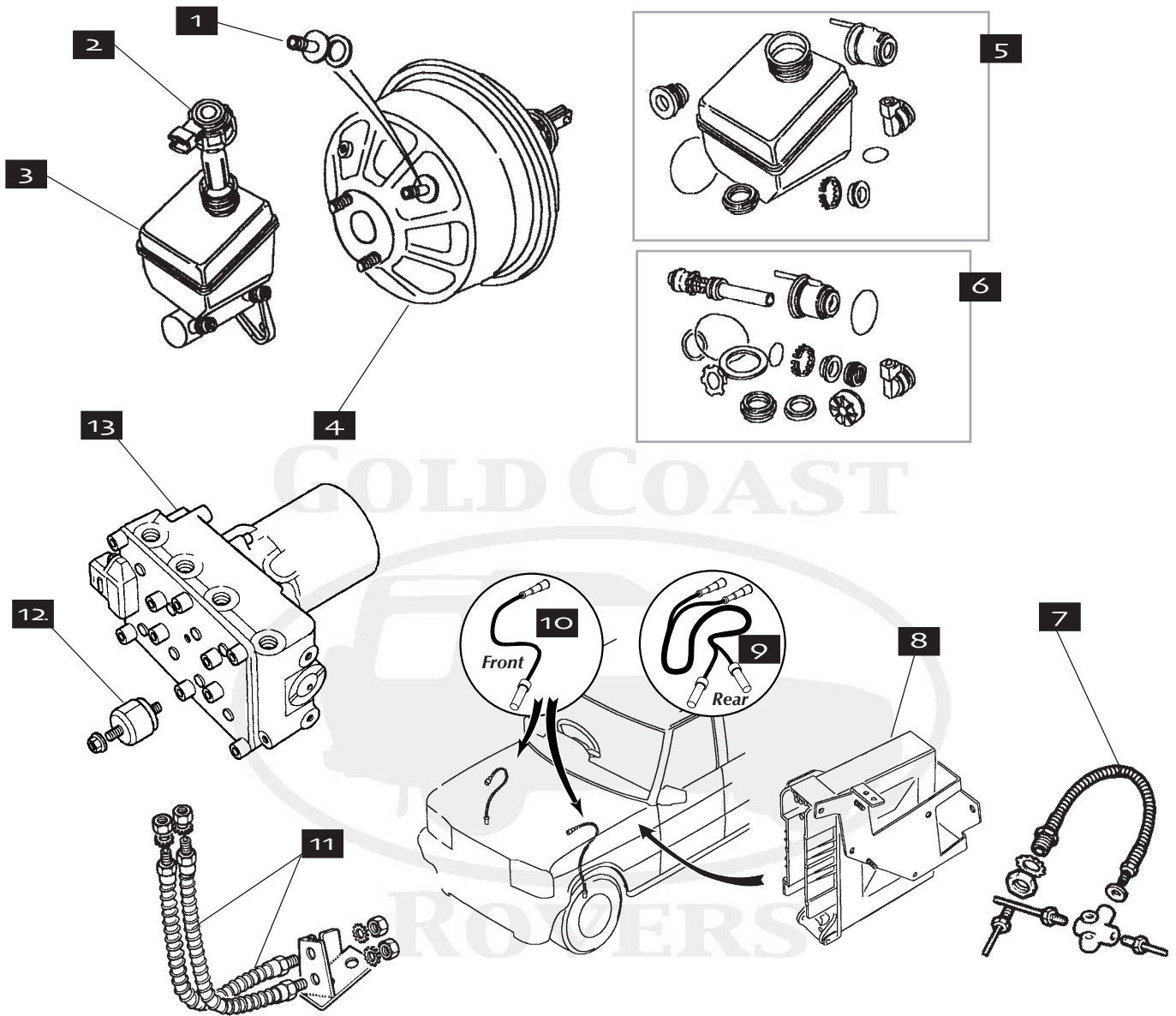


Description	Order Number	Explanatory Notes	Qty
1. Seal	RV-FTC3145		2
2. Hub Seal, inner	RV-FTC4785		2
3. Hub Assembly, with Studs	RV-FTC942		2
4. Key Washer	RV-FTC5241		2
5. Lock Nut	RV-FRC8700		2
6. Joint Washer	RV-571752		2
7. Key Washer	RV-FTC3179		2
8. Wheel Bearing	RV-RTC3429	Two Per Wheel	4
9. Wheel Bearing Kit	RV-5006	One Kit Per Side	2

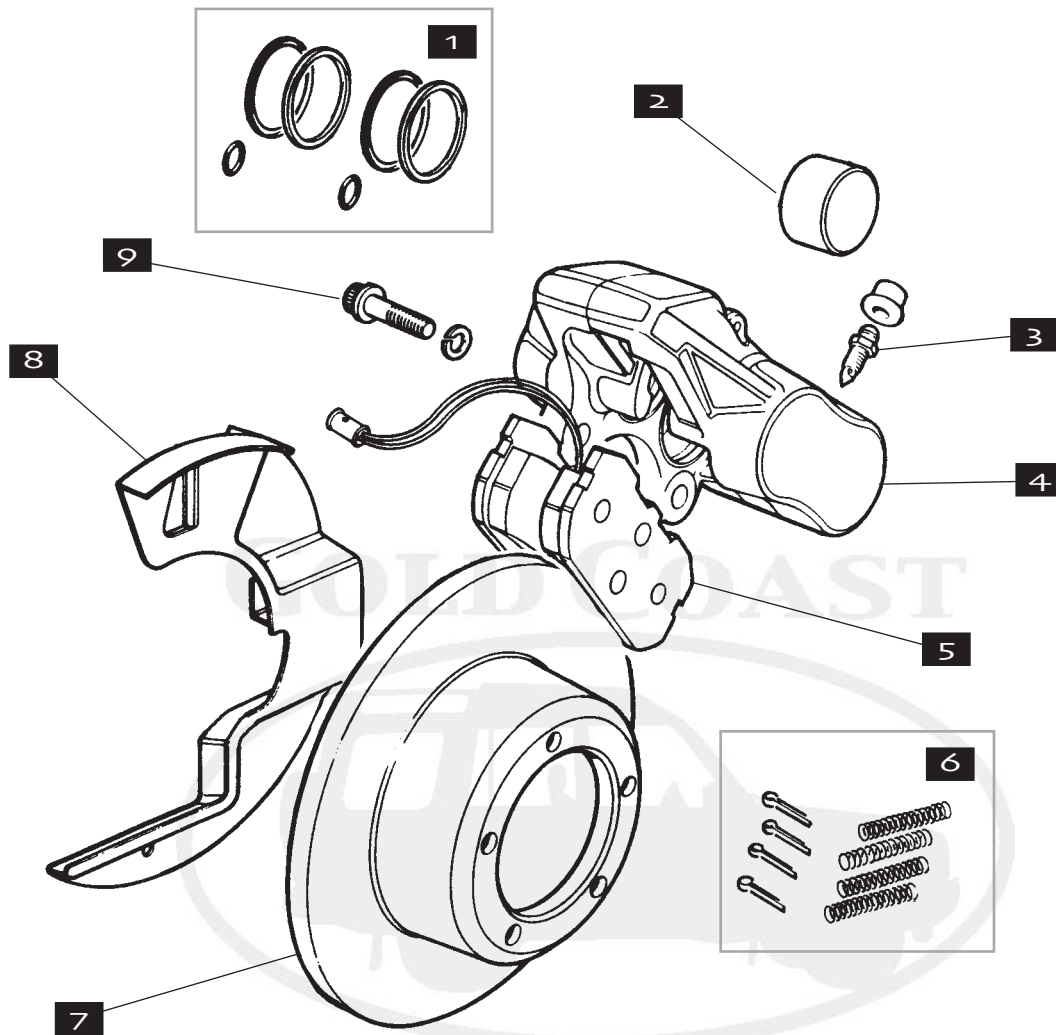
WHEELS, DISCOVERY SERIES I



Description	Order Number	Explanatory Notes
1. Lug Nut Set	RV-LRNADSWLK2	
2. Lug Nut	RV-ANR2763MMM	Stainless capped
3. Cover Locking Lug Nut	RV-STC8844	Stainless
4. Balance Weight	RV-NTC8129	
5. Center Cap	RV-ANR2391MUE	To RA105912
5. Center Cap	RV-ANR2391MNH	From RA105913; "50th Anniversary"
5. Center Cap	RV-ANR2391LUQ	From WA746542
6. Wheel, Steel	RV-NTC5193PM	From VA534104/VA703237
7. Wheel, Alloy	RV-NTC9976MUE	Up to RA105912
7. Wheel, Alloy	RV-NTC9976MNH	From RA105913
8. Wheel, Alloy	RV-ANR5307MNH	From TA163100/TA501920 up to VA708288/VA539096
8. Wheel, Alloy	RV-ANR5307MNH	From VA708289/VA539097 & up to VA746541
8. Wheel, Alloy	RV-RCC110870MNH	From WA746542
9. Wheel, Alloy	RV-ANR3631MNH	From VA534104/VA703237

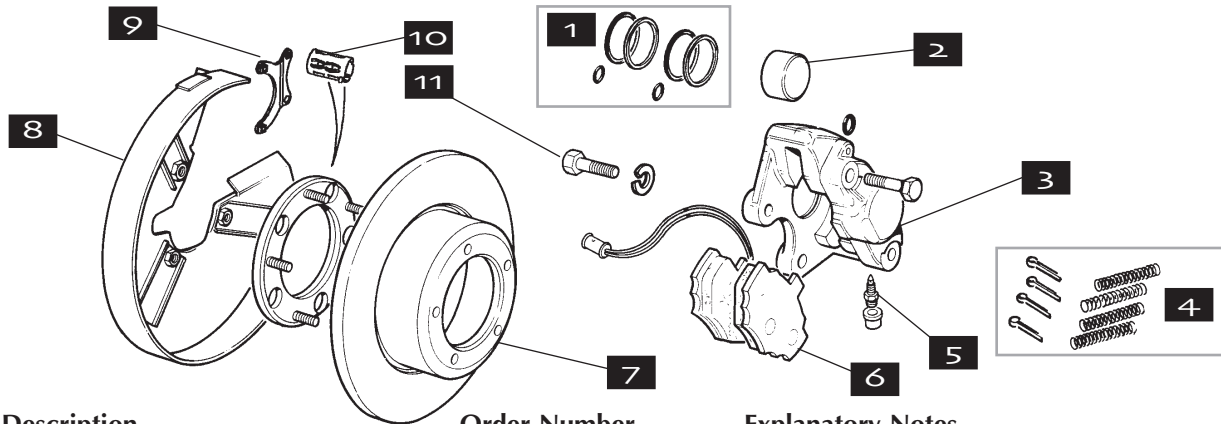


Description	Order Number	Explanatory Notes	Qty
1. Non-Return Valve	RV-STC780		1
2. Cap, Master Cylinder	RV-RTC5831		1
3. Master Cylinder, Girling	RV-STC1284		1
4. Servo	RV-STC1286		1
5. Master Cylinder Reservoir	RV-STC2904		1
6. Master Cylinder Rebuild Kit	RV-STC2903		1
7. Brake Flex Hose, Rear (one req'd)	RV-NTC3458		1
8. ECU, ABS	RV-AMR5557		1
9. Sensor and Harness Assembly, ABS, rear:	RV-STC1750		2
10. Sensor and Harness Assembly, ABS, front:	RV-STC1749		2
11. Brake Flex Hose, Front (RH or LH)	RV-ANR1765		2
12. Rubber Mount, ABS Modulator	RV-ANR5265		3
13. ABS Modulator	RV-STC3130	Up to TA177325/TA508148; First-time replacement also requires ANR5262 bracket and three ANR5265 bushings.	1
13. ABS Modulator	RV-STC3129	From VIN TA177326/TA508148	1



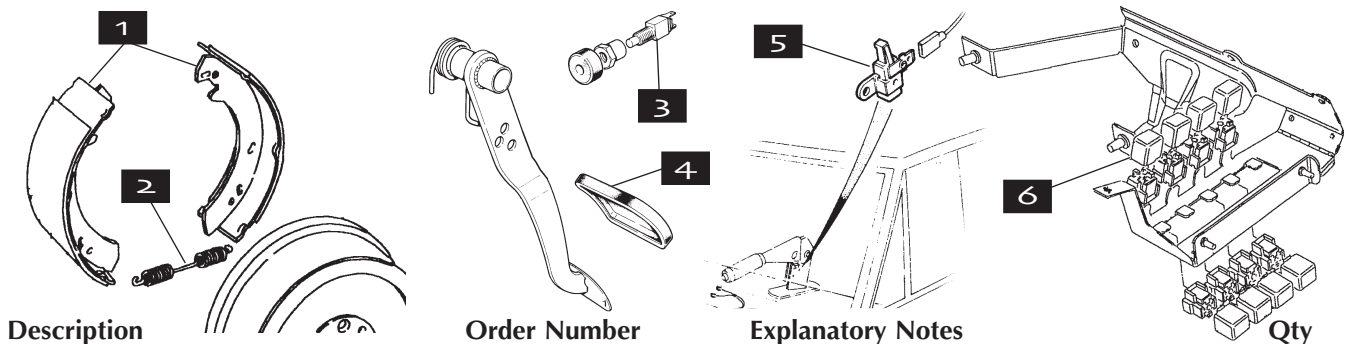
Description	Order Number	Explanatory Notes	Qty
1. Caliper Rebuild Kit	RV-AEU1547*	One kit per caliper	2
2. Brake Piston four per caliper; OE	RV-606683		8
2. Brake Piston four per caliper, stainless steel	RV-606683SS		8
3. Bleed Nipple, 3/8" x 24 UNF	RV-RTC1526		2
4. Caliper, RH, new	RV-STC1962		1
4. Caliper, LH, new	RV-STC1963		1
4. Caliper, RH, rebuilt	RV-STC1962/RB		1
4. Caliper, LH, rebuilt	RV-STC1963/RB		1
5. Brake Pad Set, Organic	RV-STC3765*		1
5. Brake Pad Set, Standard metallic	RV-STC3765/M		1
5. Brake Pad Set, Lockheed Brand	RV-STC3765/LK		1
5. Brake Pad Set, Hi-performance Kevlar	RV-RTC6781K		1
6. Guide Pin Kit for Caliper Carrier, axle set	RV-STC8576		2
7. Brake Rotor, non vented	RV-FRC7329*	When replacing rotors, also purchase FTC3179 lock plate, FTC4785 hub seal, and 571752 gasket (one each per rotor).	1
8. Mud Shield, RH	RV-FTC4838		1
8. Mud Shield, LH	RV-FTC4839		1
9. Caliper Mounting Bolt	RV-FTC3375		4

REAR BRAKE PADS AND ROTORS, DISCOVERY SERIES I



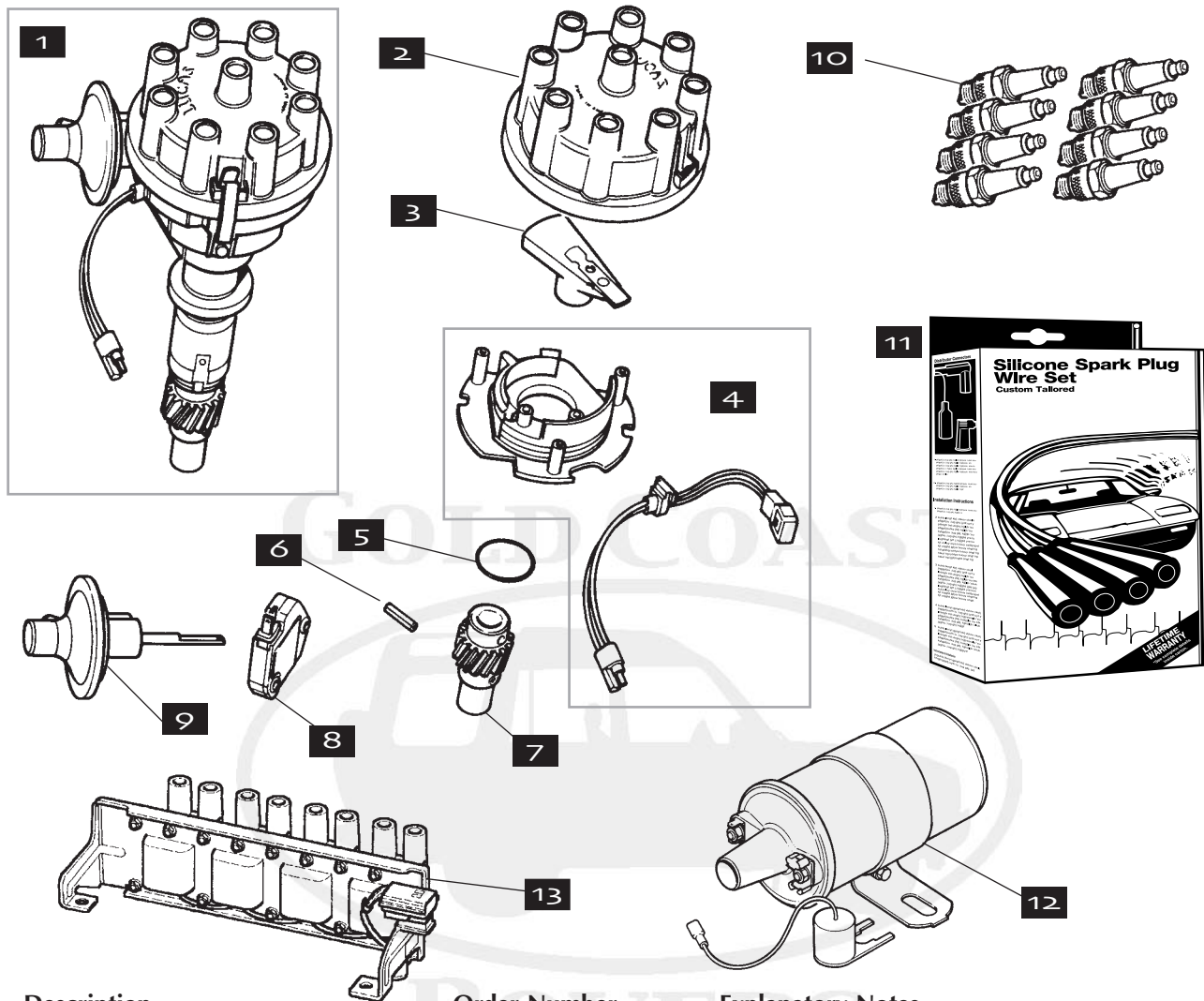
Description	Order Number	Explanatory Notes	Qty
1. Rebuild Kit, Brake Caliper	RV-AEU1547*	One kit will rebuild both rear calipers	1
2. Brake Piston, one per caliper; OE steel	RV-606696		2
2. Brake Piston, one per caliper; stainless steel	RV-606696SS		2
3. Caliper, Right, new	RV-STC1264*		1
3. Caliper, Left, new	RV-STC1265*		1
3. Caliper, Right, rebuilt	RV-STC1264/RB		1
3. Caliper, Left, rebuilt	RV-STC1265/RB		1
4. Hardware Kit, Pad Retaining	RV-STC8574		1
5. Bleed Nipple, 3/8" x 24 UNF	RV-RTC1526		2
6. Brake Pad Set Organic	RV-STC2953*		1
6. Brake Pad Set Axxis Metal Master	RV-STC2953/AMM		1
6. Brake Pad Set Lockheed Brand	RV-STC2953/LK		1
7. Rear Rotor	RV-FTC1381*	When replacing rotors, also purchase FTC5268 oil seal, FTC3179 lock plate, FTC4785 hub seal, and 571752 gasket (one each per rotor).	2
8. Mud Shield, RH	RV-SMD100260		1
8. Mud Shield, LH	RV-SMD100270		1
9. Mounting Bracket	RV-FTC3299	Fits RH or LH	2
10. Bushing, ABS Sensor	RV-FTC1374		2
11. Caliper Mounting Bolt	RV-FTC3375		4

HAND BRAKE AND MISCELLANEOUS COMPONENTS, DISCOVERY SERIES I



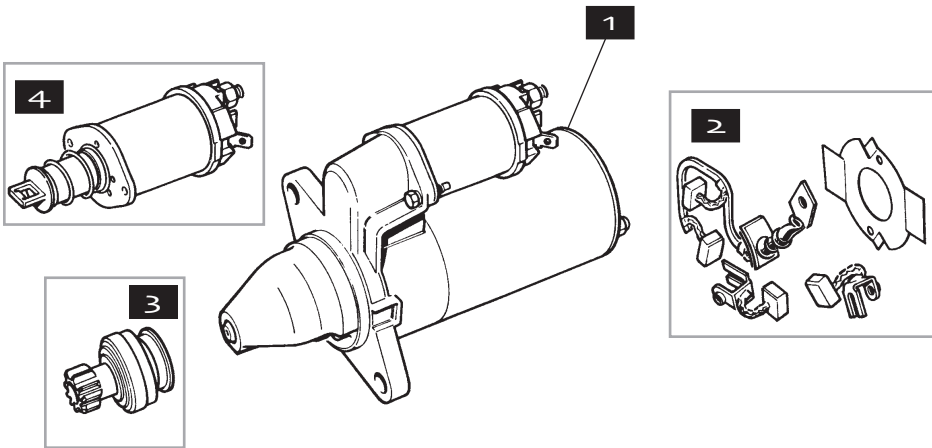
Description	Order Number	Explanatory Notes	Qty
1. Hand Brake Drum Kit	RV-ICW500010		1
2. Return Spring Kit	RV-STC1526		1
3. Brake Light Switch	RV-13H3735L*	Automatic, all; Manual trans thru 1994	1
3. Brake Light Switch	RV-AMR2010	Manual transmission from 1995-on	1
4. Rubber Pad, Brake Pedal	RV-ANR2941	Automatic Transmission	1
4. Rubber Pad, Brake Pedal	RV-575818	Manual Transmission	1
5. Handbrake Warning Switch	RV-CLP8699L		1
6. Relay, ABS Pump	RV-AMR3773	Located on footwell hinged bracket	1

* Denotes Aftermarket Part

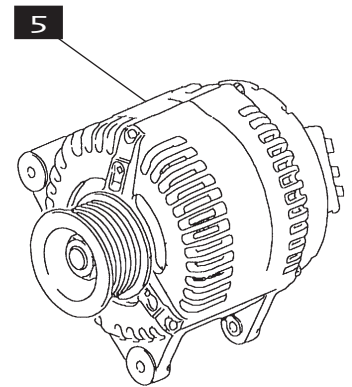


Description	Order Number	Explanatory Notes	Qty
1. Distributor	RV-ERR4755	Up to 35D09449B (manual) and 36D28463B (auto)	1
2. Distributor Cap	RV-STC8368	OEM	1
2. Distributor Cap	RV-STC8368*	Aftermarket	1
3. Rotor	RV-STC1857*	Aftermarket	1
3. Rotor	RV-STC1857	OEM, with silicone tip	1
4. Distributor Pick-up and Base Unit	RV-RTC5090	Up to 35D09449B (manual) and 36D28463B (auto)	1
4. Distributor Pick-up and Base Unit	RV-STC2898	From 35D09450B (manual) and 36D28464B (auto)	1
5. O-Ring, Bottom of Distributor	RV-603446		1
6. Roll Pin, Dist. Drive Gear	RV-602953		1
7. Distributor Drive Gear	RV-ERC1353		1
8. Ignition Control Module	RV-STC1184	Earlier two-pin type, up to 35D09449B (manual) and 36D28463B (auto)	1
8. Kit, for remote module	RV-STC1856	From 35D09450B (manual) and 36D28464B (auto)	1
9. Vacuum Advance	RV-STC1186		1
10. NGK Spark Plug	RV-BPR5EY		8
10. Bosch Platinum Spark Plug	RV-WR9LP		8
11. Spark Plug Wire Set	RV-ETC6484*	3.9-Liter	1
11. Spark Plug Wire Set	RV-0789	4.0 with GEMS ignition	1
12. Coil, 3.9-Liter	LU-DLB198	OE Lucas; as per RTC5628	1
12. Coil, 3.9-Liter	LU-DLB198*	Aftermarket, as per RTC5628	1
13. Coil Pack, 4.0 Liter	RV-ERR6269		1

STARTER MOTOR

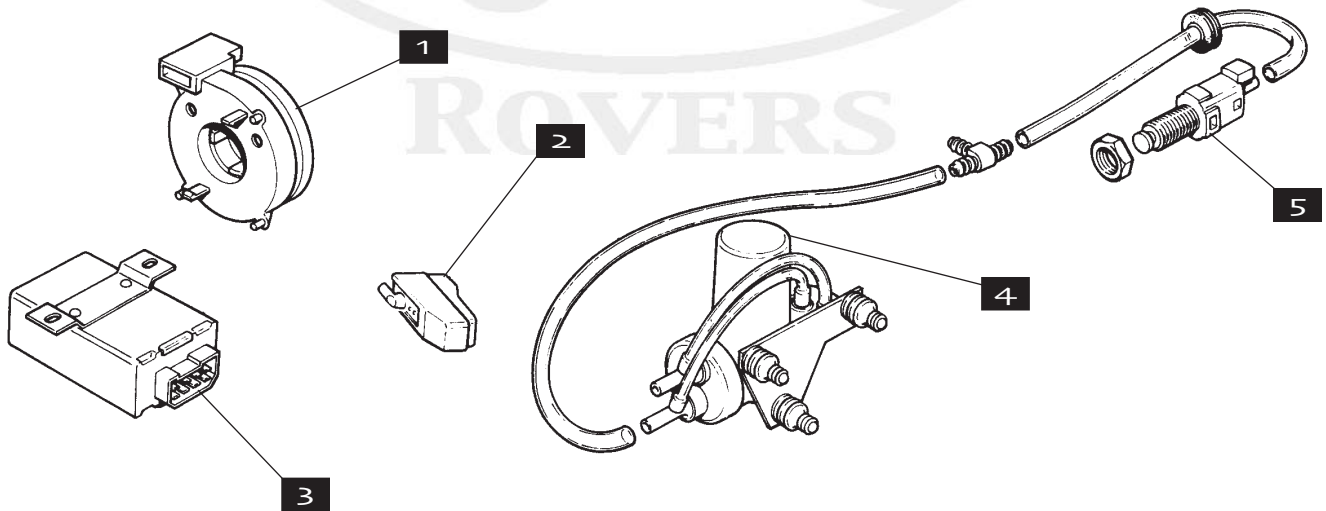


ALTERNATOR



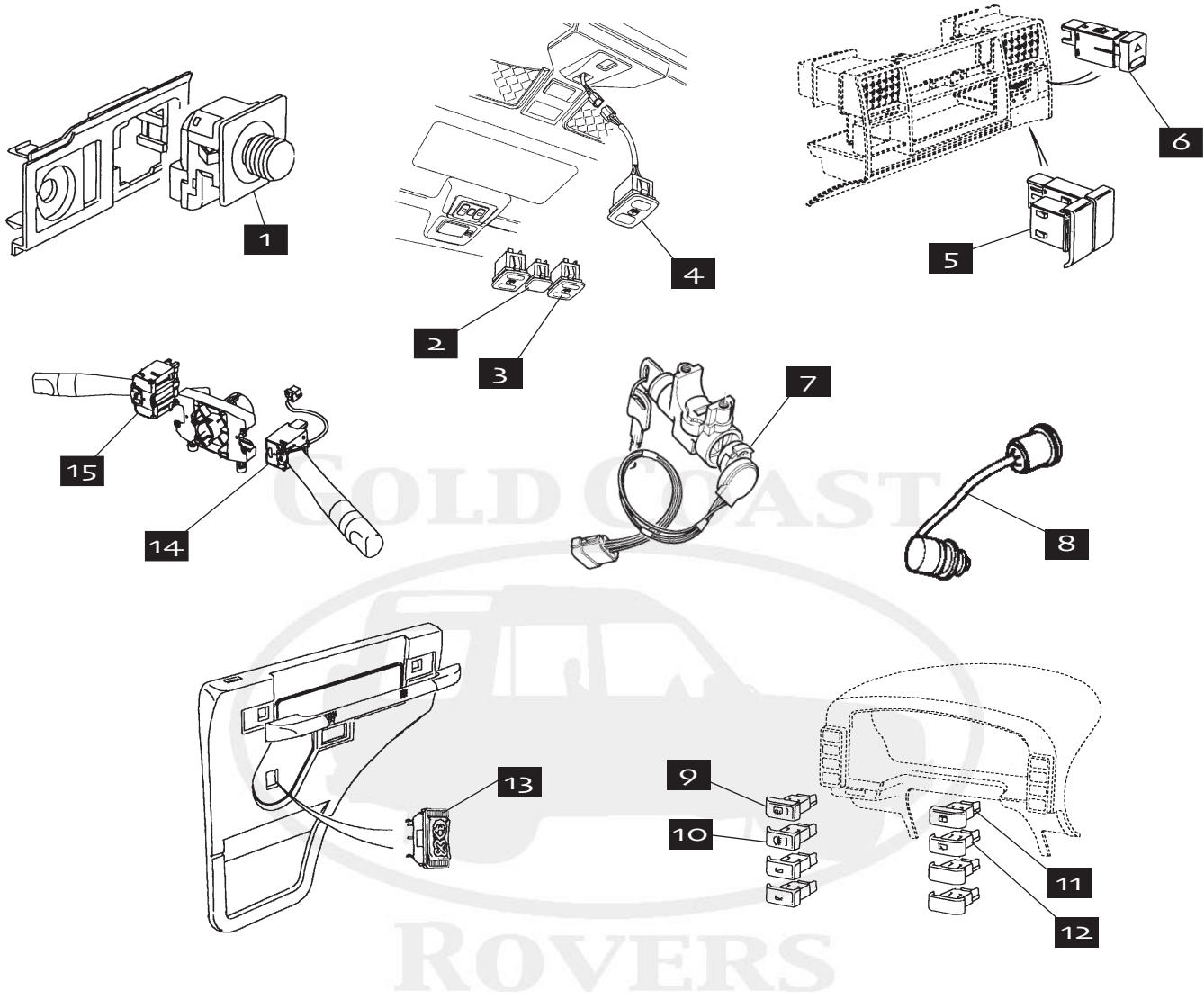
Description	Order Number	Explanatory Notes	Qty
1. Starter	RV-ERR6087*	Rebuilt	1
2. Brush Set	RV-STC1243		1
3. Drive	RV-STC1241		1
4. Solenoid	RV-STC1242		1
5. Alternator	RV-AMR3107	Through 1995; 67mm pulley, rebuilt	1
5. Alternator	RV-AMR4247	1996-On; 52mm pulley, rebuilt	1

CRUISE CONTROL, DISCOVERY SERIES I



Description	Order Number	Explanatory Notes	Qty
1. Rotary Cassette	RV-YRC100350	Up to SA117421	1
2. Switch, Speed Set	RV-AMR3361		1
3. Cruise Control Unit	RV-AMR1173		1
4. Vacuum Control Unit	RV-PRC6260		1
5. Switch, Self Adjust Vent	RV-ERR2622		1

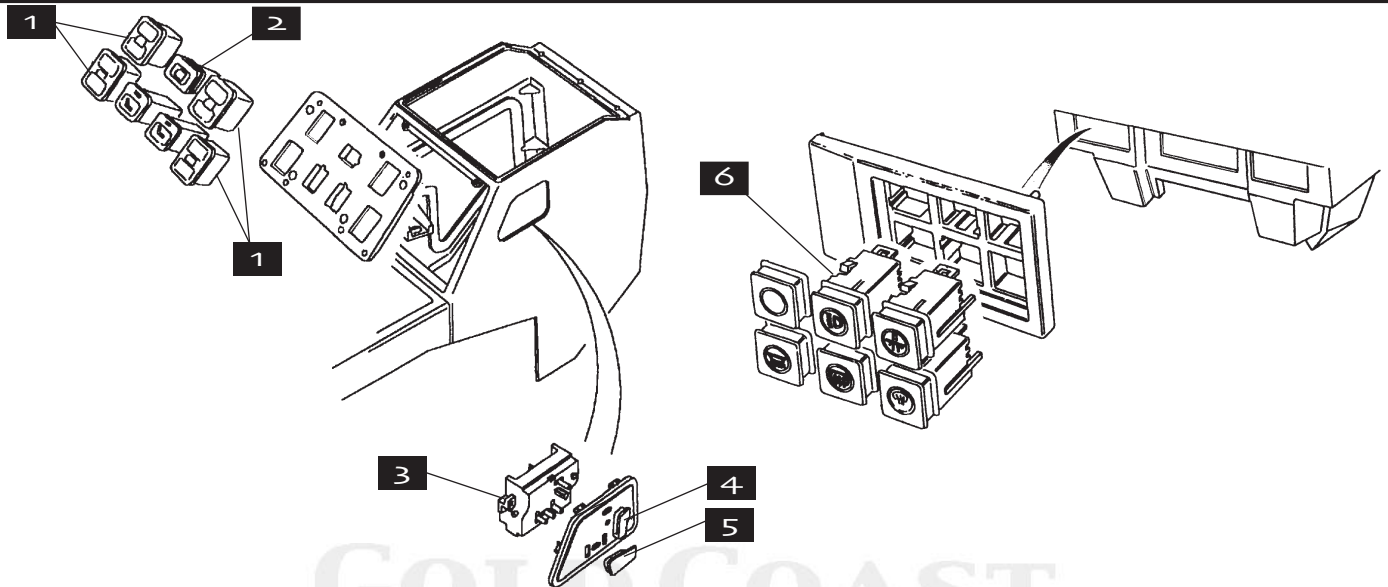
* Denotes Aftermarket Part



Description	Order Number	Explanatory Notes	Qty
1. Mirror Adjust Switch	RV-AMR2498		1
2. Sun Roof Switch, isolator	RV-AMR3653		1
3. Sun Roof Switch, front	RV-AMR2471		1
4. Sun Roof Switch, rear	RV-AMR3652		1
5. Cruise Control Enable Switch	RV-AMR3752		11
6. Hazard Warning	RV-YUG10067L		1
7. Ignition Switch	RV-STC1746		1
8. Start/inhibit & reverse switch	RV-RTC4937	On Transmission	1
9. Heated Rear Window	RV-AMR3750		1
10. Rear Fog Lamp	RV-AMR3751		1
11. Rear Washer	RV-AMR3748		1
12. Rear Wiper	RV-AMR3749		1
13. Window Lift Switches in LH Doors	RV-PRC5254		2
13. Window Lift Switches in RH Doors	RV-PRC5255		2
14. Wiper Switch	RV-STC1790	(Also available as a unit with the headlight switch as RV-AMR3841)	1
15. Headlight Switch	RV-STC4017	(Also available as a unit with the wiper switch as RV-AMR3841)	1

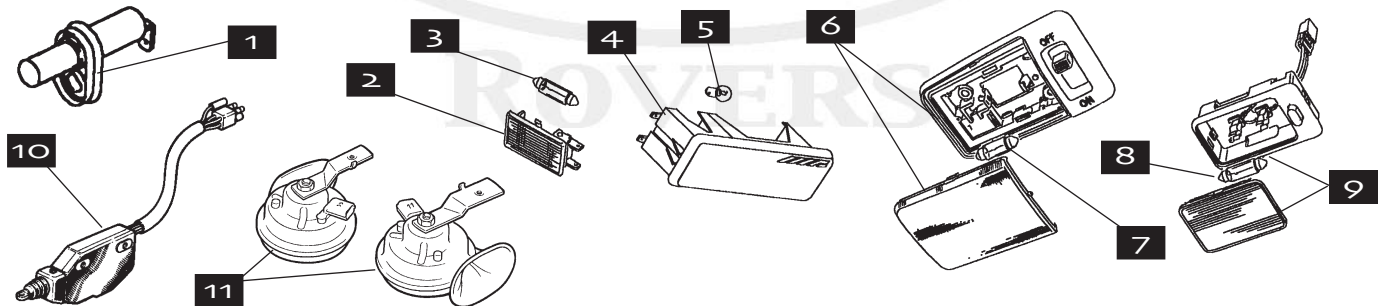
DISCOVERY I 1994-1998

SWITCHES, DISCOVERY SERIES I, CONTINUED



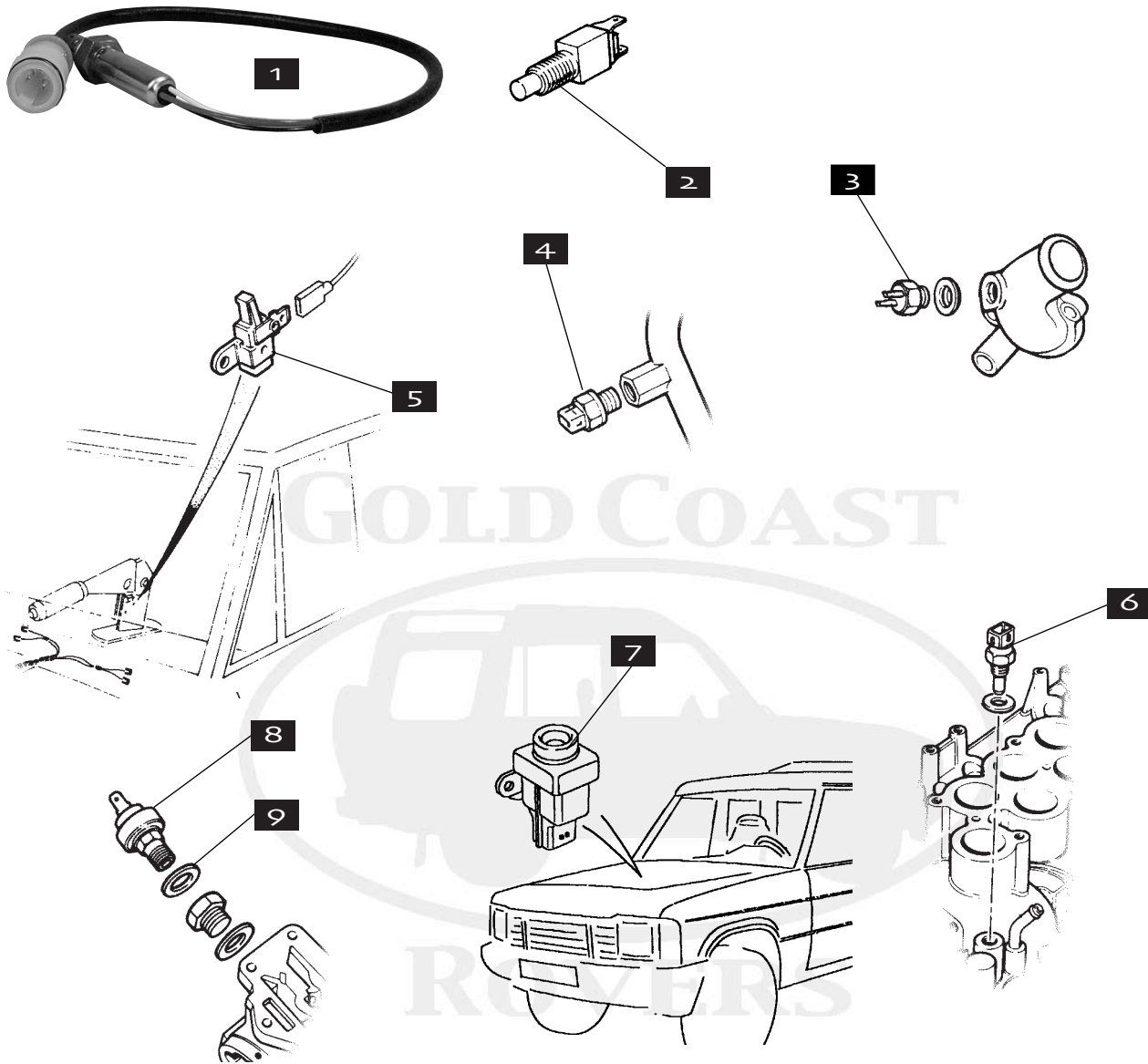
Description	Order Number	Explanatory Notes	Qty
1. Window Lift in Center Console	RV-AMR2496		4
2. Isolator Switch for window switches	RV-AMR2497		1
3. Seat Switch, Right	RV-PRC8095	Non-memory seats	2
3. Seat Switch, Left	RV-PRC8096	Non-memory seats	2
4. Seat Switch Control Button	RV-PRC6030	Right Side Seat Back, Non-Memory Seats	1
4. Seat Switch Control Button	RV-PRC6029	Left Side Seat Back, Non-Memory Seats	1
5. Seat Switch Control Button	RV-PRC6032	Right Side Seat Cushion, Non-Memory Seats	1
5. Seat Switch Control Button	RV-PRC6031	Left Side Seat Cushion, Non-Memory Seats	1
6. Front Fog Lights, from 1996	RV-AMR4138		1

COURTESY LAMPS, HORNS, AND ACTUATORS, DISCOVERY SERIES I

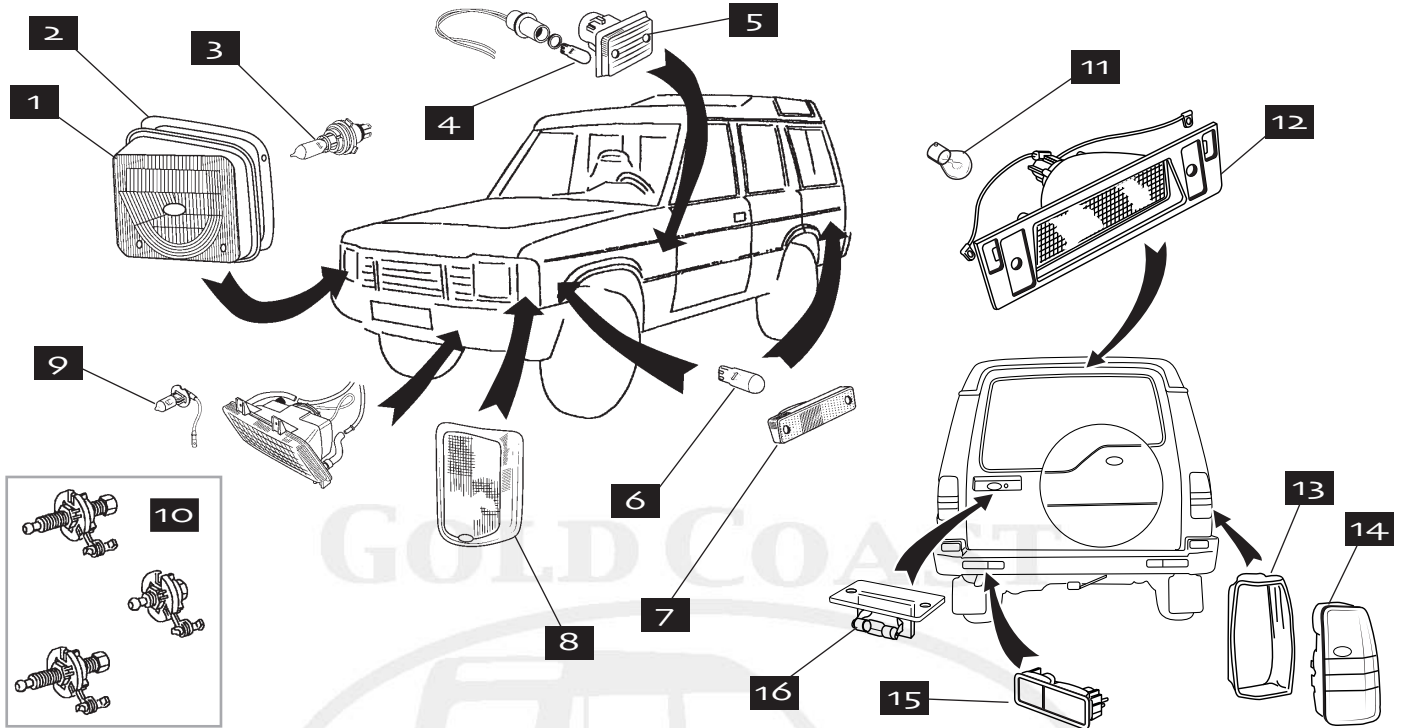


Description	Order Number	Explanatory Notes	Qty
1. Door Light & Hatch Courtesy Switch	RV-PRC8548		4
2. Glove Box Lamp	RV-ADU2066L		1
3. Bulb for Glove Box Lamp	RV-STC1203		1
4. Load Space Lamp	RV-AFU4091L		1
5. Bulb, Load Space Lamp	RV-STC1203		1
6. Front Cabin Lamp	RV-AMR2577		1
7. Bulb, Front Cabin Lamp	RV-586438		1
8. Bulb, Rear Cabin Lamp	RV-RTC3633		1
9. Rear Cabin Lamp	RV-AMR2329		1
10. Door Lock Actuator	RV-AMR3382	Right Front; Rear, Right or Left	3
10. Door Lock Actuator	RV-AMR3384	Left Front	1
11. Horn, High Note	RV-YEB500040		1
11. Horn, Low Note	RV-YEB500060		1

* Denotes Aftermarket Part

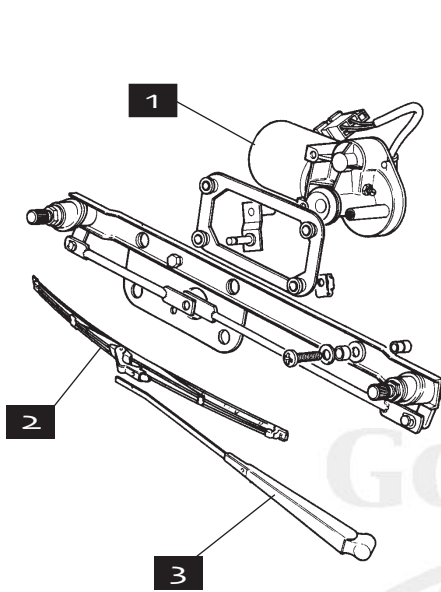


Description	Order Number	Explanatory Notes	Qty
1. Oxygen Sensor	RV-ERR6729	Through 1995	2
1. Oxygen Sensor	RV-ERR6729	1996-on; without advance evaporative loss (round charcoal canister)	4
1. Oxygen Sensor	RV-AMR6244	1996-on; with advance evaporative loss (square charcoal canister)	4
2. Brake Light Switch	RV-AMR2010	Manual Transmission, 1995-on	1
2. Brake Light Switch	RV-13H3735L*	All With Automatic Transmission	1
2. Brake Light Switch	RV-13H3735L*	Manual Transmission Through 1994	1
3. Cooling Fan Temperature Sender	RV-PRC3505		1
4. Fuel Temperature Sender	RV-ETC6661		1
5. Hand Brake Warning Switch, DS1 & DS2	RV-CLP8699L		1
6. Coolant Temperature Sender for Gauge	RV-AMR1425		1
6. Coolant Temperature Sender for ECU	LU-SNB802	As ETC8496	1
7. Fuel Cut-Off (inertia) Switch	RV-WQT100030L		1
8. Oil Pressure Switch	RV-STC4104K*	On oil filter housing	1
9. Washer for STC4104K*	RV-243968		1

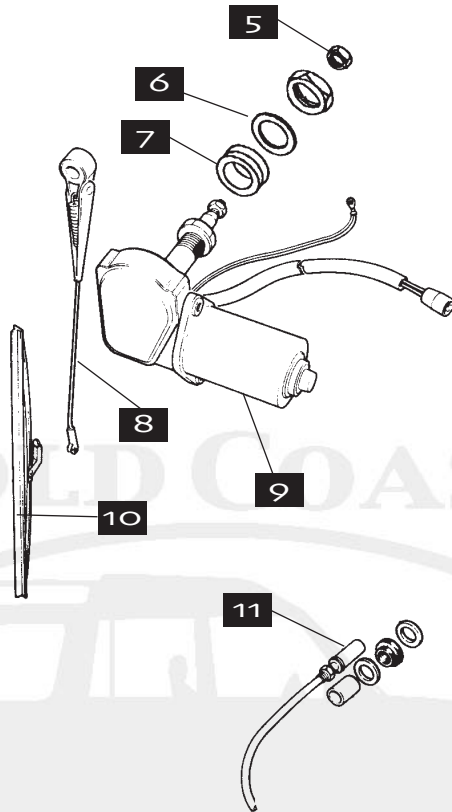


Description	Order Number	Explanatory Notes	Qty
1. Head Lamp Assembly	RV-STC1237	Right Side	1
1. Head Lamp Assembly	RV-STC1238	Left Side	1
2. Head Lamp Seal	RV-STC1713	Right Side	1
2. Head Lamp Seal	RV-STC1714	Left Side	1
3. Head Lamp Bulb	RV-589783		1
4. Bulb, Side/Repeater	RV-AFU4481		2
5. Lens, Side Repeater	RV-PRC9916	Same RH or LH	2
6. Side Lamp Bulb	RV-AFU4481		4
7. Side Marker Lamp	RV-AMR1292	RHF, amber	1
7. Side Marker Lamp	RV-AMR2575	LHF, amber	1
7. Side Marker Lamp	RV-AMR1293	RHR, red	1
7. Side Marker Lamp	RV-AMR2576	LHR, red	1
8. Front Turn Signal Lamp	RV-XBD100760	Right Side	1
8. Front Turn Signal Lamp	RV-XBD100770	Left Side	1
9. Fog/Driving Lamp Bulb	JA-DBC11408		2
10. Headlamp Fitting Hardware Kit	RV-STC1232		2
11. Bulb for High-Mounted Stop Lamp	RV-264591		1
12. High-Mounted Stop Lamp	RV-XFG100330	To VA714241/VA546029	1
12. High-Mounted Stop Lamp	RV-XFG100340	From VA714242/VA546030	1
13. Seal for Rear Lamp	RV-MXC1048	Right	1
13. Seal for Rear Lamp	RV-MXC1047	Left	1
14. Tail Lamp, on Body	RV-AMR3955	Through 1995, RH	1
14. Tail Lamp, on Body	RV-AMR5151	1996-on, RH	1
14. Tail Lamp, on Body	RV-AMR3954	Through 1995, LH	1
14. Tail Lamp, on Body	RV-AMR5150	1996-on, LH	1
15. Tail Lamp, in Bumper	RV-AMR6510	RH	1
15. Tail Lamp, in Bumper	RV-AMR6509	LH	1
16. License Lamp, lens and bulb	RV-PRC5838		1

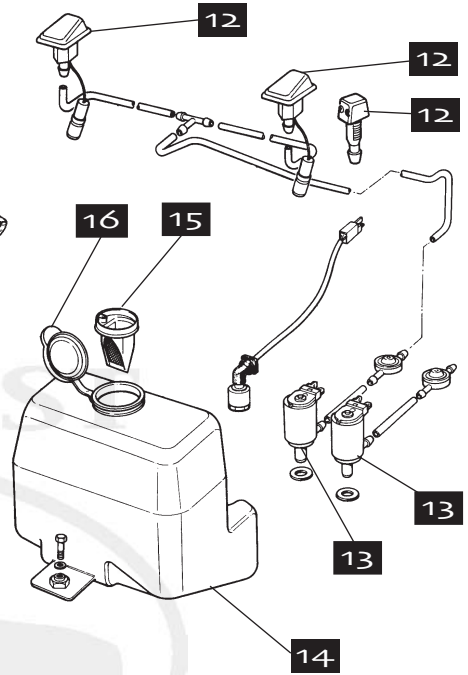
FRONT WIPER



REAR WIPER/WASHER



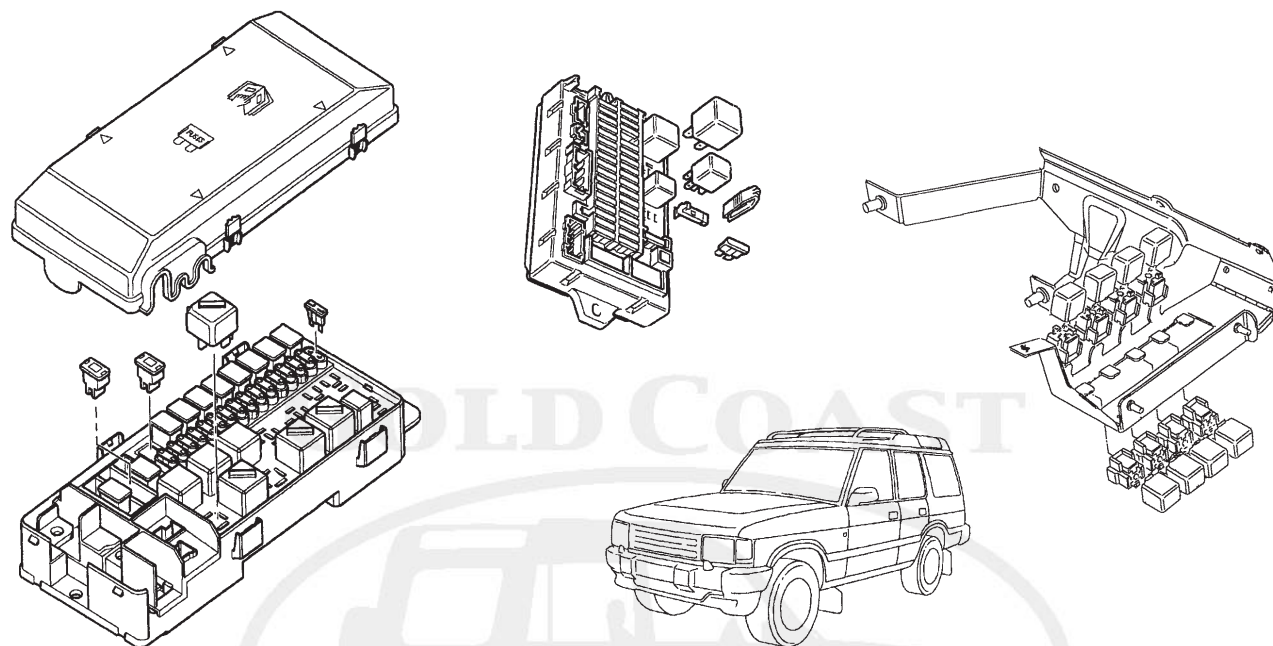
WASHER PARTS



HEADLIGHT WASHER

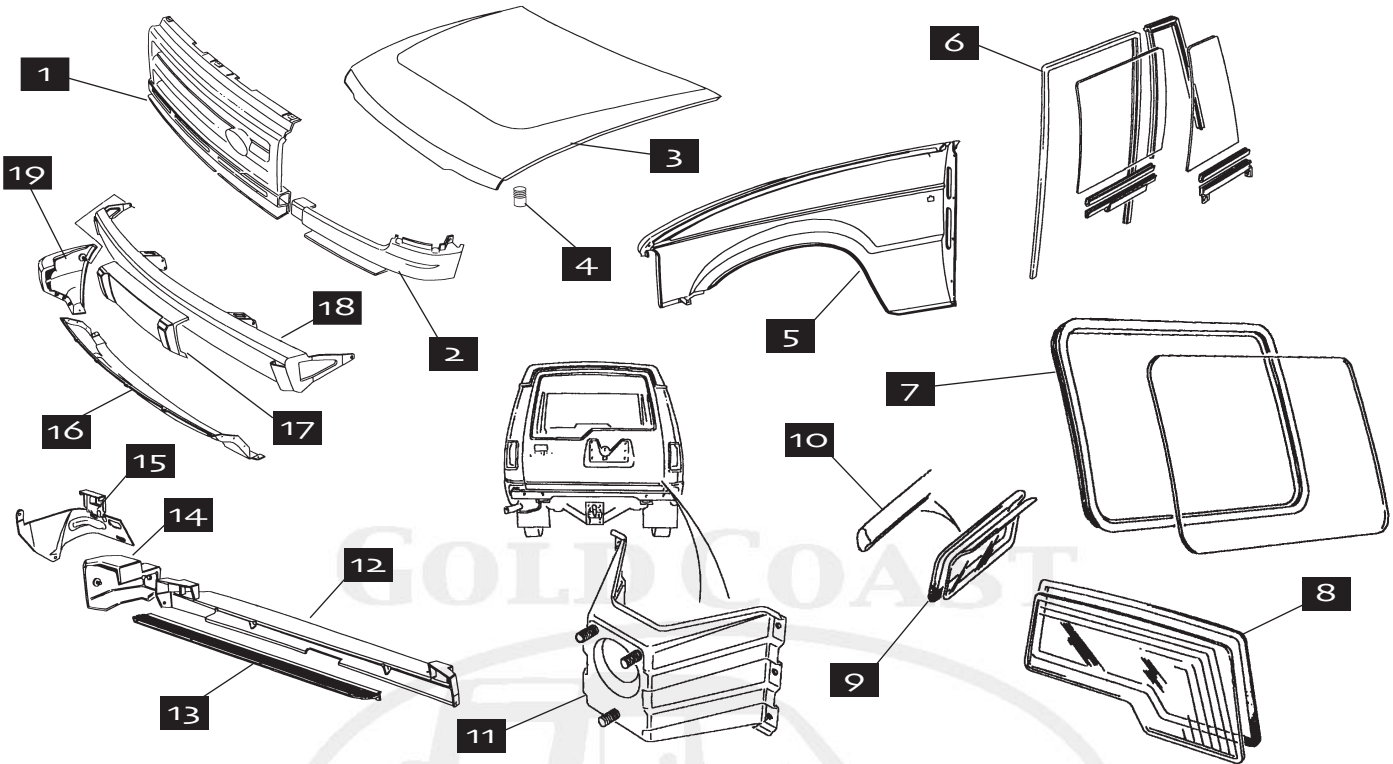
Description	Order Number	Explanatory Notes	Qty
1. Wiper Motor, Front	RV-AMR1515		1
2. Wiper Blade, Front	RV-DKC100920		2
3. Wiper Arm, Front	RV-DKB102710		2
4. Headlamp Washer Jet	RV-AMR1890		2
5. 8mm Nut for Rear Wiper Motor	RV-NH108041L		1
6. Plastic Washer for Rear Motor	RV-AMR3933		1
7. Grommet for Rear Motor	RV-AMR3932		1
8. Wiper Arm, Rear	RV-AMR3873		1
9. Wiper Motor, Rear	RV-DLB101640		1
10. Wiper Blade, Rear	RV-AMR1806		1
11. Washer Jet, rear	RV-PRC6496		1
12. Washer Jet, front	RV-PRC7304		3
13. Pump, washer, rear	RV-STC1946	Black Connector	1
13. Pump, washer, front	RV-AMR3271	Red Connector	1
14. Washer Reservoir	RV-AMR5083		1
15. Washer Reservoir Filter	RV-AMR3266		1
16. Washer Reservoir Cap	RV-AMR3657		1

DISCOVERY I 1994-1998

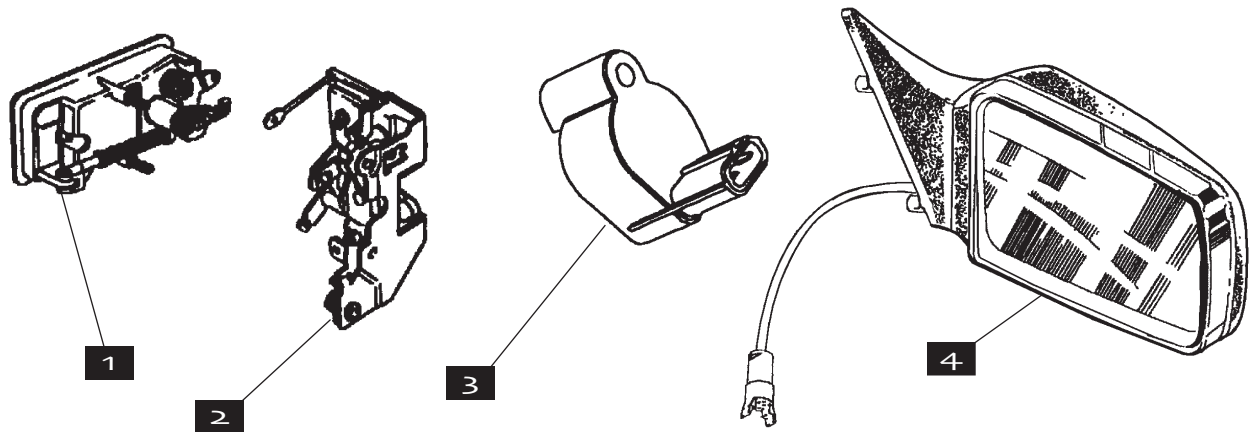


Description	Order Number	Relay Location	Relay Color
A/C Clutch	RV-YWB10027L	RH Footwell A-Post	Yellow
A/C Fans	RV-YWB10027L	Passenger Footwell Hinged Bracket	Yellow
A/C Logic	RV-YWB10027L	RH Footwell A-Post	Yellow
ABS Pump	RV-AMR3773	Passenger Footwell Hinged Bracket	
ABS Valve	RV-YWB10027L	Passenger Footwell Hinged Bracket	Yellow
ABS Warning	RV-YWB10032L	Passenger Footwell Hinged Bracket	Green
Alarm Sound	RV-YWB10027L	LH Footwell A-Post	Yellow
Alarm, Hazard Warning	RV-AMR1088	LH Footwell A-Post	
Auto Graph. Illumination	RV-YWB10032L	Bracket Behind Glove Box	Green
Aux. Key Position	RV-YWB10027L	LH Footwell A-Post	Yellow
Cruise Control, Auto Trans	RV-YWB10032L	Passenger Footwell Hinged Bracket	Green
Electric Seat	RV-YWB10027L	Under LH Front Seat	Yellow (2)
Fog Lamps, Front	RV-YWB10027L	Passenger Footwell Hinged Bracket	Yellow
Fog Lamps, Rear	RV-YWB10032L	Passenger Footwell Hinged Bracket	Green
Front Wiper	RV-YWB10032L	RH Footwell A-Post	Green
Fuel Injection, Main	RV-AFU2913L	RH Footwell A-Post	Alloy
Fuel Pump	RV-AFU2913L	RH Footwell A-Post	Alloy
Heated Seat	RV-YWB10027L	Under LH Front Seat	Yellow (2)
Horn	RV-YWB10027L	LH Footwell A-Post	Yellow
Ignition/Heat/ A/C	RV-YWB10027L	RH Footwell A-Post	Yellow
Power Amplifier	RV-YWB10027L	Bracket Behind Glove Box	Yellow
Power Wash	RV-YWB10027L	Passenger Footwell Hinged Bracket	Yellow
Rear Wiper	RV-YWB10032L	LH Footwell A-Post	Green
Shift Interlock	RV-YWB10027L	Bracket Behind Glove Box	Yellow
Shift Interlock	RV-YWB10032L	Bracket Behind Glove Box	Green
Starter	RV-YWB10027L	RH Footwell A-Post	Yellow

* Denotes Aftermarket Part



Description	Order Number	Explanatory Notes	Qty
1. Radiator Grille	RV-DHB102510LML	Supplied Primed	1
2. Headlamp Lower Trim, RH	RV-DHH100760LML	Trim Panel to Right of Grille, Below Headlamp	1
2. Headlamp Lower Trim, LH	RV-DHH100770LML	Trim Panel to Left of Grille, Below Headlamp	1
3. Bonnet/Hood	RV-MWC6702		1
4. Rubber Buffer, Bonnet/Hood	RV-BTR966		2
5. Front Fender, RH	RV-ALR6682	Through 1995	1
5. Front Fender, LH	RV-ALR6681	Through 1995	1
5. Front Fender, RH	RV-ALR9878	1996-on	1
5. Front Fender, LH	RV-ALR9877	1996-on	1
6. Glass Channel, Front & Rear	RV-MWC9603		2
7. Rear Quarter Window Rubber, RH	RV-AWR5388		1
7. Rear Quarter Window Rubber, LH	RV-AWR5389		1
8. Rear Door Glass Weatherstrip	RV-CDB100230		2
9. Alpine Light Weatherstrip, RH	RV-AWR1146		1
9. Alpine Light Weatherstrip, LH	RV-AWR1147		1
10. Sealing Strip	RV-AWR1148	By the foot	A/R
11. Spare Wheel Carrier Bracket	RV-ALR5693		1
12. Rear Bumper Cover	RV-ANR2743		1
13. Tread Plate, Rear Bumper	RV-AWR2710PMD		1
14. Rear Bumper End Cap, RH	RV-AWR2990PMD		1
14. Rear Bumper End Cap, LH	RV-AWR2989PMD		1
15. Rear Bumper Mounting Bracket, RH	RV-ANR3025		1
15. Rear Bumper Mounting Bracket, LH	RV-ANR3026		1
16. Belly Panel Under Front Bumper	RV-AWR1479PMD	Without Fog Lamps	1
16. Belly Panel Under Front Bumper	RV-AWR2438PMD	With Fog Lamps	1
17. Plinth	RV-AWR6883PMD	When Brush Bar is not Fitted	1
18. Front Bumper Cover	RV-ANR2029		1
19. Front Bumper End Cap, LH	RV-AWR2991PMD		1
19. Front Bumper End Cap, RH	RV-AWR2992PMD		1



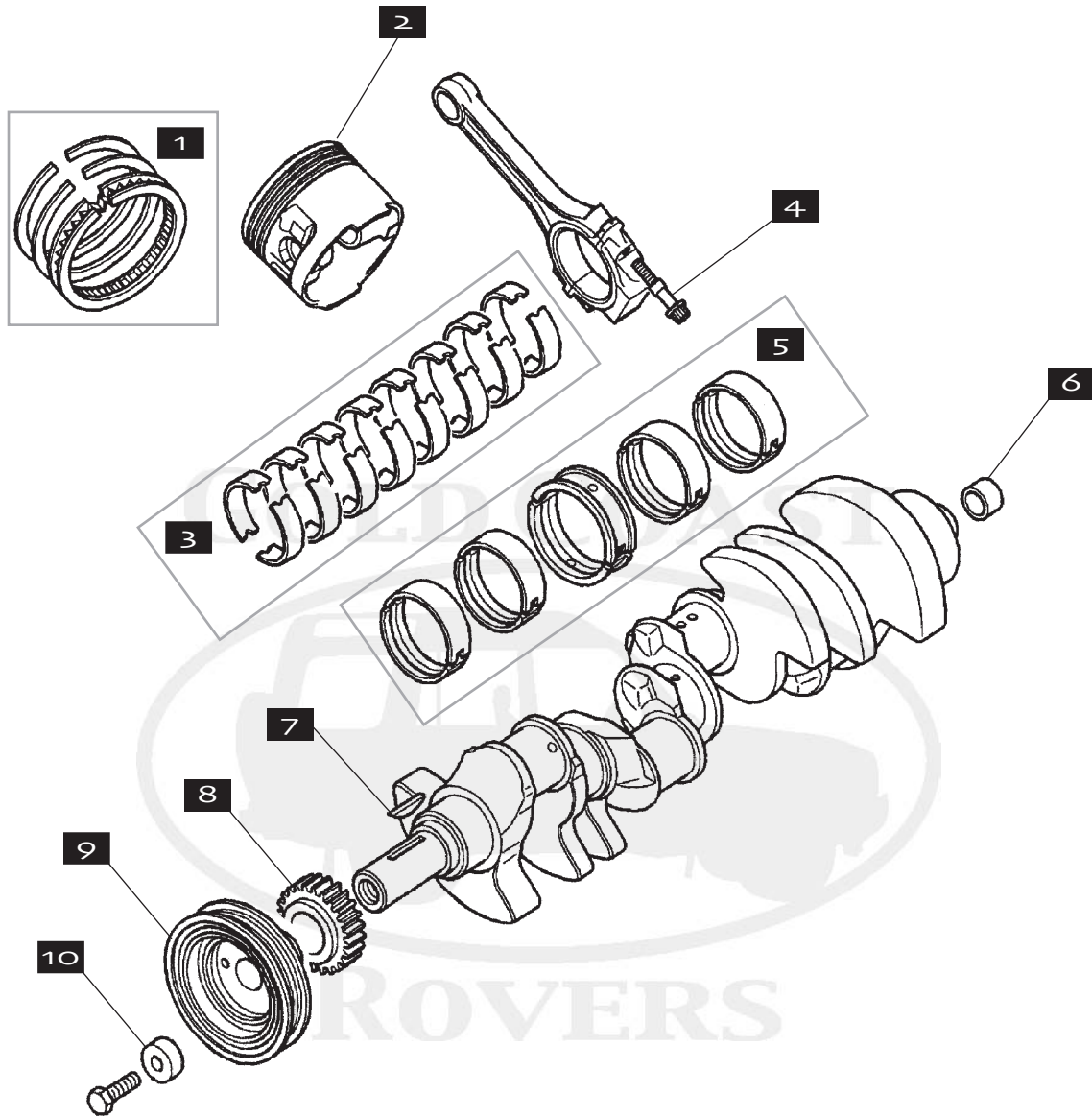
LAND ROVER

DISCOVERY SD SE SE7

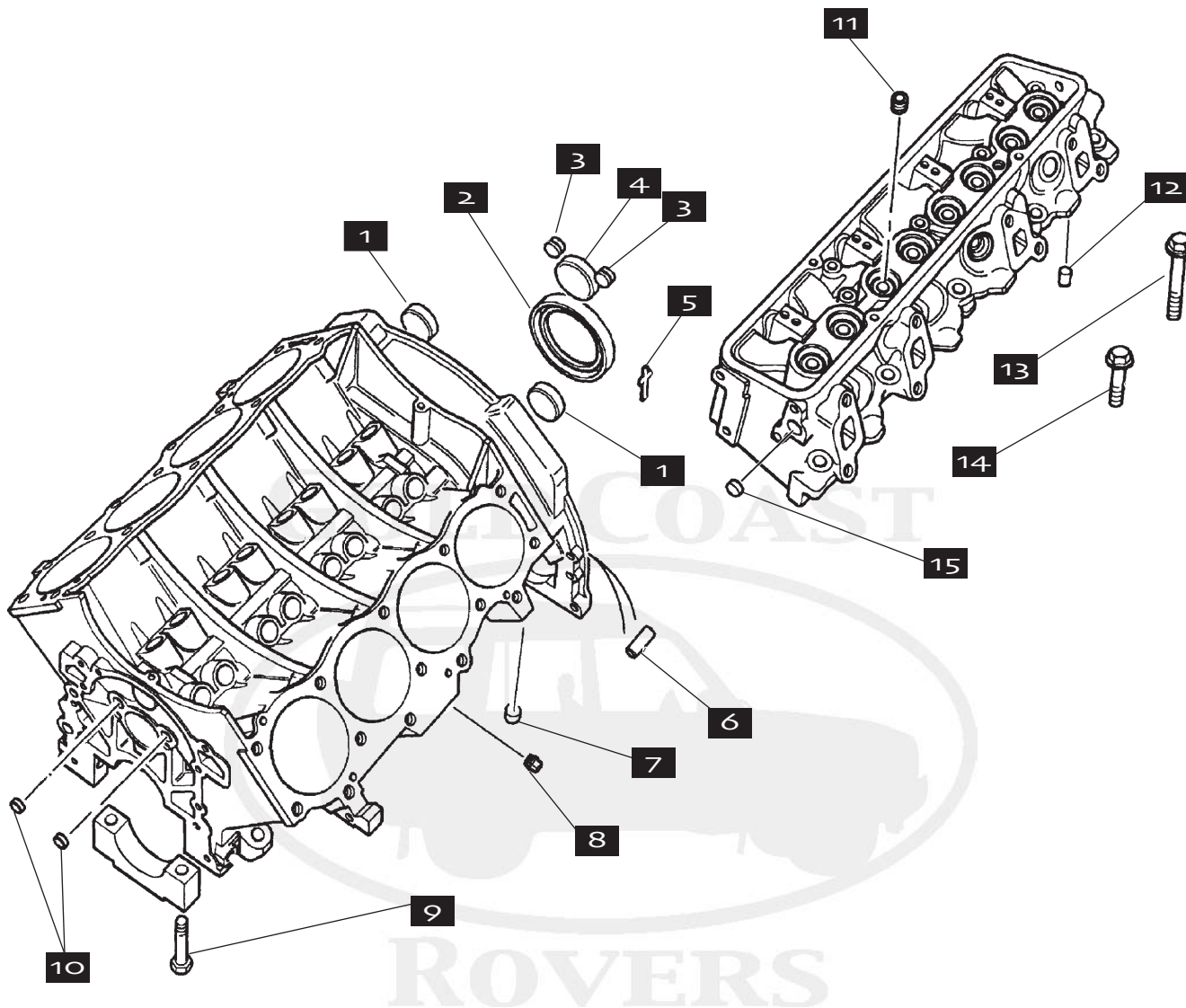
V8i



Description	Order Number	Explanatory Notes	Qty
1. Outer Door Handle, Front	RV-RTC6685	Right, to WA746541	1
1. Outer Door Handle, Front	RV-ALR2255	Left, to WA746541	1
1. Outer Door Handle, Front	RV-CXB102400	Right, from WA746542	1
1. Outer Door Handle, Front	RV-CXB102410	Left, from WA746542	1
2. Inner Door Latch Assembly	RV-MTC7593	Right Front	1
2. Inner Door Latch Assembly	RV-MTC7592	Left Front	1
3. Speed Sensor	RV-YBE100540		1
4. Door Mirror, Right	RV-CRB108840		1
4. Door Mirror, Left	RV-CRB108850		1
Body Decals and Badges			
Grille Badge	RV-BTR8401	Silver	1
Grille Badge	RV-DAG100330	Gold	1
Tailgate Decal, "SD"	RV-LRNASDMUK	Mid Silver	1
Tailgate Decal, "SD"	RV-LRNASDLAV	Dark Grey	1
Tailgate Decal, "SE"	RV-LRNASEMUK	Mid Silver	1
Tailgate Decal, "SE"	RV-LRNASELAV	Dark Grey	1
Tailgate Decal, "SE7"	RV-LRNASE7MUK	Mid Silver	1
Tailgate Decal, "SE7"	RV-LRNASE7LAV	Dark Grey	1
"Discovery" Decal on Tailgate	RV-BTR9896MUK	Mid Silver	1
"Discovery" Decal on Tailgate	RV-BTR9896LAV	Dark Grey	1
"Land Rover" Decal on Hood	RV-BTR9897MUK	Mid Silver	1
"Land Rover" Decal on Hood	RV-BTR9897LAV	Dark Grey	1
"V8i" Decal on Tailgate	RV-BTR9898MUK	Mid Silver	1
"V8i" Decal on Tailgate	RV-BTR9898LAV	Dark Grey	1



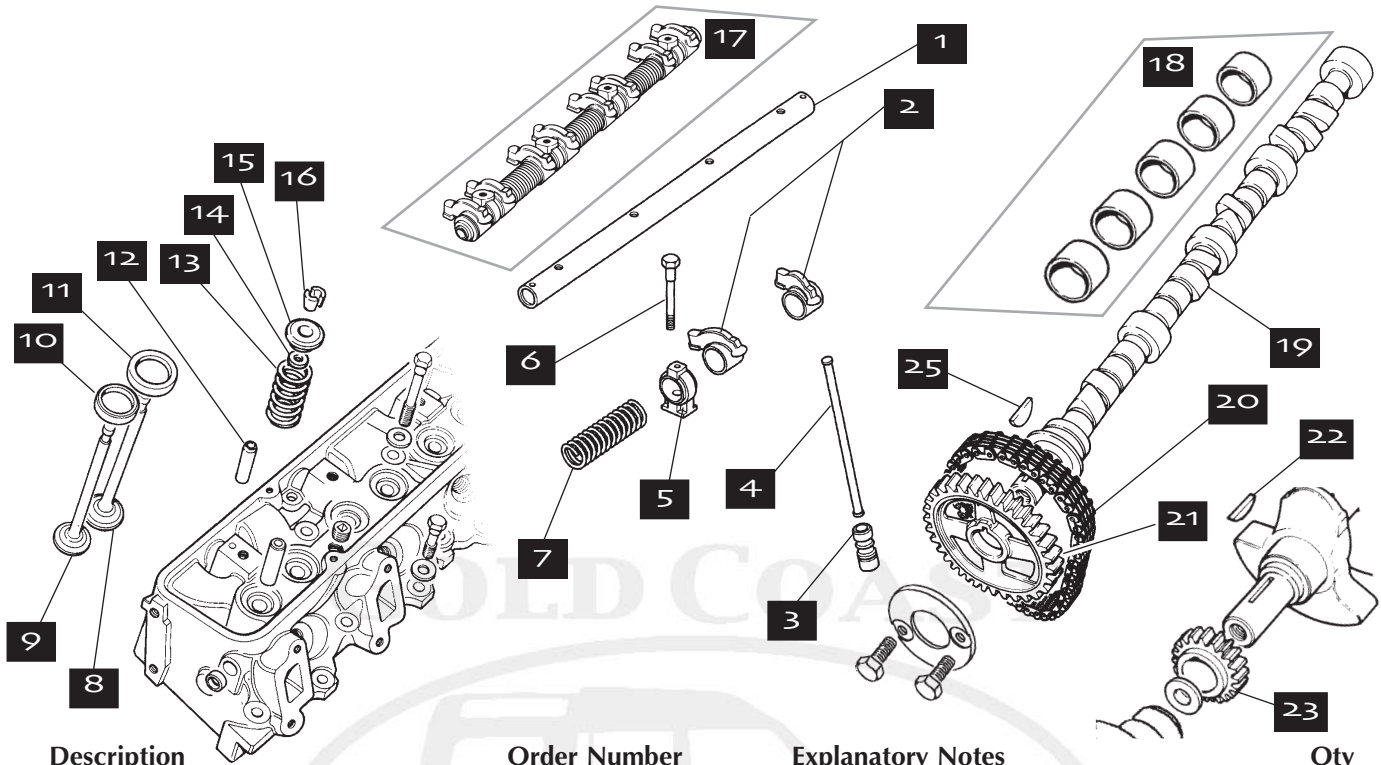
Description	Order Number	Explanatory Notes	Qty
1. Piston Ring Set, 4.0 & 4.6	RV-STC1427	For ERR5553 or ERR5554 Piston	1
2. Piston, 4.0 Liter	RV-ERR5553	High Compression, Standard Bore	8
2. Piston, 4.6 Liter	RV-ERR5554	High Compression, Standard Bore	8
3. Rod Bearing Set	RV-STC1426		1
3. Rod Bearing Set, +.010"	RV-STC1426.010	Oversize	1
3. Rod Bearing Set, +.020"	RV-STC1426.020	Oversize	1
4. Rod Bolt	RV-ERR1772		16
5. Main Bearing Set, standard	RV-STC4299		1
5. Main Bearing Set, + .010"	RV-STC4299.010	Oversize	1
6. Output Shaft Bearing	RV-549911	AKA "Pilot Bearing"	1
7. Crankshaft Key	RV-ERR2846		1
8. Timing Gear on Crankshaft	RV-ERR2958		1
9. Crankshaft Damper/Pulley	RV-LHG000060		1
10. Washer, End of Crankshaft	RV-ERC416		1



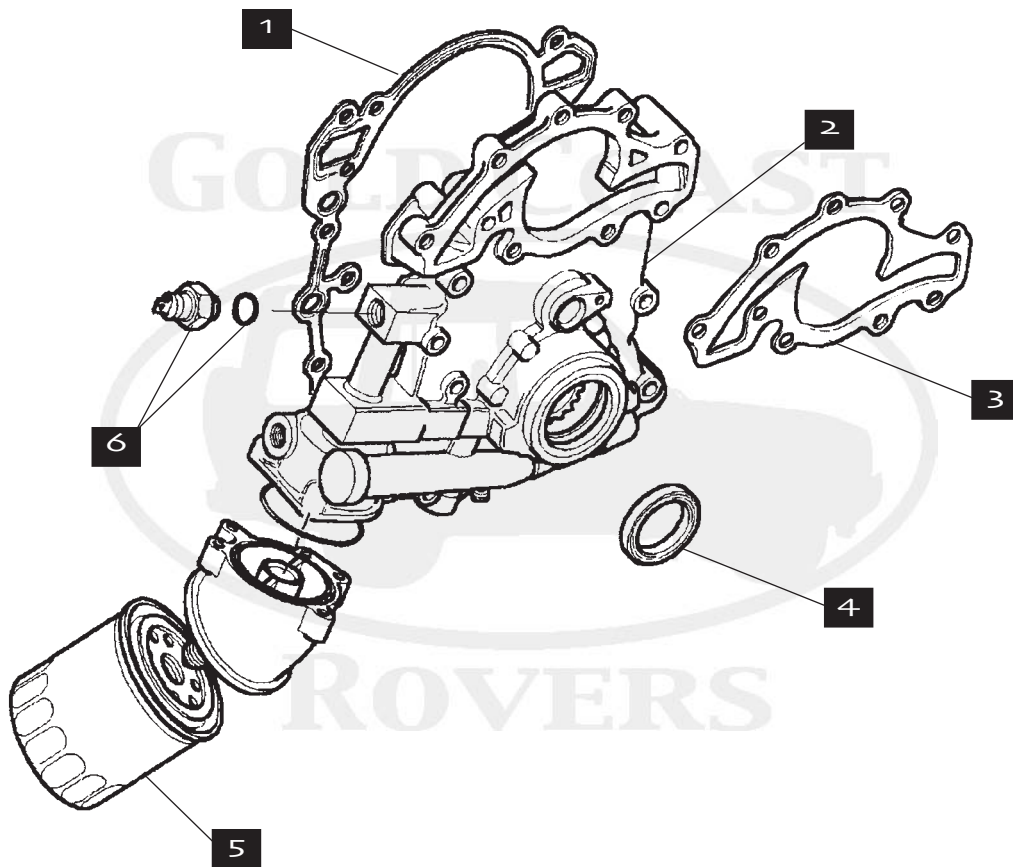
Description	Order Number	Explanatory Notes	Qty
Engine Block			
1. Cup Plug	RV-602152		8
2. Oil Seal, Crankshaft	RV-ERR2640		1
3. Plug	RV-ERR4314		2
4. Plug, Cam Bore, Rear	RV-602146		1
5. Oil Seal Retainers	RV-LUN000010		2
6. Dowel, Flywheel Housing	RV-602141		2
7. Plug, Rear Flange	RV-612898		2
8. Plug, Drain	RV-ERR4315		1
9. Bolt, Bearing Cap	RV-602130		10
10. Plug, tappet	RV-602147		4
Cylinder Head			
11. Core Plug	RV-602123		4
12. Dowel, head to block	RV-602040		4
13. Cylinder Head Bolt, 96mm	RV-ERR2944	ⓐ	6
14. Cylinder Head Bolt, 66mm	RV-ERR2943	ⓐ	14
15. Cup Plug	RV-602289		4

ⓐ **Note:** Always replace head bolts when cylinder heads are removed.

VALVE TRAIN, DISCOVERY SERIES II

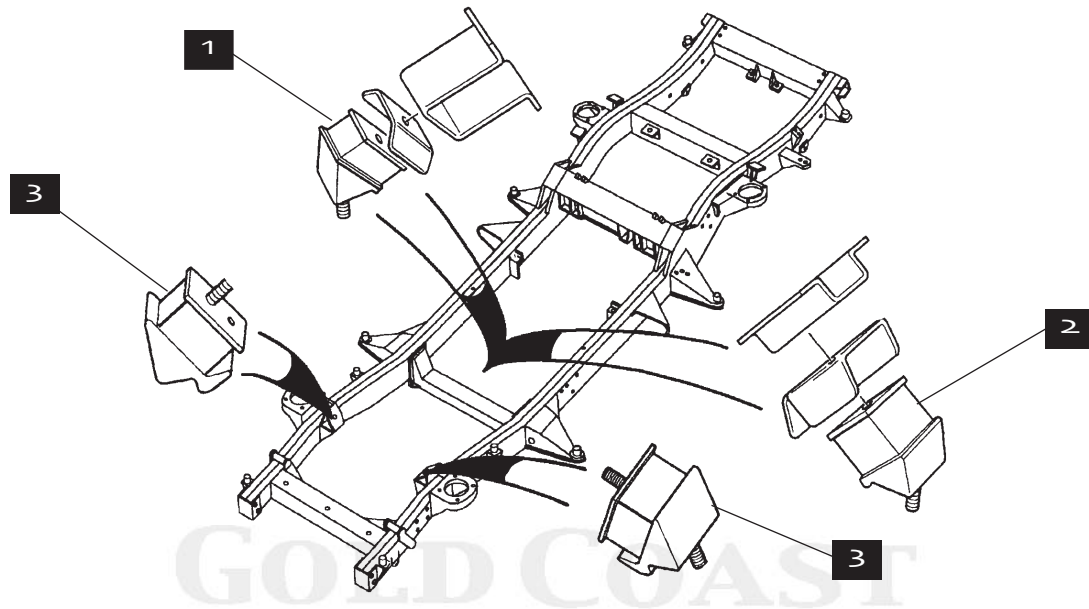


Description	Order Number	Explanatory Notes	Qty
1. Rocker Shaft Only	RV-611659L		1
2. Rocker Arm	RV-602153	RH or LH	16
3. Lifter/Tappet	RV-ERC4949		16
4. Push Rod	RV-603378		16
5. Rocker Arm Bracket/Stand	RV-603734		8
6. Special Bolt, Rocker Arm Bracket/Stand	RV-602097		8
7. Rocker Shaft Spring	RV-602142		6
8. Valve, Intake	RV-ERR1780*	Up to Engines 94D00000A; 97D05503A; 56D50786A & 55D05667A	8
8. Valve, Intake	RV-LGH000030	From above engine numbers, on	
9. Valve, Exhaust	RV-LGH000040		8
10. Valve Seat, Exhaust	RV-ETC8596	Standard Size	8
10. Valve Seat, Exhaust	RV-ERC211	+.010" oversize	8
11. Valve Seat, Intake, Standard	RV-ERC224	Standard Size	16
11. Valve Seat, Intake	RV-ERC225	+.010" oversize	8
12. Valve Guide, Intake or Exhaust	RV-LGJ100900	Standard	16
12. Valve Guide, Intake or Exhaust	RV-LGJ100900.002	.002" oversize	16
12. Valve Guide, Intake or Exhaust	RV-LGJ100900.005	.005" oversize	16
13. Valve Spring, sold per each	RV-ERR4628*		16
14. Valve Stem Seal	RV-ERR1782	Intake Only	8
15. Valve Spring Retaining Cap	RV-ERC573		16
16. Cotter, split (per pair)	RV-ERC1637		16
17. Updated Rocker Shaft Assembly	RV-611660	Ⓢ	1
Ⓢ These are complete assemblies that use alloy rocker arms for less reciprocating mass. Highly recommended.			
18. Cam Bearing Set	RV-STC1961		1
19. Camshaft	RV-ERR3720	4.0 Liter	1
19. Camshaft	RV-ERR5250	4.6 Liter	1
20. Timing Chain	RV-ERC7929		1
21. Chain Gear on Camshaft	RV-ERR7375		1
22. Crankshaft Key	RV-ERR2846		1
23. Timing Gear on Crankshaft	RV-ERR2958		1



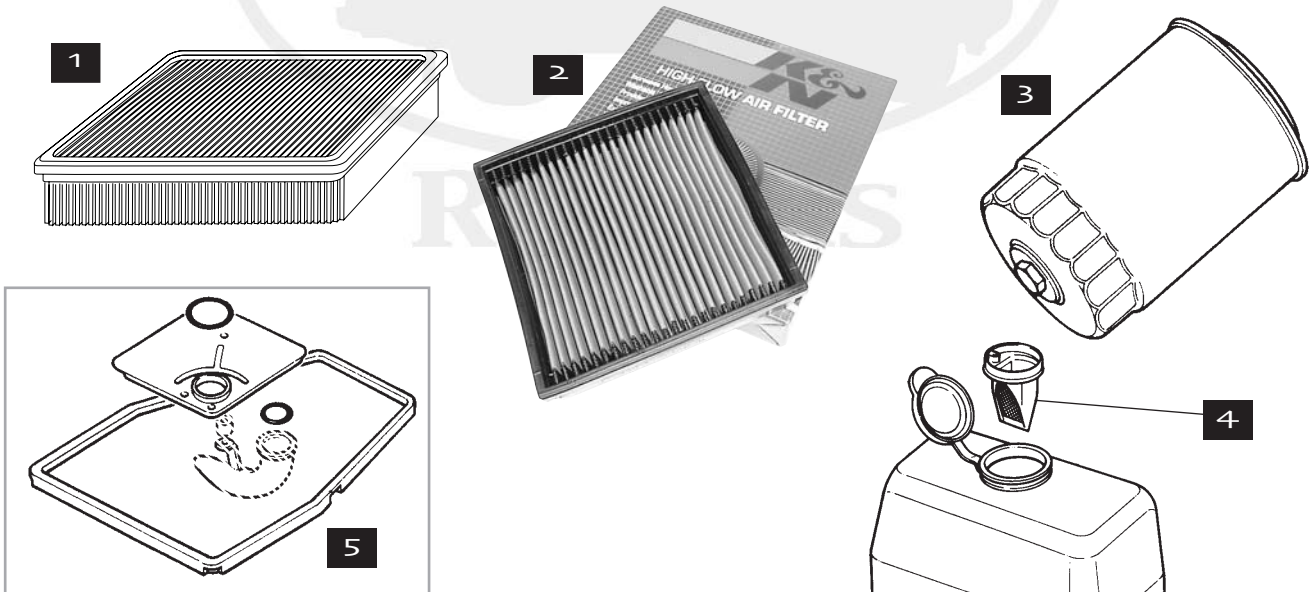
Description	Order Number	Explanatory Notes	Qty
1. Front Cover Gasket	RV-ERR7280		1
2. Oil Pump/Front Engine Cover	RV-ERR6438	To XA231750	1
2. Oil Pump/Front Engine Cover	RV-LJR105040	From XA231751 to 2A753561	1
2. Oil Pump/Front Engine Cover	RV-LJR000220	From 2A753562	1
3. Water Pump Gasket	RV-ERR4077		1
4. Crankshaft Seal	RV-ERR6490		1
5. Oil Filter	RV-ERR3340*		1
6. Oil Pressure Switch	RV-STC4104K*	To XA231750, includes seal	1
6. Oil Pressure Switch	RV-NUC100280L	From XA231751, includes seal	1


MOUNTS, DISCOVERY SERIES II

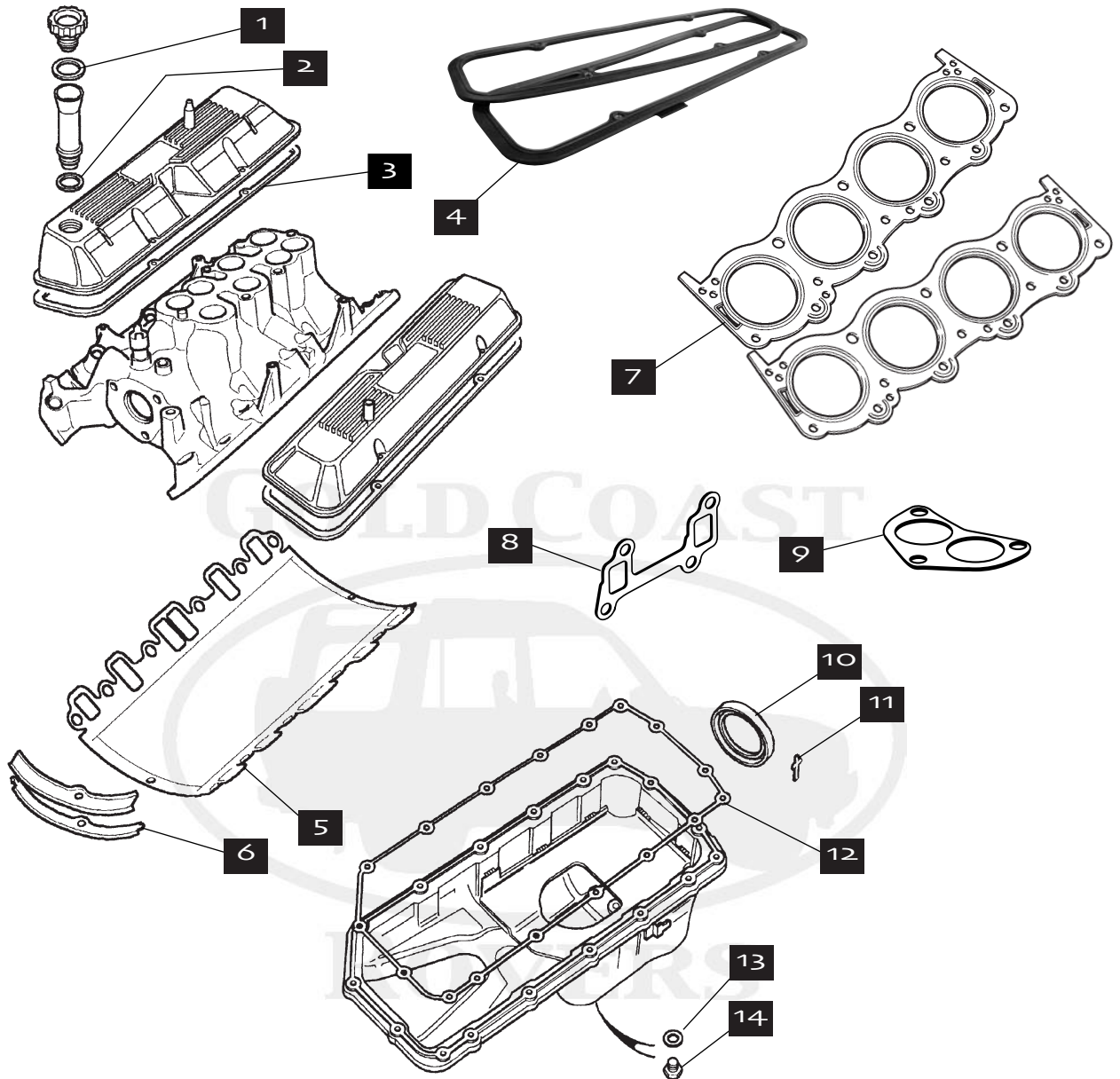


Description	Order Number	Explanatory Notes	Qty
1. Transmission Mount	RV-KQB100140	RH	1
2. Transmission Mount	RV-KQB100150	LH	1
3. Engine Mount	RV-KKB102450		2

FILTERS, DISCOVERY SERIES II

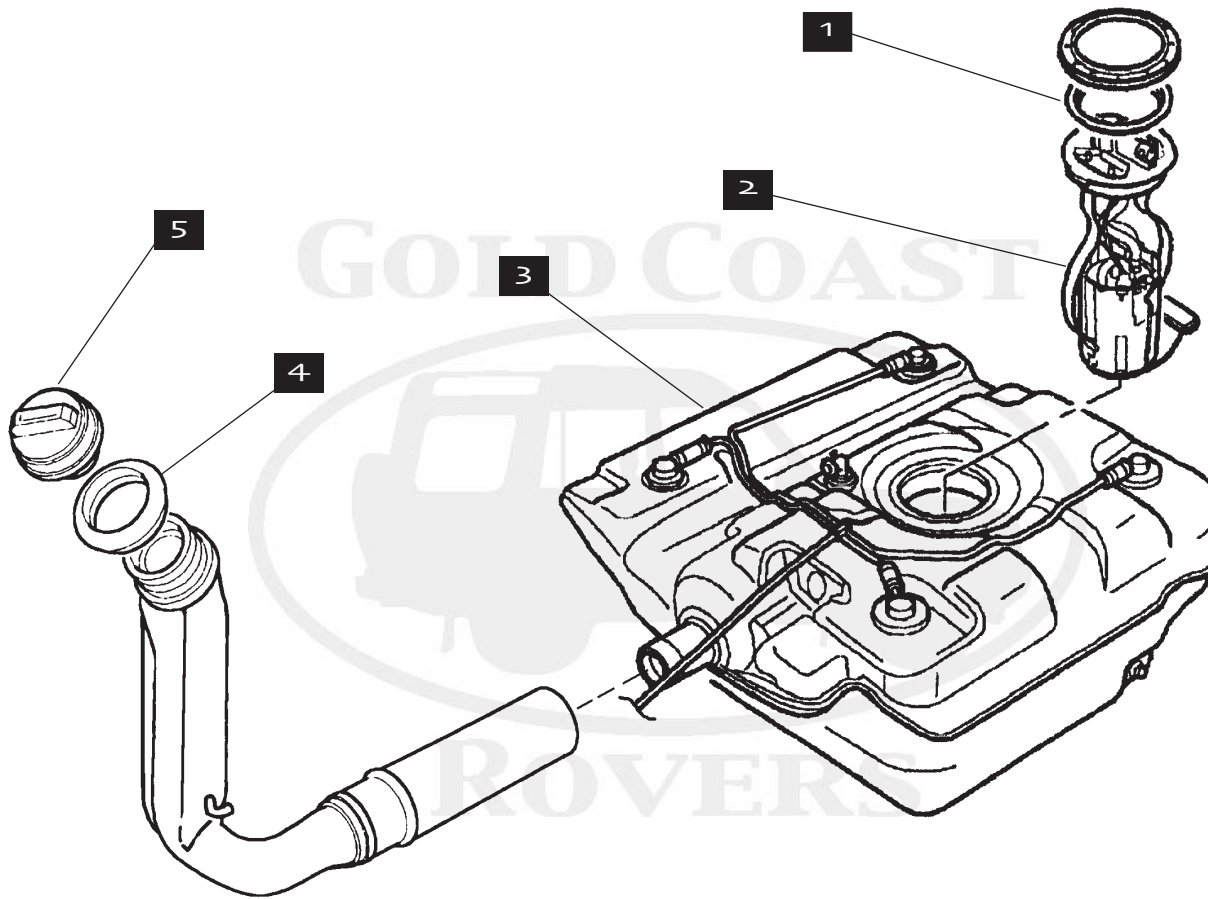


Description	Order Number	Explanatory Notes
1. Air Filter	RV-ESR4238	
2.  Replacement for ESR4238	RV-1499	
3. Oil Filter	RV-ERR3340*	
4. Windshield Washer Reservoir Filter	RV-AMR3266	To 4A842249
4. Windshield Washer Reservoir Filter	RV-DMS500011	4A842250-On
5. Automatic Transmission Filter Kit	RV-RTC4653	(Includes Filter, Gasket and two O-Rings)
Fuel Filter	Not Fitted	

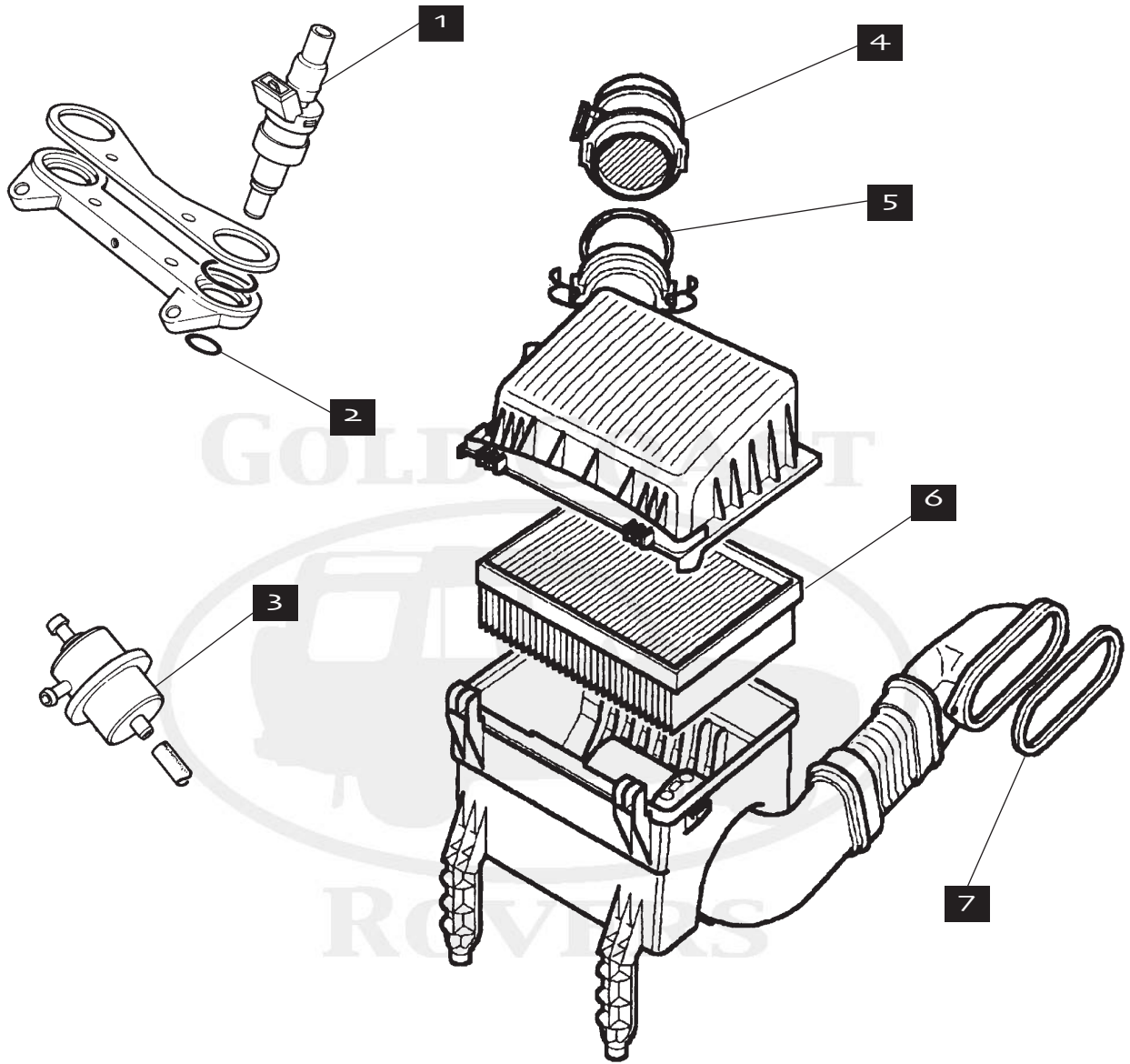


Description	Order Number	Explanatory Notes	Qty
1. O-Ring, Oil Filler Cap to Filler Tube	RV-ERR5219		1
2. O-Ring, Under Cap	RV-564258		1
3. Valve Cover Gasket, Cork	RV-602512*	Each	2
4. Updated Rubber Valve Cover Gasket	RV-LVC100260	Each	2
5. Intake Manifold Gasket	RV-LKJ500020		1
6. Seal, front of intake gasket	RV-ERR7283		2
7. Head Gasket	RV-ERR7217*	Up to 3A999999 (through 2003)	2
7. Head Gasket	RV-LVB500030	From 4A000001 (2004-on)	2
8. Gasket, Exhaust Manifold	RV-ERR6733	Each, To Head	4
9. Gasket, Exhaust Manifold	RV-ETC4524	Each, To Downpipe/Catalyst	2
10. Rear Crankshaft Seal	RV-ERR2640		1
11. Retainers for Rear Seal	RV-LUN000010		2
12. Oil Pan Gasket	RV-LVF100400		1
13. Sealing Washer, Oil Pan Drain Plug	RV-ALU1403L		1
14. Drain Plug, Oil Pan	RV-LSF100040L		1

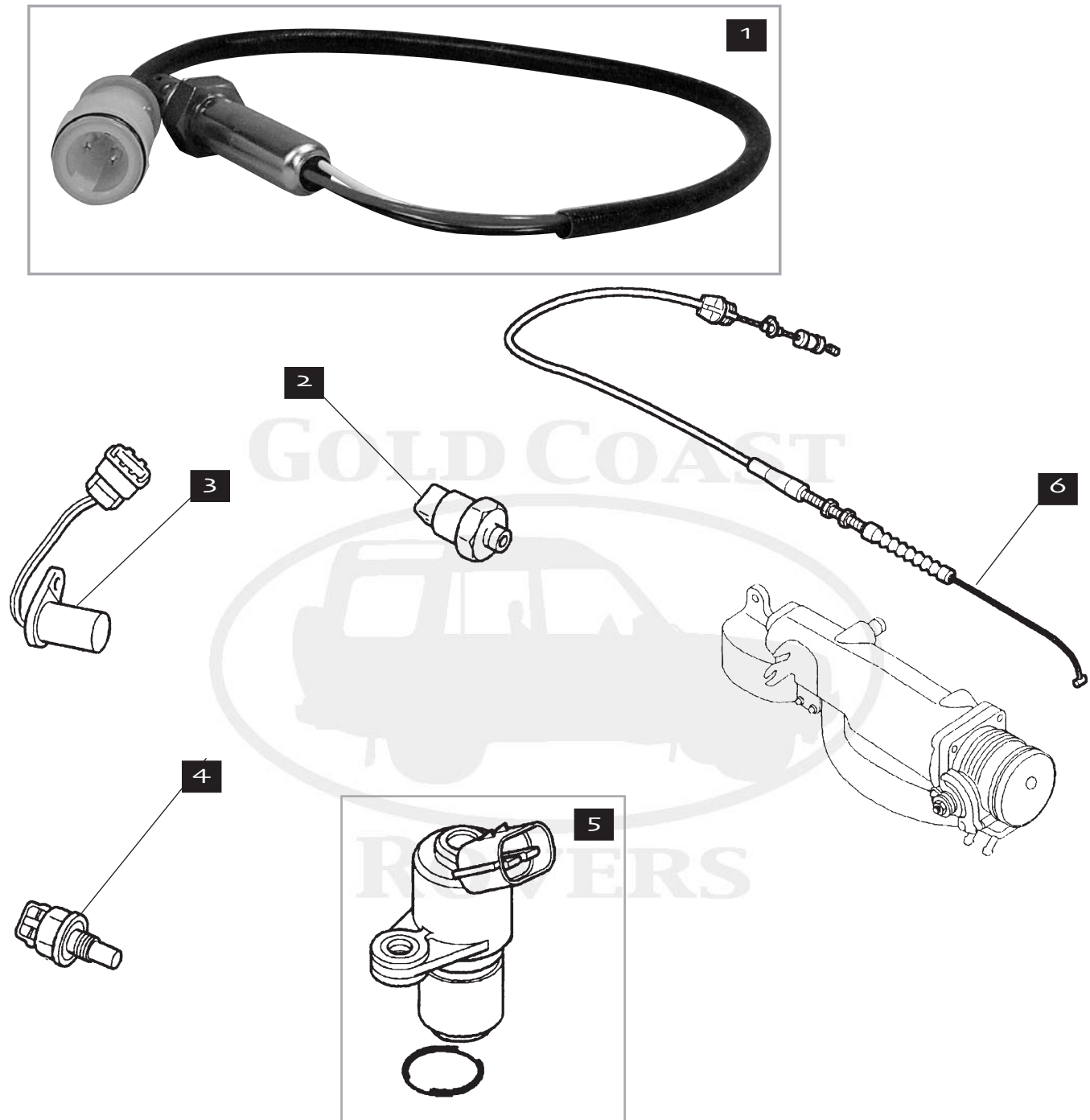
* Denotes Aftermarket Part



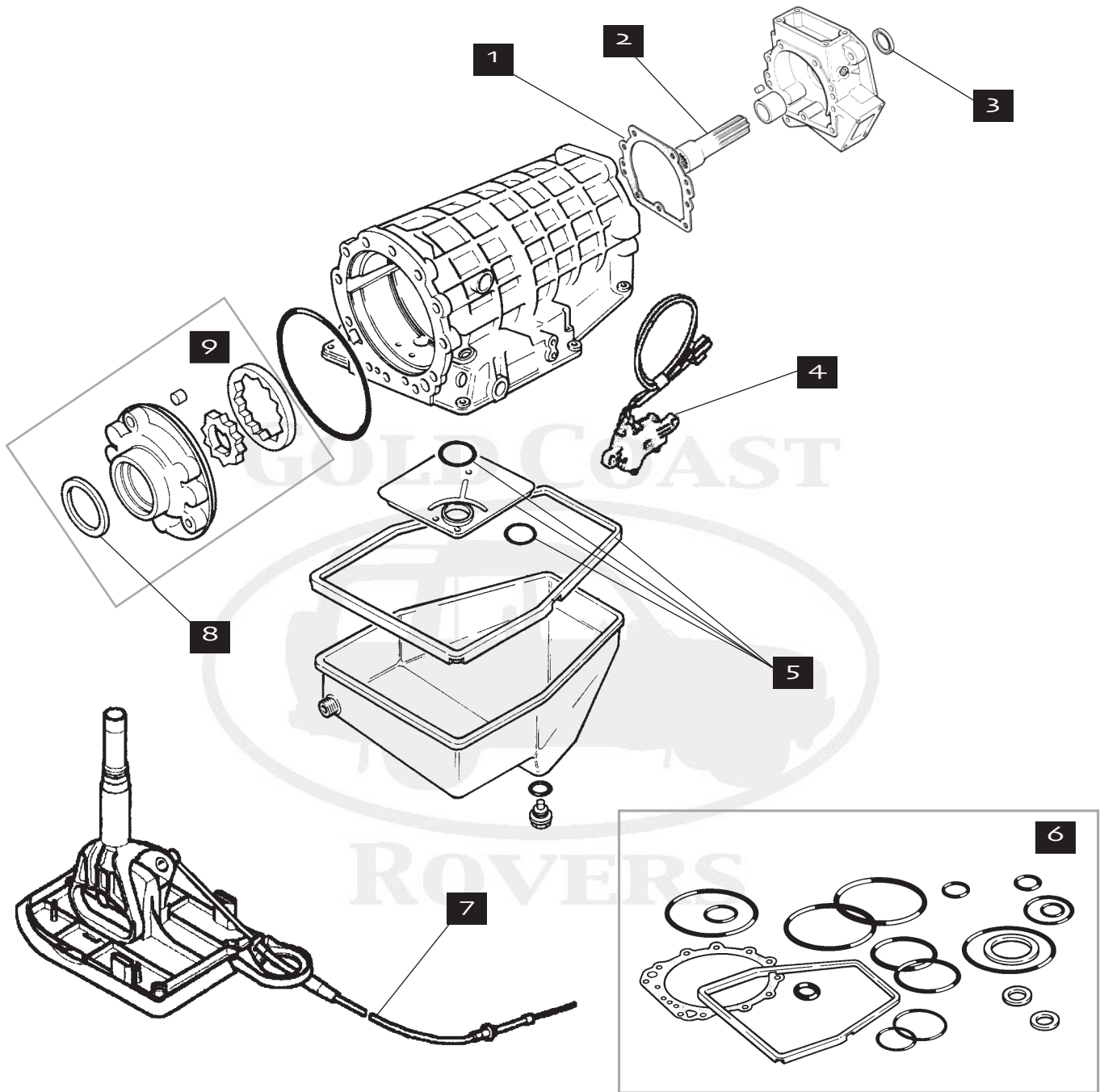
Description	Order Number	Explanatory Notes	Qty
1. Seal, Pump to Tank	RV-WGQ500020		1
2. Fuel Pump	RV-WFX101070	1999 & 2000	1
2. Fuel Pump	RV-WFX101060	2001-on	1
3. Fuel Tank	RV-ESR4678	To 2A736339	1
3. Fuel Tank	RV-WHK000100	2A736340-On	1
4. Seal/Grommet	RV-WLR000010		1
5. Fuel Filler Cap	RV-WLD100770	To 3A842697	1
5. Fuel Filler Cap	RV-WLD500100	3A842698-On	1



Description	Order Number	Explanatory Notes	Qty
1. Injector	RV-ERR6600		8
2. O-Ring, Injector Sealing	RV-ERR7309		8
3. Fuel Pressure Regulator	RV-ETC8494		1
4. Air Flow Meter	RV-ERR7171	4.0-Liter	1
4. Air Flow Meter	RV-MHK100800	4.6-Liter	1
5. Seal	RV-PHN100200	All, Air Flow Meter to Air Cleaner Housing	1
6. Air Filter	RV-ESR4238		1
7. Seal, Air Filter Intake	RV-PHN100210		1

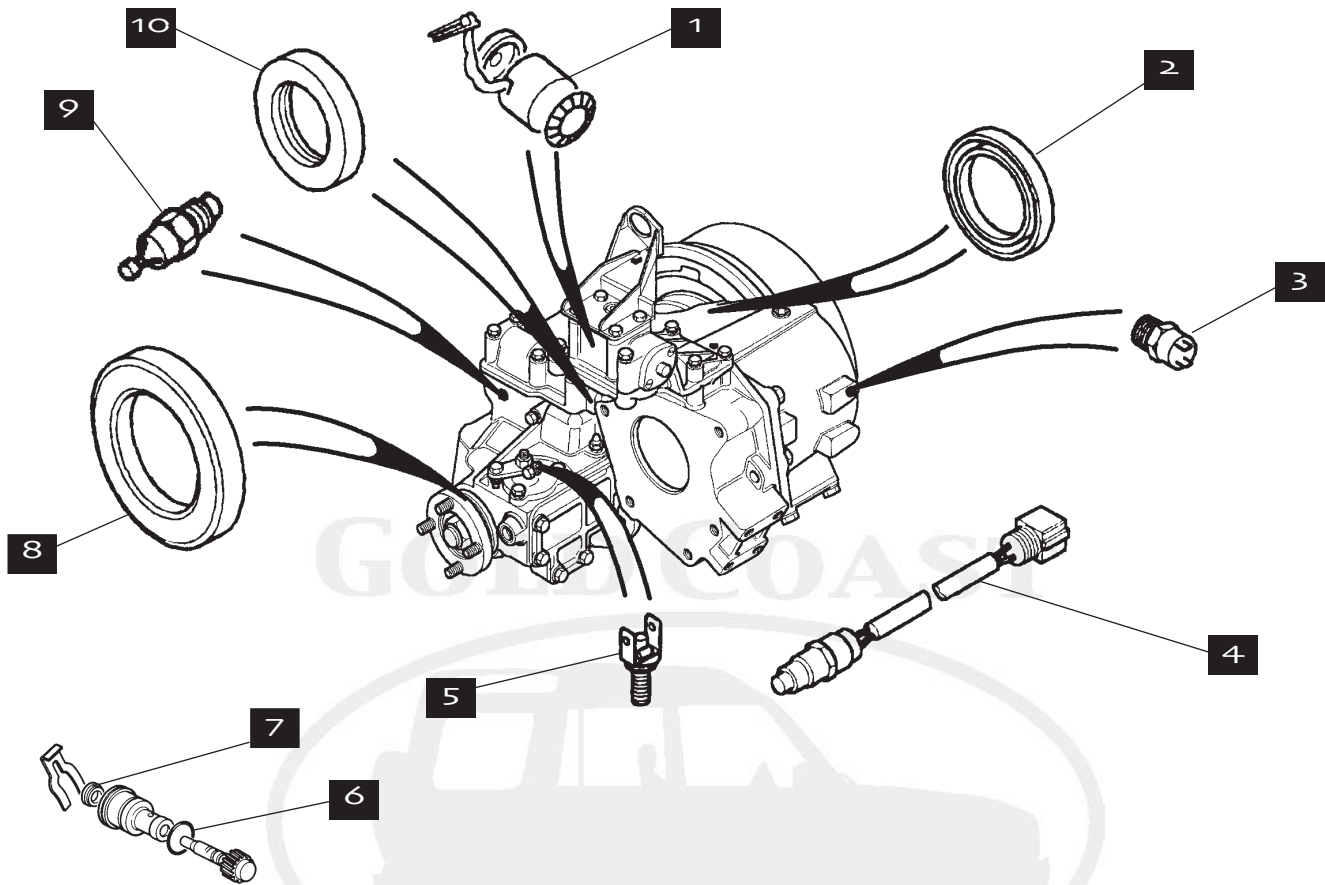


Description	Order Number	Explanatory Notes	Qty
1. Oxygen Sensor	RV-MHK100920	Front	1
1. Oxygen Sensor	RV-MHK100930	Rear	1
2. Knock Sensor	RV-NSC100650		2
3. Position Sensor, Camshaft	RV-ERR6169		1
4. Temperature Sensor	RV-MEK100160	To 3A818214	1
4. Temperature Sensor	RV-MEK500130	From 3A818215	1
5. Position Sensor, Crankshaft	RV-ERR7354		1
6. Throttle Cable	RV-SBB500010		1



Description	Order Number	Explanatory Notes	Qty
1. Gasket, Case to Governor Housing	RV-RTC4295		1
2. Coupling Shaft	RV-FTC5090		1
3. Rear Oil Seal	RV-RTC4650		1
4. Switch Assembly, Side of Transmission	RV-UHB100190		1
5. Auto Trans Filter Kit	RV-RTC4653	Includes Filter, Gasket and Two O-Rings.	1
6. Gasket & Seal Kit	RV-STC4449		1
7. Shift Control Cable	RV-UCV100590		1
8. Front Oil Seal	RV-RTC5102		1
9. Front Pump Assembly	RV-STC1836		1

TRANSFER BOX, DISCOVERY SERIES II



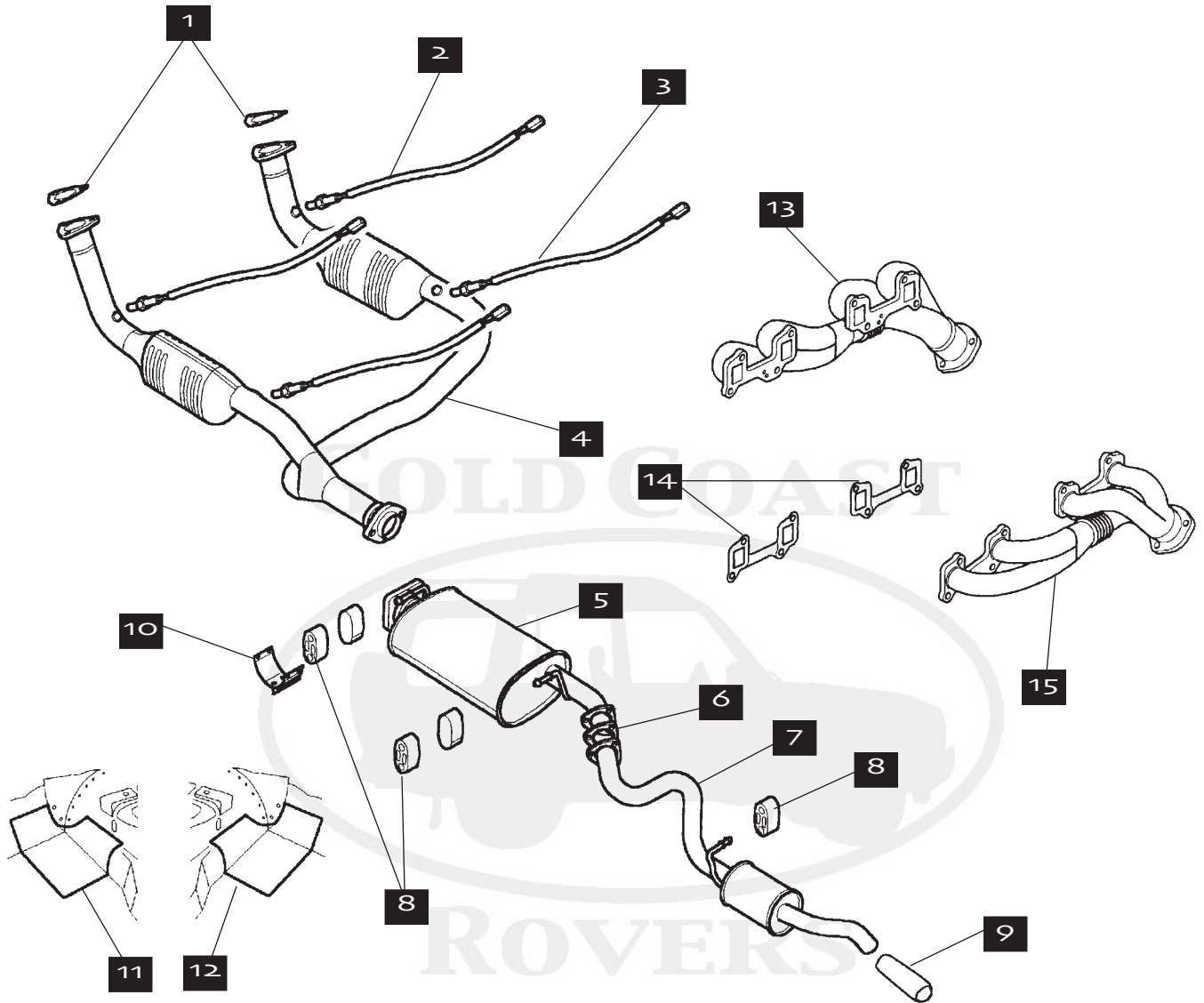
Description	Order Number	Explanatory Notes	Qty
1. Solenoid, Gear Change Lock	RV-FTC3283	To 3A000000	1
2. Seal, Rear Output Flange	RV-FTC4939		1
3. Switch, Oil Temperature	RV-PRC7984		1
4. Switch, Neutral Sensing	RV-AMR6666	From 3A000000	1
5. Switch Assembly, Differential Lock	RV-IGM500011	From 3A771055	1
5. Switch Assembly, Differential Lock	RV-PRC2911	To 2A999999	1
6. O-ring, Speedometer Drive	RV-571665		1
7. Seal, Speedometer Drive	RV-AAU2304		1
8. Seal, Front Output Shaft	RV-FTC4939		1
9. Switch, Front Housing, Low-Ratio Detect	RV-IGM100000		1
10. Seal, Main Shaft Gear	RV-ICV100000		1

BORLA FOR THE DISCOVERY SERIES II



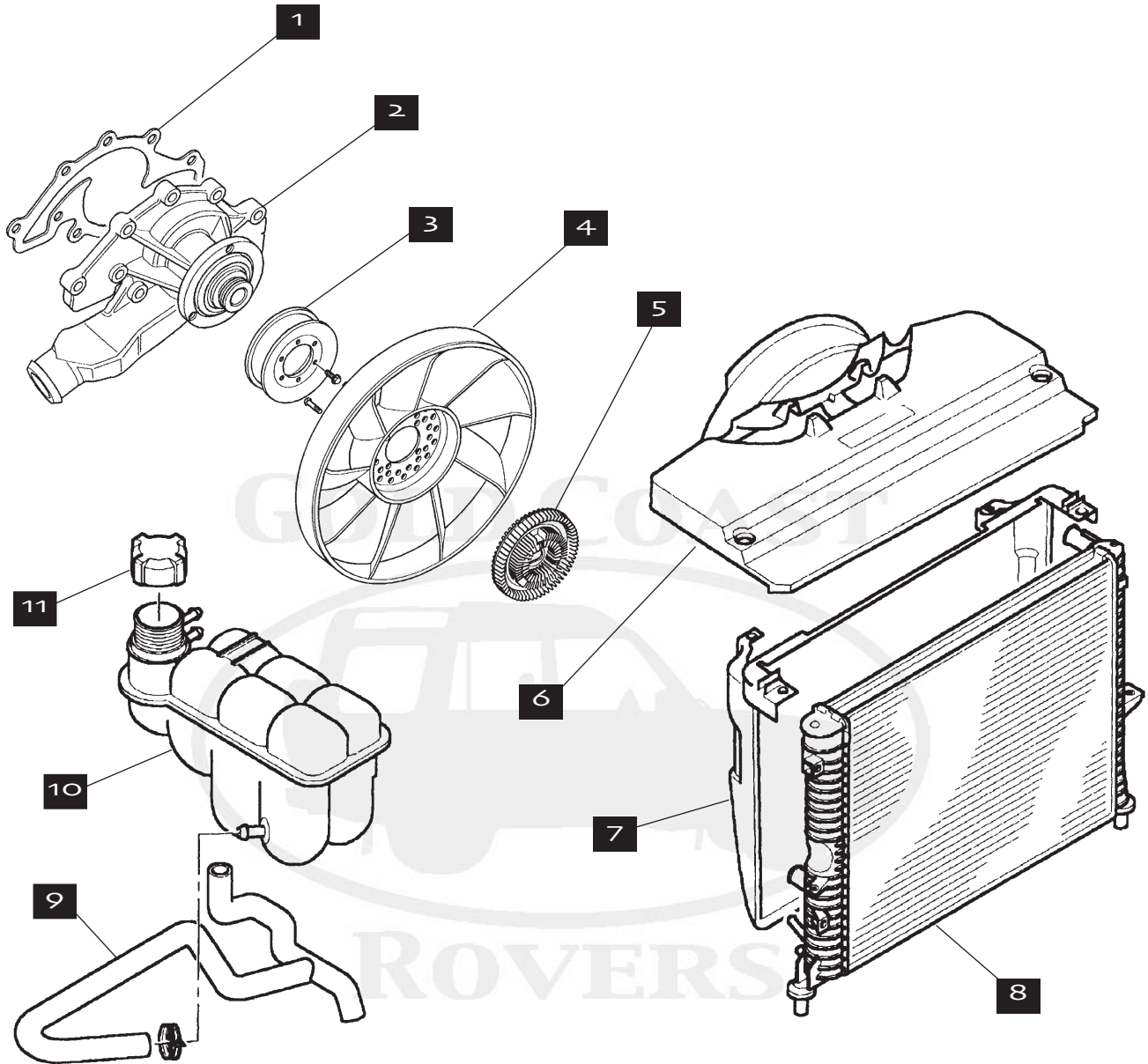
Gold Coast Rovers is a Warehouse Distributor for Borla Exhaust, the leader in late-model performance exhaust systems. Made entirely of aircraft-quality T-304 stainless steel, these "cat-back" systems are entirely mandrel-bent for smooth flow and noticeable power gains. Give your Land Rover a distinctive exhaust note and more power with a Borla stainless steel exhaust system.

Discovery Series IIRV-14839

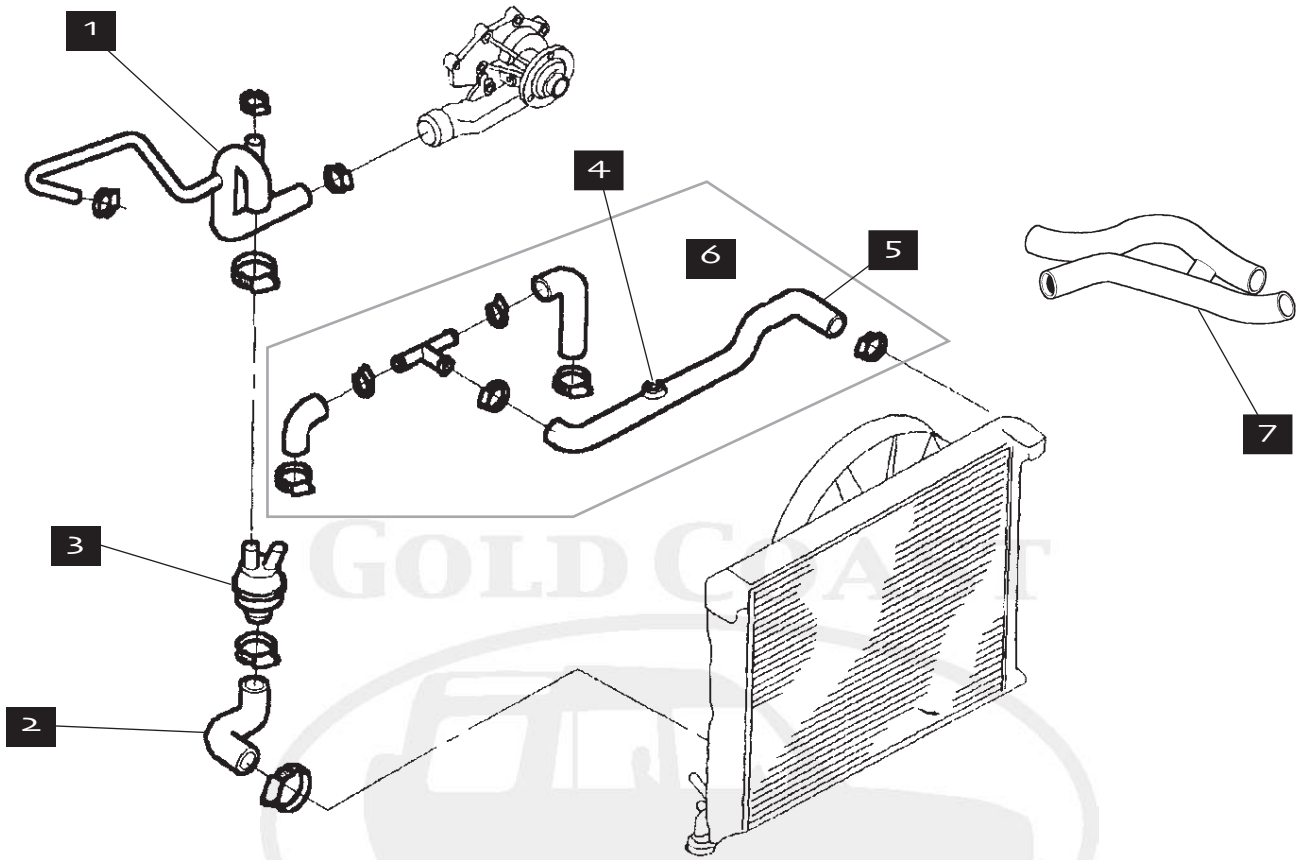


Description	Order Number	Explanatory Notes	Qty
1. Gasket, Manifolds to Downpipes	RV-ETC4524		2
2. Oxygen Sensor	RV-MHK100920	Front	2
3. Oxygen Sensor	RV-MHK100930	Rear	2
4. Downpipe Assembly	RV-WCD000443		1
5. Intermediate Muffler	RV-WCE104642		1
6. Gasket, Intermediate to Rear Pipe	RV-ESR3737		1
7. Muffler Assembly, Rear	RV-WDE100650	To 2A778187	1
7. Muffler Assembly, Rear	RV-WDE100660	From 2A778188	1
8. Mounting Rubber	RV-ESR3172		3
9. Finisher, Tail Pipe	RV-DUB500021MMM		1
10. Heat shield, Tunnel, Front	RV-WEB101960		1
11. Pad, Insulation, Front-Tunnel, LH	RV-BTR4969		1
12. Pad, Insulation, Front-Tunnel, RH	RV-BTR4968		1
13. Exhaust Manifold, Right	RV-ERR7394		1
14. Gasket, Exhaust Manifold	RV-ERR6733	Each, To Head	4
15. Exhaust Manifold, Left	RV-ERR7393		1

WATER PUMP, DISCOVERY SERIES II



Description	Order Number	Explanatory Notes	Qty
1. Gasket, Water Pump	RV-ERR4077		1
2. Water Pump	RV-STC4378		1
3. Pulley, Serpentine belt type	RV-PQR101050	See page 210 for Serpentine belt	1
4. Fan Blade	RV-ERR4960		1
5. Fan Clutch	RV-ERR4996		1
6. Radiator Fan Cowl	RV-ESR4636	Upper	1
7. Radiator Fan Cowl	RV-ESR4637	Lower	1
8. Radiator	RV-PCC000650	Without secondary air injection	1
8. Radiator	RV-PCC000710	With secondary air injection	1
9. Hose, Expansion Tank to Fuel Cooler	RV-PIH100040	From XA227050 to 3A828206	1
9. Hose, Expansion Tank to Fuel Cooler	RV-PIH100040	3A828207-On	1
10. Expansion Tank	RV-ESR2935	To 2A736339	1
10. Expansion Tank	RV-PCF101410	2A736346-On	1
11. Cap, Expansion Tank	RV-PCD000070		1



Description	Order Number	Explanatory Notes
1. Hose, Thermostat to Pipe	RV-PEH000080	To YA241594
1. Hose, Thermostat to Pipe	RV-PEH000085	From YA241595
2. Bottom Radiator Hose	RV-PCH119020	
3. Thermostat Assembly	RV-PEM100990K	To 5A476242
3. Thermostat Assembly	RV-PEL500110	5A476243-on
4. Bleed Screw	RV-PYP10008L	
5. Hose, T-Piece to Radiator	RV-PEH101640	To 1A740975 (or purchase upper hose assembly)
5. Hose, T-Piece to Radiator	RV-PEH000270	From 1A740976 (or purchase upper hose assembly)
6. Upper Radiator Hose Assembly	RV-PCH000460	
7. Heater Hose Assembly, In/Out	RV-PCH500040	

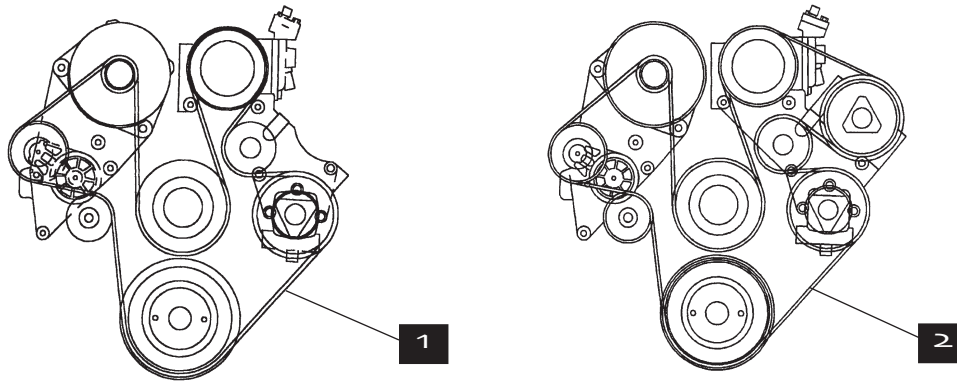


Land Rover Cooling Hose Kits

Replacing one or two hoses at a time almost guarantees the need to go back later and re-trace your steps. Get great peace of mind by changing all the hoses in one shot. These multi-hose kits will cost you less than buying each peacemeal.

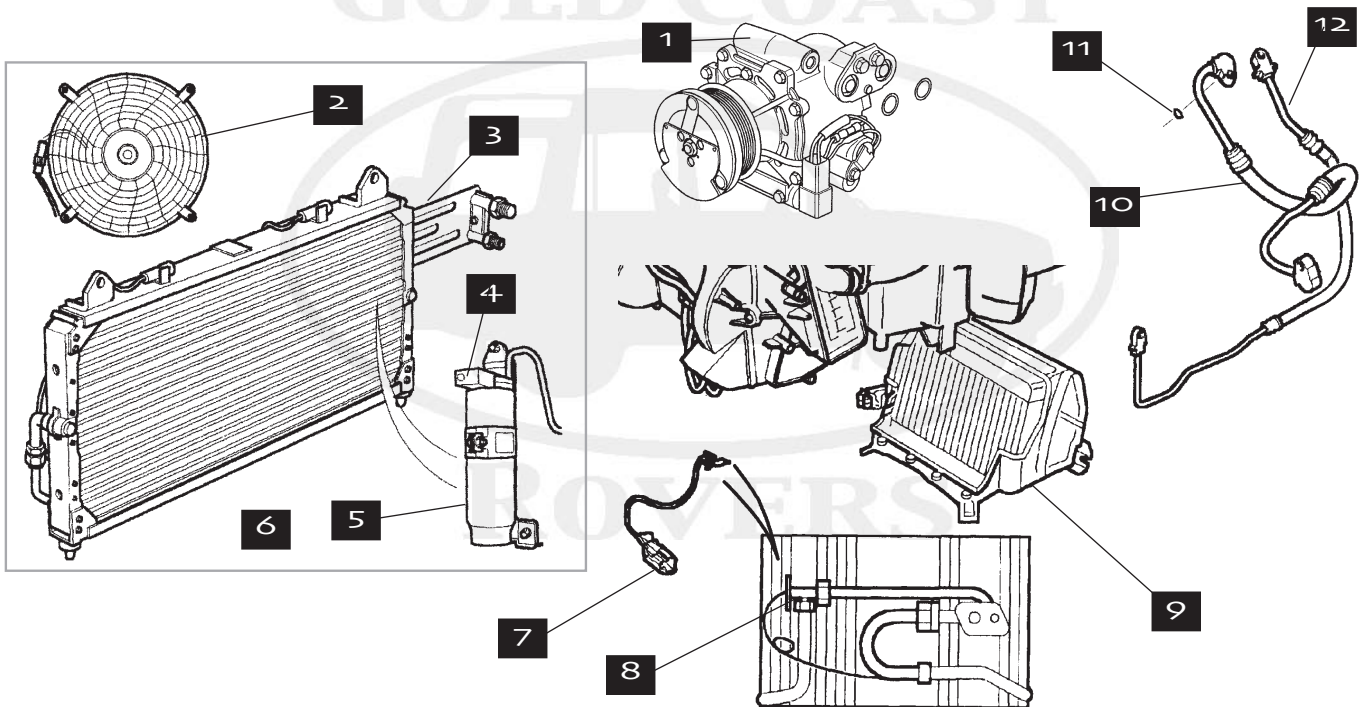
Cooling Hose Kit	RV-7526	To YA241594
Cooling Hose Kit	RV-7528	From YA241595

BELTS, DISCOVERY SERIES II



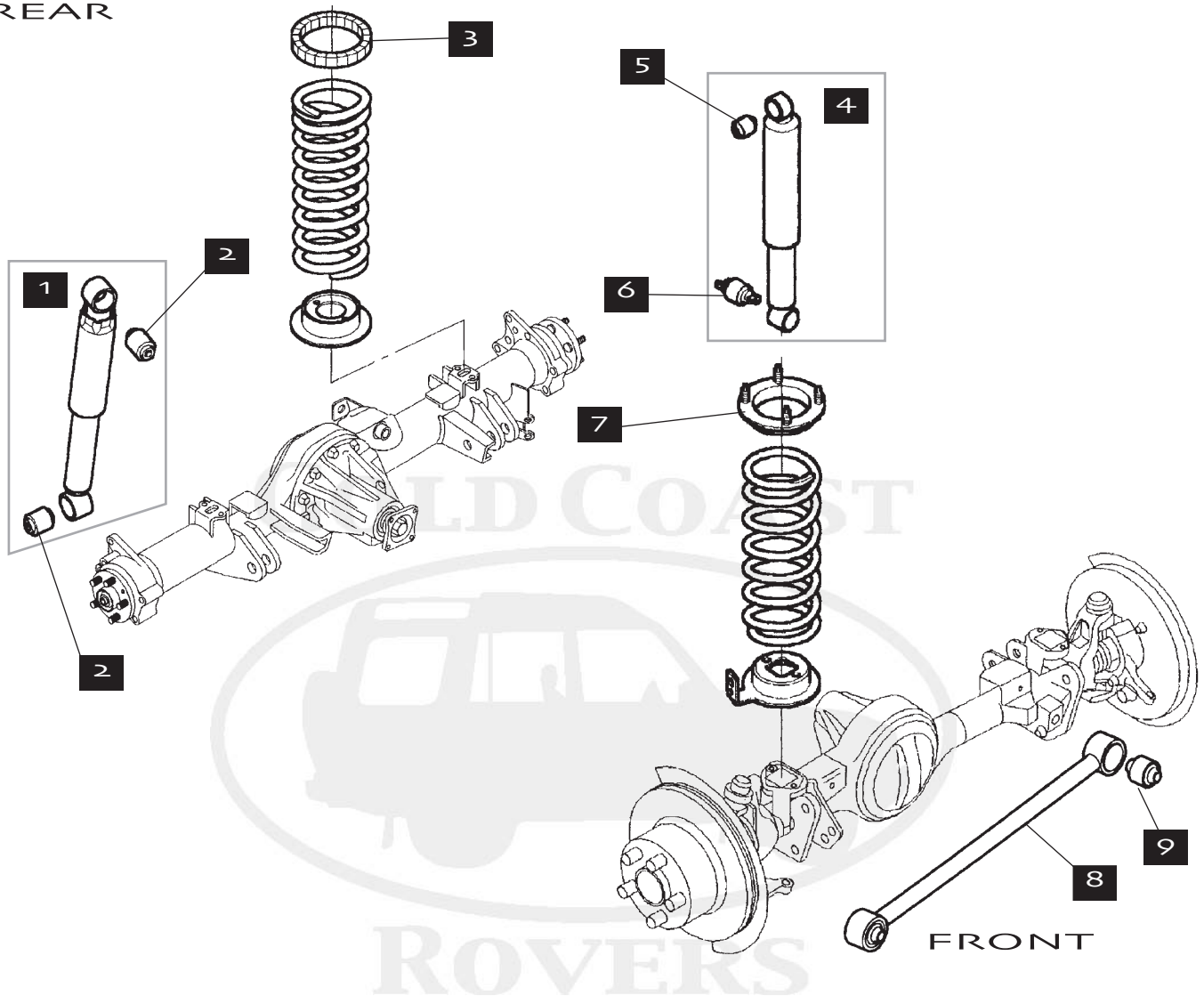
Description	Order Number	Explanatory Notes	Qty
1. Serpentine Belt	RV-ERR6898	Without Active Cornering Enhancement	1
2. Serpentine Belt	RV-ERR6896	With Active Cornering Enhancement	1

AIR CONDITIONING, DISCOVERY SERIES II



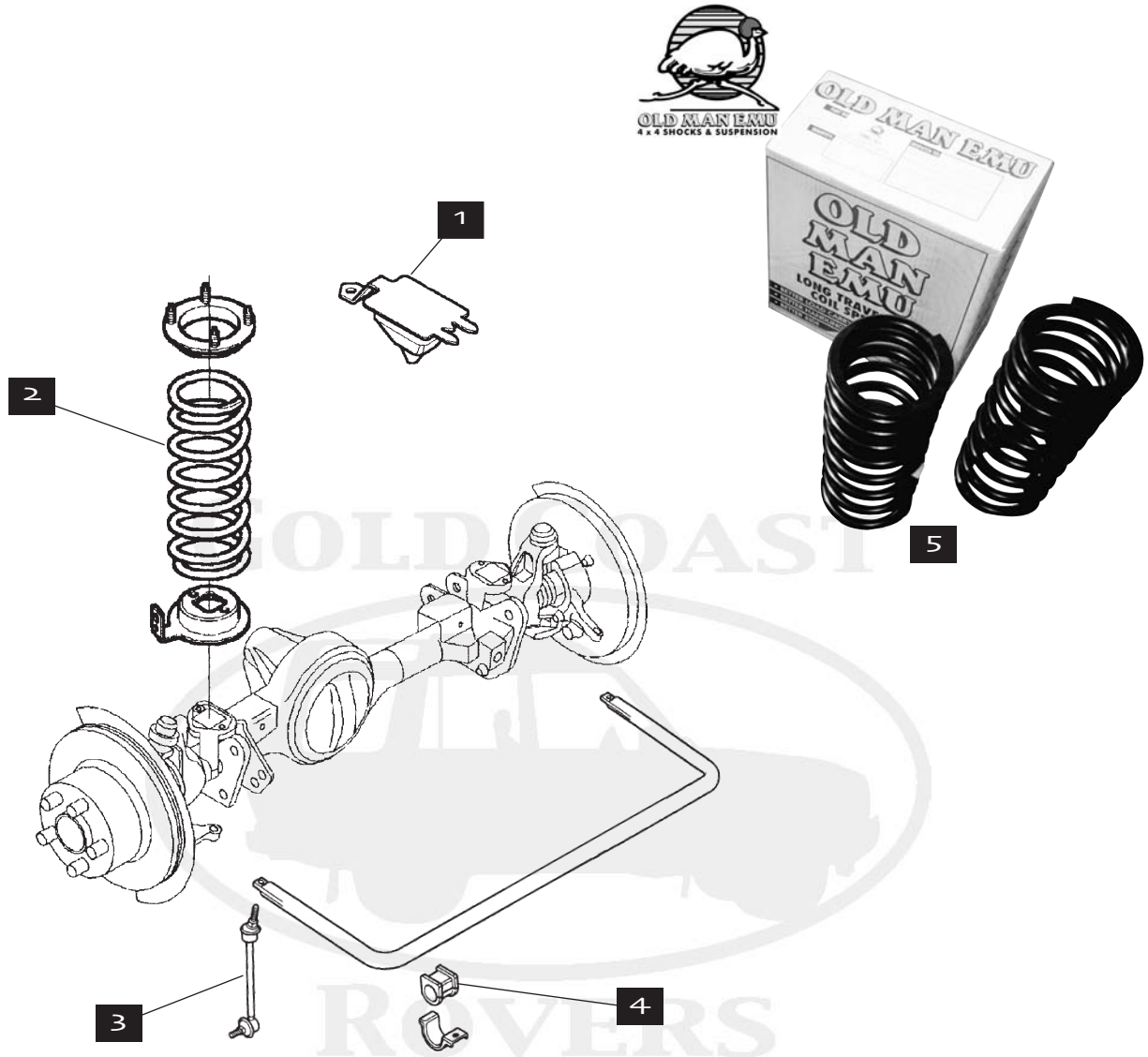
Description	Order Number	Explanatory Notes	Qty
1. A/C Compressor	RV-JPB101330		1
2. Electric Fan, Separate	RV-JRP100000		1
3. Condenser, Separate, R134A	RV-JRB100790		1
4. Switch, Pressure	RV-JRY100000		1
5. Receiver/Drier	RV-JRJ100550		1
6. Condenser Assembly	RV-JRB100840	Condenser, Fan & Receiver/Drier as an Assembly	1
7. Thermistor	RV-JOF100020		1
8. Expansion Valve	RV-STC3140		1
9. Evaporator	RV-JOF100000		1
10. Hose, Compressor/Condenser	RV-JUF102580	With Secondary Air injector; from VIN YA277554	1
11. O-ring for JUF102770	RV-JUU10003L		1
12. Hose, Evaporator/Compressor,	RV-JUF102770	From VIN XA232917	1

REAR

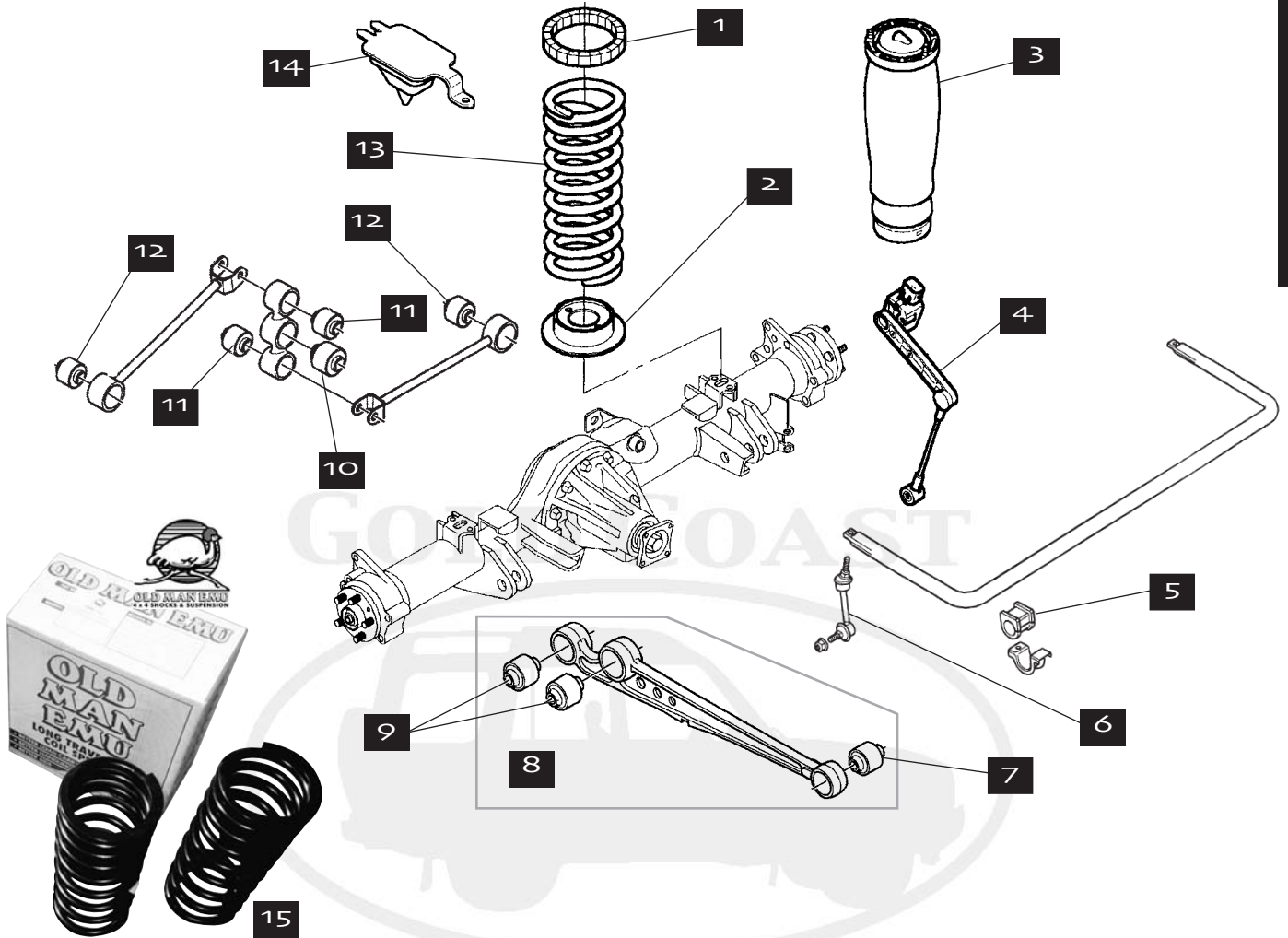


Description	Order Number	Explanatory Notes	Qty
1. Rear Shock	RV-RPD102333	With coil springs, non Active Roll Control, thru 2002	2
1. Rear Shock	RV-RPD102343	Coil spring suspension, Active Roll Control, thru 2002	2
1. Rear Shock	RV-RPD102363	Leveled suspension-non Active Roll control, thru 2002	2
1. Rear Shock	RV-RPD102354	Leveled suspension-Active Roll control, thru 2002	2
1. Rear Shock	RV-RPD000190	All, 2003-on	2
2. Shock Bushing	RV-ROA100050	Rear, upper or lower	2
3. Isolator, Upper	RV-ANR2938	W/O Air Suspension	2
4. Front Shock	RV-RNB103533	Leveled suspension-non Active Roll control, thru 2002	2
4. Front Shock	RV-RNB103683	Coil spring suspension, Active Roll Control, thru 2002	2
4. Front Shock	RV-RNB103533	With coil springs, non Active Roll Control, thru 2002	2
4. Front Shock	RV-RNB103694	Leveled suspension-Active Roll control, thru 2002	2
4. Front Shock	RV-RNB000270	All 2003-on	2
5. Shock Bushing	RV-ROA100040	Front Upper	2
6. Shock Bushing	RV-ROA100050	Front Lower	2
7. Upper Shock Mount/Isolator	RV-RBC100111		2
8. Panhard Rod Assembly	RV-RBI100050	Through 2002	1
8. Panhard Rod Assembly	RV-RBI000100	2003-on	1
9. Bushing Only, Panhard Rod	RV-RBX101340	All	2

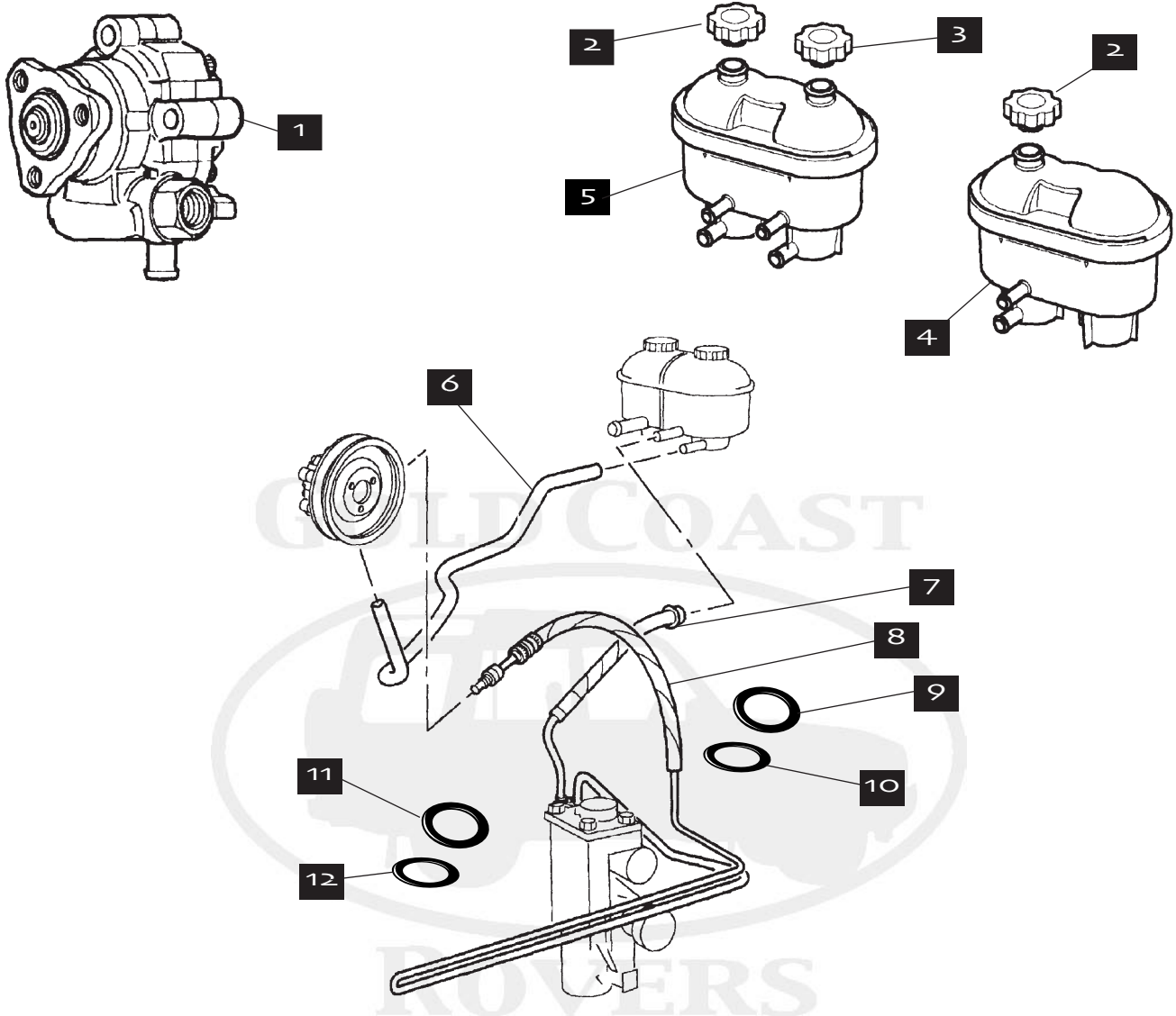
* Denotes Aftermarket Part



Description	Order Number	Explanatory Notes	Qty
1. Bump Stop	RV-RNV100060		2
2. Coil Spring	RV-REB101330	To end of 2002	2
2. Coil Spring	RV-REB000300	2003-on; Purple/Red	2
2. Coil Spring	RV-REB000310	2003-on; Yellow/Purple	2
2. Coil Spring	RV-REB000320	2003-on; Blue/Purple	2
2. Coil Spring	RV-REB000330	2003-on; Gray/Purple	2
2. Coil Spring	RV-REB000340	2003-on; Purple	2
2. Coil Spring	RV-REB000350	2003-on; Yellow/Orange	2
2. Coil Spring	RV-REB000360	2003-on; Green/Orange	2
3. Link Assembly	RV-RBM100223		2
4. Sway Bar Mount Bushing	RV-RBX101690		2
5. Coil Spring, Old Man Emu	RV-OME776	Standard/Light Load Pair	1
5. Coil Spring, Old Man Emu	RV-OME777	Medium Load Pair	1
5. Coil Spring, Old Man Emu	RV-OME779	Heavy Load Pair	1



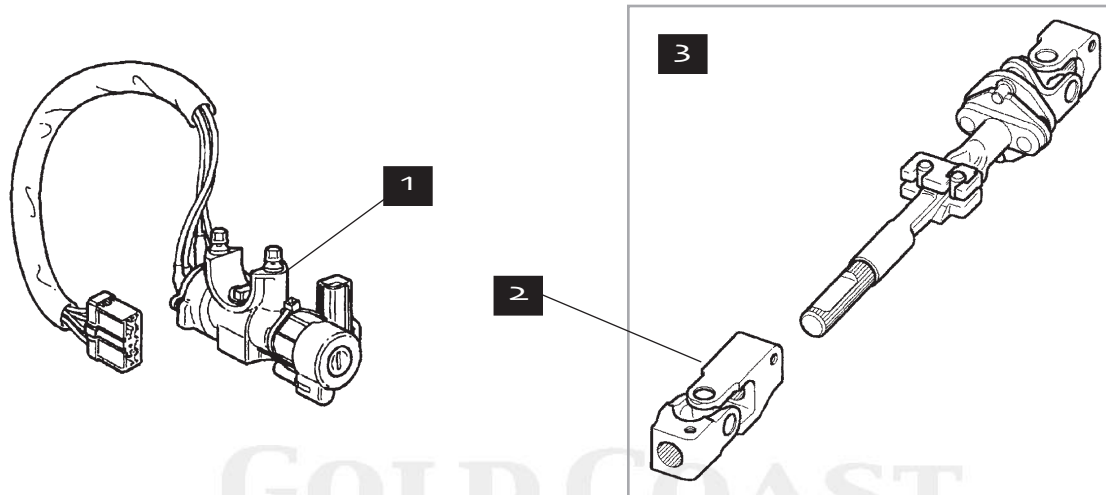
Description	Order Number	Explanatory Notes	Qty
1. Isolator, Upper	RV-ANR2938	W/O Air Suspension	2
2. Lower Spring Seat	RV-ANR3578	W/O Air Suspension	2
3. Air Spring	RV-RKB101200	Original Equipment	2
3. Air Spring	RV-RKB101200/X	Aftermarket; Great quality at an attractive price.	2
4. Height Sensor	RV-RQH100030		2
5. Anti-Roll Bar Bushing	RV-RBX101710	W/O ACE; with coil spring suspension	2
5. Anti-Roll Bar Bushing	RV-RBX101700	W/O ACE; with air suspension	2
6. Anti-Roll Bar Link Assembly	RV-RGD100682	W/O ACE	2
7. Radius Arm Bushing, Front	RV-RBX101730		2
8. Radius Arm Assembly	RV-RGG104862		2
9. Radius Arm Bushing, Rear	RV-ANR6947		4
10. Roller Bearing	RV-RGW100020	Center of Watts Link Center Pivot Assembly	1
11. Bushing	RV-RGX100960	Top & Bottom of Watts Link, Center Pivot Assembly	2
12. Bushing	RV-RGX100970	Ends of Watts Linkage Arms	2
13. Coil Spring	RV-RKB101100	W/O Air Suspension, thru 2002	2
13. Coil Spring	RV-RKB000330	Blue/Grey, Heavy Duty, Seven Seats	2
13. Coil Spring	RV-RKB000300	Brown/Orange, 2003-on	2
13. Coil Spring	RV-RKB000310	Orange/Grey, 2003-on	2
14. Bump Stop	RV-RNV100060		2
15. Coil Spring, Old Man Emu	RV-OME781	W/O Air Suspension; Medium Load	1
15. Coil Spring, Old Man Emu	RV-OME762	W/O Air Suspension; Heavy Load	1
15. Coil Spring, Old Man Emu	RV-OME763	W/O Air Suspension; Heavy Constant Load	1



Description	Order Number	Explanatory Notes	Qty
1. Power Steering Pump	RV-QVB500080		1
2. Cap, Reservoir	RV-QEZ100120	With Active Roll Control; dual filler; rearward	1
2. Cap, Reservoir	RV-QEZ100120	Without Active Roll Control; single filler	1
3. Cap, Reservoir	RV-RQF100000	With Active Roll Control; dual filler; forward	1
4. Power Steering Reservoir Assembly	RV-QFX100371	Without Active Roll Control; single filler	1
5. Power Steering Reservoir Assembly	RV-RQN100011	With Active Roll Control; dual filler	1
6. Hose, Reservoir to Pump	RV-QEH102790	Single Filler Reservoir Type	1
6. Hose, Reservoir to ACE Pump	RV-ANR6690	To XA232916; With Active Roll Control; dual fillers on reservoir	1
6. Hose, Reservoir to ACE Pump	RV-RQP100000	From XA232917; With Active Roll Control; dual fillers on reservoir	1
7. Hose, Box to Reservoir	RV-QEP105510		1
8. Hose, High Pressure, pump to box	RV-QEP105481		1
9. O-Ring, Green, Thick	RV-QED100110	Low Pressure side of steering box	1
10. O-Ring, Green, Thin	RV-QED100100	Low Pressure side of steering box	1
11. O-Ring, Brown, Thick	RV-QED100120	High pressure side of steering box	1
12. O-Ring, Brown, Thin	RV-QED100130	High pressure side of steering box	1

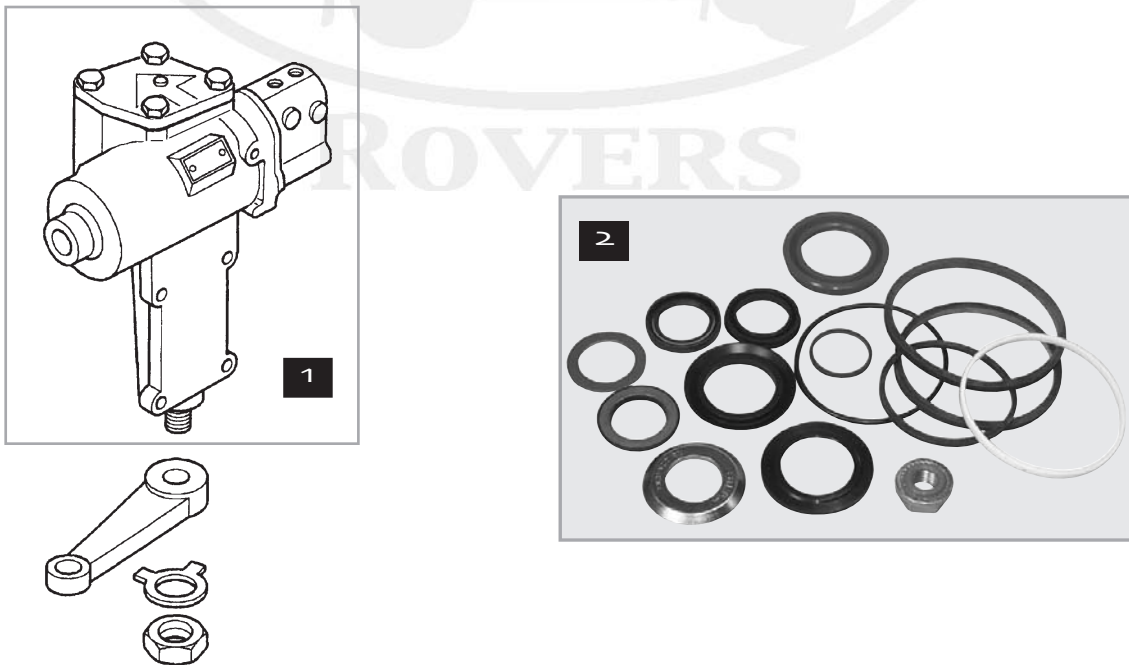
STEERING COLUMN, DISCOVERY SERIES II

DISCOVERY II, 1999-2004



Description	Order Number	Explanatory Notes	Qty
1. Steering Column Lock/Switch	RV-QRF101050H	All	1
2. Lower U-Joint	RV-QLC100110	XA2322917-3A802783 (Prior to this VIN, purchase complete shaft)	1
2. Lower U-Joint	RV-QLE500010	3A802784-on	1
3. Shaft Assembly	RV-QMN100330	Intermediate Steering Linkage	1

STEERING BOXES AND COMPONENTS, DISCOVERY SERIES II

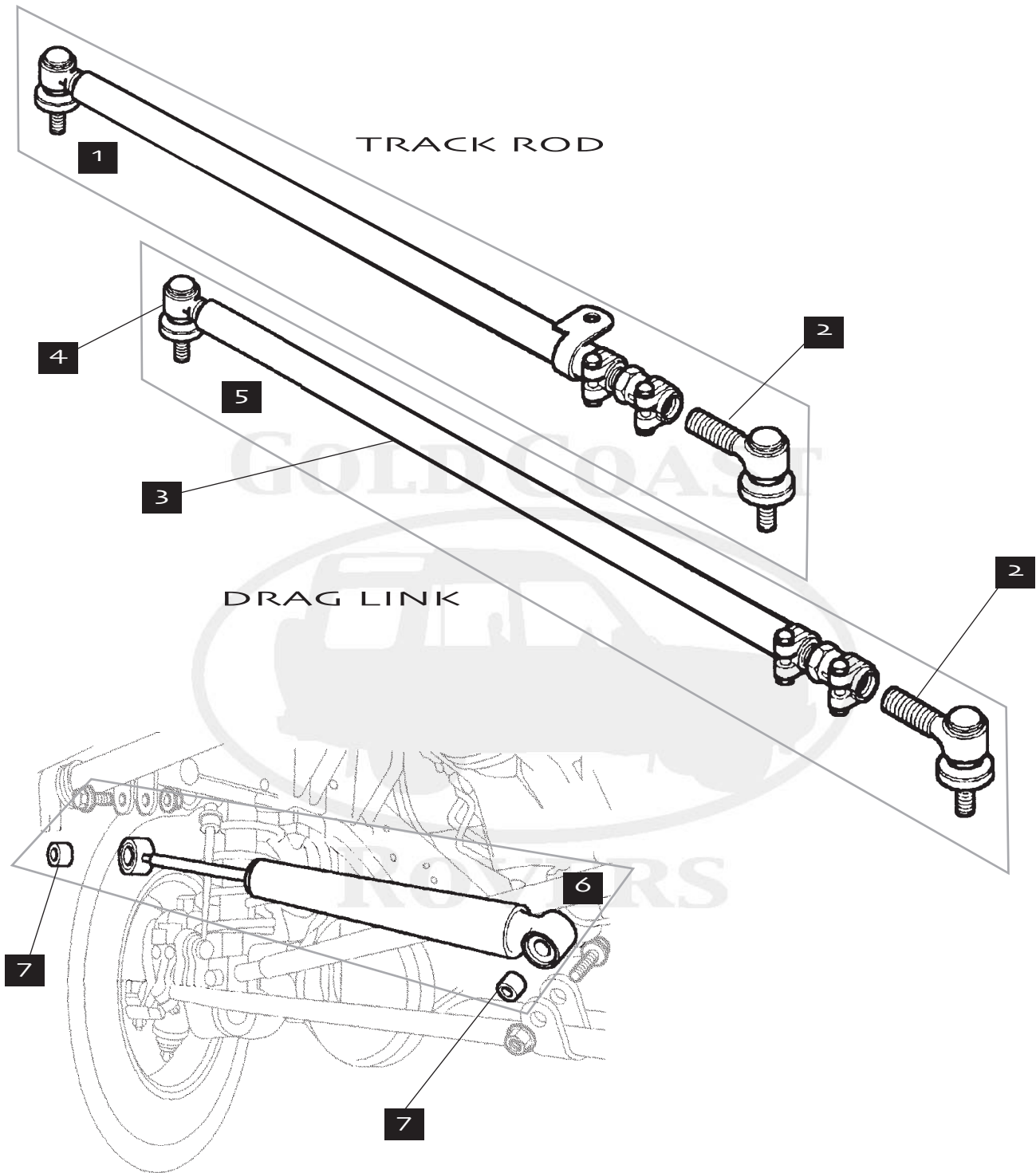


Description	Order Number	Explanatory Notes	Qty
1. Steering Box, New	RV-QAF000040		1
2. Main Seal Kit	RV-QFW100140		1

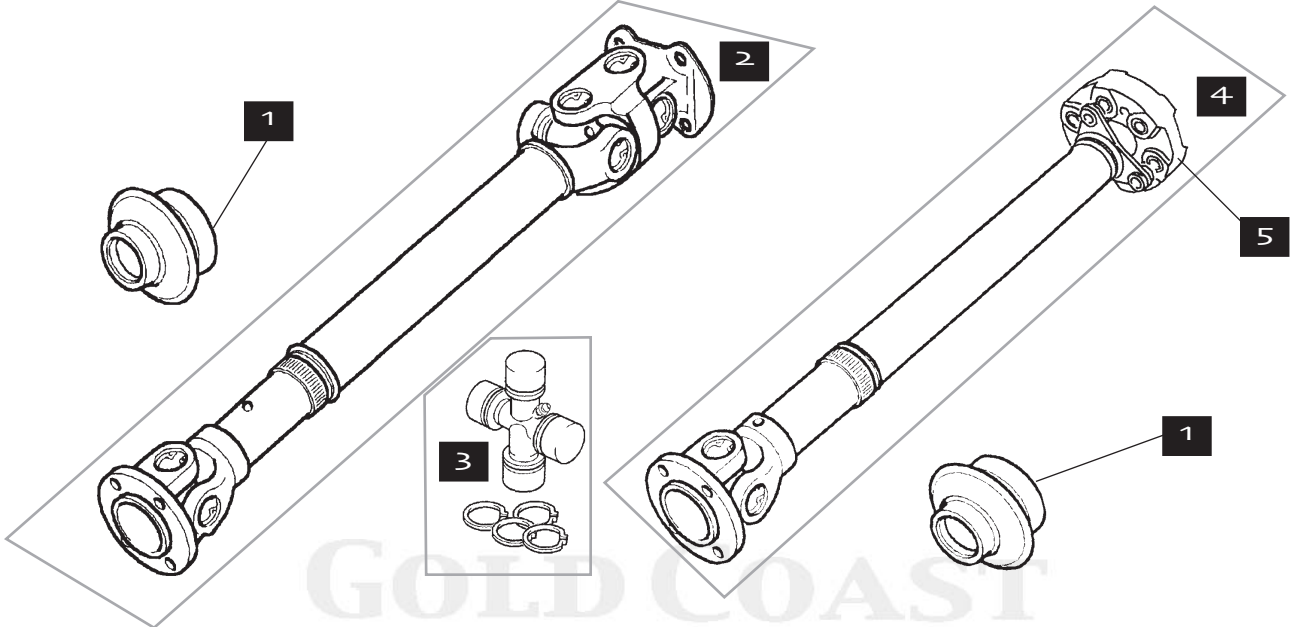
* Denotes Aftermarket Part

GOLD COAST ROVERS (800) 444-5247

215

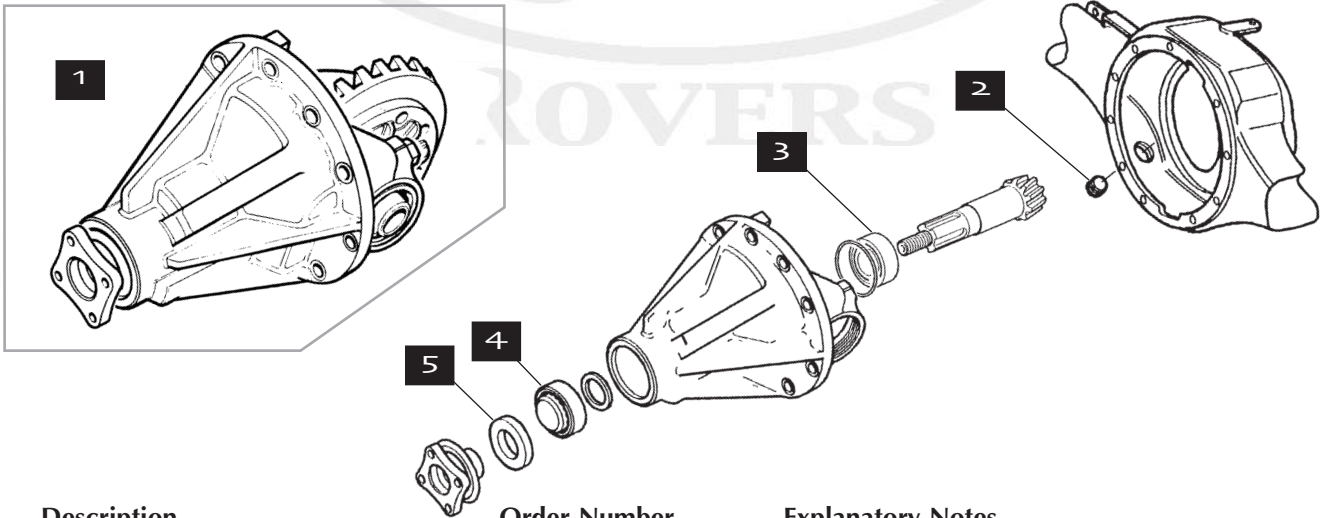


Description	Order Number	Explanatory Notes	Qty
1. Rear Track Rod Assembly	RV-TIQ000010		1
2. Tie Rod End, Long Type	RV-QFS000060		2
3. Front Drag Tube Only	RV-QEK000020		1
4. Tie Rod End, Short Type	RV-QFS000010		1
5. Front Drag Link Assembly	RV-QHG000050		1
6. Steering Damper Assembly	RV-QHH100001		1
7. Steering Damper Bushings	RV-QEM100190		2

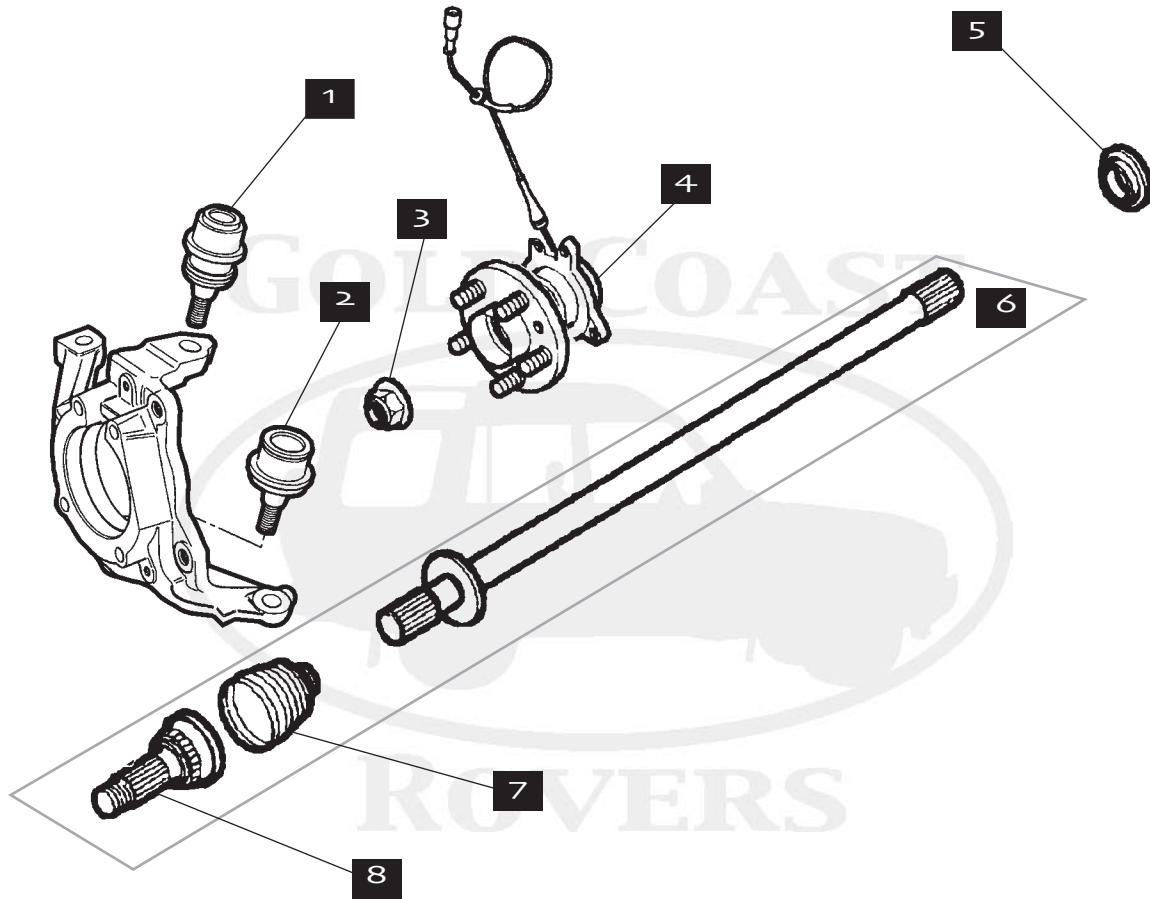


Description	Order Number	Explanatory Notes	Qty
1. Gaiter/Boot	RV-TVE100000	Front or Rear	2
2. Front Driveshaft Assembly	RV-TVB000110		1
3. U-Joint, Front Driveshaft	RV-TVC100010		2
3. U-Joint, Rear Driveshaft	JA-46		2
4. Rear Driveshaft Assembly	RV-TVB000140		1
5. Rubber Coupler, Rear Driveshaft	RV-TVF100010	Original Equipment	1
5. Rubber Coupler, Rear Driveshaft	RV-TVF100010/X	Aftermarket	1

DIFFERENTIAL, DISCOVERY SERIES II

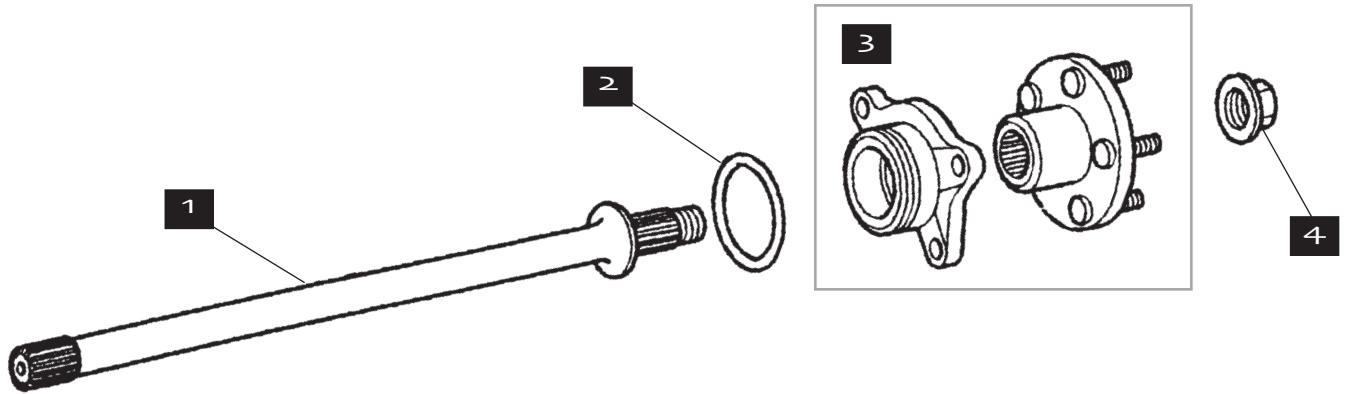


Description	Order Number	Explanatory Notes
1. Differential Assembly	RV-FTC5142	Front, New
1. Differential Assembly	RV-FTC5142/RB	Front, Rebuilt
1. Differential Assembly	RV-FTC5143	Rear, New
1. Differential Assembly	RV-FTC5143/RB	Rear, Rebuilt
2. Drain Plug	RV-FTC5208	Same front or rear
3. Pinion Bearing, rear	RV-539706	Same front or rear
4. Pinion Bearing, front	RV-539707	Same front or rear
5. Oil Seal, Pinion	RV-FTC5258	Same front or rear



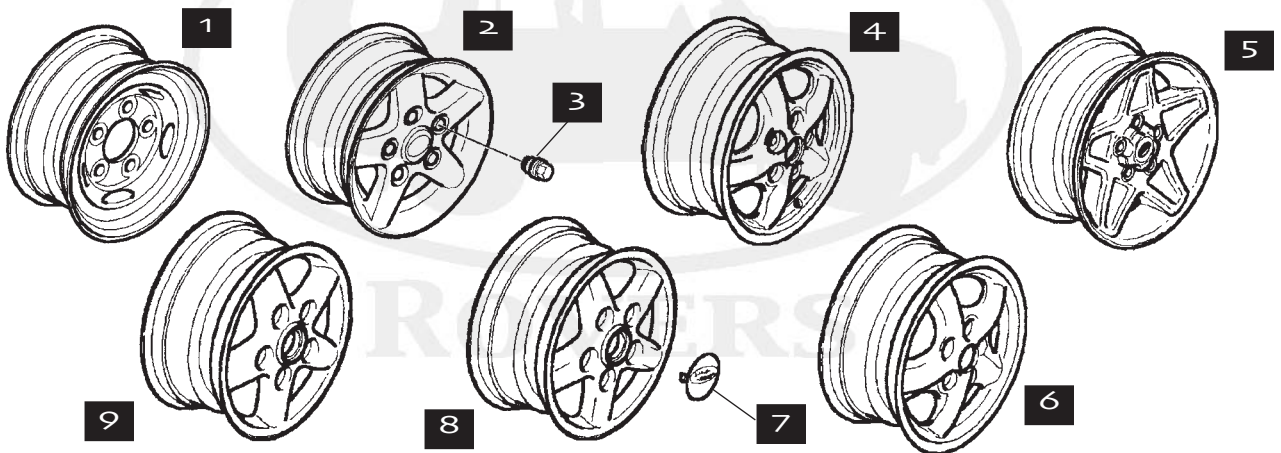
Description	Order Number	Explanatory Notes	Qty
1. Upper Ball Joint	RV-FTC3570		2
2. Lower Ball Joint	RV-FTC3571		2
3. Nut, Stake, Front Driveshaft	RV-CDU1534L	Same RH or LH	2
4. Front Drive Hub Assembly	RV-TAY100060	Same RH or LH, includes sensor	2
5. Front Driveshaft Seal	RV-FTC4822	Same RH or LH	2
6. Front Halfshaft Assembly, RH	RV-TDB500240		1
6. Front Halfshaft Assembly, LH	RV-TDB500250		1
7. Gaiter/Boot, Outer Joint Driveshaft	RV-TDR100780	Same RH or LH	2
8. Constant-Velocity Joint	RV-TDR100790	Same RH or LH	2

REAR AXLE AND HUBS, DISCOVERY SERIES II

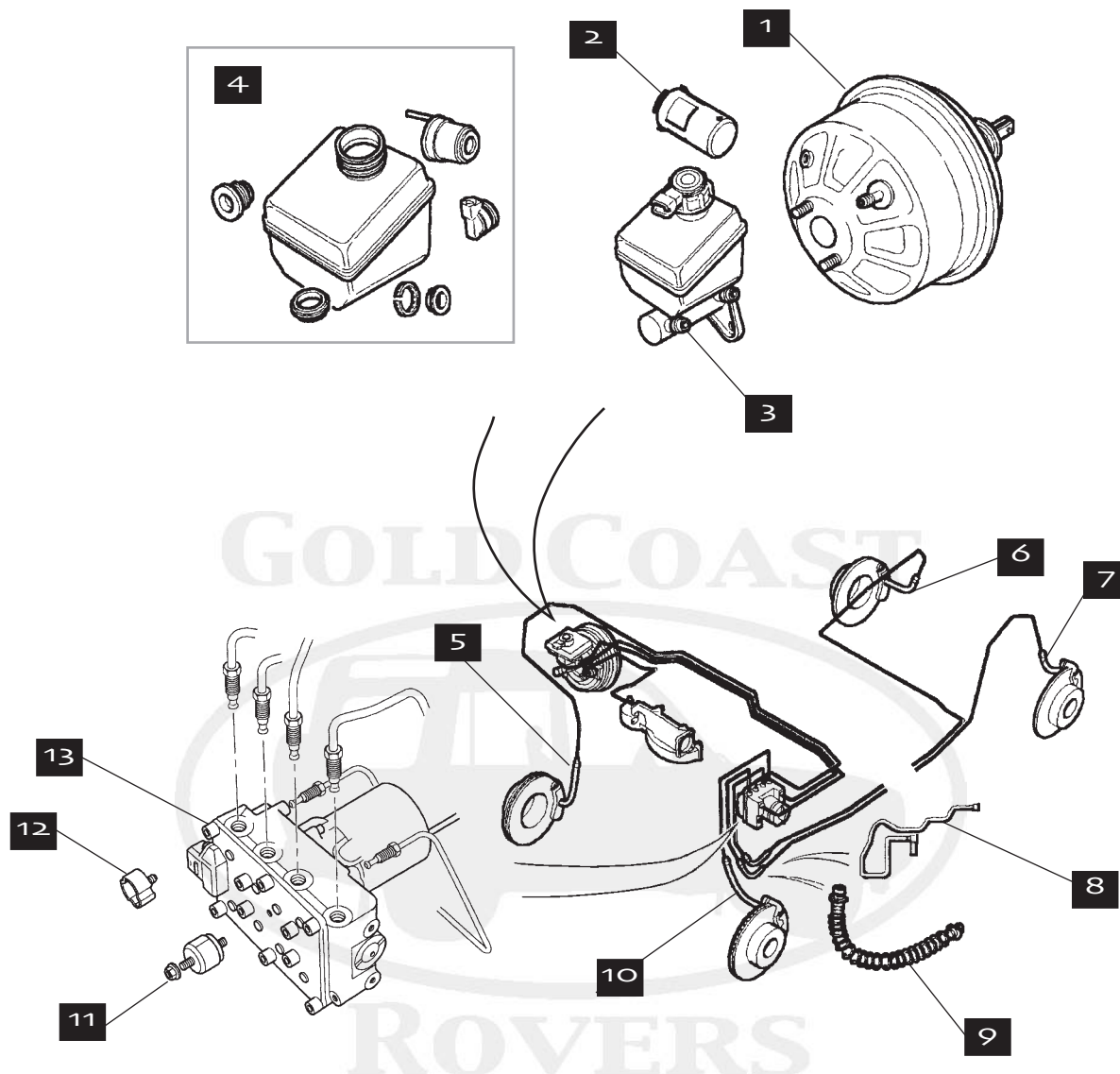


Description	Order Number	Explanatory Notes	Qty
1. Axle Shaft, LH	RV-TOD100030		1
1. Axle Shaft, RH	RV-TOD100020		1
2. O-ring	RV-FTC4919		2
3. Flange and Rear Hub Assembly	RV-TAY100050		2
4. Nut, Staked	RV-CDU1534L		2

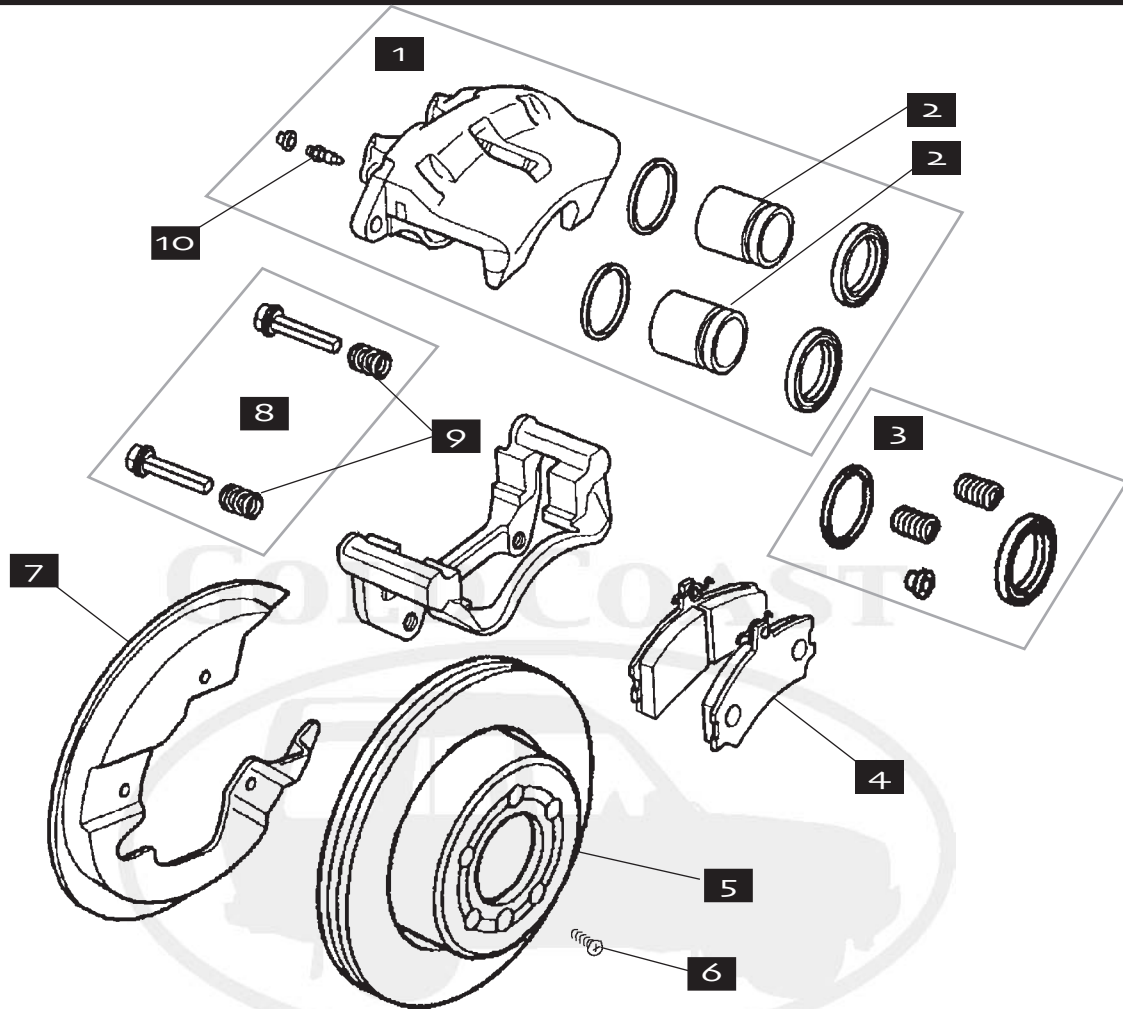
WHEELS, DISCOVERY SERIES II



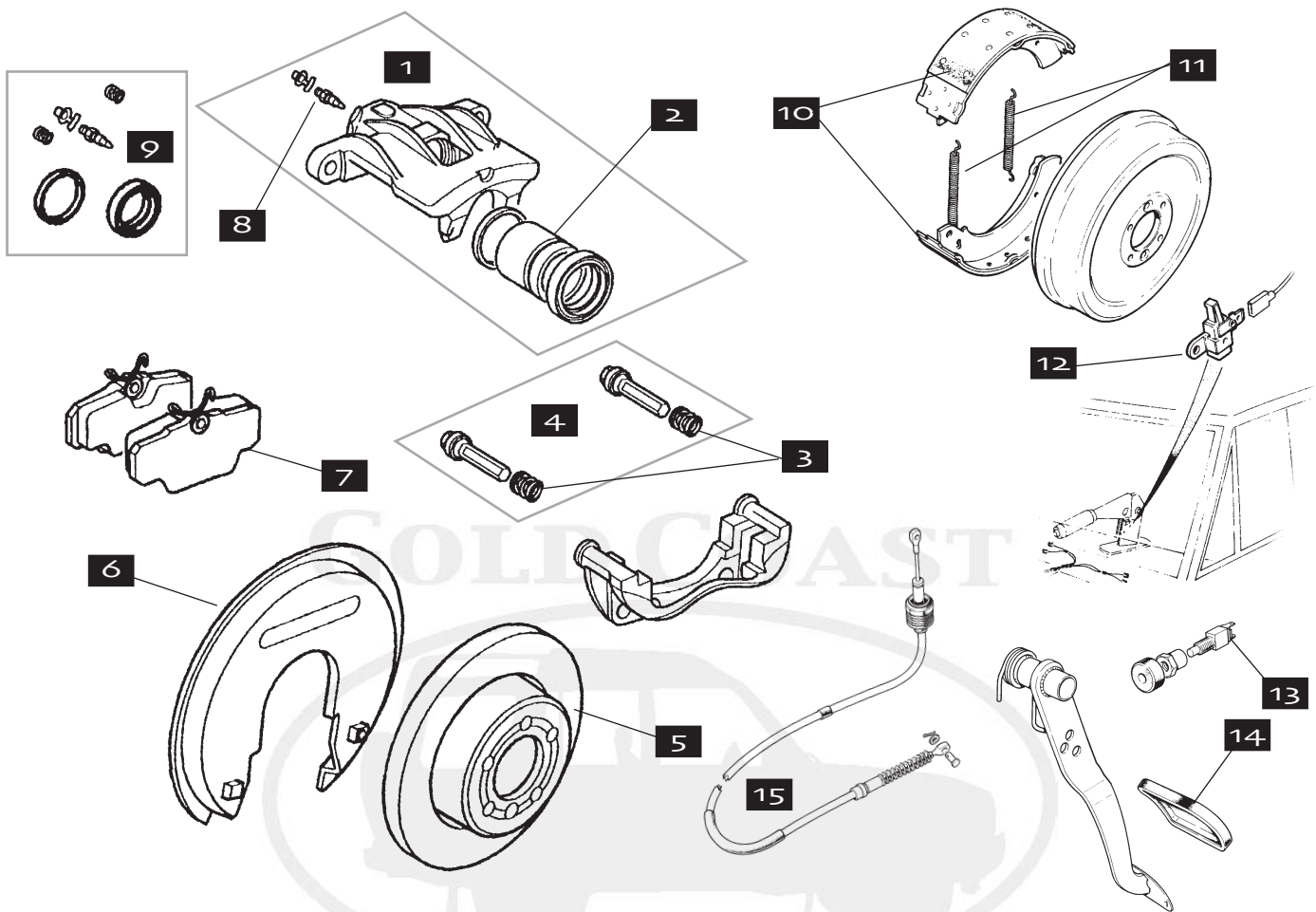
Description	Order Number	Explanatory Notes
1. Wheel, Steel	RV-RRC114560MUW	
2. Wheel, Alloy	RV-ANR4847MNH	7.0 x 16 Silver Sparkle-Tempest
3. Wheel Nut, Alloy Wheel	RV-ANR3679	
4. Wheel, Alloy	RV-RRC115080MNH	8J x 16 Silver Sparkle-Stratos
5. Wheel, Alloy	RV-RRC115410MNH	8J x 18 5-Spoke- Silver Sparkle-Mondial
6. Wheel, Alloy	RV-RRC112820MNH	8J x 16 Silver Sparkle-Lightning
9. Wheel, Alloy	RV-ANR4849MNH	8J x 18 Silver Sparkle-Proline; 50th Anniversary
7. Center Cap	RV-RRJ500030MNH	Silver Sparkle
7. Center Cap	RV-RRJ100140MNZ	Gunsmoke Silver
7. Center Cap	RV-DAG100310	Land Rover Gold
7. Center Cap	RV-RRJ100140MCM	Polished, Bright
8. Wheel, Alloy	RV-RRC115070MNH	7J x 16 Silver Sparkle-Meteor
8. Wheel, Alloy	RV-RRC000040MNH	7J x 16 Silver Sparkle, from (V)2001 MY
8. Wheel, Alloy	RV-RRC112810WOV	8J x 16 Gunsmoke Silver Typhoon
9. Wheel, Alloy	RV-ANR4848MNH	8J x 16 Silver Sparkle-Mirage



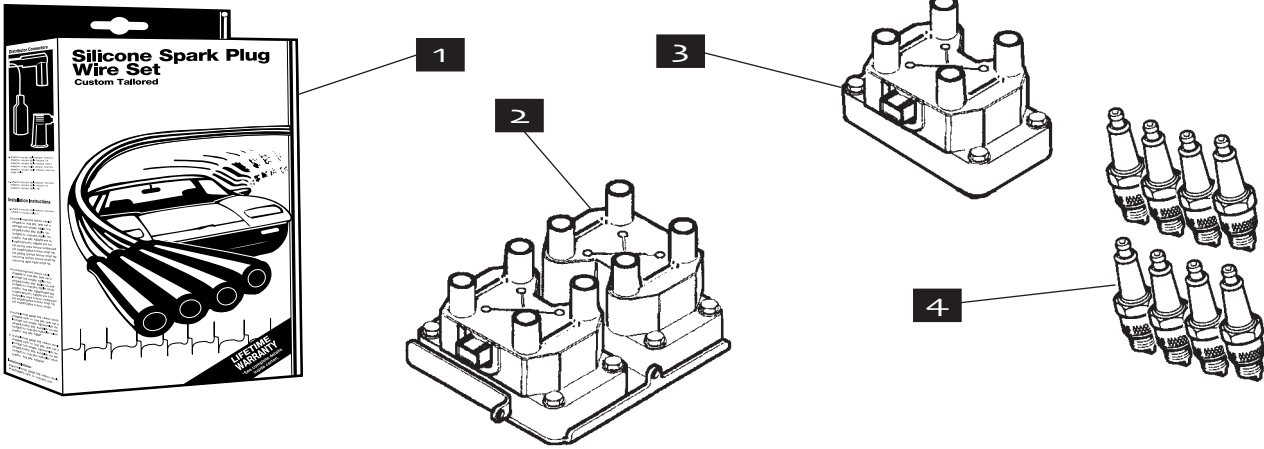
Description	Order Number	Explanatory Notes	Qty
1. Servo Assembly	RV-SJG100050	To 2A999999	1
1. Servo Assembly	RV-SJG500030	From 3A000000	1
2. Reservoir Filter	RV-SID100040		1
3. Master Cylinder Assembly	RV-SJC100432	To 2A999999	1
3. Master Cylinder Assembly	RV-SJC000110	From 3A000000	1
4. Master Cylinder Rebuild Kit	RV-SJJ100362		1
5. Brake Hose, Right Front	RV-SHB101190		1
6. Brake Hose, Right Rear	RV-SHB101200		1
7. Brake Hose, Left Rear	RV-SHB101170		1
8. ABS Sensor Kit, Front	RV-TAR100060		1
8. ABS Sensor Kit, Rear	RV-TAR100070		1
9. Jump Hose, 2 Req'd.	RV-SHB101350		2
10. Brake Hose, Left Front	RV-SHB101180		1
11. Rubber Mount, ABS Modulator	RV-ANR5265		3
12. Washer Cup	RV-ANR3107		1
13. ABS Modulator	RV-SRB101202		1



Description	Order Number	Explanatory Notes	Qty
1. Brake Caliper, LH Front, New	RV-STC1915	To VIN 2A999999	1
1. Brake Caliper, LH Front, Rebuilt	RV-STC1915/RB	To VIN 2A999999	1
1. Brake Caliper, RH Front, New	RV-STC1916	To VIN 2A999999	1
1. Brake Caliper, RH Front, Rebuilt	RV-STC1916/RB	To VIN 2A999999	1
1. Brake Caliper, LH Front, New	RV-SEG000060	From VIN 3A000000	1
1. Brake Caliper, RH Front, New	RV-SEG000030	From VIN 3A000000	1
2. Brake Piston, front, two per caliper	RV-STC1918	To VIN 2A999999	1
2. Brake Piston, front, two per caliper	RV-SEK000020	From VIN 3A000000	4
3. Rebuild Kit, Front Calipers, axle set	RV-STC1919	To VIN 2A999999	1
3. Rebuild Kit, Front Calipers, axle set	RV-SEE000130	From VIN 3A000000	1
4. Pad Set	RV-SFP000210	Original Equipment	1
4. Pad Set	RV-SFP100460/M	Ⓢ Aftermarket, standard metallic	1
4. Pad Set	RV-SFP100460/AMM	Ⓢ Aftermarket, Axxis Metal Master	1
4. Pad Set	RV-SFP100460/LK	Ⓢ Aftermarket, Lockheed Brand	1
4. Pad Set	RV-SFP100460K	Ⓢ Aftermarket, Hi-performance Kevlar	1
Ⓢ Aftermarket manufacturers do not differentiate between Discovery Series II brake pads and 1995-2002 Range Rover.			1
5. Brake Rotor, vented	RV-SDB000380		2
6. Disc Fixing Screw	RV-SF108201L		2
7. Mud Shield, LH Front	RV-FTC4909		1
7. Mud Shield, RH Front	RV-FTC4908		1
8. Guide Pin Kit for Caliper Carrier	RV-STC1920	Axle Set	1
9. Dust Cover Kit, guide pins	RV-STC1911	Axle Set	1
10. Bleed Screw	RV-RTC1115		2

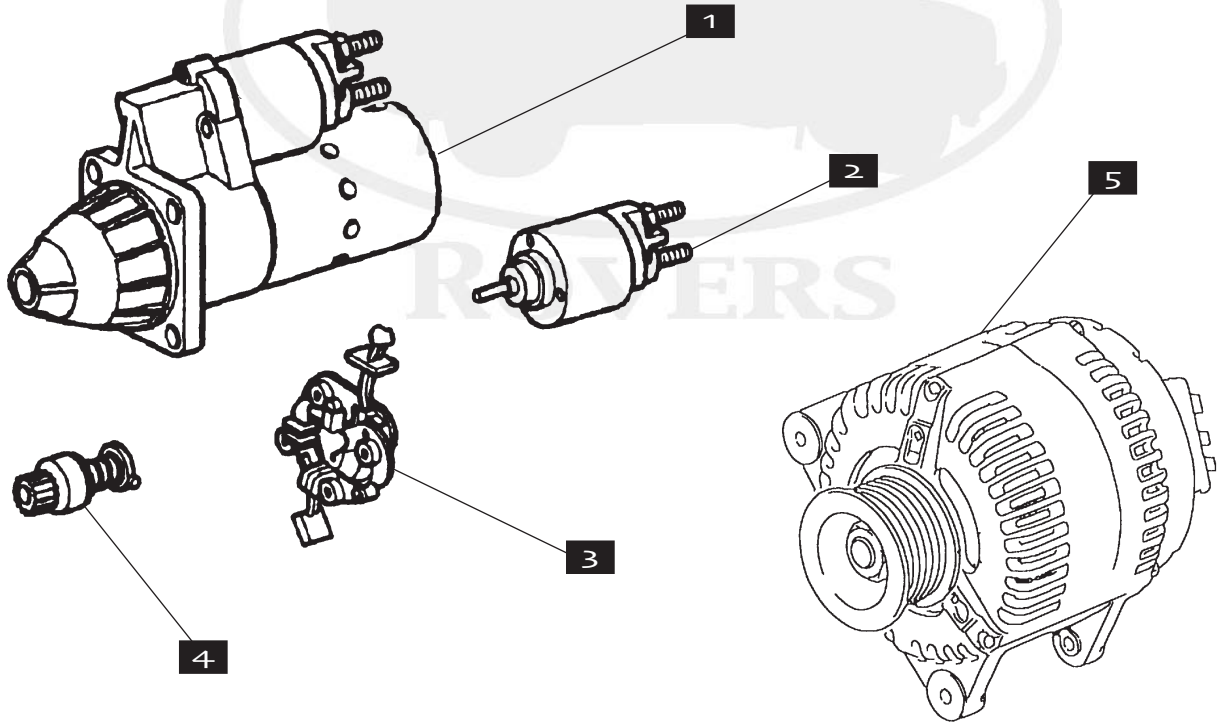


Description	Order Number	Explanatory Notes	Qty
1. Brake Caliper, Right, new	RV-STC1906		1
1. Brake Caliper, Right, rebuilt	RV-STC1906/RB		1
Note: Calipers include piston housing only; pad carrier not included.			1
1. Brake Caliper, Left, new	RV-STC1905		1
1. Brake Caliper, Left, rebuilt	RV-STC1905/RB		1
Note: Calipers include piston housing only; pad carrier not included.			1
2. Piston, Rear Brake Caliper	RV-STC1908		1
3. Dust Cover Kit, for guide pins, axle set	RV-STC1911		1
4. Guide Pin Kit, Rear Brake Caliper	RV-STC1910	Axle set	1
5. Brake Rotor, Rear	RV-SDB000470		2
6. Mud Shield, RH or LH Rear	RV-FTC4778		1
7. Brake Pad Set, Mintex	RV-SFP100470/MTX		1
7. Brake Pad Set, Axxis Metal Master	RV-SFP100470/AMM		1
7. Brake Pad Set, Lockheed	RV-SFP100470/LK		1
7. Brake Pad Set, Hi-performance Kevlar	RV-SFP100470K		1
8. Bleed Screw, Rear Brake Caliper	RV-RTC1115		2
9. Seal Kit, Rear Brake Caliper	RV-STC1909		2
10. Handbrake Shoe Kit	RV-ICW500010		1
11. Handbrake Shoe Return Spring Kit	RV-ICW100050		1
12. Handbrake Warning Switch	RV-CLP8699L		1
13. Switch, Stop/Cruise Brake	RV-XKB100170		1
14. Rubber Pad, Brake Pedal	RV-ANR2941		1
15. Handbrake Cable, to XA224663	RV-SPB101500		1
15. Handbrake Cable, from XA224664	RV-SPB000150		1



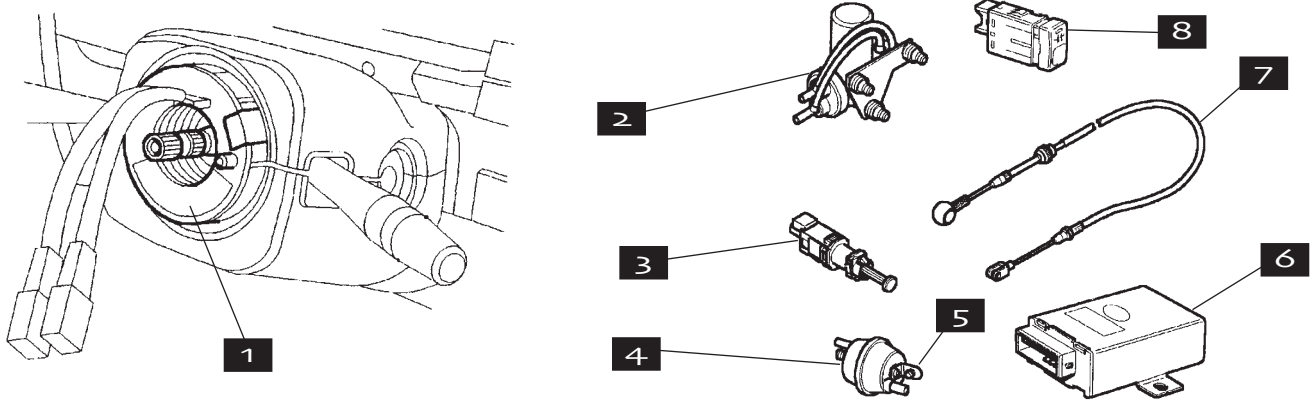
Description	Order Number	Explanatory Notes	Qty
1. Spark Plug Wire Set	RV-0790	Bosch Ignition System	1
2. Coil Pack	RV-ERR6566	Both coils with bracket	1
3. Coil, individual	RV-ERR6045	Single Coil	2
4. Spark Plug	RV-NLP100320		8

ROTATING ELECTRICAL, DISCOVERY SERIES II



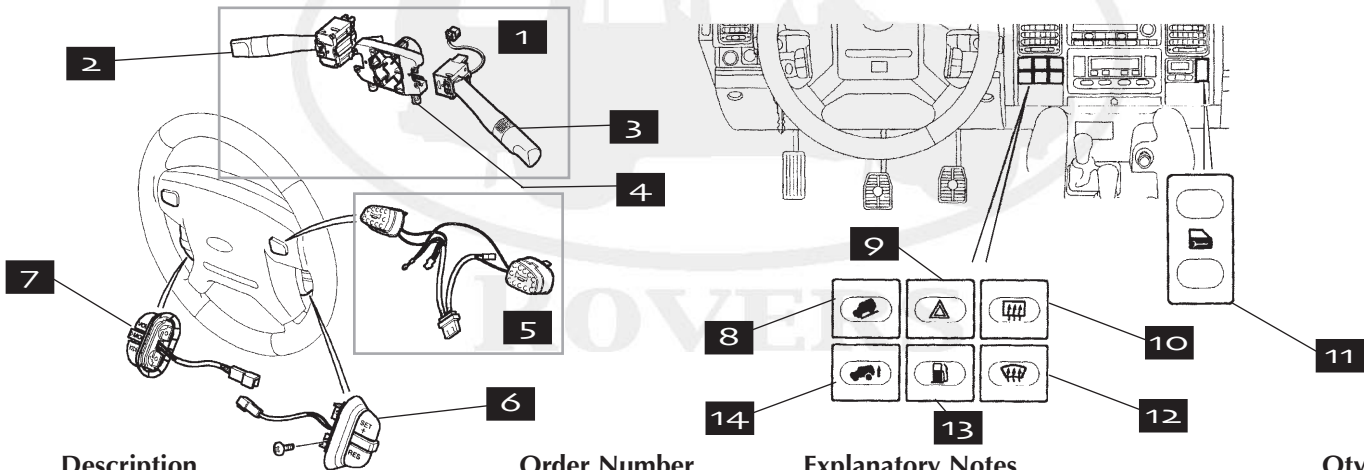
Description	Order Number	Explanatory Notes	Qty
1. Starter	RV-NAD101490		1
2. Solenoid	RV-STC4462		1
4. Drive	RV-STC4464		1
3. Brush Set	RV-STC4465		1
5. Alternator	RV-ERR6413	Rebuilt, to 3A239591	1
5. Alternator	RV-YLE500090	Rebuilt, 3A239592-on	1

CRUISE CONTROL, DISCOVERY SERIES II

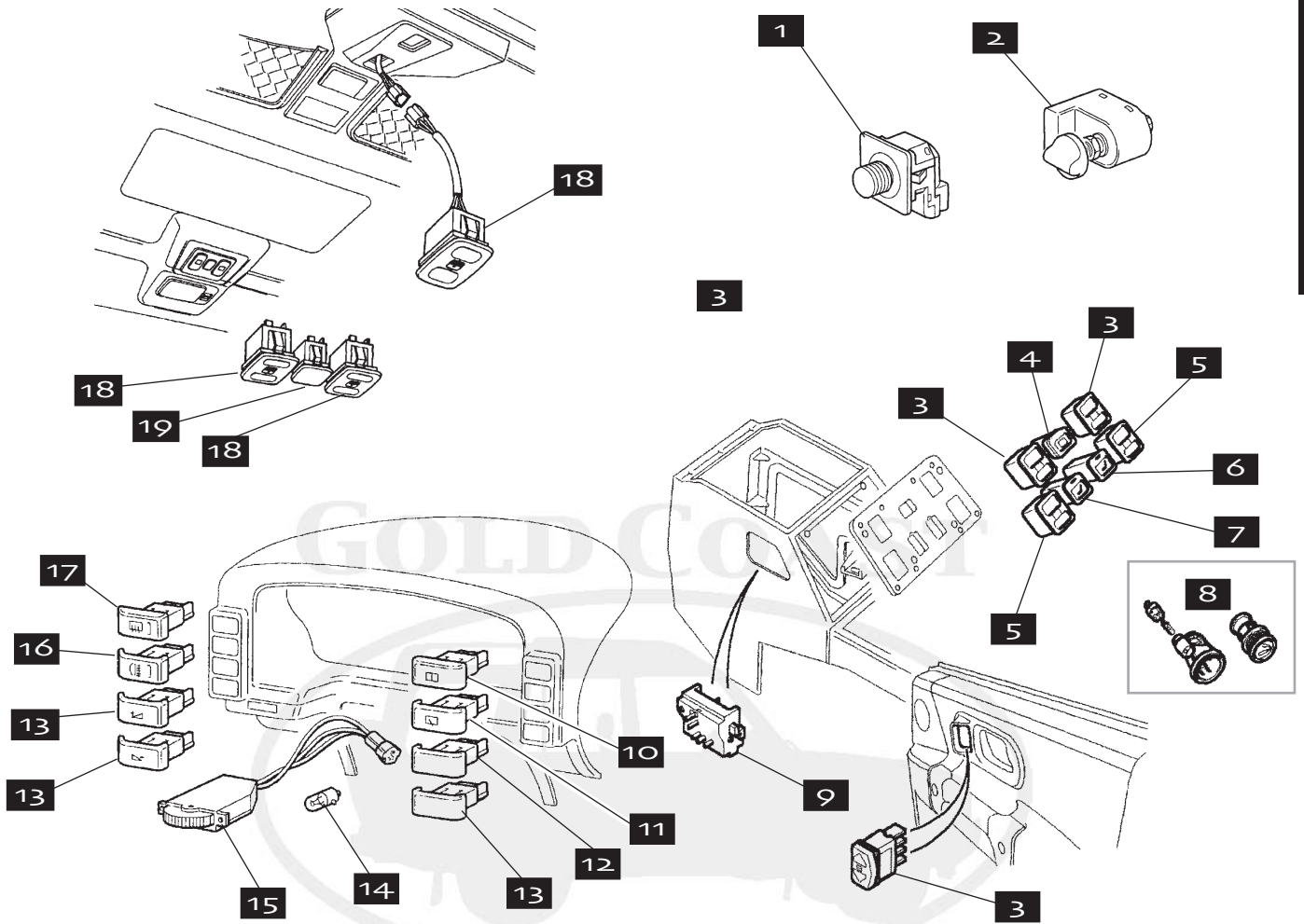


Description	Order Number	Explanatory Notes	Qty
1. Rotary Switch	RV-YRC100350		1
2. Vacuum Pump	RV-SCC100030L		1
3. Switch, Stop/Cruise Brake	RV-XKB100170	At brake pedal assembly	1
4. Actuator Assembly	RV-ETC7150		1
5. Ball Joint, Actuator Assembly	RV-ETC7149		1
6. Cruise Control Unit	RV-AMR5700	Rebuilt	1
7. Cable Assembly	RV-SCD100070		1
8. Switch, Enable/Disable	RV-YUH100370	Thru 2002	1

SWITCHES, DISCOVERY SERIES II

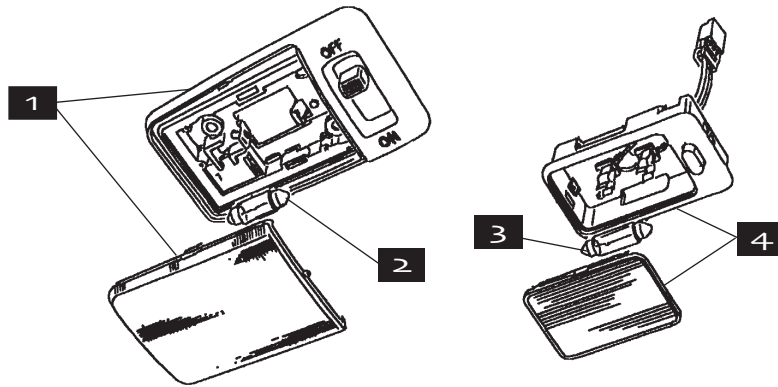


Description	Order Number	Explanatory Notes	Qty
1. Steering Column Switch Assembly	RV-XPB101490	2A782669-on	1
2. Master Lighting /Indicator/Headlamp Dip Switch	RV-STC4017	Thru 2A782668	1
3. Wash/Wipe/Windscreen Switch	RV-STC4016	Thru 2A782668	1
4. Center Column Housing	RV-STC2835	All	1
5. Horn Switch	RV-QTN100270		1
6. Cruise Control Set/Resume Switch	RV-YUH100320		1
7. Remote In Car Entertainment Switch	RV-YUH100330		1
8. Hill Descent Control Throttle Switch	RV-YUG102832	Thru 2002	1
9. Hazard Switch	RV-YUG102372	Thru 2002	1
10. Heated Windscreen Switch	RV-YUG102550	Thru 2002	1
11. Master Door Lock Switch	RV-YUF000220	Thru 2002 Note: Central door lock located within clock.	1
12. Heated Rear Window Switch	RV-YUG102540	Thru 2002	1
13. Fuel Flap Release Switch	RV-YUG102390	Thru 2002	1
13. Blank Assembly Fascia Switch	RV-AMR5432	Thru 2002	1
14. Off-Road Level Switch	RV-YUF101751	Thru 2002	1



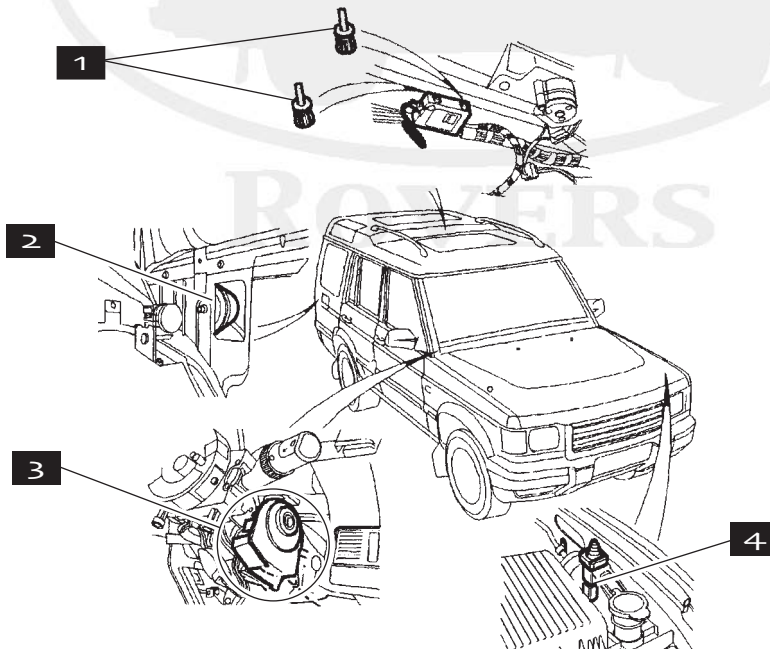
Description	Order Number	Explanatory Notes	Qty
1. Mirror Switch, with Power Folding	RV-YUH100260PMA		1
1. Mirror Switch, without Power Folding	RV-AMR2498	Thru 2002	1
2. Leveling Assembly Switch	RV-YUK000020PUY	Rotary Headlamp	1
3. Tail Door Window Lift Switch	RV-YUF000200LNF	Thru 2002	4
4. Electric Window Isolator Switch	RV-AMR2497	Thru 2002	1
5. Electric Window Lift Switch, Front	RV-YUF101521LNF	Thru 2002	2
6. Seat Heat Switch, RH	RV-YUG102440	Thru 2002	1
7. Seat Heat Switch, LH	RV-YUG102430	Thru 2002	1
8. Cigar lighter	RV-YUJ10037L	Thru 2002	1
9. Seat Switch Pack, RH	RV-YUB101080		1
9. Seat Switch Pack, LH	RV-YUB101060		1
10. Rear Wash Switch, Momentary	RV-YUE100590	Thru 2002	1
11. Rear Wipe Switch, Momentary	RV-YUE100600	Thru 2002	1
12. Cruise Control Enable/Disable Switch	RV-YUH100370		1
13. Blank Fascia Switch	RV-AMR5433	Thru 2002	3
14. Bulb & Holder Assembly, Orange	RV-STC1877		1
14. Bulb & Holder Assembly, Green	RV-STC1878		1
15. Thumbwheel Illumination Control	RV-AMR2745		1
16. Rear Fog Switch, Momentary	RV-YUE100670	Thru 2002	1
17. Front Fog Switch	RV-YUG102620	Thru 2002	1
18. Sunroof Switch Pack	RV-YUF000210LNF	Three switch pack	1
19. Sunroof Isolator Switch	RV-YUG102450	Ash Grey, Thru 2002	1

COURTESY LAMPS, DISCOVERY SERIES II



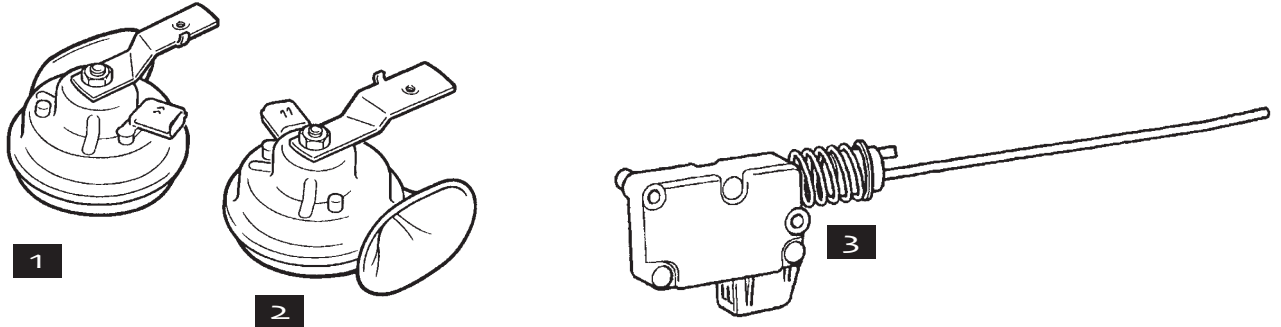
Description	Order Number	Explanatory Notes	Qty
1. Front Lamp	RV-AMR2577		1
2. Bulb for Front Lamp	RV-586438		1
3. Bulb for Rear Lamp	RV-RTC3633		1
4. Rear Lamp	RV-AMR2329		1

ALARM COMPONENTS, DISCOVERY SERIES II



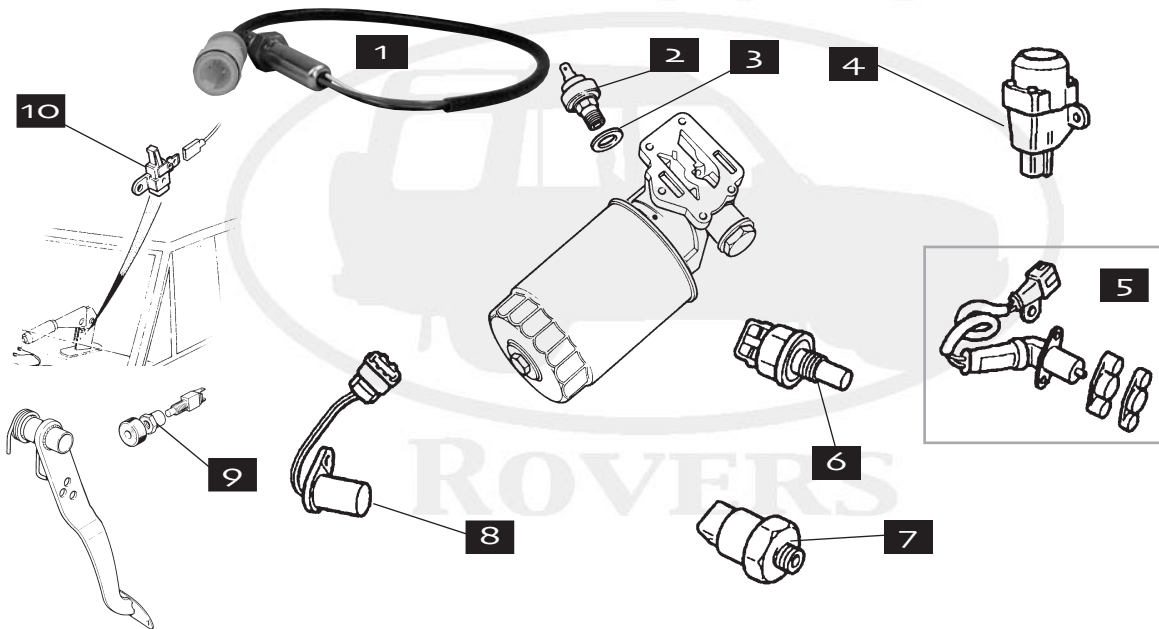
Description	Order Number	Explanatory Notes	Qty
1. Receiver Radio Remote 315 MHz	RV-YWY000090		2
2. Battery-Sounder Backup Unit	RV-YWK100110		1
3. Engine Immobilizer Coil	RV-YWI100010		1
4. Bonnet Burglar Alarm Switch	RV-AMR5653		1

HORNS & FUEL DOOR ACTUATOR DISCOVERY SERIES II

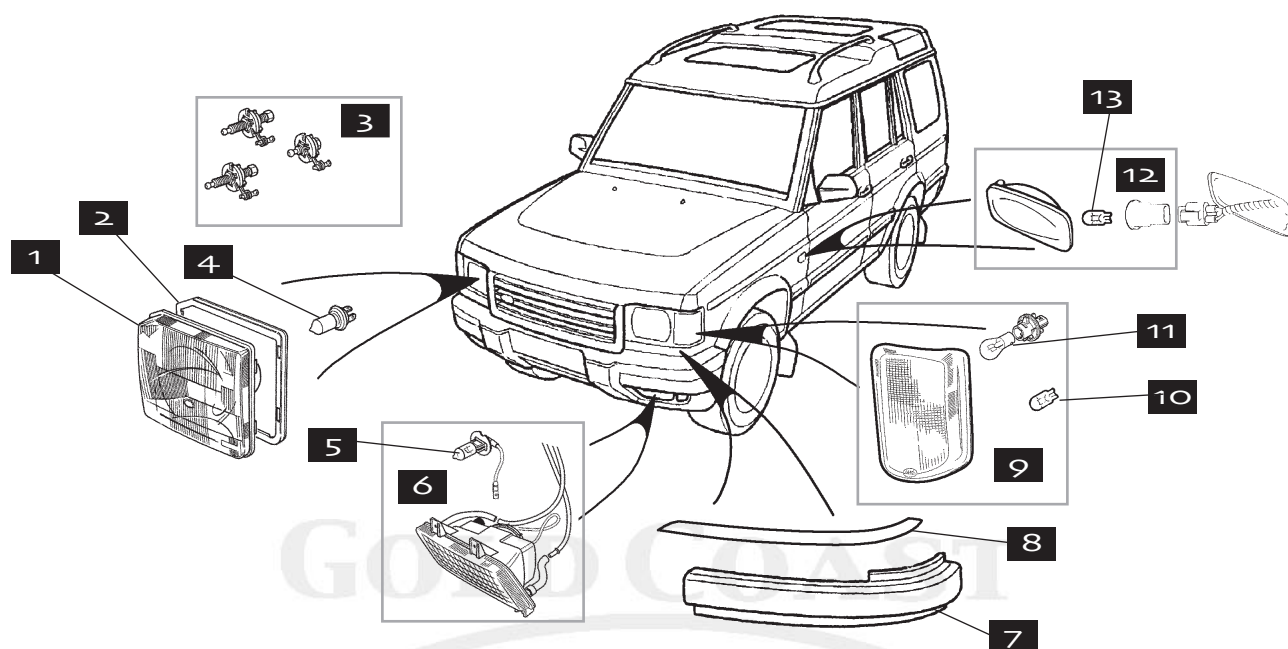


Description	Order Number	Explanatory Notes	Qty
1. High Note	RV-YEB500040		1
2. Low Note	RV-YEB500060		1
3. Fuel Door Actuator	RV-FUG100580		1

ENGINE SENSORS, DISCOVERY SERIES II



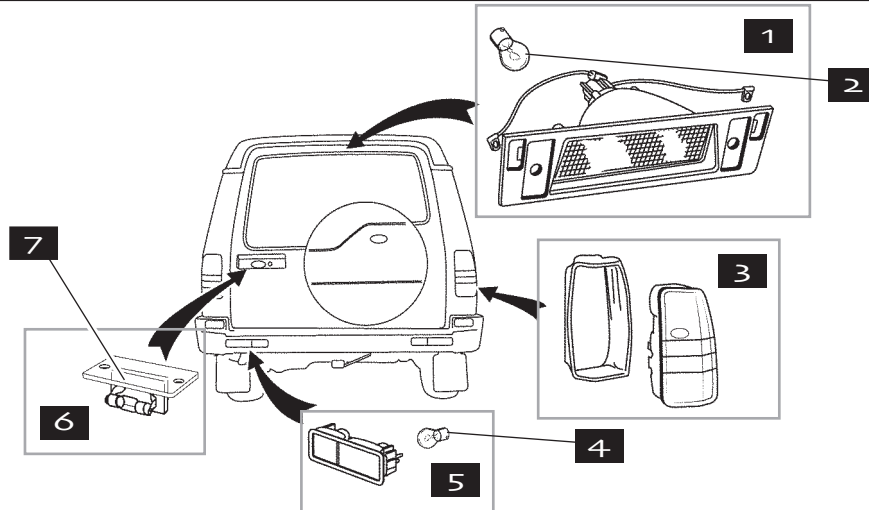
Description	Order Number	Explanatory Notes	Qty
1. Oxygen Sensor	RV-MHK100920	Front	2
1. Oxygen Sensor	RV-MHK100930	Rear	2
2. Oil Pressure Switch	RV-STC4104K*	On oil pump housing; to XA231750	1
2. Oil Pressure Switch	RV-NUC100280L	On oil pump housing; from XA231751	1
3. Washer for STC4104K*	RV-243968		1
4. Fuel Cut-Off (inertia) Switch	RV-WQT100030L		1
5. Position Sensor, Crankshaft	RV-ERR7354	Automatic Transmission	1
5. Position Sensor, Crankshaft	RV-ERR7352	Manual Transmission (Non USA)	1
6. Temperature Sensor, Coolant, ECU	RV-MEK100160	To 3A818214	1
6. Temperature Sensor, Coolant, ECU	RV-MEK500130	From 3A818215	1
7. Knock Sensor	RV-NSC100650		1
8. Position Sensor, Camshaft	RV-ERR6169		1
9. Hand Brake Warning Switch	RV-CLP8699L		1
10. Brake Light Switch/Stop/Cruise	RV-XKB100170		1



Description	Order Number	Explanatory Notes
1. Head Lamp Assembly, RH	RV-XBC105160	Through 2002
1. Head Lamp Assembly, LH	RV-XBC105170	Through 2002
1. Head Lamp Assembly, RH	RV-XBC001660	2003-on
1. Head Lamp Assembly, LH	RV-XBC001670	2003-on
1. Head Lamp Assembly, RH	RV-XBC501460	2003-on; vented
1. Head Lamp Assembly, LH	RV-XBC501470	2003-on; vented
2. Head Lamp Seal, RH	RV-STC1713	Through 2002
2. Head Lamp Seal, LH	RV-STC1714	Through 2002
3. Headlamp Fitting Hardware Kit	RV-STC1232	Through 2002
4. Bulb, Head Lamp	RV-589783	Through 2002
4. Bulb, Head Lamp	RV-XZQ000010	2003-on
4. Bulb, Indicator	RV-XZQ100190L	2003-on; contained in head lamp unit
4. Bulb, Side Marker	RV-XZQ000080	2003-on; contained in head lamp unit
4. Bulb, Side	RV-XZQ000080	2003-on; contained in head lamp unit
5. Fog/Driving Lamp Bulb	JA-DBC11408	Through 2002
5. Bulb, Fog Lamp	RV-XZQ000110	2003-on
6. Fog Lamp, RH	RV-AMR5344	Through 2002, in bumper
6. Fog Lamp, LH	RV-AMR5345	Through 2002, in bumper
6. Fog Lamp, RH	RV-XBJ000080	2003-on
6. Fog Lamp, LH	RV-XBJ000090	2003-on
7. Finisher, Below Head Lamp, RH	RV-DHH000120LML	2003-on
7. Finisher, Below Head Lamp, LH	RV-DHH000130LML	2003-on
8. Insert, Below Head Lamp, RH	RV-DHH500050	2003-on
8. Insert, Below Head Lamp, LH	RV-DHH500040	2003-on
9. Front Turn Signal Lamp, RH	RV-XBD100870	Through 2002
9. Front Turn Signal Lamp, LH	RV-XBD100880	Through 2002
10. Bulb, Small, in Turn Signal Lamp	RV-AFU4481	Through 2002
11. Bulb, Large, in Turn Signal Lamp	RV-264591	Through 2002
12. Repeater Lamp	RV-XGB000030	On front fender, same RH or LH
13. Bulb for Repeater Lamp	RV-AFU4481	

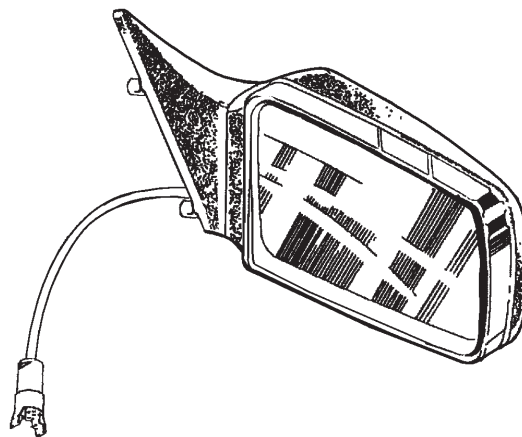
REAR LAMPS, DISCOVERY SERIES II

DISCOVERY II, 1999-2004



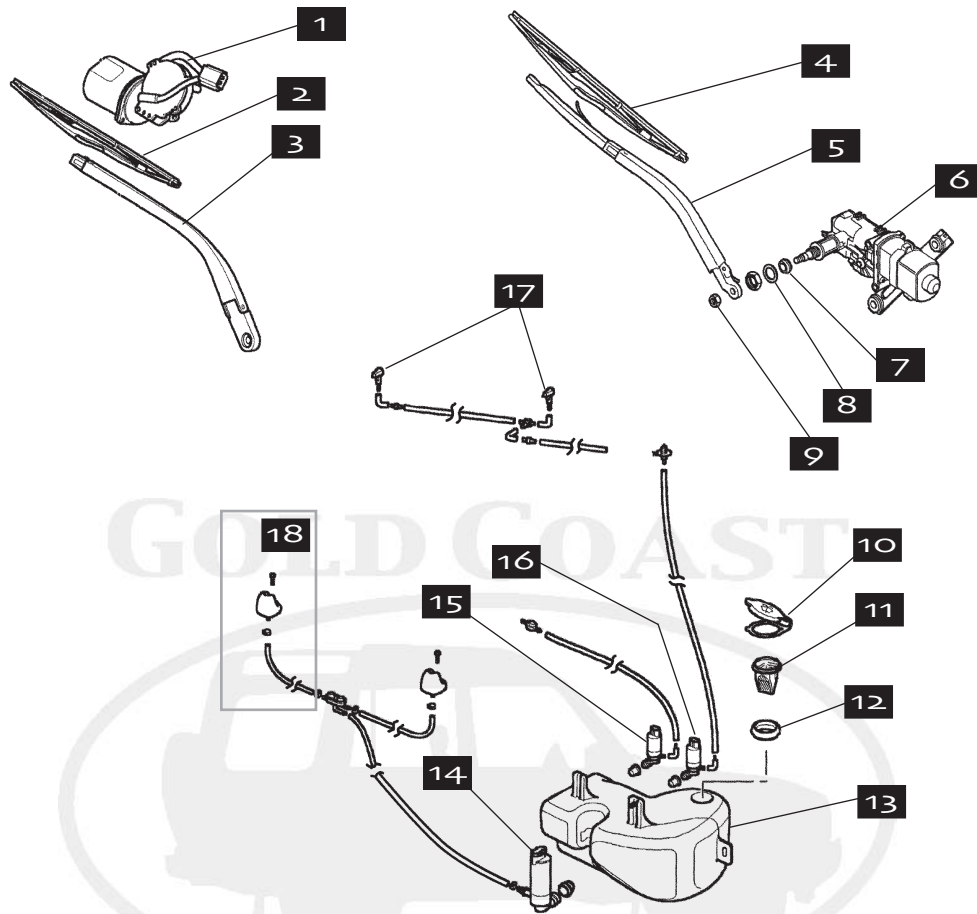
Description	Order Number	Explanatory Notes	Qty
1. High Mounted Stop Lamp	RV-XFG100370		1
2. Bulb for High-Mounted Stop Lamp	RV-264591		1
3. Tail Lamp Assembly, on Body	RV-XFB000160	RH, To YA274082,	1
3. Tail Lamp Assembly, on Body	RV-XFB000040	RH, From YA274083	1
3. Tail Lamp Assembly, on Body	RV-XFB000441	RH	1
3. Tail Lamp Assembly, on Body	RV-XFB000170	LH, To YA274082	1
3. Tail Lamp Assembly, on Body	RV-XFB000050	LH, From YA274083	1
3. Tail Lamp Assembly, on Body	RV-XFB000451	LH	1
4. Bulb, Tail Lamp in Bumper	RV-XZQ100190L	All	2
5. Tail Lamp Assembly, in Bumper, LH	RV-XFB101490	To 2A760225	1
5. Tail Lamp Assembly, in Bumper, RH	RV-XFB101480	To 2A760225	1
5. Tail Lamp Assembly, in Bumper, LH	RV-XFB000720	From 2A760226	1
5. Tail Lamp Assembly, in Bumper, RH	RV-XFB000730	From 2A760226	1
6. License Lamp	RV-XFC500050		2
7. License Lamp Bulb	RV-RTC3633		2

MIRRORS, DISCOVERY SERIES II



Description	Order Number	Explanatory Notes	Qty
Door Mirror, Left	RV-CRB501330PMA	Flat	1
Door Mirror, Right	RV-CRB501340PMA	Convex	1
Door Mirror, Left	RV-CRB501370PMA	Flat, with optional power folding	1
Door Mirror, Right	RV-CRB501380PMA	Flat, with optional power folding	1

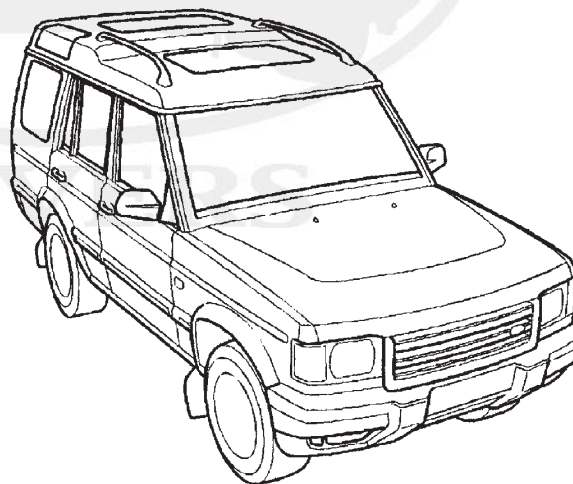
* Denotes Aftermarket Part



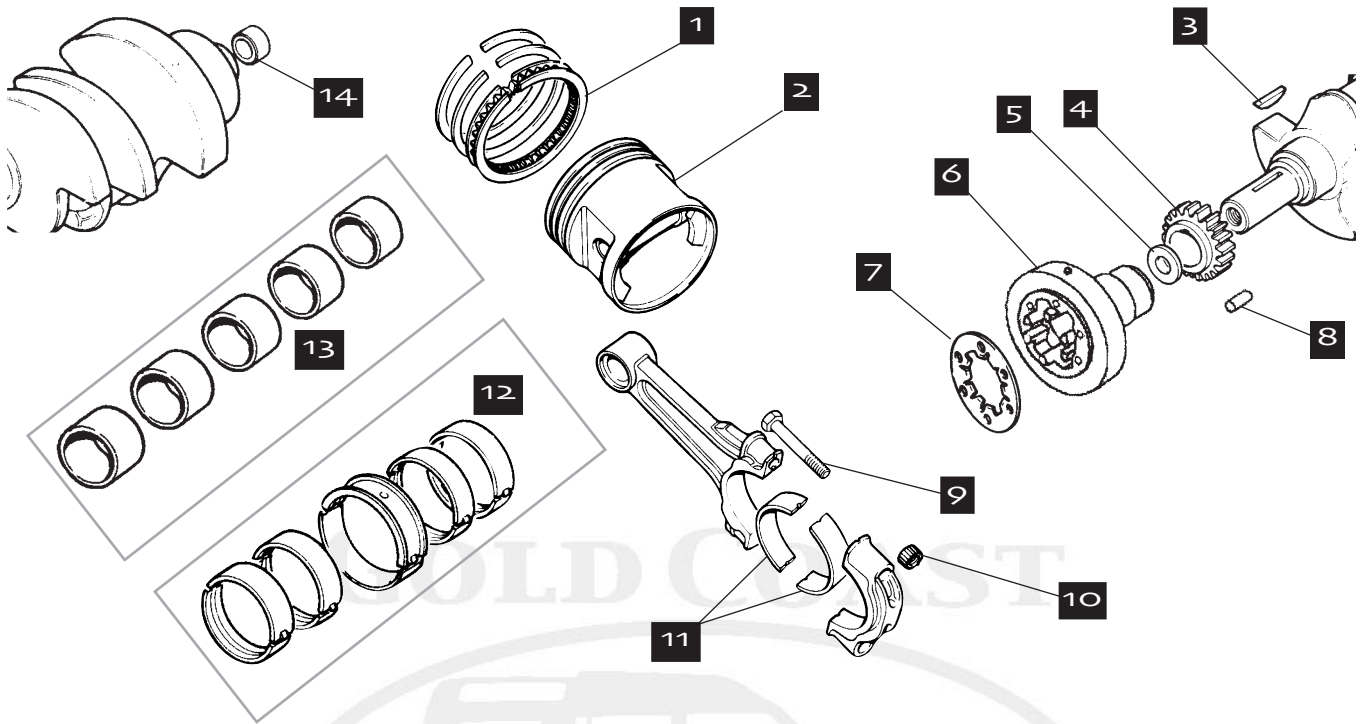
Description	Order Number	Explanatory Notes	Qty
1. Wiper Motor Assembly, Front	RV-DKD100630		1
2. Wiper Blade, Front	RV-DKC100960		2
3. Wiper Arm, Front	RV-DKB102840		2
4. Wiper Blade, Rear	RV-DKC100890		1
5. Wiper Arm, Rear	RV-DKB500310PMD		1
6. Wiper Motor Assembly, Rear	RV-DLB101640		1
7. Grommet for Rear Motor	RV-AMR3932		1
8. Plastic Washer for Rear Motor	RV-AMR3933		1
9. 8mm Nut for Rear Wiper Motor	RV-NH108041L		1
10. Cap, Washer Reservoir	RV-DMG10001L		1
11. Filter, Washer Reservoir	RV-AMR3266	To 4A842249	1
11. Filter, Washer Reservoir	RV-DMS500011	From 4A842250	1
12. Seal, Filler Neck to Reservoir	RV-DML10001L		1
13. Washer Reservoir	RV-DMB102980	Without Headlamp Wash	1
13. Washer Reservoir	RV-DMB102970	With Headlamp Wash	1
14. Pump, washer, Headlamp	RV-DMC100560		1
15. Pump, washer, front windscreen	RV-DMC100550		1
16. Pump, washer, rear	RV-DMC100540		1
17. Jet/Nozzle, Front	RV-DNJ500090		2
17. Jet/Nozzle, Rear	RV-AWR2406	Not Shown	1
18. Hose & Jet Assembly, Headlamp Wash	RV-AMR5114	Right or Left, Through 2002	2
18. Hose & Jet Assembly, Headlamp Wash	RV-DNH000060	Right, 2003	1
18. Hose & Jet Assembly, Headlamp Wash	RV-DNH000070	Left, 2003	1

Description	Order Number	Color Code
ACE System	RV-YWB10004L	Yellow
Horn	RV-YWB10004L	Yellow
Front Fog Lamp	RV-YWB10004L	Yellow
A/C Clutch	RV-YWB10004L	Yellow
SLS System	RV-YWB10027L	Yellow
Washer Pump	RV-YWB10027L	Yellow
Fuel Pump	RV-YWB10027L	Yellow
Heater Blower	RV-YWB10027L	Yellow
Starter Motor	RV-YWB10027L	Yellow
Heated Windscreen	RV-YWB101300	Black
Main Relay	RV-YWB101300	Black
Auxiliary Relay	RV-YWB101300	Black
ABS	RV-YWB101300	Black
Horn Changeover	RV-YWB101210L	Black
Fog Lamp	RV-YWB101210L	Black
ACE System	RV-YWB101210L	Black
A/C Clutch	RV-YWB101210L	Black
Air Conditioning	RV-YWB101020	Black
Heater Blower	RV-YWB101010	

DECALS AND BADGES, DISCOVERY II

DISCOVERY LAND ROVER**V8i**

Description	Order Number	Explanatory Notes	Qty
"Land Rover" Bonnet Badge	RV-DAG100370LQQ	Grey	1
"Land Rover" Bonnet Badge	RV-DAG100370MAD	Silver	1
"Land Rover" Bonnet Badge	RV-DAG100370MNZ	Gunsmoke Silver	1
"Discovery" Tail Door Badge	RV-DAH100720LQQ	Grey	1
"Discovery" Tail Door Badge	RV-DAH100720MAD	Silver	1
"Discovery" Tail Door Badge	RV-DAH100720MNZ	Gunsmoke Silver	1
"V8" Badge	RV-DAL103720LQQ	Grey	1
"V8" Badge	RV-DAL103720MAD	Silver	1
"V8" Badge	RV-DAL103720MNZ	Gunsmoke Silver	1
"Series II" Badge	RV-DAH100820		1



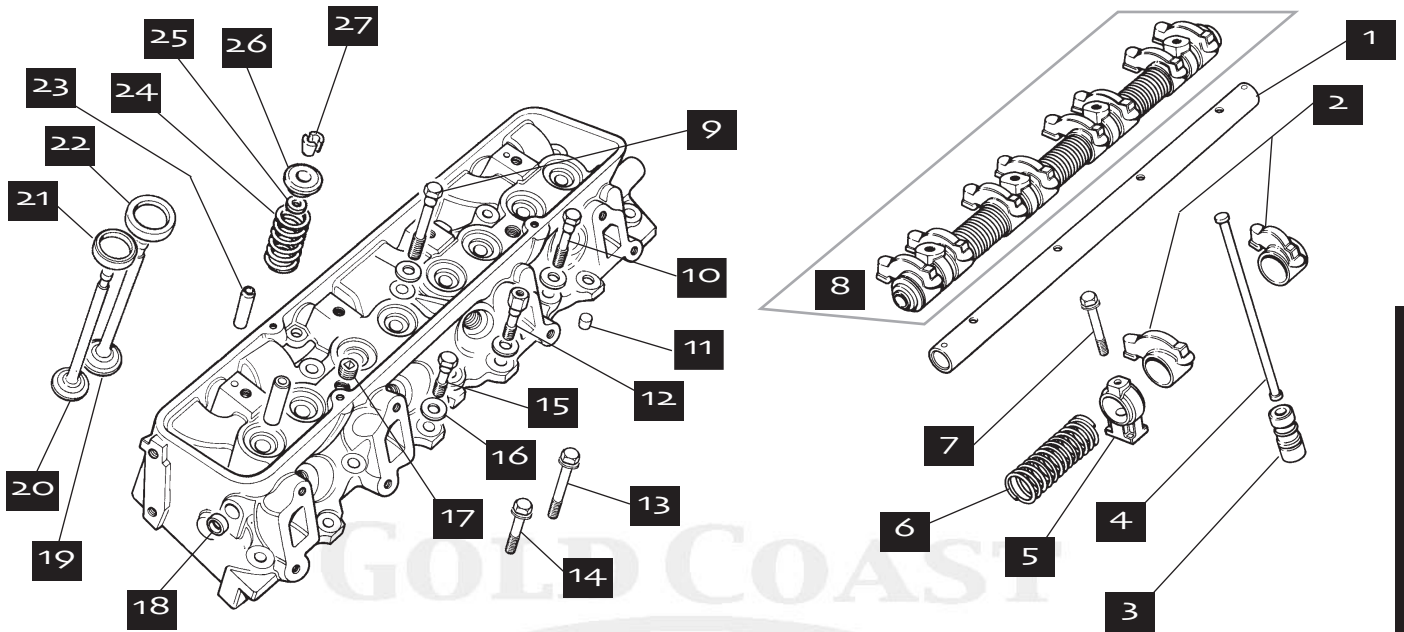
Description

Order Number

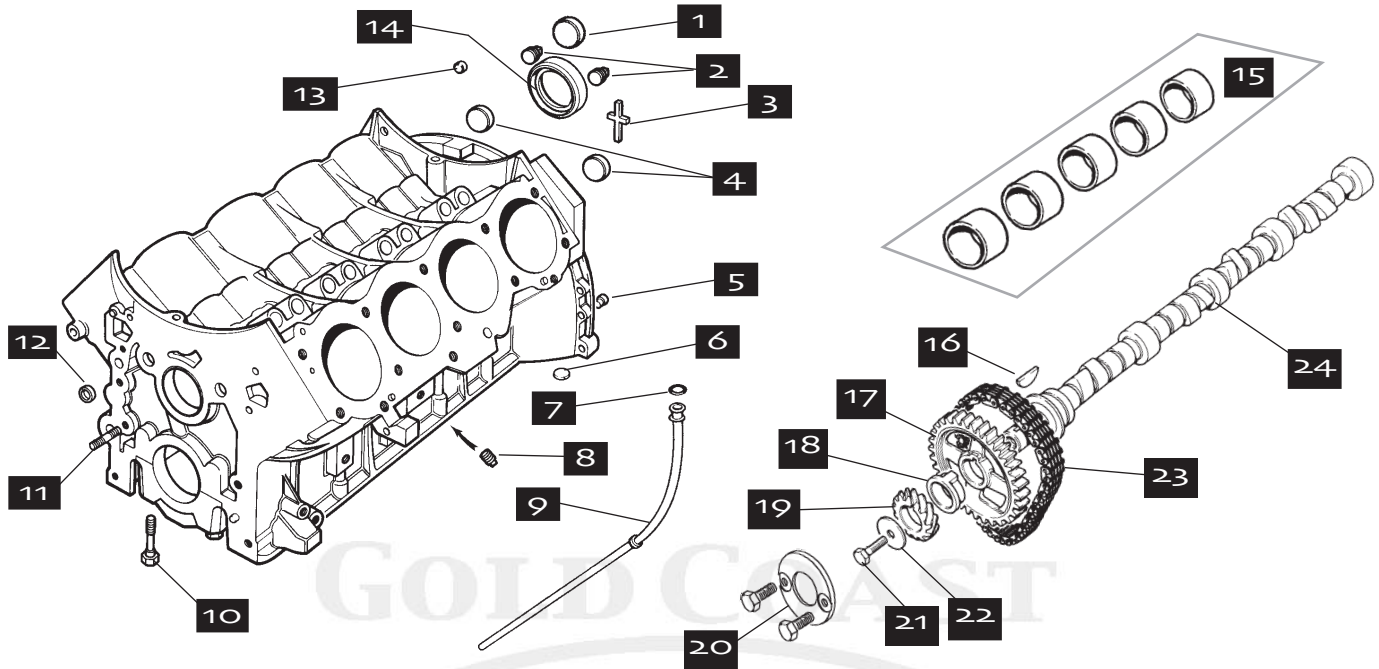
Explanatory Notes

Qty

1. Piston Ring Set, 3.9, Standard	RV-RTC6066S	3.9-Liter, Standard	1
1. Piston Ring Set, 4.0	RV-STC1427	**For ERR5553 Piston	1
2. Piston, 3.9-Liter, Standard	RV-STC909S	3.9-Liter, Standard, Complete Engine Set	8
2. Piston, 3.9-Liter, +.020"	RV-STC64720	3.9-Liter, Oversize, Complete Engine Set	8
2. Piston, 4.0 Liter	RV-ERR5553	**High Compression, Standard Bore	1
3. Crankshaft Key	RV-ERR2846		1
4. Timing Gear on Crankshaft	RV-ERR2958		1
5. Washer on Crankshaft	RV-ERC416		1
6. Crankshaft Damper/Pulley	RV-ETC7339	3.9-Liter	1
6. Crankshaft Damper/Pulley	RV-ERR7373	4.0-Liter	1
7. Reinforcing Plate	RV-602587		1
8. Spring Pin	RV-603535	Ensures proper orientation of timing marks.	1
9. Rod Bolt, 3.9	RV-602609		16
9. Rod Bolt, 4.0	RV-ERR1772		16
10. Rod Nut, 3.9	RV-602061		16
11. Rod Bearing Set, standard	RV-RTC2117.000*	3.9-Liter, Standard, Complete Engine Set	1
11. Rod Bearing Set, +.010"	RV-RTC2117.010*	3.9-Liter, Oversize, Complete Engine Set	1
11. Rod Bearing Set, +.020"	RV-RTC2117.020*	3.9-Liter, Oversize, Complete Engine Set	1
11. Rod Bearing Set, standard	RV-STC1426	4.0-Liter, Standard, Complete Engine Set	1
11. Rod Bearing Set, +.010"	RV-STC1426.010	4.0-Liter, Oversize, Complete Engine Set	1
11. Rod Bearing Set, +.020"	RV-STC1426.020	4.0-Liter, Oversize, Complete Engine Set	1
12. Main Bearing Set, standard	RV-RTC1718.000*	3.9-Liter, Standard	1
12. Main Bearing Set, +.010"	RV-RTC1718.010*	3.9-Liter, Oversize	1
12. Main Bearing Set, +.020"	RV-RTC1718.020*	3.9-Liter, Oversize	1
12. Main Bearing Set, standard	RV-STC4299	4.0-Liter, Standard	1
12. Main Bearing Set, +.010"	RV-STC4299.010	4.0-Liter, Oversize	1
13. Cam Bearing Set	RV-RTC5918	3.9-Liter	1
13. Cam Bearing Set	RV-STC1961	4.0-Liter	1
14. Output Shaft Bearing	RV-549911	3.9 or 4.0 Liter, AKA: Pilot Bushing	1



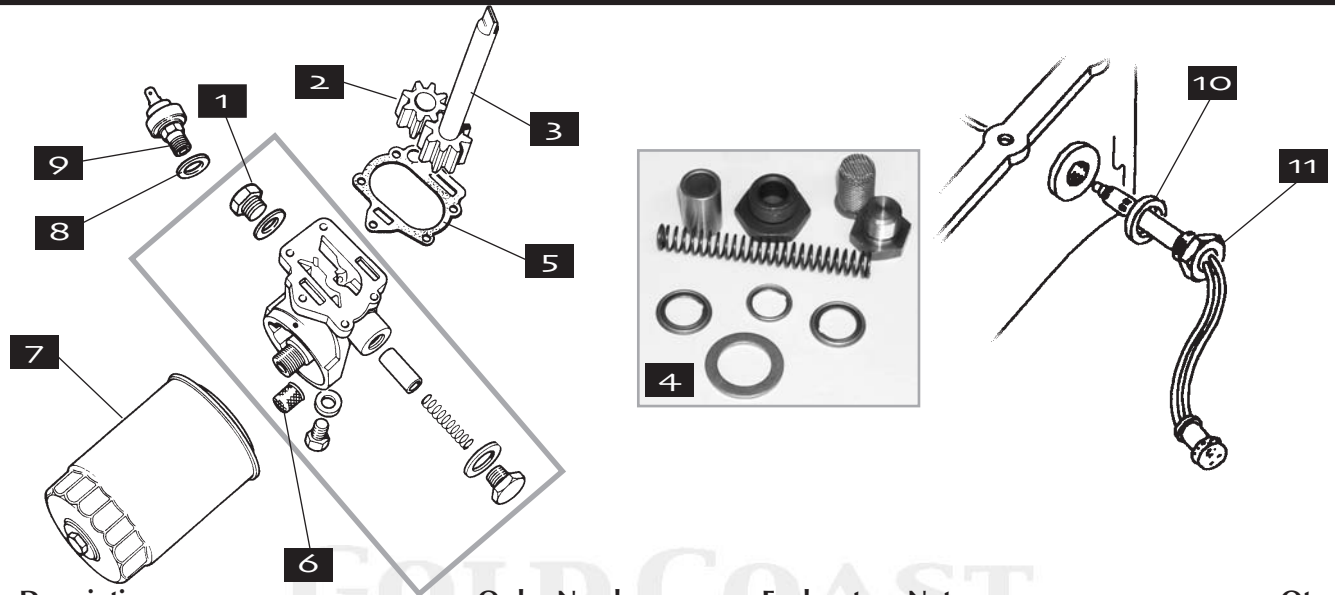
Description	Order Number	Explanatory Notes	Qty
1. Rocker Shaft Only	RV-611659L	3.9 or 4.0-Liter	1
2. Rocker Arm, RH or LH	RV-602153	3.9 or 4.0-Liter	16
3. Lifter/Tappet	RV-ERC4949	3.9 or 4.0-Liter	16
4. Push Rod	RV-603378	3.9 or 4.0-Liter	16
5. Rocker Arm Bracket/Stand	RV-603734	3.9 or 4.0-Liter	8
6. Rocker Shaft Springs	RV-602142	3.9 or 4.0-Liter	6
7. Special Bolt, Rocker Arm Bracket/Stand	RV-602097	3.9 or 4.0-Liter	8
8. Updated Rocker Shaft Assembly	RV-611660	ⓘ	1
ⓘ These are complete assemblies that use alloy rocker arms for less reciprocating mass. Highly recommended.			
9. Cylinder Head Bolt, 7/16" UNC	RV-602193	3.9 Liter	6
10. Cylinder Head Bolt, 7/16" UNC	RV-602192	3.9 Liter	13
11. Dowel, head to block	RV-602040		1
12. Cylinder Head Bolt, 7/16" UNC	RV-602200	3.9 Liter	1
13. Cylinder Head Bolt, 96mm	RV-ERR2944	4.0-Liter	6
14. Cylinder Head Bolt, 66mm	RV-ERR2943	4.0-Liter	14
15. Cylinder Head Bolt, 7/16" UNC	RV-602191	3.9 Liter	8
Note: Always replace cylinder head bolts when cylinder heads are removed.			
16. Washer, Cylinder Head Bolts	RV-602098	3.9 Liter	28
17. Core Plug	RV-602123		1
18. Cup Plug	RV-602289		1
19. Valve, Intake	RV-ERR1780*	3.9 or 4.0-Liter	8
20. Valve, Exhaust	RV-LGH000040	3.9 or 4.0-Liter	8
21. Valve Seat, Exhaust, Standard	RV-ETC8596	3.9 & 4.0, Standard Size	8
21. Valve Seat, Exhaust, Oversize	RV-ERC211	3.9 & 4.0, +.010" oversize	8
22. Valve Seat, Intake, Standard	RV-ERC224	3.9 & 4.0, Standard Size	8
22. Valve Seat, Intake, Oversize	RV-ERC225	3.9 & 4.0, +.010" oversize	8
23. Valve Guide, Intake or Exhaust, standard	RV-LGJ100900	3.9 or 4.0-Liter	16
23. Valve Guide, Intake or Exhaust, .002" oversize	RV-LGJ100900.002	3.9 or 4.0-Liter	16
23. Valve Guide, Intake or Exhaust, .005" oversize	RV-LGJ100900.005	3.9 or 4.0-Liter	16
24. Valve Spring, sold per each	RV-ERR4628*	3.9 or 4.0-Liter	16
25. Valve Stem Seal	RV-ERR1782	Intake only, 3.9 or 4.0	8
26. Valve Spring Retaining Cap	RV-ERC573	3.9 or 4.0-Liter	8
27. Cotter, split (per pair)	RV-ERC1637	3.9 or 4.0-Liter	16



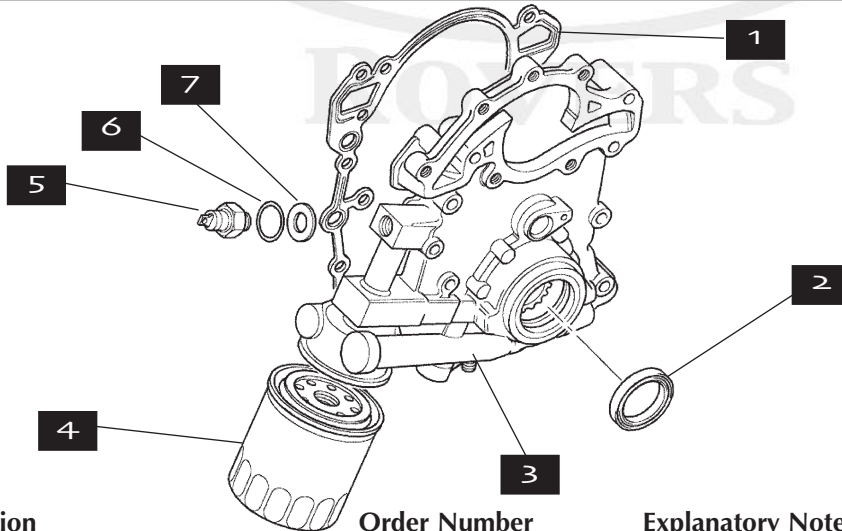
Description	Order Number	Explanatory Notes
1. Plug, Cam Bore, Rear	RV-602146	
2. Plug, tappet, rear	RV-602212	3.9 Liter
2. Plug, tappet, rear	RV-ERR4314	4.0 Liter
3. Oil Seal Retainers	RV-LUN000010	2 Req'd
4. Cup Plug	RV-602152	8 Req'd
5. Dowel, Flywheel Housing	RV-602141	2 Req'd
6. Plug, Rear Flange	RV-612898	2 Req'd
7. Seal Dipstick Tube	RV-602545	
8. Plug, Drain	RV-3290	3.9 Liter, 2 Req'd
8. Plug, Drain	RV-ERR4315	4.0 Liter
9. Dipstick Tube	RV-ERR4556	
10. Bolt, Bearing Cap	RV-602130	10 Req'd
11. Stud, timing assembly	RV-252513	3.9 Liter
12. Plug, tappet	RV-602147	
13. Plug, Breather Hose	RV-154545	3.9 Liter
14. Oil Seal, Crankshaft	RV-ERR2640	
15. Cam Bearing Set	RV-RTC5918	3.9 Liter
15. Cam Bearing Set	RV-STC1961	4.0 Liter
16. Camshaft Key	RV-ERC2838	3.9-Liter
17. Chain Gear on Camshaft	RV-610289	3.9-Liter
17. Chain Gear on Camshaft	RV-ERR5086	4.0-Liter
18. Spacer, Chain Gear	RV-ERC2839	3.9-Liter
19. Distributor Drive Gear	RV-614188	3.9-Liter
20. Thrust Plate	RV-ERR5926	For ERR5924 Cam
20. Thrust Plate	RV-ERR2609	For ERR3720 Cam; "half-moon" shape
21. Bolt, Cam Shaft	RV-602227	3.9-Liter
21. Bolt, Cam Shaft	RV-FS110301L	4.0-Liter
22. Washer, Distributor Drive Gear	RV-ERC6552	3.9-Liter
23. Timing Chain	RV-ERC7929	3.9 or 4.0-Liter
24. Cam Shaft	RV-ERR5924	3.9-liter
24. Cam Shaft	RV-ERR3720	4.0 Liter

(Note: This is an updated camshaft that incorporates a thrust plate to eliminate knock. On early vehicles not drilled to accept the thrust plate, it is not used.)

OIL PUMP, DEFENDER



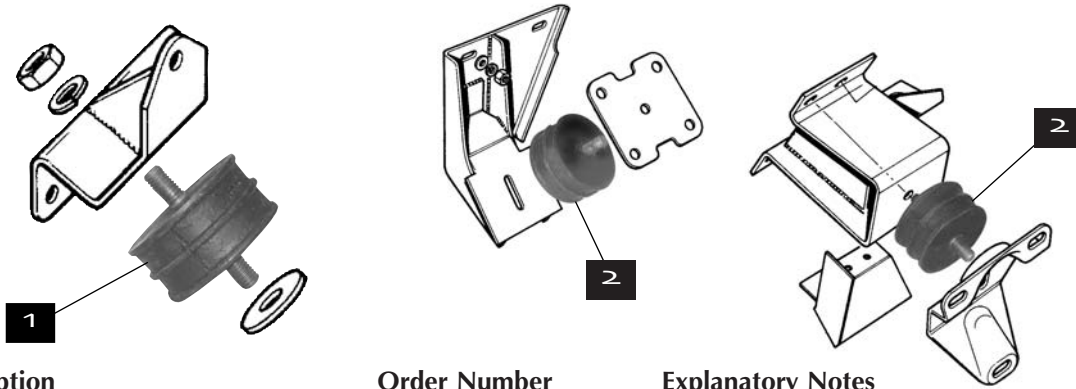
Description	Order Number	Explanatory Notes	Qty
1. Oil Pump Housing Assembly	RV-ETC4276	3.9-Liter	1
2. Oil Pump Gear	RV-614037	3.9-Liter	1
3. Oil Pump Shaft & Gear	RV-ERC1351	3.9-Liter	1
4. Oil Pump Repair Kit	RV-RTC4477	3.9-Liter; Contains seals and oil pressure relief valve pieces.	1
5. Gasket	RV-ERR1990		1
6. Strainer	RV-614202	3.9-Liter	1
7. Oil Filter	RV-ERR3340*	3.9-Liter	1
8. Washer, Oil Pressure Switch	RV-243967	3.9-Liter	1
9. Oil Pressure Switch	RV-STC4104K*	3.9-Liter	1
10. Oil Level Indicator	RV-AFU2786L	3.9-Liter	1
11. Seal for Oil Level Indicator	RV-243960	3.9-Liter	1



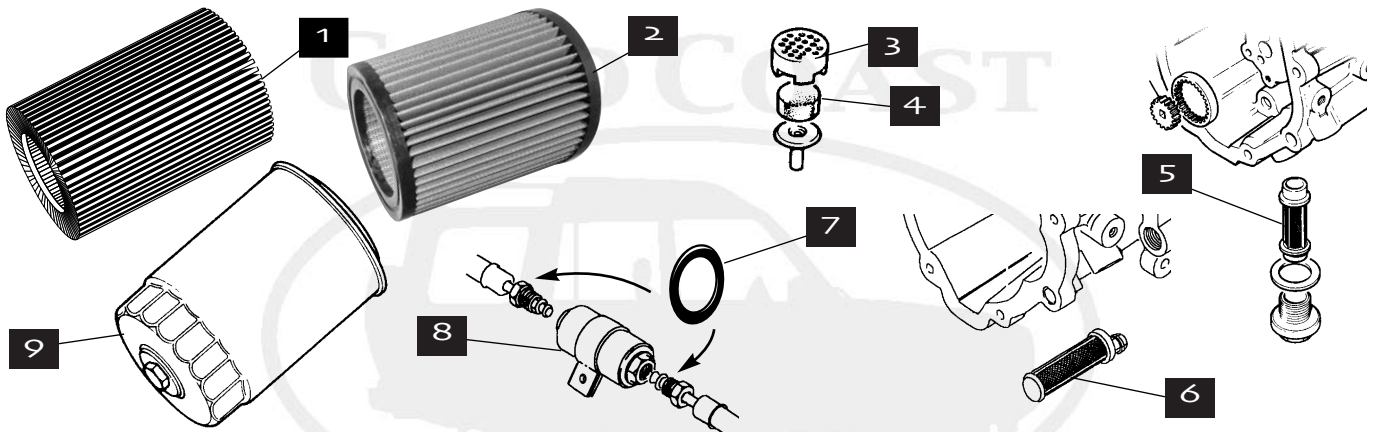
Description	Order Number	Explanatory Notes	Qty
1. Gasket	RV-ERR7280	4.0-Liter	1
2. Crankshaft Seal	RV-ERR6490	4.0-Liter	1
3. Oil Pump/Front Engine Cover	RV-ERR6815	4.0-Liter	1
4. Oil Filter	RV-ERR3340*	4.0-Liter	1
5. Oil Pressure Switch	RV-STC4104K*	4.0-Liter	1
6. O-Ring, Oil Pressure Switch	RV-STC3372	4.0-Liter, Alternative to Washer	1
7. Washer, Oil Pressure Switch	RV-243967	4.0-Liter, Alternative to O-Ring	1

DEFENDER

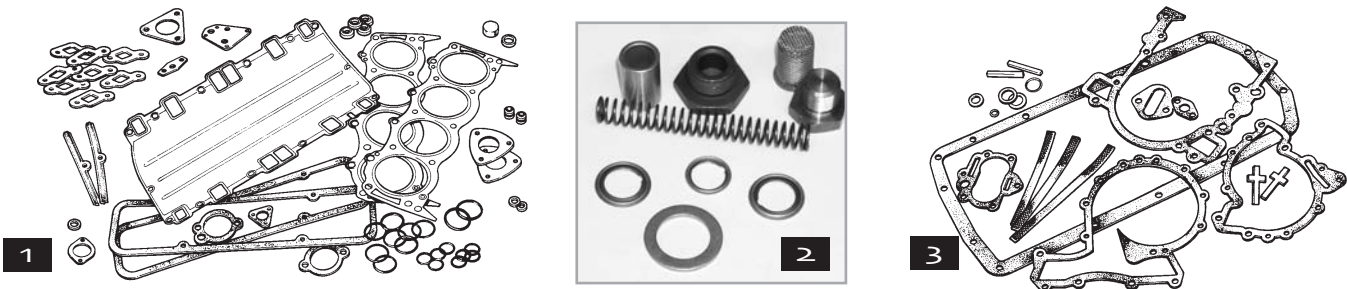
* Denotes Aftermarket Part



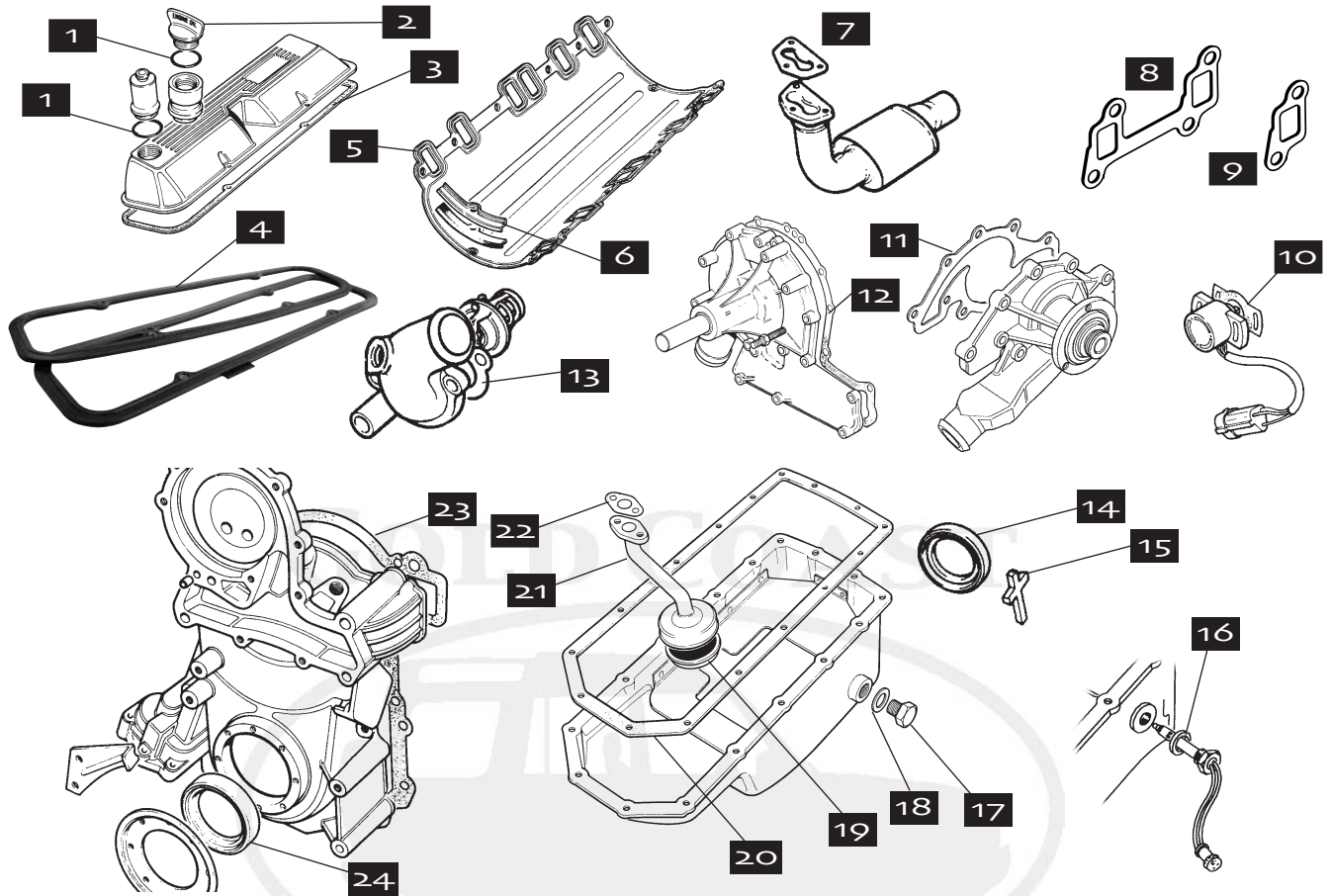
Description	Order Number	Explanatory Notes	Qty
1. Engine Mount	RV-STC434	Note: RV-KKB103120 can be used as an upgrade of STC434 if mounting holes are slightly enlarged.	2
2. Transmission Mount	RV-STC434		2



Description	Order Number	Explanatory Notes	Qty
Filters			
1. Air Filter	RV-RTC4683*		1
2. Air Filter	17-1448	replaces RTC4683*	1
3. Cap for Valve Cover Inlet Filter	RV-ERC3208		1
4. Inlet Filter on Valve Cover	RV-ERC3209		1
5. Manual Transmission Filter, with LT77	RV-FRC6244		1
6. Manual Transmission Filter, with R380	RV-FRC7855		1
7. O-Rings For Fuel Filter	RV-ESR259		2
8. Fuel Filter	02-NMD6091AC*		1
9. Oil filter	RV-ERR3340*		1



Description	Order Number	Explanatory Notes
1. Gasket Set, Upper	RV-STC1641*	3.9 or 4.0
2. Oil Pump Repair Kit	RV-RTC4477	3.9 Liter; Contains oil pressure relief valve and seals and washers not included in bottom-end gasket set.
3. Gasket Set, Lower	RV-STC1639	3.9 or 4.0

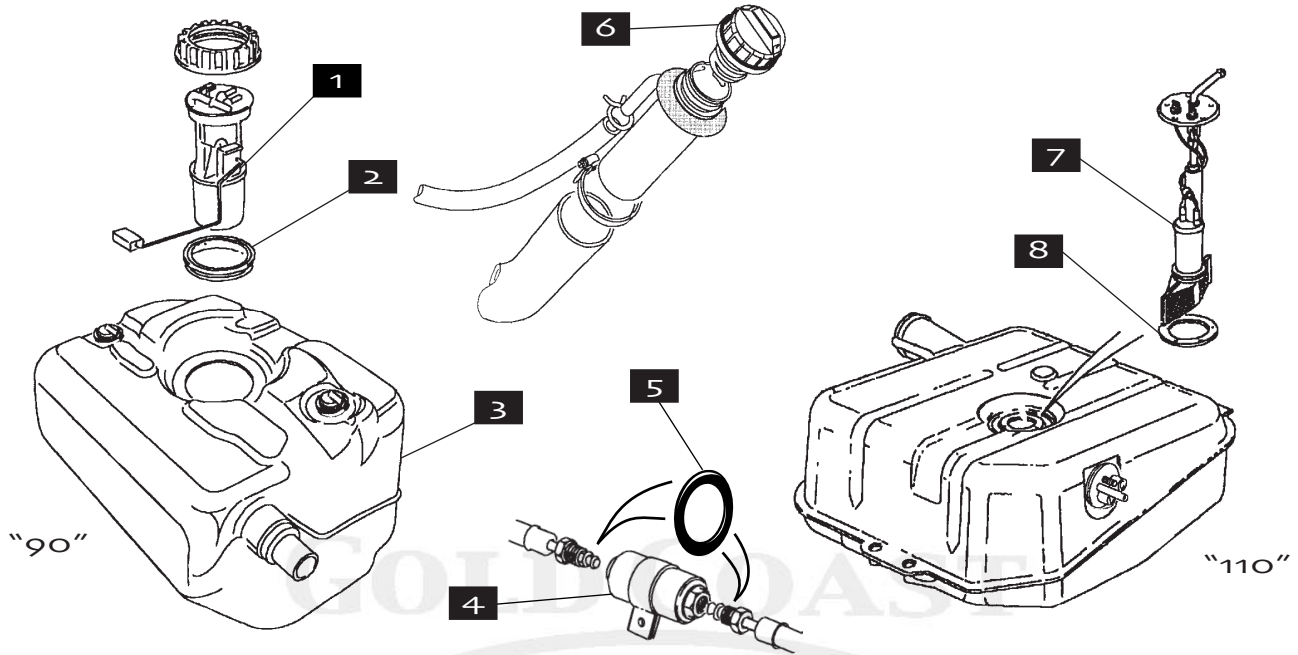


Description	Order Number	Explanatory Notes	Qty
1. O-Ring	RV-564258	Oil Filler Cap to Cover & Under Cap	3
2. Oil Filler Cap	RV-625038	3.9 Liter	1
3. Valve Cover Gasket, Cork	RV-602512*		2
4. Updated Rubber Valve Cover Gasket	RV-LVC100260		2
5. Intake Manifold Gasket	RV-LKJ500020		1
6. Seal, front of intake gasket	RV-ERR7283		2
7. Gasket	RV-ETC4524	Exhaust Manifold to Downpipe/Catalyst	2
8. Gasket	RV-ERR6733	Exhaust Manifold, 4.0-Liter	4
9. Gasket, Exhaust Manifold	RV-ERC3606	Exhaust Manifold, 3.9-Liter	8
10. Gasket, throttle position sensor	RV-ERR4944		1
11. Water Pump Gasket	RV-ERR4077	4.0-Liter	1
12. Water Pump Gasket	RV-ERR2428	3.9-Liter	1
13. Gasket, Thermostat/Water Elbow Gasket	RV-ERR2429		1
14. Rear Crankshaft Seal	RV-ERR2640		1
15. Retainers for Rear Seal	RV-LUN000010		2
16. Seal, Oil Level Indicator in Oil Pan	RV-243960		1
17. Drain Plug, Oil Pan	RV-603659		1
18. Sealing Washer, Oil Pan Drain Plug	RV-213961L		1
19. Oil Screen	RV-602070		1
20. Oil Pan Gasket	RV-602087		1
21. Oil Filter Suction Pipe	RV-ERR3677		1
22. Gasket, Oil Filter Suction Pipe	RV-ERR3788		1
23. Timing Cover Gasket	RV-ERR4936	3.9-Liter	1
23. Timing Cover Gasket	RV-ERR7280	4.0-Liter	1
24. Front Crankshaft Seal	RV-ERR6490		1

* Denotes Aftermarket Part

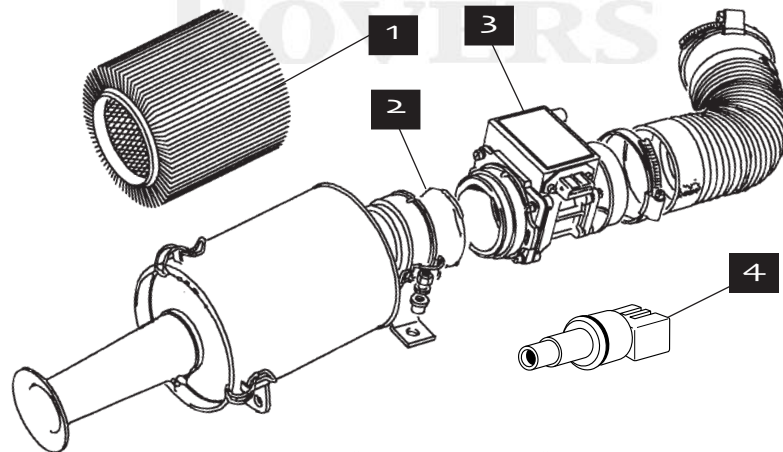
FUEL SYSTEM, DEFENDER

DEFENDER

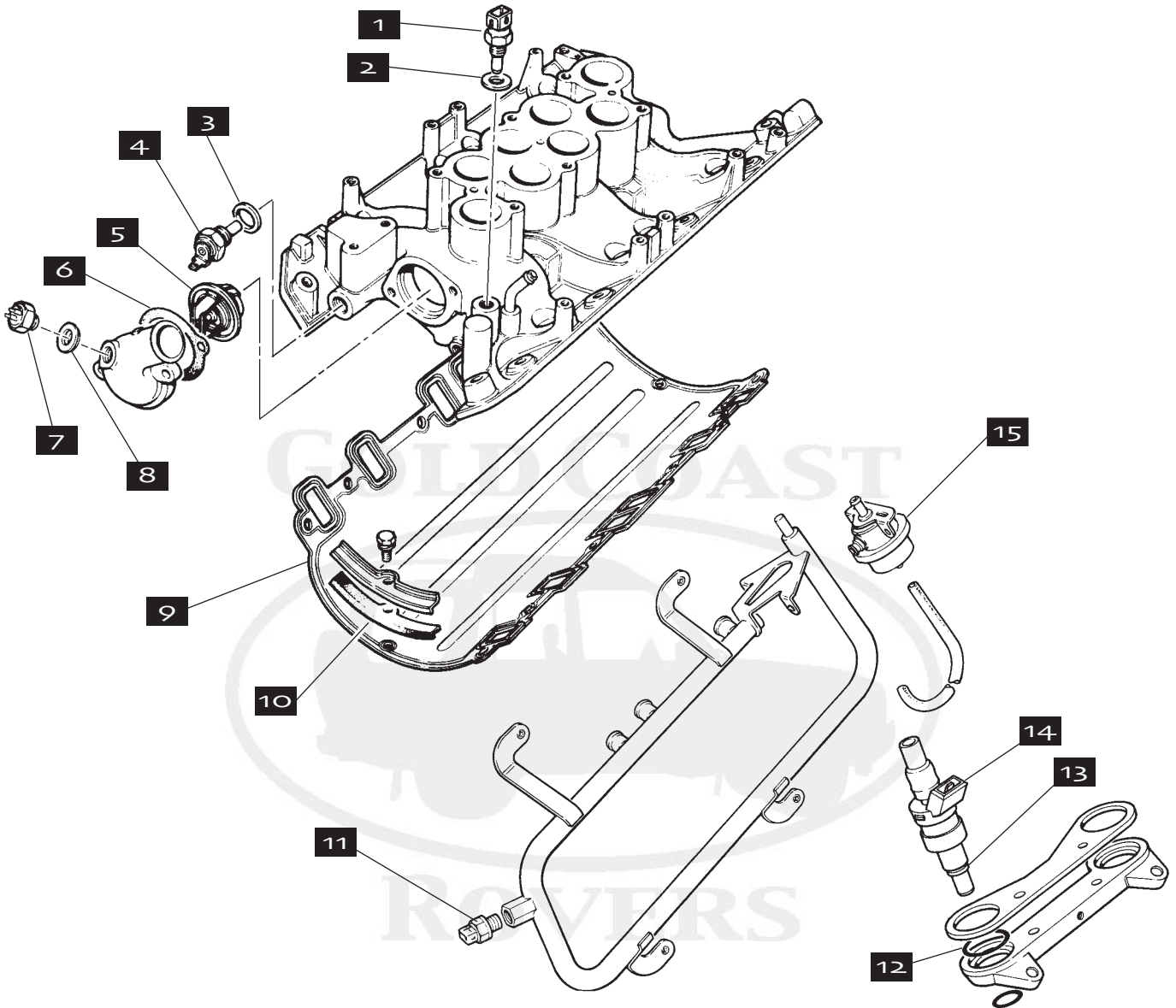


Description	Order Number	Explanatory Notes	Qty
1. Fuel Pump & Sender	RV-ESR3494	90; also requires two NRC9771 and two NRC9970	1
2. Gasket, Pump to tank	RV-NTC5859	90	1
3. Fuel Tank	RV-ESR2657	90	1
4. Fuel Filter	02-NMD6091AC*	90 or 110	1
5. O-Rings, Fuel Filter	RV-ESR259	90 or 110	2
6. Fuel Filler Cap	RV-NTC5418	90 or 110	1
7. Fuel Pump	RV-PRC8318	110	1
8. Gasket, Pump to tank	RV-WGQ000020	110	1

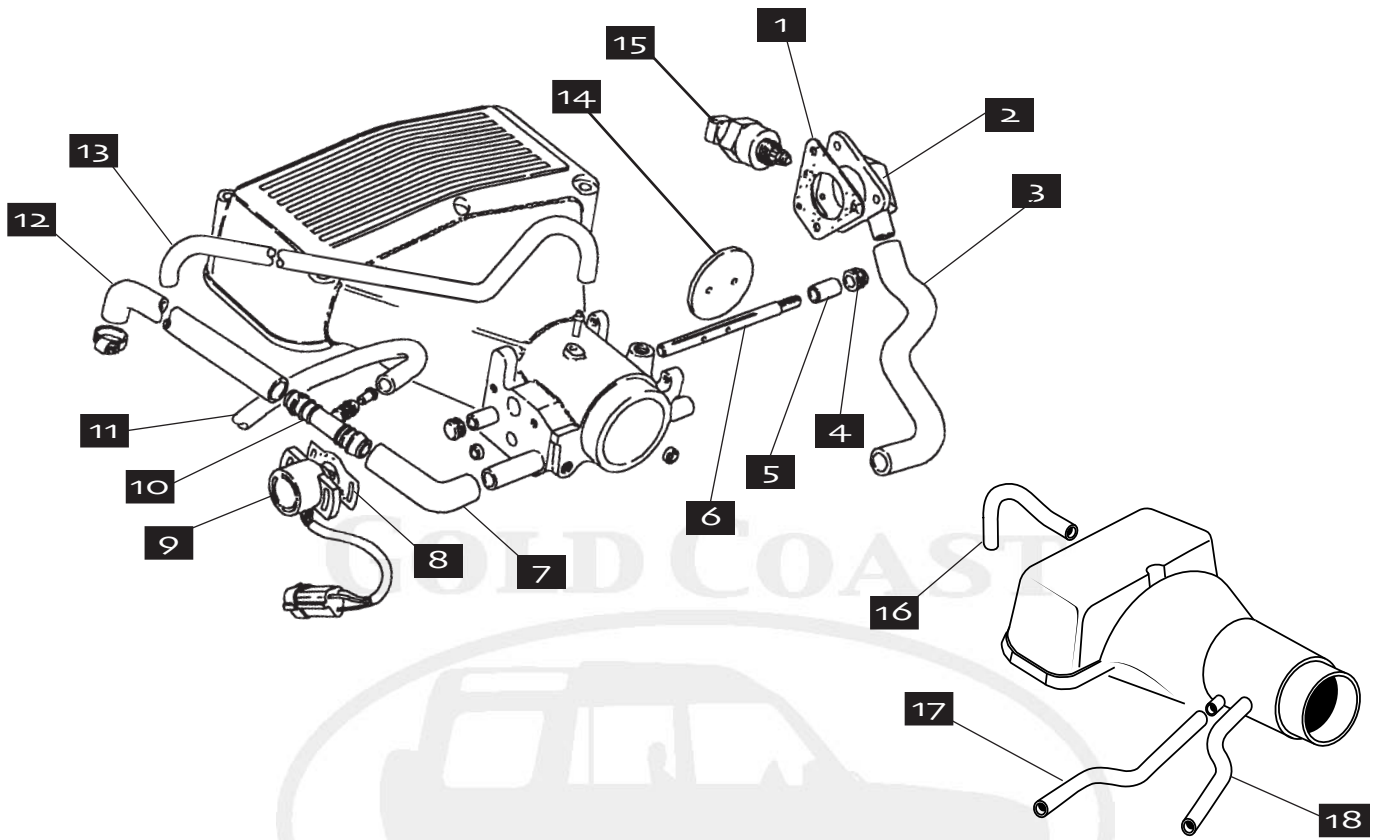
AIR FLOW METER, DEFENDER 90



Description	Order Number	Explanatory Notes	Qty
1. Air Filter	RV-RTC4683*	3.9 and 4.0 Liter	1
1. Air Filter	17-1448	replacement for RTC483*	1
2. O-Ring, Air Flow Meter to Air Cleaner	RV-NTC3354	3.9 and 4.0 Liter	1
3. Air Flow Meter	JA-DBC12517/E	To VIN RA954527 (mid 1994)	1
3. Air Flow Meter	RV-ERR5198	From RA954528 to end of 1996	1
3. Air Flow Meter	RV-ERR5595	4.0-Liter only (1997)	1
4. Sensor, Air Inlet Temperature	RV-ERR2946	4.0-Liter only; located in air filter box	1

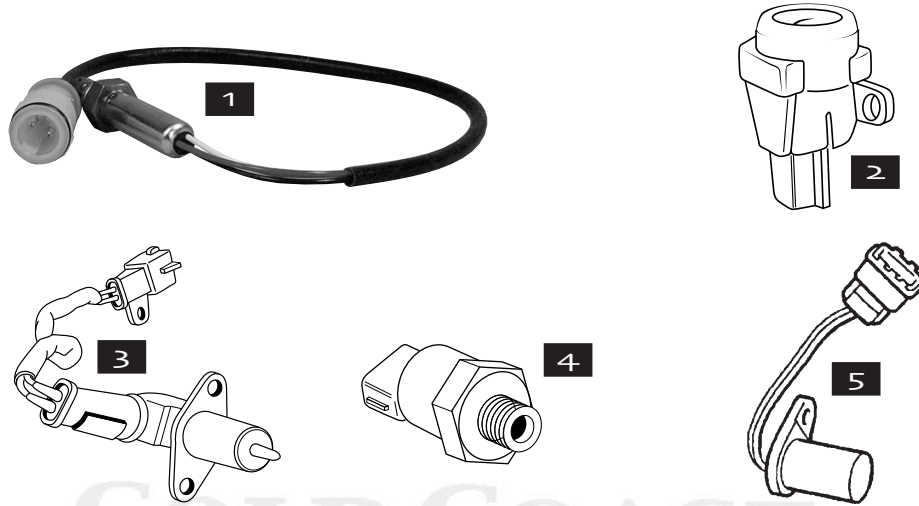


Description	Order Number	Explanatory Notes	Qty
1. Coolant Temperature Sender for ECU	LU-SNB802	Through 1998; As per EAC3927L/ETC8496	1
2. Sealing Washer for Sender	RV-243967		1
3. Sealing Washer for Sender	RV-90568054		1
4. Temperature Sender for Gauge	RV-PRC2506	Defender 90	1
5. Thermostat	RV-ETC4765		1
6. Thermostat Gasket	RV-ERR2429		1
7. Fan Switch	RV-PRC3505		1
8. Sealing Washer for Switch	RV-C457593		1
9. Intake Manifold Gasket	RV-LKJ500020		2
10. Seal, front of intake gasket	RV-ERR7283		1
11. Fuel Temperature Sender	RV-ETC6661		1
12. Ring Seal, Center	RV-EAC2414L		8
13. O-Ring, Injector	RV-RTC5679	Two per injector	16
14. Fuel Injector	RV-ERR722		8
15. Fuel Pressure Regulator	RV-ETC8494		1



Description	Order Number	Explanatory Notes	Qty
1. Gasket for ERR5199	RV-ERR2926		1
1. Gasket for ERR4352	RV-ERR3359		1
2. Control Idler Adapter	RV-MKF100200		1
3. Hose, Control Idler to Throttle Body	RV-ETC7874	3.9-Liter	1
4. Throttle Shaft Seal	RV-AUD3577L	3.9-Liter, front and rear	2
4. Throttle Shaft Seal	RV-AUD3577L	Front, 4.0-Liter	1
4. Throttle Shaft Seal	RV-ERR4318	Rear, 4.0-Liter	1
5. Bushings for Throttle Shaft	RV-ERR1756		1
6. Shaft in Throttle Body	RV-ETC6223	3.9-Liter	1
6. Shaft in Throttle Body	RV-ERR4225	4.0-Liter	1
7. Hose, PCV to throttle housing	RV-ERR4763	3.9-Liter	1
8. Gasket, Throttle Position Sensor, ALL	RV-ERR4944		1
9. Throttle Position Sensor	RV-ETC8495	3.9-Liter, Through 1994	1
9. Throttle Position Sensor	RV-ERR2263	3.9-Liter 1995-on	1
9. Throttle Position Sensor	RV-ERR4278	4.0-Liter	1
10. PCV Tee	RV-ERR4765	3.9-Liter	1
11. Hose, PCV to Manifold	RV-ERR4764	3.9-Liter	1
12. Hose to PC Valve Flame Trap	RV-ERR4762	3.9-Liter	1
13. Hose, Delay Valve to Throttle Housing	RV-RTC3942	3.9-Liter	1
14. Throttle Disc	RV-ETC6222		1
15. Stepper Motor; AKA "intake air control valve"	RV-ERR5199	3.9-Liter	1
15. Stepper Motor; AKA "intake air control valve"	RV-ERR4352	4.0-Liter	1
16. Hose, Rocker to Ram Housing, ALL	RV-ERR4258	4.0-Liter	1
17. Hose, Water Manifold to Plenum	RV-ERR4388	4.0-Liter	1
18. Hose, Rocker to Plenum,	RV-LLH500100	4.0-Liter	1

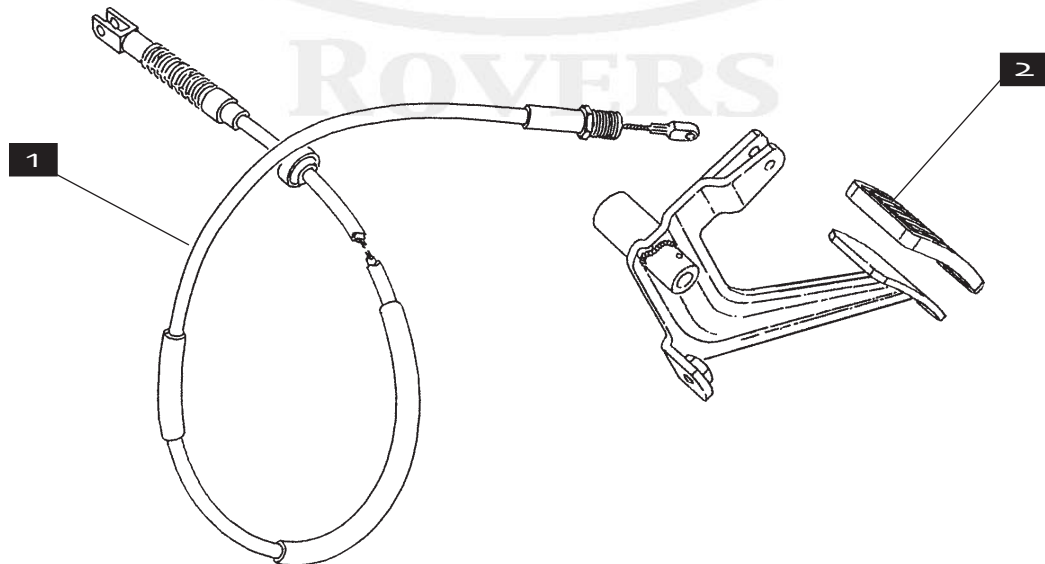
ENGINE ELECTRICAL SENSORS, DEFENDER



GOLD COAST

Description	Order Number	Explanatory Notes	Qty
1. Oxygen Sensor	RV-ERR6729	3.9-Liter Manual Only	2
1. Oxygen Sensor	RV-AMR6244	4.0-Liter Automatic Only	4
2. Inertia Fuel Shut-Off Switch (IFSS)	RV-WQT100030L	4.0-Liter	1
3. Position Sensor, Crankshaft	RV-ERR6119	4.0-Liter	1
4. Knock Sensor	RV-ERR5594	4.0-Liter	1
5. Position Sensor, Camshaft	RV-NSC100840	4.0-Liter	1

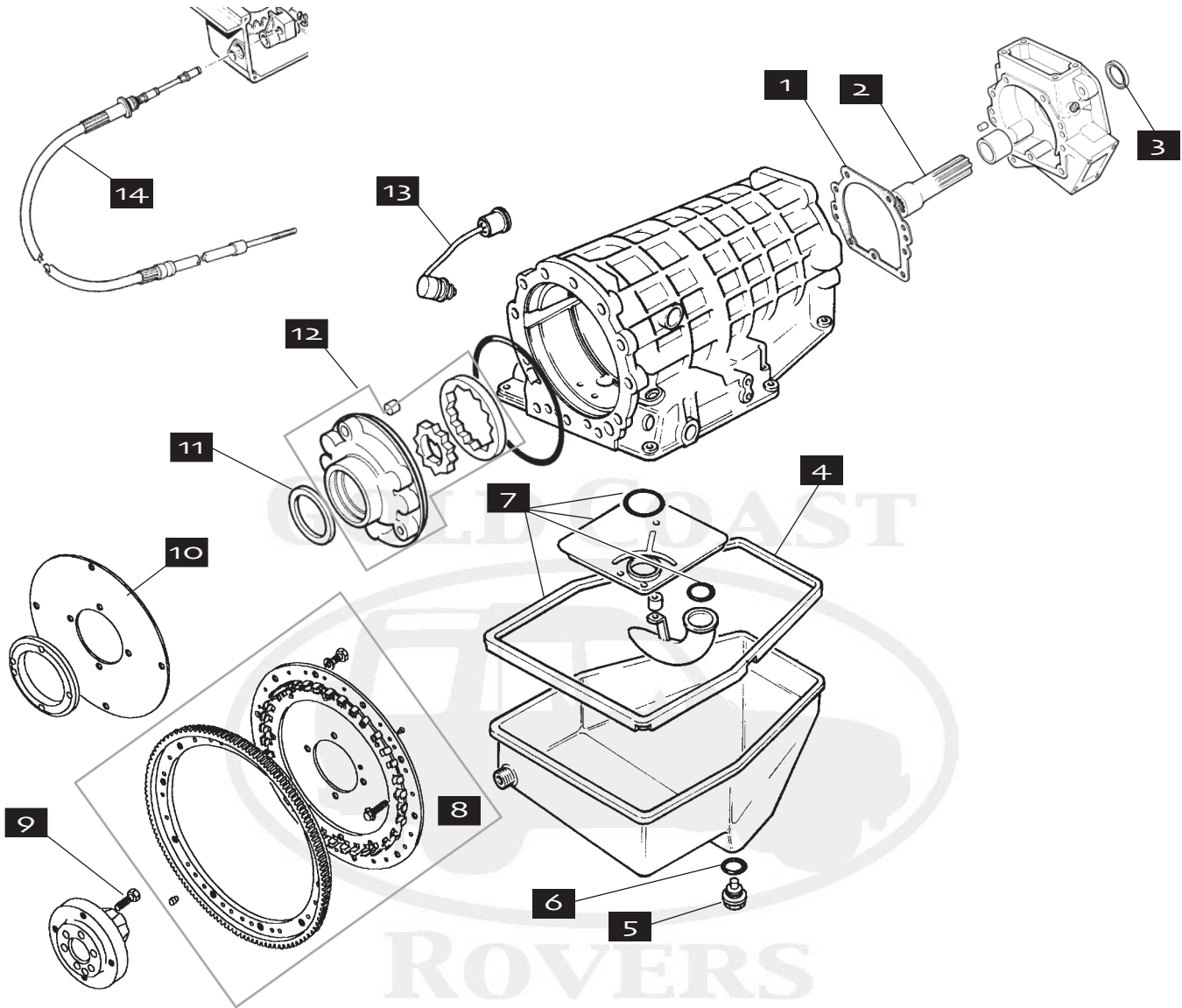
FUEL SYSTEM THROTTLE CABLE, DEFENDER



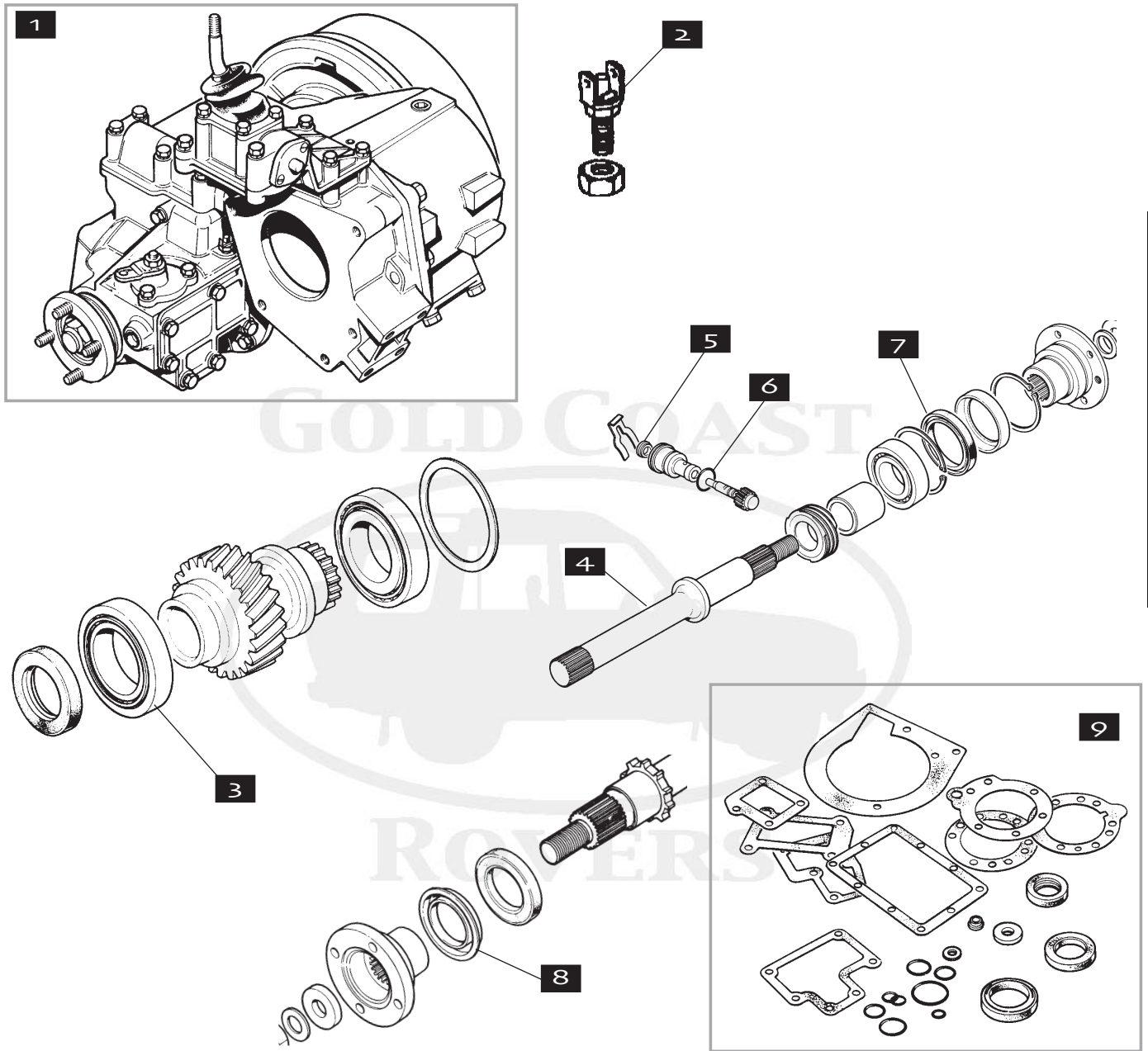
ROVERS

Description	Order Number	Explanatory Notes	Qty
1. Throttle Cable	RV-NRC5494	Automatic	1
1. Throttle Cable	RV-NTC9163	Manual	1
2. Rubber Pad, throttle Cable	RV-DCP3974L	Automatic	1
2. Rubber Pad, throttle Cable	RV-11H1781L	Manual	1

DEFENDER

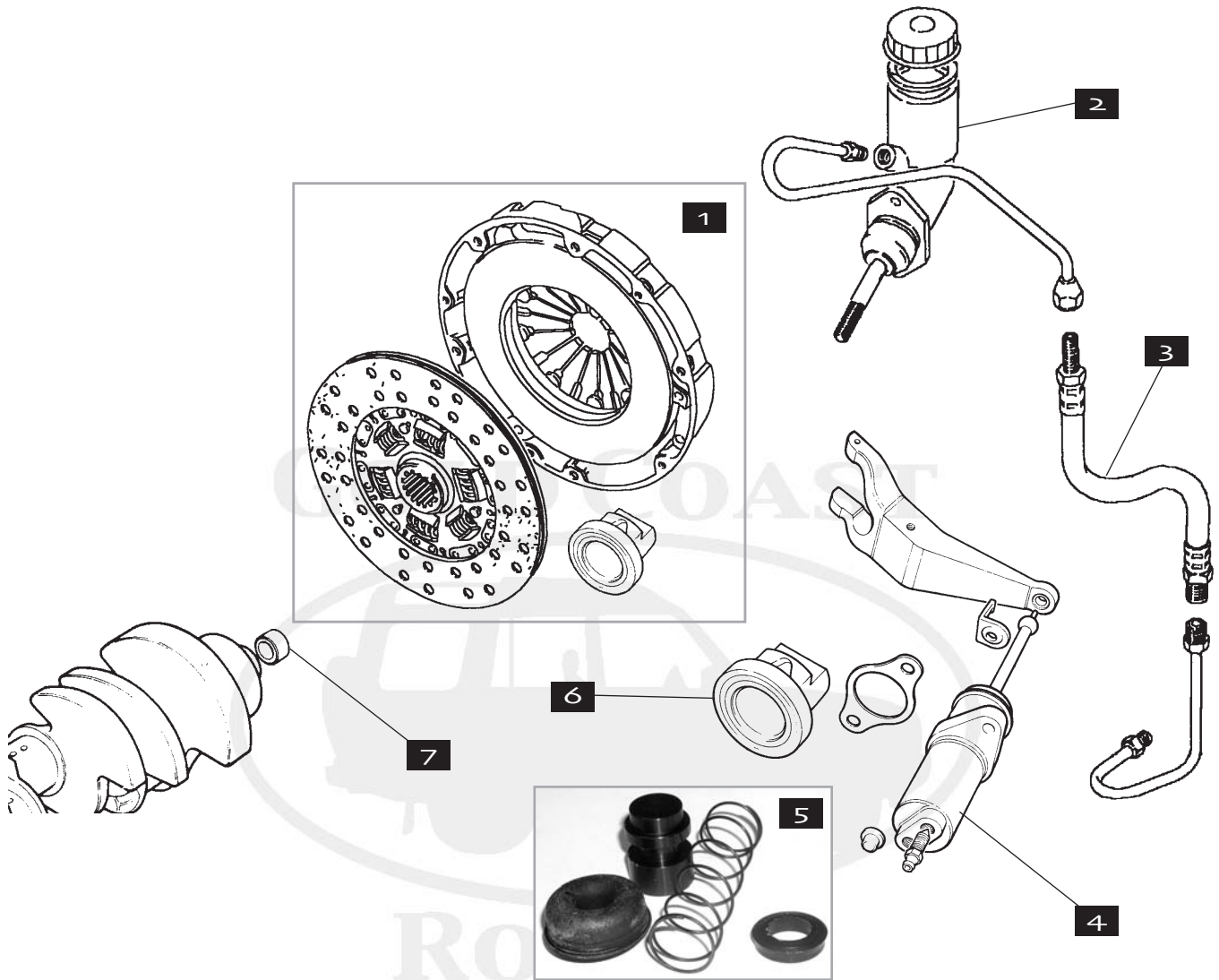


Description	Order Number	Explanatory Notes	Qty
1. Gasket, Case to Governor Housing	RV-RTC4295		1
2. Coupling Shaft	RV-FTC5090		1
3. Rear Oil Seal	RV-RTC4650		1
4. Pan Gasket	RV-RTC4268		1
5. Drain Plug	RV-RTC4647		1
6. Washer, Drain Plug	RV-STC1060		1
7. Auto Trans Filter Kit	RV-RTC4653	Includes Filter, Gasket and Two O-Rings.	1
8. Ring Gear/Drive Plate Assembly	RV-ERR5658		1
9. Bolt to Crankshaft	RV-SS607160		6
10. Drive Plate	RV-FTC4607	All	1
11. Front Oil Seal	RV-RTC5102		1
12. Front Pump Assembly	RV-STC1836		
13. Start/Inhibit & Reverse Switch	RV-RTC4937		1
14. Control Cable	RV-FTC566		1



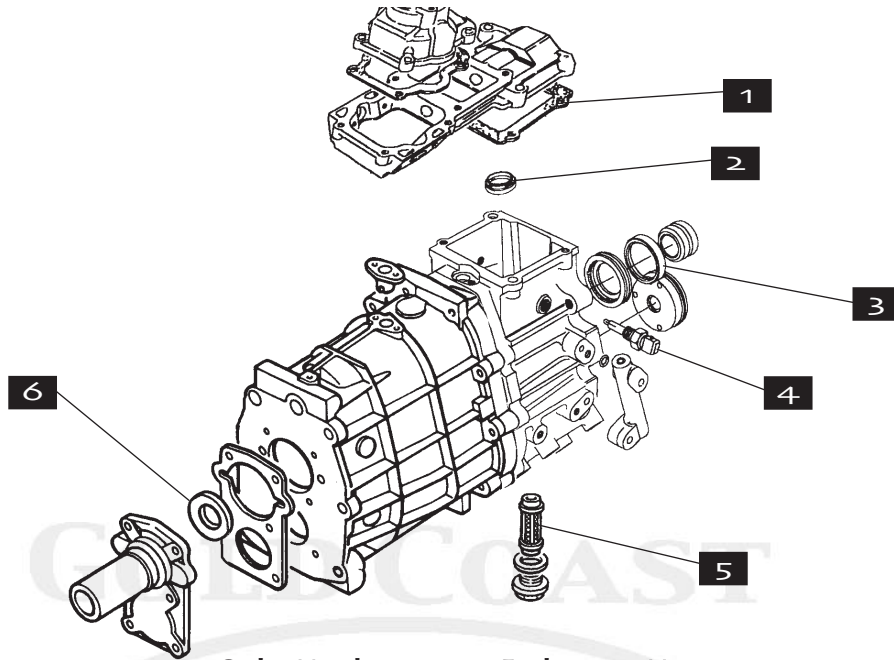
DEFENDER

Description	Order Number	Explanatory Notes	Qty
1. Transfer Case, Rebuilt	RV-IAB100020		A/R
2. Switch, Differential Lock	RV-PRC2911		1
3. Seal, Main Shaft	RV-ICV100000		1
4. Output shaft	RV-FRC5450		1
5. Seal, speedometer drive	RV-AAU2304		1
6. O-Ring, speedometer drive	RV-571665		1
7. Seal	RV-FTC4939	Rear Flange	1
8. Seal	RV-FTC4939	Front Flange	1
9. Seal & Gasket Kit	RV-RTC3890		1



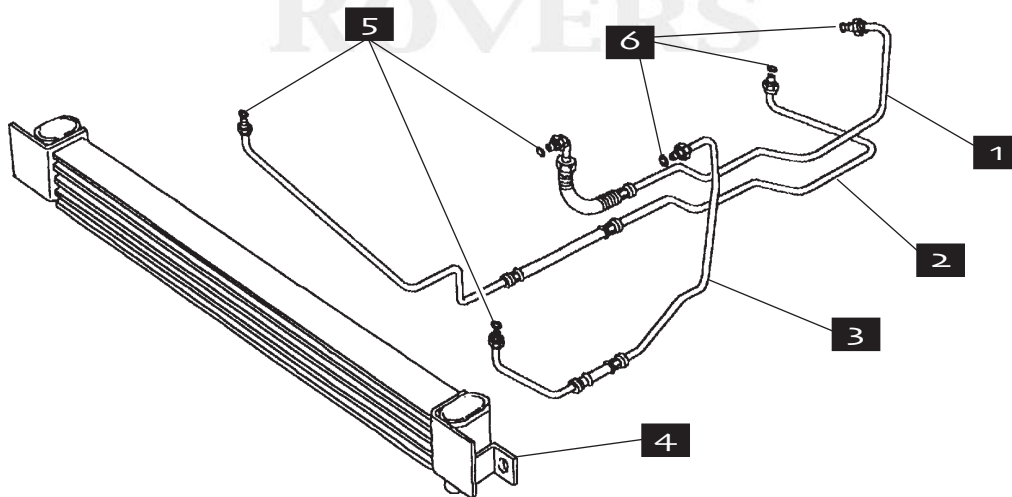
Description	Order Number	Explanatory Notes	Qty
1. Clutch Kit	RV-STC8361	Disc, cover plate & bearing	1
2. Clutch Master Cylinder	RV-550732		1
3. Clutch Flex Hose	RV-NRC2211		1
4. Clutch Slave Cylinder	RV-FTC5071		1
5. Slave Cylinder Repair Kit	RV-BHM7063L		1
6. Clutch Throw-out Bearing only	RV-FRC9568		1
7. Output Shaft Bearing	RV-549911		1

MANUAL GEARBOX, DEFENDER



Description	Order Number	Explanatory Notes	Qty
1. Gasket, Top	RV-FRC9340		1
2. Oil Seal, top	RV-FTC2199		1
3. Rear Seal	RV-FTC2383		1
4. Reverse Light Switch	RV-CDU51L	To 53A0410128J	1
4. Reverse Light Switch	RV-AMR3918	From 53A0410129J	1
5. Oil Filter	RV-FRC6244	With LT77	1
5. Oil Filter	RV-FRC7855	With R380	1
6. Front Seal	RV-FTC5303		1

GEARBOX COOLER, DEFENDER



Description	Order Number	Explanatory Notes	Qty
1. Flex Hose/Pipe	RV-ESR4219	4.0-Liter, Transmission to Radiator	1
2. Flex Hose/Pipe	RV-ESR4218	4.0-Liter, RH side of cooler to transmission	1
3. Flex Hose/Pipe	RV-ESR3695	4.0-Liter, LH side of cooler to radiator	1
4. Oil Cooler	RV-FTC5360	4.0-Liter	1
5. O-Ring	RV-ESR1594L		6

* Denotes Aftermarket Part

RV-14764 Defender 90



DEFENDER BORLA

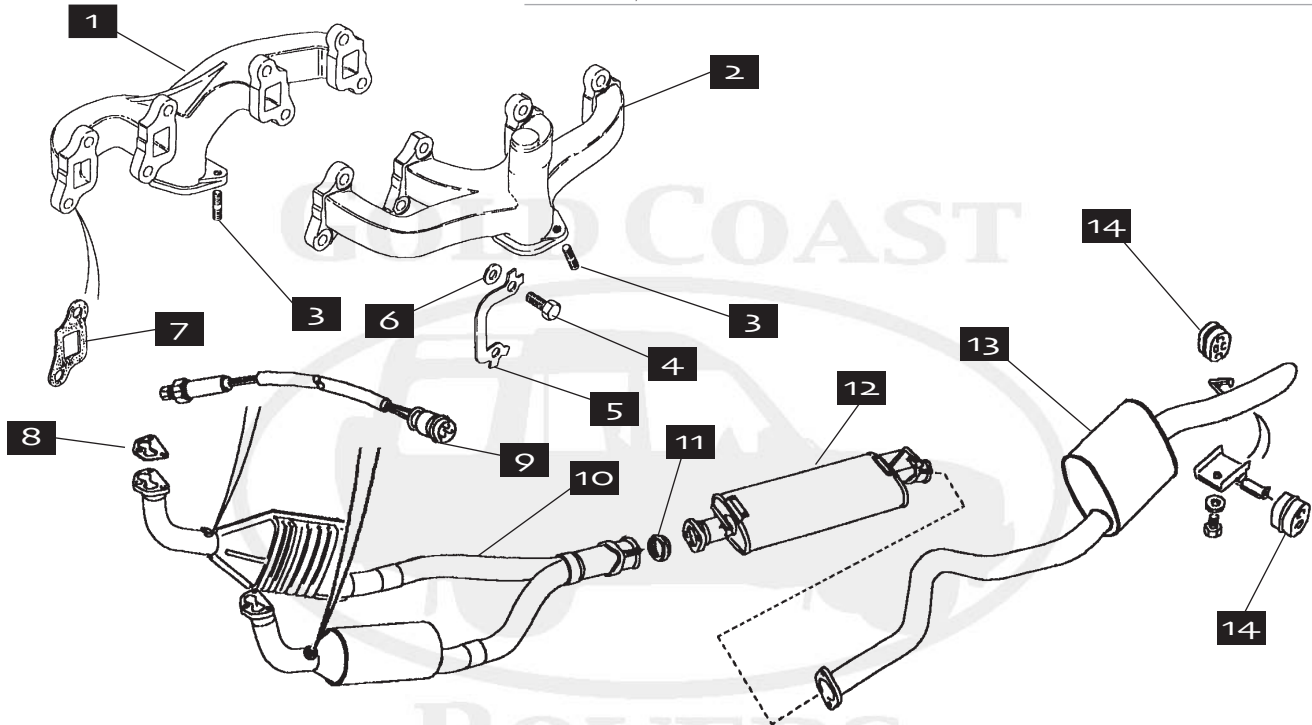
Gold Coast Rovers is a Warehouse Distributor for Borla Exhaust, the leader in late-model performance exhaust systems. Made entirely of aircraft-quality T-304 stainless steel, these "cat-back" systems are entirely mandrel-bent for

smooth flow and noticeable power gains. Give your Land Rover a distinctive exhaust note and more power with a Borla stainless steel exhaust system.

Defender 90, All

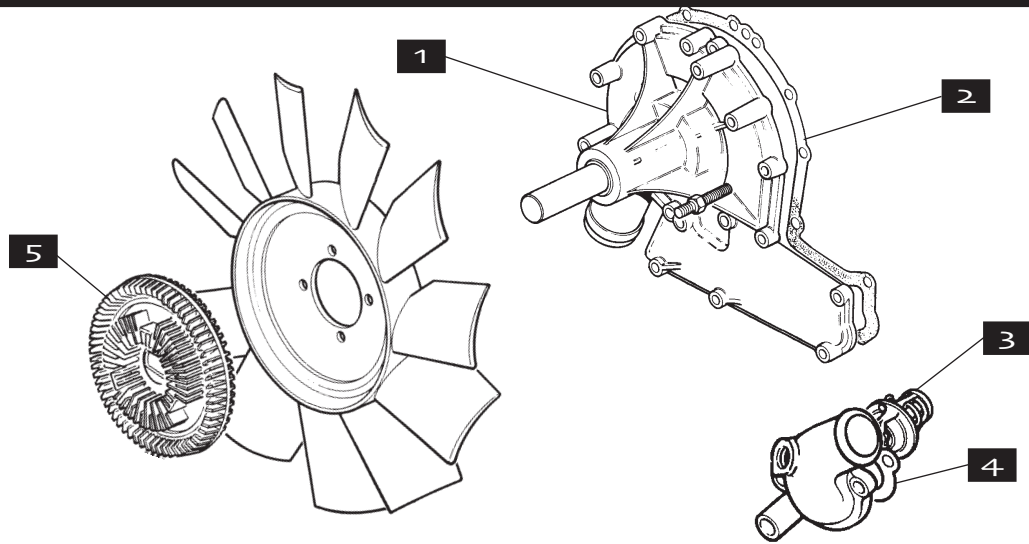
RV-14764

DEFENDER



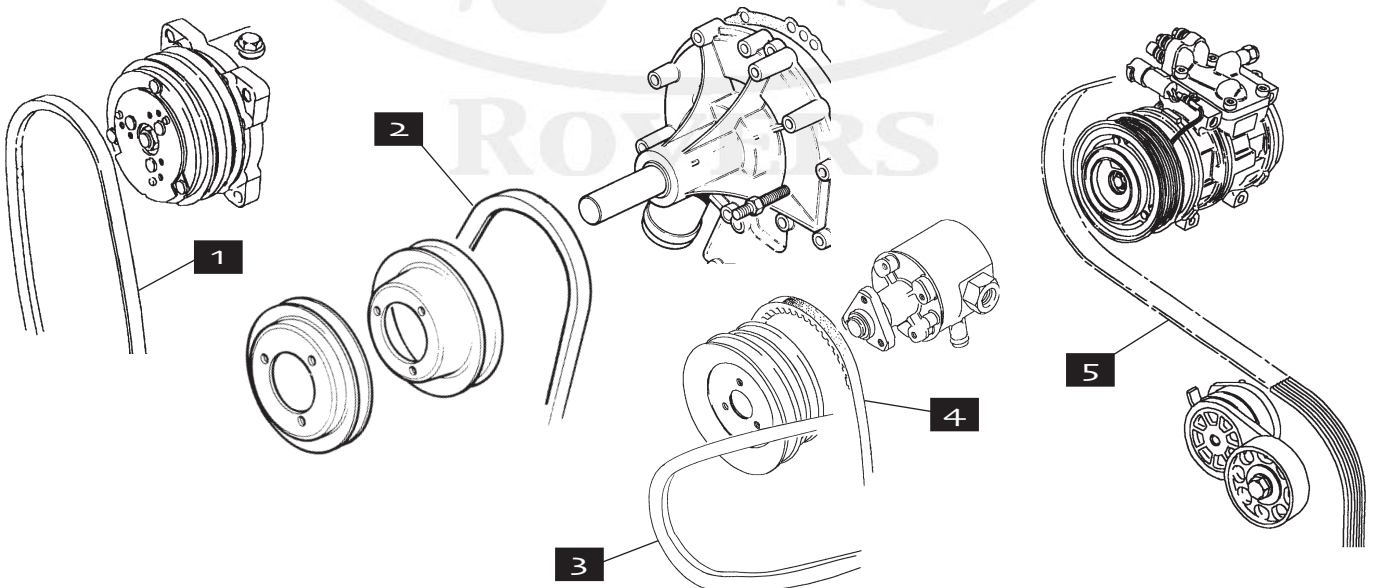
Description	Order Number	Explanatory Notes	Qty
1. Exhaust Manifold, Right Hand	RV-ERR7394		1
2. Exhaust Manifold, Left Hand	RV-ERR7393		1
3. Stud	RV-ERR551L		6
4. Bolt	RV-SH506095L	3/8"	8
5. Locking Plate	RV-ERC7321		4
6. Washer	RV-3036L		8
7. Gasket, Manifold to Head	RV-ERC3606	To January 1994	8
7. Gasket, Manifold to Head	RV-ERR6733	January 1994-on	8
8. Gasket, Manifold to Downpipe	RV-ETC4524	All	2
9. Oxygen Sensor	RV-ERR6729	3.9-Liter Manual Only	2
9. Oxygen Sensor	RV-AMR6244	4.0-Liter Automatic Only	4
10. Downpipe/Catalyst, Manual Transmission:	RV-ESR3063	Up to SA959201	1
10. Downpipe/Catalyst, Manual Transmission:	RV-ESR3059	From SA959202	1
10. Downpipe/Catalyst, Manual Transmission:	RV-ESR3573	California, from SA962674	1
10. Downpipe/Catalyst, Automatic Transmission:	RV-ESR4106	All 4.0 Automatic	1
11. Olive	RV-CRC4579L	Automatic Only	1
12. Center Muffler	RV-WCE104000	All	1
13. Tailpipe/Muffler, ALL	RV-ESR3184	All	1
14. Mount Rubber	RV-NTC5582	Manual Only	2
14. Mount Rubber	RV-ESR3172	Automatic Only	2

WATER PUMP, DEFENDER

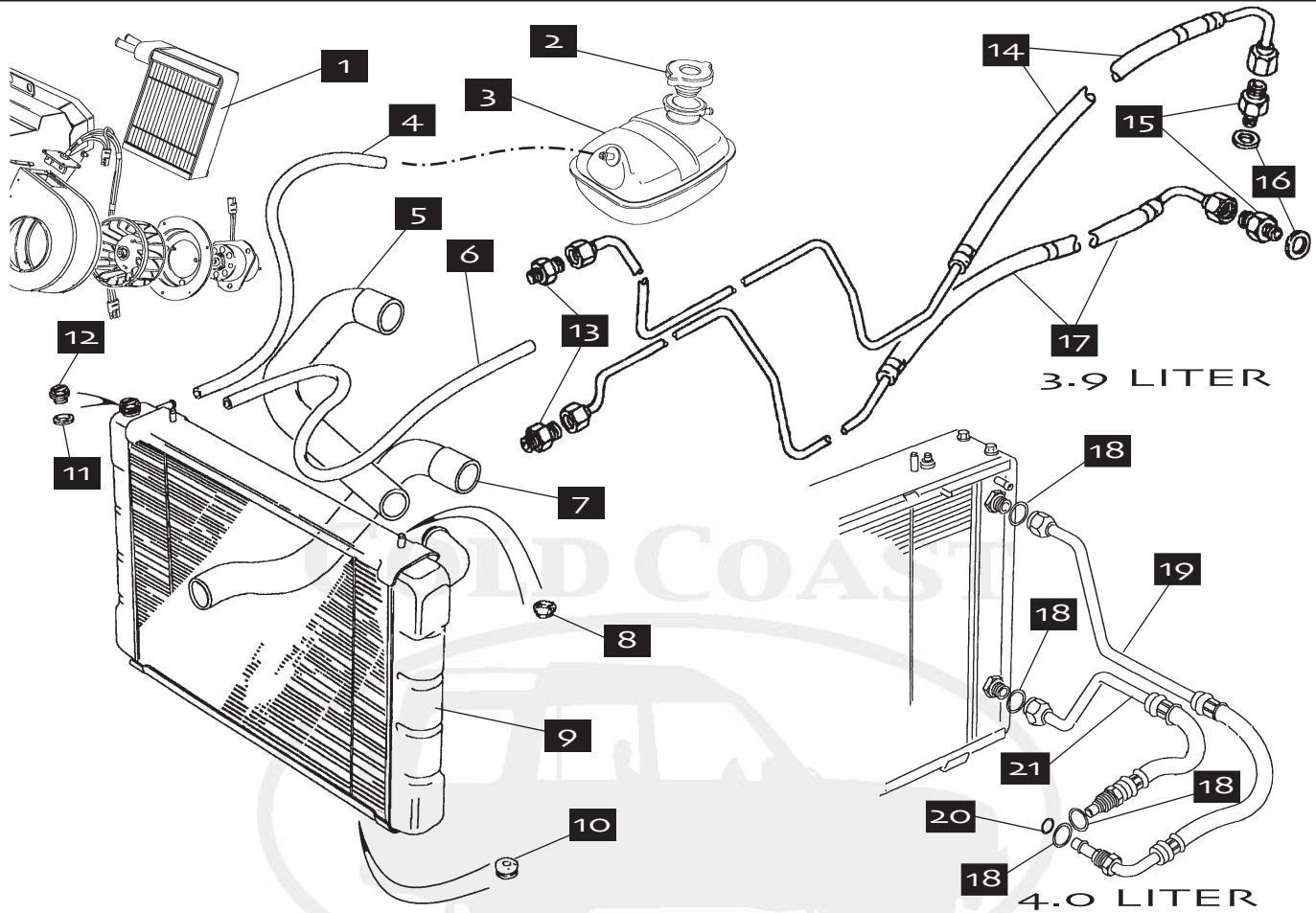


Description	Order Number	Explanatory Notes	Qty
1. Water Pump	RV-STC483*	3.9-Liter	1
1. Water Pump	RV-STC4378	4.0-Liter	1
2. Gasket, Water Pump	RV-ERR2428	3.9-Liter	1
2. Gasket, Water Pump	RV-ERR4077	4.0-Liter	1
3. Thermostat	RV-ETC4765	All	1
4. Gasket, Thermostat	RV-ERR2429	All	1
5. Fan Clutch	RV-ERC5708	3.9-Liter	1
5. Fan Clutch	RV-ERR3443	4.0-Liter	1

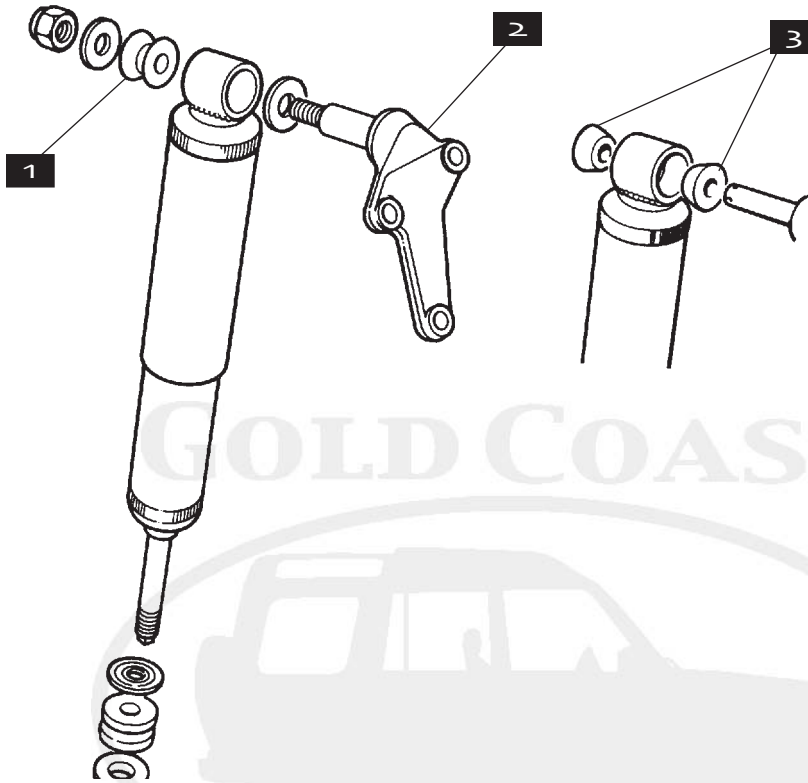
BELTS, DEFENDER 90



Description	Order Number	Explanatory Notes	Qty
1. Water Pump to A/C Compressor	RV-611612	3.9	1
2. Crankshaft to Water Pump	RV-611612	3.9	1
3. Steering Pump to Alternator	RV-ERR2678	3.9	1
4. Power Steering, Crank to Steering Pump	RV-ERC675	3.9	1
5. Serpentine Belt, with A/C	RV-ERR5579	4.0	1



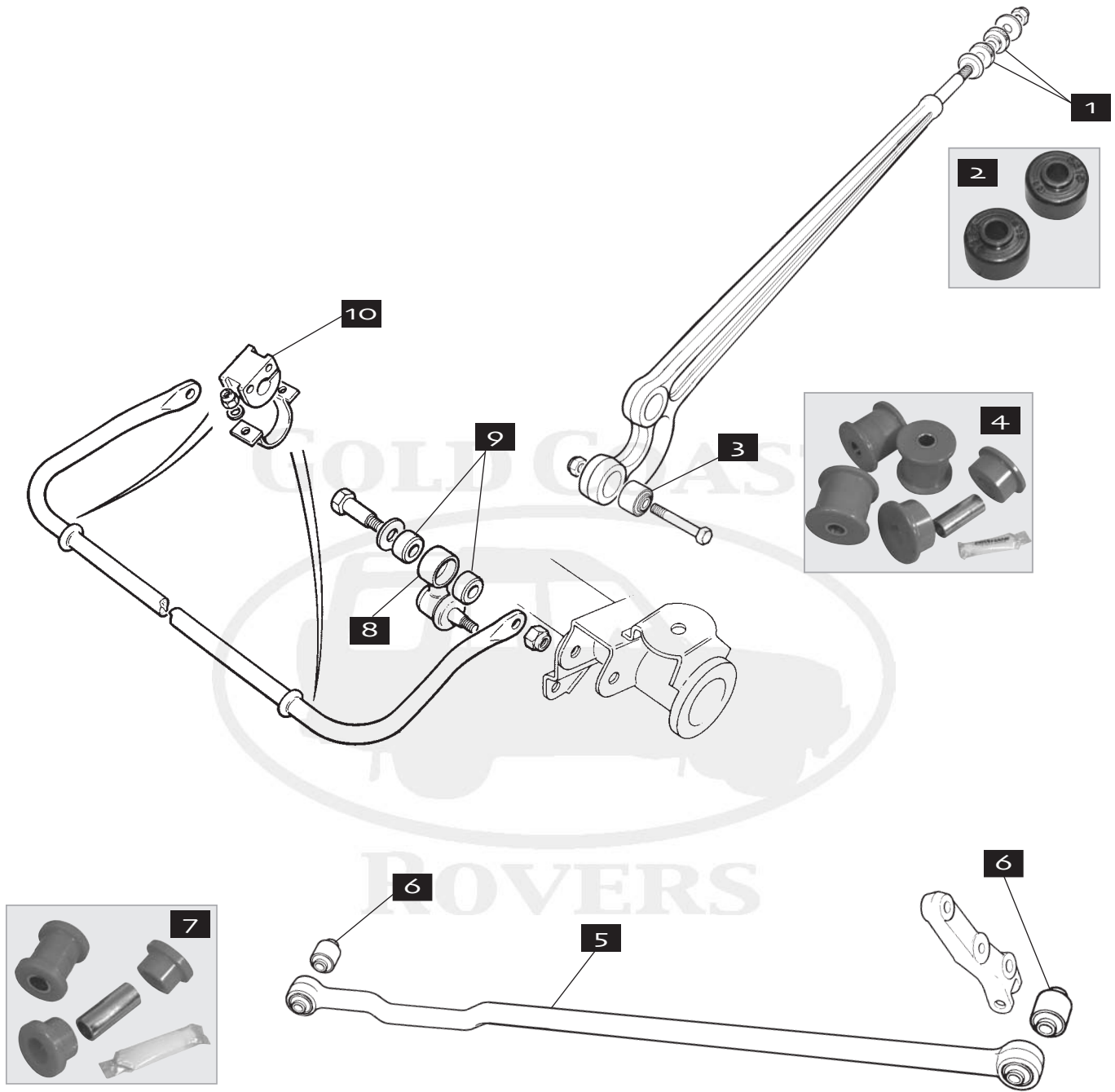
Description	Order Number	Explanatory Notes	Qty
1. Heater Core, Defender 90	RV-UTP1725		1
2. Cap, Expansion Tank	RV-PCD100150*	All	1
3. Expansion Tank	RV-ESR2734	3.9-Liter	1
3. Expansion Tank	RV-ESR2733	4.0-Liter	1
4. Hose, Tank to Radiator	RV-NTC2736	All	1
5. Top Hose	RV-NTC5686	All	1
6. Hose, Bleed	RF-NTC2736		1
7. Bottom Hose	RV-NTC3543	3.9	1
7. Bottom Hose	RV-PCH116030	4.0	1
8. Radiator Mount Bush, Top	RV-NRC5544		1
9. Radiator	RV-ESR3685		1
10. Radiator Mount Bush, Bottom	RV-572312		1
11. O-Ring for Bleed Plug	RV-ERR4685		1
12. Radiator Bleed Plug	RV-ERR4686		1
13. Adapter Fitting on Radiator	RV-ESR1262	3.9-Liter	1
14. Feed Pipe, Engine Oil Cooler	RV-ESR1915	3.9-Liter, Upper fitting on radiator	1
15. Adapter Fitting on Engine	RV-ETC9064	3.9-Liter	2
16. Washer, on ETC9064 Fittings	RV-ETC9065	3.9-Liter	2
17. Return Pipe, Engine Oil Cooler	RV-ESR1914	3.9-Liter, Lower fitting on radiator	1
18. O-Ring, Pipes, Large	RV-ESR1594L	4.0-Liter	4
19. Feed Pipe, Engine Oil Cooler	RV-PBP101150	4.0-Liter, Upper fitting on radiator	1
20. O-Ring, Pipes, Small	RV-ESR3098	4.0-Liter; engine end of PBP101150 only	1
21. Return Pipe, Engine Oil Cooler	RV-PBP101160	4.0-Liter, Lower fitting on radiator	1
Hose, Heater Pipe to Water Pump	RV-PEH101530	Not Illustrated	1



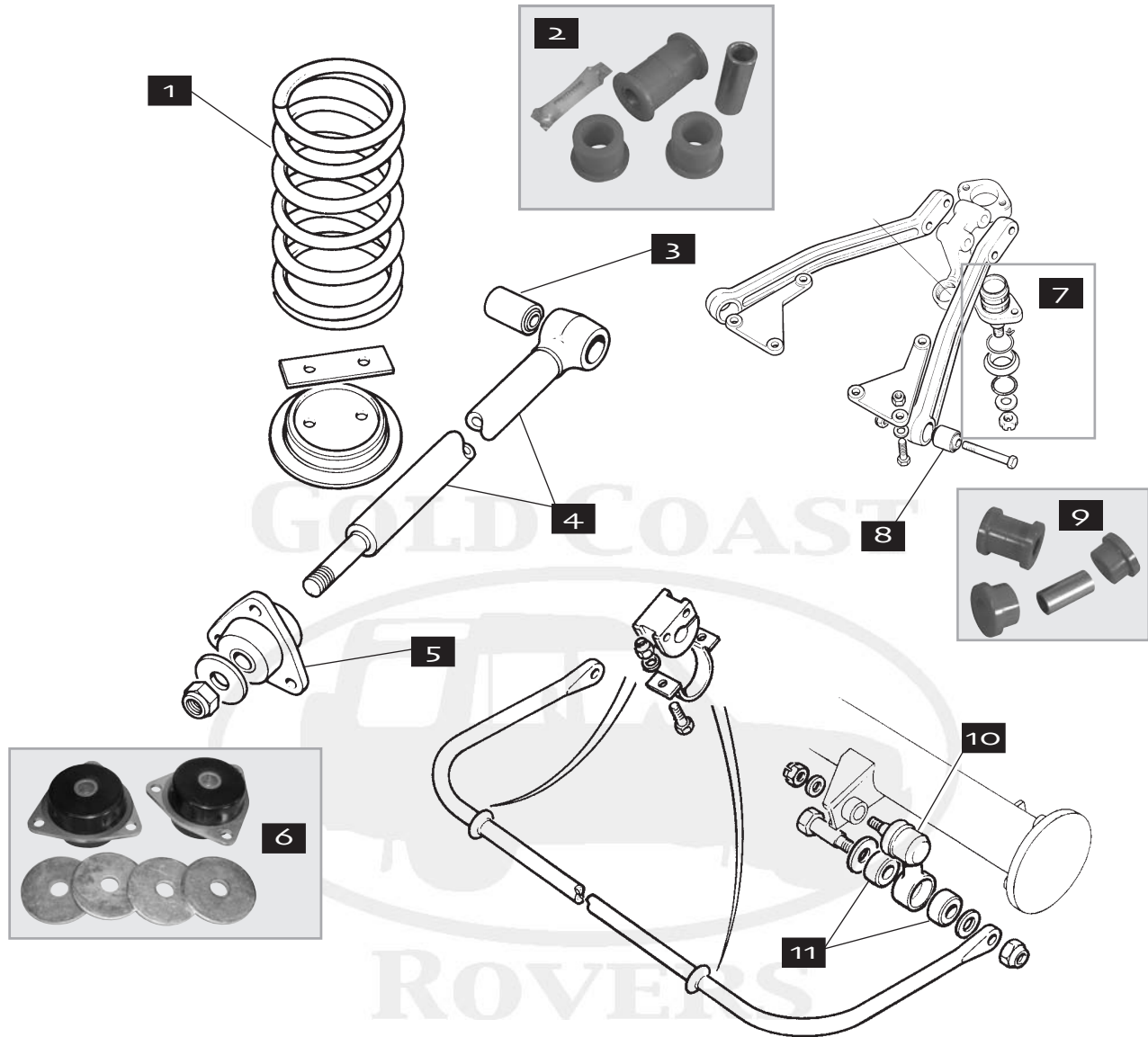
**LOW PRESSURE GAS -
ADJUSTABLE DAMPING**



Description	Order Number	Explanatory Notes
1. Shock Bushing, Cone Type	RV-NRC5593	With anti-roll bar, upper on rear air suspension shocks
2. Shock Mounting Bracket, Rear	RV-NRC7981	
3. Shock Bushing, Cone type, without anti-roll bar	RV-552819	
4. Spax Shock, rear; Adjustable Performance Shock	RV-G625	
4. Spax Shock, front; Adjustable Performance Shock	RV-G626	



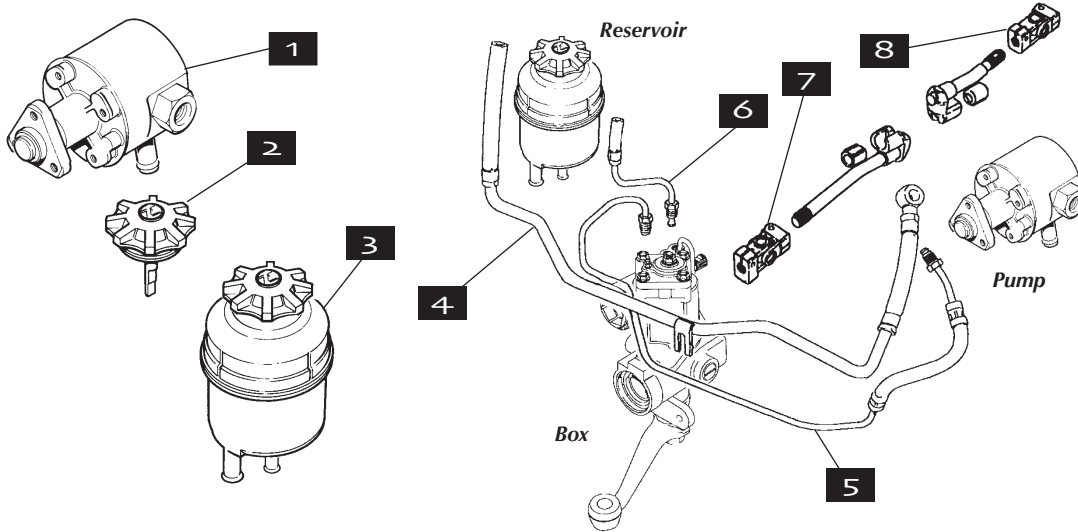
Description	Order Number	Explanatory Notes	Qty
1. Radius Arm Bushing, Chassis End	RV-NRC4514		4
2. Radius Arm Bushing Kit, Polyurethane	RV-6001	Chassis end, two bush kit	2
3. Radius Arm Bushing, Axle End	RV-NTC6781		4
4. Radius Arm Busing Kit, Polyurethane	RV-6002	Axle end, complete four bush kit	1
5. Complete Panhard Rod (w/ bushes)	RV-RBI100000		1
6. Bushing, Panhard Rod	RV-ANR3410		2
7. Polyurethane Bushing Kit, Panhard Rod	RV-6000	Complete two bush kit	1
8. Ball Joint Assembly,	RV-NTC1888	For mounting front anti-roll bar	2
9. Sway Bar End Bushing	RV-552819		4
10. Sway Bar Mount Bushing	RV-NTC6828		2



Description	Order Number	Explanatory Notes	Qty
1. Coil Spring, LH Defender 90	RV-NRC9448		1
1. Coil Spring, RH Defender 90	RV-NRC9449		1
2. Bushing, Bottom Link, Polyurethane Kit	RV-6008	Car Set	1
3. Bushing, Bottom Link	RV-NTC1772		2
4. Lower Link Assembly	RV-NTC8328		2
5. Mount Bushings for Trailing Link, OE Style	RV-NTC9027	May also use RV-STC618 (Pair)	2
6. Mount Bushing Kit, Polyurethane	RV-6006	Two-piece set, early, 16mm center hole	1
6. Mount Bushing Kit, Polyurethane	RV-6007	Two-piece set, late, 20mm center hole	1
7. Upper Ball Joint, rear suspension A-Frame	RV-ANR1799*		2
8. Upper A-Frame Pivot Bushings	RV-NTC1773		2
9. Upper A-Frame Pivot Bushings, Polyurethane Kit	RV-6005	Two-piece set	1
10. Ball Joint, Sway Bar	RV-NTC1888		2
11. End Bushing, Anti-roll bar	RV-552819		4

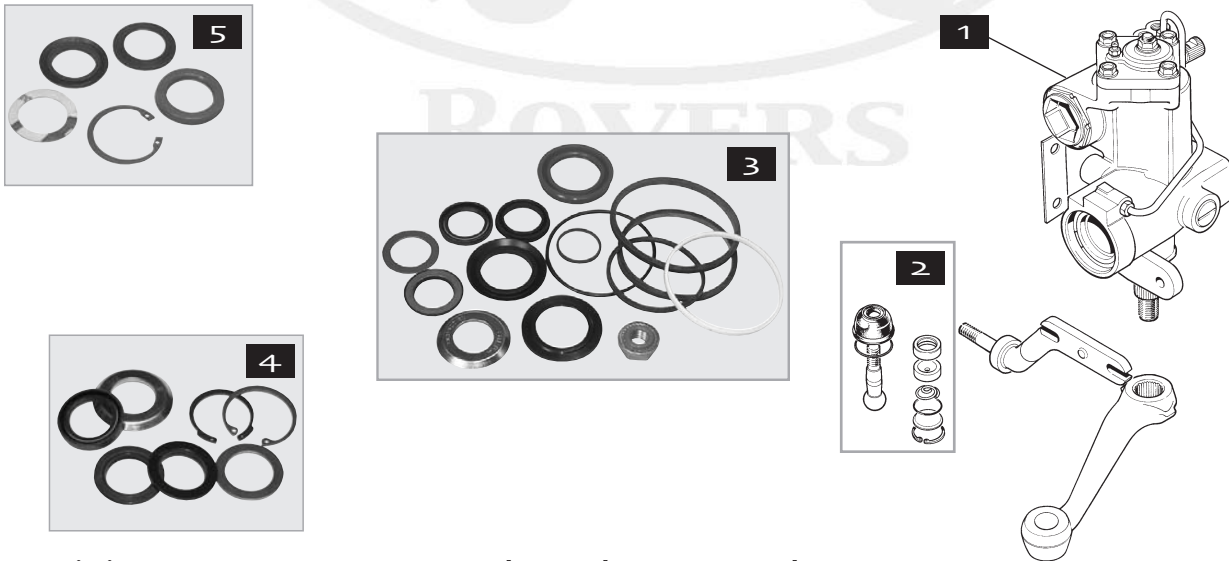
STEERING, DEFENDER 90

DEFENDER

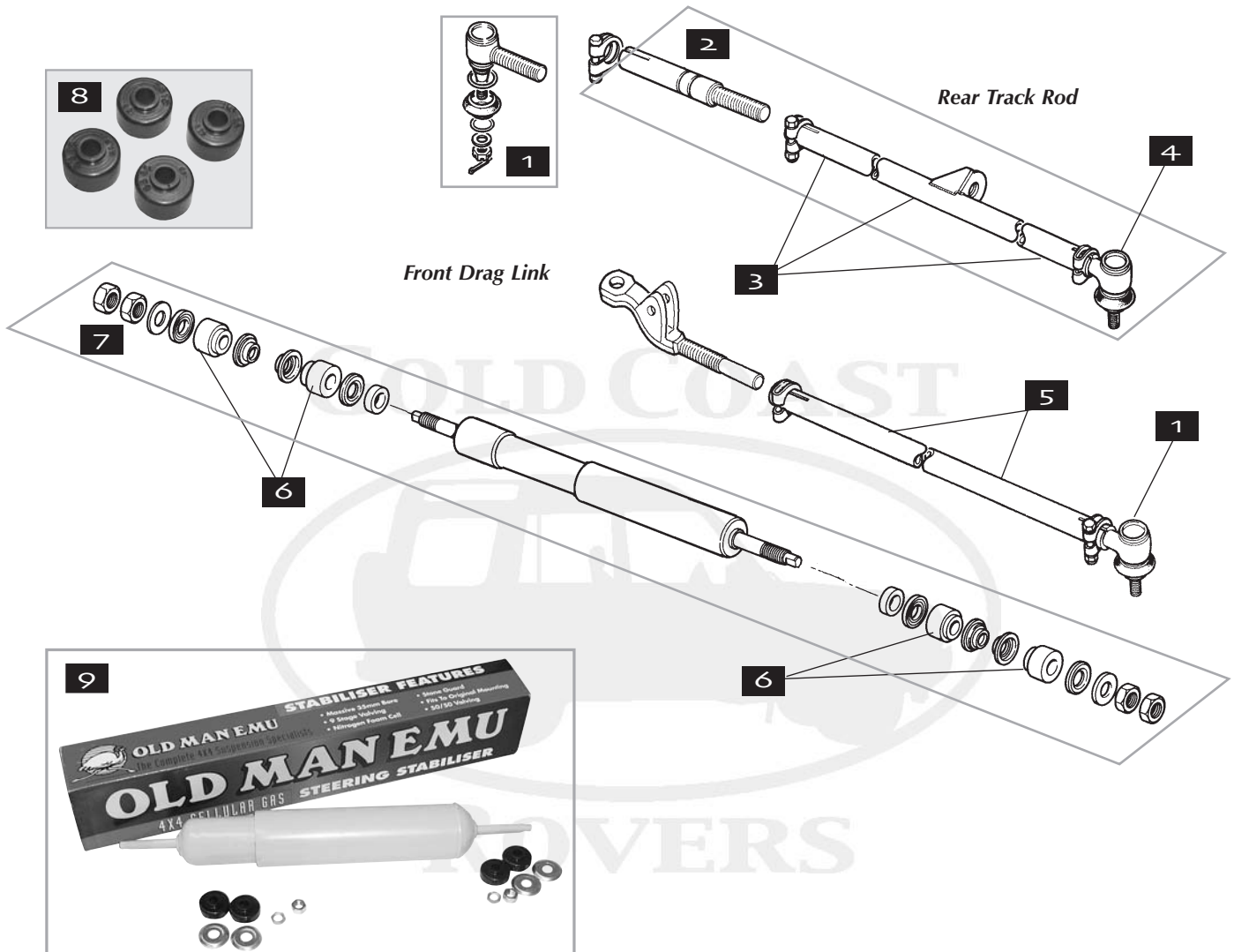


Description	Order Number	Explanatory Notes	Qty
1. Power Steering Pump	RV-NTC9198		1
2. Cap, Power Steering Reservoir	RV-NTC2723		1
3. Power Steering Reservoir Assembly	RV-QFX000030		1
4. Hose, Reservoir to Pump	RV-NTC2595		1
5. Hose, Pump to Steering Box	RV-NTC9099		1
6. Hose, Box to Reservoir	RV-QEH102380		1
Steering Column			
7. Lower U-Joint, Defender 90	RV-STC1968		1
8. Upper U-Joint, Defender 90	RV-NRC7387		1

STEERING BOX AND COMPONENTS, DEFENDER 90

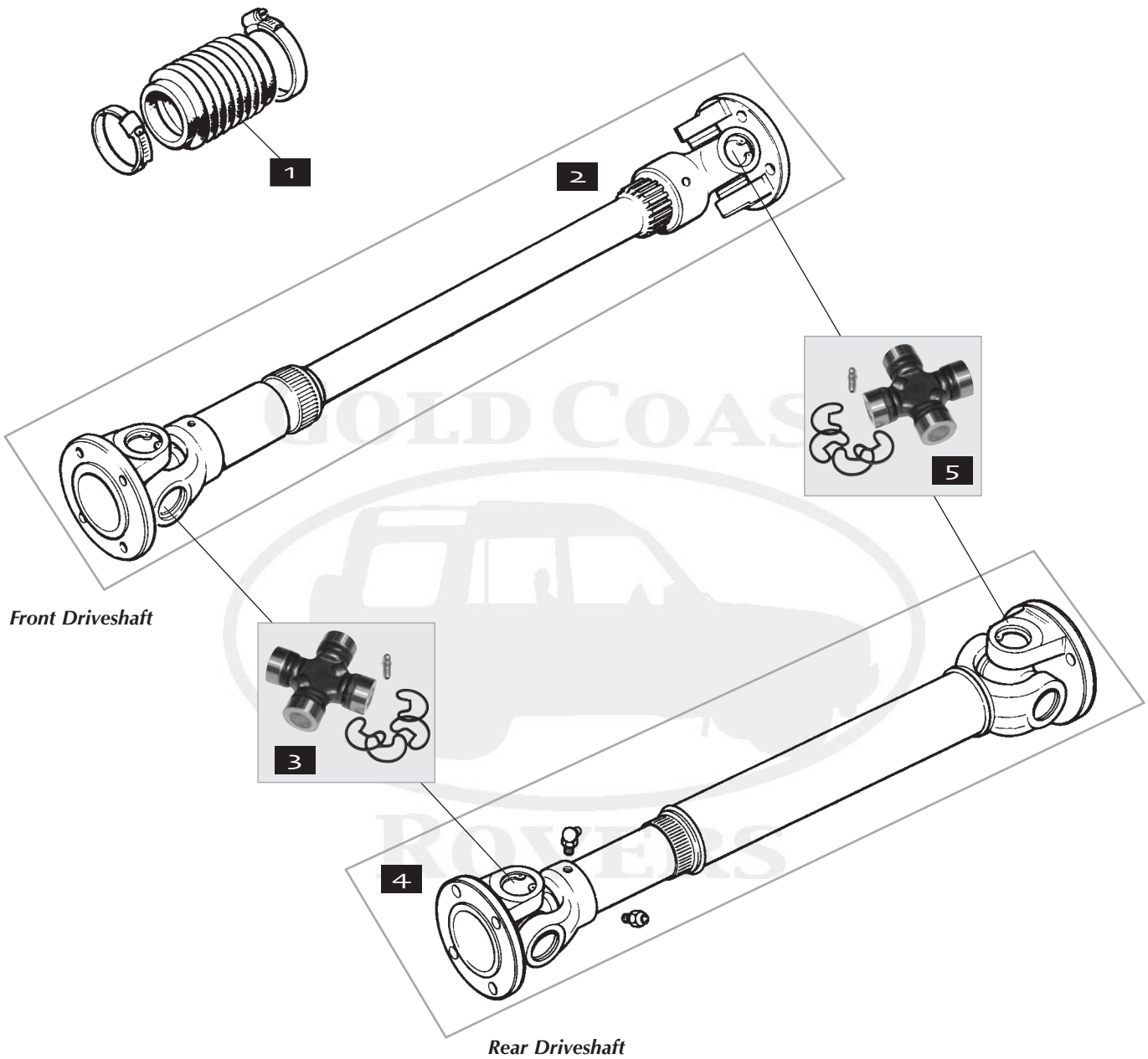


Description	Order Number	Explanatory Notes	Qty
1. Steering Box, New	RV-QAF000040		1
1. Steering Box, Rebuilt	RV-58296		1
2. Ball Joint/Rod End on Steering Box Arm	RV-STC3295		1
3. Overhaul Kit	RV-STC2847	All three kits required for complete rebuild	A/R
4. Input Shaft Kit (not shown)	RV-STC889	All three kits required for complete rebuild	A/R
5. Output Shaft Kit	RV-STC2848	All three kits required for complete rebuild	A/R



DEFENDER

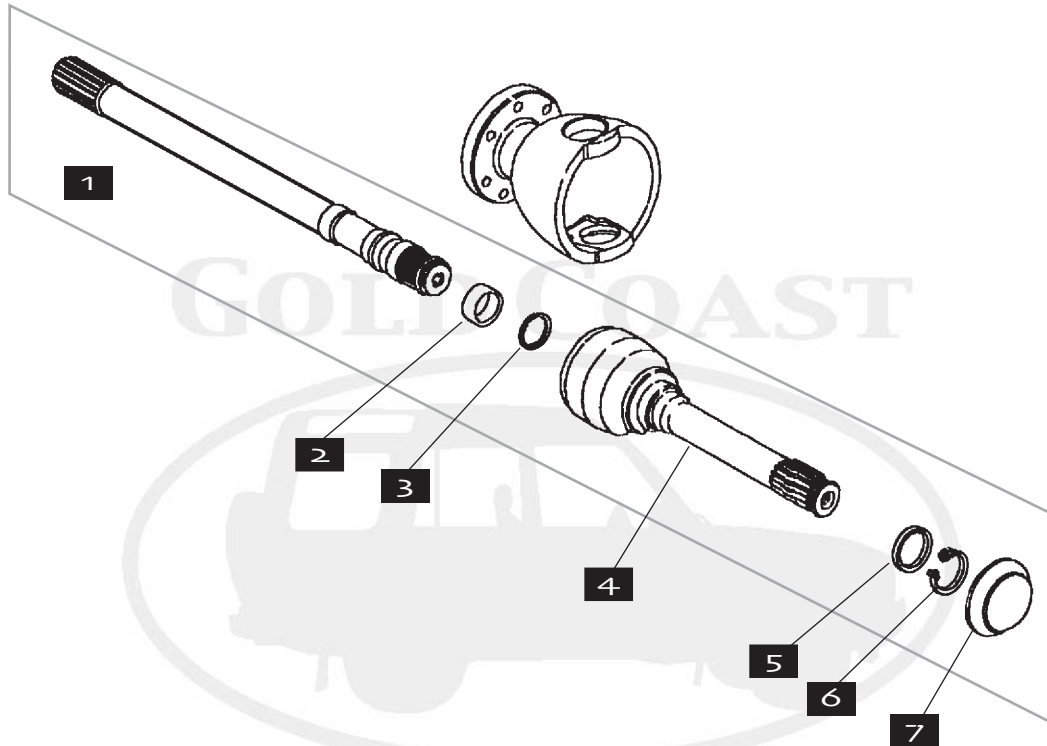
Description	Order Number	Explanatory Notes	Qty
1. Ball Joint Kit	RV-RTC5869/X	RH Thread	2
2. Rear Track Rod Assembly	RV-NRC9743		1
3. Rear Track Rod Tube Only	RV-NRC9742		1
4. Ball Joint Kit	RV-RTC5870	LH Thread	1
5. Front Drag Tube Only	RV-ANR2860		1
6. Bushings, Rubber, Damper	RV-568858		4
7. Steering Damper Assembly	RV-RTC4472		1
8. Bushings, Polyurethane, Damper	RV-6004	Vehicle Set	1
9. Steering Damper Assembly	RV-OMESD32	Heavy Duty, Old Man Emu	1



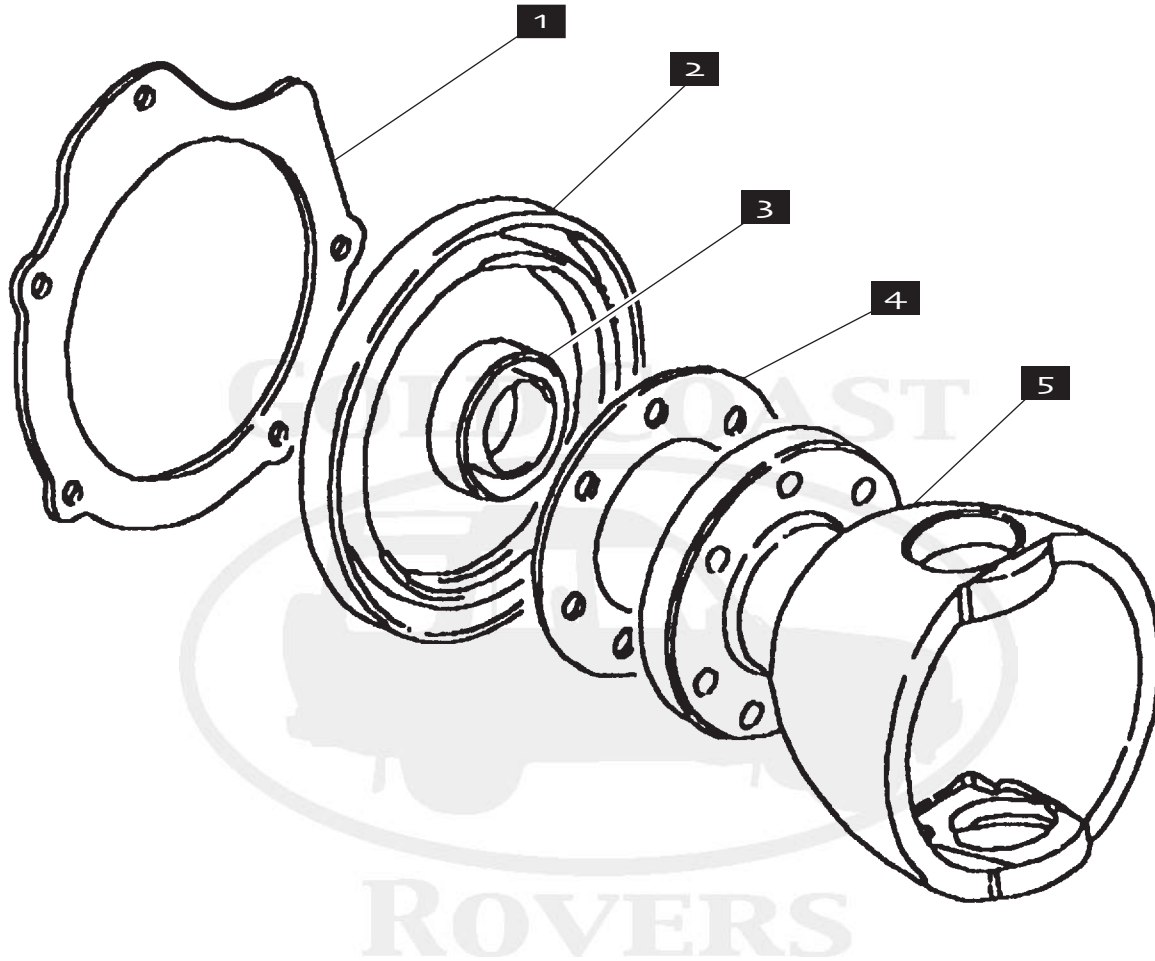
Front Driveshaft

Rear Driveshaft

Description	Order Number	Explanatory Notes	Qty
1. Gaiter/Boot, front drive shaft	RV-276483	Defender 90	1
1. Gaiter/Boot, front drive shaft	RV-276484	Defender 110	1
2. Front Driveshaft Assembly	RV-FRC8641	Defender 90	1
2. Front Driveshaft Assembly	RV-FRC8386	Defender 110	1
3. U-Joints, front	JA-46	Defender 90	2
3. U-Joints, front	RV-RTC3458*	Defender 110	2
4. Rear Driveshaft Assembly	RV-FRC8393	Defender 90	1
5. U-Joint, Rear Driveshaft	RV-RTC3458*	Defender 90	2
5. U-Joint, Rear Driveshaft	RV-RTC3458*	Defender 110	2



Description	Order Number	Explanatory Notes	Qty
1. Front Halfshaft Assembly, RH	RV-TBD000180		1
1. Front Halfshaft Assembly, LH	RV-TBD000190		1
2. Spacer	RV-RTC5841		2
3. Circlip	RV-TDL100240		2
4. Constant-Velocity Joint	RV-AEU2522	23-spline shaft; Non ABS	2
4. Constant-Velocity Joint	RV-RTC6862	33-spline shaft; Non ABS	2
4. Constant-Velocity Joint	RV-TDJ000010	24-spline shaft; ABS	2
5. Shim, .450mm	RV-FRC6782	Use as required	A/R
5. Shim, .600mm	RV-FRC6783	Use as required	A/R
5. Shim, .750mm	RV-FRC6784	Use as required	A/R
5. Shim, .900mm	RV-FRC6785	Use as required	A/R
5. Shim, 1.050mm	RV-FRC6786	Use as required	A/R
5. Shim, 1.200mm	RV-FRC6787	Use as required	A/R
5. Shim, 1.350mm	RV-FRC6788	Use as required	A/R
5. Shim, 1.500mm	RV-FRC6789	Use as required	A/R
5. Shim, 1.650mm	RV-FRC6790	Use as required	A/R
6. Circlip	RV-549473		2
7. Hub Cap	RV-FTC5414		2

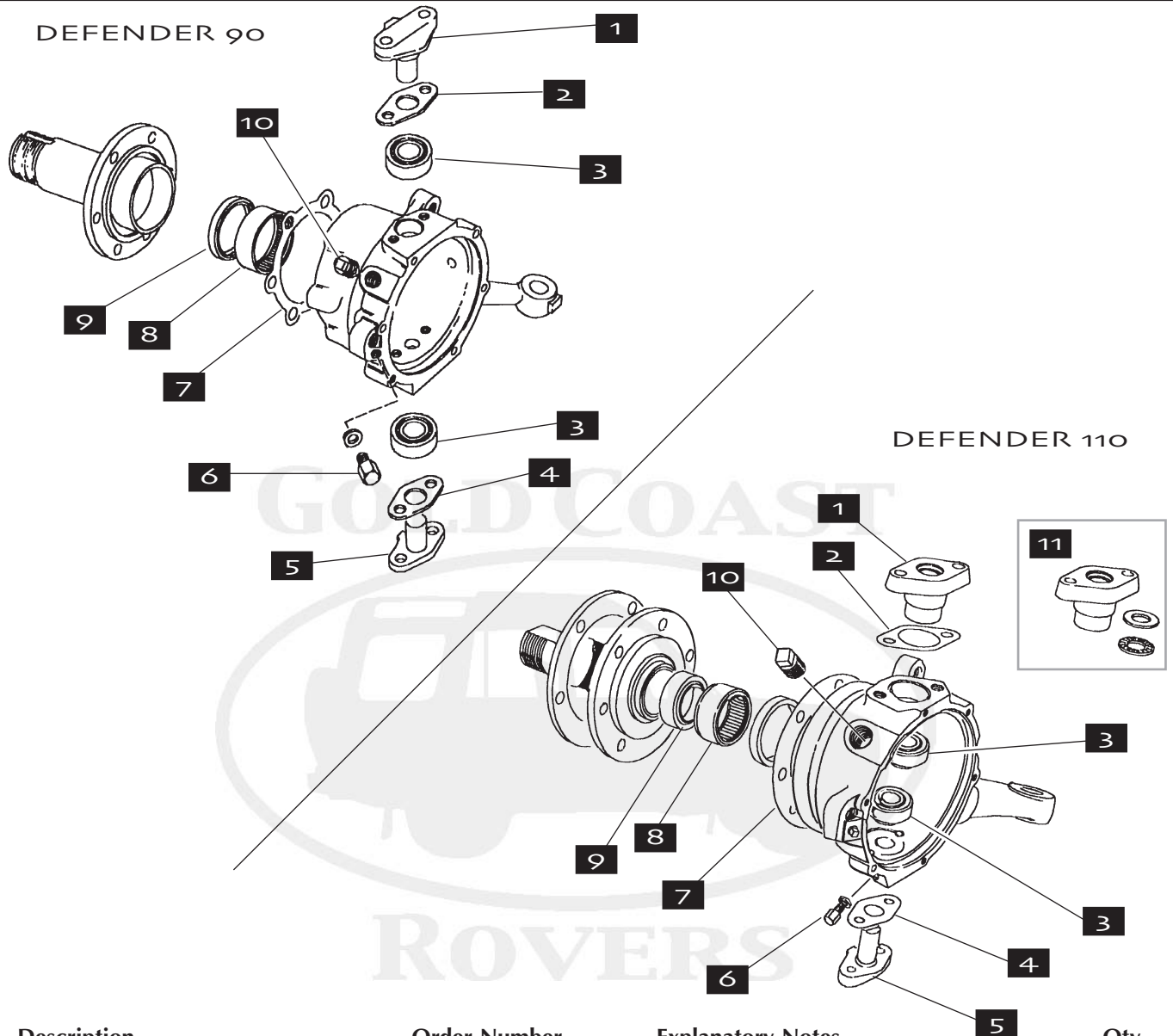


Description	Order Number	Explanatory Notes	Qty
1. Plate Washer	RV-571755	110 shown	2
2. Seal, Swivel Pin Housing, Outer	RV-FTC3401		2
3. Oil Seal, at swivel housing	RV-FTC3276		2
4. Gasket, Bearing Housing	RV-FTC3646		2
5. Bearing Housing (Swivel Ball)	RV-FTC5105		2

Originally, Land Rover filled the swivel pins with 90-weight oil, which was prone to leaking. This special grease replaces the gear oil and is packaged in single-use containers. Use one tube per swivel on every service job.



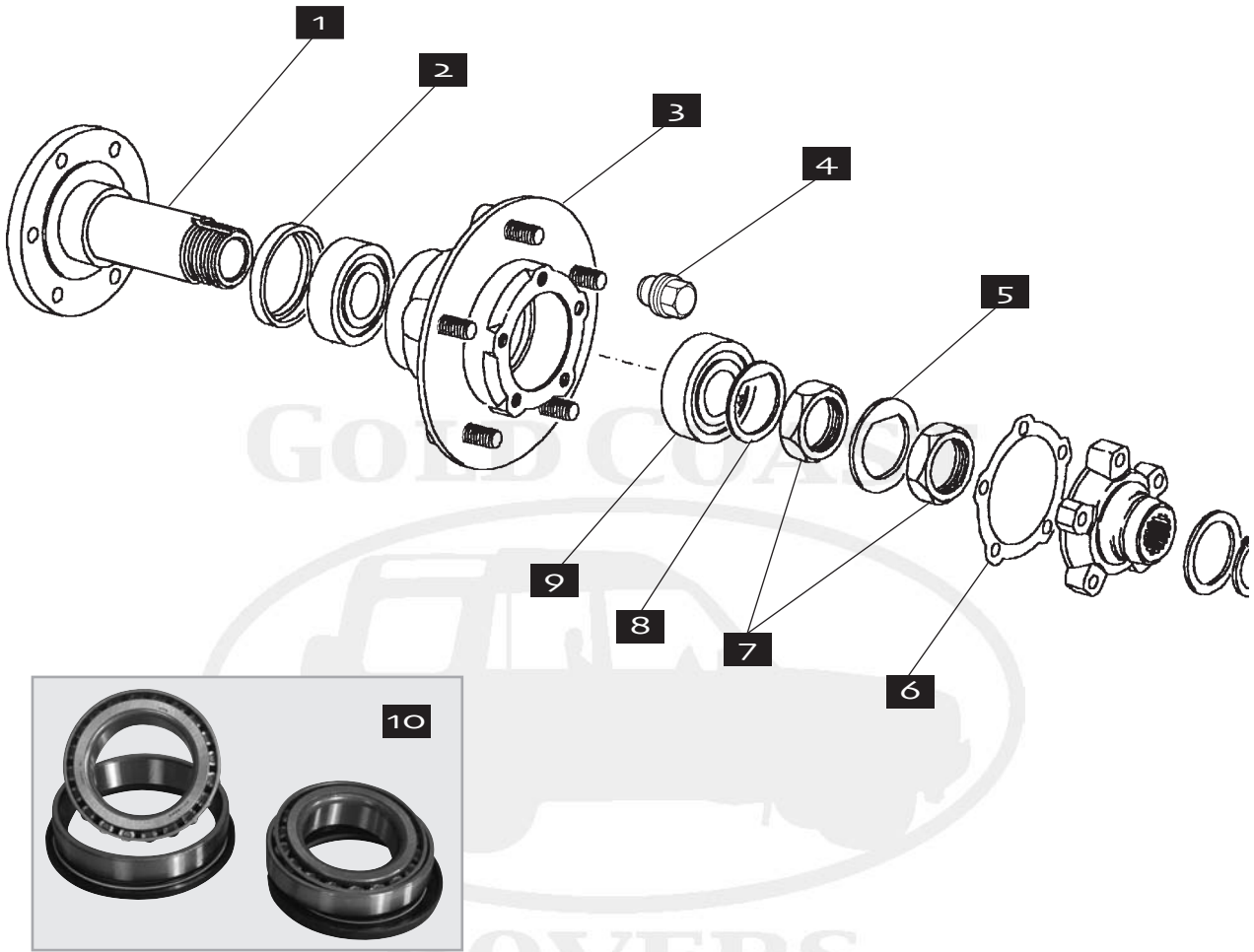
Swivel Pin Grease RV-STC3435



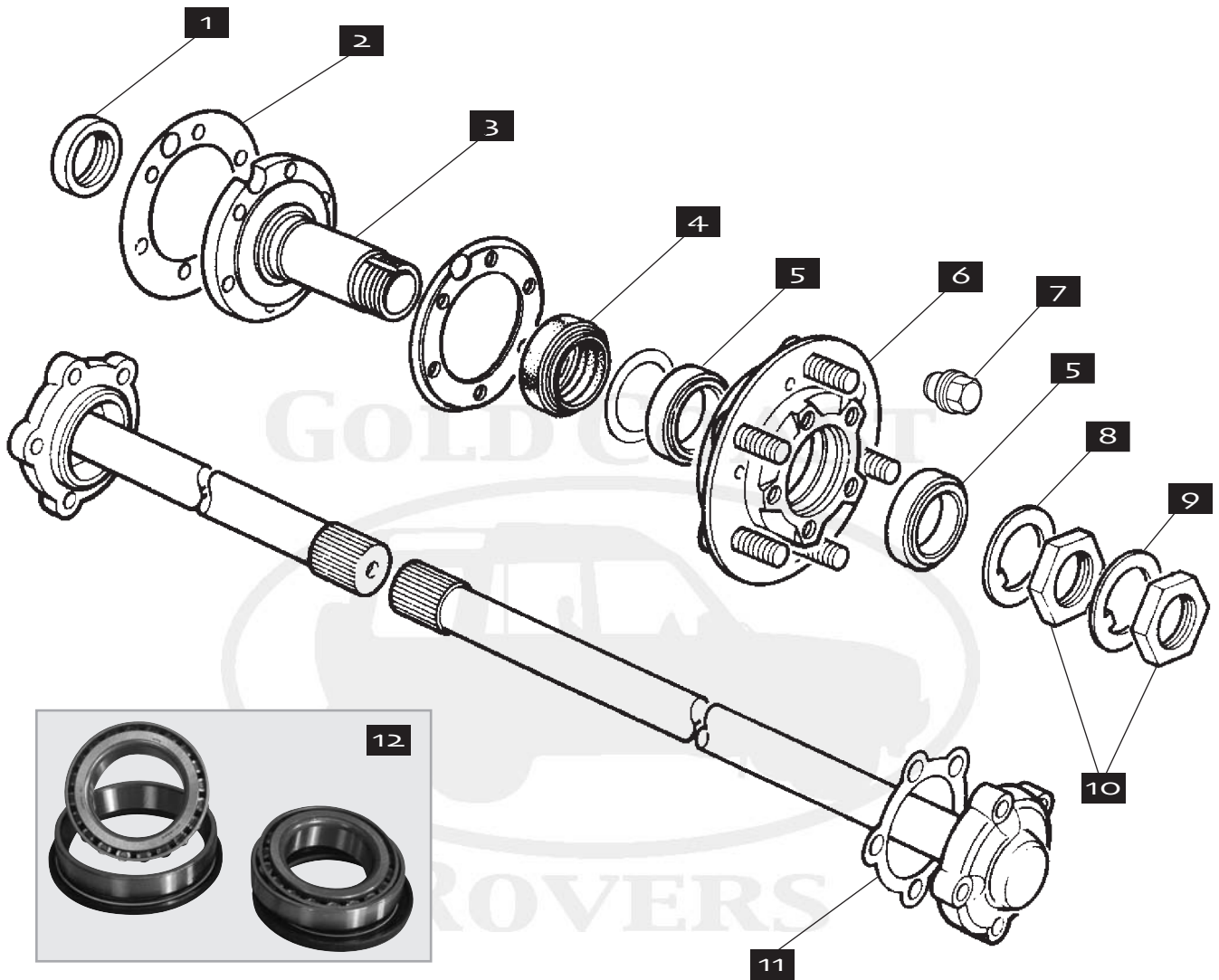
DEFENDER

Description	Order Number	Explanatory Notes	Qty
1. Upper Swivel Pin	RV-FTC2882	All	2
2. Shim, Upper Swivel Pin, .003"	RV-FRC2883	All	A/R
2. Shim, Upper Swivel Pin, .005"	RV-FRC2884	All	A/R
2. Shim, Upper Swivel Pin, .010"	RV-FRC2885	All	A/R
2. Shim, Upper Swivel Pin, .030"	RV-FRC2886	All	A/R
3. Bearing Only, Upper Swivel Pin	RV-606666	All	2
3. Bearing for lower swivel pin	RV-606666	All	2
4. Gasket, Lower Swivel Pin	RV-FTC3647	All	2
5. Lower Swivel Pin	RV-FRC2894*	All	2
6. Drain Plug	RV-236070	All	2
7. Gasket	RV-FTC3648	All	2
8. Bearing, Stub Axle, in swivel pin housing	RV-FTC861	All	2
9. Oil Seal, stub axle, in swivel pin housing	RV-FTC840	Defender 90 to RA930455	2
9. Oil Seal, stub axle, in swivel pin housing	RV-FTC5268	Defender 90 from RA930456 and Defender 110	2
10. Fill Plug	RV-FTC3670	All	2
11. Upper Swivel Pin Kit	RV-STC226	Defender 110 1997-on	2

* Denotes Aftermarket Part

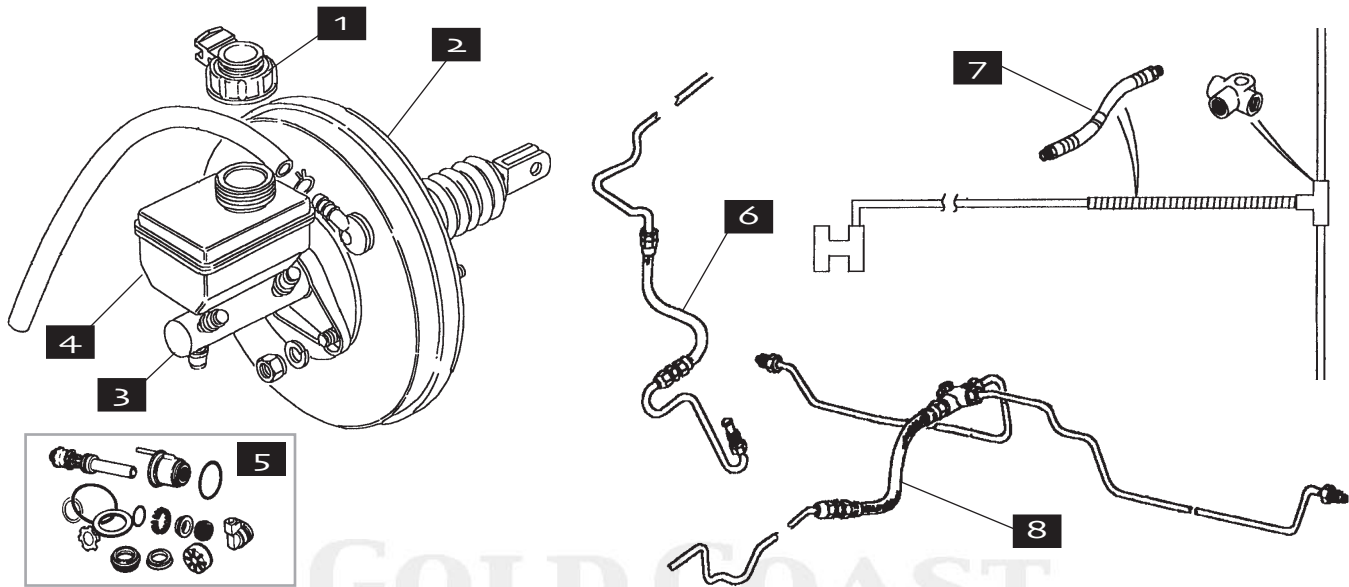


Description	Order Number	Explanatory Notes	Qty
1. Stub Axle	RV-FTC3154		2
2. Inner Hub Seal	RV-FTC4785		2
3. Hub Assembly, with Studs	RV-FTC942		2
4. Lug Nut	RV-NRC7415	Plain steel	10
4. Lug Nut	RV-ANR2763MMM	Stainless capped	10
5. Washer	RV-FTC3179	Always replace when changing brake rotors.	2
6. Hub Gasket	RV-571752		2
7. Lock Nut	RV-FRC8700	Two per wheel	4
8. Key Washer	RV-FTC5241		2
9. Bearing	RV-RTC3429	Two per wheel	4
10. Wheel Bearing Kit	RV-5002		2



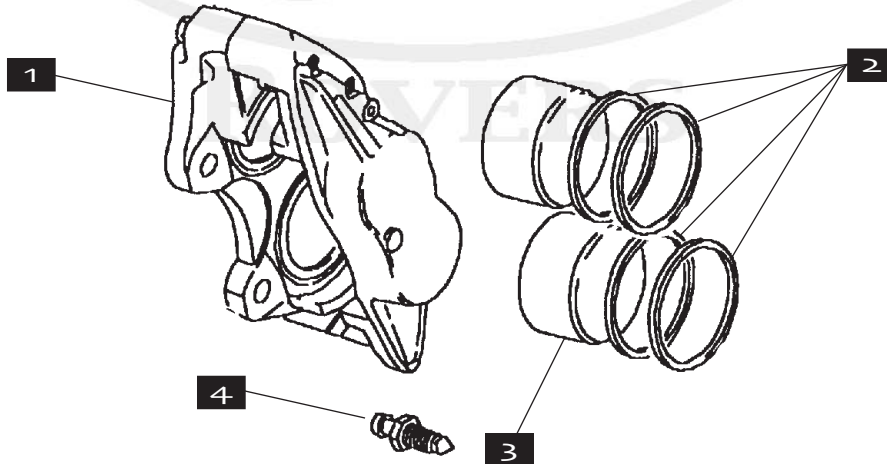
Description	Order Number	Explanatory Notes	Qty
1. Seal	RV-FTC5268		2
2. Joint Washer	RV-FTC3648	Defender 90 through 1996	2
2. Joint Washer	RV-FTC3650	Defender 90, 1997-on	2
3. Stub Axle	RV-FTC3188		2
4. Hub Seal, inner	RV-FTC4785		2
5. Wheel Bearing	RV-RTC3429	Two Per Wheel	4
6. Hub Assembly, with Studs	RV-FTC942		2
7. Lug Nut	RV-NRC7415	Plain steel	10
7. Lug Nut	RV-ANR2763MMM	Stainless capped	10
8. Key Washer	RV-FTC5241		2
9. Key Washer	RV-FTC3179		2
10. Lock Nut	RV-FRC8700	Two per wheel	4
11. Joint Washer	RV-571752		2
12. Wheel Bearing Kit	RV-5007	Defender 90 through 1996	2
12. Wheel Bearing Kit	RV-5008	Defender 90, 1997-on	2

BRAKES, MASTER CYLINDER & COMPONENTS, DEFENDER

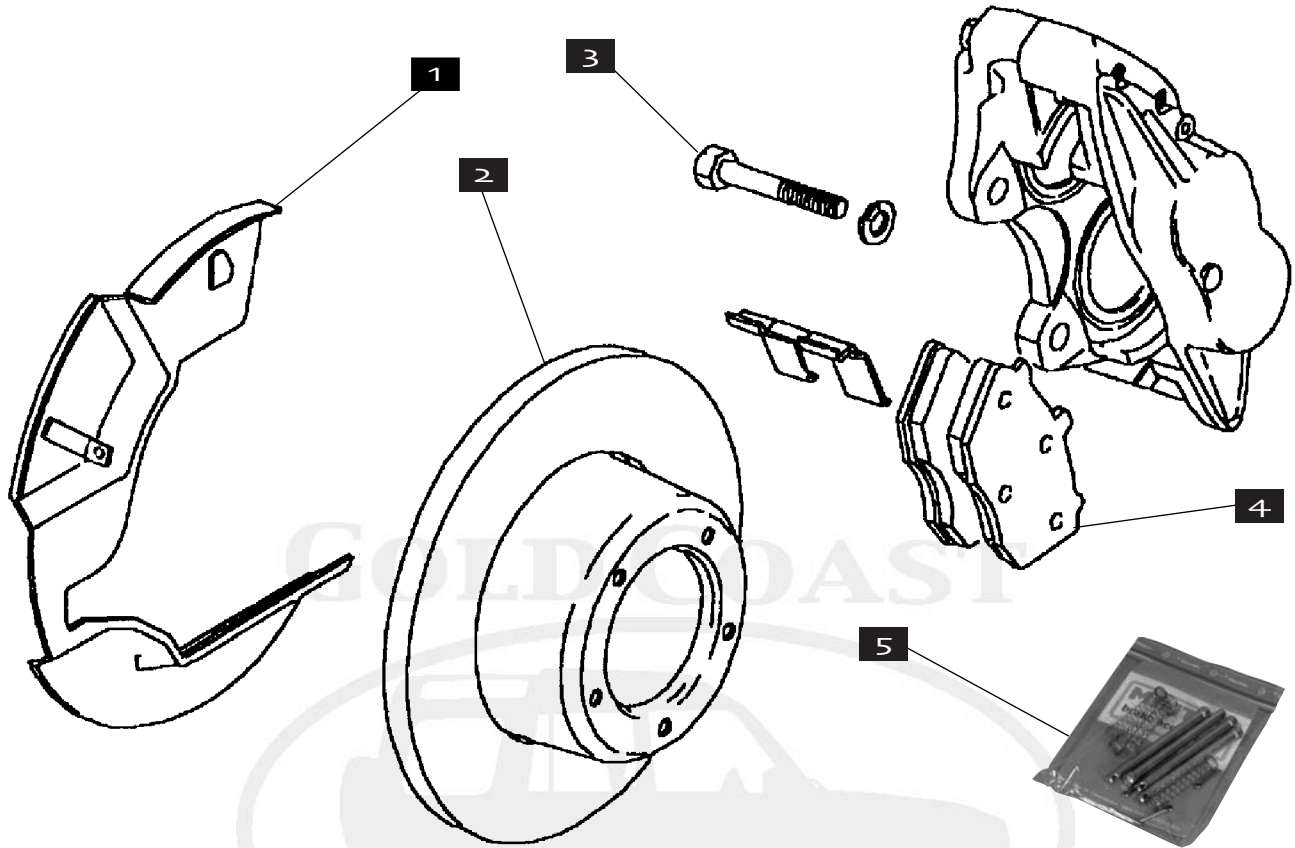


Description	Order Number	Explanatory Notes	Qty
1. Reservoir Cap	RV-NTC4414		1
2. Servo Assembly	RV-STC4322		1
3. Master Cylinder	RV-STC441		1
4. Fluid Reservoir	RV-STC492		1
5. Master Cylinder Rebuild Kit	RV-STC491		1
6. Brake Flex Hose, Front, RH or LH	RV-NRC7874		2
7. Brake Flex Hose, Rear	RV-NRC9455	Defender 90	1
8. Brake Flex Hose, Rear	RV-NRC9456	Defender 110	1

BRAKES, CALIPERS & COMPONENTS, FRONT, DEFENDER

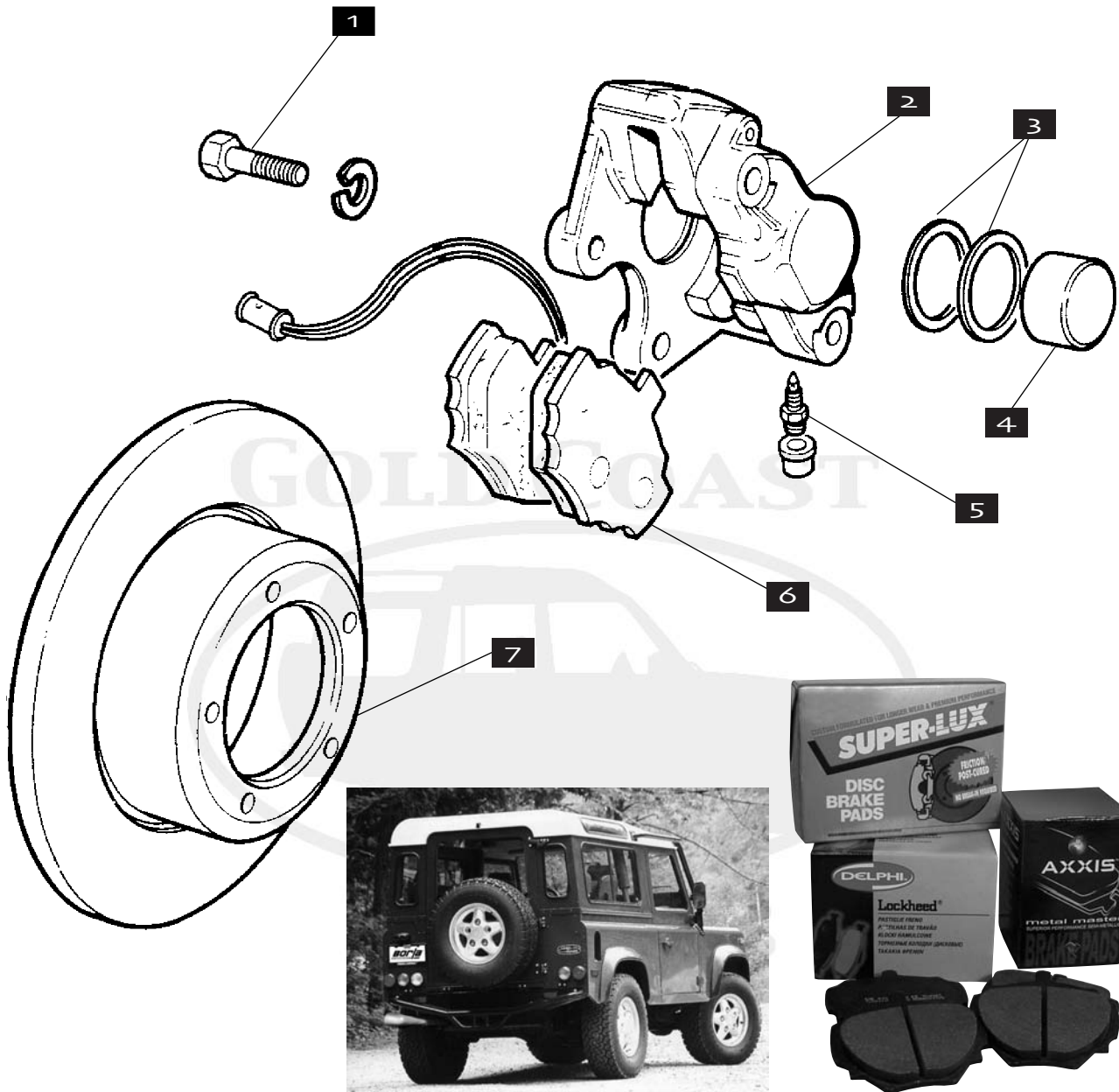


Description	Order Number	Explanatory Notes	Qty
1. Brake Caliper	RV-STC1266	Right, Defender 90, new, less pads	1
1. Brake Caliper	RV-STC1267	Left, Defender 90, new, less pads	1
1. Brake Caliper	RV-STC1266/RB	Right, Defender 90, rebuilt, less pads	A/R
1. Brake Caliper	RV-STC1267/RB	Left, Defender 90, rebuilt, less pads	A/R
2. Rebuild Kit, Calipers	RV-AEU2539	Defender 90 and 110	2
3. Brake Piston	RV-STC201	Defender 110	4
3. Brake Piston Kit	RV-STC1280	Defender 90	1
4. Bleed Nipple	RV-RTC1526	3/8" x 24 UNF	2

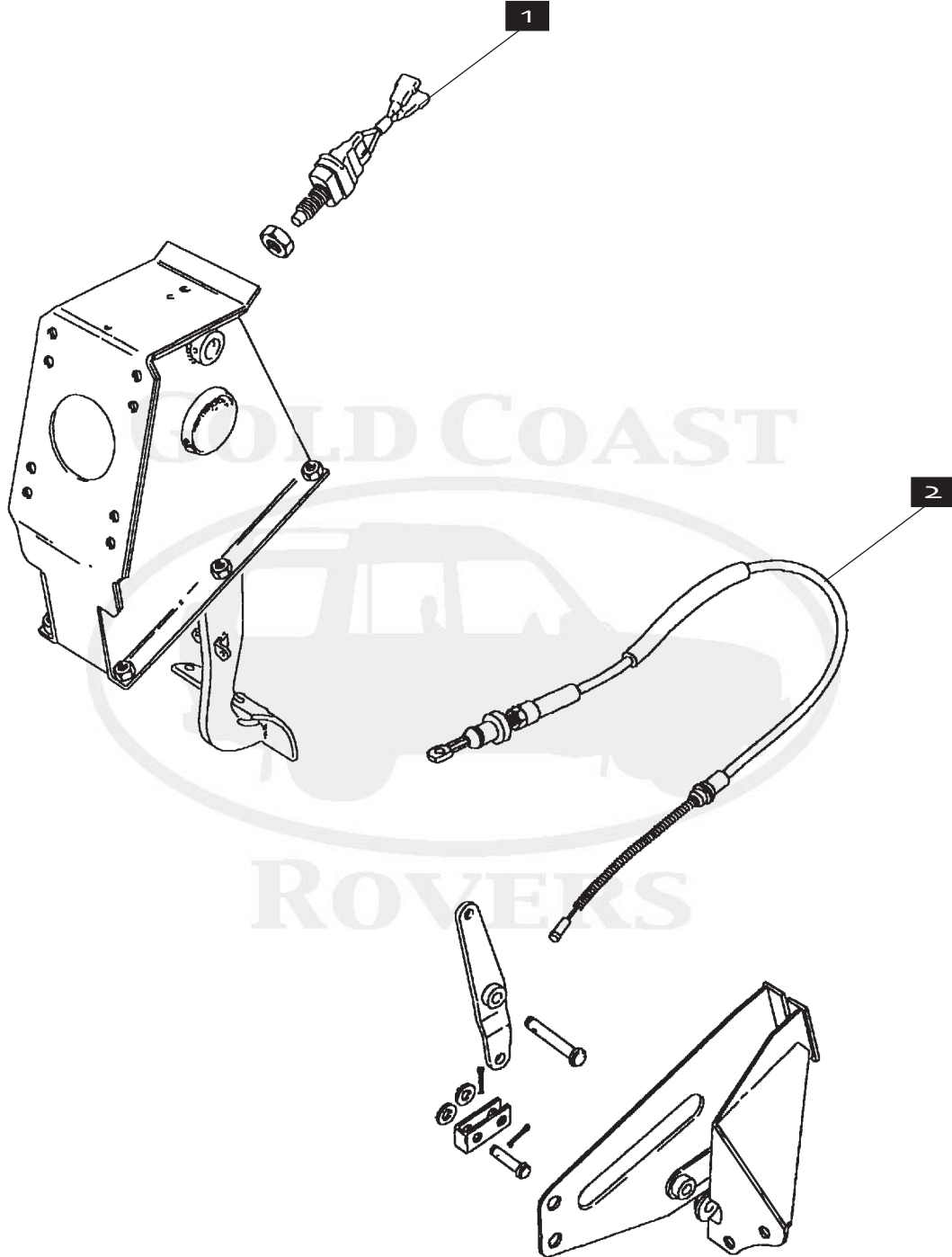


Description	Order Number	Explanatory Notes	Qty
1. Mud Shield, RH	RV-FTC4838	From TA984039	1
1. Mud Shield, LH	RV-FTC4839	From TA984039	1
2. Brake Rotor, Front, vented, Defender 90	RV-FTC902*	When replacing rotors, also purchase one each of RV-FTC4785 Inner Hub Seal and one RV-571572 gasket per rotor.	2
2. Brake Rotor, Front, non-vented, Defender 110	RV-FRC7329*	When replacing rotors, also purchase one each of RV-FRC8222 hub seal, RV-FTC4785 inner hub seal and RV-571572 gasket with each rotor.	2
3. Caliper Mounting Bolt	RV-FTC3375		4
4. Brake Pad Set	RV-STC1275	Front Defender 90	2
4. Brake Pad Set	RV-STC1275/LK	Front, Defender 90, Lockheed	1
4. Brake Pad Set	RV-STC2952	Defender 110	4
5. Pad Retaining Hardware Kit	RV-STC8575	Defender 90	1

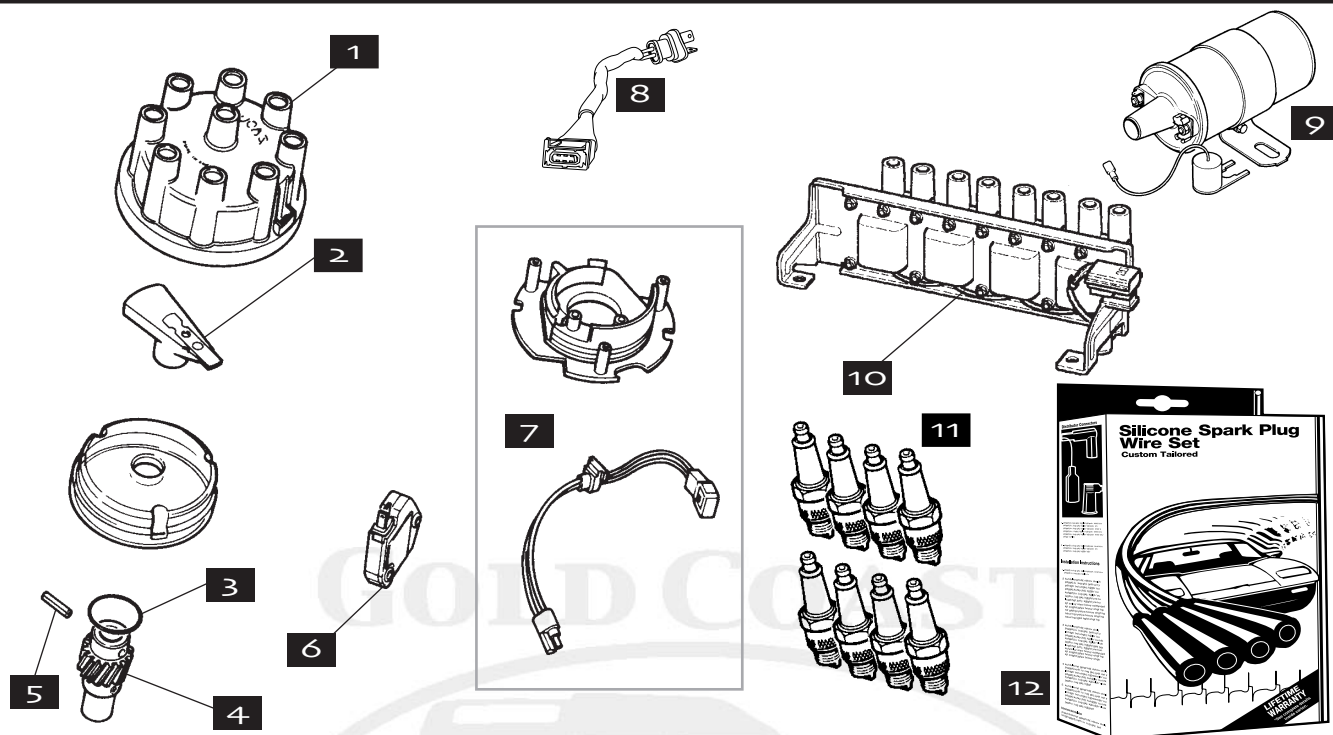
* Denotes Aftermarket Part



Description	Order Number	Explanatory Notes	Qty
1. Caliper Mounting Bolt, RR 93-95, DS1, DF	RV-FTC3375		4
2. Caliper, RHR, new	RV-STC1264*	Defender 90	1
2. Caliper, LHR, new	RV-STC1265*	Defender 90	1
2. Caliper, RHR, rebuilt	RV-STC1264/RB	Defender 90, per caliper	1
2. Caliper, LHR, rebuilt	RV-STC1265/RB	Defender 90, per caliper	1
3. Rebuild Kit	RV-AEU2539	Rear brake cylinder, Defender 90	1
3. Rebuild Kit	RV-AEU2498	Rear brake cylinder, Defender 110	2
4. Brake Piston Kit	RV-AEU1547*	Defender 90	1
5. Bleed Nipple, 3/8" x 24 UNF	RV-RTC1526		2
6. Brake Pads	RV-STC2953*	Defender 90, Organic	1
6. Brake Pads	RV-STC2953AMM*	Defender 90, Metallic	1
6. Brake Pads	RV-STC2953/LK	Defender 90, Lockheed	1
7. Rear Rotor	RV-FTC1381*	Defender 90	2



Description	Order Number	Explanatory Notes	Qty
1. Brake Light Switch	RV-PRC4297		1
2. Handbrake Cable	RV-SPB000160		1

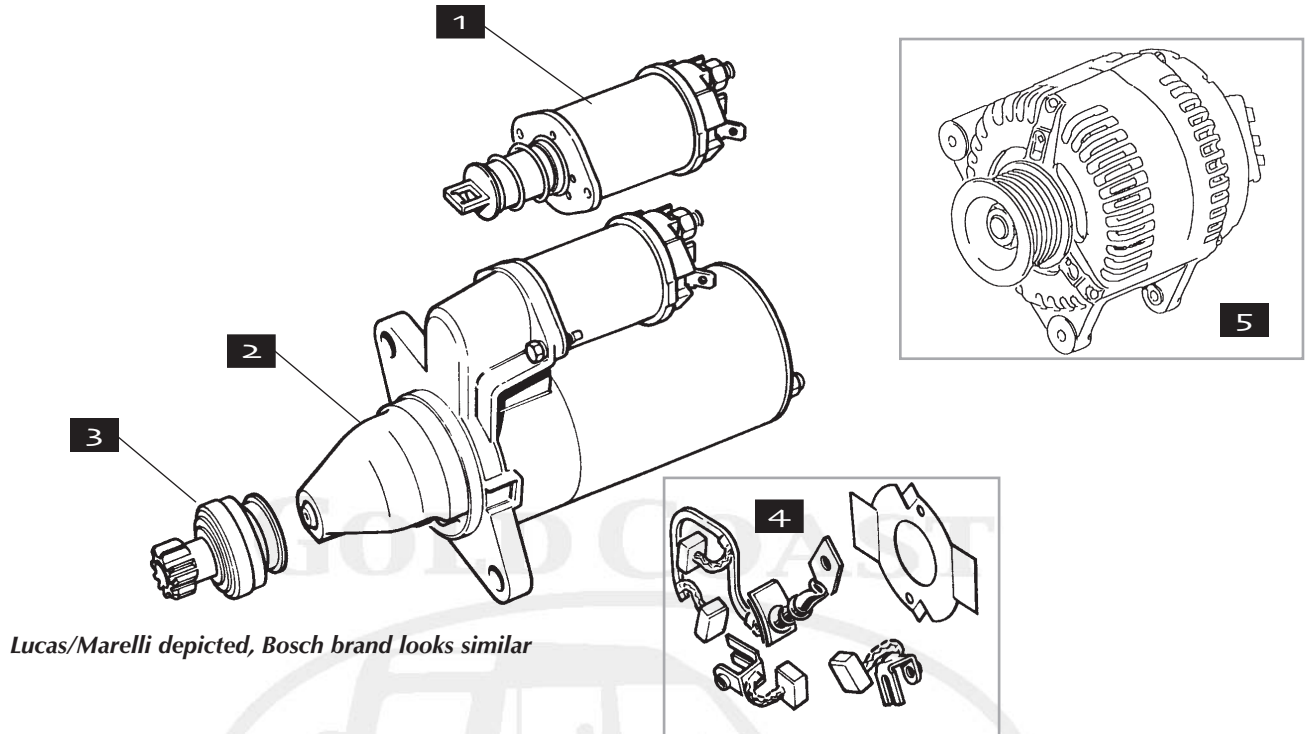


Description	Order Number	Explanatory Notes	Qty
1. Distributor Cap	RV-STC8368	O.E Lucas	1
1. Distributor Cap	RV-STC8368*		1
2. Rotor	RV-STC1857*	Aftermarket	1
2. Rotor	RV-STC1857	OEM, with silicone tip	1
3. O-Ring, Bottom of Distributor	RV-603446		1
4. Distributor Drive Gear	RV-ERC1353		1
5. Roll Pin, Dist. Drive Gear	RV-602953		1
6. Ignition Control Module	RV-RTC5089*	(ICM) a.k.a. Amplifier, Earlier two-pin type	1
6. Ignition Control Module	RV-STC1184	(ICM) a.k.a. Amplifier, Later three-pin Type	1
6. Kit, for remote module	RV-STC1856		1
7. Distributor Pick-up and Base Unit	RV-RTC5090		1
8. Link Lead	RV-STC1212	Used when replacing a distributor or advance unit with a 2-pin system with a distributor with a 3-pin fixing between the advance unit and the engine harness).	1
9. Coil, 3.9 Liter	LU-DLB198	OE Lucas; as per RTC5628	1
9. Coil, 3.9 Liter	LU-DLB198*	Aftermarket, as per RTC5628	1
10. Coil Pack, 4.0 Liter	RV-ERR6269		1
11. Spark Plug	RV-BPR5EY		8
11. Bosch Platinum Spark Plug	RV-WR9LP		8
12. Spark Plug Wire Set	RV-ETC6484*	3.9 with distributor type ignition system	1
12. Spark Plug Wire Set	RV-0789	4.0 with GEMS, distributorless ignition	1

RELAYS, DEFENDER

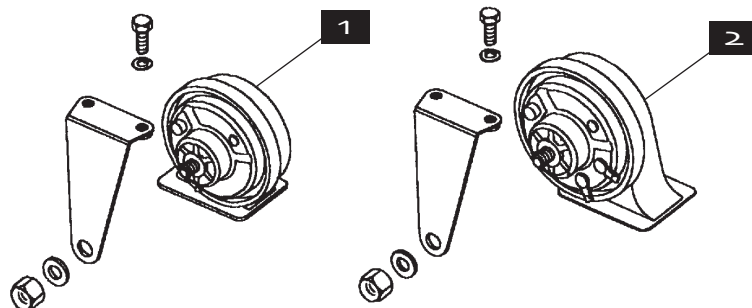
Description	Order Number	Color
Dash Harness	RV-YWB10027L	Yellow; Through 1995
Starter	RV-YWB10032L	Green; Through 1995
Headlamp	RV-YWB10032L	Green; Through 1995
Main Injection	RV-AFU2913L	Brown Stripe; Through 1995
Fuel Pump	RV-AFU2913L	Brown Stripe; Through 1995

ROTATING ELECTRICAL, DEFENDER



DEFENDER

HORNS, DEFENDER



Description	Order Number	Explanatory Notes	Qty
1. High Note	RV-YEB10026		1
2. Low Note	RV-YEB10027		1

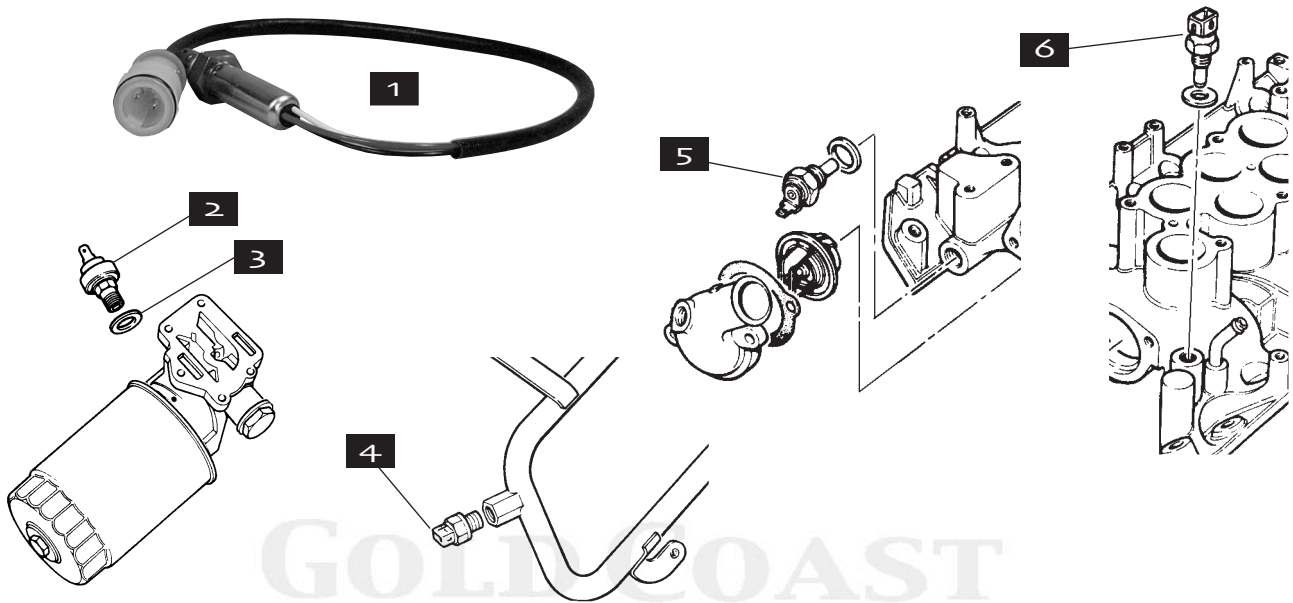
* Denotes Aftermarket Part

GOLD COAST ROVERS (800) 444-5247

265

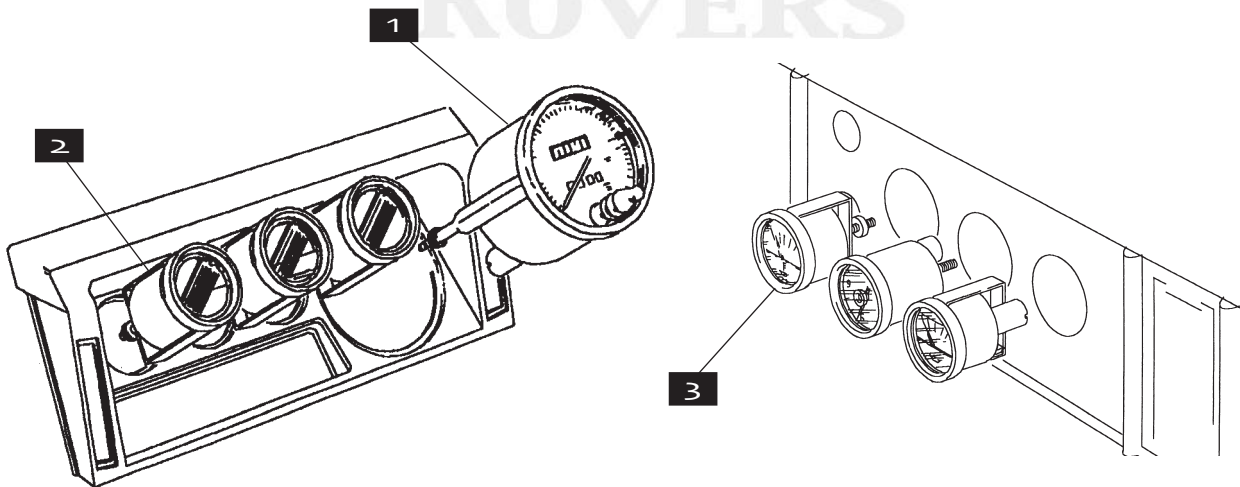
ENGINE SENSORS, DEFENDER

DEFENDER



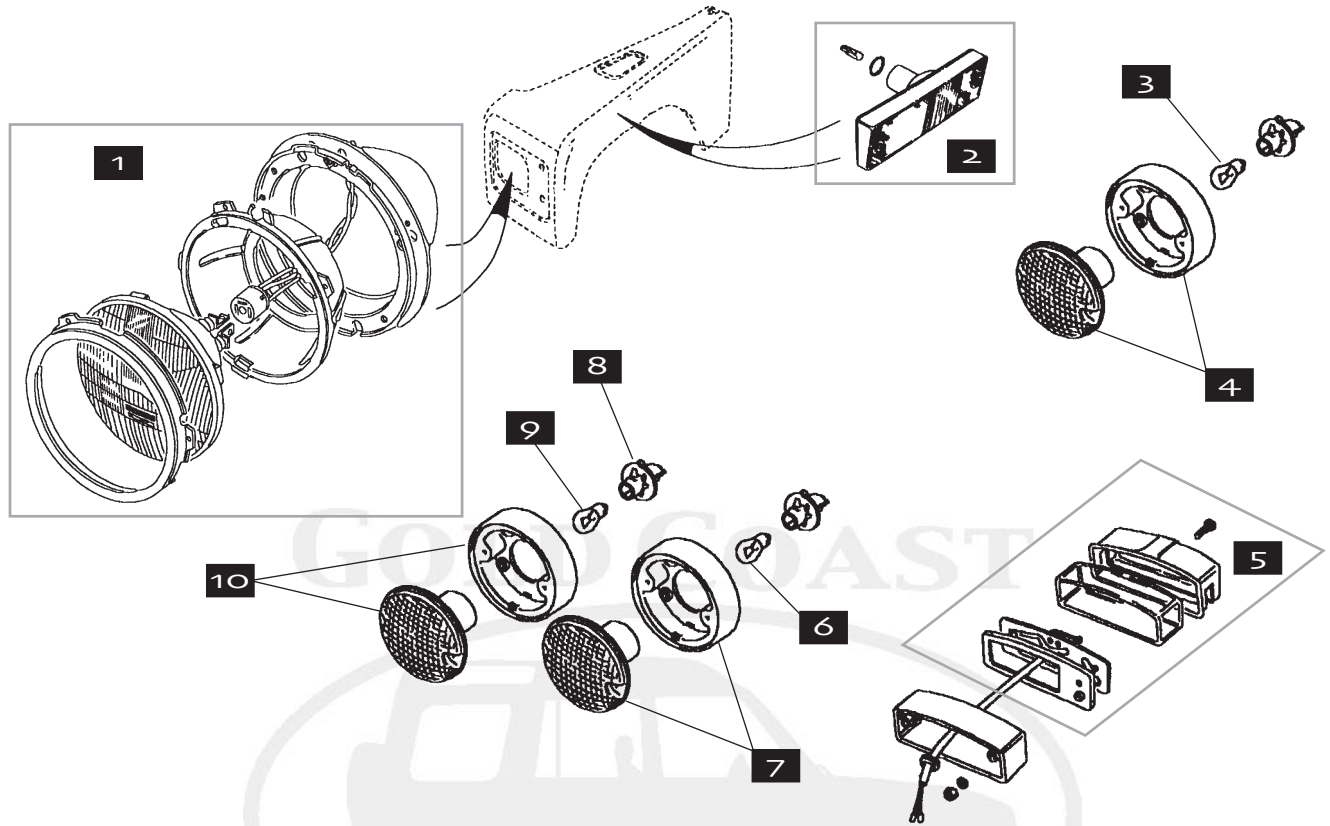
Description	Order Number	Explanatory Notes	Qty
1. Oxygen Sensor	RV-ERR6729	3.9-Liter Manual Only	2
1. Oxygen Sensor	RV-AMR6244	4.0-Liter Automatic Only	4
2. Oil Pressure Switch	RV-STC4104K*	On oil filter housing	1
2. Oil Pressure Sender/Transducer	RV-DRC2479		1
3. Washer for STC4104K*	RV-243968		1
4. Fuel Temperature Sender, ECU	RV-ETC6661		1
5. Coolant Temperature Sender for Gauge	RV-PRC7918	Defender 110	1
5. Coolant Temperature Sender for Gauge	RV-PRC2506	Defender 90	1
6. Coolant Temperature Sensor, ECU	LU-SNB802		1

GAUGES, DEFENDER



Description	Order Number	Explanatory Notes	Qty
1. Speedometer	RV-PRC7373		1
2. Water Temperature Gauge	RV-AMR2631		1
3. Volt Meter	RV-PRC7315		1

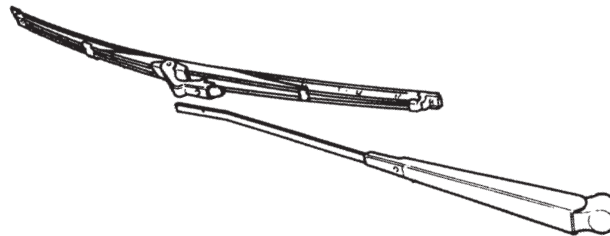
FRONT & REAR LAMPS, DEFENDER



DEFENDER

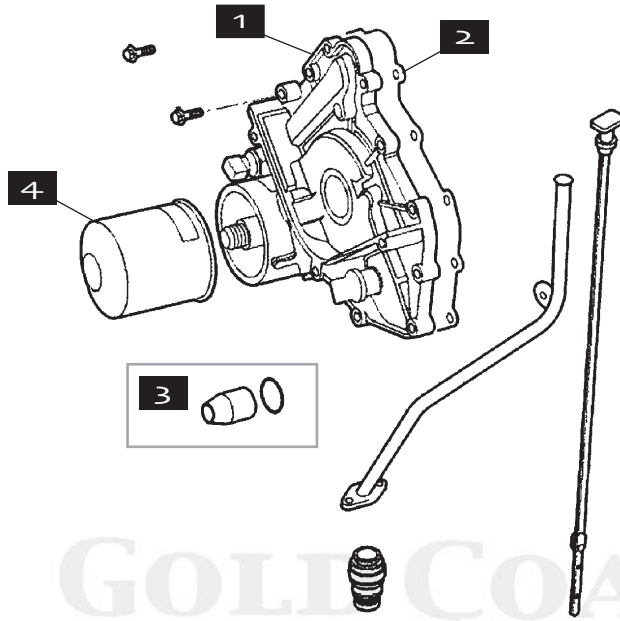
Description	Order Number	Explanatory Notes	Qty
1. Headlamp Assembly	RV-AMR3246		2
2. Side Marker Lamp	RV-AMR1292	1995 only, RH, Rectangular, on front fender	2
2. Side Marker Lamp	RV-AMR2575	1995 only, LH, Rectangular, on front fender	2
3. Bulb, Reverse Lamp	RV-264591		1
4. Reverse Lamp	RV-AMR6528		1
5. License Lamp	RV-PRC7255		1
6. Bulb, Indicator Lamp	RV-264591		2
7. Indicator Lamp	RV-AMR6527		2
8. Bulb Holder, Stop/Tail Lamp	RV-XBP100190		2
9. Bulb, Stop/Tail Lamp	RV-264590		2
10. Stop/Tail Lamp	RV-AMR6526		2

WIPER BLADES, DEFENDER



Description	Order Number	Explanatory Notes	Qty
Wiper Blade, Front	RV-DKC100980		2
Wiper Blade, Rear	RV-DKC100980		1

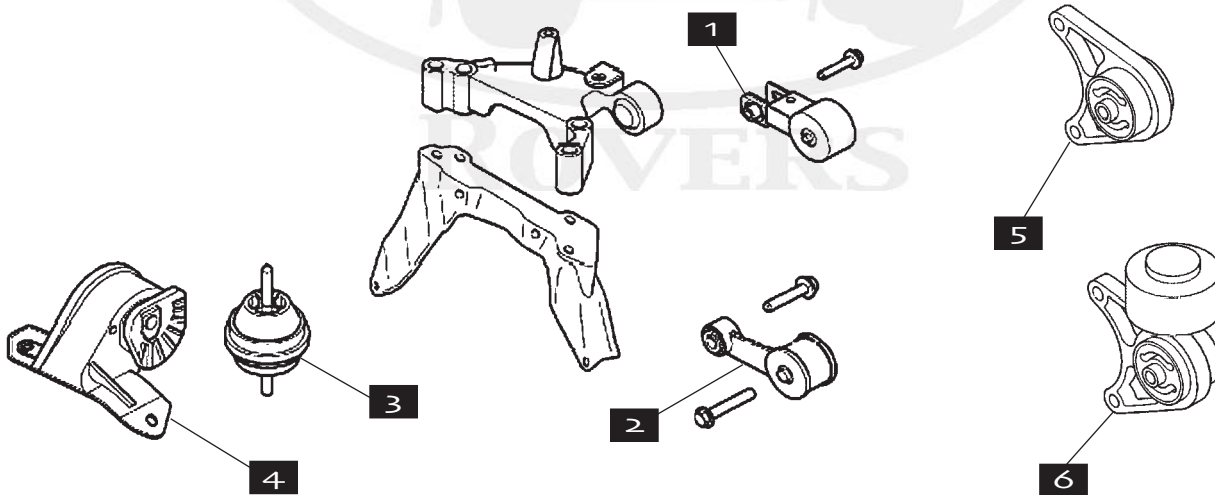
ENGINE, OIL PUMP, FREELANDER



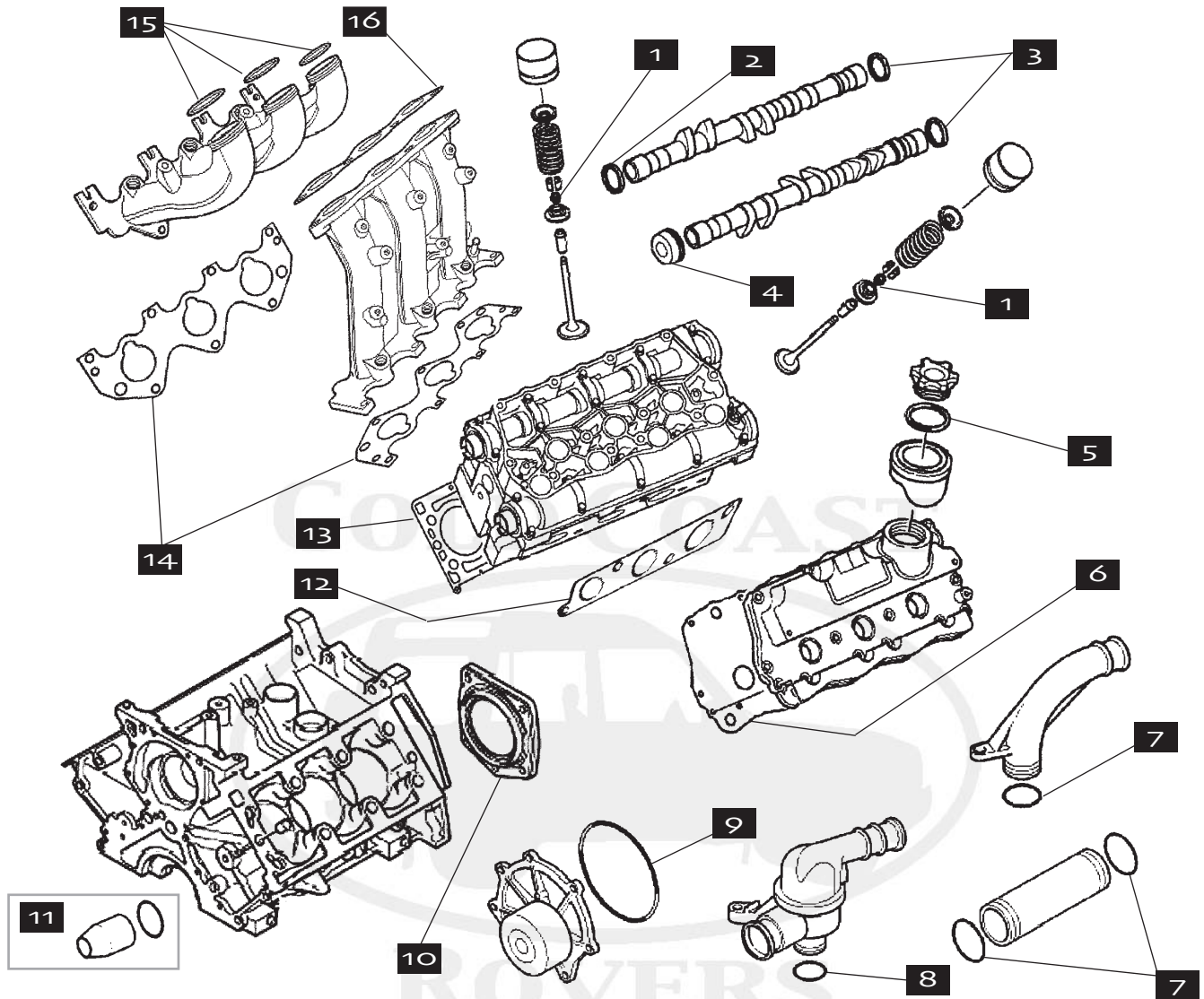
GOLD COAST

Description	Order Number	Explanatory Notes	Qty
1. Oil Pump	RV-LPF101290L		1
2. Gasket, Oil Pump	RV-LVG000030L		1
3. Front Crankshaft Seal	RV-LQX100070L		1
4. Oil Filter	RV-LPW100230		1

MOUNTS, FREELANDER



Description	Order Number	Explanatory Notes	Qty
1. Engine Tie/Strut Mount, Upper	RV-KKH102620		1
2. Engine Tie/Strut Mount, Lower	RV-KKH102680		1
3. Engine Mount, Right	RV-KKB103360		1
4. Engine Mount, Left	RV-KKB000090		1
5. Differential Mount	RV-KHC500070	Front of Differential	1
6. Differential Mount, RH	RV-KHC500080	Rear of Differential	1
6. Differential Mount, LH	RV-KHC500090	Rear of Differential	1

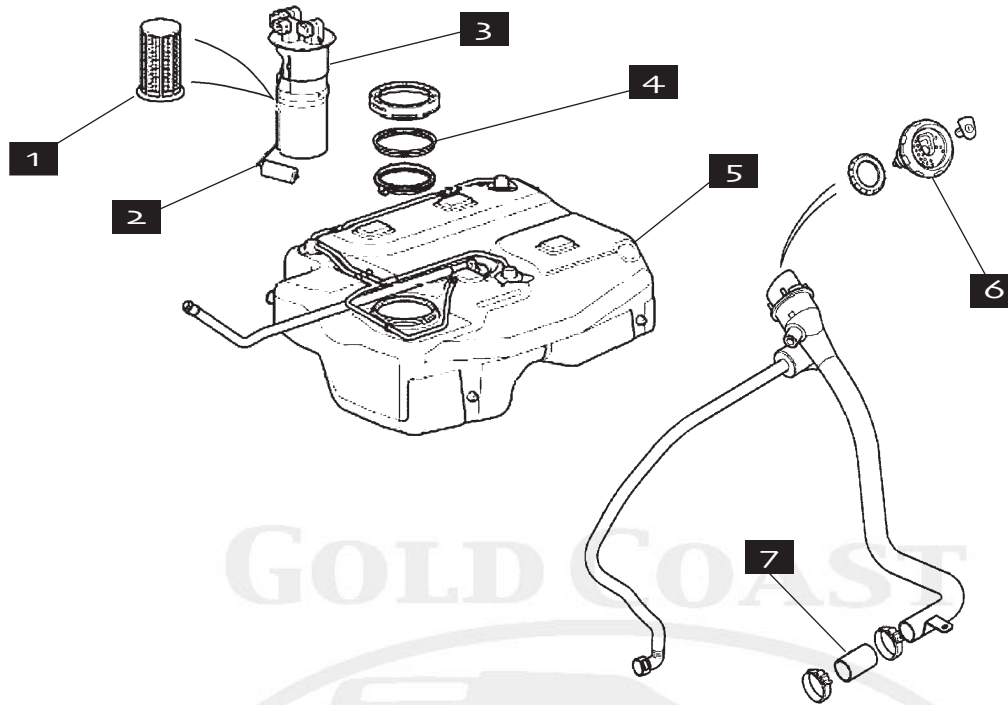


FREELANDER

Description	Order Number	Explanatory Notes	Qty
Complete Head Gasket Set	RV-90000	Not Illustrated	1
1. Valve Stem Seal	RV-LUB100350L	Intake and Exhaust	12
2. Cam Shaft Seal, Front	RV-LUC100290L	Black	2
3. Cam Shaft Seal, Rear	RV-LUC100220L	Red	4
4. Cam Shaft Seal, Front	RV-LUC100150L		2
5. Seal, Oil Filler Cap	RV-LUD100040L		1
6. Cam Cover Gasket	RV-LVP100470L		2
7. O-Ring, Pipe to Thermostat Housing	RV-CDU3858L		1
8. O-Ring, Thermostat Housing	RV-CDU3858L		1
9. O-ring, Water Pump	RV-PET100760L		1
10. Crankshaft Seal, Rear	RV-LUF100300L		1
11. Crankshaft Seal, Front	RV-LQX100070L		1
12. Exhaust Manifold Gasket	RV-LKG100290L		2
13. Head Gasket	RV-LVB101630L		2
14. Intake Manifold Gasket, Lower	RV-LKJ100992L		2
15. Intake Manifold Seal, Upper	RV-MYX100180L	Ring Seals	3
16. Intake Manifold Gasket, Upper	RV-LKJ100680L	Flat Gasket	1

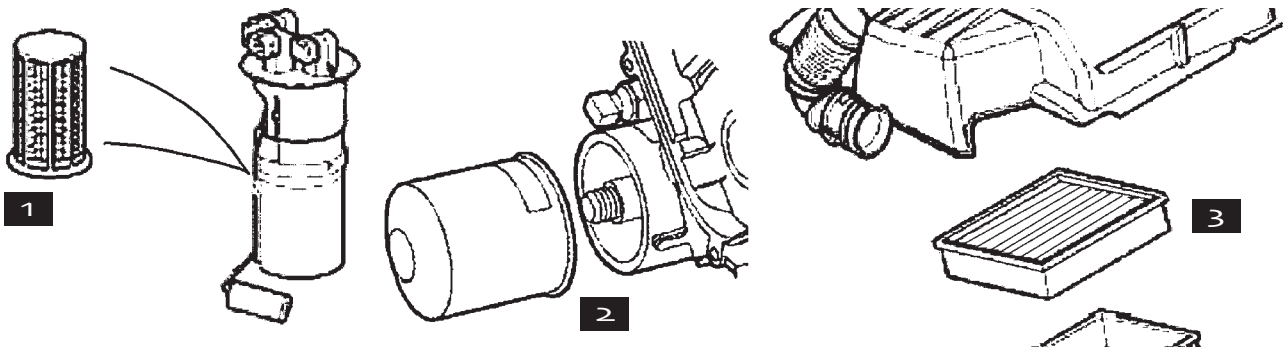
* Denotes Aftermarket Part

FUEL SYSTEM, FREELANDER

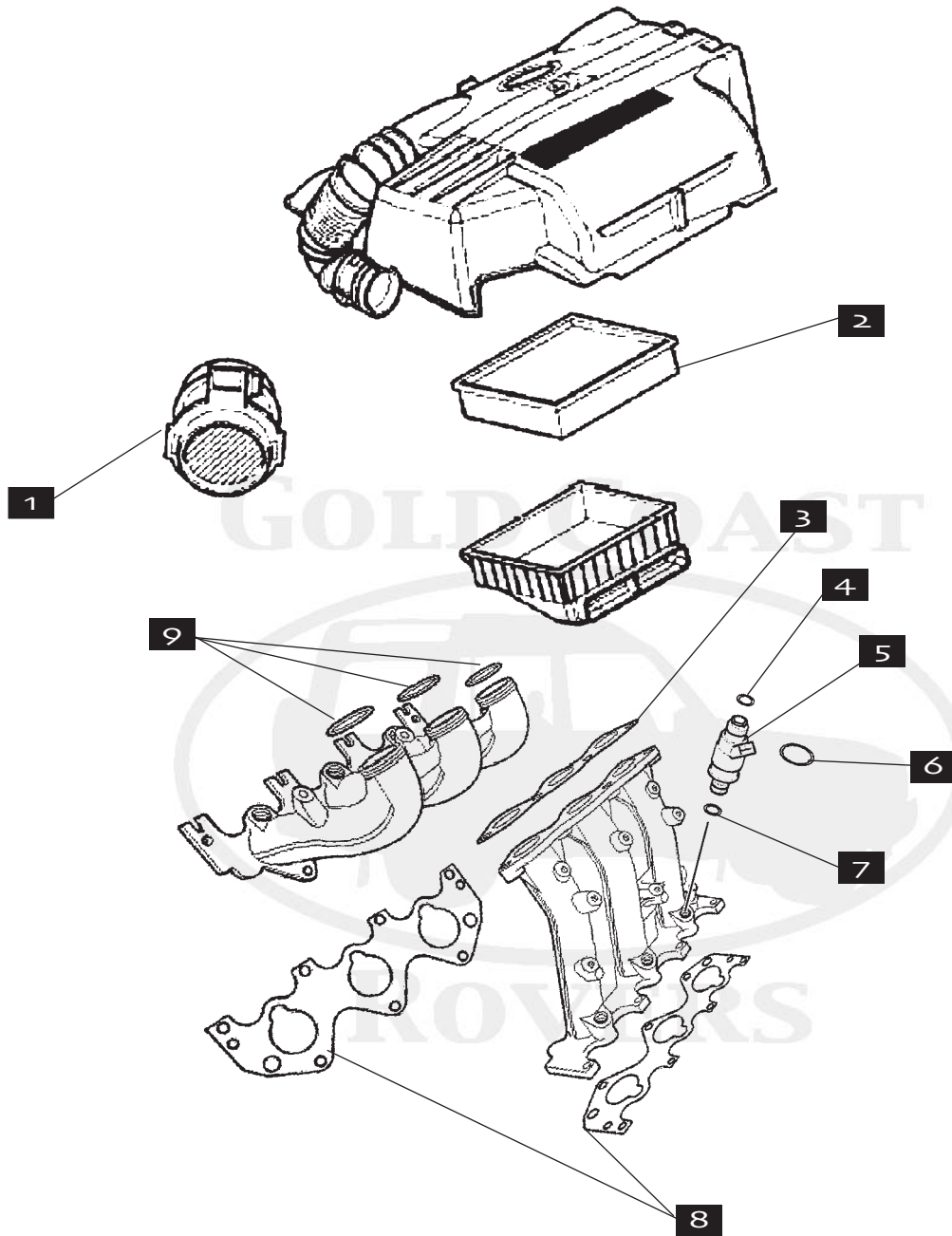


Description	Order Number	Explanatory Notes	Qty
1. Filter Assembly, Fuel Tank	RV-WFL000010	All	1
2. Fuel Level Sender	RV-YAD000070	To VIN 2A209858	1
2. Fuel Level Sender	RV-YAD000080	From VIN 2A209859	1
3. Fuel Pump	RV-WFX000190	To VIN 2A209830	1
3. Fuel Pump	RV-WFX000210	From VIN 2A209831	1
4. Seal, Fuel Pump to Tank	RV-WGQ500020	All	1
5. Fuel Tank	RV-WHK000130	To VIN 2A209858	1
5. Fuel Tank	RV-WHK500010	From VIN 2A209859	1
6. Fuel Filler Cap	RV-WLD000040PMA	Supplied w/o lock	1
7. Hose, Fuel Filler Pipe to Tank	RV-WFH101830		1

FILTERS, FREELANDER

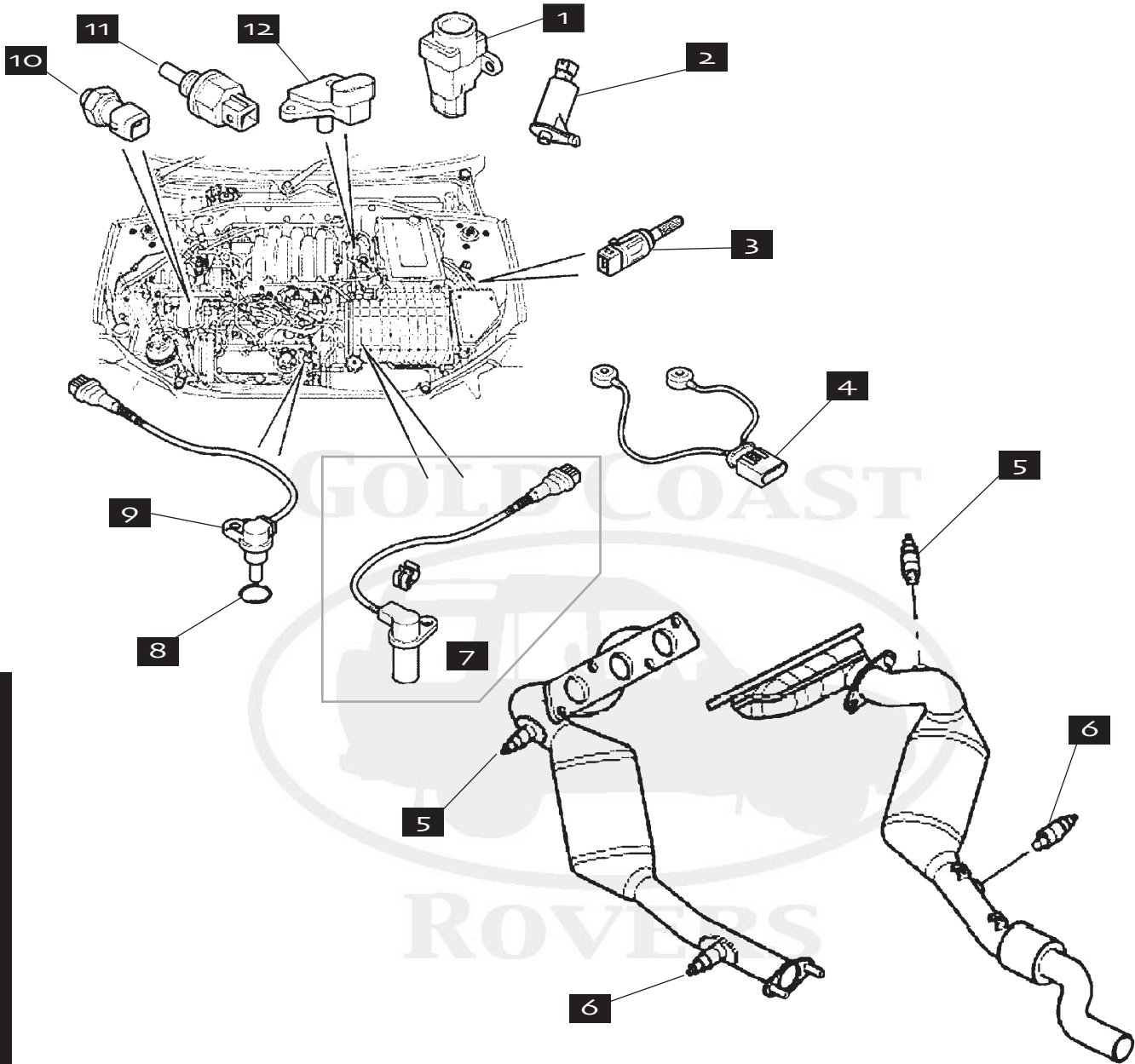


Description	Order Number	Explanatory Notes	Qty
1. Fuel Filter	RV-WFL000010		1
2. Oil Filter	RV-LPW100230		1
3. Air Filter	RV-ESR4238		1
Pollen Filter	RV-JKR100280	Not Pictured	1



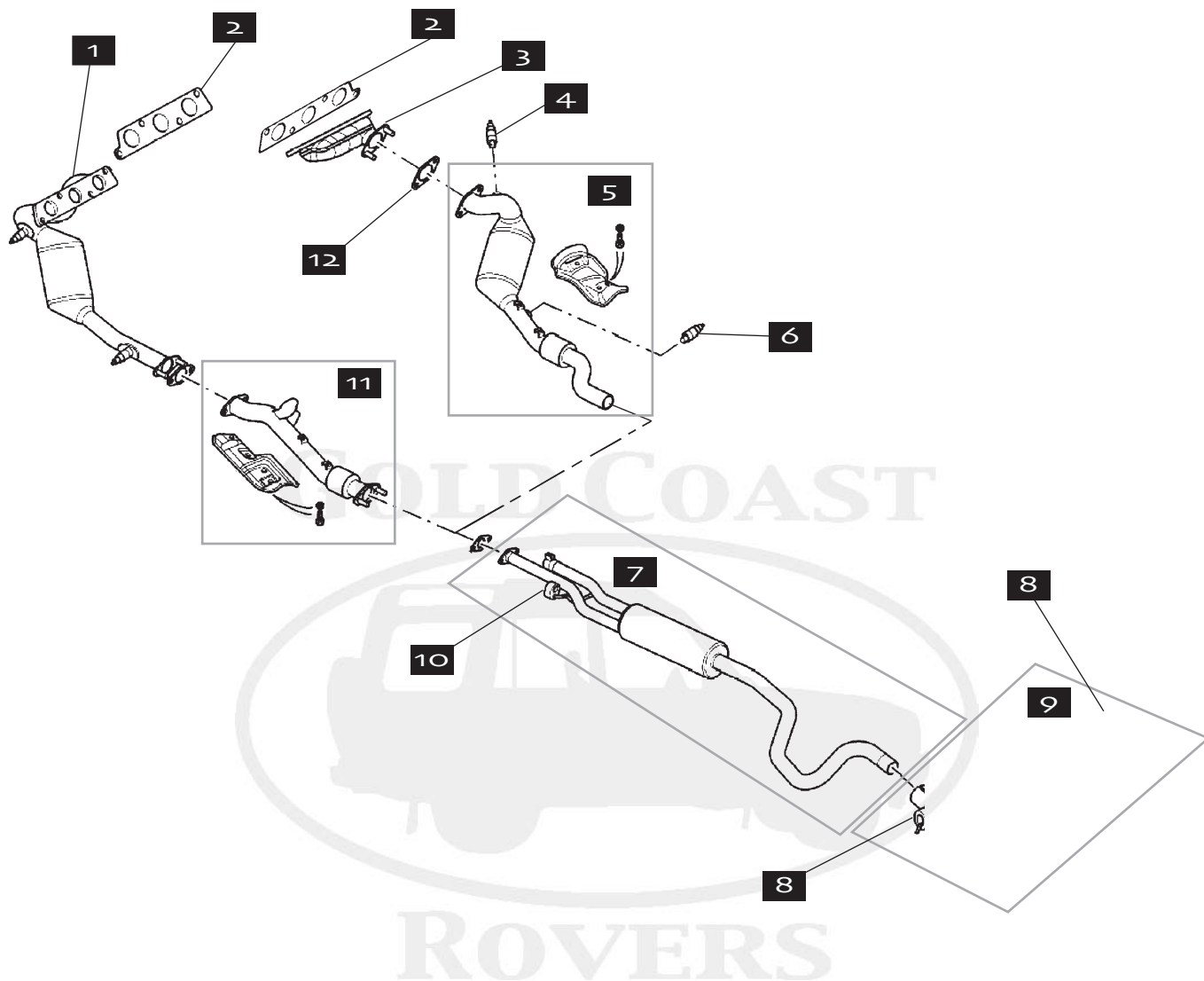
FREELANDER

Description	Order Number	Explanatory Notes	Qty
1. Air Flow Meter	RV-MHK100620		1
2. Air Filter	RV-ESR4238		1
3. Gasket, Intake Manifold, Upper	RV-LKJ100680L	Flat Gasket	1
4. O-Ring, Top	RV-MKD000010L		6
5. Injector	RV-MJY100620L	To 3A239591	6
5. Injector	RV-MJY000100L	From 3A239592	6
6. O-Ring, Middle	RV-MKD000030L		6
7. O-Ring, Bottom	RV-MKD000040L	To 3A239591	6
7. O-Ring, Bottom	RV-MKD000010L	From 3A239592	6
8. Gasket, Intake Manifold, Lower	RV-LKJ100992L		2
9. Gasket, Intake Manifold, Upper	RV-MYX100180L	Ring Seals	3



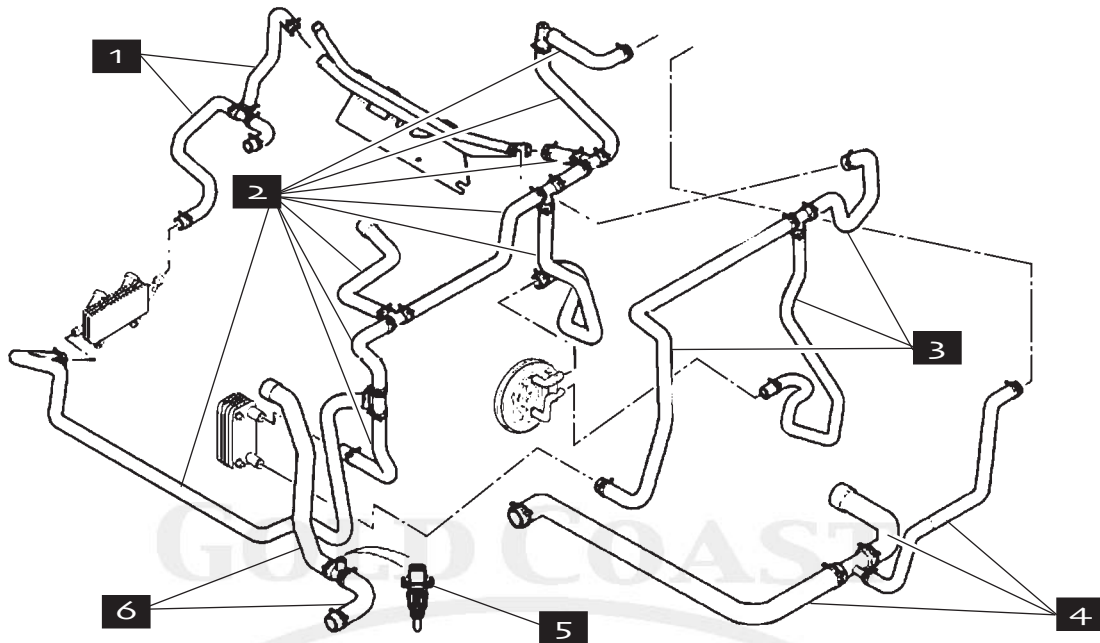
FREELANDER

Description	Order Number	Explanatory Notes	Qty
1. Inertia Switch, Fuel Pump	RV-WQT100030L		1
2. Fuel Purge Valve	RV-WTV100071L		1
3. Air Inlet Temperature Sensor	RV-NNK000020		1
4. Knock Sensor	RV-NSC100740L		1
5. Oxygen Sensor, Upper	RV-MHK100940	To VIN 4A999999	2
5. Oxygen Sensor, Upper	RV-MHK500860	From VIN 5A000001	2
6. Oxygen Sensor, Lower	RV-MHK100930		2
7. Crankshaft Position Sensor Kit	RV-NSK100000L		1
8. O-Ring, Cam Sensor	RV-TGN100050L		1
9. Camshaft Position Sensor	RV-NSC100612L		1
10. Oil Pressure Switch	RV-NUC100280L		1
11. Water Temperature Sensor	RV-MEK000030L		1
12. Sensor, Manifold Pressure, Fuel Injection	RV-MHK100820L		1



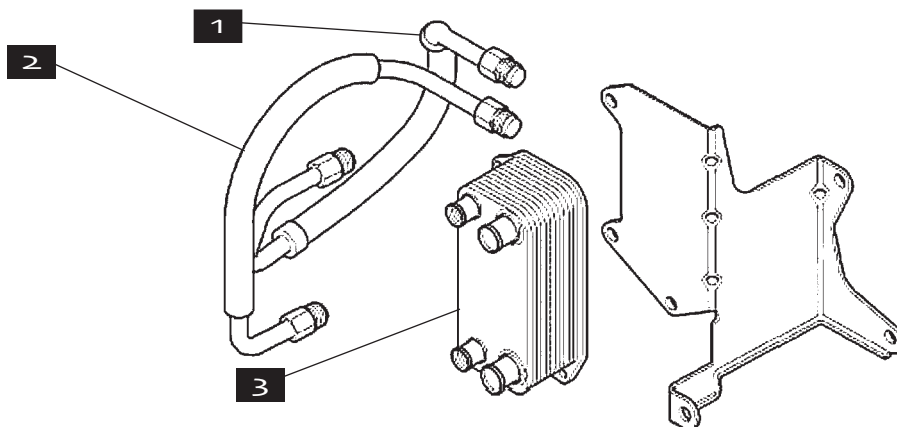
Description	Order Number	Explanatory Notes	Qty
1. Catalyst/Manifold Assembly, Front	RV-LKC000560	To 2A254999	1
1. Catalyst/Manifold Assembly, Front	RV-LKC500440	2A255000 to 4A999999	1
1. Catalyst/Manifold Assembly, Front	RV-LKC500390	5A000001-on	1
2. Gasket, Exhaust Manifold to Head	RV-LKG100290L		2
3. Exhaust Manifold, Rear	RV-LKC500450		1
4. Oxygen Sensor, Upper	RV-MHK100940	To VIN 4A999999	2
4. Oxygen Sensor, Upper	RV-MHK500860	From VIN 5A000001	2
5. Catalyst, Rear	RV-WCD001240	To 3A254999	1
5. Catalyst, Rear	RV-WCD001241	From 3A255000 to 4A999999	1
5. Catalyst, Rear	RV-WCD500950	5A000001-on	1
6. Oxygen Sensor, Lower	RV-MHK100930		2
7. Center Muffler Assembly	RV-WCE000540		1
8. Rubber Mount, Rear Muffler	RV-WCS000150		2
9. Rear Muffler	RV-WDV000101		1
10. Rubber Mount, Center Muffler	RV-WCS100140		1
11. Intermediate Pipe	RV-WCD000890	Front Catalyst to Center Muffler	1
12. Gasket, rear exhaust manifold to Catalyst	RV-WCM000040		1

HEATER HOSES, FREELANDER



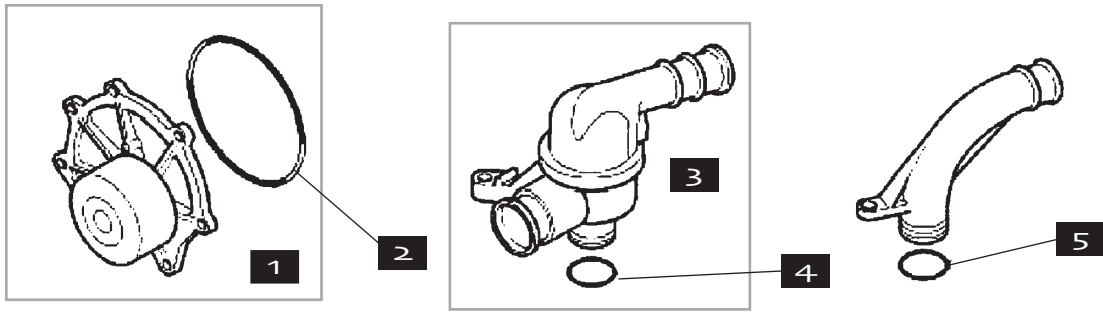
Description	Order Number	Explanatory Notes	Qty
1. Hose, Engine to Oil Cooler	RV-PCH000982	Through 2005	1
1. Hose, Engine to Oil Cooler	RV-PCH502170	2006-on	1
2. Hose, Heater Return	RV-PEH000223	To 3A254999	1
2. Hose, Heater Return	RV-PEH000224	From 3A255000-5A999999	1
2. Hose, Heater Return	RV-PEH500250	6A-on	1
3. Hose, Thermostat to Heater	RV-PCH001395		1
3. Hose, Thermostat to Heater	RV-PCH502150	6A-on	1
4. Hose Assembly, Upper	RV-PCH000232		1
5. Temperature Sensor	RV-MEK105210	All	1
6. Hose Assembly, Lower	RV-PCH000961		1

TRANSMISSION, GEARBOX COOLER, FREELANDER



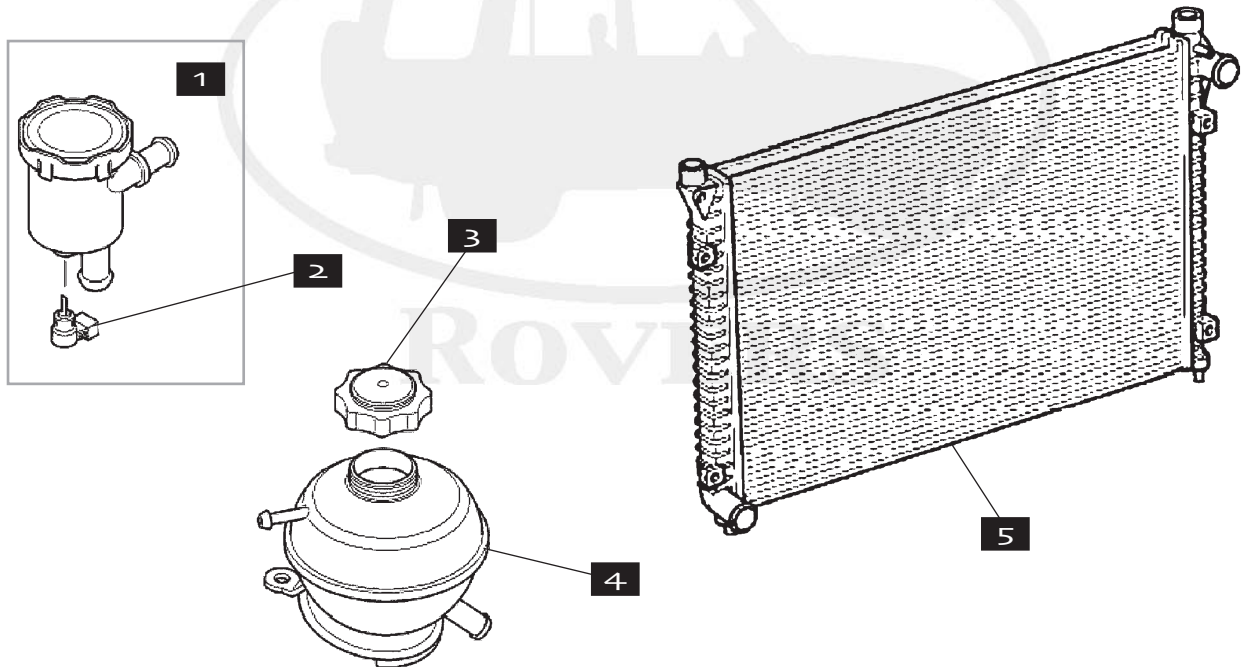
Description	Order Number	Explanatory Notes	Qty
1. Hose, Upper Port on Cooler	RV-UBH000140		1
2. Hose, Lower Port on Cooler	RV-UBH000130		1
3. Oil Cooler Assembly	RV-UBC000070		1

COOLING SYSTEM, WATER PUMP, FREELANDER

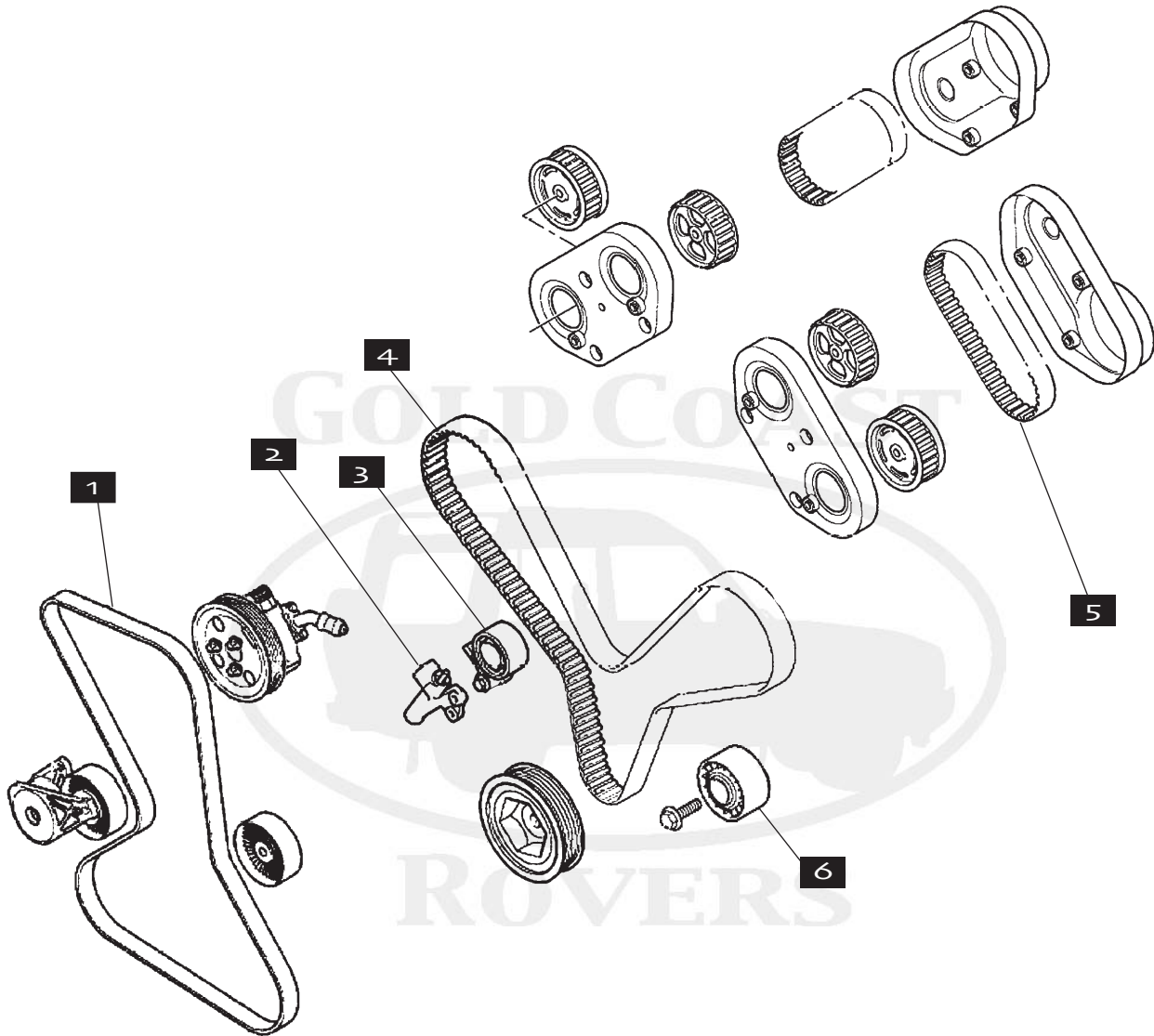


Description	Order Number	Explanatory Notes	Qty
1. Water Pump	RV-PEB102240L		1
2. O-ring, Water Pump	RV-PET100760L		1
3. Thermostat	RV-PEM000030		1
4. O-Ring, Thermostat Housing	RV-CDU3858L		1
5. O-Ring, Pipe to Thermostat Housing	RV-CDU3858L		2

COOLING SYSTEM, RADIATOR, FREELANDER

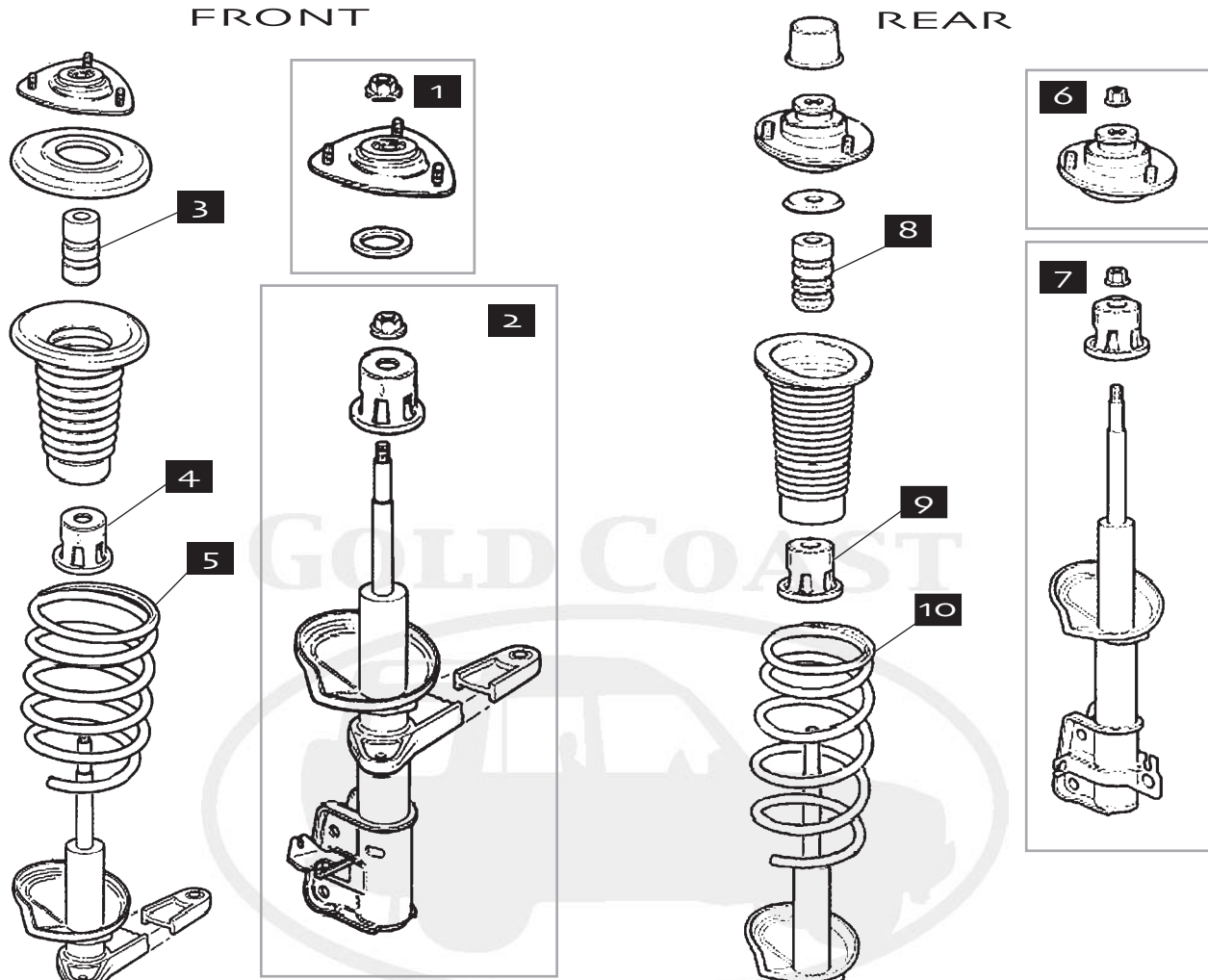


Description	Order Number	Explanatory Notes	Qty
1. Expansion Tank	RV-PCF500060	Second Type, from 5A476243, includes sensor	1
2. Sensor Only	RV-PCJ500010	For Second-Type Tank	1
3. Cap Only, Expansion Tank	RV-PCD100160	First Type, to 3A289375	1
3. Cap Only, Expansion Tank	RV-PCD000090	First Type, from 3A289376 to 5A476242	1
4. Expansion Tank	RV-PCF000012	First Type, Less Cap, to 5A476242	1
5. Radiator	RV-PCC000321		1



Description	Order Number	Explanatory Notes	Qty
1. Serpentine Belt	RV-PQS101272L	Air Conditioning, Power Steering, etc.	1
2. Timing Belt Tensioner	RV-LHP100610L		1
3. Pulley Assembly, Tensioner	RV-LHB101630L		1
4. Timing Belt, Front	RV-LHN100410L		1
5. Timing Belt, Rear	RV-LHN100420L		2
6. Idler, Timing Belt	RV-LHV100110L		1

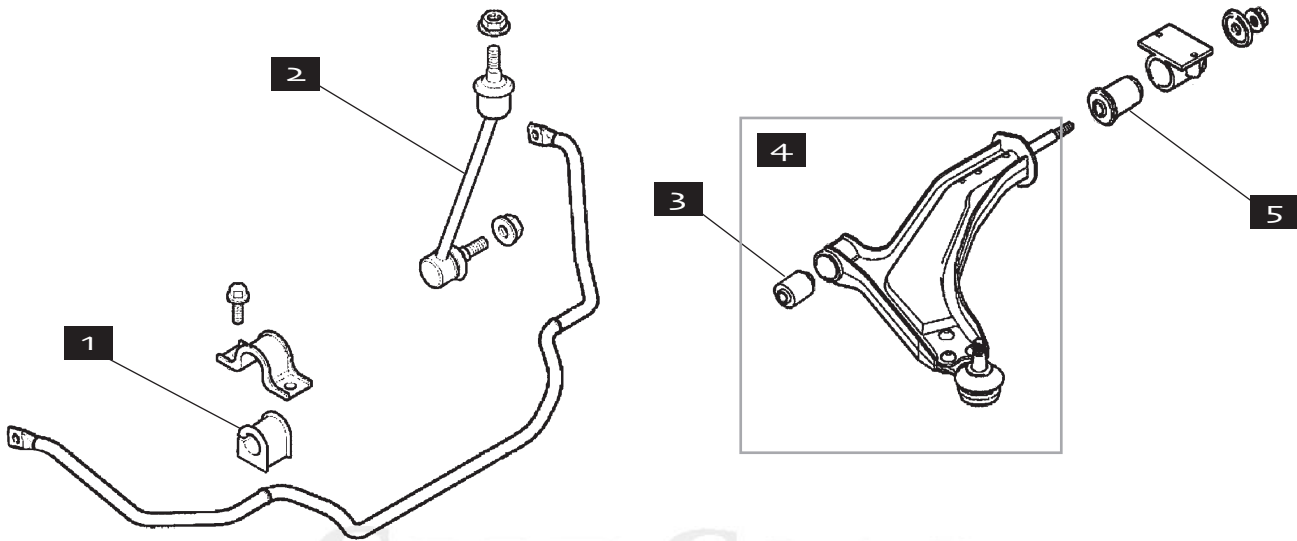
SHOCK ABSORBERS, FREELANDER



Description	Order Number	Explanatory Notes	Qty
1. Upper Mount, Front Shock	RV-RNX100101	All	2
2. Front Shock, RH	RV-RSC000020	W/O Sport Suspension, 1A000001 to 1A336547	1
2. Front Shock, LH	RV-RSC000030	W/O Sport Suspension, 1A000001 to 1A336547	1
2. Front Shock, RH	RV-RSC000040	W/O Sport Suspension, 1A336548-on	1
2. Front Shock, LH	RV-RSC000050	W/O Sport Suspension, 1A336548-on	1
2. Front Shock, RH	RV-RSC500060	With Sport Suspension, Grey/Orange, from 4A000001	1
2. Front Shock, LH	RV-RSC500070	With Sport Suspension, Grey/Orange, from 4A000001	1
3. Upper Bump Stop, Front Shock	RV-RNH100252	All	2
4. Lower Bump Stop, Front Shock	RV-RNO100021	All	2
5. Front Coil Spring	RV-REB000100	Yellow/Blue; Without Sport Suspension	2
5. Front Coil Spring	RV-REB000120	Yellow/White; Without Sport Suspension	2
5. Front Coil Spring	RV-REB500040	Orange/Orange; With Sport Suspension	2
6. Upper Mount, Rear Shock	RV-RPF100123		2
7. Rear Shock, RH	RV-RPM000020	Without Sport Suspension	1
7. Rear Shock, LH	RV-RPM000030	Without Sport Suspension	1
7. Rear Shock, RH	RV-RPM500040	With Sport Suspension, 2004-on	1
7. Rear Shock, LH	RV-RPM500050	With Sport Suspension, 2004-on	1
8. Upper Buffer, Rear Shock	RV-RPC000040		2
9. Lower Bump Stop, Rear Shock	RV-ANR6113	All	2
10. Rear Coil Spring	RV-RKB000230	Without Sport Suspension; White/Blue	1
10. Rear Coil Spring	RV-RKB000050	Without Sport Suspension; Green	1
10. Rear Coil Spring	RV-RKB500100	With Sport Suspension, 2004-on; Orange/Orange	1

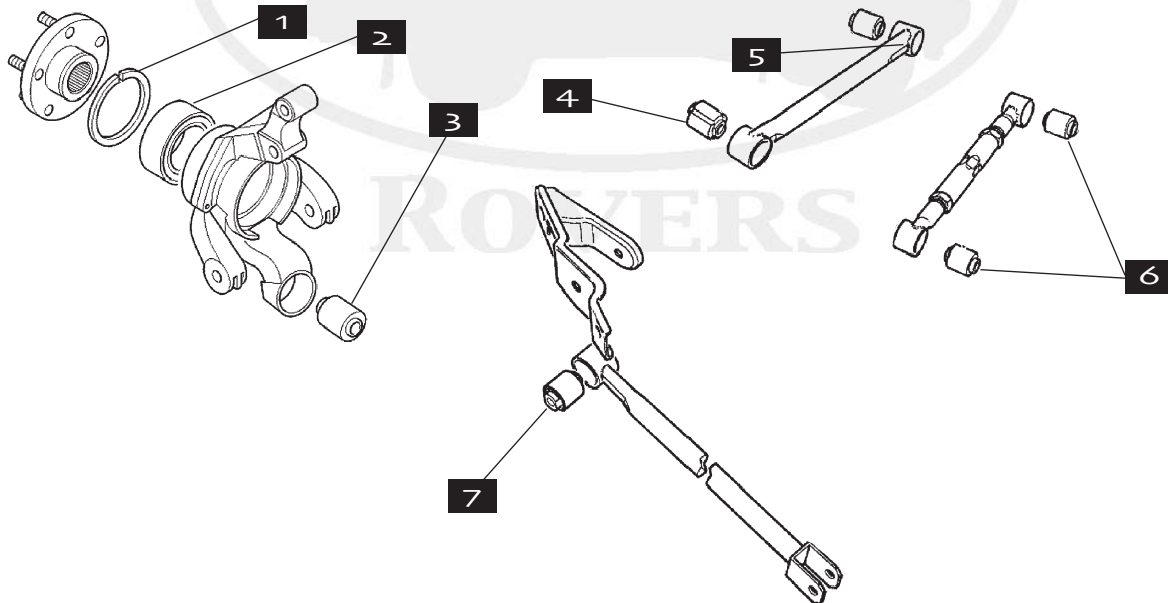
* Denotes Aftermarket Part

FRONT SUSPENSION, FREELANDER

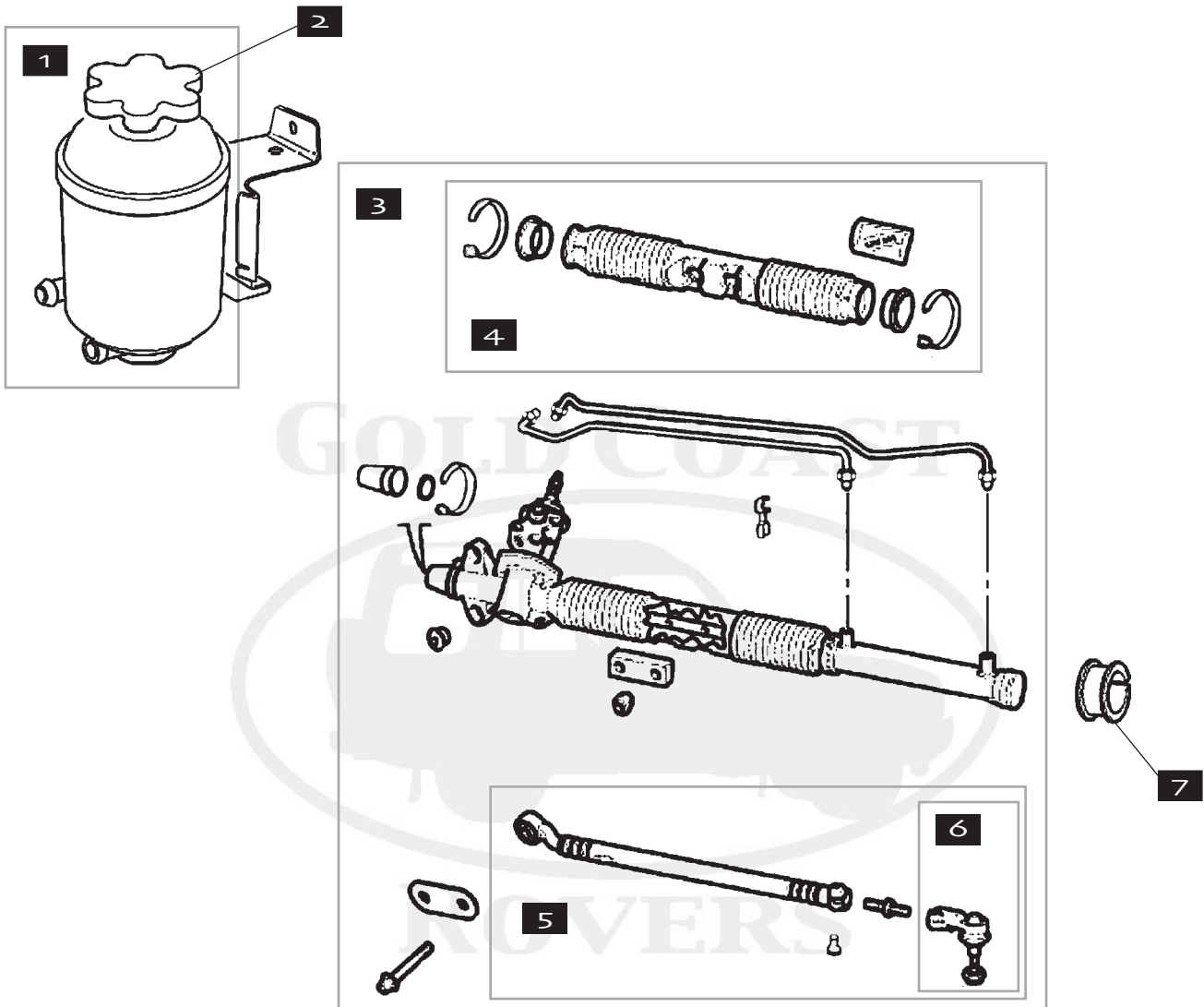


Description	Order Number	Explanatory Notes	Qty
1. Mount Bushing, Anti-Roll Bar	RV-RBX000010		2
2. Link Assembly, Anti-Roll Bar	RV-RBM100172		2
3. Front Bushing, Lower Control Arm	RV-RBX101790		2
4. Lower Control Arm Assembly, RH	RV-RBJ102920	Includes ball joint and front bushing	1
4. Lower Control Arm Assembly, LH	RV-RBJ102930	Includes ball joint and front bushing	1
5. Rear Bushing, Lower Control Arm	RV-RBX101780		2

REAR SUSPENSION, FREELANDER

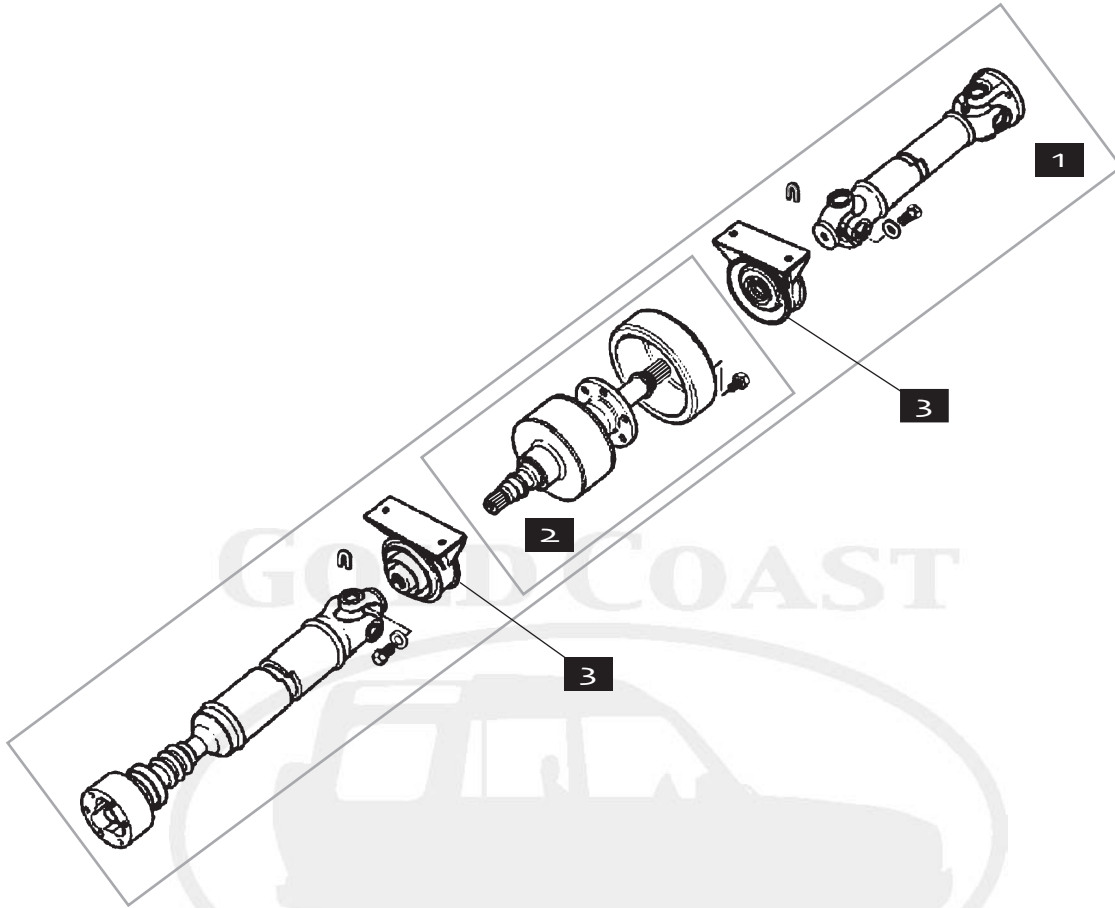


Description	Order Number	Explanatory Notes	Qty
1. Wheel Bearing	RV-ANR5861	Through 2001	1
1. Wheel Bearing	RV-RFC000010	2002-on	1
2. Circlip, Wheel Bearing	RV-RUE100031	All	1
3. Bushing, Rear Upright	RV-RGX101010		2
4. Bushing, Lower Link	RV-RGX101440	Inner	2
5. Bushing, Lower Link	RV-RGX101020	Outer	2
6. Bushing, Lower Link	RV-RGX101020	For Adjustable Link	4
7. Bushing, Trailing Link	RV-RGX101000		2



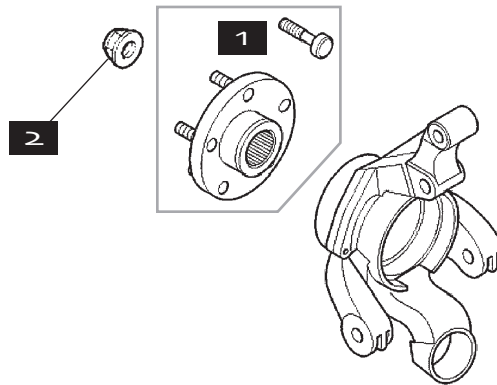
Description	Order Number	Explanatory Notes	Qty
1. Reservoir	RV-QFX100252	Includes Cap	1
2. Cap Only, Reservoir	RV-QEZ100120		1
3. Steering Rack, New	RV-QAB000314		1
4. Bellows Kit, Steering Rack	RV-QEY100081	All	1
5. Track Rod Assembly, RH	RV-QFK000070	All	1
5. Track Rod Assembly, LH	RV-QFK000080	All	1
6. Track Rod End Only, RH	RV-QJB100220	All	1
6. Track Rod End Only, LH	RV-QJB100230	All	1
7. Mount, Steering Rack	RV-ANR3993		1

DRIVE COMPONENTS, FREELANDER

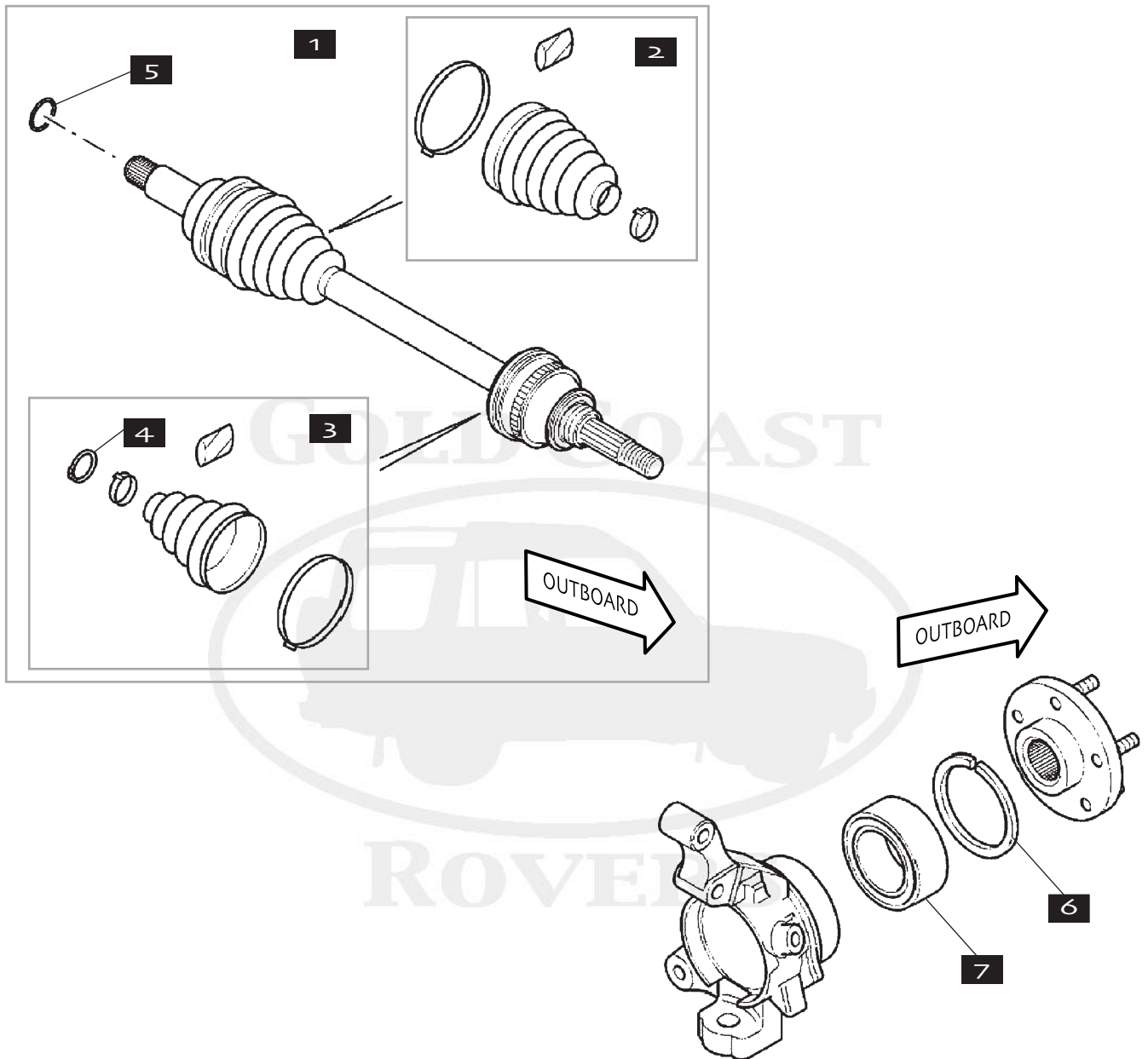


Description	Order Number	Explanatory Notes	Qty
1. Complete Driveshaft Assembly	RV-TVB000310		1
2. Viscous Coupling	RV-TOR000040		1
3. Driveshaft Support Bearing	RV-TOQ000060		2

SUSPENSION UPRIGHT, FREELANDER

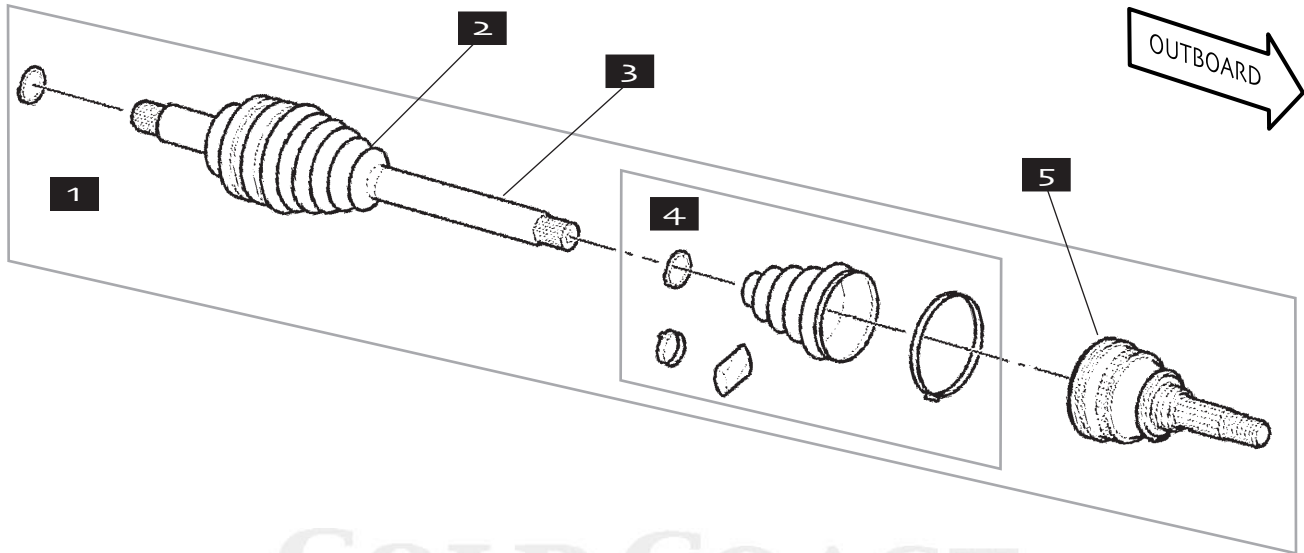


Description	Order Number	Explanatory Notes	Qty
1. Flange	RV-RUC500070	Front or Rear	2
2. Nut, Stake	RV-CDU1534L	Front or Rear	2



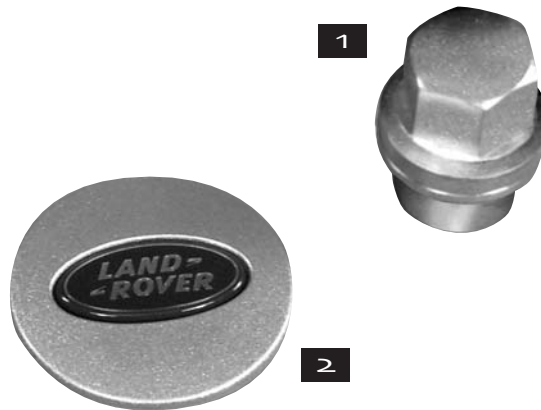
Description	Order Number	Explanatory Notes	Qty
1. Front Axle Assembly, RH	RV-TDB104020	Through 2001	1
1. Front Axle Assembly, LH	RV-TDB104030	Through 2001	1
1. Front Axle Assembly, RH	RV-TDB104980	2002-on	1
1. Front Axle Assembly, LH	RV-TDB104990	2002-on	1
2. Boot Kit, Inner	RV-TDR500210	One Kit per Axle	2
3. Boot Kit, Outer	RV-TDR100750	One Kit per Axle	2
4. Circlip, Outer CV to Shaft	RV-TDL000020		2
5. Snap Ring, to transmission	RV-TDL100190		2
6. Circlip	RV-RUE100031	All	2
7. Wheel Bearing	RV-ANR5861	Through 2001	2
7. Wheel Bearing	RV-RFC000010	2002-on	2

REAR AXLE AND HUBS, FREELANDER



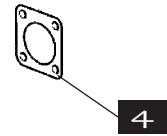
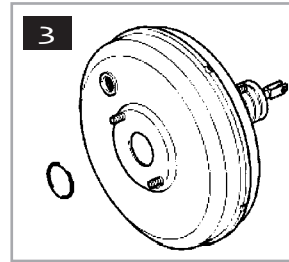
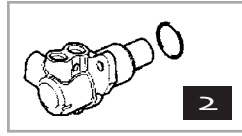
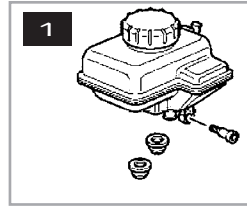
Description	Order Number	Explanatory Notes	Qty
1. Axle Assembly	RV-TOB100000	To 1A323599	2
1. Axle Assembly	RV-TOB000070	From 1A323600 to 1A999999	2
1. Axle Assembly	RV-TOB000110	2A000001-on	2
2. Boot Only, Inner CV Joint	RV-TDR100710	To 1A323599	2
2. Boot Only, Inner CV Joint	RV-TDR500220	From 1A323600	2
3. Inner CV Joint	RV-TDR100700	To 1A323599	2
3. Inner CV Joint	RV-TDR000090	From 1A323600	2
4. Boot Kit, Outer CV Joint	RV-TDR100750	To 1A323599	2
4. Boot Kit, Outer CV Joint	RV-TDR000100	From 1A323600	2
5. Outer CV Joint	RV-TDJ100470	To 1A323599	2
5. Outer CV Joint	RV-TDJ000020	From 1A323600 to 1A999999	2
5. Outer CV Joint	RV-TDJ000060	2A000001-on	2

WHEELS, FREELANDER



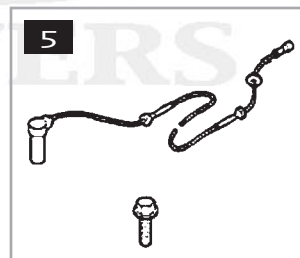
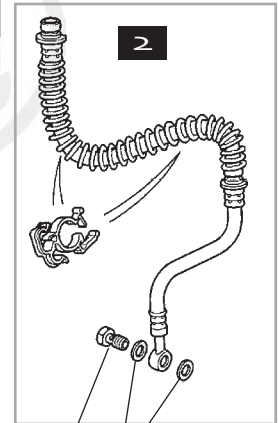
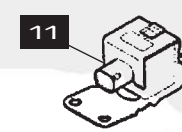
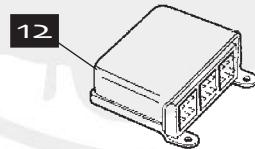
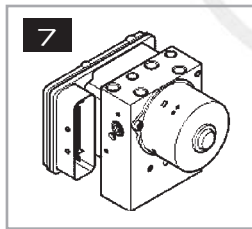
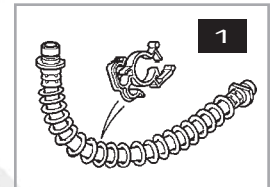
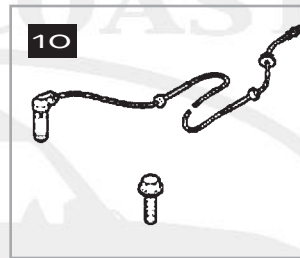
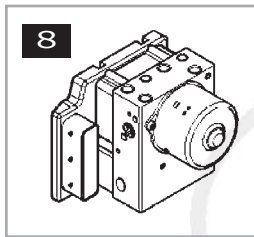
Description	Order Number	Explanatory Notes	Qty
1. Lug Nut, Alloy Wheel	RV-RRD100660		20
2. Center Cap, Alloy Wheel	RV-RRJ500030MNH	Silver Sparkle (shown)	4
2. Center Cap, Alloy Wheel	RV-RRJ000010MUZ	Polished	4

BRAKES, MASTER CYLINDER & COMPONENTS, FREELANDER



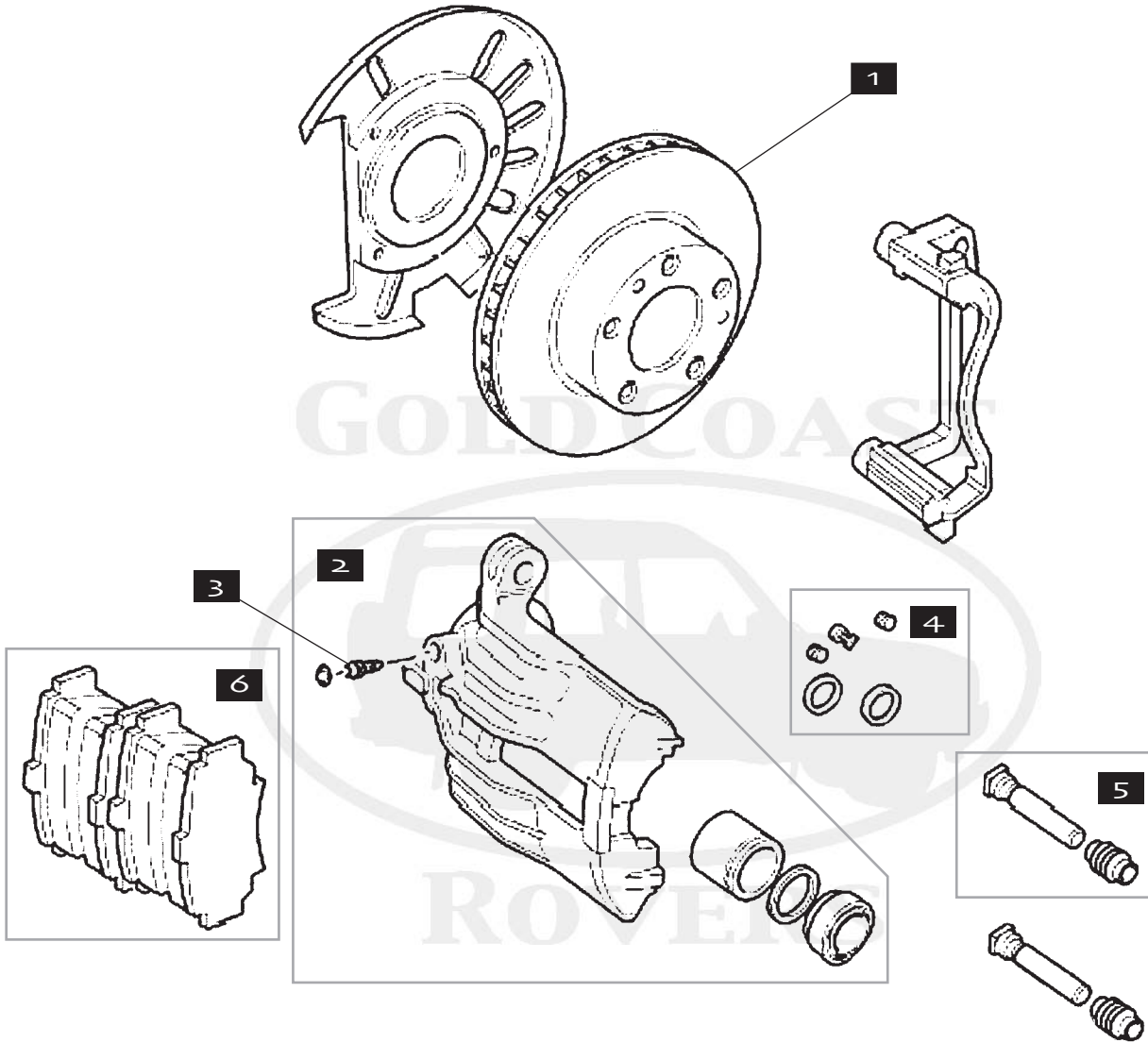
Description	Order Number	Explanatory Notes	Qty
1. Reservoir Assembly, Brake Fluid	RV-SJY000020		1
2. Master Cylinder	RV-SJC000010		1
3. Servo	RV-SJG000010		1
4. Gasket, Servo to Firewall	RV-DCP7304L		1

BRAKES, ABS SYSTEM, FREELANDER

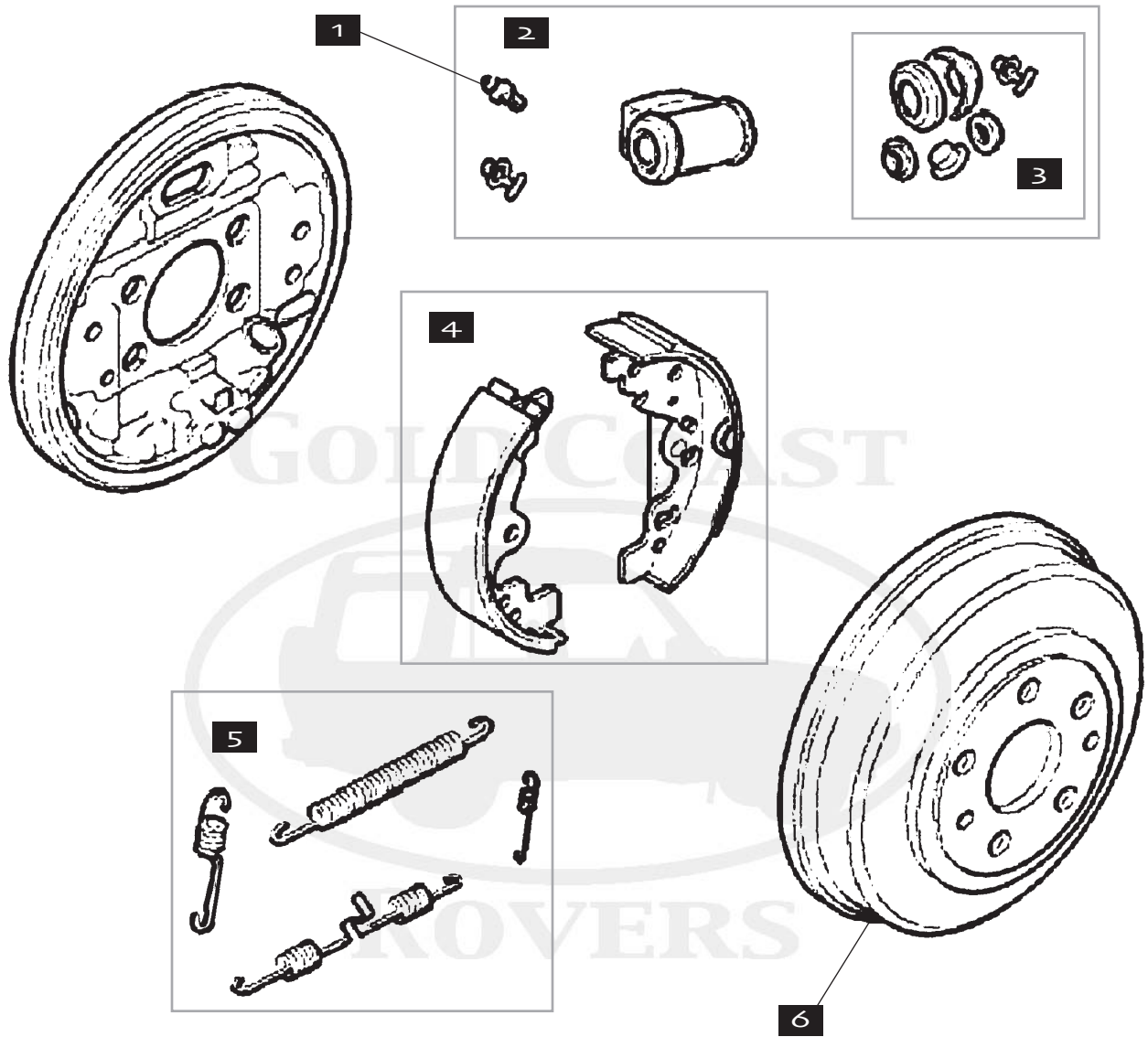


Description	Order Number	Explanatory Notes	Qty
1. Brake Flex Hose, Rear	RV-SHB000601		1
2. Brake Flex Hose, Front, RH	RV-SHB000581		1
2. Brake Flex Hose, Front, LH	RV-SHB000591		1
3. Washer, Banjo Bolt	RV-BNP1244L	All	2
4. Banjo Bolt, Front Flex Hose	RV-SYG100510L	All	1
5. ABS Sensor & Harness, Rear	RV-SSW000020	2A000001-on	1
6. ABS Sensor & Harness, Rear	RV-SSW100090	1A000001 to 1A999999	1
7. ABS Modulator	RV-SRB500250	2A000002-on	1
8. ABS Modulator	RV-SRB000111	1A000001 to 1A999999	1
9. ABS Sensor & Harness, Front	RV-SSW100080	1A000001 to 1A999999	1
10. ABS Sensor & Harness, Front	RV-SSW000010	2A000001-on	1
11. ABS "G" Meter	RV-SSB101331		1
12. ABS ECU	RV-SRD100481		1

FREELANDER



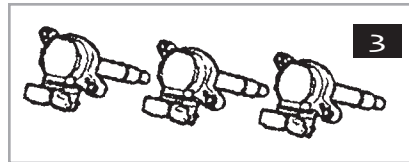
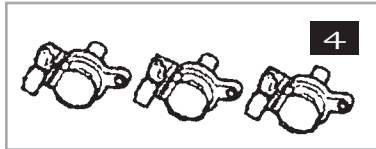
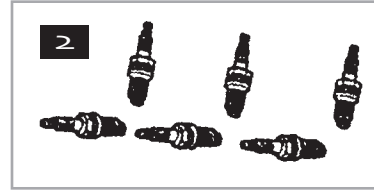
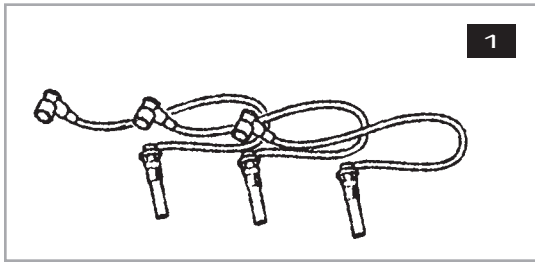
Description	Order Number	Explanatory Notes	Qty
1. Brake Rotor, front, OE	RV-SDB101070		2
1. Brake Rotor, front, aftermarket	RV-SDB101070/X		2
2. Caliper, RH Front	RV-SEG100260		2
2. Caliper, LH Front	RV-SEG100270		2
3. Bleed Screw	RV-RTC1115		2
4. Seal Kit	RV-SEE100300		1
5. Guide Pin Kit	RV-SEE100340		2
6. Brake Pad Set, front, OE	RV-SFP500100		1
6. Brake Pad Set, aftermarket	RV-SFP500100/X		1



FREELANDER

Description	Order Number	Explanatory Notes	Qty
1. Bleed Screw	RV-RTC1115		2
2. Wheel Cylinder Assembly	RV-SML000010		2
3. Seal Kit, Rear Wheel Cylinder	RV-SMN000030		2
4. Brake Shoe Set, Rear	RV-SFS000030		1
5. Return Spring Kit, Rear Shoes	RV-SMN000020	Axle Set	1
6. Brake Drum, Rear	RV-SDC000010		2

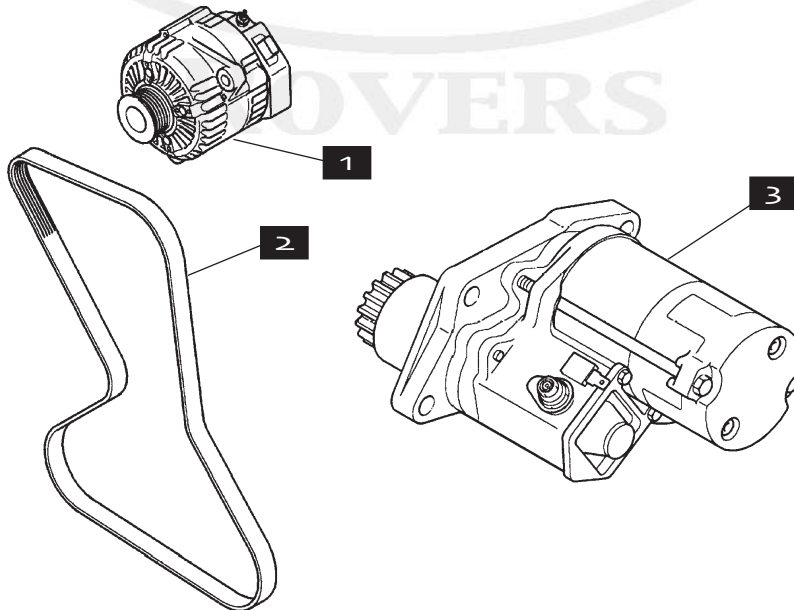
IGNITION, FREELANDER



GOLD COAST

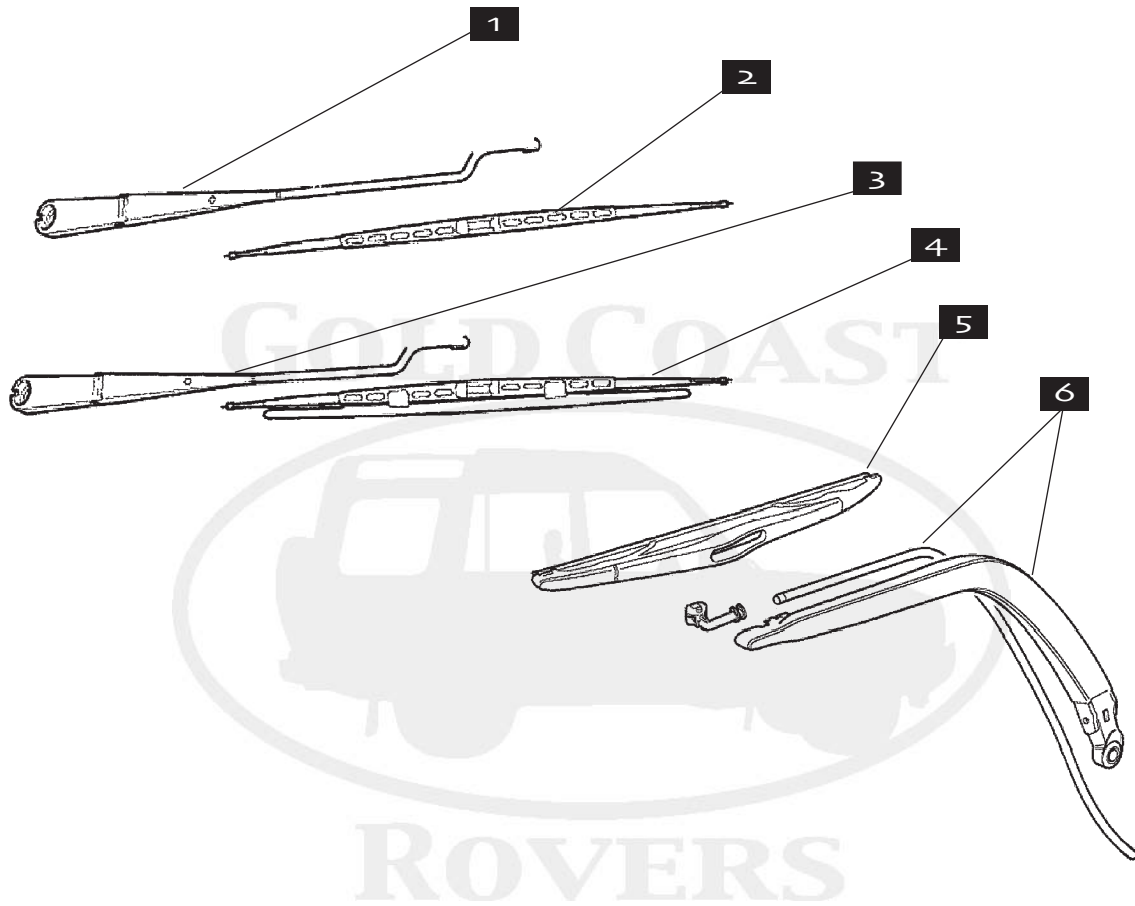
Description	Order Number	Explanatory Notes	Qty
1. Ignition Wire Kit	RV-NGC104250L		2
2. Spark Plug	RV-NLP100290L		6
2. Spark Plug, Iridium	RV-BPR5EIX		6
3. On-Plug Coil, Long	RV-NEC101010L		3
4. On-Plug Coil, Short	RV-NEC101000L	To 3A224999	3
4. On-Plug Coil, Short	RV-NEC000110L	From 3A225000	3

ROTATING ELECTRICAL, FREELANDER

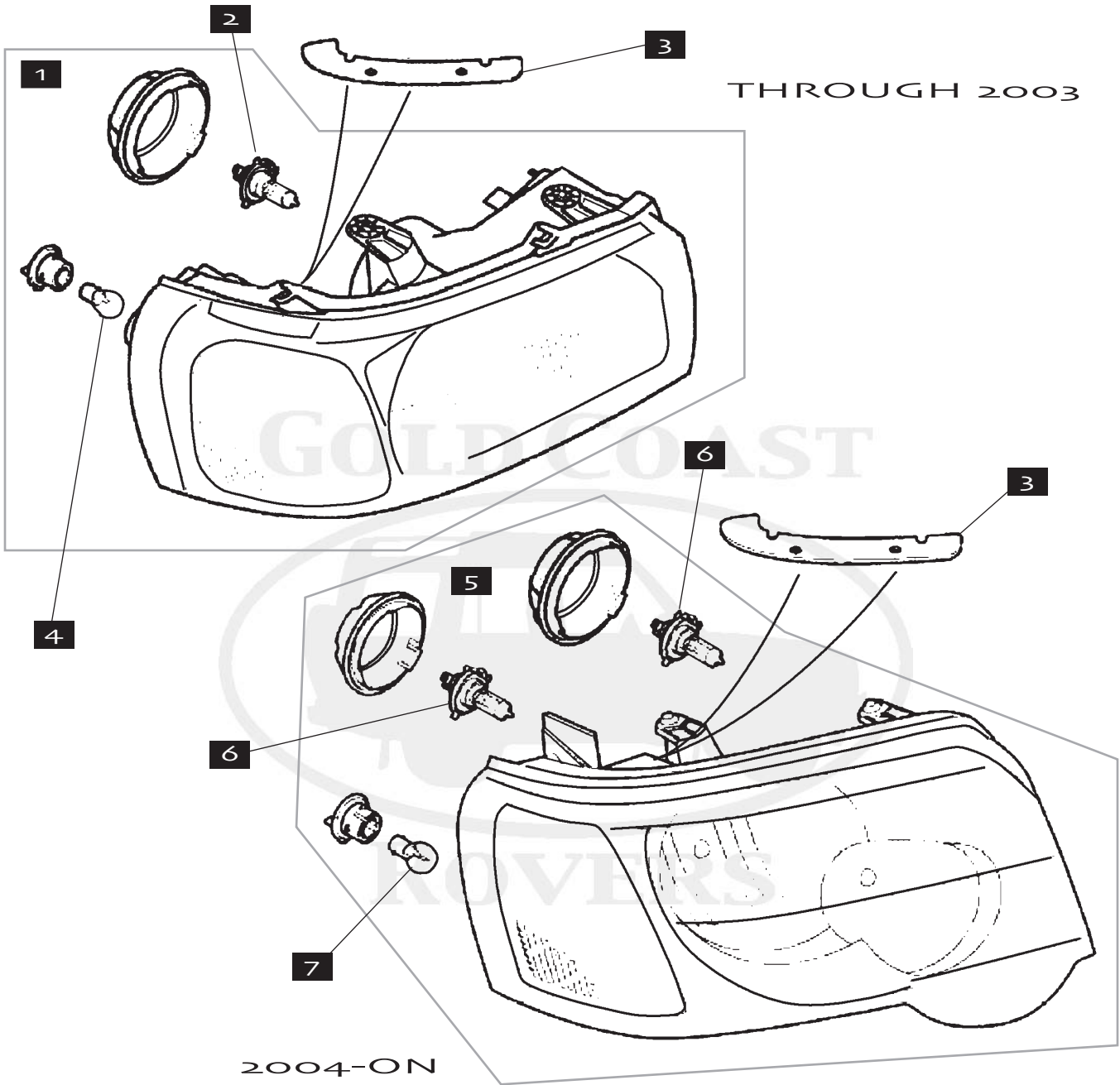


Description	Order Number	Explanatory Notes	Qty
1. Alternator	RV-YLE102480		1
2. Drive Belt, Alternator	RV-PQS101272L		1
3. Starter	RV-NAD100952L		1

FREELANDER



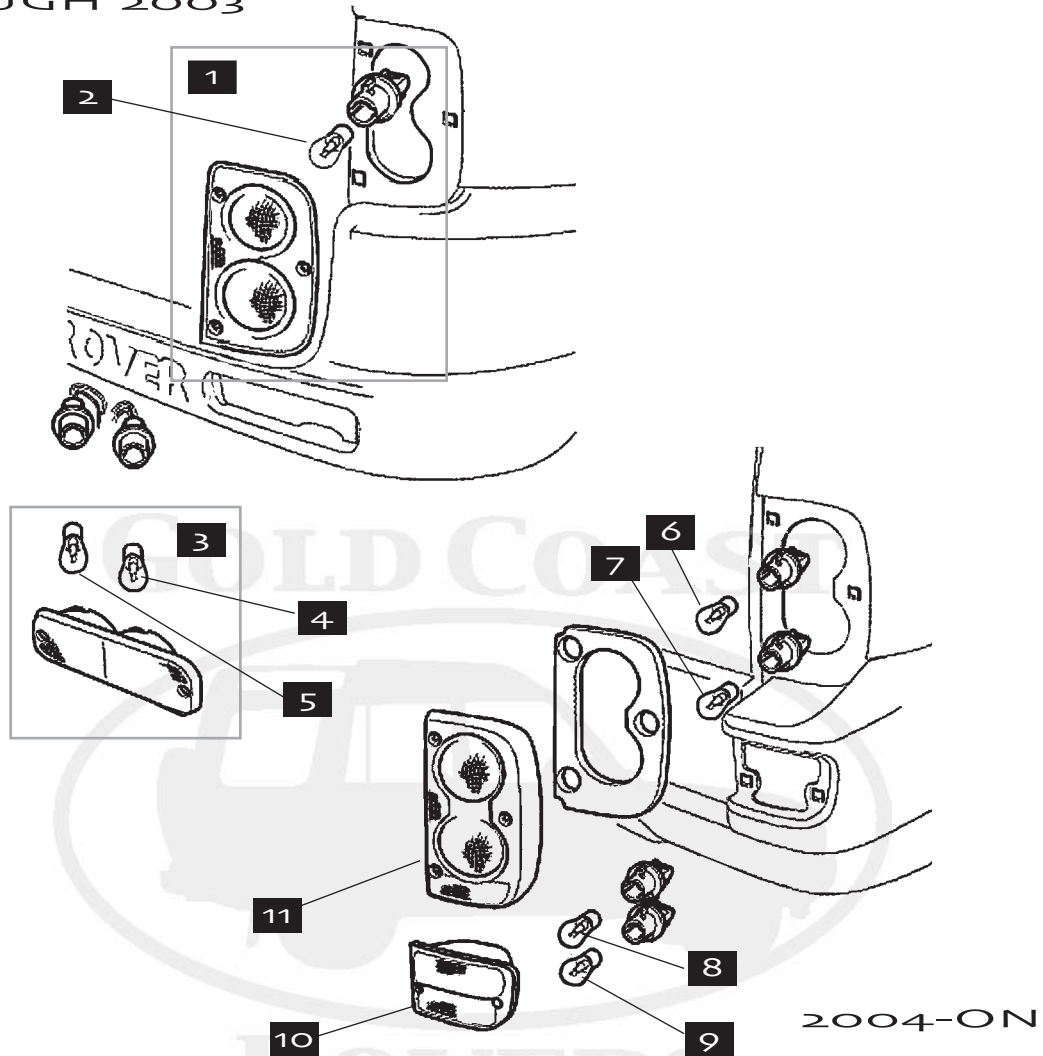
Description	Order Number	Explanatory Notes	Qty
1. Wiper Arm, Front, LH	RV-DKB103030		1
2. Wiper Blade, Front, LH	RV-DKC500130		1
3. Wiper Arm, Front, RH	RV-DKB103090		1
4. Wiper Blade, Front, RH	RV-DKC500140		1
5. Wiper Blade, Rear	RV-AWR4116		1
6. Wiper Arm, Rear	RV-DKB102460		1



FREELANDER

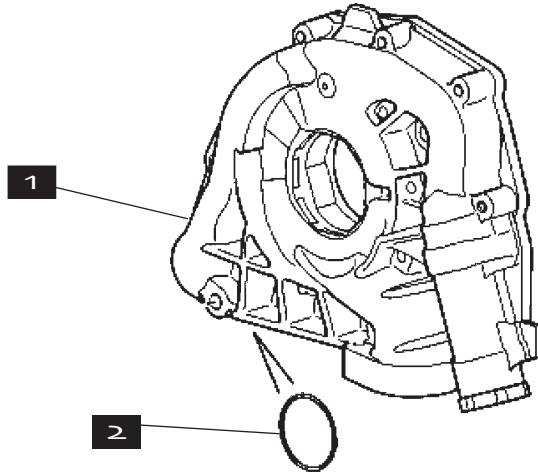
Description	Order Number	Explanatory Notes	Qty
1. Headlamp Assembly	RV-XBC500340	Right; through 2003	1
1. Headlamp Assembly	RV-XBC500350	Left; through 2003	1
2. Bulb, Headlamp	RV-XZQ000141	Through 2003	2
3. Seal, Headlamp	RV-XCH100140	All	2
4. Bulb, in Headlamp, Clear	RV-264591		2
4. Bulb, in Headlamp, Orange	RV-XZQ100190L		2
5. Headlamp Assembly	RV-XBC500960	Right; 2004-on	1
5. Headlamp Assembly	RV-XBC500970	Left; 2004-on	1
6. Bulb, Headlamp	RV-XZQ000011	2004-on	2
7. Bulb, in Headlamp, Flasher	RV-XZQ000021	2004-on	2

THROUGH 2003



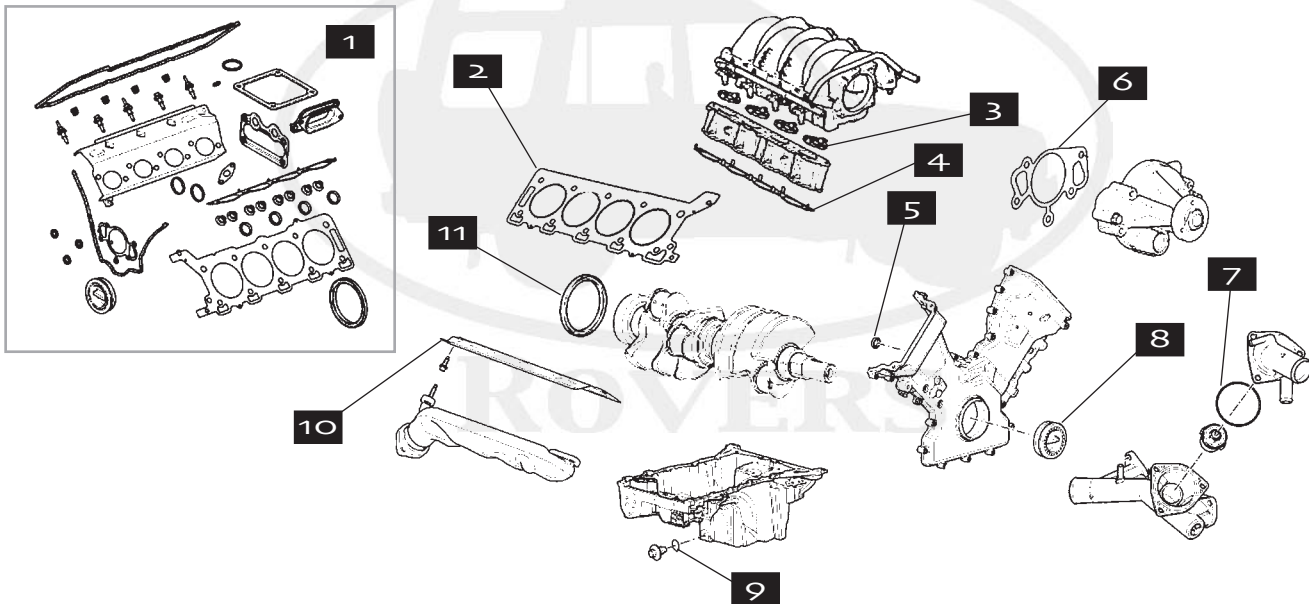
Description	Order Number	Explanatory Notes	Qty
1. Rear Fog/Reverse Lamp, RH	RV-AMR4003	2001 Only, Above Bumper	1
1. Rear Fog/Reverse Lamp, LH	RV-AMR4002	2001 Only, Above Bumper	1
1. Rear Fog/Reverse Lamp, RH	RV-XFB000300	2002 & 2003, Above Bumper	1
1. Rear Fog/Reverse Lamp, LH	RV-XFB000310	2002 & 2003, Above Bumper	1
2. Bulb, Rear Fog/Reverse Lamp	RV-264591	2001-2003	2
3. Rear Lamp Assembly, RH	RV-AMR3990	2001 Only, In Bumper	1
3. Rear Lamp Assembly, LH	RV-AMR3989	2001 Only, In Bumper	1
3. Rear Lamp Assembly, RH	RV-XFB000280	2002 & 2003, In Bumper	1
3. Rear Lamp Assembly, LH	RV-XFB000290	2002 & 2003, In Bumper	1
4. Bulb, Rear Lamp Assembly	RV-264591	Outer, 2001-2003	1
5. Bulb, Rear Lamp Assembly	RV-264590	Inner, 2001-2003	1
6. Bulb, Rear Fog/Reverse Lamp	RV-XZQ000030	Upper, 2004-on	2
7. Bulb, Rear Fog/Reverse Lamp	RV-XZQ000020	Lower, 2004-on	2
8. Bulb, Rear Lamp Assembly	RV-XZQ100190L	Upper, 2004-on	2
9. Bulb, Rear Lamp Assembly	RV-XZQ000020	Lower, 2004-on	2
10. Rear Lamp Assembly, RH	RV-XFB500180	In Bumper, 2004-on	1
10. Rear Lamp Assembly, LH	RV-XFB500190	In Bumper, 2004-on	1
11. Rear Fog/Reverse Lamp, RH	RV-XFB500160	Above Bumper, 2004-on	1
11. Rear Fog/Reverse Lamp, LH	RV-XFB500170	Above Bumper, 2004-on	1

ENGINE, OIL PUMP, LR3



Description	Order Number	Explanatory Notes	Qty
1. Oil Pump	RV-4536869	V-8	1
2. Oil Pump O-Ring	RV-4628523	V-8	1

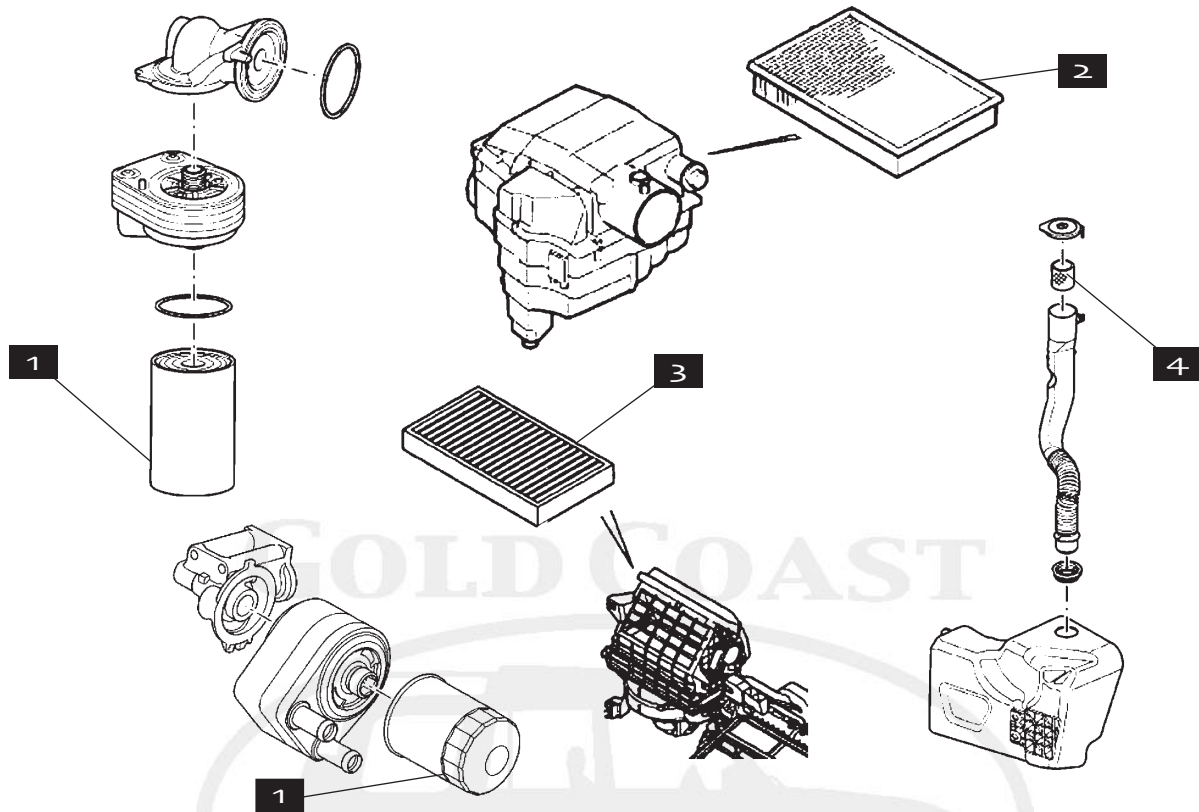
ENGINE GASKETS & SEALS, LR3



Description	Order Number	Explanatory Notes	Qty
1. Engine Gasket Kit	RV-1379696	V-8	1
2. Head Gasket, RH	RV-4585198	V-8	1
2. Head Gasket, LH	RV-4585202	V-8	1
3. Intake Manifold Seal, Upper	RV-4526549	Ring Seals, V-8	8
4. Intake Manifold Gasket, Lower	RV-4628235	Flat Gasket, V-8	2
5. Seal, Timing Cover	RV-4526553	V-8	3
6. Gasket, Water Pump	RV-4575903	V-8	1
7. O-Ring, Thermostat	RV-4362513	V-8	1
8. Crankshaft Seal, Front	RV-4526537	V-8	1
9. Washer, Oil Drain Plug	RV-LSF000010	V-8	1
10. Exhaust Manifold Gasket, RH	RV-4603138	V-8	1
10. Exhaust Manifold Gasket, LH	RV-4603139	V-8	1
11. Crankshaft Seal, Rear	RV-4352327	V-8	1

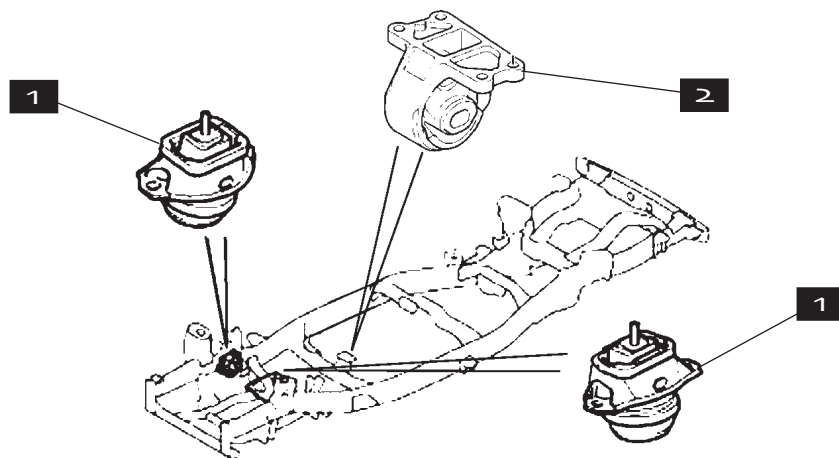
LR3

FILTERS, LR3



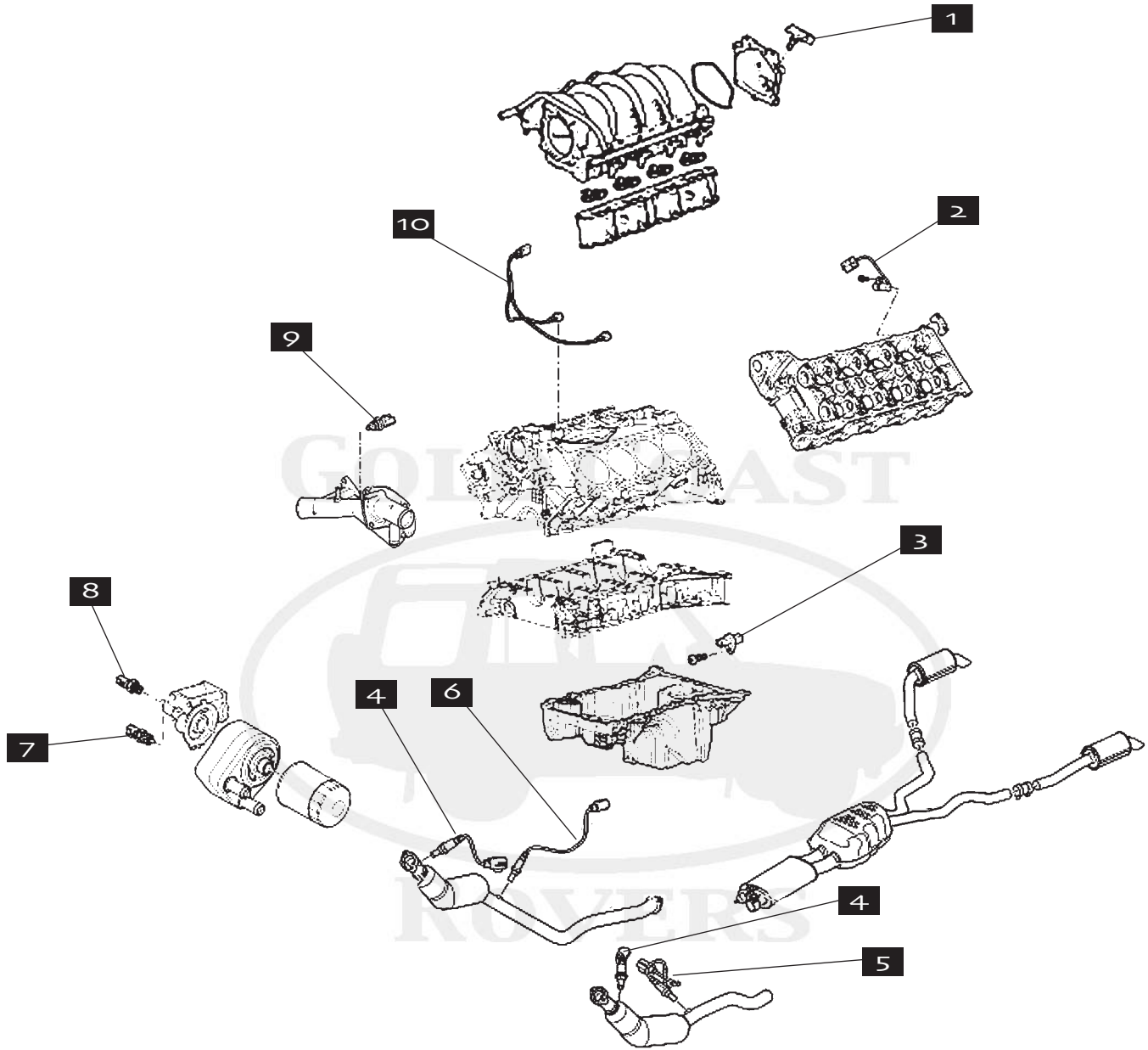
Description	Order Number	Explanatory Notes	Qty
1. Oil Filter	RV-4137784	V-6	
1. Oil Filter	RV-4508334	V-8	
2. Air Filter	RV-PHE000112	V-8 or V-6	
3. Pollen Filter	RV-JKR500020	All	
4. Windshield Washer Reservoir Filter	RV-DMS500011	All	
Fuel Filter	Not Fitted		

ENGINE, MOUNTS, LR3



Description	Order Number	Explanatory Notes	Qty
1. Engine Mount	RV-KKB500312	V-8	2
2. Transfer Box Mount	RV-IAF500021	V-8	1

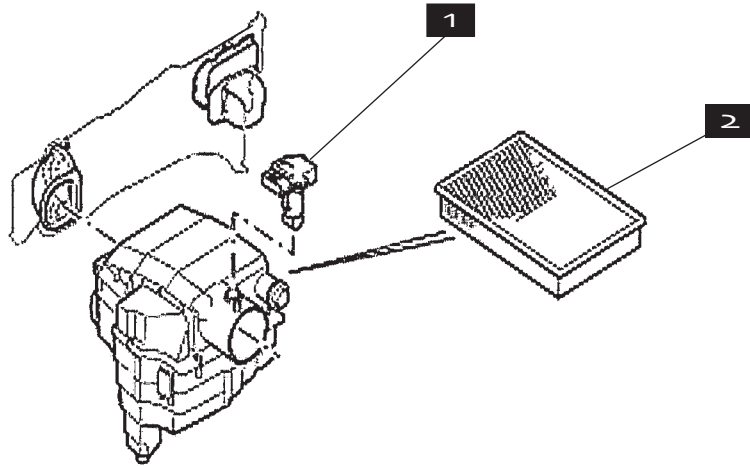
* Denotes Aftermarket Part



Description	Order Number	Explanatory Notes	Qty
1. Intake Manifold Sensor	RV-4628195	V-8	1
2. Camshaft Position Sensor, RH	RV-4362957	V-8	1
2. Camshaft Position Sensor, LH	RV-4427657	V-8	1
3. Crankshaft Position Sensor	RV-NSC500160	V-6 or V-8	1
4. Oxygen Sensor, Upper	RV-MHK500840	V-6 or V-8	2
5. Oxygen Sensor, Lower Left	RV-MHK500910	V-6 or V-8	1
6. Oxygen Sensor, Lower Right	RV-MHK500960	V-6 or V-8	1
7. Engine Coolant Temperature Sensor	RV-4337456	In oil filter housing, V-8	1
8. Oil Pressure Sensor	RV-4737666	In oil filter housing, V-8	1
9. Engine Coolant Temperature Sensor	RV-4603183	In Thermostat Housing, V-8	1
10. Knock Sensor	RV-4603186	V-8	1

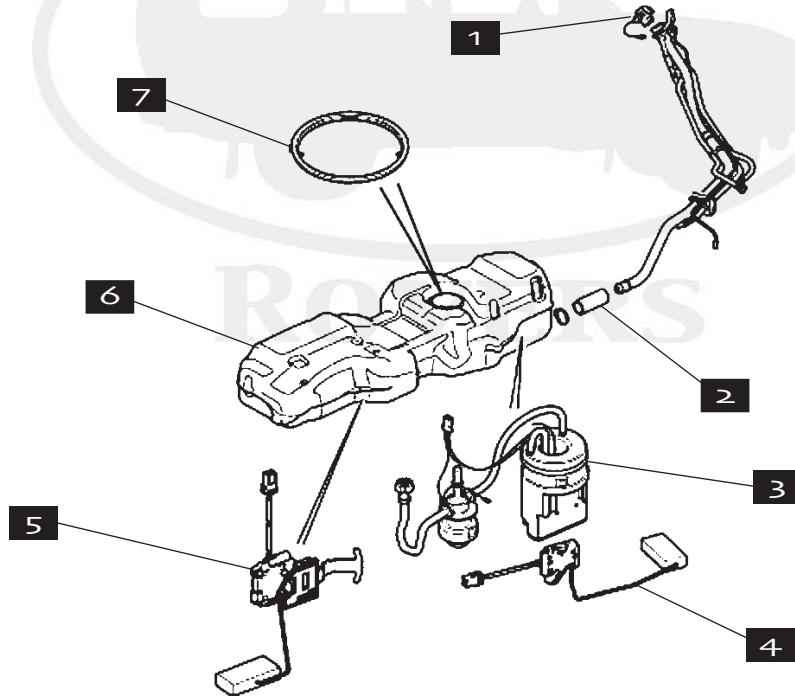
LR3

FUEL SYSTEM, AIR FLOW METER, LR3



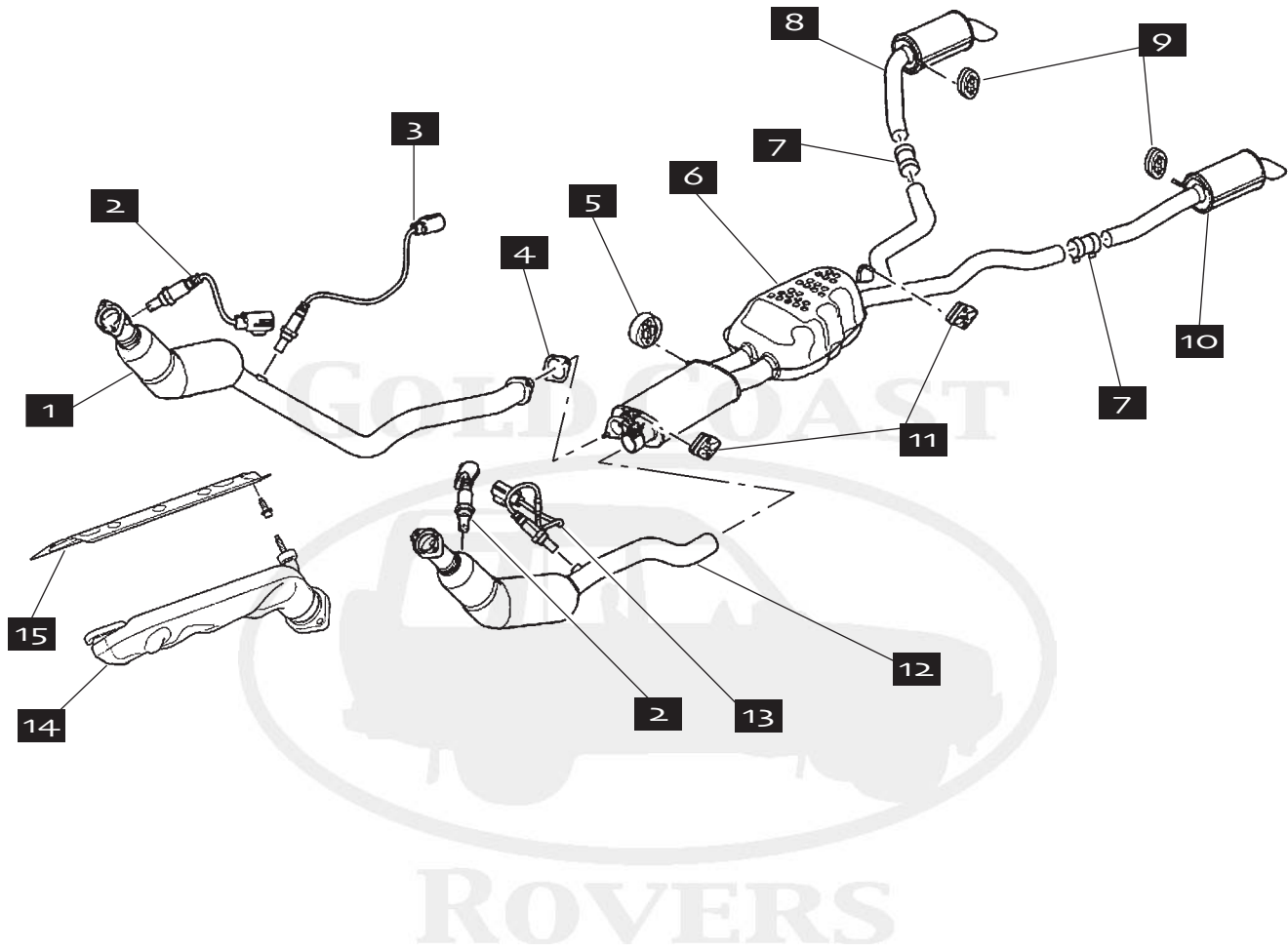
Description	Order Number	Explanatory Notes	Qty
1. Air Flow Sensor Assembly	RV-PHF000140	V-6 or V-8	1
2. Air Filter	RV-PHE000112	V-6 or V-8	1

FUEL SYSTEM, LR3



Description	Order Number	Explanatory Notes	Qty
1. Fuel Filler Cap	RV-WLD500090	V-6 or V-8	1
2. Hose, Filler Neck to Tank	RV-WLH000061	V-6 or V-8	1
3. Fuel Pump	RV-WGS500051	V-6 or V-8	1
4. Fuel Level Sender, Rear	RV-WGI500070	V-6 or V-8	1
5. Fuel Level Sender, Front	RV-WGI500060	V-6 or V-8	1
6. Fuel Tank	RV-WHK000150	V-6 or V-8	1
7. Gasket, Pump to Tank	RV-WGQ000031	V-6 or V-8	1

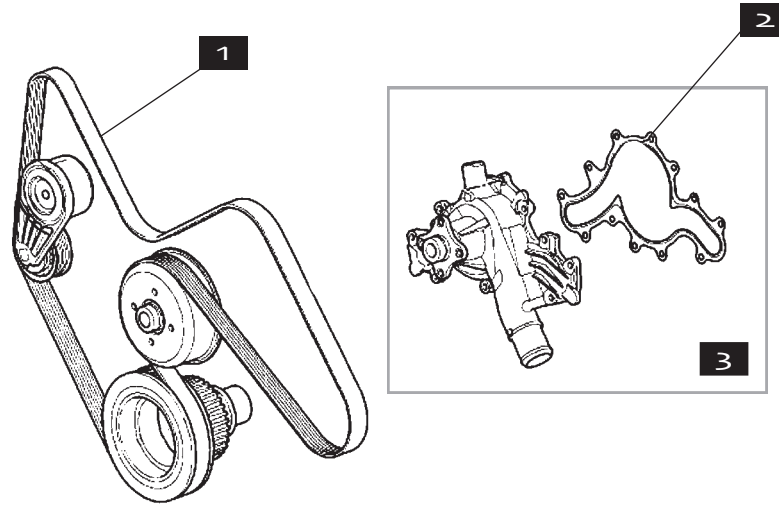
* Denotes Aftermarket Part



Description	Order Number	Explanatory Notes	Qty
1. Downpipe/Catalyst, RH	RV-WCD500202	V-8	1
2. Oxygen Sensor, Upper	RV-MHK500840	V-6 or V-8	2
3. Oxygen Sensor, Lower Right	RV-MHK500960	V-6 or V-8	1
4. Gasket, RH Catalyst to Muffler	RV-WCM100460L	V-6 or V-8	1
5. Mount, Center Muffler	RV-WCS500010	V-6 or V-8	1
6. Center Muffler Assembly	RV-WCE500140	V-8	1
7. Clamp, Center Muffler, Rear	RV-WCL500030	V-6 or V-8	2
8. Rear Muffler, RH	RV-WCI500100	V-8	1
9. Mount, Rear Mufflers	RV-DBP7104	V-6 or V-8	2
10. Rear Muffler, LH	RV-WCI500110	V-8	1
11. Mount, Center Muffler	RV-WCS000150	V-6 or V-8	2
12. Downpipe/Catalyst, LH	RV-WCD500212	V-8	1
13. Oxygen Sensor, Lower Left	RV-MHK500910	V-6 or V-8	1
14. Exhaust Manifold, RH	RV-4646040	V-8	1
14. Exhaust Manifold, LH	RV-4646052	V-8	1
15. Gasket, Manifold to Head, RH	RV-4603138	V-8	1
15. Gasket, Manifold to Head, LH	RV-4603139	V-8	1

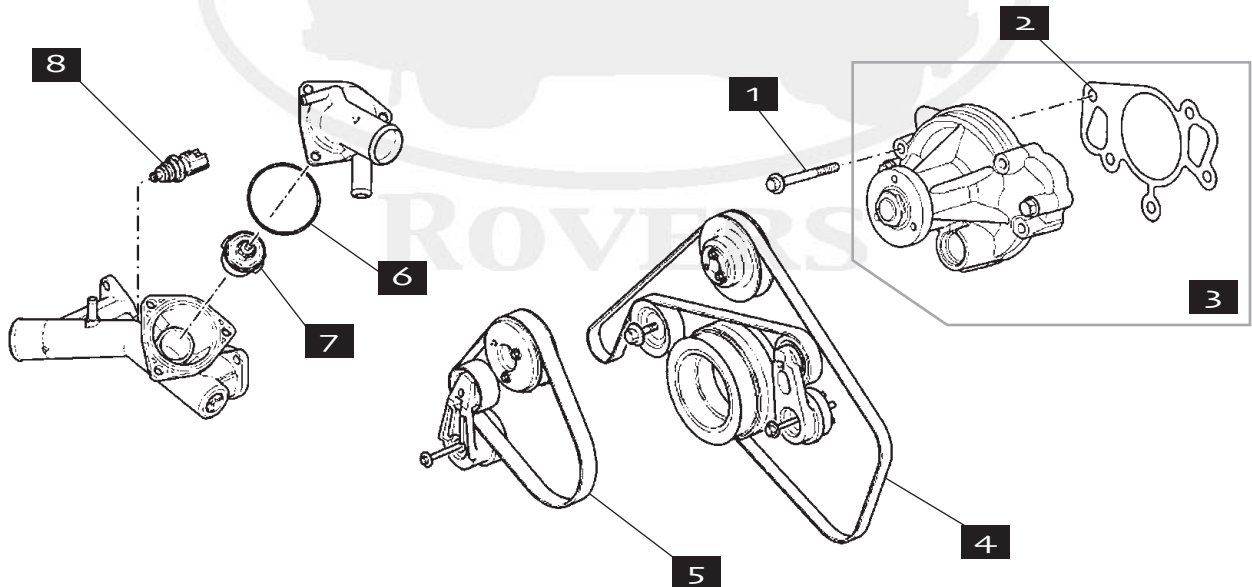
LR3

COOLING, WATER PUMP, AND BELTS, V-6 LR3



Description	Order Number	Explanatory Notes	Qty
1. Serpentine Belt	RV-1316644	V-6	1
2. Gasket, Water Pump	RV-1106473	V-6	1
3. Water Pump	RV-1386525	V-6	1

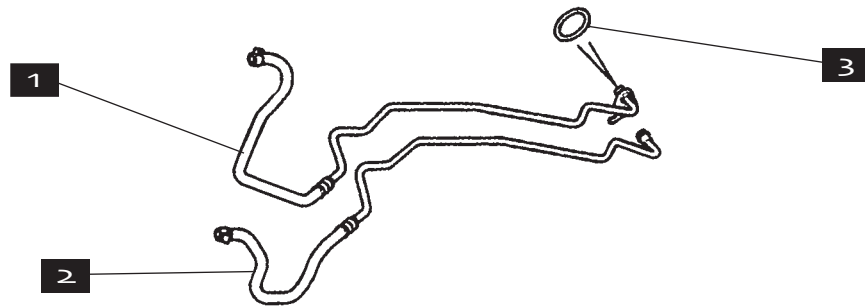
COOLING, WATER PUMP, AND BELTS, V-8 LR3



Description	Order Number	Explanatory Notes	Qty
1. Bolt, Water Pump	RV-4537592	V-8	4
2. Gasket, Water Pump	RV-4575903	V-8	1
3. Water Pump	RV-4575902	V-8	1
4. Primary Belt	RV-PQS500201	V-8	1
5. Secondary Belt	RV-PQS500221	V-8	1
6. O-Ring, Thermostat	RV-4362513	V-8	1
7. Thermostat	RV-PCP500050	V-8	1
8. Coolant Temperature Sender	RV-4603183	In thermostat housing, V-8	1

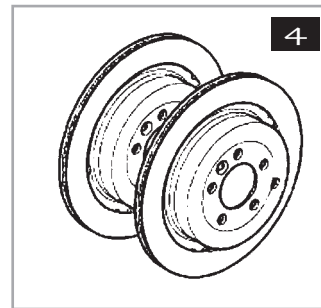
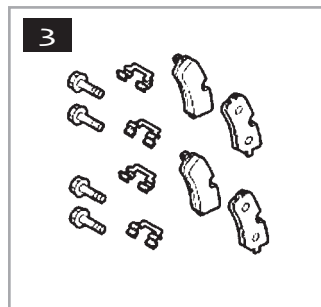
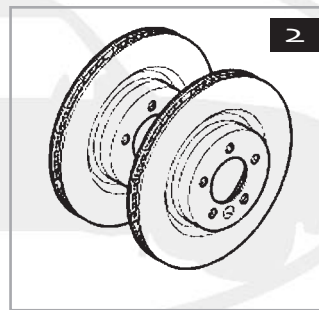
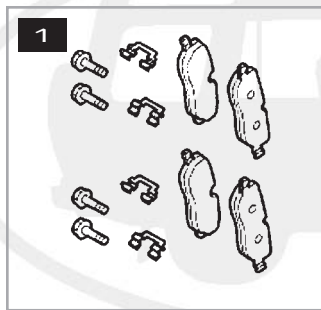
* Denotes Aftermarket Part

TRANSMISSION, GEARBOX COOLER, LR3



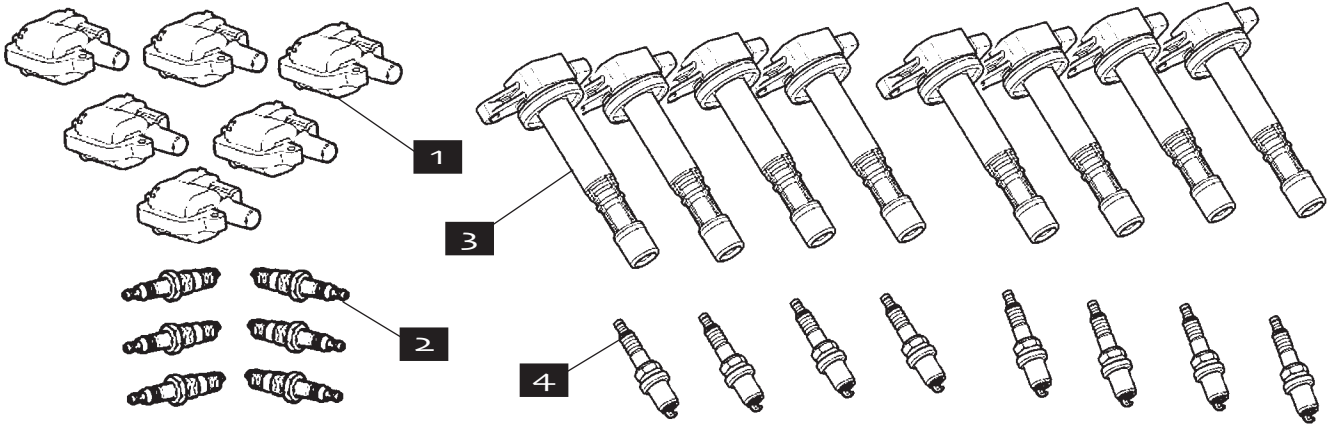
Description	Order Number	Explanatory Notes	Qty
1. Oil Cooler Pipe/Hose, Upper	RV-UBP500130	V-8	1
2. Oil Cooler Pipe/Hose, Lower	RV-UBP500120	V-8	1
3. O-Ring, Pipe to Transmission	RV-PYX500020	V-8	1

BRAKES, LR3



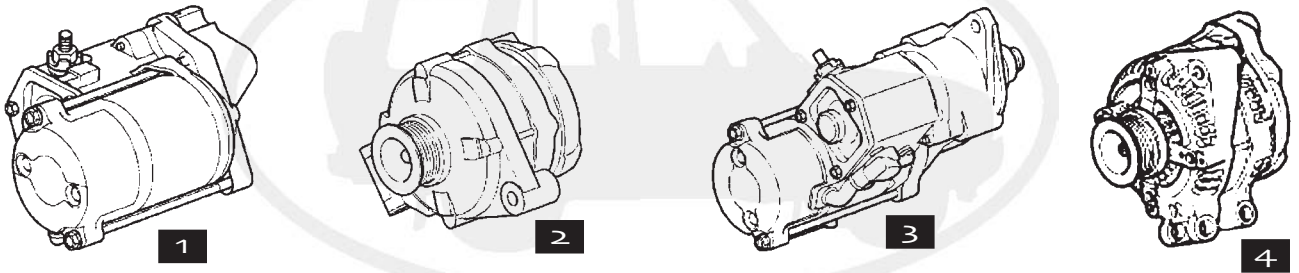
Description	Order Number	Explanatory Notes	Qty
1. Oil Cooler Pipe/Hose, Upper	RV-UBP500130	V-8	1
2. Oil Cooler Pipe/Hose, Lower	RV-UBP500120	V-8	1
3. O-Ring, Pipe to Transmission	RV-PYX500020	V-8	1

IGNITION, LR3



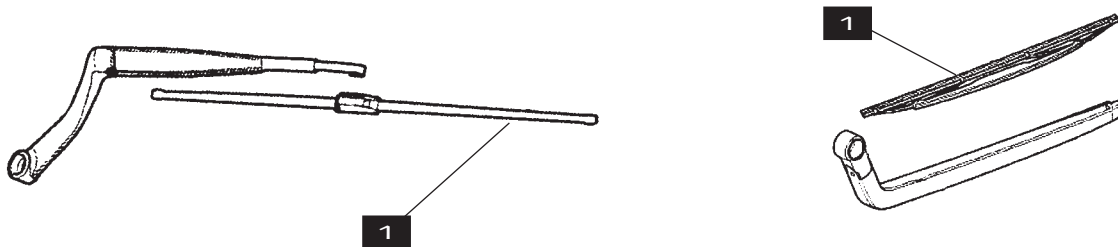
Description	Order Number	Explanatory Notes	Qty
1. On-Plug Coil	RV-LR002427	V-6	6
2. Spark Plug	RV-4585576	V-6	6
3. On-Plug Coil	RV-4744015	V-8	8
4. Spark Plug	RV-4550157	V-8	8

ROTATING ELECTRICAL, LR3



Description	Order Number	Explanatory Notes	Qty
1. Starter	RV-NAD500150	V-6	1
2. Alternator	RV-YLE500240	V-6	1
3. Starter	RV-NAD500160	V-8	1
4. Alternator	RV-YLE500190	V-8	1

WIPERS, LR3



Description	Order Number	Explanatory Notes	Qty
1. Wiper Blade, Front,	RV-DKC500170PMD		2
2. Wiper Blade, Rear	RV-DKC500030		1

* Denotes Aftermarket Part

PART NUMBER INDEX

02-NMD6091AC*	101, 236, 238	RV-0032R	25	RV-1531	5	RV-1704	1	RV-2001	21	RV-2820	3
12-2000	22	RV-0032W	25	RV-1532	5	RV-1705	1	RV-2002	21, 114	RV-2821	3
17-0012	24	RV-0048	24	RV-1533	5	RV-1706	1	RV-2050	18, 79	RV-2822	3
17-0013	24	RV-0049	24	RV-1534	5	RV-1707	1	RV-2051	18	RV-2823	3
17-0014	24	RV-0050	24	RV-1536	2	RV-1708	1	RV-2051	79	RV-2824	3
17-0018	23	RV-0051	24	RV-1537	4	RV-1709	1	RV-2052	18, 79	RV-2825	3
17-0055	22	RV-0052	26	RV-1538	4	RV-1710	1	RV-2053	18, 79	RV-2826	3
17-01325	30	RV-0053	24	RV-1539	4	RV-1711	1	RV-2054	18	RV-2827	3
17-0212	22	RV-0058	25	RV-1540	4	RV-1712	1	RV-2055	18	RV-2828	3
17-02500	30	RV-0059	25	RV-1541	4	RV-1713	1	RV-2056	18	RV-3036L	48, 170, 246
17-03500	31	RV-0063	24	RV-1542	4	RV-1714	1	RV-2057	18	RV-3290	34, 234
17-04325	31	RV-0107	25	RV-1543	5	RV-1715	1	RV-2058	18	RV-32963	14
17-050.381	25	RV-0143	26	RV-154545	34	RV-1716	1	RV-2059	18	RV-3300	23
17-05075	31	RV-0144	26	RV-154545	155, 234	RV-1717	1	RV-20801	14	RV-3301	23
17-06325	31	RV-0145	26	RV-1556	7	RV-1718	1	RV-213961L	39, 237	RV-34531	46, 83
17-07325	31	RV-0146	26	RV-1557	7	RV-1719	1	RV-217352	72, 73	RV-34697	14
17-0999	1	RV-0789	123, 186, 264	RV-1558	7	RV-1720	1	RV-217352	73	RV-3500040	19
17-1000	1	RV-0790	123, 223,	RV-1562	4	RV-1721	1	RV-232039	47, 169	RV-37441	14
17-10325	30	RV-1000	12	RV-1563	4	RV-1722	1	RV-236070	71, 181, 257	RV-37837	84
17-1055	1	RV-1001	12	RV-1564	4	RV-1723	1	RV-243960	37, 39, 235, 237	RV-37880	14
17-13325	31	RV-1002	13	RV-1565	4	RV-1724	1	RV-243967	42, 103,	RV-38631	14
17-1448	39	RV-1003	12	RV-1566	7	RV-1725	1		158, 162, 235, 239	RV-38701	14
17-1448	41, 236, 238	RV-1004	12	RV-1567	7	RV-1750	7	RV-243968	37, 86, 129, 190, 227, 266	RV-38704	14
17-15325	30	RV-1005	12	RV-1568	7	RV-1751	7			RV-390607	58
17-16325	30	RV-1008	12	RV-1569	7	RV-1752	7	RV-2500	10	RV-390608	58
17-18325	31	RV-1010	12	RV-1570	7	RV-1753	7	RV-2502	10	RV-390609	58
17-19325	31	RV-1011	12	RV-1571	7	RV-1754	7	RV-2504	10	RV-391287	92
17-2108	25	RV-1012	12	RV-1580	12	RV-1755	7	RV-2506	10	RV-4137784	291
17-2112	23	RV-10211	130	RV-1581	12	RV-1756	7	RV-2507	10	RV-4337456	292
17-2113	23	RV-1106473	295	RV-1582	13	RV-1757	7	RV-2508	10	RV-4352327	290
17-2114	23	RV-11H1781L	43, 164, 214	RV-1583	12	RV-1758	7	RV-2509	10	RV-4362513	290, 295
17-2127	25	RV-1316644	295	RV-1584	12	RV-1800	12	RV-2510	10	RV-4362957	292
17-2135	25	RV-13230	14	RV-1585	12	RV-1801	12	RV-2518A	10	RV-4508334	136, 291
17-22325	31	RV-1386525	295	RV-1586	13	RV-1802	12	RV-2520	10	RV-4526537	290
17-2600	22	RV-13H3735L*	74, 86, 185, 190	RV-1587	12	RV-1803	12	RV-2522	10	RV-4526549	290
17-3600	22	RV-140054	16	RV-1588	15	RV-1804	12	RV-2523	10	RV-4526553	290
17-3601	22	RV-1402	32	RV-1589	4	RV-1805	12	RV-2524	10	RV-4526563	138
17-70477	11	RV-1404	32	RV-1600	6	RV-1806	12	RV-252513	34, 155, 234	RV-4536869	290
17-74507	11	RV-1406	32	RV-1601	6	RV-1807	12	RV-2526	10	RV-4537592	295
17-74607	11	RV-1408	32	RV-1602	6	RV-1900	8	RV-2527	10	RV-4550157	297
17-74700	11	RV-1410	32	RV-1603	6	RV-1902	8	RV-2530	10	RV-4575902	295
17-74704	11	RV-1412	32	RV-1604	6	RV-1904	8	RV-25300	14	RV-4575903	290, 295
17-74805	11	RV-1450	7	RV-1605	6	RV-1906	8	RV-2530-1	10	RV-4585198	290
17-74815	11	RV-1451	7	RV-1606	6	RV-1908	8	RV-2532	10	RV-4585202	290
17-74816	11	RV-1452	7	RV-1607	6	RV-1910	8	RV-2532-1	10	RV-4585576	297
17-75804	11	RV-14639	16	RV-1608	6	RV-1912	8	RV-2534	10	RV-4591931	290
17-76105	11	RV-14657	16, 171	RV-1609	6	RV-1914	8	RV-2534-1	10	RV-4603135	297
17-81105	11	RV-14660	16	RV-1610	6	RV-1916	8	RV-2536	10	RV-4603138	290, 294
17-8310512V	11	RV-14764	16, 246	RV-1611	6	RV-1918	8	RV-2538	10	RV-4603139	290, 294
17-84100	11	RV-14839	16	RV-1612	6	RV-1920	8	RV-2540	10	RV-4603183	292, 295
17-87141	11	RV-14941	16	RV-1613	6	RV-1922	8	RV-2541	10	RV-4603186	292
17-87142	11	RV-1499	22, 101, 200	RV-1614	6	RV-1926	8	RV-2542	10	RV-4628195	292
17-87144	11	RV-1500	22	RV-1614-1	6	RV-1928	8	RV-2544	10	RV-462823	290
17-87199	11	RV-1501	22	RV-1615	6	RV-1930	8	RV-2546	10	RV-4628235	290
17-9004	24	RV-1501	39, 41, 160	RV-1615-1	6	RV-1932	8	RV-2547	10	RV-4646040	294
17-9005	26	RV-1502	22, 101, 102	RV-1615-2	6	RV-1933	8	RV-2548	10	RV-4646052	294
17-9007	26	RV-1503	7	RV-1616	6	RV-1934	8	RV-2549	10	RV-4650544	138
17-9008	26	RV-1504	7	RV-1617	6	RV-1935	8	RV-2550	10	RV-4737666	292
17-9009	24	RV-1505	7	RV-1618	6	RV-1936	8	RV-2551	10	RV-4744015	297
17-9012	26	RV-1506	7	RV-1619	6	RV-1937	8	RV-2552	10	RV-4X400	19
17-9013	26	RV-1507	7	RV-1620	6	RV-1940	9	RV-2553	10	RV-5000	72
17-9074	24	RV-1508	7	RV-1621	6	RV-1942	9	RV-2554	10	RV-5001	72
17-9075	24	RV-1509	7	RV-1622	6	RV-1944	9	RV-2555	10	RV-5002	72, 180, 258
17-9076	24	RV-1510	7	RV-1623	6	RV-1946	9	RV-26370	14	RV-5003	73
17-9080	24	RV-1511	7	RV-1624	6	RV-1948	9	RV-264590	130, 267, 289	RV-5004	73
17-9081	24	RV-1512	7	RV-1625	6	RV-1950	9	RV-264591	87, 130, 191, 228, 229, 267, 288, 289	RV-5005	73
17-9082	24	RV-1513	7	RV-1625-1	6	RV-1952	9			RV-5006	182
JA-46	67, 117, 179, 217, 254	RV-1514	7	RV-1626	6	RV-1954	9	RV-276483	67	RV-5007	259
JA-ARA1502	40	RV-1515	7	RV-1627	6	RV-1956	9	RV-276483	179, 254	RV-5008	259
JA-C2C-4163	39, 40, 160, 161	RV-1516	7	RV-1628	6	RV-1958	9	RV-276484	254	RV-513123	75
JA-DBC11408	87, 130, 191, 228	RV-1517	7	RV-1629	6	RV-1960	9	RV-2800	2	RV-515599	68, 179
JA-DBC12517/E	41, 160, 238	RV-1518	7	RV-1630	6	RV-1963	9	RV-2802	2	RV-531586	87
LE-53412	22	RV-1519	7	RV-1631	6	RV-1964	9	RV-28032	2	RV-539706	68, 179, 217
LE-53422	22	RV-1520	7	RV-1632	6	RV-1966	9	RV-2804	2	RV-539707	68, 179, 217
LU-73201	39, 40	RV-1521	4	RV-1633	6	RV-1968	9	RV-2805	2	RV-549473	70, 73, 181, 255
LU-DLB198	80, 186, 264	RV-1523	4	RV-1650	32	RV-1970	9	RV-2810	2	RV-549911	46, 96
LU-DLB198*	80, 186, 264	RV-1524	4	RV-1700	1	RV-1971	9	RV-2811	2		167, 196, 232, 244
LU-SNB802	42, 86, 103, 105, 129, 162, 164, 190, 239, 266	RV-1526	4	RV-1701	1	RV-1972	9	RV-2812	2	RV-5500	21, 60, 112
LU-UCB133	81	RV-1528	5	RV-1702	1	RV-1973	9	RV-2813	2	RV-5502	21, 60, 62, 112
RV-0032FCG	25	RV-1530	5	RV-1703	1	RV-1974	9	RV-2814	2	RV-550732	244
				RV-1703993	142	RV-1975	9	RV-2818	3	RV-552818	59, 174
								RV-2819	3		

PART NUMBER INDEX

RV-552819	59, 62, 174, 175, 176, 249, 250, 251	RV-603659	39, 159, 237	RV-AEU1547*	77, 184, 185, 262	RV-AMR3266	101, 131, 160, 192, 200, 230	RV-AMR6510	191	RV-ANR5916	120
RV-559186	85	RV-603734	36, 98, 157, 198, 233	RV-AEU1714	46	RV-AMR3271	192	RV-AMR6526	267	RV-ANR6656	63, 177
RV-560794	86	RV-606662	69	RV-AEU1715	75	RV-AMR3290	60	RV-AMR6527	267	RV-ANR6690	214
RV-564258	38, 100, 159, 201, 237	RV-606663	69	RV-AEU1716	77	RV-AMR3291	60	RV-AMR6528	267	RV-ANR6947	213
RV-564724	53	RV-606665	69	RV-AEU1716/RB	77	RV-AMR3292	60	RV-AMR6666	206	RV-ASR1045H	116, 126
RV-567905	85	RV-606666	71, 181, 257	RV-AEU1717	77	RV-AMR3337	85	RV-ANR1406MUE	74	RV-ASR1944	128
RV-568055	86	RV-606683	77, 184	RV-AEU1717/RB	77	RV-AMR3338	85	RV-ANR1765	183	RV-ASR1945	128
RV-568858	66, 178, 253	RV-606683S5	77, 184	RV-AEU1718*	77	RV-AMR3338	85	RV-ANR1799*	62, 176, 251	RV-ASR1952	128
RV-571665	45, 46, 166, 206, 243	RV-606696	77, 185	RV-AEU1718/RB	77	RV-AMR3361	82, 187	RV-ANR1871	122	RV-ATU1021L	83
RV-571718	70	RV-606696S	77, 185	RV-AEU1719*	77	RV-AMR3382	85, 189	RV-ANR2003	63	RV-ATU1023L	82, 83
RV-571743	71	RV-606696SS	77, 185	RV-AEU1719/RB	77	RV-AMR3384	85, 189	RV-ANR2029	194	RV-ATU1027L	83
RV-571744	71	RV-608246	68, 117, 179	RV-AEU1894*	75	RV-AMR3386	94	RV-ANR2033	92	RV-AUD3577L	104, 163, 240
RV-571745	71	RV-610289	36, 157, 234	RV-AEU2498	262	RV-AMR3388	125	RV-ANR2186	167	RV-AWR1146	194
RV-571746	71	RV-611089	97, 100	RV-AEU2522	255	RV-AMR3396	87	RV-ANR2215	122	RV-AWR1147	194
RV-571752	72, 73, 180, 182, 258, 259	RV-611612	51, 55, 247	RV-AEU2539	260	RV-AMR3420	130	RV-ANR2367	115	RV-AWR1148	194
RV-571755	70, 181, 256	RV-611659L	36, 98, 157, 198, 233	RV-AEU2539	262	RV-AMR3421	130	RV-ANR2391LUQ	182	RV-AWR1333MAD	133
RV-571756	71	RV-611659	36, 98, 157, 198, 233	RV-AEU3044	57	RV-AMR3583	128	RV-ANR2391MNH	74, 182	RV-AWR1333PUK	133
RV-571815	71	RV-611660	36, 98, 157, 198, 233	RV-AEU3054	57	RV-AMR3584	128	RV-ANR2391MUE	74, 182	RV-AWR1334MAD	133
RV-571819	71	RV-611795	43	RV-AEU3065	56	RV-AMR3597	83	RV-ANR2420	175	RV-AWR1334PUK	133
RV-571821	71	RV-612898	34, 97, 155, 197, 234	RV-AEU3067	57	RV-AMR3599	82, 83	RV-ANR2445	92	RV-AWR1379	111
RV-571882	73	RV-613857	80	RV-AFU2786L	37, 235	RV-AMR3600	83	RV-ANR2494	112	RV-AWR1479PMD	194
RV-571883	73	RV-614037	37, 235	RV-AFU2913L	89, 90, 91, 193, 264	RV-AMR3603	83	RV-ANR2556	112, 113, 114	RV-AWR1624	111
RV-571890	70	RV-614154	56	RV-AFU4091L	127, 189	RV-AMR3604	83	RV-ANR2563	113	RV-AWR1987	111
RV-571895	69	RV-614188	36, 157, 234	RV-AFU4241L	85	RV-AMR3652	188	RV-ANR2620	99	RV-AWR2406	230
RV-571896	69	RV-614202	37, 235	RV-AFU4481	85, 87, 127, 130, 191, 228	RV-AMR3653	188	RV-ANR2621	99	RV-AWR2438PMD	194
RV-572166	48	RV-623050	86	RV-ALR2112	93	RV-AMR3657	192	RV-ANR2640	116	RV-AWR2617	95
RV-572167	48	RV-625038	38, 159, 237	RV-ALR2113	93	RV-AMR3678	90, 91	RV-ANR2743	194	RV-AWR2676	111
RV-572312	52, 172, 248	RV-6500	19, 63	RV-ALR2255	195	RV-AMR3702	128	RV-ANR2763MMM	74, 182, 258, 259	RV-AWR2710PMD	194
RV-572315	175	RV-6502	19, 63	RV-ALR3724	93	RV-AMR3705	124	RV-ANR2805	37, 158	RV-AWR2989PMD	194
RV-573289	127	RV-6504	19, 63	RV-ALR3725	93	RV-AMR3709	125	RV-ANR2860	253	RV-AWR2990PMD	194
RV-575312	127	RV-6505	19	RV-ALR4463	93	RV-AMR3711	125	RV-ANR2938	211, 213	RV-AWR2991PMD	194
RV-575818	167, 185	RV-6700	71, 88	RV-ALR4464	93	RV-AMR3712	125	RV-ANR2941	74, 185, 222, 176	RV-AWR4110	287
RV-575882*	62	RV-7000	8	RV-ALR4637	93	RV-AMR3747	83	RV-ANR3025	194	RV-AWR4112	287
RV-577475	120	RV-7001	8	RV-ALR5693	194	RV-AMR3748	188	RV-ANR3026	194	RV-AWR4116	287
RV-58296	65, 178, 252	RV-7316	68, 179	RV-ALR6681	194	RV-AMR3749	188	RV-ANR3107	220	RV-AWR4680	287
RV-586438	127, 189, 226	RV-74806	3, 11	RV-ALR6682	194	RV-AMR3750	188	RV-ANR3171	64, 177	RV-AWR5289	133
RV-589783	191, 228	RV-7500	55	RV-ALR7012	128	RV-AMR3751	188	RV-ANR3258	120	RV-AWR5388	194
RV-591065	77	RV-7502	55	RV-ALR9877	194	RV-AMR3762	125	RV-ANR3259	120	RV-AWR5389	194
RV-6000	61, 175, 250	RV-7504	55	RV-ALR9878	194	RV-AMR3773	185, 193, 192	RV-ANR3285	114	RV-AWR6203	111
RV-6001	61, 175, 250	RV-7506	55	RV-ALU1403L	201	RV-AMR3775	168, 245	RV-ANR3285	114	RV-AWR6883PMD	194
RV-6002	61, 175, 250	RV-7508	55	RV-AMR1088	91, 193	RV-AMR3918	168, 245	RV-ANR3304	113	RV-AWR6894	133
RV-6003	59, 174	RV-7510	55	RV-AMR1111	91	RV-AMR3924LUM	127	RV-ANR3305	113	RV-BDP1723L	88
RV-6004	66, 178, 253	RV-7512	55	RV-AMR1173	82, 124, 187	RV-AMR3932	88, 192, 230	RV-ANR3323	120	RV-BHM7063L	244
RV-6005	62, 176, 251	RV-7518	172	RV-AMR1292	191, 267	RV-AMR3933	88, 192, 230	RV-ANR3332	113	RV-BNP1244L	283
RV-6006	62, 176, 251	RV-7520	172	RV-AMR1293	191	RV-AMR3954	191	RV-ANR3384	115	RV-BPR5EIX	286
RV-6007	62, 176, 251	RV-7522	172	RV-AMR1425	42, 86, 103, 162, 190	RV-AMR3955	191	RV-ANR3410	61, 175, 250	RV-BPR5EY	80, 123, 186, 264
RV-6008	6262, 176, 251	RV-7524	172	RV-AMR1515	192	RV-AMR3958	88	RV-ANR3477	176	RV-BR16VWH	28
RV-602040	34, 97, 155, 197, 233	RV-7526	209	RV-AMR1517	88	RV-AMR3958KIT	88	RV-ANR3489	76	RV-BTR1047	95, 133
RV-602061	33, 154, 232	RV-7528	209	RV-AMR1776	60, 83	RV-AMR3964	125	RV-ANR3519	62	RV-BTR1301	56
RV-602070	39, 159, 237	RV-76205	3, 11	RV-AMR1777	60, 83	RV-AMR3989	289	RV-ANR3520	62	RV-BTR216	54
RV-602087	39, 159, 237	RV-8006	27	RV-AMR1778	60, 83	RV-AMR3990	289	RV-ANR3543K	114	RV-BTR217	54
RV-602097	36, 98, 157, 198, 233	RV-8007	29	RV-AMR1806	192	RV-AMR4002	289	RV-ANR3578	213	RV-BTR2564	56
RV-602098	34, 233	RV-8008	29	RV-AMR1890	192	RV-AMR4003	289	RV-ANR3631MNH	182	RV-BTR2579	57
RV-602123	34, 97, 155, 197, 233	RV-8010	27	RV-AMR2005	87	RV-AMR4101	130	RV-ANR3645	112, 114	RV-BTR2579*	57
RV-602130	34, 97, 155, 197, 234	RV-8012	27	RV-AMR2010	74, 86, 185, 190	RV-AMR4102	130	RV-ANR3670	114	RV-BTR3717	56
RV-602141	34, 97, 155, 197, 234	RV-8014	27	RV-AMR2069	87	RV-AMR4138	189	RV-ANR3671	113, 114	RV-BTR3720	56
RV-602142	36, 157, 198, 233	RV-8015	27	RV-AMR2329	189, 226	RV-AMR4141	125	RV-ANR3679	119, 219	RV-BTR3721	58
RV-602146	34, 97, 155, 197, 234	RV-8016	29	RV-AMR2341	89, 90	RV-AMR4247	187, 265	RV-ANR3724	130	RV-BTR4008	54, 173
RV-602147	97, 155, 197, 234	RV-8018	27	RV-AMR2471	188	RV-AMR4724	130	RV-ANR3731	130	RV-BTR4016	54, 173
RV-602152	34, 97, 155, 197, 234	RV-8019	29	RV-AMR2484	130	RV-AMR4725	130	RV-ANR3824	116	RV-BTR4022	54, 173
RV-602153	36, 98, 157, 198, 233	RV-8510260	139	RV-AMR2485	130	RV-AMR4779	131	RV-ANR3856	115	RV-BTR4041	57, 173
RV-602191	34, 233	RV-8510301	139	RV-AMR2496	189	RV-AMR4825	130	RV-ANR3902	112	RV-BTR4045	57, 173
RV-602192	34, 233	RV-8510324	142	RV-AMR2497	189, 225	RV-AMR4826	130	RV-ANR3993	279	RV-BTR4190	54, 173
RV-602193	34, 233	RV-8557	14	RV-AMR2498	188, 225	RV-AMR4948	47, 169	RV-ANR4188*	175	RV-BTR451	92
RV-602200	34, 233	RV-8G8587	77	RV-AMR2524	82	RV-AMR4954	131	RV-ANR4189	62	RV-BTR4819	94
RV-602212	34, 155, 234	RV-9000	24	RV-AMR2525	191, 267	RV-AMR5083	192	RV-ANR4353	60	RV-BTR4824	94
RV-602227	36, 157, 234	RV-90000	269	RV-AMR2576	191	RV-AMR5114	230	RV-ANR4652	132	RV-BTR4968	207
RV-602289	34, 97, 155, 197, 233	RV-9001	24	RV-AMR2577	189, 226	RV-AMR5150	191	RV-ANR4666MNH	119	RV-BTR4969	207
RV-602512*	38, 100, 159, 201, 237	RV-9002	24	RV-AMR2631	266	RV-AMR5151	191	RV-ANR4686	112	RV-BTR5652MUK	95
RV-602545	155, 234	RV-90568054	42, 103, 162, 239	RV-AMR2691	125	RV-AMR5257	131	RV-ANR4687	112	RV-BTR5653LVC	95
RV-602587	33, 154, 232	RV-90575877	62	RV-AMR2745	225	RV-AMR5344	228	RV-ANR4703	120	RV-BTR5750	56, 173
RV-602609	33, 154, 232	RV-AAU2304	45, 46, 166, 206, 243	RV-AMR2754	125	RV-AMR5345	228	RV-ANR4704	120	RV-BTR5816	94
RV-602953	80, 186, 264	RV-ADU1784L	89	RV-AMR2769LUM	127	RV-AMR5432	224	RV-ANR4847MNH	219	RV-BTR5901MUK	94
RV-603340	44	RV-ADU2066L	85	RV-AMR2938	123	RV-AMR5433	225	RV-ANR4848MNH	119, 219	RV-BTR5940MUK	95
RV-603378	36, 98, 157, 198, 233	RV-ADU2066L	189	RV-AMR3020	130	RV-AMR5557	183	RV-ANR5135	112, 114	RV-BTR6118	133
RV-603446	80, 186, 264	RV-ADU2888L	74, 86	RV-AMR3024	83	RV-AMR5653	226	RV-ANR5265	183, 220	RV-BTR6163	23
RV-603535	33, 154, 232	RV-ADU6262L	94	RV-AMR3089	88	RV-AMR5700	124, 224	RV-ANR5307MNH	182	RV-BTR6192	8
RV-603554	35	RV-ADU7342L	105, 129	RV-AMR3107	81, 187	RV-AMR5823	125	RV-ANR5321	116	RV-BTR6495	58</

PART NUMBER INDEX

PART NUMBER INDEX

RV-BTR7032MUL	95	RV-CXB102400	195	RV-ERC225	35, 98, 156, 198, 233	RV-ERR4763	43, 163, 240	RV-ESR1915	248	RV-ETC6159	56
RV-BTR7032PME	95	RV-CXB102410	195	RV-ERC2838	36, 157, 234	RV-ERR4764	43, 163, 240	RV-ESR1929	40	RV-ETC6209L	43
RV-BTR7033MUL	95	RV-CZQ000010	153	RV-ERC2839	36, 157, 234	RV-ERR4765	43, 163, 240	RV-ESR2000K	40	RV-ETC6222	43, 104, 163, 240
RV-BTR7033PME	95	RV-DAG100310	119, 219	RV-ERC2849	51	RV-ERR4815	105, 129, 164	RV-ESR2167	54	RV-ETC6223	43, 163, 240
RV-BTR7036MUL	95	RV-DAG100330	195	RV-ERC3208	39, 236	RV-ERR4936	39, 237	RV-ESR2252	47	RV-ETC6264	41
RV-BTR7036PME	95	RV-DAG100370LQQ	231	RV-ERC3209	39, 236	RV-ERR4944	38, 43, 100, 104, 159, 163, 237, 240	RV-ESR2276	107, 110	RV-ETC6264/RB	41
RV-BTR7040PME	95	RV-DAG100370MAD	231	RV-ERC3606	38, 48, 237, 246	RV-ERR4960	109, 208	RV-ESR2585	40, 161	RV-ETC6443	43
RV-BTR7929	92	RV-DAG100370MNZ	231	RV-ERC416	33, 96, 154, 196, 232	RV-ERR4996	109, 208	RV-ESR259	39, 40, 101, 115, 160, 161, 236, 238	RV-ETC6484*	80, 186, 264
RV-BTR7939MAD	133	RV-DAH100720LQQ	231	RV-ERC4949	36, 98, 157, 198, 233	RV-ERR5086	98, 157, 234	RV-ESR2657	238	RV-ETC6661	41, 86, 103, 129, 162, 190, 239, 266
RV-BTR7940MAD	133	RV-DAH100720MNZ	231	RV-ERC5708	247	RV-ERR5198	41, 160, 238	RV-ESR2697	110	RV-ETC6850L	36
RV-BTR7940PUK	133	RV-DAH100820	231	RV-ERC573	35, 98, 156, 198, 233	RV-ERR5199	43, 163, 240	RV-ESR2733	248	RV-ETC6889	42, 54, 162, 173
RV-BTR8037	101	RV-DAL103720LQQ	231	RV-ERC6552	36, 157, 234	RV-ERR5219	100, 201	RV-ESR2734	248	RV-ETC6890	42, 54, 162, 173
RV-BTR8068	92, 95	RV-DAL103720MAD	231	RV-ERC675	55, 247	RV-ERR5250	98, 198	RV-ESR2808	169	RV-ETC7149	124
RV-BTR8320	128	RV-DAL103720MNZ	231	RV-ERC6997	43, 80	RV-ERR551L	48, 170, 246	RV-ESR2809	169	RV-ETC7149	224
RV-BTR8401	133, 195	RV-DBC2022L	43, 86	RV-ERC7321	48, 170, 246	RV-ERR5553	96, 154, 196, 232	RV-ESR2834	40, 161	RV-ETC7310	124, 224
RV-BTR8570SUA	95	RV-DCP3974L	105, 241	RV-ERC7865	35	RV-ERR5554	96, 196	RV-ESR2847	52, 172	RV-ETC7150	43
RV-BTR8571SUA	95	RV-DCP3704L	283	RV-ERC9088*	35	RV-ERR5579	171, 247	RV-ESR2872	161	RV-ETC7329	43
RV-BTR8572SUA	95	RV-DCP8989L	89	RV-ERR1756	43, 163, 240	RV-ERR5594	105, 129, 164, 241	RV-ESR2902	107	RV-ETC7339	232
RV-BTR8573SUA	95	RV-DHB102510LML	194	RV-ERR1772	96, 154, 196, 232	RV-ERR5595	102, 105, 129, 160, 238	RV-ESR2904	107	RV-ETC7340	33
RV-BTR8725	42, 54, 162, 173	RV-DHH000120LML	228	RV-ERR1780*	35, 98, 156, 198, 233	RV-ERR5658	106, 165, 242	RV-ESR2935	110, 208	RV-ETC7398	159
RV-BTR8726	54, 173	RV-DHH000130LML	228	RV-ERR1782	35, 98, 156, 198, 233	RV-ERR5924	36, 157, 234	RV-ESR3059	49, 50, 170, 246	RV-ETC7819*	38
RV-BTR8727	54, 173	RV-DHH100760LML	194	RV-ERR1834	105, 108, 129, 164, 170	RV-ERR5925	36	RV-ESR3060	50	RV-ETC7874	43, 163, 240
RV-BTR9020AUK	126	RV-DHH100770LML	194	RV-ERR1990	37, 235	RV-ERR5926	36, 157, 234	RV-ESR3063	170, 246	RV-ETC7994RB	56
RV-BTR9020LNK	126	RV-DHH500040	228	RV-ERR2073	55	RV-ERR5926	36, 157, 234	RV-ESR3098	52, 172, 248	RV-ETC8494 41, 103, 162, 203, 239	
RV-BTR9020LOY	126	RV-DHH500050	228	RV-ERR2261	105, 129	RV-ERR6045	223	RV-ESR3123	102	RV-ETC8495	43, 163, 240
RV-BTR9020SMK	126	RV-DBK000160PMD	153	RV-ERR2263	43, 163, 240	RV-ERR6087*	81, 123, 187, 265	RV-ESR3153	108	RV-ETC8596	35, 98, 156, 198, 233
RV-BTR9021AUK	126	RV-DBK000200PMD	153	RV-ERR2428	38, 51, 237, 247	RV-ERR6119	105, 129, 164, 241	RV-ESR3172	108, 207	RV-ETC8684*	35
RV-BTR9021LNF	126	RV-DBK000230PMD	153	RV-ERR2429	38, 42, 51, 100, 103, 59, 162, 171, 237, 239, 247	RV-ERR6169	105, 129, 204, 227, 123, 186, 264	RV-ESR3172	246	RV-ETC9064	52, 248
RV-BTR9021LOY	126	RV-DBK102460	287	RV-ERR2609	98, 157, 234	RV-ERR6269	123, 186, 264	RV-ESR3184	246	RV-ETC9065	52, 248
RV-BTR9021SMK	126	RV-DBK102710	192	RV-ERR2621	124	RV-ERR6318	170	RV-ESR3195	108	RV-FK-1	19
RV-BTR9022AUK	126	RV-DBK102840	230	RV-ERR2622	82, 124, 187	RV-ERR6413	223	RV-ESR3204	110	RV-FRC2365	45
RV-BTR9022LNF	126	RV-DBK103030	287	RV-ERR2622	82, 124, 187	RV-ERR6438	99, 199	RV-ESR3205	110	RV-FRC2883	71, 181, 257
RV-BTR9022LOY	126	RV-DBK103090	287	RV-ERR2622	82, 124, 187	RV-ERR6490	39, 99, 100, 158, 159, 199, 235, 237	RV-ESR3226	52, 172	RV-FRC2884	71, 181, 257
RV-BTR9022SMK	126	RV-DBK103350	131	RV-ERR2640	34, 39, 97, 100, 155, 159, 197, 201, 234, 237	RV-ERR6566	123, 223	RV-ESR3260	100, 108	RV-FRC2885	71, 181, 257
RV-BTR9023AUK	126	RV-DBK103370	131	RV-ERR2674	33	RV-ERR6600	103, 203	RV-ESR3291	110	RV-FRC2886	71, 181, 257
RV-BTR9023LNF	126	RV-DBK500310PMD	230	RV-ERR2678	55, 247	RV-ERR6729	43, 48, 49, 50, 86, 164, 170, 190, 241, 246, 266	RV-ESR3292	110	RV-FRC2894*	71, 181, 257
RV-BTR9023LOY	126	RV-DKC000040	153	RV-ERR2846	33, 96, 98, 154, 196, 198, 232	RV-ERR6815	158, 235	RV-ESR3297	54, 172	RV-FRC4939	45
RV-BTR9023SMK	126	RV-DKC000070	153	RV-ERR2926	43, 163, 240	RV-ERR6896	210	RV-ESR341	101, 102	RV-FRC5450	46, 243
RV-BTR9543	111	RV-DKC000080PMD	153	RV-ERR2943	34, 97, 155, 197, 233	RV-ERR6934	170	RV-ESR3494	238	RV-FRC6244	236, 245
RV-BTR9641	92	RV-DKC100830	131	RV-ERR2944	34, 97, 155, 197, 233	RV-ERR6815	158, 235	RV-ESR3538	108	RV-FRC6782	70, 73, 181, 255
RV-BTR966	194	RV-DKC100860	131	RV-ERR2946	102, 160, 164, 238	RV-ERR6896	210	RV-ESR355	52	RV-FRC6783	70, 73, 181, 255
RV-BTR9733	111	RV-DKC100890	230	RV-ERR2958	33, 96, 98, 154, 196, 198, 232	RV-ERR6934	170	RV-ESR356	52	RV-FRC6784	70, 73, 181, 255
RV-BTR9896LAV	195	RV-DKC100920	88, 192	RV-ERR3340*	37, 39, 99, 101, 158, 160, 199, 200, 235, 236	RV-ERR7171	203	RV-ESR3573	50, 170, 246	RV-FRC6785	70, 73, 181, 255
RV-BTR9896MUK	195	RV-DKC100960	230	RV-ERR3359	104, 105, 129, 163, 240	RV-ERR7217*	38, 100, 159, 201	RV-ESR3685	248	RV-FRC6786	70, 73, 181, 255
RV-BTR9897LAV	195	RV-DKC100980	267	RV-ERR3439	51, 171	RV-ERR722	41, 103, 162, 239	RV-ESR3687	52, 172	RV-FRC6787	70, 73, 181, 255
RV-BTR9897MUK	195	RV-DKC500030	297	RV-ERR3442	33, 154	RV-ERR7280	39, 99, 158, 159, 199, 235, 237	RV-ESR3688	172	RV-FRC6788	70, 73, 181, 255
RV-BTR9898LAV	195	RV-DKC500130	287	RV-ERR3443	51, 171, 247	RV-ERR7283	42, 100, 103, 159, 162, 201, 237, 239	RV-ESR3695	47, 169	RV-FRC6789	70, 73, 181, 255
RV-BTR9898MUK	195	RV-DKC500140	287	RV-ERR3443	51, 171, 247	RV-ERR7306	100	RV-ESR3695	245	RV-FRC6790	70, 73, 181, 255
RV-C457593	42, 54, 103, 162, 171, 239	RV-DKC500170PMD	297	RV-ERR3648	98	RV-ERR7309	103, 203	RV-ESR3706	161	RV-FRC7065	70, 73, 181, 255
RV-CAB000040PMA	2	RV-DKD100630	230	RV-ERR3648.002	98	RV-ERR7314	97	RV-ESR3737	207	RV-FRC7329/EBC	17
RV-CAB000050PMA	2	RV-DLB101640	192, 230	RV-ERR3648.005	98	RV-ERR7338*	35, 98, 156	RV-ESR3805	170	RV-FRC7851	44, 165
RV-CAB000020PMA	2	RV-DLB101770	131	RV-ERR3677	39, 159, 237	RV-ERR7352	227	RV-ESR3806	102	RV-FRC7855	160, 168
RV-CALR1	20	RV-DMB102970	230	RV-ERR3720	98, 157, 198, 234	RV-ERR7354	105, 129, 204, 227	RV-ESR3926	40, 161	RV-FRC7855	236, 245
RV-CALR2	20	RV-DMB102980	230	RV-ERR3788	39, 159, 237	RV-ERR7373	154, 232	RV-ESR4039	102	RV-FRC8002	72, 73
RV-CAP500020	2	RV-DMC100540	230	RV-ERR4035	80	RV-ERR7375	98, 198	RV-ESR4097	170	RV-FRC8005	71
RV-CAP500030	2	RV-DMC100560	230	RV-ERR4077	38, 51, 100, 109, 159, 171, 199, 208, 237, 247	RV-ERR7393	48, 170, 207, 246	RV-ESR4106	170, 246	RV-FRC8220	68, 179
RV-CAS5000150PMA	8	RV-DMG10001L	88, 230	RV-ERR4225	163, 240	RV-ERR7394	48, 170, 207, 246	RV-ESR4126	108	RV-FRC8222	72, 73
RV-CAS100900	8	RV-DMS500011	200, 230, 291	RV-ERR4245	104	RV-ERR7398	40, 170, 207, 246	RV-ESR4145	169	RV-FRC8386	254
RV-CAS100910	8	RV-DNH000060	230	RV-ERR4258	104, 163, 240	RV-ESR1027	52	RV-ESR4146	169	RV-FRC8387	67, 179
RV-CAS500010PCL	8	RV-DNH000070	230	RV-ERR4278	104, 105, 129, 240	RV-ESR1053-1*	49, 50	RV-ESR4188	170	RV-FRC8389	67
RV-CAT000180PMA	8	RV-DNJ100750	131	RV-ERR4314	155, 197, 234	RV-ESR1053-2*	49, 50	RV-ESR4216	102	RV-FRC8393	254
RV-CAT500010PCL	8	RV-DNJ500090	230	RV-ERR4318	104, 163, 240	RV-ESR1056	40, 161	RV-ESR4218	245	RV-FRC8549	79
RV-CAT500060PMA	8	RV-DPB7104	294	RV-ERR4352	104, 105, 129, 163, 240	RV-ESR1242	47	RV-ESR4219	245	RV-FRC8641	67, 179, 254
RV-CDB100230	194	RV-DRC2479	266	RV-ERR4388	104, 163, 240	RV-ESR1243	47	RV-ESR4238	101, 102, 200, 203, 270, 271	RV-FRC8700	72, 73, 180, 182, 258, 259
RV-CDU1534L	118, 119, 218, 219, 280	RV-DRC2481	83	RV-ERR4460	109	RV-ESR1262	248	RV-ESR4329	107	RV-FRC9340	168, 245
RV-CDU3858L	269, 275	RV-DUB500021MMM	207	RV-ERR4521	56	RV-ESR1263	248	RV-ESR4415	110	RV-FRC9518	69
RV-CDU51L	168, 245	RV-EAC2414L	41, 103, 162, 239	RV-ERR4534	111	RV-ESR137	52	RV-ESR4636	208	RV-FRC9519	69
RV-CLP8699L	185, 190, 222, 227	RV-EAC2415L	41, 162	RV-ERR4556	34, 155, 234	RV-ESR1445	39, 41, 160	RV-ESR4637	208	RV-FRC9542	67
RV-CRB108840	195	RV-EAH500050PMA	7	RV-ERR4660	109	RV-ESR1445	39, 41, 160	RV-ESR4678	202	RV-FRC9568	46, 167
RV-CRB108850	195	RV-EAH500100PMA	7	RV-ERR4623	55, 171	RV-ESR1594L	47, 52, 107, 110, 169, 172, 245, 248	RV-ESR80	52	RV-FRC9568	244
RV-CRB110780HPE	133	RV-EAQ100400	93	RV-ERR4628*	35, 98, 156, 198, 233	RV-ESR1611L	41				

PART NUMBER INDEX

RV-FTC1525	47	RV-FTC657	45	RV-KQB100140	200	RV-LRN50110	2	RV-MEK000030L	272	RV-NAD100952L	286
RV-FTC2001	167	RV-FTC840	71, 257	RV-KQB100150	200	RV-LRN50143	2	RV-MEK100160	103, 105, 129, 204, 227	RV-NAD101490	223
RV-FTC2199	168, 245	RV-FTC861	71, 181, 257	RV-KQB500460	134	RV-LRN50280	23	RV-MEK500130	204, 227	RV-NAD500150	297
RV-FTC2249	118, 119	RV-FTC862	69	RV-LCM000010	142	RV-LRN50990	4	RV-MHK000210	139, 141	RV-NAD500160	297
RV-FTC2383	168, 245	RV-FTC863	69	RV-LDAWMEN93	28	RV-LRN50995	4	RV-MHK000220	139, 141, 137	RV-NEC000040	151
RV-FTC2750	68	RV-FTC870	73	RV-LDX000020	135	RV-LRNA1992CW	30	RV-MHK100620	204, 227	RV-NEC000110L	286
RV-FTC2750/RB	68	RV-FTC871	73	RV-LGH000030	198	RV-LRNA1993DEF	30	RV-MHK100800	102, 105, 129, 203	RV-NEC101010L	286
RV-FTC2871E	44	RV-FTC902*	78, 261	RV-LGH000040	198, 233	RV-LRNA1993OM	30	RV-MHK100820L	272	RV-NGC104250L	286
RV-FTC2871R	44	RV-FTC902/EBC	17	RV-LGJ100900	35, 198, 233	RV-LRNA1994CW	30	RV-MHK100920	204, 207, 227	RV-NH108041L	88, 192, 230
RV-FTC2882	257	RV-FTC942	72, 73, 180	RV-LGJ100900.002	35, 198, 233	RV-LRNA1995CW/4.0	30	RV-MHK100930	105, 108, 129, 204, 207, 227, 274	RV-NLP000030	151
RV-FTC2979	107	RV-FTC942	182, 258, 259	RV-LGJ100900.005	35, 198, 233	RV-LRNA1995CW/C	30	RV-MHK100940	105, 108, 129, 272, 274	RV-NLP000130L	286
RV-FTC2999	119	RV-FUG100580	227	RV-LHAEMUS93	28	RV-LRNA1995CW/C	30	RV-MHK100940	105, 108, 129, 272, 274	RV-NLP100290L	286
RV-FTC3099	44, 165	RV-G625	59, 174, 249	RV-LHAEMUSA00	28	RV-LRNA1995CW/DEF90	30	RV-MHK500840	292, 294	RV-NLP100320	223
RV-FTC3099R	44, 165	RV-G626	59, 174, 249	RV-LHAWMUSA01	28	RV-LRNA1995DCSW	30	RV-MHK500860	272, 274	RV-NNK000020	272
RV-FTC3145	181, 182	RV-GPX831	78	RV-LHBEMLN95	28	RV-LRNA1996CW	30	RV-MHK500910	292, 294	RV-NRC145	66, 178
RV-FTC3146	69, 180	RV-HK9109	46, 167	RV-LHB101630L	276	RV-LRNA1996DCSW	30	RV-MJK500960	292, 294	RV-NRC1824	66
RV-FTC3147	69, 180	RV-HL-484	3, 19	RV-LHG000060	96, 196	RV-LRNA1997CW	30	RV-MJY000060	138	RV-NRC2119	62
RV-FTC3154	71, 181, 258	RV-HTS0589	25	RV-LHN100410L	276	RV-LRNA1997DFCW	30	RV-MJY000100L	271	RV-NRC2211	244
RV-FTC3179	72, 73, 180, 182, 258, 259	RV-IAB100020	46, 243	RV-LHN100420L	276	RV-LRNA1997DCSW	30	RV-MJY100620L	271	RV-NRC3226	66
RV-FTC3186	73	RV-IAB100200	166	RV-LHP100610L	276	RV-LRNA1998CW	30	RV-MKD000010L	271	RV-NRC4163	62
RV-FTC3187	73	RV-IAB500107	166	RV-LHP2	28	RV-LRNA1999CW/BRR	30	RV-MKD000030L	271	RV-NRC4305	62
RV-FTC3188	259	RV-IAF500021	291	RV-LHV100110L	276	RV-LRNA1999CW/GRR	30	RV-MKD000040L	271	RV-NRC4306	175
RV-FTC3223	119	RV-ICV100000	46, 166, 206, 243	RV-LIH000010	134	RV-LRNA1999DCSWG	30	RV-MKD000040L	271	RV-NRC4514*	75, 76
RV-FTC3226	118	RV-ICW100050	222	RV-LJBEMENL95	28	RV-LRNA50220	23	RV-MKD100200	43, 163	RV-NRC4514	61, 175, 250
RV-FTC3243	118	RV-ICW500010	185, 222	RV-LJG100900	156	RV-LRNA71729	23	RV-MKF100200	240	RV-NRC5089	79
RV-FTC3270	73	RV-IED500022	147	RV-LJG100900.002	156	RV-LRNA71737	23	RV-MTC2398	93	RV-NRC5494	241
RV-FTC3271	73	RV-IED500032	147	RV-LJG100900.005	156	RV-LRNA7258	56	RV-MTC6738	93	RV-NRC5544	248
RV-FTC3276	181, 256	RV-IGM100000	206	RV-LJQ000040	135	RV-LRNA9032	13	RV-MTC6742	93	RV-NRC5593	59, 174, 249
RV-FTC3283	206	RV-IGM500011	206	RV-LJQ000050	135	RV-LRNA9033	13	RV-MTC7592	93, 195	RV-NRC6561	62
RV-FTC3283	206	RV-JEF000040	143	RV-LJR000220	199	RV-LRNA908BLG	13	RV-MTC7593	93, 195	RV-NRC7387	252
RV-FTC3299	185	RV-JHB100920	110	RV-LJR105040	99, 199	RV-LRNAAD2CW	30	RV-MTC9113	93	RV-NRC7415	74, 258, 259
RV-FTC3375 77, 184, 185, 261, 262		RV-JHC100420	110	RV-LKC000450	141	RV-LRNADISWIN	14	RV-MTC9114	93	RV-NRC7704	64
RV-FTC3401	70, 181, 256	RV-JKR100280	270	RV-LKC000460	141	RV-LRNADSSLK	23	RV-MUC2325	93	RV-NRC7874	260
RV-FTC3483E	117	RV-JKR500020	291	RV-LKC000500	274	RV-LRNADSWLK2	182	RV-MUC2955LMP	95	RV-NRC7981	59, 174, 249
RV-FTC3490E	117	RV-JMO000010	136	RV-LKC000560	274	RV-LRNADSLAV	195	RV-MUC2955SUA	95	RV-NRC8113	62
RV-FTC3544	121	RV-JOF100000	210	RV-LKC000562	274	RV-LRNASDMUK	195	RV-MUC2956LMP	95	RV-NRC8254	74
RV-FTC3545	121	RV-JOF100020	210	RV-LKC102470	108	RV-LRNASE5664	4	RV-MWC5467	95	RV-NRC9448	251
RV-FTC3546	122	RV-JP350	19	RV-LKC102480	108	RV-LRNASE7LAV	195	RV-MWC6702	194	RV-NRC9459	251
RV-FTC3570	118, 218	RV-JPB000110	143	RV-LKC500390	274	RV-LRNASE7MUK	195	RV-MWC9602	193	RV-NRC9455	260
RV-FTC3571	118, 218	RV-JPB101330	1121210	RV-LKC500440	274	RV-LRNASELAV	195	RV-MWC9603	194	RV-NRC9456	260
RV-FTC3646	70, 181, 256	RV-JQD0000050	143	RV-LKC500450	274	RV-LRNASEMUK	195	RV-MXC1047	191	RV-NRC9742	253
RV-FTC3647	71, 181, 257	RV-JQD000010	143	RV-LKG000100	135, 141	RV-LRNASEWIN	14	RV-MXC1048	191	RV-NRC9770	40
RV-FTC3648	71, 73, 181, 257, 259	RV-JQD100340	111	RV-LKG000110	135, 141	RV-LRO02239	137	RV-MXC1408	92	RV-NRC9771	40
RV-FTC3650	73, 259	RV-JRB100790	210	RV-LKG100290L	269, 274	RV-LSF000010	290	RV-MXC1409	92	RV-NRC9950	139
RV-FTC3670	71, 181, 257	RV-JRB100840	210	RV-LK000040	138	RV-LSF100040L	201	RV-MXC2491	57	RV-NSC000090	139
RV-FTC3910	67	RV-JRJ100550	173, 210	RV-LKJ000050	138	RV-LUB100350L	269	RV-MXC3070	92	RV-NSC00012L	272
RV-FTC4140	117	RV-JRP100000	210	RV-LKJ000060	138	RV-LUC000010	135	RV-MXC3133	92	RV-NSC100650	105, 129, 204, 227
RV-FTC4141	117	RV-JRP100050	111	RV-LKJ100680L	269, 271	RV-LUC100150L	269	RV-MXC3910	58	RV-NSC100740L	272
RV-FTC4607	106, 165	RV-JRW000020	143	RV-LKJ100992L	269, 271	RV-LUC100220L	269	RV-MXC4599H	116	RV-NSC100840	164, 241
RV-FTC4607	242	RV-JRY100000	210	RV-LKJ500020	42, 103, 159, 162, 201, 237, 239	RV-LUC100290L	269	RV-MXC4738RLUN	93	RV-NSC500160	292
RV-FTC4778	222	RV-JTF000030	111	RV-LKX100440	75	RV-LUD100040L	269	RV-MXC5308	57	RV-NSC100000L	272
RV-FTC4785	72, 73, 180, 182, 258, 259	RV-JUE108480	111	RV-LLH500100	104, 163, 240	RV-LUF000010	135	RV-MXC5310	56	RV-NTC1030	48, 49
RV-FTC4822	118, 218	RV-JUE109220	143	RV-LN000010	159	RV-LUF000020	135	RV-MXC5545	8	RV-NTC1173	52
RV-FTC4828	46, 167	RV-JUE500560	143	RV-LN000010	134	RV-LUN000010	269	RV-MXC5546	8	RV-NTC1174	54
RV-FTC4838	77, 184, 261	RV-JUE500570	143	RV-LPF101290L	268	RV-LVB0000340	135	RV-MXC5547	8	RV-NTC1382	40
RV-FTC4839	77, 184, 261	RV-JUE500580	143	RV-LPF101290L	268	RV-LVB000350	135	RV-MXC5587	8	RV-NTC1772	62, 176, 251
RV-FTC4851	117	RV-JUF102580	210	RV-LPW000010	136	RV-LVB000360	135	RV-MXC5648	92	RV-NTC1773	62, 176, 251
RV-FTC4851	117	RV-JUF102770	210	RV-LPW000010X	136	RV-LVB000370	135	RV-MXC5705	58	RV-NTC1888	62, 175, 176, 250, 251
RV-FTC4908	121, 221	RV-JUF102770	210	RV-LPW000030	140	RV-LVB101630L	269	RV-MXC6270	56	RV-NTC2595	252
RV-FTC4909	121, 221	RV-JUU10003L	210	RV-LPW000030	140	RV-LVB500030	201	RV-MXC6829	92	RV-NTC2694	61, 175
RV-FTC4919	219	RV-JUU100110L	111	RV-LPW100230	268, 270	RV-LVC100260	38, 100, 159, 201, 237	RV-MXC7269	56	RV-NTC2723	63, 177, 252
RV-FTC4939	45, 46, 107, 166, 206, 243	RV-JUU100240L	111	RV-LQX100070L	268, 269	RV-LVF000030	135	RV-MXC7833	93	RV-NTC2736	53, 248
RV-FTC5071	244	RV-JUU100240L	111	RV-LRK20910	4	RV-LVF000040	135	RV-MXC8016	93	RV-NTC3065	92
RV-FTC5072	167	RV-KHC000030	145	RV-LRK20920	4	RV-LVF100400	100, 201	RV-MXC8017	93	RV-NTC3285	62
RV-FTC5090 44, 106, 165, 205, 242		RV-KHC000040	145	RV-LRK20930	4	RV-LVG000030L	268	RV-MXC8018	93	RV-NTC3354	41, 102, 160, 238
RV-FTC5105	70, 181, 256	RV-KHC000050	145	RV-LRK20941	4	RV-LVP000030	135	RV-MXC8019	93	RV-NTC3400	46
RV-FTC5142	68, 179, 217	RV-KHC000060	145	RV-LRL0003ENG	28	RV-LVP000050	135	RV-MXC8020	93	RV-NTC3458	75, 76, 183
RV-FTC5142/RB	68, 179, 217	RV-KKB000090	268	RV-LRL0004ENG	28	RV-LVP000060	135	RV-MXC8021	93	RV-NTC3486	64
RV-FTC5143	68, 179, 217	RV-KKB000270	134	RV-LRL0006ENG	28	RV-LVP100470L	269	RV-MXC8924	93	RV-NTC3543	248
RV-FTC5143/RB	68, 179, 217	RV-KKB000280	134	RV-LRL0028ENX	28	RV-LVQ000020	135	RV-MXC8925	93	RV-NTC3858	52
RV-FTC5208	217	RV-KKB000280	134	RV-LRL0030ENG	28	RV-LVQ000040	135	RV-MYX000050	138	RV-NTC3884	48
RV-FTC5209	119	RV-KKB102450	200	RV-LRL0046ENG	28	RV-LYF000160	141	RV-MYX100180L	269, 271	RV-NTC3901	48
RV-FTC5241	72, 73, 180, 182, 258, 259	RV-KKB103120	37	RV-LRL0077ENX	28	RV-LYG000190	141	RV-N107	20	RV-NTC3912	48
RV-FTC5241	72, 73, 180, 182, 258, 259	RV-KKB103360	268	RV-LRL0079ENG	28	RV-LYH000130	141	RV-N108C	20	RV-NTC3912	48
RV-FTC5258	217	RV-KKB103360	268	RV-LRL0081ENG	28	RV-LYX000030	134	RV-N115	20	RV-NTC4059*	48
RV-FTC5268	71, 73, 257, 259	RV-KKB500312	291	RV-LRL0082ENG	28	RV-LYX000060	134	RV-N27	20	RV-NTC4084	53
RV-FTC5303	168, 245	RV-KKB500490	134	RV-LRL0086ENG	28	RV-LYX000070	134	RV-N44	20	RV-NTC4245	63
RV-FTC5360	245	RV-KKB50470	134	RV-LRL0086ENG	28	RV-LYX000080	134	RV-N45F	20	RV-NTC4281	92
RV-FTC5414	70, 73, 181, 255	RV-KKH102620	268	RV-LRL0090ENG	28			RV-N46	20	RV-NTC4414	260
RV-FTC5414	70, 73, 181, 255	RV-KKH102680	268	RV-LRL0164ENG	28			RV-NAD000030	151		
RV-FTC566	44, 165, 242	RV-KNB500023	4	RV-LRL0350ENG	28						
RV-FTC57	71	RV-KQB000040	134	RV-LRN50110	2						

PART NUMBER INDEX

RV-NTC4842	43	RV-NUC100280L 99, 199, 227, 272	RV-PHN000030	137	RV-PRC6895	88	RV-QEH000160	146	RV-RGD000131	145	
RV-NTC4991	75	RV-NYX100070L	139	RV-PHN100200	203	RV-PRC7065	85	RV-QEH102230	115	RV-RGD100682	213
RV-NTC5193PM	182	RV-OME462	20	RV-PHN100210	203	RV-PRC7130	83	RV-QEH102370	63, 177	RV-RGW500100	145
RV-NTC5232	92	RV-OME751	20	RV-PHN100220	102	RV-PRC7153	84	RV-QEH102380	252	RV-RGG000060	145
RV-NTC5233	92	RV-OME760	20	RV-PHN100230	102	RV-PRC7255	267	RV-QEH102790	214	RV-RGG000070	145
RV-NTC5418	40, 161, 238	RV-OME761	20	RV-PIH100040	208	RV-PRC7303	90, 91	RV-QEK000020	216	RV-RGG104862	213
RV-NTC5424	40	RV-OME762	20	RV-PKX000050	137	RV-PRC7304	192	RV-QEK000050	116	RV-RGW100020	213
RV-NTC5576	49	RV-OME763	20, 213	RV-PQR000170	143	RV-PRC7315	266	RV-QEM100190	216	RV-RGX000060	145
RV-NTC5577	49	RV-OME764	20	RV-PQR000180	143	RV-PRC7373	266	RV-QEP000291	146	RV-RGX000071	145
RV-NTC5578*	49	RV-OME776	212	RV-PQR101050	109, 208	RV-PRC7404	90	RV-QEP104910	115	RV-RGX000080	145
RV-NTC5579*	49	RV-OME777	212	RV-PQR500240	143	RV-PRC7576	131	RV-QEP105481	214	RV-RGX100960	213
RV-NTC5582	49, 50	RV-OME779	212	RV-PQS000100	143	RV-PRC7644	130	RV-QEP105510	214	RV-RGX100970	213
RV-NTC5582	170, 246	RV-OME781	213	RV-PQS000220	143	RV-PRC7826	94	RV-QEP105990	115	RV-RGX101010	278
RV-NTC5620	52	RV-OMESD11	20, 66, 178	RV-PQS101262L	276	RV-PRC7872	90, 91	RV-QEY100081	279	RV-RGX101020	278
RV-NTC5632	54	RV-OMESD32	20, 253	RV-PQS101272L	286	RV-PRC7899	87	RV-QEZ000030	146	RV-RGX101440	278
RV-NTC5686	248	RV-PBP101150	52, 172, 248	RV-PQS101480	109	RV-PRC7900	87	RV-QEZ100120	214, 279	RV-RHF000260	145
RV-NTC5741	47	RV-PBP101160	52, 172, 248	RV-PQS500201	295	RV-PRC7918	42, 86, 266	RV-QFK000070	279	RV-RKB000050	277
RV-NTC5743	47	RV-PBP101180	110	RV-PQS500221	143, 295	RV-PRC7925	53	RV-QFK000080	279	RV-RKB000230	277
RV-NTC5799	47	RV-PBP101240	110	RV-PRC1634	85	RV-PRC7949	94	RV-QFS000010	116, 216	RV-RKB000300	213
RV-NTC5859	40, 102, 161, 238	RV-PCC000321	275	RV-PRC1895	88	RV-PRC7984	45, 166, 206	RV-QFS000040	116	RV-RKB000310	213
RV-NTC5890	37	RV-PCC000650	208	RV-PRC2438	88	RV-PRC7989	84	RV-QFS000060	216	RV-RKB000330	213
RV-NTC5920	76	RV-PCC000710	208	RV-PRC2506	239, 266	RV-PRC7992	87	RV-QFW000010	146	RV-RKB101100	213
RV-NTC5972	52	RV-PCC000850	142	RV-PRC2583	75, 86	RV-PRC8010	57	RV-QFW100140	115	RV-RKB101200	213
RV-NTC6086	62	RV-PCCI06940	110	RV-PRC2832	89	RV-PRC8095	84, 189	RV-QFX000010	215	RV-RKB101200X	21, 213
RV-NTC6125	79	RV-PCC108080	110	RV-PRC2911	46, 166, 206, 243	RV-PRC8096	84, 189	RV-QFX000030	63, 177, 252	RV-RKB101460	112
RV-NTC6166	47	RV-PCDD000070	110, 142, 208	RV-PRC2924	85	RV-PRC8098	85	RV-QFX000071	146	RV-RKB101460X	21, 112
RV-NTC6289	52	RV-PCD000090	275	RV-PRC3408	64, 83	RV-PRC8099	85	RV-QFX100252	279	RV-RKB500080	144
RV-NTC6701	53	RV-PCD100150*	53, 248	RV-PRC3505	42, 54, 86, 162, 171, 190, 239	RV-PRC8170	103, 110	RV-QFX100371	214	RV-RKB500100	277
RV-NTC6723	43	RV-PCD100160	275	RV-PRC3912	84	RV-PRC8223	88	RV-QGC500220	146	RV-RLB000011	145
RV-NTC6781	61, 250	RV-PCF000012	275	RV-PRC3916	85	RV-PRC8238	87	RV-QHG000050	216	RV-RNB000270	211
RV-NTC6790	63	RV-PCFO00033	142	RV-PRC4143	4	RV-PRC8240	87	RV-QHH100001	216	RV-RNB000740	144
RV-NTC6828	175, 250	RV-PCF101410	208	RV-PRC4268	90	RV-PRC8256	89, 90	RV-QJB100220	279	RV-RNB000750	144
RV-NTC6858	53	RV-PCF101590	53, 172	RV-PRC4297	263	RV-PRC8318	40, 238	RV-QJB100230	279	RV-RNB103533	211
RV-NTC6860	61	RV-PCF500060	275	RV-PRC4348	94	RV-PRC8531	89, 91	RV-QLC100110	215	RV-RNB103683	211
RV-NTC6860	175	RV-PCH000070	172	RV-PRC4352	94	RV-PRC8548	85, 189	RV-QLE500010	215	RV-RNB103694	211
RV-NTC6868L	76	RV-PCH000090	172	RV-PRC4427	89, 90	RV-PRC8618	126	RV-QMN100330	215	RV-RNF100090L	59, 174
RV-NTC7041	92	RV-PCH000100	54	RV-PRC4615	88	RV-PRC8724	84	RV-QRF101050H	215	RV-RNH100252	277
RV-NTC7042	92	RV-PCH000120	172	RV-PRC4754	84	RV-PRC8746	82	RV-QTN100270	224	RV-RNO100021	277
RV-NTC7161	53, 172	RV-PCH000460	209	RV-PRC4831	85	RV-PRC8823	40	RV-QVB000110	146	RV-RNV100060	212, 213
RV-NTC7196	49, 50, 170	RV-PCH000900	110	RV-PRC5043	87	RV-PRC8882	90, 91	RV-QVB101090	115	RV-RNX100101	277
RV-NTC7297	53, 54	RV-PCH114840	110	RV-PRC5060	82	RV-PRC8947	87	RV-QVB101110	177	RV-ROA100040	211
RV-NTC7298	53	RV-PCH115480	110	RV-PRC5072	84	RV-PRC8948	87	RV-QVB500080	214	RV-ROA100050	211
RV-NTC7331	61	RV-PCH115710	110	RV-PRC5073	84	RV-PRC8949	87	RV-QVC000010	146	RV-RPC000030	144
RV-NTC7344	40, 161	RV-PCH116030	248	RV-PRC5077	53	RV-PRC8950	87	RV-RBC100111	211	RV-RPC000040	277
RV-NTC7394	62, 176	RV-PCH117840	172	RV-PRC5082	89	RV-PRC8955	87	RV-RBI000100	211	RV-RPC000060	144
RV-NTC7670	75, 76	RV-PCH118830	110	RV-PRC5085	85	RV-PRC8954	87	RV-RBI000000	61, 175, 250	RV-RPD000190	211
RV-NTC7833	92	RV-PCH119020	209	RV-PRC5121	89	RV-PRC8955	87	RV-RBI000050	211	RV-RPD102333	211
RV-NTC8129	182	RV-PCH500040	209	RV-PRC5254	84, 188	RV-PRC9093	87	RV-RBJ102920	278	RV-RPD102343	211
RV-NTC8328	62, 176, 251	RV-PCJ500010	275	RV-PRC5255	84, 84, 188	RV-PRC9248LUM	127	RV-RBJ102930	278	RV-RPD102354	211
RV-NTC8390	66, 178	RV-PCJ500020	142	RV-PRC5425	84	RV-PRC9409	40	RV-RBJ500170	145	RV-RPD102363	211
RV-NTC8476	14	RV-PCP500050	295	RV-PRC5436	58	RV-PRC9496	127	RV-RBK000042	145	RV-RPF000010	144
RV-NTC8477	14	RV-PEB102240L	275	RV-PRC5440	88	RV-PRC9499	127	RV-RBK500150	145	RV-RPF100123	277
RV-NTC8478	64	RV-PEH000080	209	RV-PRC5463	87	RV-PRC9549	93	RV-RBM000011	145	RV-RPM000020	277
RV-NTC8588	63	RV-PEH000085	209	RV-PRC5712	64	RV-PRC9563	132	RV-RBM100172	278	RV-RPM000030	277
RV-NTC8590	63	RV-PEH000270	209	RV-PRC5751	83	RV-PRC9603	89, 91	RV-RBM100223	212	RV-RPM500040	277
RV-NTC8780	121	RV-PEH101010	110	RV-PRC5752	83	RV-PRC9666	82	RV-RBM1000010	278	RV-RPM500050	277
RV-NTC8780/EBC	17	RV-PEH101150	110	RV-PRC5797	82	RV-PRC9681	85	RV-RBX000010	145	RV-RQF100000	214
RV-NTC8781	122	RV-PEH101160	110	RV-PRC5838	191	RV-PRC9841	88	RV-RBX000200	145	RV-RQH100030	213
RV-NTC8862	63	RV-PEH101530	248	RV-PRC5932	94	RV-PRC9916	130, 191	RV-RBX101340	211	RV-RQN100011	214
RV-NTC9027	62, 176, 251	RV-PEH101640	209	RV-PRC6029	84	RV-PRC9948	90	RV-RBX101690	212	RV-RQP100000	214
RV-NTC9099	252	RV-PEL000060	142	RV-PRC6030	84, 189	RV-PRC9956	84, 89, 90	RV-RBX101700	213	RV-RRB500070	23
RV-NTC9163	241	RV-PEL500110	209	RV-PRC6031	84, 189	RV-PYI0008L	209	RV-RBX101730	213	RV-RRC000040MNH	219
RV-NTC9198	252	RV-PEM000030	275	RV-PRC6032	84, 189	RV-PYX000070	140	RV-RBX101780	278	RV-RRC111130MNH	119
RV-NTC9400	79	RV-PEM100990K	209	RV-PRC6049	88	RV-PYX100230	140	RV-RBX101790	278	RV-RRC112810MNH	119
RV-NTC9429	63	RV-PEM101130	109, 110	RV-PRC6066	87	RV-PYX500020	296	RV-RCC110870MNH	182	RV-RRC112810VOV	219
RV-NTC9440	64, 83	RV-PES000020	135, 142	RV-PRC6164	87	RV-QAB000310	279	RV-RD03	18	RV-RRC112820MNH	119, 219
RV-NTC9588	64, 83	RV-PET000050	135, 142	RV-PRC6165	87	RV-QAB000311	279	RV-RD56	18	RV-RRC114560MUW	219
RV-NTC9607	66, 178	RV-PET100760L	269, 275	RV-PRC6259	82	RV-QAB000313	279	RV-REB000100	277	RV-RRC115070MNH	219
RV-NTC9753	76	RV-PFD000020	140	RV-PRC6278	94	RV-QAB000314	279	RV-REB000120	277	RV-RRC115080MNH	219
RV-NTC9812	112	RV-PGB000040	142	RV-PRC6284	84	RV-QAF000040	65, 215	RV-REB000300	212	RV-RRC115410MNH	119, 219
RV-NTC9819	60	RV-PGG000041	142	RV-PRC6317	42, 86	RV-QAF000040	252	RV-REB000310	212	RV-RRD000011	148
RV-NTC9820	60, 62	RV-PGK000030	142	RV-PRC6496	192	RV-QAF000150	178	RV-REB000320	212	RV-RRD100660	282
RV-NTC9822	60, 112	RV-PGK000150	142	RV-PRC6590	82	RV-QEB000051	146	RV-REB000330	212	RV-RRJ00010MNH	119, 282
RV-NTC9823	60, 112	RV-PGK100690	110	RV-PRC6609	45	RV-QEB000052E	146	RV-REB000340	212	RV-RRJ000010MUZ	282
RV-NTC9824	60, 112	RV-PHD104050	102	RV-PRC6609	45	RV-QEB500402	146	RV-REB000350	212	RV-RRJ100140	119
RV-NTC9825	60	RV-PHE000050	136, 137	RV-PRC6796	90, 91	RV-QED100100	214	RV-REB000360	212	RV-RRJ100140MCM	219
RV-NTC9826	60	RV-PHE000112	291, 293	RV-PRC6797	83	RV-QED100110	214	RV-REB101330	212	RV-RRJ100140MNZ	219
RV-NTC9858	76	RV-PHE500021	136	RV-PRC6839	88	RV-QED100120	214	RV-REB101740	112	RV-RRJ500030MCM	148
RV-NTC9976MNH	182	RV-PHE500040	270			RV-QED100130	214	RV-REB101740X	21, 112	RV-RRJ500030MNH	148, 219
RV-NTC9976MUE	182	RV-PHF000140	293			RV-QEH000103	146	RV-REB500040	277	RV-RRA00024	28
RV-NTC9989	177	RV-PHN000020	137			RV-QEH000111	146	RV-RFC000010	281	RV-RRA0024HA	28

PART NUMBER INDEX

RV-RRNA0925	4	RV-RTC60665	33, 232	RV-RSDC000010	285	RV-SRB000283	149	RV-STC1836 44, 106, 165, 205, 242	RV-STC2953/AMM	78, 185	
RV-RSC000020	277	RV-RTC6074	63	RV-SEB000280	150	RV-SRB101202	220	RV-STC1856	186, 264	RV-STC2953/EBC	17
RV-RSC000030	277	RV-RTC6075	63	RV-SEB000290	150	RV-SRB500174	149	RV-STC1857	80, 186, 264	RV-STC2953/LK	78, 185, 262
RV-RSC000040	277	RV-RTC6143	57	RV-SEE000020	150	RV-SRB500250	283	RV-STC1857*	80, 186, 264	RV-STC2953AMM*	262
RV-RSC000050	277	RV-RTC6363	45, 107	RV-SEE000130	221	RV-RSD000133	149	RV-STC1864	76	RV-STC2959	124
RV-RSC500010	112	RV-RTC6368	92	RV-SEE100300	284	RV-RSD100481	283	RV-STC1865	76	RV-STC2960	124
RV-RSC500060	277	RV-RTC6463	95	RV-SEE100340	284	RV-SRM000020	149	RV-STC1866	76	RV-STC2961	124
RV-RSC500070	277	RV-RTC6465	95	RV-SEG000030	221	RV-SRR652USWM	28	RV-STC1867	128, 125, 225	RV-STC2986	126
RV-RTC1115	121, 122,	RV-RTC6490	76, 120	RV-SEG000060	221	RV-SS607120	106	RV-STC1878	125, 225	RV-STC2987	126
	221, 222, 284, 285	RV-RTC6493	76	RV-SEG100260	284	RV-SS607160	106, 165, 242	RV-STC1905	122, 222	RV-STC2990	79
RV-RTC152677, 184, 185, 260, 262		RV-RTC6498	76	RV-SEG100270	284	RV-SSB000140	149	RV-STC1905/RB	122, 222	RV-STC3049	69
RV-RTC1718.000*	33, 154, 232	RV-RTC6591/EBC	17	RV-SEK000020	221	RV-SSB101331	283	RV-STC1906	122, 222	RV-STC3050	69
RV-RTC1718.020*	33, 154, 232	RV-RTC6591/LK	78	RV-SEM000012	150	RV-SSF0000011	149	RV-STC1906/RB	122, 222	RV-STC3110	111
RV-RTC1799	66, 178	RV-RTC6591/M	78	RV-SF108201L	221	RV-SSF0000021	149	RV-STC1908	122, 222	RV-STC3115	125
RV-RTC2117.000*	33, 154, 232	RV-RTC6591/MTX	78	RV-SFC000050/EBC	17	RV-SSW000010	283	RV-STC1909	122, 222	RV-STC3124	117
RV-RTC2117.020*	33, 154, 232	RV-RTC6593	58	RV-SFC500050	150	RV-SSW000020	283	RV-STC1910	122, 222	RV-STC3129	183
RV-RTC2186.020	33	RV-RTC6599	94	RV-SFP000020	284	RV-SSW100080	283	RV-STC1911	121, 122, 221, 222	RV-STC3130	183
RV-RTC21865	33	RV-RTC6683	44	RV-SFP000020/EBC	17	RV-SSW100090	283	RV-STC1915	121, 221	RV-STC3134	173
RV-RTC2408.000	33	RV-RTC6685	195	RV-SFP000020/X	284	RV-STC1060	44, 106, 165, 242	RV-STC1915/RB	121, 221	RV-STC3135	173
RV-RTC2408.020	33	RV-RTC6693	58	RV-SFP000120	150	RV-STC1122*	35	RV-STC1916	121, 221	RV-STC3136	173
RV-RTC2726	68	RV-RTC6741	76	RV-SFP000120/EBC	17	RV-STC1129	167	RV-STC1916/RB	121, 221	RV-STC3139	173
RV-RTC3095	68, 117, 179	RV-RTC6754	69	RV-SFP000210	221	RV-STC1156	117	RV-STC1918	121, 221	RV-STC3140	210
RV-RTC3201	80	RV-RTC6755	69	RV-SFP100460/AMM	121	RV-STC1181	76	RV-STC1919	121, 221	RV-STC3147	173
RV-RTC3429	72, 73, 180, 182, 258, 259	RV-RTC6776*	77	RV-SFP100460/AMM	221	RV-STC1184	80, 186, 264	RV-STC1920	121, 221	RV-STC3176	111
		RV-RTC6777*	77	RV-SFP100460/EBC	17	RV-STC1186	186	RV-STC1943	116	RV-STC3177	111
RV-RTC3458*	67, 254	RV-RTC6781*	78	RV-SFP100460/EBC	17	RV-STC11915	33	RV-STC1946	192	RV-STC3191	56
RV-RTC3633	127, 189, 226, 229	RV-RTC6781/AMM	78	RV-SFP100460/LK	121	RV-STC1203	85, 127, 189	RV-STC1947	115	RV-STC3192	56
RV-RTC3658	75	RV-RTC6781/EBC	17	RV-SFP100460/LK	221	RV-STC1205	125	RV-STC1949	115	RV-STC3203	118
RV-RTC3831	87	RV-RTC6781/LK	78	RV-SFP100460/M	121, 221	RV-STC1212	80, 264, 191, 228	RV-STC1950	115	RV-STC3204	118
RV-RTC3890	46, 166, 243	RV-RTC6781K	17	RV-SFP100460K	17, 121, 221	RV-STC1237	191	RV-STC1951	122, 229	RV-STC3250	107
RV-RTC3942	43, 163, 240	RV-RTC6781K	78, 184	RV-SFP100470/AMM	122, 222	RV-STC1238	191	RV-STC1961	96, 97, 98, 154, 157, 198, 232, 234	RV-STC3256	111
RV-RTC4268	44, 106, 165, 242	RV-RTC6787	88	RV-SFP100470/EBC	17	RV-STC1241	81, 123, 187, 265	RV-STC1962	184	RV-STC3260	111
RV-RTC4295 44, 106, 165, 205, 242		RV-RTC6811	69	RV-SFP100470/LK	122, 222	RV-STC1242	81, 123, 187, 265	RV-STC1962/RB	184	RV-STC3261	111
RV-RTC4472	253	RV-RTC6820	8	RV-SFP100470/MTX	122, 222	RV-STC1243	81, 123, 187, 265	RV-STC1963	184	RV-STC3262	111
RV-RTC4477	37, 38, 235, 236	RV-RTC6821	8	RV-SFP100470K	17, 122, 222	RV-STC1264*	77, 185, 262	RV-STC1963/RB	184	RV-STC3295	65
RV-RTC4518/AMM	78	RV-RTC6862	255	RV-SFP500010	150	RV-STC1264/RB	77, 185, 262	RV-STC1968	116, 252	RV-STC3295	178, 252
RV-RTC4518/EBC	17	RV-RTC7452	56	RV-SFP500022	150	RV-STC1265*	77, 185, 262	RV-STC201	260	RV-STC3310	130
RV-RTC4518/LK	78	RV-RTC7641	74	RV-SFP500070	150	RV-STC1265/RB	77, 185, 262	RV-STC206	39, 88	RV-STC3372	158, 235
RV-RTC4518/M	78	RV-RTC7642	95	RV-SFS000030	285	RV-STC1266	260	RV-STC207	59	RV-STC3385	120
RV-RTC4647	44, 106, 165, 242	RV-RTC7642NG	95	RV-SFS000050	150	RV-STC1266/RB	260	RV-STC208	59	RV-STC3390	88
RV-RTC4650	44, 165, 205, 242	RV-RTC7643	95	RV-SH506095L	48	RV-STC1267	260	RV-STC226	71, 181, 257	RV-STC3435	70, 181, 256
RV-RTC4653	39, 44, 101, 106, 160, 165, 200, 205, 242	RV-RTC7661	95	RV-SH506095L	170, 246	RV-STC1267/RB	260	RV-STC246	79	RV-STC3593AA	112
RV-RTC4683*	39, 41, 236, 238	RV-RTC7711	95	RV-SHB000011	149	RV-STC1275	261	RV-STC250	58	RV-STC3594AA	112
RV-RTC4825	63, 177	RV-RTC7744	95	RV-SHB000581	283	RV-STC1275/EBC	17	RV-STC259	120	RV-STC3608E	166
RV-RTC4826	63, 177	RV-RTC8092	5	RV-SHB000591	283	RV-STC1275/LK	261	RV-STC2659	120	RV-STC362220	33
RV-RTC4937	44, 84, 165, 188, 242	RV-RTC8093	5	RV-SHB000601	283	RV-STC1280	260	RV-STC2759	101	RV-STC3634	128
RV-RTC5048	81, 265	RV-RTC9479	8	RV-SHB101170	220	RV-STC1282*	77	RV-STC2761	112	RV-STC3635	128
RV-RTC5049	81, 265	RV-RTC9503AA	9	RV-SHB101180	220	RV-STC1282/RB	77	RV-STC2764	60, 112	RV-STC3671	112
RV-RTC5050	81, 265	RV-RTC9505AC	15	RV-SHB101190	220	RV-STC1283*	77	RV-STC2766	60, 112	RV-STC3672	112
RV-RTC5089*	80, 264	RV-RTC9548	12	RV-SHB101200	220	RV-STC1283/RB	77	RV-STC2768	60, 112	RV-STC3688	126
RV-RTC5090	80, 186, 264	RV-RTC9562	8	RV-SHB101350	220	RV-STC1284	183	RV-STC2778	120	RV-STC3693	133
RV-RTC5092	80	RV-RTC9582	12	RV-SHB500170	149	RV-STC1286	75, 183	RV-STC2779	120	RV-STC3702	174
RV-RTC5100	44, 165	RV-RTC9593AA	15	RV-SID100040	220	RV-STC1303	94	RV-STC2780	120	RV-STC3704	174
RV-RTC5101	44, 165	RV-RTC9908CB	28	RV-SJC000010	283	RV-STC1373	9	RV-STC2781	120	RV-STC3724	154
RV-RTC5102	44, 106, 140, 165, 205, 242	RV-RTC9933CC	28	RV-SJC000110	220	RV-STC1426	96, 154, 196, 232	RV-STC2783	120	RV-STC3733AA	60
		RV-RTC9962CC	28	RV-SJC100432	220	RV-STC1426.010	96, 154, 196, 232	RV-STC2784	120	RV-STC3734AA	60
		RV-RTC9964CC	28	RV-SJD000020	150	RV-STC1426.020	96, 154, 196, 232	RV-STC2785	120	RV-STC3735AA	60
RV-RTC5551	87	RV-RTC9971CC	28	RV-SJG000010	283	RV-STC1427	96, 154, 196, 232	RV-STC2786	120	RV-STC3736AA	60
RV-RTC5552	87	RV-RUC000022	144	RV-SJG000090	149	RV-STC1435	177	RV-STC2787	120	RV-STC3745	133
RV-RTC5553	87	RV-RUE000010	145	RV-SJG100050	220	RV-STC1436	64, 83, 177	RV-STC2800	64, 177	RV-STC3765*	184
RV-RTC5554	87	RV-RUH100030	147	RV-SJG500030	220	RV-STC1453	88	RV-STC2808	117	RV-STC3765/LK	184
RV-RTC5609	81	RV-SBB104050	105	RV-SJJ000040	149	RV-STC1454	88	RV-STC2811	131	RV-STC3765/M	184
RV-RTC5611	81	RV-SBB500010	204	RV-SJJ100362	220	RV-STC1526	185	RV-STC2818	167	RV-STC3810	114
RV-RTC5636	75	RV-SCC100030L	224	RV-SJL000080	149	RV-STC1528	79	RV-STC2819	127	RV-STC3939	59
RV-RTC5638	40	RV-SCD100070	224	RV-SJY000020	283	RV-STC1554	76	RV-STC2823	38	RV-STC3941	59
RV-RTC5679	41, 103, 162, 239	RV-SCD100090	124	RV-SJY000050	149	RV-STC1587	94	RV-STC2829	59	RV-STC4016	224
RV-RTC5695	92	RV-SDB000201	150	RV-SKE000010	150	RV-STC1610*	51	RV-STC2830	59	RV-STC4017	84, 188, 224
RV-RTC5696	92	RV-SDB000201/EBC	17	RV-SMC000200	150	RV-STC1612	87	RV-STC2831	59	RV-STC4082	38
RV-RTC5831	75, 183	RV-SDB000211	150	RV-SMC000210	150	RV-STC1639	38, 236	RV-STC2835	224	RV-STC4098	106
RV-RTC5832	75	RV-SDB000211/EBC	17	RV-SMD100260	185	RV-STC1641*	38, 236	RV-STC2847	65, 178	RV-STC4099	106
RV-RTC5833	75	RV-SDB000380	221	RV-SMD100270	185	RV-STC1642	38	RV-STC2847	252	RV-STC4104K*	37, 86, 99, 129, 158, 190, 199, 227, 235, 235, 266
RV-RTC5834	75	RV-SDB000380/EBC	17	RV-SML000010	285	RV-STC1646	167	RV-STC2848	65, 178, 252	RV-STC4299	96, 154, 196, 232
RV-RTC5840	69	RV-SDB000470	222	RV-SMN000030	285	RV-STC1713	191, 228	RV-STC2861	133	RV-STC4299.010	96, 154, 196, 232
RV-RTC5841	70, 181, 255	RV-SDB000470/EBC	17	RV-SMN000070	150	RV-STC1714	191, 228	RV-STC2898	186	RV-STC4299.010	96, 154, 196, 232
RV-RTC5842	69	RV-SDB000470/EBC	17	RV-SOE000011	150	RV-STC1746	64, 83, 177, 188	RV-STC2903	183	RV-STC4322	260
RV-RTC5843	69	RV-SDB101070	284	RV-SPB000043	150	RV-STC1749	183	RV-STC2904	183	RV-STC434	37, 236
RV-RTC5869/X	66, 178, 253	RV-SDB101070/EBC	17	RV-SPB000053	150	RV-STC1750	183	RV-STC2921	120	RV-STC4344	102
RV-RTC5870	65, 66, 178, 253	RV-SDB101070/X	284	RV-SPB000150	222	RV-STC1753*	81	RV-STC2922	120	RV-STC4345	102
RV-RTC5918	33, 34, 36, 154, 157, 232, 234	RV-SDB500181	150	RV-SPB000160	263	RV-STC1790	84, 188	RV-STC2944	106	RV-STC4378 51, 109, 171, 208, 247	
RV-RTC6011	45	RV-SDB500192	150	RV-SPB101500	222	RV-STC1802	94	RV-STC2952	261	RV-STC441	260
RV-RTC6061N*	81, 265	RV-SDB500201	150	RV-SRB000111	283	RV-STC1803	112	RV-STC2953*	78, 185, 262	RV-STC4449	106, 205

* Denotes Aftermarket Part

PART NUMBER INDEX

RV-STC4452	106	RV-STC8575	77, 78, 261	RV-TPD100150	106	RV-WCD104720*	108	RV-XBC001660	228	RV-YEB10026	85, 265
RV-STC4462	223	RV-STC8576	184	RV-TV0000110	217	RV-WCD105350	108	RV-XBC001670	228	RV-YEB10027	85, 265
RV-STC4464	223	RV-STC872	85	RV-TV0000140	217	RV-WCD500202	294	RV-XBC105160	228	RV-YEB500040	189, 227
RV-STC4465	223	RV-STC8843AA	23	RV-TV0000150	67, 179	RV-WCD500212	294	RV-XBC105170	228	RV-YEB500060	189, 227
RV-STC4577	115	RV-STC8844	182	RV-TV0000310	280	RV-WCD500950	274	RV-XBC500340	288	RV-YLE000040	151
RV-STC4806	128	RV-STC885	76	RV-TV0000450	148	RV-WCE000403	141	RV-XBC500350	288	RV-YLE10099*	81, 265
RV-STC483*	51, 247	RV-STC886	76	RV-TV0000480	148	RV-WCE000414	141	RV-XBC500960	288	RV-YLE10124	81, 265
RV-STC486	51	RV-STC8873	12	RV-TV0000290	148	RV-WCE000540	274	RV-XBC500970	288	RV-YLE102480	286
RV-STC491	260	RV-STC889	65, 178, 252	RV-TV1000010	217	RV-WCE1040000	246	RV-XBC501460	228	RV-YLE500090	223
RV-STC492	260	RV-STC8924	5	RV-TVE100000	117, 217	RV-WCE104311	108	RV-XBC501470	228	RV-YLE500190	297
RV-STC495	88	RV-STC8937	176	RV-TVF100010	67, 179, 217	RV-WCE104641	50	RV-XBD000023	152	RV-YLE500240	297
RV-STC50026	9	RV-STC90	76	RV-TVF100010X	67, 179, 217	RV-WCE104642	207	RV-XBD000033	152	RV-YRC100350	82, 124
RV-STC50030	15	RV-STC9019CC	28	RV-TYF000110	135, 140	RV-WCE500140	294	RV-XBD100760	191	RV-YRC100350	187, 224
RV-STC50032	15	RV-STC9085	33	RV-UAM2857L	100	RV-WCE500230	141	RV-XBD100770	191	RV-YUB100910LNF	125
RV-STC50080	23	RV-STC9095	33, 154, 232	RV-UAM2957L	100	RV-WCE500240	141	RV-XBD100870	228	RV-YUB100930LNF	125
RV-STC50082AA	5	RV-STC932	64, 83	RV-UBC000070	273	RV-WCI500100	294	RV-XBD100880	228	RV-YUB101060	225
RV-STC50134	13	RV-STC965	79	RV-UBH000130	273	RV-WCI500110	294	RV-XBI000030	152	RV-YUB101080	225
RV-STC50221	8	RV-STC970	60	RV-UBH000140	273	RV-WCL5000030	294	RV-XBJ000080	228	RV-YUE100590	225
RV-STC50222	8	RV-SXC100010	120	RV-UBP000161	140	RV-WCM000040	274	RV-XBJ000090	228	RV-YUE100600	225
RV-STC50223	8	RV-SYF000020	149	RV-UBP000180	140	RV-WCM100460L	294	RV-XBP100190	267	RV-YUE100670	225
RV-STC50224	8	RV-SYG000040	149	RV-UBP101020	47, 169	RV-WCS000110	141	RV-XBV000080	152	RV-YUF000200LNF	225
RV-STC50433	2	RV-SYG100510L	283	RV-UBP101030	47, 169	RV-WCS000140	274	RV-XCH100140	288	RV-YUF000210LNF	225
RV-STC50449	13	RV-SYX000010	149	RV-UBP101040	107	RV-WCS000150	274	RV-XDE100730LUM	127	RV-YUF000220	224
RV-STC50450	13	RV-SZB000010	149	RV-UBP101050	107	RV-WCS000150	294	RV-XDH100120L	127	RV-YUF101521LNF	225
RV-STC53075AA	8	RV-TAR100060	220	RV-UBP500120	296	RV-WCS500010	294	RV-XFB000040	229	RV-YUF101570	125
RV-STC53076AA	8	RV-TAR100070	220	RV-UBP500130	296	RV-WCU000260	141	RV-XFB000050	229	RV-YUF101751	224
RV-STC53077	15	RV-TAY100050	219	RV-UCV000010	140	RV-WDE100640	170	RV-XFB000160	229	RV-YUF101930	125
RV-STC53078	15	RV-TAY100060	218	RV-UCV100590	205	RV-WDE100650	207	RV-XFB000170	229	RV-YUG10067L	188
RV-STC53173	13	RV-TBB000270	117	RV-UHB100180	106	RV-WDE100660	207	RV-XFB000280	289	RV-YUG101570	125
RV-STC53174	13	RV-TBB100840E	117	RV-UHB100190	205	RV-WDV000100	274	RV-XFB000290	289	RV-YUG102240	125
RV-STC53175	13	RV-TBD000180	255	RV-UTP1725	248	RV-WDV100250	108	RV-XFB000300	289	RV-YUG102250	125
RV-STC53176	13	RV-TBD000190	255	RV-UYF000010	140	RV-WDV100260	108	RV-XFB000310	289	RV-YUG102260	125
RV-STC53181	9	RV-TDB104020	281	RV-VDR100330	28	RV-WDV100270	108	RV-XFB000441	229	RV-YUG102270	125
RV-STC550022	13	RV-TDB104030	281	RV-VDR100370	28	RV-WEB101960	207	RV-XFB000451	229	RV-YUG102372	224
RV-STC6066S	33	RV-TDB104080	118	RV-VTD500010	15	RV-WFE000172	137	RV-XFB000720	229	RV-YUG102390	224
RV-STC618	62	RV-TDB104090	118	RV-VTD500020	15	RV-WFE107020	102	RV-XFB000730	229	RV-YUG102430	225
RV-STC64720	33, 232	RV-TDB104980	281	RV-VTK000010	15	RV-WFE107480	102	RV-XFB101480	229	RV-YUG102440	225
RV-STC7554	12	RV-TDB104990	281	RV-VTK500010	15	RV-WFH101830	270	RV-XFB101490	229	RV-YUG102450	225
RV-STC7570	5	RV-TDB500240	218	RV-VUB000610	4	RV-WFL000010	270	RV-XFB500160	289	RV-YUG102480	125
RV-STC7599	9	RV-TDB500250	218	RV-VUB000690	9	RV-WFL000021	137	RV-XFB500170	289	RV-YUG102540	224
RV-STC7703	8	RV-TDC000020	180	RV-VUB000780	12	RV-WFX000190	270	RV-XFB500180	289	RV-YUG102550	224
RV-STC780	75, 183	RV-TDC000030	180	RV-VUB000790	12	RV-WFX000210	270	RV-XFB500190	289	RV-YUG102620	225
RV-STC786	66, 178	RV-TDJ000010	69, 180, 255	RV-VUB000800	9	RV-WFX101020	161	RV-XFB500360	153	RV-YUG102832	224
RV-STC7939AB	5	RV-TDJ000020	282	RV-VUB000840	12	RV-WFX101060	202	RV-XFB500370	153	RV-YUH100260PMA	225
RV-STC7960	5	RV-TDJ000060	282	RV-VUB001080	9	RV-WFX101070	202	RV-XFC500050	229	RV-YUH100280	124
RV-STC7987	23	RV-TDJ100470	282	RV-VUB001100	12	RV-WFX101390	102	RV-XFD000043	153	RV-YUH100290	124
RV-STC8027	9	RV-TDL000020	281	RV-VUB001110	12	RV-WFX500010	137	RV-XFD000053	153	RV-YUH100320	224
RV-STC8080	12	RV-TDL100190	281	RV-VUB001230	15	RV-WG1500010	137	RV-XFG000040	153	RV-YUH100330	224
RV-STC8087AA	15	RV-TDL100240	255	RV-VUB002120	5	RV-WG1500060	293	RV-XFG100330	191	RV-YUH100370	224, 225
RV-STC8104	5	RV-TDR000090	282	RV-VUB002420	9	RV-WG1500070	293	RV-XFG100340	191	RV-YUH100400	124
RV-STC8126	74	RV-TDR000100	282	RV-VUB002430	9	RV-WGQ000020	40, 238	RV-XFG100370	229	RV-YUJ10037L	225
RV-STC8130AB	15	RV-TDR000120	147	RV-VUB002510	15	RV-WGQ000031	293	RV-XGB000012	152	RV-YUK000020PUY	225
RV-STC8160AA	15	RV-TDR000130	147	RV-VUB104850	4	RV-WGQ500020	137, 161, 202, 270	RV-XGB000030	228	RV-YUK100240	125
RV-STC8161	5	RV-TDR100700	282	RV-VUB500480	13			RV-XKB000021	150	RV-YWB10004L	231
RV-STC830	114	RV-TDR100710	282	RV-VUB500680	9	RV-WG5500050	293	RV-XKB100170	122, 129, 222, 224, 227	RV-YWB10012L	132
RV-STC8361	244	RV-TDR100750	281, 282	RV-VUB501170	5	RV-WHK000100	202			RV-YWB10027L	89, 90, 91, 193, 231, 264
RV-STC8368	80, 186, 264	RV-TDR100780	218	RV-VUB501210	13	RV-WHK000130	270	RV-XLB000010	150		
RV-STC8368*	80, 186, 264	RV-TDR100790	218	RV-VUB501230	13	RV-WHK000150	293	RV-XPB101200	124	RV-YWB10031	132
RV-STC8413	5	RV-TDR500210	281	RV-VUB501270	13	RV-WHK500010	270	RV-XPB101210	124	RV-YWB10032L	82, 89, 90, 91, 193, 264
RV-STC8414	5	RV-TDR500220	282	RV-VUB501330	13	RV-WJH000120	137	RV-XPB101490	224		
RV-STC8438	15	RV-TGN100050L	272	RV-VUB501340	13	RV-WLD000040PMA	270	RV-XZB000010	152	RV-YWB1004L	132
RV-STC8452	9	RV-TJ000012	148	RV-VUB501350	13	RV-WLD000070PUY	137	RV-XZQ000010	228	RV-YWB101010	231
RV-STC8453	9	RV-TIQ000010	216	RV-VUB501360	13	RV-WLD100770	202	RV-XZQ000011	152	RV-YWB101020	231
RV-STC8454AA	12	RV-TIQ000020	116	RV-VUB501400	9	RV-WLD100820	102	RV-XZQ000011	288	RV-YWB101210L	231
RV-STC8455AA	12	RV-TIQ000030	146	RV-VUB502390	4	RV-WLD500090	293	RV-XZQ000020	153, 289	RV-YWB101300	231
RV-STC8457	12	RV-TIQ000040	146	RV-VUB502400	9	RV-WLD500100	102, 202	RV-XZQ000020	289	RV-YWC103640LUM	128
RV-STC8470	12	RV-TKC2786L	46	RV-VUB502590	9	RV-WLH000061	293	RV-XZQ000021	288	RV-YWI100010	226
RV-STC8471	12	RV-TKC3976L	40	RV-VUB502660	13	RV-WLR000010	202	RV-XZQ000030	153, 289	RV-YWJ500012	4
RV-STC8472	12	RV-TOB000070	282	RV-VYP000110	142	RV-WLR000020	40, 161	RV-XZQ000060	152, 153	RV-YWJ500220	4
RV-STC8486AB	23	RV-TOB000110	282	RV-VYP000190	142	RV-WMK000010	137	RV-XZQ000080	228	RV-YWK100110	226
RV-STC8487AA	23	RV-TOB100000	282	RV-WAG000180	141	RV-WQT100030L	86, 105, 126, 129, 164, 190, 227, 241, 272	RV-XZQ000090	153	RV-YWY000090	226
RV-STC8500AA	12	RV-TOB500310	147	RV-WAG000190	141			RV-XZQ000110	228	RV-YXJ100170	125
RV-STC8501AA	12	RV-TOB500320	147	RV-WCC000010	141	RV-WR9LP	80, 123, 186, 264	RV-XZQ000120	152		
RV-STC8504AB	9	RV-TOB500330	147	RV-WCC000020	141	RV-WTG000010	136, 137	RV-XZQ000140	288		
RV-STC8505AA	15	RV-TOD100000	119	RV-WCD0000443	207	RV-WTV100071L	272	RV-XZQ100190L	228, 229, 288		
RV-STC8513	23	RV-TOD100010	119	RV-WCD0000860	108	RV-XBC000090	152	RV-XZQ100190L	289		
RV-STC8524	5	RV-TOD100020	219	RV-WCD0000890	274	RV-XBC000760	152	RV-XZQ5000010	152		
RV-STC8535	8	RV-TOD100030	219	RV-WCD0001240	274	RV-XBC000770	152	RV-YAD000070	270		
RV-STC8536	8	RV-TOQ000050	148	RV-WCD0001241	274	RV-XBC001340	152	RV-YAD000080	270		
RV-STC8573	78	RV-TOQ000060	280	RV-WCD104650	170	RV-XBC001341	152	RV-YBE100540	94		
RV-STC8574	78, 185	RV-TOR000040	280	RV-WCD104720	108	RV-XBC001350	152	RV-YBE100540	195		
						RV-XBC001351	152				

PART NUMBER INDEX