

Component	View
A/C Blower Motors (M101) ..	Behind passenger's side of dash ..... 81
A/C Coolant Temperature Switch (X184) .....	Front centre of engine on thermostat housing ..... 31
A/C Diode Pack (Z101) ....	Passenger's side behind footwell trim panel ..... 54
A/C Evaporator Temperature Sensor (X101) .....	Behind passenger's side of dash ..... 82
A/C High Pressure Switch (X102) Diesel .....	LH side of engine compartment ..... 27
A/C High Pressure Switch (X102) EFI .....	RH side of engine compartment ..... 27
A/C Low Pressure Switch (X103) Diesel .....	LH side of engine compartment ..... 27
A/C Low Pressure Switch (X103) EFI .....	RH side of engine compartment ..... 27
A/C Thermostat Unit (Z102) .....	Behind passenger's side of dash ..... 82
ABS Booster Unit (Z103) ...	Driver's rear corner of engine compartment ..... 19
ABS Diagnostic Connector (X104) .....	Beneath LH front seat ..... 89
ABS Fuse Block (P101) .....	Beneath LH front seat ..... 91
ABS Hydraulic Pump (M102) .....	Driver's side of engine compartment top of fender well ..... 20
ABS Load Relay (K101) ....	Beneath LH front seat ..... 90
ABS Pressure Switch Unit (Z104) .....	Driver's side of engine compartment ..... 20
ABS Pump Relay (K102) ....	Beneath LH front seat ..... 90
ABS Warning Relay (K103) ..	Beneath LH front seat ..... 91
Air Flow Sensor (X105) .....	LH side of engine ..... 13
Alarm Connector (X106) ....	RH side of engine compartment ..... 27
Alarm Ultrasonic Sensor (X107) .....	Behind driver's side of dash ..... 71
Alternator (Z106) Diesel ....	Front RH side of engine ..... 12
Alternator (Z106) EFI .....	LH front corner of engine ..... 12
Antenna Amplifier (Z105) ...	Centre rear of roof ..... 117
Anti-Lock Brake System ECU (Z108) .....	Beneath LH front seat ..... 97

Component	View
Audible Warning Unit (Z109) .....	Driver's side above lower dash panel ..... 60
Automatic Gear Selector Illumination Relay (K104) ..	Driver's side behind footwell trim panel ..... 53
Automatic Gear Selector Interlock Unit (Z110) .....	Beneath centre console near gear selector ..... 83
Automatic Transmission Oil Temperature Switch (X108) .....	LH front of engine compartment ..... 14
Auxiliary Lamps Relay (K105) .....	Driver's side behind footwell trim panel ..... 52
Blower Resistor Unit (Z112) .	Inside the heater unit beneath centre of dash ..... 79
Bonnet Switch (X110) .....	LH rear corner of engine compartment ..... 17
Brake Fluid Level Switch (X111) .....	Driver's rear corner of engine compartment top of brake fluid reservoir ..... 19
Brake Indicator Check Relay (K106) .....	Driver's side behind footwell trim panel ..... 53
Brake Switch Vent Valve (X112) .....	On brake pedal support above lower dash panel ..... 66
CD Changer (Z114) .....	RH side of luggage compartment ..... 113
CD Fuse (P105) .....	RH side of luggage compartment
Central Locking Control Unit (Z113) .....	Near steering column above lower dash panel ..... 64
Compressor Clutch Relay (K108) .....	Passenger's side behind footwell trim panel ..... 55
Compressor Clutch (K107) Diesel .....	LH front corner of engine ..... 8
Compressor Clutch (K107) EFI .....	RH side of engine on front of A/C compressor ..... 8
Condenser Fan Coolant Temperature Switch (X113) .....	Top centre of engine on thermostat housing ..... 10
Condenser Fan Relay (K109) .....	Passenger's side behind footwell trim panel ..... 55
Condenser Fan Timer Unit (Z118) .....	Beneath RH front seat ..... 103
Coolant Temperature Sensor (X114) Diesel .....	LH rear corner of engine ..... 10
Coolant Temperature Sensor (X114) EFI .....	Top centre of engine on intake manifold ..... 10

Component	View
Crank Fuse (P106) . . . . .	Near steering column above lower dash panel . . . . . 65
Cruise Cassette (Z119) . . . . .	Between top of steering column and steering wheel
Cruise Control ECU (Z121) ..	Near steering column above lower dash panel . . . . . 69
Cruise Control Lockout Relay (K110) . . . . .	RH side behind footwell trim panel . . . . . 56
Cruise Control Vacuum Pump (M103) . . . . .	LH front corner of engine compartment on fender well . . . . . 15
Dash Fuse Box (P107) . . . . .	Centre of dash behind cover . . . . . 74
Daytime Running Lamps Control Unit (Z122) . . . . .	Driver's side behind footwell trim panel . . . . . 53
Diesel Fuel Filter Heater Relay (K112) . . . . .	Driver's side above lower dash panel . . . . . 53
Diesel Fuel Filter Heater Switch (X193) . . . . .	LH rear of engine compartment . . . . . 37
Dim Dip Control Unit (Z124) . . . . .	Driver's side above lower dash panel . . . . . 62
Distributor (Z125) . . . . .	Front centre of engine . . . . . 11
Driver Door Lock Switch (X117) . . . . .	Inside respective front door near lock switch
Driver Door Switch (X118) ..	Top of respective door jamb area
Driver Seat Buckle Switch (X120) . . . . .	Inside driver's seat belt buckle assembly
Driver Seat Relay (K113) . . .	Beneath driver seat . . . . . 99
Driver Underseat Fuse Box (P108) . . . . .	Beneath driver seat . . . . . 99
Driver Window Motor (M130) . . . . .	Inside respective front door . . . . . 106
Emissions Maintenance Reminder Unit (Z126) . . . . .	Beneath RH front seat . . . . . 104
Engine Oil Level Monitor Unit (Z127) . . . . .	Behind driver's side of dash above lower dash panel . . . . . 59
Engine Oil Level Sensor (X148) . . . . .	Lower RH side of engine in engine oil pan . . . . . 43
Flasher Unit (Z128) . . . . .	Driver's side above lower dash panel . . . . . 60
Four Channel Sound System Amplifier (Z129) ..	RH side of luggage compartment . . . . . 113
Front Screen Wash Pump (M105) . . . . .	Passenger's rear corner of engine compartment . . . . . 23

Component	View
Front Sound System Amplifier Fuse (P109) . . . . .	In centre console beneath cubby box liner . . . . . 84
Front Sound System Amplifier (Z130) . . . . .	In centre console beneath cubby box liner . . . . . 86
Front Window Relay (K114) . . . . .	In centre console beneath cubby box liner . . . . . 88
Front Wipe Delay Unit (Z131) . . . . .	Near steering column above lower dash panel . . . . . 64
Front Wiper Motor (M107) . . . . .	Driver's side of bulkhead beneath dash . . . . . 70
Fusible Links (P113) . . . . .	RH side of engine compartment behind battery . . . . . 29
Fuel Filter Heater (B109) . . . . .	LH rear of engine compartment . . . . . 37
Fuel Flap Actuator (M108) . . . . .	RH side of luggage compartment . . . . . 114
Fuel Injection Coolant Temperature Sensor (X126) . . . . .	Top centre of engine on intake manifold . . . . . 11
Fuel Injection Diagnostic Connectors (X127) . . . . .	Beneath RH front seat . . . . . 103
Fuel Injection ECU (Z132) . . . . .	Beneath RH front seat . . . . . 102
Fuel Injection Fault Display Unit (Z133) . . . . .	Beneath RH front seat . . . . . 92
Fuel Injection Fuse (P111) . . . . .	Beneath RH front seat . . . . . 102
Fuel Injection Load Relay (K116) . . . . .	Beneath RH front seat . . . . . 103
Fuel Injectors (K141) . . . . .	Top centre of engine on top of intake manifold
Fuel Pump Relay Fuse (P112) . . . . .	Beneath RH front seat . . . . . 102
Fuel Pump Relay (K119) . . . . .	Beneath RH front seat . . . . . 104
Fuel Tank Unit (Z134) . . . . .	Inside top of fuel tank . . . . . 112
Fuel Temperature Sensor (X128) . . . . .	Front centre of engine . . . . . 9
Glow Plug Timer Unit (Z135) . . . . .	Passenger's rear corner of engine compartment . . . . . 40
Handbrake Switch (X191) . . . . .	On handbrake lever beneath cubby box liner . . . . . 84
Headlamp Relay (K120) . . . . .	Near steering column above lower dash panel . . . . . 67
Headlamp Wash Pump (M110) . . . . .	Passenger's rear corner of engine compartment . . . . . 22
Headlamp Wash Timer Unit (Z136) . . . . .	Passenger's rear corner of engine compartment . . . . . 24
Heated Front Screen Fuse Block (P114) . . . . .	Near steering column above lower dash panel . . . . . 65

Component	View
Heated Front Screen Relay (K121) .....	Near steering column above lower dash panel ..... 63
Heated Front Screen Timer Unit (Z137) .....	RH side behind footwell trim panel ..... 56
Heated Rear Screen Relay (K122) .....	Near steering column above lower dash panel ..... 68
Heated Washer Jets Thermoswitch (X133) .....	Behind RH side of front grille ..... 5
Heater Air Recirculation Solenoid (K123) .....	LH side of heater unit behind dash ..... 78
Heater And A/C Load Relay (K124) .....	Passenger's side behind footwell trim panel ..... 54
Heater Blower Motor (M111) .....	Beneath centre of dash in heater unit ..... 79
Heater Or A/C Relay (K125) .....	Passenger's side behind footwell trim panel ..... 54
Idle Speed Stepper Motor (M112) .....	Top rear of engine ..... 6
Ignition Amplifier Module (Z139) .....	Front centre of engine attached to distributor ..... 11
Ignition Coil Suppression Capacitor (Z141) .....	LH side of engine compartment ..... 16
Ignition Coil (Z140) .....	LH side of engine compartment on inner fender well ..... 16
Ignition Key Switch (X177) ..	In steering column behind trim
Ignition Load Relay (K127) ..	Near steering column above lower dash panel ..... 68
Ignition Switch (X134) .....	In steering column behind trim ..... 70
Inertia Switch (X135) .....	Beneath LH front seat ..... 98
Interior Lamps Delay Unit (Z144) .....	Near steering column above lower dash panel ..... 64
Left Condenser Fan Motor (M113) .....	Behind front grille ..... 3
Left Front Door Handle Switch (X138) .....	Inside respective front door at door handle
Left Front Door Lock Actuator (M114) .....	Inside respective front door near lock switch ..... 107
Left Front Door Lock Heater (B113) .....	Inside respective front door near lock switch ..... 107
Left Front Wheel Speed Sensor (X137) .....	Behind LH front wheel

Component	View
Left Headlamp Level Unit (Z145) .....	Behind LH headlamp
Left Heated Washer Jet (B118) .....	Mounted on the bonnet ..... 6
Left Horn (K128) .....	Behind LH side of front grille ..... 3
Left Lambda Sensor (X139) .....	Lower LH side of engine compartment ..... 44
Left Rear Door Lock Actuator (M117) .....	Inside respective rear door ..... 110
Left Rear Door Switch (X142) .....	Middle of respective rear door jamb area
Left Rear Wheel Speed Sensor (X140) .....	Behind LH rear wheel
Left Rear Window Motor (M116) .....	Inside respective rear door ..... 110
Left Seat Heat Relay (K129) .....	In centre console beneath cubby box liner ..... 87
Load Reduction Relay (K130) .....	RH side behind footwell trim panel ..... 56
Low Coolant Level Switch (X144) Diesel .....	LH side of engine compartment top of coolant expansion tank ..... 28
Low Coolant Level Switch (X144) EFI .....	RH side of engine compartment top of coolant expansion tank ..... 28
Memory Seat ECU (Z146) .....	Underside of driver seat ..... 93
Memory Seat Fuse (P115) ..	Beneath driver seat ..... 100
Oil Pressure Switch (X149) Diesel .....	RH rear of engine block below rear cylinder head ..... 39
Oil Pressure Switch (X149) EFI .....	Front RH side of engine on oil pump housing ..... 39
One Touch Window Control Unit (Z147) .....	In centre console beneath cubby box liner ..... 88
Passenger Door Lock Actuator (M118) .....	Inside respective front door near lock switch
Passenger Door Switch (X150) .....	Top of respective door jamb area
Passenger Seat Relay (K131) .....	Beneath driver seat ..... 99
Passenger Underseat Fuse Box (P116) .....	Beneath front passenger seat ..... 101

Component	View
Passenger Window Motor (M133) .....	Inside respective front door ..... 106
Purge Control Valve (K132) .	RH side of engine compartment ..... 28
Rear Screen Noise Suppressor (Z152) .....	RH rear corner of roof ..... 116
Rear Screen Wash Pump (M119) .....	Passenger's rear corner of engine compartment ..... 23
Rear Sound System Amplifier Fuse (P117) .....	RH rear corner of luggage compartment ..... 115
Rear Sound System Amplifier (Z153) .....	RH rear corner of luggage compartment ..... 115
Rear Window Relay (K133) ..	In centre console beneath cubby box liner ..... 88
Rear Wipe Delay Unit (Z154) .....	Near steering column above lower dash panel ..... 63
Rear Wiper Motor (M120) ...	Centre rear of roof ..... 118
Refrigerator Fuse (P121) ...	RH side of luggage compartment
Refrigerator Relay (K148) ...	RH side of luggage compartment
Reverse Switch (X157) .....	On top of transmission ..... 41
Right Condenser Fan Motor (M121) .....	Behind front grille ..... 4
Right Front Door Handle Switch (X159) .....	Inside respective front door at door handle
Right Front Door Lock Actuator (M122) .....	Inside respective front door near lock switch ..... 107
Right Front Door Lock Heater (B126) .....	Inside respective front door near lock switch ..... 107
Right Front Inboard Brake Pad (B129) .....	In RH front brake caliper ..... 48
Right Front Wheel Speed Sensor (X158) .....	Behind RH front wheel
Right Headlamp Level Unit (Z155) .....	Behind RH headlamp
Right Heated Washer Jet (B132) .....	Mounted on the bonnet ..... 7
Right Horn (K134) .....	Behind RH side of front grille ..... 4
Right Lambda Sensor (X160) .....	Lower RH side of engine compartment ..... 45
Right Rear Door Lock Actuator (M125) .....	Inside respective rear door ..... 110

Component	View
Right Rear Door Switch (X163) . . . . .	Middle of respective rear door jamb area
Right Rear Inboard Brake Pad (B135) . . . . .	In RH rear brake caliper . . . . . 48
Right Rear Wheel Speed Sensor (X161) . . . . .	Behind RH rear wheel
Right Rear Window Motor (M124) . . . . .	Inside respective rear door . . . . . 110
Right Seat Heat Relay (K135) . . . . .	In centre console beneath cubby box liner . . . . . 87
Screen Wash Fluid Level Switch (X165) . . . . .	Passenger's rear corner of engine compartment inside wash fluid reservoir . . . . . 22
Seat Base Motor (M126) . . . . .	Underside of respective front seat . . . . . 94
Seat Height (Front) Motor (M127) . . . . .	Underside of respective front seat . . . . . 94
Seat Height (Rear) Motor (M128) . . . . .	Underside of respective front seat . . . . . 95
Seat Recline Motor (M129) . . . . .	Underside of respective front seat . . . . . 95
Seatbelt And Speed Warning Unit (Z156) . . . . .	Driver's side above lower dash panel . . . . . 61
Solenoid Fuel Shut Off (K111) . . . . .	LH side of engine . . . . . 35
Sound System Crossover (Z157) . . . . .	RH side of luggage compartment
Split Charge Relay (K147) . . . . .	LH front corner of engine compartment
Starter Inhibit/Reverse Switch (X167) . . . . .	Beneath vehicle on LH side of transmission
Starter Solenoid Relay (K137) . . . . .	Near steering column above lower dash panel . . . . . 67
Starter Solenoid (K136) . . . . .	Lower RH side of engine
Starter (M134) . . . . .	Lower RH side of engine
Stop Lamp Switch Noise Suppressor (Z159) . . . . .	Near steering column above lower dash panel . . . . . 66
Stop Lamp Switch (X168) . . . . .	On brake pedal support above lower dash panel . . . . . 66
Sunroof Control Unit (Z162) . . . . .	Front centre of roof . . . . . 111
Sunroof Load Relay (K138) . . . . .	Driver's side behind footwell trim panel . . . . . 52
Sunroof Motor (M131) . . . . .	Front centre of roof . . . . . 111
Tailgate Lock Actuator (M132) . . . . .	Lower centre of rear screen . . . . . 120

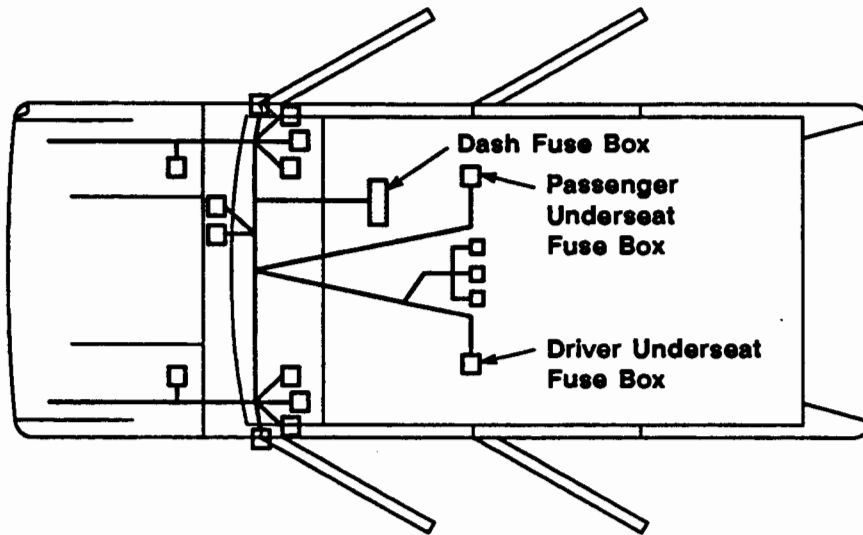


Component	View
Tailgate Switch (X170) . . . . .	Top LH side of rear screen opening
Throttle Potentiometer (X171) . . . . .	Top centre of engine . . . . . 13
Trailer Auxiliary Socket (X172) . . . . .	Behind RH rear lamp assembly . . . . . 121
Transfer Box Oil Temperature Switch (X174) . . . . .	In transfer box
Transfer Box Position Switch (X175) . . . . .	Top RH side of transfer box
Tune Select Resistor (K140) . . . . .	Beneath RH front seat . . . . . 104
Vehicle Speed Sensor Buffer (Z160) . . . . .	Driver's side behind footwell trim panel . . . . . 52
Vehicle Speed Sensor (X190) . . . . .	On LH frame rail beneath centre of passenger compartment . . . . . 46
Voltage Sensitive Switch (X178) . . . . .	Near steering column above lower dash panel . . . . . 63
Warning Lamps Check Unit (Z161) . . . . .	Driver's side above lower dash panel . . . . . 58
Winch Solenoid Relay 1 (K149) . . . . .	On winch
Winch Solenoid Relay 2 (K150) . . . . .	On winch
<b>Connector</b>	<b>View</b>
C100 (8-W) . . . . .	RH rear corner of engine compartment . . . . . 25
C101 (1-B) . . . . .	LH front corner of engine compartment . . . . . 32
C102 (1-B) . . . . .	LH front corner of engine compartment . . . . . 32
C103 (3-B) . . . . .	RH side of engine compartment mounted to fender well . . . . . 26
C105 (6) . . . . .	LH rear corner of engine compartment
C106 (14-2) . . . . .	RH side of engine compartment . . . . . 27
C108 (8-W) . . . . .	LH side of engine . . . . . 12
C109 (1-W) . . . . .	RH rear corner of engine compartment . . . . . 25
C110 (2-U) . . . . .	Passenger's rear corner of engine compartment . . . . . 21
C111 (1-W) . . . . .	Lower RH rear of engine above transmission
C114 (3-B) . . . . .	Behind RH headlamp . . . . . 2
C115 (4-B) . . . . .	Behind front grille near RH headlamp . . . . . 1

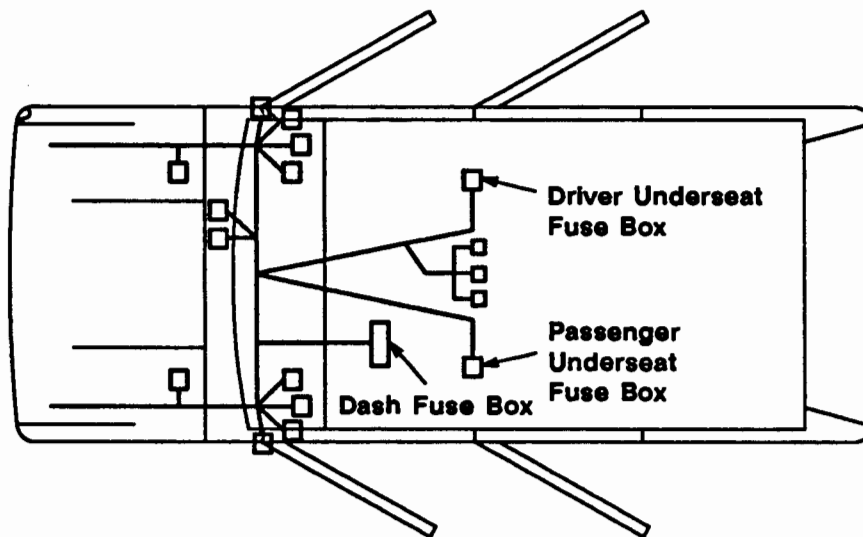
Connector	View
C116 (2-B) .....	Mounted to underside of RH inner fender well
C117 (3-B) .....	Behind LH headlamp ..... 2
C118 (4-B) .....	Behind front grille near LH headlamp ..... 1
C119 (2-B) .....	Mounted to underside of LH inner fender well
C122 (3-B) .....	LH front corner of engine compartment ..... 33
C200 (3-U) .....	Centre of dash behind heater and A/C control panel ..... 73
C201 (2-W) .....	Near steering column above lower dash panel ..... 70
C202 (8-W) .....	Behind centre of dash right of heater unit ..... 76
C204 (8-W) .....	Behind centre of dash right of heater unit ..... 77
C205 (12-W) .....	Behind centre of dash ..... 75
C206 (3-U) .....	Behind centre of dash
C208 (14-W) .....	Behind driver's side of dash above footwell trim panel ..... 59
C209 (2-W) .....	Behind driver's side of dash above footwell trim panel ..... 59
C210 (3-W) .....	Behind passenger's side of dash above footwell trim panel ..... 80
C211 (16-W) .....	Behind passenger's side of dash above footwell trim panel ..... 80
C212 (10-W) .....	Near steering column above lower dash panel ..... 69
C212 (16-W) .....	Behind passenger's side of dash above footwell trim panel ..... 69
C214 (1-W) .....	Centre of dash behind auxiliary switch panel ..... 72
C215 (1-W) .....	Centre of dash behind auxiliary switch panel ..... 72
C216 (1-W) .....	Centre of dash behind auxiliary switch panel ..... 72
C222 (4-B) .....	Behind centre of dash right of heater unit ..... 76
C300 (3-W) .....	Beneath driver seat ..... 96
C301 (3-W) .....	Beneath front passenger seat ..... 96
C302 (2-U) .....	In centre console beneath switch panel ..... 84
C303 (8-W) .....	In centre console beneath cubby box liner ..... 86
C304 (8-W) .....	In centre console beneath cubby box liner ..... 87
C305 (3-W) .....	In centre console beneath cubby box liner ..... 85
C306 (1-WB) .....	In centre console beneath cubby box liner ..... 86
C307 (1-WB) .....	In centre console beneath cubby box liner ..... 85
C311 (6-W) .....	In centre console beneath cubby box liner ..... 86

<b>Connector</b>	<b>View</b>
C400 (5-B) .....	RH rear corner of roof ..... 116
C401 (2-B) .....	RH rear corner of luggage compartment ..... 115
C402 (7-B) .....	Behind RH rear lamp assembly ..... 121
C403 (1-B) .....	Behind RH rear lamp assembly ..... 121
C404 (1-B) .....	Behind RH rear lamp assembly ..... 121
C405 (5-B) .....	RH rear corner of roof ..... 116
C406 (1-B) .....	RH side of luggage compartment ..... 114
C407 (3-B) .....	Beneath LH rear of vehicle near fuel tank ..... 49
C408 (4-B) .....	RH rear corner of luggage compartment ..... 115
C409 (4-B) .....	RH side of luggage compartment
C410 (4-2) .....	RH side of luggage compartment
C411 (3-B) .....	Beneath centre rear of vehicle
C412 (3-B) .....	Beneath centre rear of vehicle
C500 (8-W) .....	LH side behind footwell trim panel ..... 51
C501 (13-W) .....	LH side behind footwell trim panel ..... 51
C502 (5-W) .....	Top front of LH front door near mirror ..... 105
C503 (5-U) .....	Top front of LH front door near mirror ..... 105
C600 (8-W) .....	RH side behind footwell trim panel ..... 57
C601 (13-W) .....	RH side behind footwell trim panel ..... 57
C602 (5-W) .....	Top front of RH front door near mirror ..... 105
C603 (5-U) .....	Top front of RH front door near mirror ..... 105
C700 (2-W) .....	In bottom of LH B-post behind trim panel ..... 108
C701 (3-B) .....	In bottom of LH B-post behind trim panel ..... 108
C702 (5-B) .....	Inside front of LH rear door ..... 109
C800 (2-W) .....	In bottom of RH B-post behind trim panel ..... 108
C801 (3-B) .....	In bottom of RH B-post behind trim panel ..... 108
C802 (5-B) .....	Inside front of RH rear door ..... 109
<b>Earth</b>	<b>View</b>
E100 Diesel .....	LH front corner of engine compartment on frame rail ..... 30
E100 EFI .....	RH side of engine compartment ..... 30
E101 .....	LH side of engine compartment ..... 16
E102 .....	Lower LH rear of engine below valve cover
E103 .....	RH rear of engine below valve cover

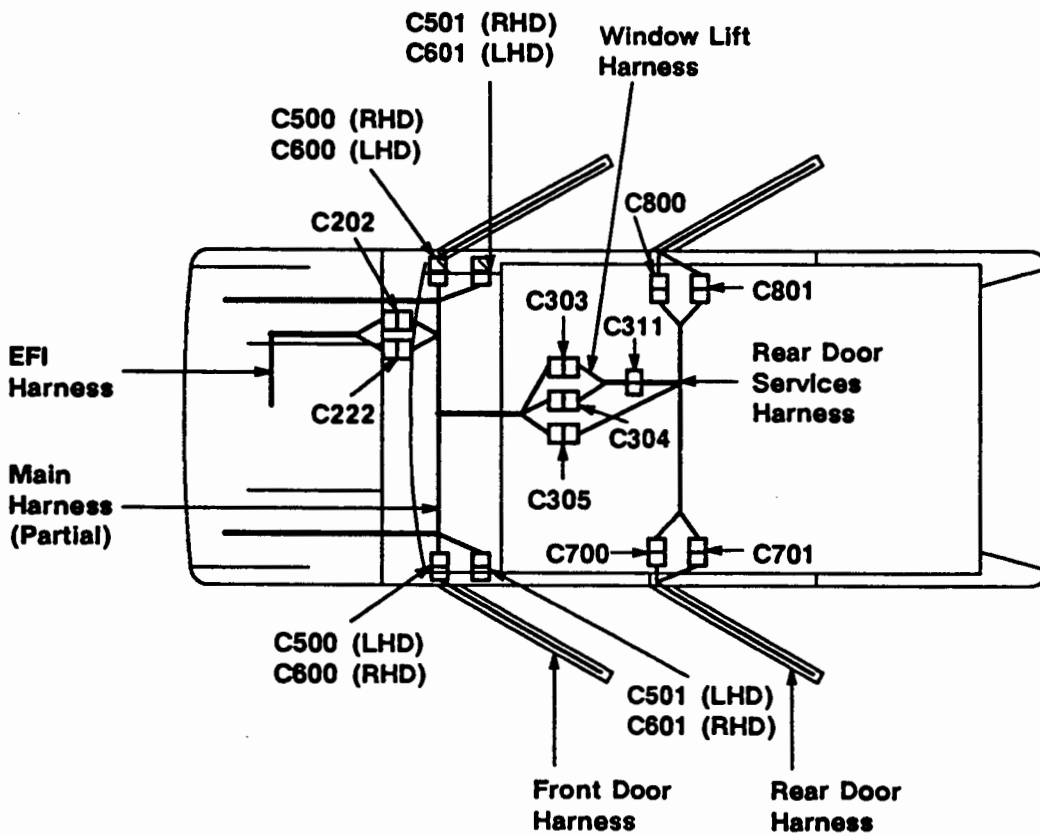
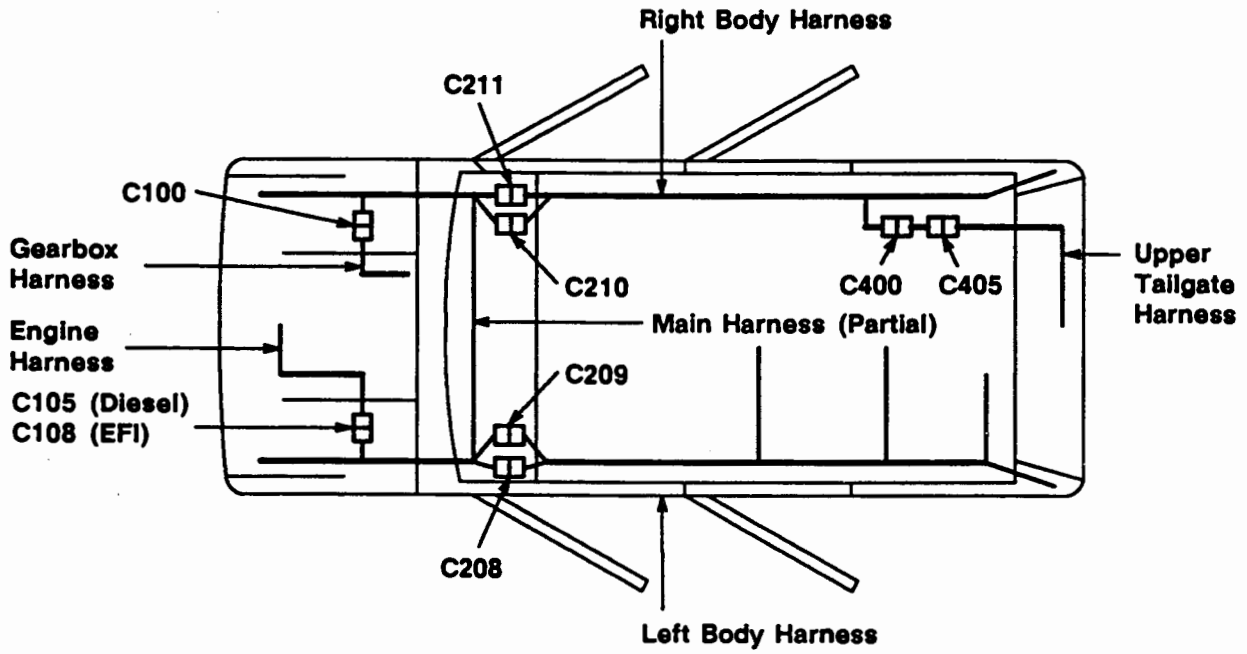
Earth	View
E104 ..... Lower RH rear of engine compartment on frame rail	
E105 ..... Behind RH front wheel .....	42
E106 ..... LH rear of engine below valve cover	
E107 ..... LH rear of engine compartment on bonnet hinge	
E108 ..... Behind RH side of radiator on frame rail	
E110 ..... LH front corner of engine compartment on frame rail	
E200 ..... Driver's side behind footwell trim panel	
E201 ..... Centre of dash behind radio	
E300 ..... Beneath LH front seat .....	98
E301 ..... Beneath driver seat .....	99
E302 ..... In centre console beneath cubby box liner .....	85
E303 ..... Front centre of roof .....	111
E400 ..... RH rear corner of roof .....	116
E401 ..... LH rear corner of roof .....	119
E402 ..... Centre rear of roof .....	118
E403 ..... Beneath RH rear of vehicle near fuel filler pipe .....	50
E404 ..... Beneath LH rear of vehicle near fuel tank .....	49
E405 ..... Behind RH rear wheel .....	47



Main Harness LHD



Main Harness RHD



Anti-Lock Brake System .....	D1-1
Blower Controls .....	K1-1
Central Locking .....	L6-1
Component Location Table .....	Z4-1
Component Location Views .....	Z5-1
Compressor Controls .....	K2-1
Cooling Fans .....	K5-1
Cruise Control .....	B5-1
Diesel Fuel Injection .....	A4-1
Diesel Glow Plug Control .....	A5-1
Door Lock Heaters .....	L8-1
Earth Distribution .....	Y5-1
Electrochromic Rear View Mirror .....	G1-1
Electronic Fuel Injection (EFI) .....	A1-1
Front Wipe/Wash .....	F1-1
Fuse Details .....	Y2-1
ABS Fuse Block (P101)	
F 1 .....	Y2-21
F 2 .....	Y2-21
F 3 .....	Y2-21
F 4 .....	Y2-21
Crank Fuse (P106) .....	Y2-21
Dash Fuse Box (P107)	
F A1 .....	Y2-1
F A2 .....	Y2-1
F A3 .....	Y2-2
F A4 .....	Y2-3
F A5 .....	Y2-3
F A6 .....	Y2-3
F A7 .....	Y2-4
F A8 .....	Y2-5
F A9 .....	Y2-5
F B1 .....	Y2-6
F B2 .....	Y2-6
F B3 .....	Y2-9
F B4 .....	Y2-9
F B5 .....	Y2-10
F B6 .....	Y2-10
F B7 .....	Y2-10
F B8 .....	Y2-10
F B9 .....	Y2-10
F C1 .....	Y2-11
F C2 .....	Y2-11
F C3 .....	Y2-11
F C4 .....	Y2-12
F C5 .....	Y2-12
F C6 .....	Y2-13
F C7 .....	Y2-13
F C8 .....	Y2-13
F C9 .....	Y2-13
Driver Underseat Fuse Box (P108)	
F D1 .....	Y2-19

F D2 .....	Y2-19
F D3 .....	Y2-19
F D4 .....	Y2-19
F D5 .....	Y2-20
F D6 .....	Y2-20
Fuel Injection Fuse (P111) .....	Y2-22
Fuel Pump Relay Fuse (P112) .....	Y2-22
Heated Front Screen Fuse Block (P114) .....	Y2-22
Memory Seat Fuse (P115) .....	Y2-20
Passenger Underseat Fuse Box (P116)	
F E1 .....	Y2-14
F E2 .....	Y2-14
F E3 .....	Y2-15
F E4 .....	Y2-16
F E5 .....	Y2-17
F E6 .....	Y2-17
Harness Routing .....	Z8-1
Heated Front Screen .....	F6-1
Heated Rear Screen and Mirror Demisters .....	F8-1
Heated Seats .....	M2-1
Horns .....	E5-1
Instruments .....	E1-1
Introduction .....	i-1
Lights	
Automatic Gear Selector Illumination (B102) .....	J1-5
Auxiliary Lamps .....	H8-1
Centre Mounted Stop Lamp (B103) .....	H5-2
Cigar Lighters .....	J2-1
Column Switch Illumination (B104) .....	J1-4
Cubby Box Cigar Lighter (B105) .....	J2-1
Dash Cigar Lighter (B106) .....	J2-1
Direction Indicator Lamps .....	H6-1
Front Interior Roof Lamp (B107) .....	J1-2
Headlamps .....	H1-1
Headlamps (With Warning Lamps Check Unit) .....	H2-1
Headlamp Leveling .....	H3-1
Interior Lamps .....	J1-1
Left Front Door Edge Lamp (B112) .....	J1-2
Left Front Door Puddle Lamp (B114) .....	J1-2
Left Number Plate Lamp (B120) .....	H4-2
Left Repeater Lamp (B122) .....	H6-2
Rear Fog Guard Lamps .....	H9-1
Rear Interior Roof Lamp (B124) .....	J1-2
Reversing Lamps .....	H7-1
Right Front Door Edge Lamp (B125) .....	J1-2
Right Front Door Puddle Lamp (B127) .....	J1-2
Right Number Plate Lamp (B134) .....	H4-2
Right Repeater Lamp (B137) .....	H6-3
Side Lamps .....	H4-1
Stop Lamps .....	H5-1
Under Bonnet Lamp (B139) .....	J1-1
Ventilation Control Panel Illumination (B140) .....	J1-4



Load Reduction Circuit .....	Y4-1
Memory Seat/Mirrors .....	M5-1
Power Distribution .....	Y1-1
Power Mirrors .....	M3-1
Power Seats .....	M1-1
Power Windows .....	L1-1
Radio .....	E6-1
Radio (Clarion CD) .....	E8-1
Radio (Pioneer CD) .....	E7-1
Rear Wipe/Wash .....	F3-1
Refrigerator .....	P2-2
Refrigerator (Without Split Charge Relay) .....	P2-1
Starting and Charging, Dual Battery .....	B2-1
Starting and Charging, Single Battery .....	B1-1
Sunroof .....	L4-1
Trailer Auxiliary Socket .....	P1-1
Transmission Shift Interlock .....	C1-1
Warnings and Indicators .....	E2-1
Warnings and Indicators (With Belt And Speed Warning Unit) .....	E3-12
Warnings and Indicators (With Warning Lamps Check Unit) .....	E3-1
Winch .....	P3-1