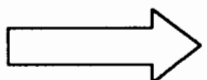
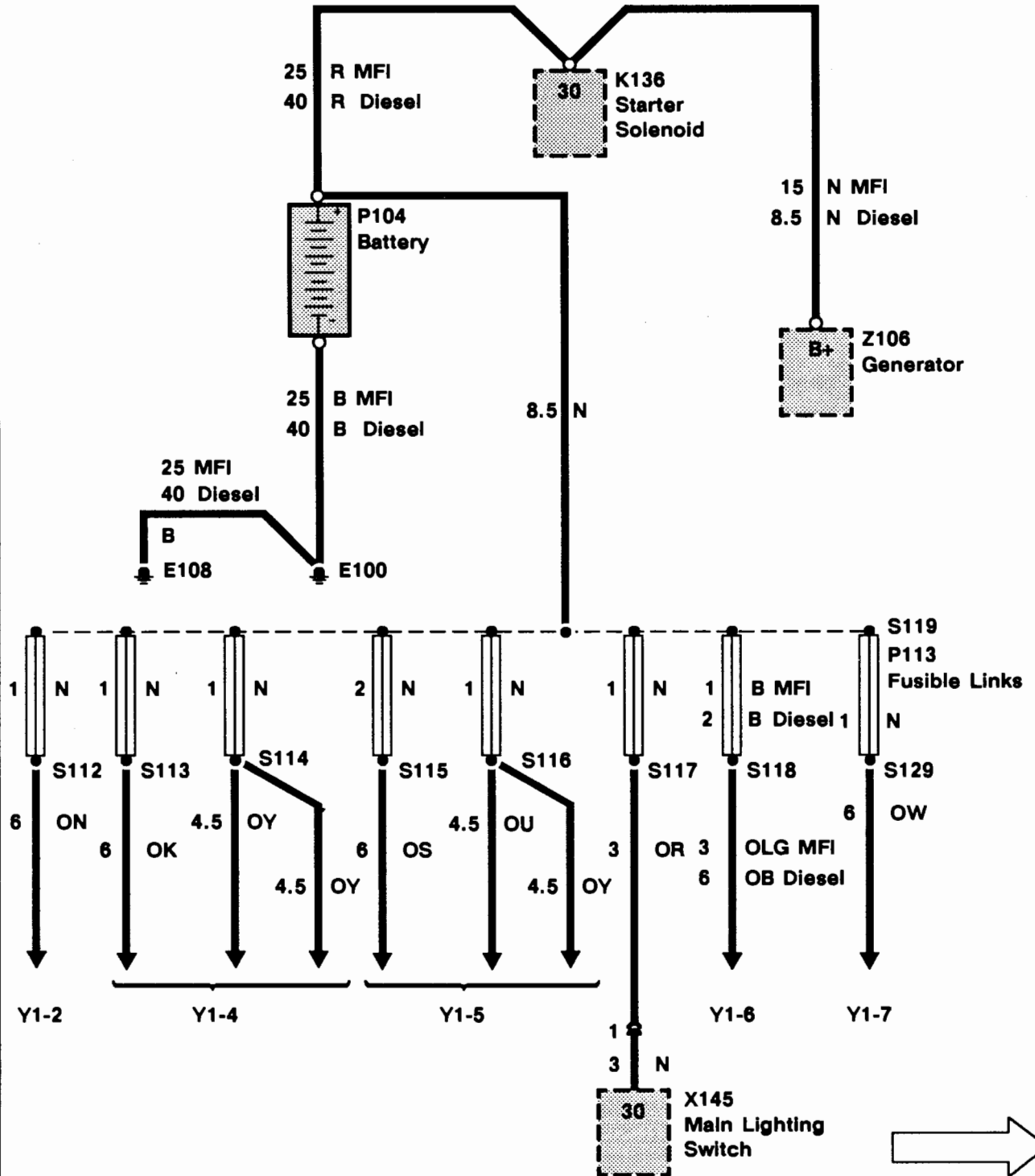


Wire Colour Chart

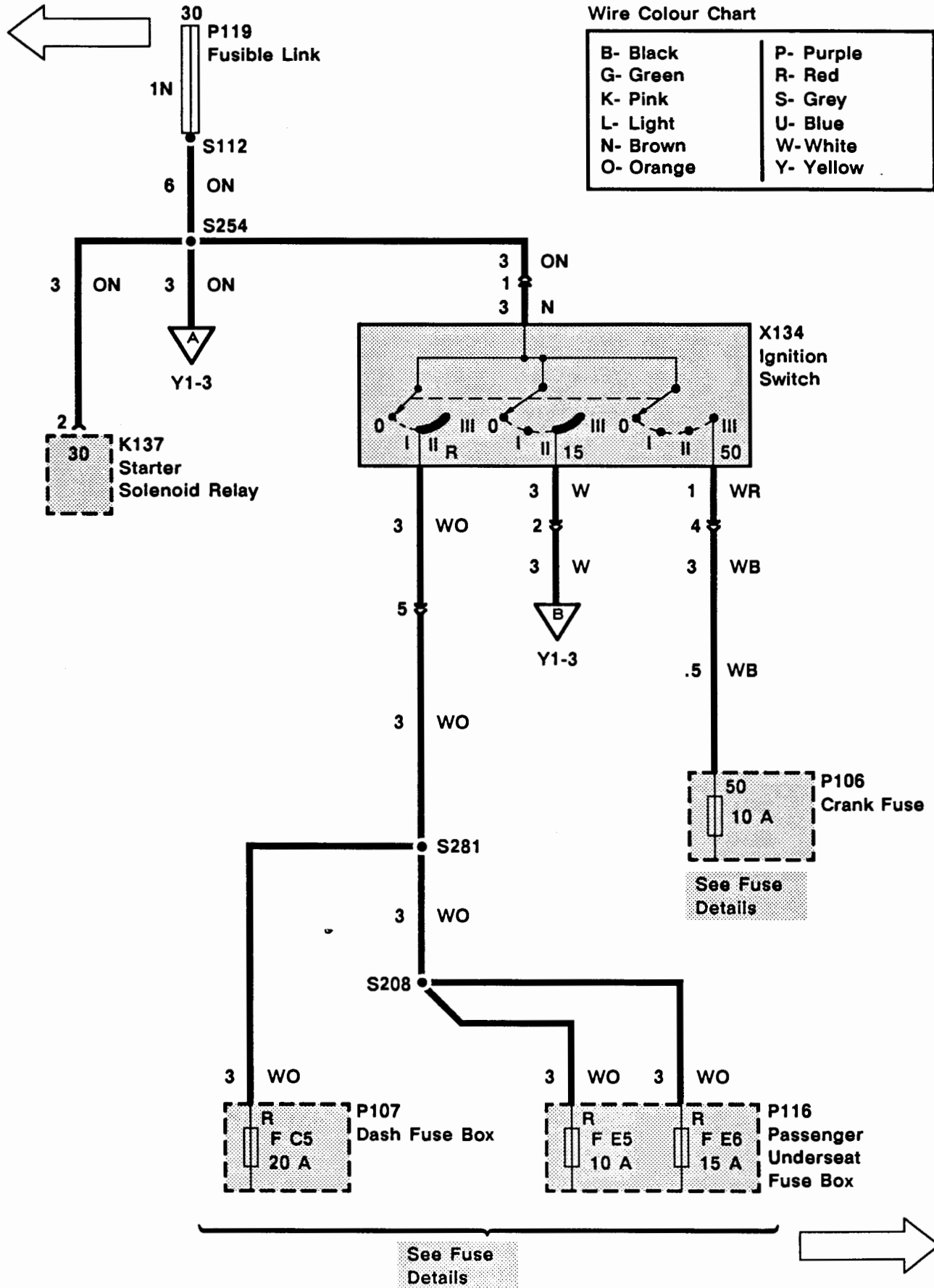
B- Black	P- Purple
G- Green	R- Red
K- Pink	S- Grey
L- Light	U- Blue
N- Brown	W- White
O- Orange	Y- Yellow



REV: JUN 93

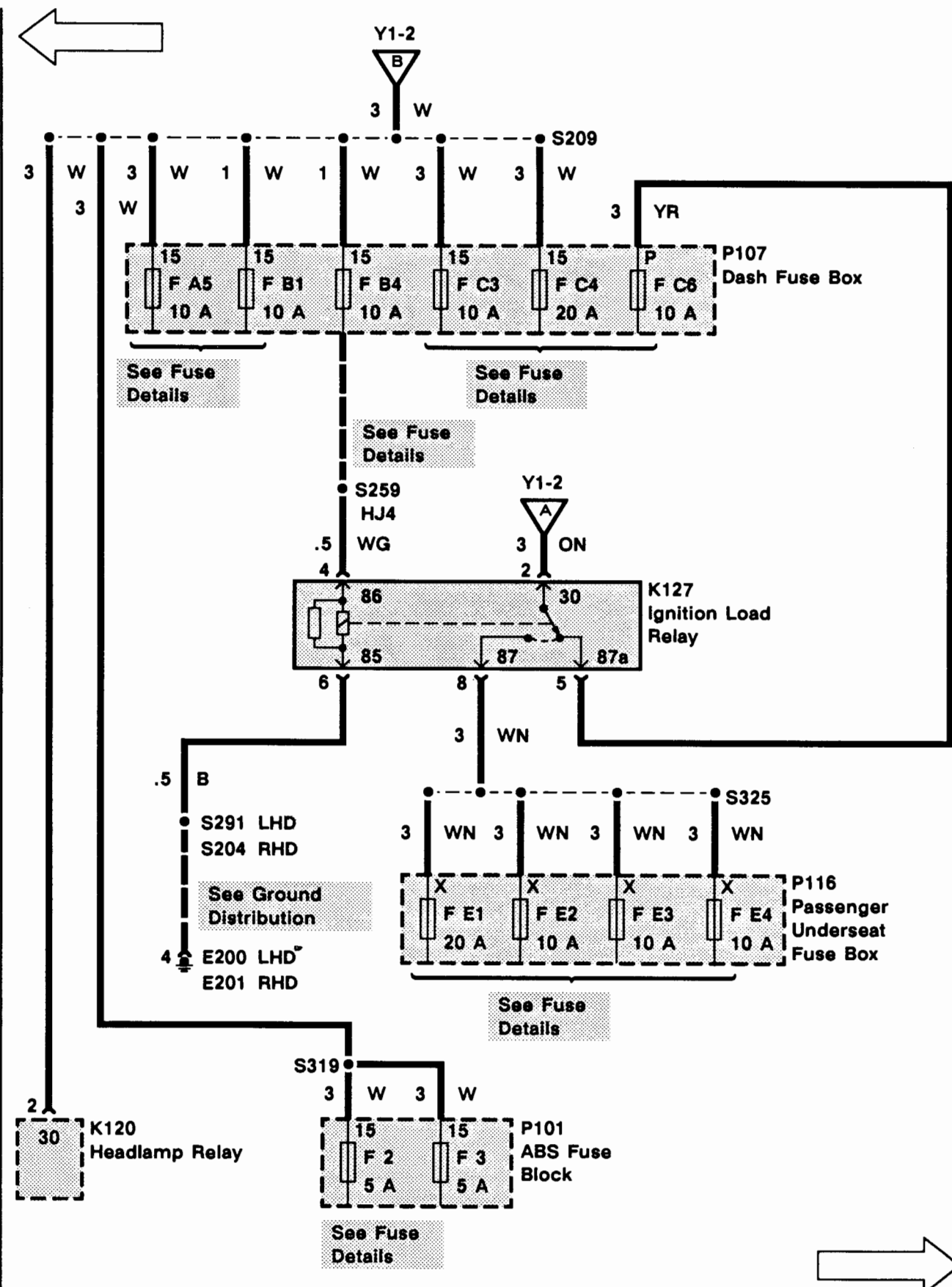
Y1 ETM

1993 RANGE ROVER



Wire Colour Chart

B- Black	P- Purple
G- Green	R- Red
K- Pink	S- Grey
L- Light	U- Blue
N- Brown	W- White
O- Orange	Y- Yellow

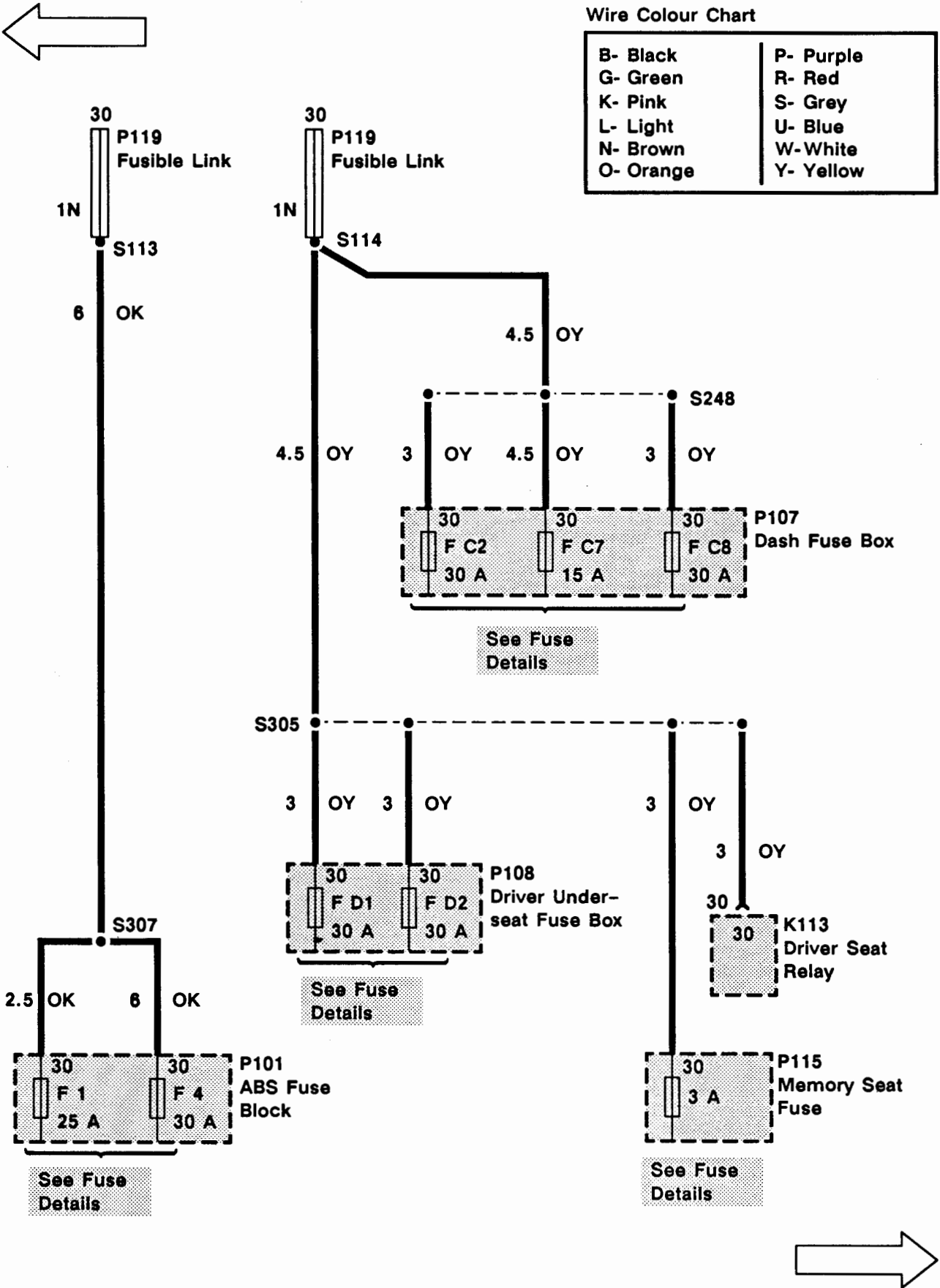


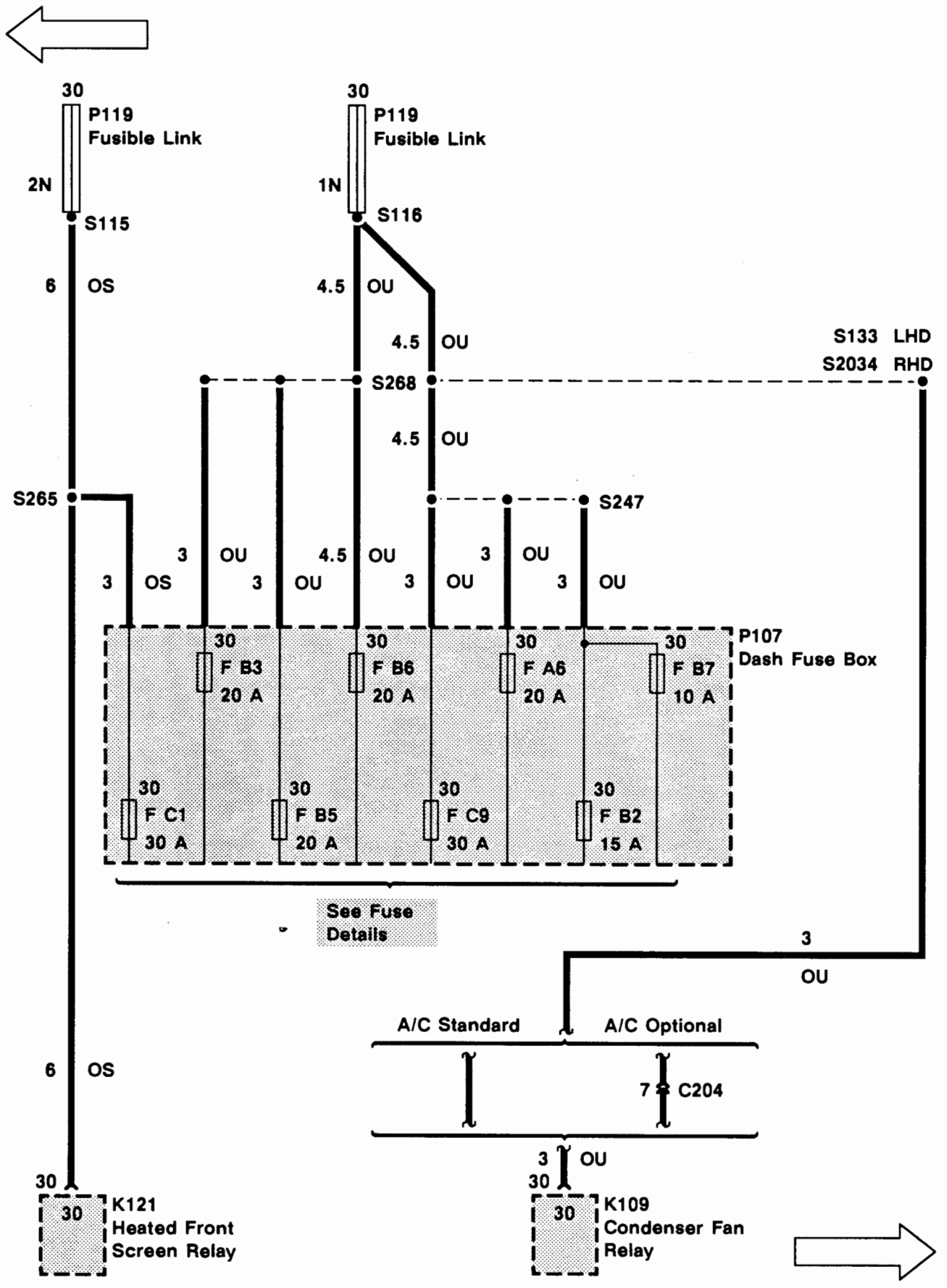
Y1 ETM

1993 RANGE ROVER

Wire Colour Chart

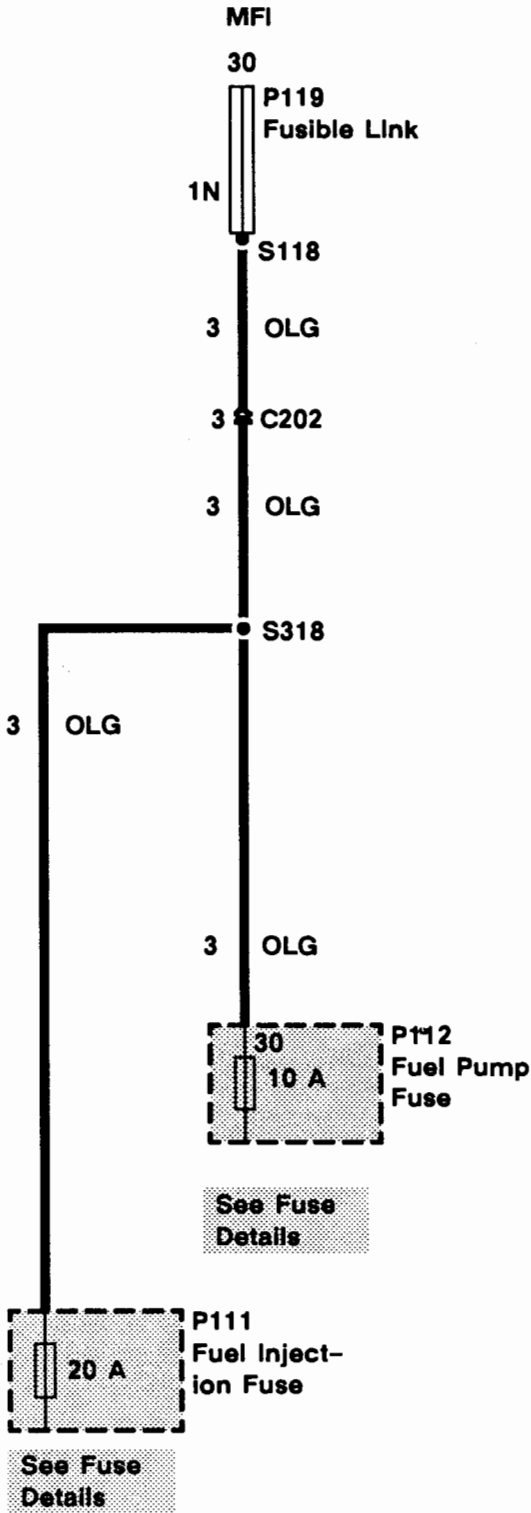
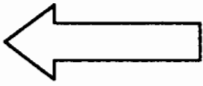
B- Black	P- Purple
G- Green	R- Red
K- Pink	S- Grey
L- Light	U- Blue
N- Brown	W- White
O- Orange	Y- Yellow





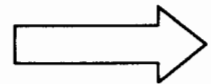
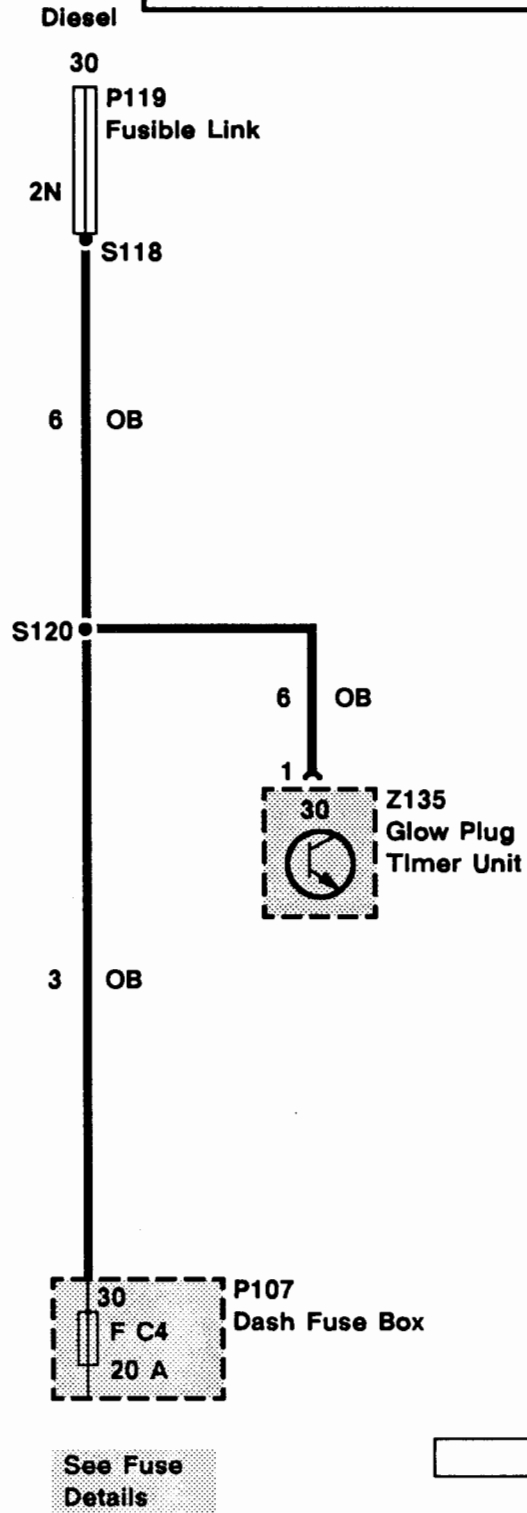
Y1 ETM

1993 RANGE ROVER

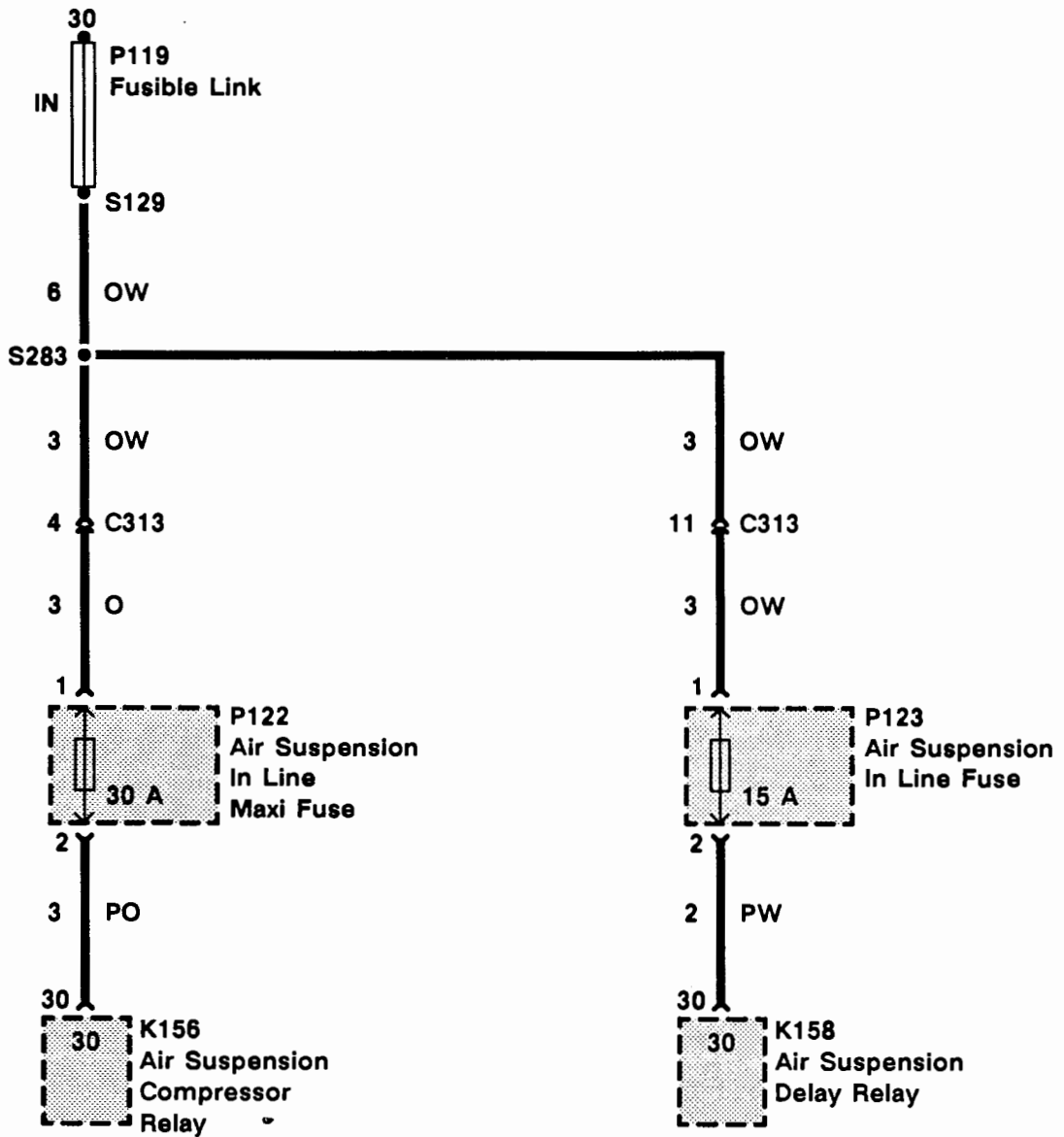
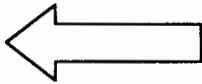


Wire Colour Chart

B- Black	P- Purple
G- Green	R- Red
K- Pink	S- Grey
L- Light	U- Blue
N- Brown	W- White
O- Orange	Y- Yellow



REV: JUN 93



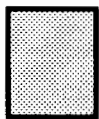
1993 RANGE ROVER

KEY INFORMATION

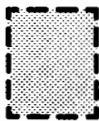
CIRCUIT DIAGRAMS

- Circuit diagrams are arranged so that current flow is from the top of the diagram (current source) to the bottom of the diagram (ground).
- Only those components that work together in the circuit are shown. If only part of a component is used in the circuit, then only that part of the component is shown.

- Remember:



Entire component



Part of a component

TERMINAL NUMBER

DESIGNATION

50	Battery voltage: Ignition Switch in position III
30	Battery voltage: supplied constantly
15	Battery voltage: Ignition Switch in position II or III
R	Battery voltage: Ignition Switch in positions I, II
31	Ground

See Introduction (i) for additional circuit diagram symbols.

DIAGNOSIS

- If the diagram is accompanied by text:
 - Read the Circuit Operation before proceeding with the electrical diagnosis.
 - Read the Troubleshooting Hints before performing the System Diagnosis.
 - Tests follow the System Diagnosis.
 - When performing the System Diagnosis, be certain that all components disconnected in previous steps are reconnected unless otherwise directed.



Component is disconnected.
Backprobe harness connector



Component is connected.
Backprobe harness connector



Component is disconnected.
Probe component



Component is disconnected.
Probe harness connector



Probe in-line connector

H1
Headlamps

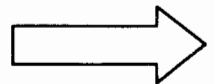
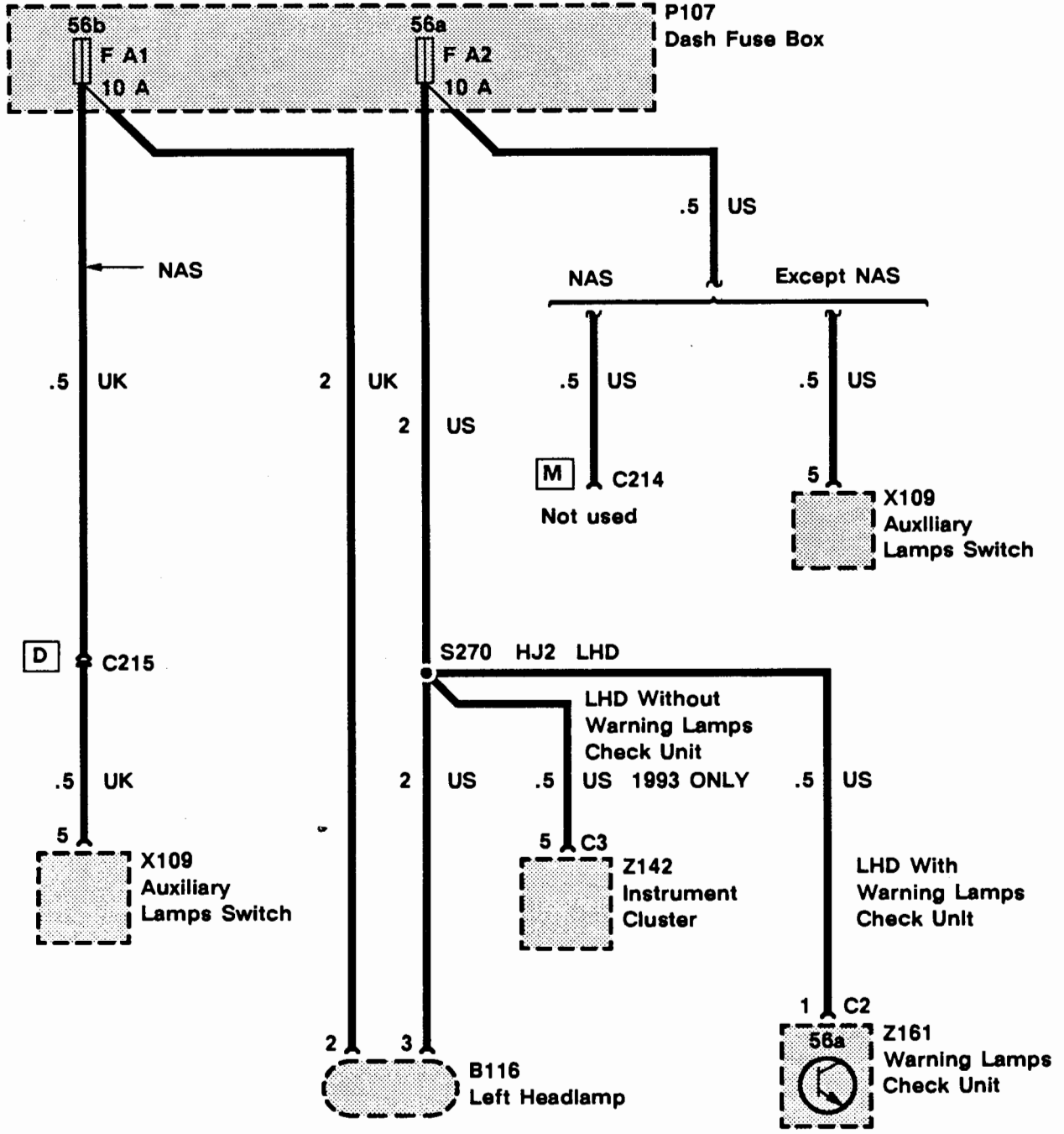
H2
Headlamps
(With
Warning Lamps
Check Unit)

H1
Headlamps

H2
Headlamps
(With
Warning Lamps
Check Unit)

Wire Colour Chart

B- Black	P- Purple
G- Green	R- Red
K- Pink	S- Grey
L- Light	U- Blue
N- Brown	W- White
O- Orange	Y- Yellow

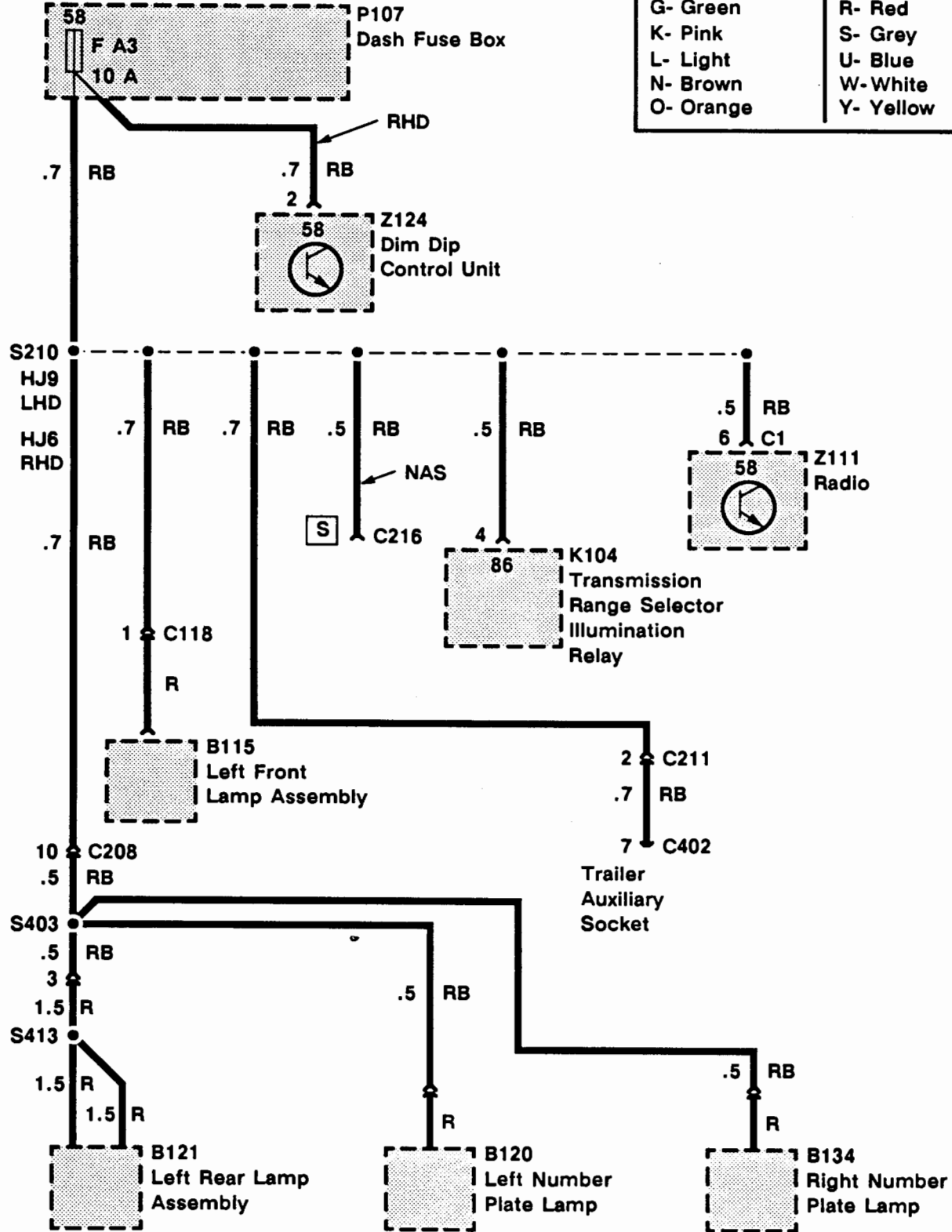


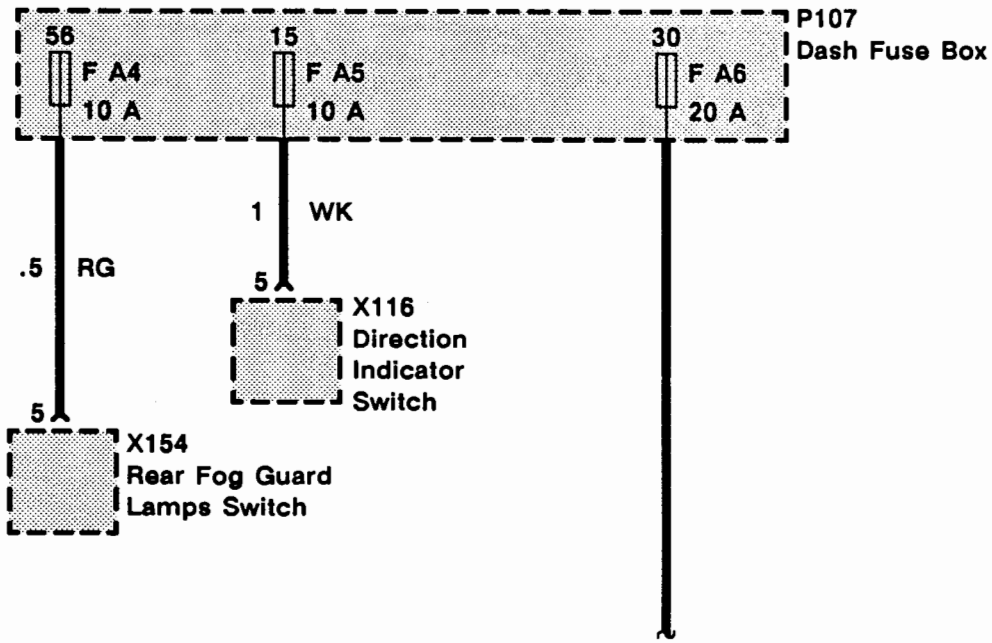
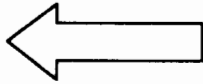
Y2 ETM

1993 RANGE ROVER

Wire Colour Chart

B- Black	P- Purple
G- Green	R- Red
K- Pink	S- Grey
L- Light	U- Blue
N- Brown	W- White
O- Orange	Y- Yellow

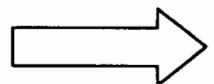
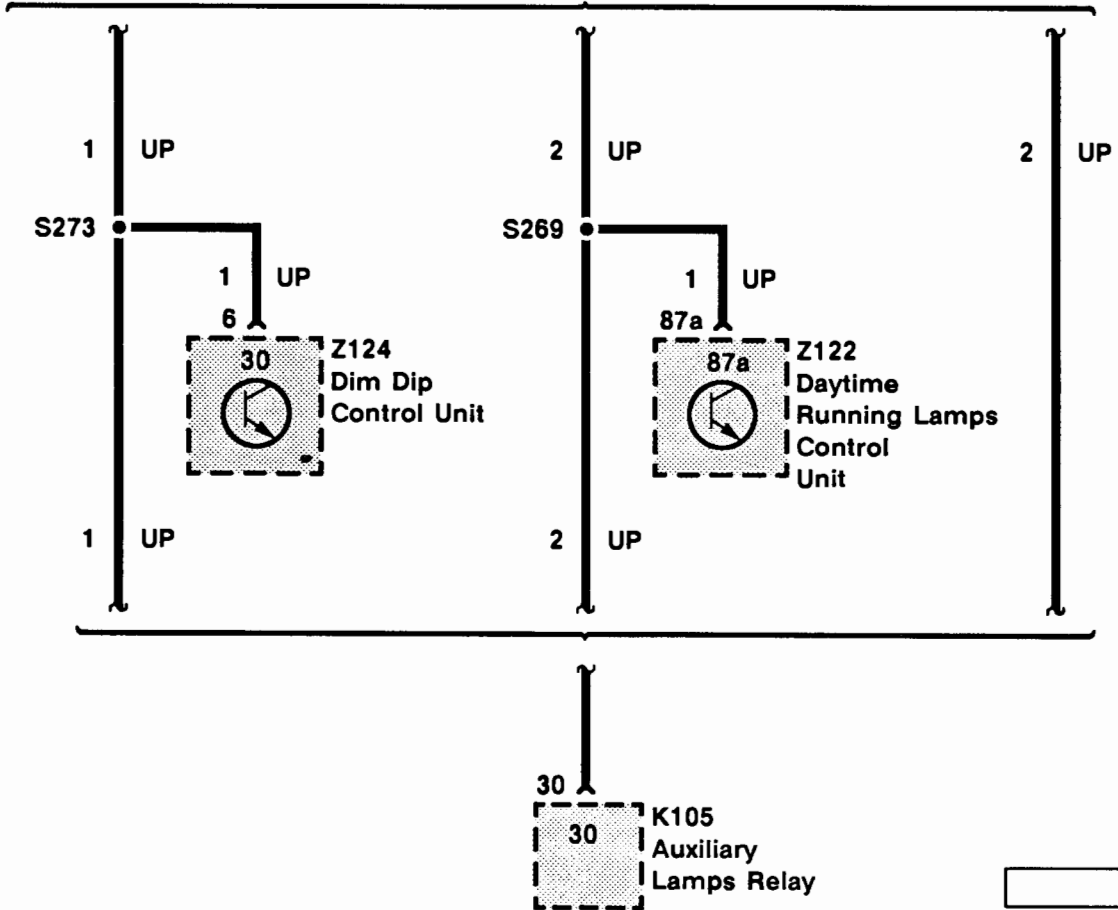




With Dim Dip Beams

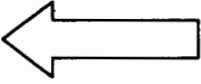
(Canada only)

Others



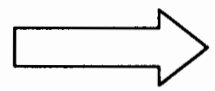
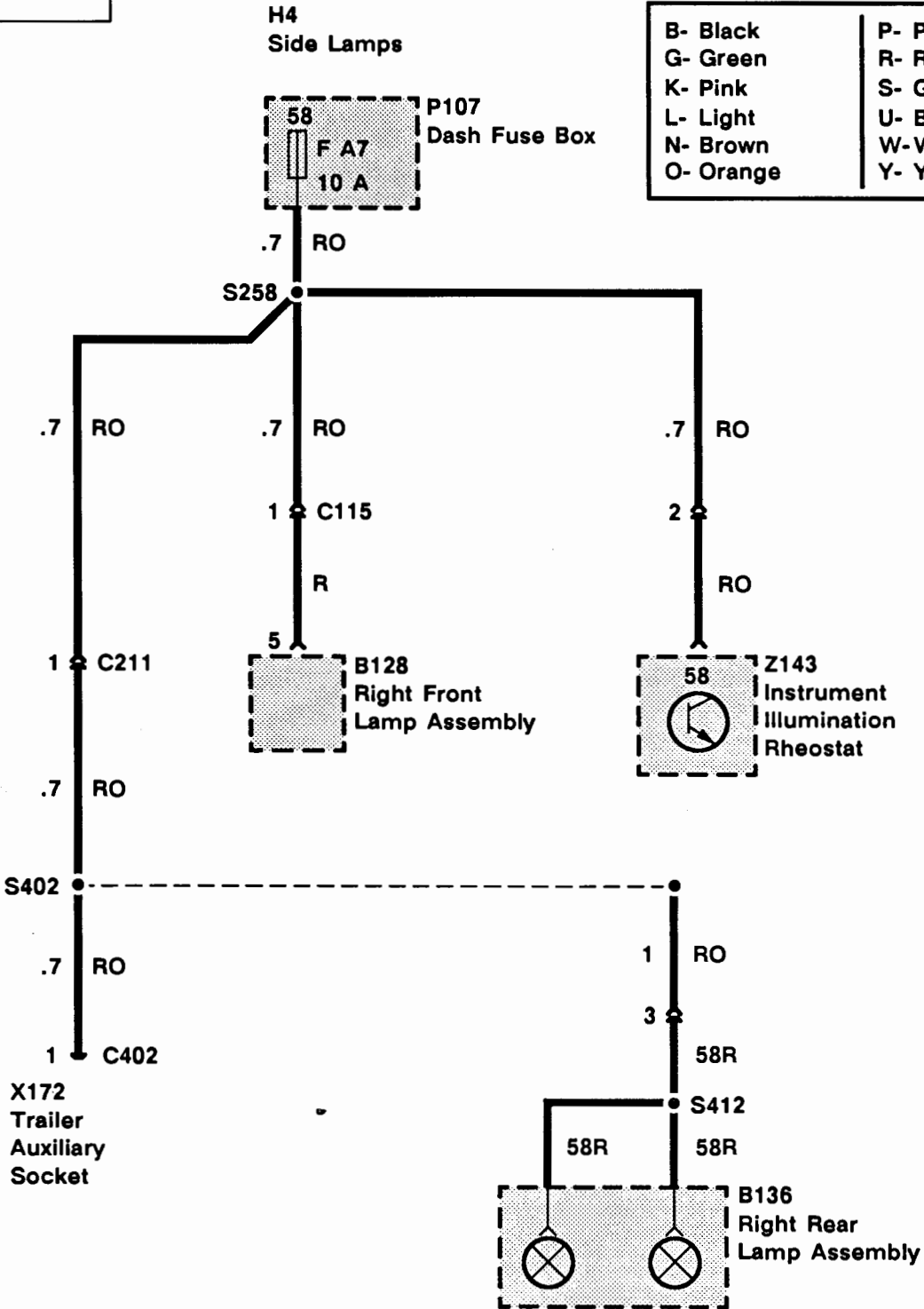
Y2 ETM

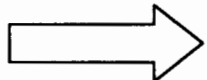
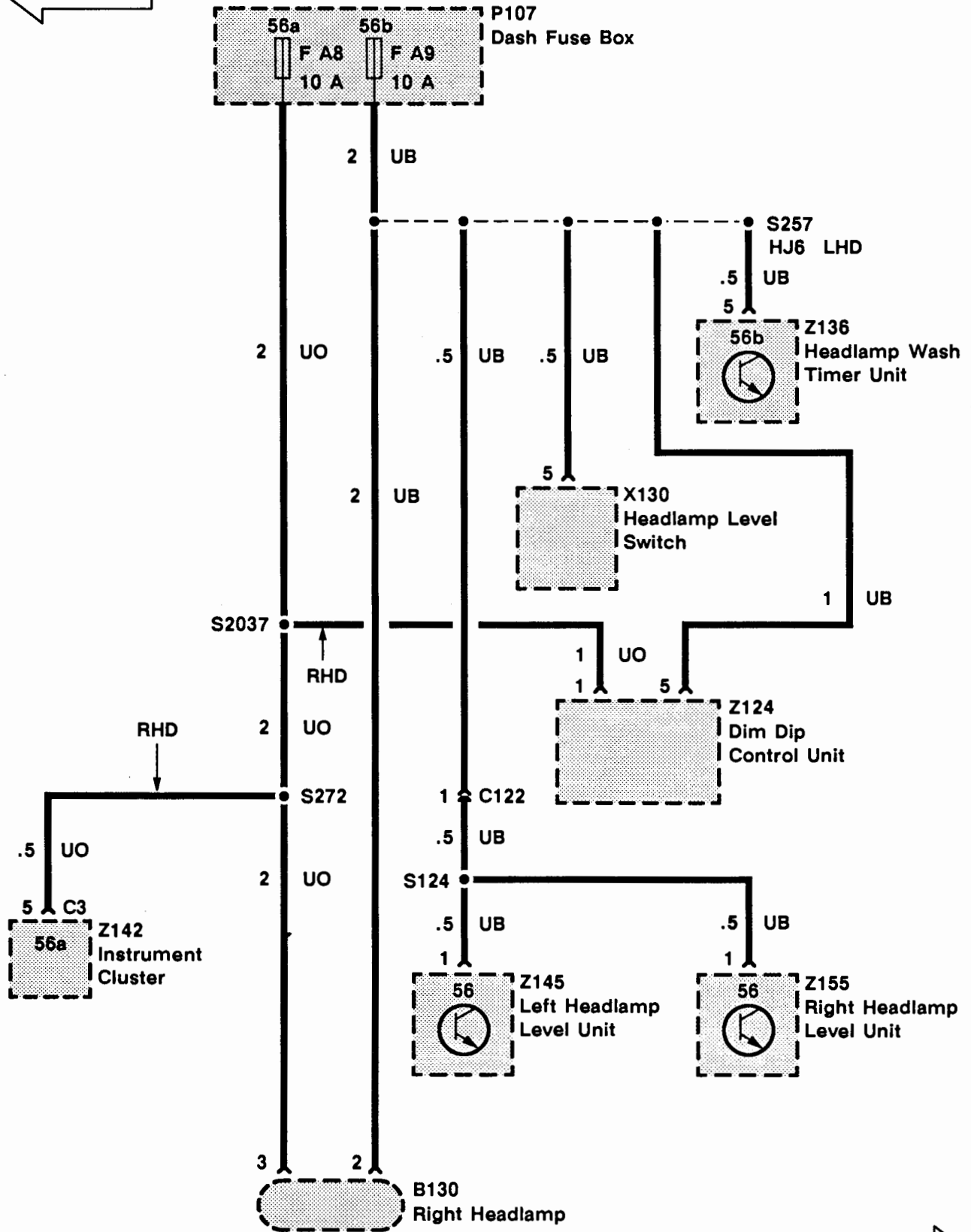
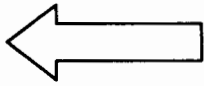
1993 RANGE ROVER



Wire Colour Chart

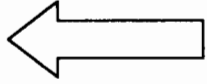
B- Black	P- Purple
G- Green	R- Red
K- Pink	S- Grey
L- Light	U- Blue
N- Brown	W- White
O- Orange	Y- Yellow





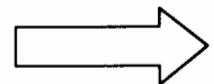
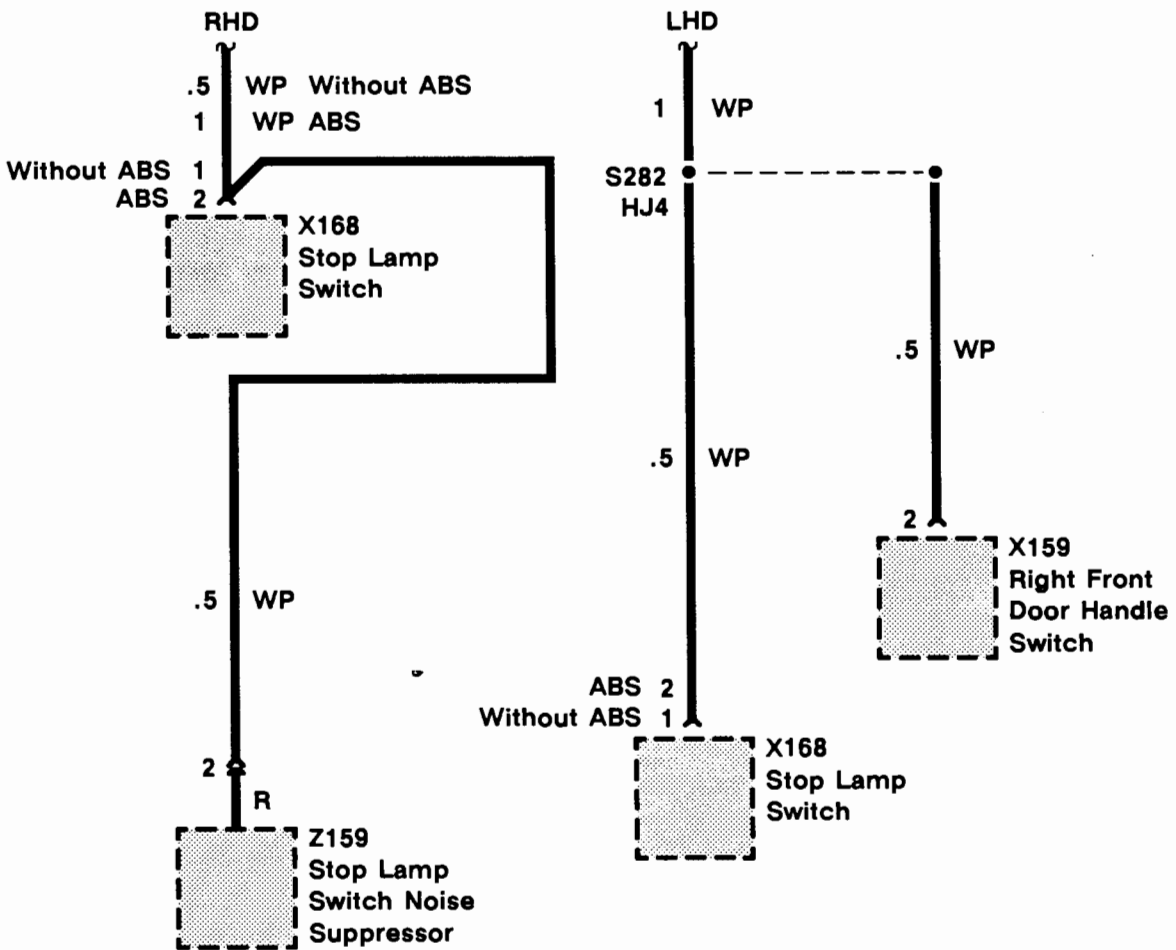
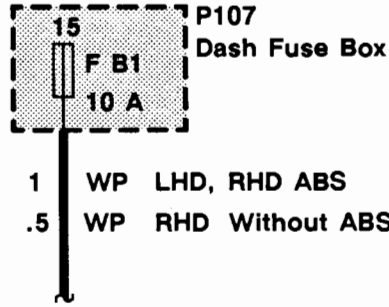
Y2 ETM

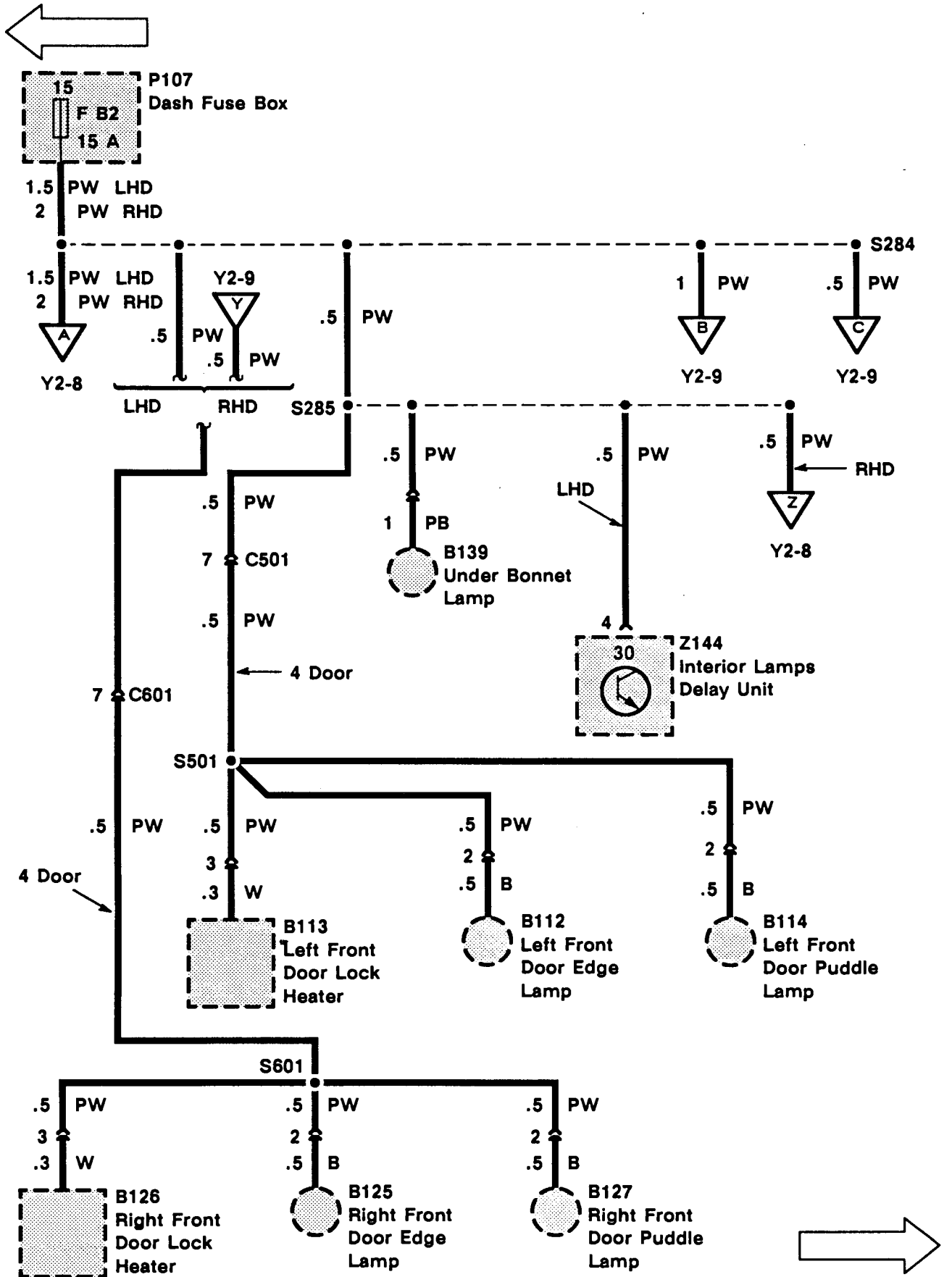
1993 RANGE ROVER



Wire Colour Chart

B- Black	P- Purple
G- Green	R- Red
K- Pink	S- Grey
L- Light	U- Blue
N- Brown	W- White
O- Orange	Y- Yellow



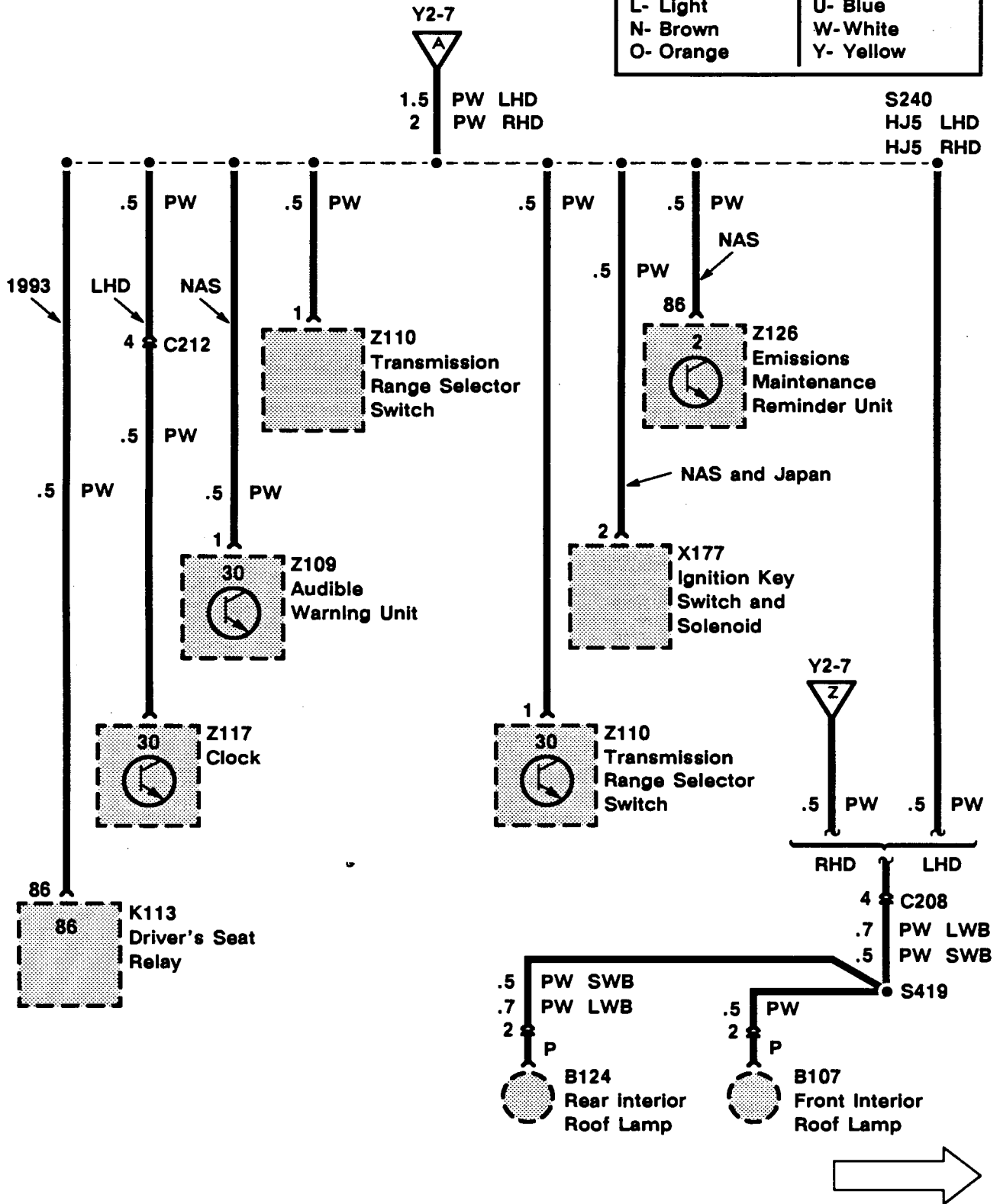


Y2 ETM

1993/1994 RANGE ROVER

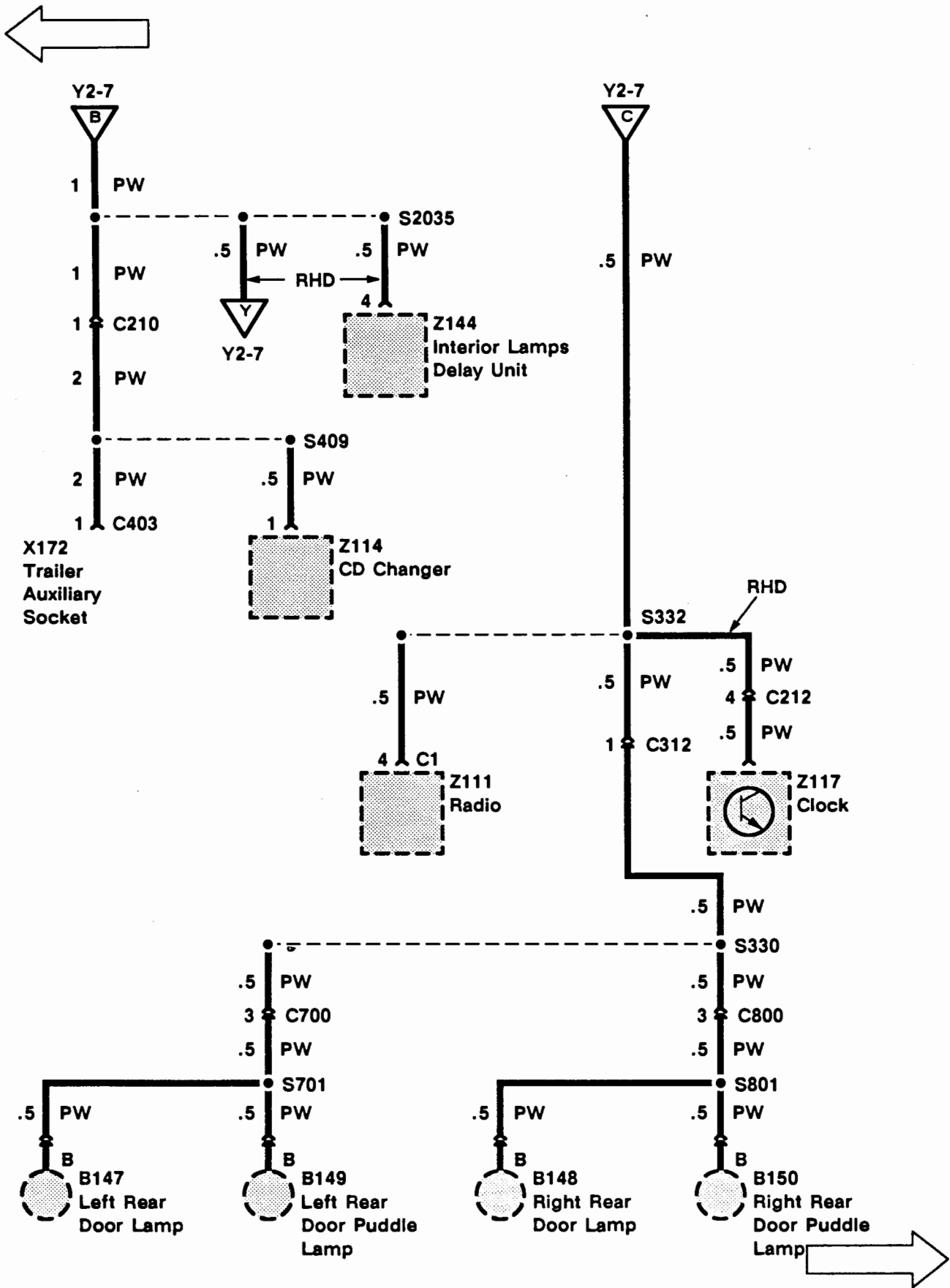
Wire Colour Chart

B- Black	P- Purple
G- Green	R- Red
K- Pink	S- Grey
L- Light	U- Blue
N- Brown	W- White
O- Orange	Y- Yellow



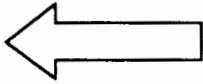
REV: AUG 93

ELECTRICAL TROUBLESHOOTING MANUAL



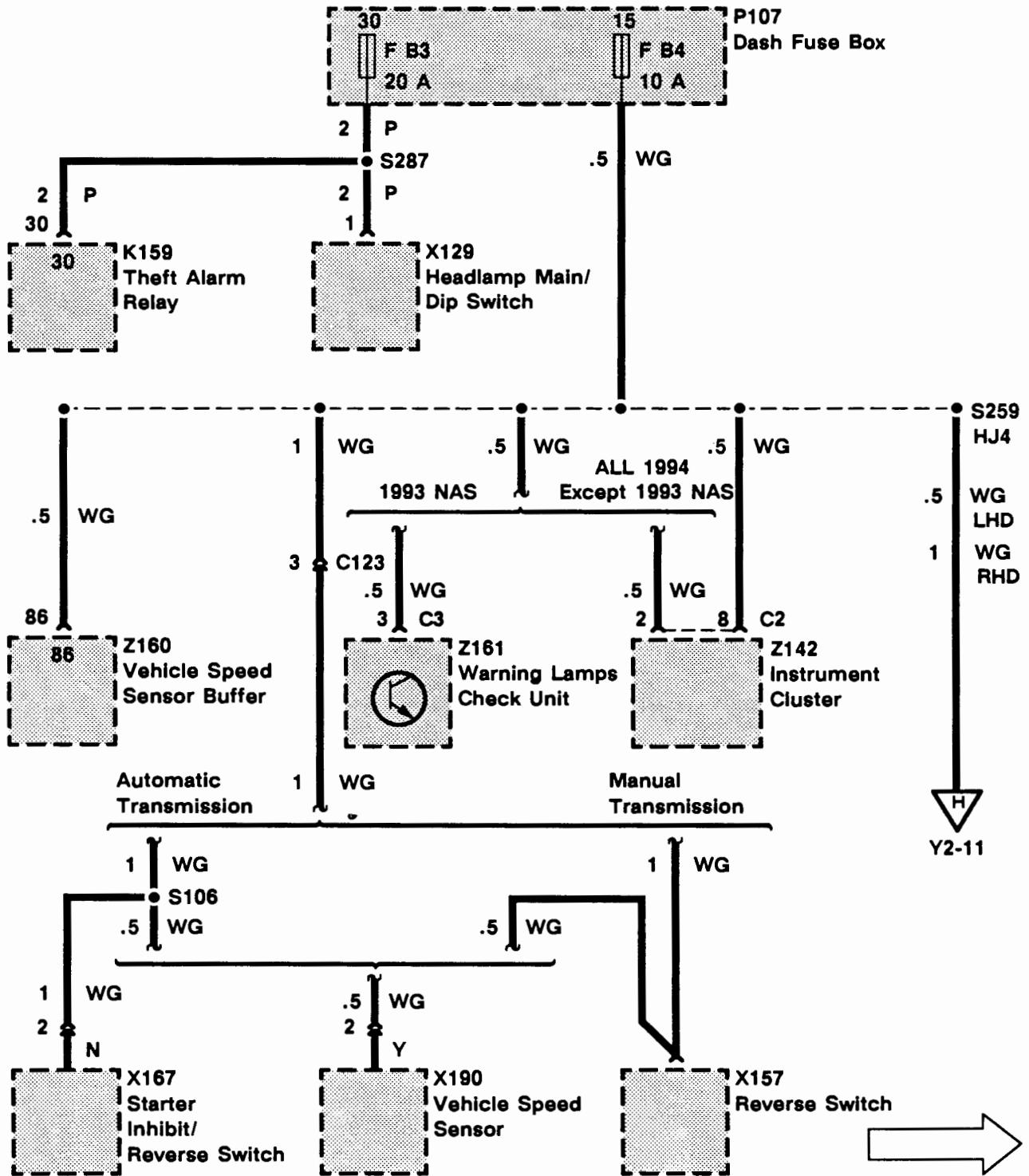
Y2 ETM

1993/1994 RANGE ROVER



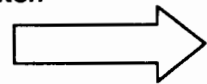
Wire Colour Chart

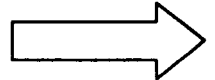
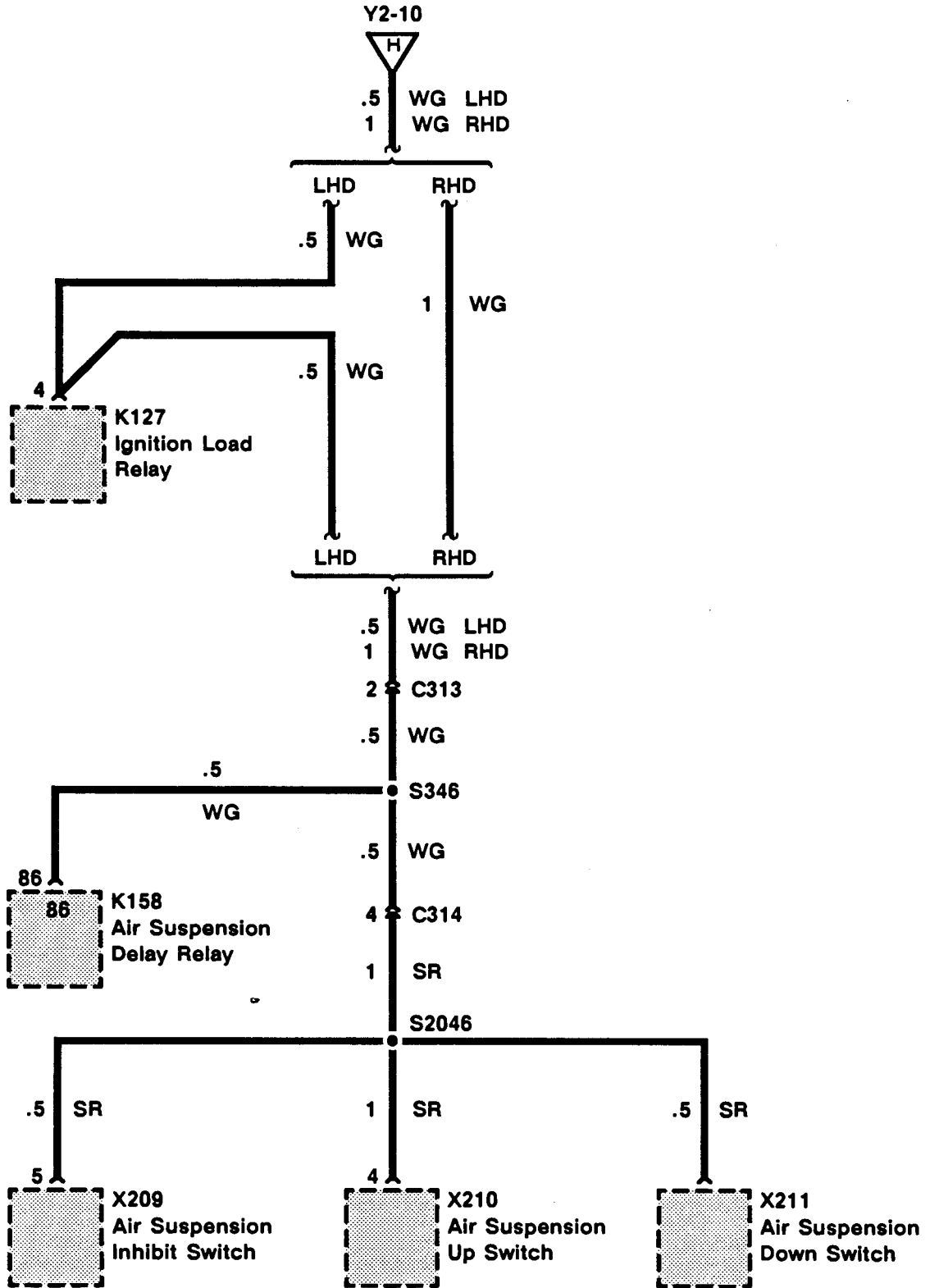
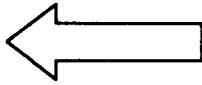
B- Black	P- Purple
G- Green	R- Red
K- Pink	S- Grey
L- Light	U- Blue
N- Brown	W- White
O- Orange	Y- Yellow



REV: AUG 93

ELECTRICAL TROUBLESHOOTING MANUAL



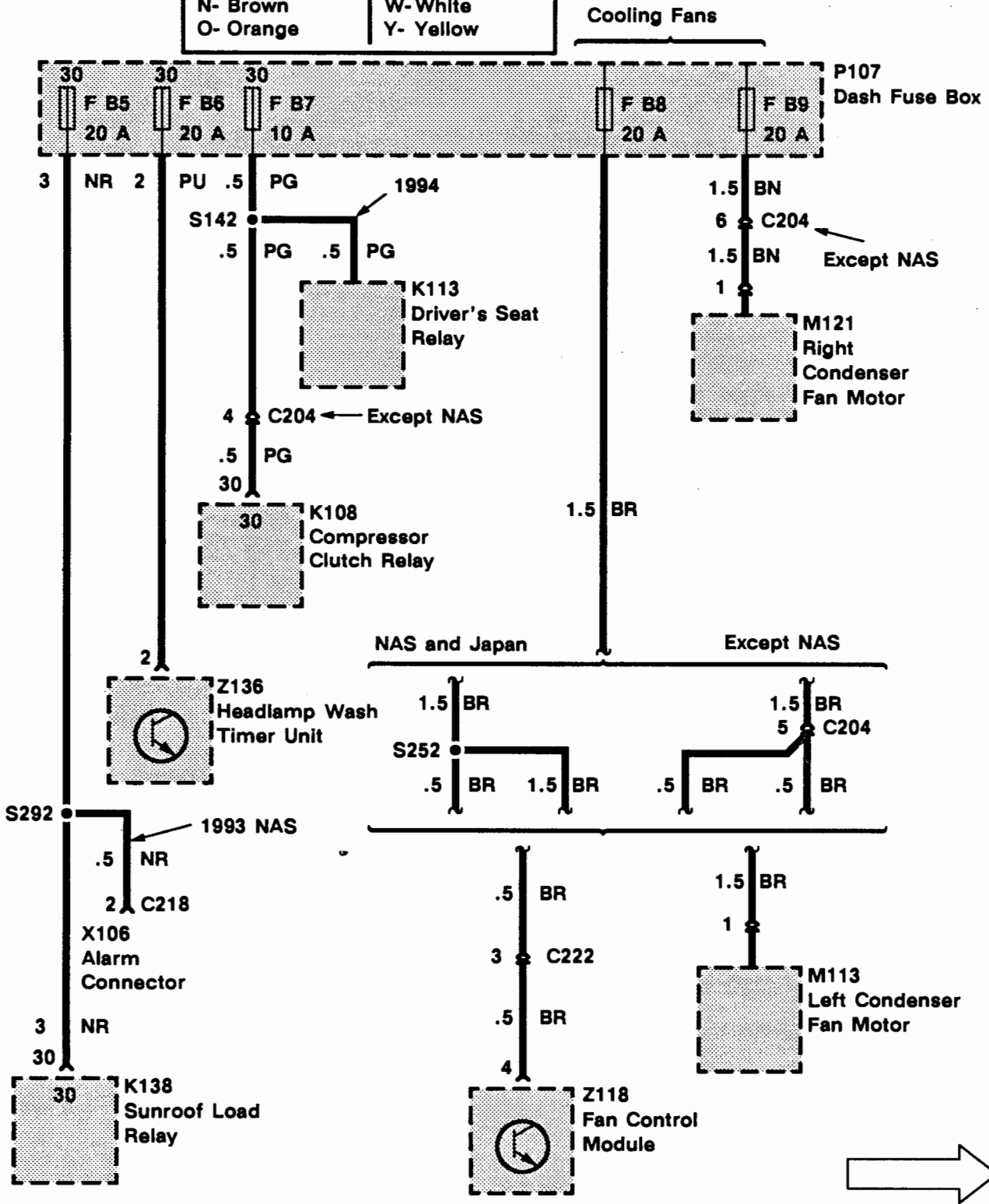


Y2 ETM

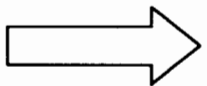
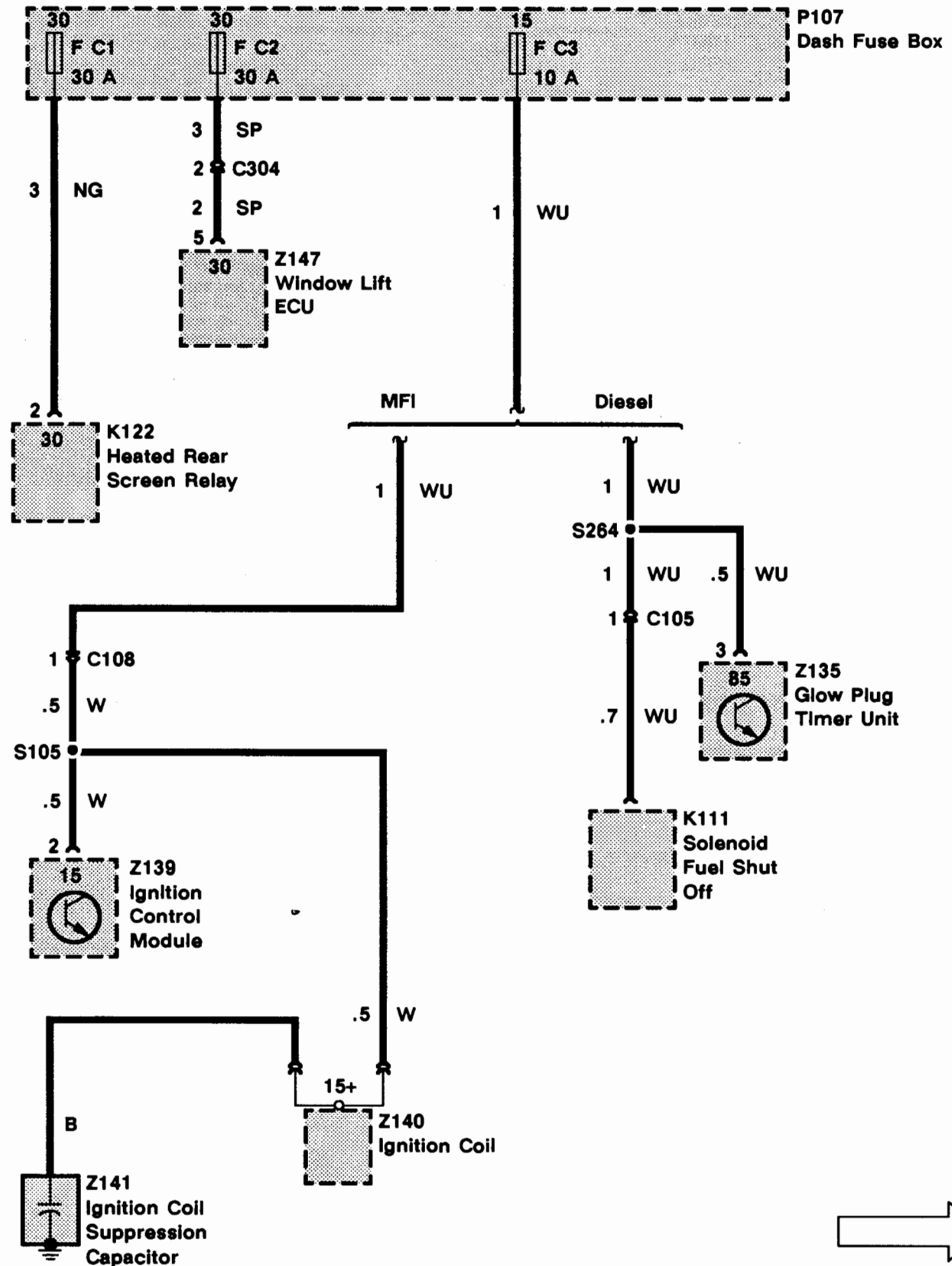
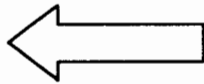
1993/1994 RANGE ROVER

Wire Colour Chart

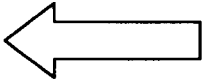
B- Black	P- Purple
G- Green	R- Red
K- Pink	S- Grey
L- Light	U- Blue
N- Brown	W- White
O- Orange	Y- Yellow



REV: AUG 93

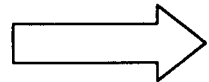
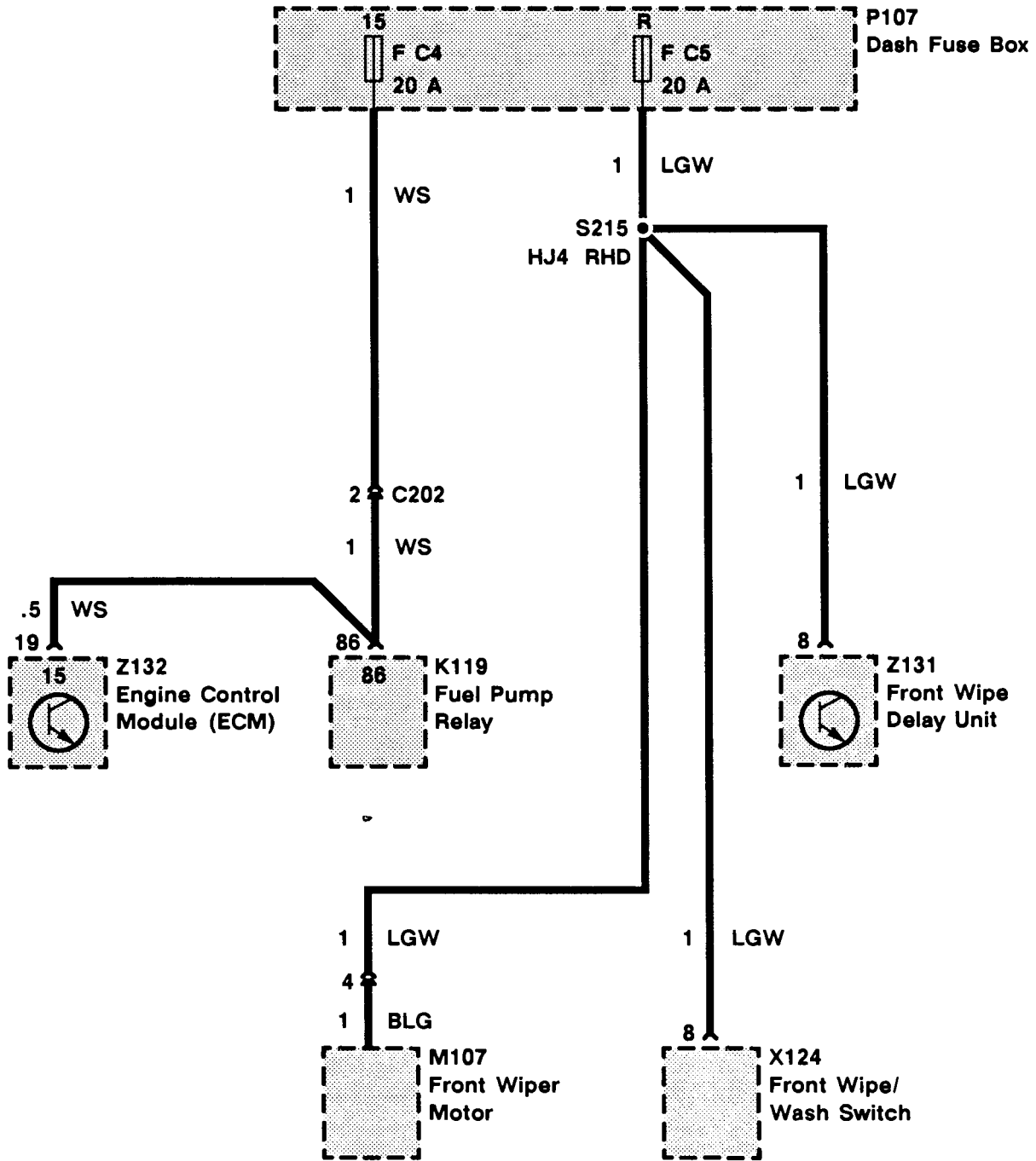


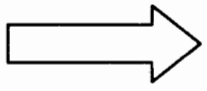
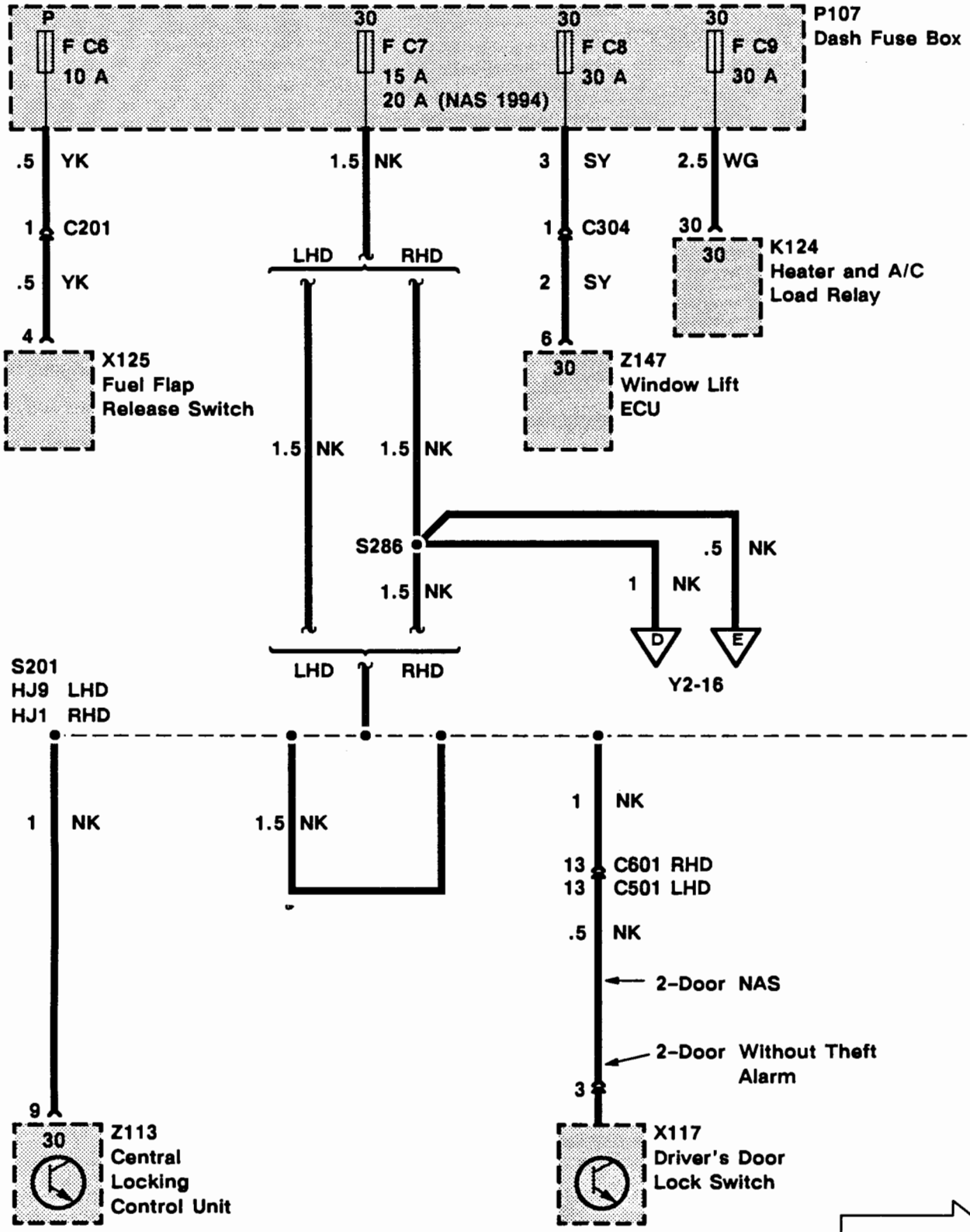
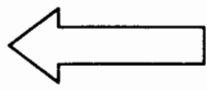
Y2 ETM



Wire Colour Chart

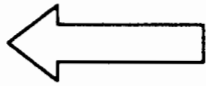
B- Black	P- Purple
G- Green	R- Red
K- Pink	S- Grey
L- Light	U- Blue
N- Brown	W- White
O- Orange	Y- Yellow





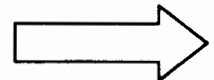
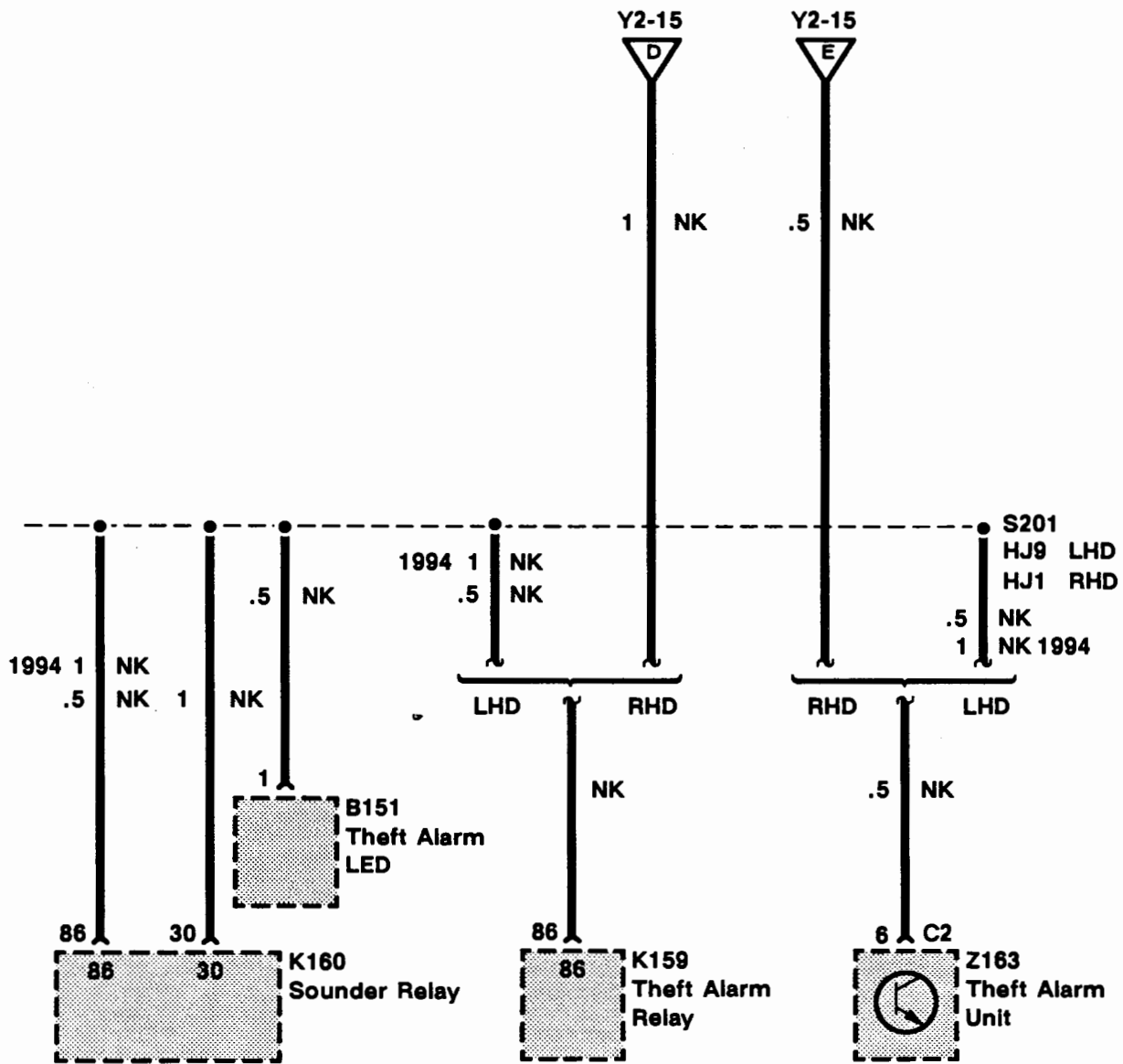
Y2 ETM

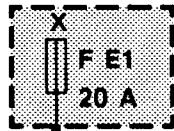
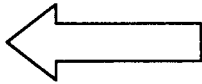
1993/1994 RANGE ROVER



Wire Colour Chart

B- Black	P- Purple
G- Green	R- Red
K- Pink	S- Grey
L- Light	U- Blue
N- Brown	W- White
O- Orange	Y- Yellow

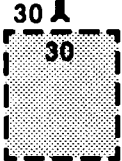




P116
Passenger
Underseat
Fuse Box

2 WY

.5 WY



K151
Interlock
Relay 2

2 WY

7 C304
WY

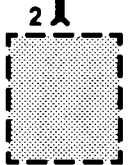
S225
HJ10 LHD
HJ5 RHD

1 WY



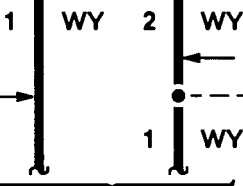
B106
Dash Cigar
Lighter

1 WY



X164
Right Seat
Heat Switch

2 Door



1 WY

2 WY

1 WY

1 WY

1 WY

1 WY

1 WY

1 WY

1 WY

1 WY

1 WY

1 WY

1 WY

1 WY

1 WY

1 WY

1 WY

1 WY

1 WY

1 WY

1 WY

1 WY

1 WY

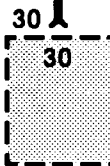
1 WY

1 WY

1 WY

1 WY

1 WY



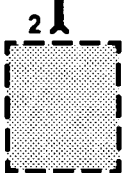
K129
Left Seat
Heat Relay

S320

1 WY

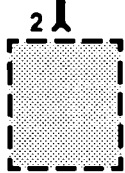
2 WY

1 WY

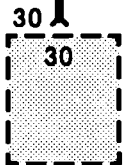


X143
Left Seat
Heat Switch

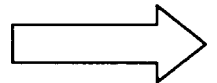
1 WY



B105
Cubby Box
Cigar Lighter



K135
Right Seat
Heat Relay

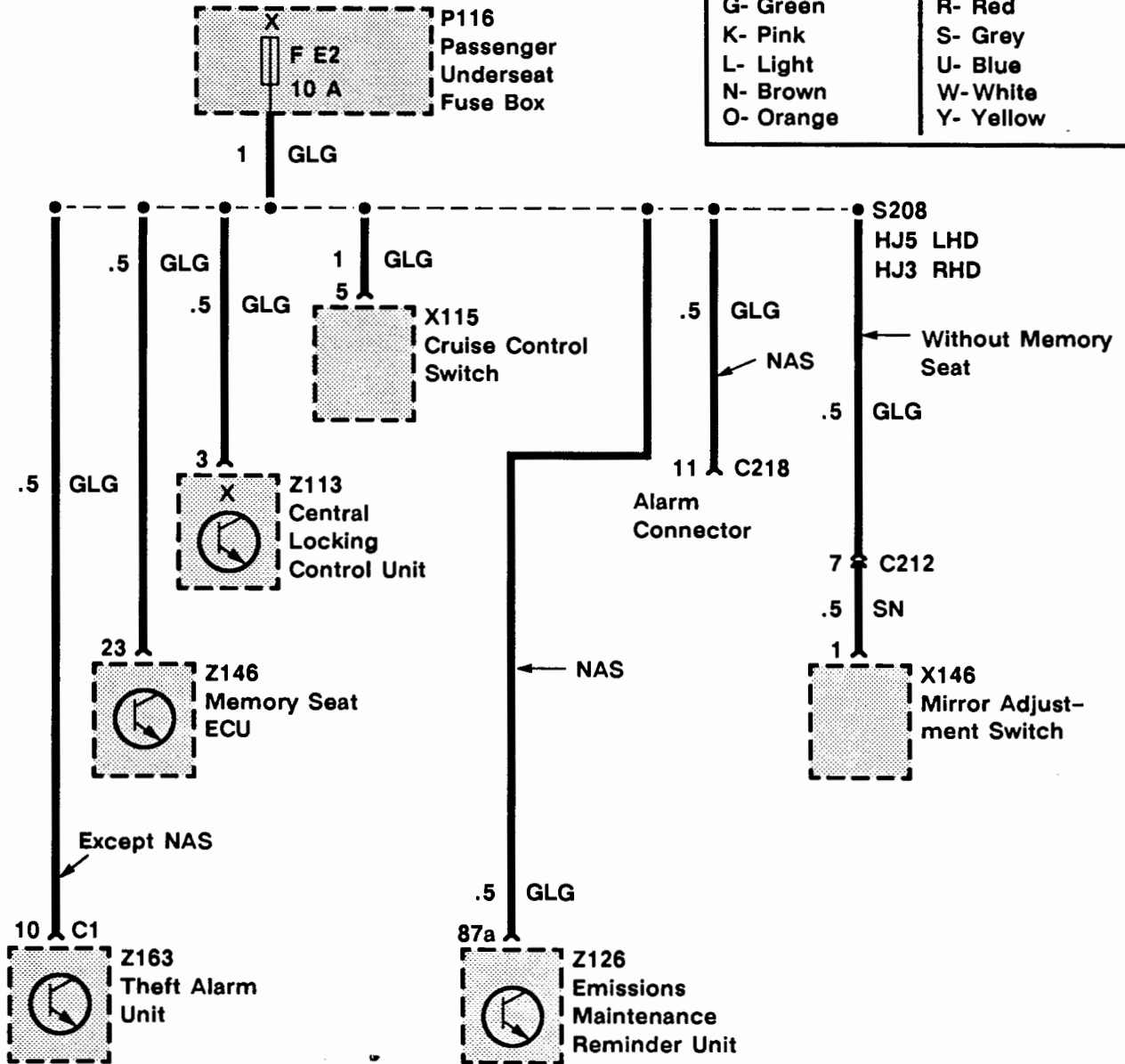


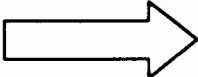
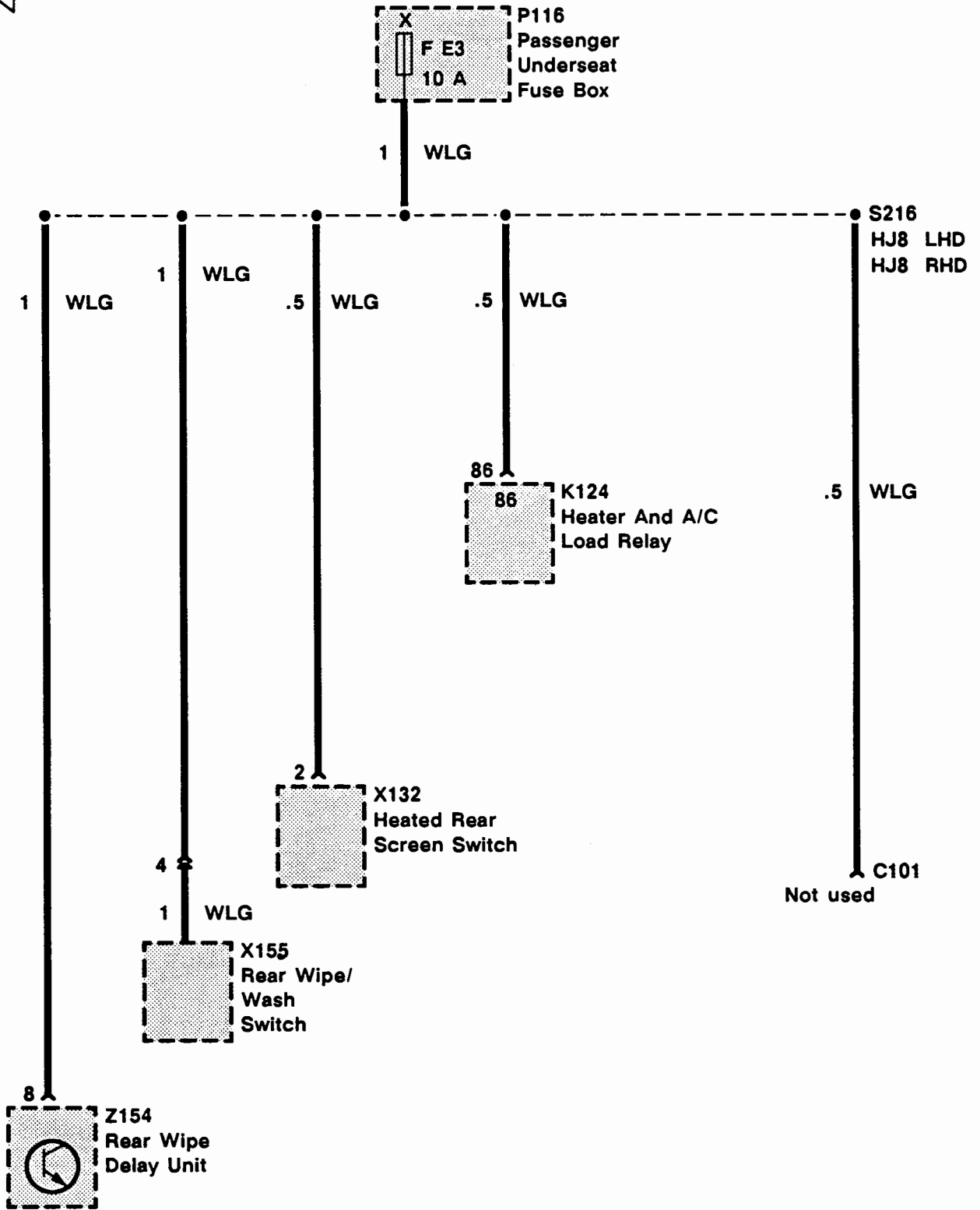
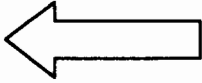
Y2 ETM

1993 RANGE ROVER

Wire Colour Chart

B- Black	P- Purple
G- Green	R- Red
K- Pink	S- Grey
L- Light	U- Blue
N- Brown	W- White
O- Orange	Y- Yellow



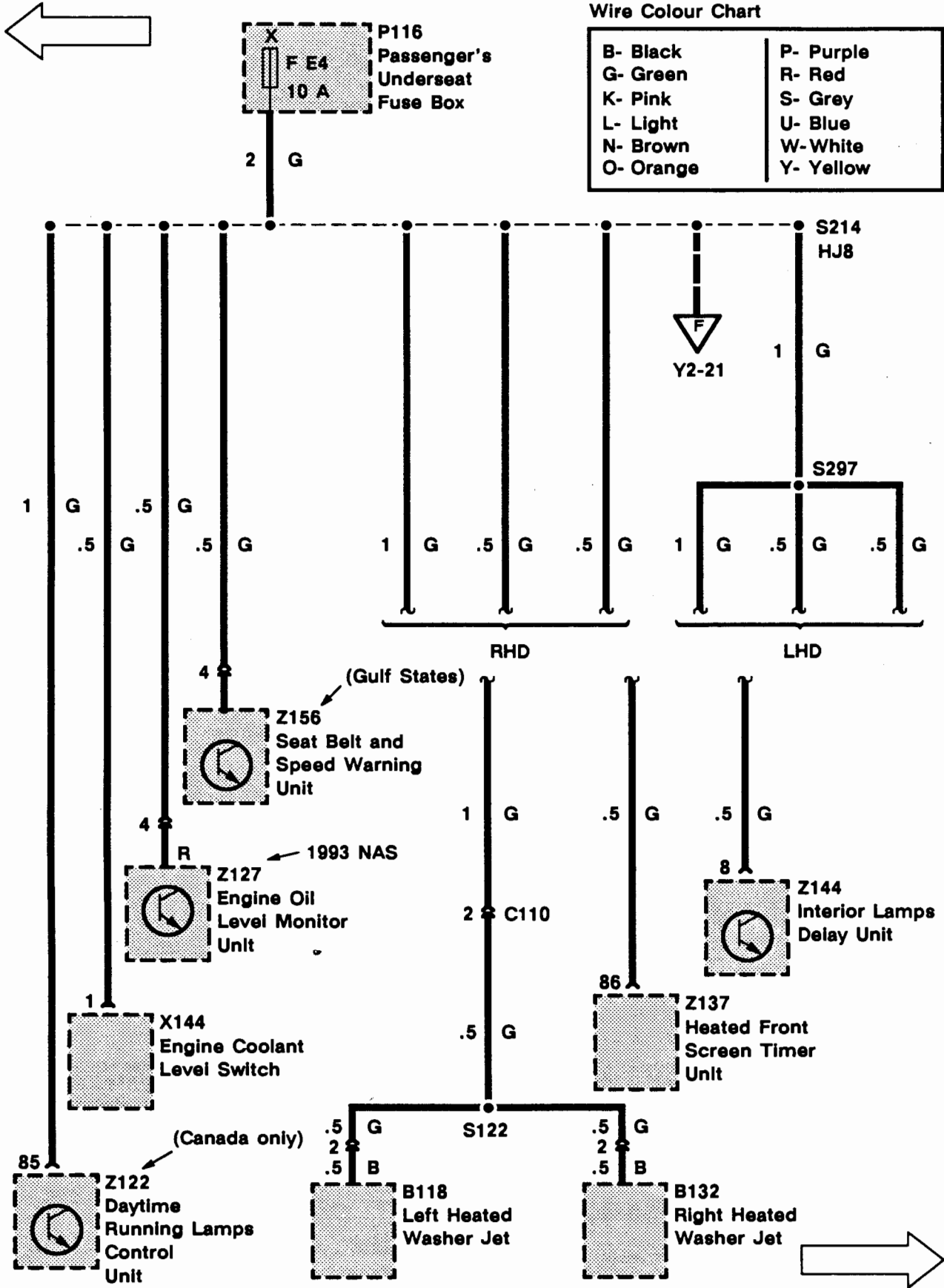


Y2 ETM

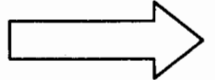
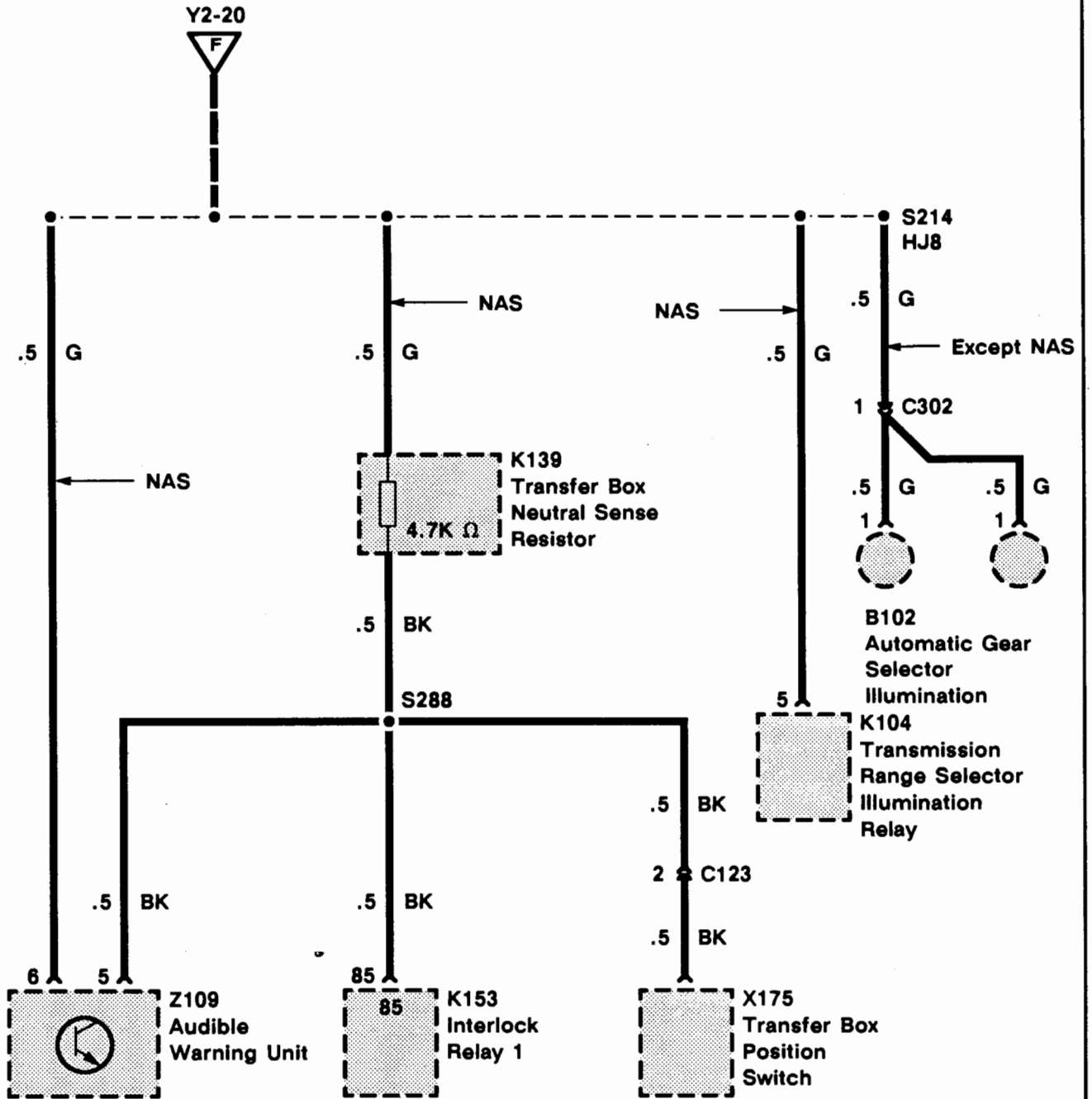
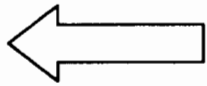
1993/1994 RANGE ROVER

Wire Colour Chart

B- Black	P- Purple
G- Green	R- Red
K- Pink	S- Grey
L- Light	U- Blue
N- Brown	W- White
O- Orange	Y- Yellow



REV: AUG 93

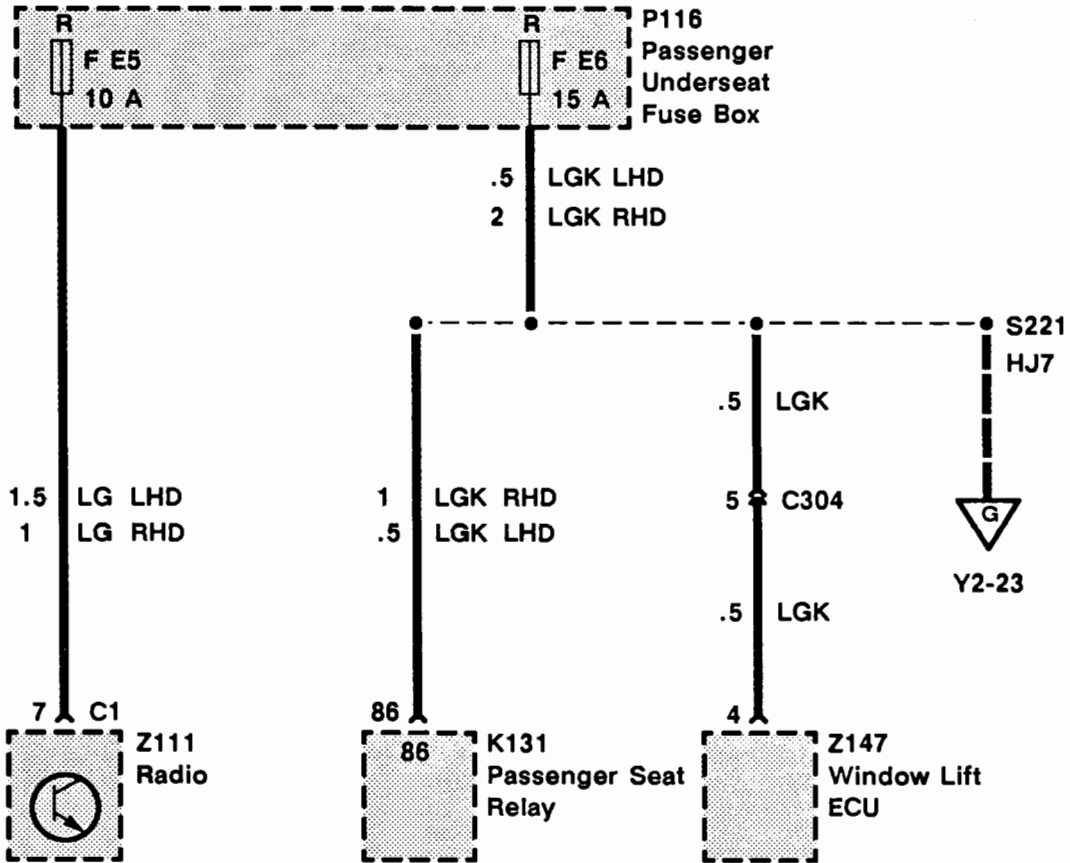


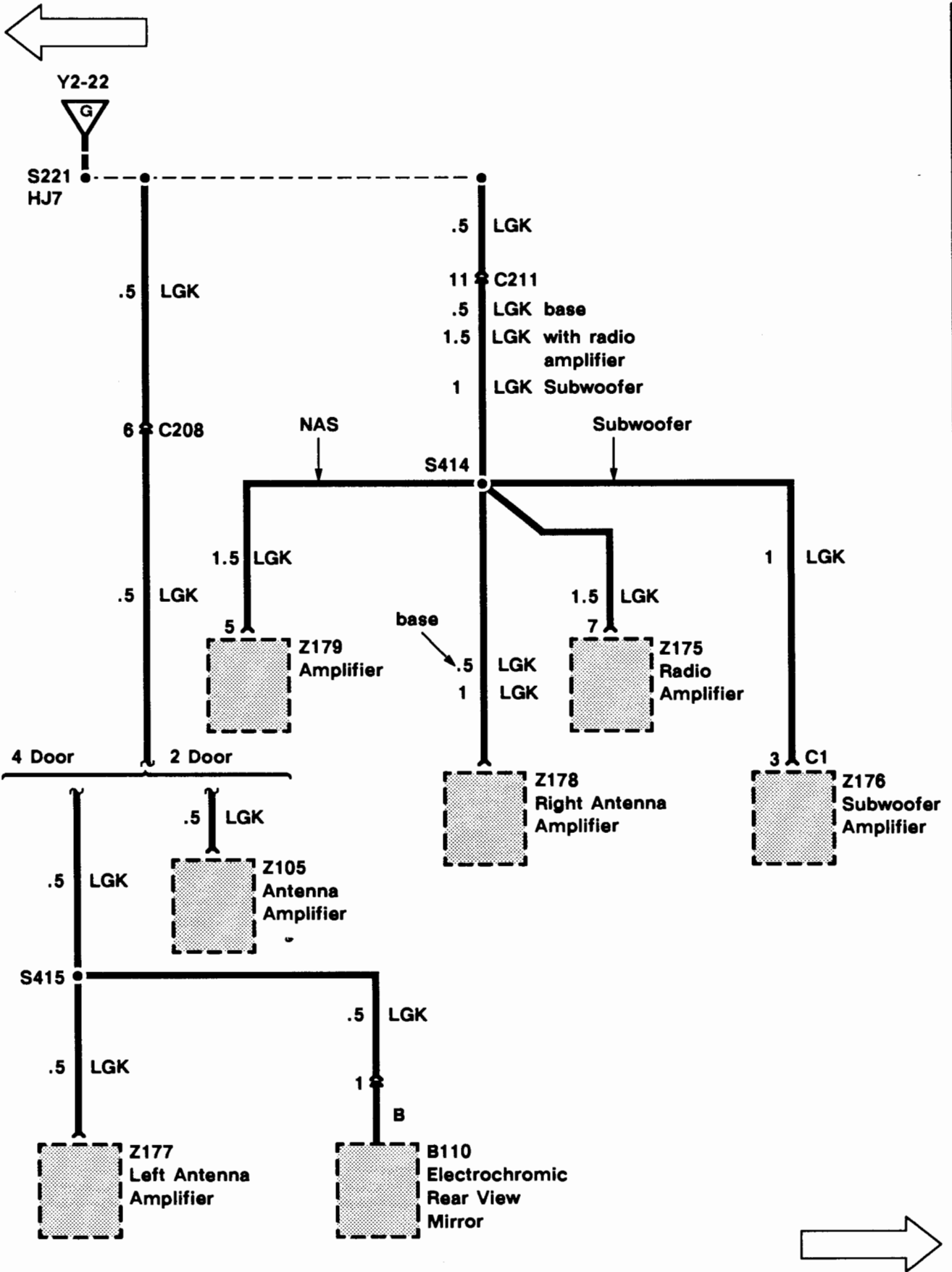
Y2 ETM

1993 RANGE ROVER

Wire Colour Chart

B- Black	P- Purple
G- Green	R- Red
K- Pink	S- Grey
L- Light	U- Blue
N- Brown	W- White
O- Orange	Y- Yellow



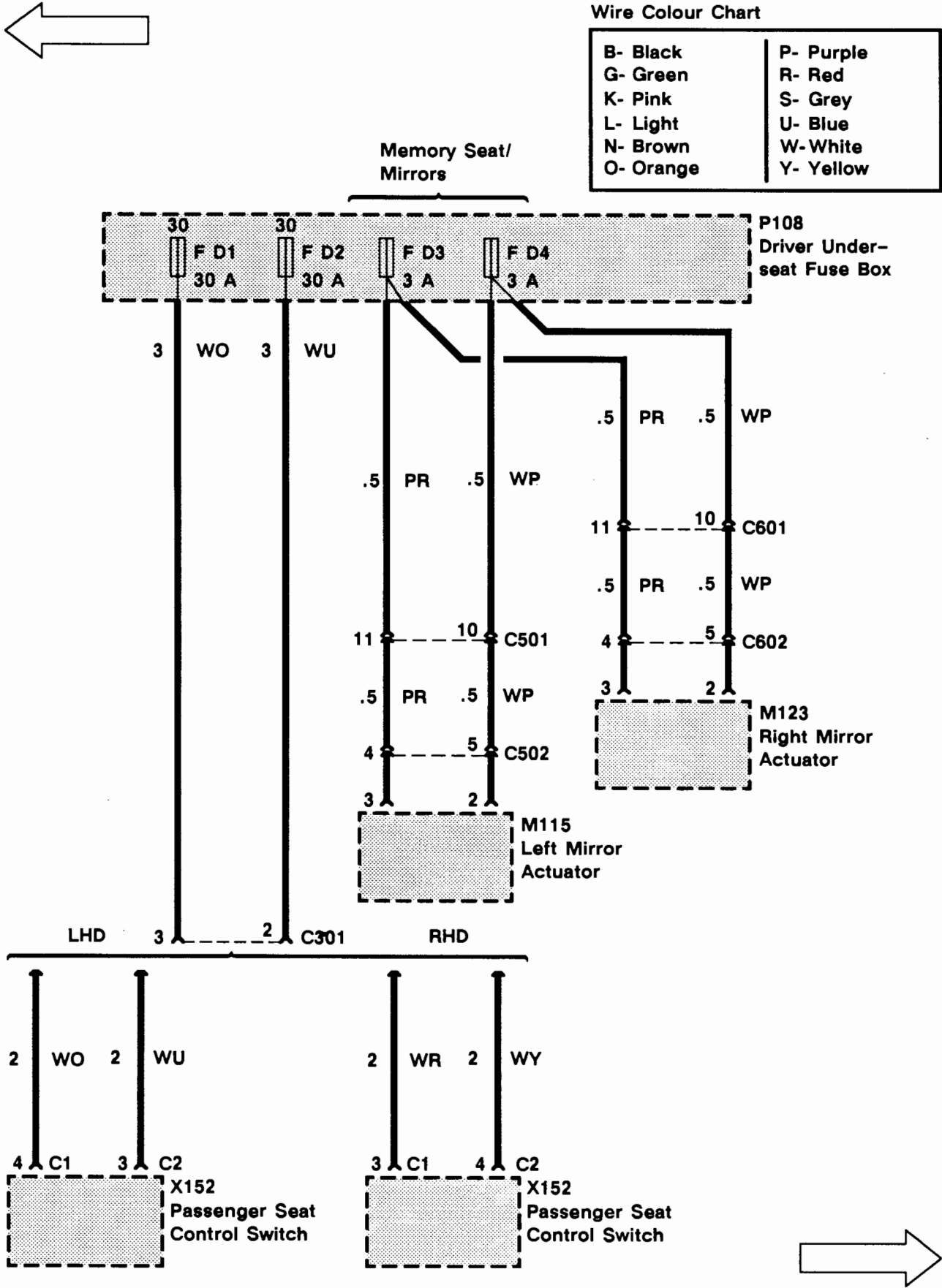


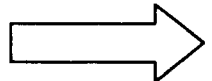
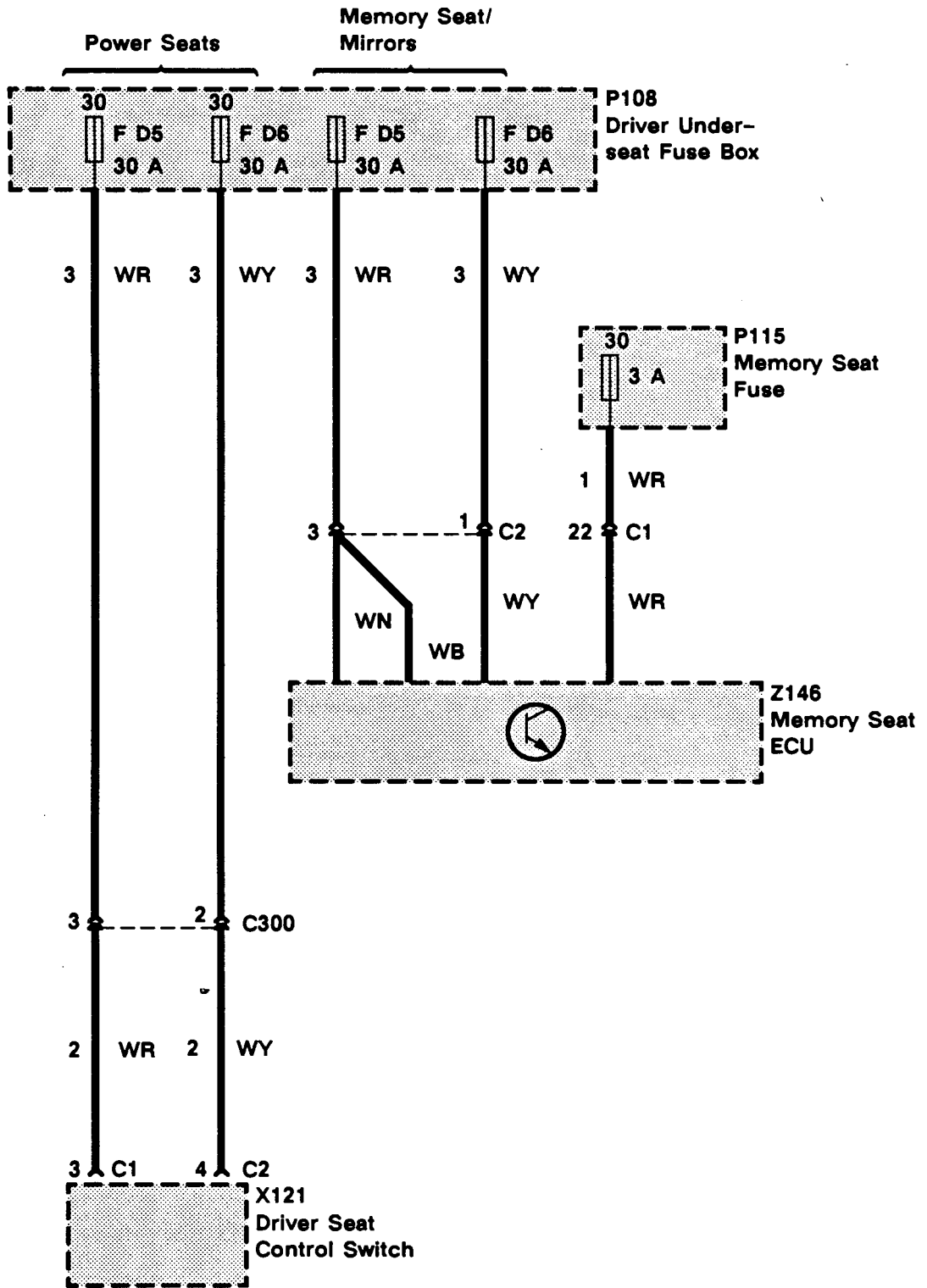
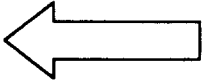
Y2 ETM

1993 RANGE ROVER

Wire Colour Chart

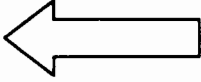
B- Black	P- Purple
G- Green	R- Red
K- Pink	S- Grey
L- Light	U- Blue
N- Brown	W- White
O- Orange	Y- Yellow





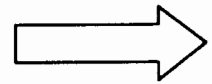
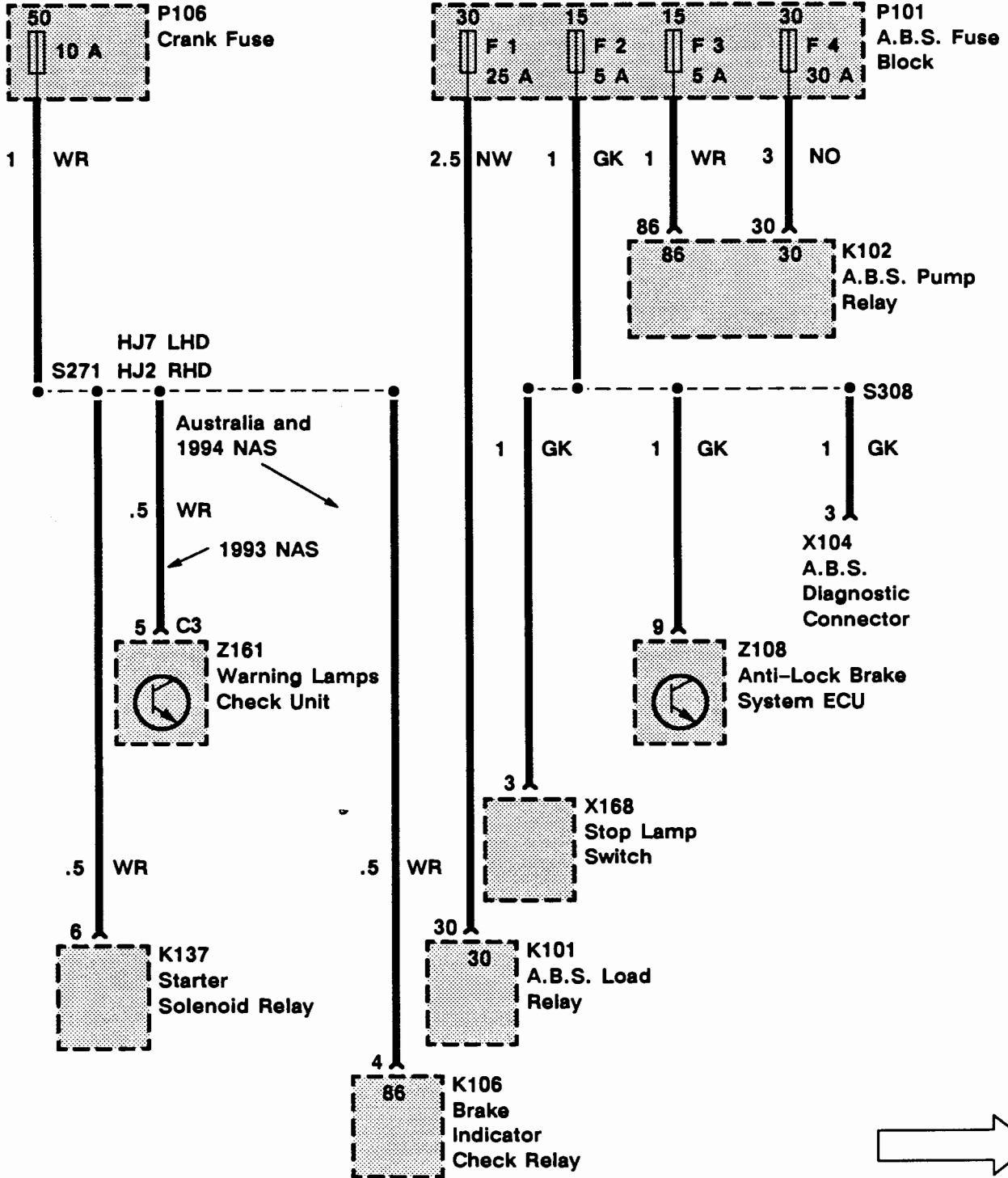
Y2 ETM

1993/1994 RANGE ROVER



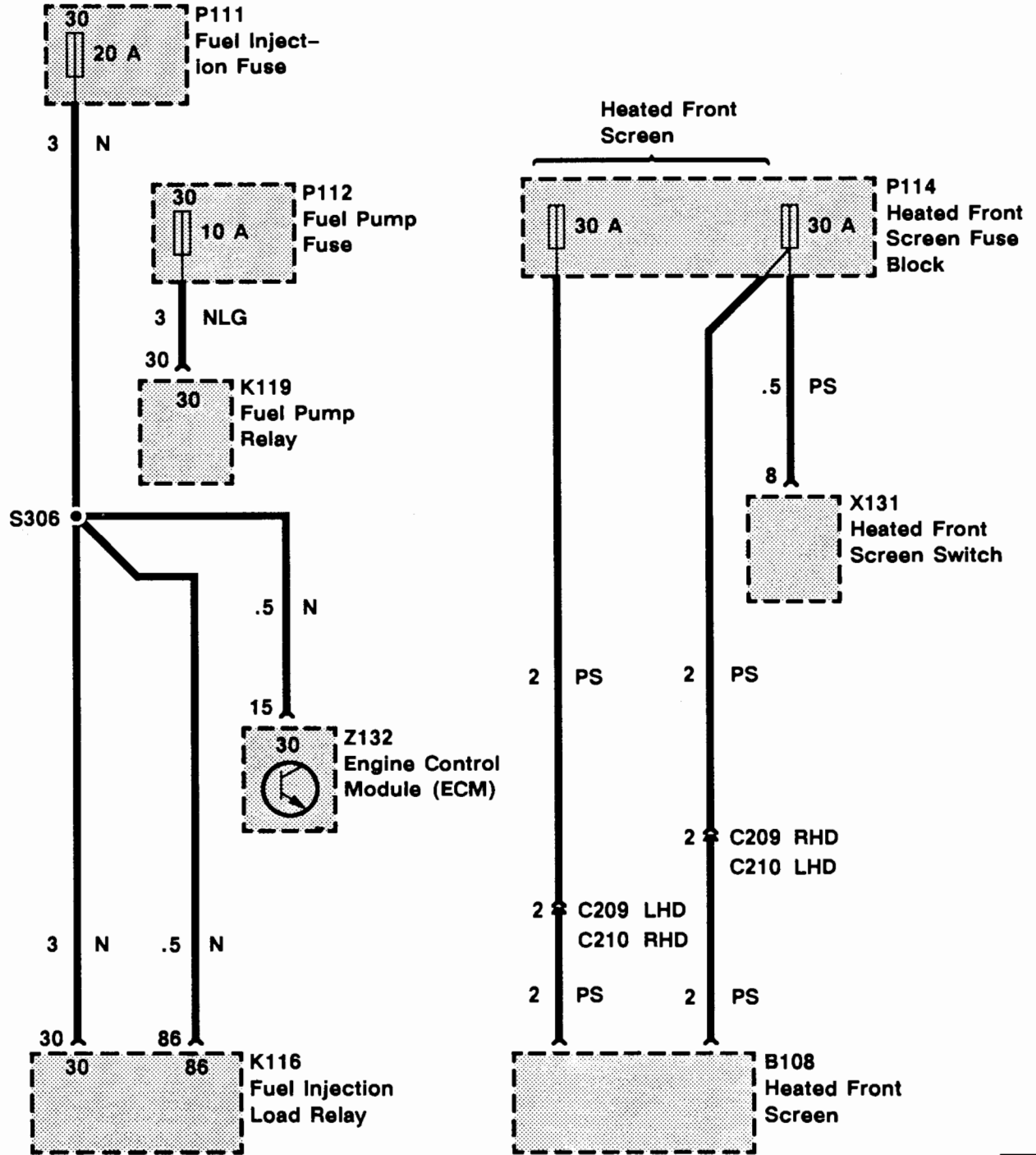
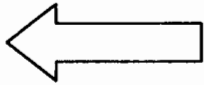
Wire Colour Chart

B- Black	P- Purple
G- Green	R- Red
K- Pink	S- Grey
L- Light	U- Blue
N- Brown	W- White
O- Orange	Y- Yellow



REV: AUG 93

ELECTRICAL TROUBLESHOOTING MANUAL



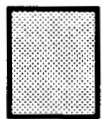
1993 RANGE ROVER

KEY INFORMATION

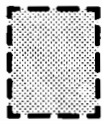
CIRCUIT DIAGRAMS

- Circuit diagrams are arranged so that current flow is from the top of the diagram (current source) to the bottom of the diagram (ground).
- Only those components that work together in the circuit are shown. If only part of a component is used in the circuit, then only that part of the component is shown.

- Remember:



Entire component



Part of a component

TERMINAL NUMBER

DESIGNATION

50	Battery voltage: Ignition Switch in position III
30	Battery voltage: supplied constantly
15	Battery voltage: Ignition Switch in position II or III
R	Battery voltage: Ignition Switch in positions I, II
31	Ground

See Introduction (i) for additional circuit diagram symbols.

DIAGNOSIS

- If the diagram is accompanied by text:
 - Read the Circuit Operation before proceeding with the electrical diagnosis.
 - Read the Troubleshooting Hints before performing the System Diagnosis.
 - Tests follow the System Diagnosis.
 - When performing the System Diagnosis, be certain that all components disconnected in previous steps are reconnected unless otherwise directed.



Component is disconnected.
Backprobe harness connector



Component is connected.
Backprobe harness connector



Component is disconnected.
Probe component



Component is disconnected.
Probe harness connector



Probe in-line connector

GROUND AND SPLICE INDEX

Ground	Page	Splice	Page
E100 LHD	Y5-4, 5	S100 LHD	Y5-4
E100 RHD	Y5-6, 7, 8	S100 RHD	Y5-6
E101 LHD	Y5-9	S101 LHD	Y5-9
E101 RHD	Y5-11	S101 RHD	Y5-11
E102	Y5-12	S102 LHD	Y5-30
E103 LHD	Y5-5	S102 RHD	Y5-6
E103 RHD	Y5-7	S107 LHD	Y5-17
E104 LHD	Y5-5	S107 RHD	Y5-31
E104 RHD	Y5-7	S125 LHD	Y5-15
E105 LHD	Y5-4	S126 LHD	Y5-4
E105 RHD	Y5-6	S126 RHD	Y5-8
E106 LHD	Y5-5	S131 LHD	Y5-9
E106 RHD	Y5-7	S131 RHD	Y5-8
E107 LHD	Y5-5	S132 LHD	Y5-27
E107 RHD	Y5-7	S134 RHD	Y5-11
E108 LHD	Y5-4	S135 RHD	Y5-6
E108 RHD	Y5-6	S136 RHD	Y5-6
E200 LHD	Y5-14, 18, 21	S137 LHD	Y5-27
E200 RHD	Y5-22, 23, 25	S138	Y5-43
E201 LHD	Y5-26, 27, 28, 30	S140	Y5-43
E201 RHD	Y5-32, 35, 37, 38	S200 LHD	Y5-18
E202	Y5-39	S204 LHD	Y5-21
E300	Y5-40	S204 RHD	Y5-35, 37
E301	Y5-40	S223 LHD	Y5-19
E302	Y5-41	S223 RHD	Y5-34
E303	Y5-42	S230 LHD	Y5-19
E304	Y5-43	S230 RHD	Y5-34
E400	Y5-44	S256 LHD	Y5-27
E401	Y5-45	S275 LHD	Y5-26
E403	Y5-45	S275 RHD	Y5-38
E404	Y5-45	S276 LHD	Y5-19
E405 LHD	Y5-19	S276 RHD	Y5-34
E406	Y5-46	S289 LHD	Y5-14
		S290 LHD	Y5-14
		S291 LHD	Y5-21
		S293	Y5-39
		S299 LHD	Y5-18
		S300	Y5-40
		S301 LHD	Y5-5
		S301 RHD	Y5-7
		S302 LHD	Y5-5
		S302 RHD	Y5-7
		S303	Y5-41
		S317	Y5-42
		S324	Y5-40
		S333	Y5-40
		S341	Y5-43
		S342	Y5-43
		S344	Y5-43
		S400	Y5-44
		S401	Y5-45
		S416	Y5-46
		S420	Y5-39
		S500 LHD	Y5-13
		S500 RHD	Y5-10

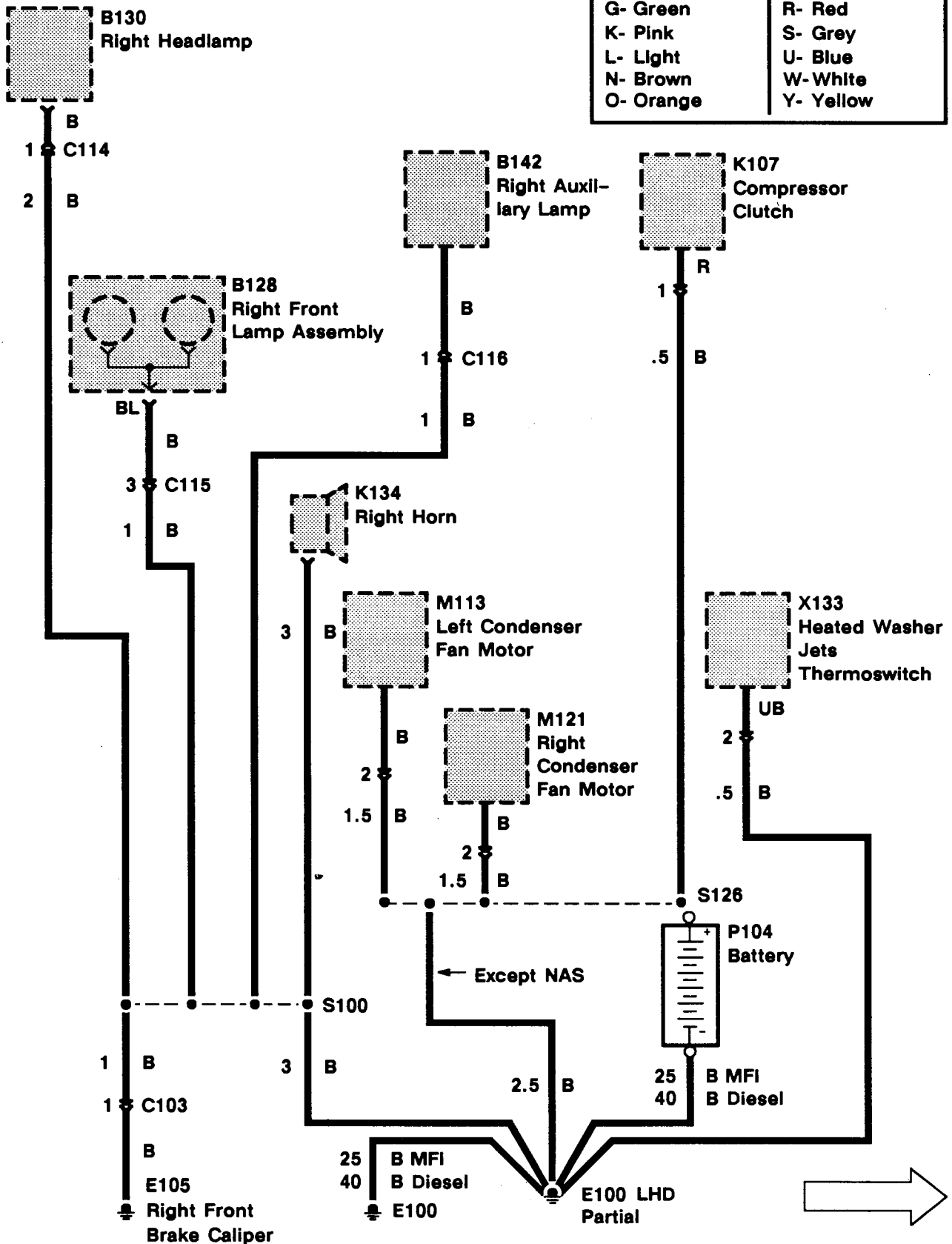
Splice	Page
S600 LHD	Y5-29
S600 RHD	Y5-36
S2000 LHD	Y5-20
S2002 LHD	Y5-21
S2005 LHD	Y5-28
S2006 LHD	Y5-30
S2007 LHD	Y5-28
S2008 LHD	Y5-30
S2009 LHD	Y5-27
S2010 LHD	Y5-14
S2010 RHD	Y5-37
S2013 RHD	Y5-32
S2014 RHD	Y5-37
S2015 RHD	Y5-32
S2017 RHD	Y5-32
S2018 RHD	Y5-23
S2019 RHD	Y5-24
S2020 RHD	Y5-25
S2021 LHD	Y5-15, 16
S2022 LHD	Y5-16
S2022 RHD	Y5-33
S2023 LHD	Y5-17
S2024 LHD	Y5-20
S2025 LHD	Y5-28
S2026 RHD	Y5-25
S2027 RHD	Y5-22
S2028 RHD	Y5-31
S2029 RHD	Y5-35

Y5 ETM

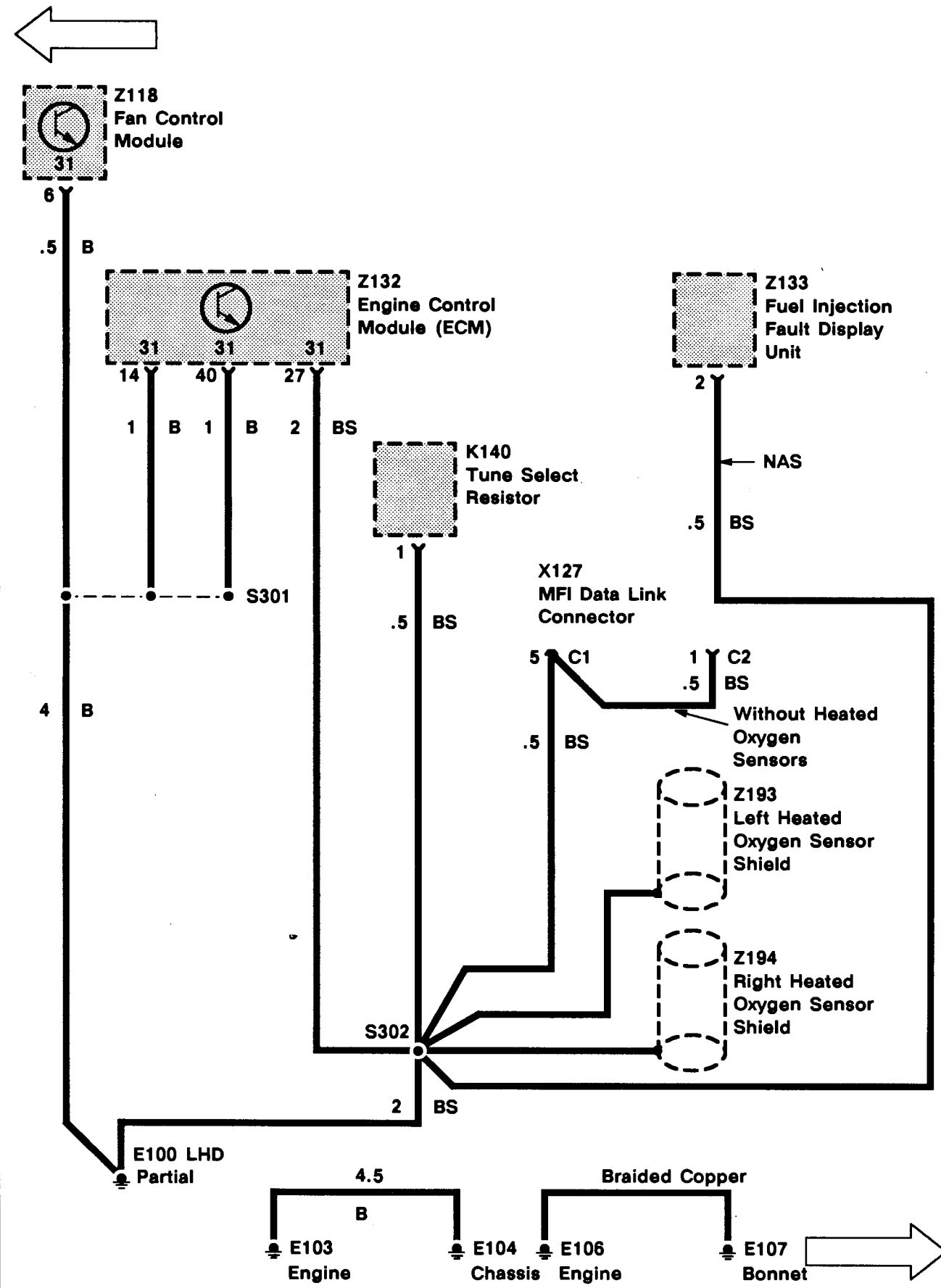
1993 RANGE ROVER

Wire Colour Chart

B- Black	P- Purple
G- Green	R- Red
K- Pink	S- Grey
L- Light	U- Blue
N- Brown	W- White
O- Orange	Y- Yellow



REV: JUN 93

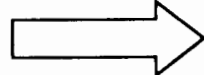
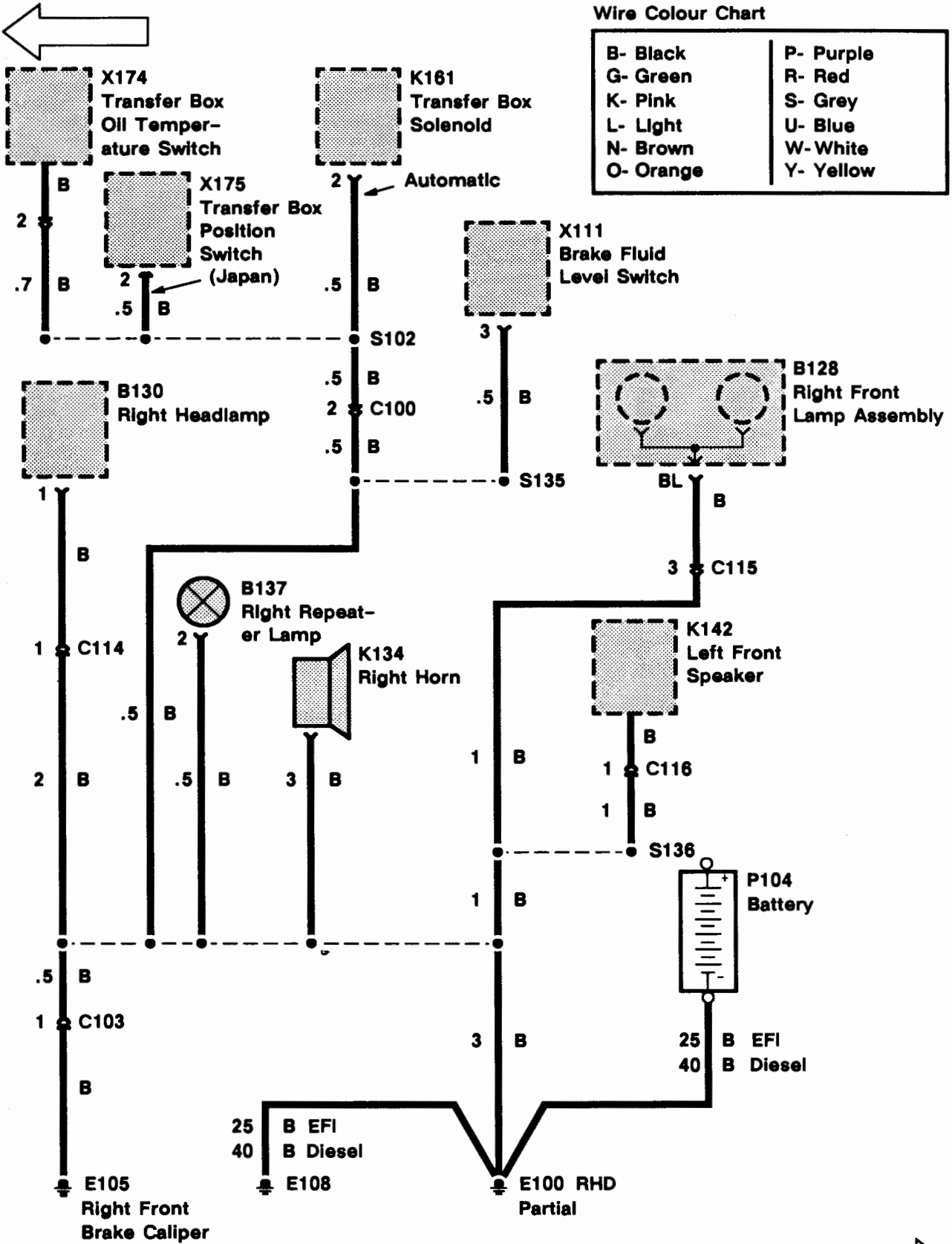


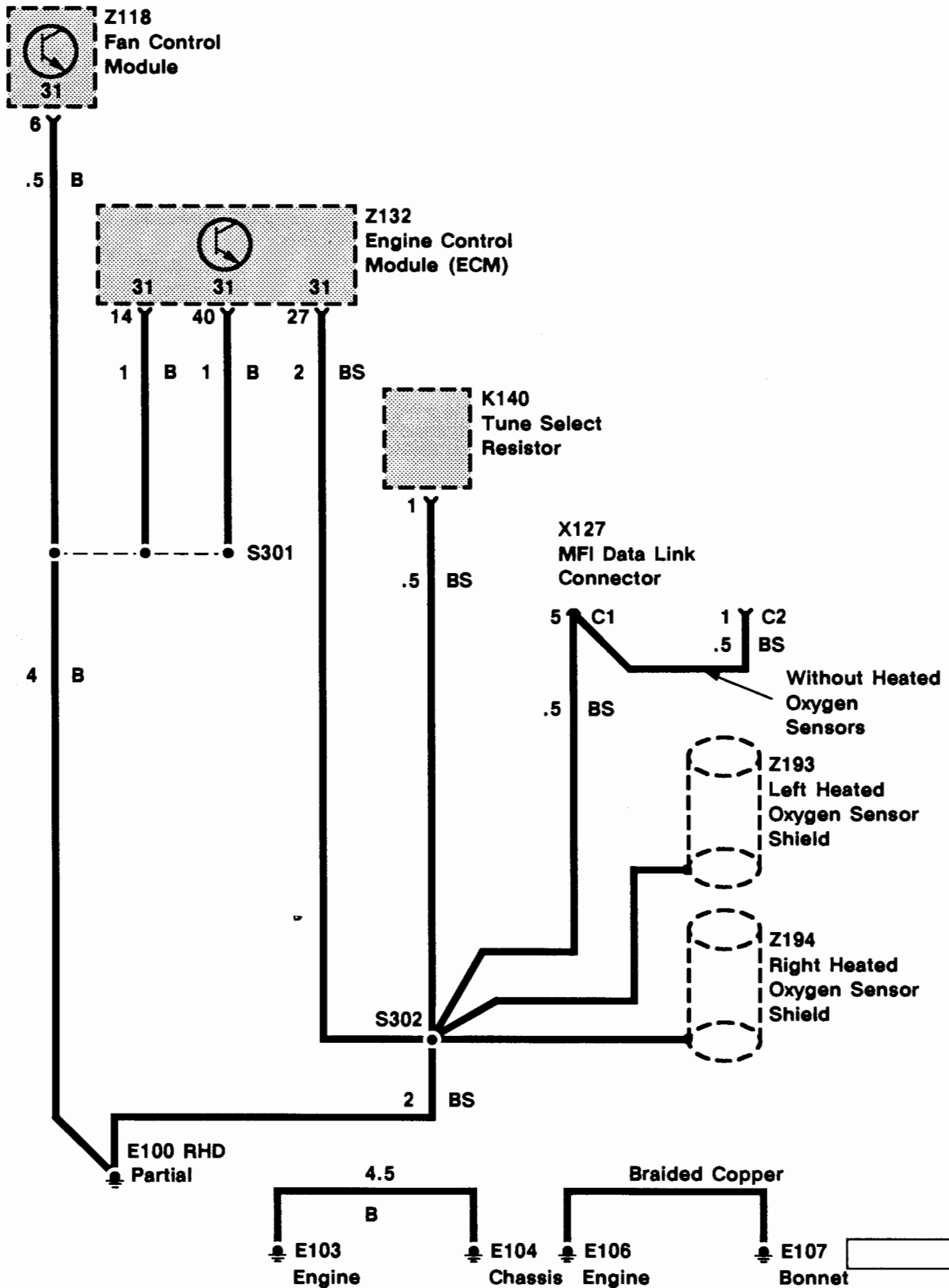
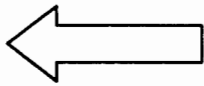
Y5 ETM

1993 RANGE ROVER

Wire Colour Chart

B- Black	P- Purple
G- Green	R- Red
K- Pink	S- Grey
L- Light	U- Blue
N- Brown	W- White
O- Orange	Y- Yellow



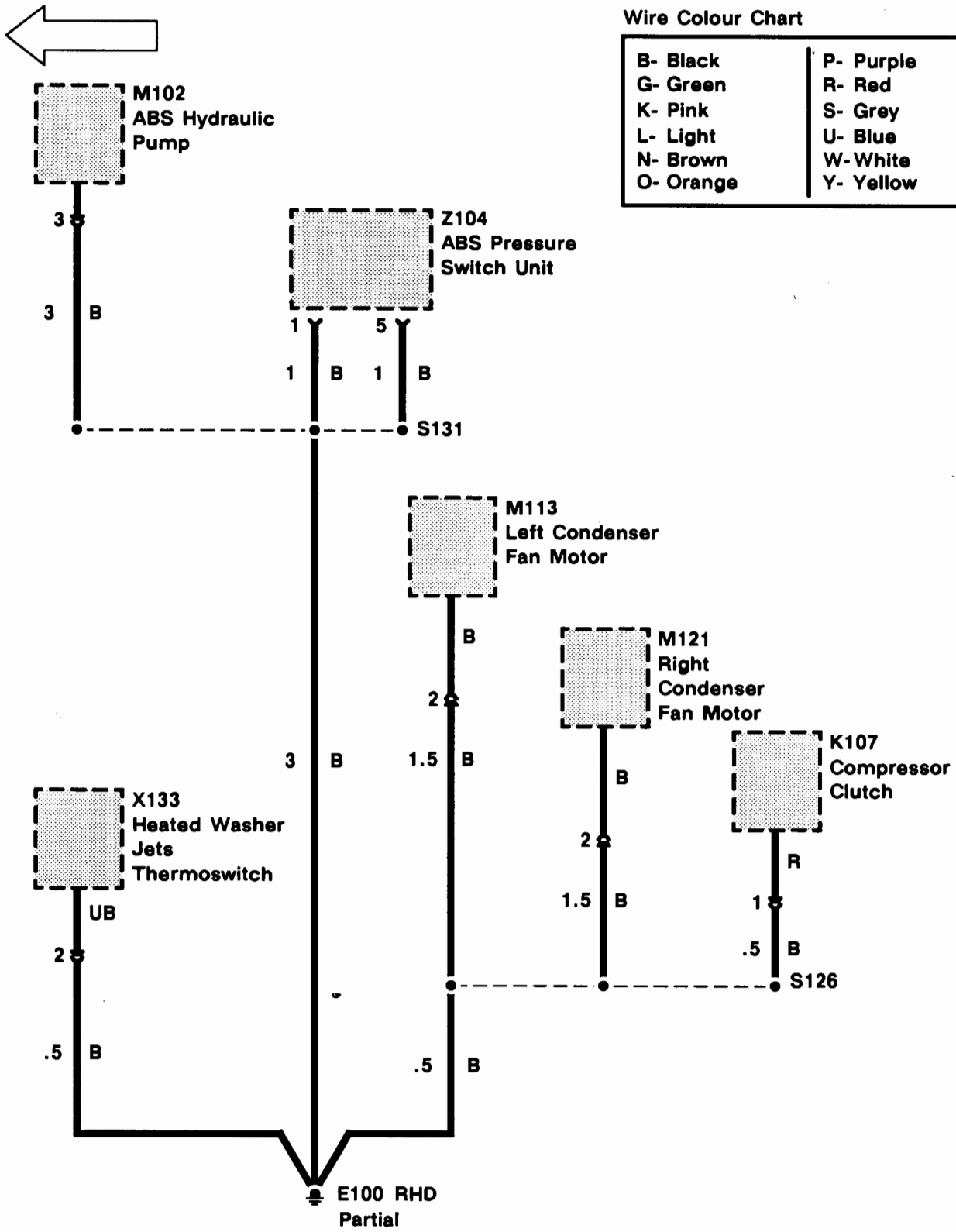


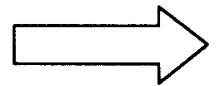
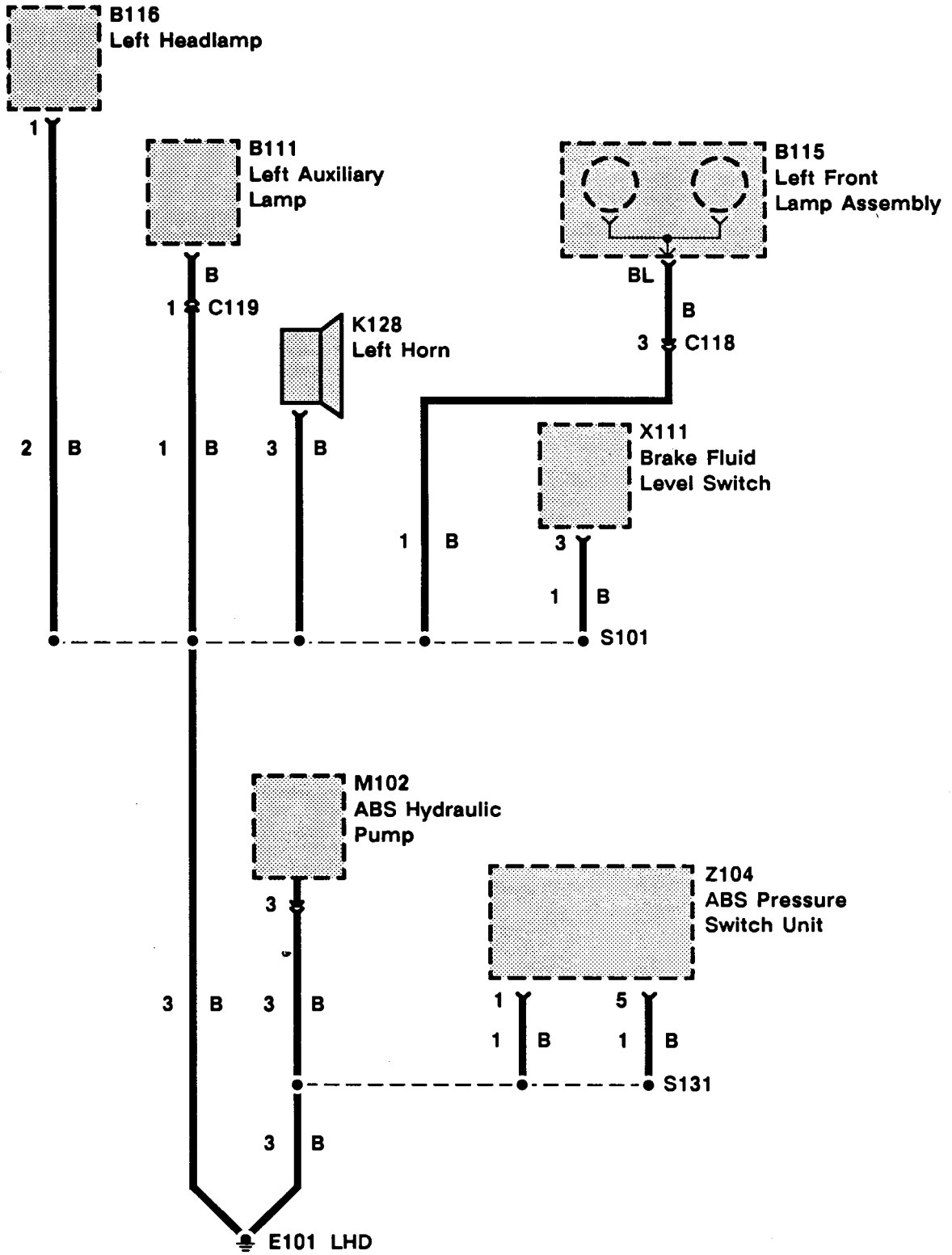
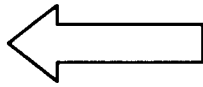
Y5 ETM

1993 RANGE ROVER

Wire Colour Chart

B- Black	P- Purple
G- Green	R- Red
K- Pink	S- Grey
L- Light	U- Blue
N- Brown	W- White
O- Orange	Y- Yellow



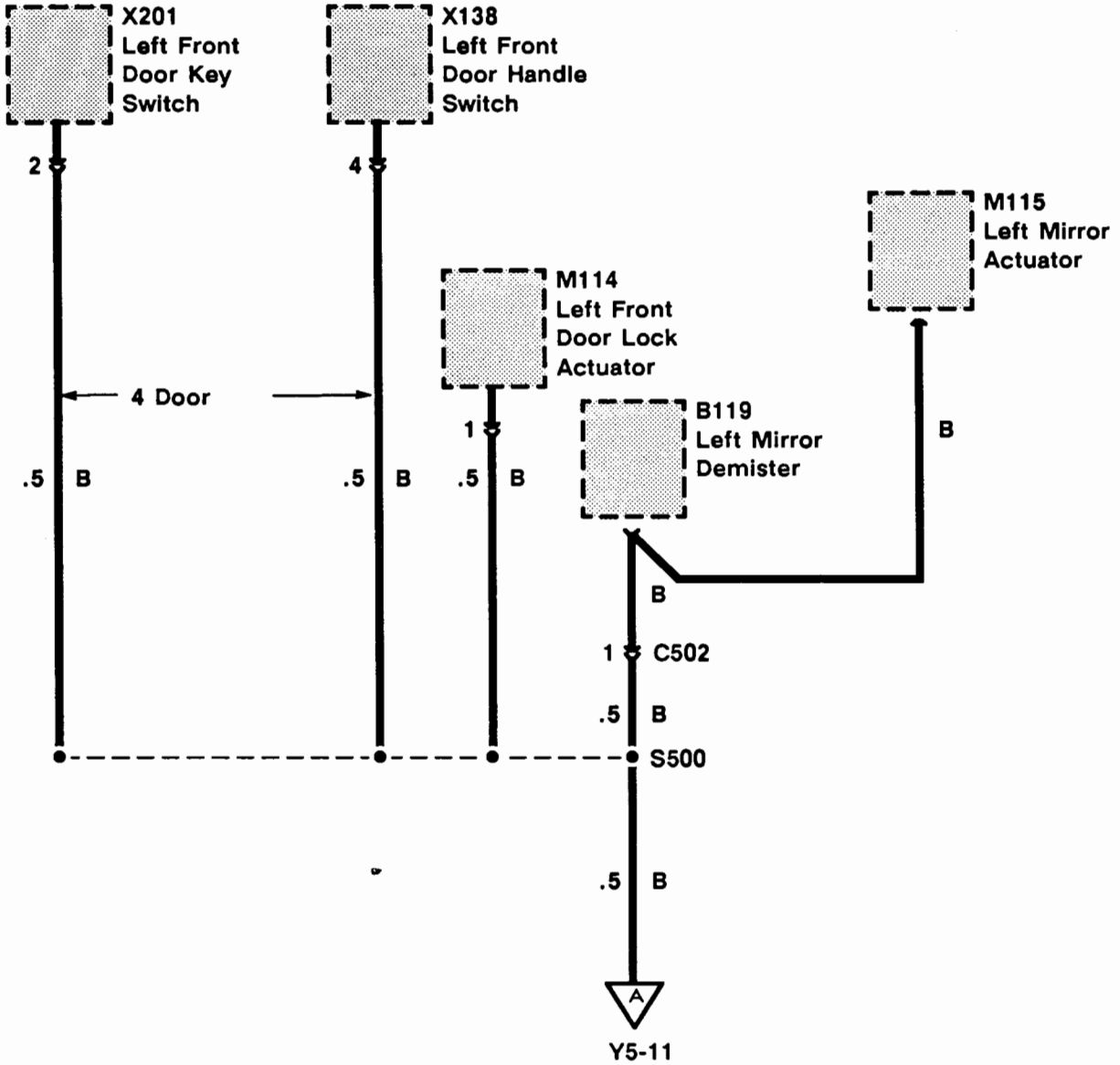


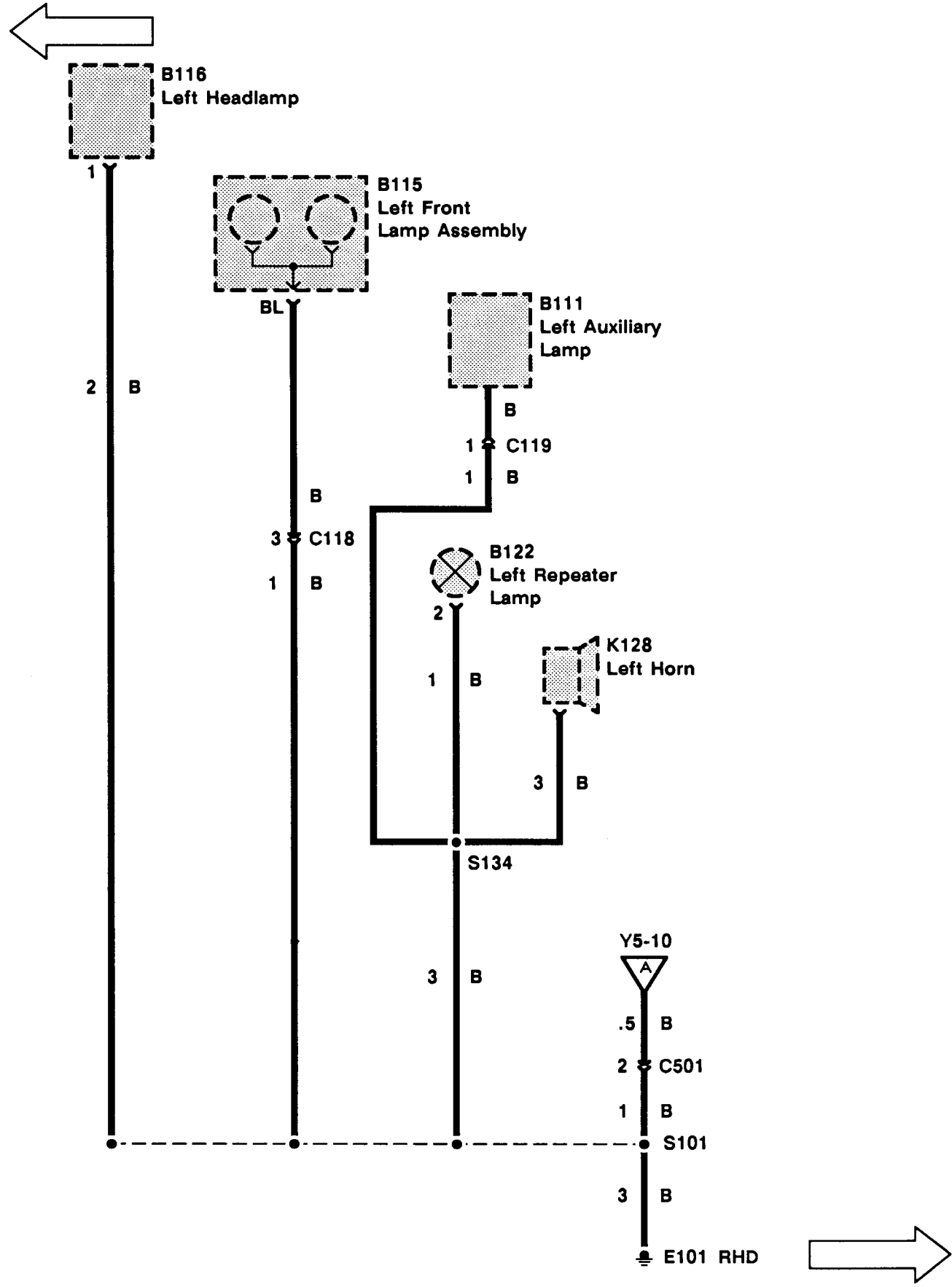
Y5 ETM

1993 RANGE ROVER

Wire Colour Chart

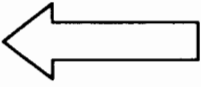
B- Black	P- Purple
G- Green	R- Red
K- Pink	S- Grey
L- Light	U- Blue
N- Brown	W- White
O- Orange	Y- Yellow





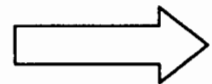
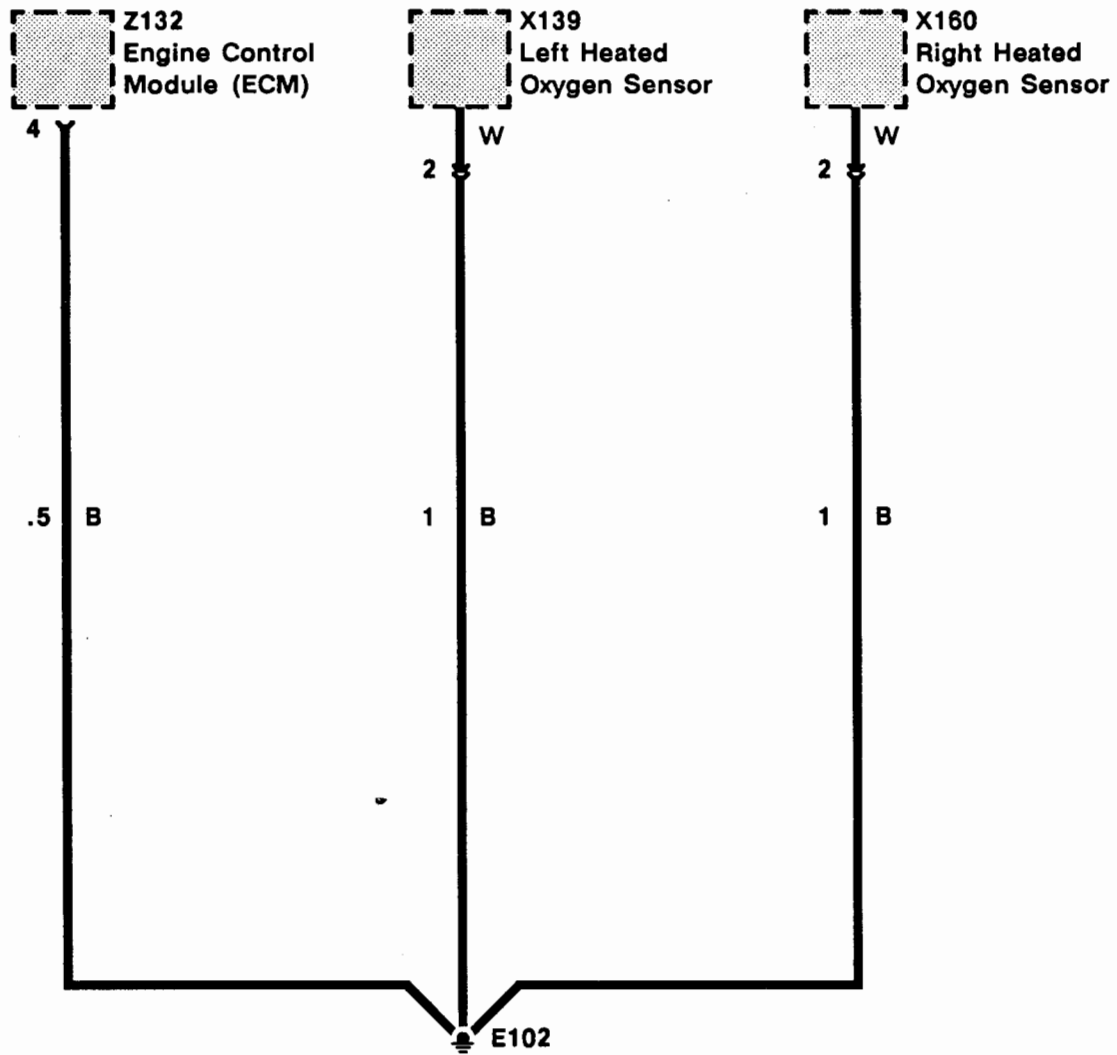
Y5 ETM

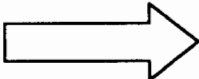
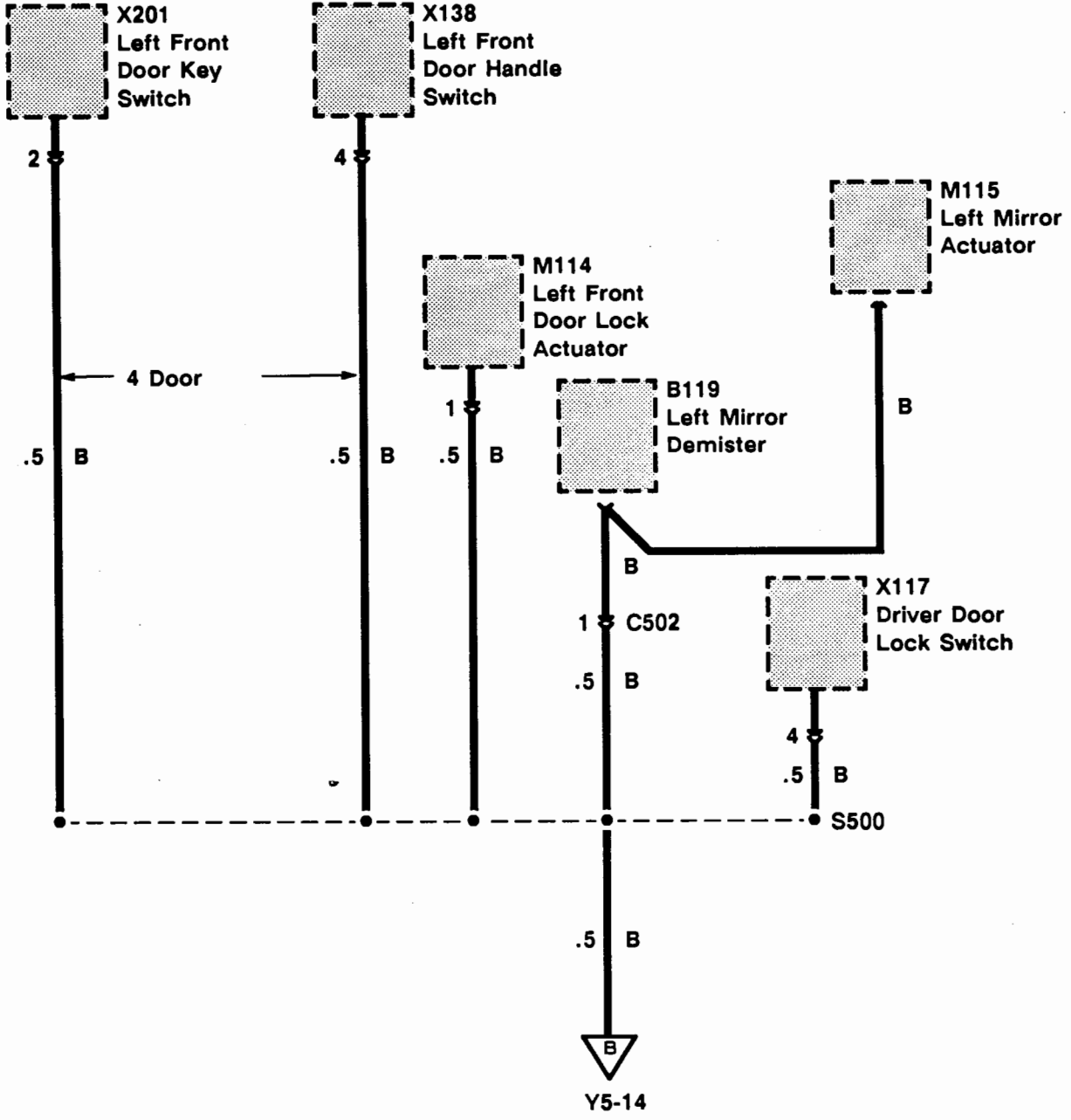
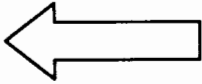
1993 RANGE ROVER



Wire Colour Chart

B- Black	P- Purple
G- Green	R- Red
K- Pink	S- Grey
L- Light	U- Blue
N- Brown	W- White
O- Orange	Y- Yellow



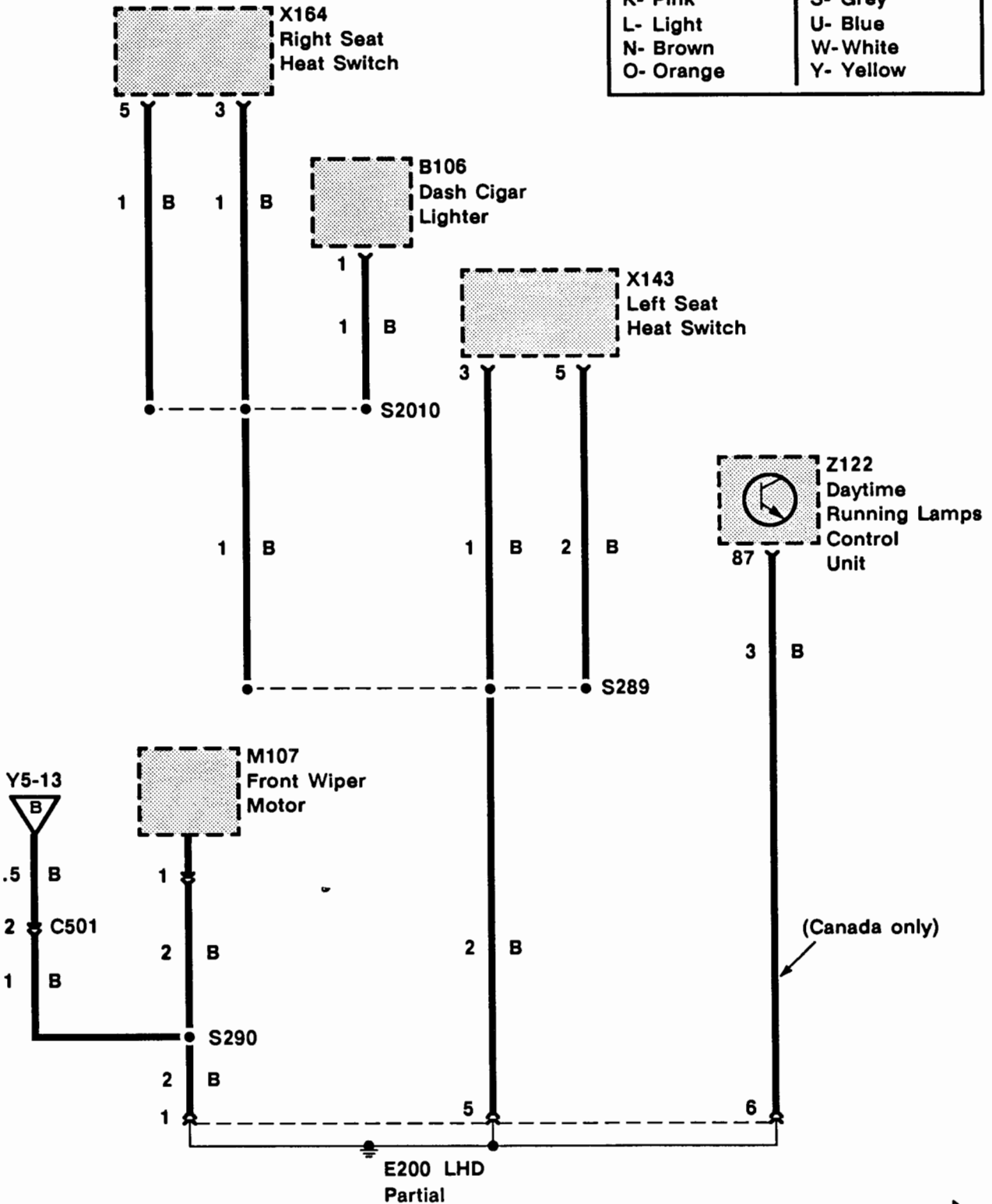


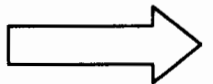
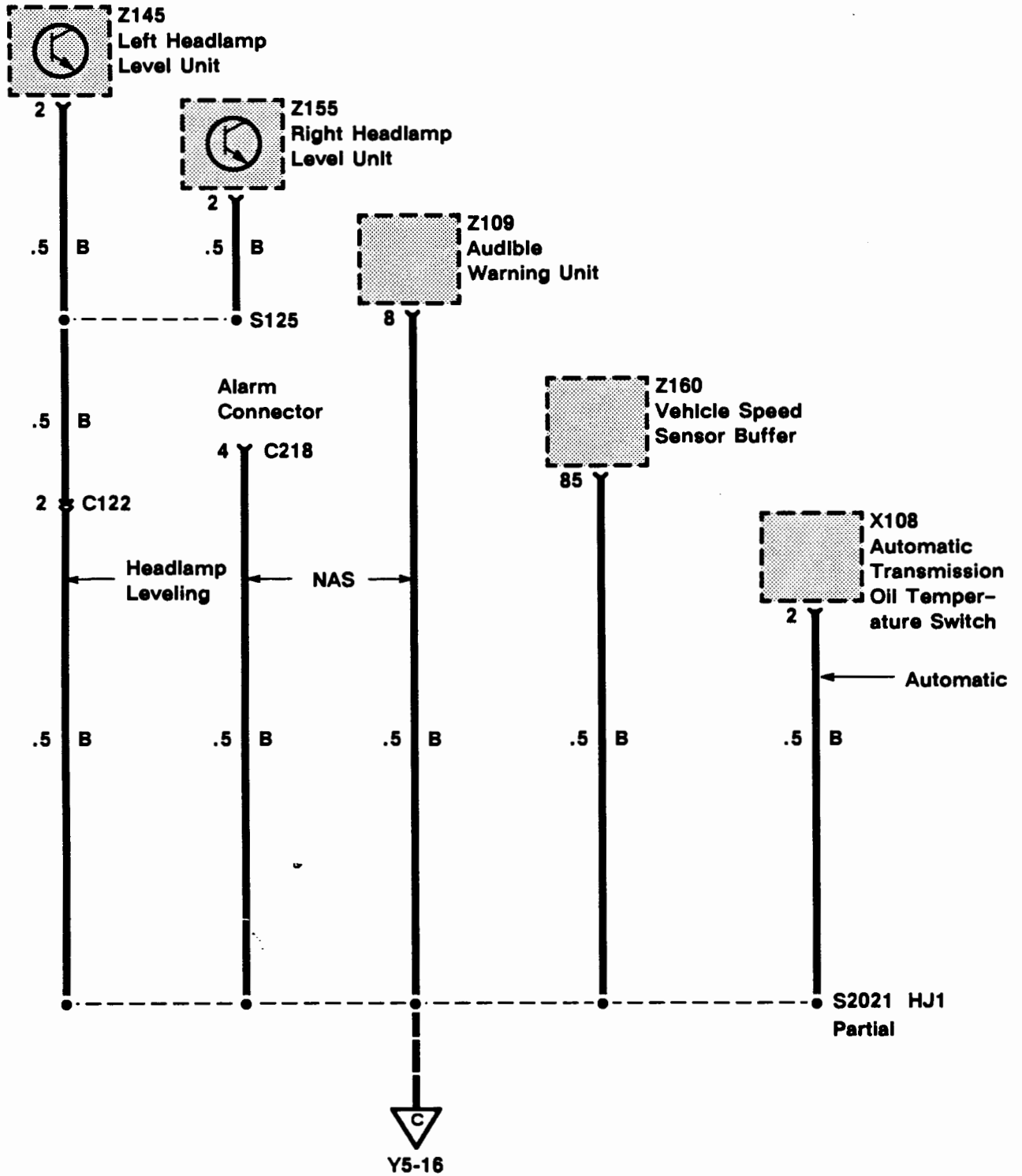
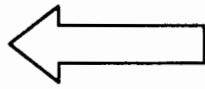
Y5 ETM

1993 RANGE ROVER

Wire Colour Chart

B- Black	P- Purple
G- Green	R- Red
K- Pink	S- Grey
L- Light	U- Blue
N- Brown	W- White
O- Orange	Y- Yellow



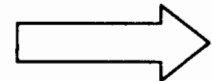
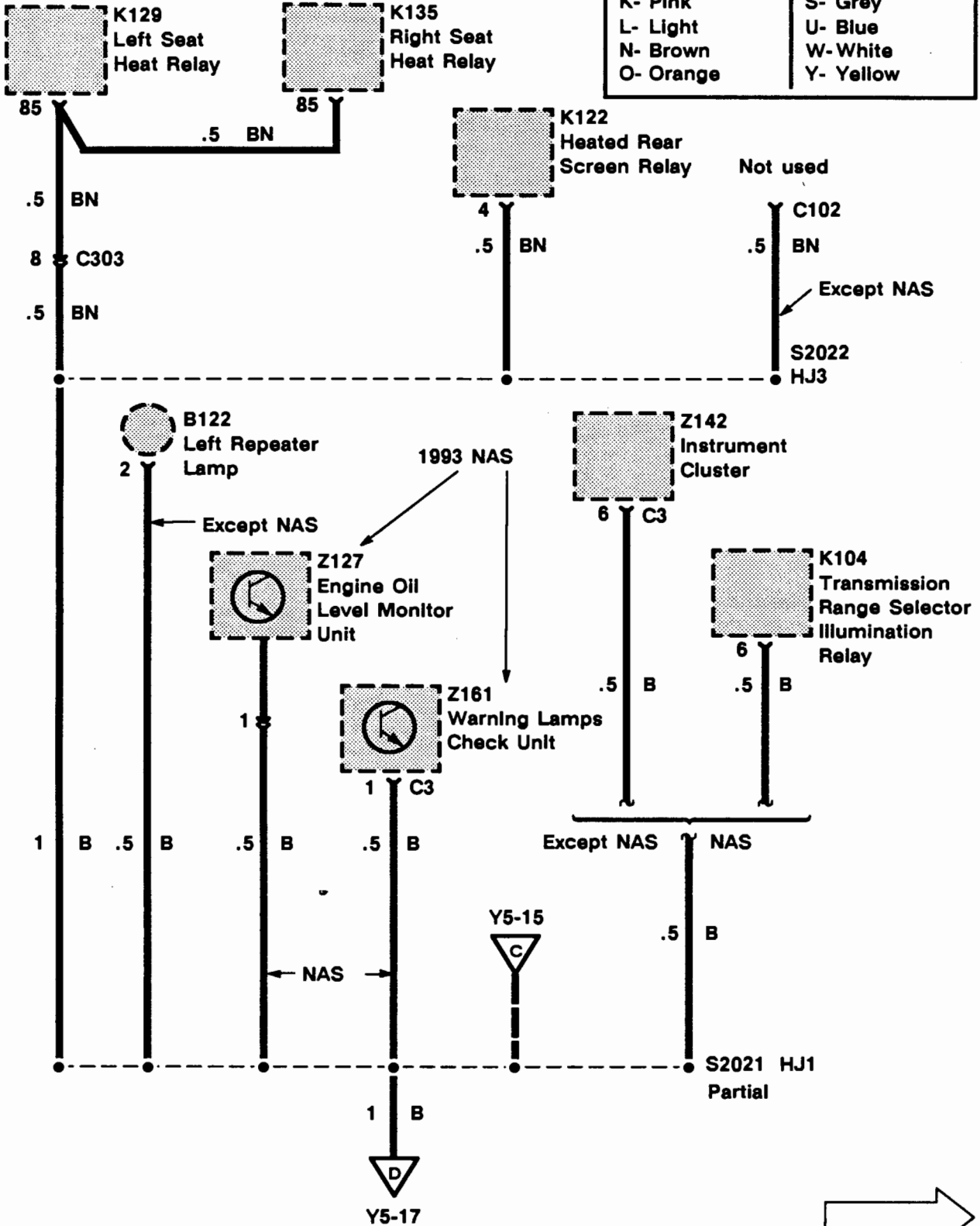
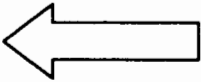


Y5 ETM

1993/1994 RANGE ROVER

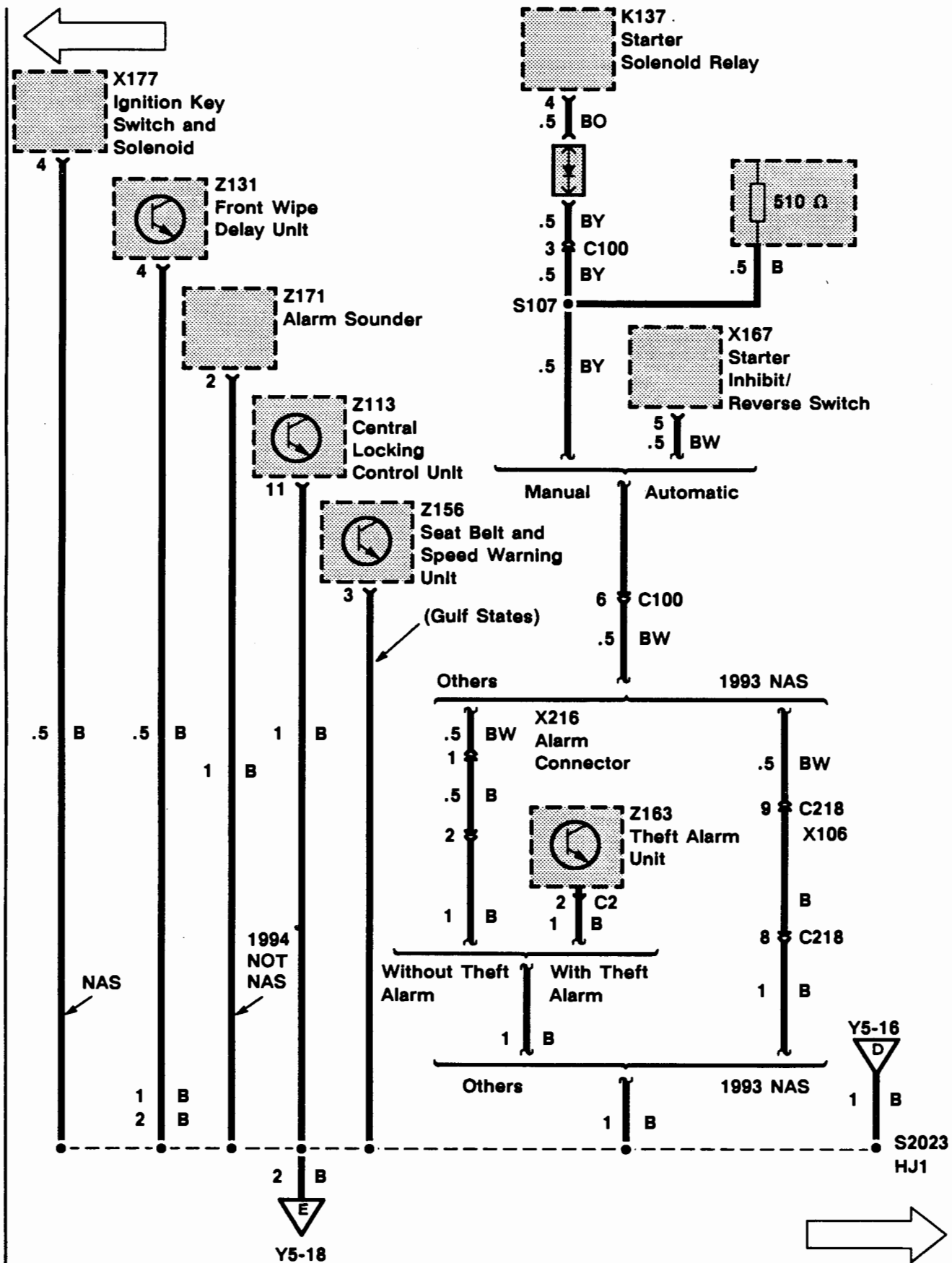
Wire Colour Chart

B- Black	P- Purple
G- Green	R- Red
K- Pink	S- Grey
L- Light	U- Blue
N- Brown	W- White
O- Orange	Y- Yellow



REV: AUG 93

ELECTRICAL TROUBLESHOOTING MANUAL

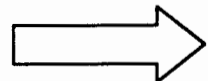
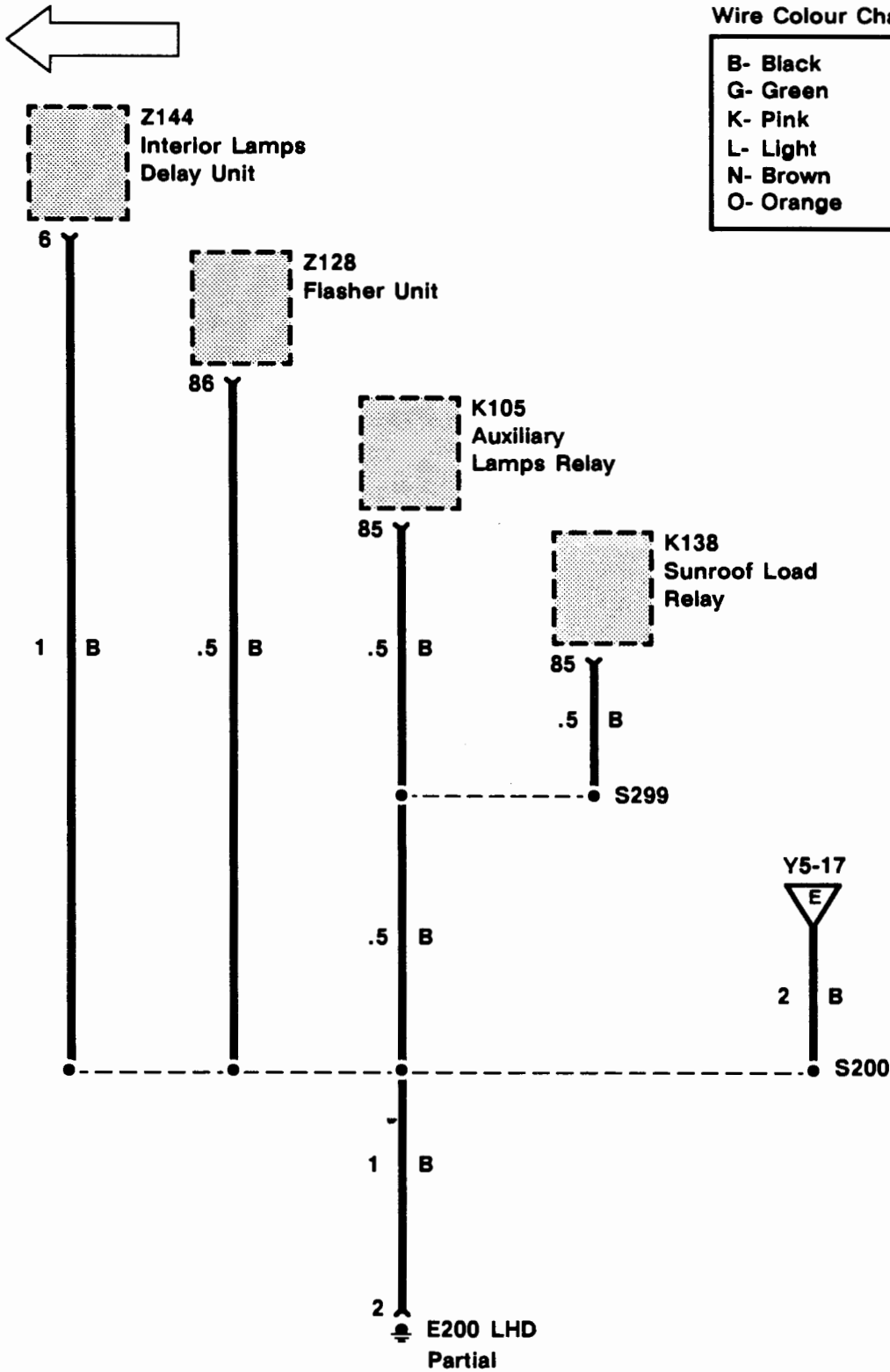


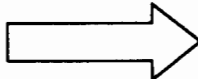
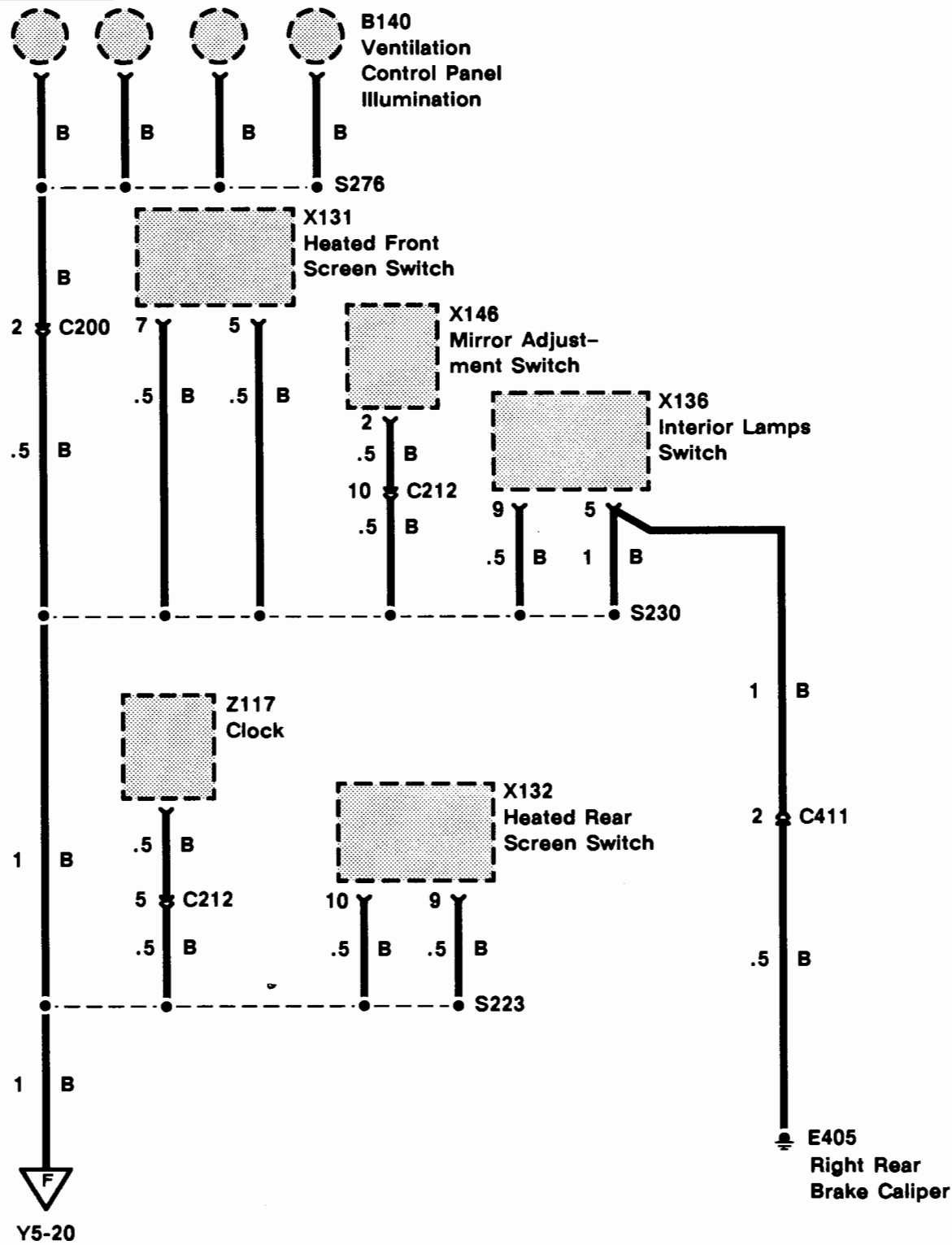
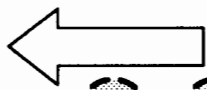
Y5 ETM

1993 RANGE ROVER

Wire Colour Chart

B- Black	P- Purple
G- Green	R- Red
K- Pink	S- Grey
L- Light	U- Blue
N- Brown	W- White
O- Orange	Y- Yellow



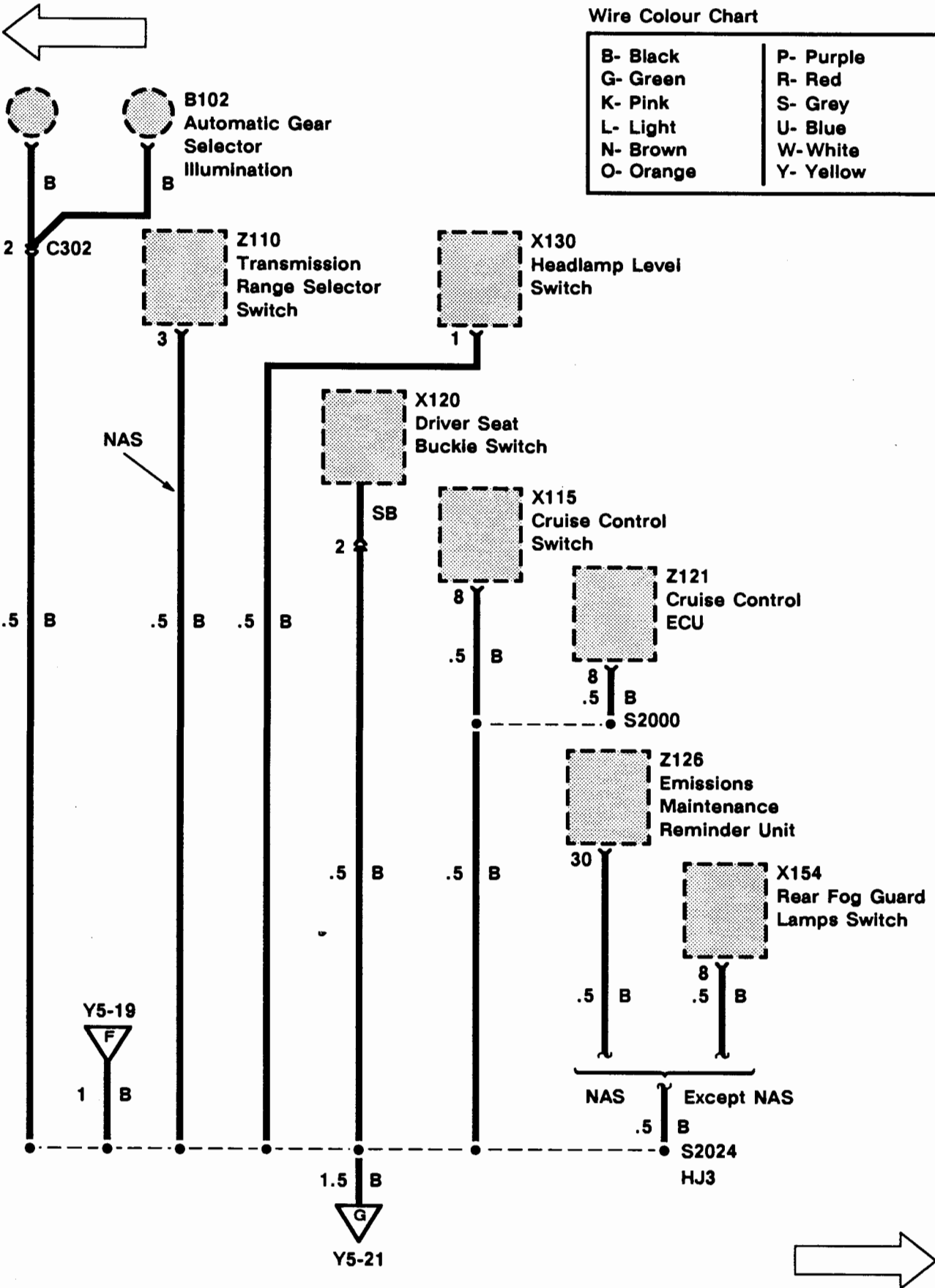


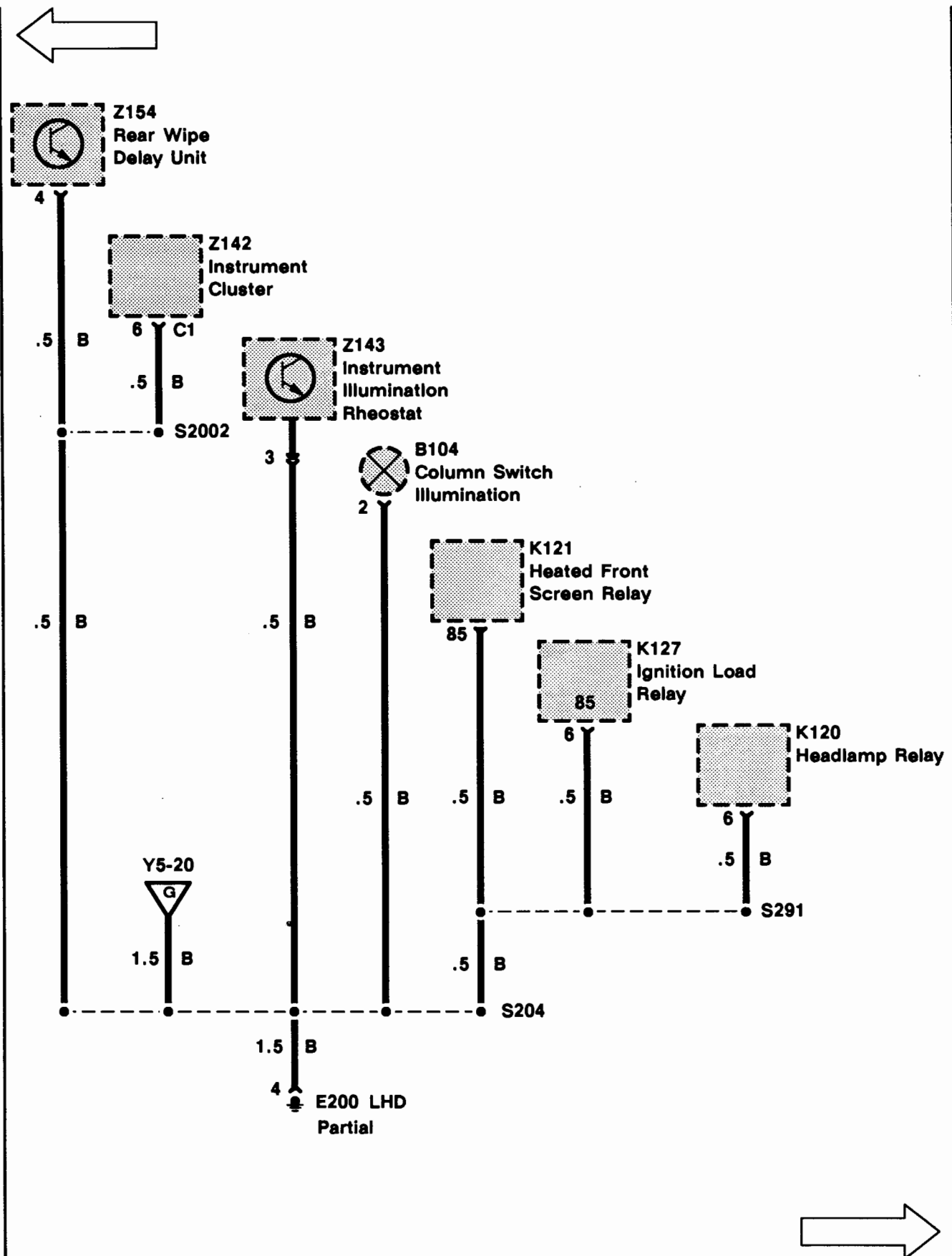
Y5 ETM

1993 RANGE ROVER

Wire Colour Chart

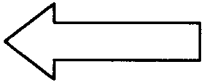
B- Black	P- Purple
G- Green	R- Red
K- Pink	S- Grey
L- Light	U- Blue
N- Brown	W- White
O- Orange	Y- Yellow





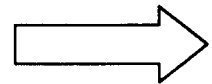
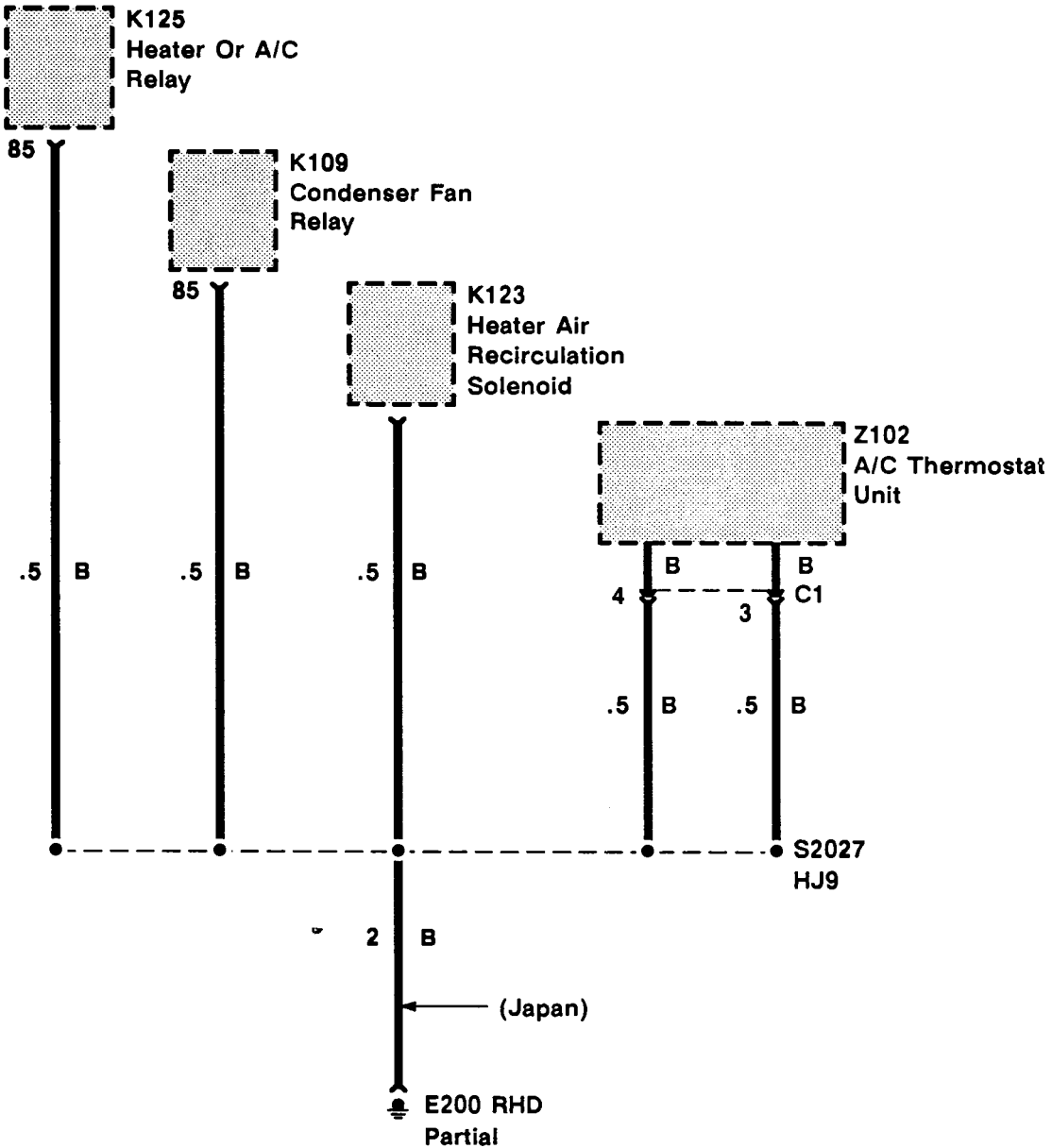
Y5 ETM

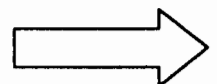
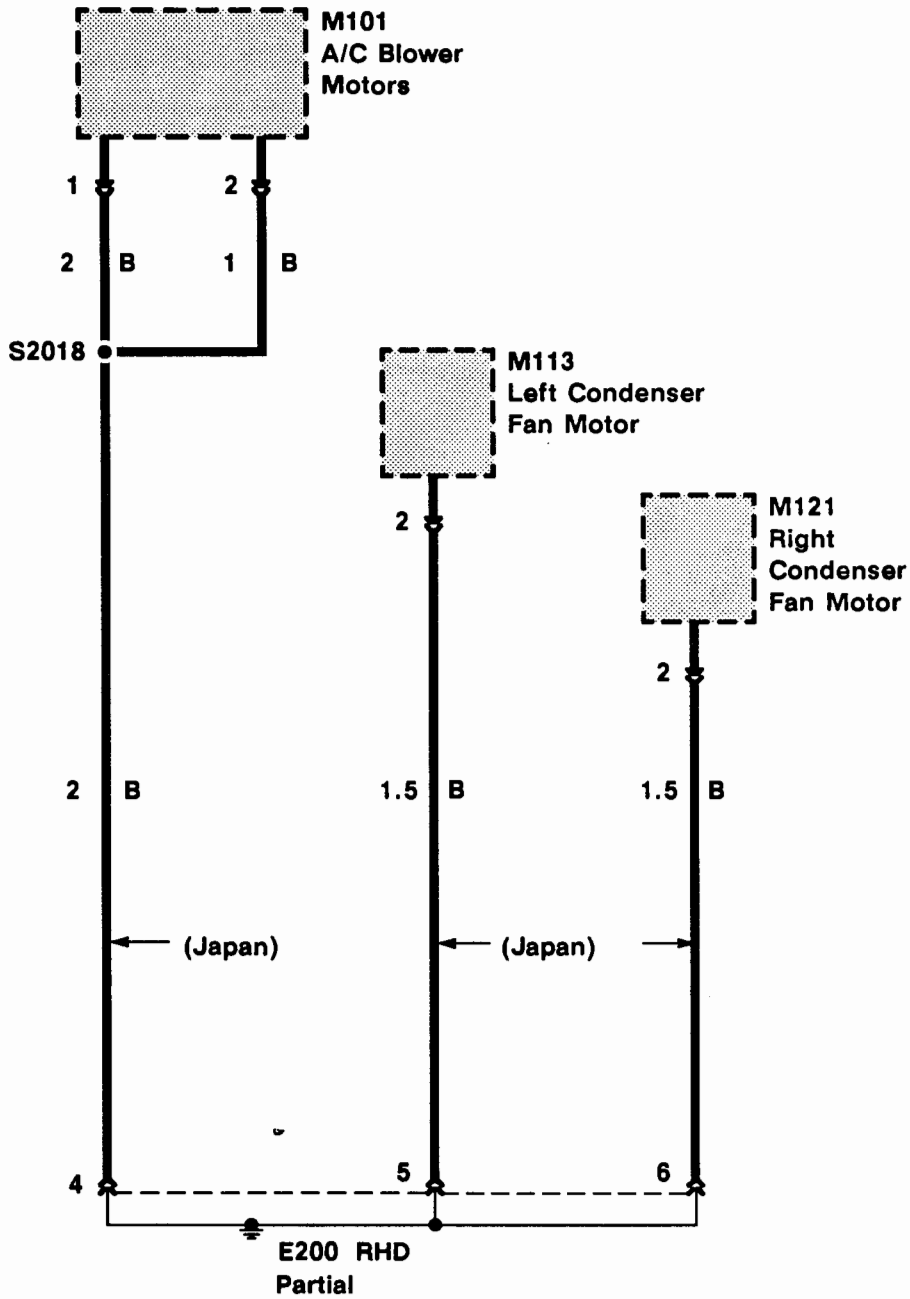
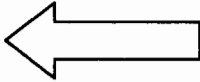
1993 RANGE ROVER



Wire Colour Chart

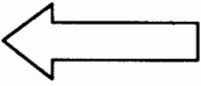
B- Black	P- Purple
G- Green	R- Red
K- Pink	S- Grey
L- Light	U- Blue
N- Brown	W- White
O- Orange	Y- Yellow





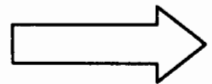
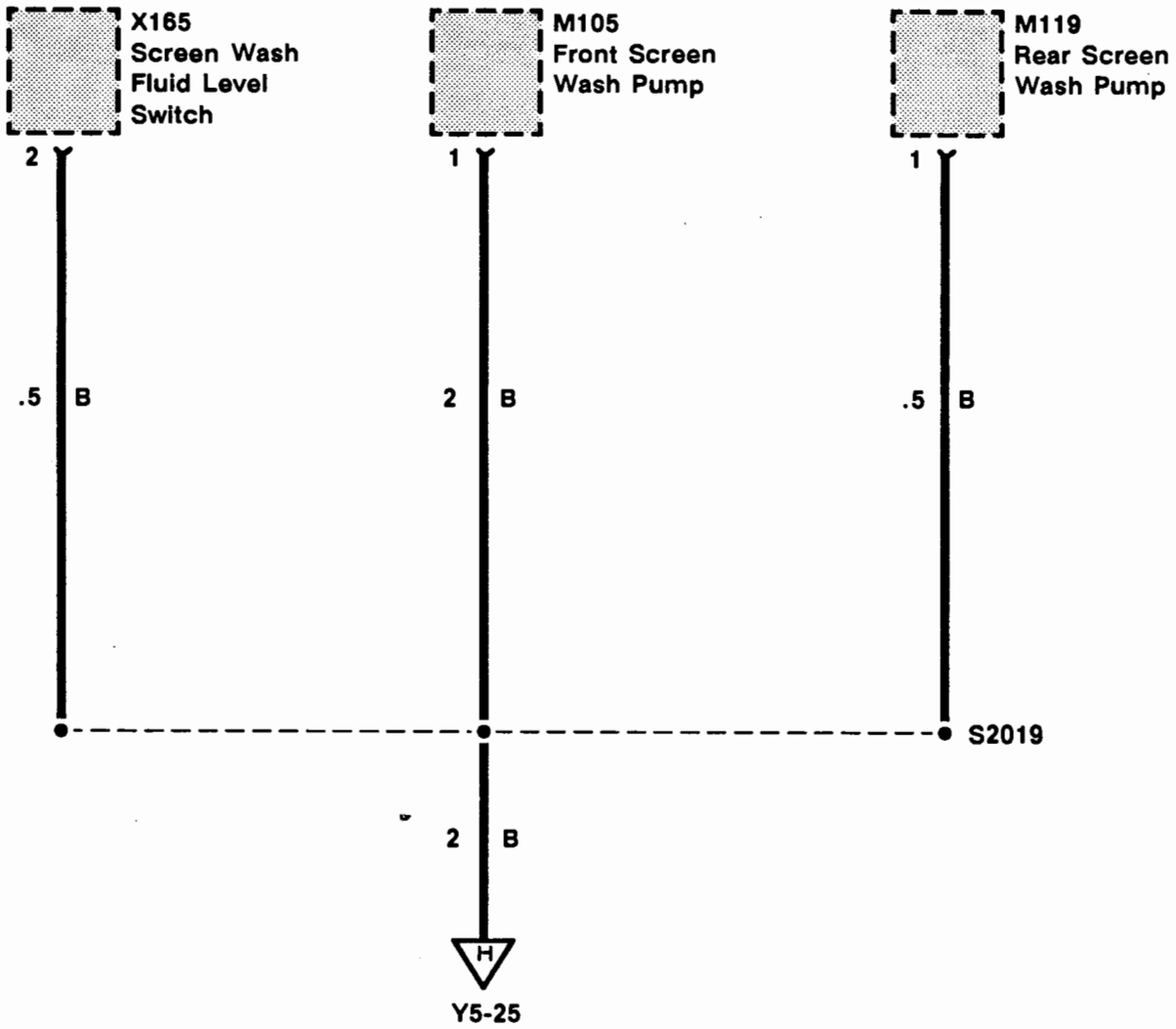
Y5 ETM

1993 RANGE ROVER



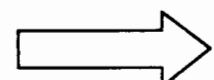
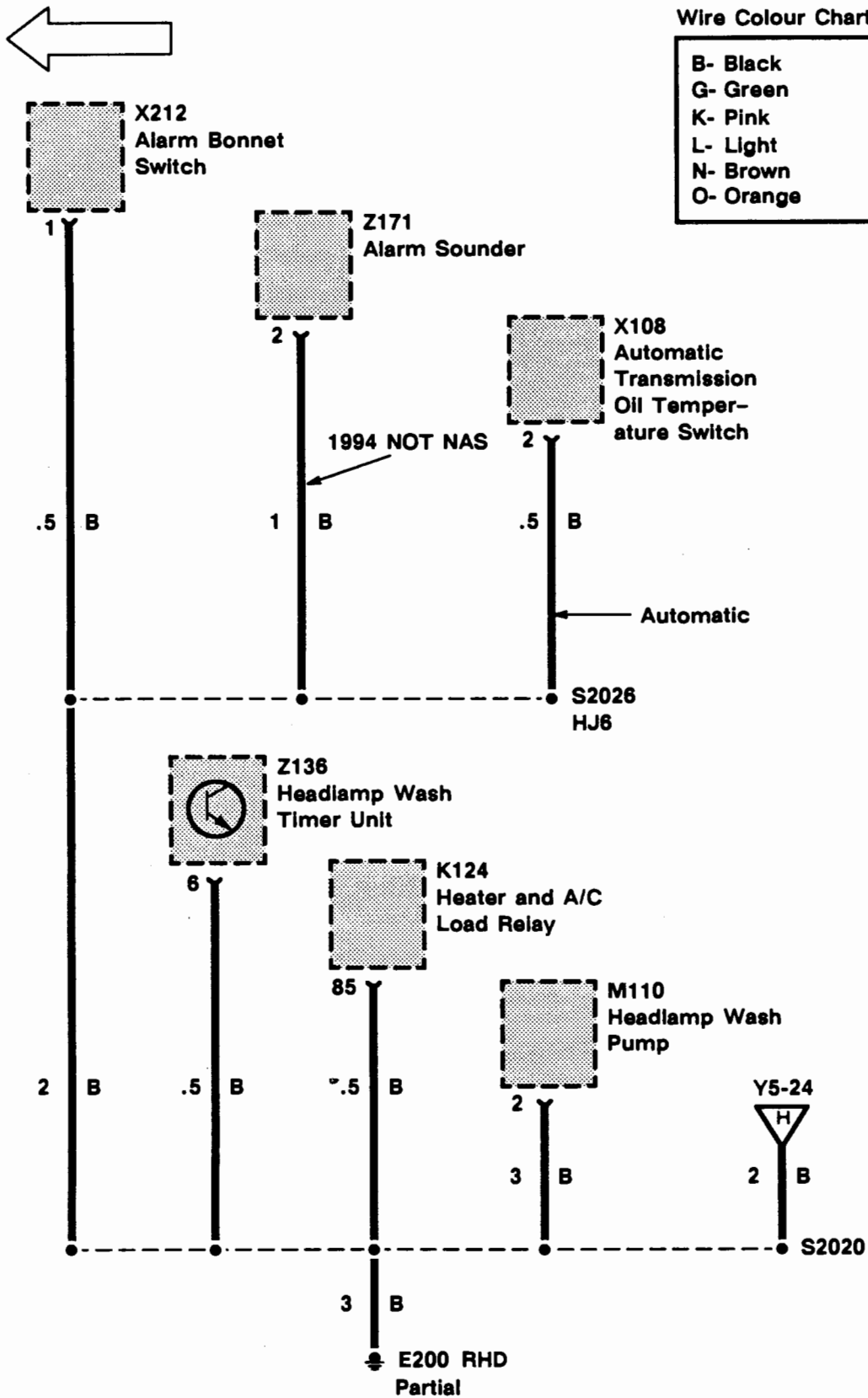
Wire Colour Chart

B- Black	P- Purple
G- Green	R- Red
K- Pink	S- Grey
L- Light	U- Blue
N- Brown	W- White
O- Orange	Y- Yellow



Wire Colour Chart

B- Black	P- Purple
G- Green	R- Red
K- Pink	S- Grey
L- Light	U- Blue
N- Brown	W- White
O- Orange	Y- Yellow



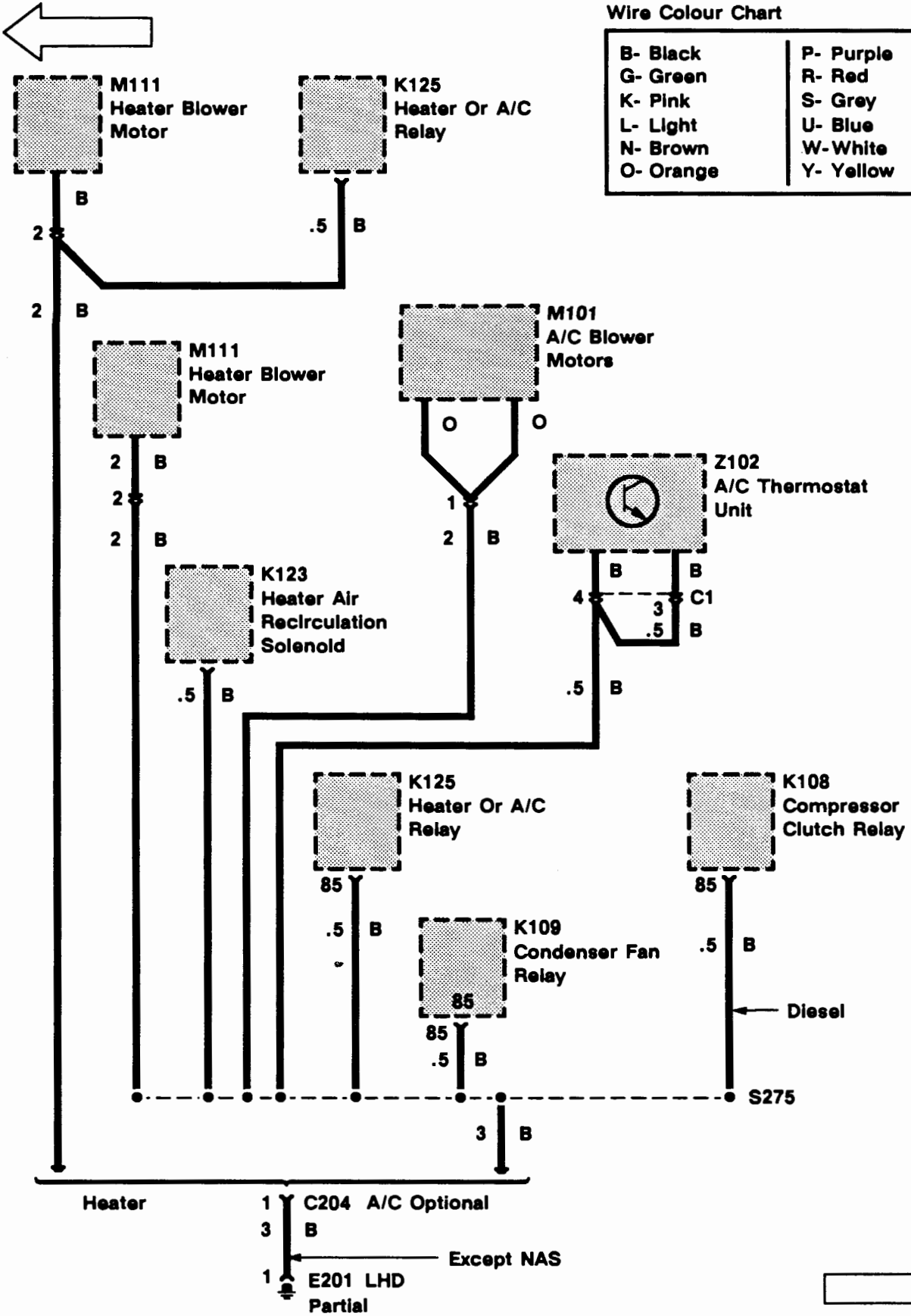
REV: AUG 93

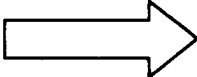
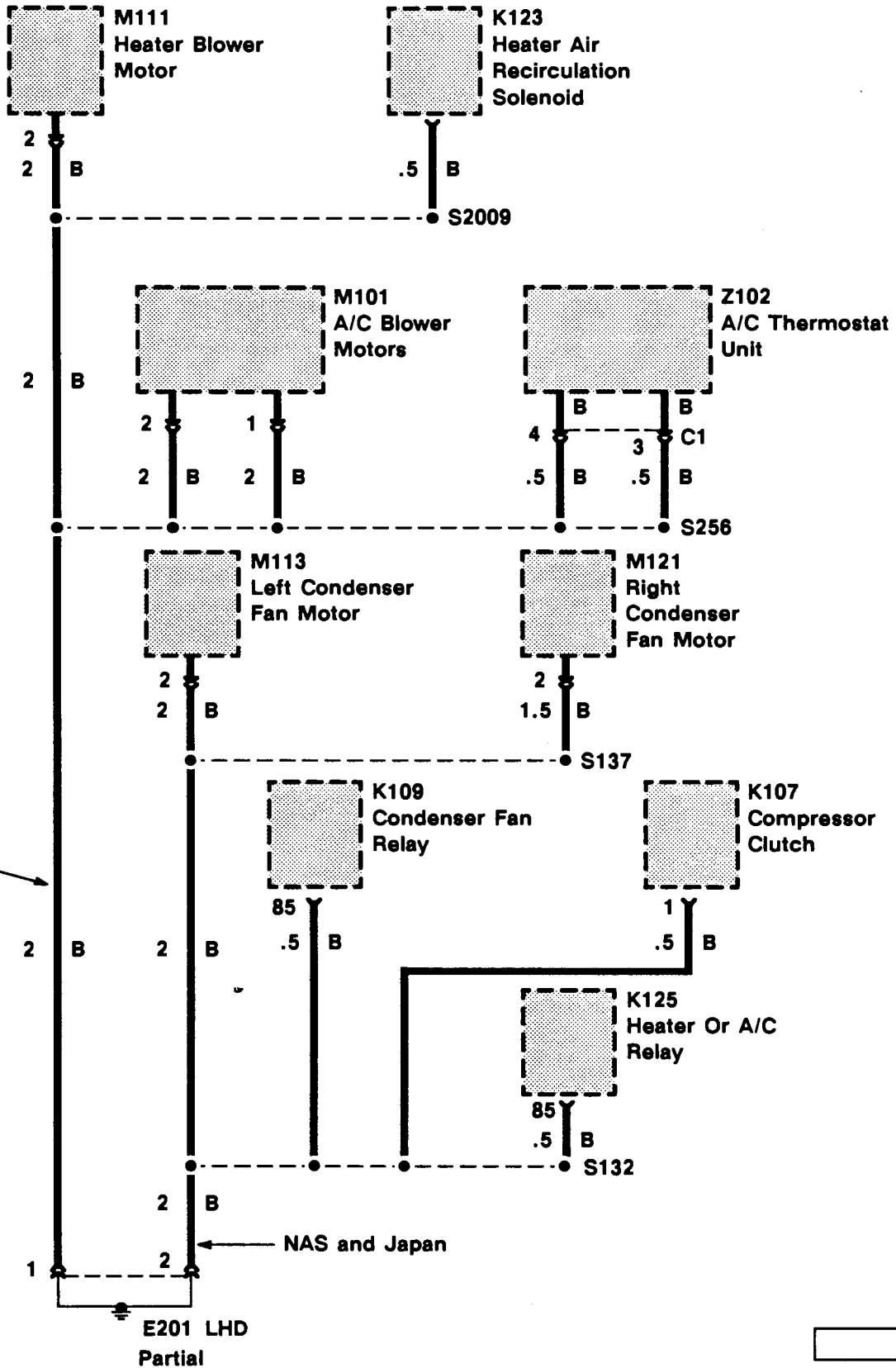
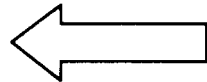
Y5 ETM

1993 RANGE ROVER

Wire Colour Chart

B- Black	P- Purple
G- Green	R- Red
K- Pink	S- Grey
L- Light	U- Blue
N- Brown	W- White
O- Orange	Y- Yellow



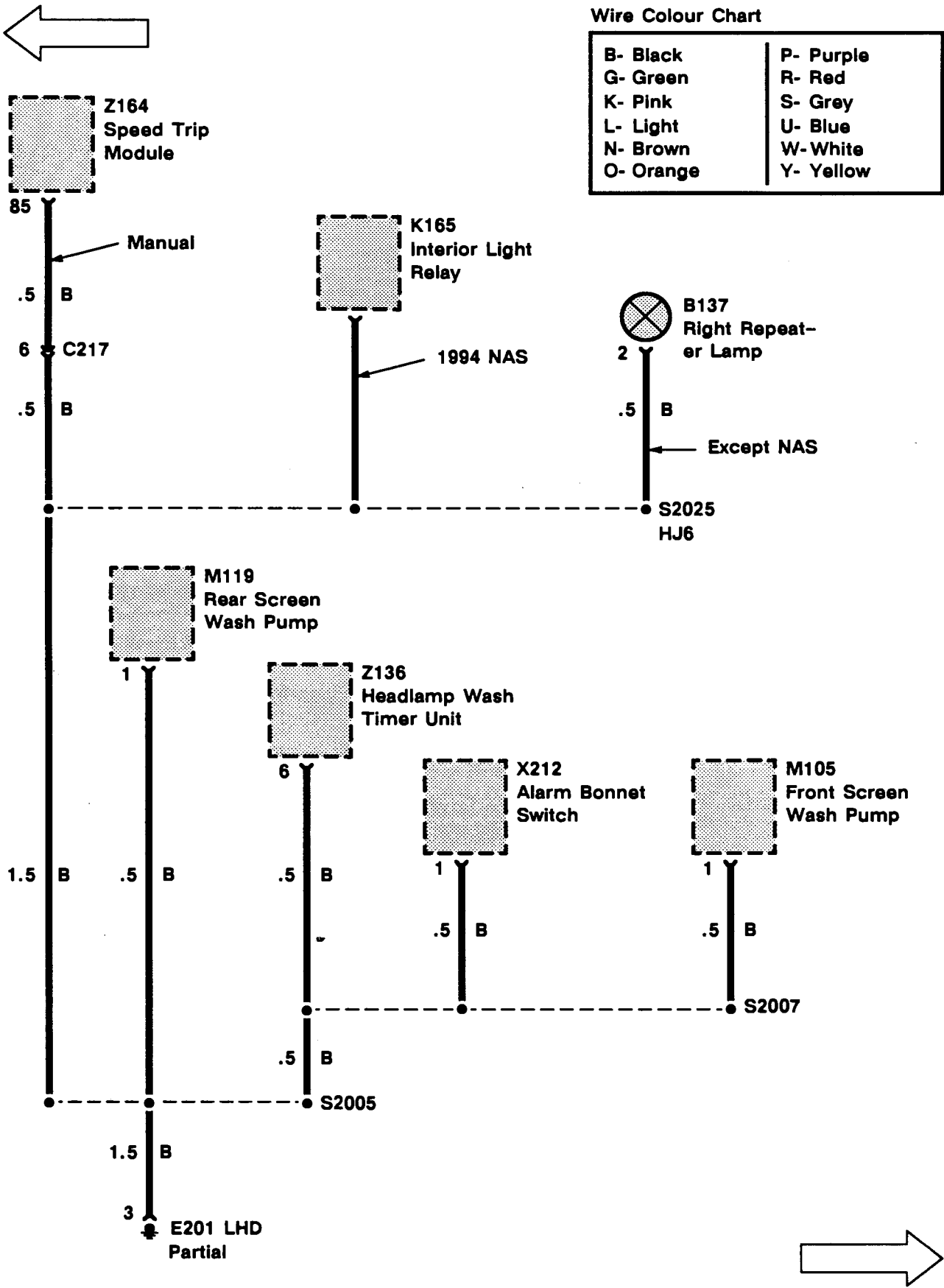


Y5 ETM

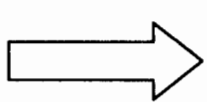
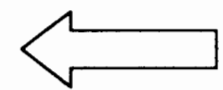
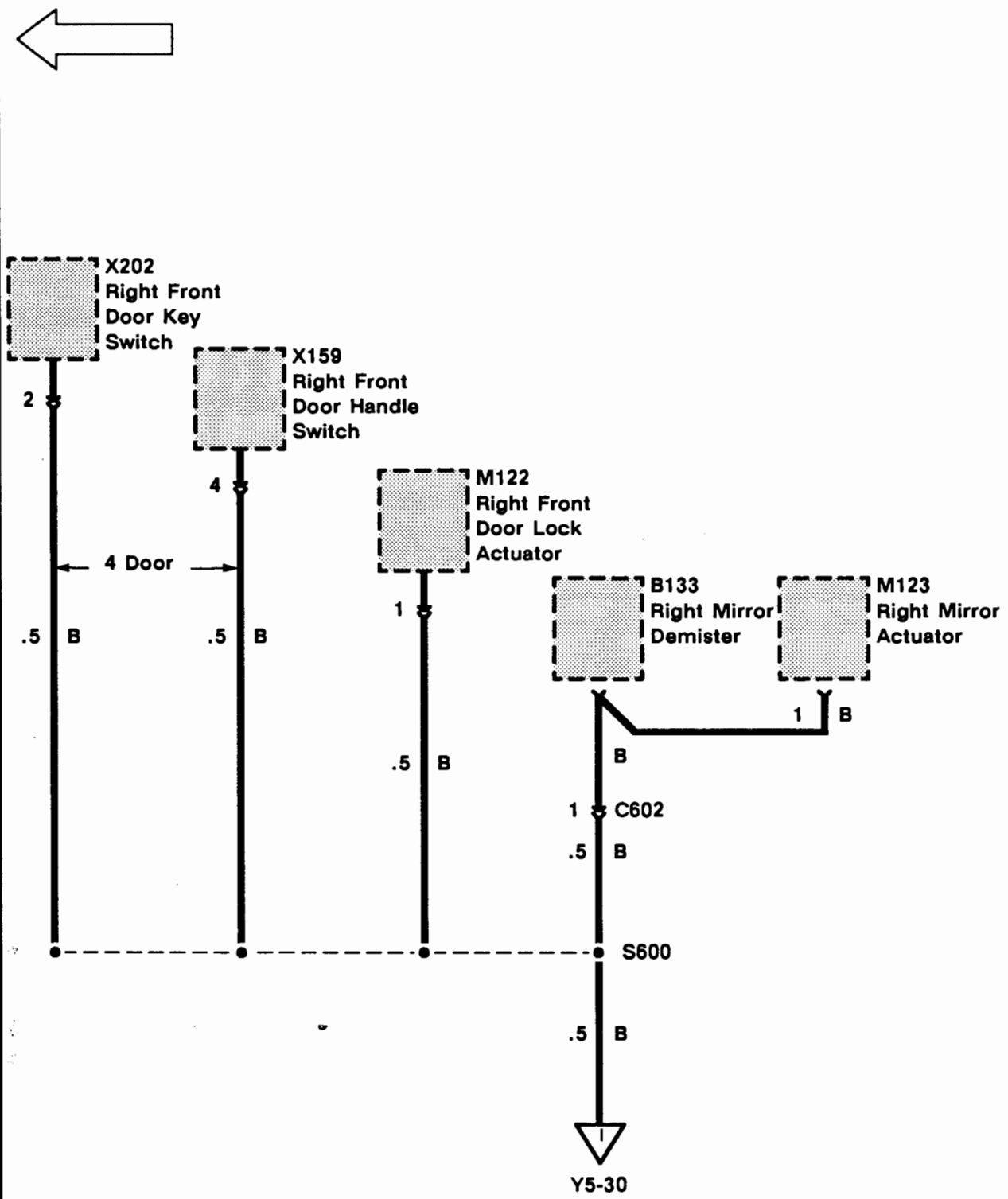
1993/1994 RANGE ROVER

Wire Colour Chart

B- Black	P- Purple
G- Green	R- Red
K- Pink	S- Grey
L- Light	U- Blue
N- Brown	W- White
O- Orange	Y- Yellow



REV: AUG 93

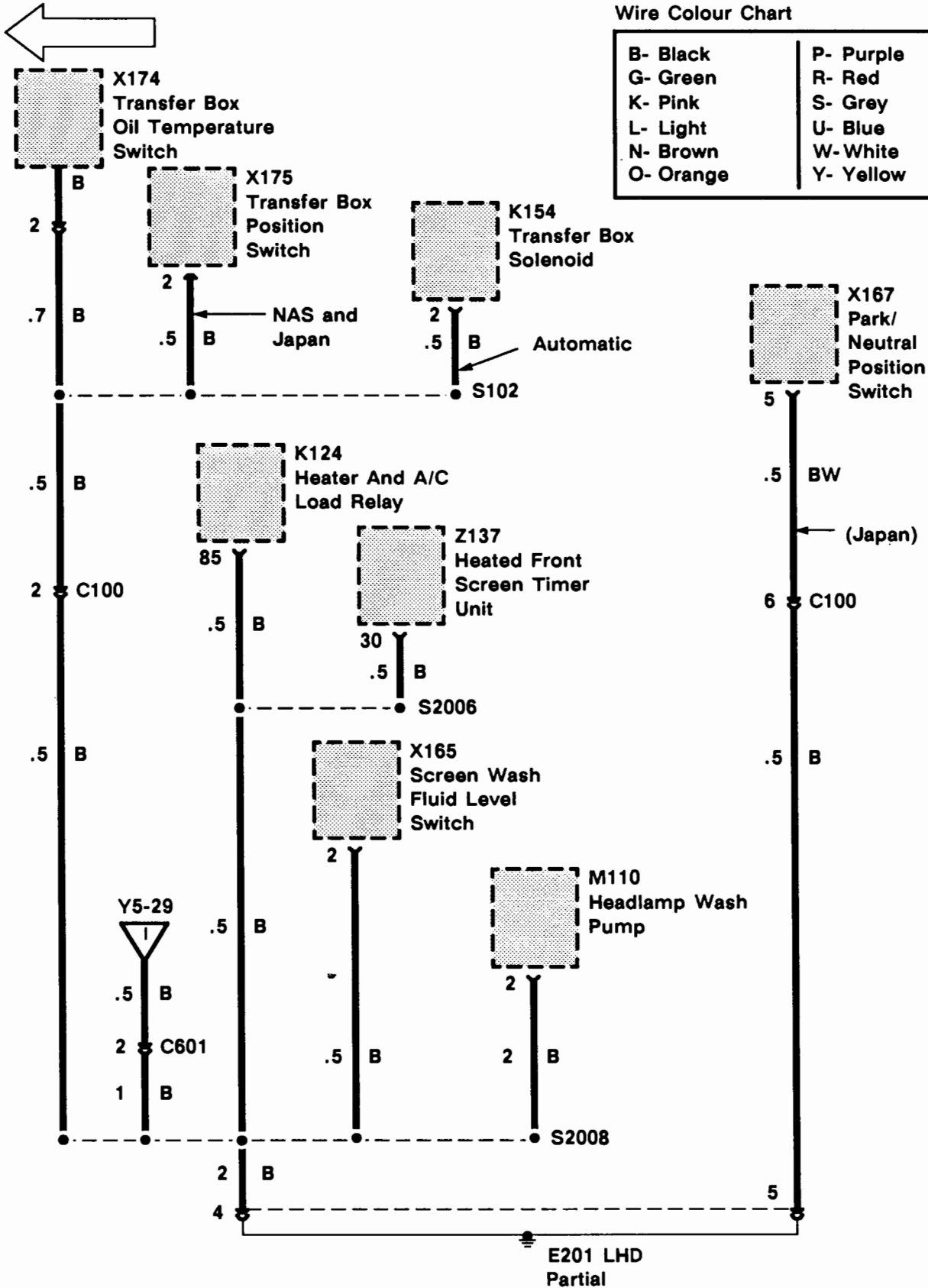


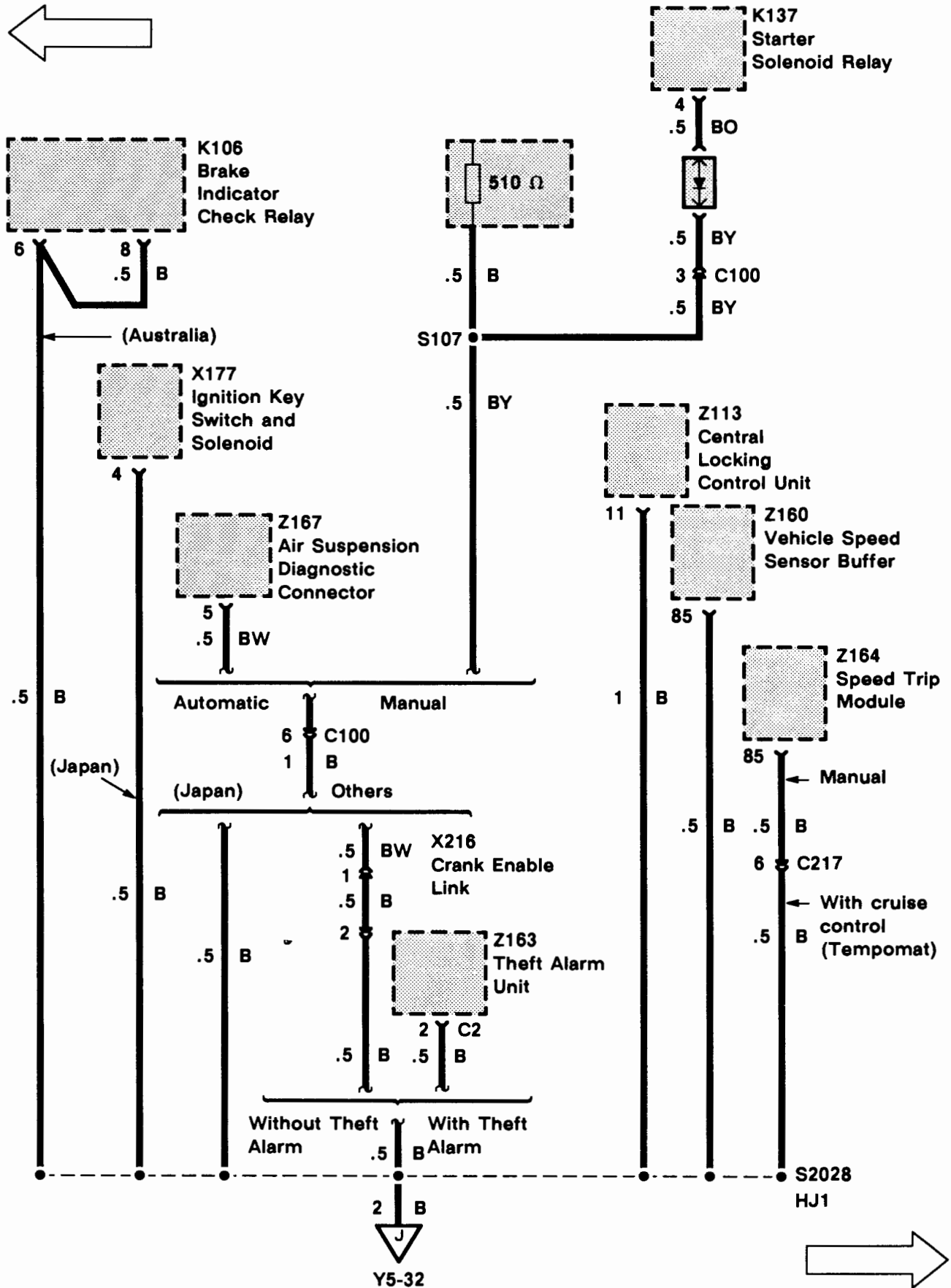
Y5 ETM

1993 RANGE ROVER

Wire Colour Chart

B- Black	P- Purple
G- Green	R- Red
K- Pink	S- Grey
L- Light	U- Blue
N- Brown	W- White
O- Orange	Y- Yellow



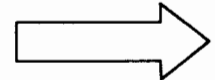
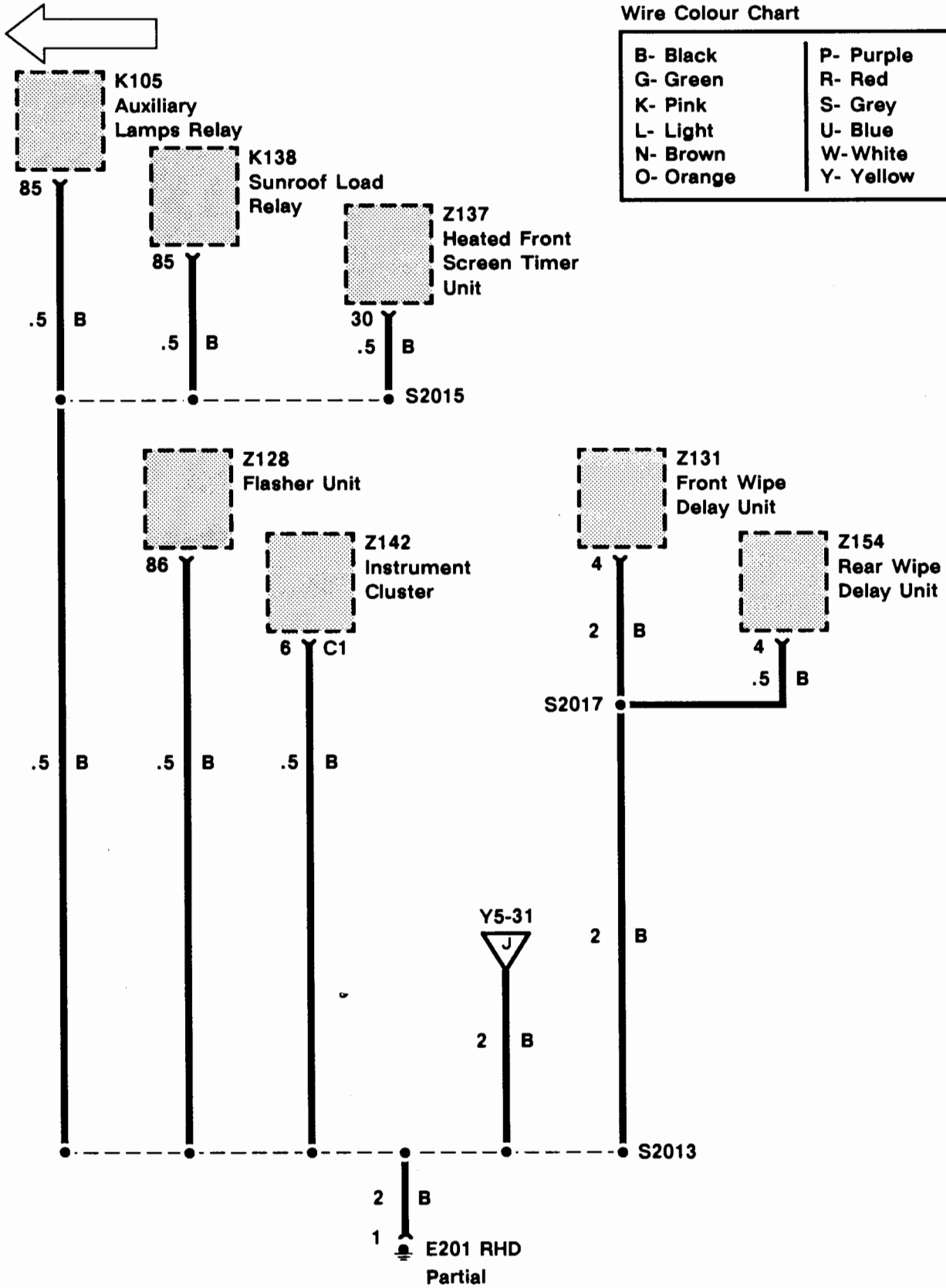


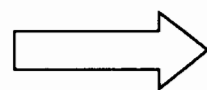
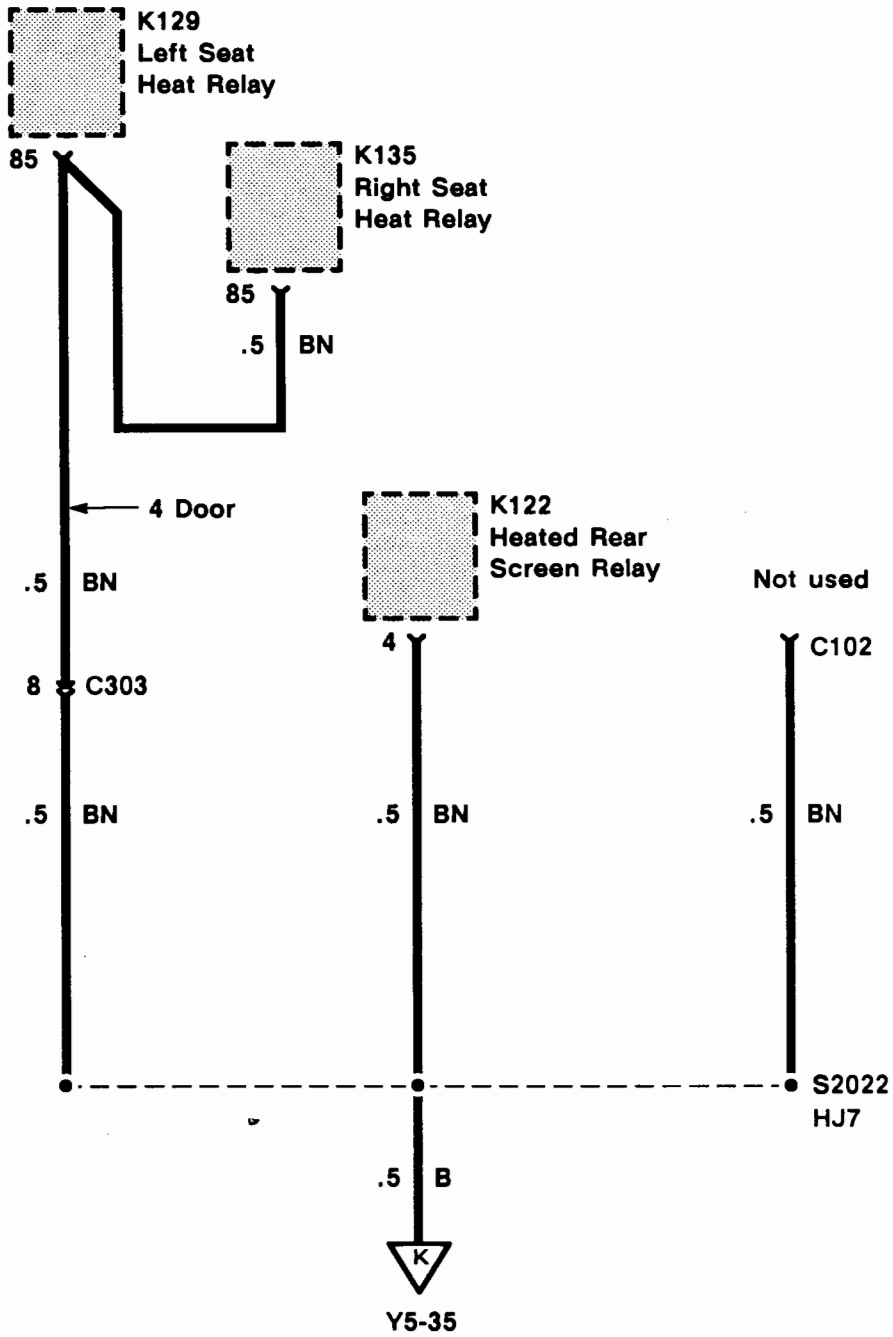
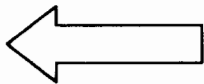
Y5 ETM

1993 RANGE ROVER

Wire Colour Chart

B- Black	P- Purple
G- Green	R- Red
K- Pink	S- Grey
L- Light	U- Blue
N- Brown	W- White
O- Orange	Y- Yellow



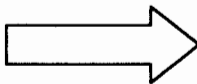
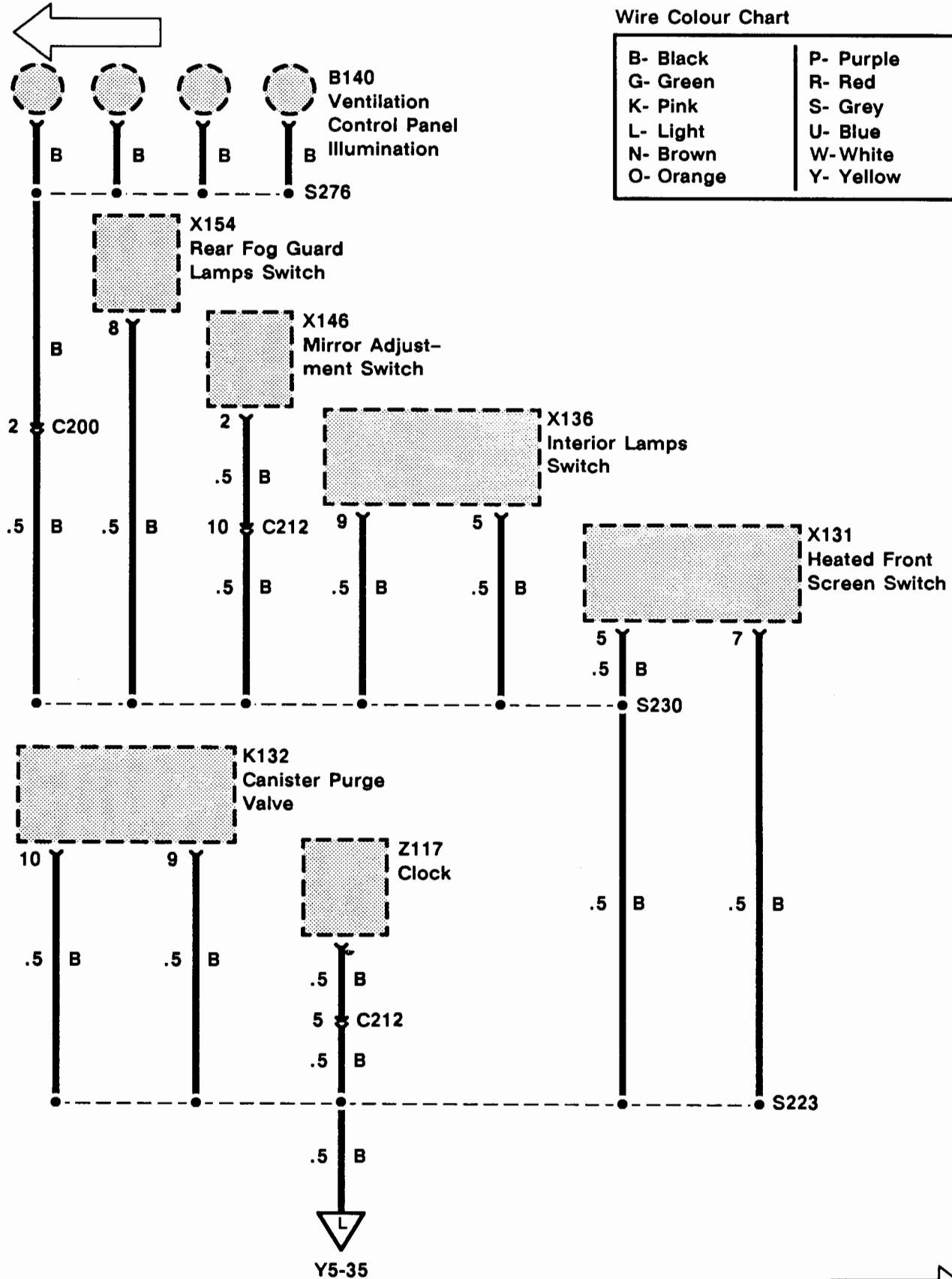


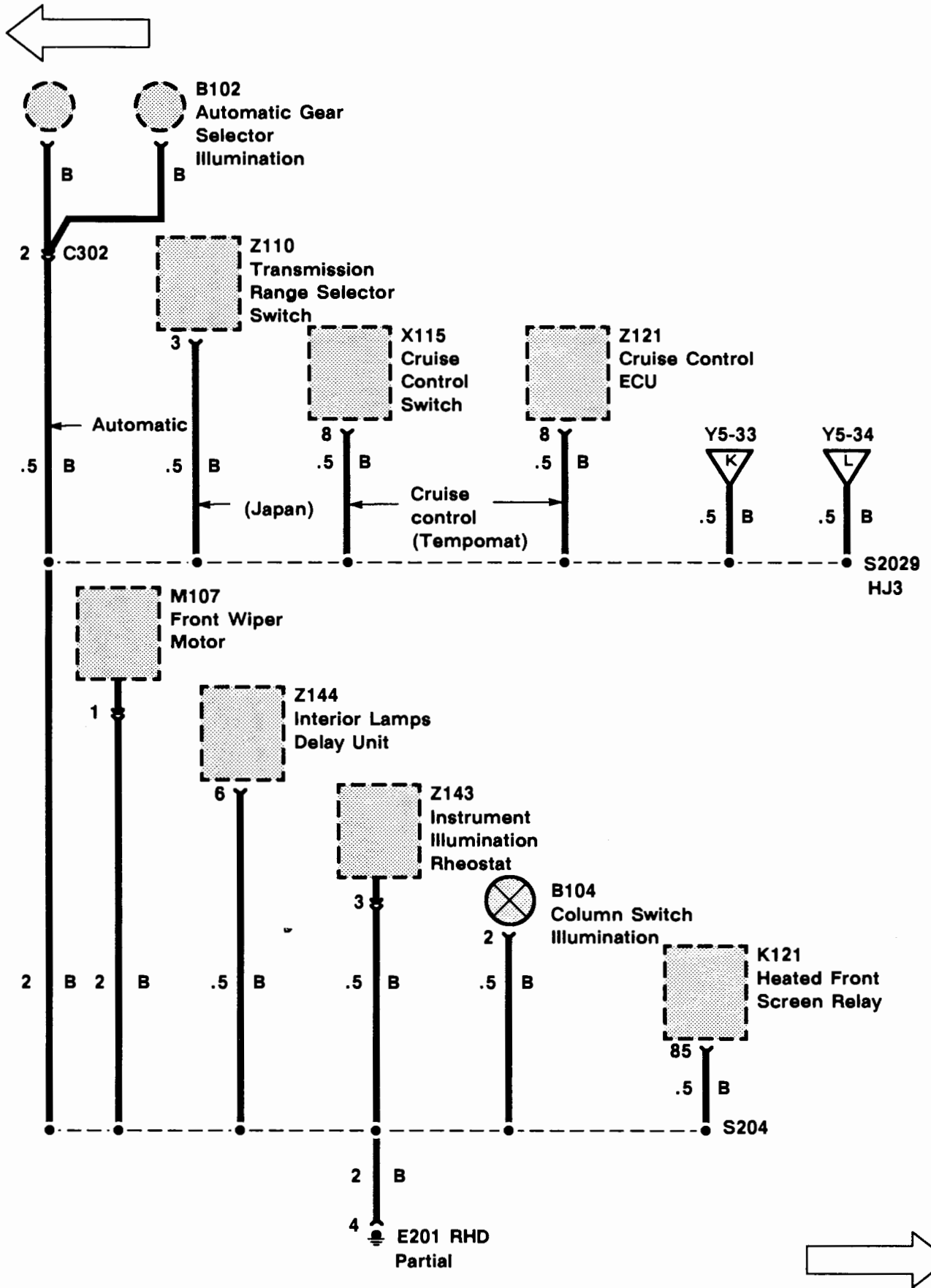
Y5 ETM

1993 RANGE ROVER

Wire Colour Chart

B- Black	P- Purple
G- Green	R- Red
K- Pink	S- Grey
L- Light	U- Blue
N- Brown	W- White
O- Orange	Y- Yellow



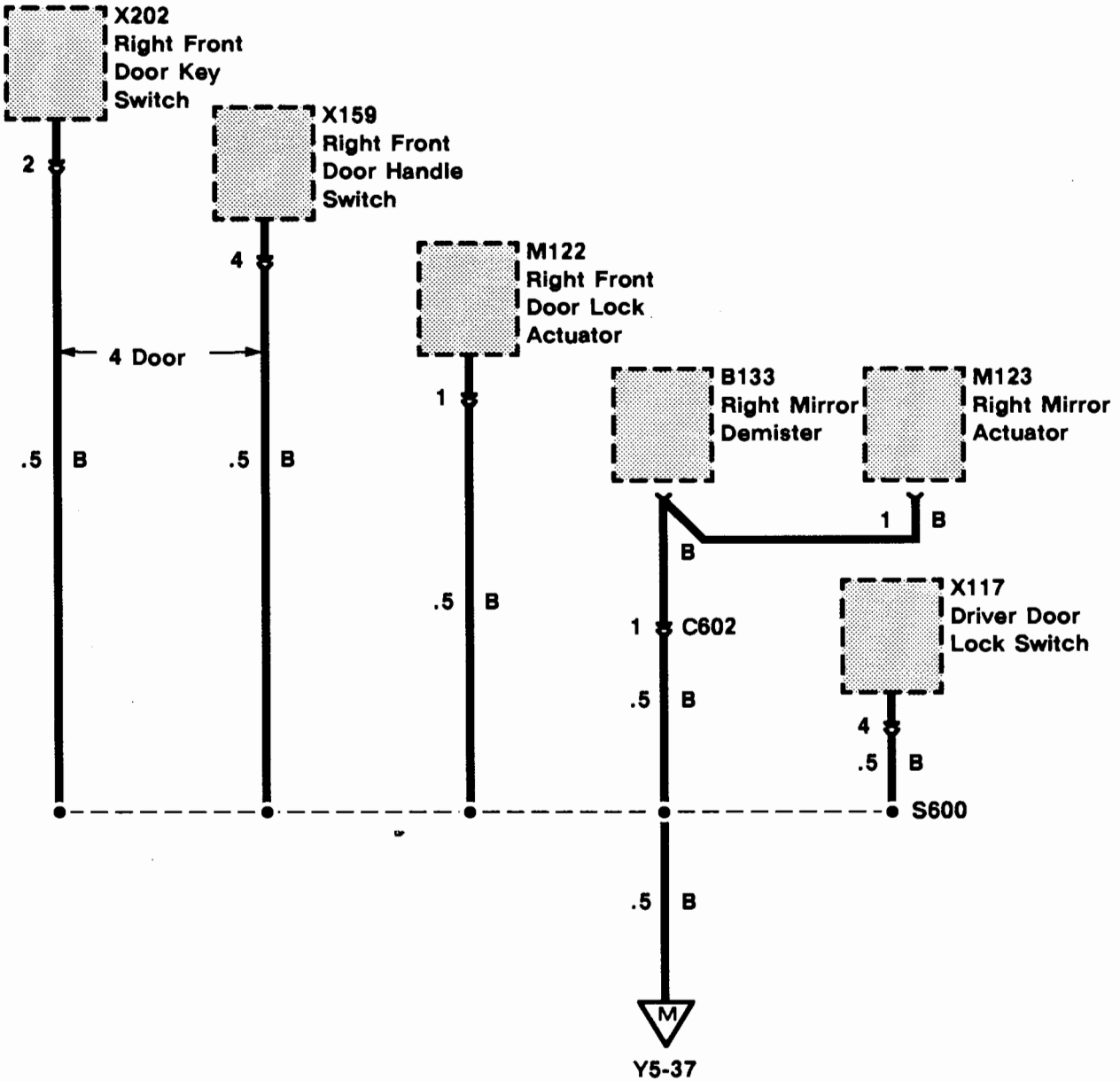


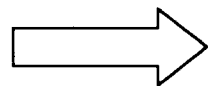
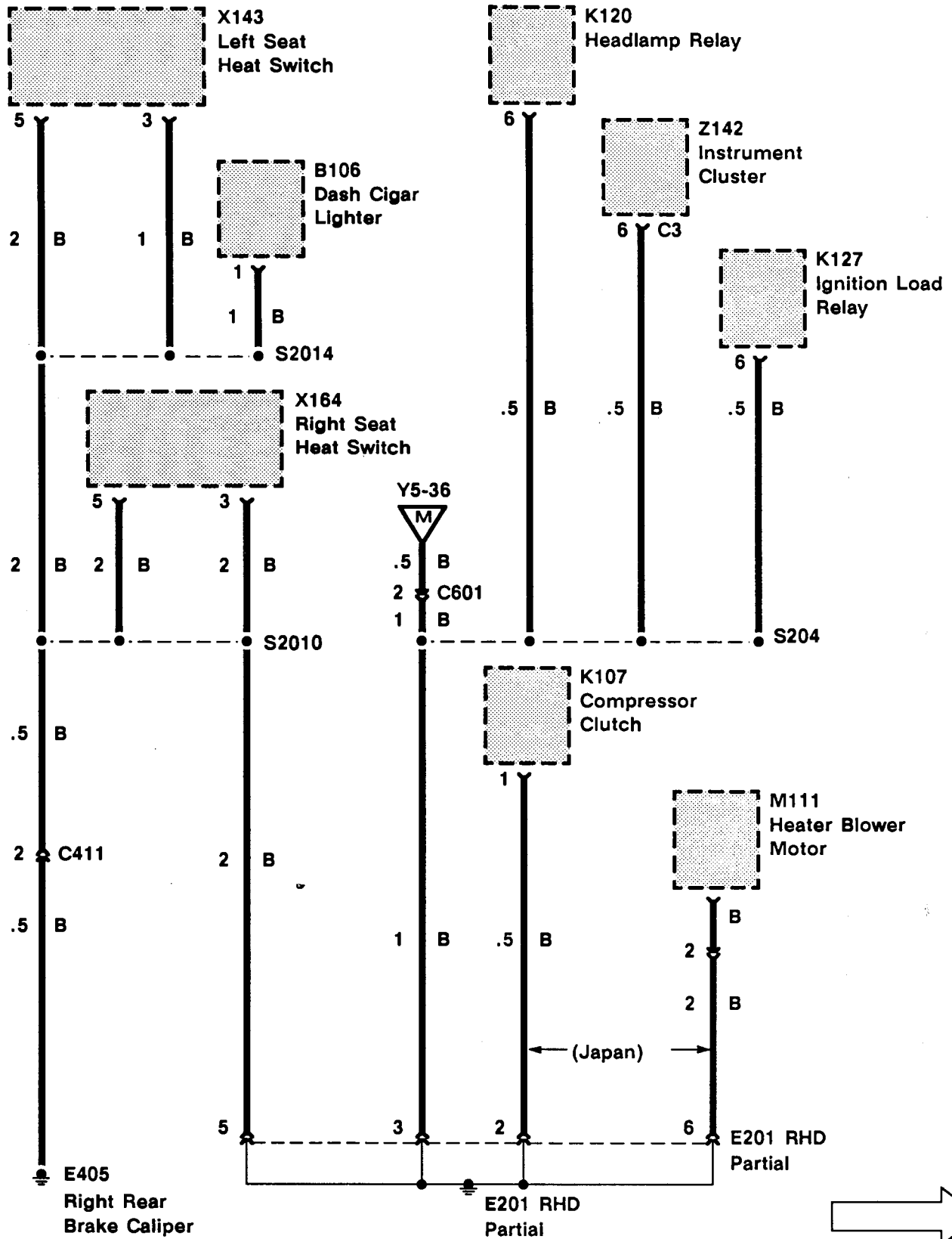
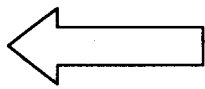
Y5 ETM

1993 RANGE ROVER

Wire Colour Chart

B- Black	P- Purple
G- Green	R- Red
K- Pink	S- Grey
L- Light	U- Blue
N- Brown	W- White
O- Orange	Y- Yellow



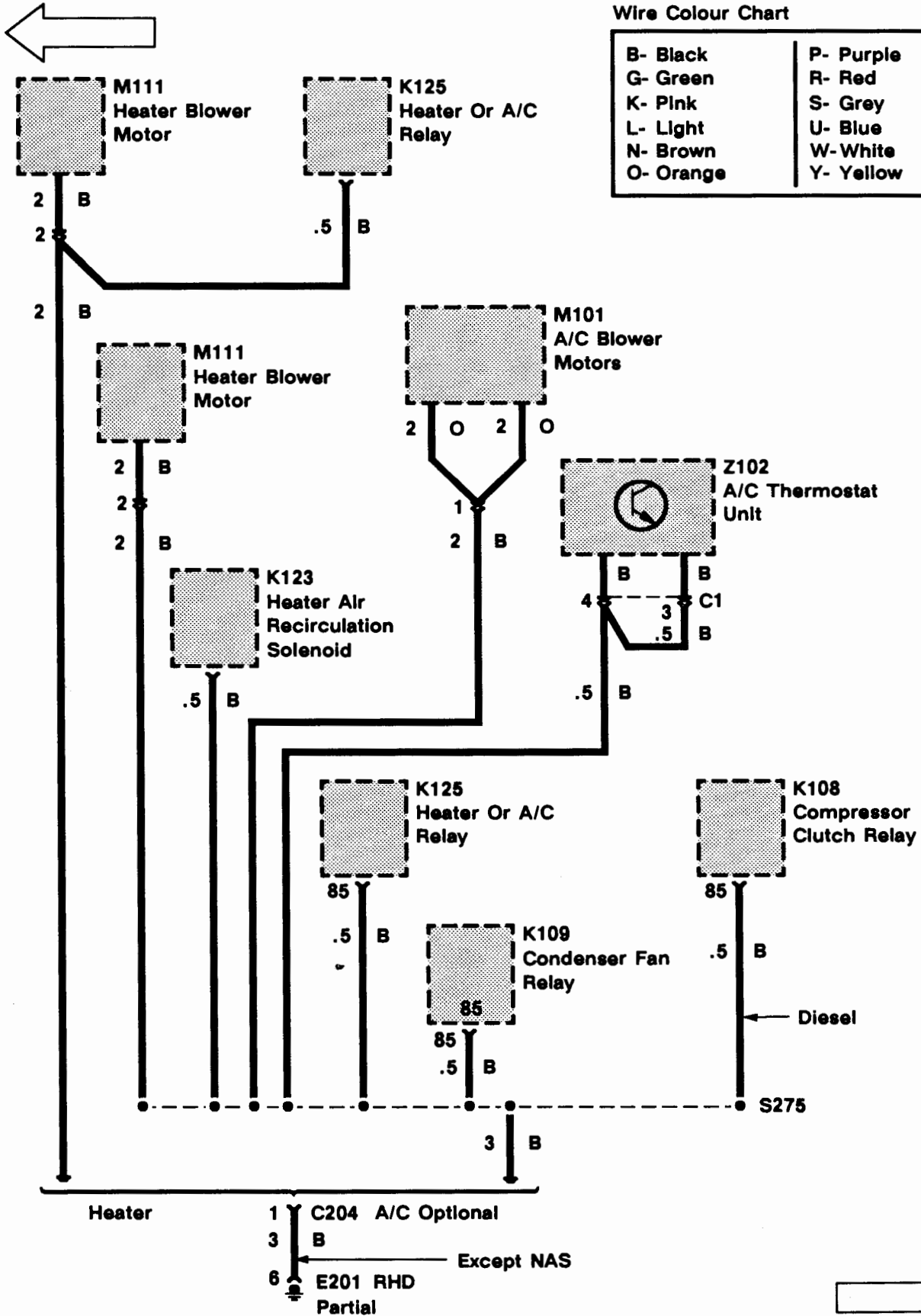


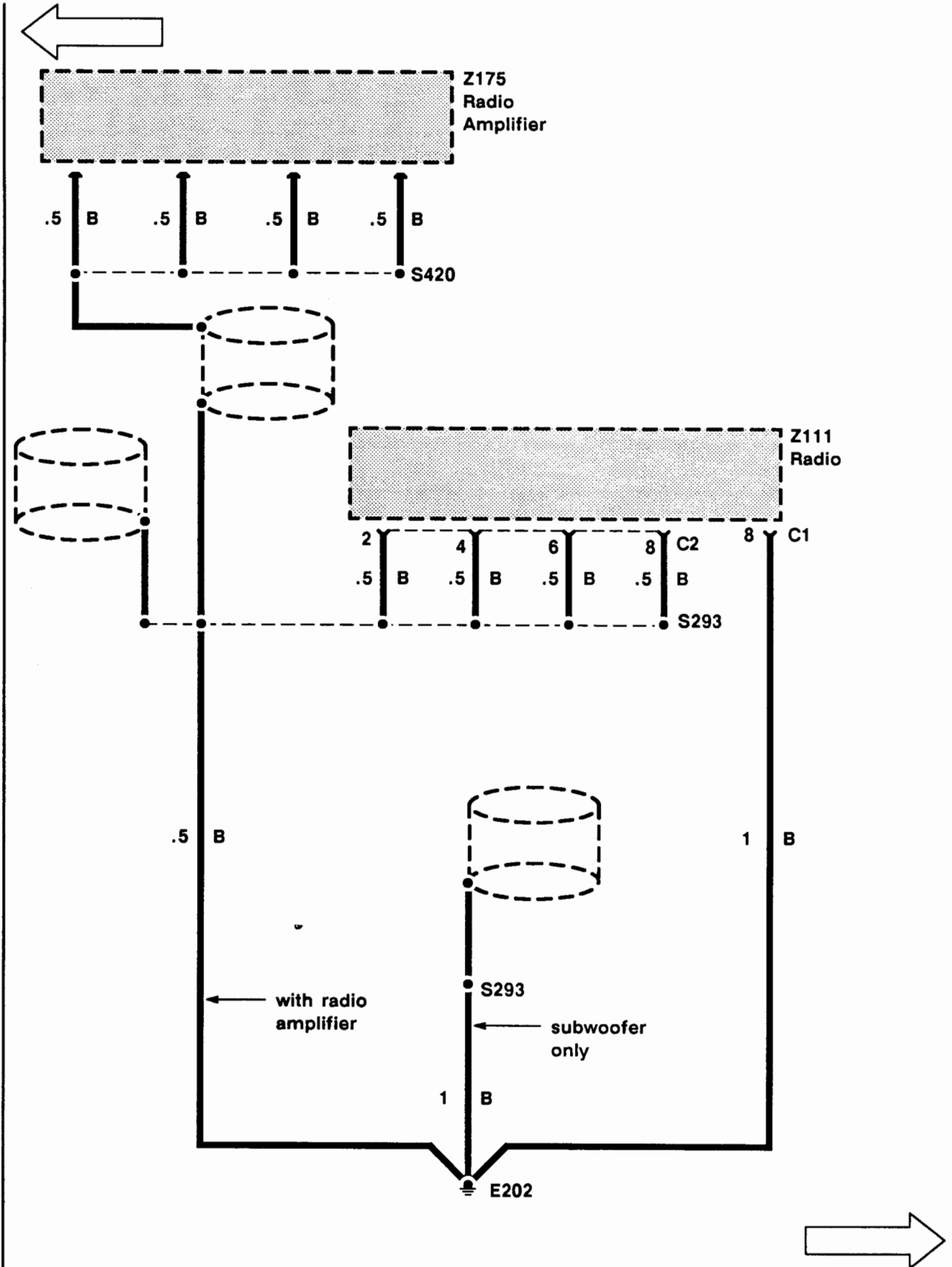
Y5 ETM

1993 RANGE ROVER

Wire Colour Chart

B- Black	P- Purple
G- Green	R- Red
K- Pink	S- Grey
L- Light	U- Blue
N- Brown	W- White
O- Orange	Y- Yellow



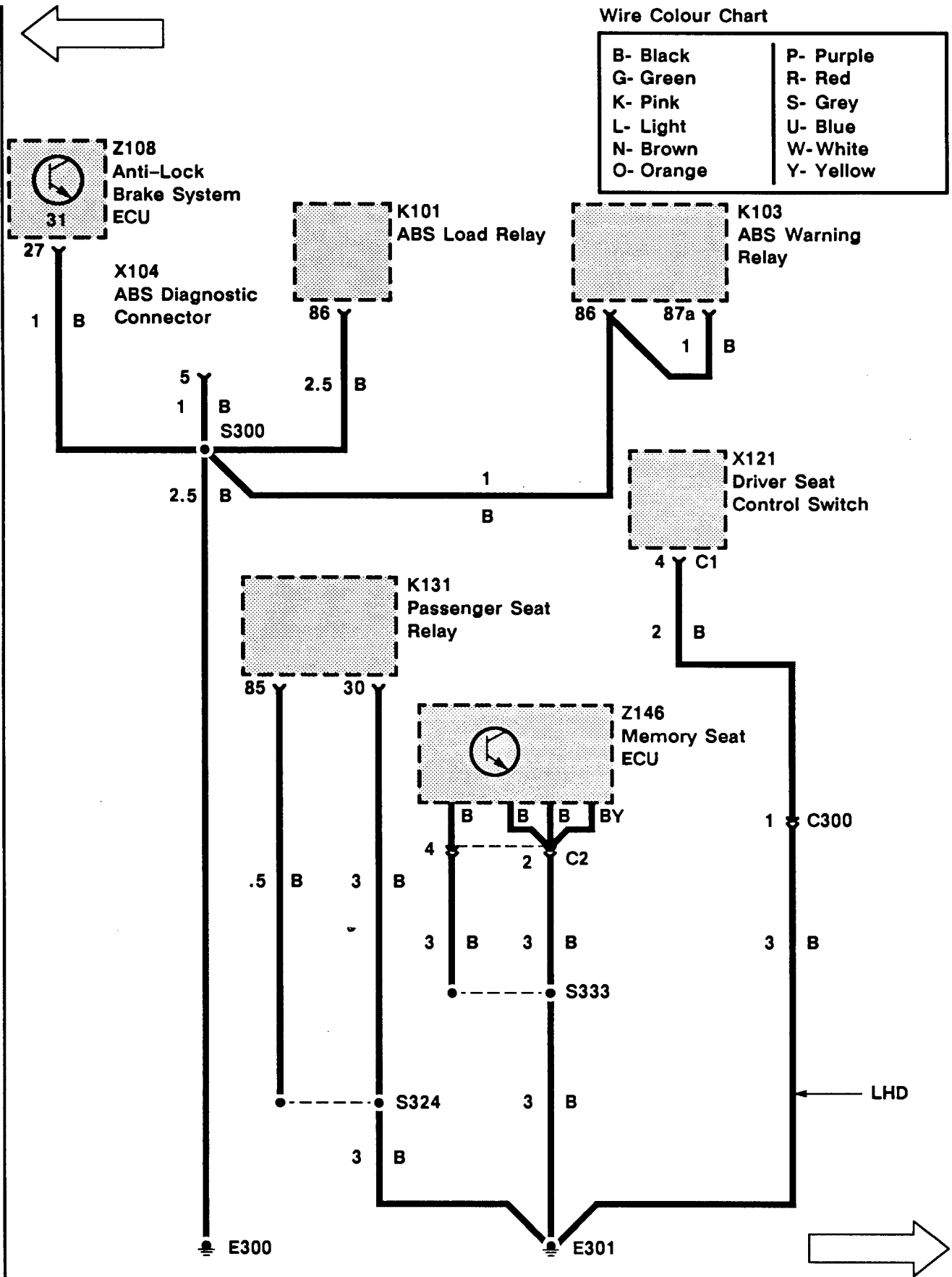


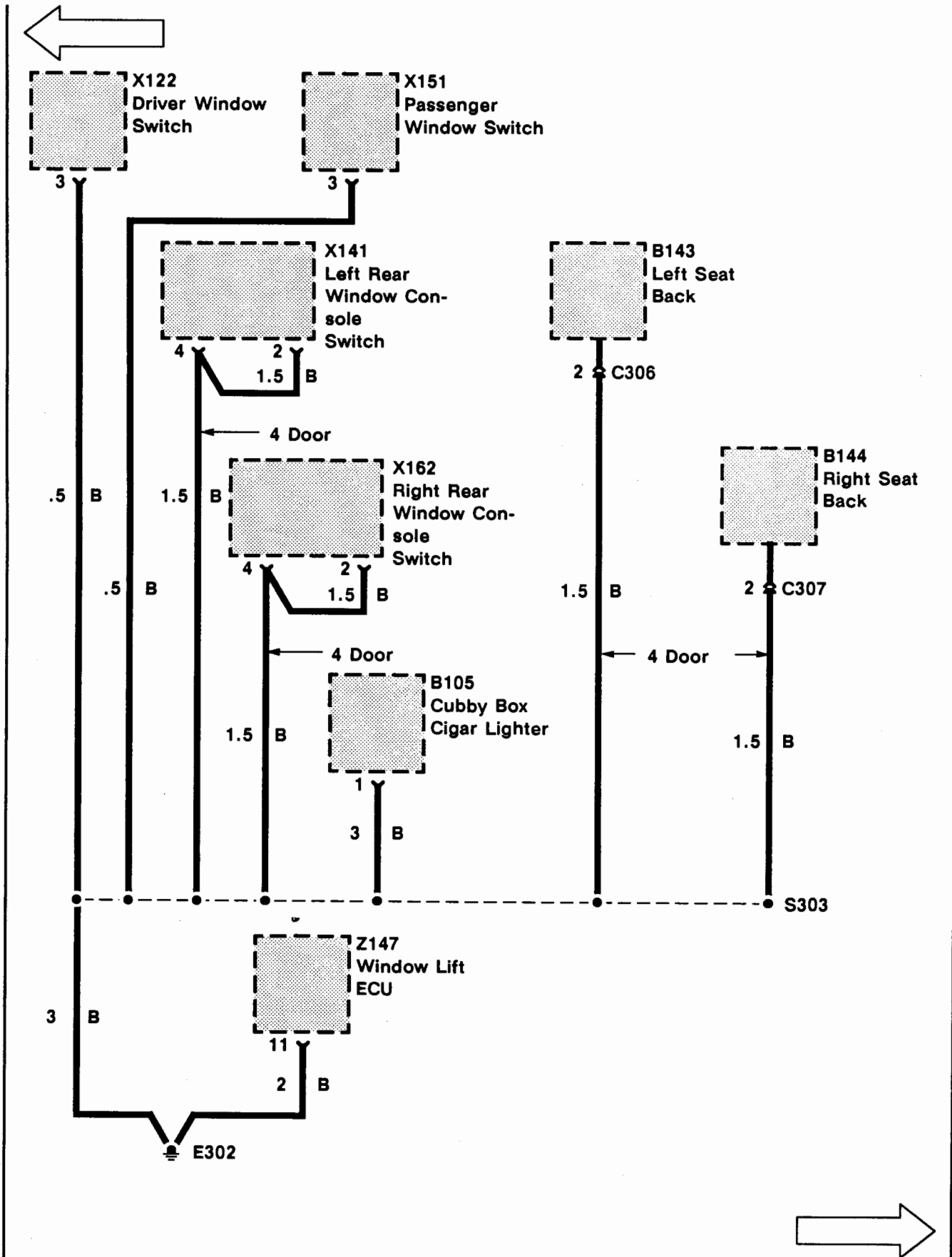
Y5 ETM

1993 RANGE ROVER

Wire Colour Chart

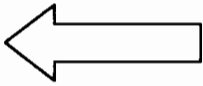
B- Black	P- Purple
G- Green	R- Red
K- Pink	S- Grey
L- Light	U- Blue
N- Brown	W- White
O- Orange	Y- Yellow





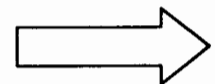
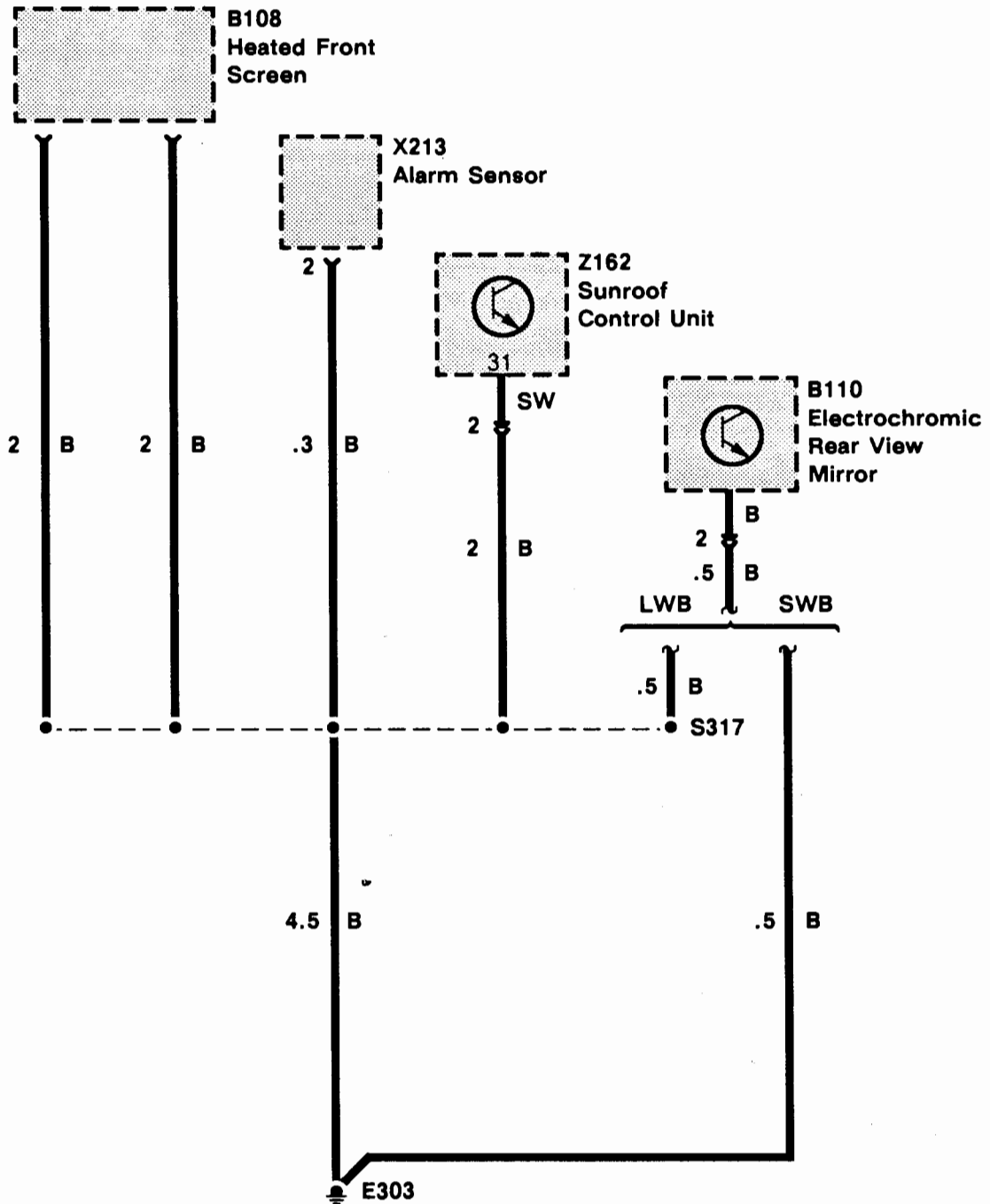
Y5 ETM

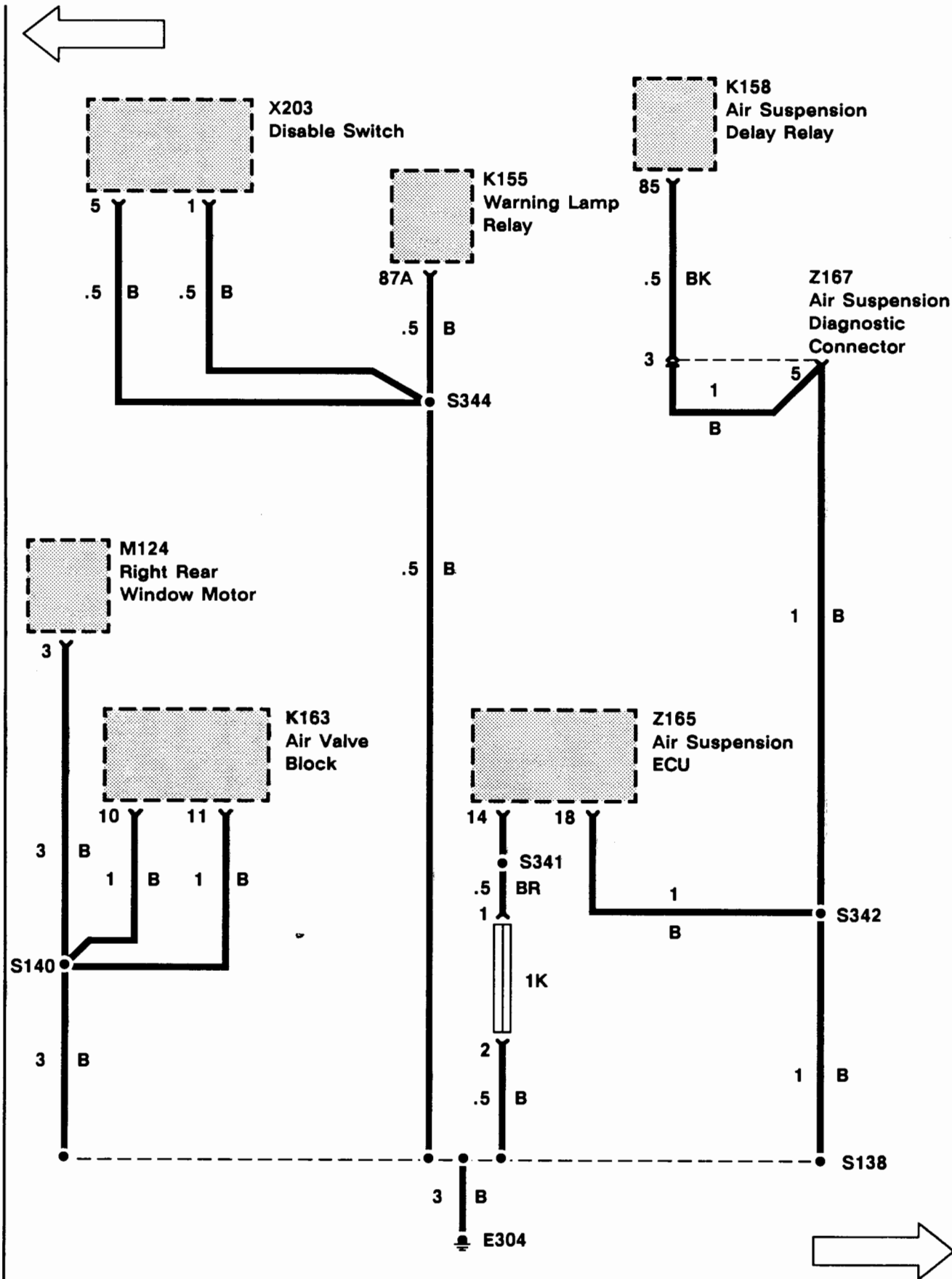
1993 RANGE ROVER



Wire Colour Chart

B- Black	P- Purple
G- Green	R- Red
K- Pink	S- Grey
L- Light	U- Blue
N- Brown	W- White
O- Orange	Y- Yellow



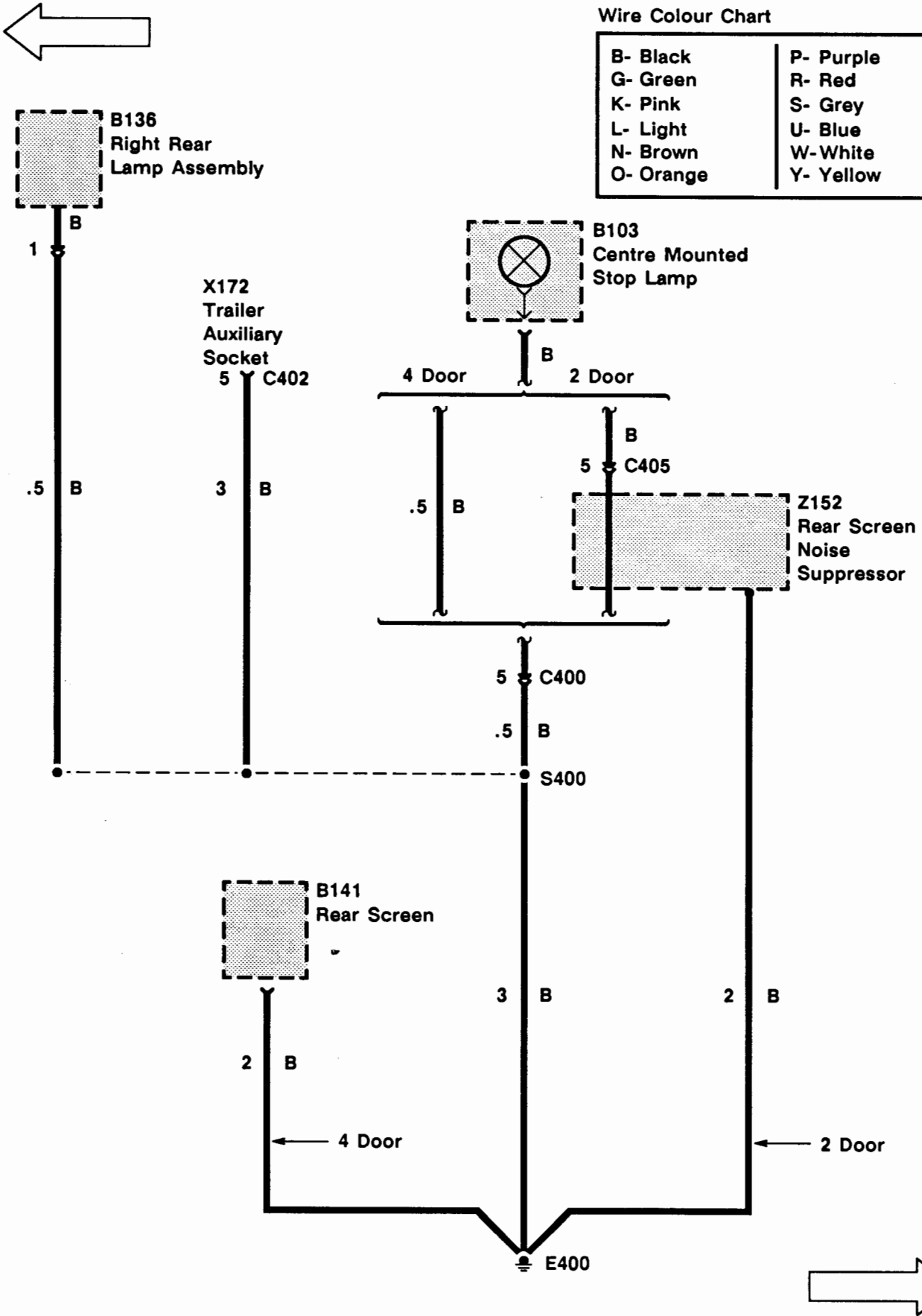


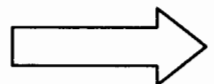
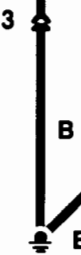
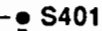
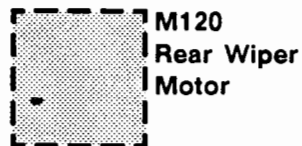
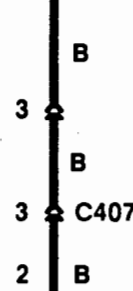
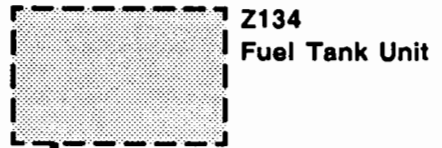
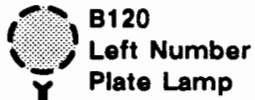
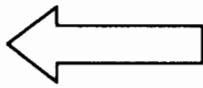
Y5 ETM

1993 RANGE ROVER

Wire Colour Chart

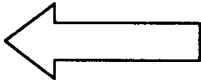
B- Black	P- Purple
G- Green	R- Red
K- Pink	S- Grey
L- Light	U- Blue
N- Brown	W- White
O- Orange	Y- Yellow





Y5 ETM

1993 RANGE ROVER



Wire Colour Chart

B- Black	P- Purple
G- Green	R- Red
K- Pink	S- Grey
L- Light	U- Blue
N- Brown	W- White
O- Orange	Y- Yellow

