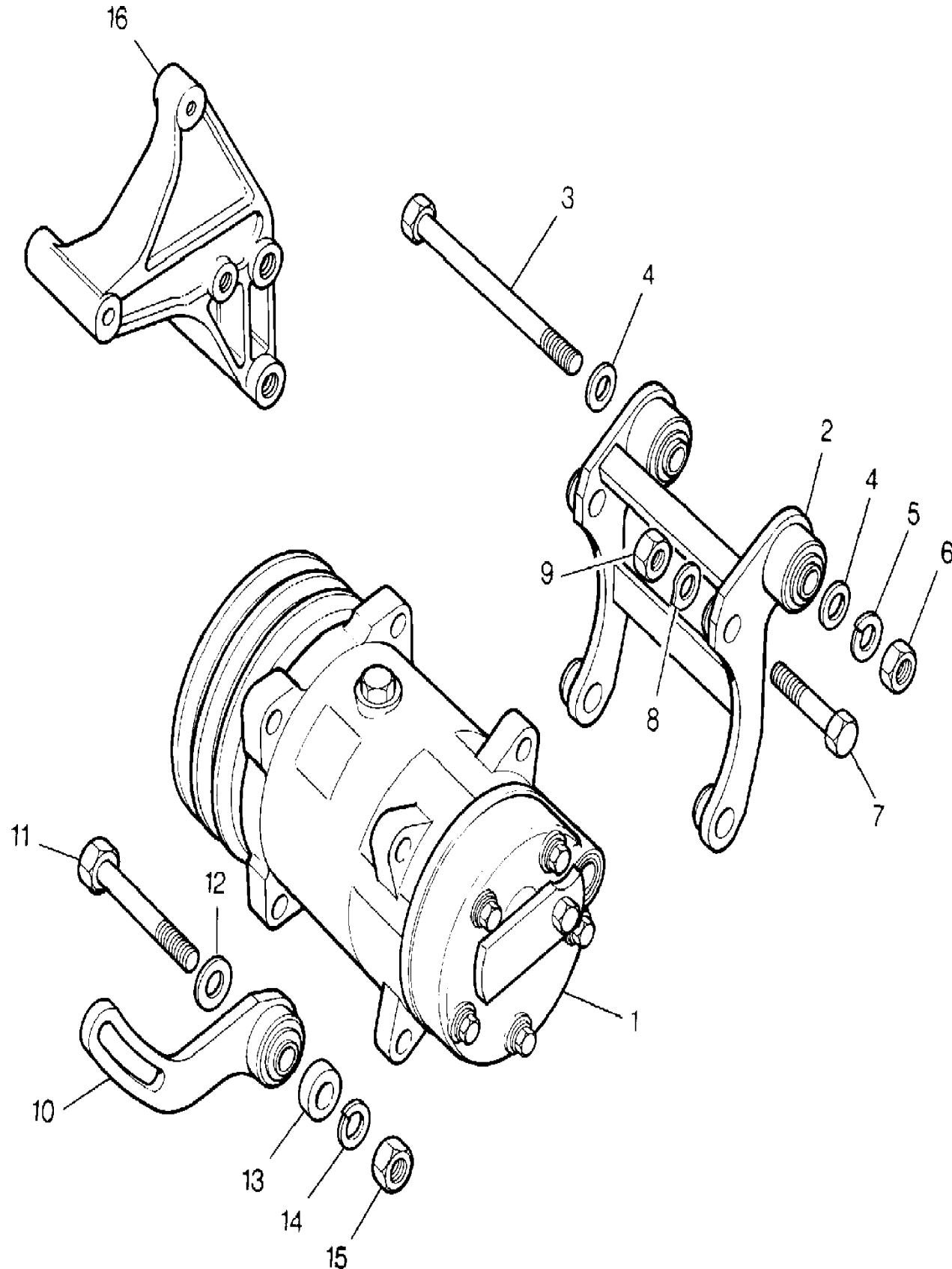


Engine
2400 - Diesel - VM
Air Conditioning Compressor 1/2

Range Rover (To HA610293)
(TS5755A)



Range Rover (To HA610293)

Engine
2400 - Diesel - VM
Air Conditioning Compressor

2.4L 4 Cyl VM Turbo Diesel, With Air Conditioning

Callout	Name	Application	Remarks & Restrictions	Service No.	Qty
1	Compressor assembly air conditioning		Also serviced as part of a kit	ETC7994	1
2	Bracket-compressor air conditioning			ETC9014	1
3	Bolt		M12 x 150	BH112301L	1
4	Washer		M12, Plain, Standard M12	WA112081L WA112051L	2 1
5	Washer			WL112001L	1
6	Nut - Hex.		M12, Hexagonal	NH112041L	1
7	Bolt		Long, hexagonal head, M10 x 50	BH110101L	2
8	Washer		M10, Plain	WA110001L	1
9	Nut - Hex.		M10, hexagonal head, Coarse Thread	NH110041L	5
10	Link-adjusting compressor	Change point - Engine end 11A26981 Change point - Engine begin 11A26982	133/65 amp 127/65 amp 133/65 amp	ETC9010 ETC9111 ETC9010	1 1 1
11	Bolt		hexagonal head, M10 x 35	BX110071L	1
12	Washer-waved		M10	WW110001L	5
13	Washer			ETC9012	1
14	Washer		M10	WL110001L	1
15	Nut - Hex.		M10, hexagonal head, Coarse Thread	NH110041L	1
16	Bracket assembly power assisted steering pump & alternator			ETC9073	1
[900]	Screw		M8 x 25, hexagonal head	SH108251L	1
[901]	Bush			ETC9008	1
[902]	Belt-polyvee air conditioning compressor			ETC9009	1
[903]	Kit-gasket and seal			RTC4777	1
[904]	Spacer			ETC9013	1

Engine
2400 - Diesel - VM
Air Conditioning Compressor 2/2

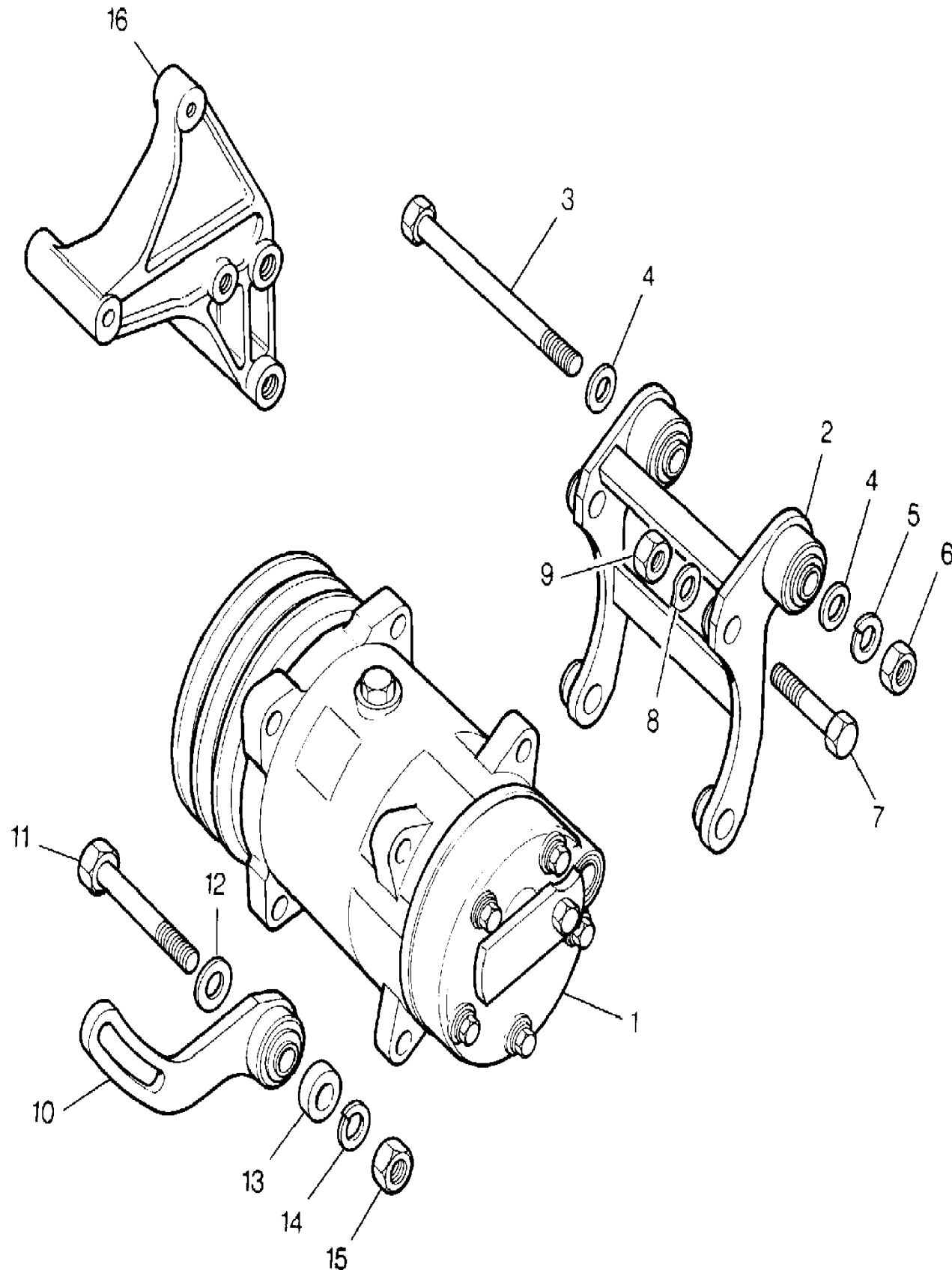
Range Rover (To HA610293)
(TS5755A)

Range Rover (To HA610293)

Engine
2400 - Diesel - VM
Air Conditioning Compressor

2.4L 4 Cyl VM Turbo Diesel, With Air Conditioning

Callout	Name	Application	Remarks & Restrictions	Service No.	Qty
[905]	Bolt		hexagonal head, M10 x 40 M12 x 35	BH110081L BH112071L	2 1



Engine
2400 - Diesel - VM
Alternator 1/1

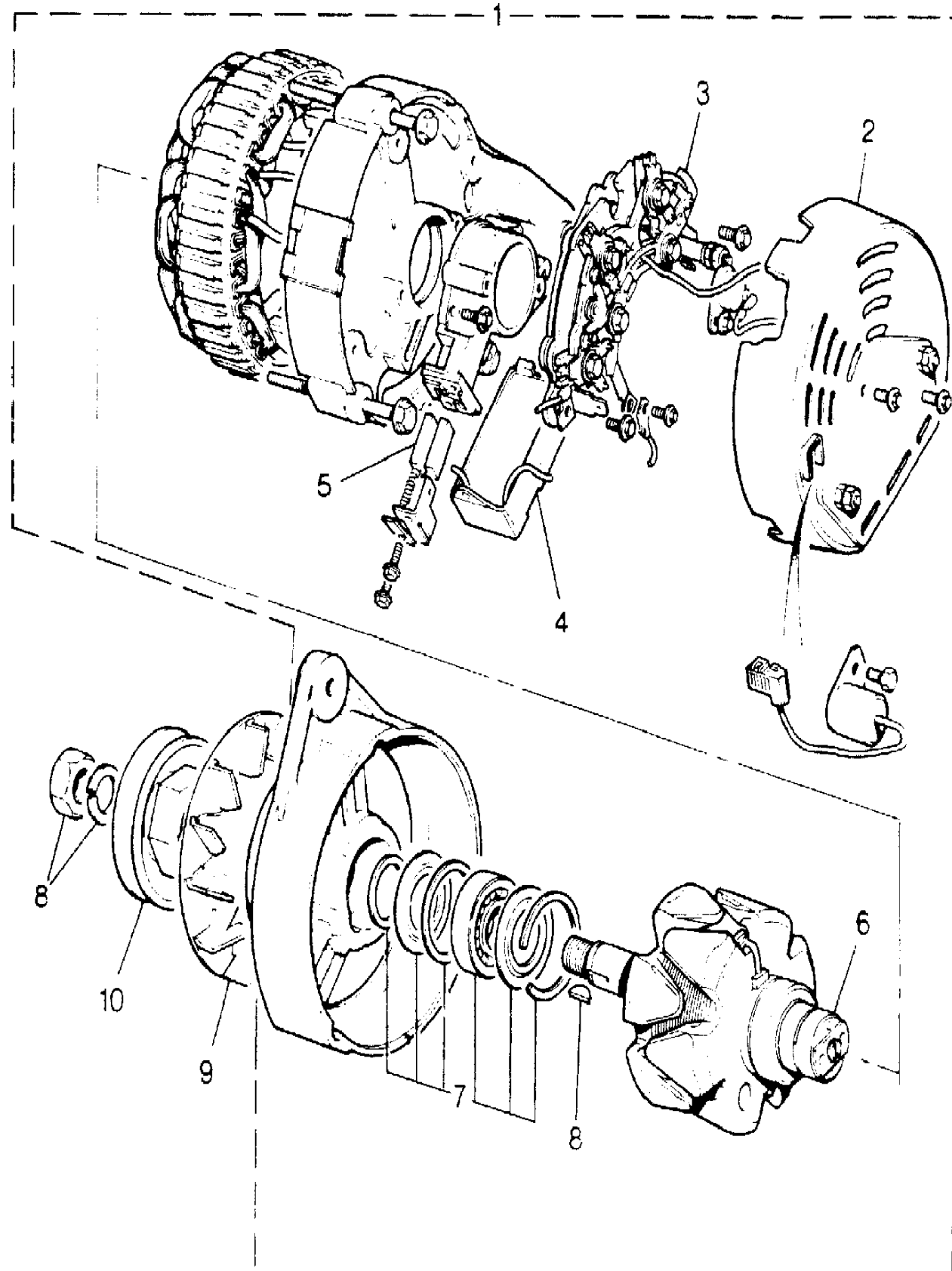
Range Rover (To HA610293)

(VS3160)

Engine
2400 - Diesel - VM
Alternator

Range Rover (To HA610293)

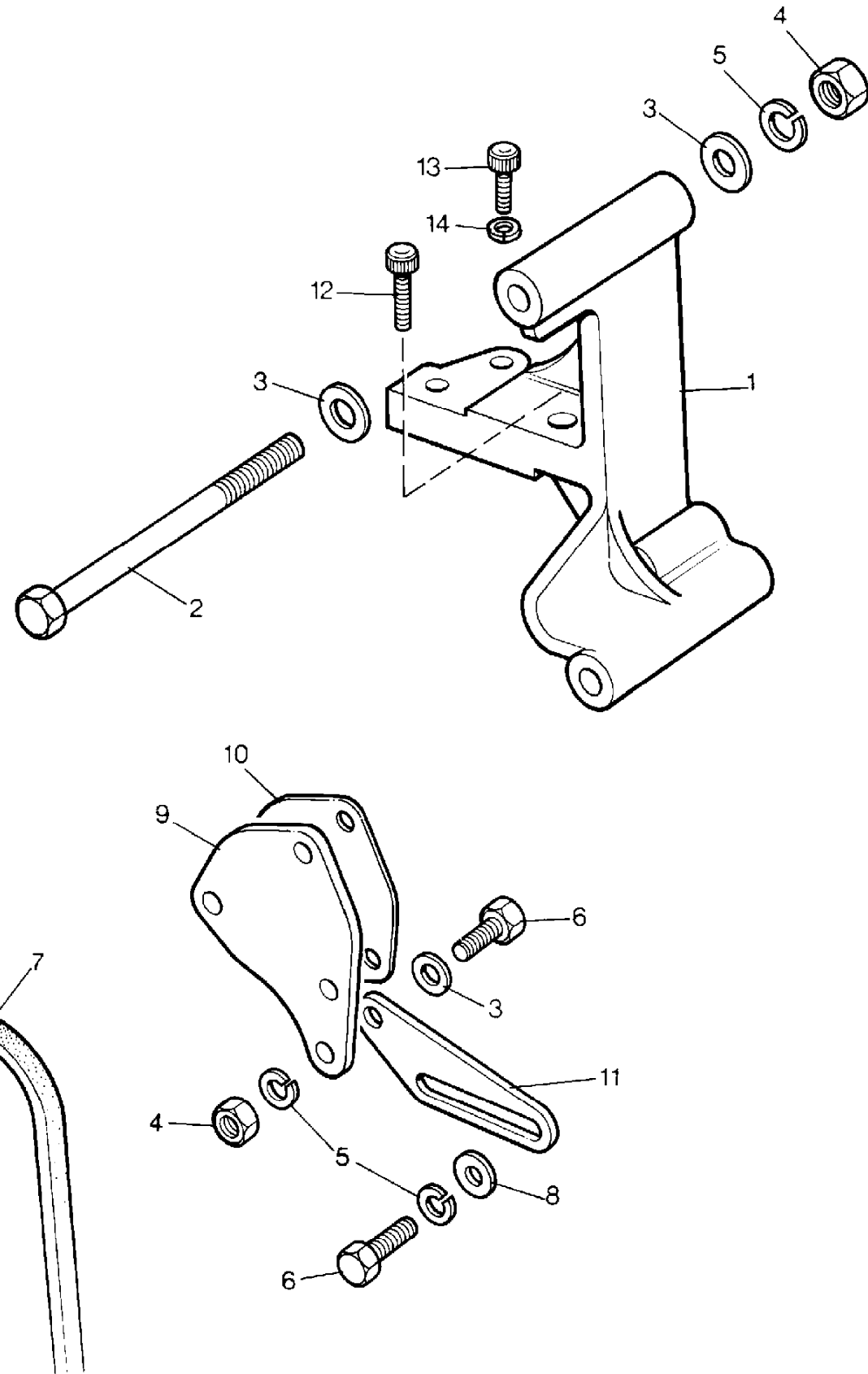
Callout	Name	Application	Remarks & Restrictions	Service No.	Qty
1	Alternator assembly	2.4L 4 Cyl VM Turbo Diesel 2.4L 4 Cyl VM Turbo Diesel 2.4L 4 Cyl VM Turbo Diesel	Also serviced as part of a kit, A133-65 amp Also serviced as part of a kit, RH, New, A127-65 amp Also serviced as part of a kit, New, A127-65 amp, LH	RTC5250E RTC5680N RTC5681N	1 1 1
2	Bracket vacuum pump	2.4L 4 Cyl VM Turbo Diesel	Also serviced as part of a kit	AEU1914	1
3	Rectifier-alternator	2.4L 4 Cyl VM Turbo Diesel 2.4L 4 Cyl VM Turbo Diesel	Also serviced as part of a kit Also serviced as part of a kit	AEU1916 RTC5671	1 1
4	Regulator assembly alternator	2.4L 4 Cyl VM Turbo Diesel 2.4L 4 Cyl VM Turbo Diesel	Also serviced as part of a kit, LRA356 Also serviced as part of a kit	AEU3076 RTC5670	1 1
5	Brush alternator	2.4L 4 Cyl VM Turbo Diesel	Also serviced as part of a kit	RTC3292	1
6	Bearing-alternator front	2.4L 4 Cyl VM Turbo Diesel	Also serviced as part of a kit	AEU1532	1
7	Kit-bearing-drive end alternator	2.4L 4 Cyl VM Turbo Diesel 2.4L 4 Cyl VM Turbo Diesel	Also serviced as part of a kit Also serviced as part of a kit, LH	AEU1726 RTC5688	1 1
8	Kit-fixings alternator/vacuum pump	2.4L 4 Cyl VM Turbo Diesel	Also serviced as part of a kit	AEU1710	1
9	Fan Alternator	2.4L 4 Cyl VM Turbo Diesel 2.4L 4 Cyl VM Turbo Diesel	A133-65 amp 133/65 amp	AUU1097 AAU2249	1 1
10	Pulley-alternator	2.4L 4 Cyl VM Turbo Diesel 2.4L 4 Cyl VM Turbo Diesel	133/65 amp 68mm, 127/65 amp	ETC9047 ETC9083	1 1
[901]	Kit-screw	2.4L 4 Cyl VM Turbo Diesel		AEU1706	1
[902]	Spacer	2.4L 4 Cyl VM Turbo Diesel		AEU1708	1
[903]	Lead-link-solenoid fuel shut off	2.4L 4 Cyl VM Turbo Diesel		PRC4643	1



Engine
2400 - Diesel - VM
Alternator Mountings 1/1

Range Rover (To HA610293)

(TS6593)



Range Rover (To HA610293)

Engine
2400 - Diesel - VM
Alternator Mountings

2.4L 4 Cyl VM Turbo Diesel

Callout	Name	Application	Remarks & Restrictions	Service No.	Qty
1	Bracket	RHD		ETC9022	1
2	Bolt	RHD	M8	ETC9059	1
		LHD	M8 x 120	ETC9062	1
3	Washer	RHD	8MM	WA108051L	3
4	Nut - Hex.	RHD	M8, hexagonal head	NH108041L	2
5	Washer	RHD	M8, sprung	WL108001L	3
6	Screw		hexagonal head, M8 x 20	SH108201L	4
		LHD	hexagonal head, M8 x 20	SH108201L	1
		LHD	M8 x 25, hexagonal head	SH108251L	1
7	Belt-polyvee alternator	RHD		ETC9002	1
		LHD		ETC9019	1
8	Washer-plain-thick	RHD		ETC9011	1
		LHD		ETC9011	1
9	Cover-engine	RHD		ETC9050	1
10	Gasket-fuel pump blanking plate	RHD		ETC9060	1
11	Link-adjuster alternator	RHD	A127 alternator	ERC6683	1
		LHD		ETC9004	1
12	Screw		M10 X 45	SS110451L	1
13	Screw		M10 x 25	SS110251L	1
14	Washer	RHD	M10	WL110001L	4
[902]	Bracket assembly power assisted steering pump & alternator	LHD		ETC9073	1

Engine
2400 - Diesel - VM
Camshaft 1/1

Range Rover (To HA610293)

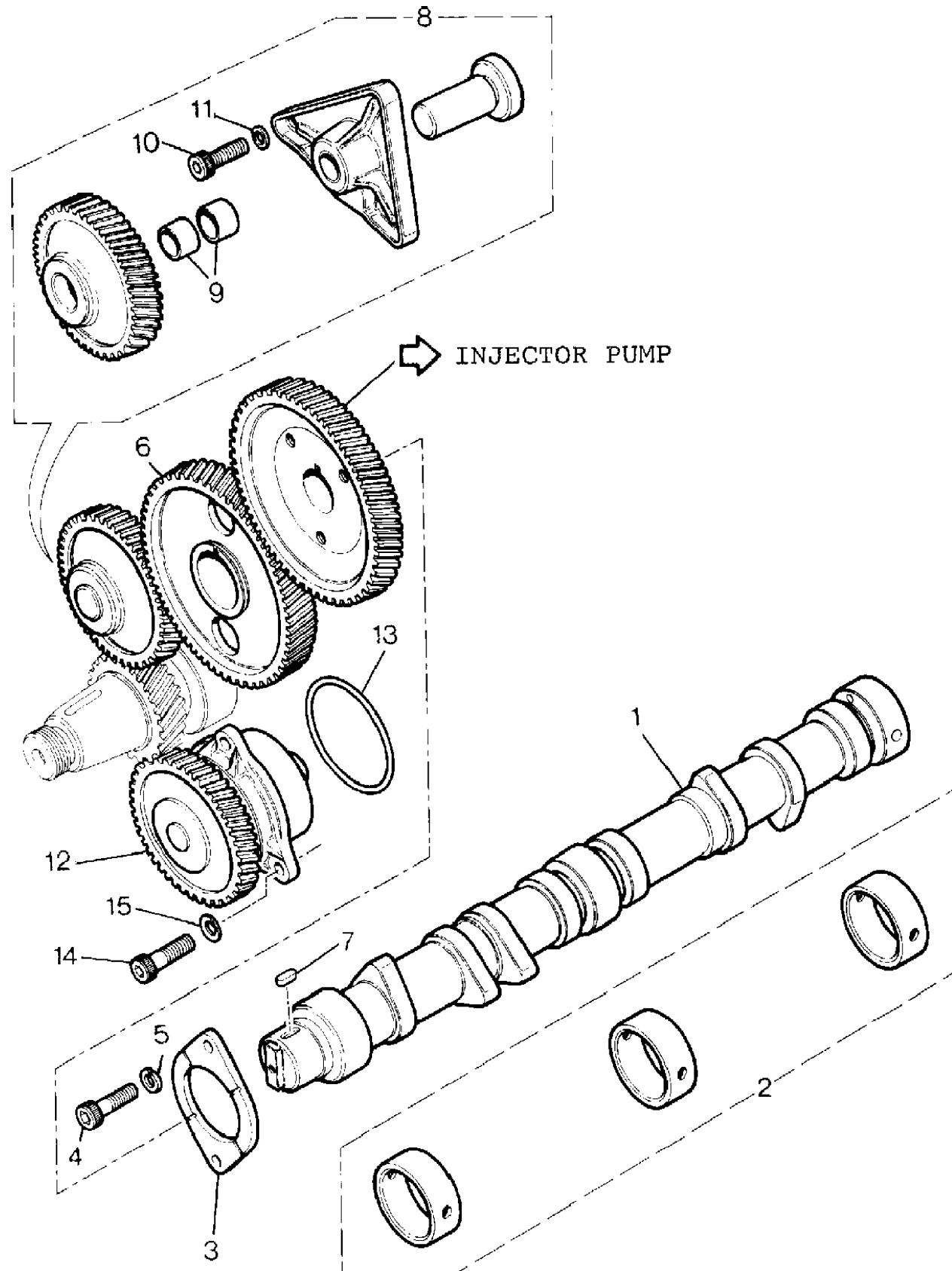
(VS3281)

Engine
2400 - Diesel - VM
Camshaft

Range Rover (To HA610293)

2.4L 4 Cyl VM Turbo Diesel

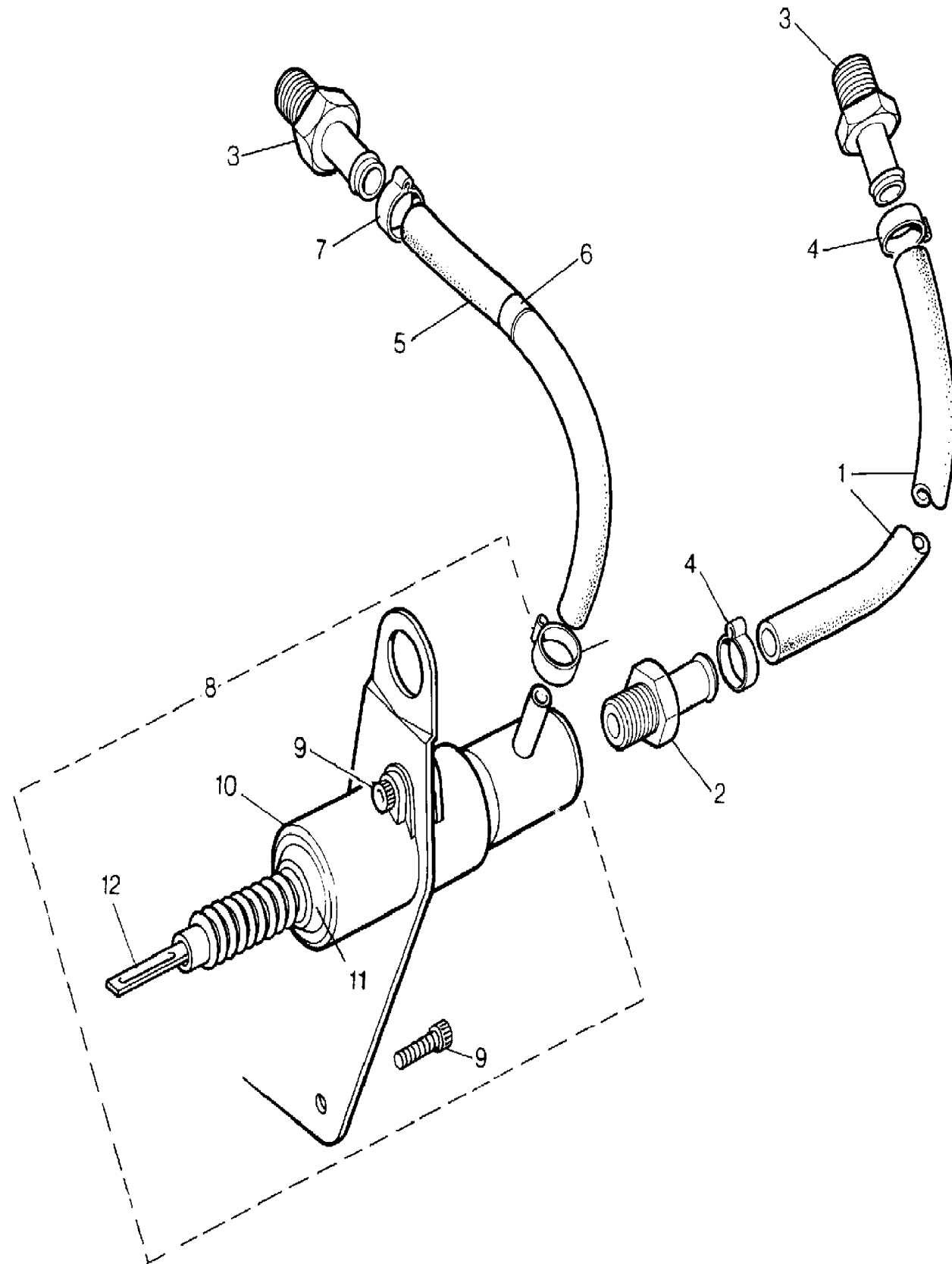
Callout	Name	Application	Remarks & Restrictions	Service No.	Qty
1	Camshaft-engine			BAU5313L	1
2	Set-camshaft bearings		Standard 0.010", undersize	AEU2134L AEU2135L	3 3
3	Plate			AEU2137L	1
4	Screw-hexagon socket		M8	SS108181L	2
5	Washer		M8, sprung	WL108001L	2
6	Gear-carburettor choke camshaft			AEU2139L	1
7	Key-camshaft location			AEU2136L	1
8	Gear-oil pump idler		Also serviced as part of a kit, Suffix A Also serviced as part of a kit, Suffix B	AEU2141L RTC6681	1 1
9	Bush		Also serviced as part of a kit, Suffix A Also serviced as part of a kit, Suffix B	AEU2142L AEU2142L	2 2
10	Screw-hexagon socket		Also serviced as part of a kit, M8, Suffix A Also serviced as part of a kit, M8, Suffix B	SS108181L SS108181L	3 3
11	Washer		Also serviced as part of a kit, 8MM, Suffix A Also serviced as part of a kit, 8MM, Suffix B	WA108051L WA108051L	2 2
12	Pump assembly-engine oil		39 Teeth	AEU2144L	1
13	O Ring			AEU2145L	1
14	Screw-hexagon socket		M8	SS108181L	3
15	Washer			AEU2146L	3



Engine
2400 - Diesel - VM
Cold Start Advance & Fast Idle Device 1/1

Range Rover (To HA610293)

(TS5955A)



Range Rover (To HA610293)

Engine
2400 - Diesel - VM
Cold Start Advance & Fast Idle Device

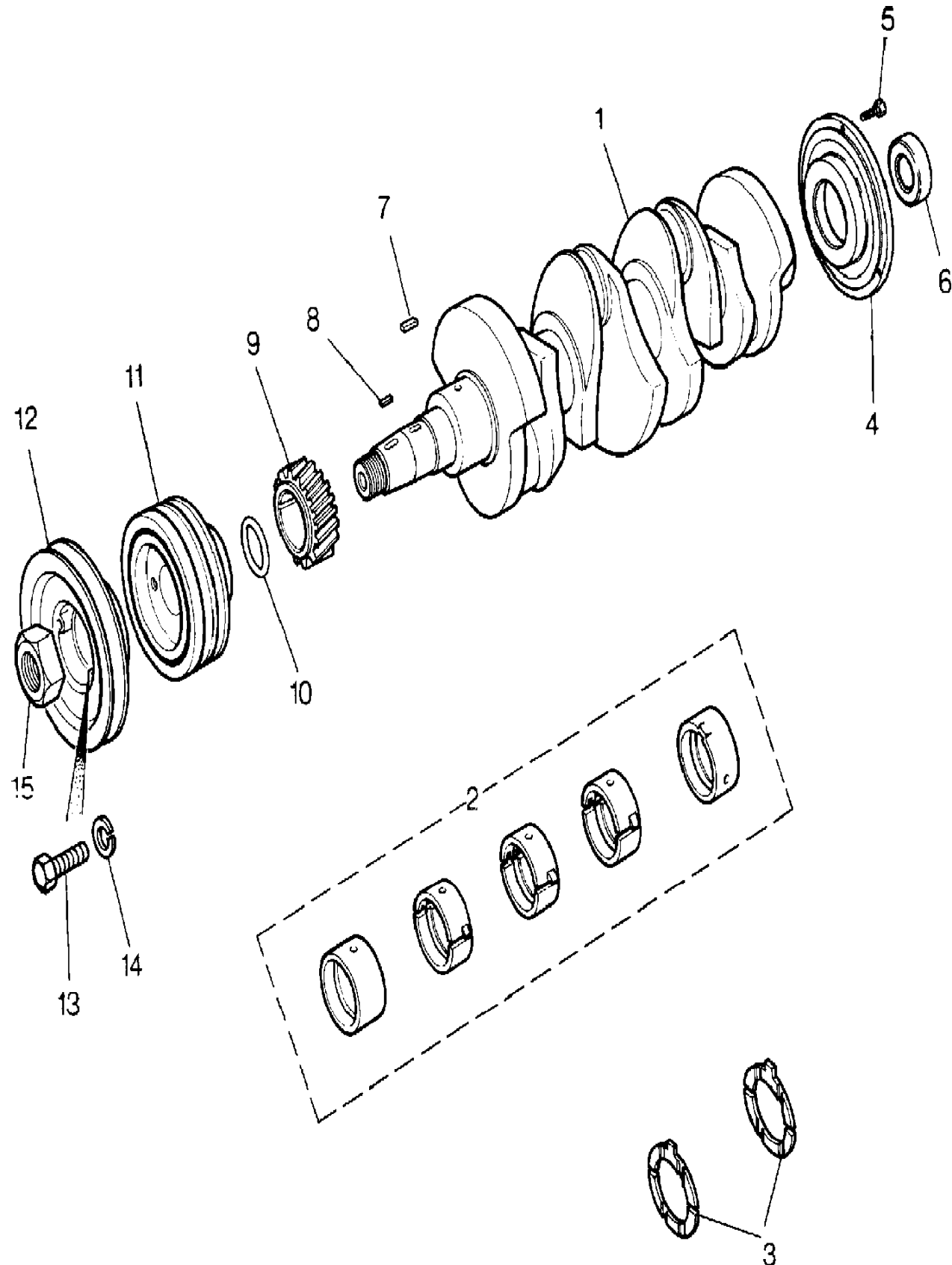
2.4L 4 Cyl VM Turbo Diesel

Callout	Name	Application	Remarks & Restrictions	Service No.	Qty
1	Pipe-feed-fuel lines			RTC4958	1
2	Connector-inlet manifold adaptor			RTC4968	1
3	Connector-inlet manifold adaptor			RTC4967	1
4	Clip			EAC22723	2
5	Pipe-return fuel lines			RTC4962	1
6	Clip-p			50641	1
7	Clip			EAC22723	2
8	Sensor-temperature cold start (ksb) injection pump		Also serviced as part of a kit	RTC5624	1
10	Boot-rubber		Also serviced as part of a kit	RTC5723	1
11	Thermostat-engine cold start		Also serviced as part of a kit	RTC5724	1
12	Rod-cold start & fast fill		Also serviced as part of a kit	RTC5725	1

Engine
2400 - Diesel - VM
Crankshaft 1/1

Range Rover (To HA610293)

(TS5927)



Range Rover (To HA610293)

Engine
2400 - Diesel - VM
Crankshaft

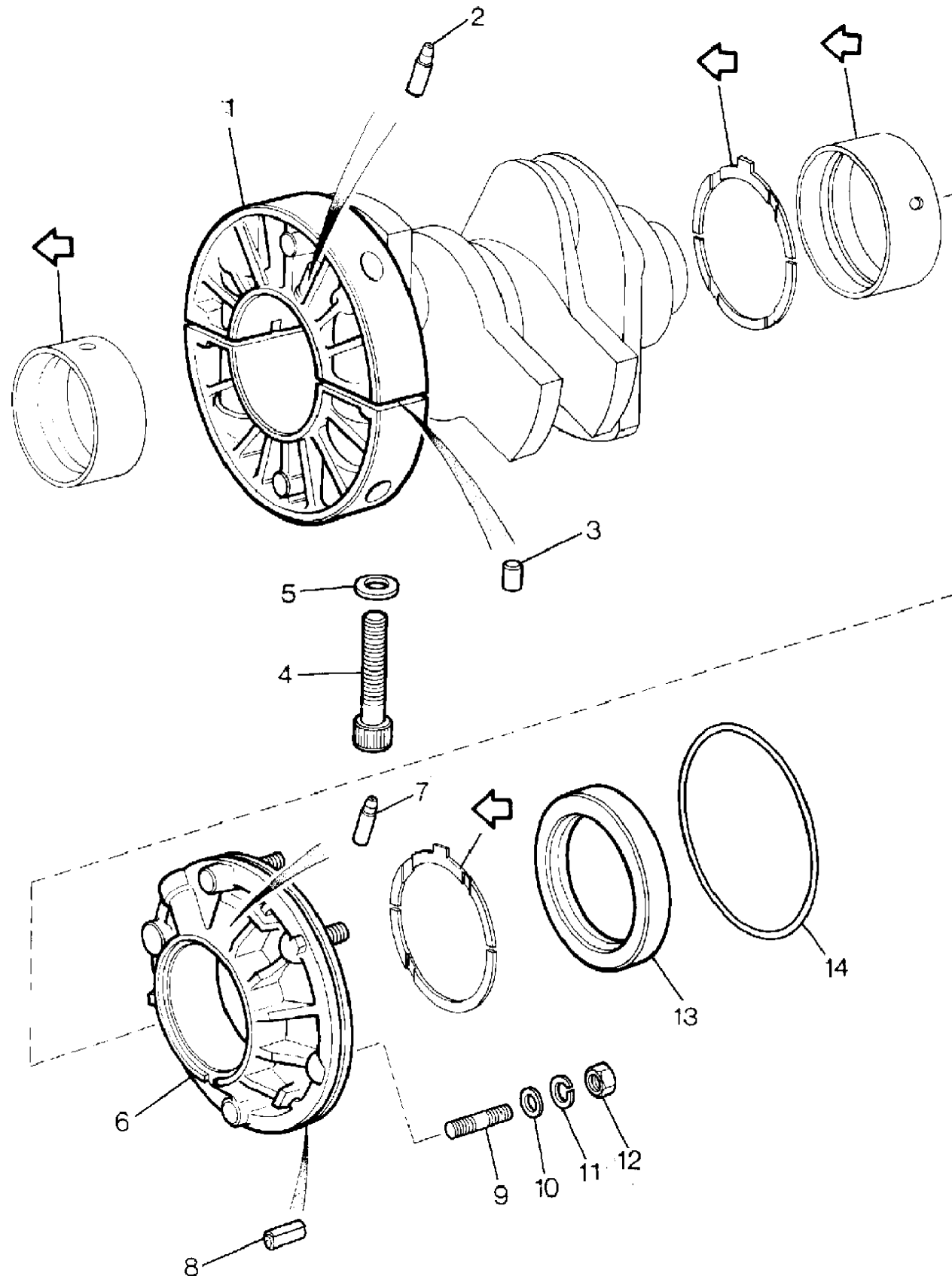
2.4L 4 Cyl VM Turbo Diesel

Callout	Name	Application	Remarks & Restrictions	Service No.	Qty
1	Crankshaft-engine			AEU2007L	1
2	Set-crankshaft bearings		3 split & 2 whole rings, Standard 3 split & 2 whole rings, Standard 25mm undersize	RTC2765SL STC651S RTC276525L	1 1 1
3	Washer-thrust		Standard 0.10MM 0.20MM	AEU2020L AEU2021L AEU2022L	2 2 2
4	Housing spigot			ETC9044	1
5	Screw		hexagonal head, M6 x 10	SH106101L	3
6	Bearing-thrust crankshaft			ETC9043	1
7	Key-timing gear			AEU2008L	1
8	Key-pulley			AEU2009L	1
9	Gear-crankshaft timing drive			AEU2010L	1
10	O Ring			AEU2173L	1
11	Pulley assembly-crankshaft			RTC4911	1
12	Pulley-assembly	With Air Conditioning		RTC4954	1
13	Screw-hexagon socket		M8 x 40	SS108401	3
14	Washer		M8, sprung	WL108001L	3
15	Nut-hexagonal-thin			NT124041	1

Engine
2400 - Diesel - VM
Crankshaft Bearing Housing 1/1

Range Rover (To HA610293)

(VS3279A)



Range Rover (To HA610293)

Engine
2400 - Diesel - VM
Crankshaft Bearing Housing

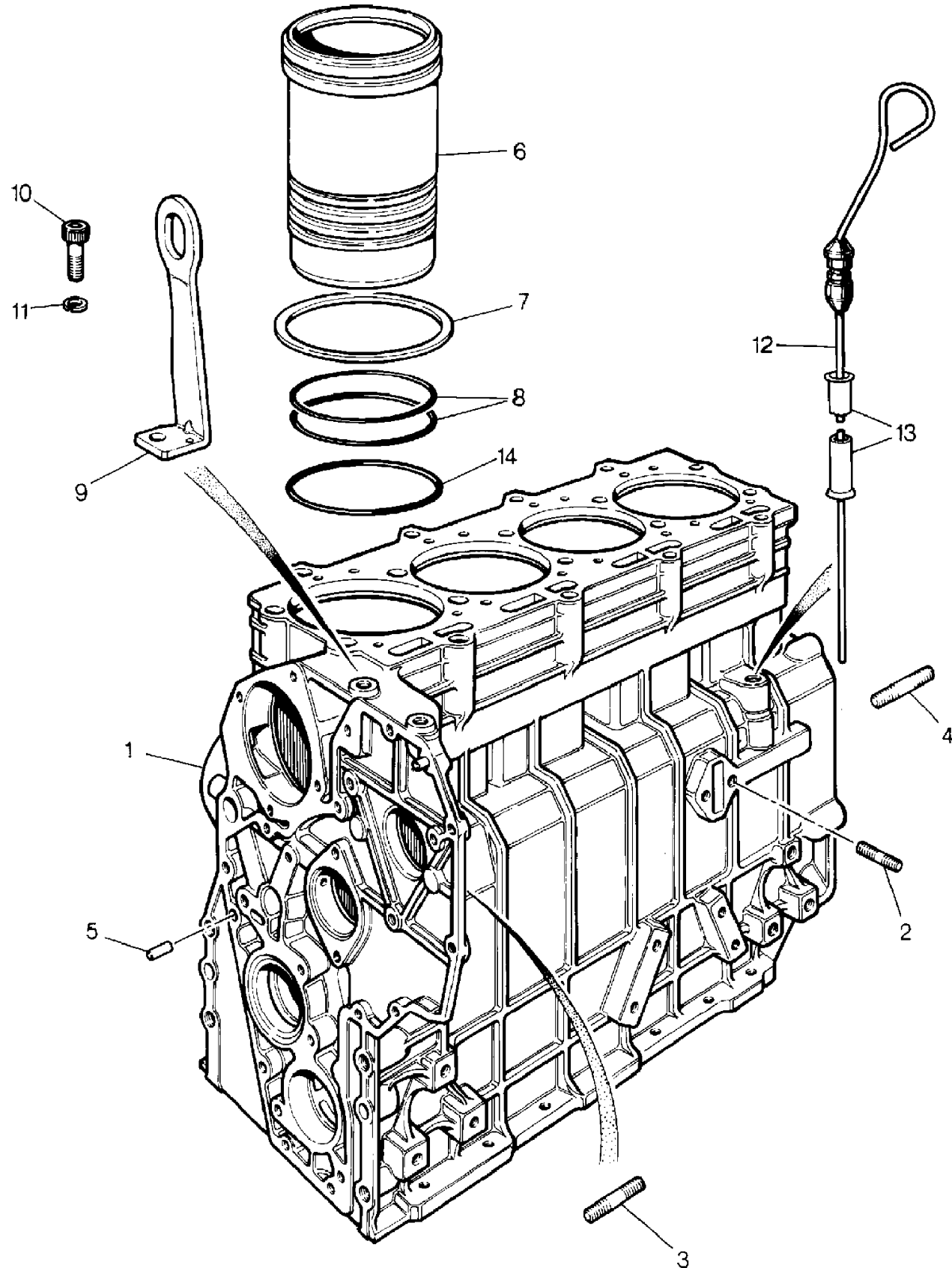
2.4L 4 Cyl VM Turbo Diesel

Callout	Name	Application	Remarks & Restrictions	Service No.	Qty
1	Housing assembly-crankshaft centre bearing		Also serviced as part of a kit	AEU2023L	3
2	Valve-bearing housing jet		Also serviced as part of a kit	AEU2294L	3
3	Dowel		Also serviced as part of a kit	AEU2025L	6
4	Bolt			AEU2026L	6
5	Washer			AEU2027L	6
6	Bearing-crankshaft rear		Also serviced as part of a kit	AEU2028L	1
7	Valve-bearing housing jet		Also serviced as part of a kit	AEU2794L	1
8	Dowel		Also serviced as part of a kit	AEU2029L	1
9	Stud		Also serviced as part of a kit	AEU2030L	6
10	Washer-Plain		8MM	WA108041L	6
11	Washer		M8, sprung	WL108001L	6
12	Nut - Hex.		M8, hexagonal head	NH108041L	6
13	Seal-crankshaft rear oil			AEU2034L	1
14	O Ring		crankshaft rear bearing thrust spacer	AEU2035L	1

Engine
2400 - Diesel - VM
Cylinder Block 1/1

Range Rover (To HA610293)

(TS5928)



Range Rover (To HA610293)

Engine
2400 - Diesel - VM
Cylinder Block

2.4L 4 Cyl VM Turbo Diesel

Callout	Name	Application	Remarks & Restrictions	Service No.	Qty
1	Cylinder block-engine			BAU5312L	1
2	Stud			AEU2030L	2
3	Stud			AEU2114L	4
5	Dowel			AEU2180L	2
6	Liner-engine cylinder			AEU2001L	4
7	Shim		0.15MM 0.20MM 0.23mm	AEU2272L AEU2273L AEU2290L	X X X
8	O Ring		Black, 2.62MM, middle	RTC6766	8
9	Bracket-lifting engine front			AEU2288L	1
10	Screw		M10 X 45	SS110451L	1
11	Washer		M10	WL110001L	1
12	Dipstick-oil			RTC4922	1
13	Tube-oil dipstick			AEU2796L	1
14	O Ring		Brown, 2.62MM, bottom	RTC6765	4

Engine
2400 - Diesel - VM
Cylinder Block Components 1/1

Range Rover (To HA610293)

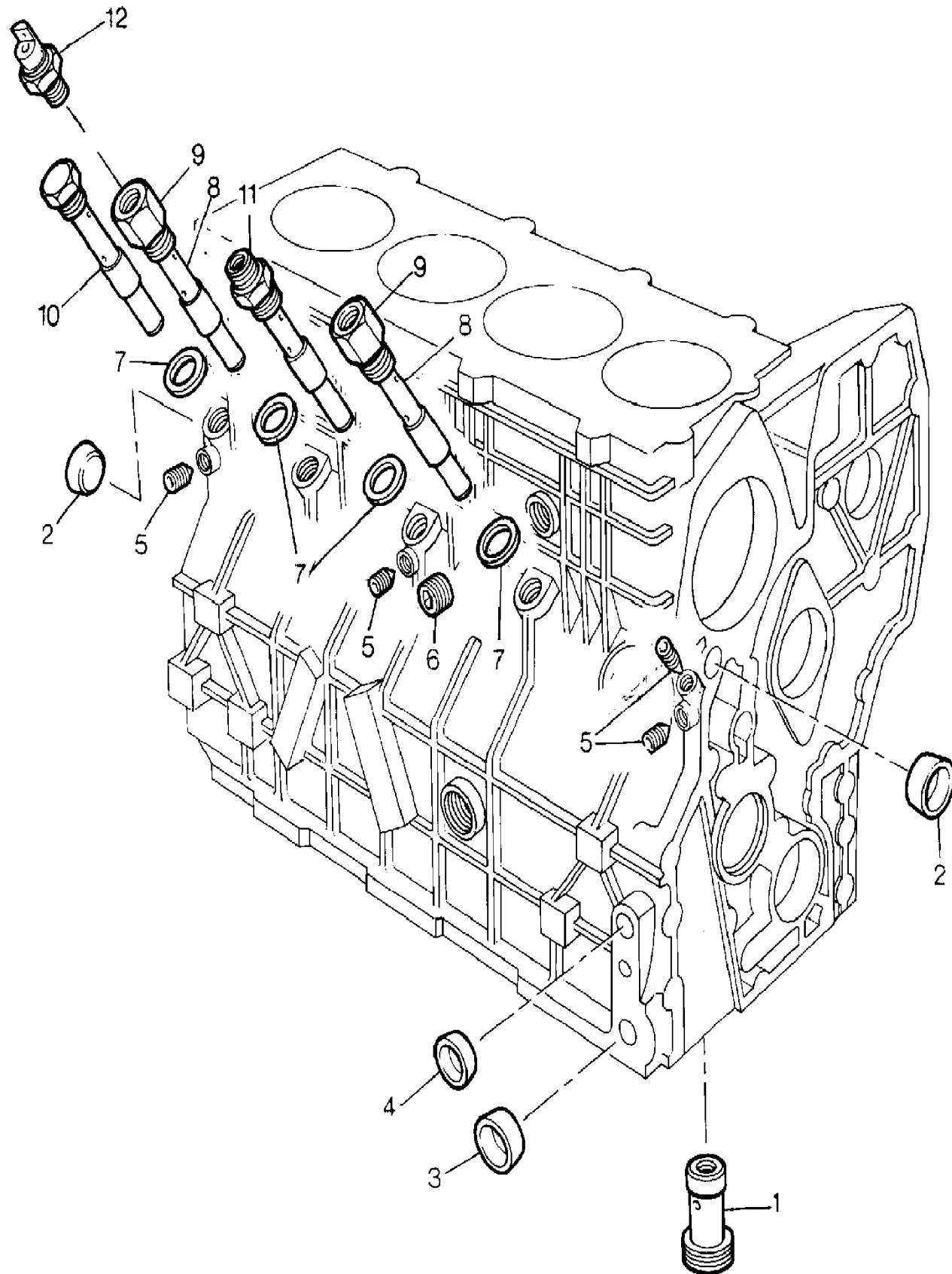
(VS3394)

Engine
2400 - Diesel - VM
Cylinder Block Components

Range Rover (To HA610293)

2.4L 4 Cyl VM Turbo Diesel

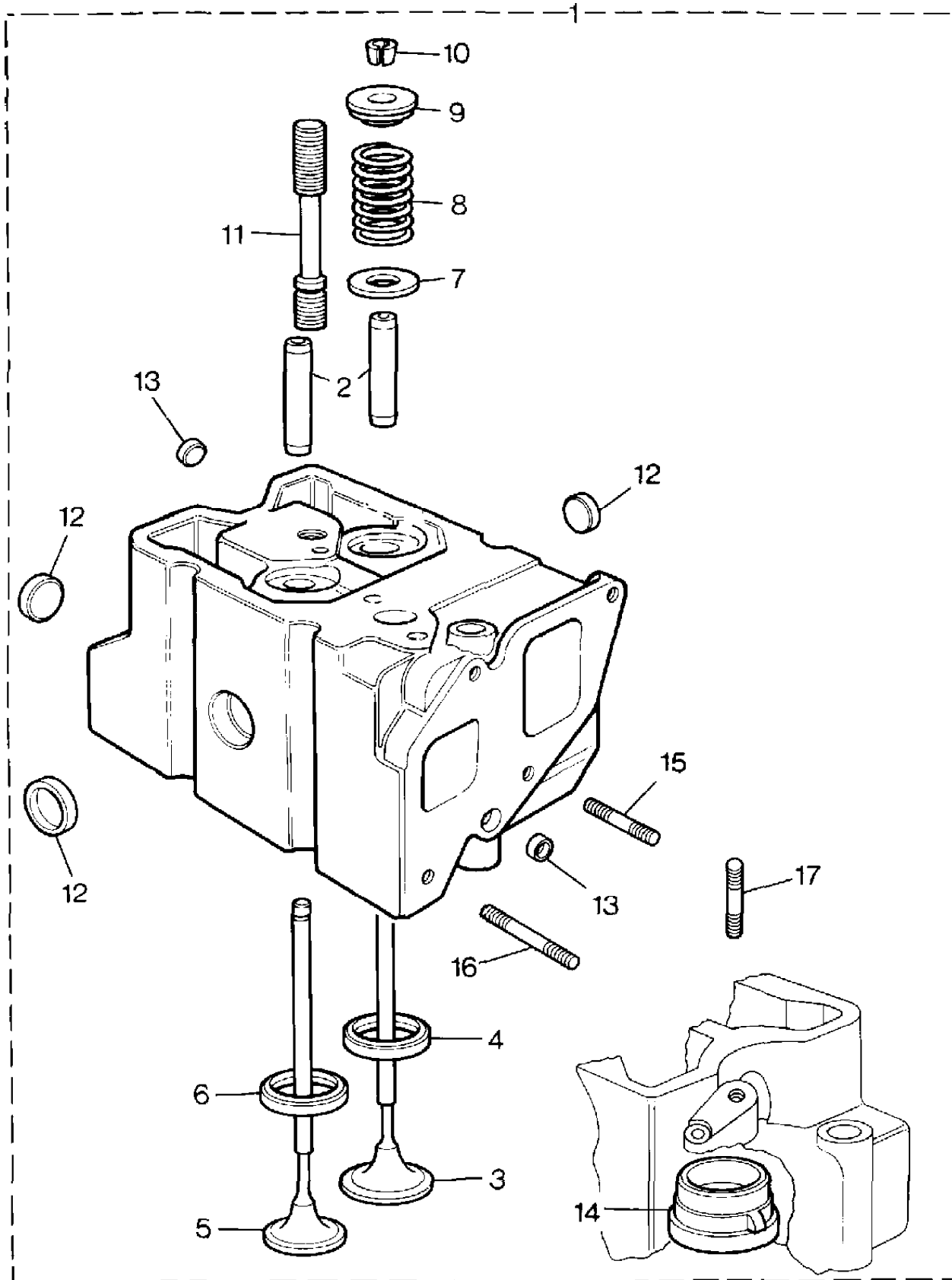
Callout	Name	Application	Remarks & Restrictions	Service No.	Qty
1	Valve oil pressure			AEU2195L	1
2	Plug-core		18MM	AEU2196L	2
3	Plug-core		15MM	AEU2197L	1
4	Plug-core		16MM	AEU2198L	1
5	Screw-plug			AEU2199L	4
6	Screw-plug			AEU2200L	1
7	Washer-sealing			AEU2228L	4
8	Bolt-cylinder head fixing			AEU2171L	2
9	Adaptor-oil pressure switch			RTC4966	2
10	Bolt			AEU2230L	1
11	Bolt			AEU2285L	1
12	Switch-oil pressure engine			PRC6387	1



Engine
2400 - Diesel - VM
Cylinder Head 1/1

Range Rover (To HA610293)

(VS3291)



Range Rover (To HA610293)

Engine
2400 - Diesel - VM
Cylinder Head

2.4L 4 Cyl VM Turbo Diesel

Callout	Name	Application	Remarks & Restrictions	Service No.	Qty
1	Cylinder head-engine	Change point - Engine end MAY 91	Also serviced as part of a kit	RTC4843	4
		Change point - Engine begin MAY 91	Also serviced as part of a kit	STC653	4
2	Guide-cylinder head valve	Change point - Engine end MAY 91	Also serviced as part of a kit	AEU2045L	8
3	Valve-cylinder head inlet	Change point - Engine end MAY 91	Also serviced as part of a kit	AEU2296L	4
4	Seat-cylinder head inlet valve	Change point - Engine end MAY 91	Also serviced as part of a kit	AEU2047L	4
5	Valve-cylinder head exhaust	Change point - Engine end MAY 91	Also serviced as part of a kit	RTC4916	4
6	Seat-cylinder head exhaust valve	Change point - Engine end MAY 91	Also serviced as part of a kit	AEU2046L	4
7	Spring	Change point - Engine end MAY 91	Also serviced as part of a kit	AEU2050L	8
8	Spring-cylinder head valve	Change point - Engine end MAY 91	Also serviced as part of a kit	AEU2051L	8
9	Collar	Change point - Engine end MAY 91	Also serviced as part of a kit	AEU2052L	8
10	Collet-cylinder head valve	Change point - Engine end MAY 91	Also serviced as part of a kit	AEU2053L	16
11	Stud	Change point - Engine end MAY 91	Also serviced as part of a kit	AEU2054L	4
12	Plug-core	Change point - Engine end MAY 91	Also serviced as part of a kit	AEU2056L	12
13	Plug-core	Change point - Engine end MAY 91	Also serviced as part of a kit	AEU2057L	8
14	Precombustion chamber	Change point - Engine end MAY 91	Also serviced as part of a kit	RTC5021	4
15	Stud	Change point - Engine end MAY 91		AEU2207L	8
16	Stud	Change point - Engine end MAY 91		AEU2212L	8
17	Stud	Change point - Engine end MAY 91		AEU2109	4
[900]	Connector-inlet manifold adaptor	Change point - Engine end MAY 91		RTC4967	4

Engine
2400 - Diesel - VM
Engine Assembly 1/1

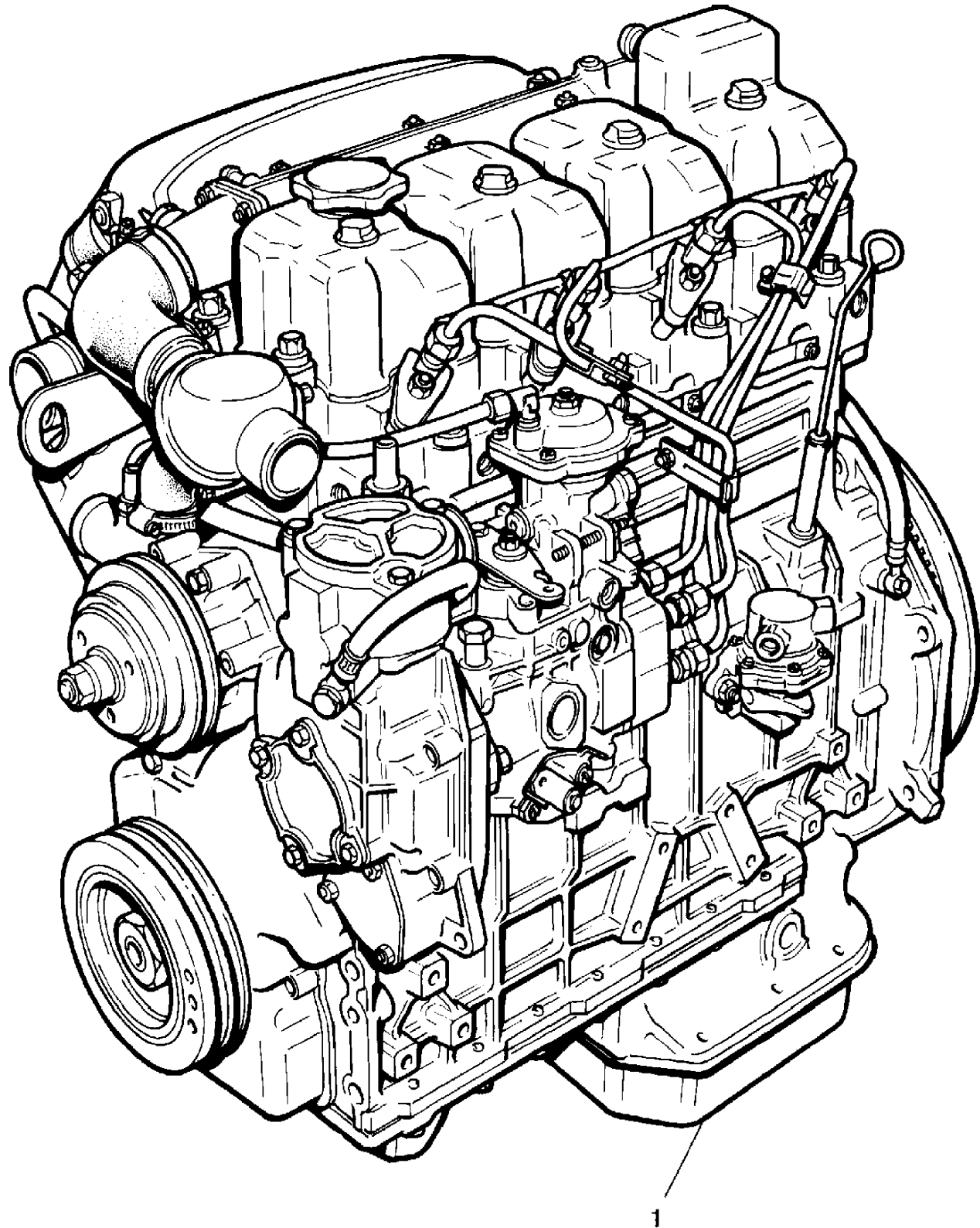
Range Rover (To HA610293)
(VS3286)

Range Rover (To HA610293)

Engine
2400 - Diesel - VM
Engine Assembly

2.4L 4 Cyl VM Turbo Diesel

Callout	Name	Application	Remarks & Restrictions	Service No.	Qty
1	Engine unit-stripped	Change point - Engine begin 11A00001		ETC9091N	1



TYPICAL ILLUSTRATION

Engine
2400 - Diesel - VM
Exhaust Manifold 1/1

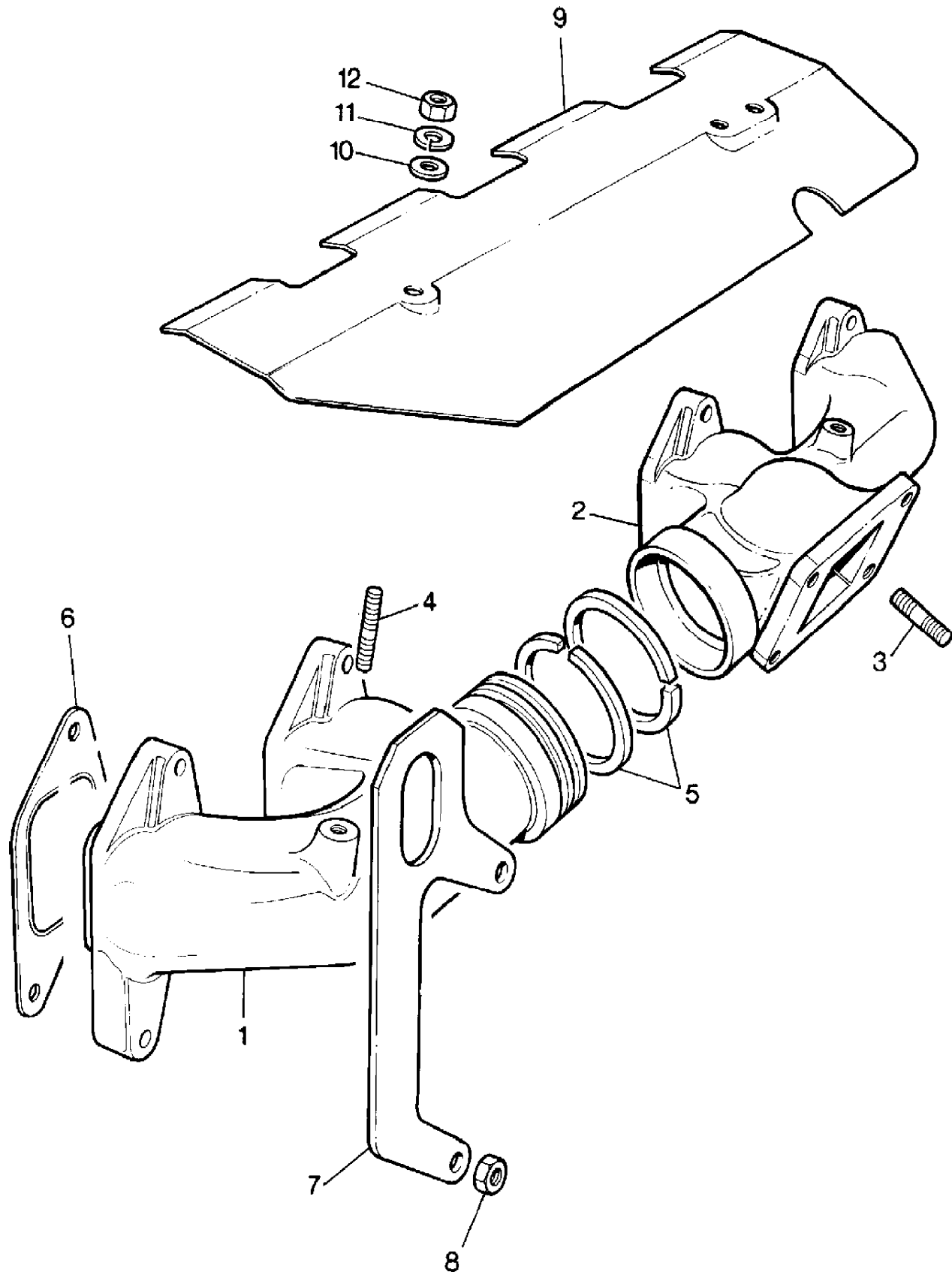
Range Rover (To HA610293)
(VS3292)

Range Rover (To HA610293)

Engine
2400 - Diesel - VM
Exhaust Manifold

2.4L 4 Cyl VM Turbo Diesel

Callout	Name	Application	Remarks & Restrictions	Service No.	Qty
1	Manifold-engine rear exhaust		Also serviced as part of a kit, Rear	AEU2233L	1
2	Manifold-engine front exhaust		Also serviced as part of a kit, Front	RTC4924	1
5	Circlip		Also serviced as part of a kit	AEU2234L	2
6	Gasket-exhaust manifold			RTC4893	4
7	Bracket-lifting engine rear			AEU2214L	1
8	Nut - Hex.		M8, hexagonal head	NH108041	8
9	Heatshield-exhaust manifold			AEU2217L	1
10	Washer		6MM	WA106041L	2
11	Washer		M6, sprung	WL106001L	2
12	Nut - Hex.		M6, nyloc, Hexagonal	NH106041L	2



Engine
2400 - Diesel - VM
Fan & Viscous Drive 1/1

Range Rover (To HA610293)

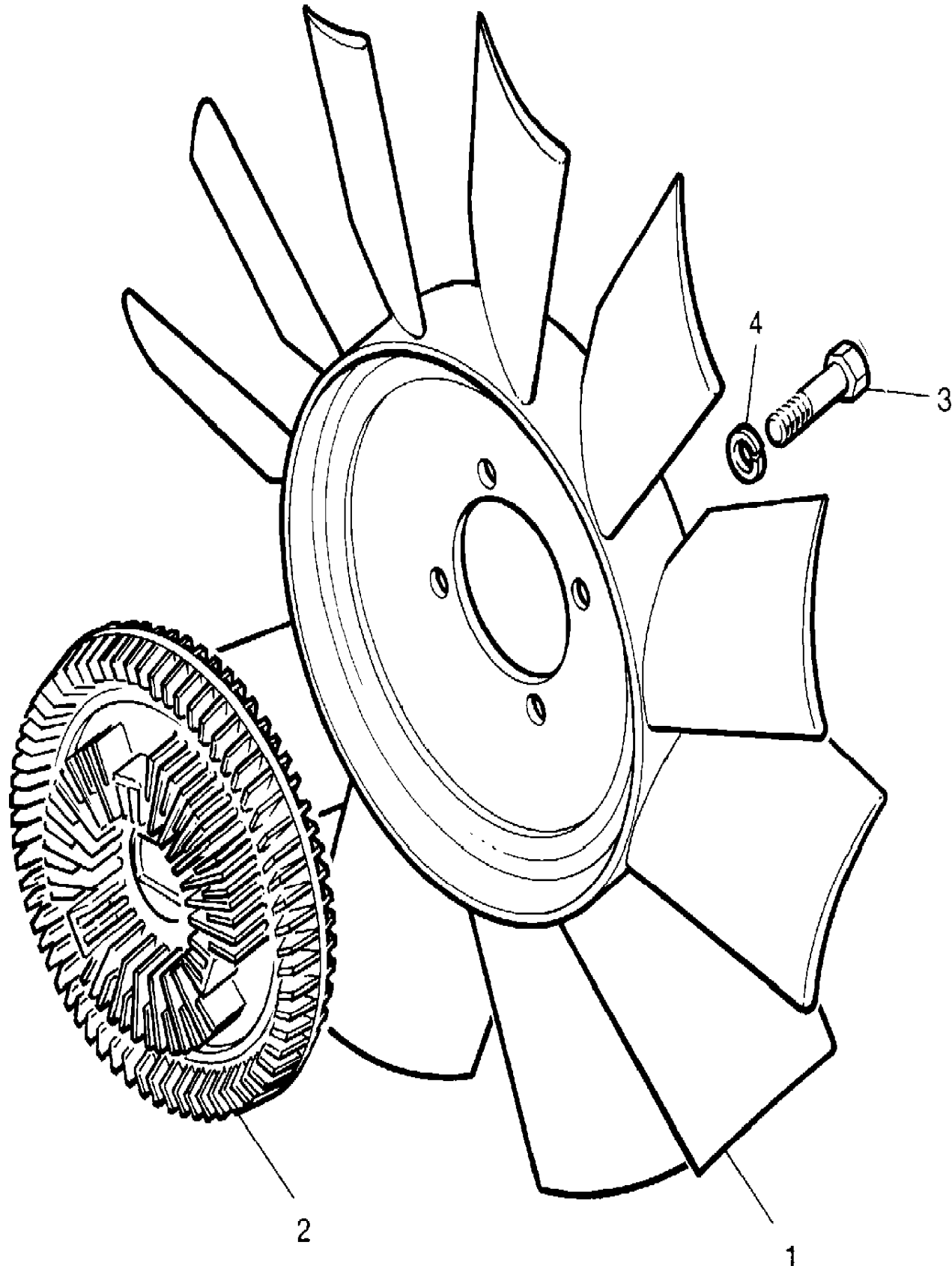
(TS5581A)

Engine
2400 - Diesel - VM
Fan & Viscous Drive

Range Rover (To HA610293)

2.4L 4 Cyl VM Turbo Diesel

Callout	Name	Application	Remarks & Restrictions	Service No.	Qty
1	Fan-cooling		White., 17", 11 Blade	ETC1275	1
2	Coupling-engine fan viscous		17", 11 Blade	ETC1260	1
3	Screw		hexagonal head, 5/16UNC x 5/8	SH505051L	4
4	Washer-Plain			587405	4



Engine
2400 - Diesel - VM
Flywheel & Clutch 1/1

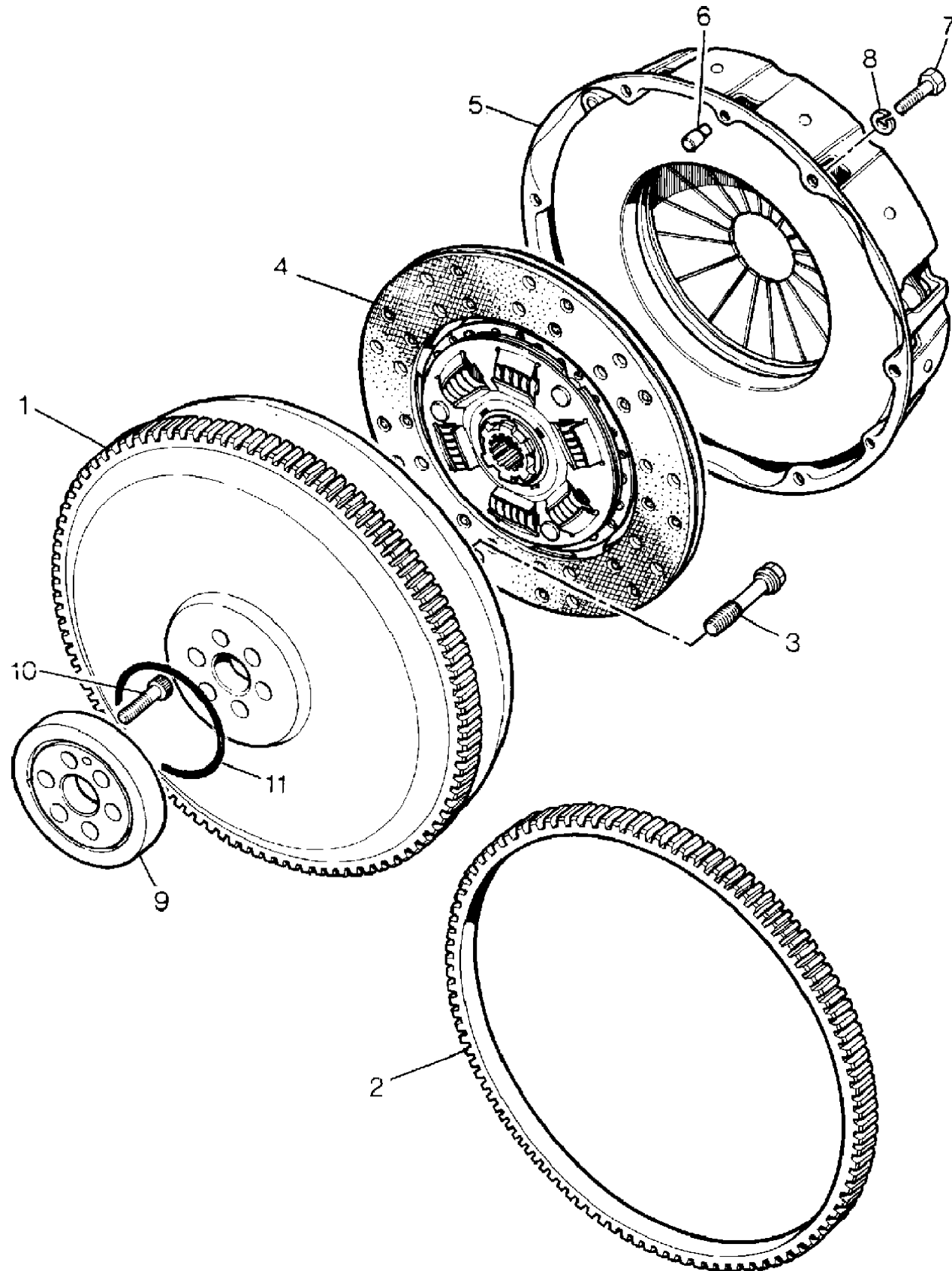
Range Rover (To HA610293)
(VS3296A)

Range Rover (To HA610293)

Engine
2400 - Diesel - VM
Flywheel & Clutch

2.4L 4 Cyl VM Turbo Diesel

Callout	Name	Application	Remarks & Restrictions	Service No.	Qty
1	Flywheel engine		Also serviced as part of a kit	RTC4945	1
2	Gear starter ring torque converter		Also serviced as part of a kit	RTC4927	1
3	Bolt			AEU2237L	6
4	Plate-clutch-driven			FTC576	1
5	Cover-clutch assembly			FTC575	1
6	Dowel			ETC9063	3
7	Bolt		M8 x 20	SX108201L	6
8	Washer		M8, sprung	WL108001L	6
9	Spacer			AEU2293L	1
10	Bolt-fixing flywheel crankshaft			AEU2239L	1
11	O Ring		flywheel housing to cylinder block	AEU2193L	1
[901]	Bearing-clutch release		Also serviced as part of a kit	FRC9568	1
[902]	Arm-clutch release clutch			576137	1
[903]	Clip-clutch release-pivot post			571163	1
[904]	Retention-bearing clutch release	Change point - VIN end HA610293		576203	1



Engine
2400 - Diesel - VM
Flywheel Housing 1/1

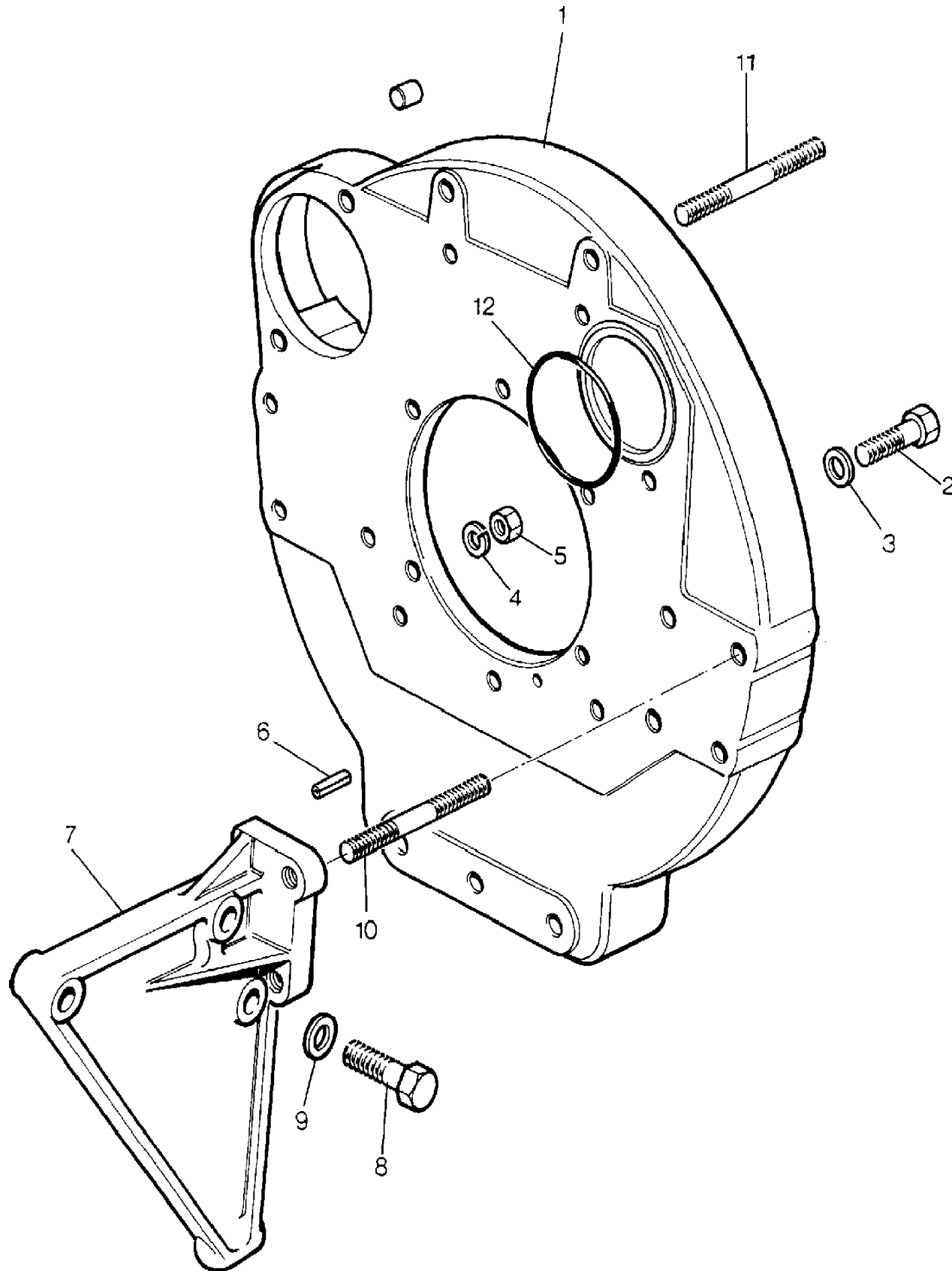
Range Rover (To HA610293)
(TS5908A)

Range Rover (To HA610293)

Engine
2400 - Diesel - VM
Flywheel Housing

2.4L 4 Cyl VM Turbo Diesel

Callout	Name	Application	Remarks & Restrictions	Service No.	Qty
1	Flywheel engine			RTC4946	1
2	Screw		hexagonal head, M10 x 30	SH110301L	1
3	Washer-plain-thin		M10	WB110061L	6
5	Nut - Hex.		M8, hexagonal head	NH108041L	6
7	Housing-gear selector		LH	RTC4948	1
			RH	RTC4949	1
8	Bolt		M10 X 45	BH110091L	6
10	Shaft-gearbox support			RTC4912	2
11	Stud			RTC4964	2
12	O Ring			STC769	1



Engine
2400 - Diesel - VM
Front Cover 1/1

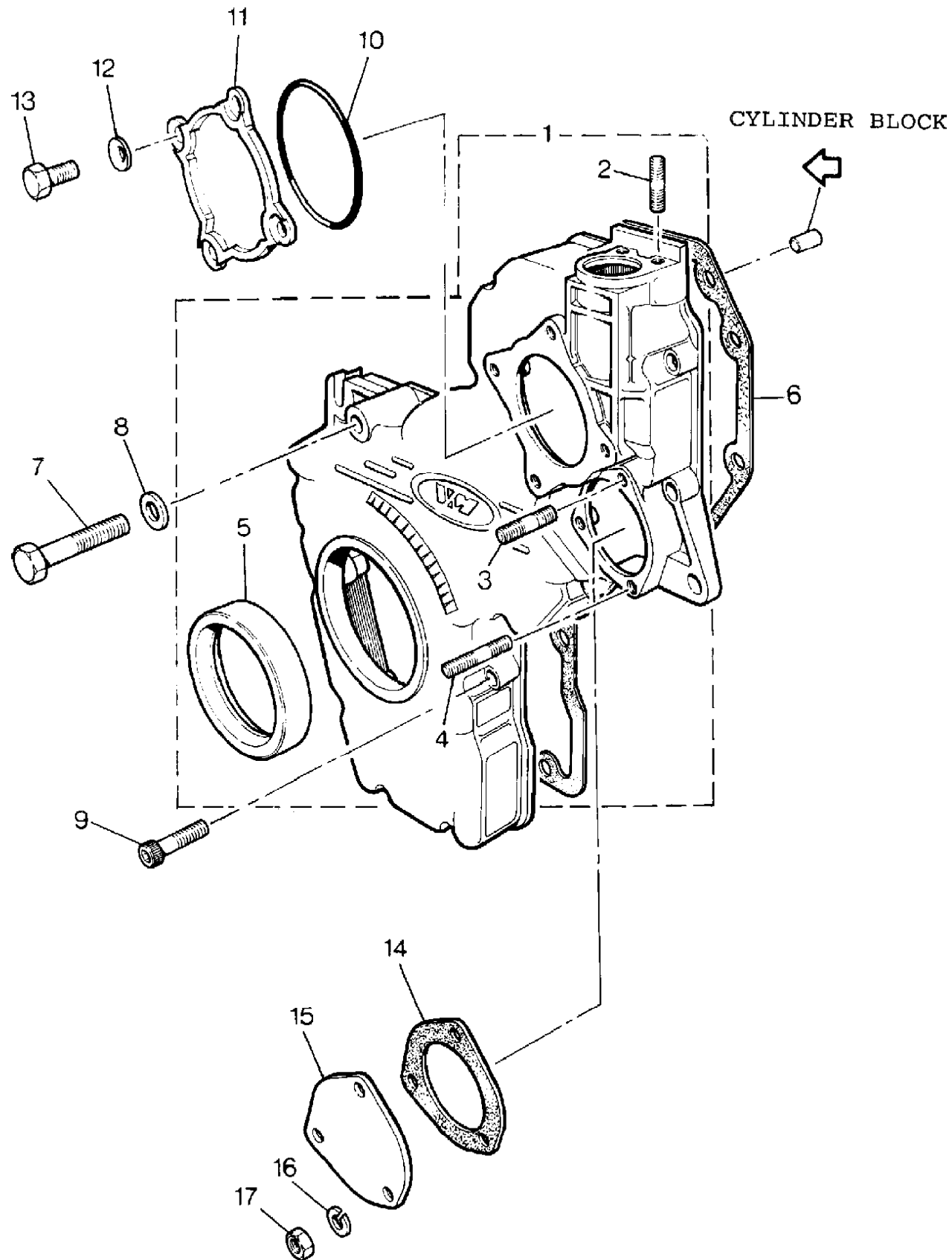
Range Rover (To HA610293)
(VS3280A)

Engine
2400 - Diesel - VM
Front Cover

Range Rover (To HA610293)

2.4L 4 Cyl VM Turbo Diesel

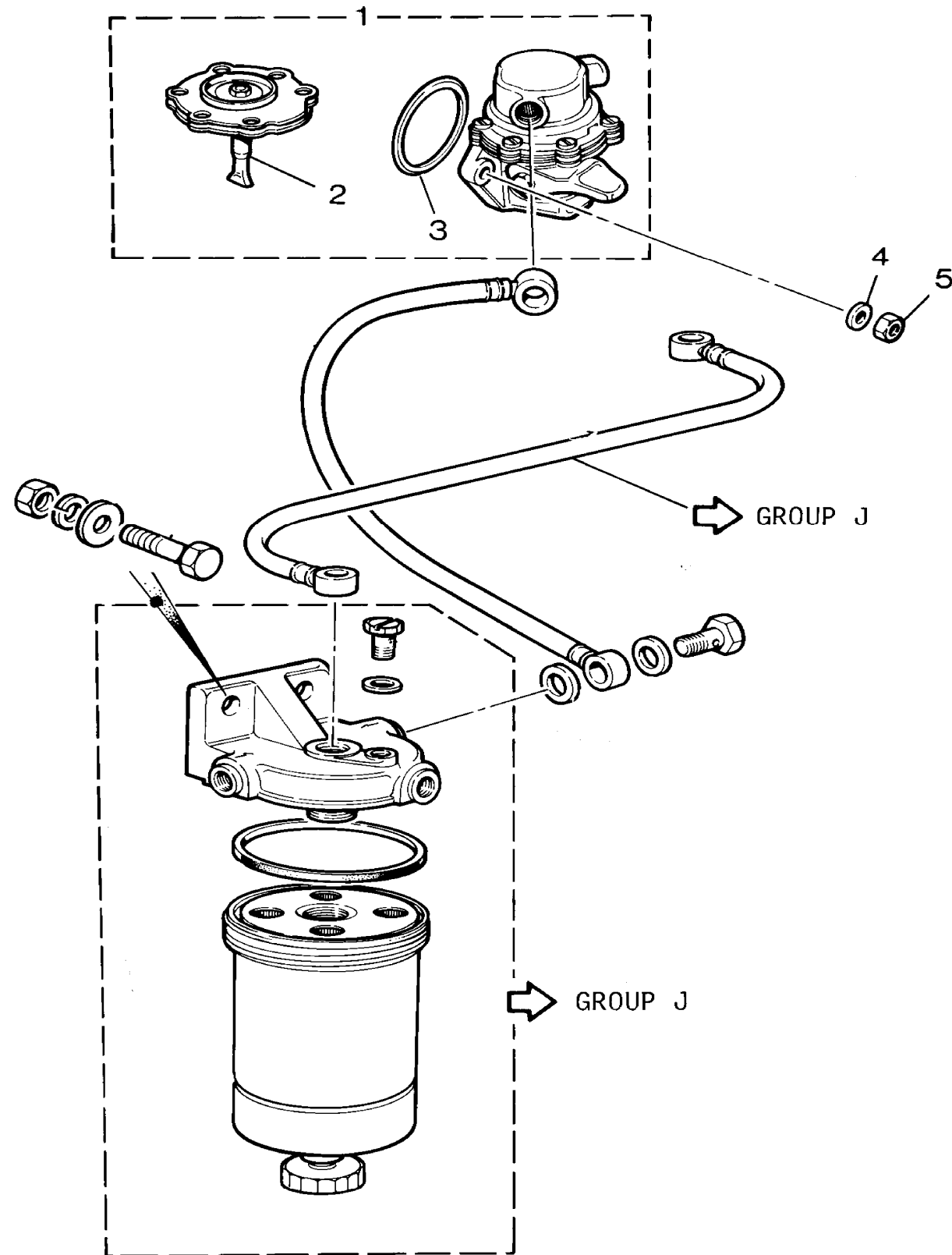
Callout	Name	Application	Remarks & Restrictions	Service No.	Qty
1	Cover-engine		Also serviced as part of a kit	AEU2178L	1
2	Stud		Also serviced as part of a kit	AEU2114L	2
3	Stud		Also serviced as part of a kit	AEU2186L	2
4	Stud		Also serviced as part of a kit	AEU2189L	1
5	Seal-crankshaft front oil		Also serviced as part of a kit	AEU2174L	1
6	Gasket-front cover manual transmission			AEU2179L	1
7	Bolt	M8 x 60		BH108121L	1
8	Washer	8MM		WA108051L	1
9	Screw-hexagon socket	M6 x 25		SS106251L	13
10	O Ring			AEU2193L	1
11	Plate			AEU2192L	1
12	Washer	6MM		WA106041L	4
13	Screw	M6 X 16, hexagonal head		SH106161L	4
14	Gasket-timing gear cover plate			AEU2188L	1
15	Plate			AEU2187L	1
16	Washer	6MM		WA106041L	3
17	Nut - Hex.	M6, nyloc, Hexagonal		NH106041L	3



Engine
2400 - Diesel - VM
Fuel Pump 1/1

Range Rover (To HA610293)

(VS3280B)



VS 3280B

Range Rover (To HA610293)

Engine
2400 - Diesel - VM
Fuel Pump

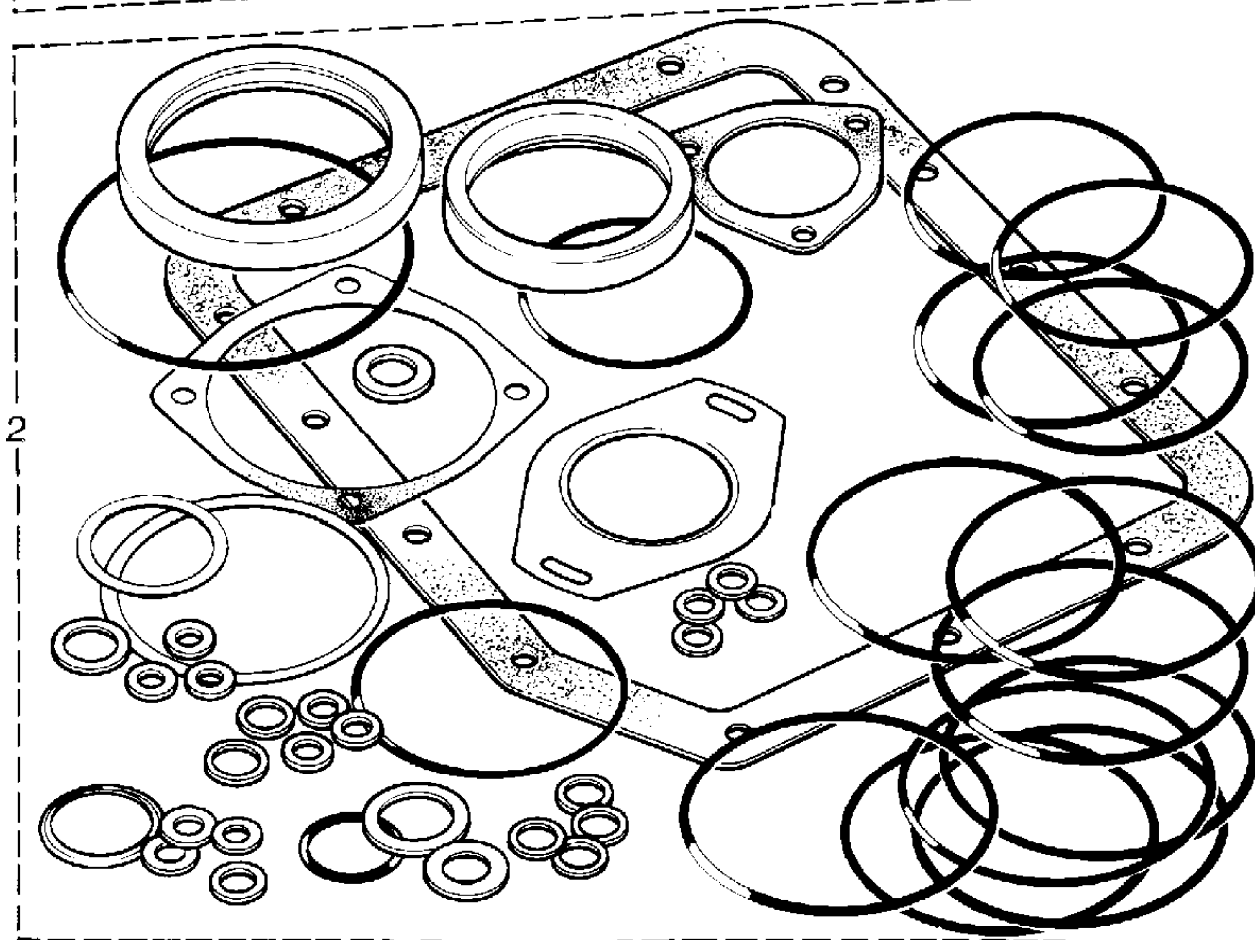
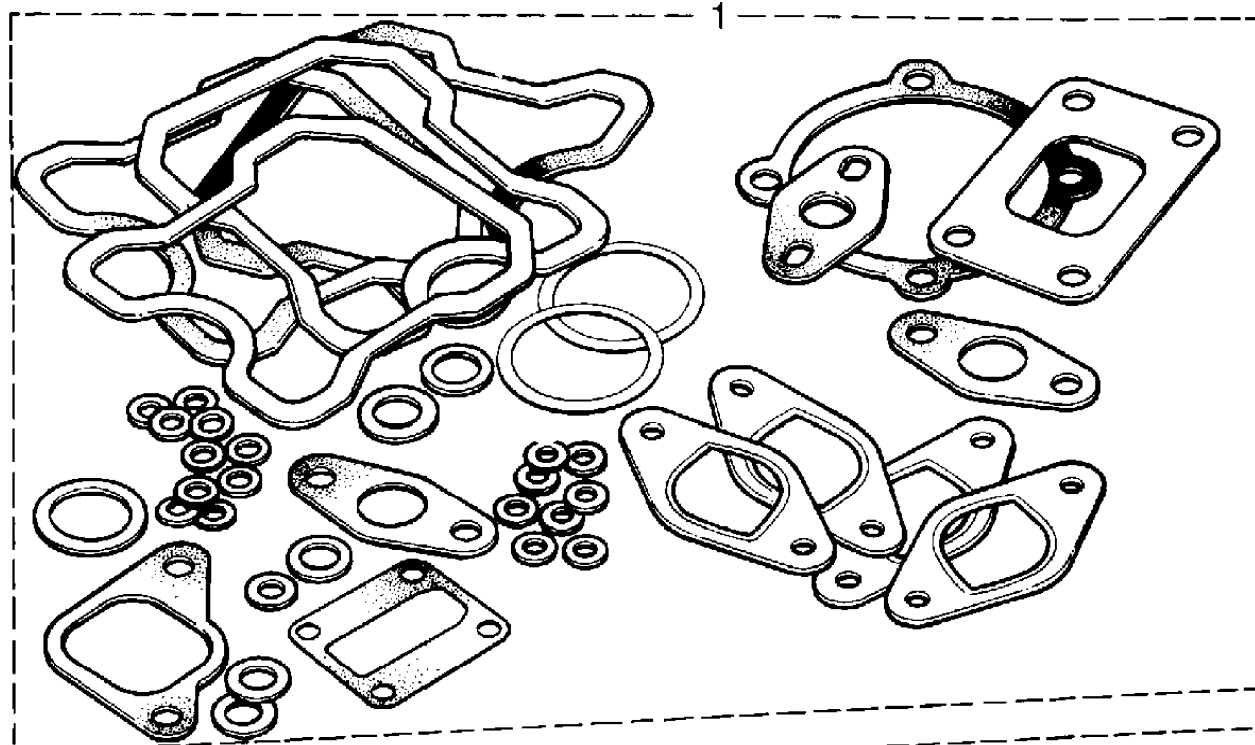
2.4L 4 Cyl VM Turbo Diesel

Callout	Name	Application	Remarks & Restrictions	Service No.	Qty
1	Pump assembly-fuel injection diesel		Also serviced as part of a kit	AEU2291L	1
2	Diaphragm assembly fuel system		Also serviced as part of a kit	AEU2151L	1
3	O Ring			AEU2152L	1
4	Washer		8MM	WA108051L	2
5	Nut - Hex.		M8, hexagonal head	NH108041L	2

Engine
2400 - Diesel - VM
Gasket Kits 1/1

Range Rover (To HA610293)

(VS3287)



Range Rover (To HA610293)

Engine
2400 - Diesel - VM
Gasket Kits

2.4L 4 Cyl VM Turbo Diesel

Callout	Name	Application	Remarks & Restrictions	Service No.	Qty
1	Kit-gasket-cylinder head	Change point - VIN end HA610293	Also serviced as part of a kit	RTC4993	1
2	Kit-gasket automatic transmission		Also serviced as part of a kit	STC158	1
[900]	Washer-sealing	Change point - VIN end HA610293	Also serviced as part of a kit	RTC5016	1
		Change point - VIN end HA610293	Also serviced as part of a kit	RTC6773	1
		Change point - VIN end HA610293	Also serviced as part of a kit	AEU2131L	8
		Change point - VIN end HA610293	Also serviced as part of a kit	AEU2104L	4
[901]	Washer-copper	Change point - VIN end HA610293	Also serviced as part of a kit	BAU5374L	1
			Also serviced as part of a kit	AEU2164L	2
[902]	Washer	Change point - VIN end HA610293	Also serviced as part of a kit	JAM3256L	2
			Also serviced as part of a kit	AEU2094L	2
[903]	O Ring	Change point - VIN end HA610293	Also serviced as part of a kit	AEU2152L	1
			Also serviced as part of a kit	AEU2093L	4
[904]	Gasket-fuel cut off valve		Also serviced as part of a kit	RTC6703	1
[905]	Nut - Hex.		Also serviced as part of a kit	AEU2113L	1
[906]	Gasket-cylinder block water gallery plate	Change point - VIN end HA610293	Also serviced as part of a kit	AEU2201L	4
[907]	Gasket-thermostat housing	Change point - VIN end HA610293	TO CYLINDER HEAD, Also serviced as part of a kit	RTC4974	1
[908]	Pipe oil rockers	Change point - VIN end HA610293	Also serviced as part of a kit	AEU2071L	1
[909]	Gasket-engine rocker cover	Change point - VIN end HA610293	Also serviced as part of a kit	RTC4892	4
[910]	Seal-oil filler cap	Change point - VIN end HA610293	Also serviced as part of a kit	AEU2091L	2
[911]	Gasket-inlet manifold	Change point - VIN end HA610293	Also serviced as part of a kit	RTC4944	4
[912]	Gasket-exhaust manifold	Change point - VIN end HA610293	Also serviced as part of a kit	RTC4893	4
[913]	Gasket exhaust system	Change point - VIN end HA610293	Also serviced as part of a kit	RTC4894	1
[914]	Gasket-turbocharger/manifold turbo	Change point - VIN end HA610293	Also serviced as part of a kit	RTC5004	1

Engine
2400 - Diesel - VM
Injection Pump 1/1

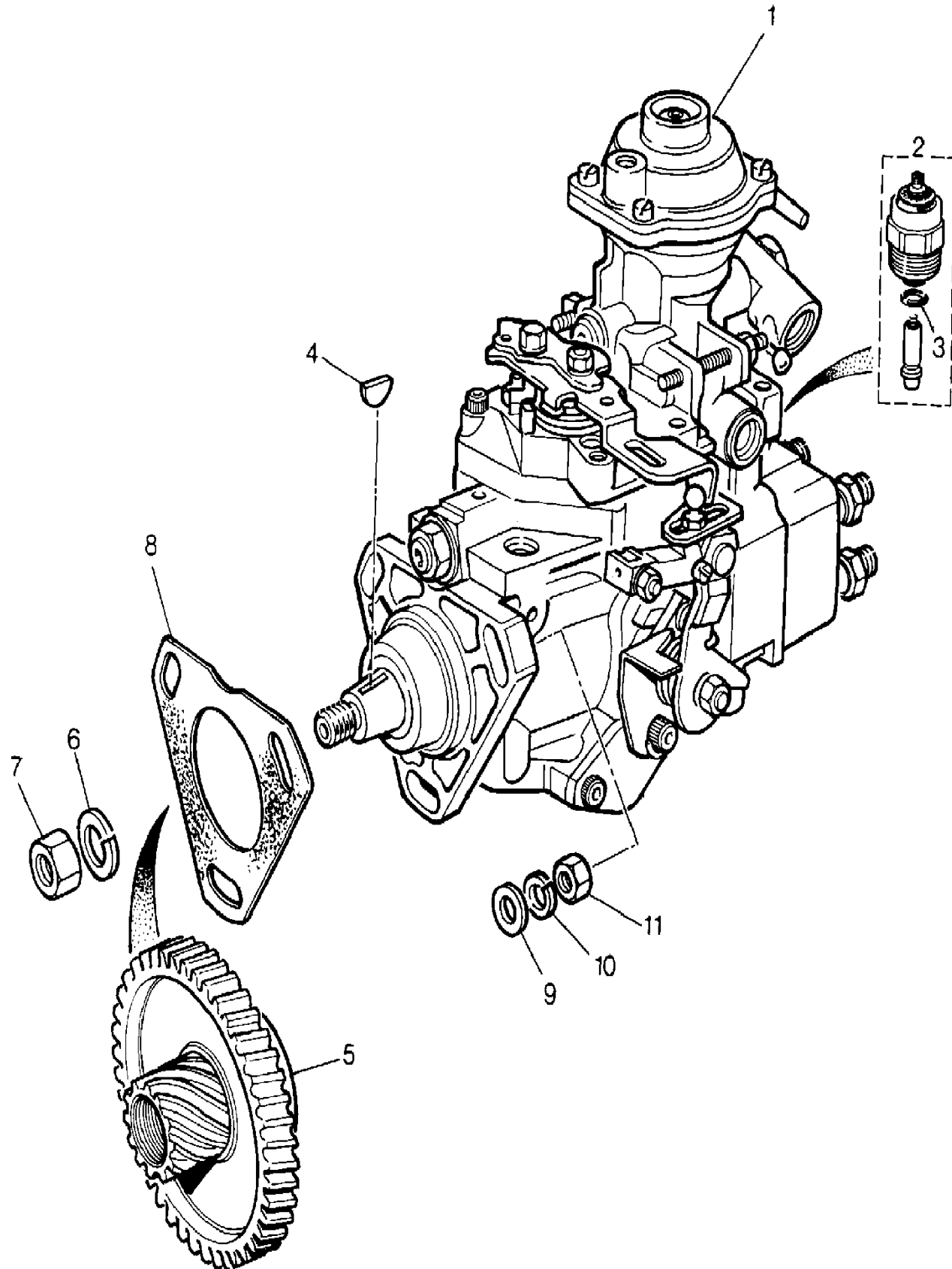
Range Rover (To HA610293)
(TS5942B)

Engine
2400 - Diesel - VM
Injection Pump

Range Rover (To HA610293)

2.4L 4 Cyl VM Turbo Diesel

Callout	Name	Application	Remarks & Restrictions	Service No.	Qty
1	Injector-fuel multi point injection		exchange Also serviced as part of a kit, New	RTC4919E RTC4919	1 1
2	Solenoid shut off-fuel injection pump		Also serviced as part of a kit	AEU3031L	1
3	Washer-sealing		Also serviced as part of a kit	RTC5005	1
4	Key			AEU2111L	1
5	Gear-crankshaft timing drive			RTC5829	1
6	Washer-Spring			AEU2112L	1
7	Nut - Hex.			AEU2113L	1
8	Gasket-diesel engine injection pump			RTC4973	1
9	Washer		8MM	WA108051L	2
10	Washer		M8, sprung	WL108001L	2
11	Nut - Hex.		M8, hexagonal head	NH108041L	2



Engine
2400 - Diesel - VM
Injector Pipes 1/1

Range Rover (To HA610293)

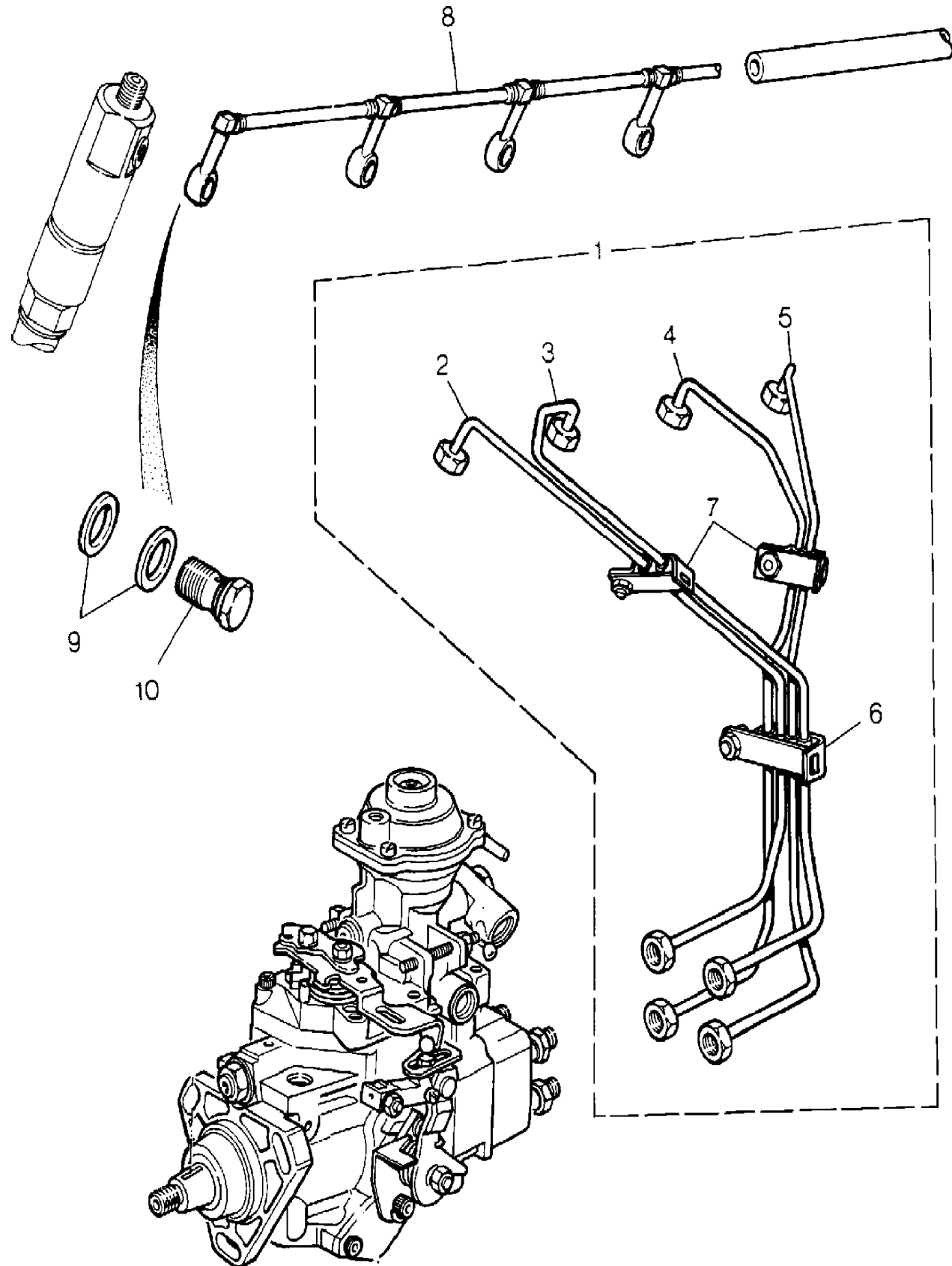
(TS6586)

Engine
2400 - Diesel - VM
Injector Pipes

Range Rover (To HA610293)

2.4L 4 Cyl VM Turbo Diesel

Callout	Name	Application	Remarks & Restrictions	Service No.	Qty
1	Injector assembly-diesel holder & nozzle		Also serviced as part of a kit	AEU2123L	1
2	Pipe-fuel-injector		Also serviced as part of a kit, No1	AEU2124L	1
3	Pipe-fuel-injector		Also serviced as part of a kit, No2	AEU2125L	1
4	Pipe-fuel-injector		Also serviced as part of a kit, No3	AEU2126L	1
5	Pipe-fuel-injector		Also serviced as part of a kit, No4	AEU2127L	1
6	Clamp		Also serviced as part of a kit, 4 pipes	AEU2128L	1
7	Clamp		Also serviced as part of a kit, 2 pipes	AEU2129L	2
8	Pipe-spill return fuel injection			RTC4957	1
9	Washer-sealing		spill return	AEU2131L ERR1304	8 8
10	Bolt-banjo			AEU2132L	4



Engine
2400 - Diesel - VM
Injectors 1/1

Range Rover (To HA610293)

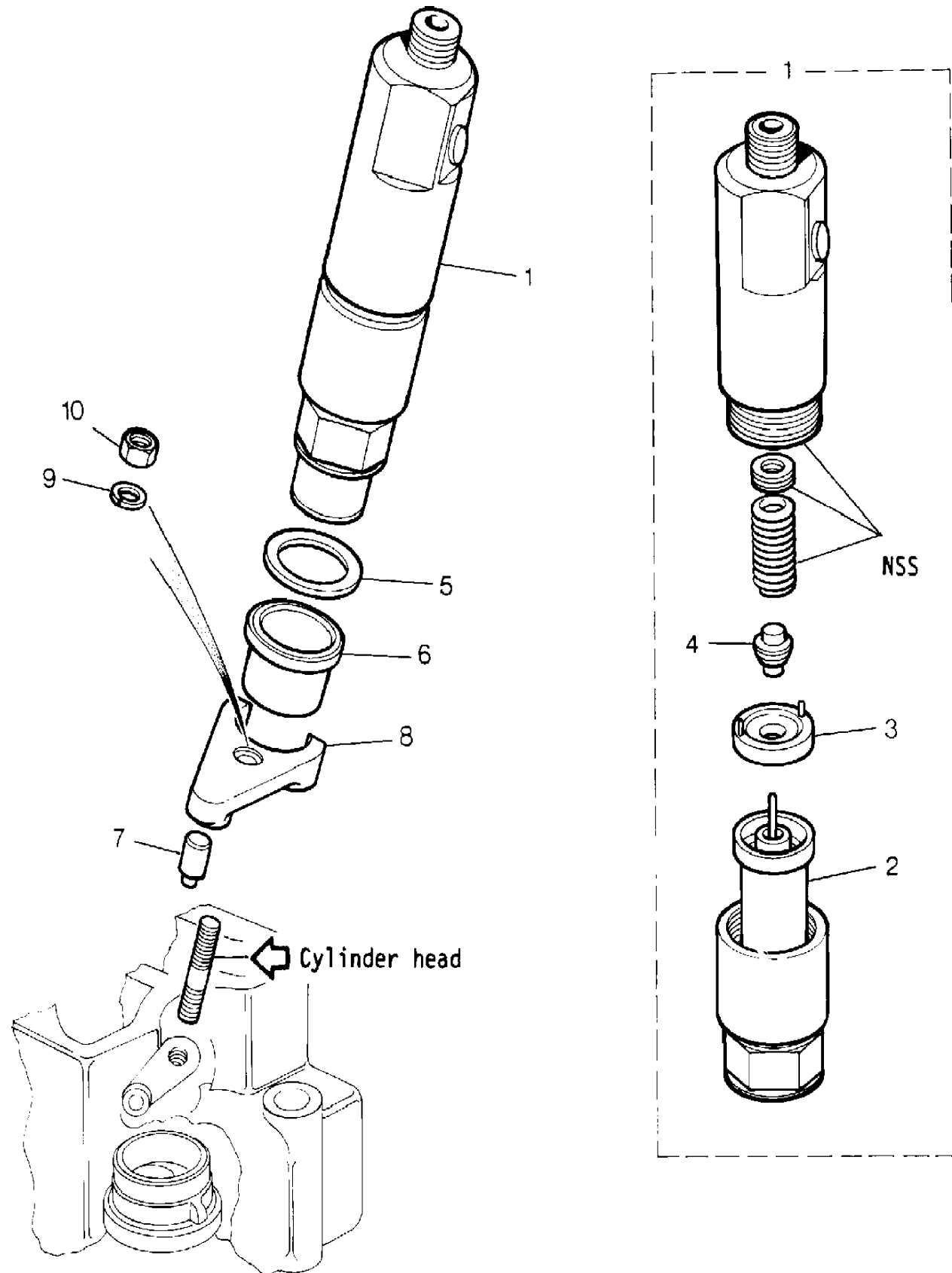
(VS3278B)

Engine
2400 - Diesel - VM
Injectors

Range Rover (To HA610293)

2.4L 4 Cyl VM Turbo Diesel

Callout	Name	Application	Remarks & Restrictions	Service No.	Qty
1	Injector & sensor assembly-diesel		Also serviced as part of a kit, New	AEU2098L	4
2	Atomiser-carburettor fuel		Also serviced as part of a kit	AEU2103L	4
3	Holder-nozzle diesel		Also serviced as part of a kit	RTC5987	4
4	Nozzle-injection diesel		Also serviced as part of a kit	RTC5988	4
5	Washer-sealing		diesel injector to cylinder head	AEU2104L	4
6	Shroud			AEU2105L	4
7	Dowel			AEU2108L	4
8	Plate-locating.			AEU2300L	4
9	Washer		M8, sprung	WL108001L	4
10	Nut - Hex.		M8, hexagonal head	NH108041L	4



Engine
2400 - Diesel - VM
Intake Manifold 1/1

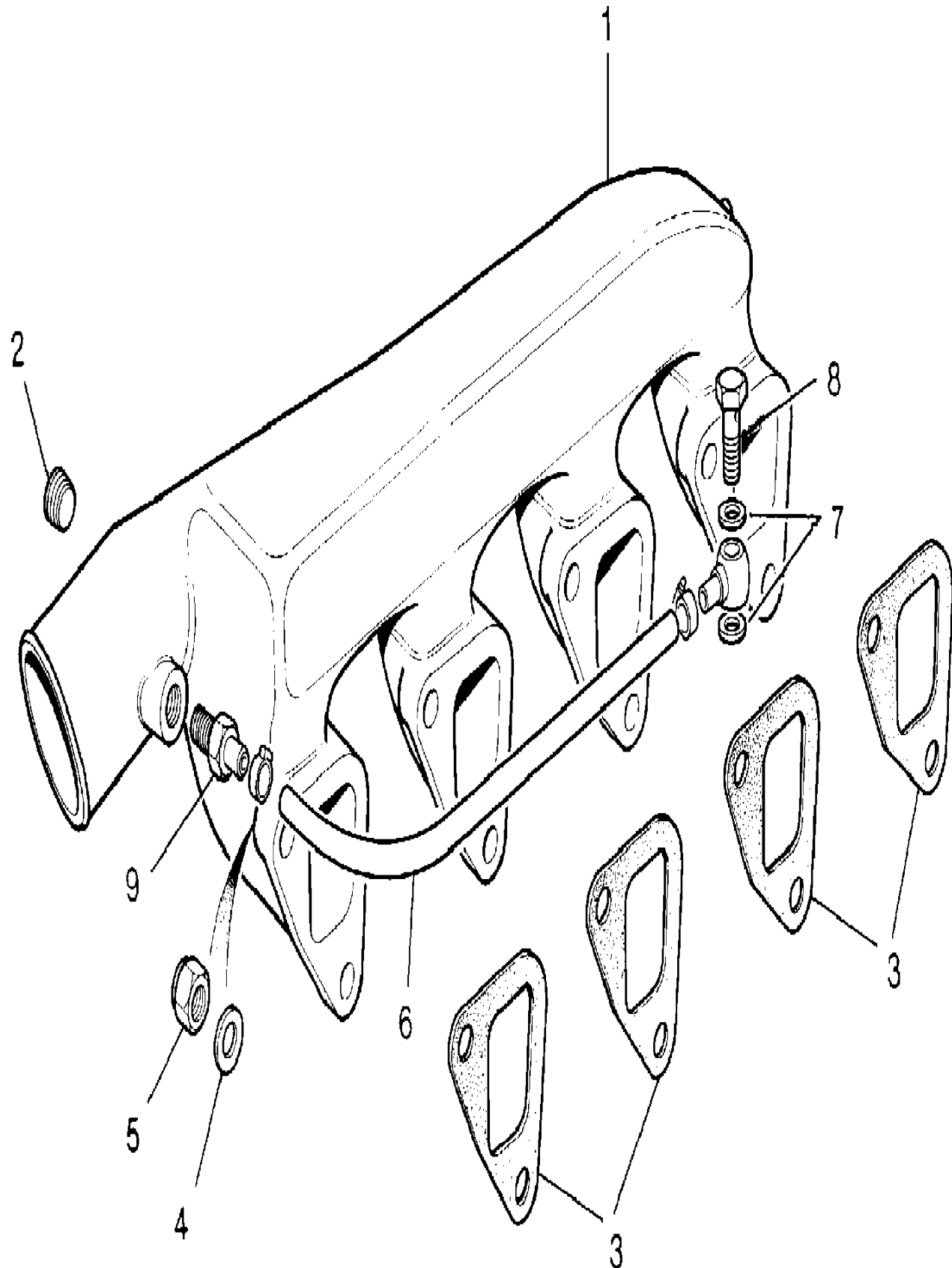
Range Rover (To HA610293)
(TS5941)

Engine
2400 - Diesel - VM
Intake Manifold

Range Rover (To HA610293)

2.4L 4 Cyl VM Turbo Diesel

Callout	Name	Application	Remarks & Restrictions	Service No.	Qty
1	Manifold-engine inlet			RTC4923	1
2	Plug-blanking			AEU2209L	1
3	Gasket-inlet manifold	Change point - VIN end HA610293		RTC4944	4
4	Washer		8MM	WA108051L	8
5	Nut - Hex.		M8, hexagonal head	NH108041L	8
6	Pipe-inlet manifold vacuum			RTC4961	1
7	Washer-copper			AEU2164L	2
8	Bolt-banjo			AEU2165L	1
9	Adaptor-inlet manifold			RTC4969	1



Engine
2400 - Diesel - VM
Mounting Brackets-Front 1/1

Range Rover (To HA610293)

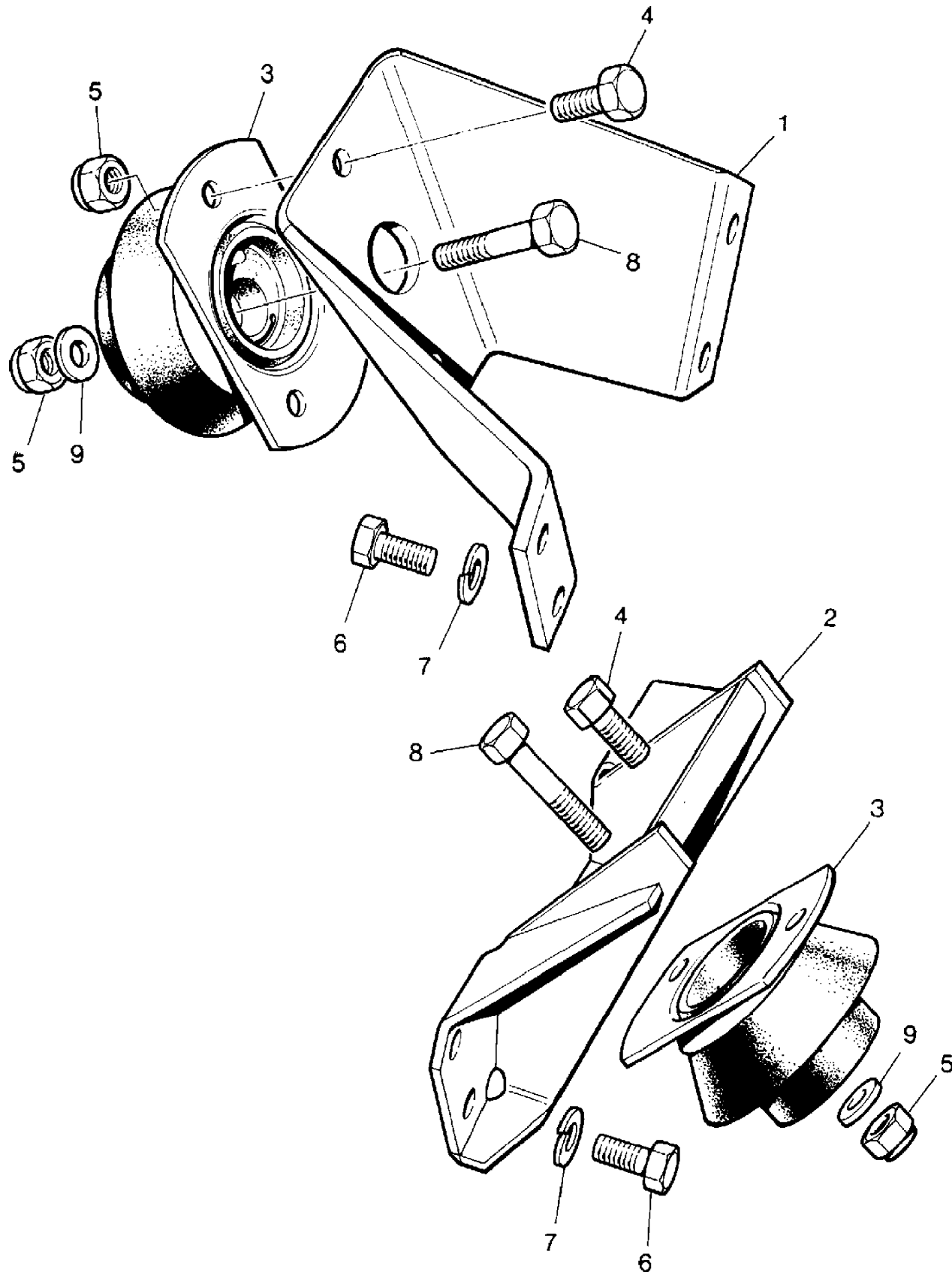
(TS6286)

Range Rover (To HA610293)

Engine
2400 - Diesel - VM
Mounting Brackets-Front

2.4L 4 Cyl VM Turbo Diesel

Callout	Name	Application	Remarks & Restrictions	Service No.	Qty
1	Bracket-engine mounting	2.4L 4 Cyl Turbo Diesel	Front, RH	NTC3237	1
2	Bracket-engine mounting	2.4L 4 Cyl Turbo Diesel	Front, LH	NTC2776	1
3	Mounting-engine rubber	2.4L 4 Cyl Turbo Diesel	Rear	NTC3241	2
4	Screw	2.4L 4 Cyl Turbo Diesel	hexagonal head, M10 x 25	SH110251L	4
5	Nut - Hex.	2.4L 4 Cyl Turbo Diesel	M10, hexagonal head, nyloc	NY110041L	4
6	Screw	2.4L 4 Cyl Turbo Diesel	hexagonal head, M10 x 20	SH110201L	8
7	Washer	2.4L 4 Cyl Turbo Diesel	M10	WL110001L	8
8	Bolt	2.4L 4 Cyl Turbo Diesel	Long, M10 x 60	BH110121L	2
9	Washer	2.4L 4 Cyl Turbo Diesel	M10	WA110051L	2



Engine
2400 - Diesel - VM
Mounting Brackets-Rear 1/1

Range Rover (To HA610293)

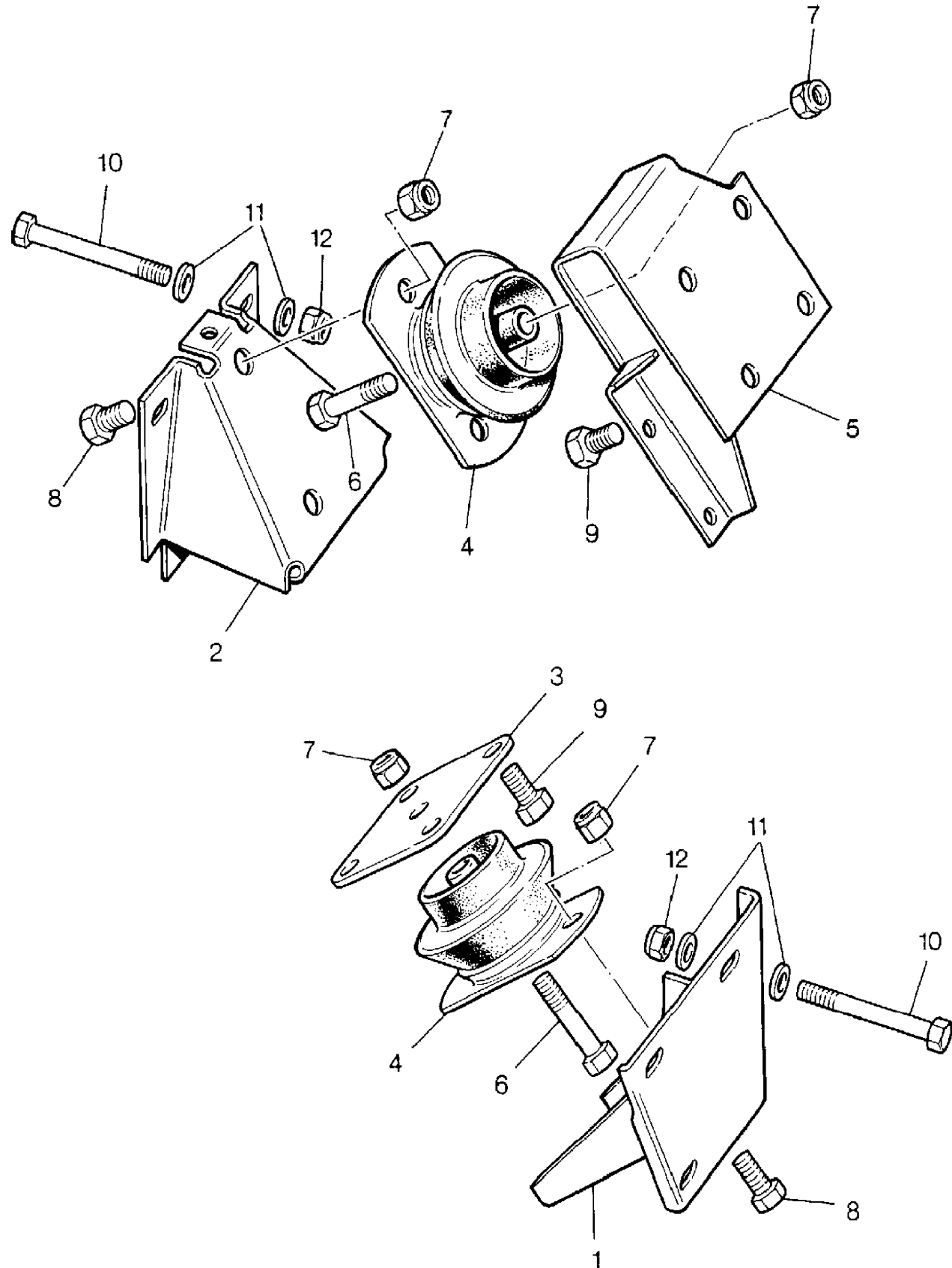
(TS6407)

Range Rover (To HA610293)

Engine
2400 - Diesel - VM
Mounting Brackets-Rear

2.4L 4 Cyl VM Turbo Diesel

Callout	Name	Application	Remarks & Restrictions	Service No.	Qty
1	Bracket-engine mounting		Rear, RH	NTC2305	1
			Rear, RH	NTC7271	1
2	Bracket-engine mounting		Rear, LH	NTC2306	1
3	Plate Mounting		RH	NRC8204	1
4	Mounting-engine rubber		Rear, LH	NTC3242	1
			Rear, RH	NTC7270	1
5	Bracket-engine mounting		Rear, LH	NTC3702	1
			Rear, RH	NTC7272	1
6	Bolt		M10 x 55	BH110111L	2
7	Nut - Hex.		M10, hexagonal head, nyloc	NY110041L	6
8	Screw		hexagonal head, M10 x 25	SH110251L	4
9	Screw			SH112201L	8
10	Bolt		hexagonal head, M8 x 100	BH108201L	6
11	Washer		8MM	WA108051L	12
12	Nut - Hex.		M8, nyloc	NY108041L	6



Engine
2400 - Diesel - VM
Oil Filter 1/1

Range Rover (To HA610293)

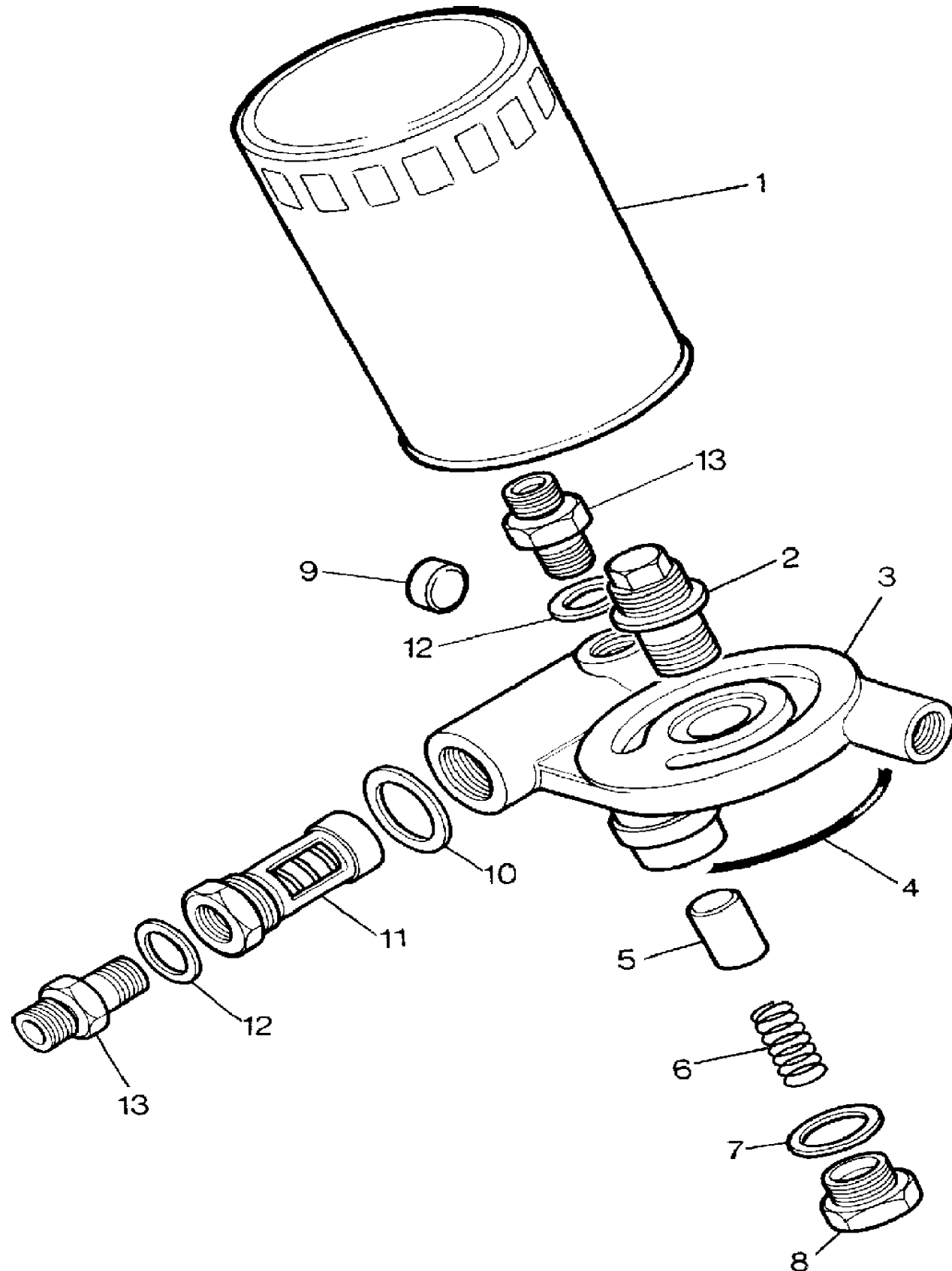
(VS3395)

Engine
2400 - Diesel - VM
Oil Filter

Range Rover (To HA610293)

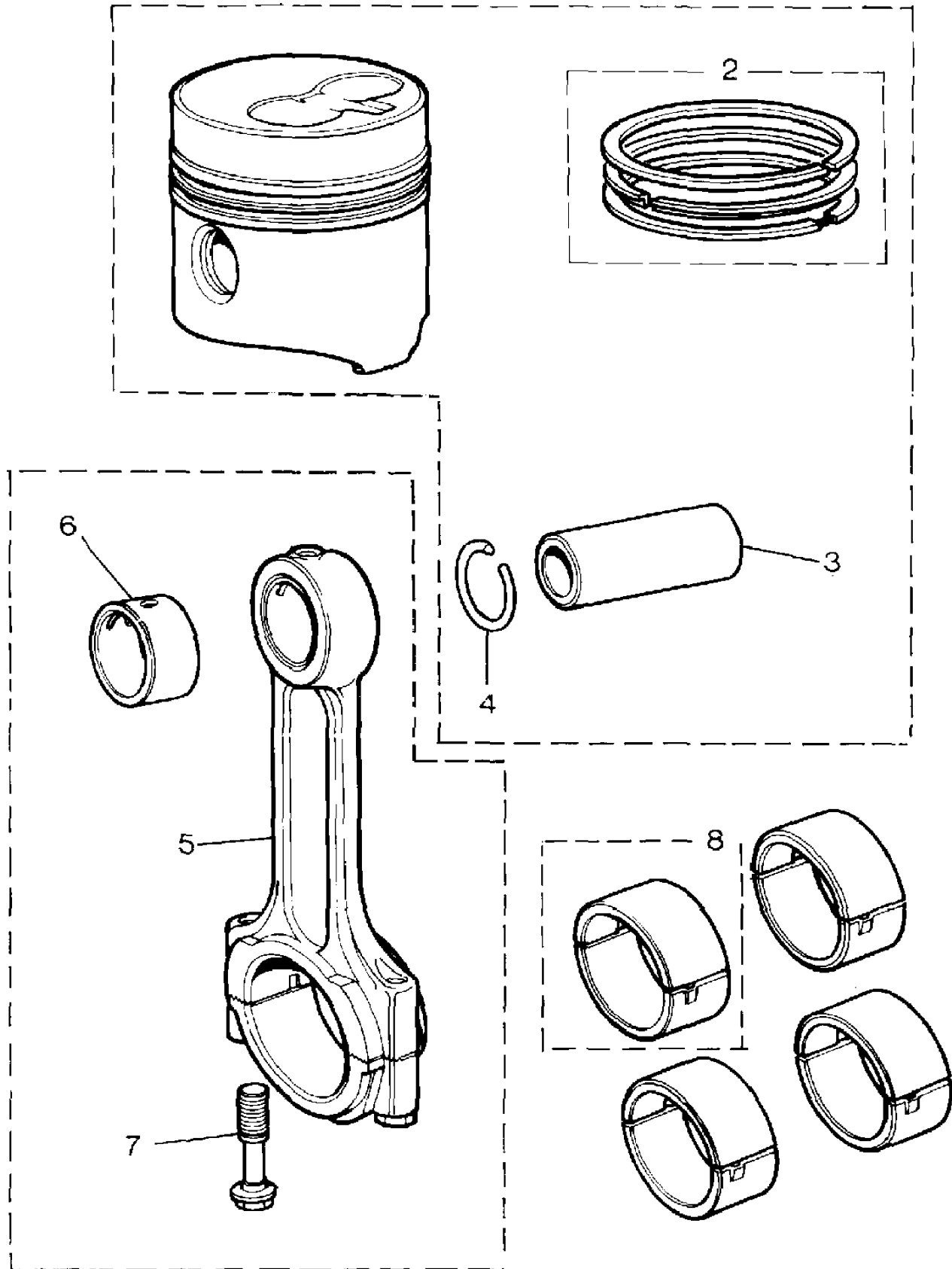
2.4L 4 Cyl VM Turbo Diesel

Callout	Name	Application	Remarks & Restrictions	Service No.	Qty
1	Cartridge-engine oil filter			AEU2218L	1
2	Adaptor-oil filter			AEU2226L	1
3	Plate assembly		With Hole Less Hole	AEU2225L RTC6376	1 1
4	Washer-sealing			AEU2227L	1
5	Relief Valve			AEU2875L	1
6	Spring			AEU2222L	1
7	Washer-copper			JAM3254L	1
8	Plug			AEU2876L	1
9	Plug-core			AEU2057L	1
10	Washer-copper			AEU2219L	1
11	Valve-thermostatic expansion			AEU2220L	1
12	Washer-sealing			ETC9065	2
13	Adaptor-oil cooler			ETC9064	2



Engine
2400 - Diesel - VM
Piston & Rings 1/1

Range Rover (To HA610293)
(VS3295A)



Range Rover (To HA610293)

Engine
2400 - Diesel - VM
Piston & Rings

2.4L 4 Cyl VM Turbo Diesel

Callout	Name	Application	Remarks & Restrictions	Service No.	Qty
1	Piston-engine		Also serviced as part of a kit	AEU2909L	4
2	Kit-piston ring		Also serviced as part of a kit	AEU2284L	4
3	Pin-piston gudgeon		Also serviced as part of a kit	RTC5003	4
4	Spring Ring		Also serviced as part of a kit	AEU2042L	8
5	Rod assembly-connecting	Change point - Engine end 11A19208	Also serviced as part of a kit	AEU2036L	4
		Change point - Engine begin 11A19209	Also serviced as part of a kit	RTC6546	4
6	Bush	Change point - Engine end 11A19208	Also serviced as part of a kit	AEU2037L	4
7	Bolt-connecting rod	Change point - Engine end 11A19208	Also serviced as part of a kit	AEU2038L	8
8	Set-connecting rod big end half bearing		standard.	AEU2039L	1
			0.010" undersize	AEU2040L	1
			0.020 undersize	AEU2041L	1

Engine
2400 - Diesel - VM
Power Steering Pump 1/1

Range Rover (To HA610293)

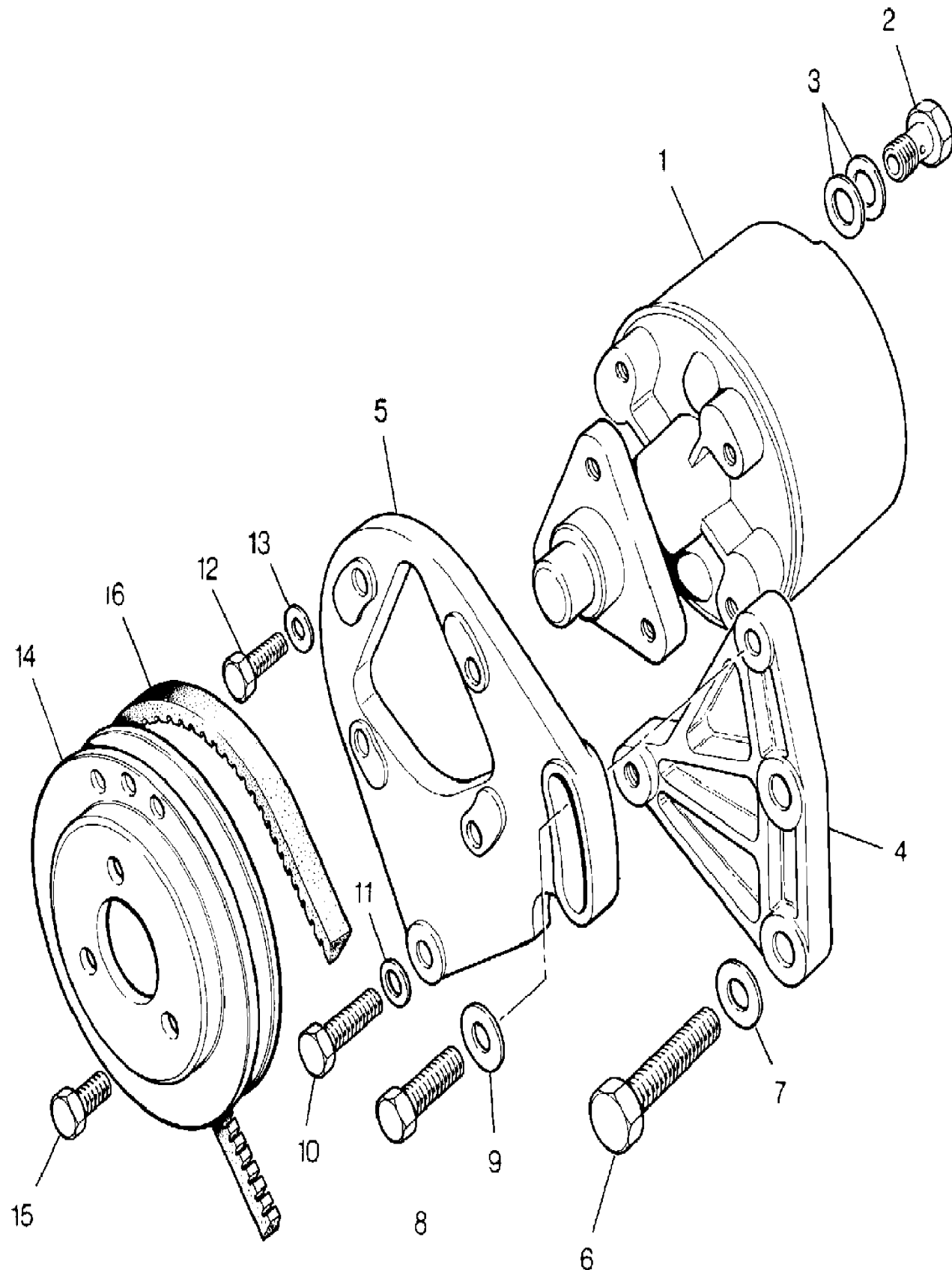
(TS6299)

Range Rover (To HA610293)

Engine
2400 - Diesel - VM
Power Steering Pump

2.4L 4 Cyl VM Turbo Diesel

Callout	Name	Application	Remarks & Restrictions	Service No.	Qty
1	Pump assembly power assisted steering	Change point - Engine end 11A33463 Change point - Engine begin 11A33464		ETC9081 NTC8289	1 1
2	Bolt-banjo	Change point - Engine end 11A33463		RTC6833	X
3	Washer-sealing	Change point - Engine end 11A33463		RTC5675	2
4	Bracket-support power assisted steering pipes	Change point - Engine end 11A33463, RHD Change point - Engine end 11A33463, LHD		ETC9074 ETC9075	1 1
5	Bracket-support power assisted steering pipes	Change point - Engine end 11A33463, RHD		ETC9076	1
6	Bolt	Change point - Engine end 11A33463, RHD	RH, M14 x 50	BH114101L	2
7	Washer	Change point - Engine end 11A33463, RHD	M14	WA114001	2
8	Bolt	Change point - Engine end 11A33463	M12 x 45	BH112091L	1
9	Washer	Change point - Engine end 11A33463	M12, Plain, Standard	WA112081L	1
10	Screw		hexagonal head, M8 x 45	SH108451	1
11	Washer	Change point - Engine end 11A33463, RHD	8MM	WA108051L	1
12	Bolt	Change point - Engine end 11A33463	hexagonal head, M6 x 30	BH106061L	4
13	Washer	Change point - Engine end 11A33463	6MM	WA106041L	4
14	Pulley power assisted steering pump	Change point - Engine end 11A33463		ETC9082	1
15	Screw	Change point - Engine end 11A33463	hexagonal head, M8 x 10	SH108101L	3
16	Belt-polyvee power assisted steering	Change point - Engine end 11A33463		ETC9080	1
[900]	Kit-power assisted steering pump seal	Change point - Engine end 11A33463		RTC5935	1



Engine
2400 - Diesel - VM
Rocker Covers 1/1

Range Rover (To HA610293)

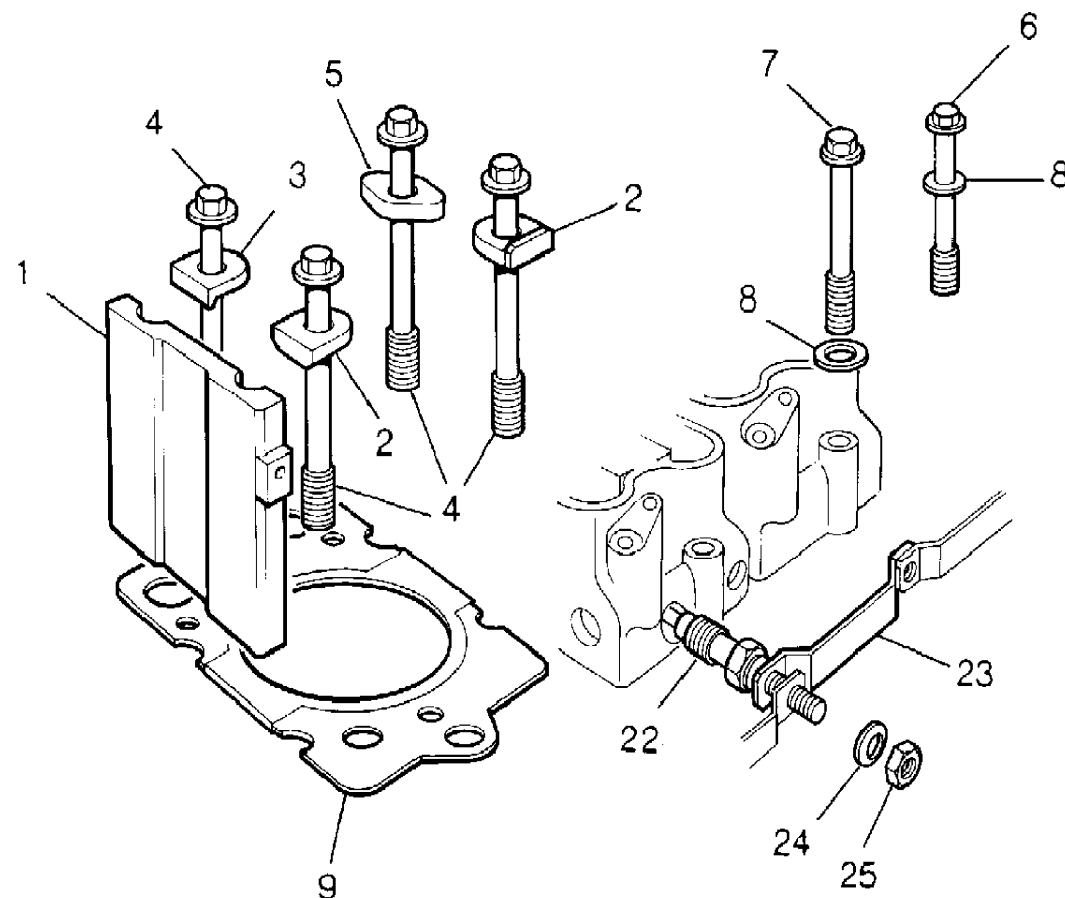
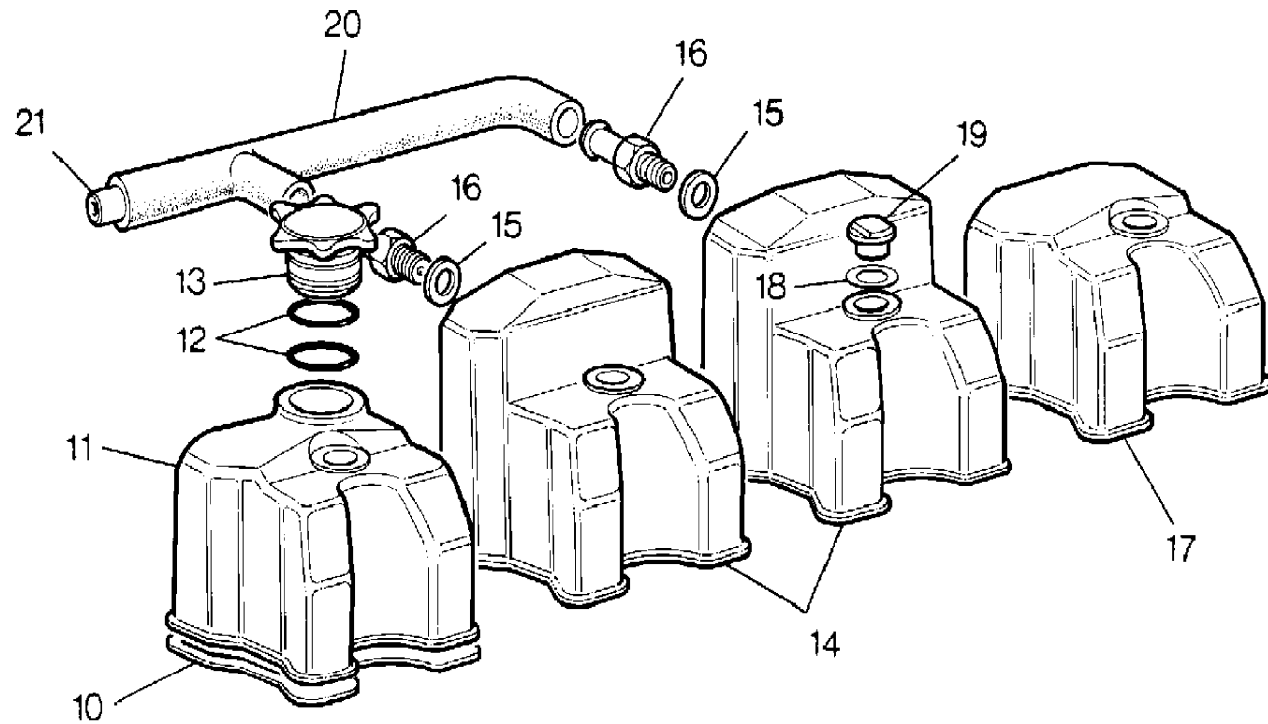
(TS5939)

Engine
2400 - Diesel - VM
Rocker Covers

Range Rover (To HA610293)

2.4L 4 Cyl VM Turbo Diesel

Callout	Name	Application	Remarks & Restrictions	Service No.	Qty
1	Cover-valve rocker			AEU2082L	2
2	Clamp-cylinder head			AEU2080L	5
3	Clamp-cylinder head			AEU2079L	2
4	Bolt		M12	AEU2078L	10
5	Clamp-cylinder head			AEU2081L	3
6	Bolt		M12	AEU2083L	4
7	Bolt		M12	AEU2085L	4
8	Washer-Plain		M12 x 22	WB112081L	8
9	Gasket-Cylinder Head		1.42mm. 1.52mm. 1.62MM	STC810 STC811 STC812	X X X
10	Gasket-engine rocker cover	Change point - VIN end HA610293		RTC4892	4
11	Cover-valve rocker		Front	RTC6449	1
12	Seal-oil filler cap			AEU2091L	2
13	Filler-oil			AEU2090L	1
14	Cover-valve rocker		Intermediate	RTC6450	2
15	Washer			AEU2094L	2
16	Connector-inlet manifold adaptor		M16	AEU2202L	2
17	Cover-valve rocker		Rear	RTC6451	1
18	O Ring			AEU2093L	4
19	Nut - Hex.			AEU3043L	4
20	Hose assembly-breather			BAU5090L	1
21	Connector fit			BAU5091L	2
22	Plug-heater ignition			ERC8648	4
23	Plug			AEU2095L	3
24	Washer-Plain			WA105041L	4
25	Nut-hexagonal		M5	NH105041L	4



Engine
2400 - Diesel - VM
Starter Motor 1/1

Range Rover (To HA610293)

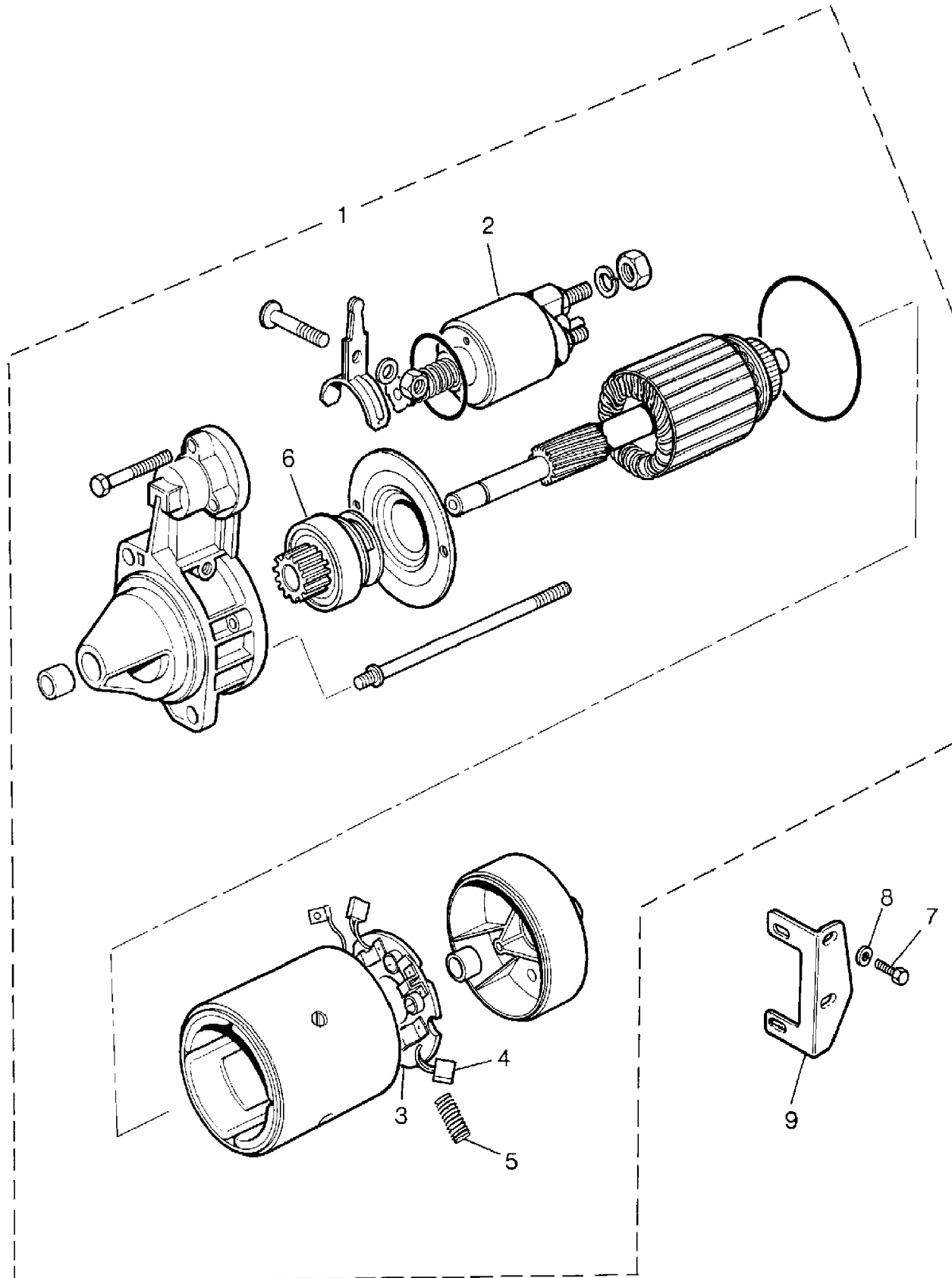
(TS6413)

Engine
2400 - Diesel - VM
Starter Motor

Range Rover (To HA610293)

2.4L 4 Cyl VM Turbo Diesel

Callout	Name	Application	Remarks & Restrictions	Service No.	Qty
1	Kit-starter motor		Also serviced as part of a kit, New	PRC5669	1
2	Solenoid starter motor		Also serviced as part of a kit	RTC5750	1
3	Box assembly-brush starter motor		Also serviced as part of a kit	RTC5751	1
4	Brush alternator		Also serviced as part of a kit	RTC5752	1
5	Spring		Also serviced as part of a kit	RTC5754	4
6	Drive clutch		Also serviced as part of a kit	RTC5753	1
7	Screw		M6 X 16, hexagonal head	SH106161L	2
8	Washer		6MM	WA106041L	2
9	Bracket-support starter motor			RTC4947	1
[900]	Cable assembly starter & earth			PRC5237	1
[901]	Harness link-solenoid			PRC5240	1



Engine
2400 - Diesel - VM
Sump 1/1

Range Rover (To HA610293)

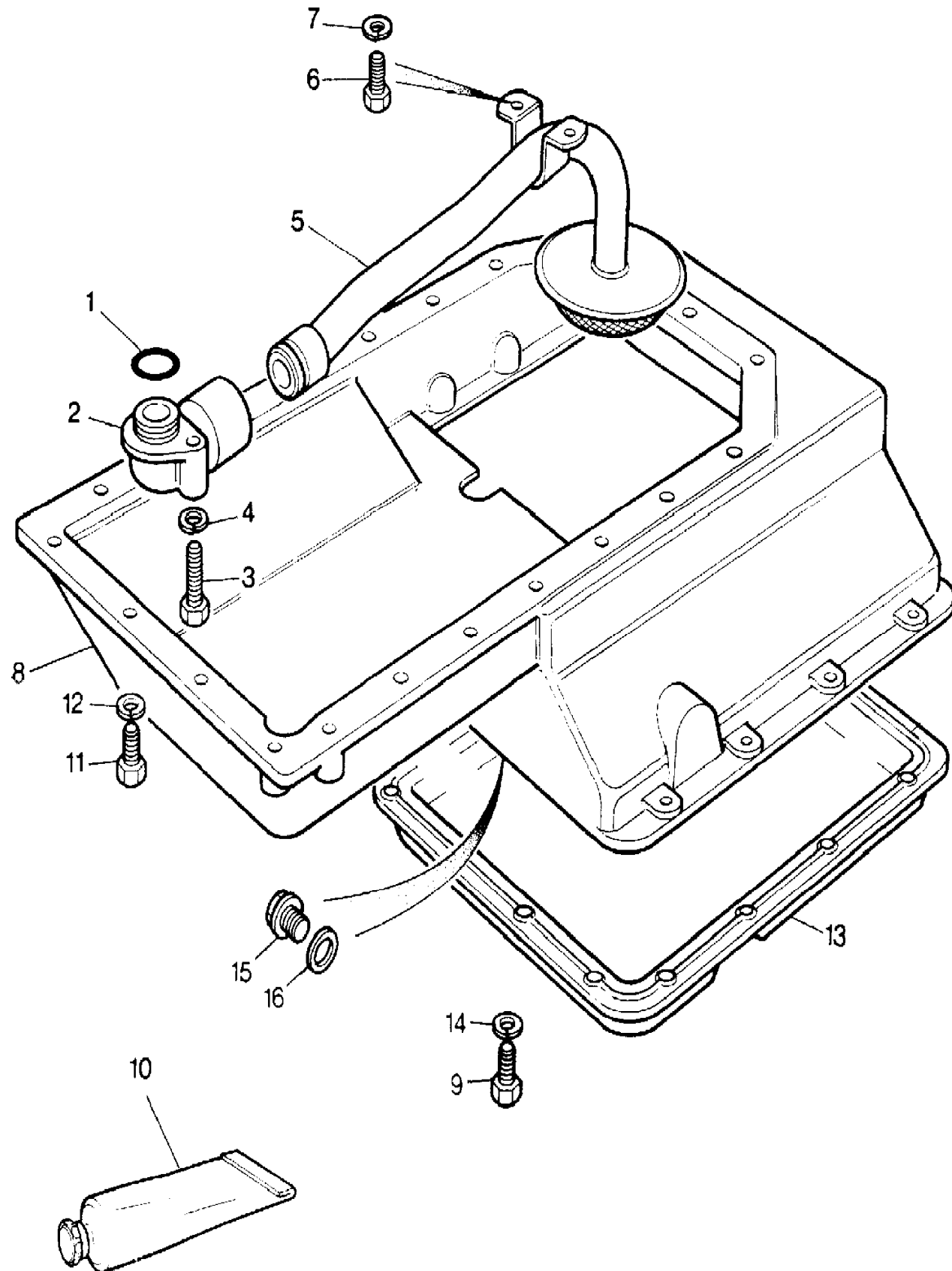
(TS5926A)

Engine
2400 - Diesel - VM
Sump

Range Rover (To HA610293)

2.4L 4 Cyl VM Turbo Diesel

Callout	Name	Application	Remarks & Restrictions	Service No.	Qty
1	O Ring			AEU2281L	1
2	Connector-inlet manifold adaptor			AEU2277L	1
3	Bolt		M6 x 50	BH106101L	2
4	Washer		M6, sprung	WL106001L	2
5	Pipe-balancer shaft oil pick up			RTC4955	1
6	Screw		hexagonal head, M6 x 15	SH106151L	1
7	Washer		6MM	WA106041L	2
8	Sump-engine oil			RTC4920	1
9	Screw		hexagonal head, M6 X 14	SH106141L	1
10	Sealant		silicone	RTC3254	X
11	Bolt		M6 X 20	BH106041L	21
12	Washer		M6, sprung	WL106001L	21
13	Sump-engine oil			RTC4921	1
14	Washer		M6, sprung	WL106001L	18
15	Plug-sump assembly oil drain			BAU4978L	1
16	Washer-sealing			STC564	1



Engine
2400 - Diesel - VM
Turbocharger 1/2

Range Rover (To HA610293)

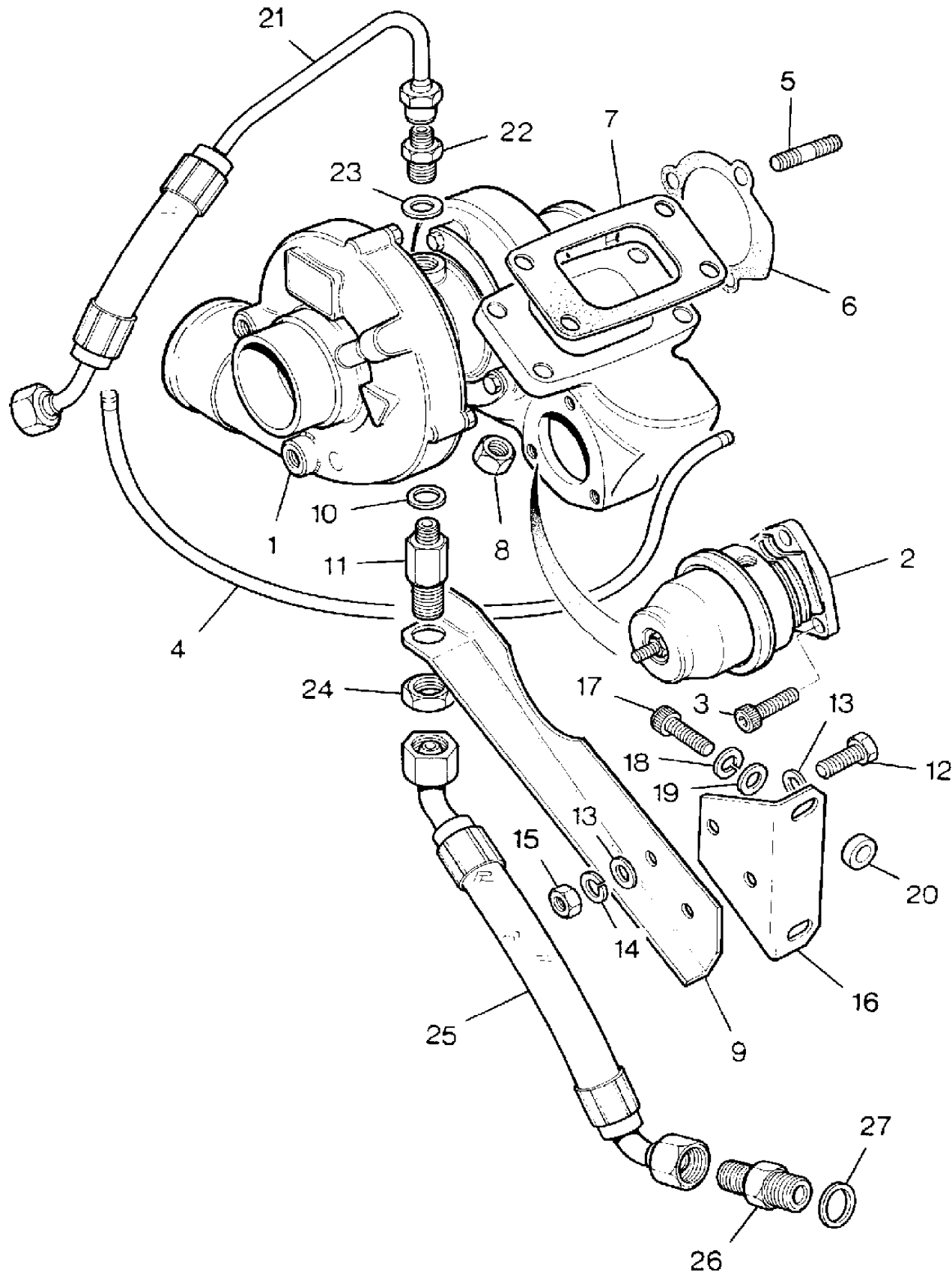
(TS5905A)

Engine
2400 - Diesel - VM
Turbocharger

Range Rover (To HA610293)

2.4L 4 Cyl VM Turbo Diesel

Callout	Name	Application	Remarks & Restrictions	Service No.	Qty
1	Turbocharger assembly		Also serviced as part of a kit, New	RTC4910	1
2	Valve-waste gate-control turbocharger		Also serviced as part of a kit	RTC5017	1
3	Screw-hexagon socket		Also serviced as part of a kit, M8 x 20	SS108201	3
4	Tube-pulse air valve to turbocharger wastegate		Also serviced as part of a kit	RTC5018	1
5	Stud		Also serviced as part of a kit, M8	RTC6717	3
6	Gasket exhaust system			RTC4894	1
7	Gasket-turbocharger/manifold turbo			RTC5004	1
8	Nut-hexagonal		M8	NH108141L	4
9	Bracket-support turbocharger			RTC4952	1
10	Washer-sealing			RTC5016	1
11	Connector-inlet manifold adaptor			RTC4943	1
12	Screw		M8 x 25, hexagonal head	SH108251L	1
13	Washer		8MM	WA108051L	4
14	Washer		M8, sprung	WL108001L	2
15	Nut-hexagonal		M8	NH108051L	2
16	Bracket-support turbocharger			RTC4951	1
17	Screw-hexagon socket		M8 x 25	SS108251	2
18	Washer		M8, sprung	WL108001L	2
19	Washer		8MM	WA108001L	2
20	Spacer			RTC4963	2
21	Pipe assembly-oil feed-turbocharger			RTC4960	1



Engine
2400 - Diesel - VM
Turbocharger 2/2

Range Rover (To HA610293)

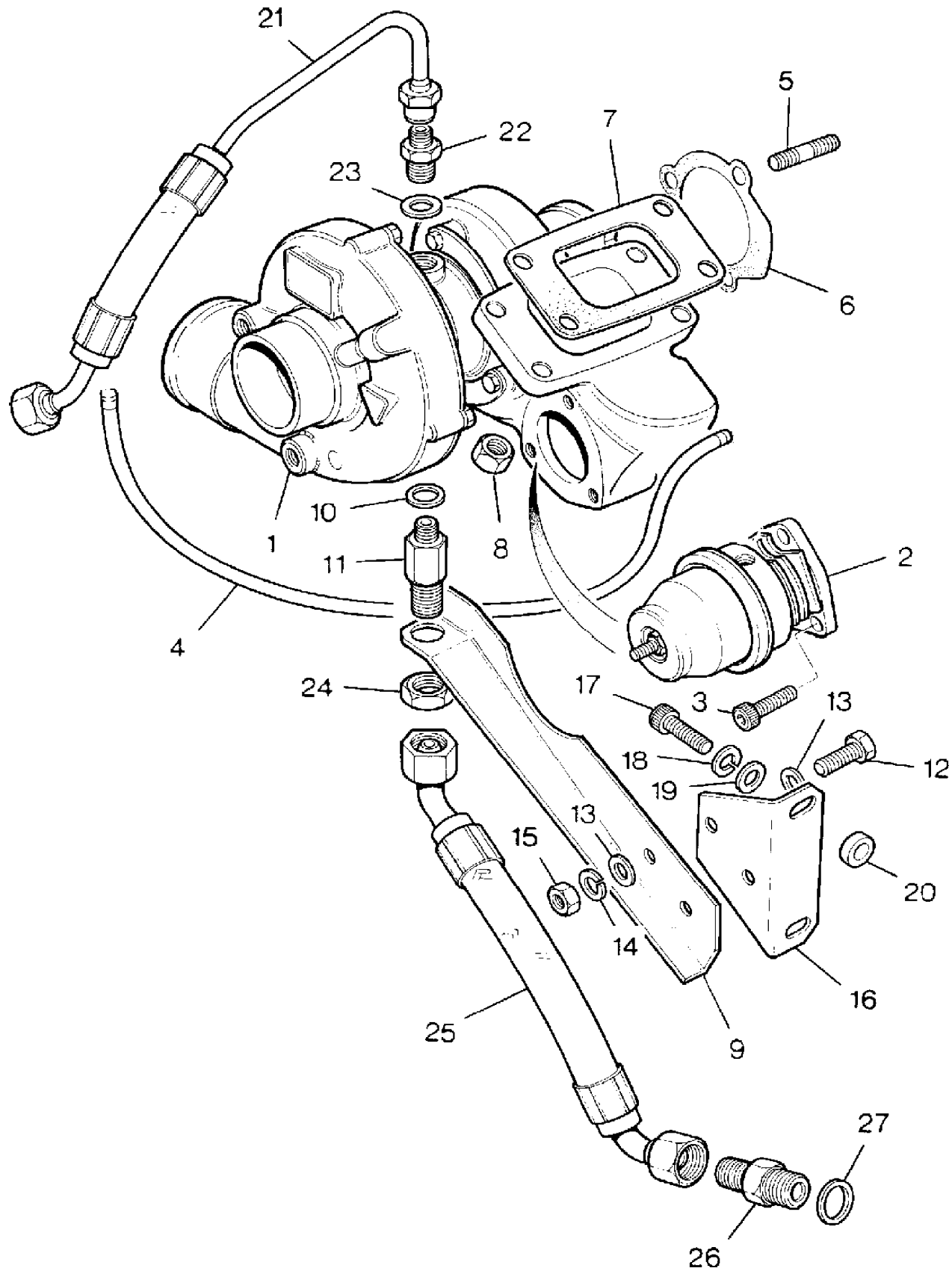
(TS5905A)

Engine
2400 - Diesel - VM
Turbocharger

Range Rover (To HA610293)

2.4L 4 Cyl VM Turbo Diesel

Callout	Name	Application	Remarks & Restrictions	Service No.	Qty
22	Union-oil feed pipe turbocharger			RTC5015	1
23	Washer-copper			BAU5374L	1
24	Nut - Hex.			RTC4972	1
25	Pipe-oil scaveige-turbocharge			RTC4941	1
26	Adaptor-turbocharger to exhaust sealing			JAM3255L	1
27	Washer			JAM3256L	2



Engine
2400 - Diesel - VM
Vacuum Pump 1/1

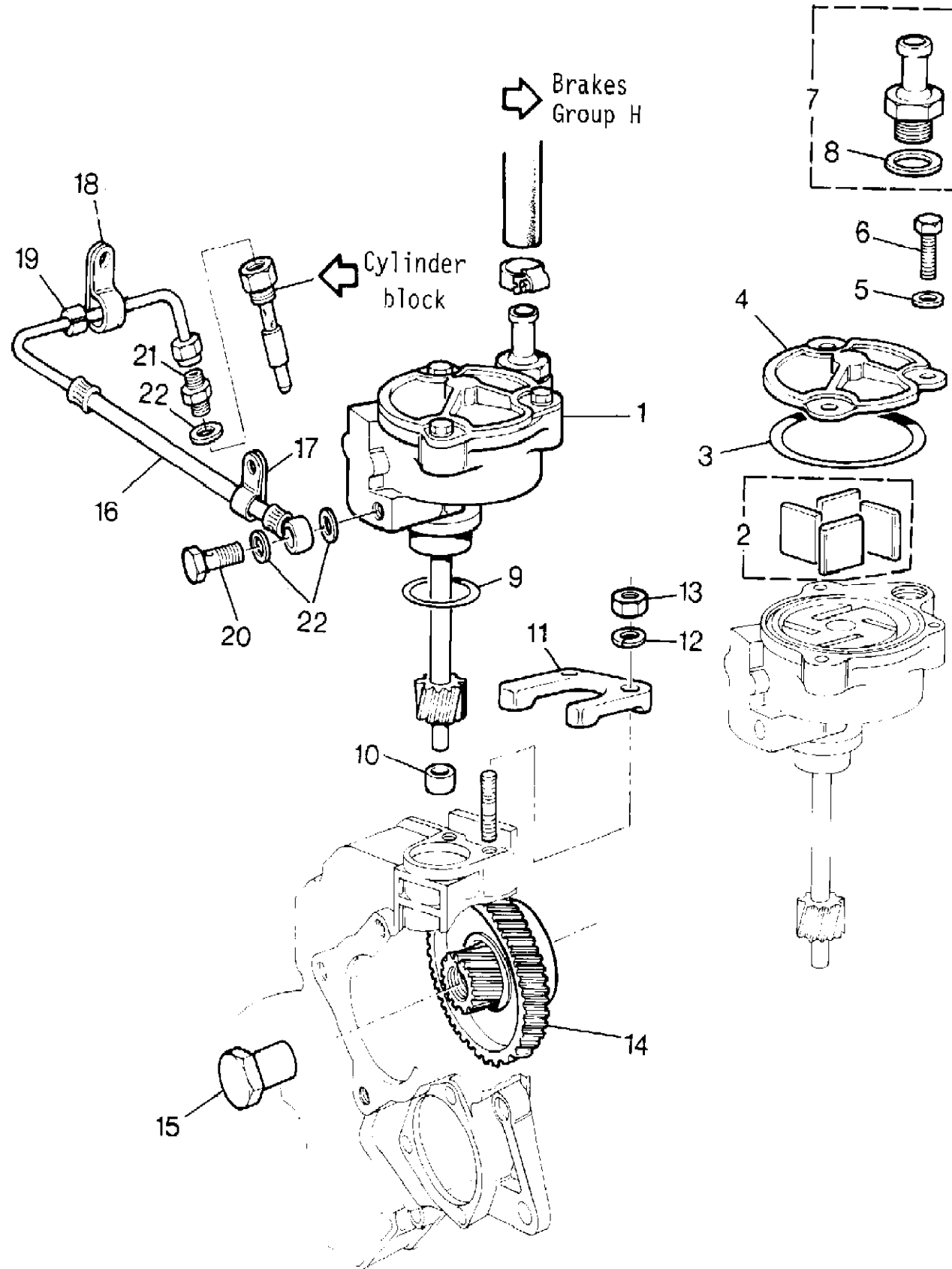
Range Rover (To HA610293)
(VS3282)

Engine
2400 - Diesel - VM
Vacuum Pump

Range Rover (To HA610293)

2.4L 4 Cyl VM Turbo Diesel

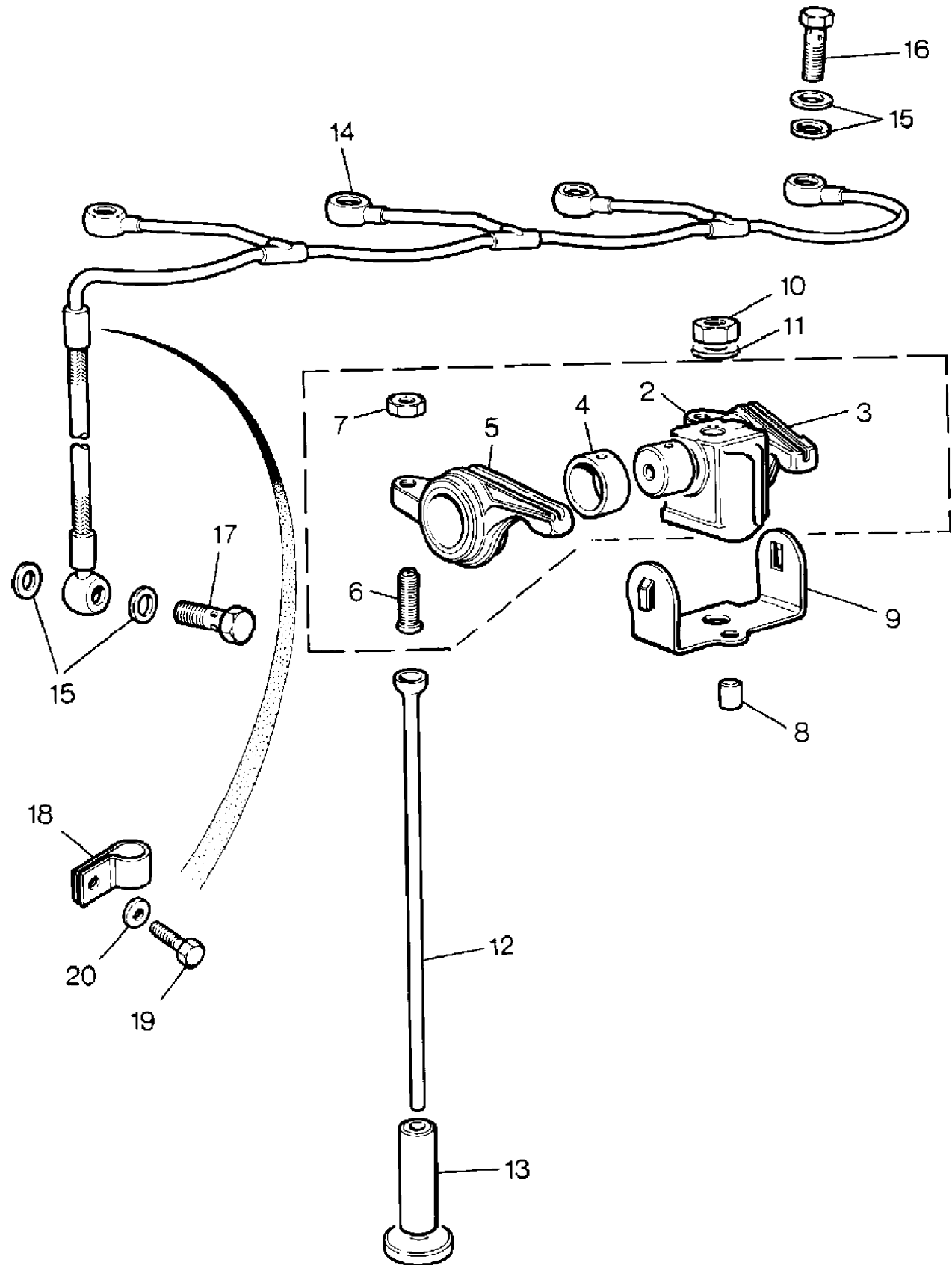
Callout	Name	Application	Remarks & Restrictions	Service No.	Qty
1	Pump brake vacuum		Also serviced as part of a kit	RTC4995	1
2	Kit-vanes-vacuum-pump		Also serviced as part of a kit	AEU2154L	1
3	Washer		Also serviced as part of a kit	AEU2155L	1
4	Bracket vacuum pump		Also serviced as part of a kit	AEU2156L	1
5	Washer		Also serviced as part of a kit, 6MM	WA106041L	3
6	Screw		Also serviced as part of a kit, M6 X 16, hexagonal head	SH106161L	3
7	Kit-hose adaptor		Also serviced as part of a kit	AEU2160L	1
8	Washer		Also serviced as part of a kit	JAM3256L	1
9	Washer-sealing			AEU2163L	1
10	Bush			AEU2162L	1
11	Clamp			AEU2161L	1
12	Washer		M8, sprung	WL108001L	2
13	Nut - Hex.		M8, hexagonal head	NH108041L	1
14	Gear-pump drive.			AEU2279L	1
15	Nut - Hex.			AEU2278L	1
16	Pipe-lubrication			AEU2295L	1
17	Clip-p		3/8" hole, 1/2"	589806	1
20	Bolt-banjo			AEU2165L	1
21	Connector-inlet manifold adaptor		Single	AEU2169L	1
			Twin	RTC6785	1
22	Washer-copper			AEU2164L	3



Engine
2400 - Diesel - VM
Valve Rocker 1/1

Range Rover (To HA610293)

(VS3268A)



Range Rover (To HA610293)

2.4L 4 Cyl VM Turbo Diesel

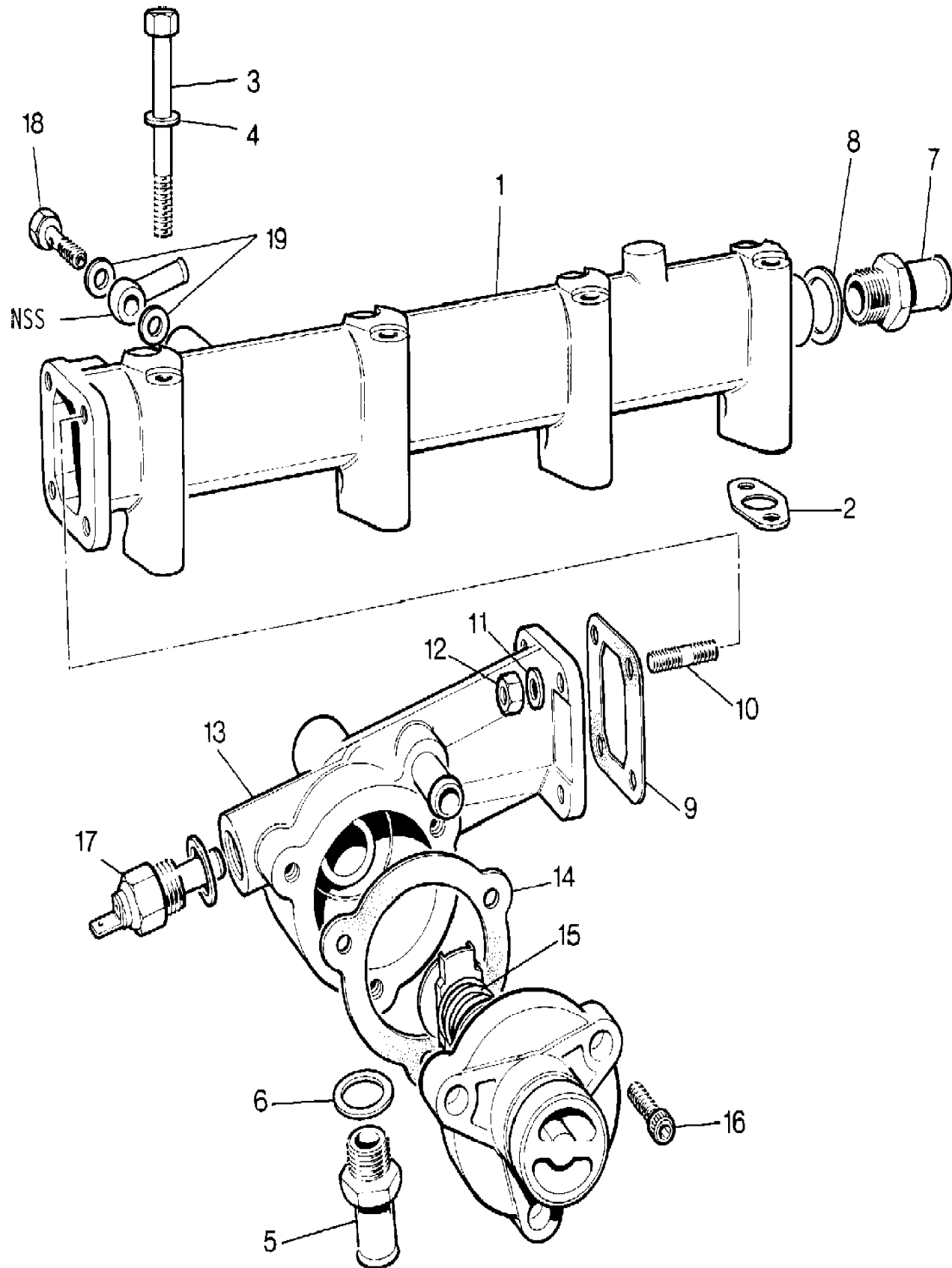
Engine
2400 - Diesel - VM
Valve Rocker

Callout	Name	Application	Remarks & Restrictions	Service No.	Qty
1	Rocker assembly-cylinder head		Also serviced as part of a kit	AEU2059L	4
2	Pedestal-valve rockers		Also serviced as part of a kit	AEU2062L	4
3	Arm-inlet valve rocker		Also serviced as part of a kit	AEU2063L	4
4	Arm & bush assembly-inlet valve rocker		Also serviced as part of a kit, Less Hole	AEU2067L	4
5	Arm-exhaust valve rocker		Also serviced as part of a kit	AEU2064L	4
6	Screw-engine tappet adjustment		Also serviced as part of a kit	AEU2065L	8
7	Nut - Hex.		Also serviced as part of a kit, M8, hexagonal head	NH108041L	8
8	Dowel			AEU2060L	4
9	Clamp			AEU2161L	4
10	Nut - Hex.		M12, Hexagonal	NH112041L	8
11	Washer		M12, Plain, Standard	WA112081L	8
12	Rod-engine push			AEU2070L	8
13	Follower-inlet manifold camshaft			AEU2069L	8
14	Pipe oil rockers			AEU2071L	1
15	Washer			AEU2072L	10
16	Bolt-banjo pump feed pipe			AEU2073L	4
17	Bolt-banjo pump feed pipe			AEU2074L	1
18	Clip-p		5/8"	56667	1
19	Screw		hexagonal head, M5 x 12	SH105121L	1
20	Washer-Plain			WA105041L	1

Engine
2400 - Diesel - VM
Water Manifold & Thermostat 1/1

Range Rover (To HA610293)

(TS5940)



Range Rover (To HA610293)

Engine
2400 - Diesel - VM
Water Manifold & Thermostat

2.4L 4 Cyl VM Turbo Diesel

Callout	Name	Application	Remarks & Restrictions	Service No.	Qty
1	Manifold-water-thermostat			RTC5726	1
2	Gasket-cylinder block water gallery plate			AEU2201L	4
3	Bolt		M6 x 80	BH106161L	8
4	Washer		M6	WA106001L	8
5	Connector-inlet manifold adaptor			AEU2203L	1
6	Washer			AEU2094L	1
7	Connector-inlet manifold adaptor		M16	AEU2202L	1
8	Washer			AEU2094L	1
9	Gasket-thermostat housing	Change point - VIN end HA610293	TO CYLINDER HEAD	RTC4974	1
10	Stud			AEU2186L	4
11	Washer		6MM	WA106041L	4
12	Nut - Hex.		M6, nyloc, Hexagonal	NH106041L	4
13	Housing-thermostat			RTC4940	1
14	Gasket-thermostat housing	Change point - VIN end HA610293		RTC6076	1
15	Thermostat-engine			RTC4942	1
16	Screw-hexagon socket			SS106201L	3
17	Sensor-Temperature			RTC4996	1
18	Bolt-banjo			RTC6713	1
19	Washer			AEU2072L	2

Engine
2400 - Diesel - VM
Water Pump 1/1

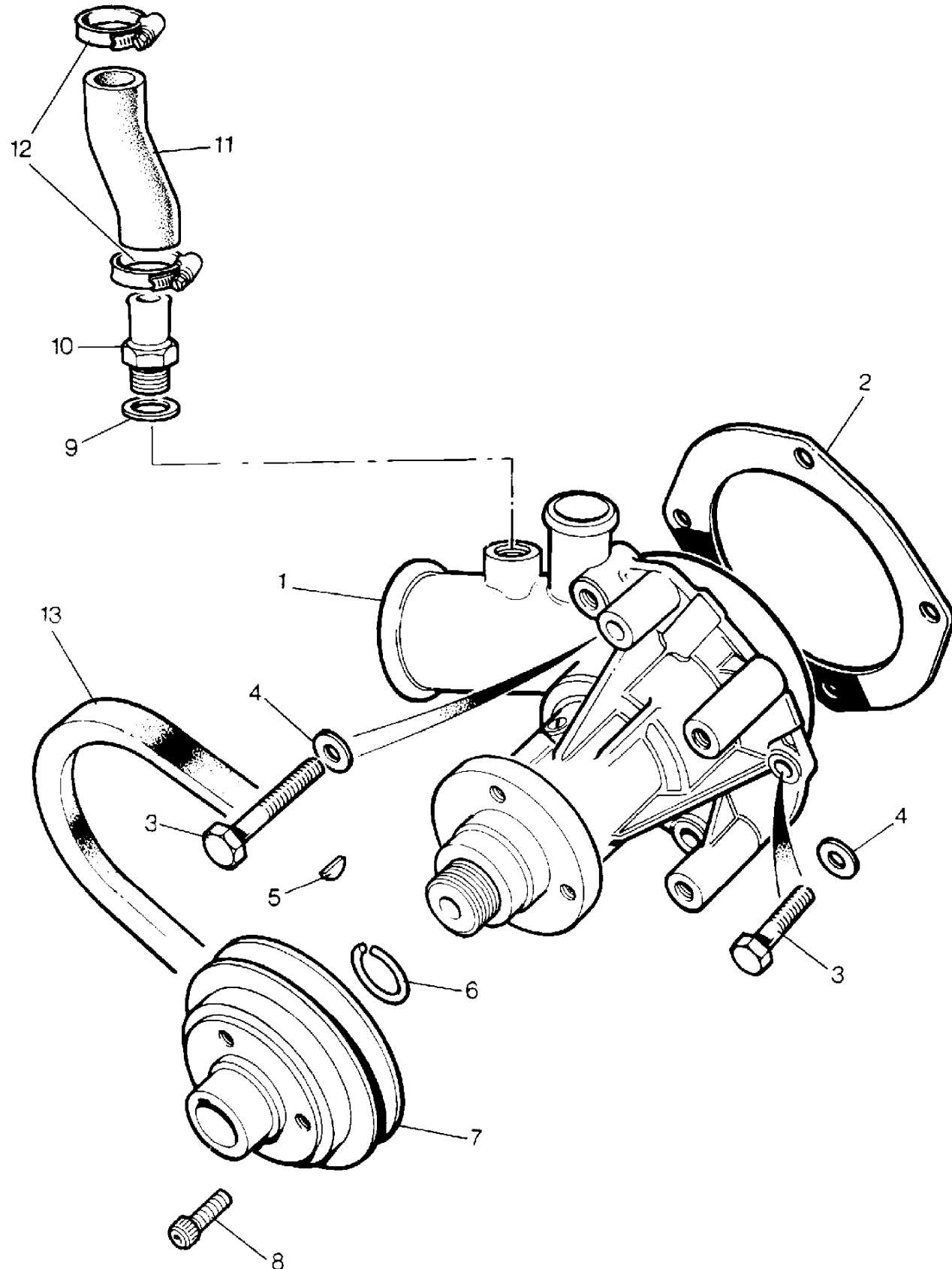
Range Rover (To HA610293)
(TS5938B)

Engine
2400 - Diesel - VM
Water Pump

Range Rover (To HA610293)

2.4L 4 Cyl VM Turbo Diesel

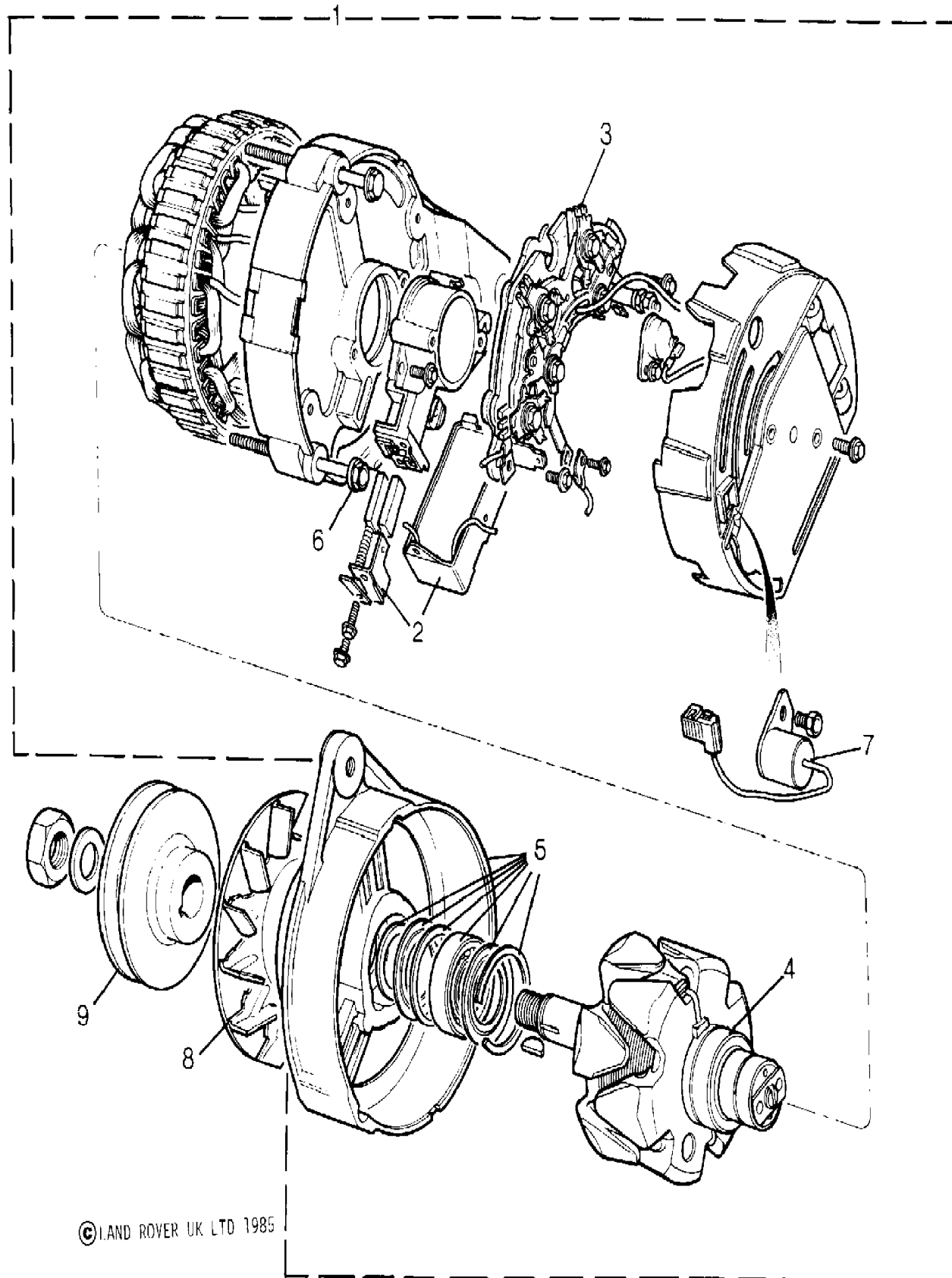
Callout	Name	Application	Remarks & Restrictions	Service No.	Qty
1	Pump assembly-engine coolant			RTC4925	1
2	Gasket-coolant pump body			AEU2183L	1
3	Bolt		M8 x 45	BH108091L	4
4	Washer-Plain		8MM	WA108041L	4
5	Key			AEU2254L	1
6	Spring			AEU2255L	1
7	Pulley Assy - Alternator			RTC4926	1
8	Screw-hexagon socket		M8	SS108181L	3
9	Washer-sealing			AEU2259L	1
10	Connector-inlet manifold adaptor			RTC4970	1
11	Hose-feed fuel tank			RTC4959	1
12	Clip			EAC22723	2
13	Belt-polyvee alternator	RHD LHD		ETC9002 ETC9019	1 1



Engine
2500 - Diesel - VM
Alternator 1/2

Range Rover (To HA610293)

(VS3983)



©LAND ROVER UK LTD 1985

Range Rover (To HA610293)

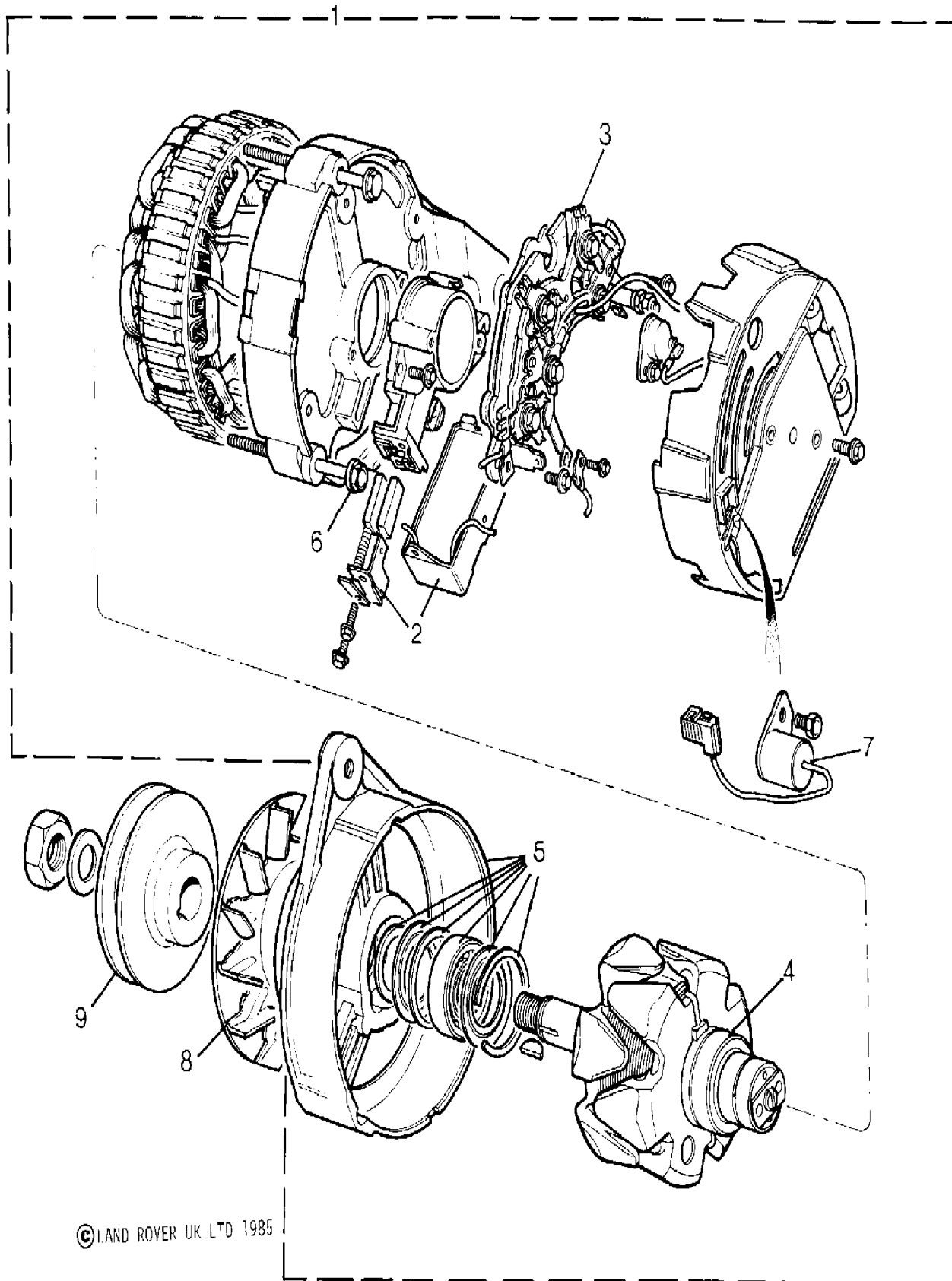
Engine
2500 - Diesel - VM
Alternator

Callout	Name	Application	Remarks & Restrictions	Service No.	Qty
1	Alternator assembly	2.5l 4 Cyl VM Turbo Diesel	Also serviced as part of a kit, New, A127-65 amp, LH	RTC5681N	1
		2.5l 4 Cyl VM Turbo Diesel	Also serviced as part of a kit, exchange, A127-65 amp, LH	RTC5681E	1
		2.5l 4 Cyl VM Turbo Diesel	Also serviced as part of a kit, New, A133-80 amp	PRC7084	1
2	Regulator & brush box assembly alternator	2.5l 4 Cyl VM Turbo Diesel	Also serviced as part of a kit	RTC5670	1
		2.5l 4 Cyl VM Turbo Diesel	Also serviced as part of a kit, 85 amp/100 amp	RTC5928	1
3	Rectifier-alternator	2.5l 4 Cyl VM Turbo Diesel	Also serviced as part of a kit	RTC5671	1
		2.5l 4 Cyl VM Turbo Diesel	Also serviced as part of a kit, 85 amp/100 amp	RTC5609	1
4	Bearing-alternator front	2.5l 4 Cyl VM Turbo Diesel	Also serviced as part of a kit	RTC5926	1
		2.5l 4 Cyl VM Turbo Diesel	Also serviced as part of a kit	AEU1532	1
5	Bracket-drive end c/w bearing alternator e	2.5l 4 Cyl VM Turbo Diesel	Also serviced as part of a kit, LH	RTC5688	1
6	Kit-fixings alternator/vacuum pump	2.5l 4 Cyl VM Turbo Diesel	Also serviced as part of a kit, LH	RTC5925	1
7	Capacitor alternator	2.5l 4 Cyl VM Turbo Diesel	Also serviced as part of a kit	RTC6114	1
8	Fan Alternator	2.5l 4 Cyl VM Turbo Diesel	133/65 amp	AAU2249	1
		2.5l 4 Cyl VM Turbo Diesel	80 AMP	RTC5054	1
9	Pulley-alternator	2.5l 4 Cyl VM Turbo Diesel	65 AMP	ERR405	1
		2.5l 4 Cyl VM Turbo Diesel	80 AMP	ERR608	1
[900]	Nut - Hex.	2.5l 4 Cyl VM Turbo Diesel		ETC9039	1
[901]	Lead-link-solenoid fuel shut off	2.5l 4 Cyl VM Turbo Diesel		PRC4643	1
[902]	Cover Alternator	2.5l 4 Cyl VM Turbo Diesel	Also serviced as part of a kit	RTC5610	1
[903]	Kit-bearing-drive end alternator	2.5l 4 Cyl VM Turbo Diesel	Also serviced as part of a kit	RTC6786	1
[904]	Box assembly-brush alternator	2.5l 4 Cyl VM Turbo Diesel	Also serviced as part of a kit	BAU2195L	1
[905]	Brush alternator	2.5l 4 Cyl VM Turbo Diesel	Also serviced as part of a kit	RTC5611	1

Engine
2500 - Diesel - VM
Alternator 2/2

Range Rover (To HA610293)

(VS3983)



©LAND ROVER UK LTD 1985

Range Rover (To HA610293)

Engine
2500 - Diesel - VM
Alternator

Callout	Name	Application	Remarks & Restrictions	Service No.	Qty
[906]	Kit-screw	2.5l 4 Cyl VM Turbo Diesel		AEU1706	1
[907]	Spacer	2.5l 4 Cyl VM Turbo Diesel		AEU1708	1

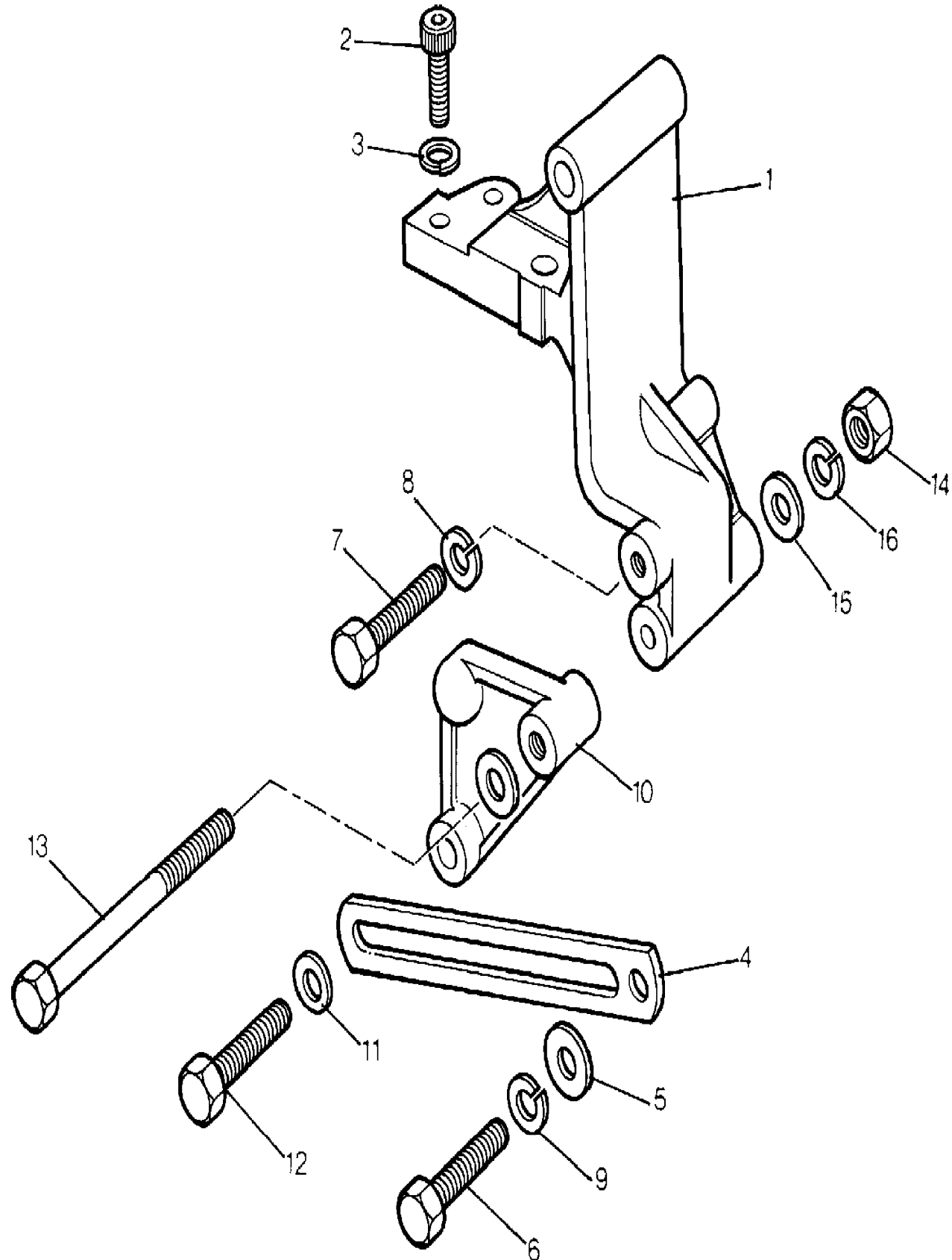
Engine
2500 - Diesel - VM
Alternator Mountings 1/2

Range Rover (To HA610293)

(TS6807)

Engine
2500 - Diesel - VM
Alternator Mountings

Range Rover (To HA610293)



Callout	Name	Application	Remarks & Restrictions	Service No.	Qty
1	Bracket-mounting-compressor & alternator air conditioning	2.5l 4 Cyl VM Turbo Diesel		ERR739	1
2	Screw	2.5l 4 Cyl VM Turbo Diesel	M10 X 45	SS110451L	2
3	Washer	2.5l 4 Cyl VM Turbo Diesel	M10	WL110001L	2
4	Link-adjuster alternator	2.5l 4 Cyl VM Turbo Diesel		ETC9004	1
5	Washer-plain-thick	2.5l 4 Cyl VM Turbo Diesel		ETC9011	1
6	Screw	2.5l 4 Cyl VM Turbo Diesel	hexagonal head, M8 x 20	SH108201L	1
7	Screw	2.5l 4 Cyl VM Turbo Diesel	M8 x 25, hexagonal head	SH108251L	1
8	Washer	2.5l 4 Cyl VM Turbo Diesel	8MM	WA108051L	1
9	Washer	2.5l 4 Cyl VM Turbo Diesel	M8, sprung	WL108001L	2
10	Bracket-support alternator	2.5l 4 Cyl VM Turbo Diesel		ETC9096	1
11	Washer	2.5l 4 Cyl VM Turbo Diesel	M14	WA114001	1
		2.5l 4 Cyl VM Turbo Diesel	M8, sprung	WL108001L	1
12	Screw	2.5l 4 Cyl VM Turbo Diesel	Flanged Head, M14 x 40	SH114401	1
13	Bolt	2.5l 4 Cyl VM Turbo Diesel	M8 x 125	ETC9058	1
14	Nut - Hex.	2.5l 4 Cyl VM Turbo Diesel	M8, hexagonal head	NH108041	1
15	Washer	2.5l 4 Cyl VM Turbo Diesel	M8, Standard	WA108051	2
16	Washer	2.5l 4 Cyl VM Turbo Diesel	M8, sprung	WL108001	1
[901]	Washer	2.5l 4 Cyl VM Turbo Diesel	M14	WA114001	2
[902]	Bracket assembly power assisted steering pump & alternator	2.5l 4 Cyl VM Turbo Diesel		ETC9073	1

Engine
2500 - Diesel - VM
Alternator Mountings 2/2

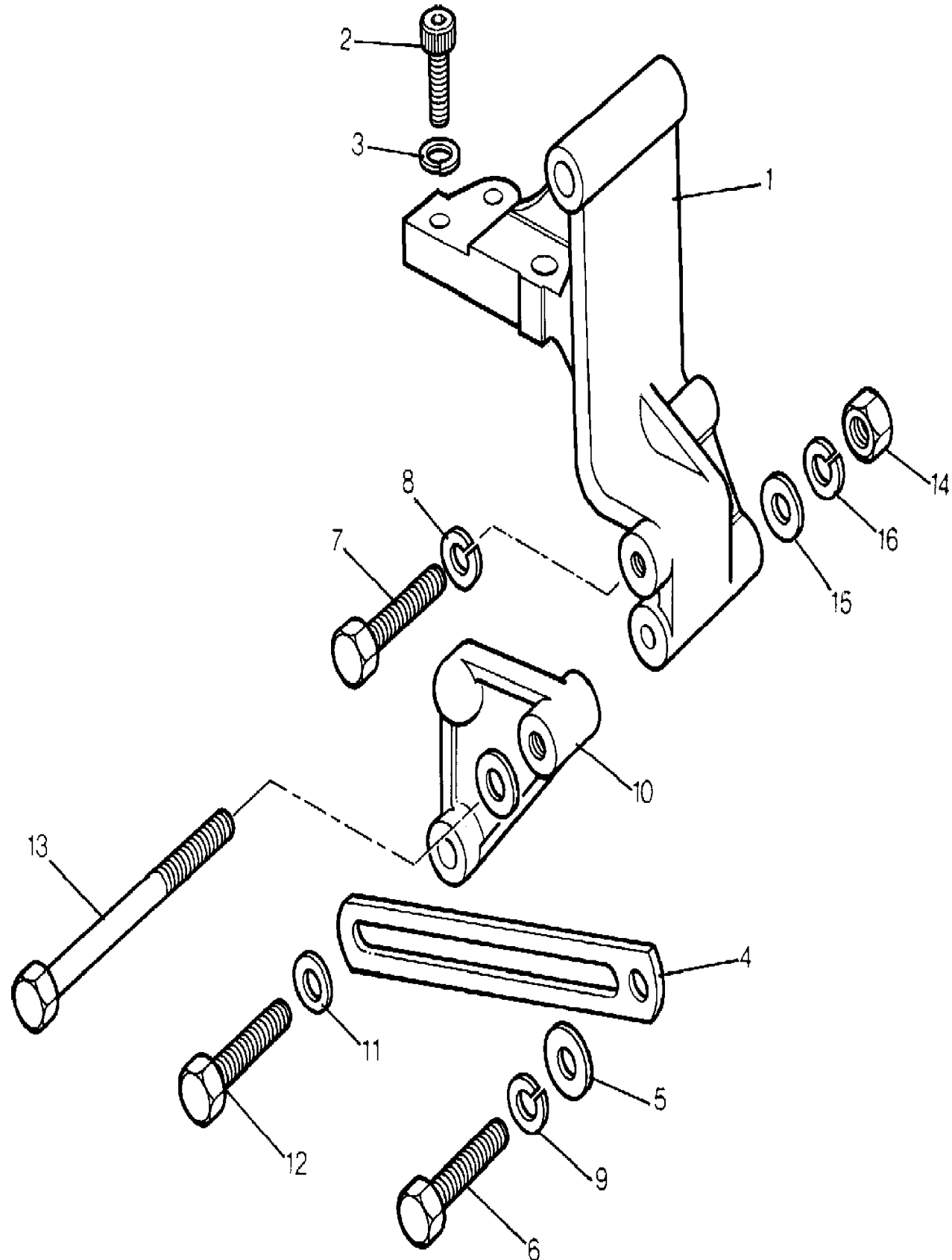
Range Rover (To HA610293)

(TS6807)

Engine
2500 - Diesel - VM
Alternator Mountings

Range Rover (To HA610293)

Callout	Name	Application	Remarks & Restrictions	Service No.	Qty
[903]	Bolt	2.5l 4 Cyl VM Turbo Diesel	hexagonal head, M14 x 55	BH114111L	2
		2.5l 4 Cyl VM Turbo Diesel	M8 x 120	ETC9062	1
[904]	Nut - Hex.	2.5l 4 Cyl VM Turbo Diesel	M8, hexagonal head	NH108041L	1



Engine
2500 - Diesel - VM
Camshaft 1/1

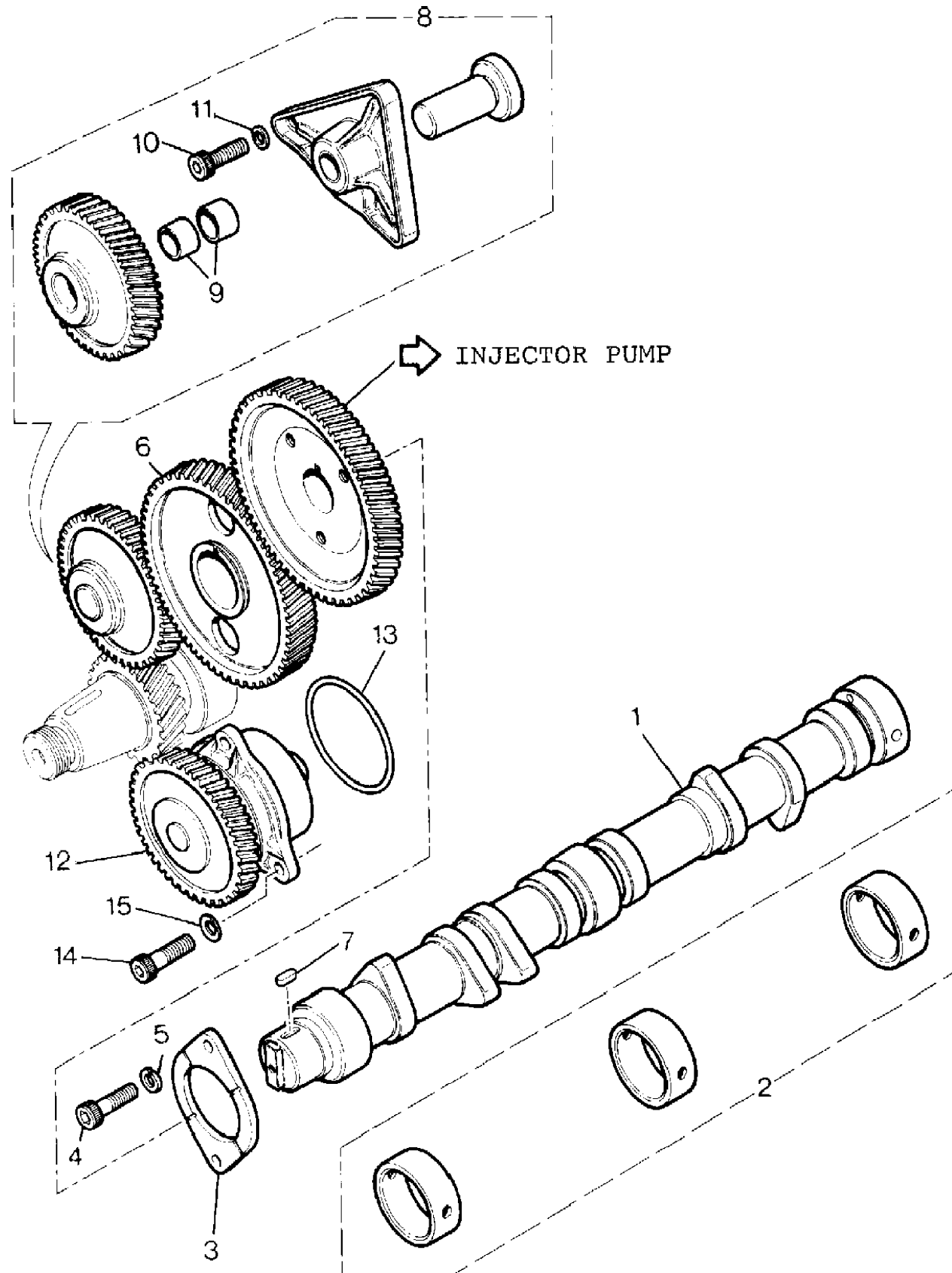
Range Rover (To HA610293)
(VS3281)

Engine
2500 - Diesel - VM
Camshaft

Range Rover (To HA610293)

2.5l 4 Cyl VM Turbo Diesel

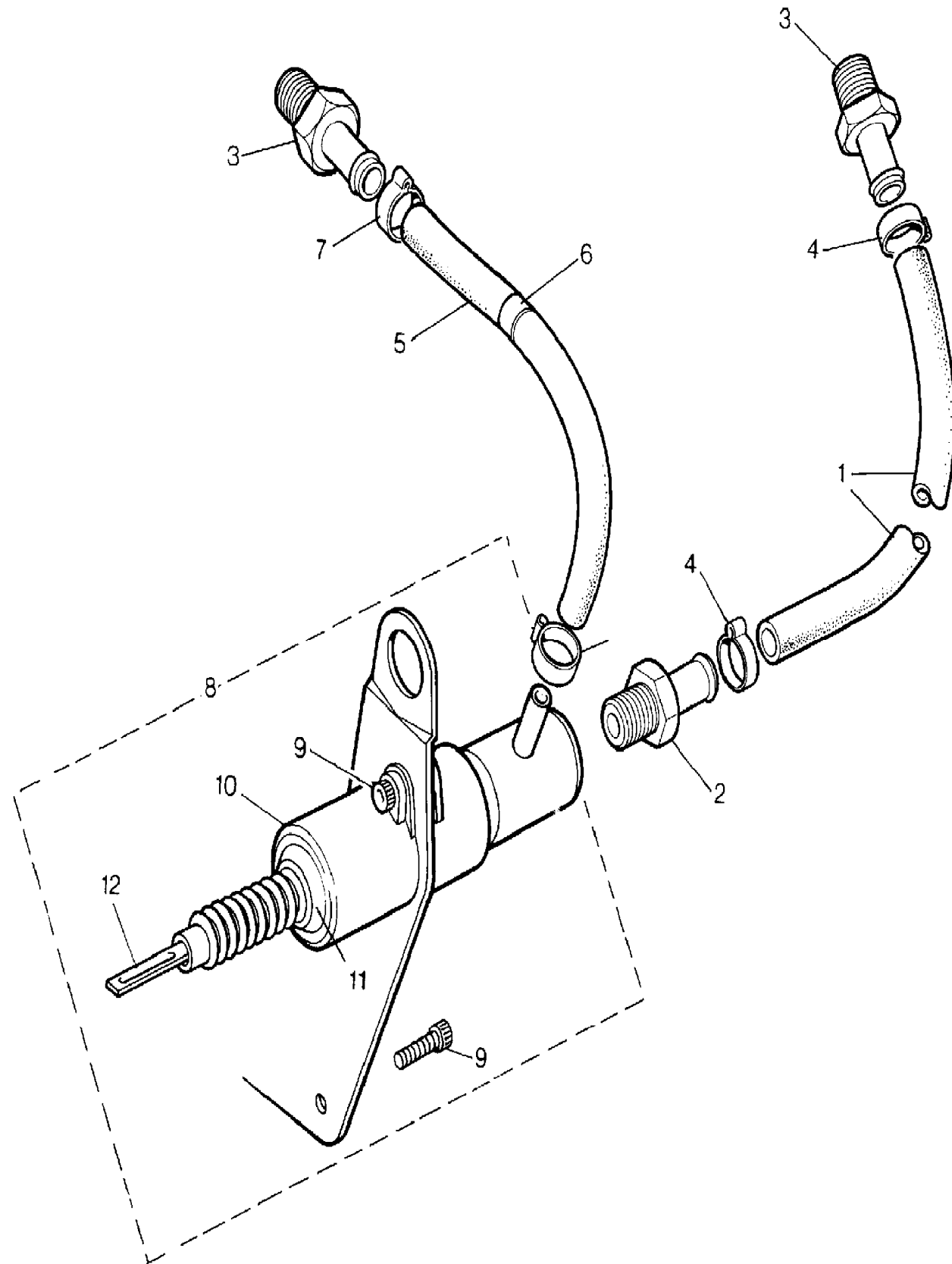
Callout	Name	Application	Remarks & Restrictions	Service No.	Qty
1	Camshaft-engine			BAU5313L	1
2	Set-camshaft bearings		Standard 0.010", undersize	AEU2134L AEU2135L	3 3
3	Plate		Camshaft	AEU2137L	3
4	Screw-hexagon socket		M8	SS108181L	3
5	Washer		M8, sprung	WL108001L	2
6	Gear-carburettor choke camshaft			AEU2139L	1
7	Key-camshaft location			AEU2136L	1
8	Pump assembly-engine oil		39 Teeth	AEU2144L	1
9	Screw-hexagon socket		M8	SS108181L	3
10	Washer			AEU2146L	3



Engine
2500 - Diesel - VM
Cold Start Advance & Fast Idle Device 1/1

Range Rover (To HA610293)

(TS5955A)



Range Rover (To HA610293)

Engine
2500 - Diesel - VM
Cold Start Advance & Fast Idle Device
2.5l 4 Cyl VM Turbo Diesel

Callout	Name	Application	Remarks & Restrictions	Service No.	Qty
1	Pipe-feed-fuel lines			RTC4958	1
2	Connector-inlet manifold adaptor			RTC4968	1
3	Connector-inlet manifold adaptor			RTC4967	1
4	Clip			EAC22723	2
5	Pipe-return fuel lines			RTC4962	1
6	Clip-p			50641	1
7	Clip			EAC22723	2
8	Sensor-temperature cold start (ksb) injection pump		Also serviced as part of a kit	RTC5624	1
9	Screw-hexagon socket		Also serviced as part of a kit, M6 x 25	SS106251L	5
10	Boot-rubber		Also serviced as part of a kit	RTC5723	1
11	Thermostat-engine		cold start, Also serviced as part of a kit	RTC5724	1
12	Rod-cold start & fast fill		Also serviced as part of a kit	RTC5725	1

Engine
2500 - Diesel - VM
Compressor-Air Conditioning 1/1

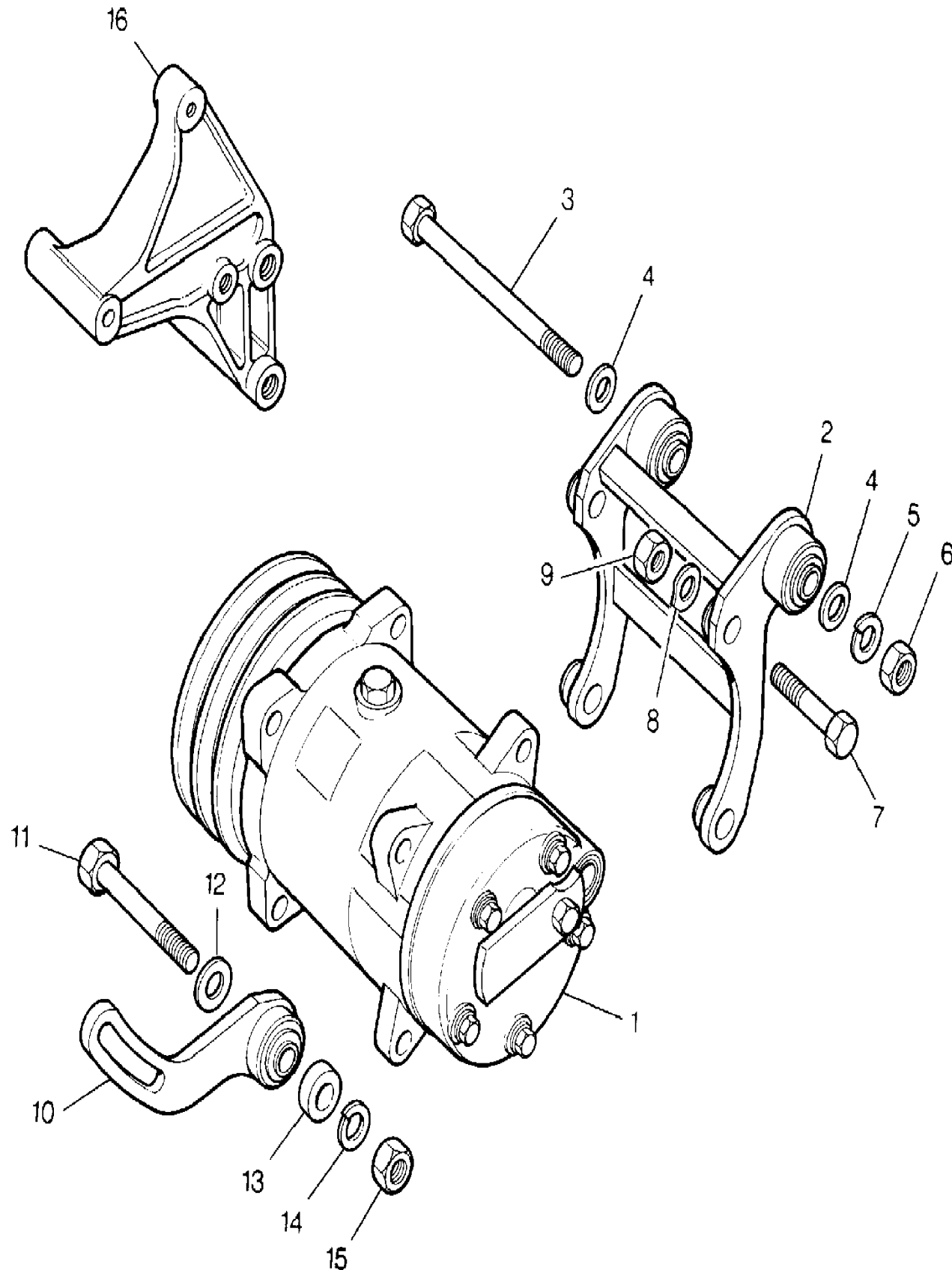
Range Rover (To HA610293)
(TS5755A)

Range Rover (To HA610293)

Engine
2500 - Diesel - VM
Compressor-Air Conditioning

2.5l 4 Cyl VM Turbo Diesel, With Air Conditioning

Callout	Name	Application	Remarks & Restrictions	Service No.	Qty
1	Compressor assembly air conditioning		Also serviced as part of a kit	ETC7994	1
2	Bracket-compressor air conditioning			ETC9014	1
3	Bolt		M12 x 150	BH112301L	1
4	Washer		M12, Plain, Standard	WA112081L	2
5	Washer			WL112001L	1
6	Nut - Hex.		M12, Hexagonal	NH112041L	1
7	Bolt		Long, hexagonal head, M10 x 50	BH110101L	2
8	Washer		M10, Plain	WA110001L	1
9	Nut - Hex.		M10, flange	FN110041L	4
10	Link-adjusting compressor		127/65 amp	ETC9111	1
11	Bolt		M10 x 35	BH110071L	1
12	Washer-waved		M10	WW110001L	5
13	Washer			ETC9012	1
14	Washer		M10	WL110001L	1
15	Nut - Hex.		M10, hexagonal head, Coarse Thread	NH110041L	1
16	Bracket assembly power assisted steering pump & alternator			ETC9073	1
[900]	Belt-polyvee air conditioning compressor			ETC9009	1



Engine
2500 - Diesel - VM
Crankshaft 1/1

Range Rover (To HA610293)

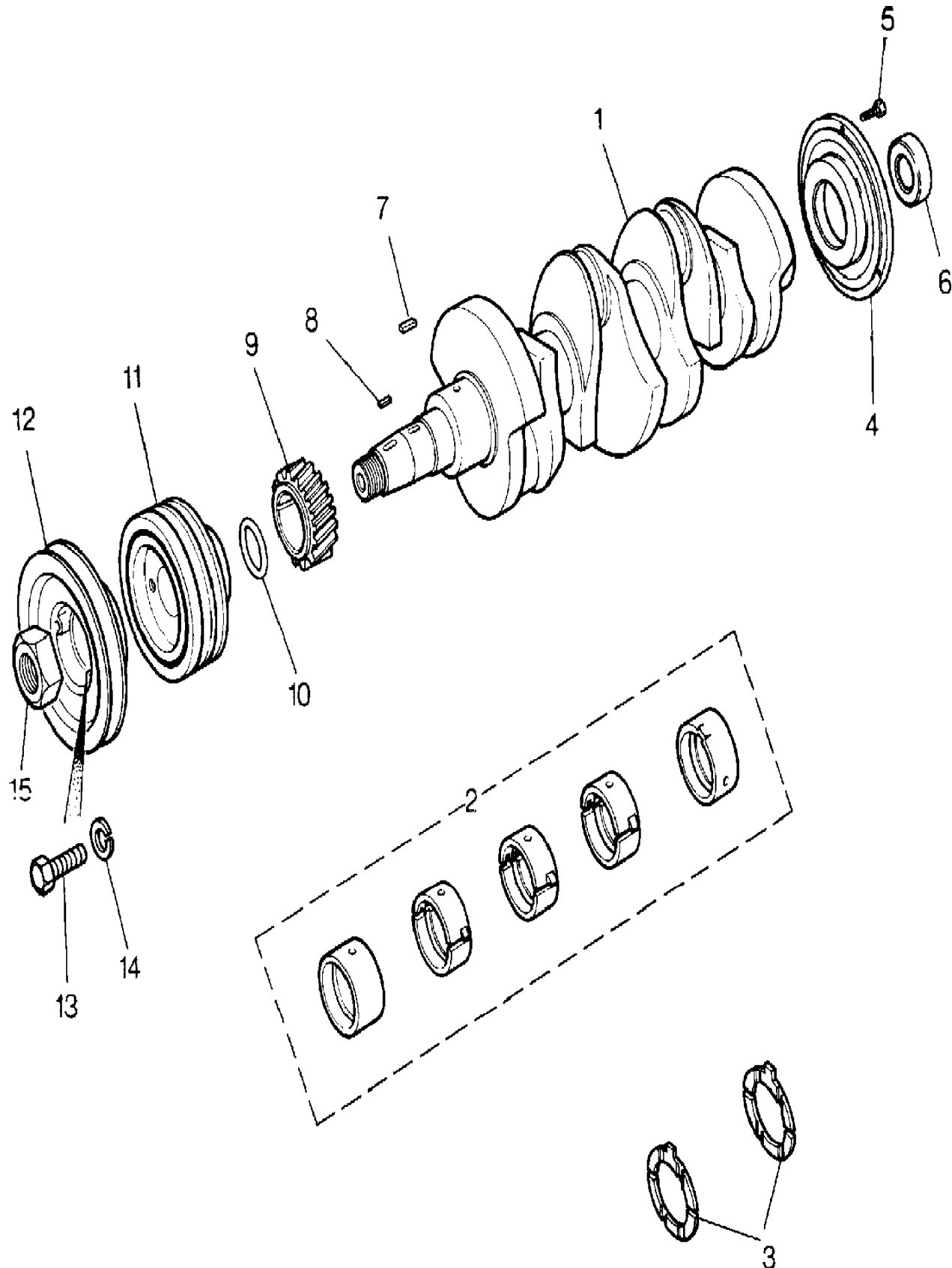
(TS5927)

Engine
2500 - Diesel - VM
Crankshaft

Range Rover (To HA610293)

2.5l 4 Cyl VM Turbo Diesel

Callout	Name	Application	Remarks & Restrictions	Service No.	Qty
1	Crankshaft assembly-engine			RTC6653	1
2	Set-crankshaft bearings		3 split & 2 whole rings, Standard 25mm undersize Standard	RTC2765SL RTC276525L STC651S	1 1 1
3	Washer-thrust		Standard 0.10MM 0.20MM	AEU2020L AEU2021L AEU2022L	1 1 1
4	Housing spigot			ETC9044	1
5	Screw		hexagonal head, M6 x 10	SH106101L	3
6	Bearing-thrust crankshaft			ETC9043	1
7	Key-timing gear			AEU2008L	1
8	Key-pulley			AEU2009L	1
9	Gear-crankshaft timing drive			AEU2010L	1
10	O Ring			AEU2173L	1
11	Pulley-crankshaft			RTC6655	1
12	Pulley-drive air conditioning			RTC6654	1
13	Screw-hexagon socket		M8 x 40	SS108401	6
14	Washer		M8, sprung	WL108001L	6
15	Nut-hexagonal-thin			NT124041	1



Engine
2500 - Diesel - VM
Crankshaft Bearing Housing 1/1

Range Rover (To HA610293)

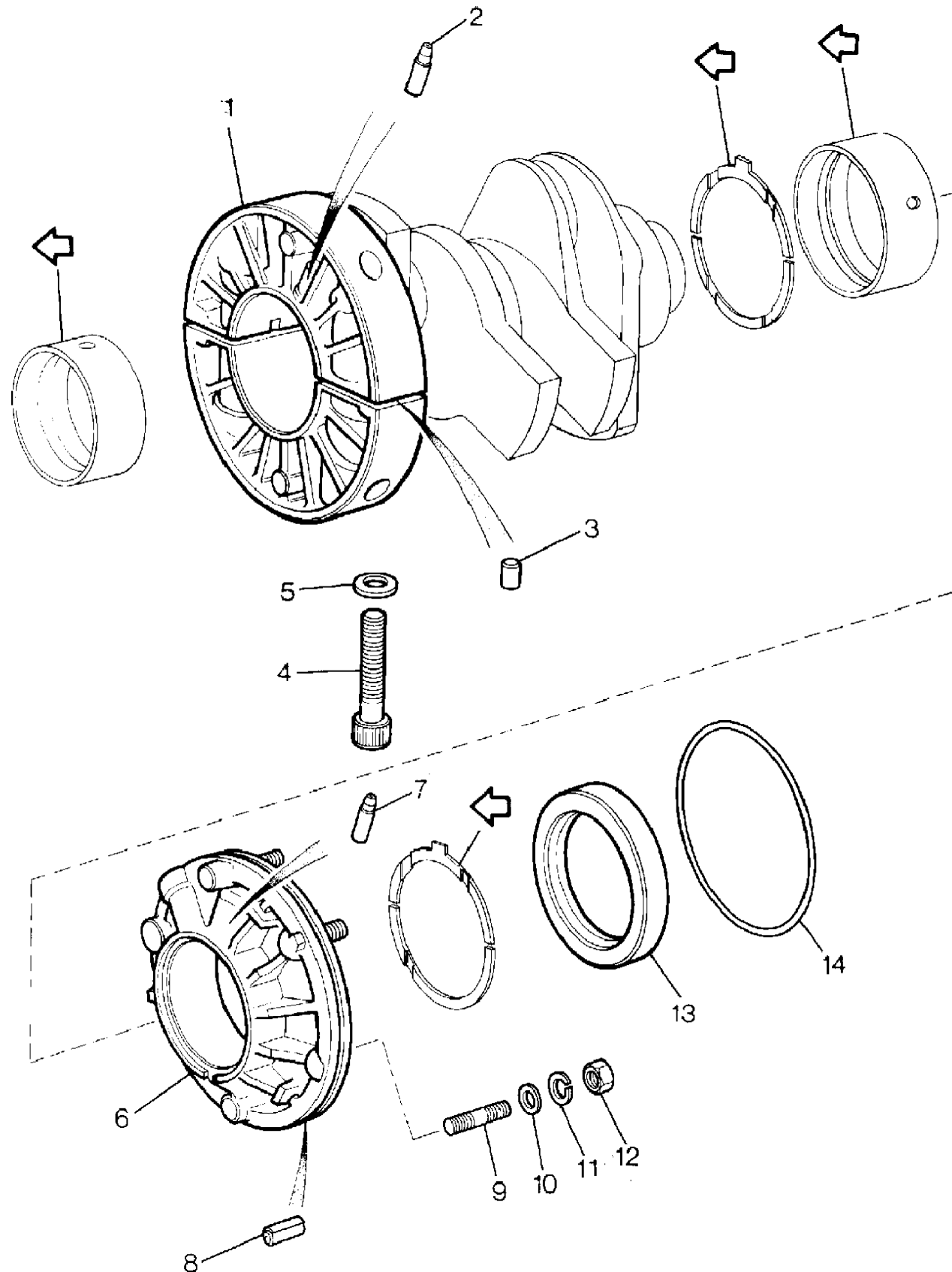
(VS3279A)

Range Rover (To HA610293)

Engine
2500 - Diesel - VM
Crankshaft Bearing Housing

2.5l 4 Cyl VM Turbo Diesel

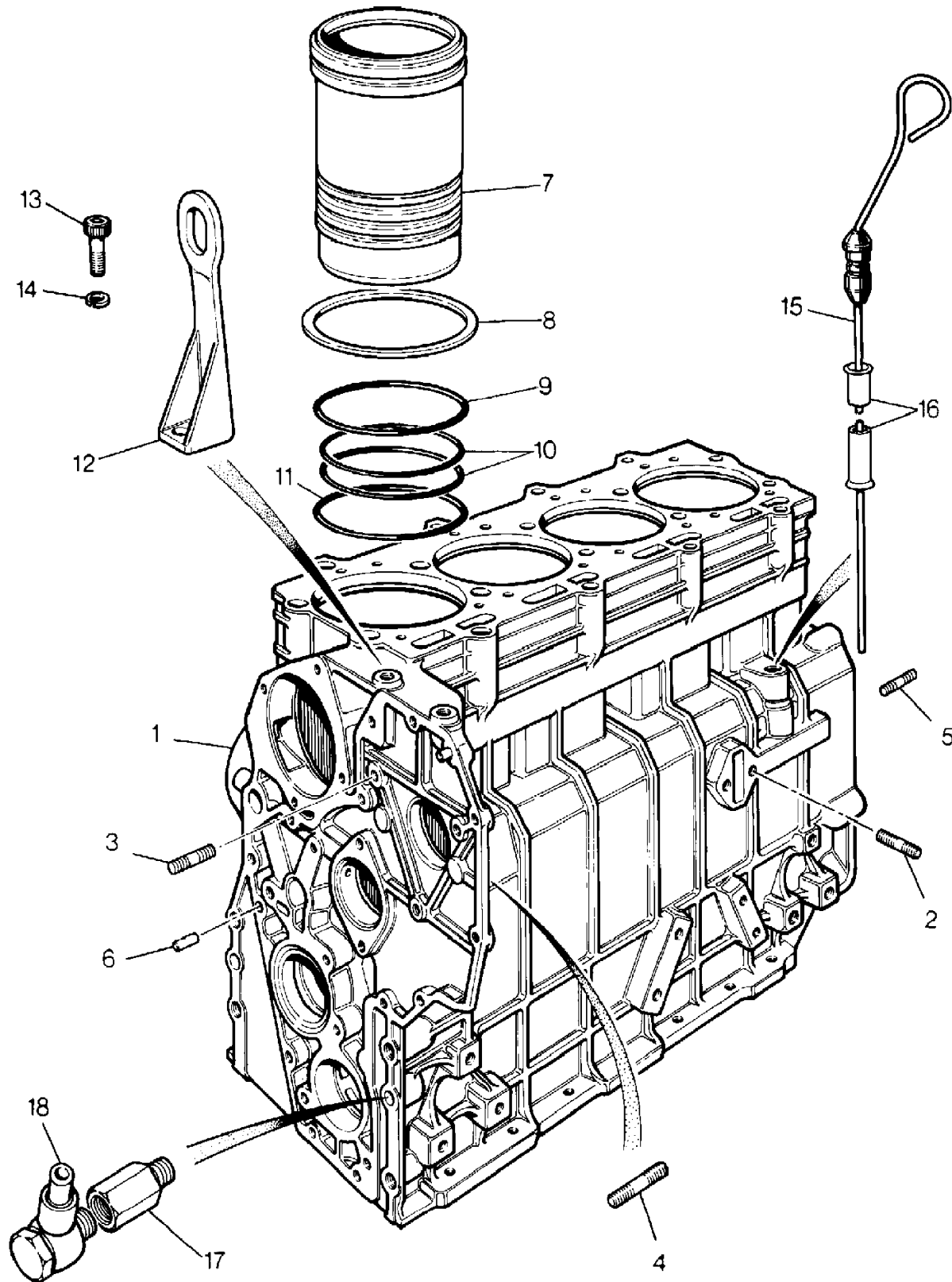
Callout	Name	Application	Remarks & Restrictions	Service No.	Qty
1	Housing assembly-crankshaft centre bearing		Also serviced as part of a kit	AEU2023L	3
2	Valve-bearing housing jet		Also serviced as part of a kit	AEU2294L	3
			Also serviced as part of a kit	AEU2025L	6
4	Bolt			AEU2026L	6
5	Washer			AEU2027L	6
6	Housing assembly-crankshaft rear bearing		Also serviced as part of a kit	RTC6709	1
7	Valve-bearing housing jet		Also serviced as part of a kit	AEU2794L	4
10	Washer-Plain		8MM	WA108041L	6
11	Washer		M8, sprung	WL108001L	6
12	Nut - Hex.		M8, hexagonal head	NH108041L	6
13	Seal-crankshaft rear oil			RTC6710	1
14	O Ring		crankshaft rear bearing thrust spacer	AEU2035L	1



Engine
2500 - Diesel - VM
Cylinder Block 1/1

Range Rover (To HA610293)

(TS6838)



TYPICAL ILLUSTRATION

Range Rover (To HA610293)

Engine
2500 - Diesel - VM
Cylinder Block

2.5l 4 Cyl VM Turbo Diesel

Callout	Name	Application	Remarks & Restrictions	Service No.	Qty
1	Cylinder block-engine			RTC6649	1
2	Stud	Fuel Pump, M8		RTC6762	2
3	Stud	Fuel Pump, M8		RTC6763	2
4	Stud	Fuel Pump, M8		RTC6764	1
5	Stud	Fuel Pump, M8		RTC6761	6
6	Dowel	Fuel Pump		AEU2181L	2
7	Key	Fuel Pump		AEU2111L	4
8	Shim	Fuel Pump, 0.15MM Fuel Pump, 0.20MM		AEU2272L AEU2273L	X X
9	O Ring	Fuel Pump, Brown, top, 1.78		STC159	4
10	O Ring	Fuel Pump, Black, 2.62MM, middle		RTC6766	8
11	O Ring	Fuel Pump, Brown, 2.62MM, bottom		RTC6765	4
12	Bracket-lifting engine front	Fuel Pump		AEU2288L	1
13	Screw	Fuel Pump, M10 X 45		SS110451L	1
14	Washer	Fuel Pump, M10		WL110001L	1
15	Dipstick-oil	Fuel Pump, two-piece sump Fuel Pump, one-piece sump		RTC6663 STC658	1 1
16	Tube-oil dipstick	Fuel Pump		AEU2796L	1
17	Connector-inlet manifold adaptor	Fuel Pump		RTC6647	1
18	Valve-non return brake vacuum	Fuel Pump		RTC6648	1

Engine
2500 - Diesel - VM
Cylinder Block Components 1/1

Range Rover (To HA610293)

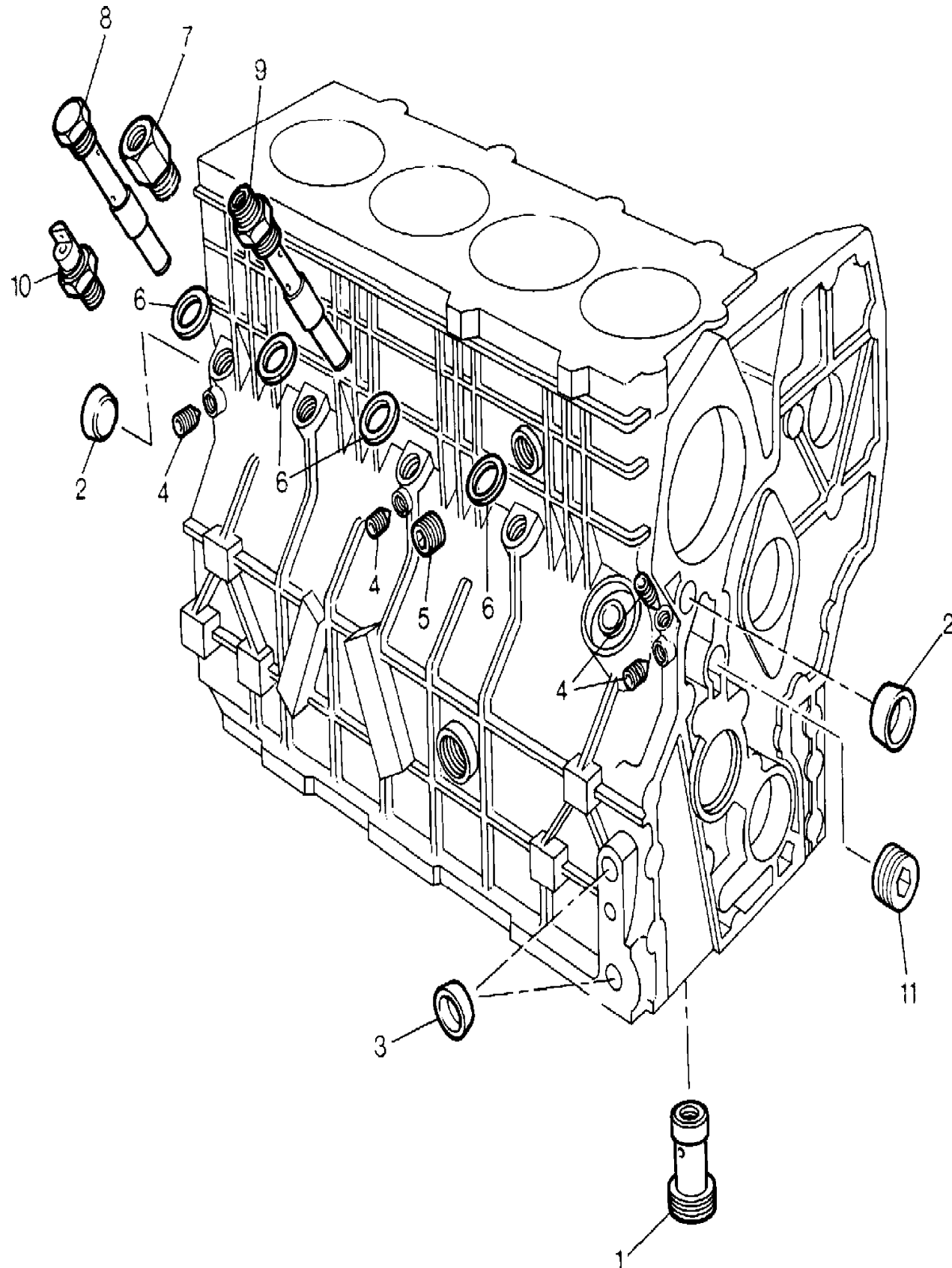
(VS3394A)

Engine
2500 - Diesel - VM
Cylinder Block Components

Range Rover (To HA610293)

2.5l 4 Cyl VM Turbo Diesel

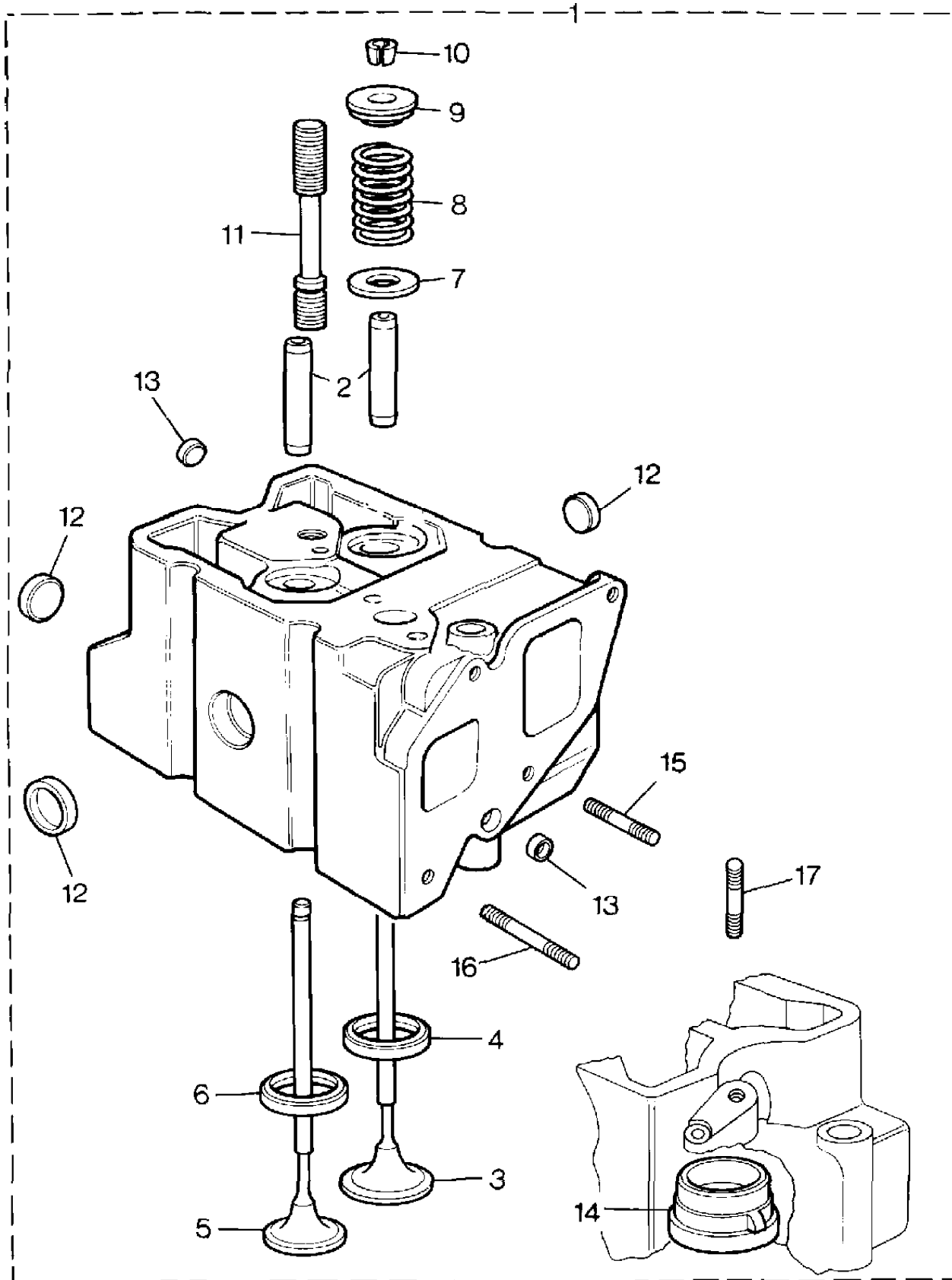
Callout	Name	Application	Remarks & Restrictions	Service No.	Qty
1	Valve oil pressure			AEU2195L	1
2	Plug-core		18MM	AEU2196L	2
3	Plug-core		16MM	AEU2198L	2
4	Screw-plug			AEU2199L	4
5	Screw-plug			AEU2200L	1
6	Washer-sealing			AEU2228L	4
7	Adaptor-oil pressure switch			RTC4966	1
8	Bolt			AEU2230L	2
9	Bolt		Turbo lube	AEU2285L	1
10	Switch-oil pressure engine			PRC6387	1
11	Screw-plug			RTC6711	1



Engine
2500 - Diesel - VM
Cylinder Head 1/2

Range Rover (To HA610293)

(VS3291)



Range Rover (To HA610293)

Engine
2500 - Diesel - VM
Cylinder Head

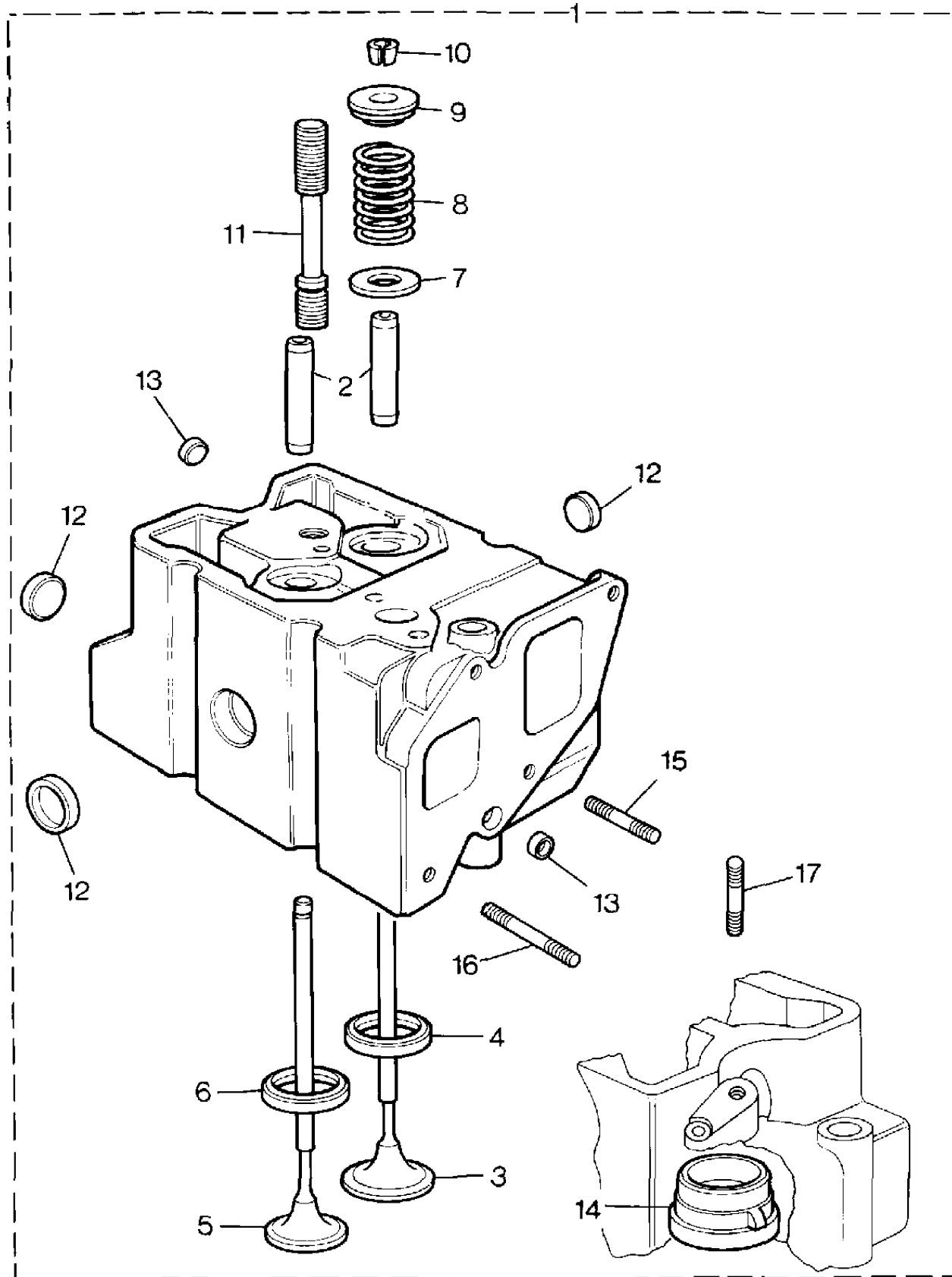
2.5l 4 Cyl VM Turbo Diesel

Callout	Name	Application	Remarks & Restrictions	Service No.	Qty
1	Cylinder head-engine	Change point - VIN end HA464554	Also serviced as part of a kit	RTC6706	4
		Change point - VIN begin HA464554	Also serviced as part of a kit	STC652	4
2	Guide-cylinder head valve	Change point - VIN begin HA464554	Also serviced as part of a kit	AEU2045L	8
3	Valve-cylinder head inlet	Change point - VIN begin HA464554	Also serviced as part of a kit	AEU2296L	4
4	Seat-cylinder head inlet valve	Change point - VIN begin HA464554	Also serviced as part of a kit	RTC6704	4
5	Valve-cylinder head exhaust	Change point - VIN begin HA464554	Also serviced as part of a kit	RTC4916	4
6	Seat-cylinder head exhaust valve	Change point - VIN begin HA464554	Also serviced as part of a kit	RTC6705	4
7	Seat-cylinder head valve spring	Change point - VIN begin HA464554	Also serviced as part of a kit	RTC6707	8
8	Spring-cylinder head valve	Change point - VIN begin HA464554	Also serviced as part of a kit	AEU2051L	8
9	Collar	Change point - VIN begin HA464554	Also serviced as part of a kit	AEU2052L	8
10	Collet-cylinder head valve	Change point - VIN begin HA464554	Also serviced as part of a kit	AEU2053L	16
11	Stud	Change point - VIN begin HA464554	Also serviced as part of a kit	AEU2054L	4
12	Plug-core	Change point - VIN begin HA464554	Also serviced as part of a kit	AEU2056L	8
13	Plug-core	Change point - VIN begin HA464554	Also serviced as part of a kit	AEU2057L	4
14	Insert-cylinder head-pre combustion chamber	Change point - VIN begin HA464554	Also serviced as part of a kit	RTC6708	4
15	Stud			AEU2207L	8
16	Spacer-exhaust manifold stud nut			RTC6719	8
17	Stud			AEU2109L	4
[900]	Plug-core	Change point - VIN begin HA464554	Also serviced as part of a kit, 16MM	AEU2198L	4
[901]	Plug	Change point - VIN begin HA464554	Also serviced as part of a kit	RTC6774	2

Engine
2500 - Diesel - VM
Cylinder Head 2/2

Range Rover (To HA610293)

(VS3291)



Range Rover (To HA610293)

Engine
2500 - Diesel - VM
Cylinder Head

2.5l 4 Cyl VM Turbo Diesel

Callout	Name	Application	Remarks & Restrictions	Service No.	Qty
[902]	Washer	Change point - VIN begin HA464554	Also serviced as part of a kit	JAM3256L	4
[903]	Transducer coolant temperature			PRC7917	1

Engine
2500 - Diesel - VM
Engine Assembly 1/1

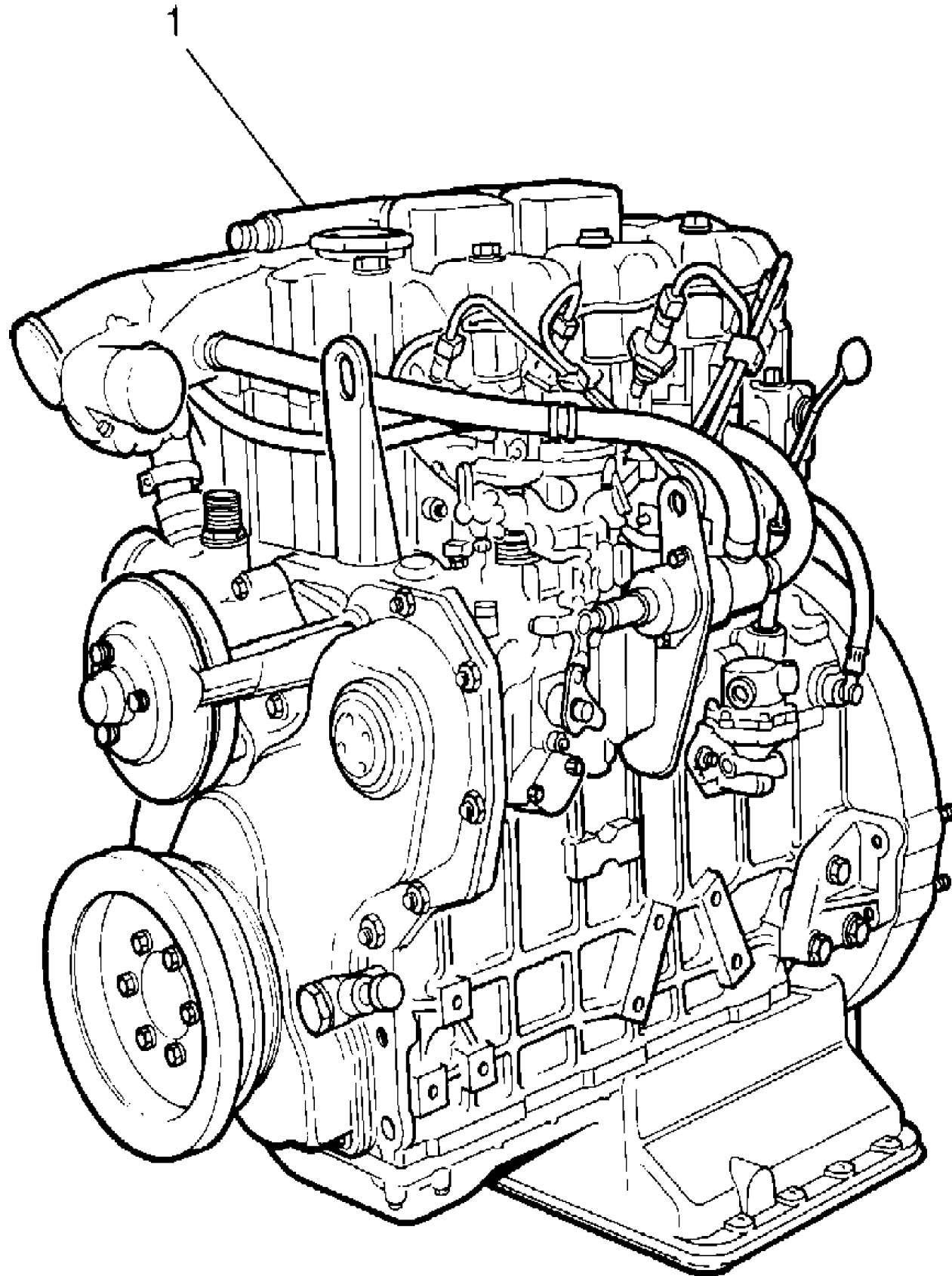
Range Rover (To HA610293)
(TS6850)

Range Rover (To HA610293)

Engine
2500 - Diesel - VM
Engine Assembly

2.5l 4 Cyl VM Turbo Diesel

Callout	Name	Application	Remarks & Restrictions	Service No.	Qty
1	Engine assembly-power unit	Change point - Engine begin 95A01007		ETC9104N	1



Engine
2500 - Diesel - VM
Exhaust Manifold 1/1

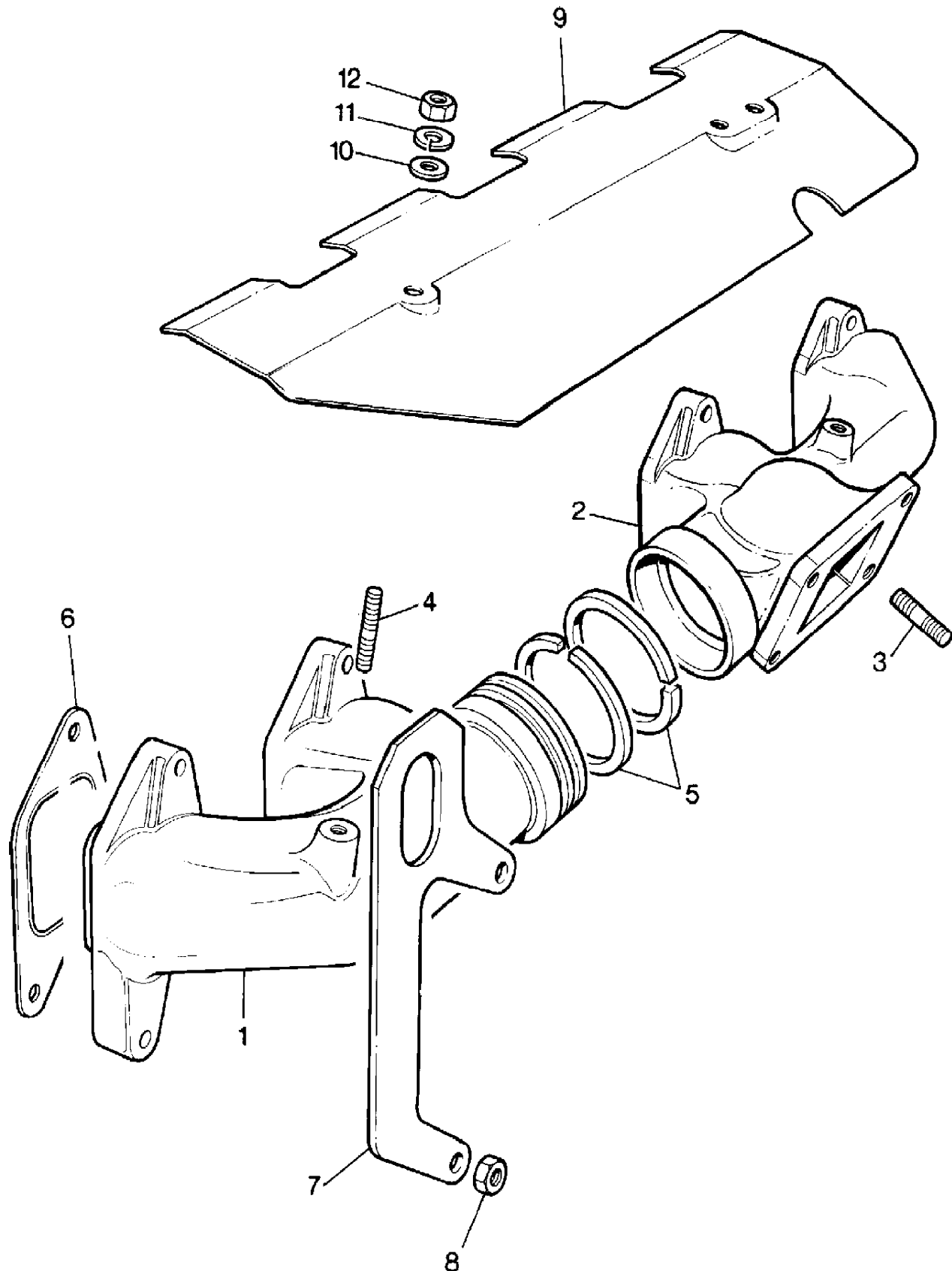
Range Rover (To HA610293)
(VS3292)

Range Rover (To HA610293)

Engine
2500 - Diesel - VM
Exhaust Manifold

2.5l 4 Cyl VM Turbo Diesel

Callout	Name	Application	Remarks & Restrictions	Service No.	Qty
1	Manifold-engine rear exhaust		Also serviced as part of a kit, Rear	AEU2233L	1
2	Manifold-engine front exhaust		Also serviced as part of a kit, Front	RTC4924	1
6	Gasket-exhaust manifold			RTC4893	4
7	Bracket-lifting engine rear			AEU2214L	1
8	Nut - Hex.		M8, flange	FN108041	8
9	Heatshield-exhaust manifold			AEU2217L	1
10	Washer		6MM	WA106041L	2
11	Washer		M6, sprung	WL106001L	2
12	Nut - Hex.		M6, nyloc, Hexagonal	NH106041L	2
[900]	Stud		Also serviced as part of a kit, M8 Also serviced as part of a kit, M6	RTC6717 RTC6718	4 2
[901]	Circlip		Also serviced as part of a kit	AEU2234L	2



Engine
2500 - Diesel - VM
Fan & Viscous Drive 1/1

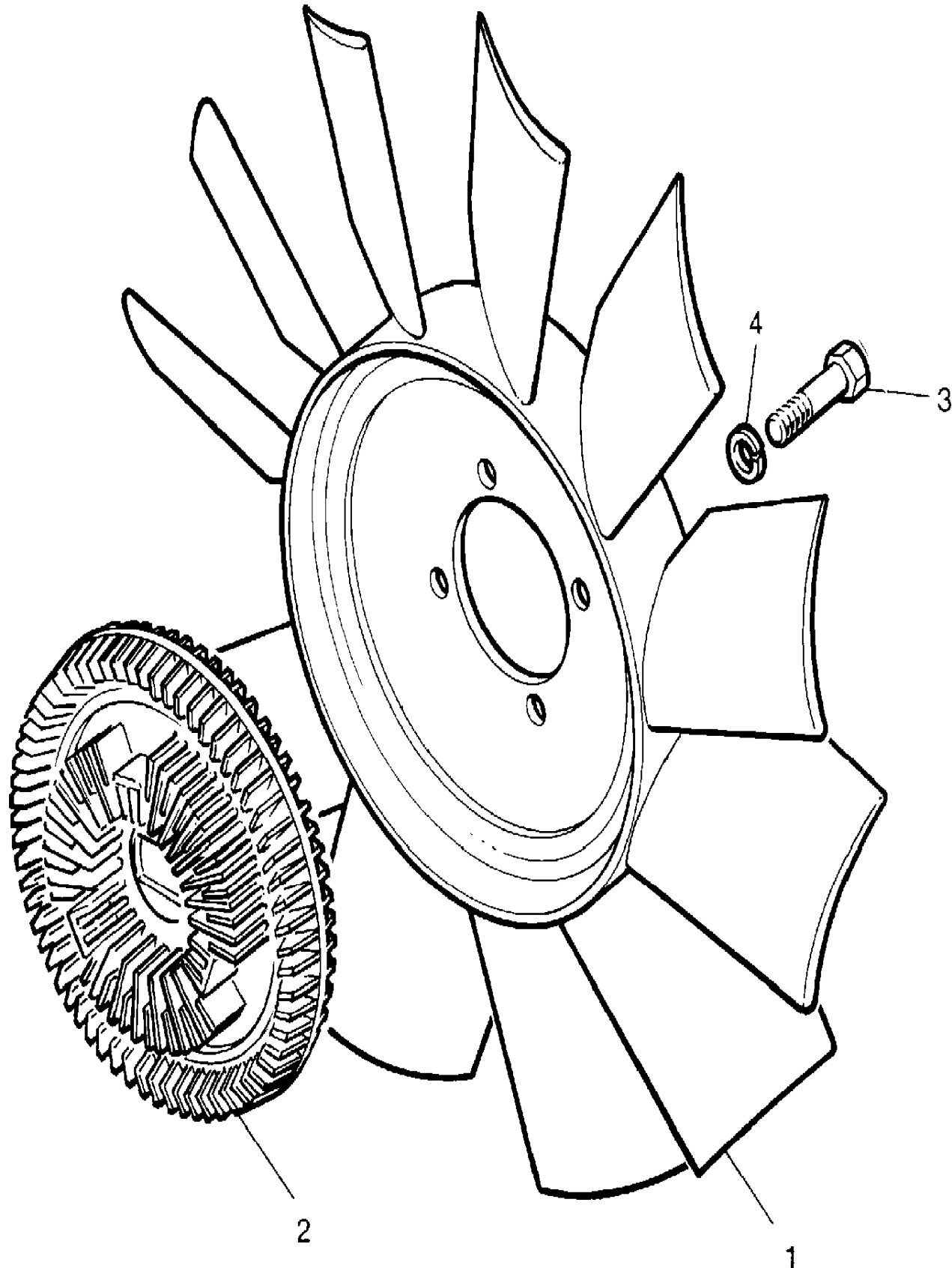
Range Rover (To HA610293)
(TS5581A)

Engine
2500 - Diesel - VM
Fan & Viscous Drive

Range Rover (To HA610293)

2.5l 4 Cyl VM Turbo Diesel

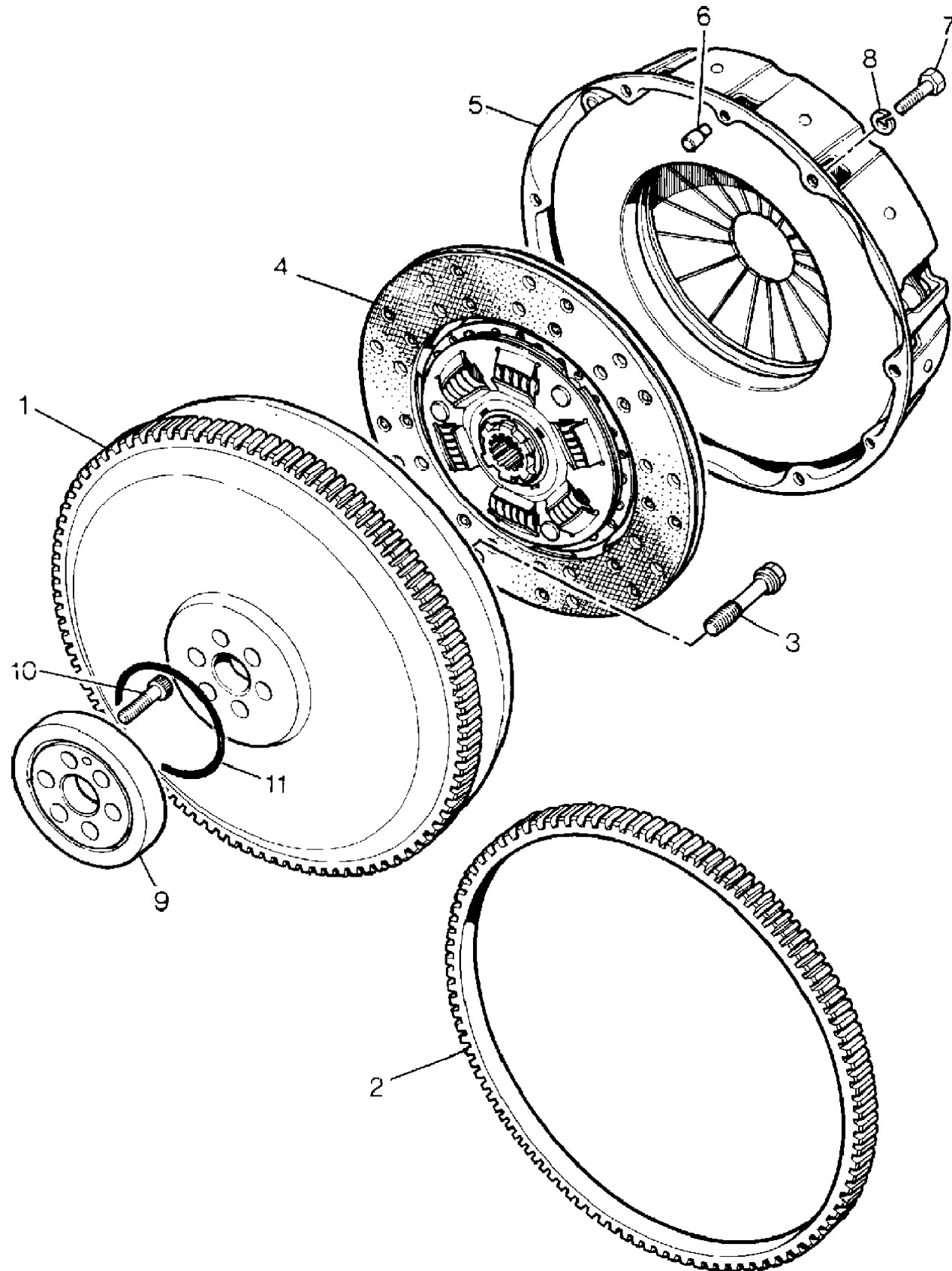
Callout	Name	Application	Remarks & Restrictions	Service No.	Qty
1	Fan-cooling		White., 17", 11 Blade	ETC1275	1
2	Coupling-engine fan viscous		17", 11 Blade	ETC1260	1
3	Screw		hexagonal head, 5/16UNC x 5/8	SH505051L	4
4	Washer-Plain			587405	4



Engine
2500 - Diesel - VM
Flywheel & Clutch 1/1

Range Rover (To HA610293)

(VS3296A)



Range Rover (To HA610293)

Engine
2500 - Diesel - VM
Flywheel & Clutch

2.5l 4 Cyl VM Turbo Diesel

Callout	Name	Application	Remarks & Restrictions	Service No.	Qty
1	Flywheel engine		Also serviced as part of a kit	RTC4945	1
2	Gear starter ring torque converter		Also serviced as part of a kit	RTC4927	1
3	Bolt-fixing flywheel crankshaft		M10 x 60	RTC6731	6
4	Plate-clutch-driven			FTC576	1
5	Cover-clutch assembly			FTC575	1
6	Dowel			ETC9063	3
7	Bolt		M8 x 20	SX108201L	6
8	Washer		M8, sprung	WL108001L	6
9	Spacer			AEU2293L	1
10	Bolt-fixing flywheel crankshaft			AEU2239L	1
11	O Ring		flywheel housing to cylinder block	AEU2193L	1
[901]	Bearing-clutch release		Also serviced as part of a kit	FRC9568	1
[902]	Arm-clutch release clutch			576137	1
[903]	Clip-clutch release-pivot post			571163	1
[904]	Retention-bearing clutch release	Change point - VIN end HA610293		576203	1

Engine
2500 - Diesel - VM
Flywheel Housing 1/1

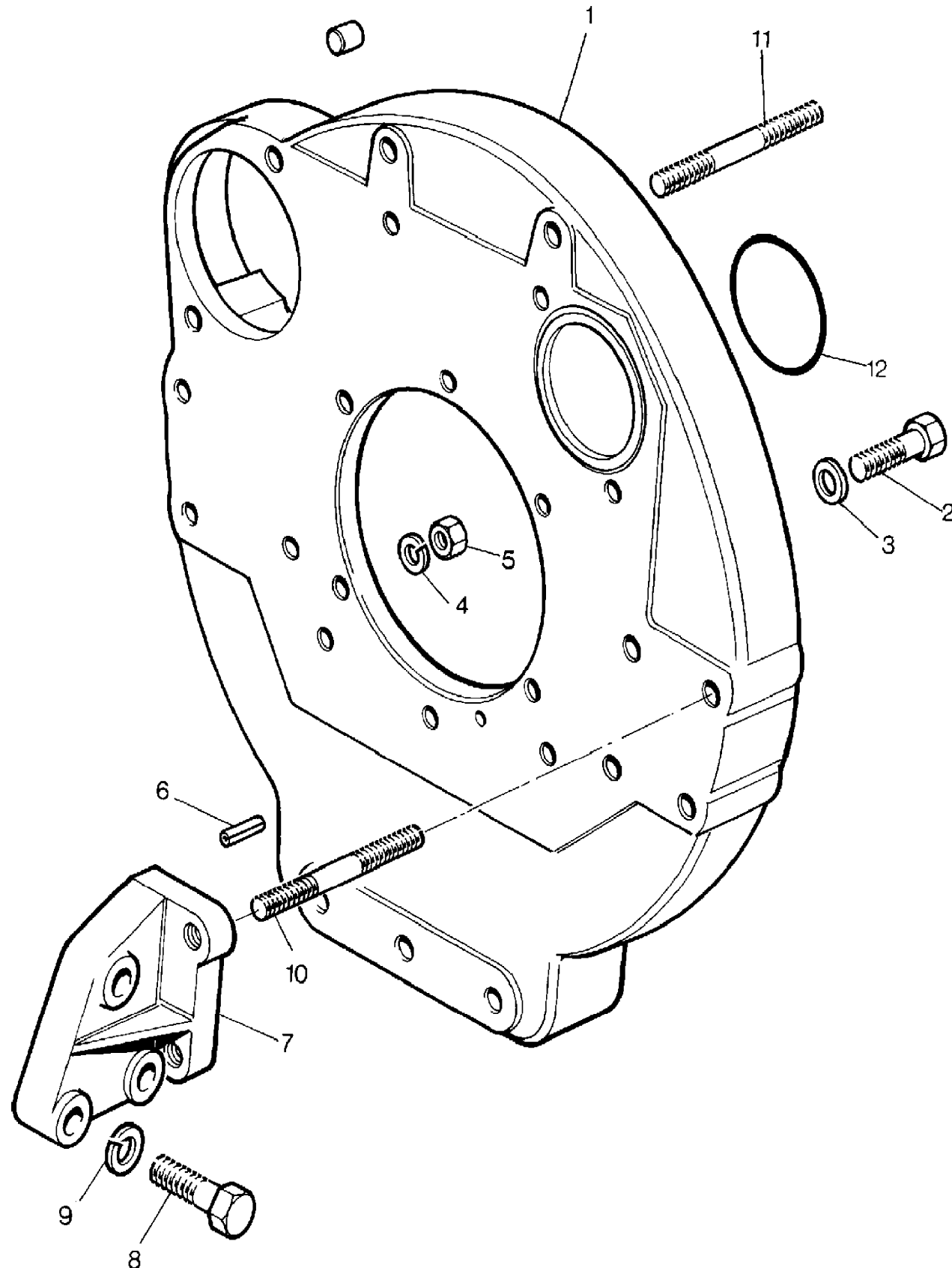
Range Rover (To HA610293)
(TS5908)

Engine
2500 - Diesel - VM
Flywheel Housing

Range Rover (To HA610293)

2.5l 4 Cyl VM Turbo Diesel

Callout	Name	Application	Remarks & Restrictions	Service No.	Qty
1	Housing-flywheel assembly			RTC6652	1
2	Screw-flanged head		M10 x 30, top	FS110301	9
3	Washer-plain-thin		M10	WB110061L	9
4	Washer		M8, sprung	WL108001L	6
5	Nut - Hex.		M8, hexagonal head	NH108041L	6
7	Housing-flywheel assembly		LH RH	RTC6650 RTC6651	1 1
8	Bolt		fixing housing, M10 X 45	BH110091L	6
9	Washer		M10 housing to support, M10	WL110001L WL110001L	6 2
10	Shaft-gearbox support			RTC6775	2
11	Stud		gearbox to engine	RTC4964	5
12	O Ring		flywheel housing	STC769	1
[901]	Bolt		housing to support, Long, M10 x 60	BH110121L	2



Engine
2500 - Diesel - VM
Front Cover 1/1

Range Rover (To HA610293)

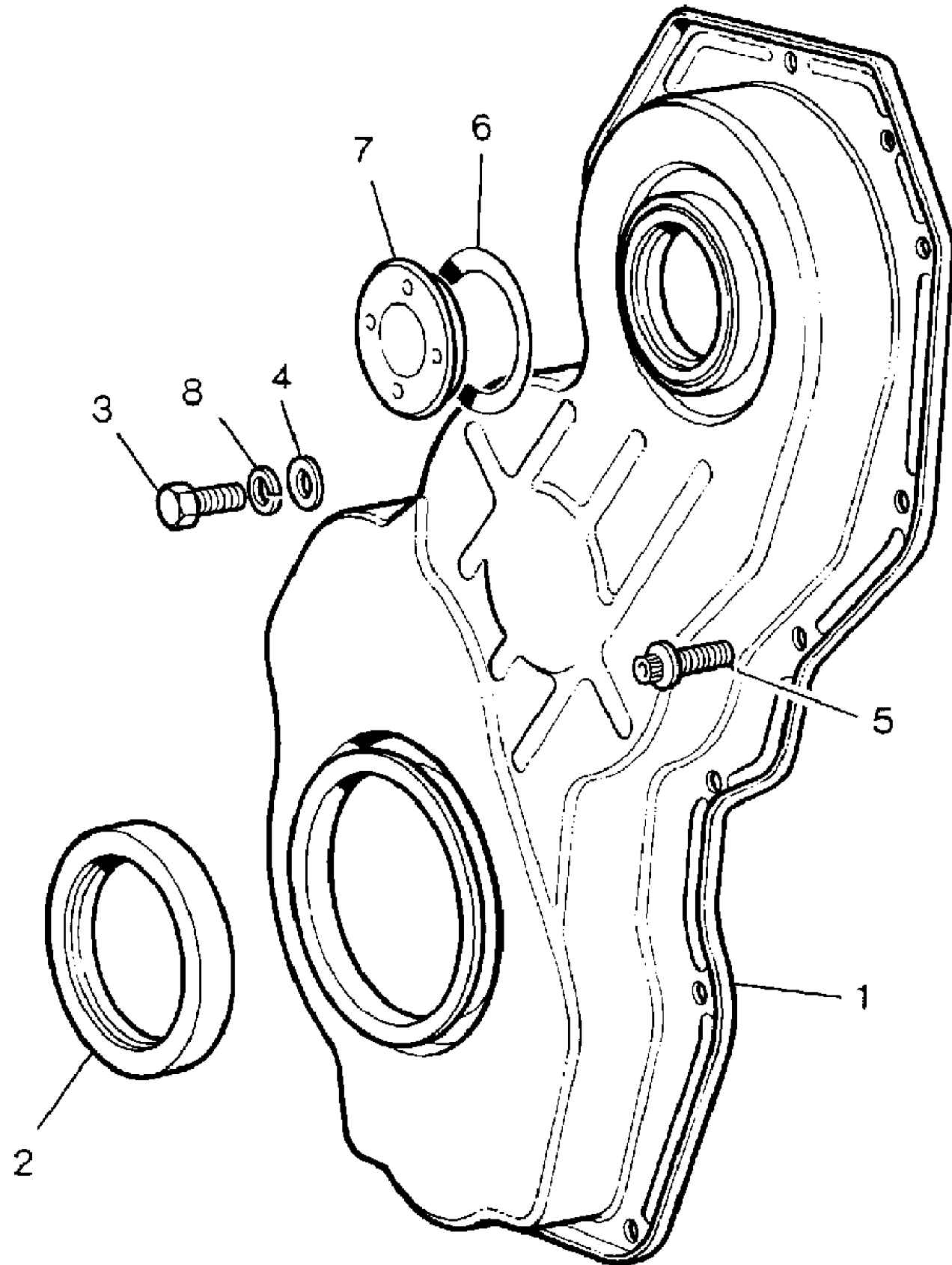
(TS6819)

Engine
2500 - Diesel - VM
Front Cover

Range Rover (To HA610293)

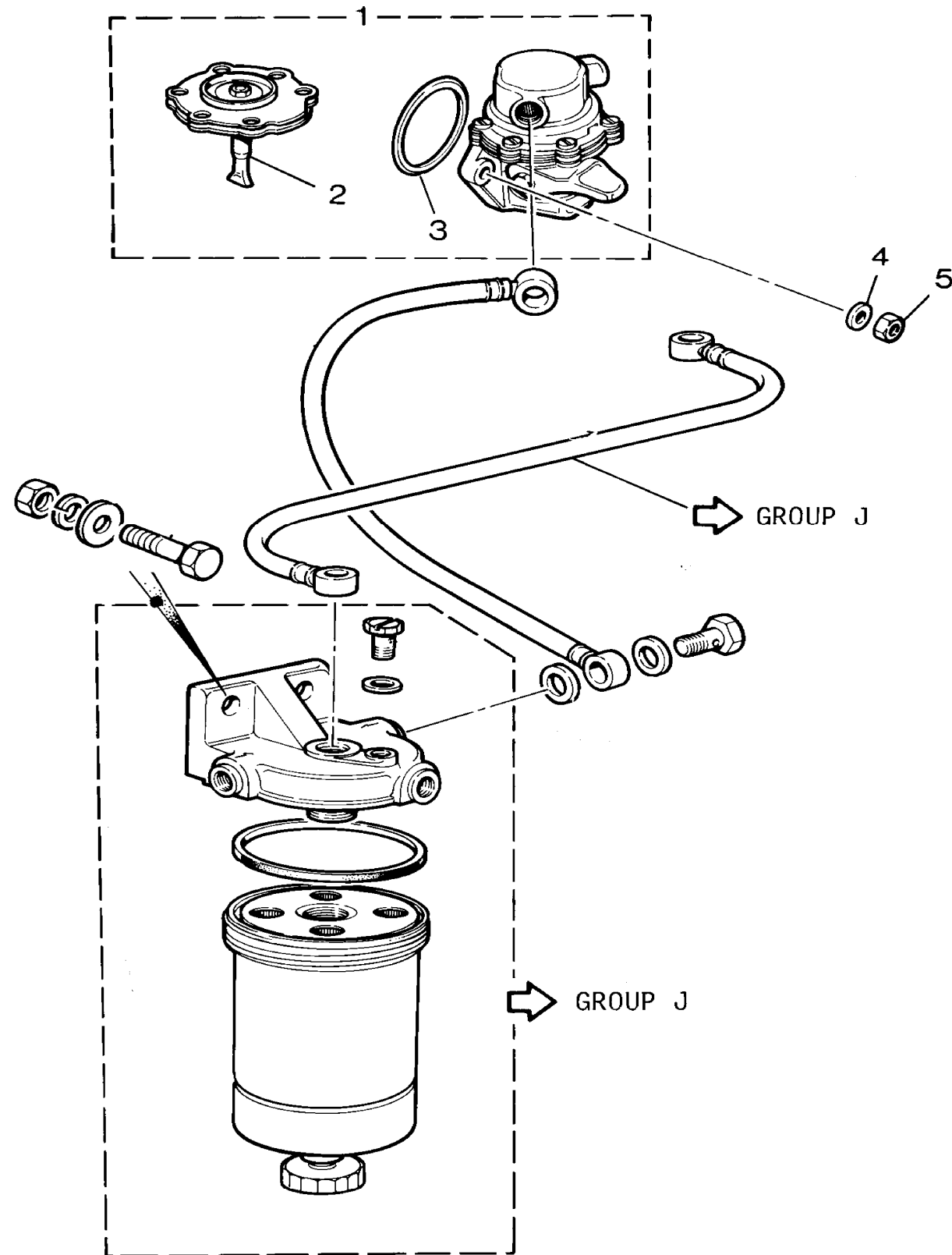
2.5l 4 Cyl VM Turbo Diesel

Callout	Name	Application	Remarks & Restrictions	Service No.	Qty
1	Cover-timing belt		Also serviced as part of a kit	RTC6656	1
2	Seal-cylinder head oil feed		Also serviced as part of a kit	RTC6771	1
3	Screw		M8 X 16, hexagonal head	SH108161L	1
4	Washer		8MM	WA108051L	1
5	Screw		Socket head, M6 X 14	RTC6716	13
6	Gasket-fuel pump blanking plate			RTC6658	1
7	Plate			RTC6657	1
8	Washer		6MM	WA106041L	1
[900]	Bracket			RTC6772	1



Engine
2500 - Diesel - VM
Fuel Pump 1/1

Range Rover (To HA610293)
(VS3280B)



VS 3280B

Range Rover (To HA610293)

Engine
2500 - Diesel - VM
Fuel Pump

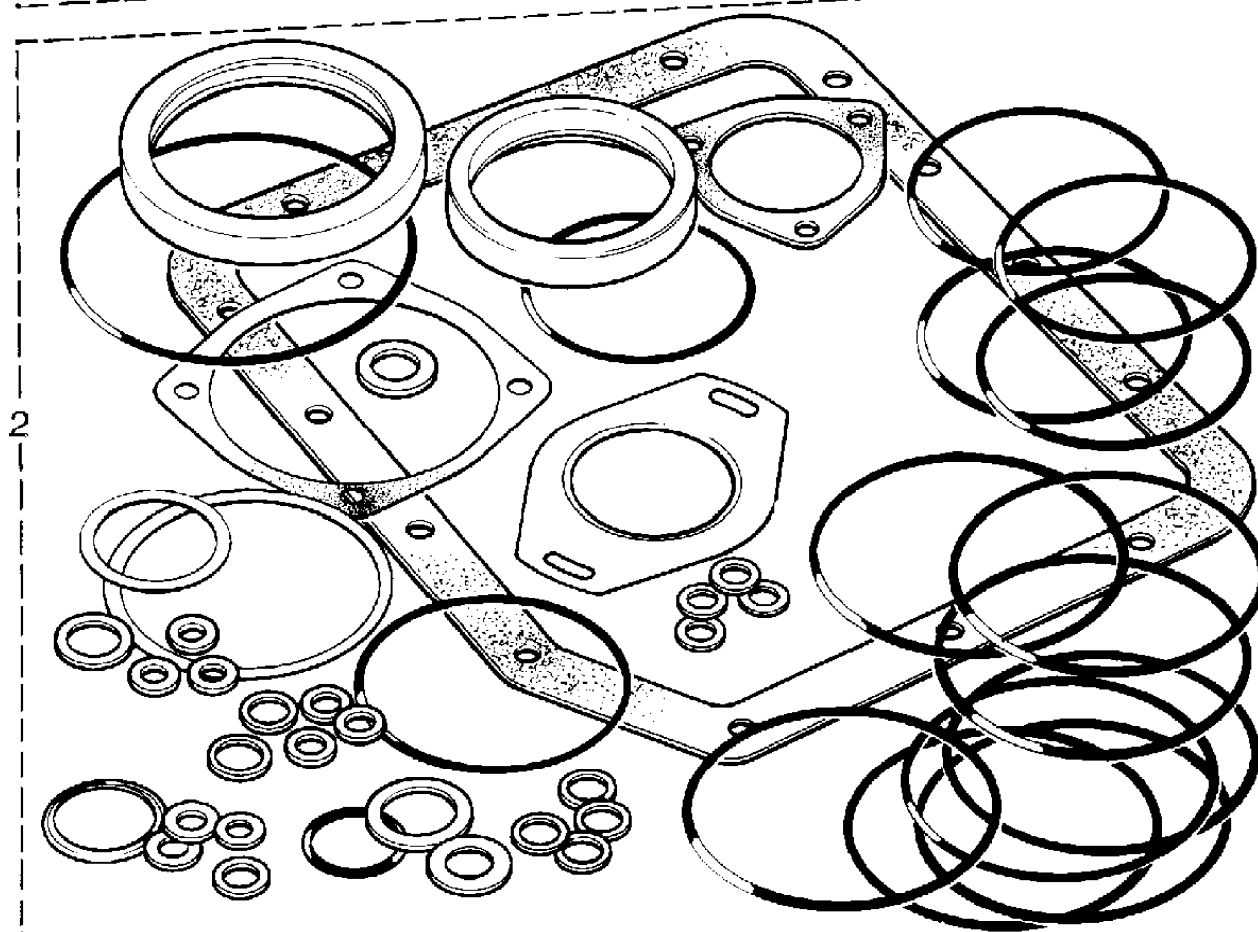
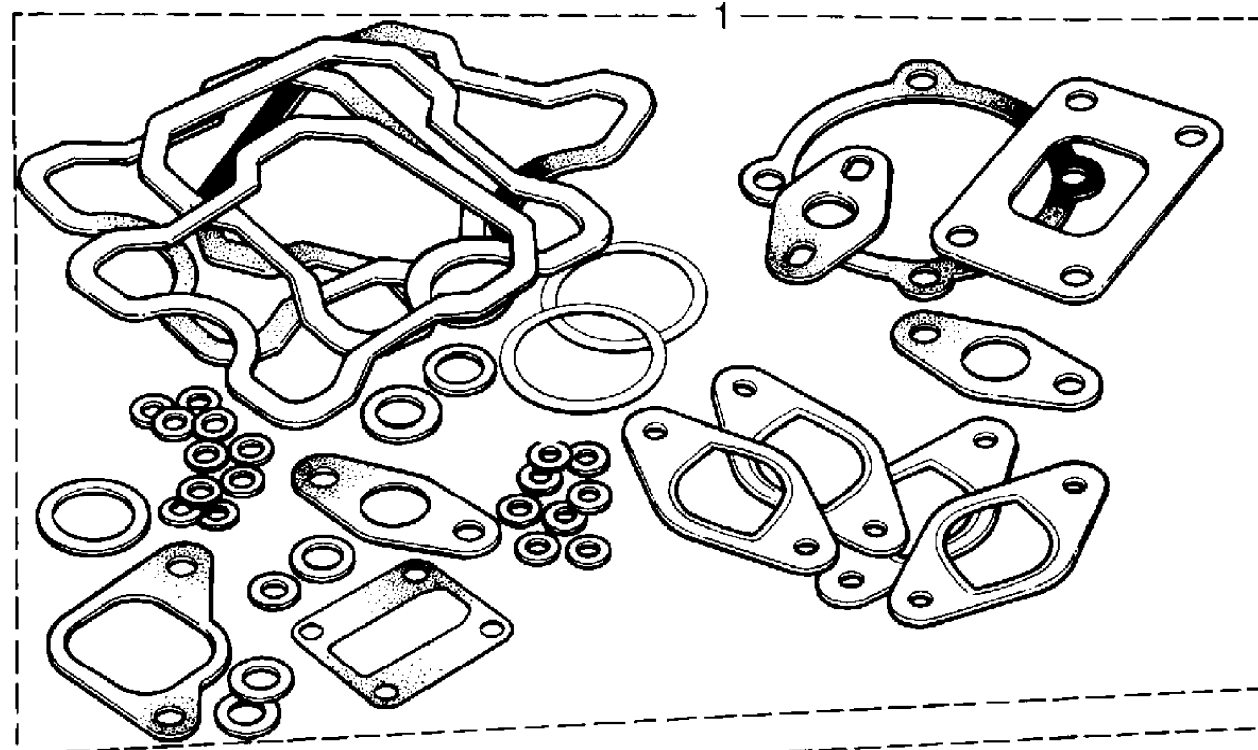
2.5l 4 Cyl VM Turbo Diesel

Callout	Name	Application	Remarks & Restrictions	Service No.	Qty
1	Pump assembly-fuel injection diesel		Also serviced as part of a kit	AEU2291L	1
2	Diaphragm assembly fuel system		Also serviced as part of a kit	AEU2151L	1
3	O Ring			AEU2152L	1
4	Washer		8MM	WA108051L	2
5	Nut - Hex.		M8, hexagonal head	NH108041L	2

Engine
2500 - Diesel - VM
Gasket Kits 1/1

Range Rover (To HA610293)

(VS3287)



Range Rover (To HA610293)

Engine
2500 - Diesel - VM
Gasket Kits

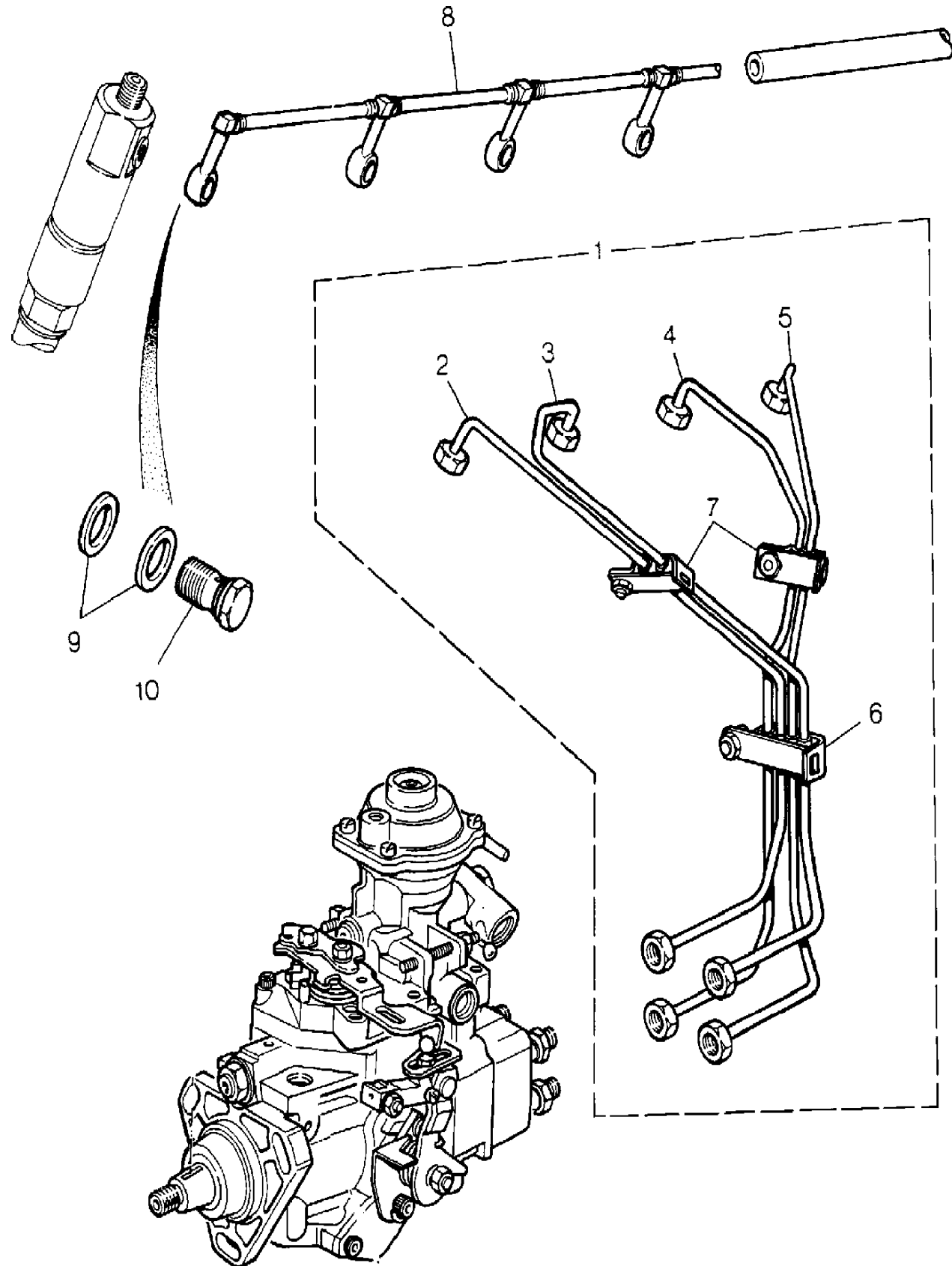
2.5l 4 Cyl VM Turbo Diesel

Callout	Name	Application	Remarks & Restrictions	Service No.	Qty
1	Kit-gasket-cylinder head	Change point - VIN end HA610293	Also serviced as part of a kit	RTC4993	1
2	Kit-gasket automatic transmission		Also serviced as part of a kit	STC158	1
[900]	Gasket-cylinder block water gallery plate	Change point - VIN end HA610293	Also serviced as part of a kit	AEU2201L	4
[901]	Washer	Change point - VIN end HA610293	Also serviced as part of a kit	AEU2094L	2
			Also serviced as part of a kit	JAM3256L	2
[902]	Gasket-thermostat housing	Change point - VIN end HA610293	TO CYLINDER HEAD, Also serviced as part of a kit	RTC4974	1
[903]	Washer-sealing	Change point - VIN end HA610293	Also serviced as part of a kit	RTC6773	1
		Change point - VIN end HA610293	Also serviced as part of a kit	AEU2131L	8
		Change point - VIN end HA610293	Also serviced as part of a kit	AEU2104L	4
			Also serviced as part of a kit	RTC5016	1
[904]	Pipe oil rockers	Change point - VIN end HA610293	Also serviced as part of a kit	AEU2071L	1
[905]	Gasket-engine rocker cover	Change point - VIN end HA610293	Also serviced as part of a kit	RTC4892	4
[906]	Seal-oil filler cap	Change point - VIN end HA610293	Also serviced as part of a kit	AEU2091L	2
[907]	O Ring	Change point - VIN end HA610293	Also serviced as part of a kit	AEU2093L	4
			Also serviced as part of a kit	AEU2152L	1
[908]	Gasket-inlet manifold	Change point - VIN end HA610293	Also serviced as part of a kit	RTC4944	4
[909]	Washer-copper	Change point - VIN end HA610293	Also serviced as part of a kit	AEU2164L	2
			Also serviced as part of a kit	BAU5374L	1
[910]	Gasket-exhaust manifold	Change point - VIN end HA610293	Also serviced as part of a kit	RTC4893	4
[911]	Gasket exhaust system	Change point - VIN end HA610293	Also serviced as part of a kit	RTC4894	1
[912]	Gasket-turbocharger/manifold turbo	Change point - VIN end HA610293	Also serviced as part of a kit	RTC5004	1
[913]	Gasket-fuel cut off valve		Also serviced as part of a kit	RTC6703	1
[914]	Nut - Hex.		Also serviced as part of a kit	AEU2113L	1

Engine
2500 - Diesel - VM
Injector Pipes 1/1

Range Rover (To HA610293)

(TS6586)



Range Rover (To HA610293)

Engine
2500 - Diesel - VM
Injector Pipes

2.5l 4 Cyl VM Turbo Diesel

Callout	Name	Application	Remarks & Restrictions	Service No.	Qty
1	Injector assembly-diesel holder & nozzle		(-) TDI, Also serviced as part of a kit	AEU2123L	1
2	Pipe-fuel-injector		(-) TDI, Also serviced as part of a kit, No1	AEU2124L	1
3	Pipe-fuel-injector		(-) TDI, Also serviced as part of a kit, No2	AEU2125L	1
4	Pipe-fuel-injector		(-) TDI, Also serviced as part of a kit, No3	AEU2126L	1
5	Pipe-fuel-injector		(-) TDI, Also serviced as part of a kit, No4	AEU2127L	1
6	Clamp		(-) TDI, Also serviced as part of a kit, 4 pipes	AEU2128L	1
7	Clamp		(-) TDI, Also serviced as part of a kit, 2 pipes	AEU2129L	2
8	Pipe-spill return fuel injection			RTC4957	1
9	Washer-sealing			AEU2131L ERR1304	8 8
10	Bolt-banjo			AEU2132L	4
[900]	Adaptor-spill return injection pump			RTC6660	1

Engine
2500 - Diesel - VM
Injector Pump 1/1

Range Rover (To HA610293)

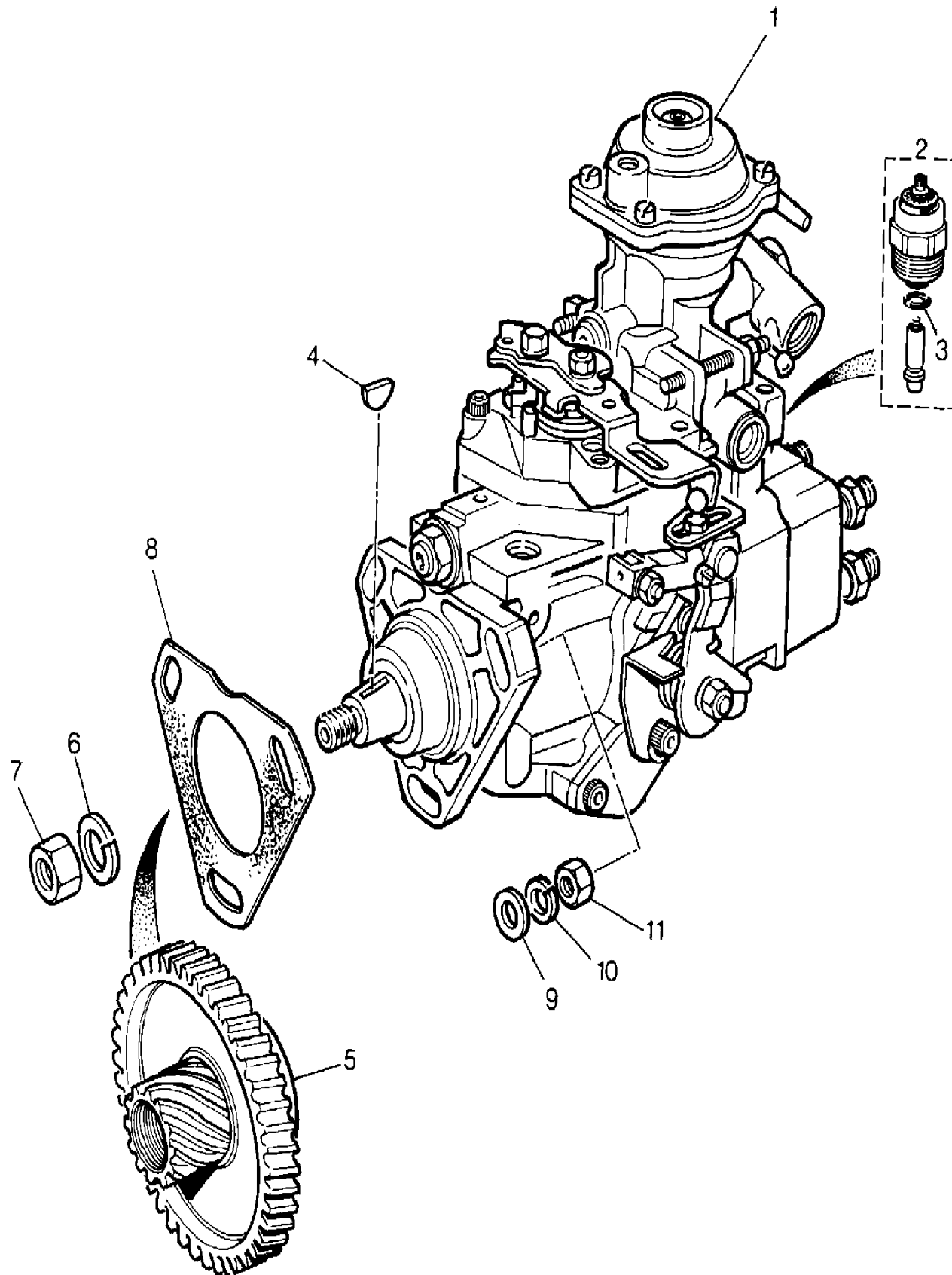
(TS5942B)

Engine
2500 - Diesel - VM
Injector Pump

Range Rover (To HA610293)

2.5l 4 Cyl VM Turbo Diesel

Callout	Name	Application	Remarks & Restrictions	Service No.	Qty
1	Pump-fuel injection		Also serviced as part of a kit, New exchange	RTC6659 RTC6659E	1 1
2	Switch-electronic diesel control		Also serviced as part of a kit	RTC6702	1
3	Gasket-fuel cut off valve		Also serviced as part of a kit	RTC6703	1
4	Key			AEU2111L	1
5	Gear-crankshaft timing drive			RTC6661	1
6	Washer-Spring		time gear to fuel inj pump	AEU2112L	1
7	Nut - Hex.			AEU2113L	1
8	Gasket-diesel engine injection pump			RTC4973	1
9	Washer		8MM	WA108051L	2
10	Washer		M8, sprung	WL108001L	2
11	Nut - Hex.		M8, hexagonal head	NH108041L	2
[900]	Bolt-banjo			RTC6713	1
[901]	Washer		valve packer	AEU2072L	1
[902]	Adaptor-vacuum pipe injection pump			RTC6714	1
[903]	Switch-micro-injection pump diesel			RTC6712	1
[904]	Connector-inlet manifold adaptor			RTC4968	1
[905]	Washer-sealing			RTC5016	1
[906]	Lead-link-solenoid fuel shut off			RTC6715	1



Engine
2500 - Diesel - VM
Injectors 1/1

Range Rover (To HA610293)

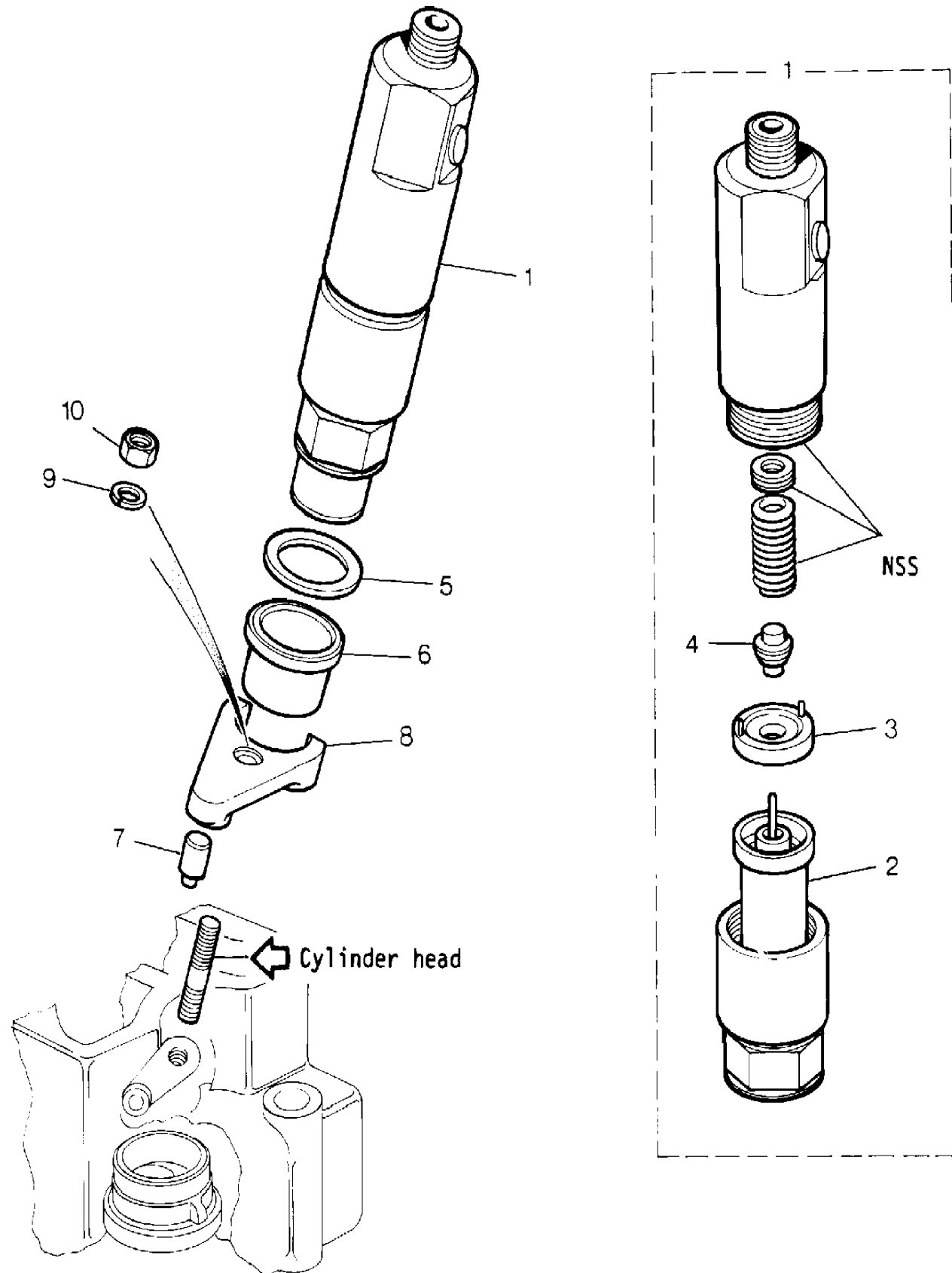
(VS3278B)

Engine
2500 - Diesel - VM
Injectors

Range Rover (To HA610293)

2.5l 4 Cyl VM Turbo Diesel

Callout	Name	Application	Remarks & Restrictions	Service No.	Qty
1	Injector & sensor assembly-diesel		Also serviced as part of a kit, New	AEU2098L	4
2	Atomiser-carburettor fuel		Also serviced as part of a kit	AEU2103L	4
3	Holder-nozzle diesel		Also serviced as part of a kit	RTC5987	4
4	Nozzle-injection diesel		Also serviced as part of a kit	RTC5988	4
5	Washer-sealing		diesel injector to cylinder head	AEU2104L	4
6	Shroud			AEU2105L	4
7	Dowel			AEU2108L	4
8	Plate-locating.			AEU2300L	4
9	Washer		M8, sprung	WL108001L	4
10	Nut - Hex.		M8, hexagonal head	NH108041L	4



Engine
2500 - Diesel - VM
Intake Manifold 1/1

Range Rover (To HA610293)

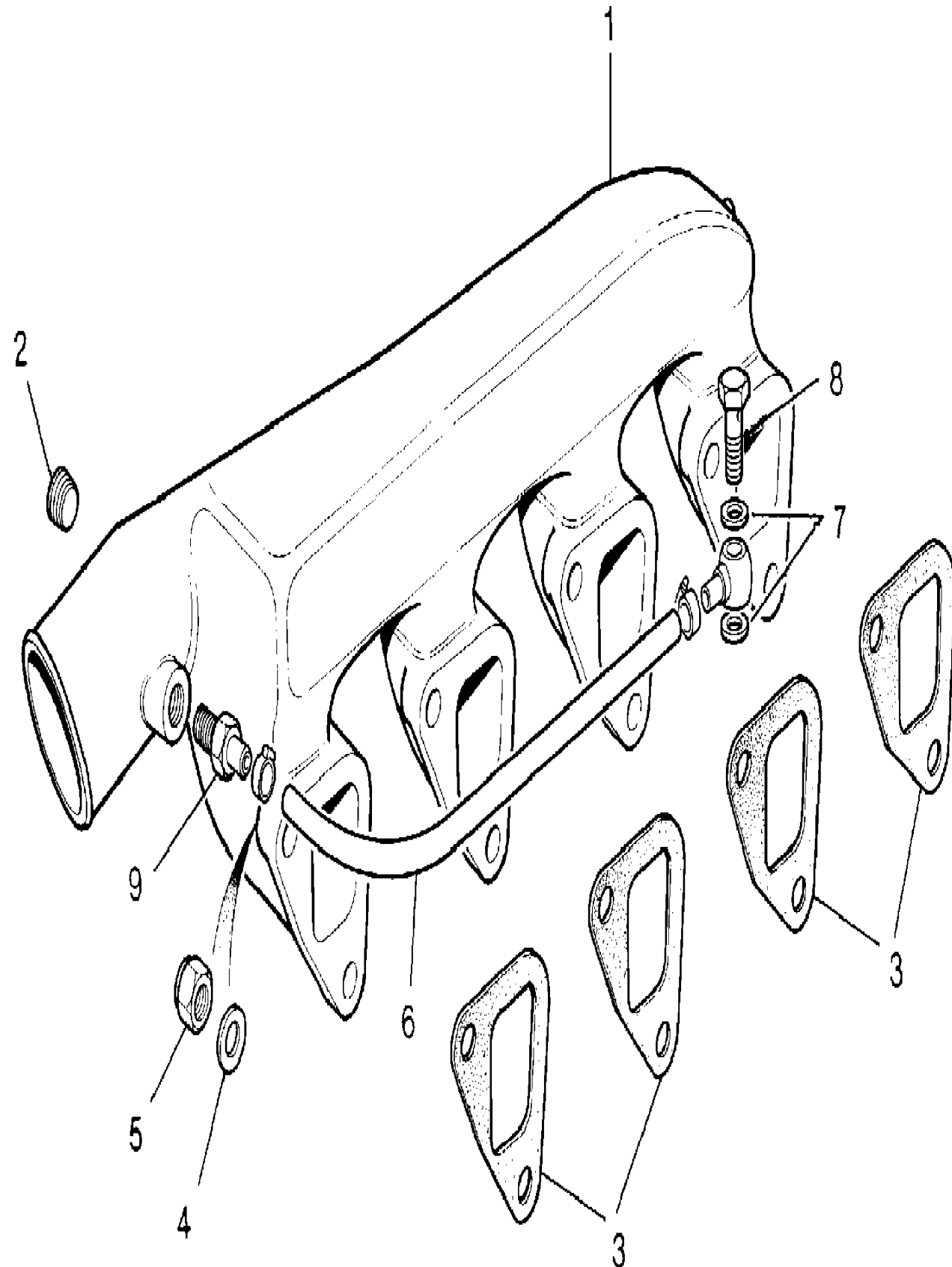
(TS5941)

Engine
2500 - Diesel - VM
Intake Manifold

Range Rover (To HA610293)

2.5l 4 Cyl VM Turbo Diesel

Callout	Name	Application	Remarks & Restrictions	Service No.	Qty
1	Manifold-engine inlet			RTC4923	1
2	Plug-blanking			AEU2209L	1
3	Gasket-inlet manifold	Change point - VIN end HA610293		RTC4944	4
4	Washer		8MM	WA108051L	8
5	Nut - Hex.		M8, hexagonal head	NH108041L	8
6	Pipe-inlet manifold vacuum			RTC4961	1
7	Washer-copper			AEU2164L	2
8	Bolt-banjo			AEU2165L	1
9	Adaptor-inlet manifold			RTC4969	1



Engine
2500 - Diesel - VM
Mounting Brackets-Front 1/1

Range Rover (To HA610293)

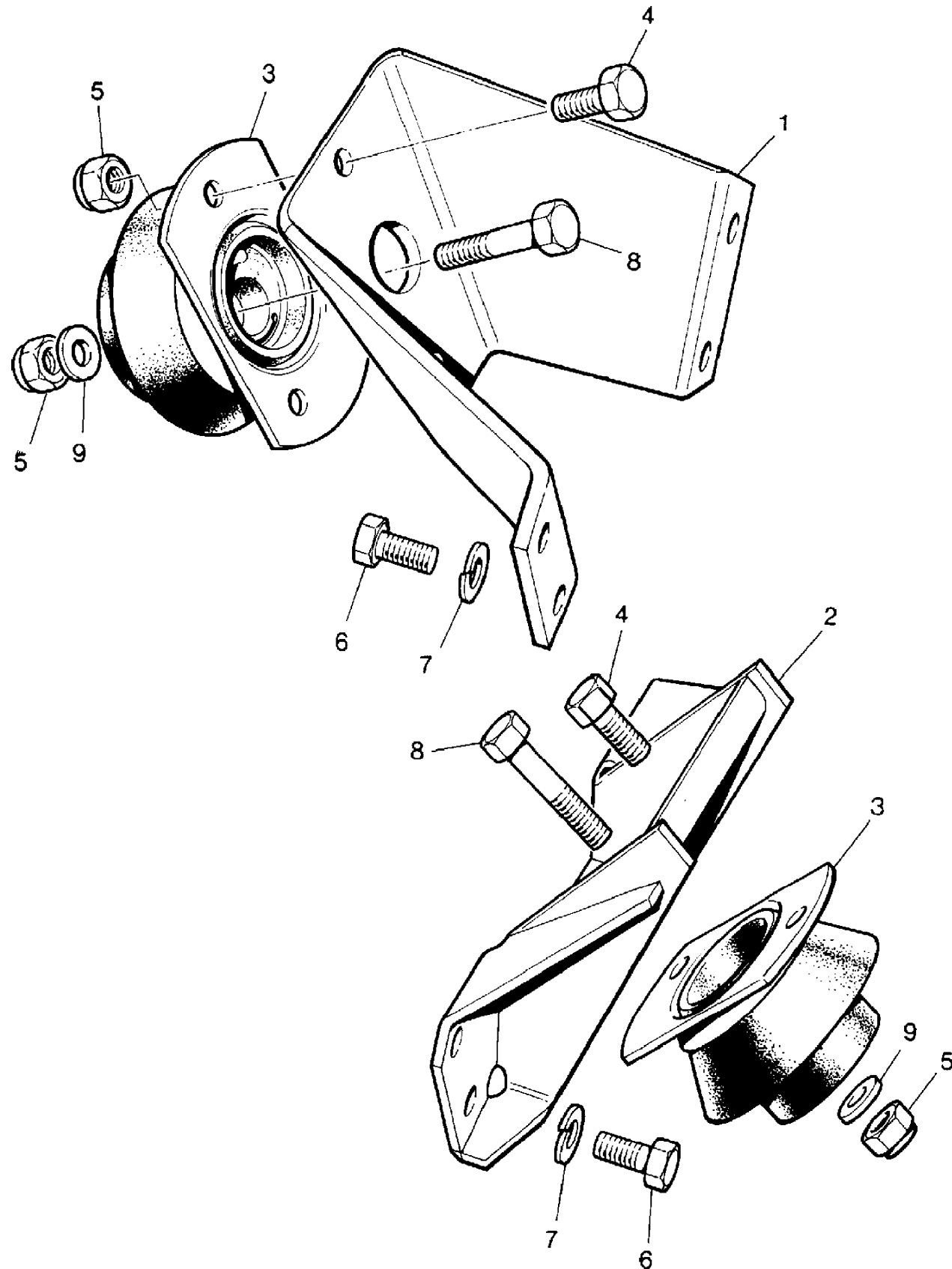
(TS6286)

Range Rover (To HA610293)

Engine
2500 - Diesel - VM
Mounting Brackets-Front

2.5l 4 Cyl VM Turbo Diesel

Callout	Name	Application	Remarks & Restrictions	Service No.	Qty
1	Bracket-engine mounting		Front, RH	NTC3237	1
2	Bracket-engine mounting		Front, LH	NTC2776	1
3	Mounting-engine rubber		Rear	NTC3241	2
4	Screw		hexagonal head, M10 x 25	SH110251L	4
5	Nut - Hex.		M10, hexagonal head, nyloc	NY110041L	4
6	Screw		hexagonal head, M10 x 20	SH110201L	8
7	Washer		M10	WL110001L	8
8	Bolt		Long, M10 x 60	BH110121L	2
9	Washer		M10, Plain	WA110001L	2



Engine
2500 - Diesel - VM
Mounting Brackets-Rear 1/1

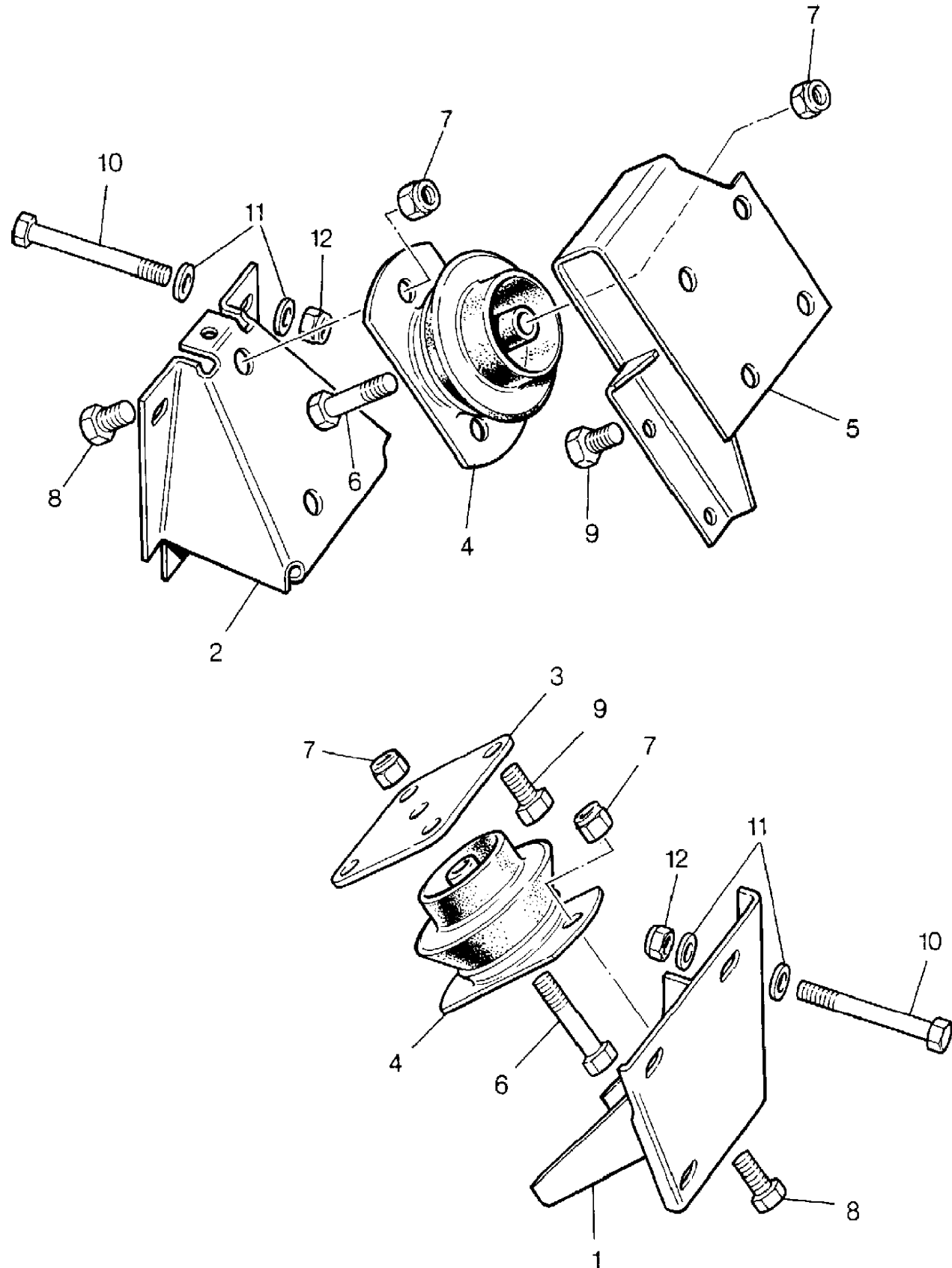
Range Rover (To HA610293)

(TS6407)

Range Rover (To HA610293)

Engine
2500 - Diesel - VM
Mounting Brackets-Rear

2.5l 4 Cyl VM Turbo Diesel



Callout	Name	Application	Remarks & Restrictions	Service No.	Qty
1	Bracket-engine mounting		Rear, RH	NTC7271	1
2	Bracket-engine mounting		Rear, LH	NTC2306	1
3	Plate Mounting		RH	NRC8204	1
4	Mounting-engine rubber		Rear, LH	NTC3242	1
			Rear, RH	NTC7270	1
5	Bracket-engine mounting		LH	NTC5867	1
			Rear, RH	NTC7272	1
6	Bolt		Long, M10 x 60	BH110121L	2
7	Nut - Hex.		M10, hexagonal head, nyloc	NY110041L	6
8	Screw		hexagonal head, M10 x 25	SH110251L	4
9	Screw		hexagonal head, M12 x 20	SH112201	8
10	Bolt		hexagonal head, M8 x 100	BH108201L	6
11	Washer		8MM	WA108051L	12
12	Nut - Hex.		M8, nyloc	NY108041L	6

Engine
2500 - Diesel - VM
Oil Filter 1/1

Range Rover (To HA610293)

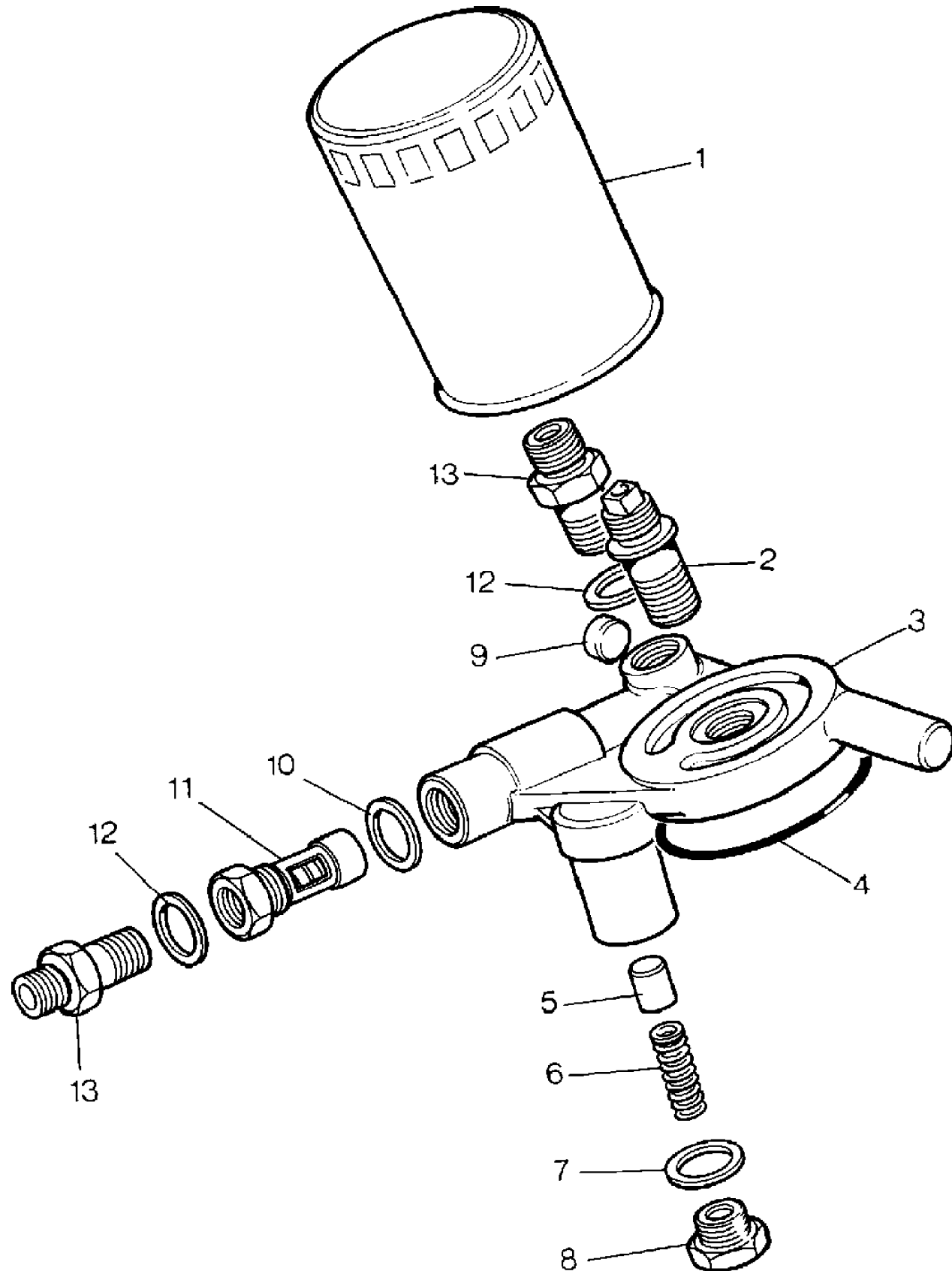
(TS6823)

Engine
2500 - Diesel - VM
Oil Filter

Range Rover (To HA610293)

2.5l 4 Cyl VM Turbo Diesel

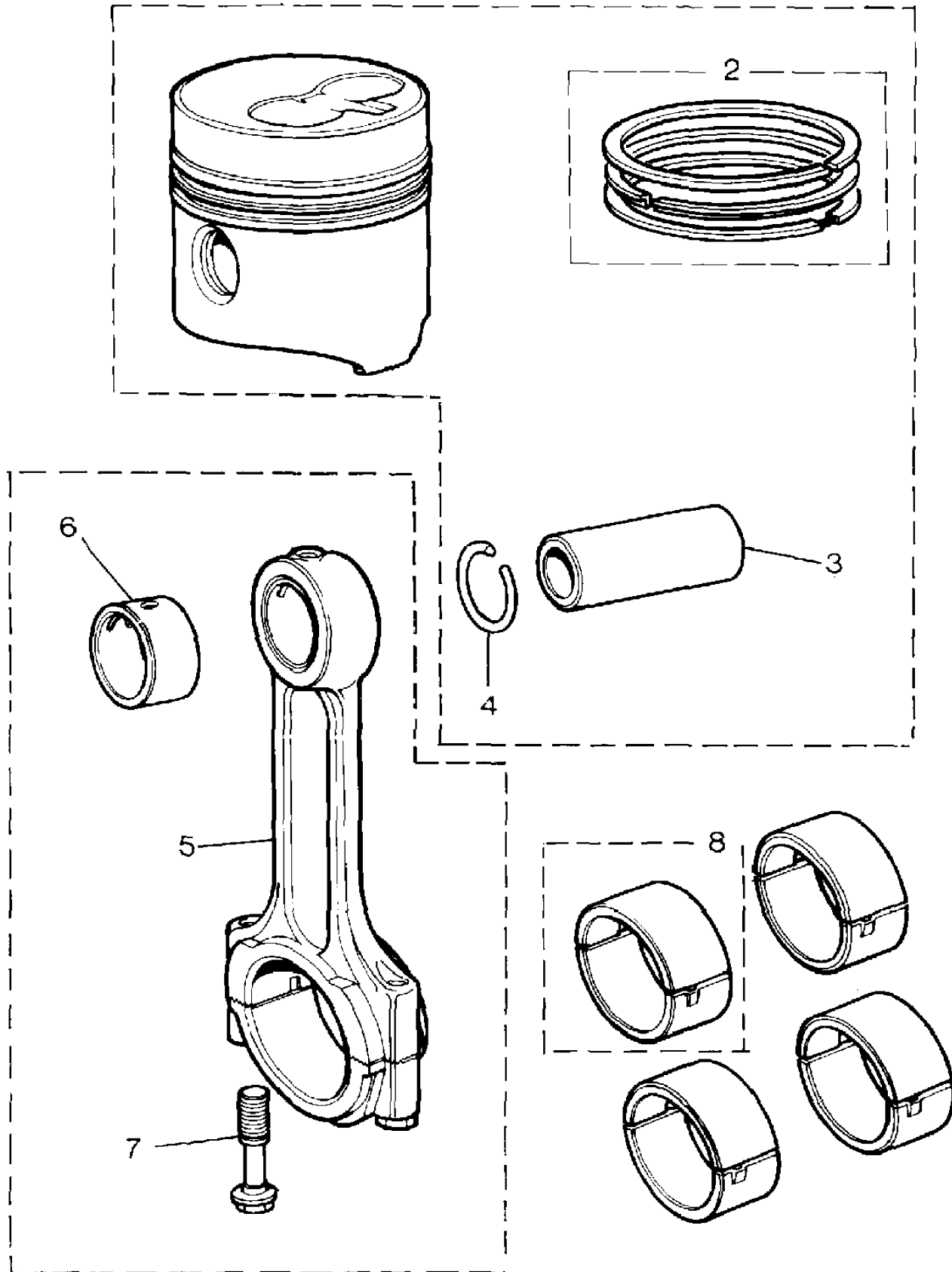
Callout	Name	Application	Remarks & Restrictions	Service No.	Qty
1	Cartridge-engine oil filter			AEU2218L	1
2	Adaptor-oil filter			AEU2226L	1
3	Plate assembly		Less Hole	RTC6376	1
4	Gasket-oil cooler-adaptor			RTC6769	1
5	Relief Valve			AEU2875L	1
6	Spring			RTC6770	1
7	Washer-copper			JAM3254L	1
8	Plug			AEU2876L	1
9	Plug-core			AEU2057L	1
10	Washer-copper			AEU2219L	1
11	Valve-thermostatic expansion			AEU2220L	1
12	Washer-sealing			ETC9065	2
13	Adaptor-oil cooler			ETC9064	2



Engine
2500 - Diesel - VM
Piston & Rings 1/1

Range Rover (To HA610293)

(VS3295A)



Range Rover (To HA610293)

Engine
2500 - Diesel - VM
Piston & Rings

2.5l 4 Cyl VM Turbo Diesel

Callout	Name	Application	Remarks & Restrictions	Service No.	Qty
1	Piston-engine		Also serviced as part of a kit	RTC6646	4
2	Kit-piston ring		Also serviced as part of a kit	AEU2284L	X
3	Pin-piston gudgeon		Also serviced as part of a kit	RTC5003	4
4	Spring Ring		Also serviced as part of a kit	AEU2042L	8
5	Set-crankshaft connecting rod		Also serviced as part of a kit	RTC6645	4
6	Set-connecting rod big end half bearing		standard. 0.010" undersize 0.020 undersize	AEU2039L AEU2040L AEU2041L	1 1 1
7	Bolt-connecting rod			AEU2038L	8

Engine
2500 - Diesel - VM
Power Steering Pump 1/1

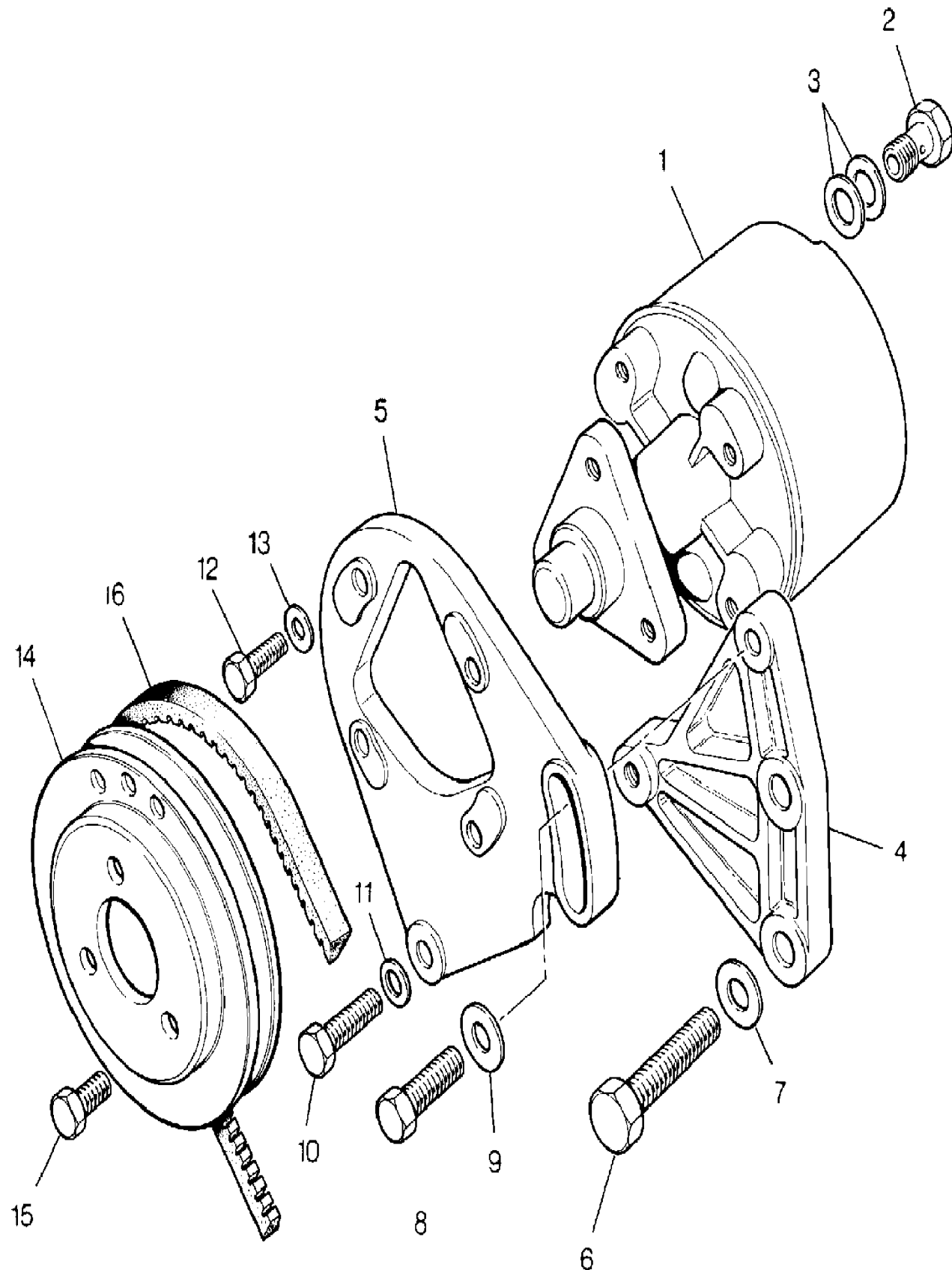
Range Rover (To HA610293)
(TS6299)

Engine
2500 - Diesel - VM
Power Steering Pump

Range Rover (To HA610293)

2.5l 4 Cyl VM Turbo Diesel

Callout	Name	Application	Remarks & Restrictions	Service No.	Qty
1	Pump assembly power assisted steering			NTC8289	1
2	Bolt-banjo			RTC6833	1
3	Washer-sealing			RTC5675	2
4	Bracket-support power assisted steering pipes			ETC9074	1
5	Bracket-support power assisted steering pipes	LHD		ETC9075	1
		RHD		ETC9076	1
6	Bolt		RH, M14 x 50	BH114101L	2
7	Washer		M14	WA114001	2
8	Bolt		M12 x 45	BH112091L	1
9	Washer		M12, Plain, Standard	WA112081L	1
10	Screw		hexagonal head, M8 x 45	SH108451	1
11	Washer		8MM	WA108051L	1
12	Bolt		hexagonal head, M6 x 30	BH106061L	4
13	Washer		6MM	WA106041L	4
14	Pulley power assisted steering pump			ERR626	1
15	Screw		hexagonal head, M8 x 10	SH108101L	3
16	Belt-front camshaft drive			ETC9101	1
[900]	Kit-power assisted steering pump seal			RTC5935	1



Engine
2500 - Diesel - VM
Rocker Covers 1/2

Range Rover (To HA610293)

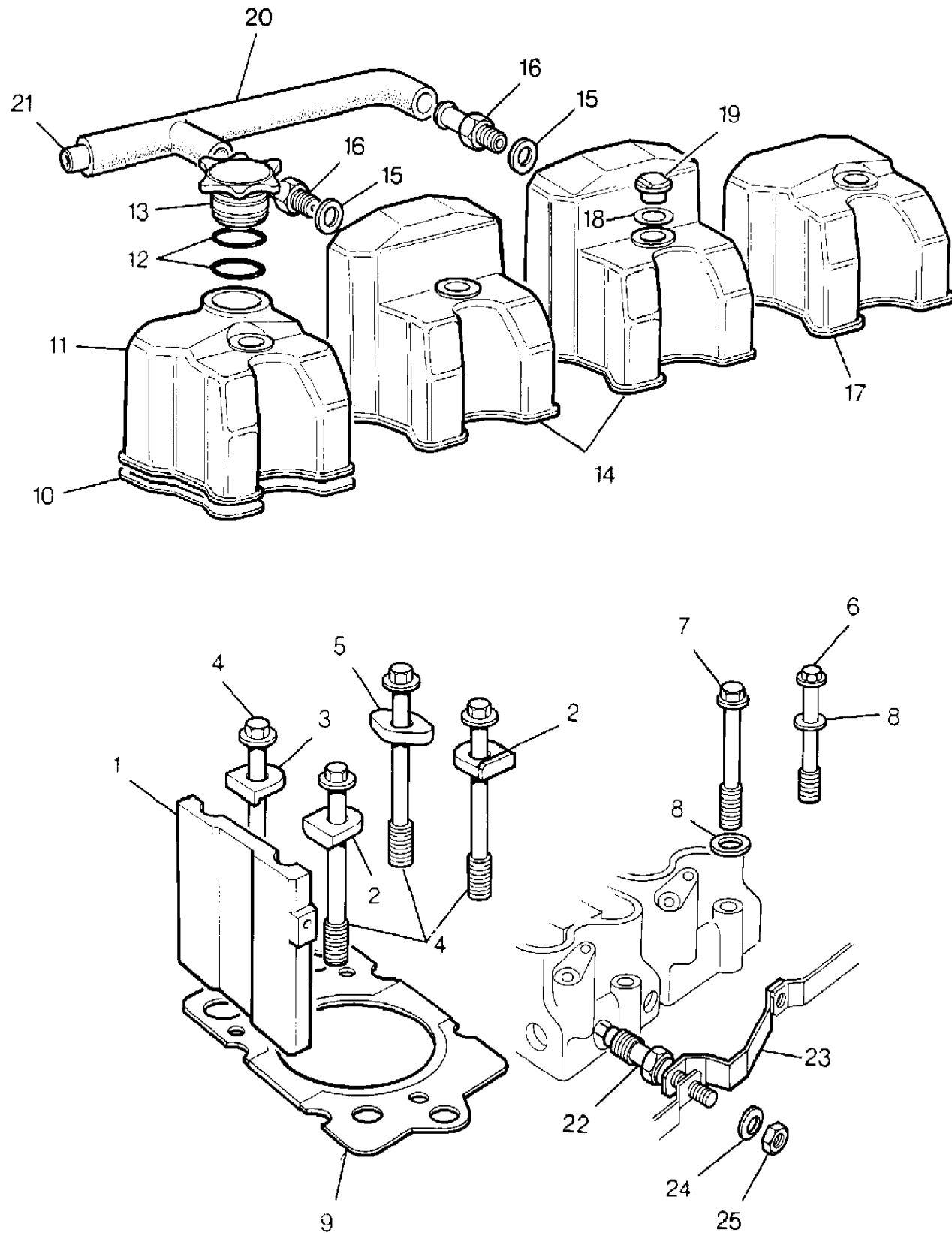
(TS5939A)

Engine
2500 - Diesel - VM
Rocker Covers

Range Rover (To HA610293)

2.5l 4 Cyl VM Turbo Diesel

Callout	Name	Application	Remarks & Restrictions	Service No.	Qty
1	Cover-valve rocker			AEU2082L	2
2	Clamp-cylinder head			AEU2080L	5
3	Clamp-cylinder head			AEU2079L	2
4	Bolt		M12	AEU2078L	10
5	Clamp-cylinder head			AEU2081L	3
6	Bolt		M12	AEU2083L	4
7	Bolt		M12	AEU2085L	4
8	Washer-Plain		M12 x 22	WB112081L	8
9	Gasket-Cylinder Head		1.42mm. 1.52mm. 1.62MM	STC810 STC811 STC812	X X X
10	Gasket-engine rocker cover	Change point - VIN end HA610293		RTC4892	4
11	Cover-valve rocker		Front	RTC6449	1
12	Seal-oil filler cap			AEU2091L	2
13	Filler-oil			AEU2090L	1
14	Cover-valve rocker		Intermediate	RTC6450	2
15	Washer			AEU2094L	2
16	Connector-inlet manifold adaptor		M16	AEU2202L	2
17	Cover-valve rocker		Rear	RTC6451	1
18	O Ring			AEU2093L	4
19	Nut - Hex.			AEU3043L	4
20	Hose assembly-breather			BAU5090L	1
21	Connector fit		breather hose	BAU5091L	2
22	Plug-heater ignition			ERC8648	4
23	Conductor heater plug			RTC6674	3
24	Washer		M5, Plain, Standard	WA105001L	4



Engine
2500 - Diesel - VM
Rocker Covers 2/2

Range Rover (To HA610293)

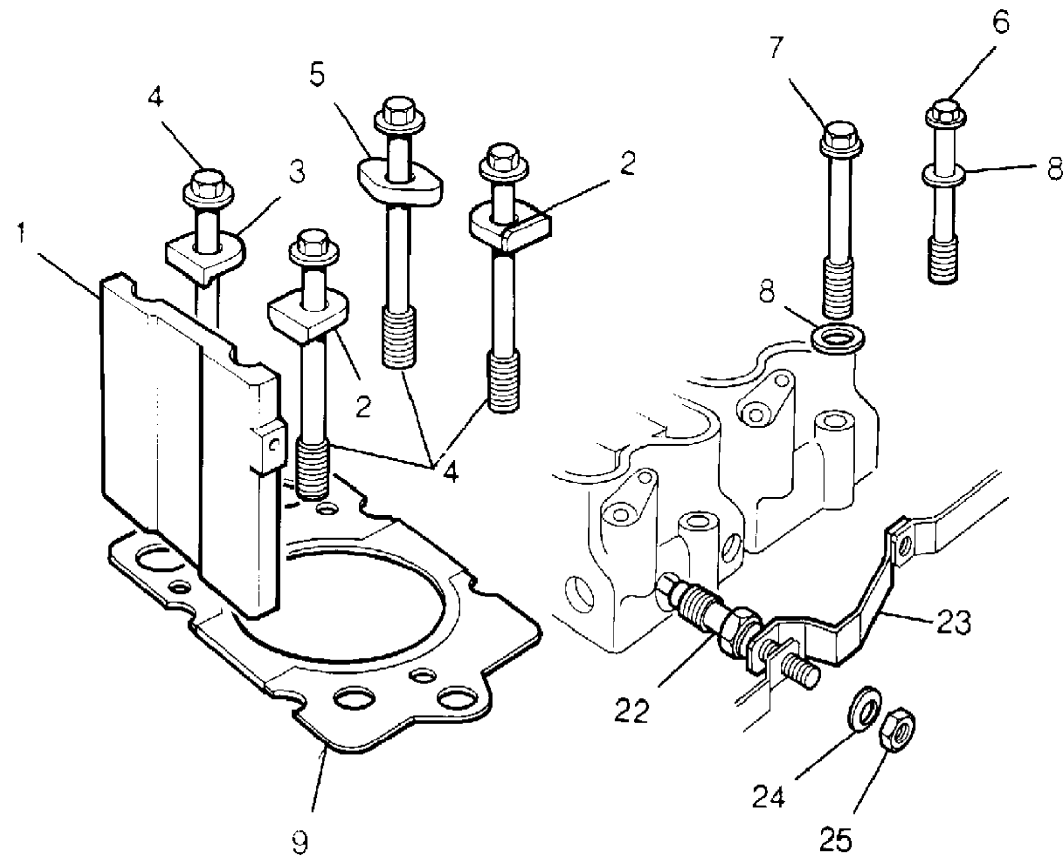
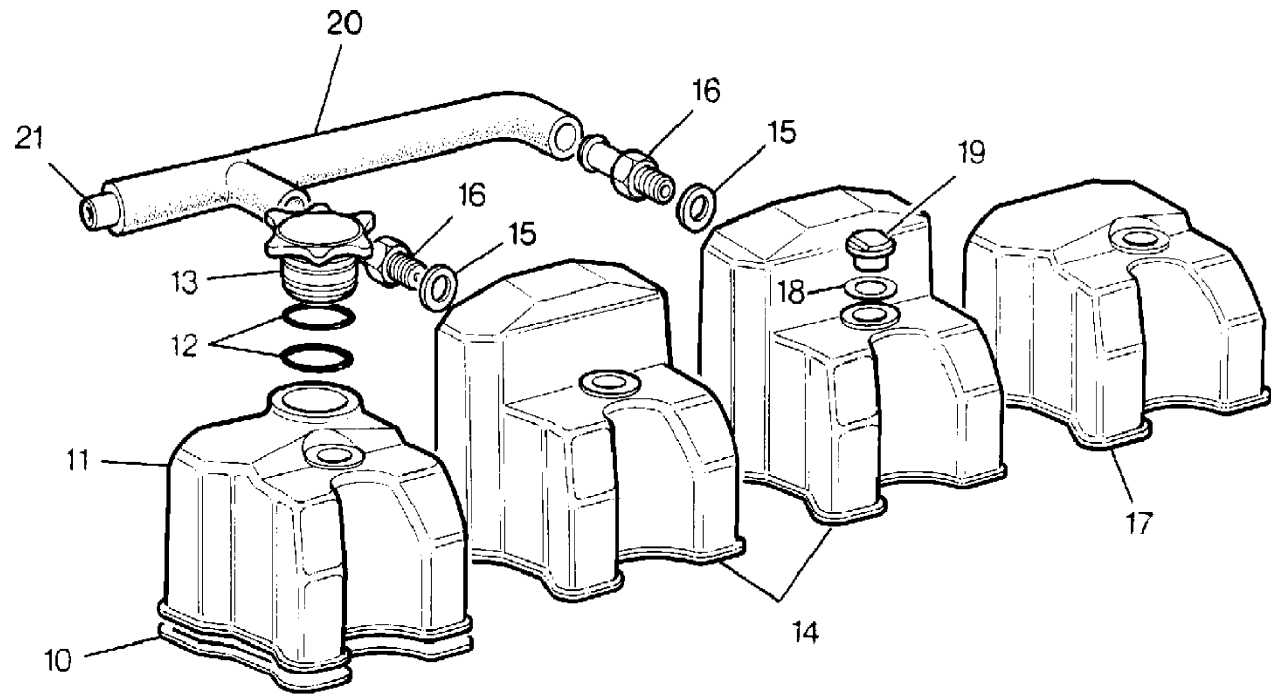
(TS5939A)

Engine
2500 - Diesel - VM
Rocker Covers

Range Rover (To HA610293)

2.5l 4 Cyl VM Turbo Diesel

Callout	Name	Application	Remarks & Restrictions	Service No.	Qty
25	Nut-hexagonal		M5	NH105041L	4



Engine
2500 - Diesel - VM
Starter Motor 1/1

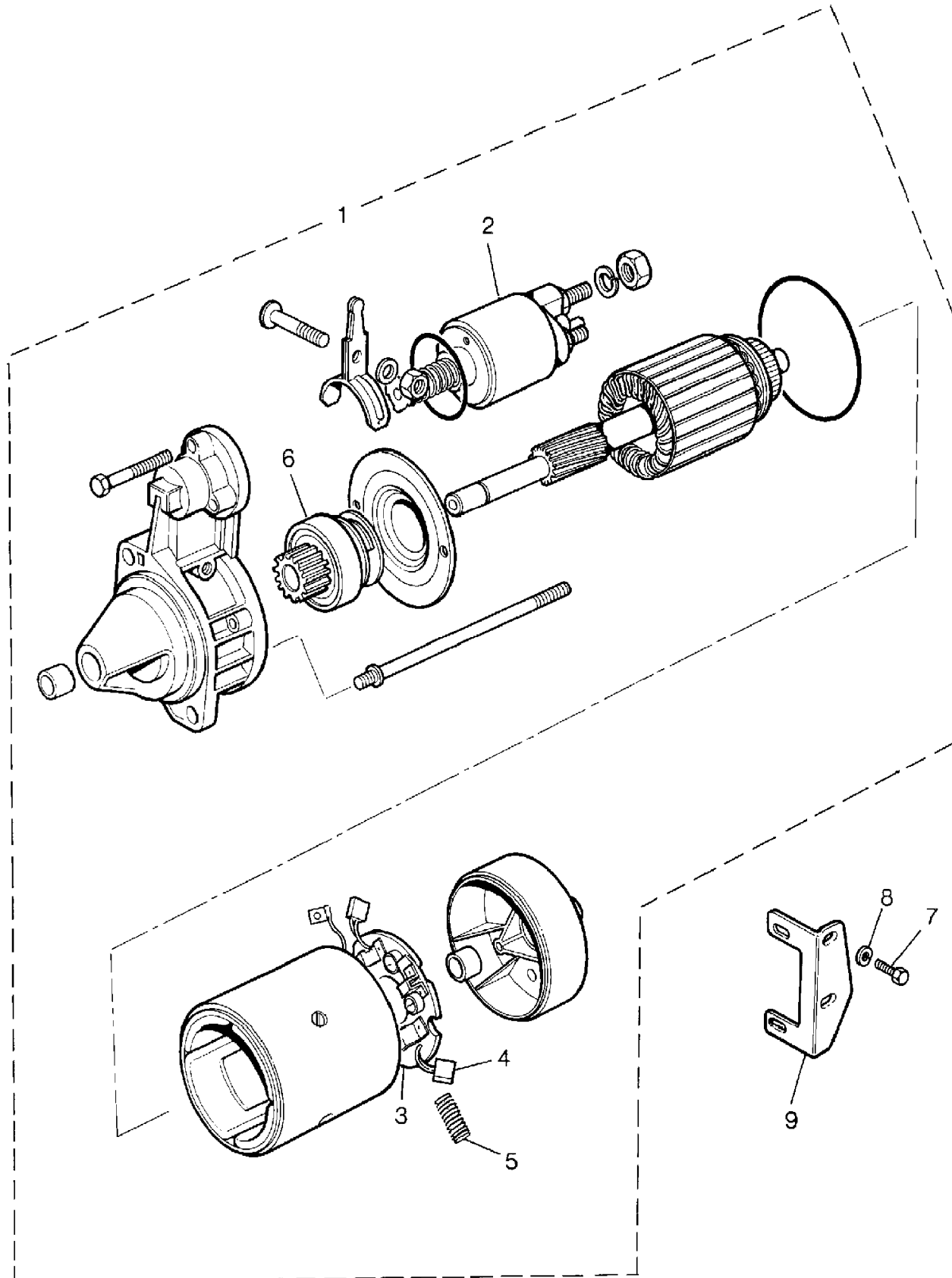
Range Rover (To HA610293)
(TS6413)

Engine
2500 - Diesel - VM
Starter Motor

Range Rover (To HA610293)

2.5l 4 Cyl VM Turbo Diesel

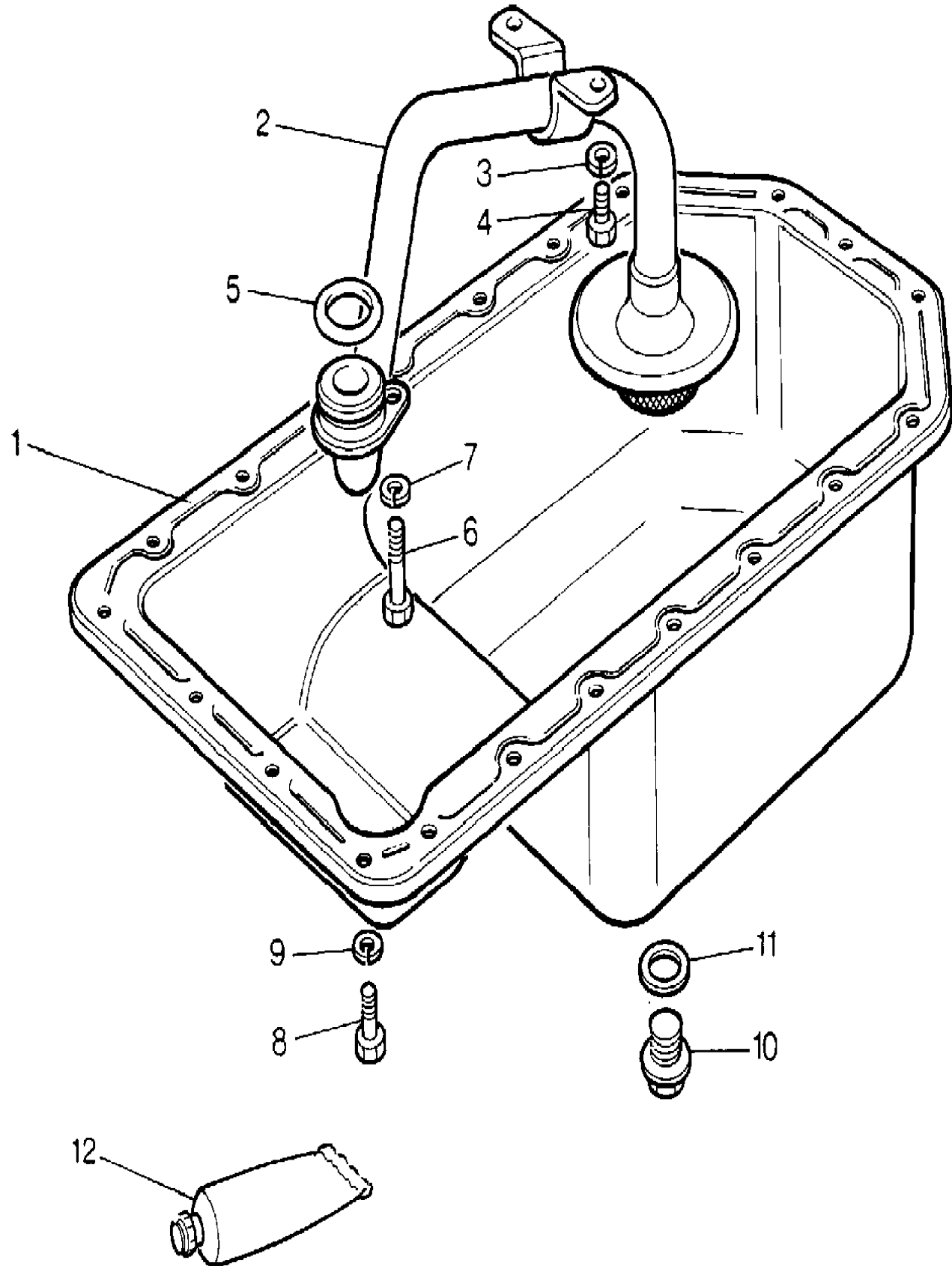
Callout	Name	Application	Remarks & Restrictions	Service No.	Qty
1	Kit-starter motor		Also serviced as part of a kit, New	PRC5669	1
2	Solenoid starter motor		Also serviced as part of a kit	RTC5750	1
3	Box assembly-brush starter motor		Also serviced as part of a kit	RTC5751	1
4	Brush alternator		Also serviced as part of a kit	RTC5752	1
5	Spring		Also serviced as part of a kit	RTC5754	4
6	Drive clutch		Also serviced as part of a kit	RTC5753	1
7	Screw		M6 X 16, hexagonal head	SH106161L	2
8	Washer		6MM	WA106041L	2
9	Bracket-support starter motor			RTC4947	1
[900]	Cable assembly starter & earth			PRC5237	1
[901]	Harness link-solenoid			PRC5240	1
[902]	Cable-battery positive			PRC7922	1



Engine
2500 - Diesel - VM
Sump 1/1

Range Rover (To HA610293)

(TS6938)



Range Rover (To HA610293)

Engine
2500 - Diesel - VM
Sump

2.5l 4 Cyl VM Turbo Diesel

Callout	Name	Application	Remarks & Restrictions	Service No.	Qty
1	Sump assembly-engine oil		Two Piece	RTC6662	1
			One Piece	STC701	1
2	Pipe-oil pick up-sump			RTC6767	1
3	Washer		6MM	WA106041L	2
4	Screw		hexagonal head, M6 X 14	SH106141L	2
5	O Ring			AEU2281L	1
6	Bolt		M6 x 50	BH106101L	1
7	Washer		M6, sprung	WL106001L	1
8	Bolt		M6 X 20	BH106041L	21
9	Washer		M6, sprung	WL106001L	21
10	Plug-sump assembly oil drain			BAU4978L	1
11	Washer-sealing			STC564	1
12	Sealant		silicone	RTC3254	X

Engine
2500 - Diesel - VM
Turbocharger 1/2

Range Rover (To HA610293)

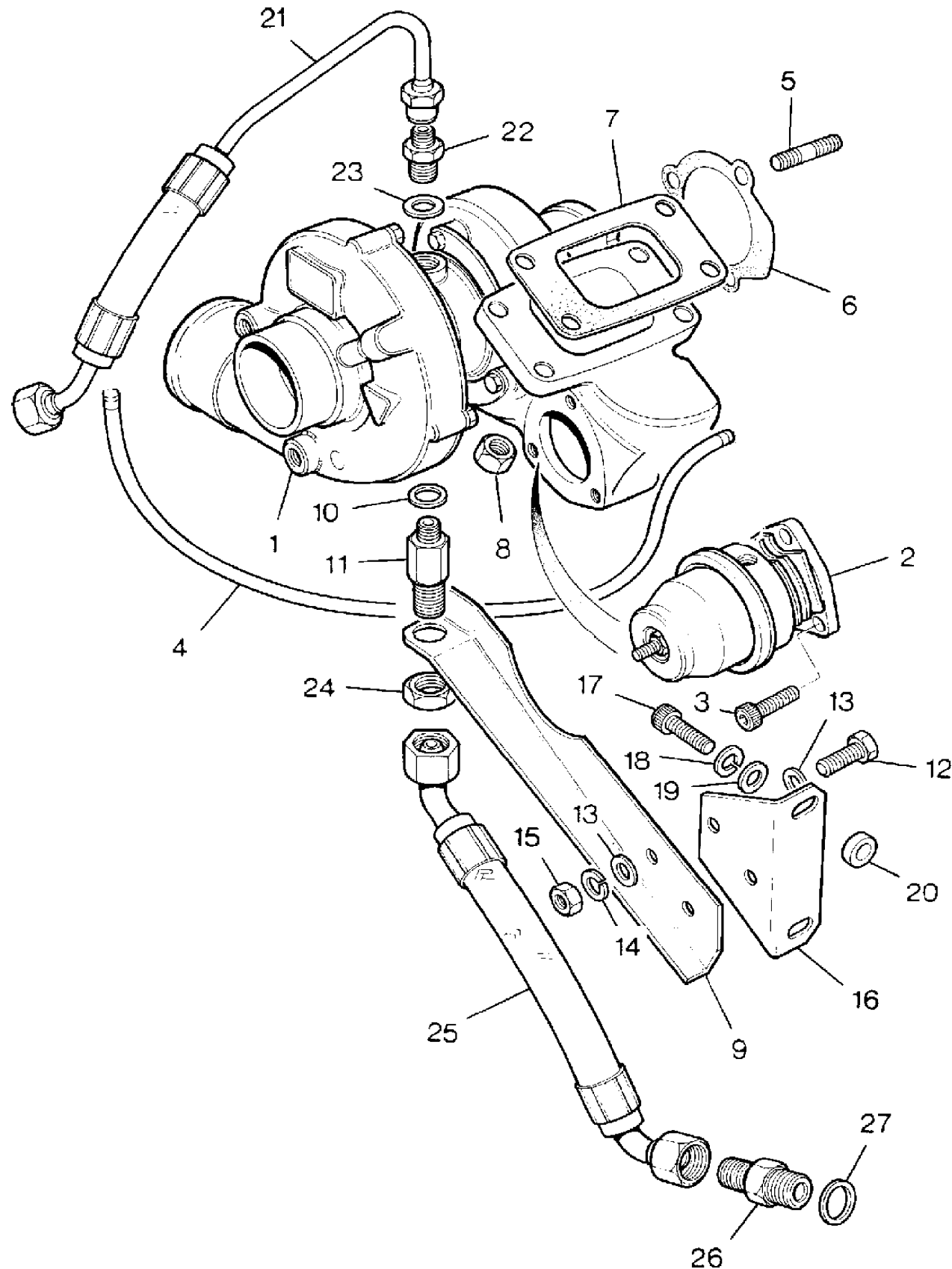
(TS5905A)

Range Rover (To HA610293)

Engine
2500 - Diesel - VM
Turbocharger

2.5l 4 Cyl VM Turbo Diesel

Callout	Name	Application	Remarks & Restrictions	Service No.	Qty
1	Turbocharger assembly		Also serviced as part of a kit, New	RTC4910	1
2	Valve-waste gate-control turbocharger		Also serviced as part of a kit	RTC5017	1
3	Screw-hexagon socket		Also serviced as part of a kit, M8 x 20	SS108201	3
4	Tube-pulse air valve to turbocharger wastegate		Also serviced as part of a kit	RTC5018	1
5	Stud		Also serviced as part of a kit, M8	RTC6717	3
6	Gasket exhaust system			RTC4894	1
7	Gasket-turbocharger/manifold turbo			RTC5004	1
8	Nut-hexagonal		M8	NH108141L	4
9	Bracket-support turbocharger			RTC4952	1
10	Washer-sealing			RTC5016	1
11	Connector-inlet manifold adaptor			RTC4943	1
12	Screw		hexagonal head, M8 x 20	SH108201L	2
13	Washer		8MM	WA108051L	4
14	Washer		M8, sprung	WL108001L	2
15	Nut-hexagonal		M8	NH108051L	2
16	Bracket-support turbocharger			RTC4951	1
17	Screw-hexagon socket		M8 x 25	SS108251	2
18	Washer		M8, sprung	WL108001L	2
19	Washer		8MM	WA108051L	2
20	Spacer			RTC4963	2
21	Pipe assembly-oil feed-turbocharger			RTC4960	1



Engine
2500 - Diesel - VM
Turbocharger 2/2

Range Rover (To HA610293)

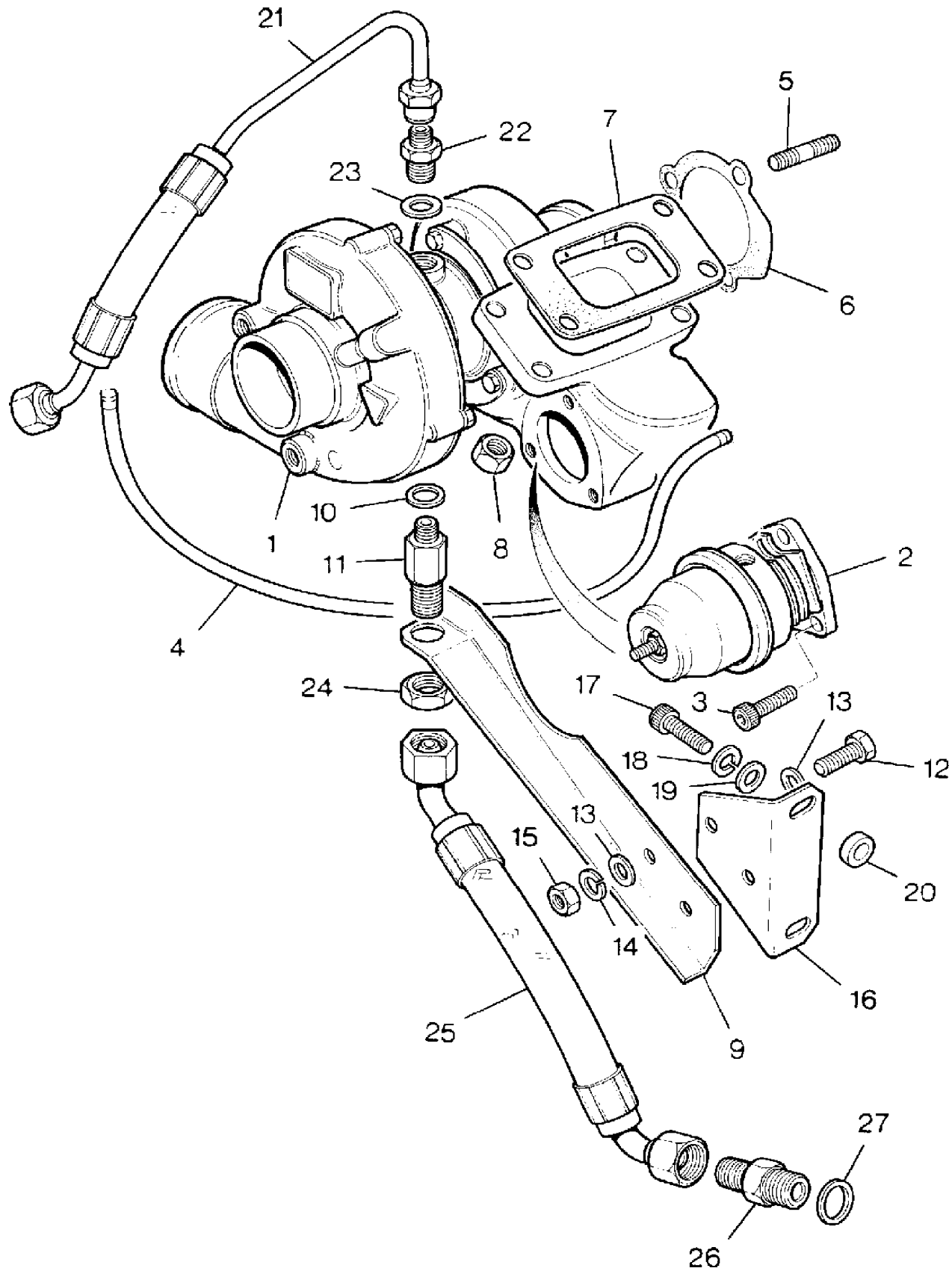
(TS5905A)

Engine
2500 - Diesel - VM
Turbocharger

Range Rover (To HA610293)

2.5l 4 Cyl VM Turbo Diesel

Callout	Name	Application	Remarks & Restrictions	Service No.	Qty
22	Union-oil feed pipe turbocharger			RTC5015	1
23	Washer-copper			BAU5374L	1
24	Nut - Hex.			RTC4972	1
25	Pipe-oil scaveige-turbocharge			RTC4941	1
26	Adaptor-turbocharger to exhaust sealing			JAM3255L	1
27	Washer			JAM3256L	2



Engine
2500 - Diesel - VM
Vacuum Pump 1/1

Range Rover (To HA610293)

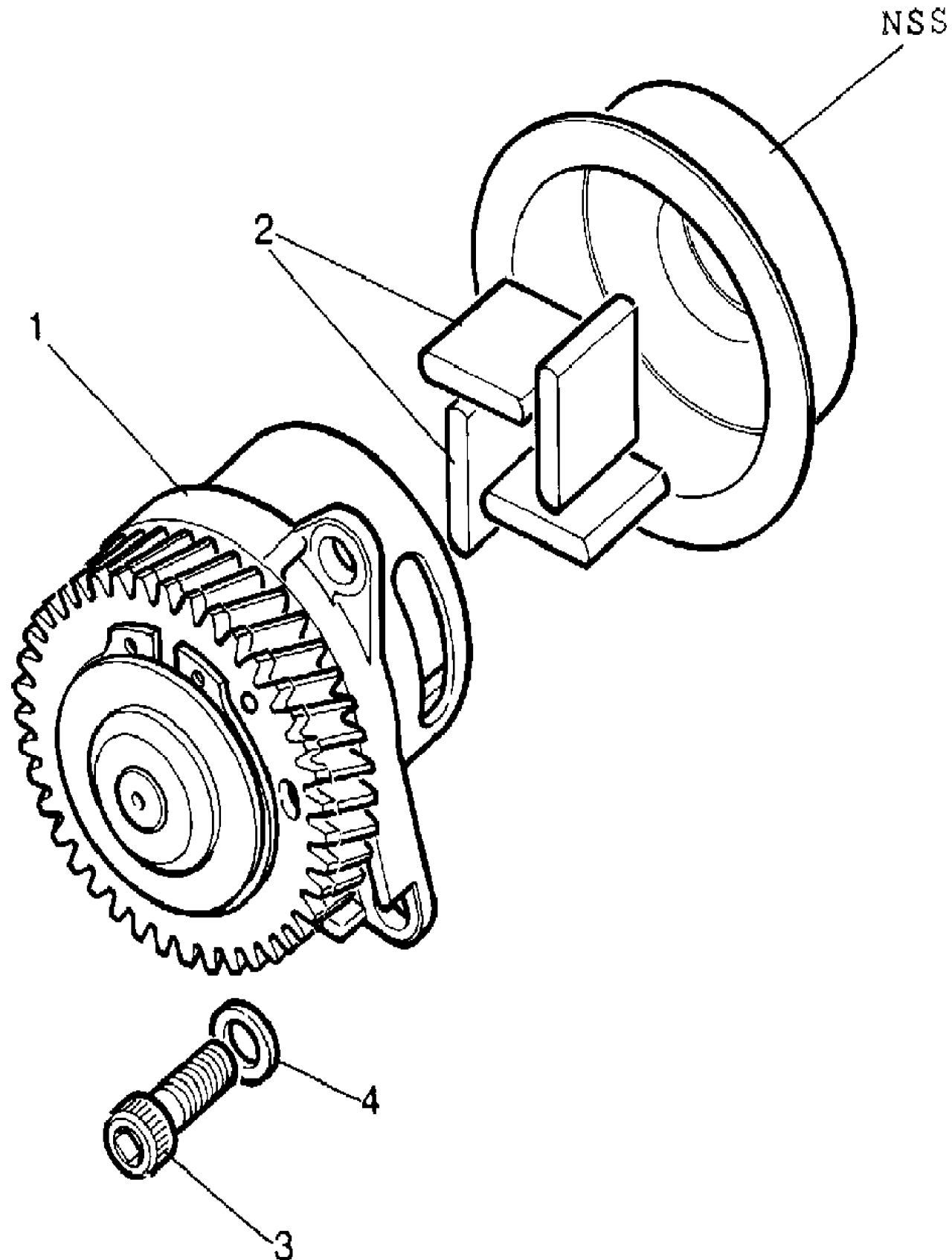
(TS6840)

Engine
2500 - Diesel - VM
Vacuum Pump

Range Rover (To HA610293)

2.5l 4 Cyl VM Turbo Diesel

Callout	Name	Application	Remarks & Restrictions	Service No.	Qty
1	Pump brake vacuum		Also serviced as part of a kit, 37 Teeth	RTC6644	1
2	Kit-vanes-vacuum-pump		Also serviced as part of a kit	RTC6768	1
3	Screw-hexagon socket		M8	SS108181L	2
4	Washer			AEU2146L	3



Engine
2500 - Diesel - VM
Valve Rockers 1/1

Range Rover (To HA610293)

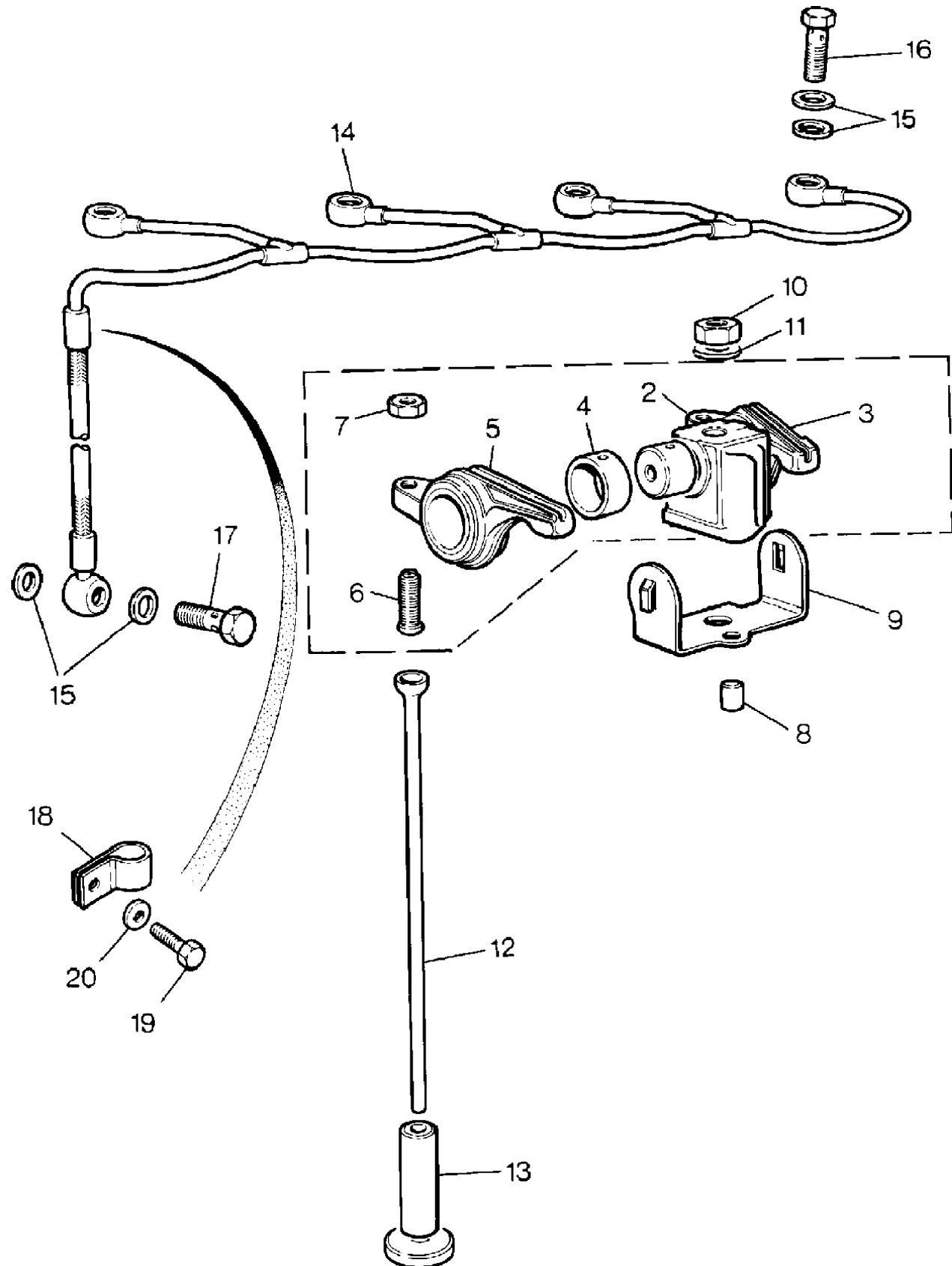
(VS3268A)

Engine
2500 - Diesel - VM
Valve Rockers

Range Rover (To HA610293)

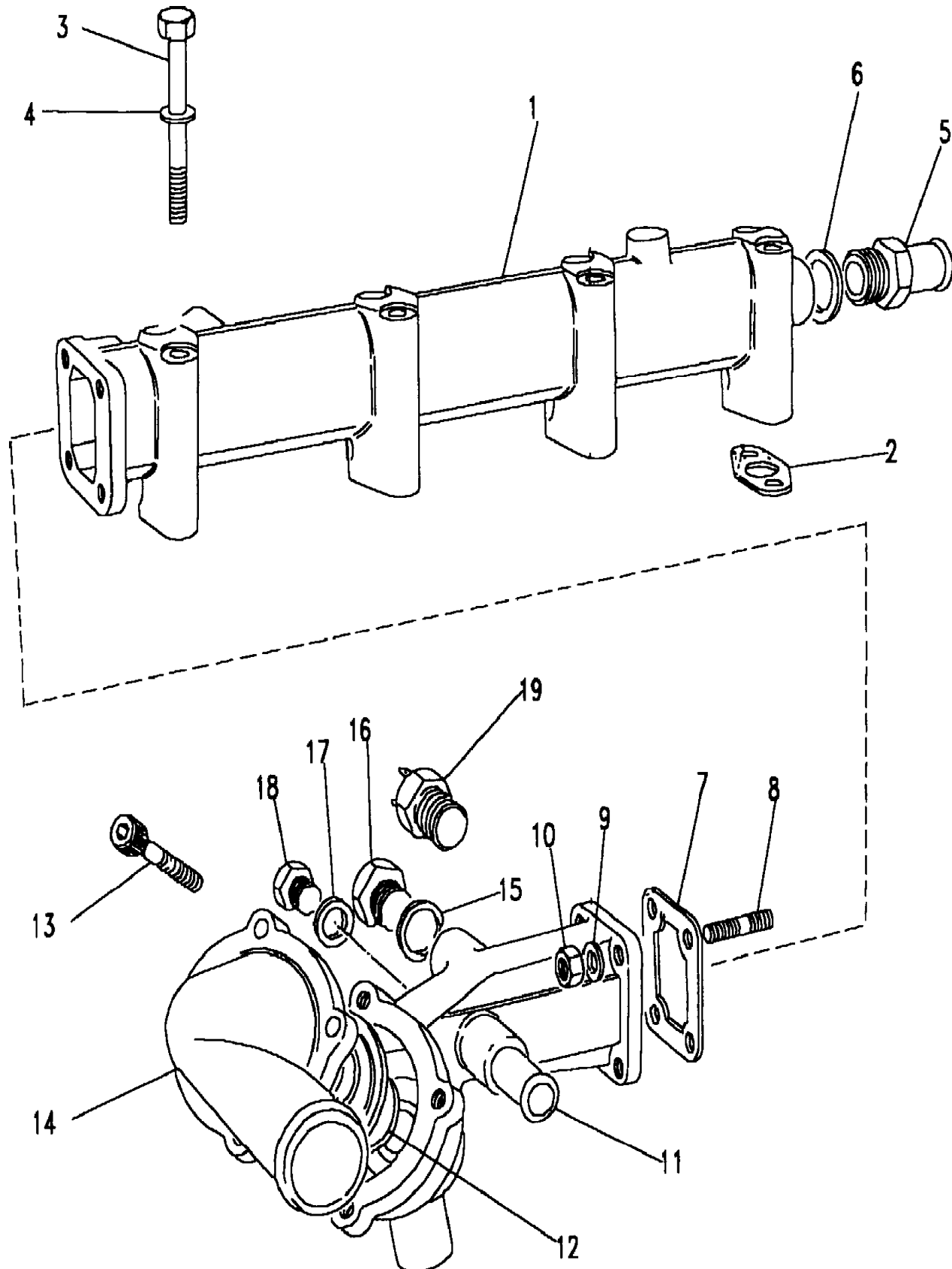
2.5l 4 Cyl VM Turbo Diesel

Callout	Name	Application	Remarks & Restrictions	Service No.	Qty
1	Rocker assembly-cylinder head		Also serviced as part of a kit	AEU2059L	4
2	Pedestal-valve rockers		Also serviced as part of a kit	AEU2062L	4
3	Arm-inlet valve rocker		Also serviced as part of a kit	AEU2063L	4
4	Arm & bush assembly-inlet valve rocker		Also serviced as part of a kit, Less Hole	AEU2067L	4
5	Arm-exhaust valve rocker		Also serviced as part of a kit	AEU2064L	4
6	Screw-engine tappet adjustment		Also serviced as part of a kit	AEU2065L	8
7	Nut - Hex.		Also serviced as part of a kit, M8, hexagonal head	NH108041L	8
8	Dowel			AEU2060L	4
9	Plate			AEU2061L	4
10	Nut - Hex.			AEU2068	8
11	Washer		M12, Plain, Standard	WA112081L	8
12	Rod-engine push			AEU2070L	8
13	Follower-inlet manifold camshaft			AEU2069L	8
14	Pipe oil rockers			AEU2071L	1
15	Washer			AEU2072L	10
16	Bolt-banjo pump feed pipe			AEU2073L	4
17	Bolt-banjo pump feed pipe			AEU2074L	1
18	Clip-p		5/8"	56667	1
19	Screw		hexagonal head, M5 x 12	SH105121L	1
20	Washer-Plain			WA105041L	1



Engine
2500 - Diesel - VM
Water Manifold & Thermostat 1/1

Range Rover (To HA610293)
(BDBWGK2A)



Range Rover (To HA610293)

Engine
2500 - Diesel - VM
Water Manifold & Thermostat

2.5l 4 Cyl VM Turbo Diesel

Callout	Name	Application	Remarks & Restrictions	Service No.	Qty
1	Manifold-water-thermostat			RTC5726	1
2	Gasket-cylinder block water gallery plate			AEU2201L	4
3	Bolt		M6 x 80	BH106161L	8
4	Washer		M6	WA106001L	12
5	Connector-inlet manifold adaptor		M16	AEU2202L	1
6	Washer			AEU2094L	1
7	Gasket-thermostat housing	Change point - VIN end HA610293	TO CYLINDER HEAD	RTC4974	1
8	Stud			AEU2186L	4
9	Washer		6MM	WA106041L	4
10	Nut - Hex.		M6, nyloc, Hexagonal	NH106041L	4
11	Housing-thermostat			RTC6778	1
12	Thermostat-engine		80 degrees C	RTC6673	1
13	Screw-hexagon socket			SS106201L	4
14	Cover-thermostat housing			RTC6667	1
15	Washer-sealing			RTC6773	1
16	Plug			RTC6779	1
17	Washer-sealing			RTC5016	1
18	Plug			RTC6780	1
19	Switch-engine thermostat			PRC8170	1

Engine
2500 - Diesel - VM
Water Pump 1/1

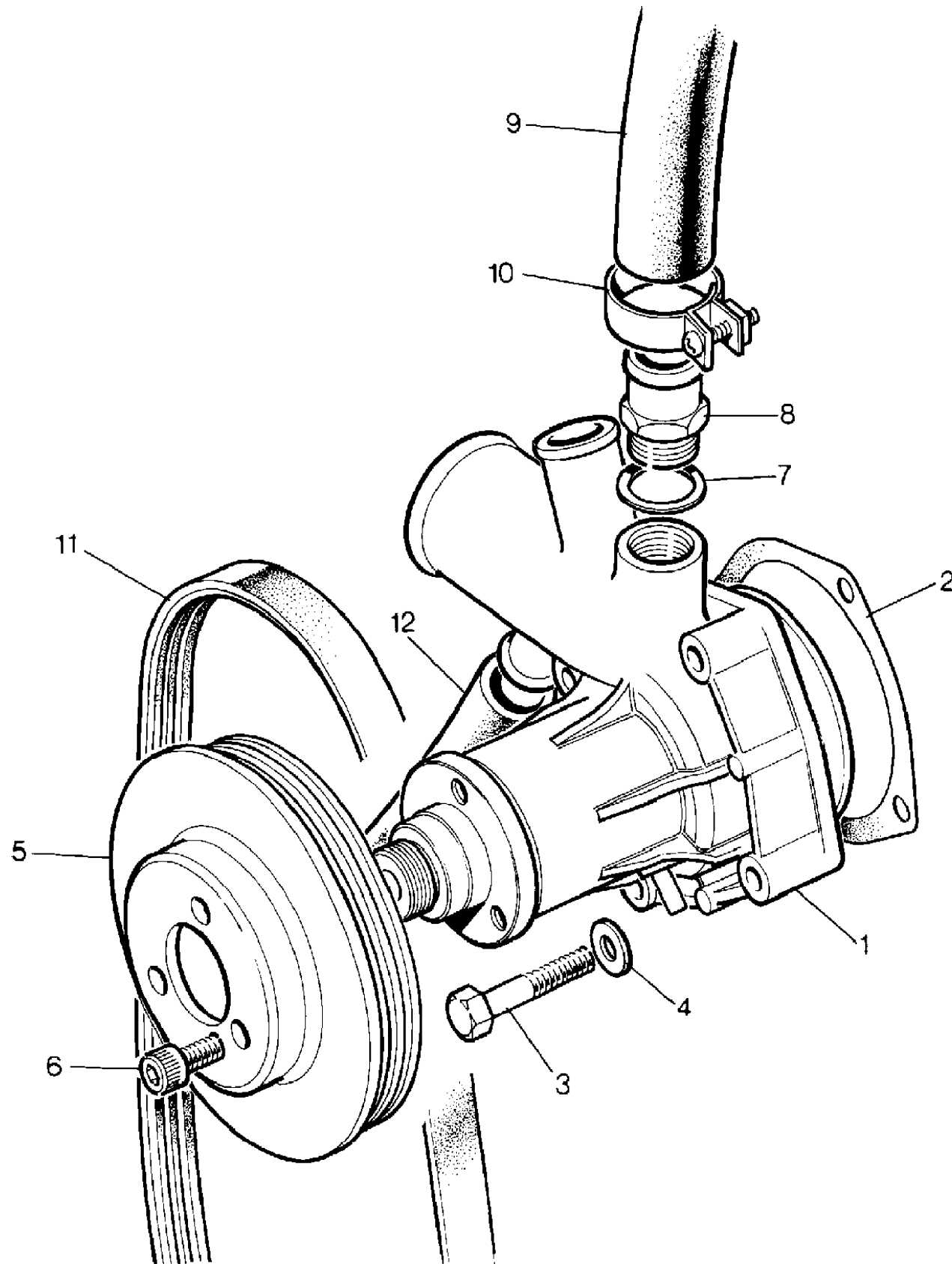
Range Rover (To HA610293)
(TS6824)

Engine
2500 - Diesel - VM
Water Pump

Range Rover (To HA610293)

2.5l 4 Cyl VM Turbo Diesel

Callout	Name	Application	Remarks & Restrictions	Service No.	Qty
1	Pump assembly-engine coolant			RTC6666	1
2	Gasket-coolant pump body			AEU2183L	1
3	Bolt		M8 x 45	BH108091L	4
4	Washer-Plain		8MM	WA108041L	1
5	Pulley coolant pump			RTC6671	1
6	Screw		M8 X 16	SS108161	3
7	Washer-sealing			RTC6773	1
8	Hose assembly-heater in/out			RTC6670	1
9	Hose-bypass to pump coolant			RTC6668	1
10	Clip		Hose	EAC22723	2
11	Belt-polyvee alternator	RHD LHD		ERR416 ERR914	1 1
12	Pipe-coolant pump drain			RTC6669	1

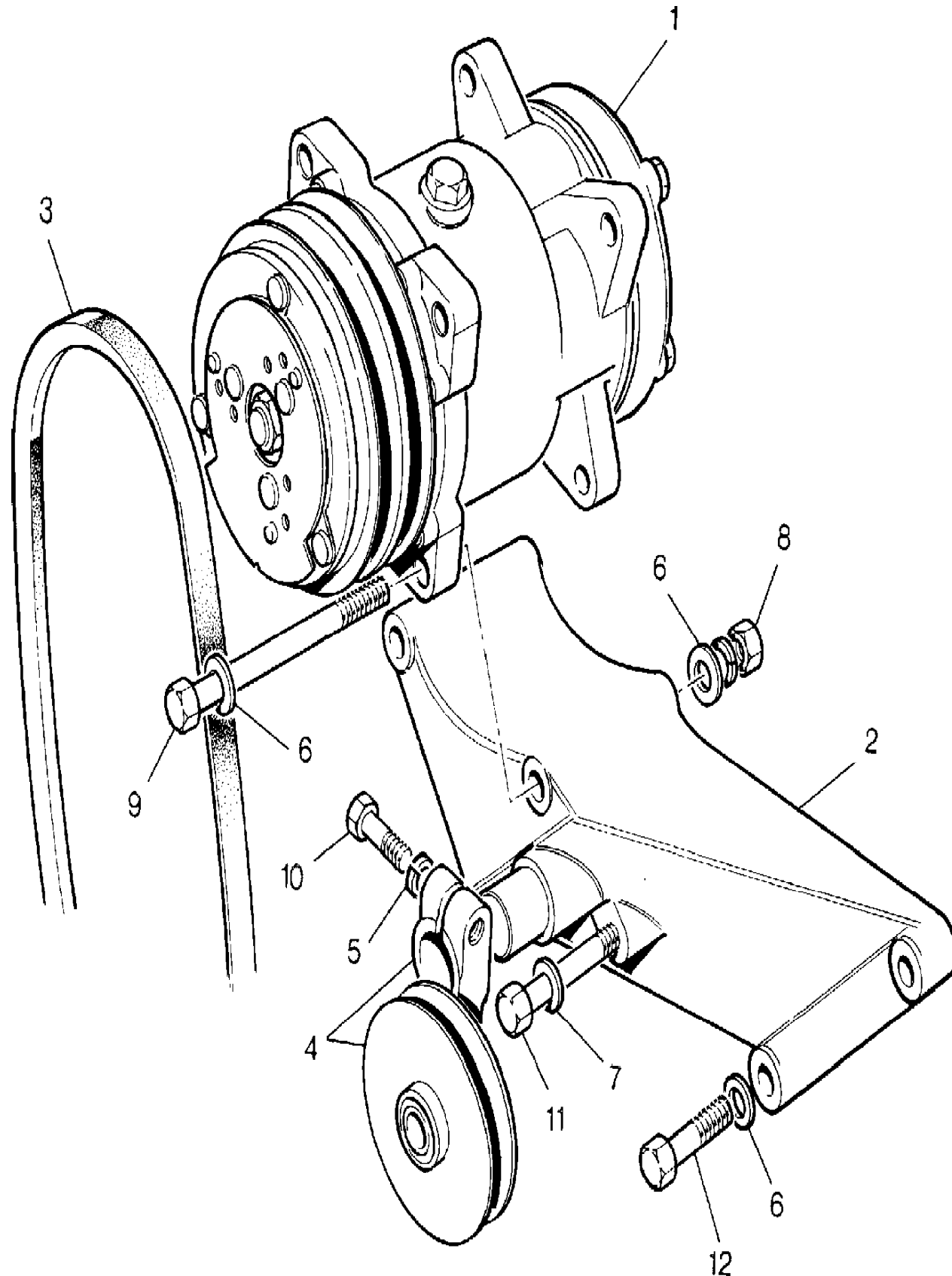


Engine
V8 Petrol - Carburetter
Air Conditioning Compressor 1/1

Range Rover (To HA610293)
(TS6295)

Range Rover (To HA610293)

Engine
V8 Petrol - Carburetter
Air Conditioning Compressor



Callout	Name	Application	Remarks & Restrictions	Service No.	Qty
1	Compressor assembly air conditioning	Twin Carb L/R Petrol	Also serviced as part of a kit	ETC7994	1
2	Bracket-air compressor	Twin Carb L/R Petrol		ETC5793	1
3	Belt-polyvee alternator	Twin Carb L/R Petrol		611612	1
4	Pulley-tensioner ancillary drive	Twin Carb L/R Petrol	Also serviced as part of a kit	ETC6159	1
		Twin Carb L/R Petrol	Also serviced as part of a kit	614718	1
5	Washer-Spring	Twin Carb L/R Petrol	5/16"	WM600051L	1
6	Washer	Twin Carb L/R Petrol	M10	WA110061L	6
7	Washer	Twin Carb L/R Petrol	8MM	WA108051L	1
8	Nut - Hex.	Twin Carb L/R Petrol	hexagonal head, 3/8UNF	NH606041L	2
9	Bolt	Twin Carb L/R Petrol	3/8UNF x 5	BH606401L	2
10	Bolt	Twin Carb L/R Petrol	hexagonal head, 5/16UNF x 1 1/4	BH605101L	1
11	Bolt	Twin Carb L/R Petrol	5/16UNC x 4 1/4	BH505341L	1
12	Bolt	Twin Carb L/R Petrol	3/8UNC x 1 7/8	BH506131L	1
[900]	Bearing-ball	Twin Carb L/R Petrol Twin Carb L/R Petrol	Also serviced as part of a kit Also serviced as part of a kit	614154 614154	1 1
[901]	Bracket-pulley support belt tensioner	Twin Carb L/R Petrol	Also serviced as part of a kit	ETC6148	1
[902]	Kit-gasket and seal	Twin Carb L/R Petrol		RTC4777	1

Engine
V8 Petrol - Carburetter
Air Pollution 1/2

Range Rover (To HA610293)

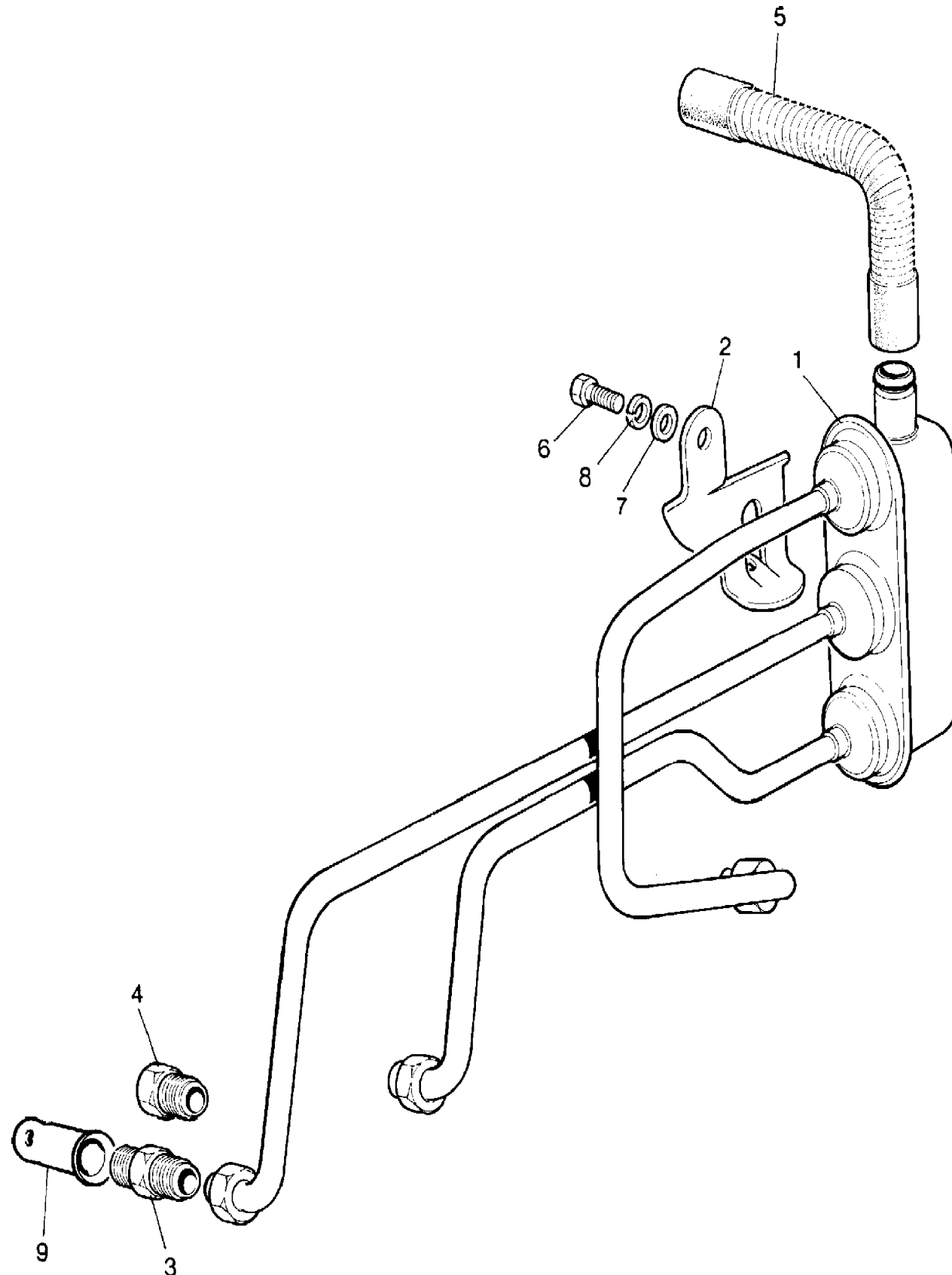
(TS5729)

Engine
V8 Petrol - Carburetter
Air Pollution

Range Rover (To HA610293)

V8 Twin Carb L/R Petrol

Callout	Name	Application	Remarks & Restrictions	Service No.	Qty
1	Box assembly-Pulsair	Less Catalyst	26D, 27D, 30D, Engine Code 26D 3.5 V8 PI H/C, Engine Code 27D 3.5 V8 PI H/C, Engine Code 30D 3.5 V8 PI, LH	ETC5989	1
		Less Catalyst	26D, 27D, 30D, RH, Engine Code 26D 3.5 V8 PI H/C, Engine Code 27D 3.5 V8 PI H/C, Engine Code 30D 3.5 V8 PI	ETC5990	1
2	Bracket	Less Catalyst	26D, 27D, 30D, RH, Engine Code 26D 3.5 V8 PI H/C, Engine Code 27D 3.5 V8 PI H/C, Engine Code 30D 3.5 V8 PI	ETC6249	1
		Less Catalyst	26D, 27D, 30D, Engine Code 26D 3.5 V8 PI H/C, Engine Code 27D 3.5 V8 PI H/C, Engine Code 30D 3.5 V8 PI, LH	ETC6250	1
3	Connector-inlet manifold adaptor	Less Catalyst	26D, 27D, 30D, Engine Code 26D 3.5 V8 PI H/C, Engine Code 27D 3.5 V8 PI H/C, Engine Code 30D 3.5 V8 PI	ETC6473	6
4	Plug	Less Catalyst	26D, 27D, 30D, Engine Code 26D 3.5 V8 PI H/C, Engine Code 27D 3.5 V8 PI H/C, Engine Code 30D 3.5 V8 PI	ETC6474	2
5	Hose-valve to air cleaner pulse air system	Less Catalyst	26D, 27D, 30D, Engine Code 26D 3.5 V8 PI H/C, Engine Code 27D 3.5 V8 PI H/C, Engine Code 30D 3.5 V8 PI	ETC6270	1
6	Screw	Less Catalyst	26D, 27D, 30D, M6 X 12, Engine Code 26D 3.5 V8 PI H/C, Engine Code 27D 3.5 V8 PI H/C, Engine Code 30D 3.5 V8 PI, hexagonal head	SH106121L	2
7	Washer	Less Catalyst	26D, 27D, 30D, M6, Engine Code 26D 3.5 V8 PI H/C, Engine Code 27D 3.5 V8 PI H/C, Engine Code 30D 3.5 V8 PI, oversize	WC106041L	2
8	Washer	Less Catalyst	26D, 27D, 30D, M6, Engine Code 26D 3.5 V8 PI H/C, Engine Code 27D 3.5 V8 PI H/C, Engine Code 30D 3.5 V8 PI, sprung	WL106001L	2



Engine
V8 Petrol - Carburetter
Air Pollution 2/2

Range Rover (To HA610293)

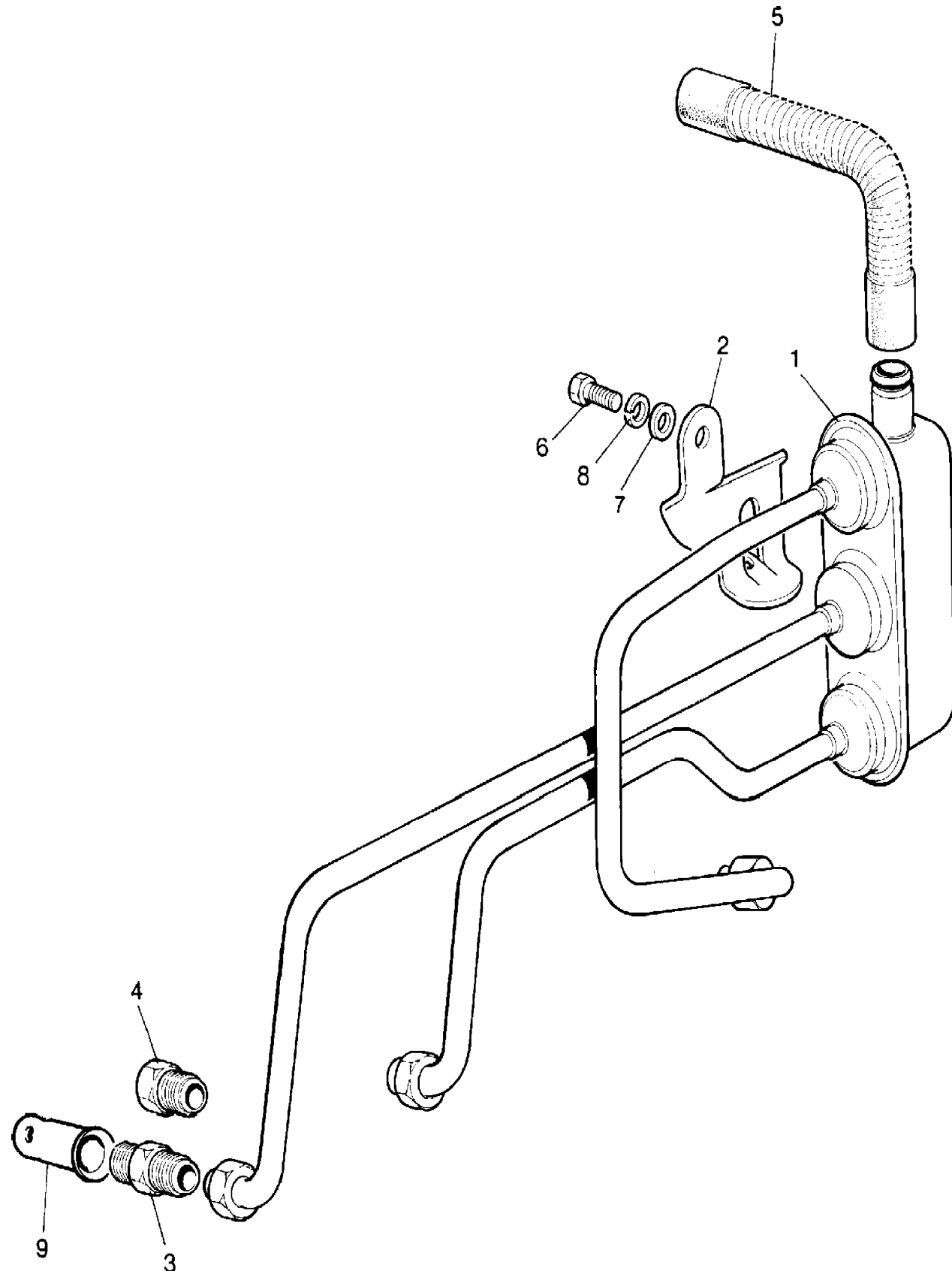
(TS5729)

Range Rover (To HA610293)

Engine
V8 Petrol - Carburetter
Air Pollution

V8 Twin Carb L/R Petrol

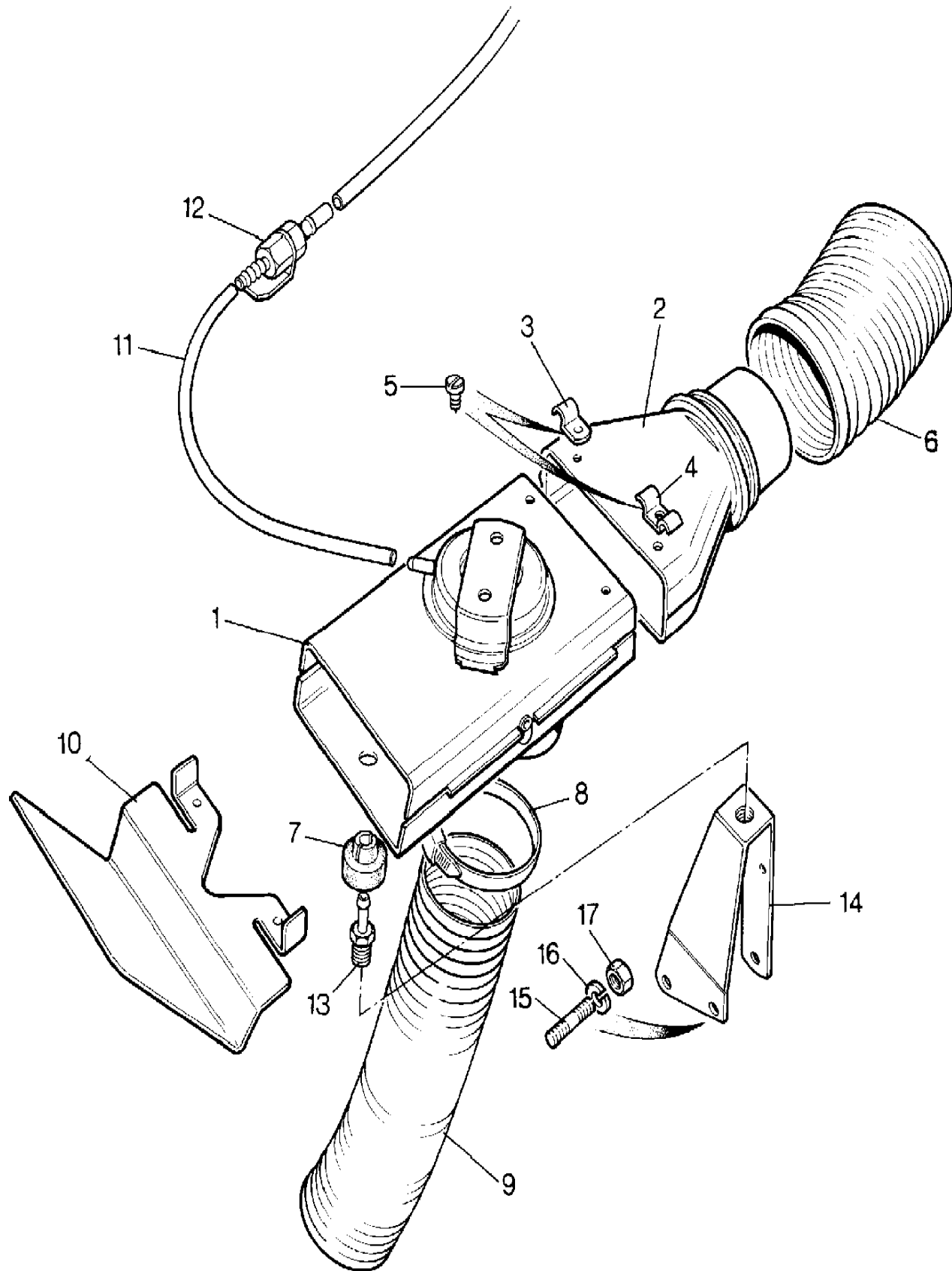
Callout	Name	Application	Remarks & Restrictions	Service No.	Qty
9	Tube	Less Catalyst	26D, 27D, 30D, Engine Code 26D 3.5 V8 PI H/C, Engine Code 27D 3.5 V8 PI H/C, Engine Code 30D 3.5 V8 PI	ETC5918	6



Engine
V8 Petrol - Carburetter
Air Temperature Control 1/2

Range Rover (To HA610293)

(TS6406A)



Range Rover (To HA610293)

Engine
V8 Petrol - Carburetter
Air Temperature Control

V8 Twin Carb L/R Petrol

Callout	Name	Application	Remarks & Restrictions	Service No.	Qty
1	Control unit-air temperature control	Less Catalyst	26D, 27D, Engine Code 26D 3.5 V8 PI H/C, Engine Code 27D 3.5 V8 PI H/C	587653	1
2	Adaptor-cold air intake induction system	Less Catalyst	26D, 27D, Engine Code 26D 3.5 V8 PI H/C, Engine Code 27D 3.5 V8 PI H/C	ERC7075	1
3	Clip	Less Catalyst	26D, 27D, Engine Code 26D 3.5 V8 PI H/C, Engine Code 27D 3.5 V8 PI H/C	614890	1
4	Clip	Less Catalyst	26D, 27D, Engine Code 26D 3.5 V8 PI H/C, Engine Code 27D 3.5 V8 PI H/C	614314	1
5	Screw	Less Catalyst	26D, 27D, Engine Code 26D 3.5 V8 PI H/C, Engine Code 27D 3.5 V8 PI H/C, Self Tapping, 10 x 3/8	AB610031L	4
6	Hose-air cleaner induction system	Less Catalyst	26D, 27D, Engine Code 26D 3.5 V8 PI H/C, Engine Code 27D 3.5 V8 PI H/C	613519	1
7	Grommet	Less Catalyst	26D, 27D, Engine Code 26D 3.5 V8 PI H/C, Engine Code 27D 3.5 V8 PI H/C	603851	1
8	Clip	Less Catalyst	26D, 27D, Engine Code 26D 3.5 V8 PI H/C, Engine Code 27D 3.5 V8 PI H/C	CJ600344	2
9	Hose-cooler to inlet manifold coolant	Less Catalyst	26D, 27D, Engine Code 26D 3.5 V8 PI H/C, Engine Code 27D 3.5 V8 PI H/C	ETC6685	1
10	Deflector-bias control air conditioning	Less Catalyst	26D, 27D, Engine Code 26D 3.5 V8 PI H/C, Engine Code 27D 3.5 V8 PI H/C	ERC7079	1
11	Hose-air cleaner	Less Catalyst	26D, 27D, Engine Code 26D 3.5 V8 PI H/C, Engine Code 27D 3.5 V8 PI H/C	613538	1
12	Valve-air control	Less Catalyst	26D, 27D, Engine Code 26D 3.5 V8 PI H/C, Engine Code 27D 3.5 V8 PI H/C	614866	1
13	Stud	Less Catalyst	26D, 27D, Engine Code 26D 3.5 V8 PI H/C, Engine Code 27D 3.5 V8 PI H/C	603408	1
14	Bracket	Less Catalyst	26D, 27D, Engine Code 26D 3.5 V8 PI H/C, Engine Code 27D 3.5 V8 PI H/C	90613506	1

Engine
V8 Petrol - Carburettor
Air Temperature Control 2/2

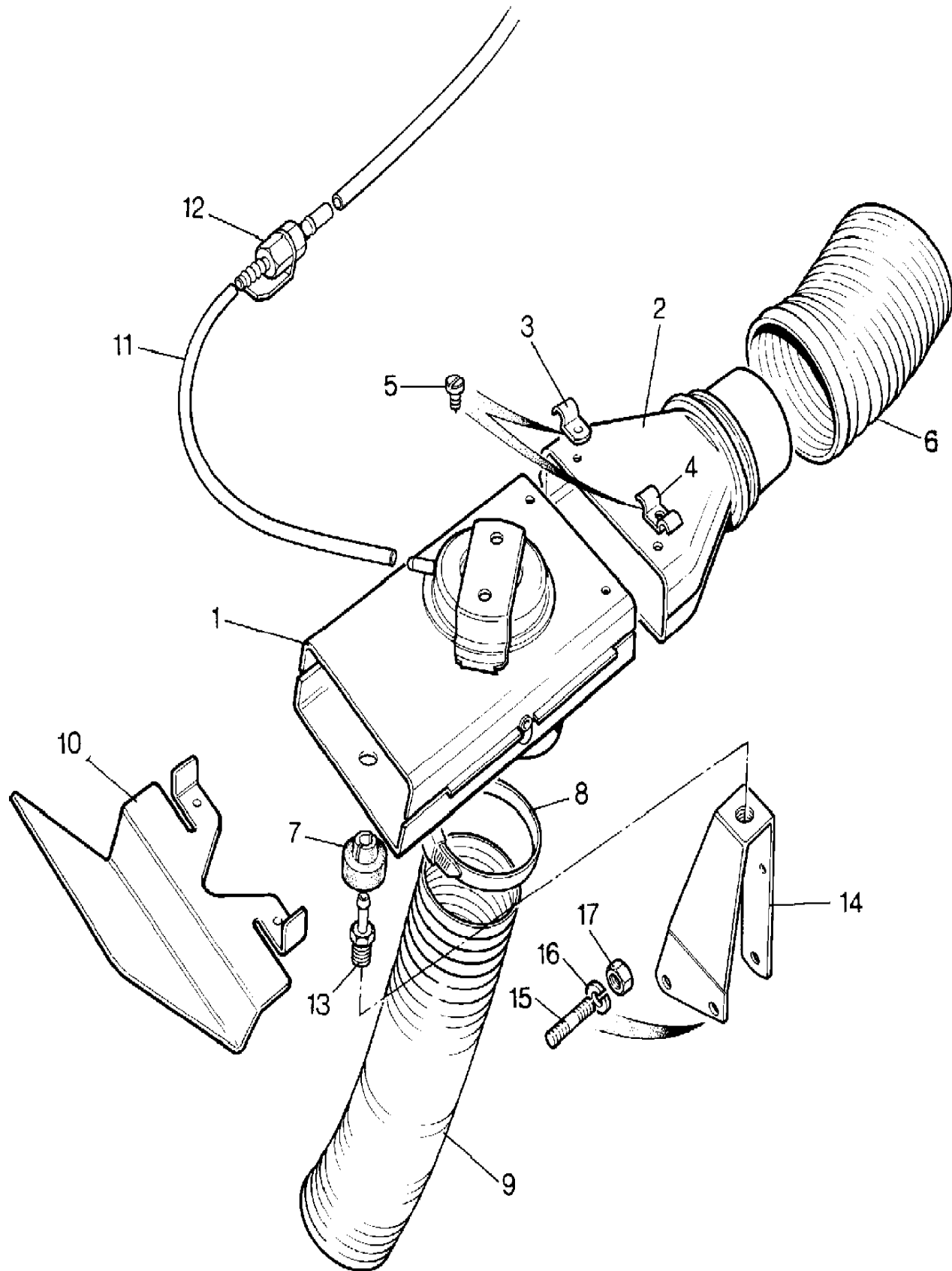
Range Rover (To HA610293)
(TS6406A)

Range Rover (To HA610293)

Engine
V8 Petrol - Carburettor
Air Temperature Control

V8 Twin Carb L/R Petrol

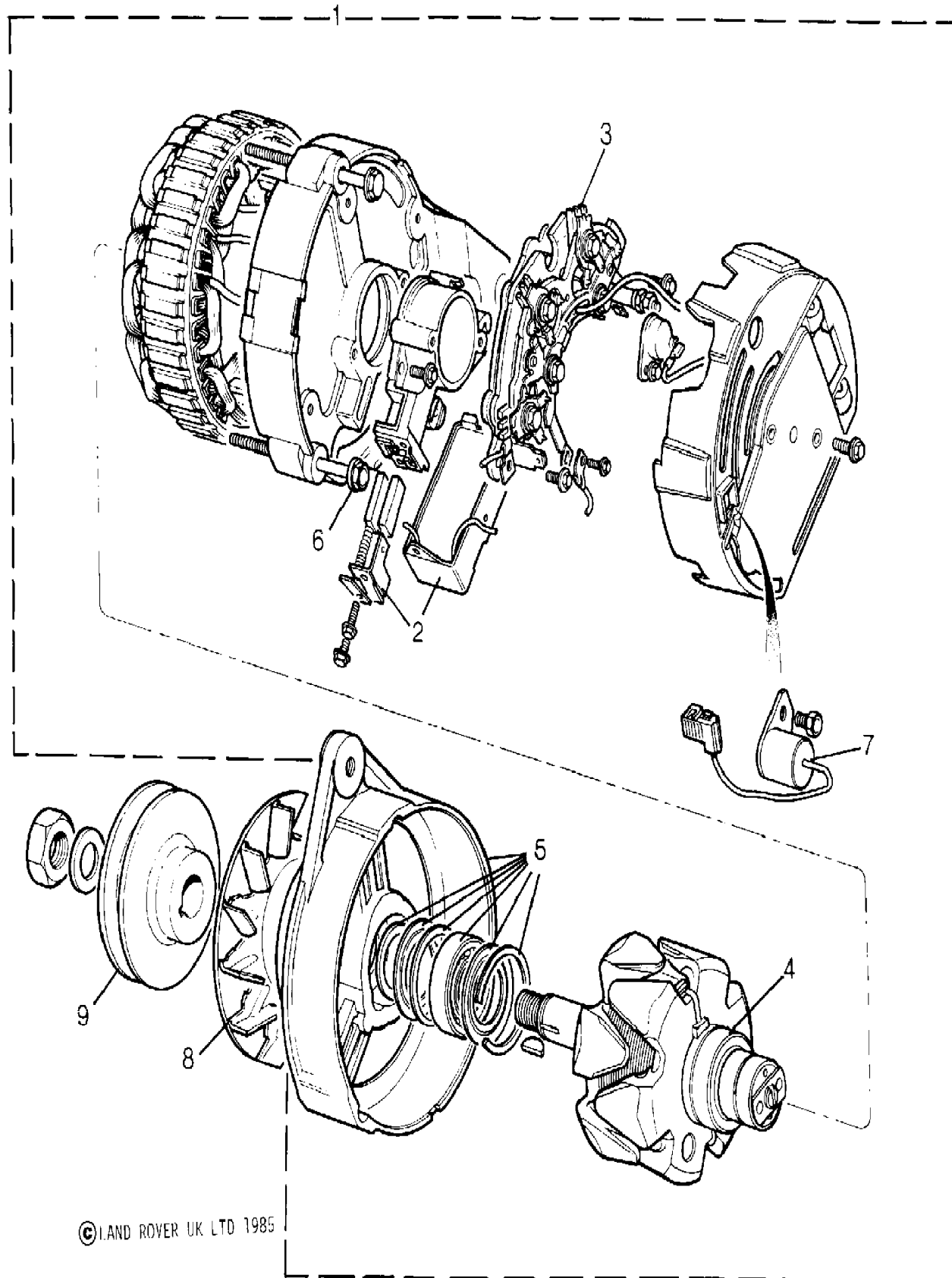
Callout	Name	Application	Remarks & Restrictions	Service No.	Qty
15	Stud	Less Catalyst	26D, 27D, Engine Code 26D 3.5 V8 PI H/C, Engine Code 27D 3.5 V8 PI H/C, 5/16UNC x 1 3/8	252513	1
16	Washer-Spring	Less Catalyst	26D, 27D, Engine Code 26D 3.5 V8 PI H/C, Engine Code 27D 3.5 V8 PI H/C, 1/4 dia, Square	WM600041L	1
17	Nut-hexagonal	Less Catalyst	26D, 27D, Engine Code 26D 3.5 V8 PI H/C, Engine Code 27D 3.5 V8 PI H/C, 5/16UNF	NH505041L	1



Engine
V8 Petrol - Carburetter
Alternator 1/1

Range Rover (To HA610293)

(VS3983)



Range Rover (To HA610293)

Engine
V8 Petrol - Carburetter
Alternator

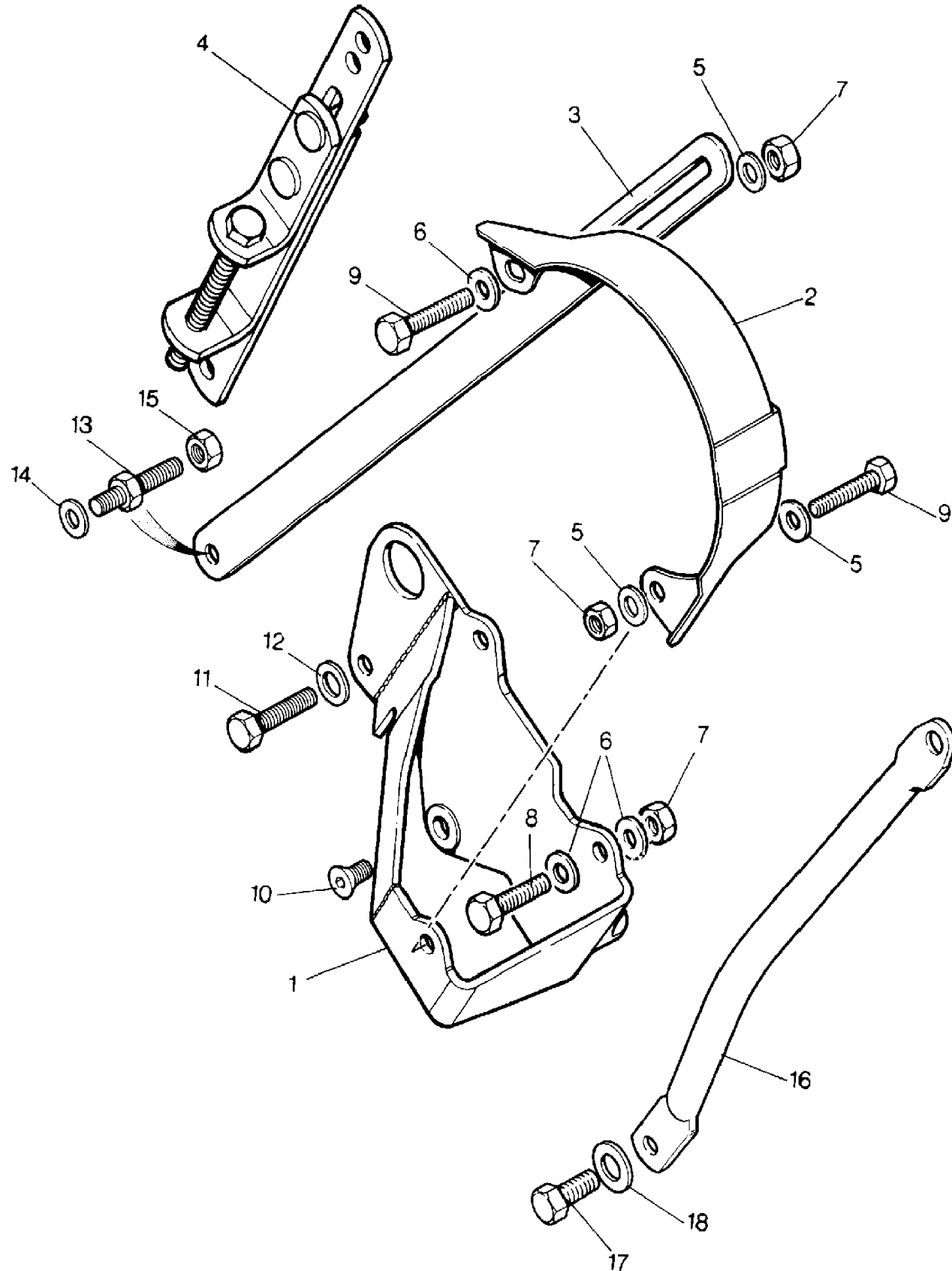
V8 Twin Carb L/R Petrol

Callout	Name	Application	Remarks & Restrictions	Service No.	Qty
1	Alternator assembly	Change point - VIN end, Twin Carb L/R Petrol Change point - VIN begin, Twin Carb L/R Petrol Twin Carb L/R Petrol	Also serviced as part of a kit, New, A127-65 amp Also serviced as part of a kit, RH, New, A127-65 amp Also serviced as part of a kit, RH, exchange, A127-65 amp	RTC5845 RTC5680N RTC5680E	1 1 1
2	Regulator & brush box assembly alternator	Change point - VIN end, Twin Carb L/R Petrol	Also serviced as part of a kit	RTC5670	1
3	Rectifier-alternator	Change point - VIN end, Twin Carb L/R Petrol	Also serviced as part of a kit	RTC5671	1
4	Bearing-alternator front	Change point - VIN end, Twin Carb L/R Petrol	Also serviced as part of a kit	RTC5047	1
5	Bracket-drive end c/w bearing alternator e	Change point - VIN end, Twin Carb L/R Petrol	Also serviced as part of a kit, RH	RTC5687	1
6	Kit-fixings alternator/vacuum pump	Change point - VIN end, Twin Carb L/R Petrol	Also serviced as part of a kit, RH	RTC5046	1
7	Capacitor alternator	Change point - VIN end, Twin Carb L/R Petrol	Also serviced as part of a kit	RTC6114	1
8	Fan Alternator	Twin Carb L/R Petrol Twin Carb L/R Petrol	133/65 amp 127/65 amp	AAU2249 605410	1 1
9	Pulley Assy - Alternator	Twin Carb L/R Petrol	68mm, 127/65 amp	ETC9083	1
[900]	Belt-polyvee alternator	Twin Carb L/R Petrol		ETC7899	1

Engine
V8 Petrol - Carburetter
Alternator Mountings 1/1

Range Rover (To HA610293)

(TS6501)



Range Rover (To HA610293)

Engine
V8 Petrol - Carburetter
Alternator Mountings

V8 Twin Carb L/R Petrol

Callout	Name	Application	Remarks & Restrictions	Service No.	Qty
1	Bracket-mounting-alternator	Twin Carb L/R Petrol	65 AMP	ETC5576	1
2	Guard-fan alternator	Twin Carb L/R Petrol Twin Carb L/R Petrol	65 AMP 80 AMP	ETC8441 ETC8440	1 1
3	Link-adjuster alternator	Change point - Engine end SEP 90, Twin Carb L/R Petrol		ETC6291	1
4	Link-adjuster alternator	Change point - Engine begin SEP 90, Twin Carb L/R Petrol		ERR1574	1
5	Washer-Plain	Twin Carb L/R Petrol		4594L	1
6	Washer	Twin Carb L/R Petrol	8MM	WA108051L	8
7	Nut - Hex.		M8, hexagonal head	NH108041L	3
8	Screw	Twin Carb L/R Petrol	hexagonal head, M8 x 45	SH108451L	1
9	Screw		hexagonal head, M8 x 40	SH108401L	2
10	Screw	Twin Carb L/R Petrol	3/8UNC x 1	ETC8765	1
11	Screw	Twin Carb L/R Petrol	hexagonal head, 3/8UNC x 7/8	SH506071L	1
12	Washer	Twin Carb L/R Petrol	3/8", Square	WM600061L	1
13	Support-adjuster link alternator	Twin Carb L/R Petrol		ETC7208	1
14	Washer	Twin Carb L/R Petrol	8MM	WA108051L	1
15	Nut - Hex.	Twin Carb L/R Petrol	M8, hexagonal head	NH108041L	1
16	Strut-alternator	Twin Carb L/R Petrol	65 AMP	ETC8579	1
17	Screw	Twin Carb L/R Petrol	hexagonal head, 3/8UNC x 1 1/4	SH506101L	1
18	Washer	Twin Carb L/R Petrol	M10	WA110061L	1
[900]	Grommet	Twin Carb L/R Petrol		ERC5830	2
[901]	Bush	Twin Carb L/R Petrol		ETC8559	2

Engine
V8 Petrol - Carburetter
Breather Filter & Flame Trap 1/1

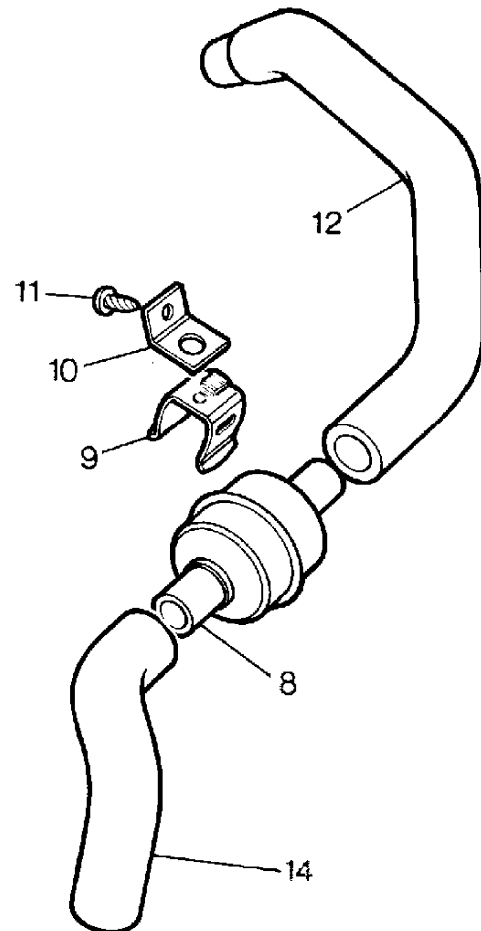
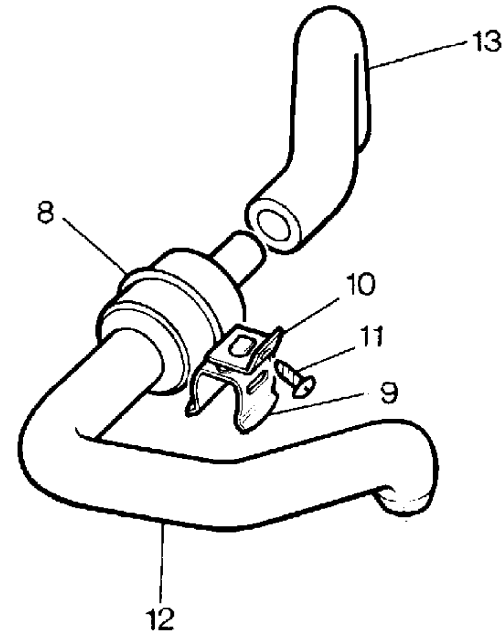
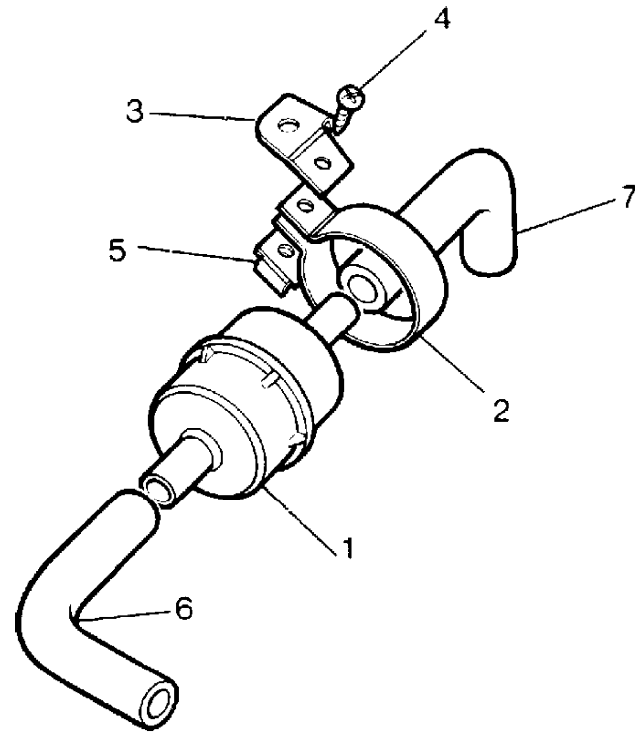
Range Rover (To HA610293)
(M890V)

Range Rover (To HA610293)

Engine
V8 Petrol - Carburetter
Breather Filter & Flame Trap

V8 Twin Carb L/R Petrol

Callout	Name	Application	Remarks & Restrictions	Service No.	Qty
1	Filter assembly-in line fuel lines	Change point - VIN end HA610293, Twin Carb L/R Petrol		606168	1
2	Clip	Twin Carb L/R Petrol		613805	1
3	Bracket	Twin Carb L/R Petrol		610025	1
4	Screw	Twin Carb L/R Petrol		AB610061	1
5	Nut-spire	Twin Carb L/R Petrol		RTC3725	1
6	Hose-crankcase breather flexible	Twin Carb L/R Petrol		611109	1
7	Hose-crankcase breather flexible	Twin Carb L/R Petrol		611110	1
8	Flame trap-crankcase breather	Twin Carb L/R Petrol		603330	2
		Twin Carb L/R Petrol		ETC7188	2
9	Clip	Twin Carb L/R Petrol		603376	2
10	Bracket	Twin Carb L/R Petrol		611351	2
11	Screw	Twin Carb L/R Petrol	Self Tapping, 10 x 3/8	AB610031L	2
12	Hose-carburettor fuel pipe	Twin Carb L/R Petrol	Use With 'Solex' Carburettors, LH	90611112	2
		Twin Carb L/R Petrol	Use With 'SU' Carburettors, LH	613402	2
13	Hose-feed fuel tank	Twin Carb L/R Petrol	Use With 'Solex' Carburettors	611113	1
		Twin Carb L/R Petrol	Use With 'SU' Carburettors, RH	611092	1
14	Hose assembly-breather	Twin Carb L/R Petrol	Use With 'Solex' Carburettors, LH	611114	1
		Twin Carb L/R Petrol	Use With 'SU' Carburettors	613718	1
[900]	Hose assembly fuel	Twin Carb L/R Petrol	Use With 'Solex' Carburettors, trap to carburetter, RH	ERC3931	1
[901]	Hose Breather	Twin Carb L/R Petrol	Use With 'SU' Carburettors, trap to carburetter, RH	611097	1
[902]	Clip-p	Twin Carb L/R Petrol	3/4"	AEU1446	2
[903]	Washer	Twin Carb L/R Petrol		WA702101L	2



Engine
V8 Petrol - Carburetter
Camshaft 1/1

Range Rover (To HA610293)

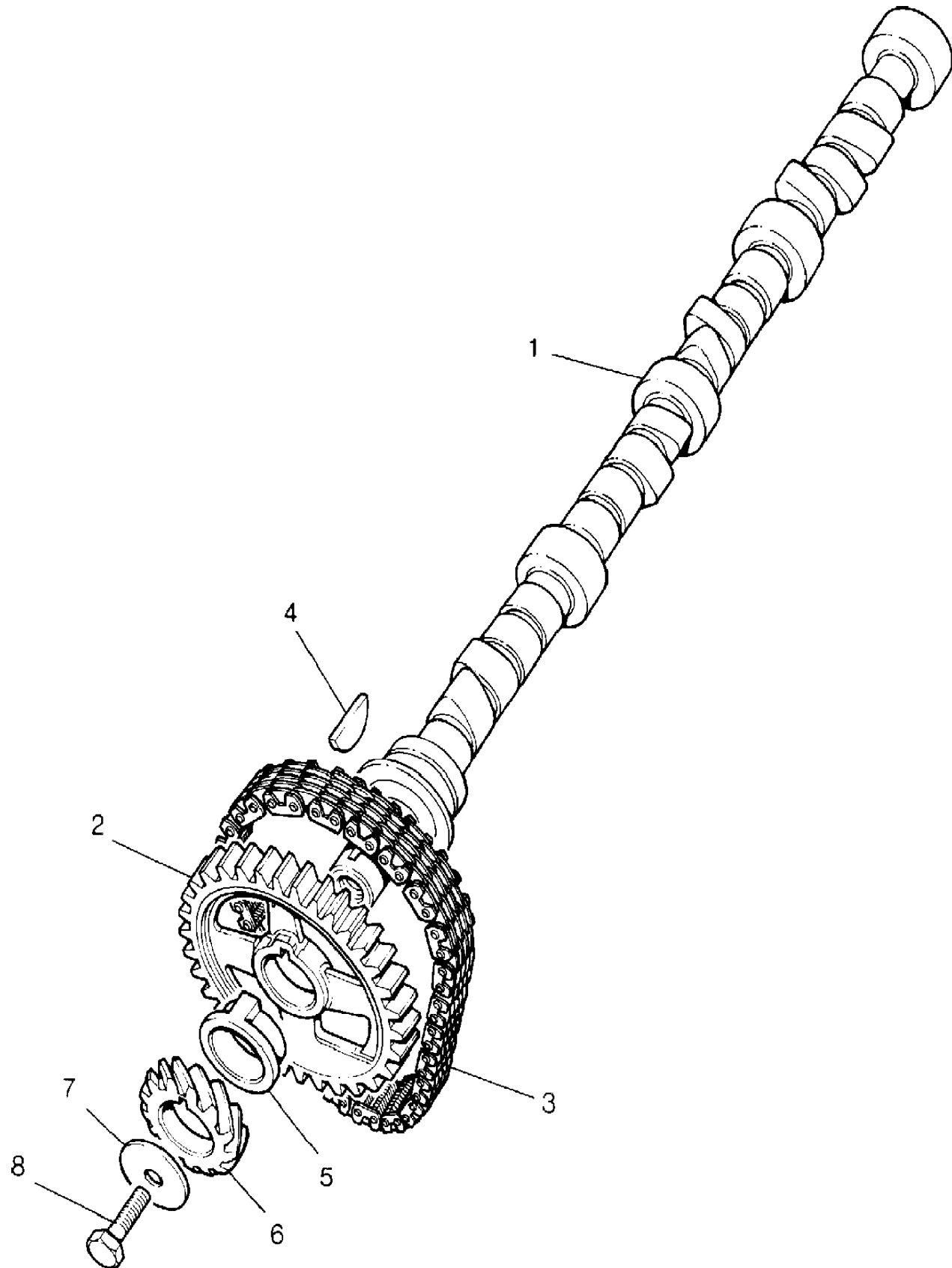
(4RE173)

Range Rover (To HA610293)

Engine
V8 Petrol - Carburetter
Camshaft

V8 Twin Carb L/R Petrol

Callout	Name	Application	Remarks & Restrictions	Service No.	Qty
1	Camshaft-engine	Less Catalyst	26D, 27D, Engine Code 26D 3.5 V8 PI H/C, Engine Code 27D 3.5 V8 PI H/C	ETC6849	1
		5 Speed Manual Transmission, Less Catalyst	30D, 28D, 29D, Engine Code 28D 3.5 V8 PI Manual, Engine Code 29D 3.5 V8 PI Auto, Engine Code 30D 3.5 V8 PI	ETC6850	1
		4 Speed Automatic Transmissions, Less Catalyst	30D, 28D, 29D, Engine Code 28D 3.5 V8 PI Manual, Engine Code 29D 3.5 V8 PI Auto, Engine Code 30D 3.5 V8 PI	ETC6850	1
2	Sprocket-camshaft	Twin Carb L/R Petrol		610289	1
3	Chain-engine timing	Twin Carb L/R Petrol		ERC7929	1
4	Key-camshaft location	Twin Carb L/R Petrol		ERC2838	1
5	Spacer	Twin Carb L/R Petrol		ERC2839	1
6	Gear-drive-distributor	Twin Carb L/R Petrol		614188	1
7	Washer-Plain	Twin Carb L/R Petrol		ERC6552	1
8	Bolt	Less Catalyst	26D, 27D, Engine Code 26D 3.5 V8 PI H/C, Engine Code 27D 3.5 V8 PI H/C, M12 x 30	ERC5749	1
		5 Speed Manual Transmission, Less Catalyst	30D, 28D, 29D, Engine Code 28D 3.5 V8 PI Manual, Engine Code 29D 3.5 V8 PI Auto, Engine Code 30D 3.5 V8 PI, 7/16UNC x 1 1/8	602227	1
		4 Speed Automatic Transmissions, Less Catalyst	30D, 28D, 29D, Engine Code 28D 3.5 V8 PI Manual, Engine Code 29D 3.5 V8 PI Auto, Engine Code 30D 3.5 V8 PI, 7/16UNC x 1 1/8	602227	1



Engine
V8 Petrol - Carburettor
Carburettor & Components-SU 1/5

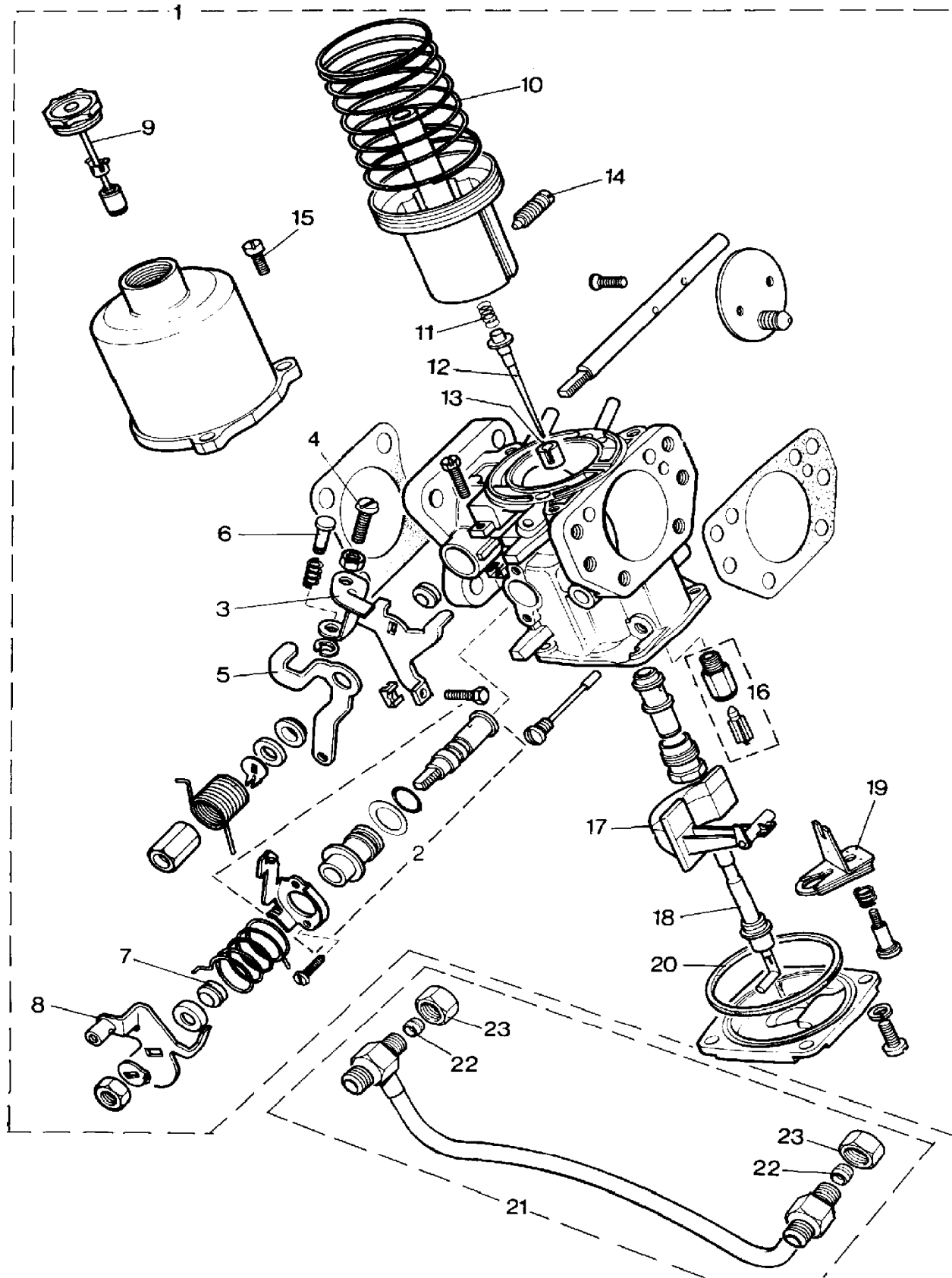
Range Rover (To HA610293)

(TS6360)

Range Rover (To HA610293)

Engine
V8 Petrol - Carburettor
Carburettor & Components-SU

V8 Twin Carb L/R Petrol



Callout	Name	Application	Remarks & Restrictions	Service No.	Qty
1	Carburettor-engine	5 Speed Manual Transmission, Less Catalyst	30D, 28D, 29D, Also serviced as part of a kit, Engine Code 28D 3.5 V8 PI Manual, Engine Code 29D 3.5 V8 PI Auto, Engine Code 30D 3.5 V8 PI, S.U., LH	ETC7122	1
		4 Speed Automatic Transmissions, Less Catalyst	30D, 28D, 29D, Also serviced as part of a kit, Engine Code 28D 3.5 V8 PI Manual, Engine Code 29D 3.5 V8 PI Auto, Engine Code 30D 3.5 V8 PI, S.U., LH	ETC7122	1
		Less Catalyst	26D, 27D, Also serviced as part of a kit, Engine Code 26D 3.5 V8 PI H/C, Engine Code 27D 3.5 V8 PI H/C, LH	ETC7124	1
		5 Speed Manual Transmission, Less Catalyst	30D, 28D, 29D, Also serviced as part of a kit, RH, Engine Code 28D 3.5 V8 PI Manual, Engine Code 29D 3.5 V8 PI Auto, Engine Code 30D 3.5 V8 PI, S.U.	ETC7123	1
		4 Speed Automatic Transmissions, Less Catalyst	30D, 28D, 29D, Also serviced as part of a kit, RH, Engine Code 28D 3.5 V8 PI Manual, Engine Code 29D 3.5 V8 PI Auto, Engine Code 30D 3.5 V8 PI, S.U.	ETC7123	1
		Less Catalyst	26D, 27D, Also serviced as part of a kit, RH, Engine Code 26D 3.5 V8 PI H/C, Engine Code 27D 3.5 V8 PI H/C	ETC7125	1
2	Body-carburettor	5 Speed Manual Transmission, Less Catalyst	30D, 28D, 29D, Also serviced as part of a kit, Engine Code 28D 3.5 V8 PI Manual, Engine Code 29D 3.5 V8 PI Auto, Engine Code 30D 3.5 V8 PI, LH	STC509	1
		4 Speed Automatic Transmissions, Less Catalyst	30D, 28D, 29D, Also serviced as part of a kit, Engine Code 28D 3.5 V8 PI Manual, Engine Code 29D 3.5 V8 PI Auto, Engine Code 30D 3.5 V8 PI, LH	STC509	1
		5 Speed Manual Transmission, Less Catalyst	30D, 28D, 29D, Also serviced as part of a kit, RH, Engine Code 28D 3.5 V8 PI Manual, Engine Code 29D 3.5 V8 PI Auto, Engine Code 30D 3.5 V8 PI	STC510	1
		4 Speed Automatic Transmissions, Less Catalyst	30D, 28D, 29D, Also serviced as part of a kit, RH, Engine Code 28D 3.5 V8 PI Manual, Engine Code 29D 3.5 V8 PI Auto, Engine Code 30D 3.5 V8 PI	STC510	1

Engine
V8 Petrol - Carburettor
Carburettor & Components-SU 2/5

Range Rover (To HA610293)

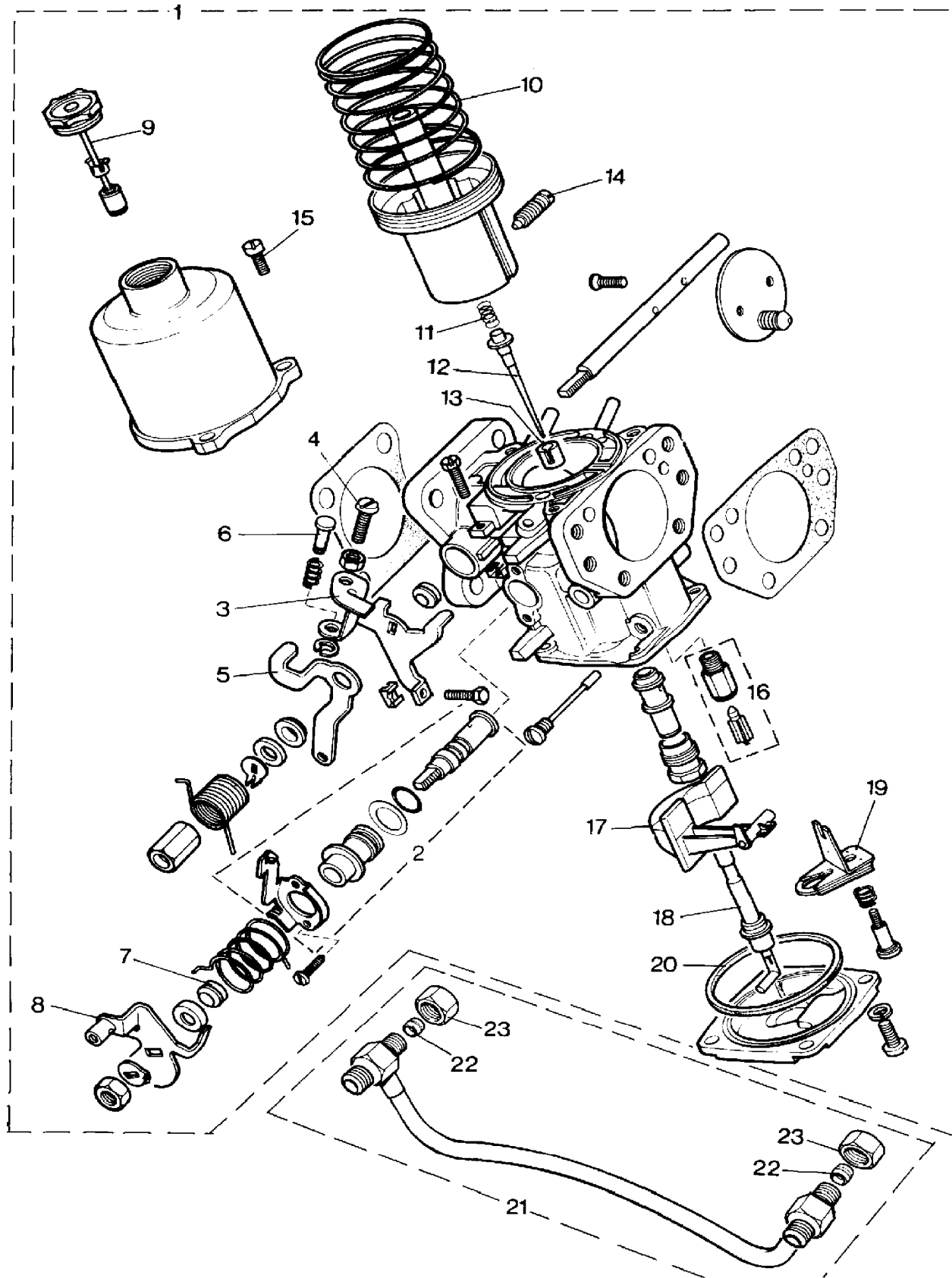
(TS6360)

Range Rover (To HA610293)

Engine
V8 Petrol - Carburettor
Carburettor & Components-SU

V8 Twin Carb L/R Petrol

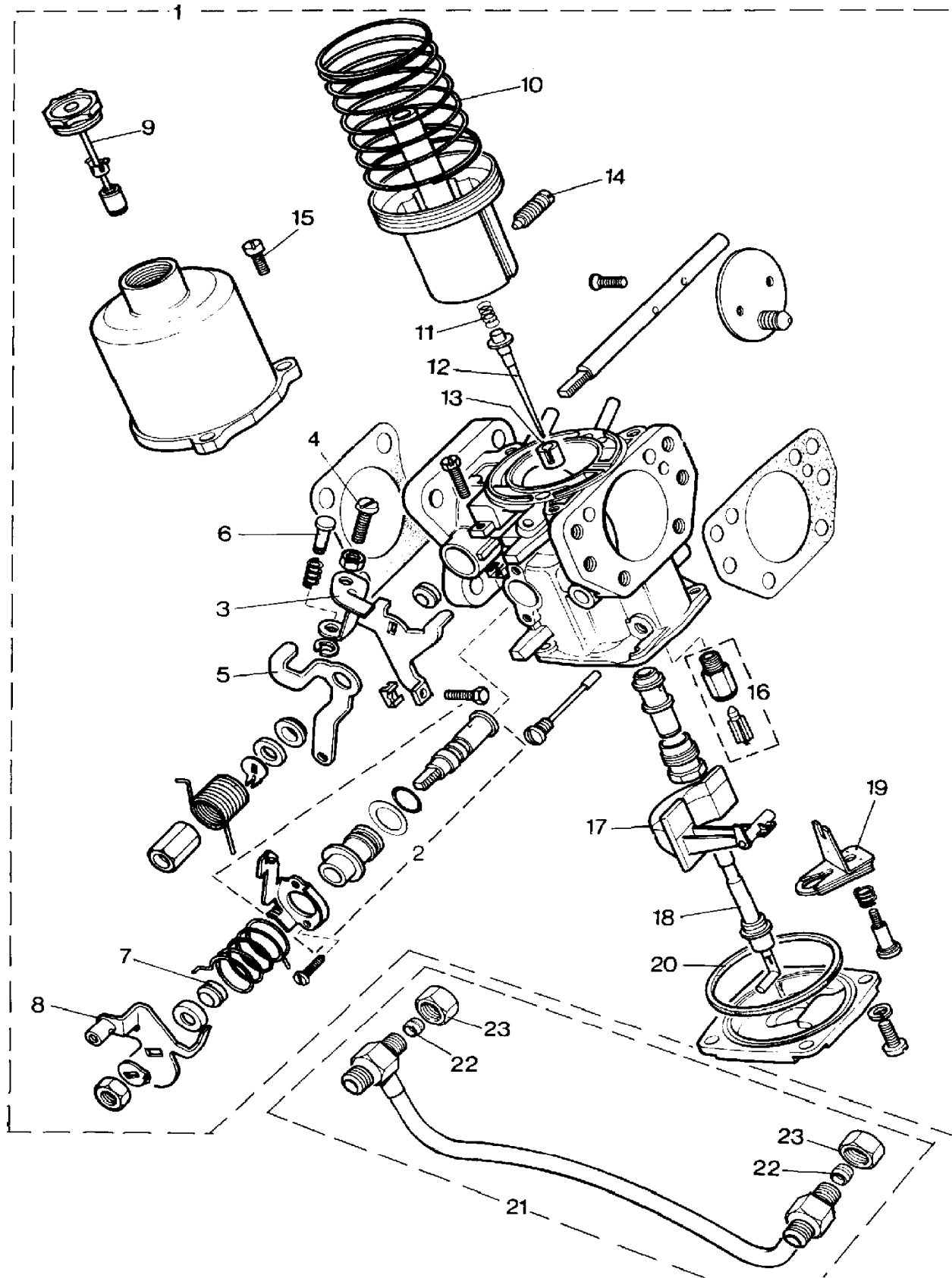
Callout	Name	Application	Remarks & Restrictions	Service No.	Qty
3	Level-carburettor throttle	5 Speed Manual Transmission, Less Catalyst	30D, 28D, 29D, Also serviced as part of a kit, Engine Code 28D 3.5 V8 PI Manual, Engine Code 29D 3.5 V8 PI Auto, Engine Code 30D 3.5 V8 PI	LZX2107L	1
		4 Speed Automatic Transmissions, Less Catalyst	30D, 28D, 29D, Also serviced as part of a kit, Engine Code 28D 3.5 V8 PI Manual, Engine Code 29D 3.5 V8 PI Auto, Engine Code 30D 3.5 V8 PI	LZX2107L	1
4	Screw-carburettor fast idle adjusting	5 Speed Manual Transmission, Less Catalyst	30D, 28D, 29D, Also serviced as part of a kit, Engine Code 28D 3.5 V8 PI Manual, Engine Code 29D 3.5 V8 PI Auto, Engine Code 30D 3.5 V8 PI	JZX1303L	2
		4 Speed Automatic Transmissions, Less Catalyst	30D, 28D, 29D, Also serviced as part of a kit, Engine Code 28D 3.5 V8 PI Manual, Engine Code 29D 3.5 V8 PI Auto, Engine Code 30D 3.5 V8 PI	JZX1303L	2
5	Clip	5 Speed Manual Transmission, Less Catalyst	30D, 28D, 29D, Also serviced as part of a kit, Engine Code 28D 3.5 V8 PI Manual, Engine Code 29D 3.5 V8 PI Auto, Engine Code 30D 3.5 V8 PI	AUD4771L	2
		4 Speed Automatic Transmissions, Less Catalyst	30D, 28D, 29D, Also serviced as part of a kit, Engine Code 28D 3.5 V8 PI Manual, Engine Code 29D 3.5 V8 PI Auto, Engine Code 30D 3.5 V8 PI	AUD4771L	2
6	Screw-carburettor slow run adjusting	5 Speed Manual Transmission, Less Catalyst	30D, 28D, 29D, Also serviced as part of a kit, Engine Code 28D 3.5 V8 PI Manual, Engine Code 29D 3.5 V8 PI Auto, Engine Code 30D 3.5 V8 PI	JZX1181L	2
		4 Speed Automatic Transmissions, Less Catalyst	30D, 28D, 29D, Also serviced as part of a kit, Engine Code 28D 3.5 V8 PI Manual, Engine Code 29D 3.5 V8 PI Auto, Engine Code 30D 3.5 V8 PI	JZX1181L	2
8	Lever-carburettor camshaft	5 Speed Manual Transmission, Less Catalyst	30D, 28D, 29D, Also serviced as part of a kit, Engine Code 28D 3.5 V8 PI Manual, Engine Code 29D 3.5 V8 PI Auto, Engine Code 30D 3.5 V8 PI, LH	LZX1988L	1



Engine
V8 Petrol - Carburettor
Carburettor & Components-SU 3/5

Range Rover (To HA610293)

(TS6360)



Range Rover (To HA610293)

Engine
V8 Petrol - Carburettor
Carburettor & Components-SU

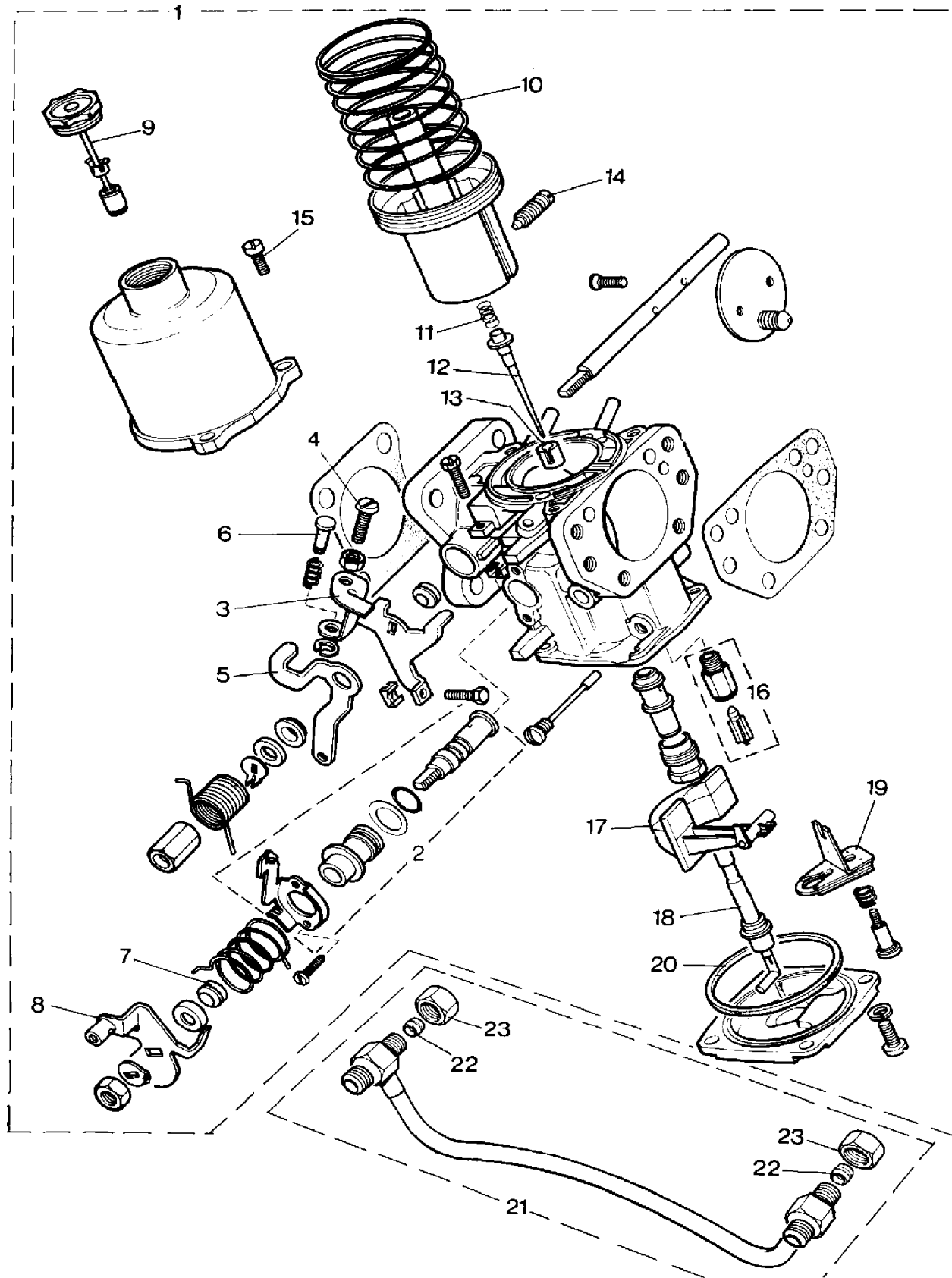
V8 Twin Carb L/R Petrol

Callout	Name	Application	Remarks & Restrictions	Service No.	Qty
8	Lever-carburettor camshaft	4 Speed Automatic Transmissions, Less Catalyst	30D, 28D, 29D, Also serviced as part of a kit, Engine Code 28D 3.5 V8 PI Manual, Engine Code 29D 3.5 V8 PI Auto, Engine Code 30D 3.5 V8 PI, LH	LZX1988L	1
		5 Speed Manual Transmission, Less Catalyst	30D, 28D, 29D, Also serviced as part of a kit, RH, Engine Code 28D 3.5 V8 PI Manual, Engine Code 29D 3.5 V8 PI Auto, Engine Code 30D 3.5 V8 PI	LZX1989L	1
		4 Speed Automatic Transmissions, Less Catalyst	30D, 28D, 29D, Also serviced as part of a kit, RH, Engine Code 28D 3.5 V8 PI Manual, Engine Code 29D 3.5 V8 PI Auto, Engine Code 30D 3.5 V8 PI	LZX1989L	1
9	Damper assembly-carburettor	5 Speed Manual Transmission, Less Catalyst	30D, 28D, 29D, Also serviced as part of a kit, Engine Code 28D 3.5 V8 PI Manual, Engine Code 29D 3.5 V8 PI Auto, Engine Code 30D 3.5 V8 PI	LZX1505	2
		4 Speed Automatic Transmissions, Less Catalyst	30D, 28D, 29D, Also serviced as part of a kit, Engine Code 28D 3.5 V8 PI Manual, Engine Code 29D 3.5 V8 PI Auto, Engine Code 30D 3.5 V8 PI	LZX1505	2
10	Spring-carburettor yellow piston	5 Speed Manual Transmission, Less Catalyst	30D, 28D, 29D, Also serviced as part of a kit, Engine Code 28D 3.5 V8 PI Manual, Engine Code 29D 3.5 V8 PI Auto, Engine Code 30D 3.5 V8 PI	AUD4398L	2
		4 Speed Automatic Transmissions, Less Catalyst	30D, 28D, 29D, Also serviced as part of a kit, Engine Code 28D 3.5 V8 PI Manual, Engine Code 29D 3.5 V8 PI Auto, Engine Code 30D 3.5 V8 PI	AUD4398L	2
11	Spring-carburettor jet needle	5 Speed Manual Transmission, Less Catalyst	30D, 28D, 29D, Also serviced as part of a kit, Engine Code 28D 3.5 V8 PI Manual, Engine Code 29D 3.5 V8 PI Auto, Engine Code 30D 3.5 V8 PI	AUD3306L	2
		4 Speed Automatic Transmissions, Less Catalyst	30D, 28D, 29D, Also serviced as part of a kit, Engine Code 28D 3.5 V8 PI Manual, Engine Code 29D 3.5 V8 PI Auto, Engine Code 30D 3.5 V8 PI	AUD3306L	2

Engine
V8 Petrol - Carburettor
Carburettor & Components-SU 4/5

Range Rover (To HA610293)

(TS6360)



Range Rover (To HA610293)

Engine
V8 Petrol - Carburettor
Carburettor & Components-SU

V8 Twin Carb L/R Petrol

Callout	Name	Application	Remarks & Restrictions	Service No.	Qty
12	Needle assembly-carburettor jet	5 Speed Manual Transmission, Less Catalyst	30D, 28D, 29D, Also serviced as part of a kit, Engine Code 28D 3.5 V8 PI Manual, Engine Code 29D 3.5 V8 PI Auto, Engine Code 30D 3.5 V8 PI	NZX8076L	2
		4 Speed Automatic Transmissions, Less Catalyst	30D, 28D, 29D, Also serviced as part of a kit, Engine Code 28D 3.5 V8 PI Manual, Engine Code 29D 3.5 V8 PI Auto, Engine Code 30D 3.5 V8 PI	NZX8076L	2
13	Guide-carburettor jet needle	5 Speed Manual Transmission, Less Catalyst	30D, 28D, 29D, Also serviced as part of a kit, Engine Code 28D 3.5 V8 PI Manual, Engine Code 29D 3.5 V8 PI Auto, Engine Code 30D 3.5 V8 PI	JZX1039L	2
		4 Speed Automatic Transmissions, Less Catalyst	30D, 28D, 29D, Also serviced as part of a kit, Engine Code 28D 3.5 V8 PI Manual, Engine Code 29D 3.5 V8 PI Auto, Engine Code 30D 3.5 V8 PI	JZX1039L	2
15	Screw	5 Speed Manual Transmission, Less Catalyst	30D, 28D, 29D, Also serviced as part of a kit, Engine Code 28D 3.5 V8 PI Manual, Engine Code 29D 3.5 V8 PI Auto, Engine Code 30D 3.5 V8 PI	JZX1394L	6
		4 Speed Automatic Transmissions, Less Catalyst	30D, 28D, 29D, Also serviced as part of a kit, Engine Code 28D 3.5 V8 PI Manual, Engine Code 29D 3.5 V8 PI Auto, Engine Code 30D 3.5 V8 PI	JZX1394L	6
16	Needle & seat assembly-carburettor float			STC205	1
17	Float-carburettor	5 Speed Manual Transmission, Less Catalyst	30D, 28D, 29D, Also serviced as part of a kit, Engine Code 28D 3.5 V8 PI Manual, Engine Code 29D 3.5 V8 PI Auto, Engine Code 30D 3.5 V8 PI, LH	RTC3566	1
		4 Speed Automatic Transmissions, Less Catalyst	30D, 28D, 29D, Also serviced as part of a kit, Engine Code 28D 3.5 V8 PI Manual, Engine Code 29D 3.5 V8 PI Auto, Engine Code 30D 3.5 V8 PI, LH	RTC3566	1
		5 Speed Manual Transmission, Less Catalyst	30D, 28D, 29D, Also serviced as part of a kit, RH, Engine Code 28D 3.5 V8 PI Manual, Engine Code 29D 3.5 V8 PI Auto, Engine Code 30D 3.5 V8 PI	LZX1600L	1

Engine
V8 Petrol - Carburettor
Carburettor & Components-SU 5/5

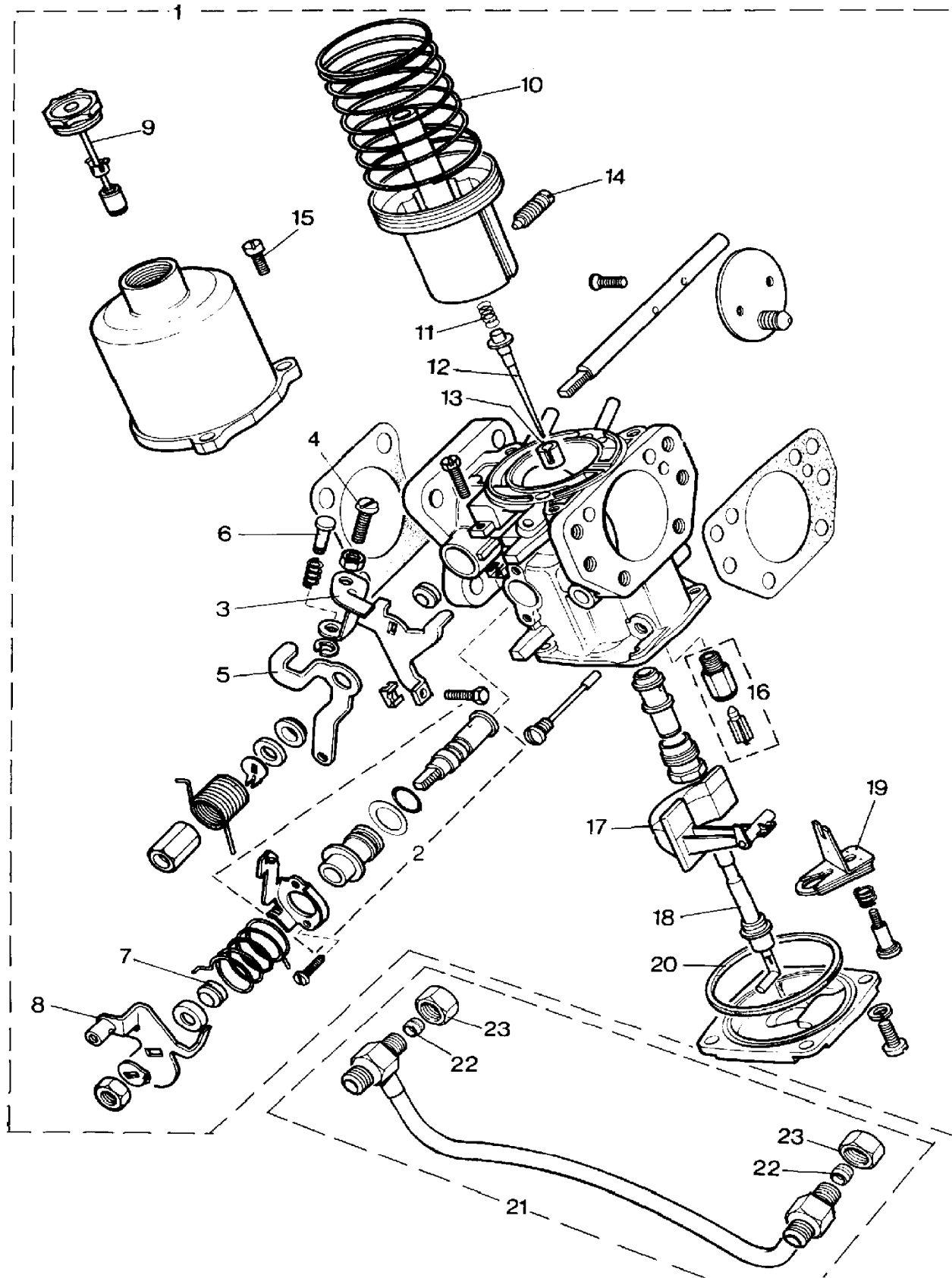
Range Rover (To HA610293)

(TS6360)

Range Rover (To HA610293)

Engine
V8 Petrol - Carburettor
Carburettor & Components-SU

V8 Twin Carb L/R Petrol



Callout	Name	Application	Remarks & Restrictions	Service No.	Qty
17	Float-carburettor	4 Speed Automatic Transmissions, Less Catalyst	30D, 28D, 29D, Also serviced as part of a kit, RH, Engine Code 28D 3.5 V8 PI Manual, Engine Code 29D 3.5 V8 PI Auto, Engine Code 30D 3.5 V8 PI	LZX1600L	1
18	Jet-carburettor	5 Speed Manual Transmission, Less Catalyst	30D, 28D, 29D, Also serviced as part of a kit, Engine Code 28D 3.5 V8 PI Manual, Engine Code 29D 3.5 V8 PI Auto, Engine Code 30D 3.5 V8 PI, LH	CUD2788L	1
		4 Speed Automatic Transmissions, Less Catalyst	30D, 28D, 29D, Also serviced as part of a kit, Engine Code 28D 3.5 V8 PI Manual, Engine Code 29D 3.5 V8 PI Auto, Engine Code 30D 3.5 V8 PI, LH	CUD2788L	1
		5 Speed Manual Transmission, Less Catalyst	30D, 28D, 29D, Also serviced as part of a kit, RH, Engine Code 28D 3.5 V8 PI Manual, Engine Code 29D 3.5 V8 PI Auto, Engine Code 30D 3.5 V8 PI	CUD2785L	1
		4 Speed Automatic Transmissions, Less Catalyst	30D, 28D, 29D, Also serviced as part of a kit, RH, Engine Code 28D 3.5 V8 PI Manual, Engine Code 29D 3.5 V8 PI Auto, Engine Code 30D 3.5 V8 PI	CUD2785L	1
19	Bimetal assembly-carburettor choke	5 Speed Manual Transmission, Less Catalyst	30D, 28D, 29D, Also serviced as part of a kit, Engine Code 28D 3.5 V8 PI Manual, Engine Code 29D 3.5 V8 PI Auto, Engine Code 30D 3.5 V8 PI	CUD2399L	2
		4 Speed Automatic Transmissions, Less Catalyst	30D, 28D, 29D, Also serviced as part of a kit, Engine Code 28D 3.5 V8 PI Manual, Engine Code 29D 3.5 V8 PI Auto, Engine Code 30D 3.5 V8 PI	CUD2399L	2
21	Pipe-feed-fuel lines		Also serviced as part of a kit	ETC7127	1
22	Olive		Also serviced as part of a kit	612064	2
23	Nut - Hex.		Also serviced as part of a kit, 7/16UNF	534790	2
[900]	Kit-carburettor seal	Twin Carb L/R Petrol		RTC6072	1
[901]	Kit-gasket	Twin Carb L/R Petrol		WZX1505	1

Engine
V8 Petrol - Carburettor
Carburettor Adaptors 1/1

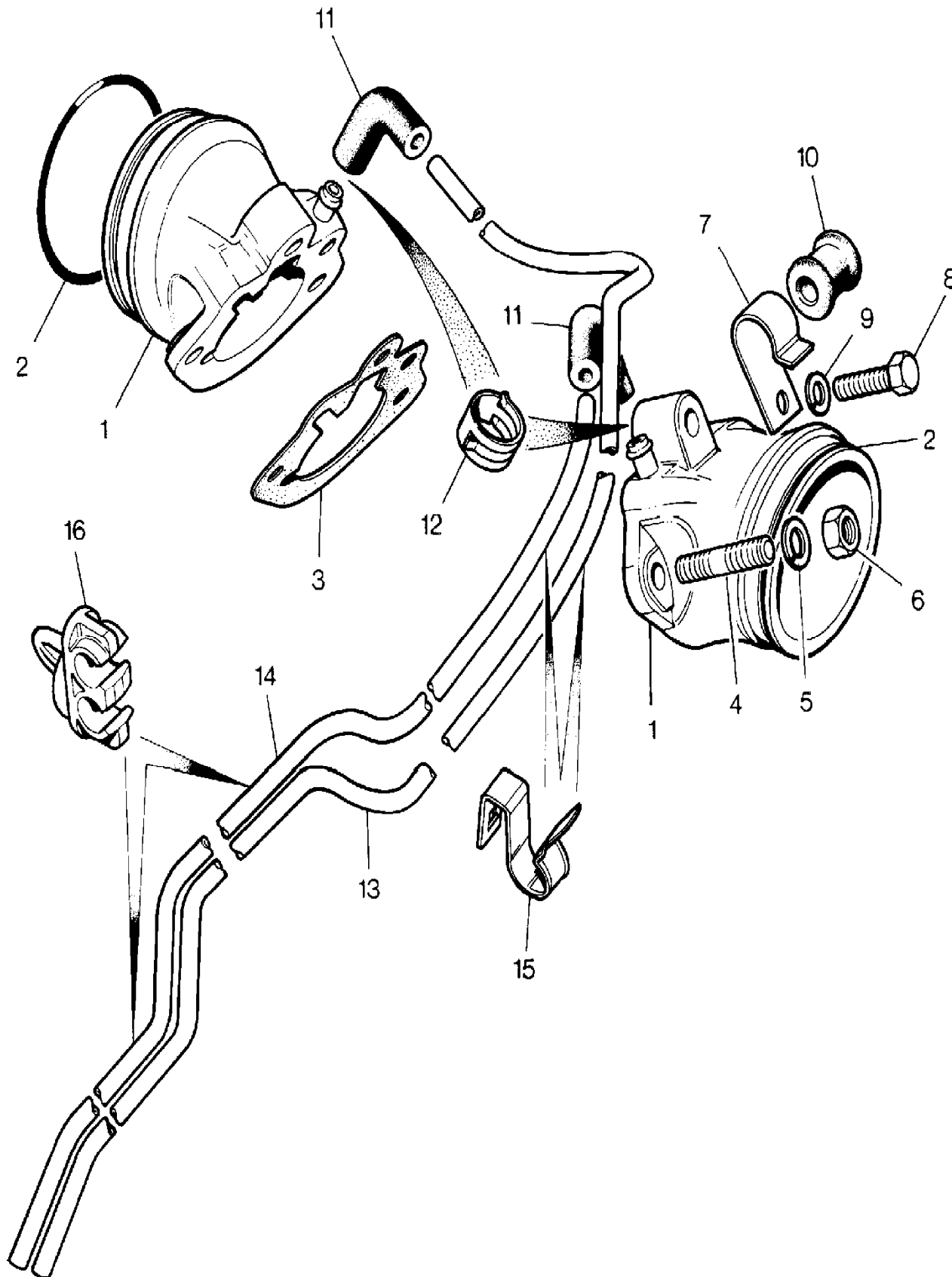
Range Rover (To HA610293)
(4RE183)

Engine
V8 Petrol - Carburettor
Carburettor Adaptors

Range Rover (To HA610293)

V8 Twin Carb L/R Petrol

Callout	Name	Application	Remarks & Restrictions	Service No.	Qty
1	Adaptor-carburettor		Use With 'Solex' Carburettors	ERC9213	2
			Use With 'SU' Carburettors	ETC7126	2
2	O Ring			602634	2
3	Gasket-carburettor		Use With 'Solex' Carburettors, gasket to carburettor	610327	2
4	Stud			TE505105L	4
5	Washer-Spring		5/16"	WM600051L	4
6	Nut - Hex.		hexagonal head, 5/16UNF	NH605041L	4
7	Clip-cable		LH	239600	1
8	Bolt			BH505111L	1
9	Washer-Spring		5/16"	WM600051L	1
10	Grommet		LH	273370	1
11	Elbow		Use With 'Solex' Carburettors	NRC223	2
			Use With 'SU' Carburettors, Rubber	577458	2
12	Pipe-carburettor vent		Use With 'Solex' Carburettors	NRC60	1
			Use With 'SU' Carburettors	NTC3795	1
13	Pipe-carburettor vent		Use With 'Solex' Carburettors	NRC61	1
			Use With 'SU' Carburettors	NTC3796	1
15	Clip-edge harness			NRC219	2
16	Clip-Pipe		Use With 'Solex' Carburettors	NRC220	2
			Use With 'SU' Carburettors	NTC2292	1
			Use With 'SU' Carburettors, Double	NTC3799	1
			Use With 'SU' Carburettors, Double	NTC3800	2

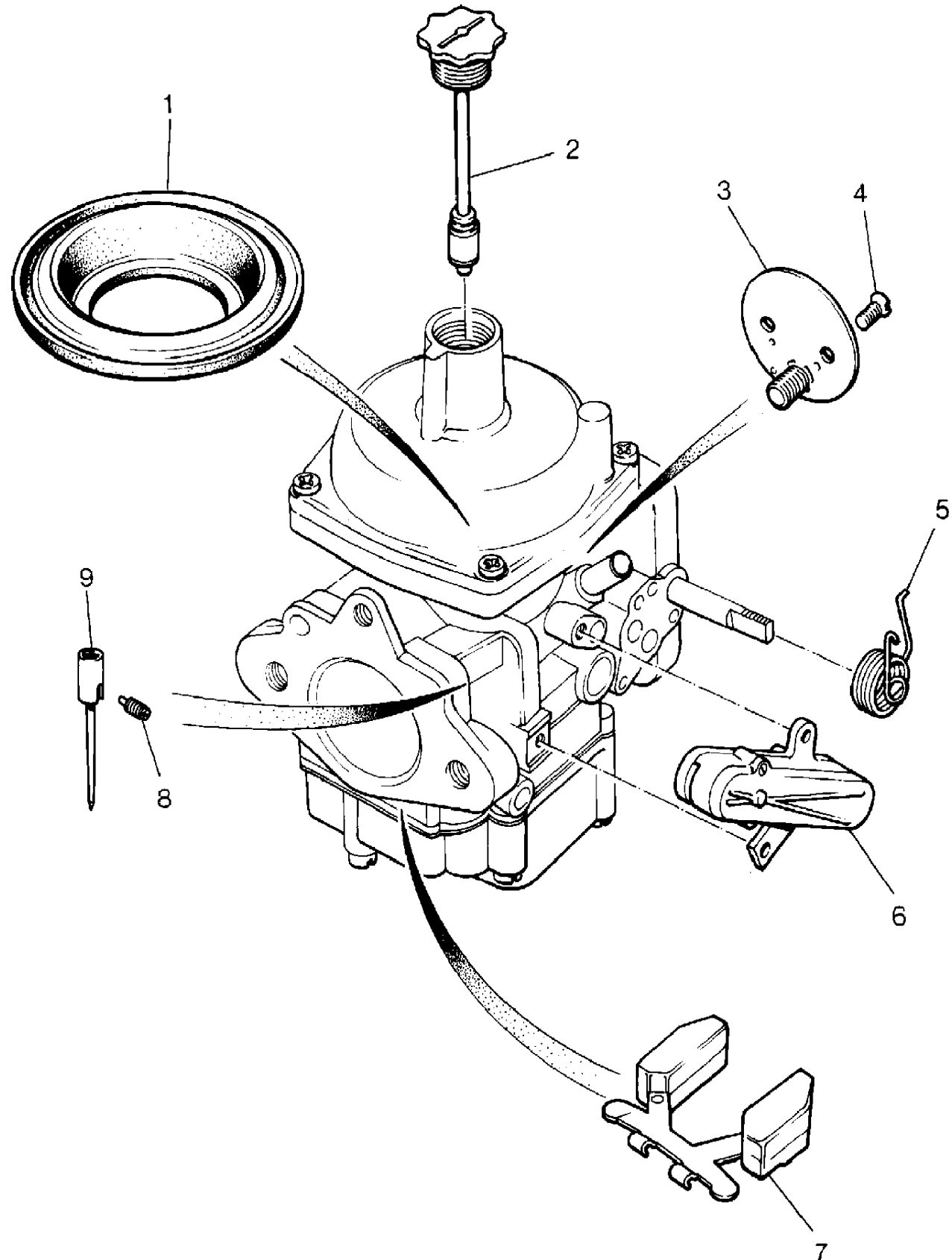


Engine
V8 Petrol - Carburettor
Carburettor Components-Solex 1/1

Range Rover (To HA610293)
(6RE33A)

Engine
V8 Petrol - Carburettor
Carburettor Components-Solex

Range Rover (To HA610293)



Callout	Name	Application	Remarks & Restrictions	Service No.	Qty
1	Diaphragm fuel system			JS499L	2
2	Damper assembly-carburettor			605848	2
3	Disc-carburettor throttle			AEU1848	2
4	Screw			601845	4
5	Spring			AEU1834	2
6	Sensor-Temperature			AAU7900	2
7	Float assembly-carburettor			605833	2
8	Screw-Grub			518653	2
9	Needle-carburettor jet	Change point - VIN end 162496, 3.5L V8 EFI NA Petrol, Less Catalyst	Engine Code 30D 3.5 V8 PI	AEU1851	2
		3.5L V8 EFI NA Petrol, 5 Speed Manual Transmission, Less Catalyst	Engine Code 28D 3.5 V8 PI Manual, Engine Code 29D 3.5 V8 PI Auto	AEU1850	2
		3.5L V8 EFI NA Petrol, 4 Speed Automatic Transmissions, Less Catalyst	Engine Code 28D 3.5 V8 PI Manual, Engine Code 29D 3.5 V8 PI Auto	AEU1850	2
		Change point - VIN begin 162497		RTC4774	2
		(+)"GCC"		RTC4776	2

Engine
V8 Petrol - Carburetter
Carburetter-Solex 1/2

Range Rover (To HA610293)

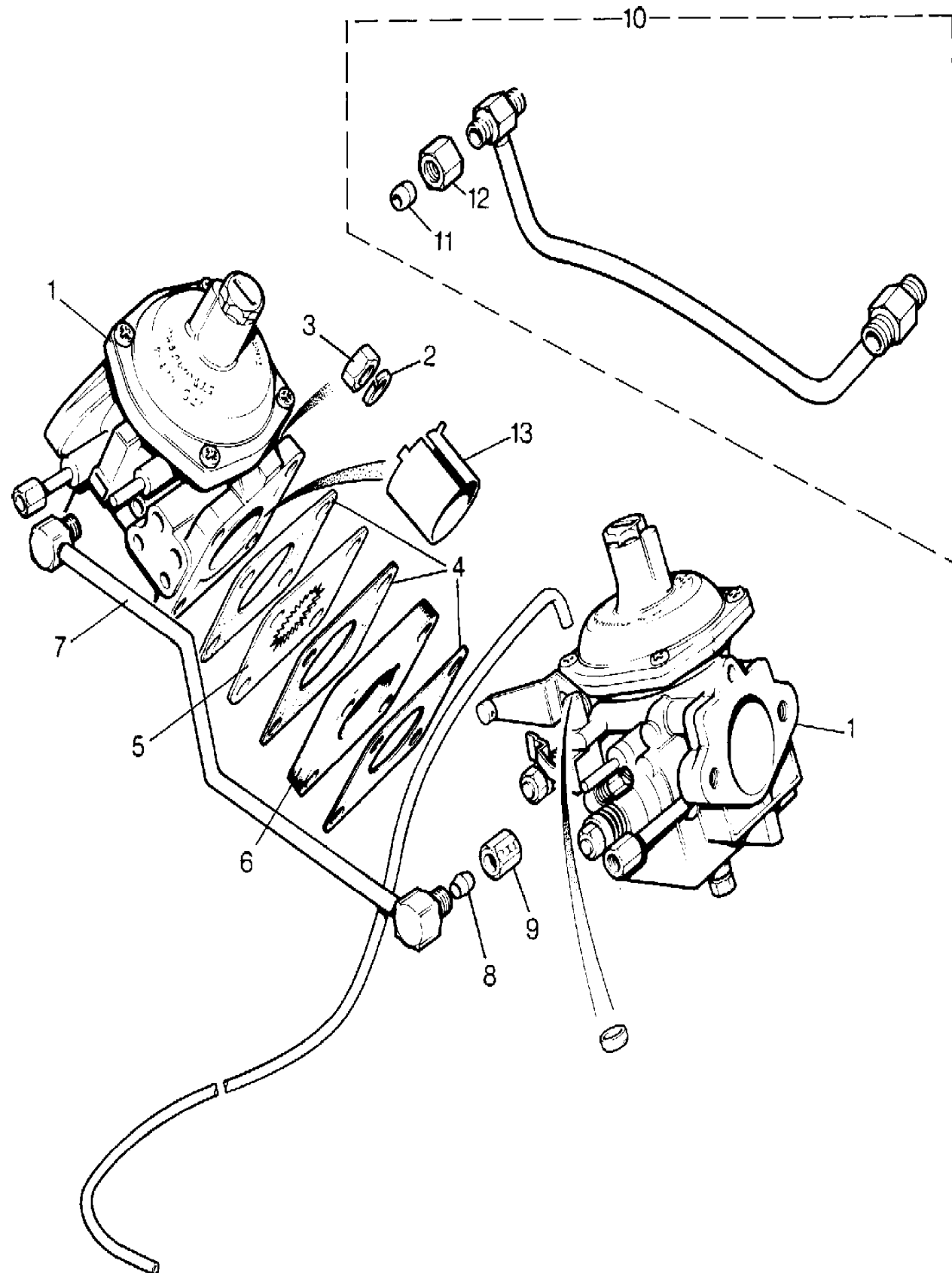
(TS5566A)

Range Rover (To HA610293)

Engine
V8 Petrol - Carburetter
Carburetter-Solex

V8 Twin Carb L/R Petrol

Callout	Name	Application	Remarks & Restrictions	Service No.	Qty		
1	Carburettor-engine	Less Catalyst	26D, 27D, RH, Engine Code 26D 3.5 V8 PI H/C, Engine Code 27D 3.5 V8 PI H/C	ETC6242	1		
		Less Catalyst	26D, 27D, Engine Code 26D 3.5 V8 PI H/C, Engine Code 27D 3.5 V8 PI H/C, LH	ETC6241	1		
		5 Speed Manual Transmission, Less Catalyst	28D, 29D, Engine Code 28D 3.5 V8 PI Manual, Engine Code 29D 3.5 V8 PI Auto, LH	ETC5613	1		
		4 Speed Automatic Transmissions, Less Catalyst	28D, 29D, Engine Code 28D 3.5 V8 PI Manual, Engine Code 29D 3.5 V8 PI Auto, LH	ETC5613	1		
		5 Speed Manual Transmission, Less Catalyst	28D, 29D, RH, Engine Code 28D 3.5 V8 PI Manual, Engine Code 29D 3.5 V8 PI Auto	ETC5614	1		
		4 Speed Automatic Transmissions, Less Catalyst	28D, 29D, RH, Engine Code 28D 3.5 V8 PI Manual, Engine Code 29D 3.5 V8 PI Auto	ETC5614	1		
		Less Catalyst	30D, Engine Code 30D 3.5 V8 PI, LH	ETC5590	1		
		Less Catalyst	30D, RH, Engine Code 30D 3.5 V8 PI	ETC5591	1		
		2	Washer-Spring	Twin Carb L/R Petrol	5/16"	WM600051L	8
		3	Nut - Hex.	Twin Carb L/R Petrol	hexagonal head, Coarse Thread, 1/4UNF	NH604041L	8
		5	Restrictor-air flow	Less Catalyst	26D, 27D, 30D, Engine Code 26D 3.5 V8 PI H/C, Engine Code 27D 3.5 V8 PI H/C, Engine Code 30D 3.5 V8 PI	566737	2
		6	Insulator assembly-carburettor inlet manifold	5 Speed Manual Transmission, Less Catalyst	28D, 29D, Engine Code 28D 3.5 V8 PI Manual, Engine Code 29D 3.5 V8 PI Auto	610849	2
4 Speed Automatic Transmissions, Less Catalyst	28D, 29D, Engine Code 28D 3.5 V8 PI Manual, Engine Code 29D 3.5 V8 PI Auto	610849		2			
7	Pipe-carburettor vent	Twin Carb L/R Petrol	Also serviced as part of a kit	613514	1		
8	Olive	Twin Carb L/R Petrol	Also serviced as part of a kit	611015	2		
9	Nut - Hex.	Twin Carb L/R Petrol	Also serviced as part of a kit, 3/8UNF	90611014	2		
10	Pipe Fuel	Twin Carb L/R Petrol	Also serviced as part of a kit	612505	1		
11	Olive	Twin Carb L/R Petrol	Also serviced as part of a kit	614555	2		
12	Nut - Hex.	Twin Carb L/R Petrol	Also serviced as part of a kit, 7/16UNF	534790	2		



Engine
V8 Petrol - Carburetter
Carburetter-Solex 2/2

Range Rover (To HA610293)

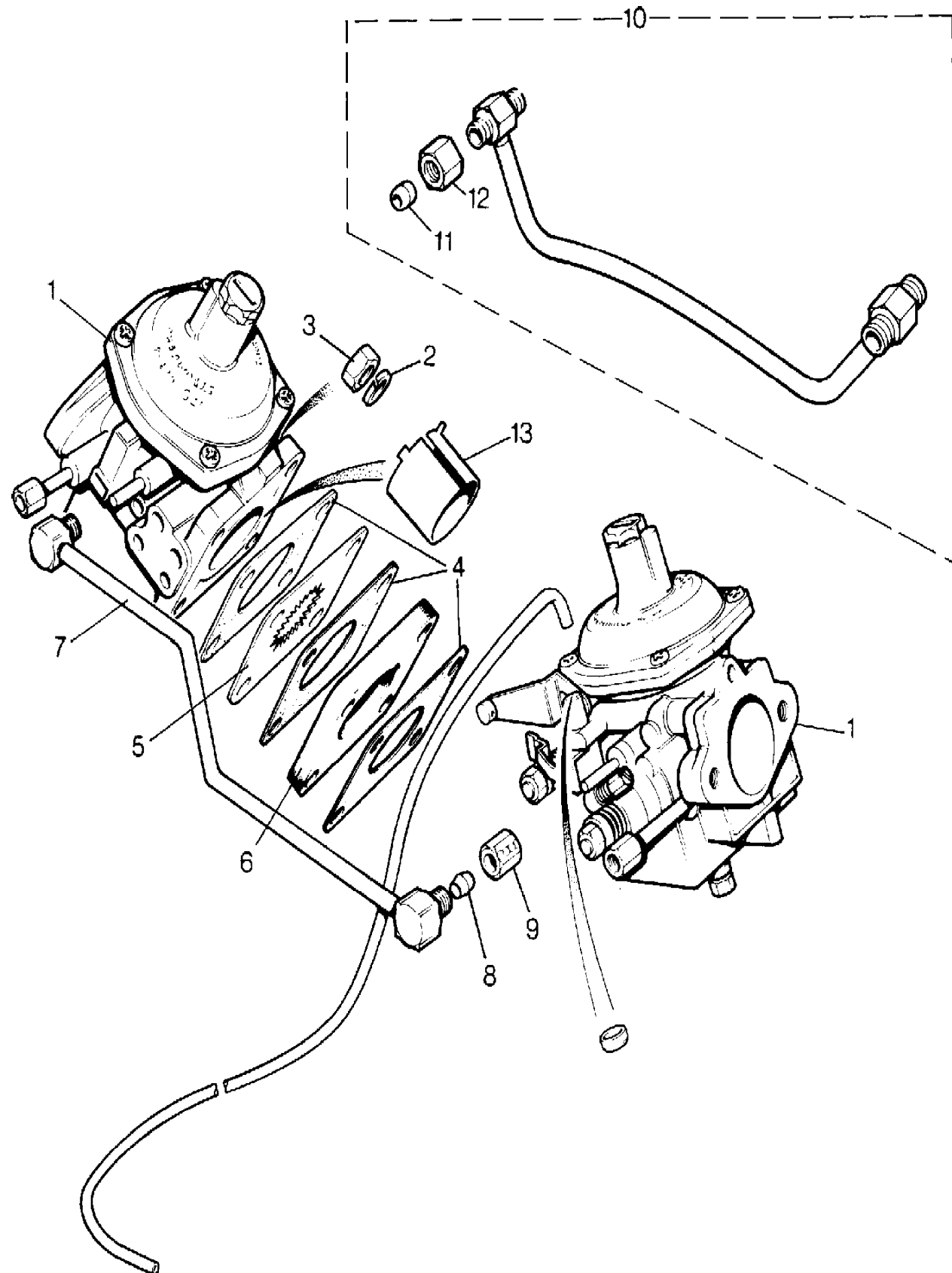
(TS5566A)

Range Rover (To HA610293)

Engine
V8 Petrol - Carburetter
Carburetter-Solex

V8 Twin Carb L/R Petrol

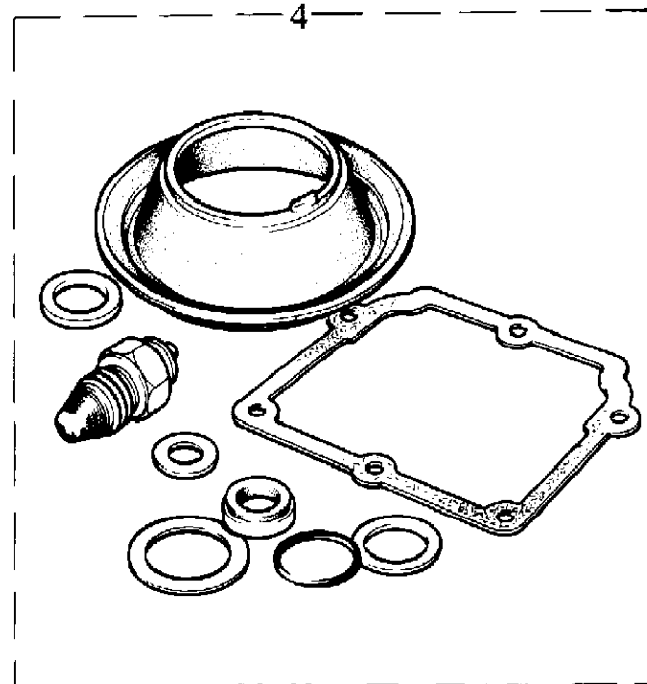
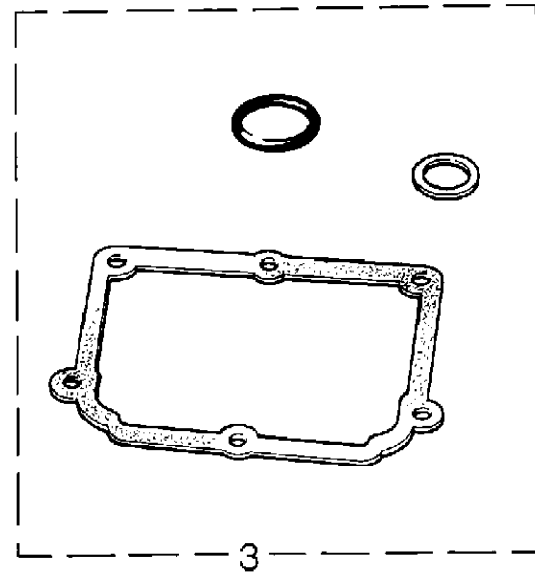
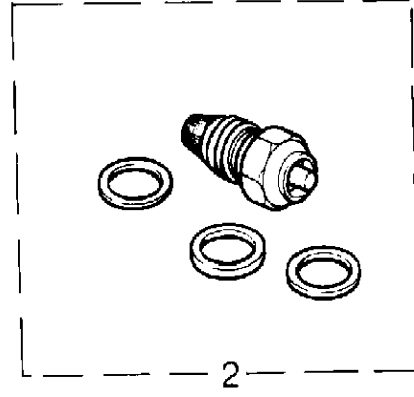
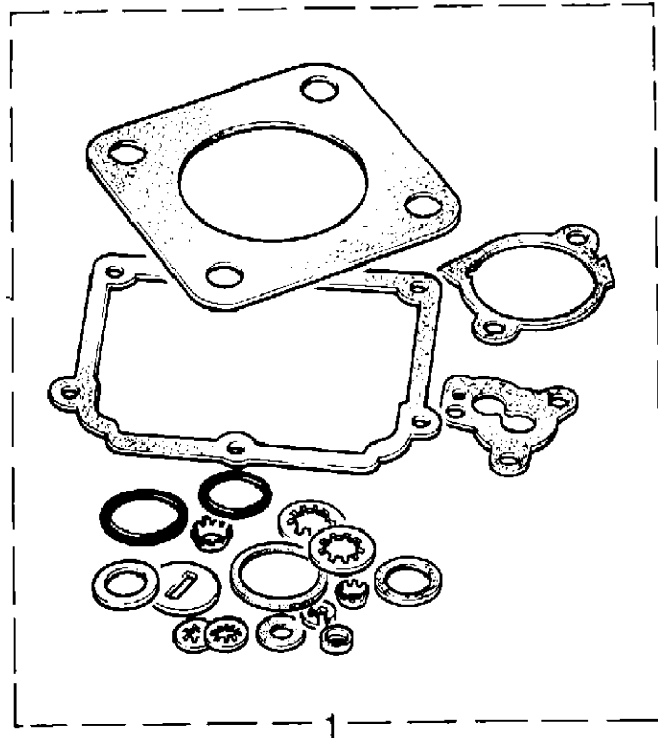
Callout	Name	Application	Remarks & Restrictions	Service No.	Qty
13	Guide-carburettor jet needle	Twin Carb L/R Petrol		611026	2



Engine
V8 Petrol - Carburetter
Carburetter Gasket Kit-Solex 1/1

Range Rover (To HA610293)

(VS3475)



Range Rover (To HA610293)

Engine
V8 Petrol - Carburetter
Carburetter Gasket Kit-Solex

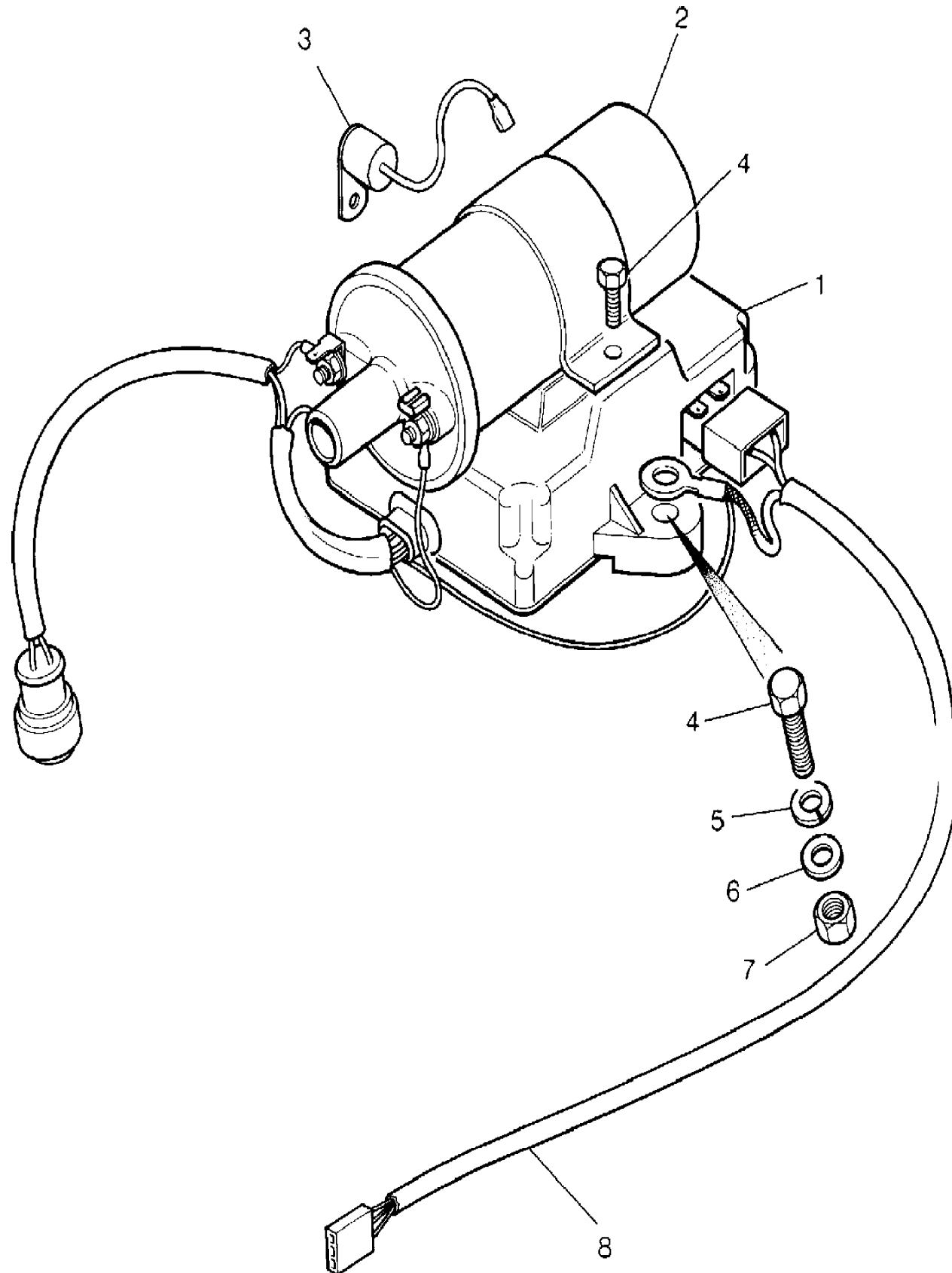
V8 Twin Carb L/R Petrol

Callout	Name	Application	Remarks & Restrictions	Service No.	Qty
1	Kit-carburettor seal			RTC 1481	2
2	Kit-carburettor needle & seat			RTC 1482	2
3	Kit-gasket			AAU7219	2
4	Kit-gasket			AAU2967	2

Engine
V8 Petrol - Carburetter
Coil-Horizontal Mounting 1/1

Range Rover (To HA610293)

(TS5630)



Range Rover (To HA610293)

Engine
V8 Petrol - Carburetter
Coil-Horizontal Mounting

V8 Twin Carb L/R Petrol

Callout	Name	Application	Remarks & Restrictions	Service No.	Qty
1	Amplifier	Twin Carb L/R Petrol		RTC3188	1
2	Coil Ignition	Twin Carb L/R Petrol	Lucas	RTC5628	1
3	Capacitor ignition coil	Twin Carb L/R Petrol		PRC1360	1
4	Bolt	Twin Carb L/R Petrol	M8 X 30	BH108061L	4
5	Washer		M8, sprung	WL108001L	2
6	Washer	Twin Carb L/R Petrol	8MM	WA108051L	2
7	Nut - Hex.	Twin Carb L/R Petrol	M8, hexagonal head	NH108041L	2
8	Harness-link-low tension ignition coil	Twin Carb L/R Petrol		PRC4503	1
[901]	Harness earth bond	Twin Carb L/R Petrol		PRC4628	1

Engine
V8 Petrol - Carburetter
Coil-Vertical Mounting 1/1

Range Rover (To HA610293)

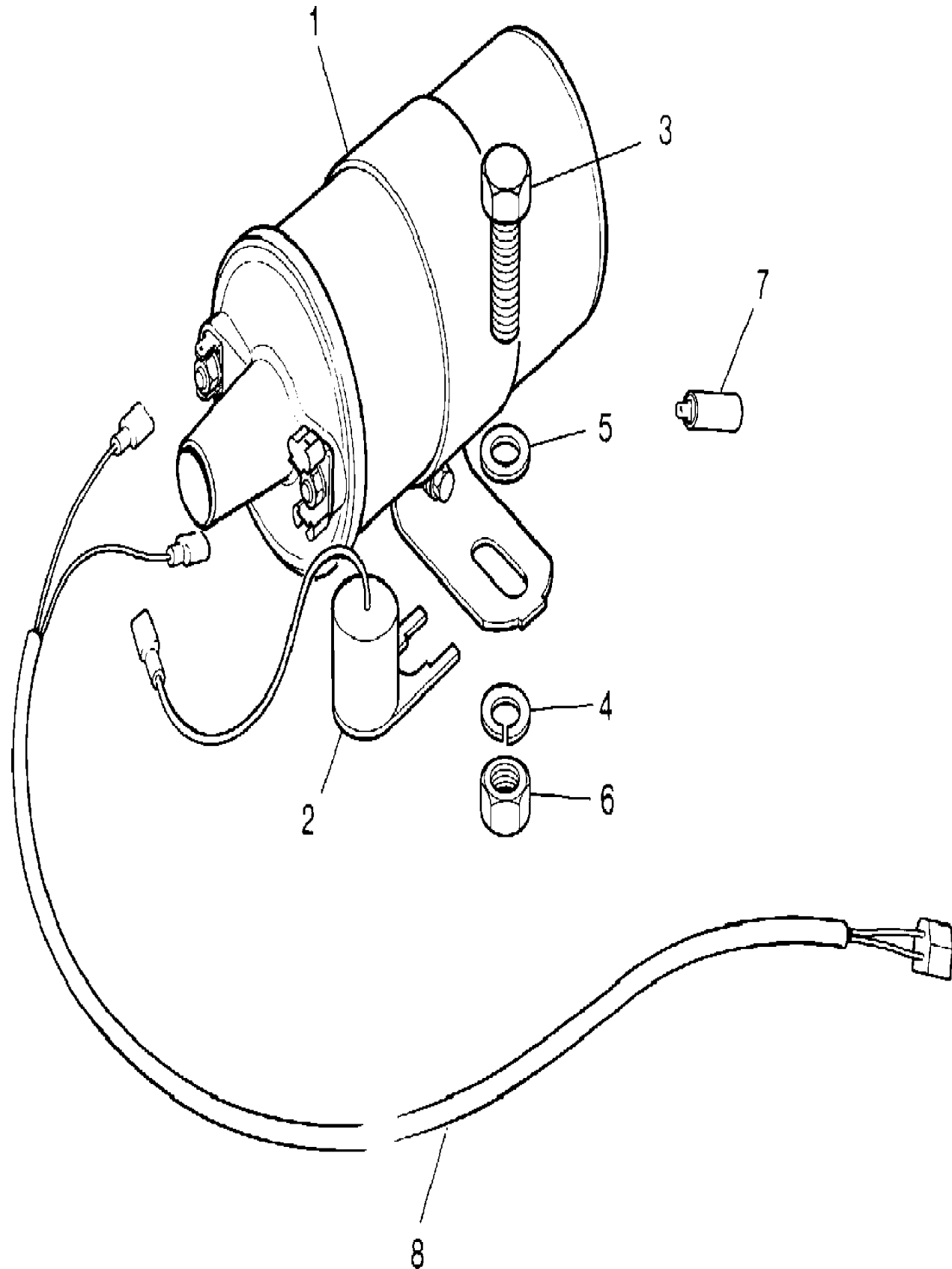
(TS6055)

Range Rover (To HA610293)

Engine
V8 Petrol - Carburetter
Coil-Vertical Mounting

V8 Twin Carb L/R Petrol

Callout	Name	Application	Remarks & Restrictions	Service No.	Qty
1	Coil Ignition	Twin Carb L/R Petrol Twin Carb L/R Petrol	Lucas Bosch	RTC5628 PRC6574	1 1
2	Capacitor ignition coil	Twin Carb L/R Petrol		PRC1360	1
3	Bolt	Twin Carb L/R Petrol	M8 X 30	BH108061L	2
4	Washer	Twin Carb L/R Petrol	M8, sprung	WL108001L	2
5	Washer	Twin Carb L/R Petrol	8MM	WA108051L	4
6	Nut - Hex.	Twin Carb L/R Petrol	M8, hexagonal head	NH108041L	2
7	Resistor Assy	Twin Carb L/R Petrol		DRC1752L	1
8	Harness-link-low tension ignition coil	Twin Carb L/R Petrol	single connectors	PRC6141	1
[901]	Harness earth bond	Twin Carb L/R Petrol		PRC4628	1
[902]	Screw	Twin Carb L/R Petrol	hexagonal head, M8 x 20	SH108201L	2
[903]	Bracket-coil ignition	Twin Carb L/R Petrol		PRC6133	1
[904]	Coil & bracket assembly ignition	Twin Carb L/R Petrol		PRC3131	1
[905]	Clip-Hose	Twin Carb L/R Petrol		572548	1
[906]	Grommet	Twin Carb L/R Petrol	17/32" hole	589254	1



Engine
V8 Petrol - Carburetter
Coolant Pump 1/2

Range Rover (To HA610293)

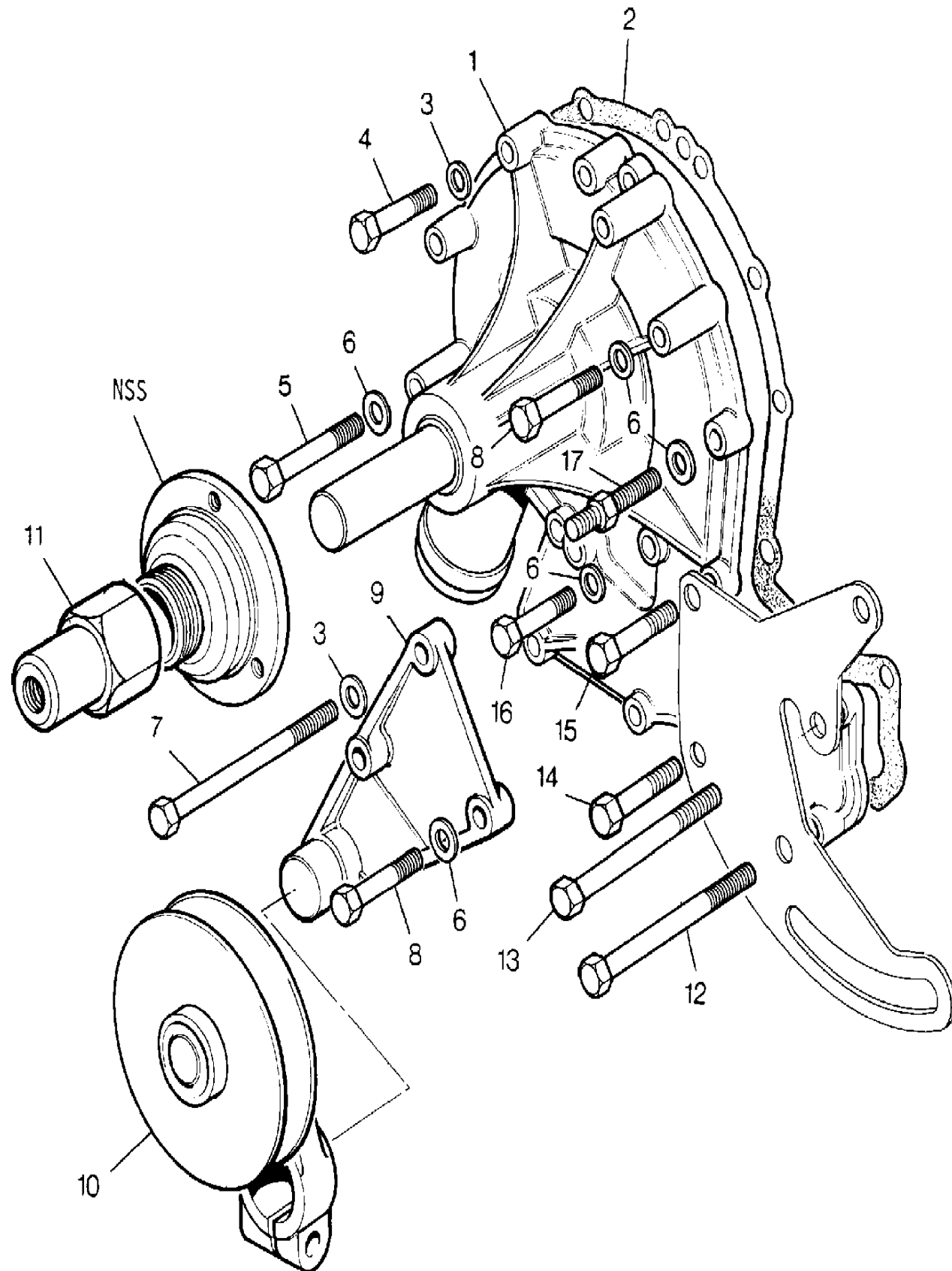
(TS5579B)

Range Rover (To HA610293)

Engine
V8 Petrol - Carburetter
Coolant Pump

V8 Twin Carb L/R Petrol

Callout	Name	Application	Remarks & Restrictions	Service No.	Qty
1	Pump assembly-engine coolant	Change point - VIN end HA610293, Twin Carb L/R Petrol	Also serviced as part of a kit	RTC6339	1
2	Gasket-cylinder block coolant pump	Change point - VIN end HA610293, Twin Carb L/R Petrol	Also serviced as part of a kit	612326	1
3	Washer	Twin Carb L/R Petrol	8MM	WA108051L	4
4	Screw	Twin Carb L/R Petrol	Flanged Head, 1/4UNC x 2	SH504161L	1
5	Bolt	Twin Carb L/R Petrol	1/4UNC x 2	BH504161L	1
6	Washer		6MM	WA106041L	1
7	Bolt	Twin Carb L/R Petrol	hexagonal head, 5/16UNC x 5 1/2	BH505441L	1
		Twin Carb L/R Petrol	5/16UNC x 6	BH505485L	1
8	Bolt	Twin Carb L/R Petrol	hexagonal head, 1/4UNC x 1 7/8	BH504151L	2
9	Bracket-pulley support belt tensioner	Twin Carb L/R Petrol		ETC6148	1
10	Pulley-tensioner ancillary drive	Twin Carb L/R Petrol	Also serviced as part of a kit	614718	1
11	Adaptor-water pump drive	Twin Carb L/R Petrol		ETC6104	1
12	Bolt	Twin Carb L/R Petrol	hexagonal head, 5/16UNC x 5	BH505401L	1
13	Bolt	Twin Carb L/R Petrol	hexagonal head, 5/16UNC x 4 3/4	BH505381L	1
14	Bolt	V8 Twin Carb Petrol	1/4UNC x 1 3/8	BH504111L	1
15	Bolt	Twin Carb L/R Petrol	hexagonal head, 1/4UNC x 1 1/2	BH504121L	1
16	Bolt	Twin Carb L/R Petrol	1/4UNC x 1 1/4	BH504101L	1
17	Support-adjuster link alternator	Twin Carb L/R Petrol		ETC7208	1
18	Bracket-support-lead ignition	5 Speed Manual Transmission, Less Catalyst	28D, 29D, Engine Code 28D 3.5 V8 PI Manual, Engine Code 29D 3.5 V8 PI Auto, Centre	ETC6237	1
		4 Speed Automatic Transmissions, Less Catalyst	28D, 29D, Engine Code 28D 3.5 V8 PI Manual, Engine Code 29D 3.5 V8 PI Auto, Centre	ETC6237	1
19	Screw	Twin Carb L/R Petrol	hexagonal head, 5/8UNC x 1	SH505081L	1



Engine
V8 Petrol - Carburetter
Coolant Pump 2/2

Range Rover (To HA610293)

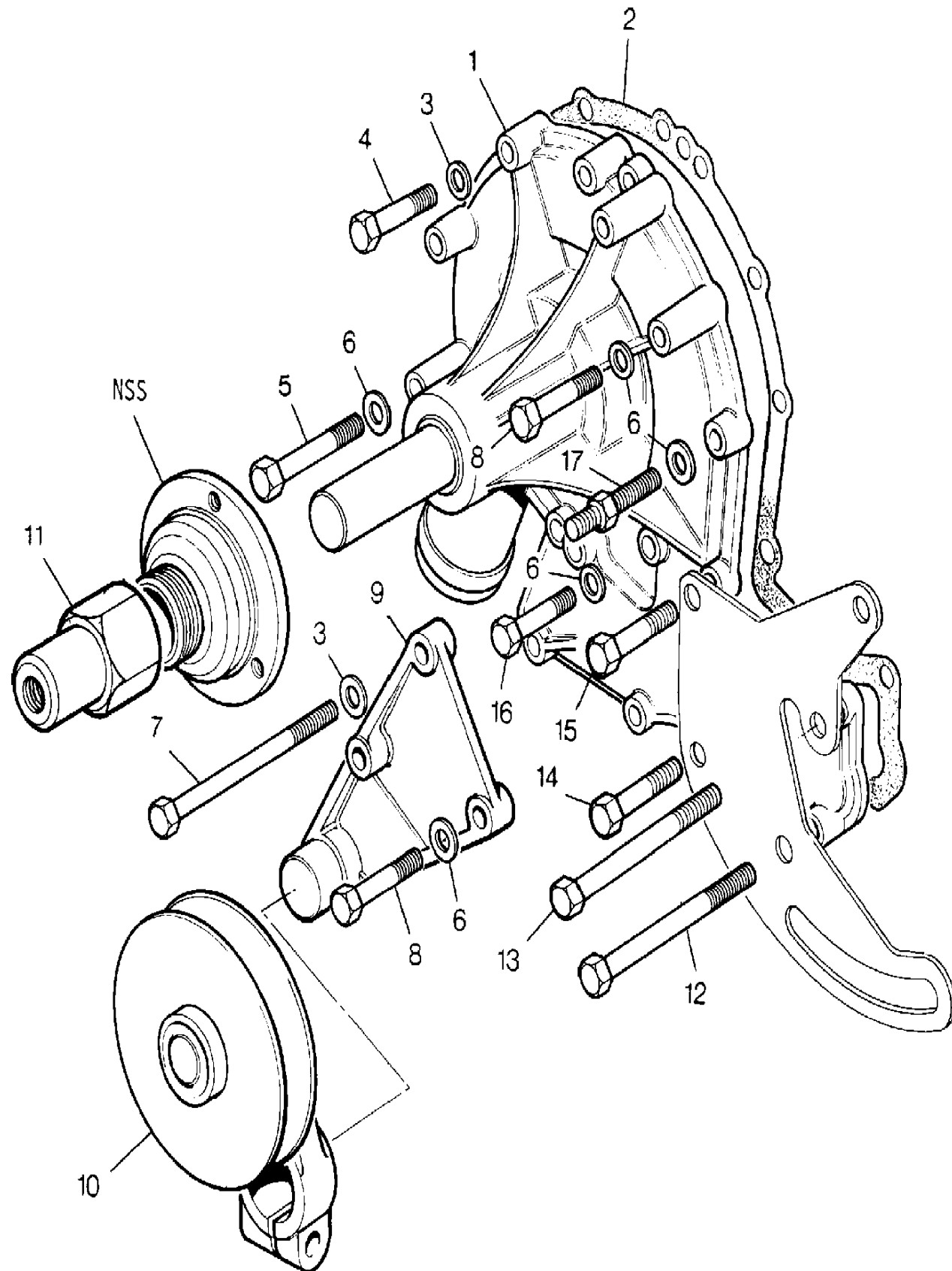
(TS5579B)

Engine
V8 Petrol - Carburetter
Coolant Pump

Range Rover (To HA610293)

V8 Twin Carb L/R Petrol

Callout	Name	Application	Remarks & Restrictions	Service No.	Qty
20	Washer-Spring	Twin Carb L/R Petrol	1/4 dia, Square	WM600041L	1
21	Nut-hexagonal	Twin Carb L/R Petrol	5/16UNF	NH505041L	1
[900]	Bolt	Twin Carb L/R Petrol	Flanged Head, 5/16UNC x 1 1/2	BH505121L	2



Engine
V8 Petrol - Carburetter
Crankshaft & Bearings 1/2

Range Rover (To HA610293)

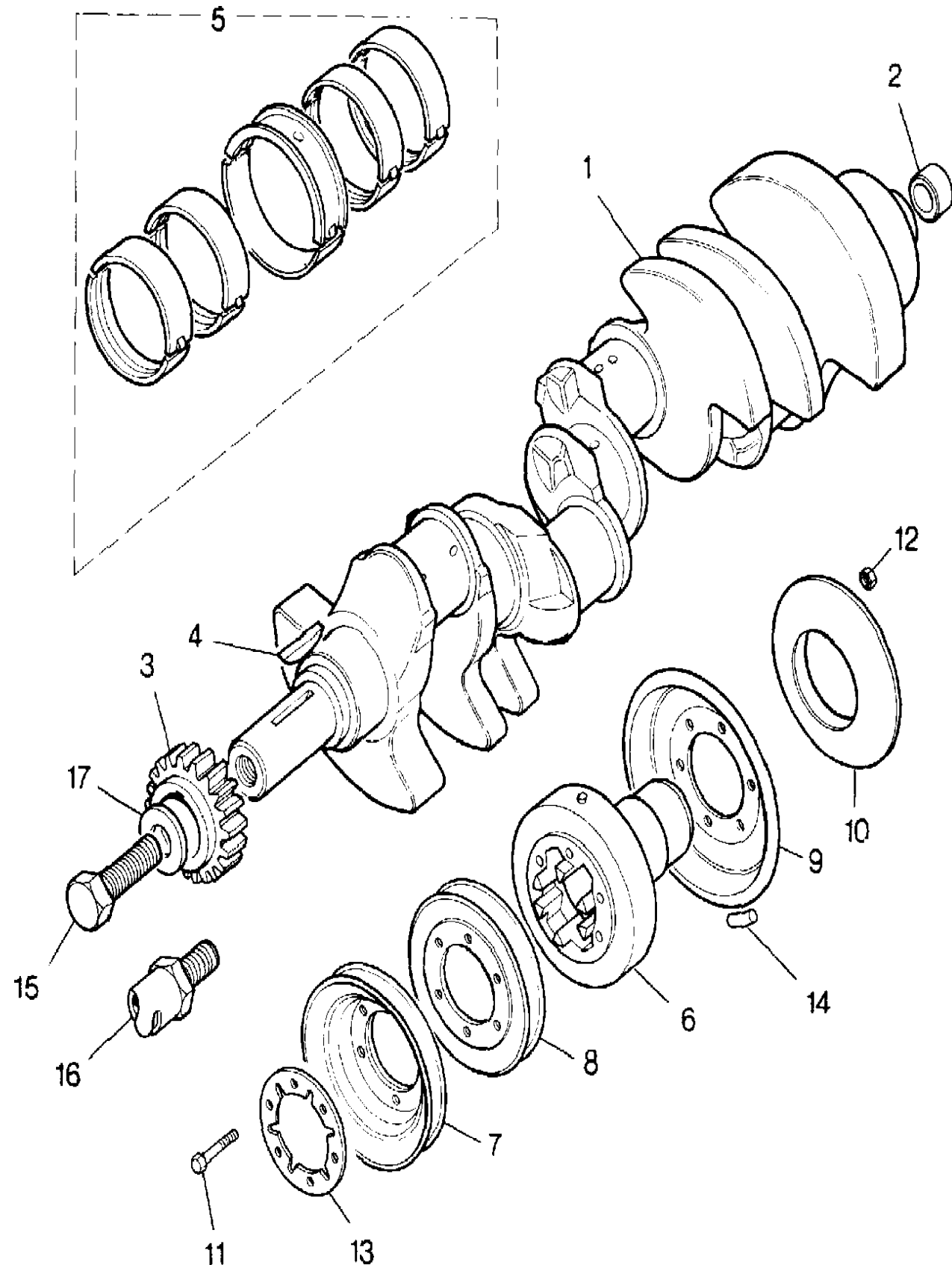
(TS5560A)

Engine
V8 Petrol - Carburetter
Crankshaft & Bearings

Range Rover (To HA610293)

V8 Twin Carb L/R Petrol

Callout	Name	Application	Remarks & Restrictions	Service No.	Qty
1	Crankshaft-engine	Twin Carb L/R Petrol		612989	1
2	Bush-crankshaft	Twin Carb L/R Petrol		549911	1
3	Sprocket-Crankshaft	Twin Carb L/R Petrol		90602372	1
4	Key-crankshaft	Twin Carb L/R Petrol		90602025	1
5	Set-crankshaft bearings	Twin Carb L/R Petrol	standard.	RTC 1718	1
		Twin Carb L/R Petrol	0.010" undersize	RTC 171810	1
		Twin Carb L/R Petrol	0.020 undersize	RTC 171820	1
6	Damper-torsional vibration	Twin Carb L/R Petrol		ERC5462	1
7	Pulley-crankshaft	Change point - Engine begin 26D01514C	single groove	ETC5679	1
		Change point - Engine begin 26D01514C, Twin Carb L/R Petrol	single groove	ETC6647	1
8	Pulley-crankshaft	Twin Carb L/R Petrol		ETC4330	1
9	Plate-crankshaft balancing	Change point - Engine begin 26D01514C, Twin Carb L/R Petrol		603301	1
		Change point - Engine begin 26D01514C, Twin Carb L/R Petrol		ETC7569	1
10	Shield-rear flange oil deflector	Twin Carb L/R Petrol		613671	1
11	Bolt	Change point - Engine begin 26D01514C, Twin Carb L/R Petrol	5/16UNF x 1 5/8	BH605131L	6
		Change point - Engine begin 26D01514C, Twin Carb L/R Petrol	5/16UNF x 2 1/4	BH605181L	6
12	Nut - Hex.	Twin Carb L/R Petrol	hexagonal head, 5/16UNF	NH605041L	6
13	Plate	Twin Carb L/R Petrol		602587	1
14	Weight-crankshaft balance	Twin Carb L/R Petrol	.17oz	ERC4877	X
		Twin Carb L/R Petrol	.35oz	ERC4878	X
		Twin Carb L/R Petrol	.53oz	ERC4879	X
		Twin Carb L/R Petrol	.71oz	ERC4880	X
15	Bolt-crankshaft pulley	Twin Carb L/R Petrol		ERC417	1
16	Bolt-dog point	Twin Carb L/R Petrol		610178	1
17	Washer	Twin Carb L/R Petrol	use with bolt	ERC416	1
		Twin Carb L/R Petrol	use with dog	602411	1



Engine
V8 Petrol - Carburetter
Crankshaft & Bearings 2/2

Range Rover (To HA610293)

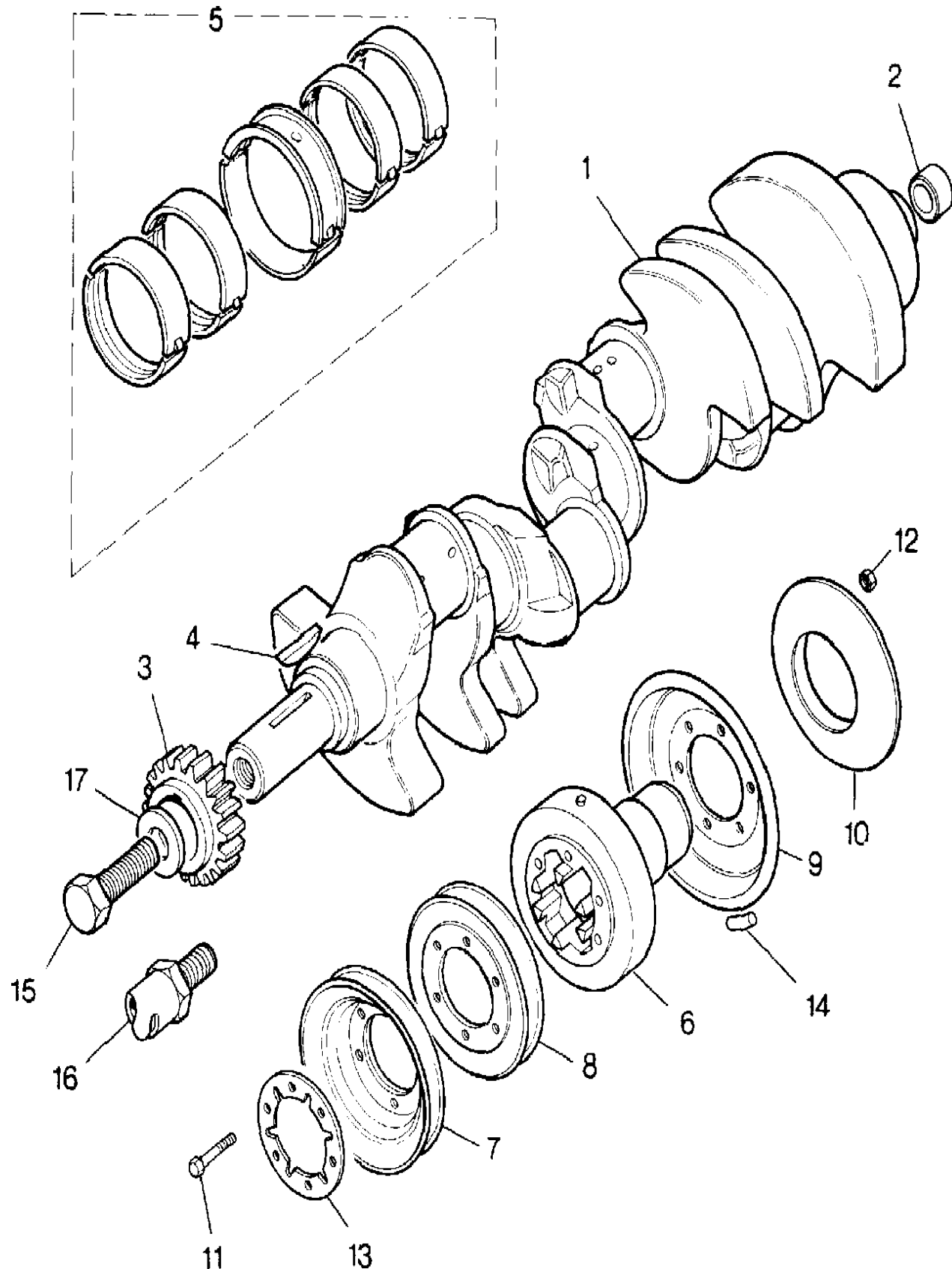
(TS5560A)

Engine
V8 Petrol - Carburetter
Crankshaft & Bearings

Range Rover (To HA610293)

V8 Twin Carb L/R Petrol

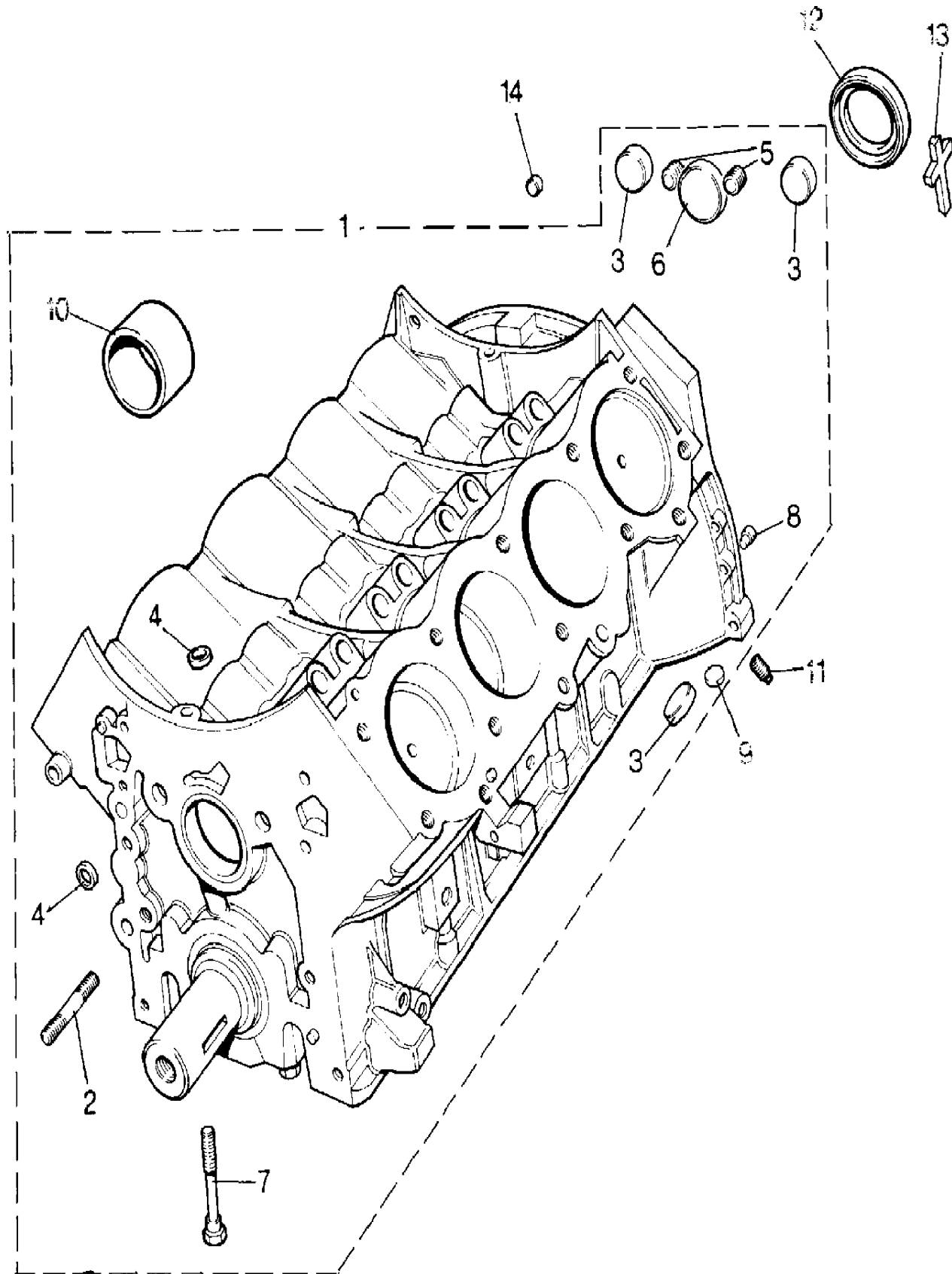
Callout	Name	Application	Remarks & Restrictions	Service No.	Qty
[900]	Plate-crankshaft balancing	Twin Carb L/R Petrol		ETC7419	1
[901]	Belt-polyvee alternator	Change point - Engine begin 26D01514C, Twin Carb L/R Petrol		611612	1
[902]	Belt-vee power assisted steering	Change point - Engine begin 26D01514C, Twin Carb L/R Petrol		614106	1



Engine
V8 Petrol - Carburetter
Cylinder Block 1/1

Range Rover (To HA610293)

(TS6300)



Range Rover (To HA610293)

Engine
V8 Petrol - Carburetter
Cylinder Block

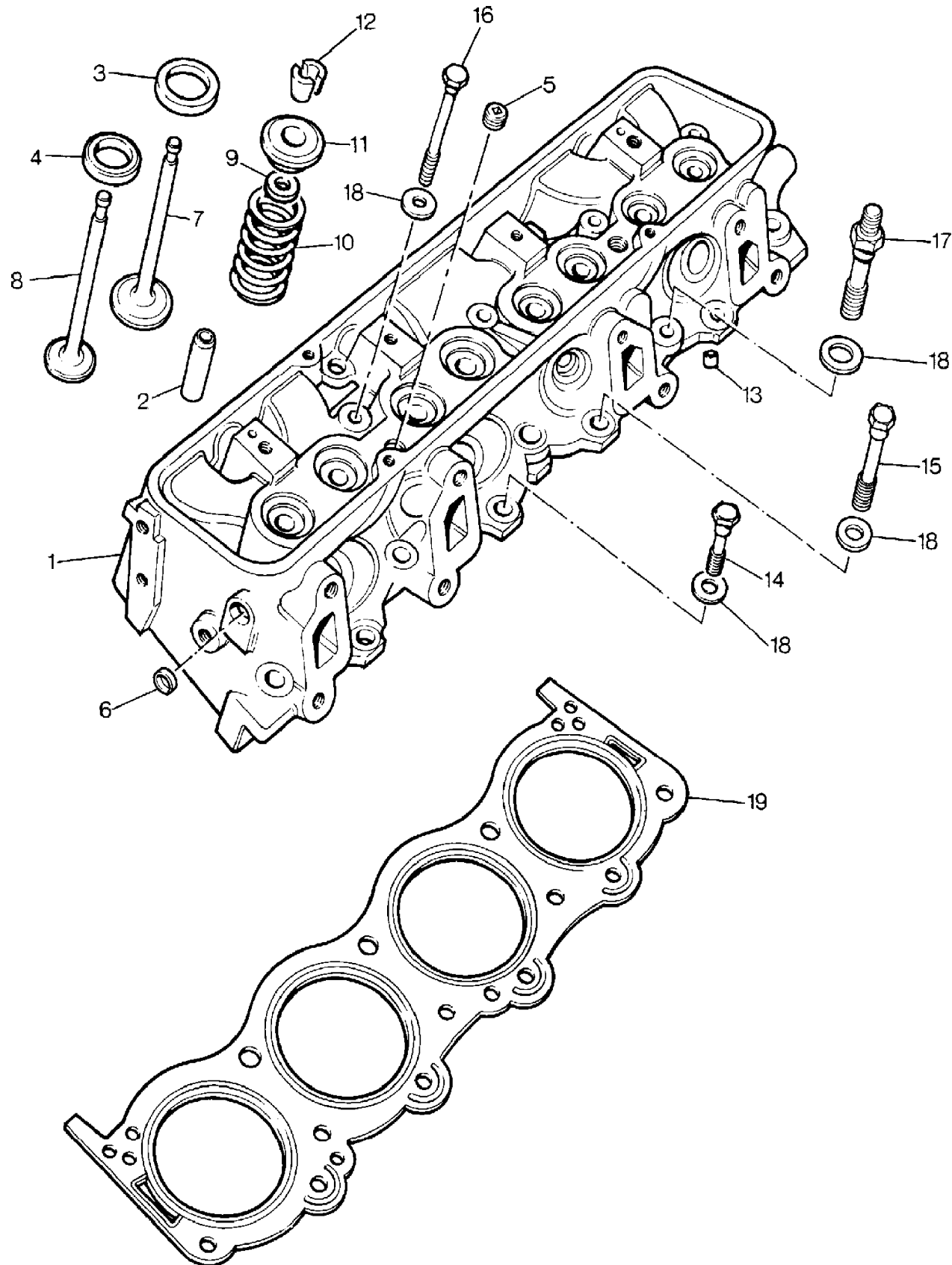
V8 Twin Carb L/R Petrol

Callout	Name	Application	Remarks & Restrictions	Service No.	Qty
1	Cylinder block-engine	Twin Carb L/R Petrol	Also serviced as part of a kit	ERC6934	1
2	Stud	Twin Carb L/R Petrol	Also serviced as part of a kit, 5/16UNC x 1 3/8	252513	1
3	Plug-cup	Twin Carb L/R Petrol	Also serviced as part of a kit	602152	8
4	Plug-cylinder block oil way	Twin Carb L/R Petrol	Also serviced as part of a kit	602147	4
5	Plug-blanking.	Twin Carb L/R Petrol	Also serviced as part of a kit	602212	2
6	Plug	Twin Carb L/R Petrol	Also serviced as part of a kit	602146	1
7	Setscrew-cylinder block main bearing cap	Twin Carb L/R Petrol	Also serviced as part of a kit	602130	10
8	Dowel	Twin Carb L/R Petrol	Also serviced as part of a kit	602141	2
11	Plug-coolant drain	Twin Carb L/R Petrol	Also serviced as part of a kit	3290	2
12	Seal	Change point - VIN end HA610293, Twin Carb L/R Petrol	CRANKSHAFT REAR	611409	1
13	Seal-main bearing rear cap half joint	Twin Carb L/R Petrol		611089	2
14	Plug-core	Twin Carb L/R Petrol		154545	1
[901]	Pipe assembly-crankcase breather oil	Twin Carb L/R Petrol	Also serviced as part of a kit	ERC5761	1
[902]	T connector-crankcase breather	Twin Carb L/R Petrol		603143	1

Engine
V8 Petrol - Carburetter
Cylinder Head 1/2

Range Rover (To HA610293)

(TS5563)



Range Rover (To HA610293)

Engine
V8 Petrol - Carburetter
Cylinder Head

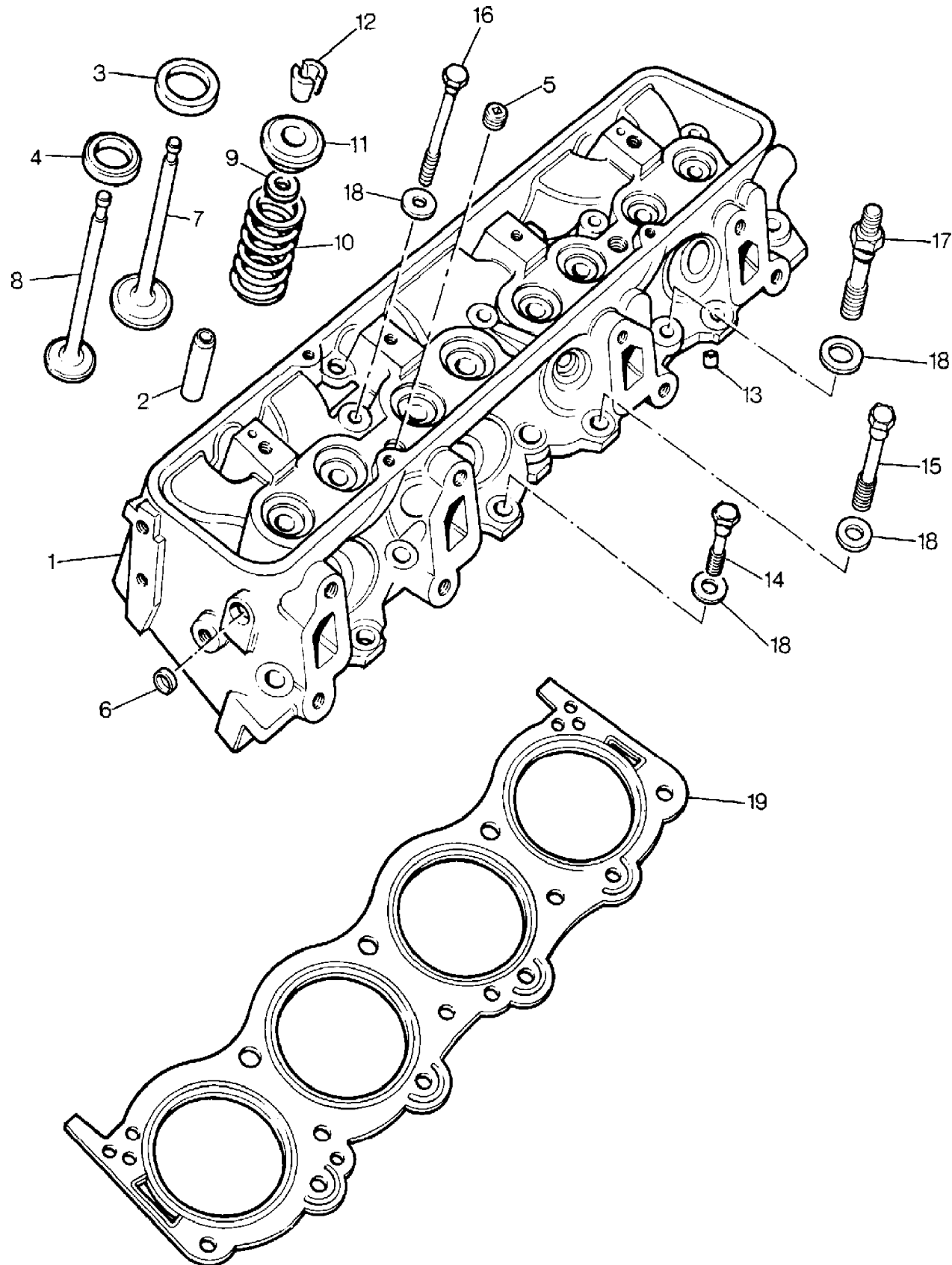
V8 Twin Carb L/R Petrol

Callout	Name	Application	Remarks & Restrictions	Service No.	Qty
1	Cylinder head assembly-engine	Twin Carb L/R Petrol, EGR	Also serviced as part of a kit, with air rail	ETC6471	2
		Twin Carb L/R Petrol, Less EGR	Also serviced as part of a kit, without air rail	ERC3346	2
3	Seat-cylinder head inlet valve		0.010" oversize	ERC225	1
4	Seat-cylinder head exhaust valve		0.010" oversize	ERC211	1
7	Valve-cylinder head inlet	Twin Carb L/R Petrol, Less EGR		614088	8
8	Valve-cylinder head exhaust	Twin Carb L/R Petrol, Less EGR		614089	8
9	Seal-cylinder head valve stem oil	Twin Carb L/R Petrol, Less EGR	Inlet	ERC7865	8
10	Spring-cylinder head valve	Twin Carb L/R Petrol, Less EGR		UKC8137L	16
11	Cap-cylinder head valve spring	Twin Carb L/R Petrol, Less EGR		ERR1921	16
12	Cotter-valve	Twin Carb L/R Petrol, Less EGR		ERC1637	32
13	Dowel	Twin Carb L/R Petrol, Less EGR		602040	4
14	Bolt-cylinder head fixing	Twin Carb L/R Petrol, Less EGR	7/16UNC x 2 1/4	602191	8
15	Bolt-cylinder head fixing	Twin Carb L/R Petrol, Less EGR	7/16UNC x 2.71	602192	13
16	Bolt-cylinder head fixing	Twin Carb L/R Petrol, Less EGR	7/16UNC x 3.91	602193	6
17	Bolt	Twin Carb L/R Petrol, Less EGR	7/16UNC x 2.71	602200	1
18	Washer-Plain	Twin Carb L/R Petrol, Less EGR		602098	28
19	Gasket-Cylinder Head	Change point - VIN end HA610293, Twin Carb L/R Petrol, Less EGR		603796	2
[900]	Nut - Hex.	Twin Carb L/R Petrol, Less EGR	hexagonal head, 3/8UNF	NH606041L	1

Engine
V8 Petrol - Carburetter
Cylinder Head 2/2

Range Rover (To HA610293)

(TS5563)



Range Rover (To HA610293)

Engine
V8 Petrol - Carburetter
Cylinder Head

V8 Twin Carb L/R Petrol

Callout	Name	Application	Remarks & Restrictions	Service No.	Qty
[901]	Washer	Twin Carb L/R Petrol, Less EGR	3/8", Square	WM600061L	1
[902]	Bracket-lifting engine front	Twin Carb L/R Petrol, Less EGR		ETC5964	1

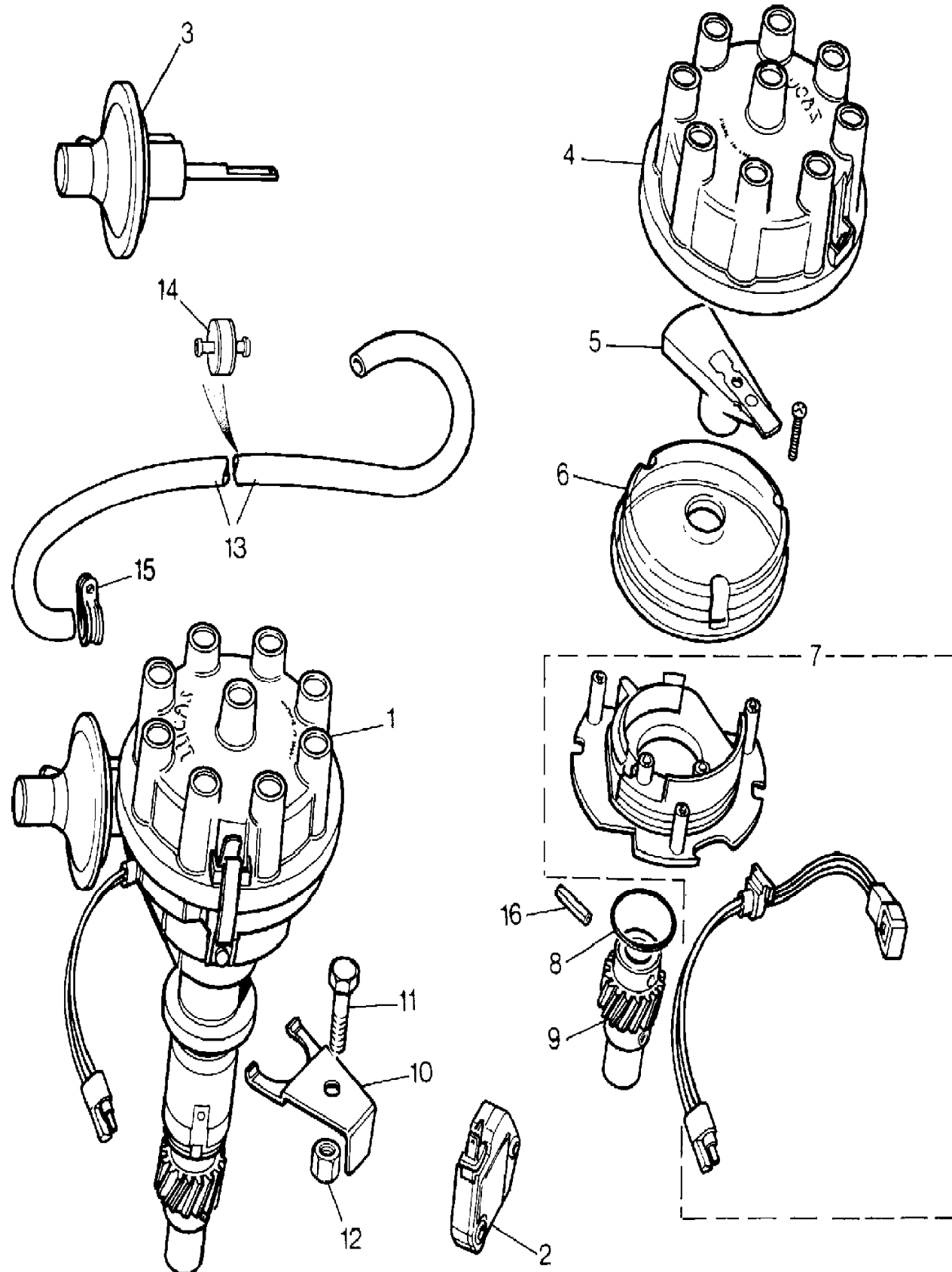
Engine
V8 Petrol - Carburetter
Distributor 1/2

Range Rover (To HA610293)

(VS3607B)

Engine
V8 Petrol - Carburetter
Distributor

Range Rover (To HA610293)



Callout	Name	Application	Remarks & Restrictions	Service No.	Qty
1	Distributor ignition	Change point - Engine end 27D00291C, Twin Carb L/R Petrol Change point - Engine end 29D00033C, Twin Carb L/R Petrol Change point - Engine end 30D000015C, Twin Carb L/R Petrol Change point - Engine begin 27D00292C, Twin Carb L/R Petrol Change point - Engine begin 30D00016C, Twin Carb L/R Petrol	Also serviced as part of a kit	ETC6122 ETC4717 ETC5090 ETC6952 ETC6976	1 1 1 1 1
4	Cap-distributor ignition	Change point - Engine begin 30D00016C, Twin Carb L/R Petrol	Also serviced as part of a kit	RTC3197	1
8	O Ring	Change point - Engine begin 30D00016C, Twin Carb L/R Petrol	Also serviced as part of a kit	603446	1
10	Clamp-distributor	Change point - Engine end 27D00291C, Twin Carb L/R Petrol		613857	1
11	Screw	Change point - Engine end 27D00291C, Twin Carb L/R Petrol	hexagonal head, 3/8UNC x 1 1/2	SH506125	1
12	Nut - Hex.	Change point - Engine end 27D00291C, Twin Carb L/R Petrol		ETC7427	1
13	Pipe-inlet manifold vacuum	Change point - Engine end 27D00291C, Twin Carb L/R Petrol		RTC3942	X
14	Valve-vacuum delay	Change point - Engine end 27D00291C, Twin Carb L/R Petrol Manual Transmission	Orange Use With 'SU' Carburetters, Orange Blue.	ERC6997 ERC6997 ERC8119	1 1 1
15	Clip-p	Change point - Engine end 27D00291C, Twin Carb L/R Petrol		50642	X
16	Pin-roll	Change point - Engine end 27D00291C, Twin Carb L/R Petrol		602953	1
[900]	Kit-distributor	Change point - Engine end 27D00291C, Twin Carb L/R Petrol		RTC5971	1

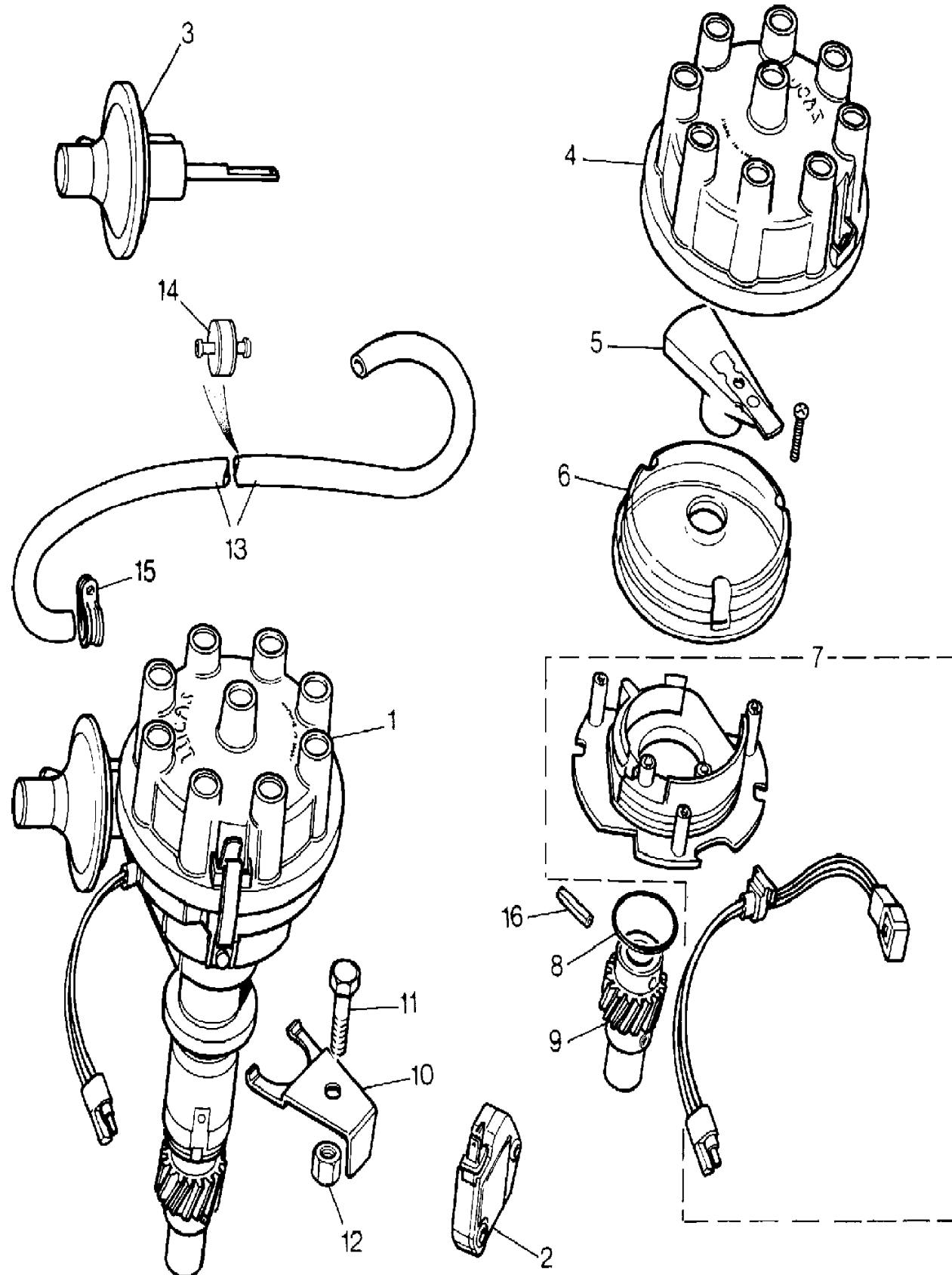
Engine
V8 Petrol - Carburetter
Distributor 2/2

Range Rover (To HA610293)

(VS3607B)

Engine
V8 Petrol - Carburetter
Distributor

Range Rover (To HA610293)



Callout	Name	Application	Remarks & Restrictions	Service No.	Qty
[900]	Kit-distributor	Change point - Engine begin 30D00016C, Twin Carb L/R Petrol	Also serviced as part of a kit	RTC5971	1
[901]	Module-distributor	Change point - Engine begin 30D00016C, Twin Carb L/R Petrol	Also serviced as part of a kit, 3 Pin	STC1184	1
[902]	Harness-link	Change point - Engine begin 30D00016C, Twin Carb L/R Petrol	Also serviced as part of a kit, 3 Pin	STC1212	1
[903]	Capsule-vacuum distributor	Change point - Engine begin 30D00016C, Twin Carb L/R Petrol	Also serviced as part of a kit	RTC5092	1
[904]	Arm-rotor distributor	Change point - Engine begin 30D00016C, Twin Carb L/R Petrol	Also serviced as part of a kit	STC1857	1
[905]	Plate-mounting distributor	Change point - Engine begin 30D00016C, Twin Carb L/R Petrol	Also serviced as part of a kit	RTC5090	1

Engine
V8 Petrol - Carburetter
Drive Plate Auto 1/1

Range Rover (To HA610293)

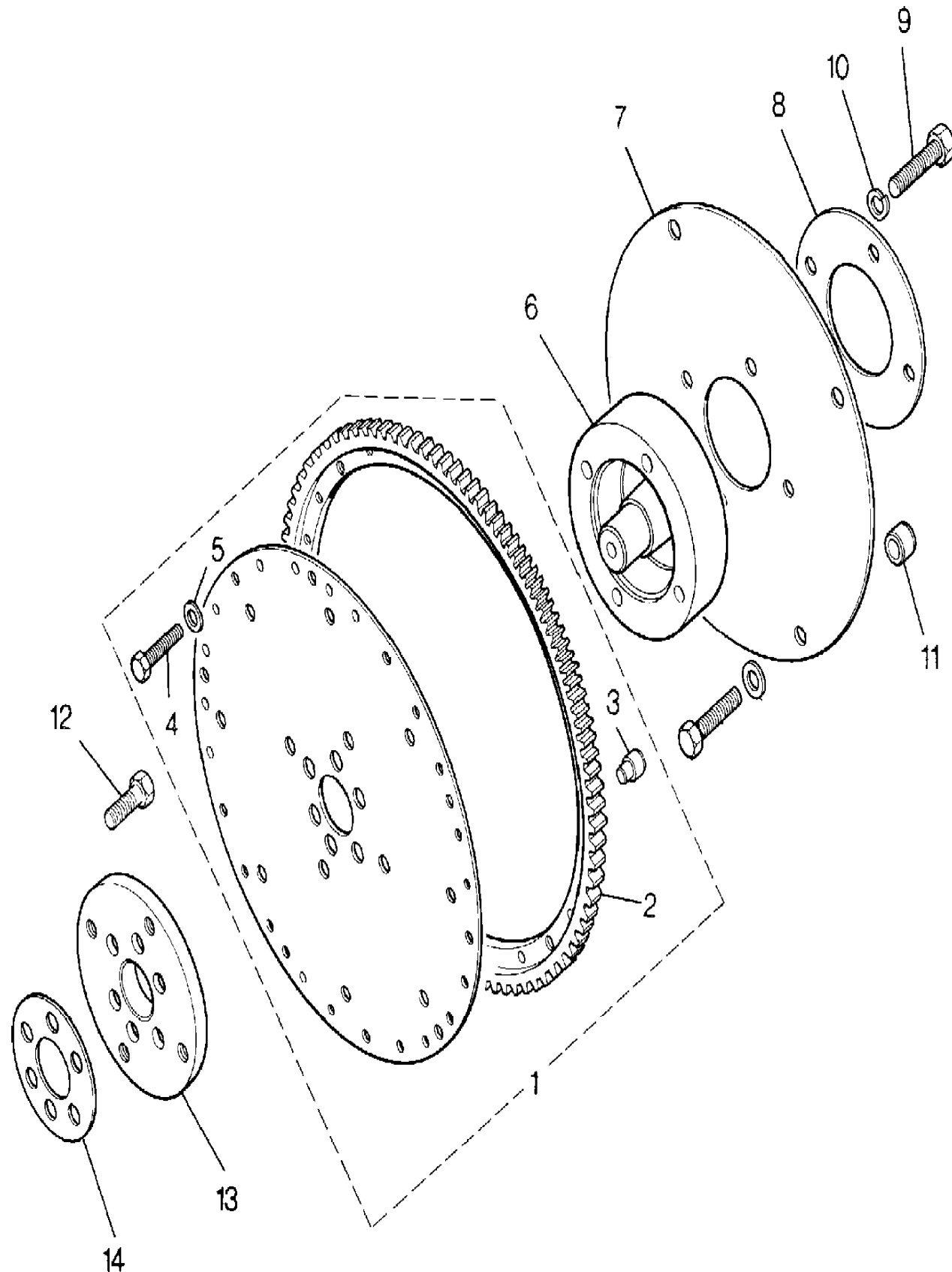
(TS5580)

Range Rover (To HA610293)

Engine
V8 Petrol - Carburetter
Drive Plate Auto

V8 Twin Carb L/R Petrol, Automatic Transmission

Callout	Name	Application	Remarks & Restrictions	Service No.	Qty
1	Plate-drive assembly automatic transmission	Twin Carb L/R Petrol	Also serviced as part of a kit	FRC7851	1
2	Gear-ring-flywheel engine	Twin Carb L/R Petrol	Also serviced as part of a kit	603340	1
3	Dowel-flywheel spigot alignment	Twin Carb L/R Petrol	Also serviced as part of a kit	529364	2
4	Bolt	Twin Carb L/R Petrol	Also serviced as part of a kit, 5/16UNF x 0.58	610735	10
		Twin Carb L/R Petrol	Also serviced as part of a kit, 5/16UNF x 0.58	FTC4388	10
5	Washer	Twin Carb L/R Petrol	Also serviced as part of a kit	610736	10
6	Spigot-flywheel alignment	Twin Carb L/R Petrol		FRC7075	1
7	Plate assembly-drive torque converter	Twin Carb L/R Petrol		FRC7081	1
8	Plate-support-drive plate automatic transmission	Twin Carb L/R Petrol		FRC7080	1
9	Bolt	Twin Carb L/R Petrol	M10 x 55	BH110111L	4
10	Washer	Twin Carb L/R Petrol	M10	WL110001L	4
11	Spacer-crank/drive plate automatic transmission	Twin Carb L/R Petrol		FRC5004	1
		Twin Carb L/R Petrol		FRC5005	1
12	Screw	Twin Carb L/R Petrol	7/16UNF x 3/4	SS607061	6
13	Spacer	Twin Carb L/R Petrol		FRC7042	1
14	Shim	Twin Carb L/R Petrol	1.25MM	FRC9203	X
		Twin Carb L/R Petrol	1.45MM	FRC9205	X
		Twin Carb L/R Petrol	1.65MM	FRC9207	X
		Twin Carb L/R Petrol	1.85 mm	FRC9209	X
		Twin Carb L/R Petrol	2.05MM	FRC9211	X



Engine
V8 Petrol - Carburetter
Engine Mountings 1/1

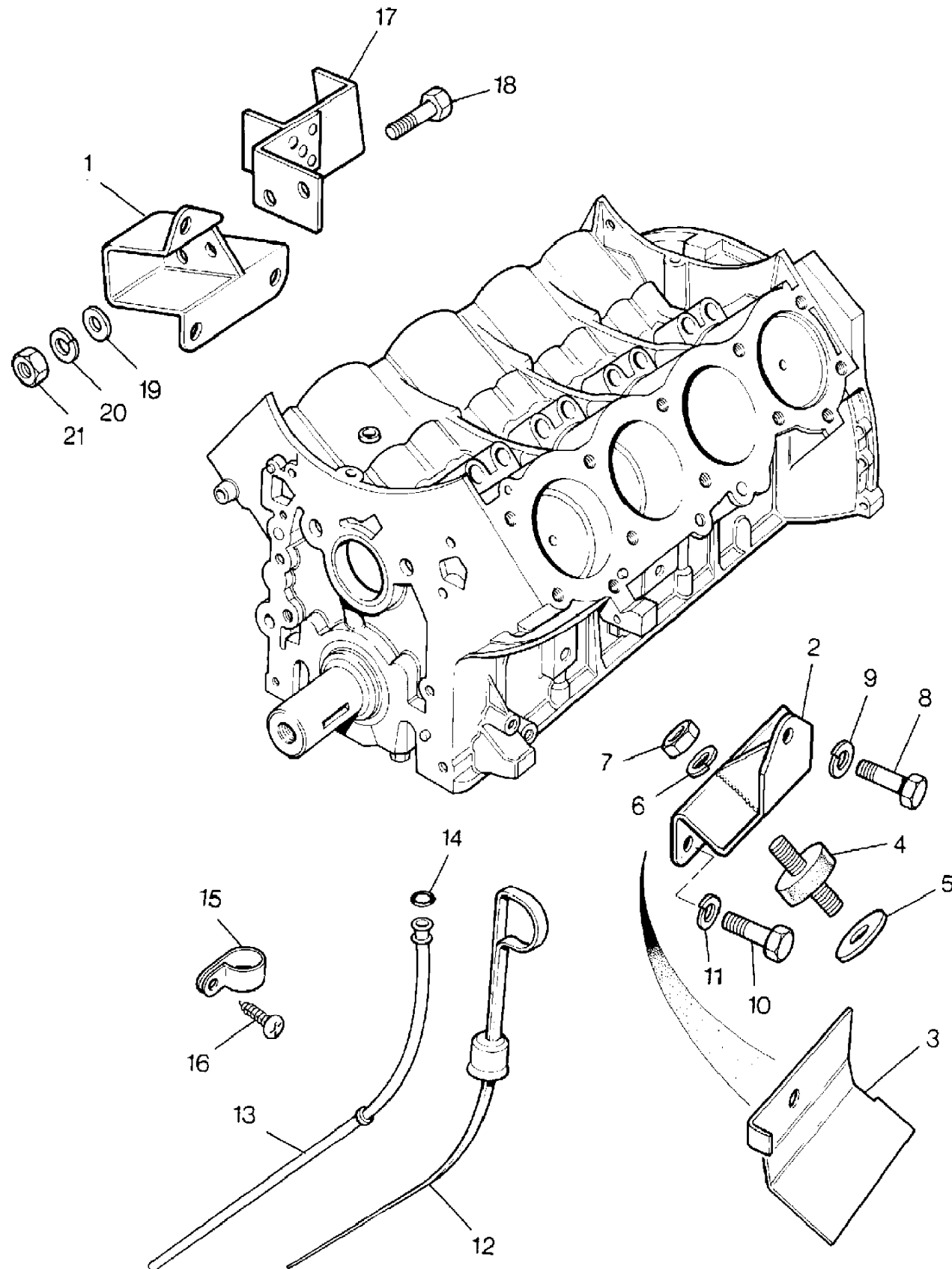
Range Rover (To HA610293)

(TS5558B)

Engine
V8 Petrol - Carburetter
Engine Mountings

Range Rover (To HA610293)

Callout	Name	Application	Remarks & Restrictions	Service No.	Qty
1	Bracket-engine mounting	Twin Carb L/R Petrol	RH	NRC1302	1
2	Bracket-engine mounting	Twin Carb L/R Petrol	LH	NRC3314	1
3	Heatshield-front engine mounting	Twin Carb L/R Petrol	LH	NTC4205	1
4	Mounting-engine rubber	V8 Twin Carb L/R Petrol	Also serviced as part of a kit	STC434	2
8	Screw	Twin Carb L/R Petrol	hexagonal head, 5/16UNC x 7/8	SH505071L	2
9	Washer-Spring	Twin Carb L/R Petrol	5/16"	WM600051L	2
10	Screw	Twin Carb L/R Petrol	hexagonal head, 7/16UNC x 1 1/8	SH507091L	4
11	Washer	Twin Carb L/R Petrol	7/16", sprung	WM600071L	4
12	Dipstick-oil	Twin Carb L/R Petrol		ERR1922	1
13	Tube assembly-oil dipstick	Twin Carb L/R Petrol		ERC6437	1
14	O Ring	Twin Carb L/R Petrol		602545	1
15	Clip	Twin Carb L/R Petrol		610489	1
16	Screw-self tapping AB	Twin Carb L/R Petrol	M8 x 12	AB610041L	1
17	Heatshield engine exhaust	Twin Carb L/R Petrol	RH	577846	1
18	Screw	Twin Carb L/R Petrol	hexagonal head, 1/4UNF x 7/8	SH604071L	2
19	Washer	Twin Carb L/R Petrol	6MM	WA106041L	2
20	Washer-Spring	Twin Carb L/R Petrol	1/4 dia, Square	WM600041L	2
21	Nut - Hex.	Twin Carb L/R Petrol	hexagonal head, Coarse Thread, 1/4UNF	NH604041L	2
[900]	Washer	V8 Twin Carb L/R Petrol	Also serviced as part of a kit, M10, oversize, Plain	WC110061L	2
		V8 Twin Carb L/R Petrol	Also serviced as part of a kit, M10	WL110001L	4
[901]	Nut - Hex.	V8 Twin Carb L/R Petrol	Also serviced as part of a kit, M10, hexagonal head, Coarse Thread	NH110041L	4



Engine
V8 Petrol - Carburetter
Engine Short 1/1

Range Rover (To HA610293)

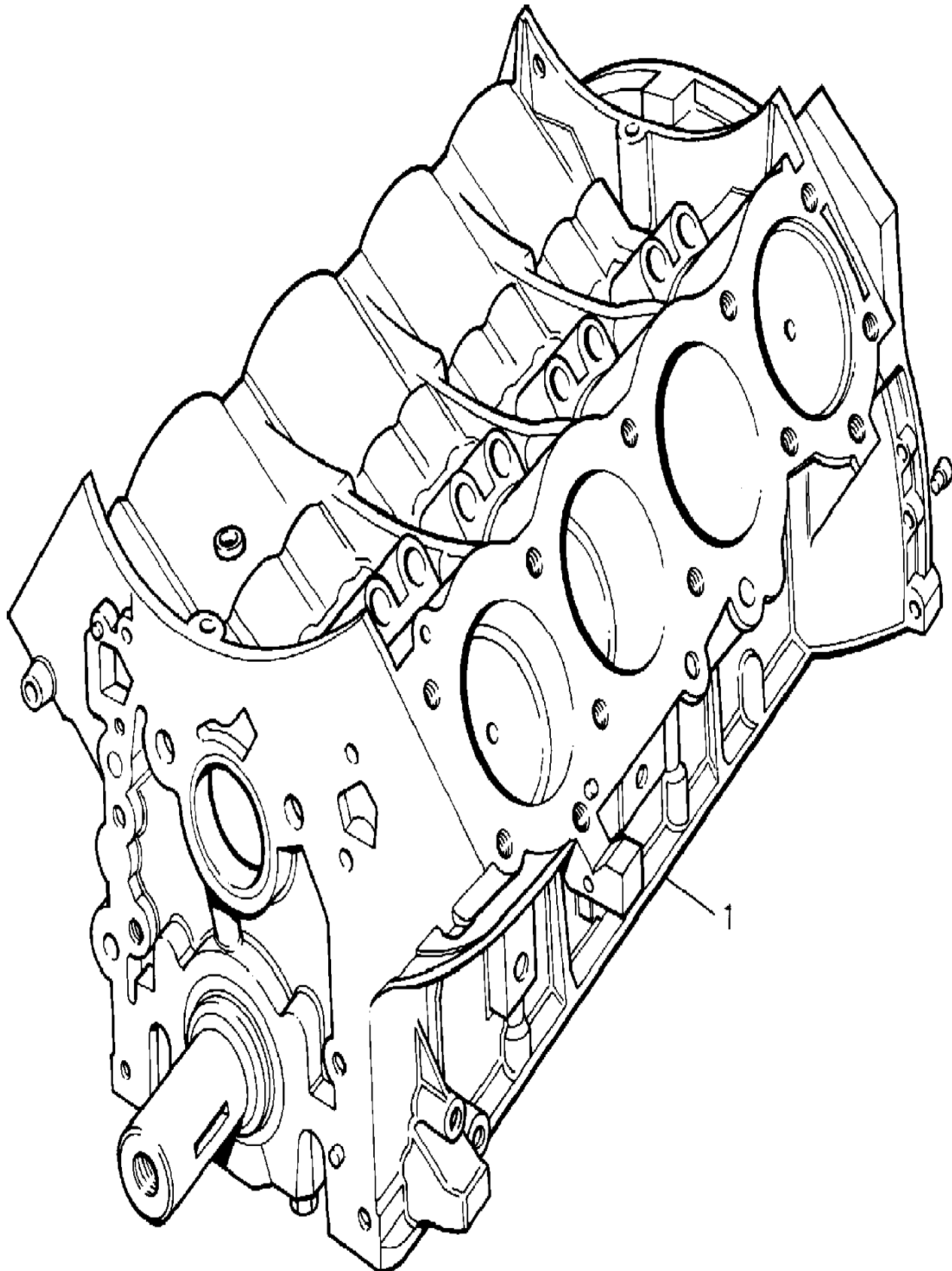
(4RE161A)

Range Rover (To HA610293)

Engine
V8 Petrol - Carburetter
Engine Short

V8 Twin Carb L/R Petrol

Callout	Name	Application	Remarks & Restrictions	Service No.	Qty
1	Engine base unit-part	Twin Carb L/R Petrol Twin Carb L/R Petrol	8.13:1 9.35:1	ETC7714 ETC7713	1 1



Engine
V8 Petrol - Carburetter
Engine Stripped 1/1

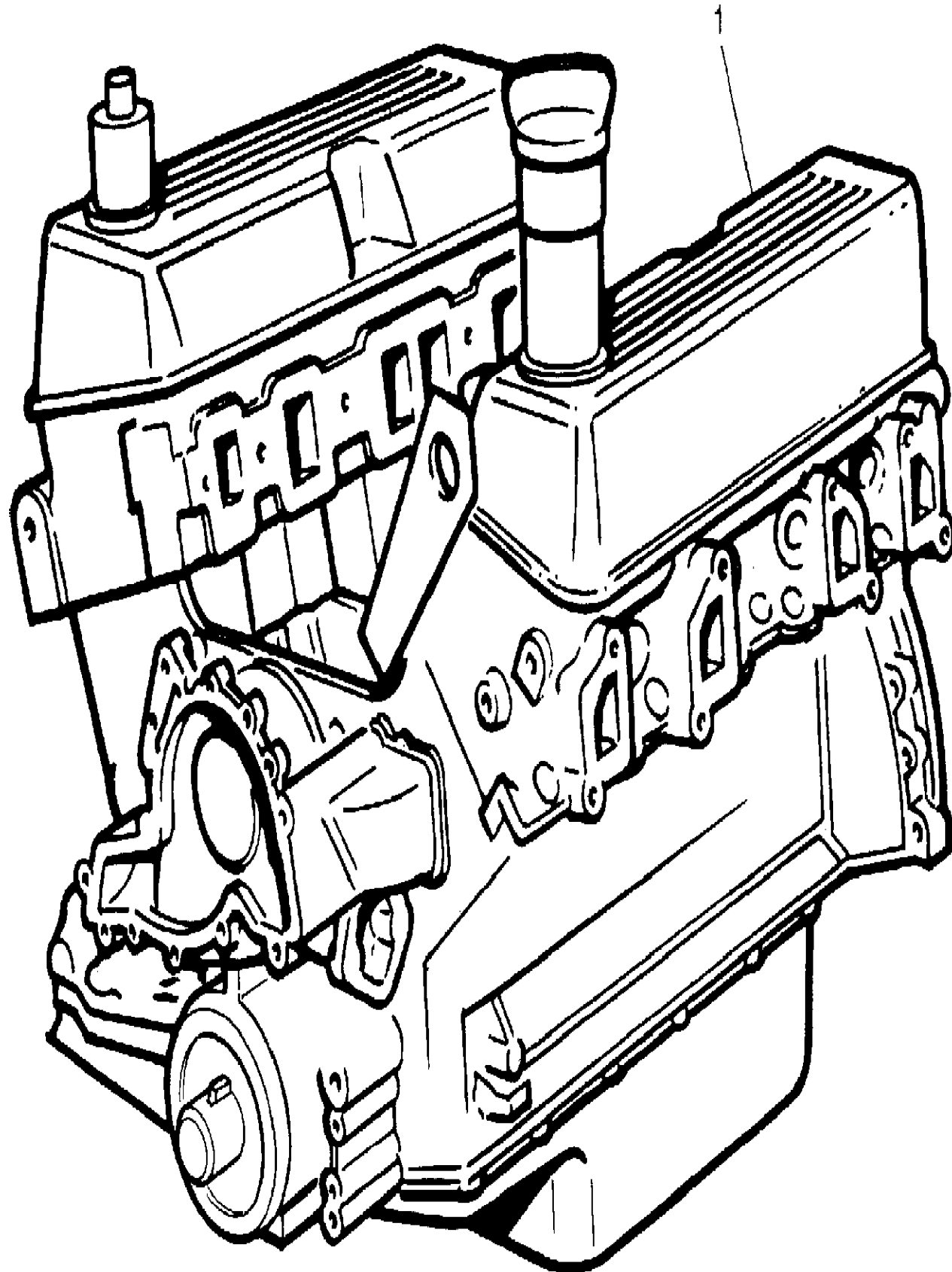
Range Rover (To HA610293)
(VS2147)

Range Rover (To HA610293)

Engine
V8 Petrol - Carburetter
Engine Stripped

V8 Twin Carb L/R Petrol

Callout	Name	Application	Remarks & Restrictions	Service No.	Qty
1	Engine unit-stripped	5 Speed Manual Transmission, Less Catalyst	28D, 29D, Engine Code 28D 3.5 V8 PI Manual, Engine Code 29D 3.5 V8 PI Auto, New	RTC4601N	1
		4 Speed Automatic Transmissions, Less Catalyst	28D, 29D, Engine Code 28D 3.5 V8 PI Manual, Engine Code 29D 3.5 V8 PI Auto, New	RTC4601N	1
		Less Catalyst	V8, 30D, Engine Code 30D 3.5 V8 PI, New, 1/2" bore air rails	RTC4608N	1
		Less Catalyst	26D, 27D, Engine Code 26D 3.5 V8 PI H/C, Engine Code 27D 3.5 V8 PI H/C, New	RTC4592N	1
		Less Catalyst	30D, Engine Code 30D 3.5 V8 PI, New, 5/8" bore air rails	RTC5856N	1



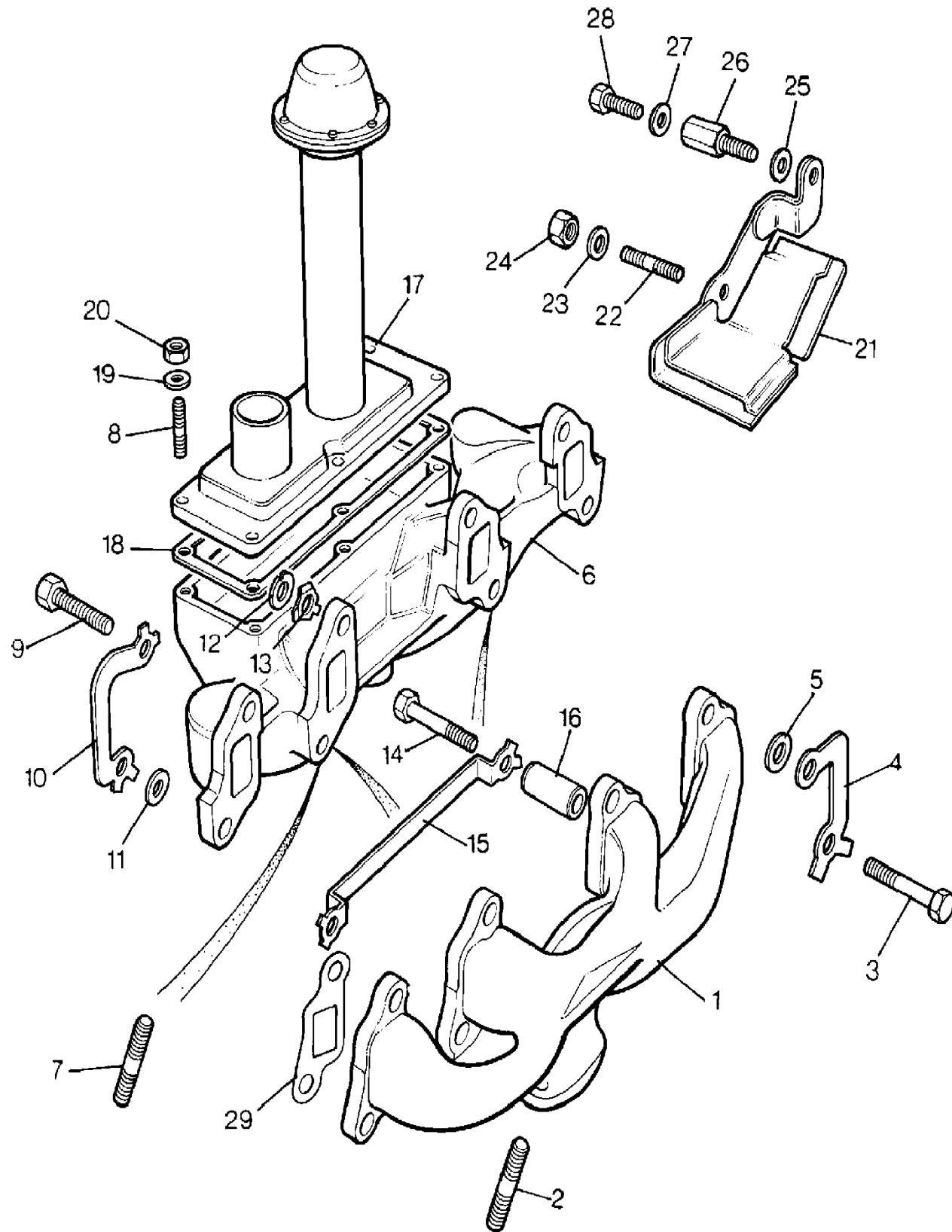
Engine
V8 Petrol - Carburetter
Exhaust Manifold-26D/27D/30D 1/3

Range Rover (To HA610293)

(VS3086A)

Range Rover (To HA610293)

Engine
V8 Petrol - Carburetter
Exhaust Manifold-26D/27D/30D
Less Catalyst



Callout	Name	Application	Remarks & Restrictions	Service No.	Qty
1	Manifold-engine exhaust	V8 Twin Carb Petrol Land Rover	Engine Code 26D 3.5 V8 PI H/C, Engine Code 27D 3.5 V8 PI H/C, Engine Code 30D 3.5 V8 PI, LH	ERC5068	1
2	Stud	V8 Twin Carb Petrol Land Rover	Engine Code 26D 3.5 V8 PI H/C, Engine Code 27D 3.5 V8 PI H/C, Engine Code 30D 3.5 V8 PI, 5/16UNF x 1 1/2	252623	3
3	Screw	V8 Twin Carb Petrol Land Rover	Engine Code 26D 3.5 V8 PI H/C, Engine Code 27D 3.5 V8 PI H/C, Engine Code 30D 3.5 V8 PI, hexagonal head, 3/8UNC x 1 1/8	SH506095L	8
4	Washer-exhaust manifold to cylinder head tab	V8 Twin Carb Petrol Land Rover	26D, 27D, 30D, Engine Code 26D 3.5 V8 PI H/C, Engine Code 27D 3.5 V8 PI H/C, Engine Code 30D 3.5 V8 PI	ERC7321	4
5	Washer-Plain	V8 Twin Carb Petrol Land Rover	26D, 27D, 30D, Engine Code 26D 3.5 V8 PI H/C, Engine Code 27D 3.5 V8 PI H/C, Engine Code 30D 3.5 V8 PI	3036L	8
6	Manifold-engine exhaust	V8 Twin Carb Petrol Land Rover	26D, 27D, 30D, RH, Engine Code 26D 3.5 V8 PI H/C, Engine Code 27D 3.5 V8 PI H/C, Engine Code 30D 3.5 V8 PI, with heat transfer cover	ERC5925	1
7	Stud	V8 Twin Carb Petrol Land Rover	26D, 27D, 30D, Engine Code 26D 3.5 V8 PI H/C, Engine Code 27D 3.5 V8 PI H/C, Engine Code 30D 3.5 V8 PI, 5/16UNF x 1 1/2	252623	3
8	Stud	V8 Twin Carb Petrol Land Rover	26D, 27D, 30D, Engine Code 26D 3.5 V8 PI H/C, Engine Code 27D 3.5 V8 PI H/C, Engine Code 30D 3.5 V8 PI, 1/4UNF x 1	ERC3690	6
9	Screw	V8 Twin Carb Petrol Land Rover	26D, 27D, 30D, Engine Code 26D 3.5 V8 PI H/C, Engine Code 27D 3.5 V8 PI H/C, Engine Code 30D 3.5 V8 PI, hexagonal head, 3/8UNC x 1 1/8	SH506095L	4
10	Washer-exhaust manifold to cylinder head tab	V8 Twin Carb Petrol Land Rover	26D, 27D, 30D, Engine Code 26D 3.5 V8 PI H/C, Engine Code 27D 3.5 V8 PI H/C, Engine Code 30D 3.5 V8 PI	ERC7321	2

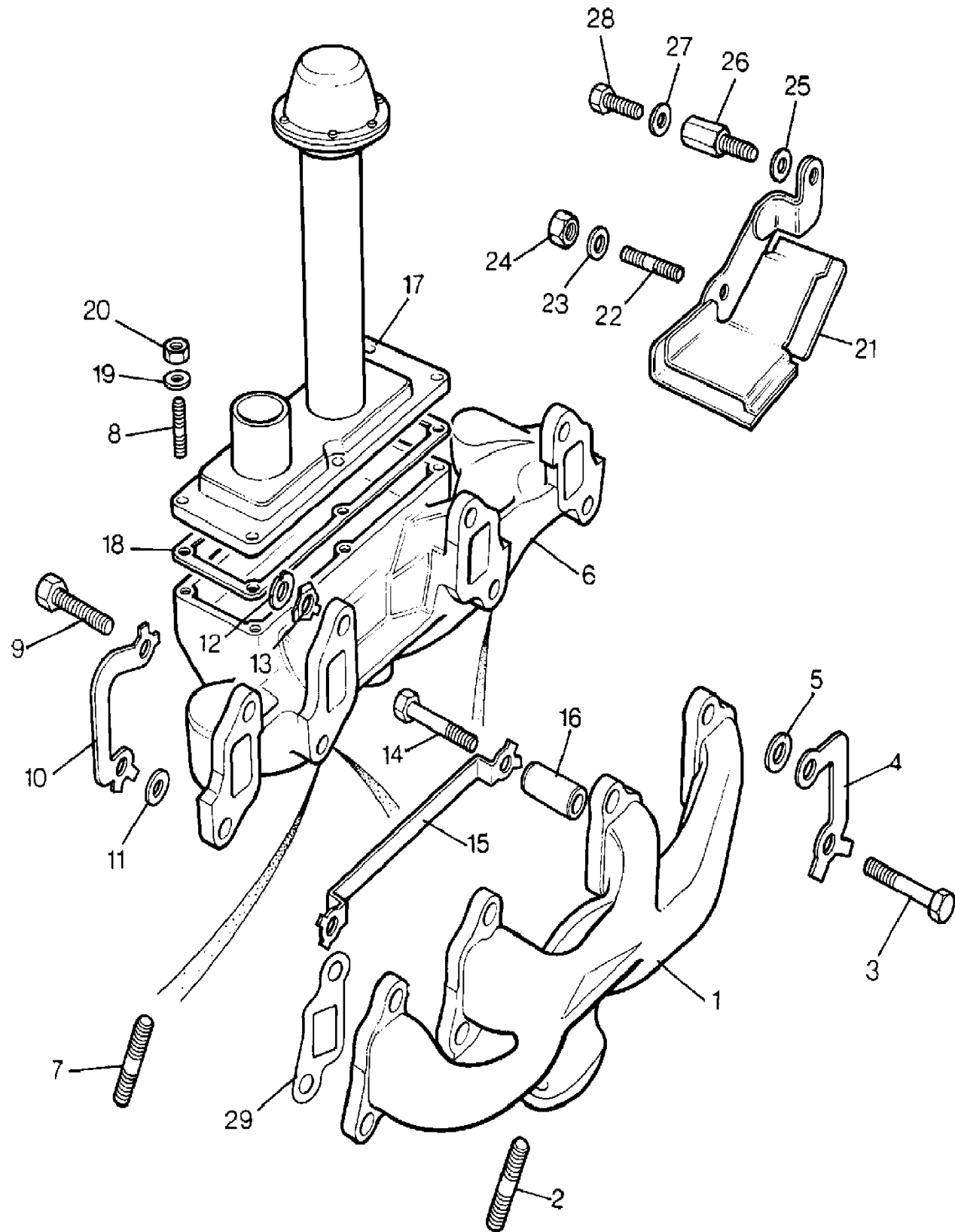
Engine
V8 Petrol - Carburetter
Exhaust Manifold-26D/27D/30D 2/3

Range Rover (To HA610293)

(VS3086A)

Range Rover (To HA610293)

Engine
V8 Petrol - Carburetter
Exhaust Manifold-26D/27D/30D
Less Catalyst



Callout	Name	Application	Remarks & Restrictions	Service No.	Qty
11	Washer-Plain	V8 Twin Carb Petrol Land Rover	26D, 27D, 30D, Engine Code 26D 3.5 V8 PI H/C, Engine Code 27D 3.5 V8 PI H/C, Engine Code 30D 3.5 V8 PI	3036L	4
12	Washer	V8 Twin Carb Petrol Land Rover	26D, 27D, 30D, Engine Code 26D 3.5 V8 PI H/C, Engine Code 27D 3.5 V8 PI H/C, Engine Code 30D 3.5 V8 PI	ERC3699	2
13	Washer	V8 Twin Carb Petrol Land Rover	26D, 27D, 30D, Engine Code 26D 3.5 V8 PI H/C, Engine Code 27D 3.5 V8 PI H/C, Engine Code 30D 3.5 V8 PI	612689	2
14	Bolt	V8 Twin Carb Petrol Land Rover	26D, 27D, 30D, Engine Code 26D 3.5 V8 PI H/C, Engine Code 27D 3.5 V8 PI H/C, Engine Code 30D 3.5 V8 PI, 3/8UNC x 5 1/2	BH506441	2
15	Washer	V8 Twin Carb Petrol Land Rover	26D, 27D, 30D, Engine Code 26D 3.5 V8 PI H/C, Engine Code 27D 3.5 V8 PI H/C, Engine Code 30D 3.5 V8 PI	ERC7896	1
16	Tube	V8 Twin Carb Petrol Land Rover	26D, 27D, 30D, Engine Code 26D 3.5 V8 PI H/C, Engine Code 27D 3.5 V8 PI H/C, Engine Code 30D 3.5 V8 PI	ERC7897	2
17	Cover-engine exhaust manifold	V8 Twin Carb Petrol Land Rover	26D, 27D, 30D, Engine Code 26D 3.5 V8 PI H/C, Engine Code 27D 3.5 V8 PI H/C, Engine Code 30D 3.5 V8 PI	ERC6373	1
18	Gasket	V8 Twin Carb Petrol Land Rover	26D, 27D, 30D, Engine Code 26D 3.5 V8 PI H/C, Engine Code 27D 3.5 V8 PI H/C, Engine Code 30D 3.5 V8 PI	ERC4989	1
19	Washer-Plain	V8 Twin Carb L/R Petrol	26D, 27D, 30D, Engine Code 26D 3.5 V8 PI H/C, Engine Code 27D 3.5 V8 PI H/C, Engine Code 30D 3.5 V8 PI, Standard	RTC609	6
20	Nut - Hex.	V8 Twin Carb Petrol Land Rover	26D, 27D, 30D, Engine Code 26D 3.5 V8 PI H/C, Engine Code 27D 3.5 V8 PI H/C, Engine Code 30D 3.5 V8 PI, 1/4UNF	NR604090	6

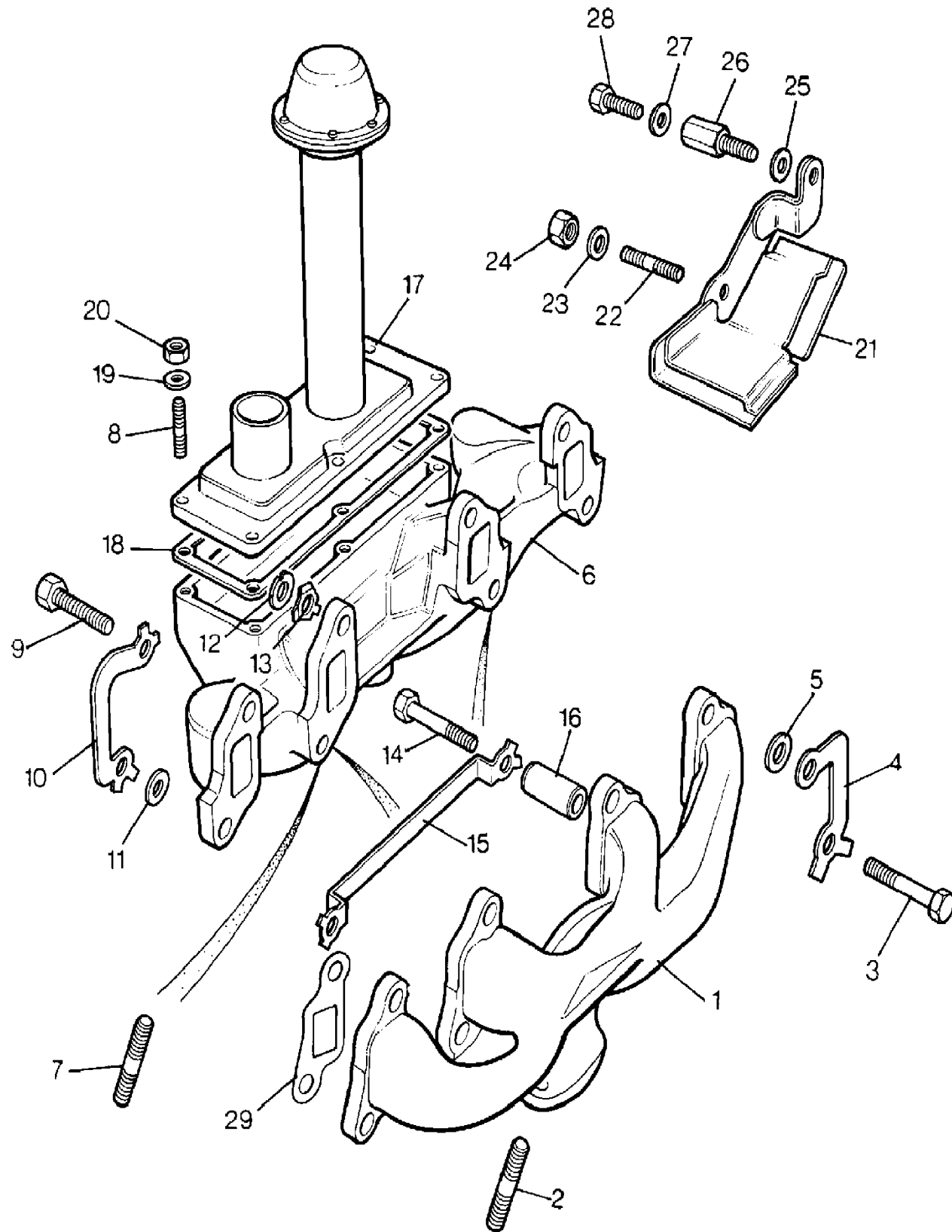
Engine
V8 Petrol - Carburetter
Exhaust Manifold-26D/27D/30D 3/3

Range Rover (To HA610293)

(VS3086A)

Range Rover (To HA610293)

Engine
V8 Petrol - Carburetter
Exhaust Manifold-26D/27D/30D
Less Catalyst

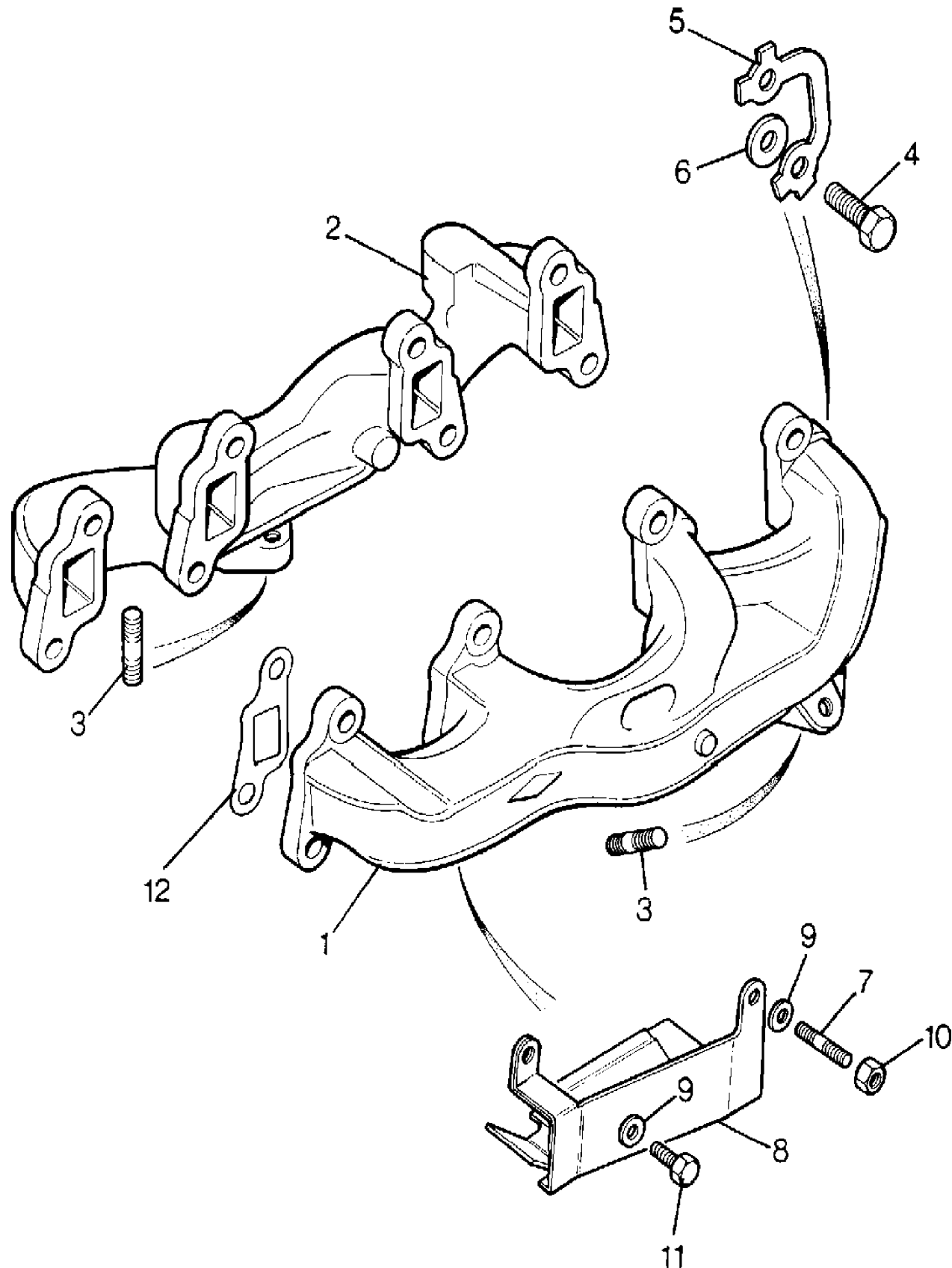


Callout	Name	Application	Remarks & Restrictions	Service No.	Qty
20	Nut - Hex.	V8 Twin Carb Petrol Land Rover	26D, 27D, 30D, Engine Code 26D 3.5 V8 PI H/C, Engine Code 27D 3.5 V8 PI H/C, Engine Code 30D 3.5 V8 PI, hexagonal head, 5/16UNF	NH605041L	1
21	Heatshield-exhaust manifold	V8 Twin Carb Petrol Land Rover	26D, 27D, 30D, Engine Code 26D 3.5 V8 PI H/C, Engine Code 27D 3.5 V8 PI H/C, Engine Code 30D 3.5 V8 PI	ERC5875	1
22	Stud	V8 Twin Carb Petrol Land Rover	26D, 27D, 30D, Engine Code 26D 3.5 V8 PI H/C, Engine Code 27D 3.5 V8 PI H/C, Engine Code 30D 3.5 V8 PI, 1/4UNF x 1	ERC3690	1
23	Washer-Plain	V8 Twin Carb Petrol Land Rover	26D, 27D, 30D, Engine Code 26D 3.5 V8 PI H/C, Engine Code 27D 3.5 V8 PI H/C, Engine Code 30D 3.5 V8 PI, Standard	RTC609	2
24	Nut-hexagonal	V8 Twin Carb Petrol Land Rover	26D, 27D, 30D, Engine Code 26D 3.5 V8 PI H/C, Engine Code 27D 3.5 V8 PI H/C, Engine Code 30D 3.5 V8 PI	NR604090L	1
25	Washer-Plain	V8 Twin Carb Petrol Land Rover	26D, 27D, 30D, Engine Code 26D 3.5 V8 PI H/C, Engine Code 27D 3.5 V8 PI H/C, Engine Code 30D 3.5 V8 PI	3036L	1
26	Screw	V8 Twin Carb Petrol Land Rover	26D, 27D, 30D, Engine Code 26D 3.5 V8 PI H/C, Engine Code 27D 3.5 V8 PI H/C, Engine Code 30D 3.5 V8 PI, 3/8UNC x 1 1/8	614443	1
27	Washer-Plain	V8 Twin Carb Petrol Land Rover	26D, 27D, 30D, Engine Code 26D 3.5 V8 PI H/C, Engine Code 27D 3.5 V8 PI H/C, Engine Code 30D 3.5 V8 PI	RTC613	1
28	Screw	V8 Twin Carb Petrol Land Rover	26D, 27D, 30D, Engine Code 26D 3.5 V8 PI H/C, Engine Code 27D 3.5 V8 PI H/C, Engine Code 30D 3.5 V8 PI, hexagonal head, 5/16UNF x 5/8	SH605051L	1
29	Gasket-exhaust manifold	V8 Twin Carb Petrol Land Rover	26D, 27D, 30D, Engine Code 26D 3.5 V8 PI H/C, Engine Code 27D 3.5 V8 PI H/C, Engine Code 30D 3.5 V8 PI	ERC3606	8

Engine
V8 Petrol - Carburetter
Exhaust Manifold-28D/29D 1/2

Range Rover (To HA610293)

(TS5704A)



Range Rover (To HA610293)

Engine
V8 Petrol - Carburetter
Exhaust Manifold-28D/29D

5 Speed Manual Transmission, 4 Speed Automatic Transmissions, Less Catalyst

Callout	Name	Application	Remarks & Restrictions	Service No.	Qty
1	Manifold-engine exhaust	V8 Twin Carb Petrol Land Rover	28D, 29D, Engine Code 28D 3.5 V8 PI Manual, Engine Code 29D 3.5 V8 PI Auto, LH	ERC5068	1
		V8 Twin Carb Petrol Land Rover	28D, 29D, Engine Code 28D 3.5 V8 PI Manual, Engine Code 29D 3.5 V8 PI Auto, LH	ERC5068	1
2	Manifold-engine exhaust	V8 Twin Carb L/R Petrol	28D, 29D, RH, Engine Code 28D 3.5 V8 PI Manual, Engine Code 29D 3.5 V8 PI Auto, less heat transfer cover	ERC3102	1
3	Stud	V8 Twin Carb Petrol Land Rover	28D, 29D, Engine Code 28D 3.5 V8 PI Manual, Engine Code 29D 3.5 V8 PI Auto, 5/16UNF x 1 1/2	252623	6
		V8 Twin Carb Petrol Land Rover	28D, 29D, Engine Code 28D 3.5 V8 PI Manual, Engine Code 29D 3.5 V8 PI Auto, 5/16UNF x 1 1/2	252623	6
4	Screw	V8 Twin Carb Petrol Land Rover	28D, 29D, Engine Code 28D 3.5 V8 PI Manual, Engine Code 29D 3.5 V8 PI Auto, hexagonal head, 3/8UNC x 1 1/8	SH506095L	15
		V8 Twin Carb Petrol Land Rover	28D, 29D, Engine Code 28D 3.5 V8 PI Manual, Engine Code 29D 3.5 V8 PI Auto, hexagonal head, 3/8UNC x 1 1/8	SH506095L	15
5	Washer-exhaust manifold to cylinder head tab	V8 Twin Carb Petrol Land Rover	28D, 29D, Engine Code 28D 3.5 V8 PI Manual, Engine Code 29D 3.5 V8 PI Auto	ERC7321	8
		V8 Twin Carb Petrol Land Rover	28D, 29D, Engine Code 28D 3.5 V8 PI Manual, Engine Code 29D 3.5 V8 PI Auto	ERC7321	8
6	Washer-Plain	V8 Twin Carb Petrol Land Rover	28D, 29D, Engine Code 28D 3.5 V8 PI Manual, Engine Code 29D 3.5 V8 PI Auto	3036L	16
		V8 Twin Carb Petrol Land Rover	28D, 29D, Engine Code 28D 3.5 V8 PI Manual, Engine Code 29D 3.5 V8 PI Auto	3036L	16
7	Stud	V8 Twin Carb Petrol Land Rover	28D, 29D, Engine Code 28D 3.5 V8 PI Manual, Engine Code 29D 3.5 V8 PI Auto	ERC3458	1
		V8 Twin Carb Petrol Land Rover	28D, 29D, Engine Code 28D 3.5 V8 PI Manual, Engine Code 29D 3.5 V8 PI Auto	ERC3458	1
8	Heatshield-exhaust manifold	V8 Twin Carb Petrol Land Rover	28D, 29D, Engine Code 28D 3.5 V8 PI Manual, Engine Code 29D 3.5 V8 PI Auto	ERC5786	1

Engine
V8 Petrol - Carburetter
Exhaust Manifold-28D/29D 2/2

Range Rover (To HA610293)

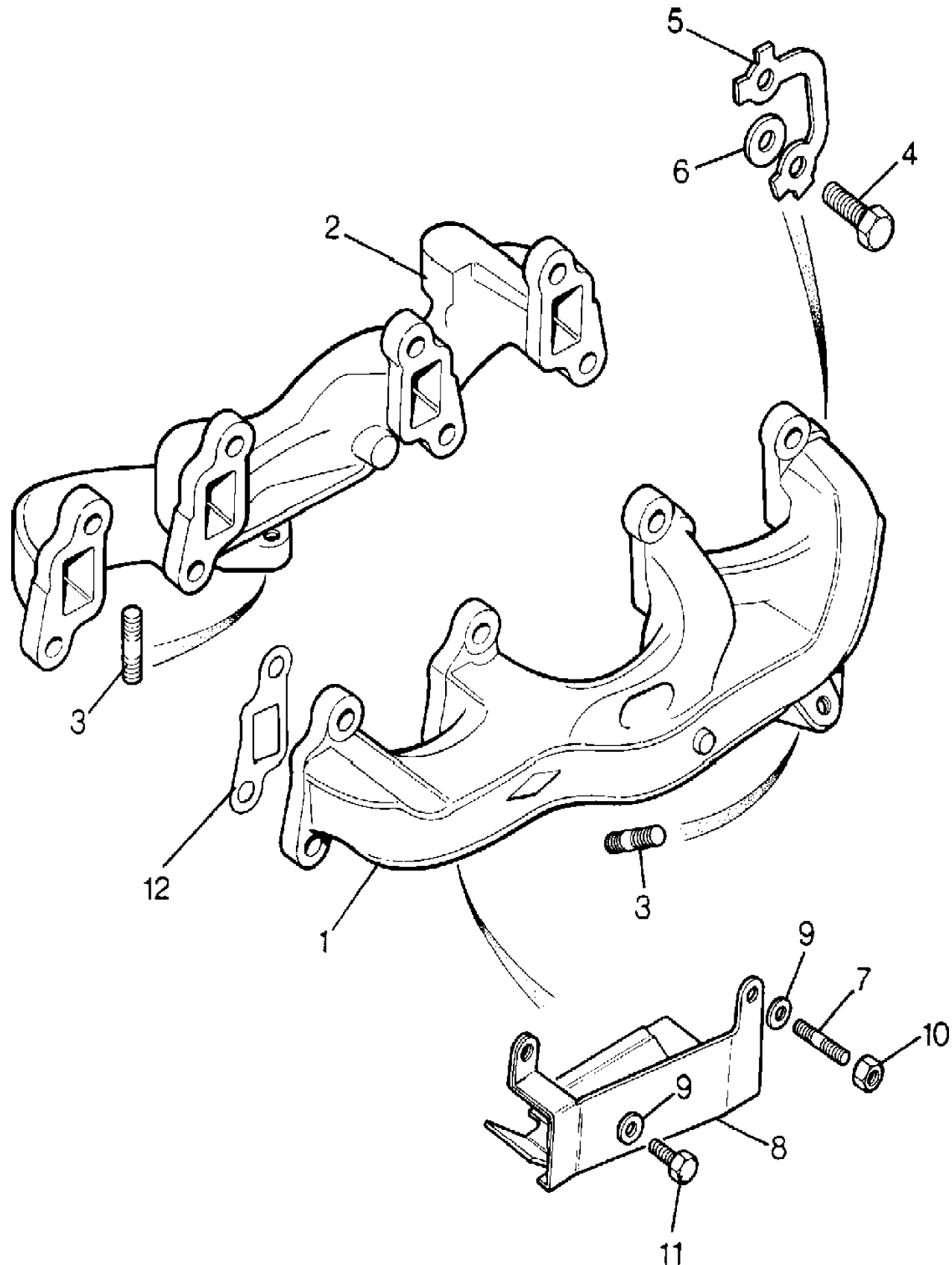
(TS5704A)

Range Rover (To HA610293)

Engine
V8 Petrol - Carburetter
Exhaust Manifold-28D/29D

5 Speed Manual Transmission, 4 Speed Automatic Transmissions, Less Catalyst

Callout	Name	Application	Remarks & Restrictions	Service No.	Qty
8	Heatshield-exhaust manifold	V8 Twin Carb Petrol Land Rover	28D, 29D, Engine Code 28D 3.5 V8 PI Manual, Engine Code 29D 3.5 V8 PI Auto	ERC5786	1
9	Washer-Plain	V8 Twin Carb Petrol Land Rover	28D, 29D, Engine Code 28D 3.5 V8 PI Manual, Engine Code 29D 3.5 V8 PI Auto	RTC613	2
		V8 Twin Carb Petrol Land Rover	28D, 29D, Engine Code 28D 3.5 V8 PI Manual, Engine Code 29D 3.5 V8 PI Auto	RTC613	2
10	Nut - Hex.	V8 Twin Carb Petrol Land Rover	28D, 29D, Engine Code 28D 3.5 V8 PI Manual, Engine Code 29D 3.5 V8 PI Auto, hexagonal head, 5/16UNF	NH605041L	1
		V8 Twin Carb Petrol Land Rover	28D, 29D, Engine Code 28D 3.5 V8 PI Manual, Engine Code 29D 3.5 V8 PI Auto, hexagonal head, 5/16UNF	NH605041L	1
11	Screw	V8 Twin Carb Petrol Land Rover	28D, 29D, Engine Code 28D 3.5 V8 PI Manual, Engine Code 29D 3.5 V8 PI Auto, hexagonal head, 5/16UNF x 5/8	SH605051L	1
		V8 Twin Carb Petrol Land Rover	28D, 29D, Engine Code 28D 3.5 V8 PI Manual, Engine Code 29D 3.5 V8 PI Auto, hexagonal head, 5/16UNF x 5/8	SH605051L	1
12	Gasket-exhaust manifold	V8 Twin Carb Petrol Land Rover	28D, 29D, Engine Code 28D 3.5 V8 PI Manual, Engine Code 29D 3.5 V8 PI Auto	ERC3606	8
		V8 Twin Carb Petrol Land Rover	28D, 29D, Engine Code 28D 3.5 V8 PI Manual, Engine Code 29D 3.5 V8 PI Auto	ERC3606	8



Engine
V8 Petrol - Carburetter
Flywheel & Clutch 1/1

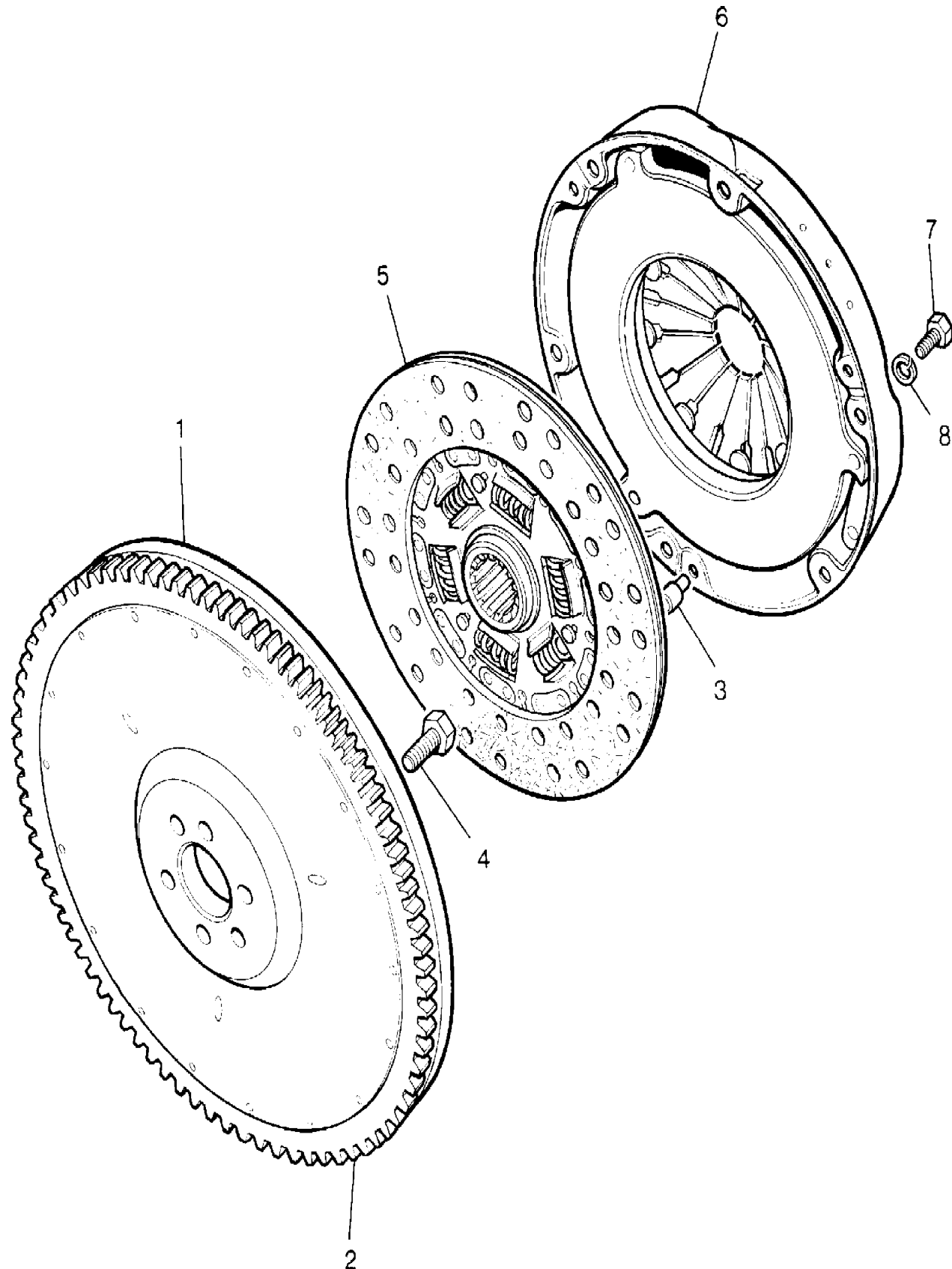
Range Rover (To HA610293)
(4RE172)

Range Rover (To HA610293)

Engine
V8 Petrol - Carburetter
Flywheel & Clutch

V8 Twin Carb L/R Petrol, Manual Transmission

Callout	Name	Application	Remarks & Restrictions	Service No.	Qty
1	Flywheel engine	Twin Carb L/R Petrol	Also serviced as part of a kit	611324	1
2	Gear-ring-flywheel engine	Twin Carb L/R Petrol	Also serviced as part of a kit	611323	1
3	Dowel	Twin Carb L/R Petrol	Also serviced as part of a kit	6395L	3
4	Screw	Twin Carb L/R Petrol	hexagonal head, 7/16UNC x 1	SH607081L	6
5	Plate-clutch-driven	Twin Carb L/R Petrol		FRC6685	1
6	Cover-clutch assembly	Twin Carb L/R Petrol		576476	1
7	Screw	Twin Carb L/R Petrol	hexagonal head, 3/8UNC x 3/4	SH606061L	6
8	Washer	Twin Carb L/R Petrol	3/8", Square	WM600061L	6



Engine
V8 Petrol - Carburetter
Front Cover 1/1

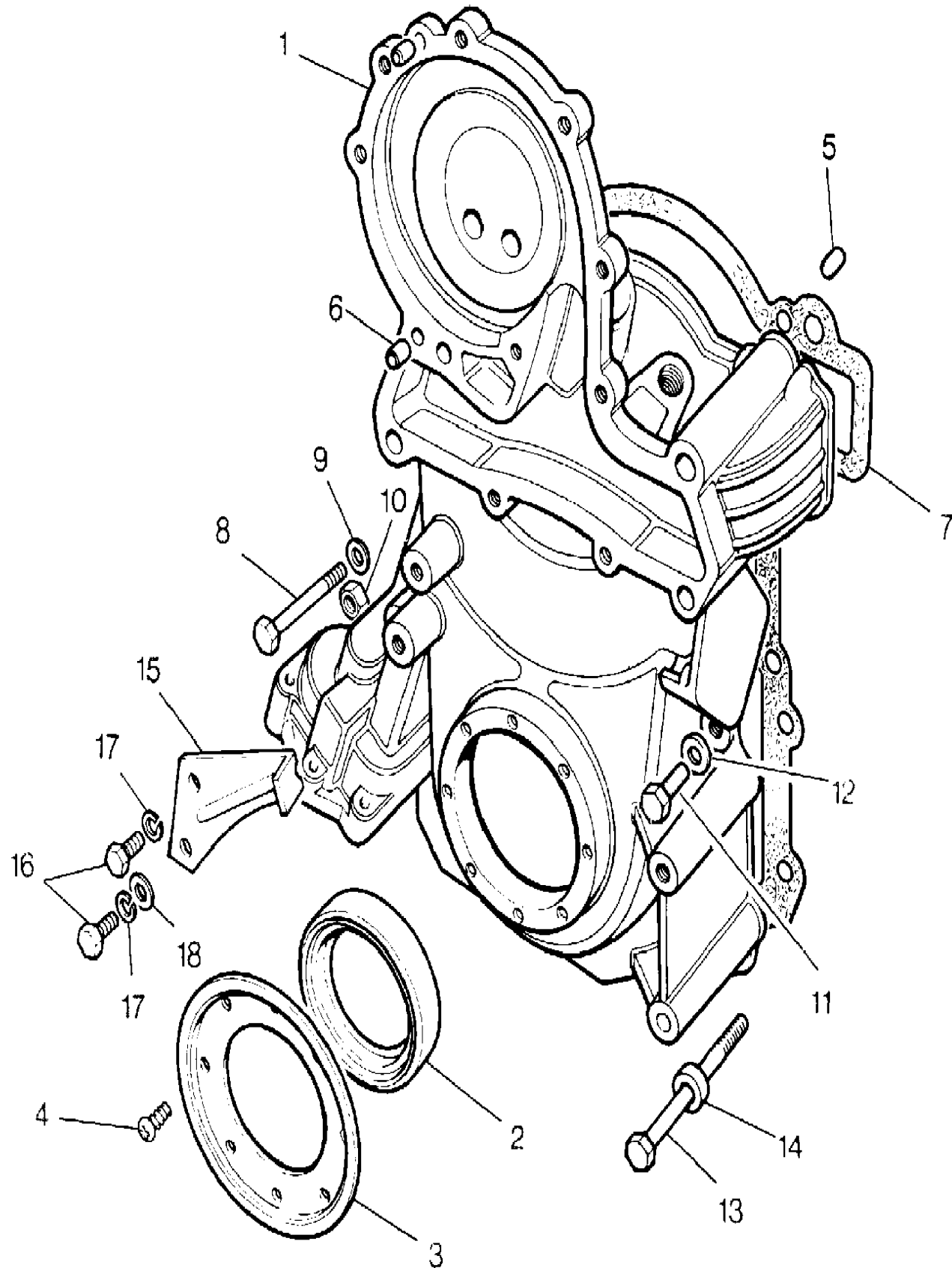
Range Rover (To HA610293)

(2RE287A)

Engine
V8 Petrol - Carburetter
Front Cover

Range Rover (To HA610293)

Callout	Name	Application	Remarks & Restrictions	Service No.	Qty
1	Cover-engine	Twin Carb L/R Petrol	Also serviced as part of a kit, Front	ETC7385	1
2	Seal-crankshaft front oil	Twin Carb L/R Petrol	Also serviced as part of a kit	ETC5065	1
5	Dowel	Twin Carb L/R Petrol	Also serviced as part of a kit	90602202	2
6	Dowel	Twin Carb L/R Petrol		602201	2
7	Gasket-front plate to timing chain cover	Twin Carb L/R Petrol		603775	1
8	Bolt	Twin Carb L/R Petrol	5/16UNC x 3	BH505241L	1
9	Washer	Twin Carb L/R Petrol	8MM	WA108051L	1
10	Nut - Hex.	Twin Carb L/R Petrol	hexagonal head, 5/16UNF	NH605041L	1
11	Screw	Twin Carb L/R Petrol	hexagonal head, 5/16UNC x 1 1/8	SH505091L	2
12	Washer	Twin Carb L/R Petrol	8MM	WA108051L	2
13	Bolt	Twin Carb L/R Petrol	5/16UNC x 3.8	602388	1
14	Washer	Twin Carb L/R Petrol	M8, Plain	4075L	1
15	Pointer-engine timing	Twin Carb L/R Petrol		ETC7345	1
16	Screw	Twin Carb L/R Petrol	hexagonal head, 1/4UNF x 5/8	SH504051L	2
17	Washer-Spring	Twin Carb L/R Petrol	1/4 dia, Square	WM600041L	2
18	Washer-Plain	Twin Carb L/R Petrol	Standard	RTC609	2



Engine
V8 Petrol - Carburetter
Fuel Trap-Detoxed 1/1

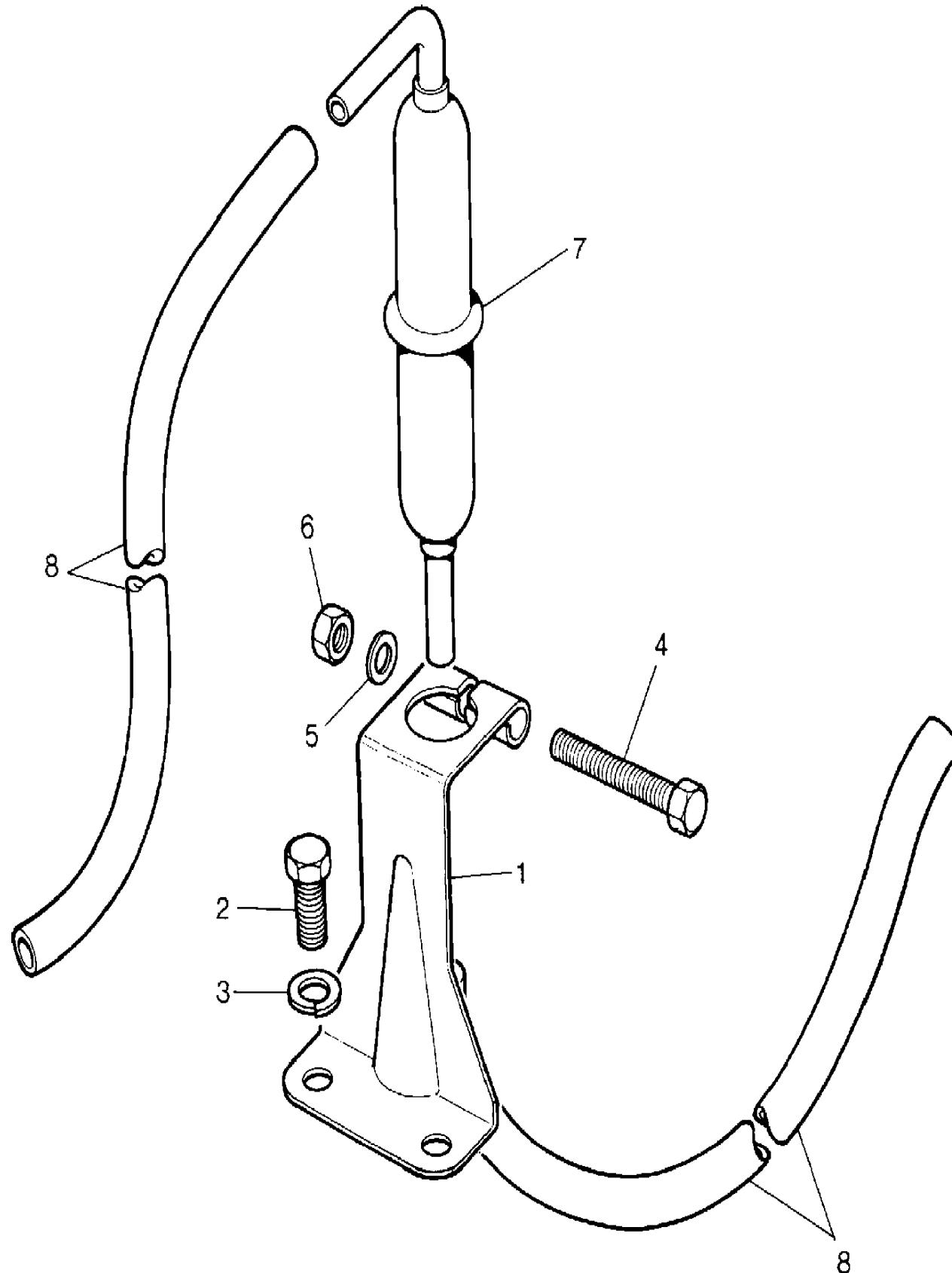
Range Rover (To HA610293)
(VS3874)

Range Rover (To HA610293)

Engine
V8 Petrol - Carburetter
Fuel Trap-Detoxed

V8 Twin Carb L/R Petrol

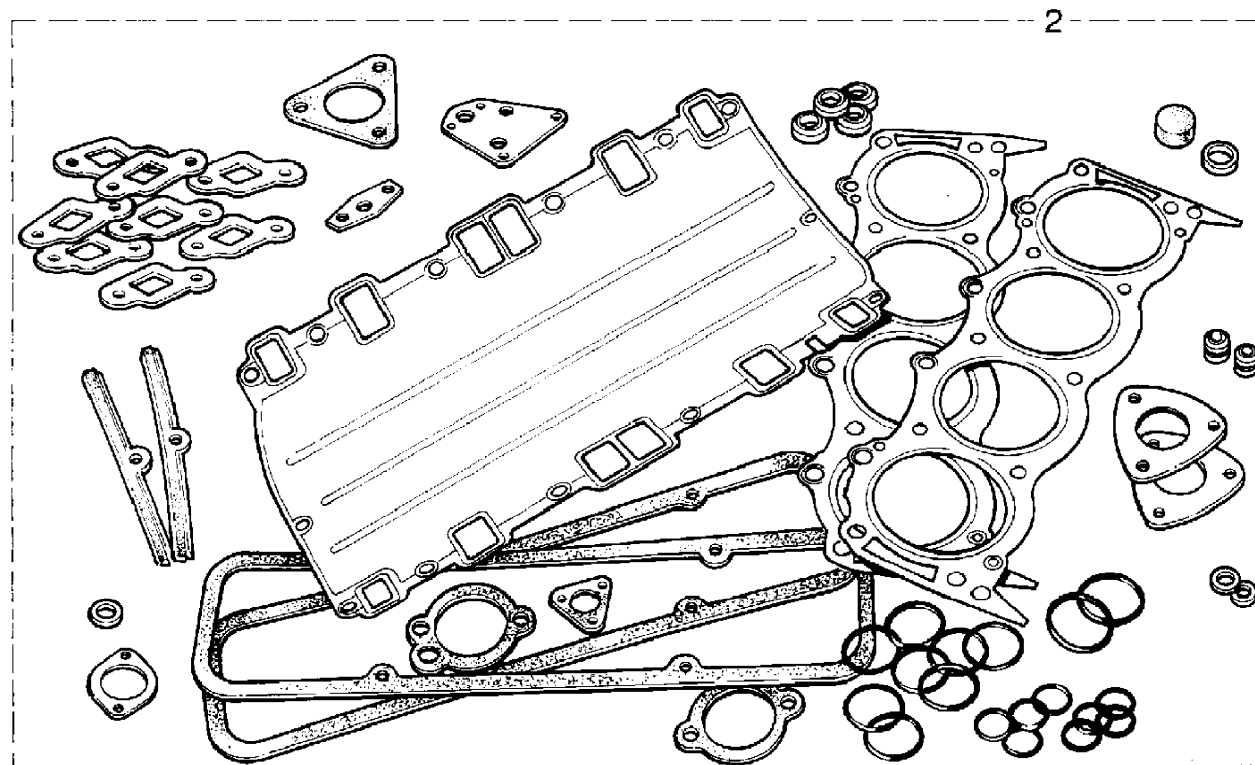
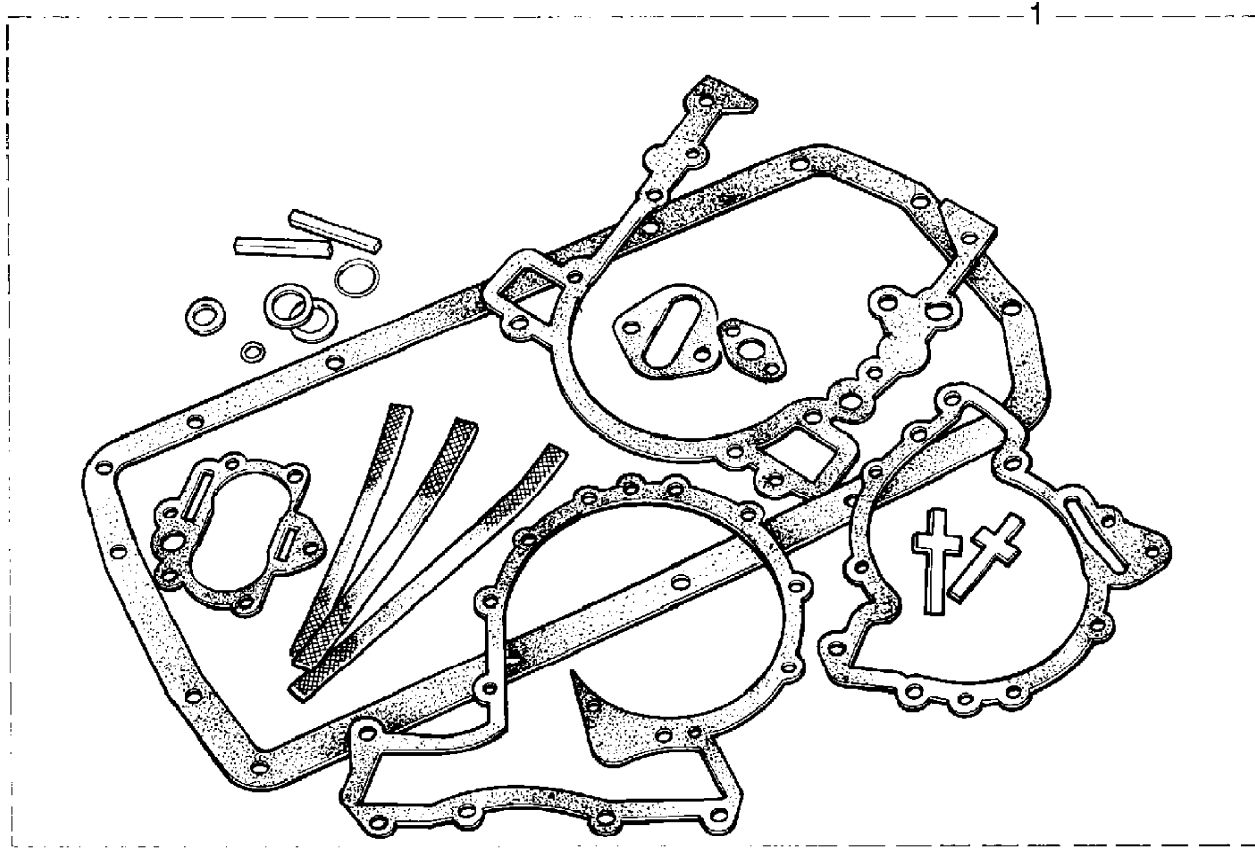
Callout	Name	Application	Remarks & Restrictions	Service No.	Qty
1	Clamp	Twin Carb L/R Petrol		ERC4193	1
2	Screw	Twin Carb L/R Petrol	hexagonal head, 1/4UNF x 1/2	SH504041L	2
3	Washer-Spring	Twin Carb L/R Petrol	1/4 dia, Square	WM600041L	2
4	Bolt	Twin Carb L/R Petrol		253942	1
5	Washer	Twin Carb L/R Petrol		WA702101L	1
6	Nut - Hex.	Twin Carb L/R Petrol		257071	10
7	Trap-fuel-intake engine-electric control unit	Twin Carb L/R Petrol		ERC2042	1
8	Pipe-carburettor vacuum	Twin Carb L/R Petrol	31"	614891	2



Engine
V8 Petrol - Carburetter
Gasket Kits 1/1

Range Rover (To HA610293)

(VS1619)



Range Rover (To HA610293)

Engine
V8 Petrol - Carburetter
Gasket Kits

Callout	Name	Application	Remarks & Restrictions	Service No.	Qty
1	Set-engine gasket	Twin Carb L/R Petrol		RTC3306	1
2	Set-cylinder block gasket	Twin Carb L/R Petrol		RTC3337	1

Engine
V8 Petrol - Carburetter
High Tension Leads 1/2

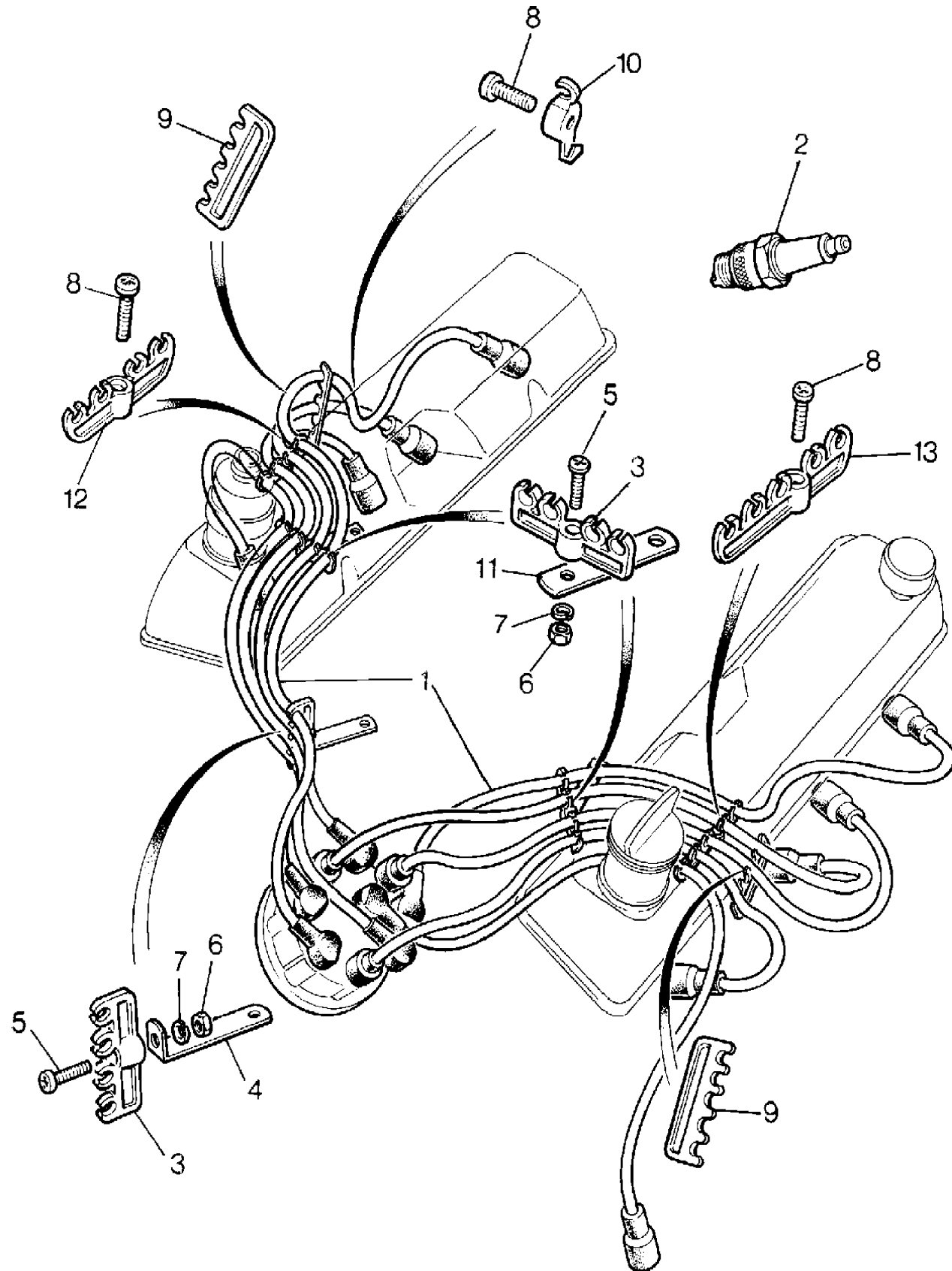
Range Rover (To HA610293)

(TS5580A)

Engine
V8 Petrol - Carburetter
High Tension Leads

Range Rover (To HA610293)

Callout	Name	Application	Remarks & Restrictions	Service No.	Qty		
1	Lead-high tension ignition	Twin Carb L/R Petrol	Also serviced as part of a kit, No1	ETC8610	1		
		Twin Carb L/R Petrol	Also serviced as part of a kit, No3	ETC8611	1		
		Twin Carb L/R Petrol	Also serviced as part of a kit, No5	ETC8612	1		
		Twin Carb L/R Petrol	Also serviced as part of a kit, No2	ETC8613	1		
		Twin Carb L/R Petrol	Also serviced as part of a kit, No4	ETC8614	1		
		Twin Carb L/R Petrol	Also serviced as part of a kit, No6	ETC8615	1		
		Twin Carb L/R Petrol	Also serviced as part of a kit, No8	ETC8616	1		
		Twin Carb L/R Petrol	Also serviced as part of a kit, No7	ETC8617	1		
		Change point - VIN end MA647644, Twin Carb L/R Petrol	Also serviced as part of a kit, No1	ETC8610	1		
		Change point - VIN end MA647644, Twin Carb L/R Petrol	Also serviced as part of a kit, No3	ETC8611	1		
		Change point - VIN end MA647644, Twin Carb L/R Petrol	Also serviced as part of a kit, No5	ETC8612	1		
		Change point - VIN end MA647644, Twin Carb L/R Petrol	Also serviced as part of a kit, No2	ETC8613	1		
		Change point - VIN end MA647644, Twin Carb L/R Petrol	Also serviced as part of a kit, No4	ETC8614	1		
		Change point - VIN end MA647644, Twin Carb L/R Petrol	Also serviced as part of a kit, No6	ETC8615	1		
		Change point - VIN end MA647644, Twin Carb L/R Petrol	Also serviced as part of a kit, No8	ETC8616	1		
		Change point - VIN end MA647644, Twin Carb L/R Petrol	Also serviced as part of a kit, No7	ETC8617	1		
		2	Plug-sparking	Twin Carb L/R Petrol	N9YC	RTC3812	8
		3	Clip-spacer-high tension lead ignition	Twin Carb L/R Petrol		603672	3
		4	Bracket-support-lead ignition	Twin Carb L/R Petrol	Centre	ETC6237	1
5	Screw	V8 Twin Carb L/R Petrol	10UNF x 1/2	SE910161	3		
6	Locknut	Twin Carb L/R Petrol	10x32UNF	NH910011L	3		
7	Washer-Spring	Twin Carb L/R Petrol	rectangular, No 10, single coil	WL700101L	3		
8	Screw-self tapping AB	Twin Carb L/R Petrol	M8 x 12	AB610041L	3		
9	Clip-spacer-high tension lead ignition	Twin Carb L/R Petrol		603673	2		



Engine
V8 Petrol - Carburetter
High Tension Leads 2/2

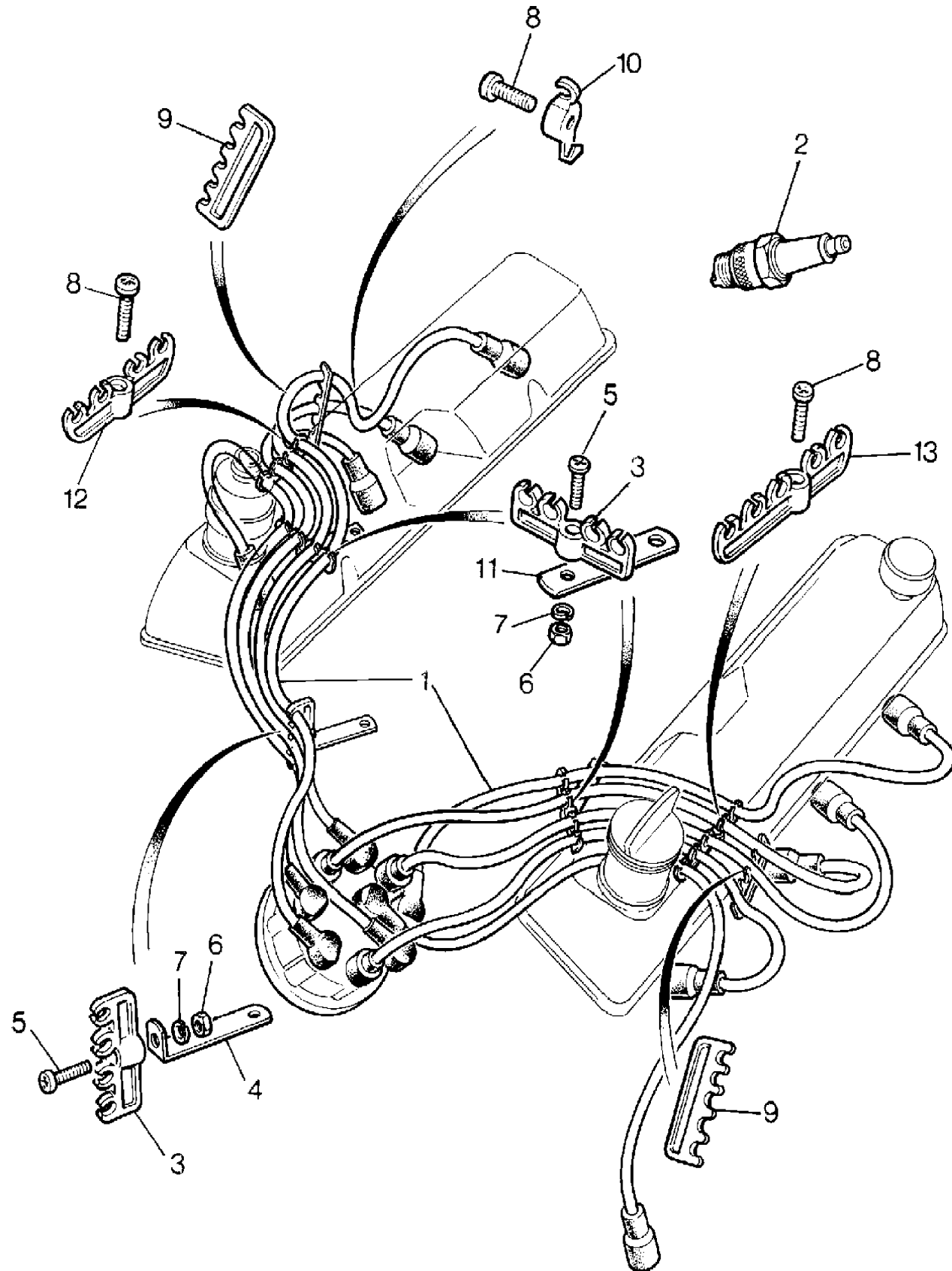
Range Rover (To HA610293)

(TS5580A)

Engine
V8 Petrol - Carburetter
High Tension Leads

Range Rover (To HA610293)

Callout	Name	Application	Remarks & Restrictions	Service No.	Qty
10	Clip-spacer-high tension lead ignition	Twin Carb L/R Petrol		587477	1
11	Bracket-support-lead ignition	Twin Carb L/R Petrol		ETC6093	2
12	Clip-spacer-high tension lead ignition	Change point - Engine end 24D10029B		ETC6107	1
13	Clip-spacer-high tension lead ignition	Change point - Engine begin 24D10029B		ETC7971	1
[900]	Kit-high tension leads ignition	Twin Carb L/R Petrol	Also serviced as part of a kit, Carbon	ETC6484	1
		Change point - VIN end MA647644, Twin Carb L/R Petrol	Also serviced as part of a kit, silicone	RTC6551	1
[901]	Lead-king ignition	Twin Carb L/R Petrol	Also serviced as part of a kit	ETC8618	1
		Change point - VIN end MA647644, Twin Carb L/R Petrol	Also serviced as part of a kit	ETC8618	1
[902]	Grommet		Rubber, 17/64" hole	6860L	1
[903]	Clip-p		3/4"	AEU1446	1



Engine
V8 Petrol - Carburetter
Inlet Manifold 1/3

Range Rover (To HA610293)

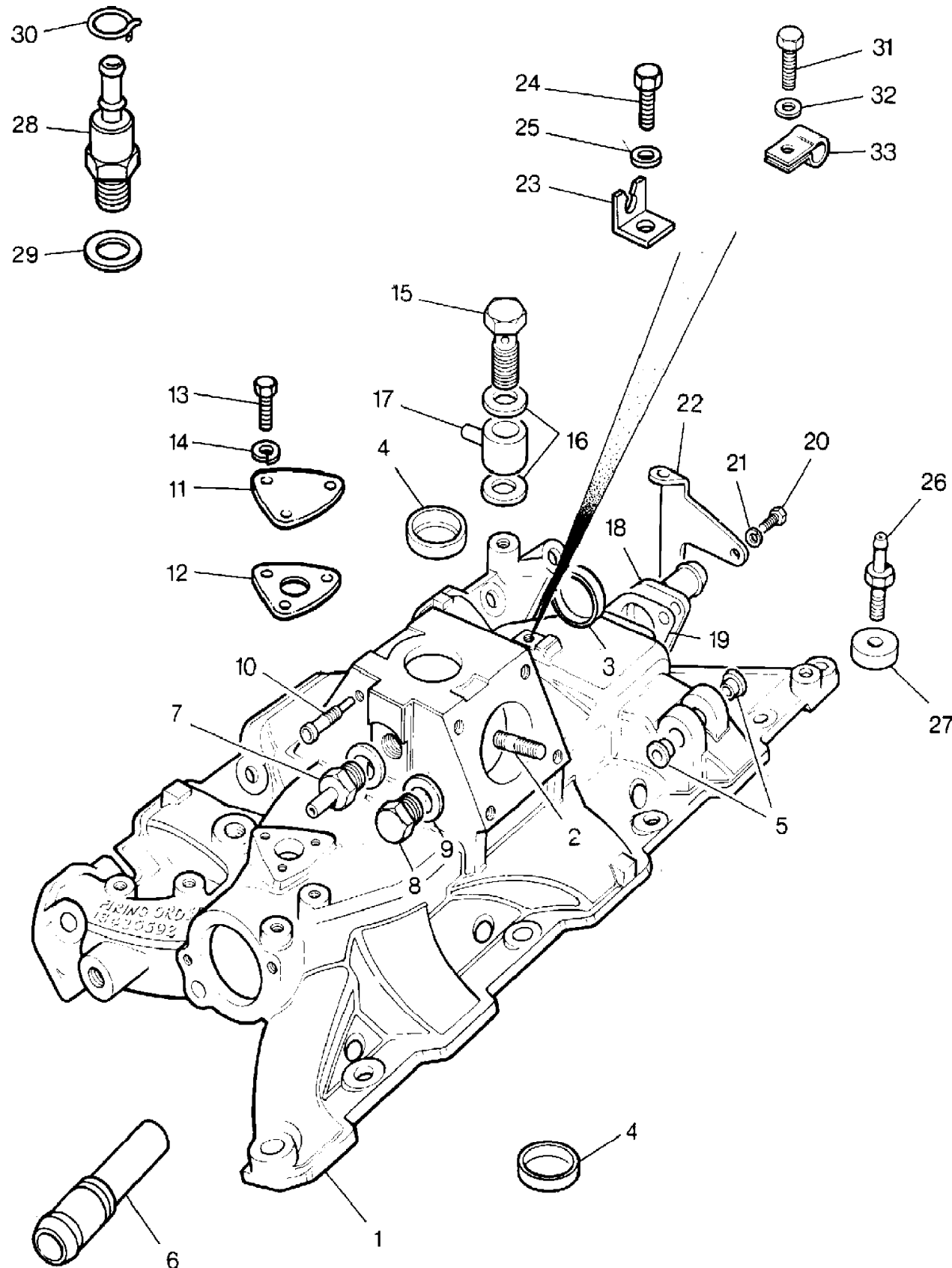
(TS5701)

Engine
V8 Petrol - Carburetter
Inlet Manifold

Range Rover (To HA610293)

V8 Twin Carb L/R Petrol

Callout	Name	Application	Remarks & Restrictions	Service No.	Qty
1	Manifold assembly-engine inlet	Change point - Engine end 27D00401C, Twin Carb L/R Petrol Change point - Engine begin 27D00402C, Twin Carb L/R Petrol	Also serviced as part of a kit	ERC2135	1
2	Stud	Change point - Engine end 27D00401C, Twin Carb L/R Petrol	Also serviced as part of a kit	ETC7915	1
3	Plug-core	Change point - Engine end 27D00401C, Twin Carb L/R Petrol	Also serviced as part of a kit	ERC256	2
4	Plug-cup	Change point - Engine end 27D00401C, Twin Carb L/R Petrol	Also serviced as part of a kit	602152	1
5	Bush	Change point - Engine end 27D00401C, Twin Carb L/R Petrol	Also serviced as part of a kit	522932	2
6	Ferrule	Change point - Engine begin 27D00402C, Twin Carb L/R Petrol		ERC2126	1
7	Tube	Change point - Engine begin 27D00402C, Twin Carb L/R Petrol		614230	1
8	Bolt-banjo	Change point - Engine begin 27D00402C, Twin Carb L/R Petrol		ULC2378	1
9	Washer-sealing	Change point - Engine end 27D00401C, Twin Carb L/R Petrol	Also serviced as part of a kit	232043	1
10	Adaptor-inlet manifold	Change point - Engine begin 27D00402C, Twin Carb L/R Petrol		603920	1
11	Plate	Change point - Engine begin 27D00402C, Twin Carb L/R Petrol		598006	1
12	Washer-sealing	Change point - Engine begin 27D00402C, Twin Carb L/R Petrol		236022	1
13	Screw	Change point - Engine begin 27D00402C, Twin Carb L/R Petrol		257064	10
14	Washer-Spring	Change point - Engine begin 27D00402C, Twin Carb L/R Petrol	3/16 dia, Square	WM702001L	3



Engine
V8 Petrol - Carburetter
Inlet Manifold 2/3

Range Rover (To HA610293)

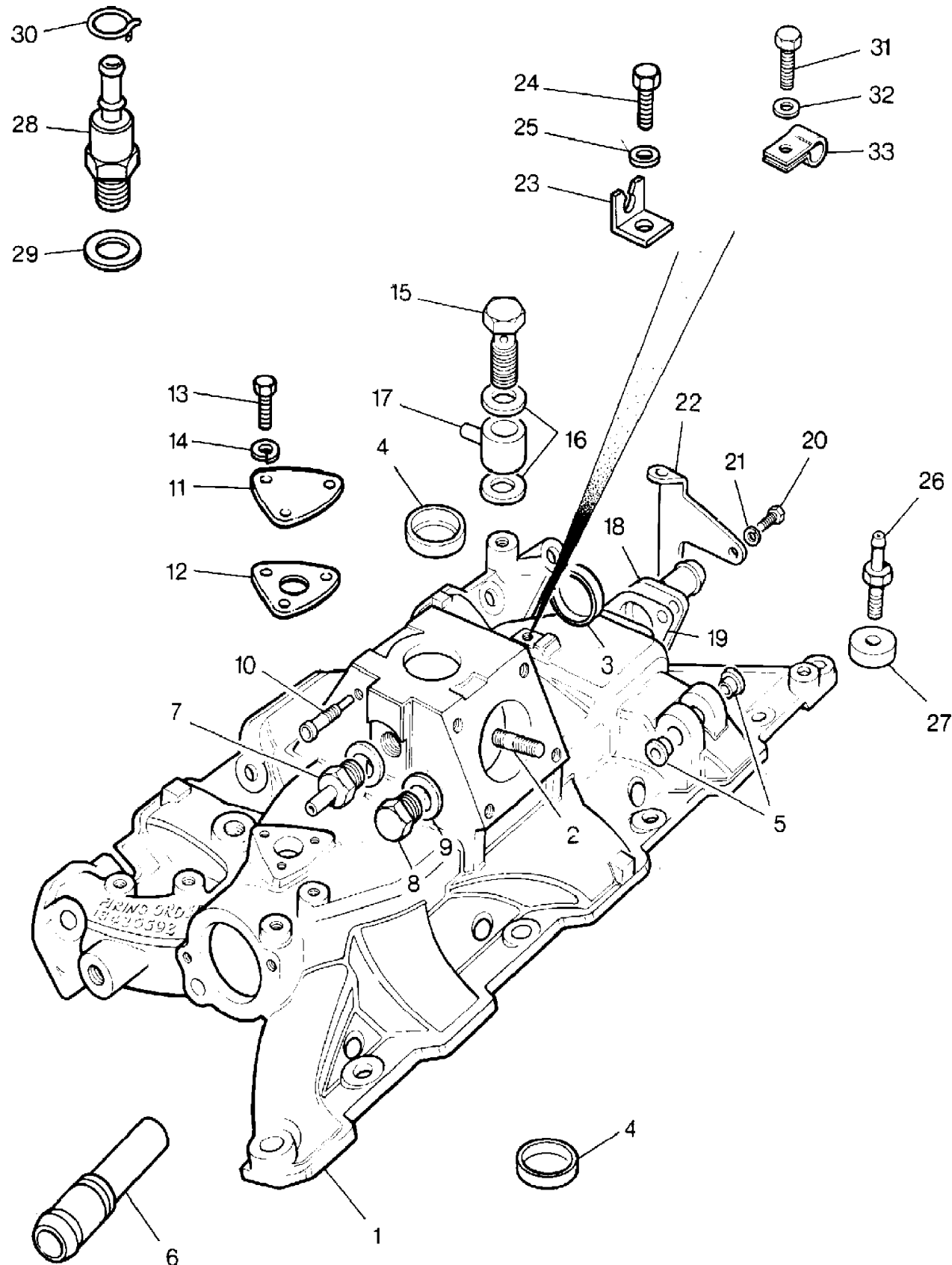
(TS5701)

Engine
V8 Petrol - Carburetter
Inlet Manifold

Range Rover (To HA610293)

V8 Twin Carb L/R Petrol

Callout	Name	Application	Remarks & Restrictions	Service No.	Qty
15	Bolt-banjo	Change point - Engine begin 27D00402C, Twin Carb L/R Petrol		534897	1
16	Washer-sealing	Change point - Engine begin 27D00402C, Twin Carb L/R Petrol		267604	2
17	Bolt-banjo	Change point - Engine begin 27D00402C, Twin Carb L/R Petrol		603277	1
18	Pipe-outlet to inlet manifold coolant	Change point - Engine begin 27D00402C, Twin Carb L/R Petrol		603440	1
19	Gasket-coolant outlet elbow	Change point - Engine begin 27D00402C, Twin Carb L/R Petrol		603441	1
20	Setscrew		1/4UNC x 3/4	SH504061L	1
21	Washer-Spring	Change point - Engine begin 27D00402C, Twin Carb L/R Petrol	1/4 dia, Square	WM600041L	2
22	Bracket-inlet manifold support	Change point - Engine begin 27D00402C, Twin Carb L/R Petrol, Manual Transmission		603561	1
23	Bracket-return spring-attachment accelerator	Change point - Engine begin 27D00402C, Twin Carb L/R Petrol, Manual Transmission Change point - Engine begin 27D00402C, Twin Carb L/R Petrol, Automatic Transmission		ERC9507 ERC8626	1 1
24	Screw	Twin Carb L/R Petrol	hexagonal head, 1/4UNF x 5/8	SH504051L	1
25	Washer-Spring	Change point - Engine begin 27D00402C, Twin Carb L/R Petrol	1/4 dia, Square	WM600041L	1
26	Peg-air cleaner mtg-engine	Change point - Engine begin 27D00402C, Twin Carb L/R Petrol		ERC2297	1
27	Spacer	Change point - Engine begin 27D00402C, Twin Carb L/R Petrol		ERC2298	1
28	Valve-inlet manifold non return	Change point - Engine begin 27D00402C, Twin Carb L/R Petrol		ADU1402L	1



Engine
V8 Petrol - Carburetter
Inlet Manifold 3/3

Range Rover (To HA610293)

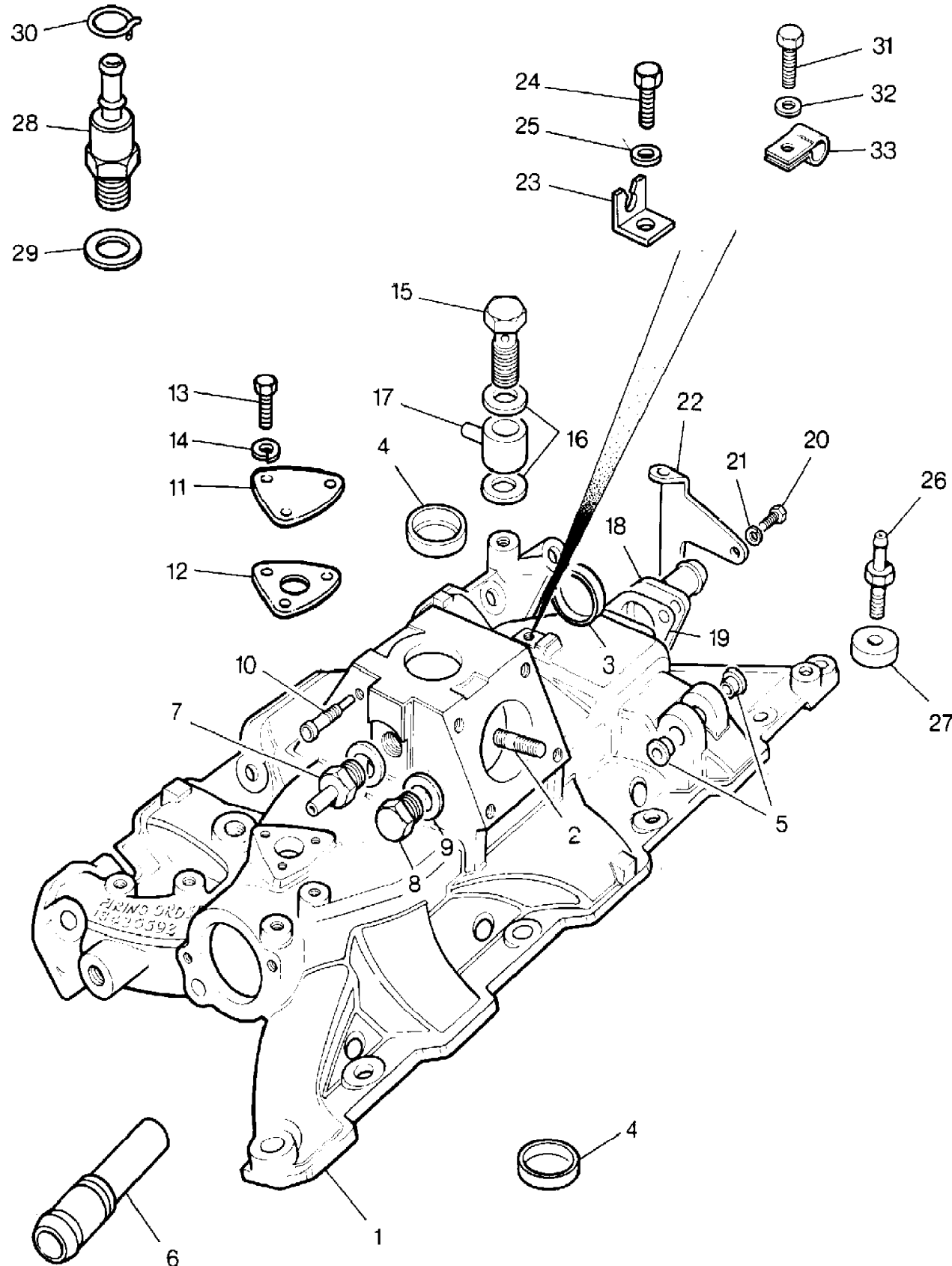
(TS5701)

Engine
V8 Petrol - Carburetter
Inlet Manifold

Range Rover (To HA610293)

V8 Twin Carb L/R Petrol

Callout	Name	Application	Remarks & Restrictions	Service No.	Qty
29	Washer-sealing	Change point - Engine begin 27D00402C, Twin Carb L/R Petrol		232043	1
30	Clip-Hose	Change point - Engine begin 27D00402C, Twin Carb L/R Petrol		572548	1
31	Screw		hexagonal head, 1/4UNF x 5/8	SH504051L	2
32	Washer-Spring	Change point - Engine begin 27D00402C, Twin Carb L/R Petrol	1/4 dia, Square	WM600041L	1
33	Clip	Change point - Engine begin 27D00402C, Twin Carb L/R Petrol		AEU1449	1
[900]	Plug-blanking	Change point - Engine end 27D00401C, Twin Carb L/R Petrol	Also serviced as part of a kit	603224	1
[901]	Connector-inlet manifold adaptor	Change point - Engine end 27D00401C, Twin Carb L/R Petrol	Also serviced as part of a kit	ERC4820	1
[902]	Bracket-cable accelerator	Change point - Engine begin 27D00402C, Twin Carb L/R Petrol, Automatic Transmission		ERC9586	1



Engine
V8 Petrol - Carburetter
Inlet Manifold-Gasket 1/1

Range Rover (To HA610293)

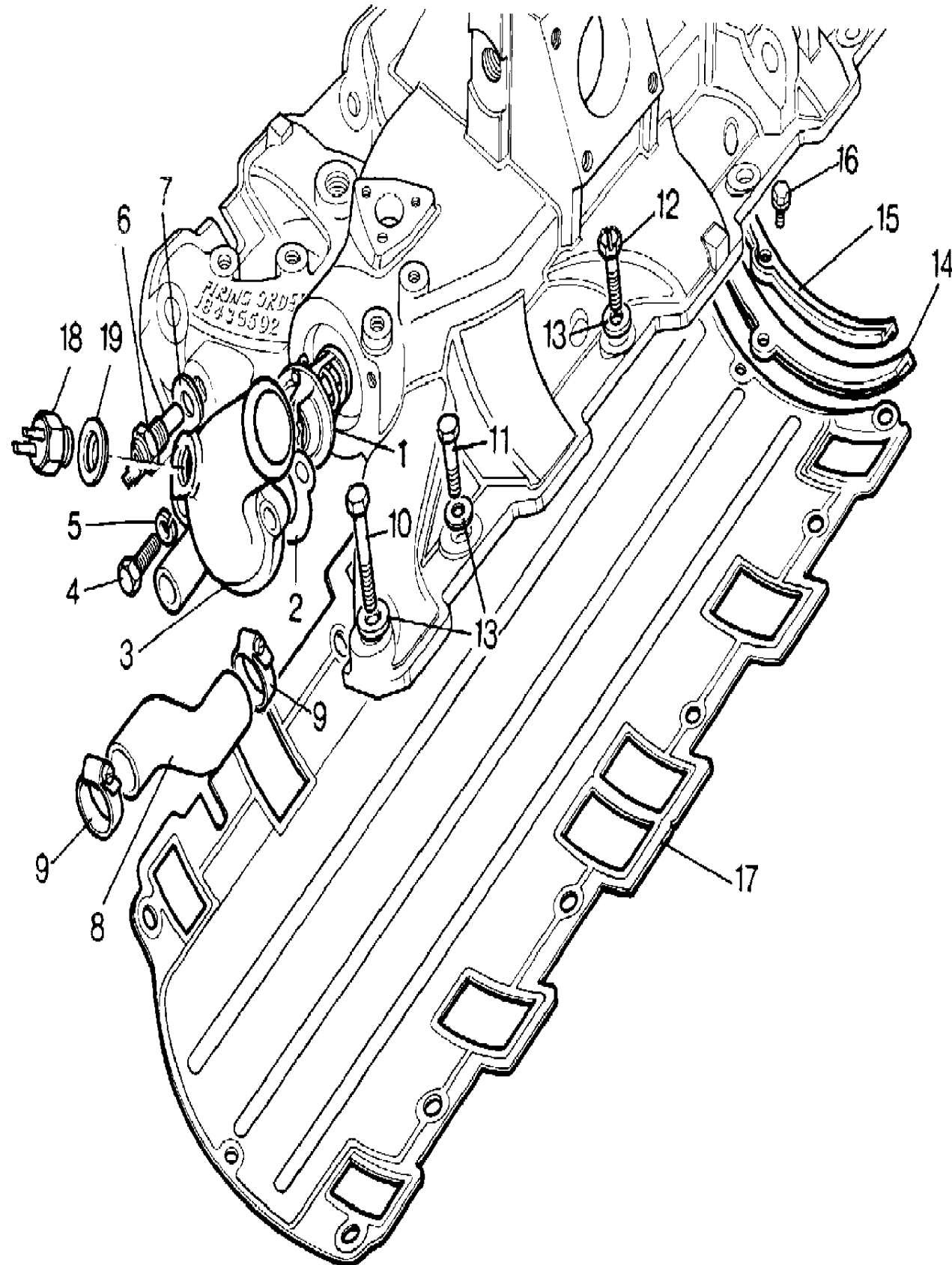
(M880A)

Range Rover (To HA610293)

Engine
V8 Petrol - Carburetter
Inlet Manifold-Gasket

V8 Twin Carb L/R Petrol

Callout	Name	Application	Remarks & Restrictions	Service No.	Qty
1	Thermostat-engine		88 °C	ETC4765	1
2	Gasket-coolant outlet elbow	Change point - VIN end HA610293, Twin Carb L/R Petrol		611786	1
3	Elbow-engine coolant outlet	With Air Conditioning Less Air Conditioning		ETC6135 ETC4596	1 1
4	Screw	Twin Carb L/R Petrol	hexagonal head, 5/16UNC x 1 1/8	SH505091L	2
5	Washer-Spring	Twin Carb L/R Petrol	5/16"	WM600051L	2
6	Transducer coolant temperature	Twin Carb L/R Petrol, Less Air Conditioning Twin Carb L/R Petrol, With Air Conditioning		568055 PRC6317	1 1
7	Washer-sealing	Twin Carb L/R Petrol		90568054	1
8	Hose-heater to inlet manifold coolant	Twin Carb L/R Petrol		ERC2320	1
9	Clip-Hose	Twin Carb L/R Petrol		CN100308	2
10	Bolt	Twin Carb L/R Petrol	hexagonal head, 3/8UNC x 2	BH506161L	2
11	Bolt	Twin Carb L/R Petrol	hexagonal head, 3/8UNC x 1 1/2	BH506121L	6
12	Bolt	Twin Carb L/R Petrol	3/8UNC x 1 5/16	90611504	4
13	Washer	Twin Carb L/R Petrol		2204L	12
14	Seal-inlet manifold gasket	Twin Carb L/R Petrol		602099	2
15	Clamp-inlet manifold gasket seal	Twin Carb L/R Petrol		602076	2
16	Bolt	Twin Carb L/R Petrol	5/16UNC	602236	2
17	Gasket-inlet manifold	Change point - VIN end HA610293, Twin Carb L/R Petrol		ERC3990	1
18	Switch-engine thermostat	Twin Carb L/R Petrol	Yellow..	PRC3505	1
19	Washer-sealing	Twin Carb L/R Petrol		C457593	1
[900]	Hose-bypass to inlet manifold coolant	Twin Carb L/R Petrol		ERC2319	1



Engine
V8 Petrol - Carburetter
Oil Pump 1/1

Range Rover (To HA610293)

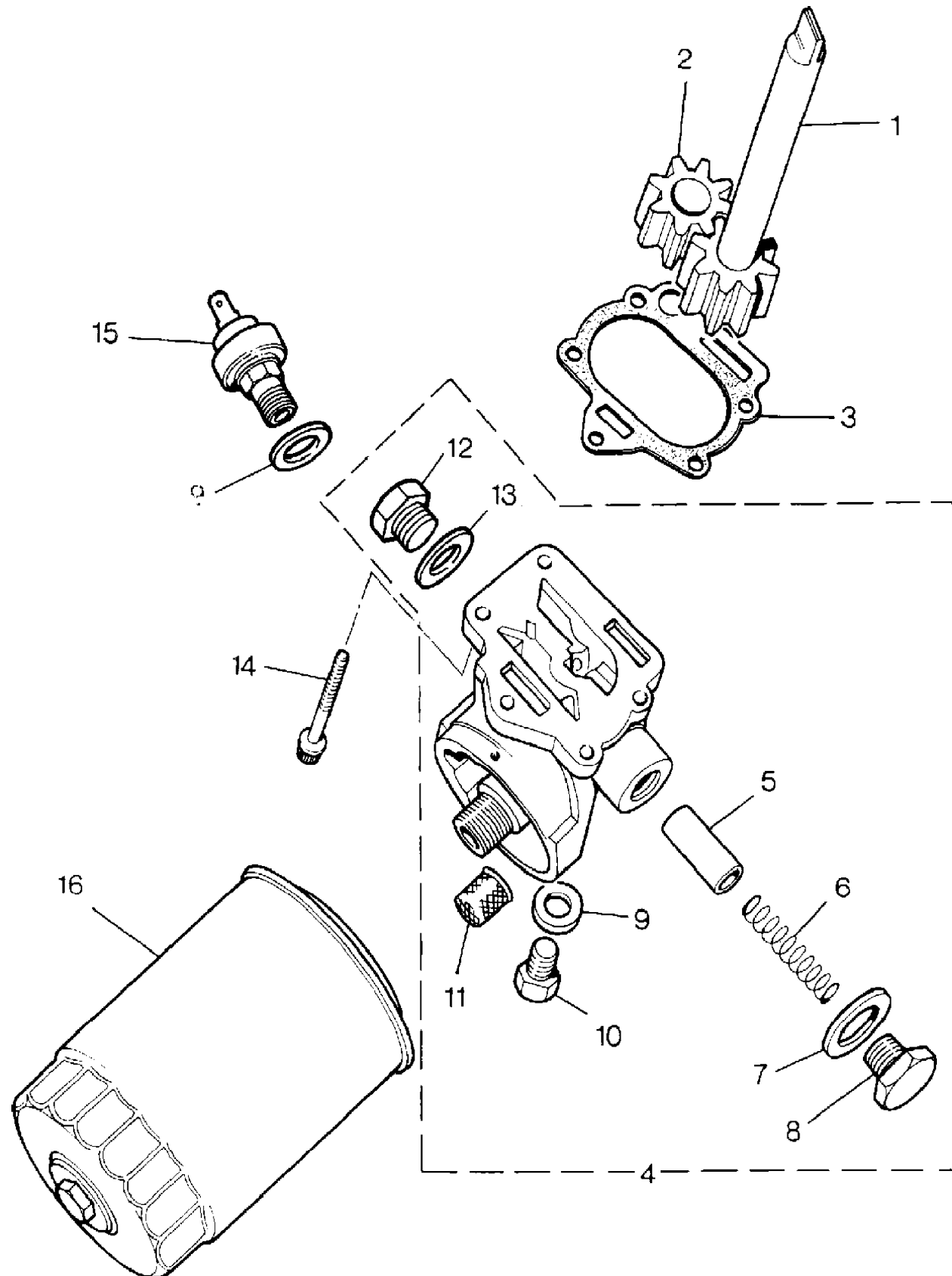
(VS3748)

Engine
V8 Petrol - Carburetter
Oil Pump

Range Rover (To HA610293)

V8 Twin Carb L/R Petrol

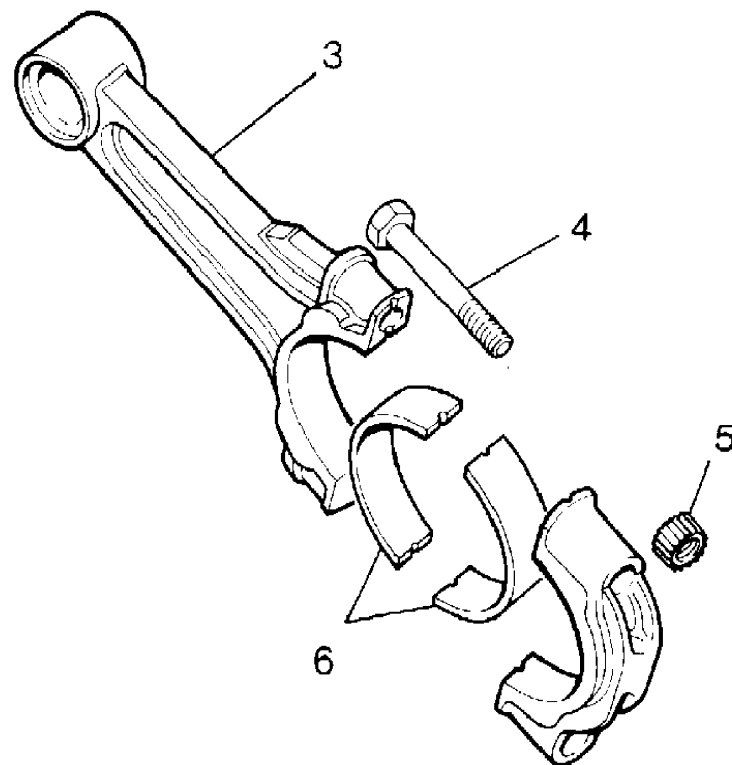
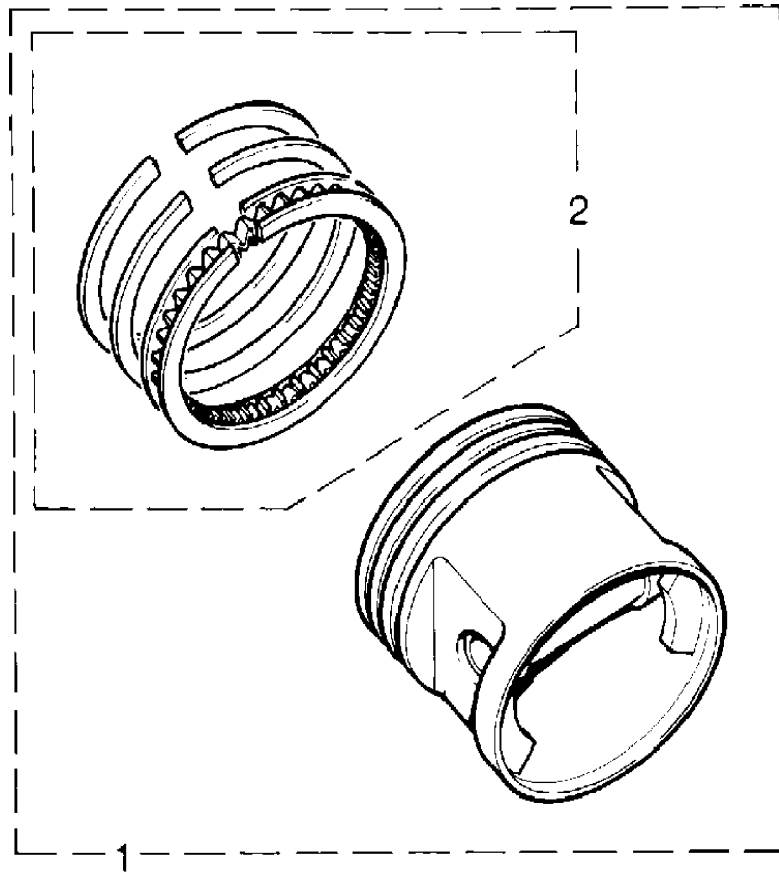
Callout	Name	Application	Remarks & Restrictions	Service No.	Qty
1	Shaft-oil pump	Twin Carb L/R Petrol		ERC1351	1
2	Gear-oil pump	Twin Carb L/R Petrol		614037	1
3	Gasket-cylinder block oil pump	Twin Carb L/R Petrol		90602072	1
4	Adaptor assembly-oil filter	Twin Carb L/R Petrol	Also serviced as part of a kit	ETC4276	1
5	Plunger-oil pump relief valve	Twin Carb L/R Petrol	Also serviced as part of a kit	90602064	1
6	Spring-oil pump relief valve	Twin Carb L/R Petrol	Also serviced as part of a kit	602067	1
8	Plug-oil pump relief valve	Twin Carb L/R Petrol	Also serviced as part of a kit	602071	1
9	Washer-sealing	Twin Carb L/R Petrol	Also serviced as part of a kit	243968	1
10	Plug	Twin Carb L/R Petrol	Also serviced as part of a kit	273166	1
14	Bolt	Twin Carb L/R Petrol Twin Carb L/R Petrol Twin Carb L/R Petrol	1/4UNC x 7/8 1/4UNC x 1 1/4 1/4UNC x 9/16	602910 602912 602913	3 2 1
15	Switch-oil pressure engine	Twin Carb L/R Petrol		PRC7204	1
16	Cartridge-engine oil filter	Twin Carb L/R Petrol		ERR1168	1



Engine
V8 Petrol - Carburetter
Piston, Connecting Rod & Bearings 1/1

Range Rover (To HA610293)

(4RE170A)



Range Rover (To HA610293)

Engine
V8 Petrol - Carburetter
Piston, Connecting Rod & Bearings

V8 Twin Carb L/R Petrol

Callout	Name	Application	Remarks & Restrictions	Service No.	Qty
1	Piston-engine	Twin Carb L/R Petrol	Also serviced as part of a kit, standard., 8.13:1	RTC2186S	8
		Twin Carb L/R Petrol	Also serviced as part of a kit, 0.020" oversize, 8.13:1	RTC218620	8
		Twin Carb L/R Petrol	Also serviced as part of a kit, standard., 9.35:1	RTC2295S	8
		Twin Carb L/R Petrol	Also serviced as part of a kit, 0.020" oversize, 9.35:1	RTC229520	8
2	Ring set assembly-piston	Twin Carb L/R Petrol	Also serviced as part of a kit, standard.	RTC2408	8
		Twin Carb L/R Petrol	Also serviced as part of a kit, 0.020" oversize	RTC240820	8
3	Rod-crankshaft connecting	Twin Carb L/R Petrol	Also serviced as part of a kit	602082	8
4	Bolt-connecting rod	Twin Carb L/R Petrol	Also serviced as part of a kit, 11/32UNS-3A	602609	16
5	Nut-connecting rod	Twin Carb L/R Petrol	Also serviced as part of a kit, 11/32UNS-3B	602061	16
6	Set-connecting rod big end half bearing	Twin Carb L/R Petrol	standard.	RTC2117	1
		Twin Carb L/R Petrol	0.010" undersize	RTC211710	1
		Twin Carb L/R Petrol	0.020 undersize	RTC211720	1

Engine
V8 Petrol - Carburetter
Power Steering Pump & Mountings 1/1

Range Rover (To HA610293)

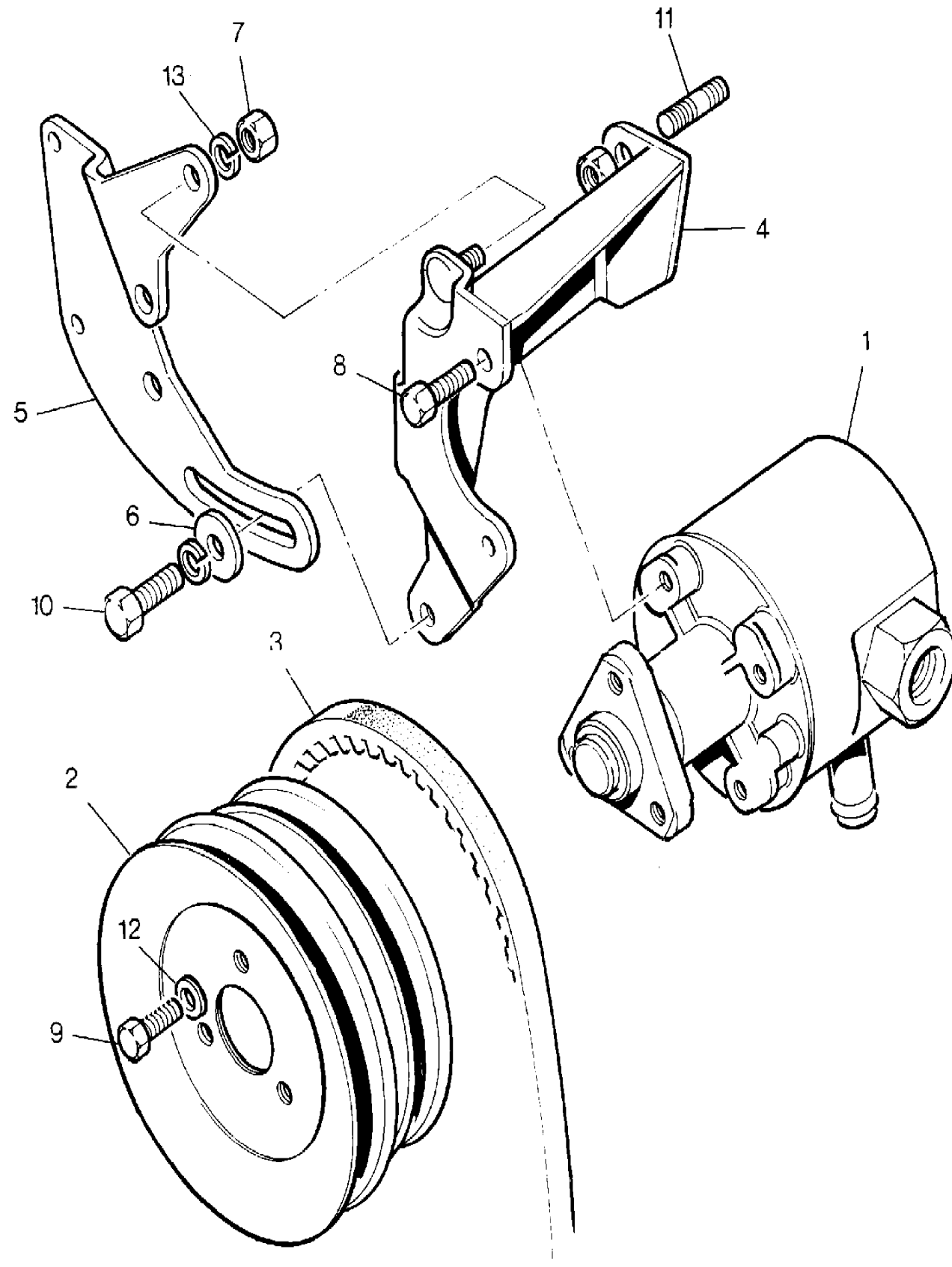
(TS6296)

Range Rover (To HA610293)

Engine
V8 Petrol - Carburetter
Power Steering Pump & Mountings

V8 Twin Carb L/R Petrol

Callout	Name	Application	Remarks & Restrictions	Service No.	Qty
1	Pump sub assembly power assisted steering	Change point - VIN end	Also serviced as part of a kit	ETC6496	1
		Change point - Engine begin NOV 89	Also serviced as part of a kit, V belt drive	NTC8286	1
2	Pulley power assisted steering pump		twin groove, A127 alternator	ETC6408	1
3	Belt-vee power assisted steering			ERC675	1
4	Bracket-body			ETC6486	1
5	Link-power assisted steering pump adjusting			ETC6607	1
6	Washer-Plain			4478	1
7	Nut - Hex.		M8, hexagonal head	NH108041L	1
8	Screw		M6 X 16, hexagonal head hexagonal head, 5/16UNC x 7/8	SH106161L SH505071L	3 1
9	Screw		M8 X 16, hexagonal head	SH108161L	3
10	Screw		M8 x 25, hexagonal head	SH108251L	1
11	Stud		3/8UNF x 1 1/8	TE506101L	1
12	Washer		8MM M8 M8, sprung	WA108051L WL600041L WL108001L	3 8 2
13	Washer-Spring		5/16"	WM600051L	1
[902]	O Ring	Change point - VIN end	Also serviced as part of a kit, Large	RTC6074	1
		Change point - VIN end	Also serviced as part of a kit, Small	RTC6075	1
		Change point - Engine begin NOV 89	Also serviced as part of a kit, Large	RTC6074	1
		Change point - Engine begin NOV 89	Also serviced as part of a kit, Small	RTC6075	1
[903]	Kit-power assisted steering pump seal	Change point - VIN end	Also serviced as part of a kit	RTC5935	1
		Change point - Engine begin NOV 89	Also serviced as part of a kit	STC1633	1
				RTC5935	1
[904]	Bolt		hexagonal head, 5/16UNF x 1 1/4	BH605101L	1
[905]	Nut - Hex.		hexagonal head, 3/8UNF	NH606041L	1

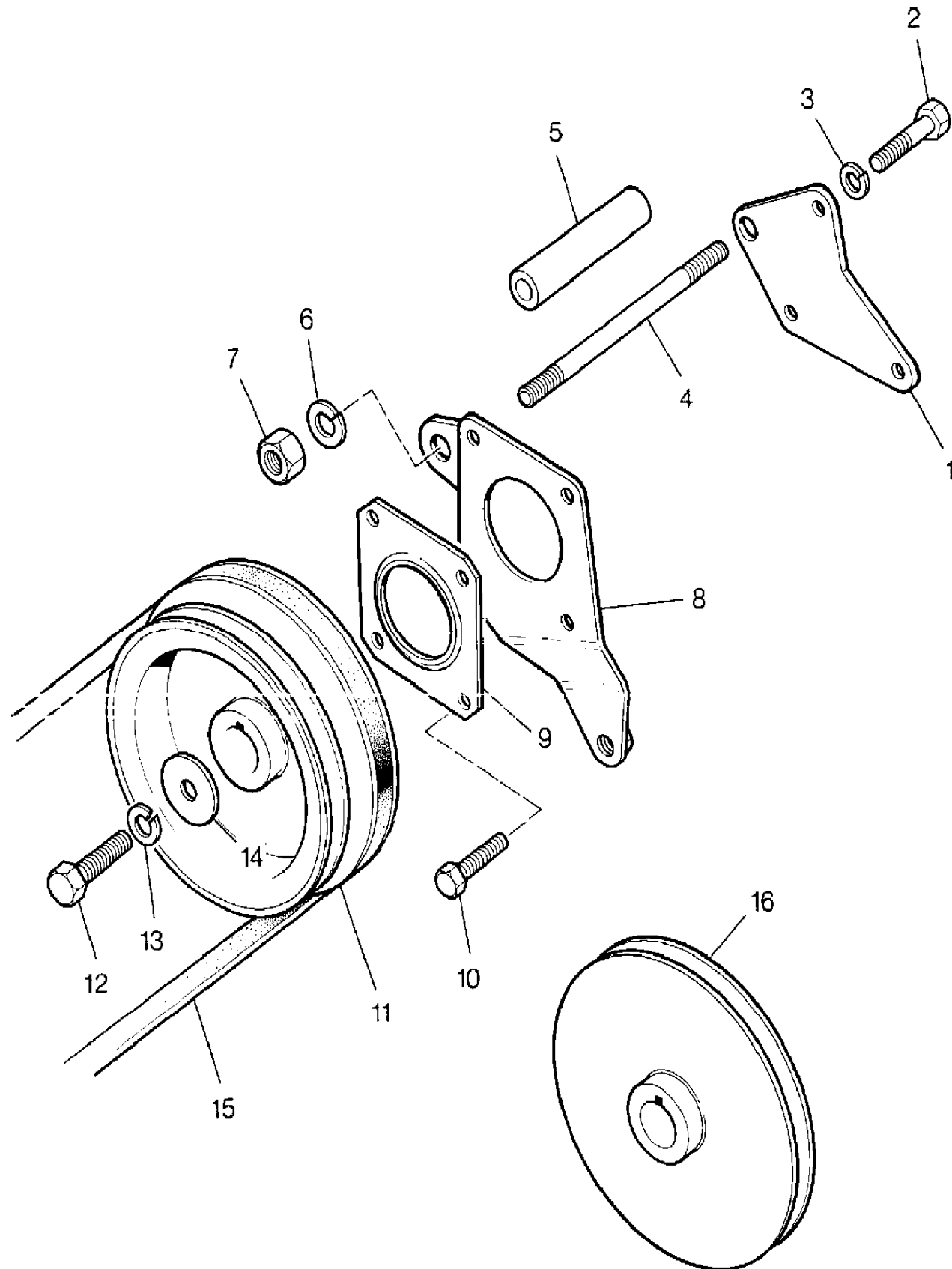


Engine
V8 Petrol - Carburetter
Power Steering Pump Mounting 1/1

Range Rover (To HA610293)
(TS5752)

Range Rover (To HA610293)

Engine
V8 Petrol - Carburetter
Power Steering Pump Mounting
V8 Twin Carb L/R Petrol

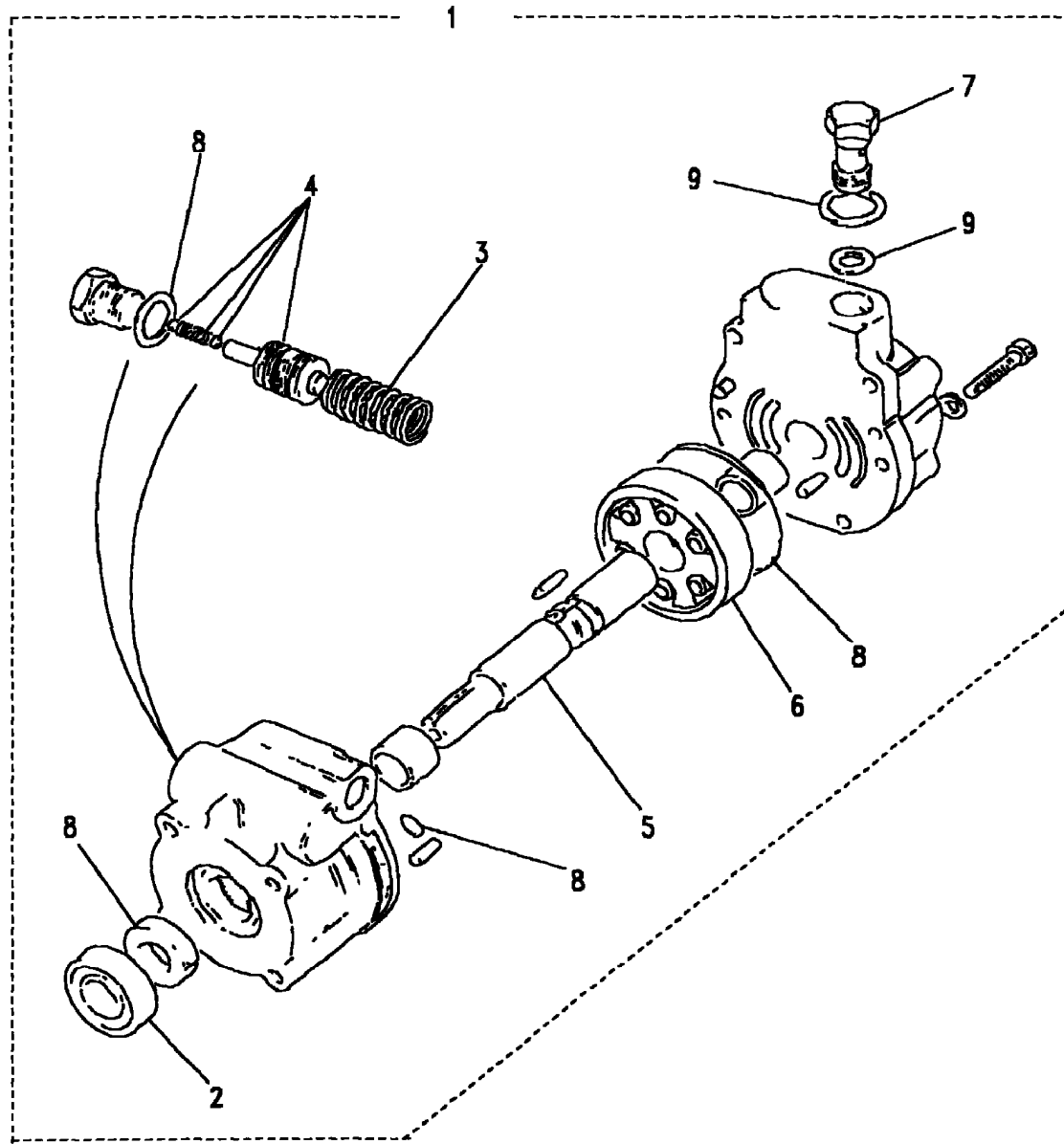


Callout	Name	Application	Remarks & Restrictions	Service No.	Qty
1	Bracket-mounting power assisted steering pump	Twin Carb L/R Petrol	Rear	603972	1
2	Screw	Twin Carb L/R Petrol	hexagonal head, 1/4UNF x 3/4	SH604061L	3
3	Washer-Spring	Twin Carb L/R Petrol	1/4 dia, Square	WM600041L	3
4	Stud	Twin Carb L/R Petrol		610789	1
5	Tube	Twin Carb L/R Petrol		611215	1
6	Washer	Twin Carb L/R Petrol	3/8", Square	WM600061L	1
7	Nut - Hex.	Twin Carb L/R Petrol	hexagonal head, 3/8UNF	NH606041L	1
8	Bracket-mounting power assisted steering pump	Twin Carb L/R Petrol	Front	90611439	1
9	Retainer			611212	1
10	Screw	Twin Carb L/R Petrol	hexagonal head, 1/4UNF x 3/4	SH604061	4
11	Pulley power assisted steering pump	Twin Carb L/R Petrol	twin groove	610792	1
12	Screw	Twin Carb L/R Petrol	hexagonal head, 5/16UNC x 7/8	SH505071L	1
13	Washer-Spring	Twin Carb L/R Petrol	5/16"	WM600051L	1
14	Spacer	Twin Carb L/R Petrol		2217L	1
15	Belt-vee power assisted steering	Twin Carb L/R Petrol		ERC675	1
16	Pulley power assisted steering pump	Twin Carb L/R Petrol		611379	1
[900]	Connector-inlet manifold adaptor	Twin Carb L/R Petrol		ETC6233	1
[901]	Bracket	Twin Carb L/R Petrol Twin Carb L/R Petrol	pump pas, Front mounting adjusting pas	ETC9016 ETC5634	1 1

Engine
V8 Petrol - Carburetter
Power Steering Pump 1/1

Range Rover (To HA610293)

(LB0161)



G03.185
06-2003
L3
LB0161

Range Rover (To HA610293)

Engine
V8 Petrol - Carburetter
Power Steering Pump

V8 Twin Carb L/R Petrol

Callout	Name	Application	Remarks & Restrictions	Service No.	Qty
1	Pump sub assembly power assisted steering	Change point - Engine end 30D00014C, Twin Carb L/R Petrol		ETC5689	1
2	Bearing-needle roller	Change point - Engine end 30D00014C, Twin Carb L/R Petrol		605181	1
3	Spring			536373	1
4	Valve Assy - Pump			RTC327	1
5	Shaft Assy			605180	1
6	Bearing			605174	1
7	Screw adjust-tension adjustment power assisted steering pump belt	Change point - Engine end 30D00014C, Twin Carb L/R Petrol		536382	1
8	Kit - Power Steering Pump			ABU7142	1
				RTC5935	1
				STC1633	1
9	Kit-gasket	Change point - Engine end 30D00014C, Twin Carb L/R Petrol		ABU7145	1

Engine
V8 Petrol - Carburetter
Rocker Cover 1/1

Range Rover (To HA610293)

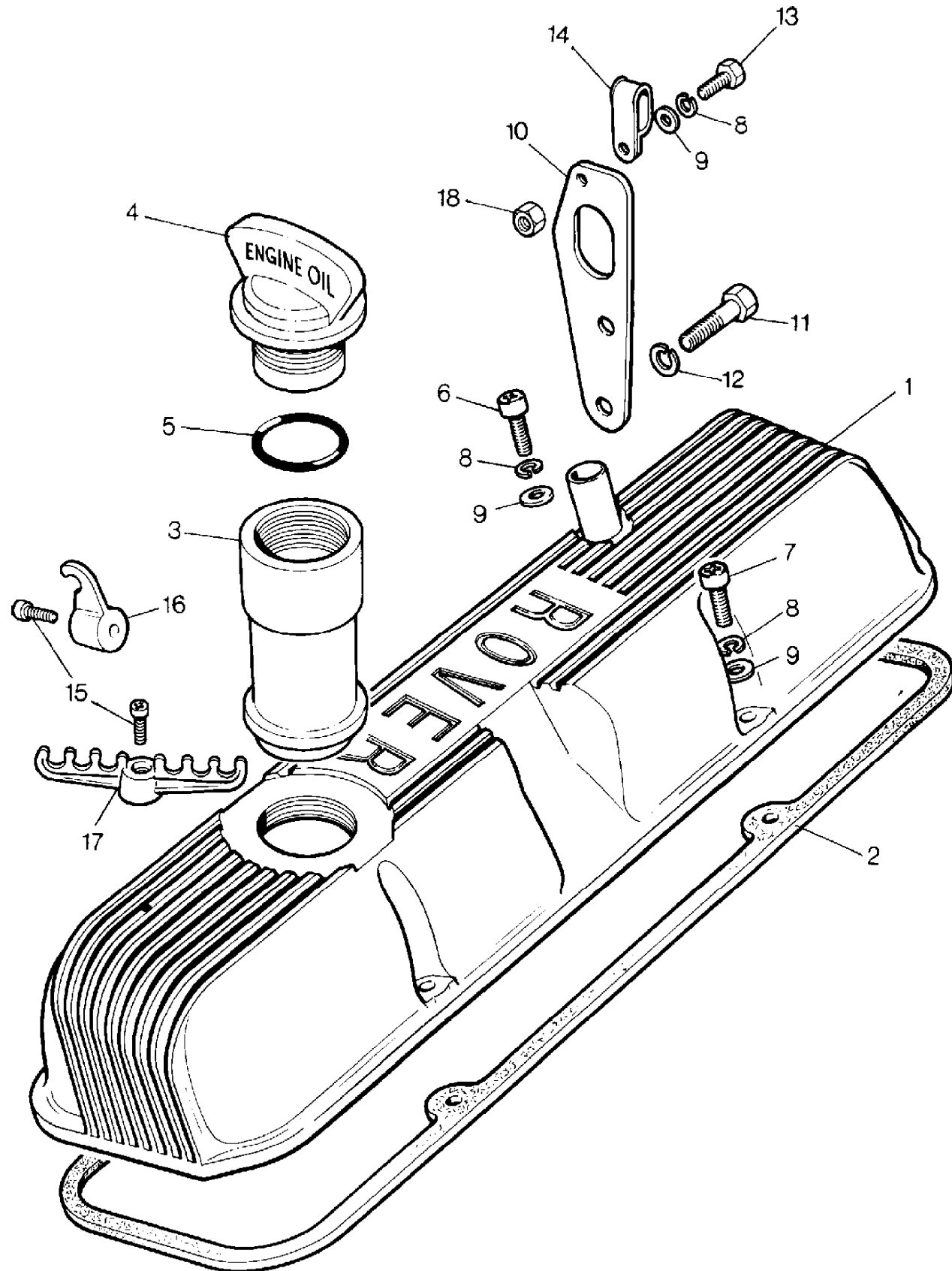
(VS3090A)

Engine
V8 Petrol - Carburetter
Rocker Cover

Range Rover (To HA610293)

V8 Twin Carb L/R Petrol

Callout	Name	Application	Remarks & Restrictions	Service No.	Qty
1	Cover assembly-valve rocker	Twin Carb L/R Petrol	Also serviced as part of a kit, RH	ETC8681	1
		Twin Carb L/R Petrol	Also serviced as part of a kit, LH	ETC8682	1
2	Gasket-engine rocker cover	Twin Carb L/R Petrol	Also serviced as part of a kit	602512	1
4	Cap-oil filler	Twin Carb L/R Petrol		625038	1
5	O Ring	Twin Carb L/R Petrol		564258	1
6	Screw		1/4UNC x 7/8	SY504072	4
7	Screw	Twin Carb L/R Petrol	1/4UNC x 1 5/16	603127	4
8	Washer-Spring	Twin Carb L/R Petrol	1/4 dia, Square	WM600041L	8
9	Washer	Twin Carb L/R Petrol	M6	WB106041L	8
10	Bracket-lifting engine rear	Twin Carb L/R Petrol		ERC614	1
11	Screw		hexagonal head, 3/8UNC x 7/8	SH506071L	2
12	Washer	Twin Carb L/R Petrol	3/8", Square	WM600061L	2
13	Screw	Twin Carb L/R Petrol	hexagonal head, M5 x 25	SH105251L	1
14	Clip-cable	Twin Carb L/R Petrol		586440	1
15	Screw	Twin Carb L/R Petrol	10UNC x 9/16	78862	3
16	Clip-cable	Twin Carb L/R Petrol		610402	1
17	Clip-spacer-high tension lead ignition	Twin Carb L/R Petrol		603672	2
18	Nut-hexagonal	Twin Carb L/R Petrol	M5	NH105041L	1
[900]	Screw	Twin Carb L/R Petrol	Also serviced as part of a kit, 6 x 3/8	79027	8



Engine
V8 Petrol - Carburetter
Rocker Shaft 1/1

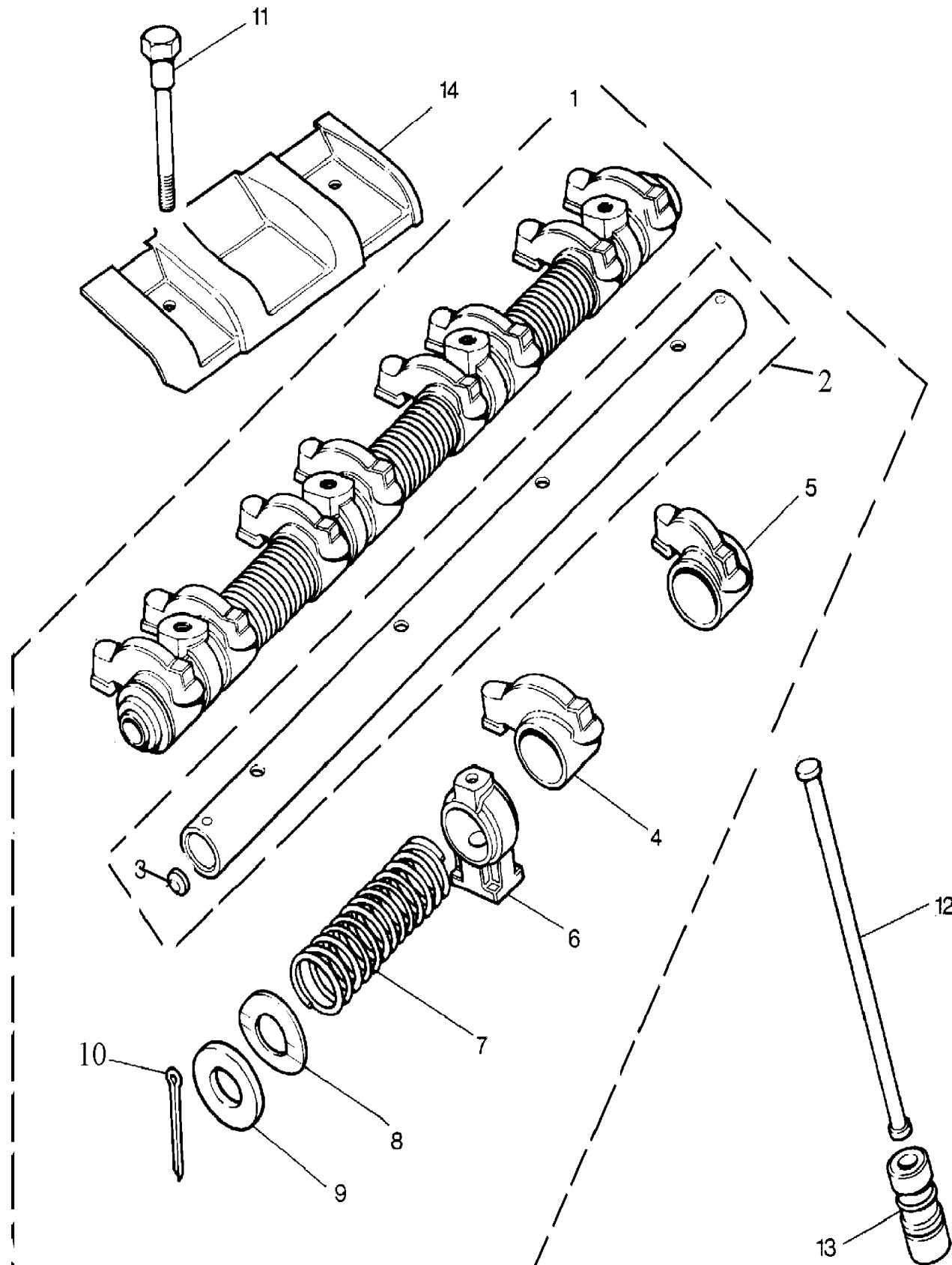
Range Rover (To HA610293)
(VS3255A)

Engine
V8 Petrol - Carburetter
Rocker Shaft

Range Rover (To HA610293)

V8 Twin Carb L/R Petrol

Callout	Name	Application	Remarks & Restrictions	Service No.	Qty
1	Shaft assembly-rocker	Twin Carb L/R Petrol	Also serviced as part of a kit	611660	2
2	Shaft-rocker	Twin Carb L/R Petrol	Also serviced as part of a kit	611659L	2
3	Plug-core	Twin Carb L/R Petrol	Also serviced as part of a kit	154545	4
4	Rocker assembly-cylinder head	Twin Carb L/R Petrol	Also serviced as part of a kit, RH	602153	8
5	Rocker assembly-cylinder head	Twin Carb L/R Petrol	Also serviced as part of a kit, LH	602154	8
6	Pillar-cylinder head rocker support	Twin Carb L/R Petrol	Also serviced as part of a kit	603734	8
7	Spring-rocker shaft	Twin Carb L/R Petrol	Also serviced as part of a kit	602142	6
8	Washer-waved	Twin Carb L/R Petrol	Also serviced as part of a kit	602148	4
9	Washer-Plain	Twin Carb L/R Petrol	Also serviced as part of a kit	602186	4
10	Pin-split	Twin Carb L/R Petrol	Also serviced as part of a kit	PS606101L	4
11	Bolt	Twin Carb L/R Petrol	3/8UNC x 2.79	602097	8
12	Rod-engine push	Twin Carb L/R Petrol		603378	16
13	Tappet-engine valve hydraulic	Twin Carb L/R Petrol		ERC4949	16
14	Baffle-engine oil	Twin Carb L/R Petrol		602172	2



Engine
V8 Petrol - Carburetter
Starter Motor 1/1

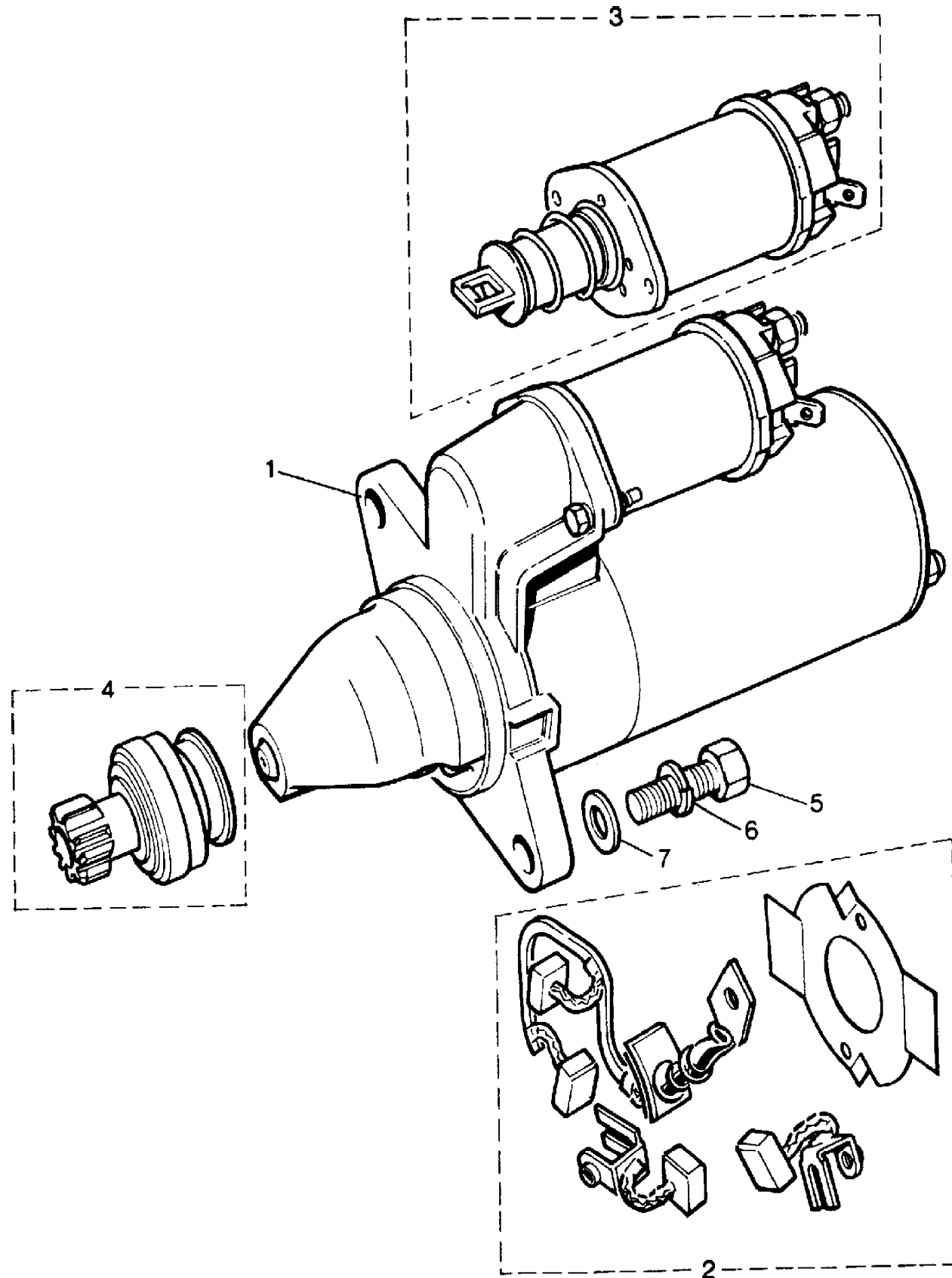
Range Rover (To HA610293)

(TS6455)

Engine
V8 Petrol - Carburetter
Starter Motor

Range Rover (To HA610293)

Callout	Name	Application	Remarks & Restrictions	Service No.	Qty
1	Motor-starter engine	Twin Carb L/R Petrol	Also serviced as part of a kit, Lucas, New	RTC6061N	1
		Twin Carb L/R Petrol	Also serviced as part of a kit, Lucas, exchange	RTC5228E	1
2	Kit-brush starter motor	Twin Carb L/R Petrol	Also serviced as part of a kit, Lucas	RTC5048	1
3	Solenoid starter motor	Twin Carb L/R Petrol	Also serviced as part of a kit, Lucas	RTC5049	1
4	Drive assembly starter motor	Twin Carb L/R Petrol	Also serviced as part of a kit	RTC5050	1
5	Screw	Twin Carb L/R Petrol	3/8UNC x 1 1/2	SS506121L	2
6	Washer	Twin Carb L/R Petrol	3/8", Square	WM600061L	2
[900]	Cable assembly starter & earth	Twin Carb L/R Petrol		PRC3623	1
[901]	Harness-link	Twin Carb L/R Petrol		PRC5208	1
[902]	Kit-starter motor sundry parts	Twin Carb L/R Petrol	with 2m100 starter motor	90608178	1
[903]	Heatshield-exhaust manifold	Twin Carb L/R Petrol		ERC5875	1



Engine
V8 Petrol - Carburetter
Sump 1/1

Range Rover (To HA610293)

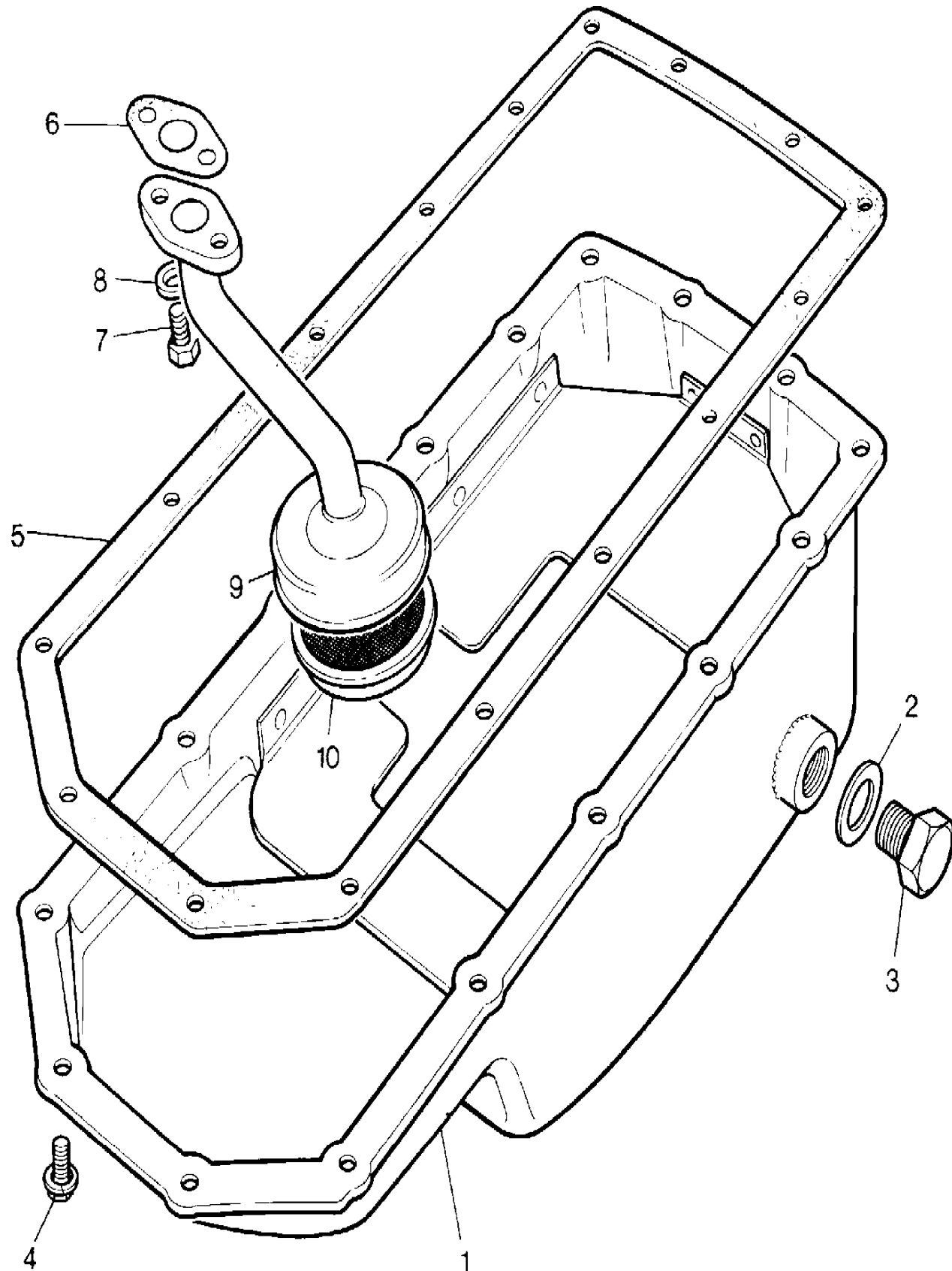
(M876)

Engine
V8 Petrol - Carburetter
Sump

Range Rover (To HA610293)

V8 Twin Carb L/R Petrol

Callout	Name	Application	Remarks & Restrictions	Service No.	Qty
1	Sump-engine oil	Twin Carb L/R Petrol		ETC6290	1
2	Washer-sealing	Twin Carb L/R Petrol		213961	1
3	Plug-sump assembly oil drain	Twin Carb L/R Petrol		603659	1
4	Bolt & washer assembly-sump	Twin Carb L/R Petrol	5/16UNC	602199	16
5	Gasket-crankcase oil sump	Twin Carb L/R Petrol		602087	1
6	Gasket-sump oil strainer	Twin Carb L/R Petrol		90602068	1
7	Setscrew	Twin Carb L/R Petrol	1/4UNC x 3/4	SH504061L	2
8	Washer-Spring	Twin Carb L/R Petrol	1/4 dia, Square	WM600041L	2
9	Strainer and pipe assembly-oil	Twin Carb L/R Petrol		612710	1
10	Cover-oil strainer	Twin Carb L/R Petrol		602070	1



Engine
V8 Petrol - Carburetter
Throttle Linkage-Solex 1/1

Range Rover (To HA610293)

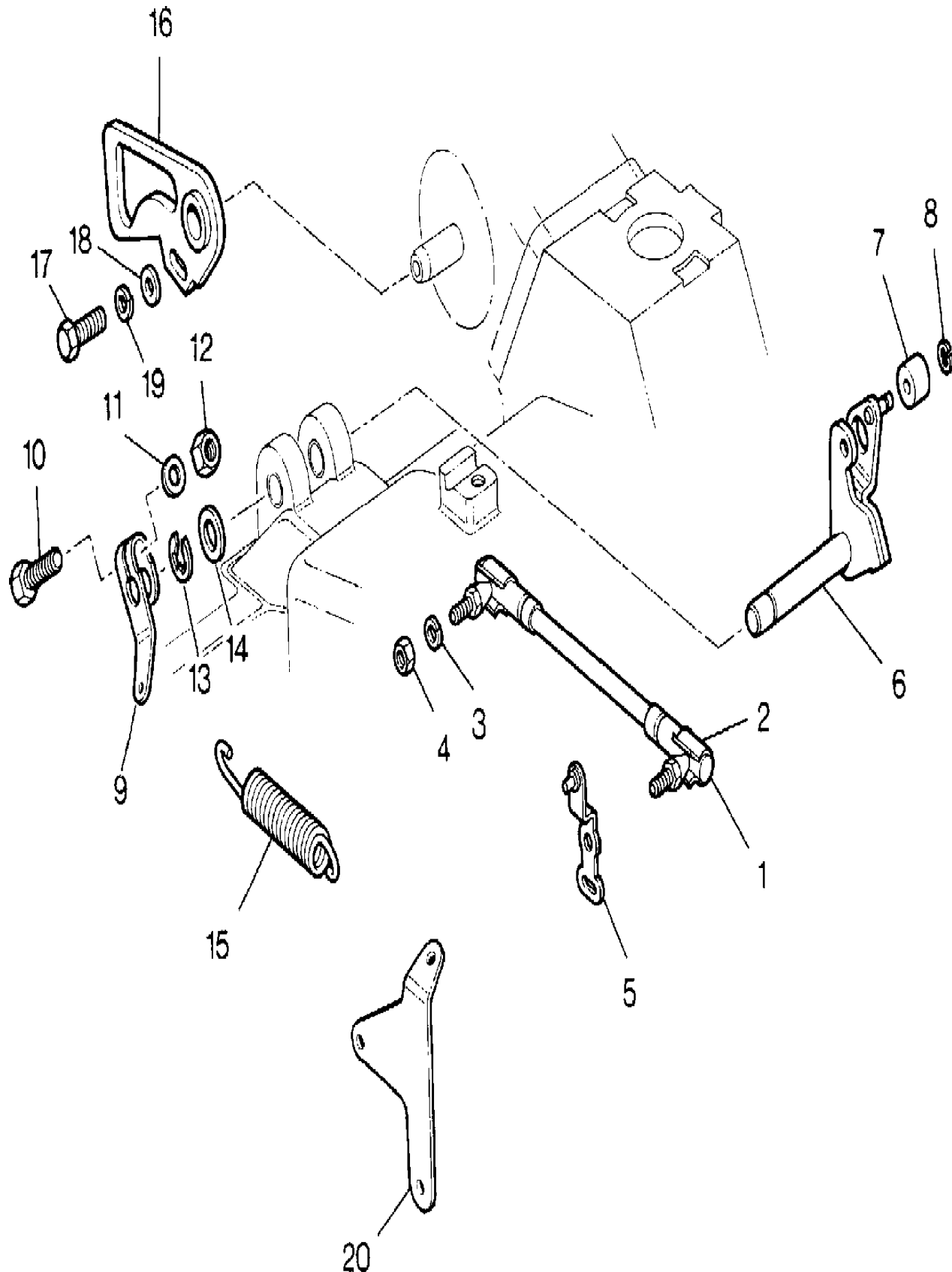
(TS6428)

Range Rover (To HA610293)

Engine
V8 Petrol - Carburetter
Throttle Linkage-Solex

V8 Twin Carb L/R Petrol

Callout	Name	Application	Remarks & Restrictions	Service No.	Qty
1	Link-carburettor/throttle connecting	Twin Carb L/R Petrol		ERC7744	1
2	Clip	Twin Carb L/R Petrol		614538	1
3	Washer-Spring	Twin Carb L/R Petrol	3/16 dia, Square	WM702001L	2
4	Nut - Hex.	Twin Carb L/R Petrol	UNF, No10	257011	3
5	Level-carburettor throttle	Twin Carb L/R Petrol		ERC8616	1
6	Shaft assembly-counter manual transmission	Twin Carb L/R Petrol		ERC9411	1
7	Roller	Change point - Engine end 26D02350C, Twin Carb L/R Petrol Change point - Engine begin 26D02351C, Twin Carb L/R Petrol		603237 ETC8511	1 1
8	Circlip	Twin Carb L/R Petrol		521452	1
9	Level-carburettor throttle	Twin Carb L/R Petrol		AUD2437L	1
10	Screw	Twin Carb L/R Petrol	10UNF x 3/4	257020	1
11	Washer	Twin Carb L/R Petrol		WA702101L	1
12	Nut - Hex.	Twin Carb L/R Petrol	UNF	HN2005L	1
13	Circlip	Twin Carb L/R Petrol		521453	1
14	Washer	Twin Carb L/R Petrol	8MM	WA108051L	1
15	Spring-carburettor throttle return	Twin Carb L/R Petrol		603622	1
16	Level-carburettor throttle	Twin Carb L/R Petrol	LH	610333	1
17	Setscrew	Twin Carb L/R Petrol		257123	1
18	Washer	Twin Carb L/R Petrol		WA702101L	1
19	Washer-Spring	Twin Carb L/R Petrol	3/16 dia, Square	WM702001L	1
20	Bracket-return spring-attachment accelerator	Twin Carb L/R Petrol		ERC8626	1



Engine
V8 Petrol - Carburettor
Throttle Linkage-SU 1/2

Range Rover (To HA610293)

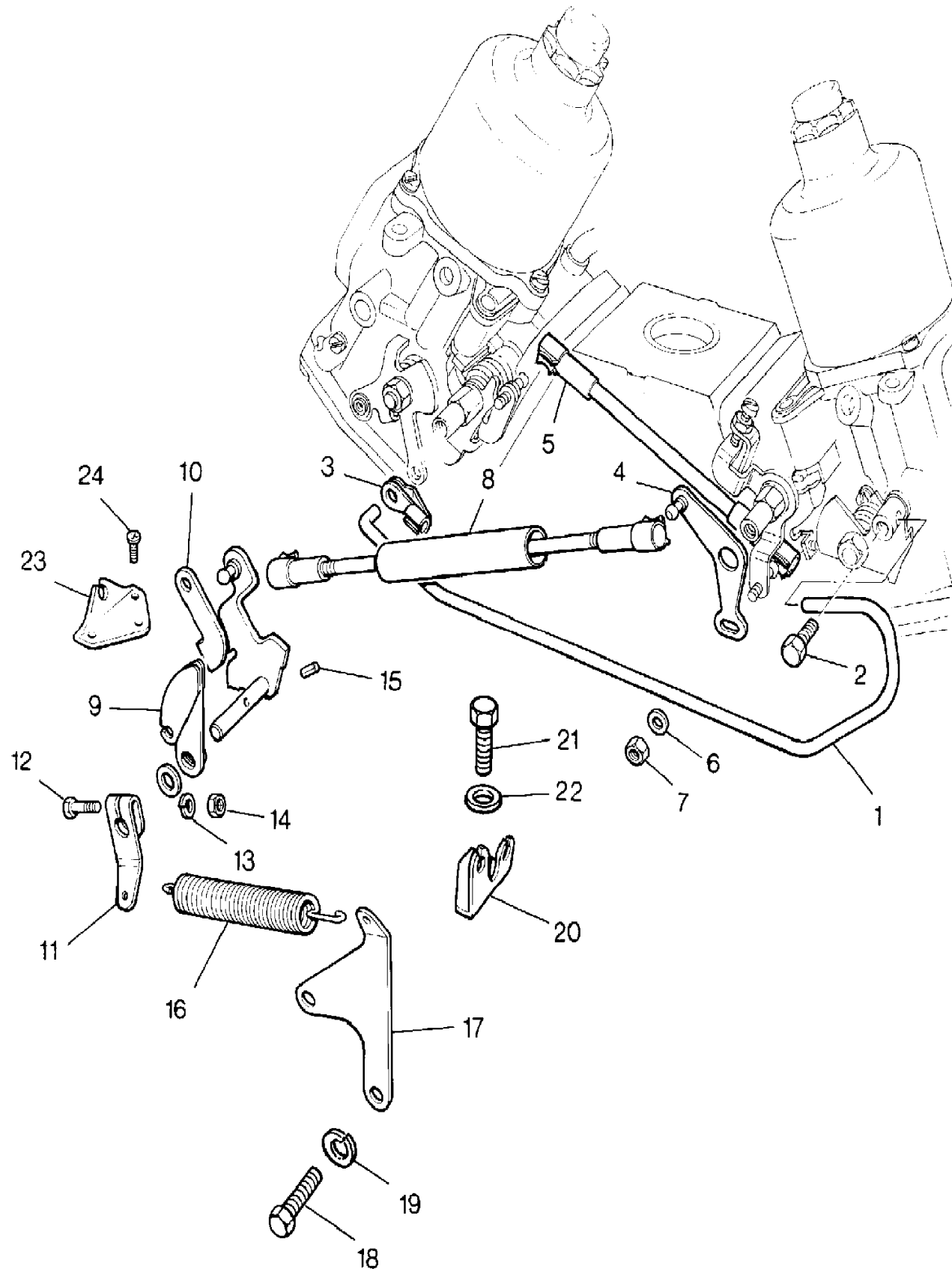
(TS6361)

Range Rover (To HA610293)

Engine
V8 Petrol - Carburettor
Throttle Linkage-SU

V8 Twin Carb L/R Petrol, Automatic Transmission

Callout	Name	Application	Remarks & Restrictions	Service No.	Qty
1	Rod assembly-carburettor choke	Twin Carb L/R Petrol		ERC1161	1
2	Screw	Twin Carb L/R Petrol	10UNF x 5/16	257014	1
3	Clip	Twin Carb L/R Petrol		614538	1
4	Level-carburettor throttle	Twin Carb L/R Petrol		ETC7068	1
5	Level-carburettor throttle	Twin Carb L/R Petrol		ETC4728	1
6	Washer-Plain	Twin Carb L/R Petrol		WC702101L	2
7	Locknut	Twin Carb L/R Petrol	10x32UNF	NH910011L	2
8	Link-carburettor/throttle connecting	Twin Carb L/R Petrol		ETC7064	1
9	Lever-carburettor camshaft	Twin Carb L/R Petrol		ETC5788	1
10	Shaft assembly-counter automatic transmission	Twin Carb L/R Petrol		ETC6168	1
11	Level-carburettor throttle	Twin Carb L/R Petrol		541343	1
12	Screw	Twin Carb L/R Petrol	hexagonal head	SH910241	1
13	Washer	Twin Carb L/R Petrol		WA702101L	1
14	Nut - Hex.	Twin Carb L/R Petrol		NH910011	1
15	Pin-roll	Twin Carb L/R Petrol		553843	1
16	Spring-carburettor throttle return	Twin Carb L/R Petrol		603622	1
17	Bracket-return spring-attachment accelerator	Twin Carb L/R Petrol		ERC8626	1
18	Screw	Twin Carb L/R Petrol	hexagonal head, 5/16UNC x 5/8	SH505051L	2
19	Washer-Spring	Twin Carb L/R Petrol	5/16"	WM600051L	2
20	Abutment-cable accelerator	Twin Carb L/R Petrol		ETC5797	1
21	Screw	Twin Carb L/R Petrol	hexagonal head, 1/4UNF x 1/2	SH504041L	1



Engine
V8 Petrol - Carburetter
Throttle Linkage-SU 2/2

Range Rover (To HA610293)

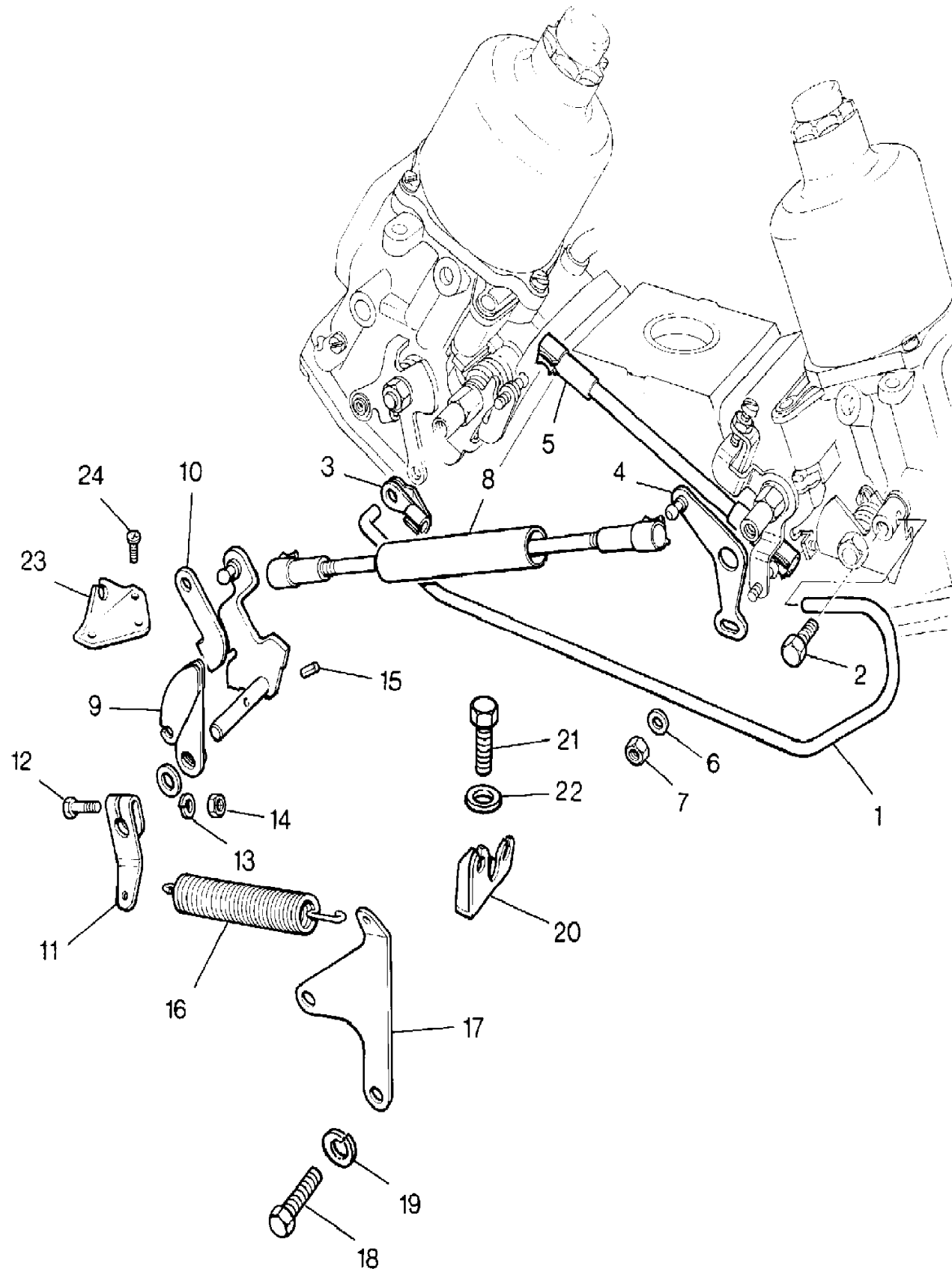
(TS6361)

Range Rover (To HA610293)

Engine
V8 Petrol - Carburetter
Throttle Linkage-SU

V8 Twin Carb L/R Petrol, Automatic Transmission

Callout	Name	Application	Remarks & Restrictions	Service No.	Qty
22	Washer	Twin Carb L/R Petrol		WA106041	1
23	Bracket-abutment selector cable	Twin Carb L/R Petrol		ETC5602	1
24	Screw	Twin Carb L/R Petrol	No 6 x 5/16	79026	3



Engine
V8 Petrol - Carburettor
Throttle Linkage-SU 1/1

Range Rover (To HA610293)

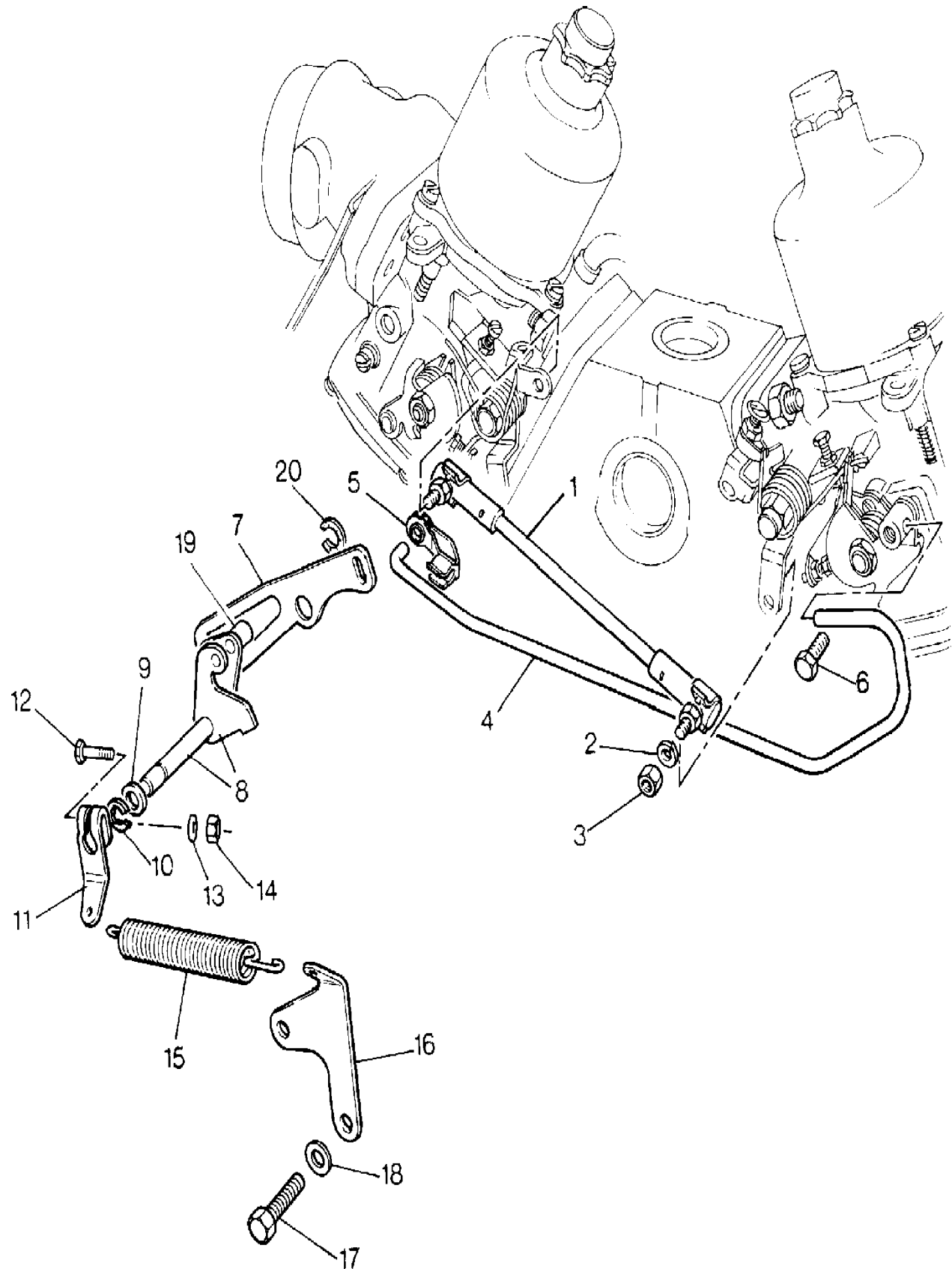
(TS5986)

Range Rover (To HA610293)

Engine
V8 Petrol - Carburettor
Throttle Linkage-SU

V8 Twin Carb L/R Petrol, Manual Transmission

Callout	Name	Application	Remarks & Restrictions	Service No.	Qty
1	Level-carburettor throttle	Twin Carb L/R Petrol		ETC4728	1
2	Washer-Spring	Twin Carb L/R Petrol	3/16 dia, Square	WM702001L	2
3	Locknut	Twin Carb L/R Petrol	10x32UNF	NH910011L	2
4	Rod assembly-carburettor choke	Twin Carb L/R Petrol		ERC1161	1
5	Clip	Twin Carb L/R Petrol		614538	1
6	Screw	Twin Carb L/R Petrol	10UNF x 5/16	257014	1
7	Lever-throttle cam	Twin Carb L/R Petrol		ETC7061	1
8	Link-carburettor/throttle connecting	Twin Carb L/R Petrol		ETC8513	1
9	Washer	Twin Carb L/R Petrol	8MM	WA108051L	1
10	Circlip	Twin Carb L/R Petrol		521453	1
11	Level-carburettor throttle	Twin Carb L/R Petrol		AUD2437L	1
12	Screw	Twin Carb L/R Petrol	hexagonal head, 10UNF x 3/4	SH910241L	1
13	Washer	Twin Carb L/R Petrol		WA702101L	1
14	Nut-hexagonal	Twin Carb L/R Petrol		NH910241L	1
15	Spring-carburettor throttle return	Twin Carb L/R Petrol		603622	1
16	Bracket-return spring-attachment accelerator	Twin Carb L/R Petrol		ERC8626	1
17	Screw	Twin Carb L/R Petrol	hexagonal head, 1/4UNF x 1/2	SH504041L	3
18	Washer	Twin Carb L/R Petrol	6MM	WA106041L	3
19	Roller	Twin Carb L/R Petrol		ETC8511	1
20	Circlip	Twin Carb L/R Petrol		521452	1



Engine
V8 Petrol - Carburetter
Viscous Drive & Fan-26D/28D/30D 1/2

Range Rover (To HA610293)

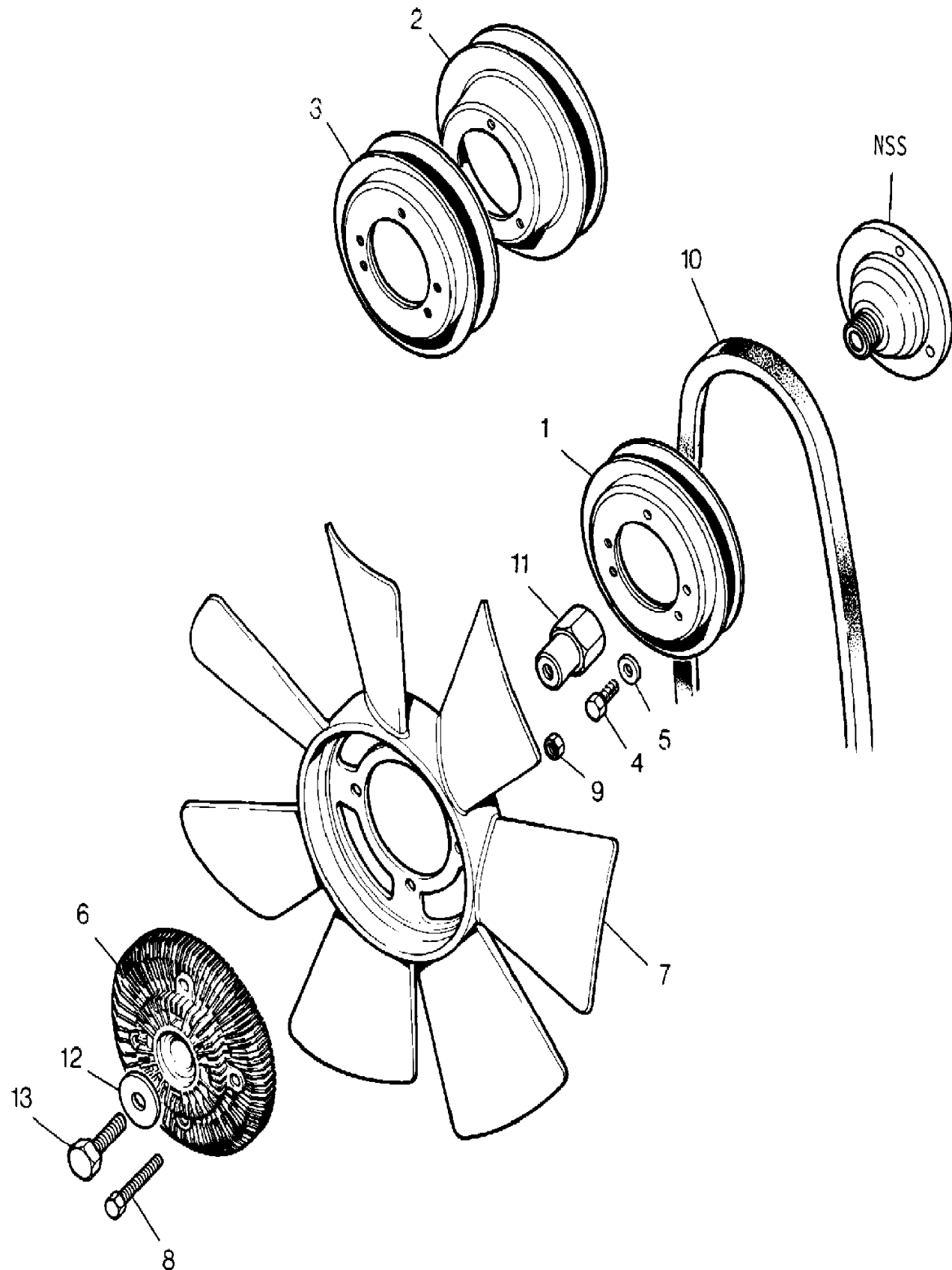
(TS5582B)

Range Rover (To HA610293)

Engine
V8 Petrol - Carburetter
Viscous Drive & Fan-26D/28D/30D

5 Speed Manual Transmission, Less Catalyst

Callout	Name	Application	Remarks & Restrictions	Service No.	Qty
1	Pulley coolant pump	V8 Twin Carb Petrol Land Rover, Less Air Conditioning	26D, 30D, 28D, Engine Code 26D 3.5 V8 PI H/C, Engine Code 28D 3.5 V8 PI Manual, Engine Code 30D 3.5 V8 PI	ETC5499	1
2	Pulley coolant pump	V8 Twin Carb Petrol Land Rover, With Air Conditioning	26D, 30D, 28D, Engine Code 26D 3.5 V8 PI H/C, Engine Code 28D 3.5 V8 PI Manual, Engine Code 30D 3.5 V8 PI	ETC5422	1
3	Pulley-driven air conditioning	V8 Twin Carb Petrol Land Rover, With Air Conditioning	26D, 30D, 28D, Engine Code 26D 3.5 V8 PI H/C, Engine Code 28D 3.5 V8 PI Manual, Engine Code 30D 3.5 V8 PI	ETC5423	1
4	Screw	V8 Twin Carb Petrol Land Rover	26D, 30D, 28D, Engine Code 26D 3.5 V8 PI H/C, Engine Code 28D 3.5 V8 PI Manual, Engine Code 30D 3.5 V8 PI, hexagonal head, 1/4UNF x 5/8	SH604051L	3
5	Washer	V8 Twin Carb Petrol Land Rover	26D, 30D, 28D, Engine Code 26D 3.5 V8 PI H/C, Engine Code 28D 3.5 V8 PI Manual, Engine Code 30D 3.5 V8 PI, 6MM	WA106041L	3
6	Coupling-engine fan viscous	V8 Twin Carb Petrol Land Rover	26D, 30D, 28D, Engine Code 26D 3.5 V8 PI H/C, Engine Code 28D 3.5 V8 PI Manual, Engine Code 30D 3.5 V8 PI, White., 7 blade, 16"	ERC2849	1
7	Fan-cooling	V8 Twin Carb Petrol Land Rover	26D, 30D, 28D, Engine Code 26D 3.5 V8 PI H/C, Engine Code 28D 3.5 V8 PI Manual, Engine Code 30D 3.5 V8 PI, White., 7 blade, 16"	614739	7
8	Bolt	V8 Twin Carb Petrol Land Rover	26D, 30D, 28D, Engine Code 26D 3.5 V8 PI H/C, Engine Code 28D 3.5 V8 PI Manual, Engine Code 30D 3.5 V8 PI, 1/4UNC x 1 1/4	BH604101L	4
9	Locknut	V8 Twin Carb Petrol Land Rover	26D, 30D, 28D, Engine Code 26D 3.5 V8 PI H/C, Engine Code 28D 3.5 V8 PI Manual, Engine Code 30D 3.5 V8 PI, UNF, 1/4	NY604041	4
10	Belt-polyvee alternator	Twin Carb L/R Petrol, Less Police	26D, 30D, 28D, Engine Code 26D 3.5 V8 PI H/C, Engine Code 28D 3.5 V8 PI Manual, Engine Code 30D 3.5 V8 PI	611612	1



Engine
V8 Petrol - Carburetter
Viscous Drive & Fan-26D/28D/30D 2/2

Range Rover (To HA610293)

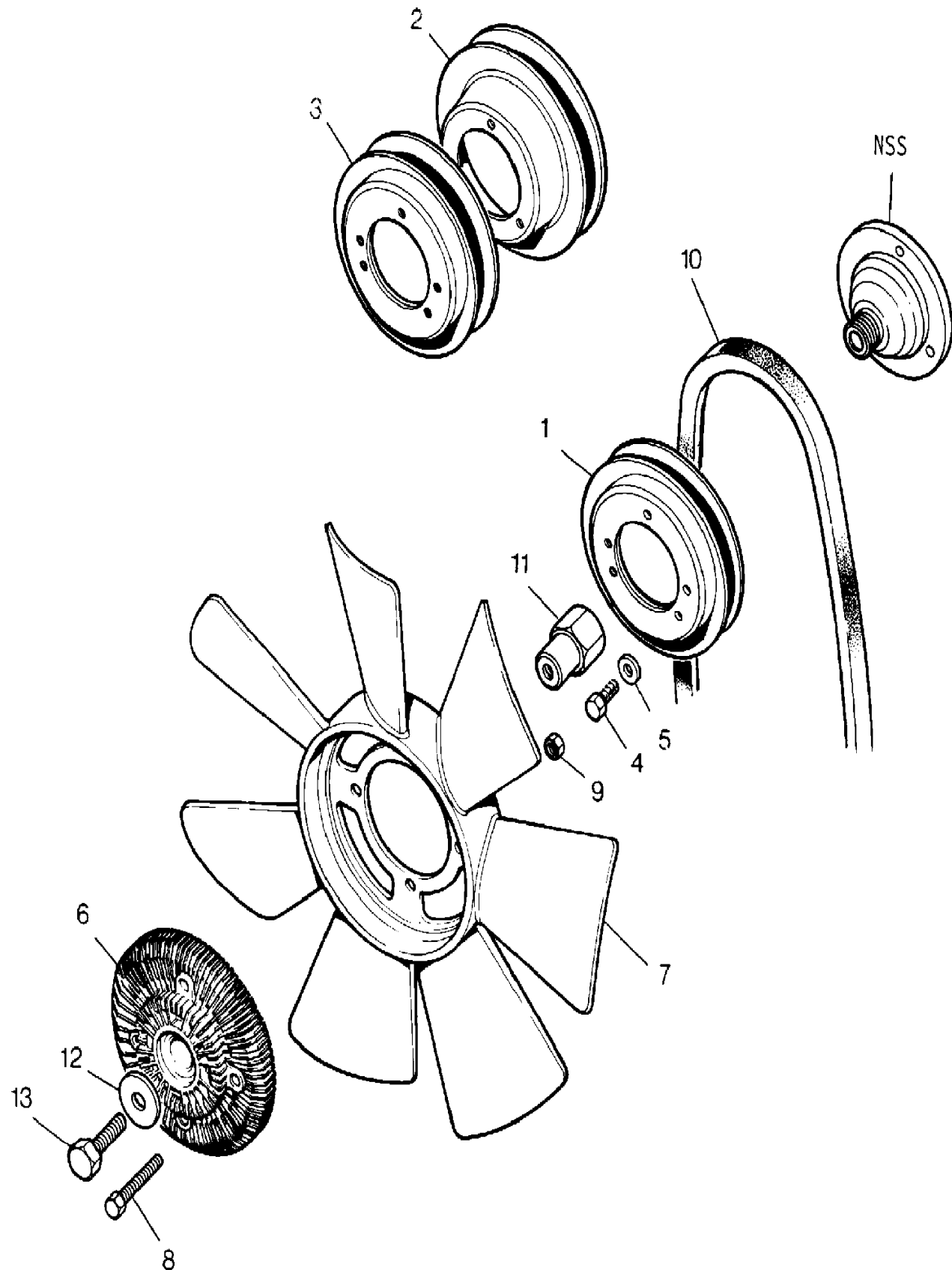
(TS5582B)

Range Rover (To HA610293)

Engine
V8 Petrol - Carburetter
Viscous Drive & Fan-26D/28D/30D

5 Speed Manual Transmission, Less Catalyst

Callout	Name	Application	Remarks & Restrictions	Service No.	Qty
10	Belt-polyvee alternator	V8 Twin Carb Petrol Land Rover, With Police Vehicle	26D, 30D, 28D, Engine Code 26D 3.5 V8 PI H/C, Engine Code 28D 3.5 V8 PI Manual, Engine Code 30D 3.5 V8 PI	ERC675	1
11	Adaptor-water pump drive	V8 Twin Carb Petrol Land Rover	26D, 30D, 28D, Engine Code 26D 3.5 V8 PI H/C, Engine Code 28D 3.5 V8 PI Manual, Engine Code 30D 3.5 V8 PI	ETC6104	1
12	Washer-Plain	V8 Twin Carb Petrol Land Rover	26D, 30D, 28D, Engine Code 26D 3.5 V8 PI H/C, Engine Code 28D 3.5 V8 PI Manual, Engine Code 30D 3.5 V8 PI	4910L	1
13	Screw	V8 Twin Carb Petrol Land Rover	26D, 30D, 28D, Engine Code 26D 3.5 V8 PI H/C, Engine Code 28D 3.5 V8 PI Manual, Engine Code 30D 3.5 V8 PI, hexagonal head	SH607101L	1



Engine
V8 Petrol - Carburetter
Viscous Drive & Fan-27D/29D 1/1

Range Rover (To HA610293)

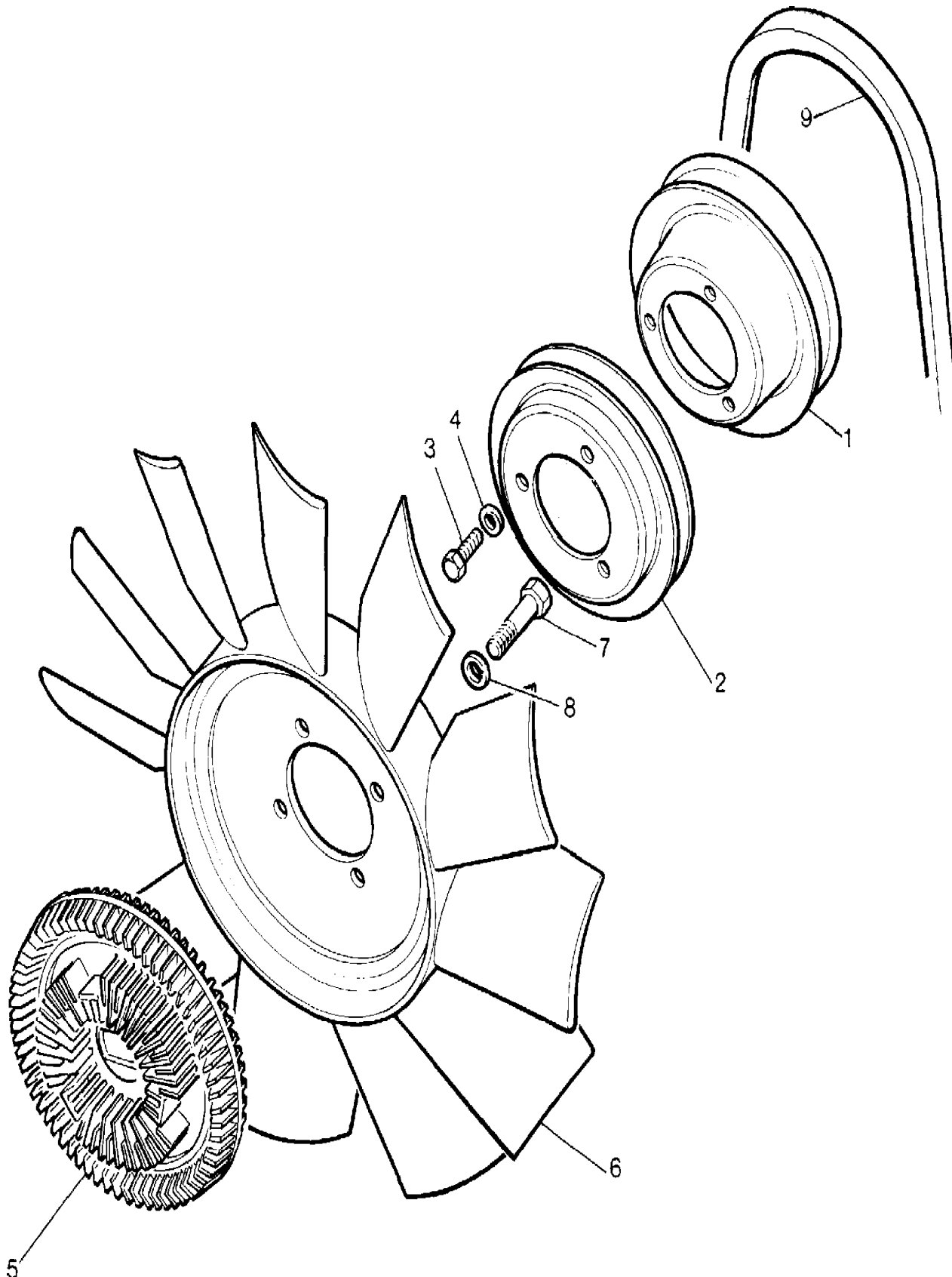
(TS5581)

Range Rover (To HA610293)

Engine
V8 Petrol - Carburetter
Viscous Drive & Fan-27D/29D

4 Speed Automatic Transmissions, Less Catalyst

Callout	Name	Application	Remarks & Restrictions	Service No.	Qty
1	Pulley coolant pump	Twin Carb L/R Petrol, Less Air Conditioning	27D, 29D, Engine Code 27D 3.5 V8 PI H/C, Engine Code 29D 3.5 V8 PI Auto	ETC5499	1
		Twin Carb L/R Petrol, With Air Conditioning	27D, 29D, Engine Code 27D 3.5 V8 PI H/C, Engine Code 29D 3.5 V8 PI Auto	ETC5422	1
2	Pulley-driven air conditioning	Twin Carb L/R Petrol, With Air Conditioning	27D, 29D, Engine Code 27D 3.5 V8 PI H/C, Engine Code 29D 3.5 V8 PI Auto	ETC5423	1
3	Screw	Twin Carb L/R Petrol	27D, 29D, Engine Code 27D 3.5 V8 PI H/C, Engine Code 29D 3.5 V8 PI Auto, hexagonal head, 1/4UNF x 5/8	SH604051L	3
4	Washer	V8 Twin Carb L/R Petrol	27D, 29D, Engine Code 27D 3.5 V8 PI H/C, Engine Code 29D 3.5 V8 PI Auto, 6MM	WA106041L	3
5	Coupling-engine fan viscous	V8 Twin Carb L/R Petrol	27D, 29D, Engine Code 27D 3.5 V8 PI H/C, Engine Code 29D 3.5 V8 PI Auto, 17", 11 Blade	ETC1260	1
6	Fan-cooling	Twin Carb L/R Petrol	27D, 29D, Engine Code 27D 3.5 V8 PI H/C, Engine Code 29D 3.5 V8 PI Auto, White., 17", 11 Blade	ETC1275	11
7	Screw	Twin Carb L/R Petrol	27D, 29D, Engine Code 27D 3.5 V8 PI H/C, Engine Code 29D 3.5 V8 PI Auto, hexagonal head, 5/16UNC x 5/8	SH505051L	4
8	Washer-Plain	Twin Carb L/R Petrol	27D, 29D, Engine Code 27D 3.5 V8 PI H/C, Engine Code 29D 3.5 V8 PI Auto	587405	4
9	Belt-polyvee alternator	V8 Twin Carb Petrol Land Rover, Less Police	27D, 29D, Engine Code 27D 3.5 V8 PI H/C, Engine Code 29D 3.5 V8 PI Auto	611612	1
		V8 Twin Carb Petrol Land Rover, With Police Vehicle	27D, 29D, Engine Code 27D 3.5 V8 PI H/C, Engine Code 29D 3.5 V8 PI Auto	ERC675	1



Engine
V8 Petrol - EFi
Air Conditioning Compressor 1/1

Range Rover (To HA610293)

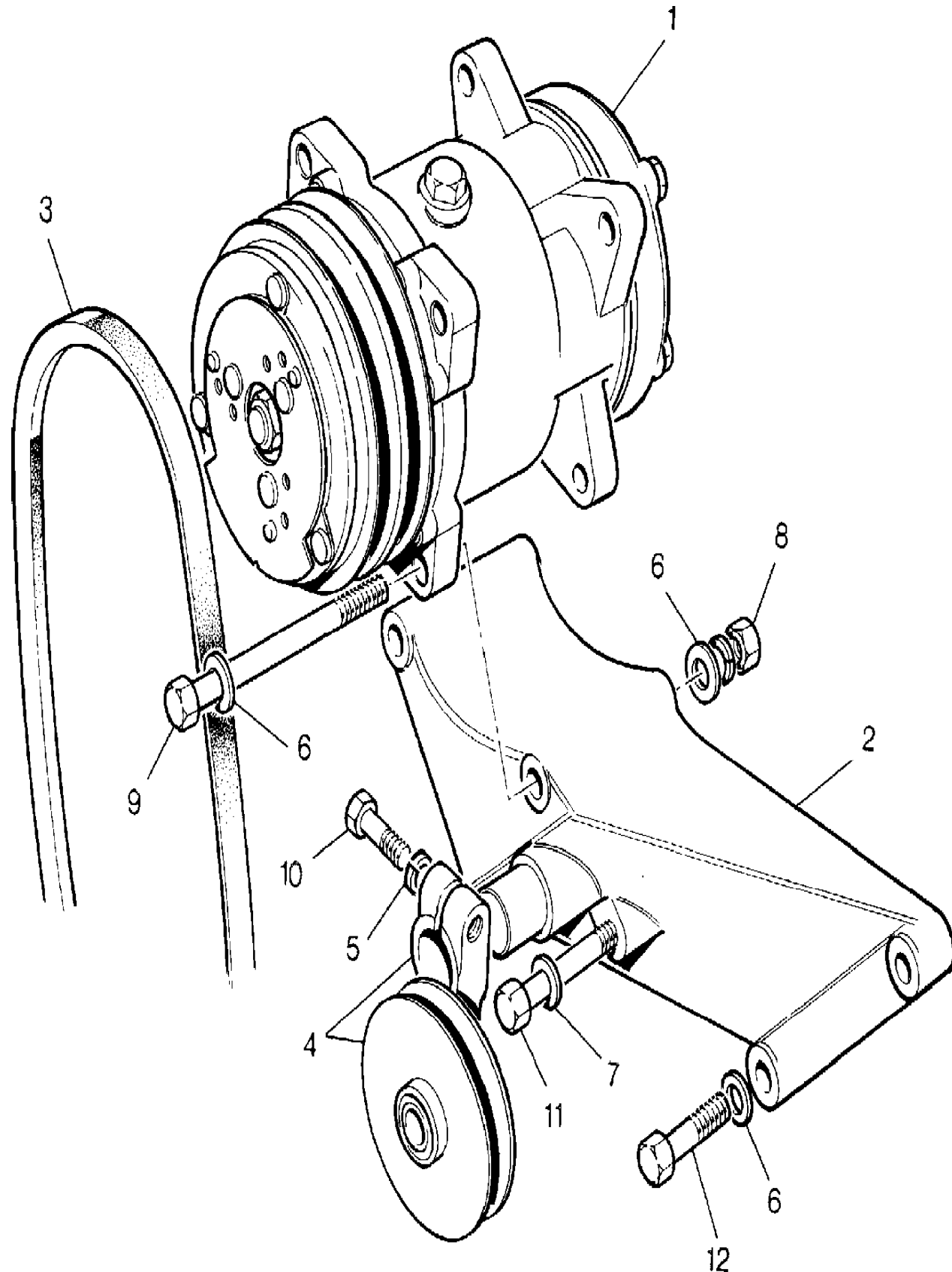
(TS6295)

Range Rover (To HA610293)

Engine
V8 Petrol - EFi
Air Conditioning Compressor

Petrol V8 L/R EFI, With Air Conditioning

Callout	Name	Application	Remarks & Restrictions	Service No.	Qty
1	Compressor assembly air conditioning	V8 EFI Petrol	Also serviced as part of a kit	ETC7994	1
		Change point - Engine begin 38D20387A, (+)"CDN/MEX/USA"		BTR1301	1
2	Bracket-air compressor	3.5L V8 EFI Petrol 3.9L V8 EFI Petrol		ETC5793	1
				ETC5690	1
3	Belt-polyvee alternator	V8 EFI Petrol		611612	1
4	Pulley-tensioner ancillary drive	V8 EFI Petrol	Also serviced as part of a kit	ETC6159	1
5	Washer-Spring	V8 EFI Petrol	5/16"	WM600051L	1
6	Washer	V8 EFI Petrol	M10	WA110061L	6
7	Washer	V8 EFI Petrol	8MM	WA108051L	1
8	Nut - Hex.	V8 EFI Petrol	hexagonal head, 3/8UNF	NH606041L	2
9	Bolt	V8 EFI Petrol	3/8UNF x 5	BH606401L	2
10	Bolt	V8 EFI Petrol	hexagonal head, 5/16UNF x 1 1/4	BH605101L	1
11	Bolt	V8 EFI Petrol	5/16UNC x 4 1/4	BH505341L	1
12	Bolt	V8 EFI Petrol V8 EFI Petrol V8 EFI Petrol	3/8UNC x 1 7/8 hexagonal head, 1/4UNC x 1 7/8 hexagonal head, 5/16UNC x 5 1/2	BH506131L BH504151L BH505441L	1 1 2
[900]	Bearing-ball	V8 EFI Petrol V8 EFI Petrol	Also serviced as part of a kit Also serviced as part of a kit	614154 614154	1 1
[901]	Bracket-pulley support belt tensioner	V8 EFI Petrol	Also serviced as part of a kit	ETC6148	1
[902]	Pulley-tensioner ancillary drive	V8 EFI Petrol	Also serviced as part of a kit	614718	1
[903]	Kit-gasket and seal	V8 EFI Petrol		RTC4777	1
[904]	Ring - Sealing	(+)"CDN/MEX/USA"	Adaptor	AEU1626	2



Engine
V8 Petrol - EFI
Alternator Mounting 1/1

Range Rover (To HA610293)

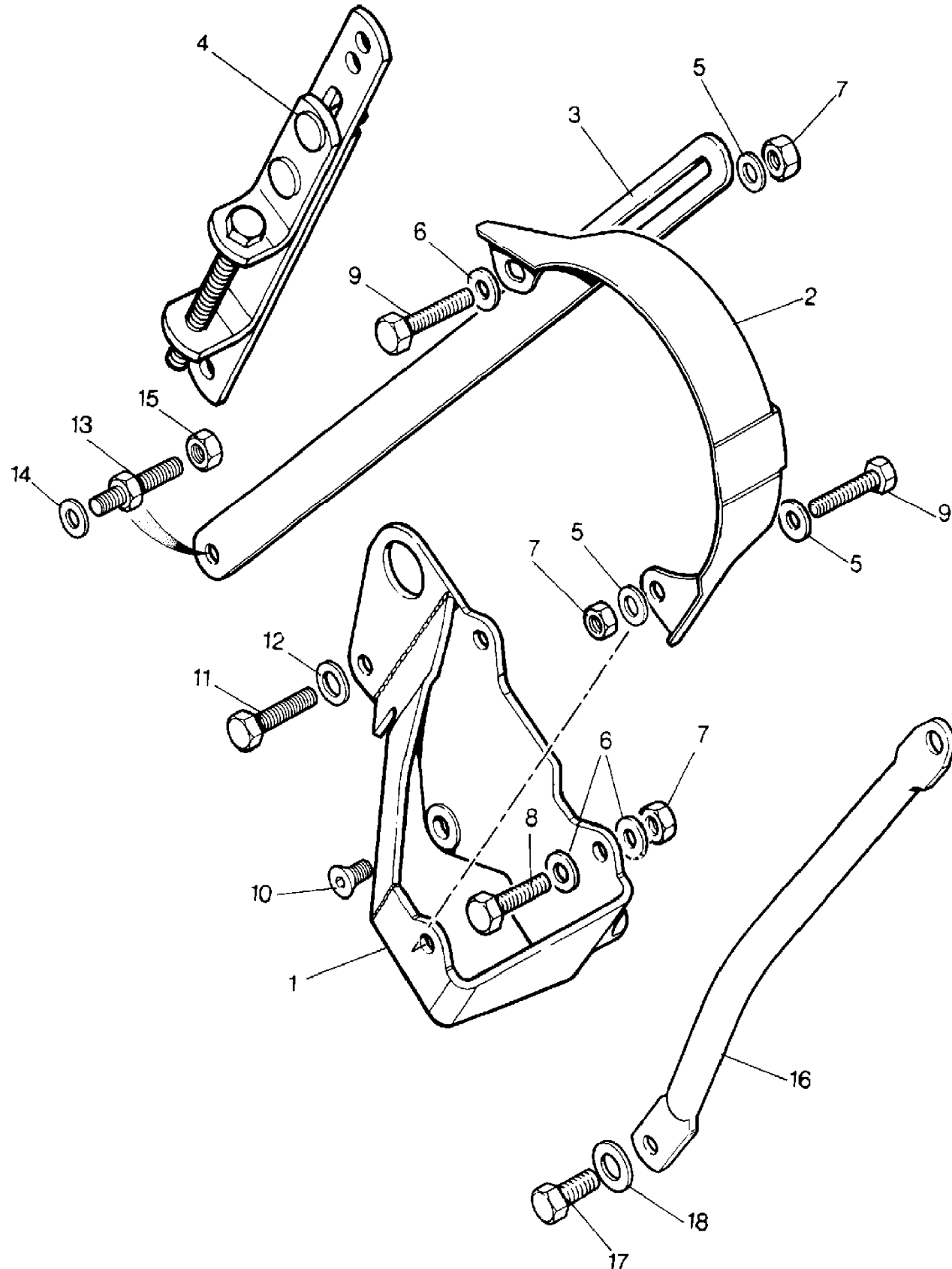
(TS6501)

Range Rover (To HA610293)

Engine
V8 Petrol - EFI
Alternator Mounting

Petrol V8 L/R EFI

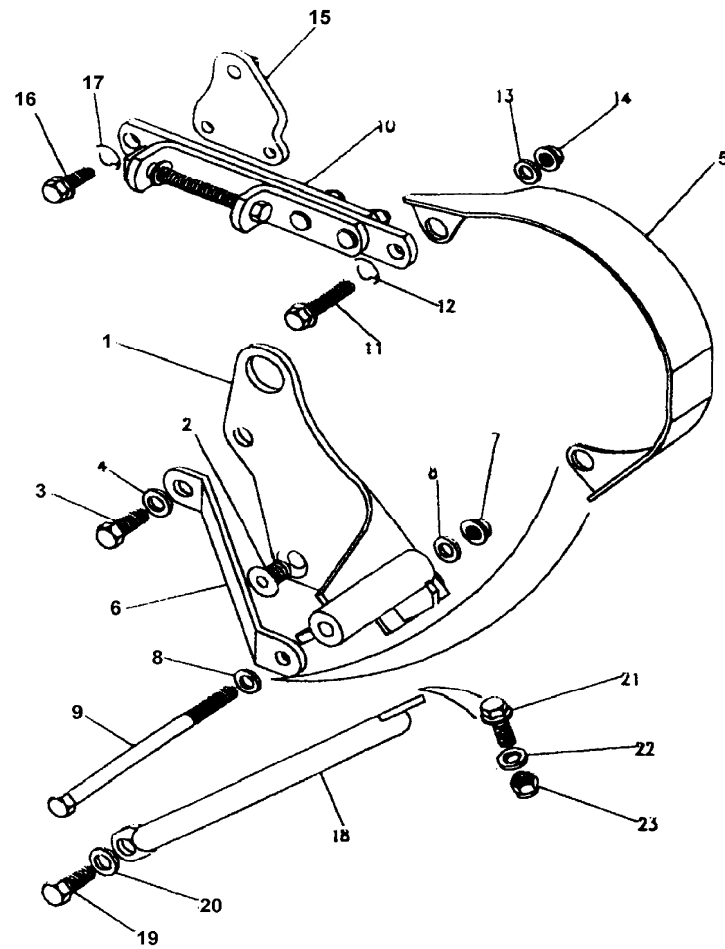
Callout	Name	Application	Remarks & Restrictions	Service No.	Qty
1	Bracket-mounting-alternator	V8 EFI Petrol	65 AMP	ETC5576	1
2	Guard-fan alternator	V8 EFI Petrol	65 AMP	ETC8441	1
		V8 EFI Petrol	80 AMP	ETC8440	1
3	Link-adjuster alternator	Change point - Engine end SEP 90, V8 EFI Petrol		ETC6291	1
4	Link-adjuster alternator	Change point - Engine begin SEP 90, V8 EFI Petrol		ERR1574	1
5	Washer-Plain	V8 EFI Petrol		4594L	1
6	Washer	V8 EFI Petrol	8MM	WA108051L	8
7	Nut - Hex.	V8 EFI Petrol	M8, hexagonal head	NH108041L	3
8	Screw	V8 EFI Petrol	hexagonal head, M8 x 45	SH108451L	1
9	Screw-flanged head		M8 X 35	FS108351	1
10	Screw	V8 EFI Petrol	3/8UNC x 1	ETC8765	1
11	Screw	V8 EFI Petrol	hexagonal head, 3/8UNC x 7/8	SH506071L	1
12	Washer	V8 EFI Petrol	3/8", Square	WM600061L	1
13	Support-adjuster link alternator	Change point - Engine end JAN 91, V8 EFI Petrol		ETC7208	1
14	Washer	V8 EFI Petrol	8MM	WA108051L	1
15	Nut - Hex.	V8 EFI Petrol	M8, hexagonal head	NH108041L	1
16	Strut-alternator	V8 EFI Petrol	65 AMP	ETC8579	1
17	Screw	V8 EFI Petrol	hexagonal head, 3/8UNC x 1 1/4	SH506101L	1
18	Washer	V8 EFI Petrol	M10	WA110061L	1
[900]	Grommet	V8 EFI Petrol		ERC5830	2
[901]	Bush	V8 EFI Petrol		ETC8559	2
[902]	Support-adjuster link alternator	V8 EFI Petrol		ERR1885	1



Engine
V8 Petrol - EFi
Alternator Mounting 1/1

Range Rover (To HA610293)

(BCBRPC4A)



G04.011
L3
11/2002
BCBRPC4A

Range Rover (To HA610293)

Engine
V8 Petrol - EFi
Alternator Mounting

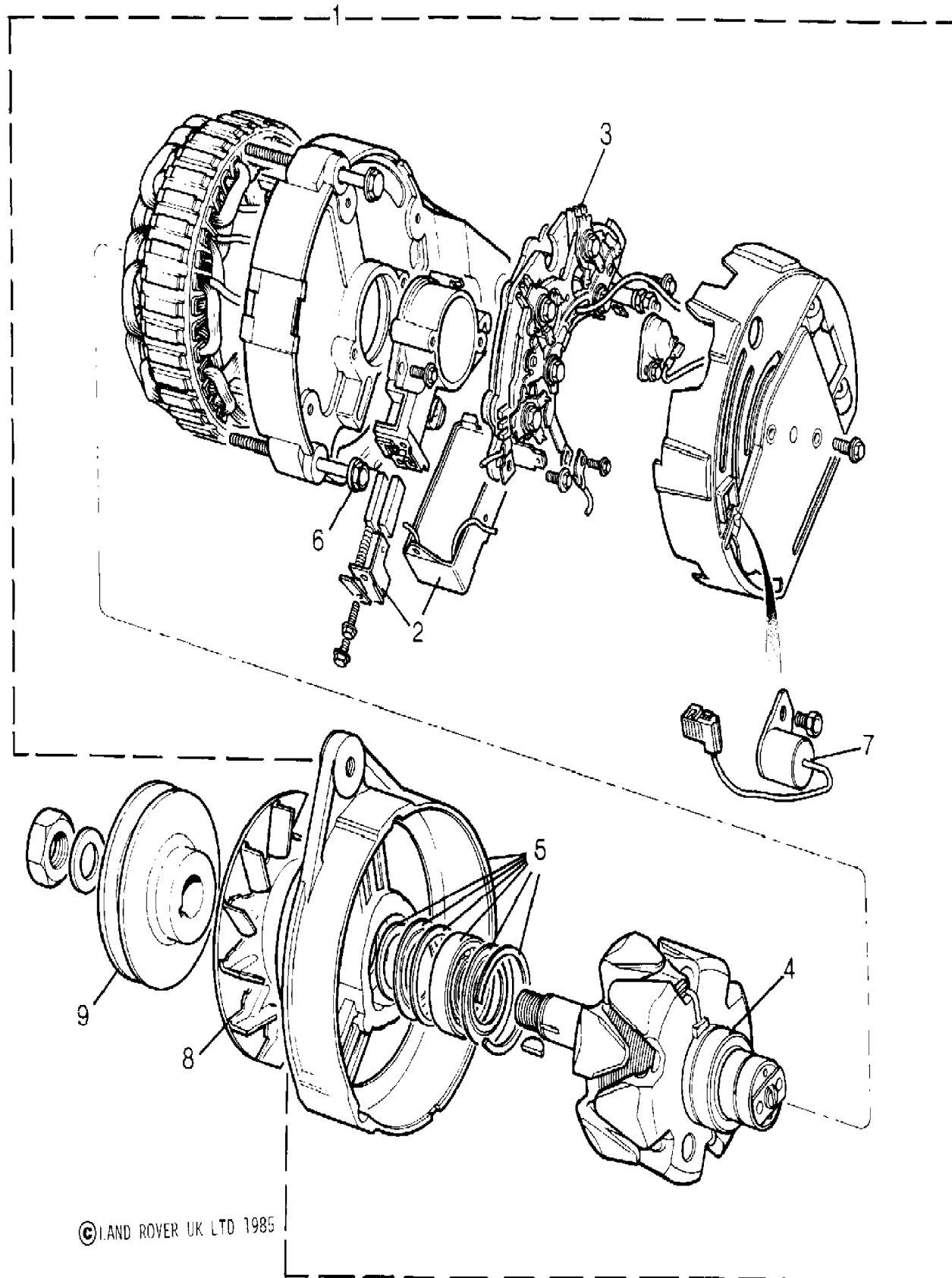
Change point - Engine begin 38D20387A, (+)"CDN/MEX/USA"

Callout	Name	Application	Remarks & Restrictions	Service No.	Qty
1	Bracket-mounting-alternator			ERR1929	1
2	Screw - Countersunk - Special			ETC8765	1
3	Screw		3/8UNC x 1 1/8	SH506095L	2
4	Spacer - Washer			4594L	2
5	Guard		127/80 amp	ETC8440	1
6	Strap Assy			ERR1588	1
7	Nut		M8	FN108041L	
8	Washer			WA108051L	4
9	Bolt		M8 x 140MM	BH108281	1
10	Link			ERR1909	1
11	Screw		M8 x 40	FS108351L	
12	Washer - Spring			WL108001L	1
13	Washer			WA108051L	2
14	Nut		M8	FN108041L	1
15	Bracket			ERR1885	
16	Screw		M8 x 20	FS108201L	
17	Washer - Spring			WL108001L	1
18	Strut			ERR1589	1
19	Screw		3/8UNC x 1 1/8	SH506095L	1
20	Washer			WA110061L	1
21	Screw			FS108251L	1
22	Washer			WA108251	
23	Nut		M8	NY108051L	
[900]	Grommet			ERC5830	2
[901]	Bush			ETC8559	2

Engine
V8 Petrol - EFI
Alternator-65 Amp 1/1

Range Rover (To HA610293)

(VS3983)



Range Rover (To HA610293)

Engine
V8 Petrol - EFI
Alternator-65 Amp

Callout	Name	Application	Remarks & Restrictions	Service No.	Qty
1	Alternator assembly	Change point - VIN end HA610293, V8 EFI Petrol	Also serviced as part of a kit, New, A127-65 amp	RTC5845	1
		V8 EFI Petrol	Also serviced as part of a kit, RH, New, A127-65 amp	RTC5680N	1
		V8 EFI Petrol	Also serviced as part of a kit, RH, exchange, A127-65 amp	RTC5680E	1
2	Regulator & brush box assembly alternator	Change point - VIN end HA610293, V8 EFI Petrol	Also serviced as part of a kit	RTC5670	1
		V8 EFI Petrol	Also serviced as part of a kit	RTC5670	1
3	Rectifier-alternator	Change point - VIN end HA610293, V8 EFI Petrol	Also serviced as part of a kit	RTC5671	1
		V8 EFI Petrol	Also serviced as part of a kit	RTC5671	1
4	Bearing-alternator front	Change point - VIN end HA610293, V8 EFI Petrol	Also serviced as part of a kit	RTC5047	1
5	Bracket-drive end c/w bearing alternator e	Change point - VIN end HA610293, V8 EFI Petrol	Also serviced as part of a kit, RH	RTC5687	1
		V8 EFI Petrol	Also serviced as part of a kit, RH	RTC5687	1
6	Kit-fixings alternator/vacuum pump	Change point - VIN end HA610293, V8 EFI Petrol	Also serviced as part of a kit, RH	RTC5046	1
		V8 EFI Petrol	Also serviced as part of a kit, RH	RTC5046	1
7	Capacitor alternator	Change point - VIN end HA610293, V8 EFI Petrol	Also serviced as part of a kit	RTC6114	1
8	Fan Alternator	V8 EFI Petrol	133/65 amp	AAU2249	1
		V8 EFI Petrol	127/65 amp	605410	1
9	Pulley Assy - Alternator	V8 EFI Petrol	68mm, 127/65 amp	ETC9083	1
[900]	Belt-polyvee alternator	Change point - Engine end NOV 90, V8 EFI Petrol		ETC7899	1
		Change point - Engine begin NOV 90, V8 EFI Petrol		ERR2073	1

Engine
V8 Petrol - EFi
Alternator-80 Amp 1/1

Range Rover (To HA610293)

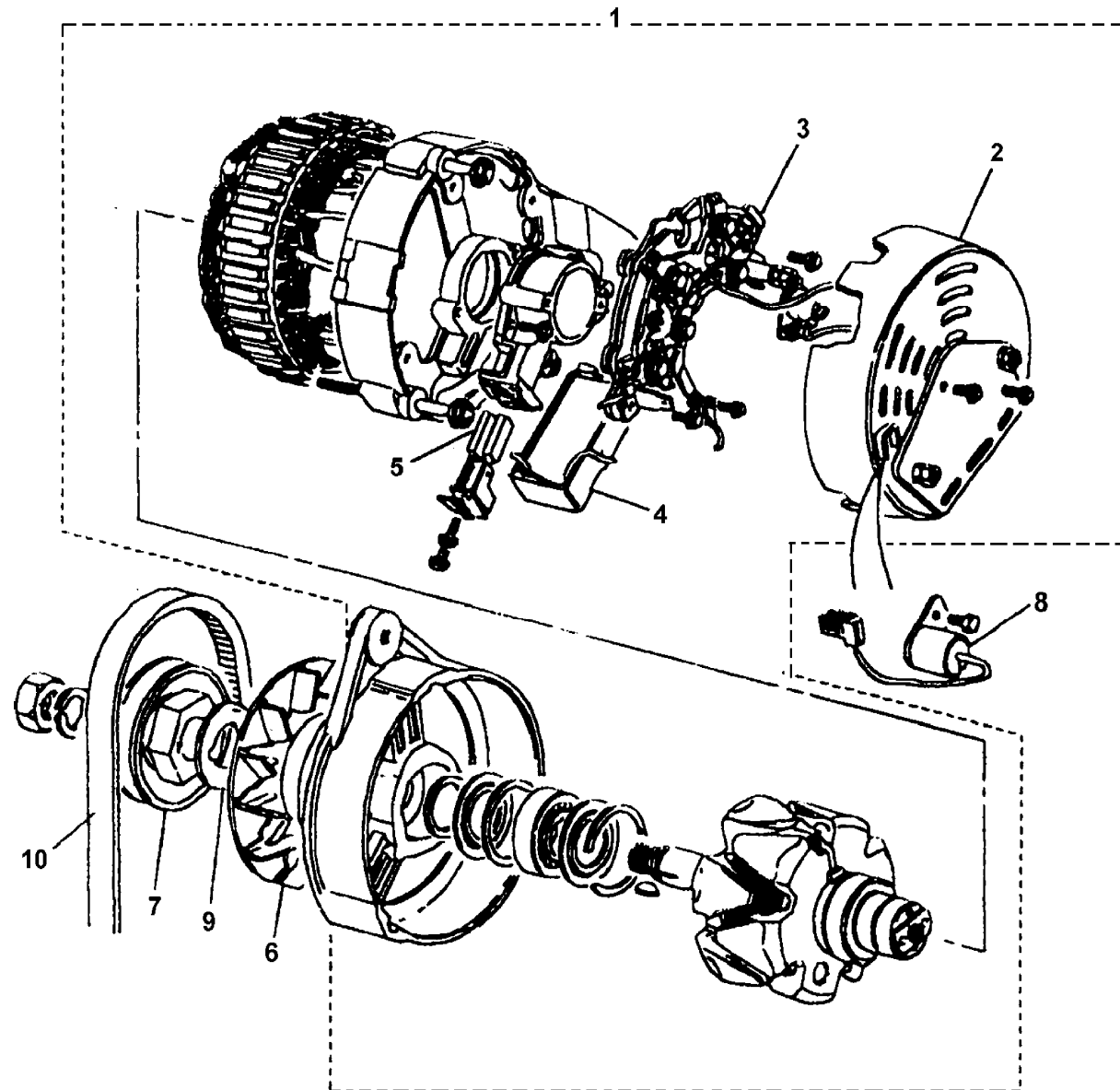
(BCBRPC2A)

Range Rover (To HA610293)

Engine
V8 Petrol - EFi
Alternator-80 Amp

Petrol V8 L/R EFi

Callout	Name	Application	Remarks & Restrictions	Service No.	Qty
1	Alternator assembly	V8 EFi Petrol, (-)"CDN/MEX/USA" (+)"CDN/MEX/USA"	Also serviced as part of a kit, New, A133-80 amp Engine Code 31D, Engine Code 38D, 133/80 amp	RTC5053 STC232	1 1
2	Cover Alternator	V8 EFi Petrol	Also serviced as part of a kit	RTC5610	1
3	Rectifier-alternator	V8 EFi Petrol	Also serviced as part of a kit, 85 amp/100 amp	RTC5609	1
4	Regulator assembly alternator	V8 EFi Petrol	Also serviced as part of a kit, 85 amp/100 amp	RTC5928	1
5	Brush alternator	V8 EFi Petrol	Also serviced as part of a kit	RTC5611	1
6	Fan Alternator	V8 EFi Petrol	80 AMP	RTC5054	1
7	Pulley-alternator	V8 EFi Petrol		ERR767	1
8	Capacitor alternator	V8 EFi Petrol		AEU1616	2
9	Spacer	V8 EFi Petrol		RTC6166	2
10	Belt-polyvee alternator	Change point - Engine end 38D19694A Change point - Engine begin 38D19695A		ETC7899 ERR2073	1 1
[900]	Heatshield alternator	V8 EFi Petrol, (-)"CDN/MEX/USA" Change point - Engine begin 38D20387A, (+)"CDN/MEX/USA"	80 AMP	ERR1606 ERR1606	1 1



G04.020
L3
11/2002
BCBRPC2A

Engine
V8 Petrol - EFi
Camshaft 1/1

Range Rover (To HA610293)

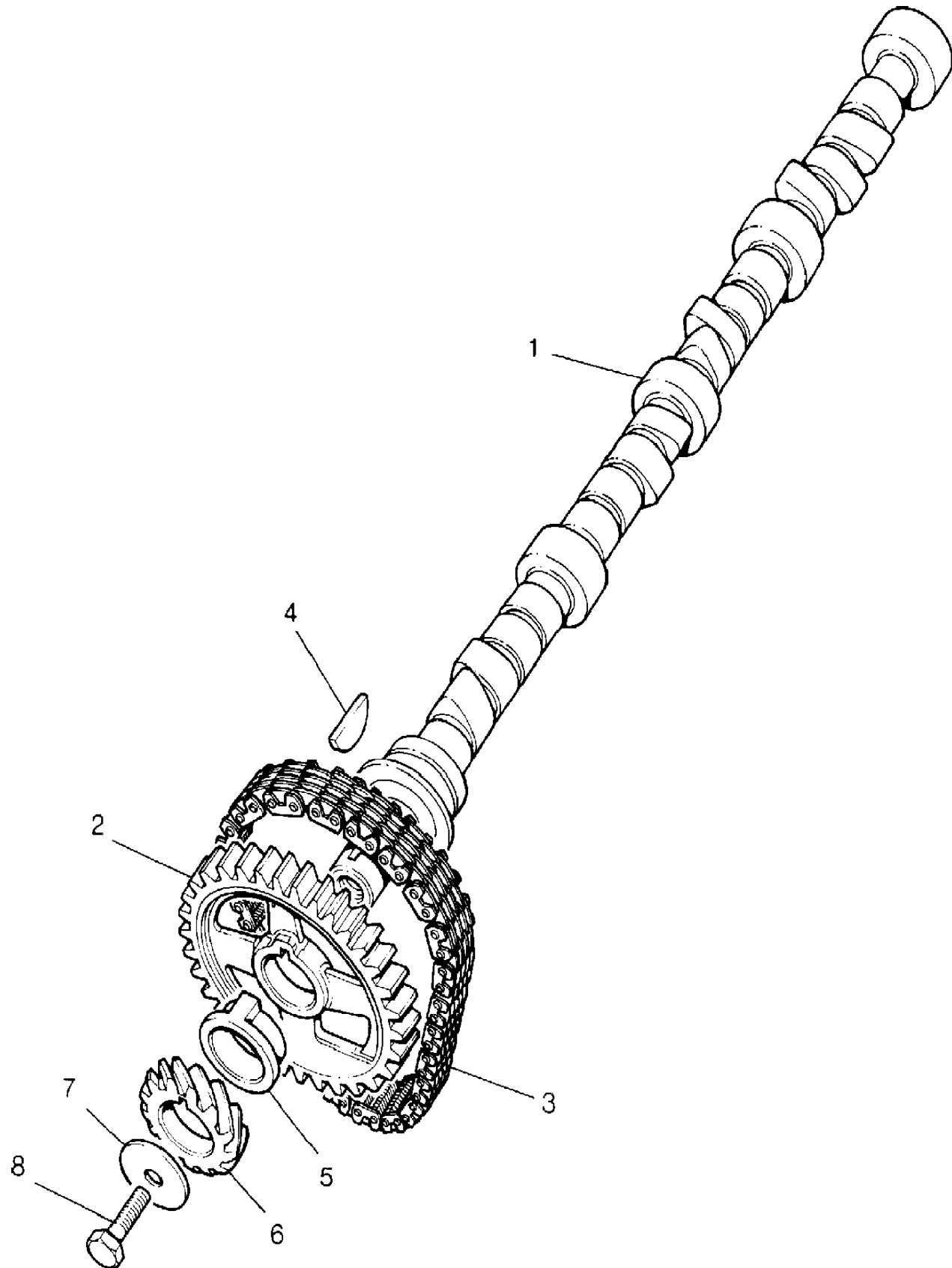
(4RE173)

Engine
V8 Petrol - EFi
Camshaft

Range Rover (To HA610293)

Petrol V8 L/R EFi

Callout	Name	Application	Remarks & Restrictions	Service No.	Qty
1	Camshaft-engine	3.5L V8 EFi Petrol 3.9L V8 EFi Petrol (+)"CDN/MEX/USA"	Engine Code 40D	ETC6099 ETC8686 ERR4946	1 1 1
2	Sprocket-camshaft	V8 EFi Petrol		610289	1
3	Chain-engine timing	V8 EFi Petrol		ERC7929	1
4	Key-camshaft location	V8 EFi Petrol		ERC2838	1
5	Spacer	V8 EFi Petrol		ERC2839	1
6	Gear-drive-distributor	V8 EFi Petrol		614188	1
7	Washer-Plain	V8 EFi Petrol		ERC6552	1
8	Bolt	3.5L V8 EFi Petrol 3.9L V8 EFi Petrol	M12 x 30 7/16UNC x 1 1/8	ERC5749 602227	1 1



Engine
V8 Petrol - EFi
Coil-Horizontal Mounting 1/1

Range Rover (To HA610293)

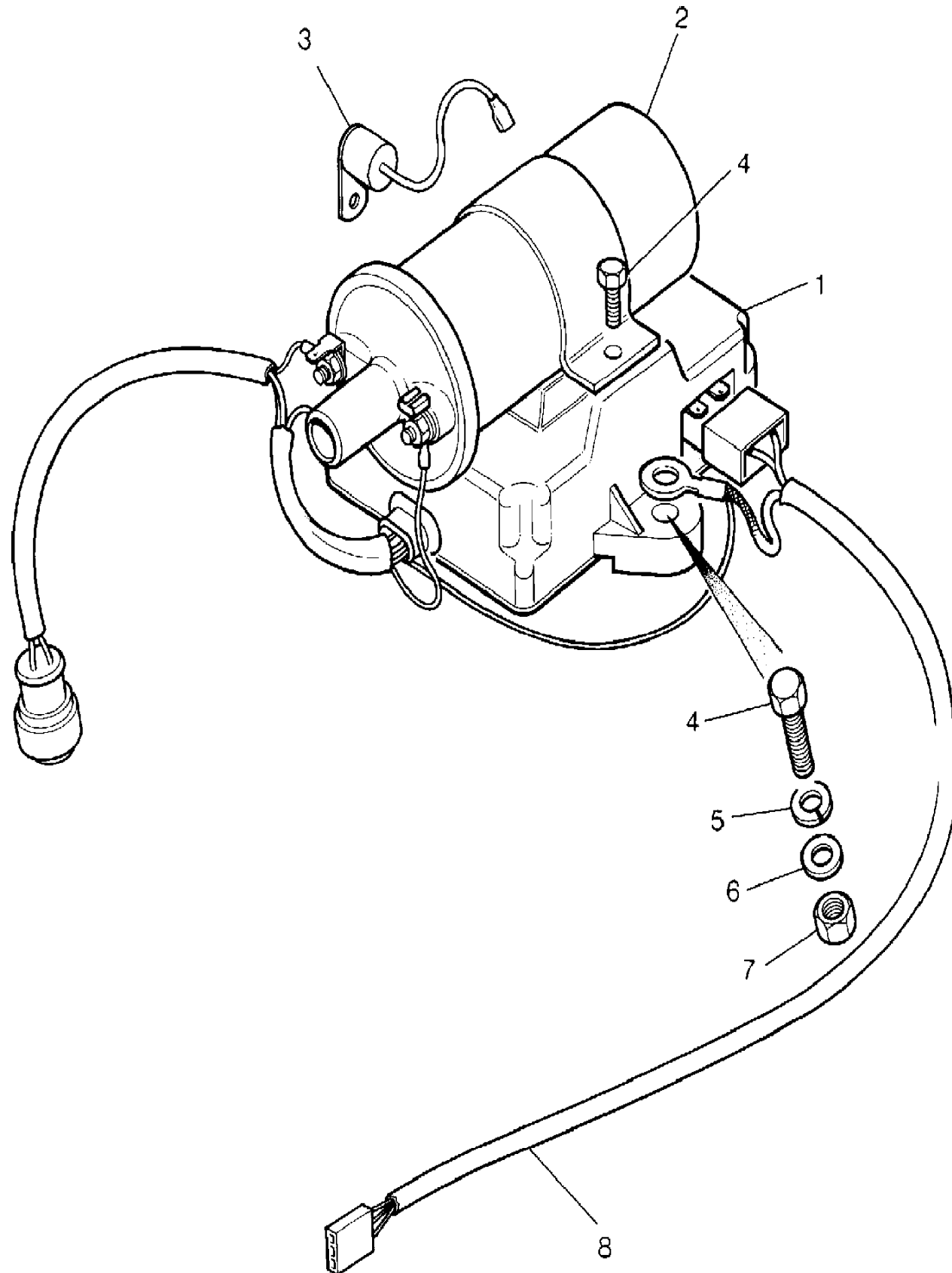
(TS5630)

Range Rover (To HA610293)

Engine
V8 Petrol - EFi
Coil-Horizontal Mounting

Petrol V8 L/R EFi

Callout	Name	Application	Remarks & Restrictions	Service No.	Qty
1	Amplifier	Change point - Engine end 25D04774B, V8 EFi Petrol		RTC3188	1
2	Coil Ignition	V8 EFi Petrol	Lucas	RTC5628	1
3	Capacitor ignition coil	V8 EFi Petrol		PRC1360	1
4	Bolt	V8 EFi Petrol	M8 X 30	BH108061L	4
5	Washer	V8 EFi Petrol	M8, sprung	WL108001L	2
6	Washer	V8 EFi Petrol	8MM	WA108051L	2
7	Nut - Hex.	V8 EFi Petrol	M8, hexagonal head	NH108041L	2
8	Harness-link-low tension ignition coil	V8 EFi Petrol, (-)"CDN/MEX/USA" 3.5 V8 Petrol Efi, (+)"CDN/MEX/USA"		PRC4503 PRC6144	1 1
[901]	Harness earth bond	V8 EFi Petrol		PRC4628	1



Engine
V8 Petrol - EFI
Coolant Pump 1/1

Range Rover (To HA610293)

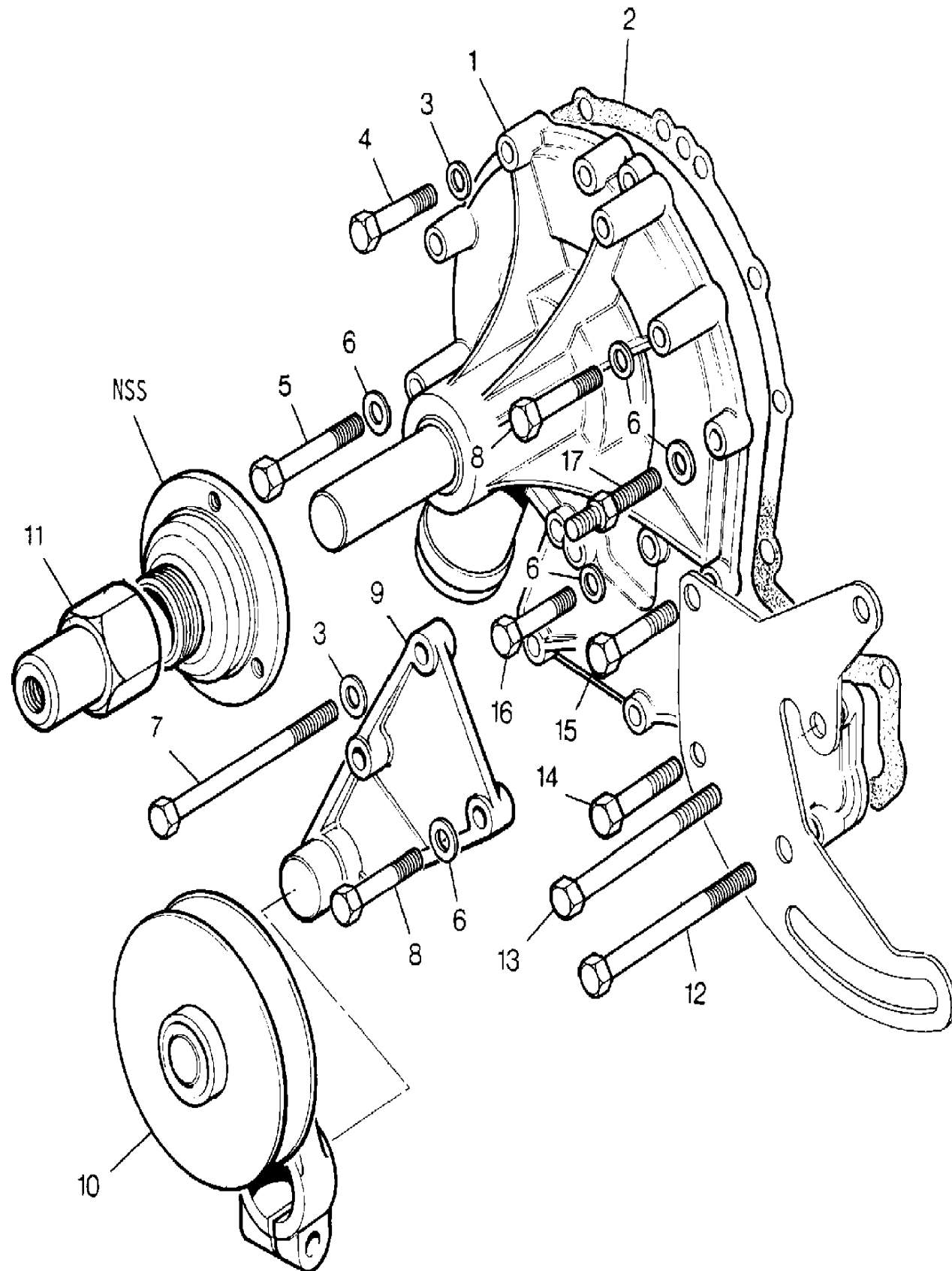
(TS5579B)

Range Rover (To HA610293)

Engine
V8 Petrol - EFI
Coolant Pump

Petrol V8 L/R EFI

Callout	Name	Application	Remarks & Restrictions	Service No.	Qty
1	Pump assembly-engine coolant	Change point - VIN end HA610293, V8 EFI Petrol	Also serviced as part of a kit	RTC6339	1
2	Gasket-cylinder block coolant pump	V8 EFI Petrol		612326	1
		V8 EFI Petrol		ERR2428	1
3	Washer	V8 EFI Petrol	8MM	WA108051L	4
4	Screw	V8 EFI Petrol	Flanged Head, 1/4UNC x 2	SH504161L	1
		V8 EFI Petrol	Flanged Head, 5/16UNC x 1 1/2	BH505121L	2
5	Bolt	V8 EFI Petrol	1/4UNC x 2	BH504161L	1
6	Washer	V8 EFI Petrol	6MM	WA106041L	6
7	Bolt	V8 EFI Petrol	hexagonal head, 5/16UNC x 5 1/2	BH505441L	1
		V8 EFI Petrol	5/16UNC x 6	BH505485L	1
8	Bolt	V8 EFI Petrol	hexagonal head, 1/4UNC x 1 7/8	BH504151L	2
9	Bracket-pulley support belt tensioner	V8 EFI Petrol		ETC6148	1
10	Pulley-tensioner ancillary drive	V8 EFI Petrol	Also serviced as part of a kit	614718	1
11	Adaptor-water pump drive	V8 EFI Petrol		ETC6104	1
12	Bolt	V8 EFI Petrol	hexagonal head, 5/16UNF x 1 1/4	BH605101L	1
		V8 EFI Petrol	hexagonal head, 5/16UNC x 5	BH505401L	1
13	Bolt	V8 EFI Petrol	hexagonal head, 5/16UNC x 4 3/4	BH505381L	1
14	Bolt	V8 EFI Petrol	1/4UNC x 1 3/8	BH504111L	1
15	Bolt	V8 EFI Petrol	hexagonal head, 1/4UNC x 1 1/2	BH504121L	1
16	Bolt	V8 EFI Petrol	1/4UNC x 1 1/4	BH504101L	1
17	Support-adjuster link alternator	V8 EFI Petrol		ETC7208	1
[900]	Washer-Spring	V8 EFI Petrol	5/16"	WM600051L	1



Engine
V8 Petrol - EFI
Crankshaft & Bearings 1/2

Range Rover (To HA610293)

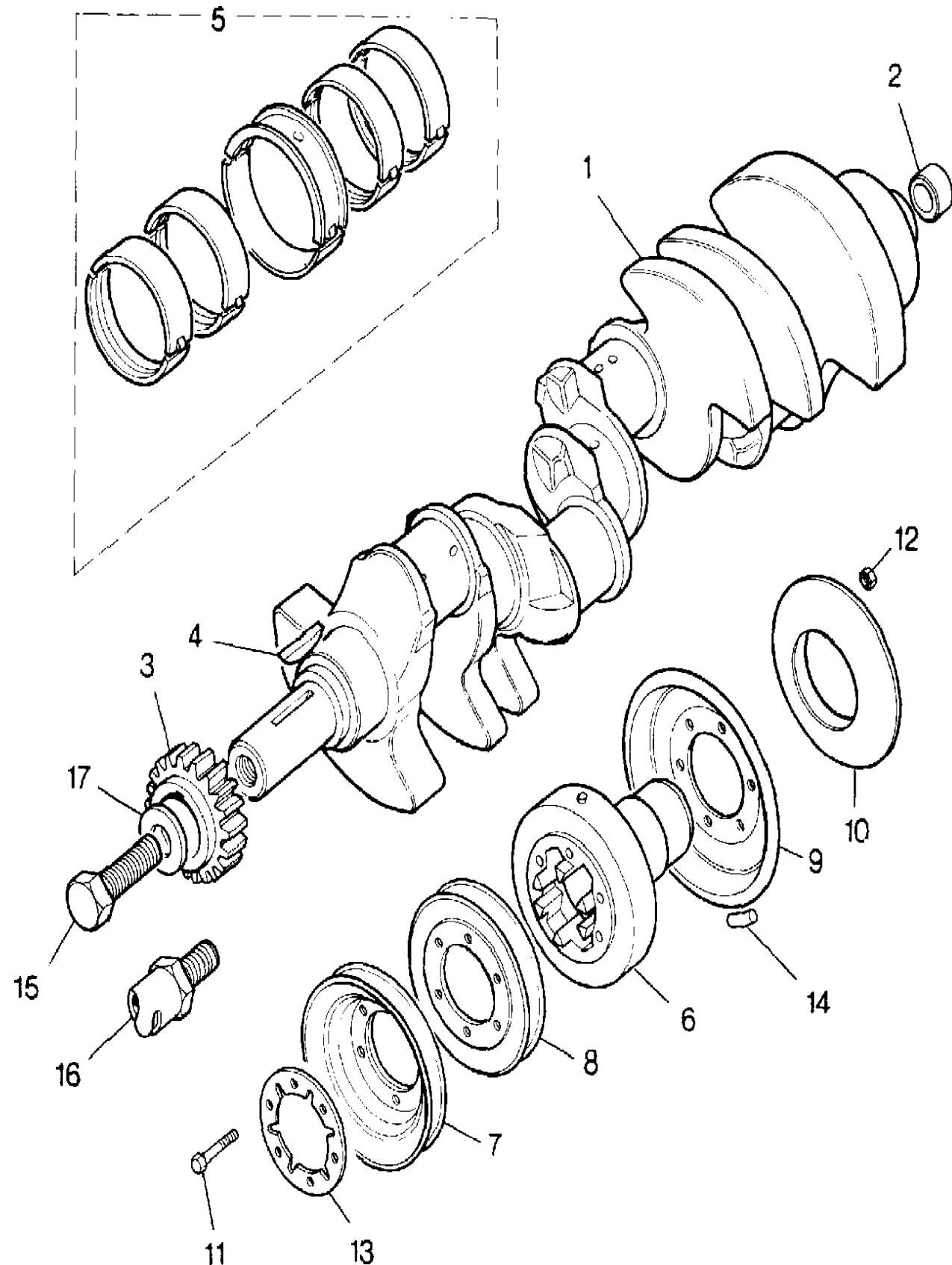
(TS5560A)

Engine
V8 Petrol - EFI
Crankshaft & Bearings

Range Rover (To HA610293)

Petrol V8 L/R EFI

Callout	Name	Application	Remarks & Restrictions	Service No.	Qty
1	Crankshaft-engine	V8 EFI Petrol		612989	1
2	Bush-crankshaft	V8 EFI Petrol		549911	1
3	Sprocket-Crankshaft	V8 EFI Petrol		90602372	1
4	Key-crankshaft	V8 EFI Petrol		90602025	1
5	Set-crankshaft bearings	V8 EFI Petrol	standard.	RTC1718	1
		V8 EFI Petrol	0.010" undersize	RTC171810	1
		V8 EFI Petrol	0.020 undersize	RTC171820	1
6	Damper-torsional vibration	V8 EFI Petrol, (-)"CH", Less Police, Less Catalyst V8 EFI Petrol, (-)"D", Less Police, Less Catalyst V8 EFI Petrol, (-)"A", Less Police, Less Catalyst (+)"CH", With Police Vehicle, With Catalyst (+)"D", With Police Vehicle, With Catalyst (+)"A", With Police Vehicle, With Catalyst		ERC5462 ERC5462 ERC5462 ETC7339 ETC7339 ETC7339	1 1 1 1 1 1
7	Pulley-crankshaft	V8 EFI Petrol Change point - Engine begin 25D04775B, V8 EFI Petrol Change point - Engine begin 24D03834B, With Police Vehicle	single groove single groove single groove	ETC5679 ETC5679 ETC6647	1 1 1
8	Pulley-crankshaft	V8 EFI Petrol With Police Vehicle		ETC4330 ETC4330	1 1
9	Plate-crankshaft balancing	V8 EFI Petrol, Less Police Change point - Engine begin 25D04775B, V8 EFI Petrol, Less Police 3.9L V8 EFI Petrol, (-)"CDN/MEX/USA", With Police Vehicle (+)"CDN/MEX/USA"		603301 603301 ETC7996 ETC7996 ETC7569	1 1 1 1 1
10	Shield-rear flange oil deflector	V8 EFI Petrol With Police Vehicle		613671 613671	1 1
11	Bolt	V8 EFI Petrol	5/16UNF x 1 5/8 5/16UNF x 1 5/8	BH605131L BH605131L	6 6



Engine
V8 Petrol - EFI
Crankshaft & Bearings 2/2

Range Rover (To HA610293)

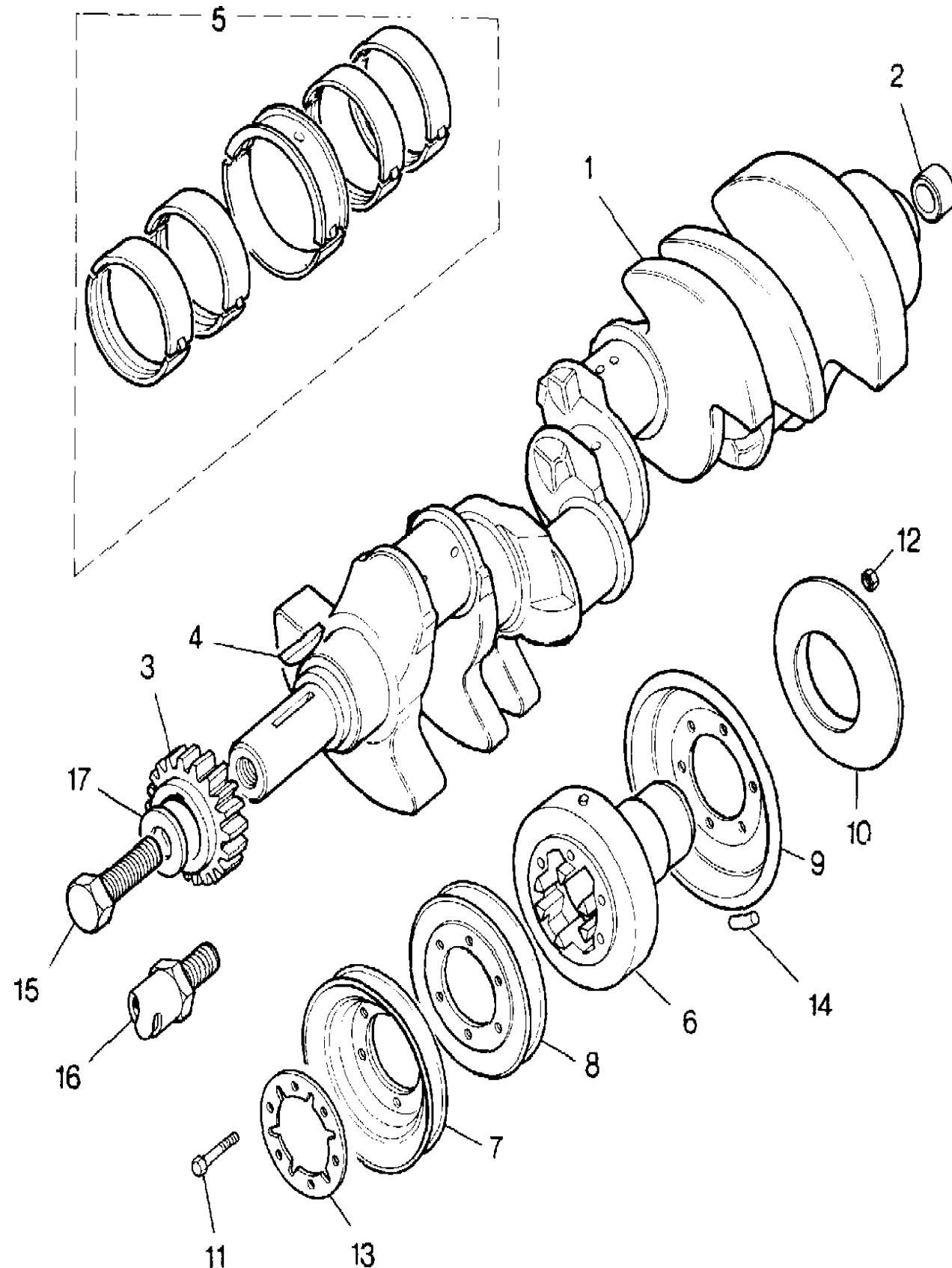
(TS5560A)

Engine
V8 Petrol - EFI
Crankshaft & Bearings

Range Rover (To HA610293)

Petrol V8 L/R EFI

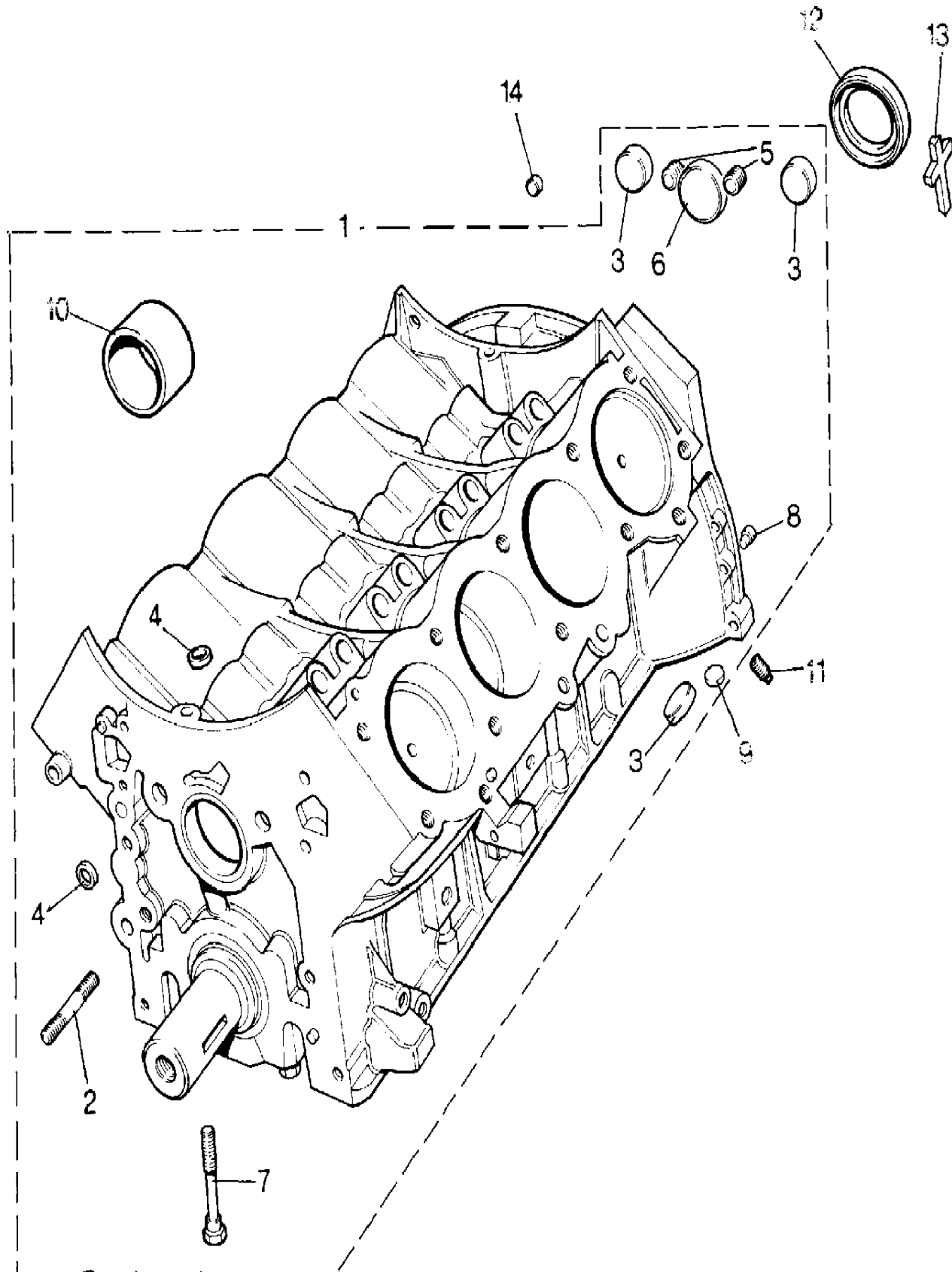
Callout	Name	Application	Remarks & Restrictions	Service No.	Qty
11	Bolt	Change point - Engine begin 24D03834B, With Police Vehicle	5/16UNF x 2 1/4	BH605181L	6
12	Nut - Hex.	V8 EFI Petrol	hexagonal head, 5/16UNF	NH605041L	6
13	Plate	V8 EFI Petrol		602587	1
14	Weight-crankshaft balance	V8 EFI Petrol	.17oz	ERC4877	X
		V8 EFI Petrol	.35oz	ERC4878	X
		V8 EFI Petrol	.53oz	ERC4879	X
		V8 EFI Petrol	.71oz	ERC4880	X
15	Bolt-crankshaft pulley	V8 EFI Petrol		ERC417	1
16	Bolt-dog point	V8 EFI Petrol		610178	1
17	Washer	V8 EFI Petrol V8 EFI Petrol	CRANKSHAFT PULLEY dog point	ERC416 602411	1 1
18	Plate-crankshaft balancing	Change point - Engine begin 24D03834B, V8 EFI Petrol, With Police Vehicle		ETC7419	1
[900]	Pin-Spring	V8 EFI Petrol		603535	1
[901]	Belt-polyvee alternator	V8 EFI Petrol, Less Police		611612	1
[902]	Belt-vee power assisted steering	Change point - Engine begin 24D03834B, V8 EFI Petrol, With Police Vehicle		ERC675	1



Engine
V8 Petrol - EFi
Cylinder Block 1/1

Range Rover (To HA610293)

(TS6300)



Range Rover (To HA610293)

Engine
V8 Petrol - EFi
Cylinder Block

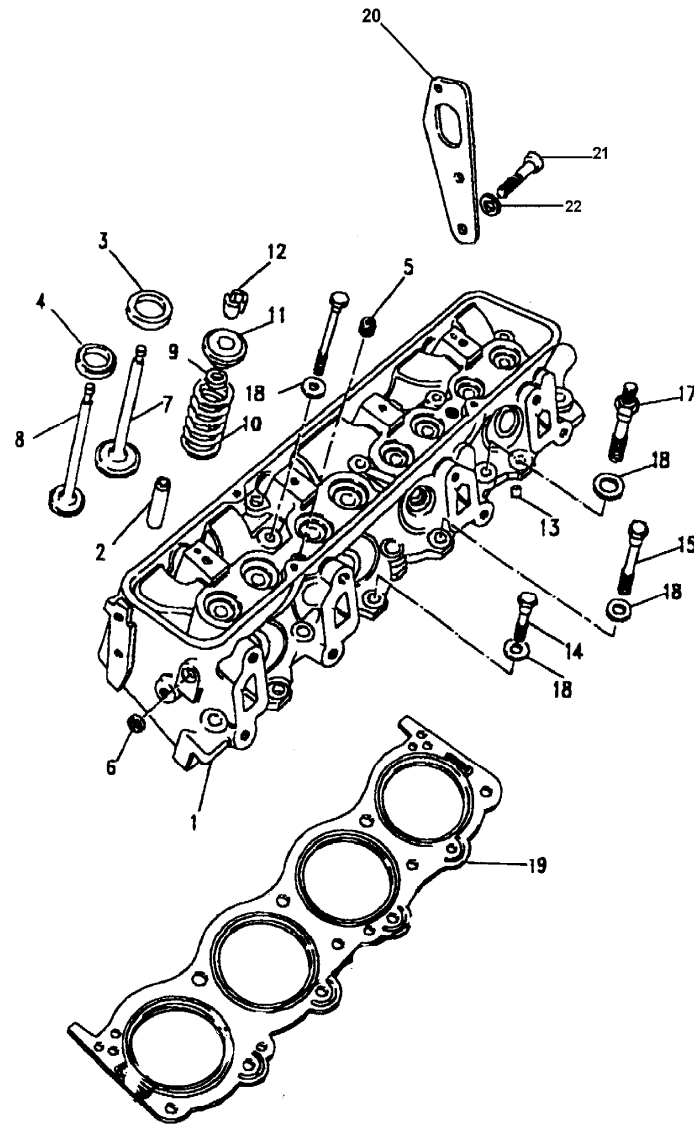
Petrol V8 L/R EFi

Callout	Name	Application	Remarks & Restrictions	Service No.	Qty
1	Cylinder block-engine	3.5L V8 EFi Petrol 3.9L V8 EFi Petrol (+)"CDN", With Engine Heater	Also serviced as part of a kit Also serviced as part of a kit	ERC6934 ETC7802 ERR1801	1 1 1
2	Stud	3.9L V8 EFi Petrol	Also serviced as part of a kit, 5/16UNC x 1 3/8	252513	1
3	Plug-cup	3.9L V8 EFi Petrol	Also serviced as part of a kit	602152	8
4	Plug-cylinder block oil way	3.9L V8 EFi Petrol	Also serviced as part of a kit	602147	4
5	Plug-blanking.	3.9L V8 EFi Petrol	Also serviced as part of a kit	602212	2
6	Plug	3.9L V8 EFi Petrol	camshaft rear bore, Also serviced as part of a kit	602146	1
7	Setscrew-cylinder block main bearing cap	3.9L V8 EFi Petrol	Also serviced as part of a kit	602130	10
8	Dowel	3.9L V8 EFi Petrol	Also serviced as part of a kit	602141	2
9	Plug	3.9L V8 EFi Petrol V8 EFi Petrol	Also serviced as part of a kit coolant drain	612898 3290	2 2
10	Set-camshaft bearings	3.9L V8 EFi Petrol	Also serviced as part of a kit	RTC5918	1
11	Tap drain-cylinder block	V8 EFi Petrol	alternative	602915	2
12	Seal	Change point - VIN end HA610293, V8 EFi Petrol, (-)"CDN/MEX/USA" (+)"CDN/MEX/USA"	CRANKSHAFT REAR Part Of Gasket kit RTC5252	611409 ERR2640	1 1
13	Seal-main bearing rear cap half joint	V8 EFi Petrol		611089	2
14	Plug-core	V8 EFi Petrol	rocker shaft,cylinder block	154545	1
[901]	Heater Assy	(+)"CDN", With Engine Heater		PRC9674	1
[902]	Cable Assy - Heater	(+)"CDN", With Engine Heater		PRC8717	1
[903]	Clip - Cable	(+)"CDN", With Engine Heater		PRC9408	1
[904]	Ring - Sealing	(+)"CDN", With Engine Heater	O Ring	STC367	1
[905]	Ring - Sealing	(+)"CDN", With Engine Heater	O Ring	STC368	1

Engine
V8 Petrol - EFI
Cylinder Head 1/2

Range Rover (To HA610293)

(BCBRGA1A)



G04.050
L3
11/2002
BCBRGA1A

Range Rover (To HA610293)

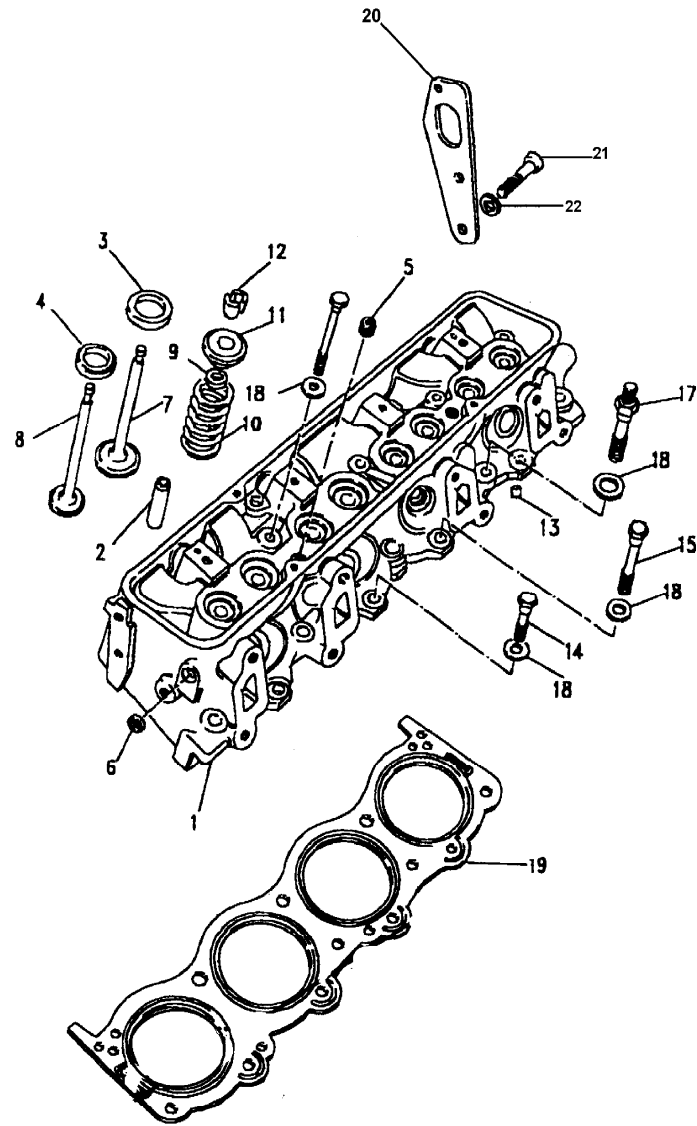
Petrol V8 L/R EFI

Engine
V8 Petrol - EFI
Cylinder Head

Callout	Name	Application	Remarks & Restrictions	Service No.	Qty
1	Cylinder head assembly-engine	3.5L V8 EFI Petrol, (-)"CDN/MEX/USA" 3.9L V8 EFI Petrol (+)"CDN/MEX/USA" Change point - Engine begin 38D20387A, (+)"CDN/MEX/USA"	Also serviced as part of a kit, without air rail Also serviced as part of a kit Engine Code 31D	ERC3346 ETC8622 ERC3346L ERR1404	2 2 2 2
2	Guide-cylinder head valve	3.9L V8 EFI Petrol	Also serviced as part of a kit	603554	16
3	Seat-cylinder head inlet valve	3.5L V8 EFI Petrol 3.9L V8 EFI Petrol	Also serviced as part of a kit, standard. Also serviced as part of a kit, standard.	ERC224 ERC224	4 8
4	Seat-cylinder head exhaust valve	3.5L V8 EFI Petrol 3.9L V8 EFI Petrol	Also serviced as part of a kit, standard. Also serviced as part of a kit, Standard	ERC210 ETC8596	4 8
5	Plug-core	3.5L V8 EFI Petrol 3.9L V8 EFI Petrol	Also serviced as part of a kit Also serviced as part of a kit	602123 602123	2 4
6	Plug-cup	3.5L V8 EFI Petrol 3.9L V8 EFI Petrol	Also serviced as part of a kit Also serviced as part of a kit	602289 602289	2 4
7	Valve-cylinder head inlet	V8 EFI Petrol		ERC9088	8
8	Valve-cylinder head exhaust	3.5L V8 EFI Petrol, (-)"CDN/MEX/USA" 3.9L V8 EFI Petrol (+)"CDN/MEX/USA"	Engine Code 31D	614089 ETC8684 STC1122	8 8 8
9	Seal-cylinder head valve stem oil	V8 EFI Petrol	Inlet	ERC7865	8
10	Spring-cylinder head valve	V8 EFI Petrol		UKC8137L	16
11	Cap-cylinder head valve spring	V8 EFI Petrol		ERR1921	16
12	Cotter-valve	V8 EFI Petrol	split	ERC1637	32
13	Dowel	V8 EFI Petrol		602040	4
14	Bolt-cylinder head fixing	V8 EFI Petrol	7/16UNC x 2 1/4	602191	8
15	Bolt-cylinder head fixing	V8 EFI Petrol	7/16UNC x 2.71	602192	13
16	Bolt-cylinder head fixing	V8 EFI Petrol	7/16UNC x 3.91	602193	6

Engine
V8 Petrol - EFi
Cylinder Head 2/2

Range Rover (To HA610293)
(BCBRGA1A)



G04.050
L3
11/2002
BCBRGA1A

Range Rover (To HA610293)

Engine
V8 Petrol - EFi
Cylinder Head

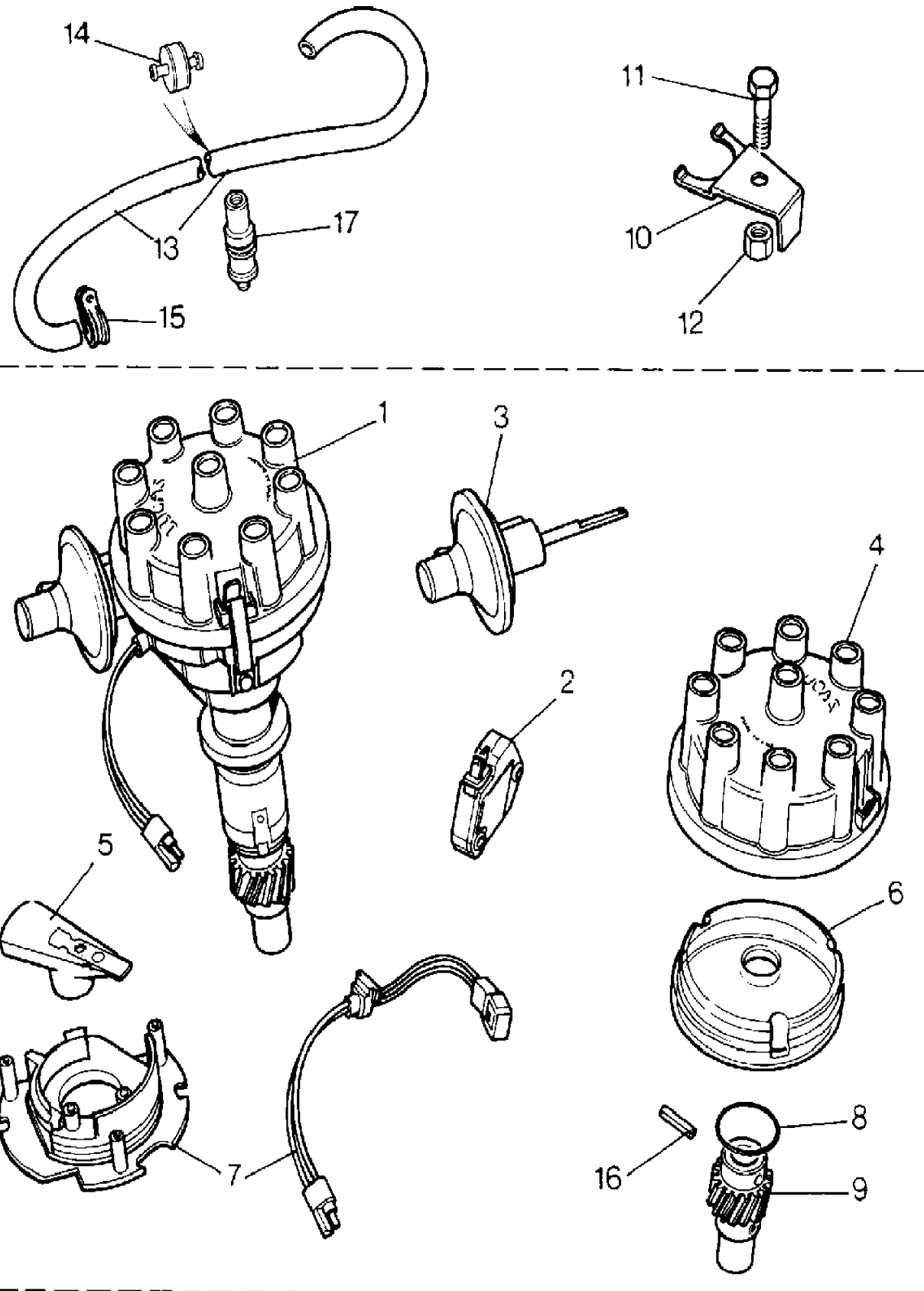
Petrol V8 L/R EFI

Callout	Name	Application	Remarks & Restrictions	Service No.	Qty
17	Bolt	V8 EFI Petrol	double ended, 7/16UNC x 2.71	602200	1
18	Washer-Plain	V8 EFI Petrol		602098	28
19	Gasket-Cylinder Head	Change point - VIN end HA610293, 3.5L V8 EFI Petrol Change point - VIN end HA610293, 3.9L V8 EFI Petrol		603796 ETC7819	2 2
20	Bracket - Engine Lifting	(+)"CDN/MEX/USA" V8 EFI Petrol, (-)"CDN/MEX/USA"	RH	ERC614 ETC5964	1 1
21	Screw	V8 EFI Petrol, (-)"CDN/MEX/USA" V8 EFI Petrol	hexagonal head, 5/16UNC x 1 1/8 hexagonal head, 3/8UNC x 7/8	SH505091L SH506071L	1 2
22	Washer - Spring	V8 EFI Petrol (+)"CDN/MEX/USA" V8 EFI Petrol, (-)"CDN/MEX/USA"	3/8", Square 5/16"	WM600061L WM600061L WM600051L	2 3 2

Engine
V8 Petrol - EFi
Distributor 1/7

Range Rover (To HA610293)

(VS3607D)



Range Rover (To HA610293)

Petrol V8 L/R EFi

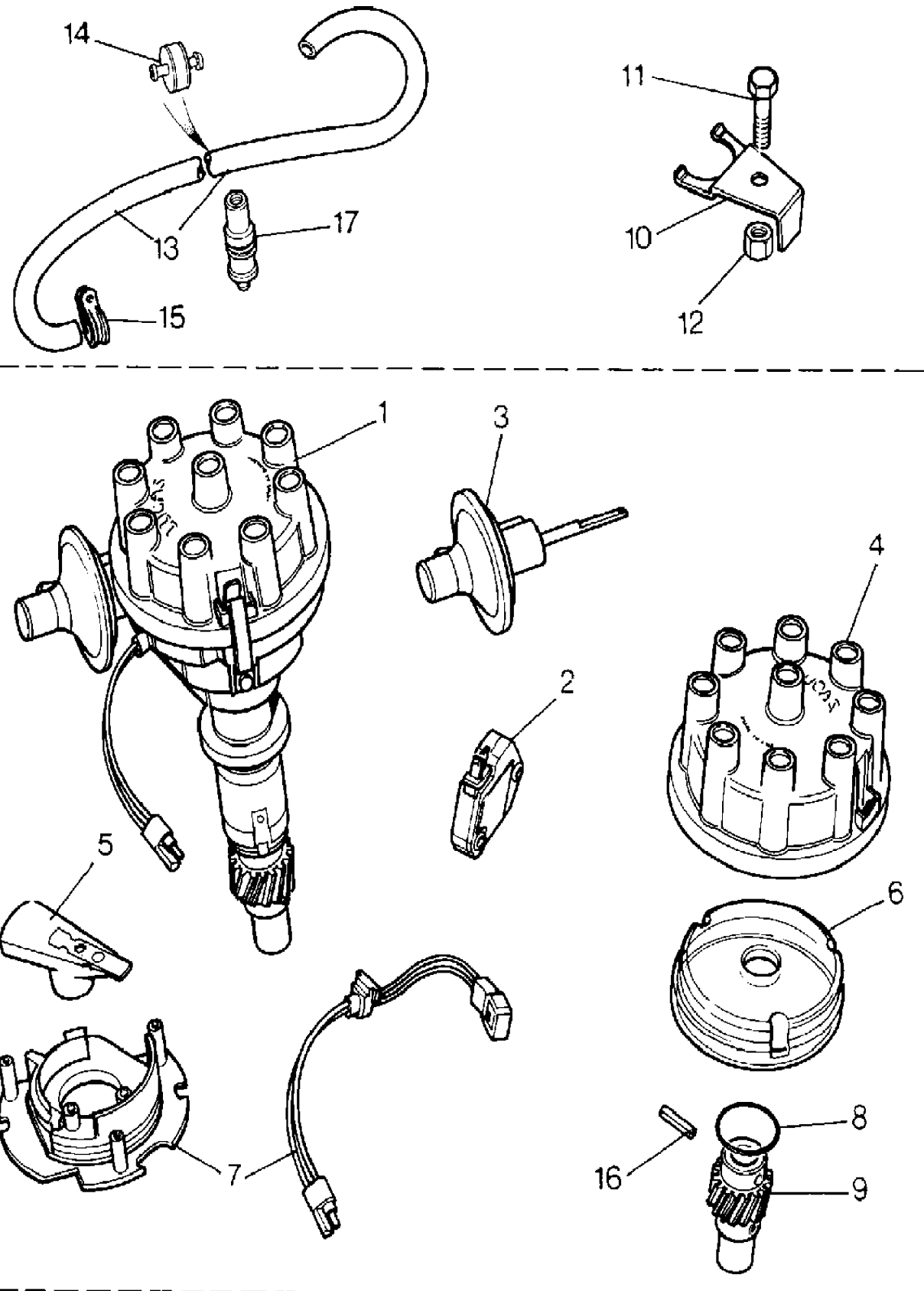
Engine
V8 Petrol - EFi
Distributor

Callout	Name	Application	Remarks & Restrictions	Service No.	Qty		
1	Distributor assembly ignition	Change point - Engine end 25D04774B, 3.5L V8 EFi Petrol, (-)"CDN/MEX/USA"	Also serviced as part of a kit, 2 Pin	ETC5953	1		
		Change point - Engine begin 25D04775B, 3.5L V8 EFi Petrol, (-)"CDN/MEX/USA"	Also serviced as part of a kit, 2 Pin	ETC6951	1		
		Change point - Engine begin 25D13925C, 5 Speed Manual Transmission, (-)"CDN/MEX/USA", Less Catalyst	24D, 25D, Also serviced as part of a kit, Engine Code 24D 3.5 V8 PI H/C Manual, Engine Code 25D 3.5 V8 Carb - Detox, 2 Pin	ERR1809	1		
		Change point - Engine begin 25D13925C, 4 Speed Automatic Transmissions, (-)"CDN/MEX/USA", Less Catalyst	24D, 25D, Also serviced as part of a kit, Engine Code 24D 3.5 V8 PI H/C Manual, Engine Code 25D 3.5 V8 Carb - Detox, 2 Pin	ERR1809	1		
		3.9L V8 EFi NA Petrol, 5 Speed Manual Transmission, (-)"CDN/MEX/USA", With Catalyst	Also serviced as part of a kit, Engine Code 35D 3.9 V8 EFi H/C Man, Engine Code 36D 3.9 V8 EFi H/C Auto, 2 Pin	ERR744	1		
		3.9L V8 EFi NA Petrol, 4 Speed Automatic Transmissions, (-)"CDN/MEX/USA", With Catalyst	Also serviced as part of a kit, Engine Code 35D 3.9 V8 EFi H/C Man, Engine Code 36D 3.9 V8 EFi H/C Auto, 2 Pin	ERR744	1		
		3.9L V8 EFi NA Petrol, 5 Speed Manual Transmission, (-)"CDN/MEX/USA", With Catalyst	Also serviced as part of a kit, Engine Code 37D 3.9 V8 EFi L/C Man, Engine Codes 38D 3.9 EFi V8 NAS Auto, 2 Pin	ERR1808	1		
		3.9L V8 EFi NA Petrol, 4 Speed Automatic Transmissions, (-)"CDN/MEX/USA", With Catalyst	Also serviced as part of a kit, Engine Code 37D 3.9 V8 EFi L/C Man, Engine Codes 38D 3.9 EFi V8 NAS Auto, 2 Pin	ERR1808	1		
		3.5 V8 Petrol Efi, (+)"CDN/MEX/USA"	When Replacing A 2 Pin Fixing With A 3 Pin Fixing Also Fit Link Lead STC1212, 2 Pin	ERR1808	1		
		(+)"CDN/MEX/USA"	When Replacing A 2 Pin Fixing With A 3 Pin Fixing Also Fit Link Lead STC1212, 3 Pin	ERR4254	1		
		2	Module-distributor	Change point - Engine end 25D04774B, 3.5L V8 EFi Petrol, (-)"CDN/MEX/USA"	Also serviced as part of a kit, 2 Pin	RTC5089	1
				Change point - Engine begin 25D04775B, 3.5L V8 EFi Petrol, (-)"CDN/MEX/USA"	Also serviced as part of a kit, 2 Pin	RTC5089	1
Change point - Engine begin 25D13925C, 5 Speed Manual Transmission, (-)"CDN/MEX/USA", Less Catalyst	24D, 25D, Also serviced as part of a kit, Engine Code 24D 3.5 V8 PI H/C Manual, Engine Code 25D 3.5 V8 Carb - Detox, 2 Pin			RTC5089	1		

Engine
V8 Petrol - EFI
Distributor 2/7

Range Rover (To HA610293)

(VS3607D)



Range Rover (To HA610293)

Engine
V8 Petrol - EFI
Distributor

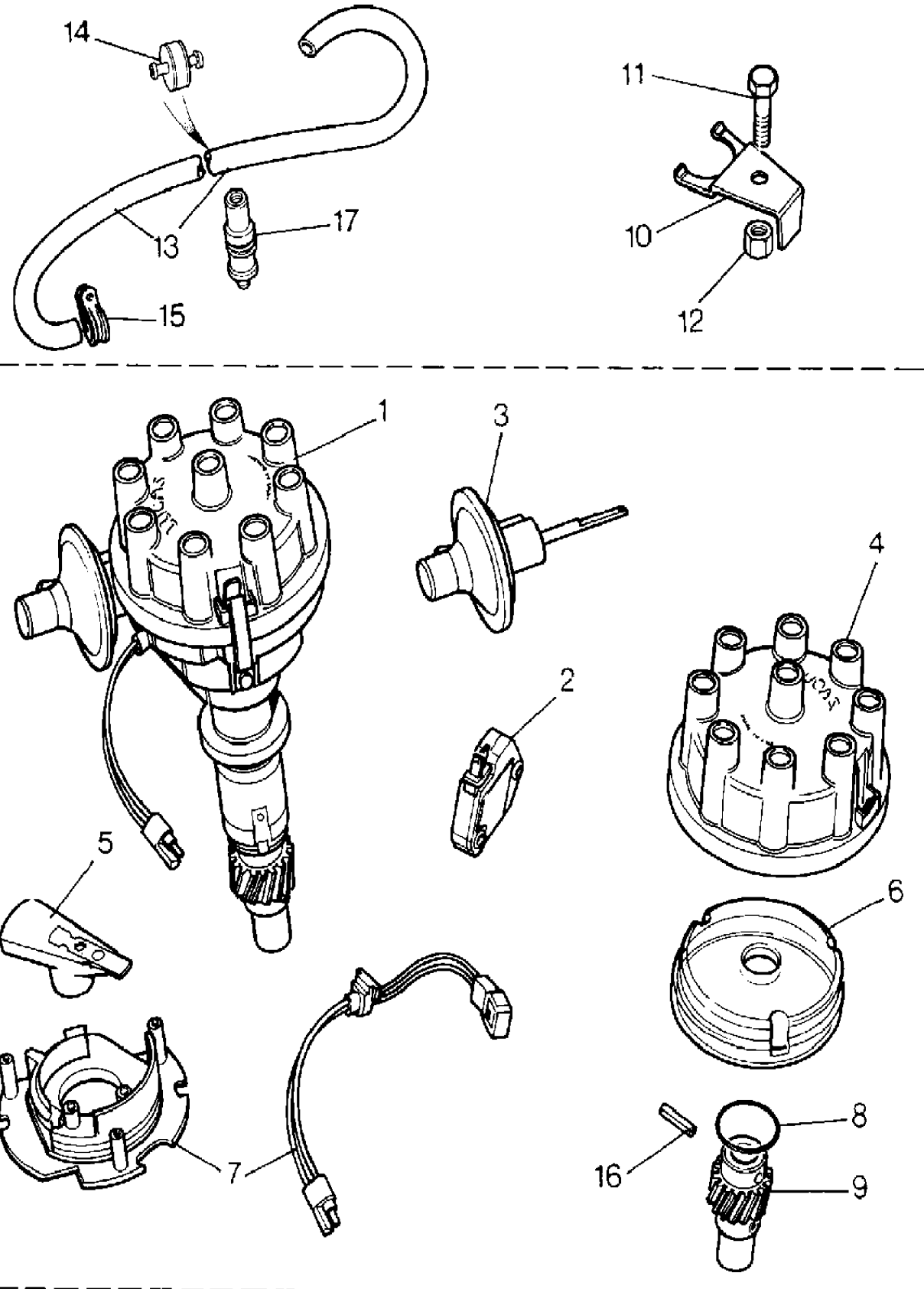
Petrol V8 L/R EFI

Callout	Name	Application	Remarks & Restrictions	Service No.	Qty		
2	Module-distributor	Change point - Engine begin 25D13925C, 4 Speed Automatic Transmissions, (-)"CDN/MEX/USA", Less Catalyst	24D, 25D, Also serviced as part of a kit, Engine Code 24D 3.5 V8 PI H/C Manual, Engine Code 25D 3.5 V8 Carb - Detox, 2 Pin	RTC5089	1		
		3.9L V8 EFI NA Petrol, 5 Speed Manual Transmission, (-)"CDN/MEX/USA", With Catalyst	Also serviced as part of a kit, Engine Code 35D 3.9 V8 EFI H/C Man, Engine Code 36D 3.9 V8 EFI H/C Auto, 2 Pin	RTC5089	1		
		3.9L V8 EFI NA Petrol, 4 Speed Automatic Transmissions, (-)"CDN/MEX/USA", With Catalyst	Also serviced as part of a kit, Engine Code 35D 3.9 V8 EFI H/C Man, Engine Code 36D 3.9 V8 EFI H/C Auto, 2 Pin	RTC5089	1		
		3.9L V8 EFI NA Petrol, 5 Speed Manual Transmission, (-)"CDN/MEX/USA", With Catalyst	Also serviced as part of a kit, Engine Code 37D 3.9 V8 EFI L/C Man, Engine Codes 38D 3.9 EFI V8 NAS Auto, 2 Pin	RTC5089	1		
		3.9L V8 EFI NA Petrol, 4 Speed Automatic Transmissions, (-)"CDN/MEX/USA", With Catalyst	Also serviced as part of a kit, Engine Code 37D 3.9 V8 EFI L/C Man, Engine Codes 38D 3.9 EFI V8 NAS Auto, 2 Pin	RTC5089	1		
		(+)"CDN/MEX/USA"	When Replacing A 2 Pin Fixing With A 3 Pin Fixing Also Fit Link Lead STC1212, 2 Pin	RTC5089	1		
			When Replacing A 2 Pin Fixing With A 3 Pin Fixing Also Fit Link Lead STC1212, 3 Pin	STC1184	1		
		3	Capsule-vacuum distributor	Change point - Engine end 25D04774B, 3.5L V8 EFI Petrol, (-)"CDN/MEX/USA"	Also serviced as part of a kit, 2 Pin	RTC3201	1
				Change point - Engine begin 25D04775B, 3.5L V8 EFI Petrol, (-)"CDN/MEX/USA"	Also serviced as part of a kit, 2 Pin	RTC3201	1
				Change point - Engine begin 25D13925C, 5 Speed Manual Transmission, (-)"CDN/MEX/USA", Less Catalyst	24D, 25D, Also serviced as part of a kit, Engine Code 24D 3.5 V8 PI H/C Manual, Engine Code 25D 3.5 V8 Carb - Detox, 2 Pin	RTC3201	1
Change point - Engine begin 25D13925C, 4 Speed Automatic Transmissions, (-)"CDN/MEX/USA", Less Catalyst	24D, 25D, Also serviced as part of a kit, Engine Code 24D 3.5 V8 PI H/C Manual, Engine Code 25D 3.5 V8 Carb - Detox, 2 Pin			RTC3201	1		
		3.9L V8 EFI NA Petrol, 5 Speed Manual Transmission, (-)"CDN/MEX/USA", With Catalyst	Also serviced as part of a kit, Engine Code 35D 3.9 V8 EFI H/C Man, Engine Code 36D 3.9 V8 EFI H/C Auto, 2 Pin	RTC3201	1		

Engine
V8 Petrol - EFI
Distributor 3/7

Range Rover (To HA610293)

(VS3607D)



Range Rover (To HA610293)

Petrol V8 L/R EFI

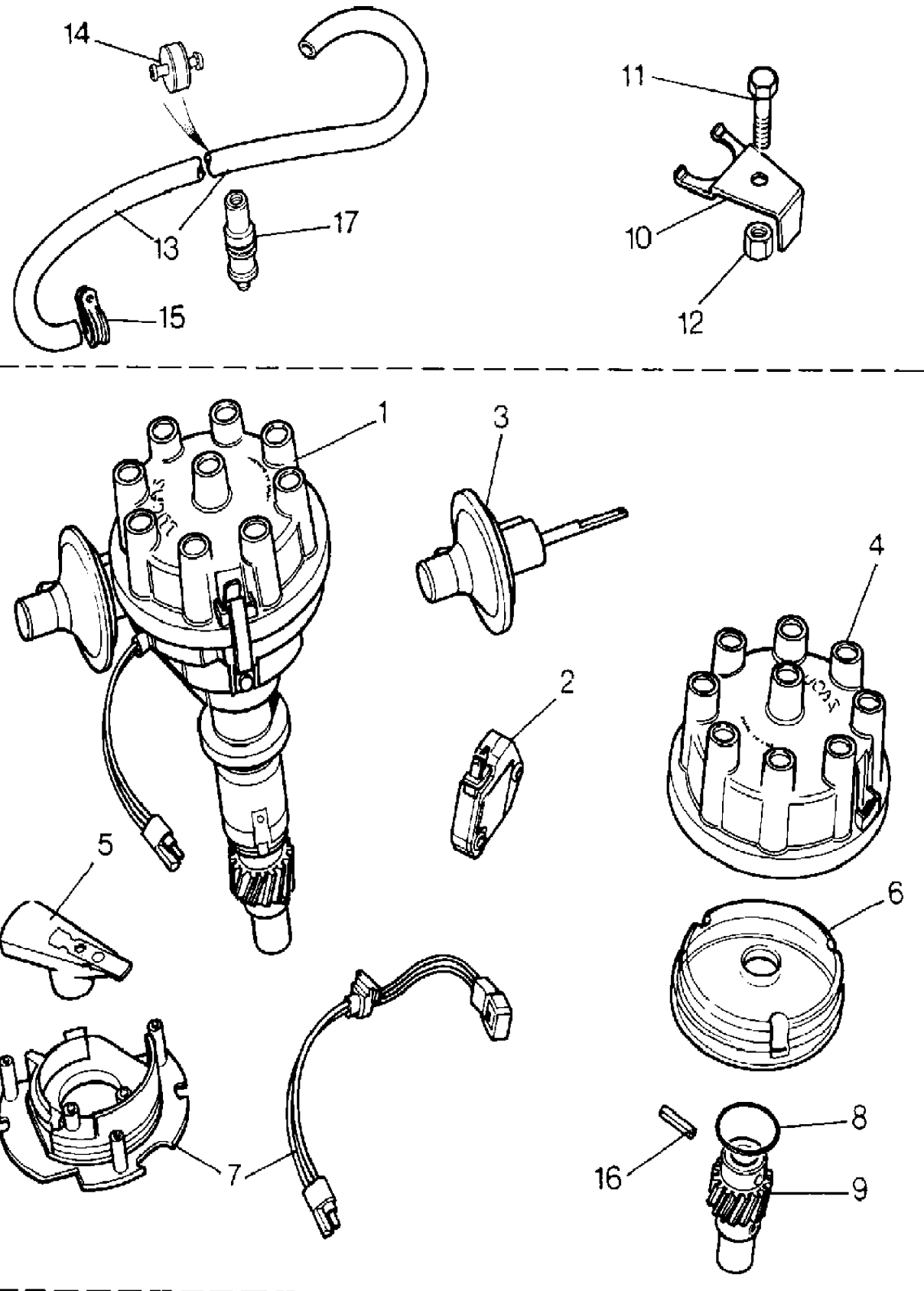
Engine
V8 Petrol - EFI
Distributor

Callout	Name	Application	Remarks & Restrictions	Service No.	Qty
3	Capsule-vacuum distributor	3.9L V8 EFI NA Petrol, 4 Speed Automatic Transmissions, (-)"CDN/MEX/USA", With Catalyst	Also serviced as part of a kit, Engine Code 35D 3.9 V8 EFI H/C Man, Engine Code 36D 3.9 V8 EFI H/C Auto, 2 Pin	RTC3201	1
		3.9L V8 EFI NA Petrol, 5 Speed Manual Transmission, (-)"CDN/MEX/USA", With Catalyst	Also serviced as part of a kit, Engine Code 37D 3.9 V8 EFI L/C Man, Engine Codes 38D 3.9 EFI V8 NAS Auto, 2 Pin	RTC3201	1
		3.9L V8 EFI NA Petrol, 4 Speed Automatic Transmissions, (-)"CDN/MEX/USA", With Catalyst (+)"CDN/MEX/USA"	Also serviced as part of a kit, Engine Code 37D 3.9 V8 EFI L/C Man, Engine Codes 38D 3.9 EFI V8 NAS Auto, 2 Pin	RTC3201	1
4	Cap-distributor ignition	Change point - Engine end 25D04774B, 3.5L V8 EFI Petrol, (-)"CDN/MEX/USA"	Also serviced as part of a kit	RTC3197	1
		Change point - Engine begin 25D04775B, 3.5L V8 EFI Petrol, (-)"CDN/MEX/USA"	Also serviced as part of a kit	RTC3197	1
		Change point - Engine begin 25D13925C, 5 Speed Manual Transmission, (-)"CDN/MEX/USA", Less Catalyst	24D, 25D, Also serviced as part of a kit, Engine Code 24D 3.5 V8 PI H/C Manual, Engine Code 25D 3.5 V8 Carb - Detox	RTC3197	1
		Change point - Engine begin 25D13925C, 4 Speed Automatic Transmissions, (-)"CDN/MEX/USA", Less Catalyst	24D, 25D, Also serviced as part of a kit, Engine Code 24D 3.5 V8 PI H/C Manual, Engine Code 25D 3.5 V8 Carb - Detox	RTC3197	1
		3.9L V8 EFI NA Petrol, 5 Speed Manual Transmission, (-)"CDN/MEX/USA", With Catalyst	Also serviced as part of a kit, Engine Code 35D 3.9 V8 EFI H/C Man, Engine Code 36D 3.9 V8 EFI H/C Auto	RTC3197	1
		3.9L V8 EFI NA Petrol, 4 Speed Automatic Transmissions, (-)"CDN/MEX/USA", With Catalyst	Also serviced as part of a kit, Engine Code 35D 3.9 V8 EFI H/C Man, Engine Code 36D 3.9 V8 EFI H/C Auto	RTC3197	1
5	Arm-rotor distributor	3.9L V8 EFI NA Petrol, 5 Speed Manual Transmission, (-)"CDN/MEX/USA", With Catalyst	Also serviced as part of a kit, Engine Code 37D 3.9 V8 EFI L/C Man, Engine Codes 38D 3.9 EFI V8 NAS Auto	RTC3197	1
		3.9L V8 EFI NA Petrol, 4 Speed Automatic Transmissions, (-)"CDN/MEX/USA", With Catalyst (+)"CDN/MEX/USA"	Also serviced as part of a kit, Engine Code 37D 3.9 V8 EFI L/C Man, Engine Codes 38D 3.9 EFI V8 NAS Auto	RTC3197	1
		Change point - Engine end 25D04774B, 3.5L V8 EFI Petrol	Also serviced as part of a kit	STC8368	1
5	Arm-rotor distributor	Change point - Engine end 25D04774B, 3.5L V8 EFI Petrol	Also serviced as part of a kit	RTC6629	1

Engine
V8 Petrol - EFI
Distributor 4/7

Range Rover (To HA610293)

(VS3607D)



Range Rover (To HA610293)

Engine
V8 Petrol - EFI
Distributor

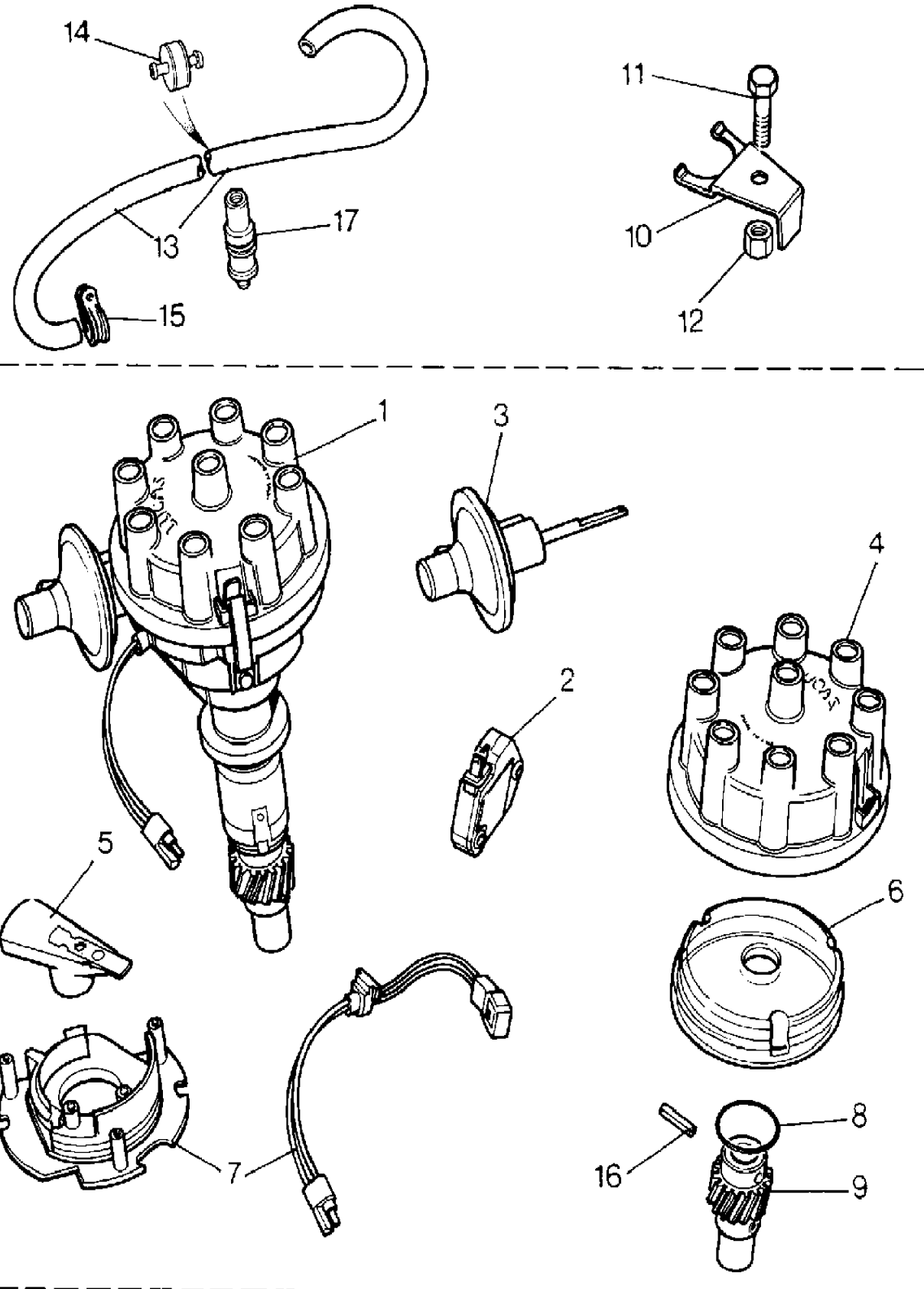
Petrol V8 L/R EFI

Callout	Name	Application	Remarks & Restrictions	Service No.	Qty		
5	Arm-rotor distributor	Change point - Engine begin 25D04775B, 3.5L V8 EFI Petrol	Also serviced as part of a kit	RTC6629	1		
		Change point - Engine begin 25D13925C, 5 Speed Manual Transmission, Less Catalyst	24D, 25D, Also serviced as part of a kit, Engine Code 24D 3.5 V8 PI H/C Manual, Engine Code 25D 3.5 V8 Carb - Detox	RTC6629	1		
		Change point - Engine begin 25D13925C, 4 Speed Automatic Transmissions, Less Catalyst	24D, 25D, Also serviced as part of a kit, Engine Code 24D 3.5 V8 PI H/C Manual, Engine Code 25D 3.5 V8 Carb - Detox	RTC6629	1		
		3.9L V8 EFI NA Petrol, 5 Speed Manual Transmission, With Catalyst	Also serviced as part of a kit, Engine Code 35D 3.9 V8 EFI H/C Man, Engine Code 36D 3.9 V8 EFI H/C Auto	RTC6629	1		
		3.9L V8 EFI NA Petrol, 4 Speed Automatic Transmissions, With Catalyst	Also serviced as part of a kit, Engine Code 35D 3.9 V8 EFI H/C Man, Engine Code 36D 3.9 V8 EFI H/C Auto	RTC6629	1		
		3.9L V8 EFI NA Petrol, 5 Speed Manual Transmission, With Catalyst	Also serviced as part of a kit, Engine Code 37D 3.9 V8 EFI L/C Man, Engine Codes 38D 3.9 EFI V8 NAS Auto	RTC6629	1		
		3.9L V8 EFI NA Petrol, 4 Speed Automatic Transmissions, With Catalyst	Also serviced as part of a kit, Engine Code 37D 3.9 V8 EFI L/C Man, Engine Codes 38D 3.9 EFI V8 NAS Auto	RTC6629	1		
		6	Kit-insulation cover distributor	Change point - Engine end 25D04774B, 3.5L V8 EFI Petrol	Also serviced as part of a kit	RTC3200	1
				Change point - Engine begin 25D04775B, 3.5L V8 EFI Petrol	Also serviced as part of a kit	RTC5091	1
				Change point - Engine begin 25D13925C, 5 Speed Manual Transmission, Less Catalyst	24D, 25D, Also serviced as part of a kit, Engine Code 24D 3.5 V8 PI H/C Manual, Engine Code 25D 3.5 V8 Carb - Detox	RTC5091	1
				Change point - Engine begin 25D13925C, 4 Speed Automatic Transmissions, Less Catalyst	24D, 25D, Also serviced as part of a kit, Engine Code 24D 3.5 V8 PI H/C Manual, Engine Code 25D 3.5 V8 Carb - Detox	RTC5091	1
				3.9L V8 EFI NA Petrol, 5 Speed Manual Transmission, With Catalyst	Also serviced as part of a kit, Engine Code 35D 3.9 V8 EFI H/C Man, Engine Code 36D 3.9 V8 EFI H/C Auto	RTC5091	1
3.9L V8 EFI NA Petrol, 4 Speed Automatic Transmissions, With Catalyst	Also serviced as part of a kit, Engine Code 35D 3.9 V8 EFI H/C Man, Engine Code 36D 3.9 V8 EFI H/C Auto			RTC5091	1		
6	Kit-insulation cover distributor	3.9L V8 EFI NA Petrol, 5 Speed Manual Transmission, With Catalyst	Also serviced as part of a kit, Engine Code 37D 3.9 V8 EFI L/C Man, Engine Codes 38D 3.9 EFI V8 NAS Auto	RTC5091	1		
		3.9L V8 EFI NA Petrol, 5 Speed Manual Transmission, With Catalyst	Also serviced as part of a kit, Engine Code 37D 3.9 V8 EFI L/C Man, Engine Codes 38D 3.9 EFI V8 NAS Auto	RTC5091	1		
		3.9L V8 EFI NA Petrol, 4 Speed Automatic Transmissions, With Catalyst	Also serviced as part of a kit, Engine Code 37D 3.9 V8 EFI L/C Man, Engine Codes 38D 3.9 EFI V8 NAS Auto	RTC5091	1		

Engine
V8 Petrol - EFI
Distributor 5/7

Range Rover (To HA610293)

(VS3607D)



Range Rover (To HA610293)

Engine
V8 Petrol - EFI
Distributor

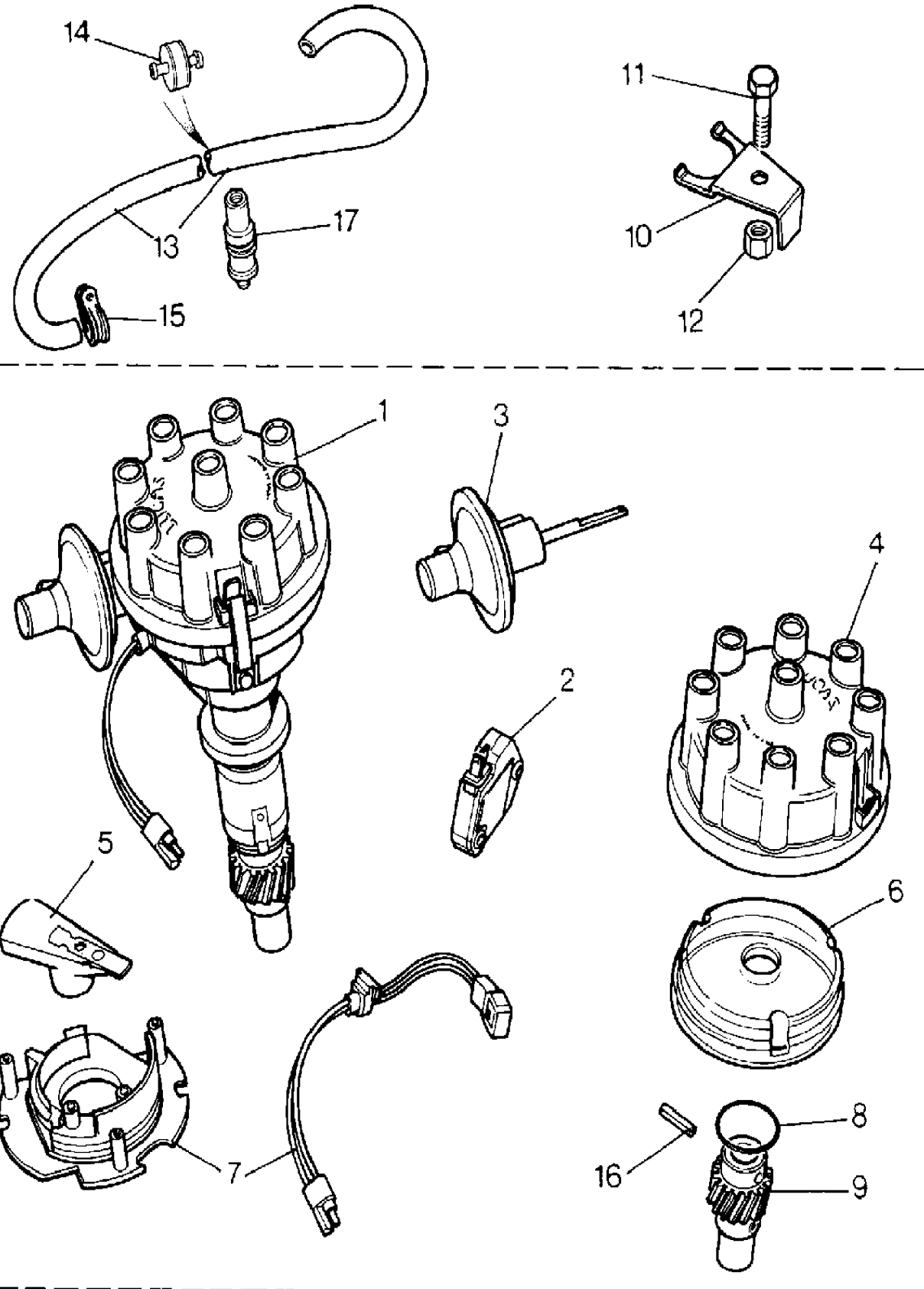
Petrol V8 L/R EFI

Callout	Name	Application	Remarks & Restrictions	Service No.	Qty		
7	Plate-mounting distributor	Change point - Engine end 25D04774B, 3.5L V8 EFI Petrol	Also serviced as part of a kit	RTC3198	1		
		Change point - Engine begin 25D04775B, 3.5L V8 EFI Petrol	Also serviced as part of a kit	RTC5090	1		
		Change point - Engine begin 25D13925C, 5 Speed Manual Transmission, Less Catalyst	24D, 25D, Also serviced as part of a kit, Engine Code 24D 3.5 V8 PI H/C Manual, Engine Code 25D 3.5 V8 Carb - Detox	RTC5090	1		
		Change point - Engine begin 25D13925C, 4 Speed Automatic Transmissions, Less Catalyst	24D, 25D, Also serviced as part of a kit, Engine Code 24D 3.5 V8 PI H/C Manual, Engine Code 25D 3.5 V8 Carb - Detox	RTC5090	1		
		3.9L V8 EFI NA Petrol, 5 Speed Manual Transmission, With Catalyst	Also serviced as part of a kit, Engine Code 35D 3.9 V8 EFI H/C Man, Engine Code 36D 3.9 V8 EFI H/C Auto	RTC5090	1		
		3.9L V8 EFI NA Petrol, 4 Speed Automatic Transmissions, With Catalyst	Also serviced as part of a kit, Engine Code 35D 3.9 V8 EFI H/C Man, Engine Code 36D 3.9 V8 EFI H/C Auto	RTC5090	1		
		3.9L V8 EFI NA Petrol, 5 Speed Manual Transmission, With Catalyst	Also serviced as part of a kit, Engine Code 37D 3.9 V8 EFI L/C Man, Engine Codes 38D 3.9 EFI V8 NAS Auto	RTC5090	1		
		3.9L V8 EFI NA Petrol, 4 Speed Automatic Transmissions, With Catalyst	Also serviced as part of a kit, Engine Code 37D 3.9 V8 EFI L/C Man, Engine Codes 38D 3.9 EFI V8 NAS Auto	RTC5090	1		
		8	O Ring	Change point - Engine end 25D04774B, 3.5L V8 EFI Petrol	Also serviced as part of a kit	603446	1
				Change point - Engine begin 25D04775B, 3.5L V8 EFI Petrol	Also serviced as part of a kit	603446	1
Change point - Engine begin 25D13925C, 5 Speed Manual Transmission, Less Catalyst	24D, 25D, Also serviced as part of a kit, Engine Code 24D 3.5 V8 PI H/C Manual, Engine Code 25D 3.5 V8 Carb - Detox			603446	1		
Change point - Engine begin 25D13925C, 4 Speed Automatic Transmissions, Less Catalyst	24D, 25D, Also serviced as part of a kit, Engine Code 24D 3.5 V8 PI H/C Manual, Engine Code 25D 3.5 V8 Carb - Detox			603446	1		
3.9L V8 EFI NA Petrol, 5 Speed Manual Transmission, With Catalyst	Also serviced as part of a kit, Engine Code 35D 3.9 V8 EFI H/C Man, Engine Code 36D 3.9 V8 EFI H/C Auto			603446	1		
3.9L V8 EFI NA Petrol, 4 Speed Automatic Transmissions, With Catalyst	Also serviced as part of a kit, Engine Code 35D 3.9 V8 EFI H/C Man, Engine Code 36D 3.9 V8 EFI H/C Auto			603446	1		
3.9L V8 EFI NA Petrol, 5 Speed Manual Transmission, With Catalyst	Also serviced as part of a kit, Engine Code 37D 3.9 V8 EFI L/C Man, Engine Codes 38D 3.9 EFI V8 NAS Auto			603446	1		
3.9L V8 EFI NA Petrol, 4 Speed Automatic Transmissions, With Catalyst	Also serviced as part of a kit, Engine Code 37D 3.9 V8 EFI L/C Man, Engine Codes 38D 3.9 EFI V8 NAS Auto			603446	1		

Engine
V8 Petrol - EFI
Distributor 6/7

Range Rover (To HA610293)

(VS3607D)



Range Rover (To HA610293)

Engine
V8 Petrol - EFI
Distributor

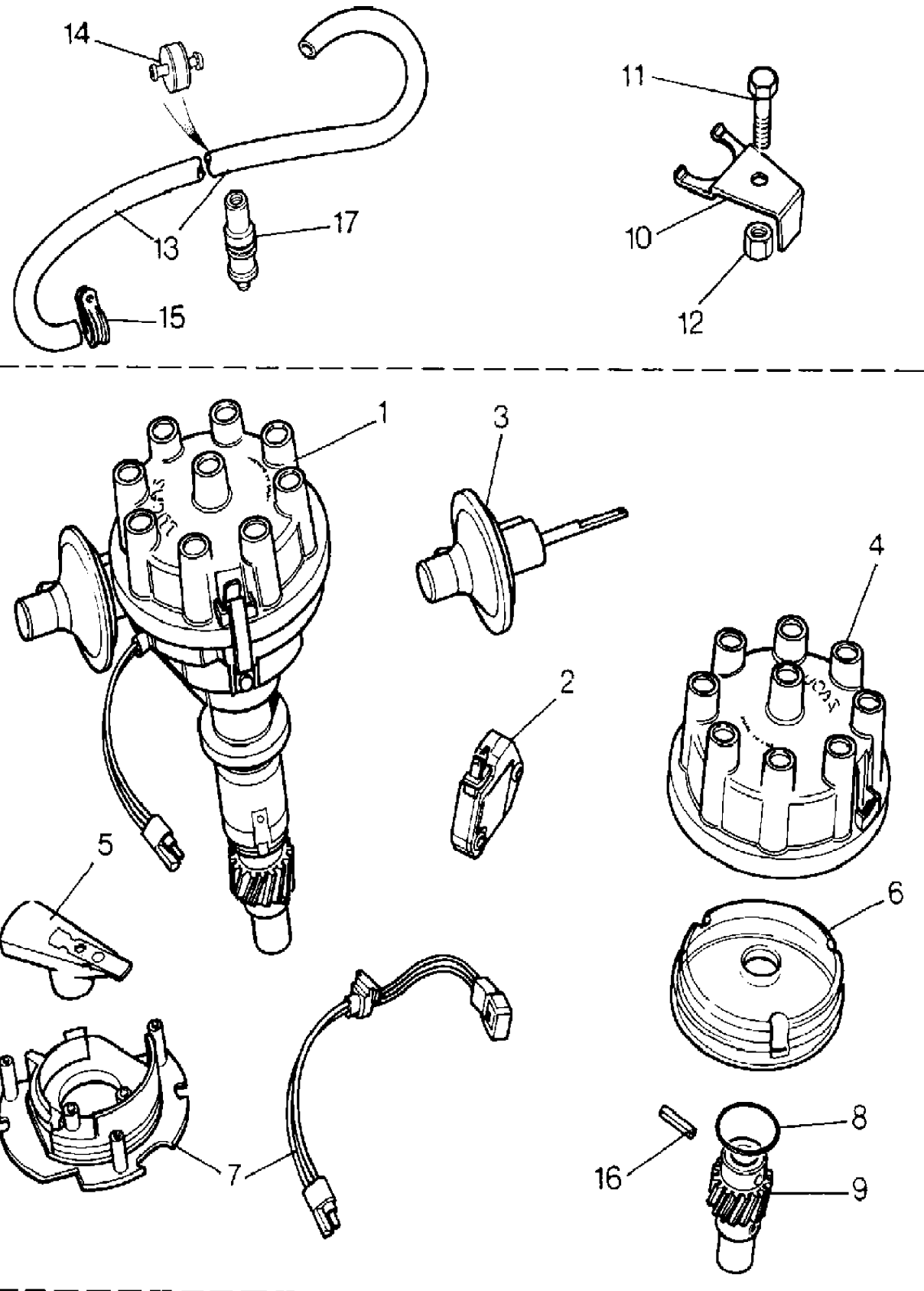
Petrol V8 L/R EFI

Callout	Name	Application	Remarks & Restrictions	Service No.	Qty
8	O Ring	3.9L V8 EFI NA Petrol, 4 Speed Automatic Transmissions, With Catalyst	Also serviced as part of a kit, Engine Code 37D 3.9 V8 EFI L/C Man, Engine Codes 38D 3.9 EFI V8 NAS Auto	603446	1
9	Gear & coupling assembly	Change point - Engine end 25D04774B, 3.5L V8 EFI Petrol Change point - Engine begin 25D13925C, 5 Speed Manual Transmission, Less Catalyst Change point - Engine begin 25D13925C, 4 Speed Automatic Transmissions, Less Catalyst	Also serviced as part of a kit 24D, 25D, Also serviced as part of a kit, Engine Code 24D 3.5 V8 PI H/C Manual, Engine Code 25D 3.5 V8 Carb - Detox 24D, 25D, Also serviced as part of a kit, Engine Code 24D 3.5 V8 PI H/C Manual, Engine Code 25D 3.5 V8 Carb - Detox	ERC1353 ERC1353 ERC1353	1 1 1
		3.9L V8 EFI NA Petrol, 5 Speed Manual Transmission, With Catalyst	Also serviced as part of a kit, Engine Code 35D 3.9 V8 EFI H/C Man, Engine Code 36D 3.9 V8 EFI H/C Auto	ERC1353	1
		3.9L V8 EFI NA Petrol, 4 Speed Automatic Transmissions, With Catalyst	Also serviced as part of a kit, Engine Code 35D 3.9 V8 EFI H/C Man, Engine Code 36D 3.9 V8 EFI H/C Auto	ERC1353	1
		3.9L V8 EFI NA Petrol, 5 Speed Manual Transmission, With Catalyst	Also serviced as part of a kit, Engine Code 37D 3.9 V8 EFI L/C Man, Engine Codes 38D 3.9 EFI V8 NAS Auto	ERC1353	1
		3.9L V8 EFI NA Petrol, 4 Speed Automatic Transmissions, With Catalyst	Also serviced as part of a kit, Engine Code 37D 3.9 V8 EFI L/C Man, Engine Codes 38D 3.9 EFI V8 NAS Auto	ERC1353	1
10	Clamp-distributor	V8 EFI Petrol		613857	1
11	Screw	V8 EFI Petrol	hexagonal head, 3/8UNC x 2	SH506165	1
12	Nut - Hex.	V8 EFI Petrol		ETC7427	1
13	Pipe-inlet manifold vacuum	V8 EFI Petrol		RTC3942	X
14	Valve-vacuum delay	V8 EFI Petrol	Orange	ERC6997	1
15	Clip-p	V8 EFI Petrol, Automatic Transmission		50642	X
16	Pin-roll	Change point - Engine end 25D04774B, 3.5L V8 EFI Petrol Change point - Engine begin 25D04775B, 3.5L V8 EFI Petrol Change point - Engine begin 25D13925C, 5 Speed Manual Transmission, Less Catalyst	Also serviced as part of a kit Also serviced as part of a kit 24D, 25D, Also serviced as part of a kit, Engine Code 24D 3.5 V8 PI H/C Manual, Engine Code 25D 3.5 V8 Carb - Detox	602953 602953 602953	1 1 1

Engine
V8 Petrol - EFI
Distributor 717

Range Rover (To HA610293)

(VS3607D)



Range Rover (To HA610293)

Engine
V8 Petrol - EFI
Distributor

Petrol V8 L/R EFI

Callout	Name	Application	Remarks & Restrictions	Service No.	Qty
16	Pin-roll	Change point - Engine begin 25D13925C, 4 Speed Automatic Transmissions, Less Catalyst V8 EFI Petrol	24D, 25D, Also serviced as part of a kit, Engine Code 24D 3.5 V8 PI H/C Manual, Engine Code 25D 3.5 V8 Carb - Detox	602953	1
17	Suppressor assembly-noise distributor			602953 PRC5086	1
[900]	Pin-roll	3.9L V8 EFI NA Petrol, 5 Speed Manual Transmission, With Catalyst 3.9L V8 EFI NA Petrol, 4 Speed Automatic Transmissions, With Catalyst 3.9L V8 EFI NA Petrol, 5 Speed Manual Transmission, With Catalyst 3.9L V8 EFI NA Petrol, 4 Speed Automatic Transmissions, With Catalyst	Also serviced as part of a kit, Engine Code 35D 3.9 V8 EFI H/C Man, Engine Code 36D 3.9 V8 EFI H/C Auto Also serviced as part of a kit, Engine Code 35D 3.9 V8 EFI H/C Man, Engine Code 36D 3.9 V8 EFI H/C Auto Also serviced as part of a kit, Engine Code 37D 3.9 V8 EFI L/C Man, Engine Codes 38D 3.9 EFI V8 NAS Auto	602953 602953 602953 602953	1 1 1 1
[901]	Kit-distributor	V8 EFI Petrol		RTC5971	1
[902]	Wire Assy - Distributor	(+)"CDN/MEX/USA"	When Replacing A 2 Pin Fixing With A 3 Pin Fixing Also Fit Link Lead STC1212	STC1212	1
[903]	Tube - Vacuum	(+)"CDN/MEX/USA"	Local Supply	RTC7751	1

Engine
V8 Petrol - EFI
Drive Plate Automatic 1/1

Range Rover (To HA610293)

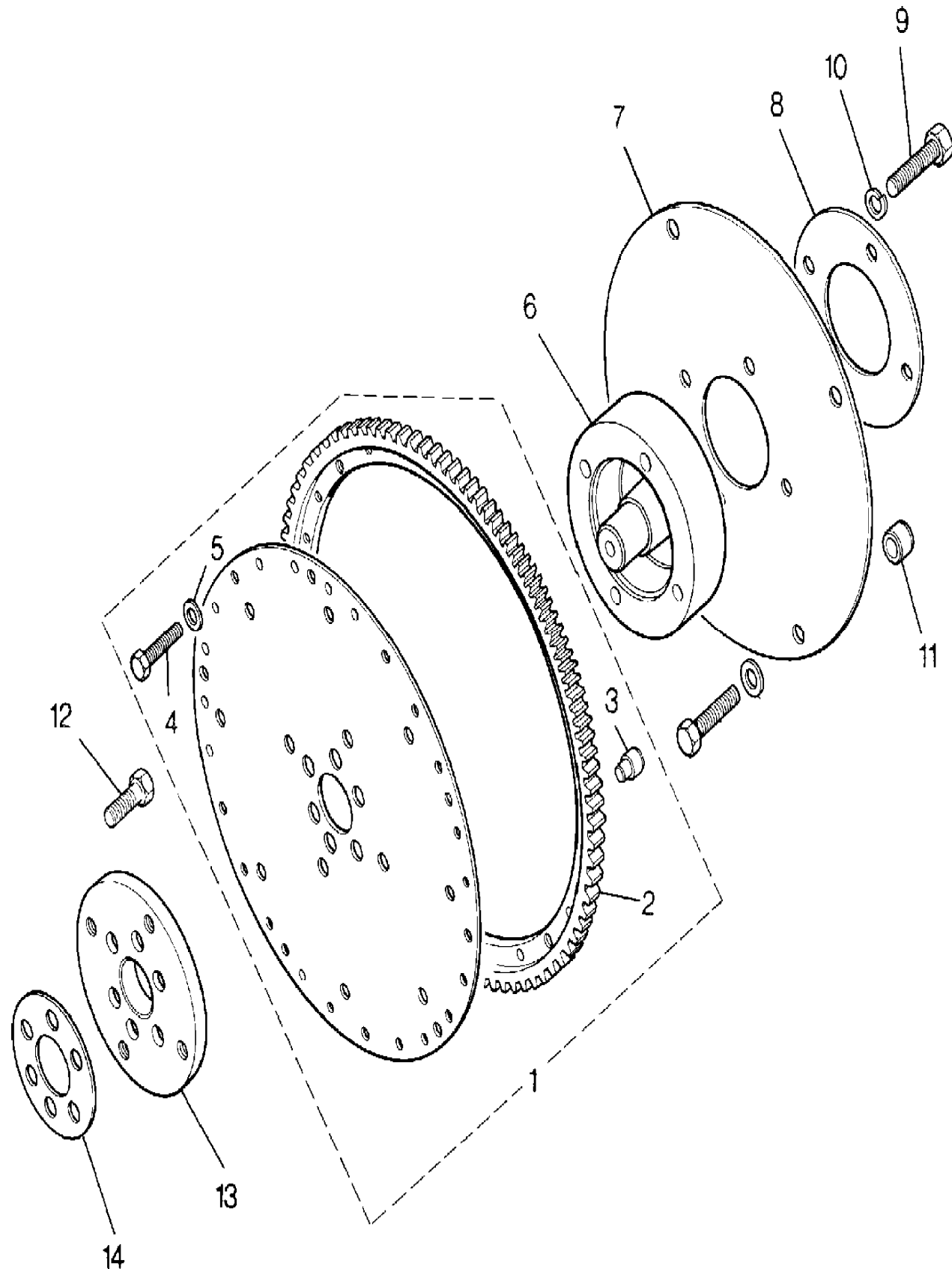
(TS5580)

Range Rover (To HA610293)

Engine
V8 Petrol - EFI
Drive Plate Automatic

Petrol V8 L/R EFI, Automatic Transmission

Callout	Name	Application	Remarks & Restrictions	Service No.	Qty
1	Plate-drive assembly automatic transmission	V8 EFI Petrol	Also serviced as part of a kit	FRC7851	1
2	Gear-ring-flywheel engine	V8 EFI Petrol	Also serviced as part of a kit	603340	1
3	Dowel-flywheel spigot alignment	V8 EFI Petrol	Also serviced as part of a kit	529364	2
4	Bolt	V8 EFI Petrol	Also serviced as part of a kit, 5/16UNF x 0.58	610735	10
5	Washer	V8 EFI Petrol	Also serviced as part of a kit	610736	10
6	Spigot-flywheel alignment	V8 EFI Petrol		FRC7075	1
7	Plate assembly-drive torque converter	V8 EFI Petrol		FRC7081	1
8	Plate-support-drive plate automatic transmission	V8 EFI Petrol		FRC7080	1
9	Bolt	V8 EFI Petrol	M10 x 55	BH110111L	4
10	Washer	V8 EFI Petrol	M10	WL110001L	4
11	Spacer-crank/drive plate automatic transmission	V8 EFI Petrol		FRC5004	1
12	Screw	V8 EFI Petrol	7/16UNF x 3/4	SS607061	6
13	Spacer	V8 EFI Petrol		FRC7042	1
14	Shim	V8 EFI Petrol	1.25MM	FRC9203	X
		V8 EFI Petrol	1.45MM	FRC9205	X
		V8 EFI Petrol	1.65MM	FRC9207	X
		V8 EFI Petrol	1.85 mm	FRC9209	X
		V8 EFI Petrol	2.05MM	FRC9211	X
15	Screw	V8 EFI Petrol	hexagonal head, M10 x 20	SH110201L	4
16	Washer	V8 EFI Petrol	M10	WA110061L	4



Engine
V8 Petrol - EFI
Engine Short 1/1

Range Rover (To HA610293)

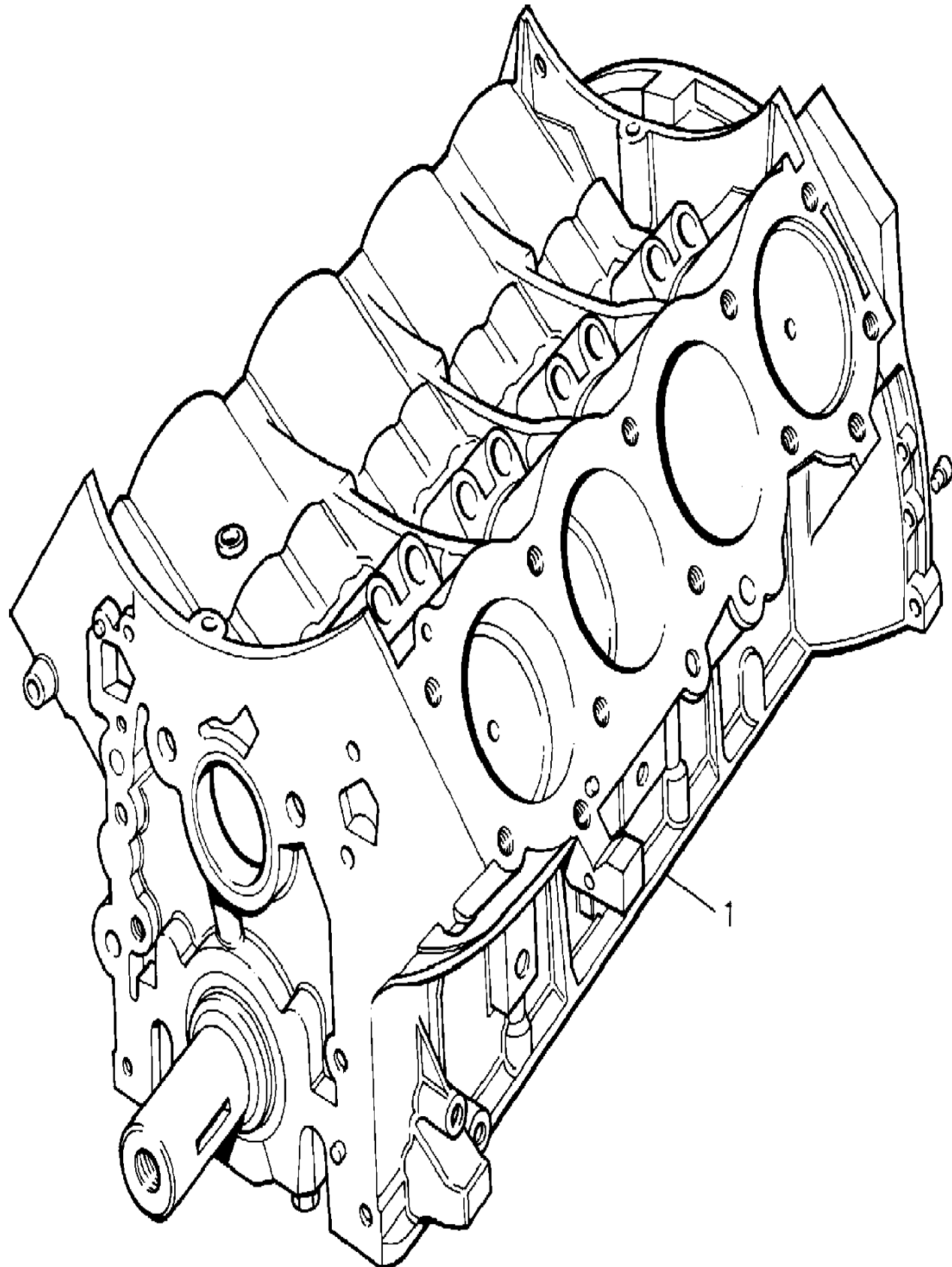
(4RE161A)

Range Rover (To HA610293)

Engine
V8 Petrol - EFI
Engine Short

Petrol V8 L/R EFI

Callout	Name	Application	Remarks & Restrictions	Service No.	Qty
1	Engine base unit-part	3.5 V8 Petrol Efi, (+)"CDN/MEX/USA", With Catalyst	8.13:1, Engine Code 31D	ETC7714	1
		3.5L V8 EFI NA Petrol, 5 Speed Manual Transmission, (-)"CDN/MEX/USA", Less Catalyst	Engine Code 22D 3.5 PI 3.5 L/C Manual, 8.13:1	ETC7714	1
		3.5L V8 EFI NA Petrol, 4 Speed Automatic Transmissions, (-)"CDN/MEX/USA", Less Catalyst	Engine Code 23D 3.5 PI V8 L/C Auto, 8.13:1	ETC7714	1
		3.5L V8 EFI NA Petrol, 4 Speed Automatic Transmissions, Less Catalyst	Engine Code 31D 3.5 V8 PI Auto, 8.13:1	ETC7714	1
		3.5L V8 EFI NA Petrol, 5 Speed Manual Transmission, (-)"CDN/MEX/USA", Less Catalyst	Engine Code 24D 3.5 V8 PI H/C Manual, 9.35:1	RTC2372	1
		4 Speed Automatic Transmissions, (-)"CDN/MEX/USA", Less Catalyst	25D, 3500 cc, Engine Code 25D 3.5 V8 Carb - Detox, 9.35:1	RTC2372	1
		3.9L V8 EFI NA Petrol, 4 Speed Automatic Transmissions, With Catalyst	Engine Codes 38D 3.9 EFI V8 NAS Auto, 8.13:1	ETC7801	1
		3.9L V8 EFI NA Petrol, 5 Speed Manual Transmission, (-)"CDN/MEX/USA", With Catalyst	Engine Code 37D 3.9 V8 EFI L/C Man, 8.13:1	ETC7801	1
		3.9L V8 EFI NA Petrol, 5 Speed Manual Transmission, (-)"CDN/MEX/USA", With Catalyst	Engine Code 35D 3.9 V8 EFI H/C Man, 9.35:1	ERR514	1
		3.9L V8 EFI NA Petrol, 4 Speed Automatic Transmissions, (-)"CDN/MEX/USA", With Catalyst	Engine Code 36D 3.9 V8 EFI H/C Auto, 9.35:1	ERR514	1



Engine
V8 Petrol - EFI
Engine Stripped 1/2

Range Rover (To HA610293)

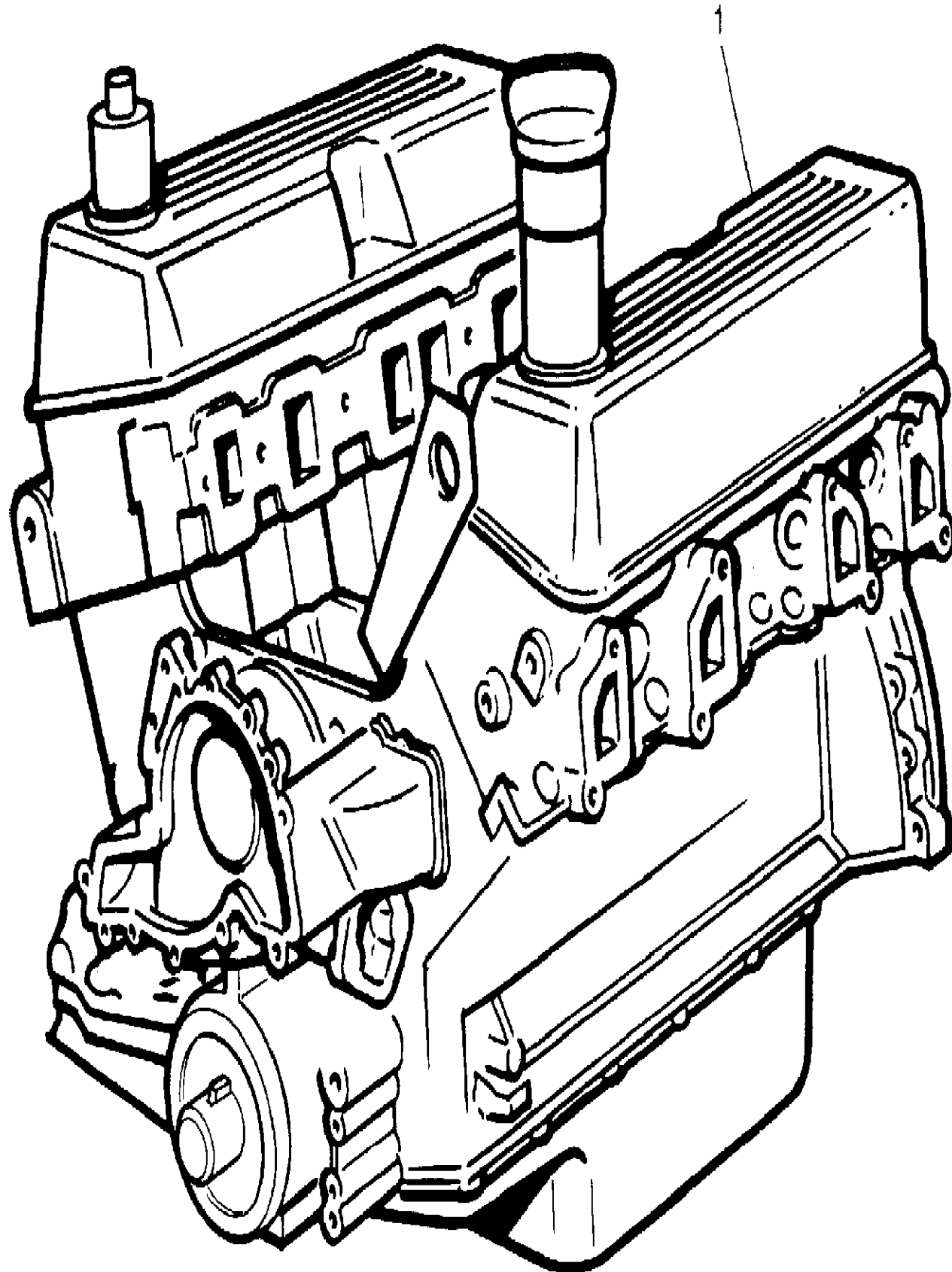
(VS2147)

Range Rover (To HA610293)

Engine
V8 Petrol - EFI
Engine Stripped

Petrol V8 L/R EFI

Callout	Name	Application	Remarks & Restrictions	Service No.	Qty
1	Engine unit-stripped	3.5L V8 EFI NA Petrol, 5 Speed Manual Transmission, (-)"CDN/MEX/USA", Less Catalyst	Engine Code 24D 3.5 V8 PI H/C Manual, New, 9.35:1	RTC4593N	1
		4 Speed Automatic Transmissions, (-)"CDN/MEX/USA", Less Catalyst	25D, 3500 cc, Engine Code 25D 3.5 V8 Carb - Detox, New, 9.35:1	RTC4593N	1
		3.5L V8 EFI Petrol, (-)"CDN/MEX/USA"	exchange, 9.35:1	RTC4593E	1
		3.5L V8 EFI NA Petrol, 5 Speed Manual Transmission, (-)"CDN/MEX/USA", Less Catalyst	Engine Code 22D 3.5 PI 3.5 L/C Manual, New, 8.13:1	RTC4602N	1
		3.5L V8 EFI NA Petrol, 4 Speed Automatic Transmissions, (-)"CDN/MEX/USA", Less Catalyst	Engine Code 23D 3.5 PI V8 L/C Auto, New, 8.13:1	RTC4602N	1
		3.5L V8 EFI NA Petrol, 4 Speed Automatic Transmissions, Less Catalyst	Engine Code 31D 3.5 V8 PI Auto, New, 8.13:1	RTC5268N	1
		3.9L V8 EFI NA Petrol, 5 Speed Manual Transmission, (-)"CDN/MEX/USA", With Catalyst	Engine Code 37D 3.9 V8 EFI L/C Man, New, 8.13:1	RTC6414N	1
		3.9L V8 EFI Petrol, (-)"CDN/MEX/USA"	exchange, 8.13:1	RTC6414E	1
		3.9L V8 EFI NA Petrol, 5 Speed Manual Transmission, (-)"CDN/MEX/USA", With Catalyst	Engine Code 35D 3.9 V8 EFI H/C Man, New, 9.35:1	RTC6748N	1
		3.9L V8 EFI NA Petrol, 4 Speed Automatic Transmissions, (-)"CDN/MEX/USA", With Catalyst	Engine Code 36D 3.9 V8 EFI H/C Auto, New, 9.35:1	RTC6748N	1
		3.9L V8 EFI NA Petrol, Automatic Transmission, (-)"CDN/MEX/USA", With Catalyst	Engine Code 36D 3.9 V8 EFI H/C Auto, New, 9.35:1	RTC6748N	1
		3.9L V8 EFI Petrol, (-)"CDN/MEX/USA"	exchange, 9.35:1	RTC6748E	1
		3.9L V8 EFI NA Petrol, 4 Speed Automatic Transmissions, With Catalyst	Engine Codes 38D 3.9 EFI V8 NAS Auto, New, 8.13:1	RTC6364N	1
		3.9L V8 EFI NA Petrol, Automatic Transmission, With Catalyst	Engine Codes 38D 3.9 EFI V8 NAS Auto, New, 8.13:1	RTC6364N	1
		3.5 V8 Petrol Efi, (+)"CDN/MEX/USA", With Catalyst	8.13:1, Engine Code 31D	RTC5268N	1



Engine
V8 Petrol - EFI
Engine Stripped 2/2

Range Rover (To HA610293)

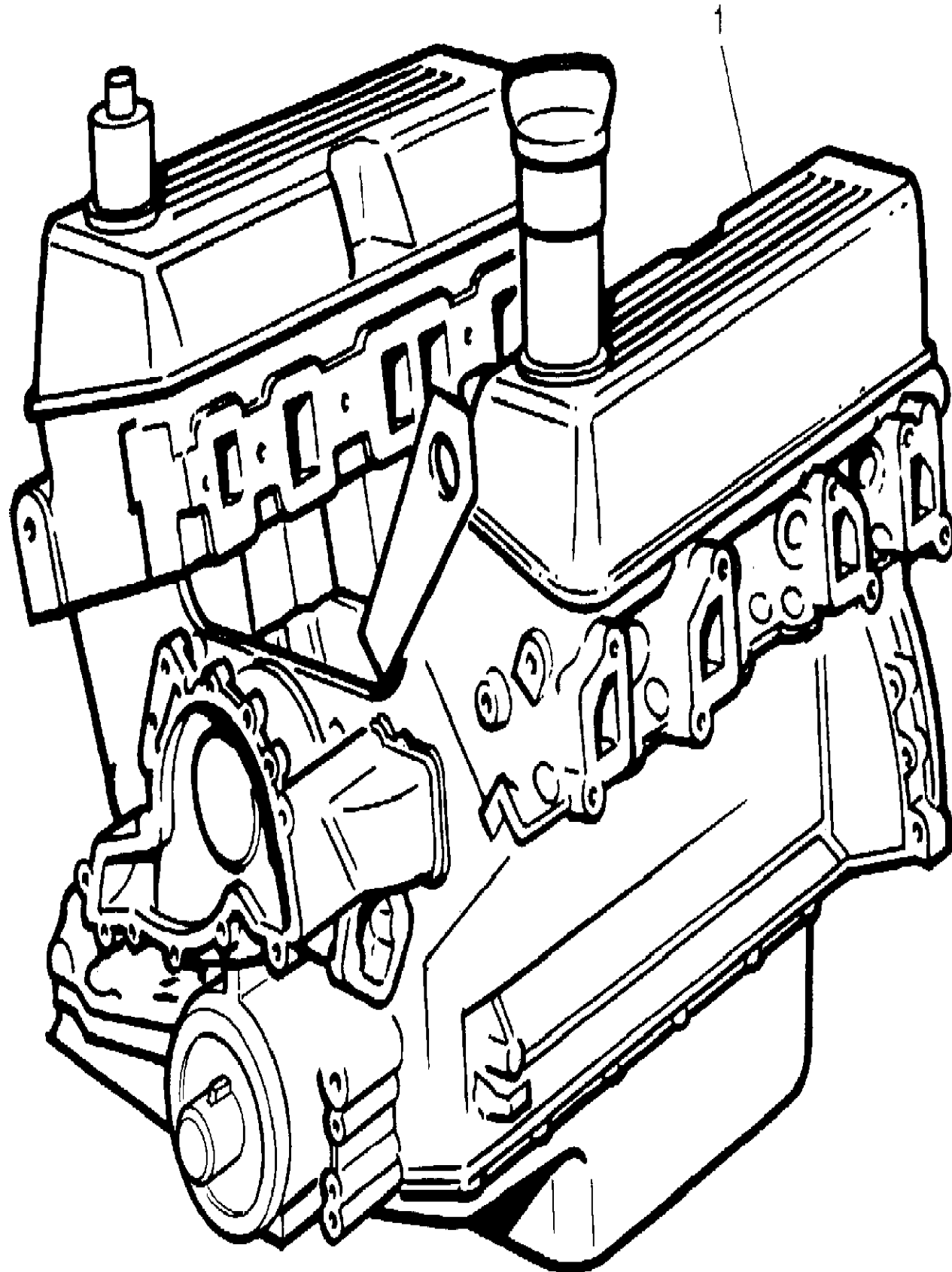
(VS2147)

Range Rover (To HA610293)

Engine
V8 Petrol - EFI
Engine Stripped

Petrol V8 L/R EFI

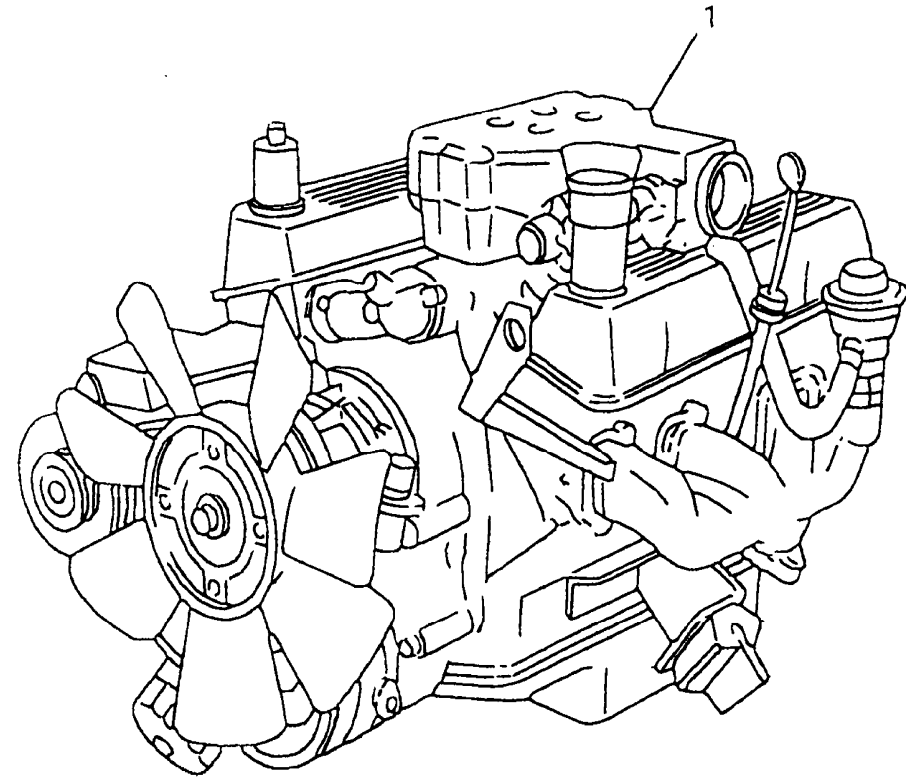
Callout	Name	Application	Remarks & Restrictions	Service No.	Qty
[900]	Engine unit-stripped	3.5L V8 EFI NA Petrol, 5 Speed Manual Transmission, Less Catalyst	Engine Code 22D 3.5 PI 3.5 L/C Manual, exchange, 8.13:1	RTC4602E	1
		3.5L V8 EFI NA Petrol, 4 Speed Automatic Transmissions, Less Catalyst	Engine Code 23D 3.5 PI V8 L/C Auto, exchange, 8.13:1	RTC4602E	1



Engine
V8 Petrol - EFi
Engine Assy Fully Dressed 1/1

Range Rover (To HA610293)

(BCBRAA1A)



G04.071
L3
11/2002
BCBRAA1A

Range Rover (To HA610293)

Engine
V8 Petrol - EFi
Engine Assy Fully Dressed

Callout	Name	Application	Remarks & Restrictions	Service No.	Qty
1	Engine Assy	3.5 V8 Petrol Efi, (+)"CDN/MEX/USA"	Complete Assembly, 8.13:1, Engine Code 31D	ETC6256	1

Engine
V8 Petrol - EFI
Exhaust Manifold 1/1

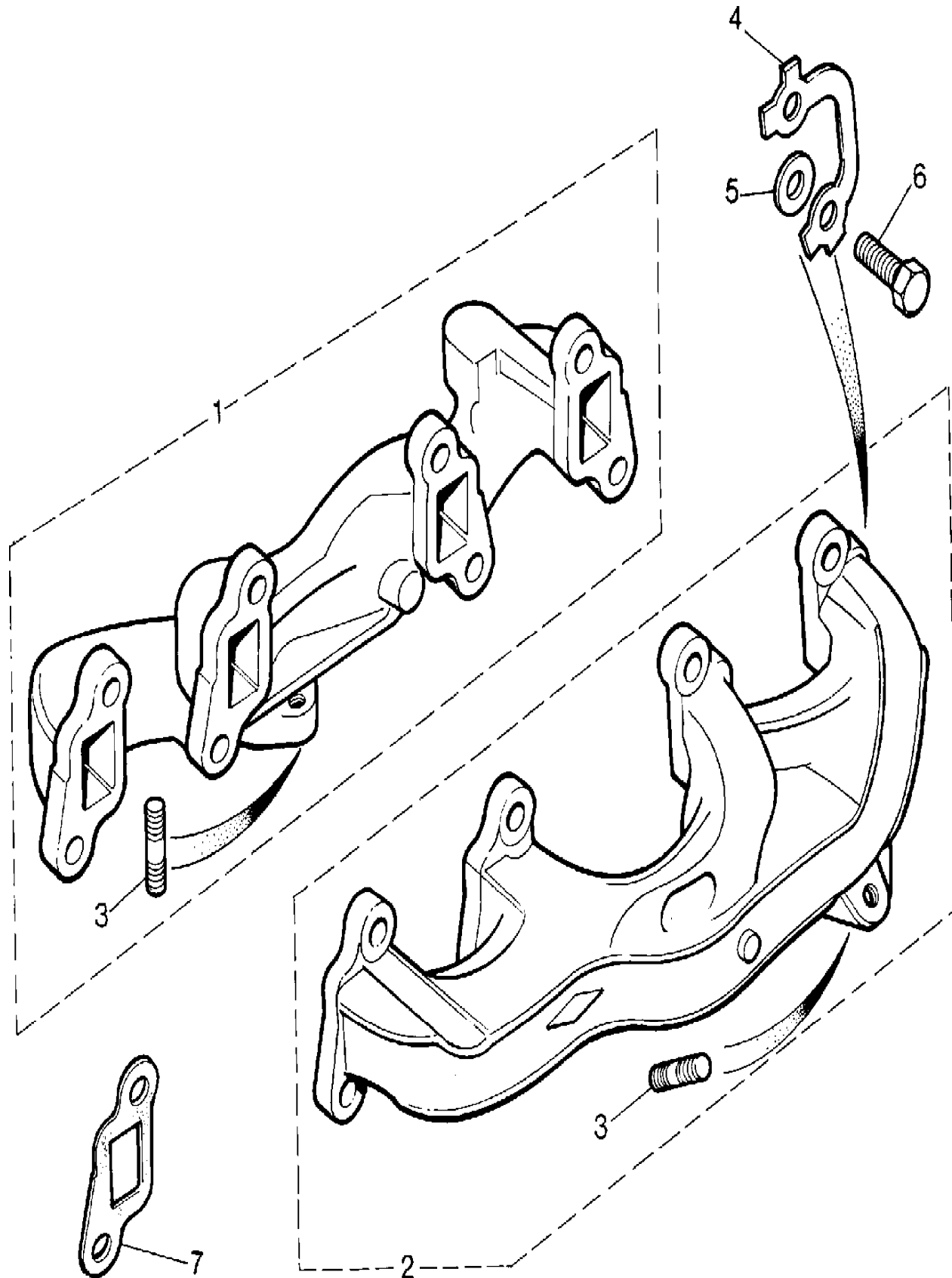
Range Rover (To HA610293)
(VS3243)

Engine
V8 Petrol - EFI
Exhaust Manifold

Range Rover (To HA610293)

Petrol V8 L/R EFI

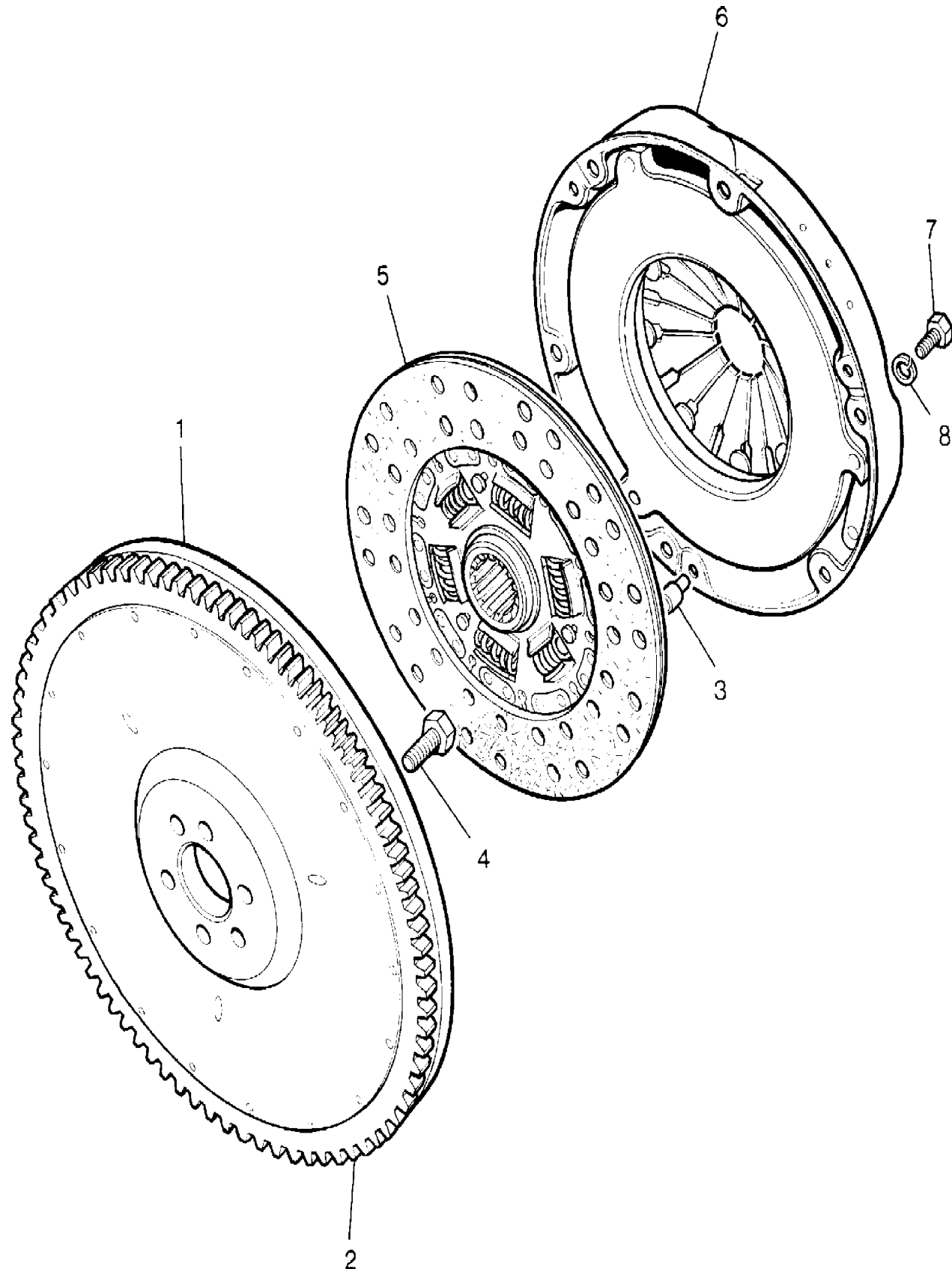
Callout	Name	Application	Remarks & Restrictions	Service No.	Qty
1	Manifold-exhaust-RH	V8 EFI Petrol	Also serviced as part of a kit	ETC5809	1
2	Manifold-engine exhaust	Change point - VIN end HA610293, V8 EFI Petrol	Also serviced as part of a kit, LH	ETC5811	1
3	Stud	V8 EFI Petrol Change point - VIN end HA610293, V8 EFI Petrol	Also serviced as part of a kit Also serviced as part of a kit	ERR551 ERR551	1 1
4	Washer-exhaust manifold to cylinder head tab	V8 EFI Petrol		ERC7321	8
5	Washer-Plain	V8 EFI Petrol		3036L	16
6	Screw	V8 EFI Petrol	hexagonal head, 3/8UNC x 1 1/8	SH506095L	16
7	Gasket-exhaust manifold	Change point - VIN end HA610293, V8 EFI Petrol		ERC3606	8



Engine
V8 Petrol - EFI
Flywheel & Clutch 1/1

Range Rover (To HA610293)

(4RE172)



Range Rover (To HA610293)

Engine
V8 Petrol - EFI
Flywheel & Clutch

Petrol V8 L/R EFI, Manual Transmission

Callout	Name	Application	Remarks & Restrictions	Service No.	Qty
1	Flywheel engine	Change point - Engine end APR 91, V8 EFI Petrol	Also serviced as part of a kit	611324	1
		Change point - Engine begin APR 91, V8 EFI Petrol	Also serviced as part of a kit	ERR2264	1
2	Gear-ring-flywheel engine	Change point - Engine end APR 91, V8 EFI Petrol	Also serviced as part of a kit	611323	1
		Change point - Engine begin APR 91, V8 EFI Petrol	Also serviced as part of a kit	611323	1
3	Dowel	Change point - Engine end APR 91, V8 EFI Petrol	Also serviced as part of a kit	6395L	3
		Change point - Engine begin APR 91, V8 EFI Petrol	Also serviced as part of a kit	6395L	3
4	Screw	V8 EFI Petrol	hexagonal head, 7/16UNC x 1	SH607081L	6
5	Plate-clutch-driven	3.5L V8 EFI Petrol		FRC6685	1
		Change point - Engine end 38D19947A, 3.9L V8 EFI Petrol		FTC814	1
		Change point - Engine begin 38D19948A, 3.9L V8 EFI Petrol	Asbestos Free	FTC2002	1
6	Cover-clutch assembly	Change point - VIN end HA610293, 3.5L V8 EFI Petrol		576476	1
		Change point - Engine end 38D19947A, 3.9L V8 EFI Petrol		FTC813	1
		Change point - Engine begin 38D19948A, 3.9L V8 EFI Petrol		FTC2001	1
7	Screw	V8 EFI Petrol	hexagonal head, 3/8UNC x 3/4	SH606061L	6
8	Washer	V8 EFI Petrol	3/8", Square	WM600061L	6

Engine
V8 Petrol - EFi
Front Cover 1/1

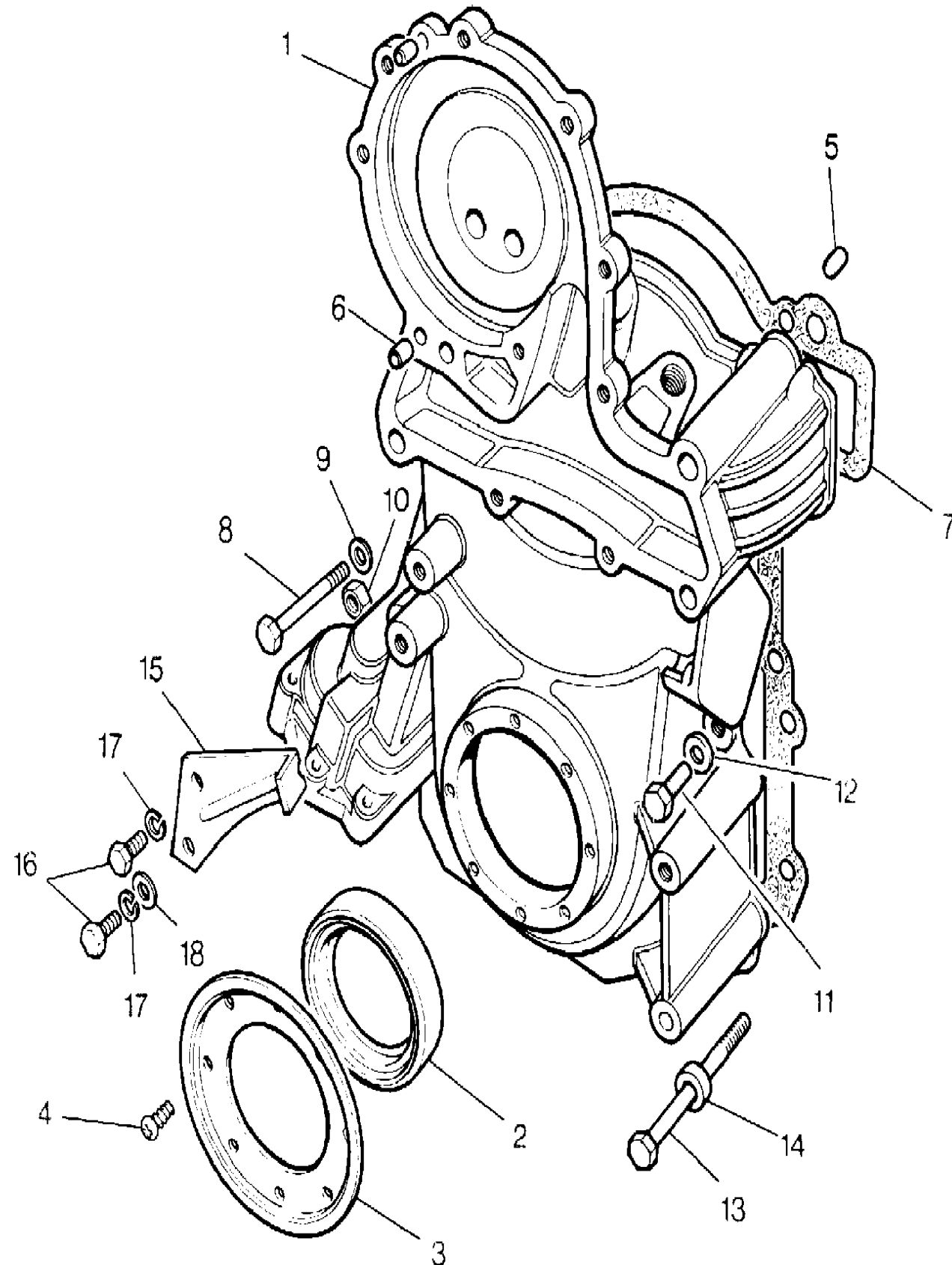
Range Rover (To HA610293)

(2RE287A)

Engine
V8 Petrol - EFi
Front Cover

Range Rover (To HA610293)

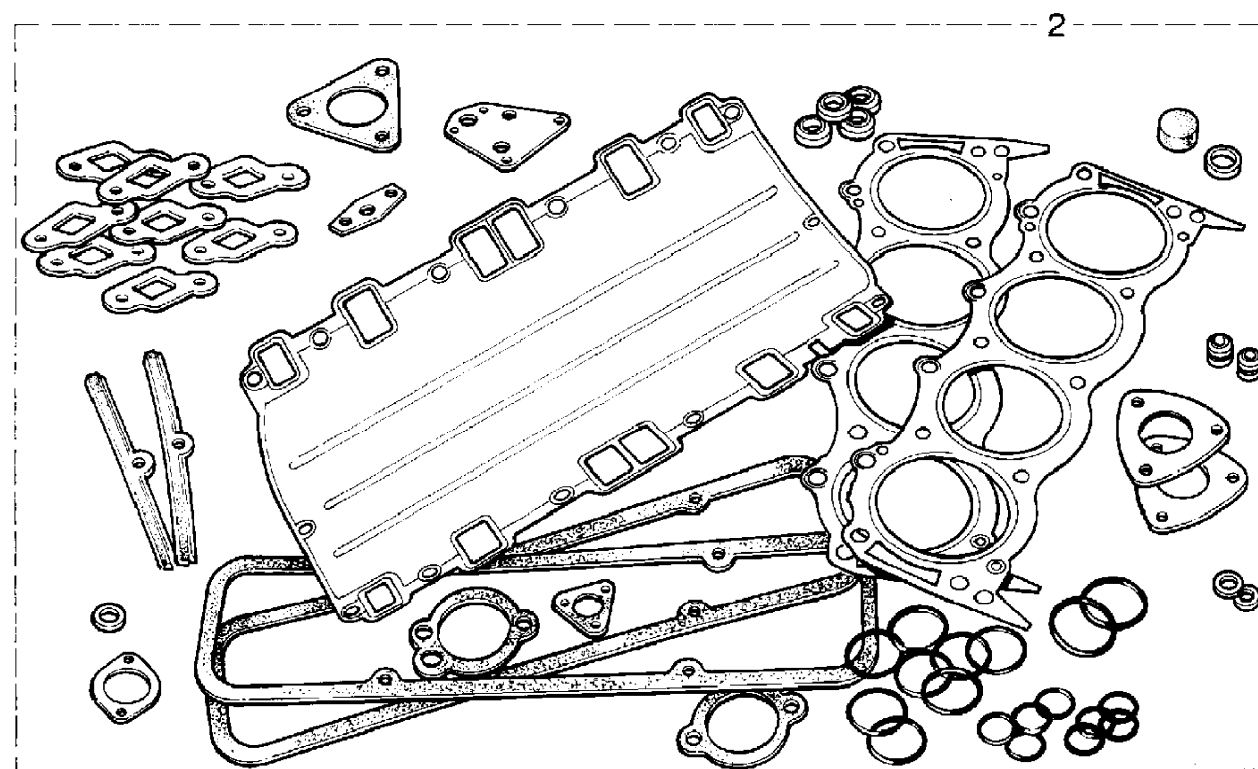
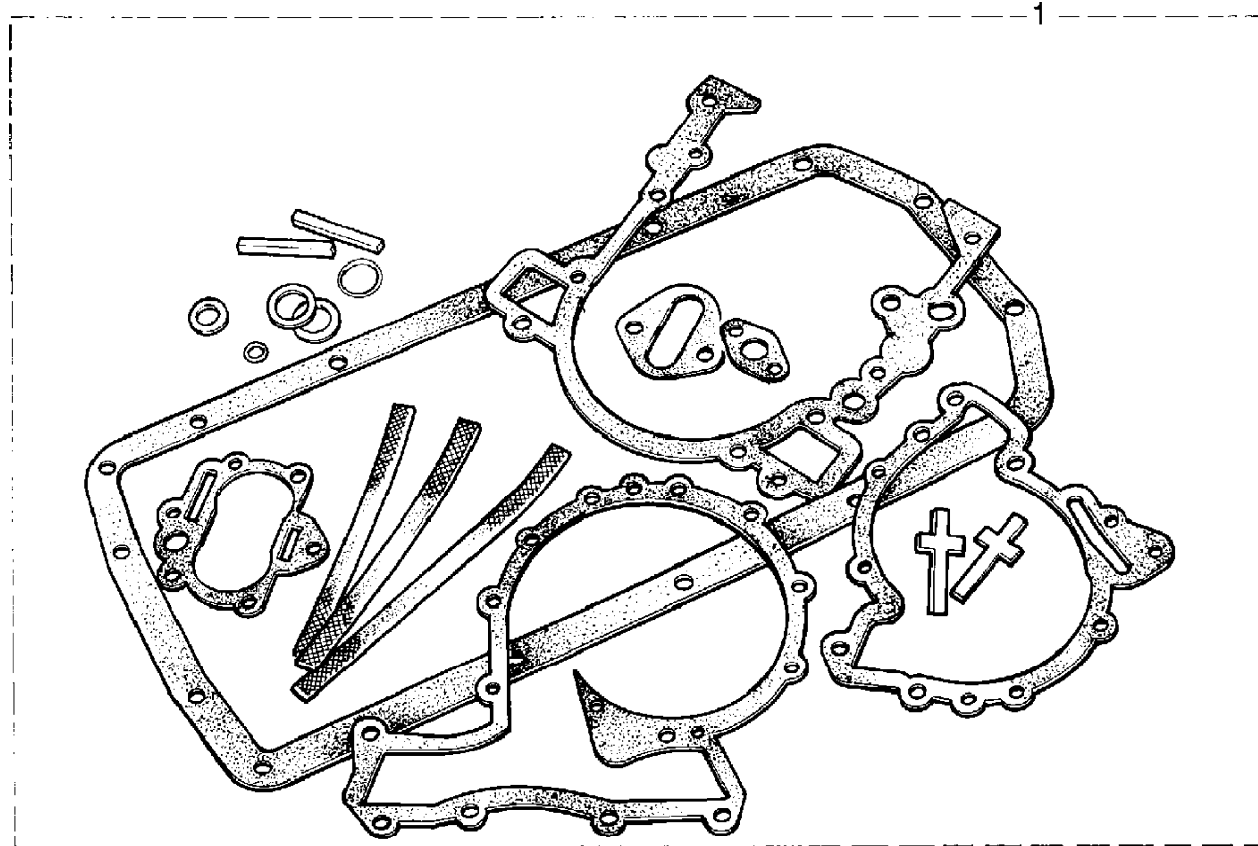
Callout	Name	Application	Remarks & Restrictions	Service No.	Qty
1	Cover-engine	V8 EFI Petrol	Also serviced as part of a kit, Front	ETC7385	1
2	Seal-crankshaft front oil	Change point - Engine begin 38D19969A, V8 EFI Petrol	Also serviced as part of a kit	ETC5065	1
		Change point - Engine begin 38D19969A, V8 EFI Petrol	Also serviced as part of a kit	ERR1632	1
		V8 EFI Petrol	Also serviced as part of a kit	ERR6490	1
5	Dowel	V8 EFI Petrol	Also serviced as part of a kit	90602202	2
6	Dowel	V8 EFI Petrol	Also serviced as part of a kit	602201	2
7	Gasket-front plate to timing chain cover	V8 EFI Petrol		603775	1
8	Bolt	V8 EFI Petrol	5/16UNC x 3	BH505241L	1
9	Washer	V8 EFI Petrol	8MM	WA108051L	1
10	Nut - Hex.	V8 EFI Petrol	hexagonal head, 5/16UNF	NH605041L	1
11	Screw	V8 EFI Petrol	hexagonal head, 5/16UNC x 1 1/8	SH505091L	2
12	Washer	V8 EFI Petrol	8MM	WA108051L	2
13	Bolt	V8 EFI Petrol	5/16UNC x 3.8	602388	1
14	Washer	V8 EFI Petrol	M8, Plain	4075L	1
15	Pointer-engine timing	V8 EFI Petrol		ETC7345	1
16	Screw	V8 EFI Petrol	hexagonal head, 1/4UNF x 5/8	SH504051L	2
17	Washer-Spring	V8 EFI Petrol	1/4 dia, Square	WM600041L	2
18	Washer-Plain	V8 EFI Petrol	Standard	RTC609	2
[900]	Plug-core	V8 EFI Petrol	Also serviced as part of a kit	154545	1
[901]	Stud	V8 EFI Petrol	5/16UNC x 1 3/8	252513	1



Engine
V8 Petrol - EFi
Gasket Kit 1/1

Range Rover (To HA610293)

(VS1619)



Range Rover (To HA610293)

Engine
V8 Petrol - EFi
Gasket Kit

Petrol V8 L/R EFi

Callout	Name	Application	Remarks & Restrictions	Service No.	Qty
1	Set-cylinder block gasket	3.5L V8 EFi Petrol		RTC5252	1
2	Set-cylinder head gasket	Change point - VIN end HA610293, 3.9L V8 EFi Petrol		STC494	1

Engine
V8 Petrol - EFI
High Tension Leads & Plugs 1/2

Range Rover (To HA610293)

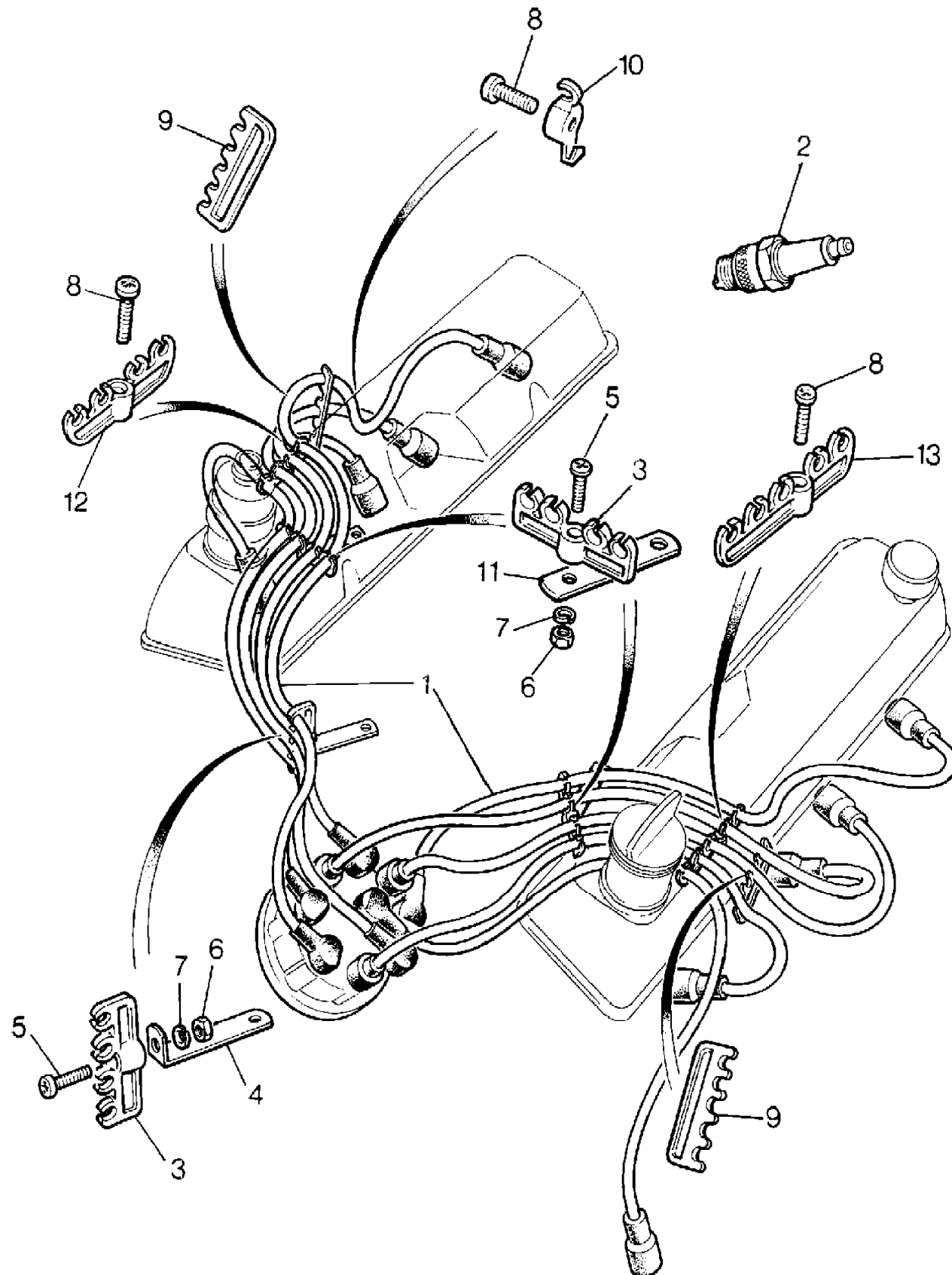
(TS5580A)

Range Rover (To HA610293)

Engine
V8 Petrol - EFI
High Tension Leads & Plugs

Petrol V8 L/R EFI

Callout	Name	Application	Remarks & Restrictions	Service No.	Qty
1	Kit-high tension leads ignition	V8 EFI Petrol	Also serviced as part of a kit, Carbon	ETC6484	1
		Change point - VIN end MA647644, V8 EFI Petrol	Also serviced as part of a kit, silicone	RTC6551	1
2	Plug-sparking	V8 EFI Petrol	N9YC	RTC3812	8
		Change point - VIN end HA610293, V8 EFI Petrol	RN12YC	ETC6437	8
		V8 EFI Petrol	RN9YC	ERR743	8
3	Clip-spacer-high tension lead ignition	V8 EFI Petrol		603672	3
4	Bracket-support-lead ignition	V8 EFI Petrol	Centre	ETC6237	1
5	Screw	V8 EFI Petrol	10UNF x 1/2	SE910161	3
6	Locknut	V8 EFI Petrol	10x32UNF	NH910011L	3
7	Washer-Spring	V8 EFI Petrol	rectangular, No 10, single coil	WL700101L	3
8	Screw-self tapping AB	V8 EFI Petrol	M8 x 12	AB610041L	3
9	Clip-spacer-high tension lead ignition	V8 EFI Petrol		603673	2
10	Clip-spacer-high tension lead ignition	V8 EFI Petrol		587477	1
11	Bracket-support-lead ignition	V8 EFI Petrol		ETC6093	2
12	Clip-spacer-high tension lead ignition	V8 EFI Petrol		ETC6107	1
13	Clip-spacer-high tension lead ignition	V8 EFI Petrol		ETC7971	1
[900]	Lead-high tension ignition	V8 EFI Petrol	Also serviced as part of a kit, No1	ETC8610	1
		V8 EFI Petrol	Also serviced as part of a kit, No3	ETC8611	1
		V8 EFI Petrol	Also serviced as part of a kit, No5	ETC8612	1
		V8 EFI Petrol	Also serviced as part of a kit, No2	ETC8613	1
		V8 EFI Petrol	Also serviced as part of a kit, No4	ETC8614	1
		V8 EFI Petrol	Also serviced as part of a kit, No6	ETC8615	1
		V8 EFI Petrol	Also serviced as part of a kit, No8	ETC8616	1
		V8 EFI Petrol	Also serviced as part of a kit, No7	ETC8617	1



Engine
V8 Petrol - EFI
High Tension Leads & Plugs 2/2

Range Rover (To HA610293)

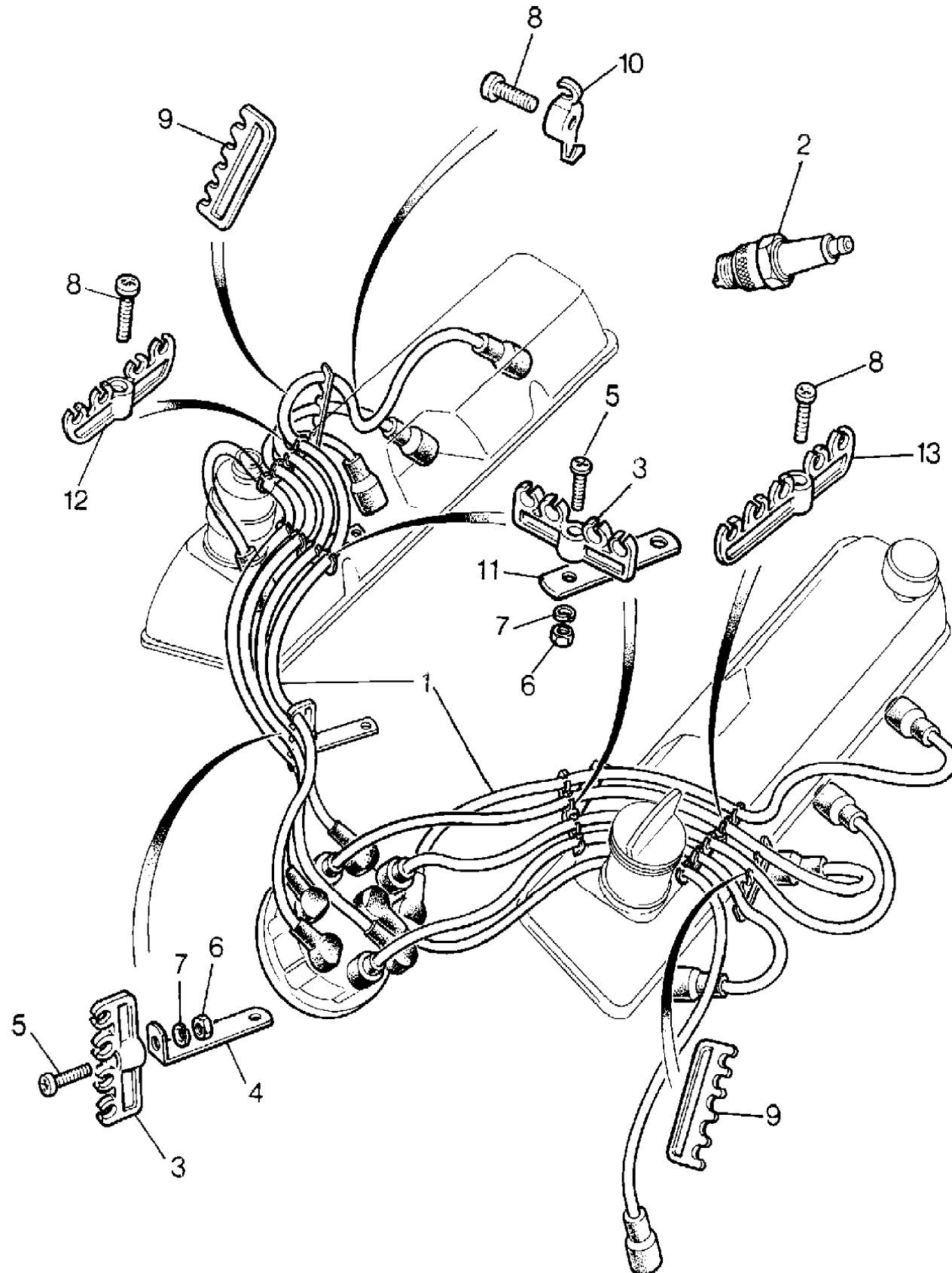
(TS5580A)

Range Rover (To HA610293)

Engine
V8 Petrol - EFI
High Tension Leads & Plugs

Petrol V8 L/R EFI

Callout	Name	Application	Remarks & Restrictions	Service No.	Qty
[901]	Lead-king ignition	V8 EFI Petrol, (-) "CDN/MEX/USA" Change point - Engine end 38D20386A, (+) "CDN/MEX/USA" Change point - Engine begin 38D20387A, (+) "CDN/MEX/USA"	Also serviced as part of a kit	ETC8618 ETC8618 ERR4788	1 1 1
[902]	Grommet	V8 EFI Petrol	Rubber, 17/64" hole	6860L	1
[903]	Clip-p	V8 EFI Petrol	3/4"	AEU1446	1
[904]	Clip	(+) "CDN/MEX/USA"	King Lead	PRC3180	1



Engine
V8 Petrol - EFi
Ignition Coil 1/1

Range Rover (To HA610293)

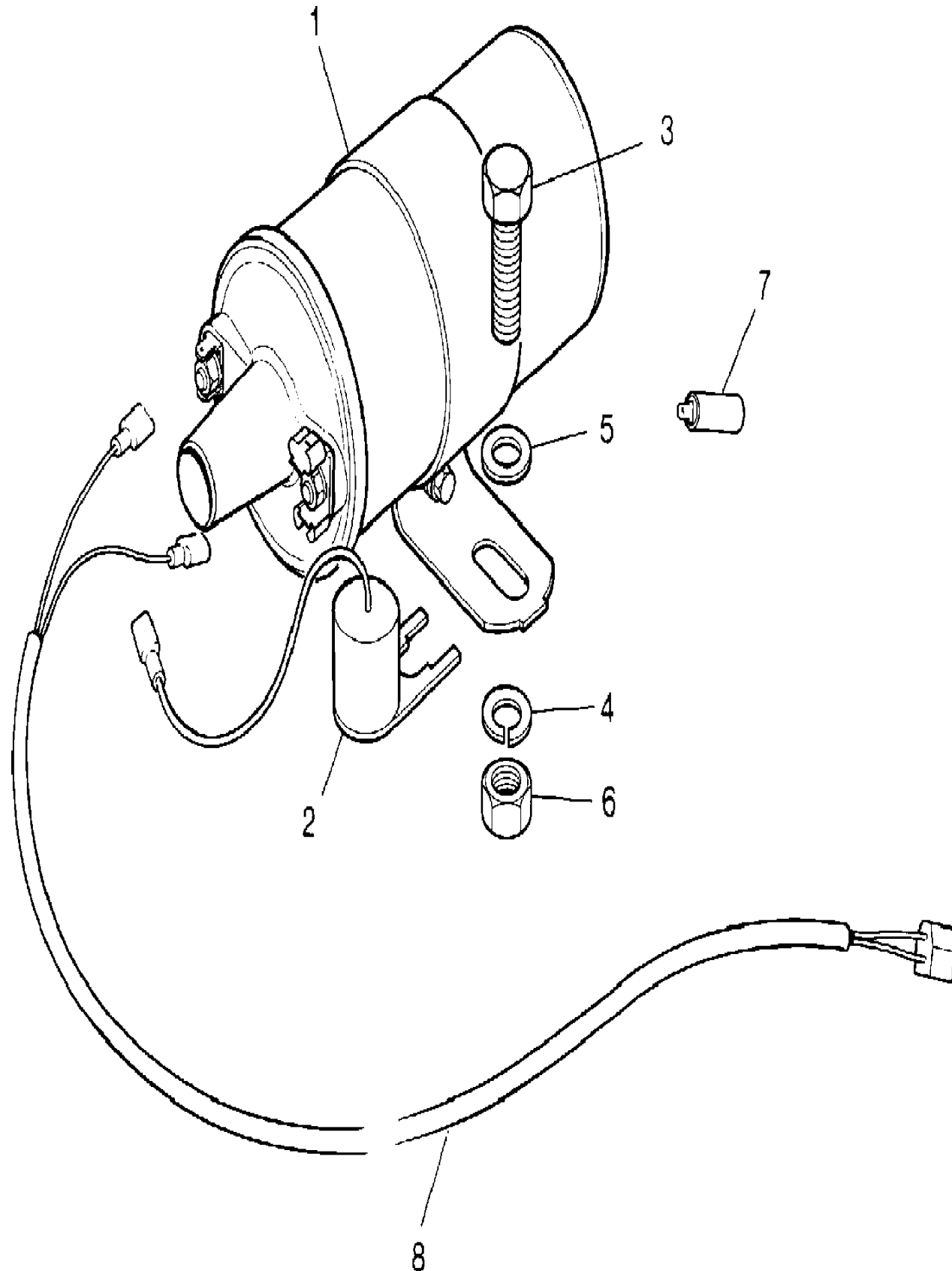
(TS6055)

Range Rover (To HA610293)

Engine
V8 Petrol - EFi
Ignition Coil

Petrol V8 L/R EFi

Callout	Name	Application	Remarks & Restrictions	Service No.	Qty
1	Coil Ignition	Change point - Engine begin 25D04775B, V8 EFi Petrol	Lucas	RTC5628	1
		Change point - Engine begin 25D04775B, V8 EFi Petrol	Bosch	PRC6574	1
2	Capacitor ignition coil	V8 EFi Petrol		PRC1360	1
3	Bolt	V8 EFi Petrol	M8 X 30	BH108061L	2
4	Washer	V8 EFi Petrol	M8, sprung	WL108001L	4
5	Washer	V8 EFi Petrol	8MM	WA108051L	4
6	Nut - Hex.	V8 Petrol	M8, hexagonal head	NH108041L	2
7	Resistor Assy	V8 EFi Petrol		DRC1752L	1
8	Harness-link-low tension ignition coil	3.5L V8 EFi Petrol	single connectors	PRC6141	1
		3.9L V8 EFi Petrol	2 Pin	PRC6144	1
[901]	Harness earth bond	V8 EFi Petrol		PRC4628	1
[902]	Screw	V8 EFi Petrol	hexagonal head, M8 x 20	SH108201L	2
[903]	Bracket-coil ignition	V8 EFi Petrol		PRC6133	1
[904]	Coil & bracket assembly ignition	V8 EFi Petrol		PRC3131	1
[905]	Clip-Hose	V8 EFi Petrol		572548	1
[906]	Grommet	V8 EFi Petrol	17/32" hole	589254	1
[907]	Suppressor assembly-noise distributor	3.9L V8 EFi Petrol		PRC7365	1



Engine
V8 Petrol - EFi
Injectors & Pipes-Catalyst 1/1

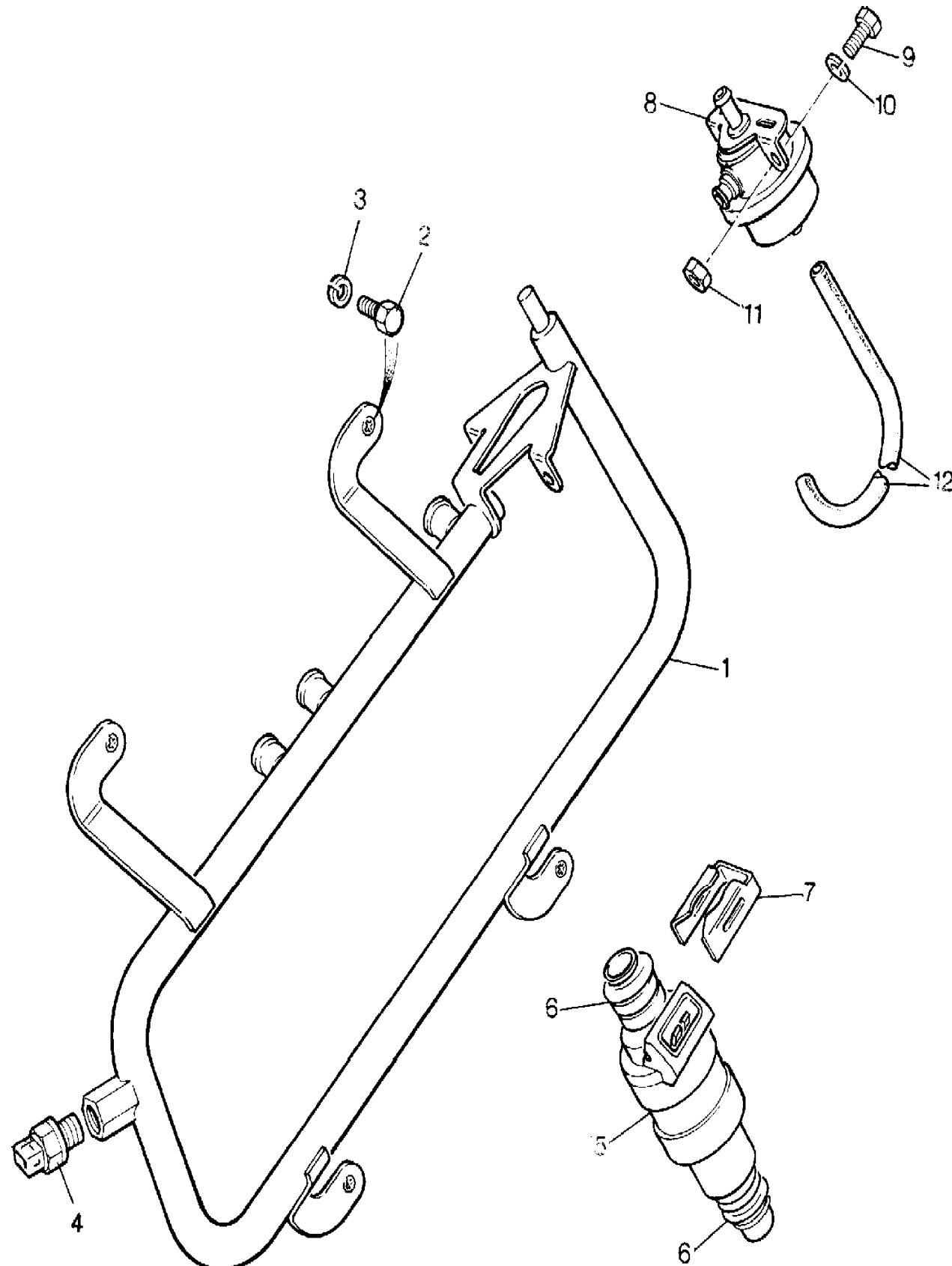
Range Rover (To HA610293)

(TS6245)

Range Rover (To HA610293)

Engine
V8 Petrol - EFi
Injectors & Pipes-Catalyst

Callout	Name	Application	Remarks & Restrictions	Service No.	Qty
1	Rail assembly-multi point injection fuel distribution	V8 EFI, With Catalyst		ETC6913	1
2	Screw	V8 EFI, With Catalyst	hexagonal head, 1/4UNF x 1/2	SH504041L	3
3	Washer-Spring	V8 EFI, With Catalyst	1/4 dia, Square	WM600041L	5
4	Sensor-fuel temperature multi point injection/tbi	V8 EFI, With Catalyst		ETC6661	1
5	Injector-fuel multi point injection	Change point - VIN end HA610293, V8 EFI, With Catalyst	Also serviced as part of a kit	ETC6264	8
		Change point - VIN end HA610293, V8 EFI, With Catalyst	Also serviced as part of a kit	ERR722	8
6	O Ring	Change point - VIN end HA610293, V8 EFI, With Catalyst	Also serviced as part of a kit, Small	RTC5679	16
7	Clip-fuel injector multi point injection	V8 EFI, With Catalyst		ETC6375	8
8	Regulator-fuel pressure	V8 EFI, With Catalyst		ETC6263	1
		V8 EFI, With Catalyst		ETC8494	1
9	Screw	V8 EFI, With Catalyst	hexagonal head, 1/4UNF x 1/2	SH604041L	2
10	Washer	V8 EFI, With Catalyst	6MM	WA106041L	2
11	Nut - Hex.	V8 EFI, With Catalyst	hexagonal head, Coarse Thread, 1/4UNF	NH604041L	2
12	Pipe-inlet manifold vacuum	V8 EFI, With Catalyst		RTC3942	X



Engine
V8 Petrol - EFi
Injectors & Pipes-Non Catalyst 1/2

Range Rover (To HA610293)

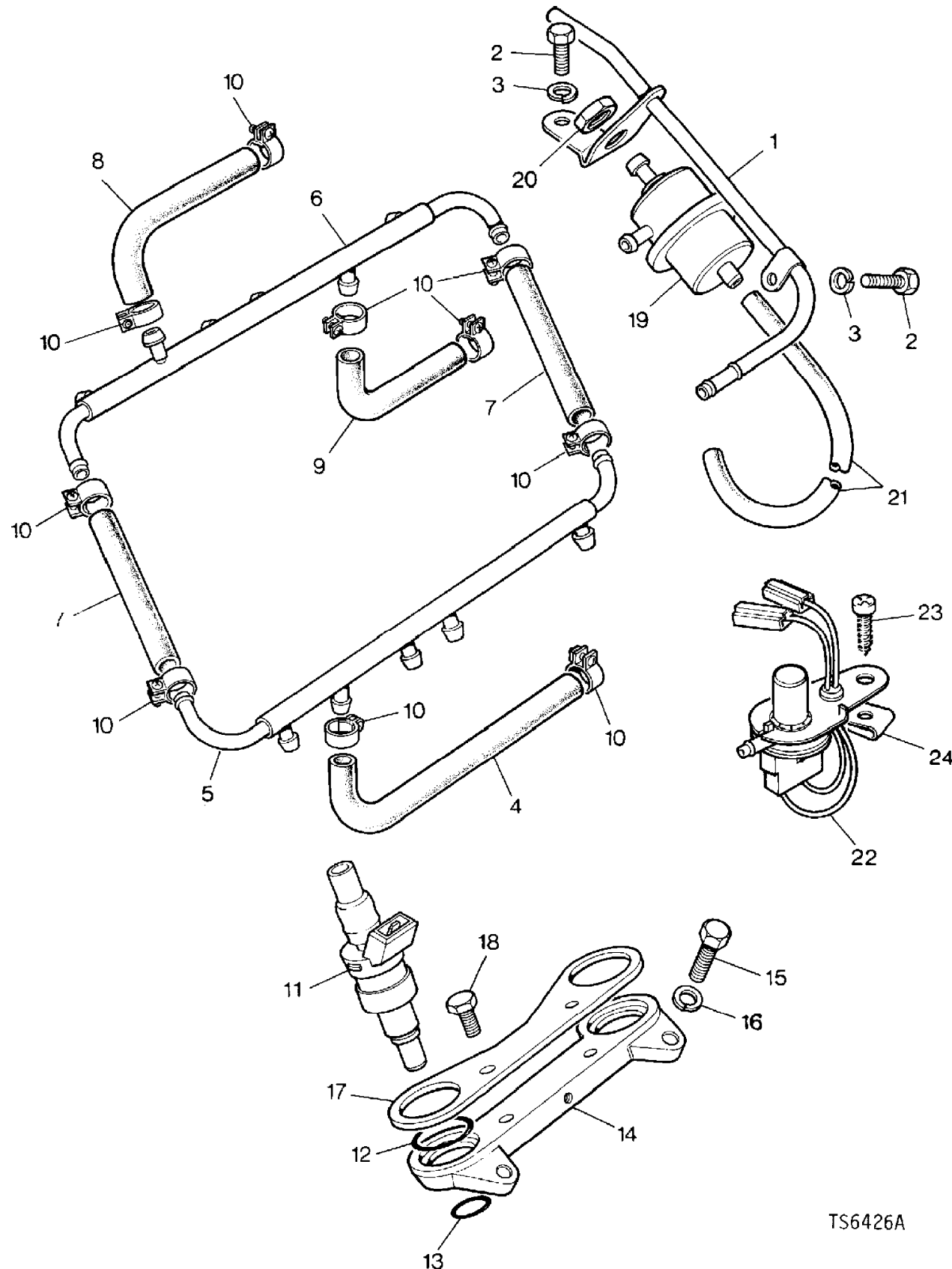
(TS6426A)

Range Rover (To HA610293)

Engine
V8 Petrol - EFi
Injectors & Pipes-Non Catalyst

Petrol V8 L/R EFi, Less Catalyst

Callout	Name	Application	Remarks & Restrictions	Service No.	Qty
1	Pipe-feed-fuel lines	V8 EFi Petrol		ERR267	1
2	Screw	V8 EFi Petrol	hexagonal head, 1/4UNF x 1/2	SH504041L	2
3	Washer-Plain	V8 EFi Petrol	M8	WL600041L	2
4	Hose-feed fuel tank	V8 EFi Petrol		ETC5341	1
5	Rail assembly-multi point injection fuel regulator	V8 EFi Petrol		ETC7783	1
6	Rail assembly-multi point injection fuel regulator	V8 EFi Petrol		ETC7783	1
7	Hose-feed fuel tank	V8 EFi Petrol		TKC6351	1
8	Hose-feed fuel tank	V8 EFi Petrol		ETC7241	1
9	Hose-feed fuel tank	V8 EFi Petrol		ERC3742	1
10	Clip-Hose	V8 EFi Petrol		EAC3215/1	10
11	Injector-fuel multi point injection	Change point - VIN end HA610293, 3.5L V8 EFi Petrol Change point - VIN end HA610293, 3.9L V8 EFi Petrol	Also serviced as part of a kit	ERC3620 ERR722	8 8
12	O Ring	V8 EFi Petrol	Centre, Large	EAC2414L	8
13	O Ring	V8 EFi Petrol	petrol injector to inlet manifold	EAC2415L	8
14	Clamp & bolt assembly fuel injector	V8 EFi Petrol		ERC3773	4
15	Setscrew	V8 EFi Petrol	1/4UNC x 3/4	SH504061L	8
16	Washer-Plain	V8 EFi Petrol	M8	WL600041L	8
17	Plate-clamp fuel injector	V8 EFi Petrol		ERC3774	4
18	Screw	V8 EFi Petrol	hexagonal head, 1/4UNF x 1/2	SH504041L	4
19	Regulator-fuel pressure	3.5L V8 EFi Petrol 3.9L V8 EFi Petrol		ERR268 ETC8494	1 1
20	Nut - Hex.	V8 EFi Petrol	M12	C42171	1



TS6426A

Engine
V8 Petrol - EFi
Injectors & Pipes-Non Catalyst 2/2

Range Rover (To HA610293)

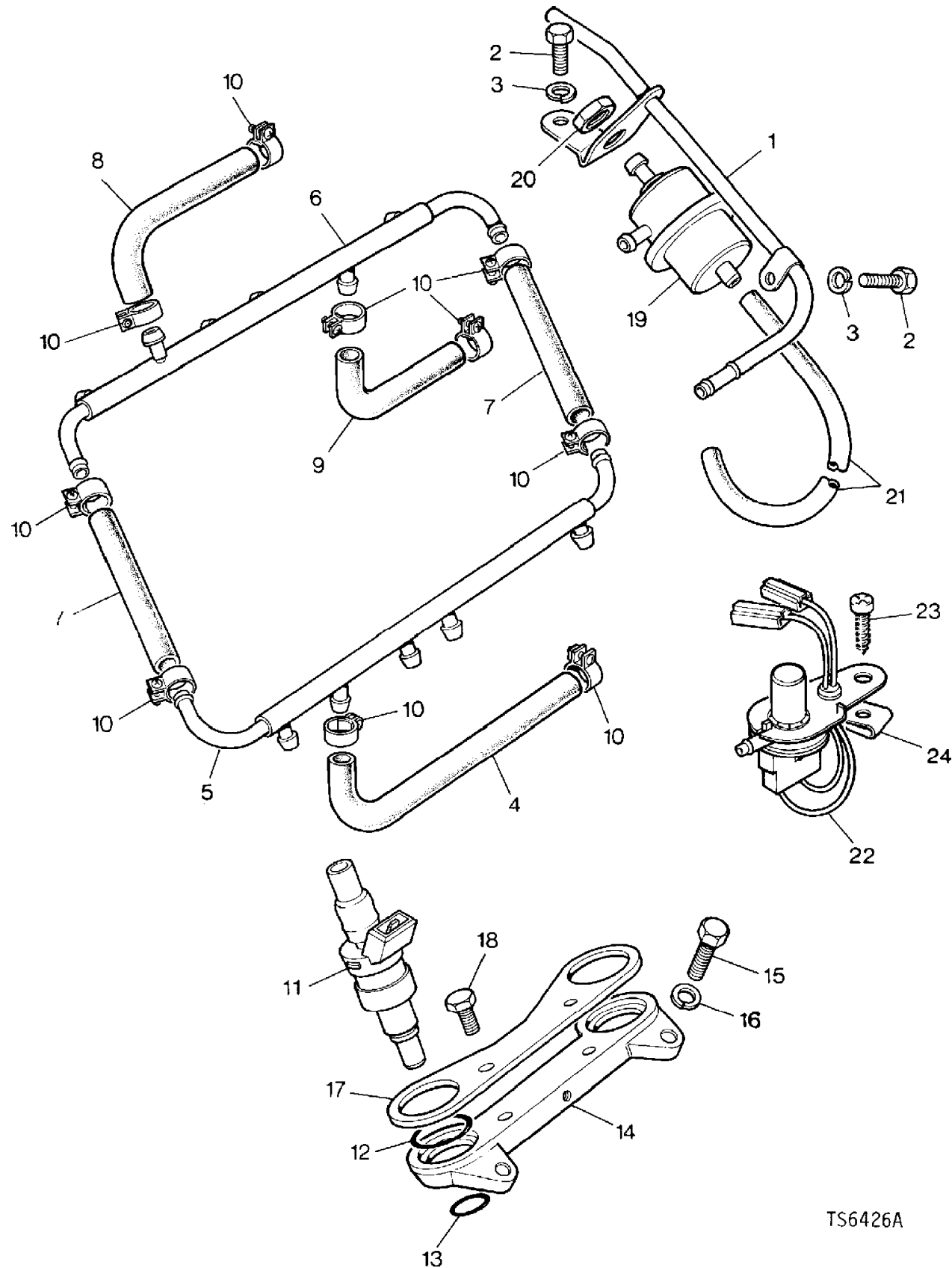
(TS6426A)

Range Rover (To HA610293)

Engine
V8 Petrol - EFi
Injectors & Pipes-Non Catalyst

Petrol V8 L/R EFI, Less Catalyst

Callout	Name	Application	Remarks & Restrictions	Service No.	Qty
21	Hose-pressure regulator return fuel lines	V8 EFI Petrol		C38844/30	X
22	Switch-over run-fuel cut off	V8 EFI Petrol		ETC6143	1
23	Screw-self tapping AB	V8 EFI Petrol	M8 x 12	AB610041L	1
24	Nut-spire	V8 EFI Petrol		RTC3725	1
[900]	Rail assembly-multi point injection fuel regulator	V8 EFI Petrol		ETC7783	1



TS6426A

Engine
V8 Petrol - EFI
Inlet Manifold-External Pipes 1/2

Range Rover (To HA610293)

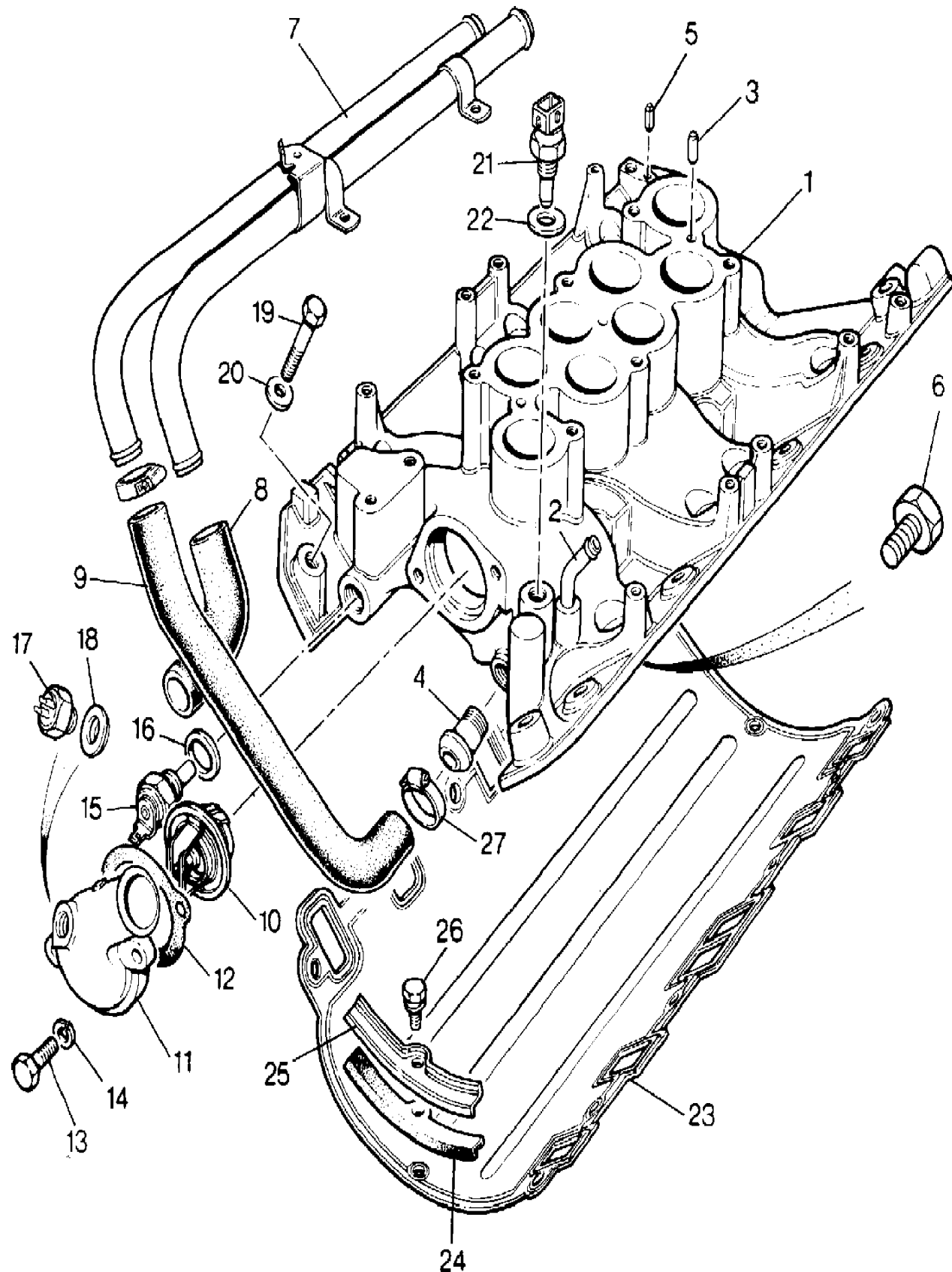
(TS6305)

Range Rover (To HA610293)

Engine
V8 Petrol - EFI
Inlet Manifold-External Pipes

Petrol V8 L/R EFI

Callout	Name	Application	Remarks & Restrictions	Service No.	Qty
1	Manifold assembly-engine inlet	3.5L V8 EFI Petrol, (-)"CDN/MEX/USA"	Also serviced as part of a kit, (-) 31D 3.5 V8 PI Auto	ETC7387	1
		3.5L V8 EFI Petrol, 4 Speed Automatic Transmissions, (-)"CDN/MEX/USA", Less Catalyst	31D, Also serviced as part of a kit, Engine Code 31D 3.5 V8 PI Auto	ETC6444	1
		3.9/4.0 V8 Petrol Efi, (+)"CDN/MEX/USA"	Engine Code 38D	ETC6444	1
2	Connector-inlet manifold vacuum elbow	3.5L V8 EFI Petrol	Also serviced as part of a kit, (-) 31D 3.5 V8 PI Auto	ERC377	1
		3.5L V8 EFI Petrol, 4 Speed Automatic Transmissions, Less Catalyst	31D, Also serviced as part of a kit, Engine Code 31D 3.5 V8 PI Auto	ETC6503	1
3	Dowel	3.5L V8 EFI Petrol	Also serviced as part of a kit, (-) 31D 3.5 V8 PI Auto	602201	2
		3.5L V8 EFI Petrol, 4 Speed Automatic Transmissions, Less Catalyst	31D, Also serviced as part of a kit, Engine Code 31D 3.5 V8 PI Auto	602201	2
4	Adaptor-inlet manifold bypass	3.5L V8 EFI Petrol, 4 Speed Automatic Transmissions, Less Catalyst	31D, Also serviced as part of a kit, Engine Code 31D 3.5 V8 PI Auto	ETC6547	1
		3.5L V8 EFI Petrol	Also serviced as part of a kit, (-) 31D 3.5 V8 PI Auto	ETC6547	1
5	Pin-Spring	3.5L V8 EFI Petrol, 4 Speed Automatic Transmissions, Less Catalyst	31D, Also serviced as part of a kit, Engine Code 31D 3.5 V8 PI Auto	603428	1
		3.5L V8 EFI Petrol	Also serviced as part of a kit, (-) 31D 3.5 V8 PI Auto	603428	1
6	Plug-blanking	3.5L V8 EFI Petrol	Also serviced as part of a kit, (-) 31D 3.5 V8 PI Auto	ETC7388	1
7	Pipe assembly-coolant to heater	3.5L V8 EFI Petrol	Also serviced as part of a kit	ERR323	1
		3.9L V8 EFI Petrol	Also serviced as part of a kit	ERR319	1
8	Hose-heater to pump coolant			ETC6889	1
9	Hose-heater to inlet manifold coolant			ETC6890	1
10	Thermostat-engine		88 °C	ETC4765	1
11	Elbow-engine coolant outlet	V8 EFI Petrol, Less Air Conditioning		ETC4596	1
		V8 EFI Petrol, With Air Conditioning		ETC6135	1



Engine
V8 Petrol - EFI
Inlet Manifold-External Pipes 2/2

Range Rover (To HA610293)

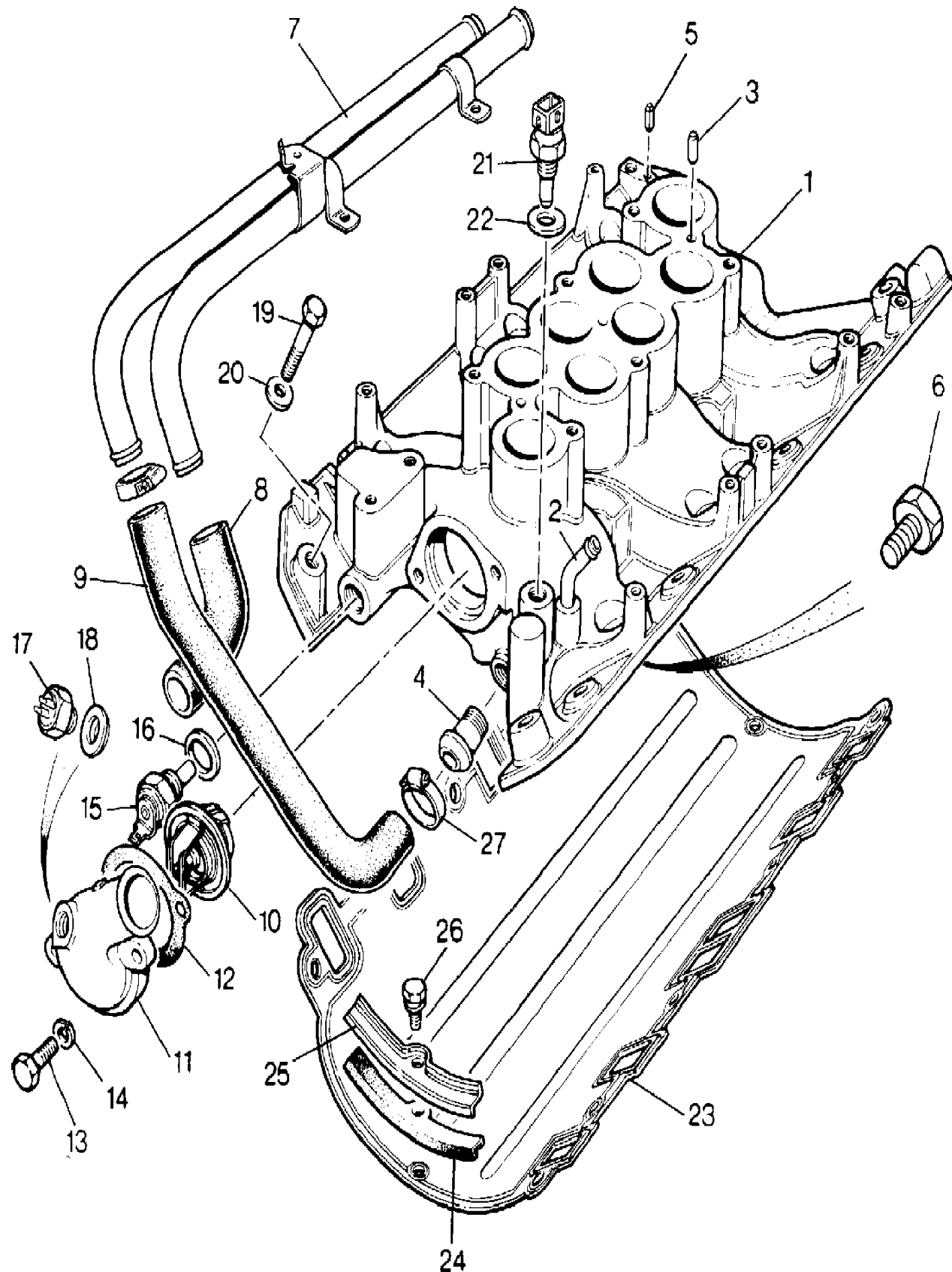
(TS6305)

Range Rover (To HA610293)

Engine
V8 Petrol - EFI
Inlet Manifold-External Pipes

Petrol V8 L/R EFI

Callout	Name	Application	Remarks & Restrictions	Service No.	Qty
12	Gasket-coolant outlet elbow	Change point - VIN end HA610293, V8 EFI Petrol		611786	1
13	Screw	V8 EFI Petrol	hexagonal head, 5/16UNC x 7/8	SH505071L	2
14	Washer-Spring	3.5L V8 EFI Petrol	Also serviced as part of a kit, 1/4 dia, Square 5/16"	WM600041L	2
		V8 EFI Petrol		WM600051L	2
15	Transducer coolant temperature	3.5L V8 EFI Petrol		PRC6317	1
		3.9L V8 EFI Petrol		PRC7918	1
16	Washer-sealing	V8 EFI Petrol		90568054	1
17	Switch-engine thermostat	V8 EFI Petrol	Yellow..	PRC3505	1
18	Washer-sealing	V8 EFI Petrol		C457593	1
19	Bolt	V8 EFI Petrol	hexagonal head, 3/8UNC x 1 1/2	BH506121L	10
		V8 EFI Petrol	hexagonal head, 3/8UNC x 2	BH506161L	2
20	Washer	V8 EFI Petrol		2204L	12
21	Sensor-Temperature	V8 EFI Petrol		ETC8496	1
22	Washer-sealing	V8 EFI Petrol		243967	1
23	Gasket-inlet manifold	Change point - VIN end HA610293, V8 EFI Petrol		ERC3990	1
24	Seal-inlet manifold gasket	V8 EFI Petrol		602099	2
25	Clamp-inlet manifold gasket seal	V8 EFI Petrol		602076	2
26	Bolt	V8 EFI Petrol	5/16UNC	602236	2
27	Clip-Hose	V8 EFI Petrol	30MM	CN100308L	4
[900]	Setscrew	3.5L V8 EFI Petrol	Also serviced as part of a kit, 1/4UNC x 3/4	SH504061L	2



Engine
V8 Petrol - EFI
Inlet Manifold-Internal Pipes 1/2

Range Rover (To HA610293)

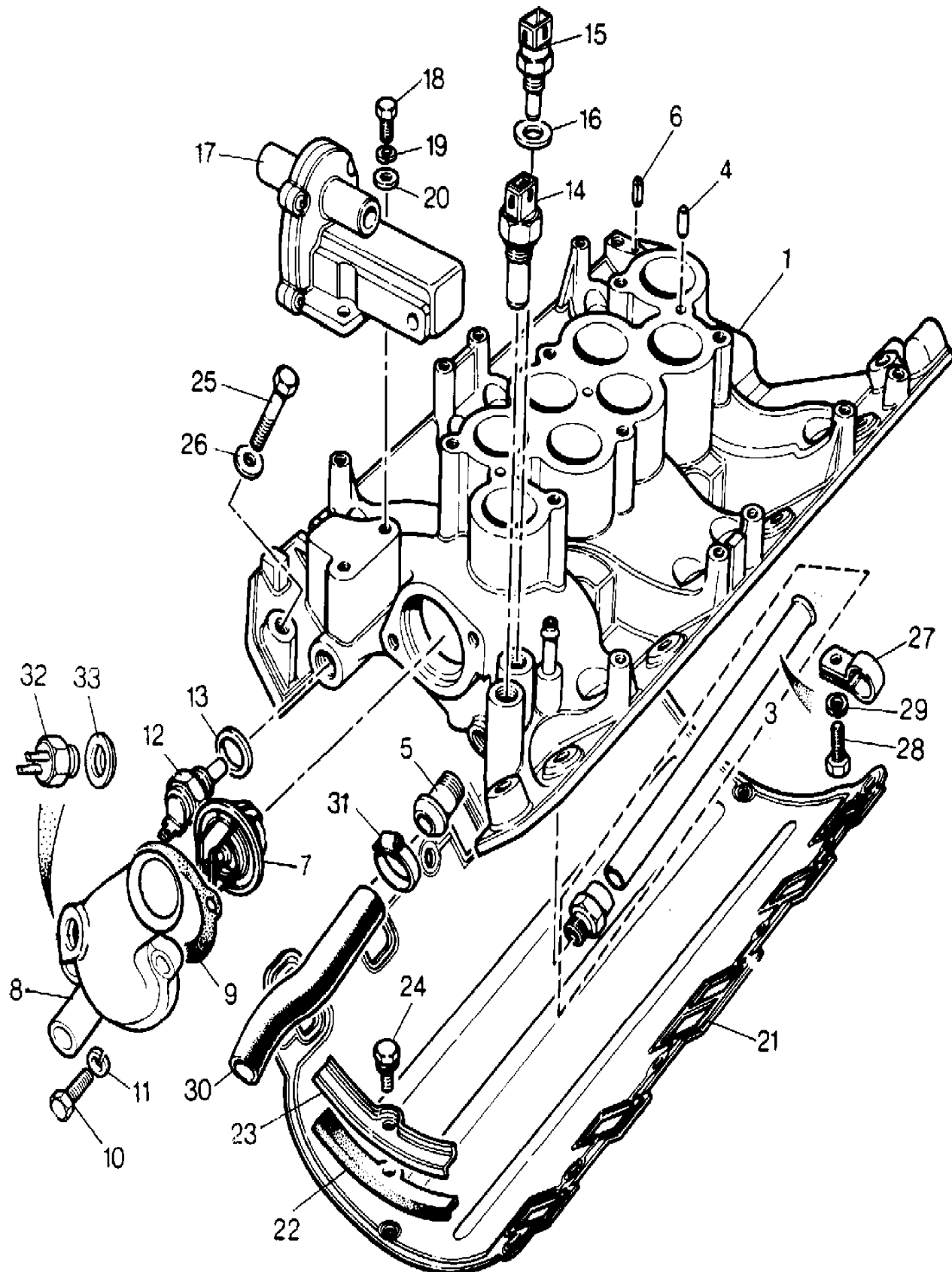
(TS5585A)

Range Rover (To HA610293)

Engine
V8 Petrol - EFI
Inlet Manifold-Internal Pipes

Petrol V8 L/R EFI

Callout	Name	Application	Remarks & Restrictions	Service No.	Qty
1	Manifold assembly-engine inlet	3.5L V8 EFI Petrol	Also serviced as part of a kit, (-) 31D 3.5 V8 PI Auto	ETC6217	1
2	Connector-inlet manifold vacuum elbow	3.5L V8 EFI Petrol	Also serviced as part of a kit, (-) 31D 3.5 V8 PI Auto	ERC377	1
3	Hose-pipe to heater	3.5L V8 EFI Petrol	Also serviced as part of a kit, (-) 31D 3.5 V8 PI Auto	ERC9123	1
4	Dowel	3.5L V8 EFI Petrol	Also serviced as part of a kit, (-) 31D 3.5 V8 PI Auto	602201	2
5	Adaptor-inlet manifold bypass	3.5L V8 EFI Petrol	Also serviced as part of a kit, (-) 31D 3.5 V8 PI Auto	ETC6547	1
6	Pin-Spring	3.5L V8 EFI Petrol	Also serviced as part of a kit, (-) 31D 3.5 V8 PI Auto	603428	1
7	Thermostat-engine		88 °C	ETC4765	1
8	Elbow-engine coolant outlet	With Air Conditioning		ETC6135	1
		Less Air Conditioning		ETC4596	1
9	Gasket-coolant outlet elbow	Change point - VIN end HA610293, V8 EFI Petrol		611786	1
10	Screw	V8 EFI Petrol	hexagonal head	SH505091	2
11	Washer-Spring	V8 EFI Petrol		WM600051	2
12	Transducer coolant temperature	With Air Conditioning		568055	1
		Less Air Conditioning		PRC6317	1
13	Washer-sealing	V8 EFI Petrol		90568054	1
14	Thermo time switch	V8 EFI Petrol		EAC1385	1
15	Sensor-Temperature	V8 EFI Petrol		ETC8496	1
16	Washer-sealing	V8 EFI Petrol		243967	1
17	Valve-coolant inlet manifold vent	V8 EFI Petrol		ERC3617	1
18	Setscrew	V8 EFI Petrol	1/4UNC x 3/4	SH504061L	2
19	Washer	V8 EFI Petrol	M6	WB106041L	2
20	Washer-Spring	V8 EFI Petrol	1/4 dia, Square	WM600041L	2
21	Gasket-inlet manifold	Change point - VIN end HA610293, V8 EFI Petrol		ERC3990	1



Engine
V8 Petrol - EFI
Inlet Manifold-Internal Pipes 2/2

Range Rover (To HA610293)

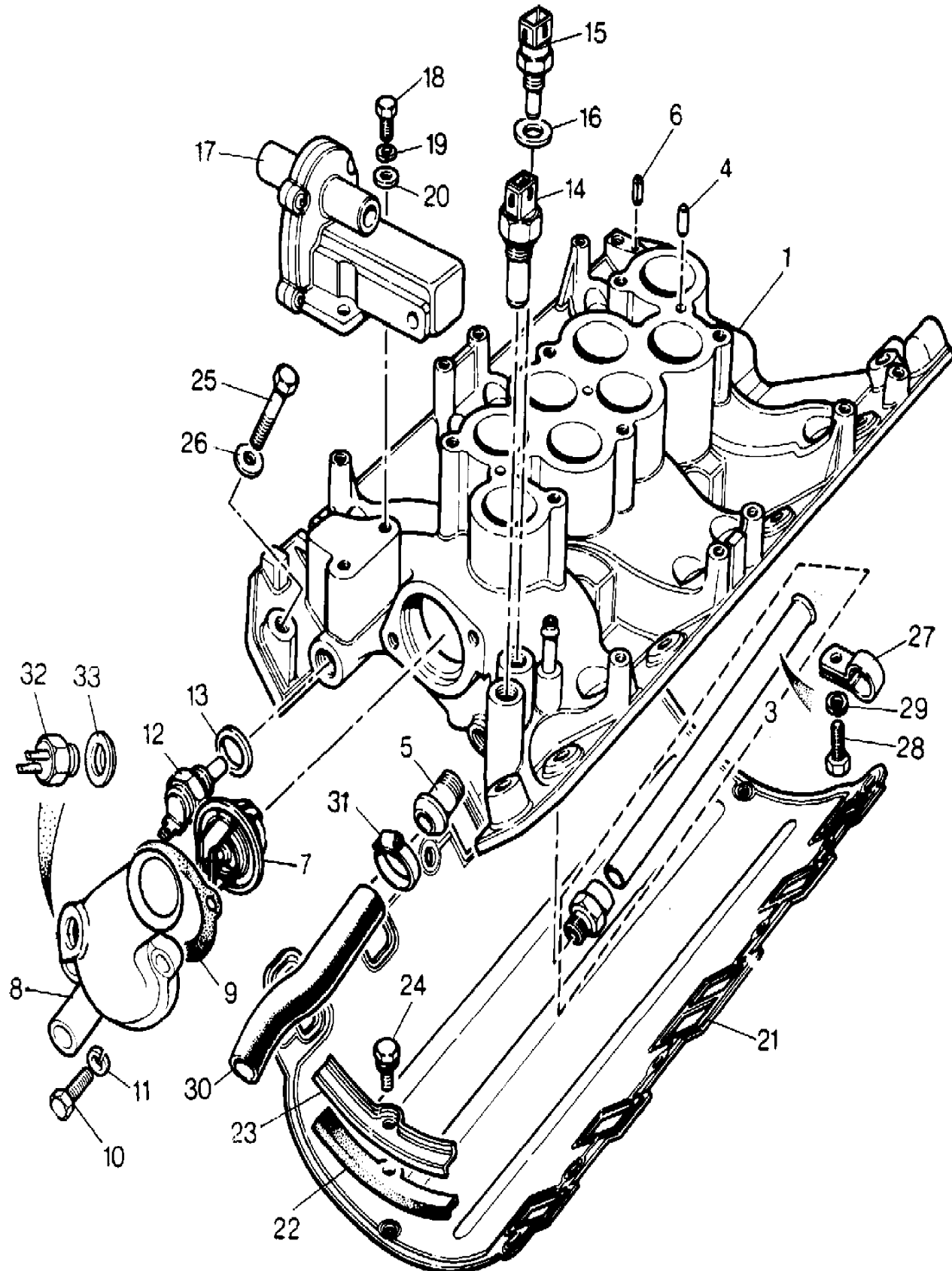
(TS5585A)

Engine
V8 Petrol - EFI
Inlet Manifold-Internal Pipes

Range Rover (To HA610293)

Petrol V8 L/R EFI

Callout	Name	Application	Remarks & Restrictions	Service No.	Qty
22	Seal-inlet manifold gasket	V8 EFI Petrol		602099	2
23	Clamp-inlet manifold gasket seal	V8 EFI Petrol		602076	2
24	Bolt	V8 EFI Petrol	5/16UNC	602236	2
25	Bolt	V8 EFI Petrol V8 EFI Petrol	3/8UNC x 1 1/2 3/8UNC x 2	BH506121 BH506161	10 2
26	Washer	V8 EFI Petrol		2204L	12
27	Clip	V8 EFI Petrol		ERC9405	1
28	Screw	V8 EFI Petrol	hexagonal head	SH504051	2
29	Washer-Spring	V8 EFI Petrol	1/4UNC	WM600041	2
30	Hose-bypass to inlet manifold coolant	V8 EFI Petrol		ERC2319	1
31	Clip-Hose	V8 EFI Petrol	30MM	CN100308L	2
32	Switch-engine thermostat	With Air Conditioning	Yellow..	PRC3505	1
33	Washer-sealing	With Air Conditioning		C45759/3	1



Engine
V8 Petrol - EFI
Mountings-Dipstick 1/2

Range Rover (To HA610293)

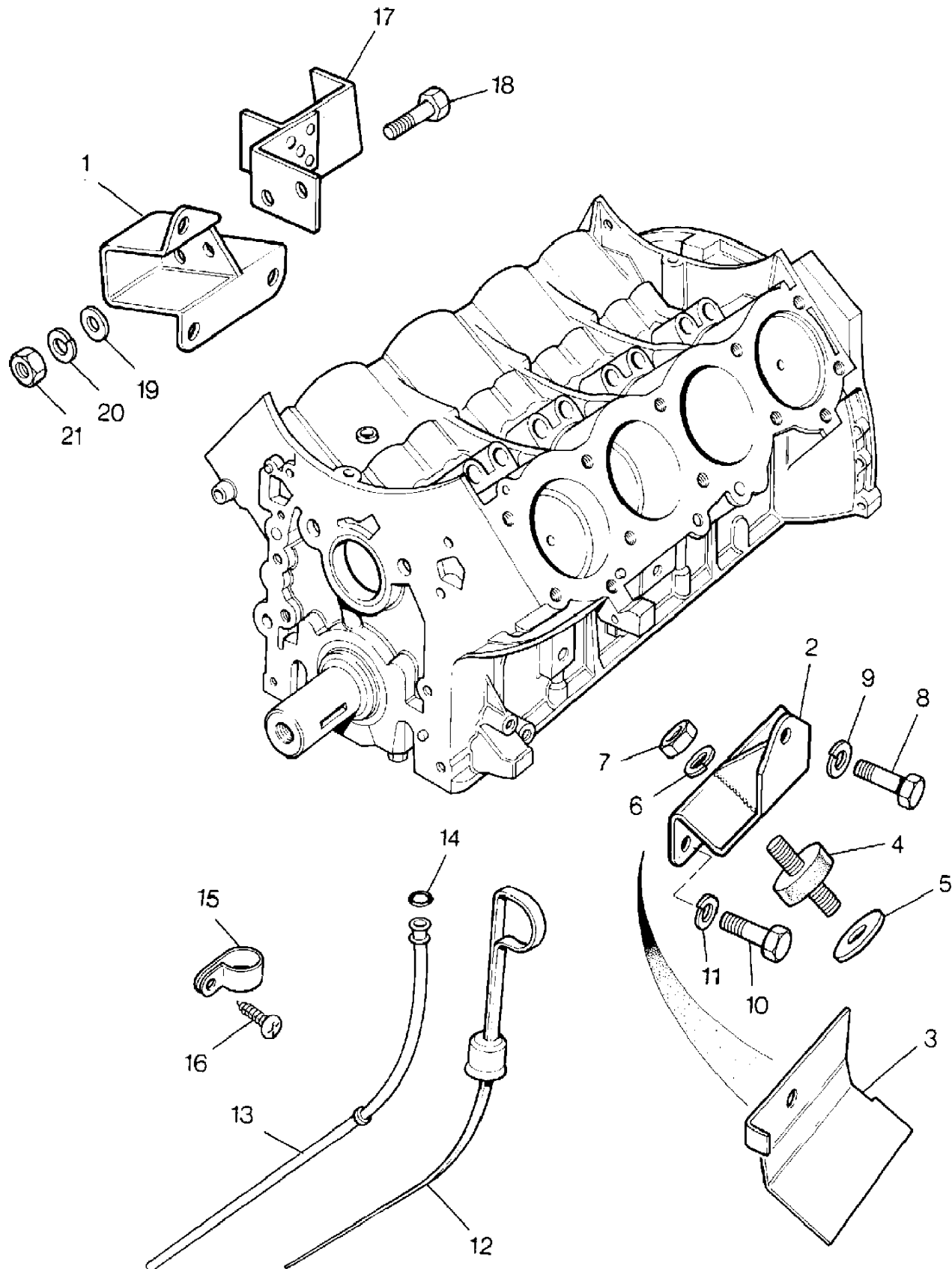
(TS5558B)

Range Rover (To HA610293)

Engine
V8 Petrol - EFI
Mountings-Dipstick

Petrol V8 L/R EFI

Callout	Name	Application	Remarks & Restrictions	Service No.	Qty
1	Bracket-engine mounting	V8 EFI Petrol	RH	NRC1302	1
2	Bracket-engine mounting	V8 EFI Petrol	LH	NRC3314	1
3	Heatshield-front engine mounting	V8 EFI Petrol	LH	NTC4205	1
4	Mounting-engine rubber	V8 EFI Petrol	3/8UNF	566222	2
5	Washer-plain-thin	V8 EFI Petrol	M10, oversize	WD110061L	2
6	Washer	V8 EFI Petrol	3/8", Square	WM600061L	2
7	Nut - Hex.	V8 EFI Petrol	hexagonal head, 3/8UNF	NH606041L	2
8	Screw	V8 EFI Petrol	hexagonal head, 5/16UNC x 7/8	SH505071L	2
9	Washer-Spring	V8 EFI Petrol	5/16"	WM600051L	2
10	Screw	V8 EFI Petrol	hexagonal head, 7/16UNC x 1 1/8	SH507091L	4
11	Washer	V8 EFI Petrol	7/16", sprung	WM600071L	4
12	Dipstick-oil	V8 EFI Petrol		ERR1922	1
13	Tube assembly-oil dipstick	V8 EFI Petrol		ERC6437	1
14	O Ring	V8 EFI Petrol		602545	1
15	Clip	V8 EFI Petrol		610489	1
16	Screw-self tapping AB	V8 EFI Petrol	M8 x 12	AB610041L	1
17	Heatshield engine exhaust	3.5L V8 EFI Petrol 3.9L V8 EFI Petrol	RH	577846 NTC4602	1 1
18	Screw	V8 EFI Petrol	hexagonal head, 1/4UNF x 7/8	SH604071L	2
19	Washer	V8 EFI Petrol	6MM	WA106041L	2
20	Washer-Spring	V8 EFI Petrol	1/4 dia, Square	WM600041L	2
21	Nut - Hex.	V8 EFI Petrol	Also serviced as part of a kit, M10, hexagonal head, Coarse Thread	NH110041L	4
		V8 EFI Petrol	hexagonal head, Coarse Thread, 1/4UNF	NH604041L	2



Engine
V8 Petrol - EFI
Mountings-Dipstick 2/2

Range Rover (To HA610293)

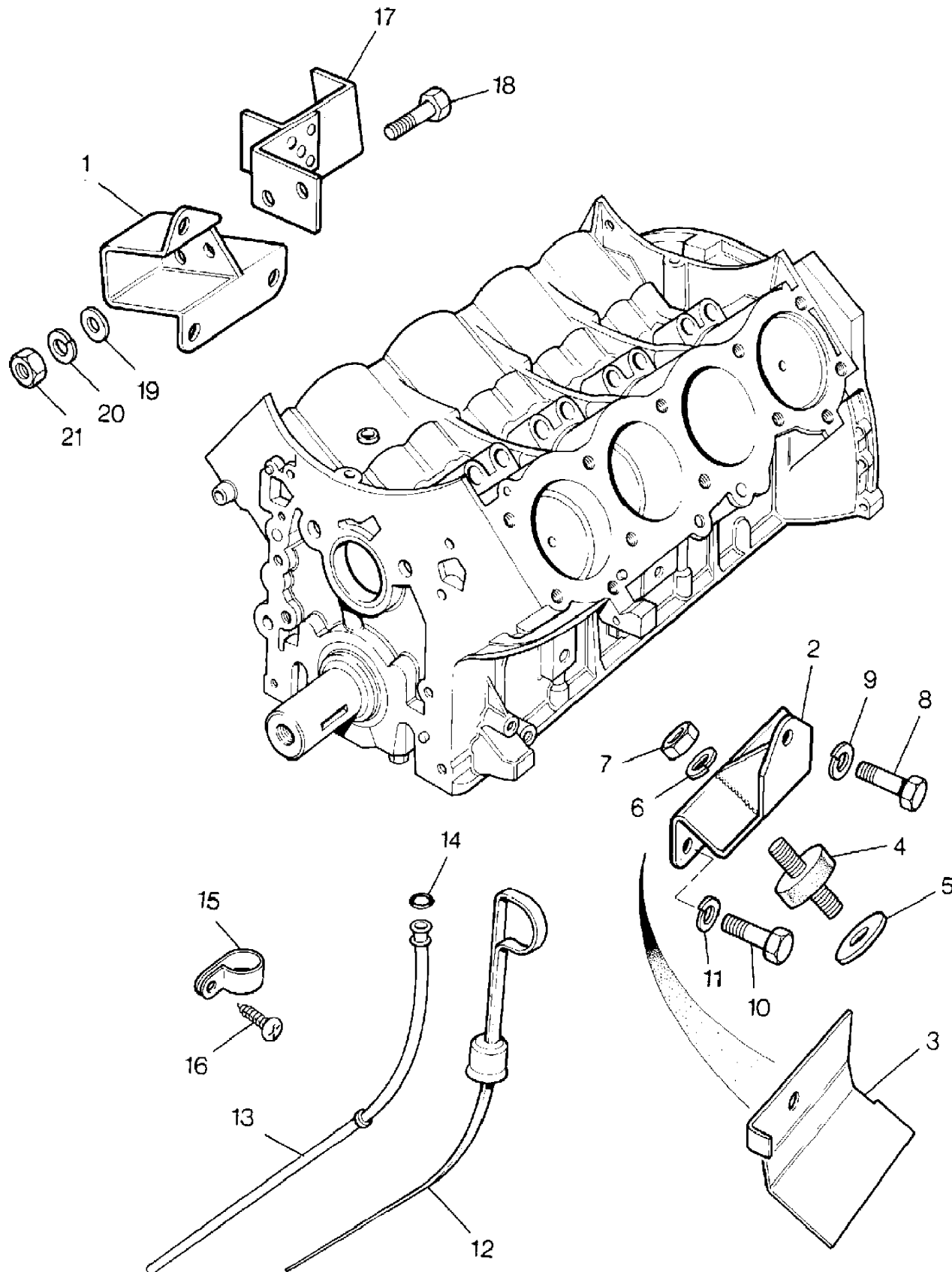
(TS5558B)

Engine
V8 Petrol - EFI
Mountings-Dipstick

Range Rover (To HA610293)

Petrol V8 L/R EFI

Callout	Name	Application	Remarks & Restrictions	Service No.	Qty
[900]	Mounting-engine rubber	V8 EFI Petrol	Also serviced as part of a kit	RTC6115	2
[901]	Washer	V8 EFI Petrol	Also serviced as part of a kit, M10, oversize, Plain	WC110061L	2
		V8 EFI Petrol	Also serviced as part of a kit, M10	WL110001L	4
[902]	Bracket-engine mounting	V8 EFI Petrol	LH	NTC5867	1



Engine
V8 Petrol - EFI
Oil Pump & Filter 1/2

Range Rover (To HA610293)

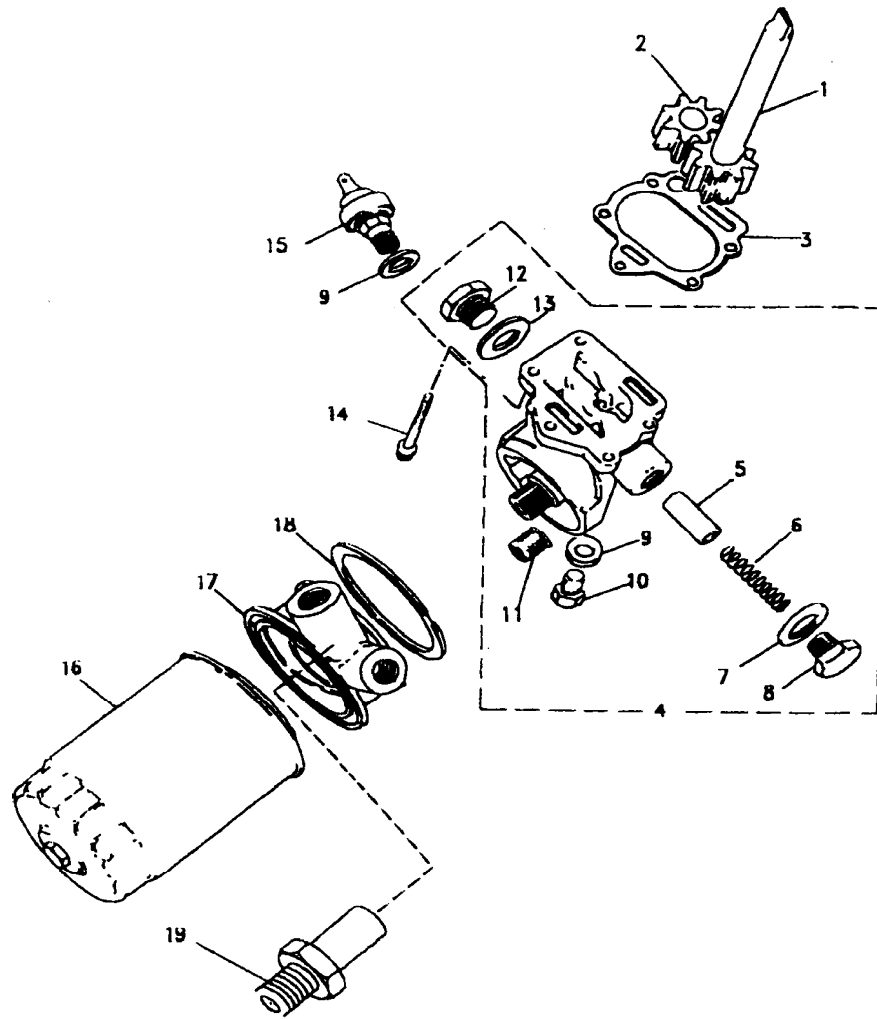
(BCBRFA1A)

Range Rover (To HA610293)

Engine
V8 Petrol - EFI
Oil Pump & Filter

Petrol V8 L/R EFI

Callout	Name	Application	Remarks & Restrictions	Service No.	Qty
1	Shaft-oil pump	V8 EFI Petrol		ERC1351	1
2	Gear-oil pump	V8 EFI Petrol		614037	1
3	Gasket-cylinder block oil pump	V8 EFI Petrol		90602072	1
4	Adaptor assembly-oil filter	V8 EFI Petrol	Also serviced as part of a kit	ETC4276	1
5	Plunger-oil pump relief valve	V8 EFI Petrol	Also serviced as part of a kit	90602064	1
6	Spring-oil pump relief valve	V8 EFI Petrol	Also serviced as part of a kit	602067	1
7	Washer-oil pressure switch engine	3.9L V8 EFI Petrol 3.5 V8 Petrol Efi, (+)"CDN/MEX/USA"	Also serviced as part of a kit Part Of Gasket kit RTC5252, Engine Code 31D	ETC8833 603521	1 1
8	Plug-oil pump relief valve	V8 EFI Petrol	Also serviced as part of a kit	602071	1
9	Washer-sealing	V8 EFI Petrol	Also serviced as part of a kit	243968	1
10	Plug	V8 EFI Petrol	Also serviced as part of a kit	273166	1
11	Strainer-oil	V8 EFI Petrol	Also serviced as part of a kit	614202	1
12	Plug-blanking			517689	1
13	Washer-sealing			243967	1
14	Bolt	V8 EFI Petrol V8 EFI Petrol V8 EFI Petrol	1/4UNC x 7/8 1/4UNC x 1 1/4 1/4UNC x 9/16	602910 602912 602913	3 2 1
15	Switch-oil pressure engine	V8 EFI Petrol		PRC7204	1
16	Cartridge-engine oil filter	Change point - VIN end HA610293, V8 EFI Petrol		ERR1168	1
17	Adaptor-oil filter	3.9L V8 EFI Petrol, (-)"CDN/MEX/USA" 3.5 V8 Petrol Efi, (+)"CDN/MEX/USA"		ERC8501 ERC8501	1 1
18	Gasket-adaptor.	3.9L V8 EFI Petrol, (-)"CDN/MEX/USA" 3.5 V8 Petrol Efi, (+)"CDN/MEX/USA"		ERR852 ERR852	1 1
19	Connector-inlet manifold adaptor	V8 EFI Petrol		ERC2226	1



Engine
V8 Petrol - EFI
Oil Pump & Filter 2/2

Range Rover (To HA610293)

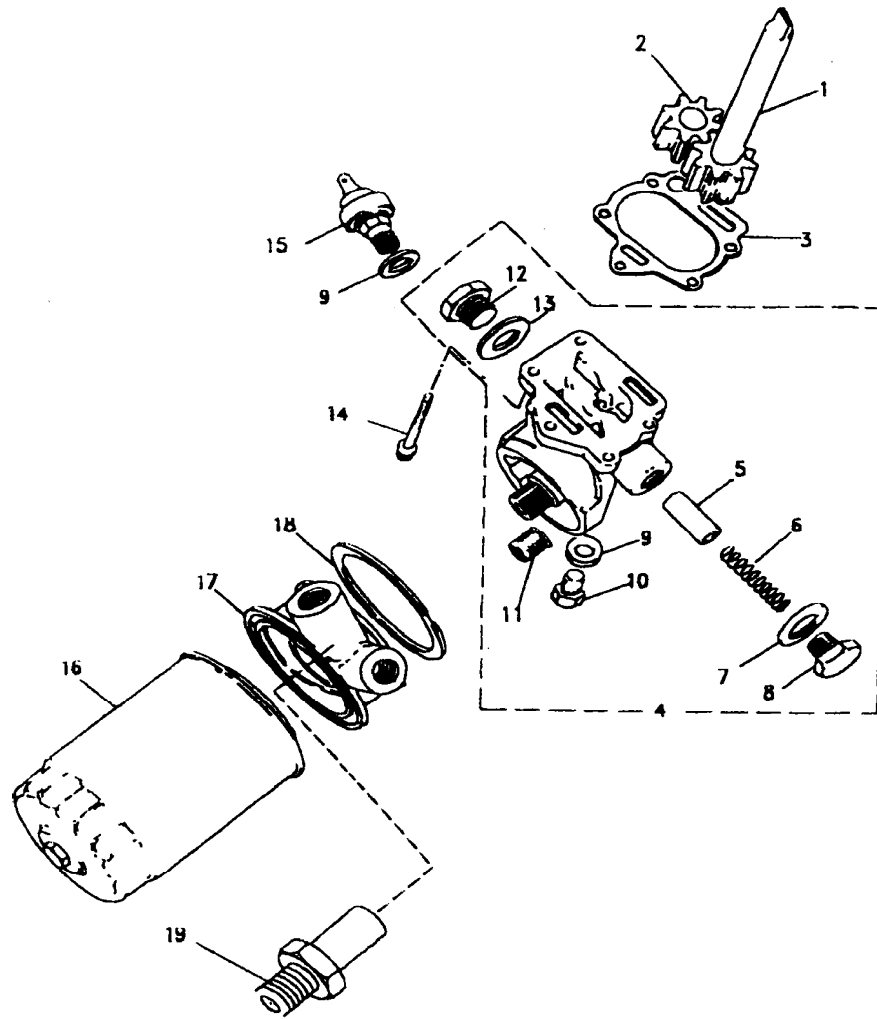
(BCBRFA1A)

Range Rover (To HA610293)

Engine
V8 Petrol - EFI
Oil Pump & Filter

Petrol V8 L/R EFI

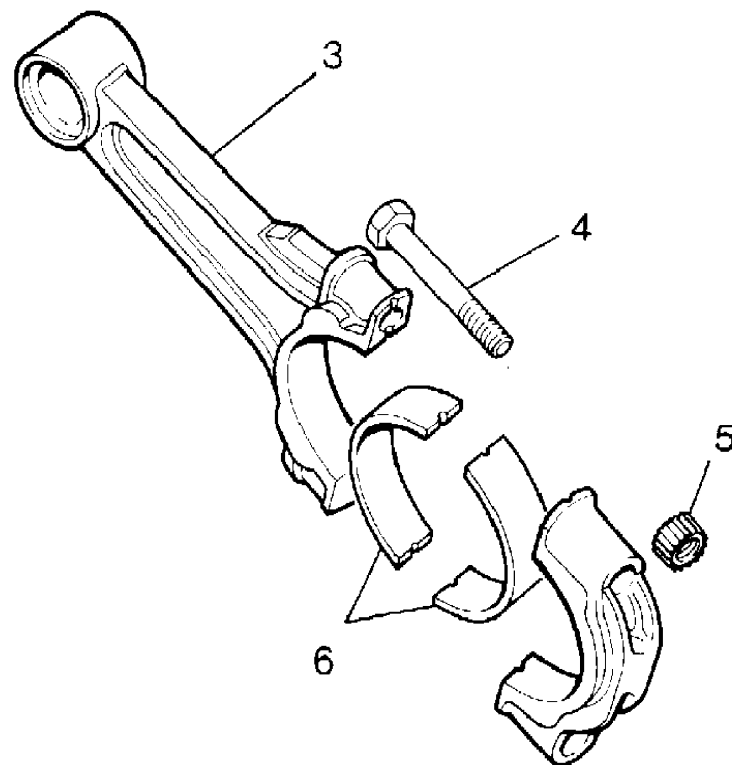
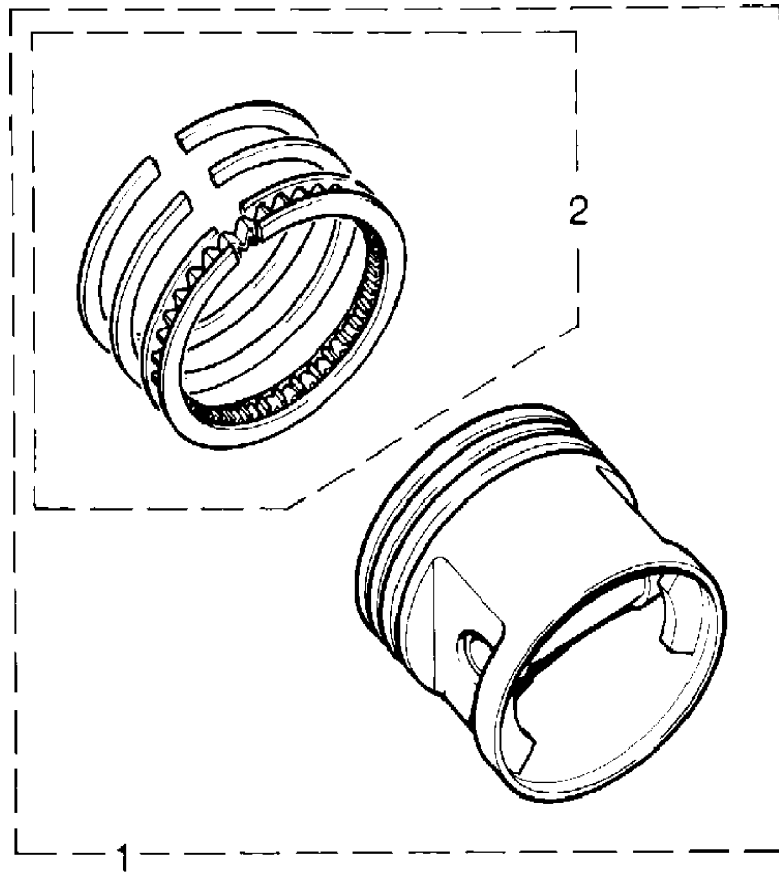
Callout	Name	Application	Remarks & Restrictions	Service No.	Qty
[901]	Kit - Oil Pump Repair	(+)"CDN/MEX/USA"		RTC4477	1



Engine
V8 Petrol - EFI
Piston,Connecting Rod & Bearings 1/1

Range Rover (To HA610293)

(4RE170A)



Range Rover (To HA610293)

Engine
V8 Petrol - EFI
Piston,Connecting Rod & Bearings

Petrol V8 L/R EFI

Callout	Name	Application	Remarks & Restrictions	Service No.	Qty
1	Piston-engine	3.5L V8 EFI Petrol	Also serviced as part of a kit, standard., 8.13:1	RTC2186S	8
		3.5L V8 EFI Petrol	Also serviced as part of a kit, 0.020" oversize, 8.13:1	RTC218620	8
		3.5L V8 EFI Petrol, (-)"CDN/MEX/USA"	Also serviced as part of a kit, standard., 9.35:1	RTC2295S	8
		3.5L V8 EFI Petrol, (-)"CDN/MEX/USA"	Also serviced as part of a kit, 0.020" oversize, 9.35:1	RTC229520	8
		3.9L V8 EFI Petrol, (-)"CDN/MEX/USA"	8.13:1	RTC60685	8
		3.9L V8 EFI Petrol, (-)"CDN/MEX/USA"	Also serviced as part of a kit, 9.35:1	STC119S	8
		(+)"CDN/MEX/USA"	Engine Code 38D, Standard	STC908S	8
			0.020" O/S, Engine Code 38D	STC64620	8
2	Ring set assembly-piston	3.5L V8 EFI Petrol	Also serviced as part of a kit, standard.	RTC2408	8
		3.5L V8 EFI Petrol	Also serviced as part of a kit, 0.020" oversize	RTC240820	8
		3.9L V8 EFI Petrol 3.9L	standard. 0.020" oversize	RTC6066S RTC606620	1 8
3	Rod-crankshaft connecting	V8 EFI Petrol	Also serviced as part of a kit	602082	8
4	Bolt-connecting rod	V8 EFI Petrol	Also serviced as part of a kit, 11/32UNS-3A	602609	16
5	Nut-connecting rod	V8 EFI Petrol	Also serviced as part of a kit, 11/32UNS-3B	602061	16
6	Set-connecting rod big end half bearing	V8 EFI Petrol	standard.	RTC2117	1
		V8 EFI Petrol	0.010" undersize 0.020" undersize	RTC211710 RTC211720	1 1

Engine
V8 Petrol - EFi
Plenum Chamber 1/5

Range Rover (To HA610293)

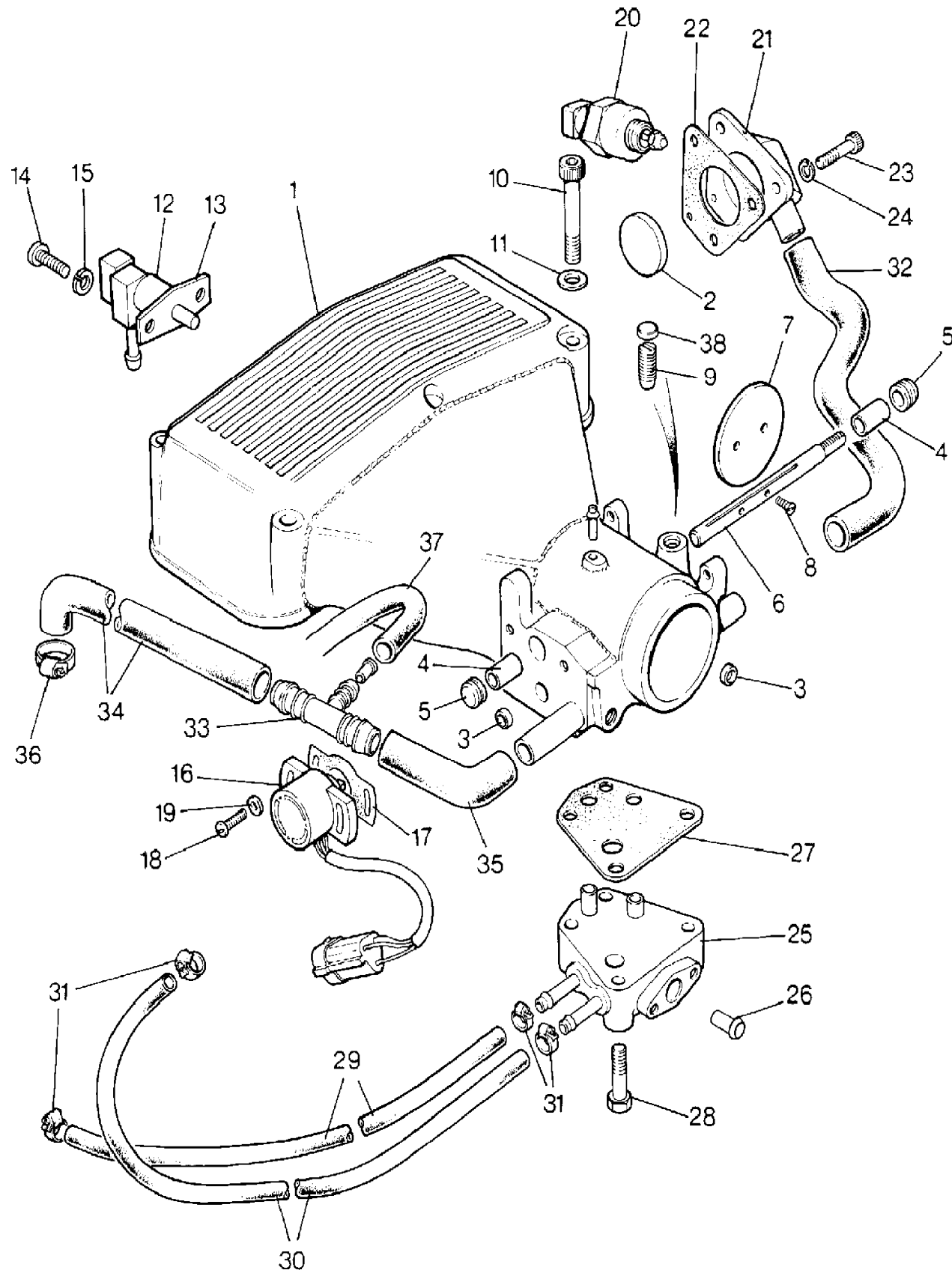
(TS6864)

Range Rover (To HA610293)

Engine
V8 Petrol - EFi
Plenum Chamber

Petrol V8 L/R EFi

Callout	Name	Application	Remarks & Restrictions	Service No.	Qty		
1	Plenum-inlet manifold	3.5L V8 EFi NA Petrol, 5 Speed Manual Transmission, (-)"CDN/MEX/USA", Less Catalyst	Also serviced as part of a kit, Engine Code 22D 3.5 PI 3.5 L/C Manual	ETC6102	1		
		3.5L V8 EFi NA Petrol, 4 Speed Automatic Transmissions, (-)"CDN/MEX/USA", Less Catalyst	Also serviced as part of a kit, Engine Code 23D 3.5 PI V8 L/C Auto	ETC6102	1		
		3.5L V8 EFi NA Petrol, 5 Speed Manual Transmission, (-)"CDN/MEX/USA", Less Catalyst	Also serviced as part of a kit, Engine Code 24D 3.5 V8 PI H/C Manual	ETC7894	1		
		3.5L V8 EFi Petrol, 4 Speed Automatic Transmissions, (-)"CDN/MEX/USA", Less Catalyst	25D, Also serviced as part of a kit, Engine Code 25D 3.5 V8 Carb - Detox	ETC7894	1		
		3.5L V8 EFi NA Petrol, 4 Speed Automatic Transmissions, (-)"CDN/MEX/USA", Less Catalyst	Also serviced as part of a kit, Engine Code 31D 3.5 V8 PI Auto	ETC7771	1		
		3.9L V8 EFi Petrol (+)"CDN/MEX/USA"	Also serviced as part of a kit Engine Code 31D	ERR941 ETC7771	1 1		
		2	Plug-core	3.5L V8 EFi NA Petrol, 5 Speed Manual Transmission, Less Catalyst	Also serviced as part of a kit, Engine Code 24D 3.5 V8 PI H/C Manual	524765	1
				3.5L V8 EFi Petrol, 4 Speed Automatic Transmissions, Less Catalyst	25D, Also serviced as part of a kit, Engine Code 25D 3.5 V8 Carb - Detox	524765	1
				3.5L V8 EFi NA Petrol, 4 Speed Automatic Transmissions, Less Catalyst	Also serviced as part of a kit, Engine Code 31D 3.5 V8 PI Auto	ERC255	X
				3.9L V8 EFi Petrol	Also serviced as part of a kit	ERC255	X
3	Plug-cup	3.5L V8 EFi NA Petrol, 5 Speed Manual Transmission, Less Catalyst	Also serviced as part of a kit, Engine Code 22D 3.5 PI 3.5 L/C Manual	ERC255	X		
		3.5L V8 EFi NA Petrol, 4 Speed Automatic Transmissions, Less Catalyst	Also serviced as part of a kit, Engine Code 23D 3.5 PI V8 L/C Auto	ERC255	X		
		3.5L V8 EFi NA Petrol, 5 Speed Manual Transmission, Less Catalyst	Also serviced as part of a kit, Engine Code 24D 3.5 V8 PI H/C Manual	ERC255	X		
		3.5L V8 EFi Petrol, 4 Speed Automatic Transmissions, Less Catalyst	25D, Also serviced as part of a kit, Engine Code 25D 3.5 V8 Carb - Detox	ERC255	X		



Engine
V8 Petrol - EFI
Plenum Chamber 2/5

Range Rover (To HA610293)

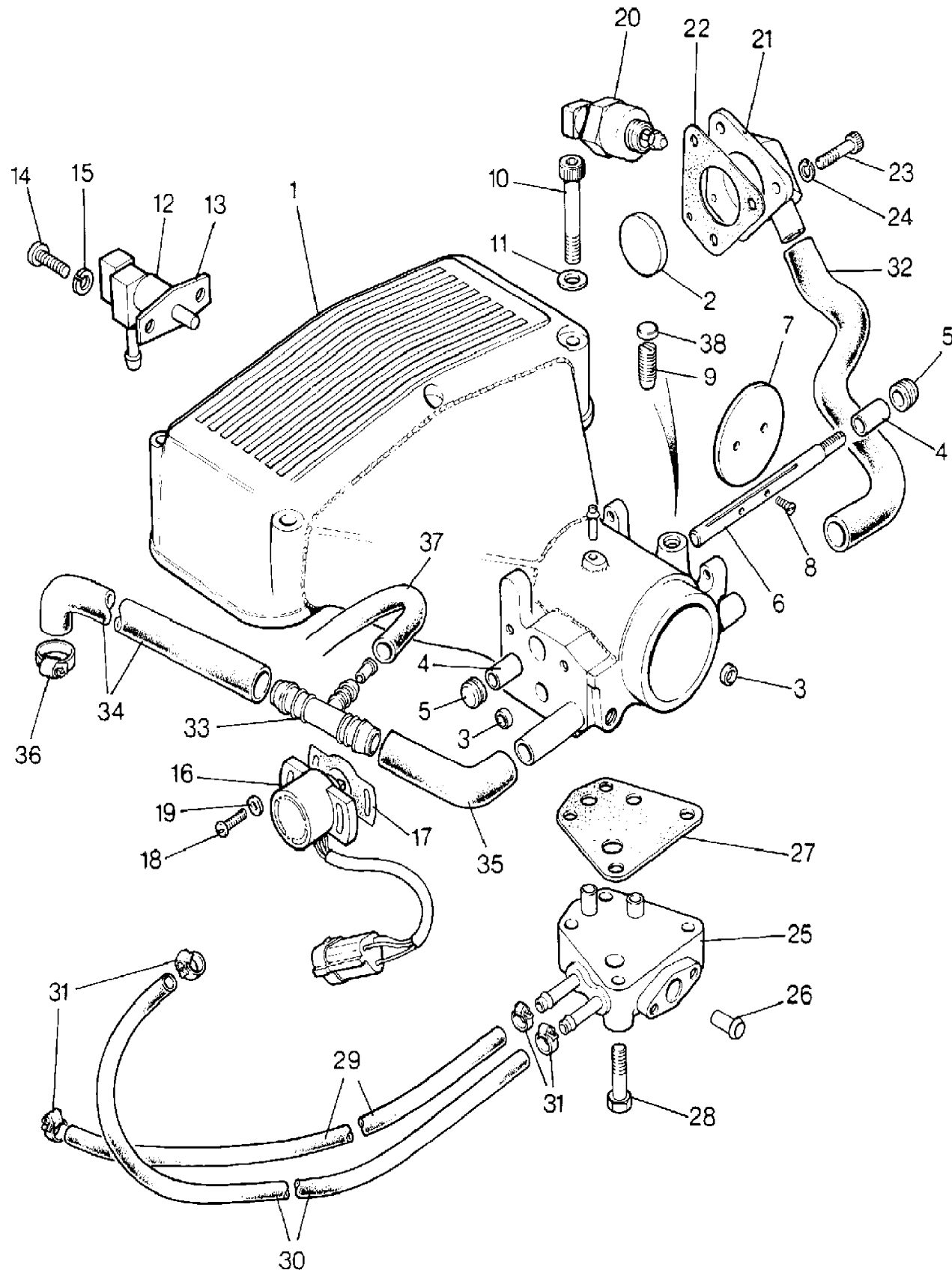
(TS6864)

Range Rover (To HA610293)

Engine
V8 Petrol - EFI
Plenum Chamber

Petrol V8 L/R EFI

Callout	Name	Application	Remarks & Restrictions	Service No.	Qty
4	Bush-throttle spindle tbi	3.5L V8 EFI NA Petrol, 5 Speed Manual Transmission, Less Catalyst	Also serviced as part of a kit, Engine Code 24D 3.5 V8 PI H/C Manual	611795	2
		3.5L V8 EFI Petrol, 4 Speed Automatic Transmissions, Less Catalyst	25D, Also serviced as part of a kit, Engine Code 25D 3.5 V8 Carb - Detox	611795	2
		3.5L V8 EFI NA Petrol, 4 Speed Automatic Transmissions, Less Catalyst	Also serviced as part of a kit, Engine Code 31D 3.5 V8 PI Auto	611795	2
		3.5L V8 EFI NA Petrol, 4 Speed Automatic Transmissions, Less Catalyst	Also serviced as part of a kit, Engine Code 31D 3.5 V8 PI Auto	ERR1756	2
		3.9L V8 EFI Petrol	Also serviced as part of a kit	611795	2
		3.9L V8 EFI Petrol	Also serviced as part of a kit	ERR1756	2
		5	Seal-throttle spindle multi point injection	3.5L V8 EFI NA Petrol, 5 Speed Manual Transmission, Less Catalyst	Also serviced as part of a kit, Engine Code 24D 3.5 V8 PI H/C Manual
3.5L V8 EFI Petrol, 4 Speed Automatic Transmissions, Less Catalyst	25D, Also serviced as part of a kit, Engine Code 25D 3.5 V8 Carb - Detox			AUD3577L	2
3.5L V8 EFI NA Petrol, 4 Speed Automatic Transmissions, Less Catalyst	Also serviced as part of a kit, Engine Code 31D 3.5 V8 PI Auto			AUD3577L	2
3.9L V8 EFI Petrol	Also serviced as part of a kit			AUD3577L	2
3.9L V8 EFI Petrol	Also serviced as part of a kit			AUD3577L	2
6	Spindle-carburettor throttle	3.5L V8 EFI NA Petrol, 5 Speed Manual Transmission, Less Catalyst	Also serviced as part of a kit, Engine Code 24D 3.5 V8 PI H/C Manual	ETC5771	1
		3.5L V8 EFI Petrol, 4 Speed Automatic Transmissions, Less Catalyst	25D, Also serviced as part of a kit, Engine Code 25D 3.5 V8 Carb - Detox	ETC5771	1
		3.5L V8 EFI NA Petrol, 4 Speed Automatic Transmissions, Less Catalyst	Also serviced as part of a kit, Engine Code 31D 3.5 V8 PI Auto	ETC6223	X
		3.9L V8 EFI Petrol	Also serviced as part of a kit	ETC6223	X
		3.9L V8 EFI Petrol	Also serviced as part of a kit	ETC6223	X
7	Disc-carburettor throttle	3.5L V8 EFI NA Petrol, 5 Speed Manual Transmission, Less Catalyst	Also serviced as part of a kit, Engine Code 24D 3.5 V8 PI H/C Manual	ETC5772	1
		3.5L V8 EFI Petrol, 4 Speed Automatic Transmissions, Less Catalyst	25D, Also serviced as part of a kit, Engine Code 25D 3.5 V8 Carb - Detox	ETC5772	1
		3.5L V8 EFI NA Petrol, 4 Speed Automatic Transmissions, Less Catalyst	Also serviced as part of a kit, Engine Code 31D 3.5 V8 PI Auto	ETC6222	X
		3.9L V8 EFI Petrol	Also serviced as part of a kit	ETC6222	X
		3.9L V8 EFI Petrol	Also serviced as part of a kit	ETC6222	X



Engine
V8 Petrol - EFI
Plenum Chamber 3/5

Range Rover (To HA610293)

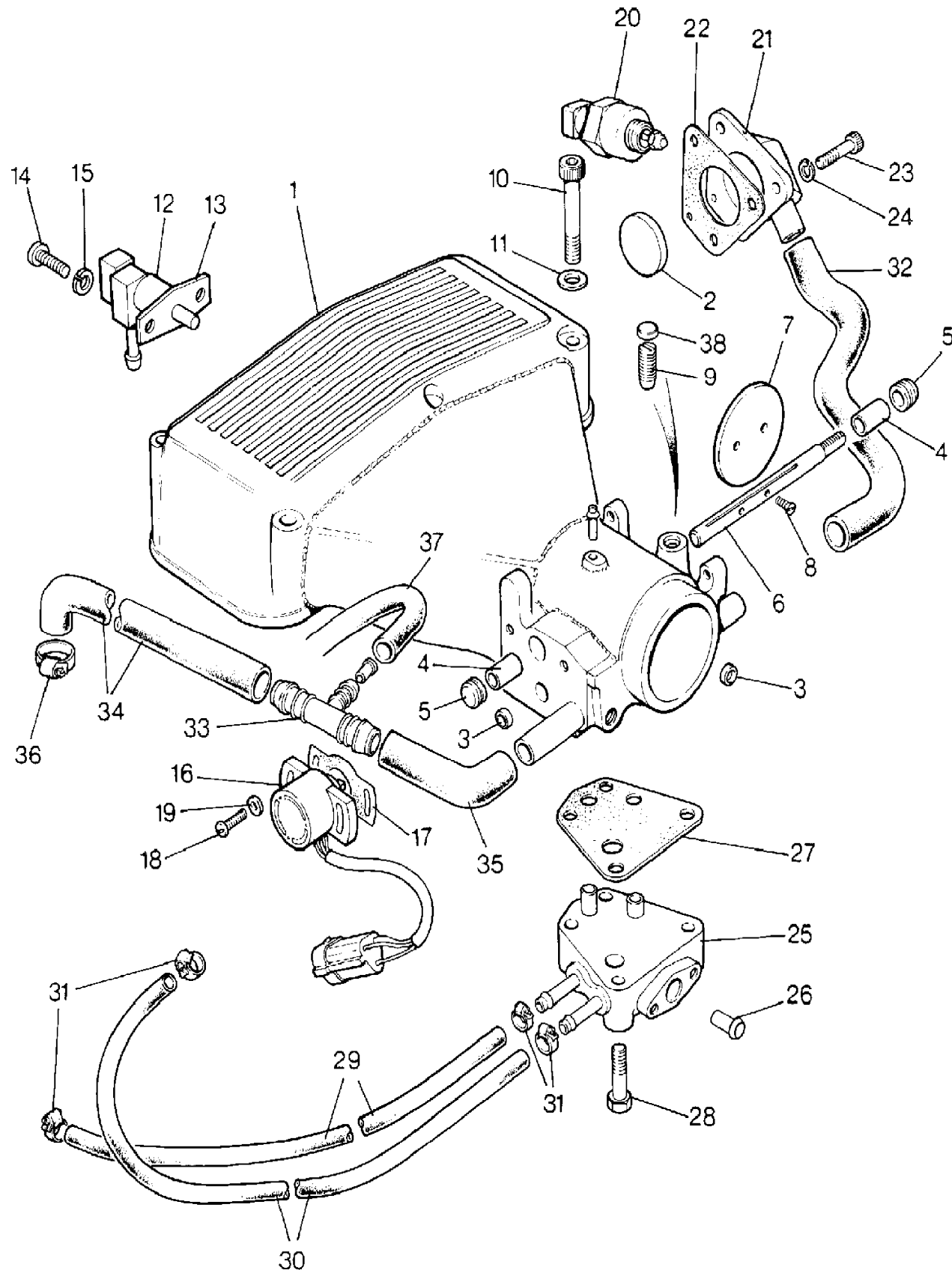
(TS6864)

Range Rover (To HA610293)

Engine
V8 Petrol - EFI
Plenum Chamber

Petrol V8 L/R EFI

Callout	Name	Application	Remarks & Restrictions	Service No.	Qty
8	Screw-carburettor throttle disc	3.5L V8 EFI NA Petrol, 5 Speed Manual Transmission, Less Catalyst	Also serviced as part of a kit, Engine Code 24D 3.5 V8 PI H/C Manual	611950	2
		3.5L V8 EFI Petrol, 4 Speed Automatic Transmissions, Less Catalyst	25D, Also serviced as part of a kit, Engine Code 25D 3.5 V8 Carb - Detox	611950	2
		3.5L V8 EFI NA Petrol, 4 Speed Automatic Transmissions, Less Catalyst	Also serviced as part of a kit, Engine Code 31D 3.5 V8 PI Auto	611950	2
		3.9L V8 EFI Petrol	Also serviced as part of a kit	RTC5965	2
		3.9L V8 EFI Petrol	Also serviced as part of a kit	611950	2
		9	Setscrew	3.5L V8 EFI NA Petrol, 5 Speed Manual Transmission, Less Catalyst	Also serviced as part of a kit, Engine Code 24D 3.5 V8 PI H/C Manual
9	Setscrew	3.5L V8 EFI Petrol, 4 Speed Automatic Transmissions, Less Catalyst	25D, Also serviced as part of a kit, Engine Code 25D 3.5 V8 Carb - Detox	ST606080	1
		3.5L V8 EFI NA Petrol, 4 Speed Automatic Transmissions, Less Catalyst	Also serviced as part of a kit, Engine Code 31D 3.5 V8 PI Auto	ST606080L	1
		3.9L V8 EFI Petrol	Also serviced as part of a kit	ST606080L	1
10	Screw-hexagon socket		plenum to ram housing, M8 x 80	SS108801	6
11	Washer	V8 EFI Petrol	M8, Standard	WA108051	6
12	Injector assembly-fuel	Change point - VIN end HA610293, V8 EFI Petrol		EAC1383L	1
13	Gasket-inlet manifold plenum to extension	V8 EFI Petrol		ERC3795	1
14	Screw	V8 EFI Petrol	M6 X 12, hexagonal head	SH106121L	2
15	Washer	V8 EFI Petrol	M6, sprung	WL106001L	2
16	Potentiometer accelerator	3.5L V8 EFI Petrol, (-)"CDN/MEX/USA"		ETC5598	1
		3.9L V8 EFI Petrol (+)"CDN/MEX/USA"	Engine Code 31D	ETC8495	1
				ETC6443	1
17	Gasket-potentiometer-throttle multi point injection	V8 EFI Petrol		ETC5599	1
18	Screw	V8 EFI Petrol	M4	SC104141	2
		V8 EFI Petrol	hexagonal head, 1/4UNC x 1	SH504081L	3
19	Washer-Plain	V8 EFI Petrol	M4	WA104001L	2



Engine
V8 Petrol - EFI
Plenum Chamber 4/5

Range Rover (To HA610293)

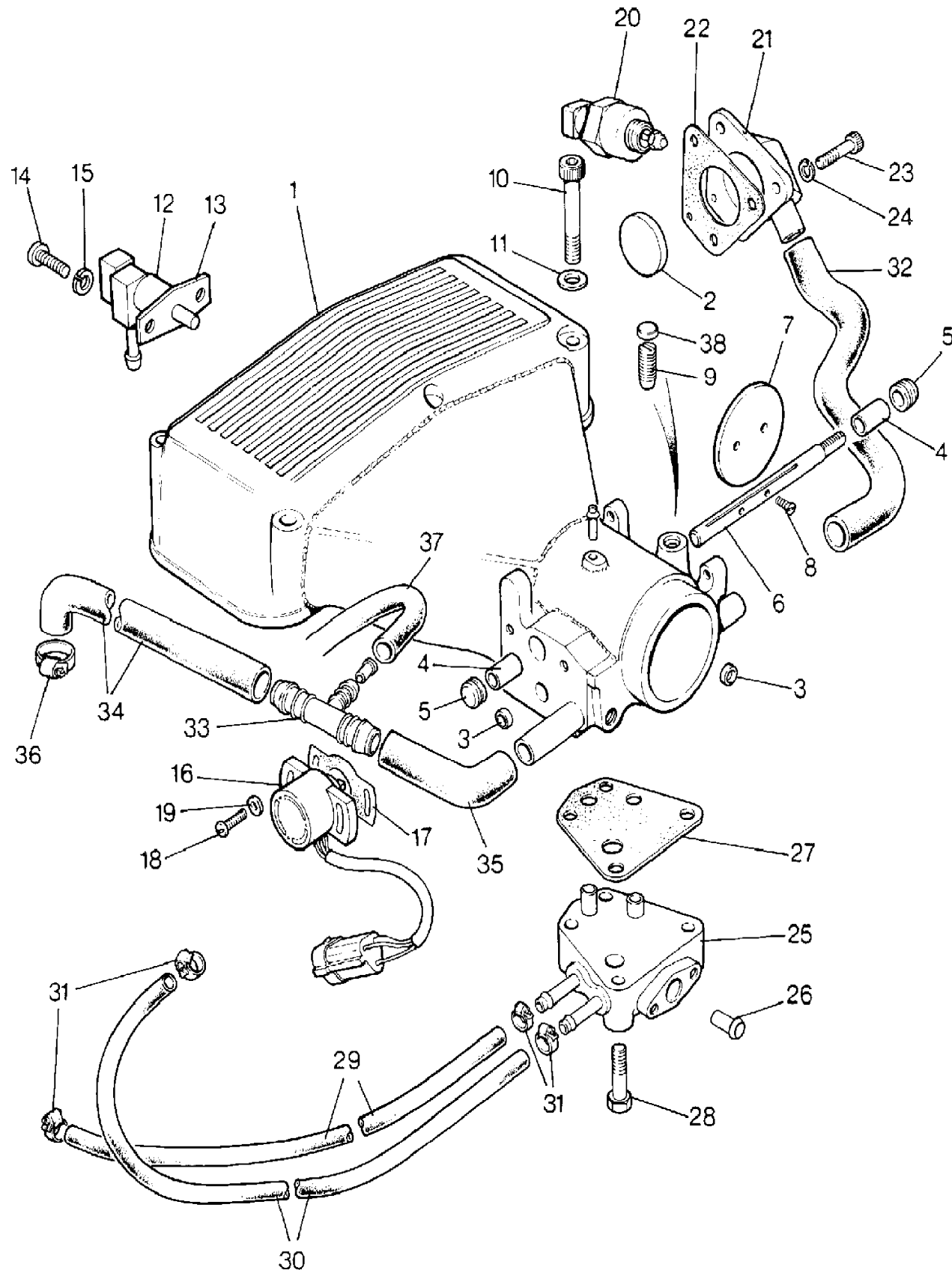
(TS6864)

Range Rover (To HA610293)

Engine
V8 Petrol - EFI
Plenum Chamber

Petrol V8 L/R EFI

Callout	Name	Application	Remarks & Restrictions	Service No.	Qty
20	Motor-multi point injection stepping	V8 EFI Petrol		ETC6660	1
21	Connector-inlet manifold adaptor	V8 EFI Petrol	1 outlet	ETC6214	1
22	Gasket-idler control-plenum chamber	V8 EFI Petrol		ETC6206	1
23	Screw-hexagon socket	V8 EFI Petrol	5/16UNC x 3/4	SS505061L	3
24	Washer-Spring	V8 EFI Petrol	5/16"	WM600051L	3
25	Cover assembly-water jacket	V8 EFI Petrol, (-)"CDN/MEX/USA" (+)"CDN/MEX/USA"		ERR1262 ERC9139	1 1
27	Gasket-water jacket to plenum chamber	V8 EFI Petrol		ETC7353	1
28	Bolt	V8 EFI Petrol	1/4UNC x 1 3/8	BH504111L	1
29	Hose-manifold	V8 EFI Petrol		ERC8598	1
30	Hose.	3.5L V8 EFI Petrol, (-)"CDN/MEX/USA" 3.9L V8 EFI Petrol (+)"CDN/MEX/USA"	Jacket/Water Outlet Jacket/Water Outlet Jacket/Water Outlet, Engine Code 31D	ERC6163 ERR330 ETC7371	1 1 1
31	Clip-Hose	V8 EFI Petrol		EAC32151	4
32	Hose-plenum chamber to starter motor housing	3.5L V8 EFI Petrol, (-)"CDN/MEX/USA" 3.9L V8 EFI Petrol (+)"CDN/MEX/USA"	Engine Code 31D	ETC6209 ETC7874 ETC6209L	1 1 1
33	Tee piece assembly-restrictor	V8 EFI Petrol		ETC6374	1
34	Hose-flame trap t piece-plenum chamber	V8 EFI Petrol		ETC6370	1
35	Hose-flame trap t piece-plenum chamber	V8 EFI Petrol		ETC6371	1
36	Clip	V8 EFI Petrol		EAC22723	3
37	Hose-valve to tank to pipe assembly coolant	V8 EFI Petrol		ERC9218	1



Engine
V8 Petrol - EFI
Plenum Chamber 5/5

Range Rover (To HA610293)

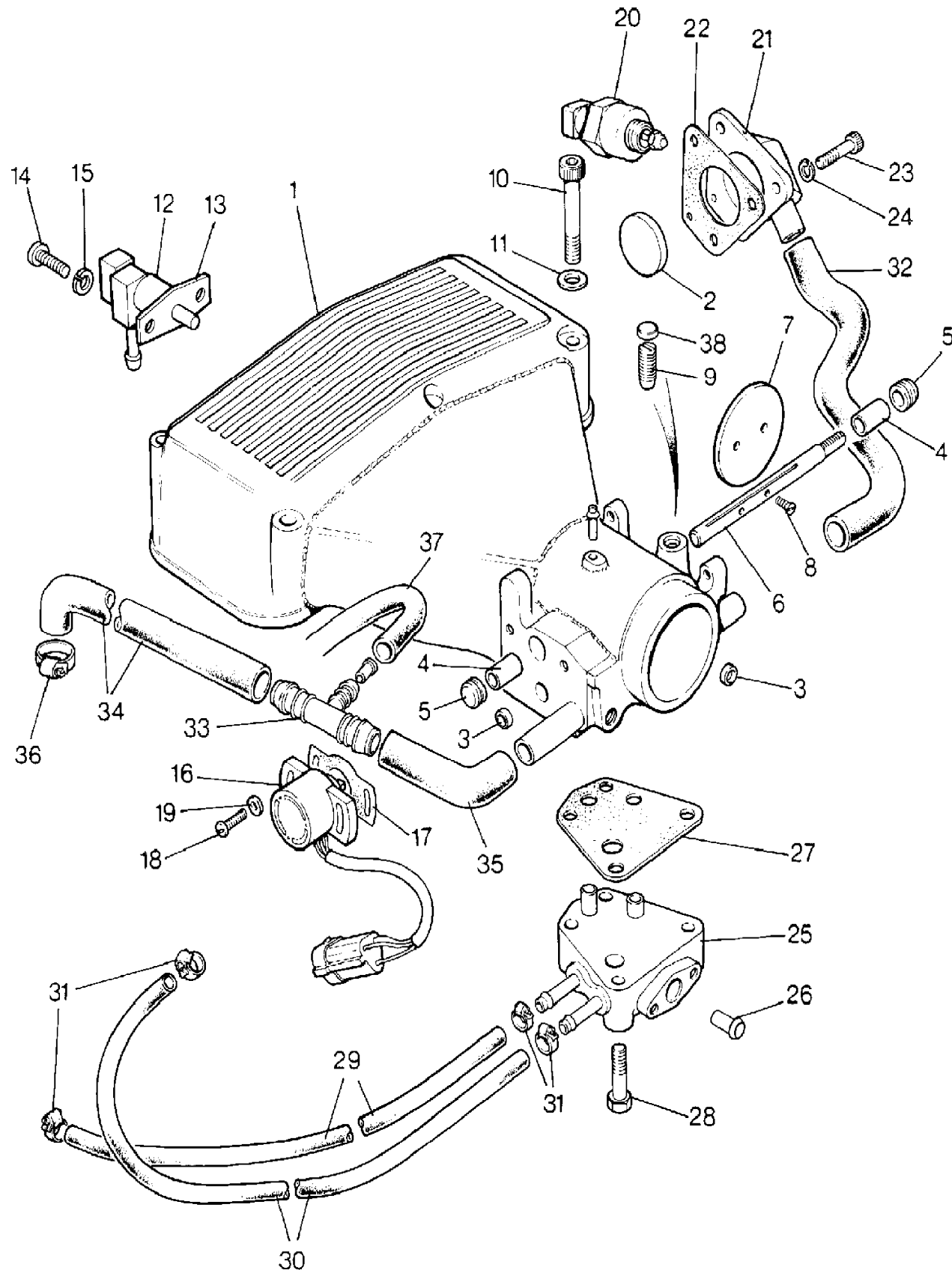
(TS6864)

Engine
V8 Petrol - EFI
Plenum Chamber

Range Rover (To HA610293)

Petrol V8 L/R EFI

Callout	Name	Application	Remarks & Restrictions	Service No.	Qty
38	Cap-tamperproof	3.9L V8 EFI Petrol V8 EFI Petrol	Also serviced as part of a kit	ETC6874 ETC6874	1 1
[901]	Hose - Vacuum	(+)"CDN/MEX/USA"	Delay Valve	ETC7306	1
[902]	Valve Assy - Vacuum Delay Control	(+)"CDN/MEX/USA"		ERC6997	1
[903]	Clip	(+)"CDN/MEX/USA"	Delay Valve	ETC7181	X
[904]	Hose - Vacuum	(+)"CDN/MEX/USA"	Vacuum Unit	ETC7325	1



Engine
V8 Petrol - EFI
Plenum Hoses 1/1

Range Rover (To HA610293)

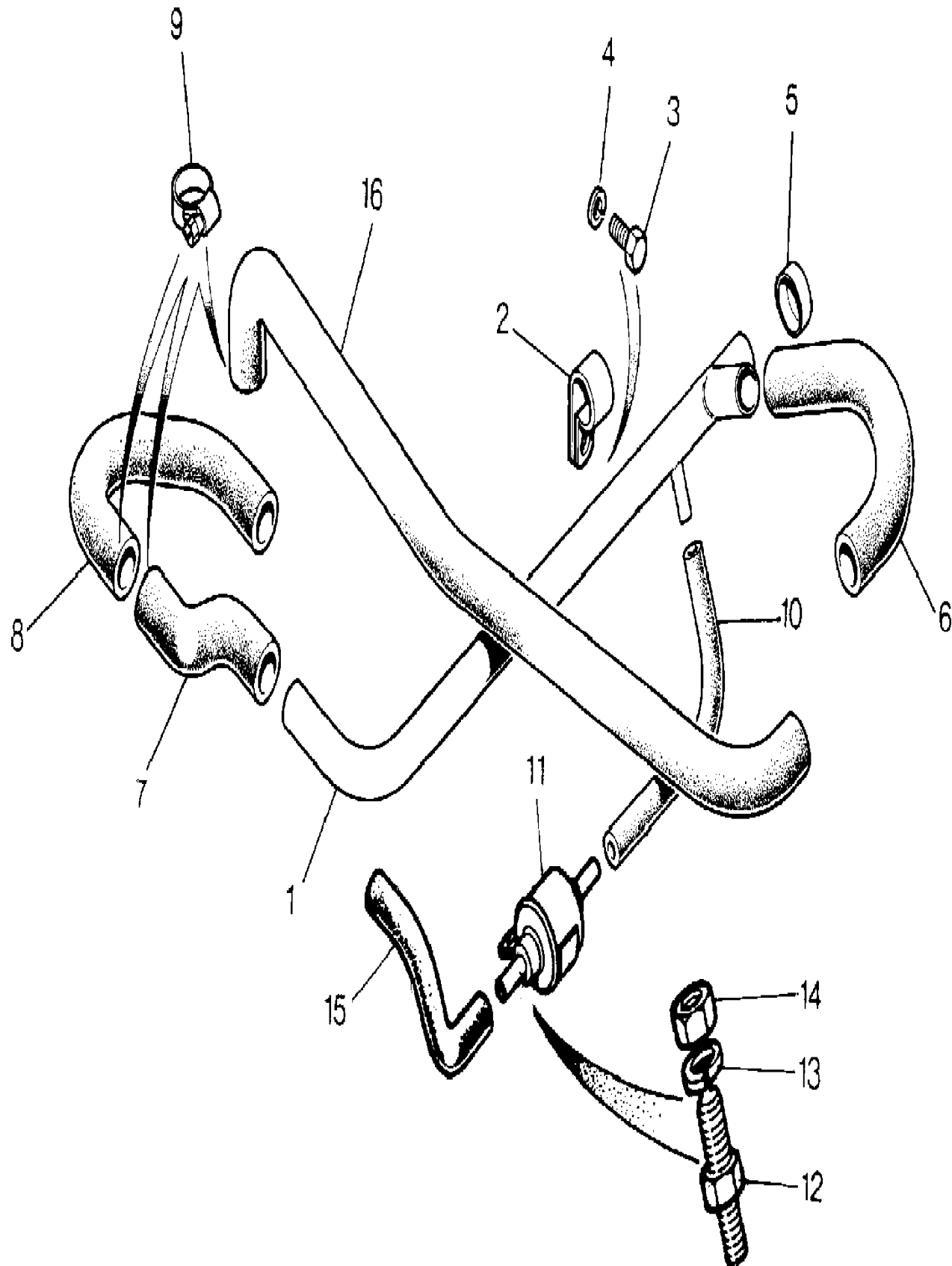
(TS5588A)

Range Rover (To HA610293)

Engine
V8 Petrol - EFI
Plenum Hoses

Petrol V8 L/R EFI

Callout	Name	Application	Remarks & Restrictions	Service No.	Qty
1	Pipe-plenum chamber breather	V8 EFI Petrol, Less Air Conditioning V8 EFI Petrol, With Air Conditioning		ERC9114 ERC9187	1 1
2	Clip	V8 EFI Petrol	fixing pipe	ERC3853	2
3	Screw	V8 EFI Petrol	fixing clip to pipe, M6 X 12, hexagonal head	SH106121L	2
4	Washer	V8 EFI Petrol	fixing clip to pipe, M6, sprung	WL106001L	2
5	Plug-cup	V8 EFI Petrol		602289	1
6	Hose-plenum	V8 EFI Petrol		ERC9115	1
7	Hose-pipe valve	V8 EFI Petrol		ERC9118	1
8	Hose-plenum	V8 EFI Petrol		ERC9117	1
9	Clip-hose-worm drive	V8 EFI Petrol		EAC2272/3	3
10	Hose-pipe valve	V8 EFI Petrol, With Air Conditioning		ERC7508	1
11	Solenoid-control valve	V8 EFI Petrol, With Air Conditioning		ERC7536	1
12	Screw	V8 EFI Petrol	1/4UNC	ERC7538	1
13	Washer-Spring	V8 EFI Petrol	5/16"	WM600051L	1
14	Nut - Hex.	V8 EFI Petrol	hexagonal head, 5/16UNF	NH605041L	1
15	Hose-valve to tank to pipe assembly coolant	V8 EFI Petrol, With Air Conditioning		ERC9218	1
16	Hose-plenum	V8 EFI Petrol		ERC9116	1
[900]	T Piece	V8 EFI Petrol		ETC7442	1



Engine
V8 Petrol - EFI
Power Steering Pump & Mountings 1/2

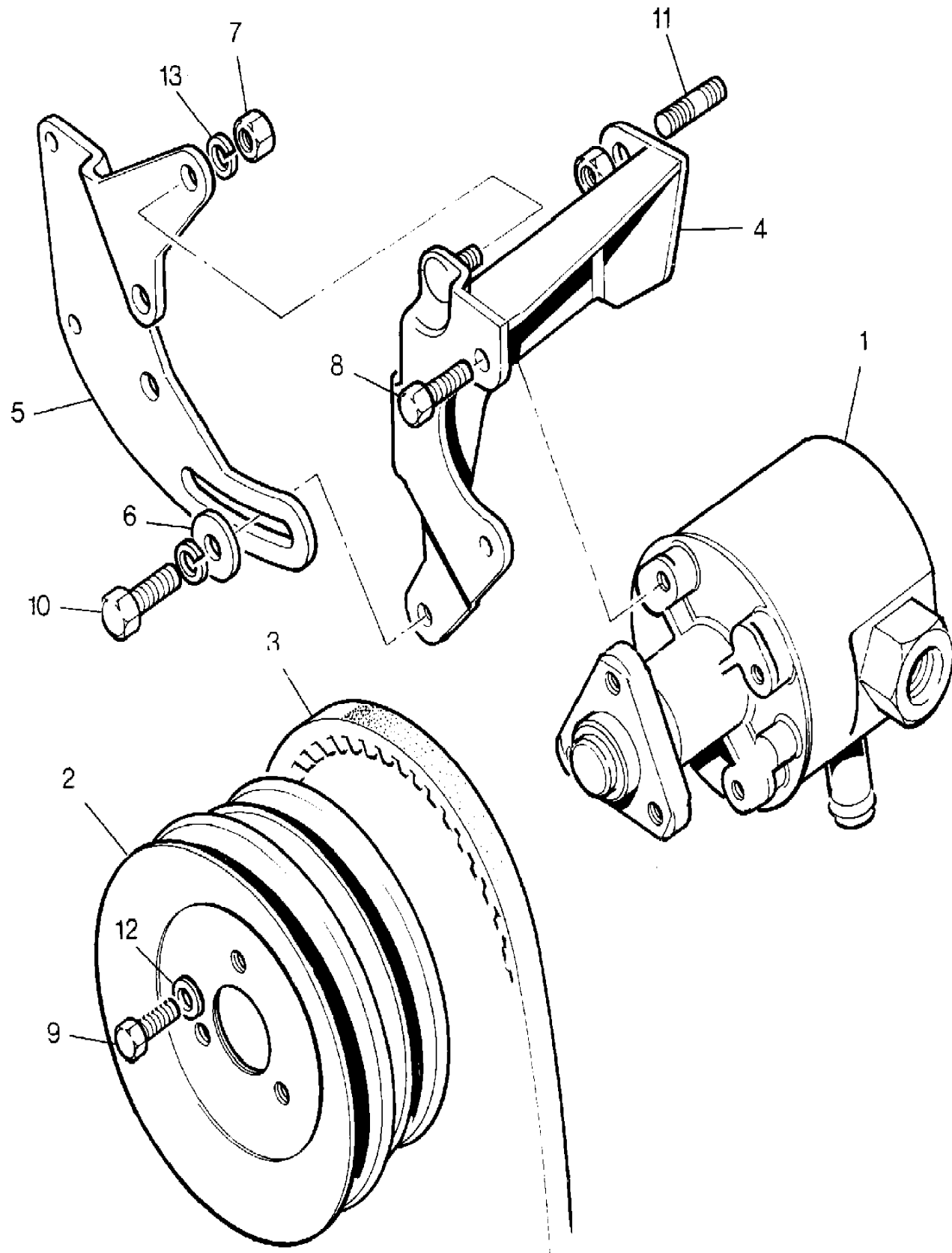
Range Rover (To HA610293)

(TS6296)

Range Rover (To HA610293)

Engine
V8 Petrol - EFI
Power Steering Pump & Mountings

Petrol V8 L/R EFI



Callout	Name	Application	Remarks & Restrictions	Service No.	Qty
1	Pump assembly power assisted steering	Change point - Engine begin NOV 89, Change point - Engine end, V8 EFI Petrol, (-)"CDN/MEX/USA"	Also serviced as part of a kit	ERR1104	1
		Change point - Engine begin SEP 90, V8 EFI Petrol, (-)"CDN/MEX/USA"	Also serviced as part of a kit, V belt drive	NTC8286	1
		Change point - Engine end NOV 89, V8 EFI Petrol (+)"CDN/MEX/USA"	Also serviced as part of a kit	ETC6496	1
		(+)"CDN/MEX/USA"	From VIN LA From Sept 1990	ERR1104 NTC8286	1 1
2	Pulley power assisted steering pump	V8 EFI Petrol	twin groove, A127 alternator	ETC6408	2
3	Belt-vee power assisted steering	V8 EFI Petrol		ERC675	1
4	Bracket-mounting power assisted steering pump	V8 EFI Petrol		ERR798	1
5	Link-power assisted steering pump adjusting	V8 EFI Petrol		ETC6607	1
6	Washer-Plain	V8 EFI Petrol		4478	1
7	Nut - Hex.	V8 EFI Petrol	M8, hexagonal head	NH108041L	1
8	Screw	V8 EFI Petrol	M6 X 16, hexagonal head	SH106161L	3
		V8 EFI Petrol	hexagonal head, M8 x 20	SH108201L	3
		V8 EFI Petrol	hexagonal head, 5/16UNC x 7/8	SH505071L	1
9	Screw	V8 EFI Petrol	M8 X 16, hexagonal head	SH108161L	3
10	Screw	V8 EFI Petrol	M8 x 25, hexagonal head	SH108251L	1
11	Stud	V8 EFI Petrol	3/8UNF x 1 1/8	TE506101L	1
12	Washer	V8 EFI Petrol	8MM	WA108051L	3
		V8 EFI Petrol	M8	WL600041L	8
13	Washer-Spring	V8 EFI Petrol	5/16"	WM600051L	1
[900]	Kit-power assisted steering pump seal	Change point - Engine end NOV 89, V8 EFI Petrol	Also serviced as part of a kit	RTC5935	1
		Change point - Engine begin NOV 89, Change point - Engine end, V8 EFI Petrol	Also serviced as part of a kit	STC1633	1

Engine
V8 Petrol - EFI
Power Steering Pump & Mountings 2/2

Range Rover (To HA610293)

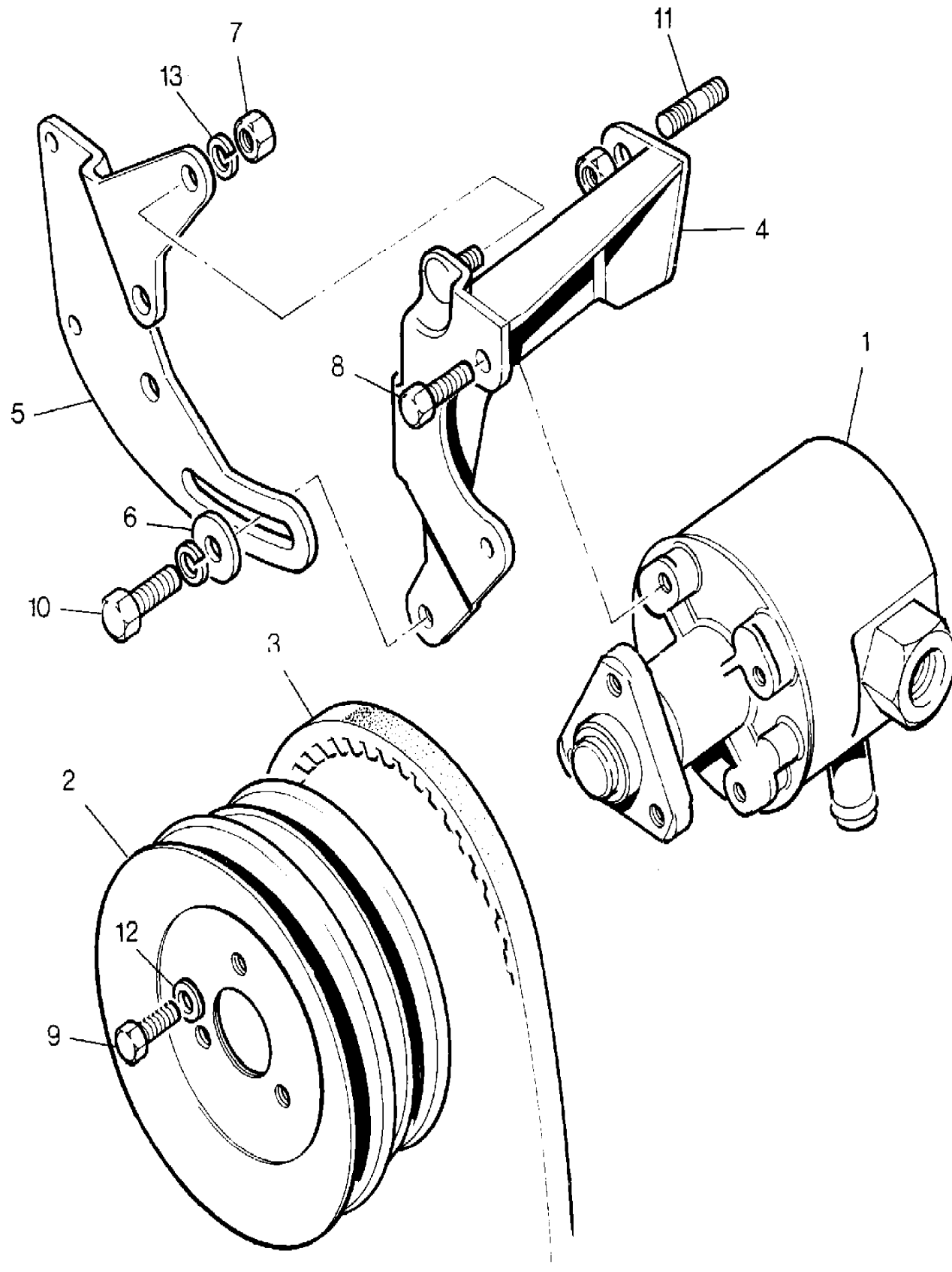
(TS6296)

Range Rover (To HA610293)

Engine
V8 Petrol - EFI
Power Steering Pump & Mountings

Petrol V8 L/R EFI

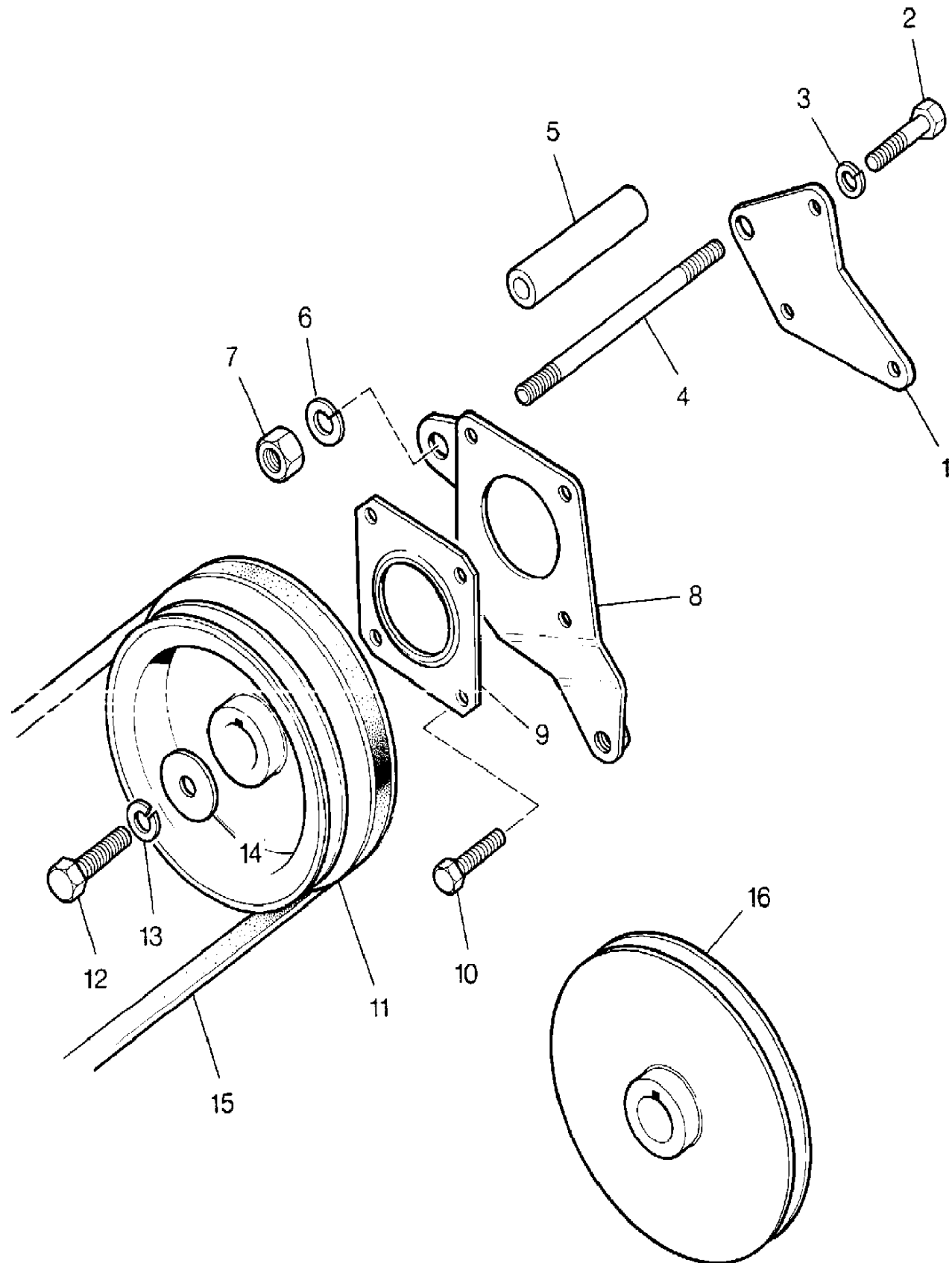
Callout	Name	Application	Remarks & Restrictions	Service No.	Qty		
[901]	O Ring	Change point - Engine begin NOV 89, Change point - Engine end, V8 EFI Petrol	Also serviced as part of a kit, Large	RTC6074	1		
		Change point - Engine begin NOV 89, Change point - Engine end, V8 EFI Petrol	Also serviced as part of a kit, Small	RTC6075	1		
		Change point - Engine begin SEP 90, V8 EFI Petrol	Also serviced as part of a kit, Large	RTC6074	1		
		Change point - Engine begin SEP 90, V8 EFI Petrol	Also serviced as part of a kit, Small	RTC6075	1		
		Change point - Engine end NOV 89, V8 EFI Petrol	Also serviced as part of a kit, Large	RTC6074	1		
		Change point - Engine end NOV 89, V8 EFI Petrol	Also serviced as part of a kit, Small	RTC6075	1		
		[902]	Spacer	V8 EFI Petrol	Also serviced as part of a kit	RTC6760	1
		[903]	Bolt	V8 EFI Petrol	hexagonal head, 5/16UNF x 1 1/4	BH605101L	1
[904]	Nut - Hex.	V8 EFI Petrol	hexagonal head, 3/8UNF	NH606041L	1		



Engine
V8 Petrol - EFI
Power Steering Pump Mounting 1/1

Range Rover (To HA610293)

(TS5752)



Range Rover (To HA610293)

Engine
V8 Petrol - EFI
Power Steering Pump Mounting

Petrol V8 L/R EFI

Callout	Name	Application	Remarks & Restrictions	Service No.	Qty
1	Bracket-mounting power assisted steering pump	V8 EFI Petrol	Rear	603972	1
2	Screw	V8 EFI Petrol	hexagonal head, 1/4UNF x 3/4	SH604061L	3
3	Washer-Spring	V8 EFI Petrol	1/4 dia, Square	WM600041L	3
4	Stud	V8 EFI Petrol		610789	1
5	Tube	V8 EFI Petrol		611215	1
6	Washer	V8 EFI Petrol	3/8", Square	WM600061L	1
7	Nut - Hex.	V8 EFI Petrol	hexagonal head, 3/8UNF	NH606041L	1
8	Bracket-mounting power assisted steering pump	V8 EFI Petrol, With Air Conditioning	Front	614743	1
		V8 EFI Petrol, Less Air Conditioning	Front	90611439	1
9	Retainer	V8 EFI Petrol		611212	1
10	Screw	V8 EFI Petrol	hexagonal head, 1/4UNF x 3/4	SH604061	4
11	Pulley power assisted steering pump	V8 EFI Petrol	twin groove	610792	1
12	Screw	V8 EFI Petrol	hexagonal head, 5/16UNC x 7/8	SH505071L	1
13	Washer-Spring	V8 EFI Petrol	5/16"	WM600051L	1
14	Spacer	V8 EFI Petrol		2217L	1
15	Belt-vee power assisted steering	V8 EFI Petrol	Less Alternatives	ERC675	1
		V8 EFI Petrol	Less Alternatives	614106	1
16	Pulley power assisted steering pump	V8 EFI Petrol		611379	1
[900]	Connector-inlet manifold adaptor	V8 EFI Petrol		ETC6233	1
[901]	Bracket	V8 EFI Petrol V8 EFI Petrol	Front	ETC9016 ETC5634	1 1

Engine
V8 Petrol - EFi
Power Steering Pump 1/1

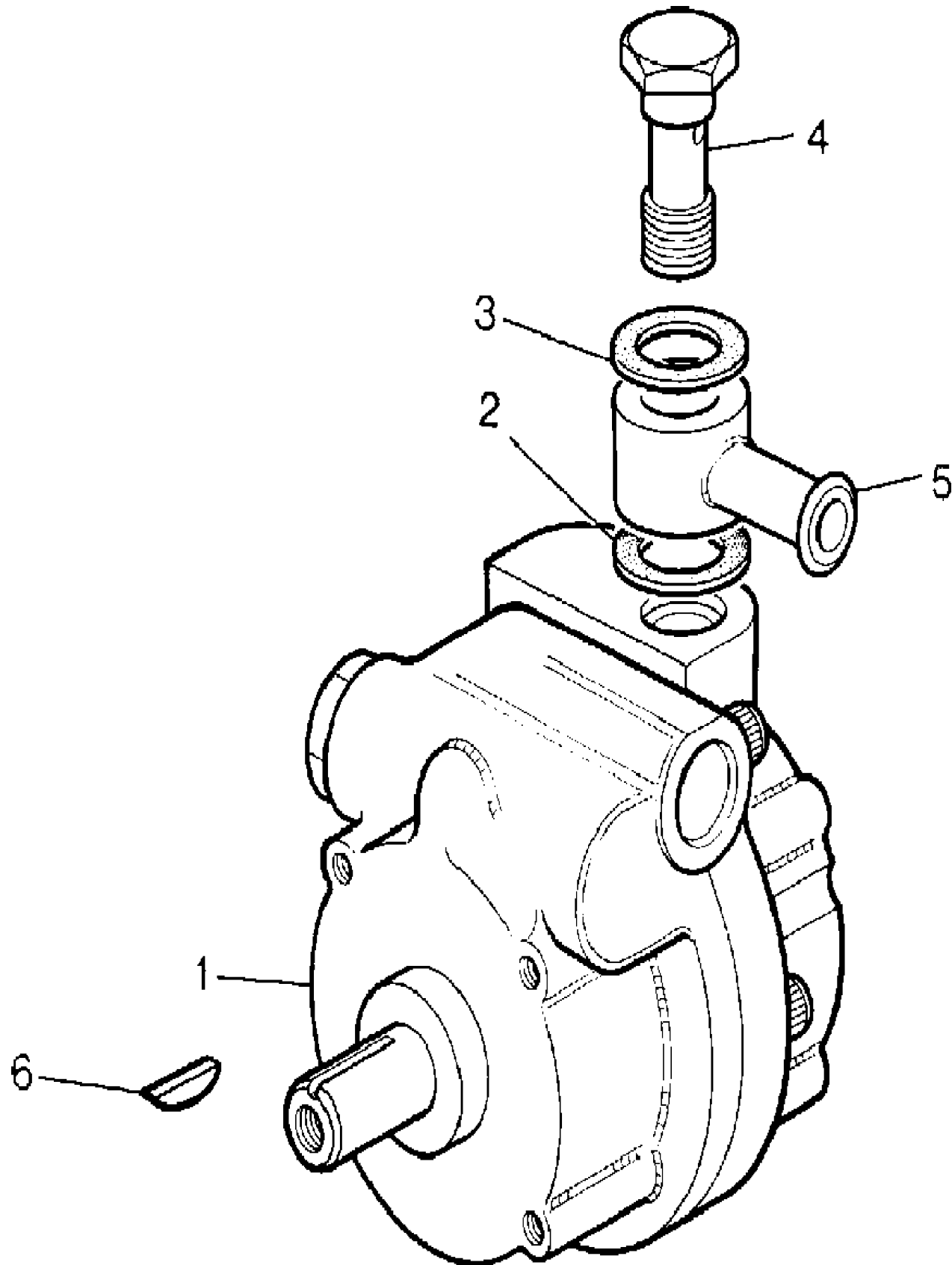
Range Rover (To HA610293)
(TS5751)

Range Rover (To HA610293)

Engine
V8 Petrol - EFi
Power Steering Pump

Petrol V8 L/R EFi

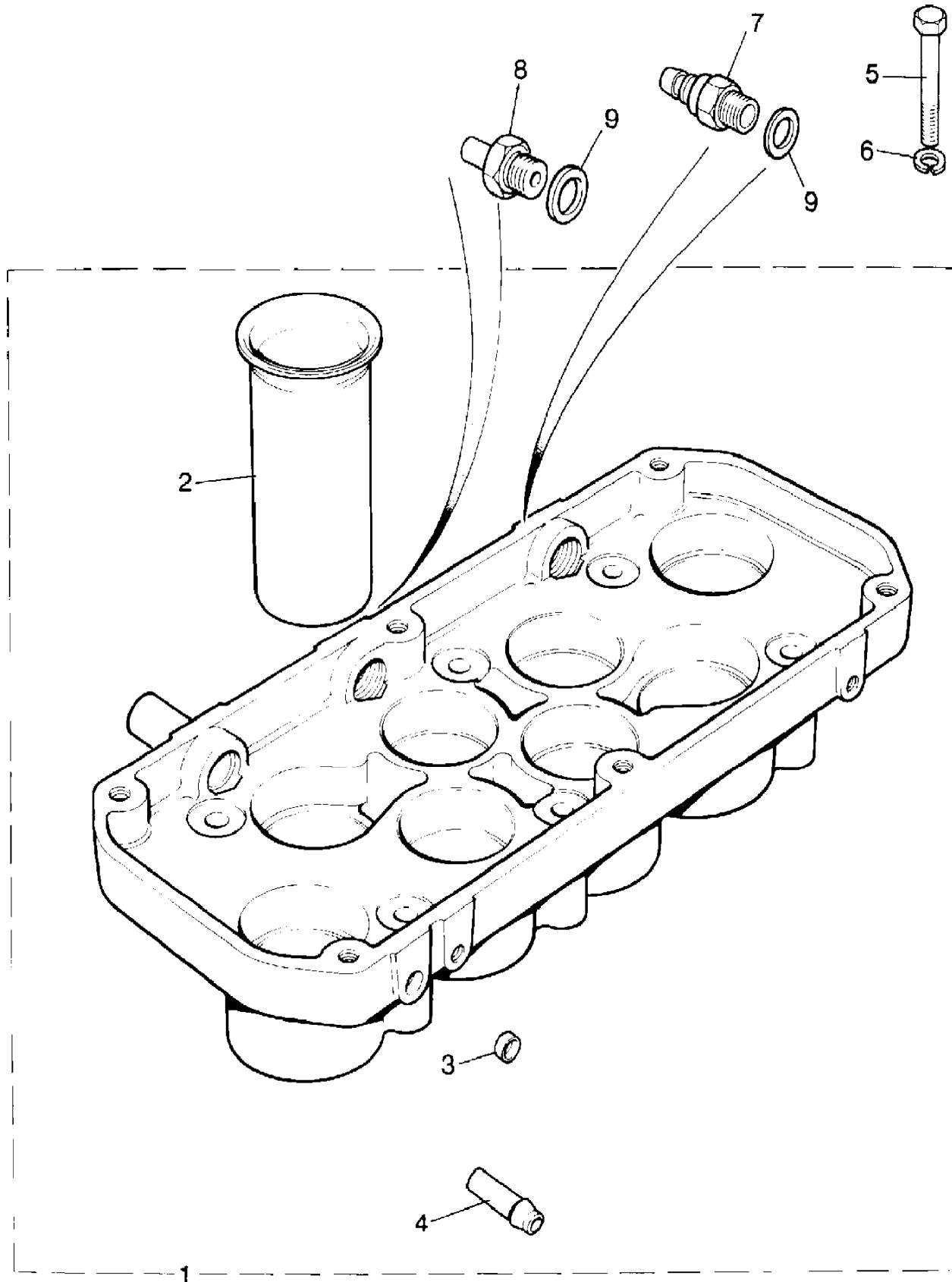
Callout	Name	Application	Remarks & Restrictions	Service No.	Qty
1	Pump sub assembly power assisted steering	Change point - Engine end 25D04774, V8 EFi Petrol		ETC5689	1
4	Screw adjust-tension adjustment power assisted steering pump belt	V8 EFi Petrol	for cover assembly power assisted steering	536382	1
5	Connector-inlet manifold adaptor	V8 EFi Petrol	for cover assembly power assisted steering	536381	1
6	Key	V8 EFi Petrol	pulley power steering pump	554880	1
[900]	Bearing-needle roller	V8 EFi Petrol		605181	1
[901]	Kit-gasket	V8 EFi Petrol	steering pump	ABU7145	1



Engine
V8 Petrol - EFI
Ram Pipes Housing-High Compression 1/10

Range Rover (To HA610293)

(TS6301)



Range Rover (To HA610293)

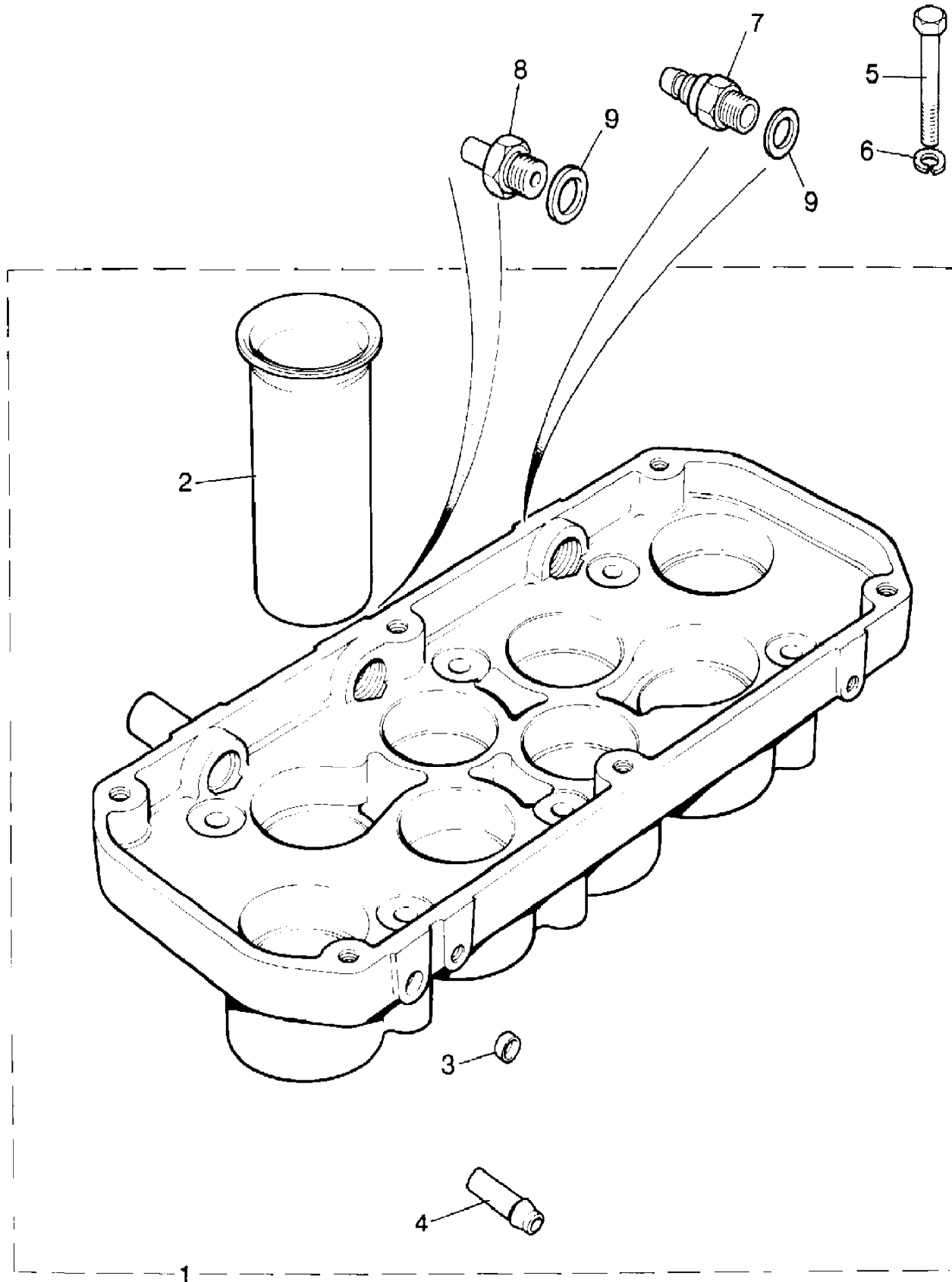
Engine
V8 Petrol - EFI
Ram Pipes Housing-High Compression
Petrol V8 L/R EFI

Callout	Name	Application	Remarks & Restrictions	Service No.	Qty
1	Housing-ram pipes	5 Speed Manual Transmission, Less Air Conditioning, Less Catalyst	24D, 25D, 35D, 36D, Also serviced as part of a kit, Engine Code 24D 3.5 V8 PI H/C Manual, Engine Code 25D 3.5 V8 Carb - Detox, Engine Code 35D 3.9 V8 EFI H/C Man, Engine Code 36D 3.9 V8 EFI H/C Auto	ERR1290	1
		4 Speed Automatic Transmissions, Less Air Conditioning, Less Catalyst	24D, 25D, 35D, 36D, Also serviced as part of a kit, Engine Code 24D 3.5 V8 PI H/C Manual, Engine Code 25D 3.5 V8 Carb - Detox, Engine Code 35D 3.9 V8 EFI H/C Man, Engine Code 36D 3.9 V8 EFI H/C Auto	ERR1290	1
		5 Speed Manual Transmission, Less Air Conditioning, With Catalyst	24D, 25D, 35D, 36D, Also serviced as part of a kit, Engine Code 24D 3.5 V8 PI H/C Manual, Engine Code 25D 3.5 V8 Carb - Detox, Engine Code 35D 3.9 V8 EFI H/C Man, Engine Code 36D 3.9 V8 EFI H/C Auto	ERR1290	1
		4 Speed Automatic Transmissions, Less Air Conditioning, With Catalyst	24D, 25D, 35D, 36D, Also serviced as part of a kit, Engine Code 24D 3.5 V8 PI H/C Manual, Engine Code 25D 3.5 V8 Carb - Detox, Engine Code 35D 3.9 V8 EFI H/C Man, Engine Code 36D 3.9 V8 EFI H/C Auto	ERR1290	1
		5 Speed Manual Transmission, Less Air Conditioning, Less Catalyst	24D, 25D, 35D, 36D, Also serviced as part of a kit, Engine Code 24D 3.5 V8 PI H/C Manual, Engine Code 25D 3.5 V8 Carb - Detox, Engine Code 35D 3.9 V8 EFI H/C Man, Engine Code 36D 3.9 V8 EFI H/C Auto	ERC9193	1
		4 Speed Automatic Transmissions, Less Air Conditioning, Less Catalyst	24D, 25D, 35D, 36D, Also serviced as part of a kit, Engine Code 24D 3.5 V8 PI H/C Manual, Engine Code 25D 3.5 V8 Carb - Detox, Engine Code 35D 3.9 V8 EFI H/C Man, Engine Code 36D 3.9 V8 EFI H/C Auto	ERC9193	1
		5 Speed Manual Transmission, Less Air Conditioning, With Catalyst	24D, 25D, 35D, 36D, Also serviced as part of a kit, Engine Code 24D 3.5 V8 PI H/C Manual, Engine Code 25D 3.5 V8 Carb - Detox, Engine Code 35D 3.9 V8 EFI H/C Man, Engine Code 36D 3.9 V8 EFI H/C Auto	ERC9193	1
		4 Speed Automatic Transmissions, Less Air Conditioning, With Catalyst	24D, 25D, 35D, 36D, Also serviced as part of a kit, Engine Code 24D 3.5 V8 PI H/C Manual, Engine Code 25D 3.5 V8 Carb - Detox, Engine Code 35D 3.9 V8 EFI H/C Man, Engine Code 36D 3.9 V8 EFI H/C Auto	ERC9193	1

Engine
V8 Petrol - EFI
Ram Pipes Housing-High Compression 2/10

Range Rover (To HA610293)

(TS6301)



Range Rover (To HA610293)

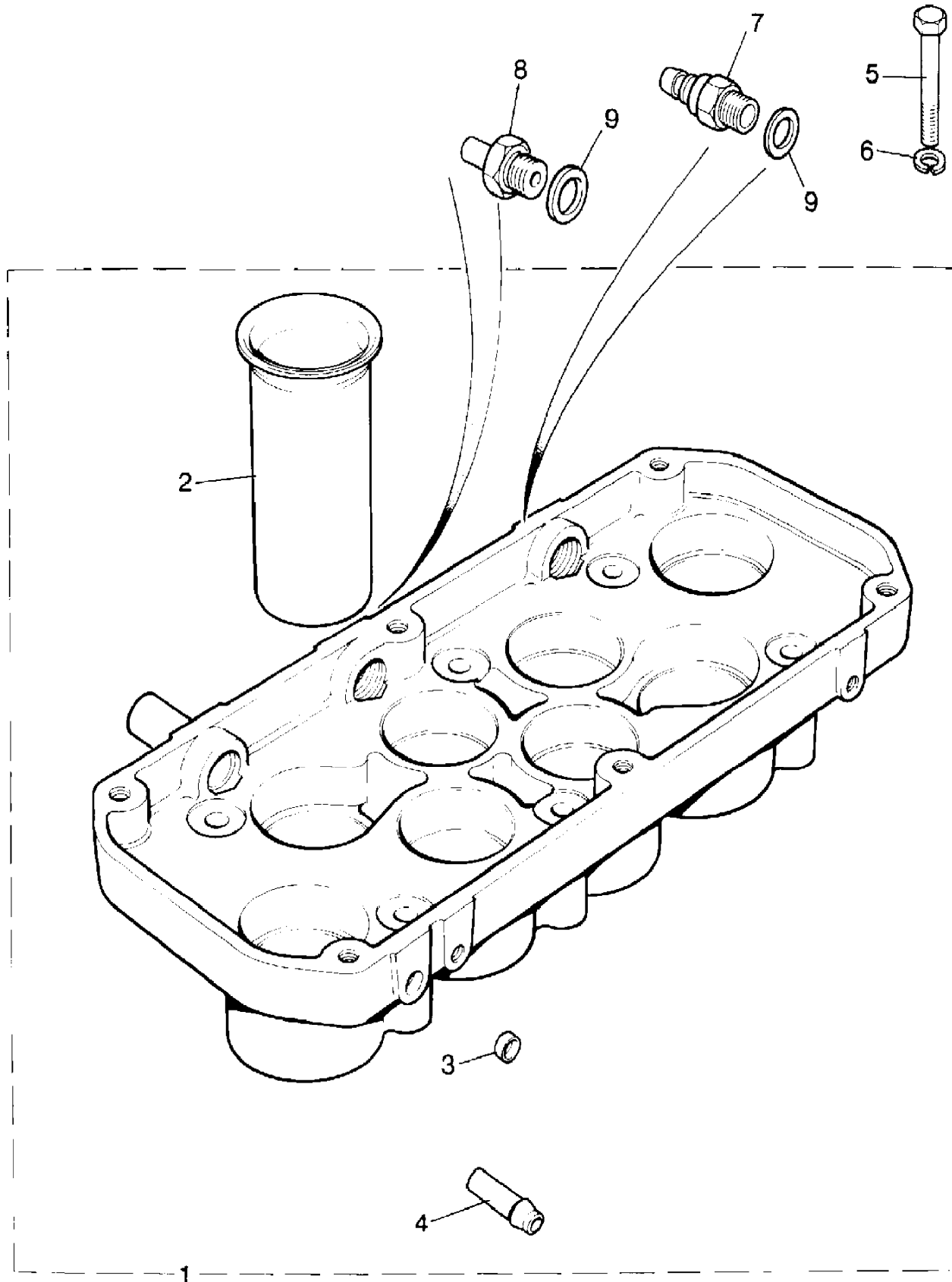
Engine
V8 Petrol - EFI
Ram Pipes Housing-High Compression
Petrol V8 L/R EFI

Callout	Name	Application	Remarks & Restrictions	Service No.	Qty
1	Housing-ram pipes	5 Speed Manual Transmission, With Air Conditioning, Less Catalyst	24D, 25D, 35D, 36D, Also serviced as part of a kit, Engine Code 24D 3.5 V8 PI H/C Manual, Engine Code 25D 3.5 V8 Carb - Detox, Engine Code 35D 3.9 V8 EFI H/C Man, Engine Code 36D 3.9 V8 EFI H/C Auto	ERC9196	1
		4 Speed Automatic Transmissions, With Air Conditioning, Less Catalyst	24D, 25D, 35D, 36D, Also serviced as part of a kit, Engine Code 24D 3.5 V8 PI H/C Manual, Engine Code 25D 3.5 V8 Carb - Detox, Engine Code 35D 3.9 V8 EFI H/C Man, Engine Code 36D 3.9 V8 EFI H/C Auto	ERC9196	1
		5 Speed Manual Transmission, With Air Conditioning, With Catalyst	24D, 25D, 35D, 36D, Also serviced as part of a kit, Engine Code 24D 3.5 V8 PI H/C Manual, Engine Code 25D 3.5 V8 Carb - Detox, Engine Code 35D 3.9 V8 EFI H/C Man, Engine Code 36D 3.9 V8 EFI H/C Auto	ERC9196	1
		4 Speed Automatic Transmissions, With Air Conditioning, With Catalyst	24D, 25D, 35D, 36D, Also serviced as part of a kit, Engine Code 24D 3.5 V8 PI H/C Manual, Engine Code 25D 3.5 V8 Carb - Detox, Engine Code 35D 3.9 V8 EFI H/C Man, Engine Code 36D 3.9 V8 EFI H/C Auto	ERC9196	1
2	Pipe-ram	5 Speed Manual Transmission, Less Air Conditioning, Less Catalyst	24D, 25D, 35D, 36D, Also serviced as part of a kit, Engine Code 24D 3.5 V8 PI H/C Manual, Engine Code 25D 3.5 V8 Carb - Detox, Engine Code 35D 3.9 V8 EFI H/C Man, Engine Code 36D 3.9 V8 EFI H/C Auto	ERC9110	8
		5 Speed Manual Transmission, Less Air Conditioning, With Catalyst	24D, 25D, 35D, 36D, Also serviced as part of a kit, Engine Code 24D 3.5 V8 PI H/C Manual, Engine Code 25D 3.5 V8 Carb - Detox, Engine Code 35D 3.9 V8 EFI H/C Man, Engine Code 36D 3.9 V8 EFI H/C Auto	ERC9110	8
		4 Speed Automatic Transmissions, Less Air Conditioning, Less Catalyst	24D, 25D, 35D, 36D, Also serviced as part of a kit, Engine Code 24D 3.5 V8 PI H/C Manual, Engine Code 25D 3.5 V8 Carb - Detox, Engine Code 35D 3.9 V8 EFI H/C Man, Engine Code 36D 3.9 V8 EFI H/C Auto	ERC9110	8

Engine
V8 Petrol - EFI
Ram Pipes Housing-High Compression 3/10

Range Rover (To HA610293)

(TS6301)



Range Rover (To HA610293)

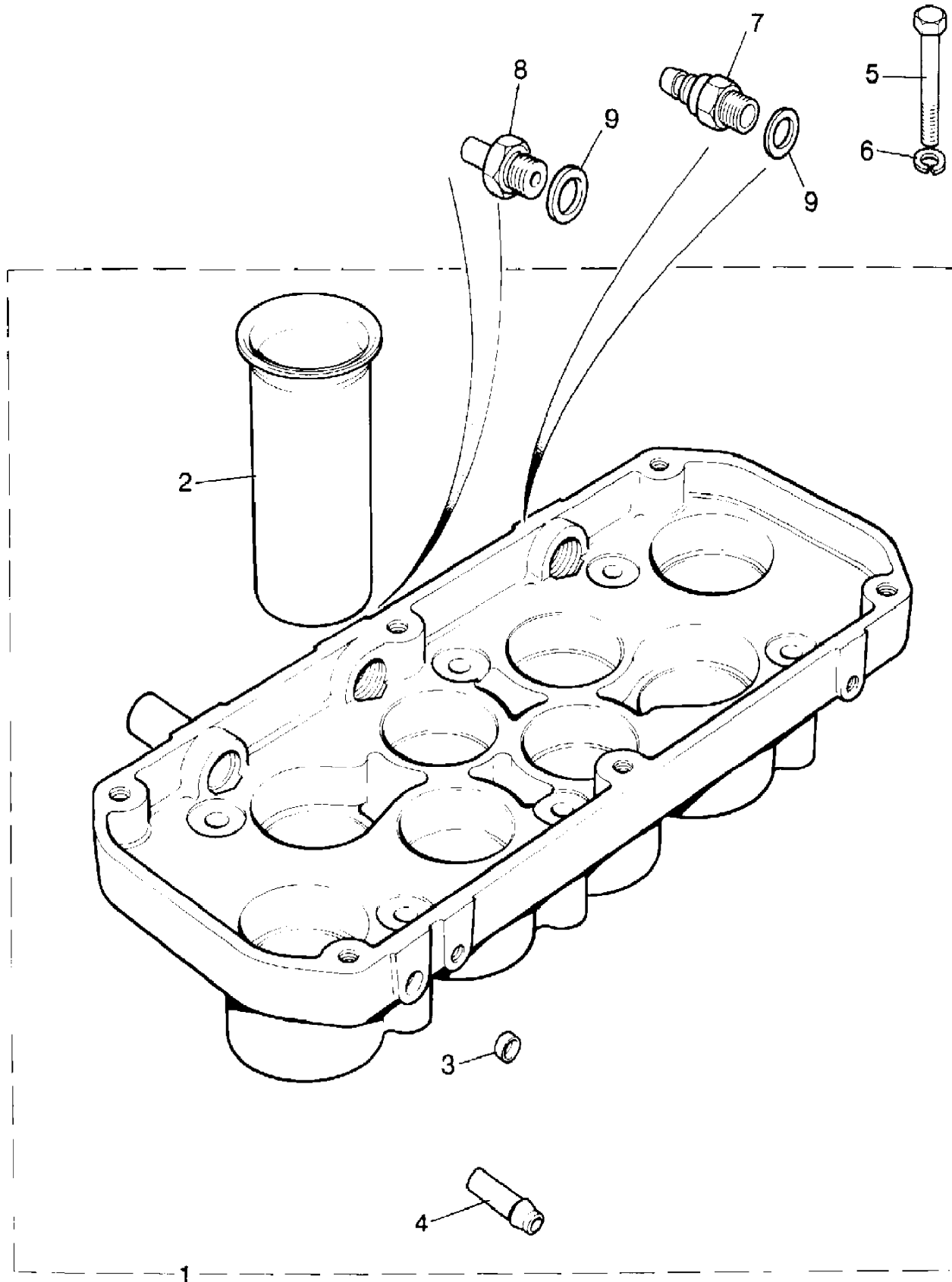
Engine
V8 Petrol - EFI
Ram Pipes Housing-High Compression
Petrol V8 L/R EFI

Callout	Name	Application	Remarks & Restrictions	Service No.	Qty
2	Pipe-ram	4 Speed Automatic Transmissions, Less Air Conditioning, With Catalyst	24D, 25D, 35D, 36D, Also serviced as part of a kit, Engine Code 24D 3.5 V8 PI H/C Manual, Engine Code 25D 3.5 V8 Carb - Detox, Engine Code 35D 3.9 V8 EFI H/C Man, Engine Code 36D 3.9 V8 EFI H/C Auto	ERC9110	8
		5 Speed Manual Transmission, With Air Conditioning, Less Catalyst	24D, 25D, 35D, 36D, Also serviced as part of a kit, Engine Code 24D 3.5 V8 PI H/C Manual, Engine Code 25D 3.5 V8 Carb - Detox, Engine Code 35D 3.9 V8 EFI H/C Man, Engine Code 36D 3.9 V8 EFI H/C Auto	ERC9110	8
		5 Speed Manual Transmission, With Air Conditioning, With Catalyst	24D, 25D, 35D, 36D, Also serviced as part of a kit, Engine Code 24D 3.5 V8 PI H/C Manual, Engine Code 25D 3.5 V8 Carb - Detox, Engine Code 35D 3.9 V8 EFI H/C Man, Engine Code 36D 3.9 V8 EFI H/C Auto	ERC9110	8
		4 Speed Automatic Transmissions, With Air Conditioning, Less Catalyst	24D, 25D, 35D, 36D, Also serviced as part of a kit, Engine Code 24D 3.5 V8 PI H/C Manual, Engine Code 25D 3.5 V8 Carb - Detox, Engine Code 35D 3.9 V8 EFI H/C Man, Engine Code 36D 3.9 V8 EFI H/C Auto	ERC9110	8
		4 Speed Automatic Transmissions, With Air Conditioning, With Catalyst	24D, 25D, 35D, 36D, Also serviced as part of a kit, Engine Code 24D 3.5 V8 PI H/C Manual, Engine Code 25D 3.5 V8 Carb - Detox, Engine Code 35D 3.9 V8 EFI H/C Man, Engine Code 36D 3.9 V8 EFI H/C Auto	ERC9110	8
		3	Plug-cup	5 Speed Manual Transmission, Less Air Conditioning, Less Catalyst	24D, 25D, 35D, 36D, Also serviced as part of a kit, Engine Code 24D 3.5 V8 PI H/C Manual, Engine Code 25D 3.5 V8 Carb - Detox, Engine Code 35D 3.9 V8 EFI H/C Man, Engine Code 36D 3.9 V8 EFI H/C Auto
		5 Speed Manual Transmission, Less Air Conditioning, With Catalyst	24D, 25D, 35D, 36D, Also serviced as part of a kit, Engine Code 24D 3.5 V8 PI H/C Manual, Engine Code 25D 3.5 V8 Carb - Detox, Engine Code 35D 3.9 V8 EFI H/C Man, Engine Code 36D 3.9 V8 EFI H/C Auto	ERC255	1

Engine
V8 Petrol - EFI
Ram Pipes Housing-High Compression 4/10

Range Rover (To HA610293)

(TS6301)



Range Rover (To HA610293)

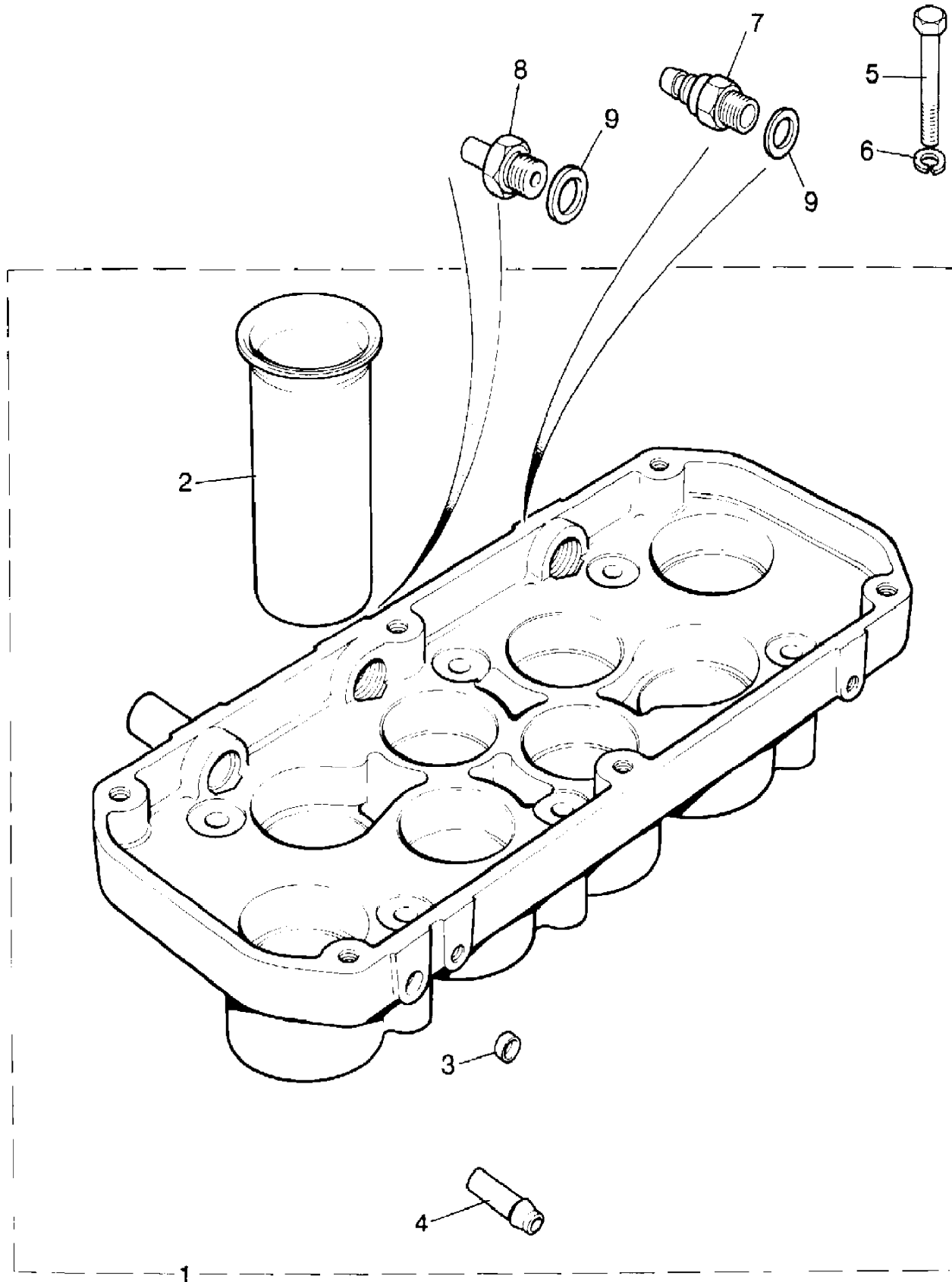
Engine
V8 Petrol - EFI
Ram Pipes Housing-High Compression
Petrol V8 L/R EFI

Callout	Name	Application	Remarks & Restrictions	Service No.	Qty
3	Plug-cup	4 Speed Automatic Transmissions, Less Air Conditioning, Less Catalyst	24D, 25D, 35D, 36D, Also serviced as part of a kit, Engine Code 24D 3.5 V8 PI H/C Manual, Engine Code 25D 3.5 V8 Carb - Detox, Engine Code 35D 3.9 V8 EFI H/C Man, Engine Code 36D 3.9 V8 EFI H/C Auto	ERC255	1
		4 Speed Automatic Transmissions, Less Air Conditioning, With Catalyst	24D, 25D, 35D, 36D, Also serviced as part of a kit, Engine Code 24D 3.5 V8 PI H/C Manual, Engine Code 25D 3.5 V8 Carb - Detox, Engine Code 35D 3.9 V8 EFI H/C Man, Engine Code 36D 3.9 V8 EFI H/C Auto	ERC255	1
		5 Speed Manual Transmission, With Air Conditioning, Less Catalyst	24D, 25D, 35D, 36D, Also serviced as part of a kit, Engine Code 24D 3.5 V8 PI H/C Manual, Engine Code 25D 3.5 V8 Carb - Detox, Engine Code 35D 3.9 V8 EFI H/C Man, Engine Code 36D 3.9 V8 EFI H/C Auto	ERC255	1
		5 Speed Manual Transmission, With Air Conditioning, With Catalyst	24D, 25D, 35D, 36D, Also serviced as part of a kit, Engine Code 24D 3.5 V8 PI H/C Manual, Engine Code 25D 3.5 V8 Carb - Detox, Engine Code 35D 3.9 V8 EFI H/C Man, Engine Code 36D 3.9 V8 EFI H/C Auto	ERC255	1
		4 Speed Automatic Transmissions, With Air Conditioning, Less Catalyst	24D, 25D, 35D, 36D, Also serviced as part of a kit, Engine Code 24D 3.5 V8 PI H/C Manual, Engine Code 25D 3.5 V8 Carb - Detox, Engine Code 35D 3.9 V8 EFI H/C Man, Engine Code 36D 3.9 V8 EFI H/C Auto	ERC255	1
		4 Speed Automatic Transmissions, With Air Conditioning, With Catalyst	24D, 25D, 35D, 36D, Also serviced as part of a kit, Engine Code 24D 3.5 V8 PI H/C Manual, Engine Code 25D 3.5 V8 Carb - Detox, Engine Code 35D 3.9 V8 EFI H/C Man, Engine Code 36D 3.9 V8 EFI H/C Auto	ERC255	1
		5 Speed Manual Transmission, Less Air Conditioning, Less Catalyst	24D, 25D, 35D, 36D, Also serviced as part of a kit, Engine Code 24D 3.5 V8 PI H/C Manual, Engine Code 25D 3.5 V8 Carb - Detox, Engine Code 35D 3.9 V8 EFI H/C Man, Engine Code 36D 3.9 V8 EFI H/C Auto	ERC377L	1
4	Pipe induction system	5 Speed Manual Transmission, Less Air Conditioning, Less Catalyst	24D, 25D, 35D, 36D, Also serviced as part of a kit, Engine Code 24D 3.5 V8 PI H/C Manual, Engine Code 25D 3.5 V8 Carb - Detox, Engine Code 35D 3.9 V8 EFI H/C Man, Engine Code 36D 3.9 V8 EFI H/C Auto	ERC377L	1

Engine
V8 Petrol - EFI
Ram Pipes Housing-High Compression 5/10

Range Rover (To HA610293)

(TS6301)



Range Rover (To HA610293)

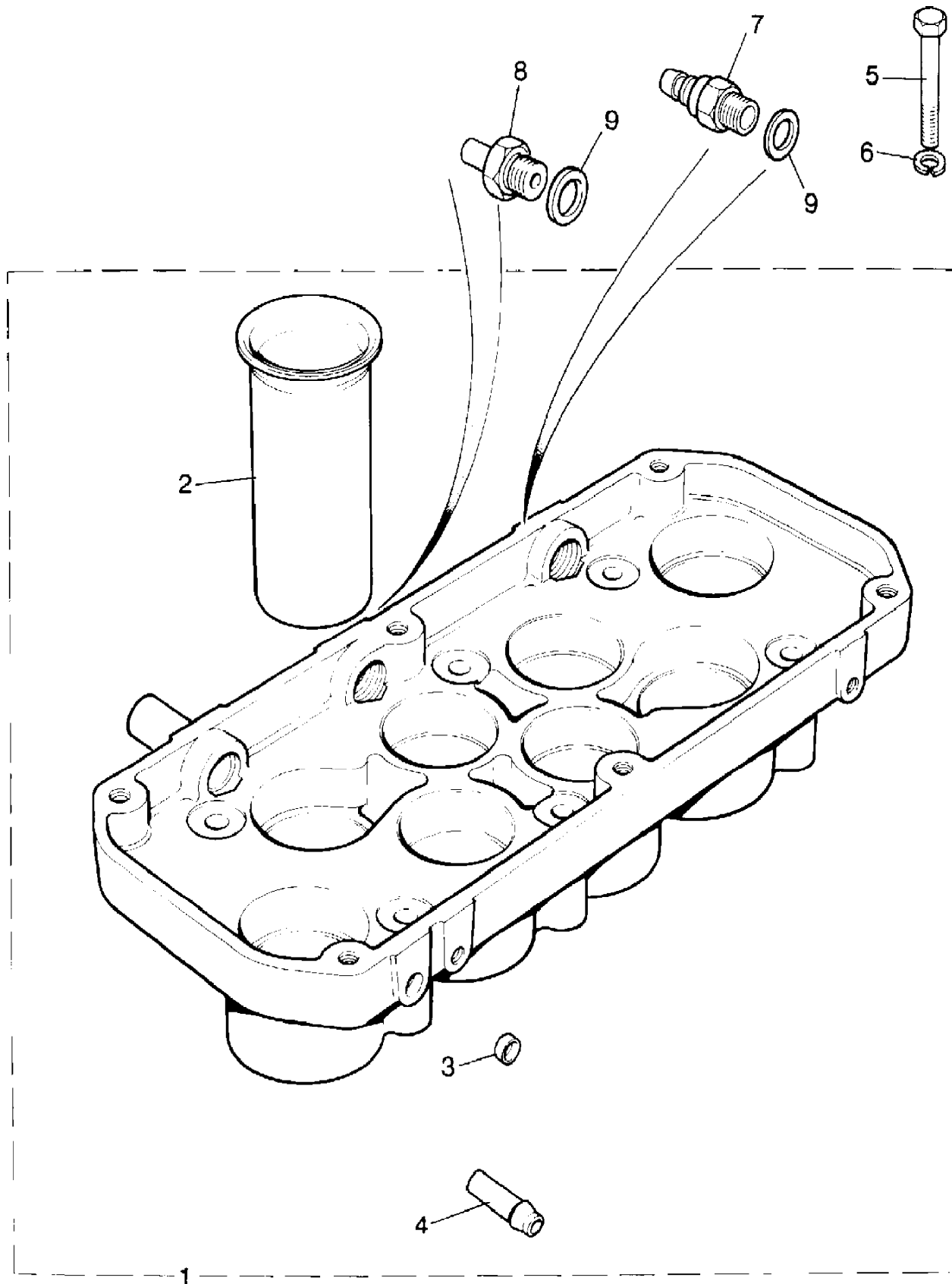
Engine
V8 Petrol - EFI
Ram Pipes Housing-High Compression
Petrol V8 L/R EFI

Callout	Name	Application	Remarks & Restrictions	Service No.	Qty
4	Pipe induction system	5 Speed Manual Transmission, Less Air Conditioning, With Catalyst	24D, 25D, 35D, 36D, Also serviced as part of a kit, Engine Code 24D 3.5 V8 PI H/C Manual, Engine Code 25D 3.5 V8 Carb - Detox, Engine Code 35D 3.9 V8 EFI H/C Man, Engine Code 36D 3.9 V8 EFI H/C Auto	ERC377L	1
		4 Speed Automatic Transmissions, Less Air Conditioning, Less Catalyst	24D, 25D, 35D, 36D, Also serviced as part of a kit, Engine Code 24D 3.5 V8 PI H/C Manual, Engine Code 25D 3.5 V8 Carb - Detox, Engine Code 35D 3.9 V8 EFI H/C Man, Engine Code 36D 3.9 V8 EFI H/C Auto	ERC377L	1
		4 Speed Automatic Transmissions, Less Air Conditioning, With Catalyst	24D, 25D, 35D, 36D, Also serviced as part of a kit, Engine Code 24D 3.5 V8 PI H/C Manual, Engine Code 25D 3.5 V8 Carb - Detox, Engine Code 35D 3.9 V8 EFI H/C Man, Engine Code 36D 3.9 V8 EFI H/C Auto	ERC377L	1
		5 Speed Manual Transmission, Less Air Conditioning, Less Catalyst	24D, 25D, 35D, 36D, Also serviced as part of a kit, Engine Code 24D 3.5 V8 PI H/C Manual, Engine Code 25D 3.5 V8 Carb - Detox, Engine Code 35D 3.9 V8 EFI H/C Man, Engine Code 36D 3.9 V8 EFI H/C Auto	603224	1
		5 Speed Manual Transmission, Less Air Conditioning, With Catalyst	24D, 25D, 35D, 36D, Also serviced as part of a kit, Engine Code 24D 3.5 V8 PI H/C Manual, Engine Code 25D 3.5 V8 Carb - Detox, Engine Code 35D 3.9 V8 EFI H/C Man, Engine Code 36D 3.9 V8 EFI H/C Auto	603224	1
		4 Speed Automatic Transmissions, Less Air Conditioning, Less Catalyst	24D, 25D, 35D, 36D, Also serviced as part of a kit, Engine Code 24D 3.5 V8 PI H/C Manual, Engine Code 25D 3.5 V8 Carb - Detox, Engine Code 35D 3.9 V8 EFI H/C Man, Engine Code 36D 3.9 V8 EFI H/C Auto	603224	1
		4 Speed Automatic Transmissions, Less Air Conditioning, With Catalyst	24D, 25D, 35D, 36D, Also serviced as part of a kit, Engine Code 24D 3.5 V8 PI H/C Manual, Engine Code 25D 3.5 V8 Carb - Detox, Engine Code 35D 3.9 V8 EFI H/C Man, Engine Code 36D 3.9 V8 EFI H/C Auto	603224	1
		5 Speed Manual Transmission, Less Air Conditioning, Less Catalyst	24D, 25D, 35D, 36D, Also serviced as part of a kit, Engine Code 24D 3.5 V8 PI H/C Manual, Engine Code 25D 3.5 V8 Carb - Detox, Engine Code 35D 3.9 V8 EFI H/C Man, Engine Code 36D 3.9 V8 EFI H/C Auto	ERC377	1

Engine
V8 Petrol - EFI
Ram Pipes Housing-High Compression 6/10

Range Rover (To HA610293)

(TS6301)



Range Rover (To HA610293)

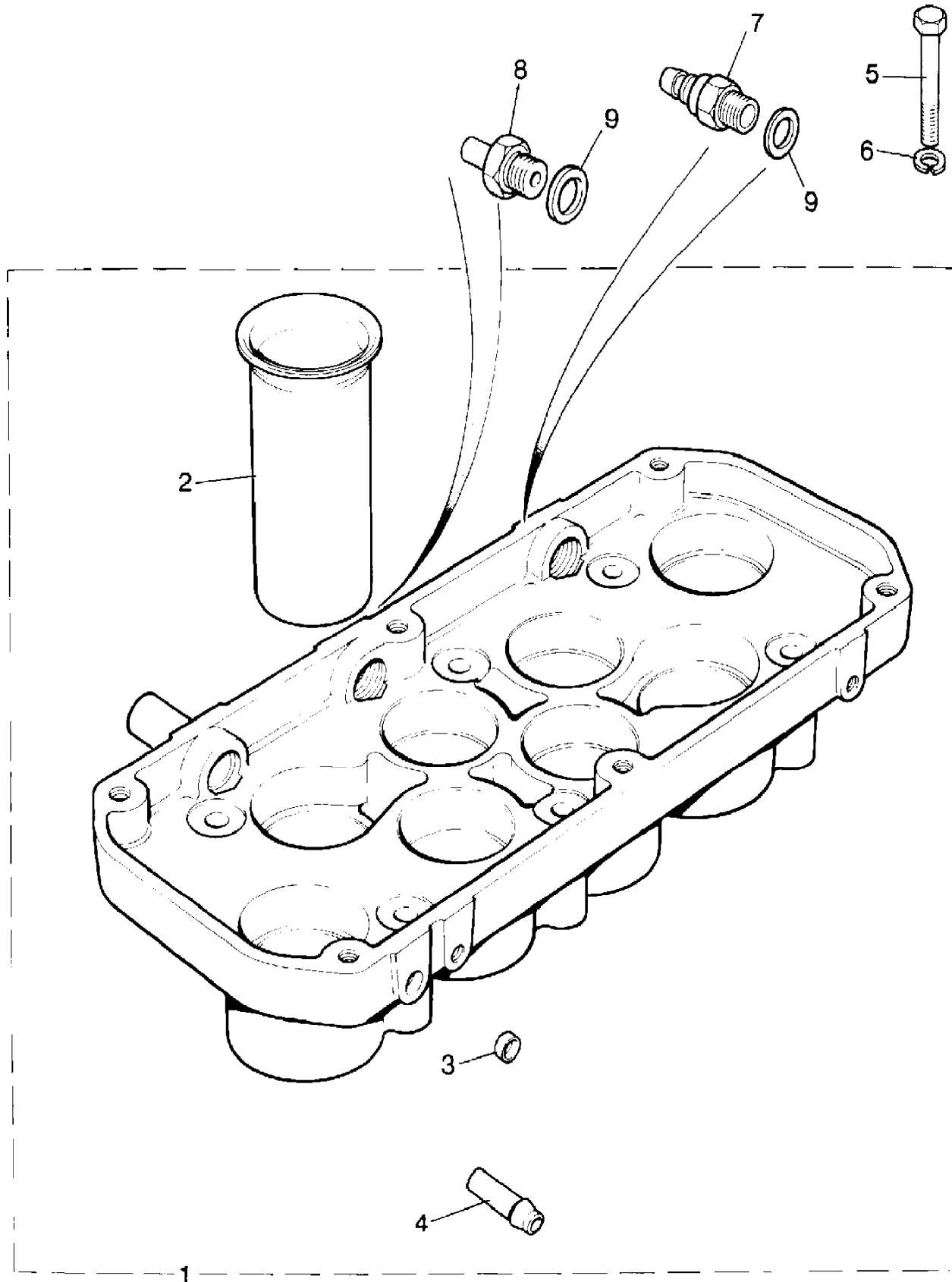
Engine
V8 Petrol - EFI
Ram Pipes Housing-High Compression
Petrol V8 L/R EFI

Callout	Name	Application	Remarks & Restrictions	Service No.	Qty
4	Pipe induction system	5 Speed Manual Transmission, Less Air Conditioning, With Catalyst	24D, 25D, 35D, 36D, Also serviced as part of a kit, Engine Code 24D 3.5 V8 PI H/C Manual, Engine Code 25D 3.5 V8 Carb - Detox, Engine Code 35D 3.9 V8 EFI H/C Man, Engine Code 36D 3.9 V8 EFI H/C Auto	ERC377	1
		4 Speed Automatic Transmissions, Less Air Conditioning, Less Catalyst	24D, 25D, 35D, 36D, Also serviced as part of a kit, Engine Code 24D 3.5 V8 PI H/C Manual, Engine Code 25D 3.5 V8 Carb - Detox, Engine Code 35D 3.9 V8 EFI H/C Man, Engine Code 36D 3.9 V8 EFI H/C Auto	ERC377	1
		4 Speed Automatic Transmissions, Less Air Conditioning, With Catalyst	24D, 25D, 35D, 36D, Also serviced as part of a kit, Engine Code 24D 3.5 V8 PI H/C Manual, Engine Code 25D 3.5 V8 Carb - Detox, Engine Code 35D 3.9 V8 EFI H/C Man, Engine Code 36D 3.9 V8 EFI H/C Auto	ERC377	1
		5 Speed Manual Transmission, With Air Conditioning, Less Catalyst	24D, 25D, 35D, 36D, Also serviced as part of a kit, Engine Code 24D 3.5 V8 PI H/C Manual, Engine Code 25D 3.5 V8 Carb - Detox, Engine Code 35D 3.9 V8 EFI H/C Man, Engine Code 36D 3.9 V8 EFI H/C Auto	ERC377	1
		5 Speed Manual Transmission, With Air Conditioning, With Catalyst	24D, 25D, 35D, 36D, Also serviced as part of a kit, Engine Code 24D 3.5 V8 PI H/C Manual, Engine Code 25D 3.5 V8 Carb - Detox, Engine Code 35D 3.9 V8 EFI H/C Man, Engine Code 36D 3.9 V8 EFI H/C Auto	ERC377	1
		4 Speed Automatic Transmissions, With Air Conditioning, Less Catalyst	24D, 25D, 35D, 36D, Also serviced as part of a kit, Engine Code 24D 3.5 V8 PI H/C Manual, Engine Code 25D 3.5 V8 Carb - Detox, Engine Code 35D 3.9 V8 EFI H/C Man, Engine Code 36D 3.9 V8 EFI H/C Auto	ERC377	1
		4 Speed Automatic Transmissions, With Air Conditioning, With Catalyst	24D, 25D, 35D, 36D, Also serviced as part of a kit, Engine Code 24D 3.5 V8 PI H/C Manual, Engine Code 25D 3.5 V8 Carb - Detox, Engine Code 35D 3.9 V8 EFI H/C Man, Engine Code 36D 3.9 V8 EFI H/C Auto	ERC377	1

Engine
V8 Petrol - EFI
Ram Pipes Housing-High Compression 7/10

Range Rover (To HA610293)

(TS6301)



Range Rover (To HA610293)

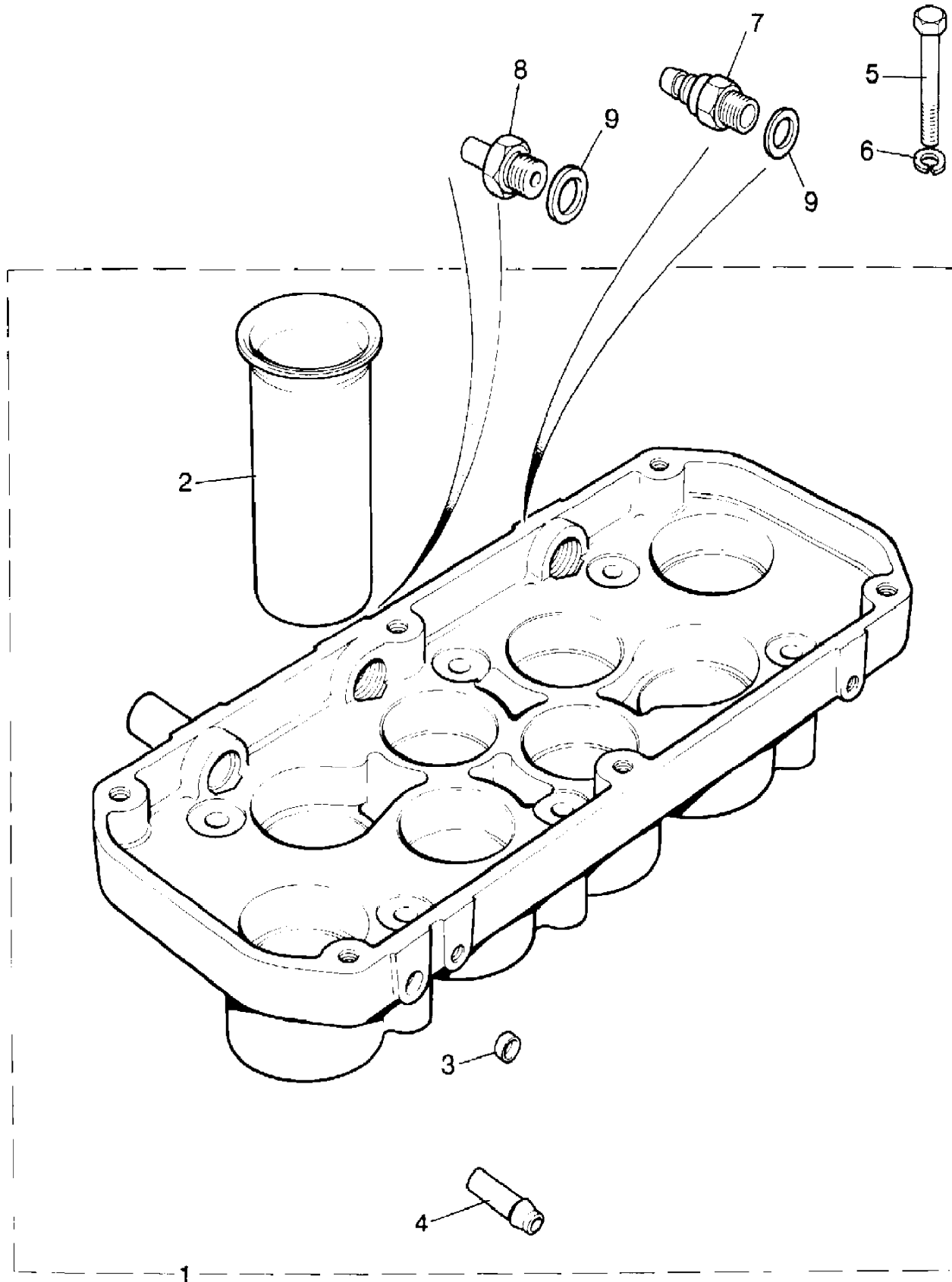
Engine
V8 Petrol - EFI
Ram Pipes Housing-High Compression
Petrol V8 L/R EFI

Callout	Name	Application	Remarks & Restrictions	Service No.	Qty
5	Bolt	5 Speed Manual Transmission, Less Catalyst	24D, 25D, 35D, 36D, Engine Code 24D 3.5 V8 PI H/C Manual, Engine Code 25D 3.5 V8 Carb - Detox, Engine Code 35D 3.9 V8 EFI H/C Man, Engine Code 36D 3.9 V8 EFI H/C Auto, hexagonal head, 5/16UNC x 2 1/4	BH505181L	6
		4 Speed Automatic Transmissions, Less Catalyst	24D, 25D, 35D, 36D, Engine Code 24D 3.5 V8 PI H/C Manual, Engine Code 25D 3.5 V8 Carb - Detox, Engine Code 35D 3.9 V8 EFI H/C Man, Engine Code 36D 3.9 V8 EFI H/C Auto, hexagonal head, 5/16UNC x 2 1/4	BH505181L	6
		5 Speed Manual Transmission, With Catalyst	24D, 25D, 35D, 36D, Engine Code 24D 3.5 V8 PI H/C Manual, Engine Code 25D 3.5 V8 Carb - Detox, Engine Code 35D 3.9 V8 EFI H/C Man, Engine Code 36D 3.9 V8 EFI H/C Auto, hexagonal head, 5/16UNC x 2 1/4	BH505181L	6
		4 Speed Automatic Transmissions, With Catalyst	24D, 25D, 35D, 36D, Engine Code 24D 3.5 V8 PI H/C Manual, Engine Code 25D 3.5 V8 Carb - Detox, Engine Code 35D 3.9 V8 EFI H/C Man, Engine Code 36D 3.9 V8 EFI H/C Auto, hexagonal head, 5/16UNC x 2 1/4	BH505181L	6
6	Washer	5 Speed Manual Transmission, Less Catalyst	24D, 25D, 35D, 36D, 8MM, Engine Code 24D 3.5 V8 PI H/C Manual, Engine Code 25D 3.5 V8 Carb - Detox, Engine Code 35D 3.9 V8 EFI H/C Man, Engine Code 36D 3.9 V8 EFI H/C Auto	WA108051L	6
		4 Speed Automatic Transmissions, Less Catalyst	24D, 25D, 35D, 36D, 8MM, Engine Code 24D 3.5 V8 PI H/C Manual, Engine Code 25D 3.5 V8 Carb - Detox, Engine Code 35D 3.9 V8 EFI H/C Man, Engine Code 36D 3.9 V8 EFI H/C Auto	WA108051L	6
		5 Speed Manual Transmission, With Catalyst	24D, 25D, 35D, 36D, 8MM, Engine Code 24D 3.5 V8 PI H/C Manual, Engine Code 25D 3.5 V8 Carb - Detox, Engine Code 35D 3.9 V8 EFI H/C Man, Engine Code 36D 3.9 V8 EFI H/C Auto	WA108051L	6
		4 Speed Automatic Transmissions, With Catalyst	24D, 25D, 35D, 36D, 8MM, Engine Code 24D 3.5 V8 PI H/C Manual, Engine Code 25D 3.5 V8 Carb - Detox, Engine Code 35D 3.9 V8 EFI H/C Man, Engine Code 36D 3.9 V8 EFI H/C Auto	WA108051L	6

Engine
V8 Petrol - EFI
Ram Pipes Housing-High Compression 8/10

Range Rover (To HA610293)

(TS6301)



Range Rover (To HA610293)

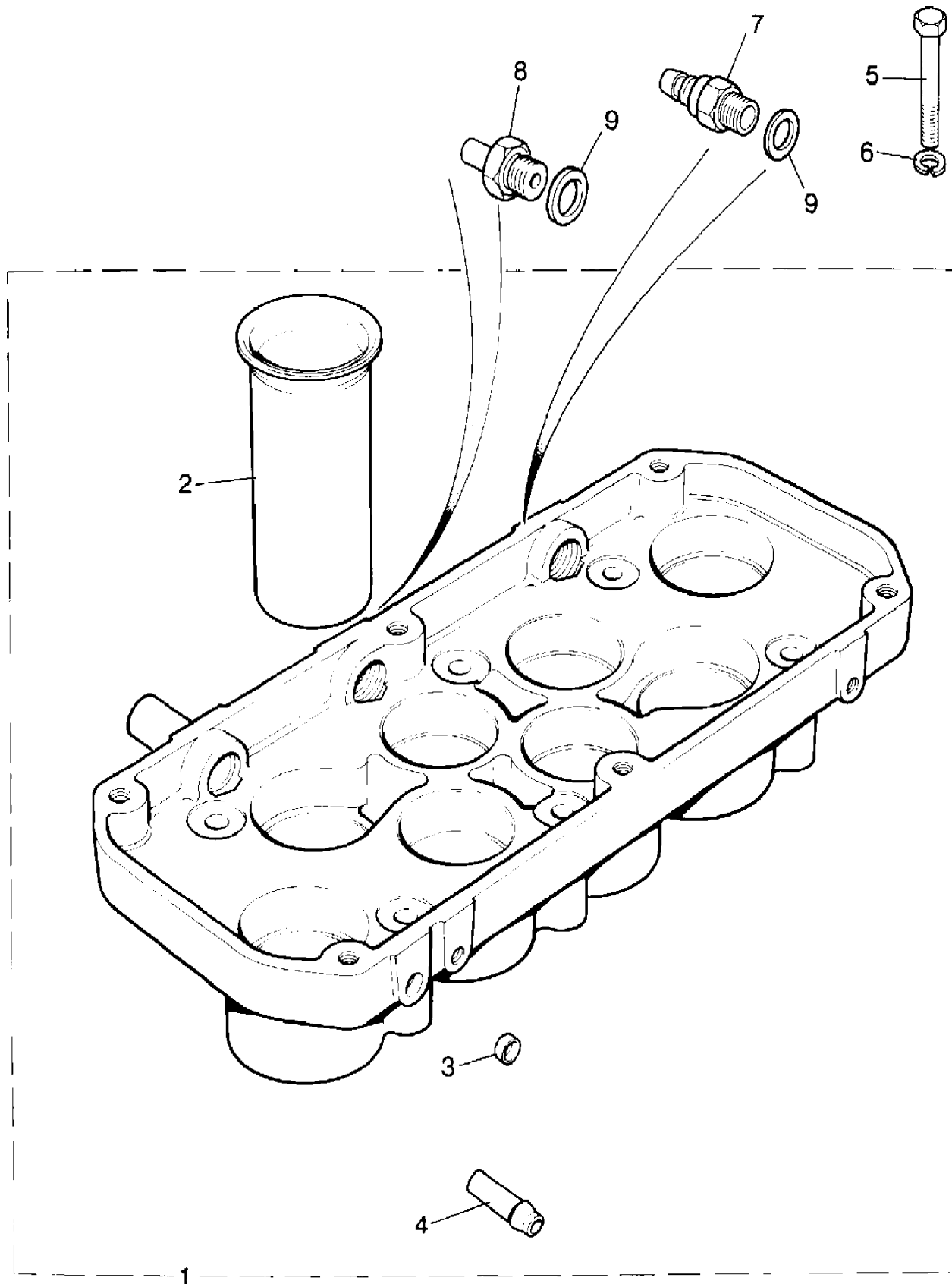
Engine
V8 Petrol - EFI
Ram Pipes Housing-High Compression
Petrol V8 L/R EFI

Callout	Name	Application	Remarks & Restrictions	Service No.	Qty
7	Valve-inlet manifold non return	5 Speed Manual Transmission, Less Catalyst	24D, 25D, 35D, 36D, Engine Code 24D 3.5 V8 PI H/C Manual, Engine Code 25D 3.5 V8 Carb - Detox, Engine Code 35D 3.9 V8 EFI H/C Man, Engine Code 36D 3.9 V8 EFI H/C Auto	RTC5907	1
		4 Speed Automatic Transmissions, Less Catalyst	24D, 25D, 35D, 36D, Engine Code 24D 3.5 V8 PI H/C Manual, Engine Code 25D 3.5 V8 Carb - Detox, Engine Code 35D 3.9 V8 EFI H/C Man, Engine Code 36D 3.9 V8 EFI H/C Auto	RTC5907	1
		5 Speed Manual Transmission, With Catalyst	24D, 25D, 35D, 36D, Engine Code 24D 3.5 V8 PI H/C Manual, Engine Code 25D 3.5 V8 Carb - Detox, Engine Code 35D 3.9 V8 EFI H/C Man, Engine Code 36D 3.9 V8 EFI H/C Auto	RTC5907	1
		4 Speed Automatic Transmissions, With Catalyst	24D, 25D, 35D, 36D, Engine Code 24D 3.5 V8 PI H/C Manual, Engine Code 25D 3.5 V8 Carb - Detox, Engine Code 35D 3.9 V8 EFI H/C Man, Engine Code 36D 3.9 V8 EFI H/C Auto	RTC5907	1
8	Plug	5 Speed Manual Transmission, Less Catalyst	24D, 25D, 35D, 36D, Engine Code 24D 3.5 V8 PI H/C Manual, Engine Code 25D 3.5 V8 Carb - Detox, Engine Code 35D 3.9 V8 EFI H/C Man, Engine Code 36D 3.9 V8 EFI H/C Auto	ERC4626	1
		4 Speed Automatic Transmissions, Less Catalyst	24D, 25D, 35D, 36D, Engine Code 24D 3.5 V8 PI H/C Manual, Engine Code 25D 3.5 V8 Carb - Detox, Engine Code 35D 3.9 V8 EFI H/C Man, Engine Code 36D 3.9 V8 EFI H/C Auto	ERC4626	1
		5 Speed Manual Transmission, With Catalyst	24D, 25D, 35D, 36D, Engine Code 24D 3.5 V8 PI H/C Manual, Engine Code 25D 3.5 V8 Carb - Detox, Engine Code 35D 3.9 V8 EFI H/C Man, Engine Code 36D 3.9 V8 EFI H/C Auto	ERC4626	1
		4 Speed Automatic Transmissions, With Catalyst	24D, 25D, 35D, 36D, Engine Code 24D 3.5 V8 PI H/C Manual, Engine Code 25D 3.5 V8 Carb - Detox, Engine Code 35D 3.9 V8 EFI H/C Man, Engine Code 36D 3.9 V8 EFI H/C Auto	ERC4626	1

Engine
V8 Petrol - EFI
Ram Pipes Housing-High Compression 9/10

Range Rover (To HA610293)

(TS6301)



Range Rover (To HA610293)

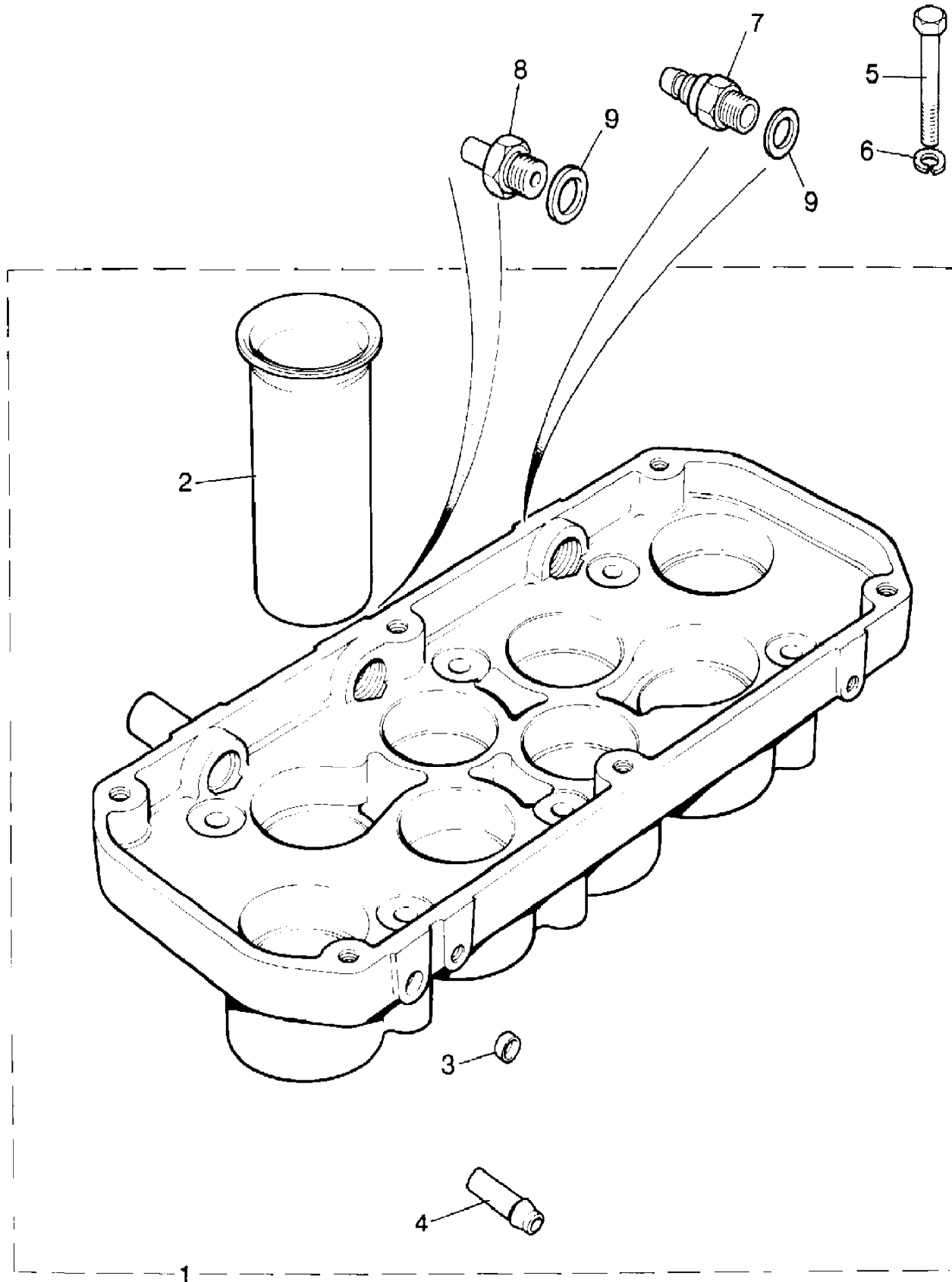
Engine
V8 Petrol - EFI
Ram Pipes Housing-High Compression
Petrol V8 L/R EFI

Callout	Name	Application	Remarks & Restrictions	Service No.	Qty
9	Washer-sealing	5 Speed Manual Transmission, Less Air Conditioning, Less Catalyst	24D, 25D, 35D, 36D, Also serviced as part of a kit, Engine Code 24D 3.5 V8 PI H/C Manual, Engine Code 25D 3.5 V8 Carb - Detox, Engine Code 35D 3.9 V8 EFI H/C Man, Engine Code 36D 3.9 V8 EFI H/C Auto	232043	2
		5 Speed Manual Transmission, Less Air Conditioning, With Catalyst	24D, 25D, 35D, 36D, Also serviced as part of a kit, Engine Code 24D 3.5 V8 PI H/C Manual, Engine Code 25D 3.5 V8 Carb - Detox, Engine Code 35D 3.9 V8 EFI H/C Man, Engine Code 36D 3.9 V8 EFI H/C Auto	232043	2
		4 Speed Automatic Transmissions, Less Air Conditioning, Less Catalyst	24D, 25D, 35D, 36D, Also serviced as part of a kit, Engine Code 24D 3.5 V8 PI H/C Manual, Engine Code 25D 3.5 V8 Carb - Detox, Engine Code 35D 3.9 V8 EFI H/C Man, Engine Code 36D 3.9 V8 EFI H/C Auto	232043	2
		4 Speed Automatic Transmissions, Less Air Conditioning, With Catalyst	24D, 25D, 35D, 36D, Also serviced as part of a kit, Engine Code 24D 3.5 V8 PI H/C Manual, Engine Code 25D 3.5 V8 Carb - Detox, Engine Code 35D 3.9 V8 EFI H/C Man, Engine Code 36D 3.9 V8 EFI H/C Auto	232043	2
		5 Speed Manual Transmission, Less Catalyst	24D, 25D, 35D, 36D, Engine Code 24D 3.5 V8 PI H/C Manual, Engine Code 25D 3.5 V8 Carb - Detox, Engine Code 35D 3.9 V8 EFI H/C Man, Engine Code 36D 3.9 V8 EFI H/C Auto	232043	2
		4 Speed Automatic Transmissions, Less Catalyst	24D, 25D, 35D, 36D, Engine Code 24D 3.5 V8 PI H/C Manual, Engine Code 25D 3.5 V8 Carb - Detox, Engine Code 35D 3.9 V8 EFI H/C Man, Engine Code 36D 3.9 V8 EFI H/C Auto	232043	2
		5 Speed Manual Transmission, With Catalyst	24D, 25D, 35D, 36D, Engine Code 24D 3.5 V8 PI H/C Manual, Engine Code 25D 3.5 V8 Carb - Detox, Engine Code 35D 3.9 V8 EFI H/C Man, Engine Code 36D 3.9 V8 EFI H/C Auto	232043	2
		4 Speed Automatic Transmissions, With Catalyst	24D, 25D, 35D, 36D, Engine Code 24D 3.5 V8 PI H/C Manual, Engine Code 25D 3.5 V8 Carb - Detox, Engine Code 35D 3.9 V8 EFI H/C Man, Engine Code 36D 3.9 V8 EFI H/C Auto	232043	2

Engine
V8 Petrol - EFI
Ram Pipes Housing-High Compression 10/10

Range Rover (To HA610293)

(TS6301)



Range Rover (To HA610293)

Engine
V8 Petrol - EFI
Ram Pipes Housing-High Compression
Petrol V8 L/R EFI

Callout	Name	Application	Remarks & Restrictions	Service No.	Qty
[900]	Connector-inlet manifold adaptor	5 Speed Manual Transmission, Less Catalyst	24D, 25D, 35D, 36D, evaporator loss control, Engine Code 24D 3.5 V8 PI H/C Manual, Engine Code 25D 3.5 V8 Carb - Detox, Engine Code 35D 3.9 V8 EFI H/C Man, Engine Code 36D 3.9 V8 EFI H/C Auto	ETC6504	1
		4 Speed Automatic Transmissions, Less Catalyst	24D, 25D, 35D, 36D, evaporator loss control, Engine Code 24D 3.5 V8 PI H/C Manual, Engine Code 25D 3.5 V8 Carb - Detox, Engine Code 35D 3.9 V8 EFI H/C Man, Engine Code 36D 3.9 V8 EFI H/C Auto	ETC6504	1
		5 Speed Manual Transmission, With Catalyst	24D, 25D, 35D, 36D, evaporator loss control, Engine Code 24D 3.5 V8 PI H/C Manual, Engine Code 25D 3.5 V8 Carb - Detox, Engine Code 35D 3.9 V8 EFI H/C Man, Engine Code 36D 3.9 V8 EFI H/C Auto	ETC6504	1
		4 Speed Automatic Transmissions, With Catalyst	24D, 25D, 35D, 36D, evaporator loss control, Engine Code 24D 3.5 V8 PI H/C Manual, Engine Code 25D 3.5 V8 Carb - Detox, Engine Code 35D 3.9 V8 EFI H/C Man, Engine Code 36D 3.9 V8 EFI H/C Auto	ETC6504	1
		5 Speed Manual Transmission, Less Catalyst	24D, 25D, 35D, 36D, restrictor loss control, Engine Code 24D 3.5 V8 PI H/C Manual, Engine Code 25D 3.5 V8 Carb - Detox, Engine Code 35D 3.9 V8 EFI H/C Man, Engine Code 36D 3.9 V8 EFI H/C Auto	ETC6505	1
		4 Speed Automatic Transmissions, Less Catalyst	24D, 25D, 35D, 36D, restrictor loss control, Engine Code 24D 3.5 V8 PI H/C Manual, Engine Code 25D 3.5 V8 Carb - Detox, Engine Code 35D 3.9 V8 EFI H/C Man, Engine Code 36D 3.9 V8 EFI H/C Auto	ETC6505	1
		5 Speed Manual Transmission, With Catalyst	24D, 25D, 35D, 36D, restrictor loss control, Engine Code 24D 3.5 V8 PI H/C Manual, Engine Code 25D 3.5 V8 Carb - Detox, Engine Code 35D 3.9 V8 EFI H/C Man, Engine Code 36D 3.9 V8 EFI H/C Auto	ETC6505	1
		4 Speed Automatic Transmissions, With Catalyst	24D, 25D, 35D, 36D, restrictor loss control, Engine Code 24D 3.5 V8 PI H/C Manual, Engine Code 25D 3.5 V8 Carb - Detox, Engine Code 35D 3.9 V8 EFI H/C Man, Engine Code 36D 3.9 V8 EFI H/C Auto	ETC6505	1

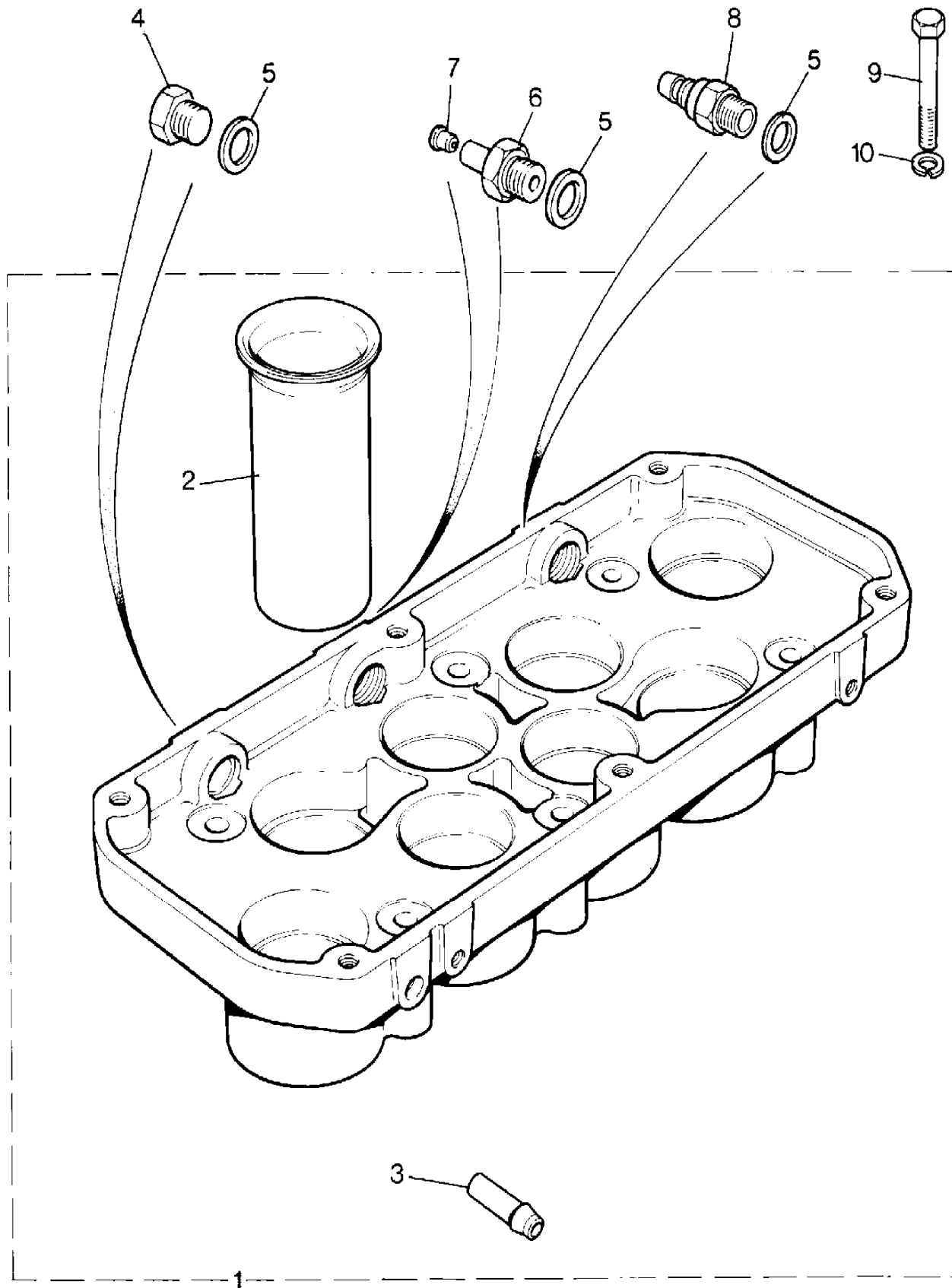
Engine
V8 Petrol - EFI
Ram Pipes Housing-Low Compression 1/29

Range Rover (To HA610293)

(TS6237)

Range Rover (To HA610293)

Engine
V8 Petrol - EFI
Ram Pipes Housing-Low Compression
Petrol V8 L/R EFI

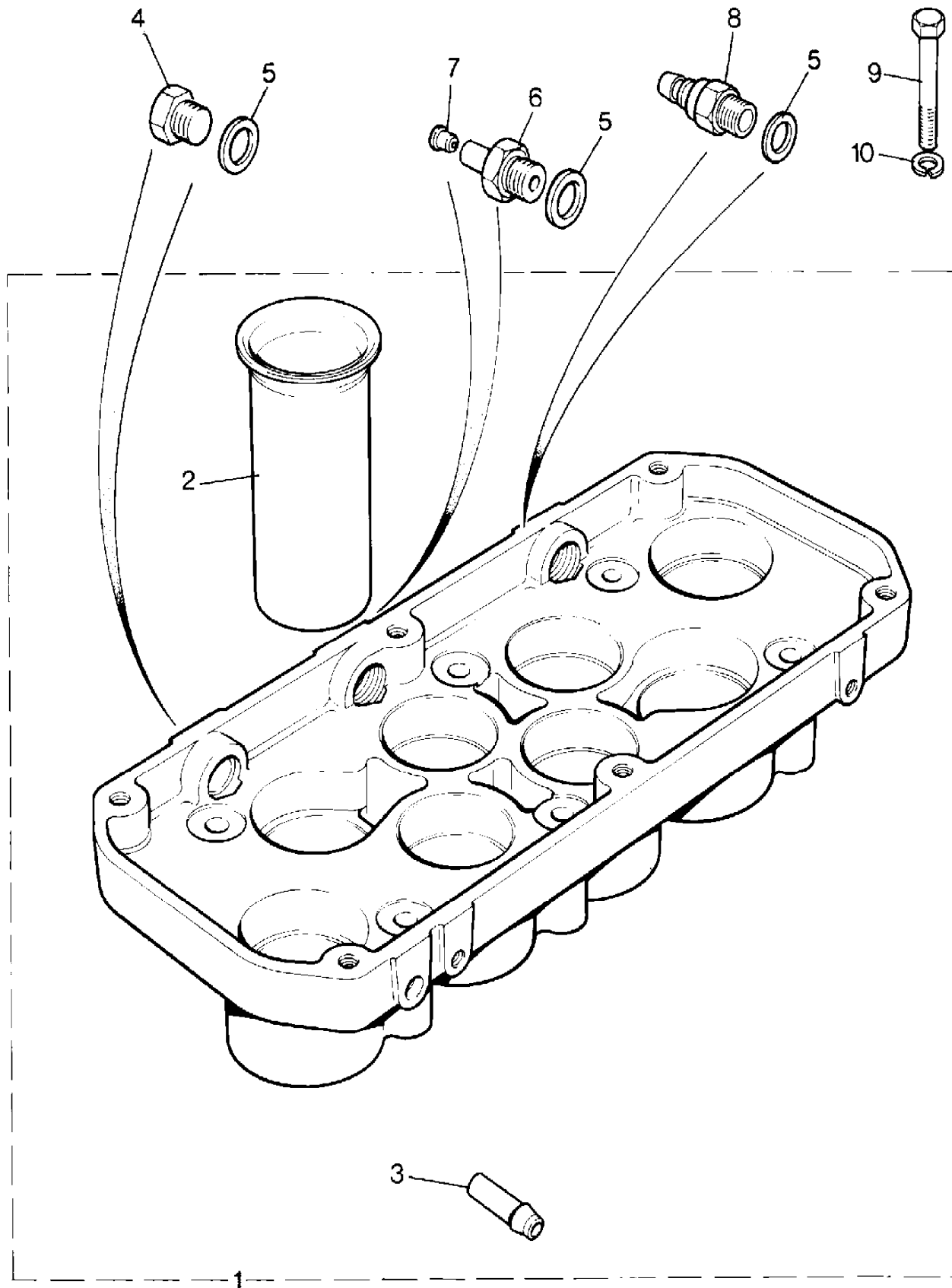


Callout	Name	Application	Remarks & Restrictions	Service No.	Qty
1	Housing-ram pipes	5 Speed Manual Transmission, (+)"D", With Catalyst	31D, 22D, 23D, 37D, 38D, Also serviced as part of a kit, Engine Code 22D 3.5 PI 3.5 L/C Manual, Engine Code 23D 3.5 PI V8 L/C Auto, Engine Code 31D 3.5 V8 PI Auto, Engine Code 37D 3.9 V8 EFI L/C Man, Engine Codes 38D 3.9 EFI V8 NAS Auto	ERR1290	1
		5 Speed Manual Transmission, (+)"D", Less Catalyst	31D, 22D, 23D, 37D, 38D, Also serviced as part of a kit, Engine Code 22D 3.5 PI 3.5 L/C Manual, Engine Code 23D 3.5 PI V8 L/C Auto, Engine Code 31D 3.5 V8 PI Auto, Engine Code 37D 3.9 V8 EFI L/C Man, Engine Codes 38D 3.9 EFI V8 NAS Auto	ERR1290	1
		4 Speed Automatic Transmissions, (+)"D", With Catalyst	31D, 22D, 23D, 37D, 38D, Also serviced as part of a kit, Engine Code 22D 3.5 PI 3.5 L/C Manual, Engine Code 23D 3.5 PI V8 L/C Auto, Engine Code 31D 3.5 V8 PI Auto, Engine Code 37D 3.9 V8 EFI L/C Man, Engine Codes 38D 3.9 EFI V8 NAS Auto	ERR1290	1
		4 Speed Automatic Transmissions, (+)"D", Less Catalyst	31D, 22D, 23D, 37D, 38D, Also serviced as part of a kit, Engine Code 22D 3.5 PI 3.5 L/C Manual, Engine Code 23D 3.5 PI V8 L/C Auto, Engine Code 31D 3.5 V8 PI Auto, Engine Code 37D 3.9 V8 EFI L/C Man, Engine Codes 38D 3.9 EFI V8 NAS Auto	ERR1290	1
		5 Speed Manual Transmission, (+)"CH", With Catalyst	31D, 22D, 23D, 37D, 38D, Also serviced as part of a kit, Engine Code 22D 3.5 PI 3.5 L/C Manual, Engine Code 23D 3.5 PI V8 L/C Auto, Engine Code 31D 3.5 V8 PI Auto, Engine Code 37D 3.9 V8 EFI L/C Man, Engine Codes 38D 3.9 EFI V8 NAS Auto	ERR1290	1
		5 Speed Manual Transmission, (+)"CH", Less Catalyst	31D, 22D, 23D, 37D, 38D, Also serviced as part of a kit, Engine Code 22D 3.5 PI 3.5 L/C Manual, Engine Code 23D 3.5 PI V8 L/C Auto, Engine Code 31D 3.5 V8 PI Auto, Engine Code 37D 3.9 V8 EFI L/C Man, Engine Codes 38D 3.9 EFI V8 NAS Auto	ERR1290	1

Engine
V8 Petrol - EFI
Ram Pipes Housing-Low Compression 2/29

Range Rover (To HA610293)

(TS6237)



Range Rover (To HA610293)

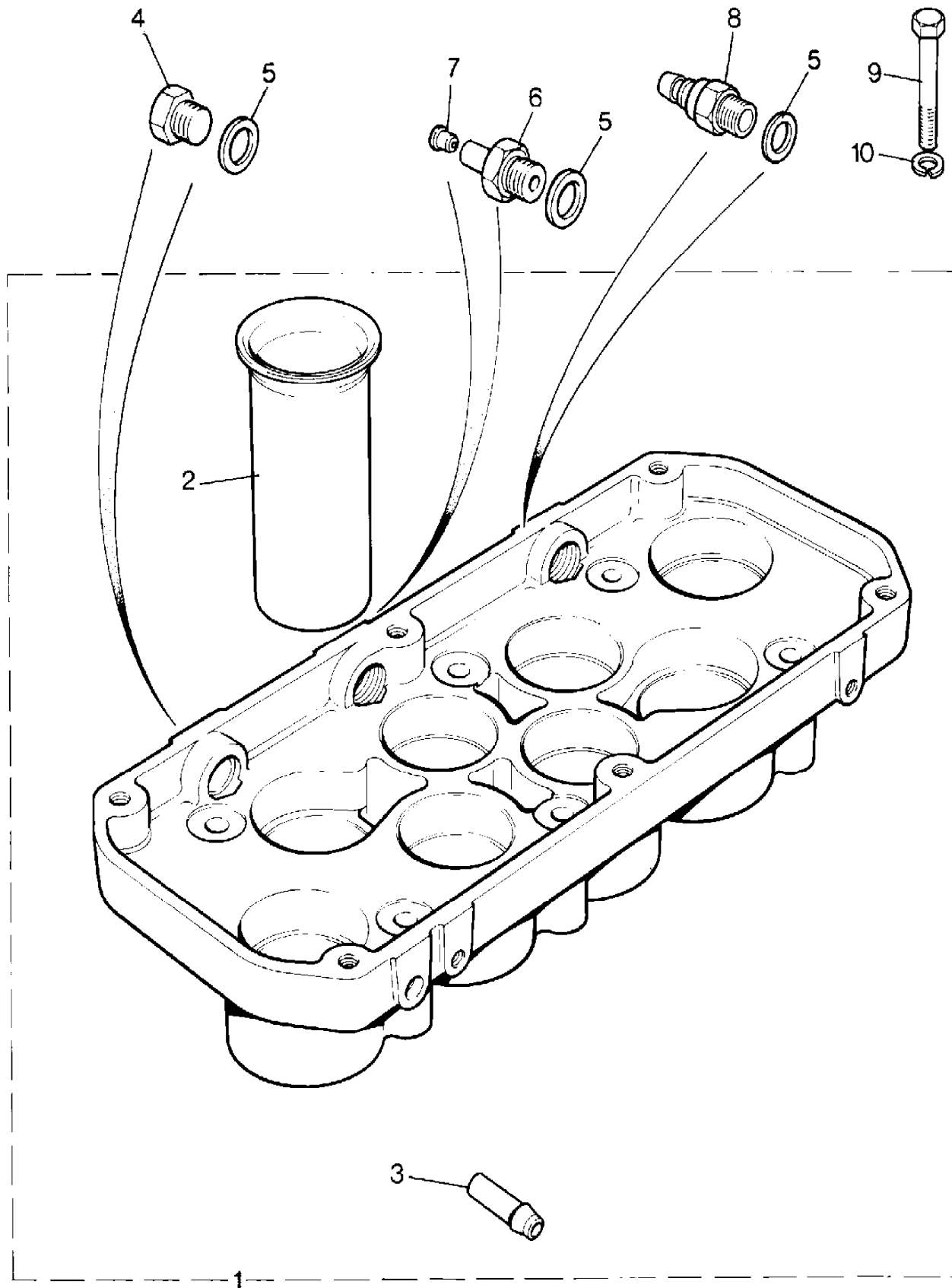
Engine
V8 Petrol - EFI
Ram Pipes Housing-Low Compression
Petrol V8 L/R EFI

Callout	Name	Application	Remarks & Restrictions	Service No.	Qty
1	Housing-ram pipes	4 Speed Automatic Transmissions, (+)"CH", With Catalyst	31D, 22D, 23D, 37D, 38D, Also serviced as part of a kit, Engine Code 22D 3.5 PI 3.5 L/C Manual, Engine Code 23D 3.5 PI V8 L/C Auto, Engine Code 31D 3.5 V8 PI Auto, Engine Code 37D 3.9 V8 EFI L/C Man, Engine Codes 38D 3.9 EFI V8 NAS Auto	ERR1290	1
		4 Speed Automatic Transmissions, (+)"CH", Less Catalyst	31D, 22D, 23D, 37D, 38D, Also serviced as part of a kit, Engine Code 22D 3.5 PI 3.5 L/C Manual, Engine Code 23D 3.5 PI V8 L/C Auto, Engine Code 31D 3.5 V8 PI Auto, Engine Code 37D 3.9 V8 EFI L/C Man, Engine Codes 38D 3.9 EFI V8 NAS Auto	ERR1290	1
		5 Speed Manual Transmission, Less Air Conditioning, (+)"D", With Catalyst	31D, 22D, 23D, 37D, 38D, Also serviced as part of a kit, Engine Code 22D 3.5 PI 3.5 L/C Manual, Engine Code 23D 3.5 PI V8 L/C Auto, Engine Code 31D 3.5 V8 PI Auto, Engine Code 37D 3.9 V8 EFI L/C Man, Engine Codes 38D 3.9 EFI V8 NAS Auto	ETC8541	1
		5 Speed Manual Transmission, Less Air Conditioning, (+)"D", Less Catalyst	31D, 22D, 23D, 37D, 38D, Also serviced as part of a kit, Engine Code 22D 3.5 PI 3.5 L/C Manual, Engine Code 23D 3.5 PI V8 L/C Auto, Engine Code 31D 3.5 V8 PI Auto, Engine Code 37D 3.9 V8 EFI L/C Man, Engine Codes 38D 3.9 EFI V8 NAS Auto	ETC8541	1
		4 Speed Automatic Transmissions, Less Air Conditioning, (+)"D", With Catalyst	31D, 22D, 23D, 37D, 38D, Also serviced as part of a kit, Engine Code 22D 3.5 PI 3.5 L/C Manual, Engine Code 23D 3.5 PI V8 L/C Auto, Engine Code 31D 3.5 V8 PI Auto, Engine Code 37D 3.9 V8 EFI L/C Man, Engine Codes 38D 3.9 EFI V8 NAS Auto	ETC8541	1
		4 Speed Automatic Transmissions, Less Air Conditioning, (+)"D", Less Catalyst	31D, 22D, 23D, 37D, 38D, Also serviced as part of a kit, Engine Code 22D 3.5 PI 3.5 L/C Manual, Engine Code 23D 3.5 PI V8 L/C Auto, Engine Code 31D 3.5 V8 PI Auto, Engine Code 37D 3.9 V8 EFI L/C Man, Engine Codes 38D 3.9 EFI V8 NAS Auto	ETC8541	1

Engine
V8 Petrol - EFI
Ram Pipes Housing-Low Compression 3/29

Range Rover (To HA610293)

(TS6237)



Range Rover (To HA610293)

Engine
V8 Petrol - EFI
Ram Pipes Housing-Low Compression
Petrol V8 L/R EFI

Callout	Name	Application	Remarks & Restrictions	Service No.	Qty
1	Housing-ram pipes	5 Speed Manual Transmission, Less Air Conditioning, (+)"CH", With Catalyst	31D, 22D, 23D, 37D, 38D, Also serviced as part of a kit, Engine Code 22D 3.5 PI 3.5 L/C Manual, Engine Code 23D 3.5 PI V8 L/C Auto, Engine Code 31D 3.5 V8 PI Auto, Engine Code 37D 3.9 V8 EFI L/C Man, Engine Codes 38D 3.9 EFI V8 NAS Auto	ETC8541	1
		5 Speed Manual Transmission, Less Air Conditioning, (+)"CH", Less Catalyst	31D, 22D, 23D, 37D, 38D, Also serviced as part of a kit, Engine Code 22D 3.5 PI 3.5 L/C Manual, Engine Code 23D 3.5 PI V8 L/C Auto, Engine Code 31D 3.5 V8 PI Auto, Engine Code 37D 3.9 V8 EFI L/C Man, Engine Codes 38D 3.9 EFI V8 NAS Auto	ETC8541	1
		4 Speed Automatic Transmissions, Less Air Conditioning, (+)"CH", With Catalyst	31D, 22D, 23D, 37D, 38D, Also serviced as part of a kit, Engine Code 22D 3.5 PI 3.5 L/C Manual, Engine Code 23D 3.5 PI V8 L/C Auto, Engine Code 31D 3.5 V8 PI Auto, Engine Code 37D 3.9 V8 EFI L/C Man, Engine Codes 38D 3.9 EFI V8 NAS Auto	ETC8541	1
		4 Speed Automatic Transmissions, Less Air Conditioning, (+)"CH", Less Catalyst	31D, 22D, 23D, 37D, 38D, Also serviced as part of a kit, Engine Code 22D 3.5 PI 3.5 L/C Manual, Engine Code 23D 3.5 PI V8 L/C Auto, Engine Code 31D 3.5 V8 PI Auto, Engine Code 37D 3.9 V8 EFI L/C Man, Engine Codes 38D 3.9 EFI V8 NAS Auto	ETC8541	1
		5 Speed Manual Transmission, With Air Conditioning, (+)"D", With Catalyst	31D, 22D, 23D, 37D, 38D, Also serviced as part of a kit, Engine Code 22D 3.5 PI 3.5 L/C Manual, Engine Code 23D 3.5 PI V8 L/C Auto, Engine Code 31D 3.5 V8 PI Auto, Engine Code 37D 3.9 V8 EFI L/C Man, Engine Codes 38D 3.9 EFI V8 NAS Auto	ETC7240	1
		5 Speed Manual Transmission, With Air Conditioning, (+)"D", Less Catalyst	31D, 22D, 23D, 37D, 38D, Also serviced as part of a kit, Engine Code 22D 3.5 PI 3.5 L/C Manual, Engine Code 23D 3.5 PI V8 L/C Auto, Engine Code 31D 3.5 V8 PI Auto, Engine Code 37D 3.9 V8 EFI L/C Man, Engine Codes 38D 3.9 EFI V8 NAS Auto	ETC7240	1

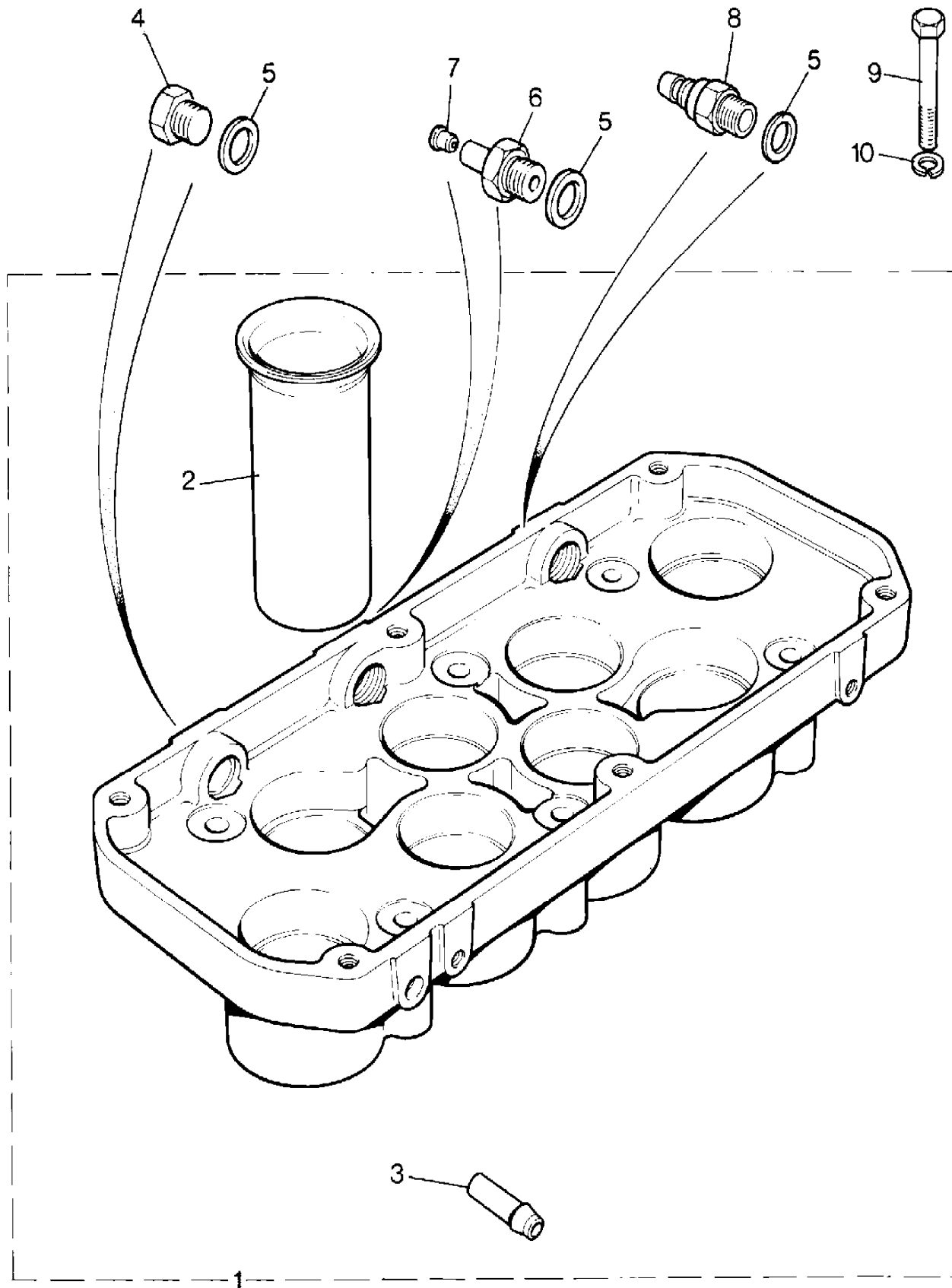
Engine
V8 Petrol - EFI
Ram Pipes Housing-Low Compression 4/29

Range Rover (To HA610293)

(TS6237)

Range Rover (To HA610293)

Engine
V8 Petrol - EFI
Ram Pipes Housing-Low Compression
Petrol V8 L/R EFI



Callout	Name	Application	Remarks & Restrictions	Service No.	Qty
1	Housing-ram pipes	4 Speed Automatic Transmissions, With Air Conditioning, (+)"D", With Catalyst	31D, 22D, 23D, 37D, 38D, Also serviced as part of a kit, Engine Code 22D 3.5 PI 3.5 L/C Manual, Engine Code 23D 3.5 PI V8 L/C Auto, Engine Code 31D 3.5 V8 PI Auto, Engine Code 37D 3.9 V8 EFI L/C Man, Engine Codes 38D 3.9 EFI V8 NAS Auto	ETC7240	1
		4 Speed Automatic Transmissions, With Air Conditioning, (+)"D", Less Catalyst	31D, 22D, 23D, 37D, 38D, Also serviced as part of a kit, Engine Code 22D 3.5 PI 3.5 L/C Manual, Engine Code 23D 3.5 PI V8 L/C Auto, Engine Code 31D 3.5 V8 PI Auto, Engine Code 37D 3.9 V8 EFI L/C Man, Engine Codes 38D 3.9 EFI V8 NAS Auto	ETC7240	1
		5 Speed Manual Transmission, With Air Conditioning, (+)"CH", With Catalyst	31D, 22D, 23D, 37D, 38D, Also serviced as part of a kit, Engine Code 22D 3.5 PI 3.5 L/C Manual, Engine Code 23D 3.5 PI V8 L/C Auto, Engine Code 31D 3.5 V8 PI Auto, Engine Code 37D 3.9 V8 EFI L/C Man, Engine Codes 38D 3.9 EFI V8 NAS Auto	ETC7240	1
		5 Speed Manual Transmission, With Air Conditioning, (+)"CH", Less Catalyst	31D, 22D, 23D, 37D, 38D, Also serviced as part of a kit, Engine Code 22D 3.5 PI 3.5 L/C Manual, Engine Code 23D 3.5 PI V8 L/C Auto, Engine Code 31D 3.5 V8 PI Auto, Engine Code 37D 3.9 V8 EFI L/C Man, Engine Codes 38D 3.9 EFI V8 NAS Auto	ETC7240	1
		4 Speed Automatic Transmissions, With Air Conditioning, (+)"CH", With Catalyst	31D, 22D, 23D, 37D, 38D, Also serviced as part of a kit, Engine Code 22D 3.5 PI 3.5 L/C Manual, Engine Code 23D 3.5 PI V8 L/C Auto, Engine Code 31D 3.5 V8 PI Auto, Engine Code 37D 3.9 V8 EFI L/C Man, Engine Codes 38D 3.9 EFI V8 NAS Auto	ETC7240	1
		4 Speed Automatic Transmissions, With Air Conditioning, (+)"CH", Less Catalyst	31D, 22D, 23D, 37D, 38D, Also serviced as part of a kit, Engine Code 22D 3.5 PI 3.5 L/C Manual, Engine Code 23D 3.5 PI V8 L/C Auto, Engine Code 31D 3.5 V8 PI Auto, Engine Code 37D 3.9 V8 EFI L/C Man, Engine Codes 38D 3.9 EFI V8 NAS Auto	ETC7240	1
		3.5 V8 Petrol Efi, (+)"CDN/MEX/USA"	Engine Code 31D	ETC7240	1
		(+)"CDN/MEX/USA"	Engine Code 38D	ETC8641	1

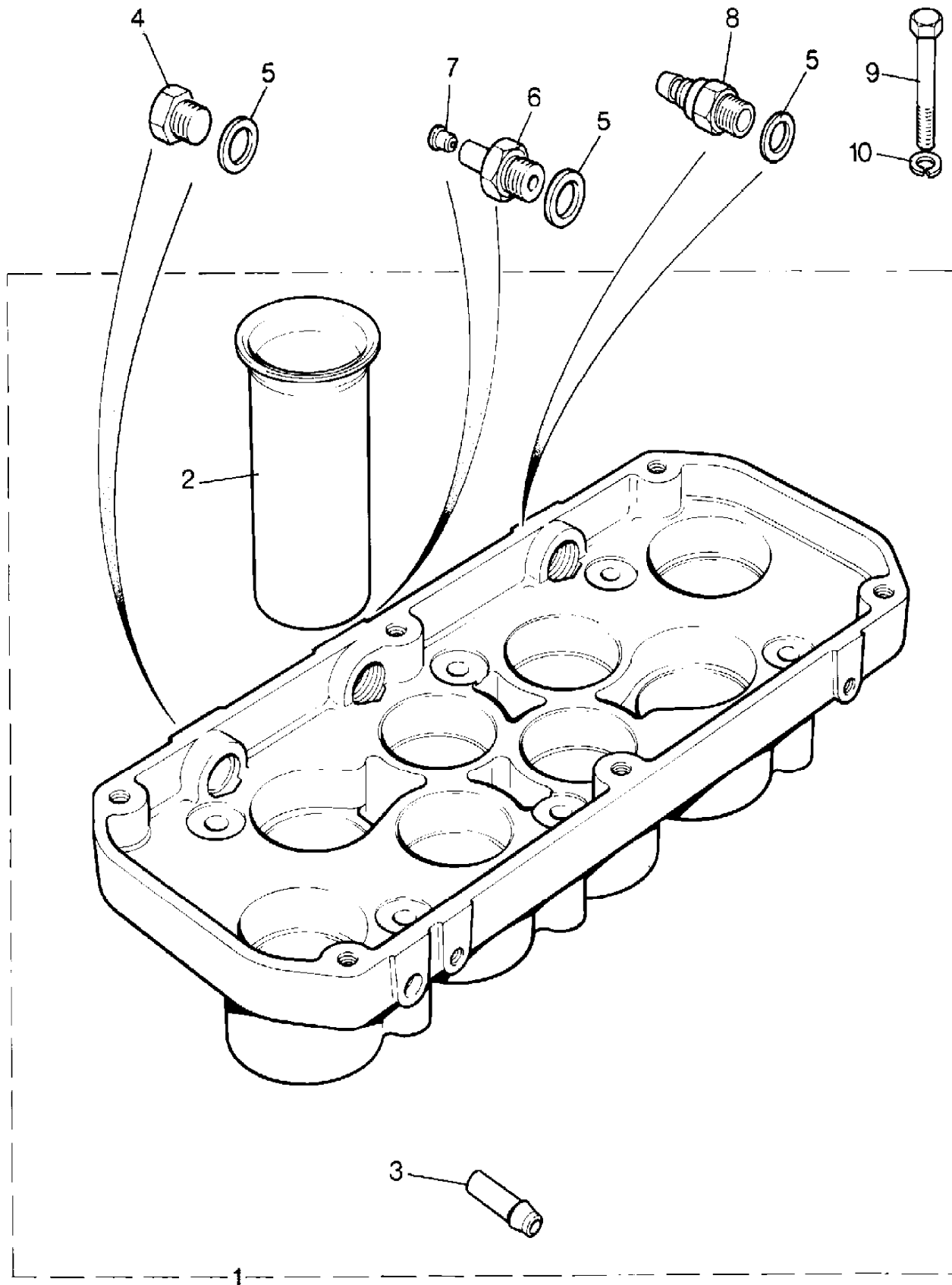
Engine
V8 Petrol - EFI
Ram Pipes Housing-Low Compression 5/29

Range Rover (To HA610293)

(TS6237)

Range Rover (To HA610293)

Engine
V8 Petrol - EFI
Ram Pipes Housing-Low Compression
Petrol V8 L/R EFI



Callout	Name	Application	Remarks & Restrictions	Service No.	Qty
2	Pipe-ram	4 Speed Automatic Transmissions, Less Air Conditioning, (+)"A", With Catalyst	31D, 22D, 23D, 37D, 38D, Also serviced as part of a kit, Engine Code 22D 3.5 PI 3.5 L/C Manual, Engine Code 23D 3.5 PI V8 L/C Auto, Engine Code 31D 3.5 V8 PI Auto, Engine Code 37D 3.9 V8 EFI L/C Man, Engine Codes 38D 3.9 EFI V8 NAS Auto	ERC9110	8
		4 Speed Automatic Transmissions, Less Air Conditioning, (+)"A", Less Catalyst	31D, 22D, 23D, 37D, 38D, Also serviced as part of a kit, Engine Code 22D 3.5 PI 3.5 L/C Manual, Engine Code 23D 3.5 PI V8 L/C Auto, Engine Code 31D 3.5 V8 PI Auto, Engine Code 37D 3.9 V8 EFI L/C Man, Engine Codes 38D 3.9 EFI V8 NAS Auto	ERC9110	8
		5 Speed Manual Transmission, Less Air Conditioning, (+)"A", With Catalyst	31D, 22D, 23D, 37D, 38D, Also serviced as part of a kit, Engine Code 22D 3.5 PI 3.5 L/C Manual, Engine Code 23D 3.5 PI V8 L/C Auto, Engine Code 31D 3.5 V8 PI Auto, Engine Code 37D 3.9 V8 EFI L/C Man, Engine Codes 38D 3.9 EFI V8 NAS Auto	ERC9110	8
		5 Speed Manual Transmission, Less Air Conditioning, (+)"A", Less Catalyst	31D, 22D, 23D, 37D, 38D, Also serviced as part of a kit, Engine Code 22D 3.5 PI 3.5 L/C Manual, Engine Code 23D 3.5 PI V8 L/C Auto, Engine Code 31D 3.5 V8 PI Auto, Engine Code 37D 3.9 V8 EFI L/C Man, Engine Codes 38D 3.9 EFI V8 NAS Auto	ERC9110	8
		4 Speed Automatic Transmissions, Less Air Conditioning, (+)"D", With Catalyst	31D, 22D, 23D, 37D, 38D, Also serviced as part of a kit, Engine Code 22D 3.5 PI 3.5 L/C Manual, Engine Code 23D 3.5 PI V8 L/C Auto, Engine Code 31D 3.5 V8 PI Auto, Engine Code 37D 3.9 V8 EFI L/C Man, Engine Codes 38D 3.9 EFI V8 NAS Auto	ERC9110	8
		4 Speed Automatic Transmissions, Less Air Conditioning, (+)"D", Less Catalyst	31D, 22D, 23D, 37D, 38D, Also serviced as part of a kit, Engine Code 22D 3.5 PI 3.5 L/C Manual, Engine Code 23D 3.5 PI V8 L/C Auto, Engine Code 31D 3.5 V8 PI Auto, Engine Code 37D 3.9 V8 EFI L/C Man, Engine Codes 38D 3.9 EFI V8 NAS Auto	ERC9110	8

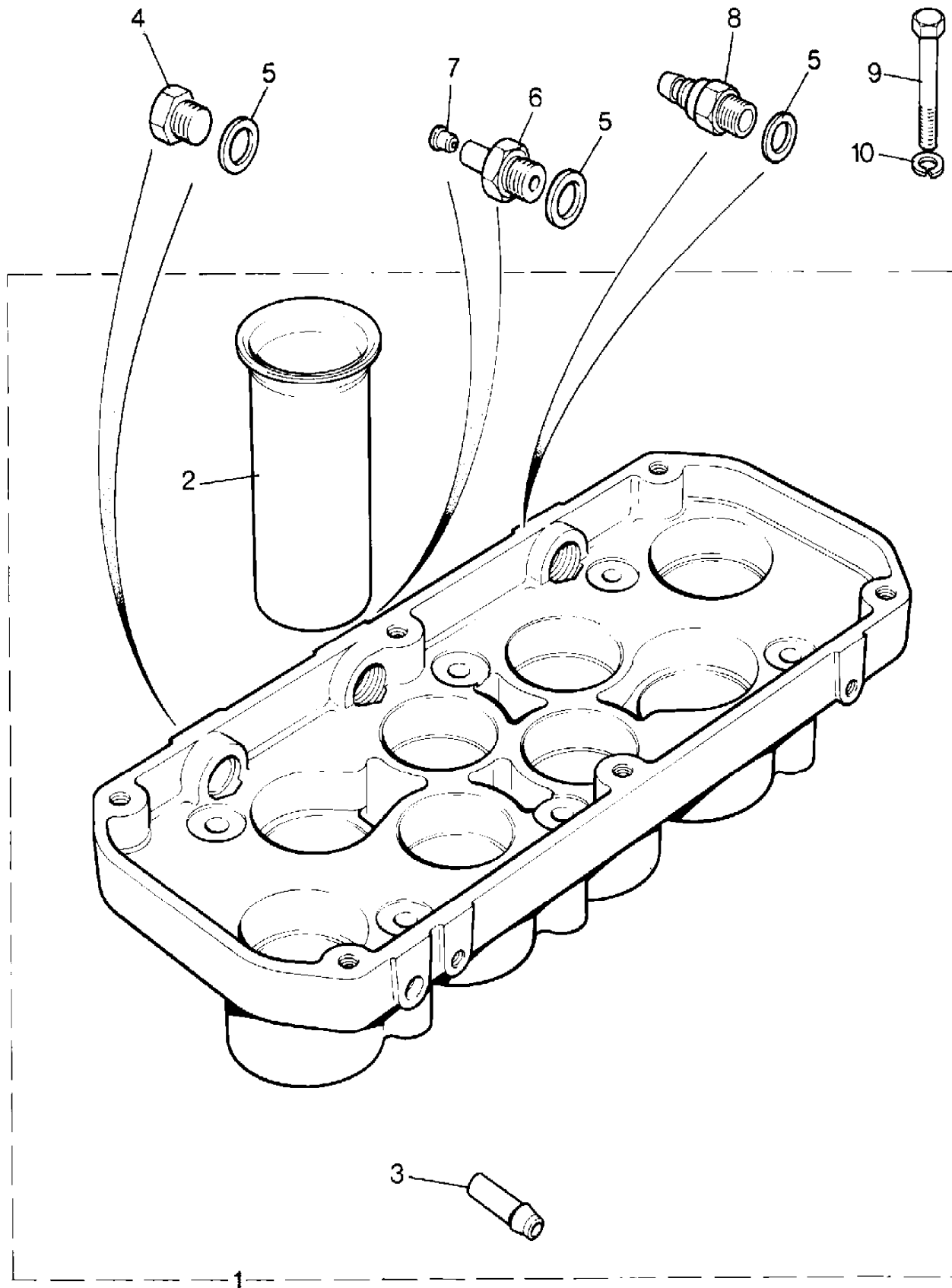
Engine
V8 Petrol - EFI
Ram Pipes Housing-Low Compression 6/29

Range Rover (To HA610293)

(TS6237)

Range Rover (To HA610293)

Engine
V8 Petrol - EFI
Ram Pipes Housing-Low Compression
Petrol V8 L/R EFI



Callout	Name	Application	Remarks & Restrictions	Service No.	Qty
2	Pipe-ram	5 Speed Manual Transmission, Less Air Conditioning, (+)"D", With Catalyst	31D, 22D, 23D, 37D, 38D, Also serviced as part of a kit, Engine Code 22D 3.5 PI 3.5 L/C Manual, Engine Code 23D 3.5 PI V8 L/C Auto, Engine Code 31D 3.5 V8 PI Auto, Engine Code 37D 3.9 V8 EFI L/C Man, Engine Codes 38D 3.9 EFI V8 NAS Auto	ERC9110	8
		5 Speed Manual Transmission, Less Air Conditioning, (+)"D", Less Catalyst	31D, 22D, 23D, 37D, 38D, Also serviced as part of a kit, Engine Code 22D 3.5 PI 3.5 L/C Manual, Engine Code 23D 3.5 PI V8 L/C Auto, Engine Code 31D 3.5 V8 PI Auto, Engine Code 37D 3.9 V8 EFI L/C Man, Engine Codes 38D 3.9 EFI V8 NAS Auto	ERC9110	8
		3.5 V8 Petrol Efi, (+)"CDN/MEX/USA" 3.9/4.0 V8 Petrol Efi, (+)"CDN/MEX/USA"		ERC9110 ERC9110	8 8
3	Pipe induction system	5 Speed Manual Transmission, Less Air Conditioning, (+)"D", With Catalyst	31D, 22D, 23D, 37D, 38D, Also serviced as part of a kit, Engine Code 22D 3.5 PI 3.5 L/C Manual, Engine Code 23D 3.5 PI V8 L/C Auto, Engine Code 31D 3.5 V8 PI Auto, Engine Code 37D 3.9 V8 EFI L/C Man, Engine Codes 38D 3.9 EFI V8 NAS Auto	ERC377L	1
		5 Speed Manual Transmission, Less Air Conditioning, (+)"D", Less Catalyst	31D, 22D, 23D, 37D, 38D, Also serviced as part of a kit, Engine Code 22D 3.5 PI 3.5 L/C Manual, Engine Code 23D 3.5 PI V8 L/C Auto, Engine Code 31D 3.5 V8 PI Auto, Engine Code 37D 3.9 V8 EFI L/C Man, Engine Codes 38D 3.9 EFI V8 NAS Auto	ERC377L	1
		4 Speed Automatic Transmissions, Less Air Conditioning, (+)"D", With Catalyst	31D, 22D, 23D, 37D, 38D, Also serviced as part of a kit, Engine Code 22D 3.5 PI 3.5 L/C Manual, Engine Code 23D 3.5 PI V8 L/C Auto, Engine Code 31D 3.5 V8 PI Auto, Engine Code 37D 3.9 V8 EFI L/C Man, Engine Codes 38D 3.9 EFI V8 NAS Auto	ERC377L	1

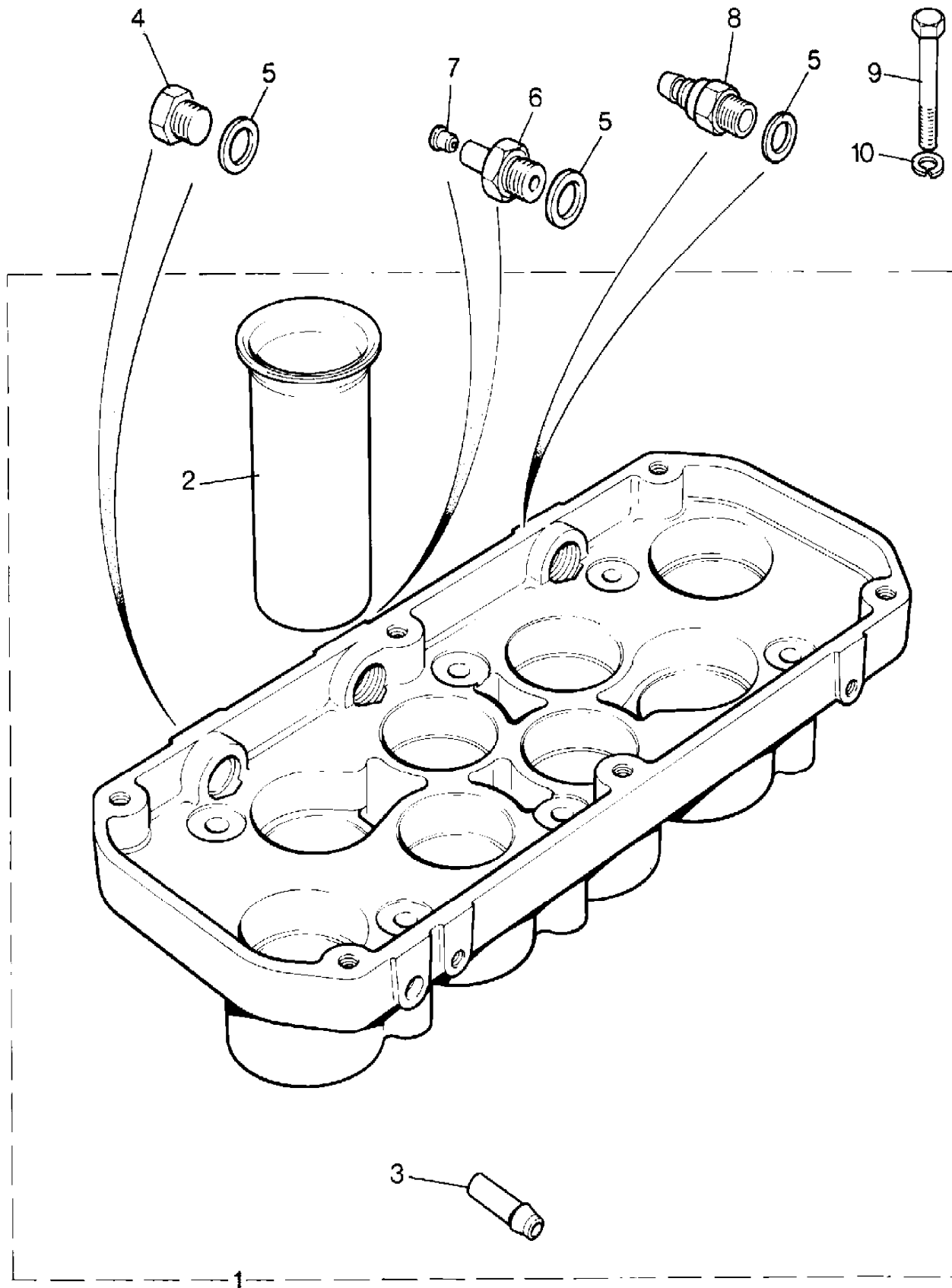
Engine
V8 Petrol - EFI
Ram Pipes Housing-Low Compression 7/29

Range Rover (To HA610293)

(TS6237)

Range Rover (To HA610293)

Engine
V8 Petrol - EFI
Ram Pipes Housing-Low Compression
Petrol V8 L/R EFI



Callout	Name	Application	Remarks & Restrictions	Service No.	Qty
3	Pipe induction system	4 Speed Automatic Transmissions, Less Air Conditioning, (+)"D", Less Catalyst	31D, 22D, 23D, 37D, 38D, Also serviced as part of a kit, Engine Code 22D 3.5 PI 3.5 L/C Manual, Engine Code 23D 3.5 PI V8 L/C Auto, Engine Code 31D 3.5 V8 PI Auto, Engine Code 37D 3.9 V8 EFI L/C Man, Engine Codes 38D 3.9 EFI V8 NAS Auto	ERC377L	1
		5 Speed Manual Transmission, Less Air Conditioning, (+)"CH", With Catalyst	31D, 22D, 23D, 37D, 38D, Also serviced as part of a kit, Engine Code 22D 3.5 PI 3.5 L/C Manual, Engine Code 23D 3.5 PI V8 L/C Auto, Engine Code 31D 3.5 V8 PI Auto, Engine Code 37D 3.9 V8 EFI L/C Man, Engine Codes 38D 3.9 EFI V8 NAS Auto	ERC377L	1
		5 Speed Manual Transmission, Less Air Conditioning, (+)"CH", Less Catalyst	31D, 22D, 23D, 37D, 38D, Also serviced as part of a kit, Engine Code 22D 3.5 PI 3.5 L/C Manual, Engine Code 23D 3.5 PI V8 L/C Auto, Engine Code 31D 3.5 V8 PI Auto, Engine Code 37D 3.9 V8 EFI L/C Man, Engine Codes 38D 3.9 EFI V8 NAS Auto	ERC377L	1
		4 Speed Automatic Transmissions, Less Air Conditioning, (+)"CH", With Catalyst	31D, 22D, 23D, 37D, 38D, Also serviced as part of a kit, Engine Code 22D 3.5 PI 3.5 L/C Manual, Engine Code 23D 3.5 PI V8 L/C Auto, Engine Code 31D 3.5 V8 PI Auto, Engine Code 37D 3.9 V8 EFI L/C Man, Engine Codes 38D 3.9 EFI V8 NAS Auto	ERC377L	1
		4 Speed Automatic Transmissions, Less Air Conditioning, (+)"CH", Less Catalyst	31D, 22D, 23D, 37D, 38D, Also serviced as part of a kit, Engine Code 22D 3.5 PI 3.5 L/C Manual, Engine Code 23D 3.5 PI V8 L/C Auto, Engine Code 31D 3.5 V8 PI Auto, Engine Code 37D 3.9 V8 EFI L/C Man, Engine Codes 38D 3.9 EFI V8 NAS Auto	ERC377L	1
		3.5 V8 Petrol Efi, (+)"CDN/MEX/USA"		ERC377	1
		3.9/4.0 V8 Petrol Efi, (+)"CDN/MEX/USA"		ERC377	1

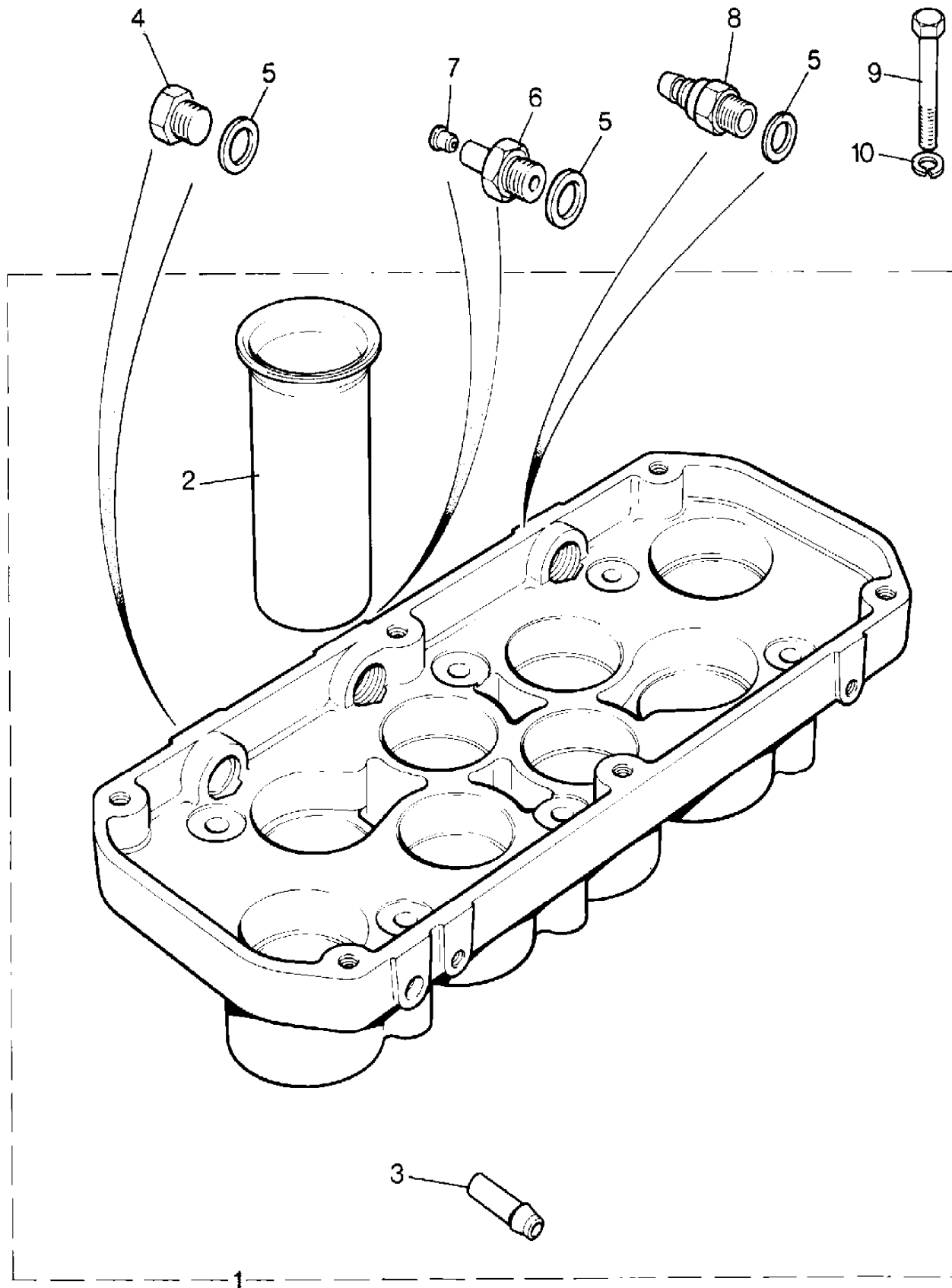
Engine
V8 Petrol - EFI
Ram Pipes Housing-Low Compression 8/29

Range Rover (To HA610293)

(TS6237)

Range Rover (To HA610293)

Engine
V8 Petrol - EFI
Ram Pipes Housing-Low Compression
Petrol V8 L/R EFI



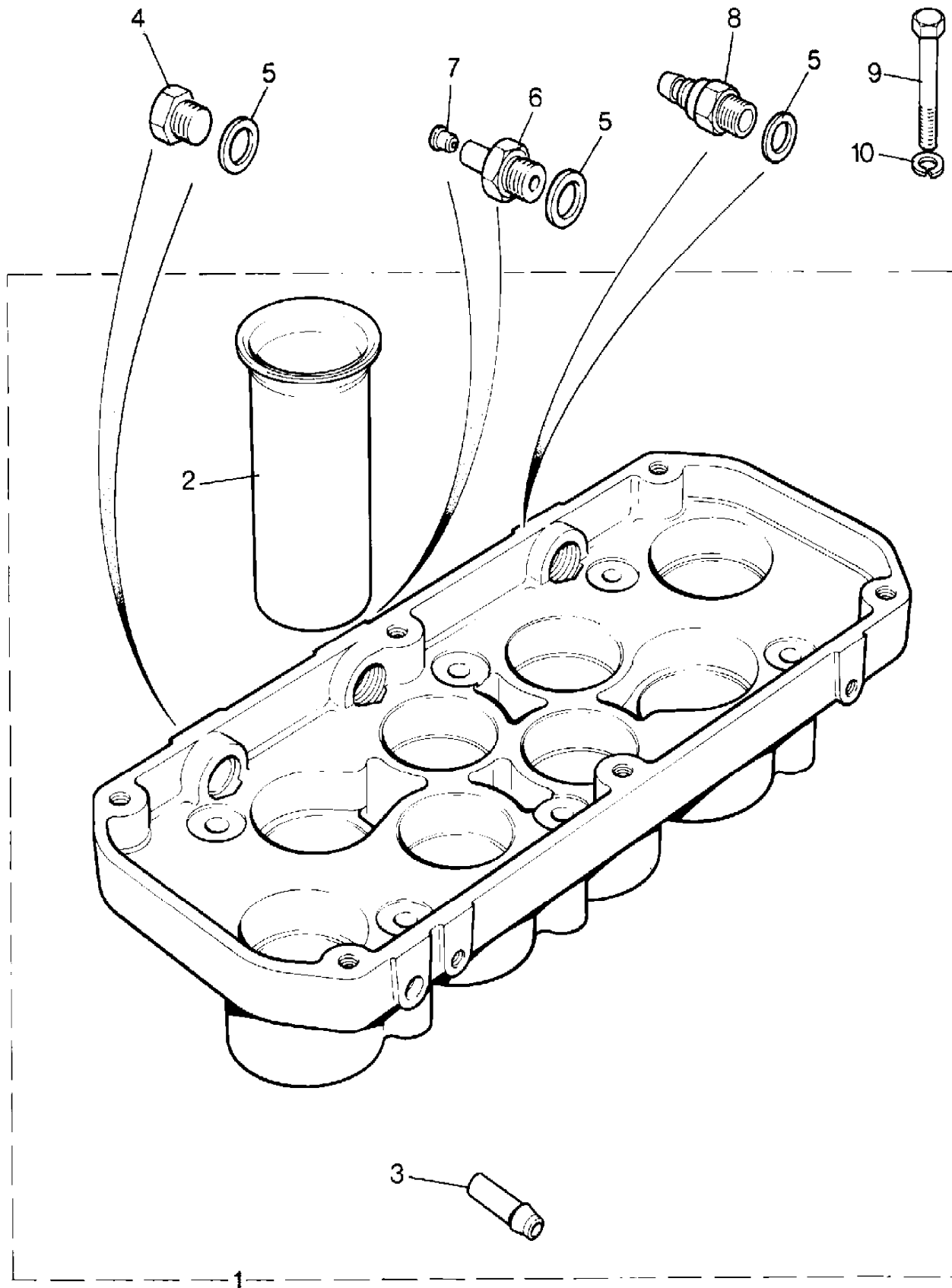
Callout	Name	Application	Remarks & Restrictions	Service No.	Qty
4	Plug-blanking	4 Speed Automatic Transmissions, Less Air Conditioning, (+)"A", With Catalyst	31D, 22D, 23D, 37D, 38D, Also serviced as part of a kit, Engine Code 22D 3.5 PI 3.5 L/C Manual, Engine Code 23D 3.5 PI V8 L/C Auto, Engine Code 31D 3.5 V8 PI Auto, Engine Code 37D 3.9 V8 EFI L/C Man, Engine Codes 38D 3.9 EFI V8 NAS Auto	603224	1
		4 Speed Automatic Transmissions, Less Air Conditioning, (+)"A", Less Catalyst	31D, 22D, 23D, 37D, 38D, Also serviced as part of a kit, Engine Code 22D 3.5 PI 3.5 L/C Manual, Engine Code 23D 3.5 PI V8 L/C Auto, Engine Code 31D 3.5 V8 PI Auto, Engine Code 37D 3.9 V8 EFI L/C Man, Engine Codes 38D 3.9 EFI V8 NAS Auto	603224	1
		5 Speed Manual Transmission, Less Air Conditioning, (+)"A", With Catalyst	31D, 22D, 23D, 37D, 38D, Also serviced as part of a kit, Engine Code 22D 3.5 PI 3.5 L/C Manual, Engine Code 23D 3.5 PI V8 L/C Auto, Engine Code 31D 3.5 V8 PI Auto, Engine Code 37D 3.9 V8 EFI L/C Man, Engine Codes 38D 3.9 EFI V8 NAS Auto	603224	1
		5 Speed Manual Transmission, Less Air Conditioning, (+)"A", Less Catalyst	31D, 22D, 23D, 37D, 38D, Also serviced as part of a kit, Engine Code 22D 3.5 PI 3.5 L/C Manual, Engine Code 23D 3.5 PI V8 L/C Auto, Engine Code 31D 3.5 V8 PI Auto, Engine Code 37D 3.9 V8 EFI L/C Man, Engine Codes 38D 3.9 EFI V8 NAS Auto	603224	1
		4 Speed Automatic Transmissions, Less Air Conditioning, (+)"D", With Catalyst	31D, 22D, 23D, 37D, 38D, Also serviced as part of a kit, Engine Code 22D 3.5 PI 3.5 L/C Manual, Engine Code 23D 3.5 PI V8 L/C Auto, Engine Code 31D 3.5 V8 PI Auto, Engine Code 37D 3.9 V8 EFI L/C Man, Engine Codes 38D 3.9 EFI V8 NAS Auto	603224	1
		4 Speed Automatic Transmissions, Less Air Conditioning, (+)"D", Less Catalyst	31D, 22D, 23D, 37D, 38D, Also serviced as part of a kit, Engine Code 22D 3.5 PI 3.5 L/C Manual, Engine Code 23D 3.5 PI V8 L/C Auto, Engine Code 31D 3.5 V8 PI Auto, Engine Code 37D 3.9 V8 EFI L/C Man, Engine Codes 38D 3.9 EFI V8 NAS Auto	603224	1

Engine
V8 Petrol - EFI

Range Rover (To HA610293)

Ram Pipes Housing-Low Compression 9/29

(TS6237)



Range Rover (To HA610293)

Engine
V8 Petrol - EFI

Ram Pipes Housing-Low Compression

Petrol V8 L/R EFI

Callout	Name	Application	Remarks & Restrictions	Service No.	Qty
4	Plug-blanking	5 Speed Manual Transmission, Less Air Conditioning, (+)"D", With Catalyst	31D, 22D, 23D, 37D, 38D, Also serviced as part of a kit, Engine Code 22D 3.5 PI 3.5 L/C Manual, Engine Code 23D 3.5 PI V8 L/C Auto, Engine Code 31D 3.5 V8 PI Auto, Engine Code 37D 3.9 V8 EFI L/C Man, Engine Codes 38D 3.9 EFI V8 NAS Auto	603224	1
		5 Speed Manual Transmission, Less Air Conditioning, (+)"D", Less Catalyst	31D, 22D, 23D, 37D, 38D, Also serviced as part of a kit, Engine Code 22D 3.5 PI 3.5 L/C Manual, Engine Code 23D 3.5 PI V8 L/C Auto, Engine Code 31D 3.5 V8 PI Auto, Engine Code 37D 3.9 V8 EFI L/C Man, Engine Codes 38D 3.9 EFI V8 NAS Auto	603224	1
		4 Speed Automatic Transmissions, With Air Conditioning, (+)"A", With Catalyst	31D, 22D, 23D, 37D, 38D, Also serviced as part of a kit, Engine Code 22D 3.5 PI 3.5 L/C Manual, Engine Code 23D 3.5 PI V8 L/C Auto, Engine Code 31D 3.5 V8 PI Auto, Engine Code 37D 3.9 V8 EFI L/C Man, Engine Codes 38D 3.9 EFI V8 NAS Auto	ERC4626	1
		4 Speed Automatic Transmissions, With Air Conditioning, (+)"A", Less Catalyst	31D, 22D, 23D, 37D, 38D, Also serviced as part of a kit, Engine Code 22D 3.5 PI 3.5 L/C Manual, Engine Code 23D 3.5 PI V8 L/C Auto, Engine Code 31D 3.5 V8 PI Auto, Engine Code 37D 3.9 V8 EFI L/C Man, Engine Codes 38D 3.9 EFI V8 NAS Auto	ERC4626	1
		5 Speed Manual Transmission, With Air Conditioning, (+)"A", With Catalyst	31D, 22D, 23D, 37D, 38D, Also serviced as part of a kit, Engine Code 22D 3.5 PI 3.5 L/C Manual, Engine Code 23D 3.5 PI V8 L/C Auto, Engine Code 31D 3.5 V8 PI Auto, Engine Code 37D 3.9 V8 EFI L/C Man, Engine Codes 38D 3.9 EFI V8 NAS Auto	ERC4626	1
		5 Speed Manual Transmission, With Air Conditioning, (+)"A", Less Catalyst	31D, 22D, 23D, 37D, 38D, Also serviced as part of a kit, Engine Code 22D 3.5 PI 3.5 L/C Manual, Engine Code 23D 3.5 PI V8 L/C Auto, Engine Code 31D 3.5 V8 PI Auto, Engine Code 37D 3.9 V8 EFI L/C Man, Engine Codes 38D 3.9 EFI V8 NAS Auto	ERC4626	1

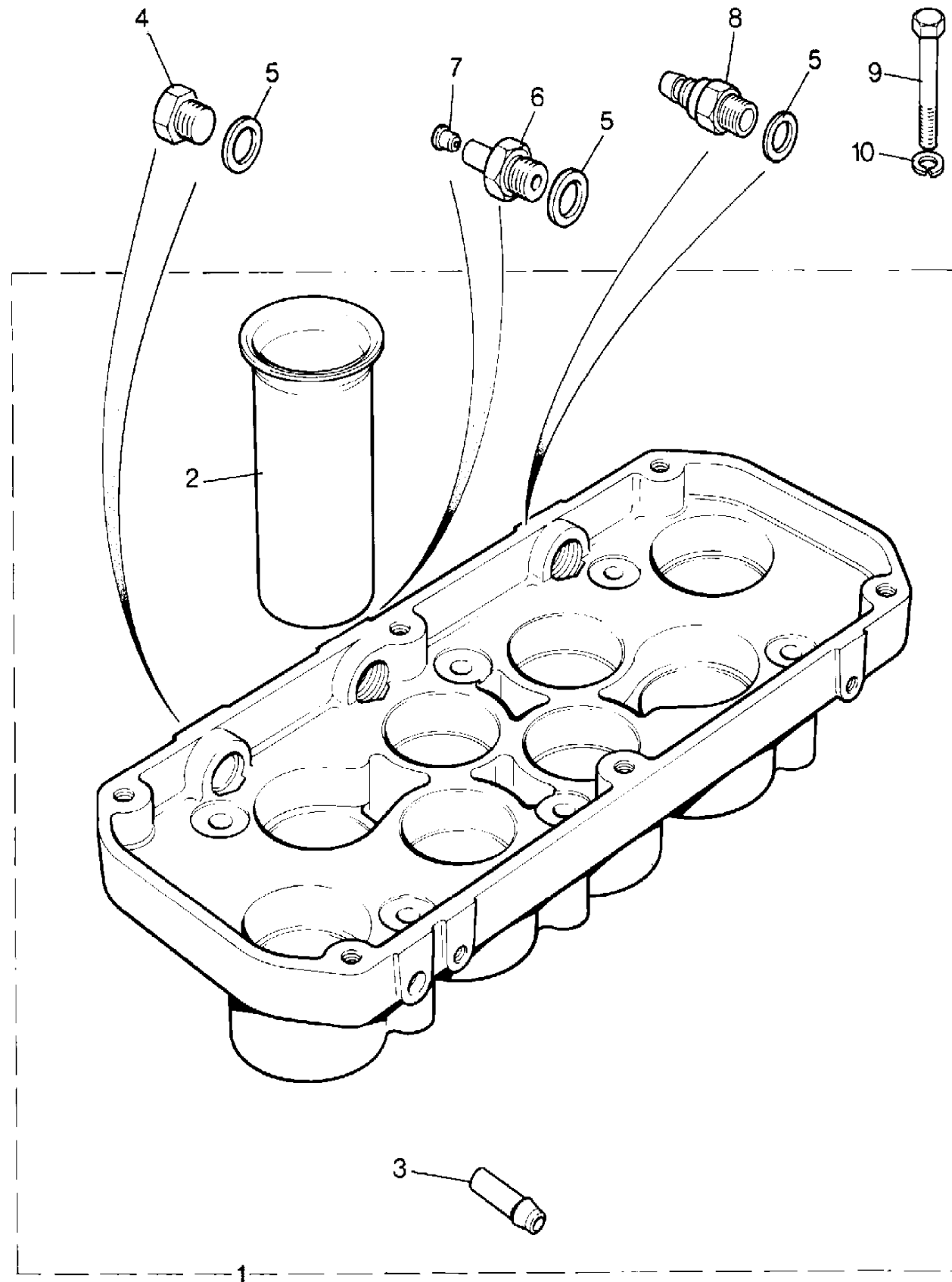
Engine
V8 Petrol - EFi
Ram Pipes Housing-Low Compression 10/29

Range Rover (To HA610293)

(TS6237)

Range Rover (To HA610293)

Engine
V8 Petrol - EFi
Ram Pipes Housing-Low Compression
Petrol V8 L/R EFi



Callout	Name	Application	Remarks & Restrictions	Service No.	Qty
4	Plug-blanking	4 Speed Automatic Transmissions, With Air Conditioning, (+)"D", With Catalyst	31D, 22D, 23D, 37D, 38D, Also serviced as part of a kit, Engine Code 22D 3.5 PI 3.5 L/C Manual, Engine Code 23D 3.5 PI V8 L/C Auto, Engine Code 31D 3.5 V8 PI Auto, Engine Code 37D 3.9 V8 EFI L/C Man, Engine Codes 38D 3.9 EFI V8 NAS Auto	ERC4626	1
		4 Speed Automatic Transmissions, With Air Conditioning, (+)"D", Less Catalyst	31D, 22D, 23D, 37D, 38D, Also serviced as part of a kit, Engine Code 22D 3.5 PI 3.5 L/C Manual, Engine Code 23D 3.5 PI V8 L/C Auto, Engine Code 31D 3.5 V8 PI Auto, Engine Code 37D 3.9 V8 EFI L/C Man, Engine Codes 38D 3.9 EFI V8 NAS Auto	ERC4626	1
		5 Speed Manual Transmission, With Air Conditioning, (+)"D", With Catalyst	31D, 22D, 23D, 37D, 38D, Also serviced as part of a kit, Engine Code 22D 3.5 PI 3.5 L/C Manual, Engine Code 23D 3.5 PI V8 L/C Auto, Engine Code 31D 3.5 V8 PI Auto, Engine Code 37D 3.9 V8 EFI L/C Man, Engine Codes 38D 3.9 EFI V8 NAS Auto	ERC4626	1
		5 Speed Manual Transmission, With Air Conditioning, (+)"D", Less Catalyst	31D, 22D, 23D, 37D, 38D, Also serviced as part of a kit, Engine Code 22D 3.5 PI 3.5 L/C Manual, Engine Code 23D 3.5 PI V8 L/C Auto, Engine Code 31D 3.5 V8 PI Auto, Engine Code 37D 3.9 V8 EFI L/C Man, Engine Codes 38D 3.9 EFI V8 NAS Auto	ERC4626	1
		3.5 V8 Petrol Efi, (+)"CDN/MEX/USA" 3.9/4.0 V8 Petrol Efi, (+)"CDN/MEX/USA"		ERC4626 ERC4626	1 1
5	Washer-sealing	4 Speed Automatic Transmissions, Less Air Conditioning, (+)"A", With Catalyst	31D, 22D, 23D, 37D, 38D, Also serviced as part of a kit, Engine Code 22D 3.5 PI 3.5 L/C Manual, Engine Code 23D 3.5 PI V8 L/C Auto, Engine Code 31D 3.5 V8 PI Auto, Engine Code 37D 3.9 V8 EFI L/C Man, Engine Codes 38D 3.9 EFI V8 NAS Auto	232043	2

Engine
V8 Petrol - EFI

Range Rover (To HA610293)

Ram Pipes Housing-Low Compression 11/29

(TS6237)

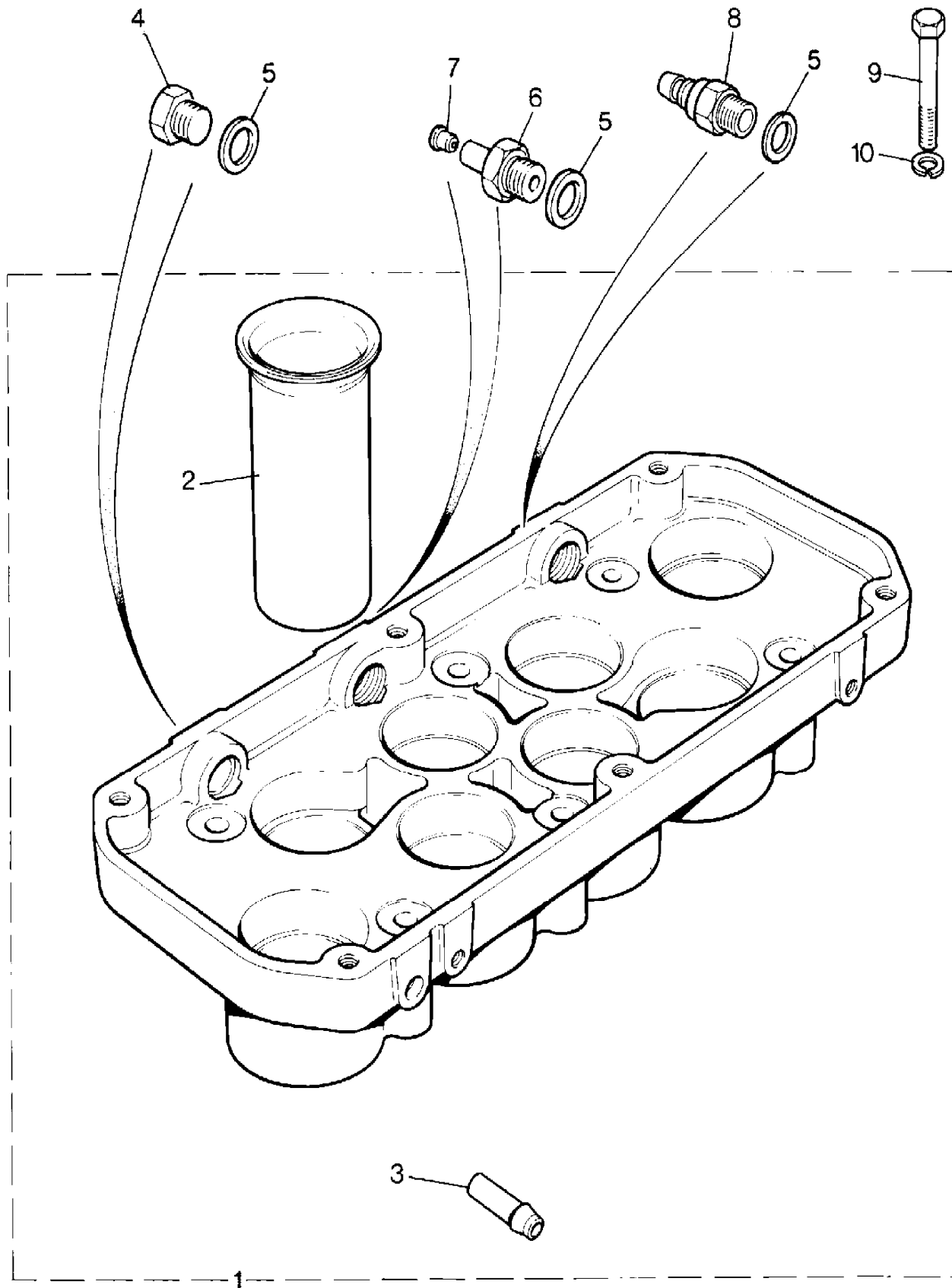
Engine
V8 Petrol - EFI

Range Rover (To HA610293)

Ram Pipes Housing-Low Compression

Petrol V8 L/R EFI

Callout	Name	Application	Remarks & Restrictions	Service No.	Qty
5	Washer-sealing	4 Speed Automatic Transmissions, Less Air Conditioning, (+)"A", Less Catalyst	31D, 22D, 23D, 37D, 38D, Also serviced as part of a kit, Engine Code 22D 3.5 PI 3.5 L/C Manual, Engine Code 23D 3.5 PI V8 L/C Auto, Engine Code 31D 3.5 V8 PI Auto, Engine Code 37D 3.9 V8 EFI L/C Man, Engine Codes 38D 3.9 EFI V8 NAS Auto	232043	2
		5 Speed Manual Transmission, Less Air Conditioning, (+)"A", With Catalyst	31D, 22D, 23D, 37D, 38D, Also serviced as part of a kit, Engine Code 22D 3.5 PI 3.5 L/C Manual, Engine Code 23D 3.5 PI V8 L/C Auto, Engine Code 31D 3.5 V8 PI Auto, Engine Code 37D 3.9 V8 EFI L/C Man, Engine Codes 38D 3.9 EFI V8 NAS Auto	232043	2
		5 Speed Manual Transmission, Less Air Conditioning, (+)"A", Less Catalyst	31D, 22D, 23D, 37D, 38D, Also serviced as part of a kit, Engine Code 22D 3.5 PI 3.5 L/C Manual, Engine Code 23D 3.5 PI V8 L/C Auto, Engine Code 31D 3.5 V8 PI Auto, Engine Code 37D 3.9 V8 EFI L/C Man, Engine Codes 38D 3.9 EFI V8 NAS Auto	232043	2
		4 Speed Automatic Transmissions, Less Air Conditioning, (+)"D", With Catalyst	31D, 22D, 23D, 37D, 38D, Also serviced as part of a kit, Engine Code 22D 3.5 PI 3.5 L/C Manual, Engine Code 23D 3.5 PI V8 L/C Auto, Engine Code 31D 3.5 V8 PI Auto, Engine Code 37D 3.9 V8 EFI L/C Man, Engine Codes 38D 3.9 EFI V8 NAS Auto	232043	2
		4 Speed Automatic Transmissions, Less Air Conditioning, (+)"D", Less Catalyst	31D, 22D, 23D, 37D, 38D, Also serviced as part of a kit, Engine Code 22D 3.5 PI 3.5 L/C Manual, Engine Code 23D 3.5 PI V8 L/C Auto, Engine Code 31D 3.5 V8 PI Auto, Engine Code 37D 3.9 V8 EFI L/C Man, Engine Codes 38D 3.9 EFI V8 NAS Auto	232043	2
		5 Speed Manual Transmission, Less Air Conditioning, (+)"D", With Catalyst	31D, 22D, 23D, 37D, 38D, Also serviced as part of a kit, Engine Code 22D 3.5 PI 3.5 L/C Manual, Engine Code 23D 3.5 PI V8 L/C Auto, Engine Code 31D 3.5 V8 PI Auto, Engine Code 37D 3.9 V8 EFI L/C Man, Engine Codes 38D 3.9 EFI V8 NAS Auto	232043	2



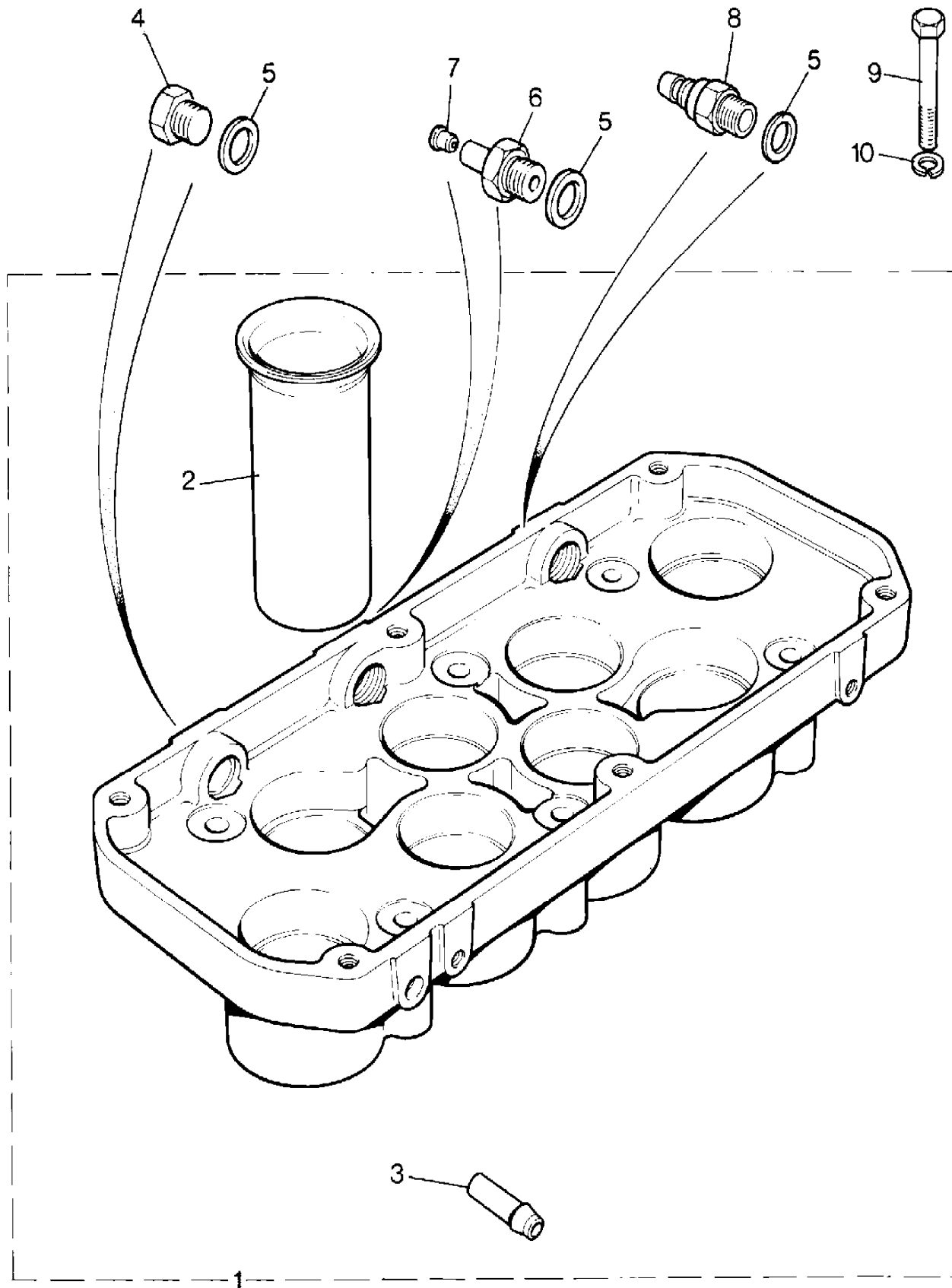
Engine
V8 Petrol - EFI
Ram Pipes Housing-Low Compression 12/29

Range Rover (To HA610293)

(TS6237)

Range Rover (To HA610293)

Engine
V8 Petrol - EFI
Ram Pipes Housing-Low Compression
Petrol V8 L/R EFI

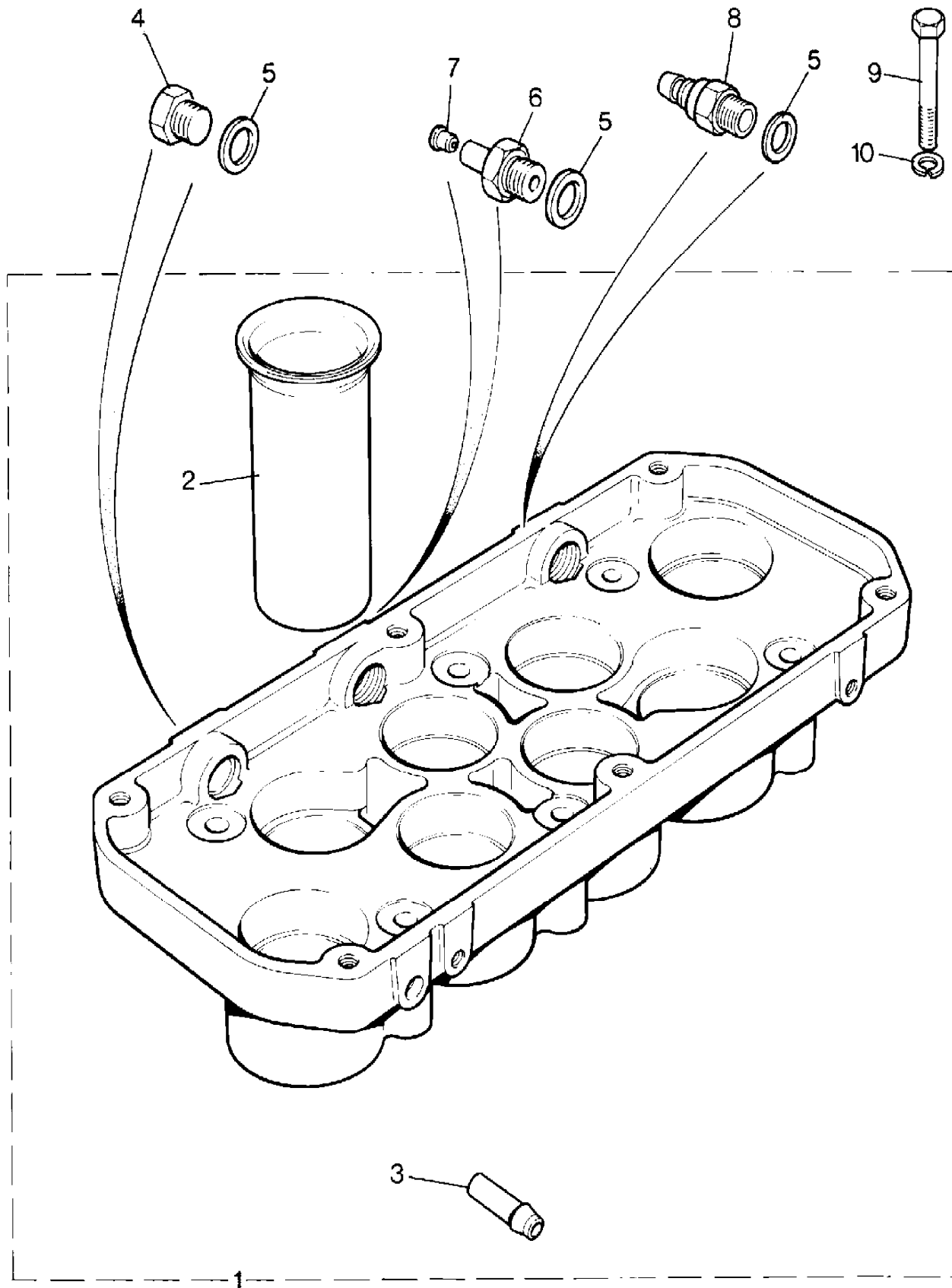


Callout	Name	Application	Remarks & Restrictions	Service No.	Qty
5	Washer-sealing	5 Speed Manual Transmission, Less Air Conditioning, (+)"D", Less Catalyst	31D, 22D, 23D, 37D, 38D, Also serviced as part of a kit, Engine Code 22D 3.5 PI 3.5 L/C Manual, Engine Code 23D 3.5 PI V8 L/C Auto, Engine Code 31D 3.5 V8 PI Auto, Engine Code 37D 3.9 V8 EFI L/C Man, Engine Codes 38D 3.9 EFI V8 NAS Auto	232043	2
		3.5 V8 Petrol Efi, (+)"CDN/MEX/USA"	Part Of Gasket Kit RTC5254	232043	2
		3.9/4.0 V8 Petrol Efi, (+)"CDN/MEX/USA"	Part Of Gasket Kit RTC5254	232043	2
6	Connector-inlet manifold adaptor	4 Speed Automatic Transmissions, With Air Conditioning, (+)"A", With Catalyst	31D, evaporator loss control, 22D, 23D, 37D, 38D, Also serviced as part of a kit, Engine Code 22D 3.5 PI 3.5 L/C Manual, Engine Code 23D 3.5 PI V8 L/C Auto, Engine Code 31D 3.5 V8 PI Auto, Engine Code 37D 3.9 V8 EFI L/C Man, Engine Codes 38D 3.9 EFI V8 NAS Auto	ETC6504	1
		4 Speed Automatic Transmissions, With Air Conditioning, (+)"A", Less Catalyst	31D, evaporator loss control, 22D, 23D, 37D, 38D, Also serviced as part of a kit, Engine Code 22D 3.5 PI 3.5 L/C Manual, Engine Code 23D 3.5 PI V8 L/C Auto, Engine Code 31D 3.5 V8 PI Auto, Engine Code 37D 3.9 V8 EFI L/C Man, Engine Codes 38D 3.9 EFI V8 NAS Auto	ETC6504	1
		5 Speed Manual Transmission, With Air Conditioning, (+)"A", With Catalyst	31D, evaporator loss control, 22D, 23D, 37D, 38D, Also serviced as part of a kit, Engine Code 22D 3.5 PI 3.5 L/C Manual, Engine Code 23D 3.5 PI V8 L/C Auto, Engine Code 31D 3.5 V8 PI Auto, Engine Code 37D 3.9 V8 EFI L/C Man, Engine Codes 38D 3.9 EFI V8 NAS Auto	ETC6504	1
		5 Speed Manual Transmission, With Air Conditioning, (+)"A", Less Catalyst	31D, evaporator loss control, 22D, 23D, 37D, 38D, Also serviced as part of a kit, Engine Code 22D 3.5 PI 3.5 L/C Manual, Engine Code 23D 3.5 PI V8 L/C Auto, Engine Code 31D 3.5 V8 PI Auto, Engine Code 37D 3.9 V8 EFI L/C Man, Engine Codes 38D 3.9 EFI V8 NAS Auto	ETC6504	1

Engine
V8 Petrol - EFI
Ram Pipes Housing-Low Compression 13/29

Range Rover (To HA610293)

(TS6237)



Range Rover (To HA610293)

Engine
V8 Petrol - EFI
Ram Pipes Housing-Low Compression
Petrol V8 L/R EFI

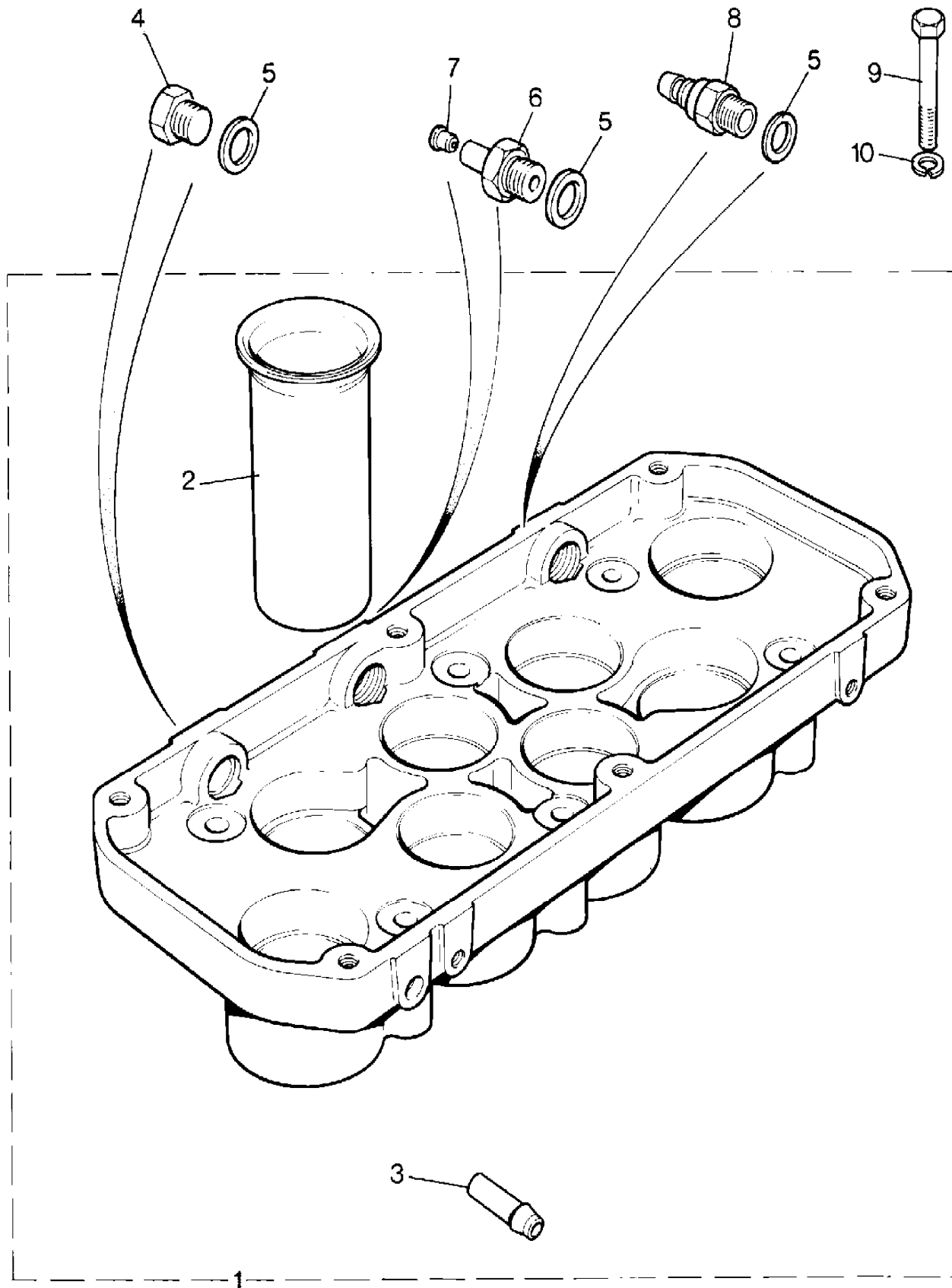
Callout	Name	Application	Remarks & Restrictions	Service No.	Qty
6	Connector-inlet manifold adaptor	4 Speed Automatic Transmissions, With Air Conditioning, (+)"D", With Catalyst	31D, evaporator loss control, 22D, 23D, 37D, 38D, Also serviced as part of a kit, Engine Code 22D 3.5 PI 3.5 L/C Manual, Engine Code 23D 3.5 PI V8 L/C Auto, Engine Code 31D 3.5 V8 PI Auto, Engine Code 37D 3.9 V8 EFI L/C Man, Engine Codes 38D 3.9 EFI V8 NAS Auto	ETC6504	1
		4 Speed Automatic Transmissions, With Air Conditioning, (+)"D", Less Catalyst	31D, evaporator loss control, 22D, 23D, 37D, 38D, Also serviced as part of a kit, Engine Code 22D 3.5 PI 3.5 L/C Manual, Engine Code 23D 3.5 PI V8 L/C Auto, Engine Code 31D 3.5 V8 PI Auto, Engine Code 37D 3.9 V8 EFI L/C Man, Engine Codes 38D 3.9 EFI V8 NAS Auto	ETC6504	1
		5 Speed Manual Transmission, With Air Conditioning, (+)"D", With Catalyst	31D, evaporator loss control, 22D, 23D, 37D, 38D, Also serviced as part of a kit, Engine Code 22D 3.5 PI 3.5 L/C Manual, Engine Code 23D 3.5 PI V8 L/C Auto, Engine Code 31D 3.5 V8 PI Auto, Engine Code 37D 3.9 V8 EFI L/C Man, Engine Codes 38D 3.9 EFI V8 NAS Auto	ETC6504	1
		5 Speed Manual Transmission, With Air Conditioning, (+)"D", Less Catalyst	31D, evaporator loss control, 22D, 23D, 37D, 38D, Also serviced as part of a kit, Engine Code 22D 3.5 PI 3.5 L/C Manual, Engine Code 23D 3.5 PI V8 L/C Auto, Engine Code 31D 3.5 V8 PI Auto, Engine Code 37D 3.9 V8 EFI L/C Man, Engine Codes 38D 3.9 EFI V8 NAS Auto	ETC6504	1
		3.5 V8 Petrol Efi, (+)"CDN/MEX/USA" (+)"CDN/MEX/USA"	Engine Code 31D Engine Code 38D	ETC6504 ERR20	1 1
7	Connector-inlet manifold adaptor	4 Speed Automatic Transmissions, With Air Conditioning, (+)"A", With Catalyst	31D, restrictor loss control, 22D, 23D, 37D, 38D, Also serviced as part of a kit, Engine Code 22D 3.5 PI 3.5 L/C Manual, Engine Code 23D 3.5 PI V8 L/C Auto, Engine Code 31D 3.5 V8 PI Auto, Engine Code 37D 3.9 V8 EFI L/C Man, Engine Codes 38D 3.9 EFI V8 NAS Auto	ETC6505	1

Engine
V8 Petrol - EFI

Range Rover (To HA610293)

Ram Pipes Housing-Low Compression 14/29

(TS6237)



Range Rover (To HA610293)

Engine
V8 Petrol - EFI

Ram Pipes Housing-Low Compression

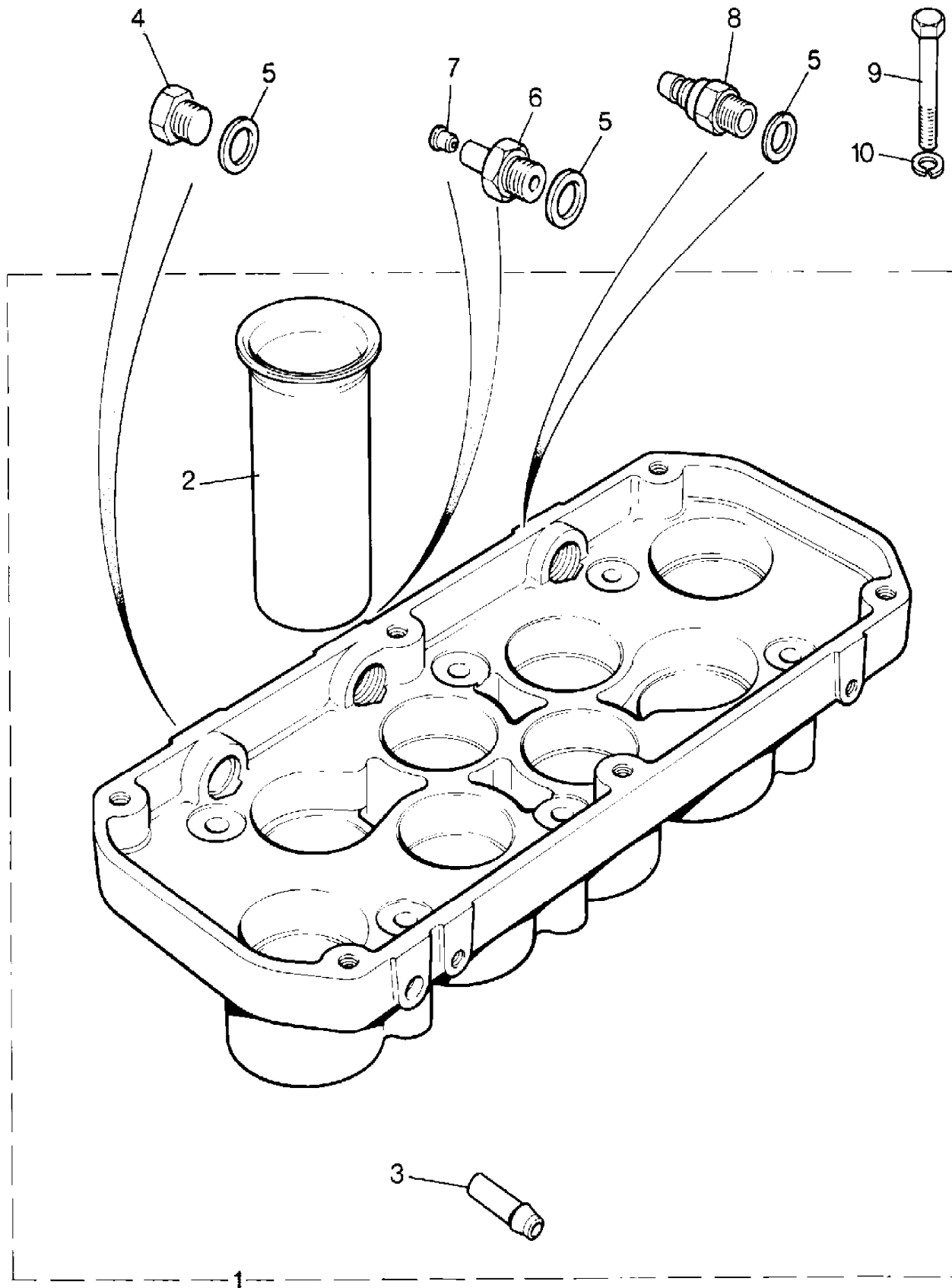
Petrol V8 L/R EFI

Callout	Name	Application	Remarks & Restrictions	Service No.	Qty
7	Connector-inlet manifold adaptor	4 Speed Automatic Transmissions, With Air Conditioning, (+)"A", Less Catalyst	31D, restrictor loss control, 22D, 23D, 37D, 38D, Also serviced as part of a kit, Engine Code 22D 3.5 PI 3.5 L/C Manual, Engine Code 23D 3.5 PI V8 L/C Auto, Engine Code 31D 3.5 V8 PI Auto, Engine Code 37D 3.9 V8 EFI L/C Man, Engine Codes 38D 3.9 EFI V8 NAS Auto	ETC6505	1
		5 Speed Manual Transmission, With Air Conditioning, (+)"A", With Catalyst	31D, restrictor loss control, 22D, 23D, 37D, 38D, Also serviced as part of a kit, Engine Code 22D 3.5 PI 3.5 L/C Manual, Engine Code 23D 3.5 PI V8 L/C Auto, Engine Code 31D 3.5 V8 PI Auto, Engine Code 37D 3.9 V8 EFI L/C Man, Engine Codes 38D 3.9 EFI V8 NAS Auto	ETC6505	1
		5 Speed Manual Transmission, With Air Conditioning, (+)"A", Less Catalyst	31D, restrictor loss control, 22D, 23D, 37D, 38D, Also serviced as part of a kit, Engine Code 22D 3.5 PI 3.5 L/C Manual, Engine Code 23D 3.5 PI V8 L/C Auto, Engine Code 31D 3.5 V8 PI Auto, Engine Code 37D 3.9 V8 EFI L/C Man, Engine Codes 38D 3.9 EFI V8 NAS Auto	ETC6505	1
		4 Speed Automatic Transmissions, With Air Conditioning, (+)"D", With Catalyst	31D, restrictor loss control, 22D, 23D, 37D, 38D, Also serviced as part of a kit, Engine Code 22D 3.5 PI 3.5 L/C Manual, Engine Code 23D 3.5 PI V8 L/C Auto, Engine Code 31D 3.5 V8 PI Auto, Engine Code 37D 3.9 V8 EFI L/C Man, Engine Codes 38D 3.9 EFI V8 NAS Auto	ETC6505	1
		4 Speed Automatic Transmissions, With Air Conditioning, (+)"D", Less Catalyst	31D, restrictor loss control, 22D, 23D, 37D, 38D, Also serviced as part of a kit, Engine Code 22D 3.5 PI 3.5 L/C Manual, Engine Code 23D 3.5 PI V8 L/C Auto, Engine Code 31D 3.5 V8 PI Auto, Engine Code 37D 3.9 V8 EFI L/C Man, Engine Codes 38D 3.9 EFI V8 NAS Auto	ETC6505	1

Engine
V8 Petrol - EFI
Ram Pipes Housing-Low Compression 15/29

Range Rover (To HA610293)

(TS6237)



Range Rover (To HA610293)

Engine
V8 Petrol - EFI
Ram Pipes Housing-Low Compression
Petrol V8 L/R EFI

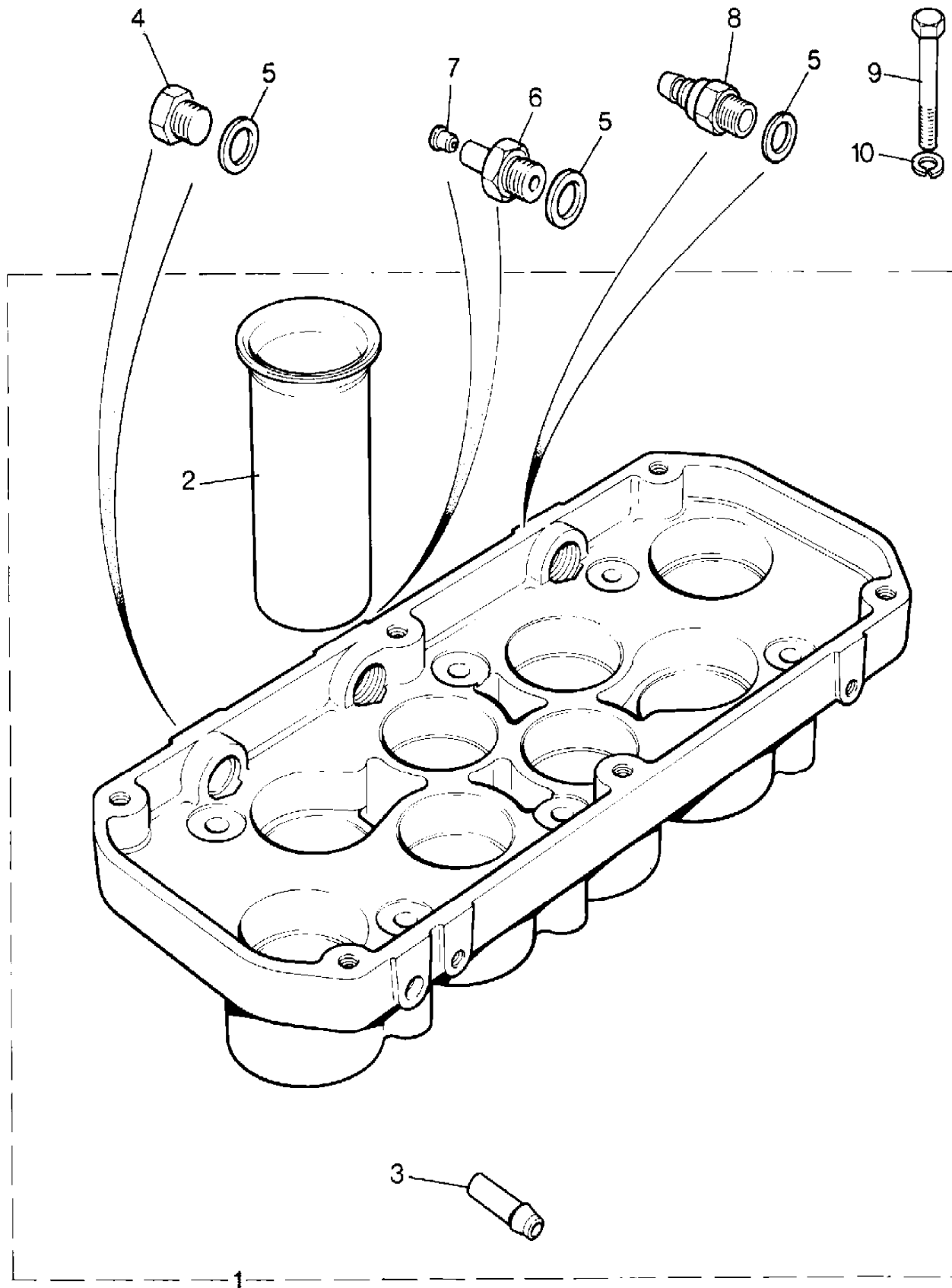
Callout	Name	Application	Remarks & Restrictions	Service No.	Qty
7	Connector-inlet manifold adaptor	5 Speed Manual Transmission, With Air Conditioning, (+)"D", With Catalyst	31D, restrictor loss control, 22D, 23D, 37D, 38D, Also serviced as part of a kit, Engine Code 22D 3.5 PI 3.5 L/C Manual, Engine Code 23D 3.5 PI V8 L/C Auto, Engine Code 31D 3.5 V8 PI Auto, Engine Code 37D 3.9 V8 EFI L/C Man, Engine Codes 38D 3.9 EFI V8 NAS Auto	ETC6505	1
		5 Speed Manual Transmission, With Air Conditioning, (+)"D", Less Catalyst	31D, restrictor loss control, 22D, 23D, 37D, 38D, Also serviced as part of a kit, Engine Code 22D 3.5 PI 3.5 L/C Manual, Engine Code 23D 3.5 PI V8 L/C Auto, Engine Code 31D 3.5 V8 PI Auto, Engine Code 37D 3.9 V8 EFI L/C Man, Engine Codes 38D 3.9 EFI V8 NAS Auto	ETC6505	1
		3.5 V8 Petrol Efi, (+)"CDN/MEX/USA"		ETC6505	1
		3.9/4.0 V8 Petrol Efi, (+)"CDN/MEX/USA"		ETC6505	1
8	Valve-inlet manifold non return	5 Speed Manual Transmission, (+)"D", With Catalyst	31D, 22D, 23D, 37D, 38D, Engine Code 22D 3.5 PI 3.5 L/C Manual, Engine Code 23D 3.5 PI V8 L/C Auto, Engine Code 31D 3.5 V8 PI Auto, Engine Code 37D 3.9 V8 EFI L/C Man, Engine Codes 38D 3.9 EFI V8 NAS Auto	RTC5907	1
		5 Speed Manual Transmission, (+)"D", Less Catalyst	31D, 22D, 23D, 37D, 38D, Engine Code 22D 3.5 PI 3.5 L/C Manual, Engine Code 23D 3.5 PI V8 L/C Auto, Engine Code 31D 3.5 V8 PI Auto, Engine Code 37D 3.9 V8 EFI L/C Man, Engine Codes 38D 3.9 EFI V8 NAS Auto	RTC5907	1
		4 Speed Automatic Transmissions, (+)"D", With Catalyst	31D, 22D, 23D, 37D, 38D, Engine Code 22D 3.5 PI 3.5 L/C Manual, Engine Code 23D 3.5 PI V8 L/C Auto, Engine Code 31D 3.5 V8 PI Auto, Engine Code 37D 3.9 V8 EFI L/C Man, Engine Codes 38D 3.9 EFI V8 NAS Auto	RTC5907	1
		4 Speed Automatic Transmissions, (+)"D", Less Catalyst	31D, 22D, 23D, 37D, 38D, Engine Code 22D 3.5 PI 3.5 L/C Manual, Engine Code 23D 3.5 PI V8 L/C Auto, Engine Code 31D 3.5 V8 PI Auto, Engine Code 37D 3.9 V8 EFI L/C Man, Engine Codes 38D 3.9 EFI V8 NAS Auto	RTC5907	1

Engine
V8 Petrol - EFI

Range Rover (To HA610293)

Ram Pipes Housing-Low Compression 16/29

(TS6237)



Range Rover (To HA610293)

Engine
V8 Petrol - EFI

Ram Pipes Housing-Low Compression

Petrol V8 L/R EFI

Callout	Name	Application	Remarks & Restrictions	Service No.	Qty
8	Valve-inlet manifold non return	5 Speed Manual Transmission, (+)"CH", With Catalyst	31D, 22D, 23D, 37D, 38D, Engine Code 22D 3.5 PI 3.5 L/C Manual, Engine Code 23D 3.5 PI V8 L/C Auto, Engine Code 31D 3.5 V8 PI Auto, Engine Code 37D 3.9 V8 EFI L/C Man, Engine Codes 38D 3.9 EFI V8 NAS Auto	RTC5907	1
		5 Speed Manual Transmission, (+)"CH", Less Catalyst	31D, 22D, 23D, 37D, 38D, Engine Code 22D 3.5 PI 3.5 L/C Manual, Engine Code 23D 3.5 PI V8 L/C Auto, Engine Code 31D 3.5 V8 PI Auto, Engine Code 37D 3.9 V8 EFI L/C Man, Engine Codes 38D 3.9 EFI V8 NAS Auto	RTC5907	1
		4 Speed Automatic Transmissions, (+)"CH", With Catalyst	31D, 22D, 23D, 37D, 38D, Engine Code 22D 3.5 PI 3.5 L/C Manual, Engine Code 23D 3.5 PI V8 L/C Auto, Engine Code 31D 3.5 V8 PI Auto, Engine Code 37D 3.9 V8 EFI L/C Man, Engine Codes 38D 3.9 EFI V8 NAS Auto	RTC5907	1
		4 Speed Automatic Transmissions, (+)"CH", Less Catalyst	31D, 22D, 23D, 37D, 38D, Engine Code 22D 3.5 PI 3.5 L/C Manual, Engine Code 23D 3.5 PI V8 L/C Auto, Engine Code 31D 3.5 V8 PI Auto, Engine Code 37D 3.9 V8 EFI L/C Man, Engine Codes 38D 3.9 EFI V8 NAS Auto	RTC5907	1
		4 Speed Automatic Transmissions, With Air Conditioning, (+)"A", With Catalyst	31D, 22D, 23D, 37D, 38D, Also serviced as part of a kit, Engine Code 22D 3.5 PI 3.5 L/C Manual, Engine Code 23D 3.5 PI V8 L/C Auto, Engine Code 31D 3.5 V8 PI Auto, Engine Code 37D 3.9 V8 EFI L/C Man, Engine Codes 38D 3.9 EFI V8 NAS Auto	578620	1
		4 Speed Automatic Transmissions, With Air Conditioning, (+)"A", Less Catalyst	31D, 22D, 23D, 37D, 38D, Also serviced as part of a kit, Engine Code 22D 3.5 PI 3.5 L/C Manual, Engine Code 23D 3.5 PI V8 L/C Auto, Engine Code 31D 3.5 V8 PI Auto, Engine Code 37D 3.9 V8 EFI L/C Man, Engine Codes 38D 3.9 EFI V8 NAS Auto	578620	1

Engine
V8 Petrol - EFI

Range Rover (To HA610293)

Ram Pipes Housing-Low Compression 17/29

(TS6237)

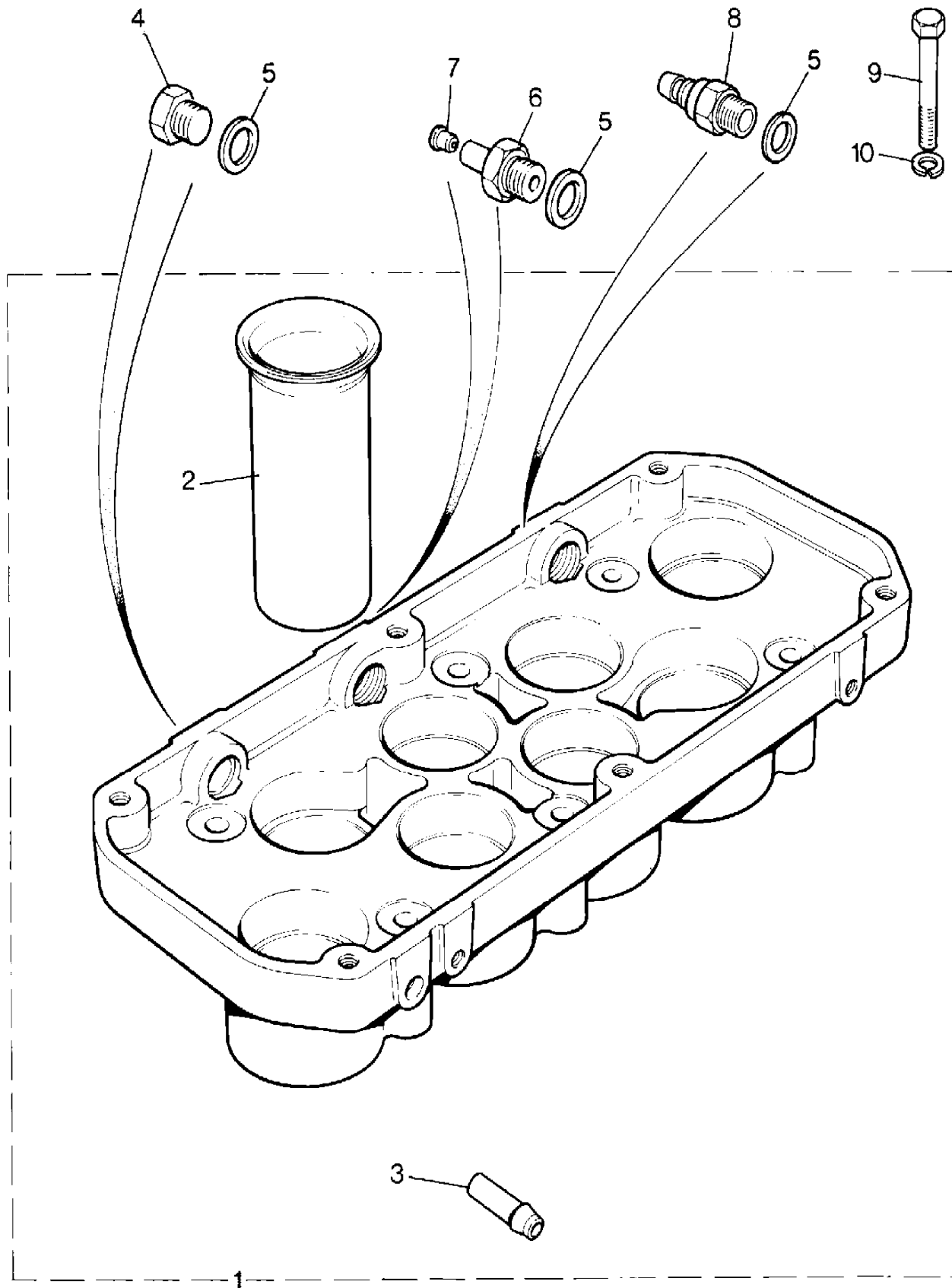
Range Rover (To HA610293)

Engine
V8 Petrol - EFI

Ram Pipes Housing-Low Compression

Petrol V8 L/R EFI

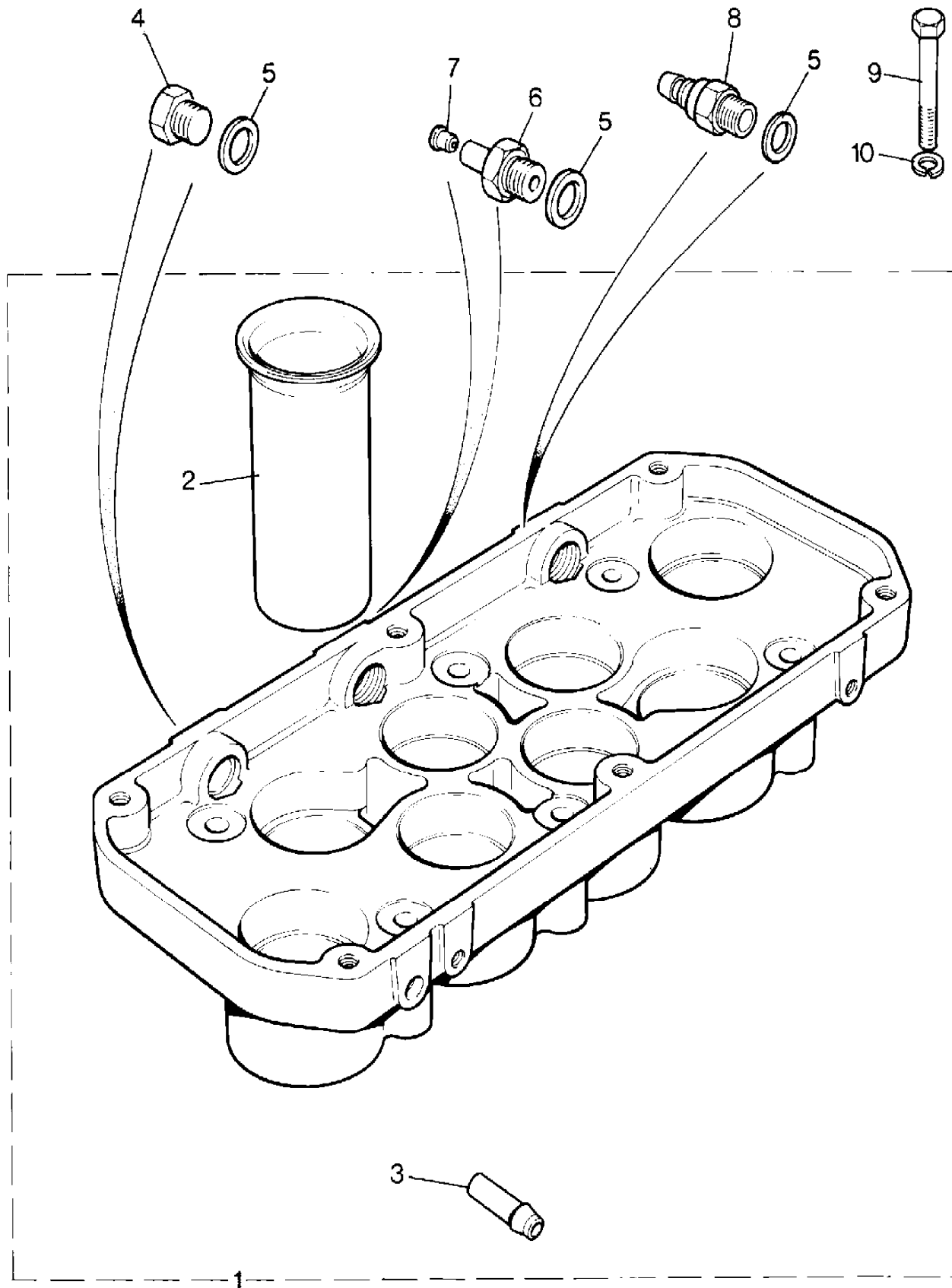
Callout	Name	Application	Remarks & Restrictions	Service No.	Qty
8	Valve-inlet manifold non return	5 Speed Manual Transmission, With Air Conditioning, (+)"A", With Catalyst	31D, 22D, 23D, 37D, 38D, Also serviced as part of a kit, Engine Code 22D 3.5 PI 3.5 L/C Manual, Engine Code 23D 3.5 PI V8 L/C Auto, Engine Code 31D 3.5 V8 PI Auto, Engine Code 37D 3.9 V8 EFI L/C Man, Engine Codes 38D 3.9 EFI V8 NAS Auto	578620	1
		5 Speed Manual Transmission, With Air Conditioning, (+)"A", Less Catalyst	31D, 22D, 23D, 37D, 38D, Also serviced as part of a kit, Engine Code 22D 3.5 PI 3.5 L/C Manual, Engine Code 23D 3.5 PI V8 L/C Auto, Engine Code 31D 3.5 V8 PI Auto, Engine Code 37D 3.9 V8 EFI L/C Man, Engine Codes 38D 3.9 EFI V8 NAS Auto	578620	1
		4 Speed Automatic Transmissions, With Air Conditioning, (+)"D", With Catalyst	31D, 22D, 23D, 37D, 38D, Also serviced as part of a kit, Engine Code 22D 3.5 PI 3.5 L/C Manual, Engine Code 23D 3.5 PI V8 L/C Auto, Engine Code 31D 3.5 V8 PI Auto, Engine Code 37D 3.9 V8 EFI L/C Man, Engine Codes 38D 3.9 EFI V8 NAS Auto	578620	1
		4 Speed Automatic Transmissions, With Air Conditioning, (+)"D", Less Catalyst	31D, 22D, 23D, 37D, 38D, Also serviced as part of a kit, Engine Code 22D 3.5 PI 3.5 L/C Manual, Engine Code 23D 3.5 PI V8 L/C Auto, Engine Code 31D 3.5 V8 PI Auto, Engine Code 37D 3.9 V8 EFI L/C Man, Engine Codes 38D 3.9 EFI V8 NAS Auto	578620	1
		5 Speed Manual Transmission, With Air Conditioning, (+)"D", With Catalyst	31D, 22D, 23D, 37D, 38D, Also serviced as part of a kit, Engine Code 22D 3.5 PI 3.5 L/C Manual, Engine Code 23D 3.5 PI V8 L/C Auto, Engine Code 31D 3.5 V8 PI Auto, Engine Code 37D 3.9 V8 EFI L/C Man, Engine Codes 38D 3.9 EFI V8 NAS Auto	578620	1
		5 Speed Manual Transmission, With Air Conditioning, (+)"D", Less Catalyst	31D, 22D, 23D, 37D, 38D, Also serviced as part of a kit, Engine Code 22D 3.5 PI 3.5 L/C Manual, Engine Code 23D 3.5 PI V8 L/C Auto, Engine Code 31D 3.5 V8 PI Auto, Engine Code 37D 3.9 V8 EFI L/C Man, Engine Codes 38D 3.9 EFI V8 NAS Auto	578620	1
		3.5 V8 Petrol Efi, (+)"CDN/MEX/USA" 3.9/4.0 V8 Petrol Efi, (+)"CDN/MEX/USA"		ADU1402L ADU1402L	1 1



Engine
V8 Petrol - EFI
Ram Pipes Housing-Low Compression 18/29

Range Rover (To HA610293)

(TS6237)



Range Rover (To HA610293)

Engine
V8 Petrol - EFI
Ram Pipes Housing-Low Compression
Petrol V8 L/R EFI

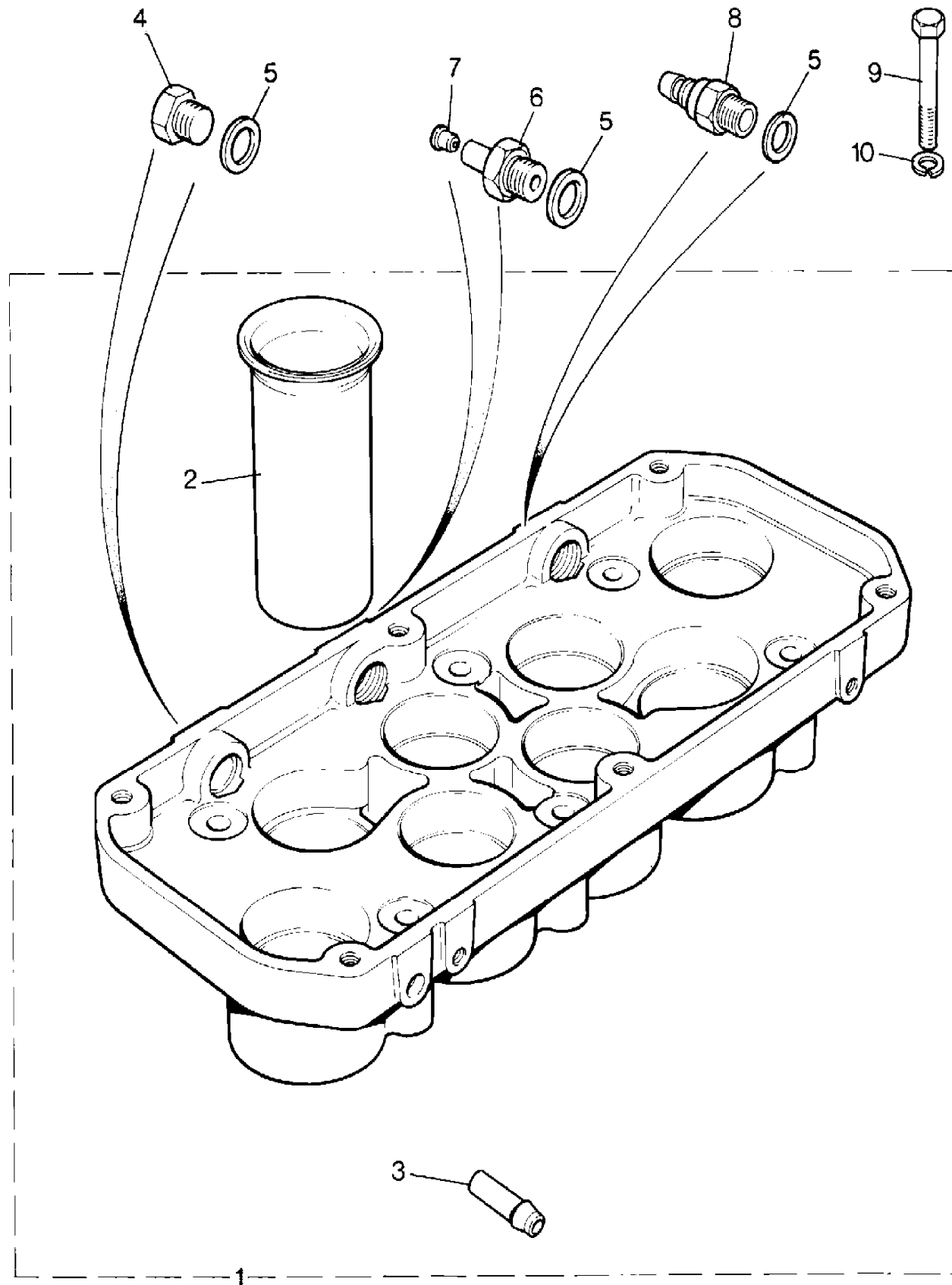
Callout	Name	Application	Remarks & Restrictions	Service No.	Qty
9	Bolt	5 Speed Manual Transmission, (+)"D", With Catalyst	31D, 22D, 23D, 37D, 38D, Engine Code 22D 3.5 PI 3.5 L/C Manual, Engine Code 23D 3.5 PI V8 L/C Auto, Engine Code 31D 3.5 V8 PI Auto, Engine Code 37D 3.9 V8 EFI L/C Man, Engine Codes 38D 3.9 EFI V8 NAS Auto, hexagonal head, 5/16UNC x 2 1/4	BH505181L	6
		5 Speed Manual Transmission, (+)"D", Less Catalyst	31D, 22D, 23D, 37D, 38D, Engine Code 22D 3.5 PI 3.5 L/C Manual, Engine Code 23D 3.5 PI V8 L/C Auto, Engine Code 31D 3.5 V8 PI Auto, Engine Code 37D 3.9 V8 EFI L/C Man, Engine Codes 38D 3.9 EFI V8 NAS Auto, hexagonal head, 5/16UNC x 2 1/4	BH505181L	6
		4 Speed Automatic Transmissions, (+)"D", With Catalyst	31D, 22D, 23D, 37D, 38D, Engine Code 22D 3.5 PI 3.5 L/C Manual, Engine Code 23D 3.5 PI V8 L/C Auto, Engine Code 31D 3.5 V8 PI Auto, Engine Code 37D 3.9 V8 EFI L/C Man, Engine Codes 38D 3.9 EFI V8 NAS Auto, hexagonal head, 5/16UNC x 2 1/4	BH505181L	6
		4 Speed Automatic Transmissions, (+)"D", Less Catalyst	31D, 22D, 23D, 37D, 38D, Engine Code 22D 3.5 PI 3.5 L/C Manual, Engine Code 23D 3.5 PI V8 L/C Auto, Engine Code 31D 3.5 V8 PI Auto, Engine Code 37D 3.9 V8 EFI L/C Man, Engine Codes 38D 3.9 EFI V8 NAS Auto, hexagonal head, 5/16UNC x 2 1/4	BH505181L	6
		5 Speed Manual Transmission, (+)"CH", With Catalyst	31D, 22D, 23D, 37D, 38D, Engine Code 22D 3.5 PI 3.5 L/C Manual, Engine Code 23D 3.5 PI V8 L/C Auto, Engine Code 31D 3.5 V8 PI Auto, Engine Code 37D 3.9 V8 EFI L/C Man, Engine Codes 38D 3.9 EFI V8 NAS Auto, hexagonal head, 5/16UNC x 2 1/4	BH505181L	6
		5 Speed Manual Transmission, (+)"CH", Less Catalyst	31D, 22D, 23D, 37D, 38D, Engine Code 22D 3.5 PI 3.5 L/C Manual, Engine Code 23D 3.5 PI V8 L/C Auto, Engine Code 31D 3.5 V8 PI Auto, Engine Code 37D 3.9 V8 EFI L/C Man, Engine Codes 38D 3.9 EFI V8 NAS Auto, hexagonal head, 5/16UNC x 2 1/4	BH505181L	6

Engine
V8 Petrol - EFI

Range Rover (To HA610293)

Ram Pipes Housing-Low Compression 19/29

(TS6237)



Range Rover (To HA610293)

Engine
V8 Petrol - EFI

Ram Pipes Housing-Low Compression

Petrol V8 L/R EFI

Callout	Name	Application	Remarks & Restrictions	Service No.	Qty
9	Bolt	4 Speed Automatic Transmissions, (+)"CH", With Catalyst	31D, 22D, 23D, 37D, 38D, Engine Code 22D 3.5 PI 3.5 L/C Manual, Engine Code 23D 3.5 PI V8 L/C Auto, Engine Code 31D 3.5 V8 PI Auto, Engine Code 37D 3.9 V8 EFI L/C Man, Engine Codes 38D 3.9 EFI V8 NAS Auto, hexagonal head, 5/16UNC x 2 1/4	BH505181L	6
		4 Speed Automatic Transmissions, (+)"CH", Less Catalyst	31D, 22D, 23D, 37D, 38D, Engine Code 22D 3.5 PI 3.5 L/C Manual, Engine Code 23D 3.5 PI V8 L/C Auto, Engine Code 31D 3.5 V8 PI Auto, Engine Code 37D 3.9 V8 EFI L/C Man, Engine Codes 38D 3.9 EFI V8 NAS Auto, hexagonal head, 5/16UNC x 2 1/4	BH505181L	6
		3.5 V8 Petrol Efi, (+)"CDN/MEX/USA"		BH505181	6
		3.9/4.0 V8 Petrol Efi, (+)"CDN/MEX/USA"		BH505181	6
10	Washer	5 Speed Manual Transmission, (+)"D", With Catalyst	31D, 22D, 23D, 37D, 38D, 8MM, Engine Code 22D 3.5 PI 3.5 L/C Manual, Engine Code 23D 3.5 PI V8 L/C Auto, Engine Code 31D 3.5 V8 PI Auto, Engine Code 37D 3.9 V8 EFI L/C Man, Engine Codes 38D 3.9 EFI V8 NAS Auto	WA108051L	6
		5 Speed Manual Transmission, (+)"D", Less Catalyst	31D, 22D, 23D, 37D, 38D, 8MM, Engine Code 22D 3.5 PI 3.5 L/C Manual, Engine Code 23D 3.5 PI V8 L/C Auto, Engine Code 31D 3.5 V8 PI Auto, Engine Code 37D 3.9 V8 EFI L/C Man, Engine Codes 38D 3.9 EFI V8 NAS Auto	WA108051L	6
		4 Speed Automatic Transmissions, (+)"D", With Catalyst	31D, 22D, 23D, 37D, 38D, 8MM, Engine Code 22D 3.5 PI 3.5 L/C Manual, Engine Code 23D 3.5 PI V8 L/C Auto, Engine Code 31D 3.5 V8 PI Auto, Engine Code 37D 3.9 V8 EFI L/C Man, Engine Codes 38D 3.9 EFI V8 NAS Auto	WA108051L	6
		4 Speed Automatic Transmissions, (+)"D", Less Catalyst	31D, 22D, 23D, 37D, 38D, 8MM, Engine Code 22D 3.5 PI 3.5 L/C Manual, Engine Code 23D 3.5 PI V8 L/C Auto, Engine Code 31D 3.5 V8 PI Auto, Engine Code 37D 3.9 V8 EFI L/C Man, Engine Codes 38D 3.9 EFI V8 NAS Auto	WA108051L	6

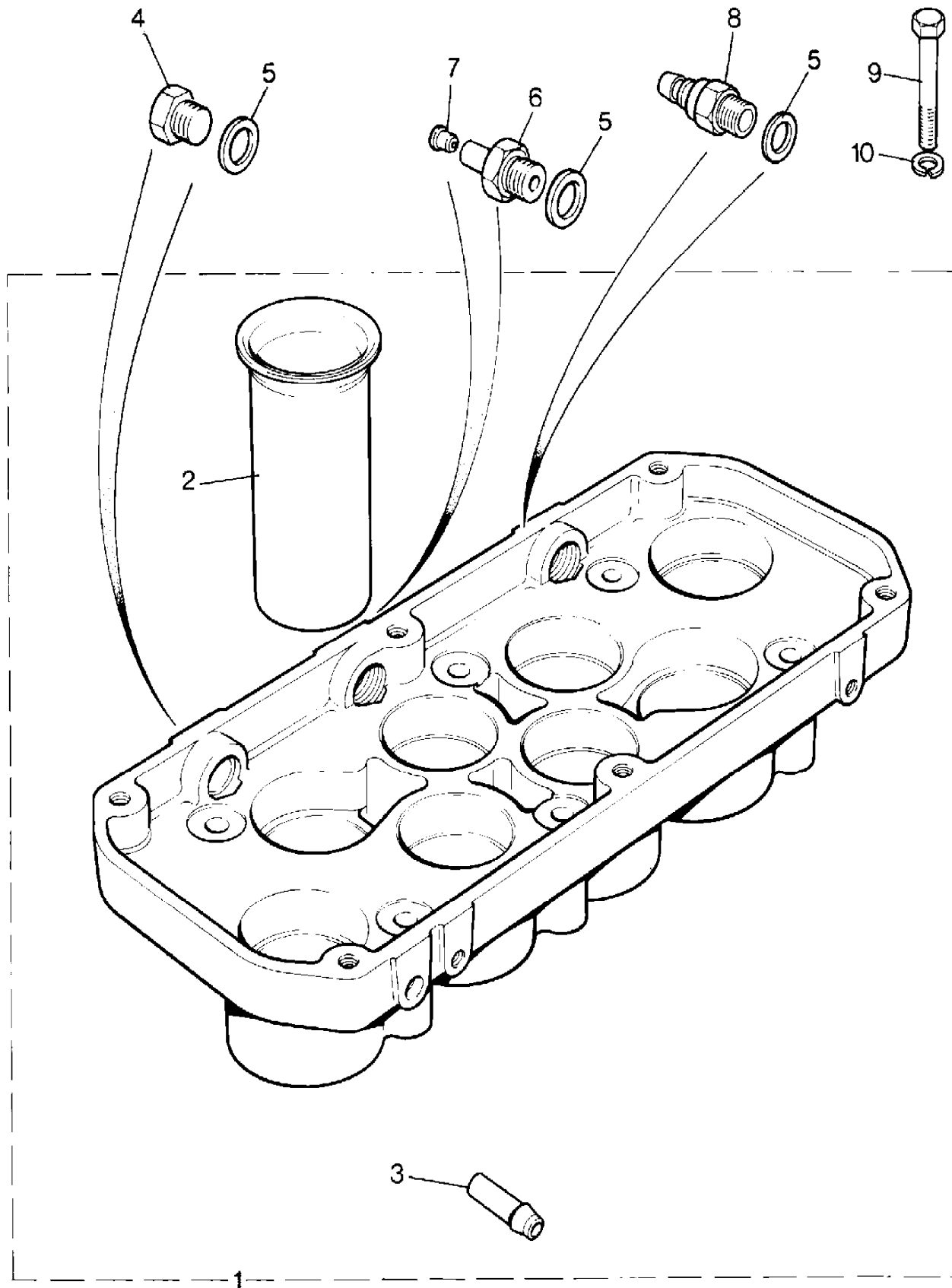
Engine
V8 Petrol - EFI
Ram Pipes Housing-Low Compression 20/29

Range Rover (To HA610293)

(TS6237)

Range Rover (To HA610293)

Engine
V8 Petrol - EFI
Ram Pipes Housing-Low Compression
Petrol V8 L/R EFI



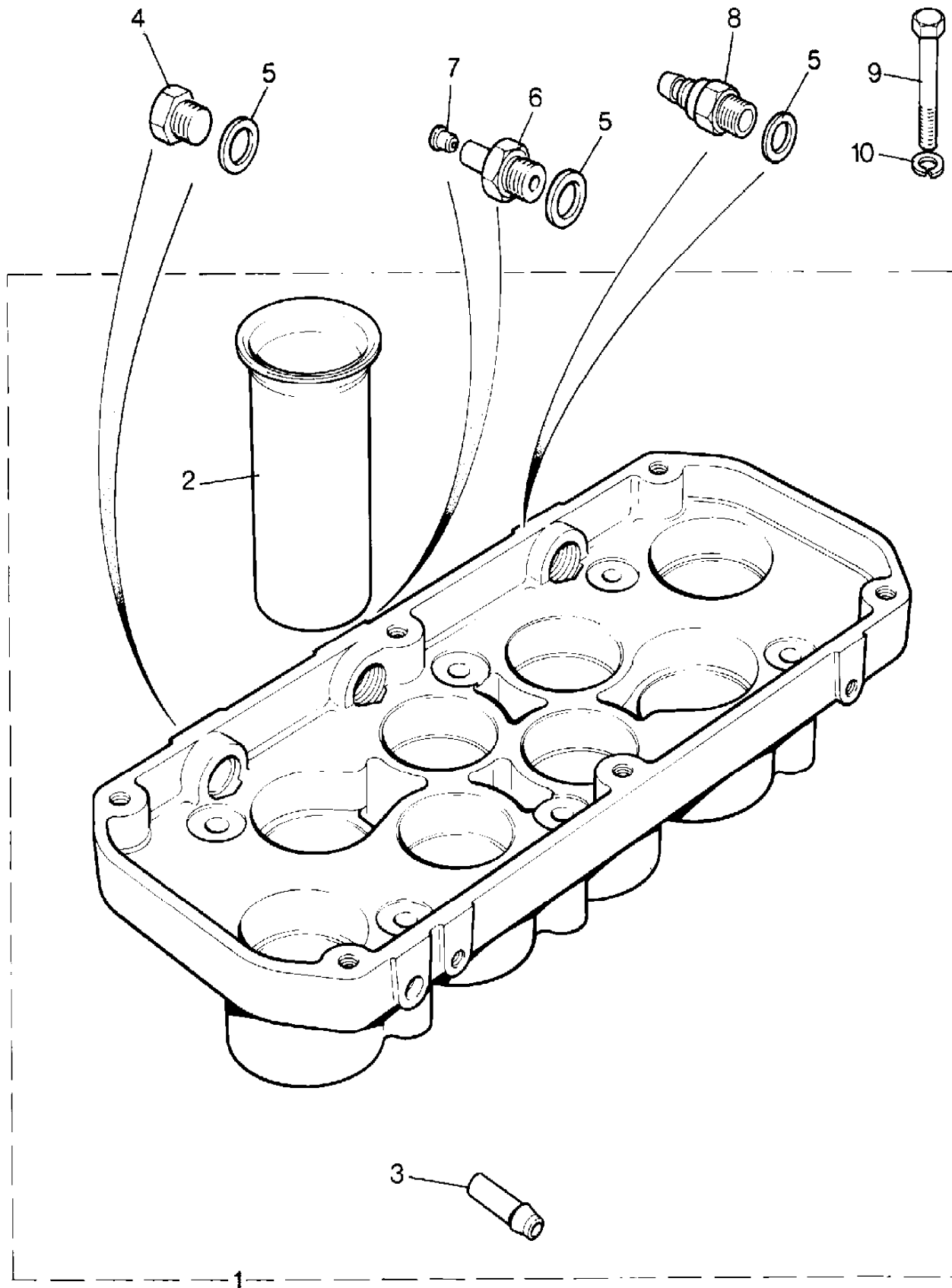
Callout	Name	Application	Remarks & Restrictions	Service No.	Qty
10	Washer	5 Speed Manual Transmission, (+)"CH", With Catalyst	31D, 22D, 23D, 37D, 38D, 8MM, Engine Code 22D 3.5 PI 3.5 L/C Manual, Engine Code 23D 3.5 PI V8 L/C Auto, Engine Code 31D 3.5 V8 PI Auto, Engine Code 37D 3.9 V8 EFI L/C Man, Engine Codes 38D 3.9 EFI V8 NAS Auto	WA108051L	6
		5 Speed Manual Transmission, (+)"CH", Less Catalyst	31D, 22D, 23D, 37D, 38D, 8MM, Engine Code 22D 3.5 PI 3.5 L/C Manual, Engine Code 23D 3.5 PI V8 L/C Auto, Engine Code 31D 3.5 V8 PI Auto, Engine Code 37D 3.9 V8 EFI L/C Man, Engine Codes 38D 3.9 EFI V8 NAS Auto	WA108051L	6
		4 Speed Automatic Transmissions, (+)"CH", With Catalyst	31D, 22D, 23D, 37D, 38D, 8MM, Engine Code 22D 3.5 PI 3.5 L/C Manual, Engine Code 23D 3.5 PI V8 L/C Auto, Engine Code 31D 3.5 V8 PI Auto, Engine Code 37D 3.9 V8 EFI L/C Man, Engine Codes 38D 3.9 EFI V8 NAS Auto	WA108051L	6
		4 Speed Automatic Transmissions, (+)"CH", Less Catalyst	31D, 22D, 23D, 37D, 38D, 8MM, Engine Code 22D 3.5 PI 3.5 L/C Manual, Engine Code 23D 3.5 PI V8 L/C Auto, Engine Code 31D 3.5 V8 PI Auto, Engine Code 37D 3.9 V8 EFI L/C Man, Engine Codes 38D 3.9 EFI V8 NAS Auto	WA108051L	6
		3.5 V8 Petrol Efi, (+)"CDN/MEX/USA"		WA108051L	6
		3.9/4.0 V8 Petrol Efi, (+)"CDN/MEX/USA"		WA108051L	6
[900]	Pipe-ram	4 Speed Automatic Transmissions, (+)"A", With Catalyst	31D, 22D, 23D, 37D, 38D, Also serviced as part of a kit, Engine Code 22D 3.5 PI 3.5 L/C Manual, Engine Code 23D 3.5 PI V8 L/C Auto, Engine Code 31D 3.5 V8 PI Auto, Engine Code 37D 3.9 V8 EFI L/C Man, Engine Codes 38D 3.9 EFI V8 NAS Auto	ERC9110	8
		4 Speed Automatic Transmissions, (+)"A", Less Catalyst	31D, 22D, 23D, 37D, 38D, Also serviced as part of a kit, Engine Code 22D 3.5 PI 3.5 L/C Manual, Engine Code 23D 3.5 PI V8 L/C Auto, Engine Code 31D 3.5 V8 PI Auto, Engine Code 37D 3.9 V8 EFI L/C Man, Engine Codes 38D 3.9 EFI V8 NAS Auto	ERC9110	8

Engine
V8 Petrol - EFI

Range Rover (To HA610293)

Ram Pipes Housing-Low Compression 21/29

(TS6237)



Range Rover (To HA610293)

Engine
V8 Petrol - EFI

Ram Pipes Housing-Low Compression

Petrol V8 L/R EFI

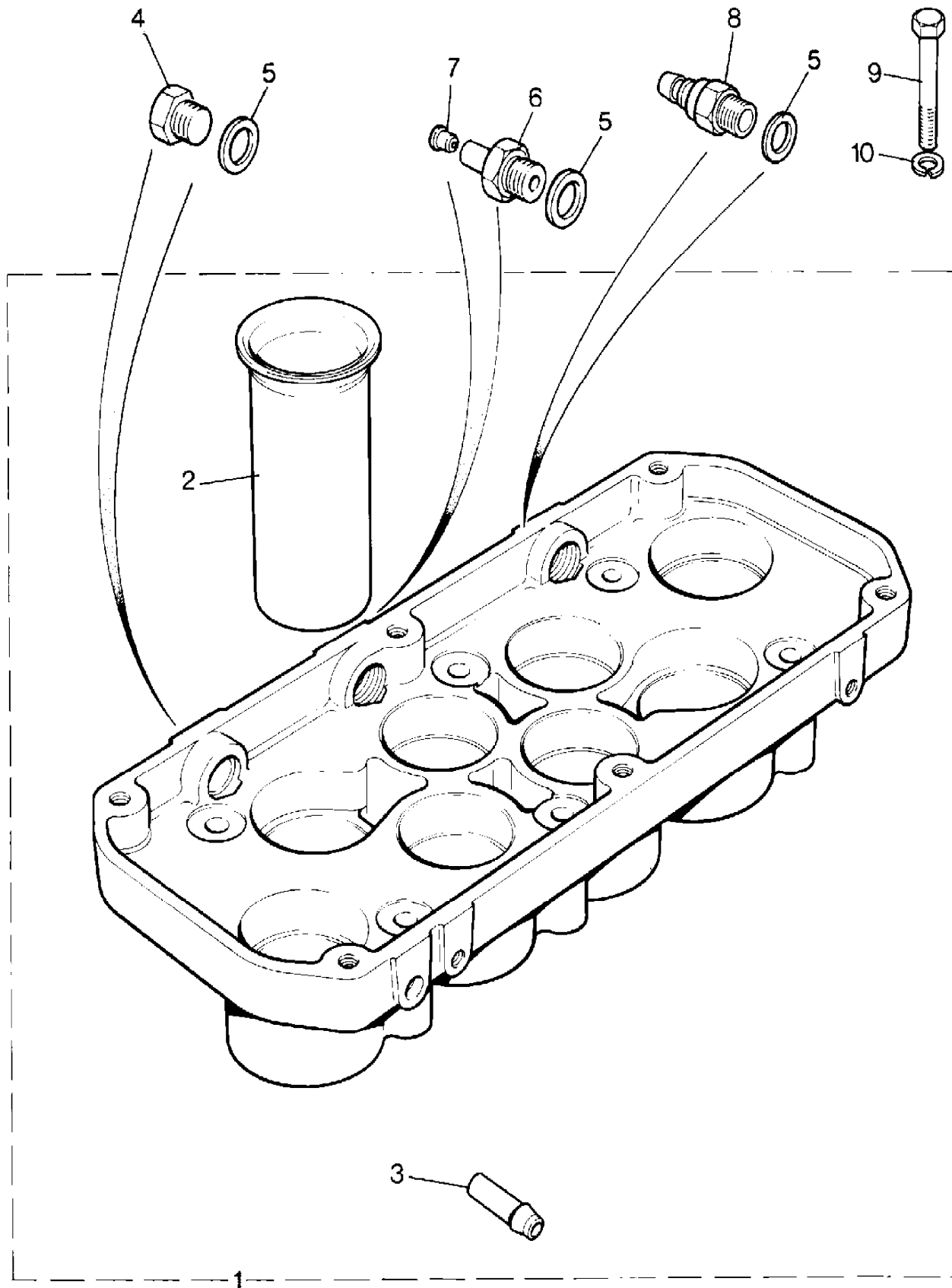
Callout	Name	Application	Remarks & Restrictions	Service No.	Qty
[900]	Pipe-ram	5 Speed Manual Transmission, (+)"A", With Catalyst	31D, 22D, 23D, 37D, 38D, Also serviced as part of a kit, Engine Code 22D 3.5 PI 3.5 L/C Manual, Engine Code 23D 3.5 PI V8 L/C Auto, Engine Code 31D 3.5 V8 PI Auto, Engine Code 37D 3.9 V8 EFI L/C Man, Engine Codes 38D 3.9 EFI V8 NAS Auto	ERC9110	8
		5 Speed Manual Transmission, (+)"A", Less Catalyst	31D, 22D, 23D, 37D, 38D, Also serviced as part of a kit, Engine Code 22D 3.5 PI 3.5 L/C Manual, Engine Code 23D 3.5 PI V8 L/C Auto, Engine Code 31D 3.5 V8 PI Auto, Engine Code 37D 3.9 V8 EFI L/C Man, Engine Codes 38D 3.9 EFI V8 NAS Auto	ERC9110	8
		4 Speed Automatic Transmissions, (+)"D", With Catalyst	31D, 22D, 23D, 37D, 38D, Also serviced as part of a kit, Engine Code 22D 3.5 PI 3.5 L/C Manual, Engine Code 23D 3.5 PI V8 L/C Auto, Engine Code 31D 3.5 V8 PI Auto, Engine Code 37D 3.9 V8 EFI L/C Man, Engine Codes 38D 3.9 EFI V8 NAS Auto	ERC9110	8
		4 Speed Automatic Transmissions, (+)"D", Less Catalyst	31D, 22D, 23D, 37D, 38D, Also serviced as part of a kit, Engine Code 22D 3.5 PI 3.5 L/C Manual, Engine Code 23D 3.5 PI V8 L/C Auto, Engine Code 31D 3.5 V8 PI Auto, Engine Code 37D 3.9 V8 EFI L/C Man, Engine Codes 38D 3.9 EFI V8 NAS Auto	ERC9110	8
		5 Speed Manual Transmission, (+)"D", With Catalyst	31D, 22D, 23D, 37D, 38D, Also serviced as part of a kit, Engine Code 22D 3.5 PI 3.5 L/C Manual, Engine Code 23D 3.5 PI V8 L/C Auto, Engine Code 31D 3.5 V8 PI Auto, Engine Code 37D 3.9 V8 EFI L/C Man, Engine Codes 38D 3.9 EFI V8 NAS Auto	ERC9110	8
		5 Speed Manual Transmission, (+)"D", Less Catalyst	31D, 22D, 23D, 37D, 38D, Also serviced as part of a kit, Engine Code 22D 3.5 PI 3.5 L/C Manual, Engine Code 23D 3.5 PI V8 L/C Auto, Engine Code 31D 3.5 V8 PI Auto, Engine Code 37D 3.9 V8 EFI L/C Man, Engine Codes 38D 3.9 EFI V8 NAS Auto	ERC9110	8

Engine
V8 Petrol - EFI

Range Rover (To HA610293)

Ram Pipes Housing-Low Compression 22/29

(TS6237)



Range Rover (To HA610293)

Engine
V8 Petrol - EFI

Ram Pipes Housing-Low Compression

Petrol V8 L/R EFI

Callout	Name	Application	Remarks & Restrictions	Service No.	Qty
[900]	Pipe-ram	4 Speed Automatic Transmissions, With Air Conditioning, (+)"A", With Catalyst	31D, 22D, 23D, 37D, 38D, Also serviced as part of a kit, Engine Code 22D 3.5 PI 3.5 L/C Manual, Engine Code 23D 3.5 PI V8 L/C Auto, Engine Code 31D 3.5 V8 PI Auto, Engine Code 37D 3.9 V8 EFI L/C Man, Engine Codes 38D 3.9 EFI V8 NAS Auto	ERC9110	8
		4 Speed Automatic Transmissions, With Air Conditioning, (+)"A", Less Catalyst	31D, 22D, 23D, 37D, 38D, Also serviced as part of a kit, Engine Code 22D 3.5 PI 3.5 L/C Manual, Engine Code 23D 3.5 PI V8 L/C Auto, Engine Code 31D 3.5 V8 PI Auto, Engine Code 37D 3.9 V8 EFI L/C Man, Engine Codes 38D 3.9 EFI V8 NAS Auto	ERC9110	8
		5 Speed Manual Transmission, With Air Conditioning, (+)"A", With Catalyst	31D, 22D, 23D, 37D, 38D, Also serviced as part of a kit, Engine Code 22D 3.5 PI 3.5 L/C Manual, Engine Code 23D 3.5 PI V8 L/C Auto, Engine Code 31D 3.5 V8 PI Auto, Engine Code 37D 3.9 V8 EFI L/C Man, Engine Codes 38D 3.9 EFI V8 NAS Auto	ERC9110	8
		5 Speed Manual Transmission, With Air Conditioning, (+)"A", Less Catalyst	31D, 22D, 23D, 37D, 38D, Also serviced as part of a kit, Engine Code 22D 3.5 PI 3.5 L/C Manual, Engine Code 23D 3.5 PI V8 L/C Auto, Engine Code 31D 3.5 V8 PI Auto, Engine Code 37D 3.9 V8 EFI L/C Man, Engine Codes 38D 3.9 EFI V8 NAS Auto	ERC9110	8
		4 Speed Automatic Transmissions, With Air Conditioning, (+)"D", With Catalyst	31D, 22D, 23D, 37D, 38D, Also serviced as part of a kit, Engine Code 22D 3.5 PI 3.5 L/C Manual, Engine Code 23D 3.5 PI V8 L/C Auto, Engine Code 31D 3.5 V8 PI Auto, Engine Code 37D 3.9 V8 EFI L/C Man, Engine Codes 38D 3.9 EFI V8 NAS Auto	ERC9110	8
		4 Speed Automatic Transmissions, With Air Conditioning, (+)"D", Less Catalyst	31D, 22D, 23D, 37D, 38D, Also serviced as part of a kit, Engine Code 22D 3.5 PI 3.5 L/C Manual, Engine Code 23D 3.5 PI V8 L/C Auto, Engine Code 31D 3.5 V8 PI Auto, Engine Code 37D 3.9 V8 EFI L/C Man, Engine Codes 38D 3.9 EFI V8 NAS Auto	ERC9110	8

Engine
V8 Petrol - EFI

Range Rover (To HA610293)

Ram Pipes Housing-Low Compression 23/29

(TS6237)

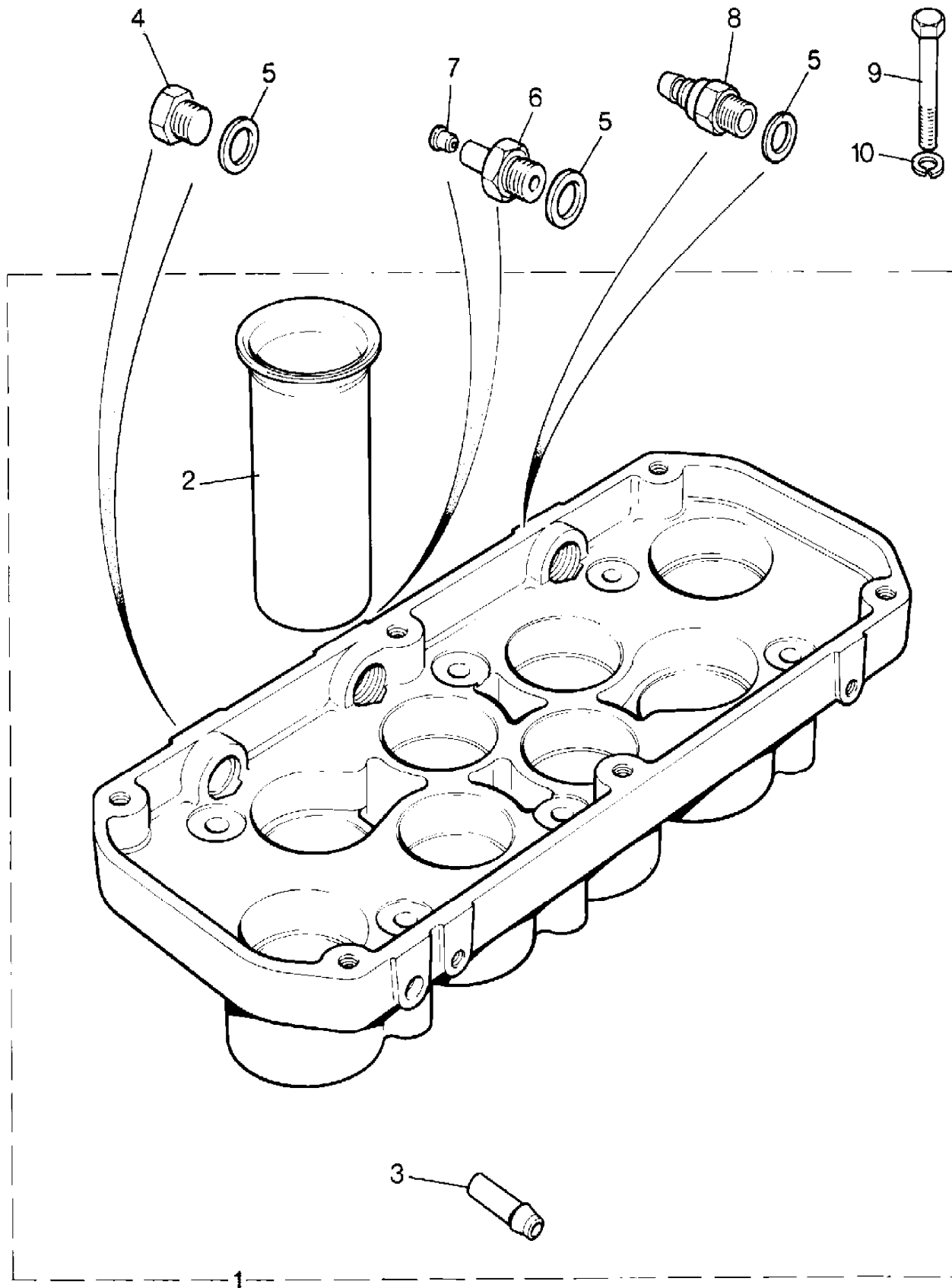
Engine
V8 Petrol - EFI

Range Rover (To HA610293)

Ram Pipes Housing-Low Compression

Petrol V8 L/R EFI

Callout	Name	Application	Remarks & Restrictions	Service No.	Qty
[900]	Pipe-ram	5 Speed Manual Transmission, With Air Conditioning, (+)"D", With Catalyst	31D, 22D, 23D, 37D, 38D, Also serviced as part of a kit, Engine Code 22D 3.5 PI 3.5 L/C Manual, Engine Code 23D 3.5 PI V8 L/C Auto, Engine Code 31D 3.5 V8 PI Auto, Engine Code 37D 3.9 V8 EFI L/C Man, Engine Codes 38D 3.9 EFI V8 NAS Auto	ERC9110	8
		5 Speed Manual Transmission, With Air Conditioning, (+)"D", Less Catalyst	31D, 22D, 23D, 37D, 38D, Also serviced as part of a kit, Engine Code 22D 3.5 PI 3.5 L/C Manual, Engine Code 23D 3.5 PI V8 L/C Auto, Engine Code 31D 3.5 V8 PI Auto, Engine Code 37D 3.9 V8 EFI L/C Man, Engine Codes 38D 3.9 EFI V8 NAS Auto	ERC9110	8
[901]	Pipe induction system	4 Speed Automatic Transmissions, (+)"A", With Catalyst	31D, 22D, 23D, 37D, 38D, Also serviced as part of a kit, Engine Code 22D 3.5 PI 3.5 L/C Manual, Engine Code 23D 3.5 PI V8 L/C Auto, Engine Code 31D 3.5 V8 PI Auto, Engine Code 37D 3.9 V8 EFI L/C Man, Engine Codes 38D 3.9 EFI V8 NAS Auto	ERC377L	1
		4 Speed Automatic Transmissions, (+)"A", Less Catalyst	31D, 22D, 23D, 37D, 38D, Also serviced as part of a kit, Engine Code 22D 3.5 PI 3.5 L/C Manual, Engine Code 23D 3.5 PI V8 L/C Auto, Engine Code 31D 3.5 V8 PI Auto, Engine Code 37D 3.9 V8 EFI L/C Man, Engine Codes 38D 3.9 EFI V8 NAS Auto	ERC377L	1
		5 Speed Manual Transmission, (+)"A", With Catalyst	31D, 22D, 23D, 37D, 38D, Also serviced as part of a kit, Engine Code 22D 3.5 PI 3.5 L/C Manual, Engine Code 23D 3.5 PI V8 L/C Auto, Engine Code 31D 3.5 V8 PI Auto, Engine Code 37D 3.9 V8 EFI L/C Man, Engine Codes 38D 3.9 EFI V8 NAS Auto	ERC377L	1
		5 Speed Manual Transmission, (+)"A", Less Catalyst	31D, 22D, 23D, 37D, 38D, Also serviced as part of a kit, Engine Code 22D 3.5 PI 3.5 L/C Manual, Engine Code 23D 3.5 PI V8 L/C Auto, Engine Code 31D 3.5 V8 PI Auto, Engine Code 37D 3.9 V8 EFI L/C Man, Engine Codes 38D 3.9 EFI V8 NAS Auto	ERC377L	1

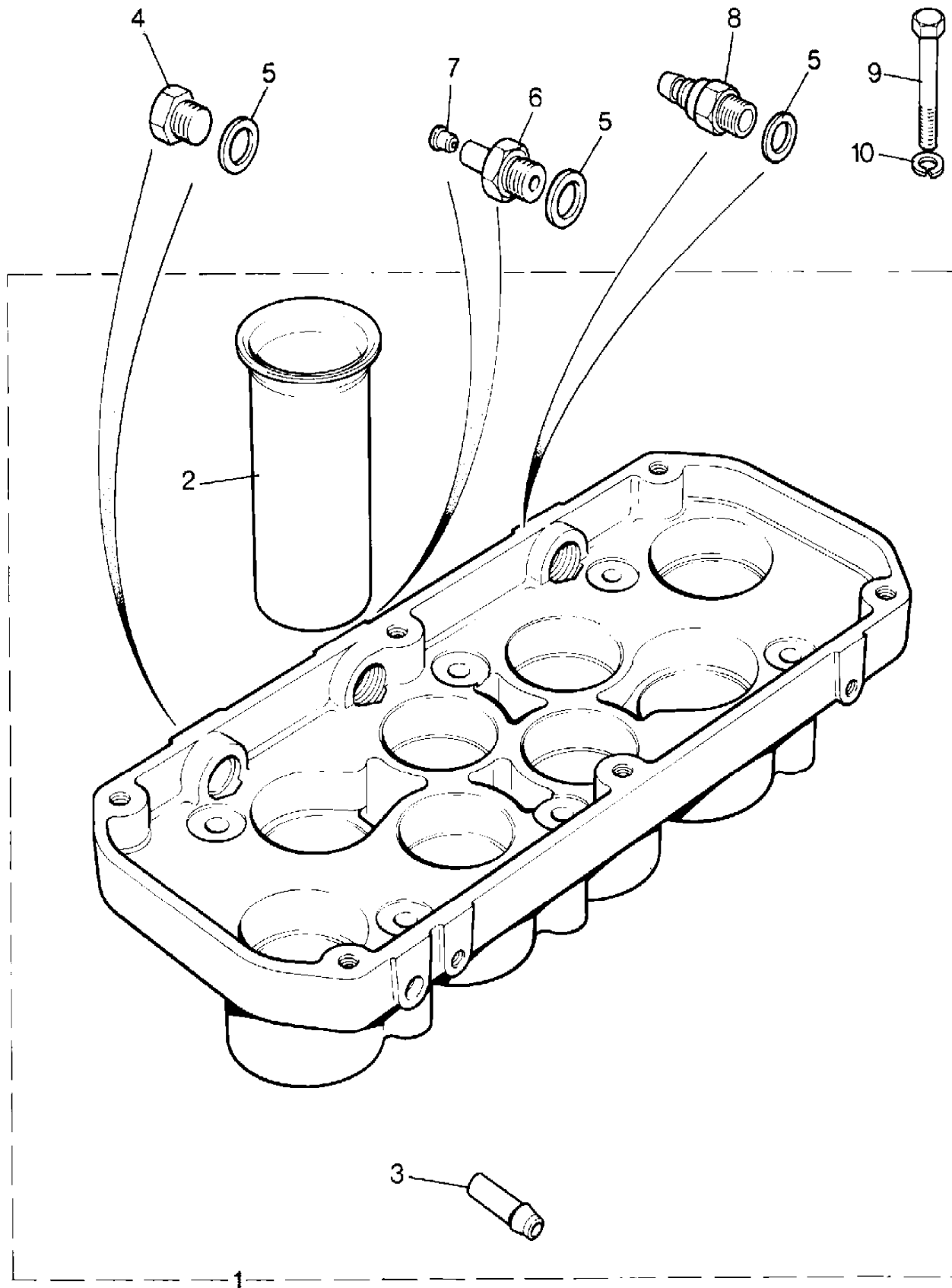


Engine
V8 Petrol - EFI

Range Rover (To HA610293)

Ram Pipes Housing-Low Compression 24/29

(TS6237)



Range Rover (To HA610293)

Engine
V8 Petrol - EFI

Ram Pipes Housing-Low Compression

Petrol V8 L/R EFI

Callout	Name	Application	Remarks & Restrictions	Service No.	Qty
[901]	Pipe induction system	4 Speed Automatic Transmissions, (+)"D", With Catalyst	31D, 22D, 23D, 37D, 38D, Also serviced as part of a kit, Engine Code 22D 3.5 PI 3.5 L/C Manual, Engine Code 23D 3.5 PI V8 L/C Auto, Engine Code 31D 3.5 V8 PI Auto, Engine Code 37D 3.9 V8 EFI L/C Man, Engine Codes 38D 3.9 EFI V8 NAS Auto	ERC377L	1
		4 Speed Automatic Transmissions, (+)"D", Less Catalyst	31D, 22D, 23D, 37D, 38D, Also serviced as part of a kit, Engine Code 22D 3.5 PI 3.5 L/C Manual, Engine Code 23D 3.5 PI V8 L/C Auto, Engine Code 31D 3.5 V8 PI Auto, Engine Code 37D 3.9 V8 EFI L/C Man, Engine Codes 38D 3.9 EFI V8 NAS Auto	ERC377L	1
		5 Speed Manual Transmission, (+)"D", With Catalyst	31D, 22D, 23D, 37D, 38D, Also serviced as part of a kit, Engine Code 22D 3.5 PI 3.5 L/C Manual, Engine Code 23D 3.5 PI V8 L/C Auto, Engine Code 31D 3.5 V8 PI Auto, Engine Code 37D 3.9 V8 EFI L/C Man, Engine Codes 38D 3.9 EFI V8 NAS Auto	ERC377L	1
		5 Speed Manual Transmission, (+)"D", Less Catalyst	31D, 22D, 23D, 37D, 38D, Also serviced as part of a kit, Engine Code 22D 3.5 PI 3.5 L/C Manual, Engine Code 23D 3.5 PI V8 L/C Auto, Engine Code 31D 3.5 V8 PI Auto, Engine Code 37D 3.9 V8 EFI L/C Man, Engine Codes 38D 3.9 EFI V8 NAS Auto	ERC377L	1
		4 Speed Automatic Transmissions, With Air Conditioning, (+)"A", With Catalyst	31D, 22D, 23D, 37D, 38D, Also serviced as part of a kit, Engine Code 22D 3.5 PI 3.5 L/C Manual, Engine Code 23D 3.5 PI V8 L/C Auto, Engine Code 31D 3.5 V8 PI Auto, Engine Code 37D 3.9 V8 EFI L/C Man, Engine Codes 38D 3.9 EFI V8 NAS Auto	ERC377L	1
		4 Speed Automatic Transmissions, With Air Conditioning, (+)"A", Less Catalyst	31D, 22D, 23D, 37D, 38D, Also serviced as part of a kit, Engine Code 22D 3.5 PI 3.5 L/C Manual, Engine Code 23D 3.5 PI V8 L/C Auto, Engine Code 31D 3.5 V8 PI Auto, Engine Code 37D 3.9 V8 EFI L/C Man, Engine Codes 38D 3.9 EFI V8 NAS Auto	ERC377L	1

Engine
V8 Petrol - EFI

Range Rover (To HA610293)

Ram Pipes Housing-Low Compression 25/29

(TS6237)

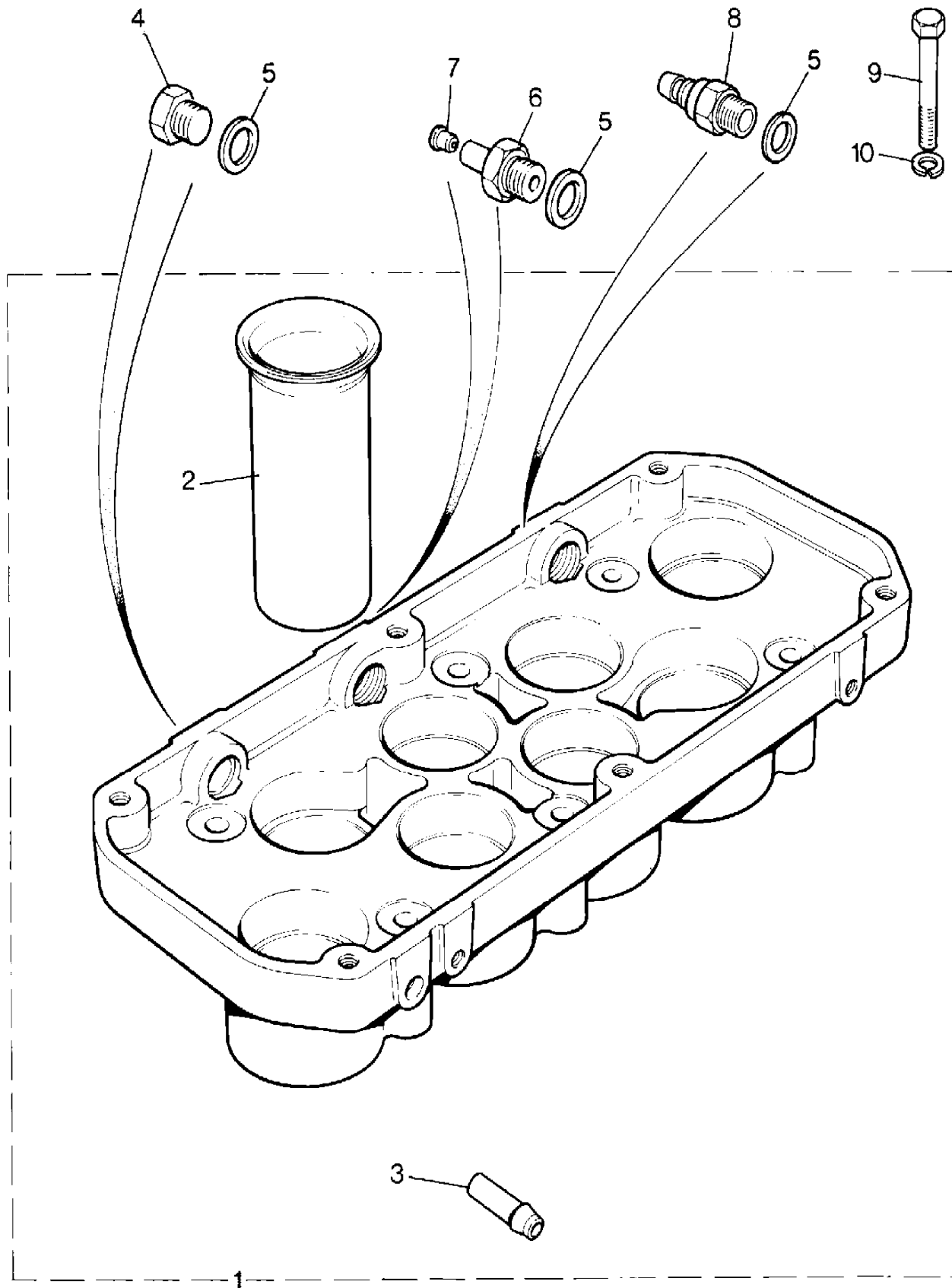
Engine
V8 Petrol - EFI

Range Rover (To HA610293)

Ram Pipes Housing-Low Compression

Petrol V8 L/R EFI

Callout	Name	Application	Remarks & Restrictions	Service No.	Qty
[901]	Pipe induction system	5 Speed Manual Transmission, With Air Conditioning, (+)"A", With Catalyst	31D, 22D, 23D, 37D, 38D, Also serviced as part of a kit, Engine Code 22D 3.5 PI 3.5 L/C Manual, Engine Code 23D 3.5 PI V8 L/C Auto, Engine Code 31D 3.5 V8 PI Auto, Engine Code 37D 3.9 V8 EFI L/C Man, Engine Codes 38D 3.9 EFI V8 NAS Auto	ERC377L	1
		5 Speed Manual Transmission, With Air Conditioning, (+)"A", Less Catalyst	31D, 22D, 23D, 37D, 38D, Also serviced as part of a kit, Engine Code 22D 3.5 PI 3.5 L/C Manual, Engine Code 23D 3.5 PI V8 L/C Auto, Engine Code 31D 3.5 V8 PI Auto, Engine Code 37D 3.9 V8 EFI L/C Man, Engine Codes 38D 3.9 EFI V8 NAS Auto	ERC377L	1
		4 Speed Automatic Transmissions, With Air Conditioning, (+)"D", With Catalyst	31D, 22D, 23D, 37D, 38D, Also serviced as part of a kit, Engine Code 22D 3.5 PI 3.5 L/C Manual, Engine Code 23D 3.5 PI V8 L/C Auto, Engine Code 31D 3.5 V8 PI Auto, Engine Code 37D 3.9 V8 EFI L/C Man, Engine Codes 38D 3.9 EFI V8 NAS Auto	ERC377L	1
		4 Speed Automatic Transmissions, With Air Conditioning, (+)"D", Less Catalyst	31D, 22D, 23D, 37D, 38D, Also serviced as part of a kit, Engine Code 22D 3.5 PI 3.5 L/C Manual, Engine Code 23D 3.5 PI V8 L/C Auto, Engine Code 31D 3.5 V8 PI Auto, Engine Code 37D 3.9 V8 EFI L/C Man, Engine Codes 38D 3.9 EFI V8 NAS Auto	ERC377L	1
		5 Speed Manual Transmission, With Air Conditioning, (+)"D", With Catalyst	31D, 22D, 23D, 37D, 38D, Also serviced as part of a kit, Engine Code 22D 3.5 PI 3.5 L/C Manual, Engine Code 23D 3.5 PI V8 L/C Auto, Engine Code 31D 3.5 V8 PI Auto, Engine Code 37D 3.9 V8 EFI L/C Man, Engine Codes 38D 3.9 EFI V8 NAS Auto	ERC377L	1
		5 Speed Manual Transmission, With Air Conditioning, (+)"D", Less Catalyst	31D, 22D, 23D, 37D, 38D, Also serviced as part of a kit, Engine Code 22D 3.5 PI 3.5 L/C Manual, Engine Code 23D 3.5 PI V8 L/C Auto, Engine Code 31D 3.5 V8 PI Auto, Engine Code 37D 3.9 V8 EFI L/C Man, Engine Codes 38D 3.9 EFI V8 NAS Auto	ERC377L	1

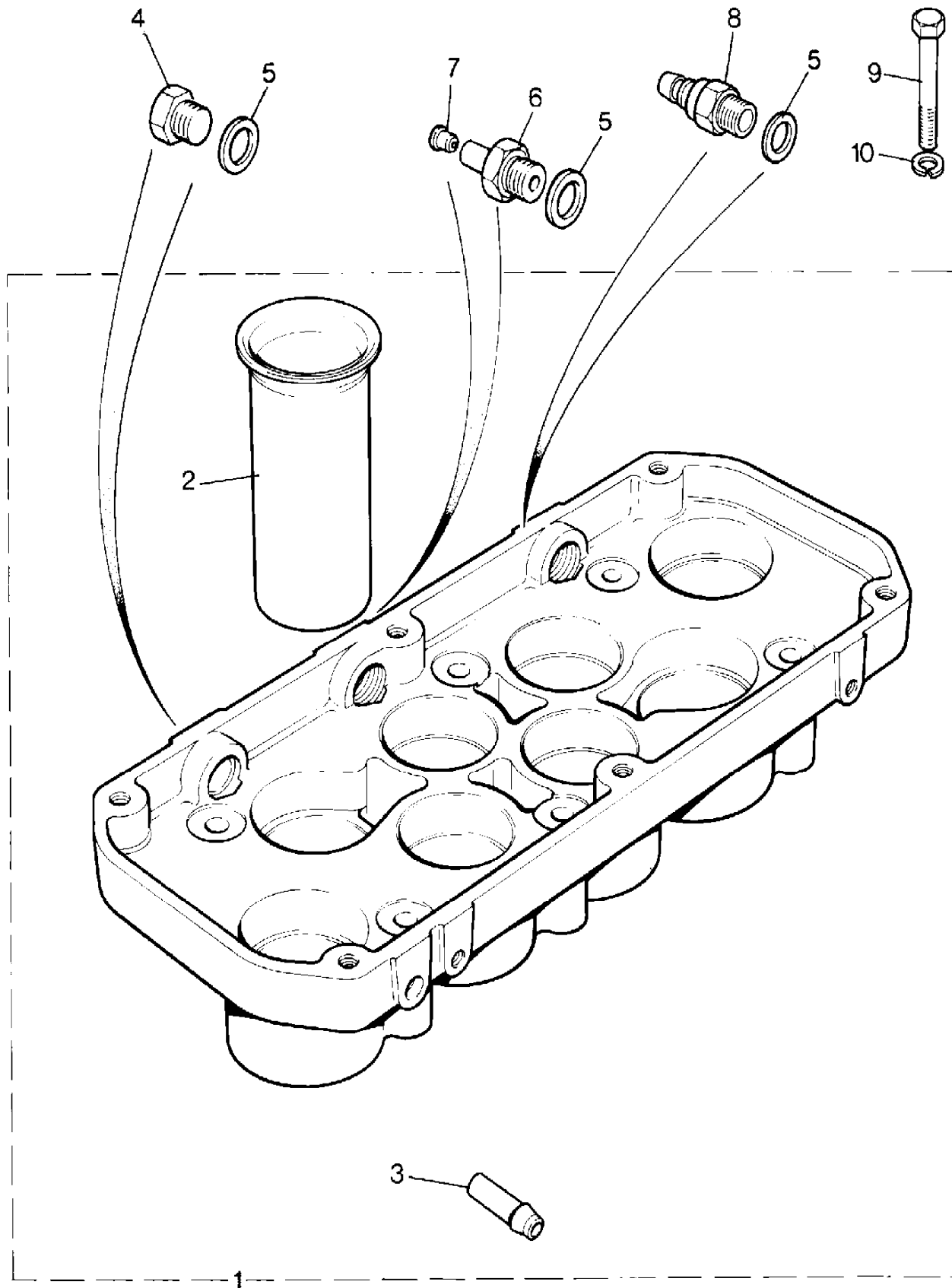


Engine
V8 Petrol - EFI

Range Rover (To HA610293)

Ram Pipes Housing-Low Compression 26/29

(TS6237)



Range Rover (To HA610293)

Engine
V8 Petrol - EFI

Ram Pipes Housing-Low Compression

Petrol V8 L/R EFI

Callout	Name	Application	Remarks & Restrictions	Service No.	Qty
[902]	Plug-blanking	4 Speed Automatic Transmissions, (+)"A", With Catalyst	31D, 22D, 23D, 37D, 38D, Also serviced as part of a kit, Engine Code 22D 3.5 PI 3.5 L/C Manual, Engine Code 23D 3.5 PI V8 L/C Auto, Engine Code 31D 3.5 V8 PI Auto, Engine Code 37D 3.9 V8 EFI L/C Man, Engine Codes 38D 3.9 EFI V8 NAS Auto	603224	1
		4 Speed Automatic Transmissions, (+)"A", Less Catalyst	31D, 22D, 23D, 37D, 38D, Also serviced as part of a kit, Engine Code 22D 3.5 PI 3.5 L/C Manual, Engine Code 23D 3.5 PI V8 L/C Auto, Engine Code 31D 3.5 V8 PI Auto, Engine Code 37D 3.9 V8 EFI L/C Man, Engine Codes 38D 3.9 EFI V8 NAS Auto	603224	1
		5 Speed Manual Transmission, (+)"A", With Catalyst	31D, 22D, 23D, 37D, 38D, Also serviced as part of a kit, Engine Code 22D 3.5 PI 3.5 L/C Manual, Engine Code 23D 3.5 PI V8 L/C Auto, Engine Code 31D 3.5 V8 PI Auto, Engine Code 37D 3.9 V8 EFI L/C Man, Engine Codes 38D 3.9 EFI V8 NAS Auto	603224	1
		5 Speed Manual Transmission, (+)"A", Less Catalyst	31D, 22D, 23D, 37D, 38D, Also serviced as part of a kit, Engine Code 22D 3.5 PI 3.5 L/C Manual, Engine Code 23D 3.5 PI V8 L/C Auto, Engine Code 31D 3.5 V8 PI Auto, Engine Code 37D 3.9 V8 EFI L/C Man, Engine Codes 38D 3.9 EFI V8 NAS Auto	603224	1
		4 Speed Automatic Transmissions, (+)"D", With Catalyst	31D, 22D, 23D, 37D, 38D, Also serviced as part of a kit, Engine Code 22D 3.5 PI 3.5 L/C Manual, Engine Code 23D 3.5 PI V8 L/C Auto, Engine Code 31D 3.5 V8 PI Auto, Engine Code 37D 3.9 V8 EFI L/C Man, Engine Codes 38D 3.9 EFI V8 NAS Auto	603224	1
		4 Speed Automatic Transmissions, (+)"D", Less Catalyst	31D, 22D, 23D, 37D, 38D, Also serviced as part of a kit, Engine Code 22D 3.5 PI 3.5 L/C Manual, Engine Code 23D 3.5 PI V8 L/C Auto, Engine Code 31D 3.5 V8 PI Auto, Engine Code 37D 3.9 V8 EFI L/C Man, Engine Codes 38D 3.9 EFI V8 NAS Auto	603224	1

Engine
V8 Petrol - EFI

Range Rover (To HA610293)

Ram Pipes Housing-Low Compression 27/29

(TS6237)

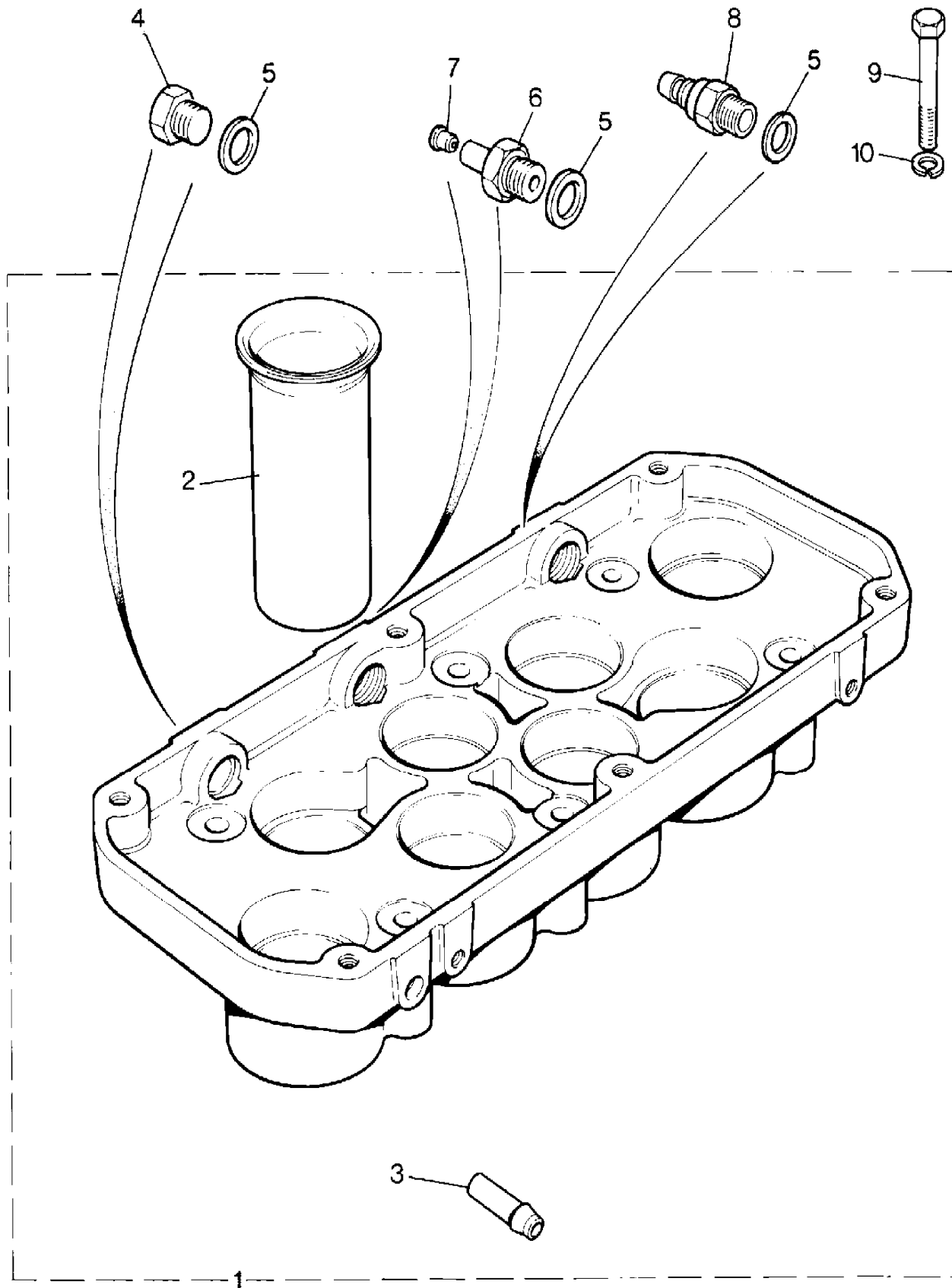
Engine
V8 Petrol - EFI

Range Rover (To HA610293)

Ram Pipes Housing-Low Compression

Petrol V8 L/R EFI

Callout	Name	Application	Remarks & Restrictions	Service No.	Qty
[902]	Plug-blanking	5 Speed Manual Transmission, (+)"D", With Catalyst	31D, 22D, 23D, 37D, 38D, Also serviced as part of a kit, Engine Code 22D 3.5 PI 3.5 L/C Manual, Engine Code 23D 3.5 PI V8 L/C Auto, Engine Code 31D 3.5 V8 PI Auto, Engine Code 37D 3.9 V8 EFI L/C Man, Engine Codes 38D 3.9 EFI V8 NAS Auto	603224	1
		5 Speed Manual Transmission, (+)"D", Less Catalyst	31D, 22D, 23D, 37D, 38D, Also serviced as part of a kit, Engine Code 22D 3.5 PI 3.5 L/C Manual, Engine Code 23D 3.5 PI V8 L/C Auto, Engine Code 31D 3.5 V8 PI Auto, Engine Code 37D 3.9 V8 EFI L/C Man, Engine Codes 38D 3.9 EFI V8 NAS Auto	603224	1
[903]	Washer-sealing	4 Speed Automatic Transmissions, (+)"A", With Catalyst	31D, 22D, 23D, 37D, 38D, Also serviced as part of a kit, Engine Code 22D 3.5 PI 3.5 L/C Manual, Engine Code 23D 3.5 PI V8 L/C Auto, Engine Code 31D 3.5 V8 PI Auto, Engine Code 37D 3.9 V8 EFI L/C Man, Engine Codes 38D 3.9 EFI V8 NAS Auto	232043	2
		4 Speed Automatic Transmissions, (+)"A", Less Catalyst	31D, 22D, 23D, 37D, 38D, Also serviced as part of a kit, Engine Code 22D 3.5 PI 3.5 L/C Manual, Engine Code 23D 3.5 PI V8 L/C Auto, Engine Code 31D 3.5 V8 PI Auto, Engine Code 37D 3.9 V8 EFI L/C Man, Engine Codes 38D 3.9 EFI V8 NAS Auto	232043	2
		5 Speed Manual Transmission, (+)"A", With Catalyst	31D, 22D, 23D, 37D, 38D, Also serviced as part of a kit, Engine Code 22D 3.5 PI 3.5 L/C Manual, Engine Code 23D 3.5 PI V8 L/C Auto, Engine Code 31D 3.5 V8 PI Auto, Engine Code 37D 3.9 V8 EFI L/C Man, Engine Codes 38D 3.9 EFI V8 NAS Auto	232043	2
		5 Speed Manual Transmission, (+)"A", Less Catalyst	31D, 22D, 23D, 37D, 38D, Also serviced as part of a kit, Engine Code 22D 3.5 PI 3.5 L/C Manual, Engine Code 23D 3.5 PI V8 L/C Auto, Engine Code 31D 3.5 V8 PI Auto, Engine Code 37D 3.9 V8 EFI L/C Man, Engine Codes 38D 3.9 EFI V8 NAS Auto	232043	2

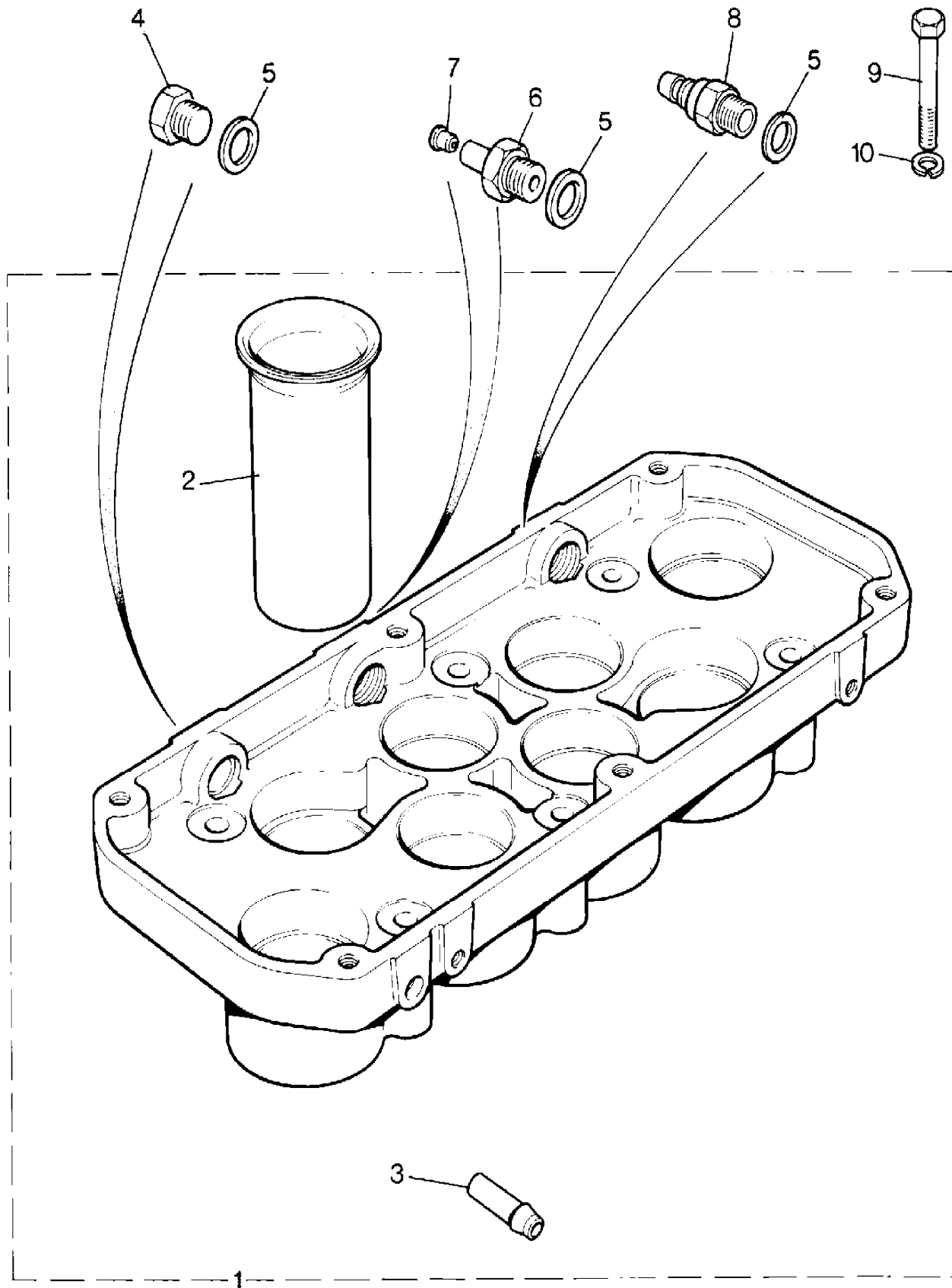


Engine
V8 Petrol - EFI

Range Rover (To HA610293)

Ram Pipes Housing-Low Compression 28/29

(TS6237)



Range Rover (To HA610293)

Engine
V8 Petrol - EFI

Ram Pipes Housing-Low Compression

Petrol V8 L/R EFI

Callout	Name	Application	Remarks & Restrictions	Service No.	Qty
[903]	Washer-sealing	4 Speed Automatic Transmissions, (+)"D", With Catalyst	31D, 22D, 23D, 37D, 38D, Also serviced as part of a kit, Engine Code 22D 3.5 PI 3.5 L/C Manual, Engine Code 23D 3.5 PI V8 L/C Auto, Engine Code 31D 3.5 V8 PI Auto, Engine Code 37D 3.9 V8 EFI L/C Man, Engine Codes 38D 3.9 EFI V8 NAS Auto	232043	2
		4 Speed Automatic Transmissions, (+)"D", Less Catalyst	31D, 22D, 23D, 37D, 38D, Also serviced as part of a kit, Engine Code 22D 3.5 PI 3.5 L/C Manual, Engine Code 23D 3.5 PI V8 L/C Auto, Engine Code 31D 3.5 V8 PI Auto, Engine Code 37D 3.9 V8 EFI L/C Man, Engine Codes 38D 3.9 EFI V8 NAS Auto	232043	2
		5 Speed Manual Transmission, (+)"D", With Catalyst	31D, 22D, 23D, 37D, 38D, Also serviced as part of a kit, Engine Code 22D 3.5 PI 3.5 L/C Manual, Engine Code 23D 3.5 PI V8 L/C Auto, Engine Code 31D 3.5 V8 PI Auto, Engine Code 37D 3.9 V8 EFI L/C Man, Engine Codes 38D 3.9 EFI V8 NAS Auto	232043	2
		5 Speed Manual Transmission, (+)"D", Less Catalyst	31D, 22D, 23D, 37D, 38D, Also serviced as part of a kit, Engine Code 22D 3.5 PI 3.5 L/C Manual, Engine Code 23D 3.5 PI V8 L/C Auto, Engine Code 31D 3.5 V8 PI Auto, Engine Code 37D 3.9 V8 EFI L/C Man, Engine Codes 38D 3.9 EFI V8 NAS Auto	232043	2
		4 Speed Automatic Transmissions, With Air Conditioning, (+)"A", With Catalyst	31D, 22D, 23D, 37D, 38D, Also serviced as part of a kit, Engine Code 22D 3.5 PI 3.5 L/C Manual, Engine Code 23D 3.5 PI V8 L/C Auto, Engine Code 31D 3.5 V8 PI Auto, Engine Code 37D 3.9 V8 EFI L/C Man, Engine Codes 38D 3.9 EFI V8 NAS Auto	232043	2
		4 Speed Automatic Transmissions, With Air Conditioning, (+)"A", Less Catalyst	31D, 22D, 23D, 37D, 38D, Also serviced as part of a kit, Engine Code 22D 3.5 PI 3.5 L/C Manual, Engine Code 23D 3.5 PI V8 L/C Auto, Engine Code 31D 3.5 V8 PI Auto, Engine Code 37D 3.9 V8 EFI L/C Man, Engine Codes 38D 3.9 EFI V8 NAS Auto	232043	2

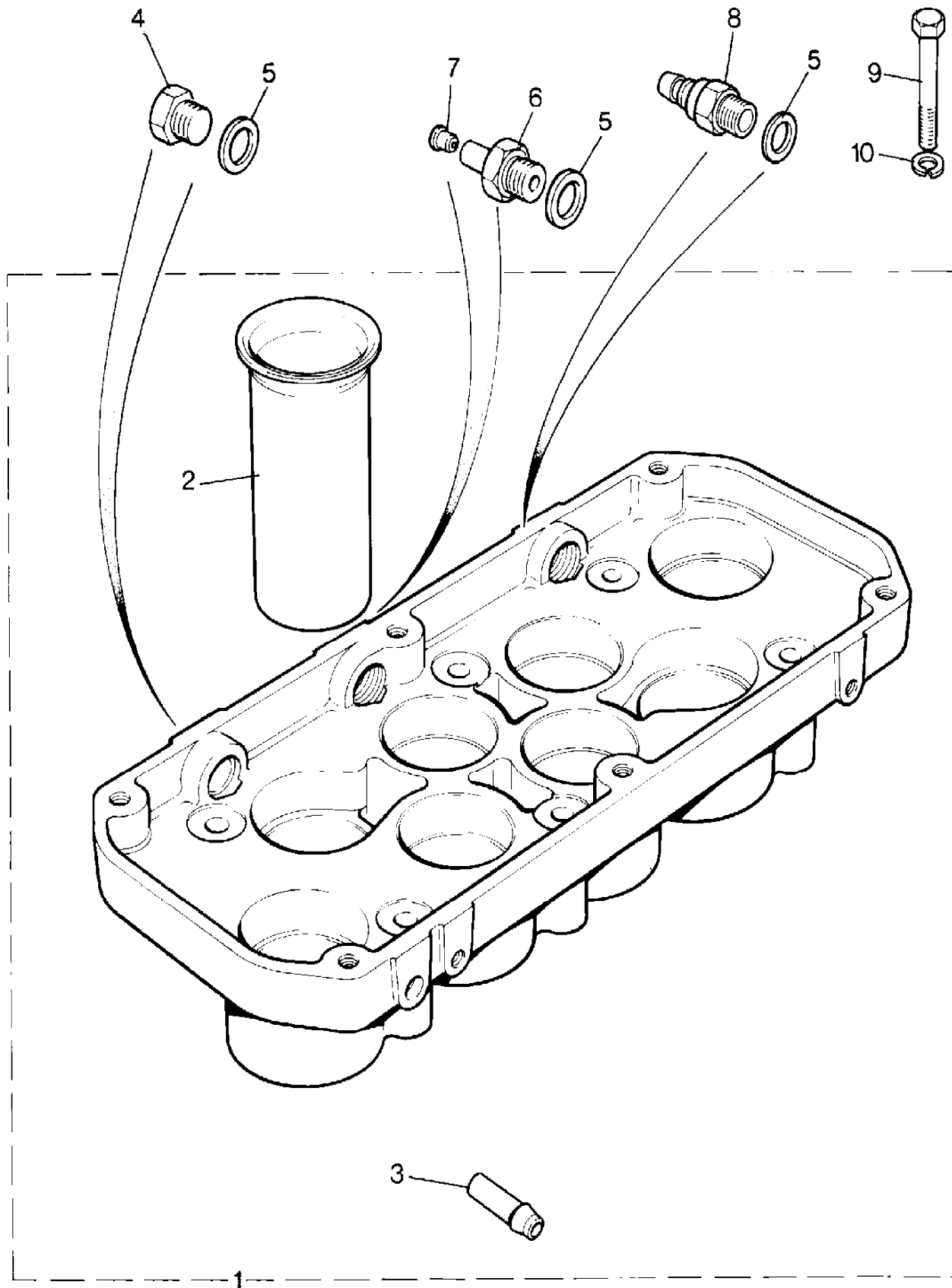
Engine
V8 Petrol - EFI
Ram Pipes Housing-Low Compression 29/29

Range Rover (To HA610293)

(TS6237)

Range Rover (To HA610293)

Engine
V8 Petrol - EFI
Ram Pipes Housing-Low Compression
Petrol V8 L/R EFI



Callout	Name	Application	Remarks & Restrictions	Service No.	Qty
[903]	Washer-sealing	5 Speed Manual Transmission, With Air Conditioning, (+)"A", With Catalyst	31D, 22D, 23D, 37D, 38D, Also serviced as part of a kit, Engine Code 22D 3.5 PI 3.5 L/C Manual, Engine Code 23D 3.5 PI V8 L/C Auto, Engine Code 31D 3.5 V8 PI Auto, Engine Code 37D 3.9 V8 EFI L/C Man, Engine Codes 38D 3.9 EFI V8 NAS Auto	232043	2
		5 Speed Manual Transmission, With Air Conditioning, (+)"A", Less Catalyst	31D, 22D, 23D, 37D, 38D, Also serviced as part of a kit, Engine Code 22D 3.5 PI 3.5 L/C Manual, Engine Code 23D 3.5 PI V8 L/C Auto, Engine Code 31D 3.5 V8 PI Auto, Engine Code 37D 3.9 V8 EFI L/C Man, Engine Codes 38D 3.9 EFI V8 NAS Auto	232043	2
		4 Speed Automatic Transmissions, With Air Conditioning, (+)"D", With Catalyst	31D, 22D, 23D, 37D, 38D, Also serviced as part of a kit, Engine Code 22D 3.5 PI 3.5 L/C Manual, Engine Code 23D 3.5 PI V8 L/C Auto, Engine Code 31D 3.5 V8 PI Auto, Engine Code 37D 3.9 V8 EFI L/C Man, Engine Codes 38D 3.9 EFI V8 NAS Auto	232043	2
		4 Speed Automatic Transmissions, With Air Conditioning, (+)"D", Less Catalyst	31D, 22D, 23D, 37D, 38D, Also serviced as part of a kit, Engine Code 22D 3.5 PI 3.5 L/C Manual, Engine Code 23D 3.5 PI V8 L/C Auto, Engine Code 31D 3.5 V8 PI Auto, Engine Code 37D 3.9 V8 EFI L/C Man, Engine Codes 38D 3.9 EFI V8 NAS Auto	232043	2
		5 Speed Manual Transmission, With Air Conditioning, (+)"D", With Catalyst	31D, 22D, 23D, 37D, 38D, Also serviced as part of a kit, Engine Code 22D 3.5 PI 3.5 L/C Manual, Engine Code 23D 3.5 PI V8 L/C Auto, Engine Code 31D 3.5 V8 PI Auto, Engine Code 37D 3.9 V8 EFI L/C Man, Engine Codes 38D 3.9 EFI V8 NAS Auto	232043	2
		5 Speed Manual Transmission, With Air Conditioning, (+)"D", Less Catalyst	31D, 22D, 23D, 37D, 38D, Also serviced as part of a kit, Engine Code 22D 3.5 PI 3.5 L/C Manual, Engine Code 23D 3.5 PI V8 L/C Auto, Engine Code 31D 3.5 V8 PI Auto, Engine Code 37D 3.9 V8 EFI L/C Man, Engine Codes 38D 3.9 EFI V8 NAS Auto	232043	2

Engine
V8 Petrol - EFi
Rocker Cover 1/1

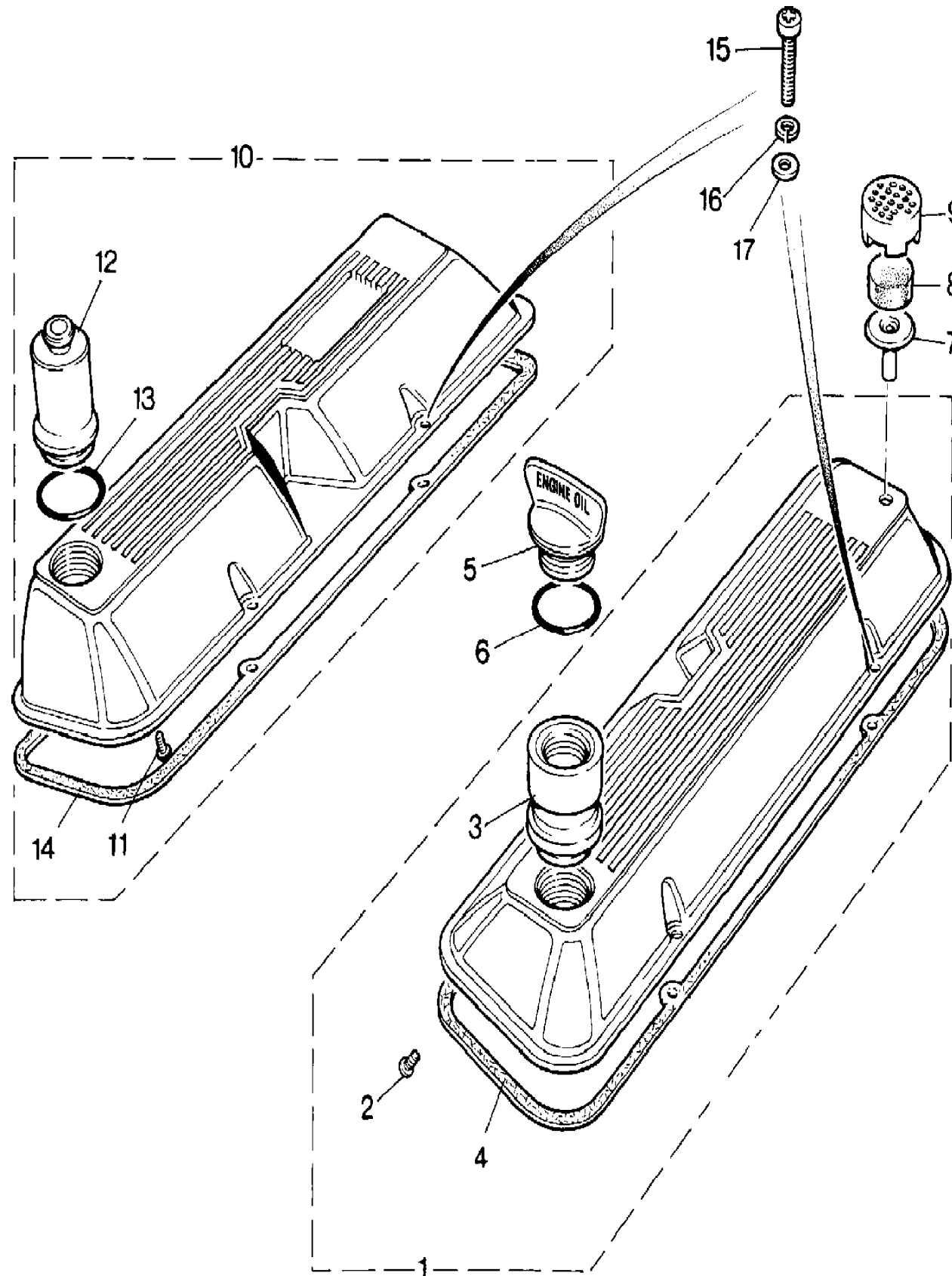
Range Rover (To HA610293)

(7RE90A)

Engine
V8 Petrol - EFi
Rocker Cover

Range Rover (To HA610293)

Callout	Name	Application	Remarks & Restrictions	Service No.	Qty
1	Cover assembly-valve rocker	3.5L V8 EFi Petrol	Also serviced as part of a kit	ETC5921	1
		3.9L V8 EFi Petrol	Also serviced as part of a kit, LH	ETC8679	1
2	Screw	3.5L V8 EFi Petrol	Also serviced as part of a kit, 6 x 3/8	79027	4
		3.9L V8 EFi Petrol	Also serviced as part of a kit, 6 x 3/8	79027	4
3	Filler-oil	3.5L V8 EFi Petrol	Also serviced as part of a kit	ERC2989	1
		3.9L V8 EFi Petrol	Also serviced as part of a kit	ERC2989	1
4	Gasket-engine rocker cover	3.5L V8 EFi Petrol	Also serviced as part of a kit	602512	1
		3.9L V8 EFi Petrol	Also serviced as part of a kit	602512	1
5	Cap-oil filler	V8 EFi Petrol		625038	1
6	O Ring	V8 EFi Petrol		564258	1
7	Plate	V8 EFi Petrol	mounting filter	ERC3933	1
8	Filter-crankcase intake foam	V8 EFi Petrol		ERC3209	1
9	Cap-filter.	V8 EFi Petrol		ERC3208	1
10	Cover assembly-valve rocker	3.5L V8 EFi Petrol	Also serviced as part of a kit, RH	ETC5922	1
		3.9L V8 EFi Petrol	Also serviced as part of a kit, RH	ETC8680	1
11	Screw	3.5L V8 EFi Petrol	Also serviced as part of a kit, 6 x 3/8	79027	8
12	Filter-crankcase breather	3.5L V8 EFi Petrol	Also serviced as part of a kit	ERC248	1
13	O Ring	3.5L V8 EFi Petrol	positive crankcase ventilation breather, Also serviced as part of a kit	564258	1
14	Gasket-engine rocker cover	3.5L V8 EFi Petrol	Also serviced as part of a kit	602512	1
15	Screw	V8 EFi Petrol (+)"CDN/MEX/USA"	1/4UNC x 1 5/16 UNC X 7/8"	603127 SY504072L	4 4
16	Washer-Spring	V8 EFi Petrol	1/4 dia, Square	WM600041L	8
17	Washer	V8 EFi Petrol	M6	WB106041L	8



Engine
V8 Petrol - EFi
Rockershaft 1/1

Range Rover (To HA610293)

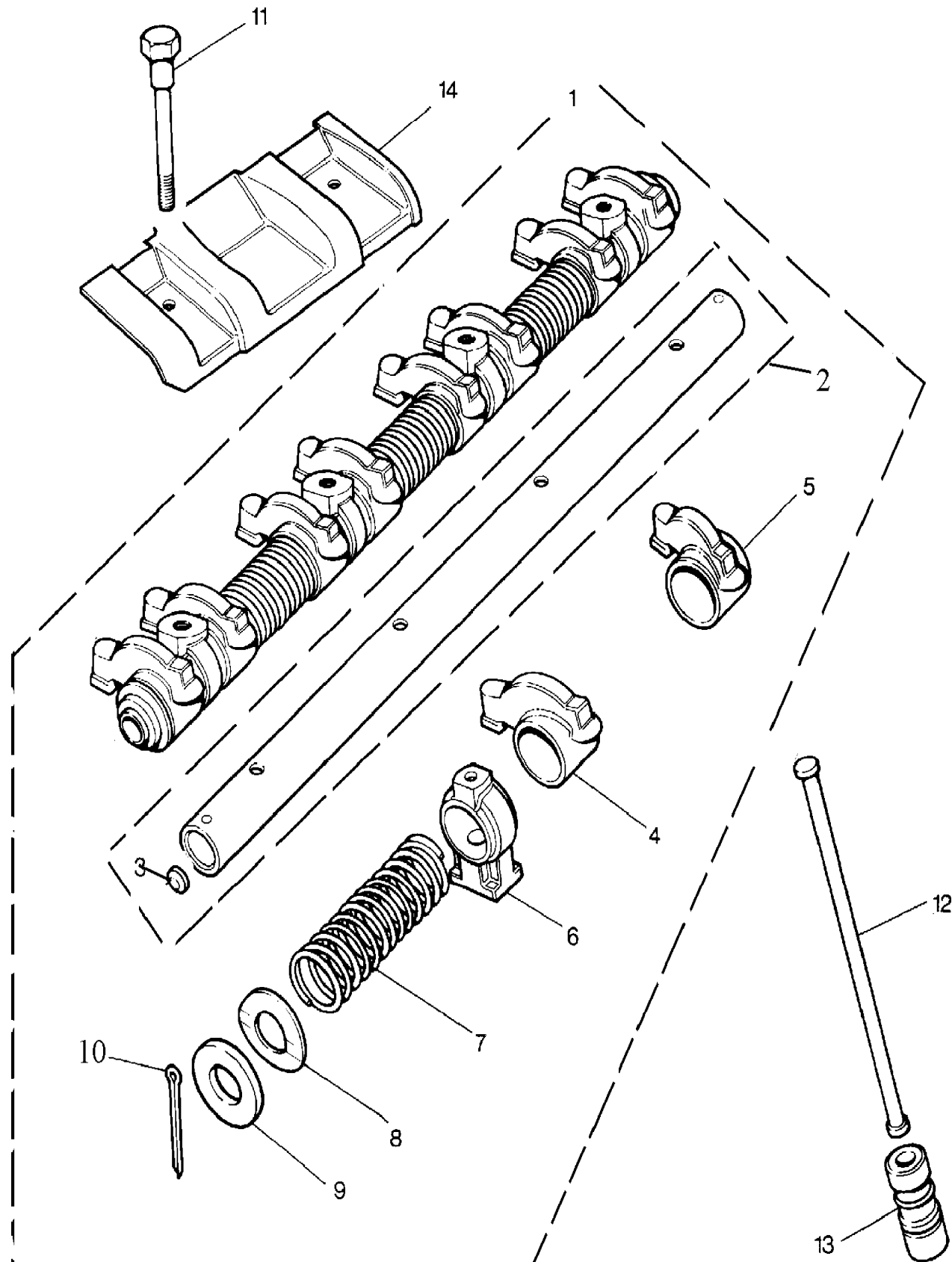
(VS3255A)

Engine
V8 Petrol - EFi
Rockershaft

Range Rover (To HA610293)

Petrol V8 L/R EFi

Callout	Name	Application	Remarks & Restrictions	Service No.	Qty
1	Shaft assembly-rocker	V8 EFi Petrol	Also serviced as part of a kit	611660	2
2	Shaft-rocker	V8 EFi Petrol	Also serviced as part of a kit	611659L	2
3	Plug-core	V8 EFi Petrol	shaft ends, Also serviced as part of a kit	154545	4
4	Rocker assembly-cylinder head	V8 EFi Petrol	Also serviced as part of a kit, RH	602153	8
5	Rocker assembly-cylinder head	V8 EFi Petrol	Also serviced as part of a kit, LH	602154	8
6	Pillar-cylinder head rocker support	V8 EFi Petrol	Also serviced as part of a kit	603734	8
7	Spring-rocker shaft	V8 EFi Petrol	Also serviced as part of a kit	602142	6
8	Washer-waved	V8 EFi Petrol	End, Also serviced as part of a kit	602148	4
9	Washer-Plain	V8 EFi Petrol	Also serviced as part of a kit	602186	4
10	Pin-split	V8 EFi Petrol	Also serviced as part of a kit	PS606101L	4
11	Bolt	V8 EFi Petrol	3/8UNC x 2.79	602097	8
12	Rod-engine push	V8 EFi Petrol		603378	16
13	Tappet-engine valve hydraulic	V8 EFi Petrol		ERC4949	16



Engine
V8 Petrol - EFI
Starter Motor 1/1

Range Rover (To HA610293)

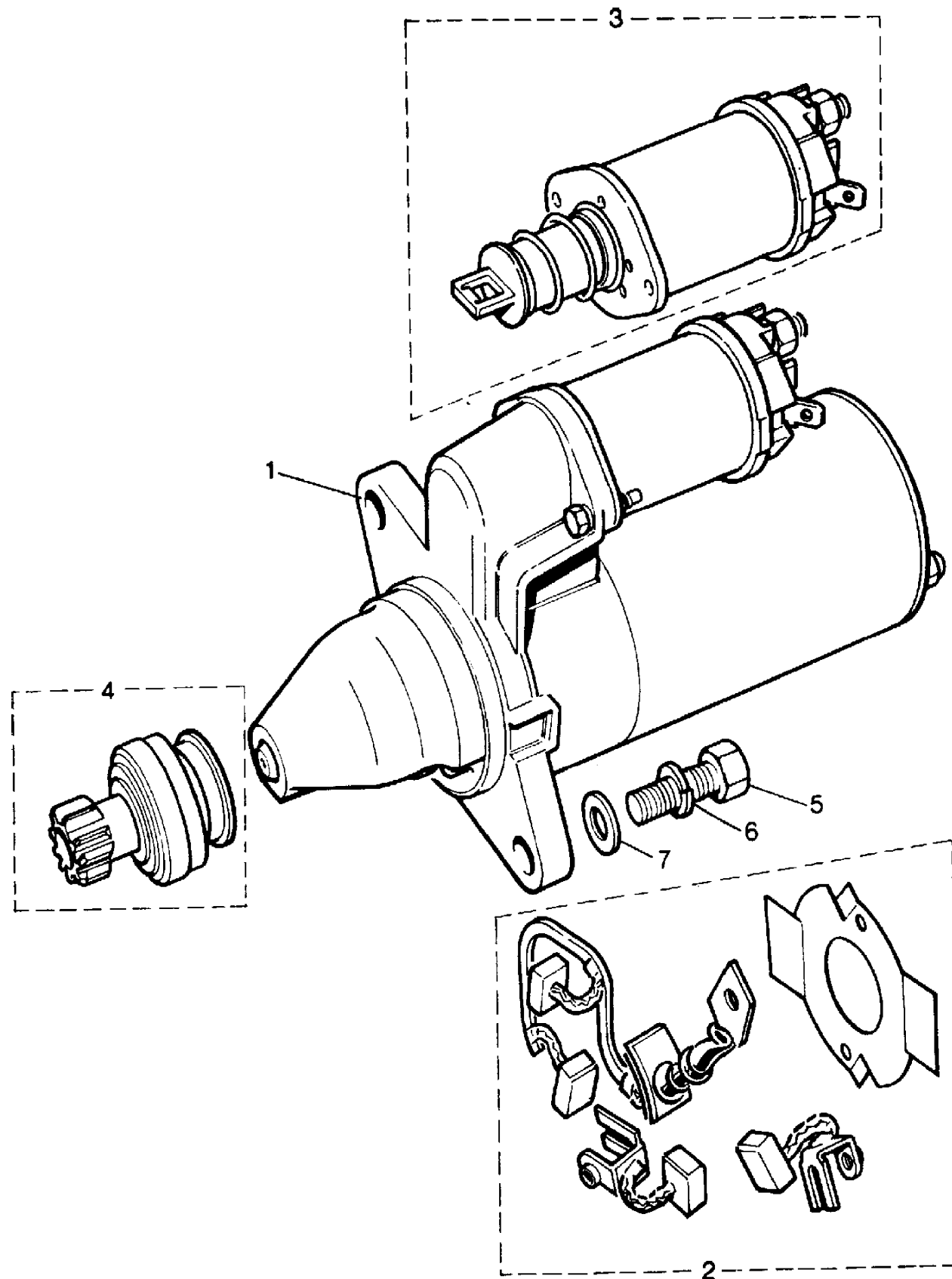
(TS6455)

Engine
V8 Petrol - EFI
Starter Motor

Range Rover (To HA610293)

Petrol V8 L/R EFI

Callout	Name	Application	Remarks & Restrictions	Service No.	Qty
1	Motor-starter engine	V8 EFI Petrol	Also serviced as part of a kit, Lucas, New	RTC6061N	1
		V8 EFI Petrol	Also serviced as part of a kit, Lucas, exchange	RTC5228E	1
2	Solenoid starter motor	V8 EFI Petrol	Also serviced as part of a kit, Lucas, with M78R starter motor	RTC5049	1
3	Kit-brush starter motor	V8 EFI Petrol	Also serviced as part of a kit, Lucas, with M78R starter motor	RTC5048	1
4	Drive assembly starter motor	V8 EFI Petrol	Also serviced as part of a kit	RTC5050	1
5	Screw	V8 EFI Petrol	3/8UNC x 1 1/2	SS506121L	2
6	Washer	V8 EFI Petrol	3/8", Square	WM600061L	2
7	Washer	V8 EFI Petrol	M10	WA110061L	2
[900]	Cable assembly starter & earth	V8 EFI Petrol		PRC3623	1
[901]	Harness-link	V8 EFI Petrol		PRC5208	1



Engine
V8 Petrol - EFI
Sump 1/2

Range Rover (To HA610293)

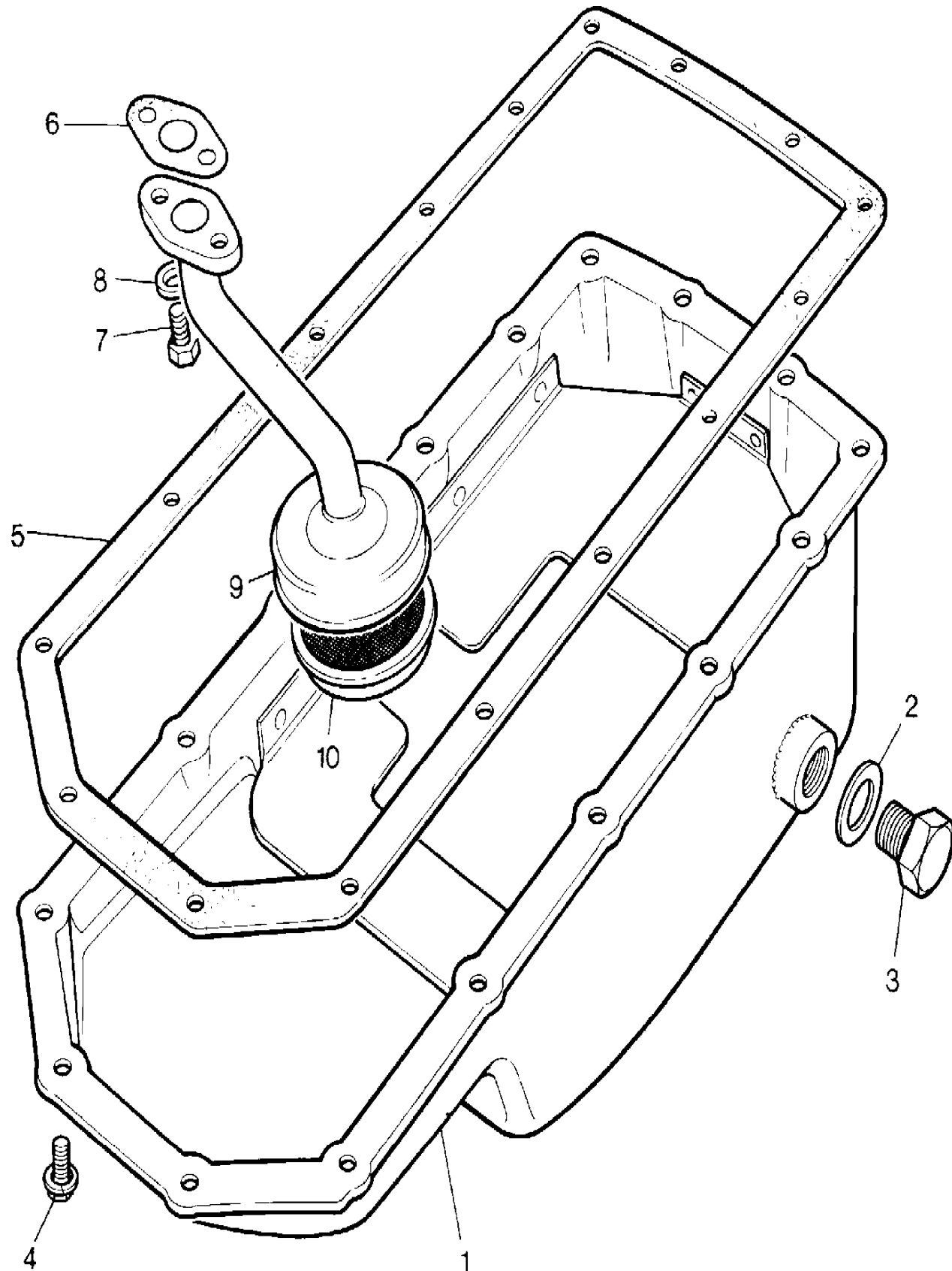
(M876)

Engine
V8 Petrol - EFI
Sump

Range Rover (To HA610293)

Petrol V8 L/R EFI

Callout	Name	Application	Remarks & Restrictions	Service No.	Qty
1	Sump-engine oil	V8 EFI Petrol, (-) "CDN/MEX/USA"	(-) 38D 3.9 EFI V8 NAS Auto	ETC6290	1
		3.9L V8 EFI NA Petrol, 4 Speed Automatic Transmissions, (-) "CDN/MEX/USA", With Catalyst	Engine Codes 38D 3.9 EFI V8 NAS Auto	ETC7006	1
		(+) "CDN/MEX/USA"		ERR4634	1
2	Washer-sealing	V8 EFI Petrol, (-) "CDN/MEX/USA"	(-) 38D 3.9 EFI V8 NAS Auto	213961	1
		3.9L V8 EFI NA Petrol, 4 Speed Automatic Transmissions, (-) "CDN/MEX/USA", With Catalyst	Engine Codes 38D 3.9 EFI V8 NAS Auto	213961	1
		(+) "CDN/MEX/USA"	Engine Code 31D	213961	1
3	Plug-sump assembly oil drain	V8 EFI Petrol, (-) "CDN/MEX/USA"	(-) 38D 3.9 EFI V8 NAS Auto	603659	1
		3.9L V8 EFI NA Petrol, 4 Speed Automatic Transmissions, (-) "CDN/MEX/USA", With Catalyst	Engine Codes 38D 3.9 EFI V8 NAS Auto	603659	1
		(+) "CDN/MEX/USA"	Engine Code 31D	603659	1
4	Bolt & washer assembly-sump	V8 EFI Petrol, (-) "CDN/MEX/USA"	(-) 38D 3.9 EFI V8 NAS Auto, 5/16UNC	602199	16
		3.9L V8 EFI NA Petrol, 4 Speed Automatic Transmissions, (-) "CDN/MEX/USA", With Catalyst	Engine Codes 38D 3.9 EFI V8 NAS Auto, 5/16UNC	602199	16
		(+) "CDN/MEX/USA"	Engine Code 31D	602199	16
5	Gasket-crankcase oil sump	V8 EFI Petrol	(-) 38D 3.9 EFI V8 NAS Auto	602087	1
6	Gasket-sump oil strainer	V8 EFI Petrol, (-) "CDN/MEX/USA"	(-) 38D 3.9 EFI V8 NAS Auto	90602068	1
		3.9L V8 EFI NA Petrol, 4 Speed Automatic Transmissions, (-) "CDN/MEX/USA", With Catalyst	Engine Codes 38D 3.9 EFI V8 NAS Auto	602087	1
		3.9L V8 EFI NA Petrol, 4 Speed Automatic Transmissions, (-) "CDN/MEX/USA", With Catalyst	Engine Codes 38D 3.9 EFI V8 NAS Auto	90602068	1
		(+) "CDN/MEX/USA"	Engine Code 31D	ERR3788	1
7	Setscrew	V8 EFI Petrol, (-) "CDN/MEX/USA"	(-) 38D 3.9 EFI V8 NAS Auto, 1/4UNC x 3/4	SH504061L	2
		3.9L V8 EFI NA Petrol, 4 Speed Automatic Transmissions, (-) "CDN/MEX/USA", With Catalyst	Engine Codes 38D 3.9 EFI V8 NAS Auto, 1/4UNC x 3/4	SH504061L	2



Engine
V8 Petrol - EFi
Sump 2/2

Range Rover (To HA610293)

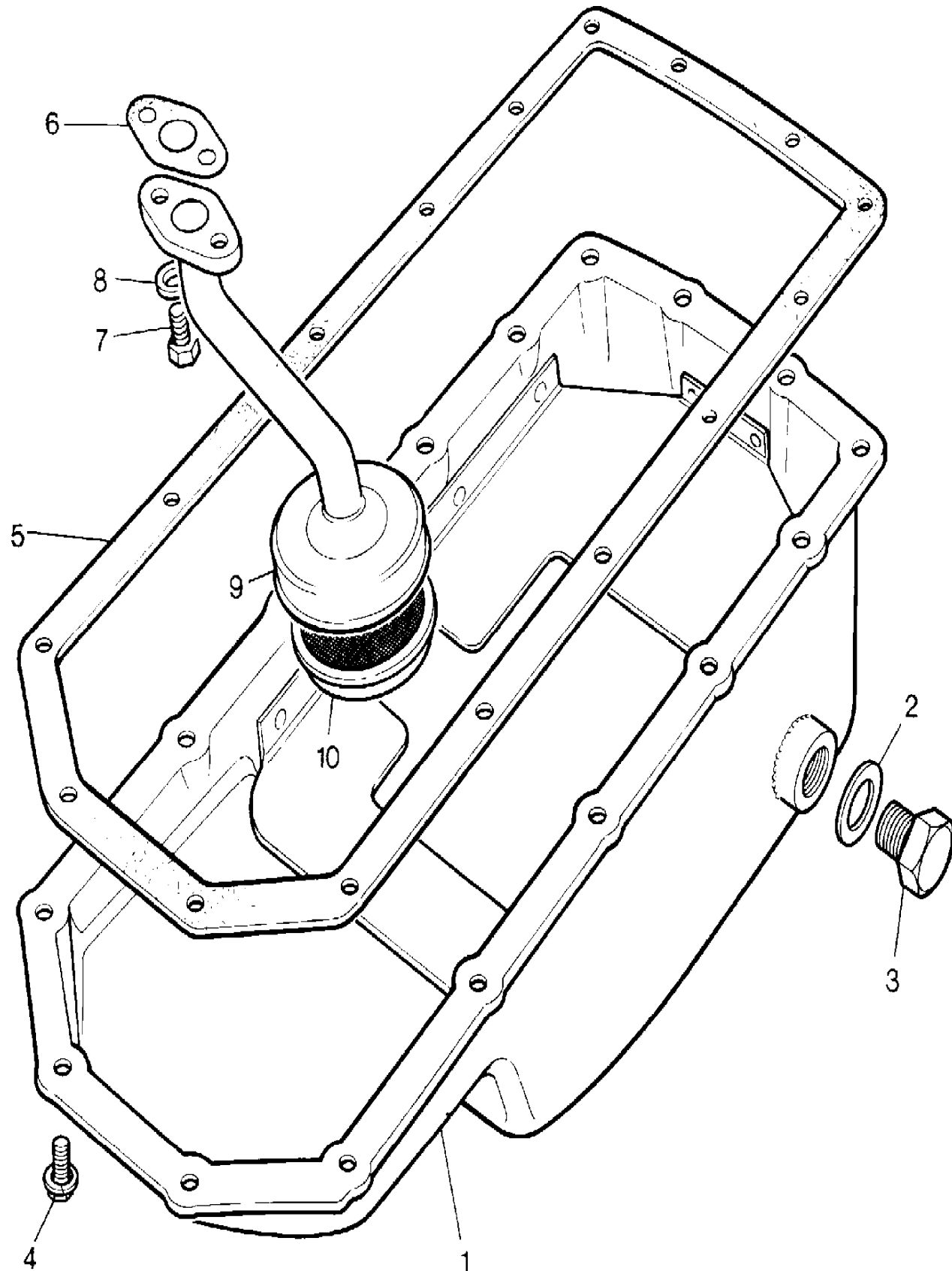
(M876)

Range Rover (To HA610293)

Engine
V8 Petrol - EFi
Sump

Petrol V8 L/R EFi

Callout	Name	Application	Remarks & Restrictions	Service No.	Qty
7	Setscrew	(+)"CDN/MEX/USA"	Engine Code 31D	SH504061L	2
8	Washer-Spring	V8 EFi Petrol, (-)"CDN/MEX/USA" 3.9L V8 EFi NA Petrol, 4 Speed Automatic Transmissions, (-)"CDN/MEX/USA", With Catalyst (+)"CDN/MEX/USA"	(-) 38D 3.9 EFi V8 NAS Auto, 1/4 dia, Square Engine Codes 38D 3.9 EFi V8 NAS Auto, 1/4 dia, Square	WM600041L WM600041L	2 2
9	Strainer and pipe assembly-oil	V8 EFi Petrol, (-)"CDN/MEX/USA" 3.9L V8 EFi NA Petrol, 4 Speed Automatic Transmissions, (-)"CDN/MEX/USA", With Catalyst (+)"CDN/MEX/USA"	(-) 38D 3.9 EFi V8 NAS Auto Engine Codes 38D 3.9 EFi V8 NAS Auto	612710 612710	1 1
10	Cover-oil strainer	V8 EFi Petrol, (-)"CDN/MEX/USA" 3.9L V8 EFi NA Petrol, 4 Speed Automatic Transmissions, (-)"CDN/MEX/USA", With Catalyst (+)"CDN/MEX/USA"	(-) 38D 3.9 EFi V8 NAS Auto Engine Codes 38D 3.9 EFi V8 NAS Auto	602070 602070	1 1
[900]	Indicator-Oil Level	3.9L V8 EFi NA Petrol, 4 Speed Automatic Transmissions, (-)"CDN/MEX/USA", With Catalyst (+)"CDN/MEX/USA"	Engine Codes 38D 3.9 EFi V8 NAS Auto	AFU2786L	1
[901]	Washer-sealing	3.9L V8 EFi NA Petrol, 4 Speed Automatic Transmissions, (-)"CDN/MEX/USA", With Catalyst (+)"CDN/MEX/USA"	Engine Codes 38D 3.9 EFi V8 NAS Auto	243960 243960	1 1



Engine
V8 Petrol - EFi
Throttle Linkage 1/3

Range Rover (To HA610293)

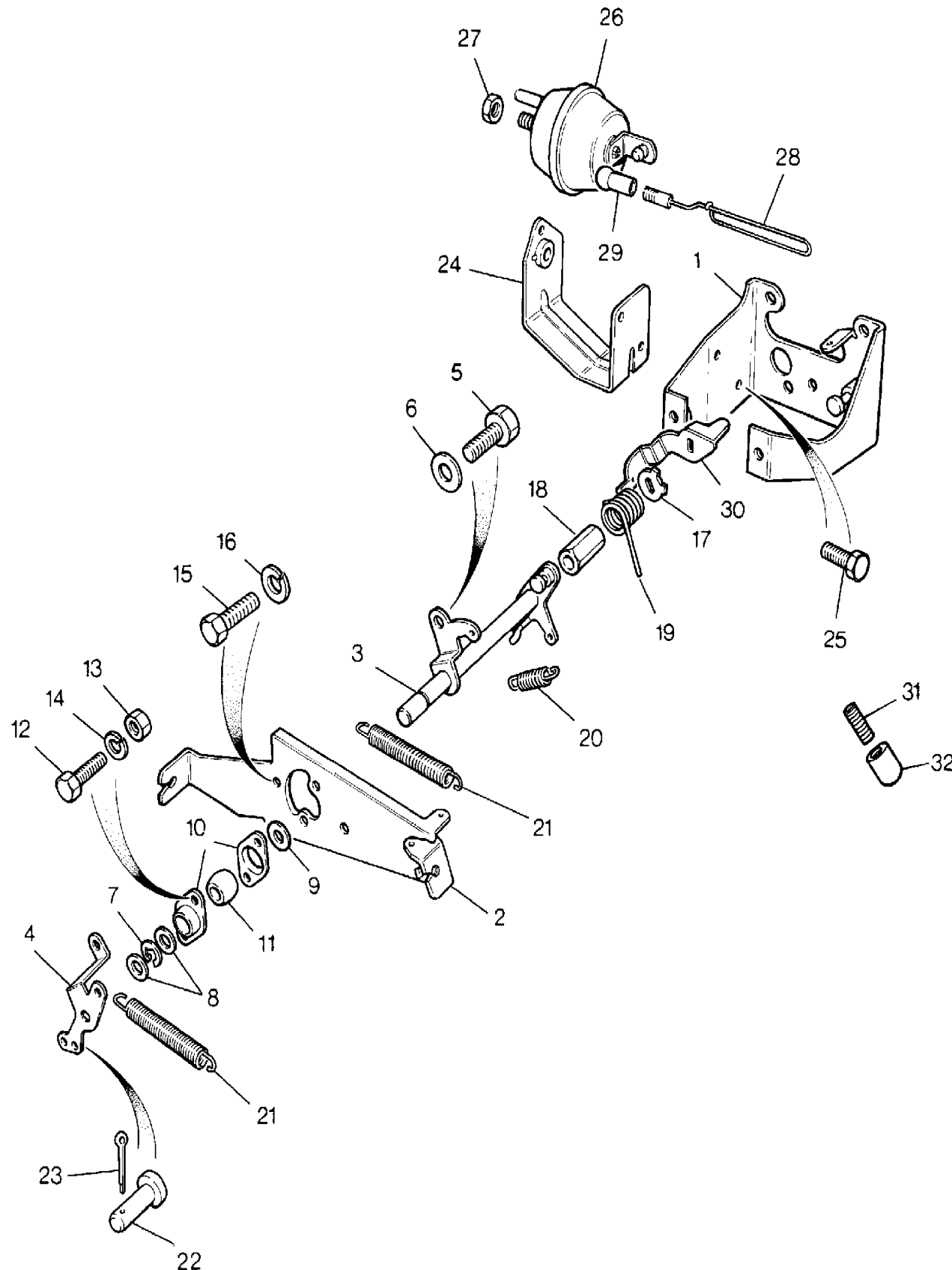
(TS6275A)

Range Rover (To HA610293)

Engine
V8 Petrol - EFi
Throttle Linkage

Petrol V8 L/R EFi

Callout	Name	Application	Remarks & Restrictions	Service No.	Qty
1	Bracket assembly accelerator	V8 EFi Petrol, (-)"CDN/MEX/USA"		ETC7773	1
		V8 EFi Petrol, (-)"CDN/MEX/USA"		ETC5143	1
		3.9/4.0 V8 Petrol Efi, (+)"CDN/MEX/USA"	Engine Code 38D	ETC7773	1
		3.5 V8 Petrol Efi, (+)"CDN/MEX/USA"	Engine Code 31D	ETC5143	1
2	Bracket-cable accelerator	3.5L V8 EFi Petrol, (-)"CDN/MEX/USA"		ETC5773	1
		3.9L V8 EFi Petrol, (-)"CDN/MEX/USA"		ETC7870	1
		3.5 V8 Petrol Efi, (+)"CDN/MEX/USA"	Engine Code 31D	ETC5773	1
		3.9/4.0 V8 Petrol Efi, (+)"CDN/MEX/USA"	Engine Code 38D	ETC7870	1
3	Lever assembly-throttle tbi	3.5L V8 EFi Petrol, Manual Transmission, (-)"CDN/MEX/USA"		ETC5522	1
		3.5L V8 EFi Petrol, Automatic Transmission, (-)"CDN/MEX/USA"		ETC7145	1
		3.9L V8 EFi Petrol, Manual Transmission, (-)"CDN/MEX/USA"	Also serviced as part of a kit	ETC7887	1
		3.9L V8 EFi Petrol, Automatic Transmission, (-)"CDN/MEX/USA"	Also serviced as part of a kit	ETC7886	1
		3.5 V8 Petrol Efi, (+)"CDN/MEX/USA"	Engine Code 31D	ETC7145	1
		3.9/4.0 V8 Petrol Efi, Automatic Transmission, (+)"CDN/MEX/USA"	Engine Code 38D	ETC7886	1
4	Level-carburettor throttle	V8 EFi Petrol, Manual Transmission, (-)"CDN/MEX/USA"		ETC5774	1
		V8 EFi Petrol, Automatic Transmission, (-)"CDN/MEX/USA"		ETC5775	1
		V8 EFi Petrol, Automatic Transmission, (+)"CDN/MEX/USA"		ETC6657	1
5	Screw	V8 EFi Petrol	10UNF x 5/16	257002	1
		V8 EFi Petrol	hexagonal head, 1/4UNF x 1/2	SH504041L	4
6	Washer	V8 EFi Petrol		WA702101L	1
7	Circlip	V8 EFi Petrol		521453	1
8	Washer	V8 EFi Petrol	8MM	WA108051L	2
9	Washer-Plain	V8 EFi Petrol	M8	WB108051L	1
10	Housing-throttle linkage bearing	V8 EFi Petrol	Front	ERC4211	2



Engine
V8 Petrol - EFI
Throttle Linkage 2/3

Range Rover (To HA610293)

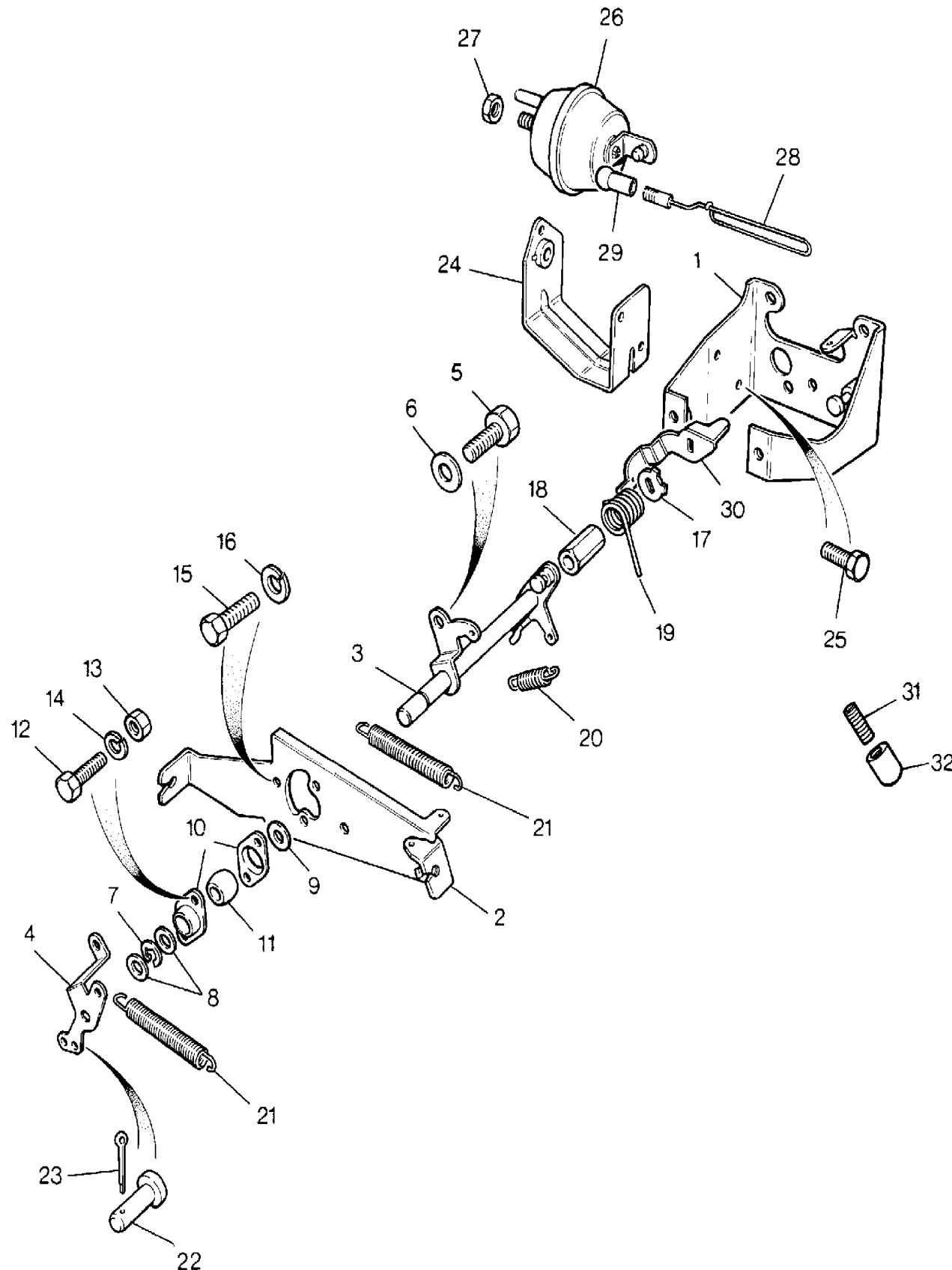
(TS6275A)

Range Rover (To HA610293)

Engine
V8 Petrol - EFI
Throttle Linkage

Petrol V8 L/R EFI

Callout	Name	Application	Remarks & Restrictions	Service No.	Qty
11	Bush	V8 EFI Petrol	spherical	ERC4215	1
12	Screw	V8 EFI Petrol	No 10UNF x 7/16"	257004	2
13	Nut - Hex.	V8 EFI Petrol	UNF, No10	257011	2
14	Washer-Spring	V8 EFI Petrol	rectangular, No 10, single coil	WL700101L	2
15	Screw	V8 EFI Petrol	hexagonal head, 1/4UNF x 1/2	SH604041L	2
16	Washer-Plain	V8 EFI Petrol	M8	WL600041L	2
17	Washer-Lock	V8 EFI Petrol		C43231L	1
18	Nut-throttle spindle multi point injection	V8 EFI Petrol		ERC3579	1
19	Spring-return-tension accelerator	V8 EFI Petrol		ERC3792	1
20	Spring	V8 EFI Petrol		ETC5524	1
21	Spring-throttle return multi point injection	V8 EFI Petrol		610846	2
22	Pin-clevis/pivot	V8 EFI Petrol		562481	1
23	Pin-split	V8 EFI Petrol		PS603041	1
24	Bracket-actuator assembly cruise control	V8 EFI Petrol		ETC6465	1
25	Screw	V8 EFI Petrol	hexagonal head, M5 x 12	SH105121L	2
26	Actuator assembly cruise control	V8 EFI Petrol		ETC7150	1
27	Nut - Hex.	V8 EFI Petrol	M8, hexagonal head	NH108041L	1
28	Link cruise control	3.5L V8 EFI Petrol 3.9L V8 EFI Petrol		ETC7148 ETC7875	1 1
29	Joint-ball	V8 EFI Petrol		ETC7149	1
30	Lever-throttle multi point injection	V8 EFI Petrol		ETC7769	1
31	Screw	V8 EFI Petrol, (-)"CDN/MEX/USA" (+)"CDN/MEX/USA"	Stop Lever Stop Lever	ERC4445 ETC7668M	1 1
32	Cap-stop lever	V8 EFI Petrol		ETC4523	1



Engine
V8 Petrol - EFi
Throttle Linkage 3/3

Range Rover (To HA610293)

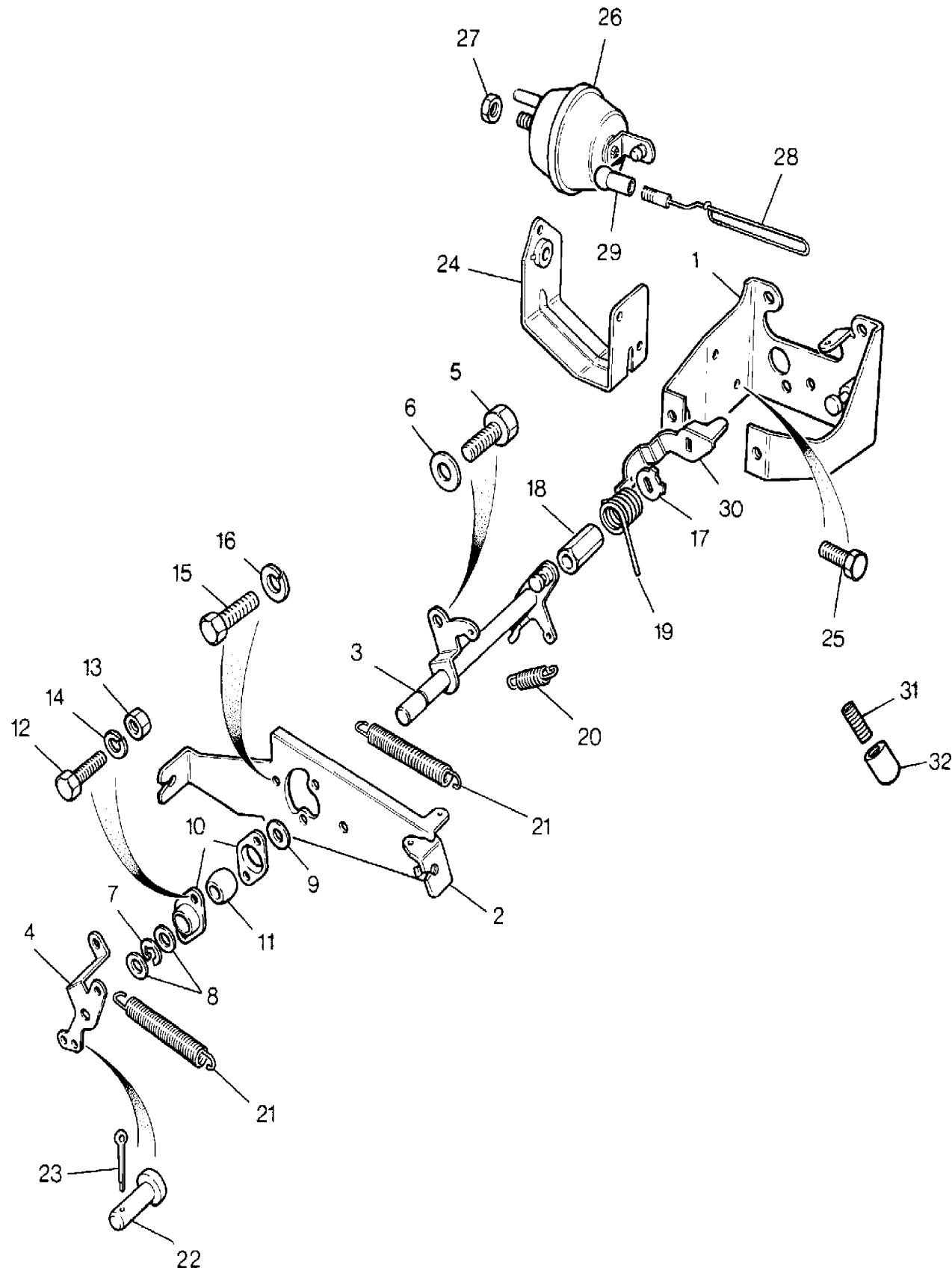
(TS6275A)

Engine
V8 Petrol - EFi
Throttle Linkage

Range Rover (To HA610293)

Petrol V8 L/R EFi

Callout	Name	Application	Remarks & Restrictions	Service No.	Qty
[901]	Clip-spring steel	3.9L V8 EFi Petrol, Manual Transmission, (-) "CDN/MEX/USA" 3.5 V8 Petrol Efi, (+) "CDN/MEX/USA"	Also serviced as part of a kit	ETC7884	2
				ETC7884	2
[902]	Screw-self tapping	V8 EFi Petrol		ETC7668M	1



Engine
V8 Petrol - EFi
Viscous Drive & Fan 1/1

Range Rover (To HA610293)

(TS5582A)

Engine
V8 Petrol - EFi
Viscous Drive & Fan

Range Rover (To HA610293)

Petrol V8 L/R EFI

Callout	Name	Application	Remarks & Restrictions	Service No.	Qty
1	Pulley coolant pump	V8 EFI Petrol, Less Air Conditioning V8 EFI Petrol, With Air Conditioning		ETC5499 ETC5422	1 1
2	Pulley-driven air conditioning	V8 EFI Petrol, With Air Conditioning		ETC5423	1
3	Screw	V8 EFI Petrol	hexagonal head, 1/4UNF x 5/8	SH604051L	3
4	Washer	V8 EFI Petrol	6MM	WA106041L	3
5	Coupling-engine fan viscous	V8 EFI Petrol	White., 7 blade, 16" 17", 11 Blade	ERC2849 ETC1260	1 1
6	Fan-cooling	V8 EFI Petrol V8 EFI Petrol	White., 7 blade, 16" White., 17", 11 Blade	614739 ETC1275	1 1
7	Screw	V8 EFI Petrol	hexagonal head, 5/16UNC x 5/8	SH505051L	4
8	Locknut	V8 EFI Petrol	UNF, 1/4	NY604041	4
9	Belt-polyvee alternator	V8 EFI Petrol, Less Police Vehicle V8 EFI Petrol, With Police Vehicle		611612 ERC675	1 1

