

Gearbox
77mm-5 Speed-Manual
Bell Housing 1/1

Range Rover (To HA610293)

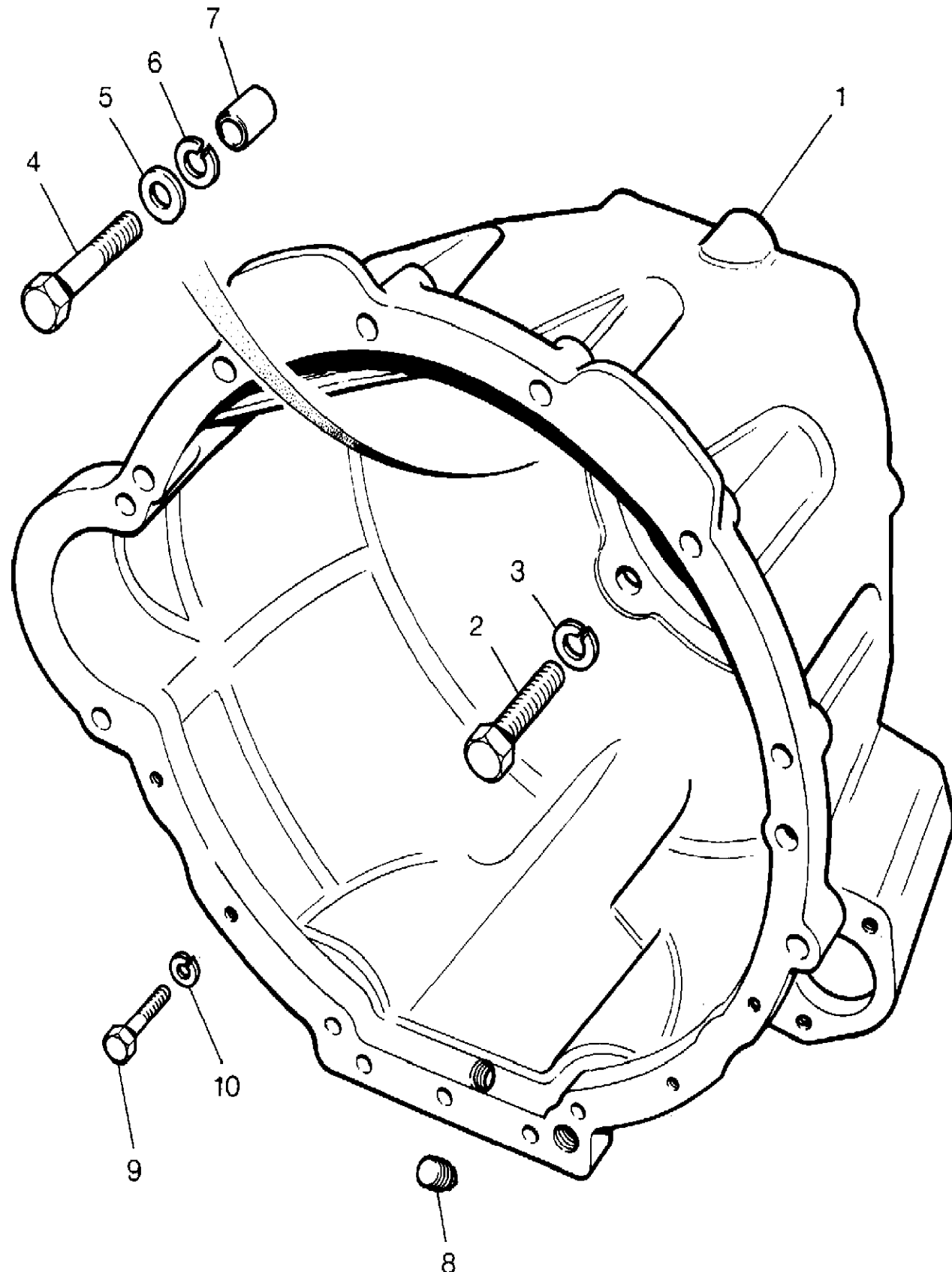
(VS4043)

Gearbox
77mm-5 Speed-Manual
Bell Housing

Range Rover (To HA610293)

Manual Transmission

Callout	Name	Application	Remarks & Restrictions	Service No.	Qty
1	Housing-clutch manual transmission	With Diesel Engines With Petrol Engines		FRC8570 FRC6154	1 1
2	Screw		hexagonal head, M12 x 30	SH112301L	4
3	Washer			WL112001L	4
5	Washer		M12, Plain, Standard	WA112081L	2
6	Washer			WL112001L	2
7	Dowel		gearbox to engine housing to gearcase	FRC8758 UKC25L	2 2
8	Plug-coolant drain			3290	1
9	Bolt		hexagonal head, 3/8UNC x 2	BH506161L	8
10	Washer		3/8", Square	WM600061L	8



Gearbox
77mm-5 Speed-Manual
Bottom Cover 1/1

Range Rover (To HA610293)

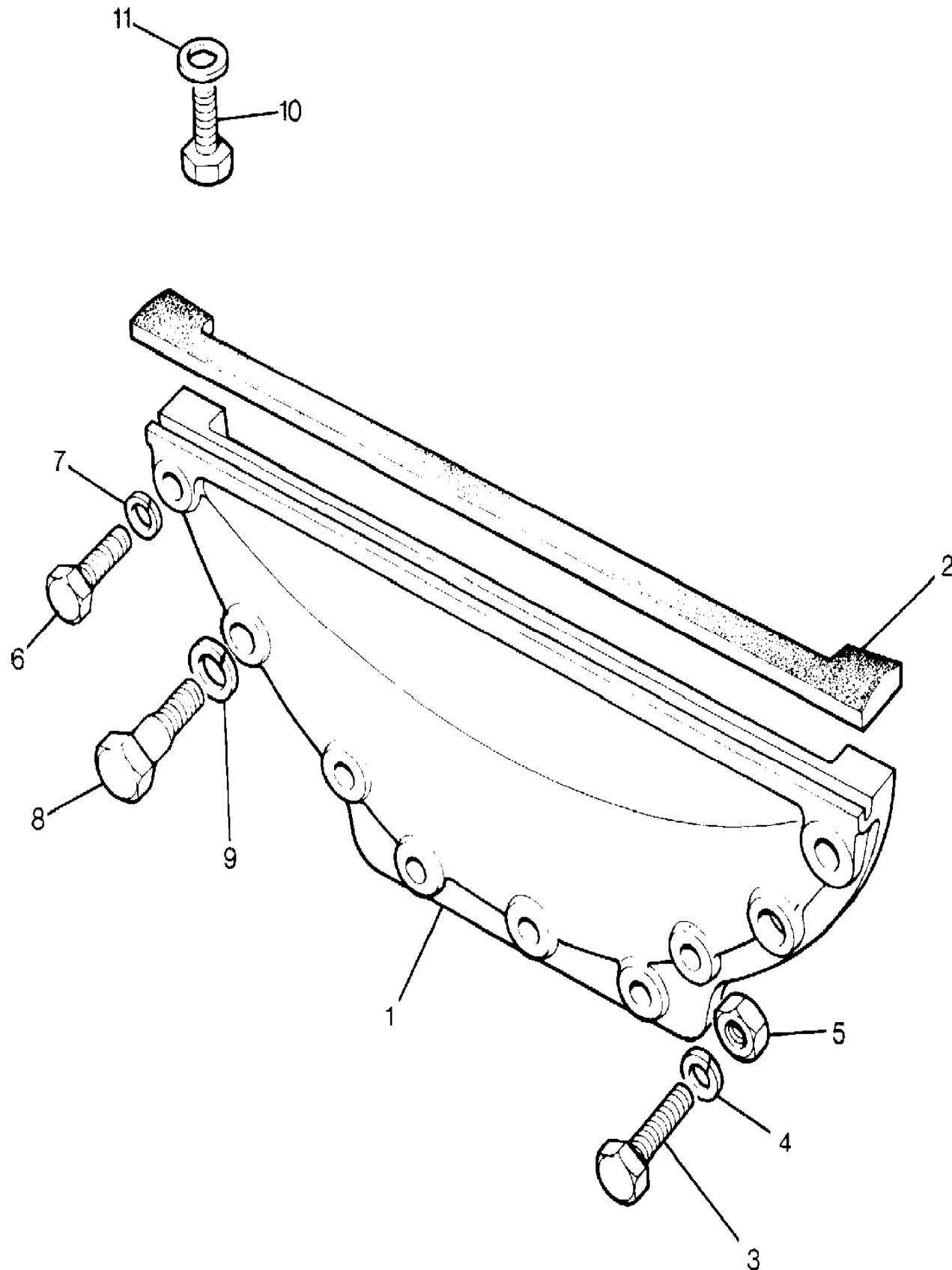
(VS1637)

Gearbox
77mm-5 Speed-Manual
Bottom Cover

Range Rover (To HA610293)

Manual Transmission

Callout	Name	Application	Remarks & Restrictions	Service No.	Qty
1	Cover-bell housing		bottom	FRC2859	1
2	Seal		bottom	594087	1
3	Screw		hexagonal head, M6 x 45	SH106451L	5
4	Washer		M6, sprung	WL106001L	5
5	Nut - Hex.		M6, nyloc, Hexagonal	NH106041L	5
6	Screw		hexagonal head, M6 x 25	SH106251L	2
7	Washer		M6, sprung	WL106001L	2
8	Bolt			594134	2
9	Washer		M8, sprung	WL108001L	2
10	Screw		hexagonal head, 5/16UNC x 1/2	SH505041L	2
11	Washer			232038	2



Gearbox
77mm-5 Speed-Manual
Clutch Release 1/1

Range Rover (To HA610293)

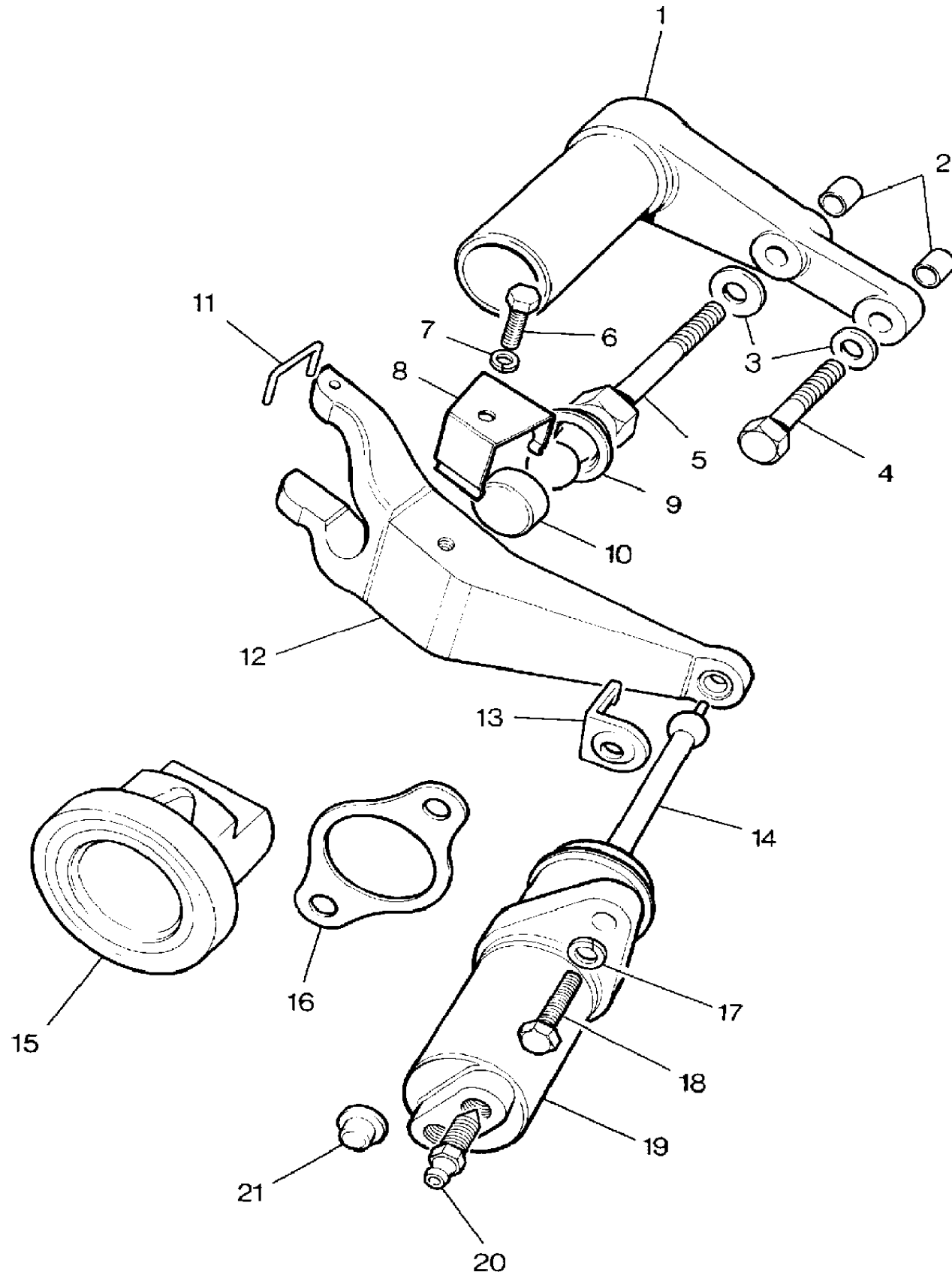
(VS4044A)

Gearbox
77mm-5 Speed-Manual
Clutch Release

Range Rover (To HA610293)

Manual Transmission

Callout	Name	Application	Remarks & Restrictions	Service No.	Qty
1	Guide-clutch release bearing			FRC4803	1
2	Dowel			FRC2481	2
3	Washer		M8, sprung	WL108001L	1
4	Screw		hexagonal head, M8 x 40	SH108401L	1
5	Pivot-clutch release lever			FRC2528	1
6	Screw		hexagonal head, M6 x 10	SH106101L	1
7	Washer		M6, sprung	WL106001L	1
8	Clip-clutch release-pivot post			571163	1
9	Cap-clutch release lever pivot			FRC2975	1
10	Insert-clutch lever			571161	1
11	Retention-bearing clutch release	Change point - VIN end HA610293	Transmission LT 77	576203	1
12	Arm-clutch release clutch			576137	1
13	Clip			576723	1
14	Rod assembly-push slave cylinder			571160	1
15	Bearing-clutch release		Also serviced as part of a kit	FRC9568	1
16	Plate			591988	1
17	Washer		M8, sprung	WL108001L	2
18	Screw		M8 x 25, hexagonal head	SH108251L	2
19	Slave cylinder clutch	Change point - VIN end HA610293	Also serviced as part of a kit	TKC2786L	1
20	Screw-bleed clutch slave cylinder			606733	1
21	Cap-protective			594091	1
[902]	Kit-repair clutch slave cylinder			514244	1



Gearbox
77mm-5 Speed-Manual
Extension case & Oil Pump 1/2

Range Rover (To HA610293)

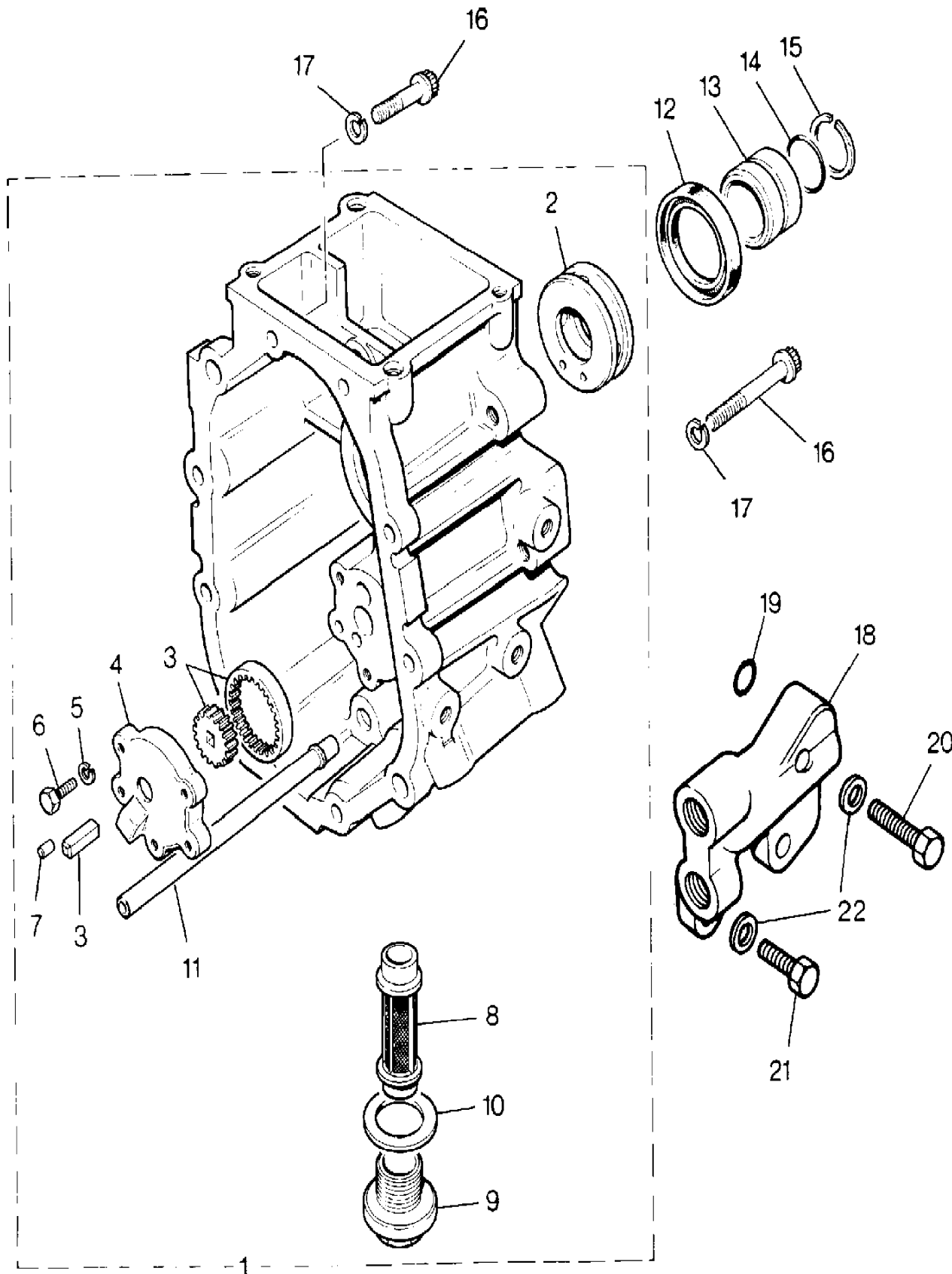
(VS3883A)

Gearbox
77mm-5 Speed-Manual
Extension case & Oil Pump

Range Rover (To HA610293)

Manual Transmission

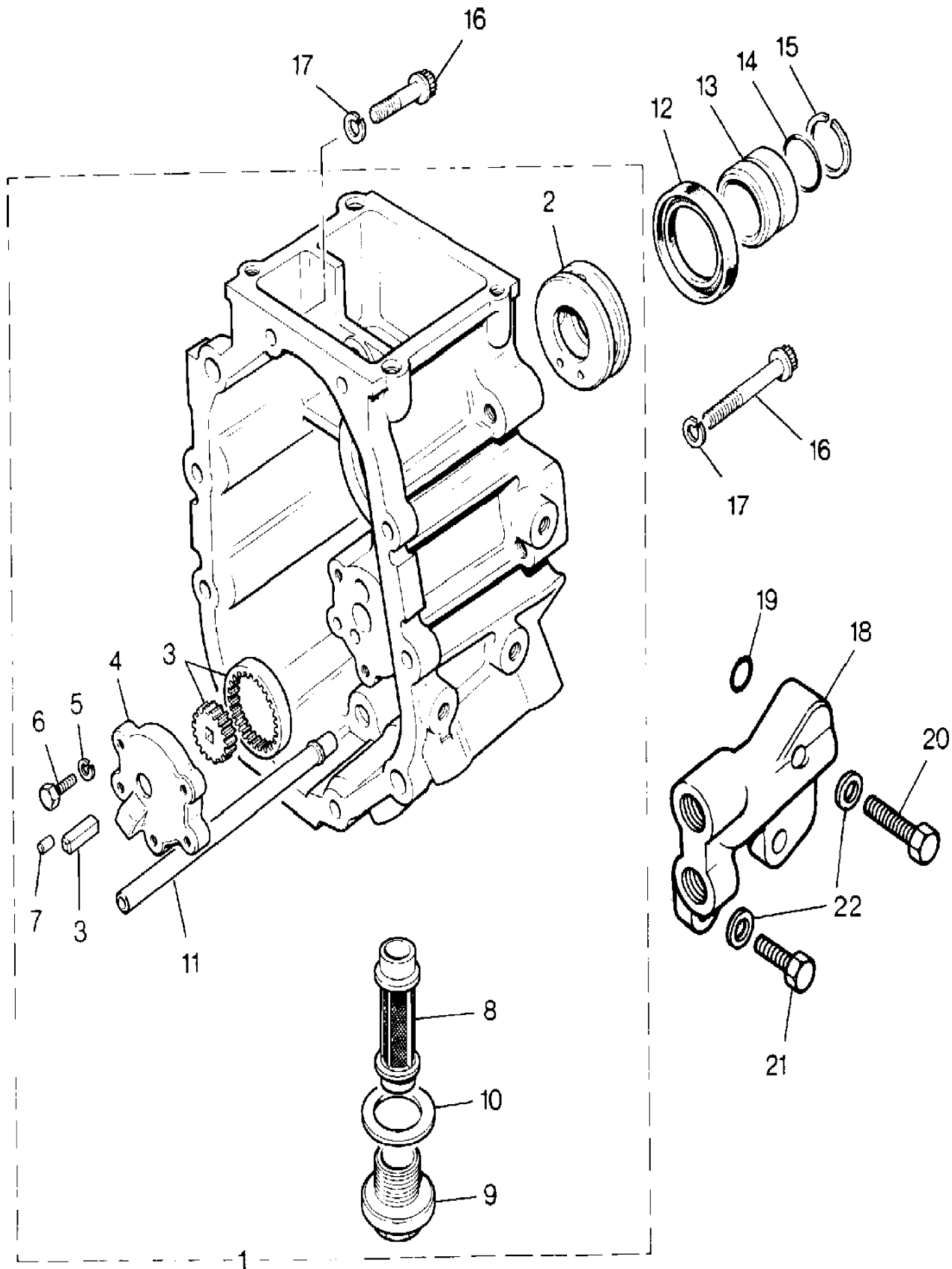
Callout	Name	Application	Remarks & Restrictions	Service No.	Qty
1	Case assembly-extension	With Petrol Engines	Also serviced as part of a kit, Suffix D, Suffix E, Suffix F	FRC8471	1
			Also serviced as part of a kit, Suffix G, Suffix H	FTC1482	1
		With Diesel Engines	Also serviced as part of a kit, Suffix G, Suffix H	FTC1494	1
2	Ring-mainshaft oil feed	With Petrol Engines	Suffix D, Suffix E, Suffix F	FRC4449	1
			Suffix G, Suffix H	FRC4449	1
3	Kit-oil pump repair	With Petrol Engines	Also serviced as part of a kit, Suffix D, Suffix E, Suffix F	STC820	1
			Also serviced as part of a kit, Suffix G, Suffix H	STC822	1
4	Body-transmission oil pump	With Petrol Engines	Also serviced as part of a kit, Suffix D, Suffix E, Suffix F	FRC6246	1
			Also serviced as part of a kit, Suffix G, Suffix H	FTC1403	1
5	Washer		M6, sprung	WL106001L	3
6	Screw		M6 X 20, hexagonal head	SH106201L	3
7	Dowel			UKC2738L	2
8	Strainer-transmission oil			FRC6244	1
9	Plug		main gear casing	90571104	1
10	Washer-sealing		man trans extension case drain plug	FRC4810	1
11	Pipe-transmission oil inlet			FRC8104	1
12	Seal			FRC2365	1
13	Collar			FRC4493	1
14	O Ring			FRC4501	1
15	Spring Ring			FRC4494	1
16	Bolt		Flanged Head, M8 x 60	FRC4282	8
			M8 x 50	BH108101	2
17	Washer		M8, sprung	WL108001L	10
18	Housing-transmission thermostat			FTC1404	1
19	O Ring			FTC1441	2
20	Screw		hexagonal head, M8 x 40	SH108401L	1



Gearbox
77mm-5 Speed-Manual
Extension case & Oil Pump 2/2

Range Rover (To HA610293)

(VS3883A)



Range Rover (To HA610293)

Gearbox
77mm-5 Speed-Manual
Extension case & Oil Pump

Manual Transmission

Callout	Name	Application	Remarks & Restrictions	Service No.	Qty
21	Screw		M8 X 30, hexagonal head	SH108301L	2
22	Washer		8MM	WA108051L	3
[901]	Clip			219676	1
[902]	Retainer			FRC9310	1
[903]	Stud			FTC890	1
[904]	Screw-Grub		screw type (fitment)	FTC1533	1

Gearbox
77mm-5 Speed-Manual
Gearbox Assembly 1/1

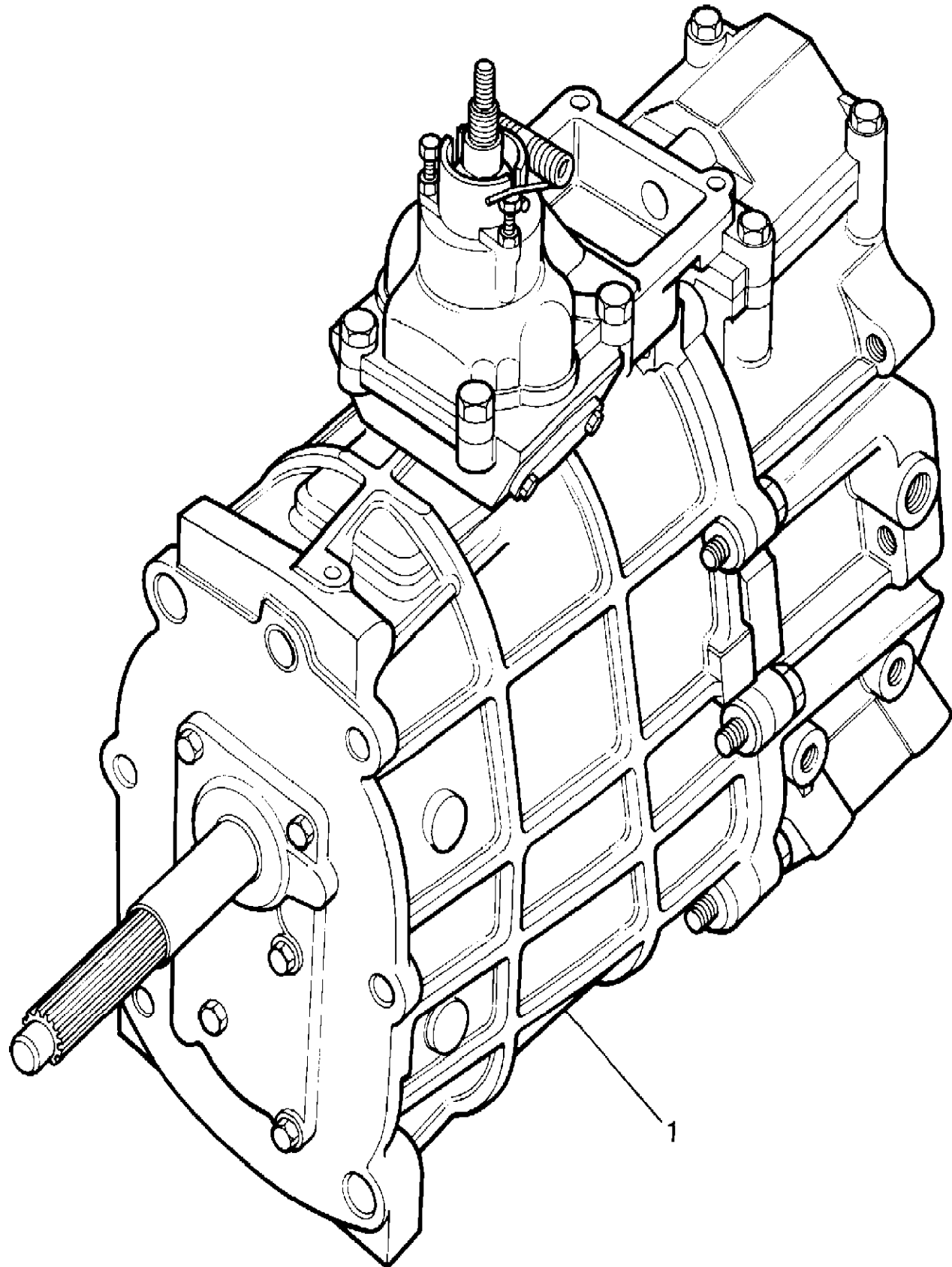
Range Rover (To HA610293)
(TS5039)

Range Rover (To HA610293)

Gearbox
77mm-5 Speed-Manual
Gearbox Assembly

Manual Transmission

Callout	Name	Application	Remarks & Restrictions	Service No.	Qty
1	Transmission assembly	With Diesel Engines	Suffix F, exchange	RTC6381E	1
		With Diesel Engines	Suffix G, exchange	RTC6865E	1
		With Petrol Engines	Suffix D, Suffix E, Suffix F, New	STC1062N	1
		With Petrol Engines	Suffix G, Suffix H, New	STC1000N	1
		With Petrol Engines	Suffix D, Suffix E, exchange	FRC8562E	1
		With Petrol Engines	Suffix F, exchange	FTC6380E	1
		With Petrol Engines	Suffix G, exchange	RTC6864E	1
		With Diesel Engines	New	STC1001N	1
		With Diesel Engines	Suffix D, Suffix E, exchange	FRC8572E	1



Gearbox
77mm-5 Speed-Manual
Gearcase 1/1

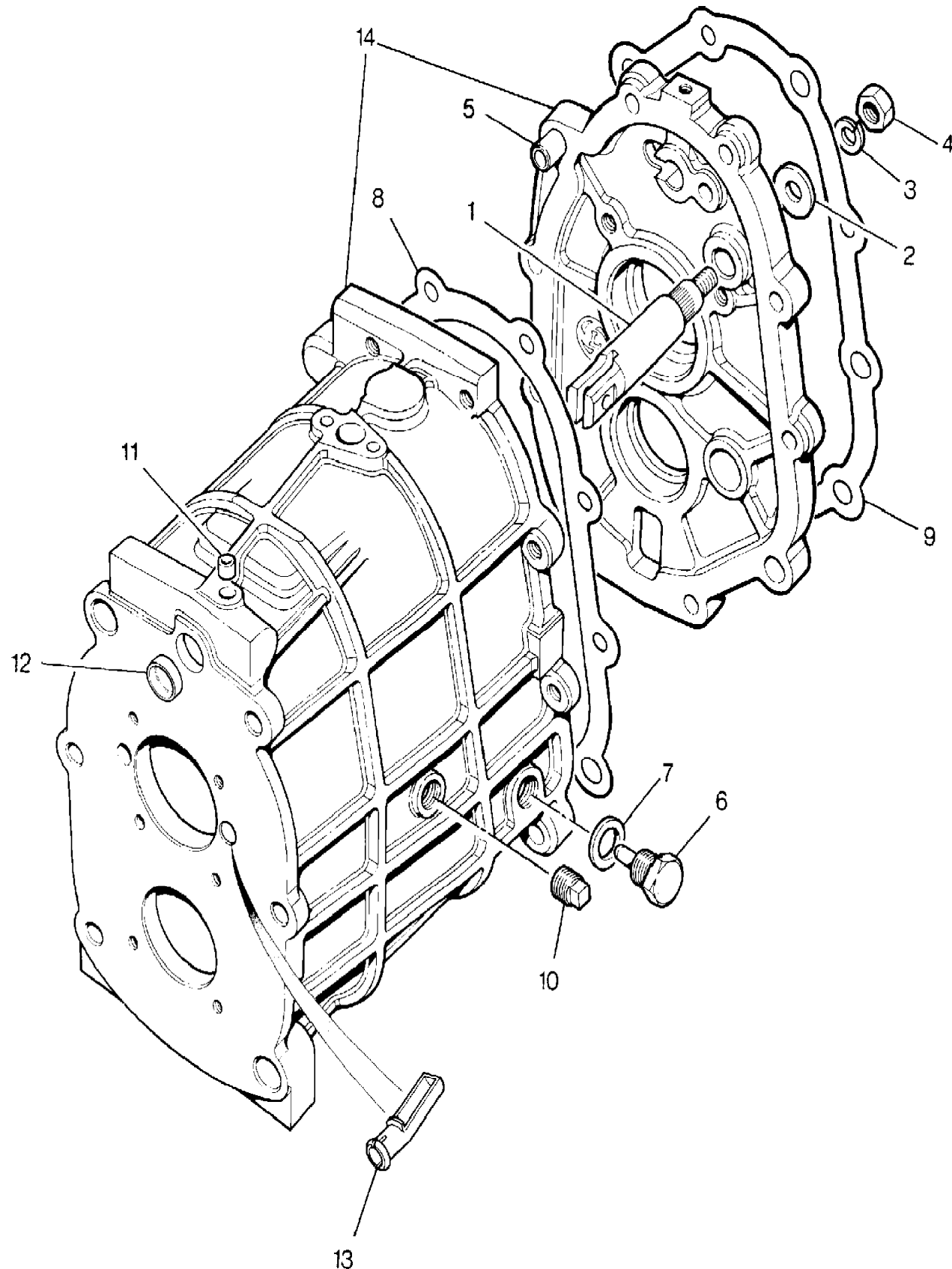
Range Rover (To HA610293)
(VS3880A)

Gearbox
77mm-5 Speed-Manual
Gearcase

Range Rover (To HA610293)

Manual Transmission

Callout	Name	Application	Remarks & Restrictions	Service No.	Qty
1	Pin-reverse gear selector lever pivot		Suffix D	FRC6950	1
			Suffix E, Suffix F, Suffix G, Suffix H	FRC8383	1
2	Washer		M10	WA110061L	1
3	Washer			WL100001L	1
4	Locknut			NH100041L	1
6	Plug and magnet assembly-transmission case			FRC6145	1
7	Washer-sealing	Change point - VIN end HA610293	man trans drain plug, Transmission LT 77	FRC7064	1
10	Plug-level			3292	1
11	Plug-core		Suffix D, 6MM	UKC24L	1
			9MM, Suffix E, Suffix F, Suffix G, Suffix H	FRC9803	1
12	Plug-core		9MM	UKC30L	1
13	Catcher-manual transmission oil			TKC5779L	1
14	Case-manual transmission		Suffix D	FRC8565	1
			Suffix E	STC471	1
			Also serviced as part of a kit, Suffix F	STC1036	1
			Also serviced as part of a kit, Suffix G	FTC918	1
			Suffix H	FTC2192	1
[900]	Dowel		Also serviced as part of a kit, Suffix F	UKC170L	2
[901]	Tube-breather transmission case			FRC9427	1
				FRC9430	1
[902]	Clip			219676	1



Gearbox
77mm-5 Speed-Manual
Gearchange & Lever 1/2

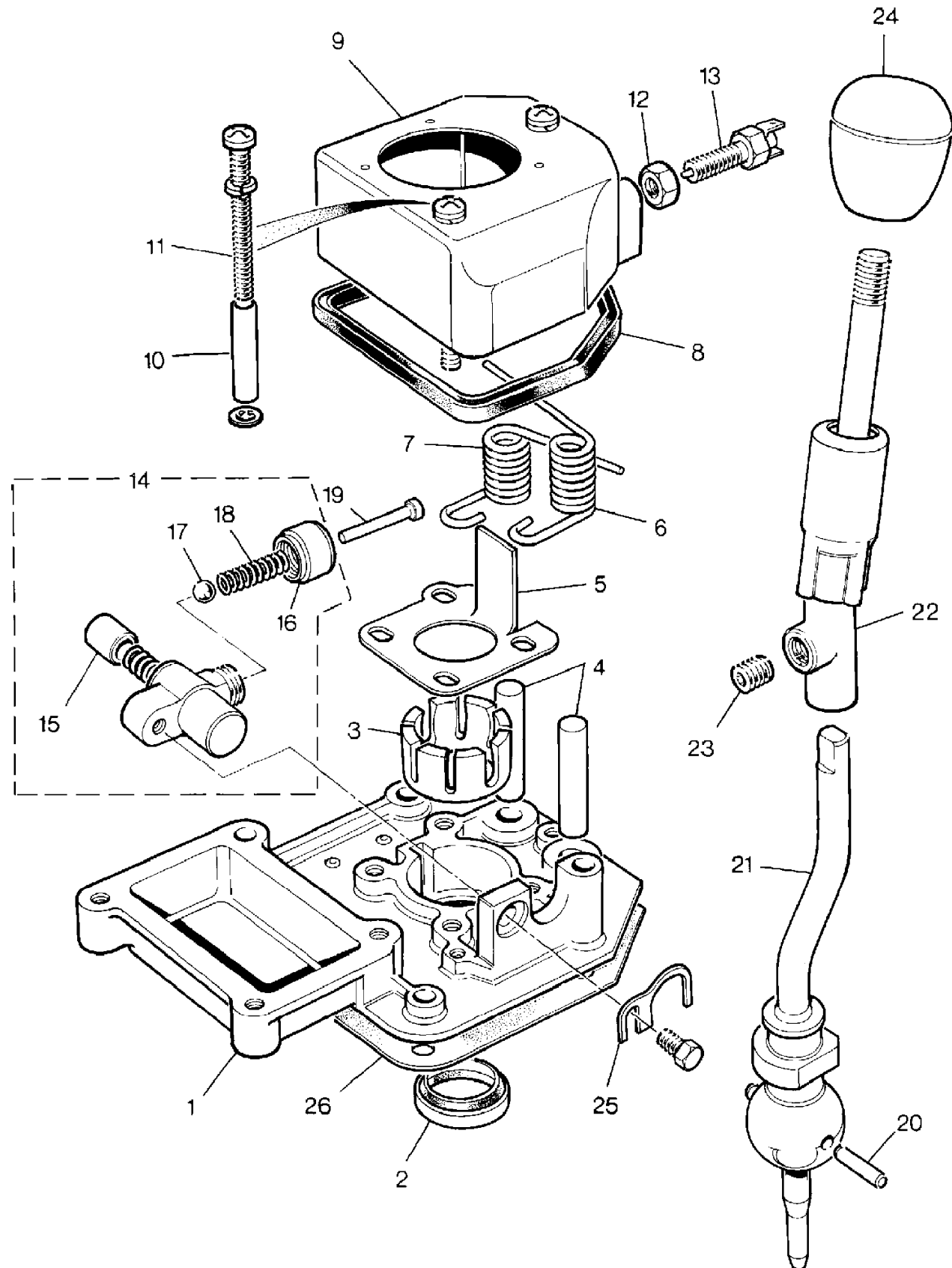
Range Rover (To HA610293)
(TS5962)

Gearbox
77mm-5 Speed-Manual
Gearchange & Lever

Range Rover (To HA610293)

Manual Transmission

Callout	Name	Application	Remarks & Restrictions	Service No.	Qty
1	Housing-ball pin gear change-manual transmission			FRC8827	1
2	Seal			FRC9987	1
3	Bush-change pivot manual transmission			FRC9985	1
4	Pin-roll-spring tension			FRC9028	2
5	Plate-gearchange bias spring adjuster			FRC9340	1
6	Spring-1st/2nd bias manual transmission			FRC9390	1
7	Spring-5th bias manual transmission			FRC8490	1
8	Seal-dust-gear change/plate manual transmission			FRC8507	1
9	Housing-change ball manual transmission		Also serviced as part of a kit	FRC8915	1
10	Spacer		Also serviced as part of a kit	FRC8520	2
11	Screw		Also serviced as part of a kit, M6 x 60	SE106601	2
12	Locknut			22A1613	1
14	Plunger-locking manual transmission		Also serviced as part of a kit	FTC1908	1
15	Spring-coil		Also serviced as part of a kit	FRC6318	1
16	Cover-spring assembly detent arm		Also serviced as part of a kit	FRC8793	1
17	Ball-detent manual transmission		Also serviced as part of a kit	571146	1
18	Spring-plunger manual transmission		Also serviced as part of a kit	FRC8776	1
19	Plunger-reverse switch			FRC8517	1
20	Pin			UKC3092	2
21	Lever-lower manual transmission			FRC9669	1



Gearbox
77mm-5 Speed-Manual
Gearchange & Lever 2/2

Range Rover (To HA610293)

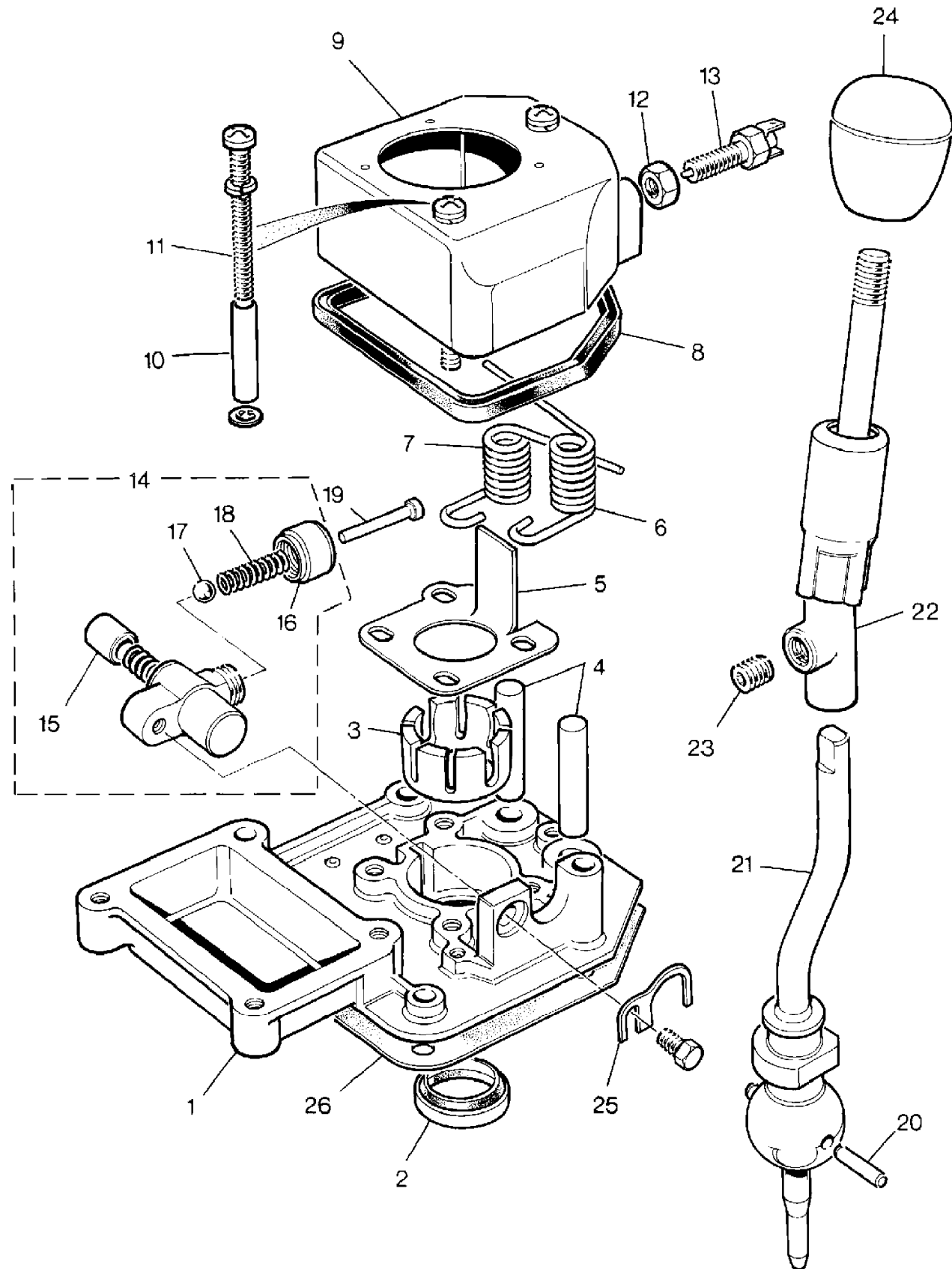
(TS5962)

Gearbox
77mm-5 Speed-Manual
Gearchange & Lever

Range Rover (To HA610293)

Manual Transmission

Callout	Name	Application	Remarks & Restrictions	Service No.	Qty
22	Lever assembly-gear selector manual transmission			FRC9670	1
23	Screw		M8 x 25, hexagonal head	SH108251L	1
24	Knob assembly-change manual transmission		Suffix D, Suffix E	FRC8722	1
			Suffix F, Suffix G, Suffix H	FTC1245RUN	1
25	Spacer-reverse gear plunger			FRC8496	1
				FRC8497	1
26	Gasket-gearchange ball pin housing			FRC8505	1
[900]	Screw		M6 X 20, hexagonal head M8 X 30, hexagonal head M6 X 16, hexagonal head	SH106201L SH108301L SH106161L	2 1 1
[901]	Washer		8MM 6MM M8, sprung	WA108051L WA106041L WL108001L	1 2 8
[902]	Pin-Spring			FRC2626	2
[903]	Bolt		M8 X 35 M8 x 50 hexagonal head, M8 x 55 M8 x 60	BH108071L BH108101L BH108111L BH108121L	2 2 1 1



Gearbox
77mm-5 Speed-Manual
Layshaft & Reverse Idler 1/3

Range Rover (To HA610293)

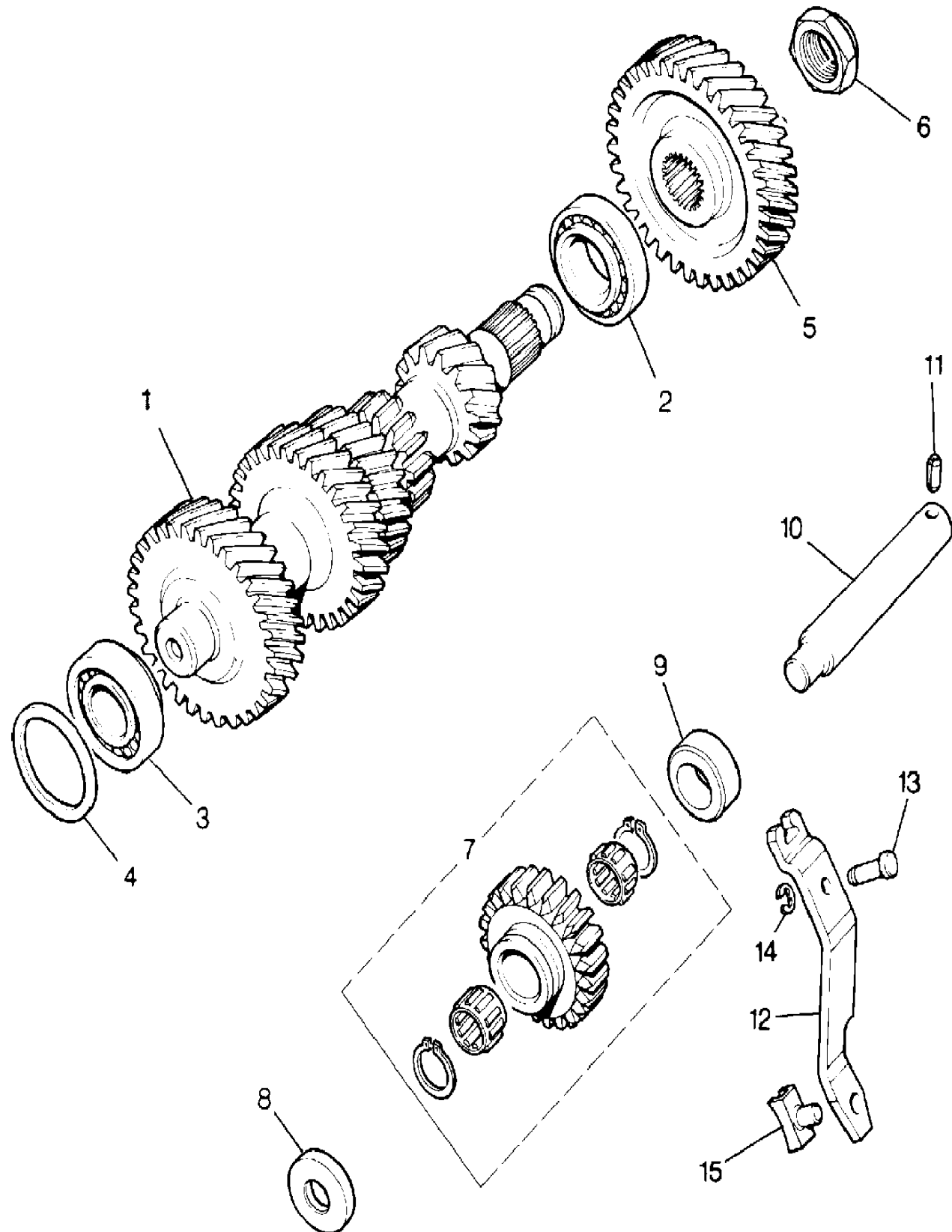
(VS3878A)

Range Rover (To HA610293)

Gearbox
77mm-5 Speed-Manual
Layshaft & Reverse Idler

Manual Transmission

Callout	Name	Application	Remarks & Restrictions	Service No.	Qty
1	Shaft-counter manual transmission	Change point - Gearbox end 54A222160E, With Diesel Engines	Suffix D, Suffix E	FRC9319	1
		Change point - Gearbox begin 54A222161E, With Diesel Engines	Suffix E	FRC9971	1
		With Diesel Engines	Suffix F	FTC250	1
		With Diesel Engines	Suffix G, Suffix H	FTC1074	1
		With Petrol Engines	Suffix D, Suffix E	FRC8140	1
		With Petrol Engines	Suffix F	FRC9706	1
		With Petrol Engines	Suffix G, Suffix H	FTC1073	1
2	Bearing-taper roller		Suffix D, Suffix E	ULC1796L	2
			Suffix F, Suffix G, Suffix H, 31.75 x 59.0	FTC317	1
3	Bearing-taper roller		31.75 x 62.0	FTC248	1
4	Shim	Change point - VIN end HA610293	man trans countershaft bearing/front cover, 1.69MM, Suffix D, Suffix E	TKC4633	X
		Change point - VIN end HA610293	man trans countershaft bearing/front cover, 1.75MM, Suffix D, Suffix E	TKC4635	X
		Change point - VIN end HA610293	man trans countershaft bearing/front cover, 1.81MM, Suffix D, Suffix E	TKC4637	X
		Change point - VIN end HA610293	man trans countershaft bearing/front cover, 1.87MM, Suffix D, Suffix E	TKC4639	X
		Change point - VIN end HA610293	man trans countershaft bearing/front cover, 1.93MM, Suffix D, Suffix E	TKC4641	X
		Change point - VIN end HA610293	man trans countershaft bearing/front cover, 1.99MM, Suffix D, Suffix E	TKC4643	X
		Change point - VIN end HA610293	man trans countershaft bearing/front cover, 2.05MM, Suffix D, Suffix E	TKC4645	X
		Change point - VIN end HA610293	man trans countershaft bearing/front cover, 2.11MM, Suffix D, Suffix E	TKC4647	X
		Change point - VIN end HA610293	man trans countershaft bearing/front cover, 2.17MM, Suffix D, Suffix E	TKC4649	X
		Change point - VIN end HA610293	man trans countershaft bearing/front cover, Suffix D, Suffix E, 2.29MM	TKC4653	X
		Change point - VIN end HA610293	man trans countershaft bearing/front cover, Suffix D, Suffix E, 2.35MM	TKC4655	X
		Change point - VIN end HA610293	man trans countershaft bearing/front cover, Suffix D, Suffix E, 2.41MM	TKC4657	X
		Change point - VIN end HA610293	man trans countershaft bearing/front cover, Suffix D, Suffix E, 2.47MM	TKC4659	X
Change point - VIN end HA610293	man trans countershaft bearing/front cover, Suffix D, Suffix E, 2.53MM	TKC4661	X		



Gearbox
77mm-5 Speed-Manual
Layshaft & Reverse Idler 2/3

Range Rover (To HA610293)

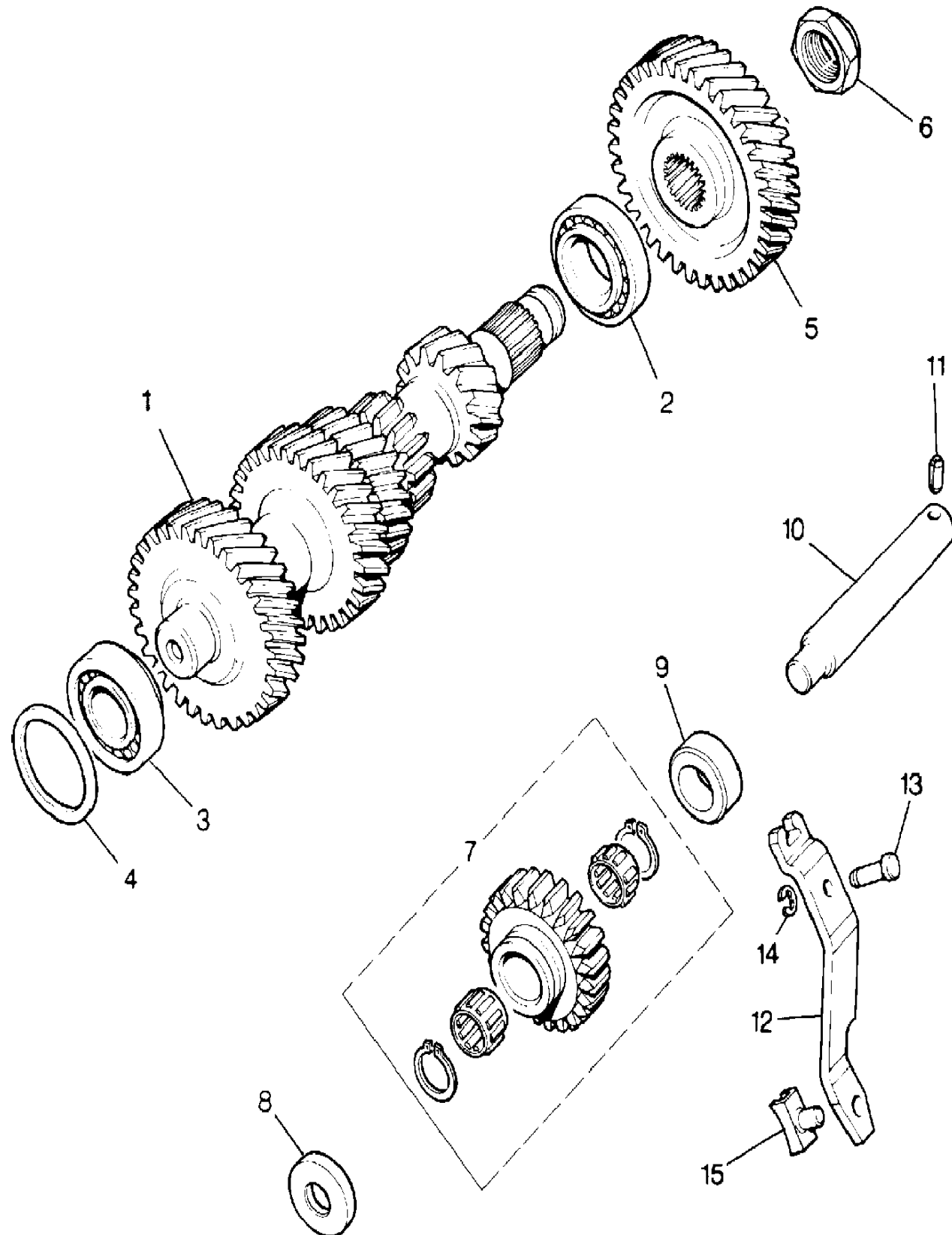
(VS3878A)

Range Rover (To HA610293)

Gearbox
77mm-5 Speed-Manual
Layshaft & Reverse Idler

Manual Transmission

Callout	Name	Application	Remarks & Restrictions	Service No.	Qty
4	Shim	Change point - VIN end HA610293	man trans countershaft bearing/front cover, Suffix D, Suffix E, 2.59MM	TKC4663	X
		Change point - VIN end HA610293	man trans countershaft bearing/front cover, Suffix F, Suffix G, Suffix H, 1.39MM	FTC263	1
		Change point - VIN end HA610293	man trans countershaft bearing/front cover, 1.45MM, Suffix F, Suffix G, Suffix H	FTC265	1
		Change point - VIN end HA610293	man trans countershaft bearing/front cover, Suffix F, Suffix G, Suffix H, 1.51MM	FTC267	1
		Change point - VIN end HA610293	man trans countershaft bearing/front cover, 1.57MM, Suffix F, Suffix G, Suffix H	FTC269	1
		Change point - VIN end HA610293	man trans countershaft bearing/front cover, 1.63MM, Suffix F, Suffix G, Suffix H	FTC271	1
		Change point - VIN end HA610293	man trans countershaft bearing/front cover, 1.69MM, Suffix F, Suffix G, Suffix H	FTC273	1
		Change point - VIN end HA610293	man trans countershaft bearing/front cover, 1.75MM, Suffix F, Suffix G, Suffix H	FTC275	1
		Change point - VIN end HA610293	man trans countershaft bearing/front cover, 1.81MM, Suffix F, Suffix G, Suffix H	FTC277	1
		Change point - VIN end HA610293	man trans countershaft bearing/front cover, 1.87MM, Suffix F, Suffix G, Suffix H	FTC279	1
		Change point - VIN end HA610293	man trans countershaft bearing/front cover, 1.93MM, Suffix F, Suffix G, Suffix H	FTC281	1
		Change point - VIN end HA610293	man trans countershaft bearing/front cover, 1.99MM, Suffix F, Suffix G, Suffix H	FTC283	1
		Change point - VIN end HA610293	man trans countershaft bearing/front cover, 2.05MM, Suffix F, Suffix G, Suffix H	FTC285	1
		Change point - VIN end HA610293	man trans countershaft bearing/front cover, 2.11MM, Suffix F, Suffix G, Suffix H	FTC287	1
		Change point - VIN end HA610293	man trans countershaft bearing/front cover, 2.17MM, Suffix F, Suffix G, Suffix H	FTC289	1
		Change point - VIN end HA610293	man trans countershaft bearing/front cover, Suffix F, Suffix G, Suffix H, 2.23MM	FTC291	1
		Change point - VIN end HA610293	man trans countershaft bearing/front cover, Suffix F, Suffix G, Suffix H, 2.29MM	FTC293	1
Change point - VIN end HA610293	man trans countershaft bearing/front cover, Suffix F, Suffix G, Suffix H, 2.35MM	FTC295	1		
5	Gear-5th speed	With Diesel Engines	Suffix D, Suffix E	FRC5162	1
		With Petrol Engines	Suffix D, Suffix E	FRC6237	1
		With Diesel Engines	Suffix F	FRC9758	1
		With Petrol Engines	Suffix F	FRC9755	1
		With Diesel Engines	Suffix G, Suffix H	FTC419	1



Gearbox
77mm-5 Speed-Manual
Layshaft & Reverse Idler 3/3

Range Rover (To HA610293)

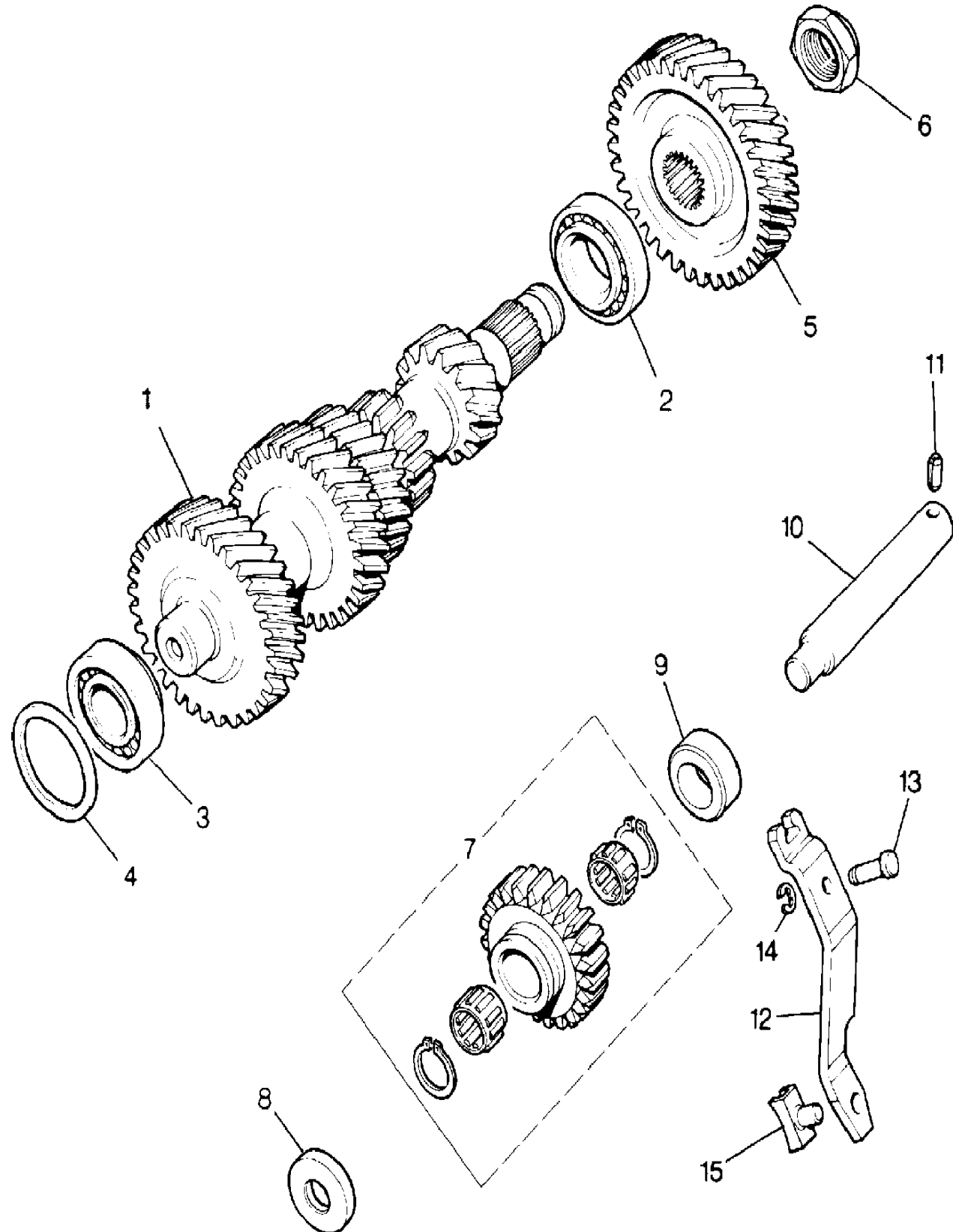
(VS3878A)

Range Rover (To HA610293)

Gearbox
77mm-5 Speed-Manual
Layshaft & Reverse Idler

Manual Transmission

Callout	Name	Application	Remarks & Restrictions	Service No.	Qty
5	Gear-5th speed	With Petrol Engines	Suffix G, Suffix H	FTC1359	1
6	Nut-stake			FRC7214	1
7	Gear-reverse manual transmission	Change point - Gearbox end 53A0132346D Change point - Gearbox begin 53A0132347D		FRC7602 FRC8285	1 1
8	Spacer			FRC4947	1
9	Spacer		Rear	FRC5186	1
10	Shaft-reverse idler assembly-manual transmission			FRC5095	1
11	Pin			UKC18L	1
12	Lever-selector selector mechanism	Change point - Gearbox end 53A0132346D Change point - Gearbox begin 53A0132347D		TKC1428L FRC8246	1 1
13	Pin-reverse gear selector lever pivot	Change point - Gearbox end 53A0132346D Change point - Gearbox begin 53A0132347D		UKC2662L FRC8382	1 1
14	Circlip			13H2023L	1
15	Pad-reverse gear selector lever			FTC1435	1



Gearbox
77mm-5 Speed-Manual
Mainshaft 1/2

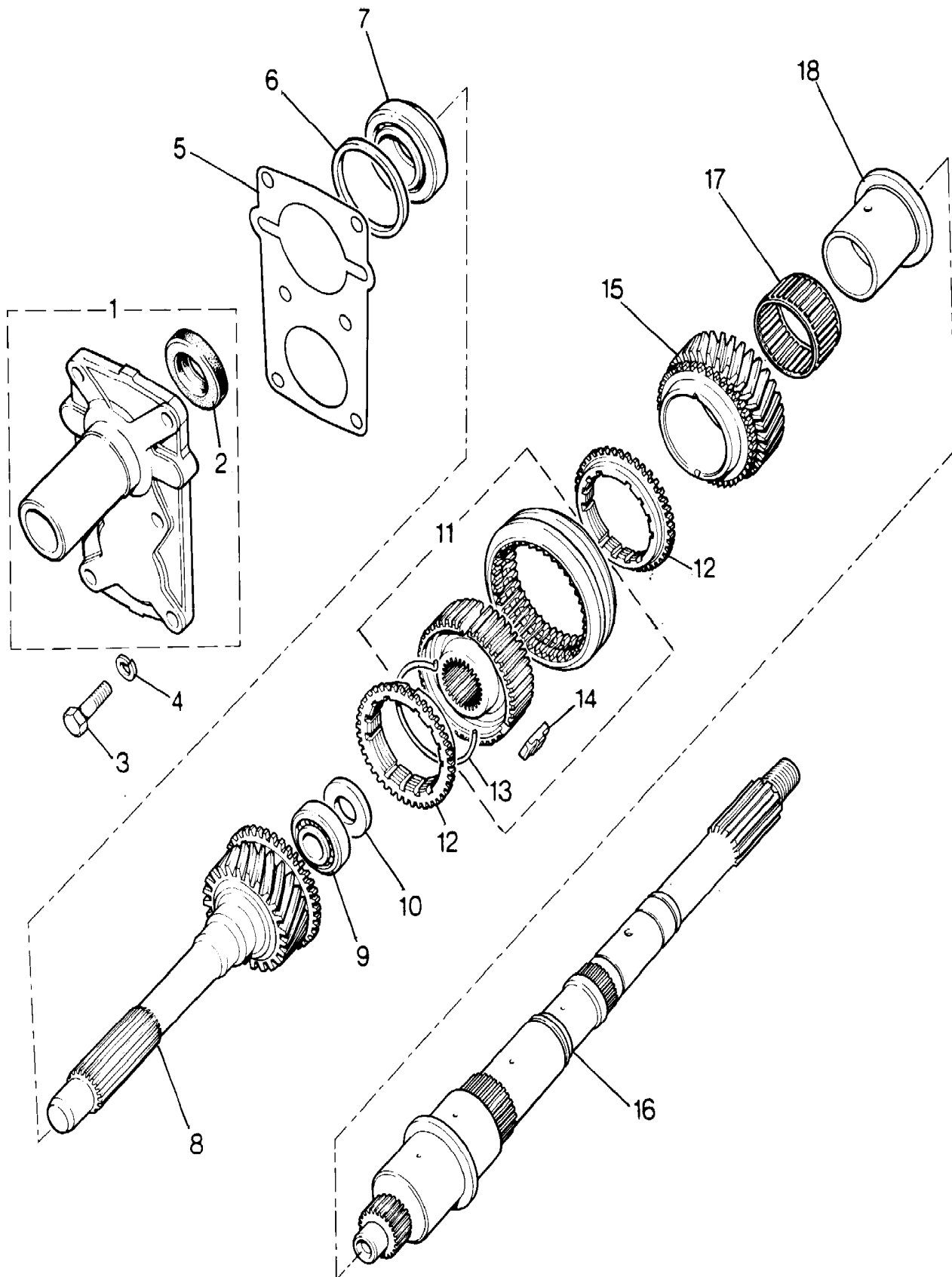
Range Rover (To HA610293)

(VS3877A)

Gearbox
77mm-5 Speed-Manual
Mainshaft

Range Rover (To HA610293)

Callout	Name	Application	Remarks & Restrictions	Service No.	Qty
1	Cover-end manual transmission	Manual Transmission	Also serviced as part of a kit, Suffix D, Suffix E	FRC4856	1
		Manual Transmission	Also serviced as part of a kit, Long, Front, Suffix F	FTC311	1
		Manual Transmission	Also serviced as part of a kit, Suffix G, Suffix H	FTC1438	1
2	Seal	Manual Transmission	man trans primary shaft, Also serviced as part of a kit, Suffix D, Suffix E	UKC1060L	1
3	Screw	Manual Transmission	M8 x 25, hexagonal head	SH108251L	6
4	Washer	Manual Transmission	8MM	WA108051L	6
5	Gasket-front cover manual transmission	Change point - VIN end HA610293, Manual Transmission	Suffix D, Suffix E	FRC4873	1
		Manual Transmission	Suffix F, Suffix G, Suffix H	FTC316	1
6	Shim	Manual Transmission	man trans primary shaft bearing/front cover, 1.51MM	FRC4327	X
		Manual Transmission	man trans primary shaft bearing/front cover, 1.57MM	FRC4329	X
		Manual Transmission	man trans primary shaft bearing/front cover, 1.63MM	FRC4331	X
		Manual Transmission	man trans primary shaft bearing/front cover, 1.69MM	FRC4333	X
		Manual Transmission	man trans primary shaft bearing/front cover, 1.75MM	FRC4335	X
		Manual Transmission	man trans primary shaft bearing/front cover, 1.75MM	FRC4337	X
		Manual Transmission	man trans primary shaft bearing/front cover, 1.81MM	FRC4339	X
		Manual Transmission	man trans primary shaft bearing/front cover, 1.87MM	FRC4341	X
		Manual Transmission	man trans primary shaft bearing/front cover, 1.93MM	FRC4343	X
		Manual Transmission	man trans primary shaft bearing/front cover, 1.99MM	FRC4345	X
		Manual Transmission	man trans primary shaft bearing/front cover, 2.05MM	FRC4347	X
		Manual Transmission	man trans primary shaft bearing/front cover, 2.11MM	FRC4349	X
		Manual Transmission	man trans primary shaft bearing/front cover, 2.17MM	FRC4351	X
		Manual Transmission	man trans primary shaft bearing/front cover, 2.23MM	FRC4353	X
		Manual Transmission	man trans primary shaft bearing/front cover, 2.29MM	FRC4355	X
		Manual Transmission	man trans primary shaft bearing/front cover, 2.35MM	FRC4357	X
		Manual Transmission	man trans primary shaft bearing/front cover, 2.41MM	FRC4359	X
		Manual Transmission	man trans primary shaft bearing/front cover, 2.47MM	FRC4361	X
Manual Transmission	man trans primary shaft bearing/front cover, 2.53MM	FRC4363	X		
Manual Transmission	man trans primary shaft bearing/front cover, 2.59MM	FRC4365	X		
Manual Transmission	man trans primary shaft bearing/front cover, 2.65MM	FRC4365	X		



Gearbox
77mm-5 Speed-Manual
Mainshaft 2/2

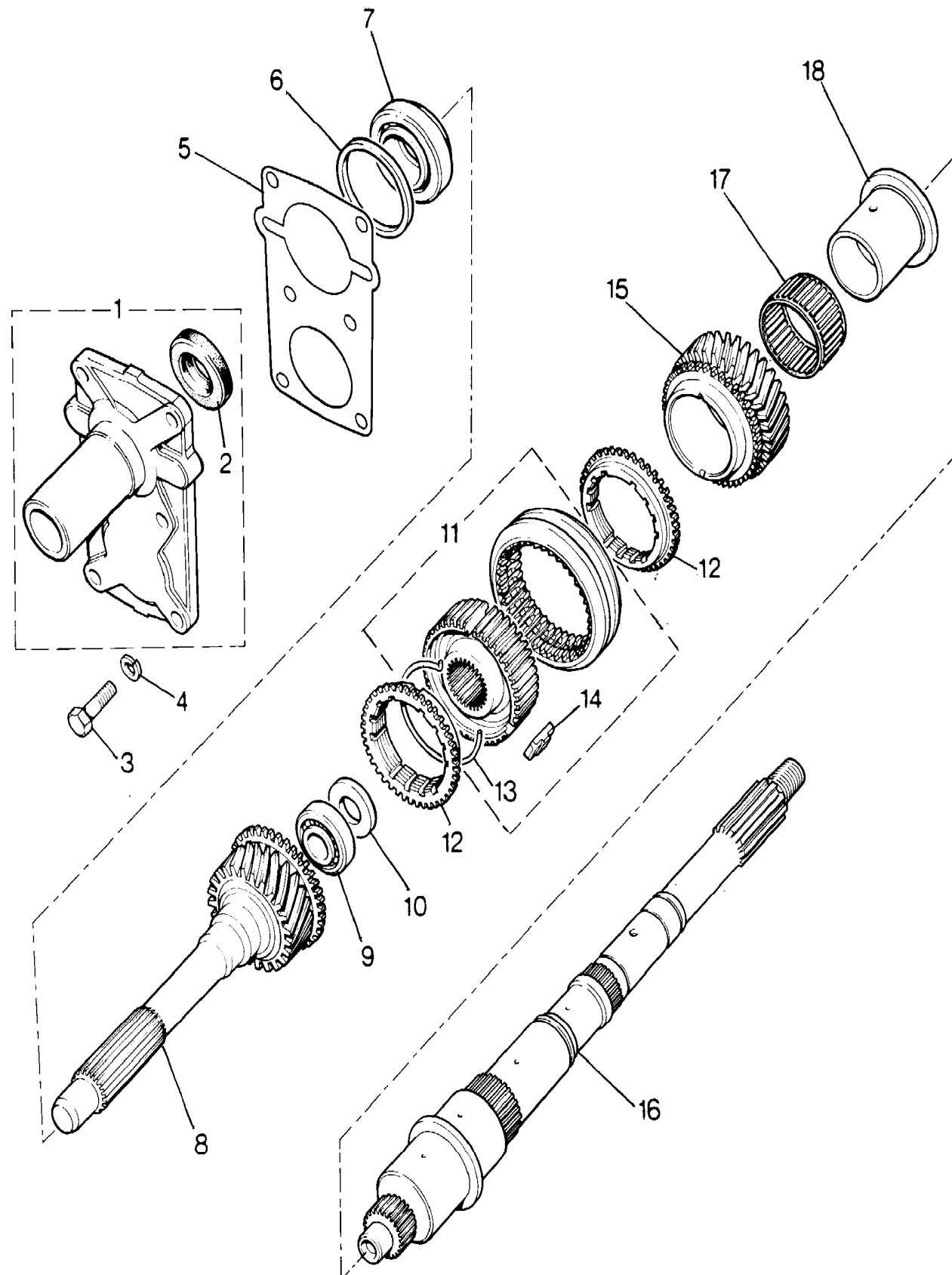
Range Rover (To HA610293)

(VS3877A)

Gearbox
77mm-5 Speed-Manual
Mainshaft

Range Rover (To HA610293)

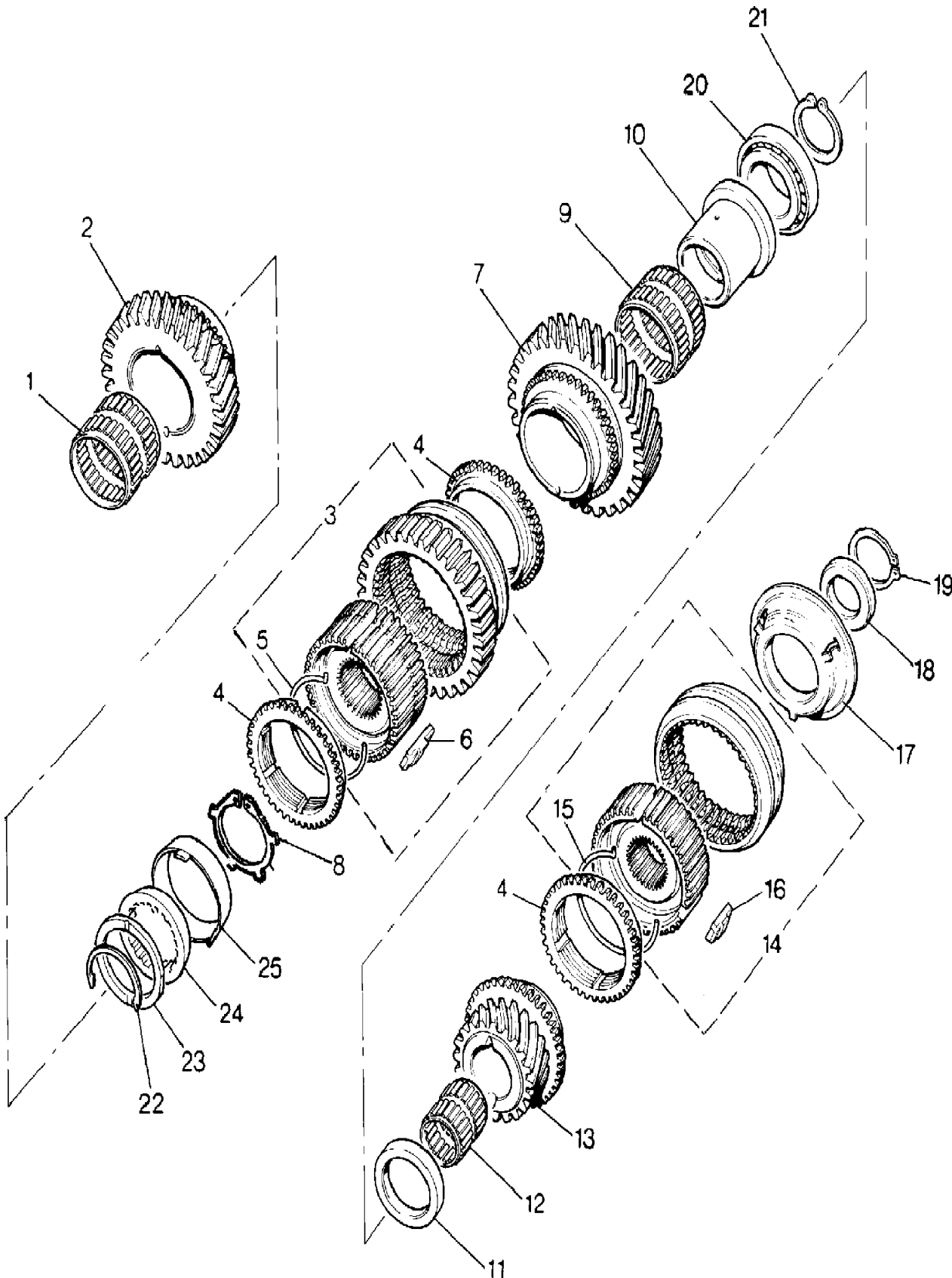
Callout	Name	Application	Remarks & Restrictions	Service No.	Qty
6	Shim	Manual Transmission	man trans primary shaft bearing/front cover, 2.71mm	FRC4367	X
		Manual Transmission	man trans primary shaft bearing/front cover, 2.77MM	FRC4369	X
7	Bearing-ball	Manual Transmission		FRC7145	1
8	Shaft primary manual transmission	With Diesel Engines, Manual Transmission	Suffix D, Suffix E, Suffix F	FRC9307	1
		With Petrol Engines, Manual Transmission	Suffix D, Suffix E, Suffix F	FRC5834	1
		With Petrol Engines, Manual Transmission	Also serviced as part of a kit, Suffix G, Suffix H	FTC347	1
		With Diesel Engines, Manual Transmission	Suffix G, Suffix H	FTC921	1
9	Bearing-taper roller	Manual Transmission	17.5 x 40.0	UKC8L	1
10	Spacer	Manual Transmission		UKC37L	1
11	Synchroniser assembly-3rd & 4th mainshaft assembly	Change point - VIN end HA610293, Manual Transmission		FRC9792	1
12	Ring-baulk	Change point - VIN end HA610293, Manual Transmission	3rd/4th gear, Also serviced as part of a kit	FRC8232	2
13	Spring 1st & 2nd synchroniser			UKC31L	1
14	Plate	Manual Transmission	3rd/4th/5th Gear	UKC3530L	3
15	Gear-3rd driven manual transmission	Manual Transmission	Suffix D, Suffix E, Suffix F	FRC5885	1
		Manual Transmission	Suffix G, Suffix H	FTC358	1
16	Shaft-main manual transmission	Manual Transmission	Suffix D, Suffix E, Suffix F	FRC5305	1
		Manual Transmission	Suffix G	FTC1446	1
		Manual Transmission	Suffix H	FTC1282	1
18	Bush-3rd gear	Manual Transmission		FTC1310	1
[901]	Seal	Manual Transmission	man trans primary shaft, Also serviced as part of a kit, Suffix D, Suffix E	FTC5303	1



Gearbox
77mm-5 Speed-Manual
Mainshaft Gears 1st/2nd/5th 1/3

Range Rover (To HA610293)

(VS3881A)



Range Rover (To HA610293)

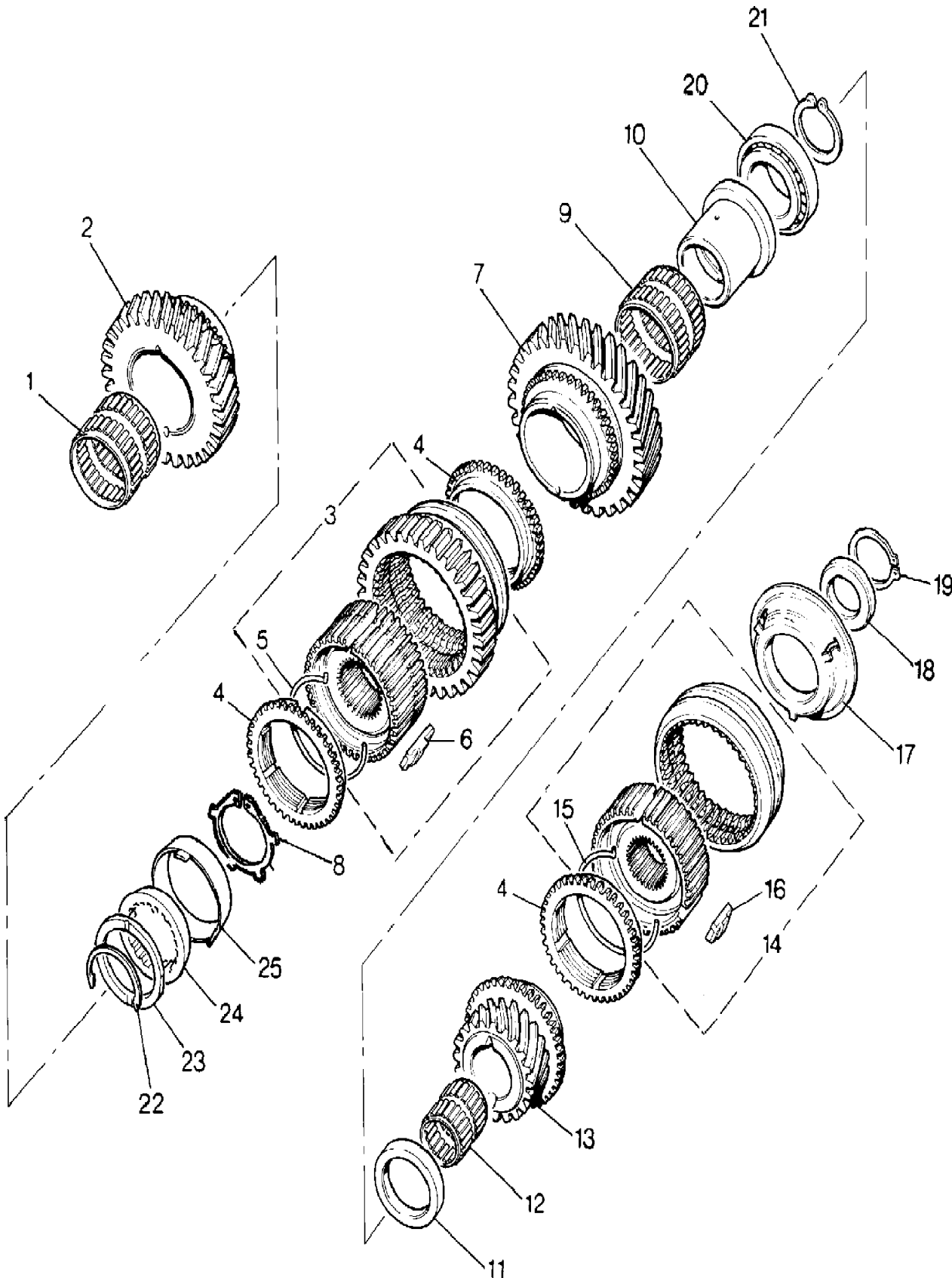
Gearbox
77mm-5 Speed-Manual
Mainshaft Gears 1st/2nd/5th

Callout	Name	Application	Remarks & Restrictions	Service No.	Qty
1	Bearing-needle roller	Manual Transmission	Suffix D, Suffix E, Suffix F, Suffix G	FRC5678	2
		Manual Transmission	Suffix H	FTC1312	2
2	Gear-2nd driven manual transmission	With Diesel Engines, Manual Transmission	Suffix D, Suffix E, Suffix F	FRC5279	1
		With Petrol Engines, Manual Transmission	Suffix D, Suffix E, Suffix F	FRC5884	1
		Manual Transmission	Suffix G	FTC357	1
		With Diesel Engines, Manual Transmission	Suffix H	FTC2462	1
		With Petrol Engines, Manual Transmission	Suffix H	FTC2461	1
3	Synchroniser assembly-1st & 2nd mainshaft assembly	Change point - VIN end HA610293, Manual Transmission	Suffix D, Suffix E, Suffix F	FRC9386	1
		Change point - VIN end HA610293, Manual Transmission	Also serviced as part of a kit, Transmission LT 77, Suffix G	FTC1327	1
		Change point - VIN end HA610293, With Diesel Engines, Manual Transmission	Suffix H	FTC1394	1
		Change point - VIN end HA610293, With Petrol Engines, Manual Transmission	Suffix H	FTC1296	1
		Change point - Gearbox end 0242819H, Manual Transmission	1st/2nd gear, Also serviced as part of a kit, Transmission LT 77, Suffix D, Suffix E, Suffix F, Suffix G	FRC8232	2
4	Ring-baulk	Manual Transmission	1st/2nd gear, Also serviced as part of a kit, Suffix H	FTC2282	2
		Change point - VIN end HA610293, Manual Transmission	Also serviced as part of a kit, Transmission LT 77, Suffix G	UKC31L	1
5	Spring 1st & 2nd synchroniser	Change point - VIN end HA610293, Manual Transmission	Also serviced as part of a kit, Transmission LT 77, Suffix G	UKC3531L	3
6	Plate-synchroniser	Change point - VIN end HA610293, Manual Transmission	Also serviced as part of a kit, Transmission LT 77, Suffix G	UKC3531L	3
7	Gear-1st driven manual transmission	Change point - Gearbox end 54A222160, With Diesel Engines, Manual Transmission	Suffix D, Suffix E, Suffix F	FRC5253	1
		Change point - Gearbox begin 54A222161, With Diesel Engines, Manual Transmission	Suffix D, Suffix E, Suffix F	FRC6690	1
		With Diesel Engines, Manual Transmission	Suffix G	FTC2090	1
		With Diesel Engines, Manual Transmission	Suffix H	FTC1989	1
		With Petrol Engines, Manual Transmission	Suffix D, Suffix E, Suffix F	FRC5883	1
		With Petrol Engines, Manual Transmission	Suffix G	FTC2089	1
		With Petrol Engines, Manual Transmission	Suffix H	FTC1982	1

Gearbox
77mm-5 Speed-Manual
Mainshaft Gears 1st/2nd/5th 2/3

Range Rover (To HA610293)

(VS3881A)



Range Rover (To HA610293)

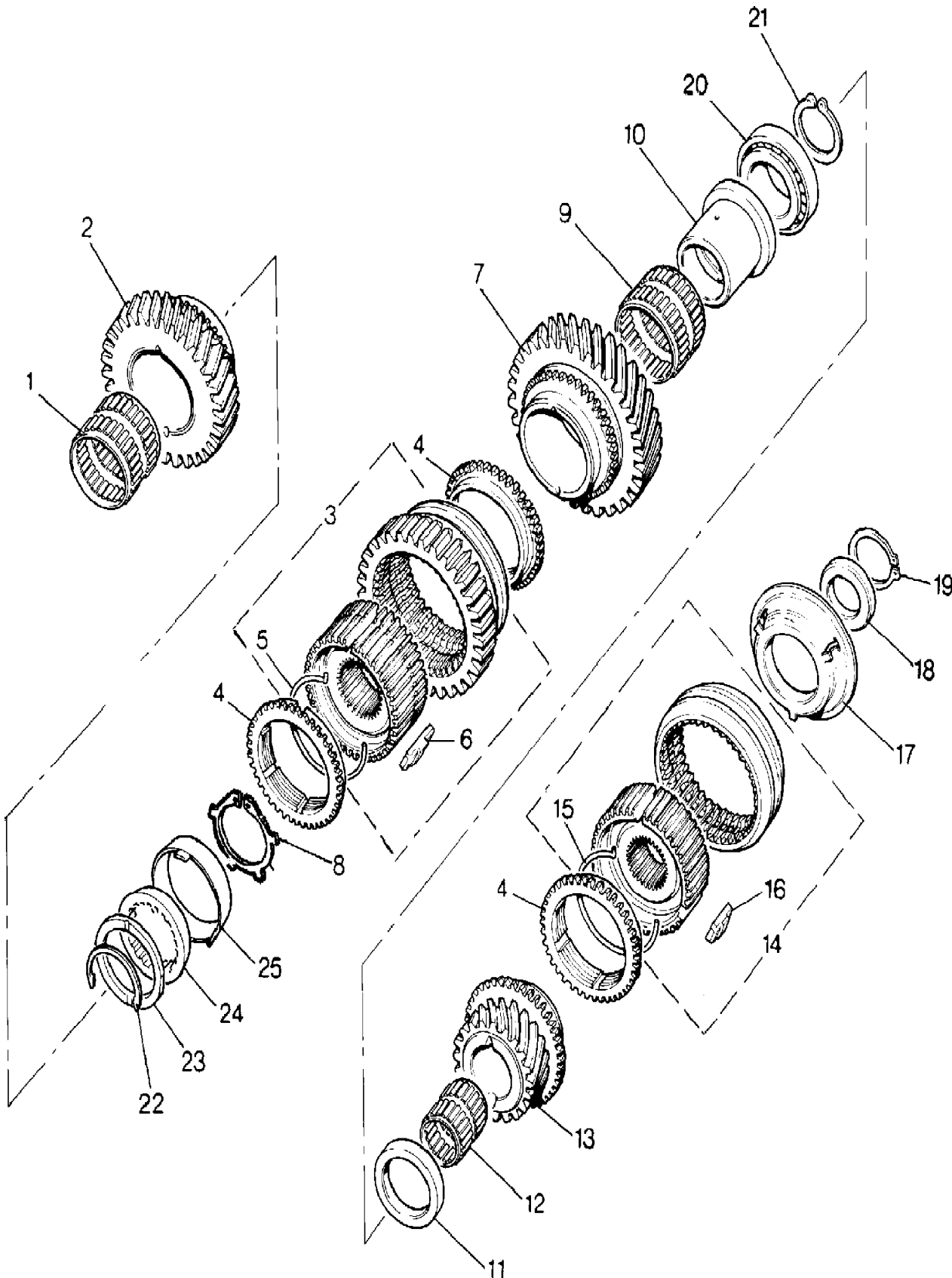
Gearbox
77mm-5 Speed-Manual
Mainshaft Gears 1st/2nd/5th

Callout	Name	Application	Remarks & Restrictions	Service No.	Qty		
8	Circlip	Change point - VIN end HA610293, Manual Transmission	man trans 1st & 2nd synchroniser hub	FTC2084	2		
9	Bearing-needle roller manual transmission	Manual Transmission	Suffix D, Suffix E, Suffix F, Suffix G	FRC5679	1		
		Manual Transmission	Suffix H	FTC1311	1		
10	Bush-1st gear selective	Manual Transmission	Suffix D, Suffix E, Suffix F, Suffix G, 40.16 to 40.21mm	FRC5243	1		
		Manual Transmission	Suffix D, Suffix E, Suffix F, Suffix G, 40.21 to 40.26mm	FRC5244	1		
		Manual Transmission	Suffix D, Suffix E, Suffix F, Suffix G, 40.26 to 40.31mm	FRC5245	1		
		Manual Transmission	Suffix D, Suffix E, Suffix F, Suffix G, 40.31 to 40.36mm	FRC5246	1		
		Manual Transmission	Suffix D, Suffix E, Suffix F, Suffix G, 40.36 to 40.41mm	FRC5247	1		
		Manual Transmission	Suffix H, 30.905 to 30.955mm	FTC2005	1		
		Manual Transmission	Suffix H, 30.955 to 31.005mm	FTC2006	1		
		Manual Transmission	Suffix H, 31.005 to 31.055mm	FTC2007	1		
		Manual Transmission	Suffix H, 31.055 to 31.105mm	FTC2008	1		
		Manual Transmission	Suffix H, 31.105 to 31.155mm	FTC2009	1		
		11	Collar-distance manual transmission			FRC4321	1
		12	Bearing-needle roller manual transmission	Manual Transmission		FRC5280	1
13	Gear-5th speed main shaft manual transmission	With Diesel Engines, Manual Transmission	Suffix D, Suffix E, Suffix F	RKC5098	1		
		With Petrol Engines, Manual Transmission	Suffix D, Suffix E, Suffix F	RKC5159	1		
		With Diesel Engines, Manual Transmission	Suffix G, Suffix H	FTC1791	1		
		With Petrol Engines, Manual Transmission	Suffix G, Suffix H	FTC1360	1		
14	Synchroniser assembly-5th gear mainshaft assembly	Change point - VIN end HA610293, Manual Transmission	Also serviced as part of a kit, Suffix D, Suffix E, Suffix F	FRC9388	1		
		Change point - VIN end HA610293, Manual Transmission	Also serviced as part of a kit, Suffix G, Suffix H	FTC1329	1		
15	Spring 1st & 2nd synchroniser	Change point - VIN end HA610293, Manual Transmission	Also serviced as part of a kit, Suffix D, Suffix E, Suffix F	UKC31L	2		
		Change point - VIN end HA610293, Manual Transmission	Also serviced as part of a kit, Suffix G, Suffix H	UKC31L	1		

Gearbox
77mm-5 Speed-Manual
Mainshaft Gears 1st/2nd/5th 3/3

Range Rover (To HA610293)

(VS3881A)



Range Rover (To HA610293)

Gearbox
77mm-5 Speed-Manual
Mainshaft Gears 1st/2nd/5th

Callout	Name	Application	Remarks & Restrictions	Service No.	Qty
16	Plate-synchroniser	Change point - VIN end HA610293, Manual Transmission	Also serviced as part of a kit, Suffix D, Suffix E, Suffix F	UKC3530L	3
		Change point - VIN end HA610293, Manual Transmission	Also serviced as part of a kit, Suffix G, Suffix H	UKC3530L	3
17	Plate-5th gear synchroniser support	Manual Transmission		FRC5235	1
18	Shim	Manual Transmission	man trans 5th gear synchroniser hub, 5.10mm	FRC5284	X
		Manual Transmission	man trans 5th gear synchroniser hub, 5.16mm	FRC5286	X
		Manual Transmission	man trans 5th gear synchroniser hub, 5.22mm	FRC5288	X
		Manual Transmission	man trans 5th gear synchroniser hub, 5.28mm	FRC5290	X
		Manual Transmission	man trans 5th gear synchroniser hub, 5.28mm	FRC5292	X
		Manual Transmission	man trans 5th gear synchroniser hub, 5.34mm	FRC5294	X
		Manual Transmission	man trans 5th gear synchroniser hub, 5.40mm	FRC5296	X
		Manual Transmission	man trans 5th gear synchroniser hub, 5.46mm	FRC5298	X
		Manual Transmission	man trans 5th gear synchroniser hub, 5.52mm	FRC5300	X
		Manual Transmission	man trans 5th gear synchroniser hub, 5.58mm	FRC5302	X
		Manual Transmission	man trans 5th gear synchroniser hub, 5.64mm		
		19	Circlip	Manual Transmission	man trans 5th gear synchroniser hub
20	Bearing-taper roller	Manual Transmission		RTC2914	1
21	Circlip	Manual Transmission		FRC9812	1
22	Circlip	Manual Transmission	man trans 2nd gear thrust washer	FTC1752	1
23	Washer-thrust manual transmission	Manual Transmission	1st/2nd gear	FTC1301	2
24	Cone-synchronizer inner	Manual Transmission		FTC2283	2
25	Ring-synchroniser friction	Change point - VIN end HA610293, Manual Transmission		FTC2284	2
[900]	Spacer	Manual Transmission		UKC37L	1
[901]	Collar-distance manual transmission	Manual Transmission		FTC916	1

Gearbox
77mm-5 Speed-Manual
Oil Cooler 1/2

Range Rover (To HA610293)

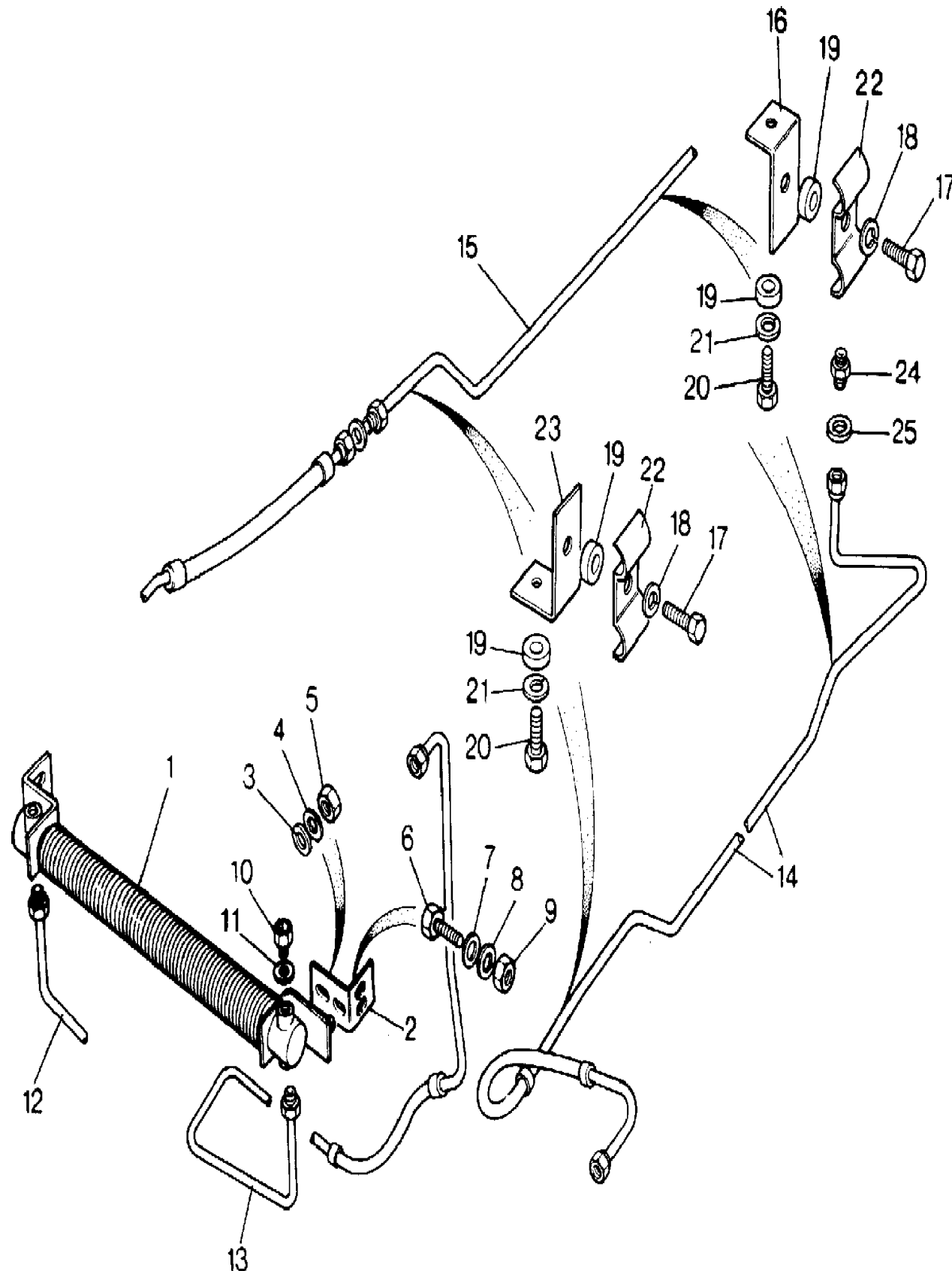
(TS6553A)

Gearbox
77mm-5 Speed-Manual
Oil Cooler

Range Rover (To HA610293)

3.9L, Manual Transmission

Callout	Name	Application	Remarks & Restrictions	Service No.	Qty
1	Oil cooler transmission			NTC6166	1
2	Bracket-mounting oil cooler			NTC1868	1
3	Washer		6MM	WA106041L	2
4	Washer		M6, sprung	WL106001L	2
5	Nut - Hex.		M6, nyloc, Hexagonal	NH106041L	2
6	Screw		M6 X 16, hexagonal head	SH106161L	4
7	Washer		6MM	WA106041L	4
8	Washer		M6, sprung	WL106001L	4
9	Nut - Hex.		M6, nyloc, Hexagonal	NH106041L	4
10	Switch-transmission oil cooler temperature	Change point - VIN end GA439207		PRC3139	1
				PRC8473	1
11	Washer-sealing			232039	1
12	Pipe-oil cooler/transmission		Front	NTC5799	1
13	Pipe-oil cooler/transmission			NTC7275	1
14	Pipe-oil cooler/transmission	Change point - VIN end GA439207 Change point - VIN begin GA439208		NTC5974	1
				ESR269	1
15	Pipe-transmission/oil cooler	Change point - VIN end GA439207 Change point - VIN begin GA439208		NTC5975	1
				ESR270	1
16	Bracket-mounting oil pipe			NTC5794	1
17	Screw		M6 X 20, hexagonal head	SH106201L	2
18	Washer		M6, sprung	WL106001L	2
19	Washer-Plain			4266L	4
20	Screw		hexagonal head, 5/8UNC x 1	SH505081L	2
21	Washer		M8, sprung	WL108001L	2
22	Clamp			594637	2



Gearbox
77mm-5 Speed-Manual
Oil Cooler 2/2

Range Rover (To HA610293)

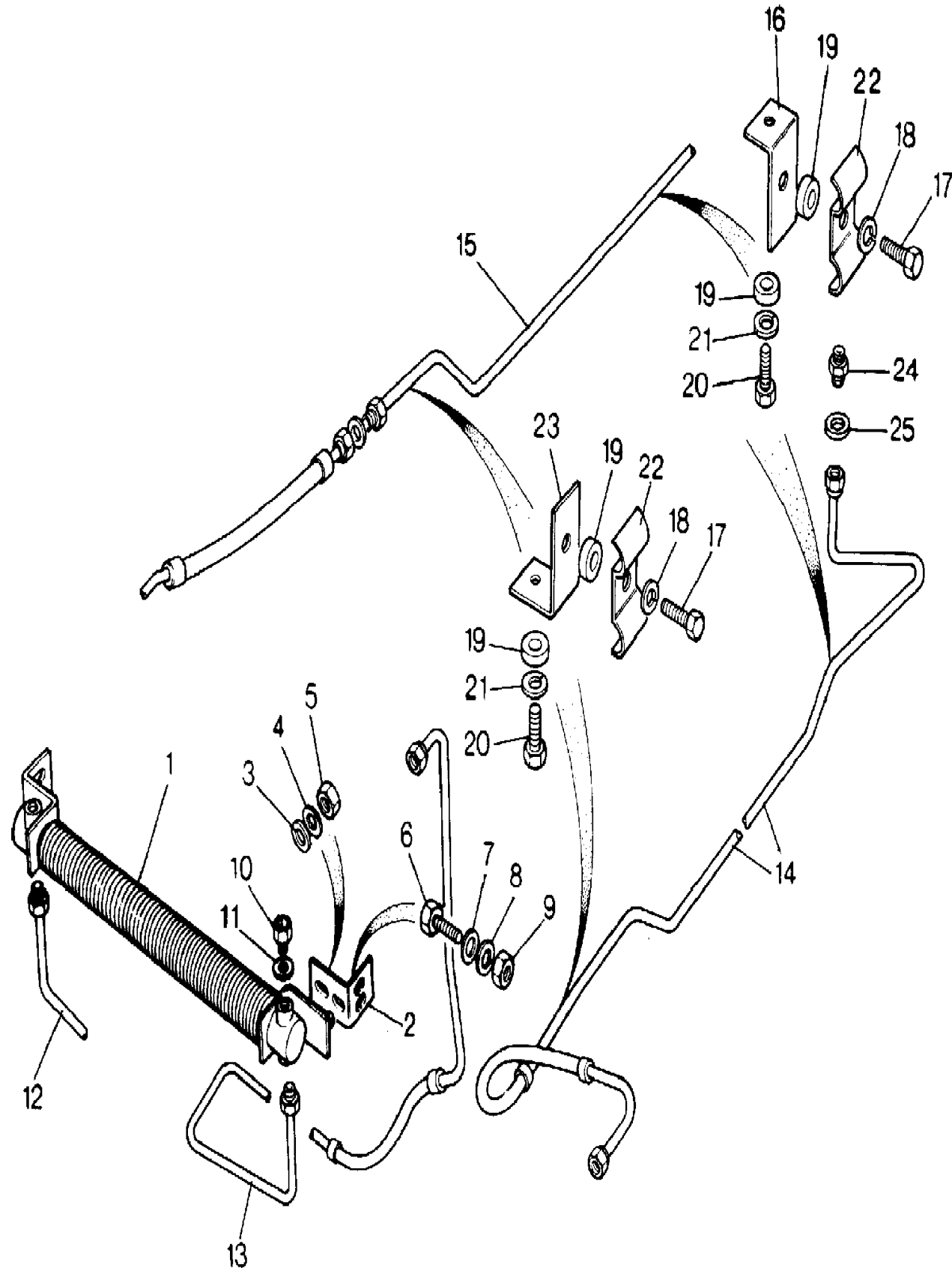
(TS6553A)

Gearbox
77mm-5 Speed-Manual
Oil Cooler

Range Rover (To HA610293)

3.9L, Manual Transmission

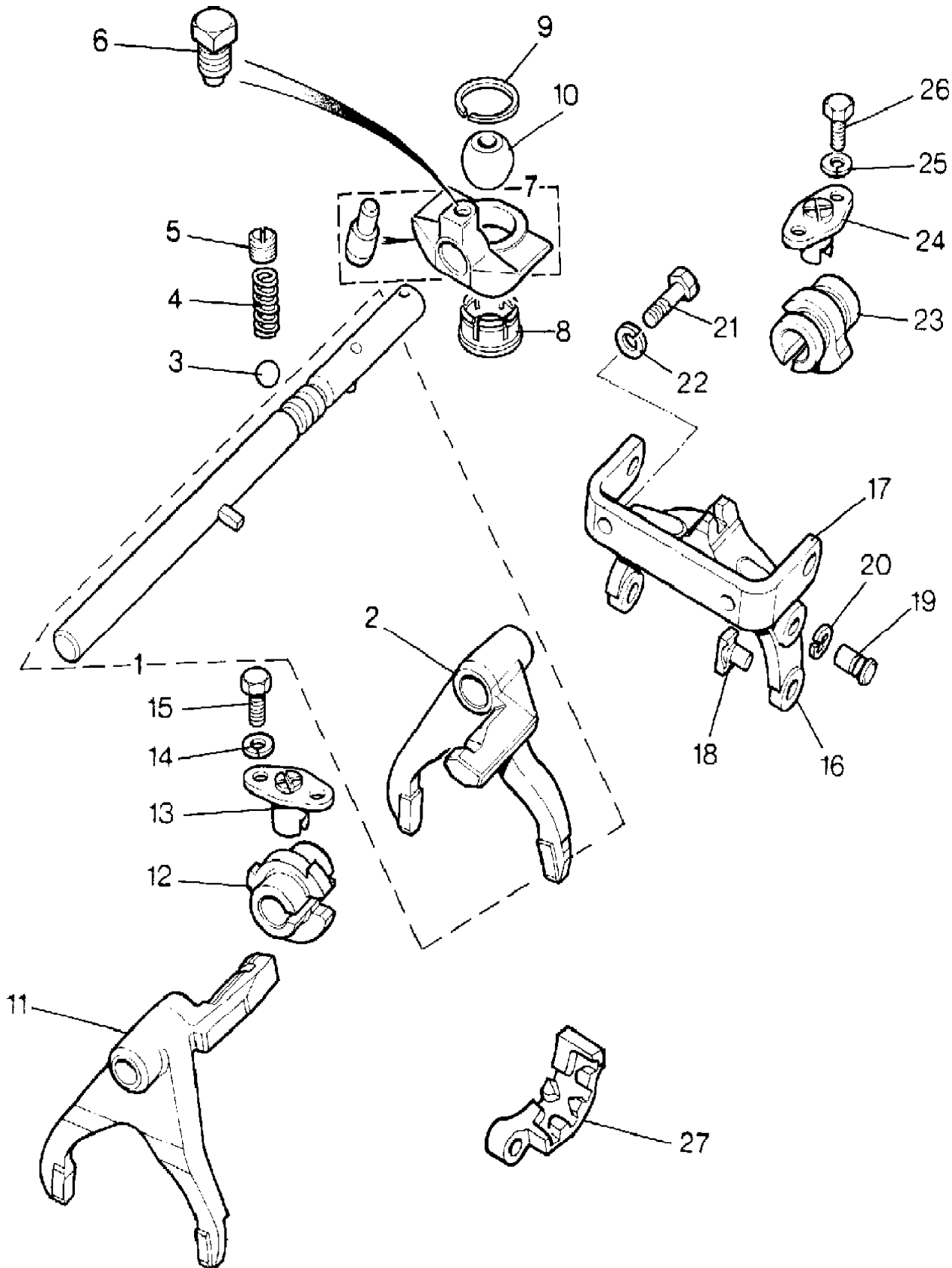
Callout	Name	Application	Remarks & Restrictions	Service No.	Qty
23	Bracket-mounting oil pipe			NTC5897	1
25	Seal			FTC1525	2



Gearbox
77mm-5 Speed-Manual
Selectors & Yoke Assembly 1/2

Range Rover (To HA610293)

(TS6477B)



Range Rover (To HA610293)

Gearbox
77mm-5 Speed-Manual
Selectors & Yoke Assembly

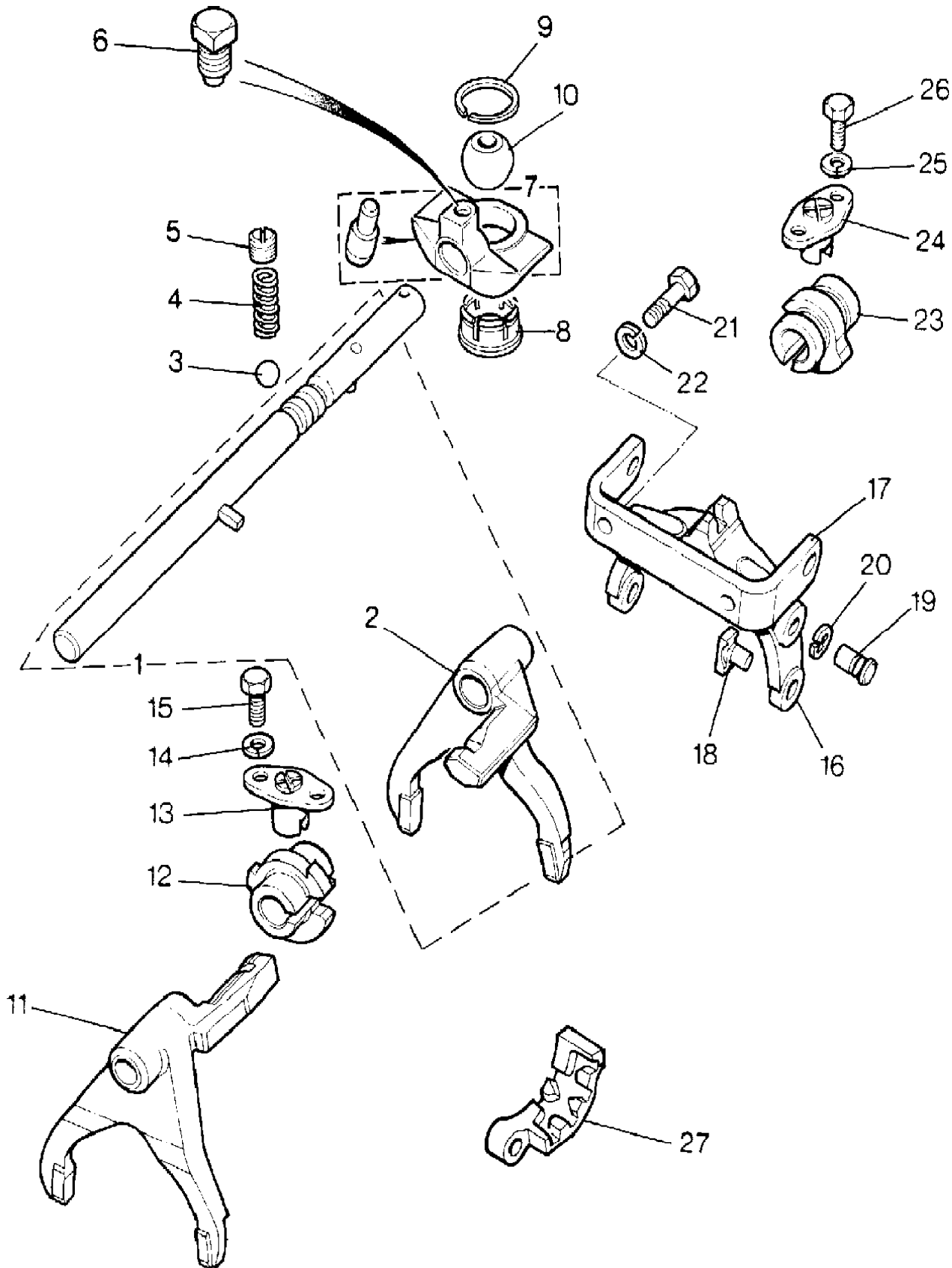
Manual Transmission

Callout	Name	Application	Remarks & Restrictions	Service No.	Qty
1	Shaft & lever assembly-selector manual transmission		Also serviced as part of a kit, Suffix D, Suffix E, Suffix F, Suffix G Also serviced as part of a kit, Suffix H	FTC1491 FTC1316	1 1
2	Fork assembly-selector-1st/ 2nd manual transmission		Also serviced as part of a kit, Suffix D, Suffix E, Suffix F, Suffix G Also serviced as part of a kit, Suffix H	FTC2450 FTC2450	1 1
3	Ball-detent manual transmission		Suffix D, Suffix E, Suffix F, Suffix G Suffix H	BLS112L BLS112L	1 1
4	Spring-detent manual transmission		Suffix D, Suffix E, Suffix F, Suffix G Suffix H	FRC7195 FTC2195	1 1
5	Plug		Suffix D, Suffix E, Suffix F, Suffix G Suffix H	UKC75 FTC2193	1 1
6	Screw-Grub			FRC7018	1
7	Yoke assembly-selector rod	Change point - Gearbox end 53A000899G Change point - Gearbox begin 53A000900G	Also serviced as part of a kit	FRC8484 FTC1486	1 1
8	Bush-selector yoke spherical			FRC9986	1
9	Ring-Snap			FRC8882	1
10	Ball-selector yoke			FRC8485	1
11	Fork assembly-3rd & 4th manual transmission			FTC1489	1
12	Spool-interlock			TKC290	1
13	Plate-Retaining	Change point - VIN end DA302518 Change point - VIN begin DA302519		UKC3660 FRC8239	1 1
14	Washer-Spring	Change point - VIN end DA302518	M6, Square	WM106001L	2
15	Screw	Change point - VIN end DA302518	M6 X 16, hexagonal head	SH106161L	2

Gearbox
77mm-5 Speed-Manual
Selectors & Yoke Assembly 2/2

Range Rover (To HA610293)

(TS6477B)



Range Rover (To HA610293)

Gearbox
77mm-5 Speed-Manual
Selectors & Yoke Assembly

Manual Transmission

Callout	Name	Application	Remarks & Restrictions	Service No.	Qty
16	Fork assembly-5th manual transmission	Change point - VIN end DA302518		FRC8482	1
17	Bracket-5th gear selector fork support	Change point - VIN end DA302518		FRC8481	1
18	Pad-5th gear selector fork	Change point - VIN end DA302518		532943	1
19	Pin-clevis/pivot	Change point - VIN end DA302518		UKC2089L	2
20	Circlip	Change point - VIN end DA302518		UKC2105L	2
21	Screw	Change point - VIN end DA302518	M6 X 16, hexagonal head	SH106161L	2
22	Washer	Change point - VIN end DA302518	M8, sprung	WL108001L	2
23	Spool-interlock	Change point - VIN end DA302518		FRC7192	1
24	Retainer-interlock	Change point - VIN end DA302518 Change point - VIN begin DA302519		FRC4905 FRC8240	1 1
25	Washer	Change point - VIN end DA302518	M6, sprung	WL106001L	2
26	Screw	Change point - VIN end DA302518	M6 X 16, hexagonal head	SH106161L	2
27	Plate-lever-gating selector mechanism	Change point - VIN end DA302518		FTC1512	1
[901]	Pin-selector manual transmission	Change point - Gearbox begin 53A000900G	Also serviced as part of a kit	FTC1488	1
[902]	O Ring	Change point - VIN end DA302518		FRC8170	1
[903]	Dowel	Change point - VIN end DA302518		FRC2481	2
[904]	Screw	Change point - VIN end DA302518	M8 X 35, hexagonal head	SH108351L	2

Gearbox
ZF-4 Speed-Automatic
Adaptor Plate 1/1

Range Rover (To HA610293)

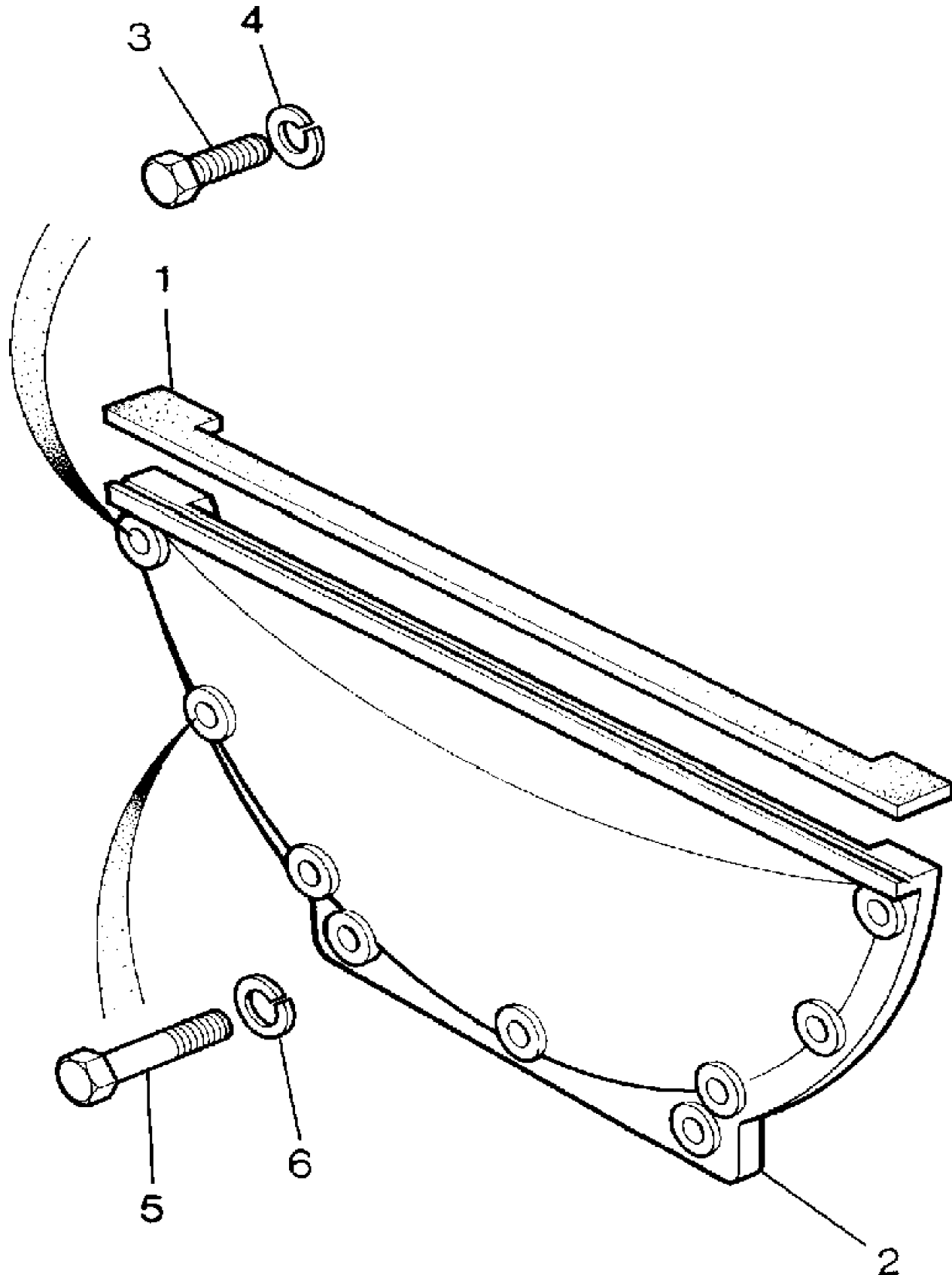
(TS5821)

Gearbox
ZF-4 Speed-Automatic
Adaptor Plate

Range Rover (To HA610293)

Automatic Transmission

Callout	Name	Application	Remarks & Restrictions	Service No.	Qty
1	Adaptor-transmission mounting plate			FRC5007	1
2	Dowel			FRC5054	2
3	Dowel			FRC5024	2
4	Bolt		3/8UNC x 1 7/8	BH506131L	8
5	Bolt			BH608181L	1
6	Seal		bottom	594087	1
7	Cover-bell housing		bottom	FRC2859	1
8	Screw		hexagonal head, M6 x 25	SH106251L	7
9	Washer-Spring		M6, Square	WM106001L	7
10	Bolt			594134	2
11	Washer-Spring		M8	WM108001L	2



Gearbox
ZF-4 Speed-Automatic
Brake 'C-C' 1/1

Range Rover (To HA610293)

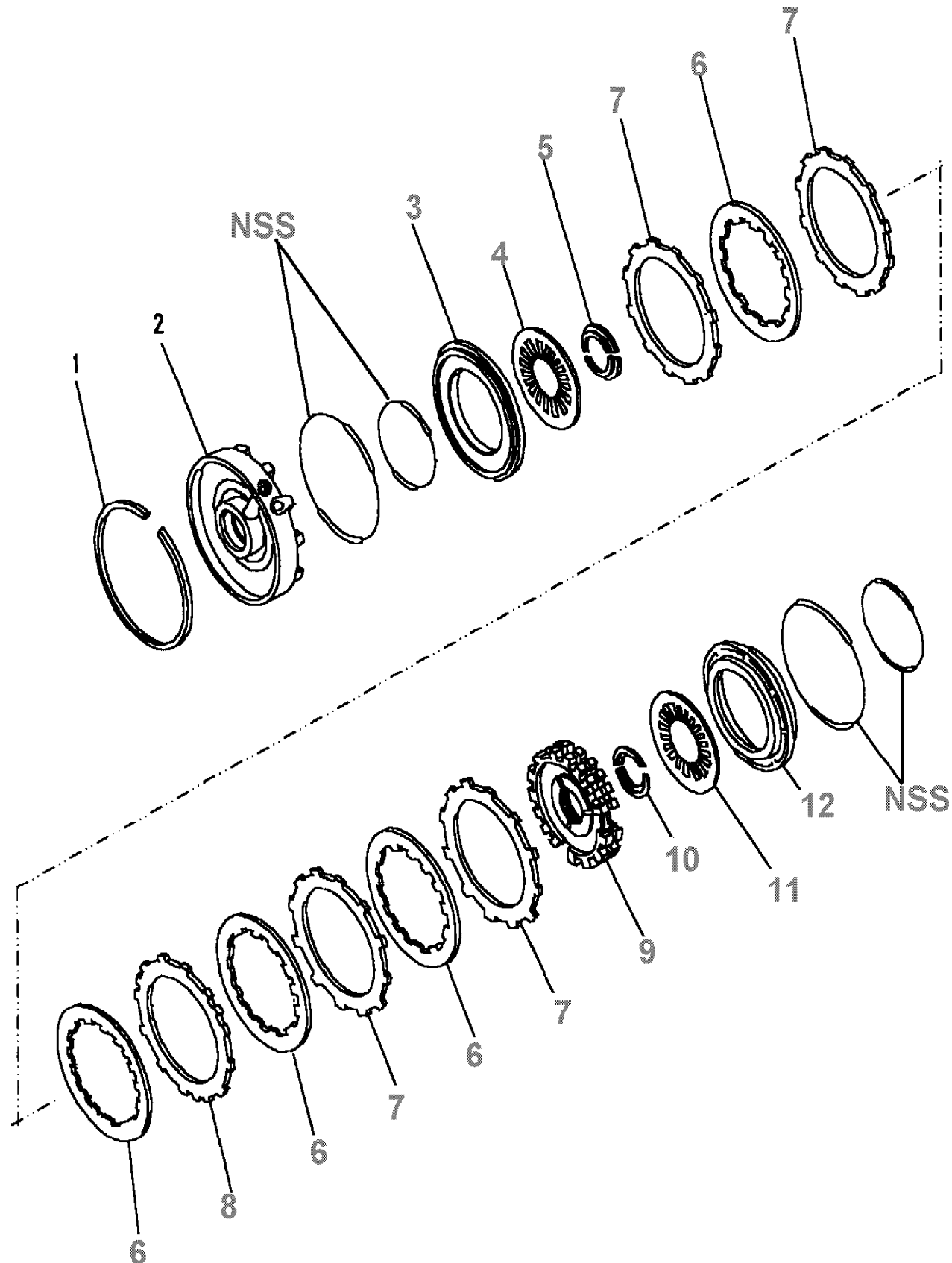
(CACPGG2B)

Gearbox
ZF-4 Speed-Automatic
Brake 'C-C'

Range Rover (To HA610293)

Automatic Transmission

Callout	Name	Application	Remarks & Restrictions	Service No.	Qty
1	Ring-snap automatic transmission		Large	RTC5173	1
2	Plate		Centre	RTC5174	1
3	Piston-clutch-automatic			RTC5175	1
4	Spring			RTC5176	1
5	Ring-backing automatic transmission			RTC5177	1
6	Disc-clutch automatic transmission		lined	RTC5122	4
7	Disc-clutch automatic transmission		Outer	RTC5126	5
8	Disc-clutch automatic transmission		end	RTC5123	1
9	Drive assembly-freewheel			RTC5178	1
10	Ring-backing automatic transmission			RTC5177	1
11	Spring			RTC5176	1
12	Piston-clutch-automatic			RTC5179	1



Gearbox
ZF-4 Speed-Automatic
Brake 'D' 1/1

Range Rover (To HA610293)

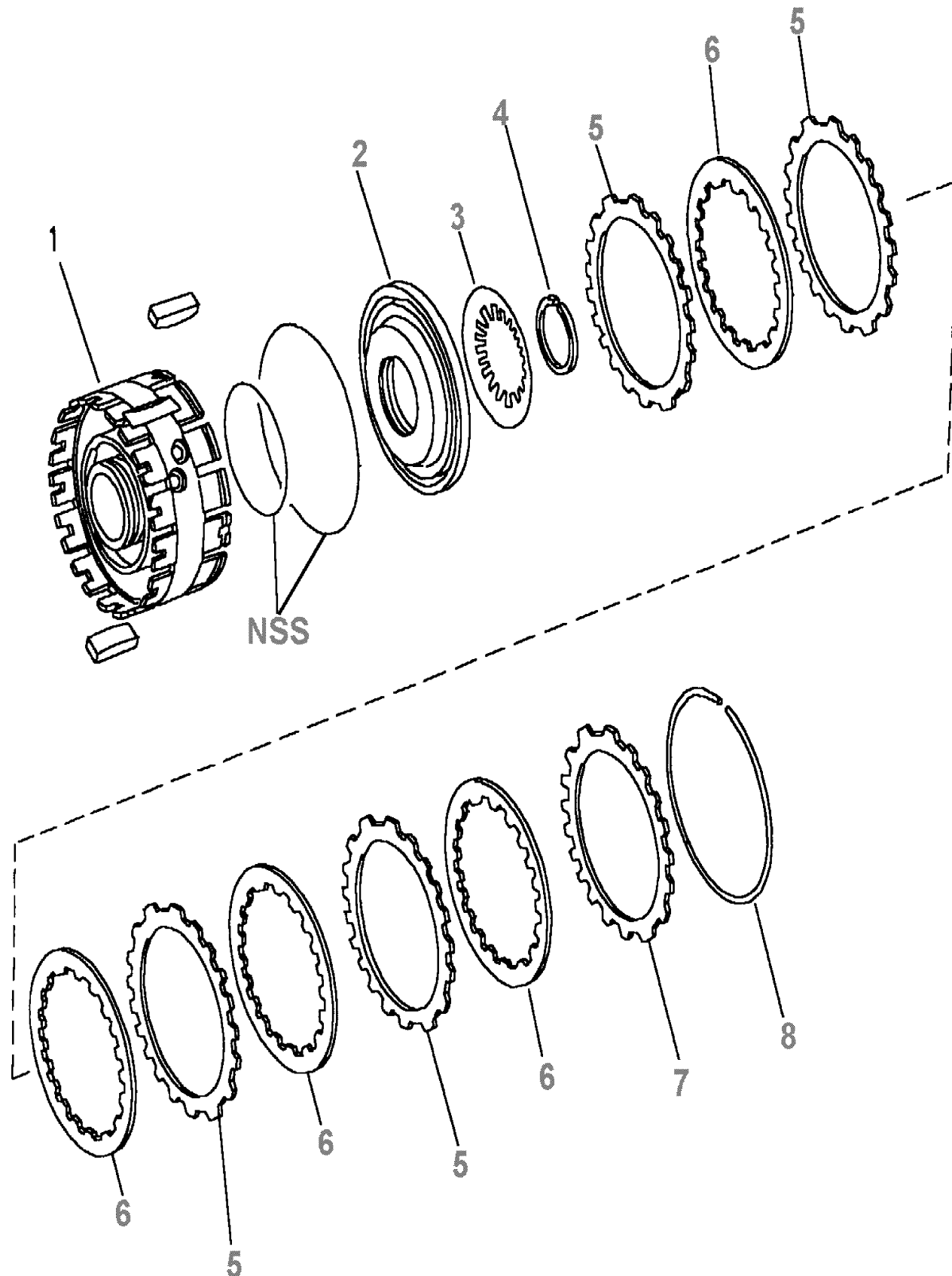
(CACPGG3B)

Gearbox
ZF-4 Speed-Automatic
Brake 'D'

Range Rover (To HA610293)

Automatic Transmission

Callout	Name	Application	Remarks & Restrictions	Service No.	Qty
1	Cylinder			RTC5151	1
2	Piston-clutch-automatic			RTC5152	1
3	Spring			RTC5153	1
4	Connector fit			RTC5154	1
5	Disc-clutch automatic transmission		Outer	RTC5126	4
6	Disc-clutch automatic transmission		lined	RTC5127	4
7	Disc-clutch automatic transmission		Outer	RTC5125	1
8	Ring-snap automatic transmission			RTC5128	1



Gearbox
ZF-4 Speed-Automatic
Brakes 'F' 1/1

Range Rover (To HA610293)

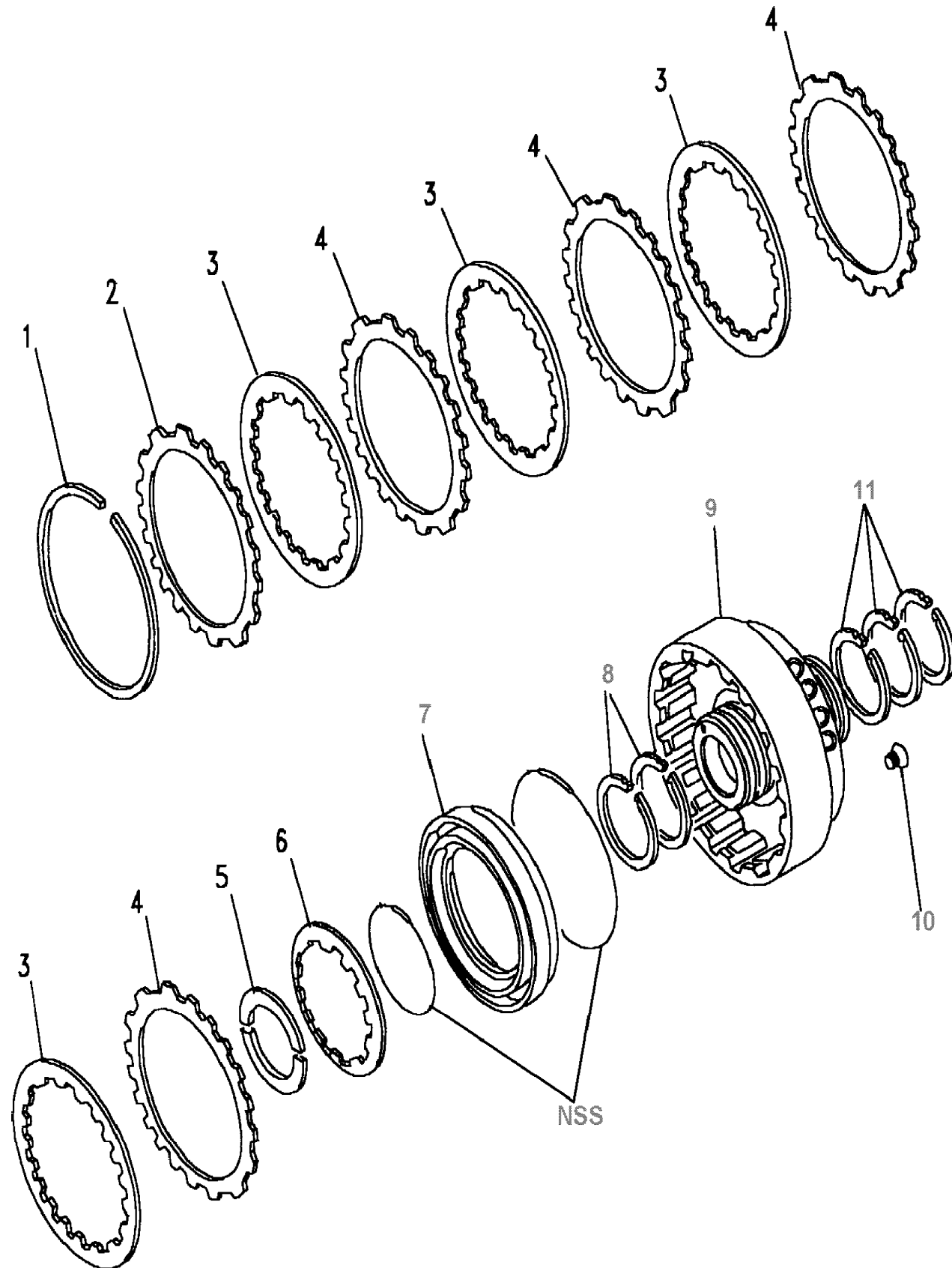
(CACPGG1A)

Gearbox
ZF-4 Speed-Automatic
Brakes 'F'

Range Rover (To HA610293)

Automatic Transmission

Callout	Name	Application	Remarks & Restrictions	Service No.	Qty
1	Ring-snap automatic transmission			RTC5137	1
2	Plate-automatic transmission clutch end			RTC5136	1
3	Disc-clutch automatic transmission		lined	RTC5135	4
4	Disc-clutch automatic transmission			RTC5134	4
5	Ring-backing automatic transmission			RTC5160	1
6	Disc-brake spring			RTC5159	1
7	Piston-clutch-automatic			RTC5158	1
8	Ring-piston-forward shaft automatic transmission			RTC5157	2
9	Cylinder			RTC5155	1
10	Screw			RTC5156	10
11	Ring set assembly-piston			RTC4660	3



Gearbox
ZF-4 Speed-Automatic
Casing & Sump 1/2

Range Rover (To HA610293)

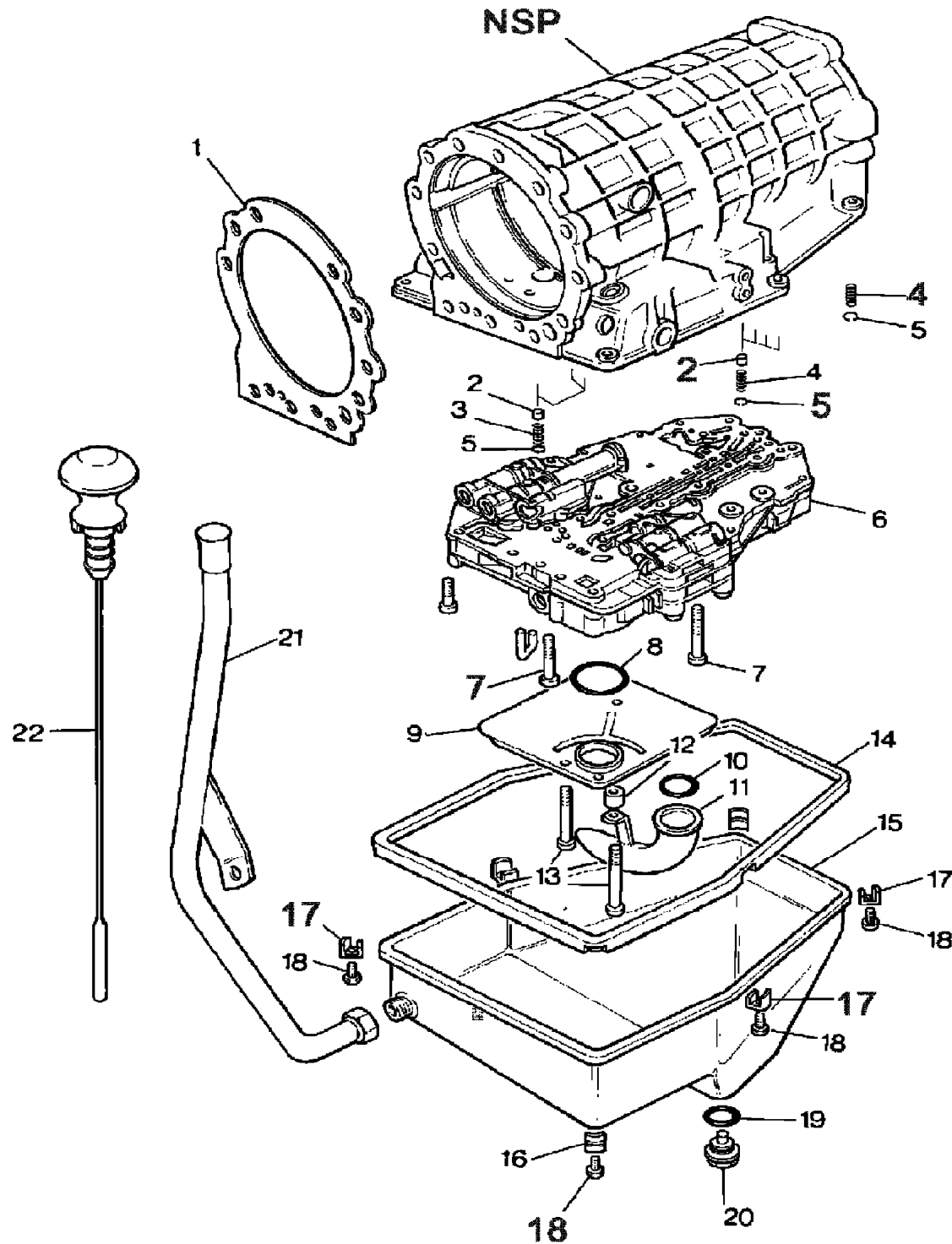
(TS6042A)

Gearbox
ZF-4 Speed-Automatic
Casing & Sump

Range Rover (To HA610293)

Automatic Transmission

Callout	Name	Application	Remarks & Restrictions	Service No.	Qty
1	Gasket-end cover automatic transmission			RTC4320	1
2	Sleeve		Short Long	RTC4280 RTC5209	8 1
3	Spring		Short	RTC4281	4
4	Spring		Long	RTC4282	5
5	Circlip			RTC4657	9
6	Electronic control unit engine	Change point - VIN end DA309776, 3.5L Change point - VIN begin DA309777, 3.5L Change point - VIN end FA397891, 3.9L Change point - VIN begin FA397892, 3.9L		RTC5119 RTC5991 RTC6372 RTC6609	1 1 1 1
7	Screw		Long, 83mm Long, 65MM Long, 60MM Long, 30MM	RTC4649 RTC4278 RTC4277 RTC4279	1 4 3 8
8	O Ring		auto trans strainer to control unit	RTC4276	1
9	Strainer-oil-automatic transmission fluid automatic transmission			RTC4653	1
10	O Ring		auto trans fluid suction pipe	RTC5818	1
11	Pipe-suction automatic transmission			RTC4655	1
12	Sleeve			RTC4656	1
13	Screw		Long, 65MM Long, 83mm	RTC4278 RTC4649	2 1
14	Gasket-sump/transmission case automatic transmission			RTC4268	1
15	Pan assembly-oil transmission case			RTC4652	1
16	Plate-fixing	Change point - Gearbox end 558751 Change point - Gearbox begin 558752		RTC4270 RTC5733	4 4



J02.025
09-2003
L3
TS6042A

Gearbox
ZF-4 Speed-Automatic
Casing & Sump 2/2

Range Rover (To HA610293)

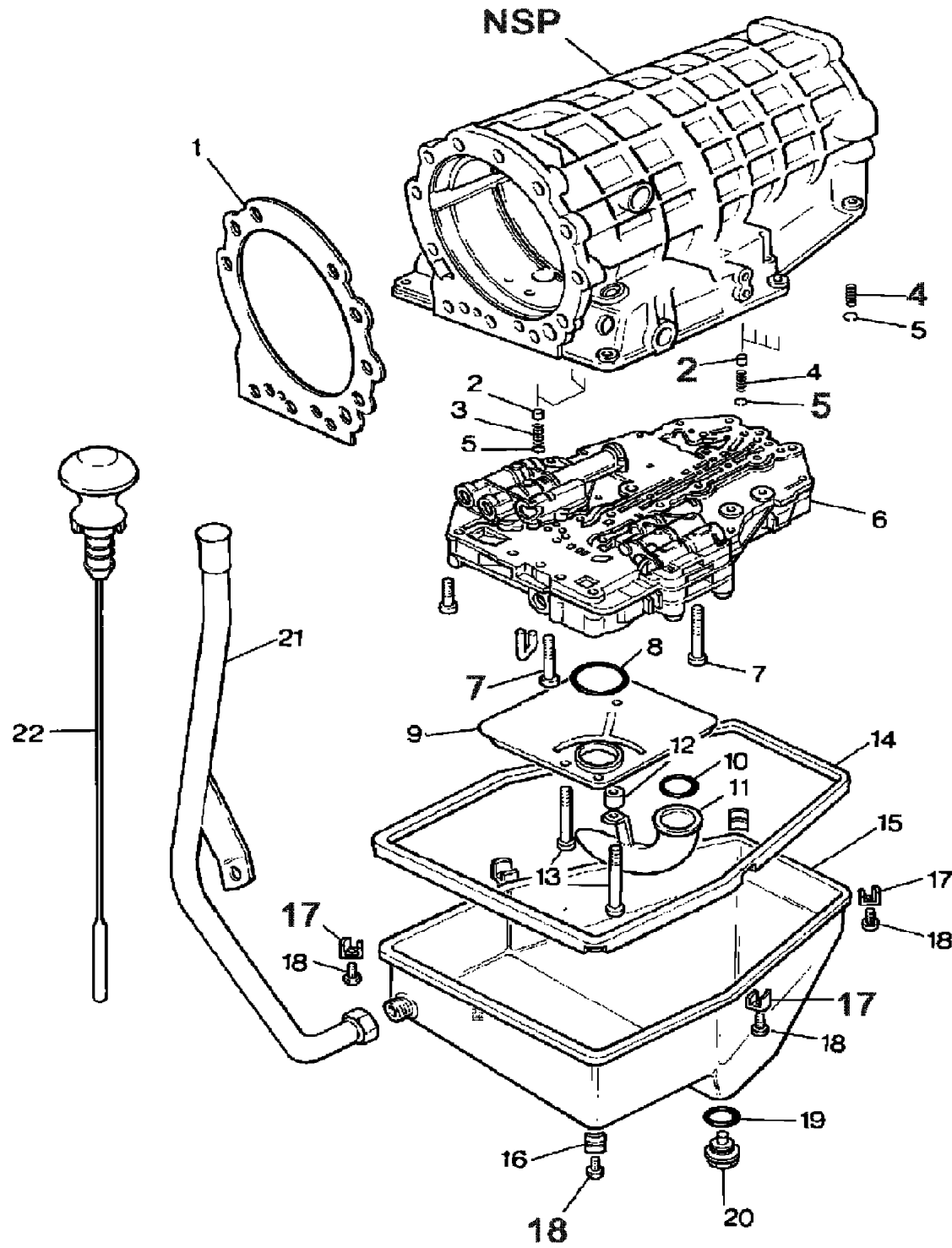
(TS6042A)

Gearbox
ZF-4 Speed-Automatic
Casing & Sump

Range Rover (To HA610293)

Automatic Transmission

Callout	Name	Application	Remarks & Restrictions	Service No.	Qty
17	Plate-fixing	Change point - Gearbox end 558751 Change point - Gearbox begin 558752		RTC4271 RTC5734	2 2
18	Screw	Change point - Gearbox end 558751 Change point - Gearbox begin 558752		RTC4269 RTC5735	6 6
19	Washer-sump assembly drain plug		drain plug-automatic transmission	RTC4646	1
20	Plug and magnet assembly-transmission case			RTC4647	1
21	Pipe-dipstick automatic transmission			FTC1356	1
22	Dipstick automatic transmission		620MM 689mm	SFR23 FTC1357	1 1

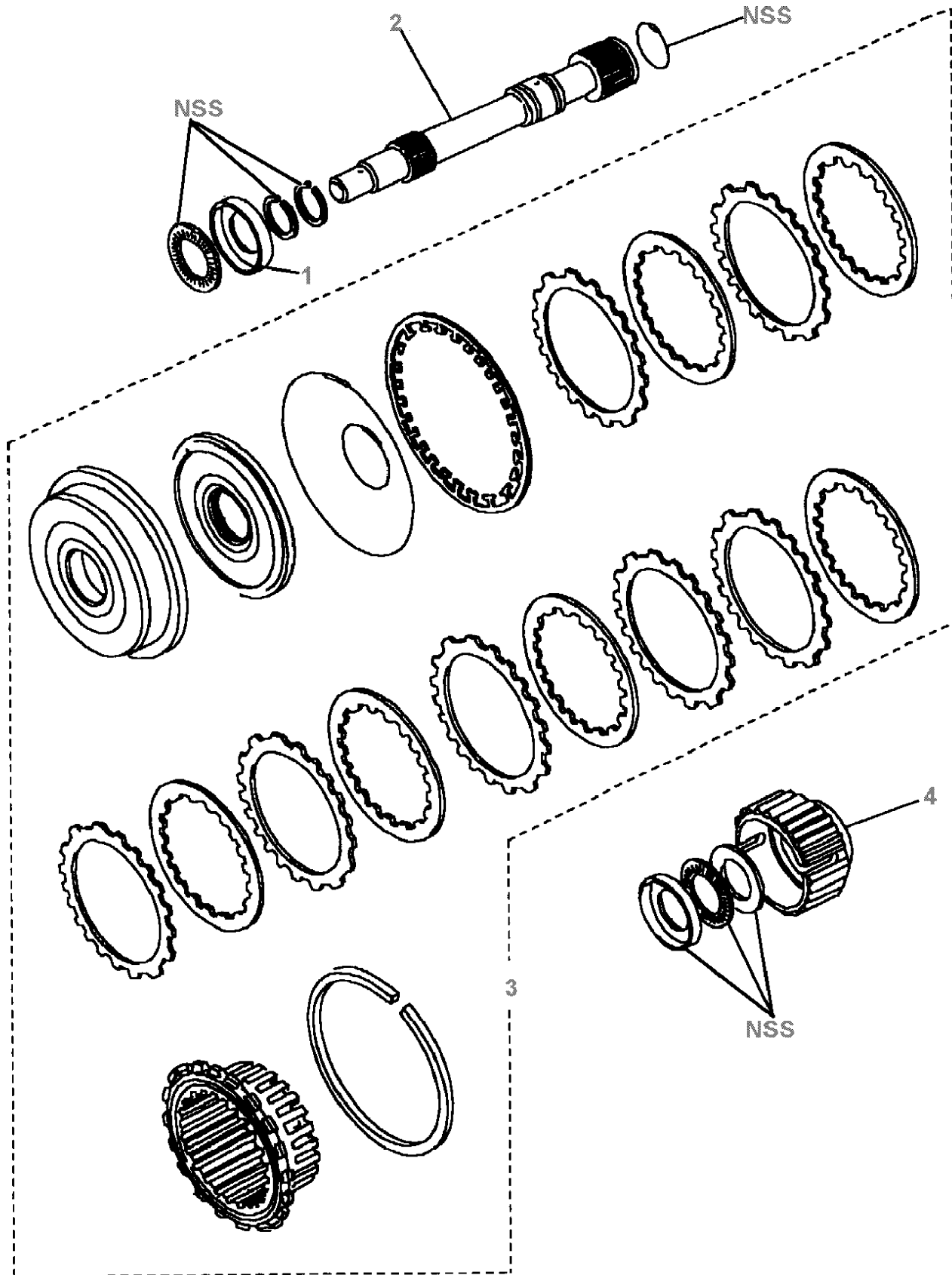


J02.025
09-2003
L3
TS6042A

Gearbox
ZF-4 Speed-Automatic
Clutch 'A' 1/1

Range Rover (To HA610293)

(CACPGE1B)



Range Rover (To HA610293)

Gearbox
ZF-4 Speed-Automatic
Clutch 'A'

Automatic Transmission

Callout	Name	Application	Remarks & Restrictions	Service No.	Qty
1	Retainer-bearing automatic transmission			RTC5143	1
2	Shaft-counter automatic transmission			RTC5141	1
3	Kit-clutch			RTC5142	1
4	Carrier-gear automatic transmission			RTC5144	1

Gearbox
ZF-4 Speed-Automatic
Clutch 'B' 1/1

Range Rover (To HA610293)

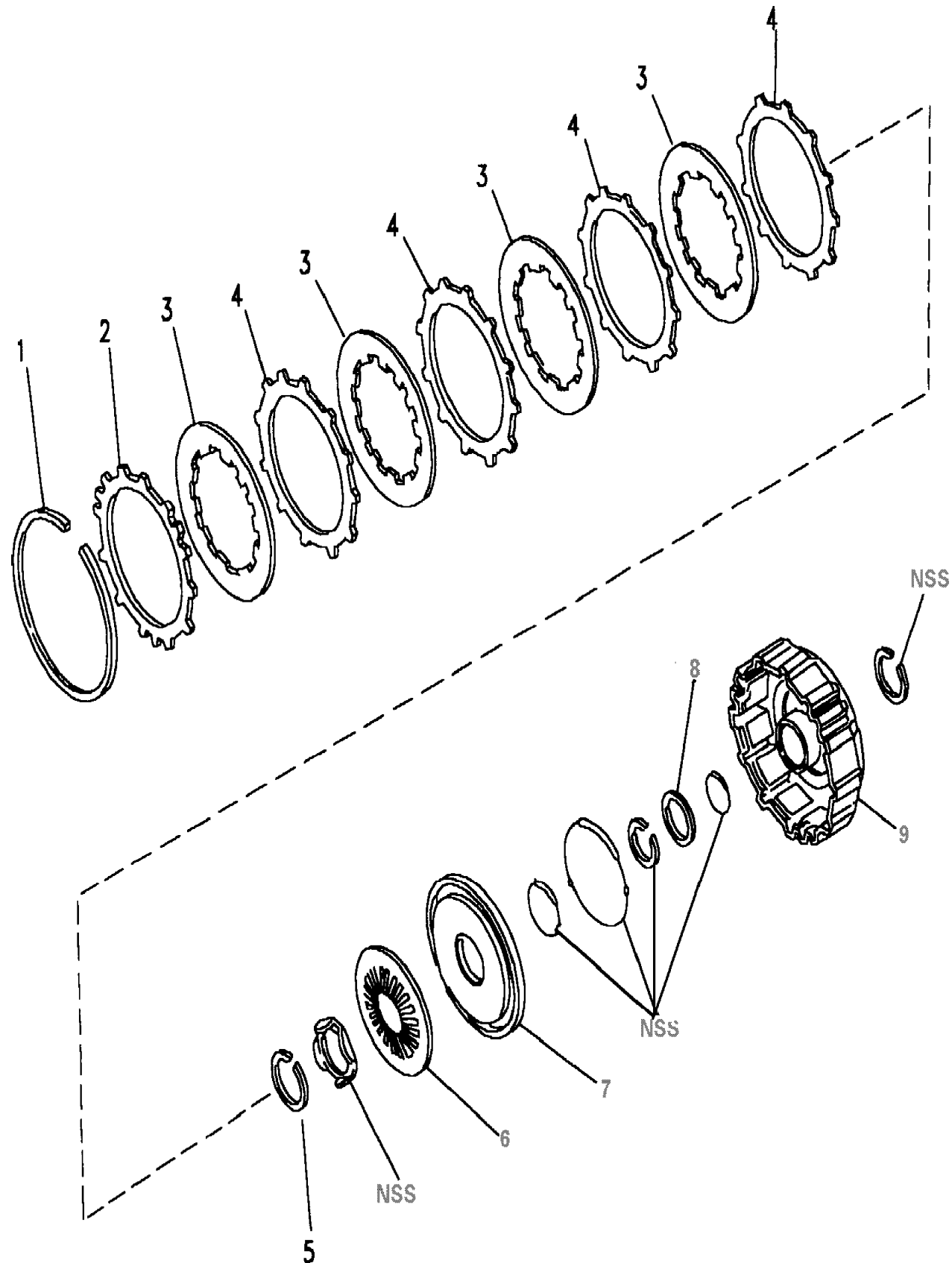
(CACPG2A)

Gearbox
ZF-4 Speed-Automatic
Clutch 'B'

Range Rover (To HA610293)

Automatic Transmission

Callout	Name	Application	Remarks & Restrictions	Service No.	Qty
1	Ring-snap automatic transmission			RTC5124	1
2	Disc-clutch automatic transmission		end	RTC5123	1
3	Disc-clutch automatic transmission		lined	RTC5122	4
4	Disc-clutch automatic transmission		Outer, Steel	RTC5121	1
5	Ring-snap automatic transmission			RTC5148	1
6	Spring			RTC5147	1
7	Piston-clutch-automatic			RTC5146	1
8	Ring-support			RTC5149	1
9	Guide automatic transmission			RTC5145	1



Gearbox
ZF-4 Speed-Automatic
Clutch 'E' 1/1

Range Rover (To HA610293)

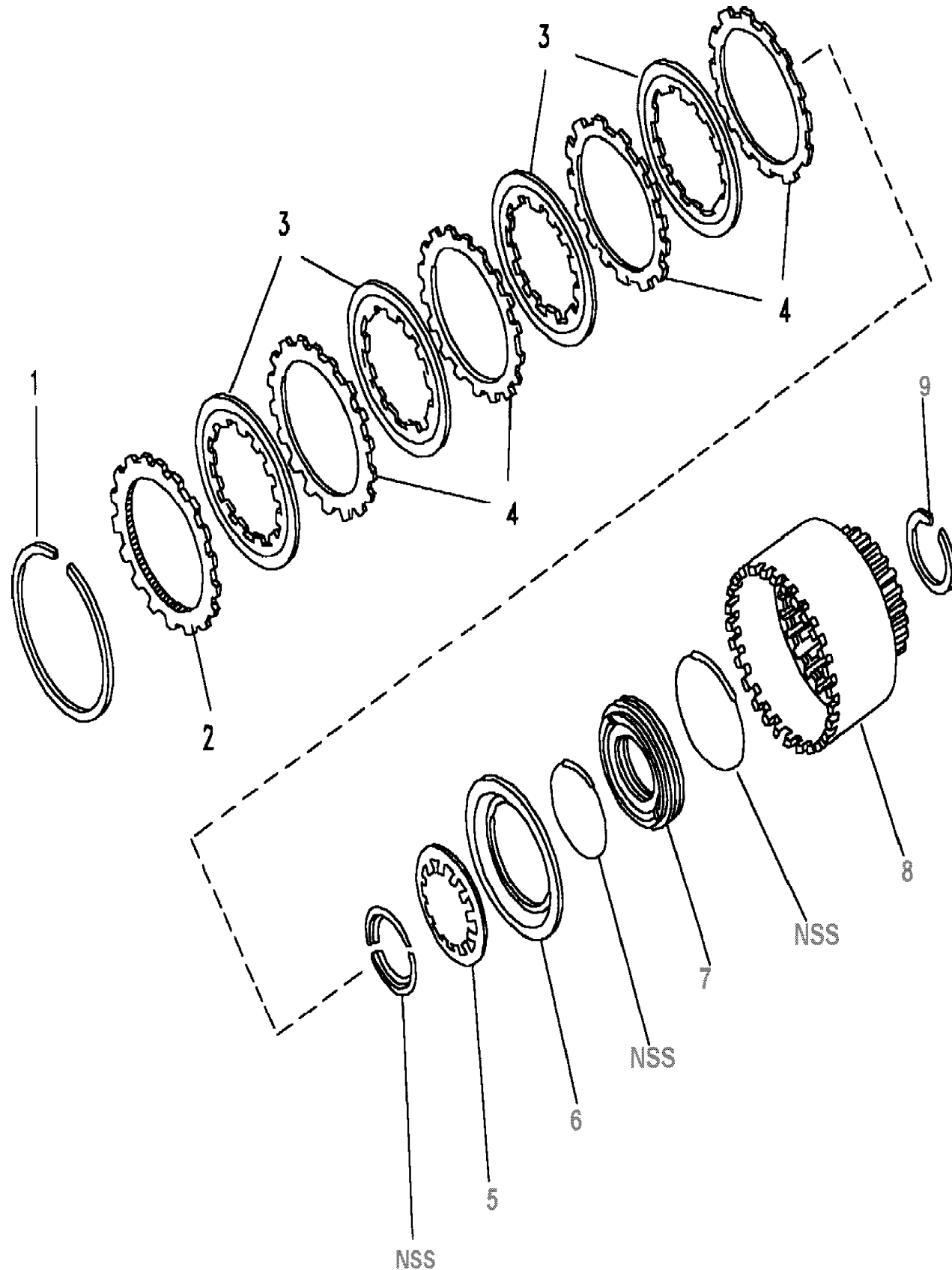
(CACPGE3B)

Gearbox
ZF-4 Speed-Automatic
Clutch 'E'

Range Rover (To HA610293)

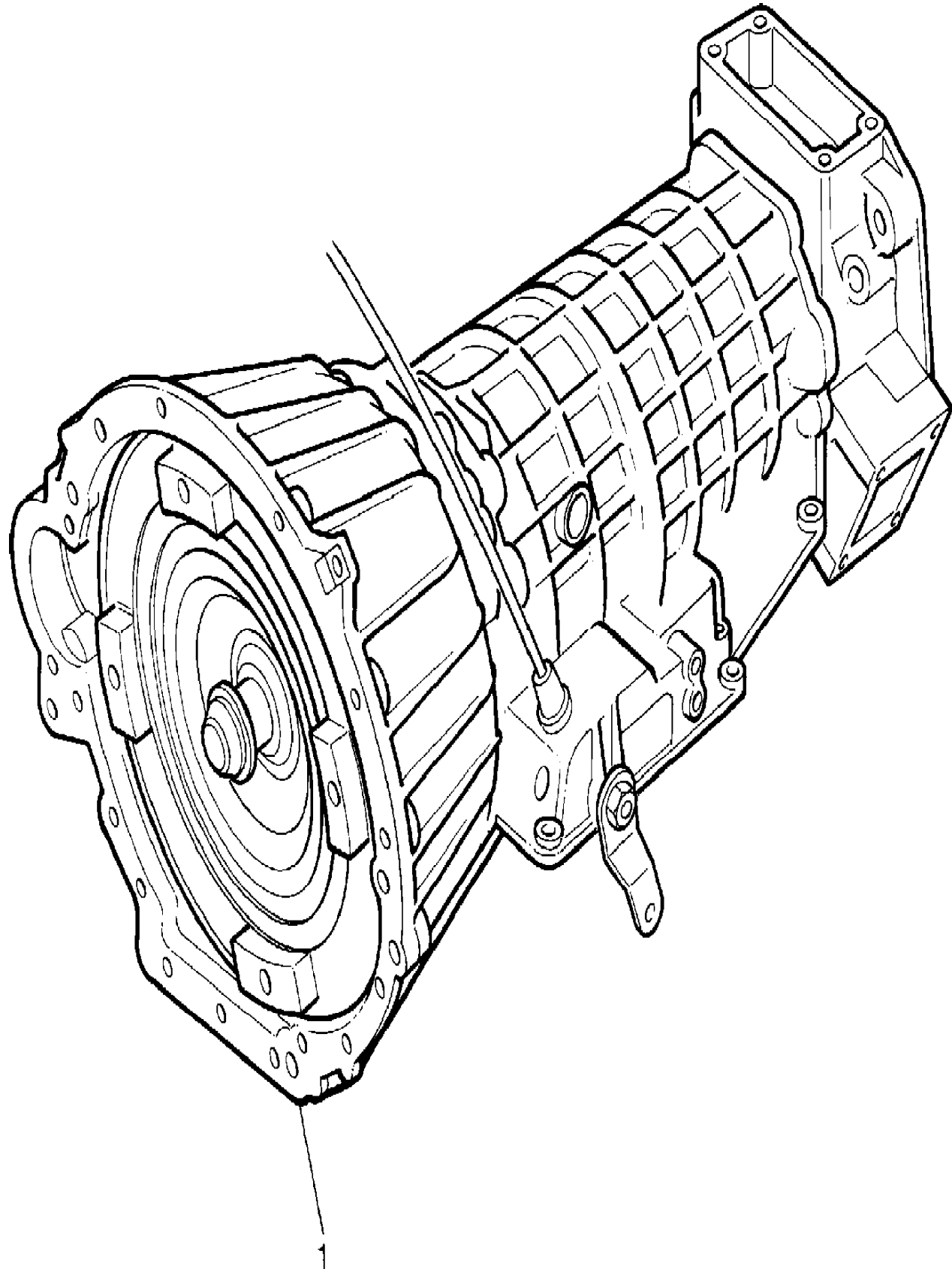
Automatic Transmission

Callout	Name	Application	Remarks & Restrictions	Service No.	Qty
1	Ring-snap automatic transmission			RTC5137	1
2	Disc-clutch automatic transmission		end	RTC5139	1
3	Disc-clutch automatic transmission		lined	RTC5135	4
4	Disc-clutch automatic transmission		Outer	RTC5138	4
5	Spring			RTC5164	1
6	Plate-forward clutch pressure			RTC5163	1
7	Piston-clutch-automatic			RTC5162	1
8	Cylinder			RTC5161	1
9	Ring-snap automatic transmission		Small	RTC5171	1



Gearbox
ZF-4 Speed-Automatic
Gearbox Assembly 1/1

Range Rover (To HA610293)
(TS5820)



Range Rover (To HA610293)

Gearbox
ZF-4 Speed-Automatic
Gearbox Assembly

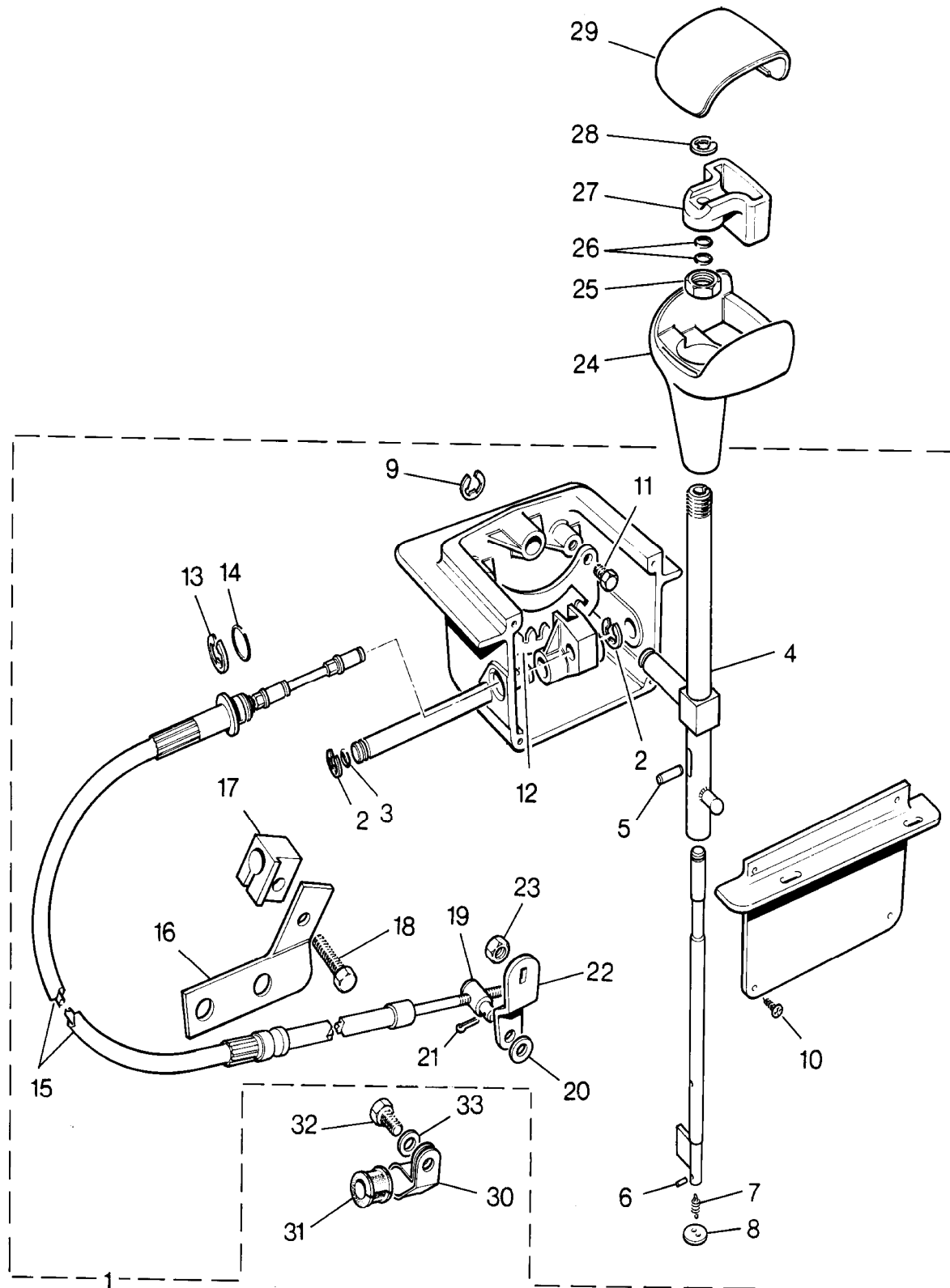
Automatic Transmission

Callout	Name	Application	Remarks & Restrictions	Service No.	Qty
1	Transmission assembly automatic	3.5L	exchange	FTC255E	1
		3.9L	New	FTC1278N	1
		3.9L	exchange	FTC1278E	1

Gearbox
ZF-4 Speed-Automatic
Gearchange 1/2

Range Rover (To HA610293)

(TS5823B)



TS5823A

Range Rover (To HA610293)

Gearbox
ZF-4 Speed-Automatic
Gearchange

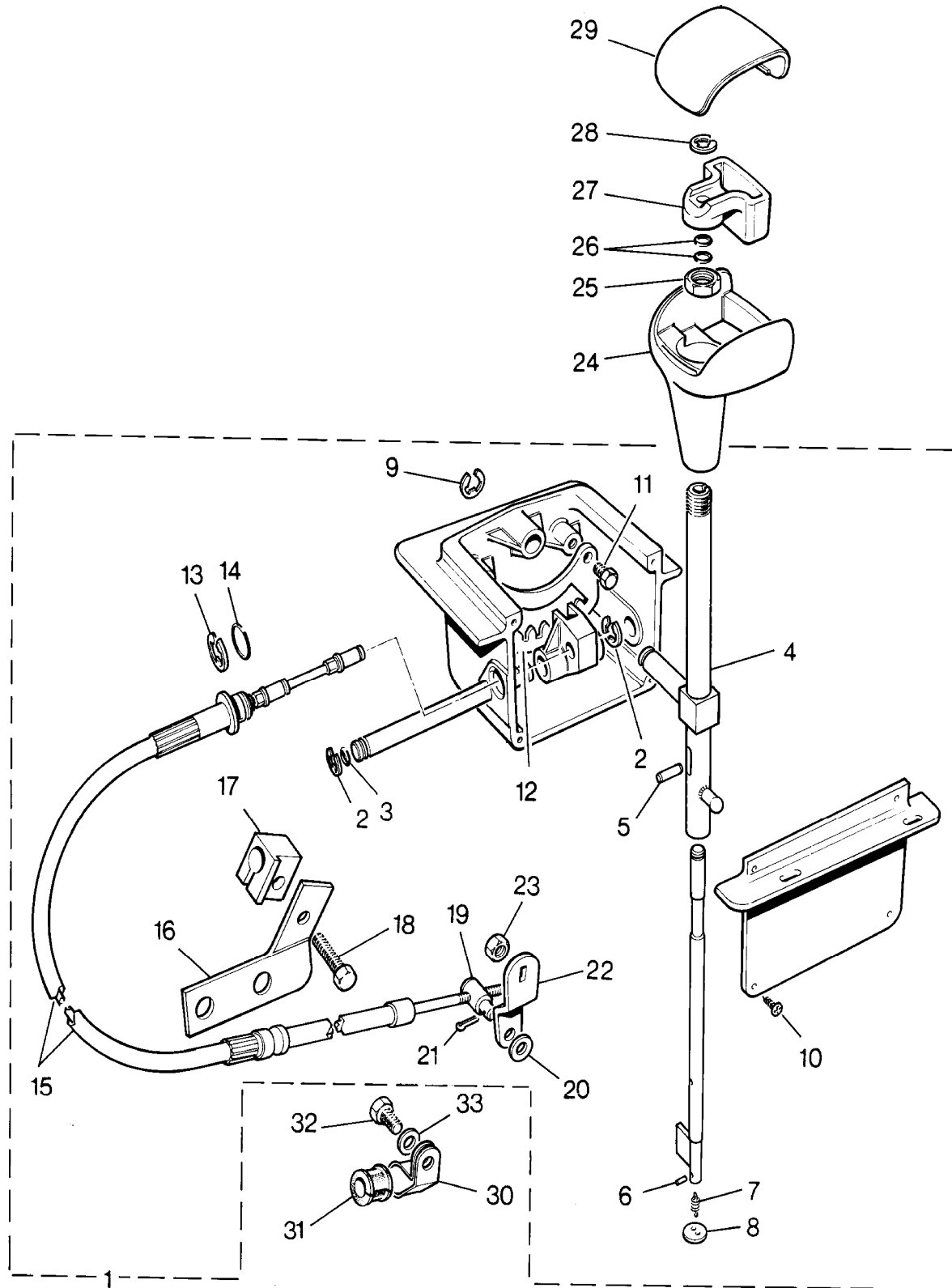
Automatic Transmission

Callout	Name	Application	Remarks & Restrictions	Service No.	Qty
1	Lever assembly-operating automatic transmission		Also serviced as part of a kit	FTC822	1
2	Clip-e		Also serviced as part of a kit	FRC8707	3
4	Lever-selector selector mechanism		Also serviced as part of a kit	RTC5008	1
6	Pin-Spring		Also serviced as part of a kit	PA103061	1
9	Clip-e		Also serviced as part of a kit	FRC8710	1
10	Screw		Also serviced as part of a kit, Self Tapping, No 6 x 1/2	AB606041	4
11	Screw		Also serviced as part of a kit, hexagonal head, M6 x 10	SH106101L	2
12	Hub-selector automatic transmission		Also serviced as part of a kit	FRC9220	1
13	Clip-e		Also serviced as part of a kit	FRC8709	1
14	O Ring		Also serviced as part of a kit	FRC8712	1
15	Cable-selector automatic transmission		Also serviced as part of a kit	FTC566	1
16	Bracket-support selector cable			FRC8742	1
17	Clamp-Cable			FRC8743	1
18	Screw		M8 X 30, hexagonal head	SH108301L	1
19	Nipple-cable automatic transmission			FRC7630	1
21	Pin-split			PS104127L	1
22	Lever assembly-operating automatic transmission			FRC8744	1
23	Nut - Hex.		M8	FRC6915	1
24	Knob-selector drive			FRC9357	1
25	Nut - Hex.			FRC8468	1
26	O Ring			FRC9359	2

Gearbox
ZF-4 Speed-Automatic
Gearchange 2/2

Range Rover (To HA610293)

(TS5823B)



TS5823A

Range Rover (To HA610293)

Gearbox
ZF-4 Speed-Automatic
Gearchange

Automatic Transmission

Callout	Name	Application	Remarks & Restrictions	Service No.	Qty
27	Button-gearlever	Change point - VIN end EA331995 Change point - VIN begin EA331996		FRC8457	1
				FTC578	1
28	Clip-e			FRC8708	1
29	Cover-handle selector mechanism			FRC8698	1
30	Clip-p			50641	1
31	Grommet		17/32" hole	589254	1
32	Screw		M8 X 16, hexagonal head	SH108161L	1
33	Washer		8MM	WA108051L	1

Gearbox
ZF-4 Speed-Automatic
Governor & Extension Housing 1/2

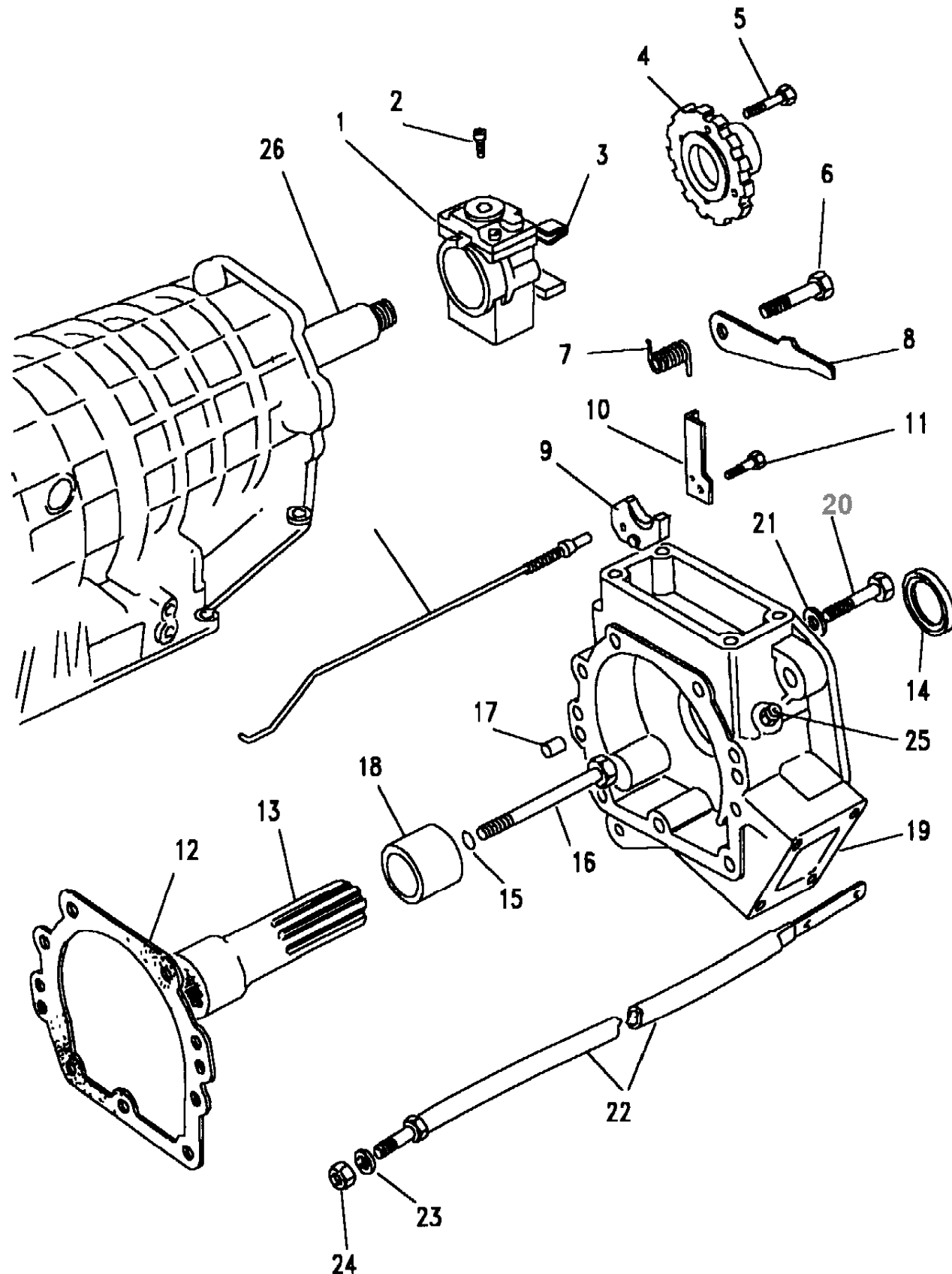
Range Rover (To HA610293)
(CACPII1A)

Gearbox
ZF-4 Speed-Automatic
Governor & Extension Housing

Range Rover (To HA610293)

Automatic Transmission

Callout	Name	Application	Remarks & Restrictions	Service No.	Qty
1	Hub-governor			RTC4314	1
2	Screw			RTC4313	2
3	Clamp			RTC4315	1
4	Gear-parking automatic transmission			RTC4662	1
5	Screw			RTC4313	4
6	Bolt			RTC4661	1
7	Spring-parking pawl automatic transmission			RTC4308	1
8	Pawl-parklock automatic transmission			RTC4307	1
9	Plate- guide			RTC5212	1
10	Plate			RTC4663	1
11	Screw			RTC5211	1
12	Gasket-rear extension housing			RTC4295	1
13	Coupling			FRC7893	1
14	Seal		auto trans output shaft	RTC4650	1
15	O Ring			FRC5575	1
16	Bolt		M10 x 130, zinc	BH110261L	1
17	Dowel			RTC4301	2
18	Spacer		Inner	RTC4300	1
19	Housing-governor extension			RTC4659	1
20	Screw		M6 X 12, hexagonal head	SH106121L	9
21	Washer		6MM	WA106041L	9
22	Rod-transmission support			FRC7500	1
23	Washer		M10	WA110061L	1
24	Nut - Hex.		M10, hexagonal head, nyloc	NY110041L	1



Gearbox
ZF-4 Speed-Automatic
Governor & Extension Housing 2/2

Range Rover (To HA610293)

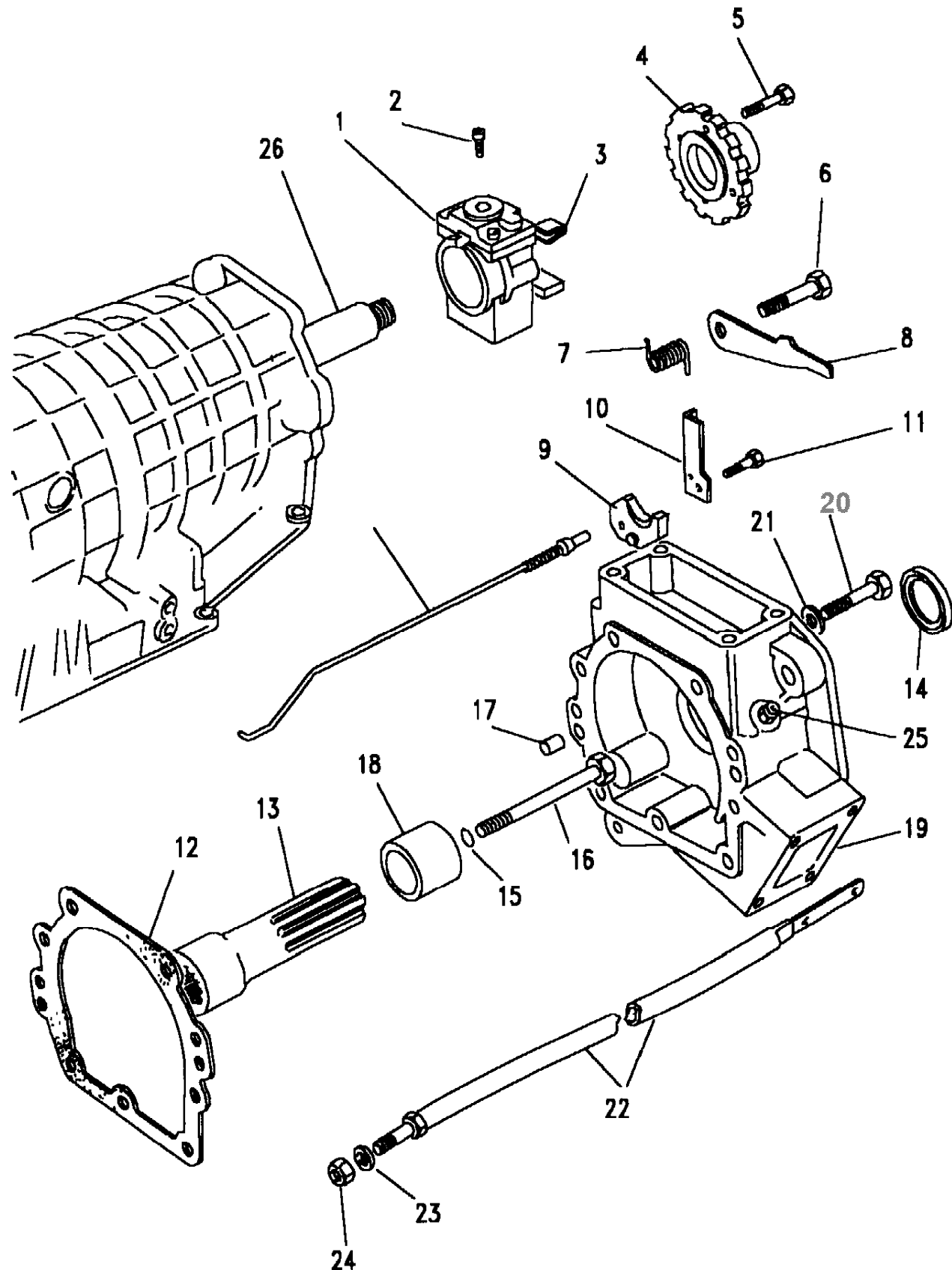
(CACPII1A)

Range Rover (To HA610293)

Gearbox
ZF-4 Speed-Automatic
Governor & Extension Housing

Automatic Transmission

Callout	Name	Application	Remarks & Restrictions	Service No.	Qty
25	Tube-breather transmission case			FRC9427	1
26	Shaft assembly-main automatic transmission			RTC5150	1
[900]	Weight-governor			RTC5792	1
[901]	Stud			FTC890	1



Gearbox
ZF-4 Speed-Automatic
Oil Cooler 1/1

Range Rover (To HA610293)

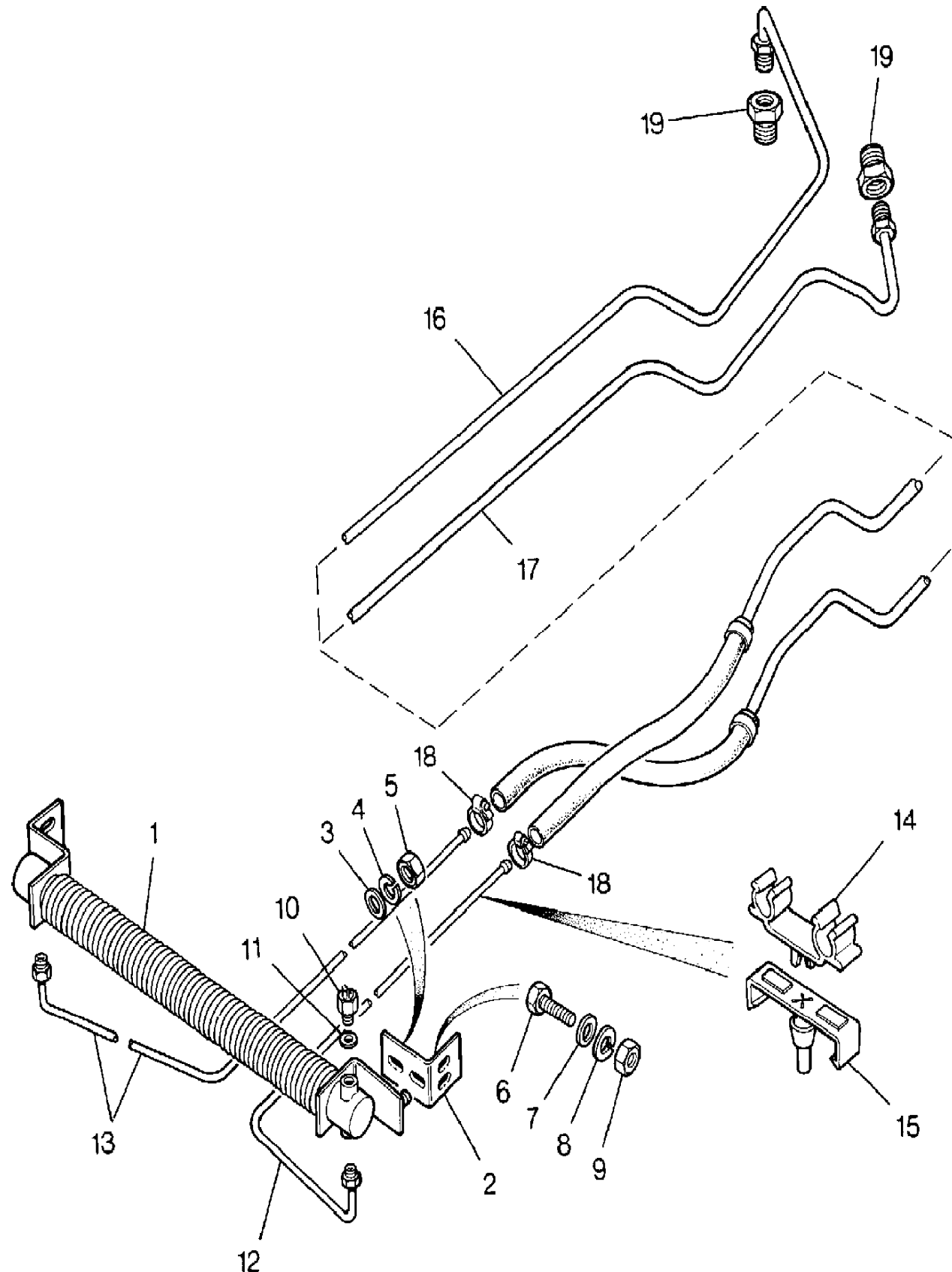
(TS6052)

Gearbox
ZF-4 Speed-Automatic
Oil Cooler

Range Rover (To HA610293)

3.5L, Automatic Transmission

Callout	Name	Application	Remarks & Restrictions	Service No.	Qty
1	Oil cooler-engine			NTC1867	1
2	Bracket-mounting oil cooler			NTC1868	1
3	Washer		6MM	WA106041L	2
4	Washer		M6, sprung	WL106001L	2
5	Nut - Hex.		M6, nyloc, Hexagonal	NH106041L	2
6	Screw		M6 X 16, hexagonal head	SH106161L	4
7	Washer		6MM	WA106041L	4
8	Washer		M6, sprung	WL106001L	4
9	Nut - Hex.		M6, nyloc, Hexagonal	NH106041L	4
10	Switch-transmission oil cooler temperature	Change point - VIN end GA449873 Change point - VIN begin GA449874		PRC3139 PRC8473	1 1
11	Washer-sealing			232039	1
12	Pipe Fuel			NRC9869	1
13	Pipe Fuel			NRC9870	1
14	Clip-Pipe			NTC1945	1
15	Pin			NTC1944	1
16	Pipe-automatic transmission oil feed			NRC9868	1
17	Pipe assembly-return gear to cooler			NRC9871	1
18	Clip-Hose		20MM	CN100208L	4
19	Connector-inlet manifold adaptor			FRC7894	2



Gearbox
ZF-4 Speed-Automatic
Oil Cooler 1/2

Range Rover (To HA610293)

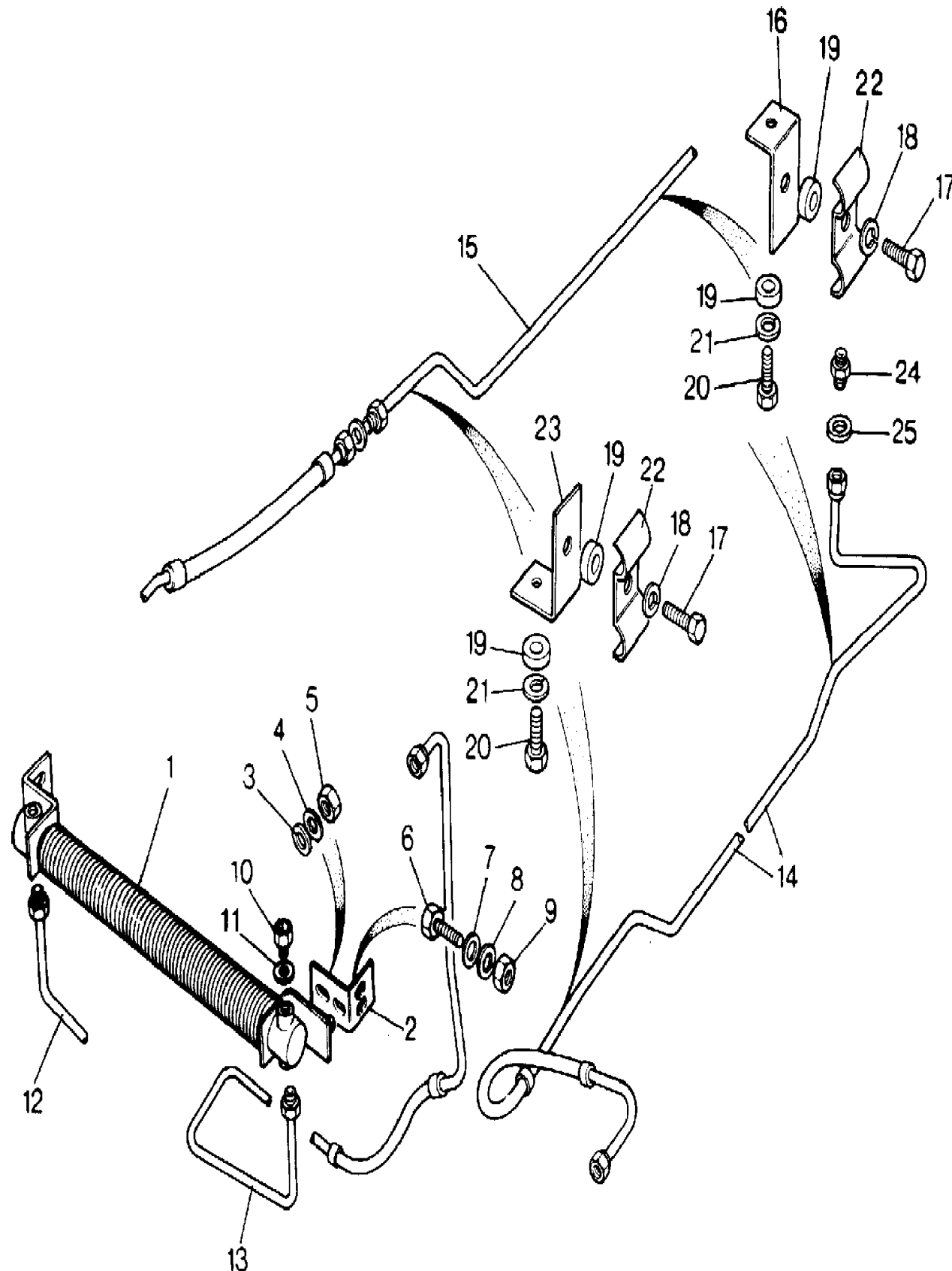
(TS6553A)

Gearbox
ZF-4 Speed-Automatic
Oil Cooler

Range Rover (To HA610293)

3.9L, Automatic Transmission

Callout	Name	Application	Remarks & Restrictions	Service No.	Qty
1	Oil cooler transmission			NTC6166	1
2	Bracket-mounting oil cooler			NTC1868	1
3	Washer		6MM	WA106041L	2
4	Washer		M6, sprung	WL106001L	2
5	Nut - Hex.		M6, nyloc, Hexagonal	NH106041L	2
6	Screw		M6 X 16, hexagonal head	SH106161L	4
7	Washer		6MM	WA106041L	4
8	Washer		M6, sprung	WL106001L	4
9	Nut - Hex.		M6, nyloc, Hexagonal	NH106041L	4
10	Switch-transmission oil cooler temperature			PRC3139	1
				PRC8473	1
11	Washer-sealing			232039	1
12	Pipe-oil cooler/transmission		Front	NTC5799	1
13	Pipe-oil cooler/transmission		Also serviced as part of a kit	NTC5743	1
14	Pipe-transmission/oil cooler		Also serviced as part of a kit	NTC5741	1
15	Pipe-oil cooler/transmission		Also serviced as part of a kit	NTC5838	1
16	Bracket-mounting oil pipe			NTC5794	1
17	Screw		M6 X 20, hexagonal head	SH106201L	2
18	Washer		M6, sprung	WL106001L	2
19	Washer-Plain			4266L	4
20	Screw		hexagonal head, 5/8UNC x 1	SH505081L	2
21	Washer		M8, sprung	WL108001L	2
22	Clamp			594637	2
23	Bracket-mounting oil pipe			NTC5897	1



Gearbox
ZF-4 Speed-Automatic
Oil Cooler 2/2

Range Rover (To HA610293)

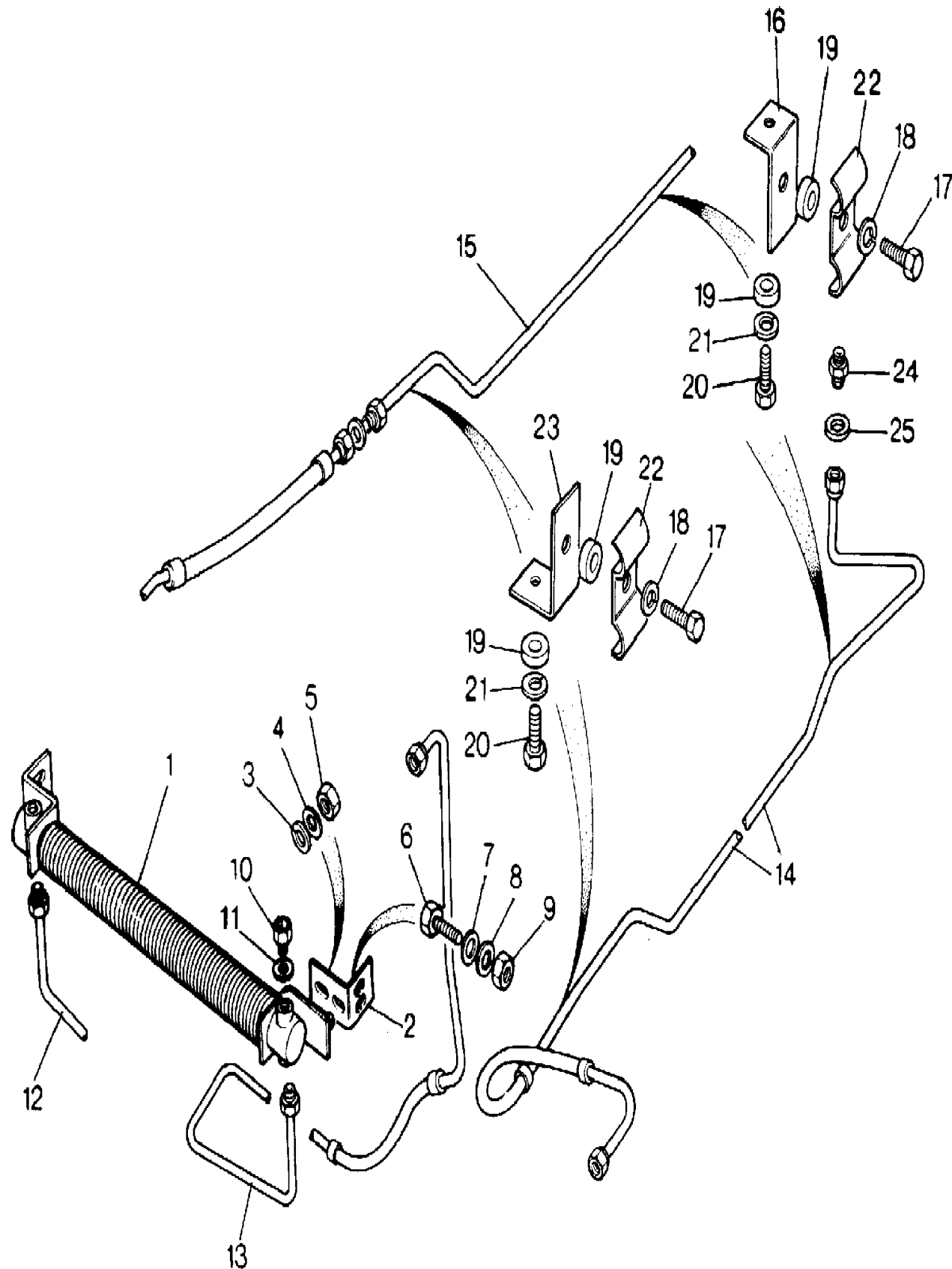
(TS6553A)

Gearbox
ZF-4 Speed-Automatic
Oil Cooler

Range Rover (To HA610293)

3.9L, Automatic Transmission

Callout	Name	Application	Remarks & Restrictions	Service No.	Qty
24	Adaptor-pipe-dual male			FTC815	2
25	Seal			FTC1525	2
[900]	O Ring		Also serviced as part of a kit	ESR1594L	3



Gearbox
ZF-4 Speed-Automatic
Oil Pump 1/1

Range Rover (To HA610293)

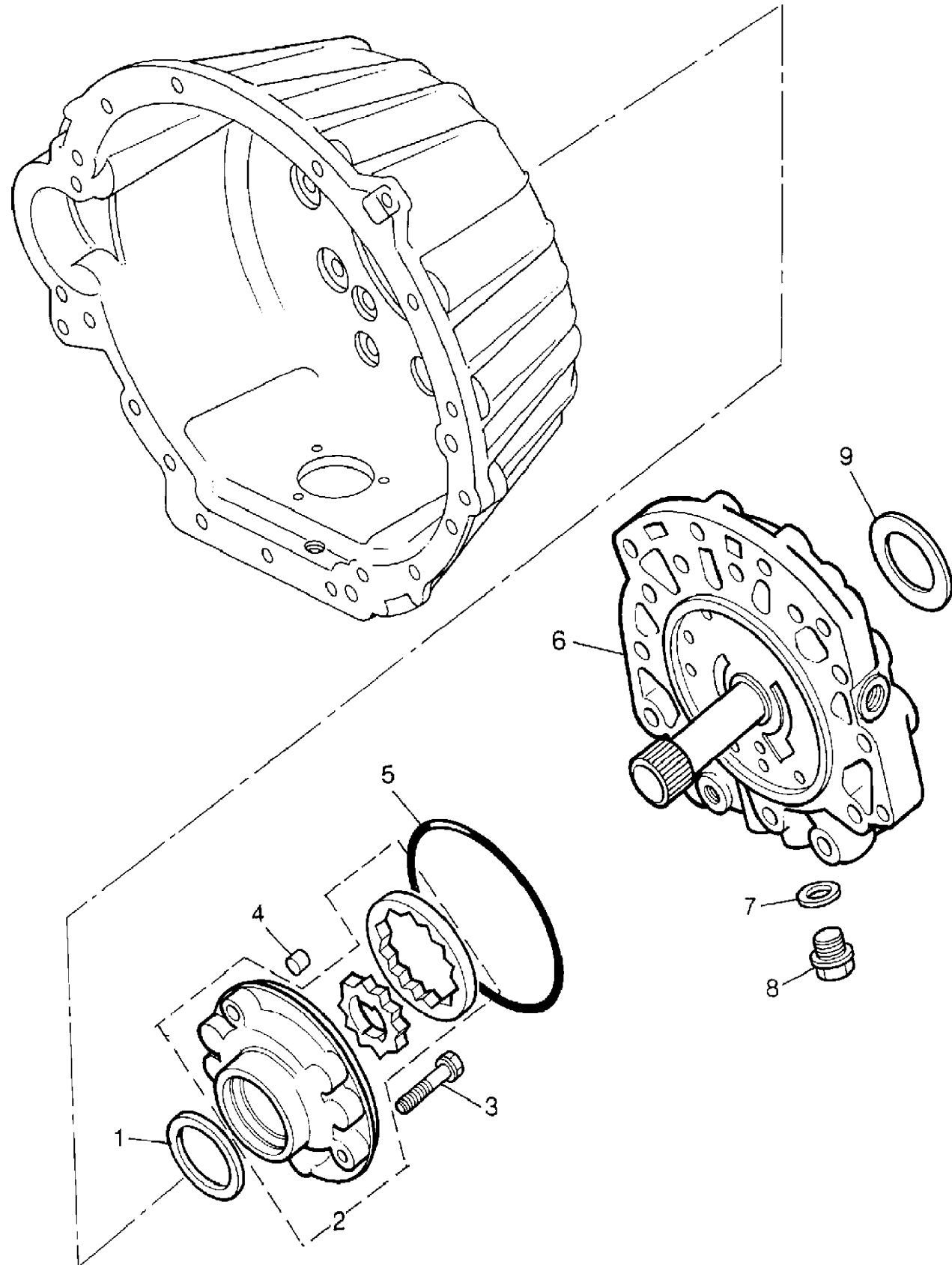
(TS5819)

Gearbox
ZF-4 Speed-Automatic
Oil Pump

Range Rover (To HA610293)

Automatic Transmission

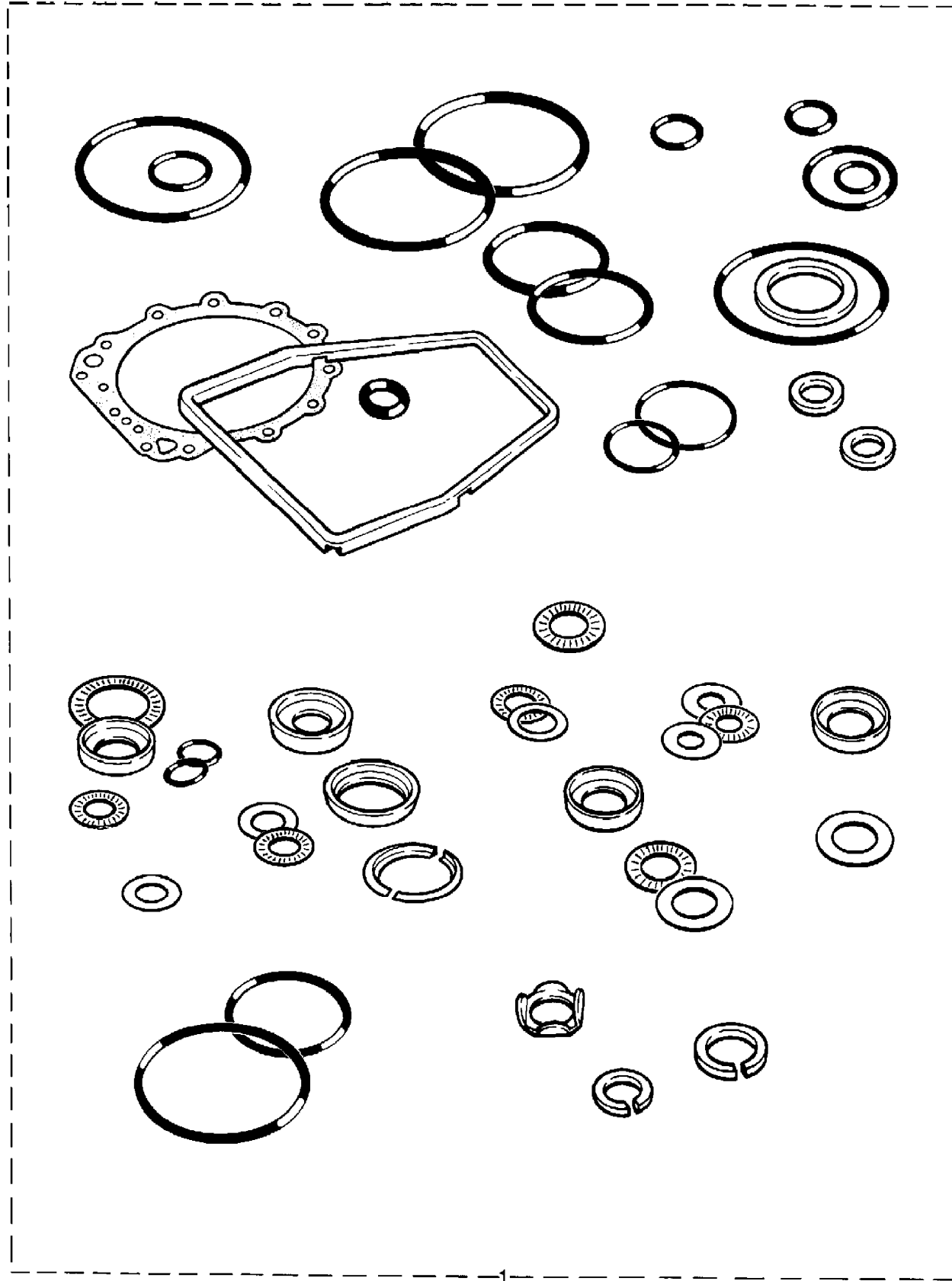
Callout	Name	Application	Remarks & Restrictions	Service No.	Qty
1	Seal		auto trans oil pump	RTC5102	1
2	Pump-transmission oil			RTC5104	1
				STC224	1
3	Screw		M6 x 28	RTC5105	8
4	Dowel-pin			RTC5106	1
5	O Ring		auto trans oil pump to intermediate plate	RTC5103	1
6	Plate		Intermediate	RTC5107	1
7	Washer-sealing			RTC4338	1
8	Plug-blanking			RTC4336	1
9	Shim		2.8MM 2.6MM 2.4MM 2.20MM 2.00MM 1.80MM 1.6MM 1.40MM 1.20MM 1.0MM	RTC5108 RTC5109 RTC5110 RTC5111 RTC5112 RTC5113 RTC5114 RTC5115 RTC5116 RTC5117	X X X X X X X X X X



Gearbox
ZF-4 Speed-Automatic
Service Kits 1/1

Range Rover (To HA610293)

(TS6051)



Range Rover (To HA610293)

Gearbox
ZF-4 Speed-Automatic
Service Kits

Automatic Transmission

Callout	Name	Application	Remarks & Restrictions	Service No.	Qty
1	Kit-gasket automatic transmission			RTC5100	1
[900]	Kit-automatic transmission bearing overhaul			RTC5101	1

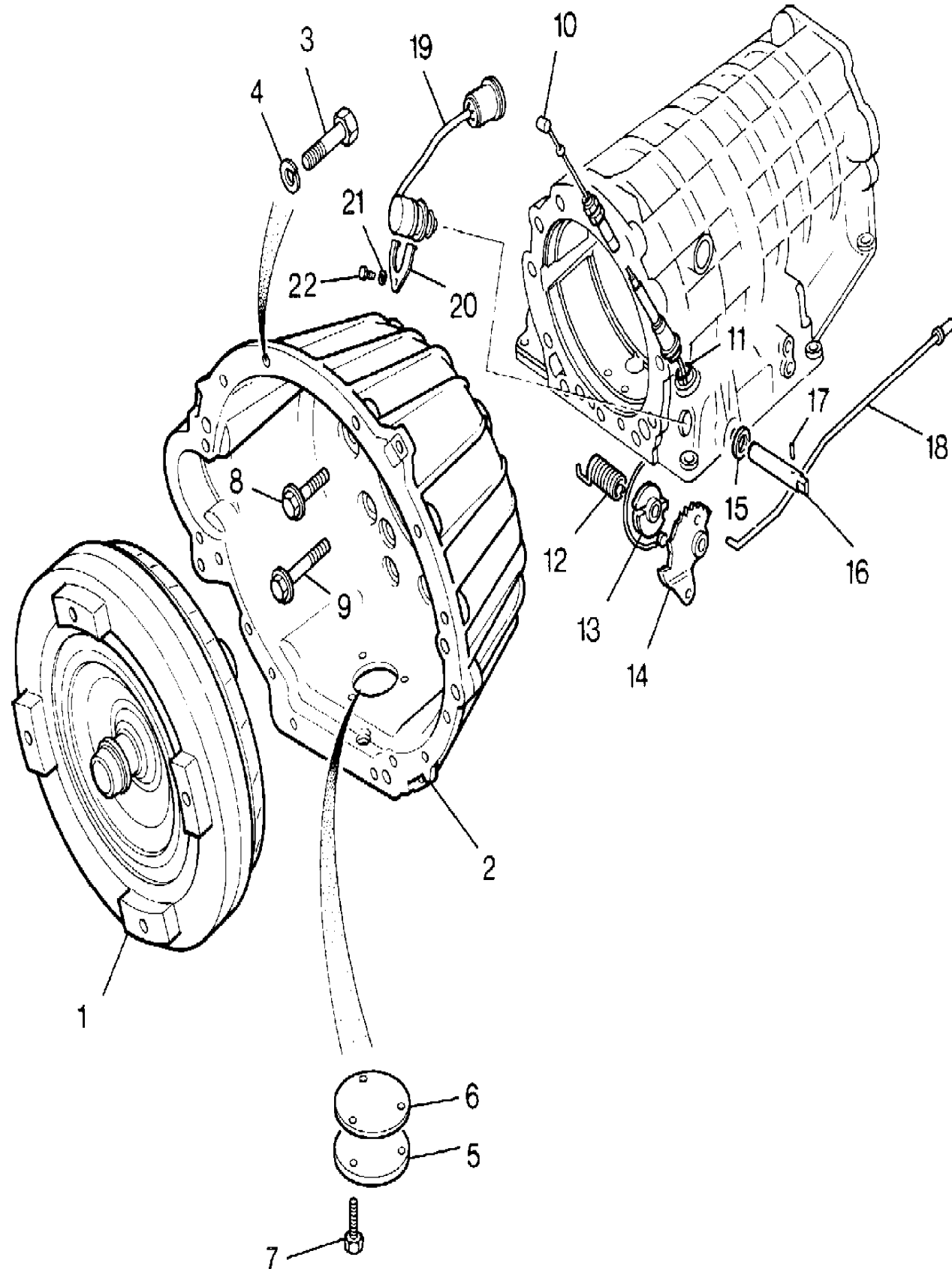
Gearbox
ZF-4 Speed-Automatic
Torque Converter & Housing 1/2

Range Rover (To HA610293)
(TS5825A)

Gearbox
ZF-4 Speed-Automatic
Torque Converter & Housing

Automatic Transmission

Callout	Name	Application	Remarks & Restrictions	Service No.	Qty
1	Converter assembly automatic transmission			FRC5981	1
2	Housing assembly-torque converter automatic transmission			RTC6594	1
3	Bolt		hexagonal head, 3/8UNC x 2	BH506161L	8
4	Washer-Spring		3/8	WL600061L	8
5	Cover assembly-coverter automatic transmission			FRC7706	1
6	Gasket-converter housing lower access cover			FRC7707	1
7	Screw		hexagonal head, M6 x 15	SH106151L	3
8	Bolt		hexagonal head, M10 x 30	FB110301L	6
9	Bolt		Flanged Head, M10 x 70	FB110141L	12
10	Cable assembly-kickdown automatic transmission			RTC4854	1
11	O Ring			RTC4648	1
12	Spring-lever detent selector mechanism			RTC4288	1
13	Lever assembly-selector selector mechanism			RTC4658	1
14	Lever-detent automatic transmission			RTC4286	1
15	Seal selector mechanism			RTC4289	1
16	Shaft automatic transmission			RTC4285	1
17	Pin-roll-spring tension			RTC4290	1
18	Rod assembly-kickdown automatic transmission			RTC4291	1



Gearbox
ZF-4 Speed-Automatic
Torque Converter & Housing 2/2

Range Rover (To HA610293)

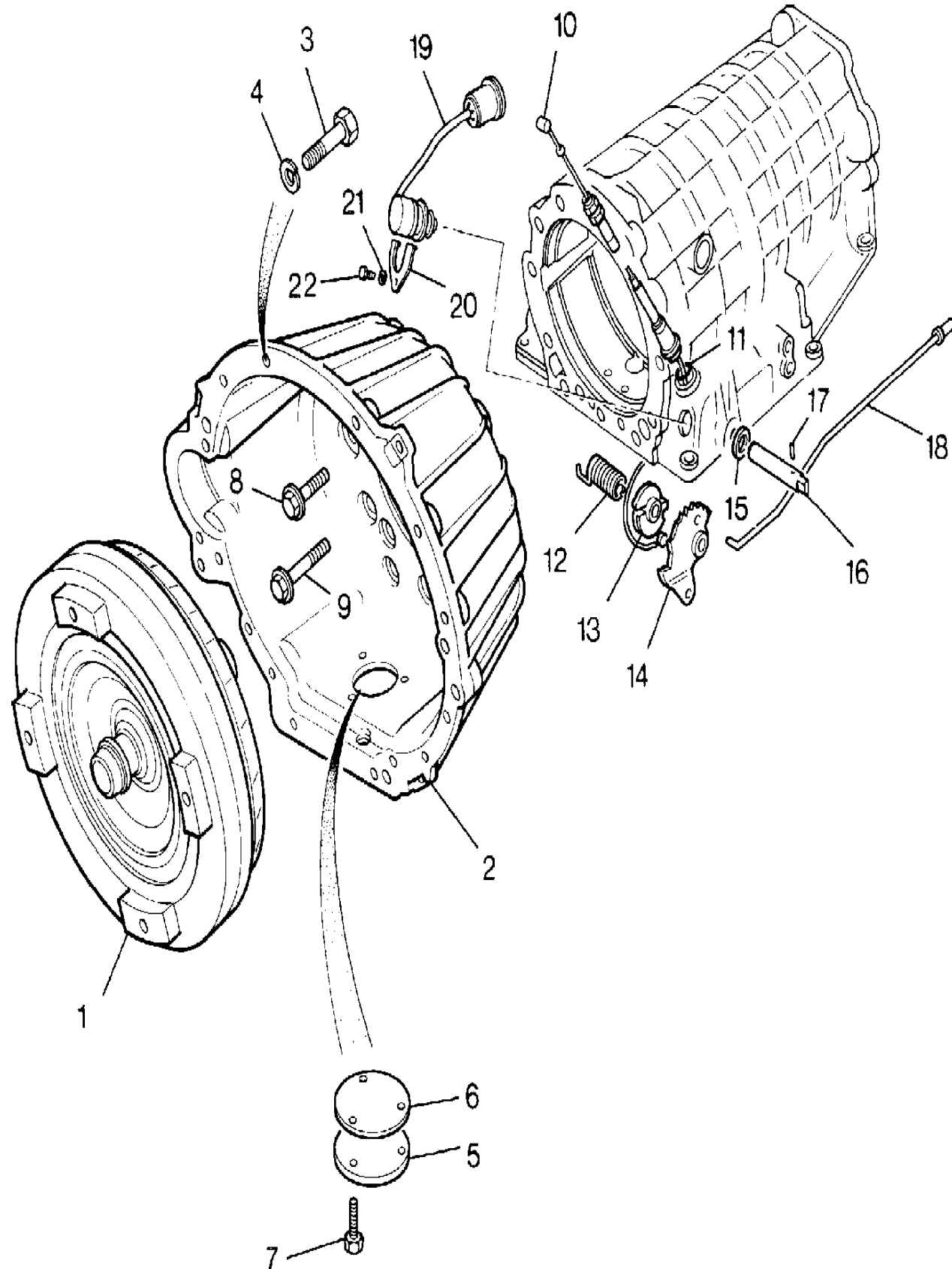
(TS5825A)

Gearbox
ZF-4 Speed-Automatic
Torque Converter & Housing

Range Rover (To HA610293)

Automatic Transmission

Callout	Name	Application	Remarks & Restrictions	Service No.	Qty
19	Switch-inhibitor change selector			RTC4937	1
20	Plate-inhibitor switch detent			RTC4644	1
21	Washer-Spring			RTC4643	1
22	Screw			RTC4645	1
[900]	Plug-coolant drain			3290	1
[901]	Plate-transfer box detent spring retaining			RTC5203	1



Gearbox
ZF-4 Speed-Automatic
Web Shaft & Fourth Gear 1/1

Range Rover (To HA610293)

(CACPIA1B)

Gearbox
ZF-4 Speed-Automatic
Web Shaft & Fourth Gear

Range Rover (To HA610293)

Automatic Transmission

Callout	Name	Application	Remarks & Restrictions	Service No.	Qty
1	Set-ring automatic transmission			RTC5183	2
2	Shaft-sun gear			RTC5182	1
3	Gear assembly-planetary automatic transmission	Front		RTC5185	1
4	Ring-snap automatic transmission			RTC5181	1
5	Gear-ring automatic transmission	Front		RTC5180	1
6	Gear assembly-planetary automatic transmission	Front		RTC5188	1
7	Ring-snap automatic transmission	Rear, Large		RTC5190	1
8	Ring-snap automatic transmission			RTC5181	1
9	Gear-ring automatic transmission	Centre		RTC5184	1
10	Shaft-intermediate transmission			RTC5186	1
11	Ring-snap automatic transmission	Rear		RTC5187	1
12	Shaft-spider			RTC5189	1
13	Gear-automatic transmission sun			RTC5191	1
14	Gear assembly-planetary automatic transmission	Rear		RTC5192	1
15	Gear-ring automatic transmission	Rear		RTC5193	1
[901]	O Ring			STC334	3

