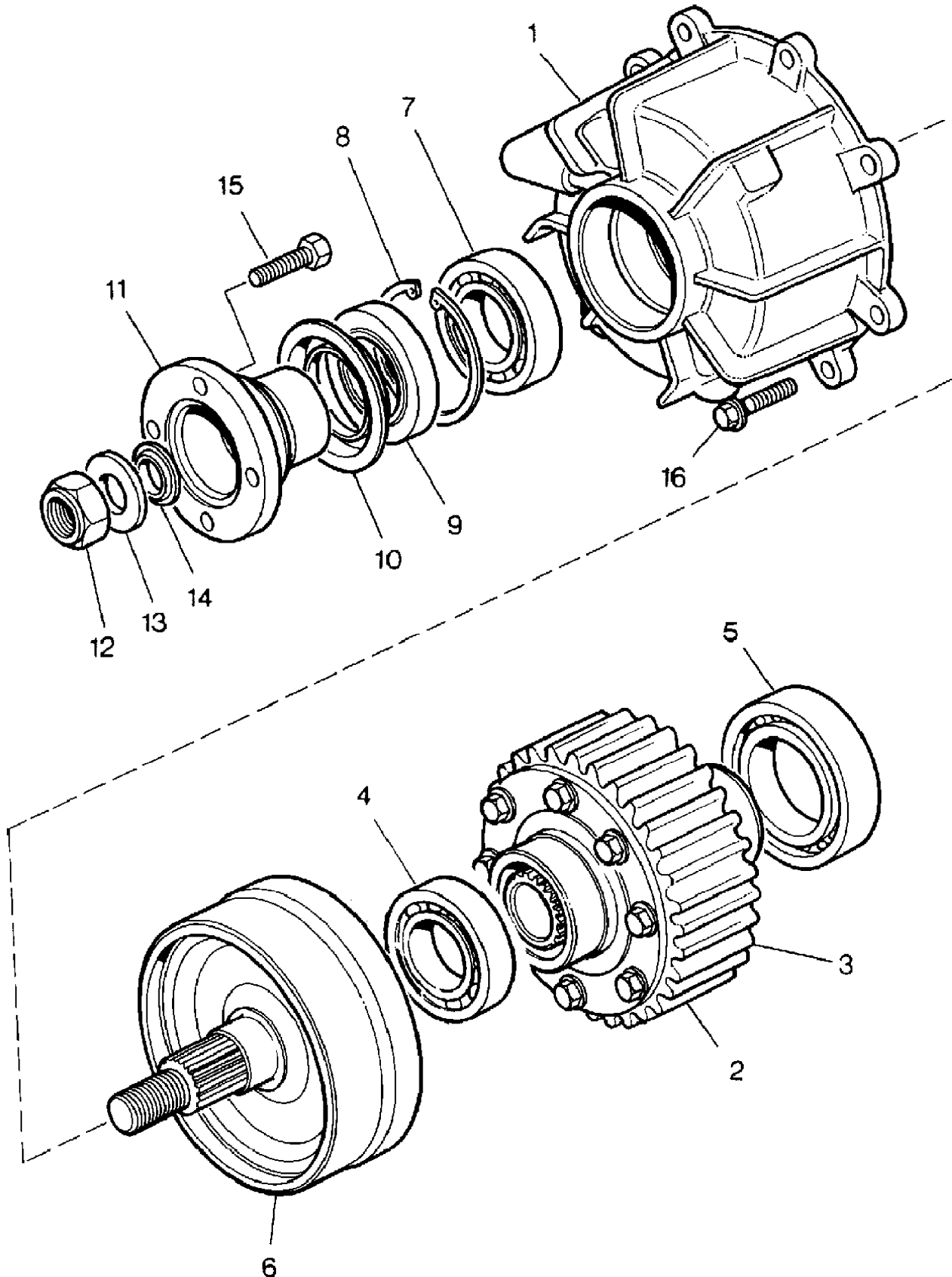


Transfer Box  
 Borg Warner-NV225  
 Front Flange & Viscous Coupling 1/1

Range Rover (To HA610293)

(TS6568)



Range Rover (To HA610293)

Transfer Box  
 Borg Warner-NV225  
 Front Flange & Viscous Coupling

Callout	Name	Application	Remarks & Restrictions	Service No.	Qty
1	Housing-viscous coupling unit		Front	RTC6091	1
2	Differential assembly-transfer box			RTC6060	1
3	Chain drive-transfer gear box			STC365	1
4	Bearing-roller differential			RTC6015	1
5	Bearing-ball			RTC6018	1
6	Viscous coupling unit-transfer box			RTC6044	1
7	Bearing-ball		Rear	RTC6025	1
8	Retainer			RTC6020	1
9	Seal-transfer box output			FRC7043	1
10	Mudshield-transfer box oil seal		Rear	571970	1
11	Flange assembly-front output		Also serviced as part of a kit	RTC6059	1
12	Nut-hexagonal-nyloc		M20	NY120041L	1
13	Washer			571468	1
14	Seal-transfer box output flange spline			RTC6363	1
15	Bolt		3/8UNC x 1 1/4	BT606101L	4
16	Bolt			RTC6371	8

Transfer Box  
Borg Warner-NV225  
Front Housing 1/1

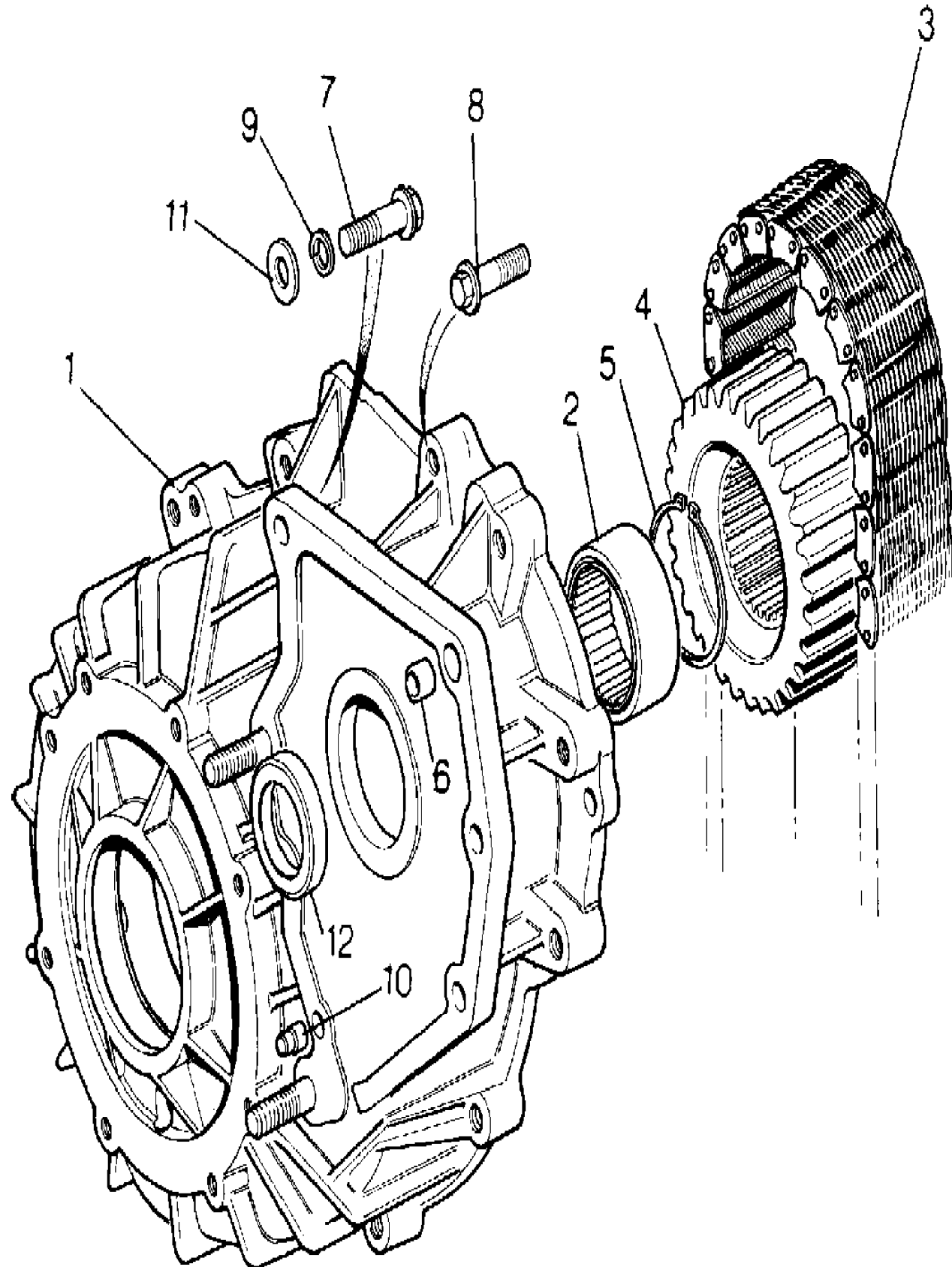
Range Rover (To HA610293)

(TS6565)

Transfer Box  
Borg Warner-NV225  
Front Housing

Range Rover (To HA610293)

Callout	Name	Application	Remarks & Restrictions	Service No.	Qty
1	Casing-transfer box			RTC6053	1
2	Bearing-needle roller			RTC6045	1
3	Chain drive-transfer gear box			RTC6041	1
4	Sprocket-transfer box			STC364	1
5	Circlip			RTC6046	1
6	Dowel-ring		15.0mm	FRC2482	1
7	Bolt		M10 x 35 M10 X 45	FRC9540 FRC9541	2 1
8	Bolt			RTC6370	6
9	Washer		M10	WL110001L	6
10	Dowel			571134	1
11	Washer		M10	WA110061L	3
12	Seal			FRC2365	1



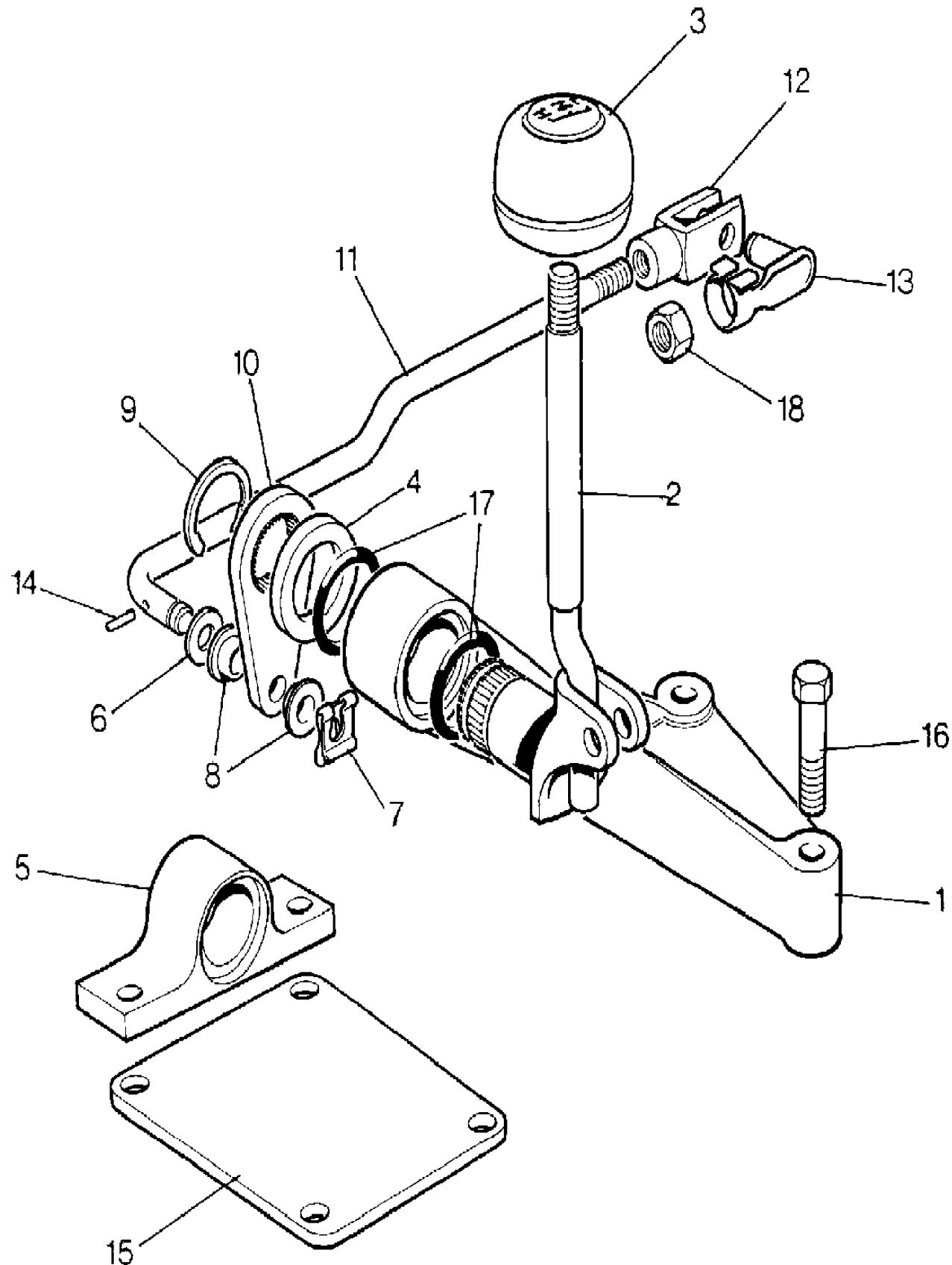
Transfer Box  
Borg Warner-NV225  
Gear Change 1/1

**Range Rover (To HA610293)**  
(TS6571A)

Transfer Box  
Borg Warner-NV225  
Gear Change

**Range Rover (To HA610293)**

Callout	Name	Application	Remarks & Restrictions	Service No.	Qty
1	Housing-transfer box		Less Shift Interlock	FTC623	1
2	Lever-transfer box		Less Shift Interlock	FTC625	1
3	Knob assembly-transfer box change		Less Shift Interlock, Plastic, Bokhara	FTC1242RUN	1
4	Spacer		Less Shift Interlock	FTC622	1
5	Hinge-bonnet arm		Less Shift Interlock	FTC624	1
6	Washer		Less Shift Interlock, 8MM	WA108051L	1
7	Pin-split		Less Shift Interlock	FRC8548	1
8	Bush		Less Shift Interlock	FRC4499	4
9	Circlip		Less Shift Interlock	FRC8825	1
10	Fork-high/low selector		Less Shift Interlock	FTC1045	1
11	Rod assembly-connecting		Less Shift Interlock	FTC580	1
12	Pin assembly-clevis		Less Shift Interlock	FRC9796	1
13	Clip-spring steel		Less Shift Interlock	FRC9797	1
14	Pin-roll		Less Shift Interlock	FRC8394	1
15	Plate		Less Shift Interlock	FRC8816	1
16	Bolt		Less Shift Interlock, hexagonal head, M8 x 40	BH108081L	2
17	O Ring		Less Shift Interlock	FTC839	2
18	Nut - Hex.		Less Shift Interlock, hexagonal head	NT108041L	1
[900]	Pin-clevis/pivot		Less Shift Interlock	FRC8547	1



Transfer Box  
Borg Warner-NV225  
High/Low Gear 1/1

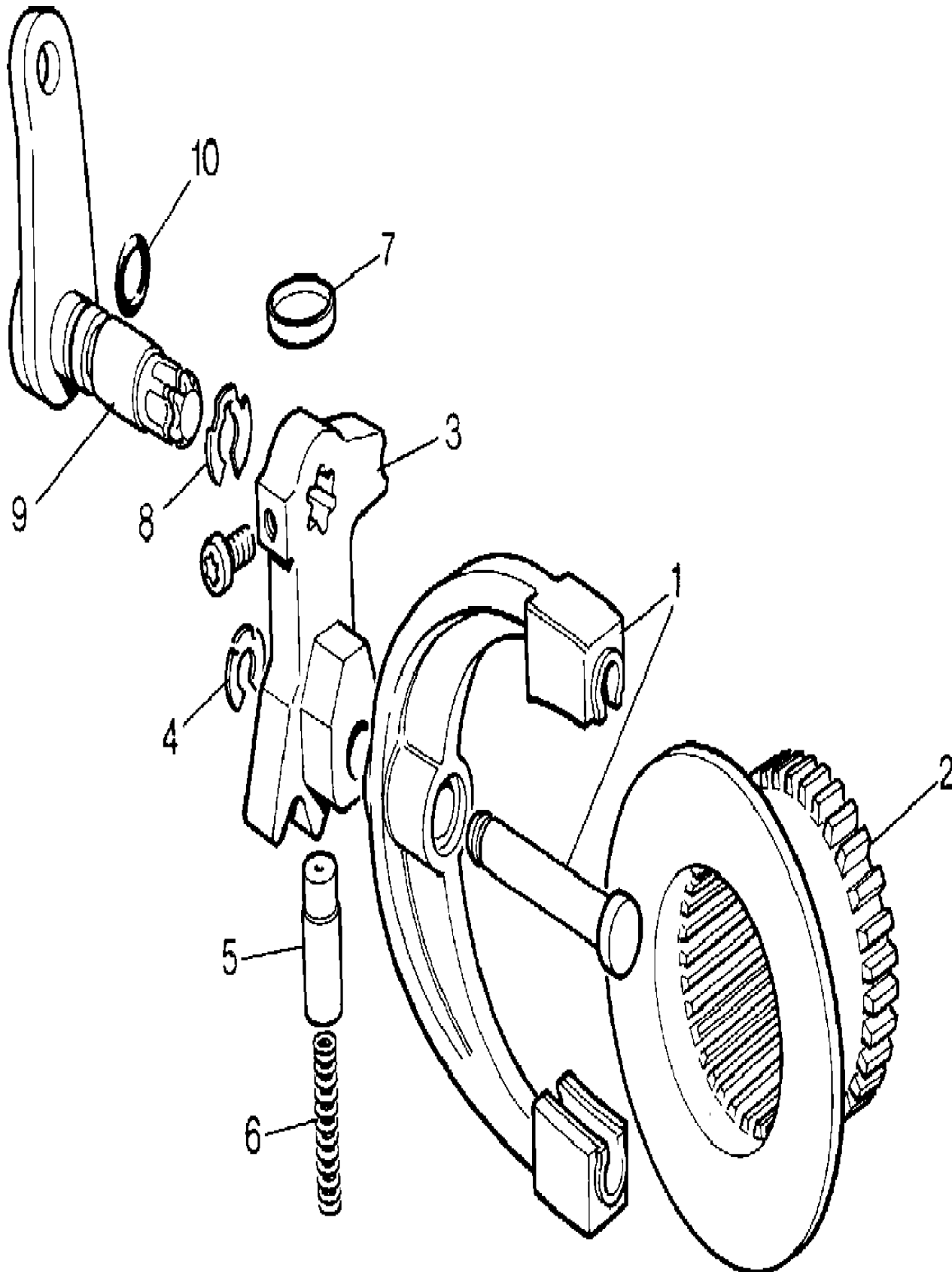
Range Rover (To HA610293)

(TS6569)

Transfer Box  
Borg Warner-NV225  
High/Low Gear

Range Rover (To HA610293)

Callout	Name	Application	Remarks & Restrictions	Service No.	Qty
1	Fork-high/low selector			RTC6057	1
2	Hub-reduction			RTC6092	1
3	Detent assembly-selector mechanism manual transmission			RTC6032	1
4	Retainer			RTC6035	1
5	Plunger-detent-transfer box			RTC5996	1
6	Spring			RTC5998	1
7	Plug-blanking			RTC6036	1
8	Clip			RTC6049	1
9	Lever assembly-transfer box			RTC6029	1
10	Seal selector mechanism			RTC6031	1



Transfer Box  
Borg Warner-NV225  
Mainshaft Gear 1/1

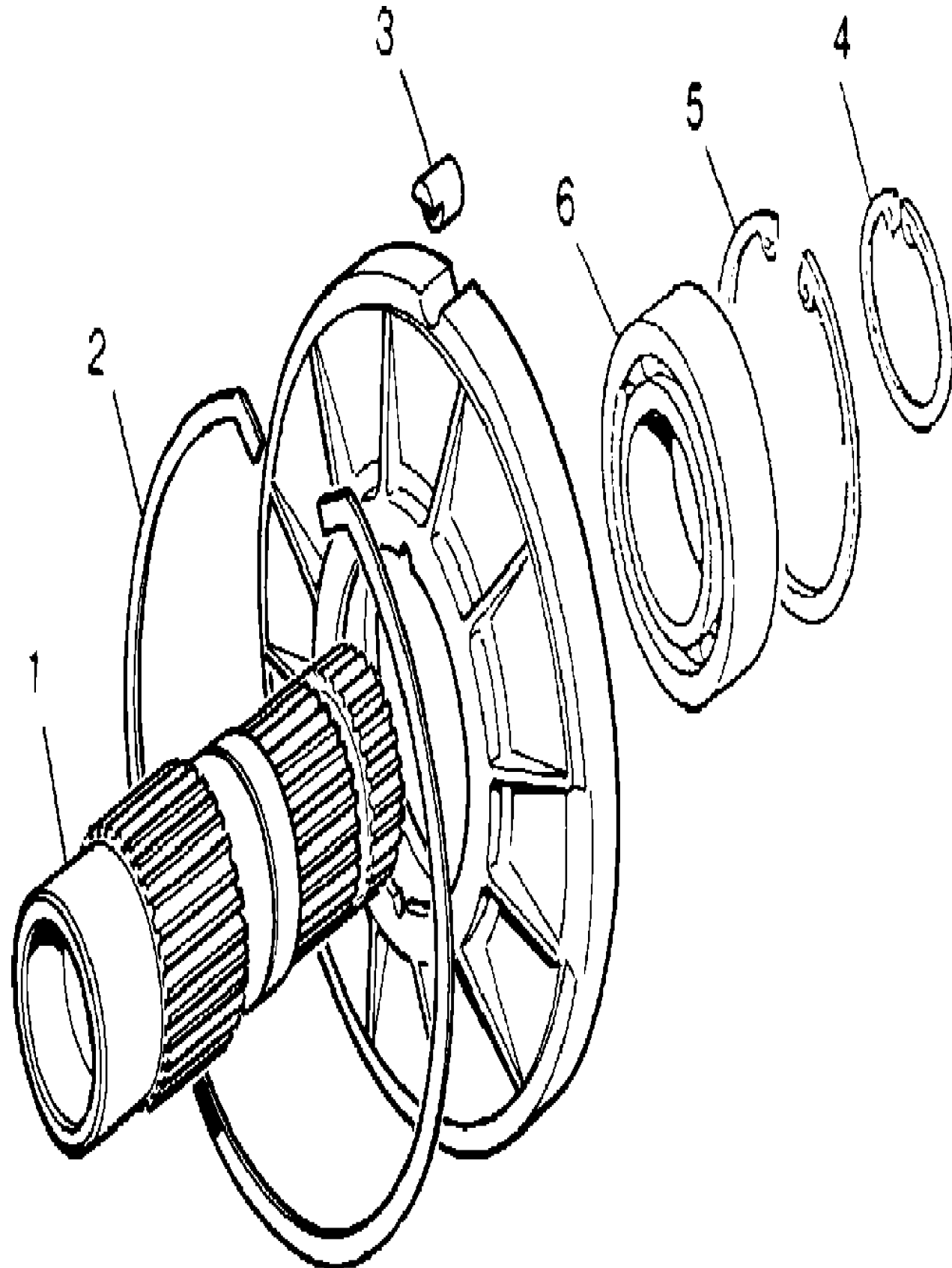
Range Rover (To HA610293)

(TS6573)

Transfer Box  
Borg Warner-NV225  
Mainshaft Gear

Range Rover (To HA610293)

Callout	Name	Application	Remarks & Restrictions	Service No.	Qty
1	Shaft-main-transfer box			RTC6561	1
2	Retainer			RTC6040	1
3	Dowel			RTC6039	1
4	Circlip			RTC6038	1
5	Circlip			RTC6037	1
6	Bearing-ball			RTC6018	1



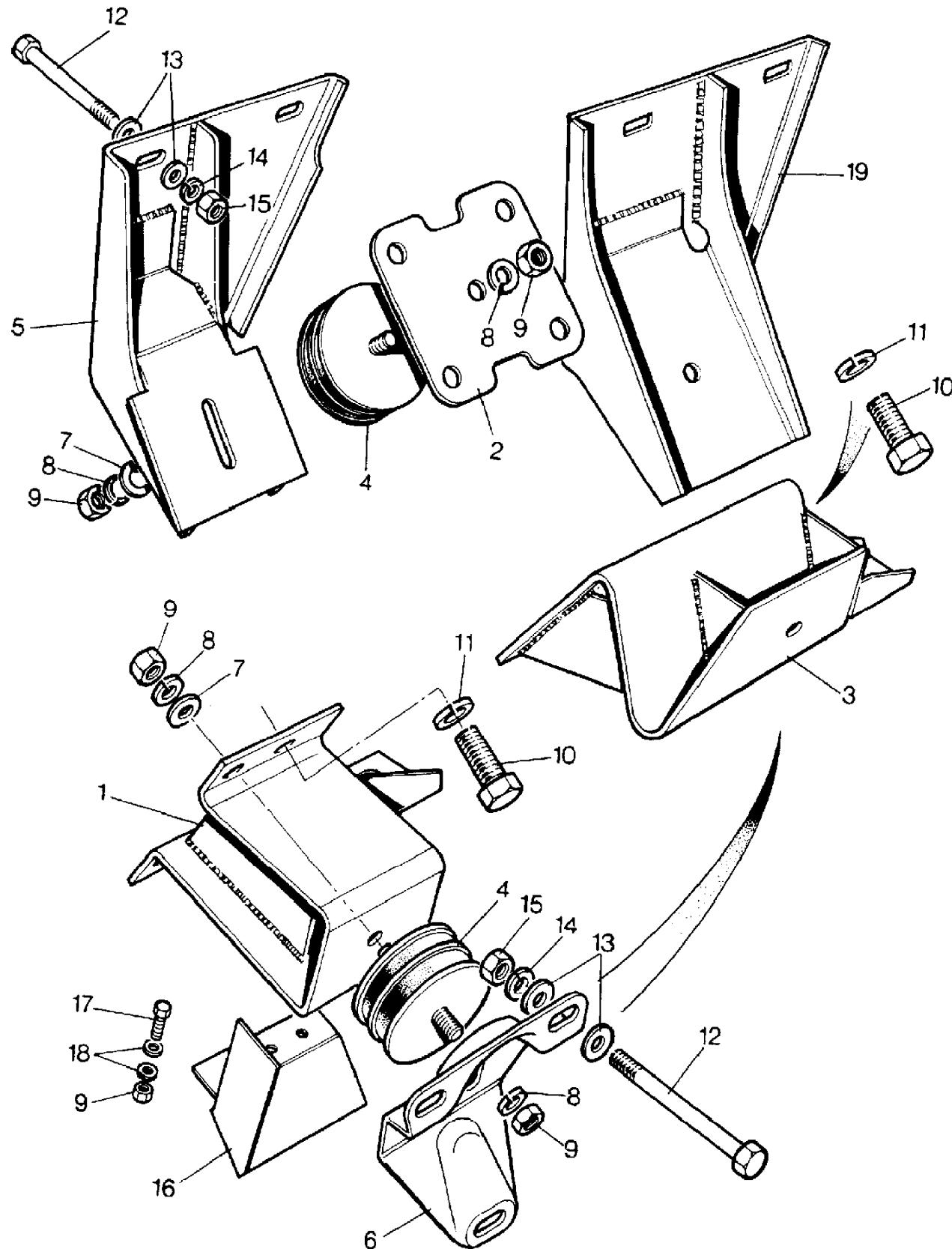
Transfer Box  
Borg Warner-NV225  
Mounting Brackets 1/1

Range Rover (To HA610293)

(TS6292A)

Range Rover (To HA610293)

Transfer Box  
Borg Warner-NV225  
Mounting Brackets

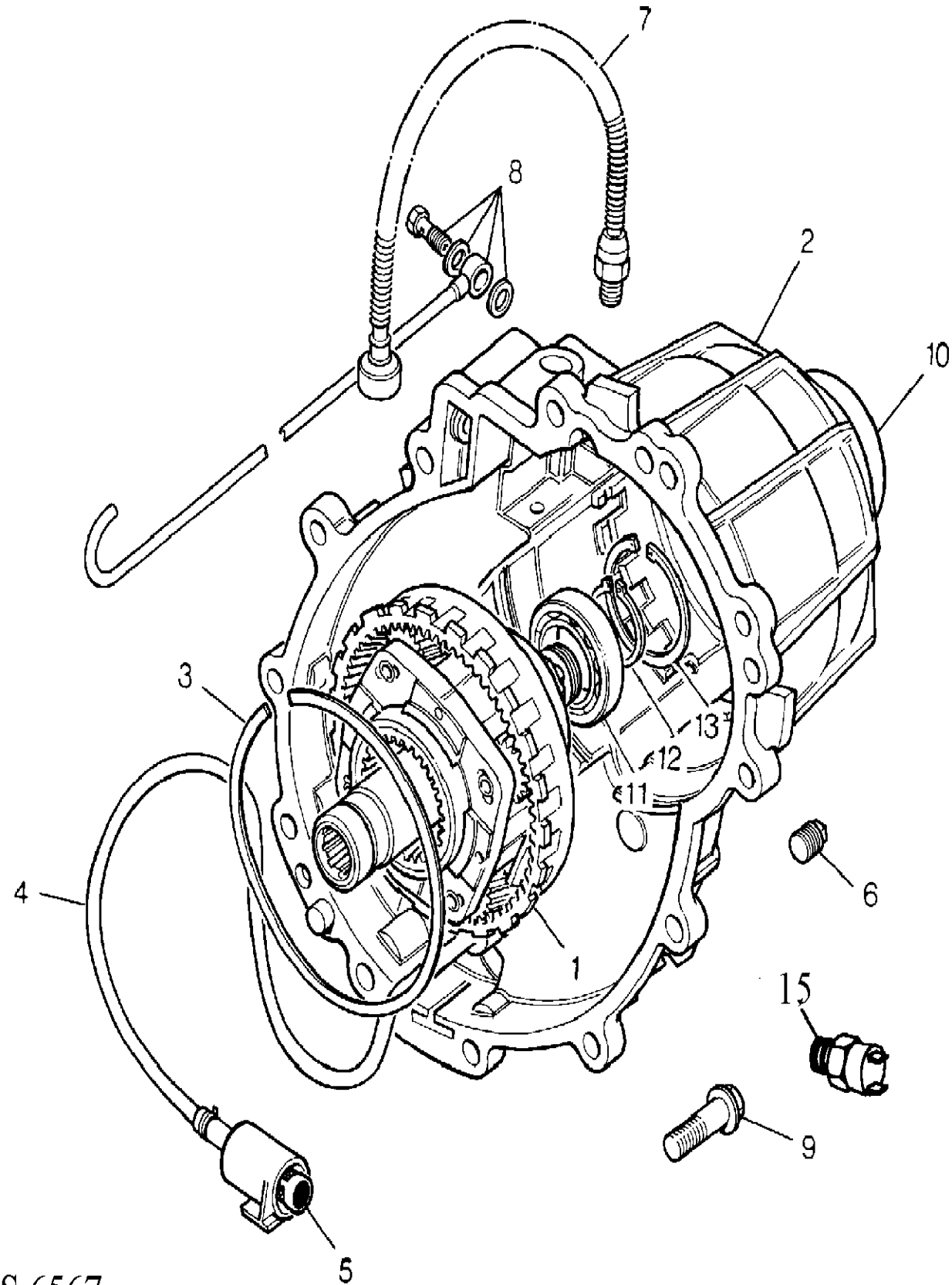


Callout	Name	Application	Remarks & Restrictions	Service No.	Qty
1	Bracket-Transmission Mounting		LH	NTC4474	1
2	Bracket-Transmission Mounting		Rear, RH	NTC7269	1
3	Bracket-Transmission Mounting		Rear, LH	NRC6528	1
4	Mounting-rubber		M10	NTC5890	2
5	Bracket-Transmission Mounting	3.5L, Automatic Transmission	Rear, RH	NRC7136	1
6	Bracket-Transmission Mounting		Rear, LH	90575585	1
7	Washer		M10	WA110061L	1
8	Washer		3/8", Square	WM600061L	4
9	Nut - Hex.		hexagonal head, 3/8UNF	NH606041L	6
10	Screw		hexagonal head	SH112252L	6
11	Washer			WL112001L	6
12	Bolt		hexagonal head, M8 x 100	BH108201L	6
13	Washer		8MM	WA108051L	12
14	Washer-Spring			W1108001L	6
15	Nut - Hex.		M8, hexagonal head	NH108041L	6
16	Heatshield-bracket			NTC4255	1
17	Screw		M6, hexagonal head	SH106061L	2
18	Washer		6MM	WA106041L	2
19	Bracket-engine mounting	3.5L, Manual Transmission 3.9L, Automatic Transmission		NTC4985 NTC4985	1 1

Transfer Box  
Borg Warner-NV225  
Oil Pump 1/1

Range Rover (To HA610293)

(TS6567)



Range Rover (To HA610293)

Transfer Box  
Borg Warner-NV225  
Oil Pump

Callout	Name	Application	Remarks & Restrictions	Service No.	Qty
1	Carrier and pump assy-transfer box			RTC6014	1
2	Casing-transfer box	Change point - VIN end FA389823 Change point - VIN begin FA389824		RTC6054 STC161	1 1
3	Retainer			RTC5995	1
4	Pipe-transfer box oil supply			RTC6022	1
5	Filter-transfer box oil			RTC6011	1
6	Plug-drain/filler level			RTC6021	1
7	Switch-neutral-transfer box			PRC6609	1
8	Tube-breather transmission case			FRC9427	1
9	Bolt			RTC6370	11
10	Cap-differential bearing			RTC6024	1
11	Bearing-ball			RTC6019	1
12	Circlip			RTC6023	1
13	Retainer			RTC6020	1
14	Connector-oil feed pipe			STC774	1
15	Switch-transfer box temperature sensor	Change point - VIN begin FA397892		PRC7984	1

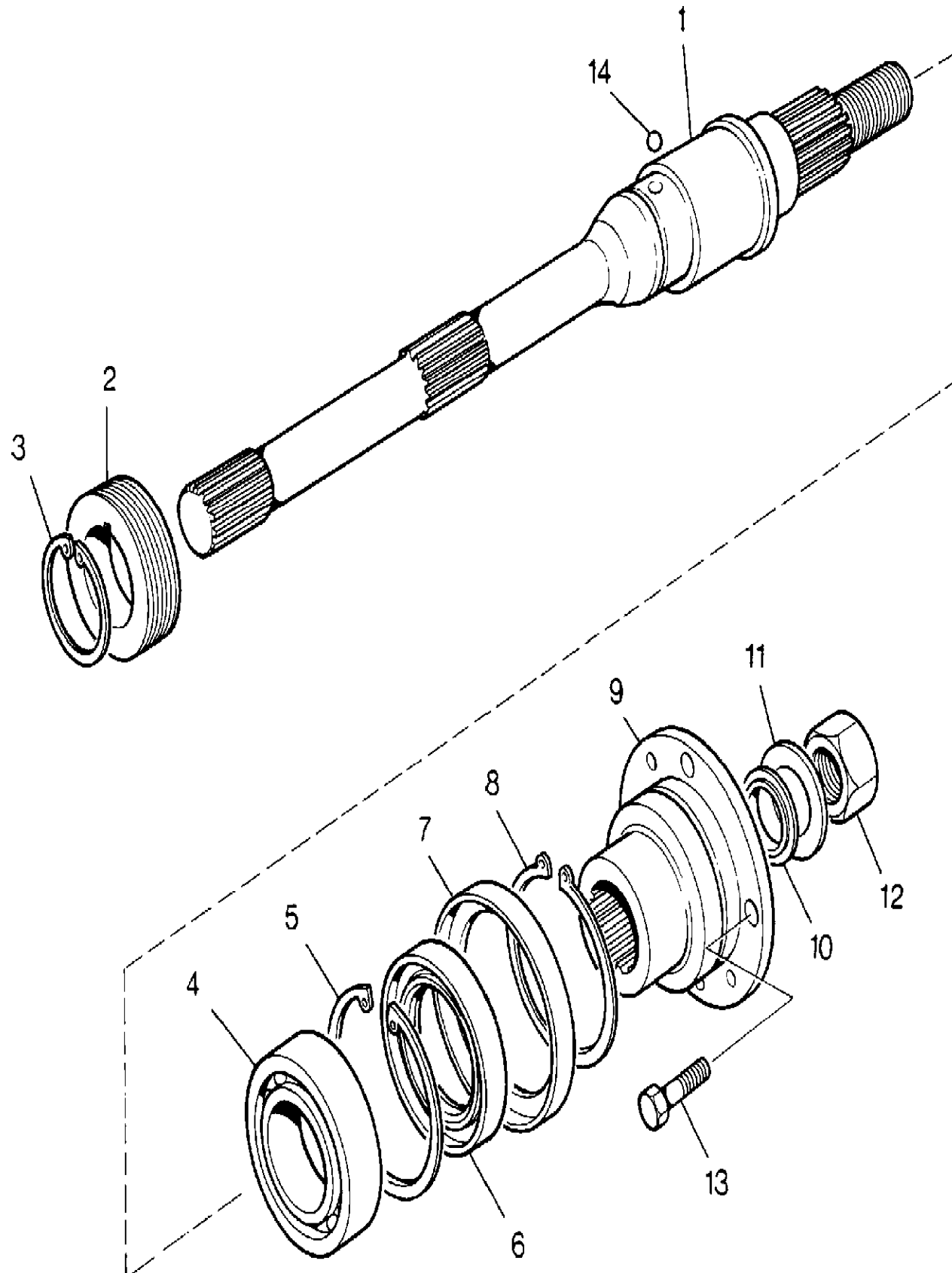
Transfer Box  
 Borg Warner-NV225  
 Rear Flange & Output Shaft 1/1

Range Rover (To HA610293)

(TS6572)

Range Rover (To HA610293)

Transfer Box  
 Borg Warner-NV225  
 Rear Flange & Output Shaft



Callout	Name	Application	Remarks & Restrictions	Service No.	Qty
1	Shaft-rear output			FTC657	1
2	Gear-speedometer drive			RTC6026	1
3	Circlip			RTC6028	1
4	Bearing-ball			RTC3406	1
5	Circlip		Large	216962	1
6	Seal-transfer box output			FRC7043	1
7	Mudshield-transfer box oil seal		Rear	571970	1
8	Circlip			571682	1
9	Flange assembly-rear output			FRC5438	1
10	Washer			FRC2464	1
11	Washer			571468	1
12	Nut-hexagonal-nyloc		M20	NY120041L	1
13	Bolt		3/8UNF x 1 3/4	FRC3602	4
14	Bearing-ball		'10', 5MM	RTC6027	10



Transfer Box  
Borg Warner-NV225  
Speedo Housing 1/1

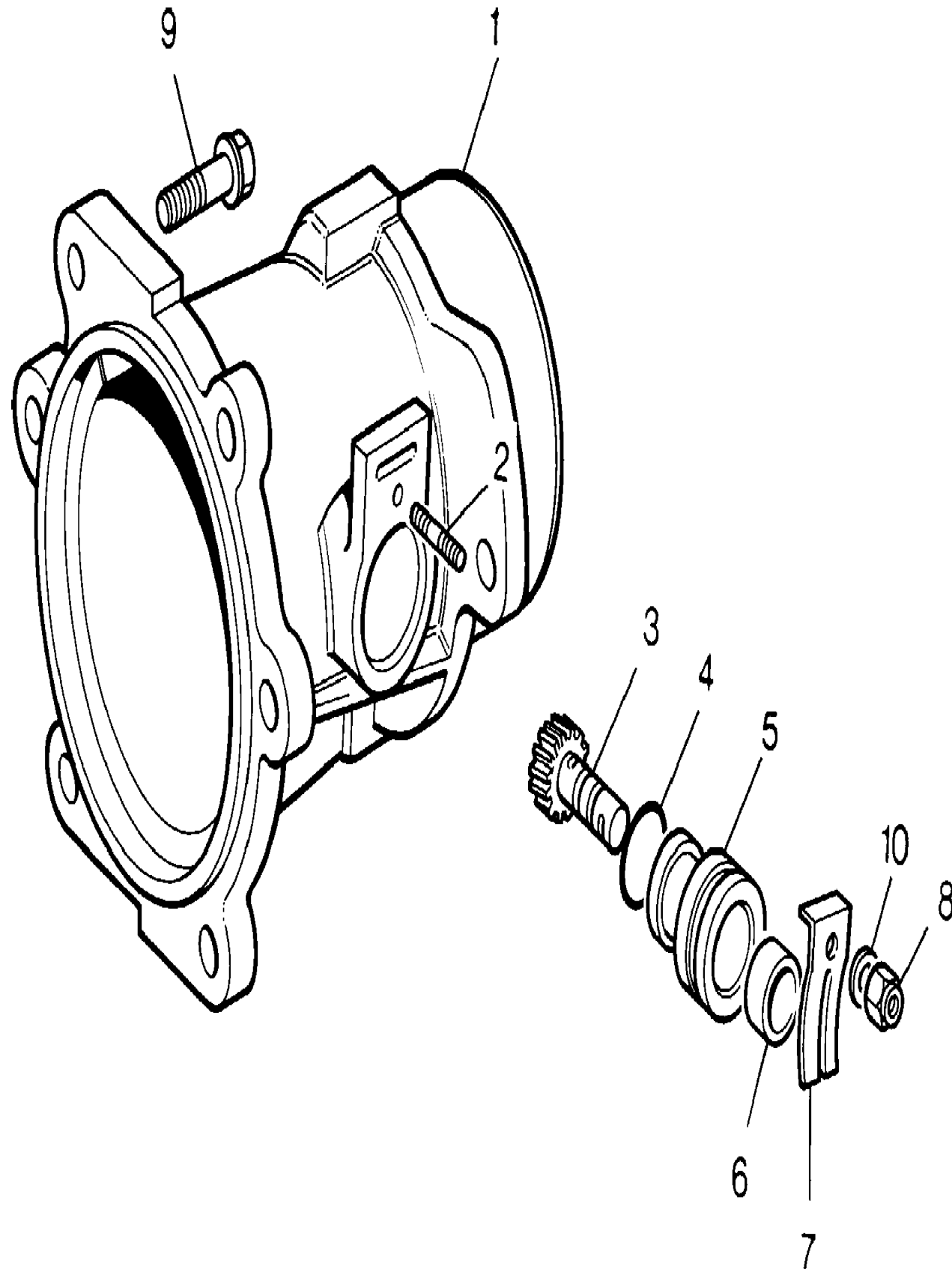
Range Rover (To HA610293)

(TS6570)

Transfer Box  
Borg Warner-NV225  
Speedo Housing

Range Rover (To HA610293)

Callout	Name	Application	Remarks & Restrictions	Service No.	Qty
1	Housing.			RTC6090	1
2	Stud			571536	1
3	Gear-speedometer drive		23 Teeth	FRC9339	1
4	O Ring			571665	1
5	Housing-spindle			FRC3286	1
6	Seal-oil speedometer pinion			AAU2304	1
7	Plate-oil seal retainer			533765	1
8	Nut - Hex.		M6, hexagonal head, nyloc	NY106041L	1
9	Bolt			RTC6370	6
10	Washer		6MM	WA106041L	1



Transfer Box  
Borg Warner-NV225  
Transfer Assembly 1/1

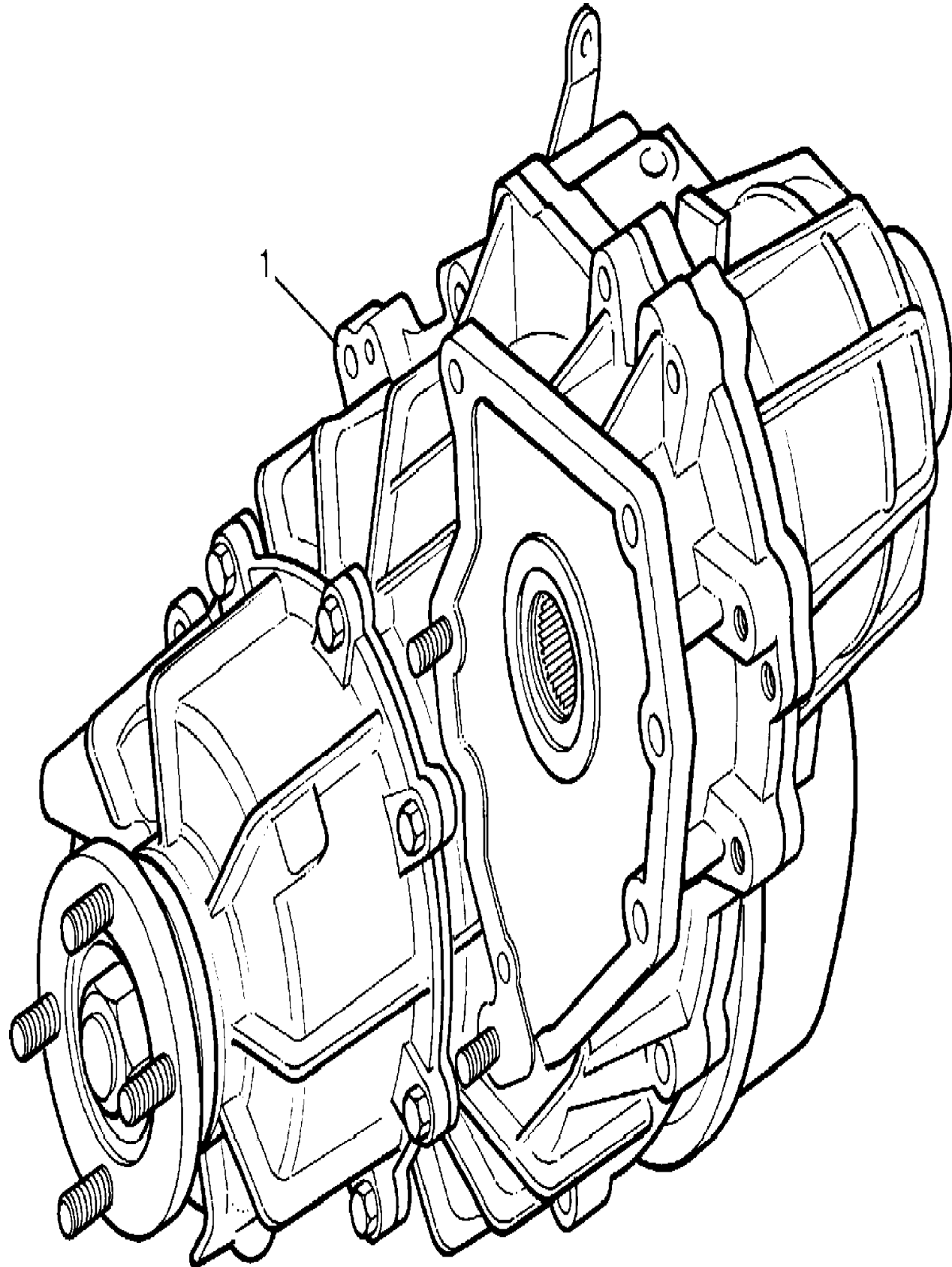
Range Rover (To HA610293)

(TS6566)

Range Rover (To HA610293)

Transfer Box  
Borg Warner-NV225  
Transfer Assembly

Callout	Name	Application	Remarks & Restrictions	Service No.	Qty
1	Transfer Box		New	FTC1564N	1



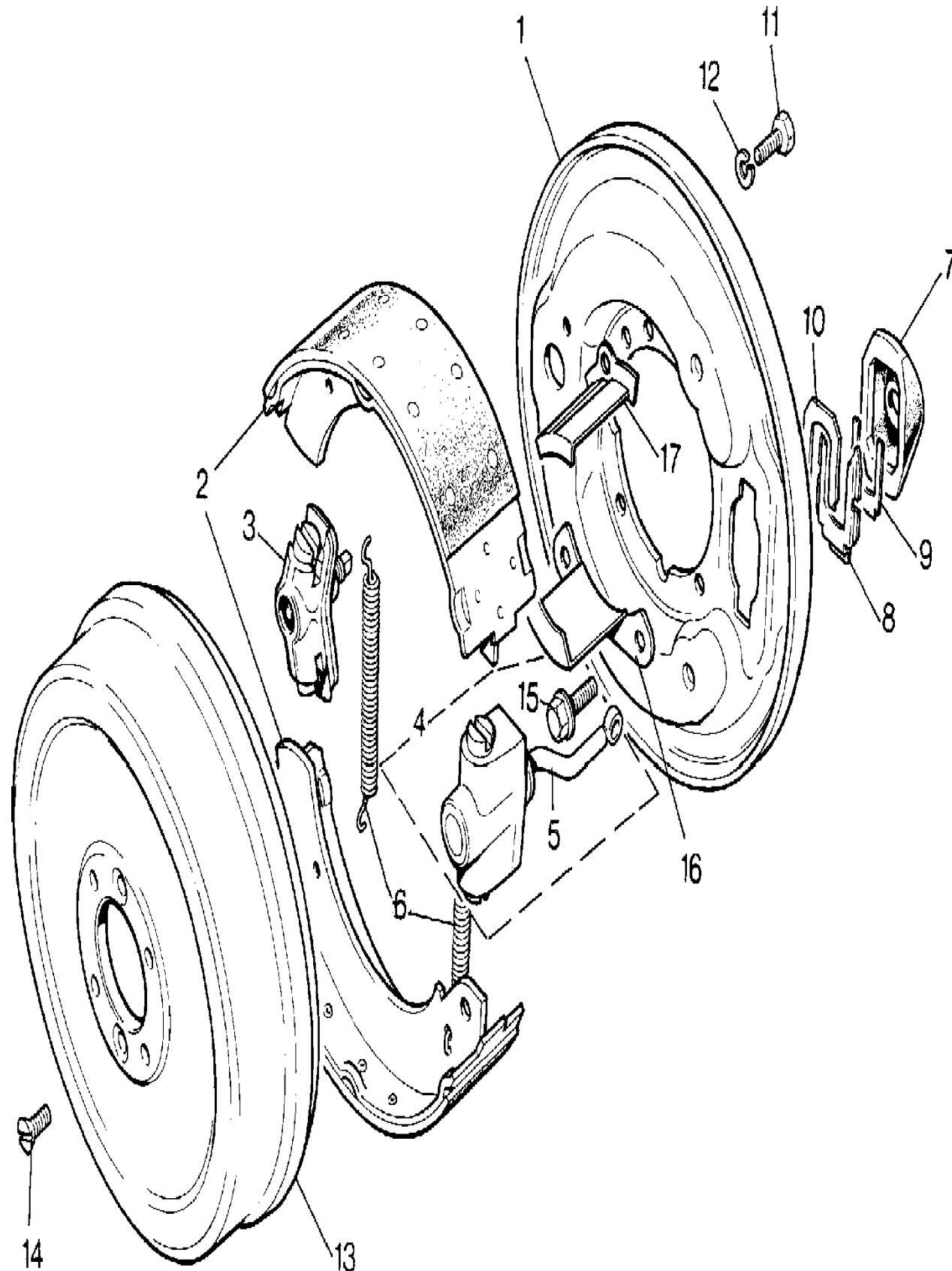
Transfer Box  
Borg Warner-NV225  
Transmission Brake 1/1

Range Rover (To HA610293)

(VS3957A)

Range Rover (To HA610293)

Transfer Box  
Borg Warner-NV225  
Transmission Brake



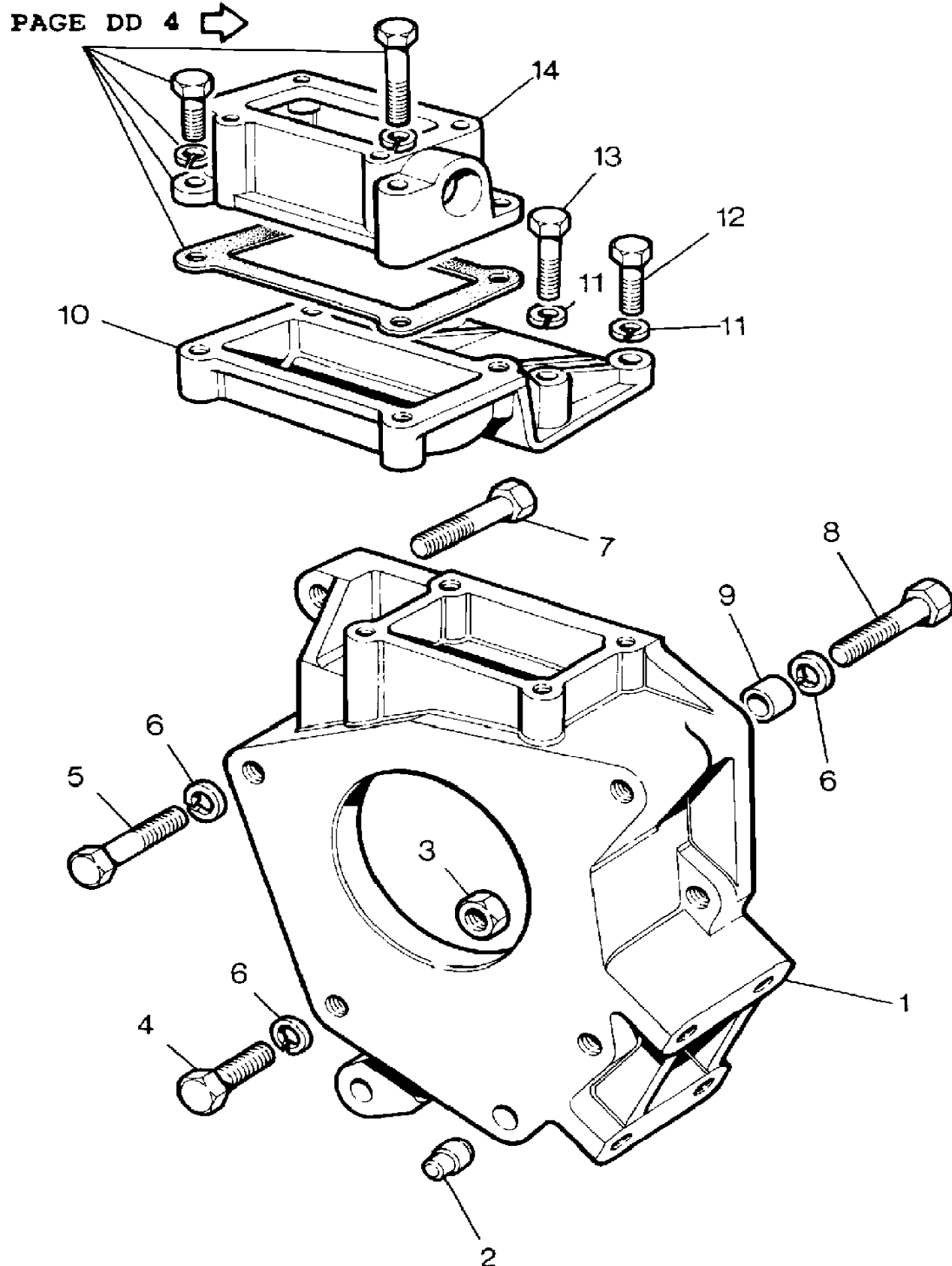
Callout	Name	Application	Remarks & Restrictions	Service No.	Qty
1	Backplate-transmission brake assembly	Change point - VIN end FA394481 Change point - VIN begin FA394482		AEU2733 STC243	1 1
2	Kit-transmission brake shoe	Change point - VIN end FA394481 Change point - VIN begin FA394482	Asbestos Free Asbestos Free	RTC6179 RTC6179	1 1
3	Adjuster assembly-transfer box brake shoe	Change point - VIN end FA394481 Change point - VIN begin FA394482	Also serviced as part of a kit	37H4558L STC244	1 1
4	Expander assembly-transfer box brake shoe	Change point - VIN begin FA394482	Also serviced as part of a kit	AEU2734	1
5	Connecting rod assembly brake			AEU2736	1
6	Spring-return	Change point - VIN end FA394481 Change point - VIN begin FA394482	Green Green	FRC8549 STC246	2 1
7	Cover-dust wheel cylinder			515466	1
8	Plate-locking			515467	1
9	Plate-packing			515470	1
10	Plate			515468	1
11	Screw			AEU2737	2
12	Washer			AEU2738	2
13	Drum-transmission brake		Black	FRC3502	1
14	Screw		counter sunk, M8 x 20	SA108201L	2
15	Bolt			AFU1400	4
16	Catcher-transfer box transmission brake oil			FRC8093	1
17	Catcher-transfer box transmission brake oil			FTC547	1
[900]	Washer		3/8", Square	WM600061L	2

Transfer Box  
 LT230T with 5 Speed-LT77 Gearbox  
 Adaptor Housing 1/1

**Range Rover (To HA610293)**  
 (VS3727)

**Range Rover (To HA610293)**

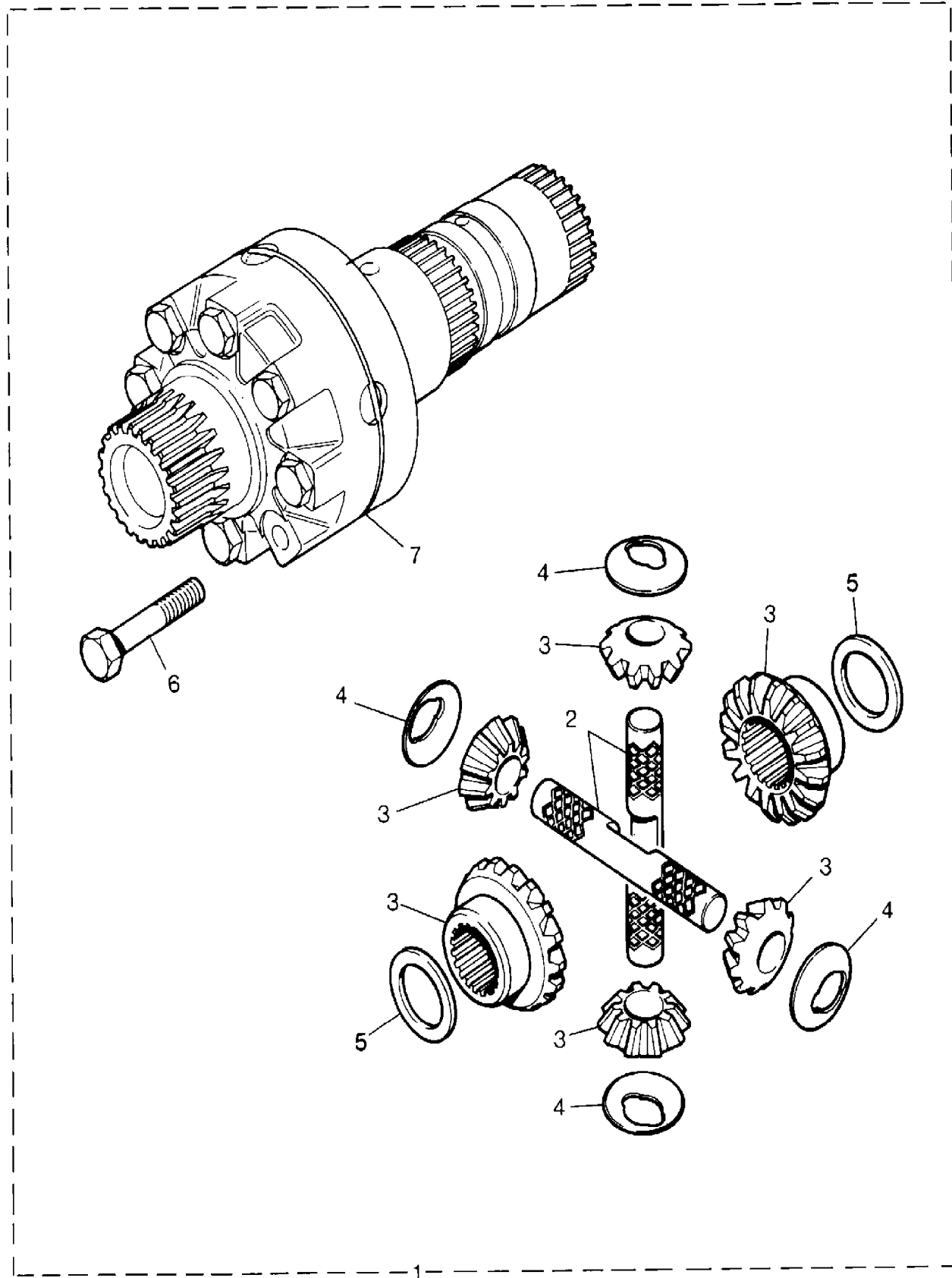
Transfer Box  
 LT230T with 5 Speed-LT77 Gearbox  
 Adaptor Housing



Callout	Name	Application	Remarks & Restrictions	Service No.	Qty
1	Housing-transfer box power take off bearing			FRC5622	1
2	Dowel			571134	1
3	Nut - Hex.		M10, hexagonal head, Coarse Thread	NH110041L	2
4	Screw			FRC5053	1
5	Screw		hexagonal head, M10 x 40	SH110401L	3
6	Washer		M10	WL110001L	12
7	Bolt		hexagonal head, M10 x 40	BH110081L	3
8	Bolt		M10 X 45	BH110091L	1
9	Dowel-ring		15.0mm	FRC2482	1
10	Housing-manual transmission gearchange			FRC8558	1
11	Washer		M8, sprung	WL108001L	4
12	Screw		M8 x 25, hexagonal head	SH108251L	2
13	Bolt		hexagonal head, M8 x 55	BH108111L	2
14	Housing assembly-gear change cross shaft			FRC8751	1
[900]	Screw		M8 x 25, hexagonal head	SH108257	2
[901]	Washer		8MM, sprung	WL108007	4

Transfer Box  
 LT230T with 5 Speed-LT77 Gearbox  
 Differential 1/1

Range Rover (To HA610293)  
 (VS3681A)



Range Rover (To HA610293)

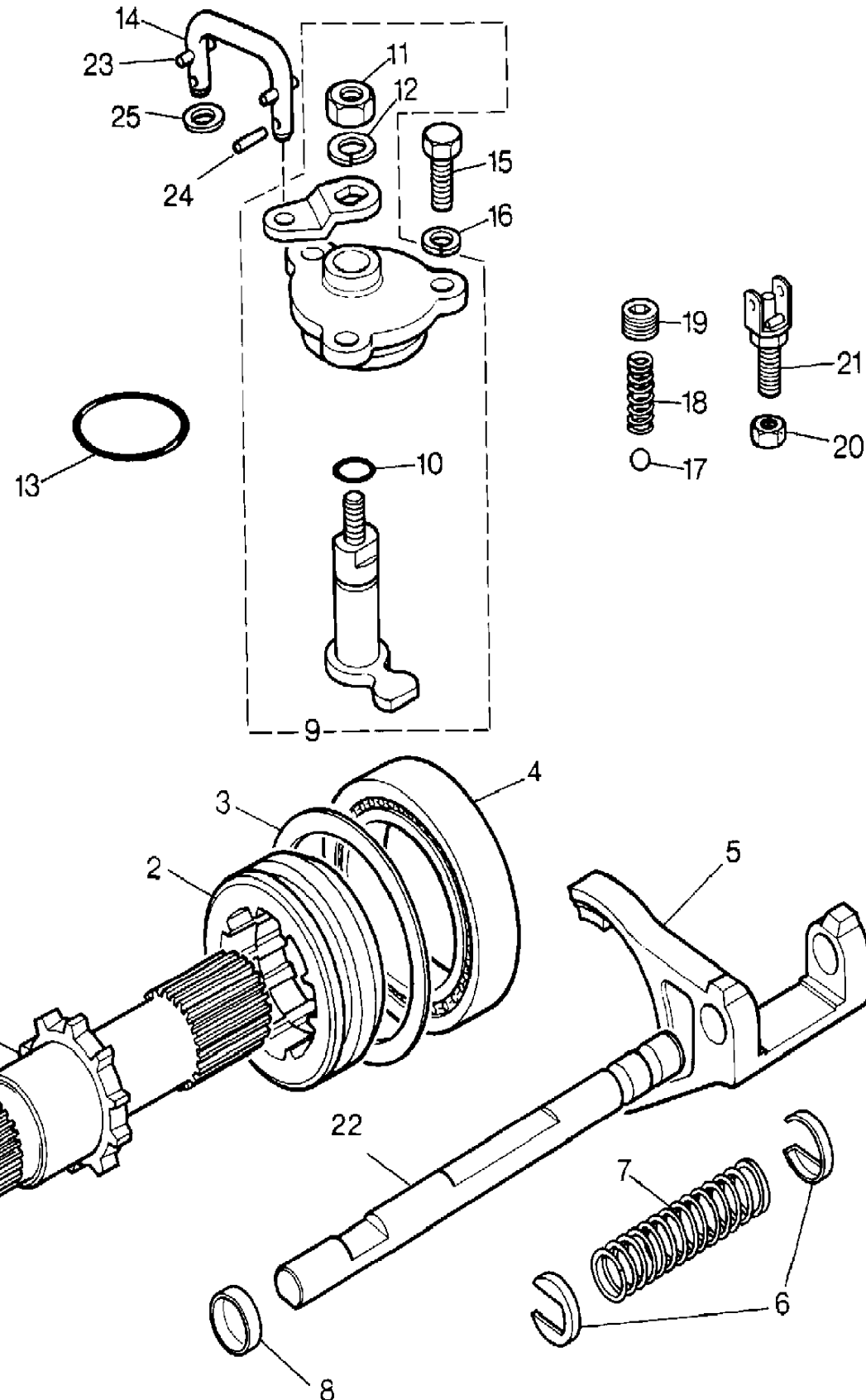
Transfer Box  
 LT230T with 5 Speed-LT77 Gearbox  
 Differential

Callout	Name	Application	Remarks & Restrictions	Service No.	Qty
1	Differential assembly-transfer box		Also serviced as part of a kit	FRC7926	1
2	Kit-shaft-cross		Also serviced as part of a kit	RTC3397	1
3	Kit-differential gears		Also serviced as part of a kit	RTC4490	1
4	Washer-thrust		Also serviced as part of a kit	FRC6968	4
5	Washer-thrust		Also serviced as part of a kit, 1.05MM Also serviced as part of a kit, 1.15MM Also serviced as part of a kit, 1.25MM Also serviced as part of a kit, 1.35MM Also serviced as part of a kit, 1.45MM	FRC9845 FRC9847 FRC9849 FRC9851 FRC9853	X X X X X
6	Bolt		Also serviced as part of a kit, Long, M10 x 60	BH110121L	8
7	Ring-transfer box differential retaining		Also serviced as part of a kit	FRC7499	1

Transfer Box  
LT230T with 5 Speed-LT77 Gearbox  
Differential Lock 1/2

Range Rover (To HA610293)

(VS3735B)



Range Rover (To HA610293)

Transfer Box  
LT230T with 5 Speed-LT77 Gearbox  
Differential Lock

Callout	Name	Application	Remarks & Restrictions	Service No.	Qty
1	Shaft assembly-front output			FRC5449	1
2	Ring-differential locking			FRC5440	1
3	Shim		2.15MM 2.20MM 2.25MM 2.30MM 2.35MM 2.40MM 2.45MM 2.50MM 2.55MM 2.60MM 2.65MM 2.70MM 2.75MM 2.8MM 2.85MM 2.90MM 2.95MM 3.0MM 3.05MM 3.10MM 3.15MM 3.20MM 3.25MM Also serviced as part of a kit, 2MM 2.05MM 2.10MM	FTC732 FTC734 FTC736 FTC738 FTC740 FTC742 FTC744 FTC746 FTC748 FTC750 FTC752 FTC754 FTC756 FTC758 FTC760 FTC762 FTC764 FTC766 FTC768 FTC770 FTC772 FTC774 FTC776 FTC726 FTC728 FTC730	1 1
4	Bearing-taper roller			FRC7871	1
5	Fork-transfer box differential lock selector			FRC6109	1
6	Clip			FRC5469	2
7	Spring-transfer box differential lock			FRC5468	1
8	Plug			FRC6110	1
9	Housing assembly-transfer box gear change		Also serviced as part of a kit	FRC8041	1
10	O Ring		Also serviced as part of a kit	FRC5576	1
11	Nut - Hex.		Also serviced as part of a kit, M8, nyloc	NY108041L	1
12	Washer		Also serviced as part of a kit, 8MM	WA108051L	1

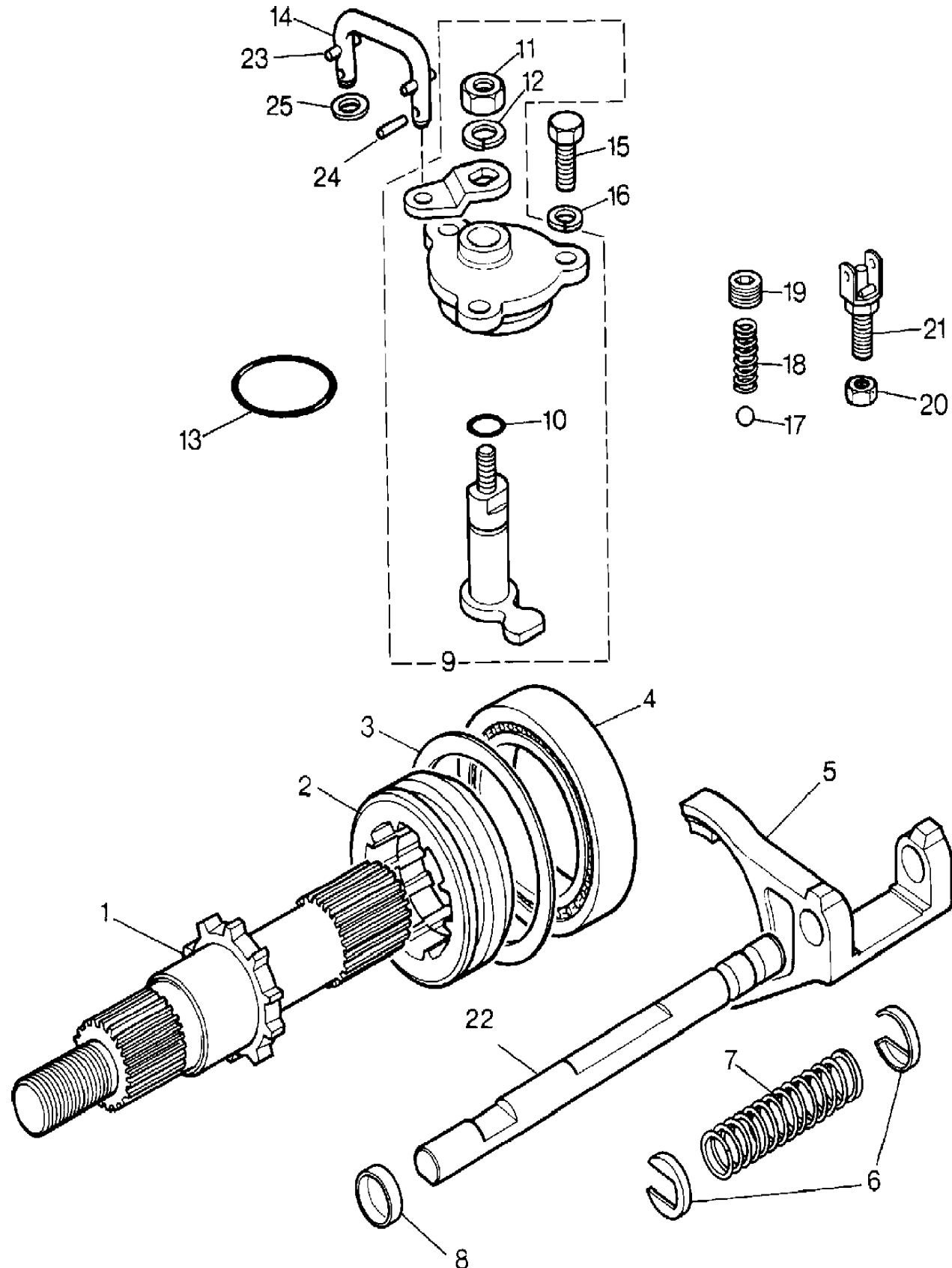
Transfer Box  
 LT230T with 5 Speed-LT77 Gearbox  
 Differential Lock 2/2

Range Rover (To HA610293)

(VS3735B)

Range Rover (To HA610293)

Transfer Box  
 LT230T with 5 Speed-LT77 Gearbox  
 Differential Lock



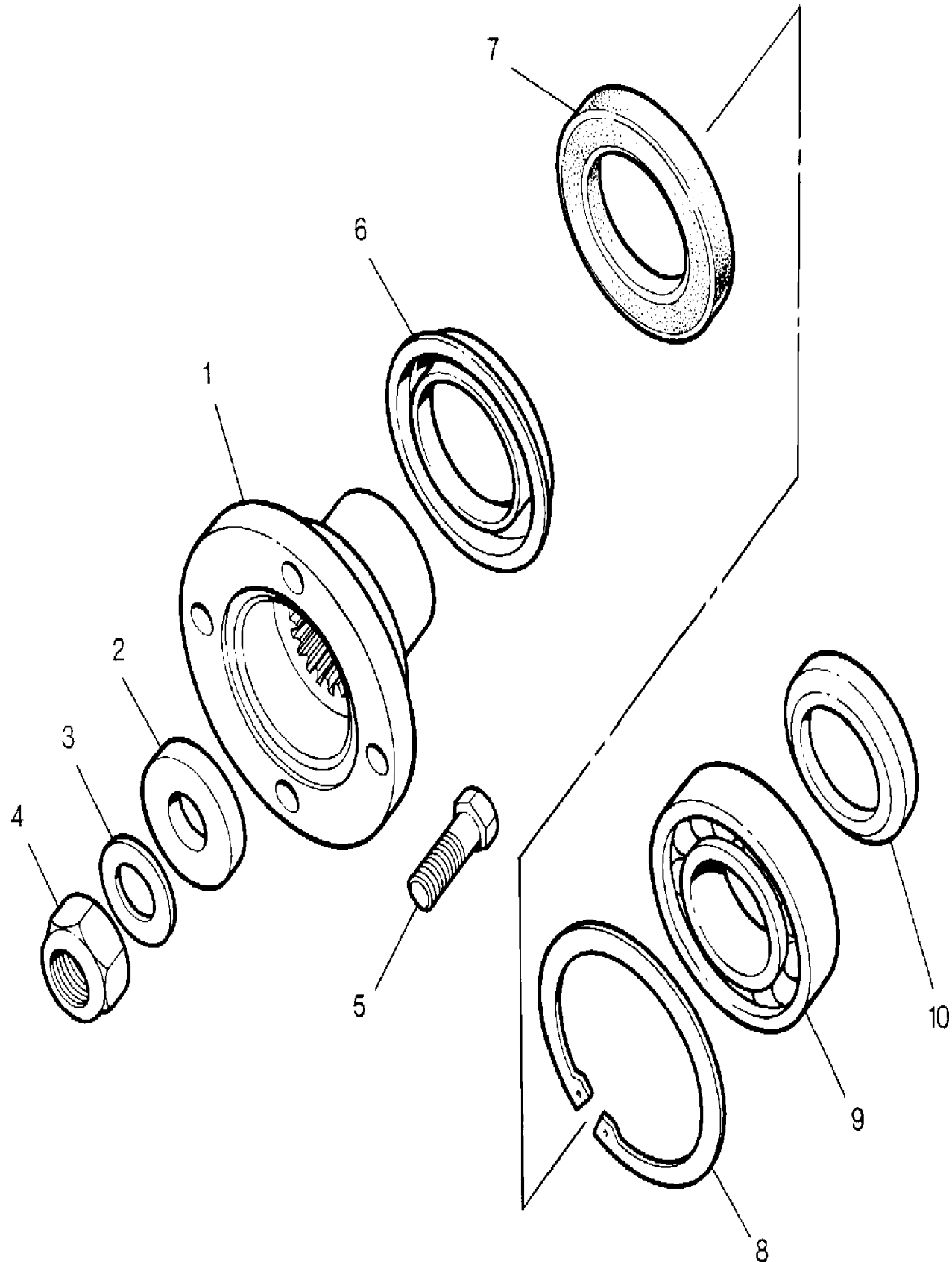
Callout	Name	Application	Remarks & Restrictions	Service No.	Qty
13	O Ring			FRC5473	1
14	Link-transfer box differential lock connecting			FRC8544	1
15	Screw		M8 x 25, hexagonal head	SH108251L	1
16	Washer		8MM	WA108051L	1
17	Ball-detent manual transmission			571146	1
18	Spring-transfer box detent			FRC5562	1
19	Plug			SU112101	1
20	Locknut			22A1613L	1
21	Switch		Reverse Lamp	PRC2911	1
22	Shaft-transfer box differential lock selector			FRC6030	1
23	Pin-roll			FRC8394	2
24	Pin-split			PS103121L	2
25	Washer		6MM	WA106041L	2

Transfer Box  
 LT230T with 5 Speed-LT77 Gearbox  
 Front Flange 1/1

**Range Rover (To HA610293)**  
 (VS3725)

Transfer Box  
 LT230T with 5 Speed-LT77 Gearbox  
 Front Flange

**Range Rover (To HA610293)**



Callout	Name	Application	Remarks & Restrictions	Service No.	Qty
1	Flange assembly-front output			FRC5442	1
2	Washer			FRC2464	1
3	Washer			571468	1
4	Nut-hexagonal-nyloc		M20	NY120041L	1
5	Screw			BT606101	4
6	Mudshield-transfer box oil seal			FRC6121	1
7	Seal-transfer box output			FRC7043	1
8	Circlip		Large	216962	1
9	Bearing-ball			RTC3406	1
10	Spacer			FRC5439	1

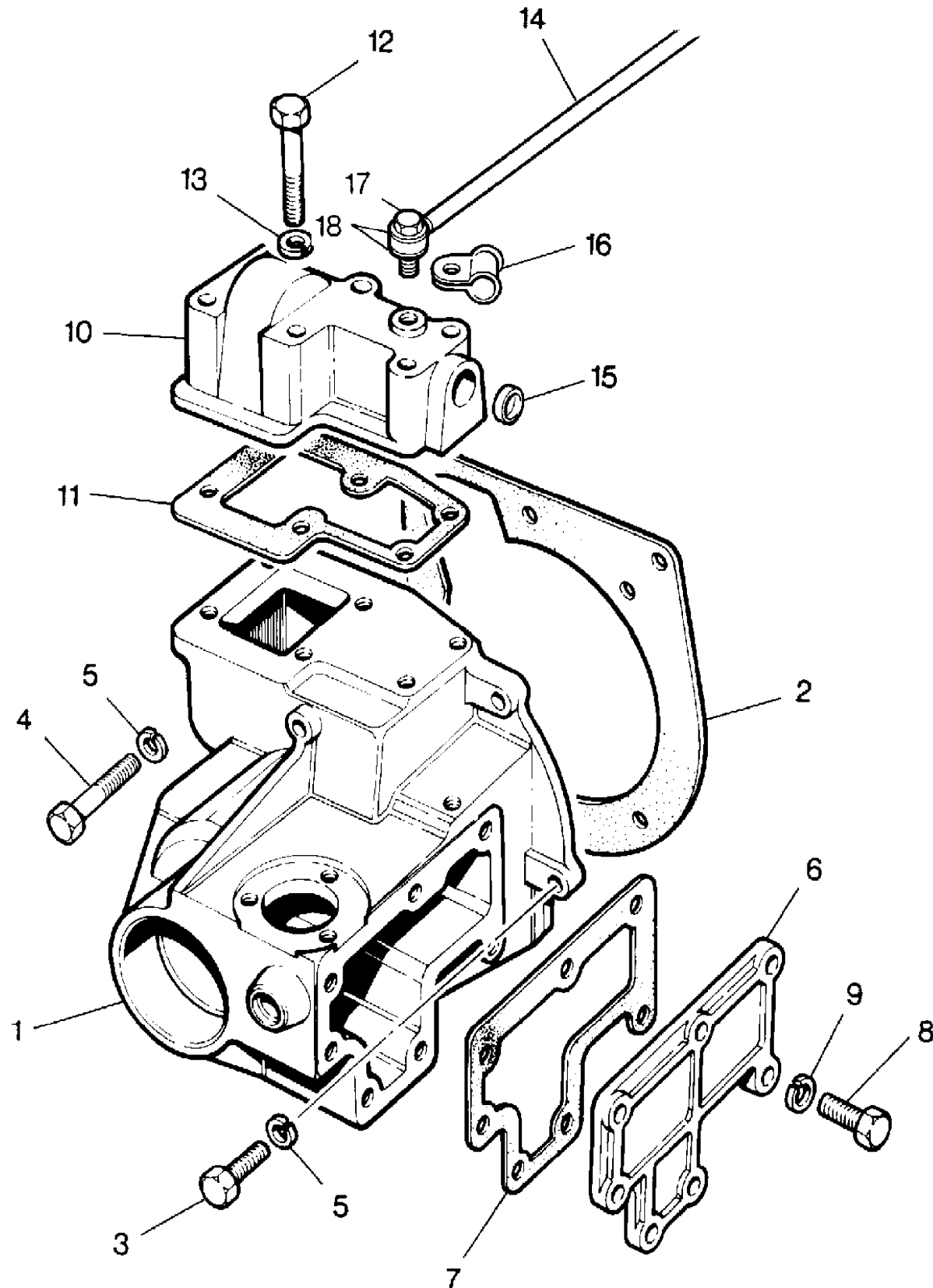


Transfer Box  
LT230T with 5 Speed-LT77 Gearbox  
Front Housing 1/1

Range Rover (To HA610293)  
(VS3728A)

Transfer Box  
LT230T with 5 Speed-LT77 Gearbox  
Front Housing

Range Rover (To HA610293)

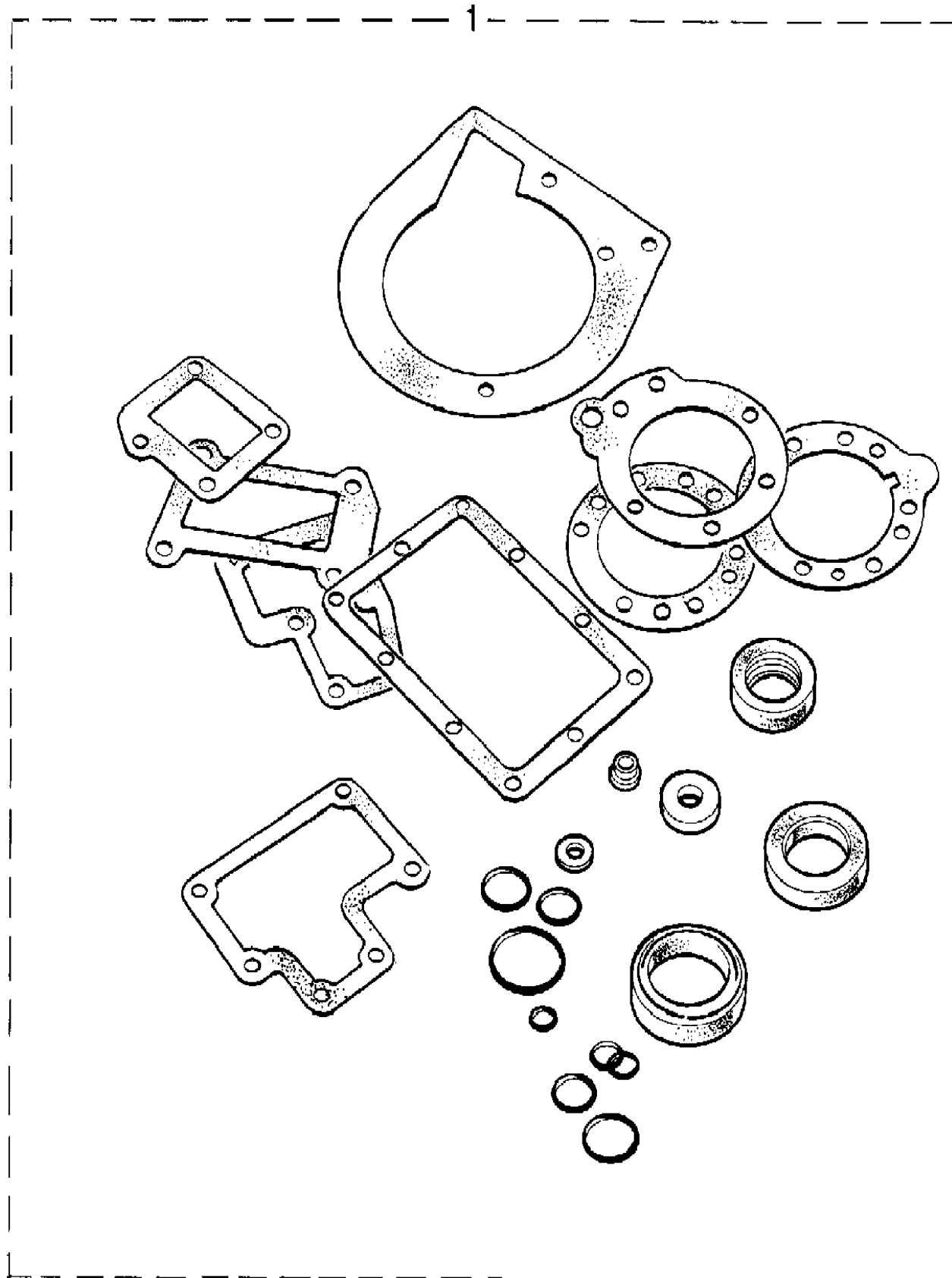


Callout	Name	Application	Remarks & Restrictions	Service No.	Qty
1	Housing-output shaft front			FRC8299	1
2	Gasket			FRC6103	1
3	Bolt		hexagonal head, M8 x 80	BH108161L	7
4	Bolt		hexagonal head, M8 x 90	BH108181L	1
5	Washer		8MM	WA108051L	8
6	Cover-transfer box front housing			FRC6104	1
7	Gasket-transfer box side cover			FRC6105	1
8	Screw		M8 x 25, hexagonal head	SH108251L	7
9	Washer		8MM	WA108051L	7
10	Housing-cross shaft			FRC6106	1
11	Gasket-transfer box cover to case			FRC7998	1
12	Bolt		hexagonal head, M8 x 55	BH108111L	6
13	Washer		8MM	WA108051L	6
14	Tube-breather transmission case			FRC9427	1
				FRC9430	1
15	Plug			FRC7930	1
16	Clip-p		5/16"	BAU1689	1
17	Bolt-banjo			595478	1
18	Washer-sealing			232039	2

Transfer Box  
 LT230T with 5 Speed-LT77 Gearbox  
 Gasket Kit 1/1

Range Rover (To HA610293)

(TS6373)



Range Rover (To HA610293)

Transfer Box  
 LT230T with 5 Speed-LT77 Gearbox  
 Gasket Kit

Callout	Name	Application	Remarks & Restrictions	Service No.	Qty
1	Kit-gasket and seal		Also serviced as part of a kit	RTC3890	1
[900]	Gasket-transfer box speedometer housing		Also serviced as part of a kit	FRC5409	1
[901]	Gasket-transfer box power take off cover		Also serviced as part of a kit	FRC5413	2
[902]	Gasket-transfer box bottom cover		Also serviced as part of a kit	FRC5416	1
[903]	Gasket-transfer box gear change housing plate		Also serviced as part of a kit	FRC5486	1
			Also serviced as part of a kit	FTC4037	1
[904]	Gasket		Also serviced as part of a kit	FRC6103	1
[905]	Gasket-transfer box side cover		Also serviced as part of a kit	FRC6105	1
[906]	Gasket-transfer box gear change housing		Also serviced as part of a kit	FRC6306	1
			Also serviced as part of a kit	FTC4036	1
[907]	Gasket-transfer box cover to case		Also serviced as part of a kit	FRC7998	1
[908]	Washer		Also serviced as part of a kit	FRC2464	2
[909]	Seal-oil speedometer pinion		Also serviced as part of a kit	AAU2304	1
[910]	Seal		Also serviced as part of a kit	FRC2365	1
[911]	Seal-transfer box output		Also serviced as part of a kit	FRC7043	2
[912]	O Ring		Also serviced as part of a kit	FRC8292	2
			Also serviced as part of a kit	532323	1
			Also serviced as part of a kit	571665	1
			Also serviced as part of a kit	FRC4509	2
			Also serviced as part of a kit	FRC5419	1
			Also serviced as part of a kit	FRC5473	1
			Also serviced as part of a kit	FRC5479	1
			Also serviced as part of a kit	FRC5575	2
			Also serviced as part of a kit	FRC5576	1
			Also serviced as part of a kit	FRC7439	1
[913]	Washer-sealing		Also serviced as part of a kit	FRC4808	1

Transfer Box  
LT230T with 5 Speed-LT77 Gearbox  
Gear Change 1/2

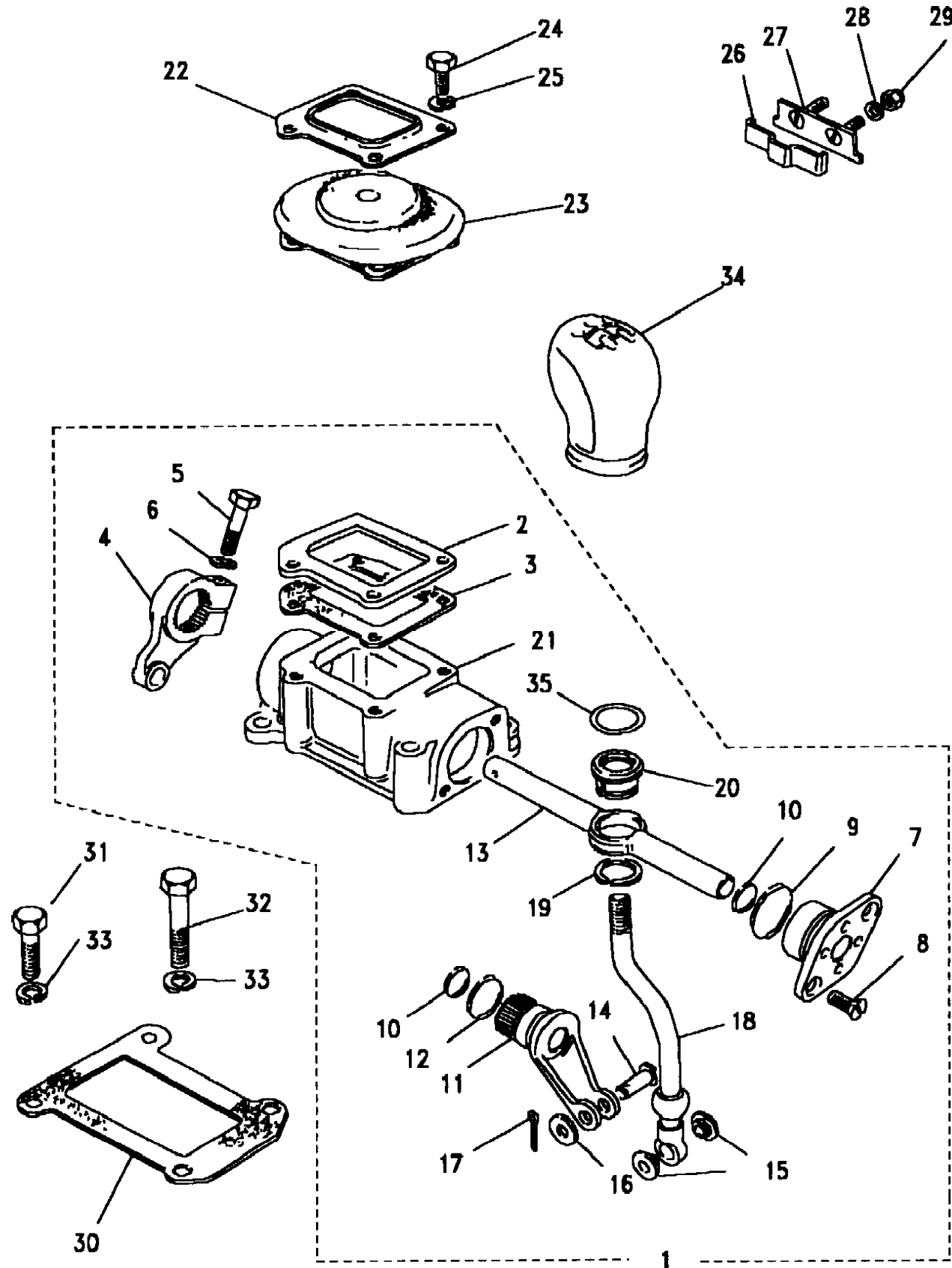
Range Rover (To HA610293)

(CADBMA1A)

Range Rover (To HA610293)

Transfer Box  
LT230T with 5 Speed-LT77 Gearbox  
Gear Change

Callout	Name	Application	Remarks & Restrictions	Service No.	Qty
1	Mechanism assembly-transfer box gear change	With Diesel Engines	Also serviced as part of a kit	FRC9683	1
		With Petrol Engines	Also serviced as part of a kit	FRC8557	1
2	Plate-gear lever retention	With Diesel Engines	Also serviced as part of a kit	FRC8542	1
3	Gasket-transfer box gear change housing plate	With Diesel Engines	Also serviced as part of a kit	FRC5486	1
		With Diesel Engines	Also serviced as part of a kit	FTC4037	1
4	Arm-transfer box gearchange	With Diesel Engines	Also serviced as part of a kit	FRC5478	1
5	Screw	With Diesel Engines	Also serviced as part of a kit, Flanged Head, M6 x 25, patch lock	FS106251M	1
6	Washer	With Diesel Engines	Also serviced as part of a kit	WL106041L	1
7	Plate-transfer box selector cross shaft end	With Diesel Engines	Also serviced as part of a kit	FRC5574	1
8	Screw	With Diesel Engines	Also serviced as part of a kit, M6 X 20, counter sunk, recessed	SF106201L	2
9	O Ring	With Diesel Engines	Also serviced as part of a kit	FRC8292	1
10	O Ring	With Diesel Engines	Also serviced as part of a kit	FRC4951	2
11	Lever assembly bell crank	With Diesel Engines	Also serviced as part of a kit	FRC5480	1
12	O Ring	With Diesel Engines	Also serviced as part of a kit	FRC5479	3
13	Shaft-gear change cross	With Diesel Engines	Also serviced as part of a kit	FRC8203	1
14	Pin-clevis/pivot	With Diesel Engines	Also serviced as part of a kit	FRC8766	1
15	Bush	With Diesel Engines	Also serviced as part of a kit	FRC4499	2
16	Washer	With Diesel Engines	Also serviced as part of a kit, 8MM	WA108051L	1
17	Pin-split	With Diesel Engines	Also serviced as part of a kit	FRC8548	1
18	Lever-transfer box	With Diesel Engines	Also serviced as part of a kit, bent	FTC2471	1
		With Diesel Engines	Also serviced as part of a kit, Straight	FRC9674	1
		With Diesel Engines	Also serviced as part of a kit, rubber mounted	FTC4735	1
19	Circlip	With Diesel Engines	Also serviced as part of a kit	CR120215	1

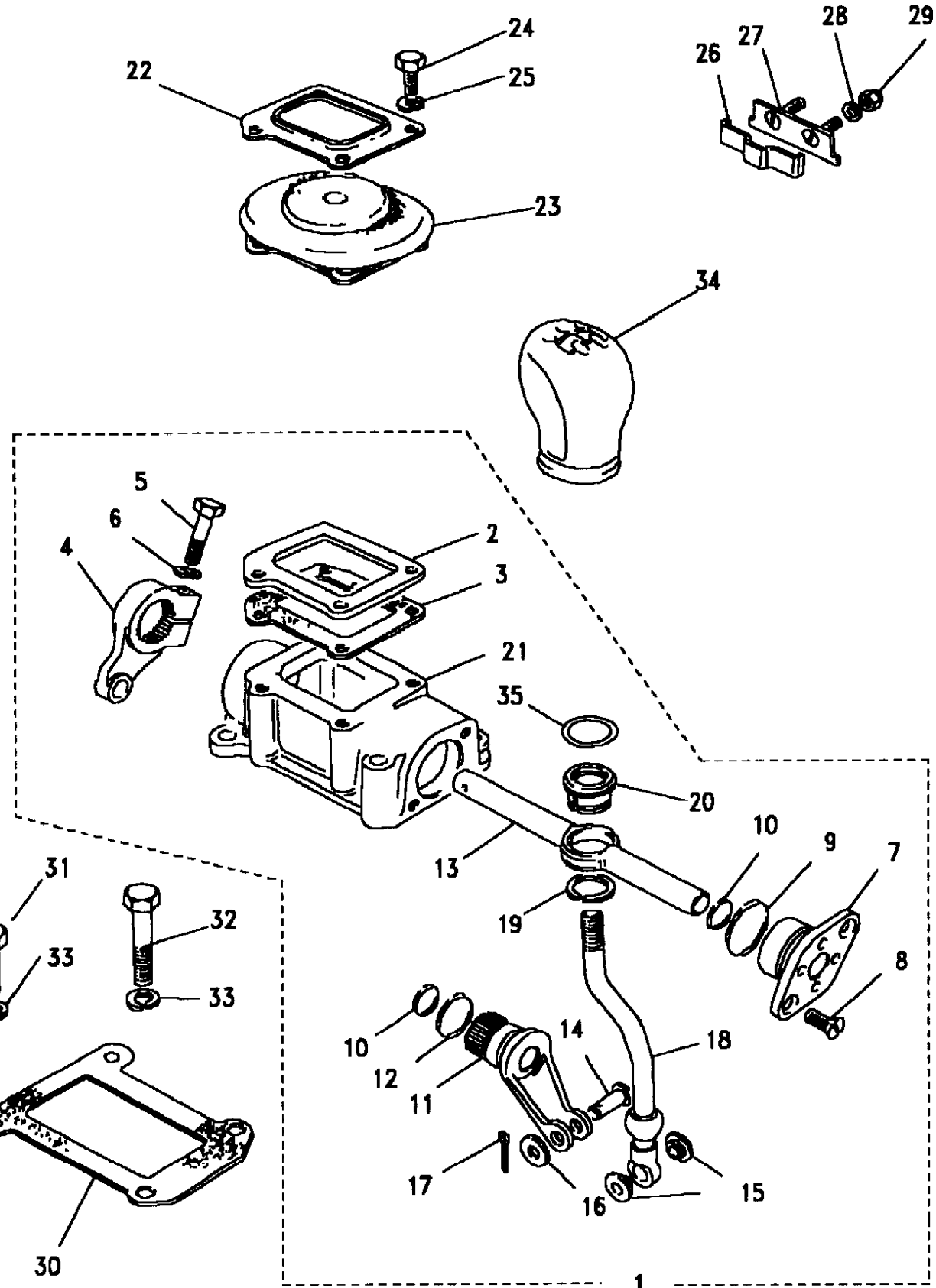


Transfer Box  
 LT230T with 5 Speed-LT77 Gearbox  
 Gear Change 2/2

Range Rover (To HA610293)  
 (CADBMA1A)

Transfer Box  
 LT230T with 5 Speed-LT77 Gearbox  
 Gear Change

Range Rover (To HA610293)



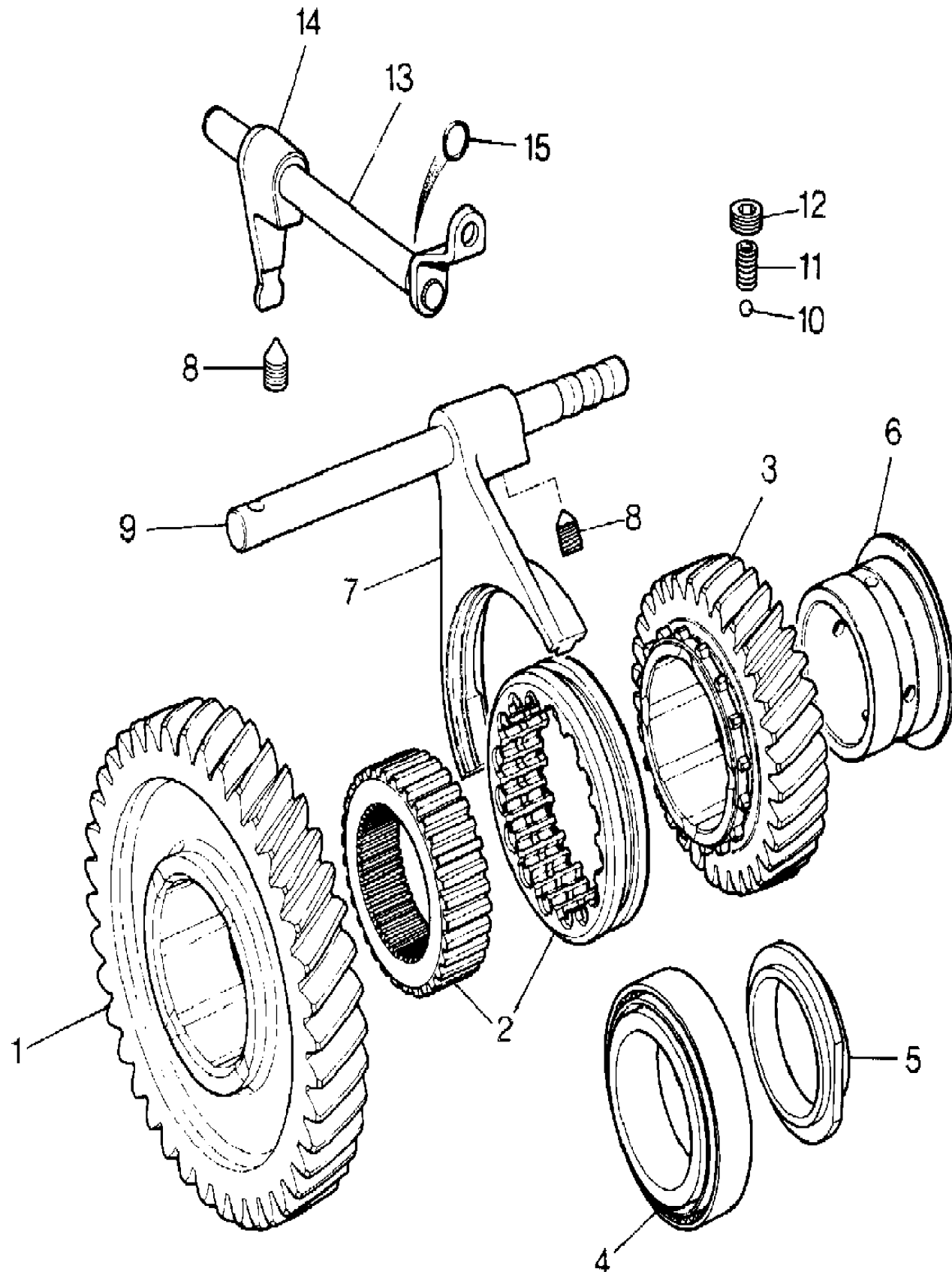
Callout	Name	Application	Remarks & Restrictions	Service No.	Qty
20	Bush-joint selector rod/yoke manual transmission	With Diesel Engines	Also serviced as part of a kit	FRC5076	1
21	Housing assembly-gear change cross shaft	With Diesel Engines	Also serviced as part of a kit	FRC8751	1
23	Grommet			FRC6872	1
24	Screw		M6 X 16	SF106161L	1
26	Spring-detent manual transmission			RTC1956	1
27	Plate-transfer box detent spring retaining			FRC6125	1
28	Washer		M5, Plain, Standard	WA105001L	2
29	Nut-hexagonal-nyloc		Also serviced as part of a kit, M5	NY105041L	2
30	Gasket-transfer box gear change housing			FRC6306	1
31	Screw		M8 x 25, hexagonal head	SH108251L	2
32	Bolt		hexagonal head, M8 x 55	BH108111L	2
33	Washer		M8, sprung	WL108001L	4
34	Knob assembly-transfer box change		Plastic	FRC6595	1

Transfer Box  
 LT230T with 5 Speed-LT77 Gearbox  
 High Low Gears 1/1

**Range Rover (To HA610293)**  
 (TS5382)

**Range Rover (To HA610293)**

Transfer Box  
 LT230T with 5 Speed-LT77 Gearbox  
 High Low Gears



Callout	Name	Application	Remarks & Restrictions	Service No.	Qty
1	Gear-low output			FRC7434	1
2	Hub & sleeve assembly- transfer box			RTC5064	1
3	Gear-high output		Suffix B, 1.2 : 1 Suffix C, 1.2 : 1	FRC7429 FRC9785	1 1
4	Bearing-taper roller			606474	1
5	Nut - Hex.			FRC7970	1
6	Bush			FRC7441	1
7	Fork-high/low selector		Also serviced as part of a kit	FRC5458	1
8	Screw-Grub			FRC7018	1
9	Shaft-selector lever			FRC9513	1
10	Ball-detent manual transmission			571146	1
11	Spring-transfer box detent		Suffix B Suffix C	FRC5562 FRC9546	1 1
12	Screw		Suffix B Suffix C	SU112101L FRC9549	1 1
13	Shaft assembly-high/low selector			FRC8900	1
14	Finger assembly-transfer box high/low selector			FRC7929	1
15	O Ring			FRC5575	2

Transfer Box  
 LT230T with 5 Speed-LT77 Gearbox  
 Intermediate Shaft & Gear 1/1

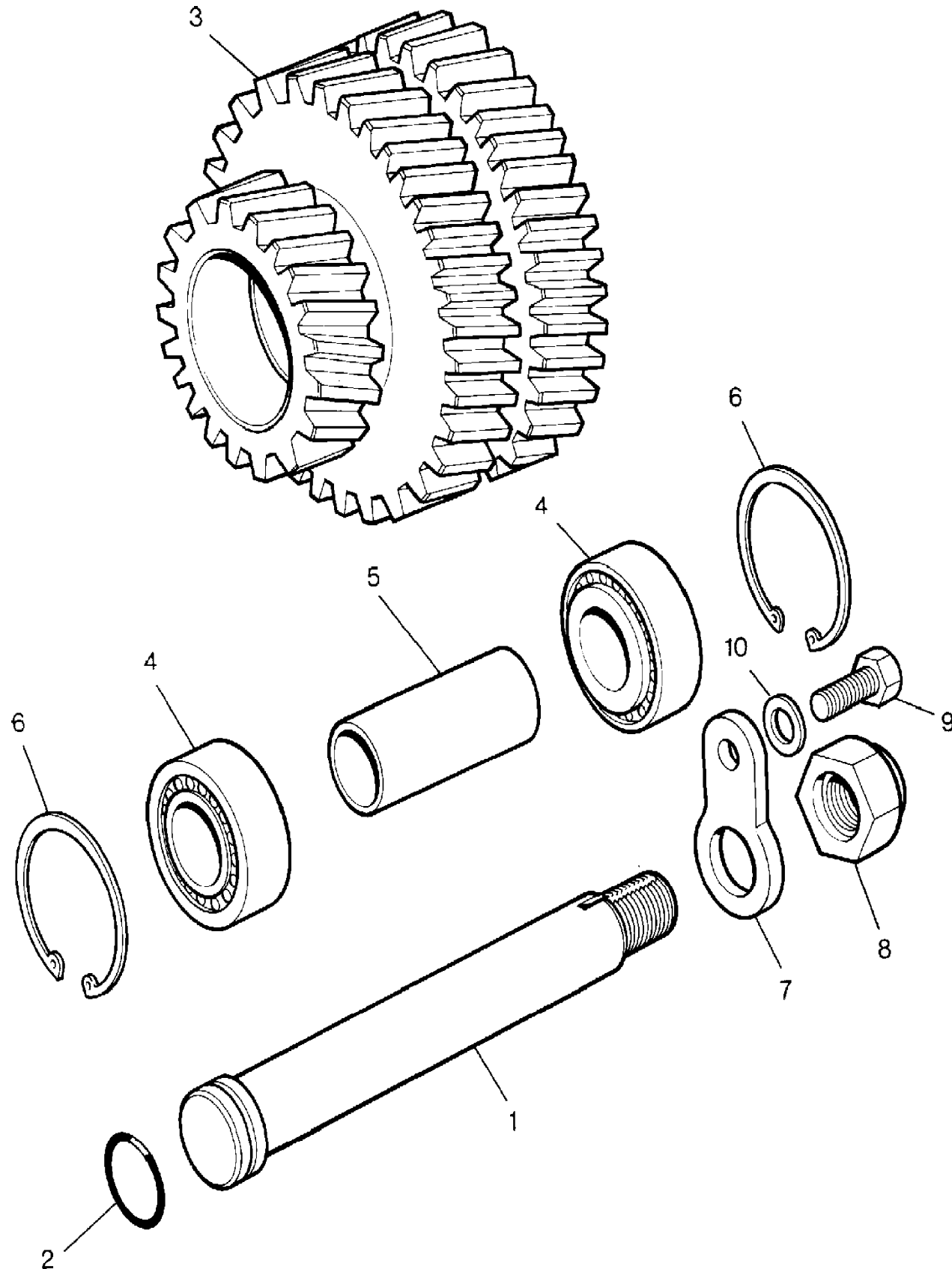
Range Rover (To HA610293)

(TS5638)

Range Rover (To HA610293)

Transfer Box  
 LT230T with 5 Speed-LT77 Gearbox  
 Intermediate Shaft & Gear

Callout	Name	Application	Remarks & Restrictions	Service No.	Qty
1	Shaft-transfer box-intermediate			FRC8291	1
2	O Ring			FRC7439	1
3	Gear-intermediate shaft		Suffix B, 1.2 : 1 Suffix C, 1.2 : 1	FRC7428 FRC9552	1 1
4	Bearing intermediate shaft assembly			FRC7810	2
5	Spacer			FRC7437	1
6	Circlip			FRC7454	2
7	Plate-transfer box anti rotation			FRC7452	1
8	Locknut			FRC7453	1
9	Screw		M8 x 25, hexagonal head	SH108251L	1
10	Washer		8MM	WA108051L	1



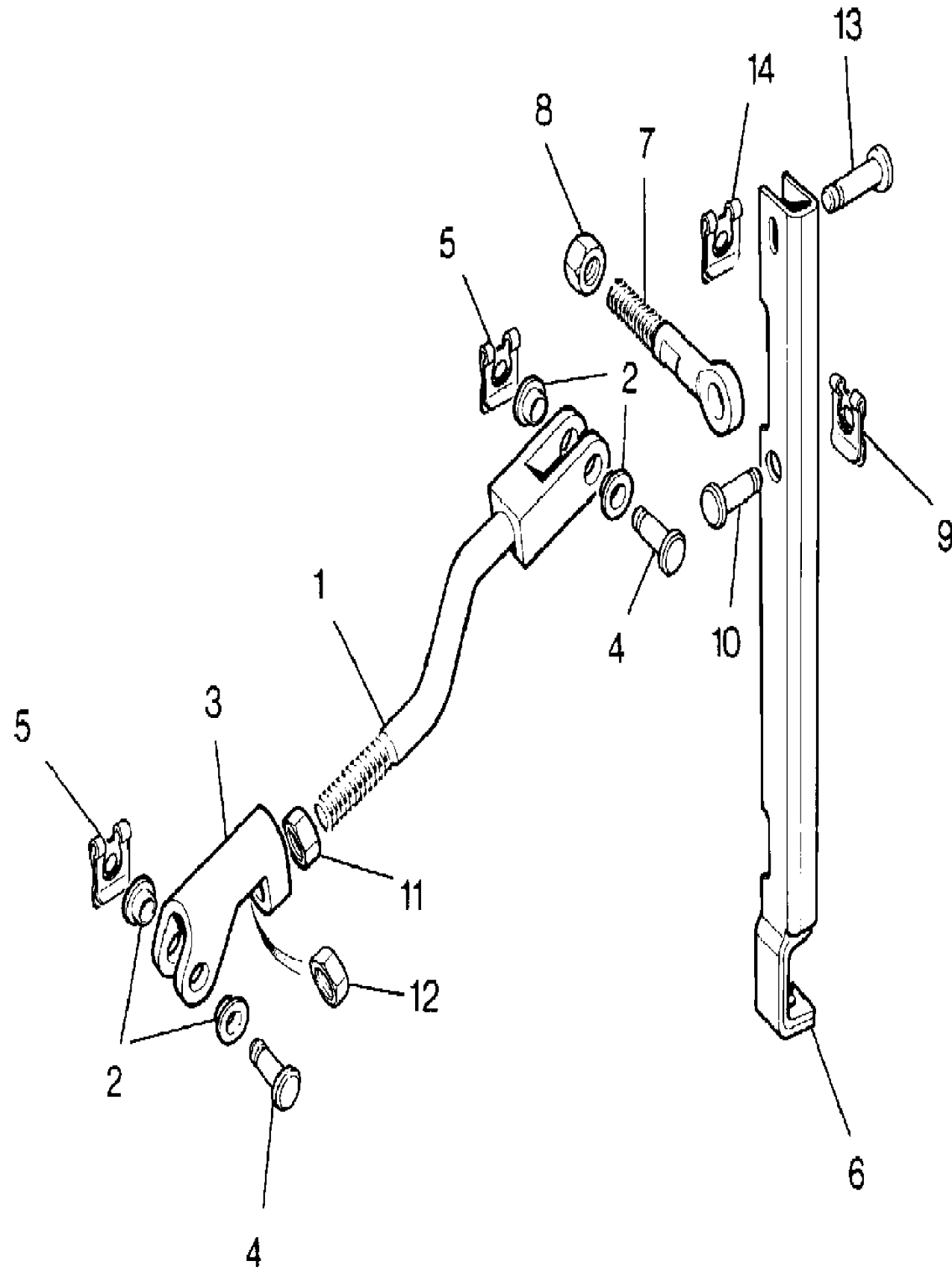
Transfer Box  
 LT230T with 5 Speed-LT77 Gearbox  
 Linkage - Gear Change 1/1

Range Rover (To HA610293)

(TS5652)

Transfer Box  
 LT230T with 5 Speed-LT77 Gearbox  
 Linkage - Gear Change

Range Rover (To HA610293)



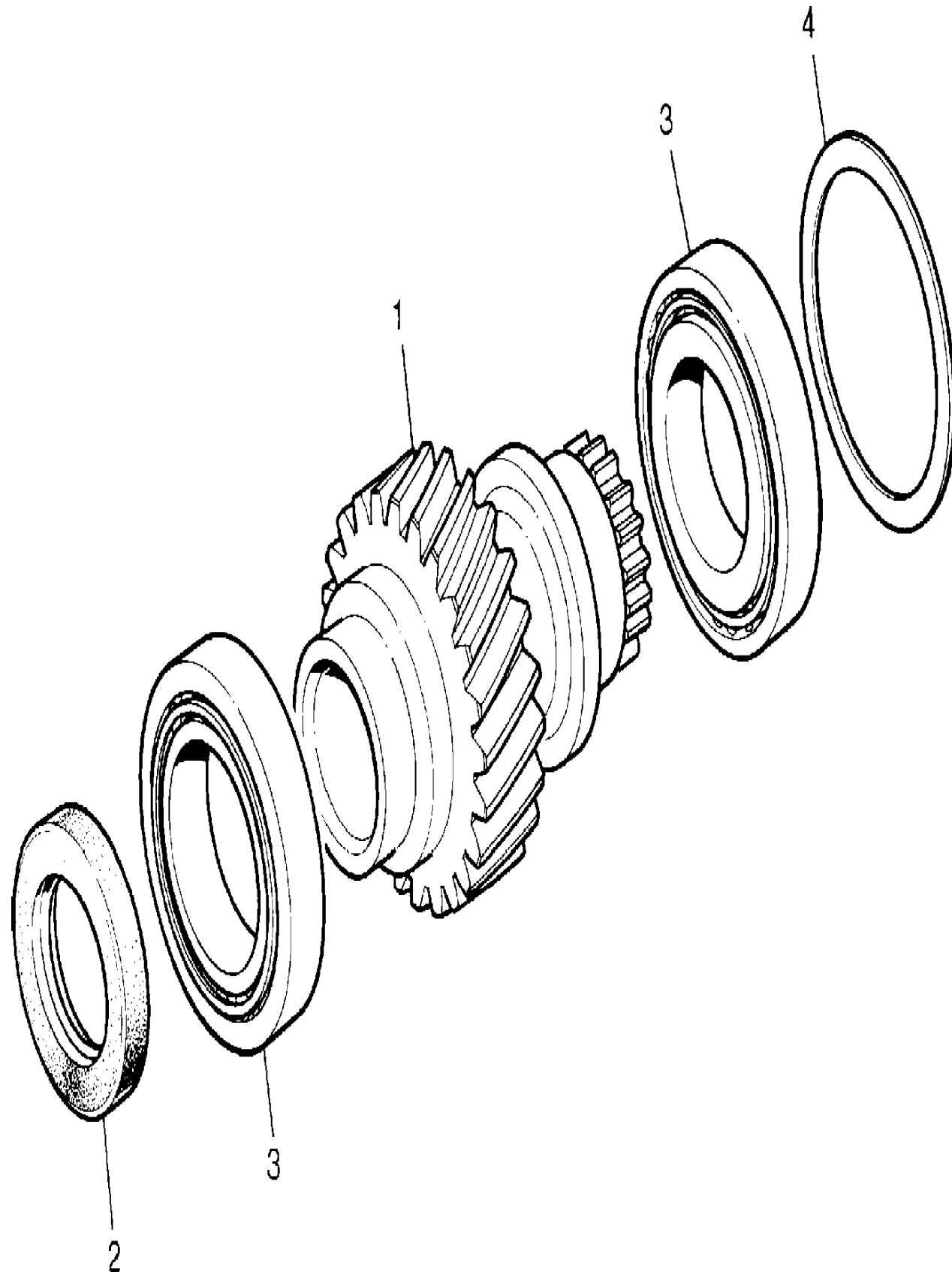
Callout	Name	Application	Remarks & Restrictions	Service No.	Qty
1	Rod assembly-linkage connecting			FRC6000	1
2	Bush			FRC4499	4
3	Arm-transfer box differential lock			FRC8075	1
4	Pin-clevis/pivot			FRC8767	2
5	Pin-split			FRC8548	2
6	Arm-transfer box differential lock			FRC8204	1
7	Pin			FRC8202	1
8	Nut - Hex.		M8, hexagonal head	NH108041L	1
9	Pin-split			FRC8548	2
10	Pin-clevis/pivot			FRC8547	1
11	Nut - Hex.		M8, nyloc	NY108041L	1
12	Nut - Hex.		hexagonal head	NT108041L	1
13	Pin-clevis/pivot			FRC8768	1
14	Clip			FRC8769	1

Transfer Box  
 LT230T with 5 Speed-LT77 Gearbox  
 Mainshaft Gear 1/1

Range Rover (To HA610293)  
 (VS3729)

Range Rover (To HA610293)

Transfer Box  
 LT230T with 5 Speed-LT77 Gearbox  
 Mainshaft Gear



Callout	Name	Application	Remarks & Restrictions	Service No.	Qty
1	Gear-mainshaft		Suffix C, 26 teeth	FRC8917	1
			Suffix B, 26 teeth	FRC5428	1
2	Seal		transfer box input	FRC2365	1
3	Mainshaft bearing			FRC5564	2
4	Shim		3.25MM	FRC9930	X
			3.35MM	FRC9934	X
			3.45MM	FRC9938	X
			3.55MM	FRC9942	X
			3.65MM	FRC9946	X
			3.75MM	FRC9950	X
			3.85MM	FRC9954	X
			3.95MM	FRC9958	X



Transfer Box  
LT230T with 5 Speed-LT77 Gearbox  
Mounting Brackets 1/1

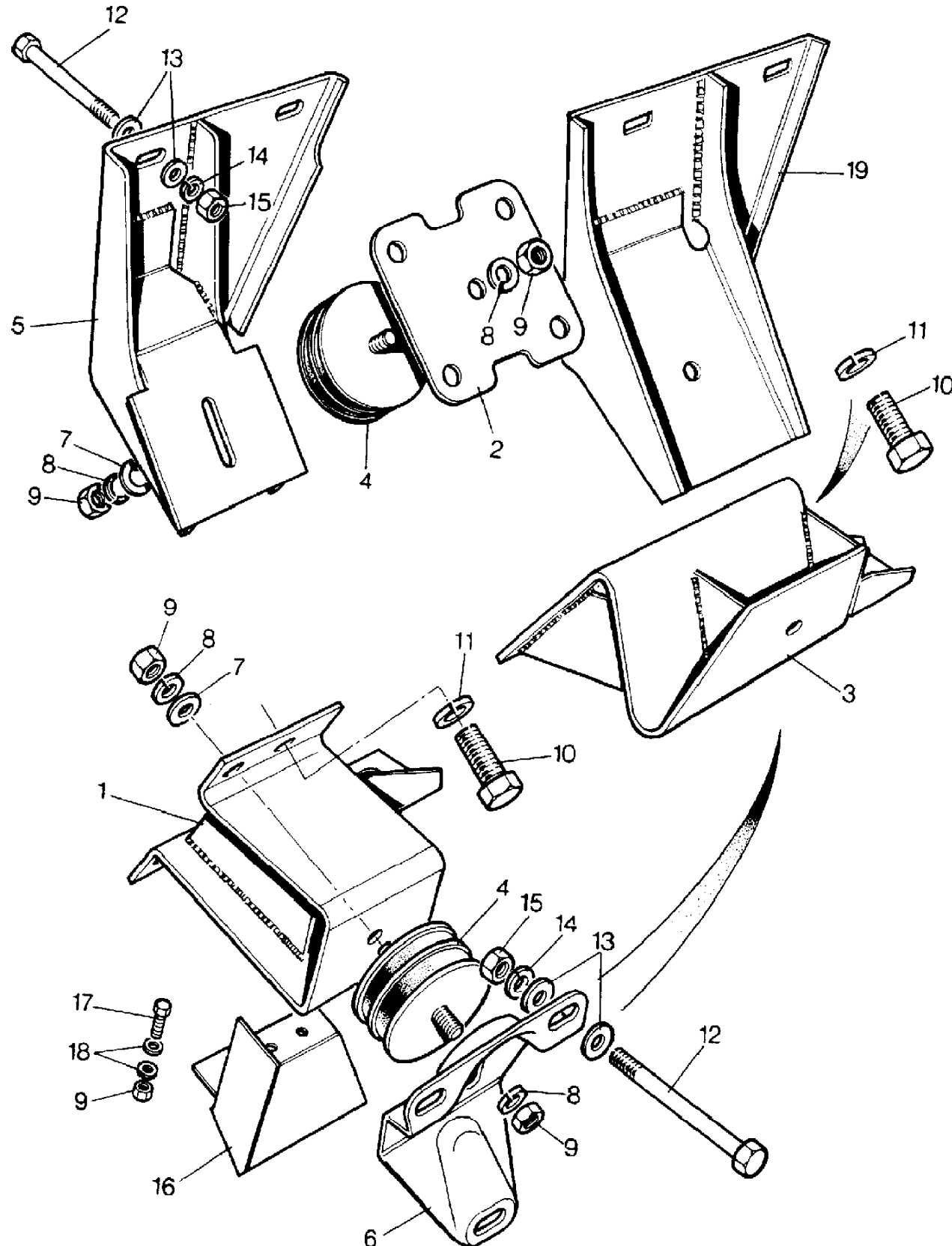
**Range Rover (To HA610293)**  
(TS6292A)

**Range Rover (To HA610293)**

Transfer Box  
LT230T with 5 Speed-LT77 Gearbox  
Mounting Brackets

V8 Petrol

Callout	Name	Application	Remarks & Restrictions	Service No.	Qty
1	Bracket-Transmission Mounting		LH	NTC4474	1
2	Plate Mounting		RH	NRC8204	1
3	Bracket-Transmission Mounting		Rear, LH	NRC6528	1
4	Mounting-rubber		M10	NTC5890	2
5	Bracket-Transmission Mounting		Rear, RH	NRC7136	1
6	Bracket-Transmission Mounting		Rear, LH	90575585	1
7	Washer		M10	WA110061L	2
8	Washer		3/8", Square	WM600061L	4
9	Nut - Hex.		hexagonal head, 3/8UNF	NH606041L	6
10	Screw		hexagonal head	SH112252L	6
11	Washer			WL112001L	6
12	Bolt		hexagonal head, M8 x 100	BH108201L	6
13	Washer		8MM	WA108051L	12
14	Washer		M8, sprung	WL108001L	6
15	Nut - Hex.		M8, hexagonal head	NH108041L	6
16	Heatshield-bracket			NTC4255	1
17	Screw		M6, hexagonal head	SH106061L	2
18	Washer		6MM	WA106041L	2
19	Bracket-engine mounting			NTC4985	1

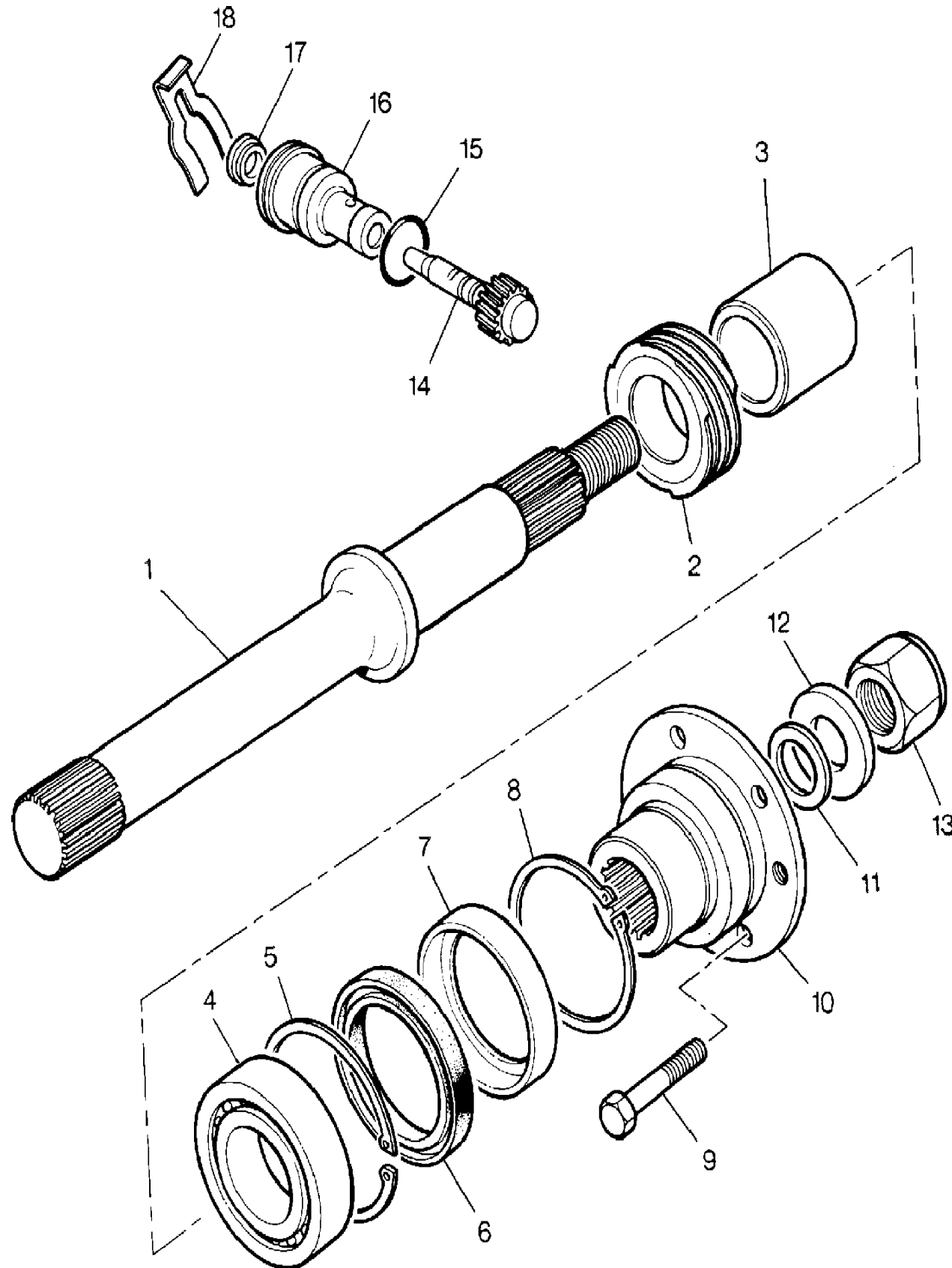


Transfer Box  
 LT230T with 5 Speed-LT77 Gearbox  
 Rear Flange 1/1

**Range Rover (To HA610293)**  
 (TS5307)

Transfer Box  
 LT230T with 5 Speed-LT77 Gearbox  
 Rear Flange

**Range Rover (To HA610293)**



Callout	Name	Application	Remarks & Restrictions	Service No.	Qty
1	Shaft assembly-rear output			FRC5450	1
2	Gear-speedometer drive			FRC3162	1
3	Spacer			FRC5446	1
4	Bearing-ball			RTC3406	1
5	Circlip		Large	216962	1
6	Seal-transfer box output			FRC7043	1
7	Mudshield-transfer box oil seal		Rear	571970	1
8	Circlip			571682	1
9	Bolt		3/8UNF x 1 3/4	FRC3602	4
10	Flange assembly-rear output			FRC5438	1
11	Washer			FRC2464	1
12	Washer			571468	1
13	Nut-hexagonal-nyloc		M20	NY120041L	1
14	Gear-speedometer drive		24 Teeth, Red	FRC3313	1
15	O Ring			571665	1
16	Housing-spindle			FRC3286	1
17	Seal-oil speedometer pinion			AAU2304	1
18	Plate-oil seal retainer			533765	1

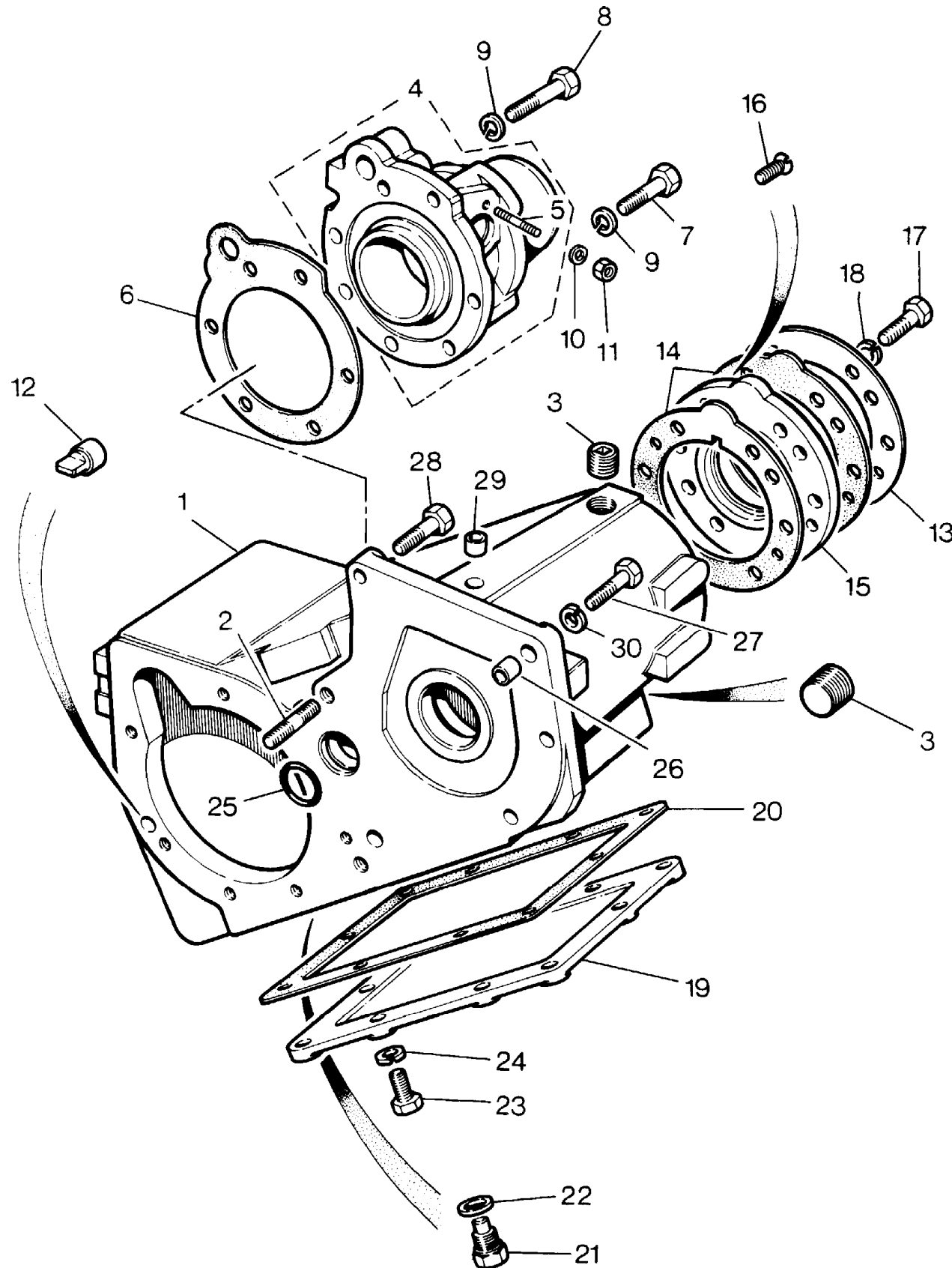
Transfer Box  
LT230T with 5 Speed-LT77 Gearbox  
Speedo Housing 1/2

Range Rover (To HA610293)

(TS5308)

Transfer Box  
LT230T with 5 Speed-LT77 Gearbox  
Speedo Housing

Range Rover (To HA610293)



Callout	Name	Application	Remarks & Restrictions	Service No.	Qty
1	Casing-transfer box		Also serviced as part of a kit	FRC8290	1
2	Stud-bolt			FRC5595	2
3	Plug-drain/filler level			608246	2
4	Housing-speedometer driven gear		Also serviced as part of a kit	FRC7449	1
5	Stud		speedo cable retainer, Also serviced as part of a kit	571536	1
6	Gasket-transfer box speedometer housing			FRC5409	1
8	Bolt		M10 X 45	BH110091L	1
9	Washer		M10	WA110061L	6
10	Washer		6MM	WA106041L	1
11	Nut - Hex.		M6, hexagonal head, nyloc	NY106041L	1
12	Dowel			FRC5594	1
13	Cover-transfer box power take off			FTC2061	1
14	Gasket-transfer box power take off cover			FRC5413	2
15	Housing-bearing shaft			FRC6943	1
16	Screw		M8 x 25	SF108251L	2
17	Bolt		hexagonal head, M10 x 35	BX110071L	6
18	Washer		M10	WA110061L	6
19	Cover-transfer box			FRC5415	1
20	Gasket-transfer box bottom cover			FRC5416	1
21	Plug-Drain			599552	1
22	Washer-sealing			FRC4808	1
23	Bolt		M8 X 30	BH108061L	10
24	Washer		8MM	WA108051L	10
25	O Ring			FRC8292	1
26	Dowel-ring		15.0mm	FRC2482	1
27	Bolt		M10 X 45	BH110091L	1

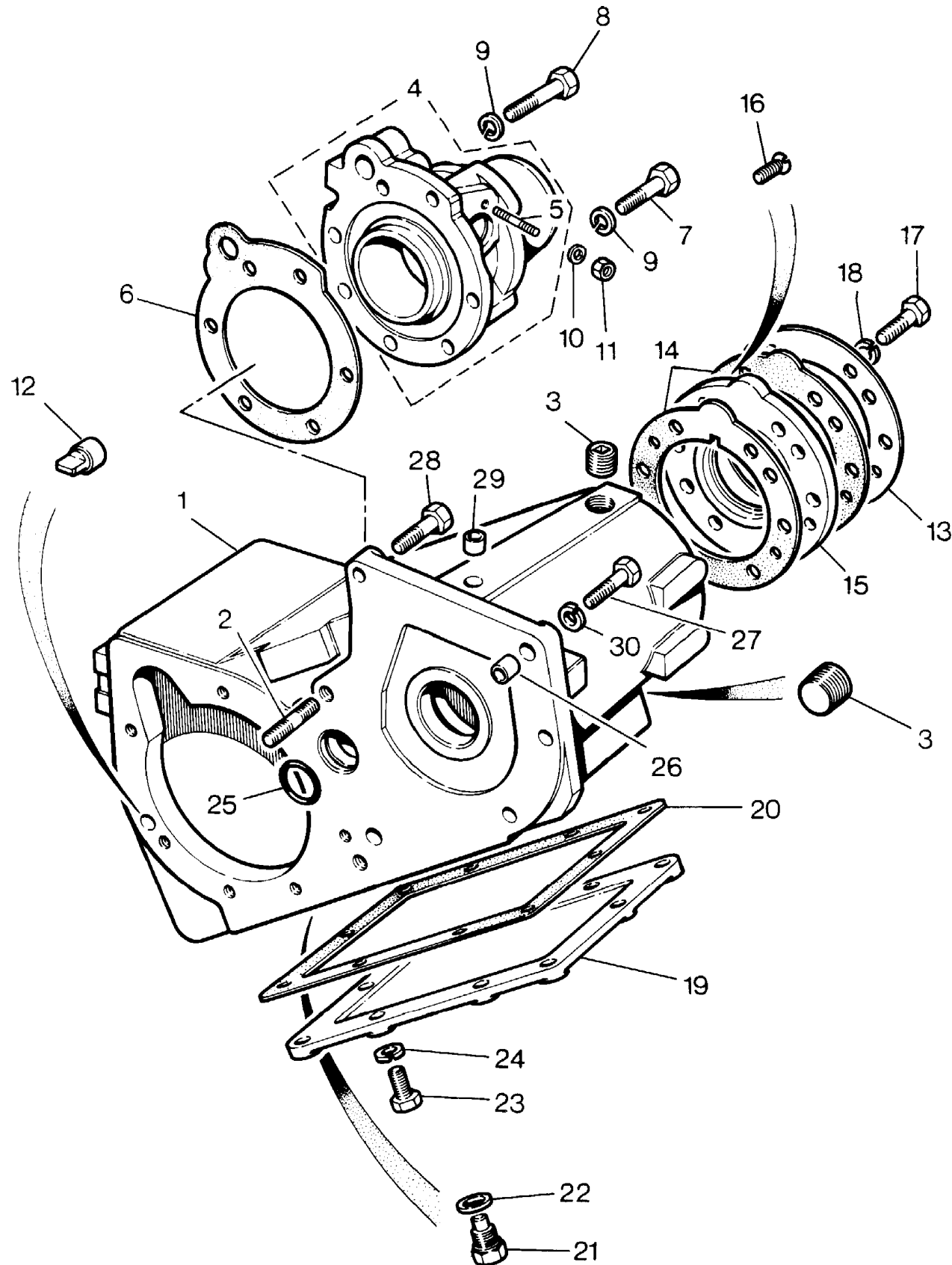
Transfer Box  
 LT230T with 5 Speed-LT77 Gearbox  
 Speedo Housing 2/2

Range Rover (To HA610293)

(TS5308)

Transfer Box  
 LT230T with 5 Speed-LT77 Gearbox  
 Speedo Housing

Range Rover (To HA610293)



Callout	Name	Application	Remarks & Restrictions	Service No.	Qty
28	Bolt		hexagonal head, M10 x 40 Less Alternatives, hexagonal head, M10 x 40	BH110081L BH110081L	3 2
29	Plug-core		6MM	UKC24L	1
30	Washer		M10	WL110001L	1
[900]	Plug		power take off cover	602146	1
[901]	Stud		Less Alternatives, lifting bracket	FTC890	1
[902]	Nut - Hex.		Less Alternatives, M10, hexagonal head, Coarse Thread	NH110041L	1

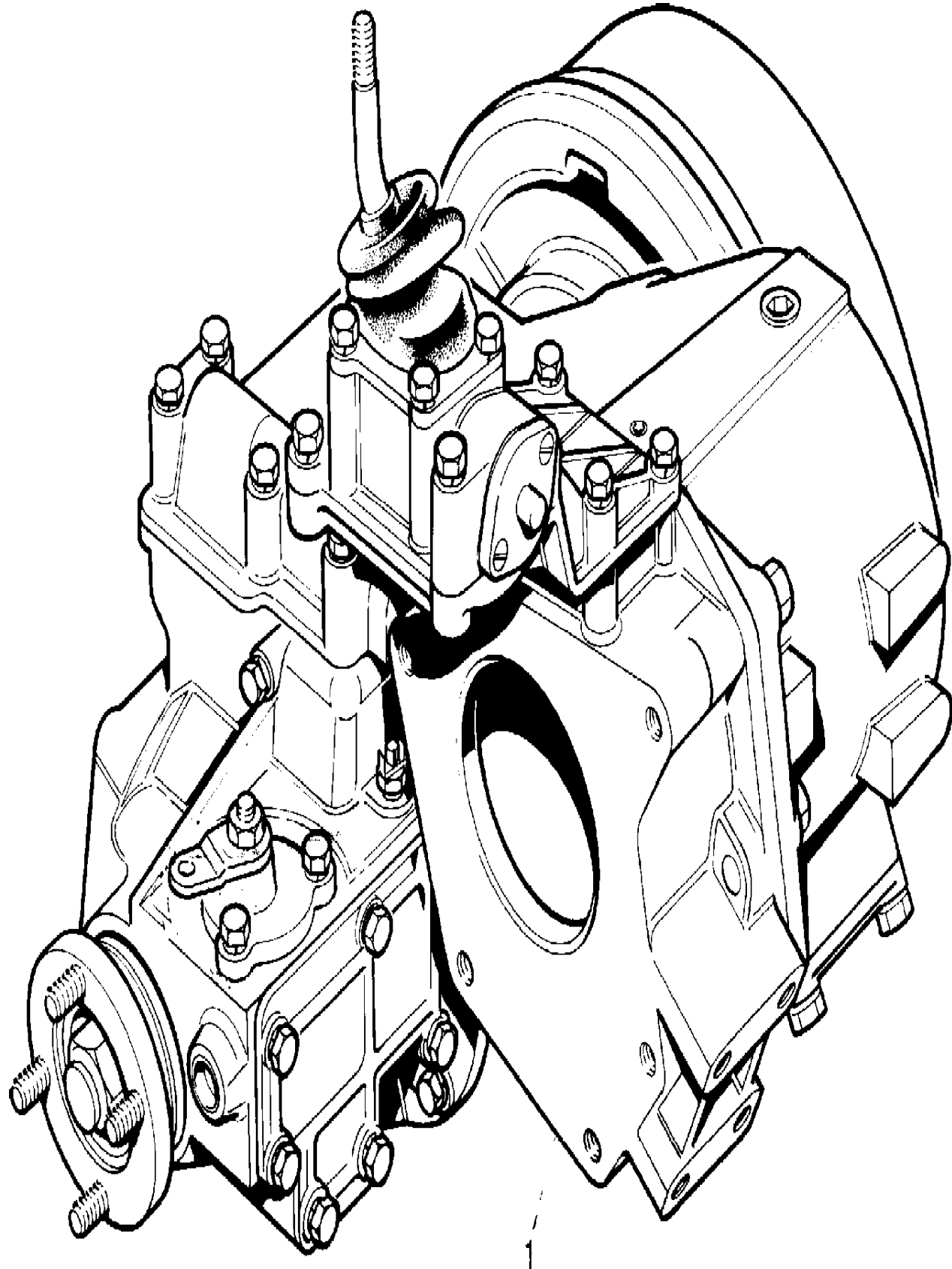
Transfer Box  
LT230T with 5 Speed-LT77 Gearbox  
Transfer Assembly 1/1

Range Rover (To HA610293)  
(VS3742)

Range Rover (To HA610293)

Transfer Box  
LT230T with 5 Speed-LT77 Gearbox  
Transfer Assembly

Callout	Name	Application	Remarks & Restrictions	Service No.	Qty
1	Transfer Box		New, 1.2 : 1	FRC9467N	1

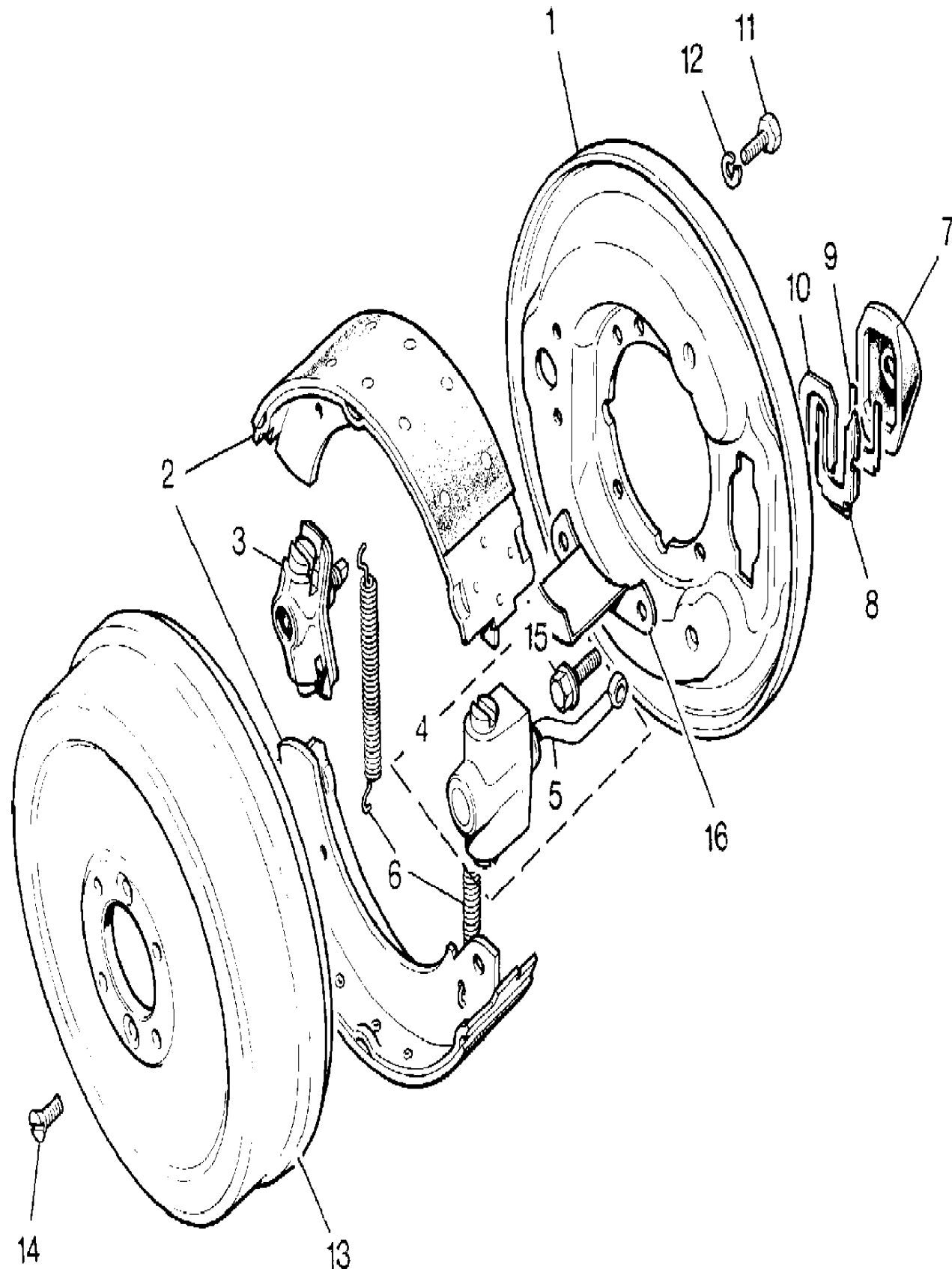


Transfer Box  
 LT230T with 5 Speed-LT77 Gearbox  
 Transmission Brake 1/1

**Range Rover (To HA610293)**  
 (VS3957)

**Range Rover (To HA610293)**

Transfer Box  
 LT230T with 5 Speed-LT77 Gearbox  
 Transmission Brake



Callout	Name	Application	Remarks & Restrictions	Service No.	Qty
1	Backplate-transmission brake assembly			AEU2733	1
2	Kit-transmission brake shoe	Change point - VIN end HA610293	Asbestos Free	RTC6179	1
3	Adjuster assembly-transfer box brake shoe			37H4558L	1
4	Expander assembly-transfer box brake shoe		Also serviced as part of a kit	AEU2734	1
5	Connecting rod assembly brake			AEU2736	1
6	Spring-return		Green	FRC8549	2
7	Cover-dust wheel cylinder			515466	1
8	Plate-locking			515467	1
9	Plate-packing			515470	1
10	Plate			515468	1
11	Screw			AEU2737	2
12	Washer			AEU2738	2
13	Drum-transmission brake		Black	FRC3502	1
14	Screw		counter sunk, M8 x 20	SA108201	2
15	Bolt			AFU1400	4
16	Catcher-transfer box transmission brake oil			FRC8093	1