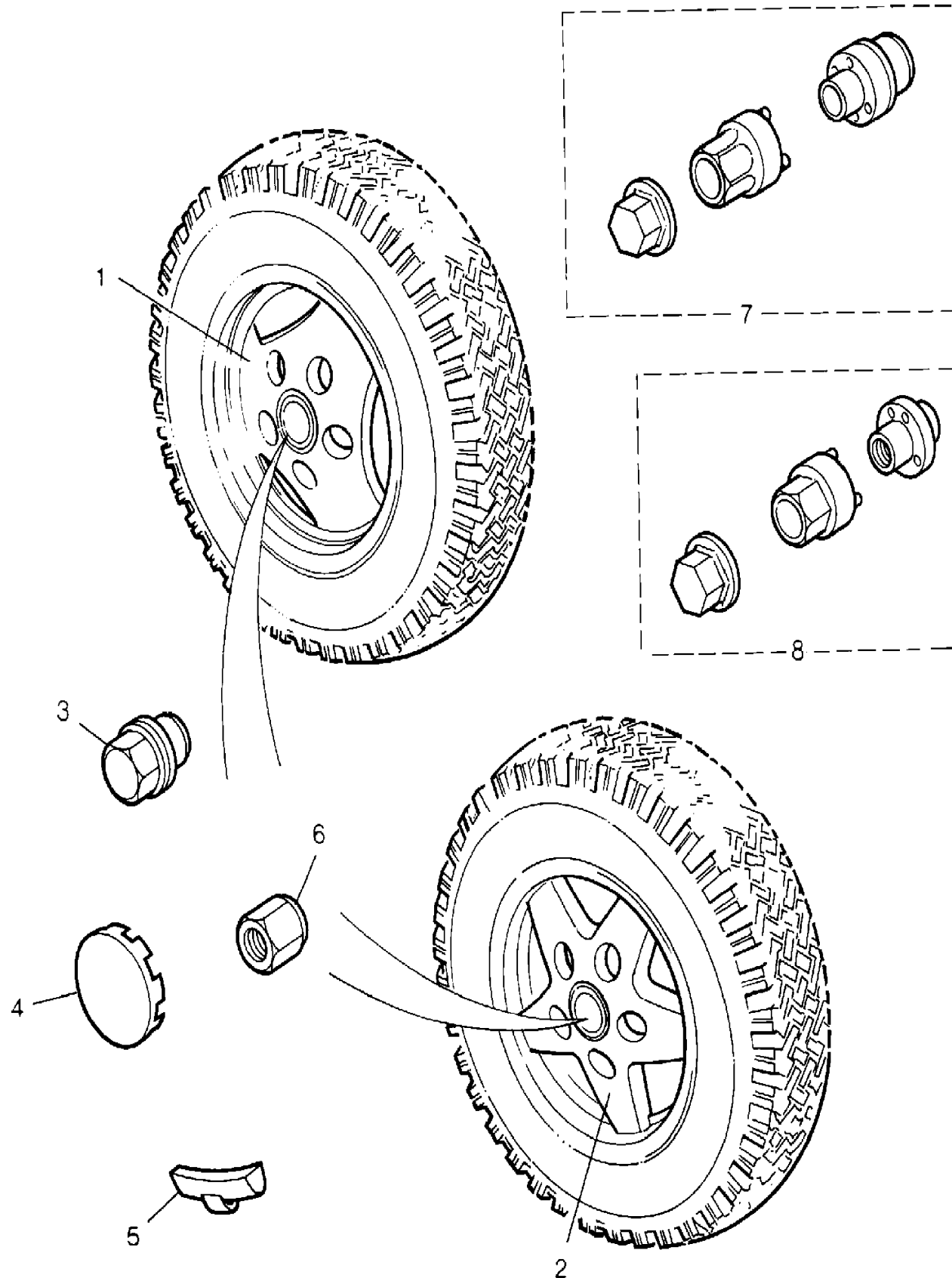


Axles & Suspension
 Axle Ancillaries & Road Wheels
 Road Wheels 1/2

Range Rover (To HA610293)

(TS6056B)



Axles & Suspension
 Axle Ancillaries & Road Wheels
 Road Wheels

Range Rover (To HA610293)

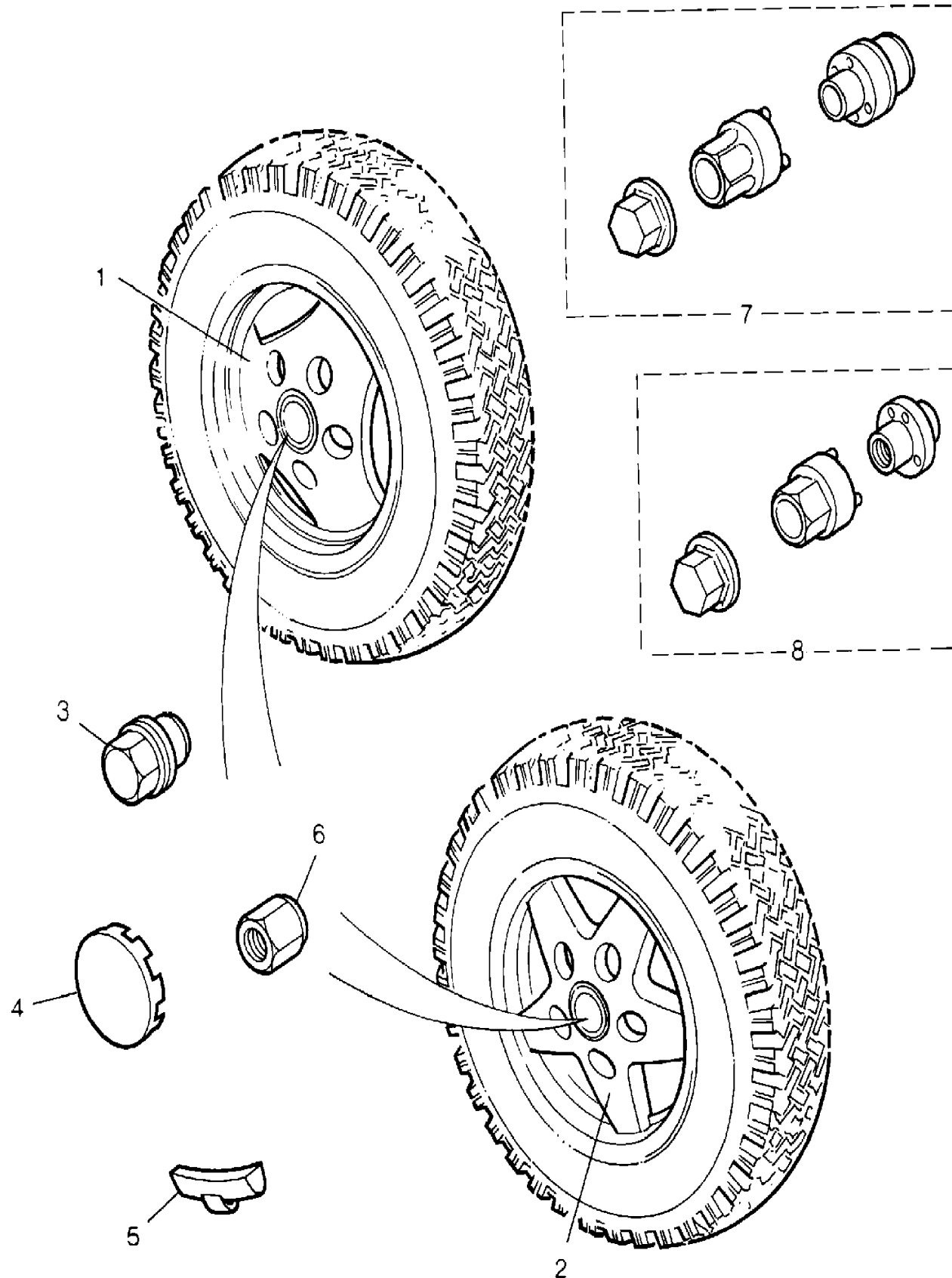
Callout	Name	Application	Remarks & Restrictions	Service No.	Qty		
1	Wheel Assy - Alloy	Change point - VIN end CA273922	Silver, tubed	NTC2310	5		
		Change point - VIN end CA273922	Grey, tubed	NTC2320	5		
		Change point - VIN end CA273922	tubeless	NTC2770	5		
		Change point - VIN begin DA273923, Vogue		NTC 1346	5		
		Change point - VIN begin DA273923, Vogue SE	Cypress Green	NTC 1346HBL	5		
		Change point - VIN begin DA273923, Vogue SE	Caspian Blue	NTC 1346JCV	5		
		Change point - VIN begin DA273923, Vogue SE	Chamonix White	NTC 1346NCM	5		
		Change point - VIN begin DA273923, Vogue SE	Cairngorm Brown, tubeless	NTC 1346AUF	5		
		Change point - VIN begin DA273923, Vogue SE	Beluga Black, tubeless	NTC 1346PUE	5		
		Change point - VIN begin DA273923, Vogue SE	tubeless, Gunmetal Grey	NTC 1346RUT	5		
		Change point - VIN begin DA273923, Vogue SE	Cairngorm Brown, tubed	NTC2320AUF	5		
		Change point - VIN begin DA273923, Vogue SE	Beluga Black, tubed	NTC2320PUE	5		
		Change point - VIN begin DA273923, Vogue SE	tubeless, Arden Green	NTC 1346HUL	5		
		Change point - VIN begin DA273923, Vogue SE	Westminster Grey, tubeless	NTC 1346LUQ	5		
		Change point - VIN begin DA273923, Vogue SE	Plymouth Blue, tubeless	NTC 1346JUJ	5		
		Change point - VIN begin DA273923, Vogue SE	Aspen Silver, tubeless	NTC 1346MUD	5		
		Change point - VIN begin DA273923, Vogue SE	Trocadero Red, tubeless	NTC 1346CUH	5		
		Change point - VIN begin DA273923, Vogue SE	Alpine White, tubeless	NTC 1346NUC	5		
		2	Wheel-alloy road	Change point - VIN end HA610293, CSK		RTC9526RWC	5
				Change point - VIN end HA610293, 4 Door Station Wagon, (+)"Europe", (-) CSK, Vogue SE	7.0 X 16, Quicksilver, Styled	RTC9526	5
		3	Nut-alloy road wheels	Change point - VIN end HA610293, For Alloy Wheels		NRC7415	20
		4	Cap assembly-centre-road wheel		Less Logo	NRC8499	4
					Black, With Logo	NRC8254	4
		5	Weight-balance-clip on road wheels	With Steel Wheels	15 G	13H8329L	X
With Steel Wheels	60 G			13H8331L	X		
With Steel Wheels	40 G			13H8332L	X		
With Steel Wheels	90 G			13H8337L	X		
Change point - VIN end GA453203, For Alloy Wheels				NRC7915	X		

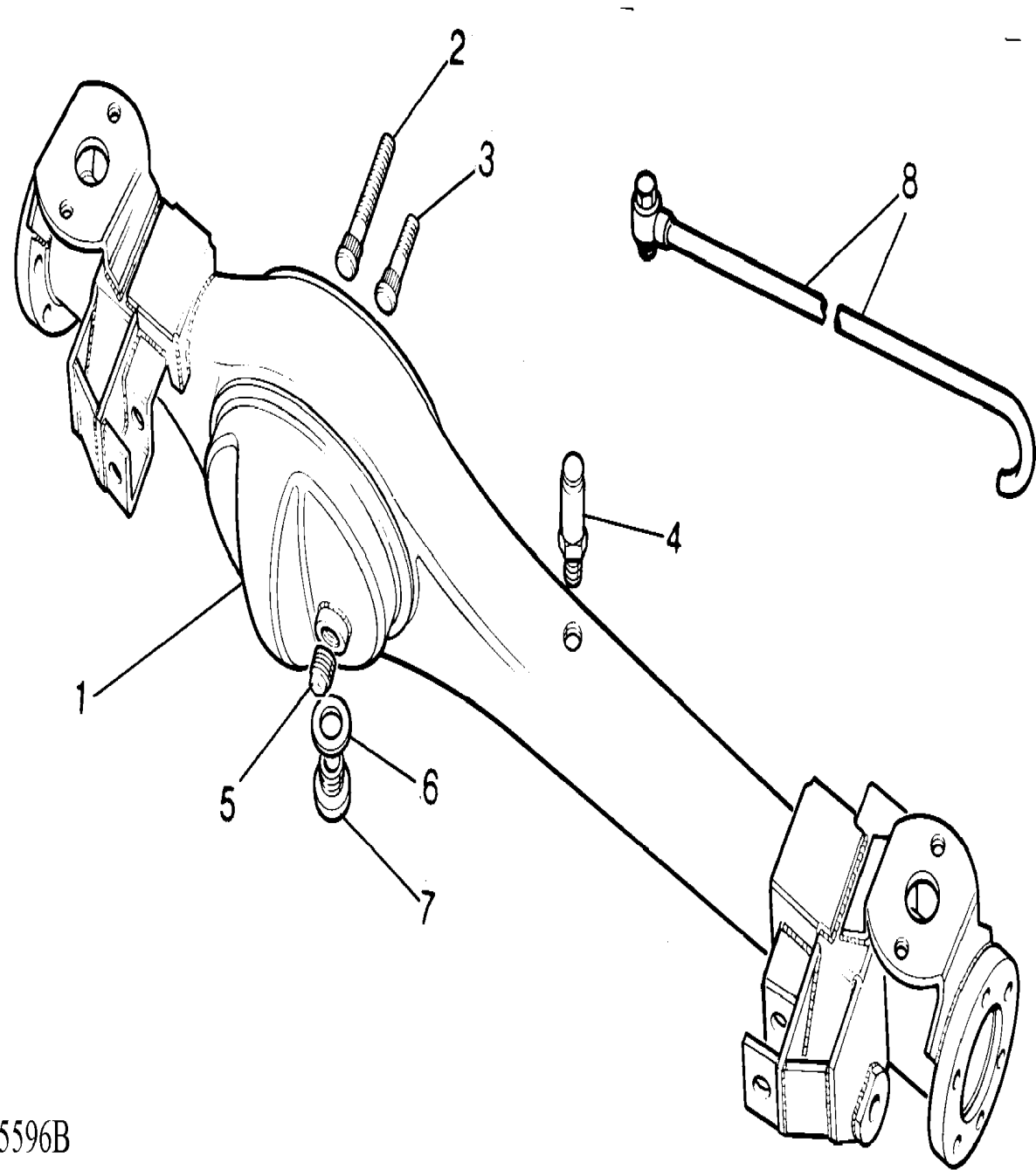
Range Rover (To HA610293)

(TS6056B)

Range Rover (To HA610293)

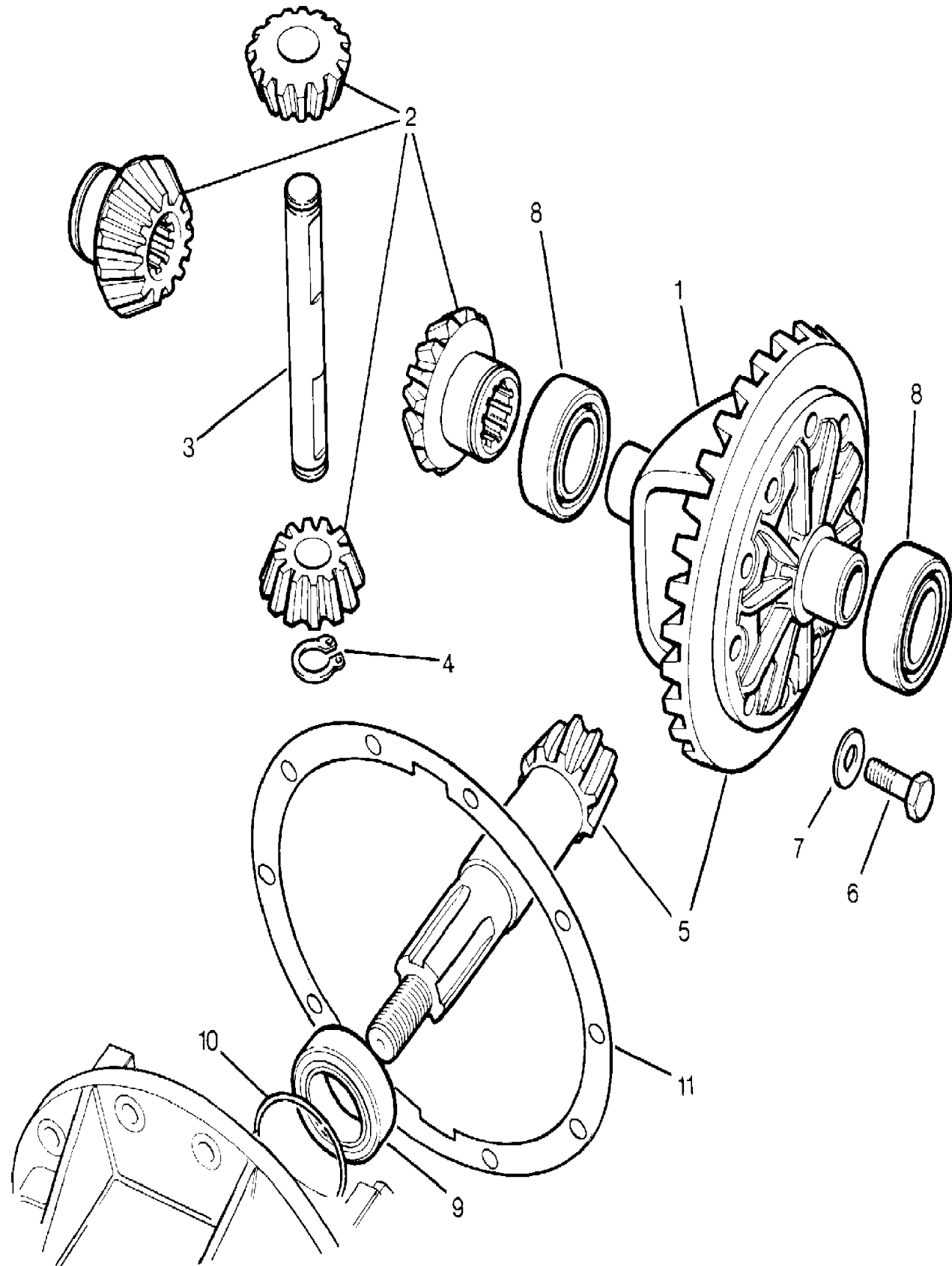
Callout	Name	Application	Remarks & Restrictions	Service No.	Qty
5	Weight-balance-clip on road wheels	Change point - VIN begin GA453204, For Alloy Wheels		NTC8129	X
6	Nut wheel retention		16MM, steel wheel	90577473	20
7	Kit-locking nut road wheels	Change point - VIN end HA610293	Steel, set of 5	RTC9535	1
8	Kit-locking nut road wheels	Change point - VIN end HA610293		RTC9533	1
[900]	Wheel Assy - Steel			NTC2165	5





TS5596B

Callout	Name	Application	Remarks & Restrictions	Service No.	Qty
1	Case-front axle	Change point - VIN end GA464553, With Petrol Engines Change point - VIN begin HA464554, With Petrol Engines Change point - VIN end GA464553, With Diesel Engines Change point - VIN begin HA464554, Change point - VIN end HA610293, With Diesel Engines		FTC823 FTC1430 FTC825 FTC1431	1 1 1 1
2	Stud		3/8UNF x 1 3/4	561196	6
3	Stud		3/8UNF x 1 1/4	561195	4
4	Breather-front axle			515845	1
5	Plug-drain/filler level			608246	1
6	Washer-sealing		axle drain plug	515599	1
7	Plug-drain/filler level			608246	1
8	Pipe-front axle breather		Also serviced as part of a kit	FTC2175	1

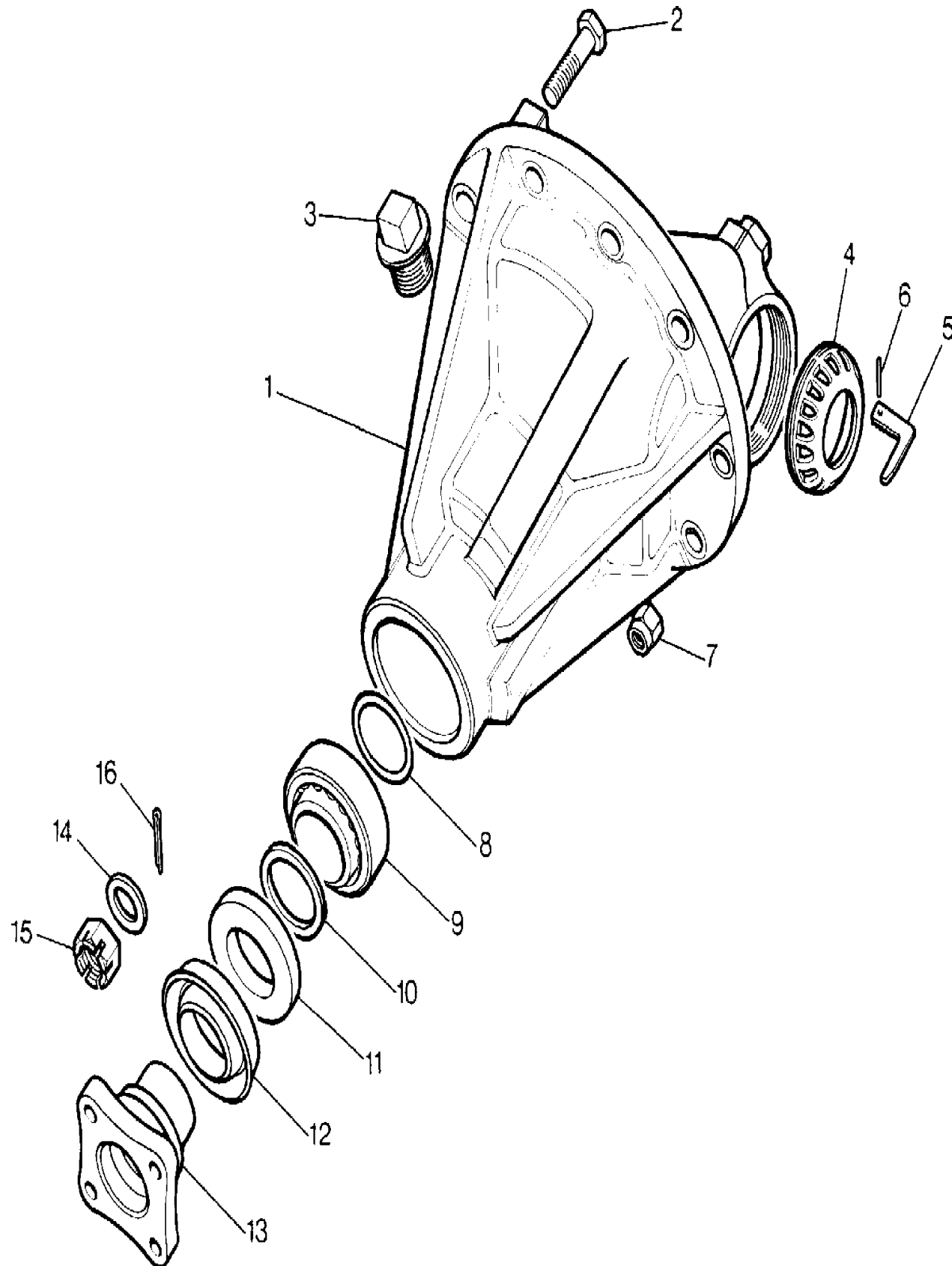


Callout	Name	Application	Remarks & Restrictions	Service No.	Qty
1	Case - Differential		10 spline shaft	FRC2933	1
2	Kit-gears-differential			RTC4486	1
3	Cross shaft differential			599945	1
4	Circlip			CCN110L	2
5	Crownwheel and pinion assembly		4 spline	594493	1
				FTC781	1
6	Bolt			593692	10
7	Washer-Plain			593693	10
8	Bearing-taper roller differential			RTC2726	1
9	Bearing-taper roller			539706	1
10	Shim		0.038", imperial imperial, 0.04" imperial, 0.042" imperial, 0.044" imperial, 0.046" imperial, 0.048" imperial, 0.050" imperial, 0.052" imperial, 0.054" imperial, 0.056" imperial, 0.058" imperial, 0.060" imperial, 0.062" imperial, 0.063" imperial, 0.064" imperial, 0.065"	549230 549232 549234 549236 549238 549240 549242 549244 549246 549248 549250 549252 576236 576237 576238 576239	X X X X X X X X X X X X X X X X X X
11	Gasket-differential housing to axle case			7316	1

Range Rover (To HA610293)

(M644)

Range Rover (To HA610293)

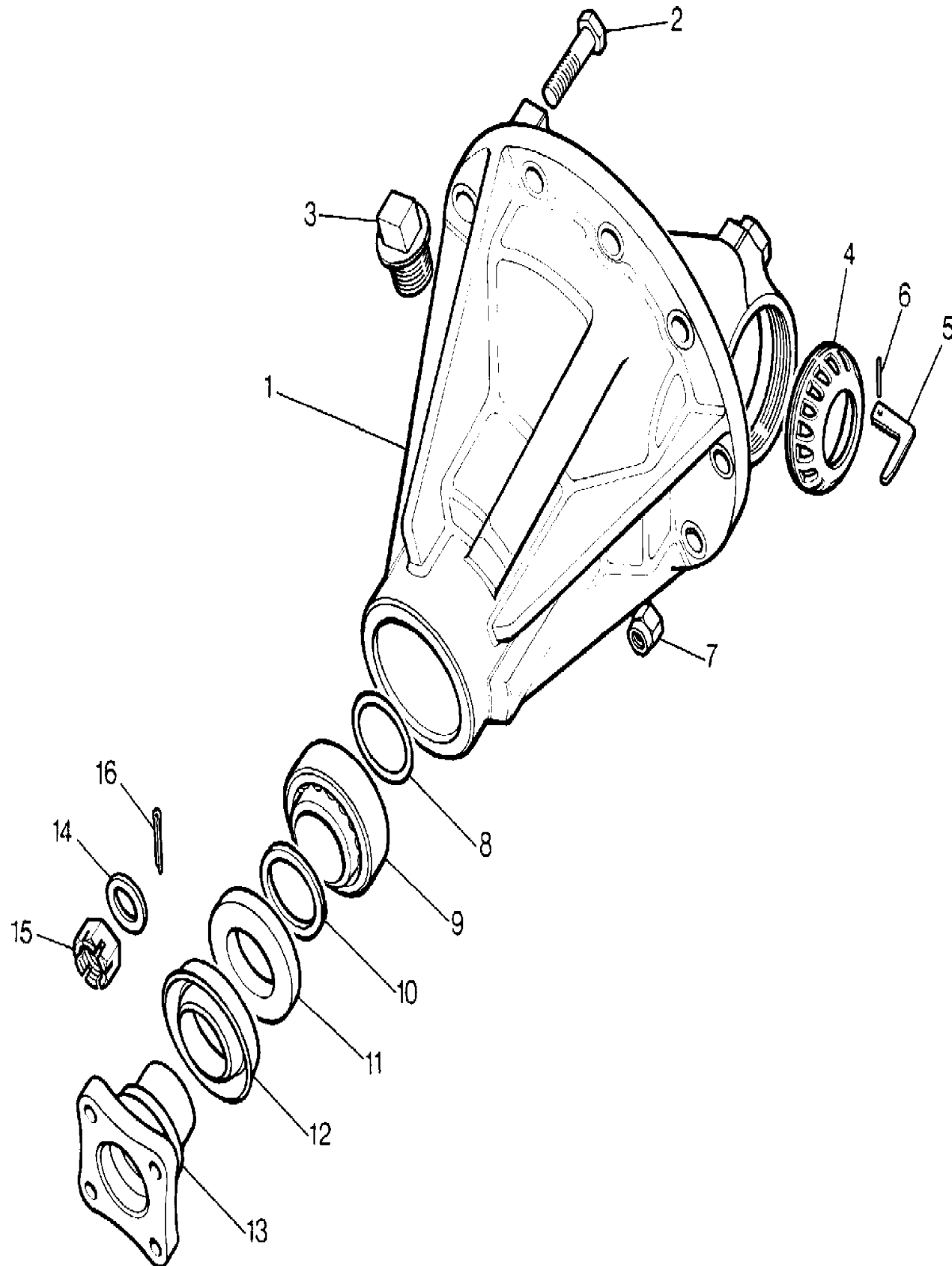


Callout	Name	Application	Remarks & Restrictions	Service No.	Qty
1	Housing assembly differential/final drive wheel	Change point - VIN end HA610293	Also serviced as part of a kit, with filler/level plug	FRC5690	1
		Change point - VIN end HA610293	Also serviced as part of a kit, less filler/level plug	FRC4112	1
2	Bolt	Change point - VIN end HA610293	Also serviced as part of a kit, M12 x 50	BH112101L	4
3	Plug-drain/filler level	Change point - VIN end HA610293	Also serviced as part of a kit	608246	1
4	Ring-differential locking	Change point - VIN end HA610293	Also serviced as part of a kit	FRC5204	2
		Change point - VIN end HA610293	Also serviced as part of a kit	FTC4210	2
5	Tab-differential locking ring	Change point - VIN end HA610293	Also serviced as part of a kit	FRC5661	2
6	Pin-roll-spring tension	Change point - VIN end HA610293	Also serviced as part of a kit	576159	2
7	Nut - Hex.	Change point - VIN end HA610293	Also serviced as part of a kit, hexagonal head, 3/8, UNF, nyloc	NY606041L	10
8	Shim-bearing differential		0.060"	FRC1193	X
			0.062"	FRC1195	X
			0.064"	FRC1197	X
			0.066"	FRC1199	X
			0.068"	FRC1201	X
			0.070"	FRC1203	X
			0.072"	539718	X
			0.074"	539720	X
			0.076"	539722	X
			0.080"	539724	X
9	Bearing-taper roller			539707	1
10	Spacer-pinion bearing			539745	1
11	Seal		differential final drive pinion, front & rear	FRC8220	1
12	Mudshield-front & rear differential			FRC8154	1
13	Flange-driveshaft coupling differential		4 spline	236632	1
			4 bolt flange	FRC3002	1
14	Washer-Plain			90513454	1
15	Nut-castle			3259	1
16	Pin-split			PS608101L	1

Range Rover (To HA610293)

(M644)

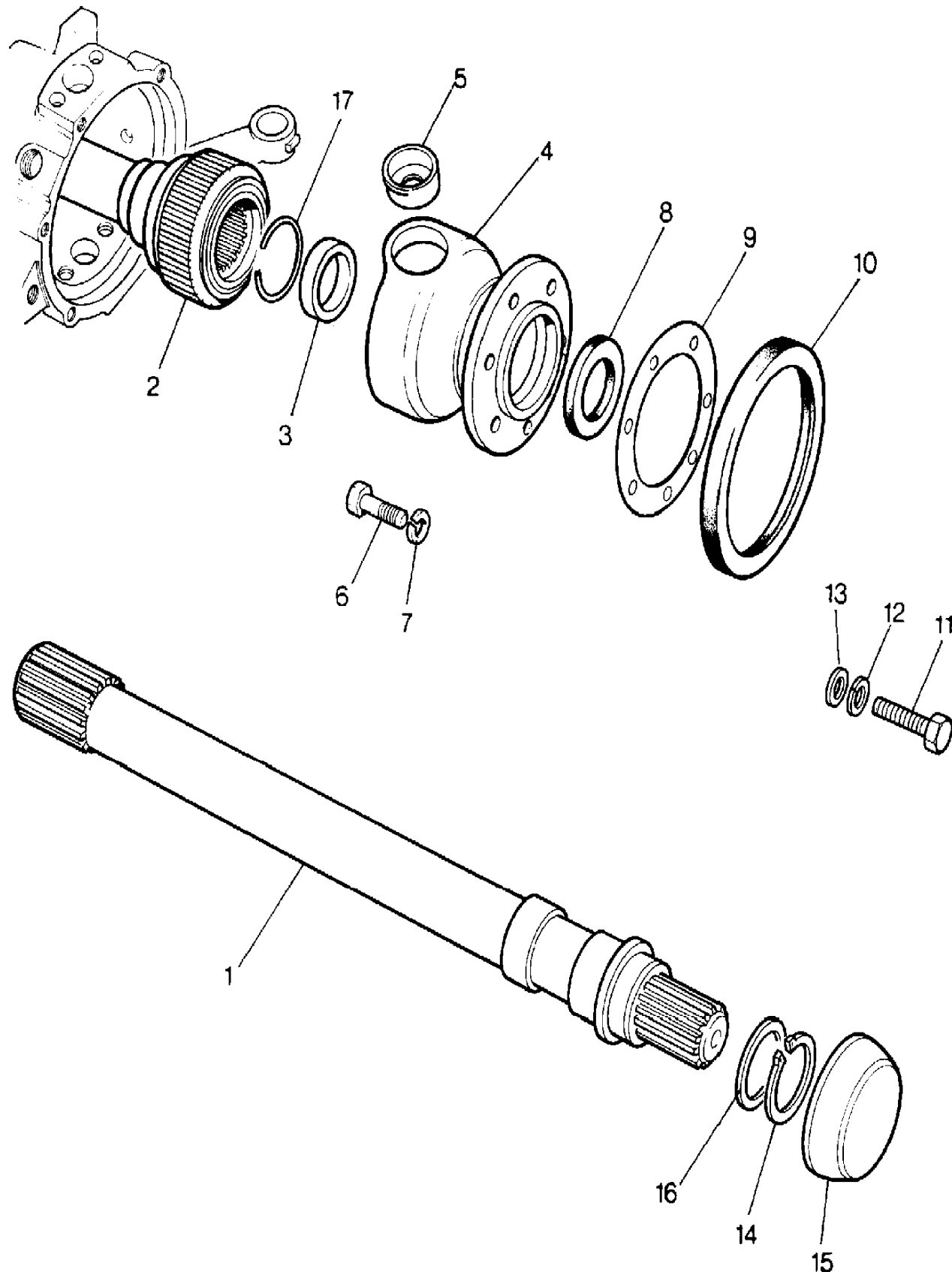
Range Rover (To HA610293)



Callout	Name	Application	Remarks & Restrictions	Service No.	Qty
[900]	Differential assembly differential	Change point - VIN end HA610293	Also serviced as part of a kit, 10 spline shaft, New, with filler/level plug	FTC1709N	1
		Change point - VIN end HA610293	EXCHANGE, 10 spline shaft, with filler/level plug	FTC1709E	1
		Change point - VIN end HA610293	Also serviced as part of a kit, New	FTC782N	1
		Change point - VIN end HA610293	Also serviced as part of a kit, with filler/level plug, reconditioned	RTC6556R	1
			Also serviced as part of a kit, 10 spline shaft, exchange	FTC782E	1

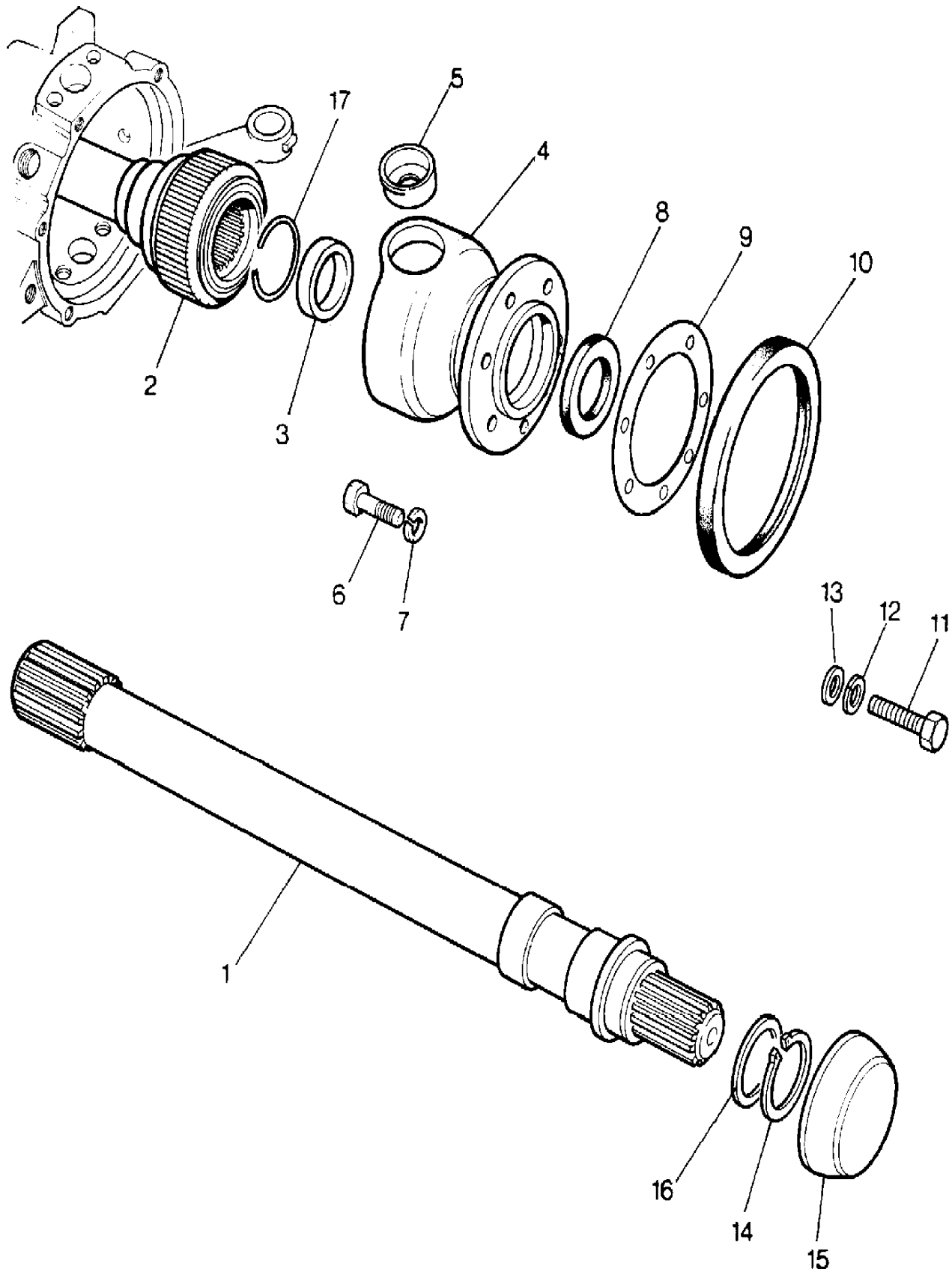
All Wheel Anti-Lock Braking System

Callout	Name	Application	Remarks & Restrictions	Service No.	Qty	
1	Shaft-front axle half	Change point - VIN end HA610293	Also serviced as part of a kit, RH	RTC6754	1	
		Change point - VIN end HA610293	Also serviced as part of a kit, LH	RTC6755	1	
2	Joint-constant velocity	Change point - VIN end HA610293	Also serviced as part of a kit	RTC6811	2	
3	Spacer	Change point - VIN end HA610293	Also serviced as part of a kit	RTC5841	2	
4	Housing-swivel pin bearing			FRC2644	2	
5	Housing & bush assembly pinion housing tube		Upper	FTC125	2	
6	Bolt	Change point - VIN end GA437775	M10	FRC8528	14	
		Change point - VIN begin GA437776	M10	FRC8528	12	
		Change point - VIN begin GA437776	dowel	FTC1916	2	
7	Washer-Plain			FRC8530	14	
8	Seal-front driveshaft			571718	2	
9	Gasket-swivel pin bearing housing to axle case			FRC2349	2	
10	Seal-swivel pin housing	Change point - VIN end HA610293		FTC3646	1	
			9MM	FRC2889	2	
11	Bolt			1/4UNF x 9/16	255205	12
12	Washer-Spring			1/4 dia, Square	WM600041L	12
13	Washer			6MM	WA106041L	12
14	Circlip		axle shaft to hub driving member	549473	2	
15	Cap-driveshaft coupling bolt locking		Less Logo	FTC943	2	
16	Shim-front axle half shaft	0.45MM		FRC6782	X	
		0.60MM		FRC6783	X	
		0.75MM		FRC6784	X	
		0.90mm		FRC6785	X	
		1.05MM		FRC6786	X	
		1.20MM		FRC6787	X	
		1.35MM		FRC6788	X	



All Wheel Anti-Lock Braking System

Callout	Name	Application	Remarks & Restrictions	Service No.	Qty
16	Shim-front axle half shaft		1.50MM	FRC6789	X
			1.65MM	FRC6790	X
17	Circlip		front axle shaft to CV joint	STC579	1
[902]	Driveshaft-front	Change point - VIN end HA610293	RH, 10 spline shaft	FTC862	1
		Change point - VIN end HA610293	10 spline shaft, LH	FTC863	1

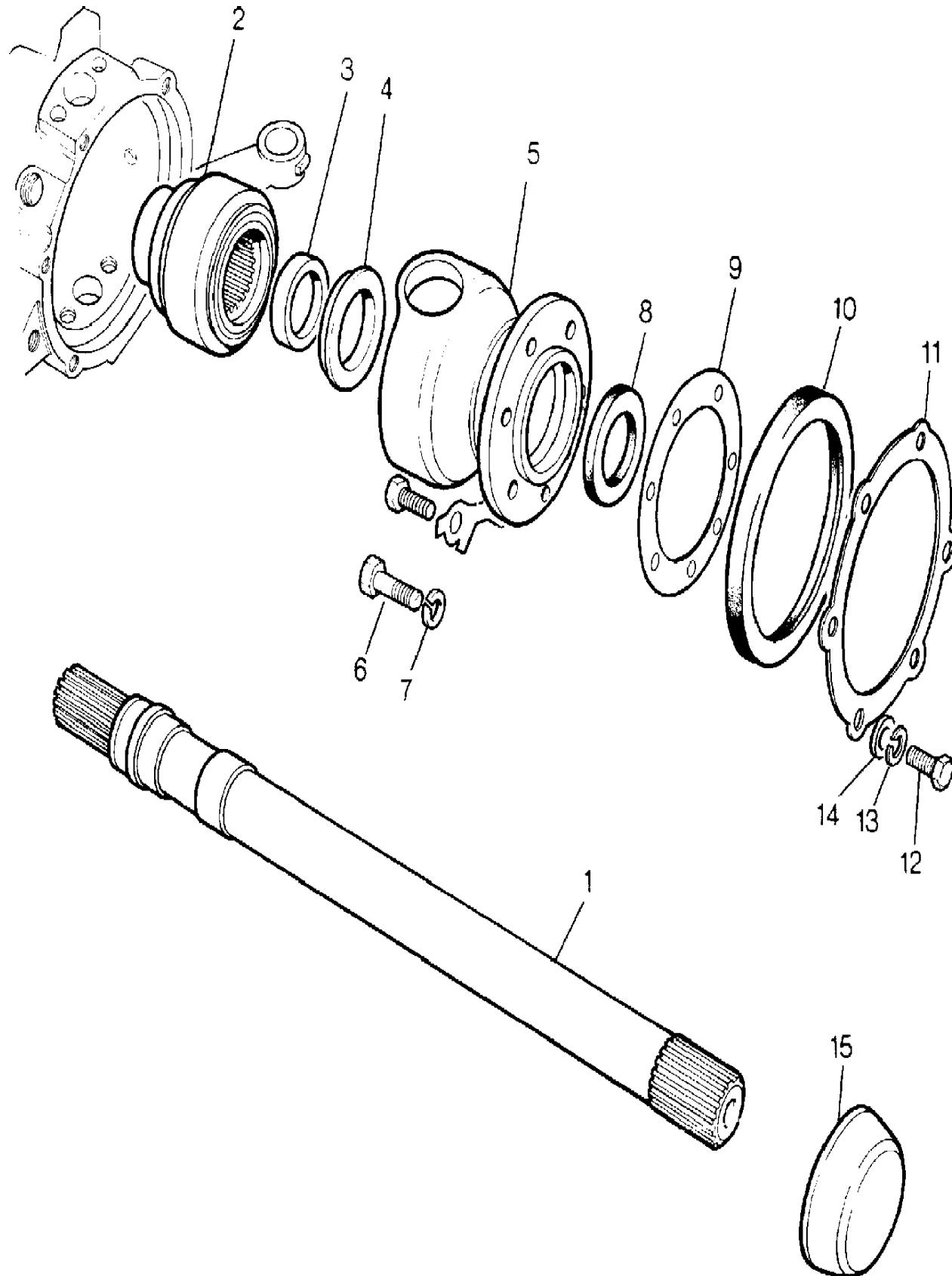


Range Rover (To HA610293)

(TS5595C)

Range Rover (To HA610293)

Less Anti-Lock Braking System



Callout	Name	Application	Remarks & Restrictions	Service No.	Qty
1	Shaft-front axle half	Change point - VIN end EA305589	Also serviced as part of a kit, Suffix A, LH	606663	1
		Change point - VIN begin EA305590	Also serviced as part of a kit, RH, Suffix B	RTC5840	1
		Change point - VIN begin EA305590	Also serviced as part of a kit, Suffix B, LH	RTC5842	1
		Change point - VIN end EA305589	Also serviced as part of a kit, RH, Suffix A	606662	1
2	Joint-constant velocity	Change point - VIN begin EA305590	Also serviced as part of a kit, Suffix B	RTC5843	2
		Change point - VIN end EA305589	Also serviced as part of a kit, Suffix A	606665	2
3	Spacer	Change point - VIN begin EA305590	Also serviced as part of a kit, Suffix B	RTC5841	2
		Change point - VIN end EA305589	Also serviced as part of a kit, Suffix A	FTC254	2
4	Sleeve			571822	2
5	Housing-swivel pin bearing			FRC7065	2
6	Bolt		M10	FRC8528	14
7	Washer-Plain			FRC8530	14
8	Seal-front driveshaft			571718	2
9	Gasket-swivel pin bearing housing to axle case			FRC2349	2
10	Seal-swivel pin housing		12.5MM	571890	2
		Change point - VIN end HA610293	9MM	FRC2889	2
11	Plate-oil seal retainer			571755	2
12	Bolt		1/4UNF x 9/16	255205	12
13	Washer-Spring		1/4 dia, Square	WM600041L	12
14	Washer		6MM	WA106041L	12
15	Cap-driveshaft coupling bolt locking	Change point - VIN begin GA399973	Less Logo	FTC943	2
[900]	Shaft & joint assembly- outer	Change point - VIN begin EA305590	Also serviced as part of a kit, RH, Suffix B	FRC9518	1
		Change point - VIN begin EA305590	Also serviced as part of a kit, Suffix B, LH	FRC9519	1
		Change point - VIN end EA305589	Also serviced as part of a kit, RH, Suffix A	571895	1
		Change point - VIN end EA305589	Also serviced as part of a kit, Suffix A, LH	571896	1

Axles & Suspension
 Front Axle
 Drive Shafts 2/2

Range Rover (To HA610293)

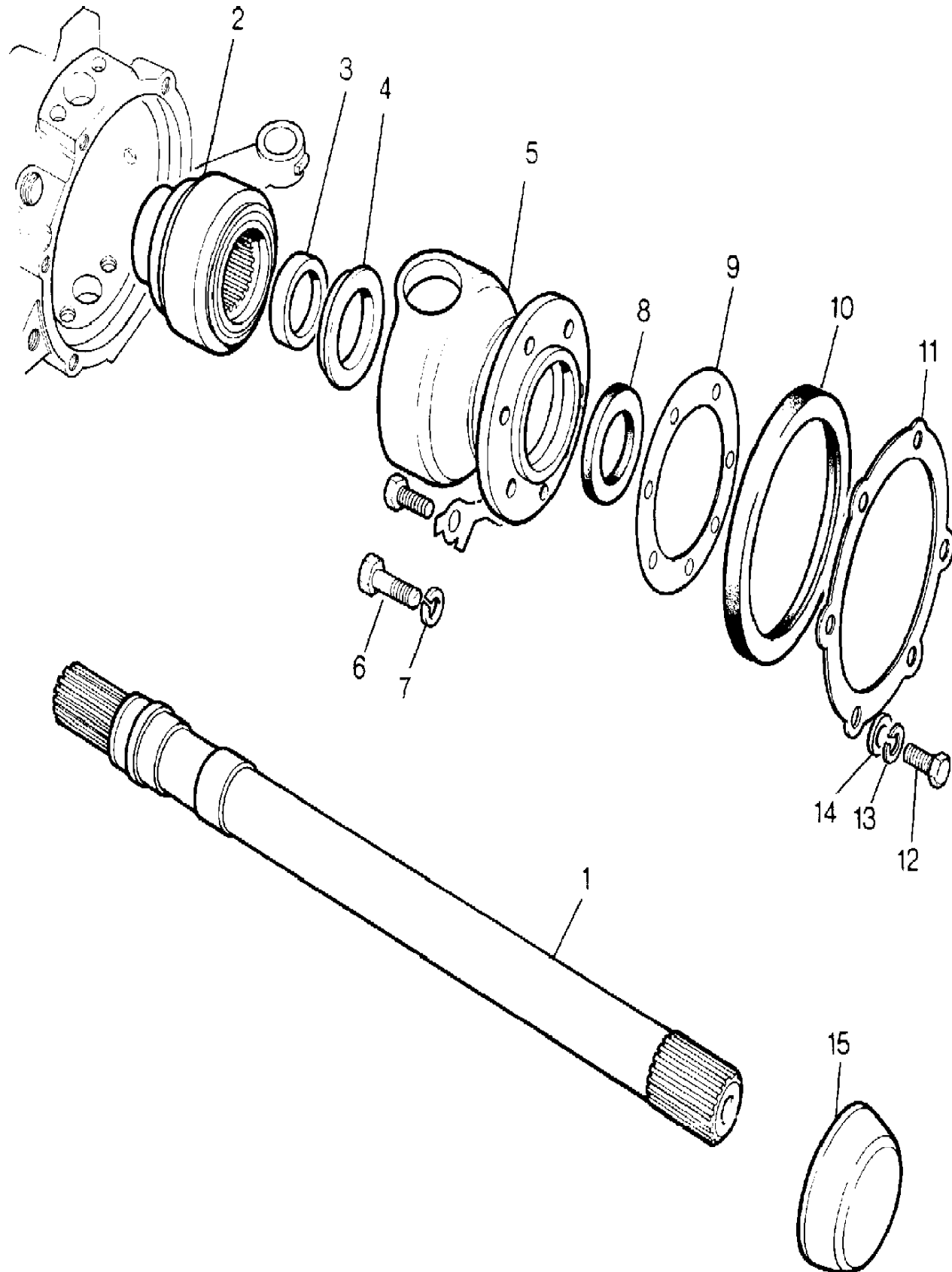
(TS5595C)

Range Rover (To HA610293)

Axles & Suspension
 Front Axle
 Drive Shafts

Less Anti-Lock Braking System

Callout	Name	Application	Remarks & Restrictions	Service No.	Qty
[901]	Circlip	Change point - VIN begin EA305590	front axle shaft to CV joint, Also serviced as part of a kit, Suffix B	STC579	2



Axles & Suspension

Front Axle

Front Axle Assembly 1/2

Range Rover (To HA610293)

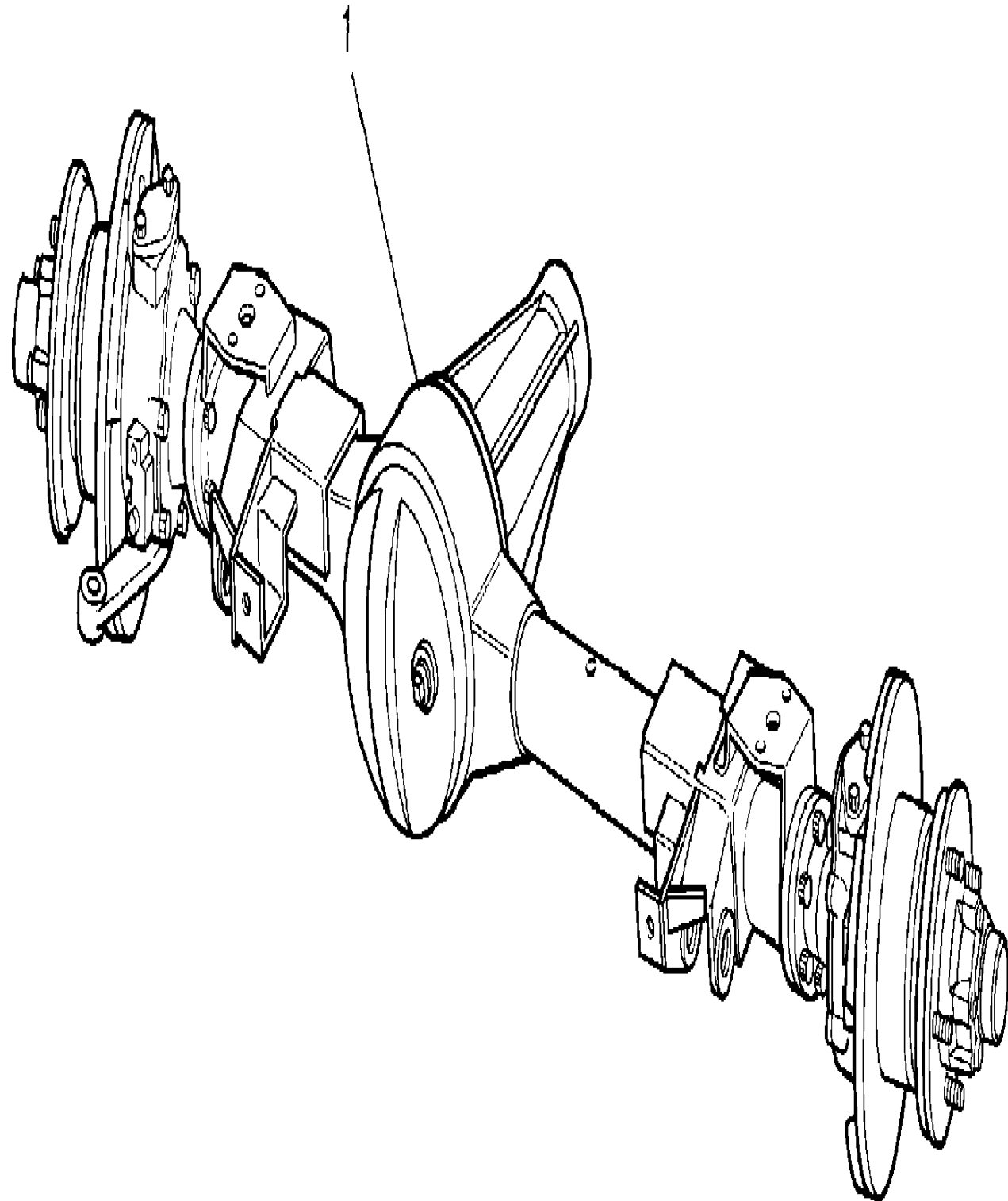
(TS5596A)

Axles & Suspension

Front Axle

Front Axle Assembly

Range Rover (To HA610293)



Callout	Name	Application	Remarks & Restrictions	Service No.	Qty
1	Axle/drive unit assembly 4x4-front	Change point - VIN end FA399972, With Petrol Engines, RHD, Less Anti-Lock Braking System		FTC664	1
		Change point - VIN end EA351846, With Petrol Engines, LHD, Less Anti-Lock Braking System		FTC665	1
		Change point - VIN begin GA399973, Change point - VIN end GA464553, With Petrol Engines, RHD, Less Anti-Lock Braking System	Asbestos Free	FTC1464	1
		Change point - VIN begin GA399973, Change point - VIN end GA464553, With Petrol Engines, LHD, Less Anti-Lock Braking System	Asbestos Free	FTC1465	1
		Change point - VIN begin HA464554, With Petrol Engines, RHD, Less Anti-Lock Braking System	Asbestos Free	FTC1928	1
		Change point - VIN begin HA464554, With Petrol Engines, LHD, Less Anti-Lock Braking System	Asbestos Free	FTC1934	1
		Change point - VIN begin GA399973, Change point - VIN end GA464553, With Petrol Engines, RHD, All Wheel Anti-Lock Braking System	Asbestos Free	FTC930	1
		Change point - VIN begin HA464554, With Petrol Engines, RHD, All Wheel Anti-Lock Braking System	Asbestos Free	FTC1924	1
		Change point - VIN begin HA464554, With Petrol Engines, LHD, All Wheel Anti-Lock Braking System	Asbestos Free	FTC1925	1
		Change point - VIN begin GA399973, Change point - VIN end GA464553, With Petrol Engines, LHD, All Wheel Anti-Lock Braking System	Asbestos Free	FTC1355	1
		Change point - VIN end EA351846, With Diesel Engines, RHD, Less Anti-Lock Braking System		FTC516	1
		Change point - VIN end EA351846, With Diesel Engines, LHD, Less Anti-Lock Braking System		FTC517	1
		Change point - VIN begin FA351847, Change point - VIN end FA399972, With Diesel Engines, RHD, Less Anti-Lock Braking System		FTC790	1

Axles & Suspension

Front Axle

Front Axle Assembly 2/2

Range Rover (To HA610293)

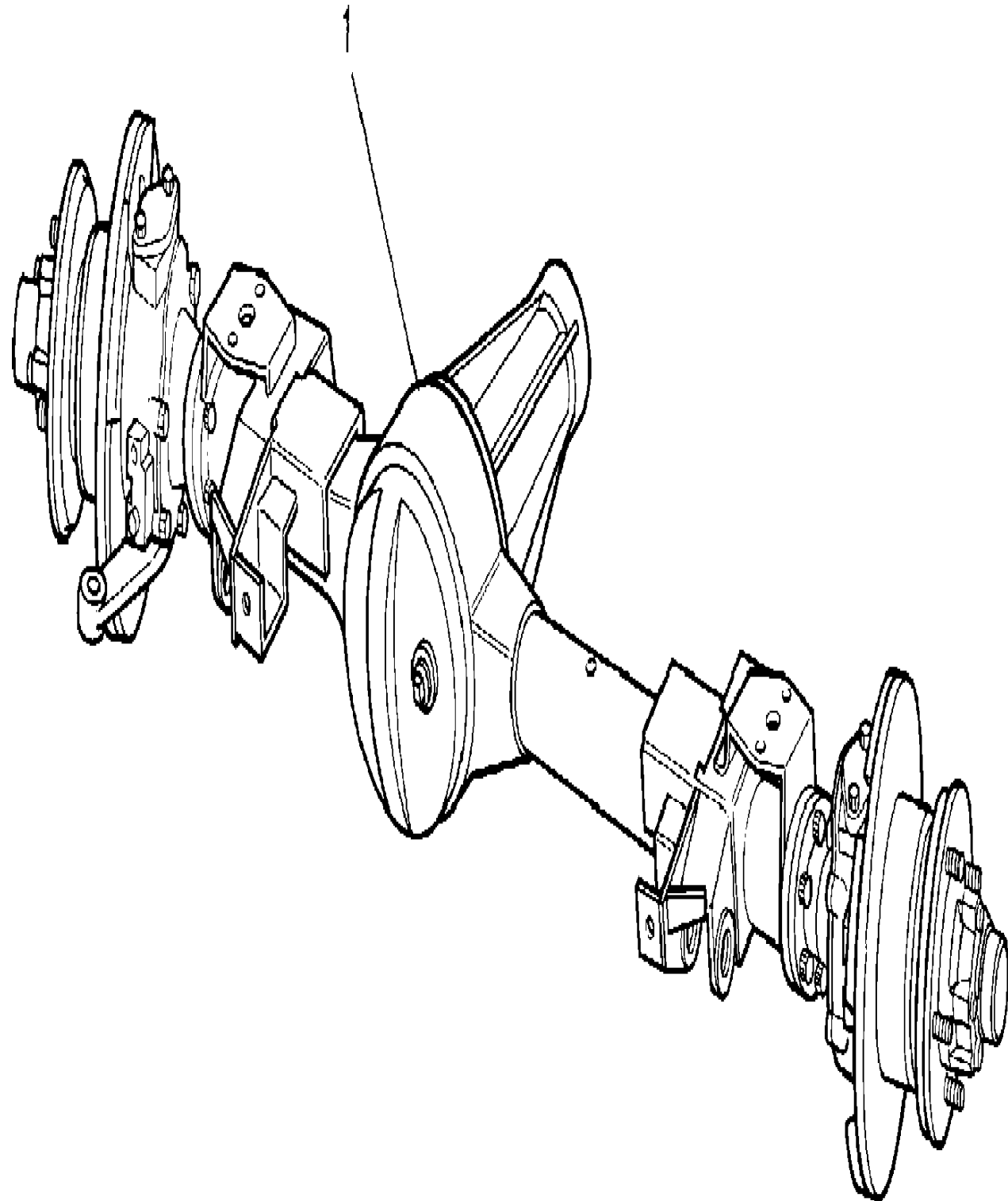
(TS5596A)

Axles & Suspension

Front Axle

Front Axle Assembly

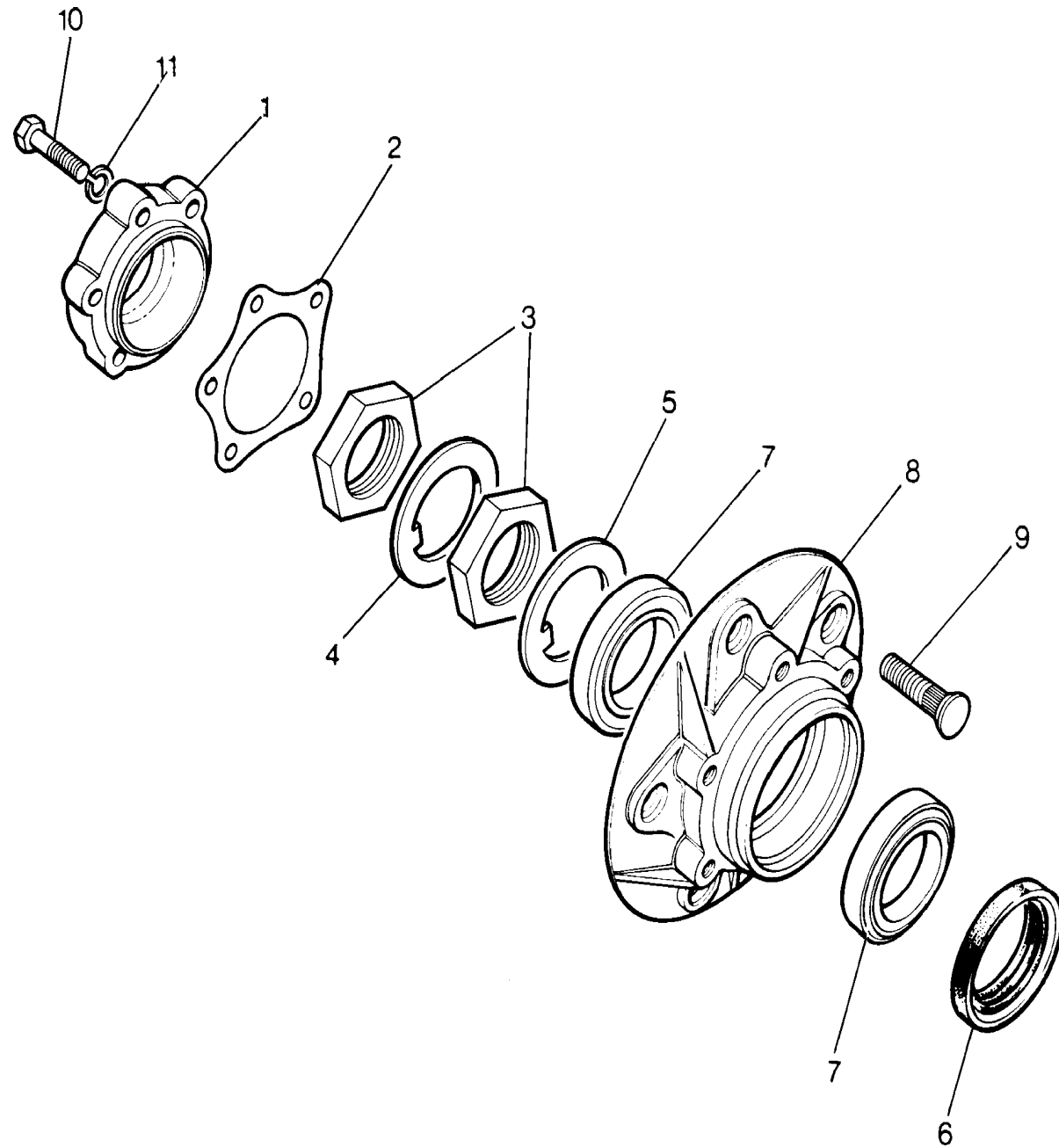
Range Rover (To HA610293)



Callout	Name	Application	Remarks & Restrictions	Service No.	Qty
1	Axle/drive unit assembly 4x4-front	Change point - VIN begin FA351847, Change point - VIN end FA399972, With Diesel Engines, LHD, Less Anti-Lock Braking System		FTC791	1
		Change point - VIN begin GA399973, Change point - VIN end GA464553, With Diesel Engines, RHD, Less Anti-Lock Braking System	Asbestos Free	FTC1466	1
		Change point - VIN begin GA399973, Change point - VIN end GA464553, With Diesel Engines, LHD, Less Anti-Lock Braking System	Asbestos Free	FTC1467	1
		Change point - VIN begin HA464554, With Diesel Engines, RHD, Less Anti-Lock Braking System		FTC1929	1
		Change point - VIN begin HA464554, With Diesel Engines, LHD, Less Anti-Lock Braking System		FTC1935	1
		Change point - VIN begin GA399973, Change point - VIN end GA464553, With Diesel Engines, RHD, All Wheel Anti-Lock Braking System		FTC932	1
		Change point - VIN begin GA399973, Change point - VIN end GA464553, With Diesel Engines, LHD, All Wheel Anti-Lock Braking System		FTC933	1
		Change point - VIN begin HA464554, With Diesel Engines, RHD, All Wheel Anti-Lock Braking System		FTC1926	1
		Change point - VIN begin HA464554, With Diesel Engines, LHD, All Wheel Anti-Lock Braking System		FTC1927	1

Axles & Suspension
 Front Axle
 Front Hubs-ABS 1/1

Range Rover (To HA610293)
 (TS6800B)



TS 6800A

Range Rover (To HA610293)

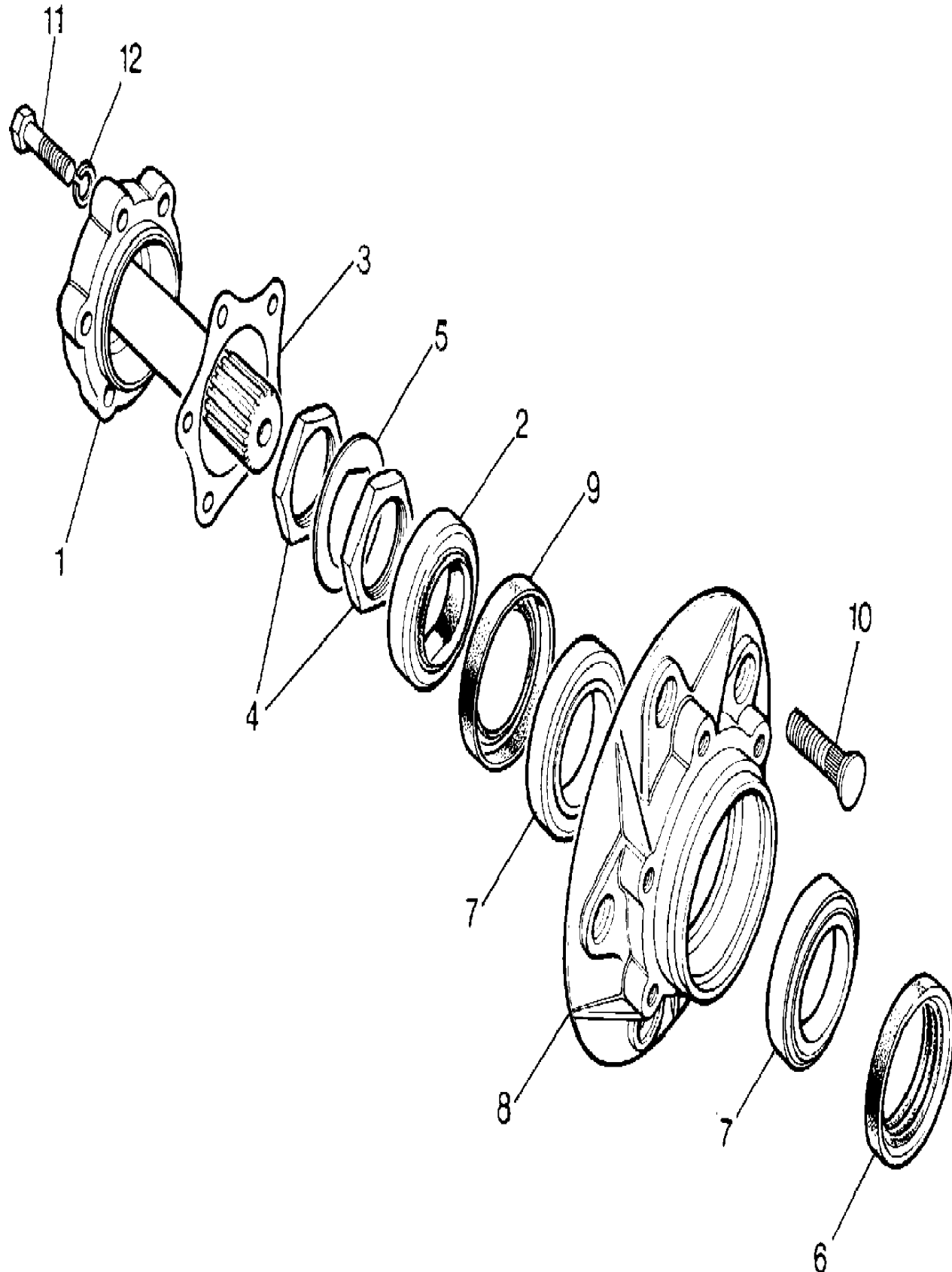
Axles & Suspension
 Front Axle
 Front Hubs-ABS

All Wheel Anti-Lock Braking System

Callout	Name	Application	Remarks & Restrictions	Service No.	Qty
1	Flange-driving shaft joint			FTC859	2
2	Gasket-axle shaft drive member			571752	2
3	Locknut			FRC8700	4
4	Washer-Lock			217353	2
5	Washer-front & rear hub nut tab	Change point - VIN end HA610293		217352	2
6	Seal assembly-front/rear hub	Change point - VIN end HA610293	Inner	FRC8221	2
7	Bearing-front/rear axle hub			RTC3429	4
8	Hub assembly-front & rear			FTC860	2
9	Stud			FRC5926	10
10	Bolt			FTC940	10
11	Washer		3/8", Square	WM600061L	10

Less Anti-Lock Braking System

Callout	Name	Application	Remarks & Restrictions	Service No.	Qty
1	Driveshaft-front hub			571761	2
2	Spacer			FRC8227	2
3	Gasket-axle shaft drive member			571752	2
4	Locknut			FRC8700	4
5	Washer-Lock			FRC8002	2
6	Seal assembly-front/rear hub	Change point - VIN end HA610293	Inner	FRC8221	2
7	Bearing-front/rear axle hub			RTC3429	4
8	Hub assembly front		Also serviced as part of a kit	FTC1457	2
9	Seal assembly-front/rear hub	Change point - VIN end HA610293	Outer	FRC8222	2
10	Stud			FRC5926	10
11	Bolt			279146	10
12	Washer		3/8", Square	WM600061L	10



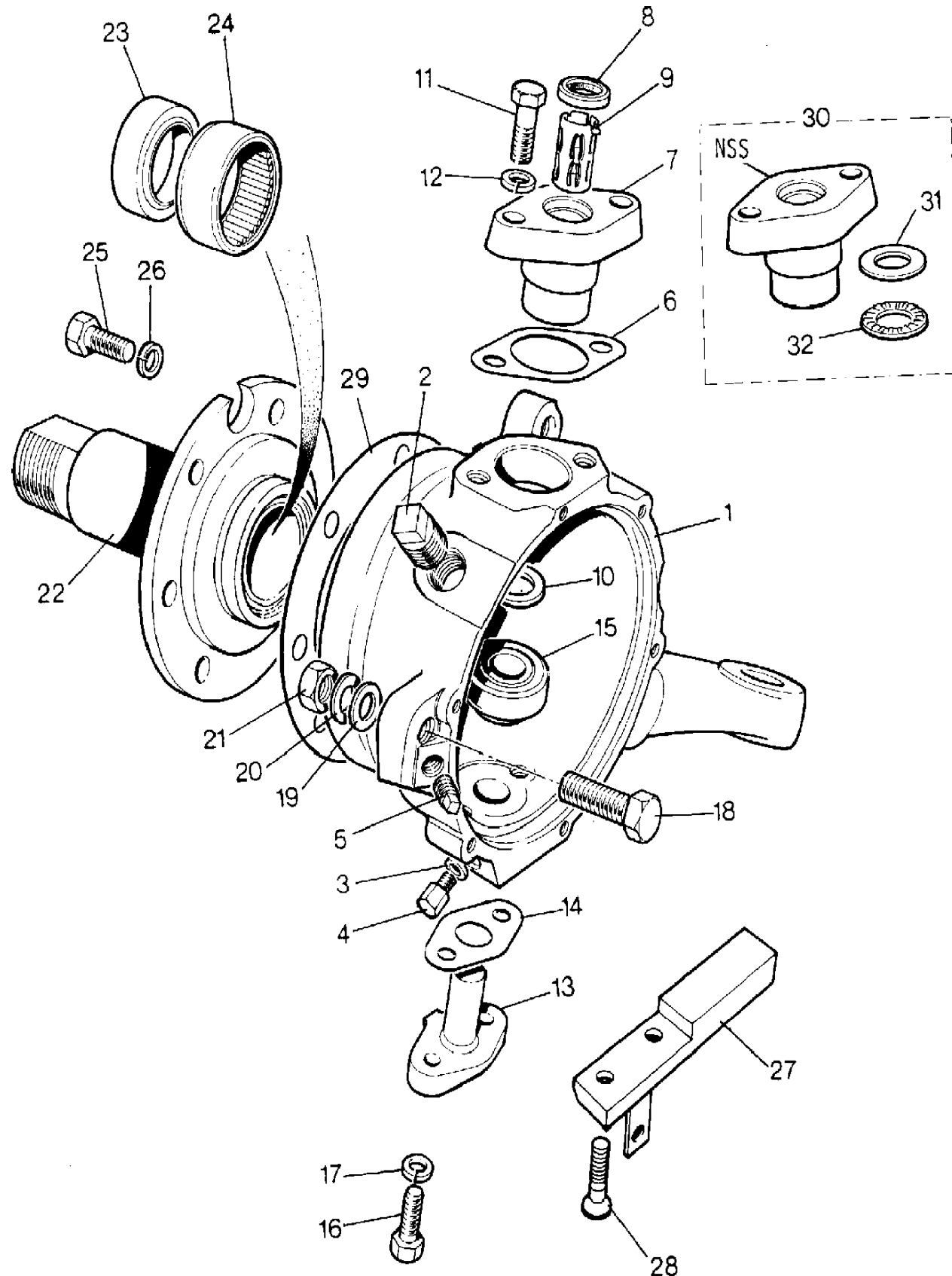
Range Rover (To HA610293)

(TS6484D)

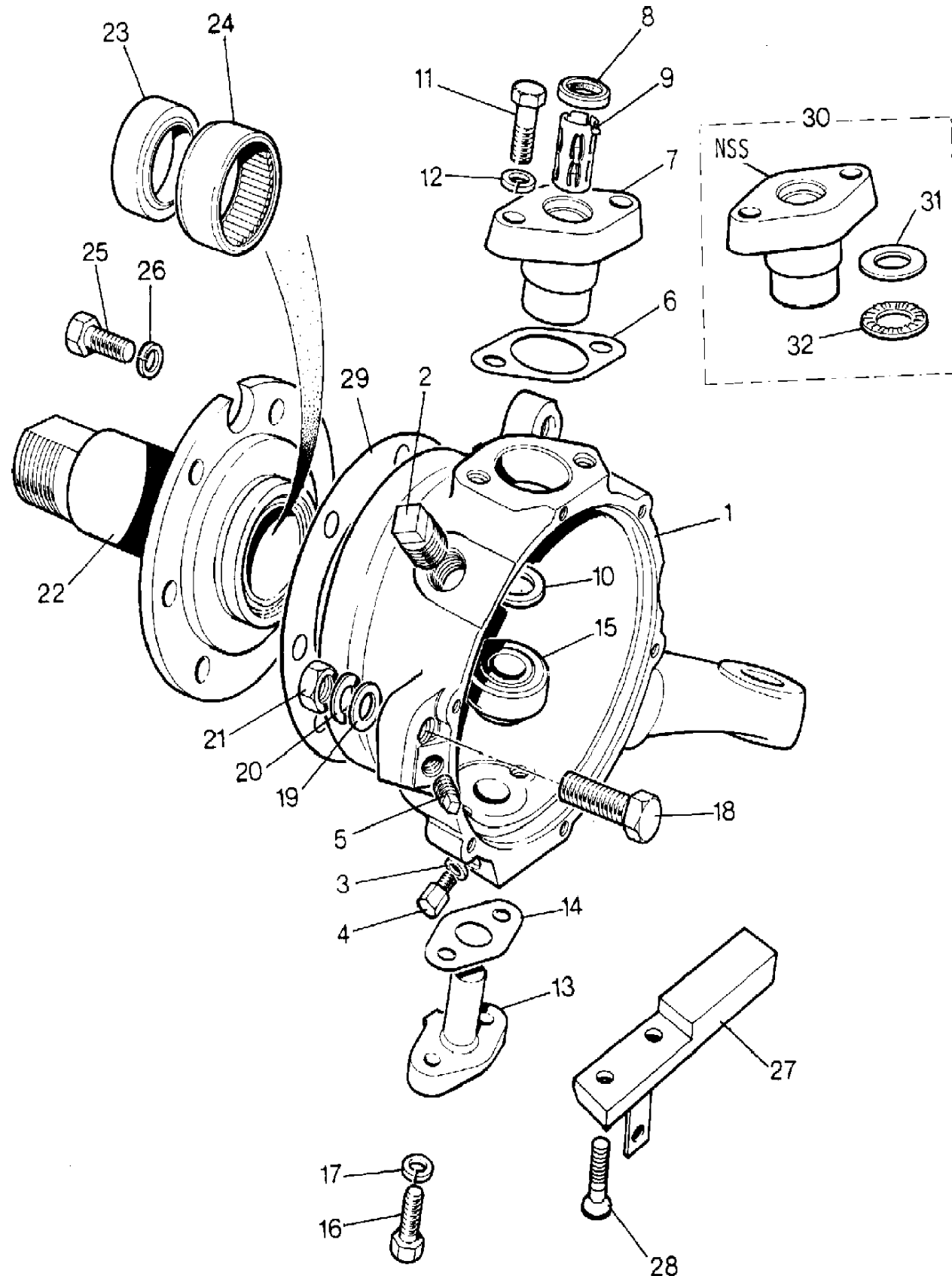
Range Rover (To HA610293)

All Wheel Anti-Lock Braking System

Callout	Name	Application	Remarks & Restrictions	Service No.	Qty
1	Housing-swivel pin	RHD RHD LHD LHD	RH LH RH LH	FTC1364 FTC1365 FTC1366 FTC1367	1 1 1 1
2	Plug-level			3292	2
3	Washer-sealing		steering swivel pin housing drain plug	230511	2
4	Plug-Drain			236070	2
5	Plug		square head	3289	2
6	Shim		0.003" 0.005" 0.01" 0.03"	FRC2883 FRC2884 FRC2885 FRC2886	X X X X
7	Pin-upper swivel			FTC1371	2
8	Seal-antilock brake system sensor			FTC1376	2
9	Bush		antilock brake system sensor	FTC1374	2
10	Washer-swivel pin thrust			FTC124	2
11	Bolt		hexagonal head, M10 x 35	BX110071L	4
12	Washer		M10	WL110001L	4
13	Pin		Lower	FRC2894	2
14	Gasket-lower swivel pin			FRC2897	2
15	Bearing-taper roller		Lower	606666	4
16	Bolt-flanged head		7/16UNF x 1 1/8	255467	4
17	Washer		M8, sprung	WL108001L	4
18	Screw		Shouldered, hexagonal head, M12 x 50	SH112505	2
19	Washer-Plain			WD112081L	2
20	Washer			WL112001L	2
21	Nut-hexagonal-thin		M12	NT112041L	2
22	Axle-stub-hub front suspension		Also serviced as part of a kit	FTC858	2



Callout	Name	Application	Remarks & Restrictions	Service No.	Qty
23	Seal-stub axle		swivel pin housing, Also serviced as part of a kit, Outer	FTC840	1
24	Bearing-front/rear axle hub		swivel pin housing, Also serviced as part of a kit	FTC861	1
25	Screw		hexagonal head, M10 x 25	SH110251L	12
26	Washer-starlock			WE110001L	12
27	Damper-swivel pin		RH LH	FTC1616 FTC1617	1 1
28	Screw-torx-countersunk			FTC1626	4
29	Gasket-stub axle			FRC3205	1
30	Kit-swivel pin-upper	Change point - VIN begin HA464554	Also serviced as part of a kit	STC226	1
31	Washer-thrust	Change point - VIN begin HA464554	Also serviced as part of a kit	FTC2066	4
32	Bearing-needle roller	Change point - VIN begin HA464554	Also serviced as part of a kit	FTC2065	2



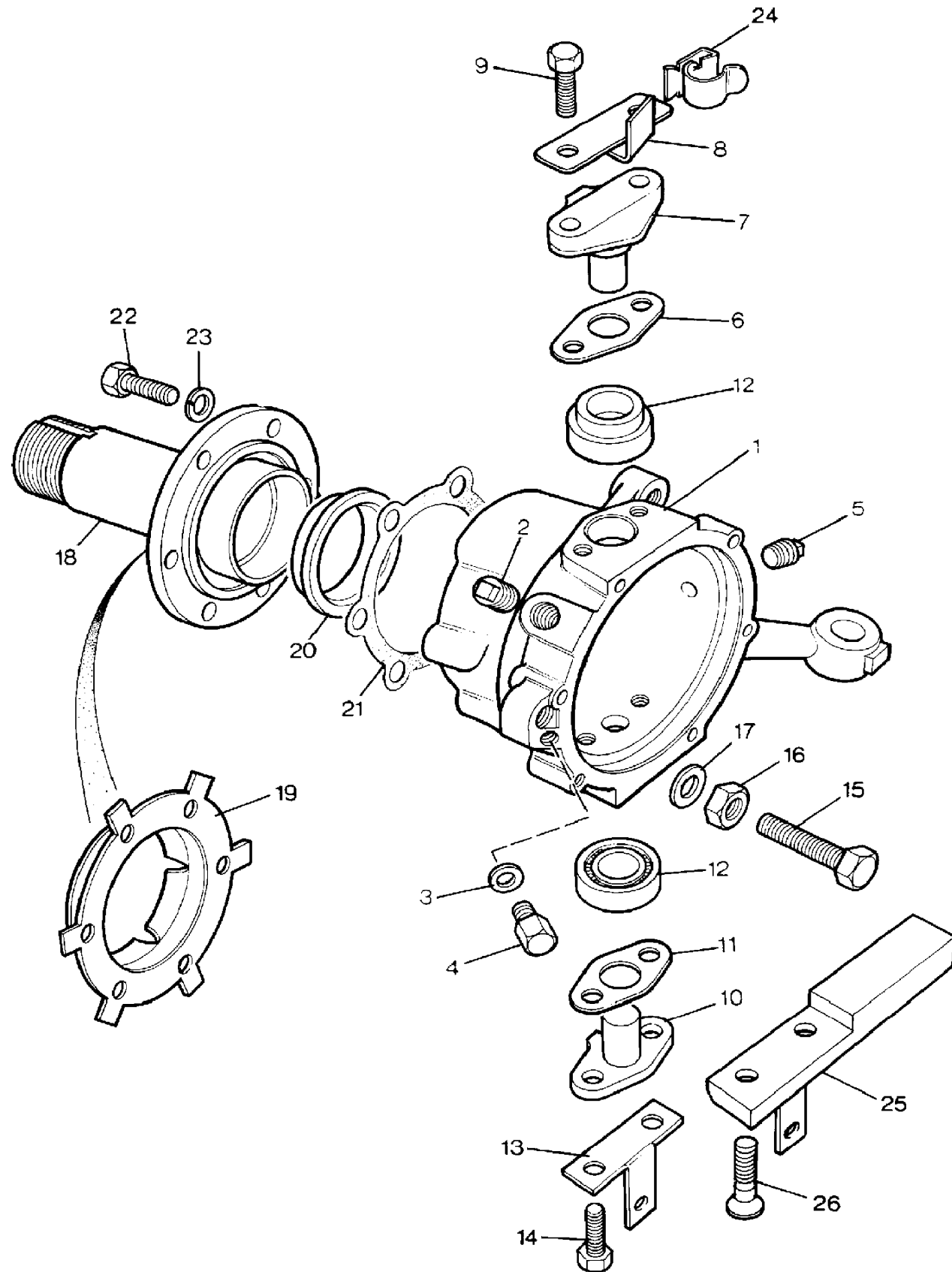
Range Rover (To HA610293)

(TS5594C)

Range Rover (To HA610293)

Less Anti-Lock Braking System

Callout	Name	Application	Remarks & Restrictions	Service No.	Qty
1	Housing-swivel pin	RHD RHD LHD LHD	RH LH RH LH	STC150 STC151 STC152 FTC2523	1 1 1 1
2	Plug-level			3292	2
3	Washer-sealing		steering swivel pin housing drain plug	230511	2
4	Plug-Drain			236070	2
5	Plug		square head	3289	2
6	Shim		0.003" 0.005" 0.010" 0.030"	571743 571744 571745 571746	X X X X
7	Pin		Upper	571756	2
8	Washer-Lock			90576928	2
9	Bolt		7/16", hexagonal head	SX607101	4
10	Pin			571819	2
11	Gasket-lower swivel pin			571815	2
12	Bearing-taper roller		Lower	606666	4
13	Washer-Lock			576608	2
14	Bolt-flanged head		7/16UNF x 1 1/8	255467	4
15	Screw		hexagonal head, 1/2UNF x 2 Shouldered, hexagonal head, M12 x 50	SH608161 SH112505	2 2
16	Nut-hexagonal-thin		1/2"	NT608041L	2
17	Washer-Plain		M12 x 22	WB112081L	4
18	Axle-stub-hub front suspension	Change point - VIN end EA305589 Change point - VIN begin EA305590	Suffix A Also serviced as part of a kit, Suffix B	FRC8026 FTC57	2 2
19	Plate-front & rear stub axle locking			FRC2310	2
20	Bush			571821	2
21	Gasket-stub axle			FRC3205	2



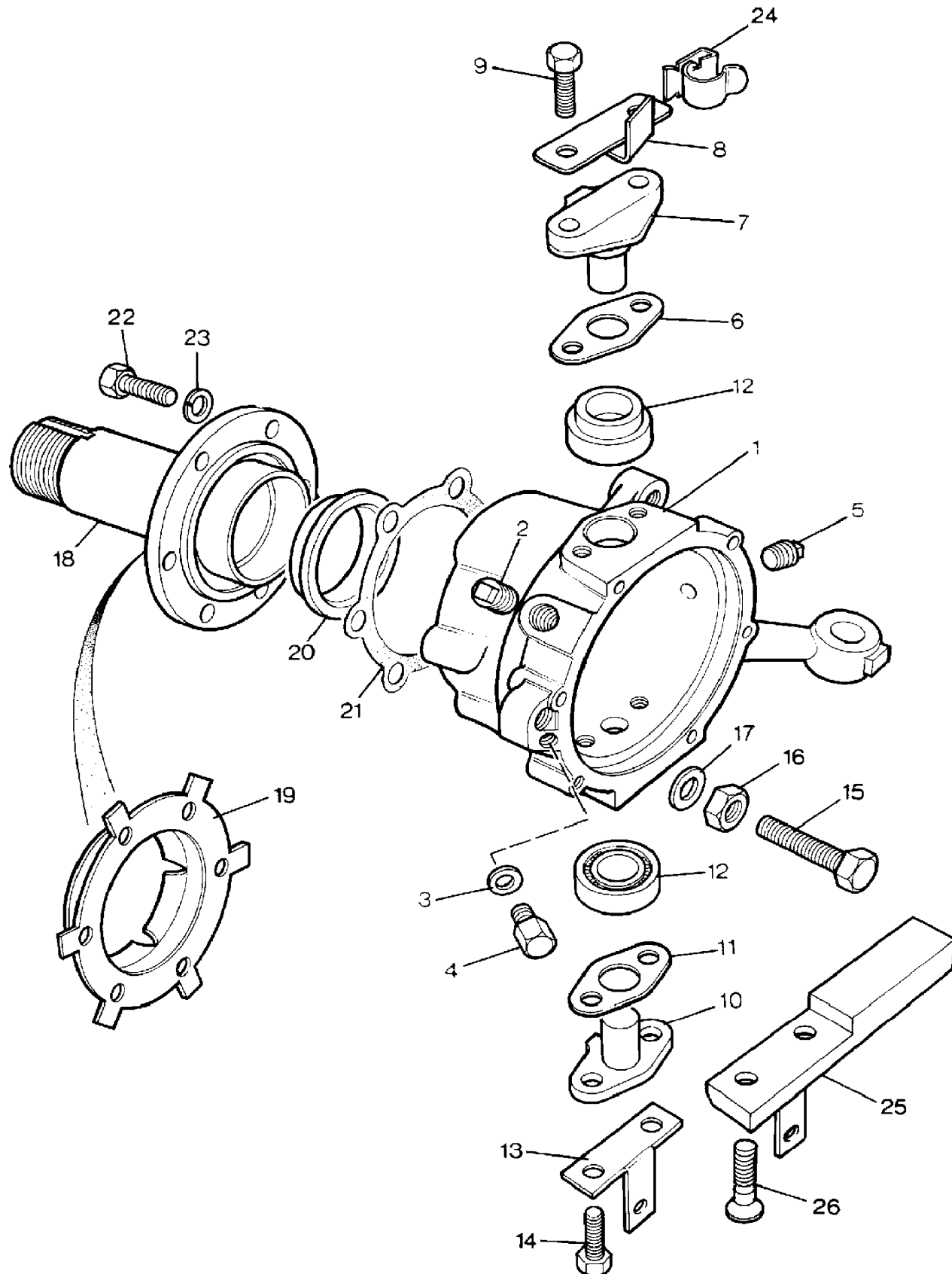
Range Rover (To HA610293)

(TS5594C)

Range Rover (To HA610293)

Less Anti-Lock Braking System

Callout	Name	Application	Remarks & Restrictions	Service No.	Qty
22	Screw-hexagon socket		M10 x 25	SX110251	12
23	Washer		M10	WL110001L	12
24	Clip-cable			NTC6994	2
25	Damper-swivel pin		RH	FTC1620	1
26	Screw-torx-countersunk			FTC1623	4



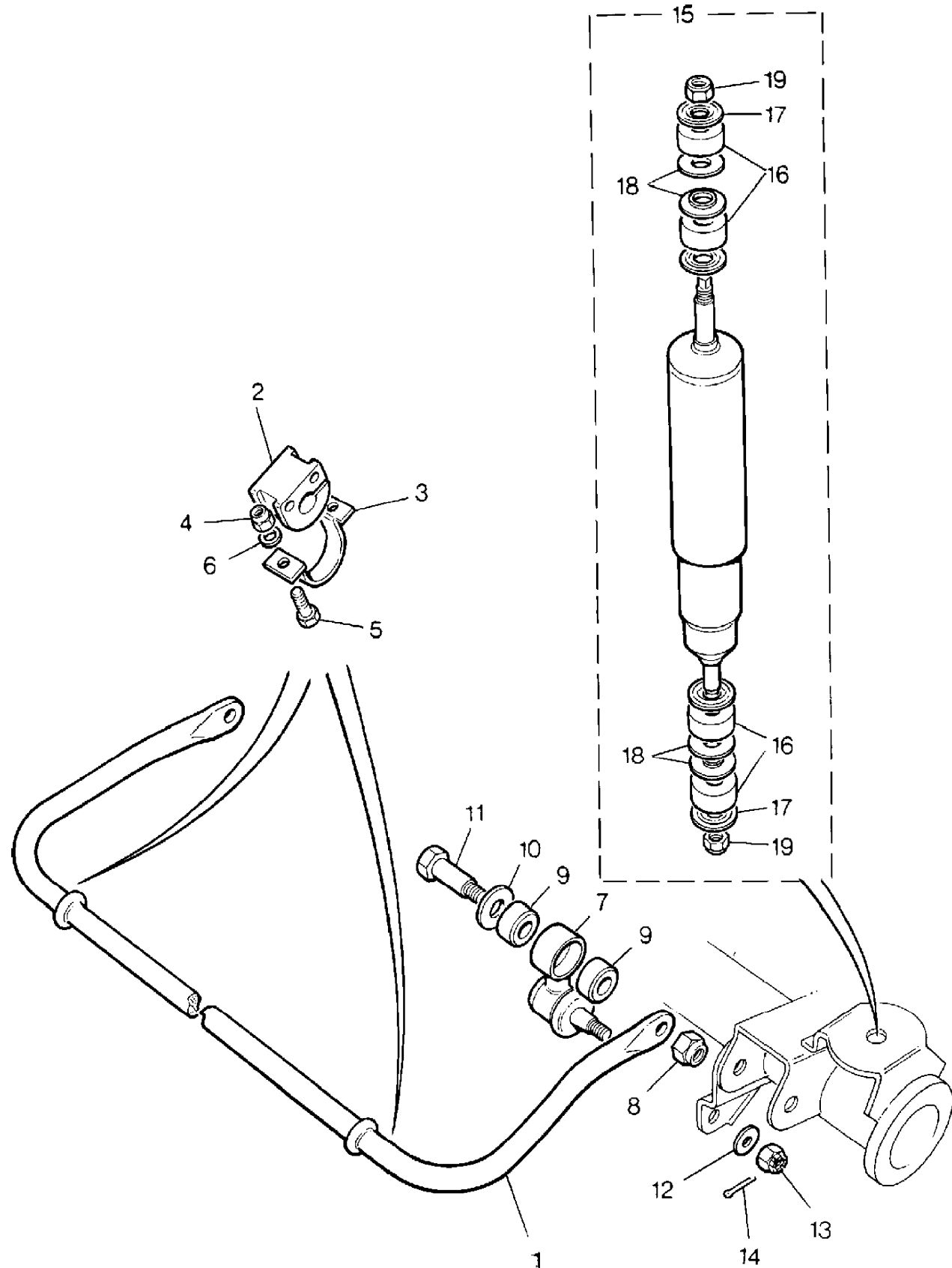
Range Rover (To HA610293)

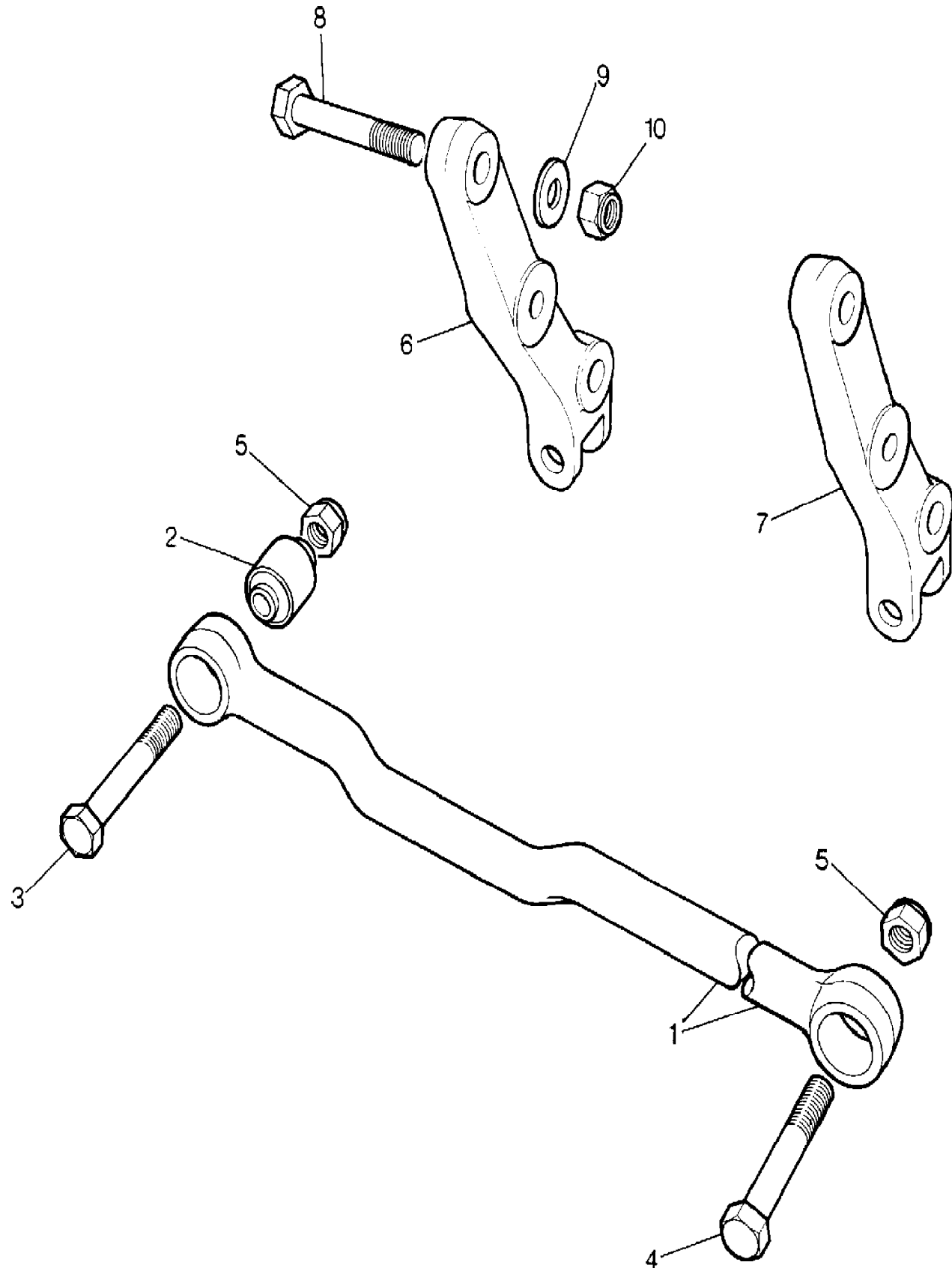
(TS6901)

Range Rover (To HA610293)

With Roll Bar

Callout	Name	Application	Remarks & Restrictions	Service No.	Qty
1	Bar-anti-roll front suspension			NTC6836	1
2	Bush-anti-roll bar		Front	NTC6828	2
3	Bracket-clamp roll bar mounting			NTC6776	2
4	Nut - Hex.		M10, hexagonal head, nyloc	NY110041L	4
5	Screw		hexagonal head, M10 x 35	SH110351L	4
6	Washer		M10	WA110061L	4
7	Joint-ball-lower arm front/rear suspension			NTC1888	2
8	Nut - Hex.			NV116041	2
9	Bush-lower arm front/rear suspension			552819	4
10	Washer			264024	2
11	Pin			NTC8202	2
12	Washer-Plain		M12 x 28	WC112081L	2
13	Nut-castle		M12	NC112041	2
14	Pin-split			PS105251	2





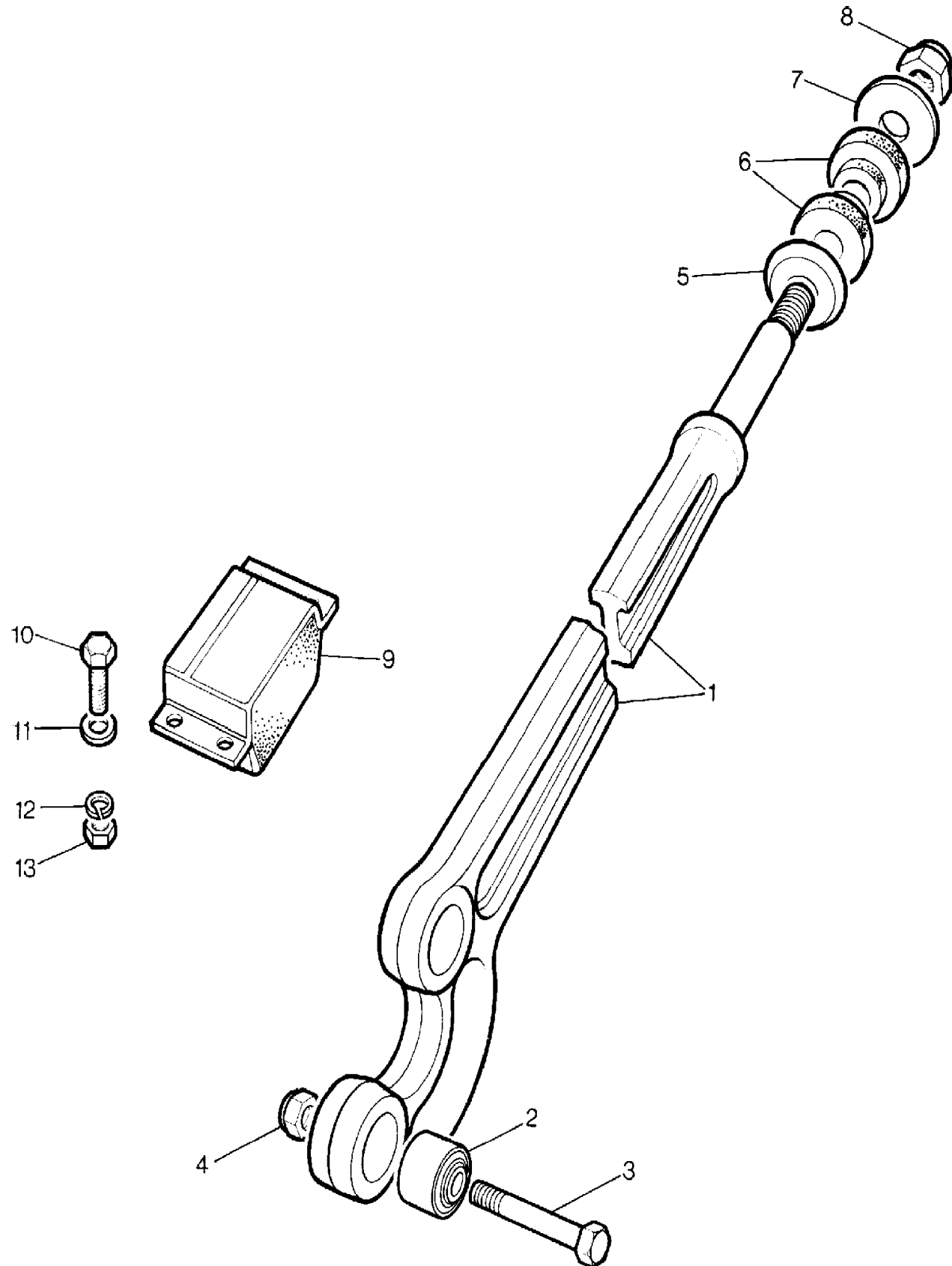
Callout	Name	Application	Remarks & Restrictions	Service No.	Qty
1	Rod-front suspension panhard		Also serviced as part of a kit	NRC9729	1
2	Bush-front suspension panhard rod			NRC9728	2
3	Bolt		M14 X 80MM	BH114161	1
4	Bolt		M14 x 75	BH114151	1
5	Nut-hexagonal			NY114041L	2
6	Arm-radius front suspension	RHD		NRC5764	1
7	Arm-radius front suspension	LHD		NRC5765	1
8	Bolt		1/2UNF x 6 1/2	253952	2
9	Washer-Plain		M12 x 28	WC112081L	2
10	Nut - Hex.		nyloc, Hexagonal, 1/2UNF	NY608041L	2

Range Rover (To HA610293)

(M878)

Range Rover (To HA610293)

Callout	Name	Application	Remarks & Restrictions	Service No.	Qty
1	Arm assembly-radius front suspension	Change point - VIN end HA610293, Less Roll Bar Change point - VIN end HA610293, With Roll Bar	Also serviced as part of a kit Also serviced as part of a kit	NTC2694 NTC7331	2 2
2	Bush	Change point - VIN end HA610293, Less Roll Bar Change point - VIN end HA610293, With Roll Bar	Also serviced as part of a kit Also serviced as part of a kit	NTC6860 NTC6781	4 4
3	Bolt		M16, 100MM, high tensile	BX116201L	4
4	Nut - Hex.		M16, nyloc, Hexagonal	NY116051L	4
5	Washer-cup			NRC4515	2
6	Bush			NRC4514	4
7	Washer-Plain			NRC4516	2
8	Nut-hexagonal-nyloc		M20	NY120041L	2
9	Stop-front suspension rebound	With Petrol Engines, (-) CSK With Petrol Engines, CSK With Diesel Engines With Diesel Engines	RH LH	575707 NTC6085 NTC2326 NTC2325	2 2 1 1
10	Screw		hexagonal head, 5/16UNF x 3/4	SH605061L	4
11	Washer-Plain			3830L	4
12	Washer-Spring		1/4 dia, Square	WM600041L	4
13	Nut - Hex.		hexagonal head, 5/16UNF	NH605041L	4

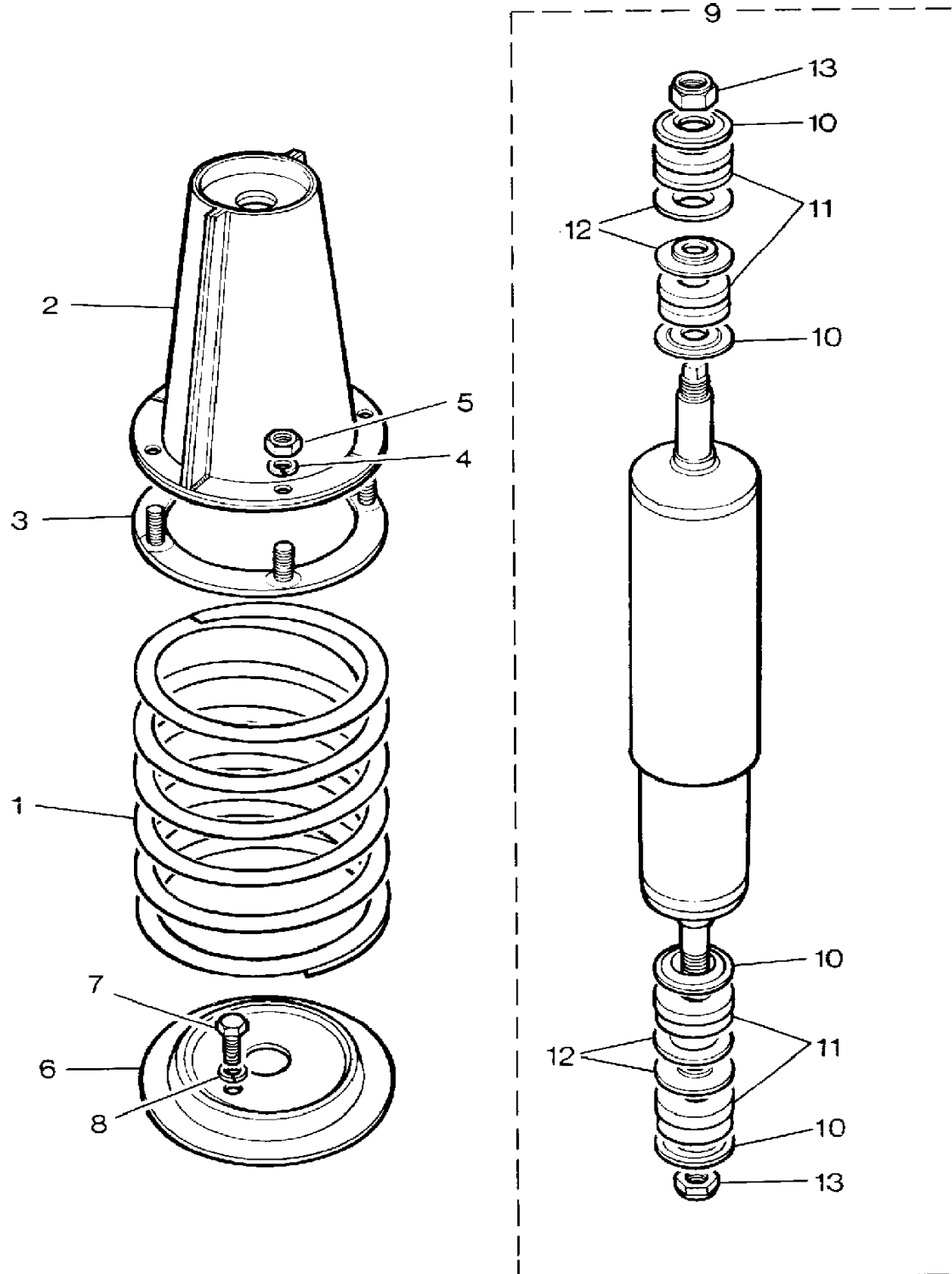


Range Rover (To HA610293)

(M634)

Range Rover (To HA610293)

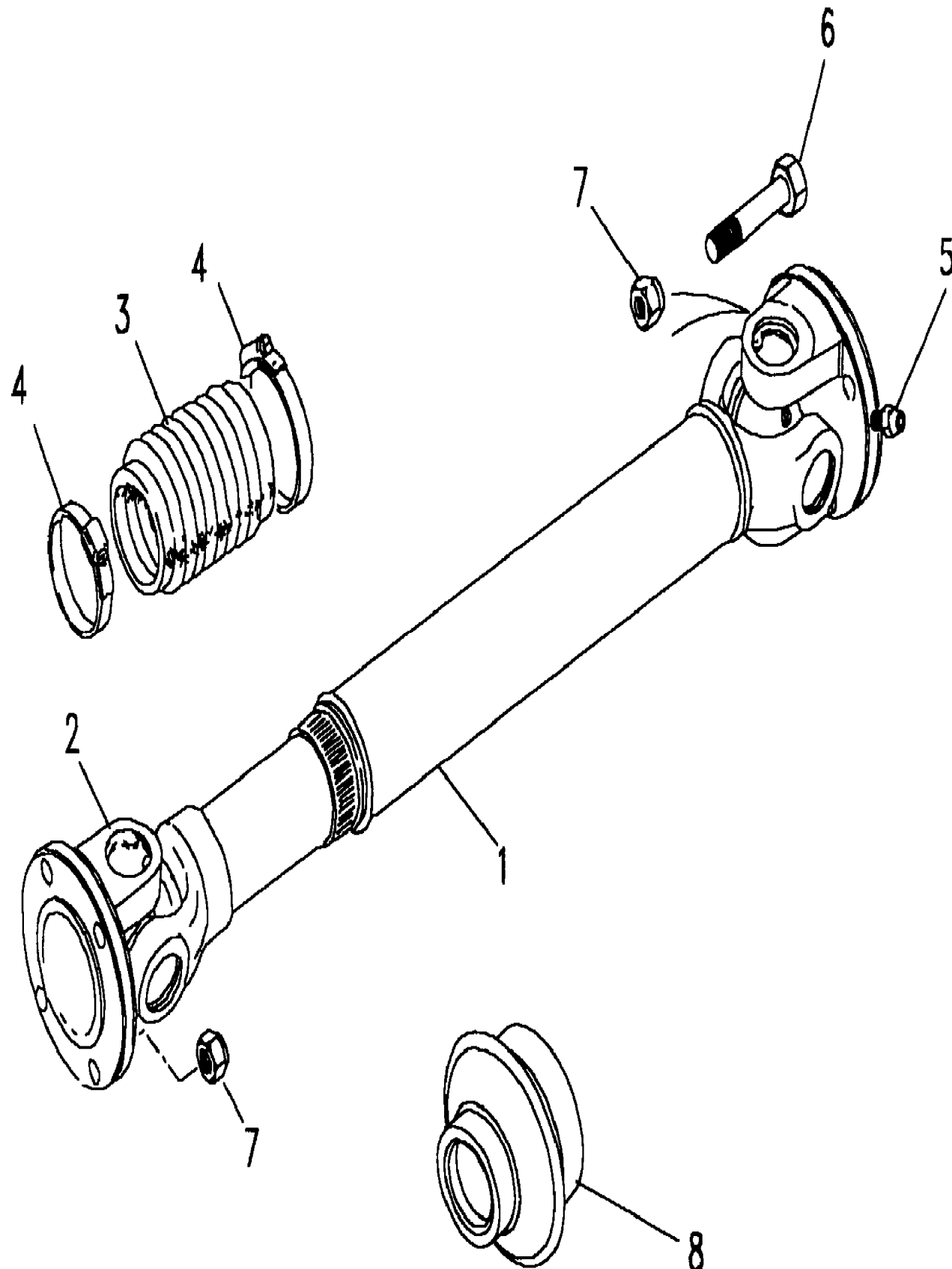
Callout	Name	Application	Remarks & Restrictions	Service No.	Qty
1	Spring-road-coil	With Petrol Engines, RHD	Blue Stripe	572315	2
		With Petrol Engines, LHD	Blue Stripe, Driver	572315	1
		With Petrol Engines, LHD	Driver, Blue/White Stripe	NRC4306	1
		Change point - VIN end HA477607, With Diesel Engines, RHD	Green Stripe	NRC2119	2
		Change point - VIN begin HA477608, With Diesel Engines, RHD	Blue/Green/Yellow Stripe	NTC8477	2
		Change point - VIN end HA477607, With Diesel Engines, LHD	right hand suspension, Passenger, Green Stripe	NRC2119	1
		Change point - VIN end HA477607, With Diesel Engines, LHD	Driver, Red/Yellow Stripe	NRC4305	1
		Change point - VIN begin HA477608, With Diesel Engines, LHD	Passenger, Blue/Green/Yellow Stripe	NTC8477	1
		Change point - VIN end HA477608, With Diesel Engines, LHD	Driver, Blue/Pink/White Stripe	NTC8476	1
		2	Bracket-front spring mounting		Upper
3	Ring-retention			572087	2
4	Washer-Spring		5/16"	WM600051L	8
5	Nut - Hex.		hexagonal head, 5/16UNF	NH605041L	8
6	Seat-suspension spring lower			NRC9700	2
7	Screw		hexagonal head, M10 x 25	SH110251L	4
8	Washer		3/8", Square	WM600061L	4
9	Damper assembly front	Change point - VIN end HA471543, Less Roll Bar	Also serviced as part of a kit	RTC4629K	2
		Change point - VIN begin HA471544, Less Roll Bar	Also serviced as part of a kit	STC241	2
		Change point - VIN end HA610293, With Roll Bar, (-) CSK	Also serviced as part of a kit	STC207	2
		With Roll Bar, CSK		STC305	2
10	Washer	Change point - VIN end HA471543, Less Roll Bar	Also serviced as part of a kit	500746	8
11	Bush-damper mounting	Change point - VIN end HA471543, Less Roll Bar	Also serviced as part of a kit, Lower	552818	8
12	Washer	Change point - VIN end HA471543, Less Roll Bar	Also serviced as part of a kit	NRC4365	8
13	Nut - Hex.	Change point - VIN end HA471543, Less Roll Bar	Also serviced as part of a kit, M12, Hexagonal	NTC4571	4



Range Rover (To HA610293)

(CAEXAA1A)

Range Rover (To HA610293)



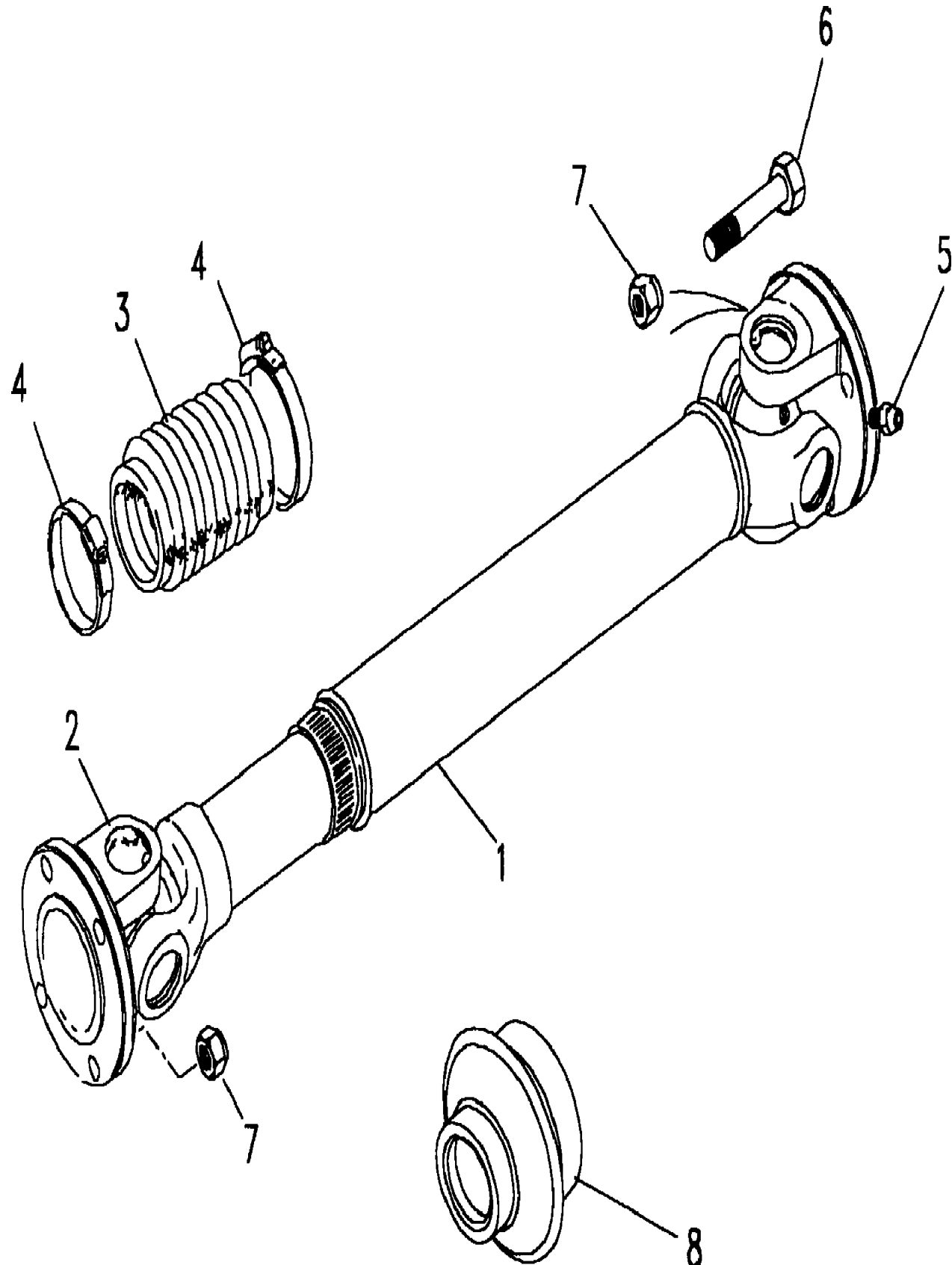
Callout	Name	Application	Remarks & Restrictions	Service No.	Qty
1	Propellor shaft	Change point - VIN end HA610293, With Petrol Engines, Less Catalyst	Also serviced as part of a kit, Front	FRC8386	1
		Change point - VIN end HA610293, With Diesel Engines, With Catalyst	Also serviced as part of a kit, Front	FRC8641	1
		Change point - VIN end HA610293, With Diesel Engines, Less Catalyst	Also serviced as part of a kit, Front	FTC122	1
		Change point - VIN end HA610293, With Petrol Engines, With Catalyst	Also serviced as part of a kit, Front	FRC9542	1
2	Joint-propshaft universal	Change point - VIN end HA610293, With Diesel Engines, Less Catalyst	Also serviced as part of a kit	RTC4587	2
3	Gaiter-propshaft sliding joint	Change point - VIN end HA610293, With Diesel Engines, With Catalyst	Also serviced as part of a kit	STC2955	1
		Change point - VIN end HA610293, With Diesel Engines, Less Catalyst	Also serviced as part of a kit	276483	1
4	Clip-Hose	Change point - VIN end HA610293, With Diesel Engines, Less Catalyst	Also serviced as part of a kit, 50MM, less spring assist	CN100508L	2
5	Nipple-grease	Change point - VIN end HA610293, With Petrol Engines, Less Catalyst	Also serviced as part of a kit, UNF	549229	2
		Change point - VIN end HA610293, With Diesel Engines, With Catalyst	Also serviced as part of a kit, UNF	549229	1
		Change point - VIN end HA610293, With Diesel Engines, Less Catalyst	Also serviced as part of a kit, UNF	549229	1
		Change point - VIN end HA610293, With Diesel Engines, Less Catalyst	Also serviced as part of a kit, UNF	549229	2
6	Bolt		3/8, UNF	509045P	8
7	Nut - Hex.		3/8, UNF	NZ606041L	8
[901]	Nipple-grease	Change point - VIN end HA610293, With Petrol Engines, Less Catalyst	Also serviced as part of a kit, ANF	234532	1
		Change point - VIN end HA610293, With Diesel Engines, With Catalyst	Also serviced as part of a kit, UNF	549229	1
[902]	Joint-propshaft universal	Change point - VIN end HA610293, With Petrol Engines, Less Catalyst	Also serviced as part of a kit	RTC3458	2
		Change point - VIN end HA610293, With Diesel Engines, With Catalyst	Also serviced as part of a kit	RTC4587	2

Range Rover (To HA610293)

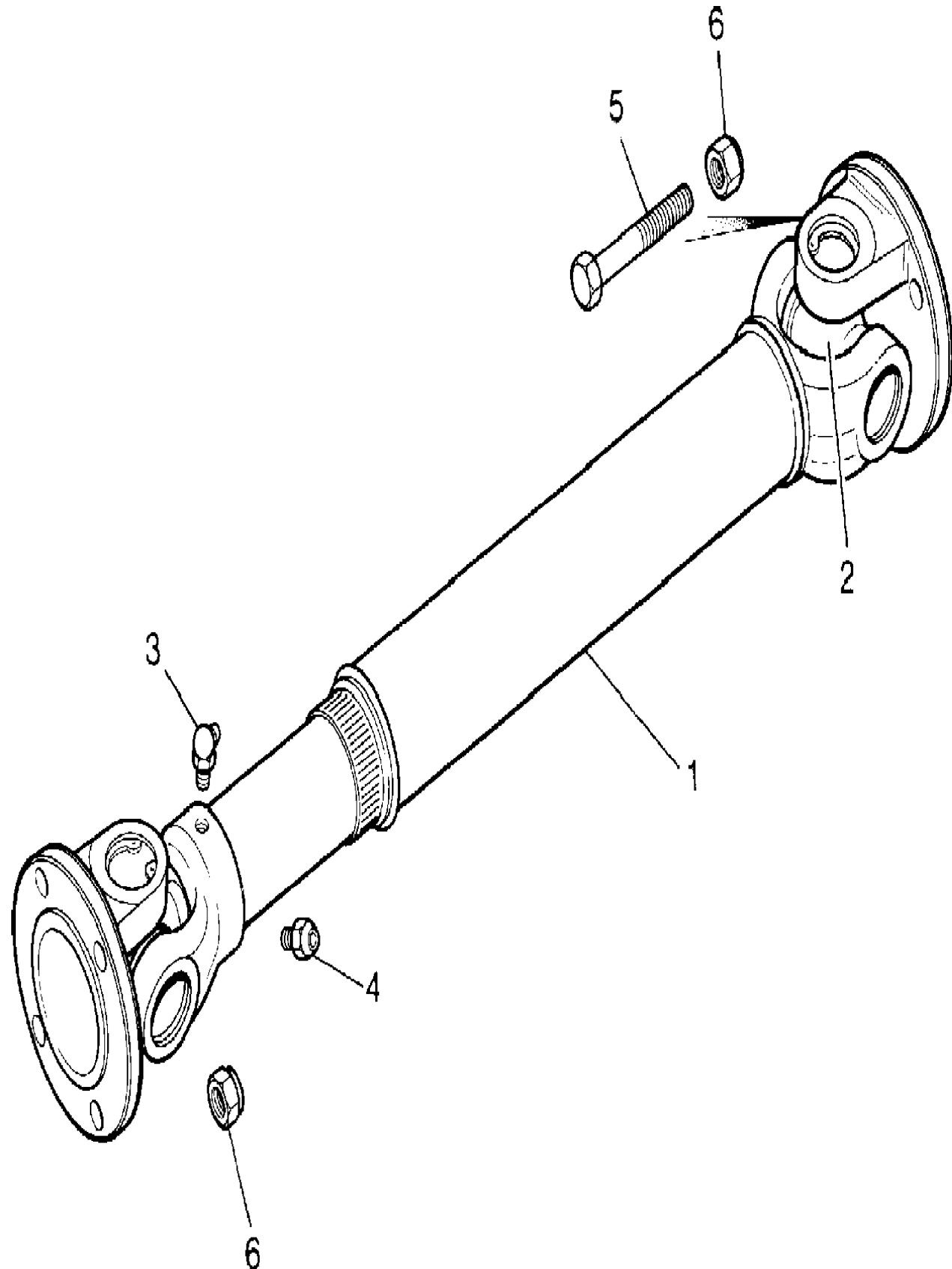
(CAEXAA1A)

Range Rover (To HA610293)

Callout	Name	Application	Remarks & Restrictions	Service No.	Qty
[903]	Circlip	Change point - VIN end HA610293, With Petrol Engines, Less Catalyst	Also serviced as part of a kit	242522	8
		Change point - VIN end HA610293, With Diesel Engines, With Catalyst	Also serviced as part of a kit	242522	4
		Change point - VIN end HA610293, With Diesel Engines, Less Catalyst	Also serviced as part of a kit	242522	4
[904]	Gaiter-propshaft sliding joint	Change point - VIN end HA610293, With Diesel Engines, With Catalyst	Also serviced as part of a kit	276484	1
		Change point - VIN end HA610293, With Diesel Engines, With Catalyst	Also serviced as part of a kit	276483	1
[905]	Clip-Hose	Change point - VIN end HA610293, With Diesel Engines, With Catalyst	Also serviced as part of a kit, 50MM, less spring assist	CN100508L	1
		Change point - VIN end HA610293, With Diesel Engines, With Catalyst	Also serviced as part of a kit, 50MM, with spring assist	ESR3353	1
[906]	Bolt	Change point - VIN end HA610293, With Diesel Engines, With Catalyst	Also serviced as part of a kit, 3/8, UNF	509045P	4
[907]	Nut - Hex.	Change point - VIN end HA610293, With Diesel Engines, With Catalyst	Also serviced as part of a kit, 3/8, UNF	NZ606041L	8



Callout	Name	Application	Remarks & Restrictions	Service No.	Qty
1	Propellor shaft	Change point - VIN end MA647644, 100"	Also serviced as part of a kit, Rear	FRC8387	1
2	Joint-propshaft universal	Change point - VIN end MA647644, 100"	Also serviced as part of a kit	RTC4587	2
3	Nipple-grease	Change point - VIN end MA647644, 100"	Also serviced as part of a kit	549229	1
4	Nipple-grease	Change point - VIN end MA647644, 100"	Also serviced as part of a kit, UNF	549229	1
5	Bolt		3/8, UNF	509045P	8
6	Nut - Hex.		3/8, UNF	NZ606041L	8
[901]	Circlip	Change point - VIN end MA647644, 100"	Also serviced as part of a kit	242522	4



Axles & Suspension

Rear Axle

Axle Assembly Rear 1/1

Range Rover (To HA610293)

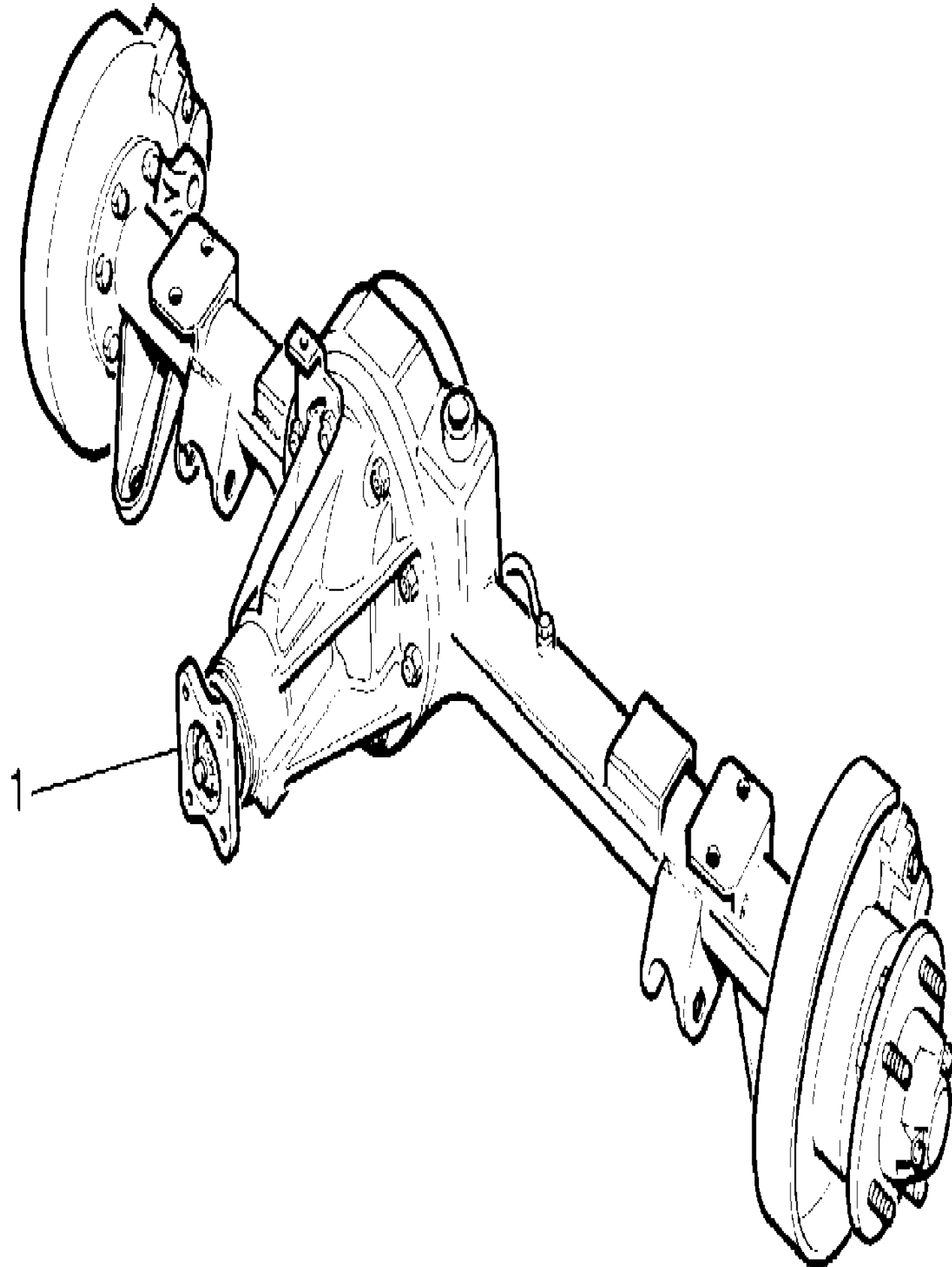
(TS5592B)

Axles & Suspension

Rear Axle

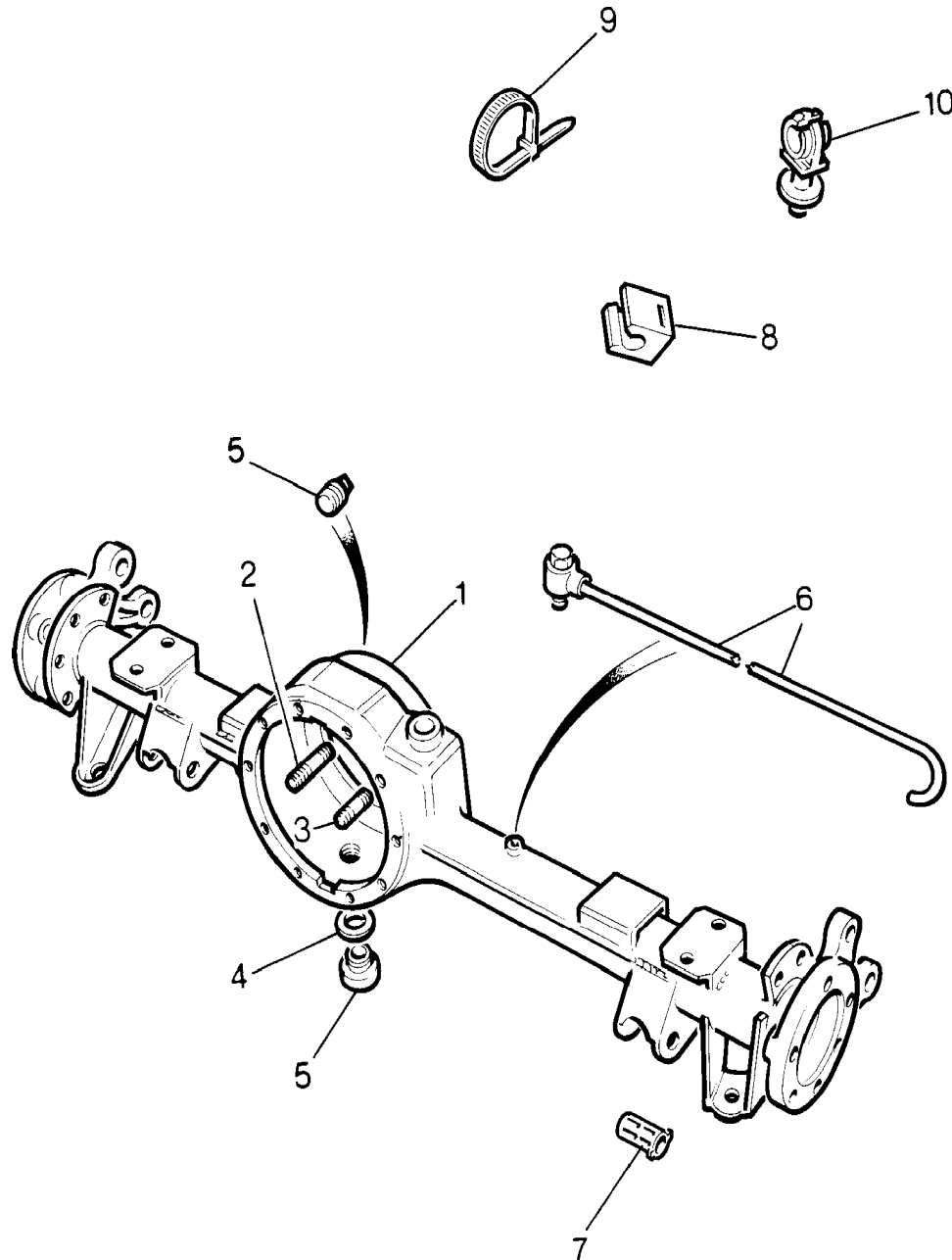
Axle Assembly Rear

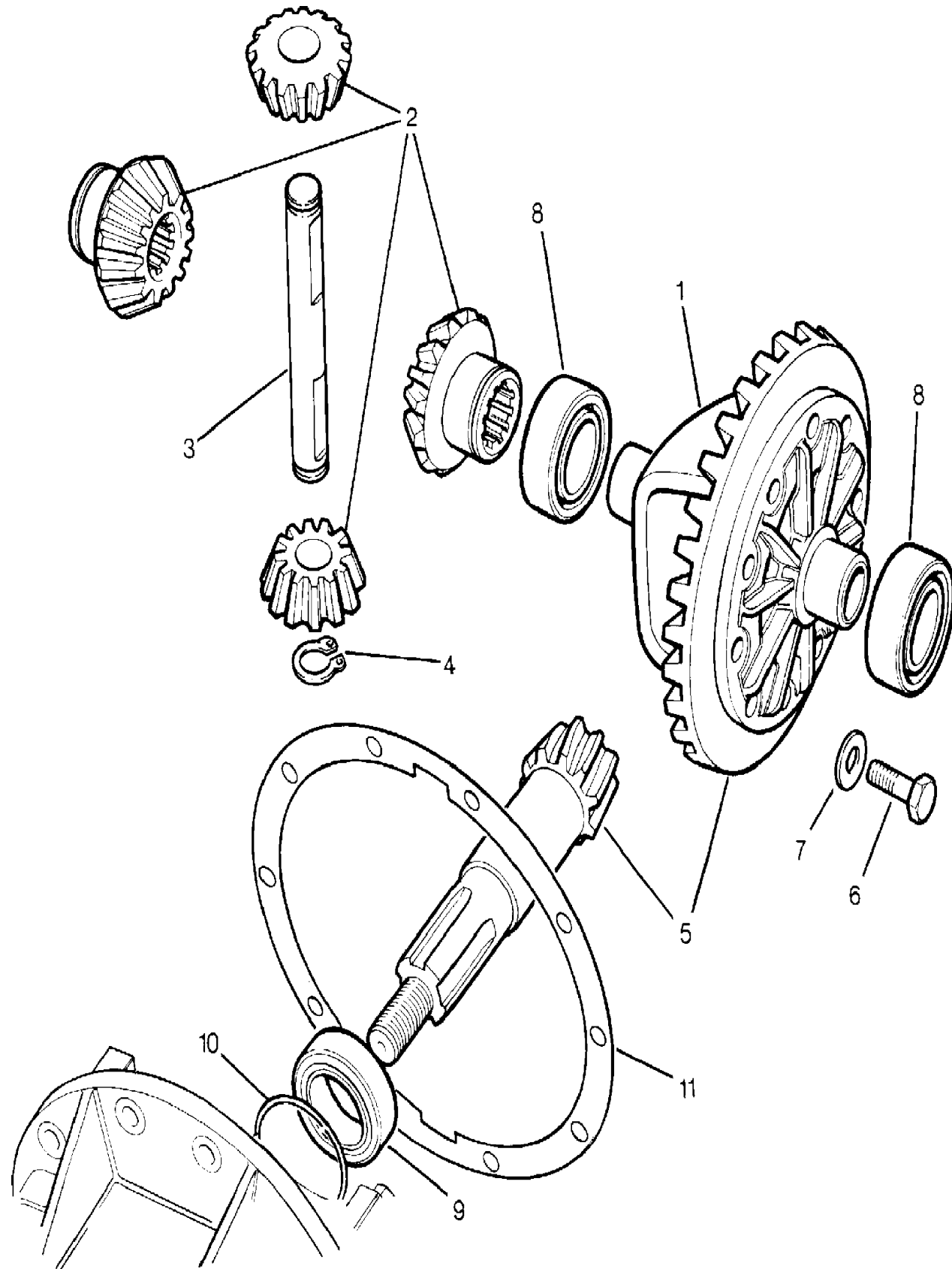
Range Rover (To HA610293)



Callout	Name	Application	Remarks & Restrictions	Service No.	Qty
1	Axle/drive unit-4x4 rear	Change point - VIN end FA399972, Less Police, Less Anti-Lock Braking System Change point - VIN begin GA399973, Change point - VIN end GA464553, Less Police, Less Anti-Lock Braking System Change point - VIN begin GA399973, Change point - VIN end GA464553, Less Police, Less Anti-Lock Braking System Change point - VIN begin GA399973, Change point - VIN end GA464553, Less Police, All Wheel Anti-Lock Braking System Change point - VIN begin GA399973, Change point - VIN end GA464553, With Police Vehicle, Less Anti-Lock Braking System Change point - VIN begin HA464554, With Police Vehicle, All Wheel Anti-Lock Braking System Change point - VIN begin HA464554, Less Police, All Wheel Anti-Lock Braking System Change point - VIN begin HA464554, Less Police, Less Anti-Lock Braking System Change point - VIN end HA610293, CSK, Less Police, All Wheel Anti-Lock Braking System	less splash shield Asbestos Free, less splash shield Asbestos Free, splash shield	FTC490 FTC1468 FTC1478	1 1 1 1 1 1 1 1 1 1
				FTC1353	1
				FTC1346	1
				FTC1931	1
				FTC1930	1
				FTC1936	1
				FTC1930	1

Callout	Name	Application	Remarks & Restrictions	Service No.	Qty
1	Case-rear axle	Change point - VIN end GA464553, Less Anti-Lock Braking System Change point - VIN begin HA464554, Less Anti-Lock Braking System Change point - VIN end HA610293, All Wheel Anti-Lock Braking System	Also serviced as part of a kit	FRC9229	1
				FTC1433	1
				FTC1432	1
2	Stud		3/8UNF x 1 3/4	561196	6
3	Stud		3/8UNF x 1 1/4	561195	6
4	Washer-sealing		axle drain plug	515599	1
5	Plug-drain/filler level			608246	2
6	Hose assembly-breather	Change point - VIN end HA483957 Change point - VIN begin HA483957		FRC7230	1
				FRC2176	1
7	Bush		antilock brake system sensor	FTC1374	2
8	Clip-Pipe			NRC9246	5
9	Tie-cable		4.8 x 270mm, inside serated inside serated, 4.6 x 385mm, White.	568680	3
				594594	2
10	Clip-Pipe		Single	79123	1



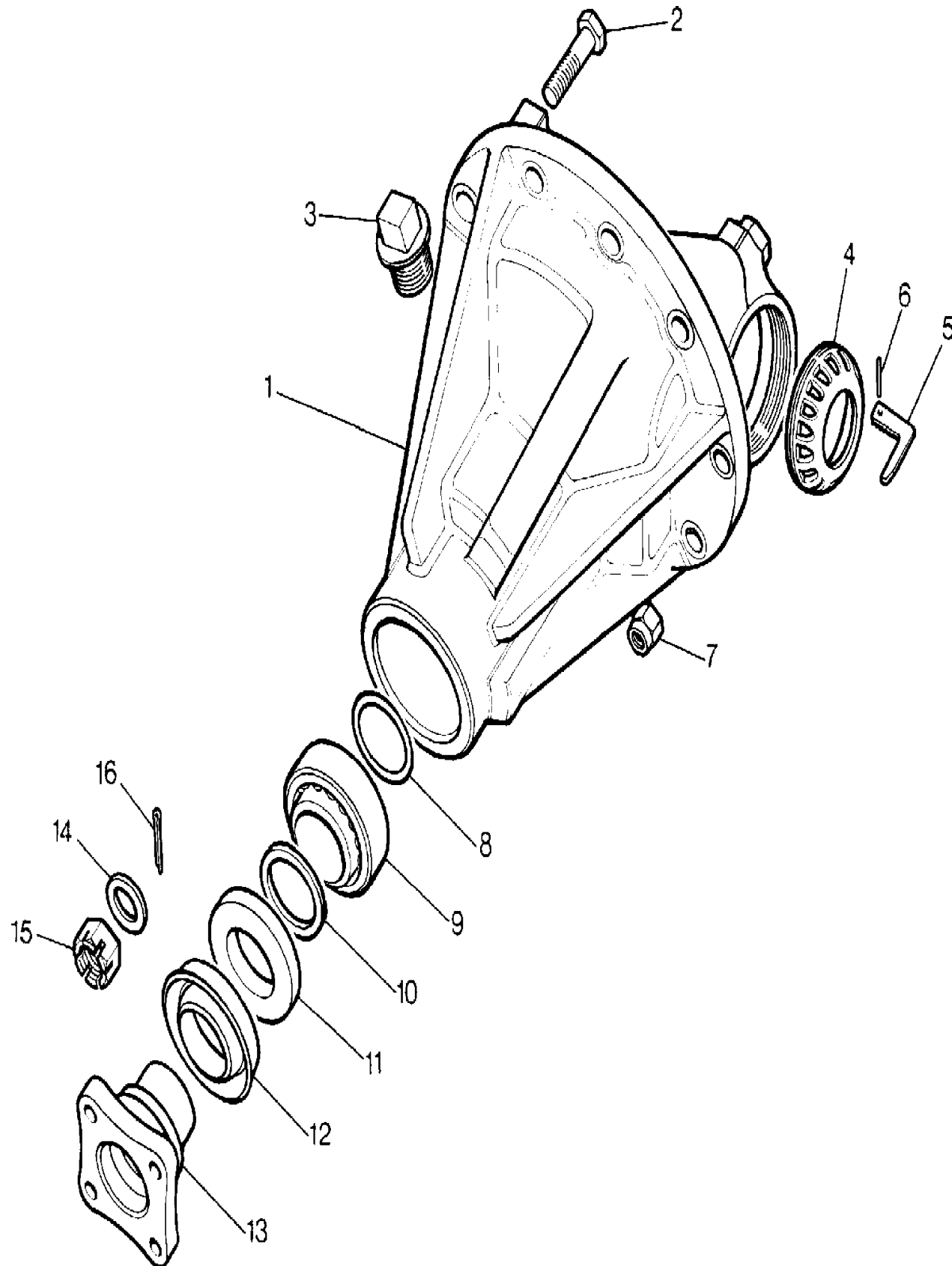


Callout	Name	Application	Remarks & Restrictions	Service No.	Qty
1	Case - Differential		10 spline shaft	FRC2933	1
2	Kit-gears-differential			RTC4486	1
3	Cross shaft differential			599945	1
4	Circlip			CCN110	2
5	Crownwheel and pinion assembly	Change point - Axle end 28S75697C Change point - Axle begin 28S75697C	4 spline	594493 FTC781	1 1
6	Bolt			593692	10
7	Washer-Plain			593693	10
8	Bearing-taper roller differential			RTC2726	2
9	Bearing-taper roller			539706	1
10	Shim		0.038", imperial imperial, 0.04" imperial, 0.042" imperial, 0.044" imperial, 0.046" imperial, 0.048" imperial, 0.050" imperial, 0.052" imperial, 0.054" imperial, 0.056" imperial, 0.058" imperial, 0.060" imperial, 0.062" imperial, 0.063" imperial, 0.064" imperial, 0.065"	549230 549232 549234 549236 549238 549240 549242 549244 549246 549248 549250 549252 576236 576237 576238 576239	X X X X X X X X X X X X X X X X X
11	Gasket-differential housing to axle case			7316	1

Range Rover (To HA610293)

(M644)

Range Rover (To HA610293)

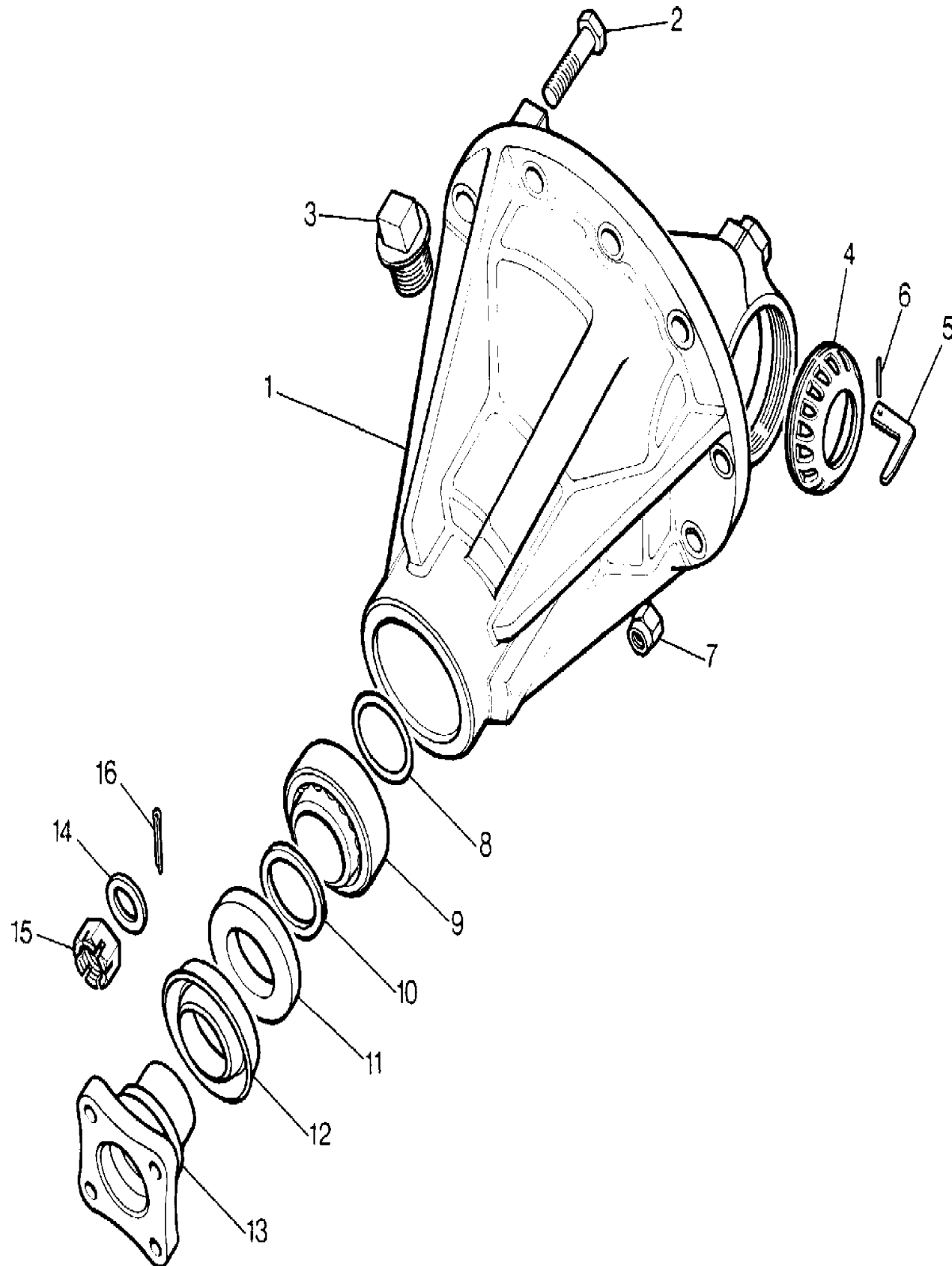


Callout	Name	Application	Remarks & Restrictions	Service No.	Qty
1	Housing assembly differential/final drive wheel	Change point - Axle end 35590682C	Also serviced as part of a kit, with filler/level plug	FRC5690	1
		Change point - Axle end 35590682C	Also serviced as part of a kit, less filler/level plug	FRC4112	1
2	Bolt	Change point - Axle end 35590682C	Also serviced as part of a kit, M12 x 50	BH112101L	4
3	Plug-drain/filler level	Change point - Axle end 35590682C	Also serviced as part of a kit	608246	1
4	Ring-differential locking	Change point - Axle end 35590682C	Also serviced as part of a kit	FRC5204	2
		Change point - Axle end 35590682C	Also serviced as part of a kit	FTC4210	2
5	Tab-differential locking ring	Change point - Axle end 35590682C	Also serviced as part of a kit	FRC5661	2
6	Pin-roll-spring tension	Change point - Axle end 35590682C	Also serviced as part of a kit	576159	2
7	Nut - Hex.	Change point - Axle end 35590682C	Also serviced as part of a kit, hexagonal head, 3/8, UNF, nyloc	NY606041L	10
8	Shim-bearing differential		0.060"	FRC1193	X
			0.062"	FRC1195	X
			0.064"	FRC1197	X
			0.066"	FRC1199	X
			0.068"	FRC1201	X
			0.070"	FRC1203	X
			0.072"	539718	X
			0.074"	539720	X
			0.076"	539722	X
			0.080"	539724	X
9	Bearing-taper roller			539707	1
10	Spacer-pinion bearing			539745	1
11	Seal		differential final drive pinion, front & rear	FRC8220	1
12	Mudshield-front & rear differential			FRC8154	1
13	Flange-driveshaft coupling differential	Change point - Axle end 28S75697C	4 spline	236632	1
		Change point - Axle begin 28S75697C	4 bolt flange	FRC3002	1
14	Washer-Plain			90513454	1
15	Nut-castle			3259	1

Range Rover (To HA610293)

(M644)

Range Rover (To HA610293)



Callout	Name	Application	Remarks & Restrictions	Service No.	Qty
16	Pin-split			PS608101	1
[900]	Differential assembly differential	Change point - Axle end 35590682C	Also serviced as part of a kit, 10 spline shaft, New, with filler/level plug	FTC1709N	1
		Change point - Axle end 35590682C	EXCHANGE, 10 spline shaft, with filler/level plug	FTC1709E	1
		Change point - Axle begin 35590683C	Also serviced as part of a kit, New	FTC782N	1
		Change point - Axle begin 35590683C	Also serviced as part of a kit, 10 spline shaft, exchange	FTC782E	1
		Change point - Axle end 35590682C	exchange, with filler/level plug	RTC6556E	1

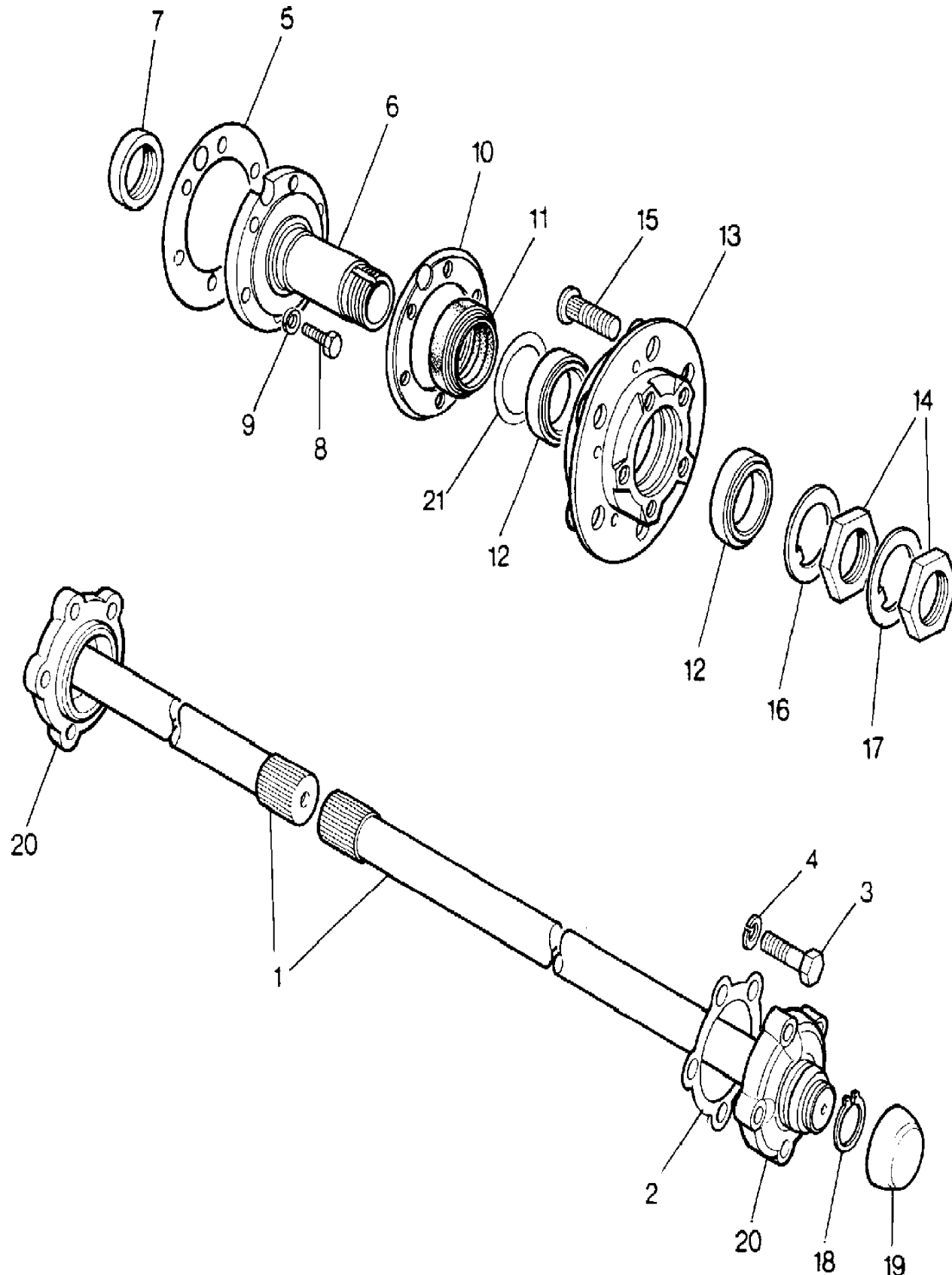
Range Rover (To HA610293)

(TS6417A)

Range Rover (To HA610293)

All Wheel Anti-Lock Braking System

Callout	Name	Application	Remarks & Restrictions	Service No.	Qty
1	Shaft-rear axle half	Change point - VIN end HA610293	RH, 24 spline shaft	FTC870	1
		Change point - VIN end HA610293	24 spline shaft, LH	FTC871	1
2	Gasket-axle shaft drive member			571752	2
3	Bolt			FTC940	10
4	Washer		3/8", Square	WM600061L	10
5	Gasket-stub axle			FTC1377	2
6	Axle-rear suspension hub stub	Change point - VIN end HA610293	Also serviced as part of a kit	FTC950	2
7	Seal assembly-front/rear hub	Change point - VIN end HA610293	Also serviced as part of a kit	FTC951	2
8	Screw-hexagon socket		M10 x 25	SX110251	12
9	Washer		M10	WL110001L	12
10	Plate-front & rear stub axle locking			FTC1378	2
11	Seal assembly-front/rear hub	Change point - VIN end HA610293	Inner	FRC8221	2
12	Bearing-front/rear axle hub			RTC3429	4
13	Hub assembly-front & rear			FTC860	2
14	Locknut			FRC8700	4
15	Stud			FRC5926	10
16	Washer-front & rear hub nut tab	Change point - VIN end HA610293		217352	2
17	Washer-Lock			217353	2
18	Circlip		axle shaft to hub driving member	549473	2
19	Cap-driveshaft coupling bolt locking		Less Logo	FTC943	2
20	Flange-driving shaft joint			FTC859	2



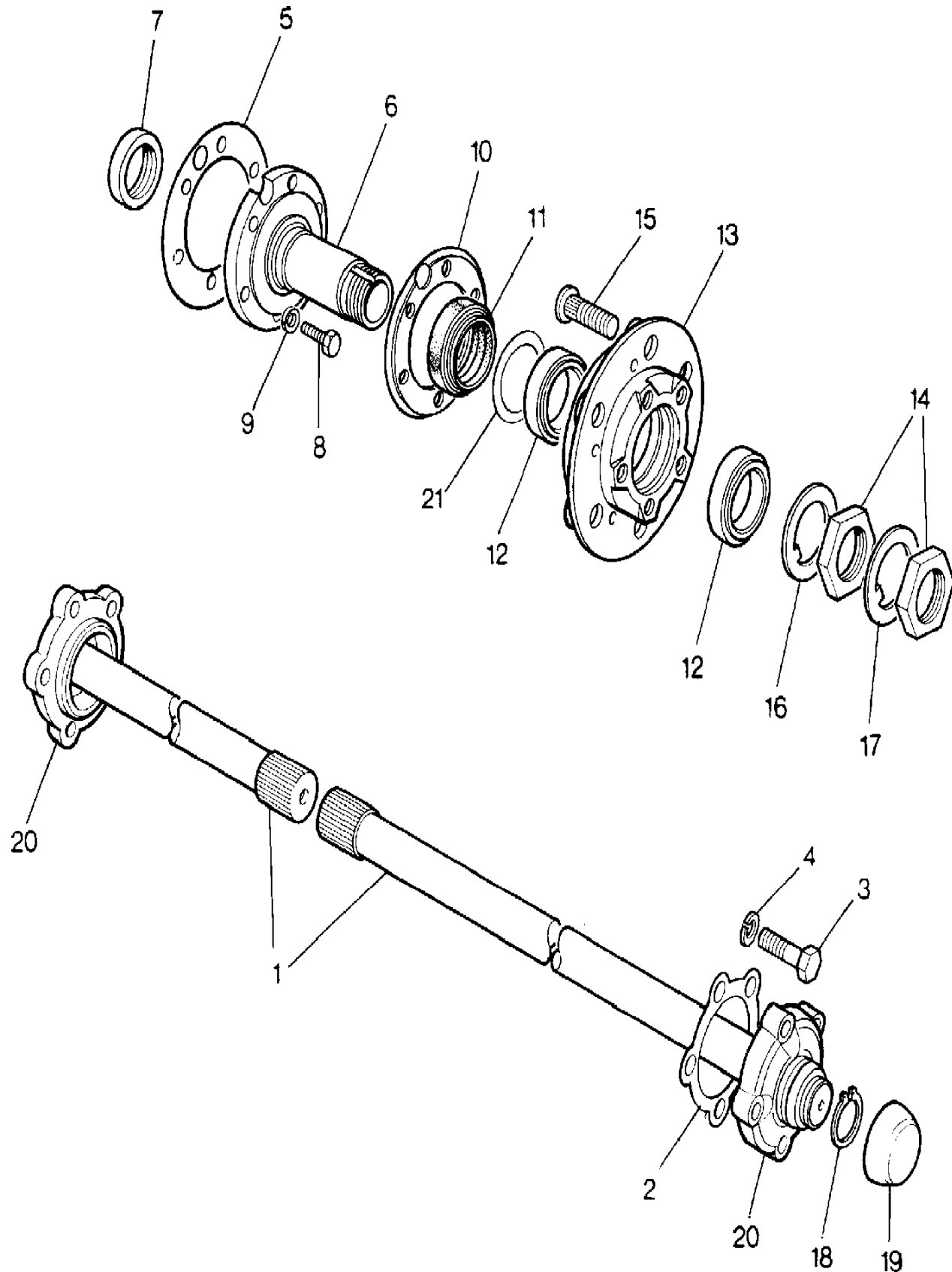
Range Rover (To HA610293)

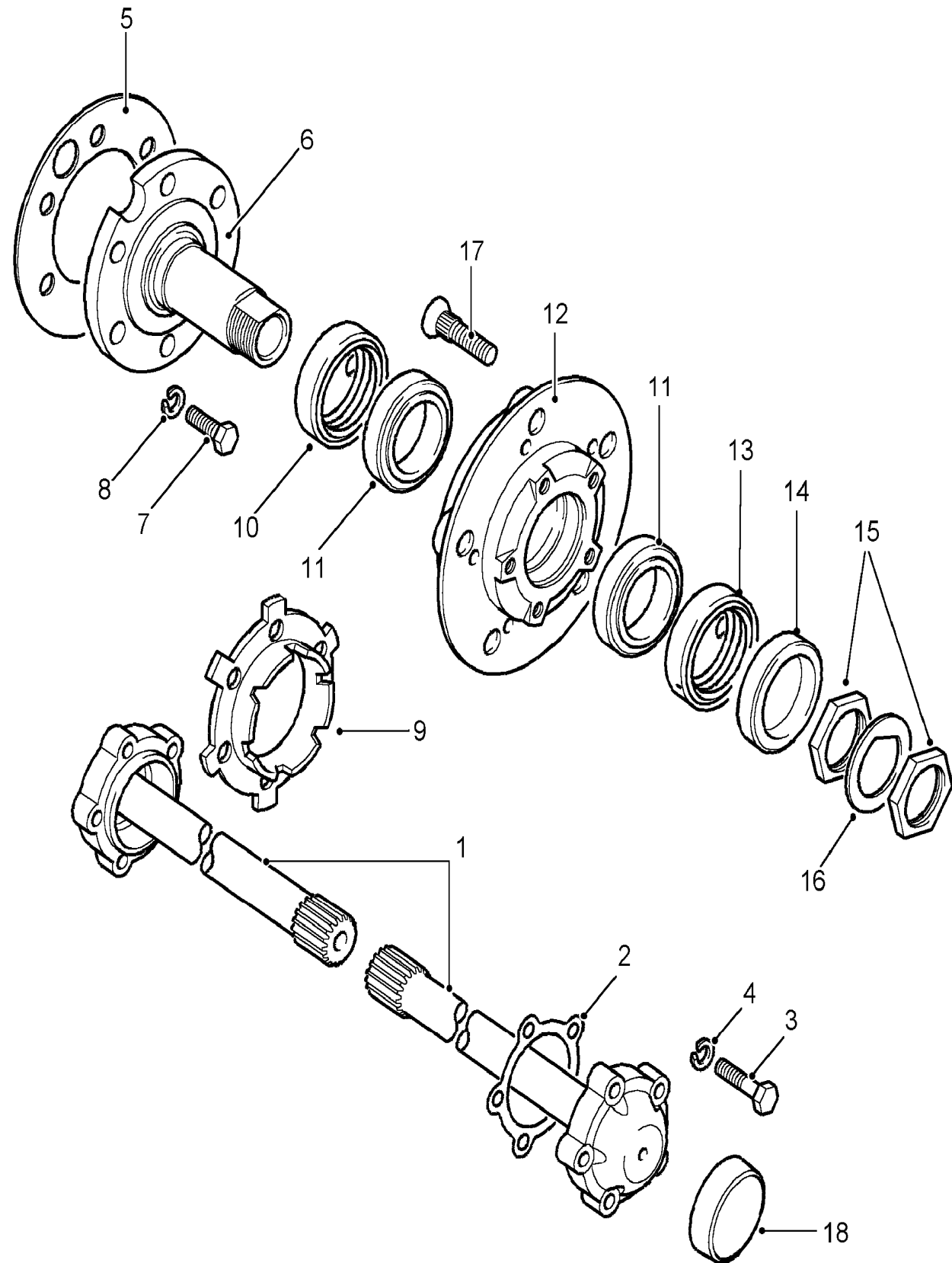
(TS6417A)

Range Rover (To HA610293)

All Wheel Anti-Lock Braking System

Callout	Name	Application	Remarks & Restrictions	Service No.	Qty
21	Shim-front axle half shaft		0.45MM	FRC6782	X
			0.60MM	FRC6783	X
			0.75MM	FRC6784	X
			0.90mm	FRC6785	X
			1.05MM	FRC6786	X
			1.20MM	FRC6787	X
			1.35MM	FRC6788	X
			1.50MM	FRC6789	X
			1.65MM	FRC6790	X





LE0054

Less Anti-Lock Braking System

Callout	Name	Application	Remarks & Restrictions	Service No.	Qty
1	Shaft-rear axle half	Change point - VIN end HA610293	RH, 10 spline shaft	571882	1
		Change point - VIN end HA610293	10 spline shaft, LH	571883	1
2	Gasket-axle shaft drive member			571752	2
3	Bolt			279146	10
4	Washer		3/8", Square	WM600061L	10
5	Gasket-stub axle			FRC3205	2
6	Shaft-stub rear		Also serviced as part of a kit	FRC8005	2
7	Screw-hexagon socket		M10 x 25	SX110251	12
8	Washer		M10	WL110001L	12
9	Plate-front & rear stub axle locking			FRC2310	2
10	Seal assembly-front/rear hub	Change point - VIN end HA610293	Inner	FRC8221	2
11	Bearing-front/rear axle hub			RTC3429	4
12	Hub assembly front		Also serviced as part of a kit	FTC1457	2
13	Seal assembly-front/rear hub	Change point - VIN end HA610293	Outer	FRC8222	2
14	Spacer			FRC8227	2
15	Locknut			FRC8700	4
16	Washer-Lock			FRC8002	2
17	Stud			FRC5926	10
18	Cap-driveshaft coupling bolt locking		Less Logo	FTC943	2

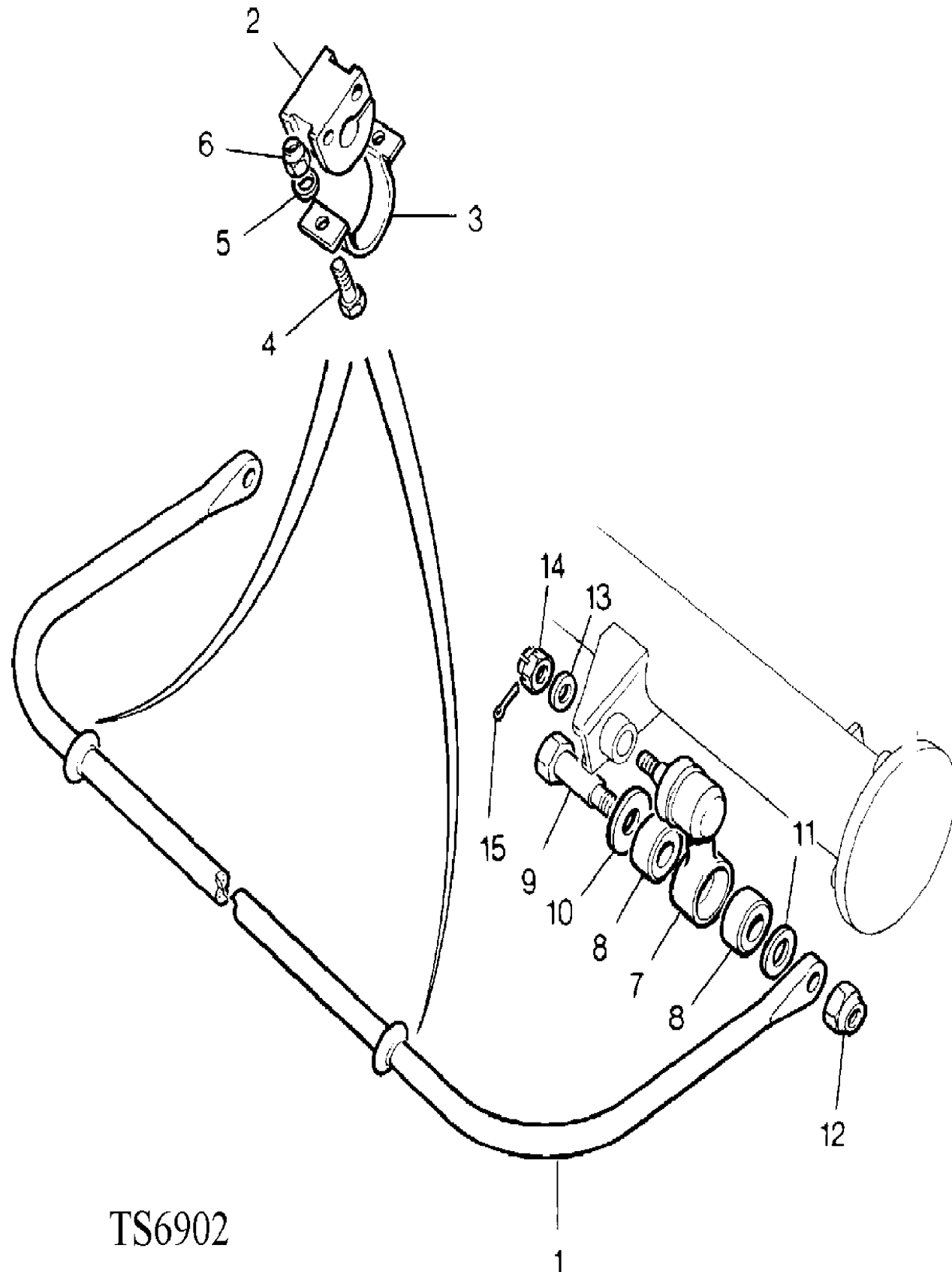
Range Rover (To HA610293)

(TS6902)

Range Rover (To HA610293)

With Roll Bar

Callout	Name	Application	Remarks & Restrictions	Service No.	Qty
1	Bar assembly-anti-roll rear suspension	Change point - VIN end HA610293		NRC6221	1
2	Bush-anti-roll bar		Rear	NTC7394	2
3	Bracket-clamp roll bar mounting			NTC6776	2
4	Screw		hexagonal head, M10 x 35	SH110351L	4
5	Washer		M10	WA110061	4
6	Nut - Hex.		hexagonal head, nyloc	NY110041	4
7	Joint-ball-lower arm front/rear suspension			NTC1888	2
8	Bush-lower arm front/rear suspension			552819	2
9	Pin			NTC8202	2
10	Washer			264024	2
11	Washer			WC116101	2
12	Nut - Hex.			NV116041	2
13	Washer-Plain		M12 x 28	WC112081L	2
14	Nut-castle		M12	NC112041	2
15	Pin-split			PS105251	2



TS6902

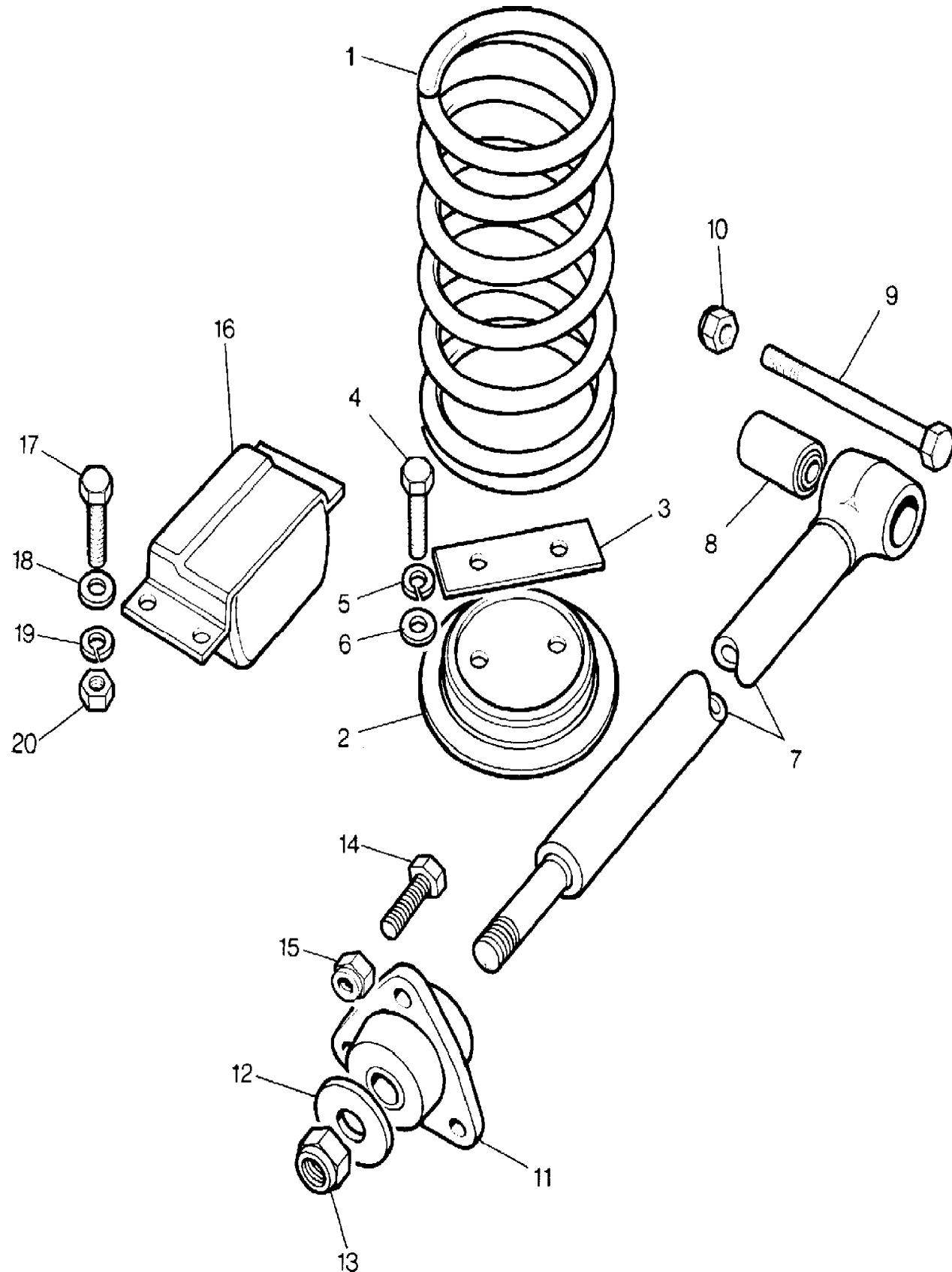
Axles & Suspension
Rear Suspension
Bottom Link & Road Springs 1/2

Range Rover (To HA610293)

(M873)

Range Rover (To HA610293)

Axles & Suspension
Rear Suspension
Bottom Link & Road Springs



Callout	Name	Application	Remarks & Restrictions	Service No.	Qty		
1	Spring-road-coil	Change point - VIN end GA464553, RHD, Less Police	Pink/Purple Stripe	NRC8113	2		
		Change point - VIN end GA464553, With Petrol Engines, LHD, Less Police	Pink/Purple Stripe	NRC8113	1		
		Change point - VIN end GA464553, With Diesel Engines, LHD, Less Police	Passenger, Pink/Purple Stripe	NRC8113	1		
		Change point - VIN end GA464553, With Diesel Engines, LHD, Less Police	Driver, Green/Pink Stripe	NTC3285	1		
		Change point - VIN end GA464553, With Police Vehicle	Red/White Stripe	NRC4304	2		
		Change point - VIN begin HA464554, LHD	Driver, Red/Yellow Stripe	NRC4305	1		
		Change point - VIN begin HA464554, LHD	Passenger, Green Stripe	NRC2119	1		
		Change point - VIN begin HA464554, RHD	Green Stripe	NRC2119	2		
		2	Seat-suspension spring lower			NRC9700	2
		3	Retainer			90575751	2
4	Screw		hexagonal head, 3/8UNF x 1	SH606081L	4		
5	Washer		3/8", Square	WM600061L	4		
6	Washer-Plain			4266L	4		
7	Link assembly-lower-rear suspension		Also serviced as part of a kit	NTC4720	2		
			Also serviced as part of a kit	NTC8328	2		
8	Bush-rear-lower arm rear suspension		Also serviced as part of a kit	NTC1772	2		
9	Bolt-hexagonal socket			BH610321L	2		
10	Nut-hexagonal-nyloc			NY610041L	2		
11	Mounting-lower link flexible rubber			NRC7491	2		
		Change point - VIN end HA610293		STC618	1		
12	Washer			WA120001	2		
13	Nut-hexagonal-nyloc		M20	NY120041L	2		
14	Screw		3/8UNF x 1 1/8	255248	6		

Axles & Suspension
 Rear Suspension
 Bottom Link & Road Springs 2/2

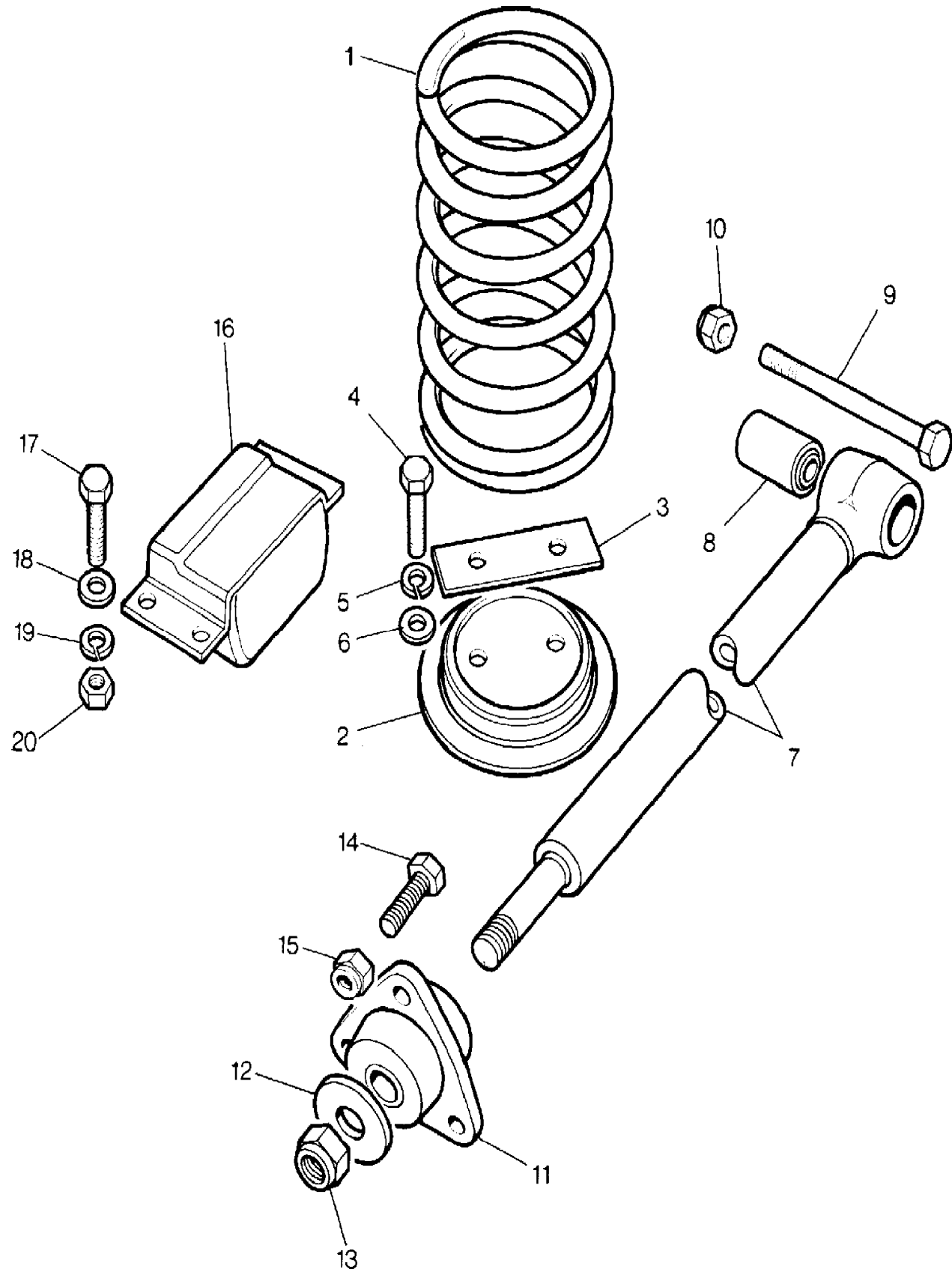
Range Rover (To HA610293)

(M873)

Range Rover (To HA610293)

Axles & Suspension
 Rear Suspension
 Bottom Link & Road Springs

Callout	Name	Application	Remarks & Restrictions	Service No.	Qty
15	Nut - Hex.		hexagonal head, 3/8, UNF, nyloc	NY606041L	6
16	Stop-front suspension rebound	CSK	2 Holes	575707	2
				90575789 NTC6086	2 2
17	Screw		hexagonal head, 5/16UNF x 3/4	SH605061L	4
18	Washer-Plain			3830L	4
19	Washer-Spring		5/16"	WM600051L	4
20	Nut - Hex.		hexagonal head, 5/16UNF	NH605041L	4



Axles & Suspension
Rear Suspension
Self Levelling Unit 1/1

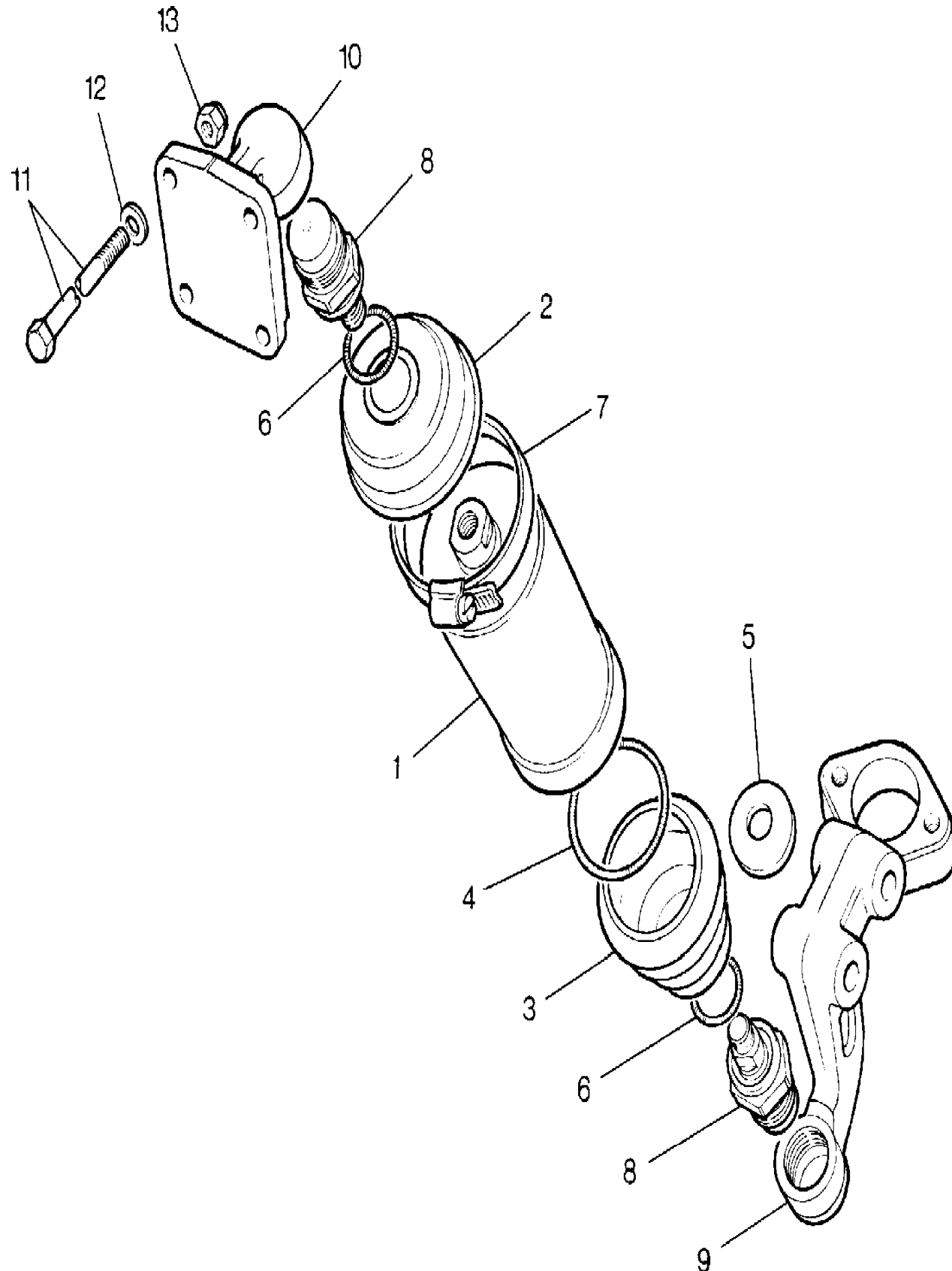
Range Rover (To HA610293)
(M636)

Range Rover (To HA610293)

Axles & Suspension
Rear Suspension
Self Levelling Unit

With Self Levelling Suspension

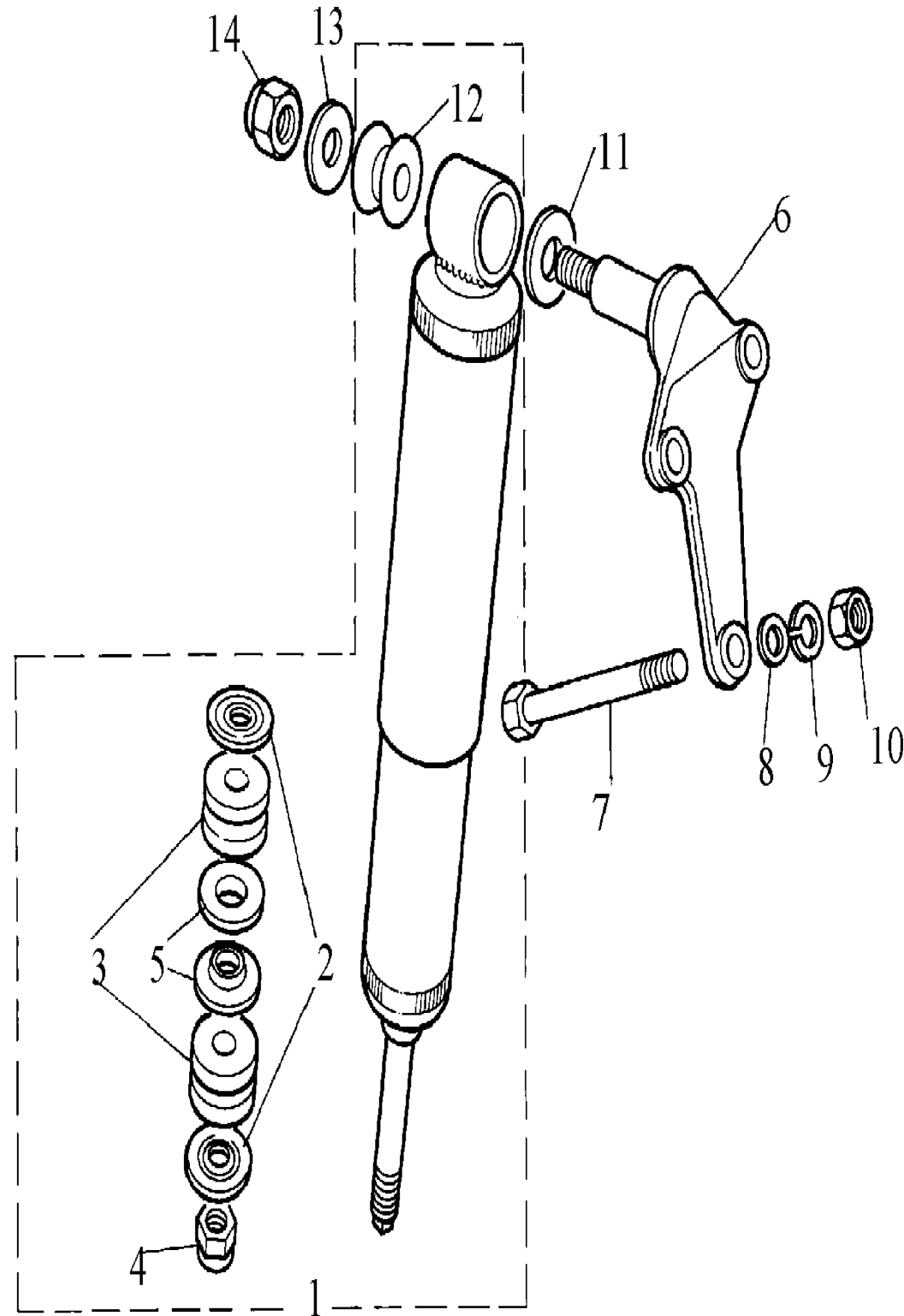
Callout	Name	Application	Remarks & Restrictions	Service No.	Qty
1	Control unit-self levelling			NRC4163	1
2	Gaiter-rubber driveshaft			90575877	1
3	Gaiter-self levelling unit ball joint		Lower	NRC6561	1
4	Spring Ring			577703	1
5	Seal			592444	1
6	Spring Ring			90577704	2
7	Clip-Hose			RTC3519	1
8	Joint-self levelling unit ball			575882	2
9	Bracket-rear axle fulcrum			90575878	1
10	Mounting assembly-rear suspension	Change point - VIN end FA399972		575879	1
		Change point - VIN begin GA399973		NTC7462	1
11	Bolt		3/8UNF x 7	253958	4
12	Washer			3982L	4
13	Nut - Hex.		hexagonal head, 3/8, UNF, nyloc	NY606041L	4



Axles & Suspension
Rear Suspension
Shock Absorbers-From (V) GA417085 1/2

Range Rover (To HA610293)

(TS6863A)



TS6863A

Range Rover (To HA610293)

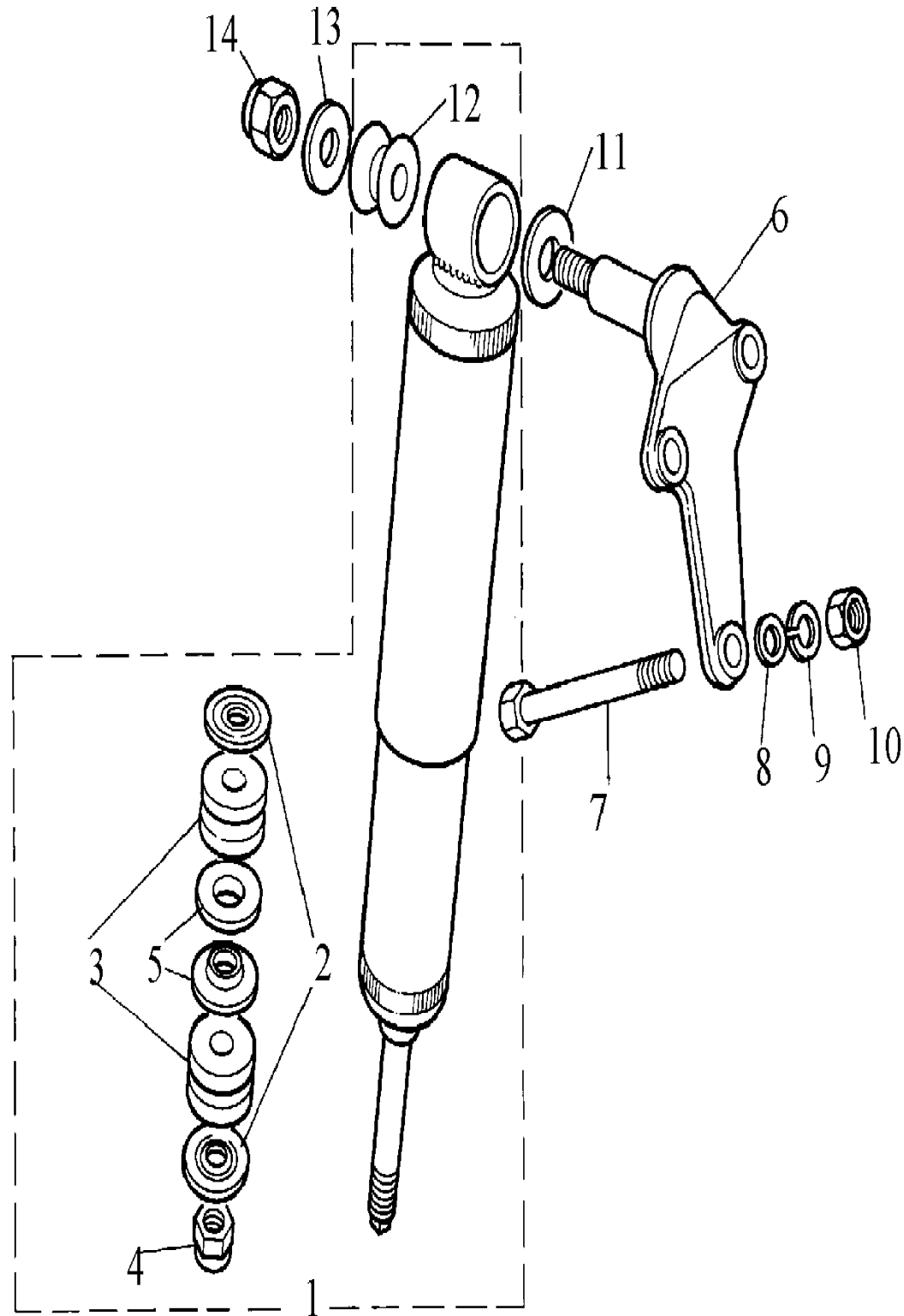
Axles & Suspension
Rear Suspension
Shock Absorbers-From (V) GA417085

Callout	Name	Application	Remarks & Restrictions	Service No.	Qty
1	Kit-damper assembly	Change point - VIN end GA450646, Less Roll Bar	Also serviced as part of a kit	STC131	2
		Change point - VIN begin GA450647, Change point - VIN end HA471543, Less Roll Bar	Also serviced as part of a kit	STC240	2
		Change point - VIN begin HA471544, Less Roll Bar	Also serviced as part of a kit, Rear	STC242	2
		With Roll Bar, (-) CSK	Also serviced as part of a kit, Rear	STC208	2
		With Roll Bar, CSK		STC306	2
2	Washer	Change point - VIN end GA450646, Less Roll Bar	Also serviced as part of a kit	500746	4
		Change point - VIN begin HA471544, Less Roll Bar	Also serviced as part of a kit	500746	4
		With Roll Bar, (-) CSK	Also serviced as part of a kit	500746	4
3	Bush-damper mounting	Change point - VIN end LA647644, Change point - VIN begin GA450646, Less Roll Bar	Also serviced as part of a kit, Lower	552818	4
		Change point - VIN begin MA647645, Less Roll Bar	Also serviced as part of a kit	ANR1721	2
4	Nut - Hex.		Also serviced as part of a kit, M12, Hexagonal	NTC4571	2
5	Washer	Change point - VIN end GA450646, Less Roll Bar	Also serviced as part of a kit	NRC4365	2
		Change point - VIN begin HA471544, Change point - VIN end LA647644, Less Roll Bar	Also serviced as part of a kit	NRC4365	2
		Change point - VIN begin MA647645, Less Roll Bar	Also serviced as part of a kit	ANR1895	2
		Change point - VIN end LA647644, With Roll Bar, (-) CSK	Also serviced as part of a kit	NRC4365	2
		Change point - VIN begin MA647645, With Roll Bar, (-) CSK	Also serviced as part of a kit	ANR1895	2
6	Bracket assembly-rear damper		Upper	NRC7981	1
7	Bolt		hexagonal head, M10 x 110	BH110221L	3
8	Washer		M10, oversize, Plain	WC110061L	3
9	Washer-Spring		5/16"	WM110001L	3
10	Nut - Hex.		M10, Flanged Head	FN110041	3
11	Retainer		Inner	NRC5602	1
12	Bush-damper mounting		Rear, Upper	NRC5593	1

Axles & Suspension
Rear Suspension
Shock Absorbers-From (V) GA417085 2/2

Range Rover (To HA610293)

(TS6863A)



TS6863A

Range Rover (To HA610293)

Axles & Suspension
Rear Suspension
Shock Absorbers-From (V) GA417085

Callout	Name	Application	Remarks & Restrictions	Service No.	Qty
13	Retainer		Outer	NRC5603	1
14	Nut - Hex.		M12, hexagonal head, nyloc	NY112041	1

Axles & Suspension
Rear Suspension
Shock Absorbers-To (V) GA417084 1/1

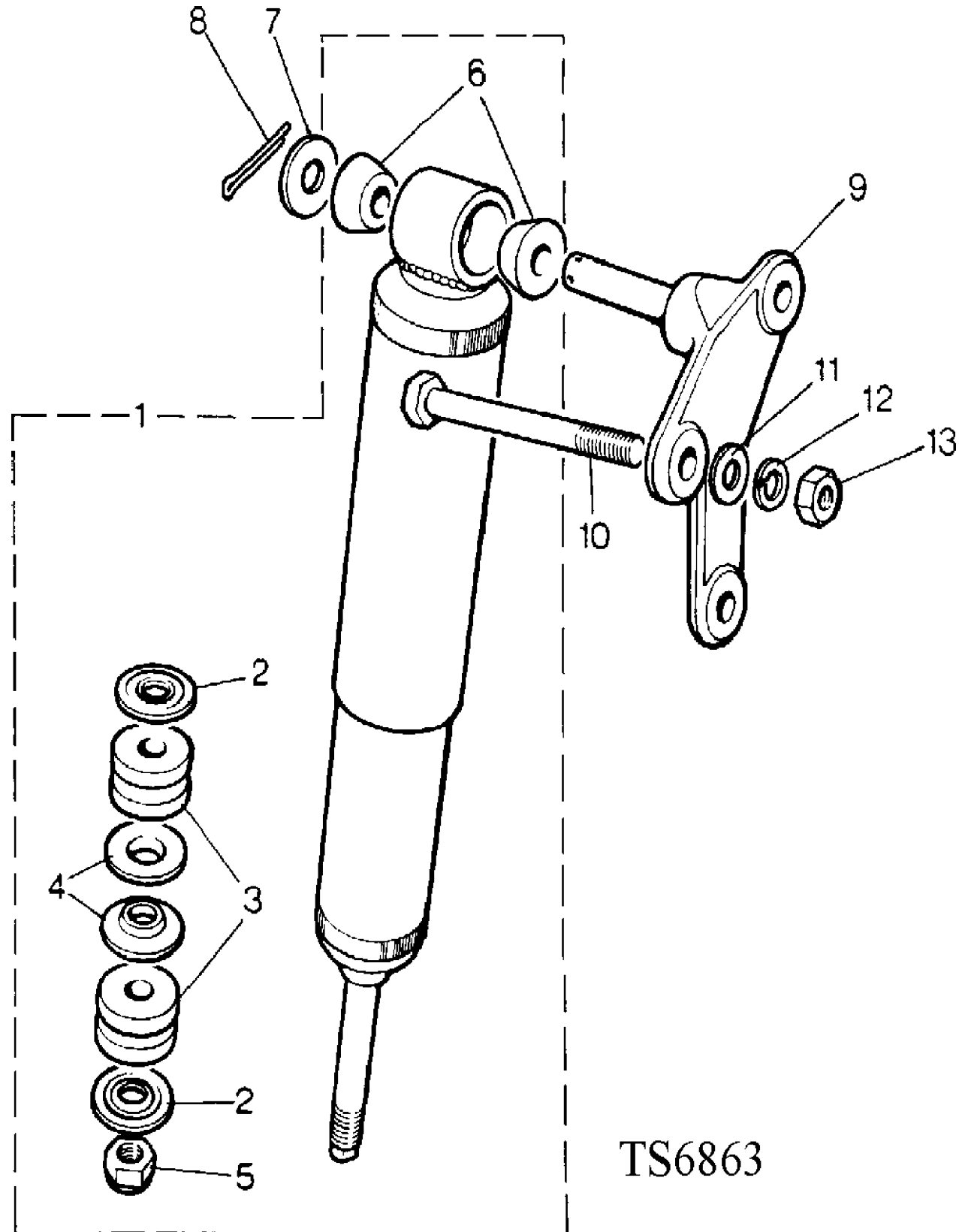
Range Rover (To HA610293)

(TS6863)

Axles & Suspension
Rear Suspension
Shock Absorbers-To (V) GA417084

Range Rover (To HA610293)

Callout	Name	Application	Remarks & Restrictions	Service No.	Qty
1	Kit-damper assembly	Change point - VIN end HA610293	Also serviced as part of a kit	RTC4630K	2
2	Washer	Change point - VIN end HA610293	Also serviced as part of a kit	500746	4
3	Bush-damper mounting	Change point - VIN end HA610293	Also serviced as part of a kit, Lower	552818	4
4	Washer	Change point - VIN end HA610293	Also serviced as part of a kit	NRC4365	4
5	Nut - Hex.	Change point - VIN end HA610293	Also serviced as part of a kit, M12, Hexagonal	NTC4571	2
6	Bush-lower arm front/rear suspension	Change point - VIN end HA610293	Also serviced as part of a kit	552819	4
7	Washer		convex	572204	2
8	Pin-split			PS110281	2
9	Bracket			NRC7834	2
10	Bolt			NRC2384	6
11	Washer			3982L	6
12	Washer		3/8", Square	WM600061L	6
13	Nut - Hex.		hexagonal head, 3/8UNF	NH606041L	6



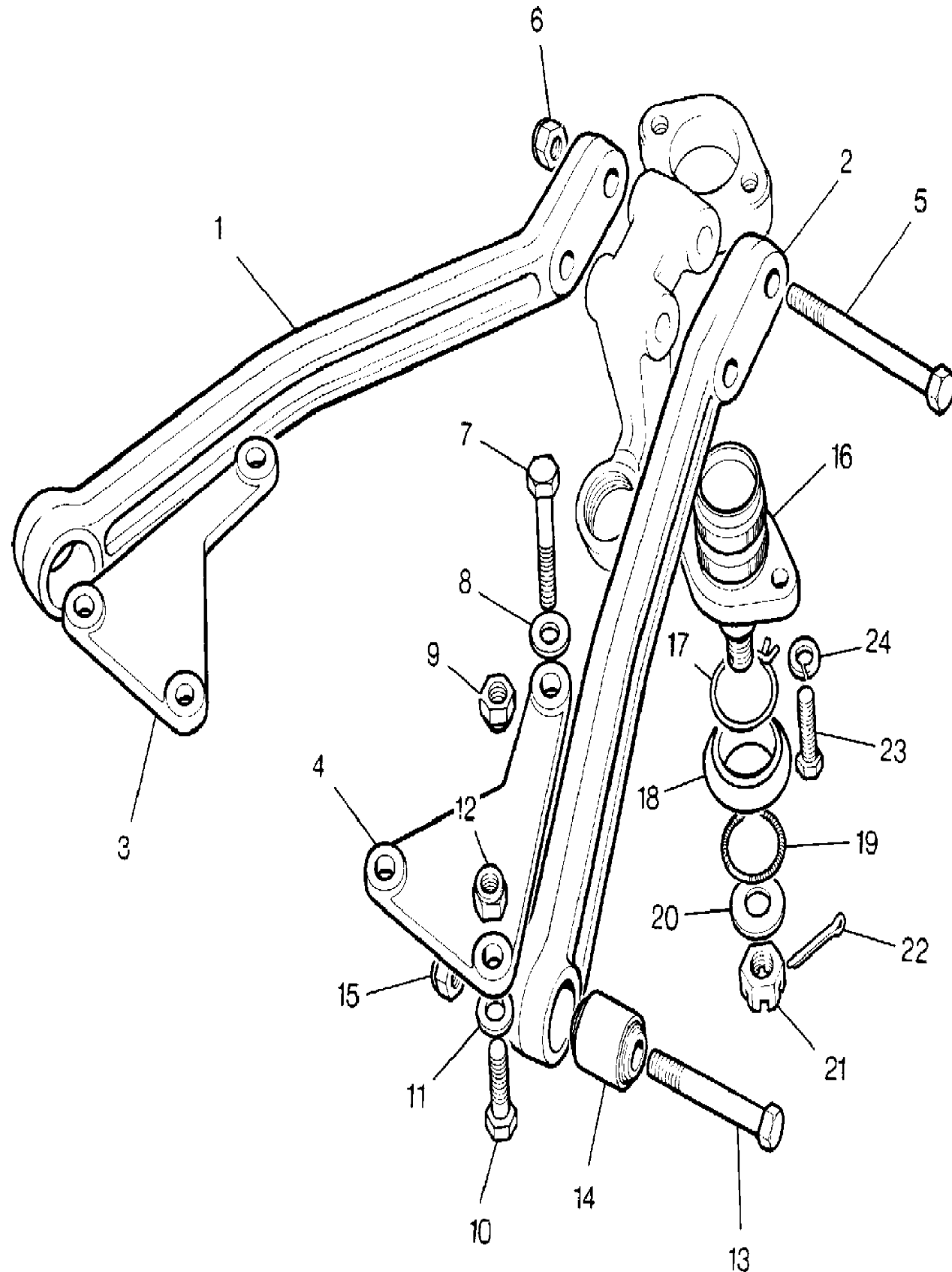
Axles & Suspension
Rear Suspension
Top Link, Fulcrum & Ball Joint 1/2

Range Rover (To HA610293)

(M871)

Range Rover (To HA610293)

Axles & Suspension
Rear Suspension
Top Link, Fulcrum & Ball Joint



Callout	Name	Application	Remarks & Restrictions	Service No.	Qty
1	Link assembly-rear suspension upper	Change point - VIN end CA172982 Change point - VIN begin CA172983	Also serviced as part of a kit, RH Also serviced as part of a kit, RH	90575627 NTC2706	1 1
2	Link assembly-rear suspension upper		Also serviced as part of a kit, LH	NTC2707	1
3	Bracket		RH	575615	1
4	Bracket		LH	575616	1
5	Bolt	Change point - VIN end HA606488 Change point - VIN begin HA606489	1/2UNF x 6 1/4 1/2UNF x 6 1/2	253948 253952	2 2
6	Nut - Hex.		rear suspension upper link to chassis bracket, nyloc, Hexagonal, 1/2UNF	NY608041L	2
7	Bolt		hexagonal head, M10 x 55	BX110111L	2
8	Washer		M10, oversize, Plain	WC110061L	2
9	Nut - Hex.		hexagonal head, nyloc	NY110051L	2
10	Bolt			BX110091L	4
11	Washer		M10, oversize, Plain	WC110061L	4
12	Nut - Hex.		hexagonal head, nyloc	NY110051L	4
13	Bolt			BH612321	2
14	Bush-rear suspension upper link	Change point - VIN end CA172982 Change point - VIN begin CA172983	Also serviced as part of a kit Also serviced as part of a kit	NTC1773 NTC1773 NTC1773	2 2 2
15	Locknut			NY612041	2
16	Joint-rear suspension upper link ball	Change point - VIN end HA610293		NTC4260	1
17	Ring-Snap	Change point - VIN end EA329884		592445	1
18	Cover-dust ball joint-outer	Change point - VIN end EA329884		572338	1
19	Retainer	Change point - VIN end EA329884		572369	1
20	Washer-Plain			WB116101L	1
21	Nut - Hex.		20MM	NTC4618	1

Axles & Suspension
Rear Suspension
Top Link, Fulcrum & Ball Joint 2/2

Range Rover (To HA610293)

(M871)

Range Rover (To HA610293)

Axles & Suspension
Rear Suspension
Top Link, Fulcrum & Ball Joint

Callout	Name	Application	Remarks & Restrictions	Service No.	Qty
22	Pin-split		3.2 x 32	PS106321L	1
23	Screw		hexagonal head, 5/16UNF x 1	SH605081L	2
24	Washer-Spring		5/16"	WM600051L	2
[900]	Bush-rear suspension upper link		Also serviced as part of a kit	NTC1773	2

