

Steering
Steering Column Lower
Power Steering Hoses 1/1

Range Rover (To HA610293)

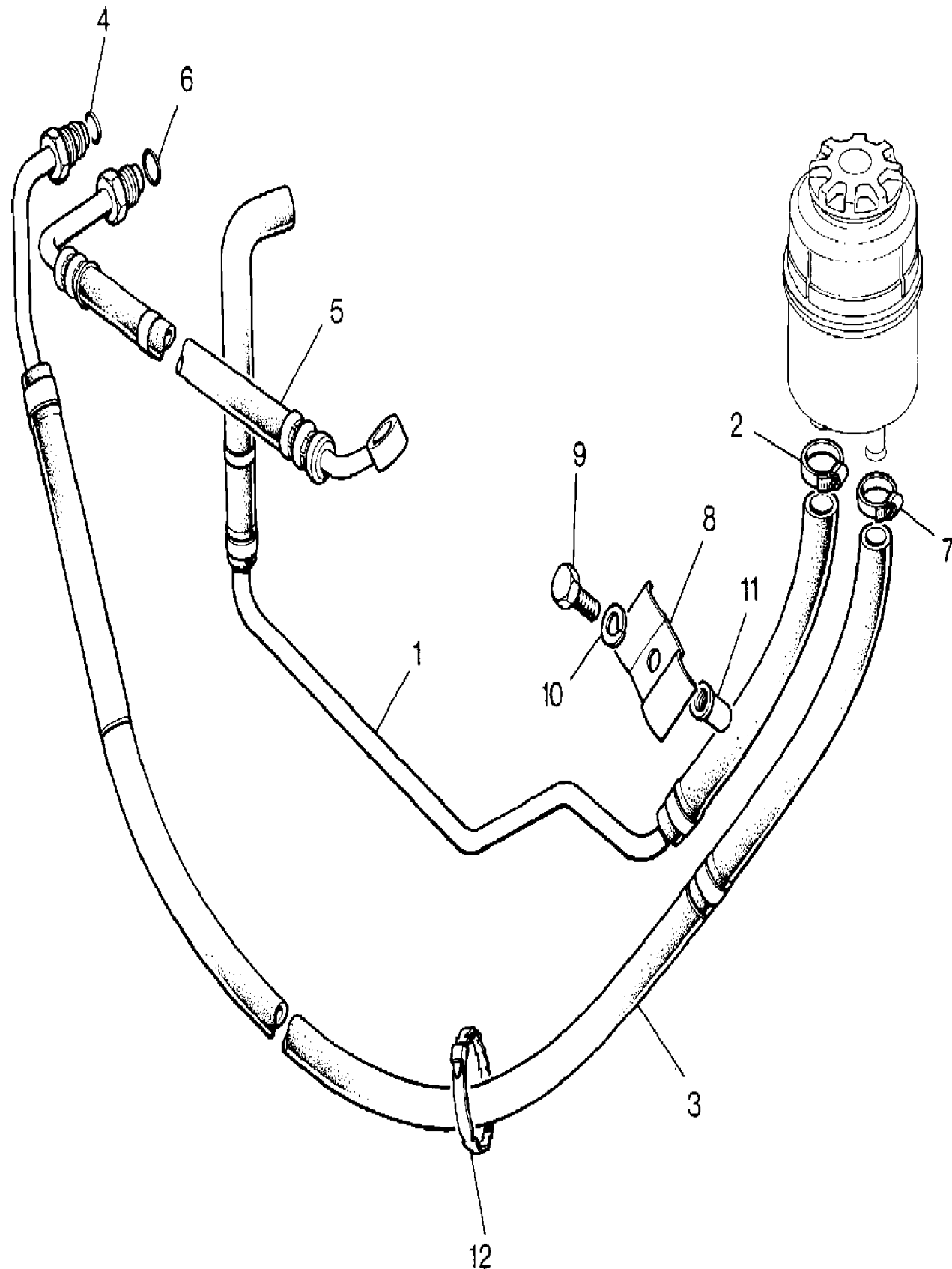
(TS5855)

Steering
Steering Column Lower
Power Steering Hoses

Range Rover (To HA610293)

With Diesel Engines

Callout	Name	Application	Remarks & Restrictions	Service No.	Qty
1	Hose-power assisted steering reservoir to pump	Change point - VIN end EA351846, RHD		NTC3085	1
		Change point - VIN begin FA351847, Change point - VIN end FA399972, RHD		NTC6877	1
		Change point - VIN begin GA399973, RHD		NTC7476	1
		Change point - VIN end FA399972, LHD		NTC3086	1
		Change point - VIN begin GA399973, LHD		NTC7477	1
2	Clip-Hose			603890	1
3	Pipe assembly-steering box to reservoir	Change point - VIN end FA399972, RHD		NTC3292	1
		Change point - VIN begin GA399973, Change point - VIN end HA609499, RHD		NTC7478	1
		Change point - VIN begin HA609500, RHD		NTC8865	1
		Change point - VIN end FA399972, LHD		NTC3293	1
		Change point - VIN begin GA399973, Change point - VIN end HA608007, LHD		NTC7479	1
		Change point - VIN begin HA608008, LHD		NTC8866	1
4	O Ring		6MM	RTC4825	1
5	Pipe assembly-pump to steering box	Change point - Engine end 11A33463, RHD		NTC3087	1
		Change point - Engine begin 11A33464, RHD		NTC6733	1
		Change point - Engine end 11A33463, LHD		NTC3088	1
		Change point - Engine begin 11A33464, LHD		NTC6732	1
6	O Ring			RTC4826	1
7	Clip-Hose			NRC5990	1
8	Clip-Pipe			NRC6302	3
9	Nut-flange		M6 X 16	FS106161	3
10	Washer		M6, sprung	WL106001L	3
11	Nutsert-blind			NN106011	3
12	Tie-cable		6 1/4"	240431	2



Steering
Steering Column Lower
Power Steering Hoses 1/1

Range Rover (To HA610293)

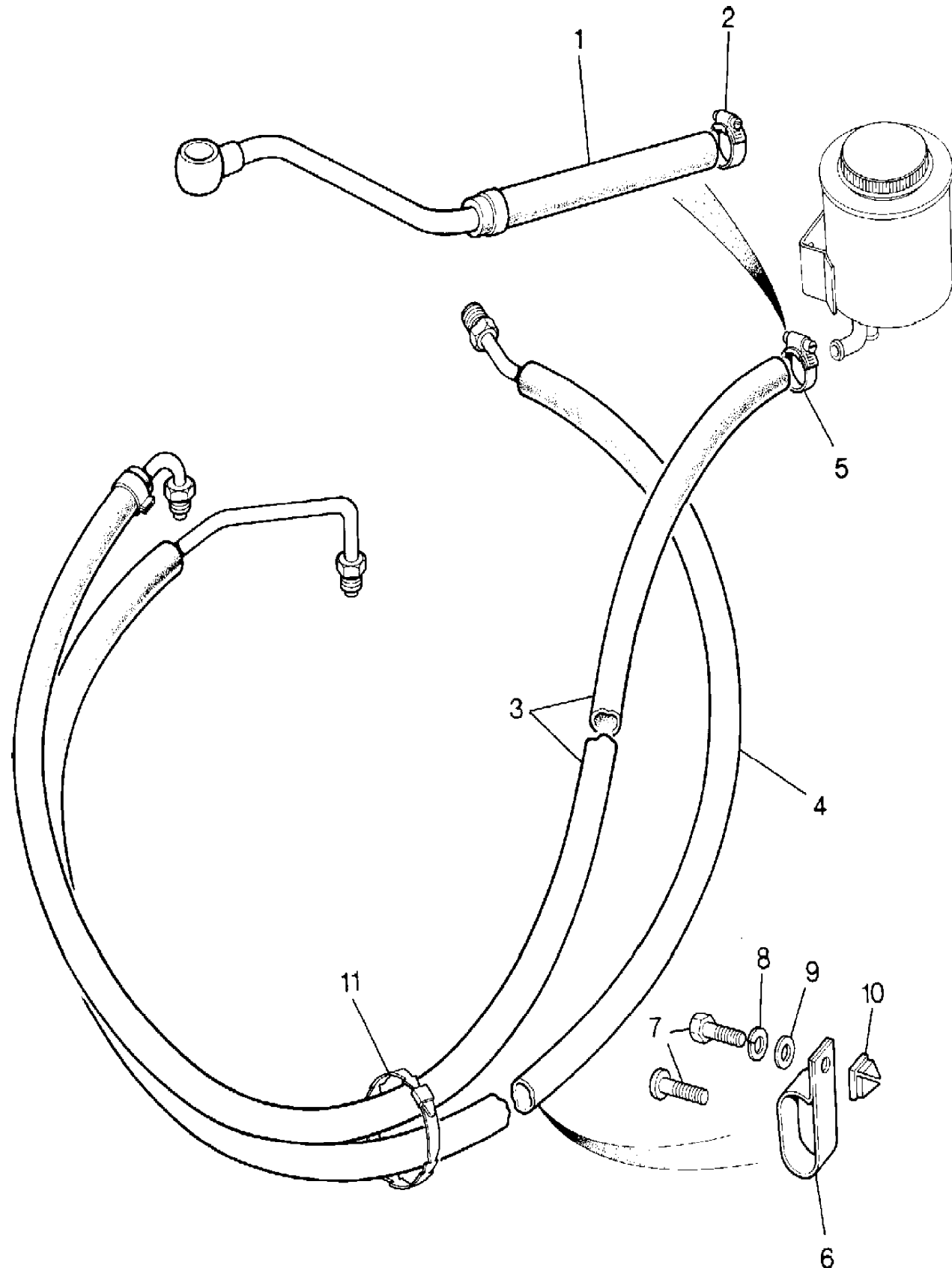
(TS5583)

Steering
Steering Column Lower
Power Steering Hoses

Range Rover (To HA610293)

With Petrol Engines

Callout	Name	Application	Remarks & Restrictions	Service No.	Qty
1	Hose-power assisted steering reservoir to pump			NTC2814	1
2	Clip-Hose			603890	1
3	Pipe assembly-steering box to reservoir	RHD		NTC1371	1
		LHD		NTC1369	1
4	Pipe assembly-pump to steering box	RHD		NTC1370	1
		LHD		NTC1368	1
5	Clip-Hose			NRC1362	1
6	Clip-p			NTC2722	3
7	Screw		10UNF x 3/4 10UNF x 1/2	257020 79120	2 1
8	Washer-Spring		3/16 dia, Square	WM702001L	3
9	Washer-Plain			WC702101L	3
10	Nutsert-blind			79239	3
11	Tie-cable		6 1/4"	240431	2
[900]	O Ring		6MM	RTC4825 RTC4826	1 1



Steering
Steering Column Lower
Power Steering Hoses 1/1

Range Rover (To HA610293)

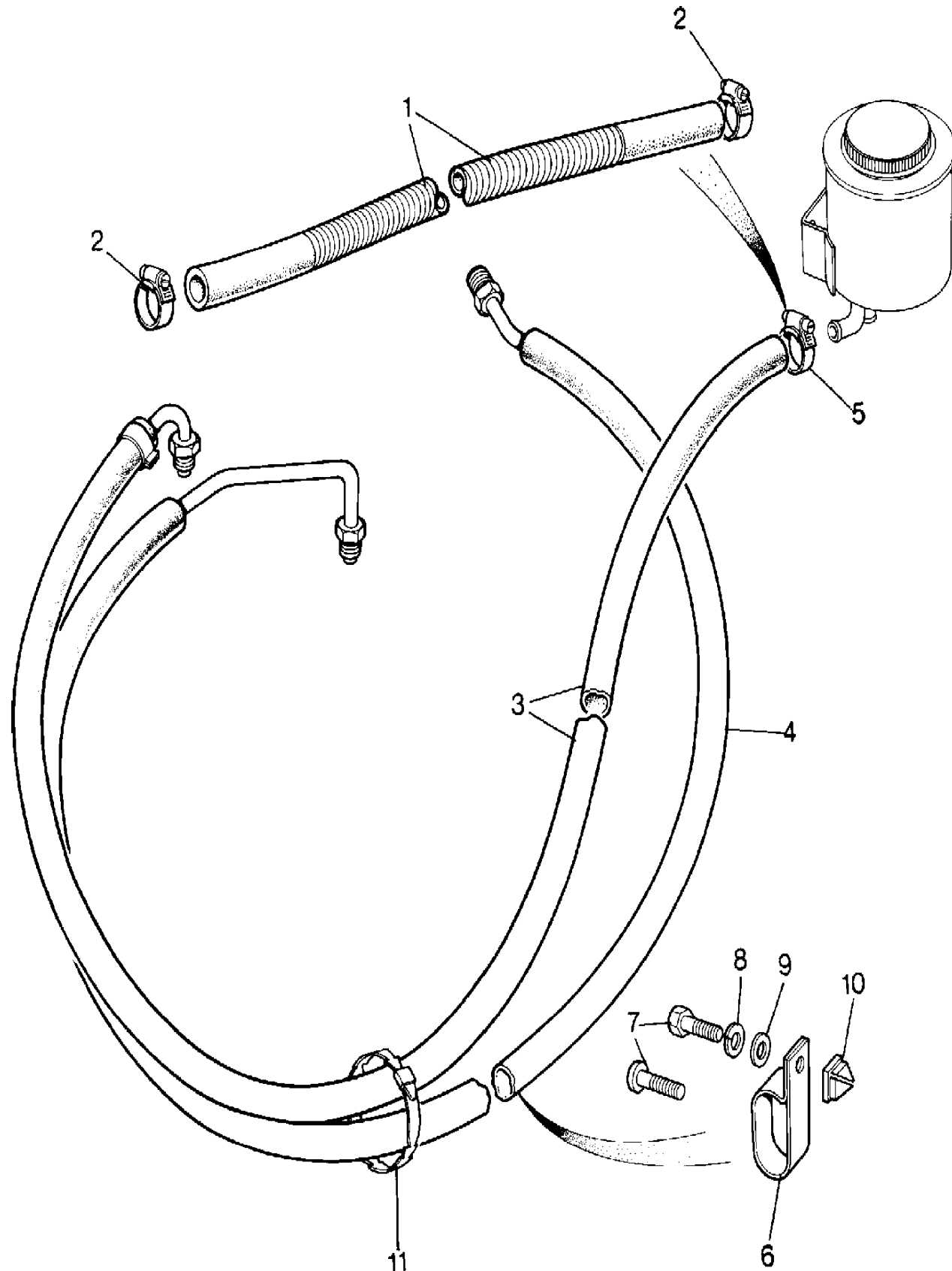
(TS5583A)

Steering
Steering Column Lower
Power Steering Hoses

Range Rover (To HA610293)

With Petrol Engines

Callout	Name	Application	Remarks & Restrictions	Service No.	Qty
1	Hose-power assisted steering reservoir to pump		Low Pressure	NTC4245	1
2	Clip-Hose			603890	2
3	Pipe assembly-steering box to reservoir	Change point - VIN end GA440929, RHD Change point - VIN begin GA440930, RHD LHD		NTC2600 NTC8868 NTC8862	1 1 1
4	Pipe assembly-pump to steering box	Change point - VIN end GA440929, RHD Change point - VIN begin GA440930, RHD LHD		NTC2597 NTC7952 NTC6790	1 1 1
5	Clip-Hose			NRC1362	1
6	Clip-p	RHD		NTC2722	3
7	Screw		10UNF x 3/4 10UNF x 1/2	257020 79120	2 1
8	Washer-Spring		3/16 dia, Square	WM702001L	3
9	Washer-Plain			WC702101L	3
10	Nutsert-blind			79239	3
11	Tie-cable	RHD	6 1/4"	240431	2
[900]	O Ring		6MM	RTC4825 RTC4826	1 1



Steering
Steering Column Lower
Power Steering Reservoir 1/1

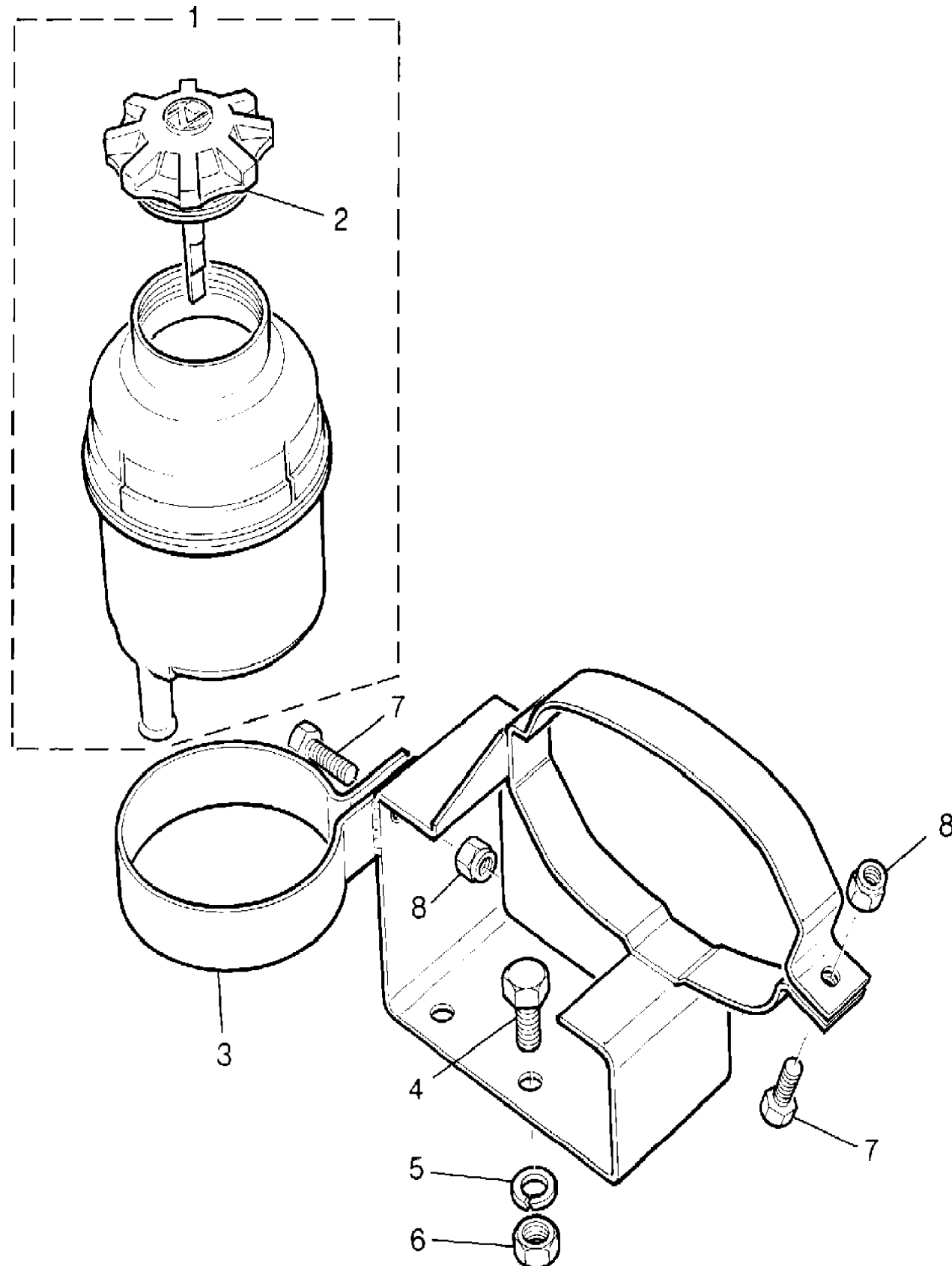
Range Rover (To HA610293)

(TS5854)

Range Rover (To HA610293)

Steering
Steering Column Lower
Power Steering Reservoir

Callout	Name	Application	Remarks & Restrictions	Service No.	Qty
1	Reservoir assembly power assisted steering fluid	With Diesel Engines, With Power Steering	Also serviced as part of a kit	NTC1791	1
2	Cap power assisted steering reservoir	With Diesel Engines, With Power Steering	Also serviced as part of a kit	NTC2723	1
3	Bracket power assisted steering reservoir	With Diesel Engines, With Power Steering		NTC3595	1
4	Screw		M8 X 16, hexagonal head	SH108161L	3
5	Screw		M8 X 16, Flanged Head	FS108161L	3
6	Nut - Hex.		M8, flange	FN108041	3
7	Screw		hexagonal head, 1/4UNF x 7/8	SH604071L	2
8	Nut - Hex.		1/4", nyloc, Hexagonal	NY604041L	2



Steering
Steering Column Lower
Power Steering Reservoir-Metal 1/1

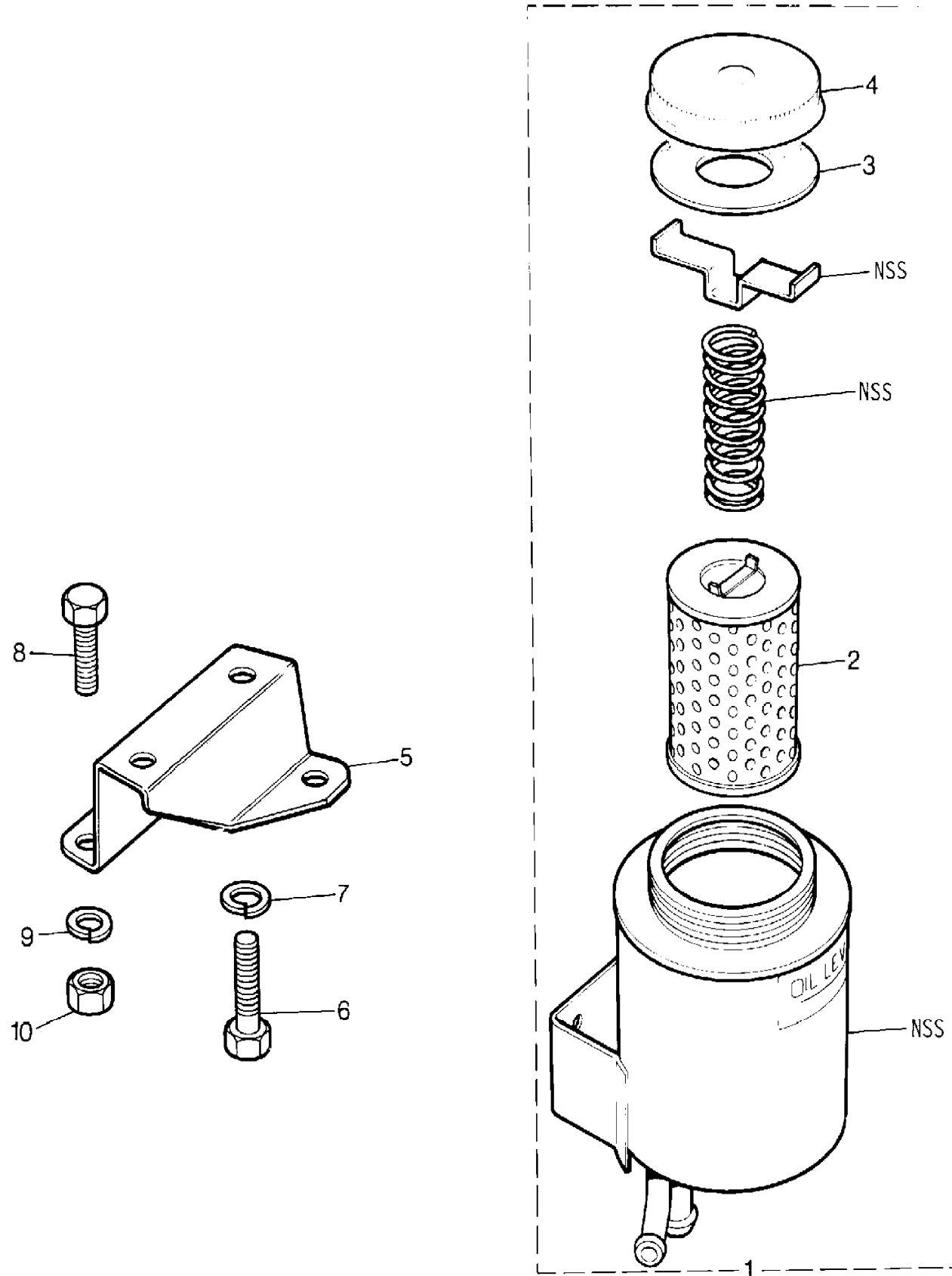
Range Rover (To HA610293)
(TS5044A)

Range Rover (To HA610293)

Steering
Steering Column Lower
Power Steering Reservoir-Metal

With Petrol Engines, With Power Steering

Callout	Name	Application	Remarks & Restrictions	Service No.	Qty
1	Reservoir assembly-power steering		Also serviced as part of a kit	NRC9550	1
2	Filter-reservoir		Also serviced as part of a kit	RTC3058	1
3	Seal		Also serviced as part of a kit	RTC3962	1
4	Cap power assisted steering reservoir		Also serviced as part of a kit	RTC3056	1
5	Bracket			NTC1744	1
6	Screw		hexagonal head, 5/16UNF x 5/8	SH605051L	2
7	Washer-Spring		5/16"	WM600051L	2
8	Screw		M8 X 16, hexagonal head	SH108161L	3
9	Washer		M8, sprung	WL108001L	3
10	Nut - Hex.		M8, hexagonal head	NH108041L	3
[900]	Washer		8MM, sprung	WL108007	3



Steering
Steering Column Lower
Power Steering Reservoir-Plastic 1/1

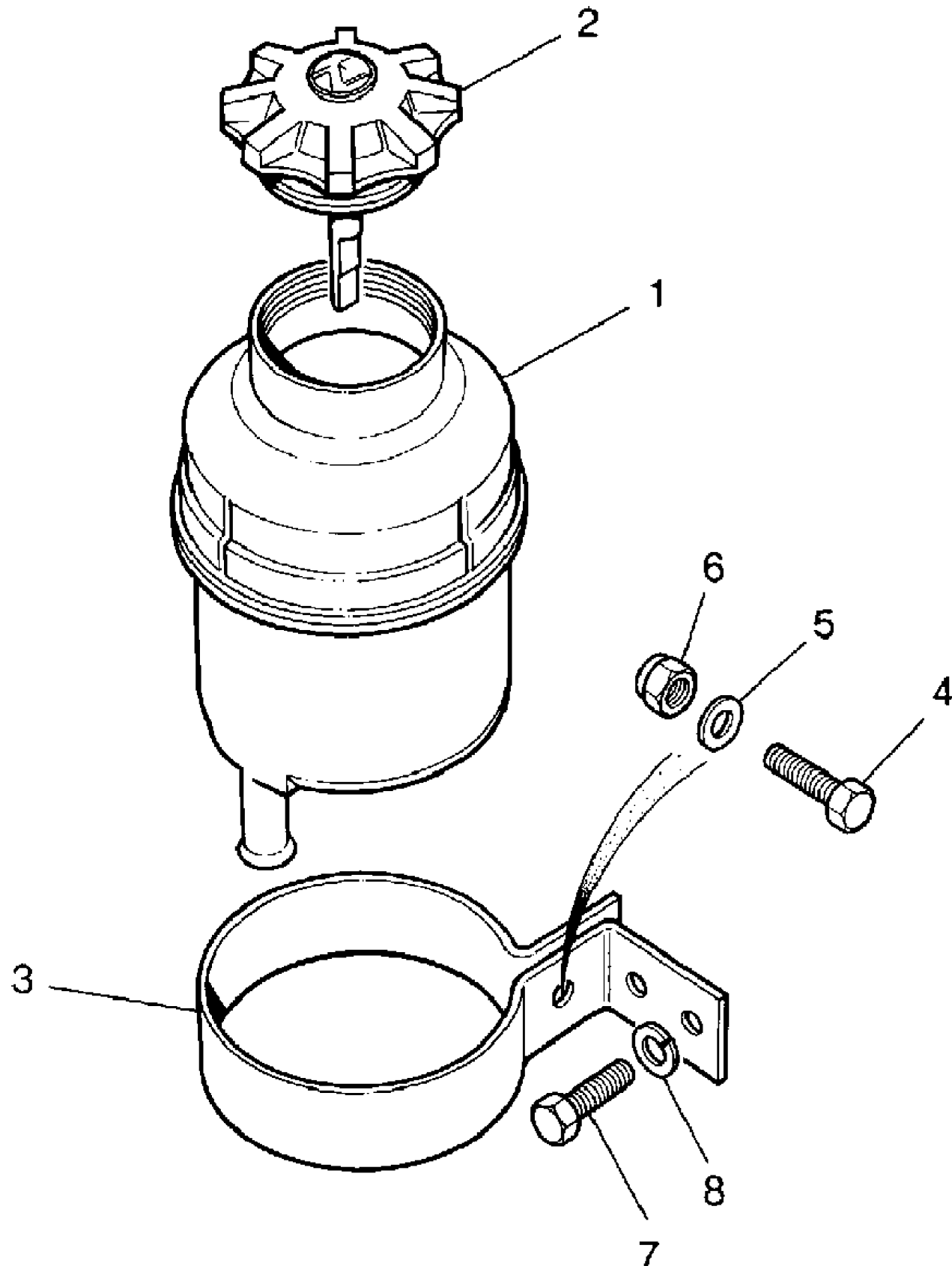
Range Rover (To HA610293)
(TS6072)

Range Rover (To HA610293)

Steering
Steering Column Lower
Power Steering Reservoir-Plastic

With Petrol Engines

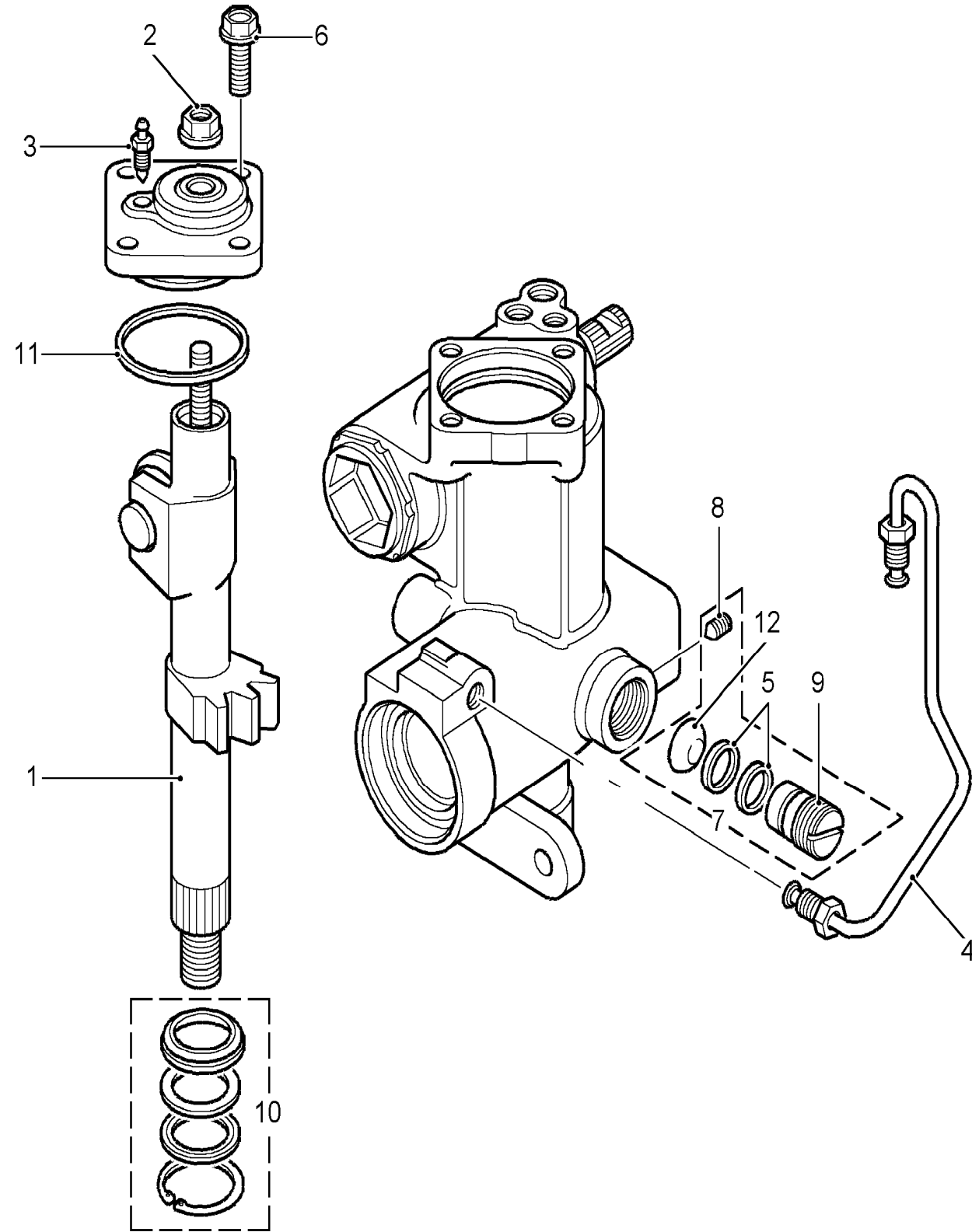
Callout	Name	Application	Remarks & Restrictions	Service No.	Qty
1	Reservoir assembly power assisted steering fluid	With Power Steering	Also serviced as part of a kit	NTC1791	1
2	Cap power assisted steering reservoir	With Power Steering	Also serviced as part of a kit	NTC2723	1
3	Bracket assembly power assisted steering reservoir mounting	EFI		NTC2721	1
		Twin Carb		NTC2720	1
4	Screw	EFI	M6 X 20, Flanged Head	FS106201	1
		Twin Carb	M6 X 20, Flanged Head	FS106201	1
5	Washer	EFI	6MM	WA106041L	1
		Twin Carb	6MM	WA106041L	1
6	Nut - Hex.	EFI	M6, hexagonal head, nyloc	NY106041L	1
		Twin Carb	M6, hexagonal head, nyloc	NY106041L	1
7	Screw	EFI	M6 X 16, hexagonal head	SH106161L	2
		Twin Carb	M8 X 16, hexagonal head	SH108161L	4
8	Washer	EFI	M6, sprung	WL106001L	2
		Twin Carb	M8, sprung	WL108001L	4
[900]	Washer	Twin Carb	8MM, sprung	WL108007	4



Steering
Steering Column Lower
Sector Shaft 1/1

Range Rover (To HA610293)

(AHFXGC5A)



AHFXGC5A

Range Rover (To HA610293)

Steering
Steering Column Lower
Sector Shaft

Callout	Name	Application	Remarks & Restrictions	Service No.	Qty
1	Shaft assembly-steering box sector	RHD	Also serviced as part of a kit	RTC4398	1
		LHD	Also serviced as part of a kit	RTC4399	1
2	Nut - Hex.	RHD	Also serviced as part of a kit	RTC4394	1
		LHD	Also serviced as part of a kit	RTC4394	1
3	Screw-bleed			RTC4395	1
4	Pipe assembly power assisted steering	RHD		RTC4400	1
		LHD		RTC4401	1
5	Seal-steering rack pinion			608065	1
6	Screw			RTC4393	4
7	Kit-steering box sector shaft seal			RTC4412	1
8	Screw-Grub			11011L	1
9	Screw-rack guide power assisted steering			606545	1
10	Kit-steering box sector shaft seal			RTC4412	1
11	Kit-steering box sector shaft seal			RTC4412	1

Steering
Steering Column Lower
Shaft-From (V) HA601607 1/1

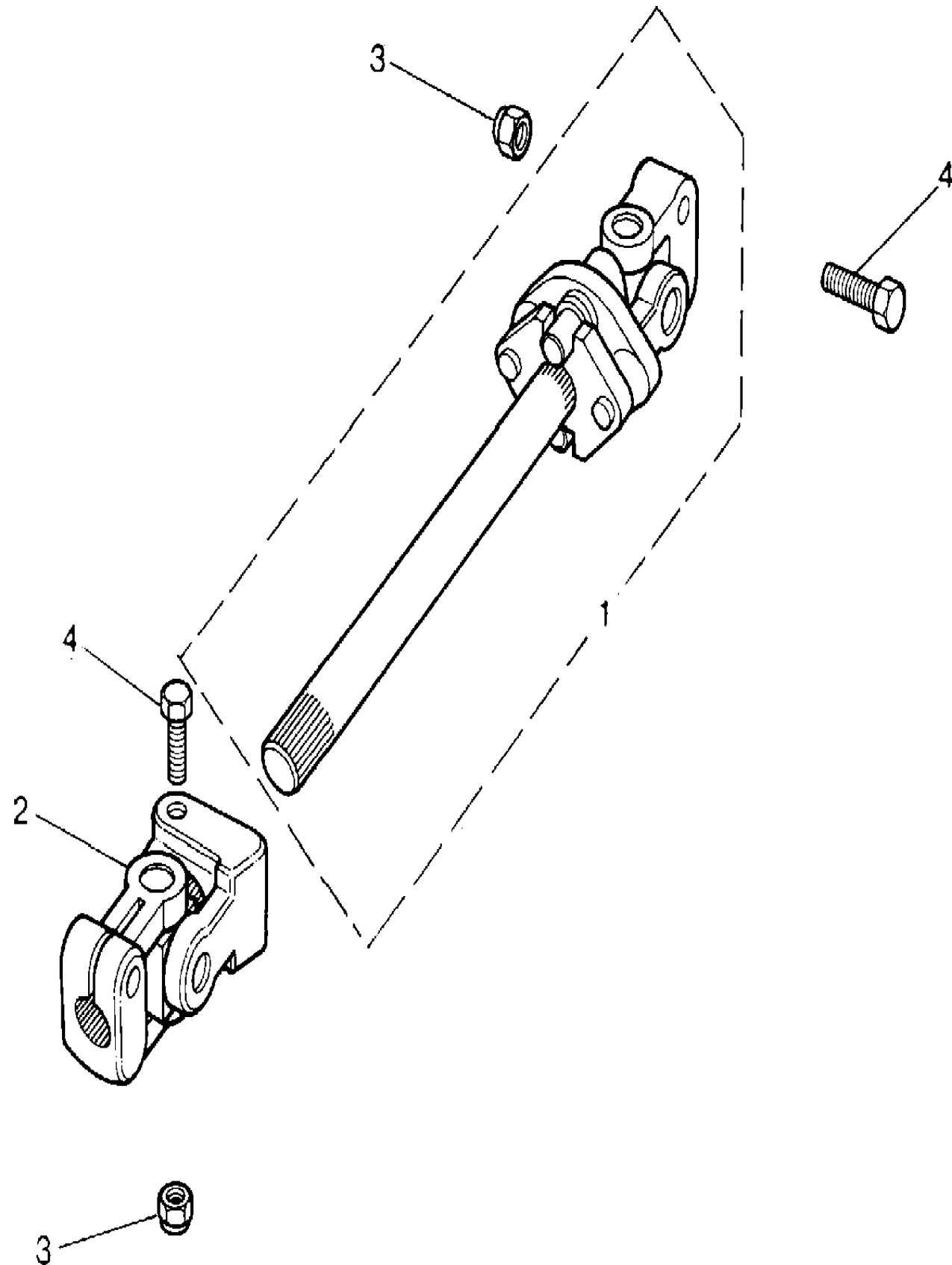
Range Rover (To HA610293)

(TS6992)

Steering
Steering Column Lower
Shaft-From (V) HA601607

Range Rover (To HA610293)

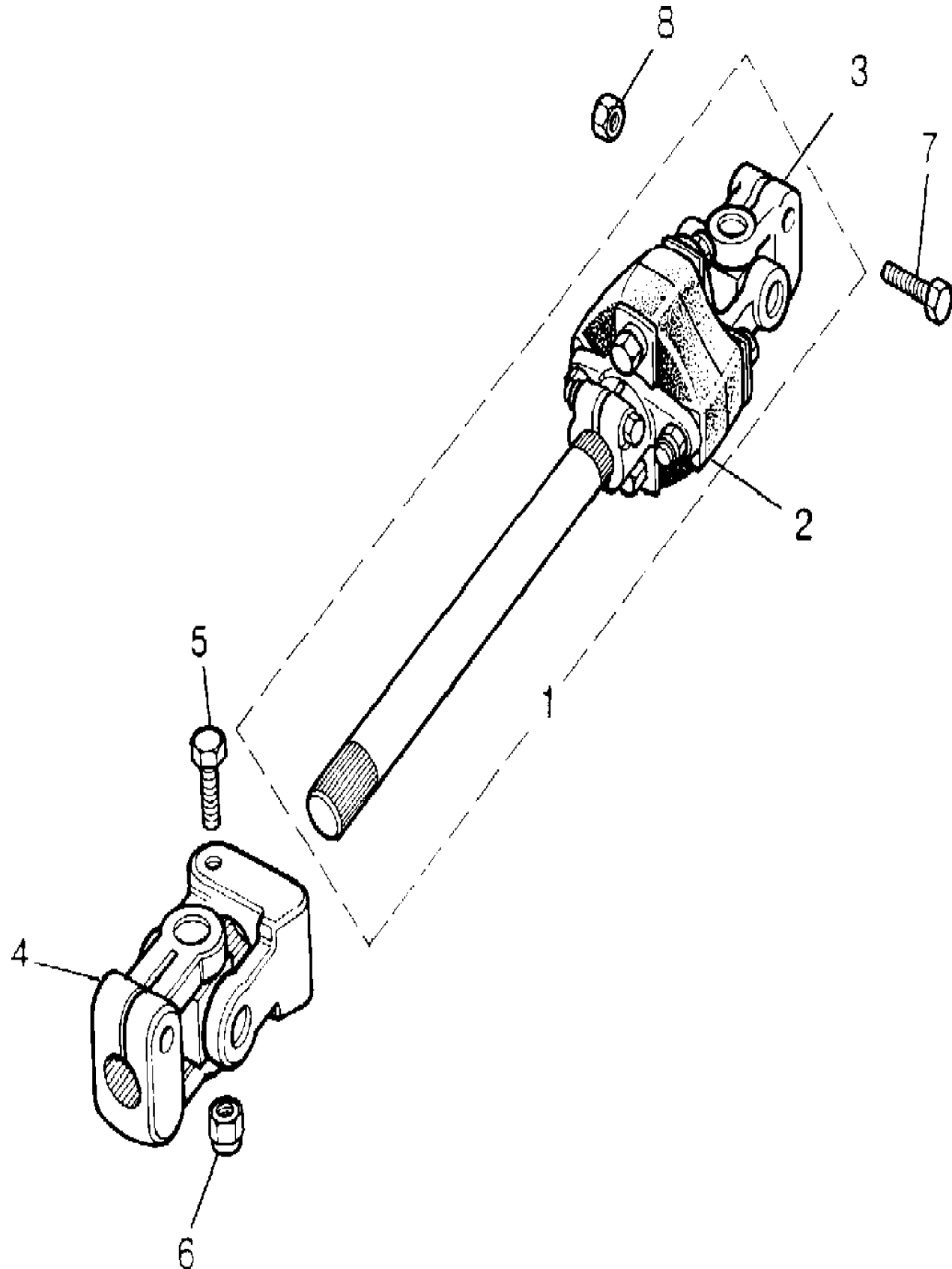
Callout	Name	Application	Remarks & Restrictions	Service No.	Qty
1	Shaft-universal joint steering		Also serviced as part of a kit	NTC8478	1
2	Joint-universal steering linkage		Also serviced as part of a kit, Upper	NRC7387	1
3	Locknut			NY605041L	4
4	Bolt		M8 x 45	BH108091L	4



Steering
Steering Column Lower
Shaft-To (V) HA601606 1/1

Range Rover (To HA610293)

(VS1946)



Range Rover (To HA610293)

Steering
Steering Column Lower
Shaft-To (V) HA601606

Callout	Name	Application	Remarks & Restrictions	Service No.	Qty
1	Shaft-universal joint steering		Also serviced as part of a kit	RTC5876	1
2	Coupling-flexible steering linkage		Also serviced as part of a kit	NTC3486	1
3	Joint-universal steering linkage		Also serviced as part of a kit	NRC7863	1
4	Joint-universal steering linkage		Lower	NRC7704	1
5	Bolt		Less Alternatives Less Alternatives, M8 x 45	253961 BH108091L	2 2
6	Locknut			NY605041L	2
7	Bolt		Less Alternatives Less Alternatives, M8 x 45	253961 BH108091L	1 2
8	Locknut			NY605041L	1

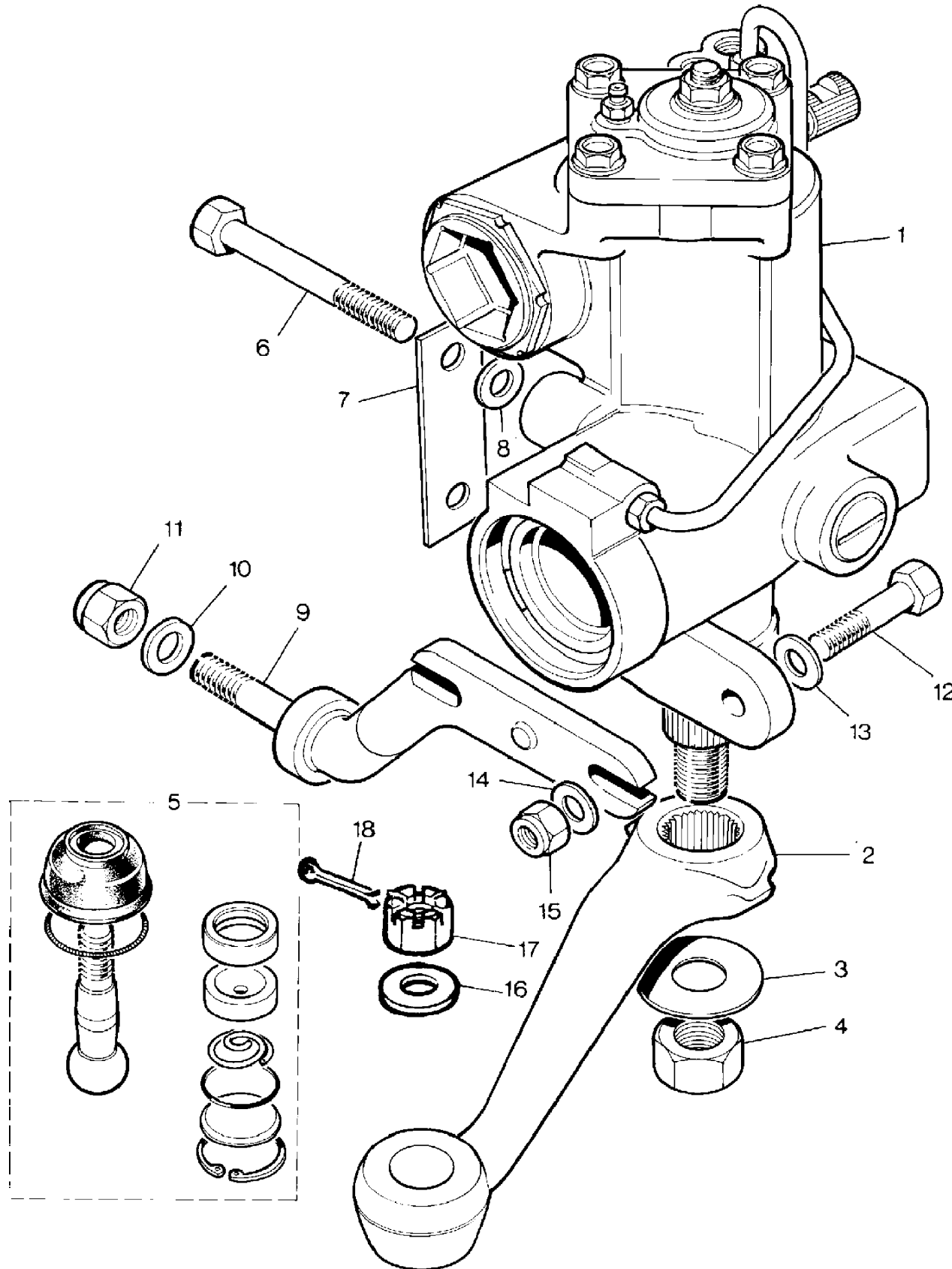
Steering
Steering Column Lower
Steering Box-Power 1/1

Range Rover (To HA610293)

(TS5695)

Range Rover (To HA610293)

Steering
Steering Column Lower
Steering Box-Power



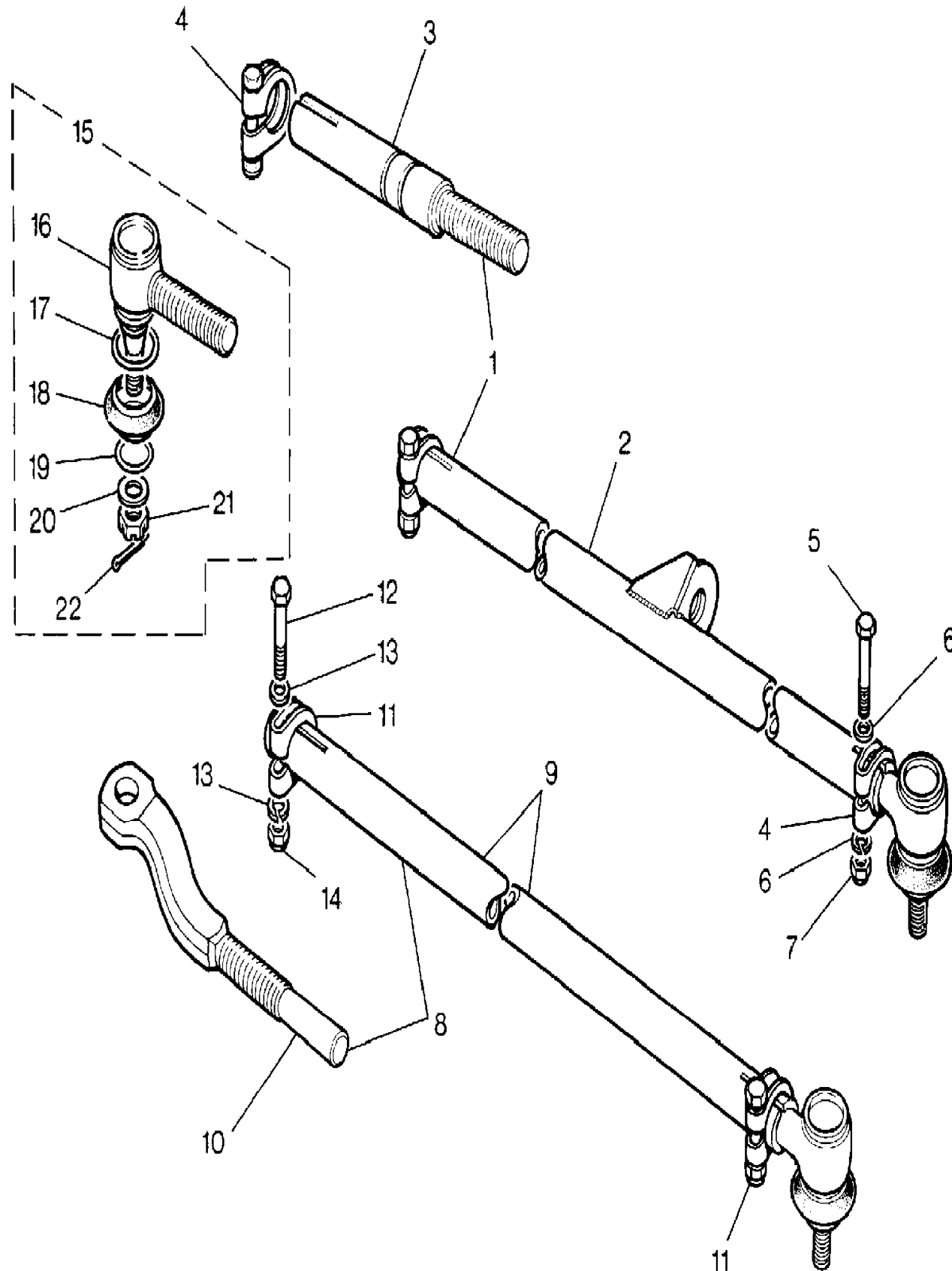
Callout	Name	Application	Remarks & Restrictions	Service No.	Qty
1	Box assembly-steering	Change point - VIN end HA610293, RHD	Also serviced as part of a kit, New	NTC8416	1
		Change point - VIN end HA610293, RHD	Also serviced as part of a kit, exchange	NTC1580E	1
		Change point - VIN end HA610293, LHD	Also serviced as part of a kit, New	NTC8417	1
2	Lever-drop arm steering	Change point - VIN end HA610293, RHD	Also serviced as part of a kit	RTC6396	1
		Change point - VIN end HA610293, LHD	Also serviced as part of a kit	RTC6397	1
3	Washer-steering box drop arm nut tab	Change point - VIN end HA610293, RHD	Also serviced as part of a kit, 48MM, Adwest	600265	1
		Change point - VIN end HA610293, LHD	Also serviced as part of a kit, 48MM, Adwest	600265	1
4	Nut - Hex.	Change point - VIN end HA610293, RHD	Also serviced as part of a kit	NT614041L	1
		Change point - VIN end HA610293, LHD	Also serviced as part of a kit	NT614041L	1
5	Joint-drag link ball	Change point - VIN end HA610293, RHD	Also serviced as part of a kit	RTC4198	1
		Change point - VIN end HA610293, LHD	Also serviced as part of a kit	RTC4198	1
6	Bolt		hexagonal head, M12 x 100	BX112201	4
7	Washer		steering box to chassis	572077	2
8	Washer		M12, Plain, Standard	WA112081L	4
9	Bar-tie-bent forging	RHD		594947	1
		LHD		594946	1
10	Washer		1/2"	4905	1
11	Nut - Hex.		steering box tie bar, nyloc, Hexagonal, 1/2UNF	NY608041L	1
12	Bolt		7/16UNF x 2	BH607161L	2
13	Washer		7/16", Plain	3261L	2
14	Washer		No 10, Plain	217245	2
15	Nut - Hex.		nyloc, 7/16UNF	NY607041L	2
16	Washer-Plain		M12 x 28	WC112081L	1
17	Nut-castle		M12	NC112041	1
18	Pin-split			PS105321	1

Range Rover (To HA610293)

(VS1269)

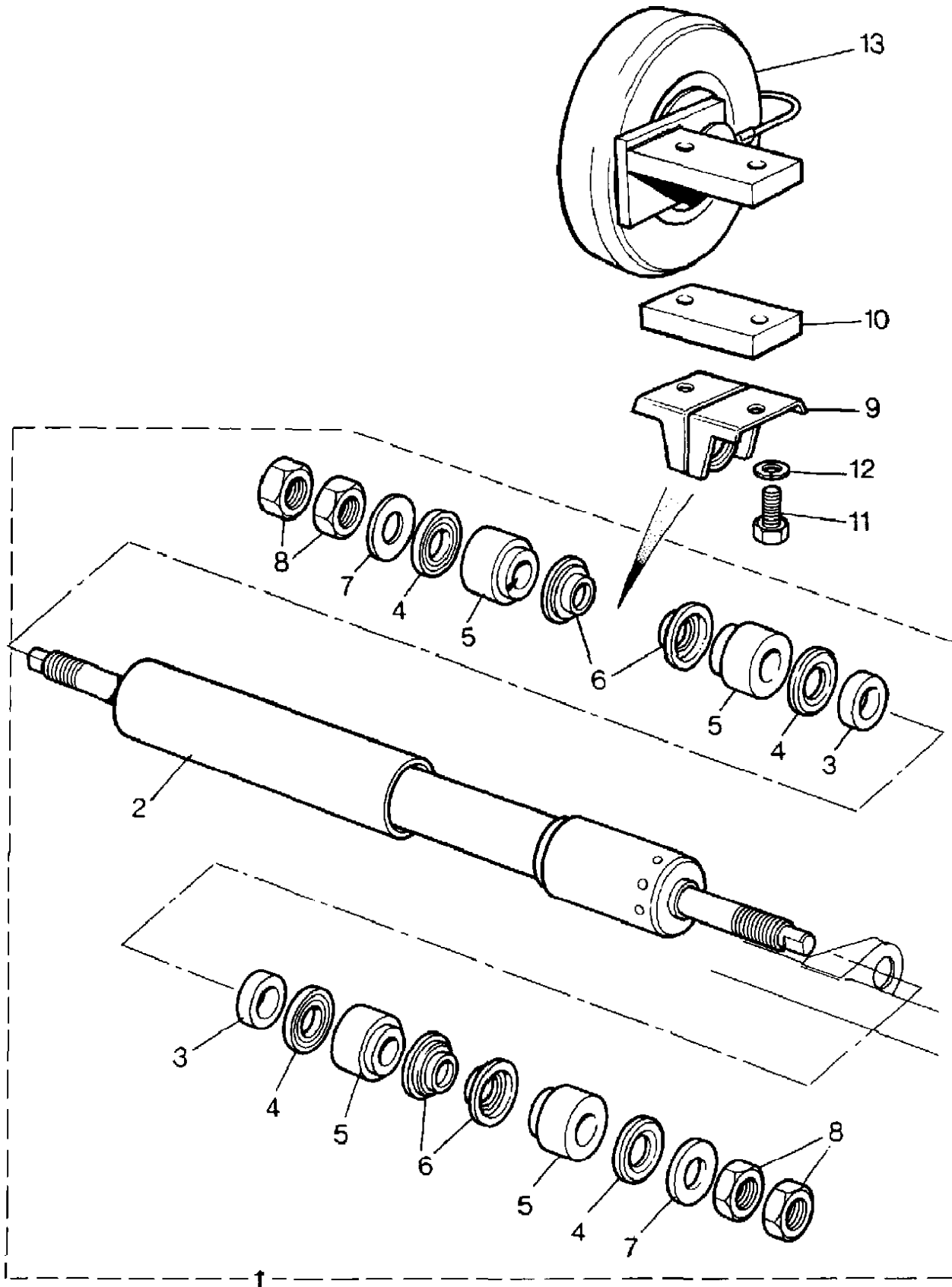
Range Rover (To HA610293)

Callout	Name	Application	Remarks & Restrictions	Service No.	Qty
1	Track rod power assisted steering		Also serviced as part of a kit	RTC1799	1
2	Tube		Also serviced as part of a kit	NRC145	1
3	Shaft-track rod adjusting		Also serviced as part of a kit	NRC4700	1
4	Clamp		Also serviced as part of a kit	577898	3
5	Bolt		Also serviced as part of a kit, 1/4UNF x 7/8	BH604151L	3
6	Washer		Also serviced as part of a kit, 6MM	WA106041L	6
7	Locknut		Also serviced as part of a kit, 1/4UNF	252210	3
8	Link assembly-drag	Change point - VIN end HA610293	Also serviced as part of a kit	NRC3226	1
9	Tube-drag link	Change point - VIN end HA610293	Also serviced as part of a kit	NRC1824	1
10	End piece-drag link	Change point - VIN end HA610293	Also serviced as part of a kit	NRC1823	1
11	Clamp	Change point - VIN end HA610293	Also serviced as part of a kit	577898	2
12	Bolt	Change point - VIN end HA610293	Also serviced as part of a kit	256006	2
13	Washer	Change point - VIN end HA610293	Also serviced as part of a kit, M6	WB106041L	4
14	Locknut	Change point - VIN end HA610293	Also serviced as part of a kit, 1/4UNF	252210	2
15	Kit-ball joint	Change point - VIN end HA610293 Change point - VIN end HA610293	Also serviced as part of a kit, RH, R/H thread Also serviced as part of a kit, L/H thread, LH	RTC5869 RTC5870	1 1
20	Washer-Plain	Change point - VIN end HA610293	Also serviced as part of a kit, M12 x 28	WC112081L	3
21	Nut-castle	Change point - VIN end HA610293	Also serviced as part of a kit, M12	NC112041	2
22	Pin-split	Change point - VIN end HA610293	Also serviced as part of a kit, 3.2 x 32	PS106321L	3



Range Rover (To HA610293)

(TS5856A)



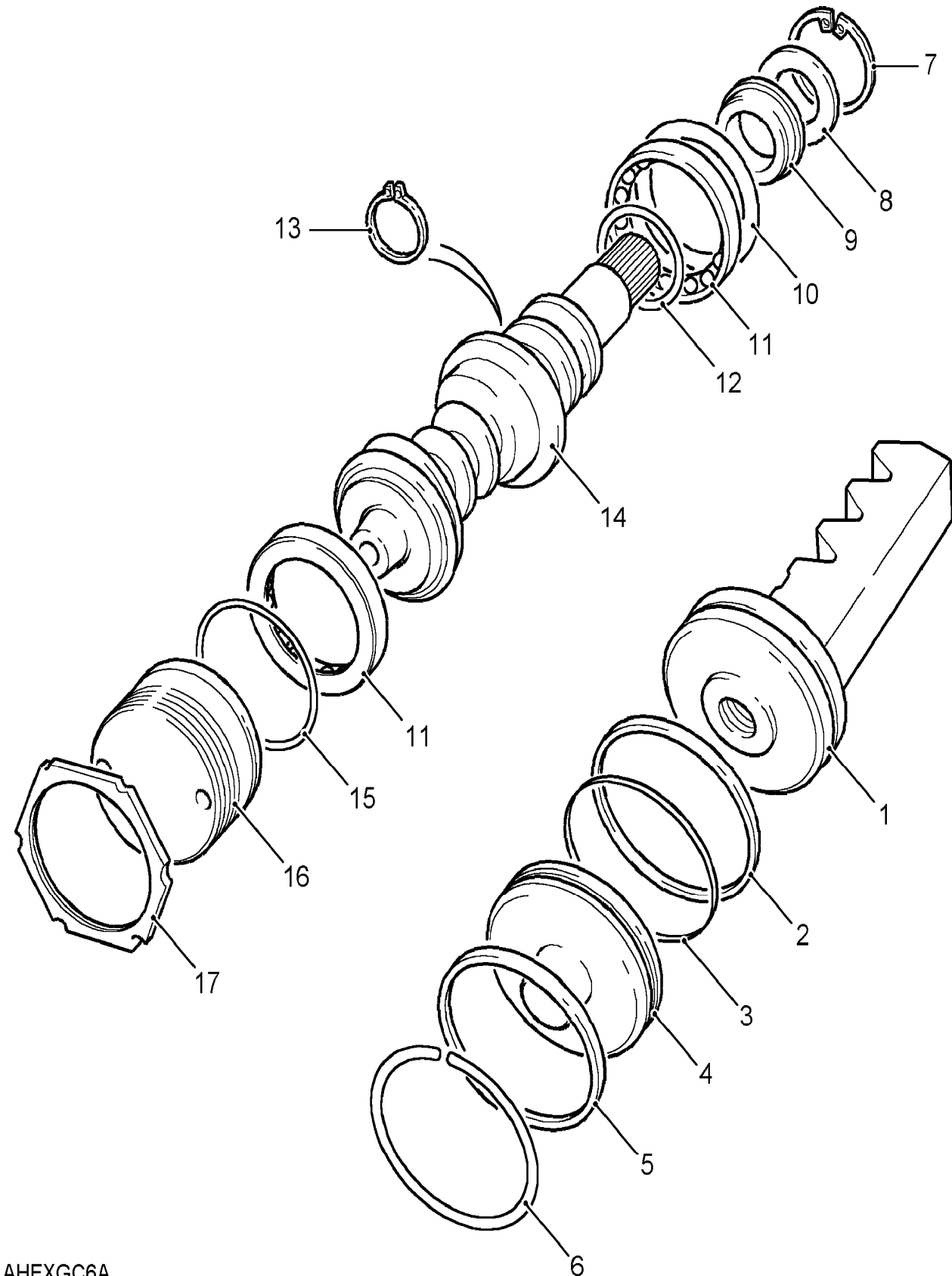
Range Rover (To HA610293)

Callout	Name	Application	Remarks & Restrictions	Service No.	Qty
1	Damper assembly-steering	Change point - VIN end JA621295	Also serviced as part of a kit	RTC3670	1
3	Washer	Change point - VIN end JA621295	Also serviced as part of a kit	595199	2
4	Washer	Change point - VIN end JA621295	Also serviced as part of a kit	90575597	4
5	Washer-rubber	Change point - VIN end JA621295	Also serviced as part of a kit	568858	4
6	Washer-cup	Change point - VIN end JA621295	Also serviced as part of a kit, Intermediate	543819	4
7	Washer-Plain	Change point - VIN end JA621295	Also serviced as part of a kit	2851L	2
9	Bracket			90575596	1
10	Spacer			NTC3038	1
11	Bolt		3/8UNC x 1 1/4 3/8UNC x 1 1/4	237187 BH406101L	2 2
12	Washer		3/8", Square	WM600061L	2
13	Damper assembly-harmonic		Also serviced as part of a kit	RTC6825	1

Steering
Steering Column Lower
Worm & Valve 1/1

Range Rover (To HA610293)

(AHFXGC6A)



AHFXGC6A

Range Rover (To HA610293)

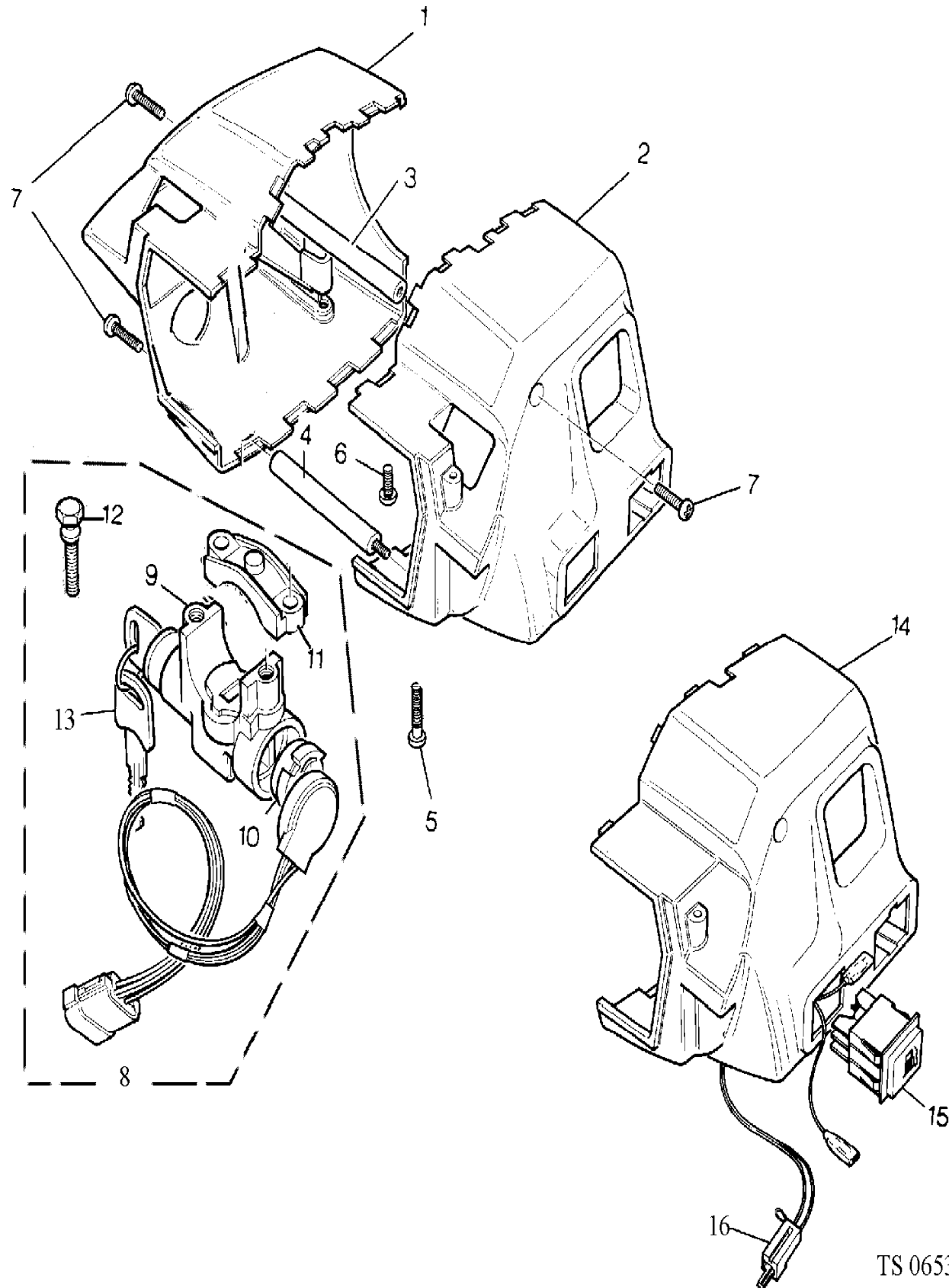
Steering
Steering Column Lower
Worm & Valve

Callout	Name	Application	Remarks & Restrictions	Service No.	Qty
1	Piston power assisted steering			RTC4402	1
2	Worm & valve assembly-power assisted steering box		RH	RTC4405	1
			LH	RTC4406	1
3	Shim			RTC4410	1
4	Bearing steering gear-power assisted steering			RTC4409	1
5	Screw			RTC4407	1
6	Nut - Hex.			RTC4408	1
7	Ring power assisted steering			RTC4404	1
8	Plug-blanking.			RTC4403	1
9	Ring power assisted steering			608000	3
10	Kit-power assisted steering box seal		Also serviced as part of a kit	STC2847	1

Steering
Steering Column Upper
Shroud-From (V) DA274121 (2DR) & DA273923 (4DR) 1/2

Range Rover (To HA610293)

(TS6053C)



TS 0653C

Range Rover (To HA610293)

Steering
Steering Column Upper
Shroud-From (V) DA274121 (2DR) & DA273923 (4DR)

Callout	Name	Application	Remarks & Restrictions	Service No.	Qty
1	Cowl-right half right hand indicator system	Change point - VIN begin DA273923, Change point - VIN end EA351846 Change point - VIN begin FA351847	Bokhara	MWC 1232 MWC5340RUN	1 1
2	Cowl-left half right hand indicator system	Change point - VIN begin DA273923, Change point - VIN end EA351846 Change point - VIN begin FA351847, Change point - VIN end GA464553		MWC 1233 MWC 1233RUN	1 1
3	Spacer	Change point - VIN begin DA273923	fixing steering column shrouds, Upper	MWC 1846	1
4	Spacer	Change point - VIN begin DA273923	fixing steering column shrouds, Lower	MWC 1847	1
5	Screw-self tapping B	Change point - VIN begin DA273923	fixing steering column shrouds, No 6 x 1 3/4	AB606141L	2
6	Screw-self tapping	Change point - VIN begin DA273923	counter sunk	AC606081L	2
7	Screw	Change point - VIN begin DA273923	M4 x 16	SE104161	4
8	Lock Set	Change point - VIN begin DA273923, Change point - VIN end EA351846, 4 Door Station Wagon Change point - VIN begin FA351847, Change point - VIN end GA464553, 4 Door Station Wagon Change point - VIN begin HA464554, 4 Door Station Wagon Change point - VIN begin DA273923, Change point - VIN end EA351846, 2 Door Station Wagon Change point - VIN begin FA351847, 2 Door Station Wagon	Also serviced as part of a kit Also serviced as part of a kit Also serviced as part of a kit Also serviced as part of a kit Also serviced as part of a kit	MWC 1753 MXC1386 MXC8926 MWC 1754 MXC1387	1 1 1 1 1
9	Lock assembly-steering column	Change point - VIN begin DA273923, Change point - VIN end EA351846, 4 Door Station Wagon	Also serviced as part of a kit	NRC8279	1
10	Switch-ignition	Change point - VIN begin DA273923, Change point - VIN end EA351846, 4 Door Station Wagon	Also serviced as part of a kit	PRC3408	1
11	Clamp-lock steering column	Change point - VIN begin DA273923, Change point - VIN end EA351846, 4 Door Station Wagon	Also serviced as part of a kit	589238	1

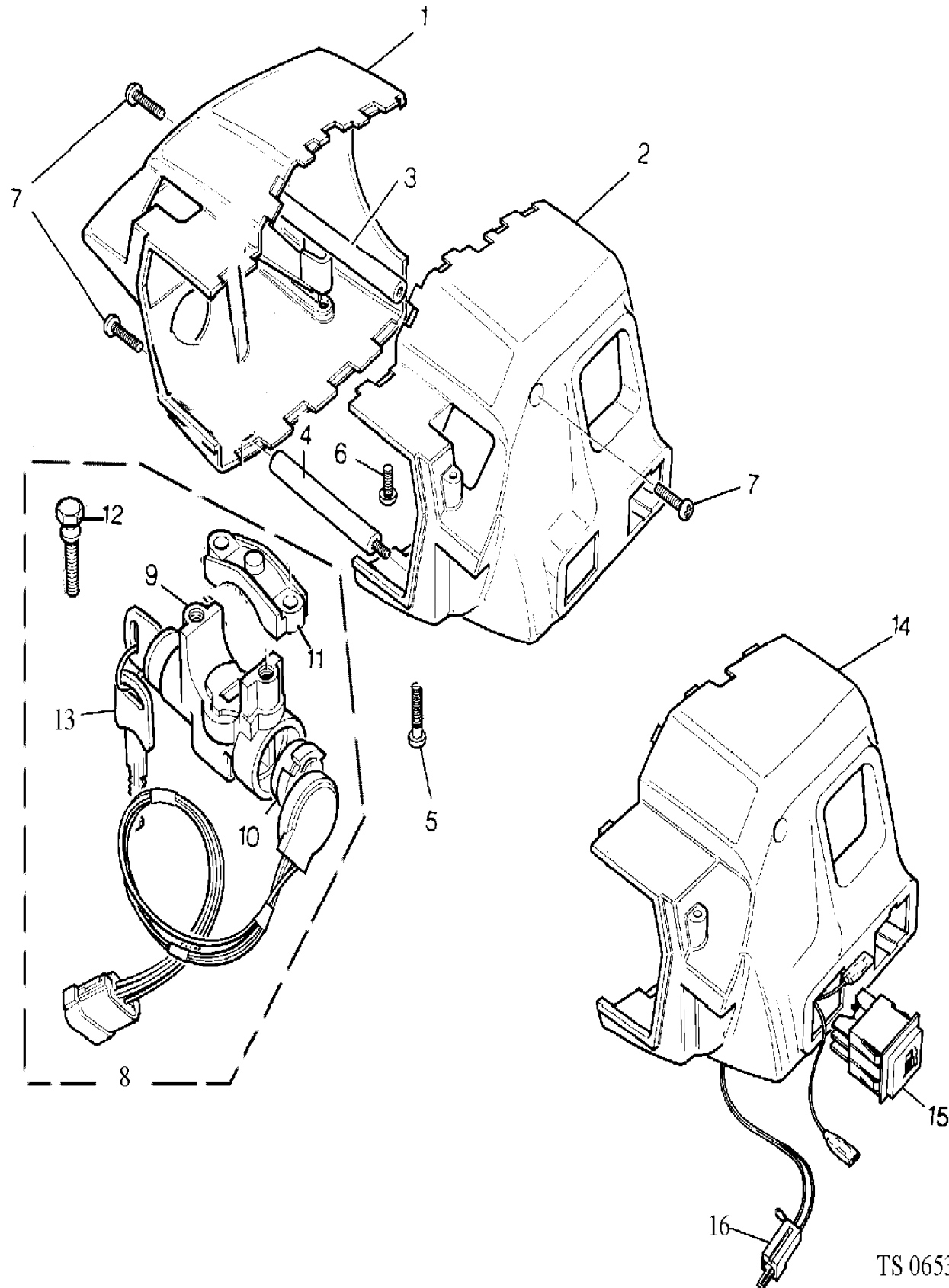
Steering
Steering Column Upper
Shroud-From (V) DA274121 (2DR) & DA273923 (4DR) 2/2

Range Rover (To HA610293)

(TS6053C)

Range Rover (To HA610293)

Steering
Steering Column Upper
Shroud-From (V) DA274121 (2DR) & DA273923 (4DR)



Callout	Name	Application	Remarks & Restrictions	Service No.	Qty
12	Bolt-shear-lock steering column	Change point - VIN begin DA273923, Change point - VIN end EA351846, 4 Door Station Wagon	Also serviced as part of a kit, M8 x 20	NTC4610	2
13	Key-blank owner	Change point - VIN begin DA273923, Change point - VIN end EA351846, 4 Door Station Wagon	Also serviced as part of a kit	MUC2153	1
14	Cowl-left half left hand indicator system	Change point - VIN begin HA464554	Bokhara	MWC9921RUN	1
15	Switch-fuel flap release push push	Change point - VIN begin HA464554		PRC7130	1
16	Link-fuel flap release actuator	Change point - VIN begin HA464554		PRC7142	1

Steering
Steering Column Upper
Shroud-To (V) CA274120 (2DR) & CA273922 (4DR) 1/1

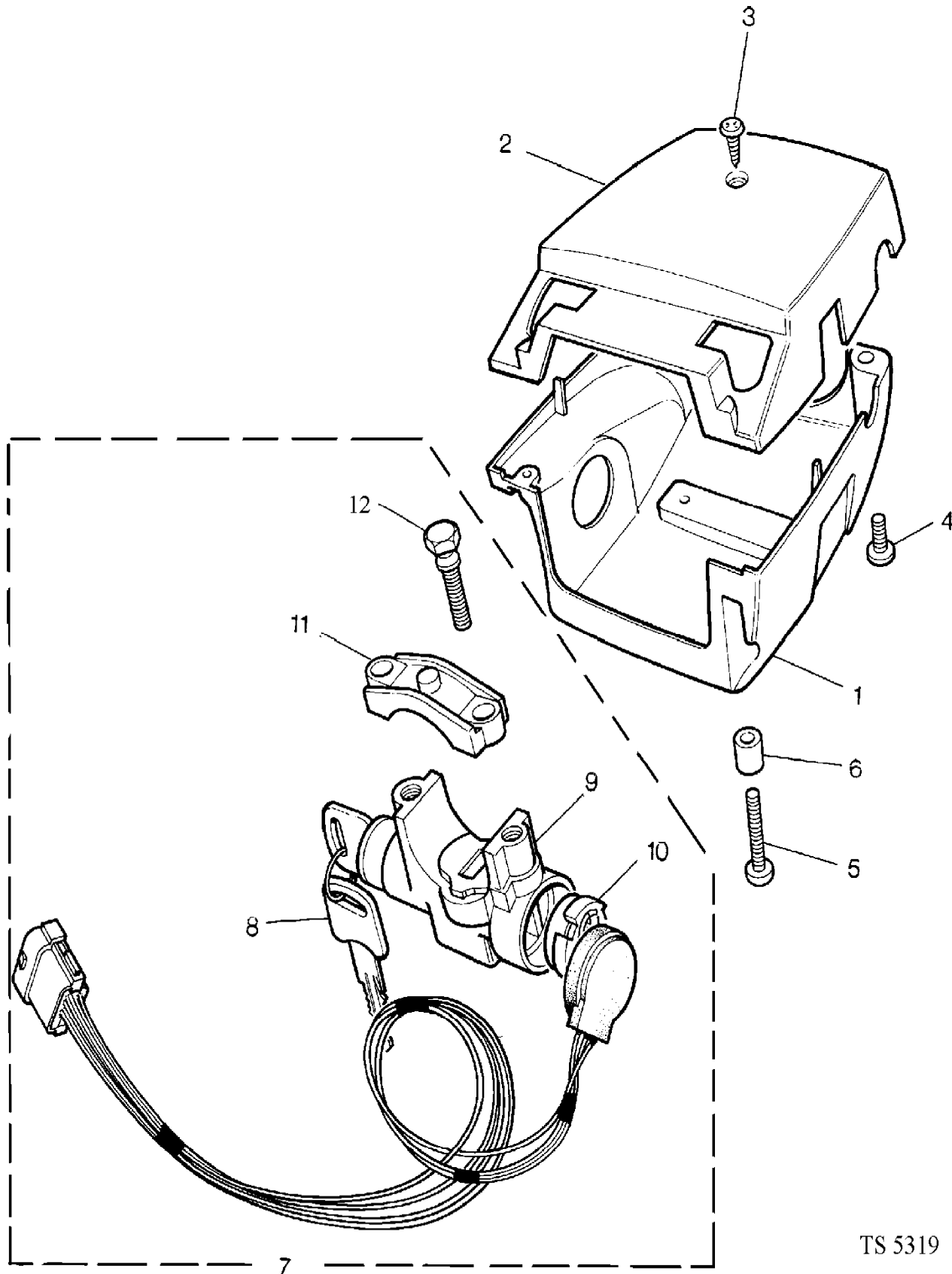
Range Rover (To HA610293)

(TS5319)

Range Rover (To HA610293)

Steering
Steering Column Upper
Shroud-To (V) CA274120 (2DR) & CA273922 (4DR)

Callout	Name	Application	Remarks & Restrictions	Service No.	Qty
1	Cowl-lower half left hand indicator system	Change point - VIN end CA273922	Less Electric Door Mirrors	MTC7996	1
		Change point - VIN end CA273922	Electric Door Mirrors	MTC7997	1
2	Cowl-upper half left hand indicator system	Change point - VIN end CA273922		390299	1
3	Screw	Change point - VIN end CA273922	cowl to switch housing	79050	1
4	Screw	Change point - VIN end CA273922		78906	1
5	Screw	Change point - VIN end CA273922		78911	3
6	Spacer	Change point - VIN end CA273922		90575318	3
7	Lock Set	Change point - VIN end CA274120, 2 Door Station Wagon	Also serviced as part of a kit	MUC2308	1
		Change point - VIN end CA273922, 4 Door Station Wagon	Also serviced as part of a kit	MUC2085	1
8	Key-blank owner	Change point - VIN end CA273922, 4 Door Station Wagon	Also serviced as part of a kit	MUC2153	1
9	Lock assembly-steering column	Change point - VIN end CA273922, 4 Door Station Wagon	Also serviced as part of a kit	NRC8279	1
10	Switch-ignition	Change point - VIN end CA273922, 4 Door Station Wagon	Also serviced as part of a kit	PRC3408	1
11	Clamp-lock steering column	Change point - VIN end CA273922, 4 Door Station Wagon	Also serviced as part of a kit	589238	1
12	Bolt-shear-mounting steering column	Change point - VIN end CA273922, 4 Door Station Wagon	Also serviced as part of a kit	51K4001L	2



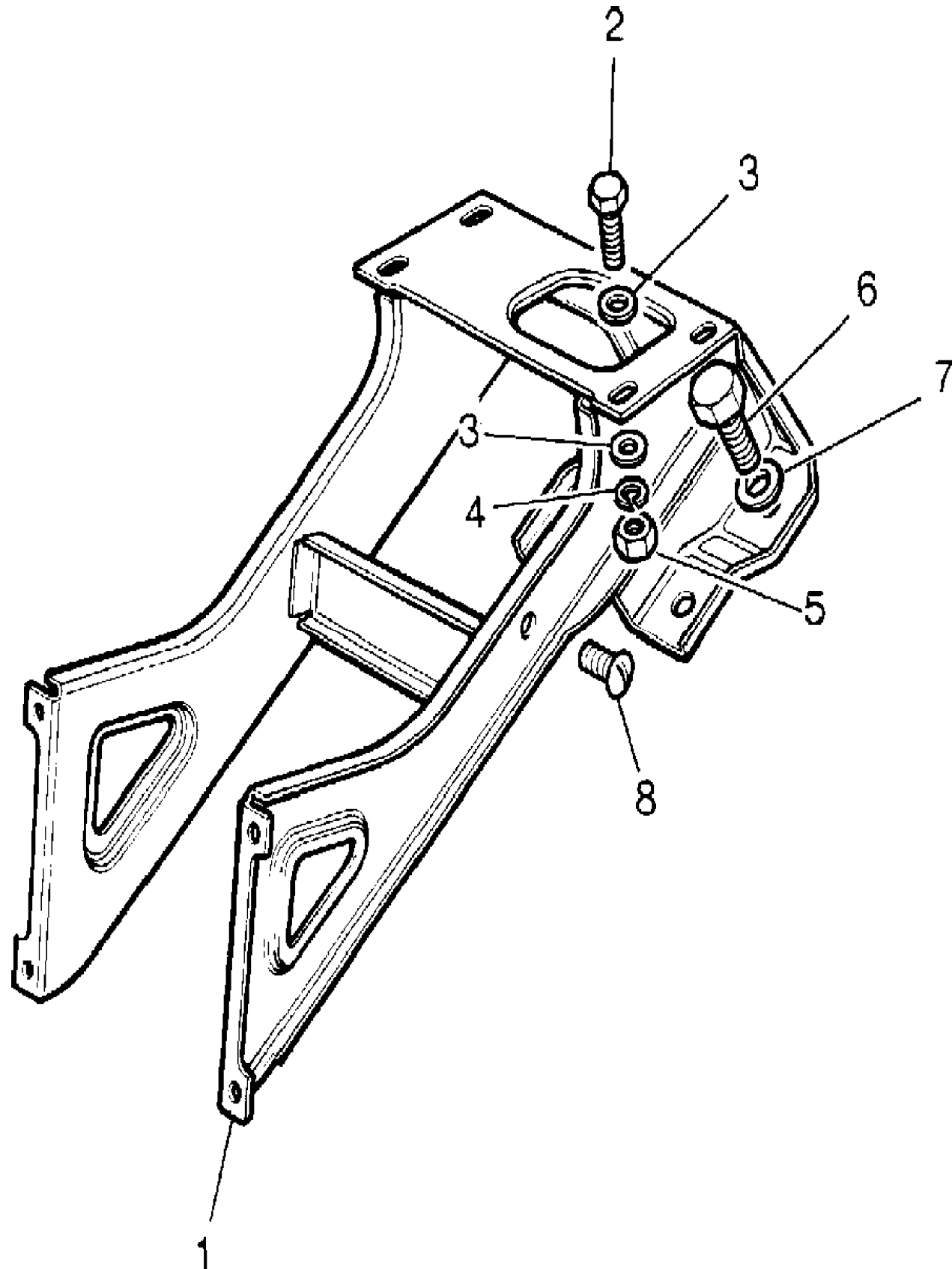
TS 5319

Steering
Steering Column Upper
Steering Column Top Support 1/1

Range Rover (To HA610293)
(M659A)

Steering
Steering Column Upper
Steering Column Top Support

Range Rover (To HA610293)



Callout	Name	Application	Remarks & Restrictions	Service No.	Qty
1	Support assembly-steering column	Change point - VIN end FA399972, RHD Change point - VIN begin GA399973, RHD LHD		MWC2966 MXC7626 MXC7625	1 1 1
2	Screw		hexagonal head, 5/16UNF x 3/4	SH605061L	4
3	Washer-Plain			RTC613	8
4	Washer-Spring		5/16"	WM600051L	4
5	Nut - Hex.		hexagonal head, 5/16UNF	NH605041L	4
6	Screw			255249	3
7	Washer-Plain			3036L	3
8	Screw		Self Tapping	72628	1

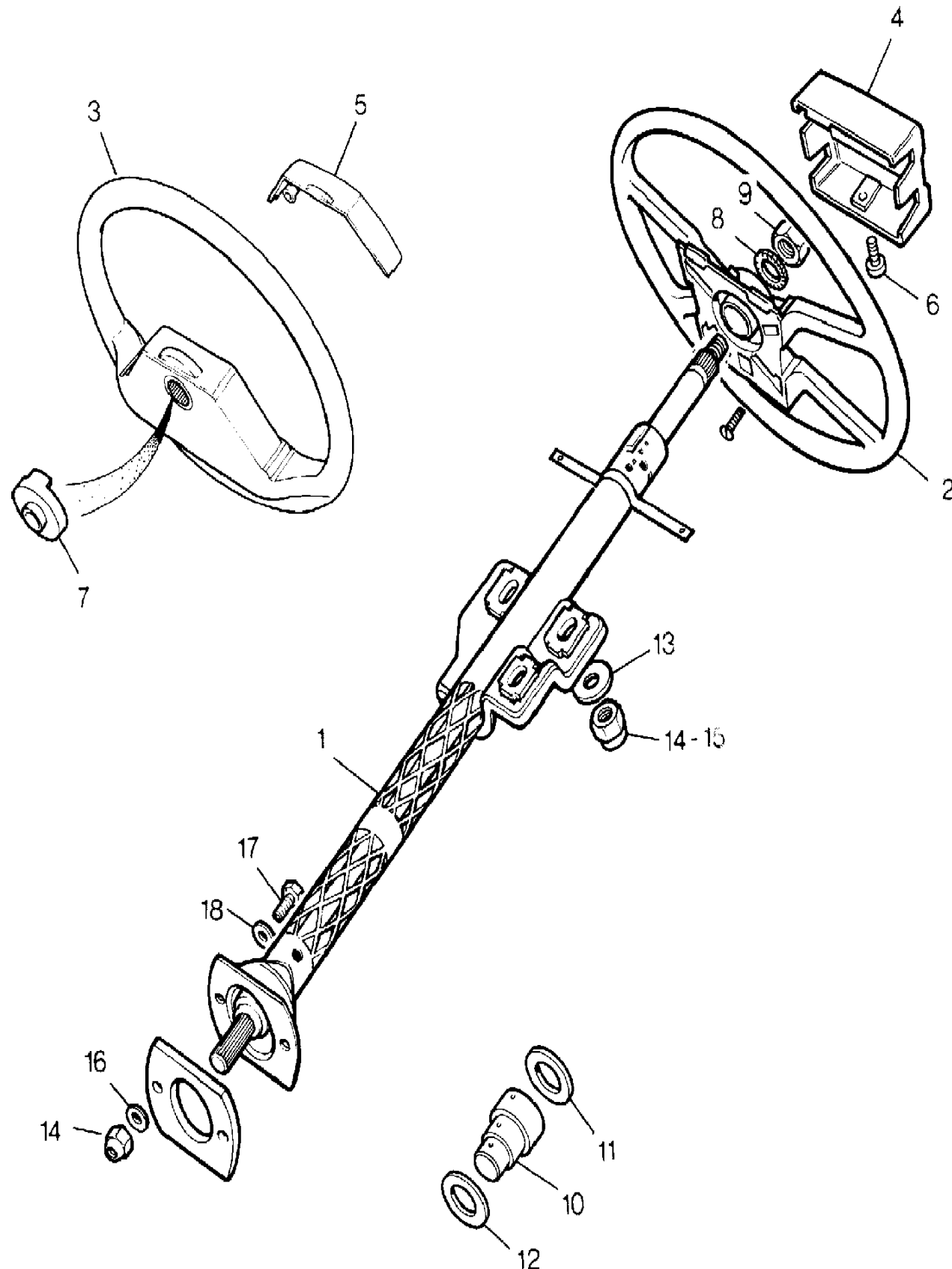
Steering
Steering Column Upper
Steering Wheel & Column 1/2

Range Rover (To HA610293)

(TS6862A)

Range Rover (To HA610293)

Steering
Steering Column Upper
Steering Wheel & Column



Callout	Name	Application	Remarks & Restrictions	Service No.	Qty
1	Column assembly steering system	Change point - VIN end CA274120 Change point - VIN begin DA273923		NRC6288 NTC7821	1 1
2	Wheel assembly-steering hard feel	Change point - VIN end CA274120	Vinyl	NRC5807	1
3	Wheel assembly-steering hard feel	Change point - VIN begin DA273923, Change point - VIN end EA351846, Less Cruise Control Change point - VIN begin DA273923, Change point - VIN end EA351846, Less Cruise Control Change point - VIN begin FA351847, Less Cruise Control Change point - VIN begin FA351847, Less Cruise Control	Vinyl, Grey Leather Leather	NTC3633 NTC5005LCS NTC6126	1 1 1
		Change point - VIN begin FA351847, Less Cruise Control With Cruise Control CSK, Less Cruise Control	Vinyl, Bokhara Bokhara, Leather	NTC5456RUN NTC5460RUN NTC8445	1 1 1
4	Cover - Steering Wheel	Change point - VIN end CA274120		NTC1033	1
5	Cover - Steering Wheel	Change point - VIN end EA351846 Change point - VIN begin FA351847	Bokhara	NTC3645 NTC5689RUN	1 1
6	Screw-pan	Change point - VIN end CA274120	M6 X 12, pan head	SE106121L	1
7	Ring-self cancelling	Change point - VIN begin DA273923		NTC3853	1
8	Washer-Spring			575883	1
9	Nut - Hex.			577389	1
10	Bearing steering column	Change point - VIN end CA274120		RTC3982	1
11	Washer	Change point - VIN end CA274120		RTC3983	1
12	O Ring	Change point - VIN end CA274120		RTC3984	1
13	Washer-Plain			2851L	3
14	Nut - Hex.	Change point - VIN end CA274120	hexagonal head, 3/8, UNF, nyloc	NY606041L	3
15	Nut - Hex.	Change point - VIN begin DA273923	hexagonal head, 3/8, UNF, nyloc	NY606041L	3

Steering
Steering Column Upper
Steering Wheel & Column 2/2

Range Rover (To HA610293)

(TS6862A)

Steering
Steering Column Upper
Steering Wheel & Column

Range Rover (To HA610293)

Callout	Name	Application	Remarks & Restrictions	Service No.	Qty
16	Gasket-sealing			575733	1
17	Screw		Upper	255227	2
18	Washer-Plain			RTC613	4

