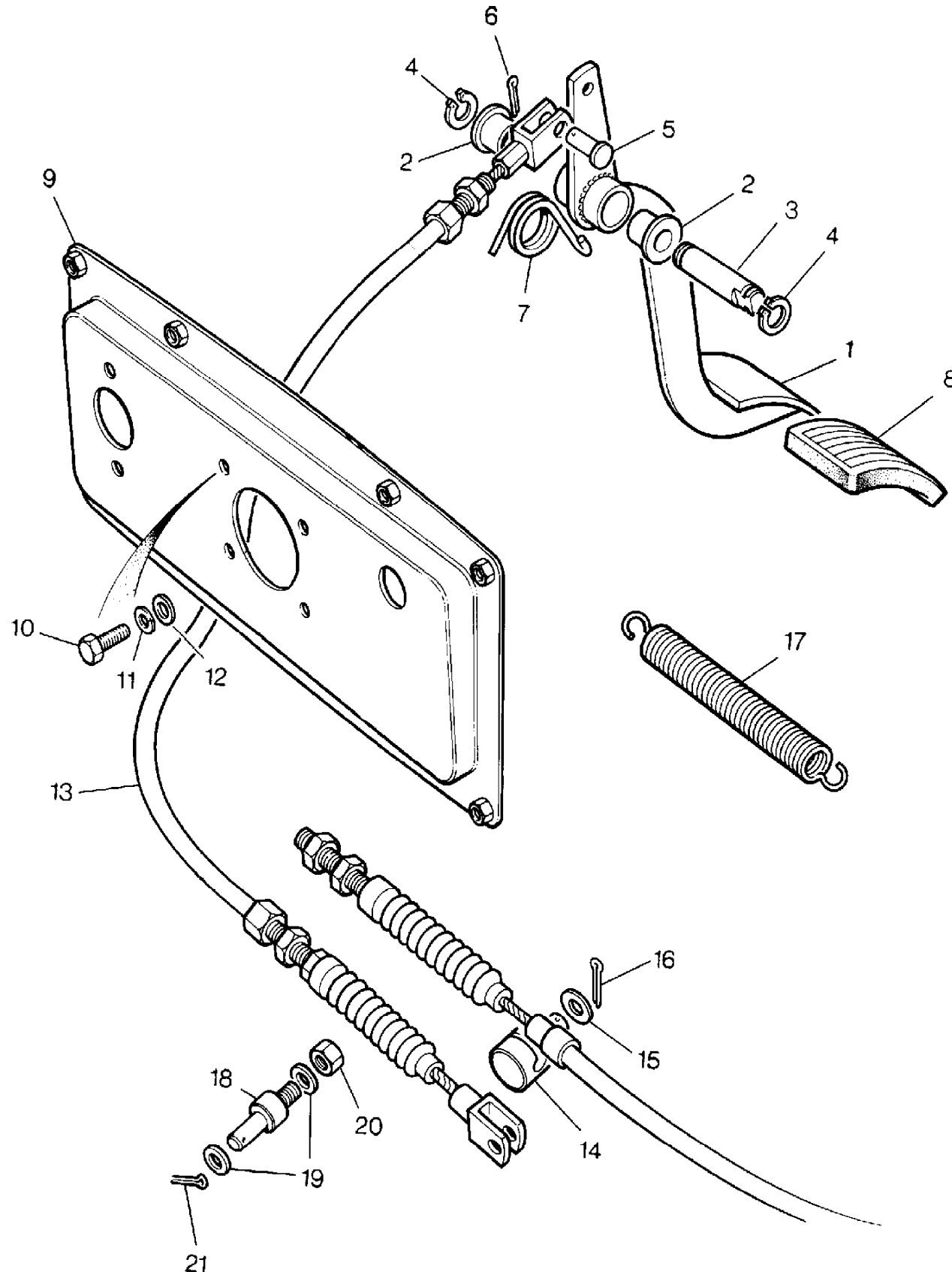


Vehicle & Engine Controls  
 Engine Controls  
 Accelerator Pedal-From (V) DA301158 To (V) FA399972 1/3

**Range Rover (To HA610293)**

(TS6394A)



**Range Rover (To HA610293)**

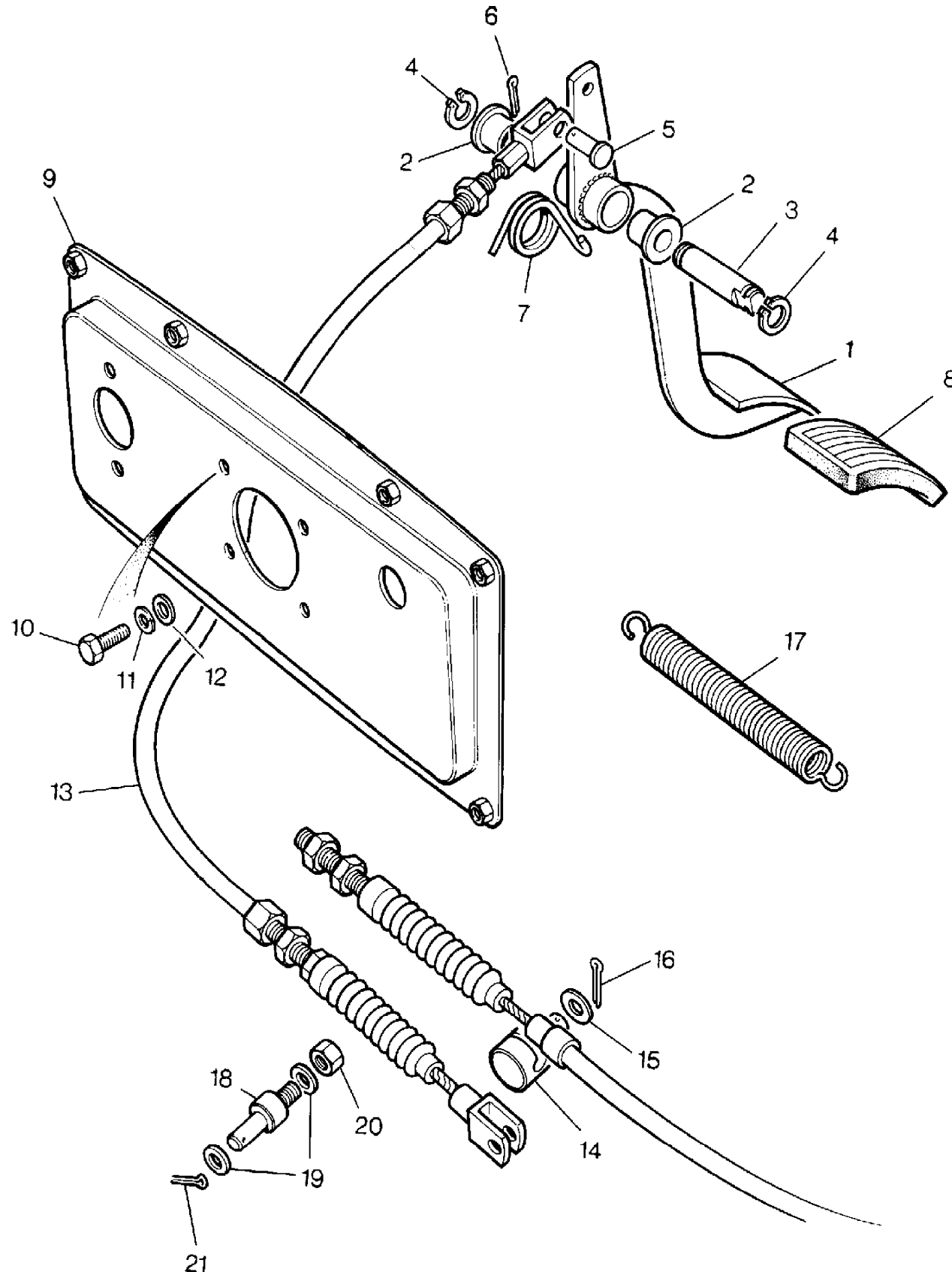
Vehicle & Engine Controls  
 Engine Controls  
 Accelerator Pedal-From (V) DA301158 To (V) FA399972

Callout	Name	Application	Remarks & Restrictions	Service No.	Qty
1	Pedal assembly accelerator	Change point - VIN begin DA301158, Change point - VIN end FA399972, RHD Change point - VIN begin DA301158, Change point - VIN end FA399972, LHD		572462 NTC4826	1 1
2	Bush	Change point - VIN begin DA301158, Change point - VIN end FA399972		572466	2
3	Shaft-pedal-accelerator	Change point - VIN begin DA301158, Change point - VIN end FA399972		572493	1
4	Circlip	Change point - VIN begin DA301158, Change point - VIN end FA399972		CR120115L	2
5	Pin-clevis/pivot	Change point - VIN begin DA301158, Change point - VIN end FA399972		562481	1
6	Pin-split	Change point - VIN begin DA301158, Change point - VIN end FA399972		PS603041	1
7	Spring	Change point - VIN begin DA301158, Change point - VIN end FA399972		572495	1
8	Pad-pedal lever accelerator	Change point - VIN begin DA301158, Change point - VIN end FA399972, Manual Transmission Change point - VIN begin DA301158, Change point - VIN end FA399972, Automatic Transmission		592840 11H1781L	1 1
9	Plate	Change point - VIN begin DA301158, Change point - VIN end FA399972, Manual Transmission Change point - VIN begin DA301158, Change point - VIN end FA399972, Automatic Transmission		NTC4169 NTC4170	1 1
10	Screw	Change point - VIN begin DA301158, Change point - VIN end FA399972		GG108251	8
11	Washer	Change point - VIN begin DA301158, Change point - VIN end FA399972	M8, sprung	WL108001L	8
12	Washer	Change point - VIN begin DA301158, Change point - VIN end FA399972	8MM	WA108051L	8

Vehicle & Engine Controls  
 Engine Controls  
 Accelerator Pedal-From (V) DA301158 To (V) FA399972 2/3

**Range Rover (To HA610293)**

(TS6394A)



**Range Rover (To HA610293)**

Vehicle & Engine Controls  
 Engine Controls  
 Accelerator Pedal-From (V) DA301158 To (V) FA399972

Callout	Name	Application	Remarks & Restrictions	Service No.	Qty
13	Cable assembly accelerator	Change point - VIN begin DA301158, Change point - VIN end FA399972, 3.9L Petrol		NTC6723	1
		Change point - VIN begin DA301158, Change point - VIN end FA399972, With Diesel Engines, RHD		NTC1461	1
		Change point - VIN begin DA301158, Change point - VIN end FA399972, With Diesel Engines, LHD		NTC1460	1
		Change point - VIN begin DA301158, Change point - VIN end FA399972, 3.5L Twin Carb Petrol, Manual Transmission, RHD		NRC8388	1
		Change point - VIN begin DA301158, Change point - VIN end FA399972, 3.5L Twin Carb Petrol, Manual Transmission, LHD		577356	1
		Change point - VIN begin DA301158, Change point - VIN end FA399972, 3.5L Twin Carb Petrol, Automatic Transmission, RHD		NTC3083	1
		Change point - VIN begin DA301158, Change point - VIN end FA399972, 3.5L Twin Carb Petrol, Automatic Transmission, LHD		NTC3084	1
		Change point - VIN begin DA301158, Change point - VIN end FA399972, 3.5L EFI Petrol, RHD		NTC1054	1
		Change point - VIN begin DA301158, Change point - VIN end FA399972, 3.5L EFI Petrol, LHD		NTC4842	1
		Change point - VIN begin DA301158, Change point - VIN end FA399972, With Petrol Engines, LHD		90577449	1
		Change point - VIN begin DA301158, Change point - VIN end FA399972, With Petrol Engines, LHD		WA702101L	1
		Change point - VIN begin DA301158, Change point - VIN end FA399972, With Petrol Engines, LHD		PS603041	1
		Change point - VIN begin DA301158, Change point - VIN end FA399972		603622	1
14	Pin-clevis/pivot	Change point - VIN begin DA301158, Change point - VIN end FA399972, With Petrol Engines, LHD		90577449	1
15	Washer	Change point - VIN begin DA301158, Change point - VIN end FA399972, With Petrol Engines, LHD		WA702101L	1
16	Pin-split	Change point - VIN begin DA301158, Change point - VIN end FA399972, With Petrol Engines, LHD		PS603041	1
17	Spring-carburettor throttle return	Change point - VIN begin DA301158, Change point - VIN end FA399972		603622	1

Vehicle & Engine Controls  
 Engine Controls  
 Accelerator Pedal-From (V) DA301158 To (V) FA399972 3/3

**Range Rover (To HA610293)**

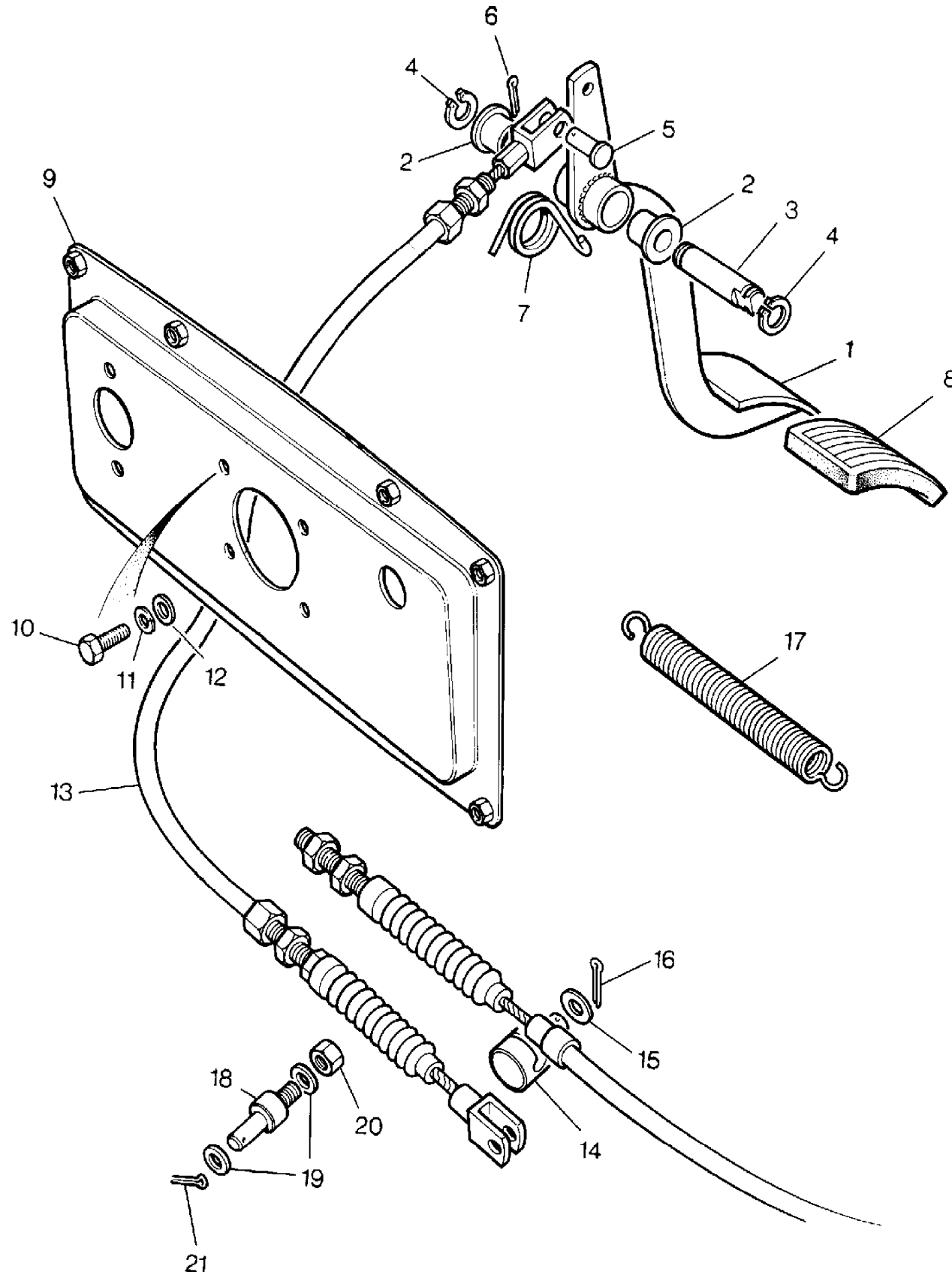
(TS6394A)

**Range Rover (To HA610293)**

Accelerator Pedal-From (V) DA301158 To (V) FA399972

Vehicle & Engine Controls  
 Engine Controls

Callout	Name	Application	Remarks & Restrictions	Service No.	Qty
18	Pin	Change point - VIN begin DA301158, Change point - VIN end FA399972, With Diesel Engines		NTC2839	1
19	Washer	Change point - VIN begin DA301158, Change point - VIN end FA399972, With Diesel Engines	M5, Plain, Standard	WA105001L	2
20	Nut-hexagonal	Change point - VIN begin DA301158, Change point - VIN end FA399972, With Diesel Engines	M5	NH105041L	2
21	Pin-split	Change point - VIN begin DA301158, Change point - VIN end FA399972, With Diesel Engines		PS103101L	1
22	Clip	Change point - VIN begin DA301158, Change point - VIN end FA399972, 3.9L Petrol		CP105161L	1
23	Grommet	Change point - VIN begin DA301158, Change point - VIN end FA399972, 3.9L Petrol	Rubber, 17/64" hole	6860L	1
24	Screw	Change point - VIN begin DA301158, Change point - VIN end FA399972, 3.9L Petrol	hexagonal head, M5 x 20	SH105201L	1
25	Washer	Change point - VIN begin DA301158, Change point - VIN end FA399972, 3.9L Petrol	M5, Plain, Standard	WA105001L	1
26	Nut-hexagonal	Change point - VIN begin DA301158, Change point - VIN end FA399972, 3.9L Petrol	M5	NH105041L	1
27	Grommet	Change point - VIN begin DA301158, Change point - VIN end FA399972, 3.9L Petrol		562106	1



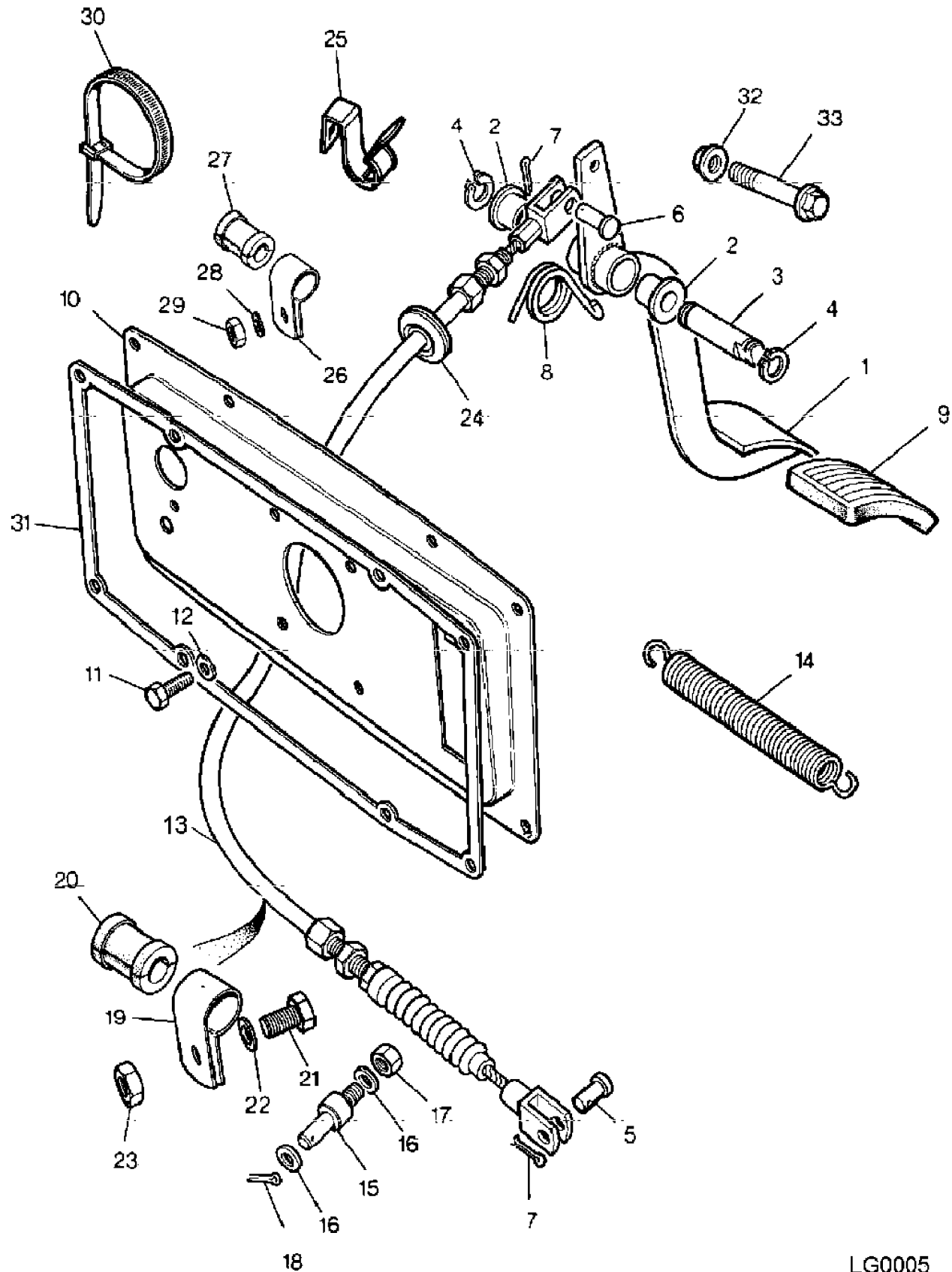
Vehicle & Engine Controls  
 Engine Controls  
 Accelerator Pedal-From (V) GA399973 1/3

Range Rover (To HA610293)

(LG0005)

Range Rover (To HA610293)

Vehicle & Engine Controls  
 Engine Controls  
 Accelerator Pedal-From (V) GA399973



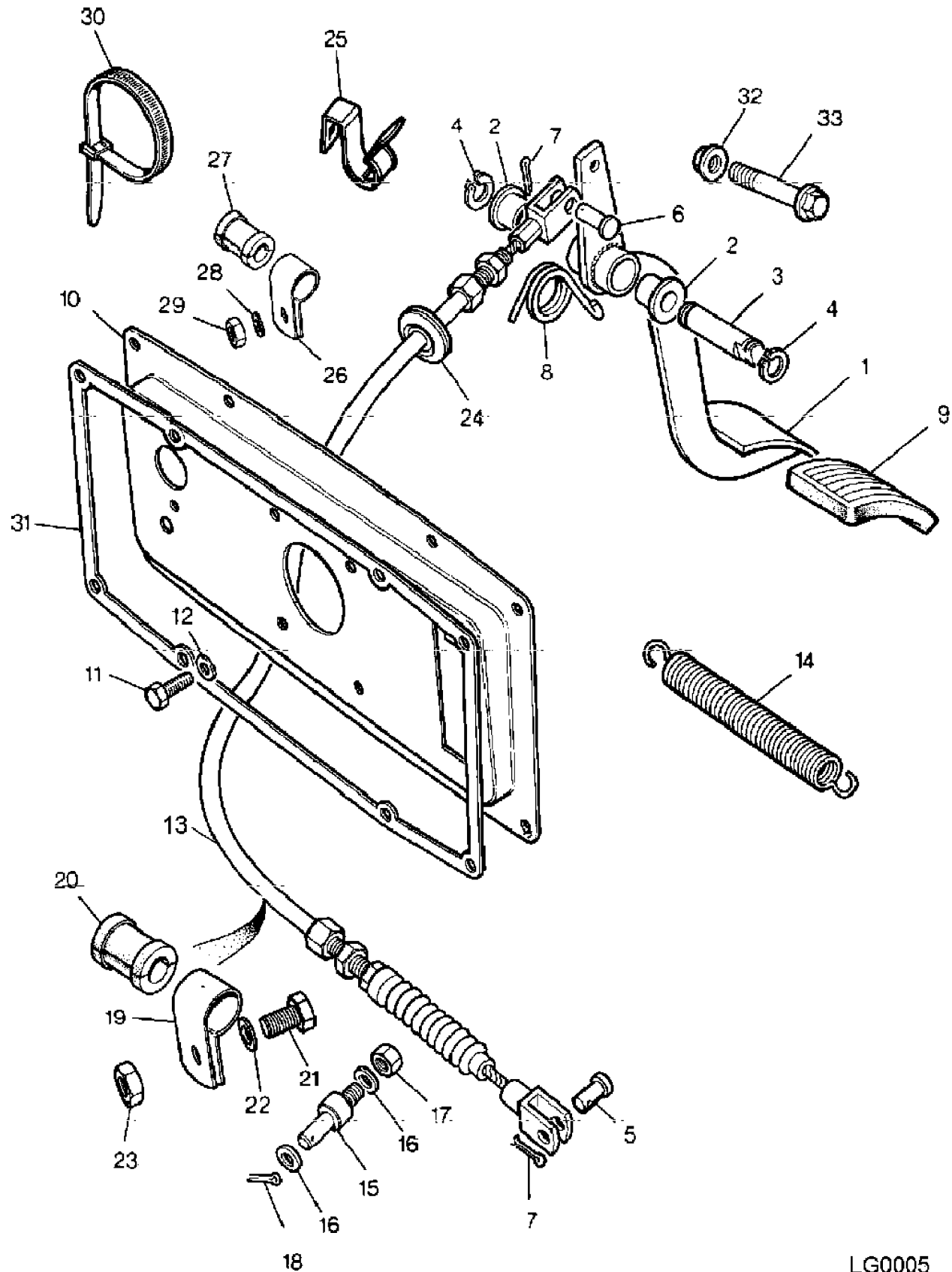
LG0005

Callout	Name	Application	Remarks & Restrictions	Service No.	Qty
1	Pedal assembly accelerator	Change point - VIN begin GA399973, RHD Change point - VIN begin GA399973, LHD		NTC6941 NTC6944	1 1
2	Bush	Change point - VIN begin GA399973		CRC2797	2
3	Shaft-pedal-accelerator	Change point - VIN begin GA399973		572493	1
4	Circlip	Change point - VIN begin GA399973		CR120115L	2
5	Pin-clevis/pivot	Change point - VIN begin GA399973		562481	1
6	Pin-clevis/pivot	Change point - VIN begin GA399973		NTC6916	1
7	Pin-split	Change point - VIN begin GA399973		PS603041	1
8	Spring-return	Change point - VIN begin GA399973, Change point - VIN end HA601883 Change point - VIN begin HA601884		NTC6949 STC297	1 1
9	Pad-lever-pedal	Change point - VIN begin GA399973, Manual Transmission Change point - VIN begin GA399973, Automatic Transmission		11H1781L 592840	1 1
10	Plate-mounting pedal	Change point - VIN begin GA399973, Change point - VIN end HA601883, Manual Transmission Change point - VIN begin HA601884, Manual Transmission Change point - VIN begin GA399973, Automatic Transmission, RHD Change point - VIN begin GA399973, Automatic Transmission, LHD		NTC6811 STC298 PRC9780 PRC9778	1 1 1 1
11	Screw	Change point - VIN begin GA399973		GG108251	8
12	Washer	Change point - VIN begin GA399973	8MM	WA108051L	8
13	Cable assembly accelerator	Change point - VIN begin GA399973, 3.5L Petrol, LHD		NTC7198	1

Vehicle & Engine Controls  
 Engine Controls  
 Accelerator Pedal-From (V) GA399973 2/3

Range Rover (To HA610293)

(LG0005)



LG0005

Range Rover (To HA610293)

Vehicle & Engine Controls  
 Engine Controls  
 Accelerator Pedal-From (V) GA399973

Callout	Name	Application	Remarks & Restrictions	Service No.	Qty
13	Cable assembly accelerator	Change point - VIN begin GA399973, 3.9L Petrol, LHD Change point - VIN begin GA399973, 3.9L Petrol, RHD Change point - VIN begin GA399973, With Diesel Engines, RHD Change point - VIN begin GA399973, With Diesel Engines, LHD		NTC7484 NTC7366 NTC7190 NTC7189	1 1 1 1
14	Spring-carburettor throttle return	Change point - VIN begin GA399973		603622	1
15	Pin	Change point - VIN begin GA399973, With Diesel Engines		NTC2839	1
16	Washer	Change point - VIN begin GA399973, With Diesel Engines	M5, Plain, Standard	WA105001L	2
17	Nut-hexagonal	Change point - VIN begin GA399973, With Diesel Engines	M5	NH105041L	2
18	Pin-split	Change point - VIN begin GA399973, With Diesel Engines		PS603041	1
19	Clip	Change point - VIN begin GA399973, 3.9L Petrol		CP105161L	1
20	Grommet	Change point - VIN begin GA399973, 3.9L Petrol	Rubber, 17/64" hole	6860L	1
21	Screw	Change point - VIN begin GA399973, 3.9L Petrol	hexagonal head, M5 x 20	SH105201L	1
22	Washer	Change point - VIN begin GA399973, 3.9L Petrol	M5, Plain, Standard	WA105001L	1
23	Nut-hexagonal	Change point - VIN begin GA399973, 3.9L Petrol	M5	NH105041L	1
24	Grommet	Change point - VIN begin GA399973, 3.9L Petrol		562106	1
25	Clip-edge harness	Change point - VIN begin GA399973, With Diesel Engines, RHD		NRC219	1
26	Clip-Hose	Change point - VIN begin GA399973, RHD	Steel, 14.5MM, 25/64" hole	240407	1
27	Grommet	Change point - VIN begin GA399973, RHD	Rubber, 17/64" hole	6860L	1

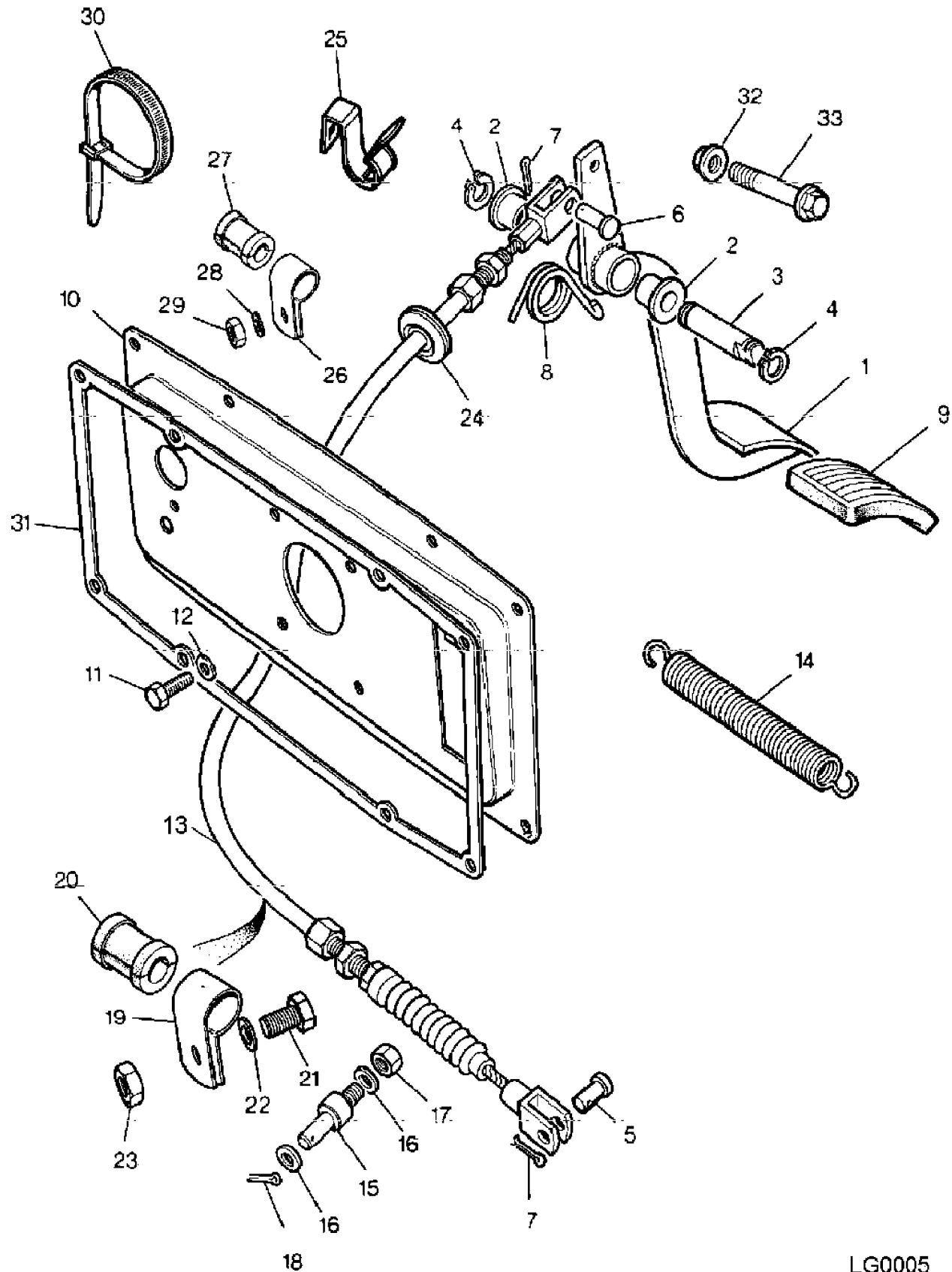
Vehicle & Engine Controls  
 Engine Controls  
 Accelerator Pedal-From (V) GA399973 3/3

Range Rover (To HA610293)

(LG0005)

Range Rover (To HA610293)

Vehicle & Engine Controls  
 Engine Controls  
 Accelerator Pedal-From (V) GA399973



LG0005

Callout	Name	Application	Remarks & Restrictions	Service No.	Qty
28	Washer	Change point - VIN begin GA399973, RHD	M8, sprung	WL108001L	1
29	Nut - Hex.	Change point - VIN begin GA399973, RHD	M8, hexagonal head	NH108041L	1
30	Tie-cable	Change point - VIN begin GA399973	4.8 x 270mm, inside serated	568680	1
31	Gasket-clutch pedal box to bulkhead	Change point - VIN begin GA399973		NTC8113	1
32	Nut - Hex.	Change point - VIN begin HA601784		STC295	1
33	Bolt-flanged head	Change point - VIN begin HA601784		STC296	1

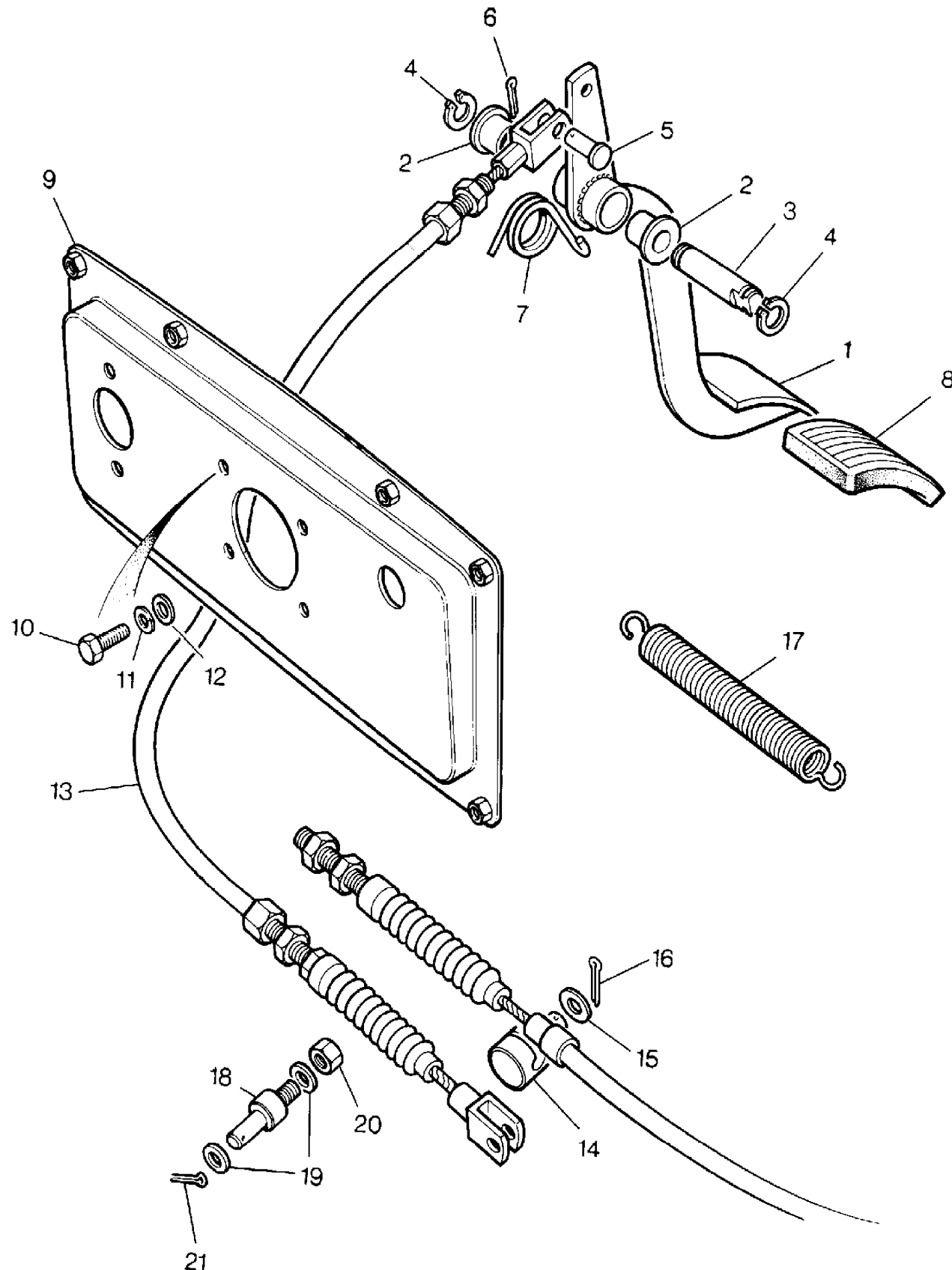
Vehicle & Engine Controls  
 Engine Controls  
 Accelerator Pedal-To (V) DA301157 1/2

Range Rover (To HA610293)

(TS6394A)

Range Rover (To HA610293)

Vehicle & Engine Controls  
 Engine Controls  
 Accelerator Pedal-To (V) DA301157

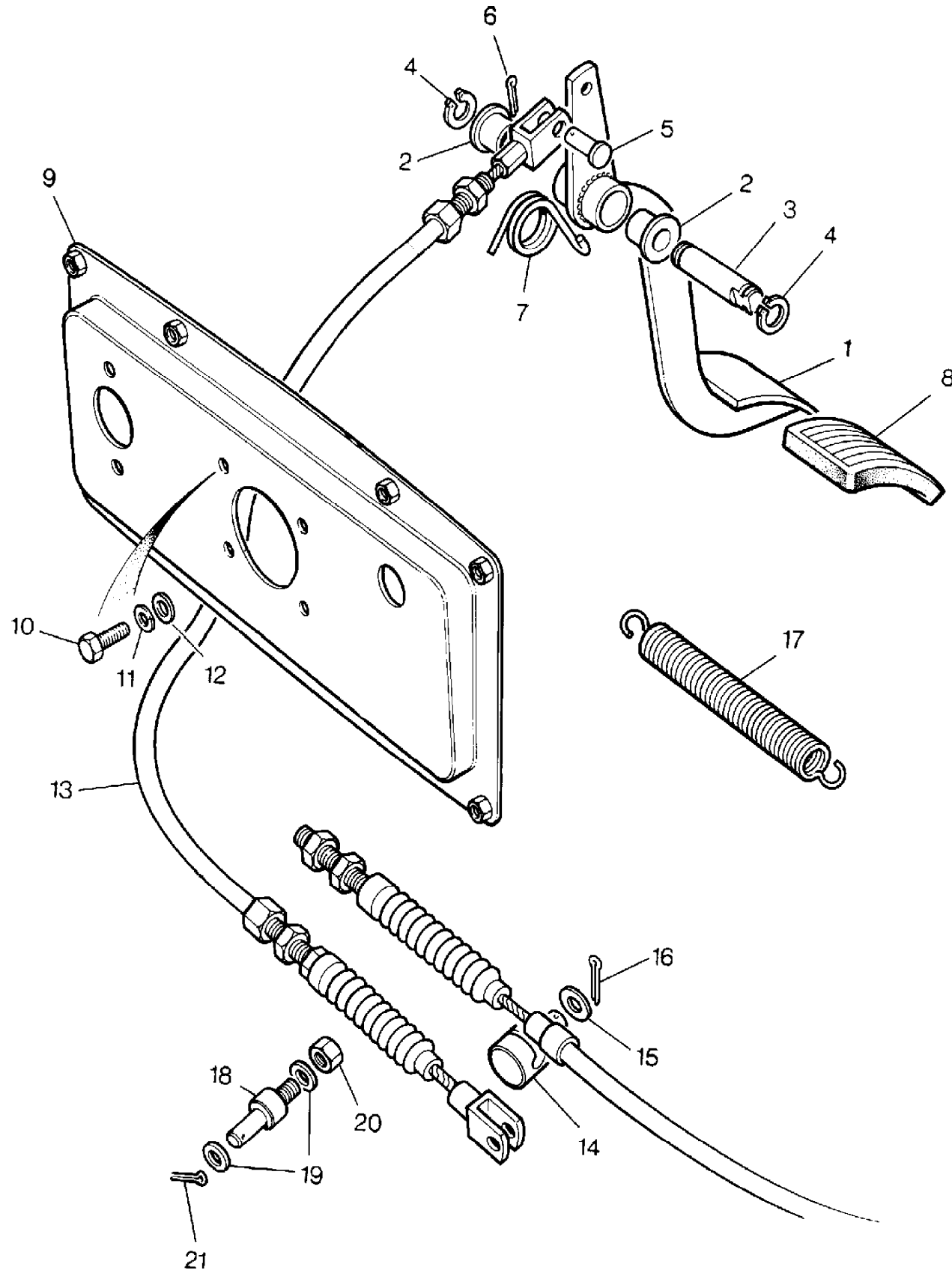


Callout	Name	Application	Remarks & Restrictions	Service No.	Qty
1	Pedal assembly accelerator	Change point - VIN end DA301157, RHD Change point - VIN end DA277450, LHD Change point - VIN end DA301157, Change point - VIN begin DA277451, LHD		572462 575664 NTC4826	1 1 1
2	Bush	Change point - VIN end DA301157		572466	2
3	Shaft-pedal-accelerator	Change point - VIN end DA301157		572493	1
4	Circlip	Change point - VIN end DA301157		CR120115L	2
5	Pin-clevis/pivot	Change point - VIN end DA301157		562481	1
6	Pin-split	Change point - VIN end DA301157		3359	1
7	Spring	Change point - VIN end DA301157		572495	1
8	Pad-pedal lever accelerator	Change point - VIN end DA301157, RHD Change point - VIN end DA277450, LHD Change point - VIN end DA301157, Change point - VIN begin DA277451, LHD		592840 592840 11H1781L	1 1 1
9	Plate	Change point - VIN end DA301157		575826	1
10	Screw	Change point - VIN end DA301157	hexagonal head, 5/16UNF x 5/8	SH605051L	8
11	Washer-Spring	Change point - VIN end DA301157	5/16"	WM600051L	8
12	Washer-Plain	Change point - VIN end DA301157		RTC613	8
13	Cable assembly accelerator	Change point - VIN end DA301157, Twin Carburettor, Manual Transmission, RHD Change point - VIN end DA301157, Twin Carburettor, Manual Transmission, LHD Change point - VIN end DA301157, Twin Carburettor, Automatic Transmission, RHD		NRC8388 577356 NTC3083	1 1 1

Vehicle & Engine Controls  
 Engine Controls  
 Accelerator Pedal-To (V) DA301157 2/2

Range Rover (To HA610293)

(TS6394A)



Range Rover (To HA610293)

Vehicle & Engine Controls  
 Engine Controls  
 Accelerator Pedal-To (V) DA301157

Callout	Name	Application	Remarks & Restrictions	Service No.	Qty
13	Cable assembly accelerator	Change point - VIN end DA301157, Twin Carburettor, Automatic Transmission, LHD Change point - VIN end DA301157, EFI, RHD Change point - VIN end DA301157, EFI, LHD Change point - VIN end DA301157, With Diesel Engines, RHD Change point - VIN end DA301157, With Diesel Engines, LHD		NTC3084  NTC1054 NTC4842 NTC1461 NTC1460	1  1 1 1 1
14	Pin-clevis/pivot	Change point - VIN end DA301157, With Petrol Engines, LHD		90577449	1
15	Washer	Change point - VIN end DA301157, With Petrol Engines, LHD		WA702101L	1
16	Pin-split	Change point - VIN end DA301157		PS603041	1
17	Spring-carburettor throttle return	Change point - VIN end DA301157		603622	1
18	Pin	Change point - VIN end DA301157, With Diesel Engines		NTC2839	1
19	Washer	Change point - VIN end DA301157, With Diesel Engines	M5, Plain, Standard	WA105001L	2
20	Nut-hexagonal	Change point - VIN end DA301157, With Diesel Engines	M5	NH105041L	2
21	Pin-split	Change point - VIN end DA301157, With Diesel Engines		PS103101L	1



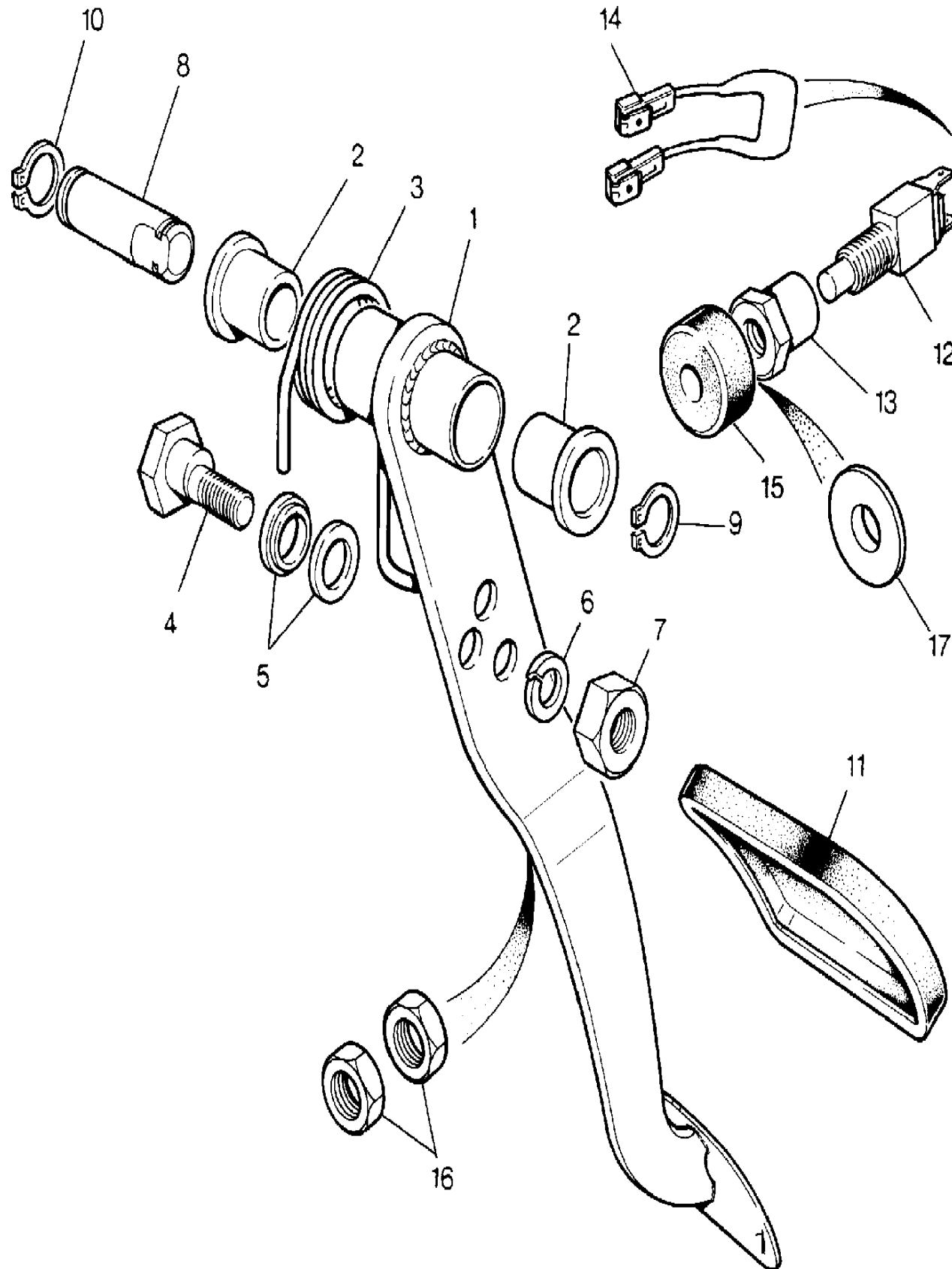
Vehicle & Engine Controls  
 Engine Controls  
 Brake Pedal & Bracket-From (V) DA301158 1/2

Range Rover (To HA610293)

(TS6317B)

Range Rover (To HA610293)

Vehicle & Engine Controls  
 Engine Controls  
 Brake Pedal & Bracket-From (V) DA301158



Callout	Name	Application	Remarks & Restrictions	Service No.	Qty
1	Pedal assembly-brake	Change point - VIN begin DA301158, Manual Transmission, RHD Change point - VIN begin DA301158, Manual Transmission, LHD Change point - VIN begin DA301158, Automatic Transmission, RHD Change point - VIN begin DA301158, Automatic Transmission, LHD		NTC4234 NTC4173 NTC4172 NTC4171	1 1 1 1
2	Bush	Change point - VIN begin DA301158		CRC2797	2
3	Spring-return brake	Change point - VIN begin DA301158		NTC4563	1
4	Bolt	Change point - VIN begin DA301158		90575807	1
5	Bush-pedal pivot-brake	Change point - VIN begin DA301158		575806	2
6	Washer	Change point - VIN begin DA301158	3/8", Square	WM600061L	1
7	Nut - Hex.	Change point - VIN begin DA301158	hexagonal head, 3/8UNF	NH606041L	1
8	Shaft-pivot pedal	Change point - VIN begin DA301158		572467	1
9	Circlip	Change point - VIN begin DA301158		CCN110L	1
10	Circlip	Change point - VIN begin DA301158		CCN110L	1
11	Pad-lever-pedal	Change point - VIN begin DA301158, Manual Transmission Change point - VIN begin DA301158, Automatic Transmission		575818 CRC570	1 1
12	Switch Assy - Stop Light	Change point - VIN begin DA301158		13H3735L	1
13	Nut - Hex.	Change point - VIN begin DA301158		NTC4564	1
14	Suppressor	Change point - VIN begin DA301158, Change point - VIN end FA399972 Change point - VIN begin GA399973		PRC7469 PRC7965	1 1
15	Buffer-pedal brake	Change point - VIN begin DA301158		567876	1

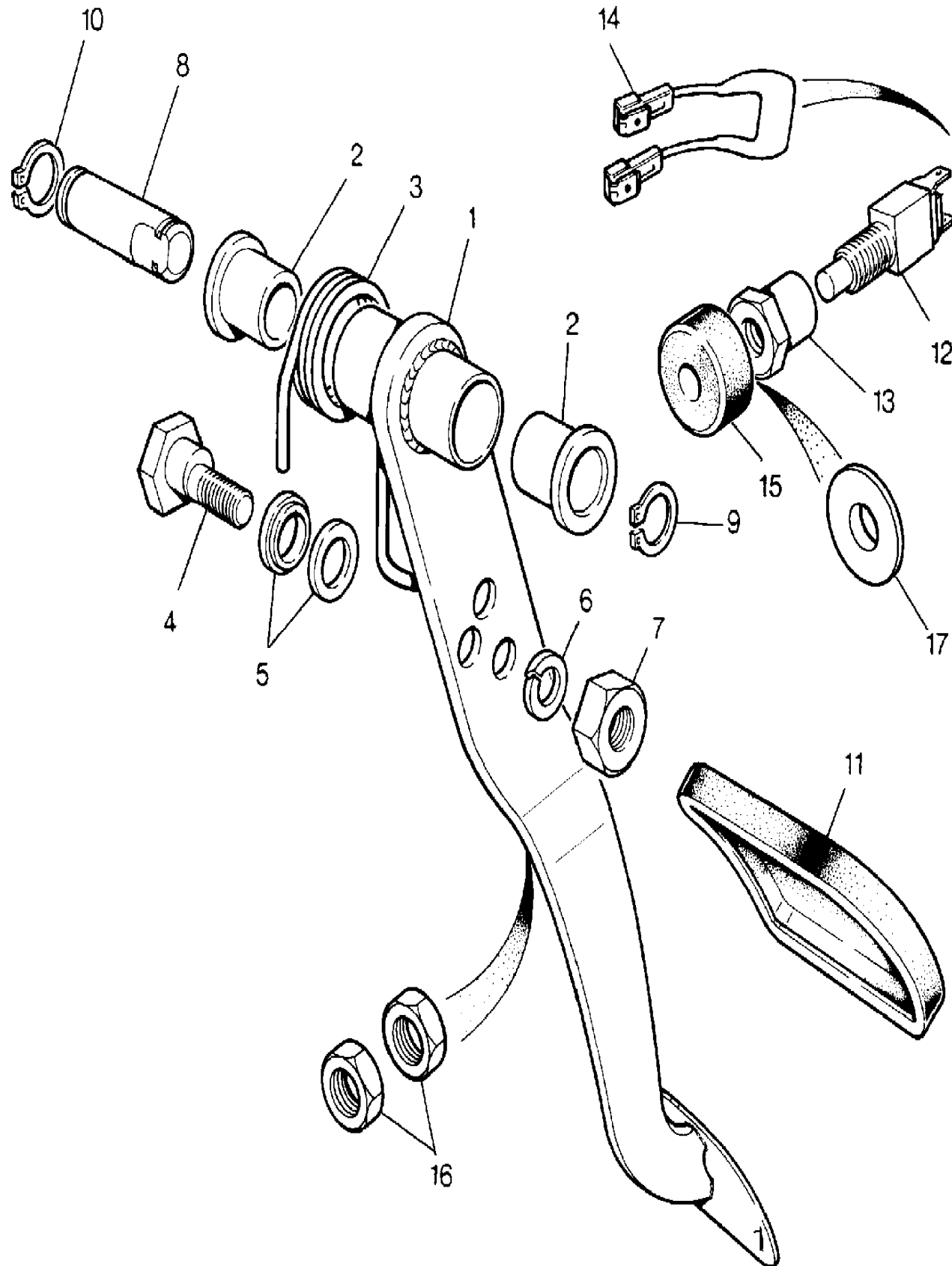
Vehicle & Engine Controls  
 Engine Controls  
 Brake Pedal & Bracket-From (V) DA301158 2/2

Range Rover (To HA610293)

(TS6317B)

Range Rover (To HA610293)

Vehicle & Engine Controls  
 Engine Controls  
 Brake Pedal & Bracket-From (V) DA301158

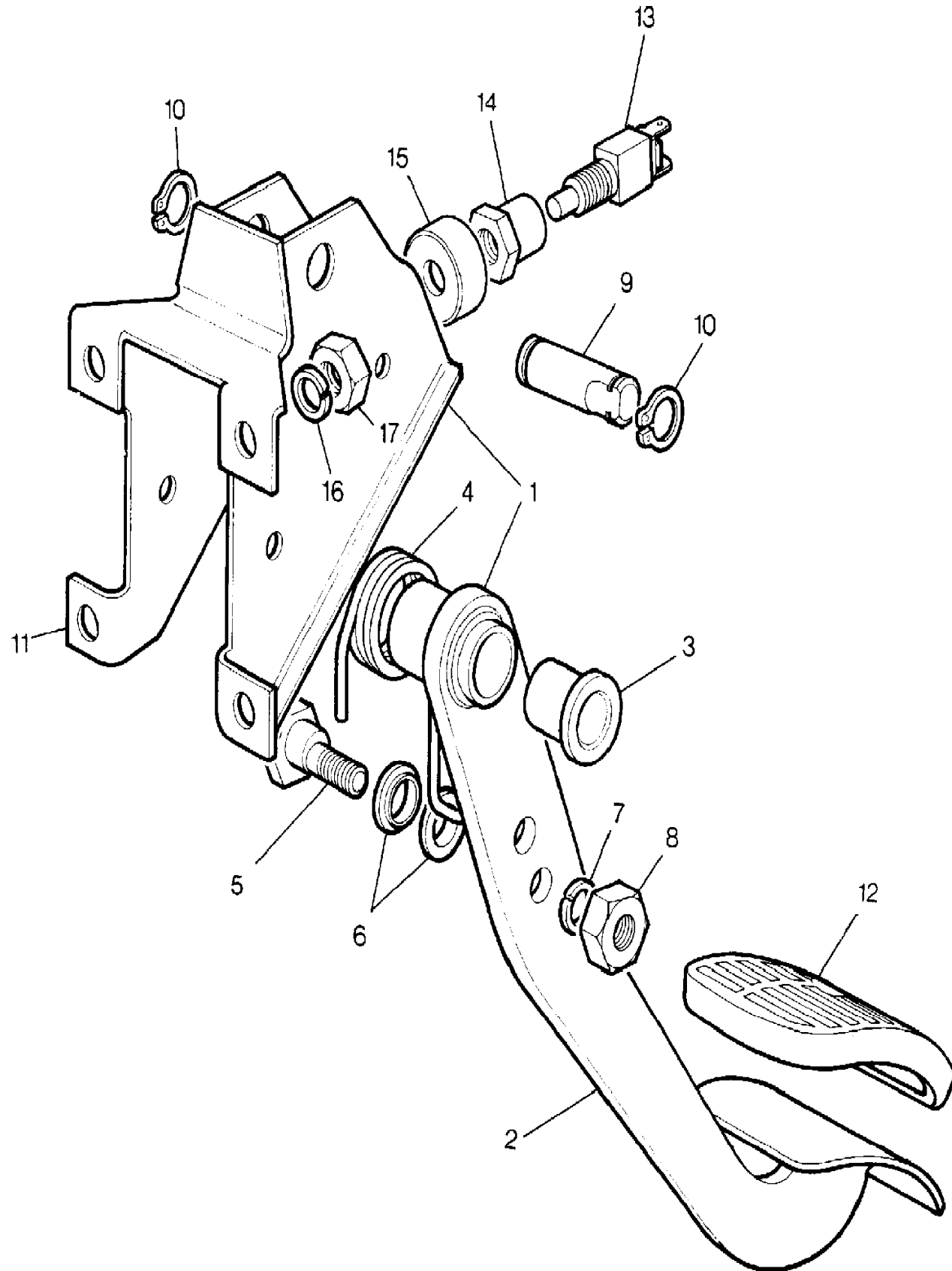


Callout	Name	Application	Remarks & Restrictions	Service No.	Qty
16	Nut - Hex.	Change point - VIN begin DA301158, With Cruise Control		NTC4207	1
17	Spacer	Change point - VIN begin DA301158, All Wheel Anti-Lock Braking System		NTC7280	1
[900]	Switch assembly-pressure antilock brakes	Change point - VIN begin DA301158		PRC7870	1

Vehicle & Engine Controls  
 Engine Controls  
 Brake Pedal & Bracket-To (V) DA301157 1/2

Range Rover (To HA610293)

(N740)



Range Rover (To HA610293)

Vehicle & Engine Controls  
 Engine Controls  
 Brake Pedal & Bracket-To (V) DA301157

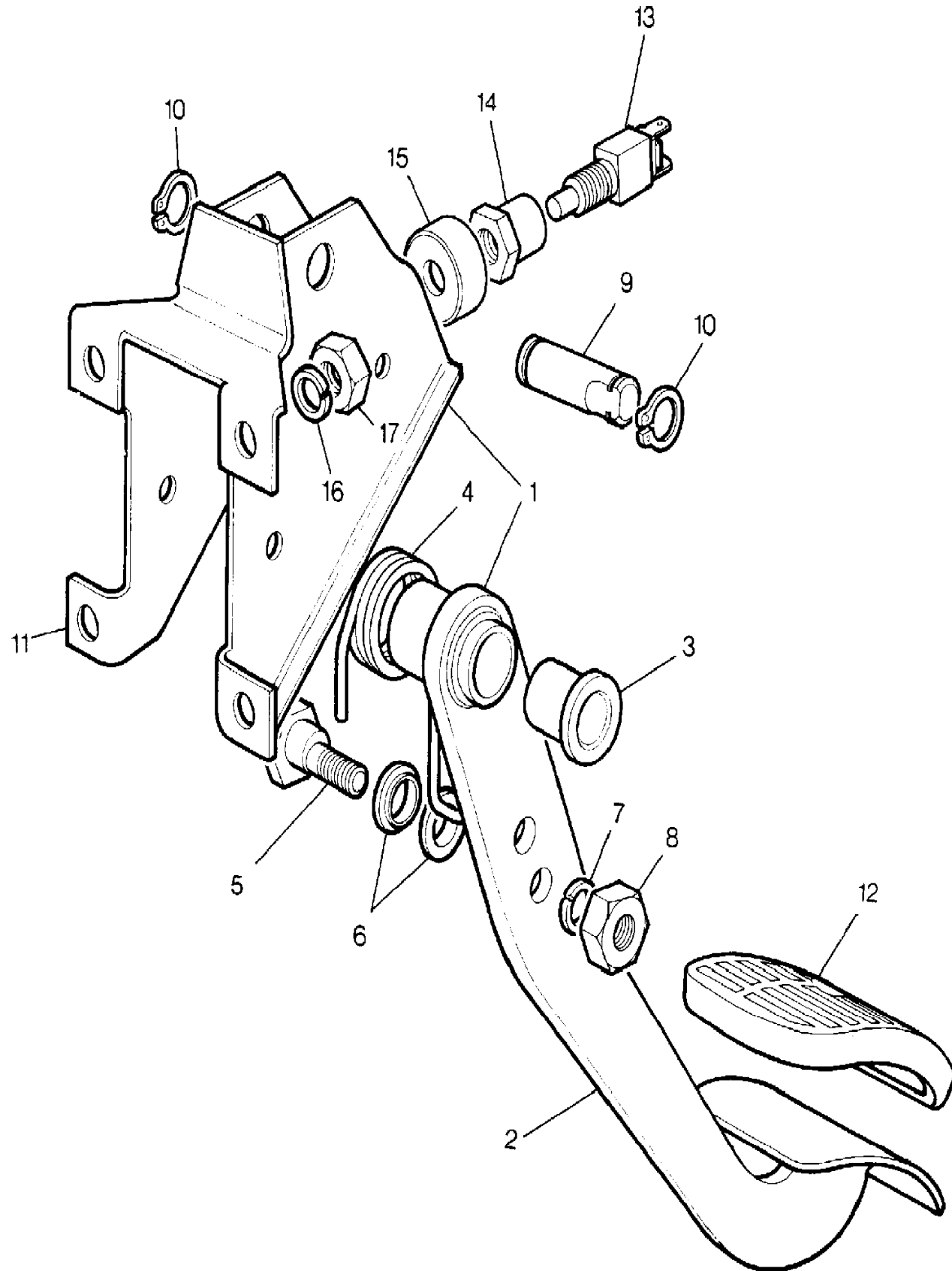
Callout	Name	Application	Remarks & Restrictions	Service No.	Qty
1	Pedal & bracket assembly brake	Change point - VIN end DA301157, Manual Transmission, RHD	Also serviced as part of a kit	575824	1
		Change point - VIN end DA301157, Manual Transmission, LHD	Also serviced as part of a kit	575825	1
		Change point - VIN end DA301157, Automatic Transmission, RHD	Also serviced as part of a kit	NRC6642	1
		Change point - VIN end DA301157, Automatic Transmission, LHD	Also serviced as part of a kit	NTC4422	1
2	Pedal assembly	Change point - VIN end DA301157, Manual Transmission, RHD	Brake, Also serviced as part of a kit	575816	1
		Change point - VIN end DA301157, Manual Transmission, LHD	Brake, Also serviced as part of a kit	575815	1
		Change point - VIN end DA301157, Automatic Transmission, LHD	Brake, Also serviced as part of a kit	NRC6641	1
3	Bush	Change point - VIN end DA301157, Manual Transmission, RHD	Also serviced as part of a kit	CRC2797	2
		Change point - VIN end DA301157, Manual Transmission, LHD	Also serviced as part of a kit	CRC2797	2
4	Spring	Change point - VIN end DA301157, Manual Transmission, RHD	Also serviced as part of a kit	575870	1
5	Bolt	Change point - VIN end DA301157, Manual Transmission, RHD	Also serviced as part of a kit	90575807	1
6	Bush-pedal pivot-brake	Change point - VIN end DA301157, Manual Transmission, RHD	Also serviced as part of a kit	575806	2
7	Washer	Change point - VIN end DA301157, Manual Transmission, RHD	Also serviced as part of a kit, 3/8", Square	WM600061L	1
8	Nut - Hex.	Change point - VIN end DA301157, Manual Transmission, RHD	Also serviced as part of a kit, hexagonal head, 3/8UNF	NH606041L	1
9	Shaft-pivot pedal	Change point - VIN end DA301157, Manual Transmission, RHD	Also serviced as part of a kit	572467	1
10	Circlip	Change point - VIN end DA301157, Manual Transmission, RHD	Also serviced as part of a kit	CCN110L	2
12	Pad-lever-pedal	Change point - VIN end DA301157, Manual Transmission, RHD	Also serviced as part of a kit	575818	1

Vehicle & Engine Controls  
 Engine Controls  
 Brake Pedal & Bracket-To (V) DA301157 2/2

**Range Rover (To HA610293)**  
 (N740)

**Range Rover (To HA610293)**

Vehicle & Engine Controls  
 Engine Controls  
 Brake Pedal & Bracket-To (V) DA301157



Callout	Name	Application	Remarks & Restrictions	Service No.	Qty
12	Pad-lever-pedal	Change point - VIN end DA301157, Automatic Transmission, RHD	Also serviced as part of a kit	CRC570	1
13	Switch Assy - Stop Light	Change point - VIN end DA301157		13H3735L	1
14	Nut - Hex.	Change point - VIN end DA301157		567875	1
15	Buffer-pedal brake	Change point - VIN end DA301157		567876	1
16	Washer	Change point - VIN end DA301157	3/8", Square	WM600061L	4
17	Nut - Hex.	Change point - VIN end DA301157	hexagonal head, 3/8UNF	NH606041L	4

Vehicle & Engine Controls  
 Engine Controls  
 Choke Cable 1/1

Range Rover (To HA610293)

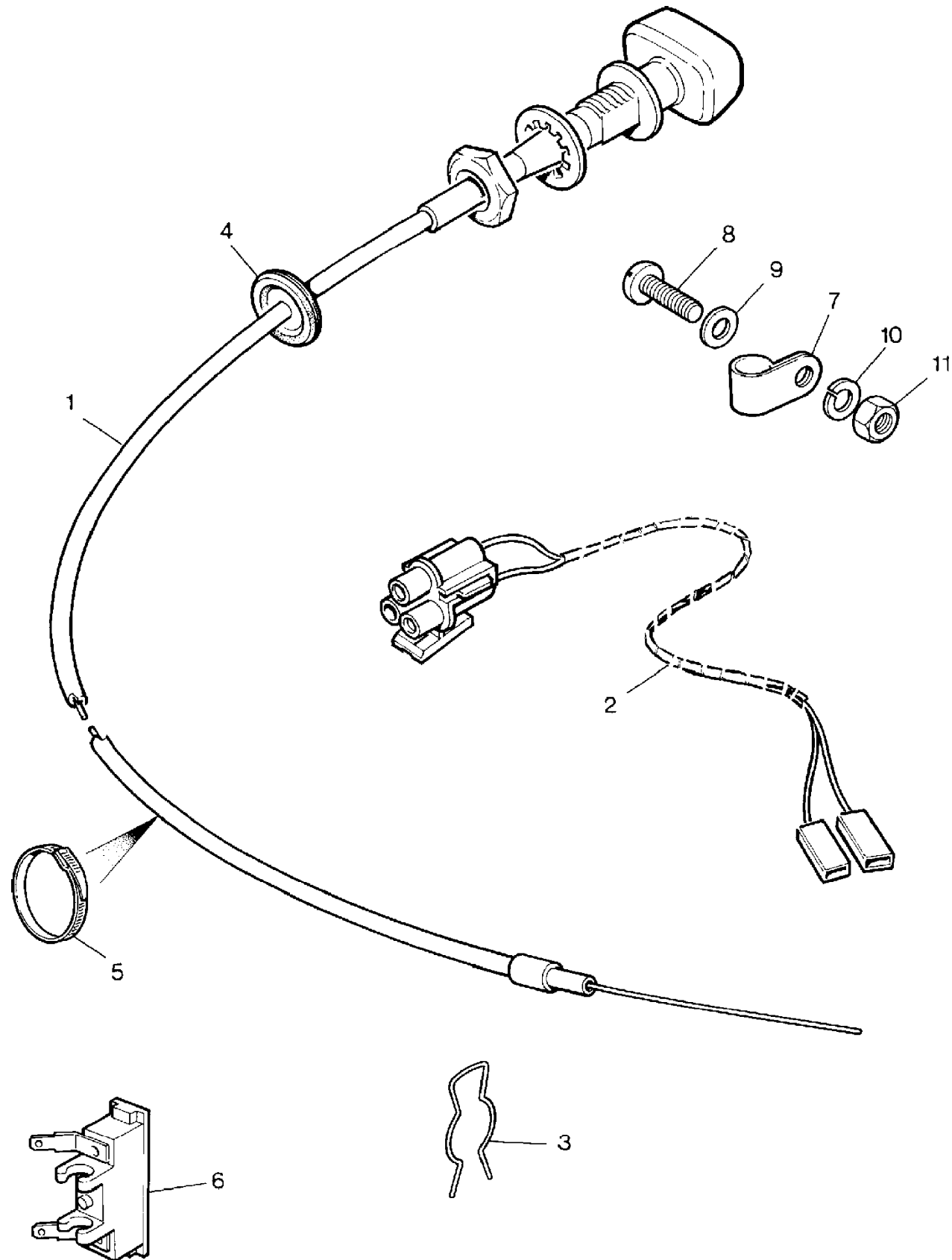
(TS5380A)

Range Rover (To HA610293)

Vehicle & Engine Controls  
 Engine Controls  
 Choke Cable

With Petrol Engines

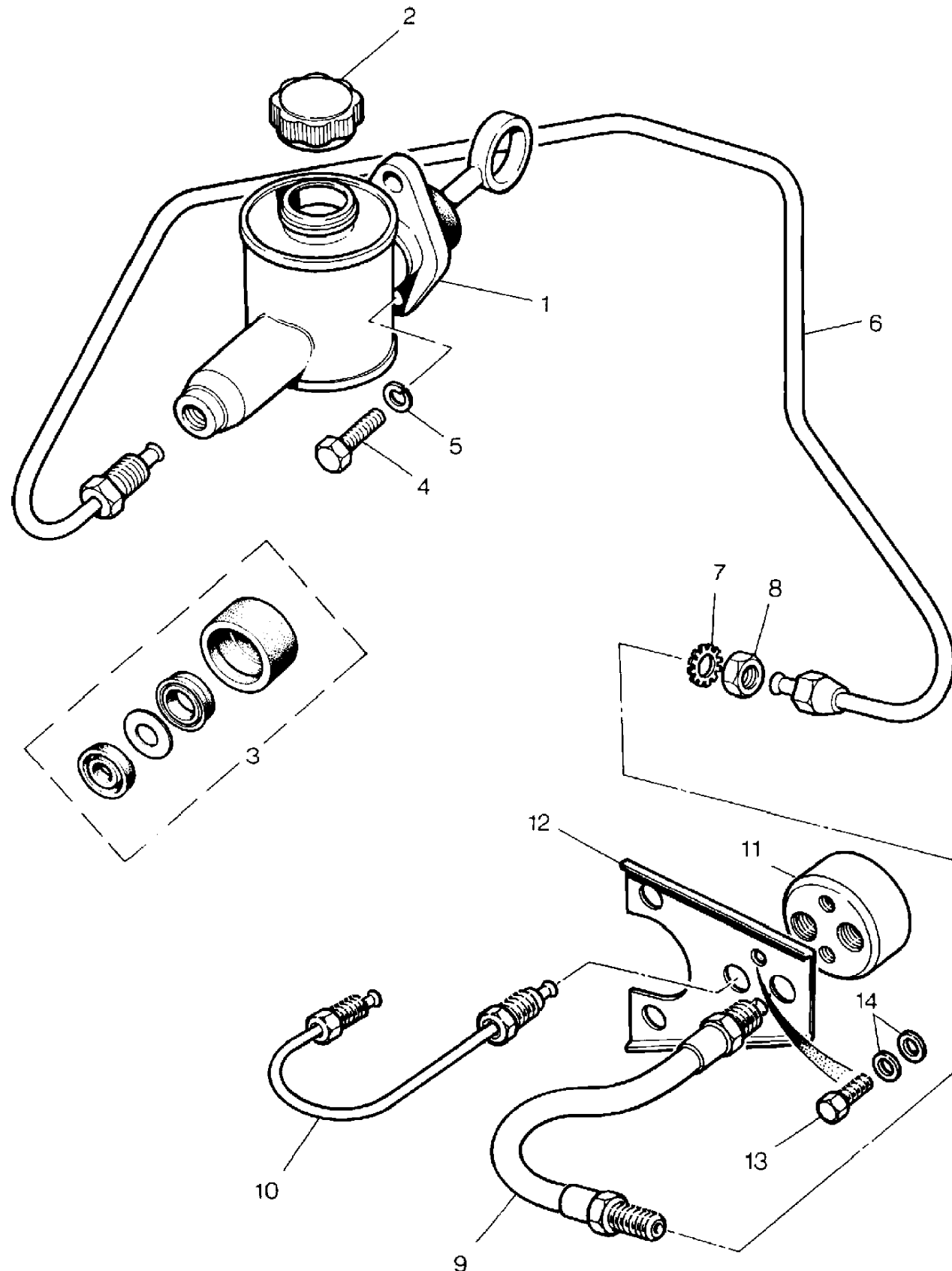
Callout	Name	Application	Remarks & Restrictions	Service No.	Qty
1	Cable assembly choke	RHD LHD	Use With 'Solex' Carburettors Use With 'Solex' Carburettors Use With 'SU' Carburettors	NRC9094 NRC9095 NTC3690	1 1 1
2	Harness-link			PRC4185	1
3	Clip			538890	1
4	Grommet			235113	1
5	Fastener-fir tree	RHD LHD	2 1/4" inside serated, 4.6 x 385mm, White.	RTC222 594594	1 1
6	Switch choke			RTC5816	1
7	Clip-p		5/16" hole, 1/2"	AEU1581	1
8	Screw		M5 x 16	257017	1
9	Washer			WA702101L	1
10	Washer-Spring		3/16 dia, Square	WM702001L	1
11	Nut - Hex.		UNF	HN2005L	1



Vehicle & Engine Controls  
 Engine Controls  
 Clutch Master Cylinder & Pipes 1/1

Range Rover (To HA610293)

(TS5867)



Range Rover (To HA610293)

Vehicle & Engine Controls  
 Engine Controls  
 Clutch Master Cylinder & Pipes

With Diesel Engines

Callout	Name	Application	Remarks & Restrictions	Service No.	Qty
1	Master cylinder clutch	Change point - VIN end HA610293	Also serviced as part of a kit	AEU1714	1
2	Cap assembly-tank clutch	Change point - VIN end HA610293	Also serviced as part of a kit	513123	1
3	Kit-repair clutch master cylinder			BAU1252	1
4	Screw		hexagonal head, 5/16UNF x 3/4	SH605061L	2
5	Washer-Spring		5/16"	WM600051L	2
6	Pipe Clutch	RHD LHD	master cylinder to jump hose master cylinder to jump hose	NRC9019 NTC1856	1 1
7	Washer-starlock			WE600071L	1
8	Nut-hexagonal			NH607041L	1
9	Hose clutch			NTC3400	1
10	Pipe Clutch			NTC3401	1
11	Damper assembly clutch	Change point - VIN end HA610293		NTC3402	1
12	Bracket-damper clutch			NTC3399	1
13	Screw		hexagonal head, M6 X 14	SH106141L	2
14	Washer		6MM	WA106041L	4

Vehicle & Engine Controls  
 Engine Controls  
 Clutch Master Cylinder & Pipes 1/1

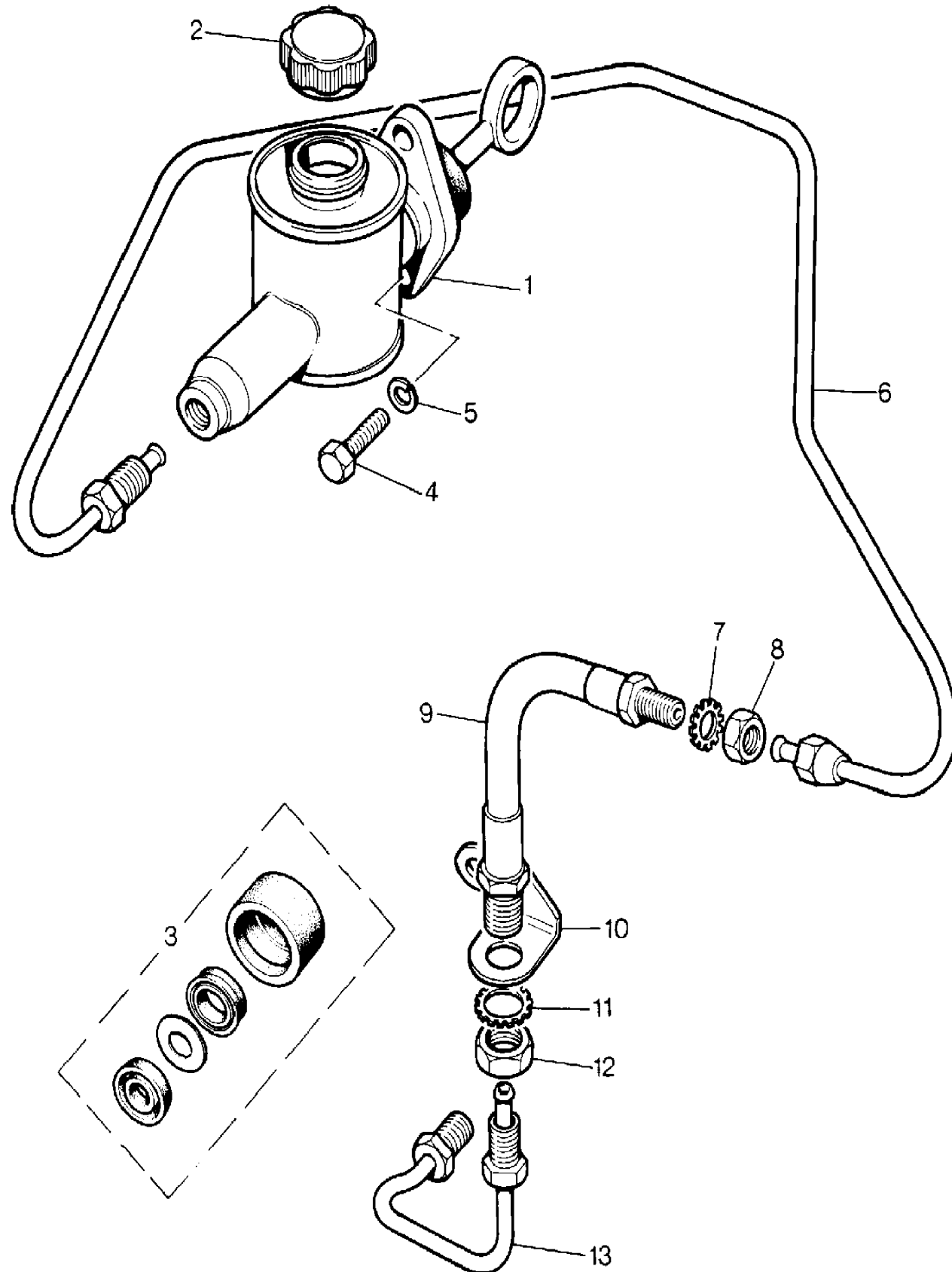
**Range Rover (To HA610293)**  
 (N212)

**Range Rover (To HA610293)**

Vehicle & Engine Controls  
 Engine Controls  
 Clutch Master Cylinder & Pipes

With Petrol Engines

Callout	Name	Application	Remarks & Restrictions	Service No.	Qty
1	Master cylinder clutch	Change point - VIN end HA610293	Also serviced as part of a kit	AEU1714	1
2	Cap assembly-tank clutch	Change point - VIN end HA610293	Also serviced as part of a kit	513123	1
3	Kit-repair clutch master cylinder			BAU1252	1
4	Screw		hexagonal head, 5/16UNF x 3/4	SH605061L	2
5	Washer-Spring		5/16"	WM600051L	2
6	Pipe Clutch	RHD LHD	master cylinder to jump hose master cylinder to jump hose	NRC9019 NTC1856	1 1
7	Washer-starlock			WE600071L	1
8	Nut-hexagonal			NH607041L	1
9	Hose clutch			NRC2211	1
10	Bracket			90577642	1
11	Washer-starlock			WE600101L	1
12	Nut - Hex.			2K8686L	1
13	Pipe Clutch			NRC8975	1



Vehicle & Engine Controls  
 Engine Controls  
 Clutch Pedal-From (V) DA301158 1/1

Range Rover (To HA610293)

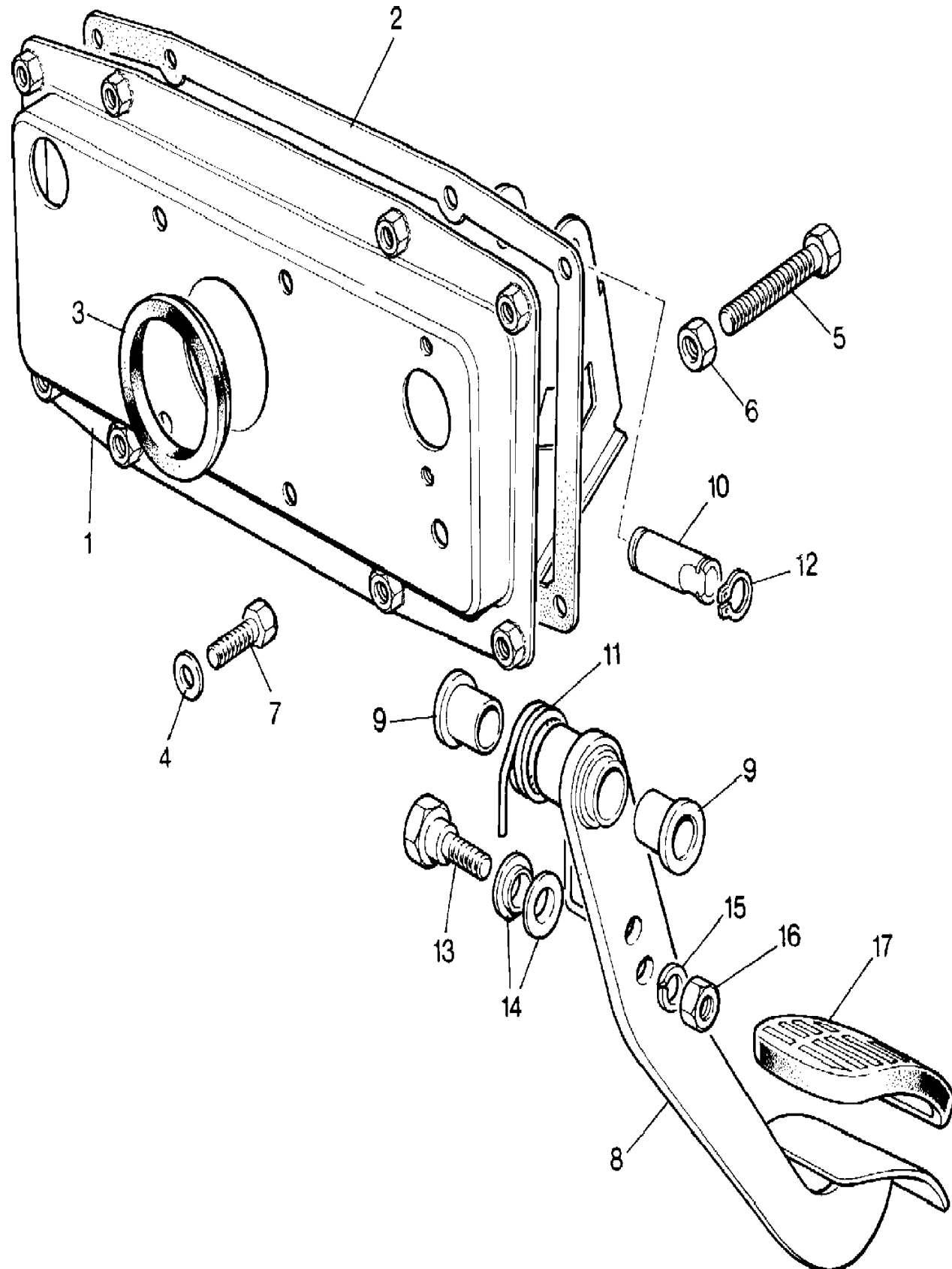
(TS6336)

Range Rover (To HA610293)

Vehicle & Engine Controls  
 Engine Controls  
 Clutch Pedal-From (V) DA301158

Change point - VIN begin DA301158, Manual Transmission

Callout	Name	Application	Remarks & Restrictions	Service No.	Qty
1	Plate	Change point - VIN begin DA301158 Change point - VIN begin DA301158		NTC4169 NTC4170	1 1
2	Gasket-clutch pedal box to bulkhead	Change point - VIN begin DA301158		NTC8113	1
3	Washer-sealing	Change point - VIN begin DA301158		592199	1
4	Washer	Change point - VIN begin DA301158	8MM	WA108051L	8
5	Screw	Change point - VIN begin DA301158	hexagonal head	SH606051L	1
6	Nut - Hex.	Change point - VIN begin DA301158		NT606041L	1
7	Screw	Change point - VIN begin DA301158	hexagonal head, M8 x 125	GG108251L	8
8	Pedal assembly	Change point - VIN begin DA301158, RHD Change point - VIN begin DA301158, LHD	Clutch, Also serviced as part of a kit Clutch, Also serviced as part of a kit	575816 575815	1 1
9	Bush	Change point - VIN begin DA301158, LHD	Also serviced as part of a kit	CRC2797	2
10	Shaft-pivot pedal	Change point - VIN begin DA301158		572467	1
11	Spring-return brake	Change point - VIN begin DA301158		NTC4563	1
12	Circlip	Change point - VIN begin DA301158		CCN110L	2
13	Bolt	Change point - VIN begin DA301158		90575807	1
14	Bush-pedal pivot-brake	Change point - VIN begin DA301158		575806	2
15	Washer	Change point - VIN begin DA301158	3/8", Square	WM600061L	1
16	Nut - Hex.	Change point - VIN begin DA301158	hexagonal head, 3/8UNF	NH606041L	1
17	Pad-lever-pedal	Change point - VIN begin DA301158		575818	1





Vehicle & Engine Controls  
 Engine Controls  
 Clutch Pedal-To (V) DA301157 1/1

Range Rover (To HA610293)

(TS5754)

Range Rover (To HA610293)

Vehicle & Engine Controls  
 Engine Controls

Clutch Pedal-To (V) DA301157

Change point - VIN end DA301157, Manual Transmission

Callout	Name	Application	Remarks & Restrictions	Service No.	Qty
1	Plate	Change point - VIN end DA301157		575826	1
2	Gasket-pedal box	Change point - VIN end DA301157		572498	1
3	Washer-sealing	Change point - VIN end DA301157		592199	1
4	Screw	Change point - VIN end DA301157	hexagonal head, 5/16UNF x 1	SH605081L	2
5	Washer-Spring	Change point - VIN end DA301157	5/16"	WM600051L	8
6	Screw	Change point - VIN end DA301157	hexagonal head	SH606051L	1
7	Nut - Hex.	Change point - VIN end DA301157		NT606041L	1
8	Screw	Change point - VIN end DA301157	hexagonal head, 5/16UNF x 3/4	SH605061L	6
9	Pedal assembly	Change point - VIN end DA301157, RHD Change point - VIN end DA301157, LHD	Clutch, Also serviced as part of a kit Clutch, Also serviced as part of a kit	575816 575815	1 1
10	Bush	Change point - VIN end DA301157, LHD	Also serviced as part of a kit	CRC2797	2
11	Shaft-pivot pedal	Change point - VIN end DA301157		572467	1
12	Spring	Change point - VIN end DA301157		575870	1
13	Circlip	Change point - VIN end DA301157		CCN110L	2
14	Bolt	Change point - VIN end DA301157		90575807	1
15	Bush-pedal pivot-brake	Change point - VIN end DA301157		575806	2
16	Washer	Change point - VIN end DA301157	3/8", Square	WM600061L	1
17	Nut - Hex.	Change point - VIN end DA301157	hexagonal head, 3/8UNF	NH606041L	1
18	Pad-lever-pedal	Change point - VIN end DA301157		575818	1

