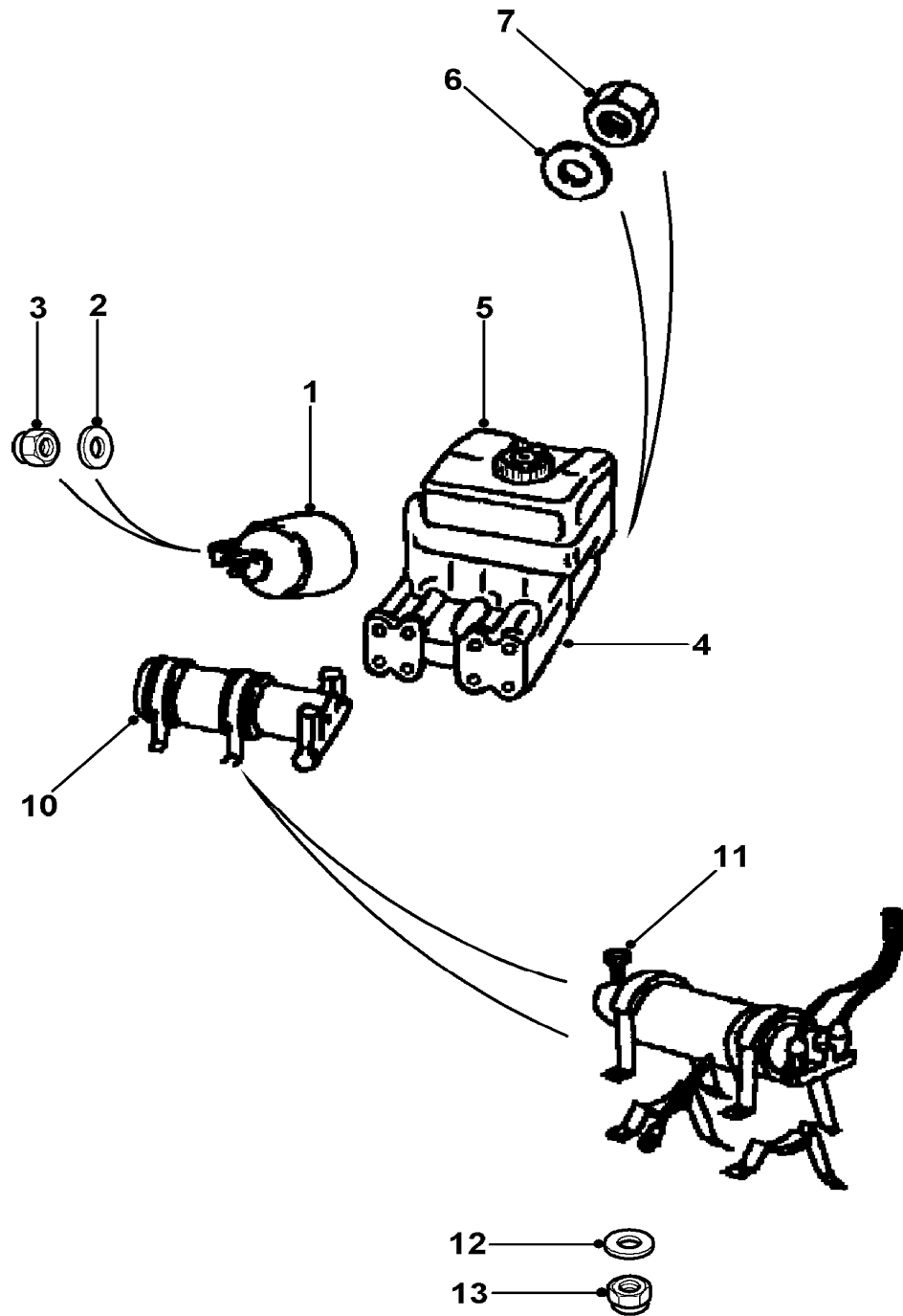


All Wheel Anti-Lock Braking System

Callout	Name	Application	Remarks & Restrictions	Service No.	Qty
1	Accumulator assembly			RTC6498	1
2	Washer		6MM	WA106041L	2
3	Nut - Hex.		M6, nyloc, Hexagonal	NH106041L	2
4	Booster-antilock brake system			RTC6488	1
5	Reservoir assembly-brake			RTC6741	1
6	Washer		8MM	WA108051L	4
7	Nut - Hex.		M8, hexagonal head	NH108041L	4
10	Pump assembly antilock brakes			RTC6487	1
11	Screw		hexagonal head, M6 x 10 M6 x 10	SH106101L FS106101L	4 4
12	Washer		6MM	WA106041L	4
13	Nut - Hex.		M6, nyloc, Hexagonal	NH106041L	4
[900]	Cap assembly-tank antilock brakes			RTC6494	1
[901]	Heatshield-exhaust manifold			RTC6491	1
[902]	Seal			RTC6490	2
[903]	Filter-reservoir			RTC6493	1
[904]	Screw-bleed			RTC6495	X
[905]	Boot-rubber			RTC6496	1
[906]	Screw-torx-cheese hexagonal-dog point		M6 X 12	RTC6492	X



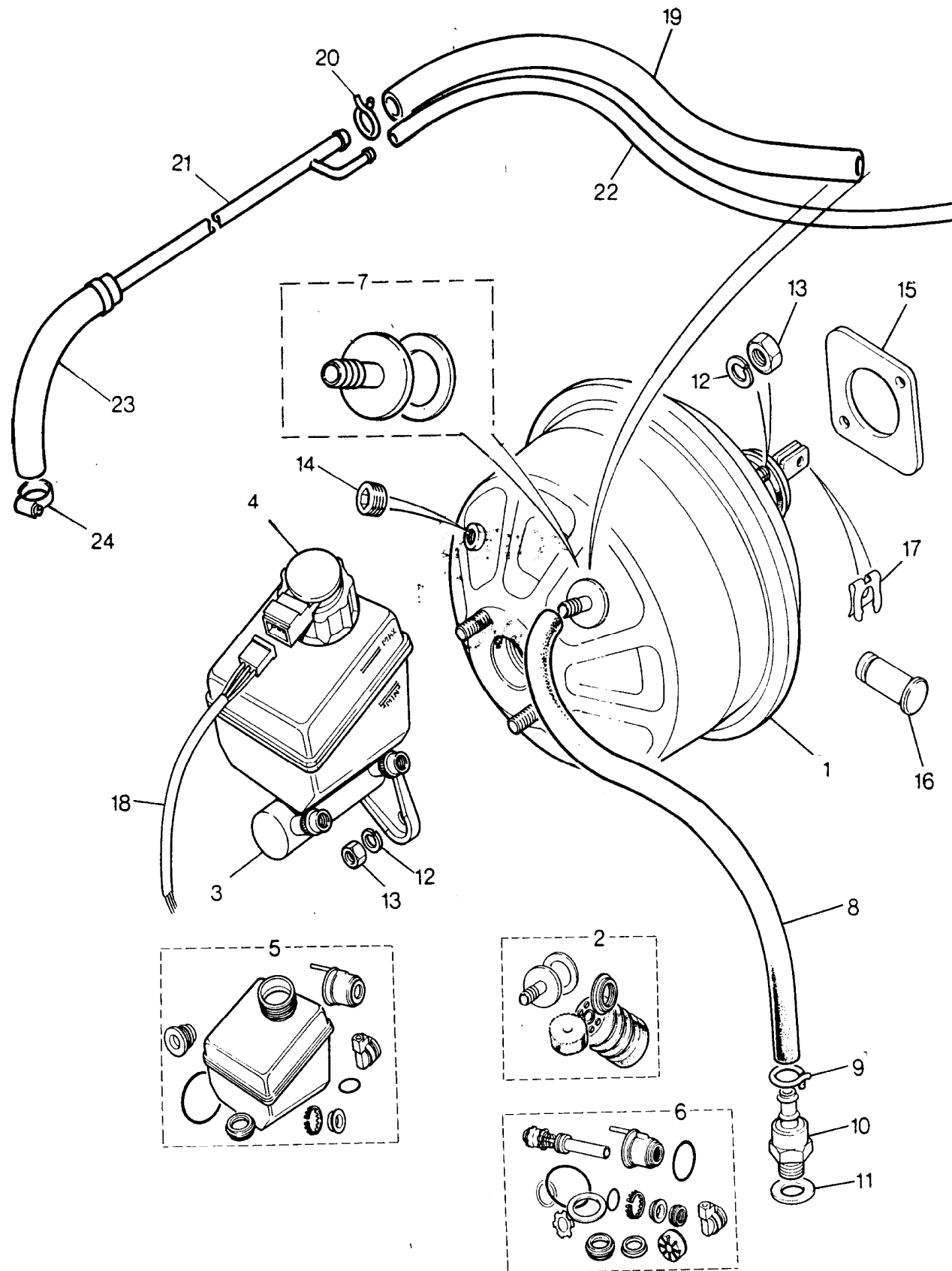
Braking Systems
 Brake Actuation
 Master Cylinder & Servo-From (V) DA301158 1/2

Range Rover (To HA610293)

(TS6318B)

Range Rover (To HA610293)

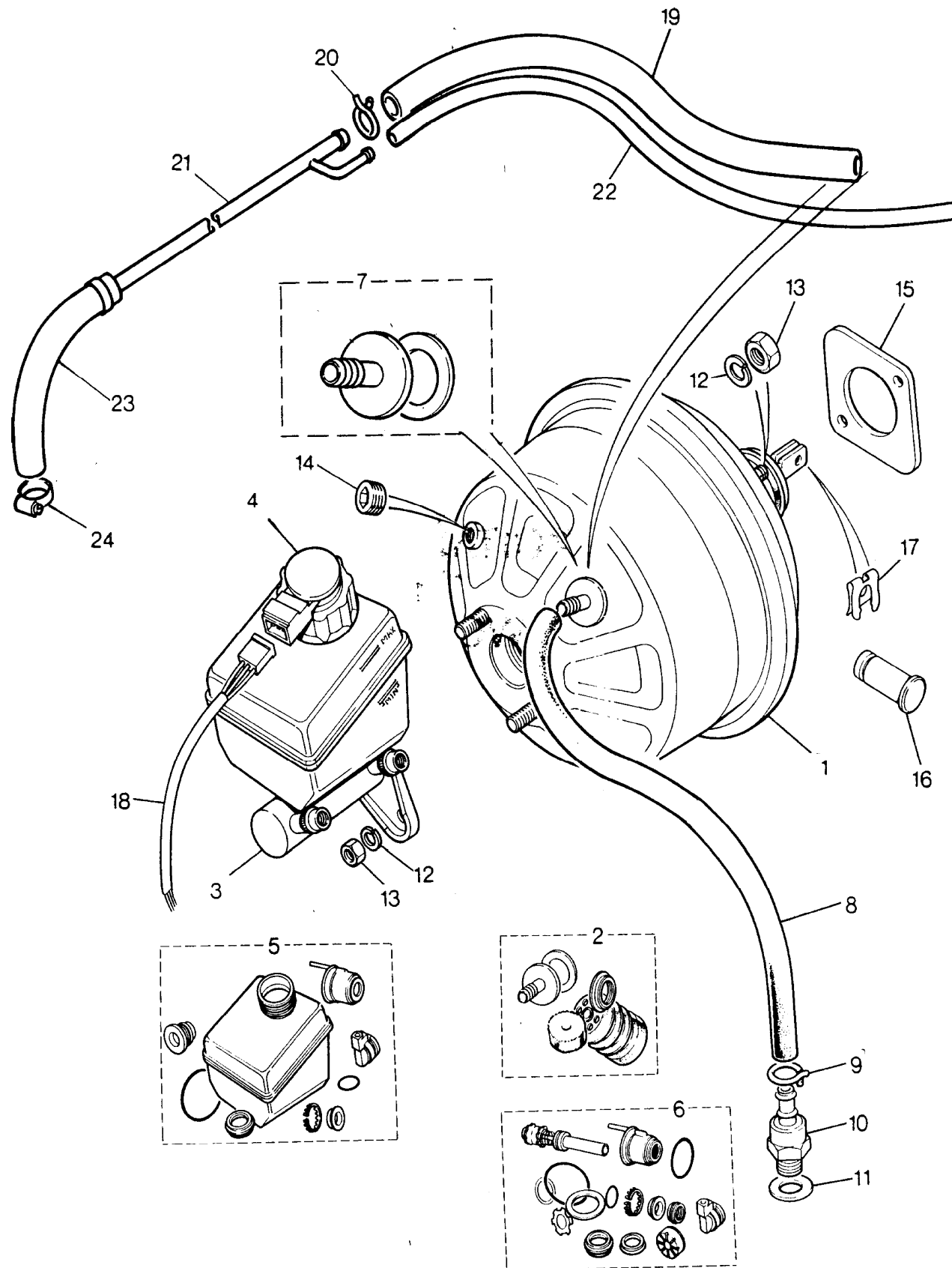
Braking Systems
 Brake Actuation
 Master Cylinder & Servo-From (V) DA301158



Callout	Name	Application	Remarks & Restrictions	Service No.	Qty
1	Servo assembly brake	Change point - VIN begin DA301158	Also serviced as part of a kit	NTC4294	1
2	Kit-repair brake servo	Change point - VIN begin DA301158	Also serviced as part of a kit	RTC5832	1
3	Master cylinder assembly brake	Change point - VIN begin DA301158	Also serviced as part of a kit	NTC4991	1
4	Cap-fluid level warning reservoir indicator	Change point - VIN begin DA301158	Also serviced as part of a kit	RTC5831	1
5	Kit-master cylinder/reservoir & seal brake	Change point - VIN begin DA301158		RTC5833	1
6	Kit-repair brake master cylinder	Change point - VIN begin DA301158		RTC5834	1
7	Valve-non return brake vacuum	Change point - VIN begin DA301158 Change point - VIN begin DA301158	Also serviced as part of a kit	STC780 STC780	1 1
8	Hose brake vacuum	Change point - VIN begin DA301158, Twin Carburettor, RHD Change point - VIN begin DA301158, Twin Carburettor, LHD Change point - VIN begin DA301158, EFI, RHD Change point - VIN begin DA301158, EFI, LHD		NTC3291 NTC3291 NTC4988 NTC4989	1 1 1 1
9	Clip-Hose	Change point - VIN begin DA301158		572548	2
10	Valve-inlet manifold non return	Change point - VIN begin DA301158		RTC5907	1
11	Washer-sealing	Change point - VIN begin DA301158		232043	1
12	Washer	Change point - VIN begin DA301158	M8, sprung	WL108001L	4
13	Nut - Hex.	Change point - VIN begin DA301158	M8, hexagonal head	NH108041L	4
14	Plug	Change point - VIN begin DA301158 Change point - VIN begin DA301158	Also serviced as part of a kit	90577611 90577611	1 1
15	Spacer	Change point - VIN begin DA301158		NTC4099	1

Range Rover (To HA610293)

(TS6318B)



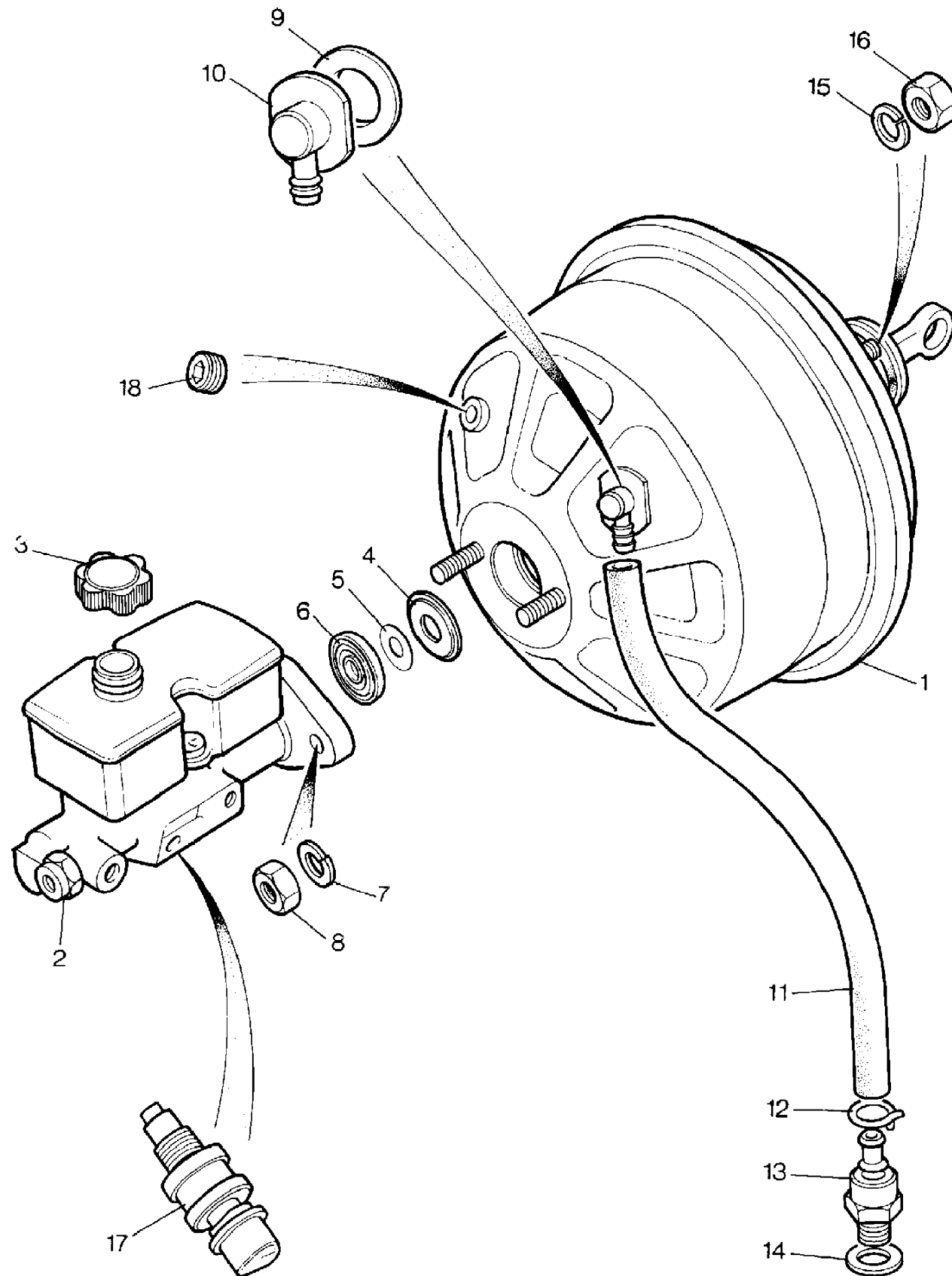
Range Rover (To HA610293)

Callout	Name	Application	Remarks & Restrictions	Service No.	Qty
16	Pin-clevis	Change point - VIN begin DA301158		NTC4487	1
17	Clip	Change point - VIN begin DA301158		NTC4488	1
18	Harness-link	Change point - VIN begin DA301158		PRC6388	1
19	Hose brake vacuum	Change point - VIN begin DA301158, With Diesel Engines		CRC2139	1
20	Clip-Hose	Change point - VIN begin DA301158, With Diesel Engines		572548	3
21	Hose-engine to T piece vacuum	Change point - VIN begin DA301158, With Diesel Engines, All Wheel Anti-Lock Braking System Change point - VIN begin DA301158, With Diesel Engines, Less Anti-Lock Braking System		NTC8127 NTC7643	1 1
22	Pipe-vacuum heater/air conditioning	Change point - VIN begin DA301158, With Diesel Engines		MWC4340	1
23	Hose brake vacuum	Change point - VIN begin DA301158, With Diesel Engines		CRC2144	1
24	Clip-Hose	Change point - VIN begin DA301158, With Diesel Engines		CN100208	1
[900]	Washer	Change point - VIN begin DA301158	8MM, sprung	WL108007	4

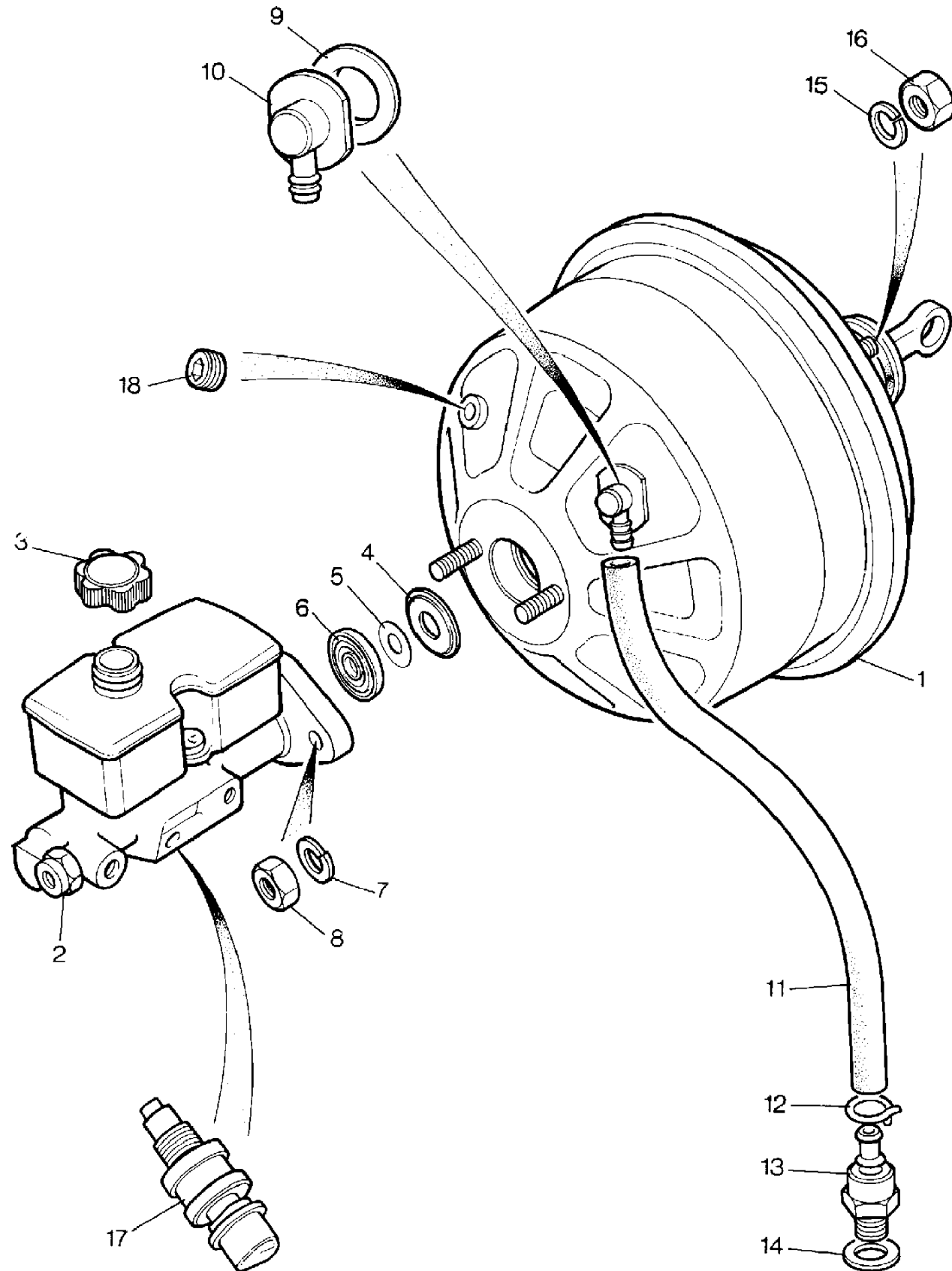
Range Rover (To HA610293)

(TS5774A)

Range Rover (To HA610293)



Callout	Name	Application	Remarks & Restrictions	Service No.	Qty
1	Servo assembly brake	Change point - VIN end DA301157	Also serviced as part of a kit	AEU1715	1
2	Master cylinder assembly brake	Change point - VIN end DA301157	Also serviced as part of a kit	RTC3658	1
3	Cap assembly-tank clutch	Change point - VIN end DA301157	Also serviced as part of a kit	513123	1
4	Retainer	Change point - VIN end DA301157		RTC4143	1
5	Washer	Change point - VIN end DA301157		RTC4144	1
6	Seal	Change point - VIN end DA301157		RTC4145	1
7	Washer-Spring	Change point - VIN end DA301157	5/16"	WM600051L	2
8	Nut - Hex.	Change point - VIN end DA301157	hexagonal head, 5/16UNF	NH605041L	2
9	Seal	Change point - VIN end DA301157		606031	1
10	Valve-inlet manifold non return	Change point - VIN end DA301157		RTC5636	1
11	Hose brake vacuum	Change point - VIN end DA301157, Twin Carburettor, RHD Change point - VIN end DA301157, Twin Carburettor, LHD Change point - VIN end DA301157, EFI, RHD Change point - VIN end DA301157, EFI, LHD Change point - VIN end DA301157, With Diesel Engines Change point - VIN end DA301157, With Diesel Engines	660mm 1000MM	NTC3290 NTC3291 NTC3288 NTC4242 NTC1455 NTC2627	1 1 1 1 1 1
12	Clip-Hose	Change point - VIN end DA301157		572548	2
13	Valve-inlet manifold non return	Change point - VIN end DA301157		RTC5907	1
14	Washer-sealing	Change point - VIN end DA301157		232043	1
15	Washer	Change point - VIN end DA301157	3/8", Square	WM600061L	2



Callout	Name	Application	Remarks & Restrictions	Service No.	Qty
16	Nut - Hex.	Change point - VIN end DA301157	hexagonal head, 3/8UNF	NH606041L	2
17	Switch brake-split	Change point - VIN end DA301157		PRC2583	1
18	Plug	Change point - VIN end DA301157		90577611	1
[900]	Kit-repair-brake push rod	Change point - VIN end DA301157	Also serviced as part of a kit	AEU1876	1
[901]	Kit-repair brake servo	Change point - VIN end DA301157	Also serviced as part of a kit	AEU1021	1
[902]	Kit-repair brake master cylinder	Change point - VIN end DA301157		AEU1894	1
[903]	Switch assembly-pressure antilock brakes	Change point - VIN end DA301157, With Diesel Engines		589219	1
[904]	Harness-link	Change point - VIN end DA301157, With Diesel Engines Change point - VIN end DA301157, With Diesel Engines	vacuum switch to main harness to PDWA brake valve	PRC6185 PRC6292	1 1

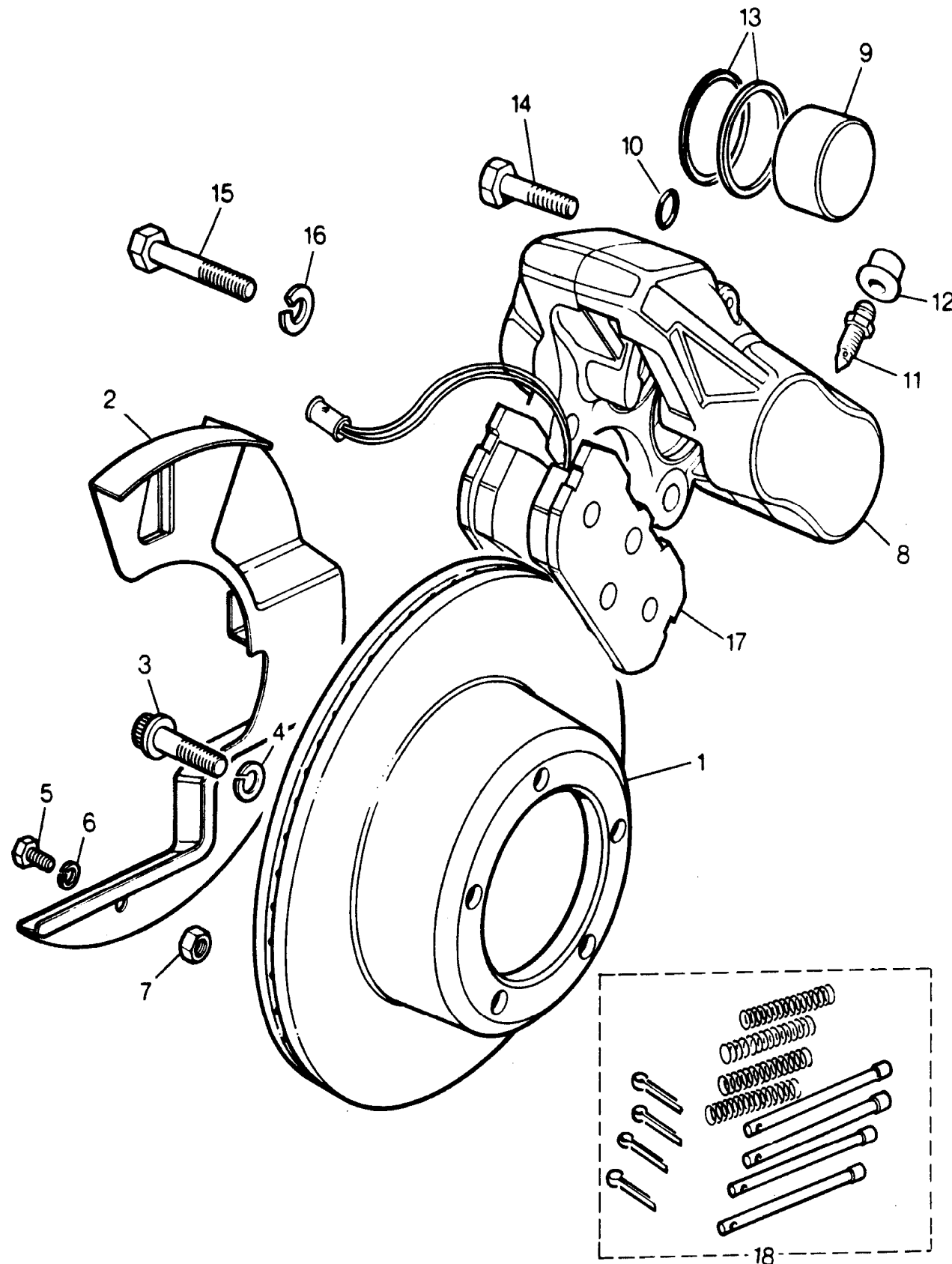
Braking Systems
Front & Rear
Front Disc Brakes-From (V) GA399973 1/1

Range Rover (To HA610293)

(TS6842A)

Range Rover (To HA610293)

Braking Systems
Front & Rear
Front Disc Brakes-From (V) GA399973



Callout	Name	Application	Remarks & Restrictions	Service No.	Qty
1	Disc-brake.	Change point - VIN begin GA399973	Front	FTC902	2
2	Shield-disc front brake	Change point - VIN begin GA399973 Change point - VIN begin GA399973	RH LH	577176 577177	1 1
3	Bolt	Change point - VIN begin GA399973		FRC9126	10
4	Washer	Change point - VIN begin GA399973	M10	WL110001L	10
5	Nut-flange	Change point - VIN begin GA399973	M6 X 16	FS106161	2
6	Washer	Change point - VIN begin GA399973	M6, sprung	WL106001L	2
7	Nut - Hex.	Change point - VIN begin GA399973	M6, nyloc, Hexagonal	NH106041L	2
8	Caliper assembly-front brake	Change point - VIN begin GA399973 Change point - VIN begin GA399973	Also serviced as part of a kit, Asbestos Free, RH, vented Also serviced as part of a kit, Asbestos Free, vented, LH	RTC6776 RTC6777	1 1
9	Piston front caliper	Change point - VIN begin GA399973	Also serviced as part of a kit	606683	8
11	Screw-bleed brake	Change point - VIN begin GA399973	Also serviced as part of a kit	RTC1526	6
12	Cap-protective	Change point - VIN begin GA399973	Also serviced as part of a kit	594091	6
13	Kit-brake caliper piston seal	Change point - VIN begin GA399973		AEU1547	4
14	Bolt	Change point - VIN begin GA399973		RTC1136	8
15	Bolt	Change point - VIN begin GA399973	7/16", UNF	571910	4
16	Washer	Change point - VIN begin GA399973	7/16", sprung	WM600071L	4
17	Set-pad front brake system	Change point - VIN begin GA399973	Asbestos Free, vented	RTC6781	1
18	Kit-brake pad retaining	Change point - VIN begin GA399973	Front	RTC6799	1

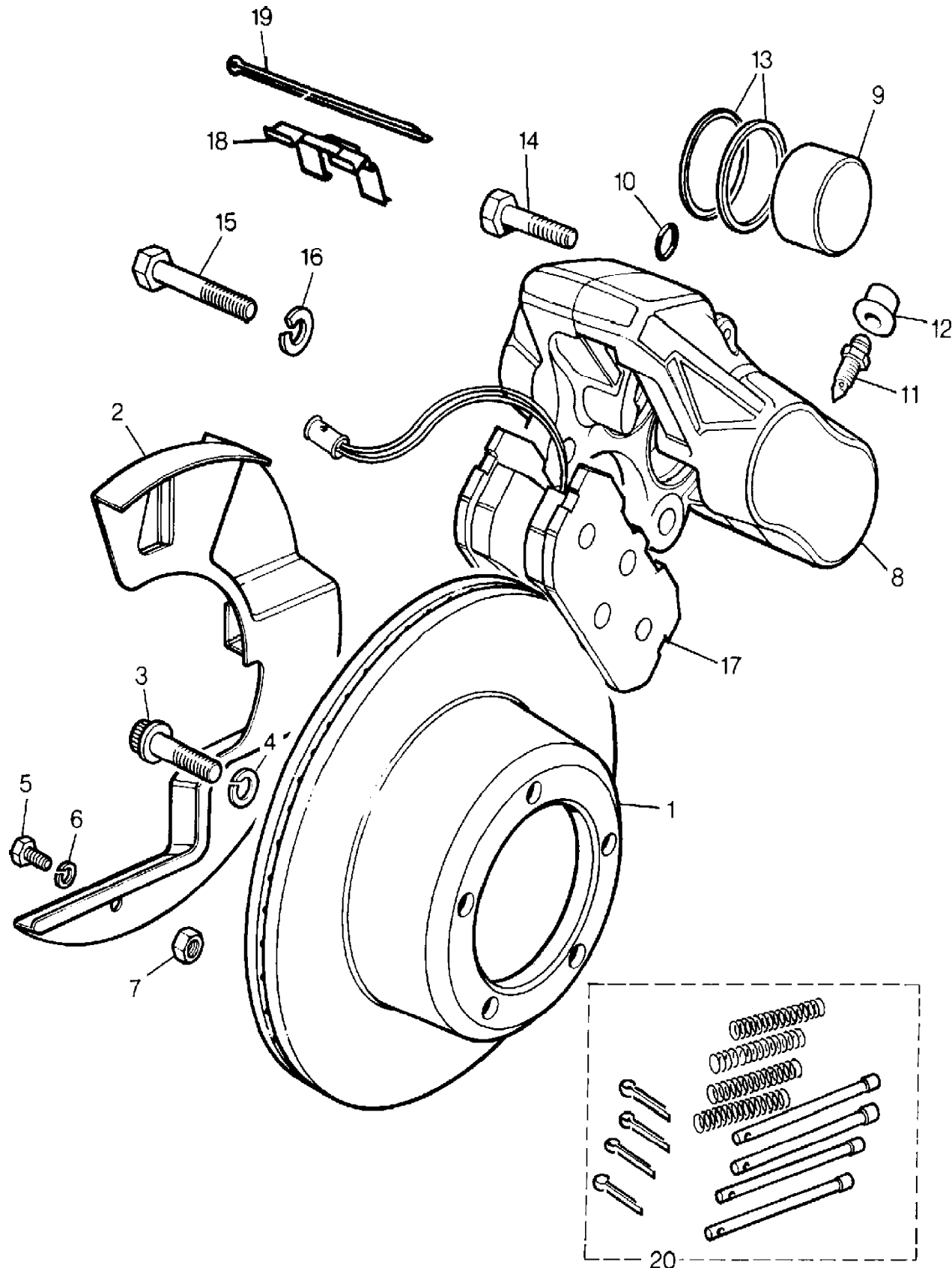
Braking Systems
Front & Rear
Front Disc Brakes-To (V) FA399972 1/2

Range Rover (To HA610293)

(TS5619B)

Range Rover (To HA610293)

Braking Systems
Front & Rear
Front Disc Brakes-To (V) FA399972



Callout	Name	Application	Remarks & Restrictions	Service No.	Qty
1	Disc-brake.	Change point - VIN end FA399972	Front	FRC7329	2
2	Shield-disc front brake	Change point - VIN end FA399972	RH	577176	1
		Change point - VIN end FA399972	LH	577177	1
3	Bolt	Change point - VIN end FA399972	M10	AFU1180	10
4	Washer	Change point - VIN end FA399972	3/8", Square	WM600061L	10
5	Screw	Change point - VIN end FA399972		255204	2
6	Washer-Spring	Change point - VIN end FA399972	1/4 dia, Square	WM600041L	2
7	Nut - Hex.	Change point - VIN end FA399972	hexagonal head, 3/8UNF	NH606041L	2
8	Caliper assembly-front brake	Change point - VIN end FA399972	Also serviced as part of a kit, RH, Solid	AEU1718	1
		Change point - VIN end FA399972	Also serviced as part of a kit, Solid, LH	AEU1719	1
9	Piston front caliper	Change point - VIN end FA399972	Also serviced as part of a kit	606683	8
10	Seal	Change point - VIN end FA399972	Also serviced as part of a kit	17H8764L	4
11	Screw-bleed brake	Change point - VIN end FA399972	Also serviced as part of a kit	RTC1526	6
12	Cap-protective	Change point - VIN end FA399972	Also serviced as part of a kit	594091	6
13	Kit-brake caliper piston seal	Change point - VIN end FA399972		AEU1547	4
14	Bolt	Change point - VIN end FA399972		RTC1136	8
15	Bolt	Change point - VIN end FA399972	7/16", UNF	571910	4
16	Washer	Change point - VIN end FA399972	7/16", sprung	WM600071L	4
17	Pad-brake	Change point - VIN end FA399972	axle set	RTC4518	1
18	Spring	Change point - VIN end FA399972		606688	4
19	Pin-split	Change point - VIN end FA399972		606687	4

Braking Systems
Front & Rear
Front Disc Brakes-To (V) FA399972 2/2

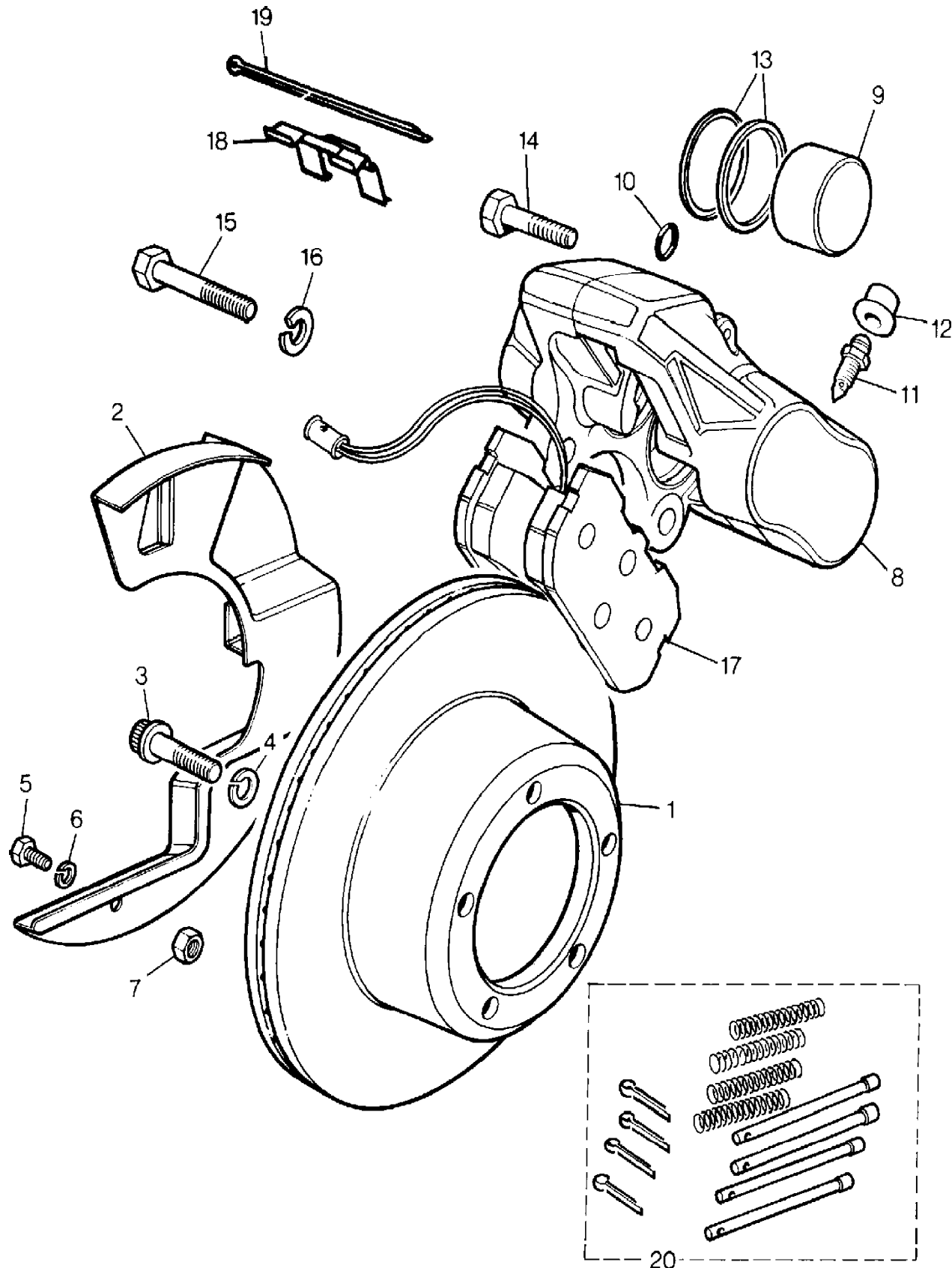
Range Rover (To HA610293)

(TS5619B)

Braking Systems
Front & Rear
Front Disc Brakes-To (V) FA399972

Range Rover (To HA610293)

Callout	Name	Application	Remarks & Restrictions	Service No.	Qty
20	Kit-brake pad retaining	Change point - VIN end FA399972	Front	RTC6799	1



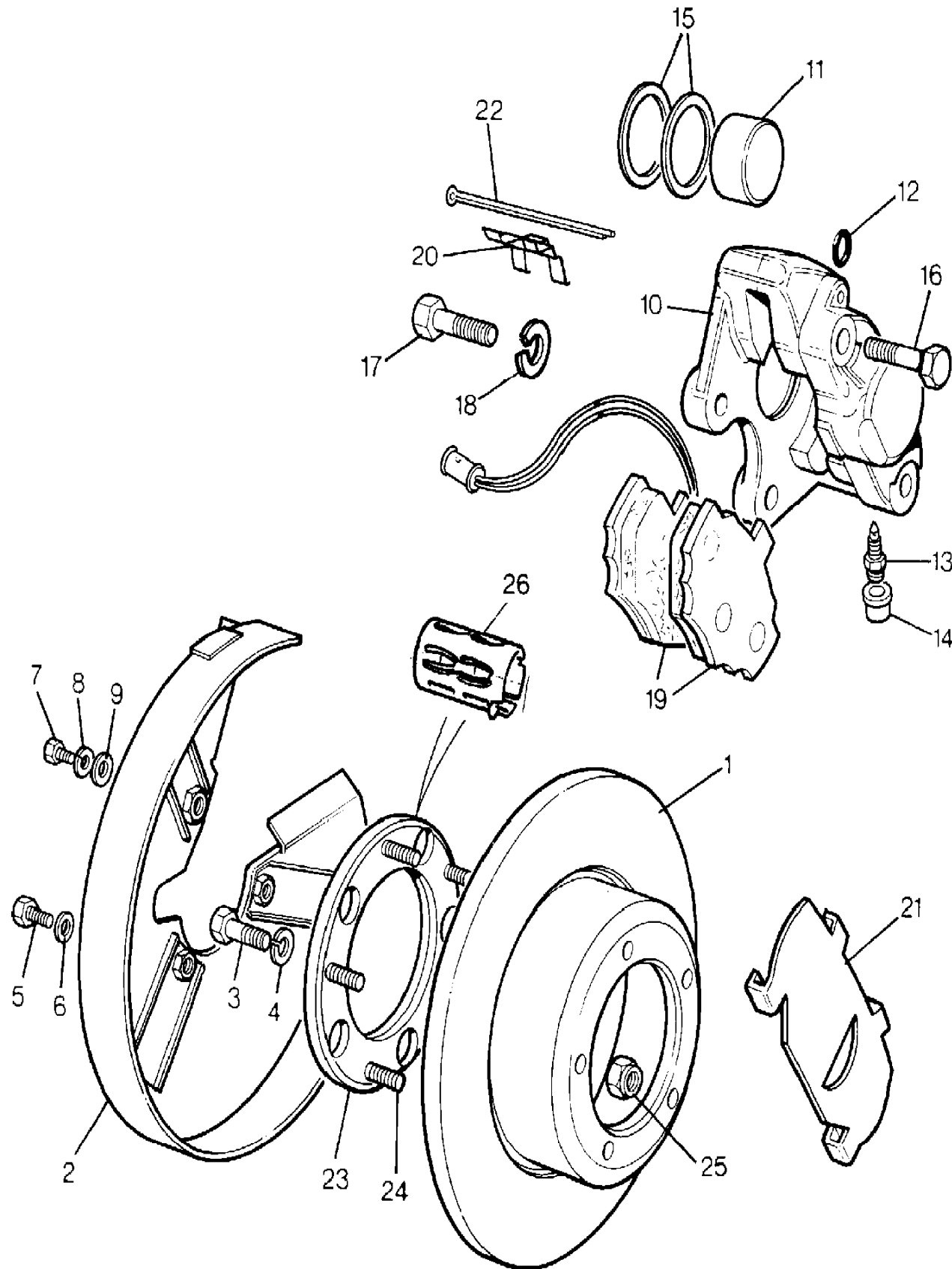
Range Rover (To HA610293)

(TS5620A)

Range Rover (To HA610293)

All Wheel Anti-Lock Braking System

Callout	Name	Application	Remarks & Restrictions	Service No.	Qty
1	Disc-solid brake		Rear	FTC1381	2
2	Shield-disc rear brake	Less Police	RH	FTC1372	1
		Less Police	LH	FTC1373	1
		(+)"GB", With Police Vehicle	RH	FTC1322	1
		(+)"GB", With Police Vehicle	LH	FTC1323	1
3	Bolt		M10	FTC1368	10
4	Washer		3/8", Square	WM600061L	10
5	Screw		1/4UNF x 3/4	255207	2
6	Washer-Spring		1/4 dia, Square	WM600041L	2
7	Screw		hexagonal head, 1/4UNF x 7/8	SH604071L	8
8	Washer		M6, sprung	WL106001L	8
9	Washer		6MM	WA106041L	8
10	Caliper assembly-rear brake		Also serviced as part of a kit, RH	RTC5889	1
			Also serviced as part of a kit, LH	RTC5890	1
11	Piston-rear caliper brake		Also serviced as part of a kit	606696	4
12	Seal		Also serviced as part of a kit	RTC1137	2
13	Screw-bleed brake		Also serviced as part of a kit	RTC1526	2
14	Cap-protective		Also serviced as part of a kit	594091	2
15	Kit-brake caliper piston seal			AEU1547	2
16	Bolt			27H4353L	2
17	Bolt		7/16", UNF	591065	4
18	Washer		7/16", sprung	WM600071L	4
19	Pad-brake		Also serviced as part of a kit, Asbestos Free, Rear, axle set	RTC6591	1
21	Shim		inner RH, outer LH	591628	2
			inner LH, outer RH	591629	2
22	Pin-split			PS610241	4



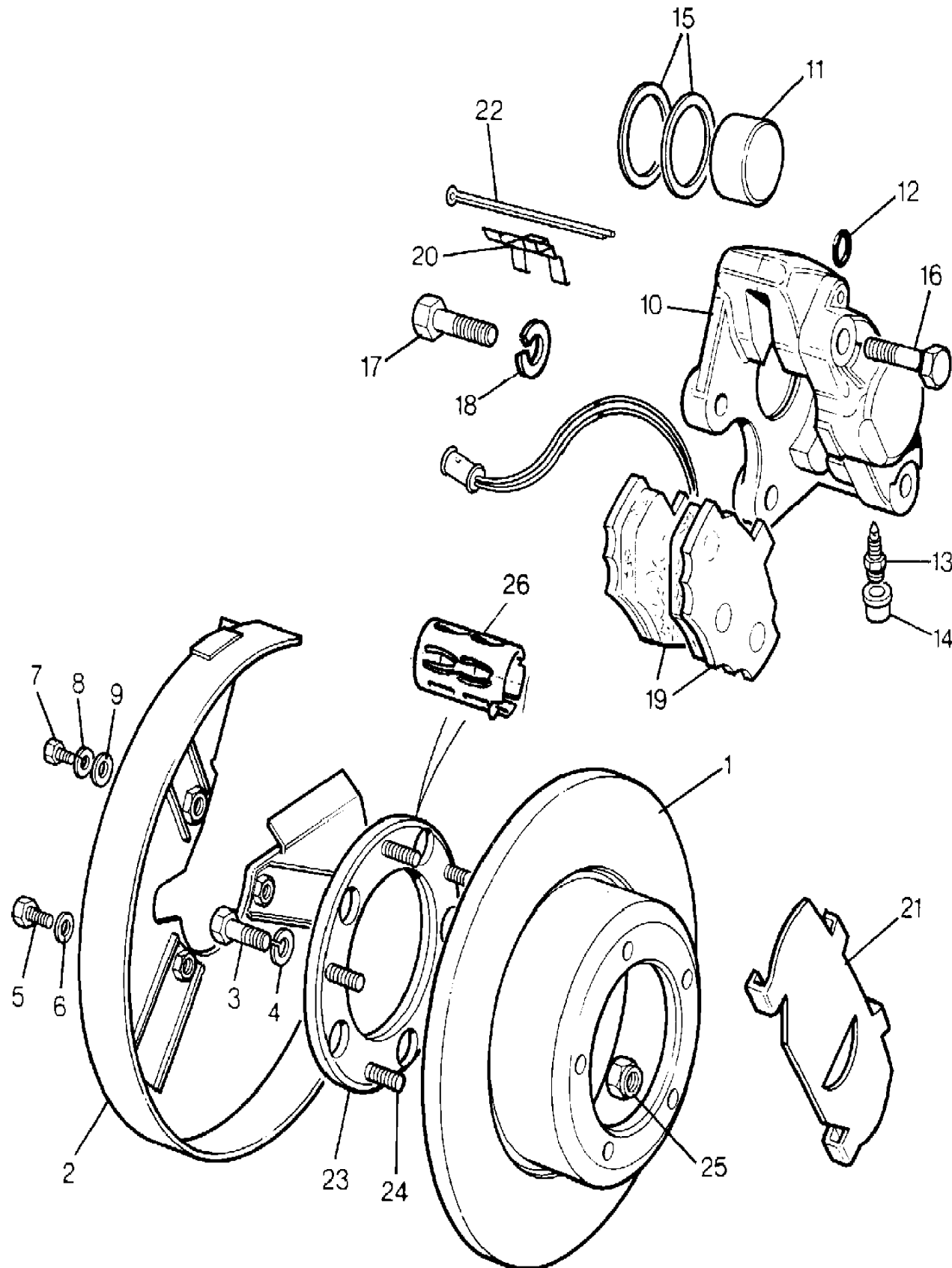
Range Rover (To HA610293)

(TS5620A)

Range Rover (To HA610293)

All Wheel Anti-Lock Braking System

Callout	Name	Application	Remarks & Restrictions	Service No.	Qty
23	Ring-pulsar antilock brakes		Also serviced as part of a kit	FTC1379	2
24	Stud		Also serviced as part of a kit	TD106041	10
25	Nut - Hex.		M6, nyloc, flange	NY106041	10
26	Bush		antilock brake system sensor	FTC1374	2



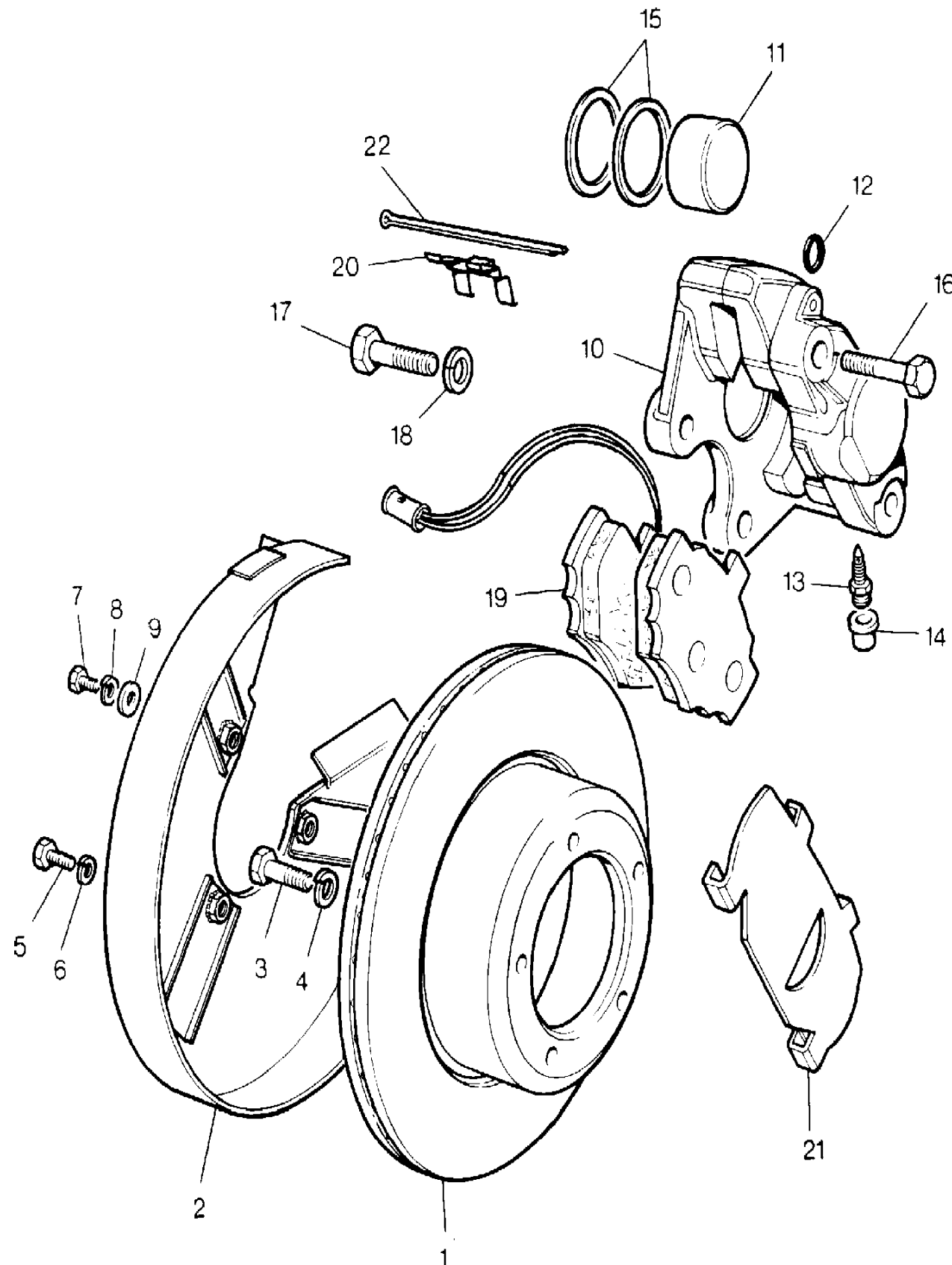
Range Rover (To HA610293)

(TS5620)

Range Rover (To HA610293)

Less Anti-Lock Braking System

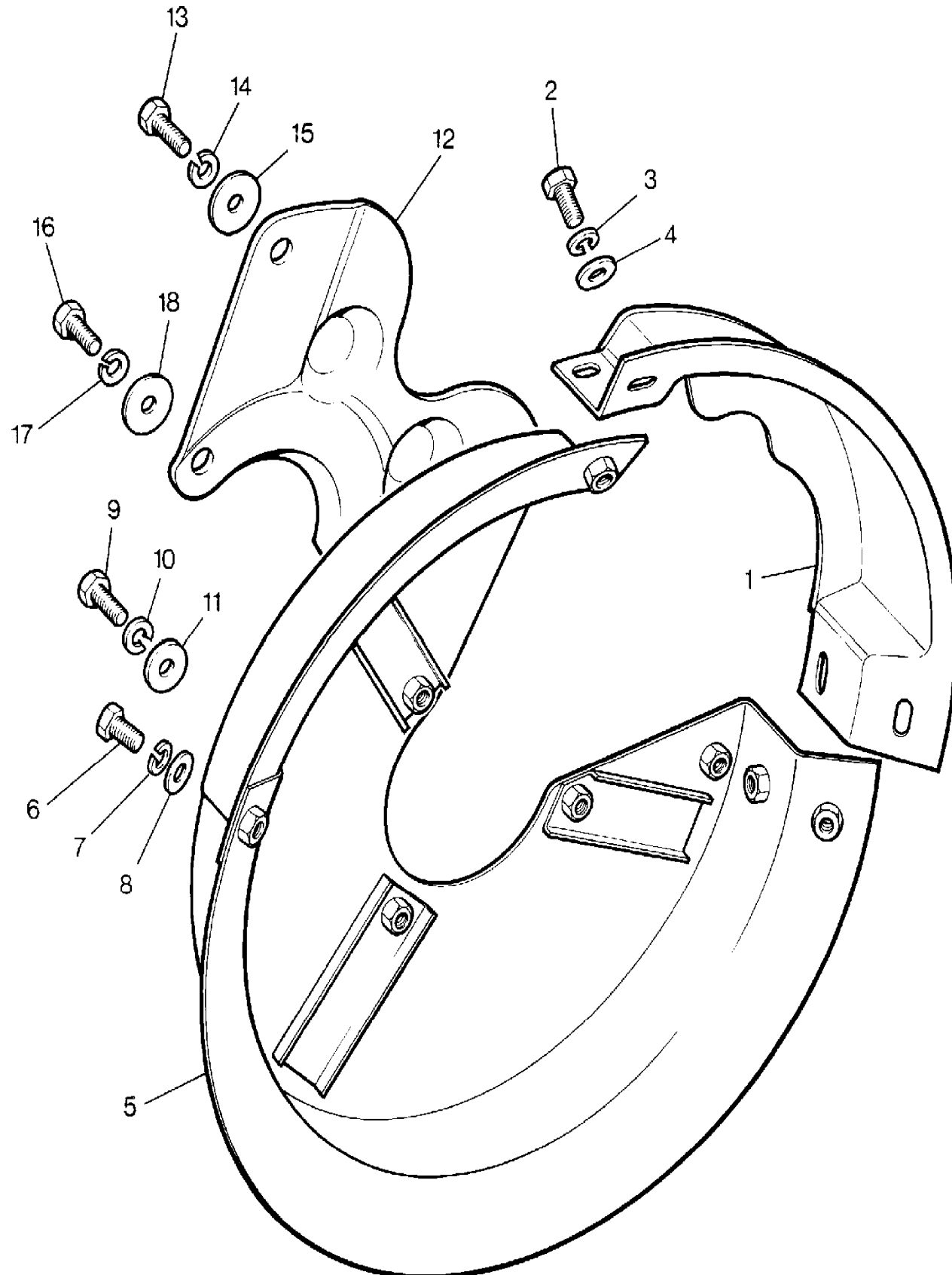
Callout	Name	Application	Remarks & Restrictions	Service No.	Qty
1	Disc-solid brake		Rear	FTC1381	2
2	Mudshield-rear wheelarch		RH	NRC7062	1
			LH	NRC7063	1
3	Bolt		M10	AFU1180	10
4	Washer		3/8", Square	WM600061L	10
5	Screw		1/4UNF x 3/4	255207	2
6	Washer-Spring		1/4 dia, Square	WM600041L	2
7	Screw		hexagonal head, 1/4UNF x 7/8	SH604071L	8
8	Washer		M6, sprung	WL106001L	8
9	Washer		6MM	WA106041L	8
10	Caliper assembly-rear brake		Also serviced as part of a kit, RH	RTC5889	1
			Also serviced as part of a kit, LH	RTC5890	1
11	Piston-rear caliper brake		Also serviced as part of a kit	606696	4
12	Seal		Also serviced as part of a kit	RTC1137	2
13	Screw-bleed brake		Also serviced as part of a kit	RTC1526	2
14	Cap-protective		Also serviced as part of a kit	594091	2
15	Kit-brake caliper piston seal			AEU1547	2
16	Bolt			27H4353L	2
17	Bolt		7/16", UNF	591065	4
18	Washer		7/16", sprung	WM600071L	4
19	Pad-brake		Also serviced as part of a kit, Asbestos Free, Rear, axle set	RTC6591	1
21	Shim		inner LH, outer RH	591629	2
			inner RH, outer LH	591628	2
22	Pin-split			PS610241L	4



Range Rover (To HA610293)

(3RE464)

Range Rover (To HA610293)



Callout	Name	Application	Remarks & Restrictions	Service No.	Qty
1	Cover-caliper brake	(+)"IS" (+)"IS" (+)"S" (+)"S"	RH, top top, LH RH, top top, LH	624449 624450 NTC3360 NTC3361	1 1 1 1
2	Screw		1/4UNF x 5/8	255206	8
3	Washer-Spring		1/4 dia, Square	WM600041L	8
4	Washer			3900	8
5	Shield-disc rear brake		RH LH	624208 90624209	1 1
6	Screw			255204	4
7	Washer-Spring		1/4 dia, Square	WM600041L	4
8	Washer		6MM	WA106041L	4
9	Screw		1/4UNF x 5/8	255206	2
10	Washer-Spring		1/4 dia, Square	WM600041L	2
11	Washer			3900	2
12	Cover-caliper brake	(+)"IS" (+)"IS" (+)"S" (+)"GB", With Police Vehicle (+)"S" (+)"GB", With Police Vehicle	RH, Side Side, LH RH, Side RH, Side Side, LH Side, LH	624447 624448 NRC8416 NRC8416 NRC8417 NRC8417	1 1 1 1 1 1
13	Screw		1/4UNF x 5/8	255206	4
14	Washer-Spring		1/4 dia, Square	WM600041L	4
15	Washer		1/4", inside diameter	2215	4
16	Screw		1/4UNF x 3/4	255207	4
17	Washer-Spring		1/4 dia, Square	WM600041L	4
18	Washer		1/4", inside diameter	2215	4

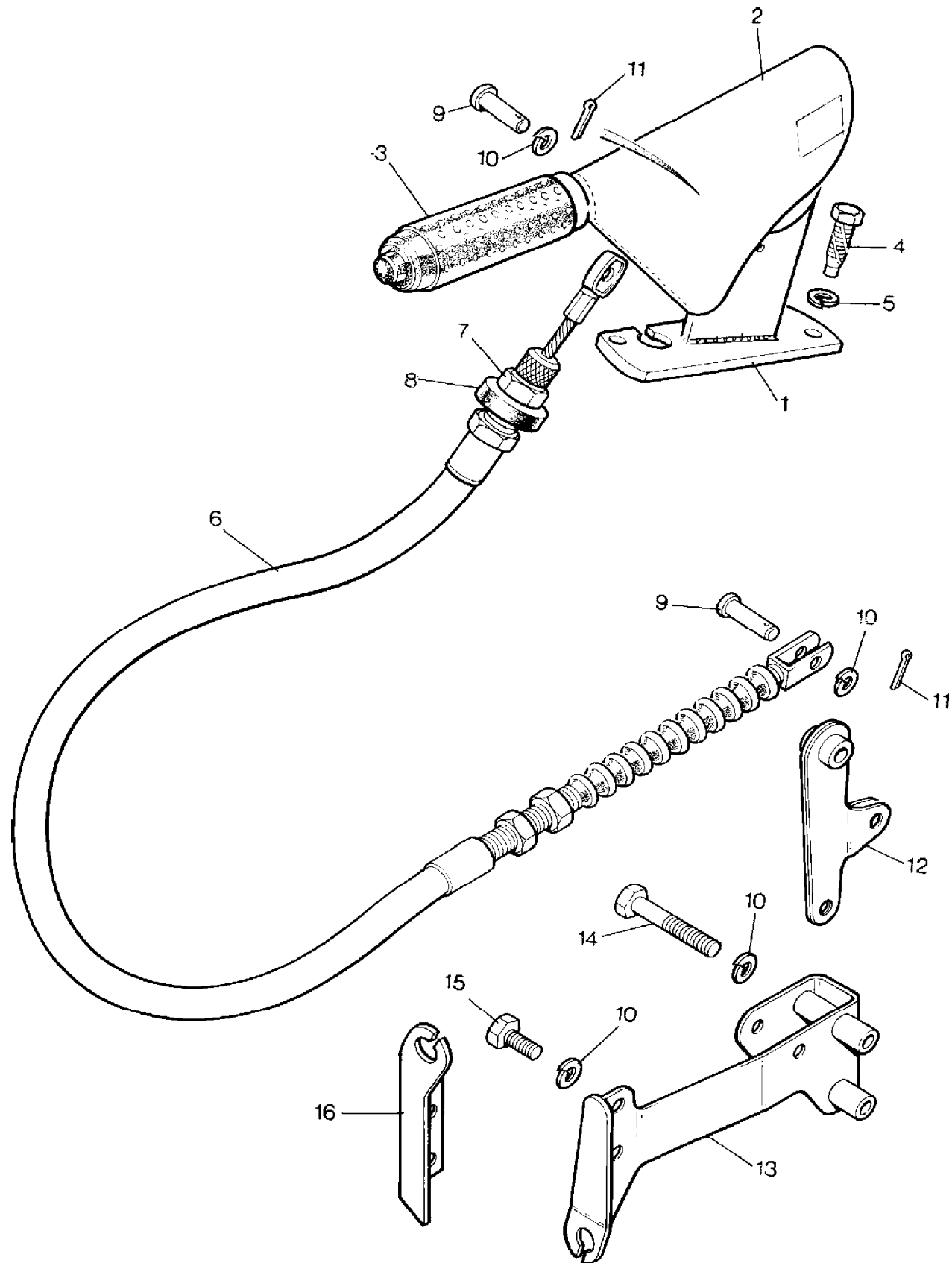
Braking Systems
Handbrake
From (V) CA265469 To EA351032 1/2

Range Rover (To HA610293)

(TS6479)

Range Rover (To HA610293)

Braking Systems
Handbrake
From (V) CA265469 To EA351032



Callout	Name	Application	Remarks & Restrictions	Service No.	Qty
1	Lever assembly handbrake	Change point - VIN begin CA265469, Change point - VIN end EA351032	Also serviced as part of a kit, Vinyl	NTC4404	1
		Change point - VIN begin CA265469, Change point - VIN end EA351032	Also serviced as part of a kit, Leather	NTC5546LCQ	1
2	Gaiter-handbrake assembly	Change point - VIN begin CA265469, Change point - VIN end EA351032	Also serviced as part of a kit, Vinyl, Bokhara	MWC3242	1
		Change point - VIN begin CA265469, Change point - VIN end EA351032	Also serviced as part of a kit, Vinyl, Slate Grey	MXC1362LCQ	1
3	Grip handbrake	Change point - VIN begin CA265469, Change point - VIN end EA351032	Also serviced as part of a kit	NTC2243	1
4	Screw-flanged head	Change point - VIN begin CA265469, Change point - VIN end EA351032	M8 X 35	FS108351	2
5	Washer	Change point - VIN begin CA265469, Change point - VIN end EA351032	M8, sprung	WL108001L	2
6	Cable assembly handbrake	Change point - VIN begin CA265469, Change point - VIN end EA351032		NTC3414	1
7	Locknut	Change point - VIN begin CA265469, Change point - VIN end EA351032		NTC2796	1
8	Pad-cable sealing handbrake	Change point - VIN begin CA265469, Change point - VIN end EA351032		NTC1340	1
9	Pin assembly-clevis	Change point - VIN begin CA265469, Change point - VIN end EA351032		PC108241	3
10	Washer	Change point - VIN begin CA265469, Change point - VIN end EA351032	M8, sprung	WL108001L	7
11	Pin-split	Change point - VIN begin CA265469, Change point - VIN end EA351032		PS104121L	7
12	Lever-handbrake cable relay	Change point - VIN begin CA265469, Change point - VIN end EA351032		NTC3340	1
13	Bracket-handbrake cable relay lever	Change point - VIN begin CA265469, Change point - VIN end EA351032		NTC3341	1
14	Bolt	Change point - VIN begin CA265469, Change point - VIN end EA351032	hexagonal head, M8 x 70	BH108141L	2

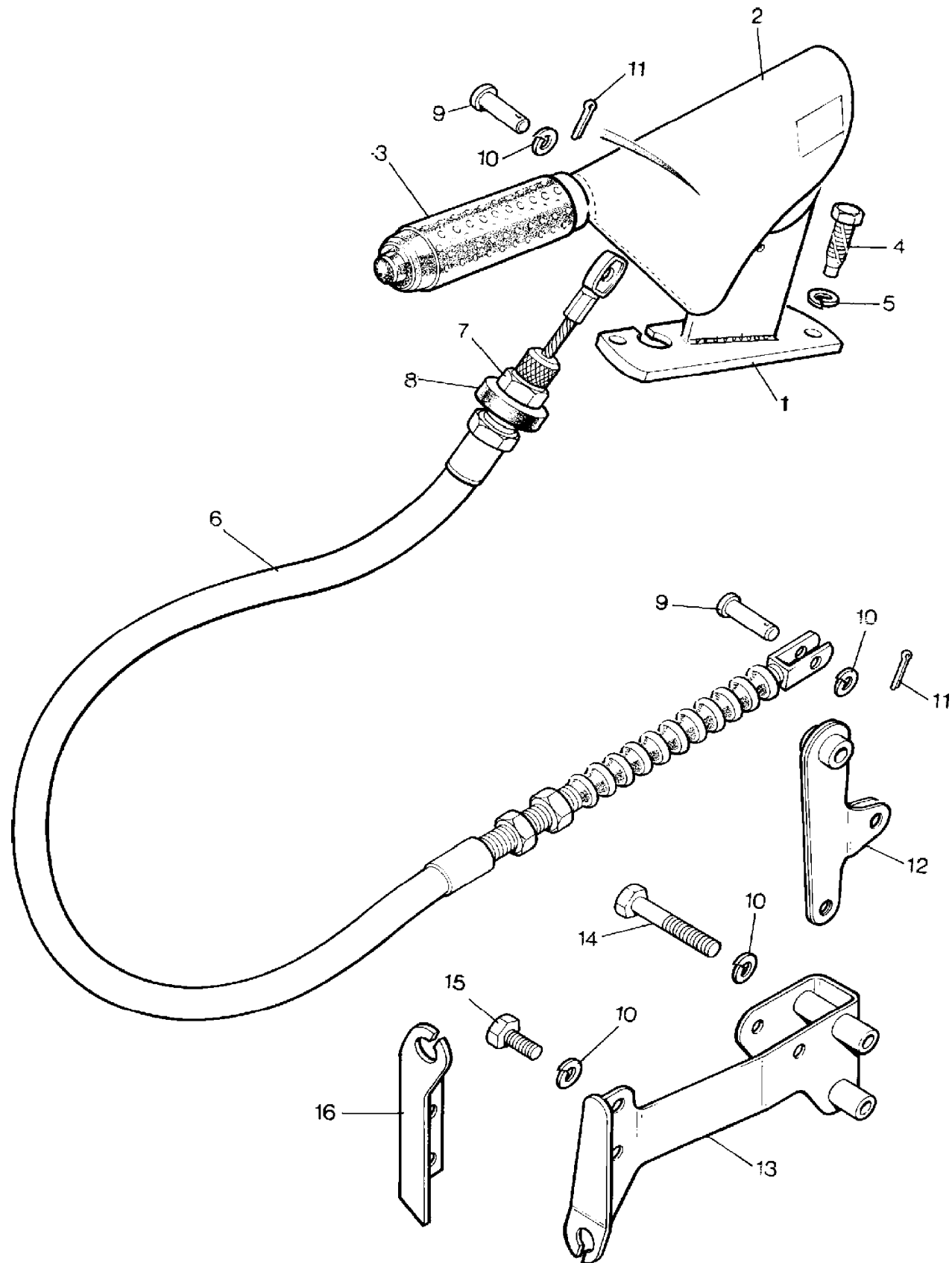
Braking Systems
Handbrake
From (V) CA265469 To EA351032 2/2

Range Rover (To HA610293)

(TS6479)

Range Rover (To HA610293)

Braking Systems
Handbrake
From (V) CA265469 To EA351032

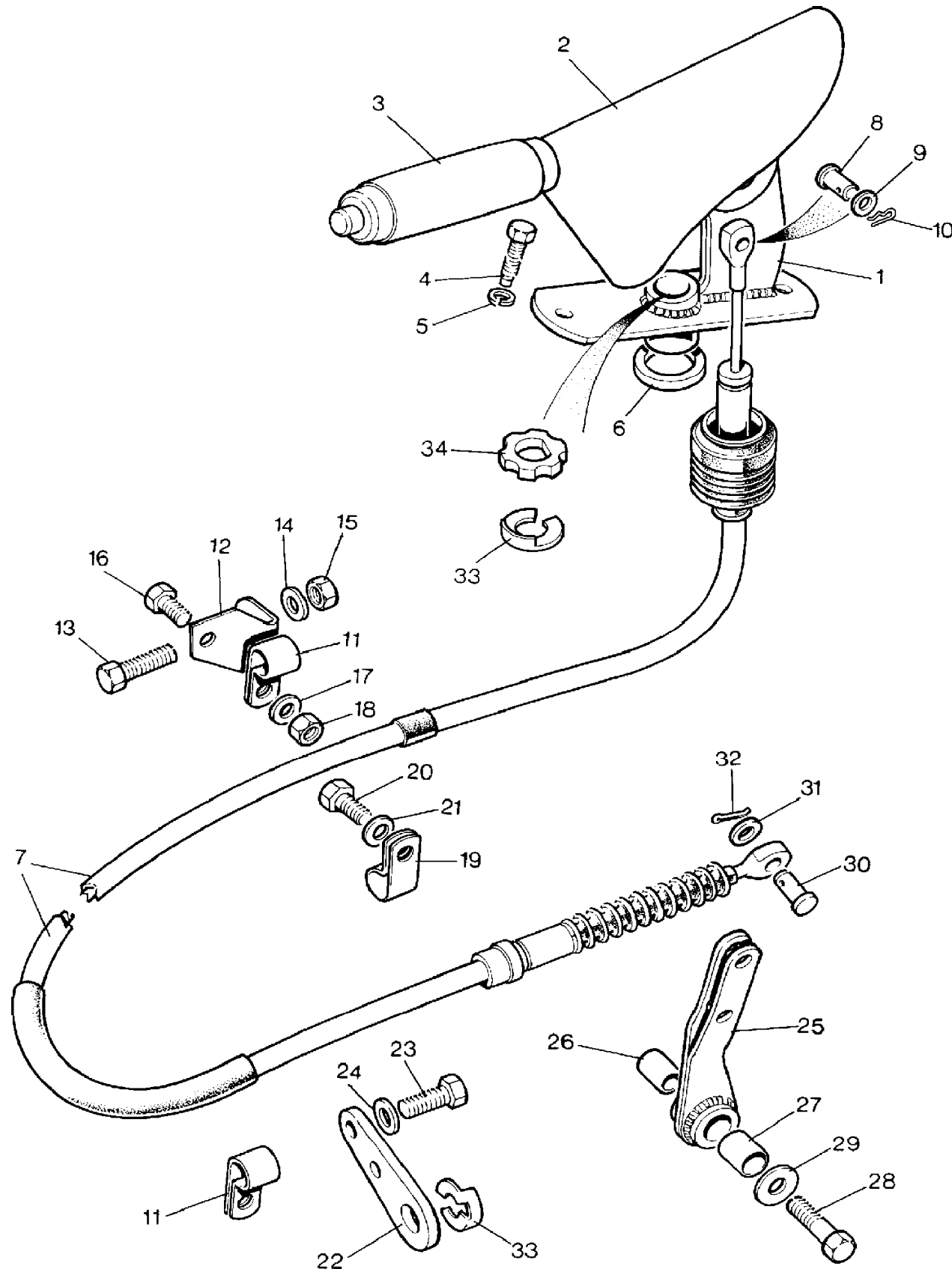


Callout	Name	Application	Remarks & Restrictions	Service No.	Qty
15	Screw	Change point - VIN begin CA265469, Change point - VIN end EA351032	hexagonal head, M8 x 20	SH108201L	5
16	Bracket	Change point - VIN begin CA265469, Change point - VIN end EA351032		NTC3227	1

Range Rover (To HA610293)

(TS6523A)

Range Rover (To HA610293)



Callout	Name	Application	Remarks & Restrictions	Service No.	Qty
1	Lever assembly handbrake	Change point - VIN begin FA351033 Change point - VIN begin FA351033	Also serviced as part of a kit, Vinyl, Bokhara Also serviced as part of a kit, Bokhara, Leather	NTC5463RUN NTC7794RUN	1 1
2	Gaiter-handbrake assembly	Change point - VIN begin FA351033 Change point - VIN begin FA351033	Also serviced as part of a kit, Bokhara, Leather Also serviced as part of a kit, Bokhara, Leather	MXC7712RUN MXC7711RUN	1 1
3	Grip handbrake	Change point - VIN begin FA351033	Also serviced as part of a kit	NTC2243	1
4	Screw-flanged head	Change point - VIN begin FA351033	M8 X 35	FS108351	2
5	Washer	Change point - VIN begin FA351033	M8, sprung	WL108001L	2
6	Seal-handbrake lever/body	Change point - VIN begin FA351033		NTC5026	2
7	Cable assembly handbrake	Change point - VIN begin FA351033		NTC6125	1
8	Pin assembly-clevis	Change point - VIN begin FA351033		PC108291	1
9	Washer-Plain	Change point - VIN begin FA351033	M8	WB108051L	1
10	Pin-split	Change point - VIN begin FA351033		NTC6195	1
11	Clip-Pipe	Change point - VIN begin FA351033	Double	CP108161L	2
12	Bracket-handbrake cable mounting clip	Change point - VIN begin FA351033		NTC5690	1
13	Screw	Change point - VIN begin FA351033	hexagonal head, M10 x 35	SH110351L	1
14	Washer	Change point - VIN begin FA351033	M10	WA110061L	1
15	Nut - Hex.	Change point - VIN begin FA351033	M10, Flanged Head	FN110041	1
16	Screw	Change point - VIN begin FA351033	M8 X 16, hexagonal head	SH108161L	1
17	Washer	Change point - VIN begin FA351033	8MM	WA108051L	1
18	Nut - Hex.	Change point - VIN begin FA351033	M8, hexagonal head	NH108041L	1
19	Clip	Change point - VIN begin FA351033		CP110161L	1

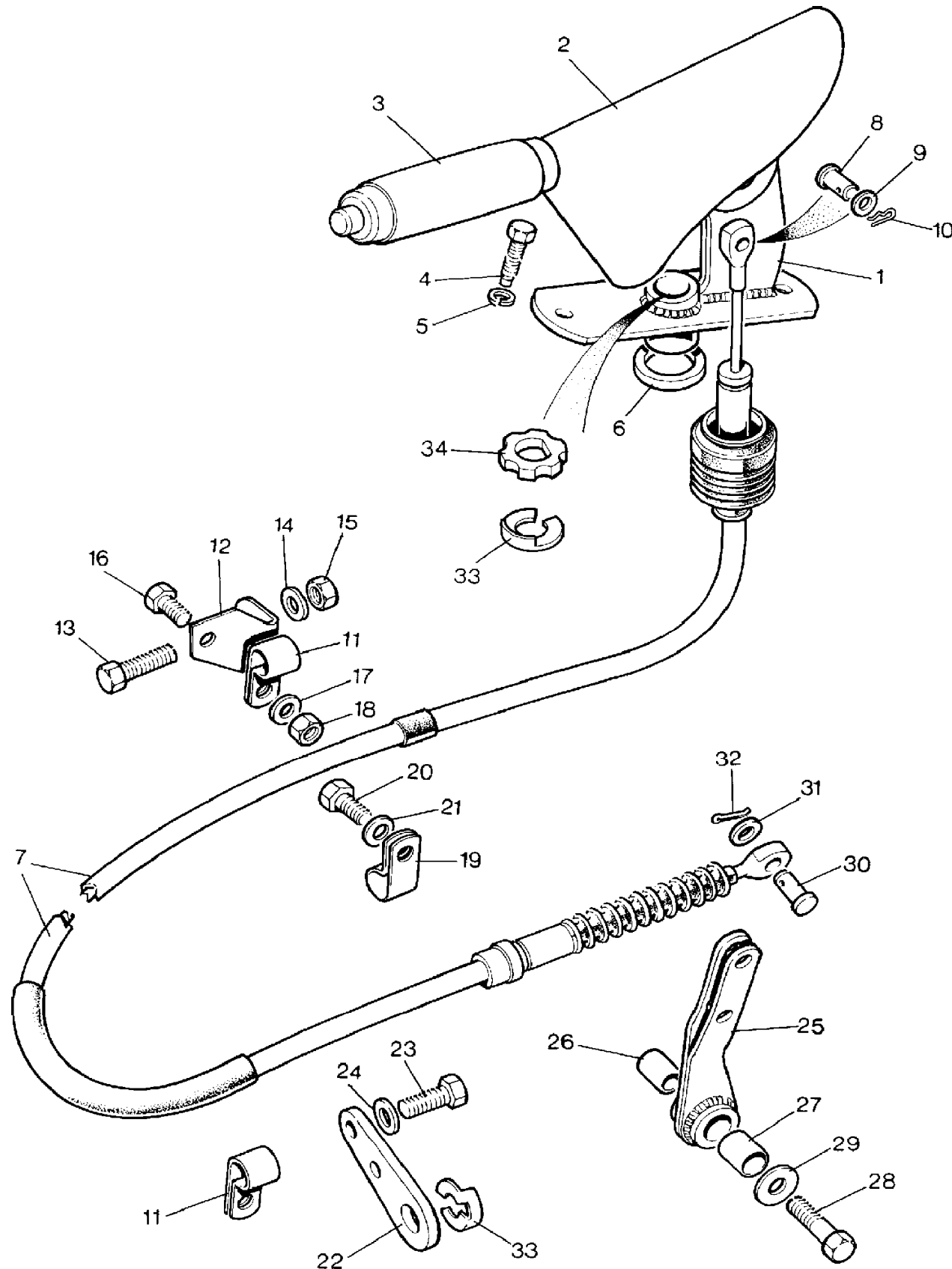
Braking Systems
Handbrake
From (V) FA351033 2/2

Range Rover (To HA610293)

(TS6523A)

Range Rover (To HA610293)

Braking Systems
Handbrake
From (V) FA351033

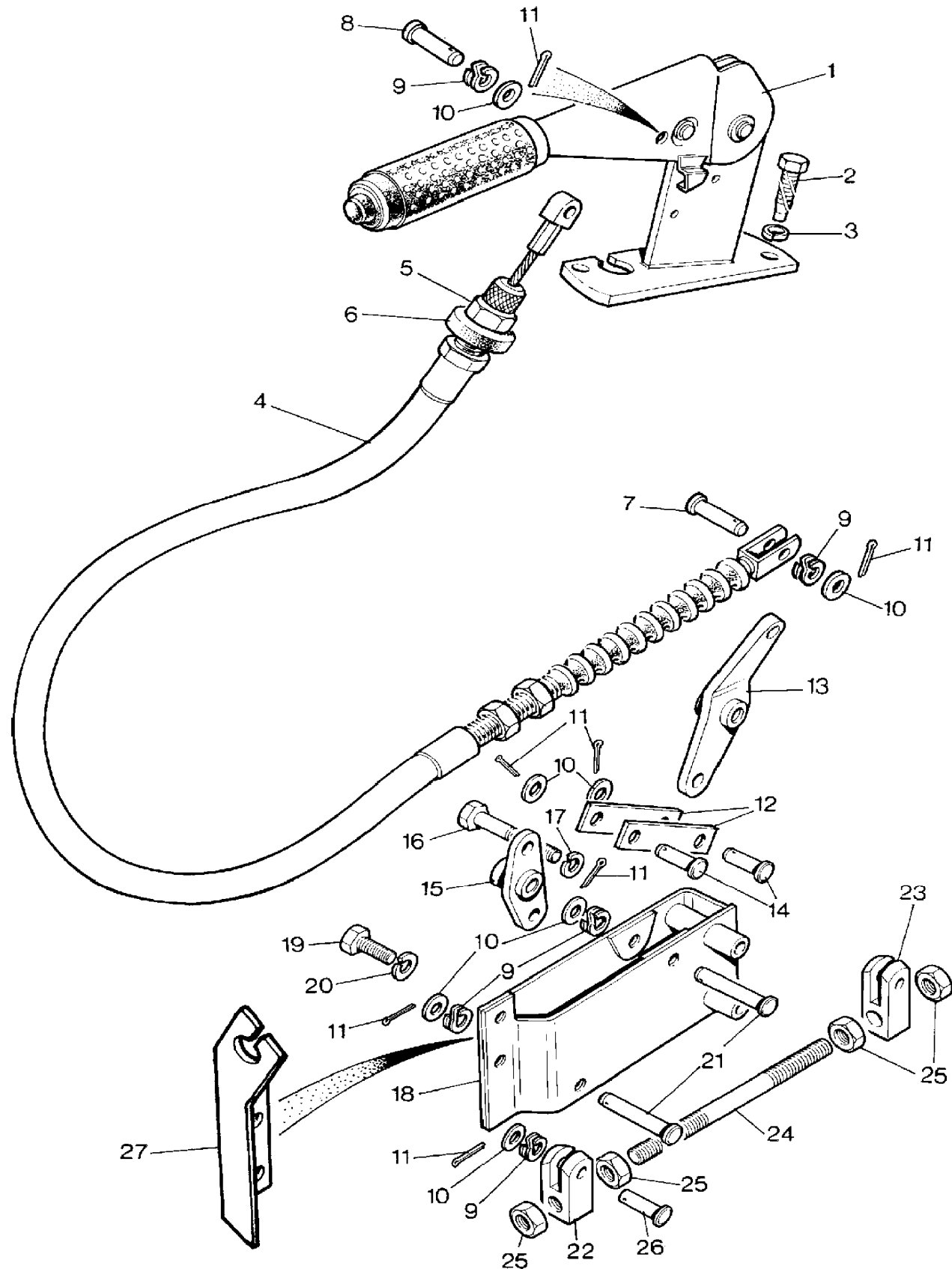


Callout	Name	Application	Remarks & Restrictions	Service No.	Qty
20	Screw	Change point - VIN begin FA351033	hexagonal head, M10 x 20	SH110201L	1
21	Washer	Change point - VIN begin FA351033	M10	WA110061L	1
22	Plate-handbrake base	Change point - VIN begin FA351033		NTC3749	1
23	Screw	Change point - VIN begin FA351033	M8 x 25, Flanged Head	FS108251	1
24	Washer	Change point - VIN begin FA351033	8MM	WA108051L	1
25	Lever-handbrake cable relay	Change point - VIN begin FA351033		NTC3747	1
26	Bush	Change point - VIN begin FA351033		NTC3748	1
27	Bush	Change point - VIN begin FA351033		NTC5148	1
28	Bolt	Change point - VIN begin FA351033	M10 X 45	BH110091L	1
29	Washer	Change point - VIN begin FA351033	M10	WA110061L	1
30	Pin-clevis/pivot	Change point - VIN begin FA351033		PC108321L	2
31	Washer	Change point - VIN begin FA351033	8MM	WA108051L	2
32	Pin-split	Change point - VIN begin FA351033		PS104127L	2
33	Clip	Change point - VIN begin FA351033		NTC5147	2
34	Knob-handbrake cable adjusting	Change point - VIN begin FA351033		NTC5009	1

Range Rover (To HA610293)

(TS5584)

Range Rover (To HA610293)



Callout	Name	Application	Remarks & Restrictions	Service No.	Qty
1	Lever assembly handbrake	Change point - VIN end CA265468		NTC2794	1
2	Screw	Change point - VIN end CA265468	M8 X 30, Self Tapping	GG108301L	2
3	Washer	Change point - VIN end CA265468	M8, sprung	WL108001L	2
4	Cable assembly handbrake	Change point - VIN end CA265468, RHD Change point - VIN end CA265468, LHD		NRC5088 NRC5089	1 1
5	Locknut	Change point - VIN end CA265468		NTC2796	1
6	Pad-cable sealing handbrake	Change point - VIN end CA265468		NTC1340	1
7	Pin assembly-clevis	Change point - VIN end CA265468		PC108291	1
8	Pin assembly-clevis	Change point - VIN end CA265468		PC108401	1
9	Washer	Change point - VIN end CA265468		WS108001L	6
10	Washer	Change point - VIN end CA265468	8MM	WA108051L	8
11	Pin-split	Change point - VIN end CA265468		PS104127L	8
12	Relay	Change point - VIN end CA265468		NRC7174	2
13	Relay	Change point - VIN end CA265468		NTC2798	1
14	Pin assembly-clevis	Change point - VIN end CA265468		PC108241	2
15	Relay	Change point - VIN end CA265468		NRC7537	1
16	Bolt	Change point - VIN end CA265468	Flanged Head, M8 x 70	FB108141L	1
17	Washer	Change point - VIN end CA265468	M8, sprung	WL108001L	1
18	Relay	Change point - VIN end CA265468		NRC7515	1
19	Screw	Change point - VIN end CA265468	M8 x 25, hexagonal head	SH108251L	2

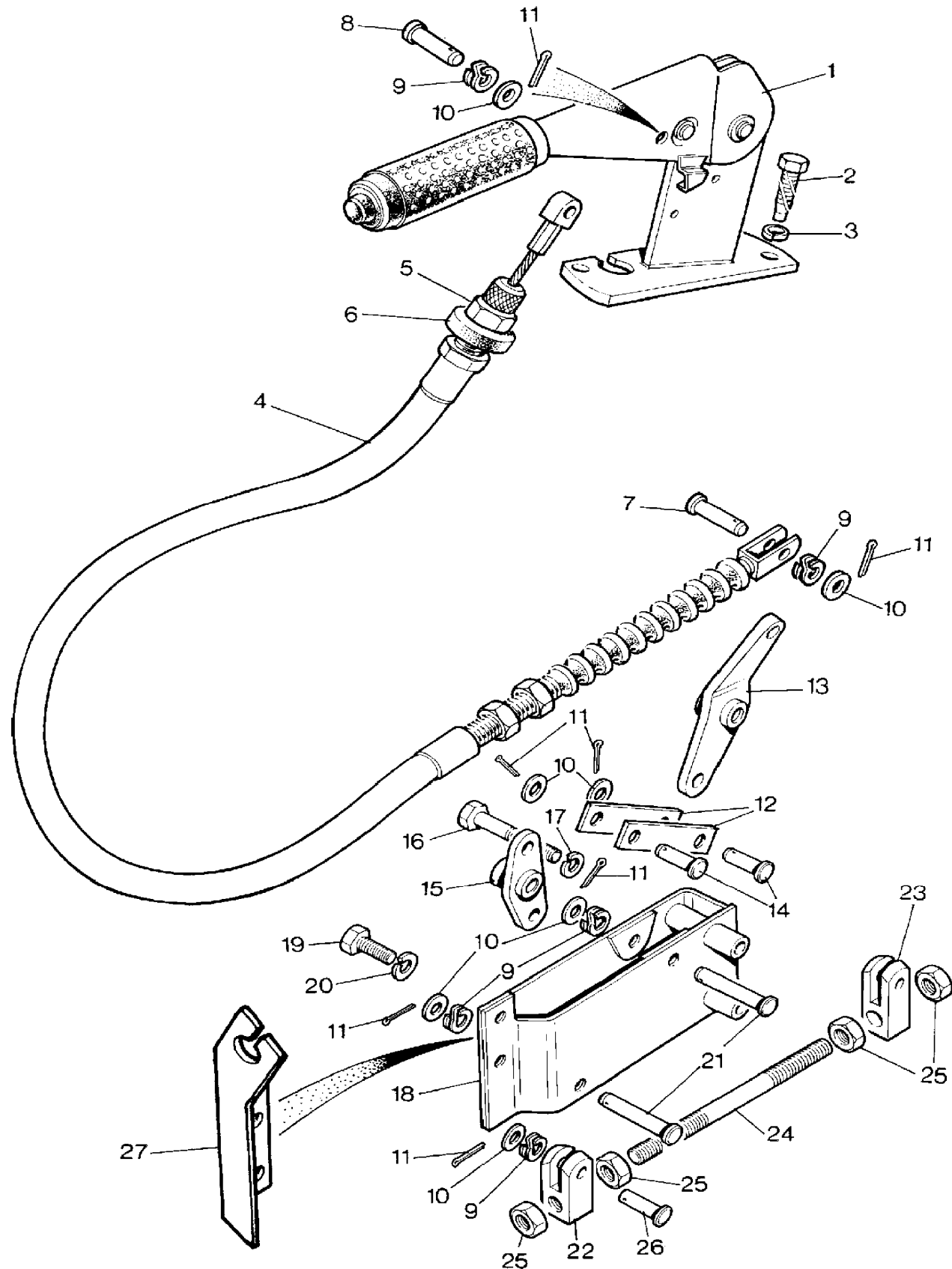
Braking Systems
Handbrake
To (V) CA265468 2/2

Range Rover (To HA610293)

(TS5584)

Braking Systems
Handbrake
To (V) CA265468

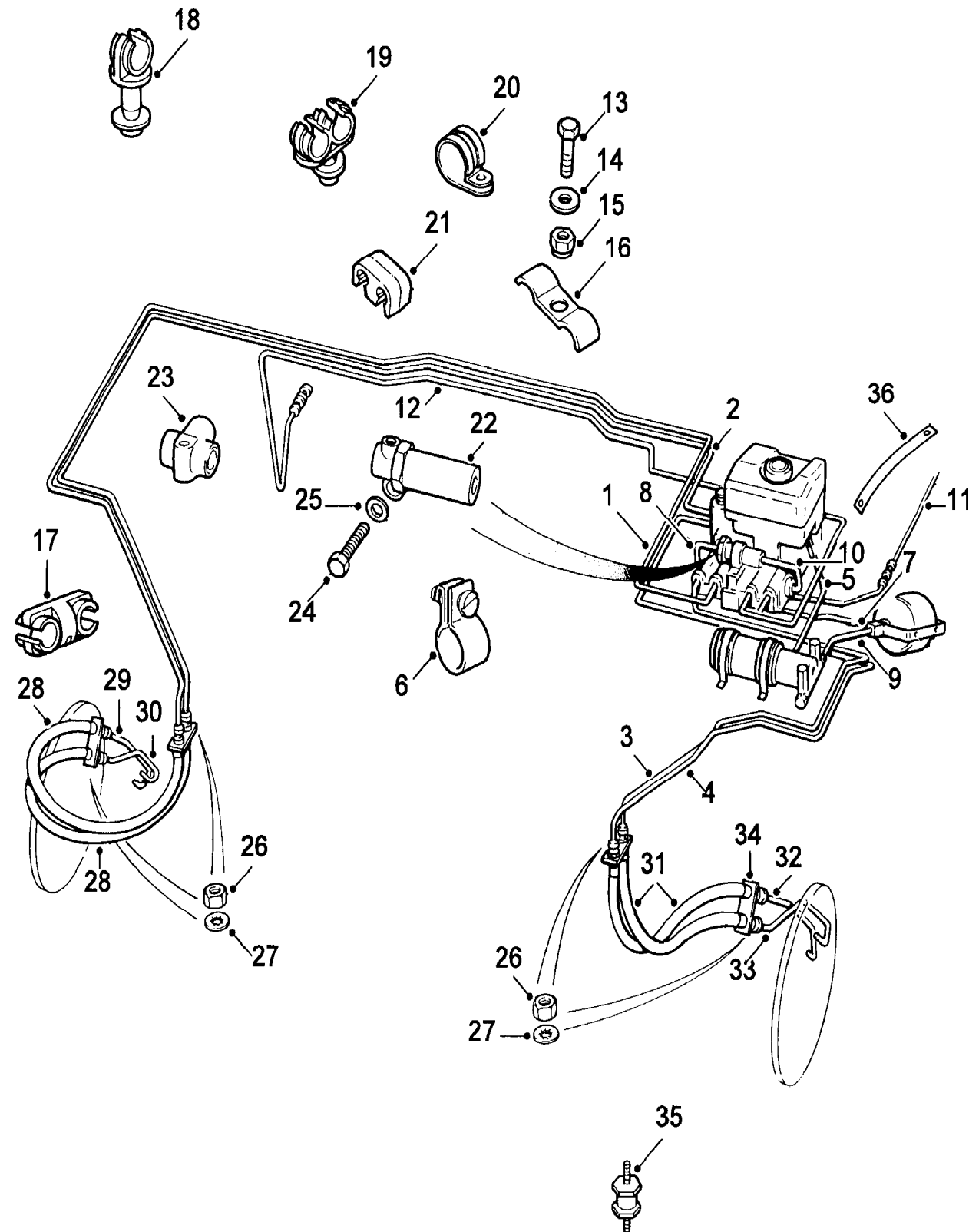
Range Rover (To HA610293)



Callout	Name	Application	Remarks & Restrictions	Service No.	Qty
20	Washer	Change point - VIN end CA265468	M8, sprung	WL108001L	2
21	Pin-clevis/pivot	Change point - VIN end CA265468		PC108728L	2
22	Pin-clevis/pivot	Change point - VIN end CA265468		NRC7568	1
23	Pin-clevis/pivot	Change point - VIN end CA265468		NRC7569	1
24	Stud	Change point - VIN end CA265468		NRC7950	1
25	Locknut	Change point - VIN end CA265468	M10	NT110041L	4
26	Pin assembly-clevis	Change point - VIN end CA265468		PC108291	1
27	Bracket	Change point - VIN end CA265468		NTC3227	1

Range Rover (To HA610293)

(TS6427C)



TS6427C

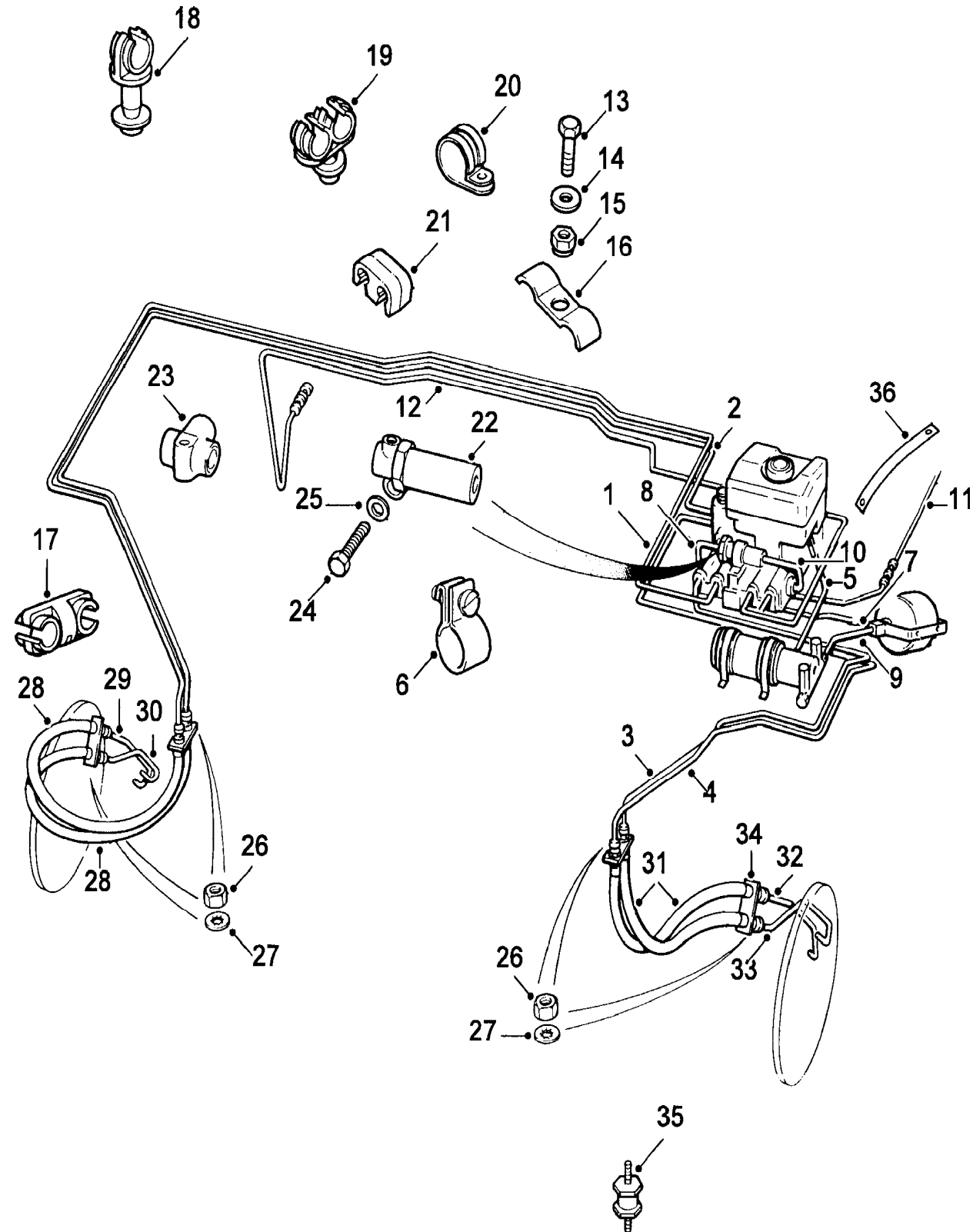
Range Rover (To HA610293)

LHD, All Wheel Anti-Lock Braking System

Callout	Name	Application	Remarks & Restrictions	Service No.	Qty
1	Pipe assembly brake		port 24 to jump hose	NTC7288	1
2	Pipe assembly brake		port 26 to jump hose	NTC5952	1
3	Pipe assembly brake		port 25 to jump hose	NTC5951	1
4	Pipe assembly brake		port 23 to jump hose	NTC5950	1
5	Hose-brake low pressure	Change point - VIN end GA451530	Reservoir To Pump	NTC7565	1
		Change point - VIN begin GA451531	Reservoir To Pump	NTC7874	1
6	Clip-Hose			AAU1979	2
7	Pipe assembly brake		accumulator to booster	NTC7859	1
8	Pipe assembly brake		booster to PCRV	NTC7283	1
9	Hose-antilock brakes high pressure		Also serviced as part of a kit	NTC7382	1
10	Pipe assembly brake		booster to PCRV	NTC7282	1
11	Pipe assembly brake		booster to rear	NTC5949	1
12	Pipe assembly brake		booster to rear	NTC7860	1
13	Screw			SP910201L	1
14	Washer-Spring		3/16 dia, Square	WM702001L	1
15	Nut - Hex.		UNF, No10	257011	1
16	Clip			509412	1
17	Clip			NTC5027	X
18	Clip - Brake Pipe			79124	5
19	Clip-brake pipe double			79125	9
20	Clip-p		1"	AEU1452	1
21	Clip-brake pipe double			AAU7803	4
22	Valve Brake			NTC6868	1
23	T Piece		Rear	NRC4251	1
24	Screw		hexagonal head, M6 x 10	SH106101L	1
25	Washer		6MM	WA106041L	1

Range Rover (To HA610293)

(TS6427C)



TS6427C

Range Rover (To HA610293)

LHD, All Wheel Anti-Lock Braking System

Callout	Name	Application	Remarks & Restrictions	Service No.	Qty
26	Nut - Hex.			CRC1487	8
27	Washer-starlock			WE110001L	8
28	Hose brake		Front	NRC4401	2
29	Pipe assembly brake	Change point - VIN end GA434112	jump hose (secondary) to caliper	NRC4408	1
		Change point - VIN begin GA434113	jump hose (secondary) to caliper, Front, RH	NTC8097	1
30	Pipe assembly brake	Change point - VIN end GA433412	jump hose (primary) to caliper	NRC4410	1
		Change point - VIN begin GA433413	jump hose (primary) to caliper, Front, RH	NTC8096	1
31	Hose brake		Front	NRC4401	2
32	Pipe assembly brake	Change point - VIN begin GA433522	jump hose (secondary) to caliper, Front, LH	NTC8099	1
		Change point - VIN end GA433521	jump hose (secondary) to caliper	NRC4409	1
33	Pipe assembly brake	Change point - VIN end GA433405	jump hose (primary) to caliper	NRC4411	1
		Change point - VIN begin GA433406	jump hose (primary) to caliper, Front, LH	NTC8098	1
34	Bracket-hose support antilock brakes		RH	FTC1362	1
			LH	FTC1363	1
35	Mounting-rubber flexible support			NRC9773	4
36	Lead-earth bonding			552632	1

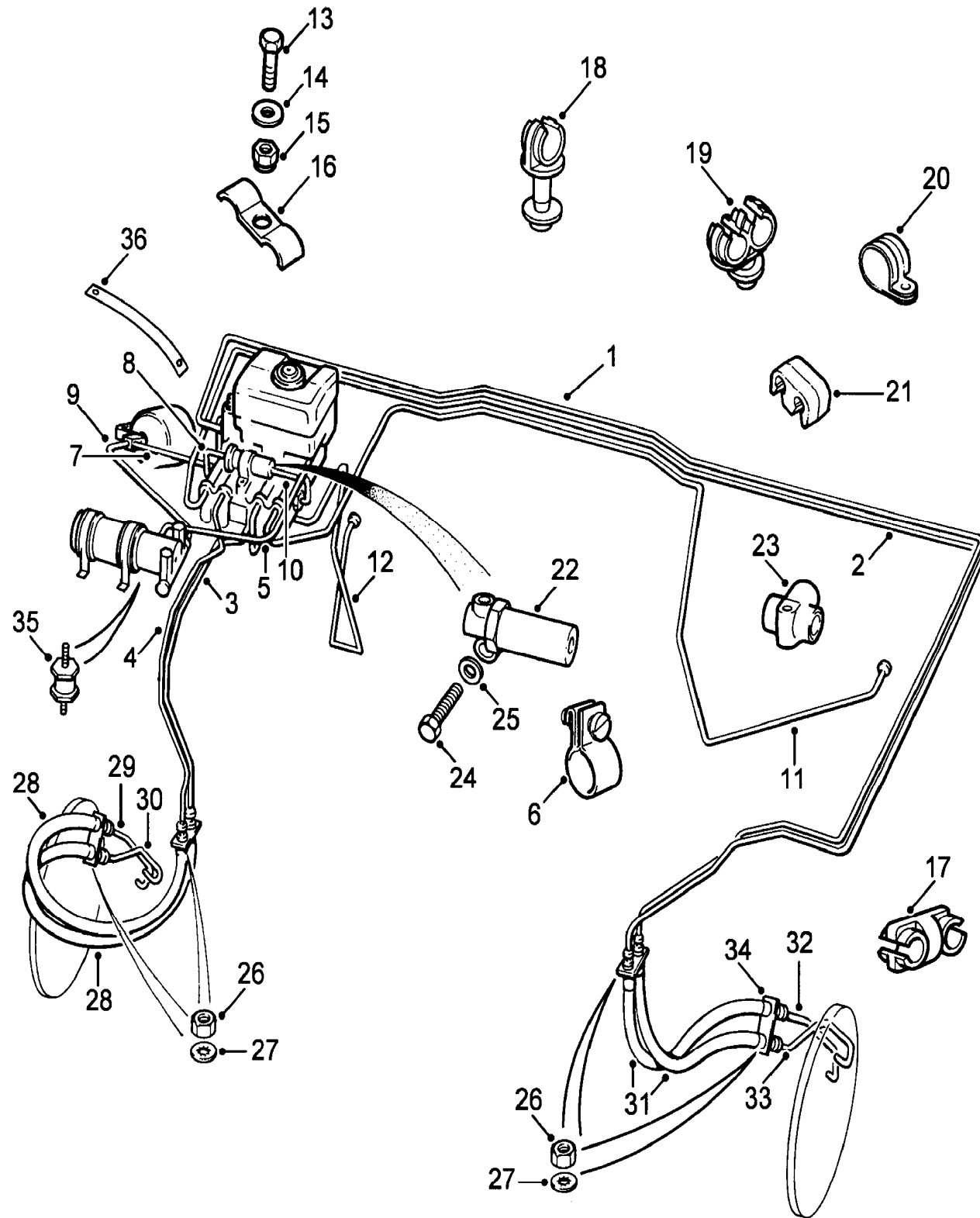
Range Rover (To HA610293)

(TS6416C)

Range Rover (To HA610293)

RHD, All Wheel Anti-Lock Braking System

Callout	Name	Application	Remarks & Restrictions	Service No.	Qty
1	Pipe assembly brake		port 25 to jump hose	NTC7285	1
2	Pipe assembly brake		port 23 to jump hose	NTC7789	1
3	Pipe assembly brake		port 26 to jump hose	NTC7286	1
4	Pipe assembly brake		port 24 to jump hose	NTC5947	1
5	Hose-brake low pressure		Reservoir To Pump	NTC5918	1
6	Clip-Hose			AAU1979	2
7	Pipe assembly brake		accumulator to booster	NTC5944	1
8	Pipe assembly brake		booster to PCRV	NTC7283	1
9	Hose-antilock brakes high pressure		accumulator to pump, Also serviced as part of a kit	NTC5920	1
10	Pipe assembly brake		port 12 to PCRV	NTC7282	1
11	Hose-brake low pressure		port 21 to connector	NTC7874	1
12	Pipe assembly brake		port 22 to connector	NTC5946	1
13	Screw			SP910201L	1
14	Washer-Spring		3/16 dia, Square	WM702001L	1
15	Nut - Hex.		UNF, No10	257011	1
16	Clip			509412	1
17	Clip			NTC5027	X
18	Clip - Brake Pipe			79124	5
19	Clip-brake pipe double			79125	9
20	Clip-p		1"	AEU1452	1
21	Clip-brake pipe double			AAU7803	4
22	Valve Brake			NTC6868	1
23	T Piece		Rear	NRC4251	1
24	Screw		hexagonal head, M6 x 10	SH106101L	1
25	Washer		6MM	WA106041L	1



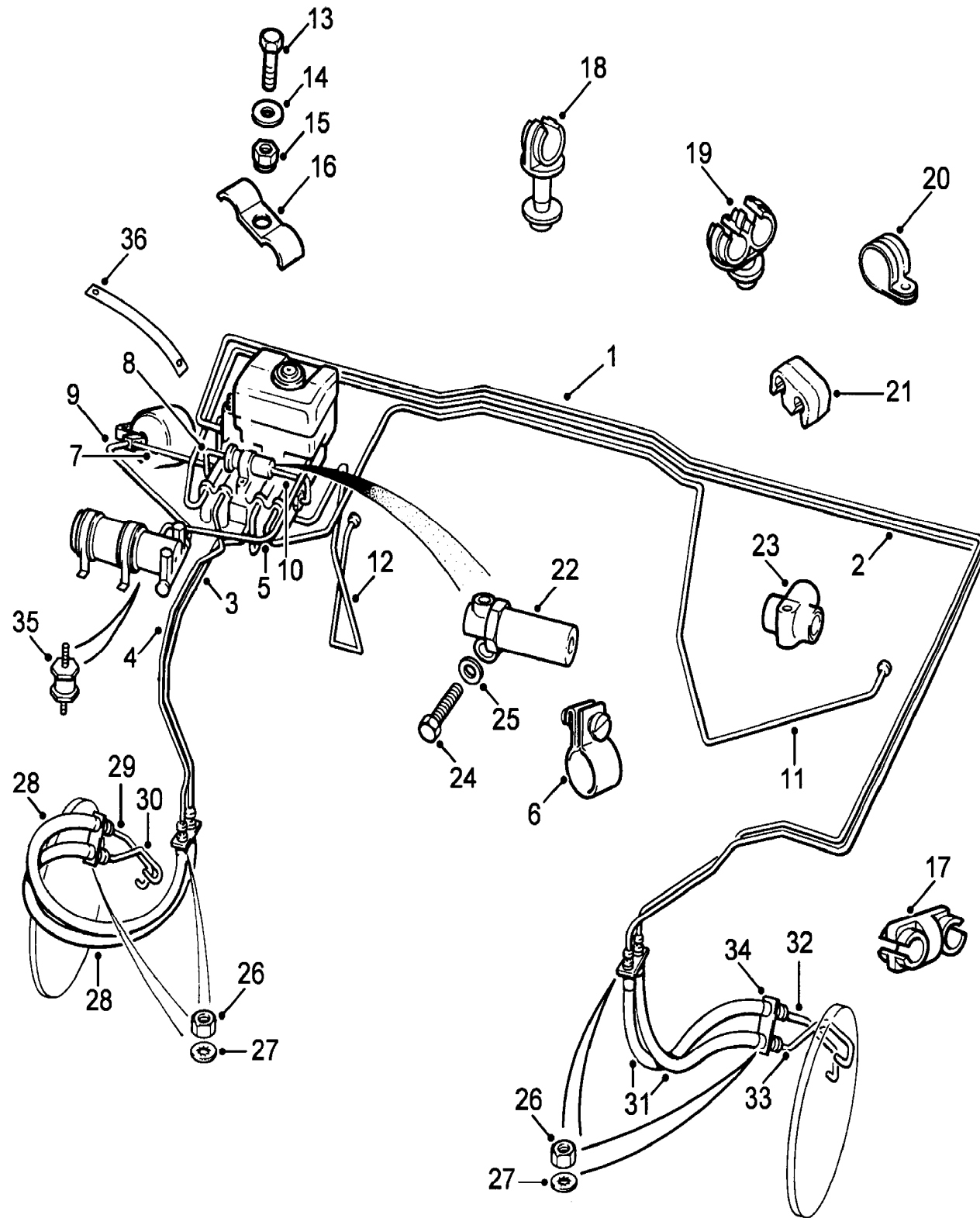
Range Rover (To HA610293)

(TS6416C)

Range Rover (To HA610293)

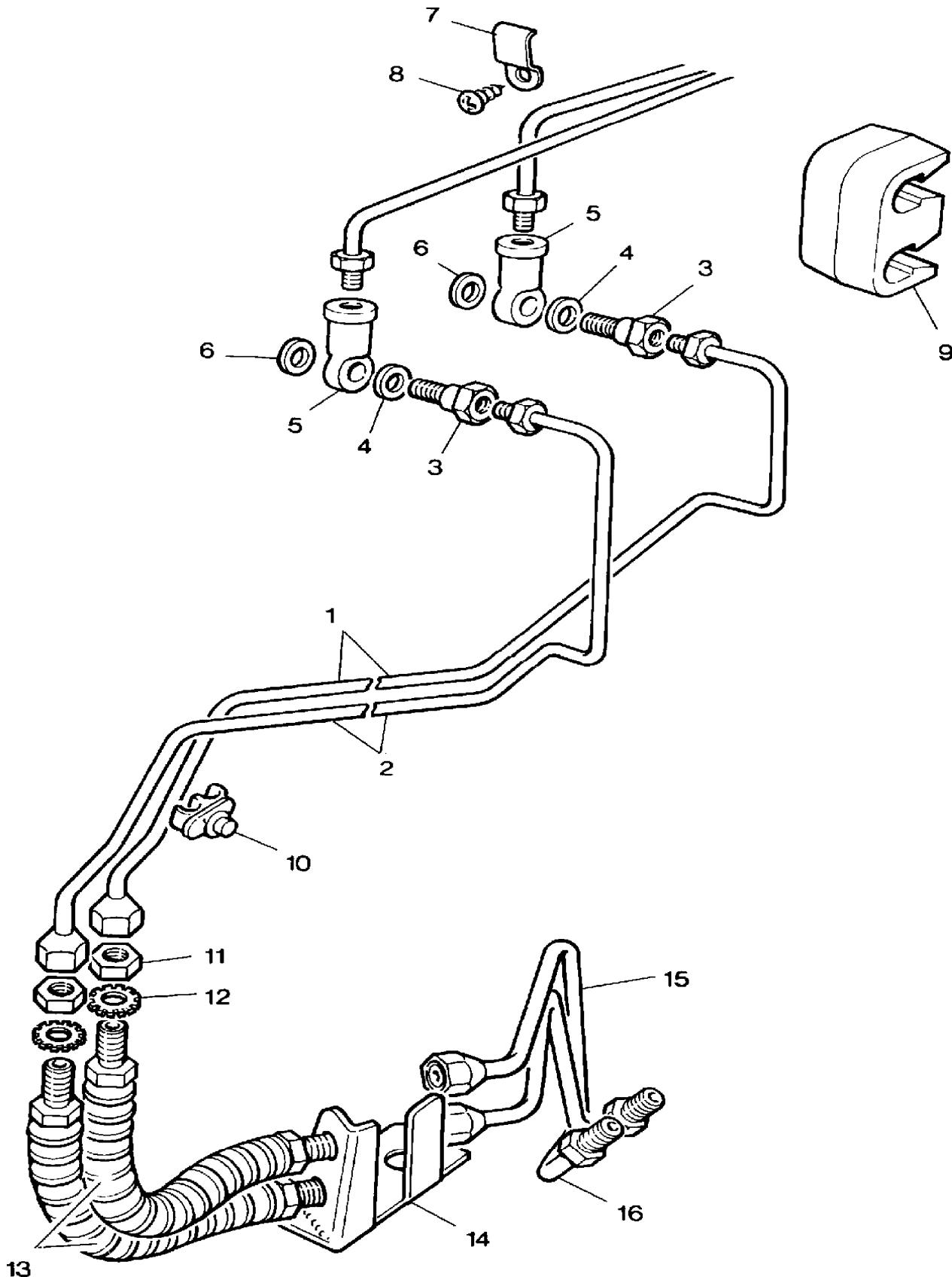
RHD, All Wheel Anti-Lock Braking System

Callout	Name	Application	Remarks & Restrictions	Service No.	Qty
26	Nut - Hex.			CRC1487	8
27	Washer-starlock			WE110001L	8
28	Hose brake		Front	NRC4401	2
29	Pipe assembly brake	Change point - VIN end GA434112	jump hose (secondary) to caliper	NRC4408	1
		Change point - VIN begin GA434113	jump hose (secondary) to caliper, Front, RH	NTC8097	1
30	Pipe assembly brake	Change point - VIN end GA433412	jump hose (primary) to caliper	NRC4410	1
		Change point - VIN begin GA433413	jump hose (primary) to caliper, Front, RH	NTC8096	1
31	Hose brake		Front	NRC4401	2
32	Pipe assembly brake	Change point - VIN end GA433521	jump hose (secondary) to caliper	NRC4409	1
		Change point - VIN begin GA433522	jump hose (secondary) to caliper, Front, LH	NTC8099	1
33	Pipe assembly brake	Change point - VIN end GA433405	jump hose (primary) to caliper	NRC4411	1
		Change point - VIN begin GA433406	jump hose (primary) to caliper, Front, LH	NTC8098	1
34	Bracket-hose support antilock brakes		RH	FTC1362	1
			LH	FTC1363	1
35	Mounting-rubber flexible support			NRC9773	4
36	Lead-earth bonding			552632	1



Range Rover (To HA610293)

(TS6062)



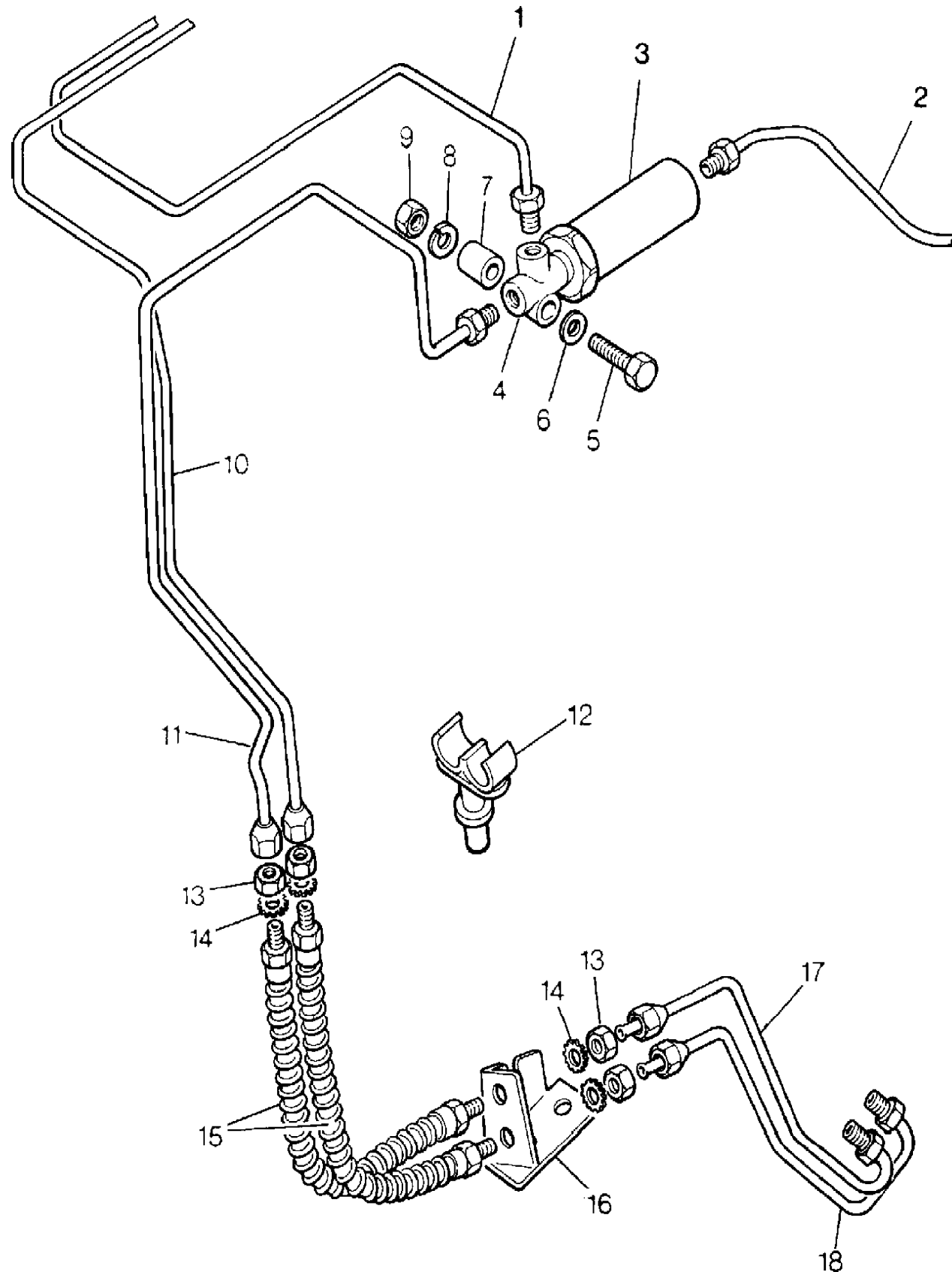
Range Rover (To HA610293)

Less Anti-Lock Braking System

Callout	Name	Application	Remarks & Restrictions	Service No.	Qty
1	Pipe assembly brake	RHD	master cylinder (secondary) to jump hose, LH	NTC4096	1
		Change point - VIN end GA442530, LHD	master cylinder (secondary) to jump hose	NTC4209	1
		Change point - VIN begin GA442531, LHD	master cylinder (secondary) to jump hose, LH	NTC7941	1
2	Pipe assembly brake	RHD	master cylinder (primary) to jump hose, LH	NTC4097	1
		LHD	master cylinder (primary) to jump hose, LH	NTC7940	1
3	Bolt-banjo			NRC5588	2
4	Washer-copper			RTC5931	2
5	Bolt-banjo			NRC5589	2
6	Washer-copper			NRC5721	2
7	Clip-Pipe			508945	5
8	Screw		Self Tapping, No 8 x 3/8	AB608031L	5
9	Clip-brake pipe double			AAU7803	1
10	Clip-brake pipe double			79127	1
11	Nut - Hex.			CRC1487	4
12	Washer-starlock			WE110001L	4
13	Hose brake		Front	NRC4401	2
14	Bracket-hose brake		Front, LH	FRC8855	1
15	Pipe assembly brake	Change point - VIN end GA433521	jump hose (secondary) to caliper	NRC4409	1
		Change point - VIN begin GA433522	jump hose (secondary) to caliper, Front, LH	NTC8099	1
16	Pipe assembly brake	Change point - VIN end GA433405	jump hose (primary) to caliper	NRC4411	1
		Change point - VIN begin GA433406	jump hose (primary) to caliper, Front, LH	NTC8098	1

Range Rover (To HA610293)

(TS6060)

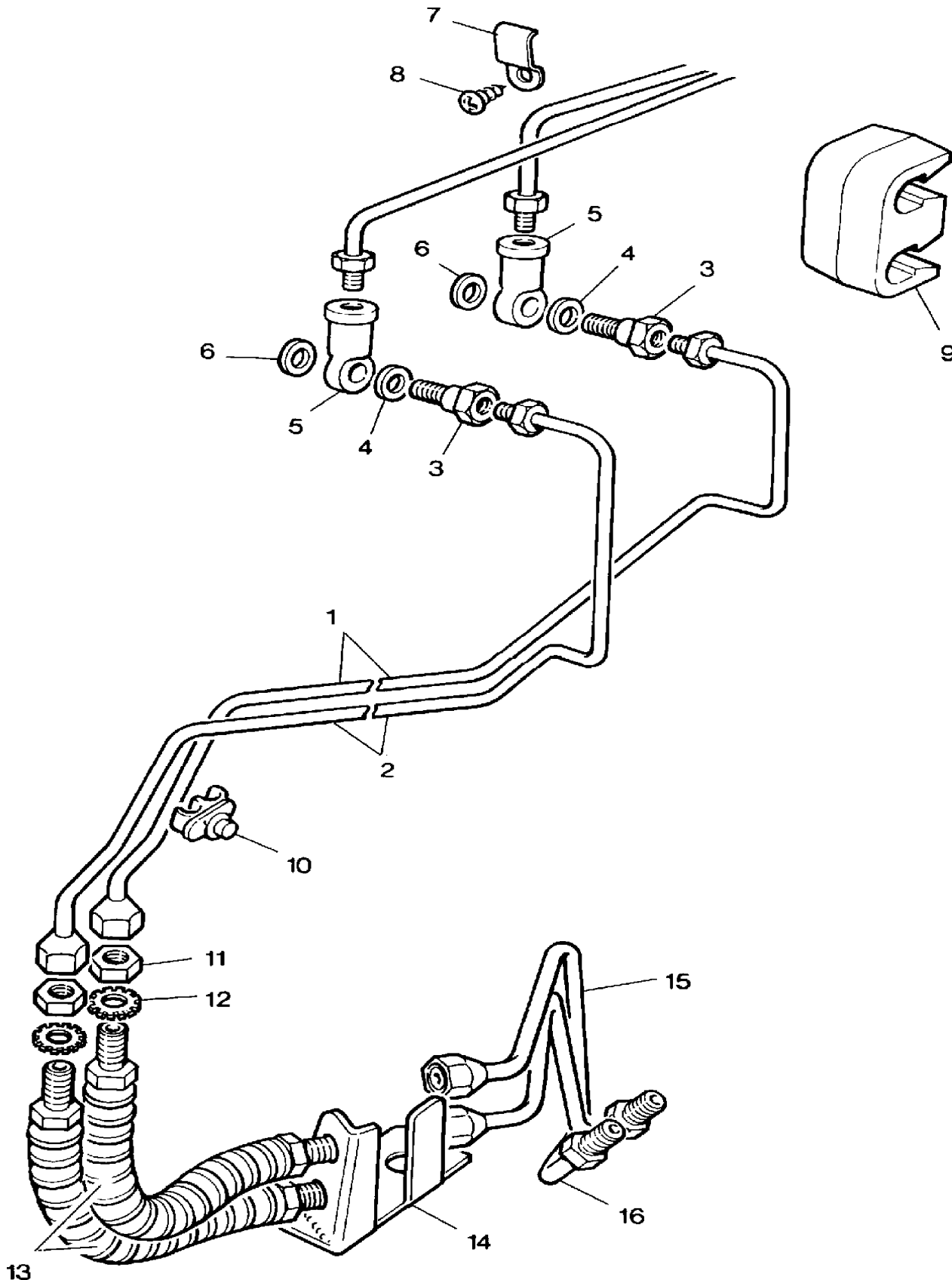


Range Rover (To HA610293)

Less Anti-Lock Braking System

Callout	Name	Application	Remarks & Restrictions	Service No.	Qty
1	Pipe assembly brake	RHD	master cylinder to PCRV, RH	NTC4095	1
		LHD	master cylinder to PCRV	NTC4208	1
2	Pipe assembly brake		PCRV to connector	NTC4554	1
3	Valve Brake			NTC6868	1
4	T Piece		Rear	NRC4251	1
5	Bolt			BH106081L	1
6	Washer		M6, oversize	WC106041L	1
7	Bush			390939	1
8	Washer		M6, sprung	WL106001L	1
9	Nut - Hex.		M6, hexagonal head, nyloc	NY106041L	1
10	Pipe assembly brake	RHD	master cylinder (primary) to jump hose	NTC4098	1
		LHD	master cylinder (primary) to jump hose, RH	NTC7242	1
11	Pipe-brake		PCRV to jump hose	NTC4247	1
12	Clip-brake pipe double			79127	3
13	Nut - Hex.			CRC1487	4
14	Washer-starlock			WE110001L	4
15	Hose brake		Front	NRC4401	2
16	Bracket-hose brake		Front, RH	FRC8854	1
17	Pipe assembly brake		jump hose (secondary) to caliper, Front, RH	NTC8097	1
18	Pipe assembly brake		jump hose (primary) to caliper, Front, RH	NTC8096	1
[900]	Clip - Brake Pipe			CRC1250L	2

Range Rover (To HA610293)



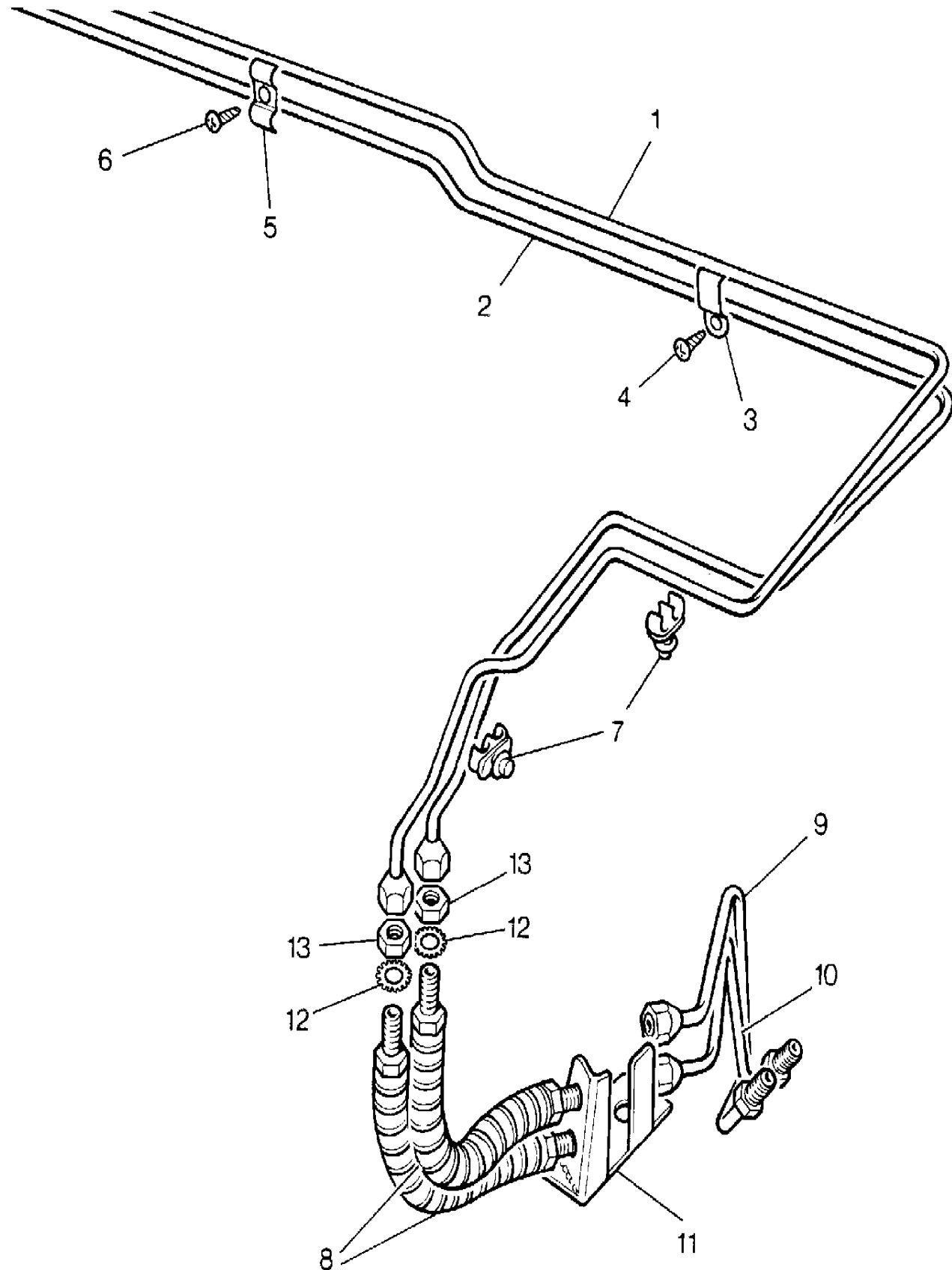
Range Rover (To HA610293)

Less Anti-Lock Braking System

Callout	Name	Application	Remarks & Restrictions	Service No.	Qty
1	Pipe assembly brake	Change point - VIN begin DA273923, LHD	master cylinder (secondary) to jump hose	NTC4254	1
		Change point - VIN begin DA273923, RHD	master cylinder (secondary) to jump hose	NTC1934	1
2	Pipe assembly brake	Change point - VIN begin DA273923, RHD	master cylinder (primary) to jump hose	NTC1933	1
		Change point - VIN begin DA273923, LHD	master cylinder (primary) to jump hose	NTC4253	1
3	Bolt-banjo	Change point - VIN begin DA273923		NRC5588	2
4	Washer-copper	Change point - VIN begin DA273923		RTC5931	2
5	Bolt-banjo	Change point - VIN begin DA273923		NRC5589	2
6	Washer-copper	Change point - VIN begin DA273923		NRC5721	2
7	Clip-Pipe	Change point - VIN begin DA273923		508945	5
8	Screw	Change point - VIN begin DA273923	Self Tapping, No 8 x 3/8	AB608031L	5
9	Clip-brake pipe double	Change point - VIN begin DA273923		AAU7803	1
10	Clip-brake pipe double	Change point - VIN begin DA273923		79127	1
11	Nut - Hex.	Change point - VIN begin DA273923		CRC1487	4
12	Washer-starlock	Change point - VIN begin DA273923		WE110001L	4
13	Hose brake	Change point - VIN begin DA273923	Front	NRC4401	2
14	Bracket-hose brake	Change point - VIN begin DA273923	Front, LH	FRC8855	1
15	Pipe assembly brake	Change point - VIN begin DA273923	jump hose (secondary) to caliper	NRC4409	1
16	Pipe assembly brake	Change point - VIN begin DA273923	jump hose (primary) to caliper	NRC4411	1

Braking Systems
Hoses & Pipes
Front-Non ABS-Lockheed-LH-To (V) CA274120 (2DR) & CA273922 (4DR) 1/1 (1RE40)

Range Rover (To HA610293)



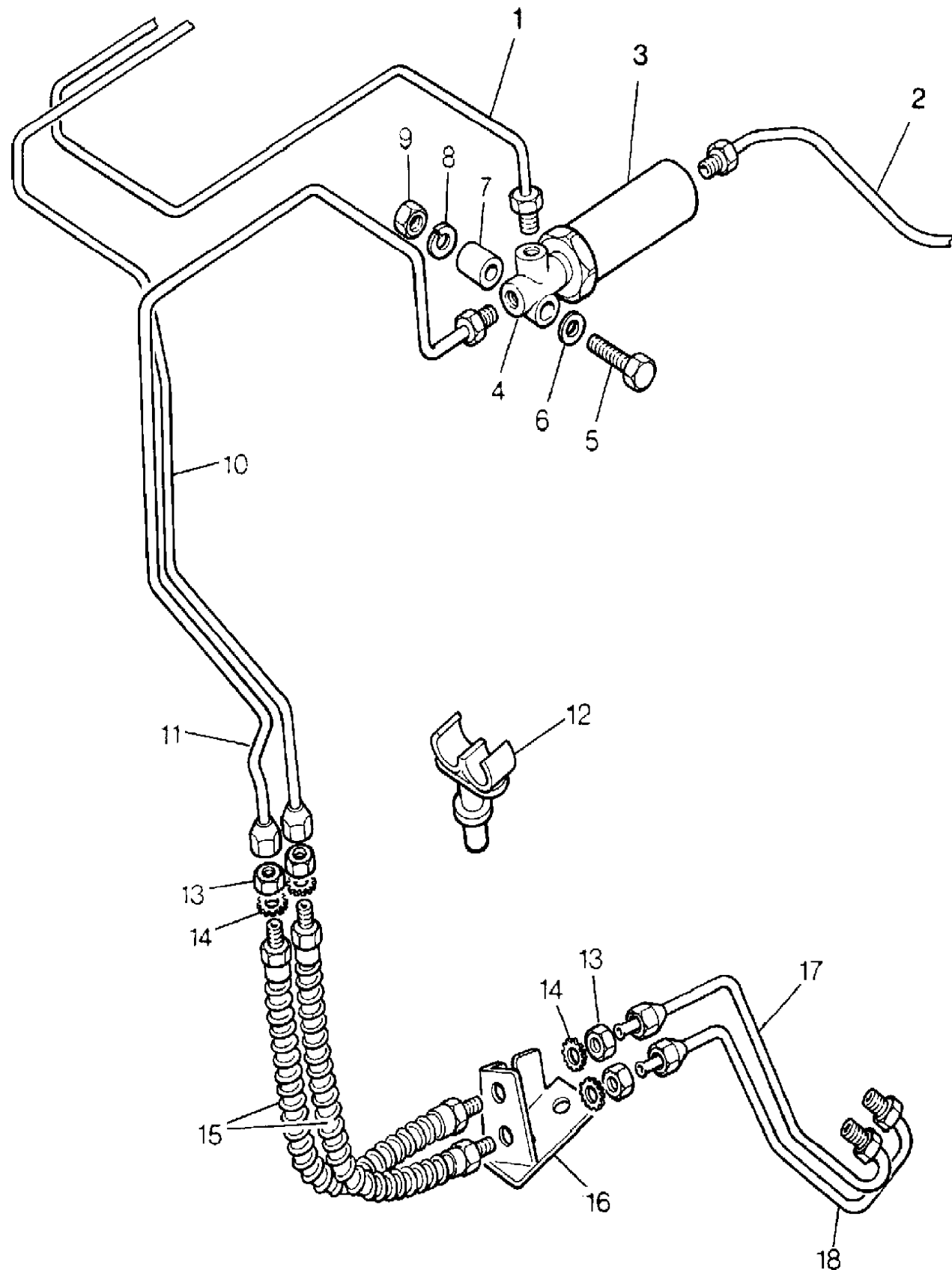
Range Rover (To HA610293)

Braking Systems
Hoses & Pipes

Front-Non ABS-Lockheed-LH-To (V) CA274120 (2DR) & CA273922 (4DR)
Less Anti-Lock Braking System

Callout	Name	Application	Remarks & Restrictions	Service No.	Qty
1	Pipe assembly brake	Change point - VIN end CA273922, RHD	master cylinder (secondary) to jump hose	NRC9023	1
		Change point - VIN end CA273922, LHD	master cylinder (secondary) to jump hose	NRC9031	1
2	Pipe assembly brake	Change point - VIN end CA273922, RHD	master cylinder (primary) to jump hose	NRC9022	1
		Change point - VIN end CA273922, LHD	master cylinder (primary) to jump hose	NRC9027	1
3	Clip-Pipe	Change point - VIN end CA273922		508945	2
4	Screw	Change point - VIN end CA273922	Self Tapping, No 8 x 3/8	AB608031L	2
5	Clip-double	Change point - VIN end CA273922		592007	2
6	Screw	Change point - VIN end CA273922	Self Tapping, No 8 x 3/8	AB608031L	2
7	Clip-brake pipe double	Change point - VIN end CA273922		79127	2
8	Hose brake	Change point - VIN end CA273922	Front	NRC4401	2
9	Pipe assembly brake	Change point - VIN end CA273922		NRC4409	1
10	Pipe assembly brake	Change point - VIN end CA273922		NRC4411	1
11	Bracket-hose brake	Change point - VIN end CA273922	Front, LH	FRC8855	1
12	Washer-starlock	Change point - VIN end CA273922		WE110001L	4
13	Locknut	Change point - VIN end CA273922	M10	NT110041L	4

Range Rover (To HA610293)



Less Anti-Lock Braking System

Callout	Name	Application	Remarks & Restrictions	Service No.	Qty
1	Pipe assembly brake	Change point - VIN begin DA273923, RHD	master cylinder to PCRV	NTC1936	1
		Change point - VIN begin DA273923, LHD	master cylinder to PCRV	NTC1910	1
2	Pipe assembly brake	Change point - VIN begin DA273923	PCRV to connector	NTC4554	1
3	Valve Brake	Change point - VIN begin DA273923		NTC6868	1
4	T Piece	Change point - VIN begin DA273923	Rear	NRC4251	1
5	Bolt	Change point - VIN begin DA273923		BH106081L	1
6	Washer	Change point - VIN begin DA273923	M6, oversize	WC106041L	1
7	Bush	Change point - VIN begin DA273923		390939	1
8	Washer	Change point - VIN begin DA273923	M6, sprung	WL106001L	1
9	Nut - Hex.	Change point - VIN begin DA273923	M6, hexagonal head, nyloc	NY106041L	1
10	Pipe assembly brake	Change point - VIN begin DA273923, RHD	master cylinder (primary) to jump hose	NTC1935	1
		Change point - VIN begin DA273923, LHD	master cylinder (primary) to jump hose	NTC4211	1
11	Pipe-brake	Change point - VIN begin DA273923	PCRV to jump hose	NTC4247	1
12	Clip-brake pipe double	Change point - VIN begin DA273923		79127	3
13	Nut - Hex.	Change point - VIN begin DA273923		CRC1487	4
14	Washer-starlock	Change point - VIN begin DA273923		WE110001L	4
15	Hose brake	Change point - VIN begin DA273923	Front	NRC4401	2
16	Bracket-hose brake	Change point - VIN begin DA273923	Front, RH	FRC8854	1
17	Pipe assembly brake	Change point - VIN begin DA273923	jump hose (secondary) to caliper, Front, RH	NTC8097	1
18	Pipe assembly brake	Change point - VIN begin DA273923	jump hose (primary) to caliper, Front, RH	NTC8096	1

Braking Systems
Hoses & Pipes
Front-Non ABS-Lockheed-RH-From (V) DA274121 (2DR) & DA273923 (4DR) 2/2 (TS6060)

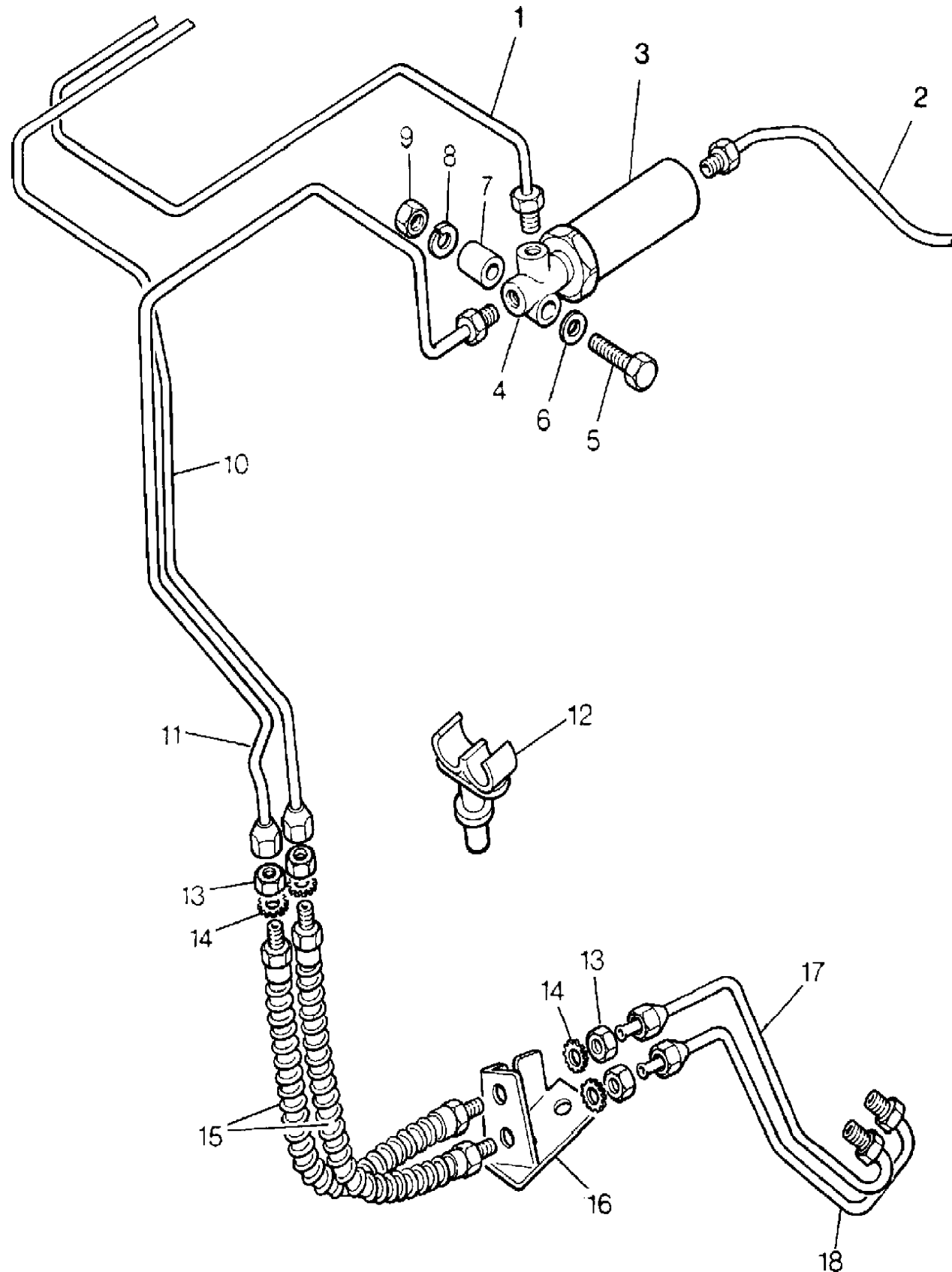
Range Rover (To HA610293)

Range Rover (To HA610293)

Braking Systems
Hoses & Pipes

Front-Non ABS-Lockheed-RH-From (V) DA274121 (2DR) & DA273923 (4DR)
Less Anti-Lock Braking System

Callout	Name	Application	Remarks & Restrictions	Service No.	Qty
[900]	Clip - Brake Pipe	Change point - VIN begin DA273923		CRC1250L	2

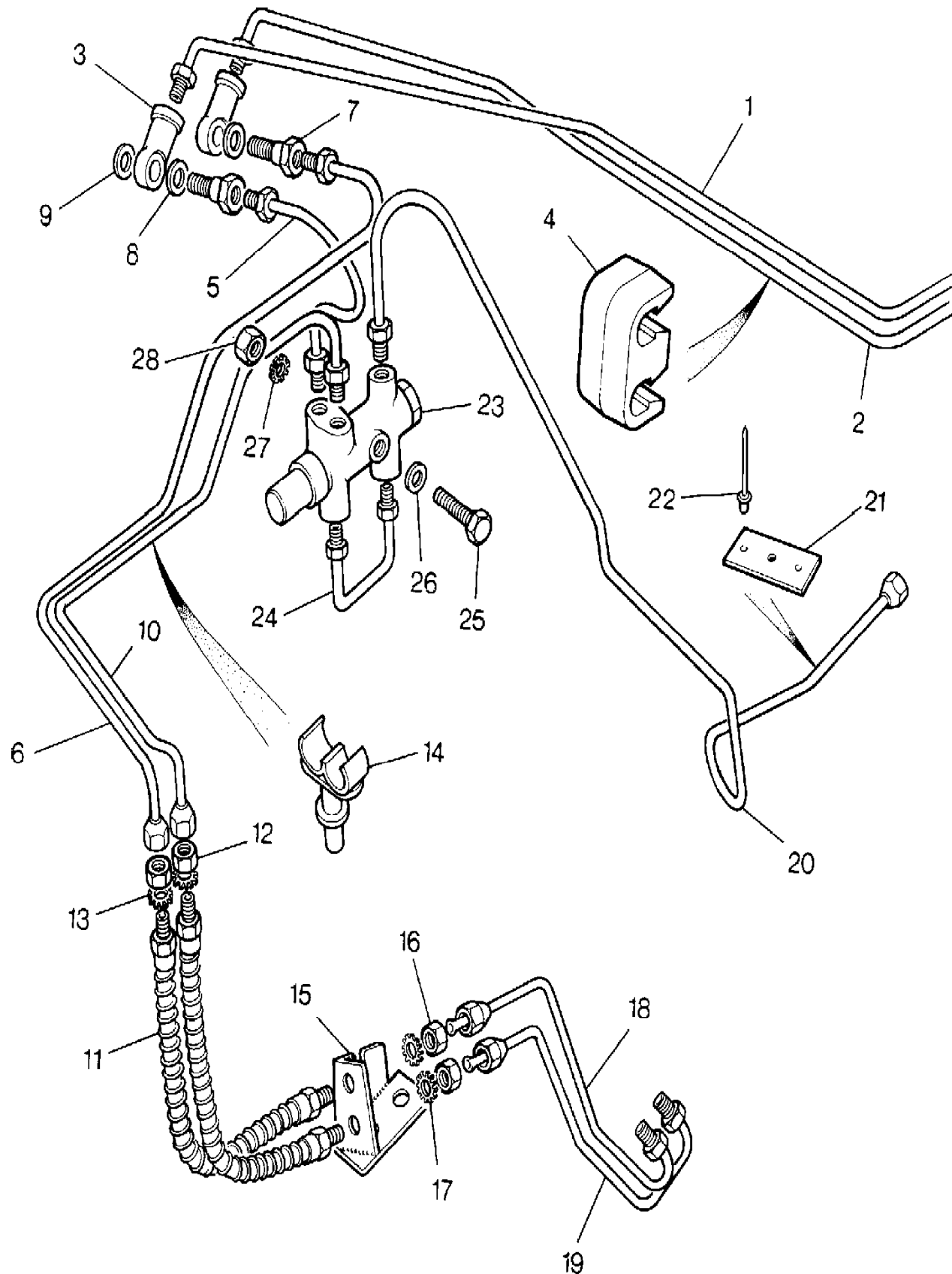


Braking Systems
Hoses & Pipes
Front-Non ABS-Lockheed-RH-To (V) CA274120 (2DR) & CA273922 (4DR) 1/2 (VS3269)

Range Rover (To HA610293)

Range Rover (To HA610293)

Braking Systems
Hoses & Pipes
Front-Non ABS-Lockheed-RH-To (V) CA274120 (2DR) & CA273922 (4DR)
Less Anti-Lock Braking System



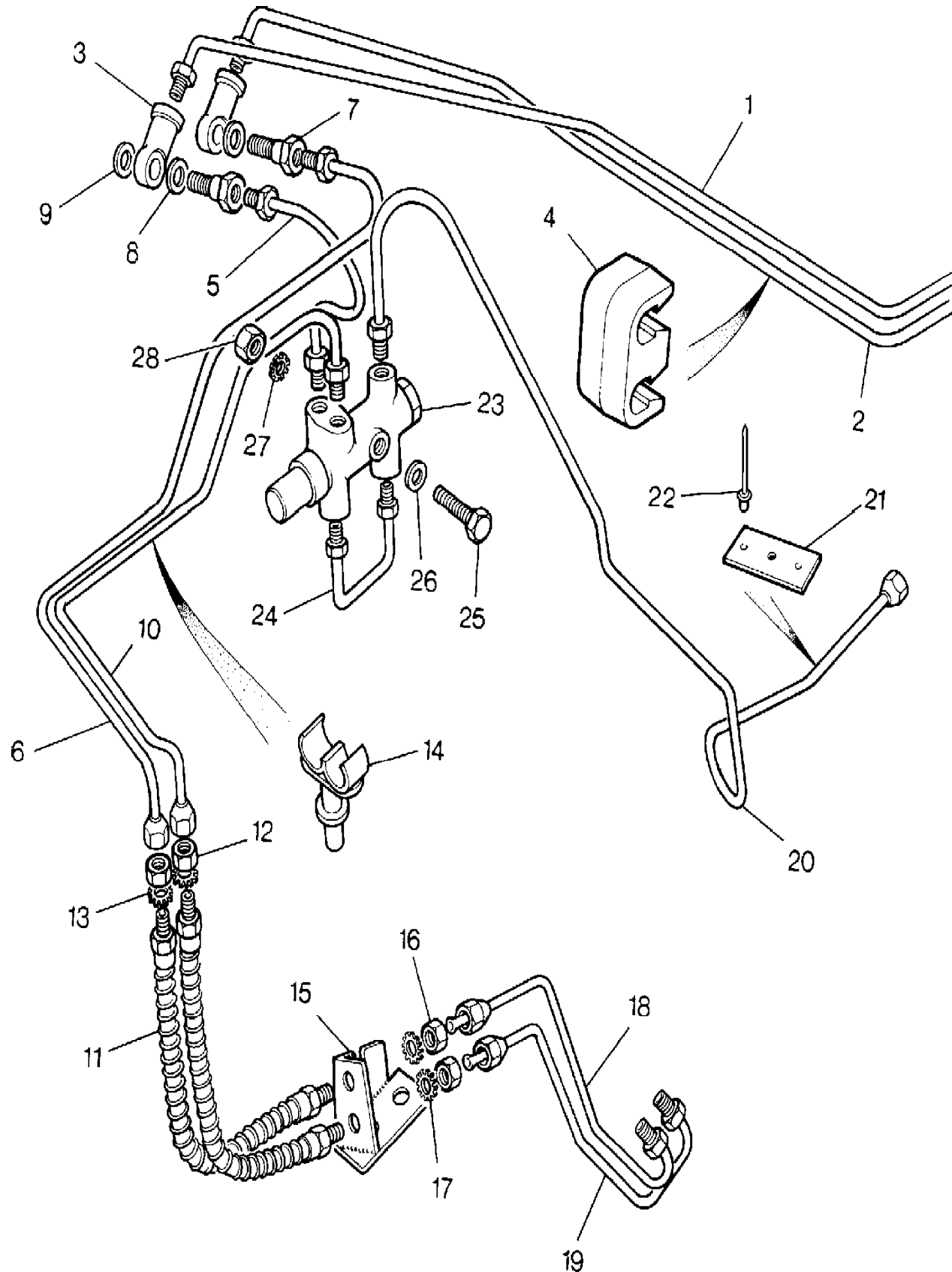
Callout	Name	Application	Remarks & Restrictions	Service No.	Qty
1	Pipe assembly brake	Change point - VIN end CA273922, RHD Change point - VIN end CA273922, LHD	master cylinder (secondary) to jump hose master cylinder (secondary) to jump hose	NRC9023 NRC9031	1 1
2	Pipe assembly brake	Change point - VIN end CA273922, LHD Change point - VIN end CA273922, RHD	master cylinder (primary) to jump hose master cylinder (primary) to jump hose	NRC9027 NRC9022	1 1
3	Bolt-banjo	Change point - VIN end CA273922		NRC5589	2
4	Clip-brake pipe double	Change point - VIN end CA273922		AAU7803	2
5	Pipe assembly brake	Change point - VIN end CA273922		NRC9032	1
6	Pipe assembly brake	Change point - VIN end CA273922, RHD Change point - VIN end CA273922, LHD	master cylinder to jump hose master cylinder to jump hose, RH	NRC9024 NTC7242	1 1
7	Bolt-banjo	Change point - VIN end CA273922		NRC5588	2
8	Washer-copper	Change point - VIN end CA273922		RTC5931	2
9	Washer-copper	Change point - VIN end CA273922		NRC5721	2
10	Pipe-brake	Change point - VIN end CA273922, RHD Change point - VIN end CA273922, LHD	PCRV to jump hose PCRV to jump hose	NRC9025 NRC9028	1 1
11	Hose brake	Change point - VIN end CA273922	Front	NRC4401	2
12	Nut - Hex.	Change point - VIN end CA273922		CRC1487	2
13	Washer-starlock	Change point - VIN end CA273922		WE110001L	2
14	Clip-brake pipe double	Change point - VIN end CA273922		79127	1
15	Bracket-hose brake	Change point - VIN end CA273922	Front, RH	FRC8854	1
16	Nut - Hex.	Change point - VIN end CA273922		CRC1487	2
17	Washer-starlock	Change point - VIN end CA273922		WE110001L	2

Braking Systems
Hoses & Pipes
Front-Non ABS-Lockheed-RH-To (V) CA274120 (2DR) & CA273922 (4DR) 2/2 (VS3269)

Range Rover (To HA610293)

Range Rover (To HA610293)

Braking Systems
Hoses & Pipes
Front-Non ABS-Lockheed-RH-To (V) CA274120 (2DR) & CA273922 (4DR)
Less Anti-Lock Braking System



Callout	Name	Application	Remarks & Restrictions	Service No.	Qty
18	Pipe assembly brake	Change point - VIN end CA273922	jump hose (primary) to caliper	NRC4408	1
19	Pipe assembly brake	Change point - VIN end CA273922	jump hose (secondary) to caliper	NRC4410	1
20	Pipe assembly brake	Change point - VIN end CA273922	PCRV to connector	NRC6926	1
21	Retainer	Change point - VIN end CA273922		MTC1619	1
22	Rivet	Change point - VIN end CA273922	3/16" x 0.45"Ing, pop	78248	2
23	Valve Brake	Change point - VIN end CA273922		NRC9018	1
24	Pipe-brake	Change point - VIN end CA273922		NRC2711	1
25	Bolt	Change point - VIN end CA273922	hexagonal head, M8 x 40	BH108081L	1
26	Washer	Change point - VIN end CA273922	8MM	WA108051L	1
27	Washer-Lock	Change point - VIN end CA273922		WE108001L	1
28	Nut - Hex.	Change point - VIN end CA273922	M8, hexagonal head	NH108041L	1

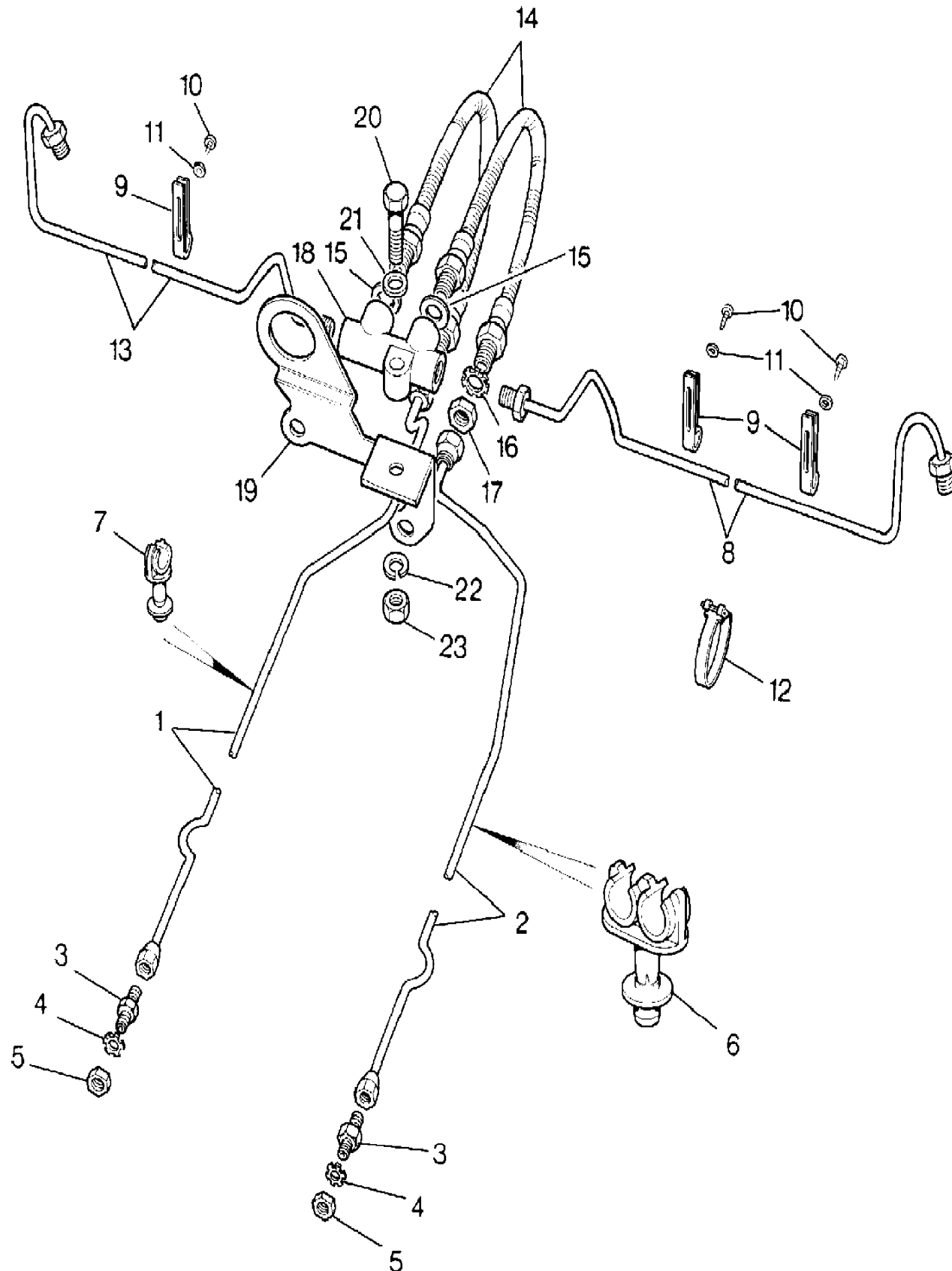
Range Rover (To HA610293)

(TS6414)

Range Rover (To HA610293)

All Wheel Anti-Lock Braking System

Callout	Name	Application	Remarks & Restrictions	Service No.	Qty
1	Pipe assembly brake	Change point - VIN end GA441789	Rear	NTC2003	1
		Change point - VIN begin GA441790, Change point - VIN end HA609923	Rear	NTC8028	1
		Change point - VIN begin HA609924	Rear	NTC9273	2
2	Pipe-brake			NTC7289	1
3	Connector brake		Rear	NRC4403	2
4	Washer-starlock			WE110001L	2
5	Nut - Hex.			CRC1487	2
6	Clip-brake pipe double			79125	4
7	Clip - Brake Pipe			79124	5
8	Pipe assembly brake	Change point - VIN end GA454553	Rear, LH	NTC7733	1
		Change point - VIN begin HA454554		NTC7689	1
9	Clip-p			577873	3
10	Screw			79004	3
11	Washer-Plain			WC702101L	3
12	Clip			11820L	1
13	Pipe assembly brake	Change point - VIN end GA454553	Rear, RH	NTC7734	1
		Change point - VIN begin HA454554		NTC7688	1
14	Hose brake		Rear	NTC3458	2
15	Washer-sealing			577475	2
16	Washer-starlock			WE110001L	2
17	Nut - Hex.			CRC1487	2
18	Connector brake			NTC7291	1
19	Bracket & weld nut assembly -antilock brake system mounting			NTC1977	1
20	Bolt		hexagonal head, M6 x 30	BH106061L	1
21	Washer		6MM	WA106041L	2



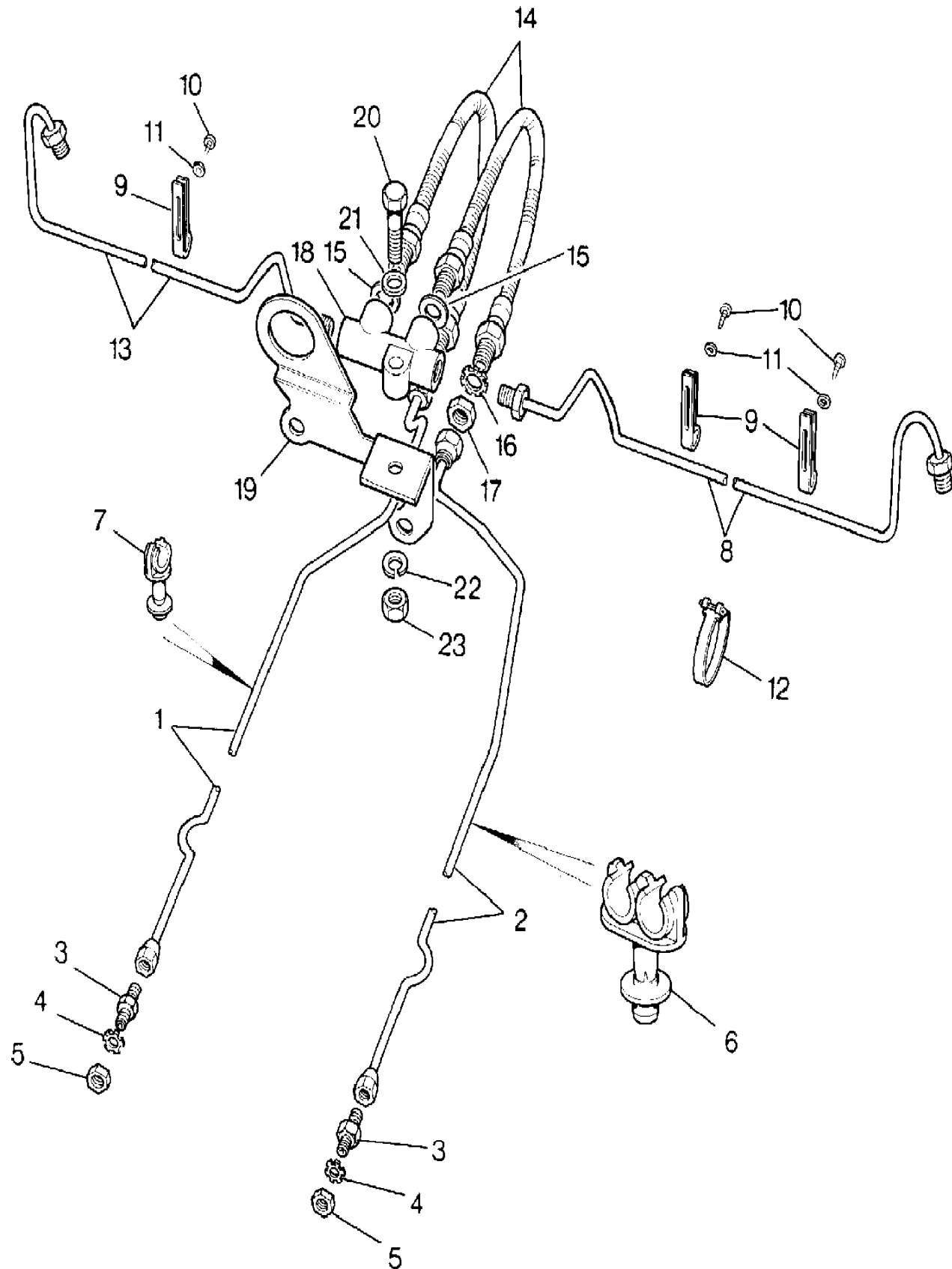
Range Rover (To HA610293)

(TS6414)

Range Rover (To HA610293)

All Wheel Anti-Lock Braking System

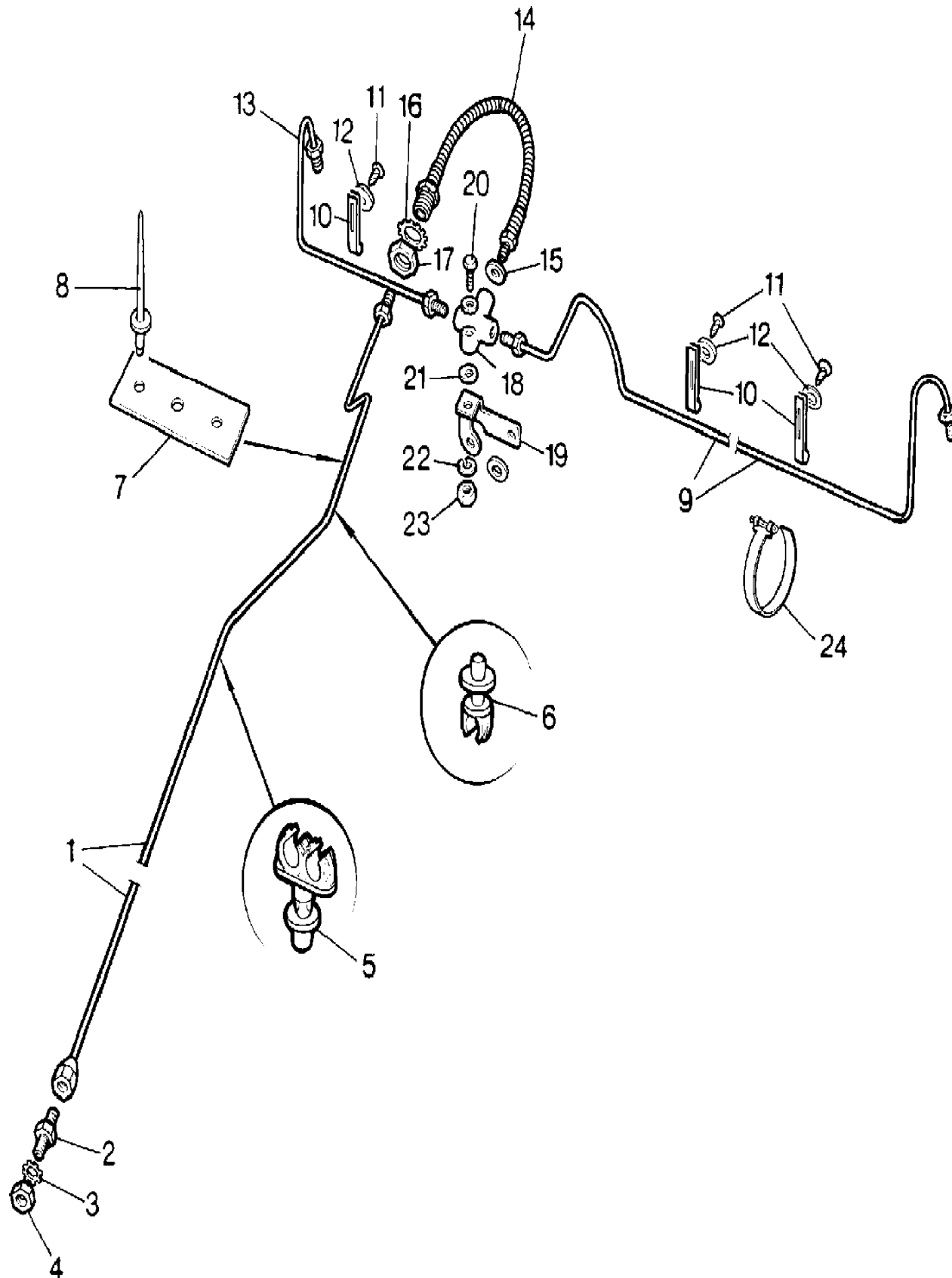
Callout	Name	Application	Remarks & Restrictions	Service No.	Qty
22	Washer		M6, sprung	WL106001L	1
23	Nut - Hex.		M6, nyloc, Hexagonal	NH106041L	1



Range Rover (To HA610293)

(TS5866A)

Range Rover (To HA610293)



Callout	Name	Application	Remarks & Restrictions	Service No.	Qty
1	Pipe assembly brake	Change point - VIN end GA441789, Less Anti-Lock Braking System	Rear	NTC2003	1
		Change point - VIN begin GA441790, Change point - VIN end HA609923, Less Anti-Lock Braking System	Rear	NTC8028	1
		Change point - VIN begin HA609924, Less Anti-Lock Braking System	Rear	NTC9273	1
2	Connector brake	Less Anti-Lock Braking System	Rear	NRC4403	1
3	Washer-starlock			WE110001L	1
4	Nut - Hex.			CRC1487	1
5	Clip-brake pipe double			79125	4
6	Clip			CRC1250	5
7	Retainer			MTC1619	1
8	Rivet		3/16" x 0.45"Ing, pop	78248	2
9	Pipe assembly brake	Change point - VIN end GA454553, Less Anti-Lock Braking System	Rear, LH	NTC3071	1
		Change point - VIN begin HA454554, Less Anti-Lock Braking System	Rear, LH	NTC7689	1
10	Clip-p			577873	3
11	Screw			79004	3
12	Washer-Plain			WC702101L	3
13	Pipe assembly brake	Change point - VIN end GA454553, Less Anti-Lock Braking System	Rear, RH	NRC4419	1
		Change point - VIN begin HA454554, Less Anti-Lock Braking System	Rear, RH	NTC7676	1
14	Hose brake	Less Anti-Lock Braking System	Rear	NTC3458	1
15	Washer-sealing			577475	1
16	Washer-starlock			WE110001L	1
17	Nut - Hex.			CRC1487	1
18	T Piece		Rear	NRC4251	1

Range Rover (To HA610293)

(TS5866A)

Range Rover (To HA610293)

Callout	Name	Application	Remarks & Restrictions	Service No.	Qty
19	Bracket-brake pipe tee connector			90577489	1
20	Bolt		hexagonal head, M6 x 30	BH106061L	1
21	Washer		6MM	WA106041L	2
22	Washer		M6, sprung	WL106001L	1
23	Nut - Hex.		M6, nyloc, Hexagonal	NH106041L	1
24	Clip	With Diesel Engines		11820L	1

