

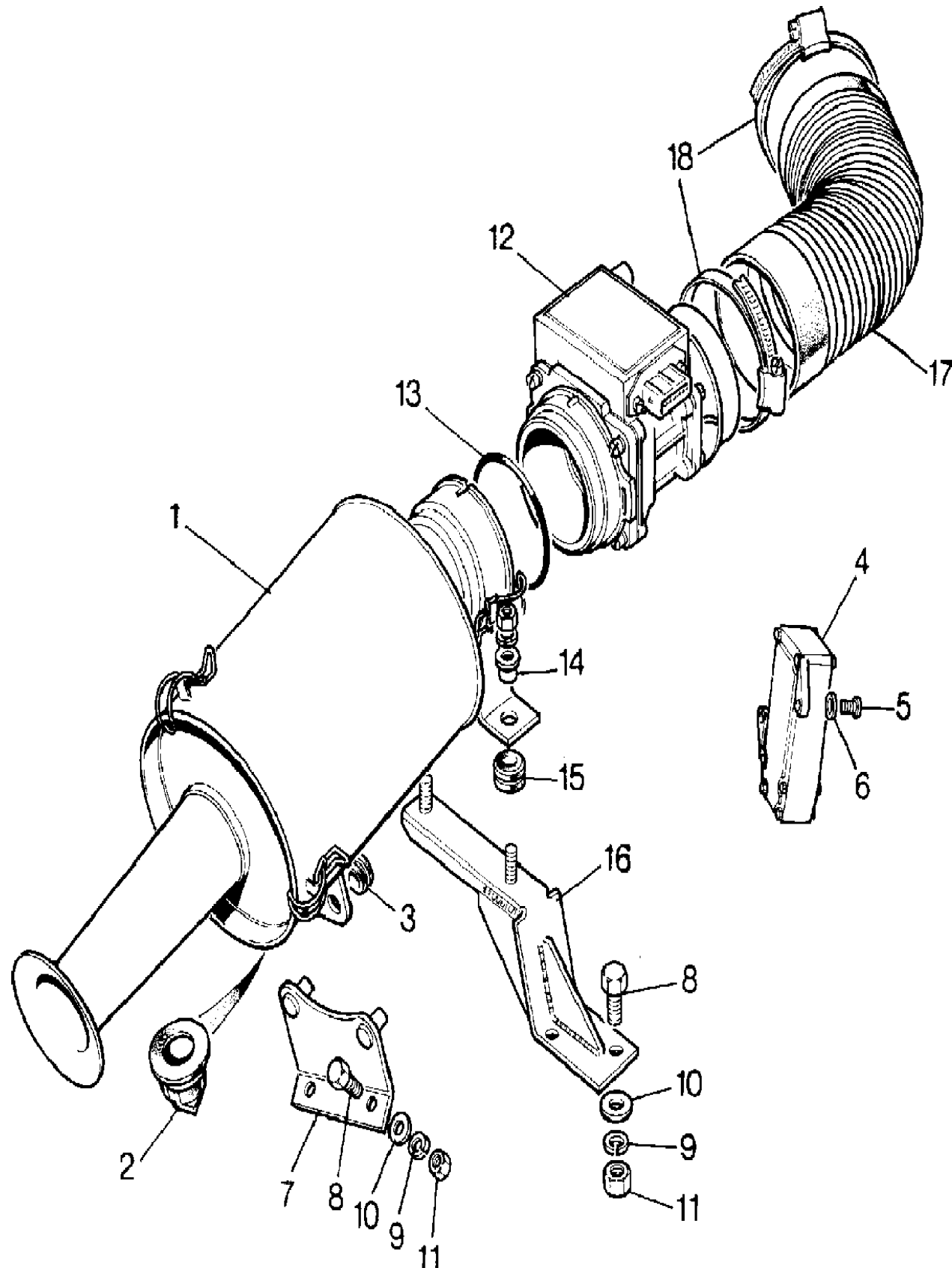
Range Rover (To HA610293)

(TS6063)

Range Rover (To HA610293)

3.5L V8 EFI Petrol, With Catalyst

Callout	Name	Application	Remarks & Restrictions	Service No.	Qty
1	Air cleaner assembly	Change point - VIN end HA610293, 3.5L EFI Petrol	Also serviced as part of a kit	NTC4408	1
		Change point - VIN end HA610293, 3.5L EFI Petrol	Also serviced as part of a kit	RTC4683	1
2	Valve assembly air intake	Change point - VIN end HA610293, 3.5L EFI Petrol	Also serviced as part of a kit	NTC3751	1
3	Grommet	Change point - VIN end HA610293, 3.5L EFI Petrol	Also serviced as part of a kit	RTC4819	2
4	Resistor assembly multi point injection	3.5L Petrol	fixing resistor	DAC1211	1
5	Screw	3.5L Petrol	fixing resistor, pan head, M5 x 16, recessed	SE105161L	2
6	Washer	3.5L Petrol	fixing resistor, M5, retaining	WL105001L	2
7	Bracket assembly-air cleaner	3.5L Petrol		NTC4401	1
8	Screw	3.5L Petrol	fixing mounting bracket assembly air flow meter, M8 X 16, hexagonal head	SH108161L	5
9	Washer	3.5L Petrol	fixing mounting bracket assembly air flow meter, M8, sprung	WL108001L	5
10	Washer	3.5L Petrol	fixing mounting bracket assembly air flow meter, M8	WC108051L	2
11	Nut - Hex.	3.5L Petrol	fixing mounting bracket assembly air flow meter, M8, hexagonal head	NH108041L	5
12	Sensor-airflow-multi point inject	3.5L Petrol		NTC2340	1
13	O Ring	3.5L Petrol		NTC3354	1
14	Bush	3.5L Petrol	fixing bracket air flow meter	ERC5829	3
15	Grommet	3.5L Petrol	fixing bracket air flow meter	ERC5830	3
16	Bracket assembly-mounting air flow meter	3.5L Petrol		NTC3885	1
17	Hose-Flexible	3.5L Petrol		ESR1616	1
18	Clip-Hose	3.5L Petrol		EAC22729	2



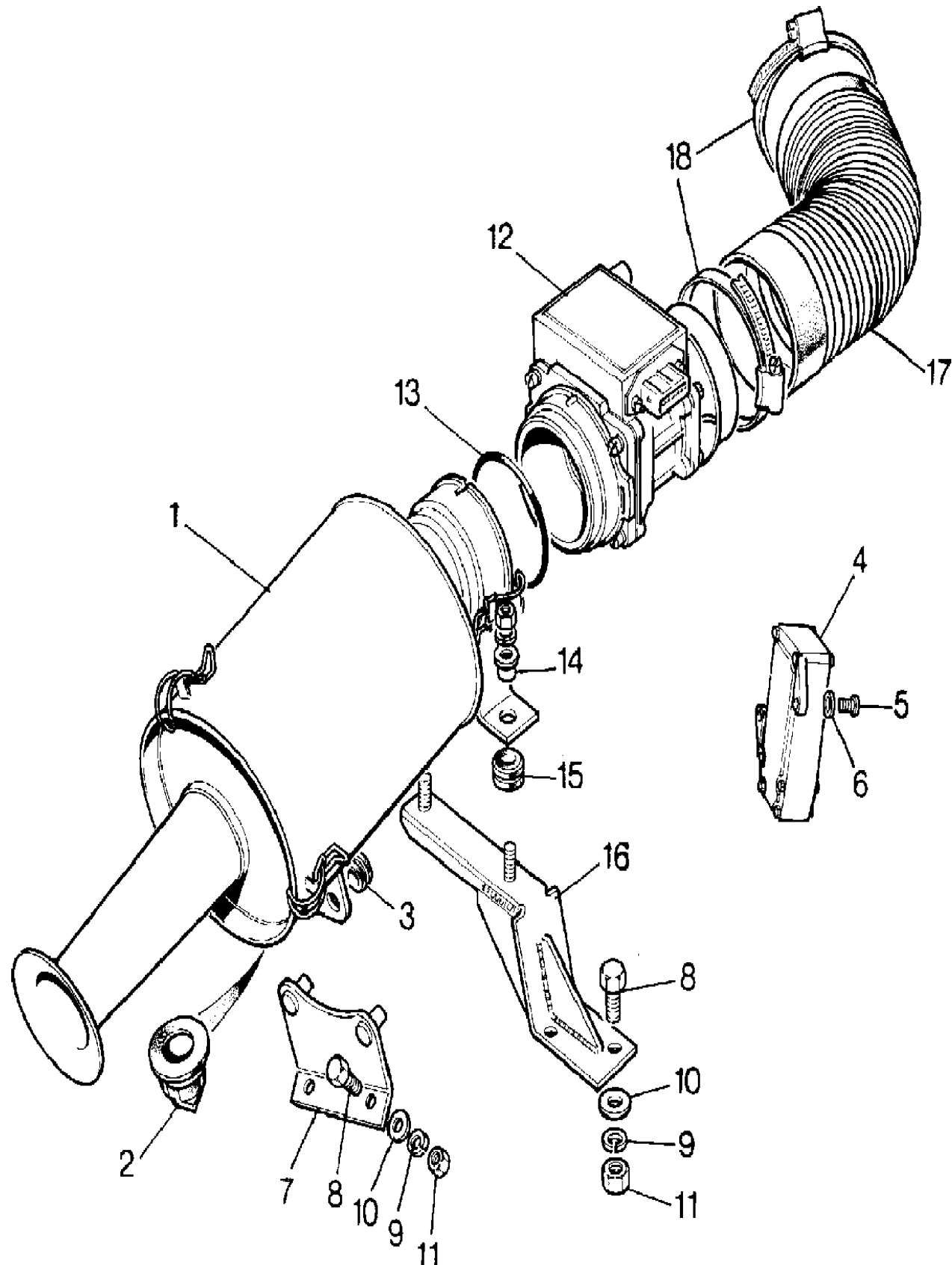
Range Rover (To HA610293)

(TS6063)

Range Rover (To HA610293)

3.5L V8 EFI Petrol, With Catalyst

Callout	Name	Application	Remarks & Restrictions	Service No.	Qty
[901]	Plug	3.5L Petrol	air flow meter-tamper proof, Red	RTC5770	1



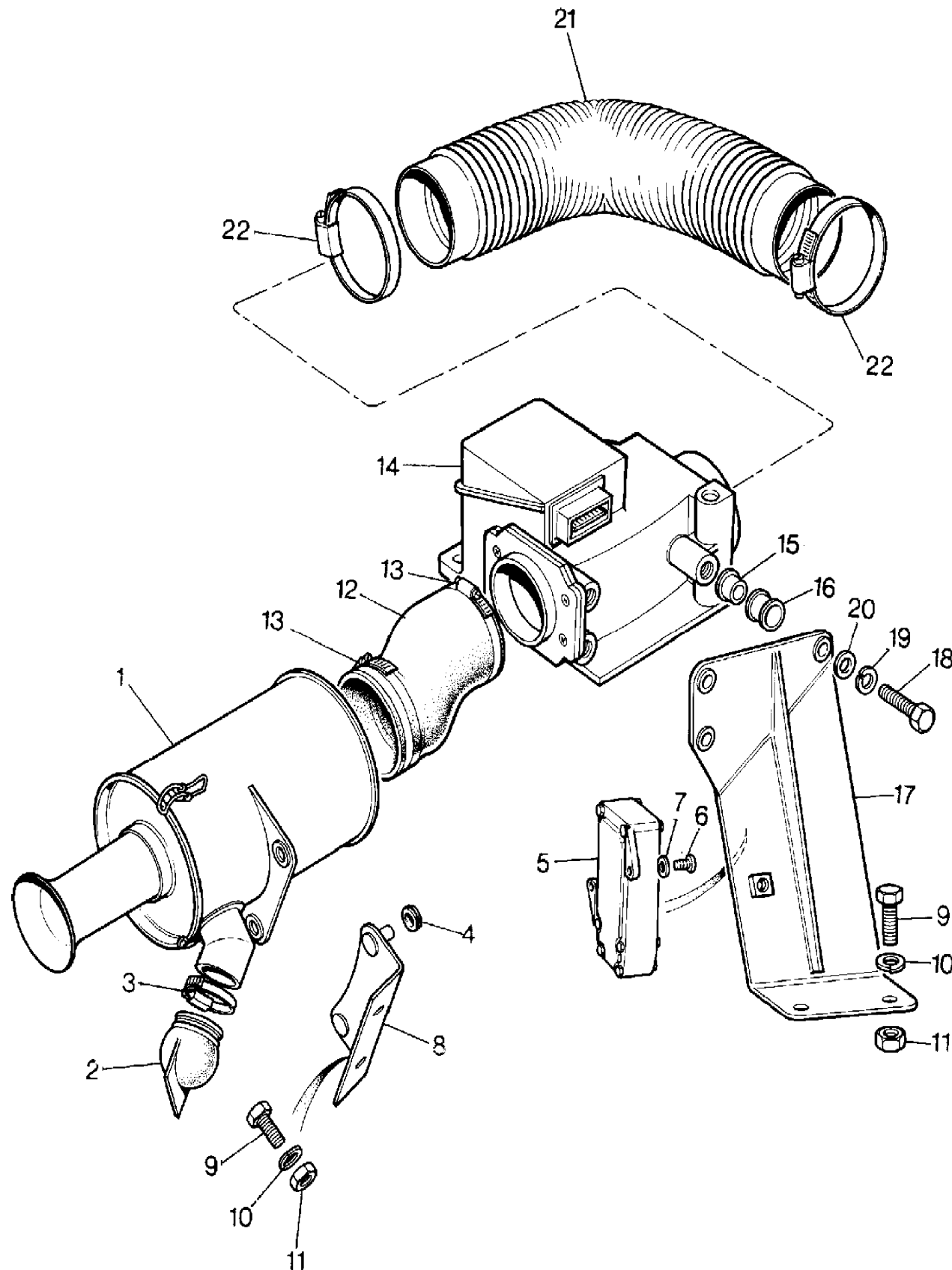
Range Rover (To HA610293)

(TS5718)

Range Rover (To HA610293)

3.5L V8 EFI Petrol, Less Catalyst

Callout	Name	Application	Remarks & Restrictions	Service No.	Qty
1	Air cleaner & bracket assembly	Change point - VIN end HA610293	Also serviced as part of a kit	NTC2589	1
2	Valve-air cleaner	Change point - VIN end HA610293	Also serviced as part of a kit	NTC1748	1
3	Clip-Hose	Change point - VIN end HA610293	Also serviced as part of a kit	CN100508	1
4	Grommet	Change point - VIN end HA610293	Also serviced as part of a kit	RTC4819	2
5	Resistor assembly multi point injection	3.5L Petrol	fixing resistor	DAC1211	1
6	Screw	3.5L Petrol	fixing resistor, pan head, M5 x 16, recessed	SE105161L	2
7	Washer	3.5L Petrol	fixing resistor, M5, retaining	WL105001L	2
8	Bracket-mounting air cleaner	3.5L EFI Petrol		NRC9994	1
9	Screw	3.5L Petrol	fixing bracket air cleaner, M8 X 16, hexagonal head	SH108161L	5
10	Washer	3.5L Petrol	fixing bracket air cleaner, M8, sprung	WL108001L	5
11	Nut - Hex.	3.5L Petrol	fixing bracket air cleaner, M8, hexagonal head	NH108041L	5
12	Hose-air cleaner induction system	3.5L EFI Petrol		NRC9996	1
13	Clip-Hose	3.5L EFI Petrol		RTC3518	2
14	Sensor-airflow	3.5L EFI Petrol		ERC9127	1
15	Bush	3.5L EFI Petrol	fixing bracket air flow meter	ERC5829	3
16	Grommet	3.5L EFI Petrol	fixing bracket air flow meter	ERC5830	3
17	Bracket-mounting air flow meter	3.5L EFI Petrol		NTC2279	1
18	Screw	3.5L EFI Petrol	fixing bracket air flow meter, M8 x 25, Flanged Head	FS108251	3
19	Washer	3.5L EFI Petrol	fixing bracket air flow meter, M8, sprung	WL108001L	6
20	Washer	3.5L EFI Petrol	fixing bracket air flow meter, 8MM	WA108051L	3
21	Hose-Flexible	3.5L EFI Petrol	air flow meter to plenum	NRC9997	1



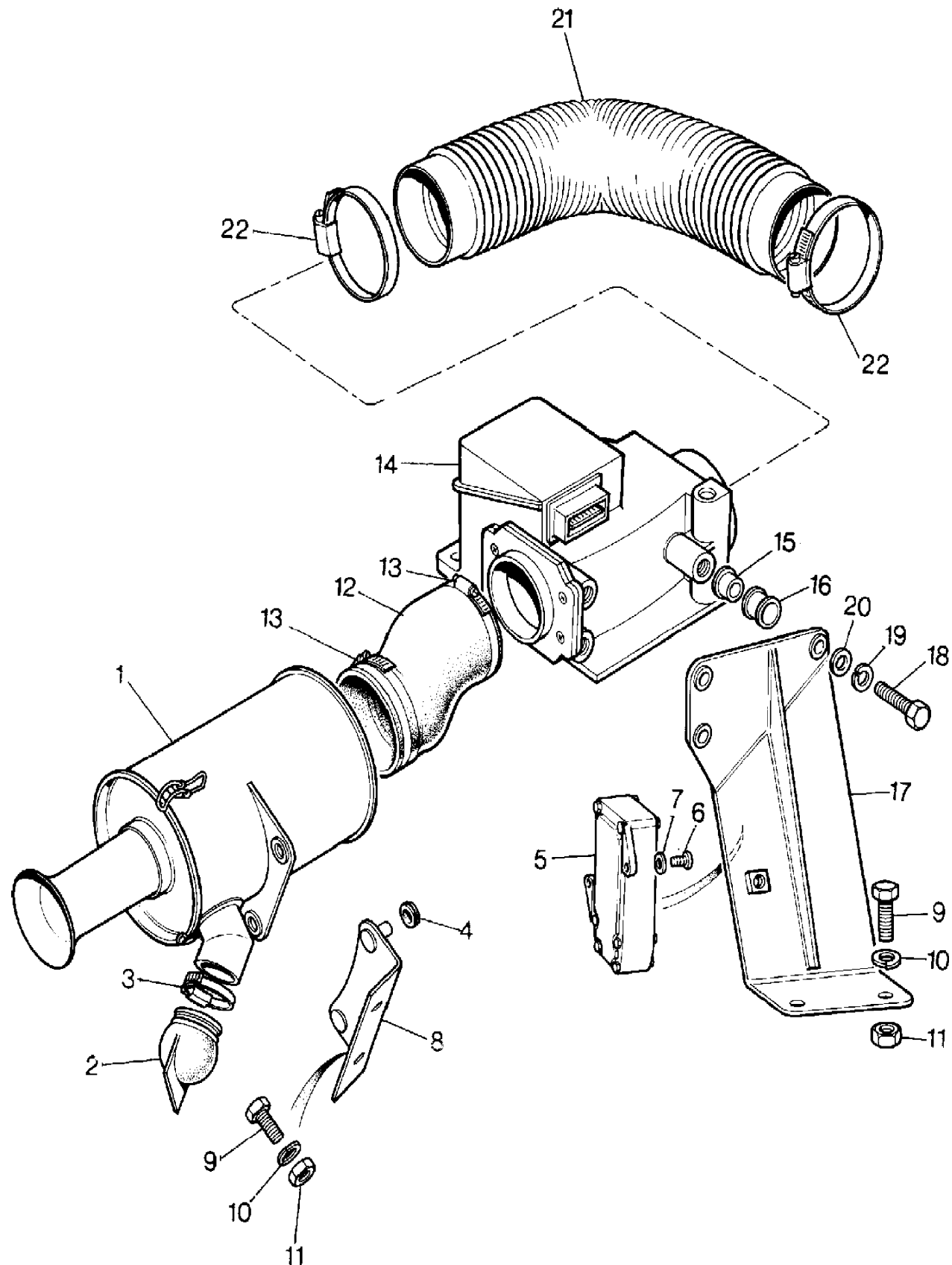
Range Rover (To HA610293)

(TS5718)

Range Rover (To HA610293)

3.5L V8 EFI Petrol, Less Catalyst

Callout	Name	Application	Remarks & Restrictions	Service No.	Qty
22	Clip-Hose	3.5L EFI Petrol		EAC22729	2
[901]	Element Assy - Air Cleaner	Change point - VIN end HA610293	Also serviced as part of a kit	RTC4683	1
[902]	Plug	3.5L EFI Petrol	air flow meter-tamper proof, Red	RTC5770	1



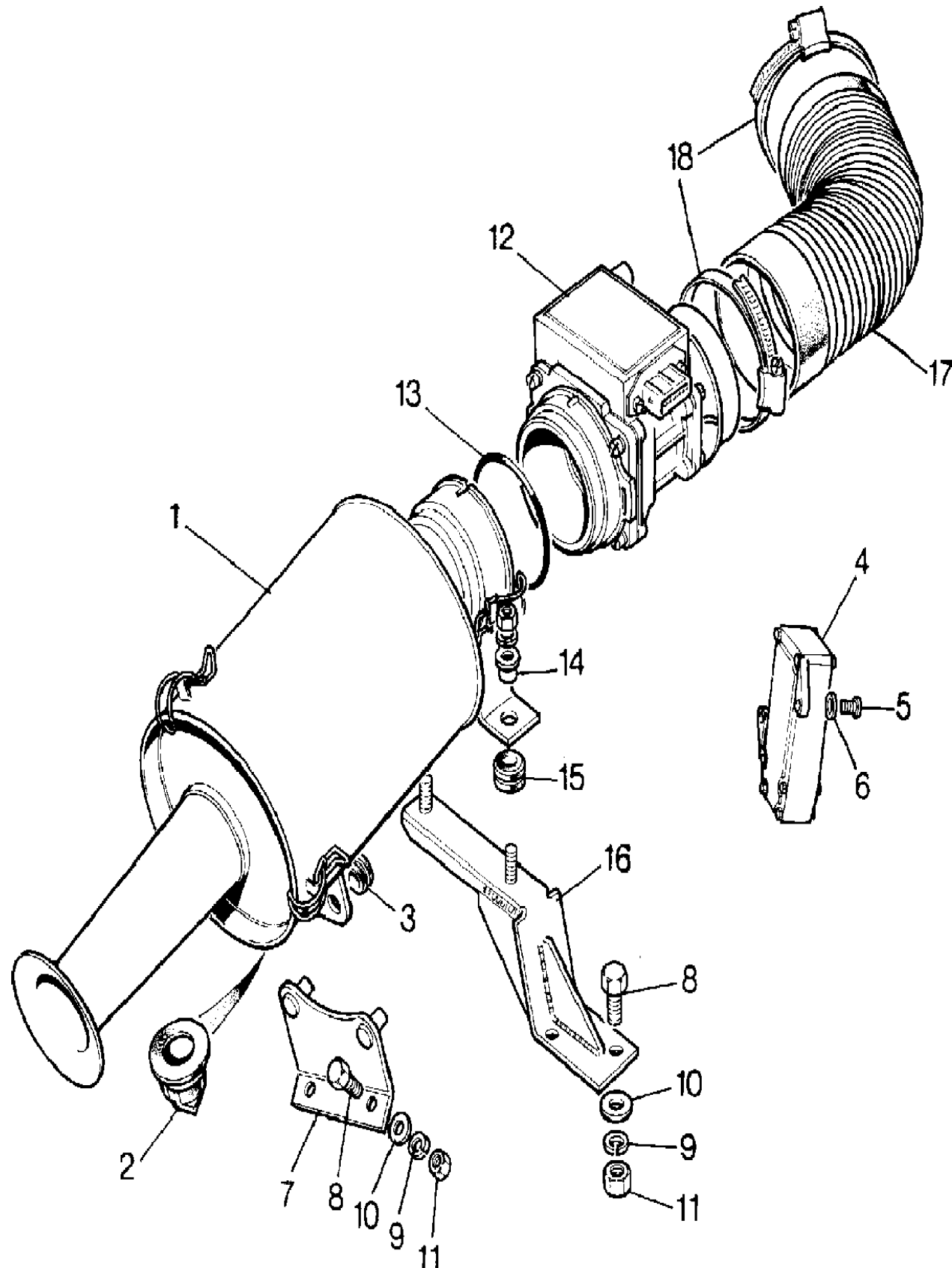
Range Rover (To HA610293)

(TS6063)

Range Rover (To HA610293)

3.9L V8 EFI Petrol

Callout	Name	Application	Remarks & Restrictions	Service No.	Qty
1	Air cleaner assembly	Change point - VIN end HA610293	Also serviced as part of a kit	NTC4408	1
2	Valve assembly air intake	Change point - VIN end HA610293	Also serviced as part of a kit	NTC3751	1
3	Grommet	Change point - VIN end HA610293	Also serviced as part of a kit	RTC4819	2
4	Resistor assembly multi point injection	3.9L V8 Petrol		DAC1211	1
5	Screw	3.9L V8 Petrol	fixing resistor, pan head, M5 x 16, recessed	SE105161L	2
6	Washer	3.9L V8 Petrol	fixing resistor, M5, retaining	WL105001L	2
7	Bracket assembly-air cleaner	3.9L V8 Petrol		NTC4401	1
8	Screw	3.9L V8 Petrol	fixing mounting bracket assembly air flow meter, M8 X 16, hexagonal head	SH108161L	5
9	Washer	3.9L V8 Petrol	fixing mounting bracket assembly air flow meter, M8, sprung	WL108001L	2
10	Washer	3.9L V8 Petrol	fixing mounting bracket assembly air flow meter, M8	WC108051L	2
11	Nut - Hex.	3.9L V8 Petrol	fixing mounting bracket assembly air flow meter, M8, hexagonal head	NH108041L	5
12	Sensor-airflow-multi point inject	3.9L V8 Petrol		NTC2340	1
13	O Ring	3.9L V8 Petrol		NTC3354	1
14	Bush	3.9L V8 Petrol	fixing bracket air flow meter	ERC5829	3
15	Grommet	3.9L V8 Petrol	fixing bracket air flow meter	ERC5830	3
16	Bracket assembly-mounting air flow meter	3.9L V8 Petrol		NTC3885	1
17	Hose-Flexible	3.9L V8 Petrol		ESR1616	1
[901]	Element Assy - Air Cleaner	Change point - VIN end HA610293	Also serviced as part of a kit	RTC4683	1
[902]	Clip-Hose	3.9L V8 Petrol		EAC22729	2
[903]	Plug	3.9L V8 Petrol	air flow meter-tamper proof, Red	RTC5770	1



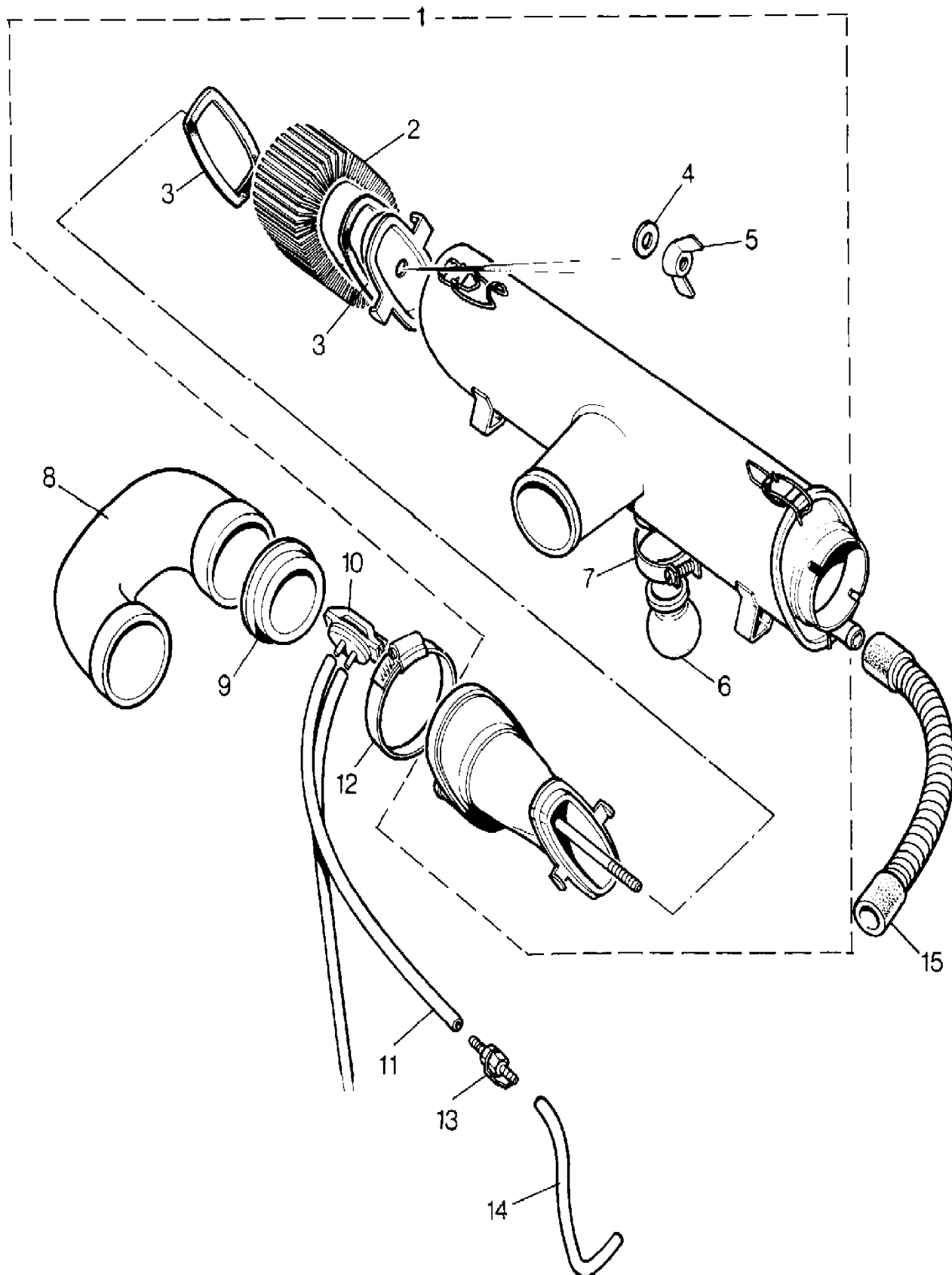
Range Rover (To HA610293)

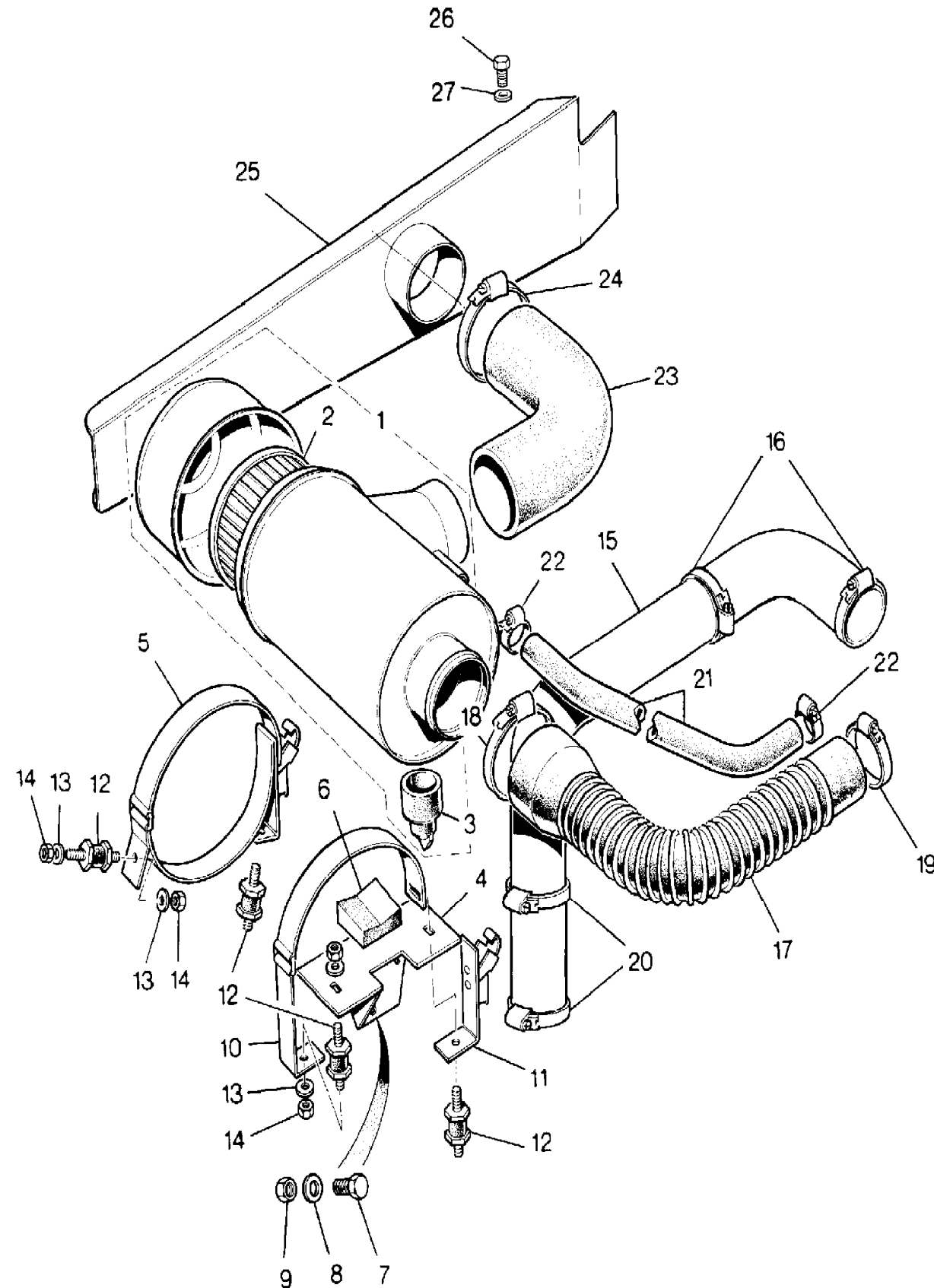
(VS3089A)

Range Rover (To HA610293)

3.5L V8 Twin Carb Petrol

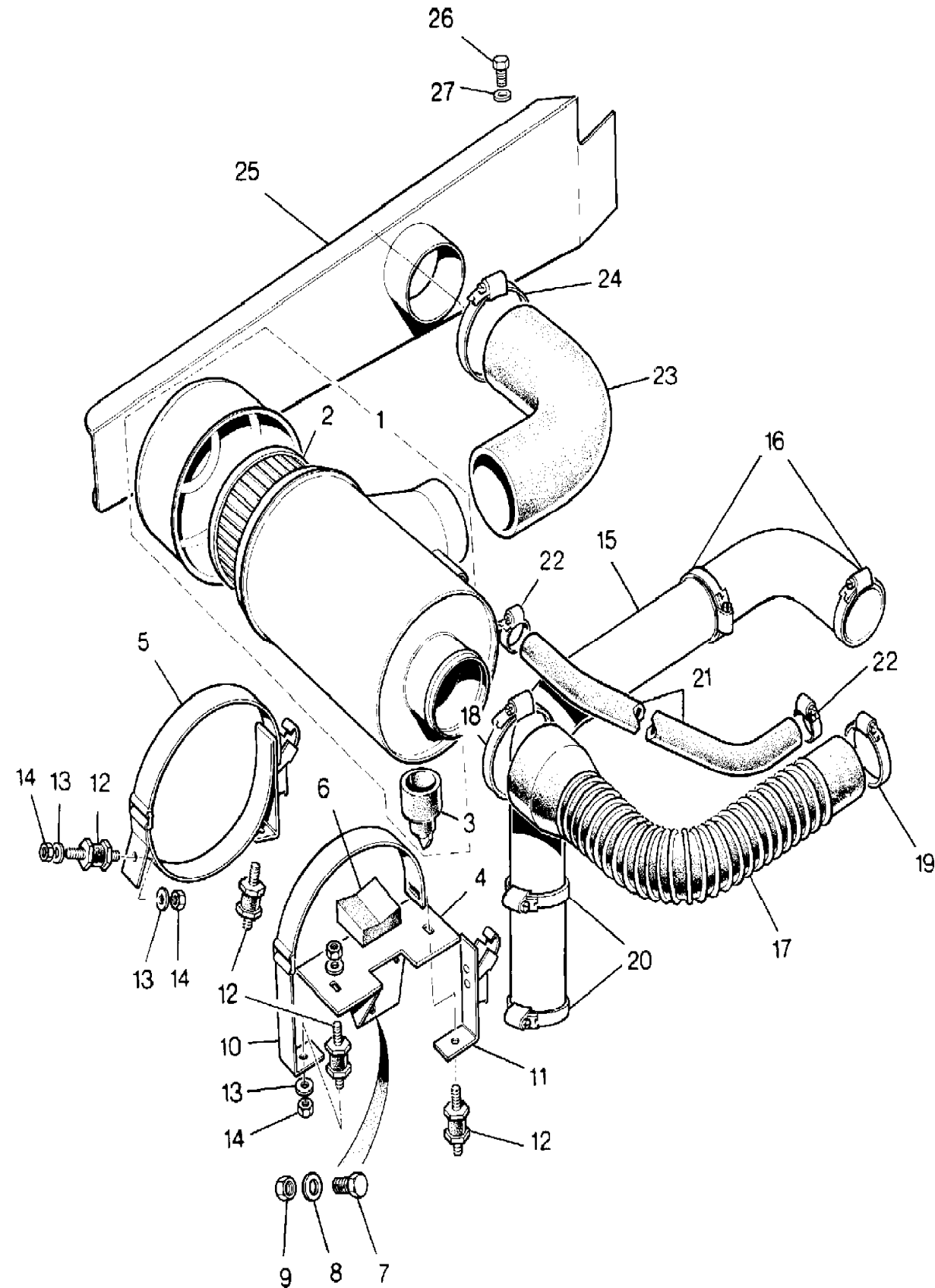
Callout	Name	Application	Remarks & Restrictions	Service No.	Qty
1	Air cleaner & bracket assembly	Change point - VIN end HA610293	Also serviced as part of a kit	ERC8706	1
2	Element Assy - Air Cleaner	Change point - VIN end HA610293	Also serviced as part of a kit	605191	2
3	Gasket-air cleaner element	Change point - VIN end HA610293	Also serviced as part of a kit	511833	4
4	Washer-Plain	Change point - VIN end HA610293	Also serviced as part of a kit, Standard	RTC609	2
5	Nut-wing	Change point - VIN end HA610293	Also serviced as part of a kit	250044	2
6	Dump valve & bracket assy	Change point - VIN end HA610293	Also serviced as part of a kit	606248	1
7	Clip	Change point - VIN end HA610293	Also serviced as part of a kit	606247	1
8	Elbow-carburettor air inlet	V8 Twin Carb Petrol		603670	2
9	Seal induction system	V8 Twin Carb Petrol		603069	2
10	Sensor-Temperature	V8 Twin Carb Petrol		ERC6399	1
11	Pipe-carburettor vacuum	V8 Twin Carb Petrol	31"	614891	2
12	Clip-Hose	V8 Twin Carb Petrol		572541	2
13	Valve-air control	V8 Twin Carb Petrol		614866	1
14	Pipe	V8 Twin Carb Petrol		ERC3093	1
15	Hose-valve to air cleaner pulse air system	V8 Twin Carb Petrol		ETC6270	2





With Diesel Engines

Callout	Name	Application	Remarks & Restrictions	Service No.	Qty
1	Air cleaner assembly	Change point - VIN end HA610293	Also serviced as part of a kit	NTC1426	1
2	Element Assy - Air Cleaner	Change point - VIN end HA610293	Also serviced as part of a kit	NTC1435	1
3	Valve assembly air intake	Change point - VIN end HA610293	Also serviced as part of a kit	NRC8955	1
4	Bracket-mounting air cleaner	Diesel 2.4 Diesel 2.5		NTC2966 NTC7379	1 1
5	Clamp		retaining air cleaner	NTC3016	1
6	Mounting-rubber		supporting air cleaner	NTC3048	1
7	Screw		fixing air cleaner mounting bracket, M6 X 12, hexagonal head	SH106121L	2
8	Washer		fixing air cleaner mounting bracket, 6MM	WA106041L	2
9	Nut - Hex.		fixing air cleaner mounting bracket, M6, nyloc, Hexagonal	NH106041L	2
10	Bracket-air cleaner			NTC3040	1
11	Bracket assembly-air cleaner			NTC3042	1
12	Mounting-rubber flexible support			NRC9773	4
13	Washer		6MM	WA106041L	8
14	Nut - Hex.		M6, nyloc, Hexagonal	NH106041L	8
15	Pipe-intercooler-turbocharger casting		Also serviced as part of a kit	NTC5172	1
16	Clip-Hose			CN100608L	2
17	Hose-turbocharger to pipe			NTC2838	1
18	Clip-Hose			CN100908L	2
19	Clip-Hose			CN100508	1
20	Clip-Hose			CN100608L	2
21	Breather fuel filler			NTC2836	1
22	Clip-Hose			CN100258	2



With Diesel Engines

Callout	Name	Application	Remarks & Restrictions	Service No.	Qty
23	Hose-air cleaner baffle	Diesel 2.4		NTC2315	1
		Diesel 2.5		NTC7375	1
24	Clip-hose-worm drive			CN101108L	1
25	Baffle-air vent	Diesel 2.4		NTC1429	1
		Diesel 2.5		NTC7380	1
26	Screw-self tapping		No 12 x 5/8	AB612051L	3
27	Washer		M6	WC106047	3

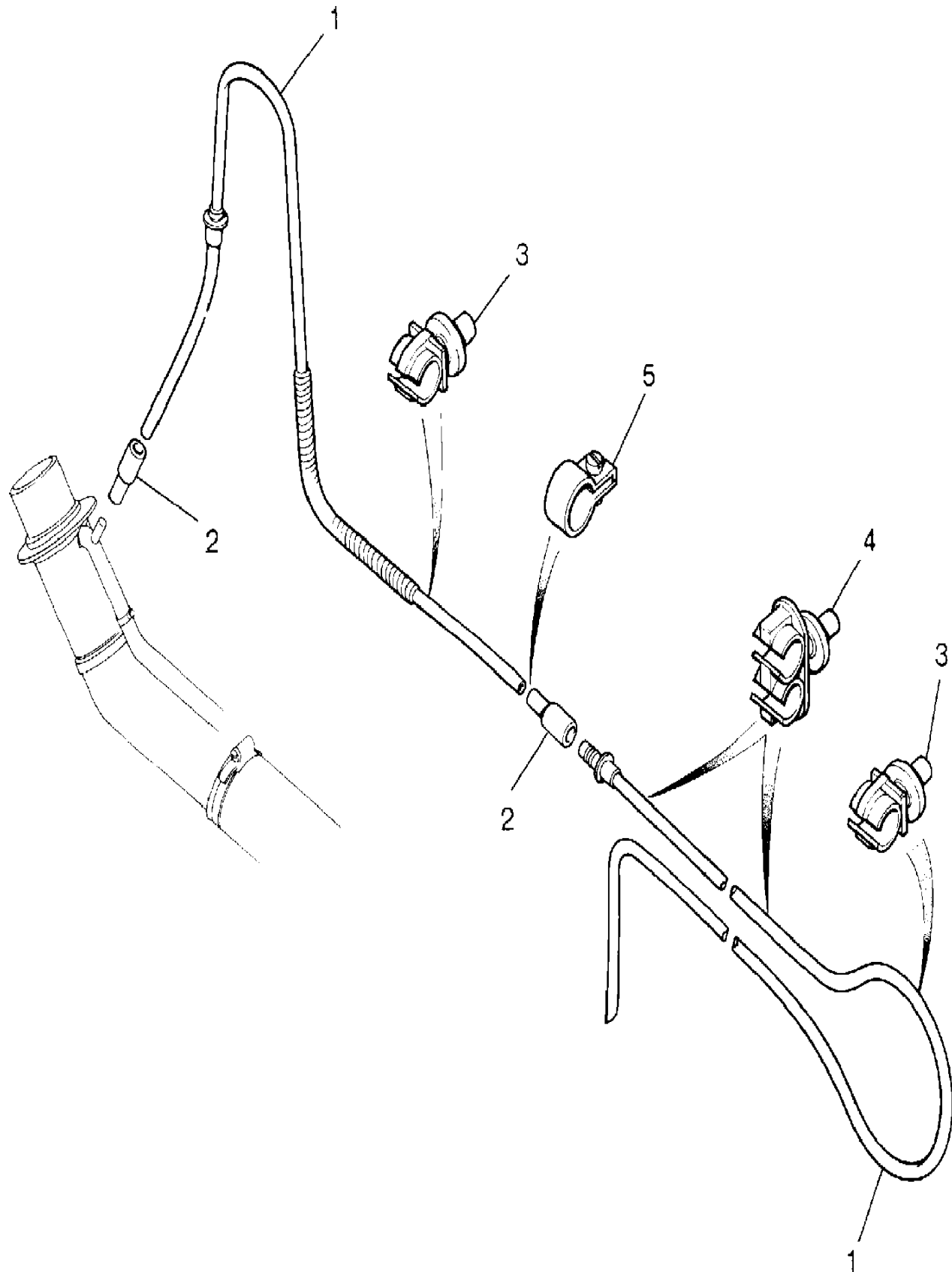
Range Rover (To HA610293)

(TS5862)

Range Rover (To HA610293)

4 Cyl Turbo Diesel VM

Callout	Name	Application	Remarks & Restrictions	Service No.	Qty
1	Pipe breather-fuel filler	With Diesel Engines		NRC4680	1
2	Connector fit	With Diesel Engines	Breather pipe	578055	2
3	Clip-Pipe	With Diesel Engines	Single	79123	3
4	Clip-Pipe	With Diesel Engines	Double	AFU1008	4
5	Clip-hose-double wire	With Diesel Engines		565656	1



Fuel & Emission Systems
 Fuel-Air Cleaner-Evaporative Loss
 Catch Tank-Petrol-Catalyst-From (V) EA308803 1/4

Range Rover (To HA610293)

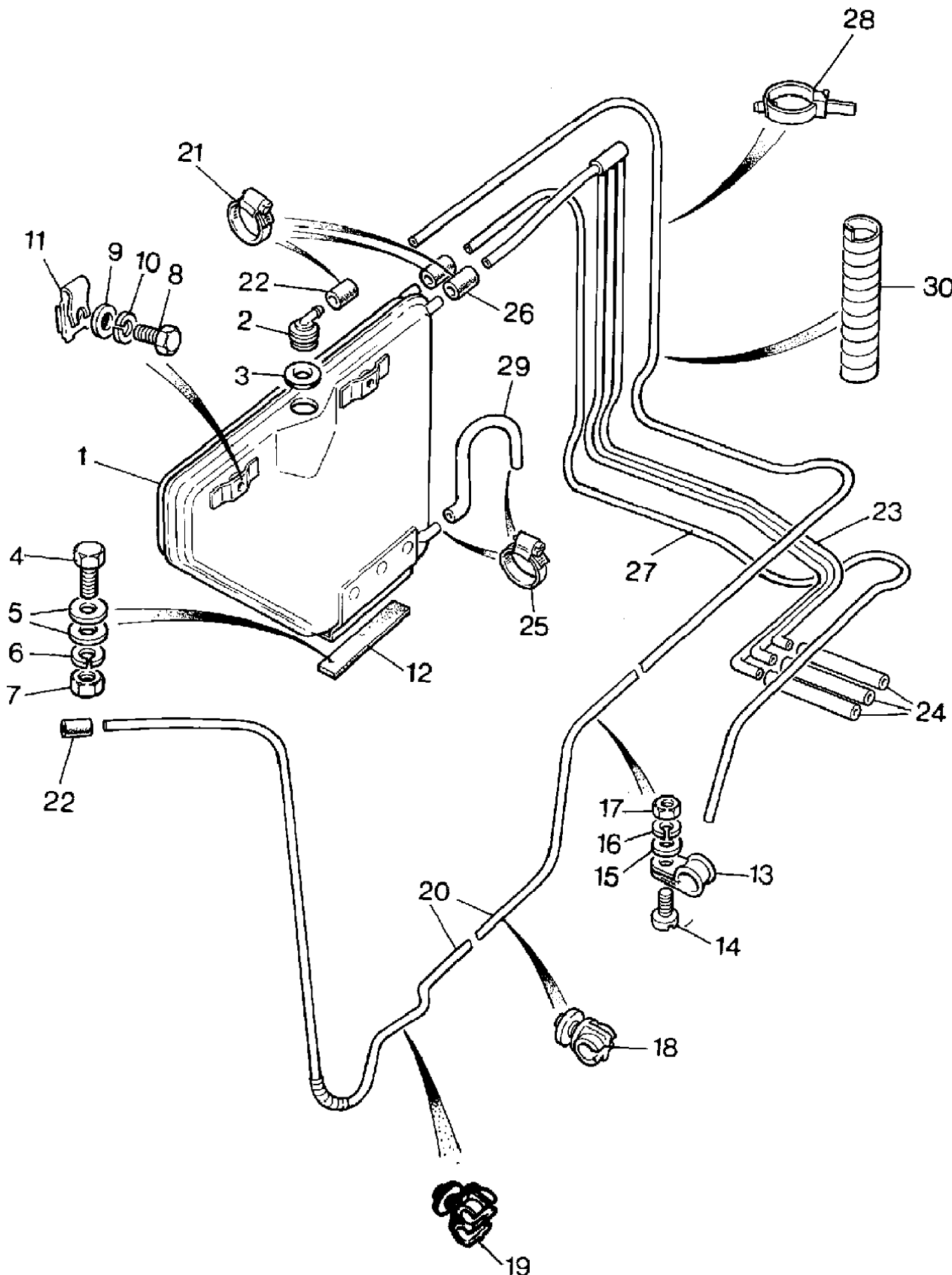
(TS6059A)

Range Rover (To HA610293)

Fuel & Emission Systems
 Fuel-Air Cleaner-Evaporative Loss
 Catch Tank-Petrol-Catalyst-From (V) EA308803

Change point - VIN begin EA308803, V8 Petrol, With Catalyst

Callout	Name	Application	Remarks & Restrictions	Service No.	Qty
1	Catcher-fuel filter fuel tank	Change point - VIN end GA464553, Change point - VIN begin EA308803, With Petrol Engines	Also serviced as part of a kit	NTC4628	1
2	Valve-fuel cut fuel tank	Change point - VIN end GA464553, Change point - VIN begin EA308803, With Petrol Engines	Also serviced as part of a kit	NTC4517	1
3	Grommet	Change point - VIN end GA464553, Change point - VIN begin EA308803, With Petrol Engines	Also serviced as part of a kit	NTC4627	1
4	Screw	Change point - VIN end GA464553, Change point - VIN begin EA308803, With Petrol Engines	fixing rubber strip, 1/4UNF x 5/8	255206	3
5	Washer	Change point - VIN end GA464553, Change point - VIN begin EA308803, With Petrol Engines	fixing rubber strip, M6	WB106041L	6
6	Washer-Spring	Change point - VIN end GA464553, Change point - VIN begin EA308803, With Petrol Engines	fixing rubber strip, 1/4 dia, Square	WM600041L	3
7	Nut - Hex.	Change point - VIN end GA464553, Change point - VIN begin EA308803, With Petrol Engines	fixing rubber strip, hexagonal head, Coarse Thread, 1/4UNF	NH604041L	3
8	Screw	Change point - VIN end GA464553, Change point - VIN begin EA308803, With Petrol Engines	fixing rubber strip	BH604141L	2
9	Washer	Change point - VIN end GA464553, Change point - VIN begin EA308803, With Petrol Engines	fixing petrol catch tank, M6	WB106041L	2
10	Washer-Spring	Change point - VIN end GA464553, Change point - VIN begin EA308803, With Petrol Engines	fixing petrol catch tank, 1/4 dia, Square	WM600041L	2
11	Nut - Hex.	Change point - VIN end GA464553, Change point - VIN begin EA308803, With Petrol Engines	fixing petrol catch tank, 1/4UNF	346073	2
12	Strip-edge protection	Change point - VIN end GA464553, Change point - VIN begin EA308803, With Petrol Engines	Rubber	592907	1



Fuel & Emission Systems
 Fuel-Air Cleaner-Evaporative Loss
 Catch Tank-Petrol-Catalyst-From (V) EA308803 2/4

Range Rover (To HA610293)

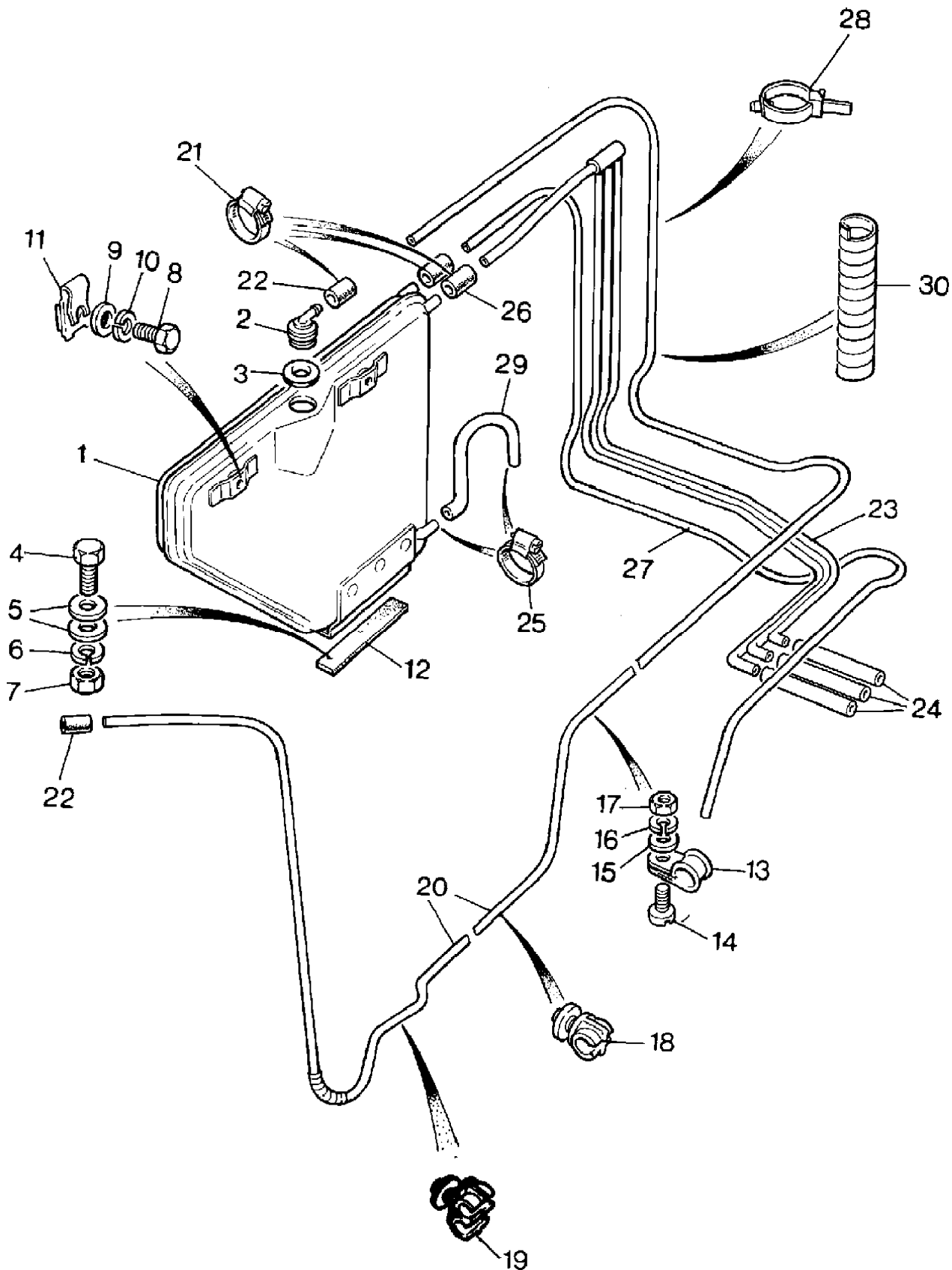
(TS6059A)

Range Rover (To HA610293)

Fuel & Emission Systems
 Fuel-Air Cleaner-Evaporative Loss
 Catch Tank-Petrol-Catalyst-From (V) EA308803

Change point - VIN begin EA308803, V8 Petrol, With Catalyst

Callout	Name	Application	Remarks & Restrictions	Service No.	Qty
13	Clip-p	Change point - VIN end GA464553, Change point - VIN begin EA308803, With Petrol Engines, (-)"CDN/MEX/USA" (+)"CDN/MEX/USA"	fixing petrol catch tank	AEU1448	8
				AEU1448	8
14	Screw	Change point - VIN end GA464553, Change point - VIN begin EA308803, With Petrol Engines, (-)"CDN/MEX/USA" (+)"CDN/MEX/USA"	fixing p-clip	78177	8
				78177	8
15	Washer	(+)"CDN/MEX/USA"	Plain	RTC612	8
16	Washer-Spring	Change point - VIN end GA464553, Change point - VIN begin EA308803, With Petrol Engines, (-)"CDN/MEX/USA" (+)"CDN/MEX/USA"	fixing p-clip, 3/16 dia, Square	WM702001L	8
				WM702001L	8
17	Nut - Hex.	Change point - VIN end GA464553, Change point - VIN begin EA308803, With Petrol Engines, (-)"CDN/MEX/USA" (+)"CDN/MEX/USA"	fixing p-clip	RTC608	8
				RTC608	8
18	Clip	Change point - VIN end GA464553, Change point - VIN begin EA308803, With Petrol Engines, (-)"CDN/MEX/USA" (+)"CDN/MEX/USA"	8MM	79122	9
				79122	9
19	Clip-Pipe	Change point - VIN end GA464553, Change point - VIN begin EA308803, With Petrol Engines, (-)"CDN/MEX/USA" (+)"CDN/MEX/USA"	Double	79159	2
				79159	2
20	Clip	Change point - VIN end GA464553, Change point - VIN begin EA308803, With Petrol Engines, (-)"CDN/MEX/USA" (+)"CDN/MEX/USA"		NTC5007	1
		Change point - VIN end HA300200, (+)"CDN/MEX/USA"		NHC3243	1
		Change point - VIN end HA300200, (+)"CDN/MEX/USA"		NHC4540	1
		Change point - VIN begin HA300201, Change point - VIN end JA308802, (+)"CDN/MEX/USA" (+)"CDN/MEX/USA"		NTC5007	1
			assembly	NTC5443	1



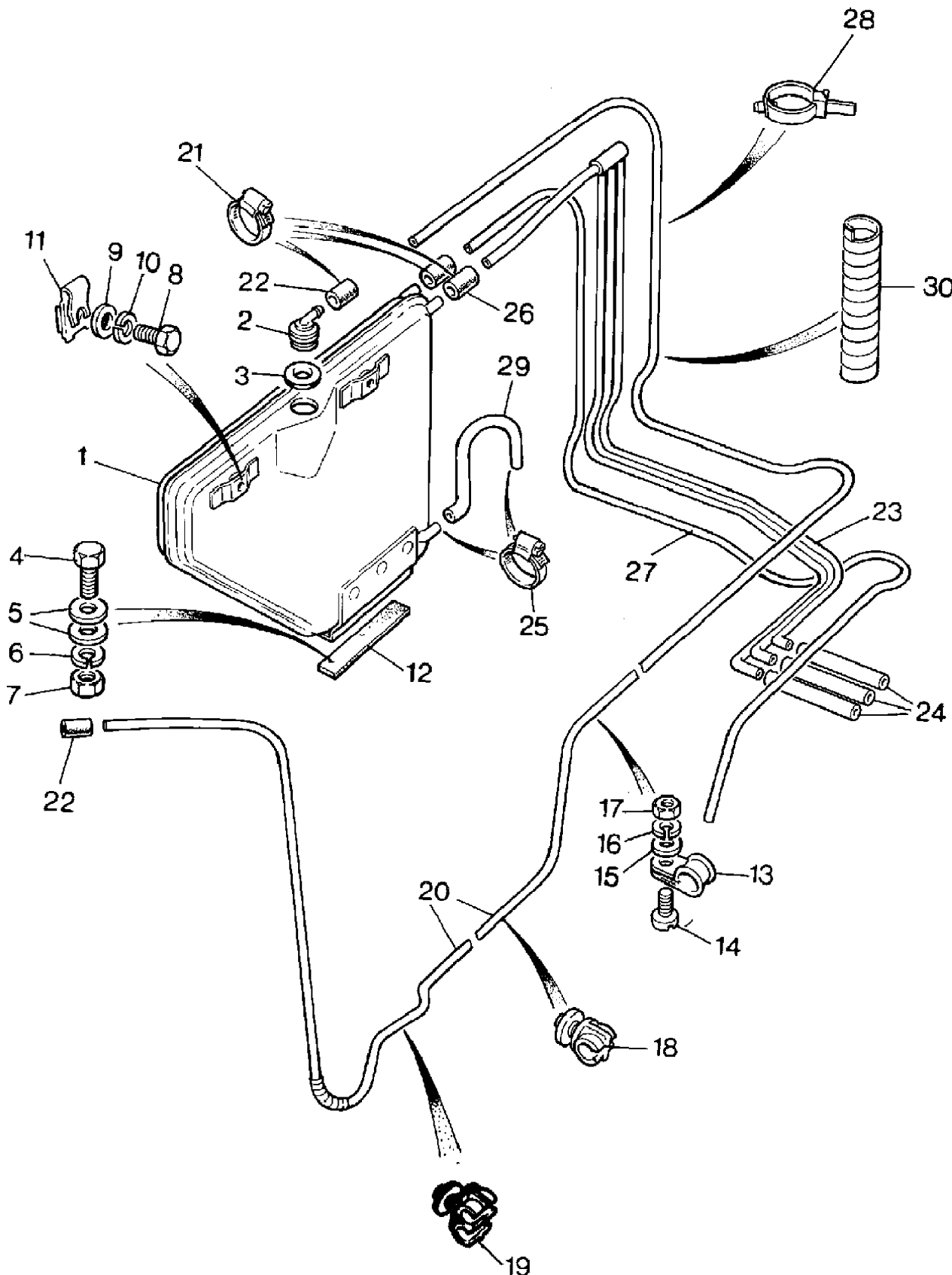
Range Rover (To HA610293)

(TS6059A)

Range Rover (To HA610293)

Change point - VIN begin EA308803, V8 Petrol, With Catalyst

Callout	Name	Application	Remarks & Restrictions	Service No.	Qty
21	Clip-Hose	Change point - VIN end GA464553, Change point - VIN begin EA308803, With Petrol Engines, (-)"CDN/MEX/USA" (+)"CDN/MEX/USA"		CN100608L	14
				CN100608L	14
22	Connector fit	Change point - VIN end GA464553, Change point - VIN begin EA308803, With Petrol Engines, (-)"CDN/MEX/USA" (+)"CDN/MEX/USA"		NTC4193	2
				NTC4193	2
23	Hose assembly-evaporative loss tbi	Change point - VIN end GA464553, Change point - VIN begin EA308803, With Petrol Engines Change point - VIN end JA308803, (+)"CDN/MEX/USA"		NTC5297	1
				NTC5006	1
24	Connector fit	Change point - VIN end GA464553, Change point - VIN begin EA308803, With Petrol Engines		NTC4552	3
25	Clip-Hose	Change point - VIN end GA464553, Change point - VIN begin EA308803, With Petrol Engines		CN100608L	2
26	Connector fuel lines	Change point - VIN end GA464553, Change point - VIN begin EA308803, With Petrol Engines		NTC2876	2
27	Pipe Fuel	Change point - VIN end GA464553, Change point - VIN begin EA308803, With Petrol Engines		NTC5262	1
28	Strap assembly-retaining	Change point - VIN end GA464553, Change point - VIN begin EA308803, With Petrol Engines		NTC4476	3
29	Pipe Fuel	Change point - VIN end GA464553, Change point - VIN begin EA308803, With Petrol Engines		NTC4538	1
30	Protector-pipe fuel	Change point - VIN end GA464553, Change point - VIN begin EA308803, With Petrol Engines Change point - VIN end JA308803, (+)"CDN/MEX/USA"		NTC5298	1
				NTC4537	1



Fuel & Emission Systems
 Fuel-Air Cleaner-Evaporative Loss
 Catch Tank-Petrol-Catalyst-From (V) EA308803 4/4

Range Rover (To HA610293)

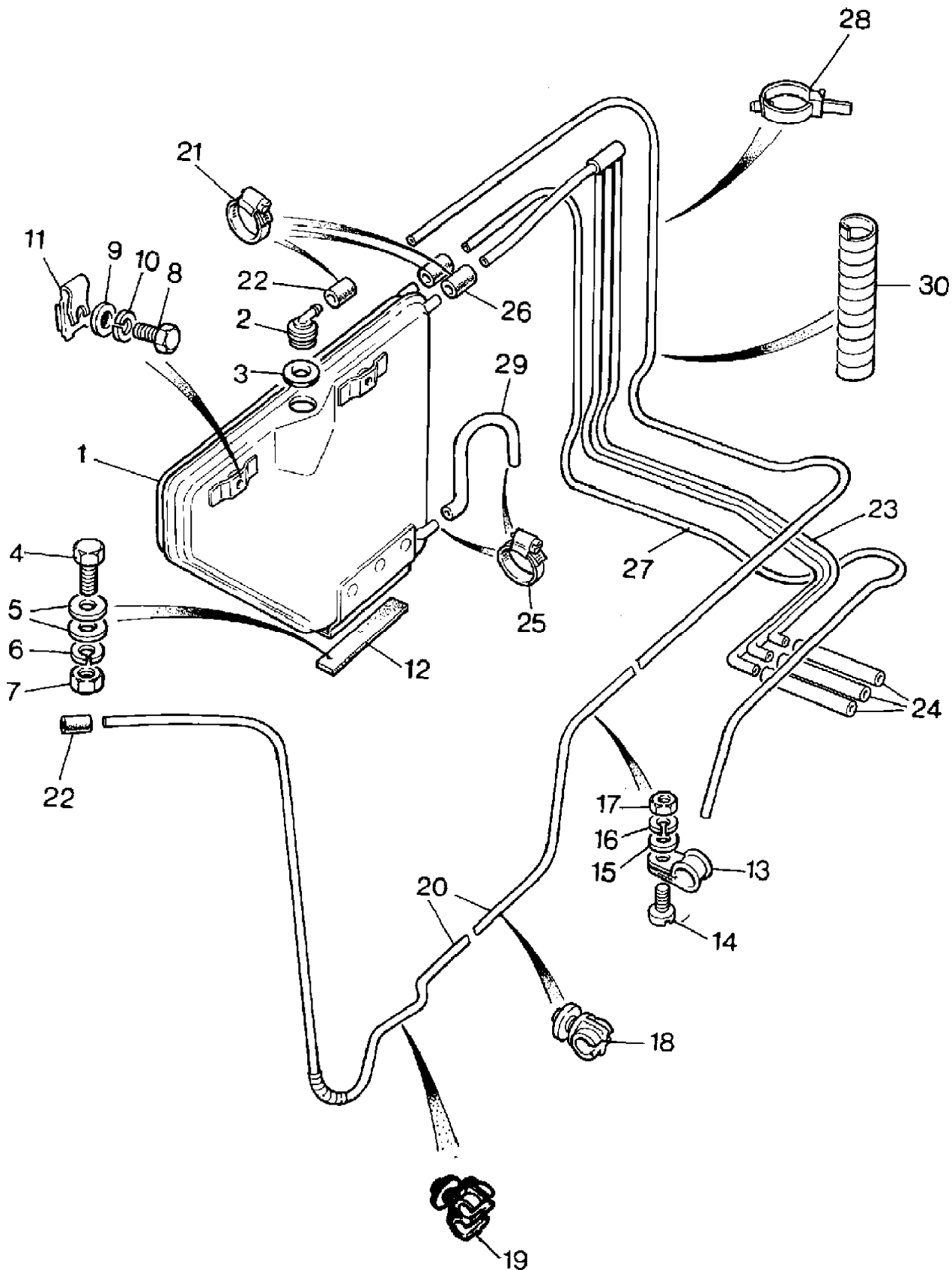
(TS6059A)

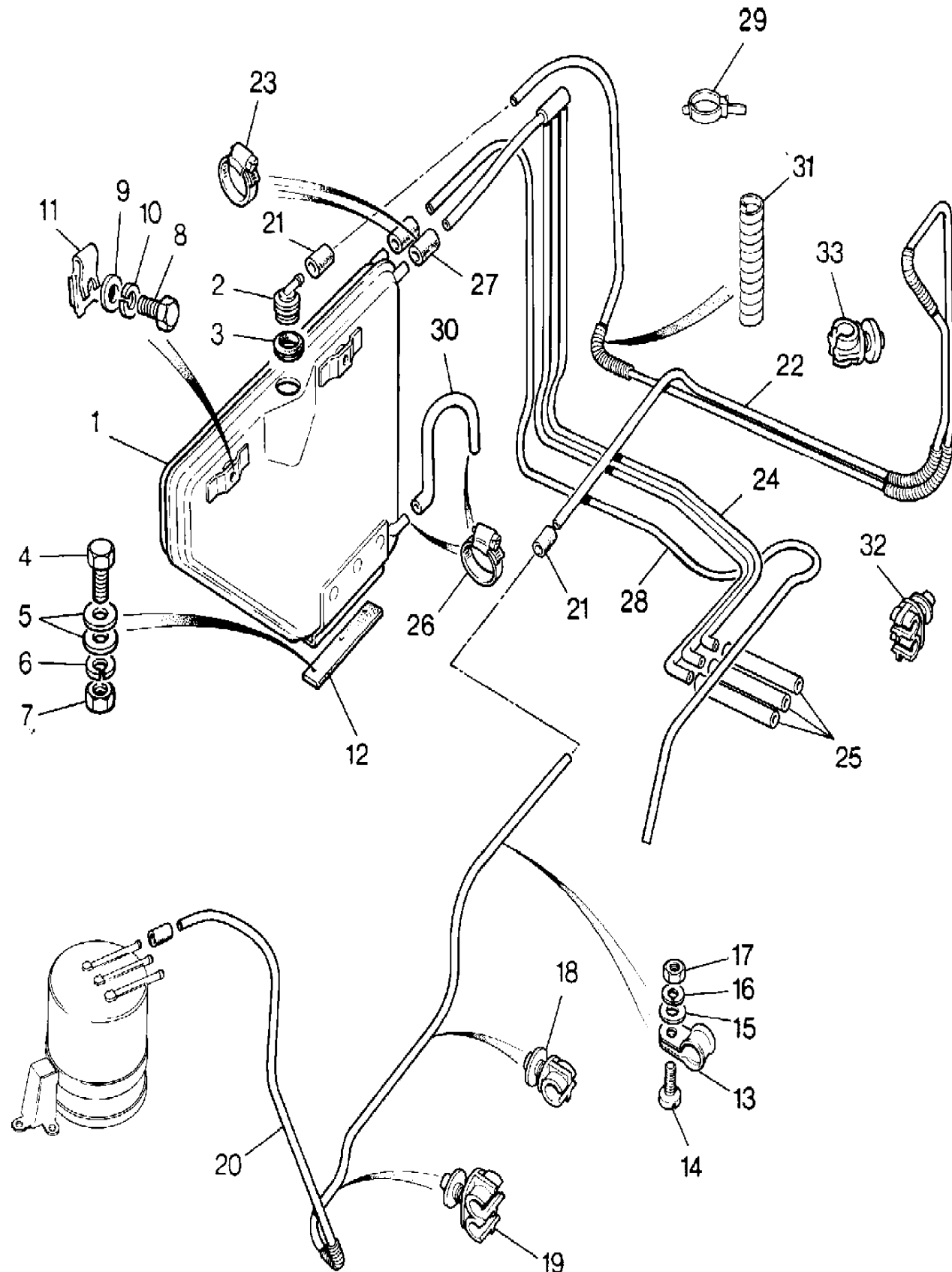
Range Rover (To HA610293)

Fuel & Emission Systems
 Fuel-Air Cleaner-Evaporative Loss
 Catch Tank-Petrol-Catalyst-From (V) EA308803

Change point - VIN begin EA308803, V8 Petrol, With Catalyst

Callout	Name	Application	Remarks & Restrictions	Service No.	Qty
[900]	Clip-Hose	Change point - VIN end GA464553, Change point - VIN begin EA308803, With Petrol Engines, (-)"CDN/MEX/USA"		CN100168L	3
		Change point - VIN begin JA308802, 3.5 V8 Petrol Efi, (+)"CDN/MEX/USA"		CN100168L	3





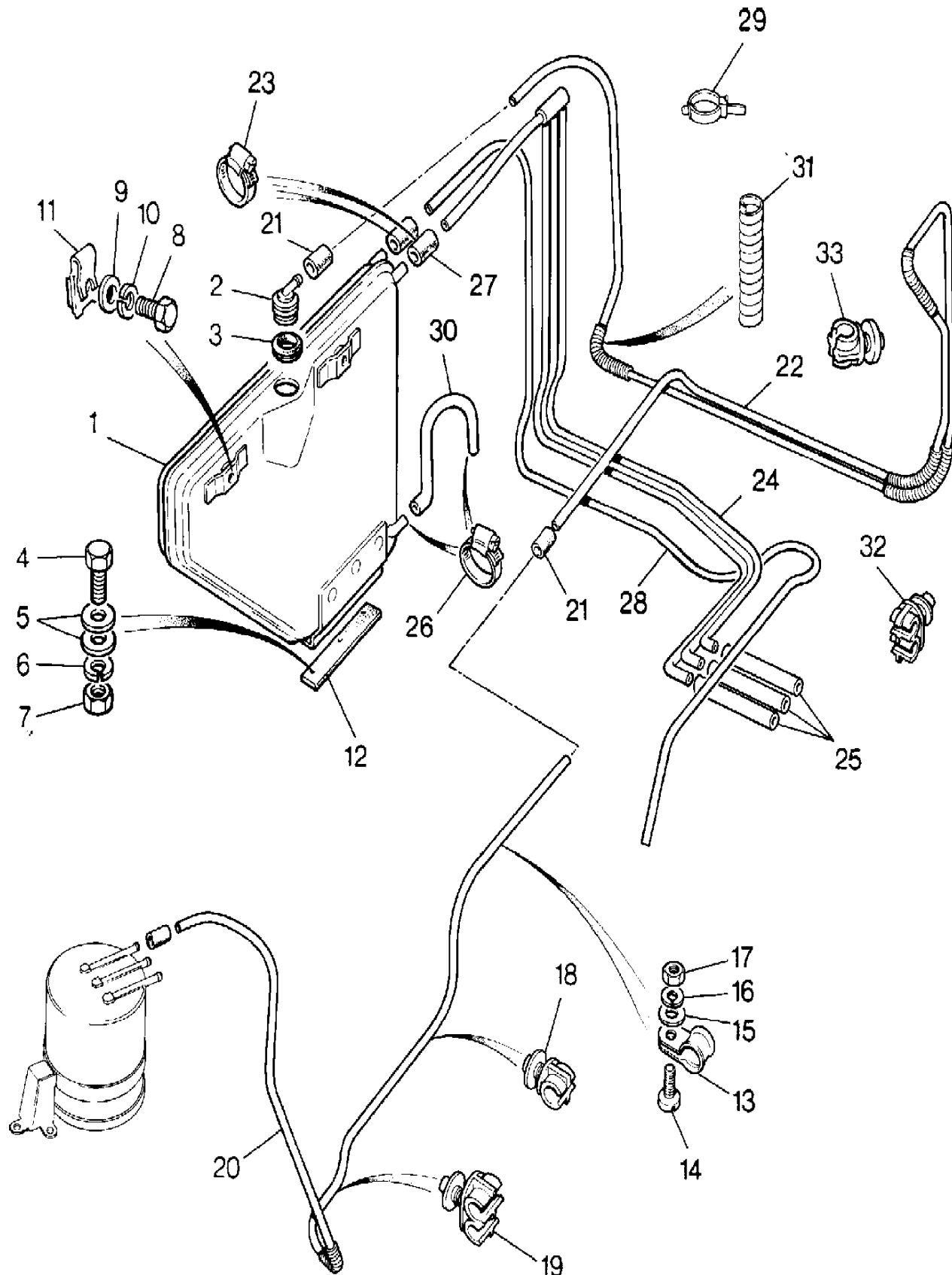
Callout	Name	Application	Remarks & Restrictions	Service No.	Qty
1	Catcher-fuel filter fuel tank	Change point - VIN end GA464553, Change point - VIN begin EA308803, With Petrol Engines	Also serviced as part of a kit	NTC4628	1
2	Valve-fuel cut fuel tank	Change point - VIN end GA464553, Change point - VIN begin EA308803, With Petrol Engines	Also serviced as part of a kit	NTC4517	1
3	Grommet	Change point - VIN end GA464553, Change point - VIN begin EA308803, With Petrol Engines	seal float valve, Also serviced as part of a kit	NTC4627	1
4	Screw	Change point - VIN end GA464553, Change point - VIN begin EA308803, With Petrol Engines	fixing rubber strip, 1/4UNF x 5/8	255206	3
5	Washer	Change point - VIN end GA464553, Change point - VIN begin EA308803, With Petrol Engines	fixing rubber strip, M6	WB106041L	6
6	Washer-Spring	Change point - VIN end GA464553, Change point - VIN begin EA308803, With Petrol Engines	fixing rubber strip, 1/4 dia, Square	WM600041L	3
7	Nut - Hex.	Change point - VIN end GA464553, Change point - VIN begin EA308803, With Petrol Engines	fixing rubber strip, hexagonal head, Coarse Thread, 1/4UNF	NH604041L	3
8	Screw	Change point - VIN end GA464553, Change point - VIN begin EA308803, With Petrol Engines	fixing petrol catch tank	BH604141L	2
9	Washer	Change point - VIN end GA464553, Change point - VIN begin EA308803, With Petrol Engines	fixing petrol catch tank, M6	WB106041L	2
10	Washer-Spring	Change point - VIN end GA464553, Change point - VIN begin EA308803, With Petrol Engines	fixing petrol catch tank, 1/4 dia, Square	WM600041L	2
11	Nut - Hex.	Change point - VIN end GA464553, Change point - VIN begin EA308803, With Petrol Engines	fixing petrol catch tank, 1/4UNF	346073	2
12	Strip-edge protection	Change point - VIN end GA464553, Change point - VIN begin EA308803, With Petrol Engines	Rubber	592907	1

Range Rover (To HA610293)

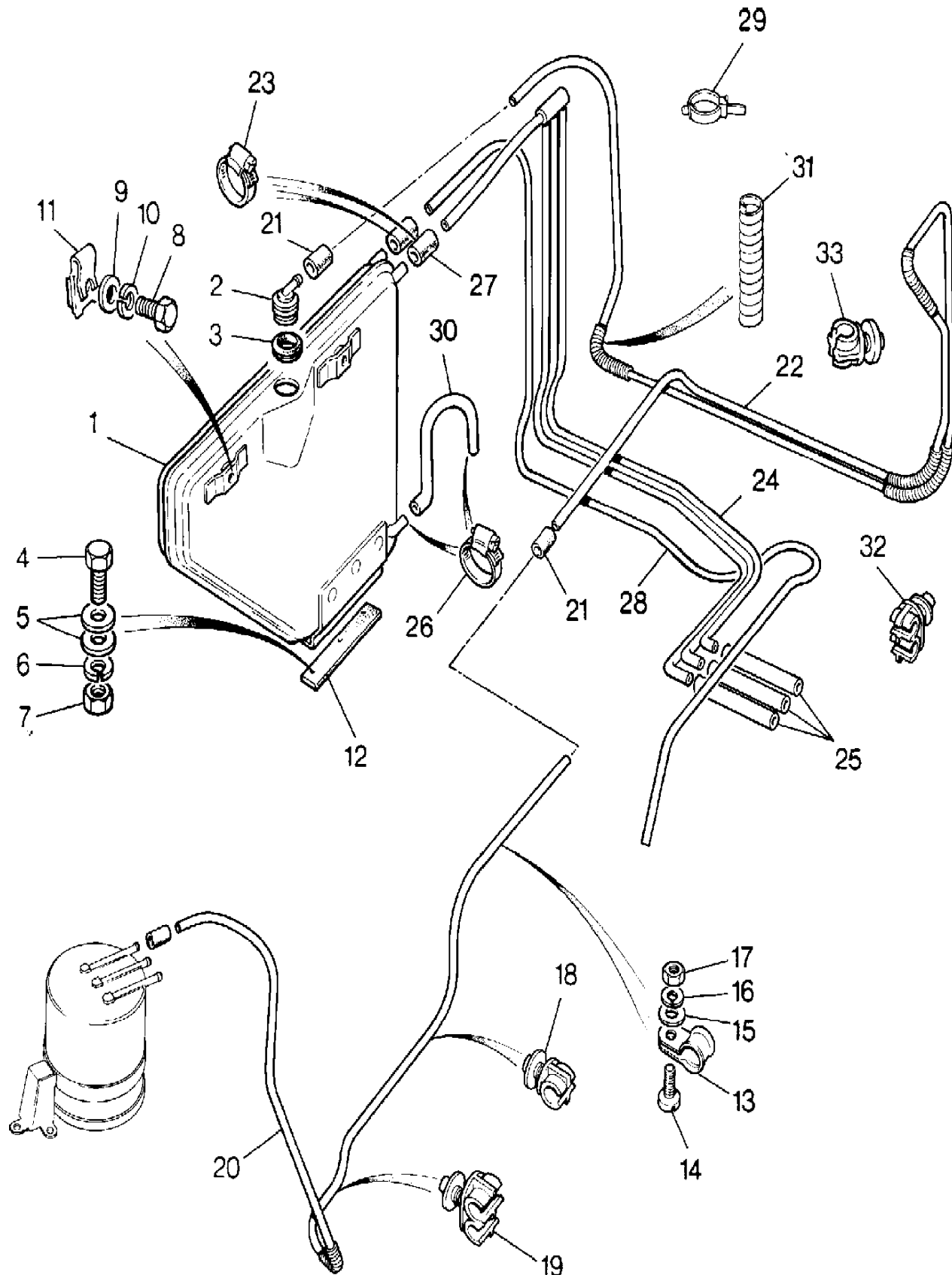
(TS6470)

Range Rover (To HA610293)

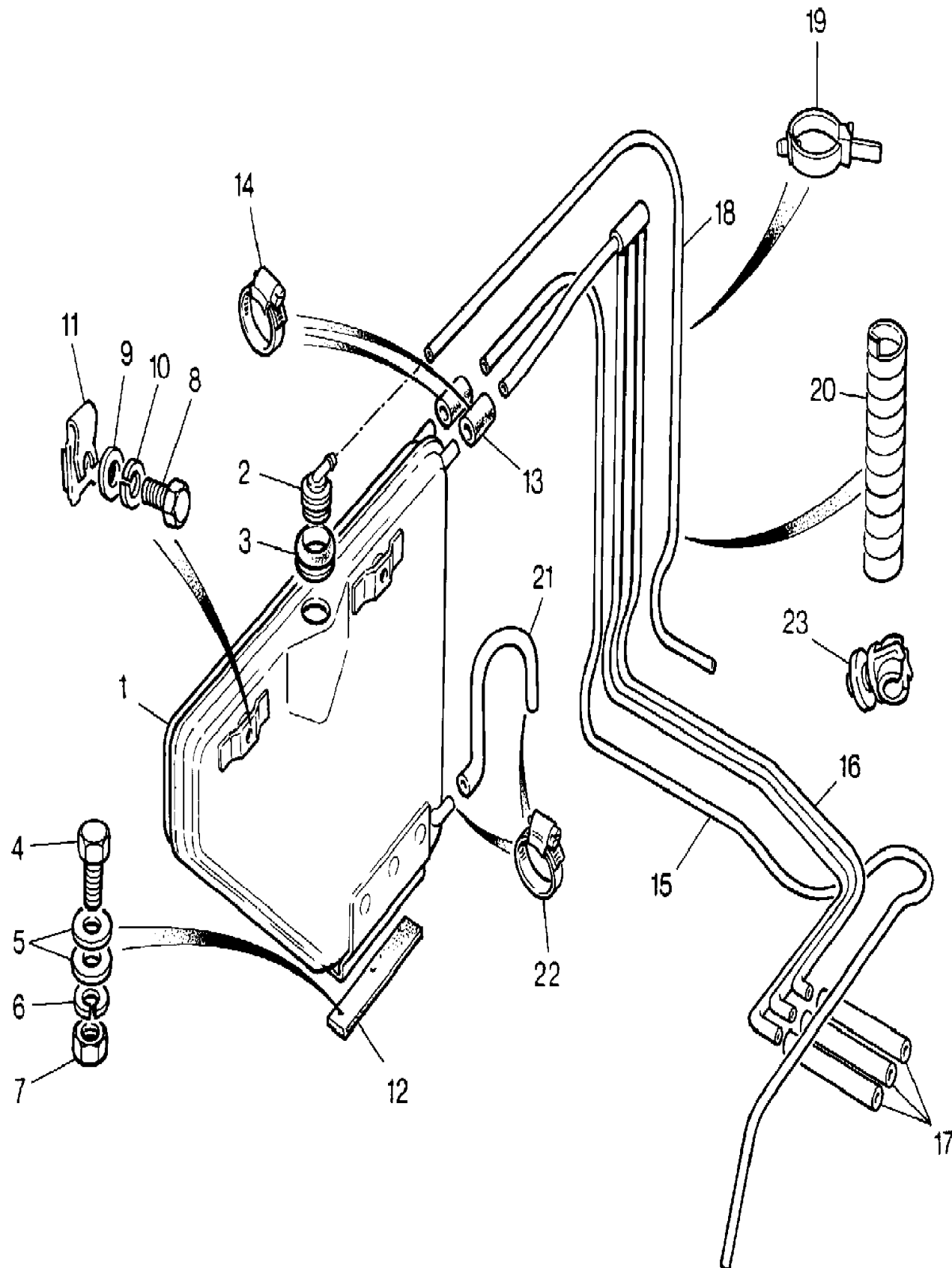
Change point - VIN begin EA308803, Change point - VIN end GA464553, V8 Petrol, Less Catalyst



Callout	Name	Application	Remarks & Restrictions	Service No.	Qty
13	Clip-p	Change point - VIN end GA464553, Change point - VIN begin EA308803, With Petrol Engines		AEU1448	8
14	Screw	Change point - VIN end GA464553, Change point - VIN begin EA308803, With Petrol Engines		78177	8
15	Washer-Plain	Change point - VIN end GA464553, Change point - VIN begin EA308803, With Petrol Engines	fixing p-clip	RTC612	8
16	Washer-Spring	Change point - VIN end GA464553, Change point - VIN begin EA308803, With Petrol Engines	3/16 dia, Square	WM702001L	8
17	Nut - Hex.	Change point - VIN end GA464553, Change point - VIN begin EA308803, With Petrol Engines		RTC608	8
18	Clip	Change point - VIN end GA464553, Change point - VIN begin EA308803, With Petrol Engines	8MM	79122	9
19	Clip-Pipe	Change point - VIN end GA464553, Change point - VIN begin EA308803, With Petrol Engines	Double	79159	2
20	Pipe Fuel	Change point - VIN end GA464553, Change point - VIN begin EA308803, With Petrol Engines		NRC3243	1
21	Hose-charcoal canister to valve purge	Change point - VIN end GA464553, Change point - VIN begin EA308803, With Petrol Engines		577459	2
22	Pipe Fuel	Change point - VIN end GA464553, Change point - VIN begin EA308803, With Petrol Engines		NRC3244	1
23	Clip-Hose	Change point - VIN end GA464553, Change point - VIN begin EA308803, With Petrol Engines		CN100608L	9
24	Hose assembly-evaporative loss tbi	Change point - VIN end GA464553, Change point - VIN begin EA308803, With Petrol Engines		NTC5297	1



Callout	Name	Application	Remarks & Restrictions	Service No.	Qty
25	Connector fit	Change point - VIN end GA464553, Change point - VIN begin EA308803, With Petrol Engines		NTC4552	3
26	Clip-Hose	Change point - VIN end GA464553, Change point - VIN begin EA308803, With Petrol Engines		CN100608L	2
27	Connector fuel lines	Change point - VIN end GA464553, Change point - VIN begin EA308803, With Petrol Engines		NTC2876	2
28	Pipe Fuel	Change point - VIN end GA464553, Change point - VIN begin EA308803, With Petrol Engines		NTC5262	1
29	Strap assembly-retaining	Change point - VIN end GA464553, Change point - VIN begin EA308803, With Petrol Engines		NTC4476	4
30	Pipe Fuel	Change point - VIN end GA464553, Change point - VIN begin EA308803, With Petrol Engines		NTC4538	1
31	Protector-pipe fuel	Change point - VIN end GA464553, Change point - VIN begin EA308803, With Petrol Engines		NTC5298	1
32	Clip-Pipe	Change point - VIN end GA464553, Change point - VIN begin EA308803, With Petrol Engines	Double	79158	8
33	Clip	Change point - VIN end GA464553, Change point - VIN begin EA308803, With Petrol Engines	9MM, Single	79121	1
		Change point - VIN end GA464553, Change point - VIN begin EA308803, With Petrol Engines	Single	79123	1



Callout	Name	Application	Remarks & Restrictions	Service No.	Qty
1	Catcher-fuel filter fuel tank	Change point - VIN end GA464553, Change point - VIN begin EA308803, With Petrol Engines	Also serviced as part of a kit	NTC4628	1
2	Valve-fuel cut fuel tank	Change point - VIN end GA464553, Change point - VIN begin EA308803, With Petrol Engines	Also serviced as part of a kit	NTC4517	1
3	Grommet	Change point - VIN end GA464553, Change point - VIN begin EA308803, With Petrol Engines	seal float valve, Also serviced as part of a kit	NTC4627	1
4	Screw	Change point - VIN end GA464553, Change point - VIN begin EA308803, With Petrol Engines	fixing rubber strip, 1/4UNF x 5/8	255206	3
5	Washer	Change point - VIN end GA464553, Change point - VIN begin EA308803, With Petrol Engines	fixing rubber strip, M6	WB106041L	6
		Change point - VIN end GA464553, Change point - VIN begin EA308803, With Petrol Engines	fixing rubber strip, 1/4 dia, Square	WM600041L	3
7	Nut - Hex.	Change point - VIN end GA464553, Change point - VIN begin EA308803, With Petrol Engines	fixing rubber strip, hexagonal head, Coarse Thread, 1/4UNF	NH604041L	3
8	Screw	Change point - VIN end GA464553, Change point - VIN begin EA308803, With Petrol Engines	fixing petrol catch tank	BH604141L	2
9	Washer	Change point - VIN end GA464553, Change point - VIN begin EA308803, With Petrol Engines	fixing petrol catch tank, M6	WB106041L	2
10	Washer-Spring	Change point - VIN end GA464553, Change point - VIN begin EA308803, With Petrol Engines	fixing petrol catch tank, 1/4 dia, Square	WM600041L	2
11	Nut - Hex.	Change point - VIN end GA464553, Change point - VIN begin EA308803, With Petrol Engines	fixing petrol catch tank, 1/4UNF	346073	2
12	Strip-edge protection	Change point - VIN end GA464553, Change point - VIN begin EA308803, With Petrol Engines	Rubber	592907	1

Fuel & Emission Systems
 Fuel-Air Cleaner-Evaporative Loss
 Catch Tank-Petrol-Non Evap Loss-From (V) EA308803 2/3

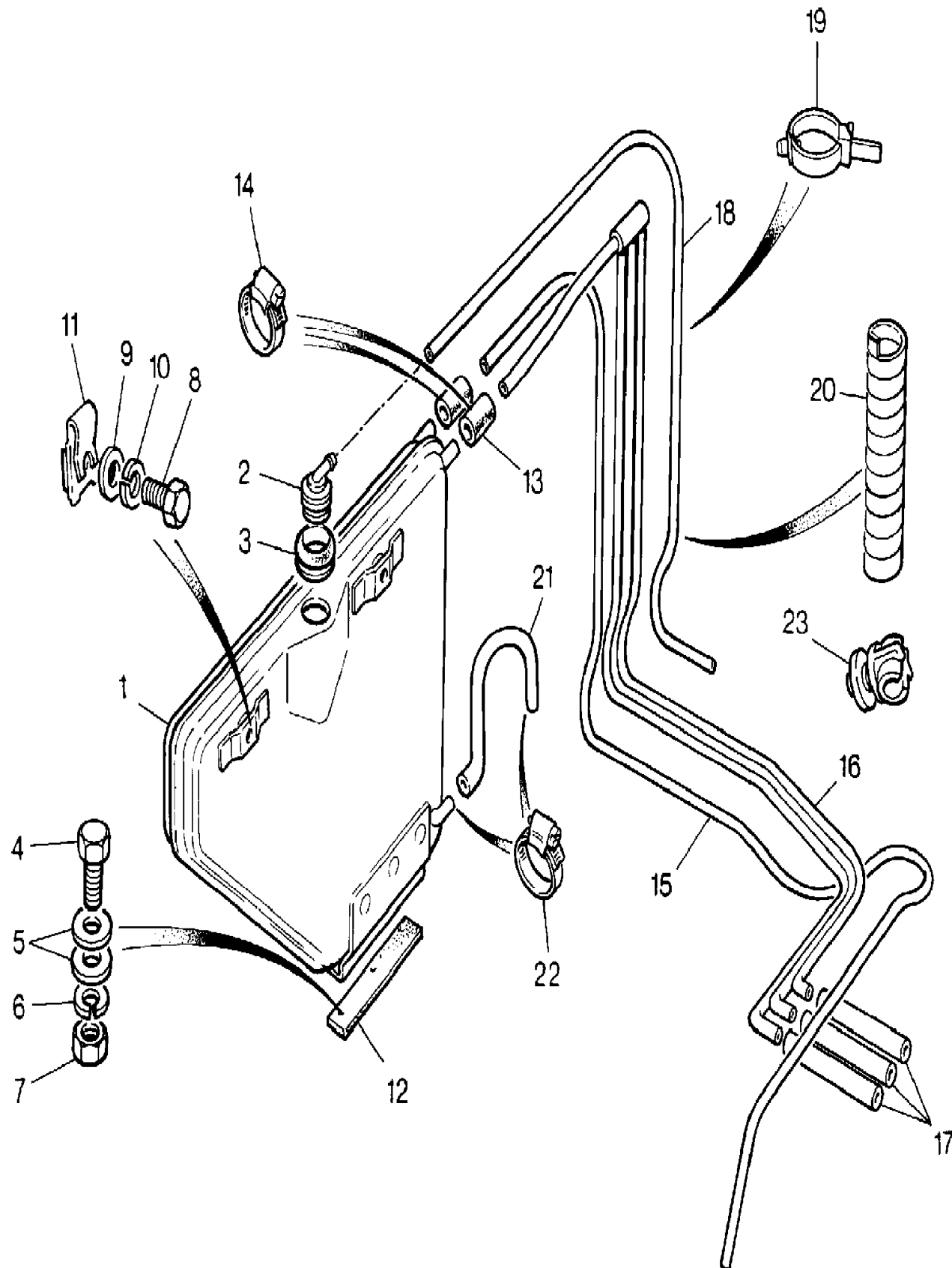
Range Rover (To HA610293)

(TS6471)

Range Rover (To HA610293)

Fuel & Emission Systems
 Fuel-Air Cleaner-Evaporative Loss
 Catch Tank-Petrol-Non Evap Loss-From (V) EA308803

Change point - VIN begin EA308803, Change point - VIN end GA464553, V8 Petrol, Less Catalyst



Callout	Name	Application	Remarks & Restrictions	Service No.	Qty
13	Connector fuel lines	Change point - VIN end GA464553, Change point - VIN begin EA308803, With Petrol Engines		NTC2876	2
14	Clip-Hose	Change point - VIN end GA464553, Change point - VIN begin EA308803, With Petrol Engines		CN100608L	9
15	Pipe Fuel	Change point - VIN end GA464553, Change point - VIN begin EA308803, With Petrol Engines		NTC5262	1
16	Hose assembly-evaporative loss tbi	Change point - VIN end GA464553, Change point - VIN begin EA308803, With Petrol Engines		NTC5297	1
17	Connector fit	Change point - VIN end GA464553, Change point - VIN begin EA308803, With Petrol Engines	tank to manifold	NTC4552	3
18	Pipe-vent fuel lines	Change point - VIN end GA464553, Change point - VIN begin EA308803, With Petrol Engines		NTC5260	1
19	Strap assembly-retaining	Change point - VIN end GA464553, Change point - VIN begin EA308803, With Petrol Engines		NTC4476	4
20	Protector-pipe fuel	Change point - VIN end GA464553, Change point - VIN begin EA308803, With Petrol Engines		NTC5298	1
21	Pipe Fuel	Change point - VIN end GA464553, Change point - VIN begin EA308803, With Petrol Engines		NTC4538	1
22	Clip-Hose	Change point - VIN end GA464553, Change point - VIN begin EA308803, With Petrol Engines		CN100608L	2
23	Clip	Change point - VIN end GA464553, Change point - VIN begin EA308803, With Petrol Engines	9MM, Single	79121	1
[900]	Clip-Hose	Change point - VIN end GA464553, Change point - VIN begin EA308803, With Petrol Engines		CN100168L	3

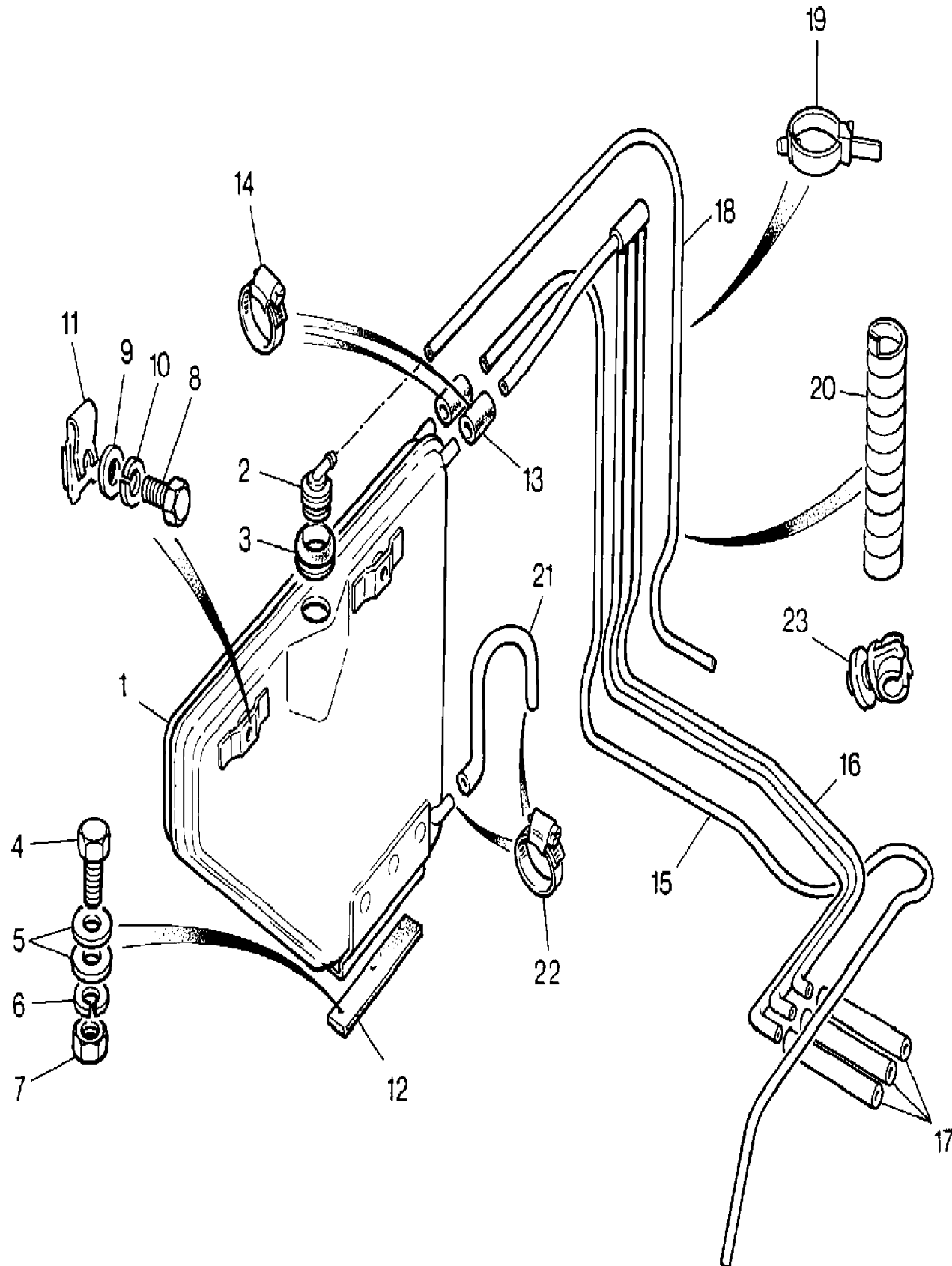
Fuel & Emission Systems
 Fuel-Air Cleaner-Evaporative Loss
 Catch Tank-Petrol-Non Evap Loss-From (V) EA308803 3/3

Range Rover (To HA610293)

(TS6471)

Range Rover (To HA610293)

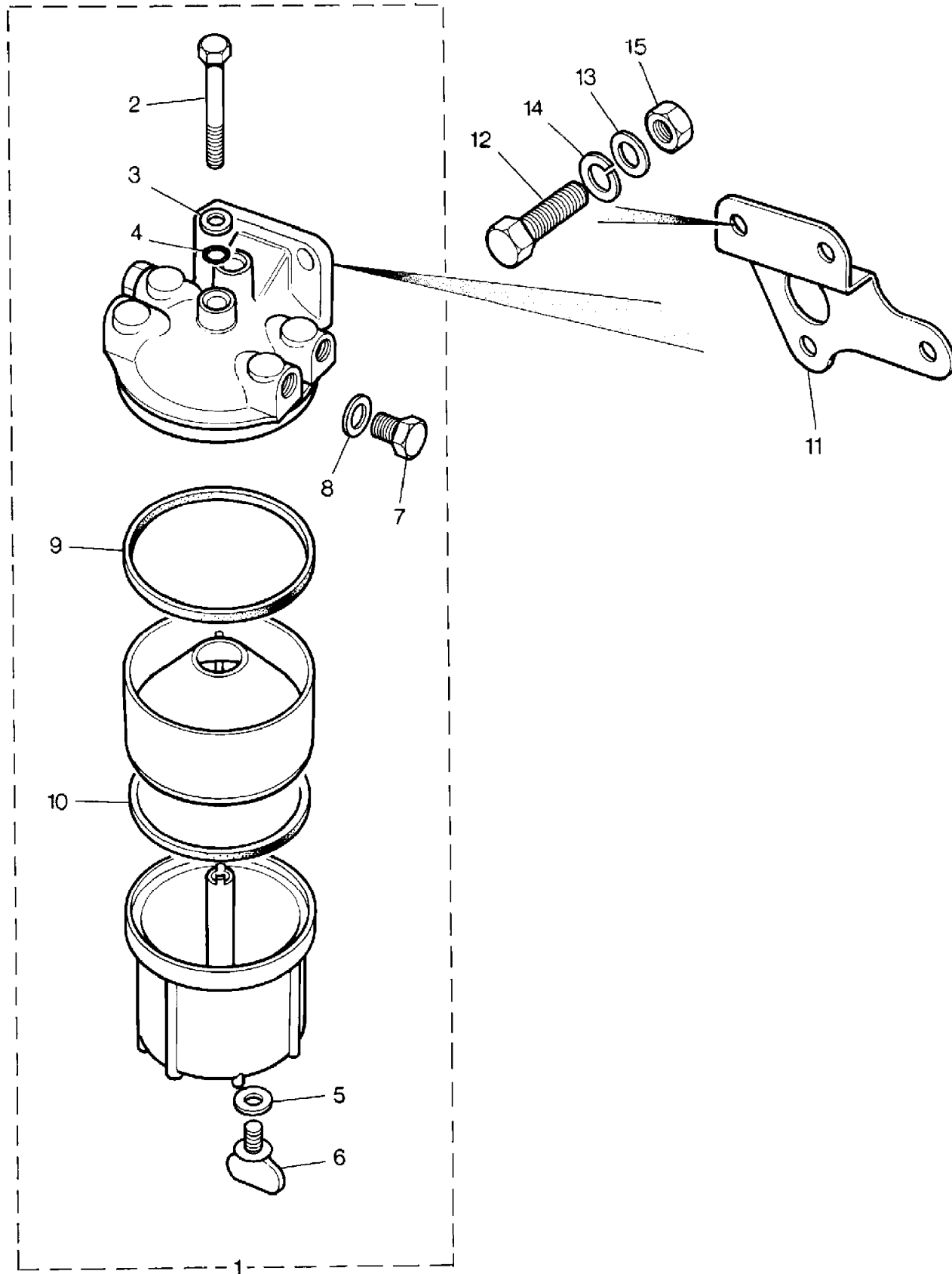
Fuel & Emission Systems
 Fuel-Air Cleaner-Evaporative Loss
 Catch Tank-Petrol-Non Evap Loss-From (V) EA308803
 Change point - VIN begin EA308803, Change point - VIN end GA464553, V8 Petrol, Less Catalyst



Callout	Name	Application	Remarks & Restrictions	Service No.	Qty
[901]	Clip-Pipe	Change point - VIN end GA464553, Change point - VIN begin EA308803, With Petrol Engines	Single	79123	1

Range Rover (To HA610293)

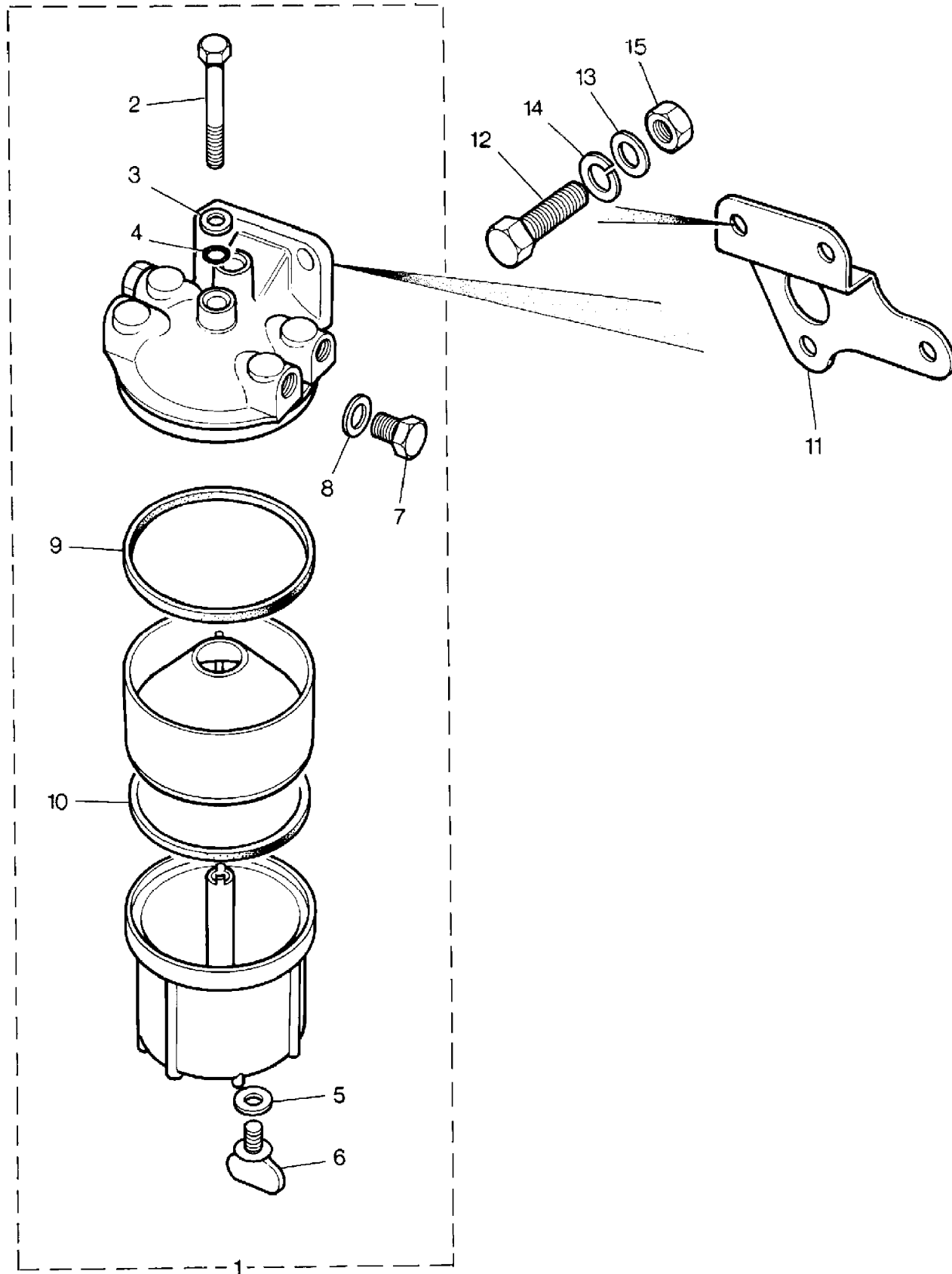
(TS5861)



Range Rover (To HA610293)

Change point - VIN end EA308802, V8 Petrol

Callout	Name	Application	Remarks & Restrictions	Service No.	Qty
1	Catcher-fuel filter fuel tank	Change point - VIN end CA274120, With Petrol Engines Change point - VIN begin DA273923, Change point - VIN end EA308802, With Petrol Engines		592908 NTC4065	1 1
2	Screw	Change point - VIN end EA308802, With Petrol Engines	fixing rubber strip, 1/4UNF x 5/8	255206	3
3	Washer	Change point - VIN end EA308802, With Petrol Engines	fixing rubber strip, M6	WB106041L	6
4	Washer-Spring	Change point - VIN end EA308802, With Petrol Engines	fixing rubber strip, 1/4 dia, Square	WM600041L	3
5	Nut - Hex.	Change point - VIN end EA308802, With Petrol Engines	fixing rubber strip, hexagonal head, Coarse Thread, 1/4UNF	NH604041L	3
6	Screw	Change point - VIN end EA308802, With Petrol Engines	fixing petrol catch tank	BH604141L	2
7	Washer	Change point - VIN end EA308802, With Petrol Engines	fixing petrol catch tank, M6	WB106041L	2
8	Washer-Spring	Change point - VIN end EA308802, With Petrol Engines	fixing petrol catch tank, 1/4 dia, Square	WM600041L	2
9	Clip-p	Change point - VIN end EA308802, With Petrol Engines	fixing petrol catch tank, 5/16"	BAU1689	2
10	Strip-edge protection	Change point - VIN end EA308802, With Petrol Engines	Rubber	592907	1
11	Elbow	Change point - VIN end EA308802, With Petrol Engines	Rubber	577458	1
12	Pipe Fuel	Change point - VIN end EA308802, With Petrol Engines	filler to catch tank	NRC2097	1
13	Hose-charcoal canister to valve purge	Change point - VIN end EA308802, With Petrol Engines		577459	3
14	Pipe Fuel	Change point - VIN end EA308802, With Petrol Engines	connection to catch tank	NRC3244	1

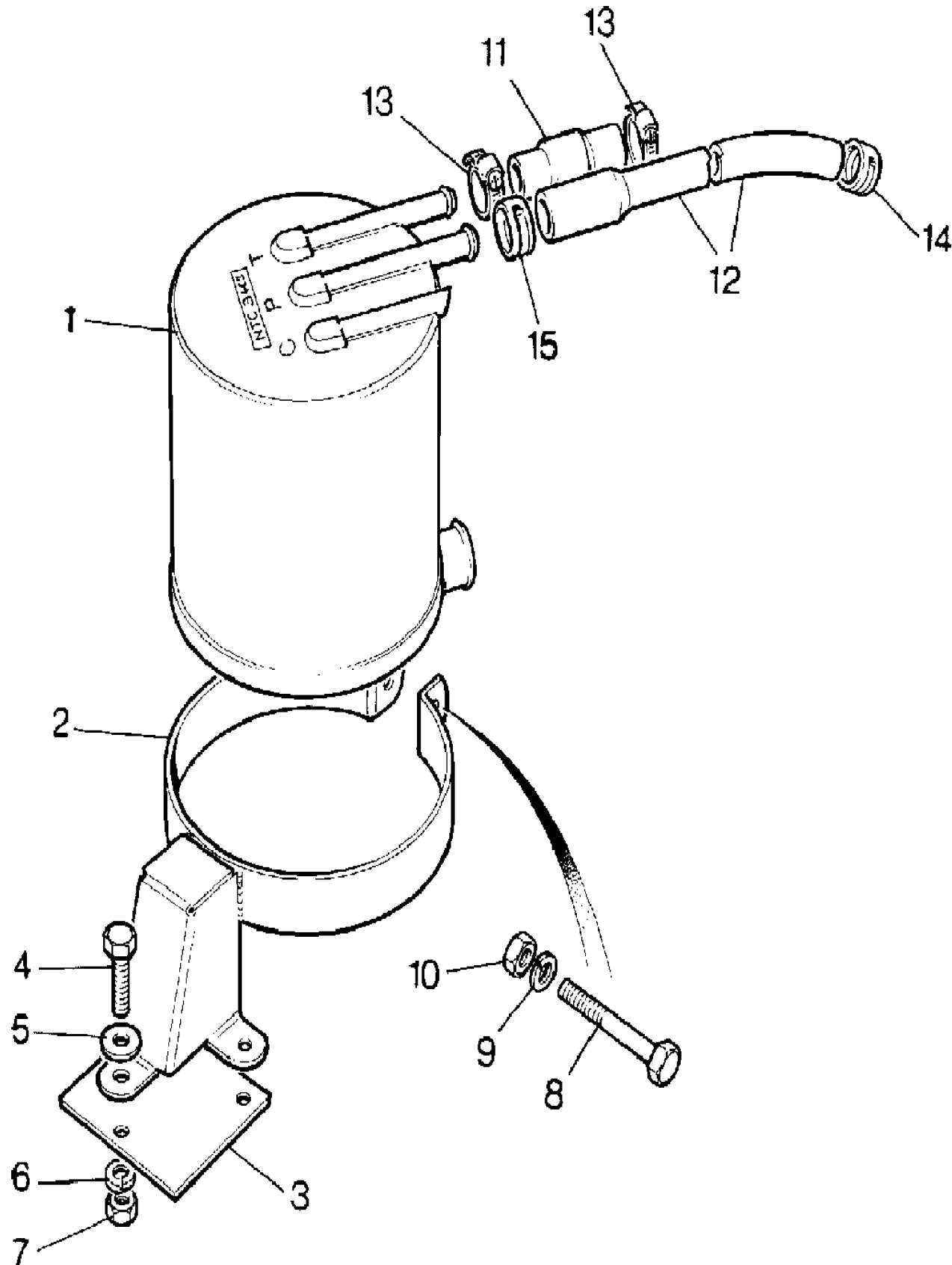


Change point - VIN end EA308802, V8 Petrol

Callout	Name	Application	Remarks & Restrictions	Service No.	Qty
15	Clip-Pipe	Change point - VIN end EA308802, With Petrol Engines	edge	NRC2098	4
16	Clip-p	Change point - VIN end EA308802, With Petrol Engines		AEU1448	8
17	Clip-hose-double wire	Change point - VIN end EA308802, With Petrol Engines		565656	1
18	Clip-Pipe	Change point - VIN end EA308802, With Petrol Engines	Double	79158	8
19	Clip-p	Change point - VIN end EA308802, With Petrol Engines		AEU1448	8
20	Screw	Change point - VIN end EA308802, With Petrol Engines	fixing p-clip	78177	8
21	Washer-Plain	Change point - VIN end EA308802, With Petrol Engines	fixing p-clip	RTC612	8
22	Washer-Spring	Change point - VIN end EA308802, With Petrol Engines	fixing p-clip, 3/16 dia, Square	WM702001L	8
23	Nut - Hex.	Change point - VIN end EA308802, With Petrol Engines	fixing p-clip	RTC608	8
24	Clip	Change point - VIN end EA308802, With Petrol Engines	8MM	79122	8
25	Clip-Pipe	Change point - VIN end EA308802, With Petrol Engines	Double	79159	2
26	Pipe Fuel	Change point - VIN end EA308802, With Petrol Engines	cannister to connection	NRC3243	1

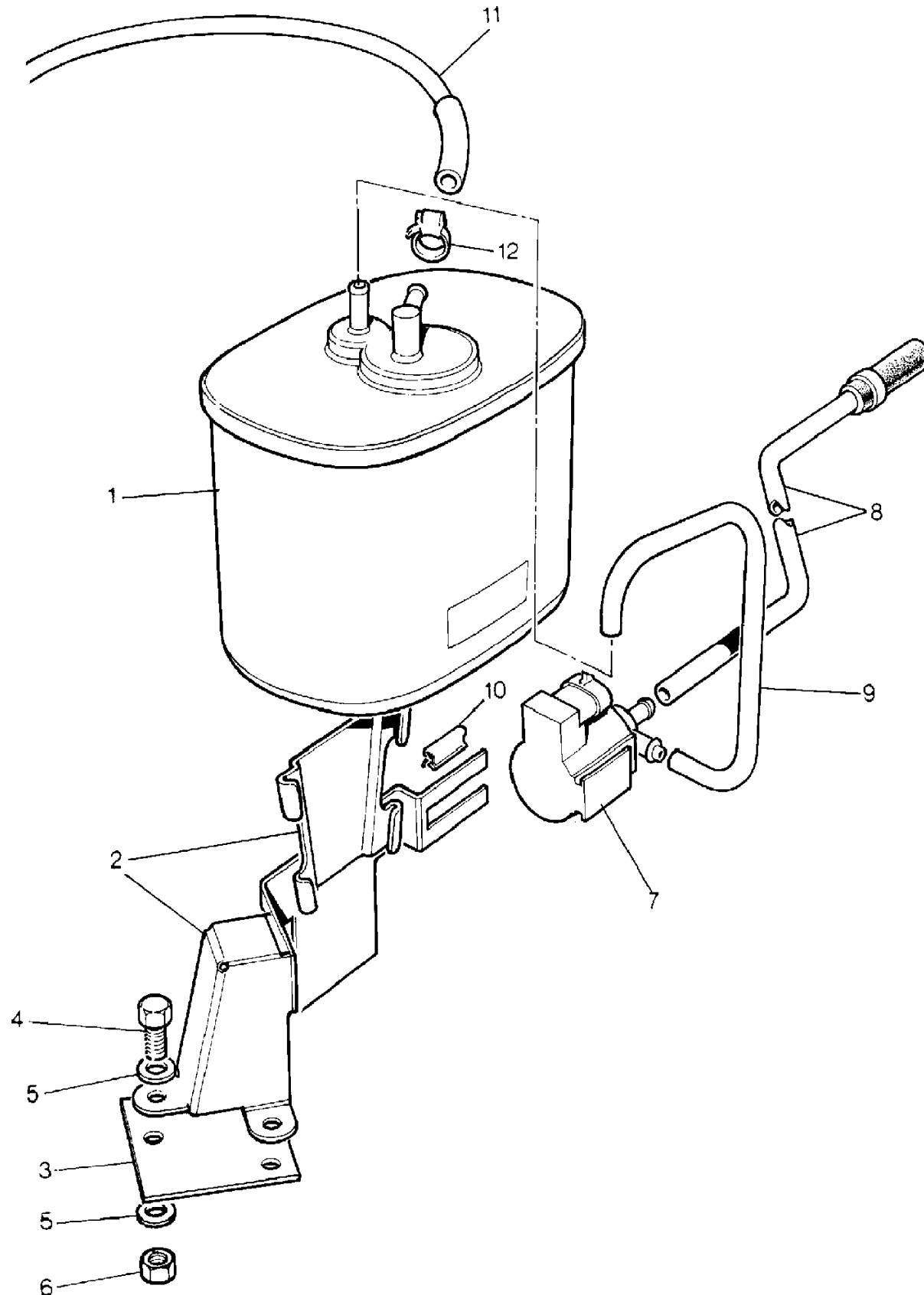
Change point - VIN begin EA308803, 3.5L Petrol, With Catalyst

Callout	Name	Application	Remarks & Restrictions	Service No.	Qty
1	Canister charcoal	Change point - VIN begin JA610294		NTC3405	1
2	Bracket-cannister mounting	Change point - VIN begin EA308803		NRC2099	1
3	Plate-charcoal canister bracket stiffening	Change point - VIN begin EA308803		NRC2268	1
4	Screw	Change point - VIN begin EA308803	hexagonal head, 5/16UNF x 5/8	SH605051L	3
5	Washer	Change point - VIN begin EA308803	8MM	WA108051L	10
6	Washer	Change point - VIN begin EA308803	M8, sprung	WL108001L	3
7	Nut-hexagonal	Change point - VIN begin EA308803	5/16UNF	NH505041L	3
8	Screw	Change point - VIN begin EA308803	hexagonal head, 1/4UNF x 1 1/4	SH604101L	1
9	Washer-Spring	Change point - VIN begin EA308803	1/4 dia, Square	WM600041L	1
10	Nut - Hex.	Change point - VIN begin EA308803	hexagonal head, Coarse Thread, 1/4UNF	NH604041L	1
11	Connector fit	Change point - VIN begin EA308803	charcoal cannister to pipe	NTC4193	1
12	Hose-charcoal canister to pipe purge	Change point - VIN begin EA308803		NTC4105	1
13	Clip-Hose	Change point - VIN begin EA308803		CN100168L	2
14	Clip-Hose	Change point - VIN begin EA308803	12.7MM	UKC3795L	1
15	Clip-Hose	Change point - VIN begin EA308803		UKC3798L	1



Range Rover (To HA610293)

(TS6520A)



Range Rover (To HA610293)

Change point - VIN begin EA308803, 3.9L V8 EFI Petrol, With Catalyst

Callout	Name	Application	Remarks & Restrictions	Service No.	Qty
1	Canister charcoal	Change point - VIN begin EA308803, Change point - VIN end HA609012, 3.9L Petrol Change point - VIN begin HA609013, 3.9L Petrol	Also serviced as part of a kit	NTC5179 ESR369	1 1
2	Bracket-charcoal canister	Change point - VIN begin EA308803, Change point - VIN end HA609012, 3.9L Petrol Change point - VIN begin HA609013, 3.9L Petrol		NTC5567 ESR368	1 1
3	Plate-charcoal canister bracket stiffening	Change point - VIN begin EA308803, 3.9L Petrol		NRC2268	1
4	Screw	Change point - VIN begin EA308803, 3.9L Petrol	M6 X 16, hexagonal head	SH106161L	2
5	Washer	Change point - VIN begin EA308803, 3.9L Petrol	M6	WA106051L	4
6	Nut-hexagonal	Change point - VIN begin EA308803, 3.9L Petrol	M6	NH106141L	2
7	Soleniod-charcoal canister	Change point - VIN begin EA308803, 3.9L Petrol		NTC5415	1
8	Pipe Fuel	Change point - VIN begin EA308803, 3.9L Petrol	Solenoid To Plenum Chamber	NTC5454	1
9	Pipe Fuel	Change point - VIN begin EA308803, 3.9L Petrol, (-)"CDN/MEX/USA" Change point - VIN end MA609012, 3.9/4.0 V8 Petrol Efi, (+)"CDN/MEX/USA" Change point - VIN begin MA609013, 3.9/4.0 V8 Petrol Efi, (+)"CDN/MEX/USA"	Canister to Solenoid	NTC5455 NTC5455 ESR111	1 1 1
10	Clip	Change point - VIN begin EA308803, 3.9L Petrol	edge	NTC5562	1
11	Pipe assembly-canister to separator	Change point - VIN begin HA609013, 3.9L Petrol		NTC7491	1
12	Clip-Hose	Change point - VIN begin EA308803, 3.9L Petrol	pipe to canister	CN100128L	1
[900]	Connector fuel lines	Change point - VIN begin HA609013, 3.9L Petrol	Also serviced as part of a kit	NTC1956	1

Fuel & Emission Systems
 Fuel-Air Cleaner-Evaporative Loss
 Charcoal Canister-Evap Loss Control-From (V) EA308803 1/2

Range Rover (To HA610293)

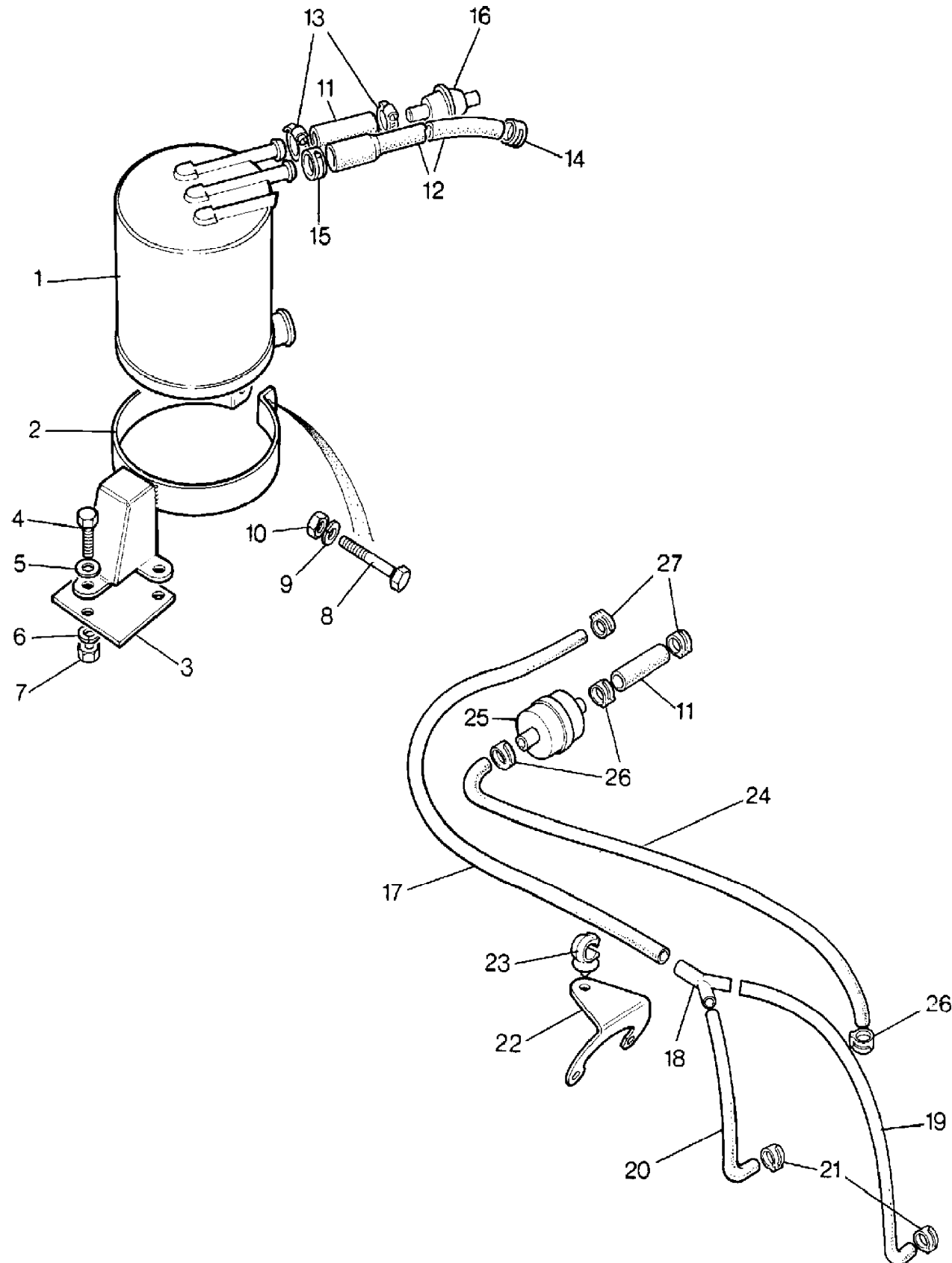
(TS6472A)

Range Rover (To HA610293)

Fuel & Emission Systems
 Fuel-Air Cleaner-Evaporative Loss

Charcoal Canister-Evap Loss Control-From (V) EA308803

Change point - VIN begin EA308803, With Petrol Engines, Less Catalyst



Callout	Name	Application	Remarks & Restrictions	Service No.	Qty
1	Canister charcoal	Change point - VIN begin EA308803		NTC3405	1
2	Bracket-cannister mounting	Change point - VIN begin EA308803		NRC2099	1
3	Plate-charcoal canister bracket stiffening	Change point - VIN begin EA308803		NRC2268	1
4	Screw	Change point - VIN begin EA308803	fixing mounting bracket to stiffener plate, hexagonal head, 5/16UNF x 5/8	SH605051L	3
5	Washer	Change point - VIN begin EA308803	fixing mounting bracket to stiffener plate, 8MM	WA108051L	10
6	Washer	Change point - VIN begin EA308803	fixing mounting bracket to stiffener plate, M8, sprung	WL108001L	3
7	Nut-hexagonal	Change point - VIN begin EA308803	fixing mounting bracket to stiffener plate, 5/16UNF	NH505041L	3
8	Screw	Change point - VIN begin EA308803	fixing charcoal cannister to mounting bracket, hexagonal head, 1/4UNF x 1 1/4	SH604101L	3
9	Washer-Spring	Change point - VIN begin EA308803	fixing charcoal cannister to mounting bracket, 1/4 dia, Square	WM600041L	1
10	Nut - Hex.	Change point - VIN begin EA308803	fixing charcoal cannister to mounting bracket, hexagonal head, Coarse Thread, 1/4UNF	NH604041L	1
11	Hose-fuel	Change point - VIN begin EA308803, Twin Carb Change point - VIN begin EA308803, EFI		ERC4176 577459	1 1
12	Hose-charcoal canister to pipe purge	Change point - VIN begin EA308803		ETC6114	1
13	Clip-Hose	Change point - VIN begin EA308803		UKC3794L	2
14	Clip-Hose	Change point - VIN begin EA308803	12.7MM	UKC3795L	1
15	Clip-Hose	Change point - VIN begin EA308803		UKC3798L	1
16	Valve-pressure vacuum	Change point - VIN begin EA308803, Twin Carb		NTC3891	1
17	Hose-carburettor purge control valve	Change point - VIN begin EA308803, Twin Carb		NTC3861	1

Fuel & Emission Systems
 Fuel-Air Cleaner-Evaporative Loss
 Charcoal Canister-Evap Loss Control-From (V) EA308803 2/2

Range Rover (To HA610293)

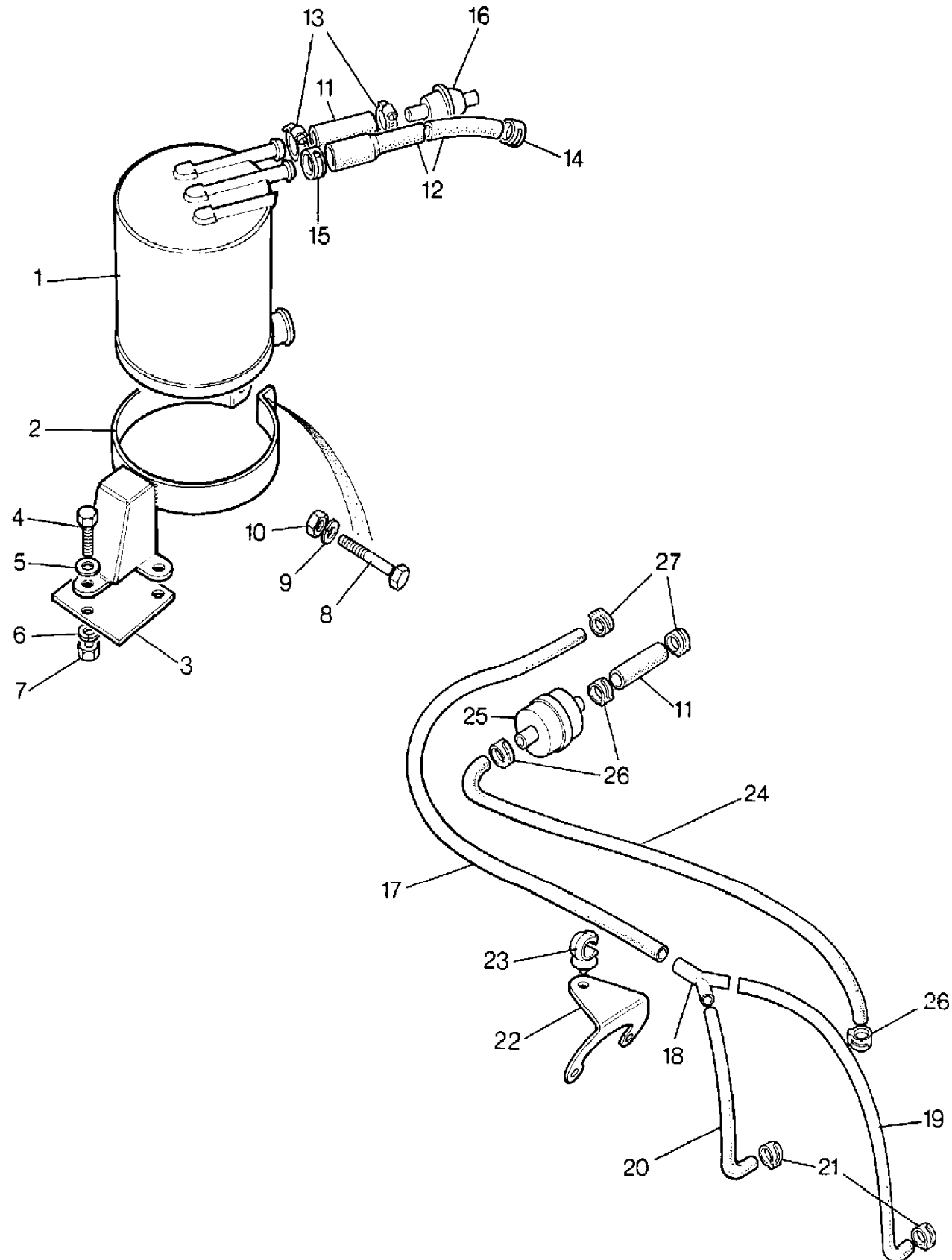
(TS6472A)

Range Rover (To HA610293)

Fuel & Emission Systems
 Fuel-Air Cleaner-Evaporative Loss
 Charcoal Canister-Evap Loss Control-From (V) EA308803

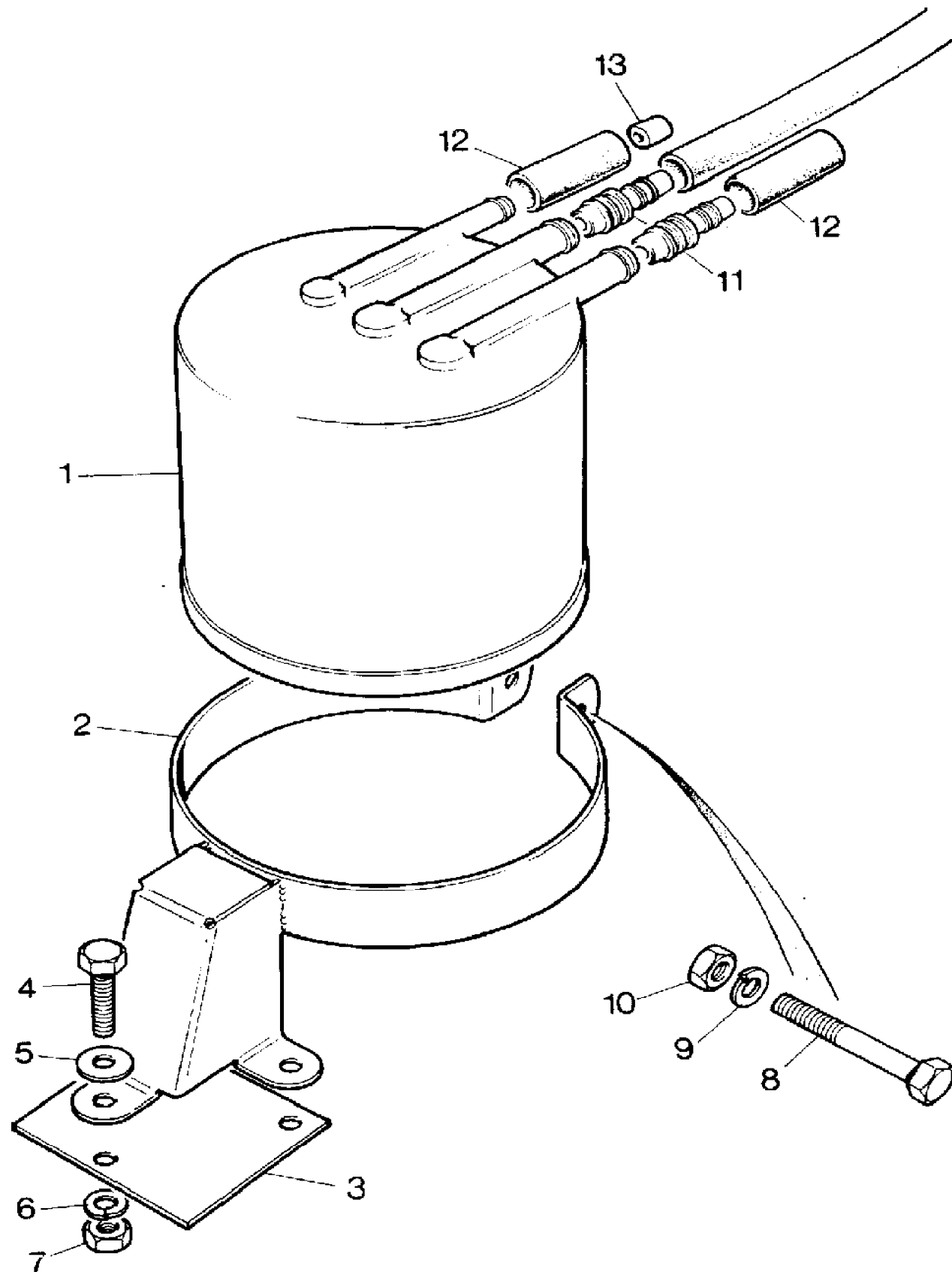
Change point - VIN begin EA308803, With Petrol Engines, Less Catalyst

Callout	Name	Application	Remarks & Restrictions	Service No.	Qty
18	Connector hose-three way	Change point - VIN begin EA308803, Twin Carb		566724	1
19	Hose-Y piece to carburettor	Change point - VIN begin EA308803, Twin Carb	110MM	NTC3763	1
20	Hose-Y piece to carburettor	Change point - VIN begin EA308803, Twin Carb	293mm	NTC3764	1
21	Clip-Hose	Change point - VIN begin EA308803, Twin Carb		UKC3803	2
22	Bracket	Change point - VIN begin EA308803, Twin Carb	supporting clip to hose	NTC3862	1
23	Clip-Hose	Change point - VIN begin EA308803, Twin Carb	connector three way	NTC3863	1
24	Hose-charcoal canister to engine purge	Change point - VIN begin EA308803, Twin Carb		ERC8874	1
25	Filter assembly-in line fuel lines	Change point - VIN begin EA308803, Twin Carb		606168	1
26	Clip-Hose	Change point - VIN begin EA308803, Twin Carb		UKC3794L	3
27	Clip-Hose	Change point - VIN begin EA308803, Twin Carb		UKC3798L	1

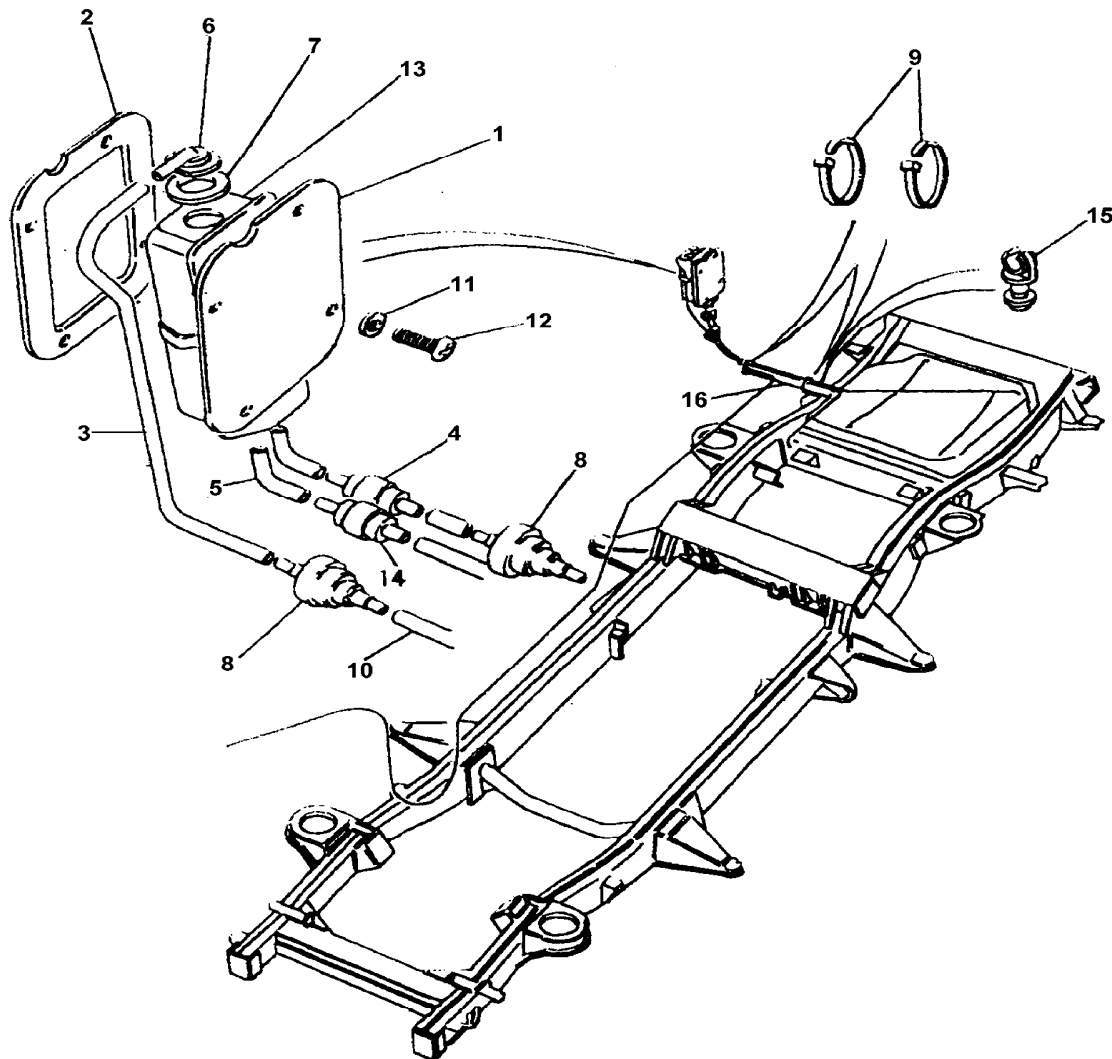


Change point - VIN end EA308802, With Petrol Engines

Callout	Name	Application	Remarks & Restrictions	Service No.	Qty
1	Canister charcoal	Change point - VIN end EA308802		AAU2252	1
2	Bracket-cannister mounting	Change point - VIN end EA308802		NRC2099	1
3	Plate-charcoal canister bracket stiffening	Change point - VIN end EA308802		NRC2268	1
4	Screw	Change point - VIN end EA308802	fixing mounting bracket to stiffener plate, hexagonal head, 5/16UNF x 5/8	SH605051L	3
5	Washer	Change point - VIN end EA308802	fixing mounting bracket to stiffener plate, 8MM	WA108051L	10
6	Washer	Change point - VIN end EA308802	fixing mounting bracket to stiffener plate, M8, sprung	WL108001L	3
7	Nut-hexagonal	Change point - VIN end EA308802	fixing mounting bracket to stiffener plate, 5/16UNF	NH505041L	3
8	Screw	Change point - VIN end EA308802	fixing charcoal cannister to mounting bracket, hexagonal head, 1/4UNF x 1 1/4	SH604101L	1
9	Washer-Spring	Change point - VIN end EA308802	fixing mounting bracket to stiffener plate, 1/4 dia, Square	WM600041L	1
10	Nut - Hex.	Change point - VIN end EA308802	fixing mounting bracket to stiffener plate, hexagonal head, Coarse Thread, 1/4UNF	NH604041L	1
11	Connector fit	Change point - VIN end EA308802	charcoal cannister to pipe	NRC2298	2
12	Sleeve connector	Change point - VIN end EA308802		NRC2281	2
13	Inhibitor connector	Change point - VIN end EA308802		MUC8994	1



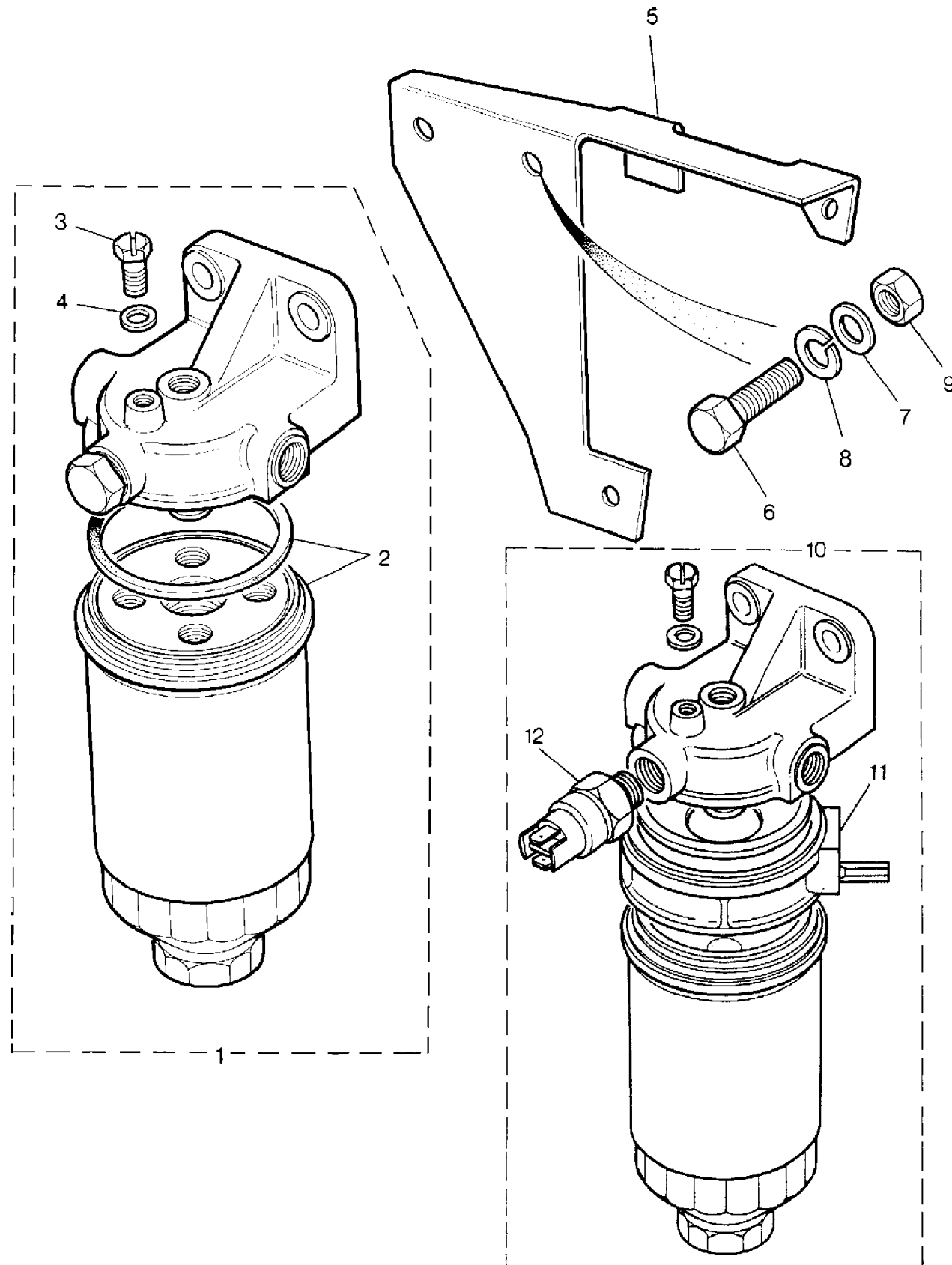
Callout	Name	Application	Remarks & Restrictions	Service No.	Qty
1	Separator-vapour fuel filler	Change point - VIN begin HA464554		ESR167	1
2	Seal	(+)"CDN/MEX/USA"		ESR161	1
3	Pipe assembly-canister to separator	Change point - VIN begin HA464554		NTC7491	1
4	Pipe assembly-seperator to atmosphere	Change point - VIN begin HA464554		NTC7493	1
5	Pipe assembly-tank to separator	Change point - VIN begin HA464554		NTC7492	1
6	Valve-fuel cut fuel tank	Change point - VIN begin HA464554		NTC4517	1
7	Grommet	Change point - VIN begin HA464554		NTC4627	1
8	Valve-vapour pressure relief	Change point - VIN begin HA464554		NTC7567	1
9	Tie-cable	Change point - VIN begin HA464554	4.8 x 270mm, inside serated	568680	2
10	Pipe Fuel	Change point - VIN begin HA464554		NTC7497	1
11	Washer-Spring	Change point - VIN begin HA464554	M5	WL105001	4
12	Screw	Change point - VIN begin HA464554	M5, pan head	SE105121	4
13	Seperator vapour-evaporative loss system	Change point - VIN begin HA464554		NTC7413	1
14	Valve-vapour pressure relief	Change point - VIN begin HA464554		NTC5141	1
15	Clip	Change point - VIN begin HA464554	8MM	79122	1
16	Tube - Breather	(+)"CDN/MEX/USA"		NTC7487	1



I01.075
 L3
 11/2002
 BCJXTA3A

With Diesel Engines

Callout	Name	Application	Remarks & Restrictions	Service No.	Qty
1	Filter assembly-fuel.		Also serviced as part of a kit, unheated	NTC1518	1
2	Cartridge-diesel fuel filter		Also serviced as part of a kit, unheated	AEU2147L	1
3	Screw-bleed		Also serviced as part of a kit, unheated	AEU2148L	1
4	Washer-sealing		Also serviced as part of a kit, unheated	AEU2149L	1
5	Bracket-fuel filter			NTC2873	1
6	Screw		hexagonal head, M10 x 25	SH110251L	2
7	Washer		M10	WA110051L	2
8	Washer		M10	WL110001L	2
9	Nut - Hex.		M10, Flanged Head	FN110041	2
10	Filter assembly-in line fuel lines		Also serviced as part of a kit, Heated	RTC4939	1
11	Cartridge-diesel fuel filter		Also serviced as part of a kit, Heated	RTC5938	1
12	Switch-heater fuel filter		Heated	STC612	1

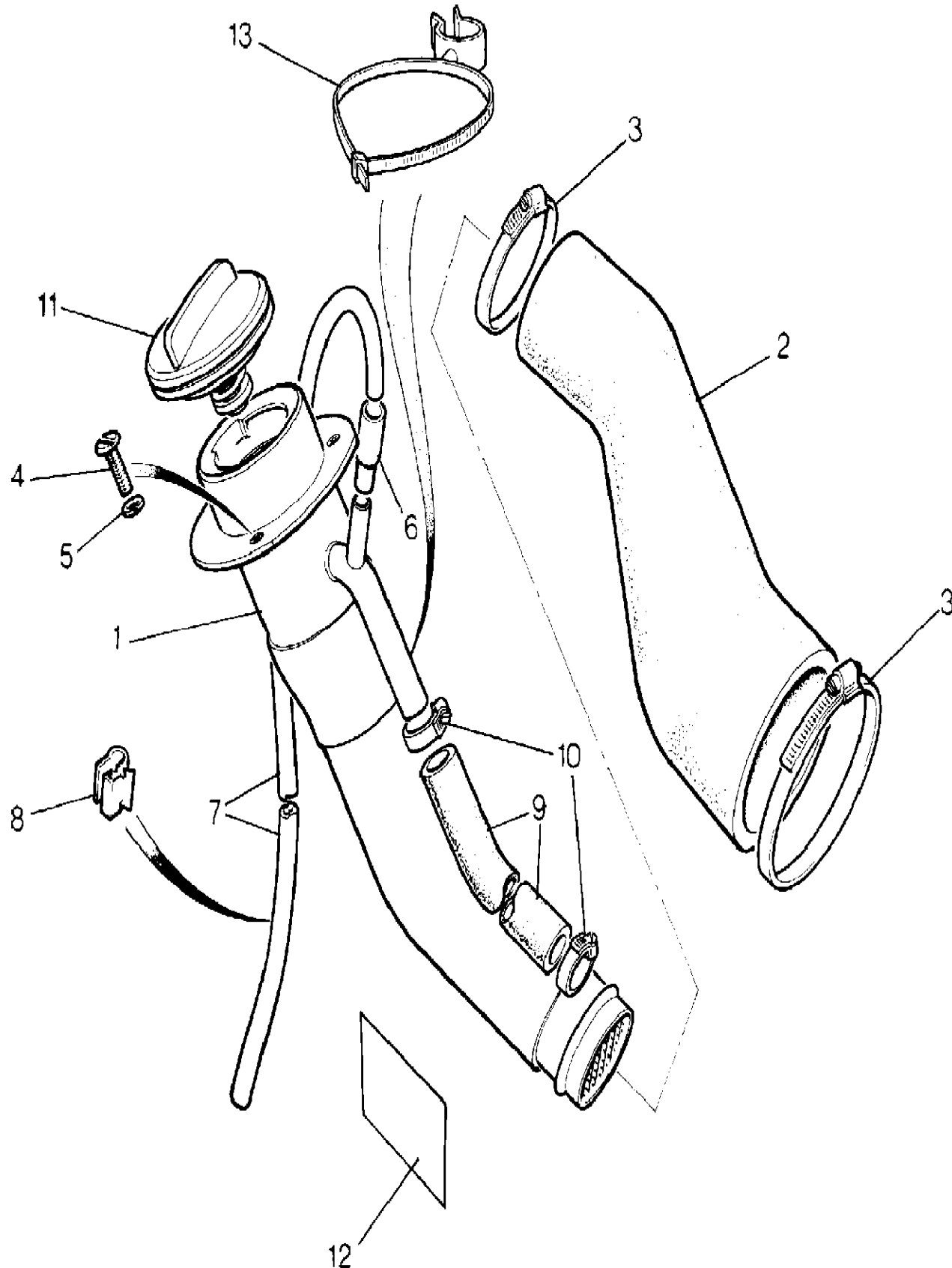


Fuel & Emission Systems

Range Rover (To HA610293)

Fuel-Air Cleaner-Evaporative Loss

Fuel Filler-From (V) DA274121 (2DR) & DA273923 (4DR) To GA464553 1/2 (TS6065A)



Range Rover (To HA610293)

Fuel & Emission Systems

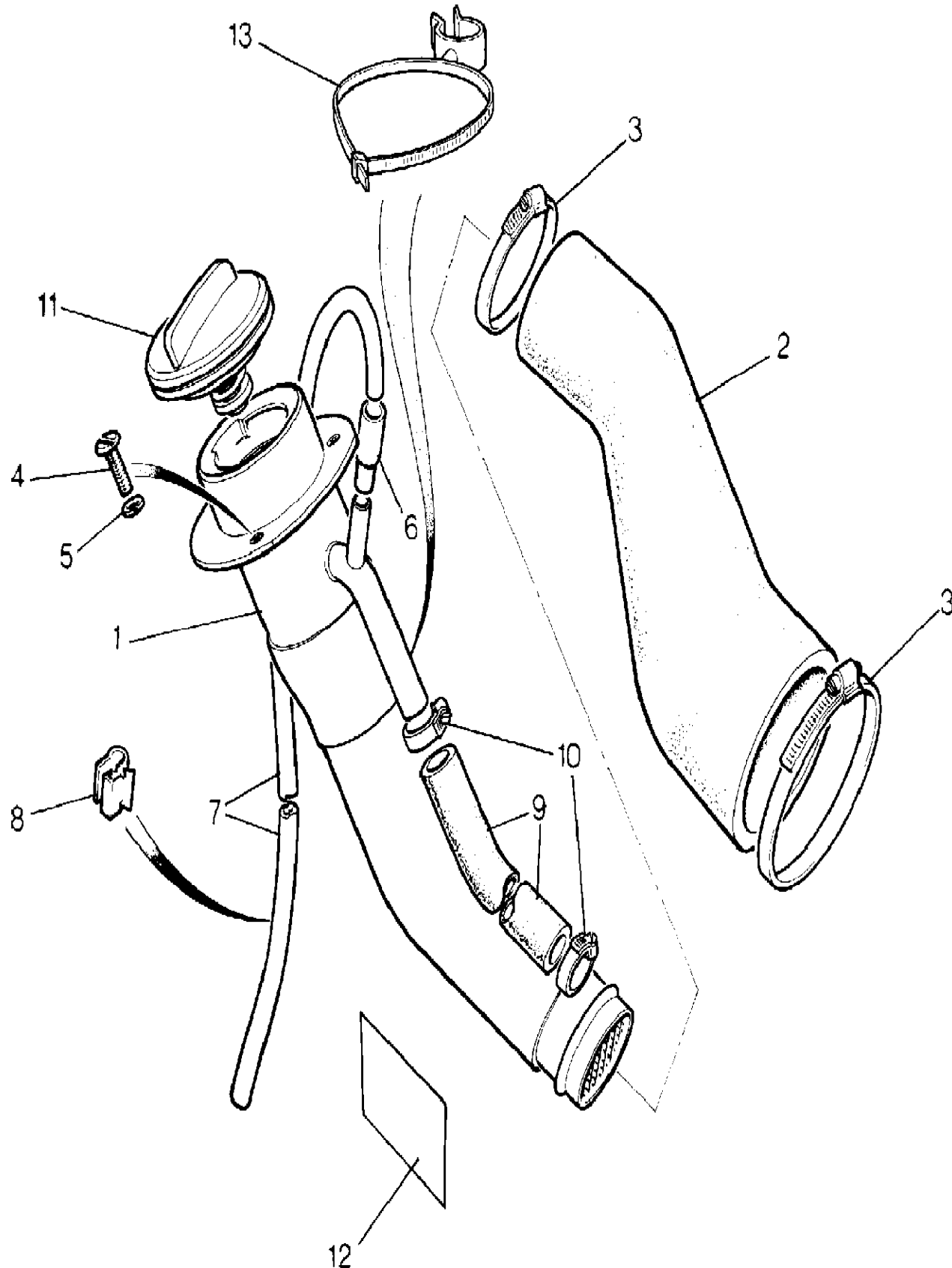
Fuel-Air Cleaner-Evaporative Loss

Fuel Filler-From (V) DA274121 (2DR) & DA273923 (4DR) To GA464553

Callout	Name	Application	Remarks & Restrictions	Service No.	Qty
1	Filler assembly-body side	Change point - VIN begin DA273923, Change point - VIN end GA464553, With Petrol Engines, (-)"CDN/MEX/USA" Change point - VIN begin DA273923, Change point - VIN end GA464553, With Diesel Engines, (-)"CDN/MEX/USA" Change point - VIN begin DA273923, Change point - VIN end GA464553, (+)"AUS", For Unleaded Fuel Change point - VIN begin DA273923, Change point - VIN end GA464553, (+)"D", For Unleaded Fuel Change point - VIN begin DA273923, Change point - VIN end GA464553, (+)"CH", For Unleaded Fuel Change point - VIN end LA464553, (+)"CDN/MEX/USA"		NRC9828	1
				NRC9828	1
				NRC9297	1
				NRC9297	1
				NRC9297	1
				NRC9297	1
2	Hose-filler fuel filler	Change point - VIN begin DA273923, Change point - VIN end GA464553		NTC1382	1
3	Clip-Hose	Change point - VIN begin DA273923, Change point - VIN end GA464553 Change point - VIN begin DA273923, Change point - VIN end GA464553		CN100608L	1
				CN100908L	1
4	Screw	Change point - VIN begin DA273923, Change point - VIN end GA464553	pan head, M5 x 12	SP105121	4
5	Washer-Spring	Change point - VIN begin DA273923, Change point - VIN end GA464553	3/16 dia, Square	WM702001L	4
6	Connector fit	Change point - VIN begin DA273923, Change point - VIN end GA464553		578055	1
7	Hose assembly-breather	Change point - VIN begin DA273923, Change point - VIN end GA464553		575865	1
8	Clip-Pipe	Change point - VIN begin DA273923, Change point - VIN end GA464553		575852	3
9	Hose assembly-breather	Change point - VIN begin DA273923, Change point - VIN end GA423880		NTC2787	1

Range Rover (To HA610293)

Range Rover (To HA610293)

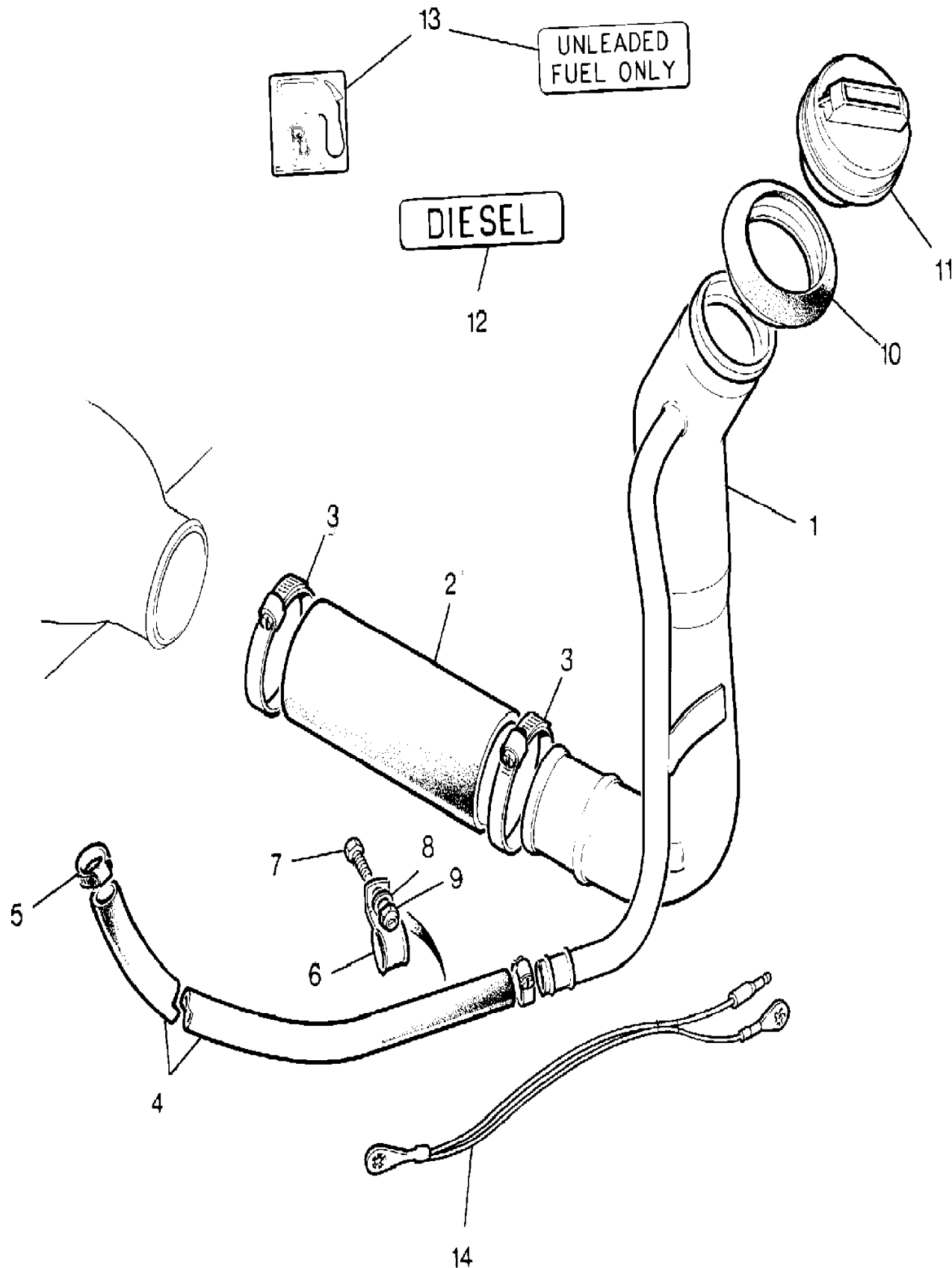


Callout	Name	Application	Remarks & Restrictions	Service No.	Qty
9	Hose assembly-breather	Change point - VIN begin GA423881, Change point - VIN end GA464553		NTC7344	1
10	Clip-Hose	Change point - VIN begin DA273923, Change point - VIN end GA464553		CN100258	2
11	Cap-filler fuel filler	Change point - VIN begin DA273923, Change point - VIN end GA464553, 2 Door Station Wagon Change point - VIN begin DA273923, Change point - VIN end GA464553, 4 Door Station Wagon	Also serviced as part of a kit, non-vented, locking Also serviced as part of a kit, non-vented	NTC2912 TKC3976	1 1
12	Label-unleaded fuel only warning	Change point - VIN begin DA273923, Change point - VIN end GA464553		NTC2914	1
13	Hose assembly fuel	Change point - VIN begin DA273923, Change point - VIN end GA464553		NTC7185	1
[900]	Key-blank owner	Change point - VIN begin DA273923, Change point - VIN end GA464553, 2 Door Station Wagon	Also serviced as part of a kit	RTC5761	1
[901]	Seal	Change point - VIN begin DA273923, Change point - VIN end GA464553, 4 Door Station Wagon	Also serviced as part of a kit	RTC5638	1

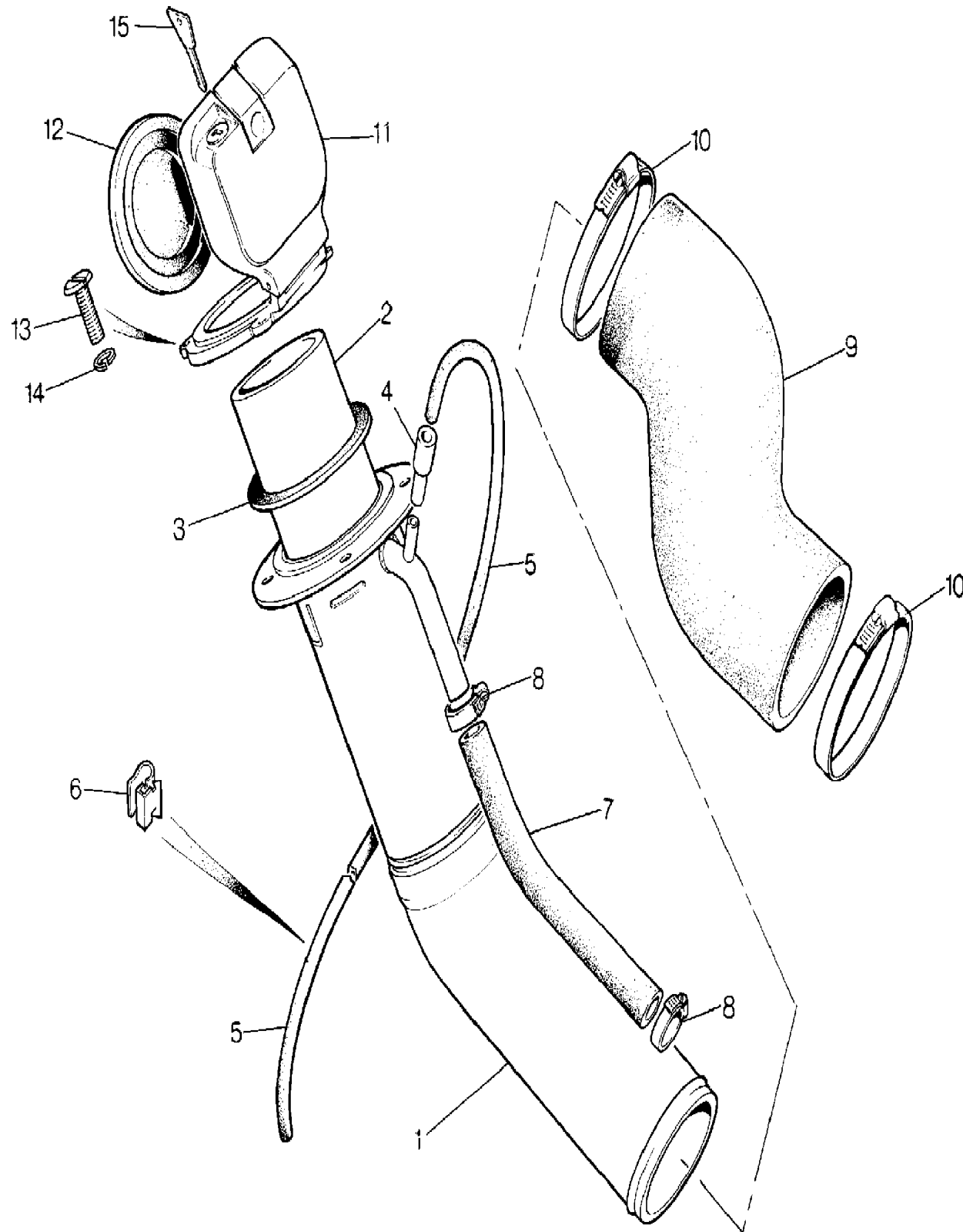
Range Rover (To HA610293)

(TS6742C)

Range Rover (To HA610293)



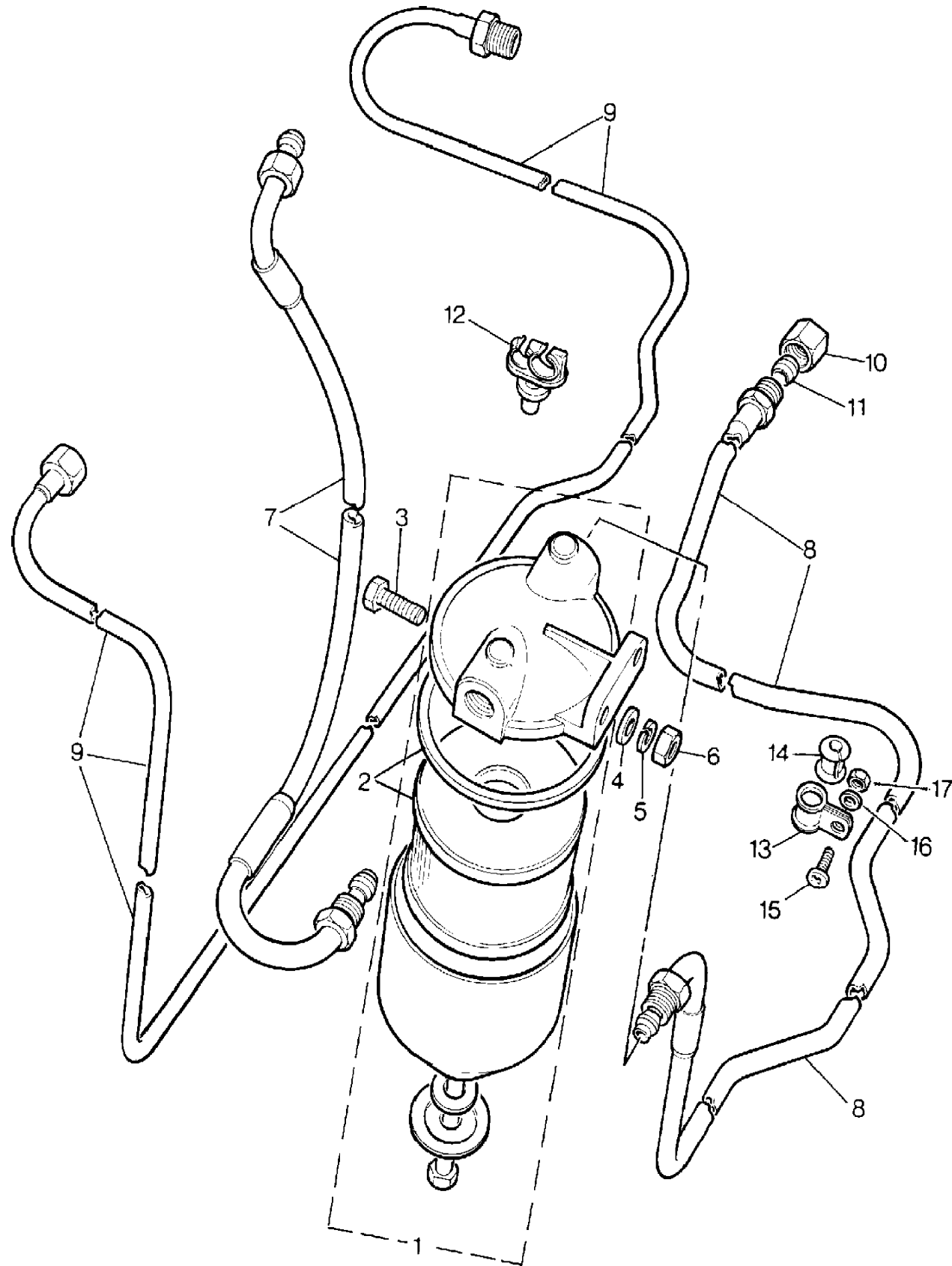
Callout	Name	Application	Remarks & Restrictions	Service No.	Qty
1	Pipe fuel filler	Change point - VIN begin HA464554 Change point - VIN begin HA464554, For Unleaded Fuel	leaded	NTC7311 NTC7312	1 1
2	Hose-filler fuel filler	Change point - VIN begin HA464554		NTC5430	1
3	Clip-Hose	Change point - VIN begin HA464554		CN100608L	2
4	Hose assembly-breather fuel	Change point - VIN begin HA464554		NTC5424	1
5	Clip-Hose	Change point - VIN begin HA464554	30MM	CN100308L	2
6	Clip	Change point - VIN begin HA464554		NTC6891	1
8	Washer	Change point - VIN begin HA464554	6MM	WA106041L	1
9	Nut - Hex.	Change point - VIN begin HA464554	M6, hexagonal head, nyloc	NY106041L	1
10	Grommet	Change point - VIN begin HA464554	fuel filler neck	NTC5916	1
11	Cap-filler fuel filler	Change point - VIN begin HA464554	non-locking, English-language warning label	NTC5418	1
12	Label-caution fuel filler	Change point - VIN begin HA464554		NTC7349	1
13	Label-caution fuel filler	Change point - VIN begin HA464554		NTC7503	1
14	Harness earth bond	Change point - VIN begin HA464554		PRC7147	1



Callout	Name	Application	Remarks & Restrictions	Service No.	Qty
1	Pipe fuel filler	Change point - VIN end CA274120 Change point - VIN end CA274120, (+)"AUS"		NRC2336 NTC2220	1 1
2	Tube	Change point - VIN end CA273922 Change point - VIN end CA273922	One Piece 3 pieces	NRC7817 NRC8272	1 1
3	Seal	Change point - VIN end CA273922		NRC9483	1
4	Connector fit	Change point - VIN end CA274120		578055	1
5	Hose assembly-breather	Change point - VIN end CA274120		575865	1
6	Clip-Pipe	Change point - VIN end CA273922		575852	3
7	Hose assembly-breather	Change point - VIN end CA274120		NTC2787	1
8	Clip-Hose	Change point - VIN end CA273922		CN100258	2
9	Hose-filler fuel filler	Change point - VIN end CA273922		NTC1595	1
10	Clip-Hose	Change point - VIN end CA273922		CJ600564	2
11	Lock assembly-fuel filler cap	Change point - VIN end CA274120	Also serviced as part of a kit	598820	1
12	Seal	Change point - VIN end CA274120	Also serviced as part of a kit	608419	1
14	Washer-Spring	Change point - VIN end CA273922	3/16 dia, Square	WM702001L	4
15	Key-blank owner	Change point - VIN end CA273922	square head, FS Series	17H2475L	1
[900]	Label-unleaded fuel only warning	Change point - VIN end CA273922		NTC2914	1

Twin Carburettor

Callout	Name	Application	Remarks & Restrictions	Service No.	Qty
1	Filter-in line fuel lines		Also serviced as part of a kit	NRC9786	1
2	Element-inline fuel filter		Also serviced as part of a kit	JS660L	1
3	Screw		M6 X 20, Flanged Head	FS106201	2
4	Washer		6MM	WA106041L	2
5	Washer-Spring		6MM	WL106041	2
6	Nut - Hex.		M6, nyloc, Hexagonal	NH106041L	2
7	Pipe-feed-fuel lines		filter to carburetter	NTC3282	1
8	Pipe-feed-fuel lines		tank to filter	NTC3281	1
9	Pipe-feed-fuel lines		tank to carburetter	NTC2765	1
10	Nut-tube-female		M12	NRC9770	2
11	Olive			NRC9771	2
12	Clip-Pipe		chassis side, Single rear crossmember, Double Front Valance, Double front damper mounting, Double Double	79123 NTC2585 NTC3800 NTC3799 CP108161L	1 9 2 1 2
13	Clip-cable		LH	239600	1
14	Grommet		LH	273370	1
15	Screw			75593	1
16	Washer-Spring		3/16 dia, Square	WM702001L	1
17	Nut - Hex.		UNF	HN2005L	1



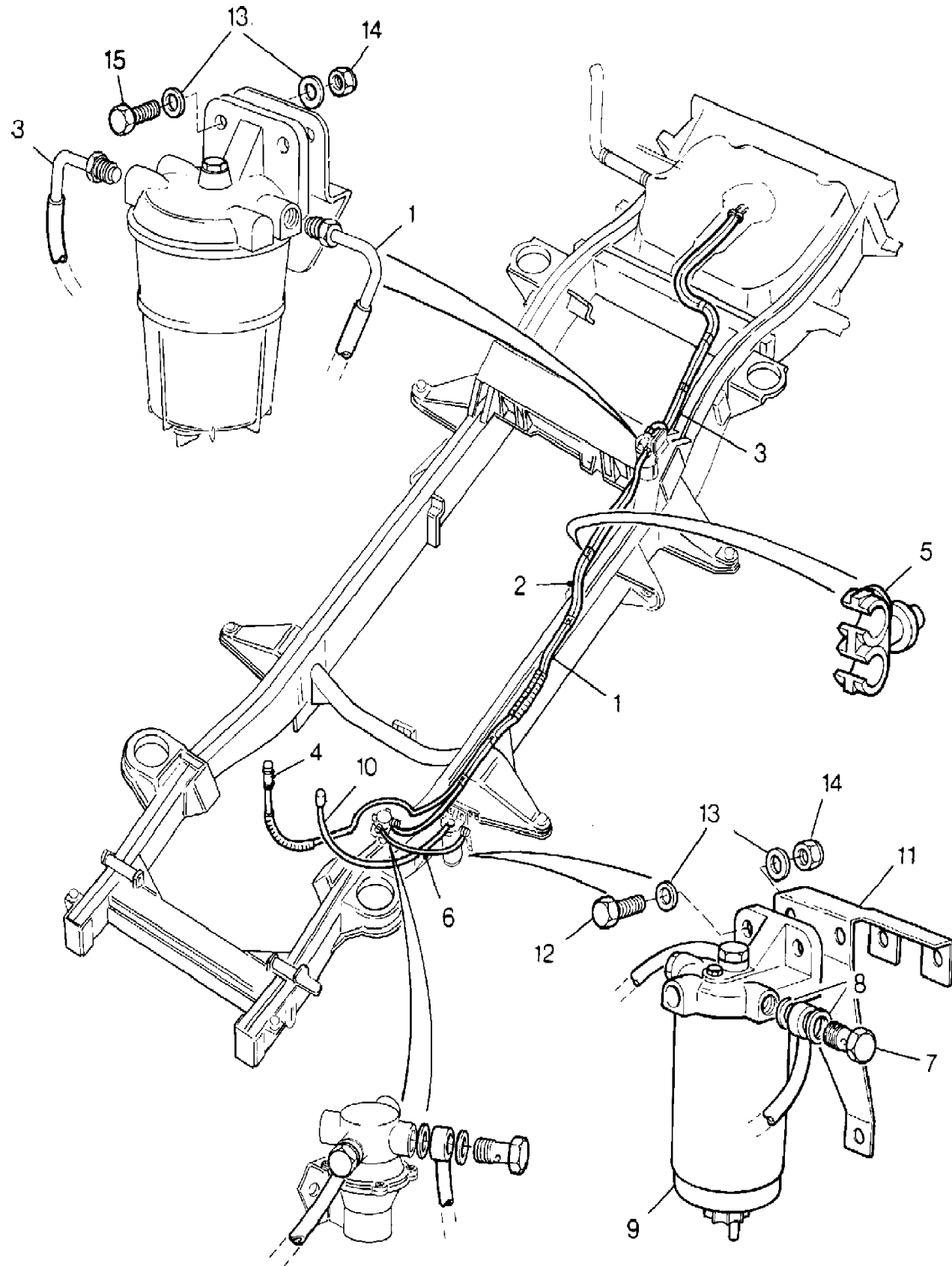
Range Rover (To HA610293)

(TS6878)

Range Rover (To HA610293)

Change point - VIN begin HA464554, With Diesel Engines

Callout	Name	Application	Remarks & Restrictions	Service No.	Qty
1	Pipe Fuel	Change point - VIN begin HA464554	sedimentor to lift pump	ESR451	1
2	Pipe Fuel	Change point - VIN begin HA464554	spill return	ESR452	1
3	Pipe Fuel	Change point - VIN begin HA464554	tank to sedimentor	STC268	1
4	Connector fuel lines	Change point - VIN begin HA464554		NTC2876	1
5	Clip-Pipe	Change point - VIN begin HA464554	Double	AFU1107	10
6	Pipe Fuel	Change point - VIN begin HA464554	Fuel pump to fuel filter	NTC1521	1
7	Bolt-banjo	Change point - VIN begin HA464554		NTC3346	2
8	Washer-copper	Change point - VIN begin HA464554		ESR354	4
9	Filter assembly-fuel.	Change point - VIN begin HA464554	Also serviced as part of a kit, unheated	NTC1518	1
10	Pipe Fuel	Change point - VIN begin HA464554	filter to DPA pump	NTC1916	1
11	Bracket-fuel filter	Change point - VIN begin HA464554		NTC2873	1
12	Screw-flanged head	Change point - VIN begin HA464554	M10 x 30, top	FS110301	2
13	Washer	Change point - VIN begin HA464554	M10	WA110061L	8
14	Nut - Hex.	Change point - VIN begin HA464554	M10, hexagonal head, nyloc	NY110041L	4
15	Screw	Change point - VIN begin HA464554	hexagonal head, M10 x 35	SH110351L	2



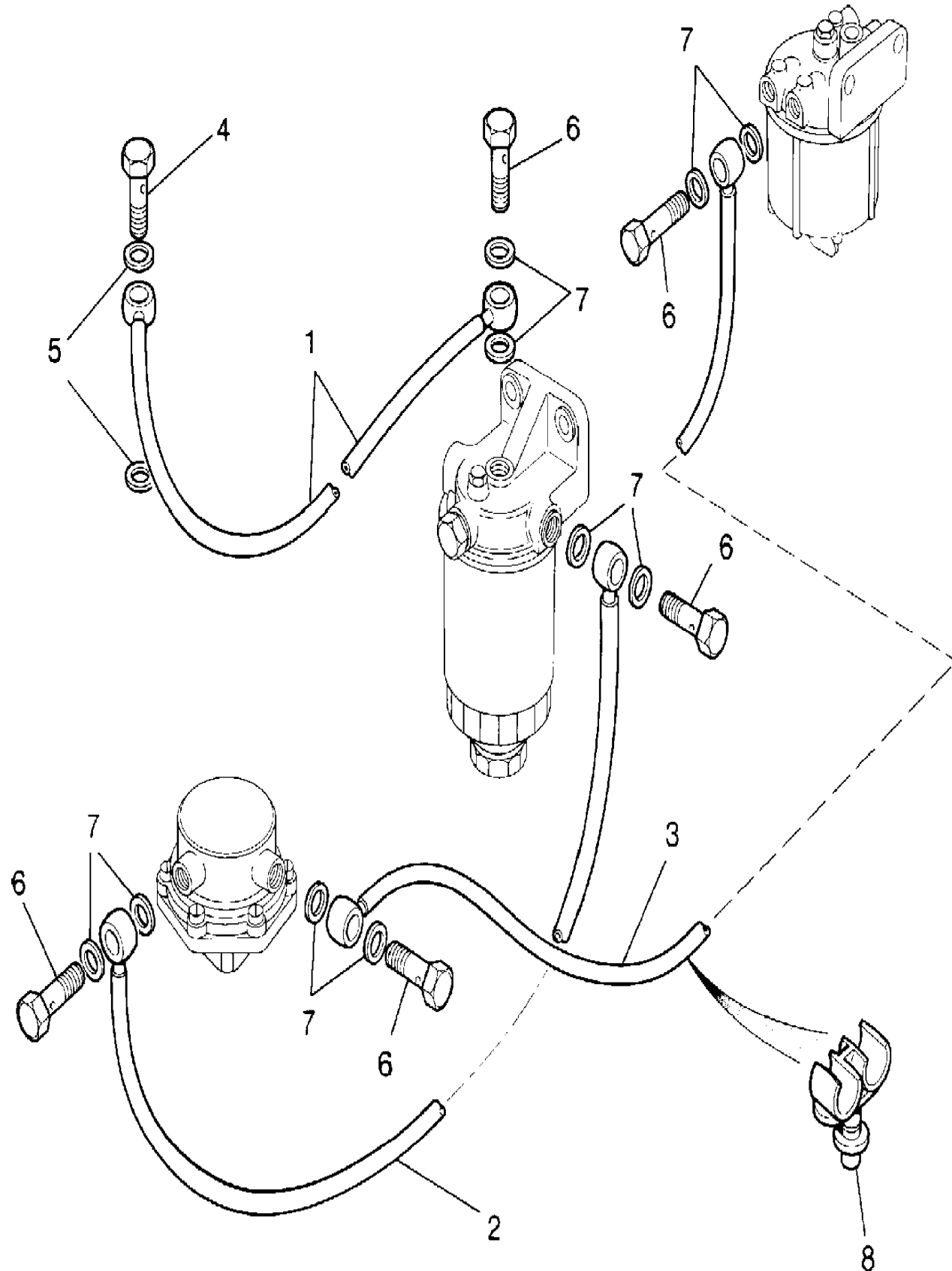
Range Rover (To HA610293)

(TS5858)

Range Rover (To HA610293)

Change point - VIN end GA464553, With Diesel Engines

Callout	Name	Application	Remarks & Restrictions	Service No.	Qty
1	Pipe Fuel	Change point - VIN end GA464553	filter to DPA pump	ESR1327	1
2	Pipe Fuel	Change point - VIN end GA464553	Fuel pump to fuel filter	NTC1521	1
3	Pipe Fuel	Change point - VIN end GA464553	Sedimentor to fuel pump	NTC3349	1
4	Bolt-banjo	Change point - VIN end GA464553		NTC2043	1
5	Washer	Change point - VIN end GA464553	Aluminium	517706	1
6	Bolt-banjo	Change point - VIN end GA464553		NTC3346	5
7	Washer	Change point - VIN end GA464553		NTC2761	5
8	Clip-Pipe	Change point - VIN end GA464553	Double	AFU1107	10



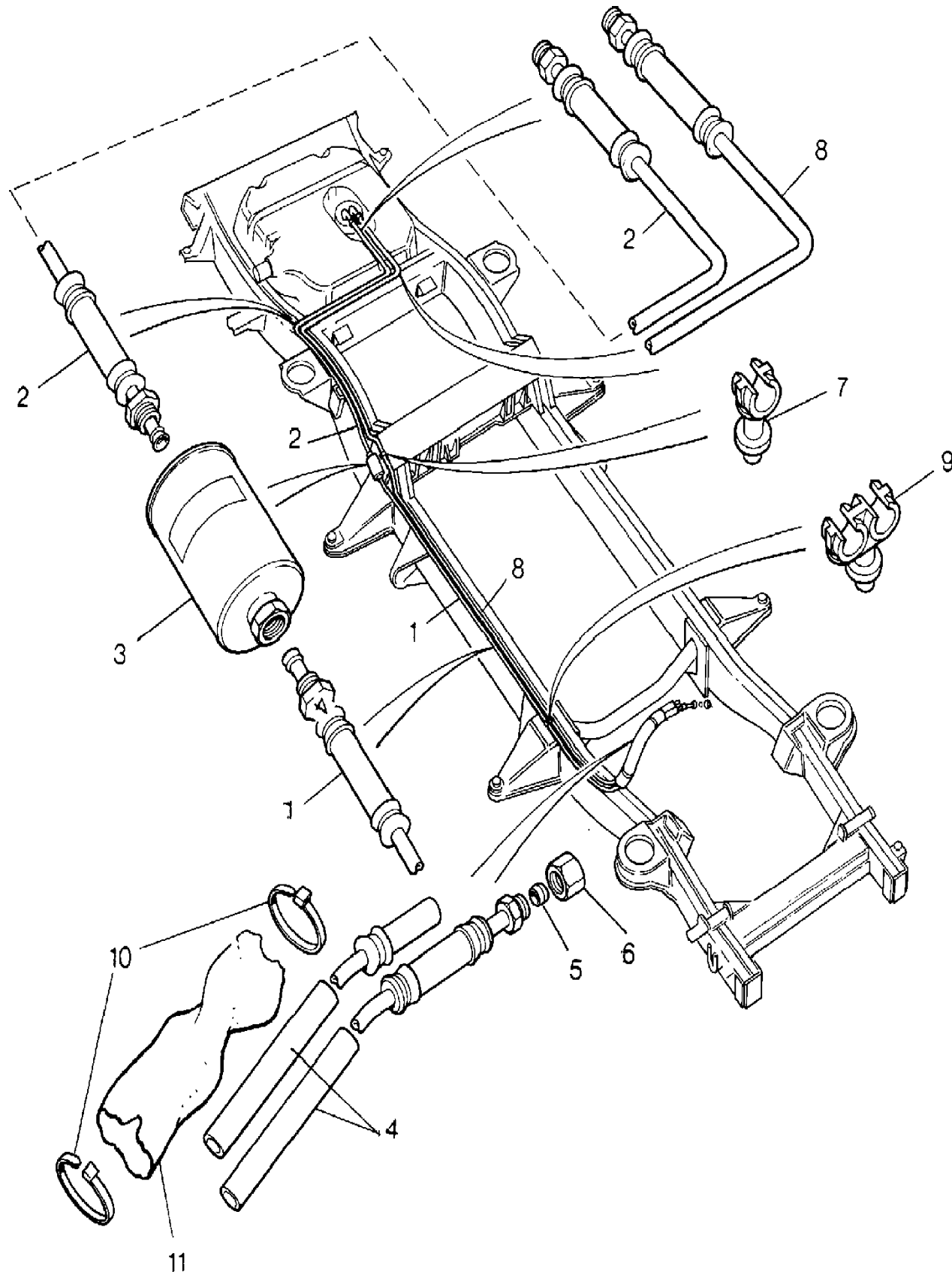
Range Rover (To HA610293)

(TS6876)

Range Rover (To HA610293)

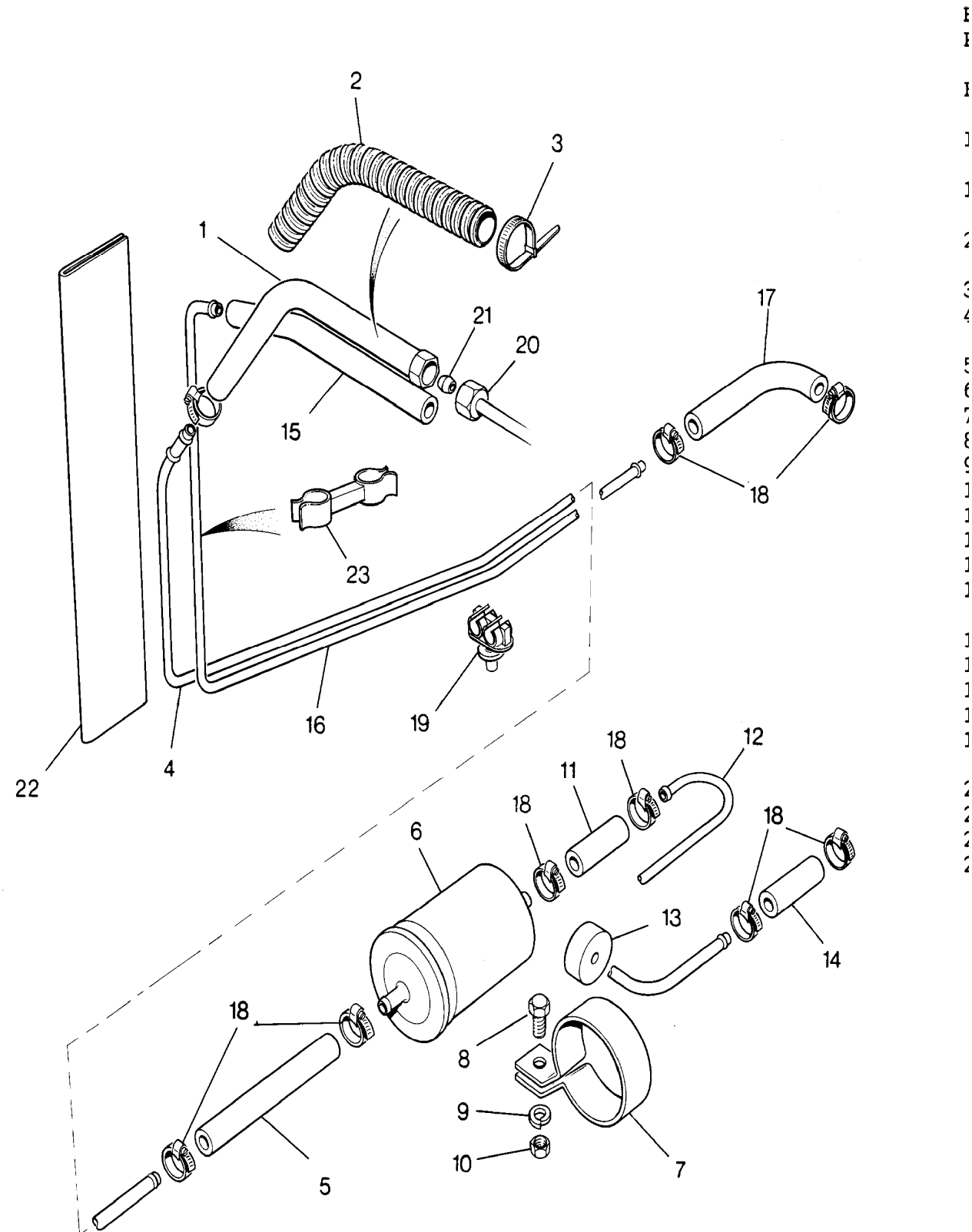
Change point - VIN begin HA464554, Petrol V8 L/R EFI

Callout	Name	Application	Remarks & Restrictions	Service No.	Qty
1	Pipe assembly-filter to engine feed	Change point - VIN begin HA464554, EFI Change point - VIN end MA473236, (+)"CDN/MEX/USA"		ESR501 ESR264	1 1
2	Pipe Fuel	Change point - VIN begin HA464554, EFI Change point - VIN end MA472326, (+)"CDN/MEX/USA"	filter to tank	ERS500 ESR265	1 1
3	Filter assembly-in line fuel lines	Change point - VIN begin HA464554, EFI		NTC6936	1
4	Protector-pipe fuel	Change point - VIN begin HA464554, EFI		NTC4859	2
5	Olive	Change point - VIN begin HA464554, EFI		NRC9771	2
6	Nut-tube-female	Change point - VIN begin HA464554, EFI	M12	NRC9770	2
7	Clip	Change point - VIN begin HA464554, EFI	8MM	79122	X
8	Pipe-return fuel lines	Change point - VIN begin HA464554, EFI Change point - VIN begin HA472327, EFI	spill return spill return	NTC6143 ESR502	1 1
9	Clip-Pipe	Change point - VIN begin HA464554, EFI, (-)"CDN/MEX/USA" Change point - VIN end NA622040, (+)"CDN/MEX/USA" Change point - VIN begin NA622041, (+)"CDN/MEX/USA"	Double	NTC2585 79158 ESR1373	9 9 9
10	Tie-cable	Change point - VIN begin HA464554, EFI	4.8 x 270mm, inside serated	568680	2
11	Protector-pipe fuel	Change point - VIN begin HA464554, EFI		MUC8849	1



Range Rover (To HA610293)

(TS5615A)



TS5615 /A

Range Rover (To HA610293)

Change point - VIN end GA464553, Petrol V8 L/R EFI

Callout	Name	Application	Remarks & Restrictions	Service No.	Qty
1	Hose-fuel	Change point - VIN end GA464553, EFI, Less Catalyst	feed to air rail	NTC4852	1
		Change point - VIN end GA464553, EFI, With Catalyst	feed to air rail	NTC4851	1
2	Protector-pipe fuel	Change point - VIN end GA464553, EFI		NTC4859	2
3	Tie-cable	Change point - VIN end GA464553, EFI	4.8 x 270mm, inside serated	568680	2
4	Pipe-fuel lines feed	Change point - VIN end GA464553, EFI	filter to air rail	NTC2783	1
5	Hose pump to filter	Change point - VIN end GA464553, EFI		NTC2788	1
6	Filter assembly-in line fuel lines	Change point - VIN end GA464553, EFI		NTC5958	1
7	Bracket-fuel filter	Change point - VIN end GA464553, EFI		NTC5955	1
8	Screw	Change point - VIN end GA464553, EFI	M8 X 16, hexagonal head	SH108161L	1
9	Washer	Change point - VIN end GA464553, EFI	M8, sprung	WL108001L	1
10	Nut - Hex.	Change point - VIN end GA464553, EFI	M8, hexagonal head	NH108041L	1
11	Connector fuel lines	Change point - VIN end GA464553, EFI		NTC1956	1
12	Pipe-feed-fuel tank	Change point - VIN end GA464553, EFI	to filter	NTC2784	1
13	Bush	Change point - VIN end GA464553, EFI		NTC2018	2
14	Connector fuel lines	Change point - VIN end GA464553, EFI	tank to fuel filter	NTC1956	1
15	Hose-return fuel tank	Change point - VIN end GA464553, EFI		NTC4854	1
16	Pipe-return fuel lines	Change point - VIN end GA464553, EFI		NTC2785	1
17	Elbow fuel tank	Change point - VIN end GA464553, EFI	Return	ETC5340	1
18	Clip-Hose	Change point - VIN end GA464553, EFI		C435997L	11

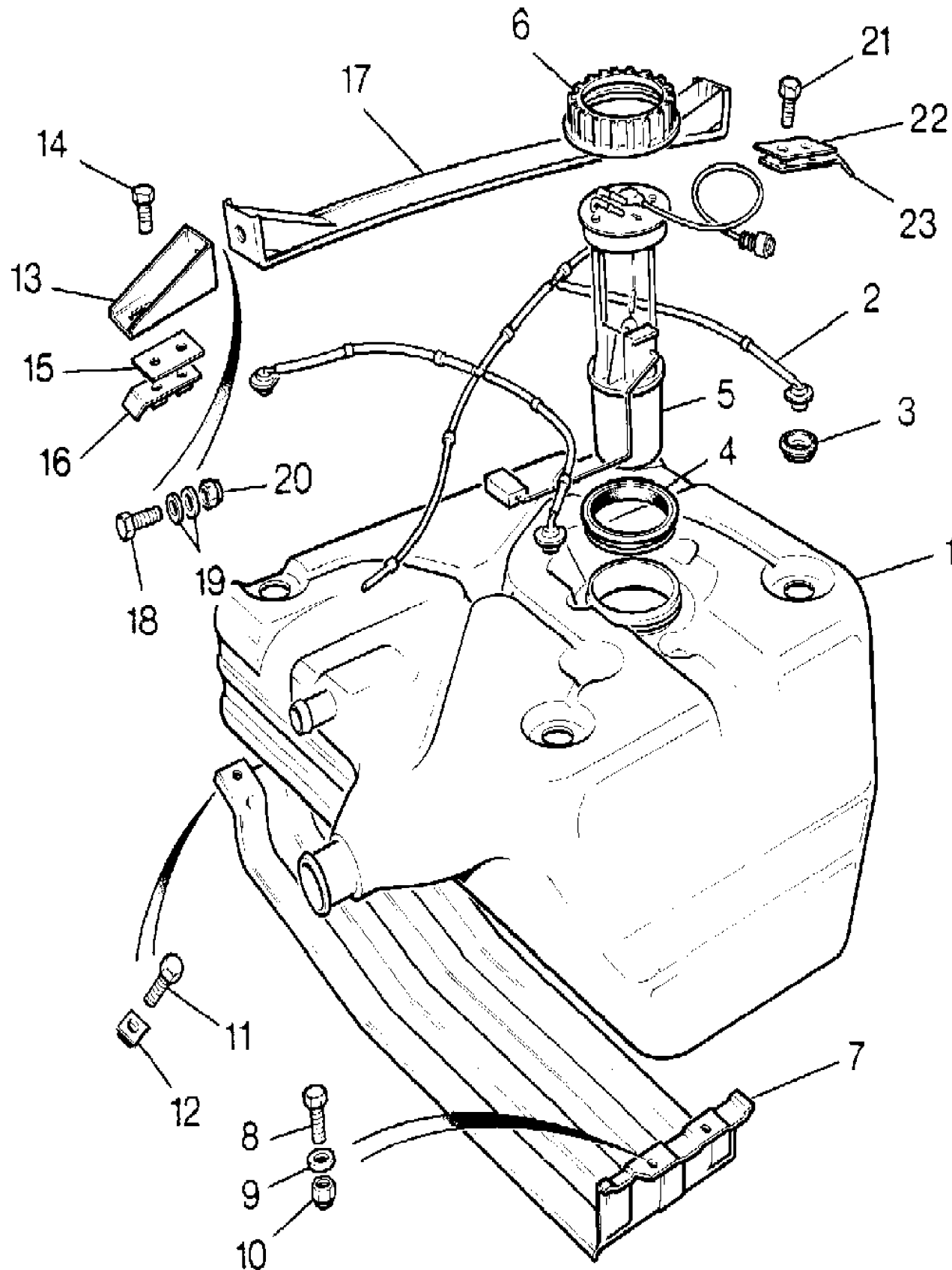
Fuel & Emission Systems
 Fuel-Air Cleaner-Evaporative Loss
 Fuel Tank Pump & Mountings-From (V) XA159807-Diesel 1/2

Range Rover (To HA610293)

(TS6741)

Range Rover (To HA610293)

Fuel & Emission Systems
 Fuel-Air Cleaner-Evaporative Loss
 Fuel Tank Pump & Mountings-From (V) XA159807-Diesel

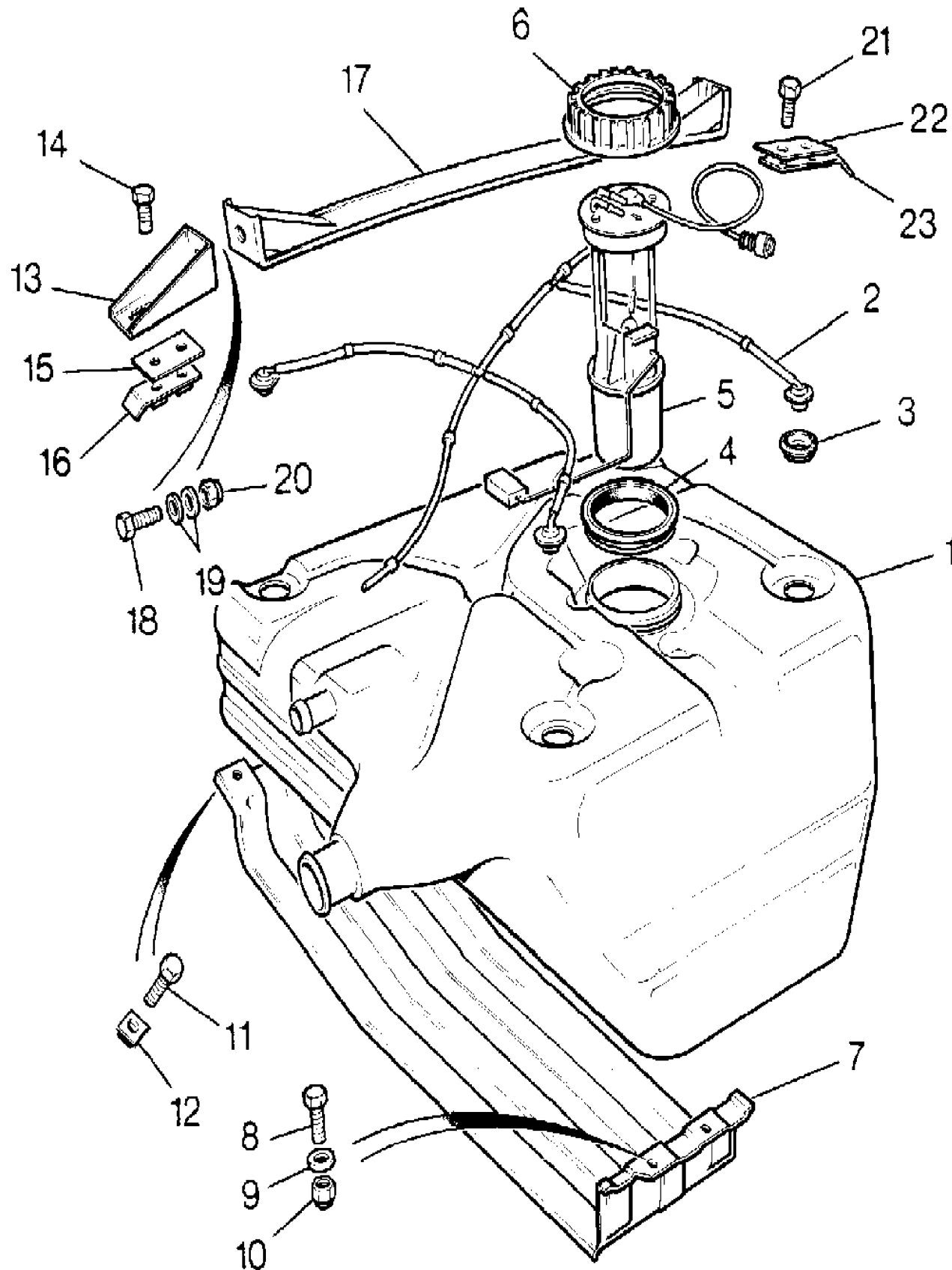


Callout	Name	Application	Remarks & Restrictions	Service No.	Qty
1	Tank assembly fuel	Change point - VIN begin HA464554		NTC6741	1
2	Pipe-breather fuel tank	Change point - VIN begin HA464554, (-)"CDN/MEX/USA" Change point - VIN begin HA464554, (-)"CDN/MEX/USA" Change point - VIN begin MA464554, Change point - VIN end MA602571 Change point - VIN begin MA602572, (+)"CDN/MEX/USA"		NTC7457 NTC7487 NTC7457 ESR578	1 1 1 1
3	Grommet	Change point - VIN begin HA464554		NTC5879	4
4	Seal-fuel pump unit tank	Change point - VIN begin HA464554		NTC5859	1
5	Pump-fuel-unit assembly fuel tank	Change point - VIN begin HA464554, With Petrol Engines, (-)"CDN/MEX/USA" Change point - VIN begin HA464554, With Diesel Engines, (-)"CDN/MEX/USA" Change point - VIN begin MA464554, Change point - VIN end MA610293, (+)"CDN/MEX/USA" Change point - VIN begin NA610294		PRC9409 PRC7129 PRC8499 PRC9409	1 1 1 1
6	Ring-locking fuel tank	Change point - VIN begin HA464554 Change point - VIN begin HA464554	Yellow Red	NTC6871 NTC5858	1 1
7	Cradle-fuel tank support	Change point - VIN begin HA464554		NTC5787	1
8	Screw	Change point - VIN begin HA464554	hexagonal head, M10 x 20	SH110201L	2
9	Washer-Plain	Change point - VIN begin HA464554	M10	WA110041L	6
10	Nut - Hex.	Change point - VIN begin HA464554	M10, hexagonal head, nyloc	NY110041L	2
11	Screw	Change point - VIN begin HA464554	M10 x 20	SH110201M	2
12	Plate assembly-weld bolt	Change point - VIN begin HA464554		NTC7267	2

Range Rover (To HA610293)

(TS6741)

Range Rover (To HA610293)



Callout	Name	Application	Remarks & Restrictions	Service No.	Qty
13	Bracket - Fuel Tank	Change point - VIN begin HA464554	Front	NTC6769	1
14	Screw	Change point - VIN begin HA464554	M8 X 16, hexagonal head	SH108161L	2
15	Spacer	Change point - VIN begin HA464554		NTC6771	2
16	Plate-mounting fuel tank	Change point - VIN begin HA464554		NTC6770	1
17	Strap assembly fuel tank	Change point - VIN begin HA464554		NTC7611	1
18	Screw	Change point - VIN begin HA464554	hexagonal head, M10 x 20	SH110201L	1
19	Washer	Change point - VIN begin HA464554	M10	WA110061L	2
20	Nut - Hex.	Change point - VIN begin HA464554	M10, hexagonal head, nyloc	NY110041L	1
21	Screw	Change point - VIN begin HA464554	M8 X 16, hexagonal head	SH108161L	1
22	Spacer	Change point - VIN begin HA464554		NTC6771	1
23	Plate-mounting fuel tank	Change point - VIN begin HA464554		NTC6770	1
24	Olive	Change point - VIN begin MA464554, (+)"CDN/MEX/USA"		NRC9771	2
25	Nut	Change point - VIN begin MA464554, (+)"CDN/MEX/USA"		NRC9770	2

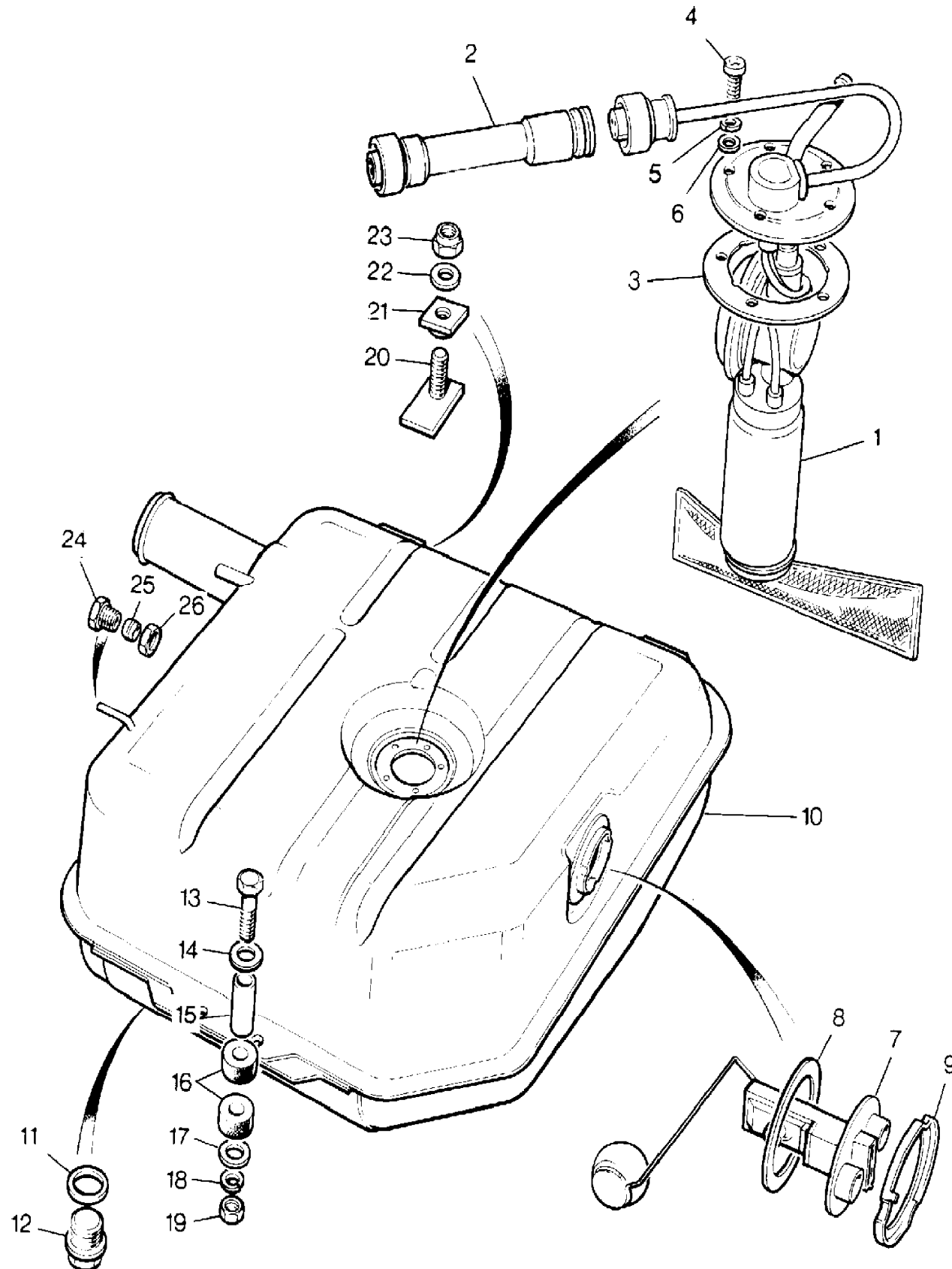
Range Rover (To HA610293)

(TS6207A)

Range Rover (To HA610293)

Change point - VIN end GA464553, With Petrol Engines

Callout	Name	Application	Remarks & Restrictions	Service No.	Qty
1	Pump-fuel tank	Change point - VIN end GA464553, EFI, (-)"CDN/MEX/USA"	high pressure.	PRC8318	1
		Change point - VIN end GA464553, Twin Carburettor, (-)"CDN/MEX/USA"	low pressure.	PRC7020	1
		Change point - VIN end KA399972, (+)"CDN/MEX/USA"		PRC7475	1
		Change point - VIN begin LA399973, Change point - VIN end LA464553, (+)"CDN/MEX/USA"		PRC8318	1
2	Suppressor	Change point - VIN end GA464553	Fuel Pump	PRC7491	1
3	Seal	Change point - VIN end GA464553		PRC5852	1
4	Screw	Change point - VIN end GA464553	pan head, M5 x 12	SE105121L	5
5	Washer	Change point - VIN end GA464553	M5, retaining	WL105001L	5
6	Washer	Change point - VIN end GA464553	M5, Plain, Standard	WA105001L	5
7	Sender Unit	Change point - VIN end GA464553		PRC8822	1
8	Gasket-fuel gauge sender unit	Change point - VIN end GA464553		ARA1502L	1
9	Ring-locking fuel tank	Change point - VIN end GA464553		ARA1501L	1
10	Tank assembly fuel	Change point - VIN end GA464553	Also serviced as part of a kit, 18 gallons, less evaporator loss	NTC2017	1
		Change point - VIN end GA464553	Also serviced as part of a kit, with evaporator loss, 16 gallons	NTC4553	1
11	Bolt-drain plug fuel tank	Change point - VIN end GA464553	Also serviced as part of a kit	NRC62	1
12	Washer-sealing	Change point - VIN end GA464553	Also serviced as part of a kit	243958	1
13	Bolt	Change point - VIN end GA464553	hexagonal head, M10 x 40	BH110081L	2
14	Washer assembly	Change point - VIN end GA464553		NRC6097	2



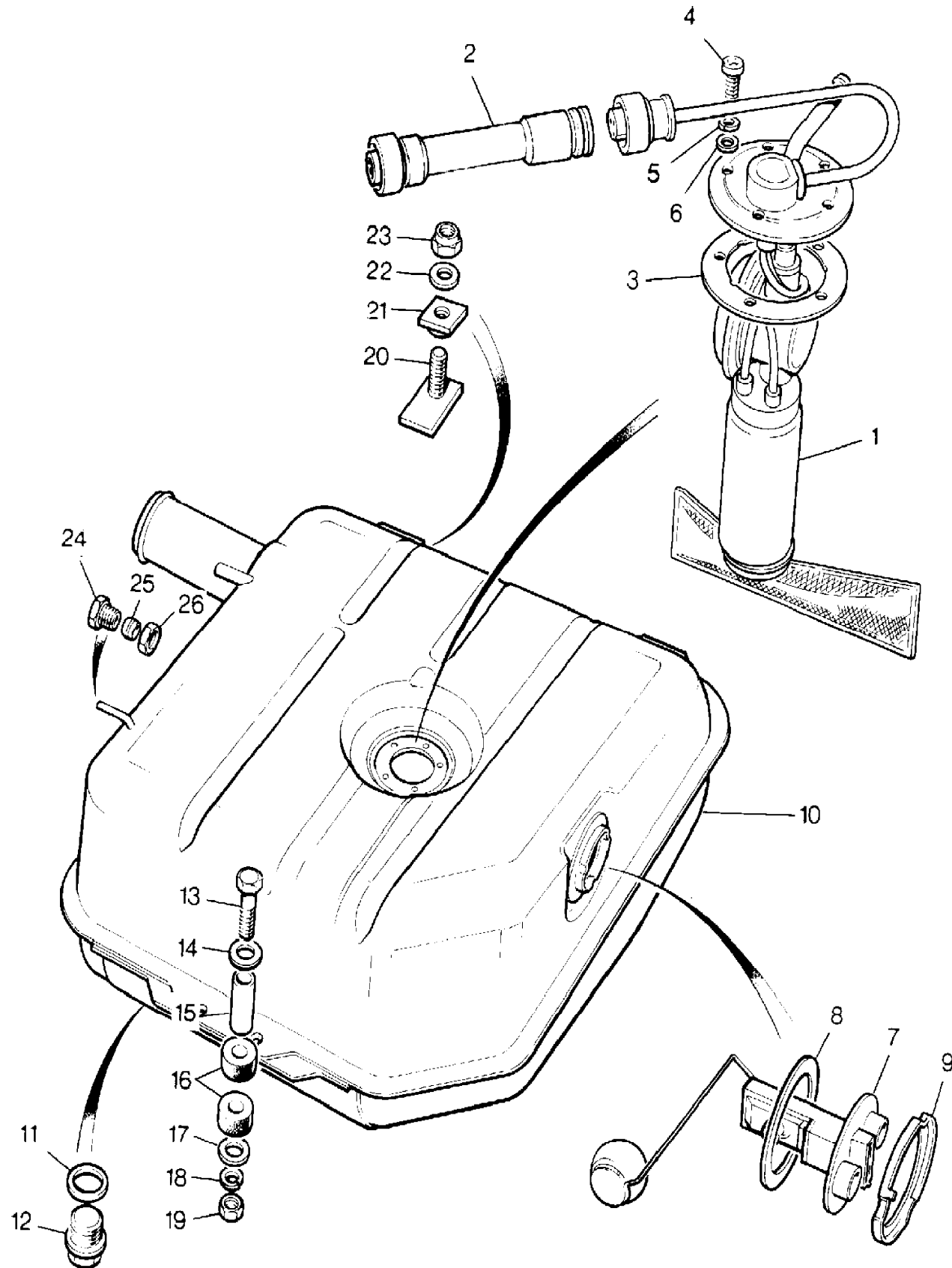
Range Rover (To HA610293)

(TS6207A)

Range Rover (To HA610293)

Change point - VIN end GA464553, With Petrol Engines

Callout	Name	Application	Remarks & Restrictions	Service No.	Qty
15	Spacer	Change point - VIN end GA464553		NRC4757	2
16	Mounting-rubber	Change point - VIN end GA464553		500447	4
17	Washer	Change point - VIN end GA464553	Standard	850641	2
18	Washer	Change point - VIN end GA464553	M10	WL110001L	2
19	Nut - Hex.	Change point - VIN end GA464553	M10, Flanged Head	FN110041	2
20	Plate assembly	Change point - VIN end GA464553		NRC6234	3
21	Retainer	Change point - VIN end GA464553		NRC4759	3
22	Washer	Change point - VIN end GA464553	M8	WC108051L	3
23	Locknut	Change point - VIN end GA464553	M8	NY108051L	3
24	Plug	Change point - VIN end GA464553	M12	NTC1612	1
25	Olive	Change point - VIN end GA464553		NRC9771	1
26	Nut-tube-female	Change point - VIN end GA464553	M12	NRC9770	1



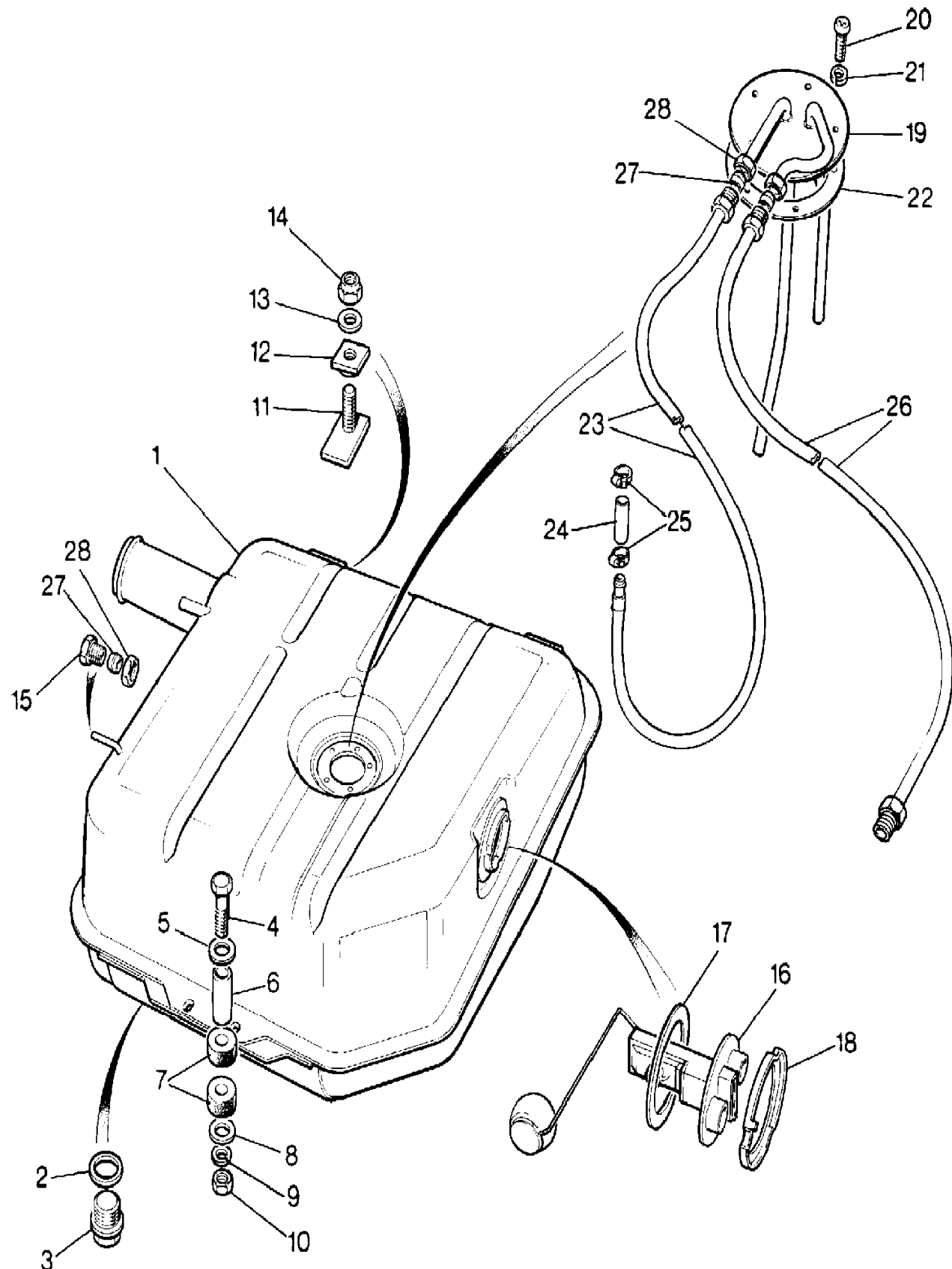
Range Rover (To HA610293)

(TS5859A)

Range Rover (To HA610293)

With Diesel Engines

Callout	Name	Application	Remarks & Restrictions	Service No.	Qty
1	Tank assembly fuel	Change point - VIN end GA464553	Also serviced as part of a kit, 18 gallons, less evaporator loss	NTC2017	1
3	Bolt-drain plug fuel tank	Change point - VIN end GA464553	Also serviced as part of a kit	NRC62	1
4	Bolt	Change point - VIN end GA464553	hexagonal head, M10 x 40	BH110081L	2
5	Washer assembly	Change point - VIN end GA464553		NRC6097	2
6	Spacer	Change point - VIN end GA464553		NRC4757	2
7	Mounting-rubber	Change point - VIN end GA464553		500447	4
8	Washer	Change point - VIN end GA464553	Standard	850641	2
9	Washer	Change point - VIN end GA464553	M10	WL110001L	2
10	Nut - Hex.	Change point - VIN end GA464553	M10, Flanged Head	FN110041	2
11	Plate assembly	Change point - VIN end GA464553		NRC6234	3
12	Retainer	Change point - VIN end GA464553		NRC4759	3
13	Washer	Change point - VIN end GA464553	M8	WC108051L	3
14	Locknut	Change point - VIN end GA464553	M8	NY108051L	3
15	Plug	Change point - VIN end GA464553	M12	NTC1612	1
16	Gauge-fuel	Change point - VIN end GA464553		PRC8823	1
17	Gasket-fuel gauge sender unit	Change point - VIN end GA464553		ARA1502L	1
18	Ring-locking fuel tank	Change point - VIN end GA464553		ARA1501L	1
19	Pipe Fuel	Change point - VIN end GA464553	pick up pipes	NTC1630	1
20	Screw	Change point - VIN end GA464553	pan head, M5 x 12	SE105121L	5



Range Rover (To HA610293)

(TS5859A)

Range Rover (To HA610293)

With Diesel Engines

Callout	Name	Application	Remarks & Restrictions	Service No.	Qty
21	Washer	Change point - VIN end GA464553	M5, retaining	WL105001L	5
22	Seal	Change point - VIN end GA464553		PRC5852	1
23	Pipe Fuel	Change point - VIN end GA464553	return to tank	NTC3771	1
24	Connector fuel lines	Change point - VIN end GA464553	return to tank	NTC2876	1
25	Clip-Hose	Change point - VIN end GA464553		CN100128L	2
26	Pipe Fuel	Change point - VIN end GA464553	tank to sedimentor	NTC3347	1
27	Olive	Change point - VIN end GA464553		NRC9771	3
28	Nut-tube-female	Change point - VIN end GA464553	M12	NRC9770	3

