

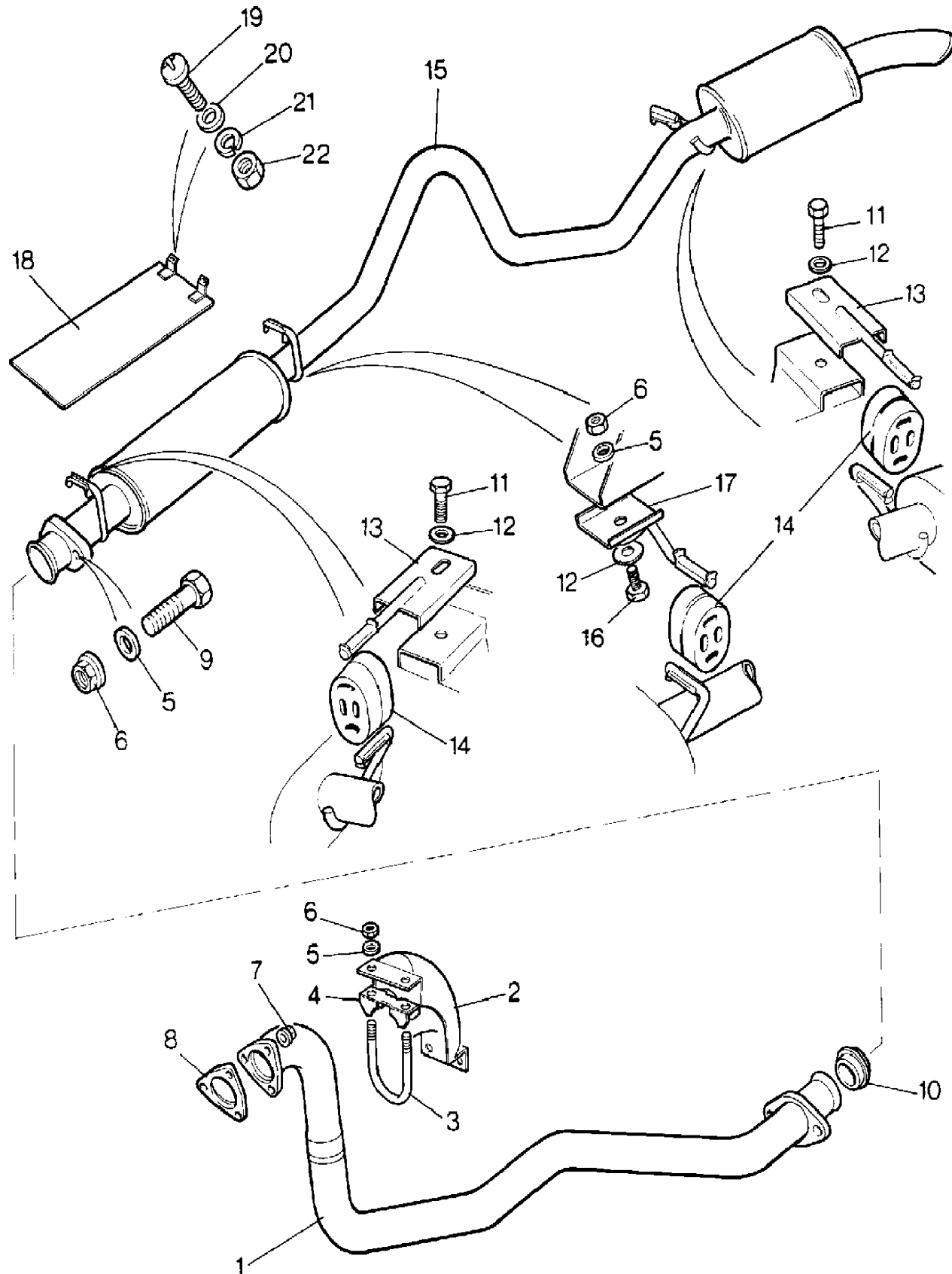
Range Rover (To HA610293)

(TS6896)

Range Rover (To HA610293)

Change point - VIN begin GA399973, 4 Cylinder Diesel

Callout	Name	Application	Remarks & Restrictions	Service No.	Qty
1	Downpipe assembly exhaust system	Change point - VIN begin GA399973, With Diesel Engines		NTC7395	1
2	Heatshield assembly exhaust-downpipe	Change point - VIN begin GA399973, With Diesel Engines		NTC2237	1
3	Bolt-u	Change point - VIN begin GA399973		NTC2240	2
4	Clamp	Change point - VIN begin GA399973	exhaust downpipe to manifold	NTC2239	2
5	Washer	Change point - VIN begin GA399973	8MM	WA108051L	4
6	Nut - Hex.	Change point - VIN begin GA399973	M8	NV108041L	4
7	Nut - Hex.	Change point - VIN begin GA399973	M8, Self Locking	NTC1966	3
8	Gasket exhaust system	Change point - VIN begin GA399973, With Diesel Engines	manifold to downpipe	RTC4894	1
9	Bolt	Change point - VIN begin GA399973	M8 x 50	BH108101L	2
10	Olive	Change point - VIN begin GA399973	exhaust pipe joint flange	CRC4579L	1
11	Screw	Change point - VIN begin GA399973	hexagonal head, M8 x 125	GG108251L	2
12	Washer-Plain	Change point - VIN begin GA399973		WP105L	3
13	Bracket exhaust system	Change point - VIN begin GA399973, With Diesel Engines	Front	NTC5648	3
14	Mounting-rubber exhaust system	Change point - VIN begin GA399973, With Diesel Engines	Rear	NTC5582	3
15	Rear assembly exhaust system	Change point - VIN begin GA399973, With Diesel Engines		NTC7362	1
16	Screw	Change point - VIN begin GA399973	M8 X 16, Flanged Head	FS108161	1
17	Bracket exhaust system	Change point - VIN begin GA399973, With Diesel Engines	Centre	NTC5634	1



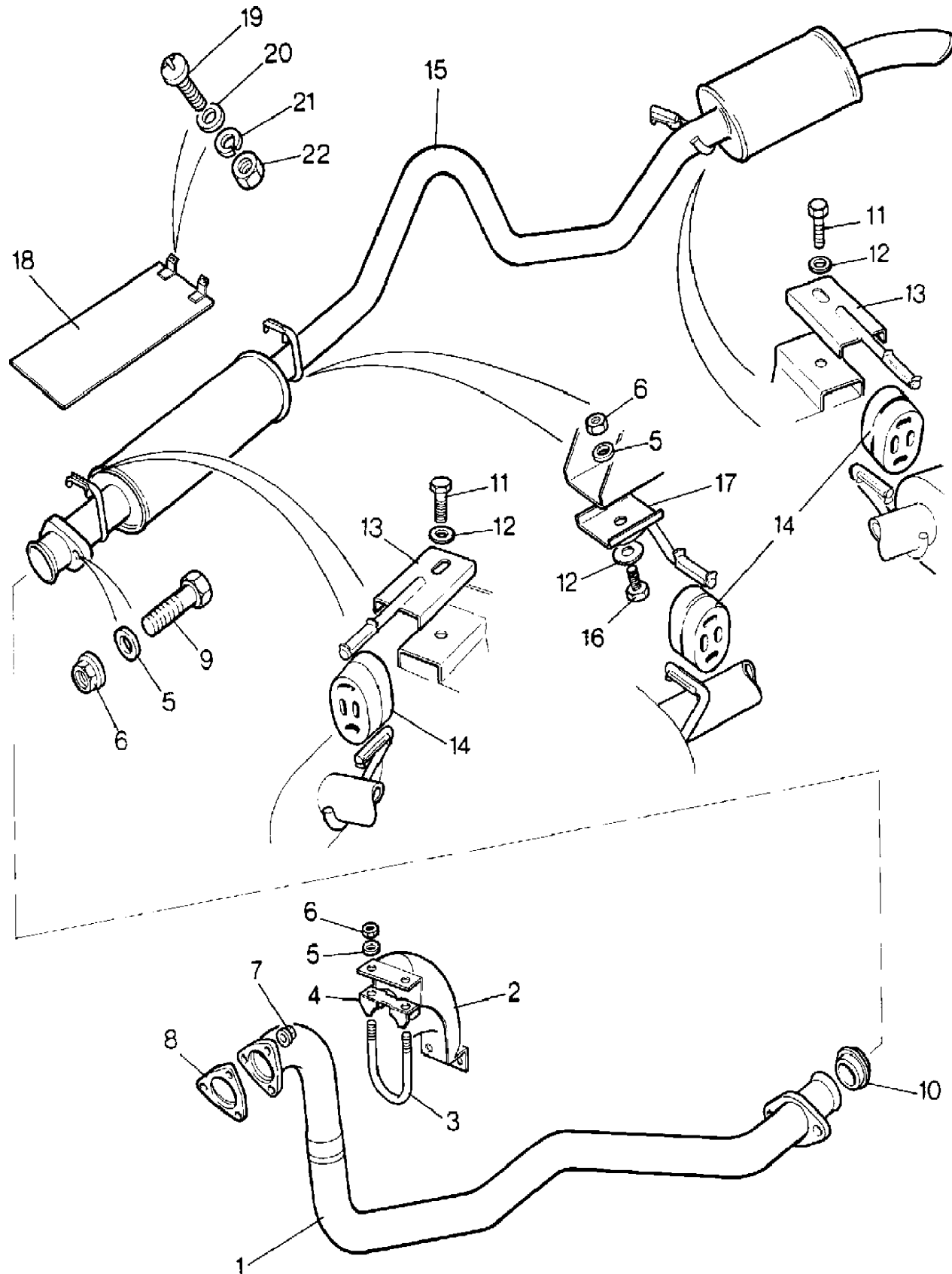
Range Rover (To HA610293)

(TS6896)

Range Rover (To HA610293)

Change point - VIN begin GA399973, 4 Cylinder Diesel

Callout	Name	Application	Remarks & Restrictions	Service No.	Qty
18	Heatshield-tunnel exhaust system	Change point - VIN begin GA399973, With Diesel Engines		NRC7649	1
19	Screw	Change point - VIN begin GA399973	M6 X 16	SE106161L	2
20	Washer	Change point - VIN begin GA399973	6MM	WA106041L	2
21	Screw	Change point - VIN begin GA399973	M6 X 16	SE106161L	2
22	Nut - Hex.	Change point - VIN begin GA399973	M6, nyloc, Hexagonal	NH106041L	2



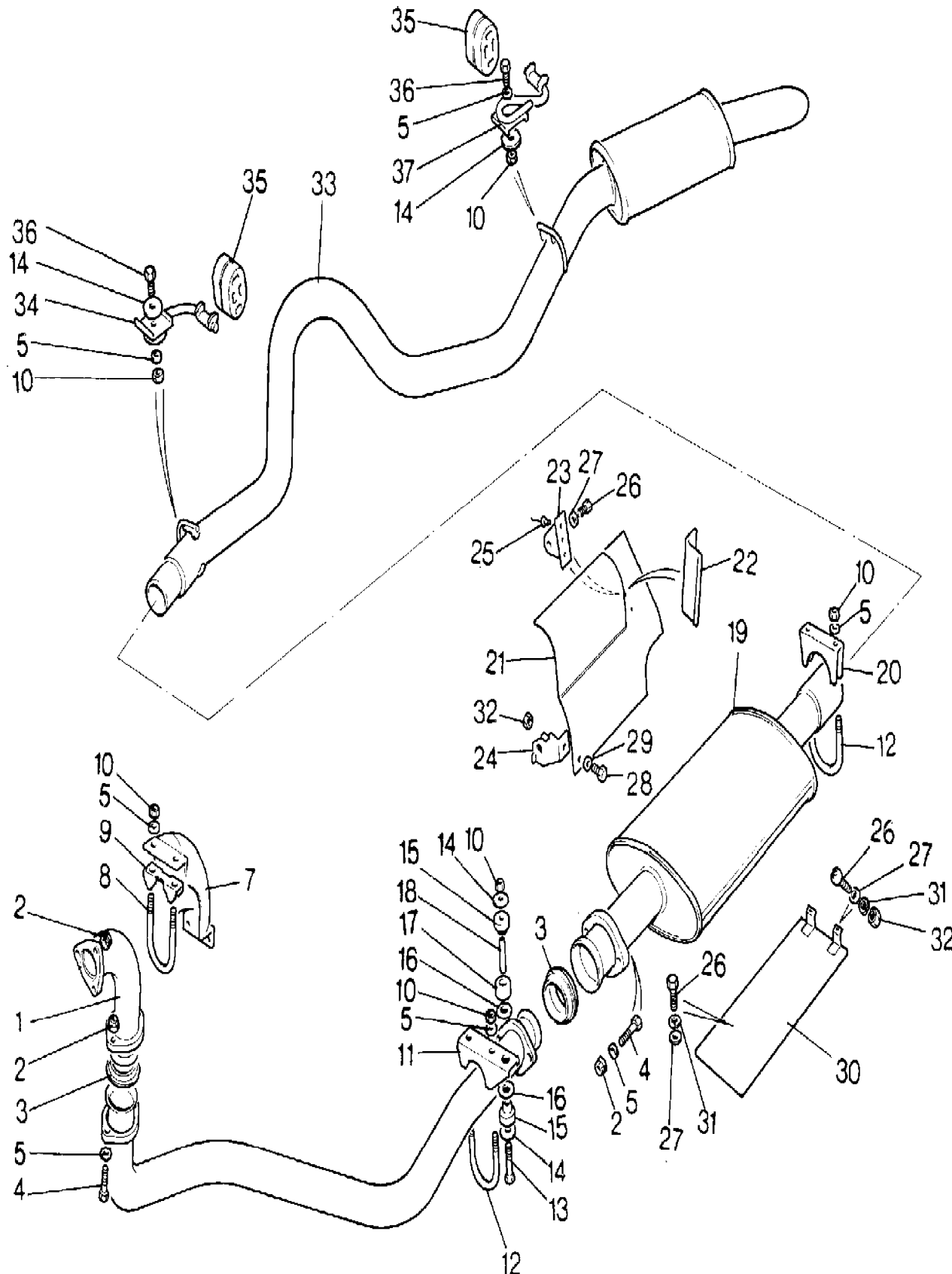
Range Rover (To HA610293)

(TS6897)

Range Rover (To HA610293)

Change point - VIN end FA399972, 4 Cylinder Diesel

Callout	Name	Application	Remarks & Restrictions	Service No.	Qty
1	Downpipe assembly exhaust system	Change point - VIN end FA399972, With Diesel Engines		NTC 1481	1
2	Nut - Hex.	Change point - VIN end FA399972	M8, Self Locking	NTC 1966	X
3	Olive	Change point - VIN end FA399972	exhaust pipe joint flange	CRC4579L	1
4	Bolt	Change point - VIN end FA399972	M8 x 50	BH108101L	2
5	Washer	Change point - VIN end FA399972	8MM	WA108051L	2
6	Intermediate assembly exhaust system	Change point - VIN end FA399972, With Diesel Engines		NTC 1483	1
7	Heatshield assembly exhaust-downpipe	Change point - VIN end FA399972, With Diesel Engines		NTC2237	1
8	Bolt-u	Change point - VIN end FA399972		NTC2240	2
9	Clamp	Change point - VIN end FA399972	exhaust downpipe to manifold	NTC2239	2
12	Bolt-u	Change point - VIN end FA399972		NTC 1492	1
13	Bolt	Change point - VIN end FA399972	hexagonal head, M8 x 70	BH108141L	1
15	Bush	Change point - VIN end FA399972	exhaust mounting rubber outer	572166	2
17	Bush	Change point - VIN end FA399972	exhaust mounting rubber middle	572167	1
18	Spacer	Change point - VIN end FA399972		NRC5403	1
19	Silencer assembly exhaust system	Change point - VIN end FA399972, With Diesel Engines		NTC 1484	1
20	Clamp	Change point - VIN end FA399972, With Diesel Engines	exhaust intermediate pipe assembly	NTC2207	1
21	Heatshield assembly exhaust-intermediate	Change point - VIN end FA399972, With Diesel Engines		NTC2682	1
22	Plate	Change point - VIN end FA399972		NTC2661	1



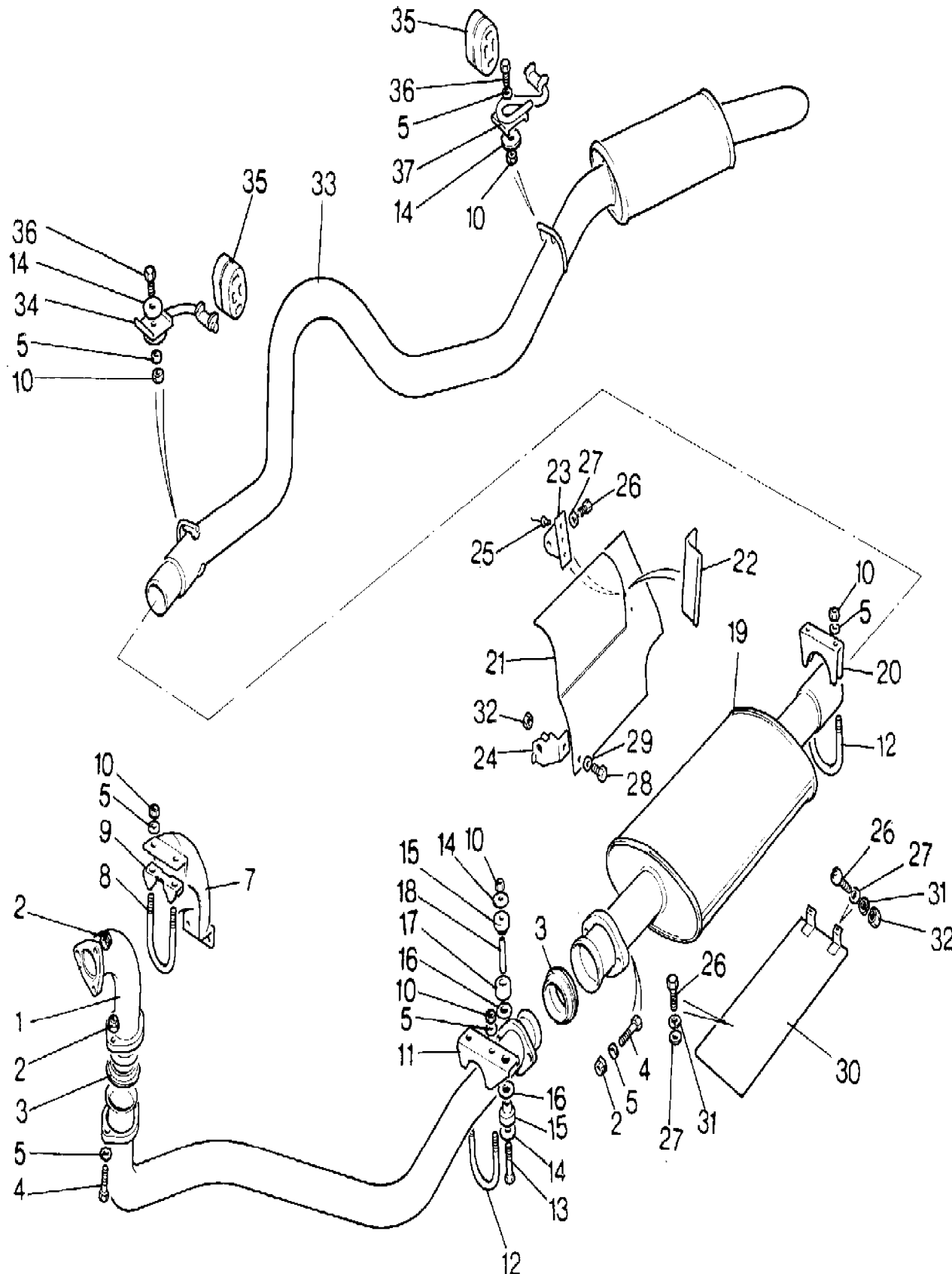
Range Rover (To HA610293)

(TS6897)

Range Rover (To HA610293)

Change point - VIN end FA399972, 4 Cylinder Diesel

Callout	Name	Application	Remarks & Restrictions	Service No.	Qty
23	Bracket	Change point - VIN end FA399972		NTC2667	1
24	Bracket	Change point - VIN end FA399972		NTC2210	1
25	Rivet	Change point - VIN end FA399972		RA608387L	3
26	Screw	Change point - VIN end FA399972	M6 X 16, hexagonal head	SH106161L	1
27	Washer	Change point - VIN end FA399972	6MM	WA106041L	X
28	Screw	Change point - VIN end FA399972	hexagonal head, M6 X 14	SH106141L	X
29	Washer-Plain	Change point - VIN end FA399972	M6	WJ106001L	1
30	Heatshield-tunnel exhaust system	Change point - VIN end FA399972, With Diesel Engines		NRC7649	1
31	Washer	Change point - VIN end FA399972	M6, sprung	WL106001L	2
32	Nut - Hex.	Change point - VIN end FA399972	M6, nyloc, Hexagonal	NH106041L	2
33	Rear assembly exhaust system	Change point - VIN end FA399972, With Diesel Engines Change point - VIN end FA399972, With Diesel Engines, (+)"D"		NTC2960 NTC2961	1 1
34	Bracket assembly-exhaust mounting	Change point - VIN end FA399972, With Diesel Engines		NTC2963	1
35	Mounting-rubber exhaust system	Change point - VIN end FA399972		NTC3650	2
36	Screw	Change point - VIN end FA399972	M8 X 16, hexagonal head	SH108161L	2



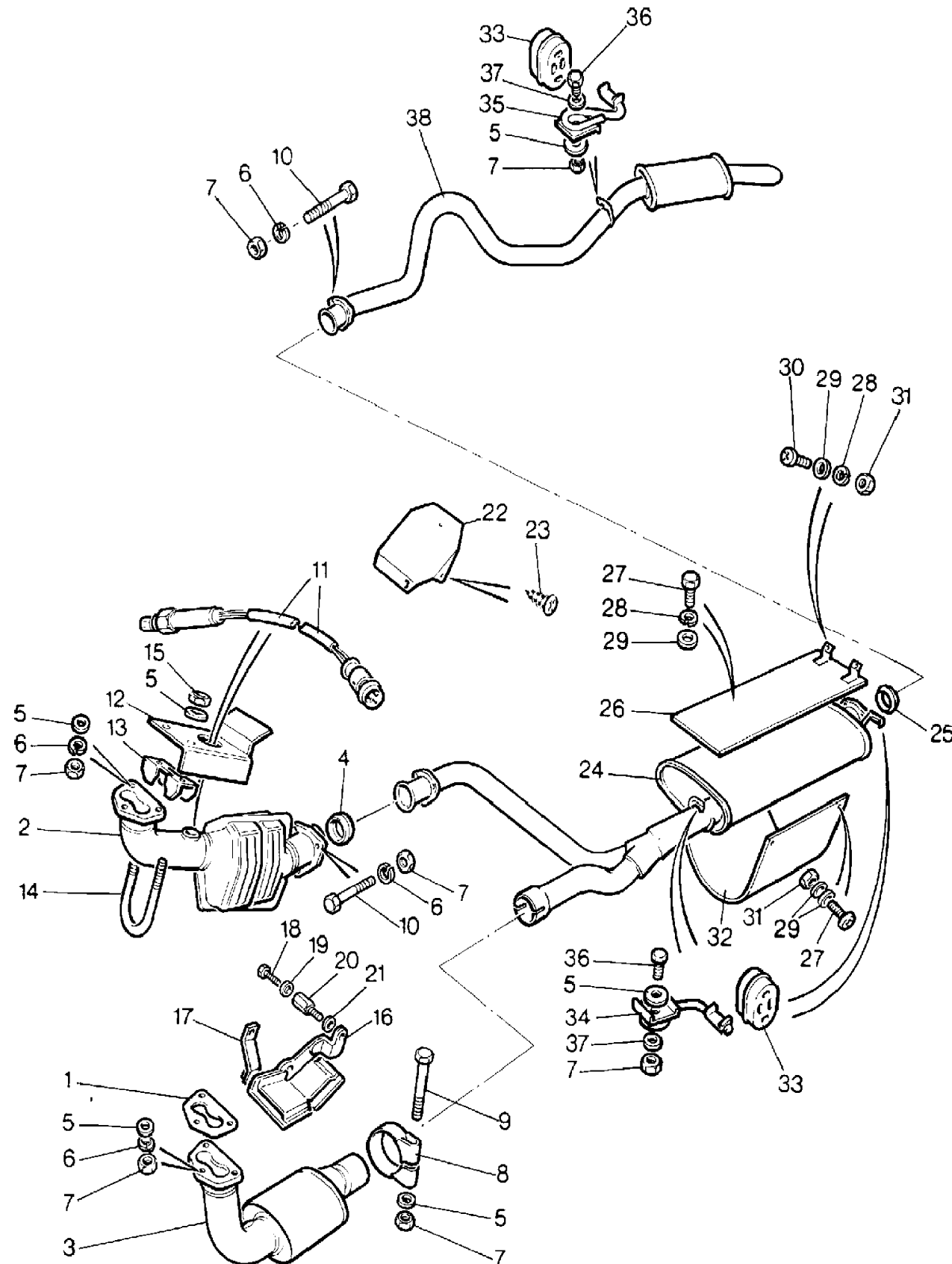
Range Rover (To HA610293)

(TS6899)

Range Rover (To HA610293)

Change point - VIN begin FA351847, Change point - VIN end FA399972, V8 Petrol, With Catalyst

Callout	Name	Application	Remarks & Restrictions	Service No.	Qty
1	Gasket exhaust system	Change point - VIN begin FA351847, Change point - VIN end FA399972, With Petrol Engines	manifold to downpipe	ETC4524	1
2	Downpipe assembly exhaust system	Change point - VIN begin FA351847, Change point - VIN end FA399972, With Petrol Engines	RH	NTC5576	1
3	Downpipe assembly exhaust system	Change point - VIN begin FA351847, Change point - VIN end FA399972, With Petrol Engines	LH	NTC5577	1
4	Olive	Change point - VIN begin FA351847, Change point - VIN end FA399972, With Petrol Engines	exhaust pipe joint flange	NTC1030	1
5	Washer	Change point - VIN begin FA351847, Change point - VIN end FA399972, With Petrol Engines	8MM	WA108051L	X
6	Washer	Change point - VIN begin FA351847, Change point - VIN end FA399972, With Petrol Engines	M8, sprung	WL108001L	X
7	Nut - Hex.	Change point - VIN begin FA351847, Change point - VIN end FA399972, With Petrol Engines	M8, hexagonal head	NH108041L	X
8	Clamp	Change point - VIN begin FA351847, Change point - VIN end FA399972, With Petrol Engines		NTC5615	2
9	Bolt	Change point - VIN begin FA351847, Change point - VIN end FA399972, With Petrol Engines	M8 x 50	BH108101L	X
10	Bolt	Change point - VIN begin FA351847, Change point - VIN end FA399972, With Petrol Engines	M8 x 45	BH108091L	3
11	Sensor-oxygen multi point injection	Change point - VIN begin FA351847, Change point - VIN end FA399972, With Petrol Engines		PRC7062	2
12	Heatshield assembly exhaust-downpipe	Change point - VIN begin FA351847, Change point - VIN end FA399972, With Petrol Engines		NTC4547	1



Exhaust Systems  
 Exhaust Petrol  
 Exhaust System 2/4

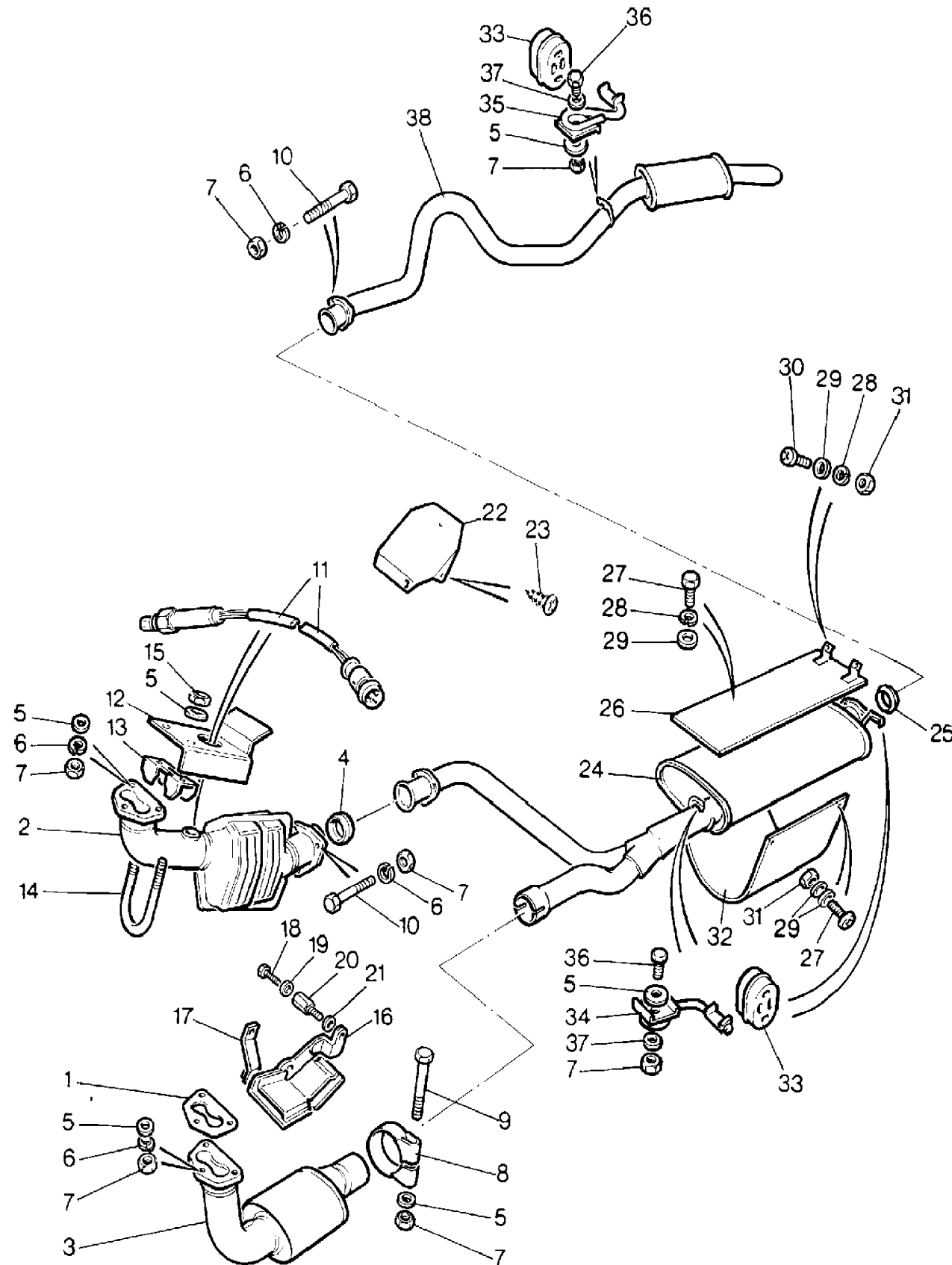
Range Rover (To HA610293)

(TS6899)

Exhaust Systems  
 Exhaust Petrol  
 Exhaust System

Range Rover (To HA610293)

Change point - VIN begin FA351847, Change point - VIN end FA399972, V8 Petrol, With Catalyst



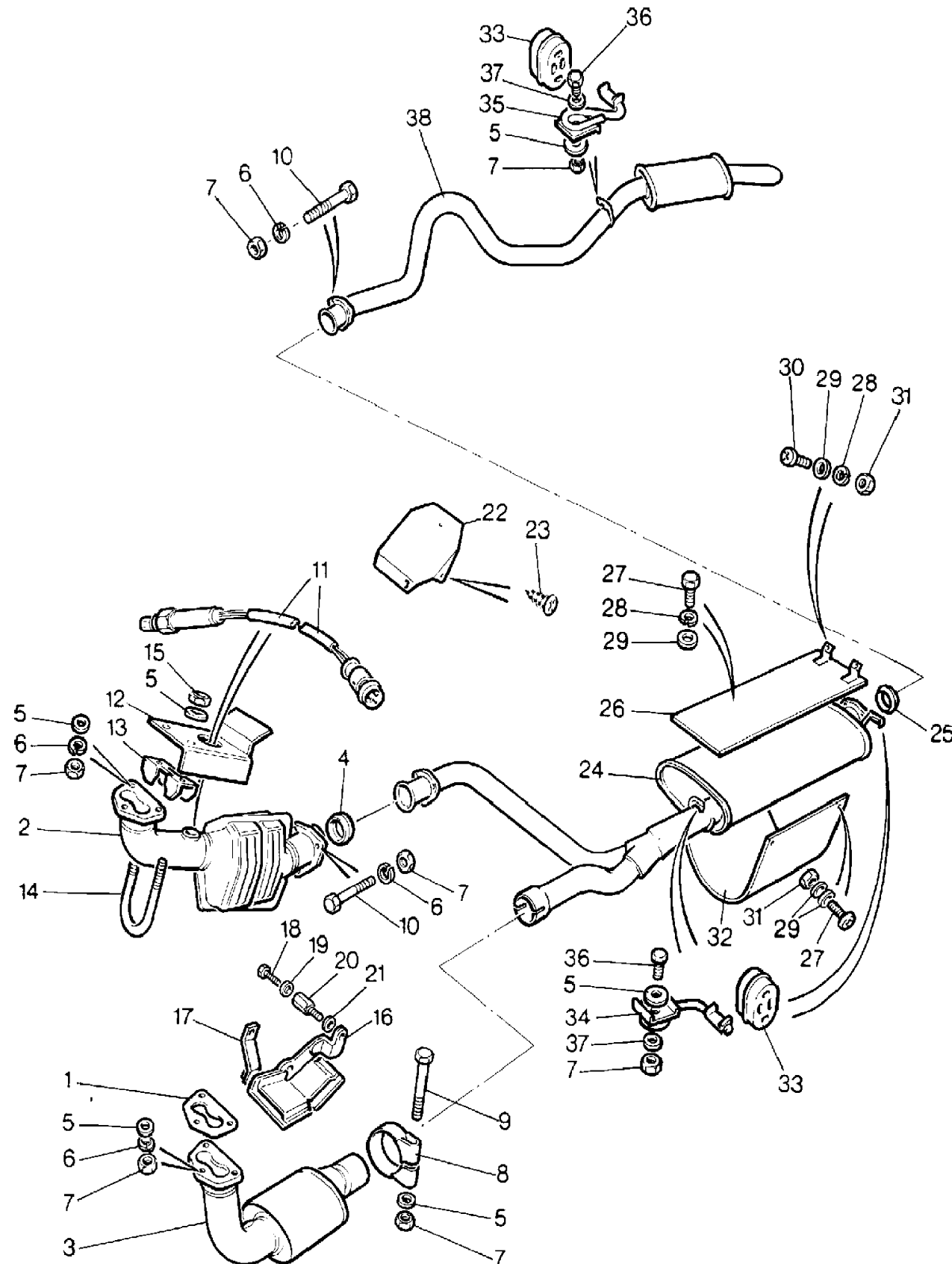
Callout	Name	Application	Remarks & Restrictions	Service No.	Qty
13	Clamp	Change point - VIN begin FA351847, Change point - VIN end FA399972, With Petrol Engines		NTC2239	1
14	Bolt-u	Change point - VIN begin FA351847, Change point - VIN end FA399972, With Petrol Engines		NTC2240	1
15	Nut - Hex.	Change point - VIN begin FA351847, Change point - VIN end FA399972, With Petrol Engines	M8	NV108041L	2
16	Heatshield-exhaust manifold	Change point - VIN begin FA351847, Change point - VIN end FA399972, With Petrol Engines		ERC5875	1
17	Bracket-heatshield exhaust system	Change point - VIN begin FA351847, Change point - VIN end FA399972, With Petrol Engines		ERR117	1
18	Screw	Change point - VIN begin FA351847, Change point - VIN end FA399972, With Petrol Engines	hexagonal head, 5/16UNF x 5/8	SH605051L	1
20	Screw	Change point - VIN begin FA351847, Change point - VIN end FA399972, With Petrol Engines	3/8UNC x 1 1/8	614443	1
21	Washer-Plain	Change point - VIN begin FA351847, Change point - VIN end FA399972, With Petrol Engines		3036L	1
22	Heatshield assembly alternator	Change point - VIN begin FA351847, Change point - VIN end FA399972, With Petrol Engines		ERR112	1
23	Screw	Change point - VIN begin FA351847, Change point - VIN end FA399972, With Petrol Engines	Self Tapping, 10 x 3/8	AB610031L	1
24	Silencer Assy		Intermediate	NTC5578	1
25	Olive	Change point - VIN begin FA351847, Change point - VIN end FA399972, With Petrol Engines	exhaust pipe joint flange	CRC4579L	2

Range Rover (To HA610293)

(TS6899)

Range Rover (To HA610293)

Change point - VIN begin FA351847, Change point - VIN end FA399972, V8 Petrol, With Catalyst



Callout	Name	Application	Remarks & Restrictions	Service No.	Qty
26	Heatshield-tunnel exhaust system	Change point - VIN begin FA351847, Change point - VIN end FA399972, With Petrol Engines		NRC7649	1
27	Screw	Change point - VIN begin FA351847, Change point - VIN end FA399972, With Petrol Engines	M6 X 16, hexagonal head	SH106161L	X
28	Washer	Change point - VIN begin FA351847, Change point - VIN end FA399972, With Petrol Engines	M6, sprung	WL106001L	X
29	Washer	Change point - VIN begin FA351847, Change point - VIN end FA399972, With Petrol Engines	6MM	WA106041L	X
30	Screw	Change point - VIN begin FA351847, Change point - VIN end FA399972, With Petrol Engines	M6 X 16	SE106161L	2
31	Nut - Hex.	Change point - VIN begin FA351847, Change point - VIN end FA399972, With Petrol Engines	M6, nyloc, Hexagonal	NH106041L	2
32	Shield assembly-grass exhaust-intermediate	Change point - VIN begin FA351847, Change point - VIN end FA399972, With Petrol Engines		NTC4164	1
33	Mounting-rubber exhaust system	Change point - VIN begin FA351847, Change point - VIN end FA399972, With Petrol Engines	Rear	NTC5582	2
34	Bracket exhaust system	Change point - VIN begin FA351847, Change point - VIN end FA399972, With Petrol Engines	Front	NTC5648	2
35	Bracket exhaust system	Change point - VIN begin FA351847, Change point - VIN end FA399972, With Petrol Engines	Centre	NTC5634	1
36	Screw	Change point - VIN begin FA351847, Change point - VIN end FA399972, With Petrol Engines	M8 X 16, hexagonal head	SH108161L	2
37	Washer-Plain	Change point - VIN begin FA351847, Change point - VIN end FA399972, With Petrol Engines		WP105L	2

Exhaust Systems  
 Exhaust Petrol  
 Exhaust System 4/4

Range Rover (To HA610293)

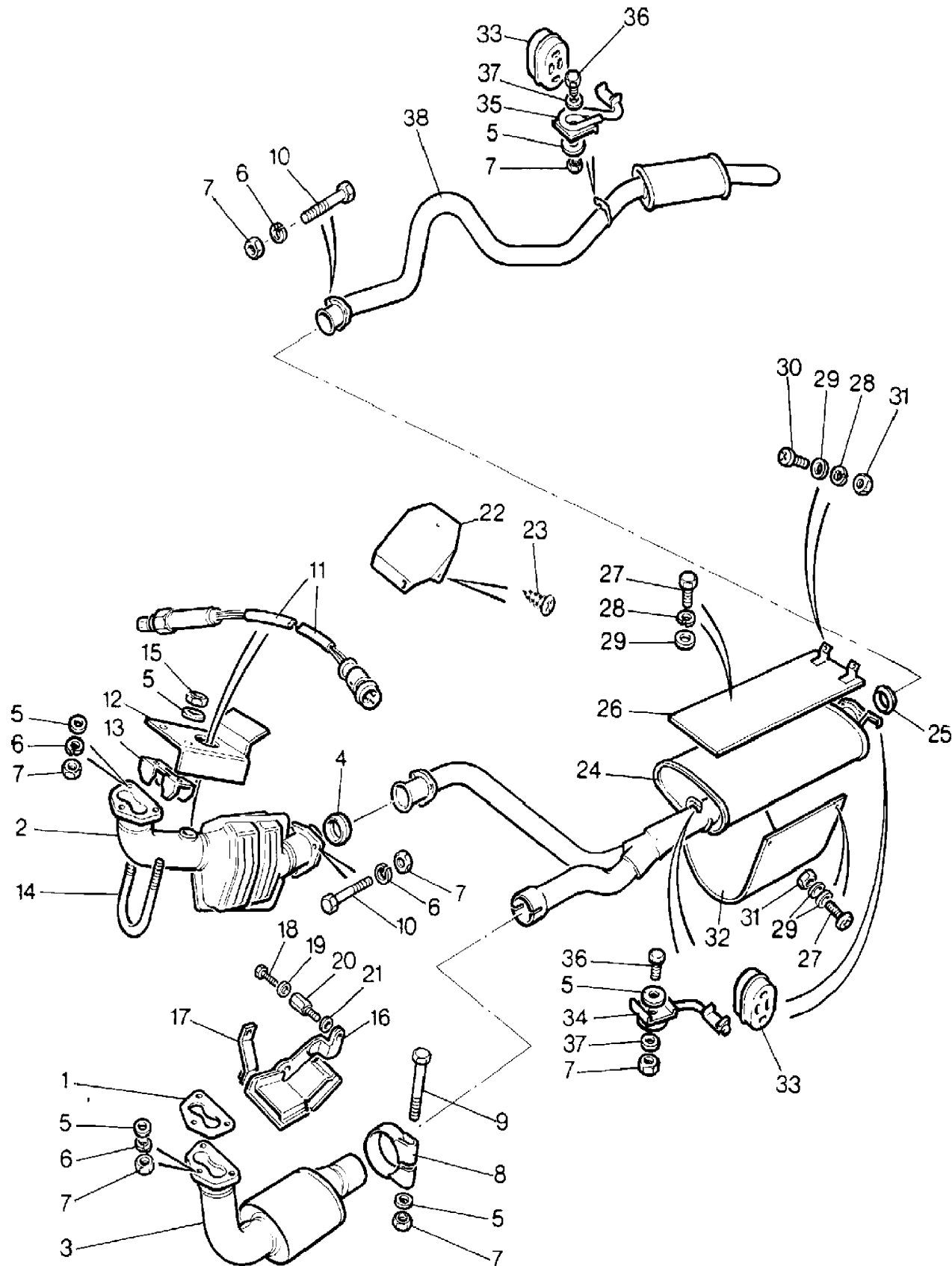
(TS6899)

Exhaust Systems  
 Exhaust Petrol  
 Exhaust System

Range Rover (To HA610293)

Change point - VIN begin FA351847, Change point - VIN end FA399972, V8 Petrol, With Catalyst

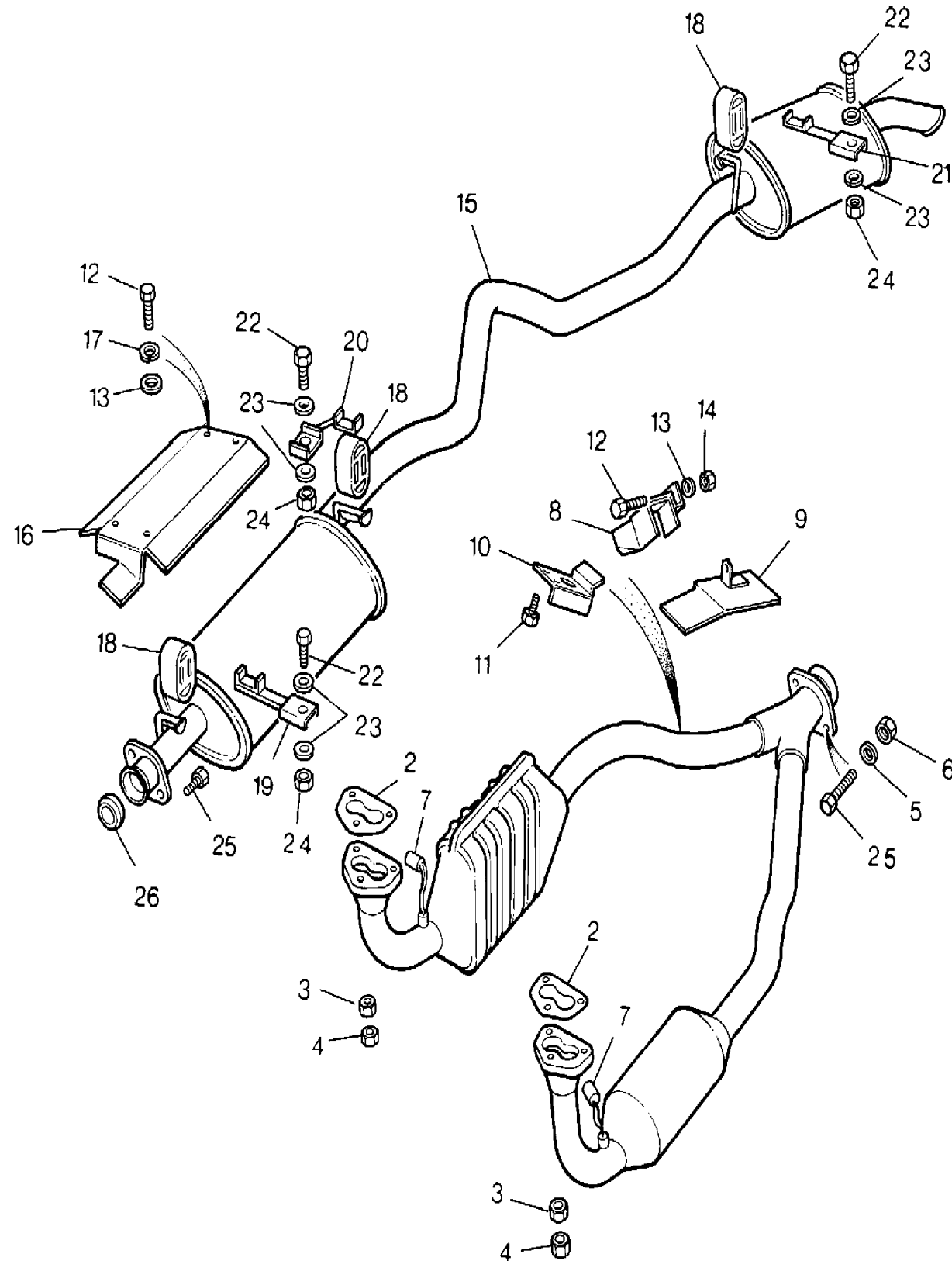
Callout	Name	Application	Remarks & Restrictions	Service No.	Qty
38	Rear assembly exhaust system	Change point - VIN begin FA351847, Change point - VIN end FA399972, With Petrol Engines		NTC5579	X





Range Rover (To HA610293)

(TS6894)



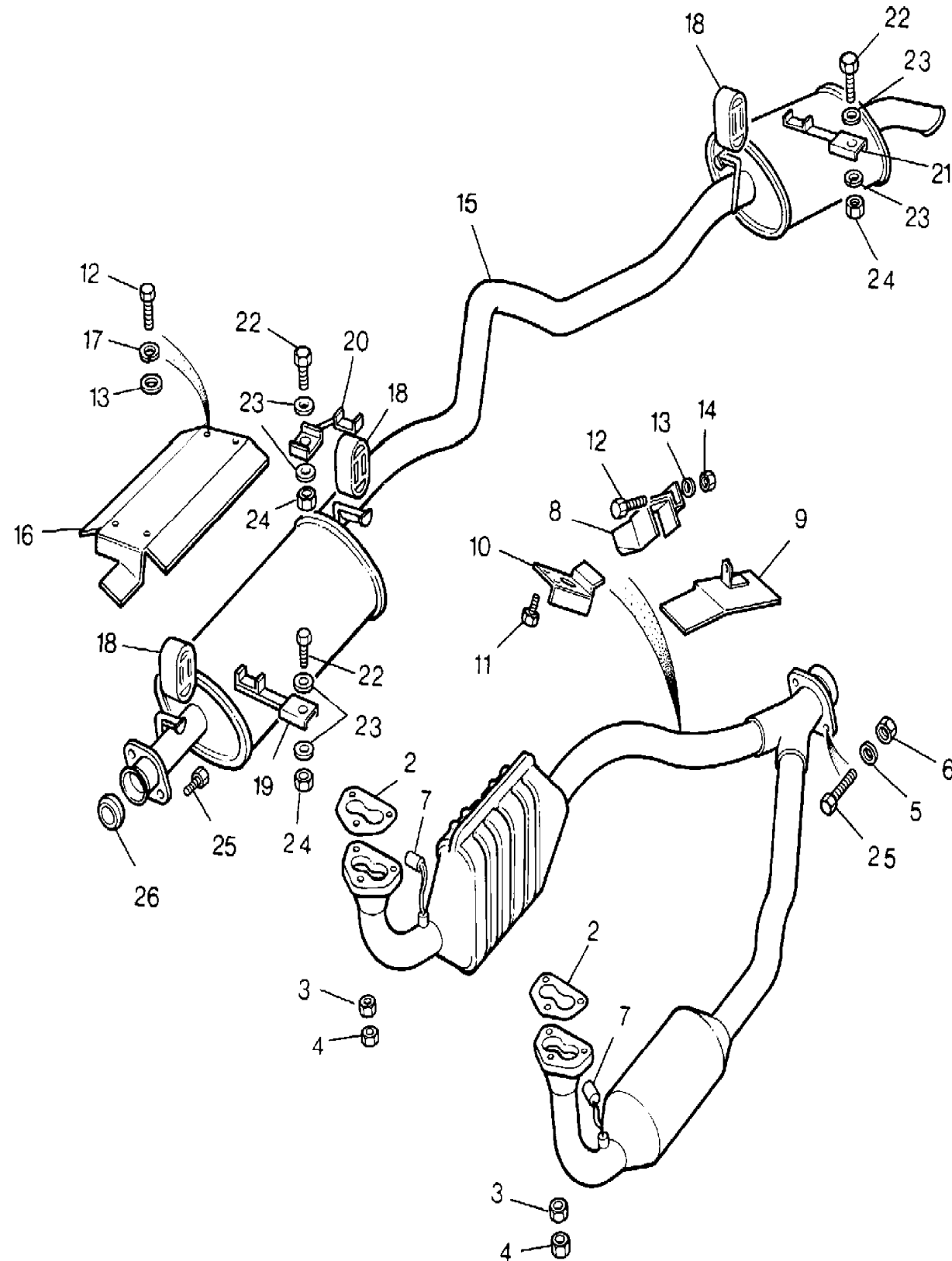
Range Rover (To HA610293)

Change point - VIN begin GA399973, V8 Petrol, With Catalyst

Callout	Name	Application	Remarks & Restrictions	Service No.	Qty
1	Downpipe assembly exhaust system	Change point - VIN begin GA399973, With Petrol Engines, Manual Transmission Change point - VIN begin GA399973, With Petrol Engines, Automatic Transmission		NTC7319 NTC6127	1 1
2	Gasket exhaust system	Change point - VIN begin GA399973, With Petrol Engines	manifold to downpipe	ETC4524	2
3	Washer	Change point - VIN begin GA399973, With Petrol Engines	8MM	WA108051L	6
4	Nut - Hex.	Change point - VIN begin GA399973, With Petrol Engines	M8, Self Locking	NTC1966	6
5	Washer	Change point - VIN begin GA399973, With Petrol Engines	M8, sprung	WL108001L	2
6	Nut - Hex.	Change point - VIN begin GA399973, With Petrol Engines	M10	NV110041L	2
7	Sensor-oxygen multi point injection	Change point - VIN begin GA399973, With Petrol Engines		PRC7062	2
8	Heatshield assembly exhaust-downpipe	Change point - VIN begin GA399973, With Petrol Engines		NTC4602	2
9	Heatshield-clutch slave cylinder	Change point - VIN begin GA399973, With Petrol Engines		NTC7345	1
10	Heatshield-catalyst bulkhead	Change point - VIN begin GA399973, With Petrol Engines		NTC5564	1
11	Screw	Change point - VIN begin GA399973, With Petrol Engines	hexagonal head, M6 x 25	SH106251L	2
12	Screw	Change point - VIN begin GA399973, With Petrol Engines	M6 X 16, hexagonal head	SH106161L	4
13	Washer	Change point - VIN begin GA399973, With Petrol Engines	6MM	WA106041L	4
14	Nut - Hex.	Change point - VIN begin GA399973, With Petrol Engines	M6, nyloc, Hexagonal	NH106041L	4

Range Rover (To HA610293)

(TS6894)



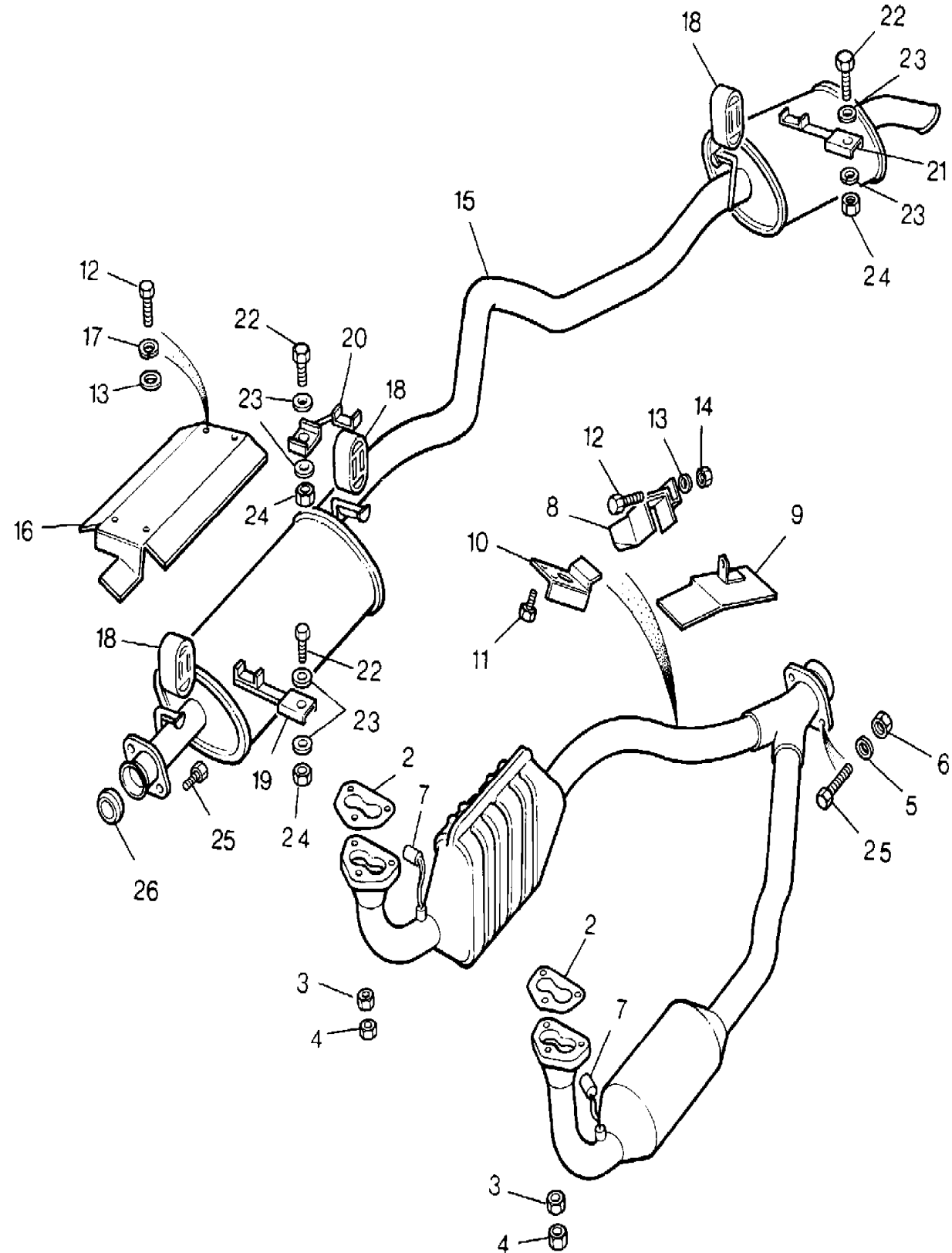
Range Rover (To HA610293)

Change point - VIN begin GA399973, V8 Petrol, With Catalyst

Callout	Name	Application	Remarks & Restrictions	Service No.	Qty
15	Rear assembly exhaust system	Change point - VIN begin GA399973, With Petrol Engines, (-)"CDN/MEX/USA" Change point - VIN end MA610293, (+)"CDN/MEX/USA" Change point - VIN begin NA610294, (+)"CDN/MEX/USA"		NTC6128	1
				NTC6128	1
				ESR1053	1
16	Heatshield assembly exhaust-intermediate	Change point - VIN begin GA399973, With Petrol Engines		NTC7196	1
17	Washer	Change point - VIN begin GA399973, With Petrol Engines	M6, sprung	WL106001L	2
18	Mounting-rubber exhaust system	Change point - VIN begin GA399973, With Petrol Engines	Rear	NTC5582	3
19	Bracket-exhaust mounting	Change point - VIN begin GA399973, With Petrol Engines		NTC7348	1
20	Bracket exhaust system	Change point - VIN begin GA399973, With Petrol Engines	Centre	NTC5634	1
21	Bracket exhaust system	Change point - VIN begin GA399973, With Petrol Engines	Front	NTC5648	1
22	Screw	Change point - VIN begin GA399973, With Petrol Engines Change point - VIN begin GA399973, With Petrol Engines	hexagonal head, M8 x 40 hexagonal head, M8 x 125	SH108401L GG108251L	1 2
23	Washer-Plain	Change point - VIN begin GA399973, With Petrol Engines		WP105L	6
24	Nut - Hex.	Change point - VIN begin GA399973, With Petrol Engines	M8	NV108041L	3
25	Bolt	Change point - VIN begin GA399973, With Petrol Engines	M8 x 45	BH108091L	3
26	Olive	Change point - VIN begin GA399973, With Petrol Engines	exhaust pipe joint flange	CRC4579L	1

Range Rover (To HA610293)

(TS6894)



Range Rover (To HA610293)

Change point - VIN begin GA399973, V8 Petrol, With Catalyst

Callout	Name	Application	Remarks & Restrictions	Service No.	Qty
[900]	Washer	Change point - VIN begin GA399973, With Petrol Engines	1/4", inside diameter	2215	4

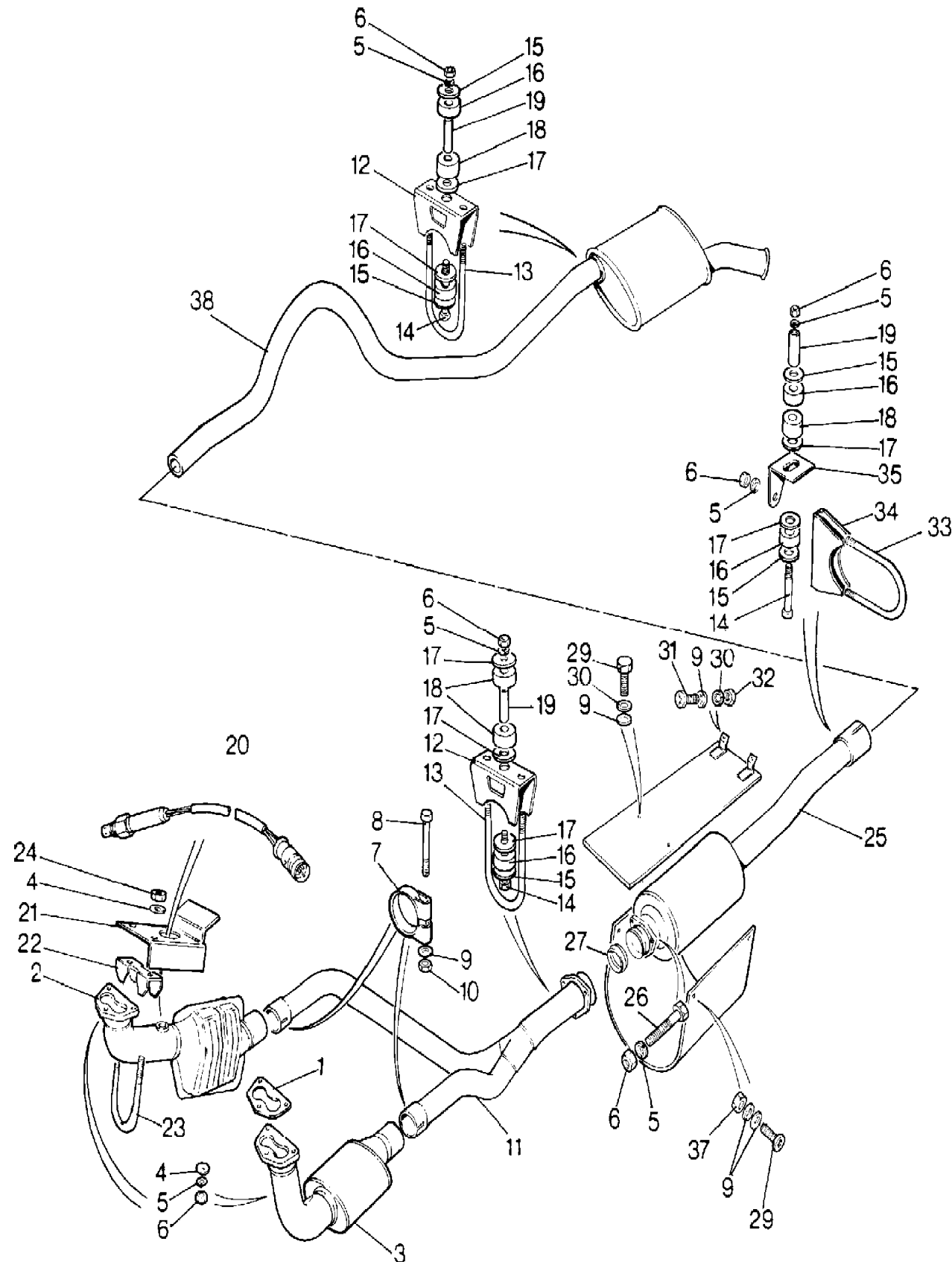
Range Rover (To HA610293)

(TS6898)

Range Rover (To HA610293)

Change point - VIN end EA351846, V8 Petrol, With Catalyst

Callout	Name	Application	Remarks & Restrictions	Service No.	Qty
1	Gasket exhaust system	Change point - VIN end EA351846, With Petrol Engines	manifold to downpipe	ETC4524	2
2	Downpipe assembly exhaust system	Change point - VIN end EA351846, With Petrol Engines	RH	NTC3901	1
3	Downpipe assembly exhaust system	Change point - VIN end EA351846, With Petrol Engines	LH	NTC3884	1
4	Washer	Change point - VIN end EA351846, With Petrol Engines	8MM	WA108051L	X
5	Washer	Change point - VIN end EA351846, With Petrol Engines	M8, sprung	WL108001L	X
6	Nut - Hex.	Change point - VIN end EA351846, With Petrol Engines	M8, hexagonal head	NH108041L	X
7	Clamp	Change point - VIN end EA351846, With Petrol Engines		NTC2241	2
8	Bolt	Change point - VIN end EA351846, With Petrol Engines	M6 x 55	BH106111L	2
9	Washer	Change point - VIN end EA351846, With Petrol Engines	6MM	WA106041L	X
10	Nut - Hex.	Change point - VIN end EA351846, With Petrol Engines	M6	NV106041L	X
11	Intermediate assembly exhaust system	Change point - VIN end EA351846, With Petrol Engines		NTC3912	1
12	Clamp	Change point - VIN end EA351846, With Petrol Engines	exhaust intermediate pipe assembly	NRC6508	2
13	Bolt-u	Change point - VIN end EA351846, With Petrol Engines		NRC6509	2
15	Washer-Plain	Change point - VIN end EA351846, With Petrol Engines		WP105L	X
16	Bush	Change point - VIN end EA351846, With Petrol Engines	exhaust mounting rubber outer	572166	X



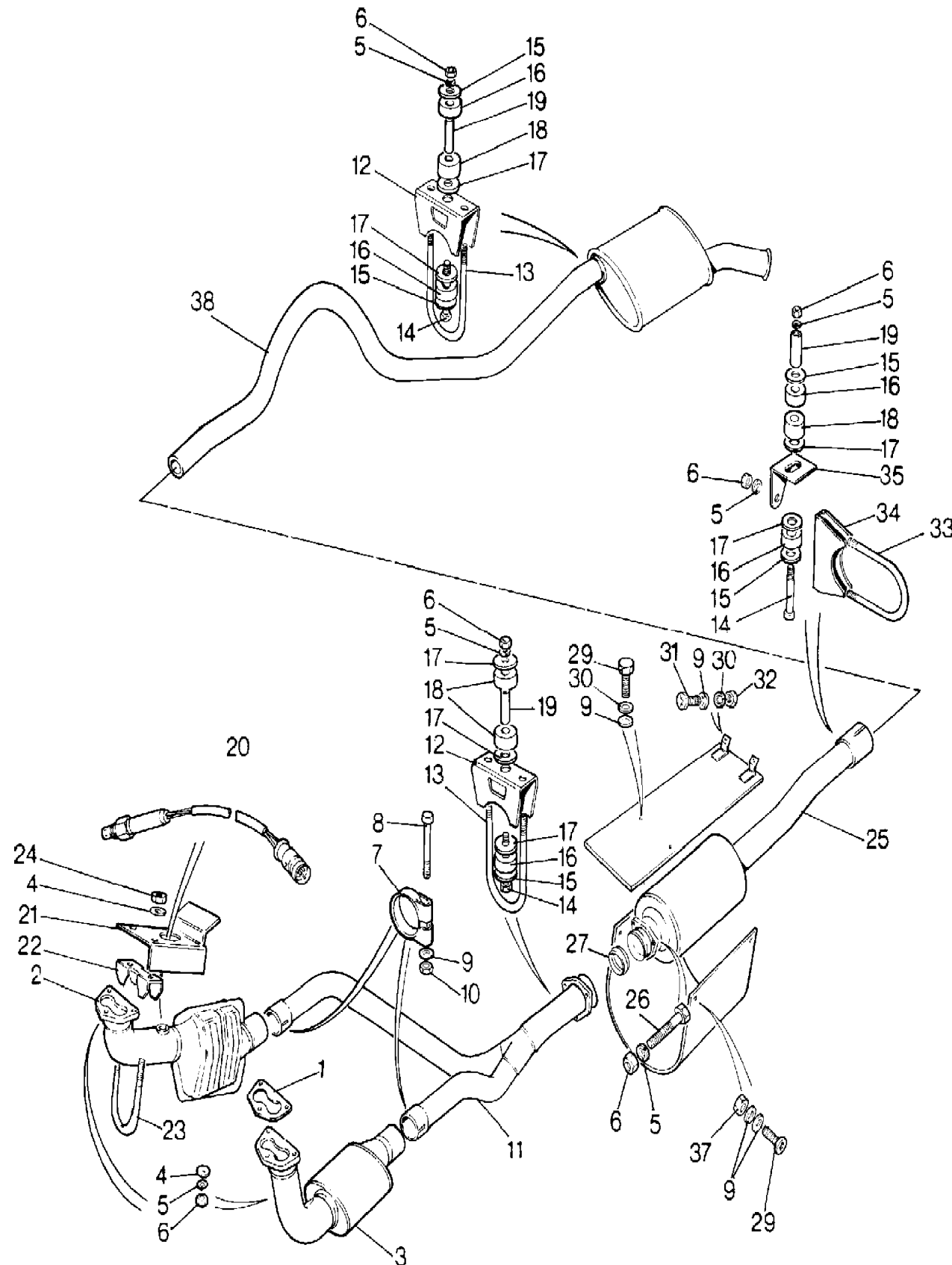
Range Rover (To HA610293)

(TS6898)

Range Rover (To HA610293)

Change point - VIN end EA351846, V8 Petrol, With Catalyst

Callout	Name	Application	Remarks & Restrictions	Service No.	Qty
17	Washer	Change point - VIN end EA351846, With Petrol Engines		572168	X
18	Bush	Change point - VIN end EA351846, With Petrol Engines	exhaust mounting rubber middle	572167	X
19	Spacer	Change point - VIN end EA351846, With Petrol Engines		NRC5403	3
20	Sensor-oxygen multi point injection	Change point - VIN end EA351846, With Petrol Engines		PRC6978	2
21	Heatshield assembly exhaust-downpipe	Change point - VIN end EA351846, With Petrol Engines		NTC4547	1
22	Clamp	Change point - VIN end EA351846, With Petrol Engines		NTC2239	1
23	Bolt-u	Change point - VIN end EA351846, With Petrol Engines		NTC2240	1
24	Nut - Hex.	Change point - VIN end EA351846, With Petrol Engines	M8	NV108041L	X
25	Intermediate/rear assembly exhaust system	Change point - VIN end EA351846, With Petrol Engines		NTC3949	1
26	Bolt	Change point - VIN end EA351846, With Petrol Engines	M8 x 50	BH108101L	3
27	Olive	Change point - VIN end EA351846, With Petrol Engines	exhaust pipe joint flange	NTC1030	1
28	Heatshield-catalyst exhaust system	Change point - VIN end EA351846, With Petrol Engines		NTC4189	1
29	Screw	Change point - VIN end EA351846, With Petrol Engines	M6 X 16, hexagonal head	SH106161L	2
30	Washer	Change point - VIN end EA351846, With Petrol Engines	M6, sprung	WL106001L	4
31	Screw	Change point - VIN end EA351846, With Petrol Engines	M6 X 16	SE106161L	2



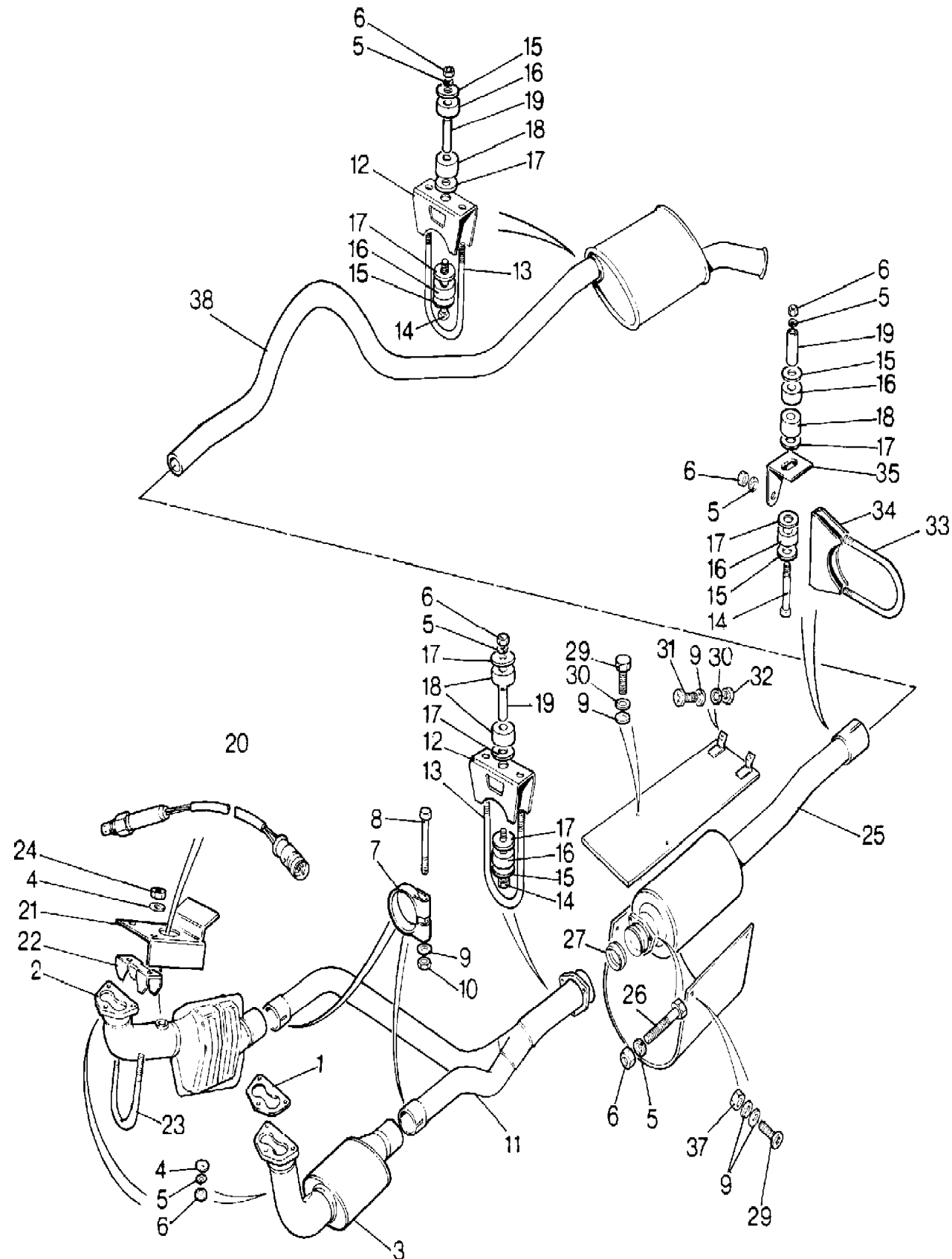
Range Rover (To HA610293)

(TS6898)

Range Rover (To HA610293)

Change point - VIN end EA351846, V8 Petrol, With Catalyst

Callout	Name	Application	Remarks & Restrictions	Service No.	Qty
32	Nut - Hex.	Change point - VIN end EA351846, With Petrol Engines		NH106161L	2
33	Bolt-u	Change point - VIN end EA351846, With Petrol Engines		NTC2234	1
34	Clamp-plate	Change point - VIN end EA351846, With Petrol Engines		NTC2235	1
35	Bracket-exhaust mounting	Change point - VIN end EA351846, With Petrol Engines		NTC2228	1
36	Shield assembly-grass exhaust-intermediate	Change point - VIN end EA351846, With Petrol Engines		NTC4164	1
37	Nut - Hex.	Change point - VIN end EA351846, With Petrol Engines	M6, nyloc, Hexagonal	NH106041L	4
38	Rear assembly exhaust system	Change point - VIN end EA351846, With Petrol Engines		NTC4059	1



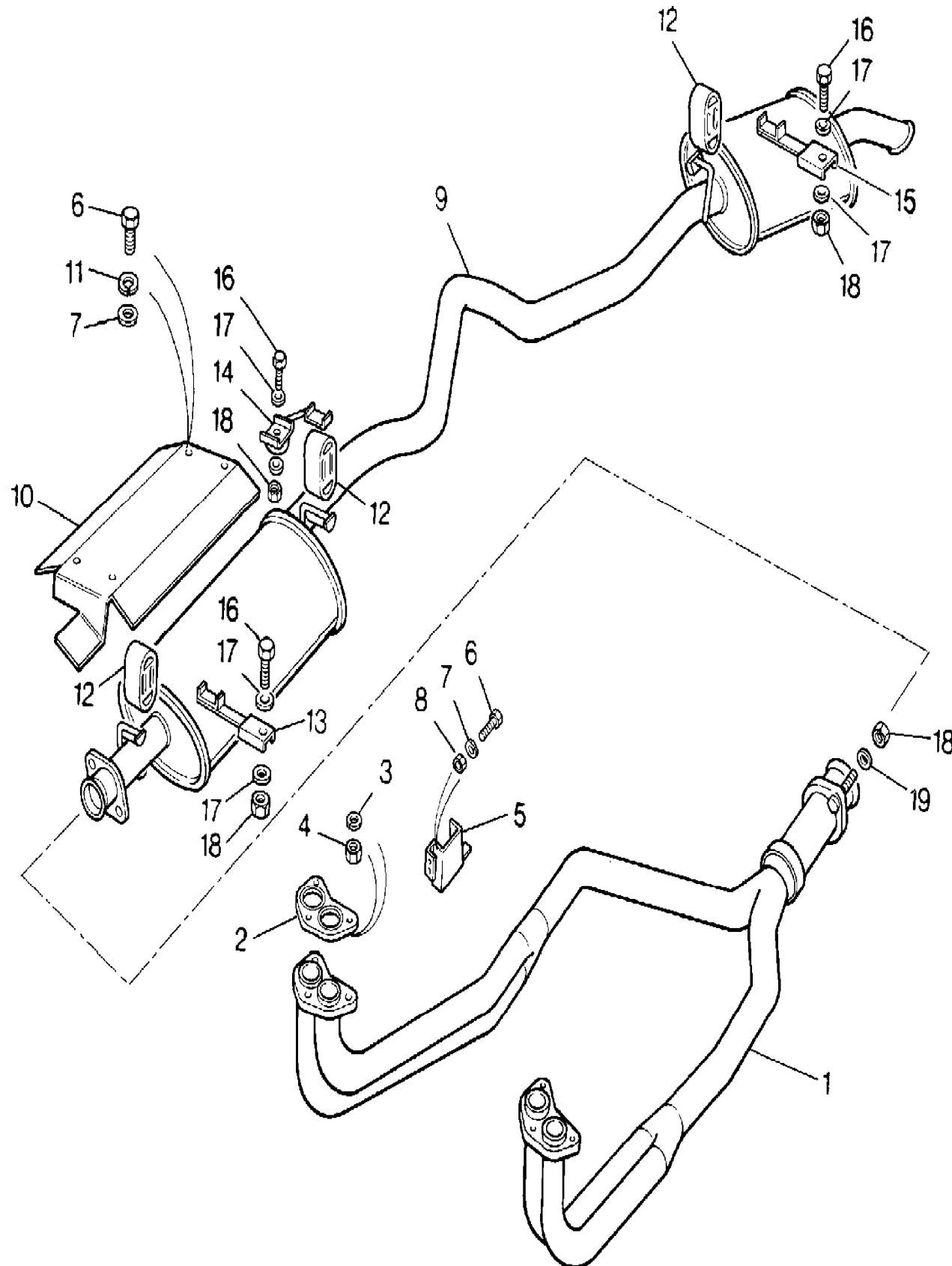
Range Rover (To HA610293)

(TS6893)

Range Rover (To HA610293)

Change point - VIN begin GA399973, V8 Petrol, Less Catalyst

Callout	Name	Application	Remarks & Restrictions	Service No.	Qty
1	Downpipe assembly exhaust system	Change point - VIN begin GA399973, With Petrol Engines, Manual Transmission Change point - VIN begin GA399973, With Petrol Engines, Automatic Transmission		NTC7321 NTC7320	1 1
2	Gasket exhaust system	Change point - VIN begin GA399973, With Petrol Engines	manifold to downpipe	ETC4524	2
3	Washer	Change point - VIN begin GA399973	8MM	WA108051L	6
4	Nut - Hex.	Change point - VIN begin GA399973	M8, Self Locking	NTC1966	6
5	Heatshield assembly exhaust-downpipe	Change point - VIN begin GA399973, With Petrol Engines		NTC4602	1
6	Screw	Change point - VIN begin GA399973	M6 X 16, hexagonal head	SH106161L	4
7	Washer	Change point - VIN begin GA399973	6MM	WA106041L	4
8	Nut - Hex.	Change point - VIN begin GA399973	M6, nyloc, Hexagonal	NH106041L	4
9	Rear assembly exhaust system	Change point - VIN begin GA399973, With Petrol Engines, (-)"ZA", (-) CSK Change point - VIN begin GA399973, With Petrol Engines, (-)"AUS", (-) CSK Change point - VIN begin GA399973, With Petrol Engines, (+)"AUS", (-) CSK Change point - VIN begin GA399973, With Petrol Engines, (+)"ZA", (-) CSK Change point - VIN begin GA399973, 2 Door Station Wagon, With Petrol Engines, CSK		ESR560 ESR560 STC790 STC790 ESR443	1 1 1 1 1
10	Heatshield assembly exhaust-intermediate	Change point - VIN begin GA399973, With Petrol Engines		NTC7196	1
11	Washer	Change point - VIN begin GA399973	M6, sprung	WL106001L	2
12	Mounting-rubber exhaust system	Change point - VIN begin GA399973	Rear	NTC5582	3



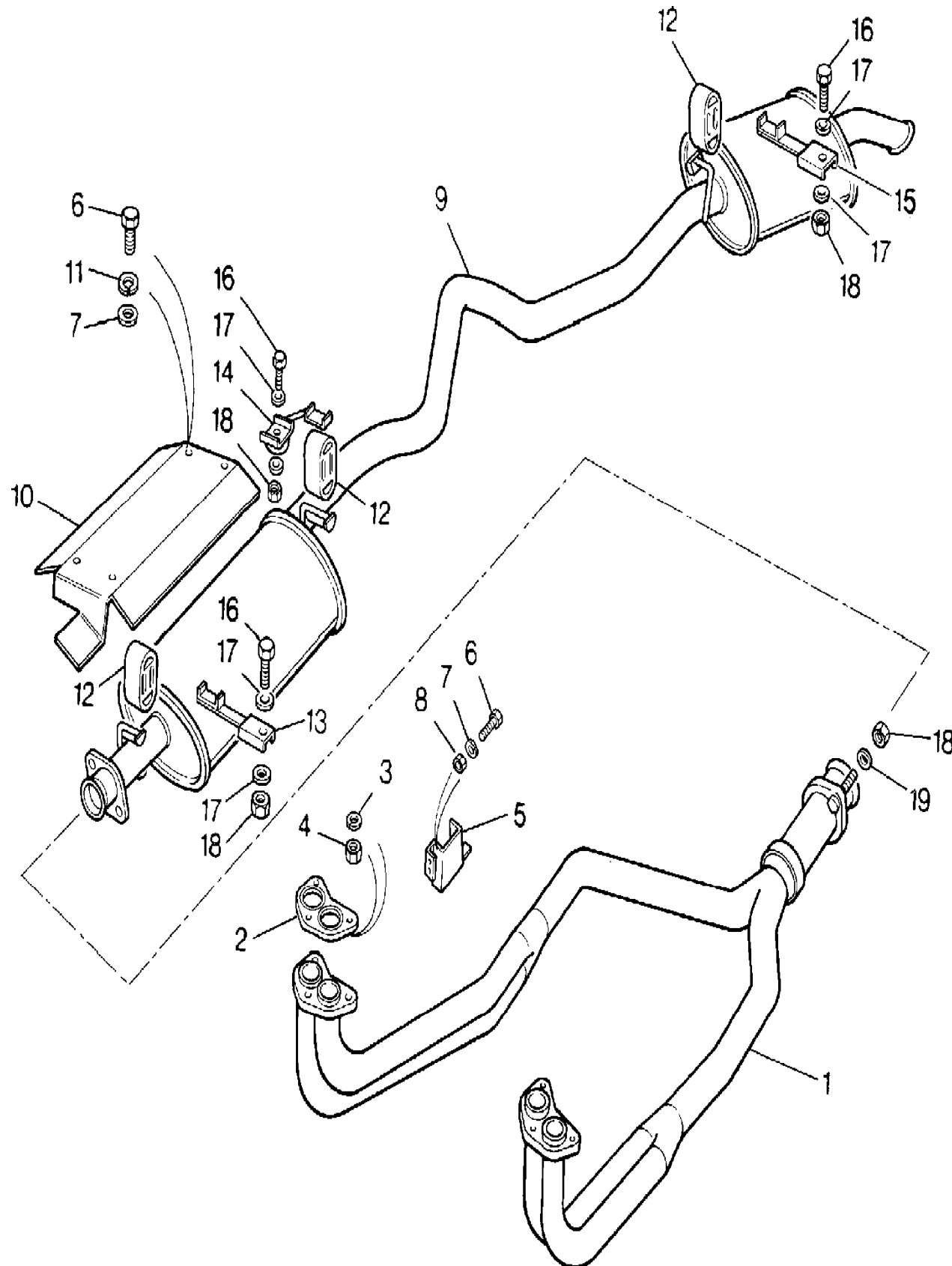
Range Rover (To HA610293)

(TS6893)

Range Rover (To HA610293)

Change point - VIN begin GA399973, V8 Petrol, Less Catalyst

Callout	Name	Application	Remarks & Restrictions	Service No.	Qty
13	Bracket-exhaust mounting	Change point - VIN begin GA399973, With Petrol Engines		NTC7348	1
14	Bracket exhaust system	Change point - VIN begin GA399973, With Petrol Engines	Centre	NTC5634	1
15	Bracket exhaust system	Change point - VIN begin GA399973, With Petrol Engines	Rear	ESR101	1
16	Screw	Change point - VIN begin GA399973 Change point - VIN begin GA399973	hexagonal head, M8 x 125 hexagonal head, M8 x 40	GG108251L SH108401L	2 1
17	Washer-Plain	Change point - VIN begin GA399973		WP105L	6
18	Nut - Hex.	Change point - VIN begin HA606793 Change point - VIN begin GA399973, Change point - VIN end HA606792	M10 M8	NV110041L NV108041L	2 2
19	Washer	Change point - VIN begin GA399973	M8, sprung	WL108001L	2





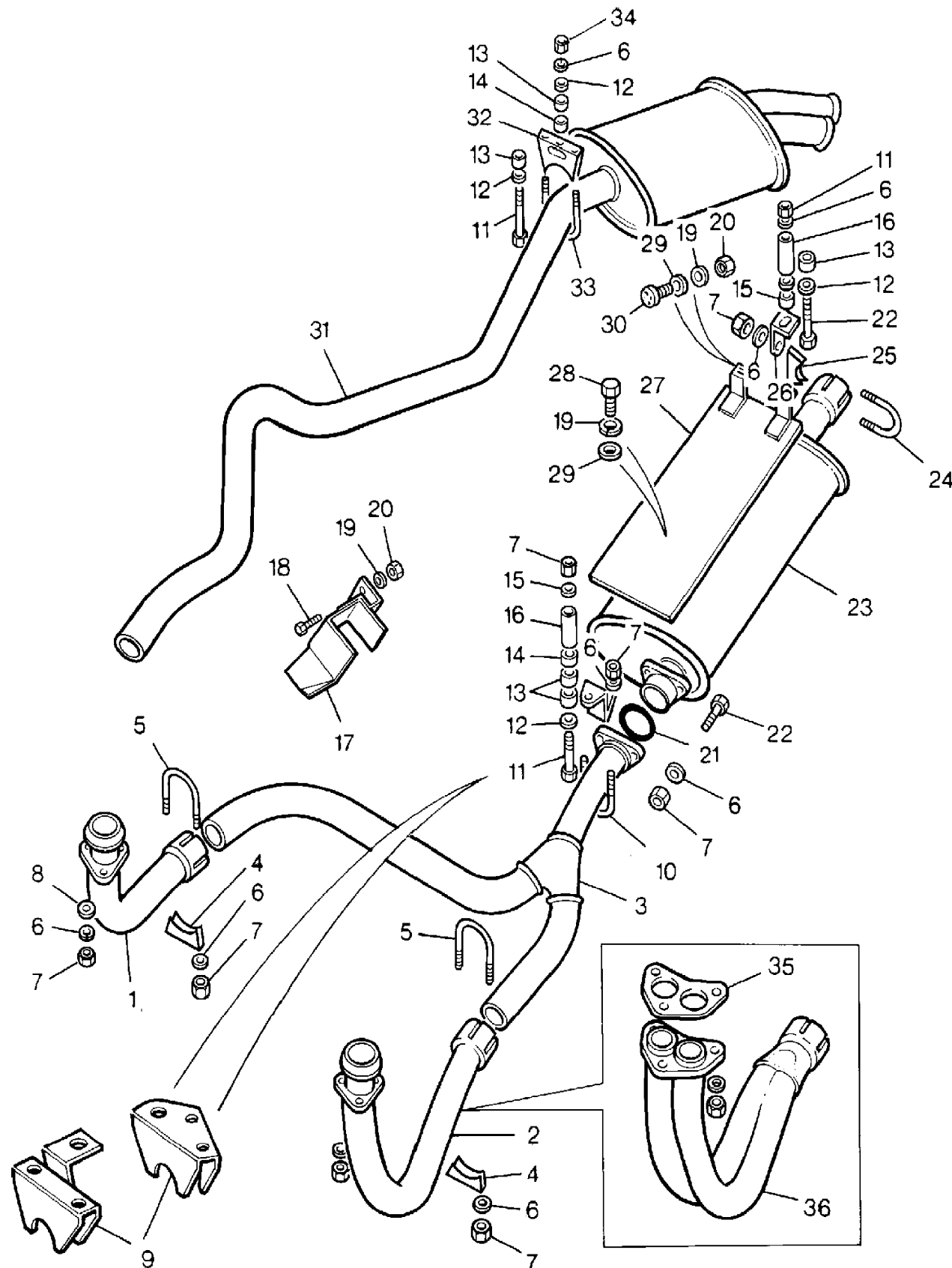
Range Rover (To HA610293)

(TS6895)

Range Rover (To HA610293)

Change point - VIN end FA399972, V8 Petrol, Less Catalyst

Callout	Name	Application	Remarks & Restrictions	Service No.	Qty
1	Downpipe assembly exhaust system	Change point - VIN end FA399972, Twin Carburettor	RH	NTC2802	1
2	Downpipe assembly exhaust system	Change point - VIN end FA399972, Twin Carburettor	LH	NTC3226	1
3	Junction-'y' piece exhaust system	Change point - VIN end FA399972, With Petrol Engines		NTC4061	1
4	Clamp	Change point - VIN end FA399972, With Petrol Engines		NTC1954	2
5	Bolt-u	Change point - VIN end FA399972, With Petrol Engines		NTC1947	2
6	Washer	Change point - VIN end FA399972, With Petrol Engines	M8, sprung	WL108001L	X
7	Nut - Hex.	Change point - VIN end FA399972, With Petrol Engines	M8, hexagonal head	NH108041L	X
8	Washer	Change point - VIN end FA399972, With Petrol Engines	8MM	WA108051L	6
9	Bracket-exhaust mounting	Change point - VIN end FA399972, With Petrol Engines, Manual Transmission Change point - VIN end FA399972, With Petrol Engines, Automatic Transmission		NTC1278 NTC1276	1 1
10	Bolt-u	Change point - VIN end FA399972, With Petrol Engines		NTC1277	1
11	Bolt	Change point - VIN end FA399972, With Petrol Engines	hexagonal head, M8 x 70	BH108141L	3
12	Washer-Plain	Change point - VIN end FA399972, With Petrol Engines		3682	2
13	Bush	Change point - VIN end FA399972, With Petrol Engines	exhaust mounting rubber outer	572166	2
14	Bush	Change point - VIN end FA399972, With Petrol Engines	exhaust mounting rubber middle	572167	2



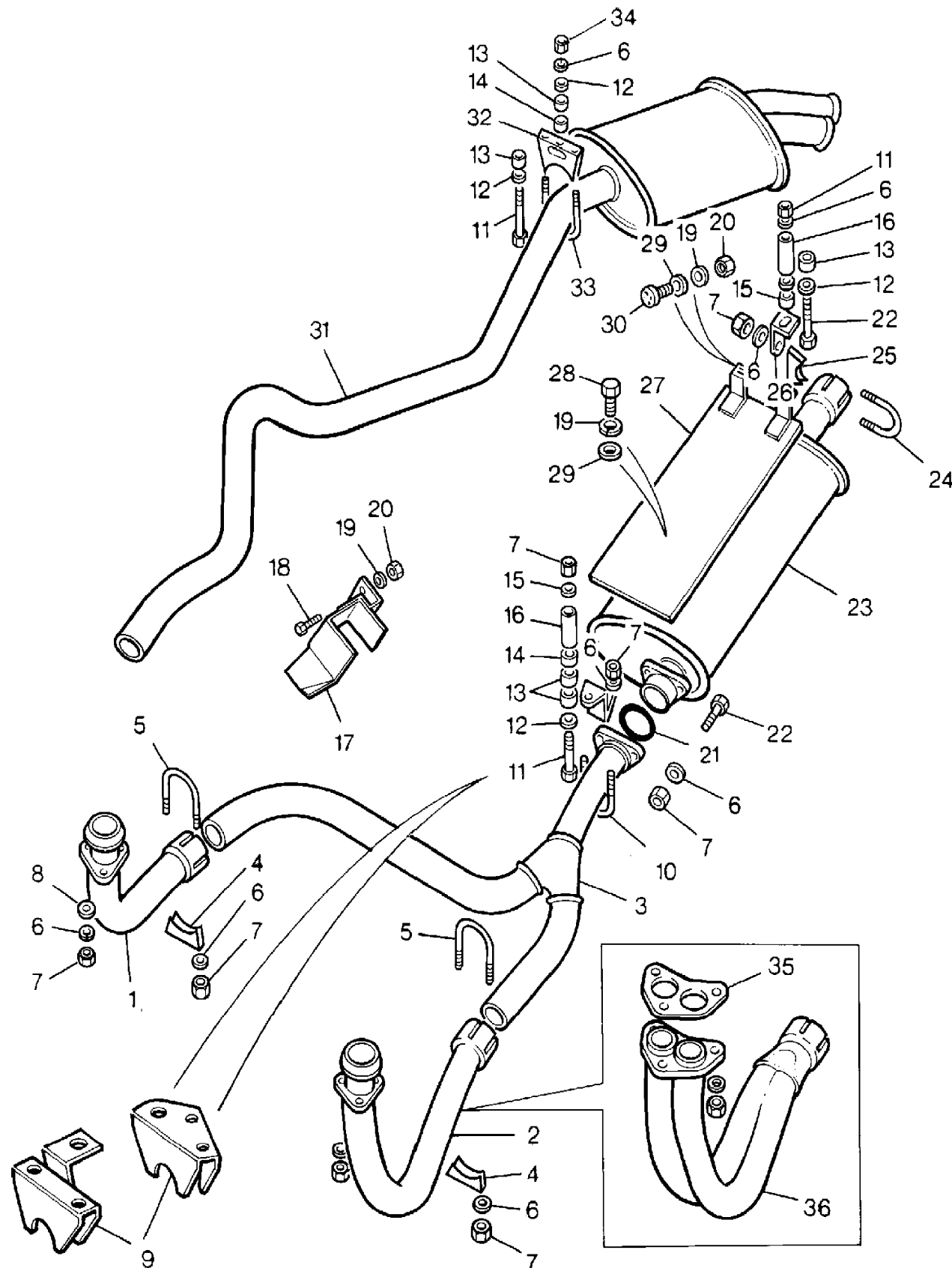
Range Rover (To HA610293)

(TS6895)

Range Rover (To HA610293)

Change point - VIN end FA399972, V8 Petrol, Less Catalyst

Callout	Name	Application	Remarks & Restrictions	Service No.	Qty
15	Washer	Change point - VIN end FA399972, With Petrol Engines		572168	2
16	Spacer	Change point - VIN end FA399972, With Petrol Engines		NRC5403	1
17	Heatshield assembly exhaust-downpipe	Change point - VIN end FA399972, With Petrol Engines		NTC4602	1
18	Screw	Change point - VIN end FA399972, With Petrol Engines	hexagonal head, M6 X 14	SH106141L	X
19	Washer	Change point - VIN end FA399972, With Petrol Engines	M6, sprung	WL106001L	X
20	Nut - Hex.	Change point - VIN end FA399972, With Petrol Engines	M6, nyloc, Hexagonal	NH106041L	2
21	Olive	Change point - VIN end FA399972, With Petrol Engines	exhaust pipe joint flange	NTC1030	1
22	Bolt	Change point - VIN end FA399972, With Petrol Engines	M8 x 50	BH108101L	3
23	Exhaust silencer-intermediate	Change point - VIN end FA399972, With Petrol Engines		NTC1322	1
24	Bolt-u	Change point - VIN end FA399972, With Petrol Engines		NTC2249	1
25	Clamp	Change point - VIN end FA399972, With Petrol Engines	exhaust intermediate pipe assembly	NTC2248	1
26	Bracket exhaust system	Change point - VIN end FA399972, With Petrol Engines		NTC2247	1
27	Heatshield-tunnel exhaust system	Change point - VIN end FA399972, With Petrol Engines		NRC7649	1
28	Screw	Change point - VIN end FA399972, With Petrol Engines	M6 X 16, hexagonal head	SH106161L	2
29	Washer	Change point - VIN end FA399972, With Petrol Engines	6MM	WA106041L	4



Range Rover (To HA610293)

(TS6895)

Range Rover (To HA610293)

Change point - VIN end FA399972, V8 Petrol, Less Catalyst

Callout	Name	Application	Remarks & Restrictions	Service No.	Qty
30	Screw	Change point - VIN end FA399972, With Petrol Engines	M6 X 16	SE106161L	2
31	Rear assembly exhaust system	Change point - VIN end FA399972, With Petrol Engines		NRC9836	1
32	Bracket exhaust system	Change point - VIN end FA399972, With Petrol Engines		NTC1637	1
33	Bolt-u	Change point - VIN end FA399972, With Petrol Engines		NTC1284	1
34	Nut - Hex.	Change point - VIN end FA399972, With Petrol Engines Change point - VIN end FA399972, With Petrol Engines	M8, hexagonal head M8	NH108041L NV108041L	1 2
35	Gasket exhaust system	Change point - VIN end FA399972, EFI	manifold to downpipe	ETC4524	2
36	Downpipe assembly exhaust system	Change point - VIN end FA399972, EFI Change point - VIN end FA399972, EFI	RH LH	NTC1864 NTC1863	1 1

