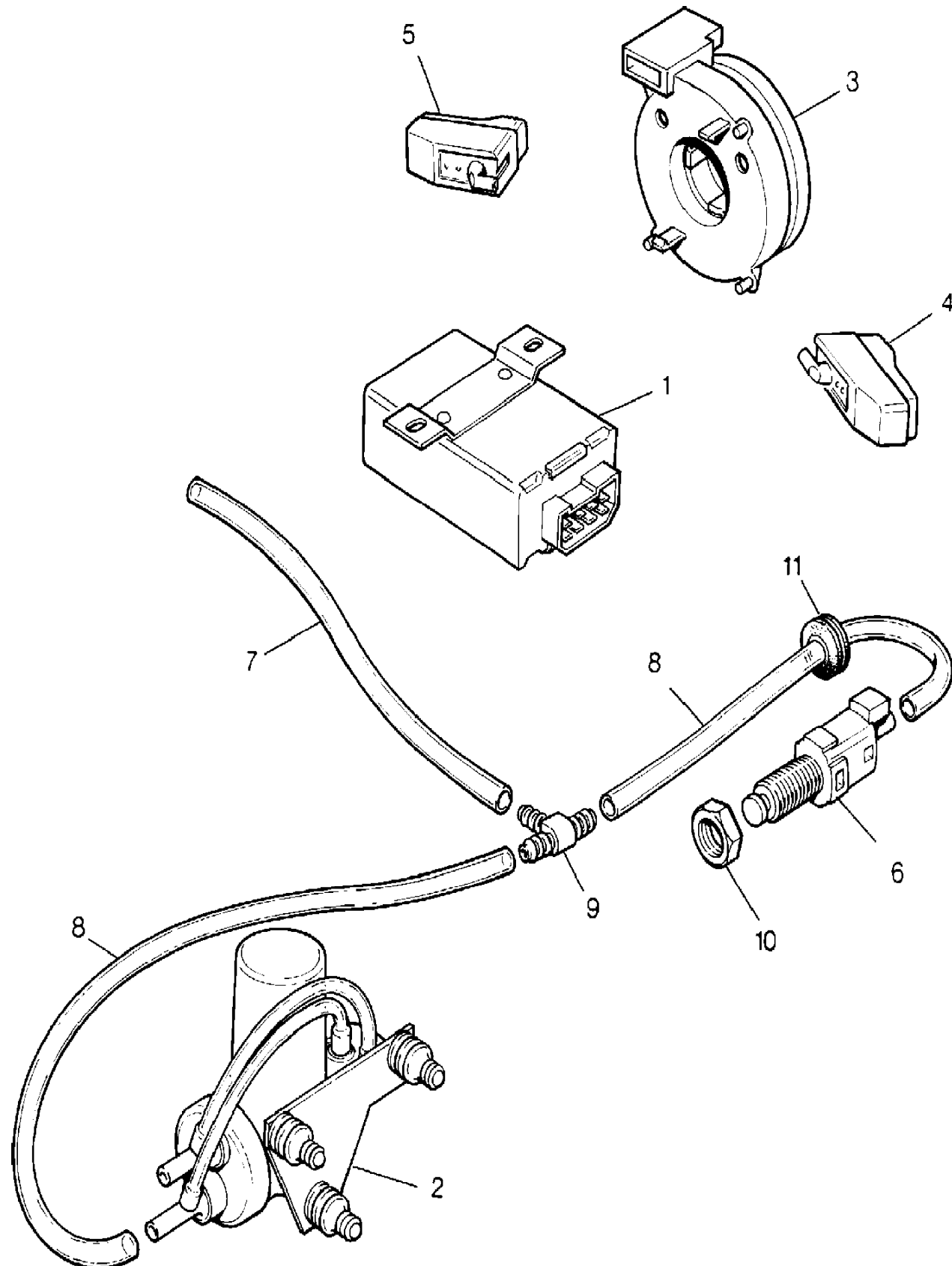


Vogue SE

Callout	Name	Application	Remarks & Restrictions	Service No.	Qty
1	Electric control unit cruise control			PRC5060	1
2	Pump-cruise control vacuum			PRC6260	1
3	Coupler-rotary steering column			PRC8746	1
4	Switch-cruise control set/resume			PRC5797	1
5	Switch-cruise control-resume/cancel			PRC6590	1
6	Switch & vent valve			PRC6259	1
7	Hose-vacuum cruise control		engine diaphragm to t-piece	NTC8232	1
8	Hose-vacuum cruise control		t-piece to switch/vent valve	NTC8232	1
9	T Piece		for hoses cruise control	NTC4203	1
10	Nut - Hex.		retaining switch/vent valve to brake pedal bracket	NTC4207	1
11	Grommet		cruise control hoses, Black, 11 x 19mm	NTC4238	1



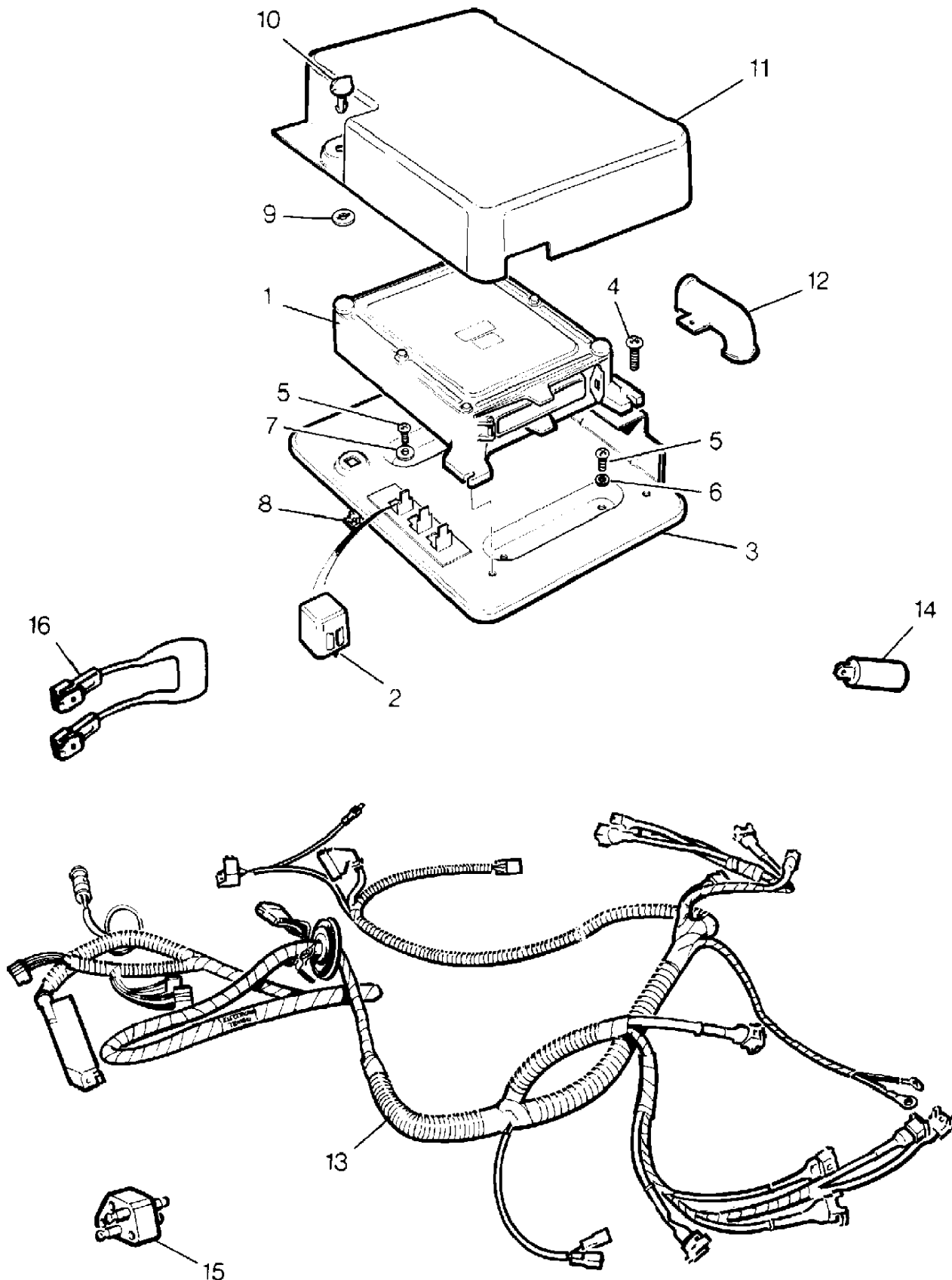
Range Rover (To HA610293)

(TS5776A)

Range Rover (To HA610293)

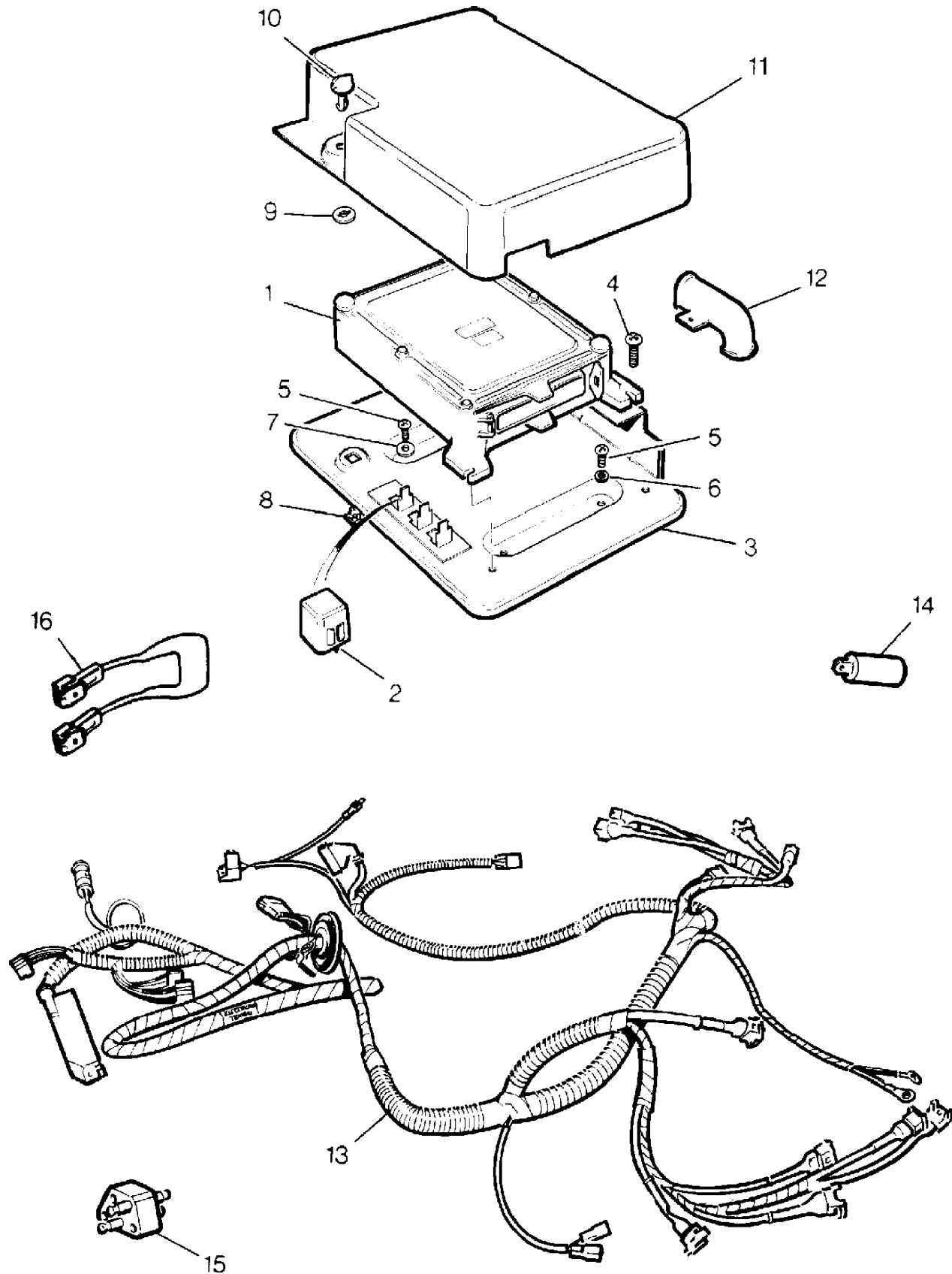
With Catalyst

Callout	Name	Application	Remarks & Restrictions	Service No.	Qty
1	Electric control unit-fuel/ignition	New		PRC6977	1
		3.5L	exchange	PRC6977E	1
		Change point - VIN end FA399972, 3.9L EFI	New	PRC6999	1
		Change point - VIN end FA399972, 3.9L EFI	exchange	PRC6999E	1
		Change point - VIN begin GA399973, 3.9L EFI	New	PRC9061	1
		Change point - VIN begin GA399973, 3.9L EFI	exchange	PRC9061E	1
2	Relay	EFI	E.F.I.	AFU2913	2
3	Housing-electronic box base	EFI		MUC6790	1
4	Screw	EFI	fixing control unit, M6 X 16	SE106161L	3
5	Screw-pan	EFI	fixing base plate to tunnel & outer sill, M6 X 12, pan head	SE106121L	4
6	Washer	EFI	fixing base plate to tunnel & outer sill, 6MM	WA106041L	2
7	Washer-Plain	EFI	fixing base plate to tunnel & outer sill, M6	WJ106001L	2
8	Retainer	EFI		MUC6522	1
9	Washer	EFI		MUC6523	1
10	Fastener-quarter turn	EFI		MUC6524	1
11	Cover-electronic box	EFI		MUC6789	1
12	Cover-protector	EFI	ECU cable	MUC6313	1
13	Harness-fuel injector engine	Change point - Engine end 31D02066B, EFI		PRC6342	1
		Change point - Engine begin 31D02067B, EFI		PRC7122	1
		Change point - VIN end FA399972, EFI		PRC7412	1
		Change point - VIN begin GA399973, Change point - VIN end GA464553		PRC8721	1
		Change point - VIN begin HA464554, Change point - VIN end HA606435, EFI		PRC8586	1
		Change point - VIN begin HA606436, EFI		PRC9056	1
15	Plug	Change point - Engine end 31D02066B, EFI	for fuel injector harness to main harness	PRC5092	1
16	Resistor Assy	Change point - VIN begin GA399973, EFI	180 ohm, Red	PRC8005	1



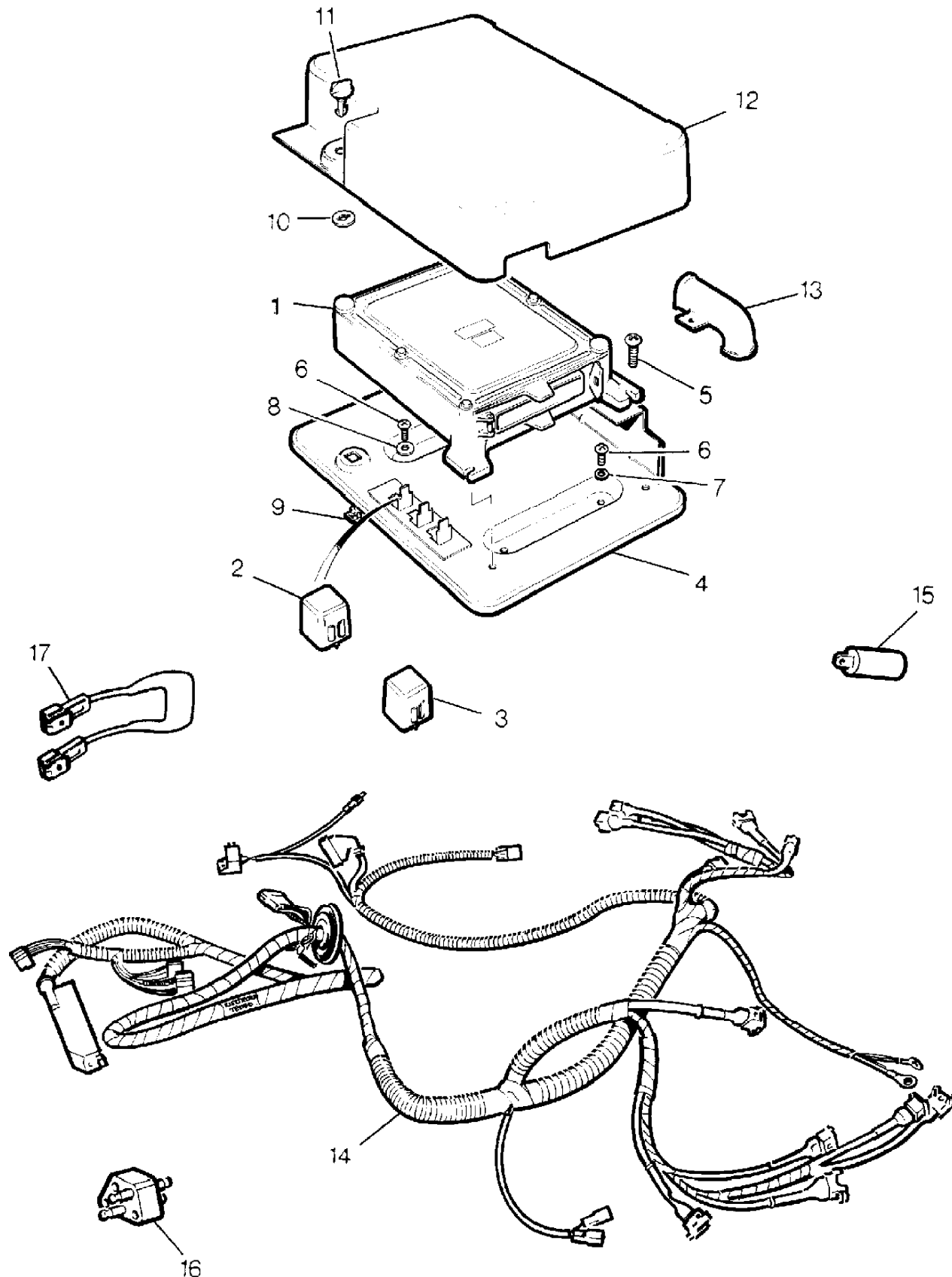
With Catalyst

Callout	Name	Application	Remarks & Restrictions	Service No.	Qty
16	Resistor Assy	Change point - VIN begin GA399973, EFI	Yellow, 910 ohm	PRC8007	1
		Change point - VIN begin GA399973, EFI	White., 3k9 ohm	PRC8009	1
[900]	Electric control unit-fuel/ignition	3.5L	exchange	PRC6977E	1
[901]	Grommet	Change point - VIN begin HA606950, EFI		PRC8862	1



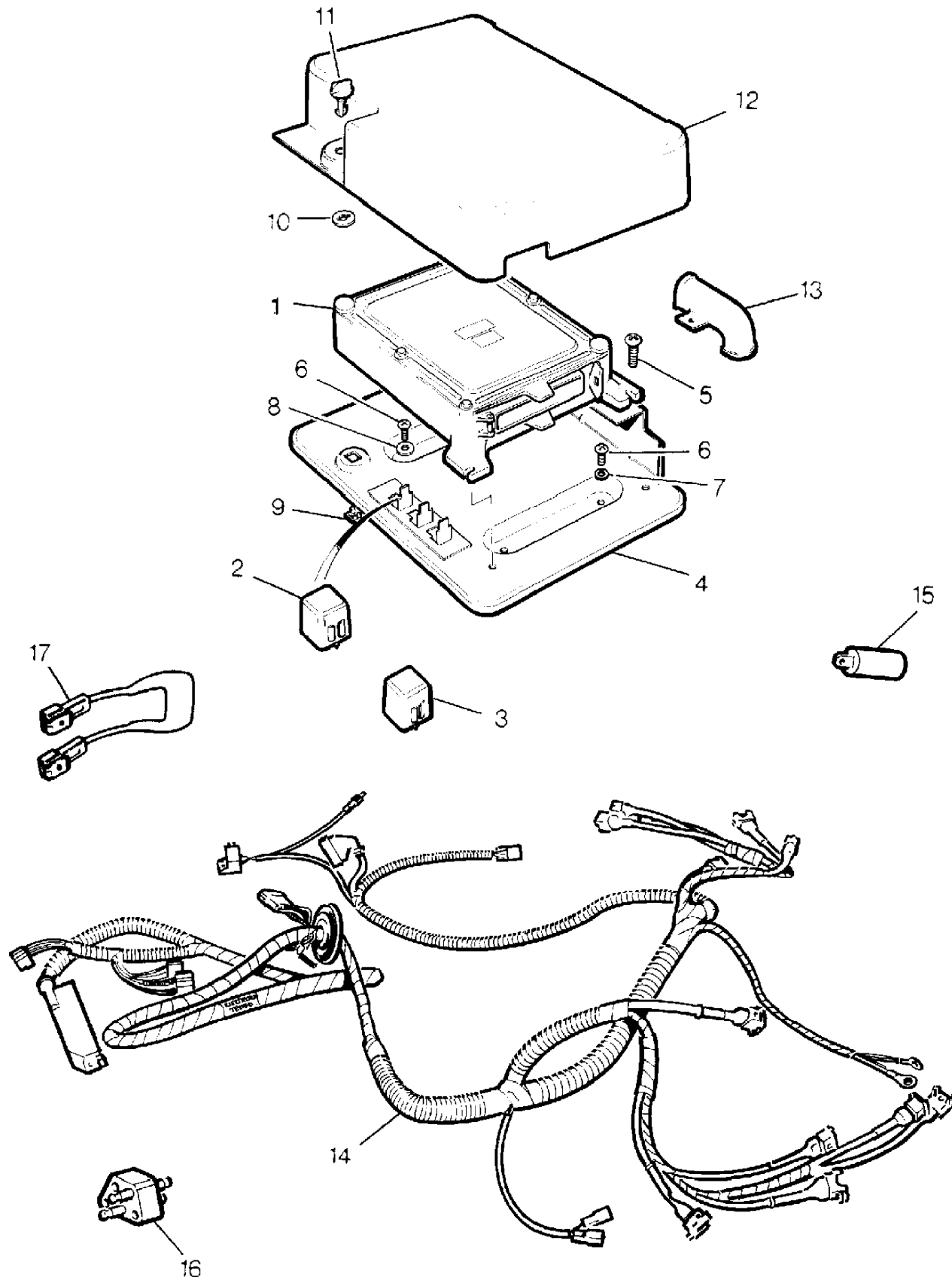
Less Catalyst

Callout	Name	Application	Remarks & Restrictions	Service No.	Qty
1	Electric control unit-fuel/ignition	EFI, CSK Change point - VIN end FA399972, (-) CSK Change point - VIN end FA399972, (-) CSK Change point - VIN begin GA399973, EFI, (-) CSK Change point - VIN begin GA399973, EFI, (-) CSK	New exchange New exchange	PRC8821 PRC7440 PRC7440E PRC9061 PRC9061E	1 1 1 1 1
2	Relay		diode unit Pi, Red	DAC1861	1
3	Relay		E.F.I., Aluminium	AGU1068L	2
4	Housing-electronic box base			MUC6790	1
5	Screw		fixing ECU to base plate, M6 X 16	SE106161L	3
6	Screw-pan		fixing base plate to tunnel & outer sill, M6 X 12, pan head	SE106121L	4
7	Washer		fixing base plate to tunnel & outer sill, 6MM	WA106041L	2
8	Washer-Plain		fixing base plate to tunnel & outer sill, M6	WJ106001L	2
9	Retainer		fixing cover ECU	MUC6522	1
10	Washer		fixing cover ECU	MUC6523	1
11	Fastener-quarter turn		fixing cover ECU	MUC6524	1
12	Cover-electronic box			MUC6789	1
13	Cover-protector		ECU cable	MUC6313	1
14	Harness-fuel injector engine	Change point - VIN end CA274120, EFI Change point - VIN begin DA274121, Change point - VIN end FA399972, EFI Change point - VIN begin GA399973, Change point - VIN end GA401786, EFI Change point - VIN begin GA401787, Change point - VIN end GA454553, EFI Change point - VIN begin HA454554, Change point - VIN end HA606435, EFI Change point - VIN begin HA606436, EFI		PRC5347 PRC6633 PRC7132 PRC8722 PRC8587 PRC9057	1 1 1 1 1 1
15	Resistor Assy	EFI	for fuel injection harness	DRC1752L	1



Less Catalyst

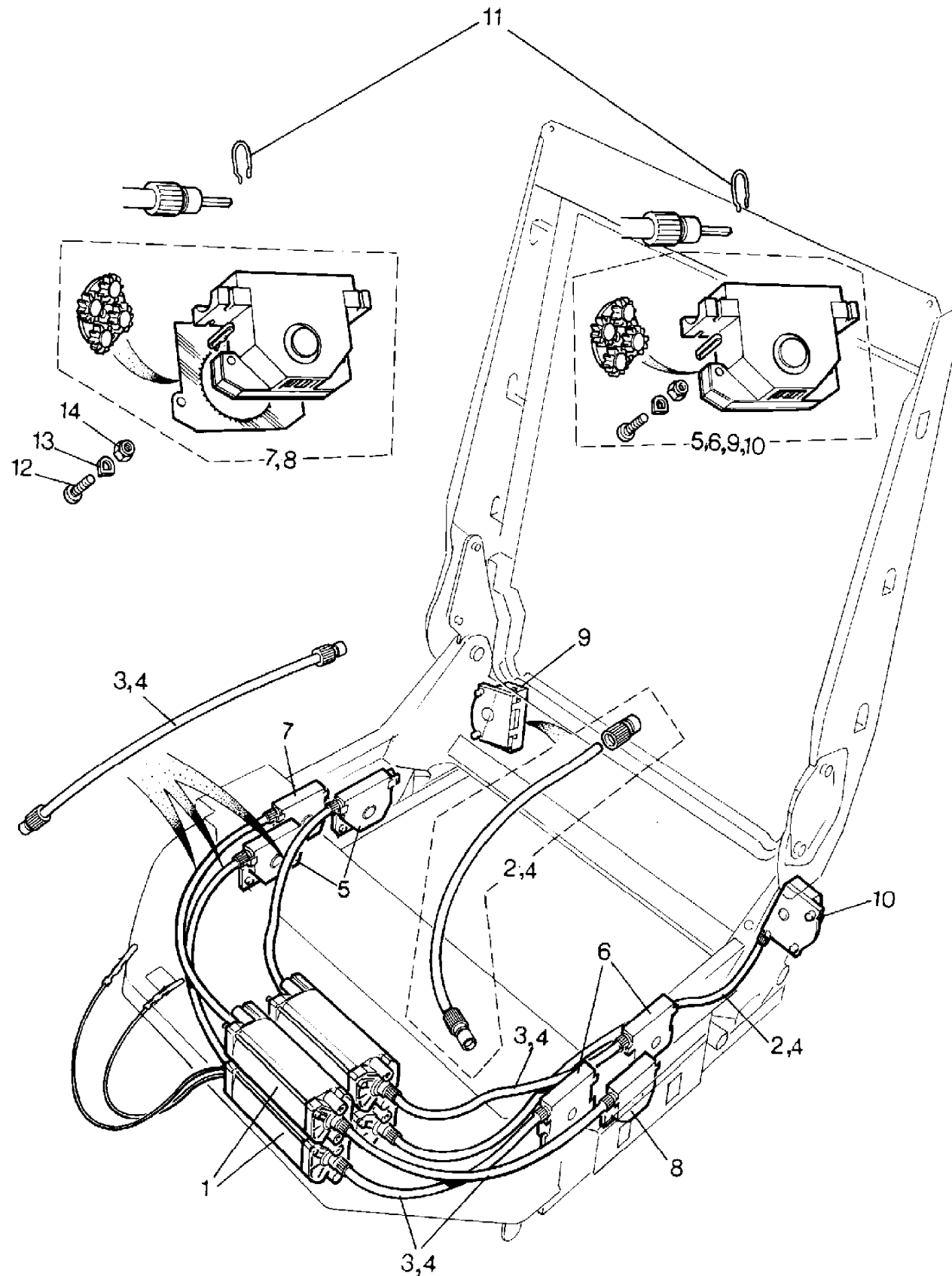
Callout	Name	Application	Remarks & Restrictions	Service No.	Qty
16	Plug	EFI	for fuel injector harness to main harness	PRC5092	1
17	Resistor Assy	Change point - VIN begin GA399973, EFI	180 ohm, Red	PRC8005	1
		Change point - VIN begin GA399973, EFI	Yellow, 910 ohm	PRC8007	1
		Change point - VIN begin GA399973, EFI	White., 3k9 ohm	PRC8009	1
		Change point - VIN begin GA399973, EFI	470 OHM, Green	PRC8172	1
[900]	Nut - Hex.		retaining baseplate ECU	JRC7328L	1
[901]	Grommet	Change point - VIN begin HA606950, EFI	BLANKING	PRC8862	1



Range Rover (To HA610293)

(TS6263B)

Range Rover (To HA610293)



Callout	Name	Application	Remarks & Restrictions	Service No.	Qty
1	Motor-front seat		Electric seats	RTC5281	8
2	Cable-slide assembly flexible drive		Electric seats, Outer, 524mm	RTC6407	4
3	Cable-slide assembly flexible drive		Electric seats, Outer, 281mm	RTC5271	4
			Electric seats, Outer, 230MM	RTC5272	4
			Electric seats, Outer, 255.5mm	RTC5273	4
4	Cable-slide assembly flexible drive		Electric seats, 565mm, Inner	RTC6408	4
			Electric seats, 317.5mm, Inner	RTC5275	4
			Electric seats, 266.5mm, Inner	RTC6410	4
			Electric seats, 292mm, Inner	RTC6409	4
5	Gearbox assembly-front seat fore & aft mechanism		Electric seats, inner RH	RTC5786	4
6	Gearbox assembly-front seat fore & aft mechanism		Electric seats, inner LH	RTC5623	4
7	Gearbox assembly-front seat fore & aft mechanism		Electric seats, outer LH	RTC5788	2
			Electric seats, outer RH	RTC6411	2
8	Gearbox assembly-front seat fore & aft mechanism	Change point - VIN end EA351846	Electric seats, outer LH	RTC5787	2
		Change point - VIN begin FA351847	Electric seats, outer LH	RTC6412	2
9	Gearbox assembly-recline		Electric seats, RH	RTC5789	2
10	Gearbox assembly-recline		Electric seats, LH	RTC5790	2
11	Clip-spring steel		Electric seats, retaining drive cable	RTC5796	16
12	Screw		Electric seats, retaining outboard gearbox to seat frame, 40mm long	RTC5797	8
			Electric seats, retaining outboard gearbox to seat frame, 30mm long	RTC5798	16
13	Washer		Electric seats	RTC6413	24
14	Nut-hexagonal		Electric seats, M4	NH104041L	24

Body Electrics
 Ancillaries
 Heated Front Screen 1/1

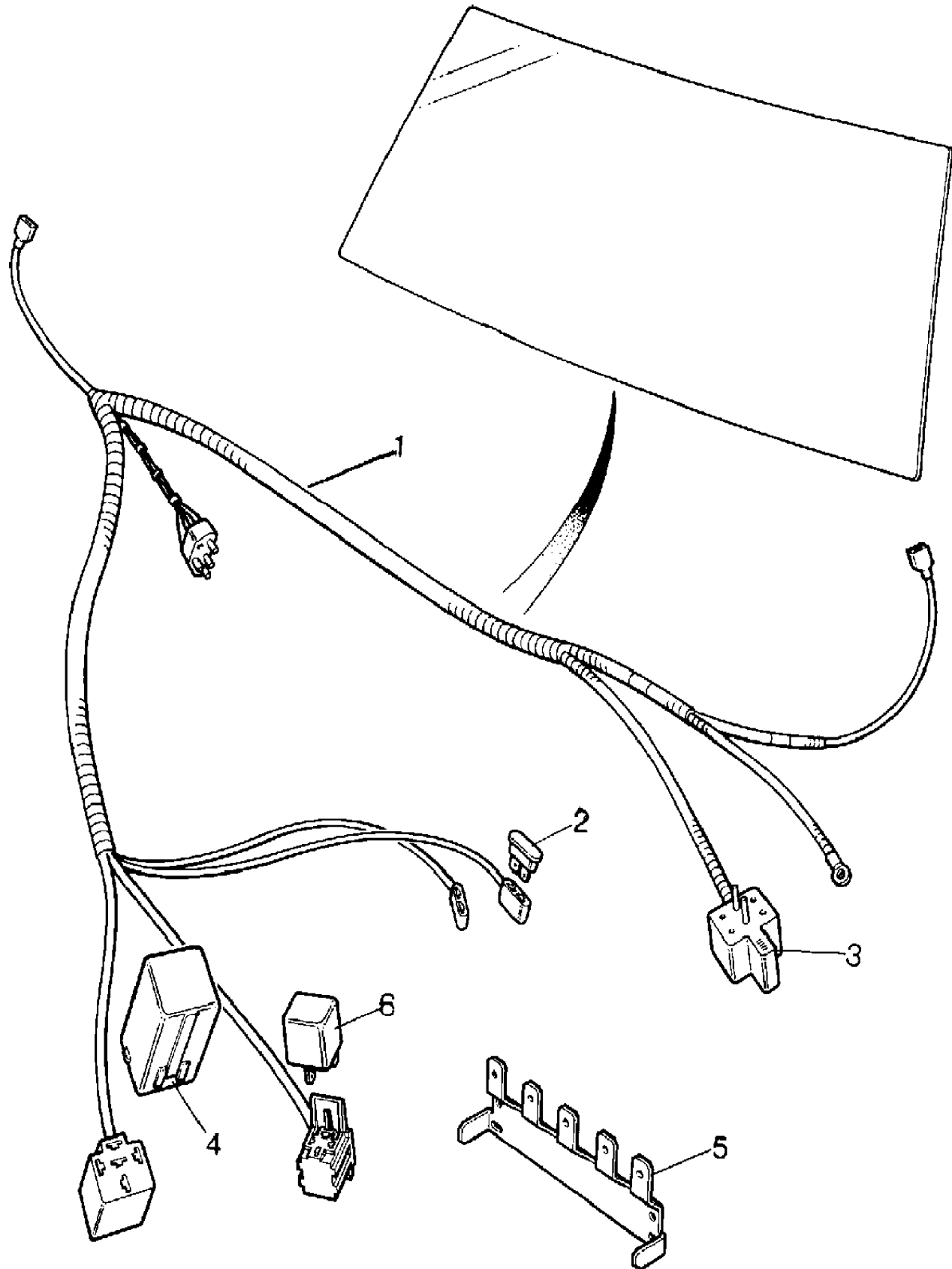
Range Rover (To HA610293)

(TS6509)

Range Rover (To HA610293)

Body Electrics
 Ancillaries
 Heated Front Screen

Callout	Name	Application	Remarks & Restrictions	Service No.	Qty
1	Harness-heated screen	Change point - VIN begin FA351847		PRC7288	1
2	Fuse	Change point - VIN begin FA351847	25 AMP, AUTO, standard.	RTC4506	2
3	Bulb Switch	Change point - VIN begin FA351847	for heated screen switch, Yellow..	RTC5605	1
4	Relay	Change point - VIN begin FA351847	front screen-timer, Grey	PRC6796	1
5	Bracket assembly-relay	Change point - VIN begin FA351847		PRC7140	1
6	Relay	Change point - VIN begin FA351847	Black, 70 AMP	PRC7303	1



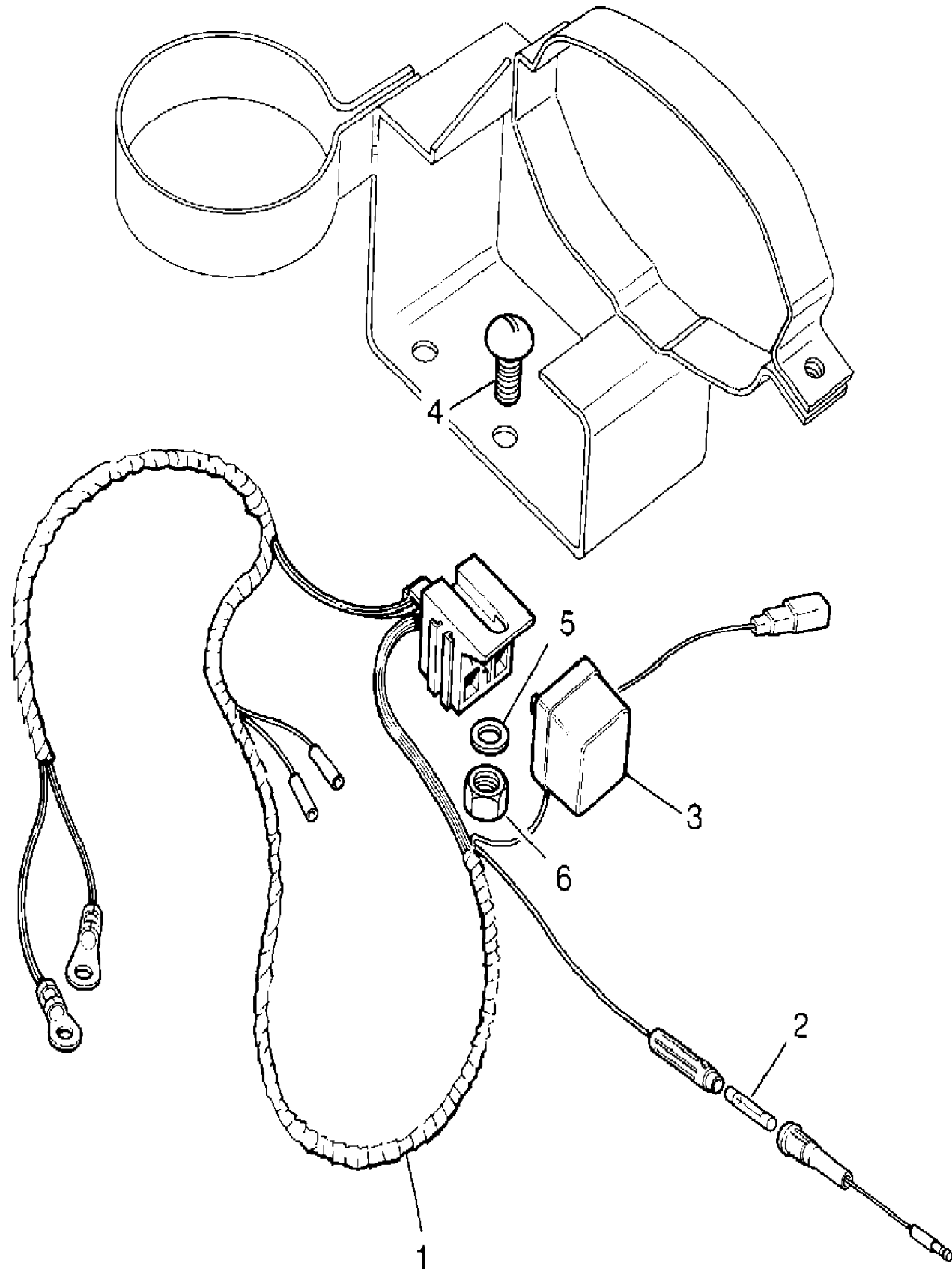
Body Electrics
Ancillaries
Heated Fuel Filter-Cables, Fuse & Relay 1/1

Range Rover (To HA610293)

(TS6456)

Body Electrics
Ancillaries
Heated Fuel Filter-Cables, Fuse & Relay
With Diesel Engines

Range Rover (To HA610293)



Callout	Name	Application	Remarks & Restrictions	Service No.	Qty
1	Harness fuel filter			PRC6721	1
2	Fuse		25 AMP	RTC4505	1
3	Relay		28RA	PRC6791	1
4	Screw		pan head, M5 x 12	SE105121L	1
5	Washer		M5, Plain, Standard	WA105001L	1
6	Nut-hexagonal		M5	NH105041L	1

SEP 04

546

Body Electrics
Ancillaries
Horn 1/1

Range Rover (To HA610293)

(TS5727)

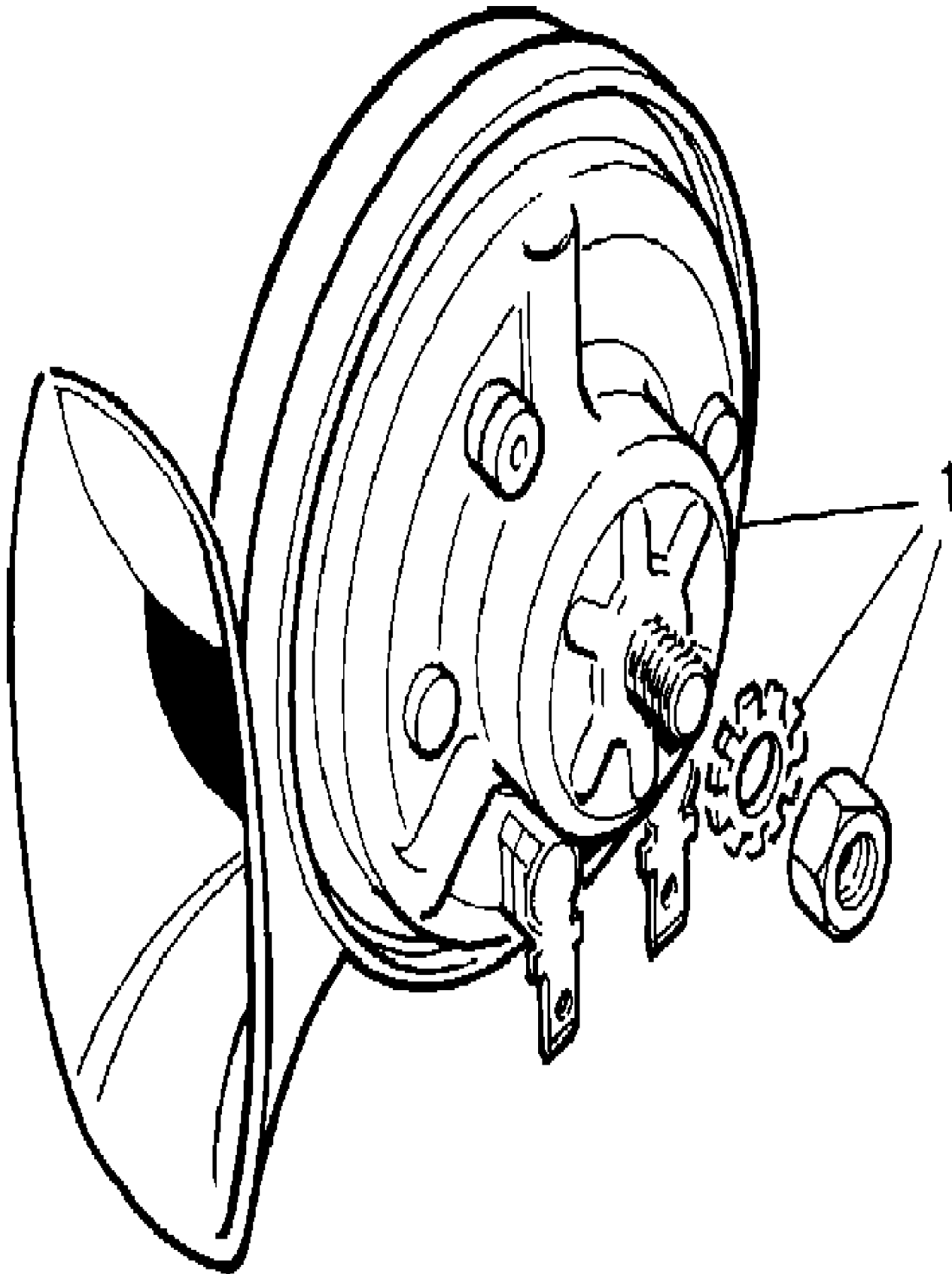
546

SEP 04

Range Rover (To HA610293)

Body Electrics
Ancillaries
Horn

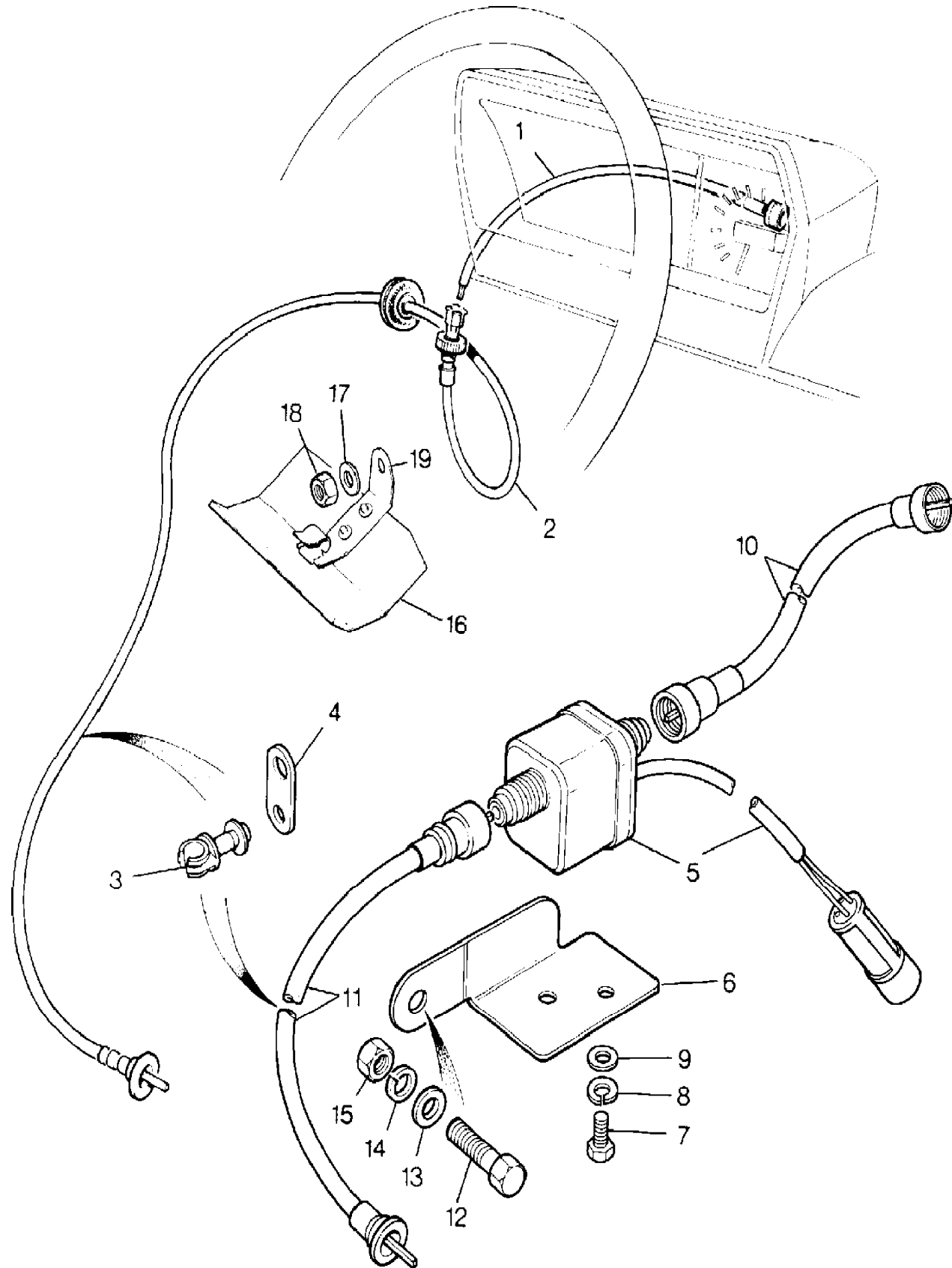
Callout	Name	Application	Remarks & Restrictions	Service No.	Qty
1	Horn assembly			YEB10026 YEB10027	1 1



Range Rover (To HA610293)

(TS5314B)

Range Rover (To HA610293)



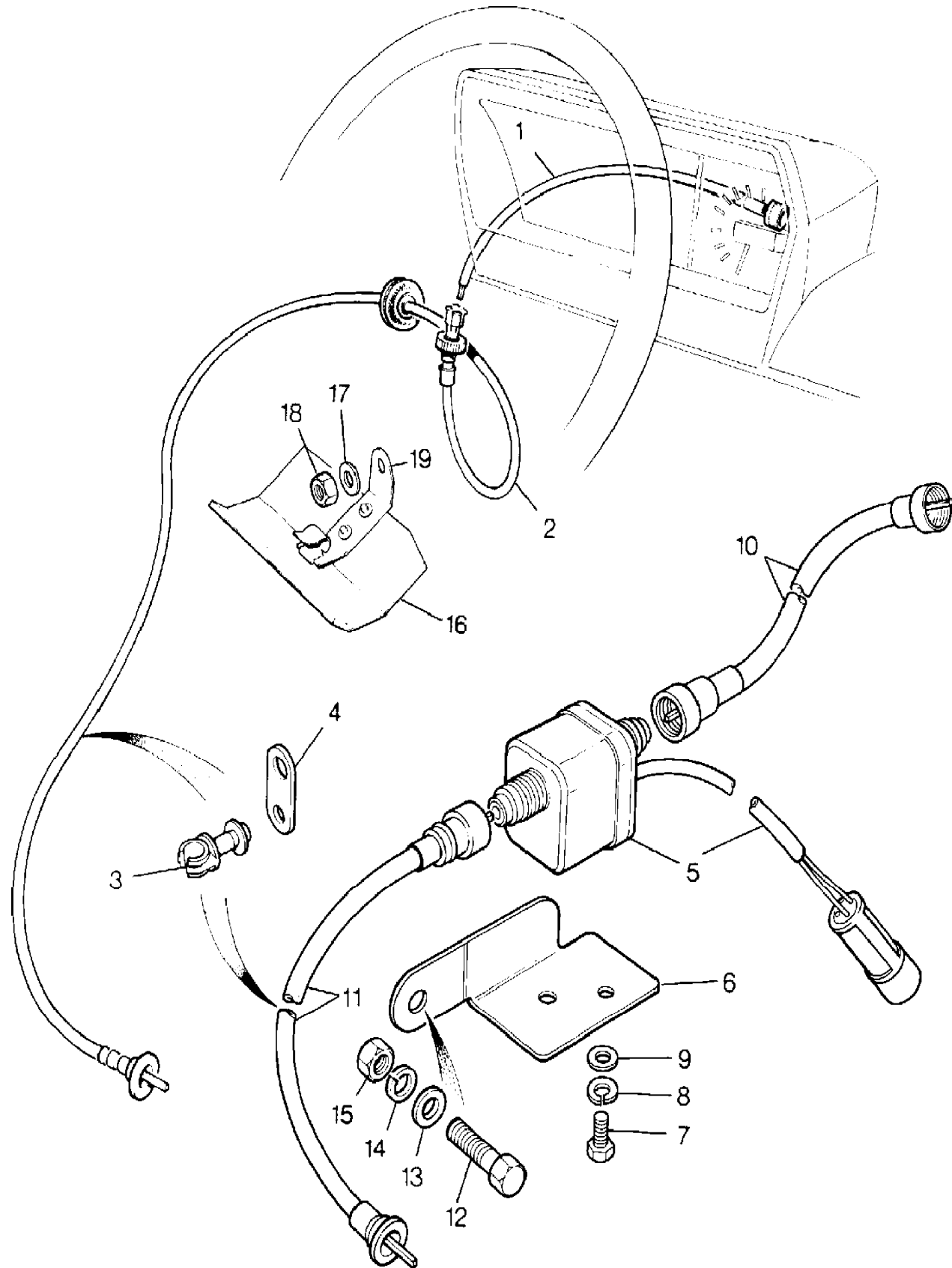
Callout	Name	Application	Remarks & Restrictions	Service No.	Qty
1	Cable Assy - Speedometer Drive	(-)"GCC"	instrument end, Two Piece	PRC5568	1
			instrument end, Two Piece	PRC4711	1
			instrument end, Two Piece	PRC6035	1
			Change point - VIN end CA170457, (+)"GCC"		
2	Cable Assy - Speedometer Drive	RHD, (-)"GCC"	gearbox end, Two Piece	PRC5564	1
			gearbox end, Two Piece	PRC5565	1
			gearbox end, Two Piece	PRC5115	1
			Change point - VIN begin CA170458, (+)"GCC"		
2	Cable Assy - Speedometer Drive	LHD, (-)"GCC"	gearbox end, Two Piece	PRC5565	1
			gearbox end, Two Piece	PRC5115	1
			gearbox end, Two Piece	PRC6043	1
			Change point - VIN end CA170457, LHD, (+)"GCC"		
2	Cable Assy - Speedometer Drive	LHD, (-)"GCC"	gearbox end, Two Piece	PRC5565	1
			gearbox end, Two Piece	PRC5115	1
			gearbox end, Two Piece	PRC6043	1
			Change point - VIN begin CA170458, (+)"GCC"		
3	Clip		Pipe, Single	PRC3180	1
4	Bracket-clippping		Steel	PRC2979	1
5	Transducer speed			PRC5956	1
6	Bracket speed transducer			PRC6617	1
7	Screw		transducer to bracket, M5	SE105101L	1
8	Washer		transducer to bracket, M5, retaining	WL105001L	1
9	Washer		transducer to bracket, M5, starlock	WF105001L	1
10	Cable Assy - Speedometer Drive		instruments to transducer	PRC6278	1
11	Cable Assy - Speedometer Drive	3.5L Petrol	transducer to gearbox	PRC6320	1
			transducer to gearbox	PRC6320	1
			transducer to gearbox	PRC7949	1
			transducer to gearbox	PRC7949	1
11	Cable Assy - Speedometer Drive	Diesel 2.4	transducer to gearbox	PRC6320	1
			transducer to gearbox	PRC7949	1
			transducer to gearbox	PRC7949	1
			transducer to gearbox	PRC7949	1
11	Cable Assy - Speedometer Drive	3.9L Petrol	transducer to gearbox	PRC6320	1
			transducer to gearbox	PRC7949	1
			transducer to gearbox	PRC7949	1
			transducer to gearbox	PRC7949	1
11	Cable Assy - Speedometer Drive	Diesel 2.5	transducer to gearbox	PRC6320	1
			transducer to gearbox	PRC7949	1
			transducer to gearbox	PRC7949	1
			transducer to gearbox	PRC7949	1
12	Bolt		transducer bracket to chassis, hexagonal head, M8 x 100	BH108201L	1
13	Washer		transducer bracket to chassis, 8MM	WA108051L	1
14	Washer		transducer bracket to chassis, M8, sprung	WL108001L	1
15	Nut - Hex.		transducer bracket to chassis, M8, hexagonal head	NH108041L	1
16	Bracket assembly-heatshield			NTC6115	1

Range Rover (To HA610293)

(TS5314B)

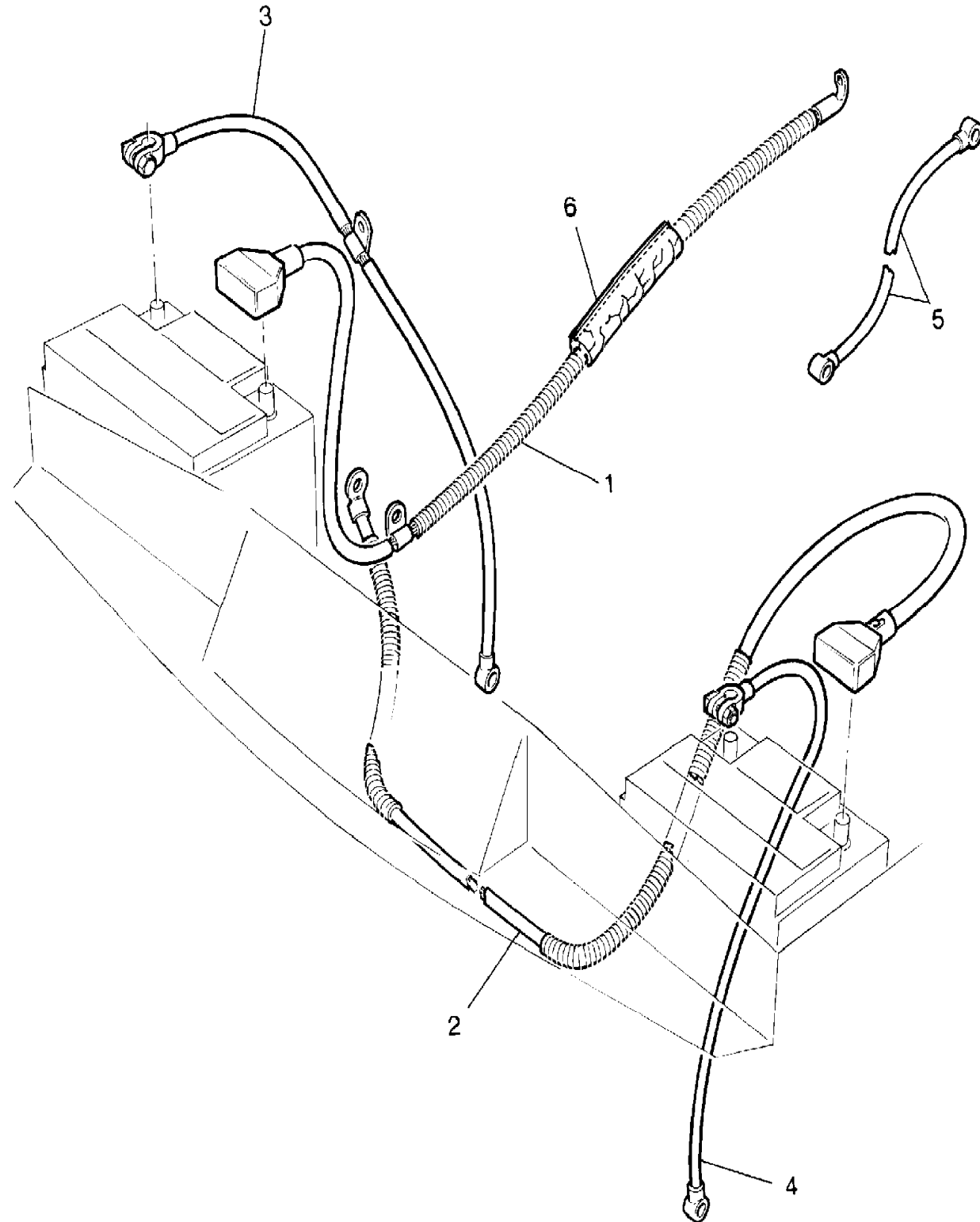
Range Rover (To HA610293)

Callout	Name	Application	Remarks & Restrictions	Service No.	Qty
17	Washer		fixing heatshield assy, 8MM	WA108051L	1
18	Nut - Hex.		fixing heatshield assy, M8, hexagonal head	NH108041L	1
19	Clip-cable		fixing heatshield assy	NTC6994	1
[900]	Washer		transducer bracket to chassis, 8MM, sprung	WL108007	1
[901]	Cable Assy - Speedometer Drive	RHD, (-)"GCC" LHD, (-)"GCC"	One Piece, Lower One Piece	PRC6017 PRC6018	1 1



Range Rover (To HA610293)

(TS5881A)



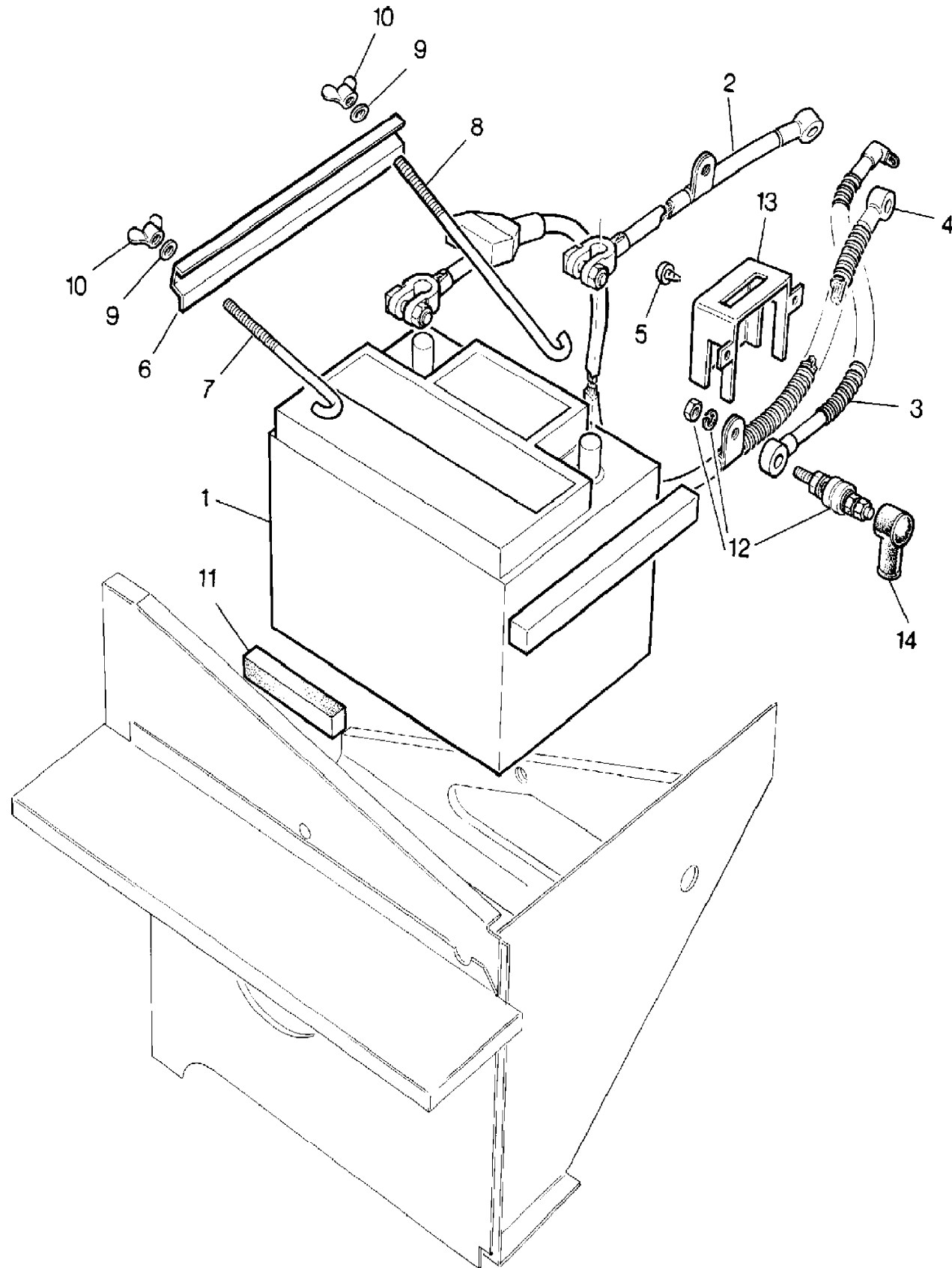
Range Rover (To HA610293)

Callout	Name	Application	Remarks & Restrictions	Service No.	Qty
1	Cable-battery positive	Change point - VIN end FA399972	to terminal post	PRC6772	1
		Change point - VIN begin GA399973	to terminal post	PRC7922	1
2	Cable-battery positive		to terminal post & 2nd battery	PRC5234	1
3	Cable-battery negative		to body/chassis earth, Also serviced as part of a kit	PRC5235	1
4	Cable-battery negative		to chassis earth 2nd battery, Also serviced as part of a kit	PRC5236	1
5	Cable assembly starter & earth		engine to chassis	PRC5237	1
6	Sleeve		for battery lead	PRC6188	1
[900]	Bolt-terminal cable-battery		Also serviced as part of a kit	STC3305	1

Body Electrics
Batteries & Harnesses
Battery-From (V) DA274121 (2Dr) & (V) DA273923 (4Dr) 1/2

Range Rover (To HA610293)

(TS6217A)



Range Rover (To HA610293)

Battery-From (V) DA274121 (2Dr) & (V) DA273923 (4Dr)

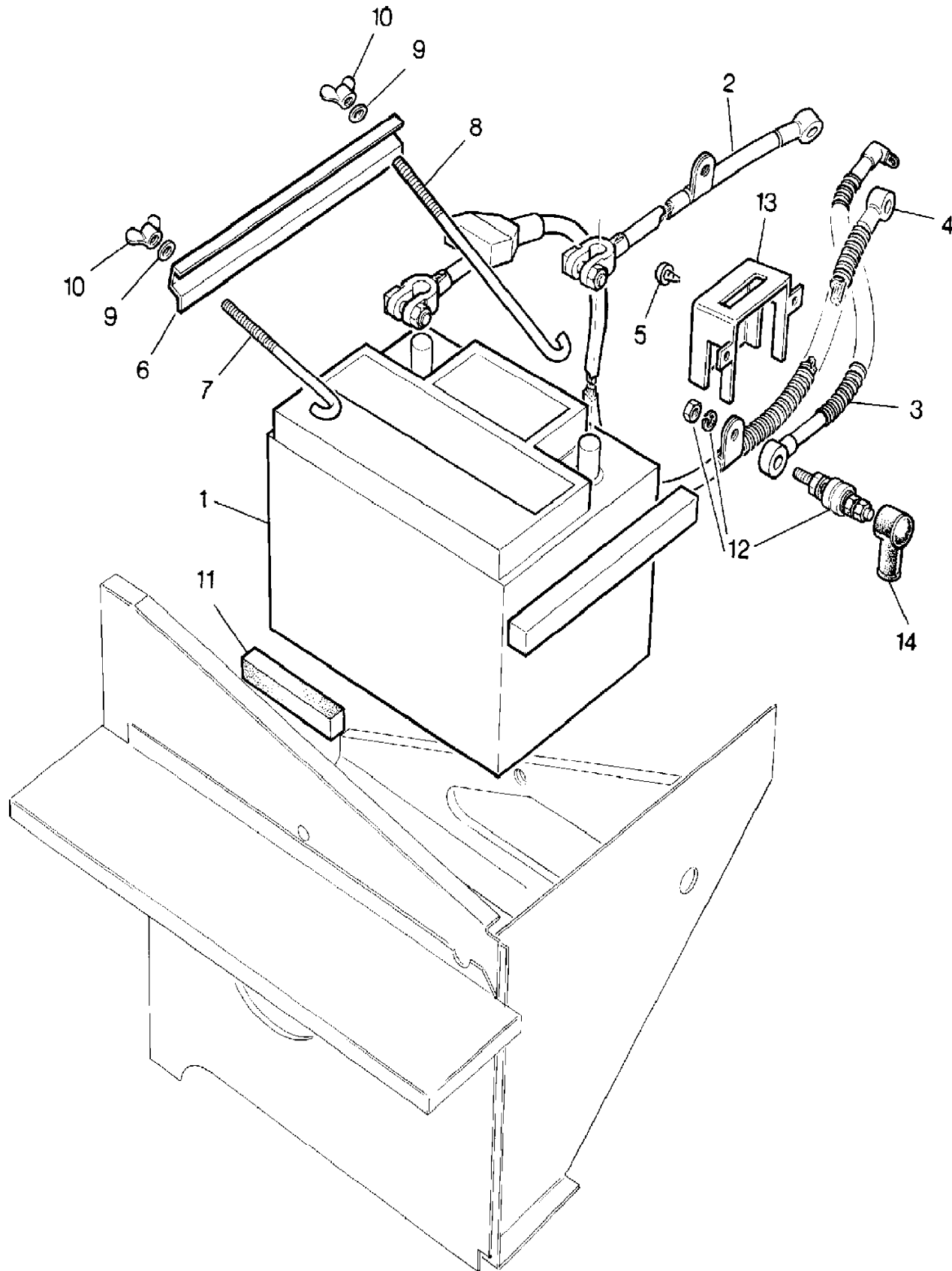
Body Electrics
Batteries & Harnesses

Callout	Name	Application	Remarks & Restrictions	Service No.	Qty
1	Battery	Change point - VIN begin DA273923, Change point - VIN end CA274120	dry, 091-bbms, Standard	STC8270	1
		Change point - VIN begin DA273923, With Petrol Engines	072-bbms, dry	STC8269	1
		Change point - VIN begin DA273923, With Diesel Engines	072-bbms, dry	STC8269	2
2	Cable-battery negative	Change point - VIN begin DA273923, Change point - VIN end CA274120	vehicle earth to body/chassis earth, Also serviced as part of a kit	PRC4138	1
3	Cable.	Change point - VIN begin DA273923, Change point - VIN end CA274120	terminal post to starter solenoid	PRC6580	1
4	Cable-battery positive	Change point - VIN begin DA273923, Change point - VIN end EA351846	to starter solenoid	PRC6579	1
		Change point - VIN begin FA351847	to starter solenoid, Also serviced as part of a kit	PRC7416	1
5	Clip	Change point - VIN begin DA273923, Change point - VIN end CA274120	battery lead to wheelarch	YXX5098	2
6	Clamp-fixing battery	Change point - VIN begin DA273923, Change point - VIN end CA274120		MUC6514	1
7	J bolt-fixing battery	Change point - VIN begin DA273923, Change point - VIN end CA274120	Short	MUC6513	1
8	J bolt-fixing battery	Change point - VIN begin DA273923, Change point - VIN end CA274120	Long	MRC7133	1
9	Washer-Plain	Change point - VIN begin DA273923, Change point - VIN end CA274120		AFU1262	2
10	Nut-wing	Change point - VIN begin DA273923, Change point - VIN end CA274120	M6	AFU1272	2
11	Buffer-stop	Change point - VIN begin DA273923, Change point - VIN end CA274120		MTC7451	1
12	Post-terminal	Change point - VIN begin DA273923, Change point - VIN end CA274120		PRC7100	1
13	Cover-terminal post	Change point - VIN begin DA273923, Change point - VIN end CA274120	screw fixing type	PRC5003	1

Body Electrics
Batteries & Harnesses
Battery-From (V) DA274121 (2Dr) & (V) DA273923 (4Dr) 2/2

Range Rover (To HA610293)

(TS6217A)



Range Rover (To HA610293)

Battery-From (V) DA274121 (2Dr) & (V) DA273923 (4Dr)

Body Electrics
Batteries & Harnesses

Callout	Name	Application	Remarks & Restrictions	Service No.	Qty
14	Cover-terminal post	Change point - VIN begin DA273923, Change point - VIN end CA274120	rubber boot type	PRC7093	1
[900]	Battery	Change point - VIN begin DA273923, With Petrol Engines	072-bbms, dry	STC4766	1
		Change point - VIN begin DA273923, With Diesel Engines	072-bbms, dry	STC4766	2

Body Electrics
Batteries & Harnesses
Battery-To (V) CA274120 (2Dr) & (V) CA273922 (4Dr) 1/1

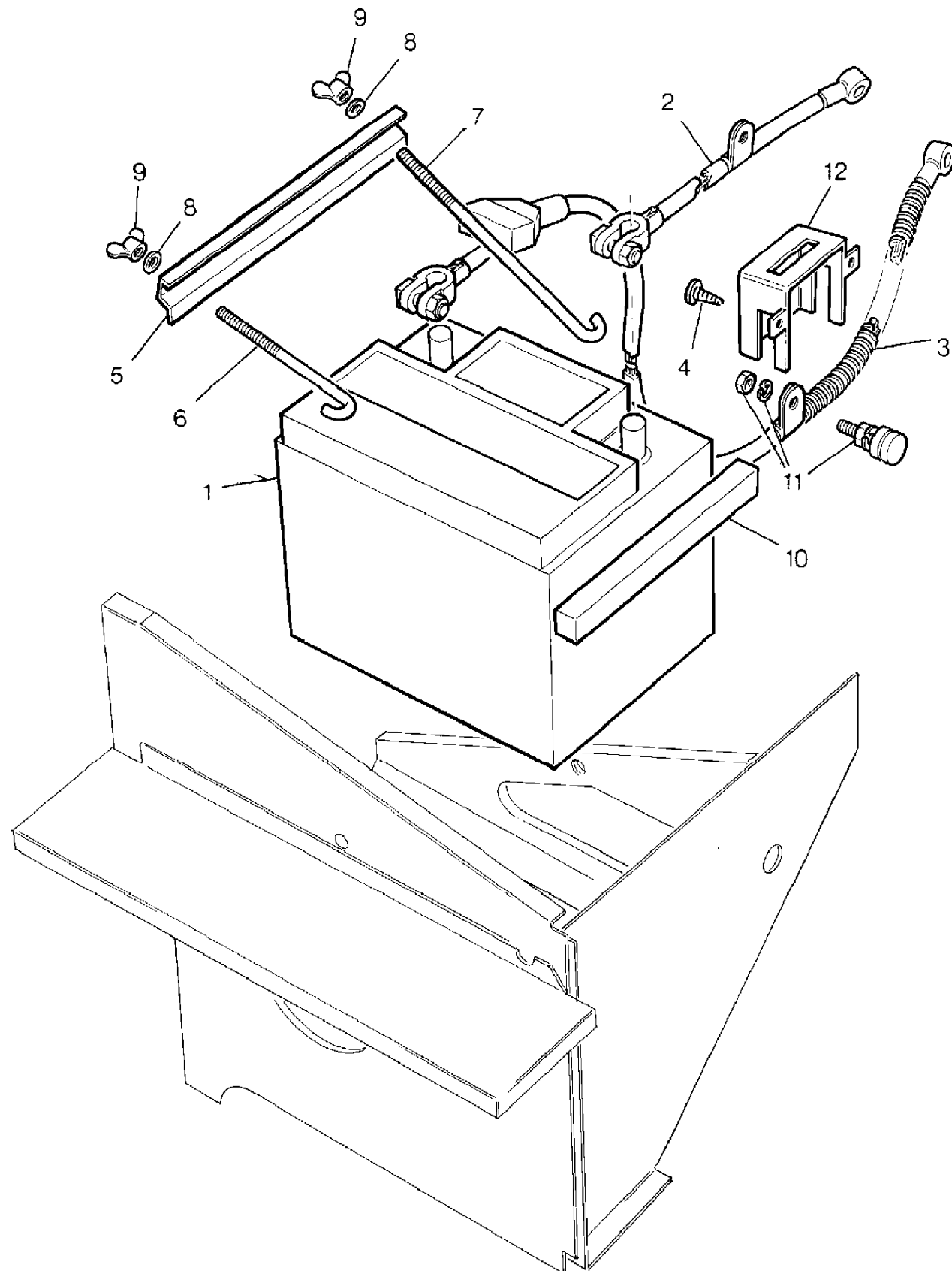
Range Rover (To HA610293)

(TS5775)

Range Rover (To HA610293)

Battery-To (V) CA274120 (2Dr) & (V) CA273922 (4Dr)

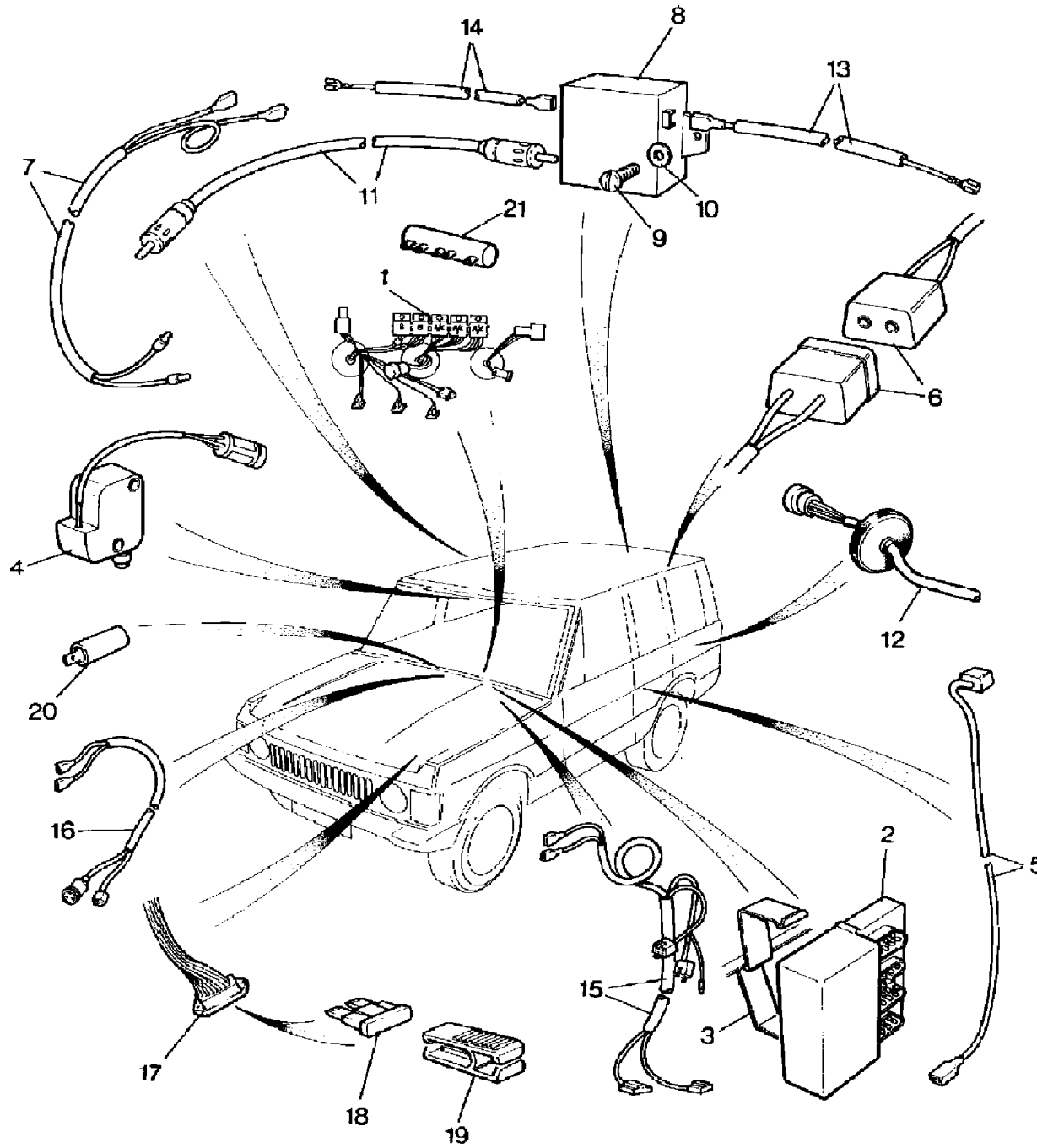
Body Electrics
Batteries & Harnesses



Callout	Name	Application	Remarks & Restrictions	Service No.	Qty
1	Battery	Change point - VIN end CA274120	dry, 091-bbms, Standard	STC8270	1
		Change point - VIN end CA273922, With Petrol Engines	072-bbms, dry	STC8269	1
		Change point - VIN end CA273922, With Diesel Engines	072-bbms, dry	STC8269	2
2	Cable-battery negative	Change point - VIN end CA274120	Also serviced as part of a kit	PRC4138	1
3	Cable-battery positive	Change point - VIN end CA274120		PRC5374	1
4	Clip	Change point - VIN end CA274120	battery lead to wheelarch	YXX5098	2
5	Clamp-fixing battery	Change point - VIN end CA274120		MUC6514	1
6	J bolt-fixing battery	Change point - VIN end CA274120	Short	MUC6513	1
7	J bolt-fixing battery	Change point - VIN end CA274120	Long	MRC7133	1
8	Washer-Plain	Change point - VIN end CA274120		AFU1262	2
9	Nut-wing	Change point - VIN end CA274120	M6	AFU1272	2
10	Buffer-stop	Change point - VIN end CA274120		MTC7451	1
11	Post-terminal	Change point - VIN end CA274120		DRC2337	1
12	Cover-terminal post	Change point - VIN end CA274120		PRC5003	1
[900]	Battery	Change point - VIN end CA273922, With Diesel Engines	072-bbms, dry	STC4766	2
		Change point - VIN end CA273922, With Petrol Engines	072-bbms, dry	STC4766	1

Range Rover (To HA610293)

(LM0170)



D02.020
11-2002
L3
LM0170

Range Rover (To HA610293)

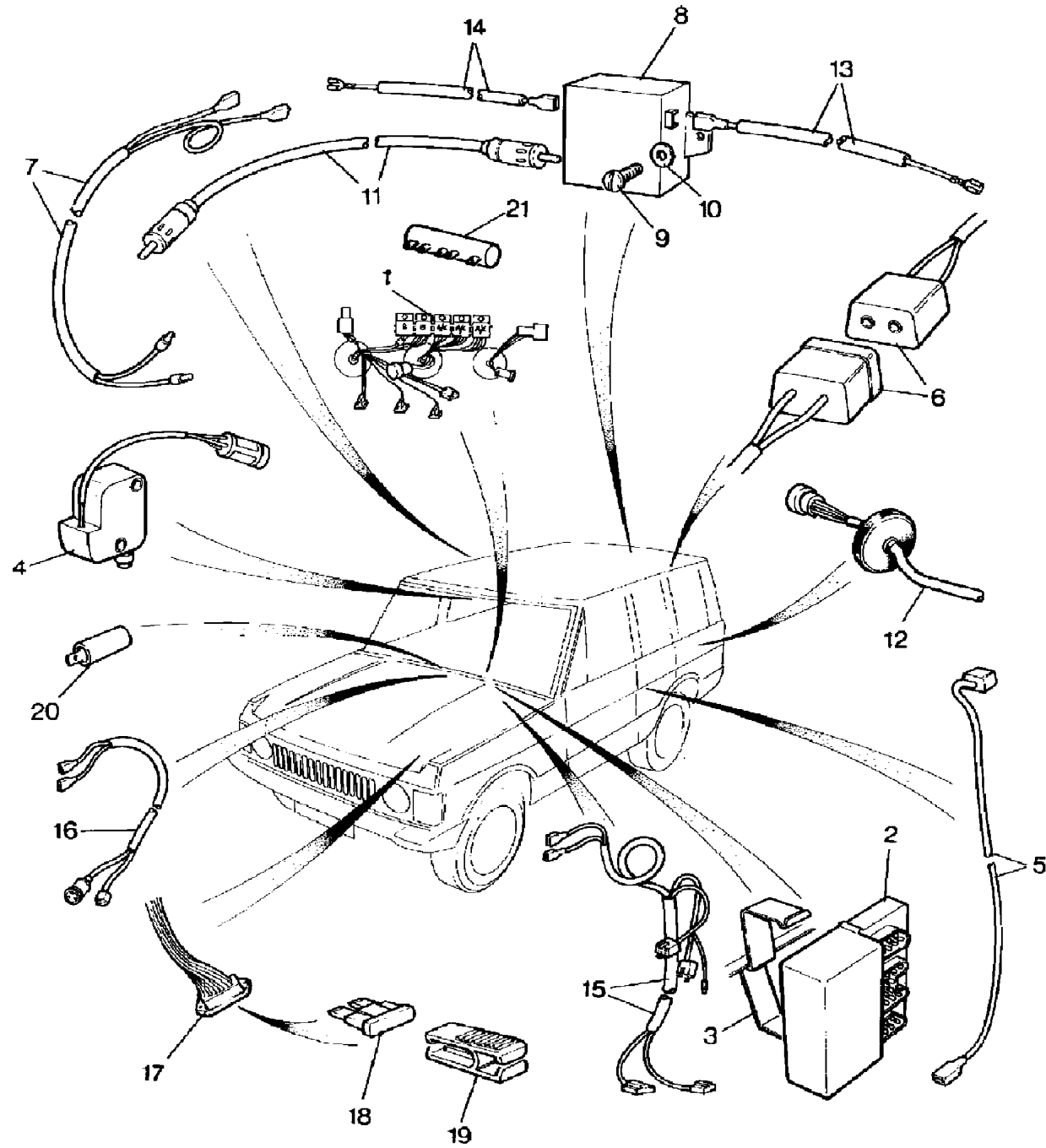
Callout	Name	Application	Remarks & Restrictions	Service No.	Qty		
1	Cable-fresh/recirculating control-heater	Change point - VIN end EA320337, LHD		PRC6063	1		
		Change point - VIN begin EA320338, Change point - VIN end EA351846, LHD		PRC6903	1		
		Change point - VIN end EA320337, Change point - VIN begin DA273923, RHD		PRC5975	1		
		Change point - VIN begin EA320338, Change point - VIN end EA351846, RHD		PRC6904	1		
		Change point - VIN begin FA351847, Change point - VIN end FA399972, RHD		PRC6982	1		
		Change point - VIN begin FA351847, Change point - VIN end FA399972, LHD		PRC6981	1		
		Change point - VIN begin GA399973, RHD		PRC8116	1		
		Change point - VIN begin GA399973, LHD		PRC8115	1		
		2	Electronic control unit-brake check warning	Change point - VIN begin DA273923, LHD		PRC6254	1
		3	Bracket-electronic control unit mounting	Change point - VIN begin DA273923, LHD		PRC5654	1
4	Actuator-locking fuel flap	Change point - VIN begin DA273923		PRC5085	1		
5	Harness rear door	Change point - VIN begin EA320338, Change point - VIN end EA351846	switches	PRC5905	2		
6	Harness-licence plate lamp	Change point - VIN begin EA320338, Change point - VIN end EA351846		PRC6051	1		
7	Harness-link		to antenna amplifier	PRC6654	1		
8	Amplifier-audio antenna	Change point - VIN begin EA320338, Change point - VIN end EA351846		PRC5772	1		
		Change point - VIN begin FA351847		PRC7163	1		
9	Screw		M5	SE105101L	2		
10	Washer		M5, Plain, Standard	WA105001L	2		
11	Cable coaxial	Change point - VIN begin DA273923		PRC6128	1		
12	Harness-link	Change point - VIN begin DA273923	to 7 pin socket	PRC4143	7		
13	Harness-link	Change point - VIN end FA374641	heated rear screen to amplifier, LH	PRC6645	1		

Range Rover (To HA610293)

(LM0170)

Range Rover (To HA610293)

Callout	Name	Application	Remarks & Restrictions	Service No.	Qty
13	Harness-link	Change point - VIN begin FA374642	heated rear screen to amplifier, LH	PRC7914	1
14	Harness-link	Change point - VIN end FA374641	heated rear screen to amplifier, RH	PRC6644	1
		Change point - VIN begin FA374642	heated rear screen to amplifier, RH	PRC7913	1
15	Harness-heater	Change point - VIN begin DA273923, Change point - VIN end EA320337		PRC5989	1
		Change point - VIN begin EA320338		PRC6905	1
		Change point - VIN begin FA351847, Change point - VIN end FA399972		PRC6980	1
		Change point - VIN begin GA399973		PRC7873	1
16	Harness-link	Change point - VIN begin DA273923	to PDWA brake valve	PRC6292	1
17	Fusebox	Change point - VIN begin DA273923	5 way, for air conditioning harness	RTC5742	1
18	Fuse	Change point - VIN begin DA273923	20 AMP, AUTO, standard.	RTC4504	2
		Change point - VIN begin DA273923	5 AMP, AUTO, Standard	RTC4497	1
		Change point - VIN begin DA273923	3 AMP, AUTO, standard.	RTC4481	1
19	Extractor blade fuse	Change point - VIN begin DA273923		PRC4412	1
20	Diode Assy	Change point - VIN begin DA273923, With Air Conditioning	Pektron	AAU5034	4
21	Resistor Assy	Change point - VIN begin DA273923, With Air Conditioning		PRC8010	1
[900]	Indicator-seat belt warning			PRC6726	1



D02.020
11-2002
L3
LM0170

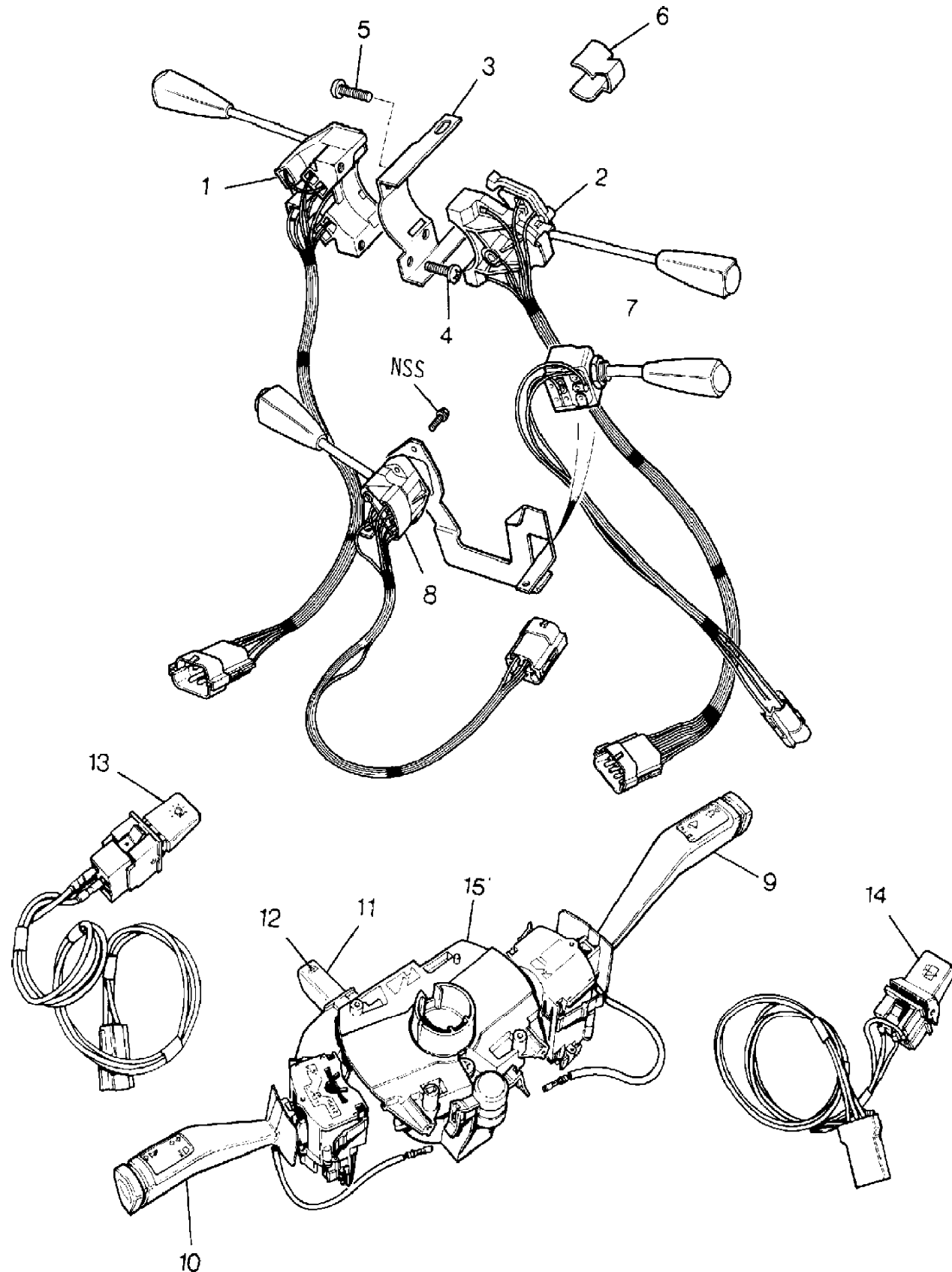
Range Rover (To HA610293)

(TS6866)

Range Rover (To HA610293)

With Catalyst

Callout	Name	Application	Remarks & Restrictions	Service No.	Qty
1	Cable-fresh/recirculating control-heater	Change point - VIN end EA320337, LHD	air conditioning switches	PRC6063	1
		Change point - VIN begin EA320338, Change point - VIN end EA351846, LHD	air conditioning switches	PRC6903	1
		Change point - VIN begin FA351847, Change point - VIN end FA399972, LHD	air conditioning switches	PRC6981	1
		Change point - VIN begin GA399973, LHD	air conditioning switches	PRC8115	1
2	Control unit-lighting	Change point - VIN end GA464553	WARNING	PRC5083	1
		Change point - VIN begin HA464554	WARNING	PRC8478	1
3	Bracket-electronic control unit mounting			PRC5654	1
4	Actuator-locking fuel flap			PRC5085	1
5	Harness rear door	Change point - VIN begin EA320338, Change point - VIN end EA351846	switches	PRC5905	2
6	Harness-licence plate lamp	Change point - VIN begin EA320338, Change point - VIN end EA351846		PRC6051	1
7	Harness-link		to antenna amplifier	PRC6654	1
8	Amplifier-audio antenna	Change point - VIN begin EA320338, Change point - VIN end EA351846		PRC5772	1
		Change point - VIN begin FA351847		PRC7163	1
9	Bolt-washer		fixing amplifier, M5 X 10	SE105101	2
10	Washer		fixing amplifier, Plain	WA105001	2
11	Cable coaxial			PRC6128	1
12	Harness-link		to 7 pin socket	PRC4143	1
13	Indicator-seat belt warning			PRC6726	1
14	Screw-self tapping		fixing audible warning unit	AB608041	2
15	Washer-Plain		fixing audible warning unit	WA104001	2
16	Switch-inertia		fuel cut off valve	DBC2022L	1
17	Screw-self tapping B		fixing inertia switch	AB610121	2



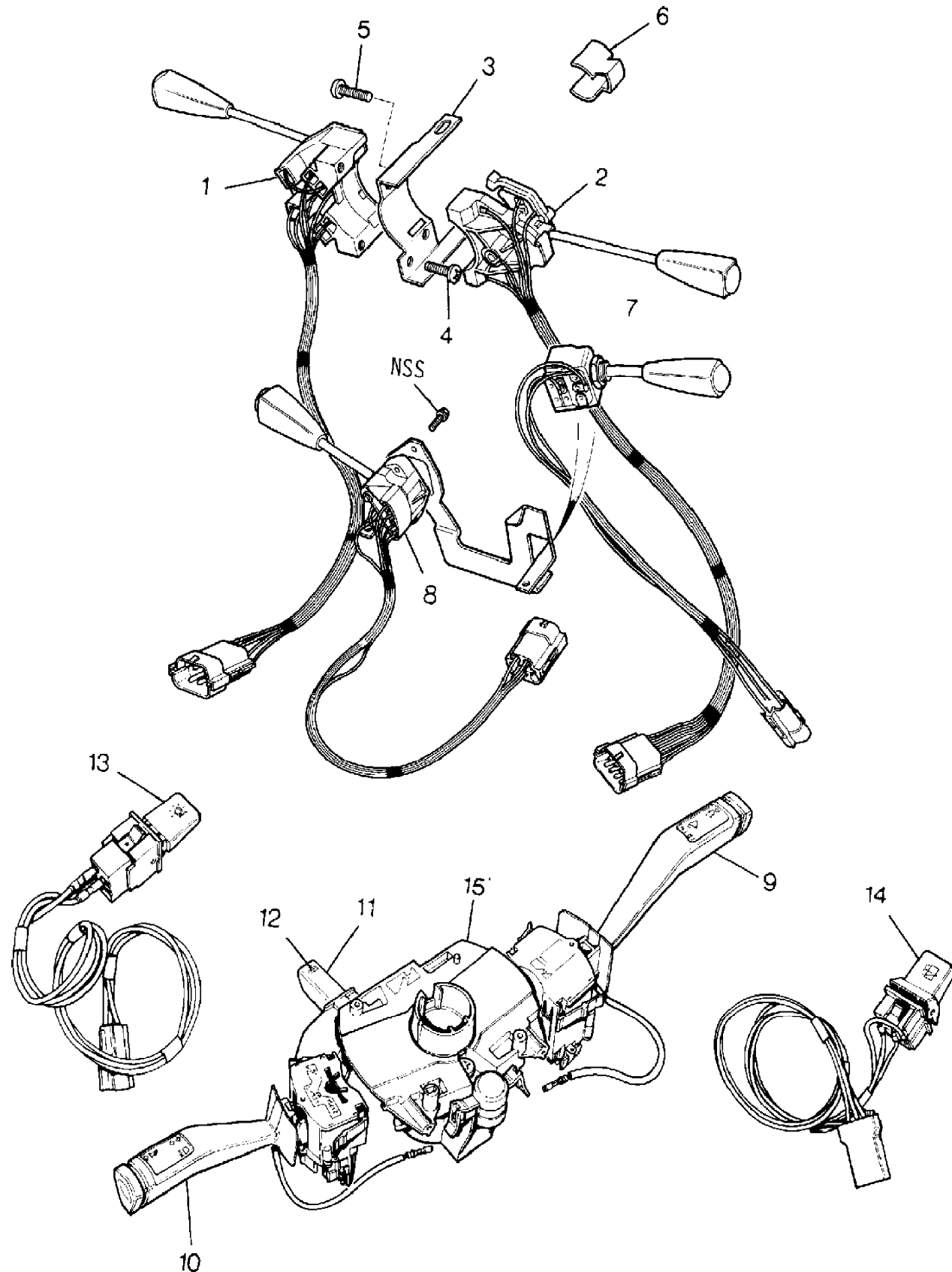
Range Rover (To HA610293)

(TS6866)

Range Rover (To HA610293)

With Catalyst

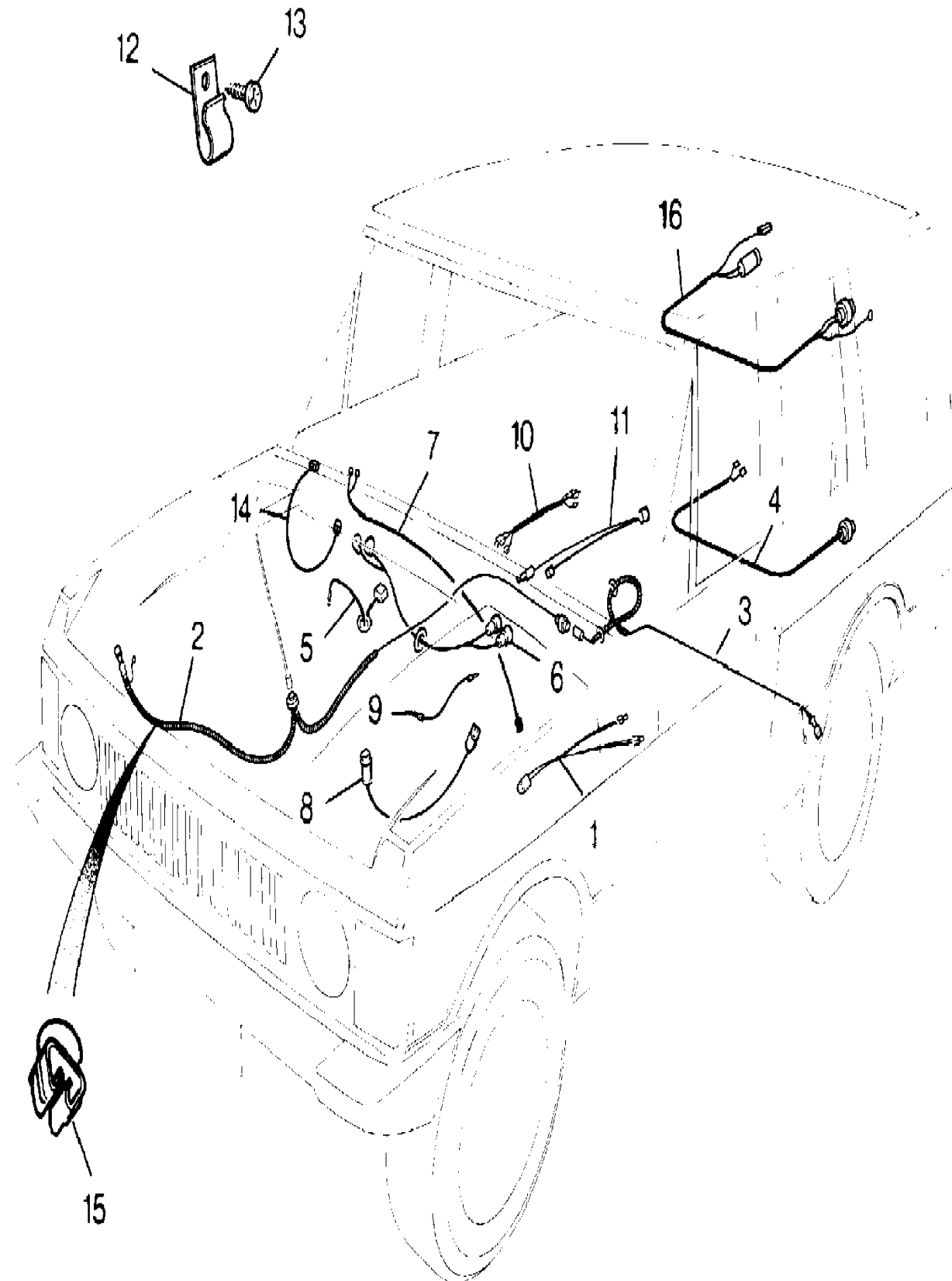
Callout	Name	Application	Remarks & Restrictions	Service No.	Qty
18	Harness-link	Change point - VIN end FA374641	heated rear screen to amplifier, LH	PRC6645	1
		Change point - VIN begin FA374642	heated rear screen to amplifier, LH	PRC7914	1
19	Harness-link	Change point - VIN end FA374641	heated rear screen to amplifier, RH	PRC6644	1
		Change point - VIN begin FA374642	heated rear screen to amplifier, RH	PRC7913	1
20	Fusebox		5 way, for air conditioning harness	RTC5742	1
21	Fuse		20 AMP, AUTO, standard.	RTC4504	2
			5 AMP, AUTO, Standard	RTC4497	1
			3 AMP, AUTO, standard.	RTC4481	1
22	Diode Assy		air conditioning harness, Pektron	AAU5034	1
23	Extractor blade fuse			PRC4412	1
24	Resistor Assy		air conditioning harness	PRC8010	1



Body Electrics
Batteries & Harnesses
Harness & Link lead-From (V) DA274121 (2Dr) & (V) DA273923 (4Dr) 1/2

Range Rover (To HA610293)

(TS6398C)



Range Rover (To HA610293)

Harness & Link lead-From (V) DA274121 (2Dr) & (V) DA273923 (4Dr)

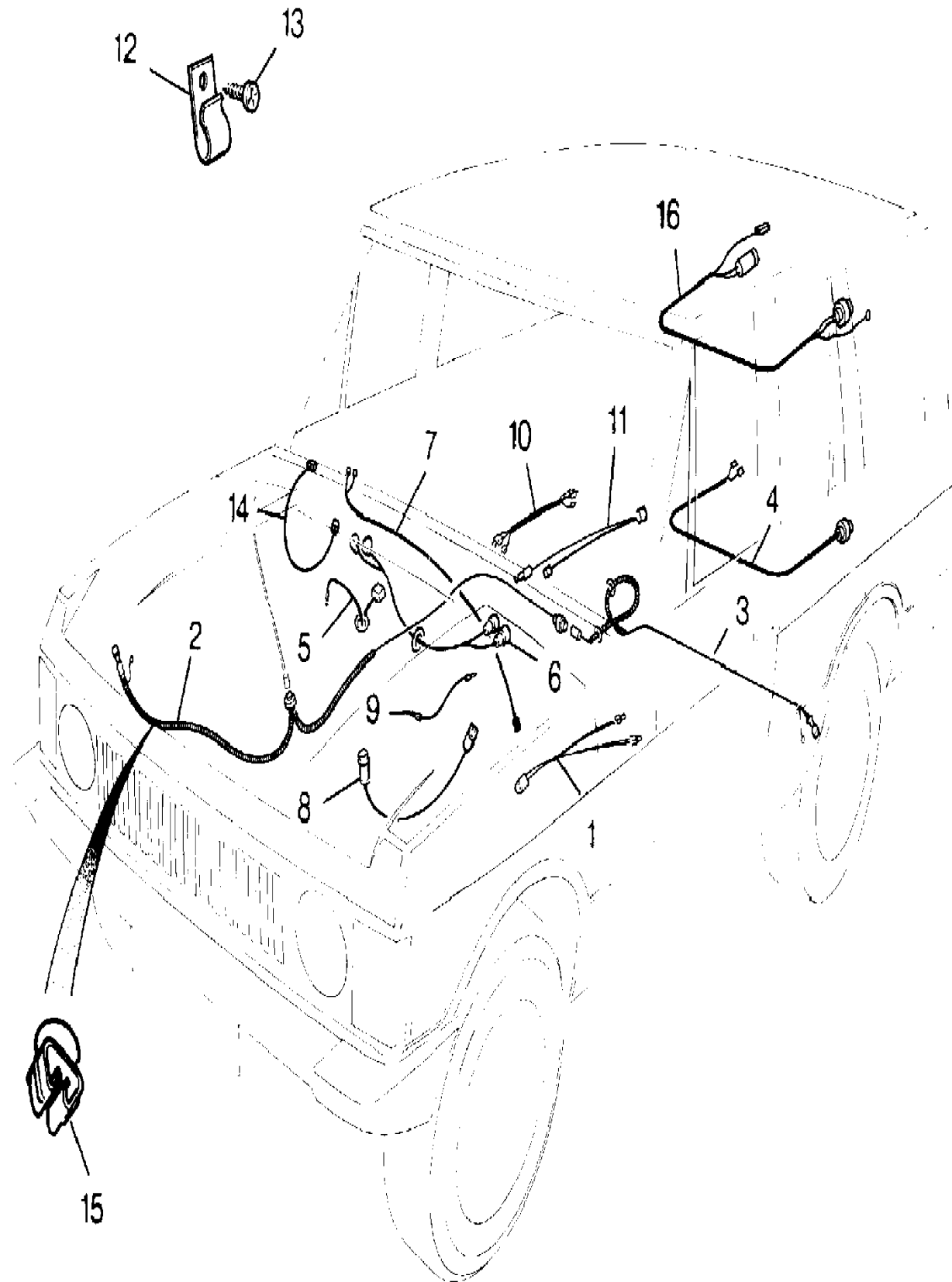
Body Electrics
Batteries & Harnesses

Callout	Name	Application	Remarks & Restrictions	Service No.	Qty
1	Cable-selector automatic transmission	Change point - VIN begin DA273923		PRC6180	1
2	Harness-pad wear	Change point - VIN begin DA273923, Change point - VIN end FA374641	Front	PRC6776	1
		Change point - VIN begin FA374642	Front	PRC8211	1
3	Harness-pad wear	Change point - VIN begin DA273923, Change point - VIN end FA399972	Rear, RH	PRC5910	1
		Change point - VIN begin GA399973	Rear	PRC8249	1
4	Lead link-fuel pump	Change point - VIN begin DA273923, Twin Carb		PRC5172	1
5	Lead-link-solenoid fuel shut off	Change point - VIN begin DA273923, With Petrol Engines, (-)"D"		PRC6282	1
		Change point - VIN begin DA273923, With Petrol Engines, (+)"D"		PRC5345	1
		Change point - VIN begin DA273923, With Diesel Engines		PRC5209	1
6	Lead-harness/ thermostat switch link	Change point - VIN begin DA273923		PRC6308	1
7	Harness-link	Change point - VIN begin DA273923, With Diesel Engines	low coolant level	PRC5942	1
8	Harness-link	Change point - VIN begin DA273923	to PDWA brake valve	PRC6225	1
9	Harness-link	Change point - VIN begin DA273923	to volt sensitive switch	PRC4530	1
10	Lead-extension	Change point - VIN begin DA273923	to cigar lighter, console	PRC6615	1
11	Harness-link	Change point - VIN end EA320337, Change point - VIN begin DA273923, With Catalyst	to inertia switch	PRC6294	1
		Change point - VIN begin EA320338, With Catalyst	to inertia switch	PRC6711	1
12	Clip-p	Change point - VIN begin DA273923	retaining body harness	PRC6525	1
13	Screw	Change point - VIN begin DA273923		PRC6518	1
14	Harness-link	Change point - VIN begin FA351847	to heated screen jets	PRC6974	1

Body Electrics
 Batteries & Harnesses
 Harness & Link lead-From (V) DA274121 (2Dr) & (V) DA273923 (4Dr) 2/2

Range Rover (To HA610293)

(TS6398C)



Range Rover (To HA610293)

Body Electrics
 Batteries & Harnesses
 Harness & Link lead-From (V) DA274121 (2Dr) & (V) DA273923 (4Dr)

Callout	Name	Application	Remarks & Restrictions	Service No.	Qty
15	Clip-harness	Change point - VIN begin DA273923	retaining harness pad wear, 14MM, 6mm hole	ADU8267	2
16	Harness-link	Change point - VIN begin DA273923, With Diesel Engines		PRC7943	1

Body Electrics
Batteries & Harnesses
Harness & Link Lead-To (V) CA274120 (2Dr) & (V) CA273922 (4Dr) 1/1

Range Rover (To HA610293)

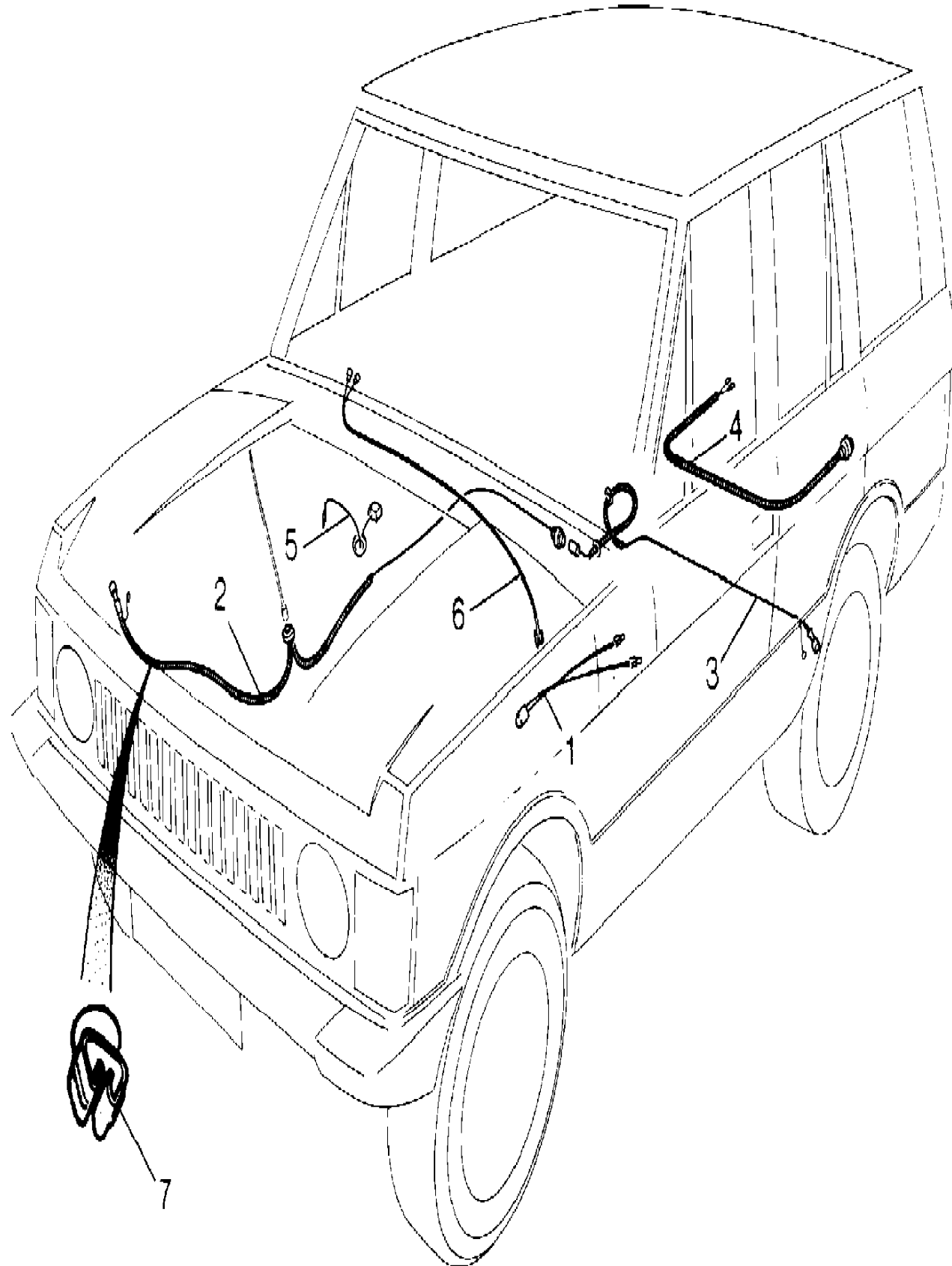
(TS5777A)

Range Rover (To HA610293)

Harness & Link Lead-To (V) CA274120 (2Dr) & (V) CA273922 (4Dr)

Body Electrics
Batteries & Harnesses

Callout	Name	Application	Remarks & Restrictions	Service No.	Qty
1	Cable-selector automatic transmission	Change point - VIN end CA274120		PRC5093	1
2	Harness-pad wear	Change point - VIN end CA274120	Front	PRC6776	1
3	Harness-pad wear	Change point - VIN end CA274120	sensor on LH rear wheel, Rear, LH	PRC4813	1
		Change point - VIN end CA274120	sensor on RH rear wheel, Rear, RH	PRC5910	1
4	Lead link-fuel pump	Change point - VIN end CA274120	carburettor models only	PRC5172	1
5	Lead-link-solenoid fuel shut off	Change point - VIN end CA274120, With Petrol Engines, (-)"D"		PRC5516	1
		Change point - VIN end CA274120, With Petrol Engines, (+)"D"		PRC5345	1
		Change point - VIN end CA274120, With Diesel Engines		PRC5209	1
6	Harness-link	Change point - VIN end CA274120, With Diesel Engines	low coolant level	PRC5942	1
7	Clip-harness	Change point - VIN end CA274120	retaining cable brake pad wear at wheelarch, 14MM, 6mm hole	ADU8267	2

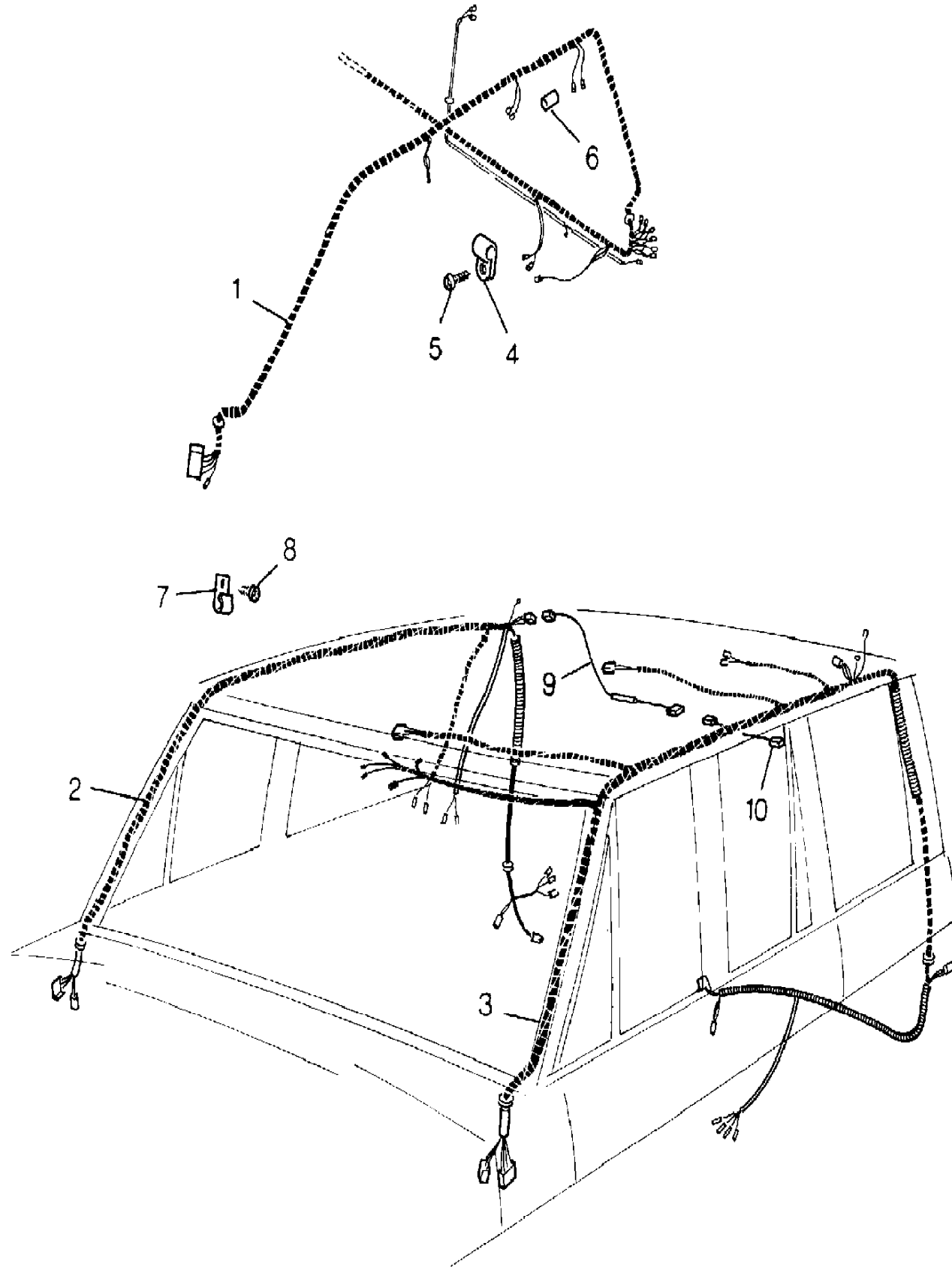


Range Rover (To HA610293)

(TS6505D)

Range Rover (To HA610293)

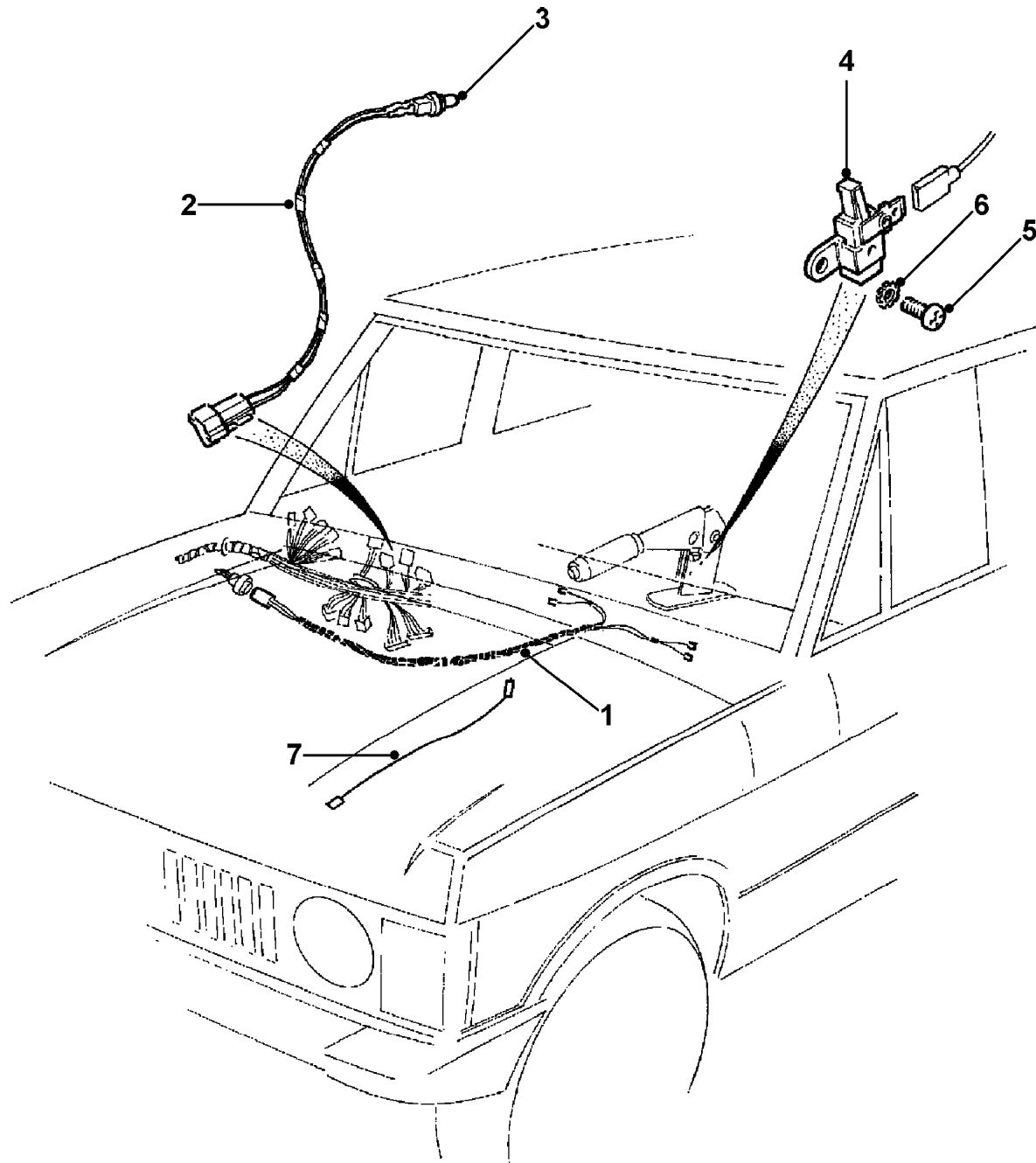
Callout	Name	Application	Remarks & Restrictions	Service No.	Qty
1	Harness body	Change point - VIN end CA274120		PRC5379	1
2	Harness body	Change point - VIN begin DA273923, Change point - VIN end DA297359	RH	PRC6009	1
		Change point - VIN begin DA297360, Change point - VIN end EA351846	RH	PRC7027	1
		Change point - VIN begin FA351847, Change point - VIN end FA399972	RH	PRC6935	1
		Change point - VIN begin HA464554, Less 49 State Requirements, (-)"J"	RH	PRC7126	1
		Change point - VIN begin HA464554, (+)"J"	RH	PRC8811	1
		Change point - VIN begin DA273923, Change point - VIN end DA297359	LH	PRC6275	1
3	Harness body	Change point - VIN begin DA297360, Change point - VIN end EA351846	LH	PRC6709	1
		Change point - VIN begin FA351847, Change point - VIN end FA399972	LH	PRC7450	1
		Change point - VIN begin HA464554, Less Sun Roof	LH	PRC8578	1
		Change point - VIN begin HA464554, With Sunroof	LH	PRC8579	1
		Change point - VIN begin FA351847, Change point - VIN end FA399972	3/8"	50639	6
4	Clip-p				
5	Screw		Self Tapping, No 8 x 3/8	AB608031L	6
6	Connector fit			AAU7392	1
7	Clip-p			PRC6525	5
8	Screw			PRC6518	5
9	Lead link	Change point - VIN begin DA297360, Change point - VIN end EA351846	to tailgate central locking	PRC6939	1
10	Suppressor assembly-noise distributor	Change point - VIN end GA414560	to tailgate central locking	PRC7472	1
		Change point - Chassis begin GA414561	to tailgate glass aerial	PRC8188	1



Body Electrics
Batteries & Harnesses

Range Rover (To HA610293)

Harness-G/box & Handbrake Switch-From (V) DA274121 (2Dr) & DA273923 (4Dr) To EA351032 1/1 (TS6397B)



D02.045
11-2002
L3
TS6397B

Body Electrics
Batteries & Harnesses

Range Rover (To HA610293)

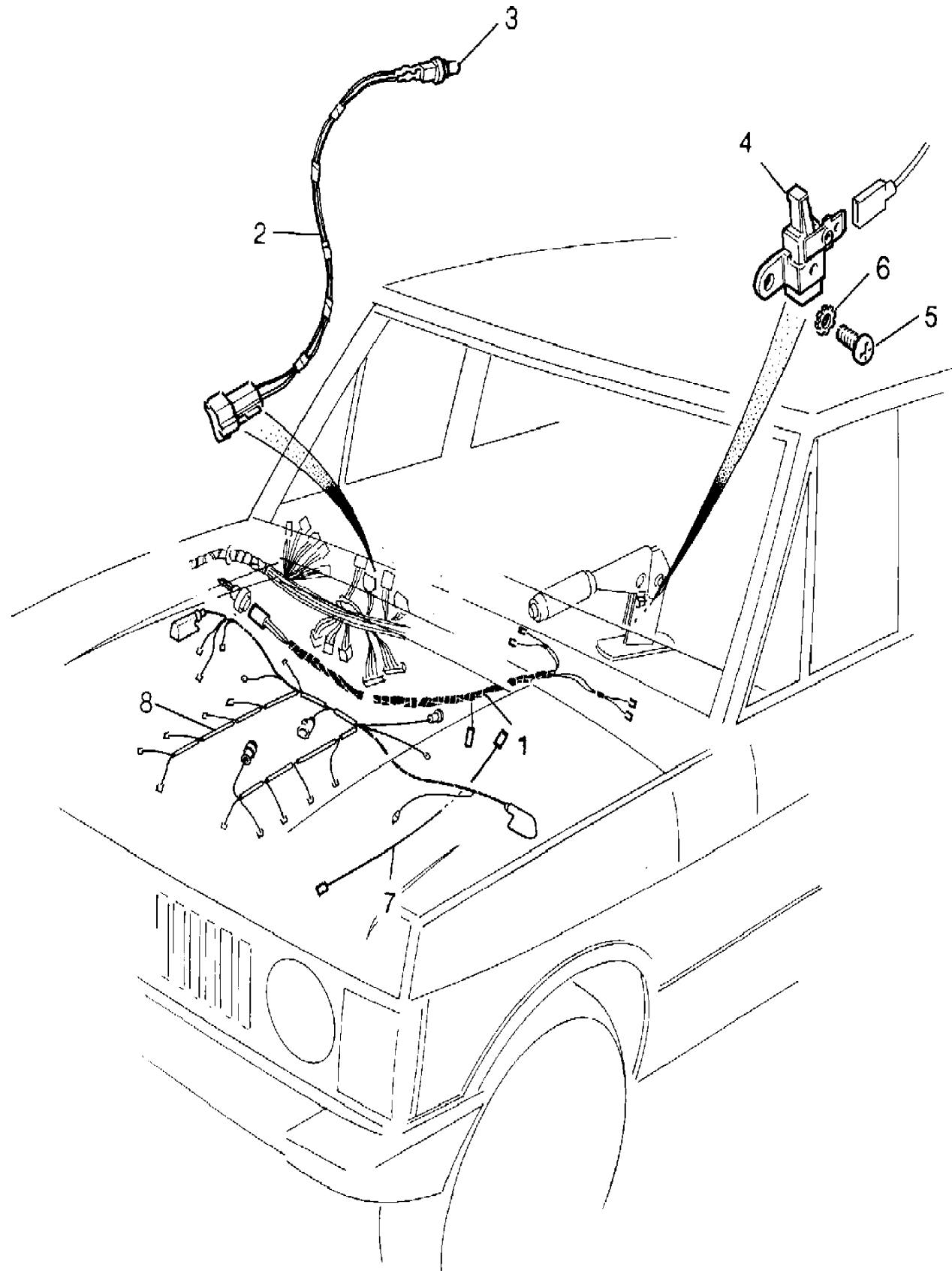
Harness-G/box & Handbrake Switch-From (V) DA274121 (2Dr) & DA273923 (4Dr) To EA351032

Callout	Name	Application	Remarks & Restrictions	Service No.	Qty
1	Harness-transmission	Change point - VIN end EA351032, Change point - VIN begin DA273923, Change point - Chassis end EA351032, Manual Transmission		PRC6390	1
		Change point - VIN end EA351032, Change point - VIN begin DA273923, Change point - Chassis end EA351032, Automatic Transmission, (-)"GCC"		PRC5996	1
		Change point - VIN end EA351032, Change point - VIN begin DA273923, Change point - Chassis end EA351032, Automatic Transmission, (+)"GCC"		PRC6286	1
2	Harness-link	Change point - VIN end EA351032, Change point - VIN begin DA273923, Change point - Chassis end EA351032	Handbrake Warning Light	PRC4355	1
3	Bulb-281-ba7s-2 Watt	Change point - VIN end EA351032, Change point - VIN begin DA273923, Change point - Chassis end EA351032		503352	1
4	Switch handbrake unit	Change point - VIN end EA351032, Change point - VIN begin DA273923		ADU2888L	1
		Change point - VIN begin DA274121, Change point - VIN end EA351032		EEP191L	1
5	Screw-pan	Change point - VIN end EA351032, Change point - VIN begin DA273923, Change point - Chassis end EA351032	M4 x 12	SE104121L	2
6	Washer- shakeproof	Change point - VIN end EA351032, Change point - VIN begin DA273923, Change point - Chassis end EA351032	M4	WE104001L	2
7	Harness-link	Change point - VIN end EA351032, Change point - VIN begin DA273923, Change point - Chassis end EA351032, With Petrol Engines	starter solenoid	PRC5208	1
		Change point - VIN end EA351032, Change point - VIN begin DA273923, Change point - Chassis end EA351032, With Diesel Engines	starter solenoid	PRC6001	1

Body Electrics
Batteries & Harnesses

Range Rover (To HA610293)

Harness-G/box & Handbrake Switch-From (V) DA274121 (2Dr) & DA273923 (4Dr) To EA351032 1/1 (TS6397A)



Body Electrics
Batteries & Harnesses

Range Rover (To HA610293)

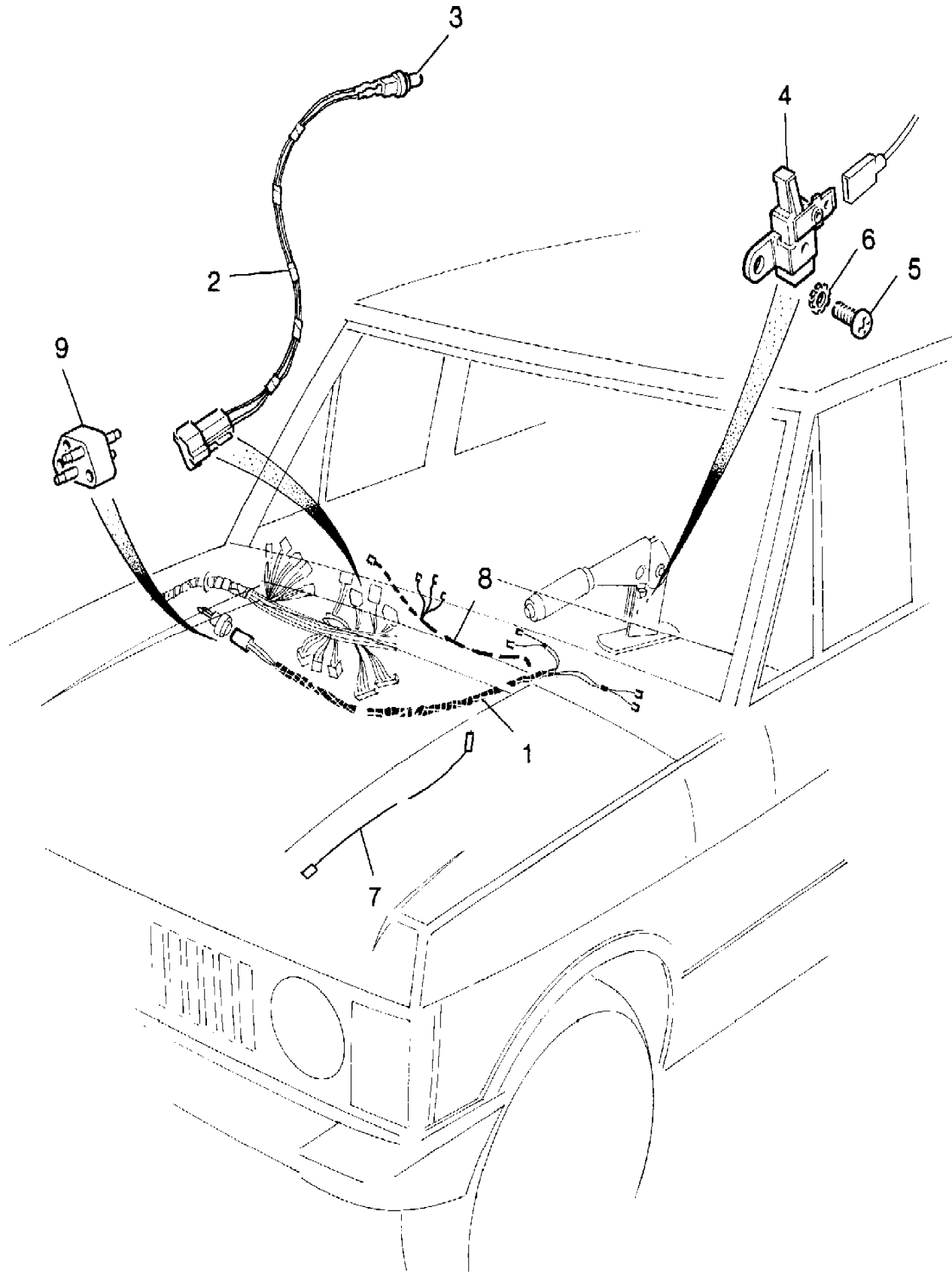
Harness-G/box & Handbrake Switch-From (V) DA274121 (2Dr) & DA273923 (4Dr) To EA351032

Callout	Name	Application	Remarks & Restrictions	Service No.	Qty
1	Harness-transmission	Change point - VIN begin FA351033, Manual Transmission		PRC6710	1
		Change point - VIN begin FA351033, Change point - VIN end FA399972, Automatic Transmission		PRC7125	1
		Change point - VIN begin FA351033, Change point - VIN end FA399972, Manual Transmission		PRC6202	1
		Change point - VIN begin GA399973, Manual Transmission		PRC8107	1
		Change point - VIN begin FA351033, Change point - VIN end FA399972, Automatic Transmission		PRC6203	1
		Change point - VIN begin GA399973, Automatic Transmission		PRC8053	1
		Change point - VIN begin FA351033		PRC4355	1
		Change point - VIN begin FA351033		503352	1
2	Harness-link	Change point - VIN begin FA351033		PRC4355	1
3	Bulb-281-ba7s-2 Watt	Change point - VIN begin FA351033		503352	1
4	Switch handbrake unit	Change point - VIN begin FA351033		ADU2888L	1
5	Screw-pan	Change point - VIN begin FA351033	M4 x 12	SE104121L	2
6	Washer- shakeproof	Change point - VIN begin FA351033	M4	WE104001L	2
7	Harness-link	Change point - VIN begin FA351033, With Petrol Engines	to starter solenoid	PRC5208	1
		Change point - VIN begin FA351033, Change point - VIN end FA399972, With Diesel Engines	to starter solenoid	PRC6001	1
		Change point - VIN begin GA399973, With Diesel Engines	to starter solenoid	PRC7928	1
8	Cable assembly cruise control	Change point - VIN begin FA351033, Change point - VIN end FA399972, LHD		PRC7162	1
		Change point - VIN begin GA399973, LHD		PRC8311	1
		Change point - VIN begin FA351033, Change point - VIN end HA604818, RHD		PRC8582	1
		Change point - VIN begin HA604819, RHD		PRC8857	1

Body Electrics
Batteries & Harnesses

Range Rover (To HA610293)

Harness-G/box & Handbrake Switch-To (V) CA274120 (2Dr) & (V) CA273922 (4Dr)
1/1 (TS6397)



Body Electrics
Batteries & Harnesses

Range Rover (To HA610293)

Harness-G/box & Handbrake Switch-To (V) CA274120 (2Dr) & (V) CA273922 (4Dr)

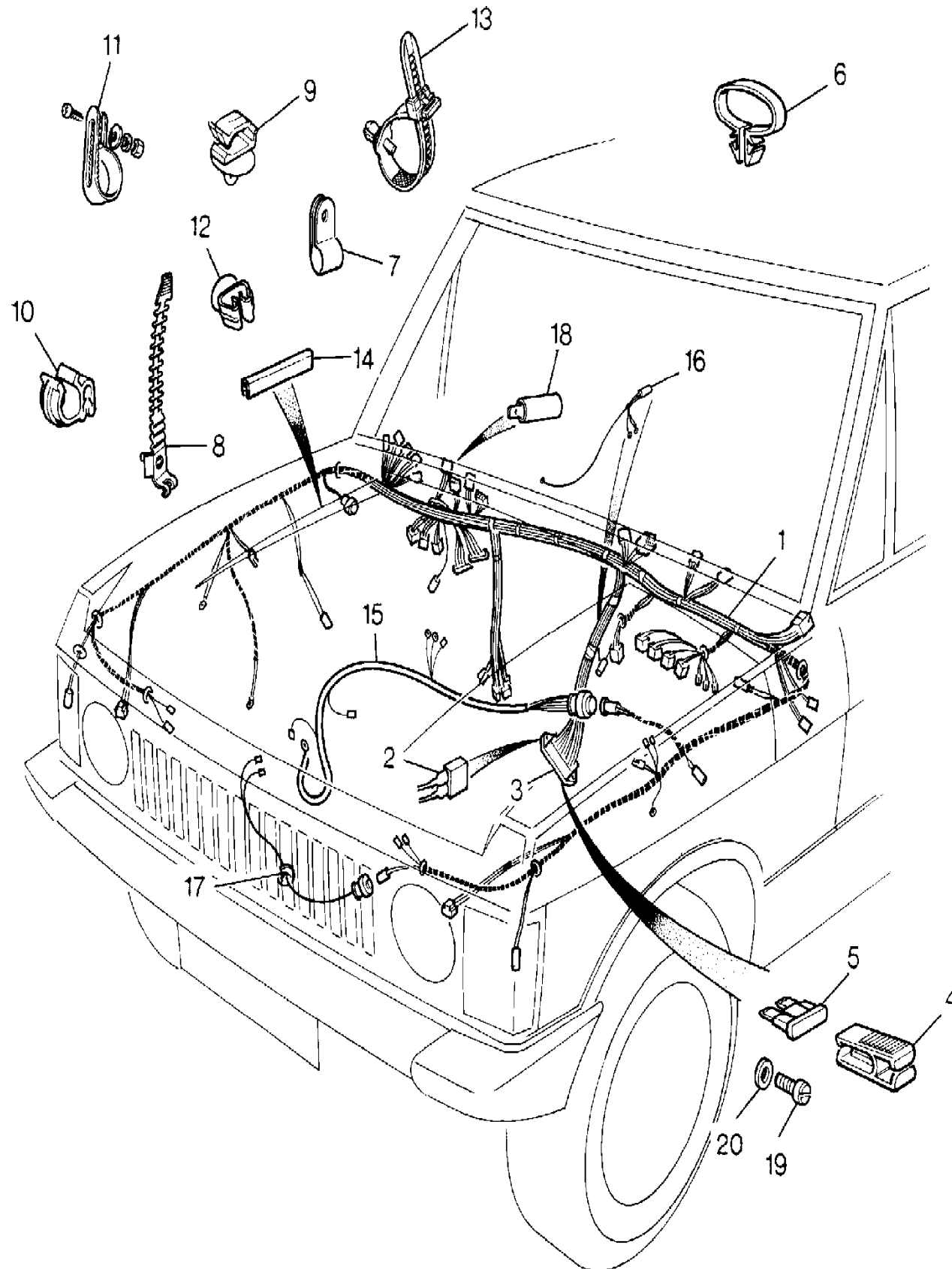
Callout	Name	Application	Remarks & Restrictions	Service No.	Qty
1	Harness-transmission	Change point - VIN end CA274120, Automatic Transmission		PRC4734	1
		Change point - VIN end CA274120, Manual Transmission		PRC5206	1
2	Harness-link	Change point - VIN end CA274120	Handbrake Warning Light	PRC4355	1
3	Bulb-281-ba7s-2 Watt	Change point - VIN end CA274120		503352	1
4	Switch handbrake unit	Change point - VIN end CA274120		ADU2888L	1
5	Screw-pan	Change point - VIN end CA273922	M4 x 12	SE104121L	2
6	Washer- shakeproof	Change point - VIN end CA274120	M4	WE104001L	2
7	Harness-link	Change point - VIN end CA274120, With Petrol Engines		PRC5208	1
		Change point - VIN end CA274120, With Diesel Engines		PRC5240	1
8	Plug	Change point - VIN end CA274120	fuel injector harness to main harness	PRC5092	1

Range Rover (To HA610293)

(TS5778C)

Range Rover (To HA610293)

Callout	Name	Application	Remarks & Restrictions	Service No.	Qty
6	Clip-omega		Blue., 6.5mm hole, 17 x 13mm	PRC5275	2
7	Clip-p		Black, Plastic, 13.6mm	AAU3715L	3
8	Tie-cable		97MM, Plastic, Adjustable, 24mm diameter, 6.4mm hole	ADU7981L	10
9	Clip-cable		8mm hole	AFU1090L	1
10	Clip-edge harness		12MM, Clear.	AFU1296	4
11	Clip-p		Black, Plastic, Adjustable, 11.0/20.0mm	C393771L	1
12	Clip-harness		14MM, 6mm hole 14.5MM, 6.5mm hole	ADU8267 ADU8363L	1 2
13	Tie-cable		Black, releasable, 7.5 x 145mm 6.5mm hole, 8.0 x 155mm	13H9727L AAU3686	2 6
14	Protector-edge			DRC1530	1
15	Harness Engine	Change point - VIN end CA274120, Twin Carburettor, (-)"D"	to carburettor	PRC5623	1
		Change point - VIN end CA274120, EFI, (-)"D"	to carburettor	PRC5622	1
		Change point - VIN end CA274120, With Petrol Engines, (+)"D"	with fuel cut off	PRC5258	1
		Change point - VIN end CA274120, With Diesel Engines, RHD		PRC5625	1
		Change point - VIN end CA274120, With Diesel Engines, LHD		PRC5626	1
		Change point - VIN begin DA273923, Twin Carburettor, (-)"D"	80 AMP	PRC6123	1
		Change point - VIN end EA351846, 3.5L EFI Petrol, (-)"D", Less Catalyst	80 AMP	PRC7005	1
		Change point - VIN begin FA351847, 3.5L EFI Petrol, (-)"D", Less Catalyst	80 AMP	PRC6662	1
		Change point - VIN begin DA273923, 3.5L EFI Petrol, (-)"D", With Catalyst	80 AMP	PRC7006	1
		Change point - VIN begin GA399973, 3.9L EFI Petrol, (-)"D"	80 AMP	PRC7919	1
		Change point - VIN begin DA273923, Diesel 2.4, RHD		PRC7007	1

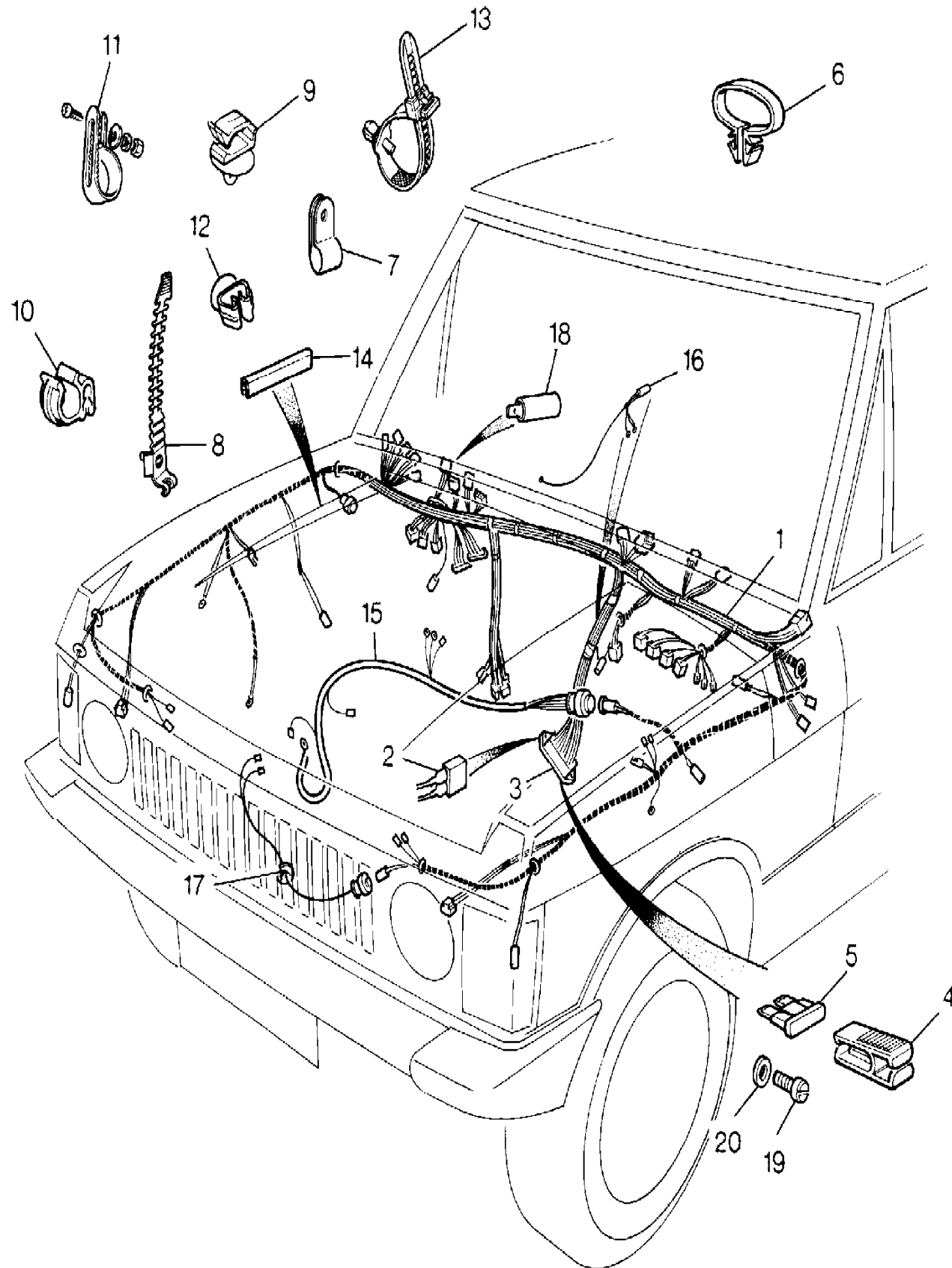


Range Rover (To HA610293)

(TS5778C)

Range Rover (To HA610293)

Callout	Name	Application	Remarks & Restrictions	Service No.	Qty
15	Harness Engine	Change point - VIN begin DA273923, Diesel 2.4, LHD		PRC7008	1
		Change point - VIN begin DA273923, Diesel 2.5, LHD		PRC7945	1
		Change point - VIN begin DA273923, Diesel 2.5, RHD		PRC7946	1
16	Harness-link	Diesel 2.4, RHD	to glow plugs	PRC5111	1
		Diesel 2.4, LHD	to glow plugs	PRC6389	1
		Change point - VIN end HA601870, Diesel 2.5, RHD	to glow plugs	PRC7857	1
		Change point - VIN begin HA601871, Diesel 2.5, RHD	to glow plugs	PRC8806	1
		Change point - VIN end HA601661, Diesel 2.5, LHD	to glow plugs	PRC7856	1
		Change point - VIN begin HA601662, Diesel 2.5, LHD	to glow plugs	PRC8807	1
		Change point - VIN end CA274120, Diesel 2.5, LHD	to glow plugs	PRC5110	1
17	Harness-link	Manual Transmission 3.5L, Automatic Transmission	to oil temperature switch	PRC4053	1
		Change point - VIN end GA451797, 3.9L, Automatic Transmission	to oil temperature switch	PRC4204	1
		Change point - VIN begin GA451798, 3.9L, Automatic Transmission	to oil temperature switch	PRC7292	1
		Change point - VIN end CA274120, Diesel 2.5, LHD	to oil temperature switch	PRC8475	1
18	Diode Assy	Change point - VIN end CA274120	Pektron	AAU5034	1
19	Screw-pan		fixing fusebox	SP105101L	2
20	Washer		fixing fusebox, M5, Plain, Standard	WA105001L	2
[900]	Tube	EFI	protection engine harness	PRC5007	1
[901]	Resistor Assy	Change point - VIN begin DA273923	in line	PRC5961	1



Body Electrics
Batteries & Harnesses
Harness-Safety-Audible Warning-Saudi Arabia Only 1/2

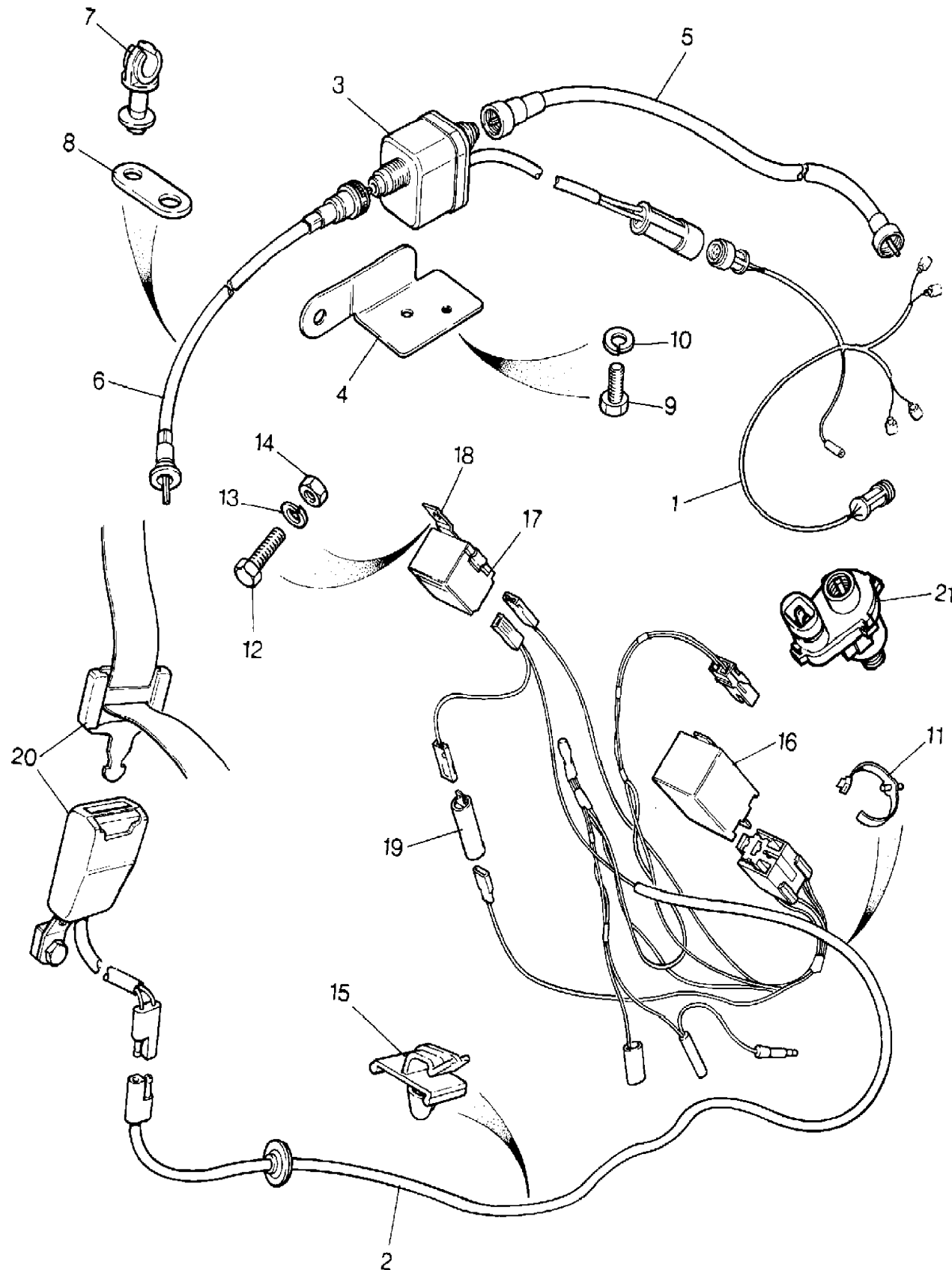
Range Rover (To HA610293)

(TS6243B)

Body Electrics
Batteries & Harnesses

Range Rover (To HA610293)

Harness-Safety-Audible Warning-Saudi Arabia Only
(+) "GCC"



Callout	Name	Application	Remarks & Restrictions	Service No.	Qty
1	Harness-transmission	Automatic Transmission Manual Transmission		PRC6286 PRC6390	1 1
2	Harness-link	Change point - VIN end CA273922 Change point - VIN end EA320337 Change point - VIN begin EA320338	seat belt & overspeed warning seat belt & overspeed warning seat belt & overspeed warning	PRC4314 PRC6124 PRC6972	1 1 1
3	Transducer speed			PRC5956	1
4	Bracket speed transducer			PRC6617	1
5	Cable Assy - Speedometer Drive		instruments to transducer	PRC6278	1
6	Cable Assy - Speedometer Drive		transducer to gearbox	PRC6320	1
7	Clip		Pipe, Single	PRC3180	1
8	Bracket-clipping		Steel	PRC2979	1
9	Screw		M5	SE105101L	1
10	Washer		M5, starlock	WF105001L	1
11	Tie-cable		Black, releasable, 7.5 x 145mm	13H9727L	2
12	Screw		M5 x 16	257017	2
13	Washer-Spring		3/16 dia, Square	WM702001L	2
14	Nut - Hex.		UNF	257023	2
15	Clip-harness			AFU2881	1
16	Monitor unit- overspeed		Black	PRC4268	1
17	Buzzer passive restraint			PRC4299	1
18	Clip-Retaining			PRC4304	1
19	Diode Assy		Pektron	AAU5034	1
20	Seat belt assembly-passive front	2 Door Station Wagon 4 Door Station Wagon	audible audible, Brushwood Flint Grey, audible non audible, Brushwood	MUC2396 RTC6098AMV RTC6098LCG RTC6097AMV	1 1 1 1

Body Electrics
Batteries & Harnesses
Harness-Safety-Audible Warning-Saudi Arabia Only 2/2

Range Rover (To HA610293)

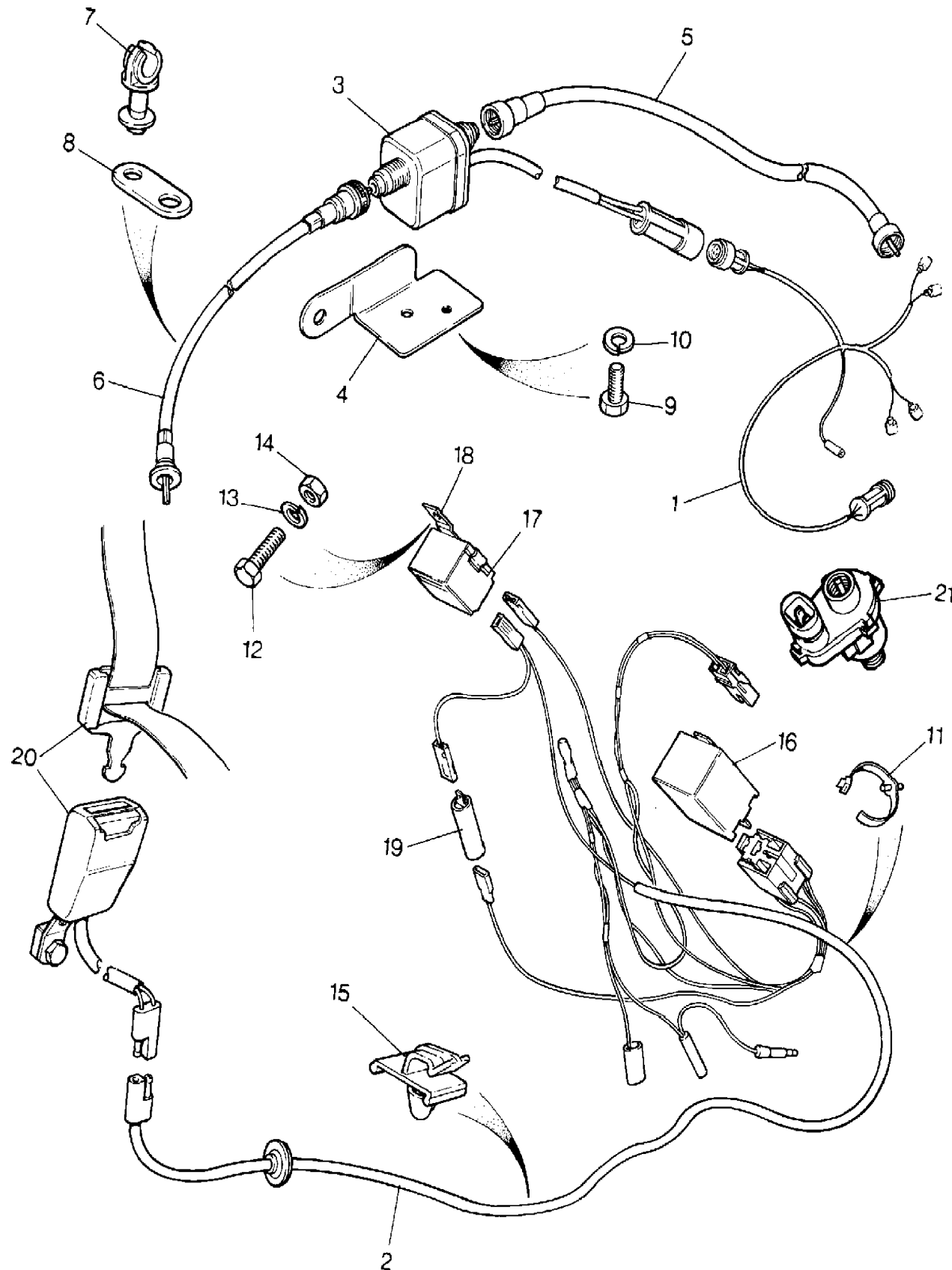
(TS6243B)

Body Electrics
Batteries & Harnesses

Range Rover (To HA610293)

Harness-Safety-Audible Warning-Saudi Arabia Only
(+)"GCC"

Callout	Name	Application	Remarks & Restrictions	Service No.	Qty
20	Seat belt assembly-passive front		Flint Grey, non audible	RTC6097LCG	1
21	Sensor-speed	Change point - VIN end CA273922		PRC4497	1
[900]	Nut - Hex.		UNF	HN2005L	2



Body Electrics
Batteries & Harnesses
Harness-Window Lift & Central Locking-Front 2 Door 1/1

Range Rover (To HA610293)

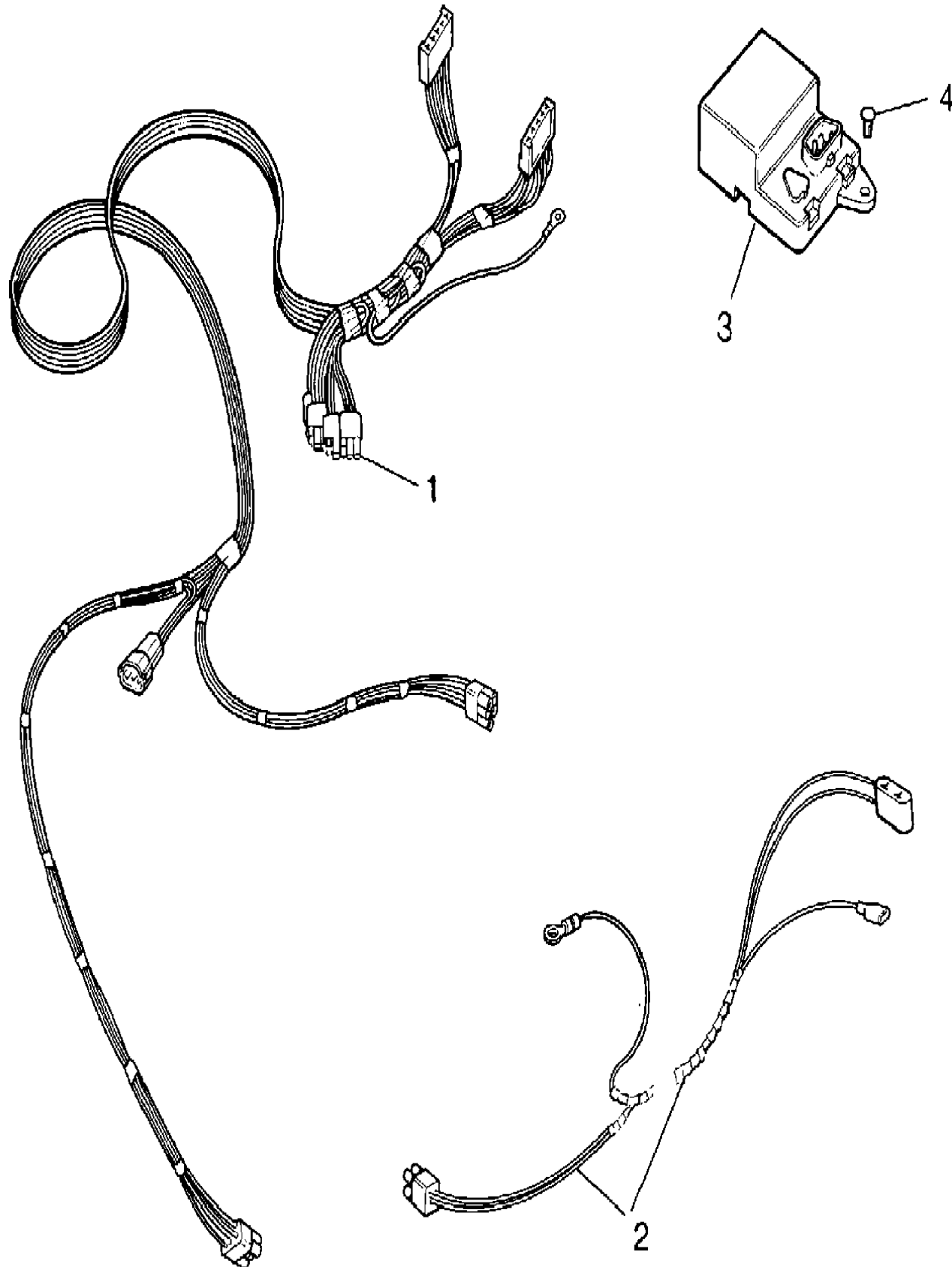
(TS6531)

Body Electrics
Batteries & Harnesses

Range Rover (To HA610293)

Harness-Window Lift & Central Locking-Front 2 Door
2 Door Station Wagon

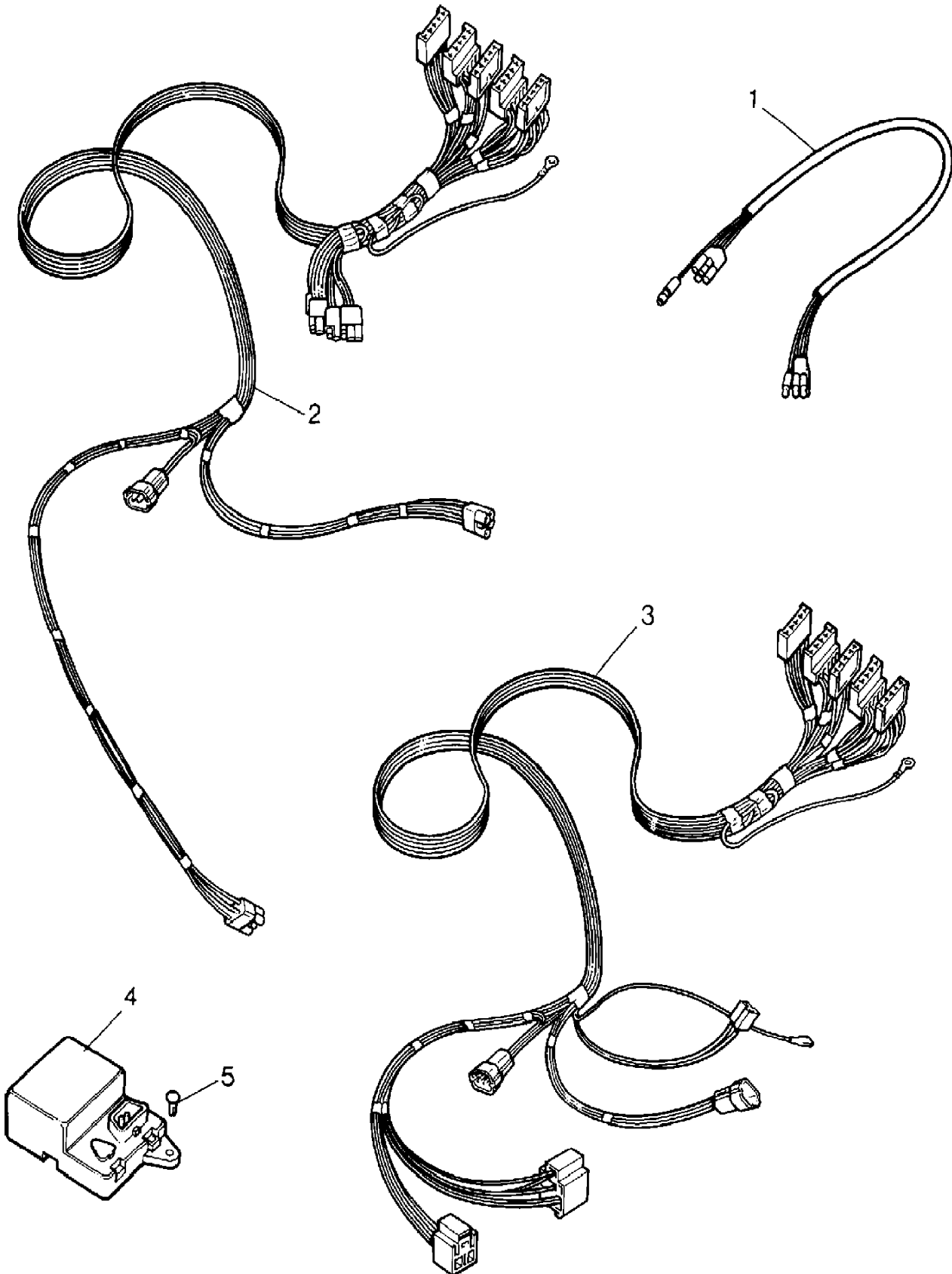
Callout	Name	Application	Remarks & Restrictions	Service No.	Qty
1	Harness-window lift	Change point - VIN begin FA351847, Change point - VIN end FA399972 Change point - VIN begin GA399973		PRC7025	1
				PRC7800	1
2	Harness-link	Change point - VIN begin FA351847	to cubby box & cigar lighter	PRC7250	1
3	Control unit electric window lift-one touch	Change point - VIN begin FA351847		PRC6859	1
4	Rivet-plastic-snap in	Change point - VIN begin FA351847	retaining control unit	MUC6587	2



Body Electrics
Batteries & Harnesses
Harness-Window Lift & Central Locking-Front 2 Door 1/1

Range Rover (To HA610293)

(TS6532)



Range Rover (To HA610293)

Body Electrics
Batteries & Harnesses
Harness-Window Lift & Central Locking-Front 2 Door
4 Door Station Wagon

Callout	Name	Application	Remarks & Restrictions	Service No.	Qty
1	Harness-central door locking		Driver Passenger	PRC4719 PRC4721	1 1
2	Harness-window lift	Change point - VIN end CA273922 Change point - VIN begin DA273923, Change point - VIN end EA351846		PRC4717 PRC5799	1 1
3	Harness-window lift	Change point - VIN begin FA351847, Change point - VIN end FA399972 Change point - VIN begin GA399973		PRC7024 PRC7799	1 1
4	Control unit electric window lift-one touch	Change point - VIN begin FA351847		PRC6859	1
5	Rivet-plastic-snap in	Change point - VIN begin FA351847		MUC6587	2

Body Electrics
Batteries & Harnesses
Harness-Window Lift & Central Locking-Front 2 Door 1/1

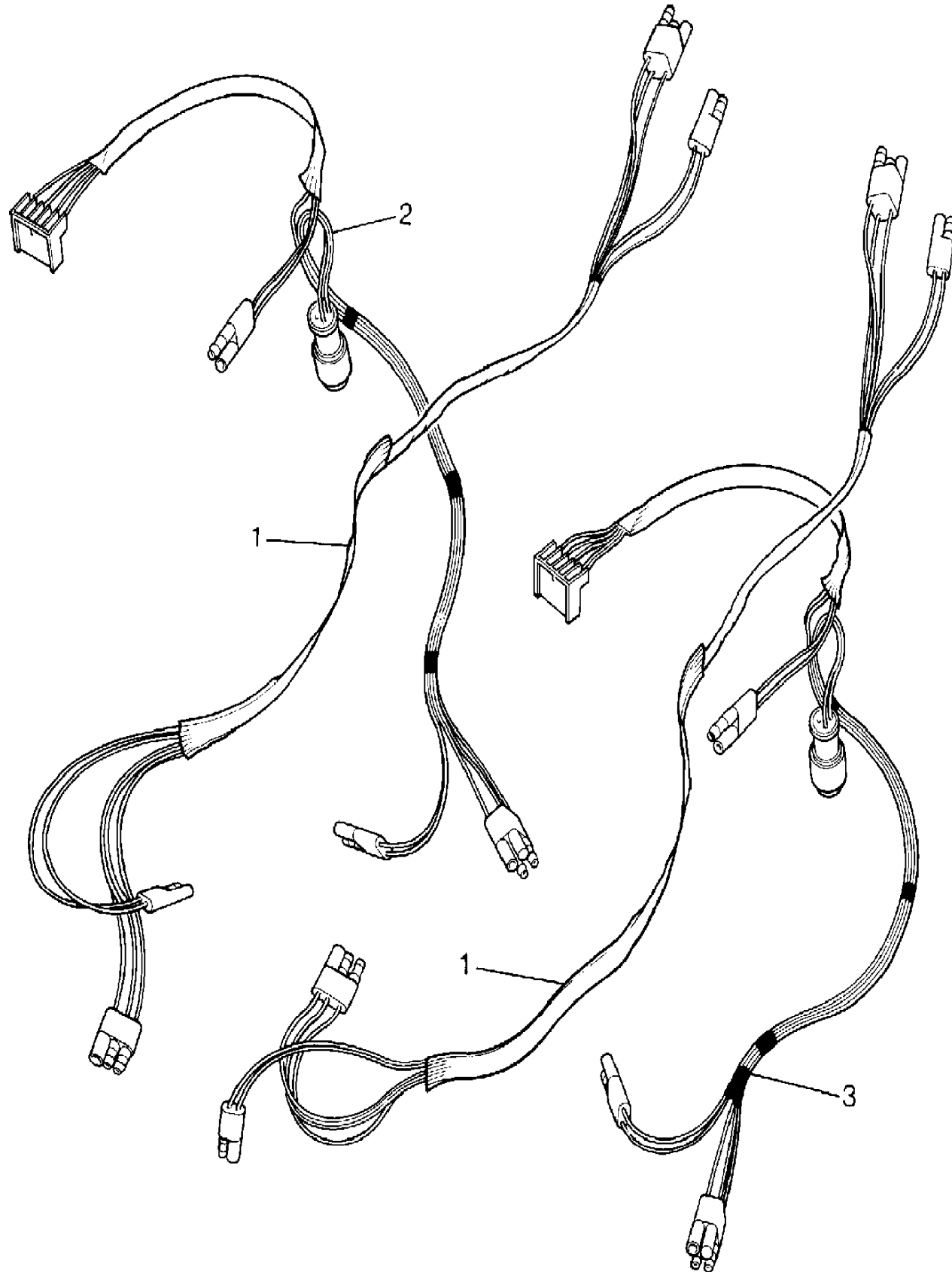
Range Rover (To HA610293)

(TS5331)

Range Rover (To HA610293)

Body Electrics
Batteries & Harnesses
Harness-Window Lift & Central Locking-Front 2 Door
4 Door Station Wagon

Callout	Name	Application	Remarks & Restrictions	Service No.	Qty
1	Harness-link	Change point - VIN end EA351846	electric window switch to B.C. post	PRC4581	2
2	Harness-link	Change point - VIN end EA351846	to LH rear door	PRC4722	1
3	Harness-link	Change point - VIN end EA351846	to RH rear door	PRC4723	1



Body Electrics
Batteries & Harnesses
Harness-Window Lift & Central Locking-Front 2 Door 1/1

Range Rover (To HA610293)

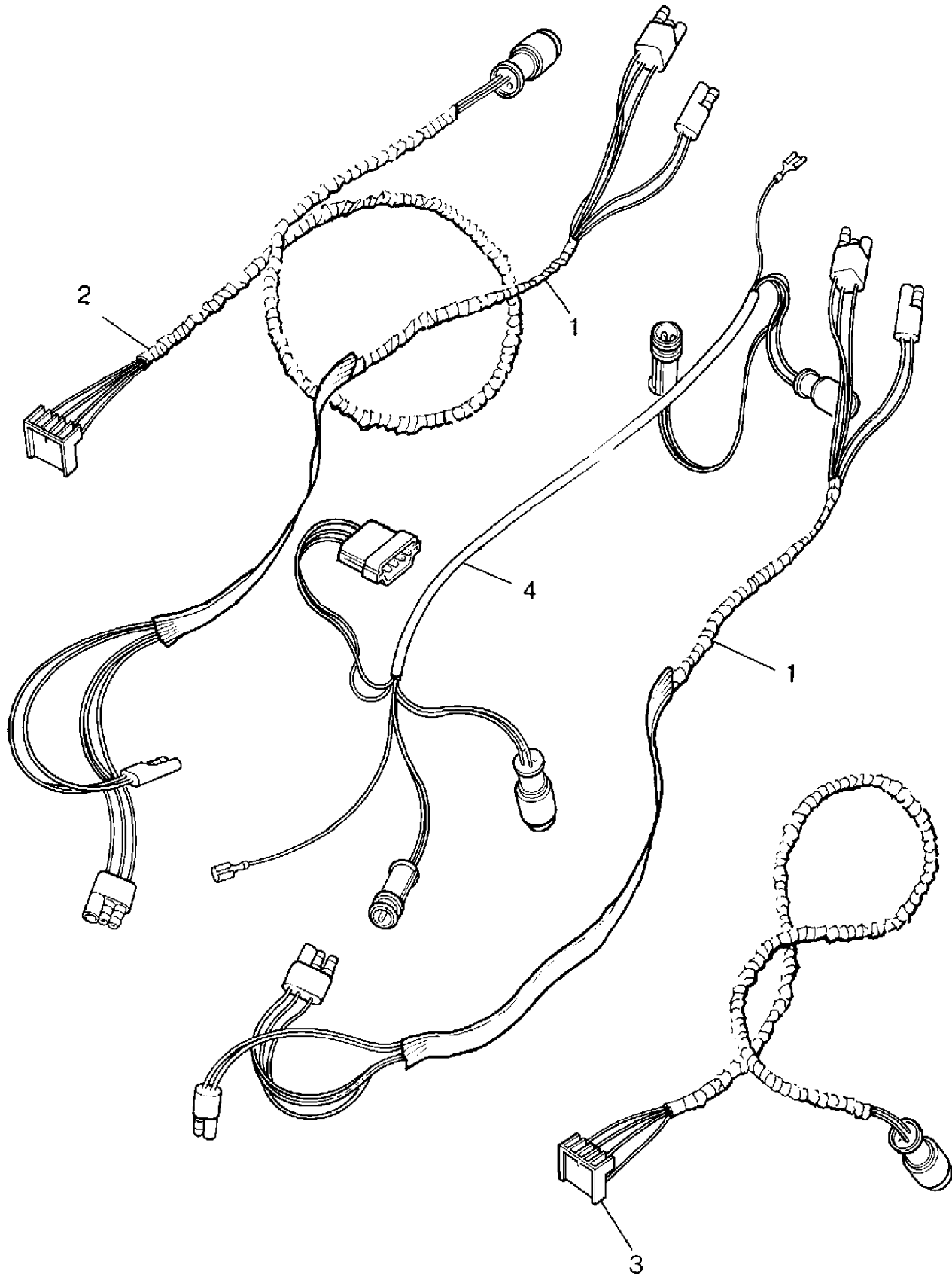
(TS6526)

Body Electrics
Batteries & Harnesses

Range Rover (To HA610293)

Harness-Window Lift & Central Locking-Front 2 Door
4 Door Station Wagon

Callout	Name	Application	Remarks & Restrictions	Service No.	Qty
1	Harness rear door	Change point - VIN begin FA351847, Change point - VIN end FA399972	electric window switch & central locking to BC post	PRC7912	2
		Change point - VIN begin GA399973	electric window switch & central locking to BC post	PRC8093	2
2	Harness rear door	Change point - VIN begin FA351847	LH	PRC7170	1
3	Harness rear door	Change point - VIN begin FA351847	RH	PRC7169	1
4	Harness-link	Change point - VIN begin FA351847, Change point - VIN end FA399972	electric window lift & door lift switches LH & RH doors	PRC7911	1
		Change point - VIN begin GA399973, Change point - VIN end GA440798	electric window lift & door lift switches LH & RH doors	PRC8108	1
		Change point - VIN begin GA440799	electric window lift & door lift switches LH & RH doors	PRC8398	1

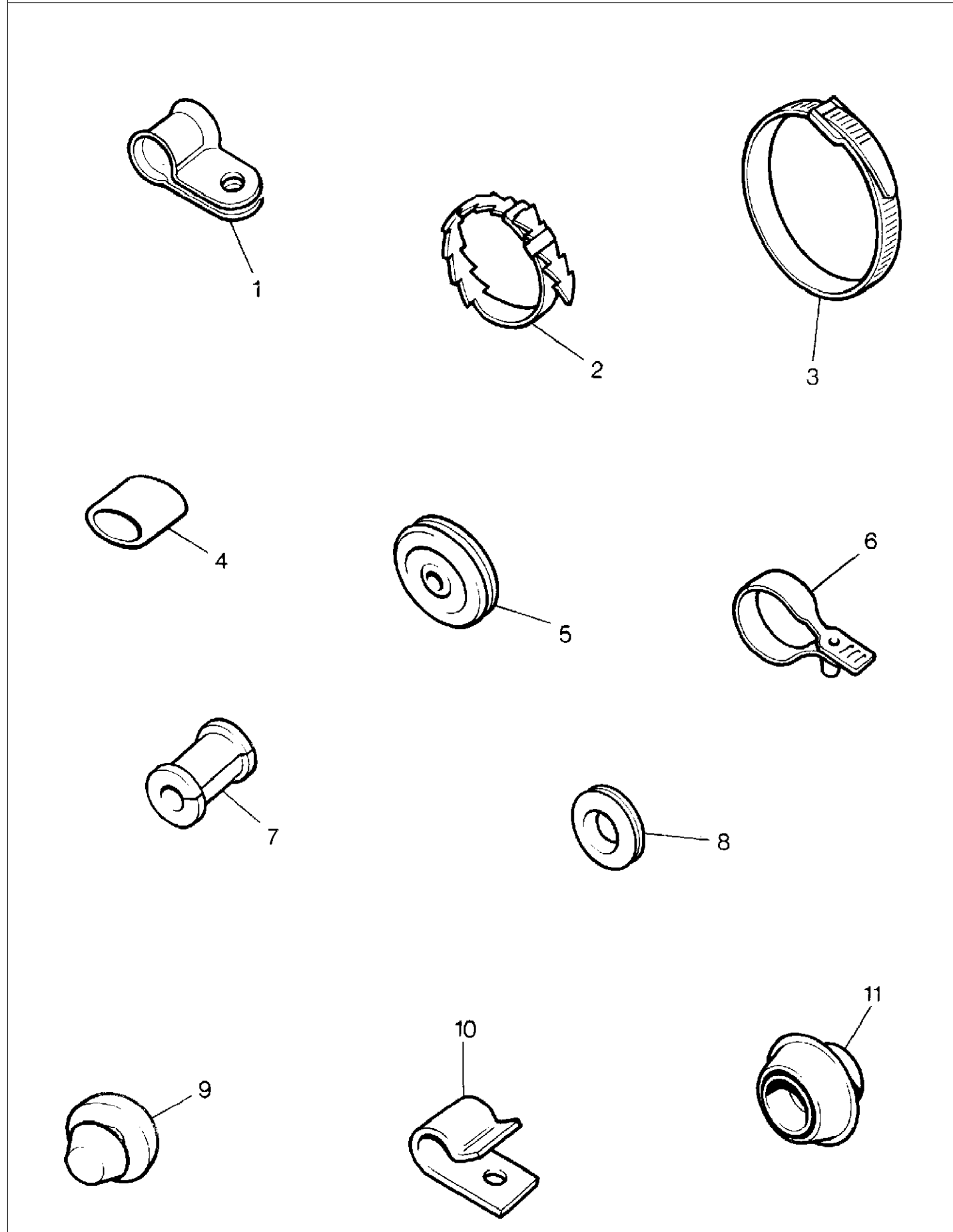


Body Electrics
Cable Clips, Ties & Grommets
Cable Clips 1/1

Range Rover (To HA610293)
(TS5663)

Body Electrics
Cable Clips, Ties & Grommets
Cable Clips

Range Rover (To HA610293)



Callout	Name	Application	Remarks & Restrictions	Service No.	Qty
1	Clip-p		7/16", 13/64" hole 3/8" 5/8" 3/4" 13/64" hole, 7/8" 1" 5/16" hole, 1/2" 5/16" hole, 7/8" 5/16" 3/8" hole, 1/2"	56666 50639 56667 AEU1446 50690 AEU1452 AEU1581 AEU1447 BAU1689 589806	X X X X X X X X X X
2	Fastener-fir tree		2 1/4" 3 1/4" 6 1/4"	RTC222 240429 240431	X X X
5	Grommet		Black, cable, 3 x 25.5mm	235113 233243	X X
6	Clip			567817	X
7	Grommet		Rubber, 17/64" hole 17/32" hole	6860L 589254	X X
8	Grommet			219680	X
9	Plug		13/32" 3/8"	73198 307220	X X
10	Clip-cable		LH Steel, 14.5MM, 25/64" hole	239600 240407	X X
11	Plug-blanking		8MM, Plastic 9.5MM, Plastic Plastic, 13MM Plastic, 16MM Plastic, 19MM Plastic, 20.5MM 25.5MM, Plastic Plastic, 32MM Plastic, 41.5mm	338029 338013 338015 338018 338020 338021 338023 BD155888 AFU2627	X X X X X X X X X

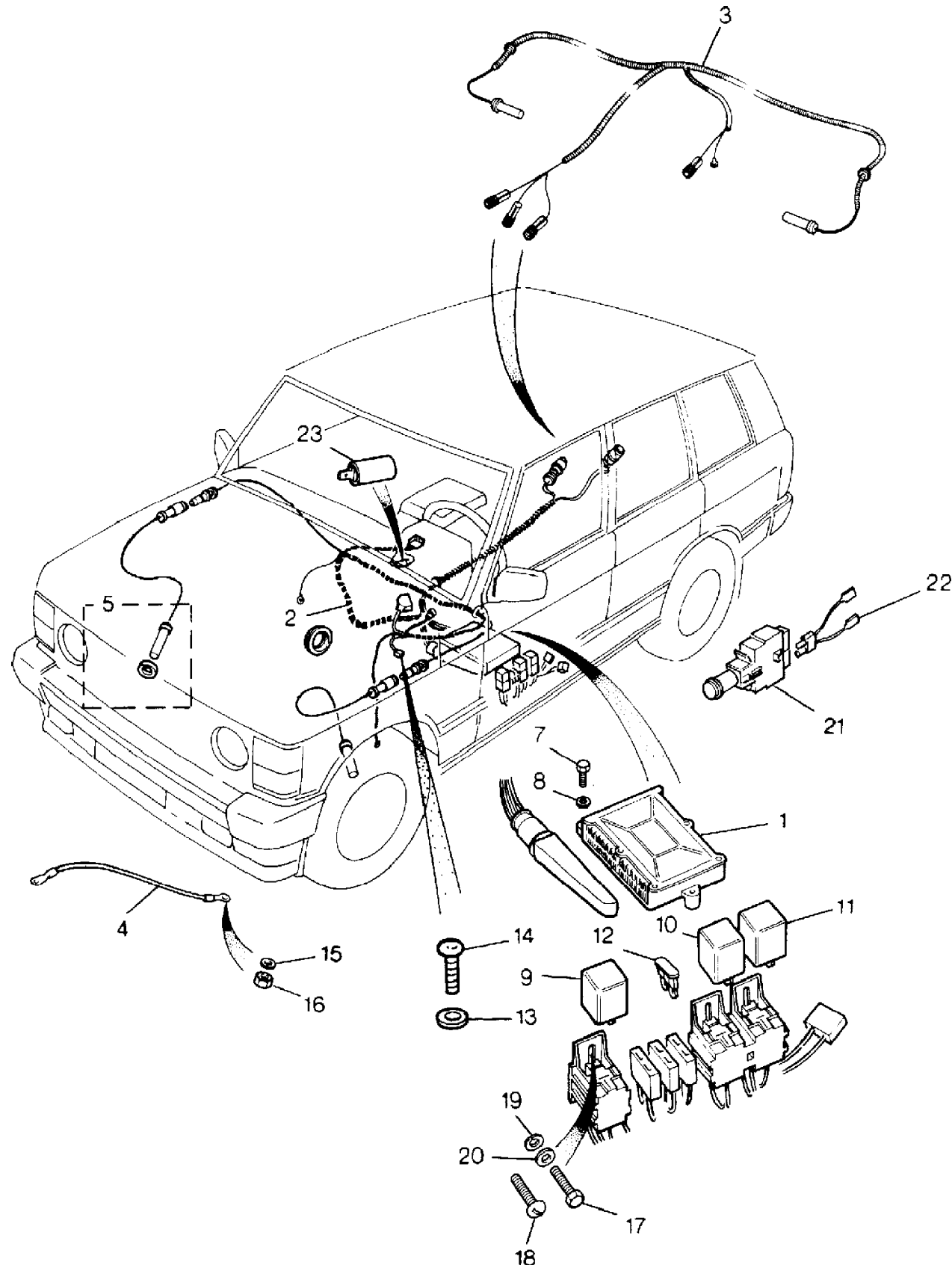
Range Rover (To HA610293)

(TS6415A)

Range Rover (To HA610293)

All Wheel Anti-Lock Braking System

Callout	Name	Application	Remarks & Restrictions	Service No.	Qty
1	Electric control unit antilock brakes	Change point - VIN begin GA399973		RTC6497	1
2	Harness-antilock brake system	Change point - VIN begin GA399973, Change point - VIN end GA422292, RHD Change point - VIN begin GA422293, Change point - VIN end GA450597, RHD Change point - VIN begin GA450598, Change point - VIN end GA464553, RHD Change point - VIN begin HA464554, RHD Change point - VIN begin GA399973, Change point - VIN end GA422292, LHD Change point - VIN begin GA422293, Change point - VIN end GA450600, LHD Change point - VIN begin GA450601, Change point - VIN end GA464553, LHD Change point - VIN begin HA464554, LHD		PRC8290 PRC8297 PRC8304 PRC8866 PRC8291 PRC8296 PRC8303 PRC8865	1 1 1 1 1 1 1 1
3	Harness-pad wear	Change point - VIN begin GA399973	Also serviced as part of a kit	PRC8543	1
4	Strap earth			PRC7388	1
5	Kit-antilock brake system sensor		Front	STC90	2
6	Grommet-harness doors			BMK1714	1
7	Screw		fixing control unit, pan head, recessed, M5 x 30	SE105301L	3
8	Washer		M5, Plain, Standard	WA105001L	3
9	Relay		change over, Blue.	PRC8531	1
10	Relay		ABS pump, Black	PRC9603	1
11	Relay		normally open, Black	PRC9603	1
12	Fuse		5 AMP, AUTO, Standard 10 AMP, AUTO, Standard 30 AMP	RTC4497 RTC4501 PRC7498	2 2 1
13	Washer-Plain		earth lead to tunnel	WC702101L	1



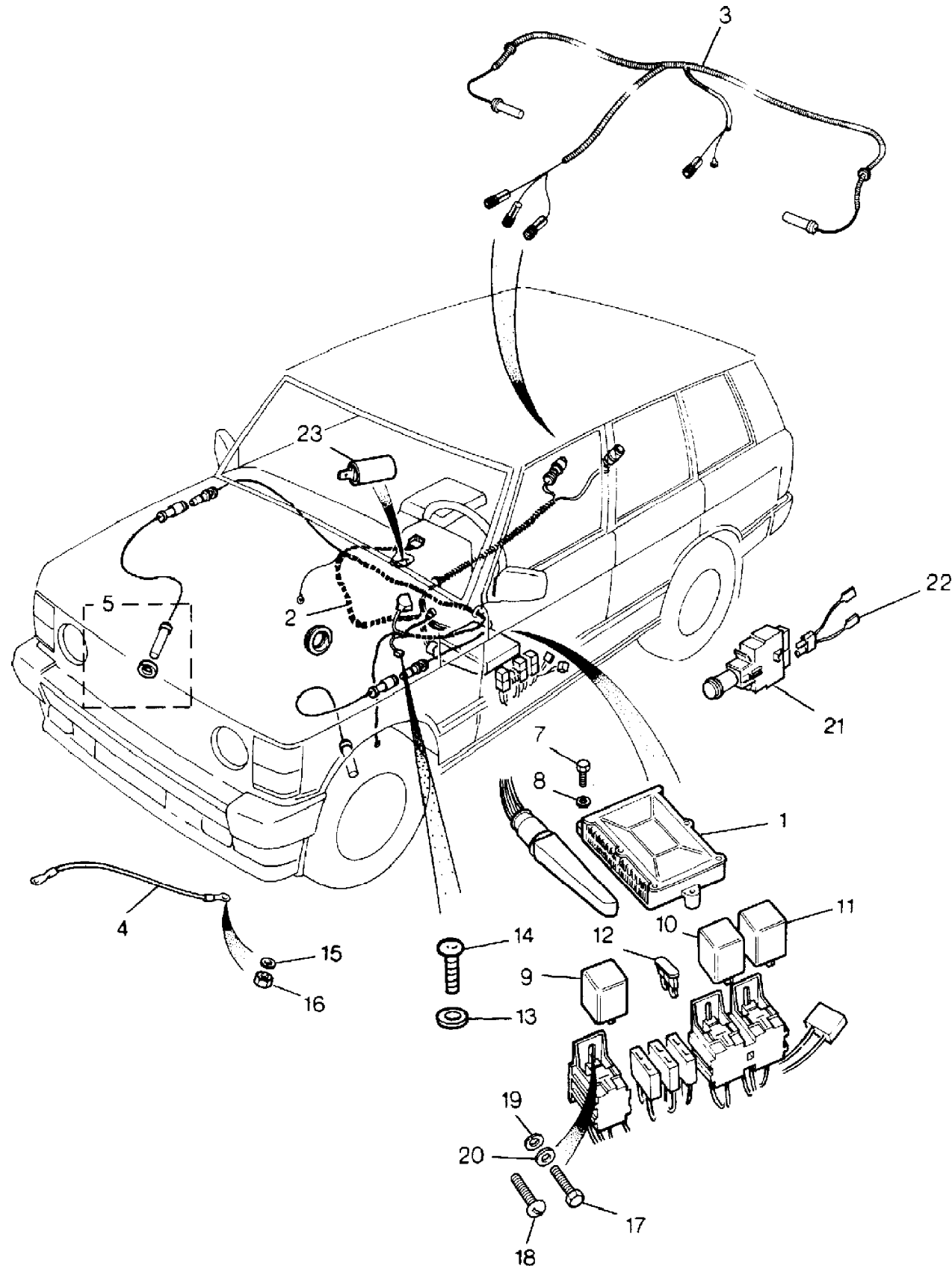
Range Rover (To HA610293)

(TS6415A)

Range Rover (To HA610293)

All Wheel Anti-Lock Braking System

Callout	Name	Application	Remarks & Restrictions	Service No.	Qty
14	Screw		earth lead to tunnel, Self Tapping, No 8 x 3/8	AB608031L	1
15	Washer		earth strap to booster, 6MM	WA106041L	1
16	Nut - Hex.		earth strap to booster, M6, nyloc, Hexagonal	NH106041L	1
17	Screw		fixing relay, M5 X 10, hexagonal head fixing relay, M6 X 12, hexagonal head	SH105101L SH106121L	1 1
18	Screw		fixing relay	AV608081	1
19	Washer		fixing relay, M5, Plain, Standard fixing relay, 6MM	WA105001L WA106041L	1 2
20	Washer		fixing relay, M6, sprung	WL106001L	2
21	Switch assembly-pressure antilock brakes			PRC7870	1
22	Harness-link		brake light switch	PRC7929	1
23	Diode Assy		Pektron	AAU5034	1
[900]	Kit sensor unit	Change point - VIN begin GA399973 Change point - VIN begin GA399973	Also serviced as part of a kit, RH Also serviced as part of a kit, LH	RTC6743 RTC6742	1 1



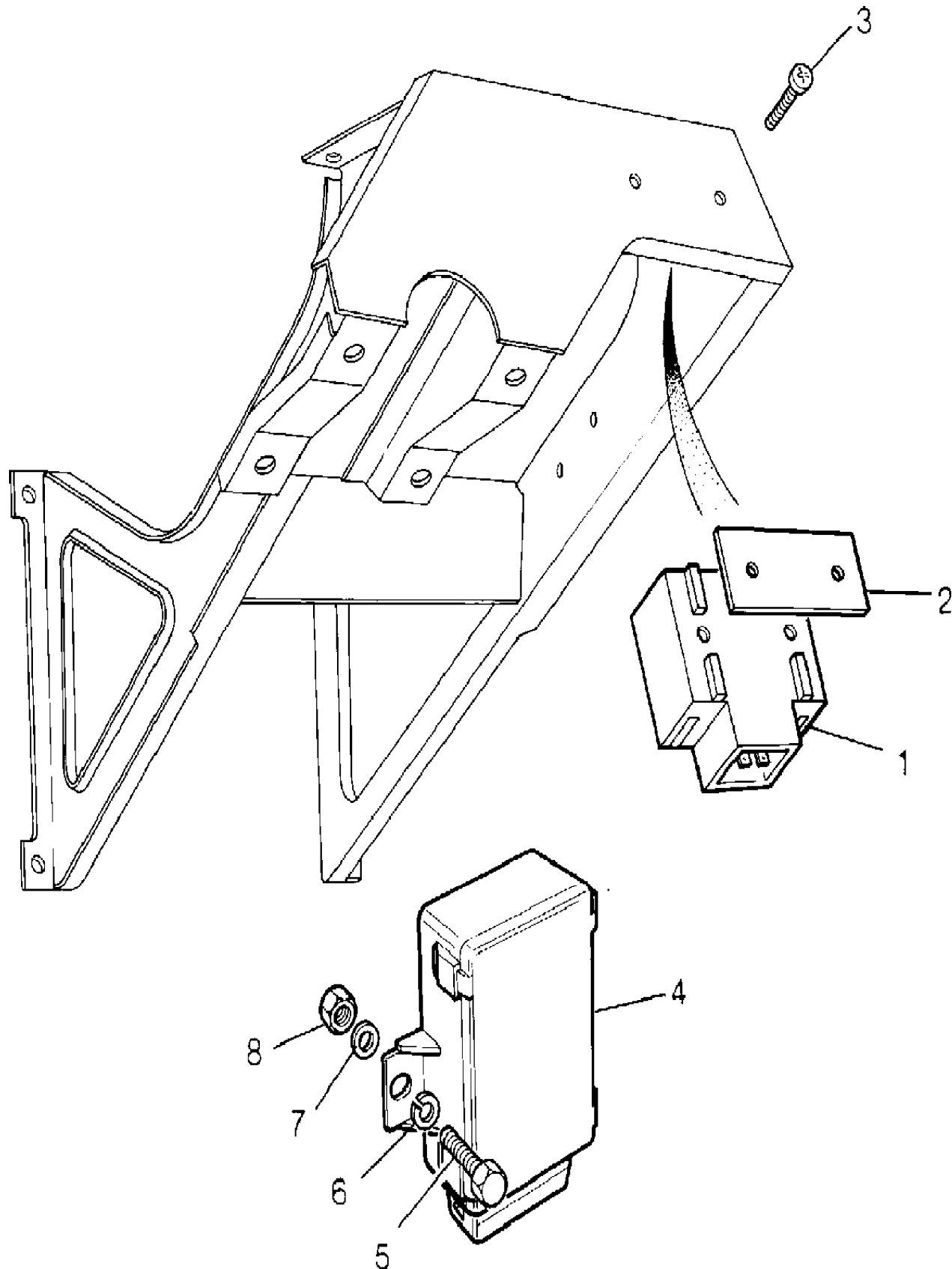
Range Rover (To HA610293)

(TS6290A)

Range Rover (To HA610293)

Body Electrics
Electronic Control Units
ECU-Dim Dip Transformer-Headlamp & Central Locking

Callout	Name	Application	Remarks & Restrictions	Service No.	Qty
1	Control unit dim dip	Change point - VIN begin DA273923	Quartz Halogen	PRC8123	1
2	Spacer	Change point - VIN begin DA273923	dim dip fixing	MWC2736	1
3	Screw-flanged head	Change point - VIN begin DA273923	dim dip fixing, Flanged Head, No10	DA610051L	2
4	Control unit-central door locking	Change point - VIN begin GA399973		PRC7921	1
5	Screw		fixing control unit, 10UNF x 3/4	257020	2
6	Washer-Plain		fixing control unit	WC702101L	4
7	Washer-Spring		fixing control unit, 3/16 dia, Square	WM702001L	2
8	Nut - Hex.		fixing control unit, UNF, No10	257011	2



Body Electrics

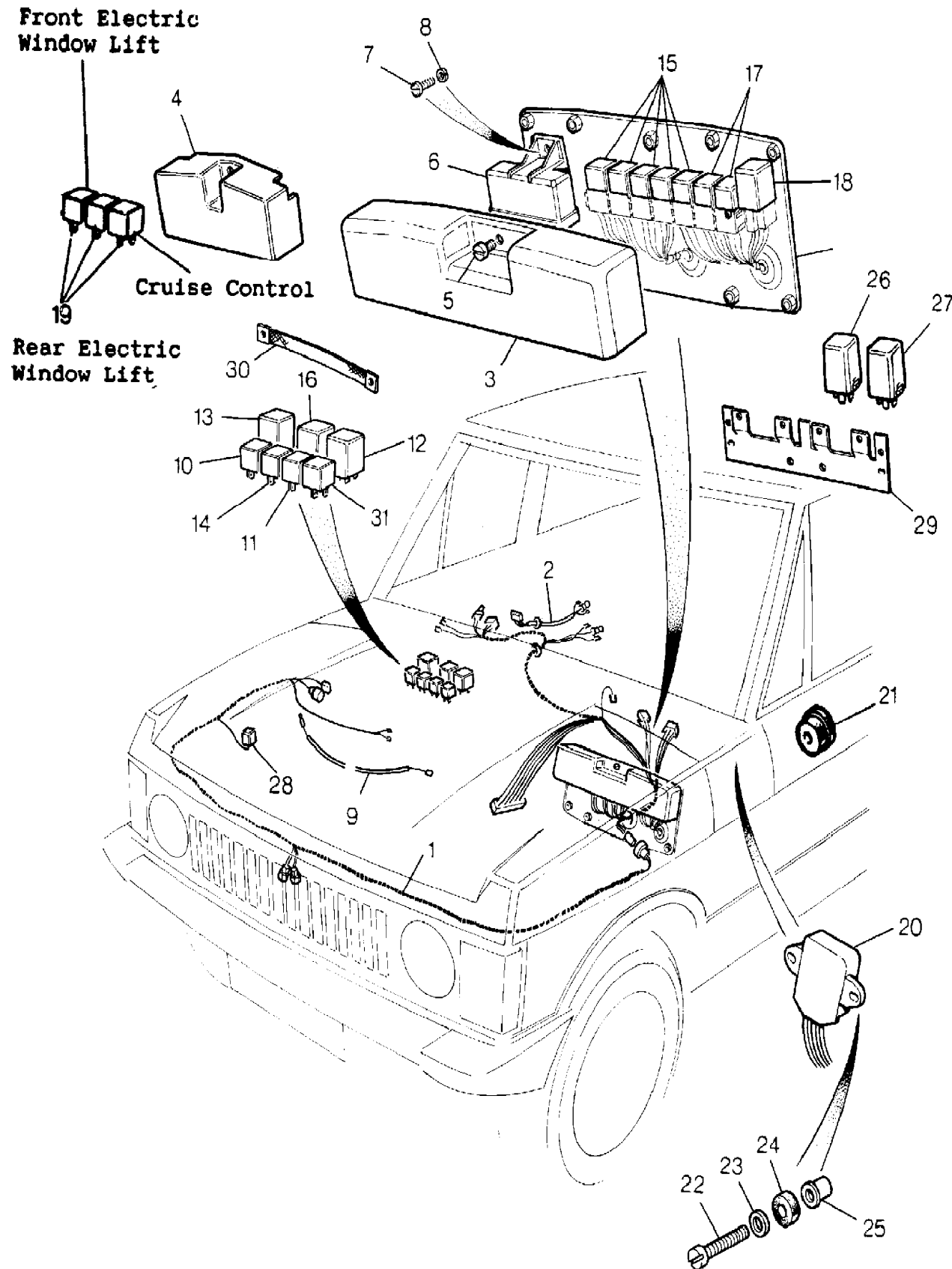
Fuse Box & Relays

Relays & Cables-Air Conditioning-From (V) DA274121 (2Dr) & (V) DA273923 (4Dr)

1/4

Range Rover (To HA610293)

(TS6473C)



Body Electrics

Fuse Box & Relays

Relays & Cables-Air Conditioning-From (V) DA274121 (2Dr) & (V) DA273923 (4Dr)

Callout	Name	Application	Remarks & Restrictions	Service No.	Qty		
1	Harness air conditioning	Change point - VIN begin DA273923, Change point - VIN end FA399972, With Petrol Engines, RHD, With Air Conditioning		PRC5984	1		
		Change point - VIN begin DA273923, Change point - VIN end FA399972, With Petrol Engines, LHD, With Air Conditioning		PRC5332	1		
		Change point - VIN begin GA399973, With Petrol Engines, RHD, With Air Conditioning		PRC8121	1		
		Change point - VIN begin GA399973, With Petrol Engines, LHD, With Air Conditioning		PRC8120	1		
		Change point - VIN begin DA273923, With Diesel Engines, RHD, With Air Conditioning		PRC8168	1		
		Change point - VIN begin DA273923, With Diesel Engines, LHD, With Air Conditioning		PRC8169	1		
		2	Harness-link	Change point - VIN end EA320337, Change point - VIN begin DA273923	Clock	PRC5974	1
		Change point - VIN begin EA320338, Change point - VIN end EA351846	Clock	PRC6907	1		
3	Cover-relay	Change point - VIN begin DA273923		PRC5150	1		
4	Cover-relay	Change point - VIN begin FA374642, Change point - VIN end FA399972	GLOW PLUG TIMER	PRC7437	1		
		Change point - VIN begin GA399973	GLOW PLUG TIMER	PRC7484	1		
5	Screw-pan	Change point - VIN begin DA273923, With Diesel Engines	fixing cover, M8 X 16	SP108161L	1		
6	Relay-ignition heater plug	Change point - VIN begin DA273923, Change point - VIN end FA399972, With Diesel Engines		PRC5020	1		
		Change point - VIN begin GA399973, With Diesel Engines	Black	PRC7862	1		
7	Screw	Change point - VIN begin DA273923	fixing relay, M5 x 12	SP105121L	4		
8	Washer-Spring	Change point - VIN begin DA273923, With Air Conditioning	fixing relay, M5	WL105101L	4		

Body Electrics

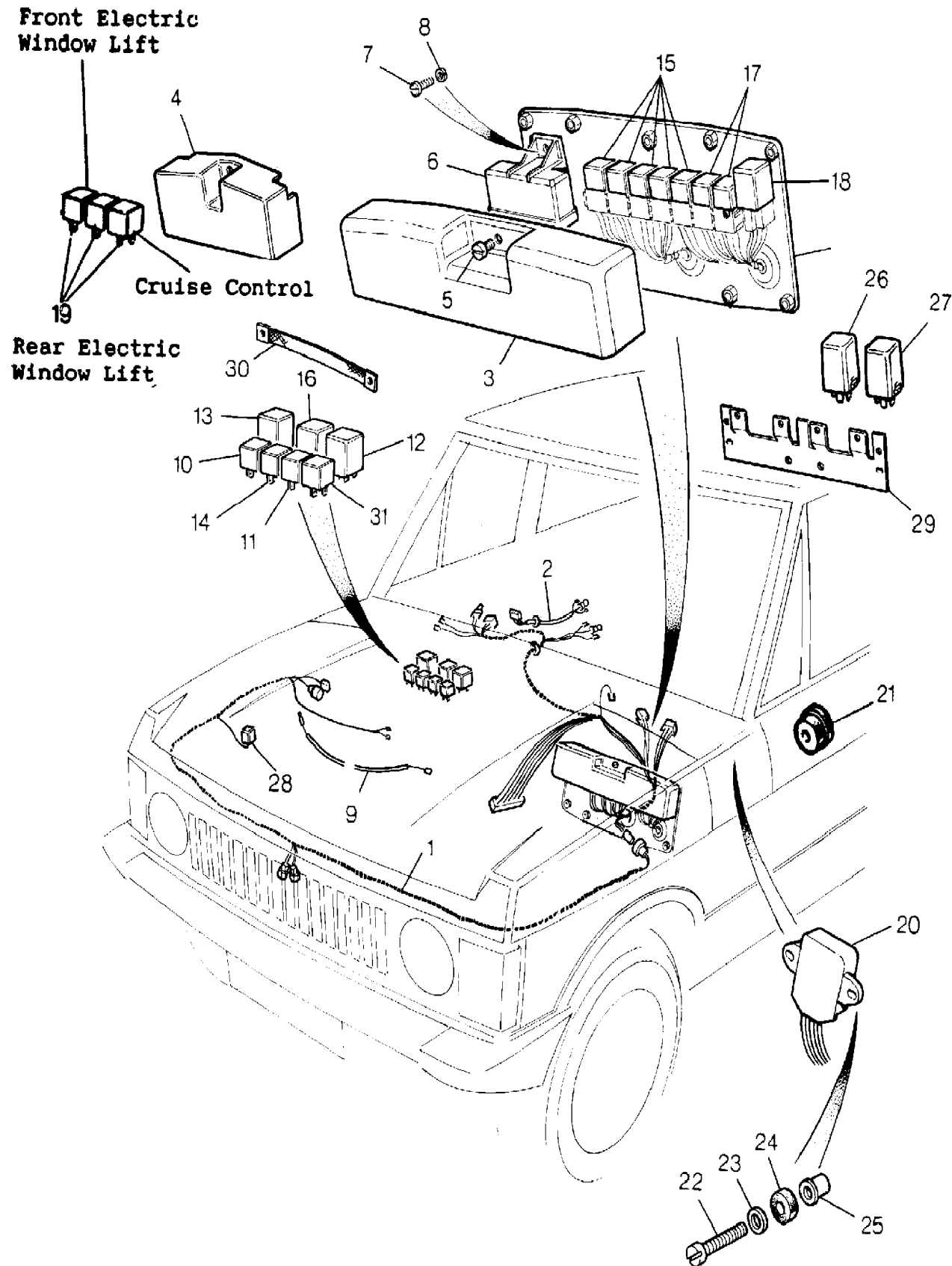
Fuse Box & Relays

Relays & Cables-Air Conditioning-From (V) DA274121 (2Dr) & (V) DA273923 (4Dr)

2/4

Range Rover (To HA610293)

(TS6473C)



Body Electrics

Fuse Box & Relays

Relays & Cables-Air Conditioning-From (V) DA274121 (2Dr) & (V) DA273923 (4Dr)

Callout	Name	Application	Remarks & Restrictions	Service No.	Qty
9	Harness-link	Change point - VIN begin DA273923, With Air Conditioning		PRC4414	1
10	Flasher unit electronic	Change point - VIN begin DA273923, Change point - VIN end FA399972		PRC5082	1
		Change point - VIN begin GA399973, Change point - VIN end HA601945		PRC8256	1
		Change point - VIN begin HA601946	12V, with trailer socket, 4 Pin	PRC8876	1
11	Relay	Change point - VIN begin DA273923, Change point - VIN end GA464553	INTERIOR LIGHT	PRC2832	1
		Change point - VIN begin HA464554	INTERIOR LIGHT	DCP8989	1
12	Relay-delay unit	Change point - VIN begin EA320338, Change point - VIN end EA351846	front wash wipe	PRC5121	1
		Change point - VIN begin FA351847	front wash wipe, 12V, delay unit, Red	PRC6864	1
13	Relay-delay unit	Change point - VIN begin DA273923	rear wash wipe	PRC5638	1
		Change point - VIN begin EA320338, Change point - VIN end EA351846	REAR WIPER	PRC4459	1
		Change point - VIN begin FA351847	rear wash/wipe, Blue.	PRC7404	1
14	Switch-volt sensitive	Change point - VIN begin DA273923	voltage sensitive switch, 45 AMP	PRC4427	1
		Change point - VIN begin DA273923	Heated Front Screen, Black, 70 AMP	PRC7303	1
		Change point - VIN begin DA273923	front screen-timer, Grey	PRC6796	1
15	Relay	Change point - VIN begin DA273923, With Air Conditioning	air conditioning & fuel shut off	YWB10032	5
16	Relay	Change point - VIN begin DA273923	Ignition Load	YWB10032	1
		Change point - VIN begin DA273923	SUNROOF	PRC6733	1
		Change point - VIN begin DA273923	HRW, brake check & starter	YWB10032	3
18	Relay	Change point - VIN begin DA273923	power wash	ADU1784	1
19	Relay	Change point - VIN begin DA273923	electric window lift & cruise control fr/rear	DRC1820	3
20	Control unit low oil/ bulb failure	Change point - VIN begin DA273923, With Catalyst		PRC5434	1

Body Electrics

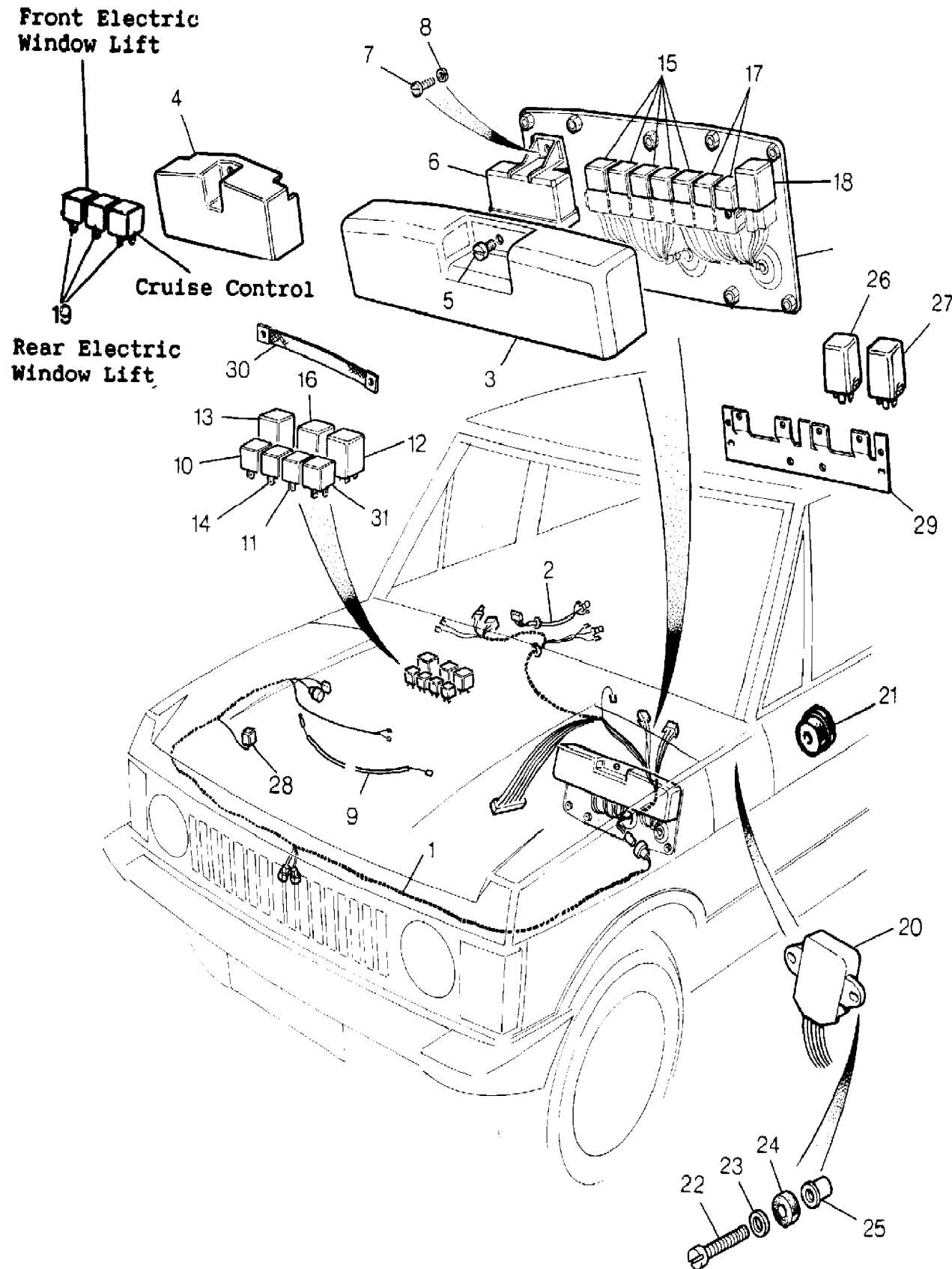
Fuse Box & Relays

Relays & Cables-Air Conditioning-From (V) DA274121 (2Dr) & (V) DA273923 (4Dr)

3/4

Range Rover (To HA610293)

(TS6473C)



Range Rover (To HA610293)

Body Electrics

Fuse Box & Relays

Relays & Cables-Air Conditioning-From (V) DA274121 (2Dr) & (V) DA273923 (4Dr)

Callout	Name	Application	Remarks & Restrictions	Service No.	Qty
21	Plug	Change point - VIN begin DA273923, With Catalyst	blanking plug, fixing low oil control unit	MWC2643	1
22	Screw	Change point - VIN begin DA273923, With Air Conditioning, With Catalyst	fixing low oil control unit, M10 x 25	SP910321L	2
23	Washer	Change point - VIN begin DA273923, With Air Conditioning, With Catalyst	fixing low oil control unit, 6MM	WA106041L	2
24	Washer	Change point - VIN begin DA273923, With Air Conditioning, With Catalyst	fixing low oil control unit	PRC3322	2
25	Wellnut	Change point - VIN begin DA273923, With Air Conditioning, With Catalyst	fixing low oil control unit	ADU3325L	4
26	Relay	Change point - VIN begin FA351847, With Air Conditioning	Cooling Fan	PRC7413	1
27	Relay	Change point - VIN begin GA399973	diode unit-air con, Orange	PRC7872	1
28	Relay	Change point - VIN begin DA273923	Split Charge	ASU1151	1
29	Plate-relay mounting	Change point - VIN begin DA273923, Change point - VIN end EA351846 Change point - VIN begin FA351847		PRC4642 PRC7415	1 1
30	Harness earth bond	Change point - VIN begin DA273923	CYLINDER HEAD	PRC4628	1
31	Relay	Change point - VIN begin DA273923, Change point - VIN end GA464553 Change point - VIN begin HA464554	change over normally open	YWB10032 YWB10027	X X
[900]	Relay	Change point - VIN begin HA464554 Change point - VIN begin DA273923, Change point - VIN end GA464553, With Air Conditioning Change point - VIN begin DA273923, Change point - VIN end GA464553 Change point - VIN begin DA273923, Change point - VIN end GA464553	normally open, changeover, Yellow air conditioning & fuel shut off, Green, changeover Ignition Load, Green, changeover	YWB000150 YWB000160 YWB000160	X 5 1
		Change point - VIN begin DA273923, Change point - VIN end GA464553	HRW, brake check & starter, Green, changeover	YWB000160	4

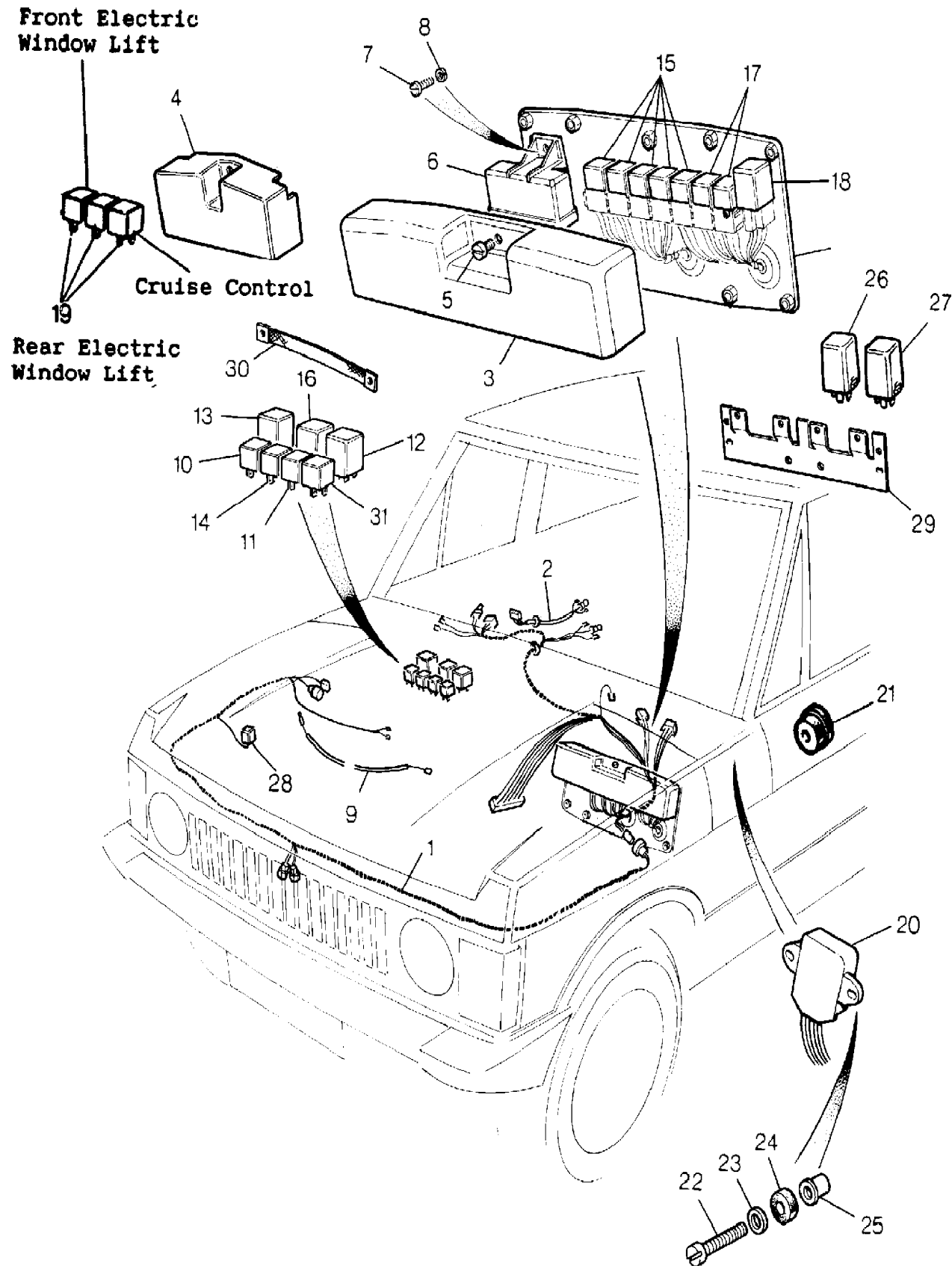
Body Electrics
 Fuse Box & Relays
 Relays & Cables-Air Conditioning-From (V) DA274121 (2Dr) & (V) DA273923 (4Dr)
 4/4

Range Rover (To HA610293)

(TS6473C)

Range Rover (To HA610293)

Body Electrics
 Fuse Box & Relays
 Relays & Cables-Air Conditioning-From (V) DA274121 (2Dr) & (V) DA273923 (4Dr)



Callout	Name	Application	Remarks & Restrictions	Service No.	Qty
[900]	Relay	Change point - VIN begin DA273923, Change point - VIN end GA464553	Green, changeover	YWB000160	X
[901]	Screw-nylon patch	Change point - VIN begin DA273923	M8	PRC5297	1
[902]	Plug-Fastex	Change point - VIN begin DA273923		PRC5346	2
[903]	Screw	Change point - VIN begin DA273923	fixing bonding lead to bonnet & cylinder head, hexagonal head, 5/16UNC x 1/2	SH505041L	1
		Change point - VIN begin DA273923	fixing bonding lead to bonnet & cylinder head, hexagonal head, 5/8UNC x 1	SH505081L	1
[904]	Washer-Spring	Change point - VIN begin DA273923	fixing bonding lead to bonnet & cylinder head, 5/16"	WL600051L	2

Body Electrics

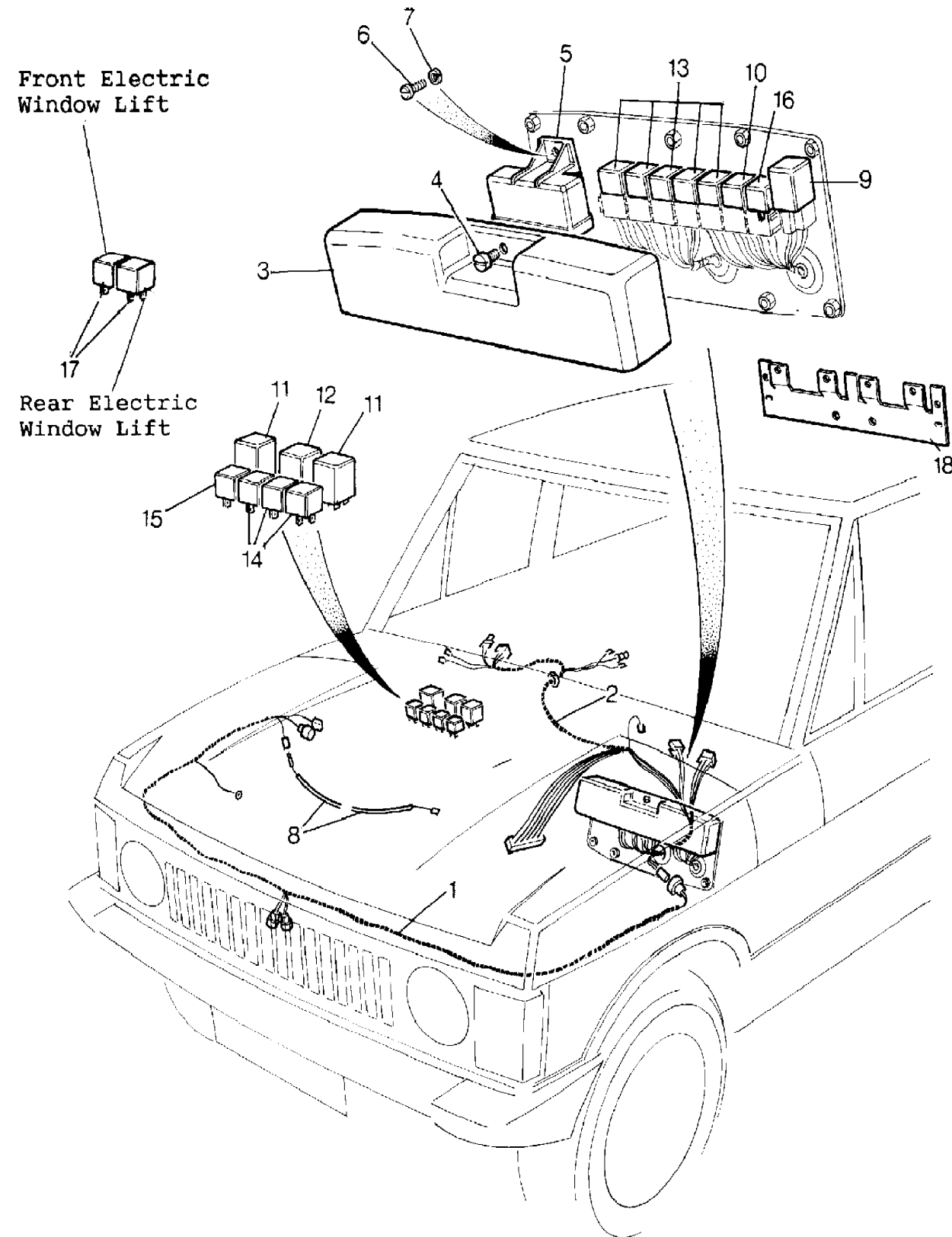
Fuse Box & Relays

Relays & Cables-Air Conditioning-To (V) CA274120 (2Dr) & (V) CA273922 (4Dr)

1/2

Range Rover (To HA610293)

(TS5609)



Body Electrics

Fuse Box & Relays

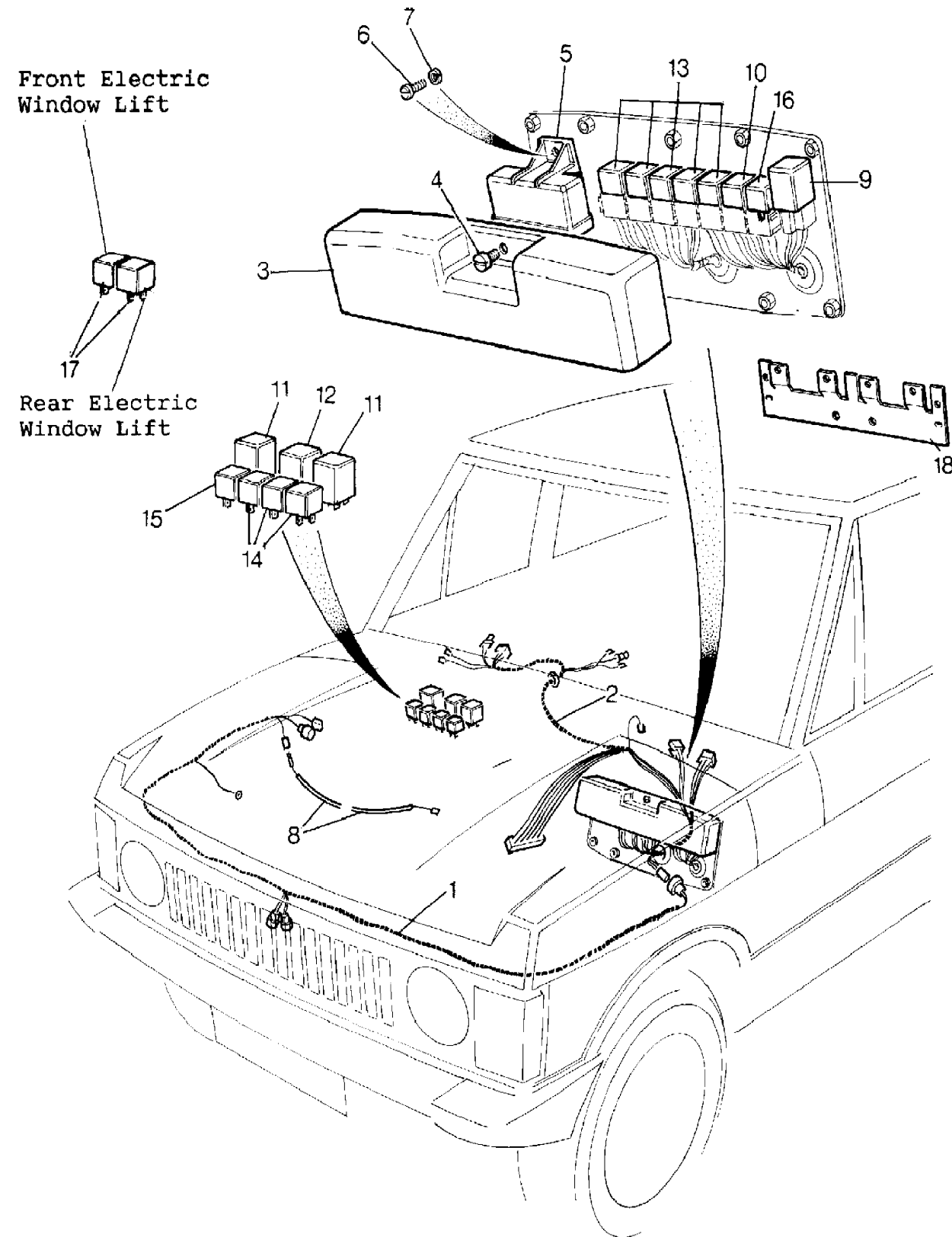
Relays & Cables-Air Conditioning-To (V) CA274120 (2Dr) & (V) CA273922 (4Dr)

Callout	Name	Application	Remarks & Restrictions	Service No.	Qty
1	Harness air conditioning	Change point - VIN end CA274120, With Petrol Engines, RHD, With Air Conditioning		PRC5333	1
		Change point - VIN end CA274120, With Petrol Engines, LHD, With Air Conditioning		PRC5332	1
		Change point - VIN end CA274120, With Diesel Engines, RHD, With Air Conditioning		PRC5705	1
		Change point - VIN end CA274120, With Diesel Engines, LHD, With Air Conditioning		PRC5706	1
2	Harness-link	Change point - VIN end CA274120, With Air Conditioning	air con & clock	PRC5621	1
		Change point - VIN end CA274120, Less Air Conditioning	non air con & clock	PRC4380	1
3	Cover-relay	Change point - VIN end CA274120		PRC5150	1
4	Screw-pan	Change point - VIN end CA274120, With Diesel Engines, RHD	fixing cover, M8 X 16	SP108161L	1
5	Relay-ignition heater plug	Change point - VIN end CA274120, With Diesel Engines		PRC5020	1
6	Screw	Change point - VIN end CA274120	fixing timer & relays, M5 x 12	SP105121L	4
7	Washer-Spring	Change point - VIN end CA274120	fixing timer & relays, M5	WL105101L	4
8	Harness-link	Change point - VIN end CA274120, With Air Conditioning		PRC4414	1
9	Relay	Change point - VIN end CA274120	FLASHER UNIT	STC195	1
10	Relay	Change point - VIN end CA274120	INTERIOR LIGHT	PRC2832	1
11	Relay-delay unit	Change point - VIN end CA273922	front & rear screen wash	PRC5121	1
		Change point - VIN end CA274120	rear screen wipe	PRC4459	1
12	Switch-volt sensitive	Change point - VIN end CA274120	voltage sensitive switch, 45 AMP	PRC4427	1
13	Relay	Change point - VIN end CA274120, With Air Conditioning	air conditioning & fuel shut off	YWB10032	5

Body Electrics
 Fuse Box & Relays
 Relays & Cables-Air Conditioning-To (V) CA274120 (2Dr) & (V) CA273922 (4Dr)
 2/2

Range Rover (To HA610293)

(TS5609)



Range Rover (To HA610293)

Body Electrics
 Fuse Box & Relays

Relays & Cables-Air Conditioning-To (V) CA274120 (2Dr) & (V) CA273922 (4Dr)

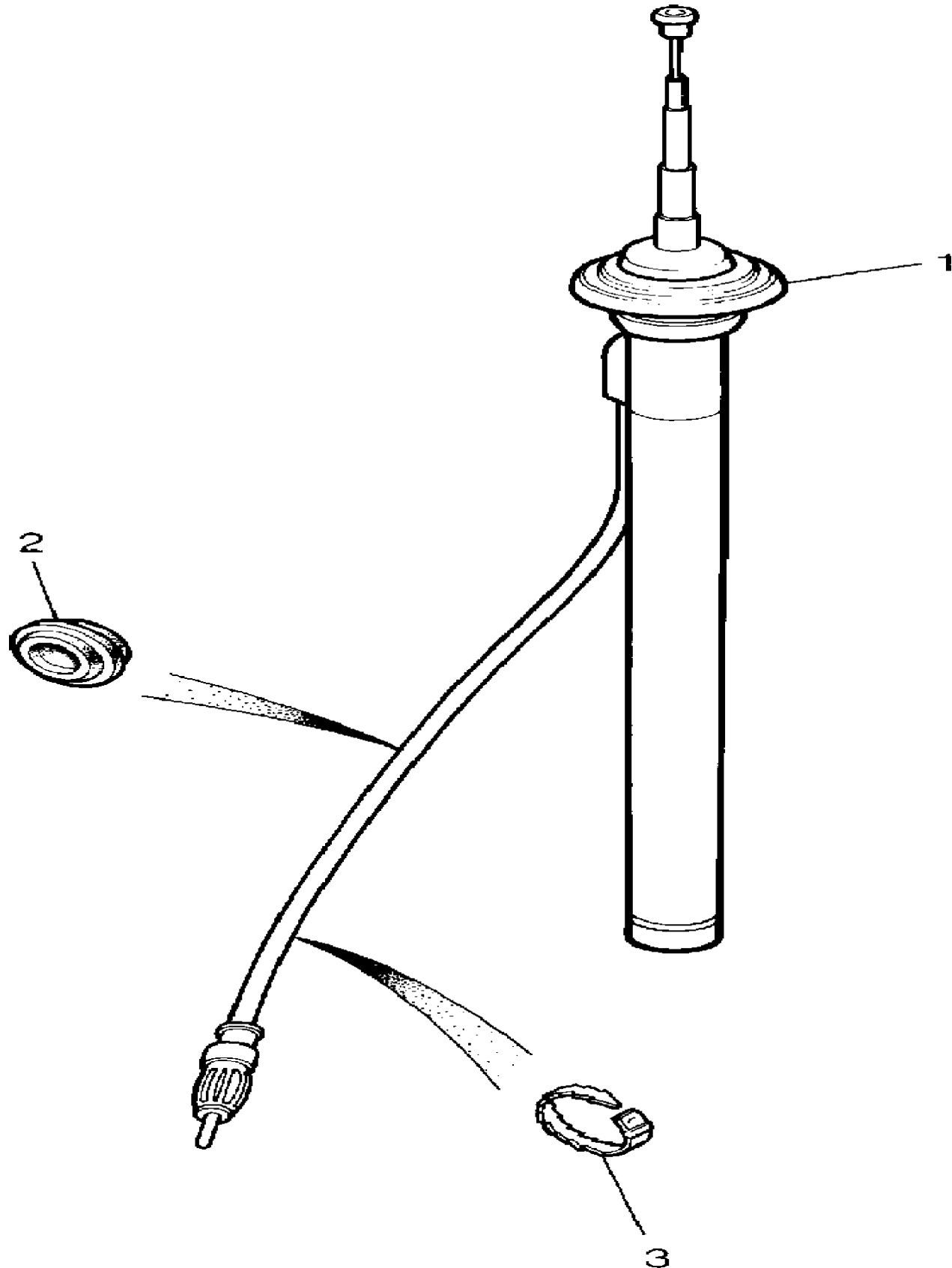
Callout	Name	Application	Remarks & Restrictions	Service No.	Qty
14	Relay	Change point - VIN end CA274120	HRW, brake check & starter	YWB10032	3
15	Relay	Change point - VIN end CA274120	power wash	ADU1784	1
16	Relay	Change point - VIN end CA274120	Split Charge	ASU1151	1
17	Relay	Change point - VIN end CA274120	electric window lift front & rear	YWB10032	2
18	Plate-relay mounting	Change point - VIN end CA274120		PRC4642	1
[900]	Relay	Change point - VIN end CA274120, With Air Conditioning	air conditioning & fuel shut off, Green, changeover	YWB000160	5
		Change point - VIN end CA274120	HRW, brake check & starter, Green, changeover	YWB000160	3
		Change point - VIN end CA274120	electric window lift front & rear, Green, changeover	YWB000160	2
[901]	Screw-nylon patch	Change point - VIN end CA274120	fixing relay, M8	PRC5297	1
[902]	Lead-link-solenoid fuel shut off	Change point - VIN end CA274120		PRC5345	2

Range Rover (To HA610293)

(VS3187A)

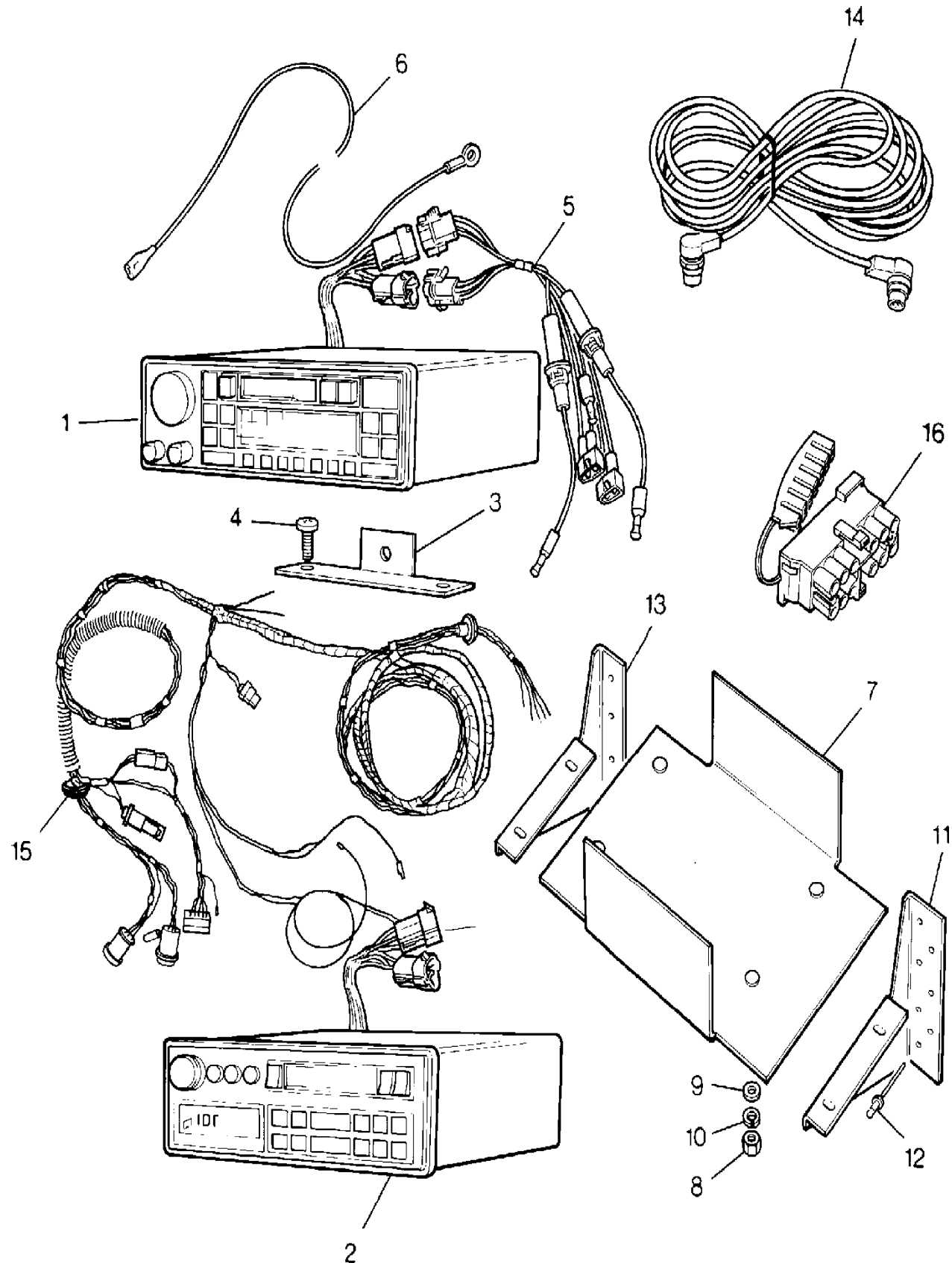
Range Rover (To HA610293)

Callout	Name	Application	Remarks & Restrictions	Service No.	Qty
1	Aerial roof mounting	Change point - VIN end CA274120		PRC4336	1
2	Grommet	Change point - VIN end CA274120	Black, cable, 3 x 25.5mm	233243	1
3	Tie-cable	Change point - VIN end CA274120		RTC3771	1



Range Rover (To HA610293)

(TS5719A)



Range Rover (To HA610293)

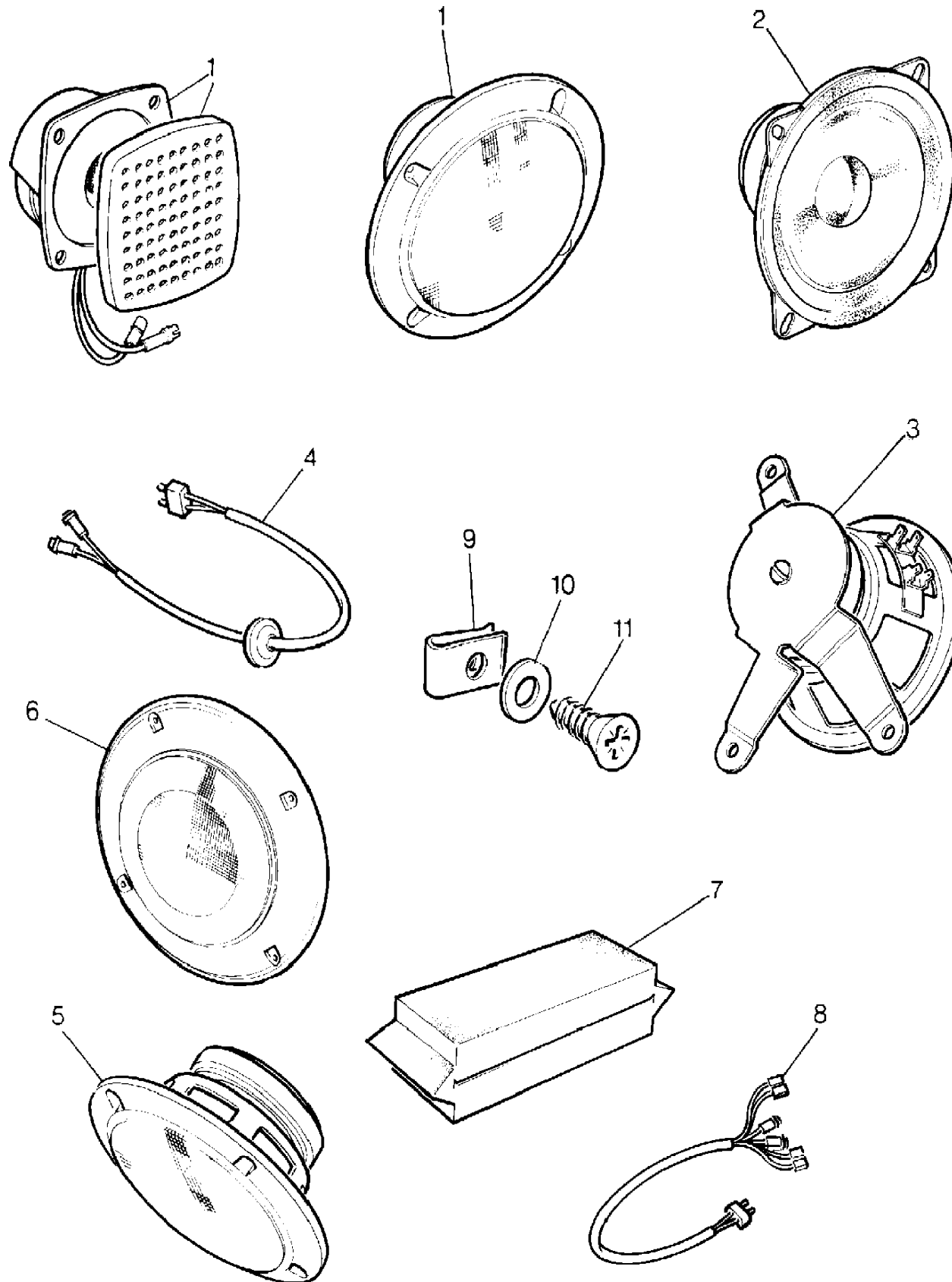
Callout	Name	Application	Remarks & Restrictions	Service No.	Qty
1	Radio cassette electronic-auto/reversal			RTC6435	1
2	Radio cassette electronic-auto/reversal	Change point - VIN end EA351846 Change point - VIN begin FA351847		PRC8732 STC2840	1 1
3	Bracket-radio housing rear support			PRC4403	1
4	Screw		fixing bracket rear support	SL105101L	2
5	Harness stereo radio cassette			PRC4402	1
6	Earth lead	Change point - VIN end HA607286 Change point - VIN begin HA607287	Radio Radio	PRC8224 PRC9234	1 1
7	Plate-mounting-CD	(+)"J"		MXC9119	1
8	Nut - Hex.	(+)"J"	fixing plate CD mounting, M6, nyloc, Hexagonal	NH106041L	4
9	Washer	(+)"J"	fixing plate CD mounting, 6MM	WA106041L	4
10	Washer	(+)"J"	fixing plate CD mounting, M6, sprung	WL106001L	4
11	Bracket-compact disc automatic changer	(+)"J"		MXC9614	1
12	Rivet	(+)"J"	fixing bracket CD mounting, 3/16" x 0.45"lng, pop	78248	X
13	Bracket-compact disc automatic changer	(+)"J"		MXC9615	1
14	CD data lead	(+)"J"		PRC8553	1
15	Harness-compact disc connection	(+)"J"		PRC8690	1
16	Connector harness		Radio	STC351	1

Range Rover (To HA610293)

(TS6872)

Range Rover (To HA610293)

Callout	Name	Application	Remarks & Restrictions	Service No.	Qty
1	Speaker assembly-front single cone	2 Door Station Wagon 4 Door Station Wagon Change point - VIN begin FA351847 Change point - VIN begin HA464554, (-) Vogue SE Change point - VIN begin HA464554, Vogue SE Change point - VIN begin HA464554, (-) Vogue SE	with velour door trim with leather door trim Bokhara Bokhara, Full Range Bokhara Bokhara, high range	RTC6325 RKC5518RUN PRC7443RUN PRC8550RUN PRC7306RUN PRC8552RUN	1 2 2 2 2 2
2	Speaker-front & rear single cone	Change point - VIN end CA273922, 4 Door Station Wagon Change point - VIN begin DA273923, Change point - VIN end EA351846, 4 Door Station Wagon		PRC4646 PRC6513	2 2
3	Speaker & bracket assembly front	Vogue SE Vogue SE Change point - VIN begin HA464554, (-) Vogue SE	RH LH Bokhara, Low Range	PRC7446 PRC7447 PRC8551RUN	2 2 2
4	Harness-link	2 Door Station Wagon, (-)"E" 2 Door Station Wagon, (+)"E" 4 Door Station Wagon	speaker, front door speaker, front door speaker, front door	PRC4508 PRC8903 PRC4186	2 2 2
5	Speaker assembly rear		in headlining, Bokhara, Philips in headlining, Bokhara	PRC4244 PRC7444RUN	2 2
6	Fret-front/rear door speaker	Vogue SE	Bokhara	MXC3352RUN	2
7	Foam		seal-rear speaker	MWC8664	2
8	Harness-rear speaker			PRC4614	2
9	Nut-spring-self thread		with velour door trim, M8 with leather door trim, M6	AK608191 AK606061L	X X
10	Washer-Plain		M4	WA104001L	X
11	Screw		Self Tapping, No8 x 7/8 pan head, pointed, No 8 x 1 Self Tapping, pan head, pointed, No 10 x 1"	AB608074 AB608084L AB610081L	X X X
[900]	Screw-self tapping		counter sunk, No 6 x 7/8	AD606071	X
[901]	Screw		lower speaker to door, M6 X 16	SE106161L	X

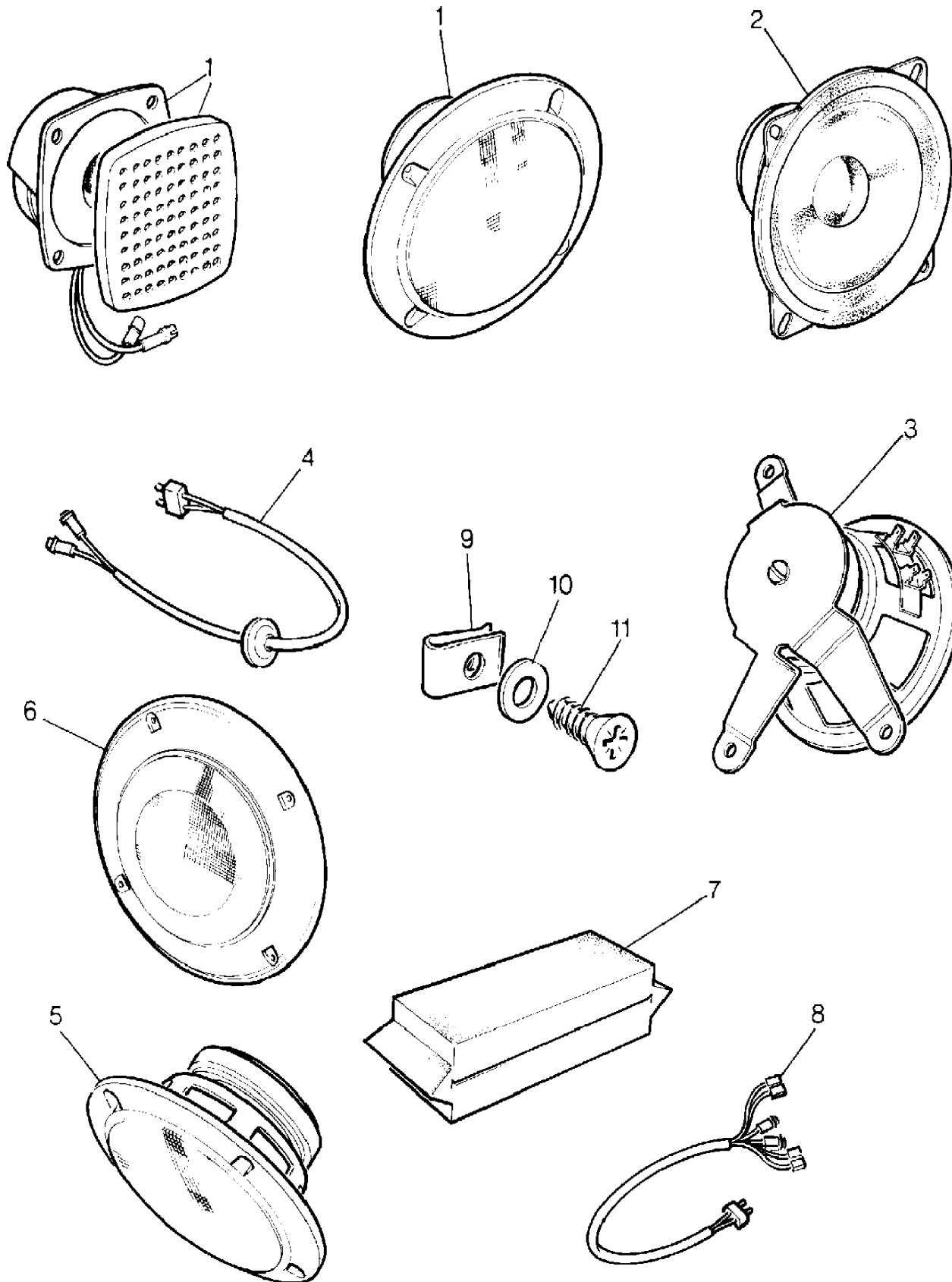


Range Rover (To HA610293)

(TS6872)

Range Rover (To HA610293)

Callout	Name	Application	Remarks & Restrictions	Service No.	Qty
[902]	Speaker & bracket assembly front	Vogue SE	Pair	STC4581	2



Body Electrics
Instruments & Clock
Clock & Cigar Lighter 1/1

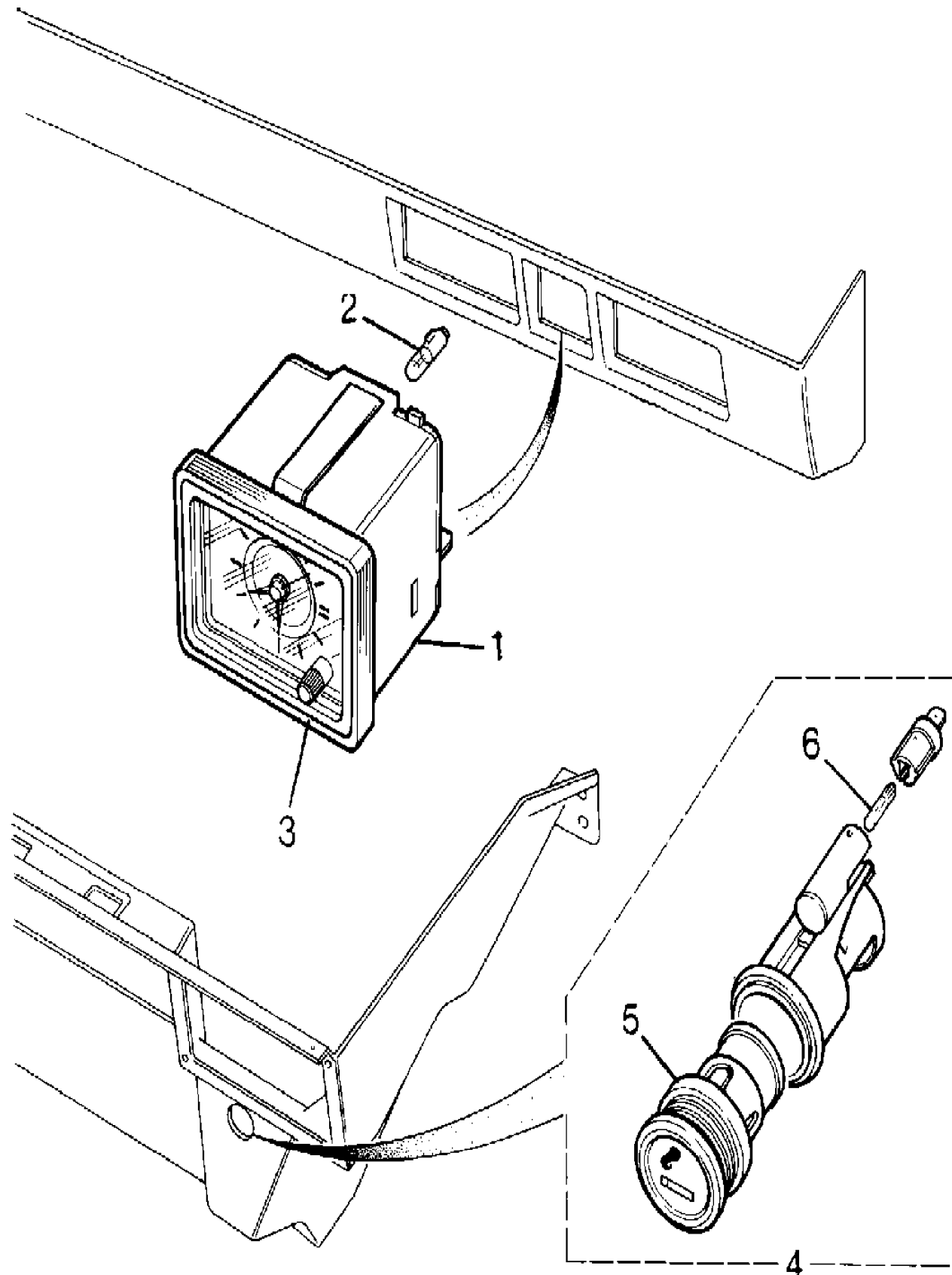
Range Rover (To HA610293)

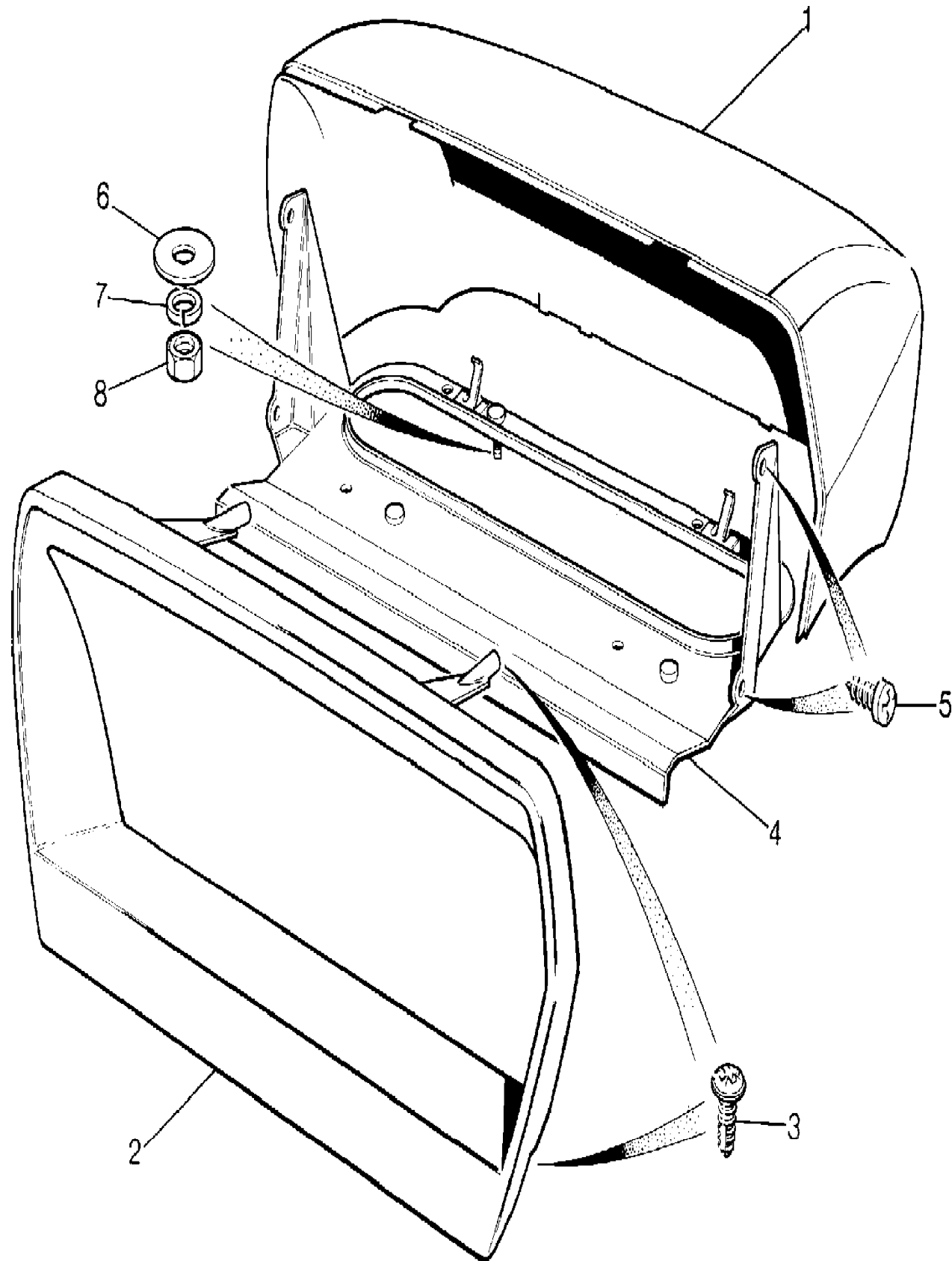
(TS5316A)

Body Electrics
Instruments & Clock
Clock & Cigar Lighter

Range Rover (To HA610293)

Callout	Name	Application	Remarks & Restrictions	Service No.	Qty
1	Clock analogue		rectangular	PRC4370	1
2	Bulb-281-ba7s-2 Watt			503352	1
3	Bezel-Clock			PRC4324	1
4	Cigar lighter facia		Also serviced as part of a kit	DRC8584	1
5	Pop out unit cigar lighter		Also serviced as part of a kit	DRC8398	1
6	Bulb-wedge illumination		Also serviced as part of a kit, 1.2 WATT, 12V	RTC3635	1





Callout	Name	Application	Remarks & Restrictions	Service No.	Qty
1	Cowl-instrument pack	Change point - VIN end EA351846	2 apertures	MUC9555	1
		Change point - VIN begin FA351847	3 apertures	MWC6420	1
		Change point - VIN begin FA351847	3 apertures, Bokhara	MWC6420RUN	1
2	Bezel-facia instrument	Change point - VIN end EA351846	3 apertures	MWC6419	1
		Change point - VIN begin FA351847, Change point - VIN end FA399972	3 apertures	MWC6419RUN	1
		Change point - VIN begin GA399973	Bokhara	BTR1458RUN	1
3	Screw		fixing instrument bezel	AFU2945	4
4	Bracket-facia instrument mounting		RH, Bokhara	MWC5728	1
		Change point - VIN end GA422035	LH	MWC5731	1
		Change point - VIN begin GA422036	Bokhara, LH	MWC5729	1
5	Screw		fixing bracket, Self Tapping, No 8 x 3/8	AB608031L	4
6	Washer		fixing bracket, Also serviced as part of a kit, M5, oversize, Plain	WJ105001L	2
7	Washer		fixing bracket, M5, retaining	WL105001L	2
8	Nut-hexagonal		fixing bracket, M5	NH105041L	2

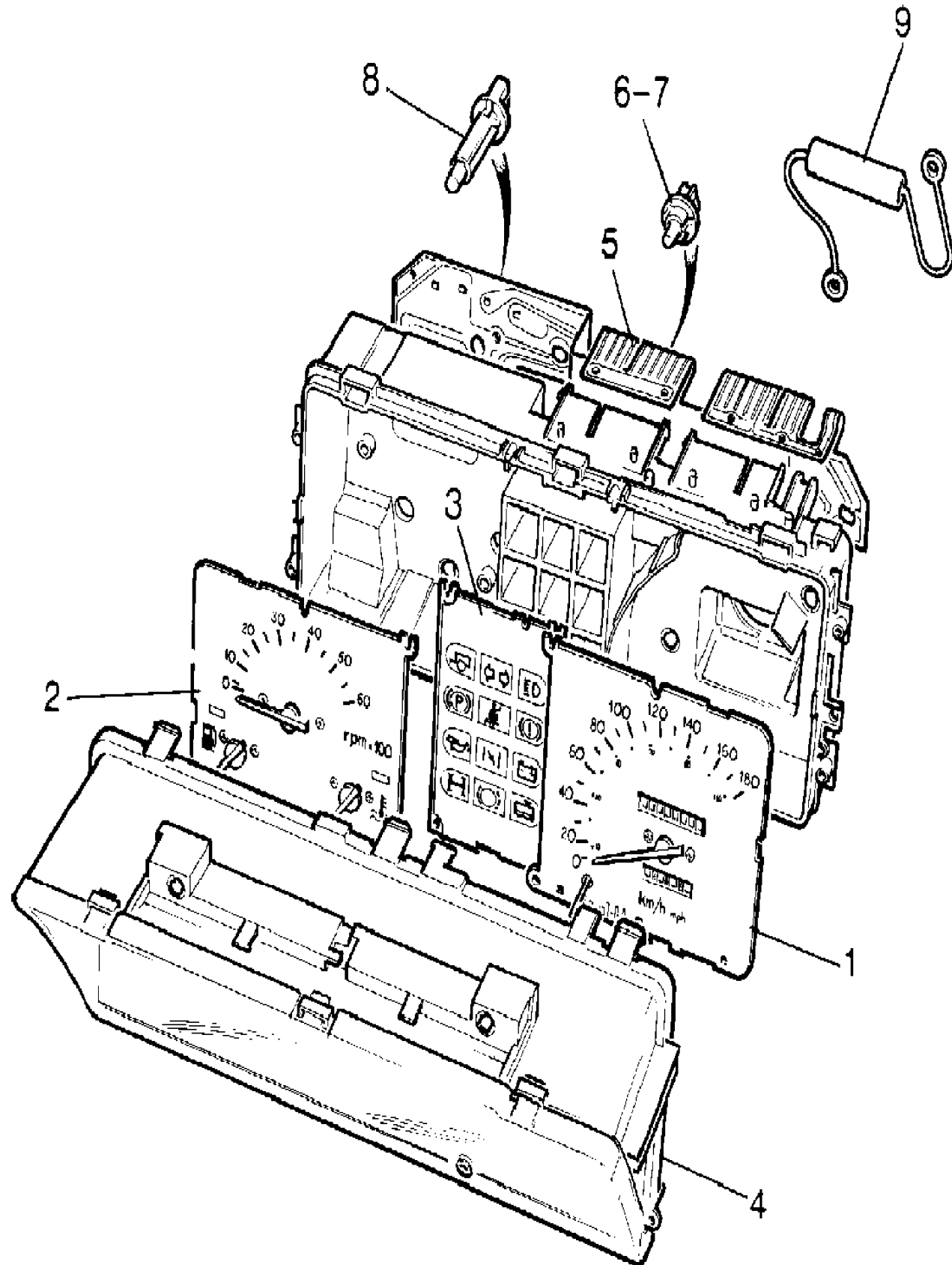
Body Electrics
 Instruments & Clock
 Instruments-From (V) GA441004 1/1

Range Rover (To HA610293)

(TS6844)

Range Rover (To HA610293)

Body Electrics
 Instruments & Clock
 Instruments-From (V) GA441004



Callout	Name	Application	Remarks & Restrictions	Service No.	Qty
1	Speedometer assembly	Change point - VIN begin GA441004	130mph	RTC6597	1
		Change point - VIN begin GA441004,	KMH	RTC6598	1
2	Gauge-tachometer/ fuel/ temperature	Change point - VIN begin GA441004,		RTC6600	1
		Change point - VIN begin GA441004, (+)"J",		RTC6601	1
3	Lens-warning instrument pack	Change point - VIN begin GA441004,		RTC6602	1
		Change point - VIN begin GA441004, (+)"J",		STC256	1
4	Cowl assembly instrument pack	Change point - VIN begin GA441004,		RTC6604	1
5	Printed circuit board instrument pack	Change point - VIN begin GA441004,		RTC6605	1
		Change point - VIN begin GA441004, (+)"J",		STC88	1
6	Bulb & holder assembly	Change point - VIN begin GA441004,	Clear., black base	RTC6607	14
7	Bulb & holder assembly	Change point - VIN begin GA441004,	Blue.	RTC6580	1
8	Bulb & holder assembly	Change point - VIN begin GA441004,	long holder	RTC6608	4
9	Kit-resistor	Change point - VIN begin GA441004,	Instrument pack	STC87	1
[900]	Instrument pack	Change point - VIN begin GA441004, (+)"J",		PRC8425	1

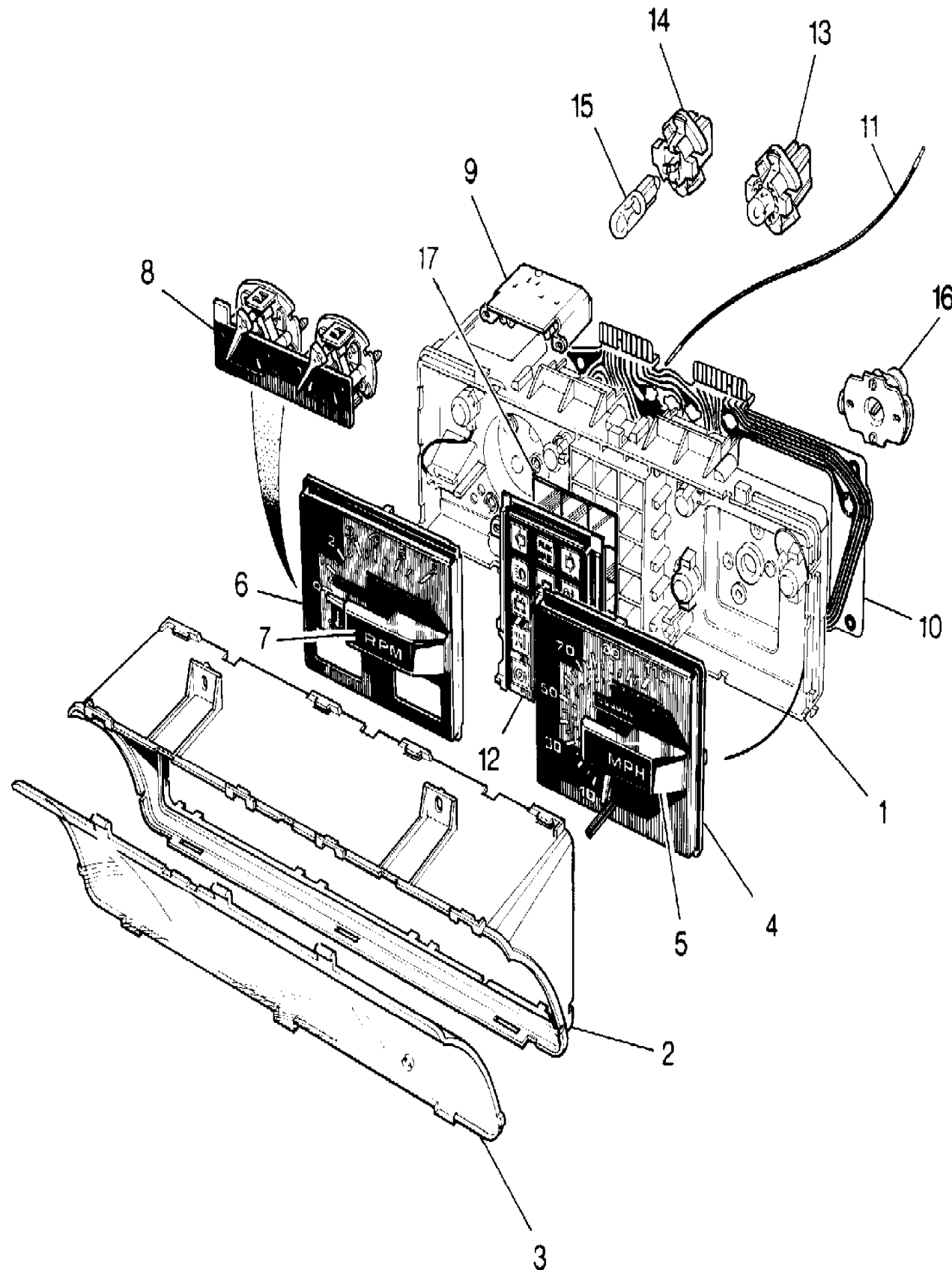
Body Electrics
Instruments & Clock
Instruments-To (V) GA441003 1/2

Range Rover (To HA610293)

(TS5313)

Range Rover (To HA610293)

Body Electrics
Instruments & Clock
Instruments-To (V) GA441003



Callout	Name	Application	Remarks & Restrictions	Service No.	Qty
1	Case assembly instrument pack	Change point - VIN end CA273922		RTC3190	1
		Change point - VIN begin DA273923, Change point - VIN end FA399972		RTC5375	1
2	Bezel assembly-facia instrument	Change point - VIN end GA441003		RTC3829	1
3	Lens instrument pack	Change point - VIN end GA441003		RTC3191	1
4	Speedometer	Change point - VIN end GA441003, Less Police	110mph	PRC4348	1
		Change point - VIN end GA441003, Less Police	KMH	PRC4347	1
5	Shroud	Change point - VIN end GA441003	SPEEDOMETER, MPH	RTC3968	1
		Change point - VIN end GA441003	SPEEDOMETER, KMH	RTC3967	1
6	Tachometer Assy	Change point - VIN end GA441003		PRC4349	1
7	Shroud	Change point - VIN end GA441003	Tachometer	RTC3969	1
8	Gauge-fuel & temperature	Change point - VIN end CA273922		PRC4528	1
		Change point - VIN end GA441003, Change point - VIN begin DA273923		PRC5932	1
9	Electronic control unit	Change point - VIN end EA330903, With Diesel Engines	voltage stabiliser	PRC4350	1
		Change point - VIN end GA441003, With Petrol Engines	voltage stabiliser	PRC7210	1
		Change point - VIN end GA441003, Change point - VIN begin EA330904, With Diesel Engines	voltage stabiliser	PRC7209	1
10	Printed circuit board instrument pack	Change point - VIN end CA273922		PRC4351	1
		Change point - VIN end GA441003, Change point - VIN begin DA273923		RTC5379	1
11	Fibre optic	Change point - VIN end GA441003		RTC4887	1
12	Lens-warning instrument pack	Change point - VIN end GA441003		RTC3828	1
		Change point - VIN end GA441003		RTC5378	1
13	Bulb & holder assembly	Change point - VIN end EA351846	Warning Lights	ADU6262L	19

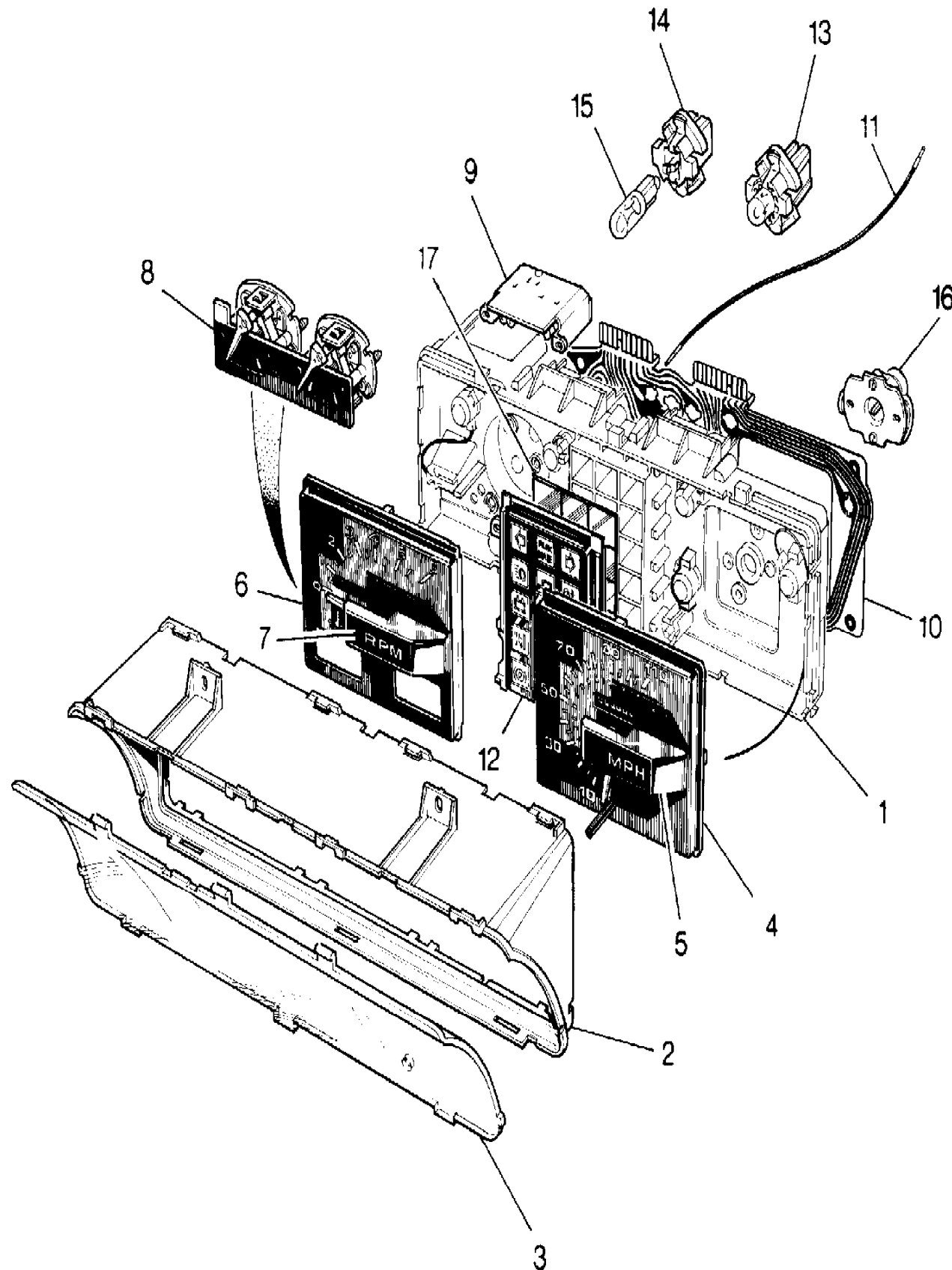
Body Electrics
 Instruments & Clock
 Instruments-To (V) GA441003 2/2

Range Rover (To HA610293)

(TS5313)

Range Rover (To HA610293)

Body Electrics
 Instruments & Clock
 Instruments-To (V) GA441003



Callout	Name	Application	Remarks & Restrictions	Service No.	Qty
13	Bulb & holder assembly	Change point - VIN end GA441003, Change point - VIN begin FA351847	Warning Lights	RTC6452	19
14	Bulbholder	Change point - VIN end GA441003	ignition warning light	ADU4482L	1
15	Bulb-illumination	Change point - VIN end GA441003	ignition warning light	ADU5543	1
16	Speedometer-angle drive	Change point - VIN end GA441003	RH	PRC4352	1
17	Frame-filter	Change point - VIN end GA441003 Change point - VIN end GA441003		RTC5945 RTC5772	1 1
[900]	Guide	Change point - VIN end GA441003	LIGHT	RTC5773	2
[901]	Encapsulation-green backlight	Change point - VIN end GA441003		RTC5864	6
[902]	Label-unleaded fuel only warning	Change point - VIN end GA441003		PRC6961	1

Body Electrics
Instruments & Clock
Speedometer Components-UK Police-To (V) LA647644 1/1

Range Rover (To HA610293)

(VS3094)

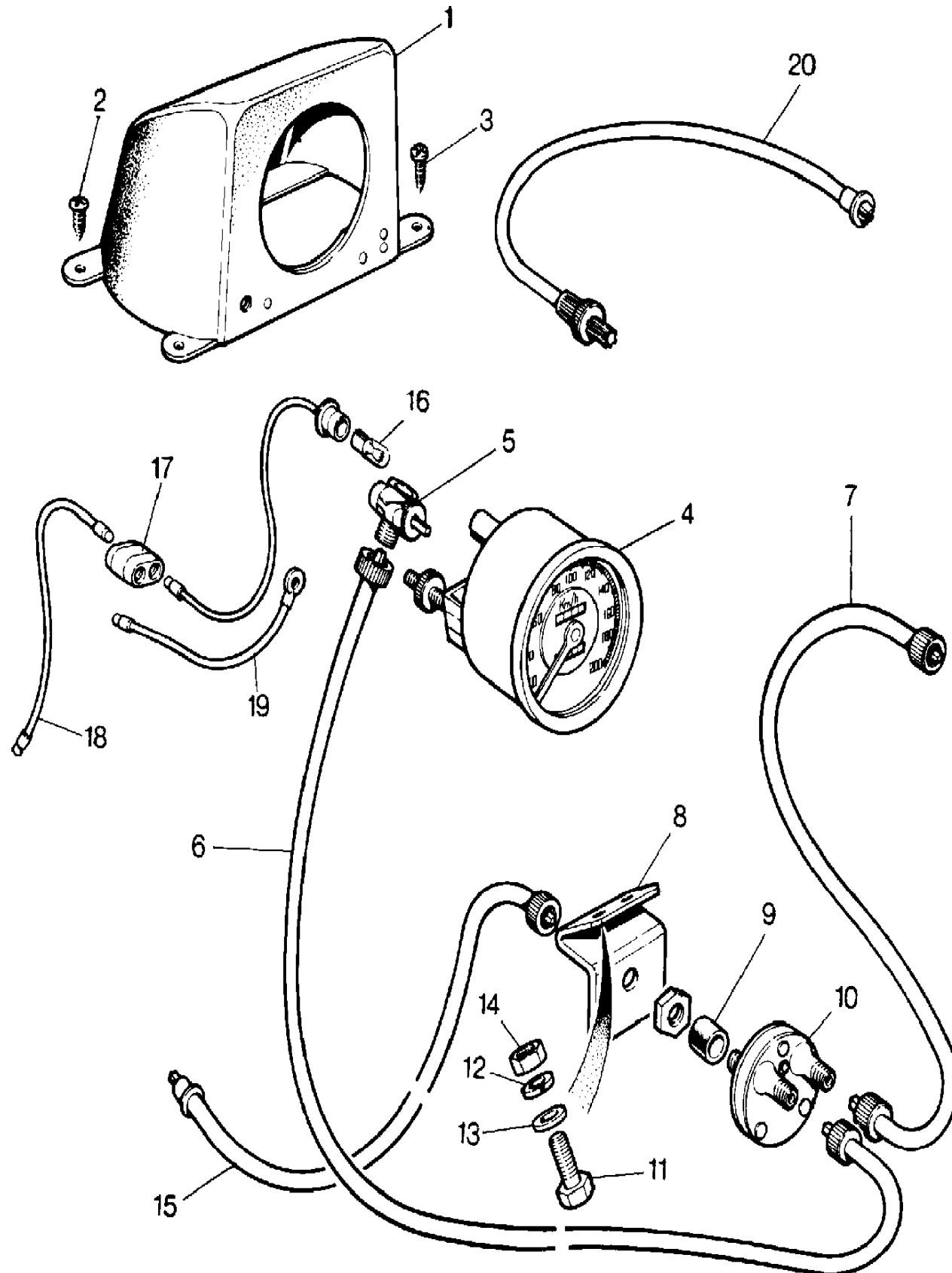
Range Rover (To HA610293)

Body Electrics
Instruments & Clock

Speedometer Components-UK Police-To (V) LA647644

Change point - VIN end LA674644, (+)"GB", With Police Vehicle

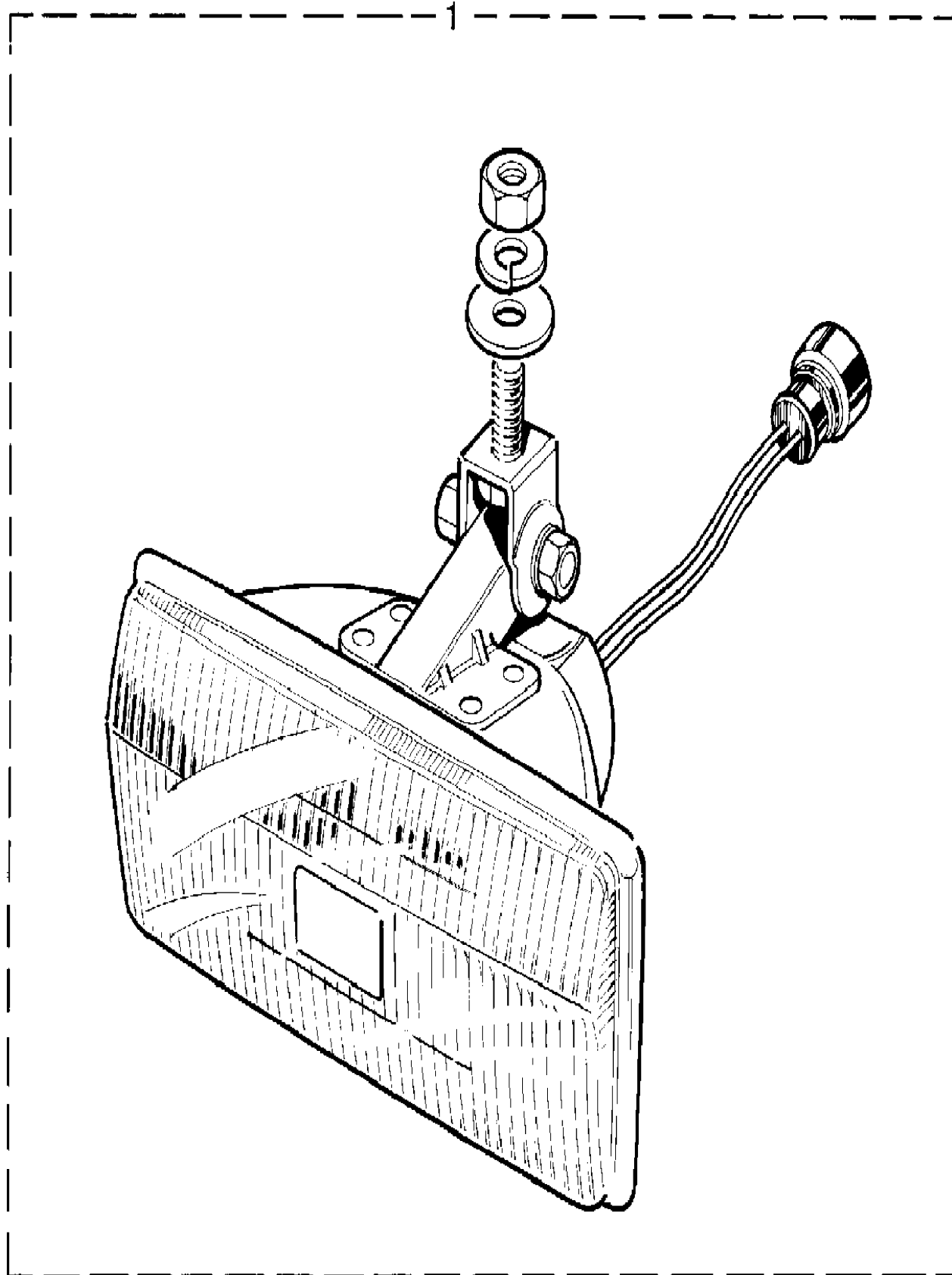
Callout	Name	Application	Remarks & Restrictions	Service No.	Qty
1	Bezel-facia speedometer			ZXC9088	1
2	Screw		Self Tapping, No 6 x 5/8	AB606051L	2
3	Screw		No 8	79231	2
4	Speedometer	Change point - VIN end LA647644 Change point - VIN end LA647644	MPH KMH	589281 ZXC1055	1 1
5	Speedometer-drive angle			ZXC9168	1
6	Cable Assy - Speedometer Drive		speedometer to junction unit, 36" long, Upper	589274	1
7	Cable Assy - Speedometer Drive		speedometer to junction unit, 29" long, Upper speedometer to junction unit, 16"long, Upper	ZXC9173 ZXC9199	1 1
8	Bracket		for junction unit	589286	1
9	Mounting-rubber		for junction unit	90508545	1
10	Junction unit-speedo cable			ZXC9328	1
11	Screw		fixing bracket junction unit, M5 x 16	257017	2
12	Washer-Spring		fixing bracket junction unit, 3/16 dia, Square	WM702001L	2
13	Washer-Plain		fixing bracket junction unit	WC702101L	2
14	Nut - Hex.		fixing bracket junction unit, UNF	HN2005L	2
15	Cable Assy - Speedometer Drive	RHD LHD	junction unit to gearbox, One Piece, Lower junction unit to gearbox, One Piece	PRC6017 PRC6018	1 1
16	Bulb-illumination		for calibrated speedometer	232590	1
17	Connector fit			RTC603	1
18	Harness-link			PRC2415	1
19	Earth lead			PRC2416	1
20	Cable-trip reset			90575323	1



Body Electrics
Lighting
Auxiliary 1/1

Range Rover (To HA610293)

(TS5726)



Range Rover (To HA610293)

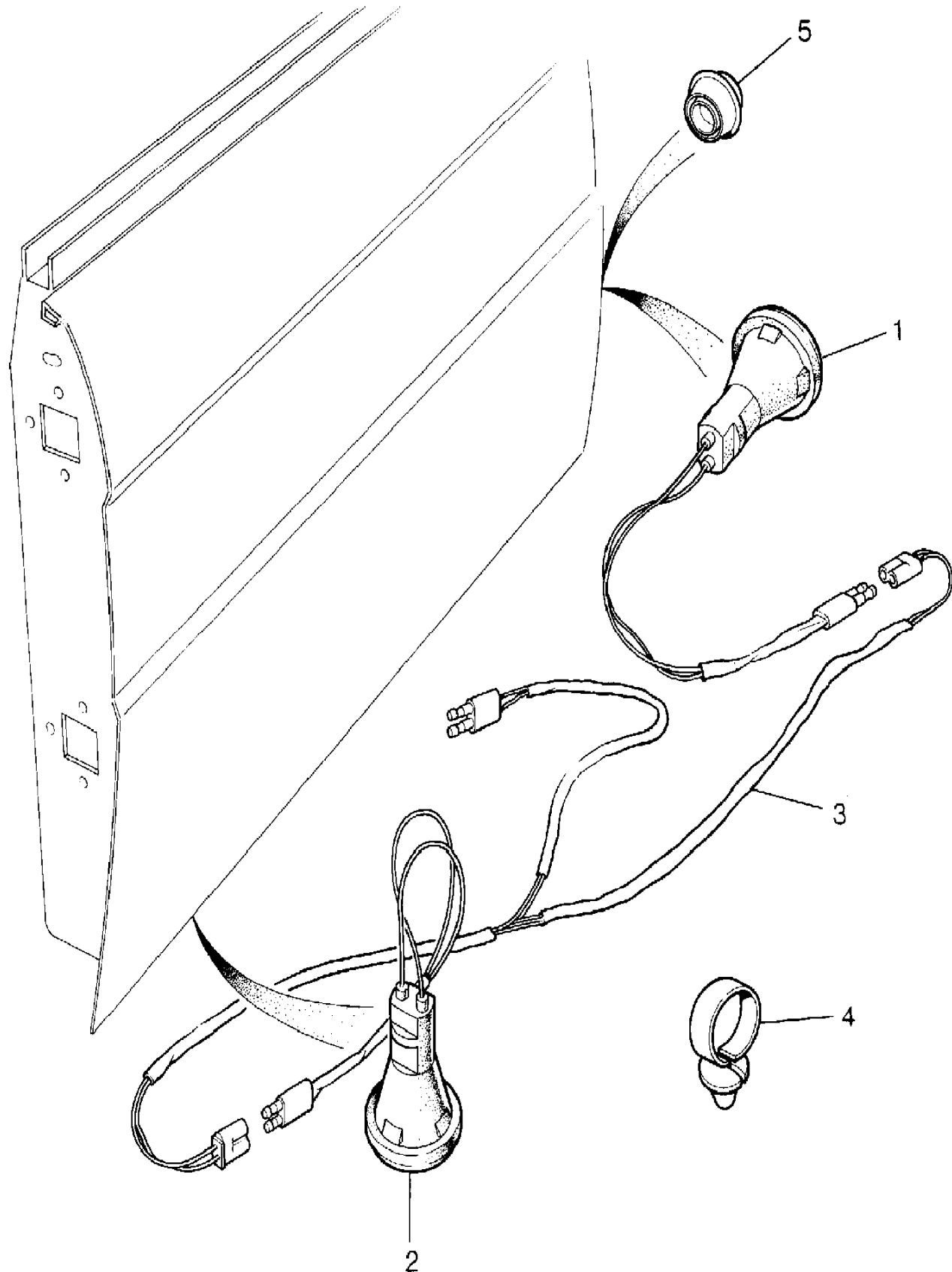
Body Electrics
Lighting
Auxiliary

Callout	Name	Application	Remarks & Restrictions	Service No.	Qty
1	Lamp-auxiliary front lighting	Change point - VIN end HA610293, (-)"F" Change point - VIN end HA610293, (+)"F" With Police Vehicle (-)"F", CSK	Also serviced as part of a kit, rectangular, Clear. Also serviced as part of a kit, rectangular, Yellow.. For Fog Lamps, rectangular For Fog Lamps, rectangular	PRC8238 PRC8239 RTC8922 PRC8240	2 2 2 2
[900]	Bulb-headlamp-h3-55 Watt	Change point - VIN end HA610293, 4 Door Station Wagon	Also serviced as part of a kit, type H3	606178	2

Range Rover (To HA610293)
(TS5747)

Range Rover (To HA610293)

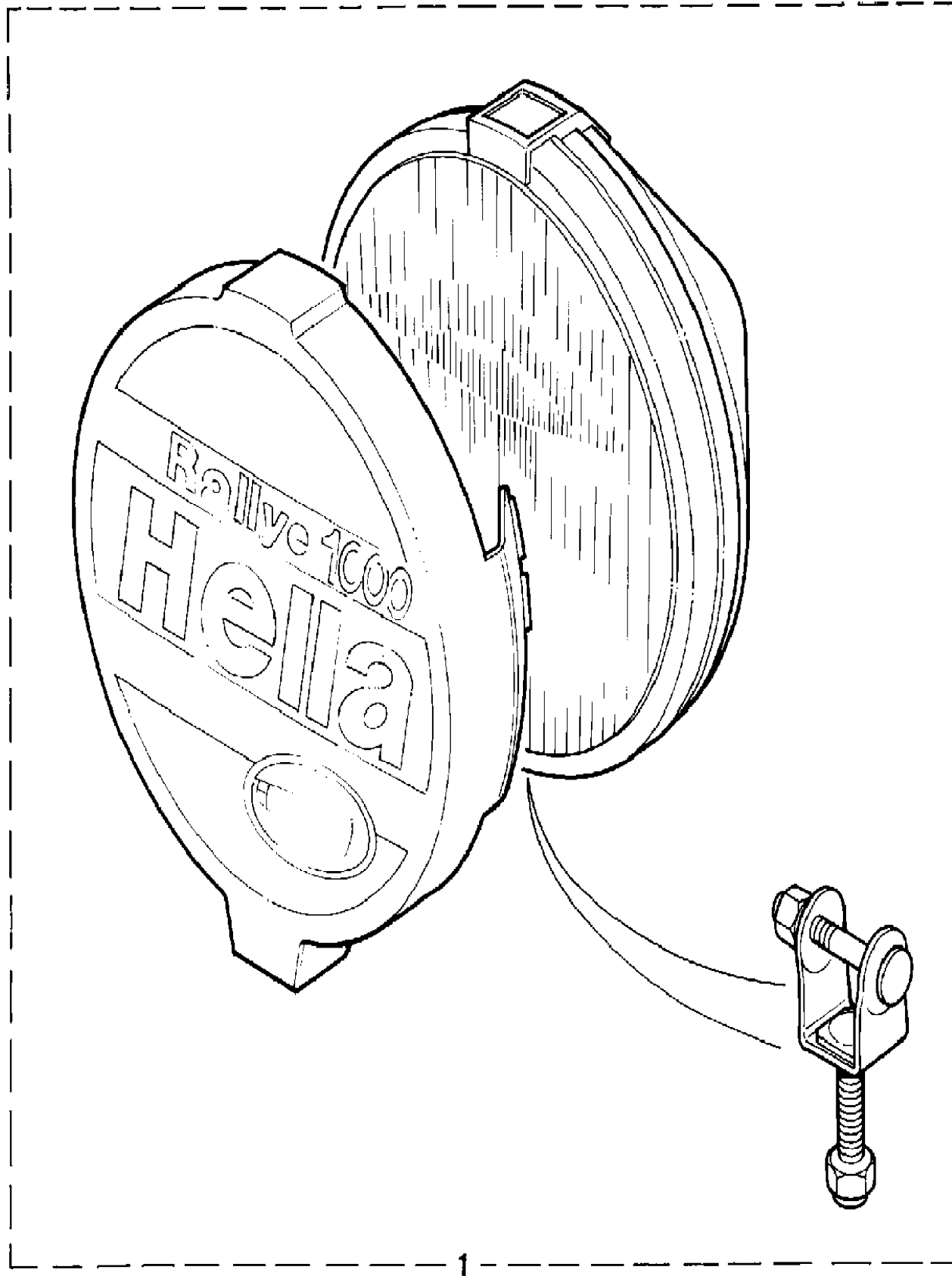
Callout	Name	Application	Remarks & Restrictions	Service No.	Qty
1	Lamp-stand alone warning	Change point - VIN end FA399972	Red	PRC4801	2
		Change point - VIN begin GA399973	Red	PRC8077	2
2	Lamp-door ground illumination	Change point - VIN end FA399972	White.	PRC4811	2
		Change point - VIN begin GA399973	White.	PRC8076	2
3	Harness-link		door lamps	PRC4802	2
4	Clip-omega		6.5mm hole, White., 14 x 10mm	PRC5274	4
			Grey, 6.5mm hole, 10.5 x 8mm	PRC5273	10
5	Plug-blanking		when puddle lamps are not fitted, 25.5MM, Plastic	338023	4



Body Electrics
Lighting
Driving Lamps 1/1

Range Rover (To HA610293)

(TS6976)



Range Rover (To HA610293)

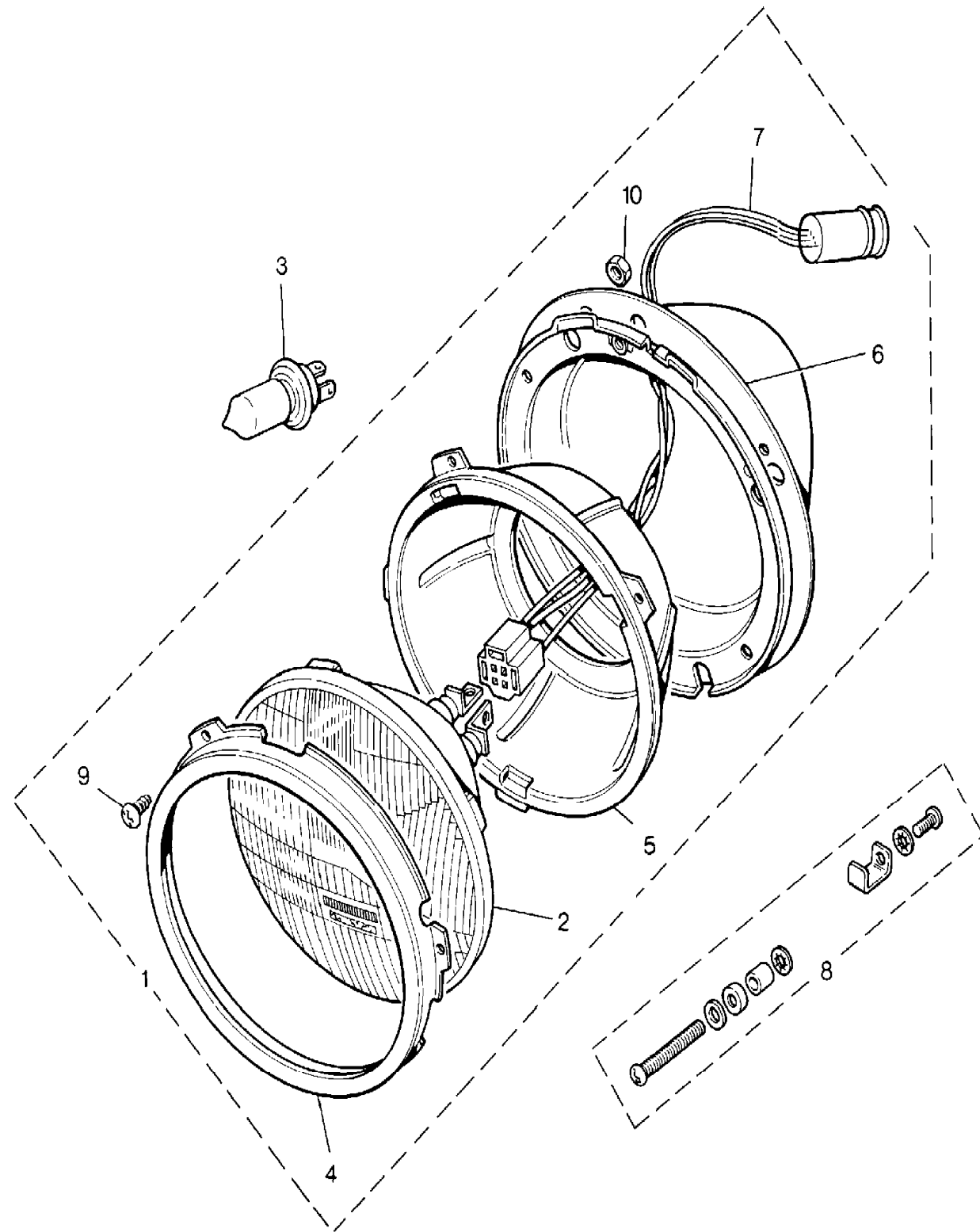
Body Electrics
Lighting
Driving Lamps

CSK

Callout	Name	Application	Remarks & Restrictions	Service No.	Qty
1	Lamp-front long range driving		Also serviced as part of a kit, Rally 1000	RTC9522	1
[900]	Bulb-headlamp		Also serviced as part of a kit, Cewe, Quartz Halogen, type H2	RTC9498	1

Range Rover (To HA610293)

(TS6231)



Range Rover (To HA610293)

Change point - VIN begin DA273923, Less Headlamp Levelling

Callout	Name	Application	Remarks & Restrictions	Service No.	Qty
1	Headlamp assembly-front lighting	Change point - VIN begin DA273923, RHD, (-)"F"	Also serviced as part of a kit	PRC5391	2
		Change point - VIN begin DA273923, LHD, (-)"F"	Also serviced as part of a kit	PRC5392	2
		Change point - VIN begin DA273923, LHD, (+)"F"	Also serviced as part of a kit	PRC5393	2
2	Light unit-headlamp	Change point - VIN begin DA273923, RHD, (-)"F"	Also serviced as part of a kit	RTC4615	2
		Change point - VIN begin DA273923, LHD, (-)"F"	Also serviced as part of a kit	PRC7994	2
3	Bulb-headlamp-h4-60/65 Watt	Change point - VIN begin DA273923, RHD, (-)"F"	Also serviced as part of a kit, Quartz Halogen, Clear.	589783	2
		Change point - VIN begin DA273923, LHD, (+)"F"	Also serviced as part of a kit, Quartz Halogen, Yellow	PRC2167	2
4	Bezel-headlamp	Change point - VIN begin DA273923, RHD, (-)"F"	Also serviced as part of a kit	515218	2
5	Body-headlamp	Change point - VIN begin DA273923, RHD, (-)"F"	Also serviced as part of a kit	STC643	2
6	Gasket-headlamp lens	Change point - VIN begin DA273923, RHD, (-)"F"	Also serviced as part of a kit	531586	2
7	Harness-link	Change point - VIN begin DA273923, RHD, (-)"F"	Also serviced as part of a kit	PRC7993	2
8	Kit-screw	Change point - VIN begin DA273923, RHD, (-)"F"	Also serviced as part of a kit	BHM7058L	2
9	Screw	Change point - VIN begin DA273923	No 8 x 1/2, Self Tapping	AB608041L	8
10	Nut-lokut	Change point - VIN begin DA273923		79051	8
[900]	Light unit-headlamp	Change point - VIN begin DA273923, LHD, (-)"F"		PRC7994	2
		Change point - VIN begin DA273923, LHD, (+)"F"		PRC7994	2

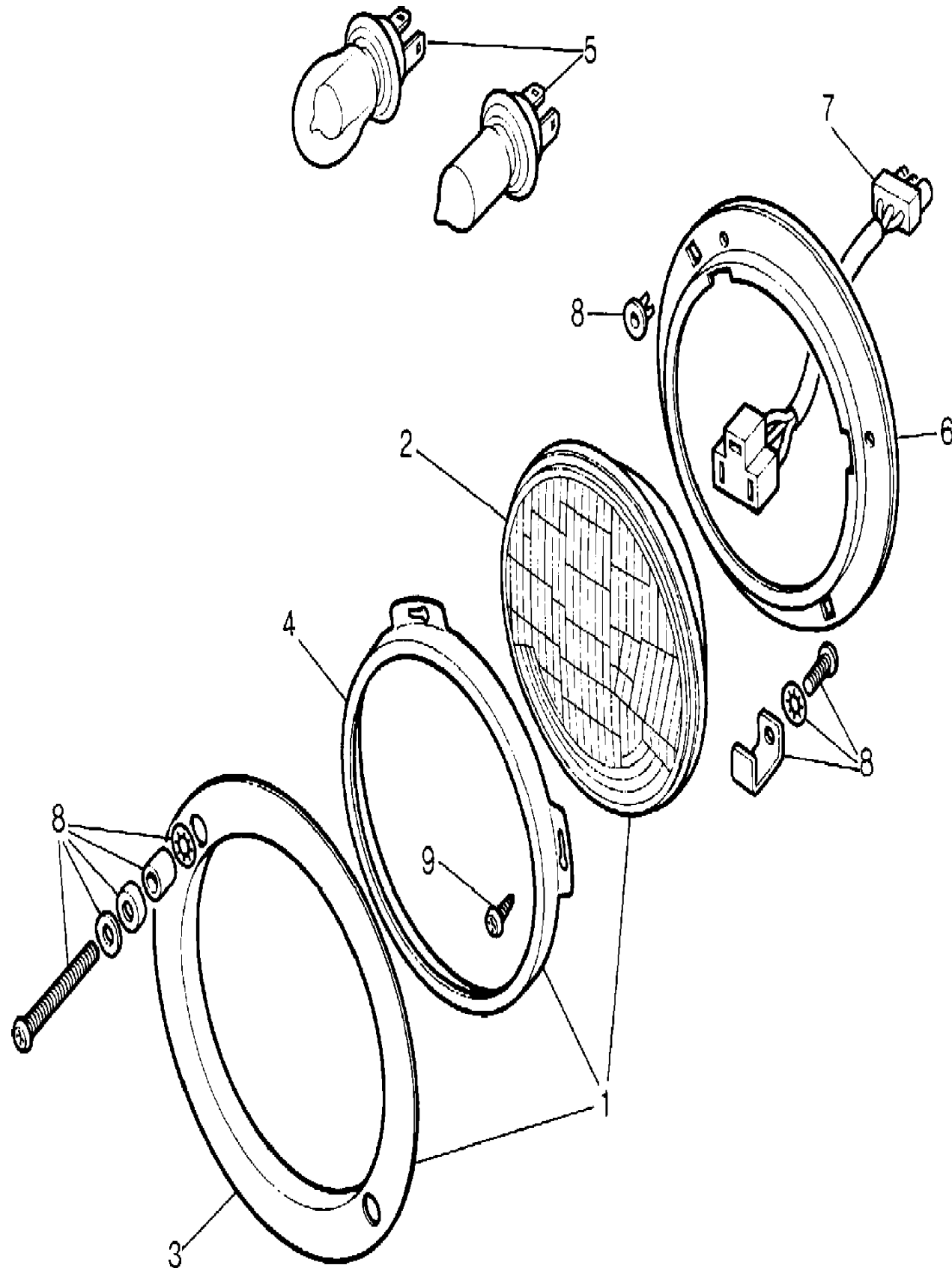
Range Rover (To HA610293)

(VS1744)

Range Rover (To HA610293)

Change point - VIN end CA274120, Less Headlamp Levelling

Callout	Name	Application	Remarks & Restrictions	Service No.	Qty
1	Headlamp assembly-front lighting	Change point - VIN end CA274120, RHD	Also serviced as part of a kit	PRC4738	2
		Change point - VIN end CA274120, LHD, (-)"F"	Also serviced as part of a kit	PRC4739	2
		Change point - VIN end CA274120, LHD, (+)"F"	Also serviced as part of a kit	PRC4740	2
2	Light unit-headlamp	Change point - VIN end CA274120, RHD	Also serviced as part of a kit	RTC4615	2
		Change point - VIN end CA274120, LHD, (-)"F"	Also serviced as part of a kit	PRC7994	2
3	Seal	Change point - VIN end CA274120, RHD	Also serviced as part of a kit	607206	2
4	Bezel-headlamp	Change point - VIN end CA274120, RHD	Also serviced as part of a kit	515218	1
		Change point - VIN end CA274120, LHD, (-)"F"	Also serviced as part of a kit	515218	2
5	Bulb-headlamp-h4-60/65 Watt	Change point - VIN end CA274120, (-)"F"	Quartz Halogen, Clear.	589783	2
		Change point - VIN end CA274120, (+)"F"	Quartz Halogen, Yellow	PRC2167	2
6	Body-headlamp	Change point - VIN end CA274120		RTC1821	2
7	Harness-link	Change point - VIN end CA274120	Headlamp	90575260	2
8	Kit-screw	Change point - VIN end CA274120		AEU1478	2
9	Screw	Change point - VIN end CA274120		78785	6

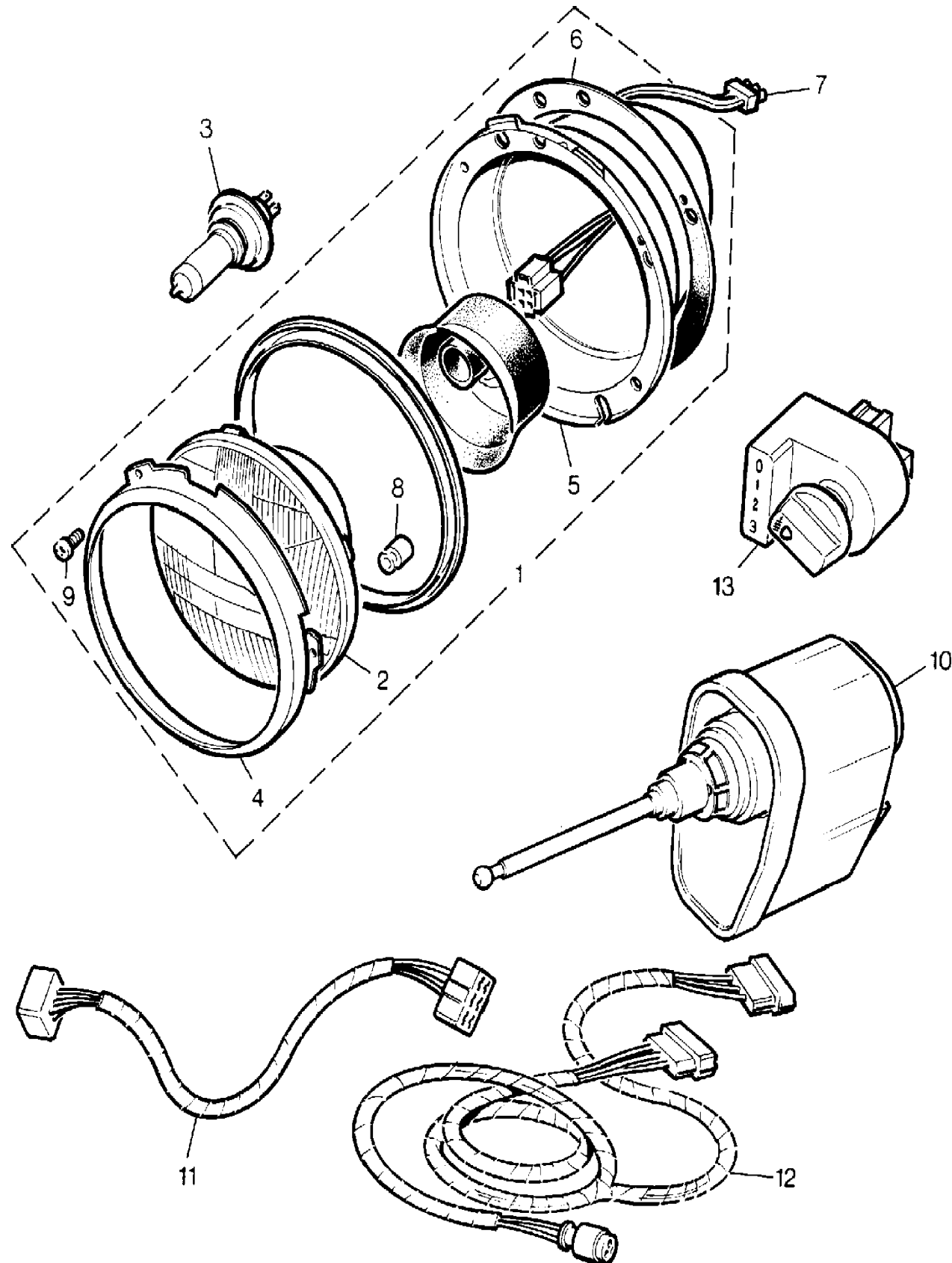


Range Rover (To HA610293)

(TS6706)

Range Rover (To HA610293)

Callout	Name	Application	Remarks & Restrictions	Service No.	Qty
1	Headlamp assembly-load levelling		Also serviced as part of a kit	PRC7933	2
2	Light unit-headlamp		Also serviced as part of a kit	PRC7994	2
3	Bulb-headlamp-h4-60/65 Watt		Also serviced as part of a kit, Quartz Halogen, Clear.	589783	2
4	Bezel-headlamp		Also serviced as part of a kit, Chrome	PRC7992	2
5	Body-headlamp		Also serviced as part of a kit	PRC7997	2
6	Gasket-headlamp lens		Also serviced as part of a kit	PRC7991	2
7	Harness-link		Headlamp, Also serviced as part of a kit	PRC7993	2
8	Connector-inlet manifold adaptor		low levelling, Also serviced as part of a kit	PRC7998	2
9	Screw-self tapping AB		Fixing Headlamp, M8 x 12	AB610041L	8
10	Adjuster unit-headlamp			PRC7963	2
11	Harness-link		switch to main harness	PRC7934	1
12	Harness-link		switch to actuator	PRC7932	2
13	Switch-rotary headlamp leveling			PRC7989	1
[900]	Washer-Plain		Fixing Headlamp	WC702101L	8
[901]	Nut-lokut		Fixing Headlamp	RTC3743	8



Body Electrics
Lighting
High Level Stop Lamp 1/1

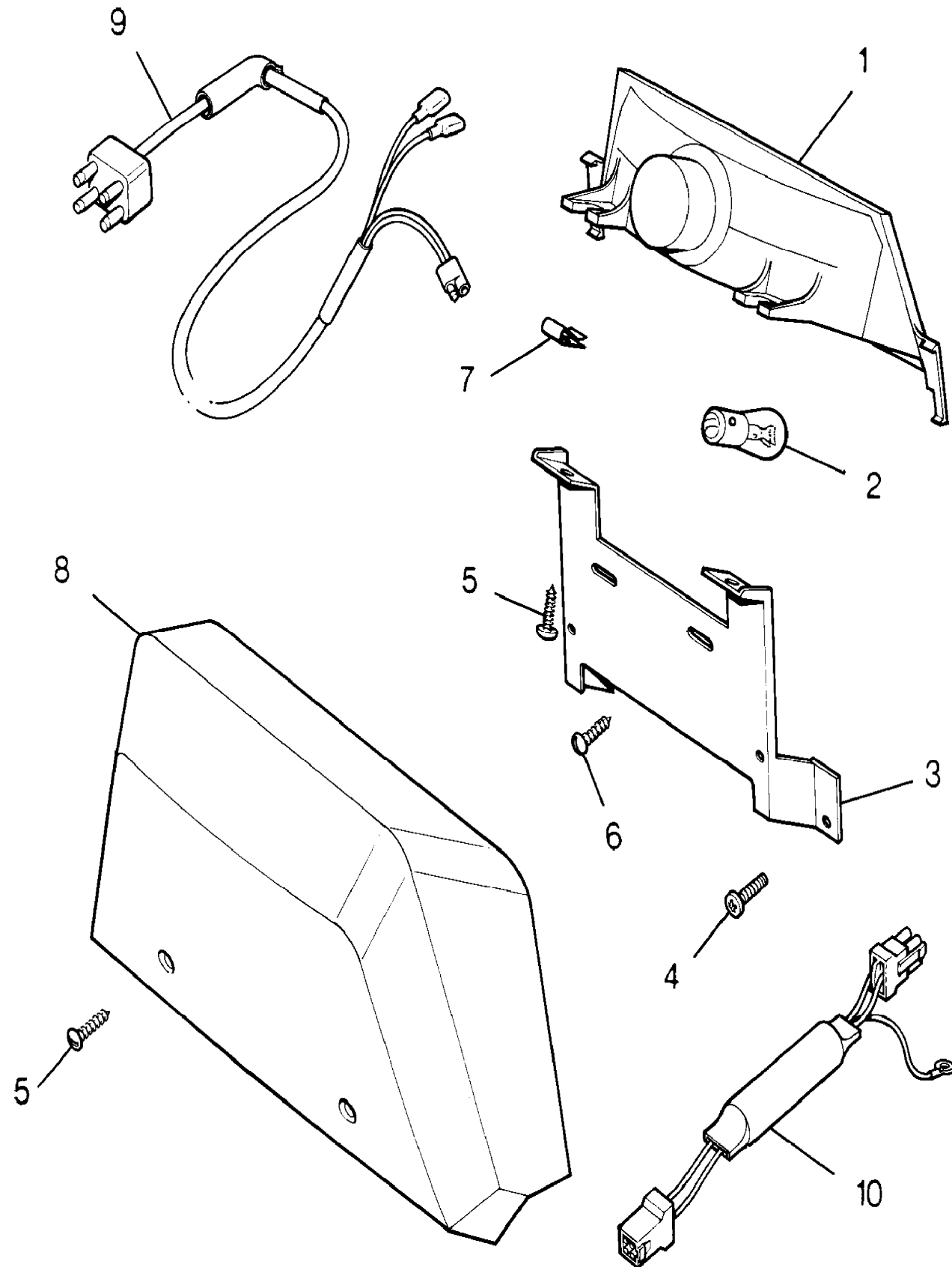
Range Rover (To HA610293)
(TS6690)

Range Rover (To HA610293)

Body Electrics
Lighting
High Level Stop Lamp

With High Mounted Stop Lamp

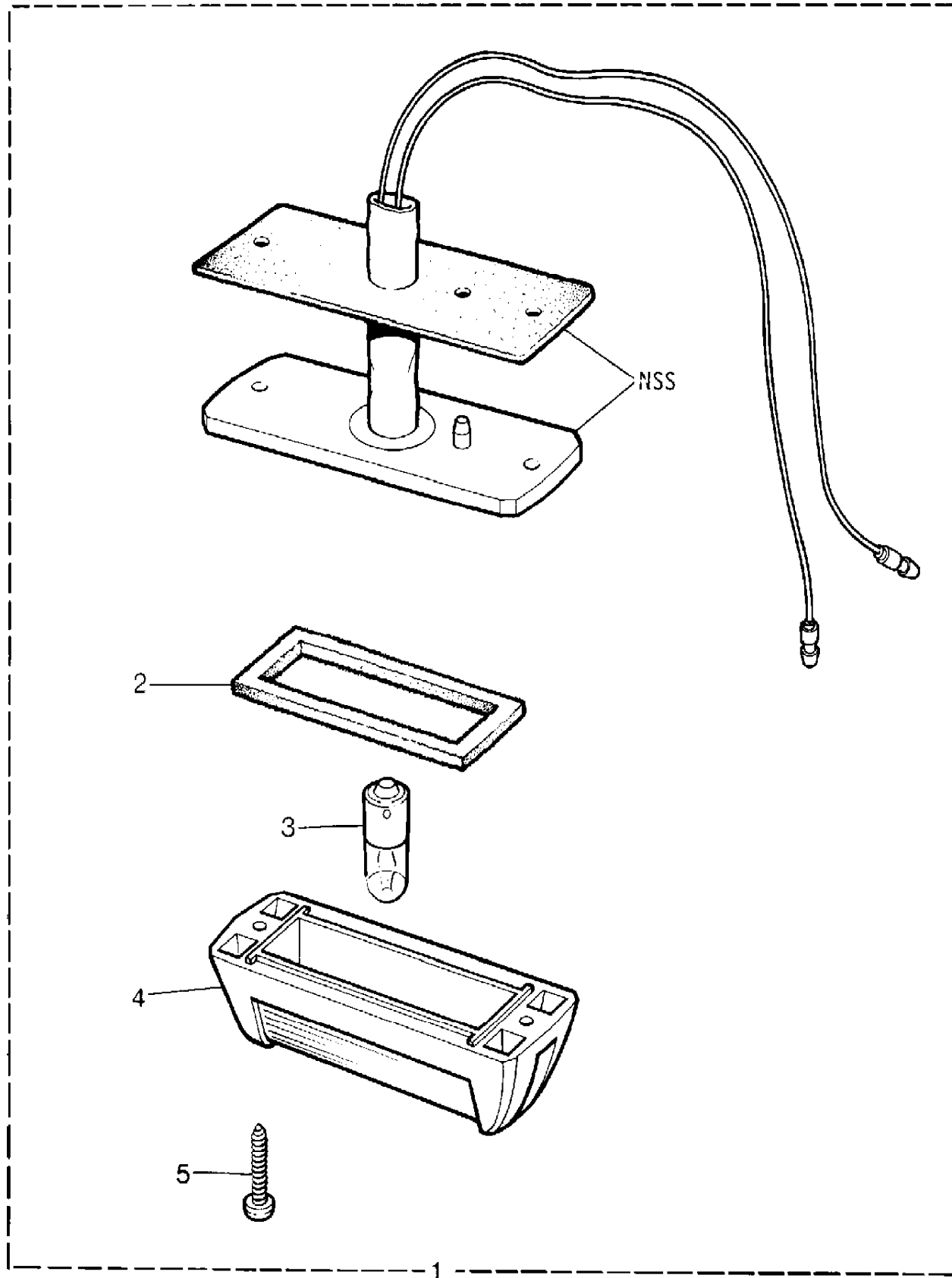
Callout	Name	Application	Remarks & Restrictions	Service No.	Qty
1	Lamp-rear high mounted stop	Change point - VIN end HA479004 Change point - VIN begin HA479005	Also serviced as part of a kit Also serviced as part of a kit	PRC8484 PRC9093	1 1
2	Bulb-382-p25/1-21 Watt	Change point - VIN end HA479004	Also serviced as part of a kit, 12V	264591	1
3	Bracket-rear high mounted stop lamp mounting			MXC8860	1
4	Screw		M4 x 16	SE104161	2
5	Screw		Self Tapping, No8 x 5/8	AB608054L	4
6	Screw-self tapping		Self Tapping, M8 x 13	DA608044L	2
7	Nut-spring-J type			AK608171L	2
8	Cover-high mounted stop lamp			MXC5788	1
9	Harness-high mounted stop lamp protected			PRC7987	1
10	Suppressor assembly-noise distributor		High Mounted Stop Lamp	PRC8129	1



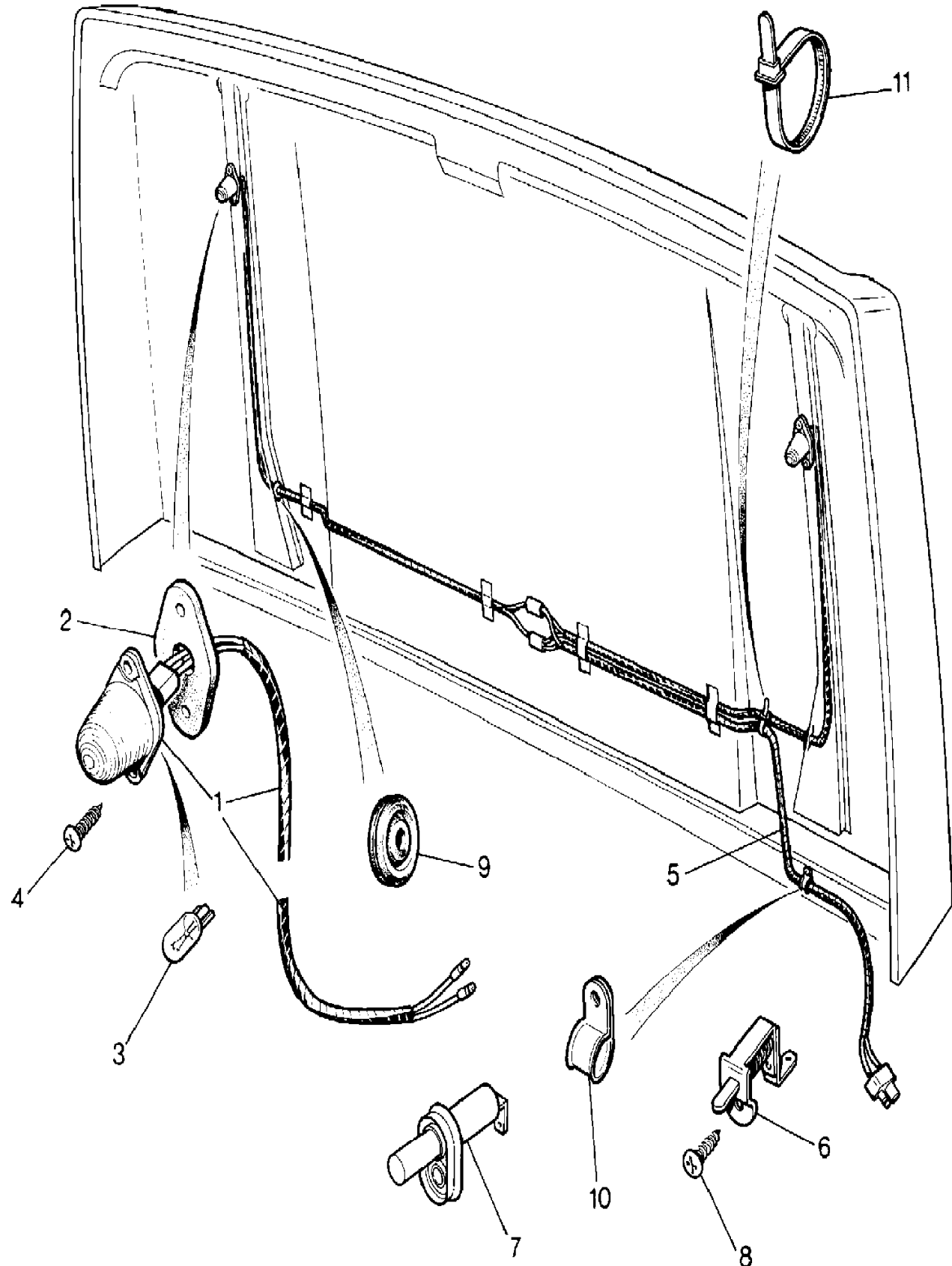
Range Rover (To HA610293)

(TS5325)

Range Rover (To HA610293)



Callout	Name	Application	Remarks & Restrictions	Service No.	Qty
1	Lamp-rear licence plate	Change point - VIN end CA274120	Also serviced as part of a kit	PRC3824	2
		Change point - VIN begin DA273923	Also serviced as part of a kit	PRC6066	2
2	Gasket-rear licence plate lamp lens	Change point - VIN end CA274120	Also serviced as part of a kit	RTC3830	2
3	Bulb-233-t8/4-4 Watt	Change point - VIN end CA274120	Also serviced as part of a kit, 12V	575312	2
		Change point - VIN begin DA273923	Also serviced as part of a kit, 12V	570829	2
4	Lens-rear licence plate lamp	Change point - VIN end CA274120	Also serviced as part of a kit	RTC3831	2
5	Screw	Change point - VIN end CA274120	fixing lens rear no. plate lamp, Also serviced as part of a kit	RTC3832	8

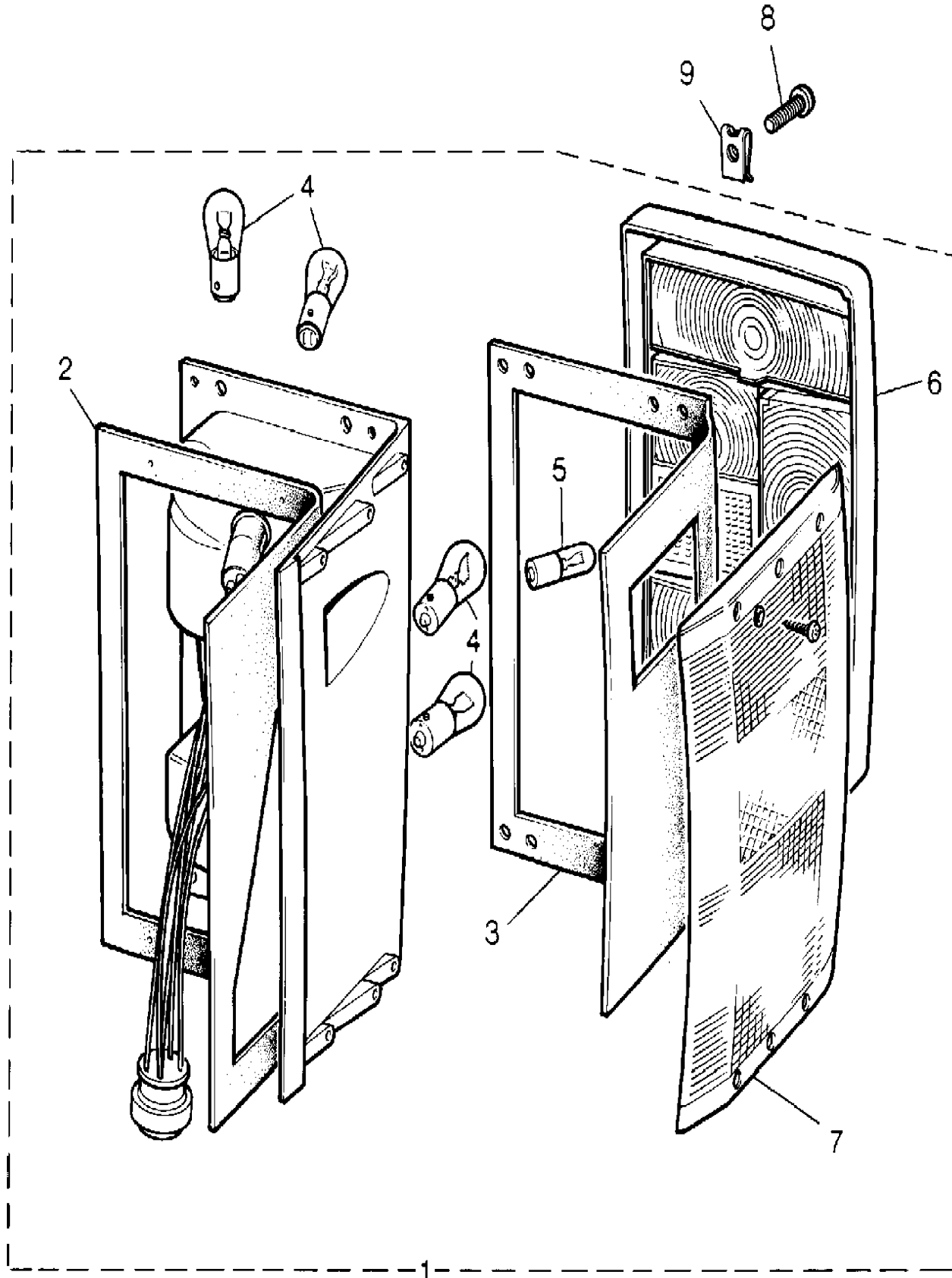


Callout	Name	Application	Remarks & Restrictions	Service No.	Qty
1	Lamp-under bonnet		Also serviced as part of a kit	PRC2924	2
2	Plinth-lamp		Also serviced as part of a kit	PRC2949	2
3	Bulb-501-w10/5-5 Watt		Also serviced as part of a kit, 12V	570829	2
4	Screw		fixing under bonnet lamp, Also serviced as part of a kit, Self Tapping, No 6 x 3/8	AB606031L	4
5	Harness-link		for under bonnet lamps	PRC3248	1
6	Switch-contact courtesy light	Change point - VIN end GA450875		PRC6970	1
7	Switch-contact courtesy light	Change point - VIN begin GA450876		PRC8548	1
8	Screw		fixing courtesy light switch	PRC6518	1
9	Grommet		fixing under bonnet harness	235113	2
10	Clip-p		fixing under bonnet harness	AEU1499	1
11	Tie-cable		fixing under bonnet harness	RTC3771	1

Body Electrics
Lighting
Rear Lamps-From (V) DA274121 (2Dr) & (V) DA273923 (4Dr) 1/1

Range Rover (To HA610293)

(TS6212A)



Range Rover (To HA610293)

Rear Lamps-From (V) DA274121 (2Dr) & (V) DA273923 (4Dr)

Body Electrics
Lighting

Callout	Name	Application	Remarks & Restrictions	Service No.	Qty
1	Lamp assembly-rear	Change point - VIN begin DA273923	RH	PRC7896	1
		Change point - VIN begin DA273923	LH	PRC7897	1
		Change point - VIN end KA399972, (+)"CDN/MEX/USA"	RH	PRC6653	1
		Change point - VIN end KA399972, (+)"CDN/MEX/USA"	LH	PRC6652	1
		Change point - VIN begin LA399973, Change point - VIN end MA610293, (+)"CDN/MEX/USA"	RH	PRC7900	1
		Change point - VIN begin LA399973, Change point - VIN end MA610293, (+)"CDN/MEX/USA"	LH	PRC7899	1
		Change point - VIN begin DA273923	Also serviced as part of a kit	AEU1525	2
		Change point - VIN begin DA273923	Also serviced as part of a kit	AEU1523	2
		Change point - VIN begin DA273923	Also serviced as part of a kit, 12V	264591	6
2	Gasket-rear lamp assembly	Change point - VIN begin DA273923	Also serviced as part of a kit, 12V	264590	2
		Change point - VIN begin DA273923	Also serviced as part of a kit, 12V	264590	2
3	Gasket-rear lamp assembly	Change point - VIN begin DA273923	RH	RTC5989	1
		Change point - VIN begin DA273923	LH	RTC5990	1
		(+)"CDN/MEX/USA"	RH	RTC5551	1
		(+)"CDN/MEX/USA"	LH	RTC5552	1
4	Bulb-382-p25/1-21 Watt	Change point - VIN begin DA273923	RH	RTC5294	1
		Change point - VIN begin DA273923	LH	RTC5295	1
		(+)"CDN/MEX/USA"	RH	RTC5553	1
		(+)"CDN/MEX/USA"	LH	RTC5554	1
5	Bulb-380-p25/2-21/5 Watt	Change point - VIN begin DA273923	Self Tapping, No 8 x 1 1/4	AB608107	8
		Change point - VIN begin DA273923	No 8 x 1	AR608081	4
6	Lens assembly-rear lamp	Change point - VIN begin DA273923	Change point - VIN begin DA273923	79039	12
		Change point - VIN begin DA273923	Change point - VIN begin DA273923	79039	12
7	Lens-lamp-side	Change point - VIN begin DA273923	Change point - VIN begin DA273923	79039	12
		Change point - VIN begin DA273923	Change point - VIN begin DA273923	79039	12
8	Screw	Change point - VIN begin DA273923	Change point - VIN begin DA273923	79039	12
		Change point - VIN begin DA273923	Change point - VIN begin DA273923	79039	12
9	Nut-spring-J type	Change point - VIN begin DA273923	Change point - VIN begin DA273923	79039	12
		Change point - VIN begin DA273923	Change point - VIN begin DA273923	79039	12

Body Electrics
Lighting
Rear Lamps-To (V) CA274120 (2Dr) & (V) CA273922 (4Dr) 1/1

Range Rover (To HA610293)

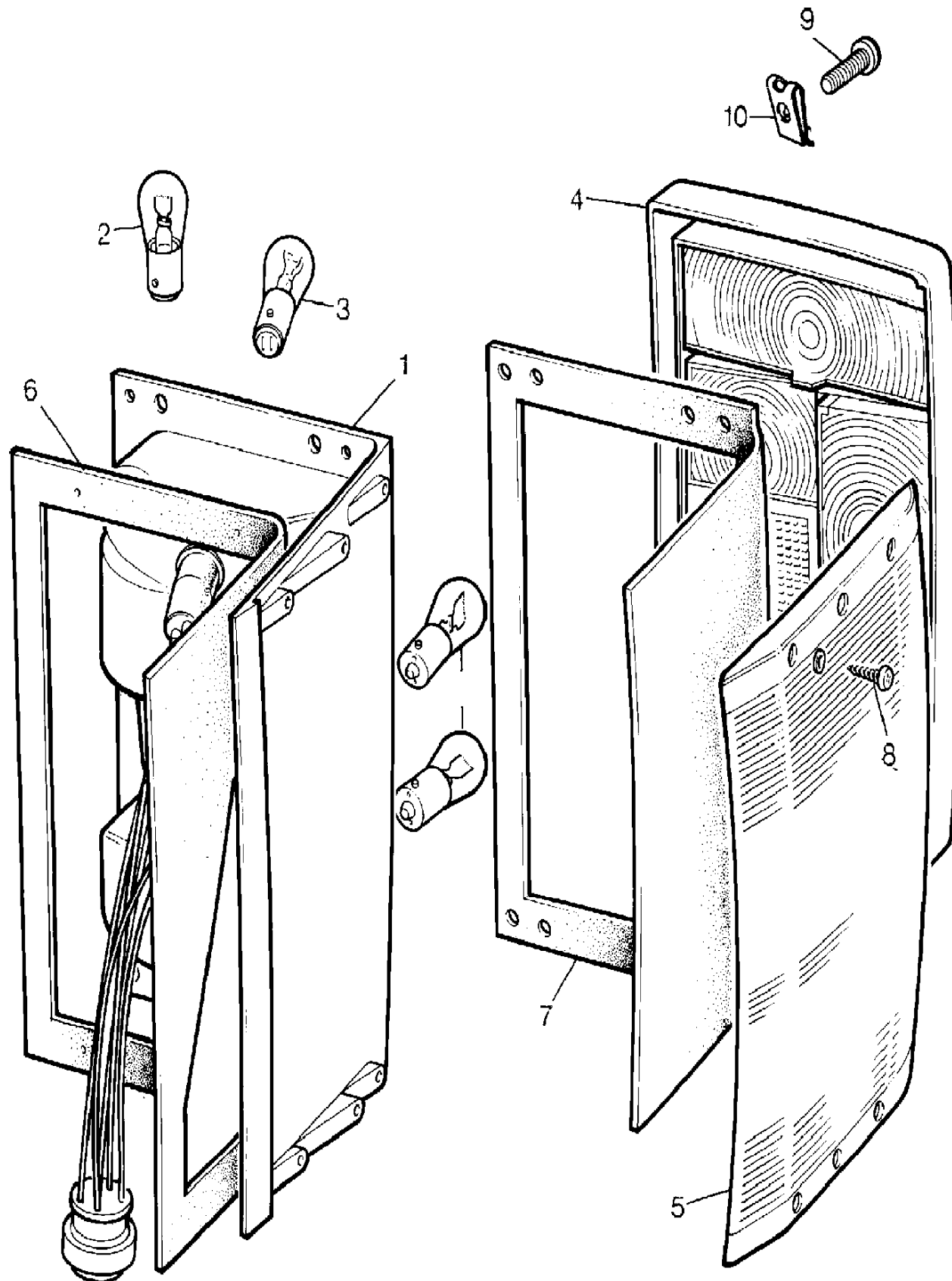
(TS5323A)

Range Rover (To HA610293)

Body Electrics
Lighting

Rear Lamps-To (V) CA274120 (2Dr) & (V) CA273922 (4Dr)

Callout	Name	Application	Remarks & Restrictions	Service No.	Qty
1	Lamp assembly-rear	Change point - VIN end CA274120 Change point - VIN end CA274120	Also serviced as part of a kit, RH Also serviced as part of a kit, LH	RTC5776 RTC5902	1 1
2	Bulb-382-p25/1-21 Watt	Change point - VIN end CA274120	fog/reverse & rear lamp, Also serviced as part of a kit, 12V	264591	6
3	Bulb-380-p25/2-21/5 Watt	Change point - VIN end CA274120	stop tail, Also serviced as part of a kit, 12V	264590	2
4	Lens assembly-rear lamp	Change point - VIN end CA273922 Change point - VIN end CA274120	RH LH	AEU1519 AEU1520	1 1
5	Lens-lamp-side	Change point - VIN end CA274120 Change point - VIN end CA274120	RH LH	RTC5294 RTC5295	1 1
6	Gasket-rear lamp assembly	Change point - VIN end CA274120	TO BODY	AEU1525	2
7	Gasket-rear lamp assembly	Change point - VIN end CA274120	to lens	AEU1523	2
8	Set-8 screws and washers	Change point - VIN end CA274120		AEU1524	2
9	Screw	Change point - VIN end CA274120 Change point - VIN end CA274120	Rear, No 8 Side, No 8 x 1	79231 AR608081	8 4
10	Nut-spring-J type	Change point - VIN end CA274120		79039	12



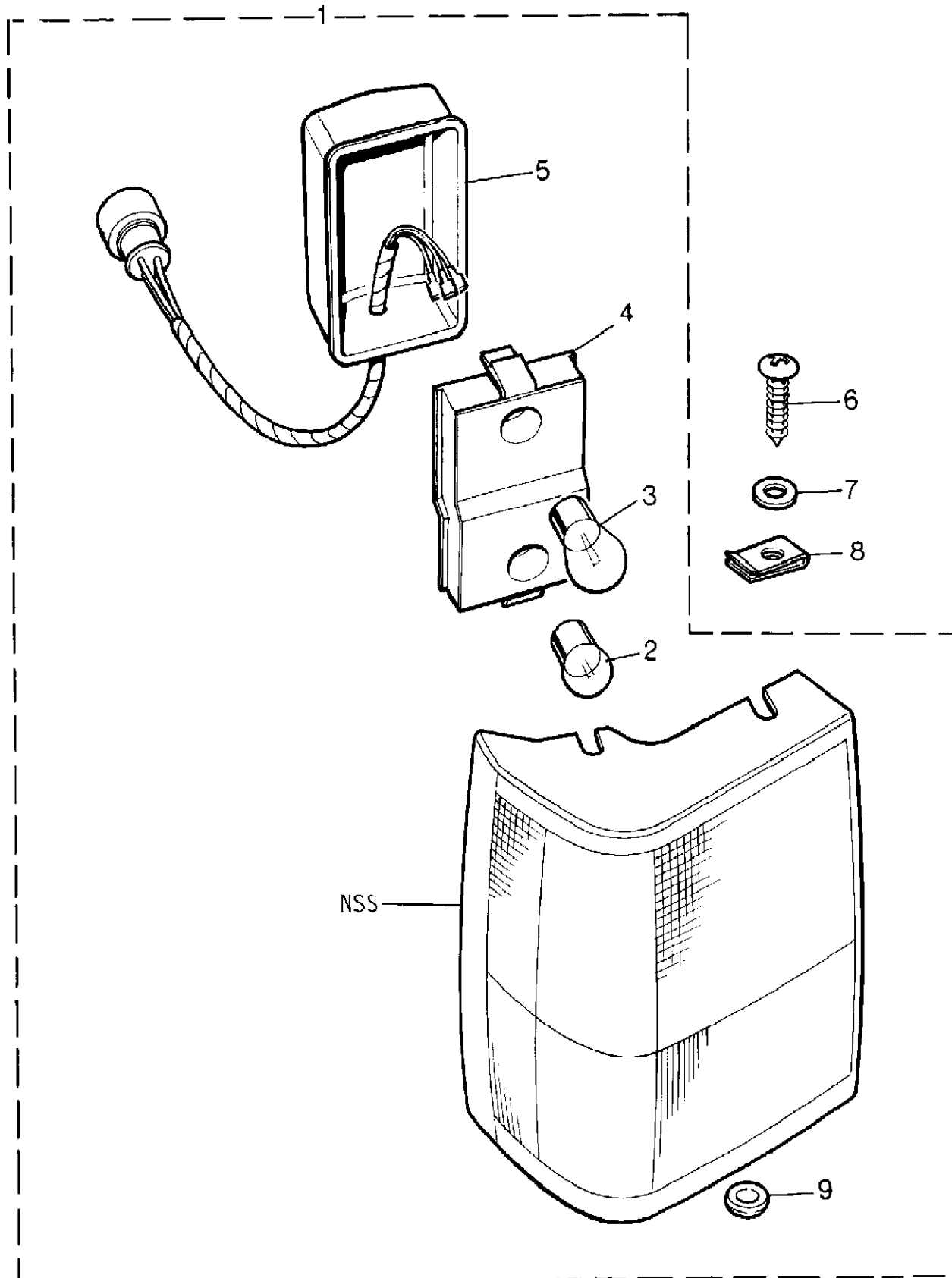
Body Electrics

Range Rover (To HA610293)

Lighting

Side & Flasher Lamp-From (V) DA274121 (2Dr) & (V) DA273923 (4Dr) 1/1

(TS6149A)



Range Rover (To HA610293)

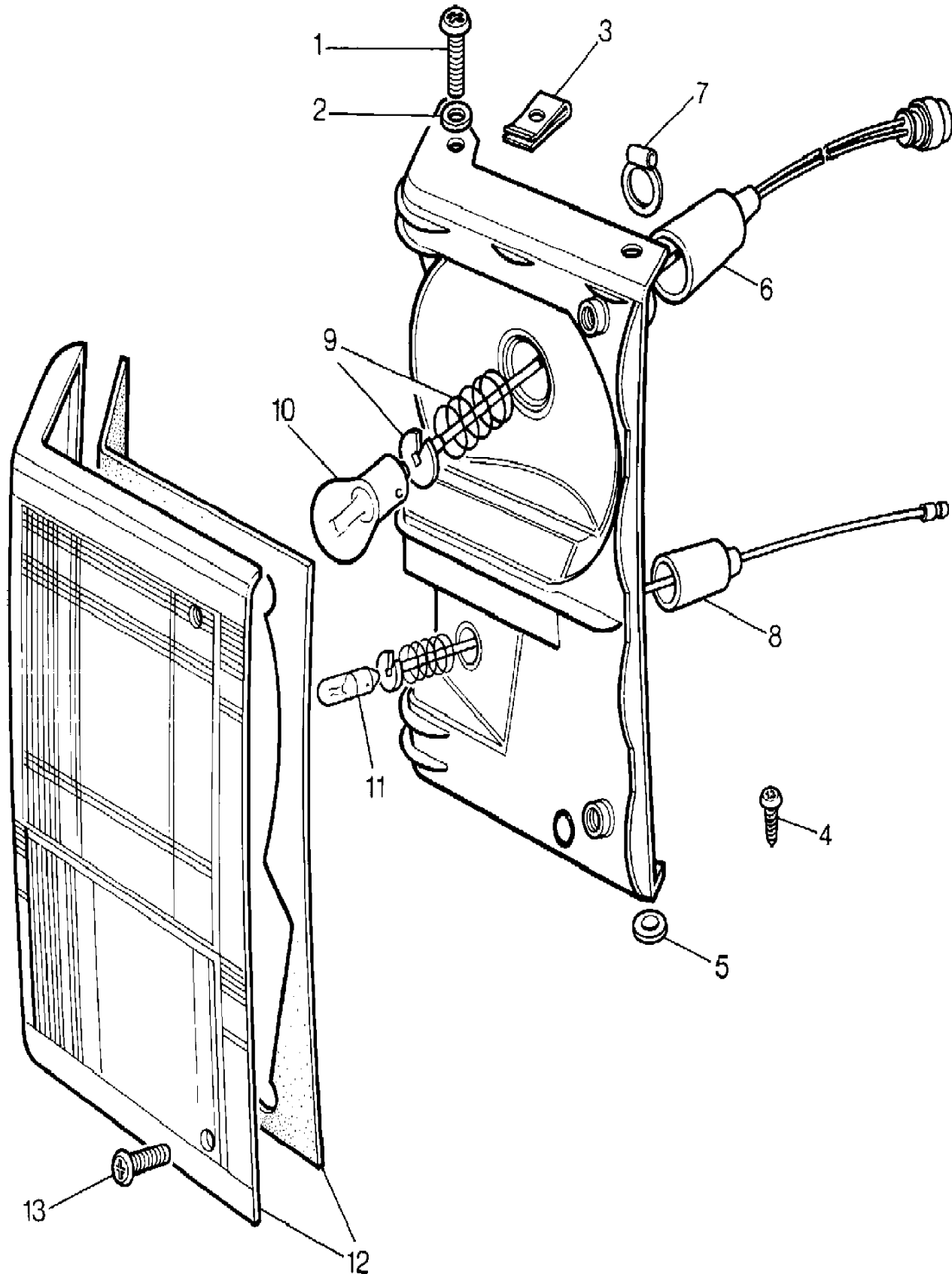
Body Electrics

Lighting

Side & Flasher Lamp-From (V) DA274121 (2Dr) & (V) DA273923 (4Dr)

Callout	Name	Application	Remarks & Restrictions	Service No.	Qty
1	Lamp-front lighting cornering	Change point - VIN begin DA273923	Also serviced as part of a kit, RH	PRC5575	1
		Change point - VIN begin DA273923	Also serviced as part of a kit, LH	PRC5576	1
2	Bulb	Change point - VIN begin DA273923	Side Light, Also serviced as part of a kit	10211	2
3	Bulb-382-p25/1-21 Watt	Change point - VIN begin DA273923	flasher lamp, Also serviced as part of a kit, 12V	264591	2
4	Holder-front lighting bulb	Change point - VIN begin DA273923	Also serviced as part of a kit	RTC5244	2
5	Cover & harness assembly	Change point - VIN begin DA273923	Also serviced as part of a kit	RTC5245	2
6	Screw-self tapping AB	Change point - VIN begin DA273923	M8 x 12	AB610041L	4
7	Washer	Change point - VIN begin DA273923	Also serviced as part of a kit, M5, oversize, Plain	WJ105001L	4
8	Nut-spring-self thread	Change point - VIN begin DA273923		PFS410L	4
9	Grommet	Change point - VIN begin DA273923		607129	4

Range Rover (To HA610293)

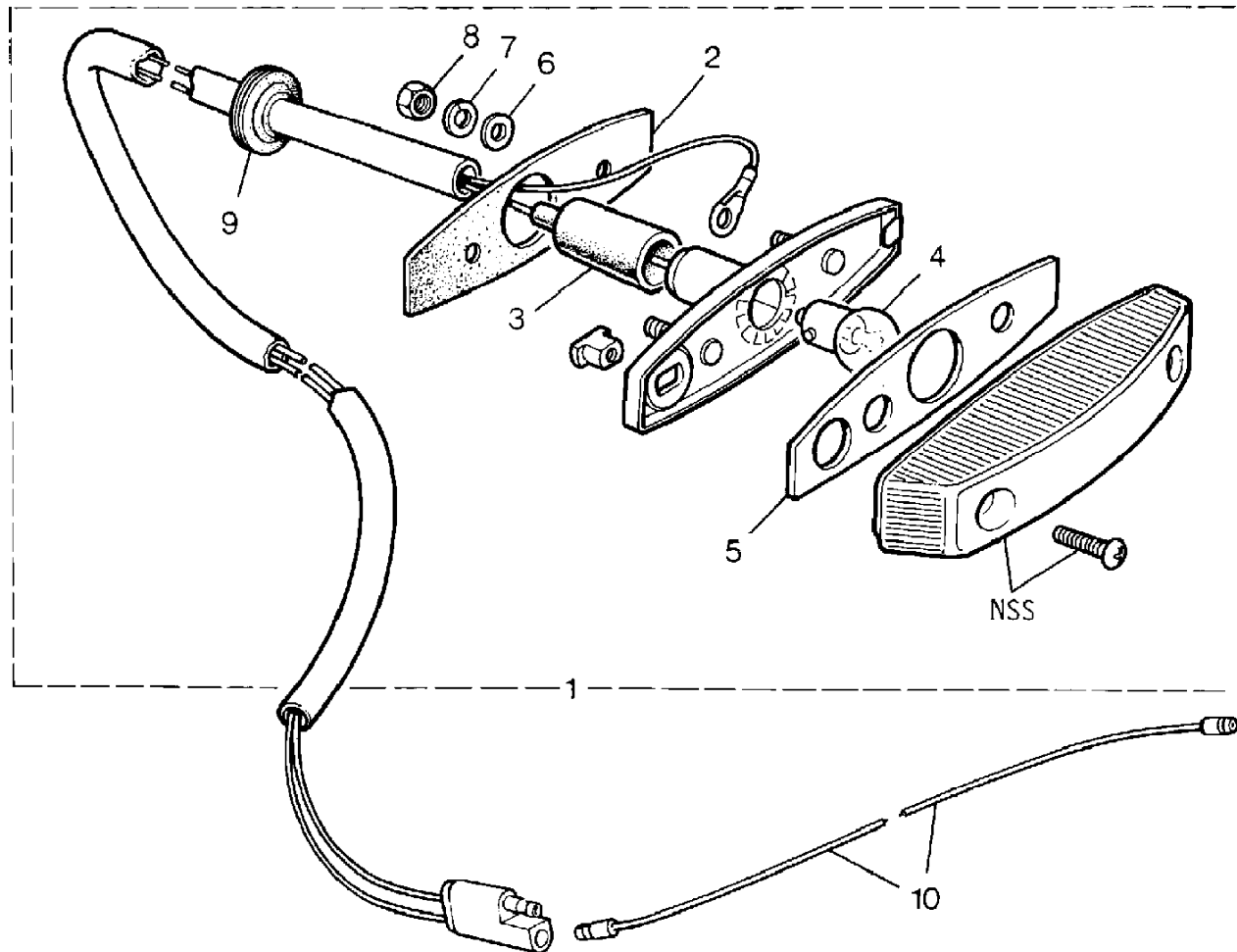
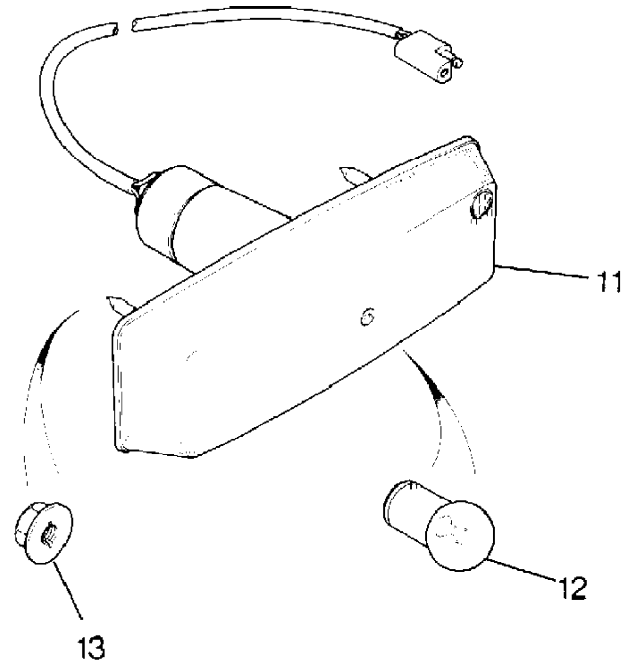


Range Rover (To HA610293)

Callout	Name	Application	Remarks & Restrictions	Service No.	Qty
1	Screw-self tapping AB	Change point - VIN end CA274120	fixing side & flasher lamp-top, Also serviced as part of a kit, M8 x 12	AB610041L	4
2	Washer-Plain	Change point - VIN end CA274120	Also serviced as part of a kit	4563	4
3	Nut-spring-self thread	Change point - VIN end CA274120	Also serviced as part of a kit	PFS410L	4
4	Screw	Change point - VIN end CA274120	fixing side & flasher lamp-bottom, Also serviced as part of a kit	78527	2
5	Grommet	Change point - VIN end CA274120	Also serviced as part of a kit	607129	2
6	Boot harness	Change point - VIN end CA274120	Also serviced as part of a kit	601544	2
7	Sleeve	Change point - VIN end CA274120	TERMINAL, Also serviced as part of a kit	568005	2
8	Boot-cable	Change point - VIN end CA274120	Also serviced as part of a kit	515060	2
9	Holder-single pole bulb	Change point - VIN end CA274120	Also serviced as part of a kit	37H5452L	2
10	Bulb-382-p25/1-21 Watt	Change point - VIN end CA274120	Also serviced as part of a kit, 12V	264591	2
11	Bulb-233-t8/4-4 Watt	Change point - VIN end CA274120	Also serviced as part of a kit, 12V	575312	2
12	Lens-front direction indicator	Change point - VIN end CA274120 Change point - VIN end CA274120	Also serviced as part of a kit, RH Also serviced as part of a kit, LH	AEU1610 AEU1609	1 1
13	Screw	Change point - VIN end CA274120	fixing lens, Also serviced as part of a kit	607219	8
[900]	Lamp-front lighting cornering	Change point - VIN end CA274120 Change point - VIN end CA274120	Also serviced as part of a kit, RH Also serviced as part of a kit, LH	PRC4337 PRC4338	1 1

Range Rover (To HA610293)

(TS6865)



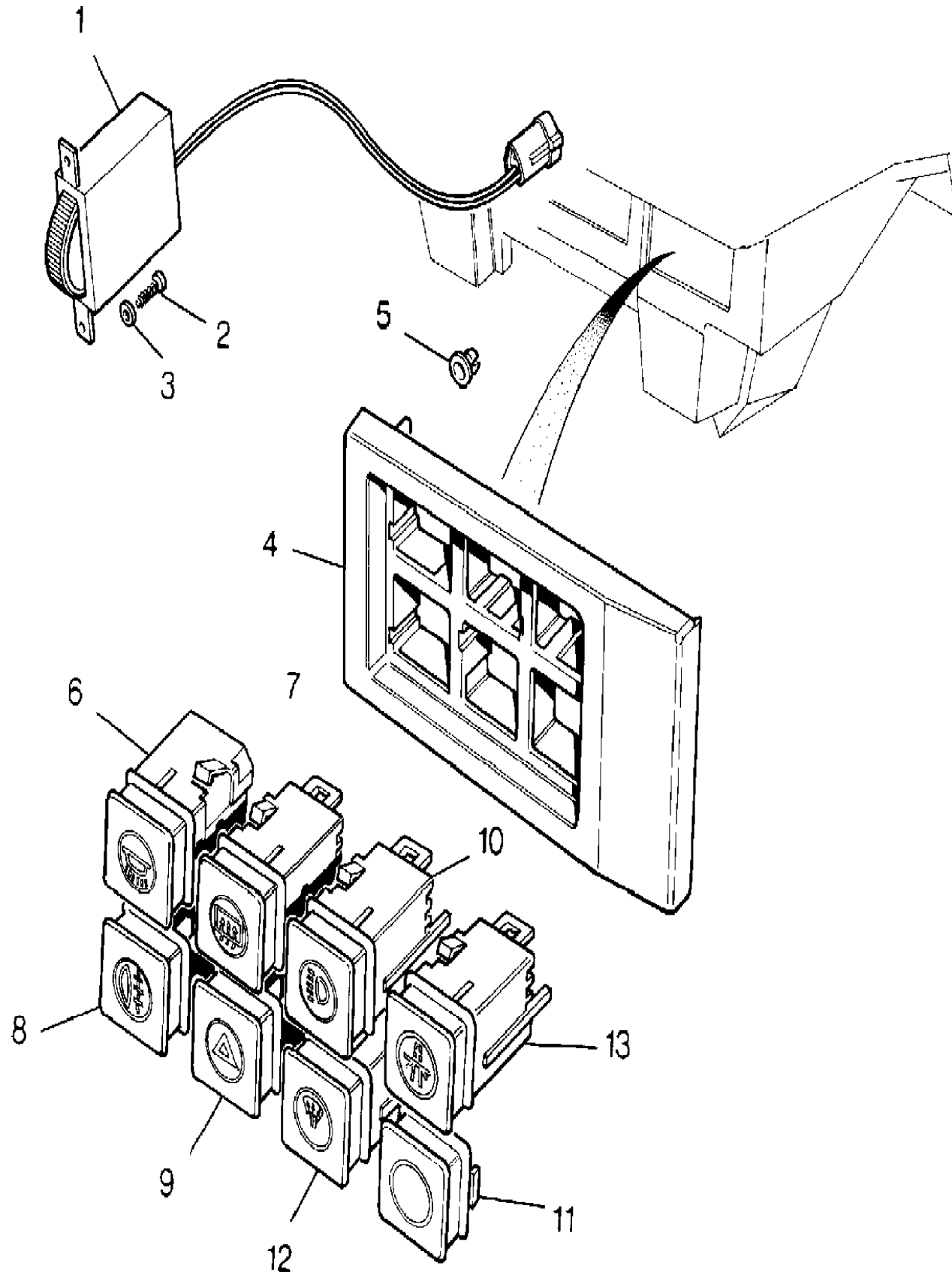
Range Rover (To HA610293)

Callout	Name	Application	Remarks & Restrictions	Service No.	Qty
1	Lamp-auxiliary lighting side repeater	Change point - VIN end CA274120	Also serviced as part of a kit	PRC4562	2
2	Gasket-seating lamp	Change point - VIN end CA274120	Also serviced as part of a kit	608312	2
3	Boot-cable	Change point - VIN end CA274120	Also serviced as part of a kit	515060	2
4	Bulb	Change point - VIN end CA274120	repeater lamp, Also serviced as part of a kit	570822	2
5	Gasket-seating lens	Change point - VIN end CA274120	Also serviced as part of a kit	608311	2
6	Washer-Plain	Change point - VIN end CA274120	Also serviced as part of a kit	WA704061L	4
7	Washer-Spring	Change point - VIN end CA274120	Also serviced as part of a kit	WM704001L	4
8	Nut - Hex.	Change point - VIN end CA274120	Also serviced as part of a kit	257203	4
9	Grommet	Change point - VIN end CA274120	Also serviced as part of a kit, Black, cable, 3 x 25.5mm	233243	2
10	Harness-link	Change point - VIN end CA274120	side repeater lamp	579237	2
11	Lamp-auxiliary lighting side repeater	Change point - VIN begin DA273923	Also serviced as part of a kit	PRC7441	2
12	Bulb-illumination	Change point - VIN begin DA273923	repeater lamp, Also serviced as part of a kit	RTC5929	2
13	Nut-flange-self thread	Change point - VIN begin DA273923 Change point - VIN begin DA273923	Less Alternatives Less Alternatives, retaining lamp to wing	PRC6181 MWC2109	4 4

Range Rover (To HA610293)

(TS5756B)

Range Rover (To HA610293)



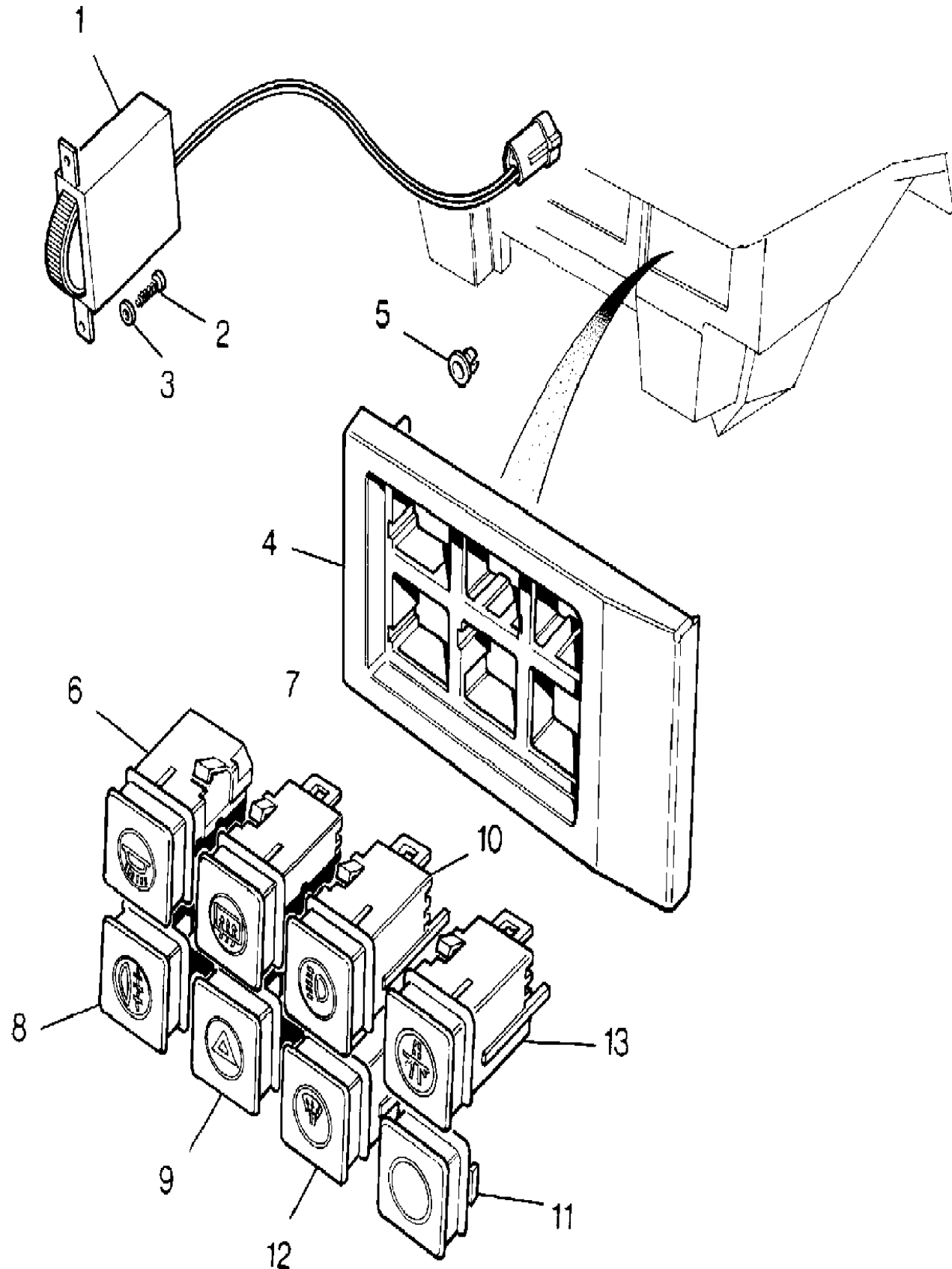
Callout	Name	Application	Remarks & Restrictions	Service No.	Qty
1	Switch-thumbwheel illumination control			PRC8330	1
2	Screw-self tapping B		fixing illumination control, No 4 x 3/8	AB604031L	2
3	Washer-Plain		fixing illumination control, M4	WA104001L	2
4	Moulding assembly-facia switch panel	Change point - VIN begin FA351847, RHD	Bokhara	MUC4574RUN	1
		Change point - VIN begin FA351847, LHD	Bokhara	MUC4575RUN	1
		Change point - VIN begin DA273923, Change point - VIN end EA351846, RHD		MUC4574	1
		Change point - VIN begin DA273923, Change point - VIN end EA351846, LHD		MUC4575	1
5	Stud			AFU3075	4
6	Switch-push push-courtesy	Change point - VIN end CA274120		AFU4207L	1
		Change point - VIN end EA351846, Change point - VIN begin FA351847		ATU1020L	1
7	Switch-push push heated rear window	Change point - VIN end CA274120		AFU2719L	1
		Change point - VIN end EA351846, Change point - VIN begin FA351847		ATU1021L	1
8	Switch-push push fog-rear	Change point - VIN end CA274120		AFU2720L	1
		Change point - VIN end EA351846, Change point - VIN begin FA351847		ATU1022L	1
9	Switch-push push hazard	Change point - VIN end CA274120		AFU4209L	1
10	Switch auxillary-lamp	Change point - VIN end CA274120		AFU4208L	1
		Change point - VIN end EA351846, Change point - VIN begin FA351847		ATU1027L	1
11	Plug-blanking-switch-push push single	Change point - VIN end CA274120		AFU2819L	1
		Change point - VIN end EA351846, Change point - VIN begin FA351847		AFU2819L	1
12	Switch-push push heated windscreen	Change point - VIN begin FA351847		PRC6797	1

Range Rover (To HA610293)

(TS5756B)

Range Rover (To HA610293)

Callout	Name	Application	Remarks & Restrictions	Service No.	Qty
13	Switch-cruise control enable/disable			ATU1023L	1
[900]	Bulb Switch		for interior switches, Green for interior switches, Yellow.. for interior switches, Red	RTC5604 RTC5605 RTC5759	X X X



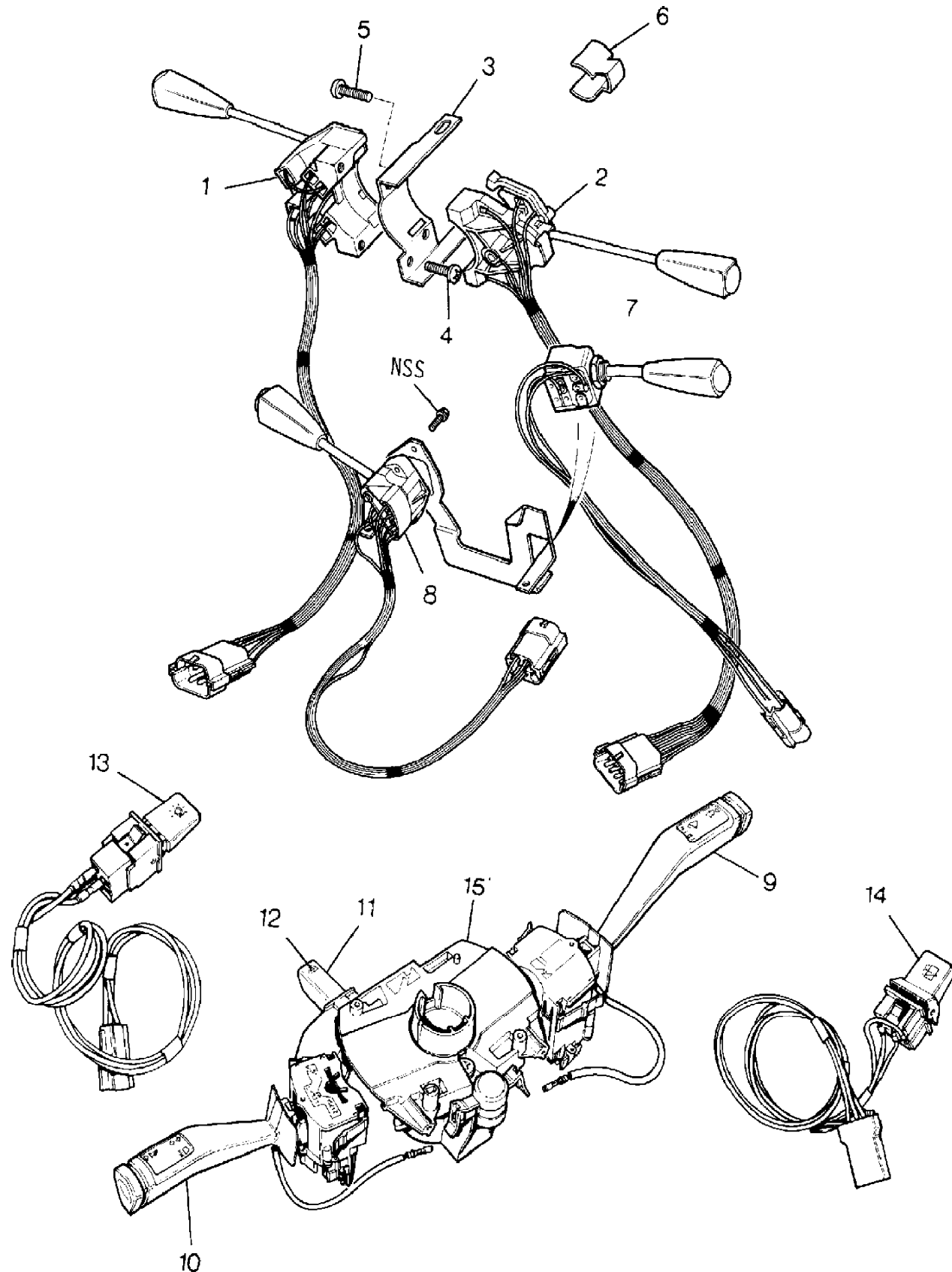
Body Electrics
Switches
Column Switches-To (V)HA610293 1/1

Range Rover (To HA610293)

(TS6866)

Range Rover (To HA610293)

Body Electrics
Switches
Column Switches-To (V)HA610293

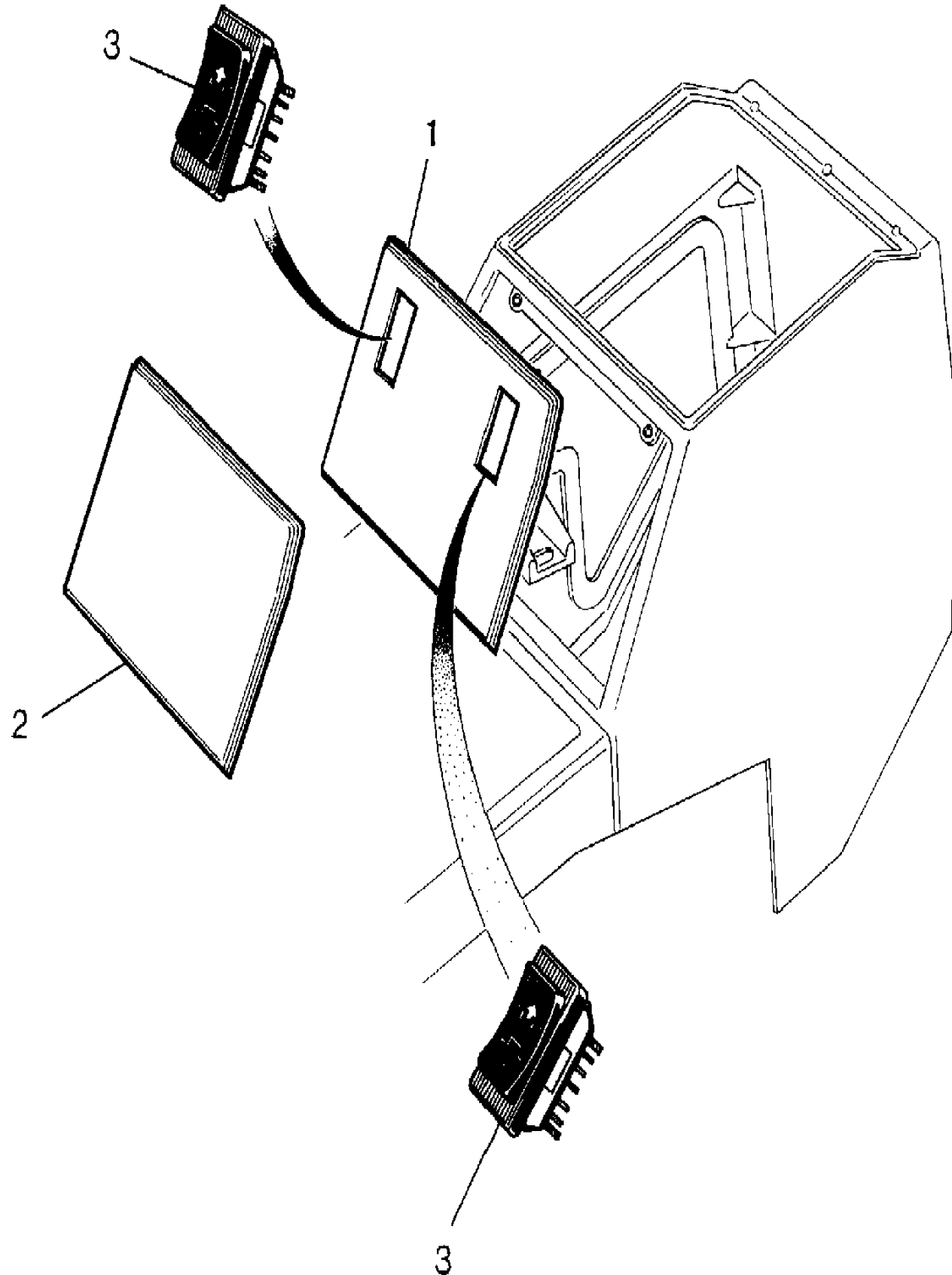


Callout	Name	Application	Remarks & Restrictions	Service No.	Qty
1	Switch-wash/wipe windscreen	Change point - VIN end CA274120		PRC4608	1
2	Switch-indicator/horn/headlamp dip	Change point - VIN end CA274120		PRC4606	1
3	Bracket-steering column	Change point - VIN end CA274120	fixing column switches	589880	1
4	Screw	Change point - VIN end CA274120		78997	2
5	Screw	Change point - VIN end CA274120		78479	2
6	Striker-self cancelling	Change point - VIN end CA274120		575288	1
7	Switch master lighting	Change point - VIN end CA274120		PRC4607	1
8	Switch & bracket assy-rear wash/wipe	Change point - VIN end CA274120		PRC4609	1
9	Switch-wash/wipe windscreen	Change point - VIN begin DA273923, Change point - VIN end EA351846 Change point - VIN end HA610293, Change point - VIN begin FA351847		PRC5073 PRC8724	1 1
10	Switch-indicator/horn/headlamp dip	Change point - VIN end HA610293		PRC5072	1
11	Bulb-wedge illumination	Change point - VIN end HA610293	1.2 WATT, 12V	RTC3635	1
12	Knob-switch	Change point - VIN end HA610293		RTC5691	1
13	Switch master lighting	Change point - VIN end HA610293		PRC5425	1
14	Switch-contact wash/wipe-rear	Change point - VIN begin DA273923, Change point - VIN end EA351846 Change point - VIN end HA610293, Change point - VIN begin FA351847		PRC6284 PRC6881	1 1
15	Housing-centre column switches	Change point - VIN end HA610293		PRC5438	1

Body Electrics
Switches
Electric Window Lift-2 Door 1/1

Range Rover (To HA610293)

(TS6561)



Range Rover (To HA610293)

Body Electrics
Switches
Electric Window Lift-2 Door

2 Door Station Wagon

Callout	Name	Application	Remarks & Restrictions	Service No.	Qty
1	Panel-switches mounting	Change point - VIN begin FA351847, Change point - VIN end GA421854	Electric Windows, Bokhara	MXC1705RUN	1
		Change point - VIN begin GA421855	Electric Windows, Bokhara	MXC7781RUN	1
2	Blank-electric window lift switch-tunnel console	Change point - VIN begin FA351847, RHD	Less Electric Windows, RH, Bokhara	MXC1794RUN	1
		(+)"E" Change point - VIN begin FA351847	Less Electric Windows, Bokhara, LH	BTR1172RUN MXC1795RUN	1 1
3	Switch-rocker electric window lift	Change point - VIN begin FA351847	Driver	PRC5254	1
		Change point - VIN begin FA351847	Passenger	PRC5255	1
		(+)"E"	driver type B blue	PRC5255	1
		(+)"E"	passenger type A green	PRC5254	1

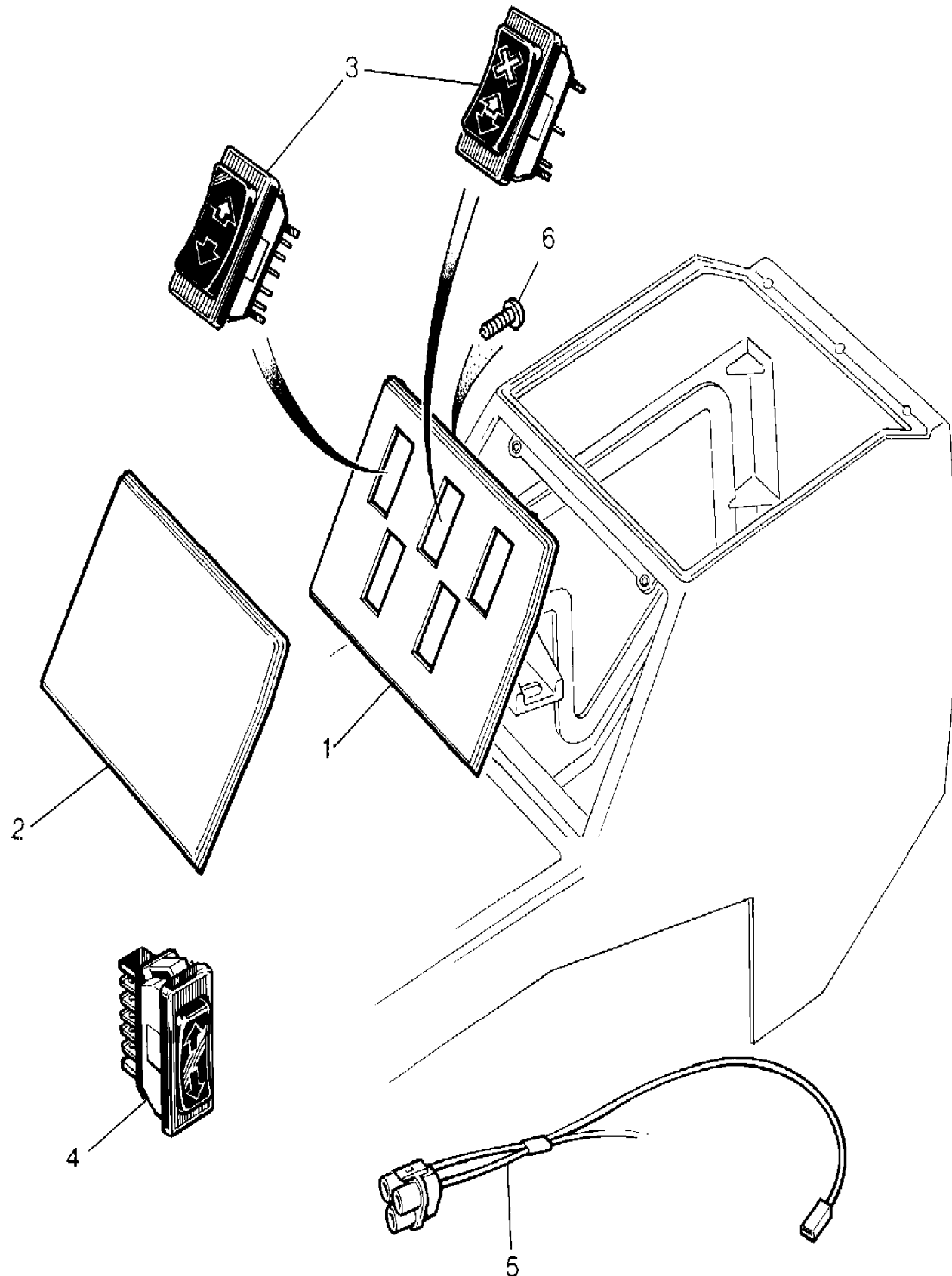
Range Rover (To HA610293)

(TS5725)

Range Rover (To HA610293)

4 Door Station Wagon

Callout	Name	Application	Remarks & Restrictions	Service No.	Qty
1	Panel-switches mounting	Change point - VIN end EA351846, LHD	LH	MUC9330	1
		Change point - VIN end EA351846, RHD	RH	MUC9331	1
		Change point - VIN begin FA351847, LHD	Bokhara, LH	MXC1797RUN	1
		Change point - VIN begin FA351847, RHD	RH, Bokhara	MXC1796RUN	1
2	Blank-electric window lift switch-tunnel console	Change point - VIN end EA351846, LHD	Less Electric Windows, LH	MUC9329	1
		Change point - VIN end EA351846, RHD	Less Electric Windows, RH	MUC9328	1
		Change point - VIN begin FA351847, LHD	Less Electric Windows, Bokhara, LH	MXC1795RUN	1
		Change point - VIN begin FA351847, RHD	Less Electric Windows, RH, Bokhara	MXC1794RUN	1
3	Switch-rocker electric window lift		rear type B yellow-LH	PRC5255	1
			rear type A red-RH	PRC5254	1
4	Switch-rocker electric window lift		rear door armrest	PRC3912	2
			rear door casing	PRC5255	2
5	Harness rear door		SWITCH	PRC4641	2
6	Screw-self tapping B		No 4 x 1/4	AB604022L	2
[900]	Panel-electric window lift switch mounting	LHD	Bokhara, LH	MXC7783RUN	1
		RHD	RH, Bokhara	MXC7782RUN	1
		LHD	Burr Walnut	MXC7785	1
		RHD	Burr Walnut	MXC7784	1
[901]	Switch-push push isolator-electric window lift			PRC4754	1



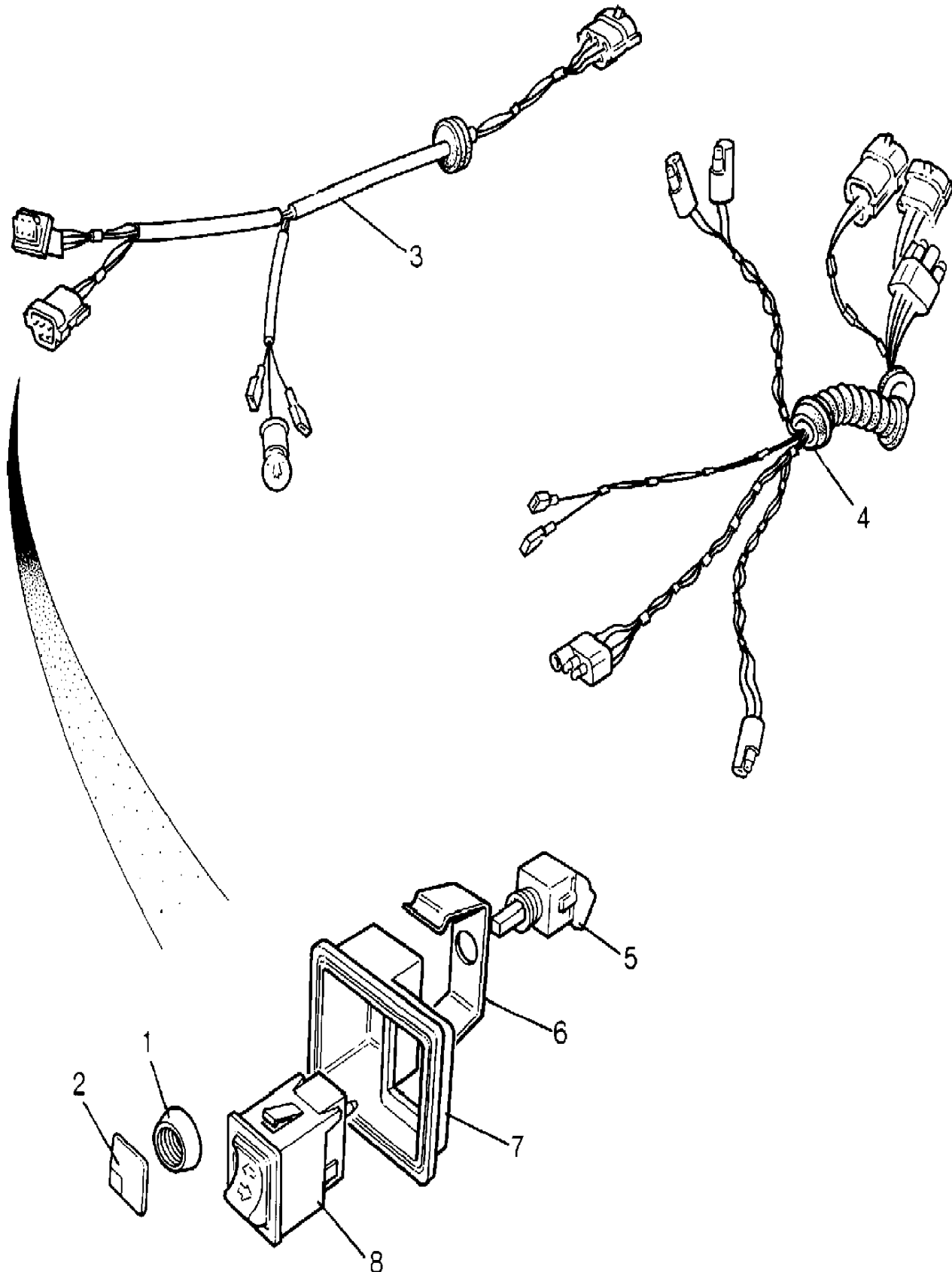
Range Rover (To HA610293)

(TS6588)

Range Rover (To HA610293)

2 Door Station Wagon

Callout	Name	Application	Remarks & Restrictions	Service No.	Qty
1	Nut-locking	Change point - VIN begin FA351847		PRC4273	1
2	Knob-exterior mirror control	Change point - VIN begin FA351847		DRC2495	1
3	Harness-link	Change point - VIN begin FA351847	mirror switches & clock	PRC6906	1
4	Harness front door	Change point - VIN begin FA351847 Change point - VIN begin FA351847	window lift & door locking, Driver window lift & door locking, Passenger	PRC7248 PRC7249	1 1
5	Switch-electric mirror	Change point - VIN begin FA351847		DRC2481	1
6	Spring-exterior mirror assembly tension	Change point - VIN begin FA351847		MWC2379	1
7	Finisher-front door electric control mirror inner	Change point - VIN begin FA351847		MWC 1577	1
8	Switch-rocker mirror adjust	Change point - VIN begin FA351847		PRC5751	1



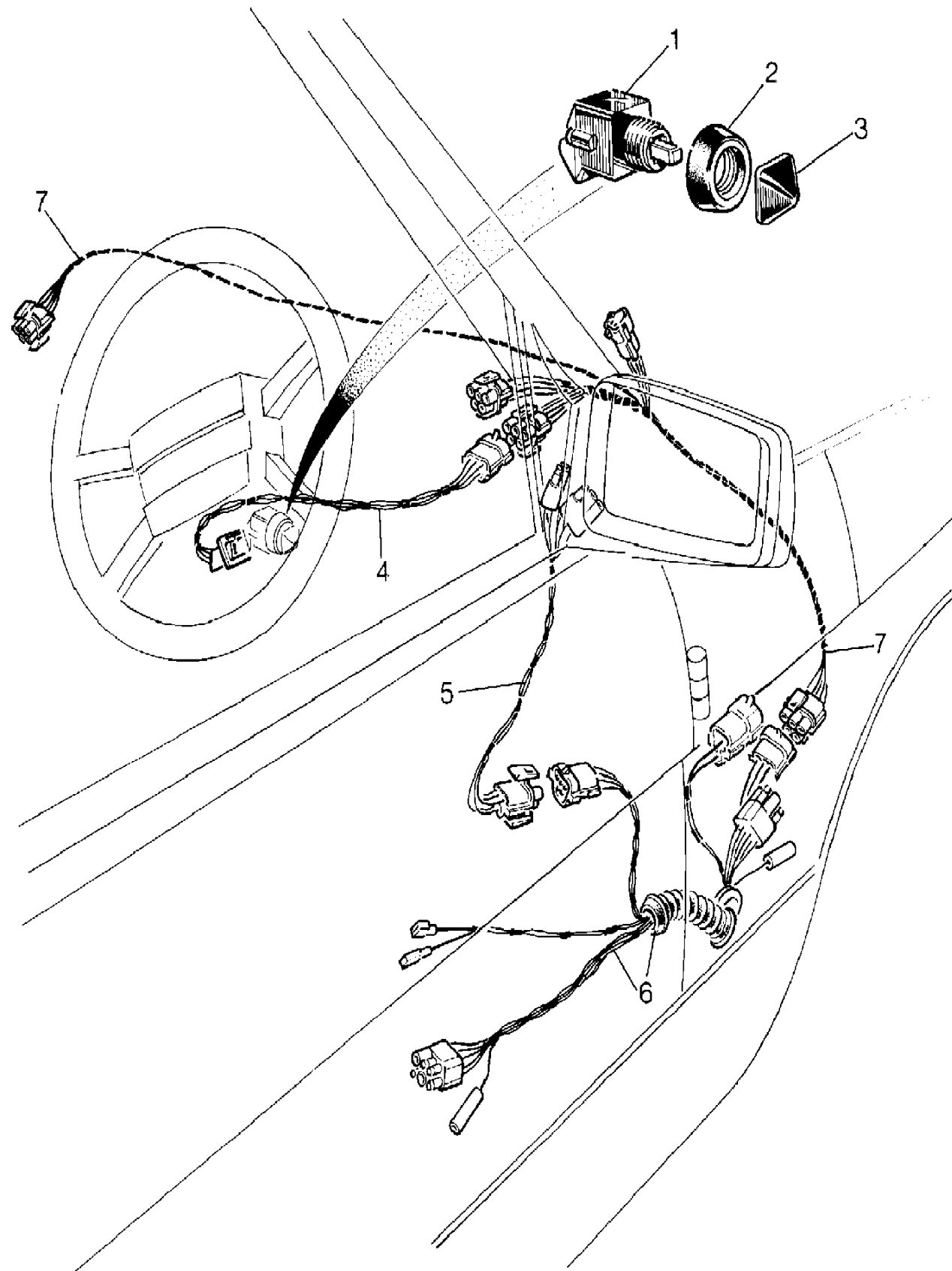
Range Rover (To HA610293)

(TS5363A)

Range Rover (To HA610293)

4 Door Station Wagon

Callout	Name	Application	Remarks & Restrictions	Service No.	Qty
1	Switch-electric mirror	Change point - VIN end CA273922	Electric Door Mirrors	DRC2481	2
2	Nut-locking	Change point - VIN end CA273922	Electric Door Mirrors	PRC4273	2
3	Knob-exterior mirror control	Change point - VIN end CA273922	Electric Door Mirrors	DRC2495	2
4	Cable assembly-exterior mirror assembly control	Change point - VIN end CA273922	Electric Door Mirrors	PRC4955	1
5	Harness-link	Change point - VIN end CA273922	Electric Door Mirrors, door mirror	PRC4272	2
6	Harness front door	Change point - VIN end CA273922	Electric Door Mirrors, window lift & door locking	PRC4718	2
7	Harness-link	Change point - VIN end CA273922	Electric Door Mirrors, Electric Windows	PRC4939	1



Body Electrics
Switches
Switch & Harness-Mirrors-From (V) DA273923 1/1

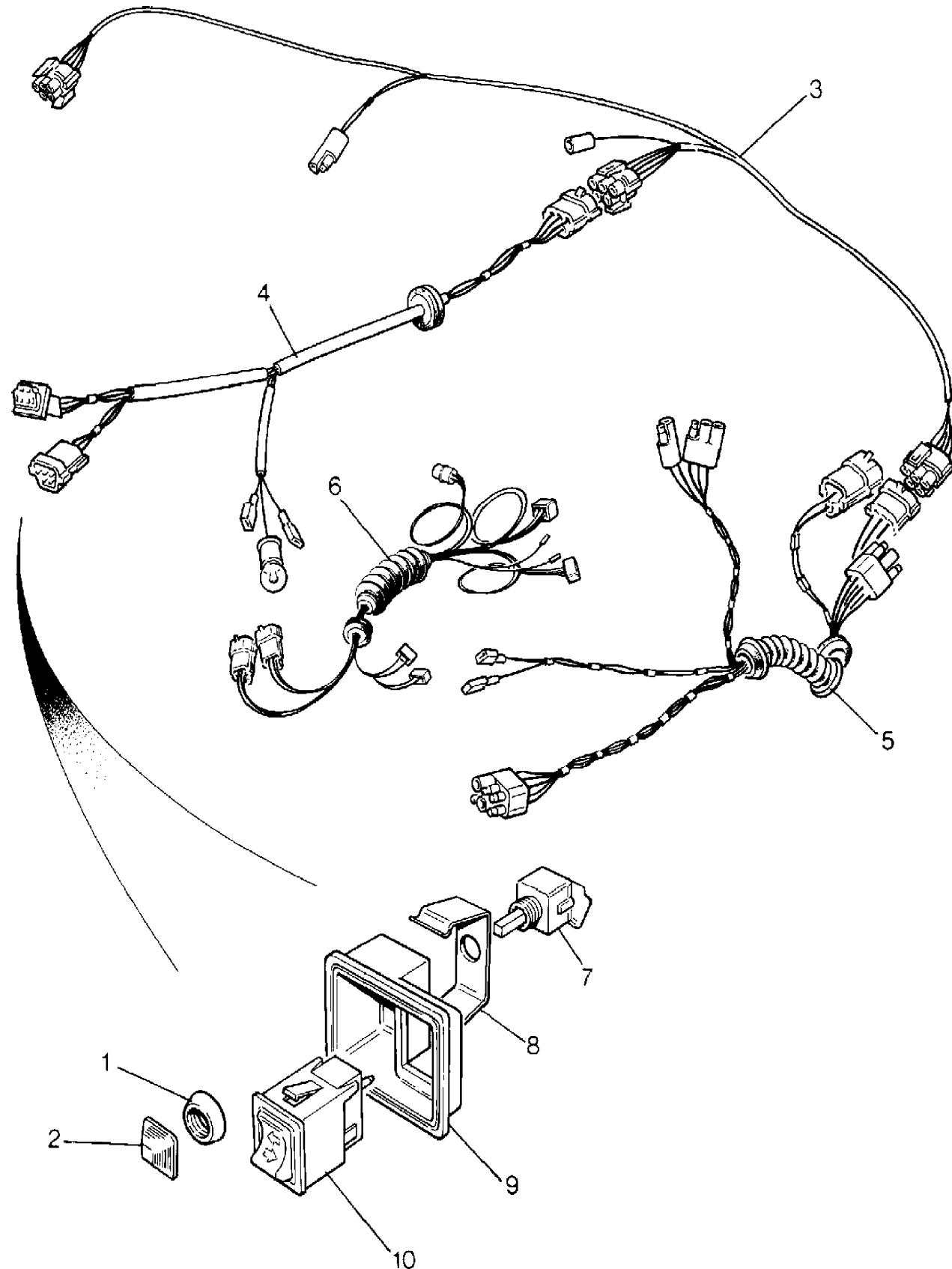
Range Rover (To HA610293)

(TS6076B)

Range Rover (To HA610293)

Body Electrics
Switches
Switch & Harness-Mirrors-From (V) DA273923

Callout	Name	Application	Remarks & Restrictions	Service No.	Qty
1	Nut-locking	Change point - VIN begin DA273923	switch-electric mirror	PRC4273	1
2	Knob-exterior mirror control	Change point - VIN begin DA273923		DRC2495	1
3	Harness-link	Change point - VIN begin DA273923, Change point - VIN end FA399972	Electric Door Mirrors	PRC6312	1
4	Harness-link	Change point - VIN begin DA273923, Change point - VIN end EA320337	mirror switches & clock	PRC6062	1
		Change point - VIN begin DA273923	Electric seats, mirror switches & clock	PRC6906	1
		Change point - VIN begin DA273923, Less Electric Driver Seat Adjuster, Less Electric Pass.Seat Adjuster	mirror switches & clock	PRC8054	1
5	Harness front door	Change point - VIN begin DA273923	window lift & door locking	PRC6313	2
		Change point - VIN begin DA273923, 2 Door Station Wagon	window lift & door locking drivers door	PRC8335	1
		Change point - VIN begin DA273923, 2 Door Station Wagon	window lift & door locking passenger door	PRC8334	1
6	Harness-window lift	Change point - VIN begin DA273923, Change point - VIN end GA440778	passenger door	PRC8091	1
		Change point - VIN begin GA440779	passenger door	PRC8411	1
7	Switch-electric mirror	Change point - VIN begin DA273923		DRC2481	1
8	Spring-exterior mirror assembly tension	Change point - VIN begin DA273923		MWC2379	1
9	Finisher-front door electric control mirror inner	Change point - VIN begin DA273923		MWC1577	1
10	Switch-rocker mirror adjust	Change point - VIN begin DA273923		PRC5751	1



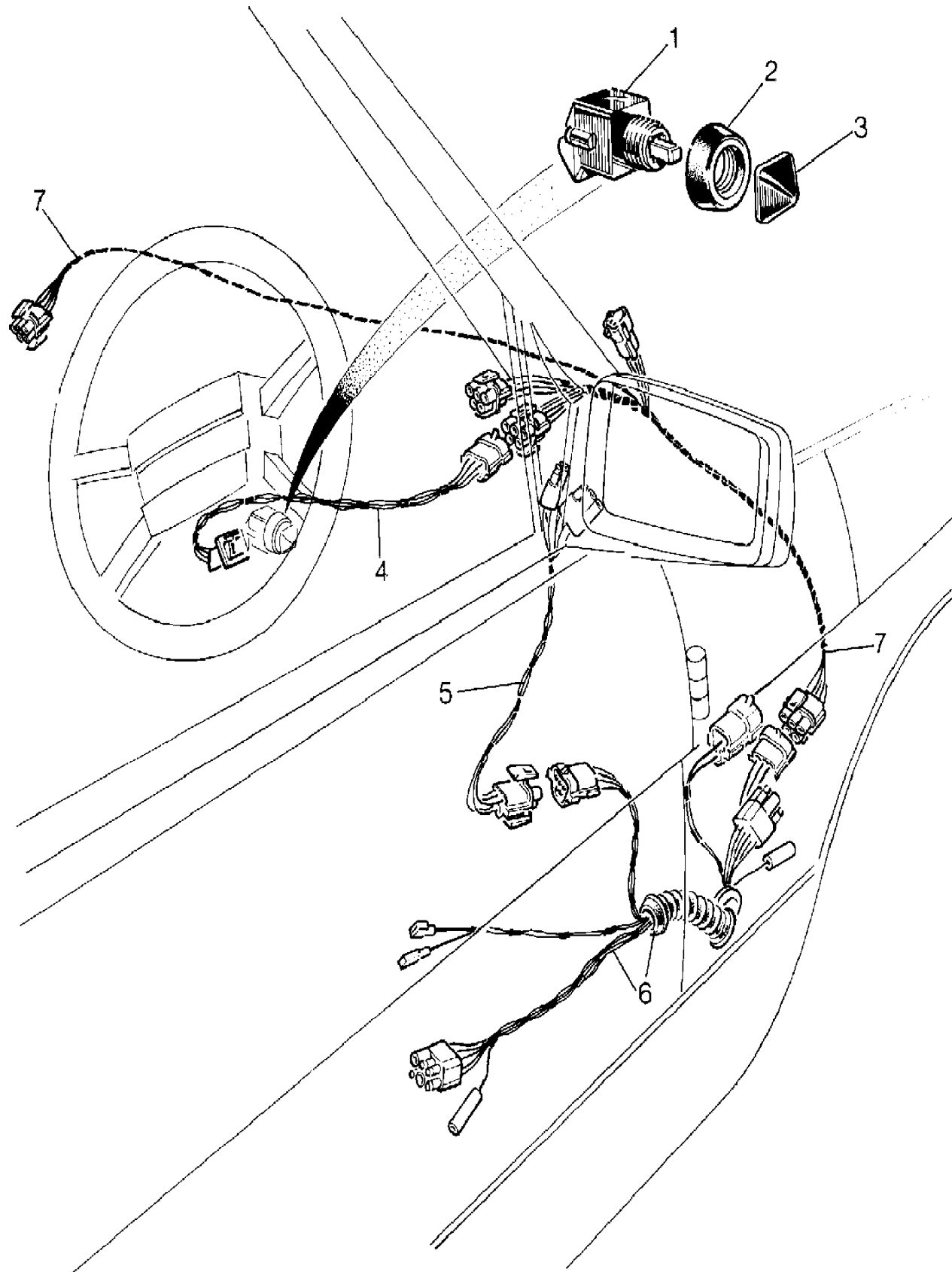
Body Electrics
Switches
Switch & Harness-Mirrors-To (V) CA273922 1/1

Range Rover (To HA610293)

(TS5363A)

Range Rover (To HA610293)

Body Electrics
Switches
Switch & Harness-Mirrors-To (V) CA273922



Callout	Name	Application	Remarks & Restrictions	Service No.	Qty
1	Switch-electric mirror	Change point - VIN end CA273922		DRC2481	2
2	Nut-locking	Change point - VIN end CA273922	to switch door mirror	PRC4273	2
3	Knob-exterior mirror control	Change point - VIN end CA273922		DRC2495	2
4	Cable assembly-exterior mirror assembly control	Change point - VIN end CA273922		PRC4955	1
5	Harness-link	Change point - VIN end CA273922	door mirror	PRC4272	2
6	Harness front door	Change point - VIN end CA273922	Electric Door Mirrors, window lift & door locking	PRC4718	2
7	Harness-link	Change point - VIN end CA273922	Electric Windows	PRC4939	1

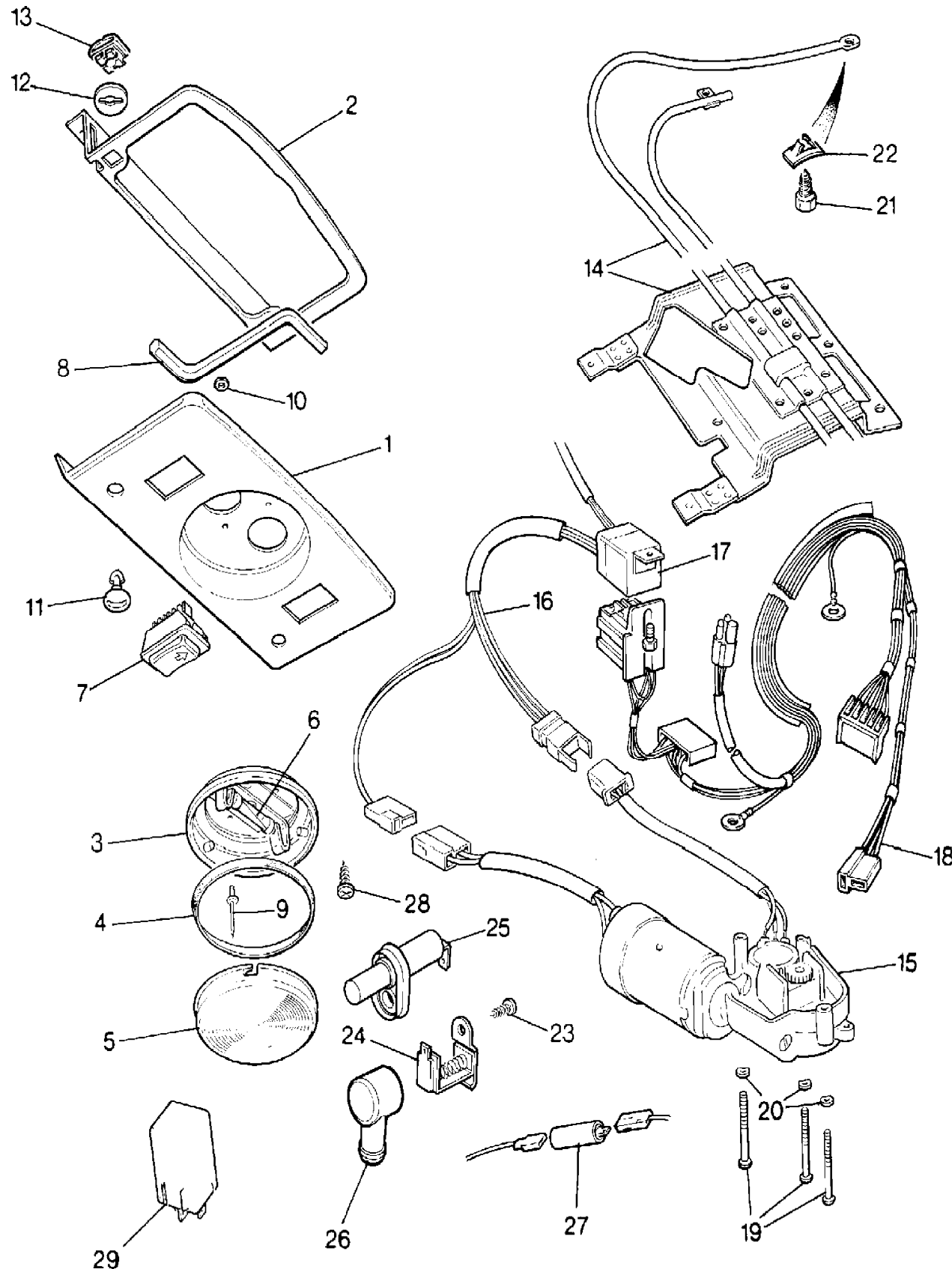
Range Rover (To HA610293)

(TS6387C)

Range Rover (To HA610293)

With Electric Slide Sunroof

Callout	Name	Application	Remarks & Restrictions	Service No.	Qty
1	Cover Plate	Change point - VIN end GA464553, RHD	Cool Grey	MWC8952LNG	1
		Change point - VIN begin FA351847, Change point - VIN end GA464553, RHD	Mist Grey	MWC8952LUM	1
		Change point - VIN begin FA351847, Change point - VIN end GA464553, LHD	Cool Grey	MWC8953LNG	1
		Change point - VIN begin FA351847, Change point - VIN end GA464553, LHD	Mist Grey	MWC8953LUM	1
		Change point - VIN begin HA464554	Mist Grey	BTR1214LUM	1
2	Bracket		cover plate mounting	MWC8563	1
3	Base-map lamp roof trim cantrail	Change point - VIN end EA351846	Also serviced as part of a kit	PRC3710	1
		Change point - VIN begin FA351847	Also serviced as part of a kit, Mist Grey	PRC7198LUM	1
4	Seal	Change point - VIN begin FA351847	Also serviced as part of a kit	567905	1
5	Lens-centre headlining interior lamp			PRC1634	1
6	Bulb-272-10 Watt		41x10.5mm festoon, 36x10.5mm	559186	1
				586438	1
7	Switch-rocker electric window lift	RHD	sunroof RHD	PRC5254	1
		LHD	sunroof LHD	PRC5255	1
8	Handle assembly-sunroof			MWC8582	1
9	Rivet			RA610167	2
10	Washer-Plain		M4	WA104001L	2
11	Stud-plastic	Change point - VIN end EA351846	Savannah Beige	MWC5995AL	2
		Change point - VIN end EA351846	Flint Grey	MWC5995LG	2
		Change point - VIN begin FA351847	Mist Grey	MWC5995LUM	2
12	Washer		cover plate fixing	MUC6523	2
13	Retainer		cover plate fixing	MUC6522	2
14	Bracket-sunroof motor			MWC6028	1
15	Motor assembly-sunroof	Change point - VIN end GA410942		RTC6562	1



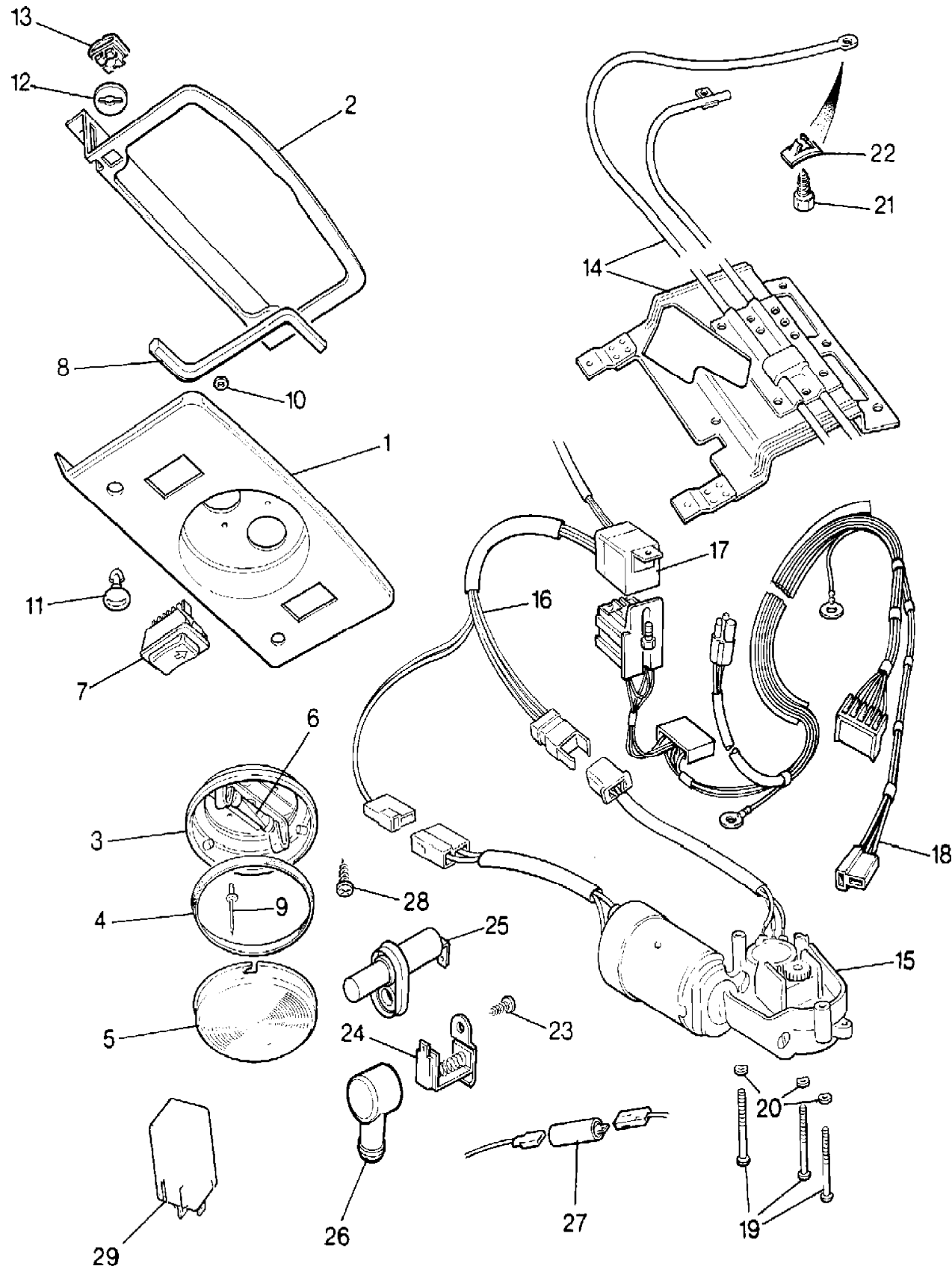
Range Rover (To HA610293)

(TS6387C)

Range Rover (To HA610293)

With Electric Slide Sunroof

Callout	Name	Application	Remarks & Restrictions	Service No.	Qty
15	Motor assembly-sunroof	Change point - VIN begin GA410943, Change point - VIN end GA464553	Hi Torque	MXC8407	1
16	Harness-sunroof relay			PRC6732	1
17	Relay		SUNROOF	PRC6733	1
18	Cable assembly-sunroof drive	Change point - VIN end FA399972, LHD Change point - VIN end FA399972, RHD Change point - VIN begin GA399973, Change point - VIN end GA440798 Change point - VIN begin GA440799		PRC7114 PRC6929 PRC7868 PRC8397	1 1 1 1
19	Screw		sunroof motor fixing	SP105251	3
20	Washer		sunroof motor fixing	WW105004	4
21	Screw-self tapping B		guide tube fixings, No 14 x 5/8	AB614051	3
22	Nut - Hex.		guide tube fixings	AK610051	3
23	Screw		SWITCH RETAINING	PRC6518	6
24	Switch-contact courtesy light	Change point - VIN end EA351032 Change point - VIN end EA340560 Change point - VIN begin EA340561	Door Tailgate Tailgate	559061 PRC3932 PRC7065	4 1 1
25	Switch-contact courtesy light	Change point - VIN begin FA351033	Door	PRC8548	4
26	Boot connector			PRC1166	2
27	Diode Assy		for courtesy light, Pektron	AAU5034	1
28	Screw		cover plate fixing, No 8 x 1/2, Self Tapping	AB608041L	4
29	Relay	Change point - VIN begin HA464554	INTERIOR LIGHT	DPC8989	1



Body Electrics
Switches
Switches-Front Seat-Non Memory 1/2

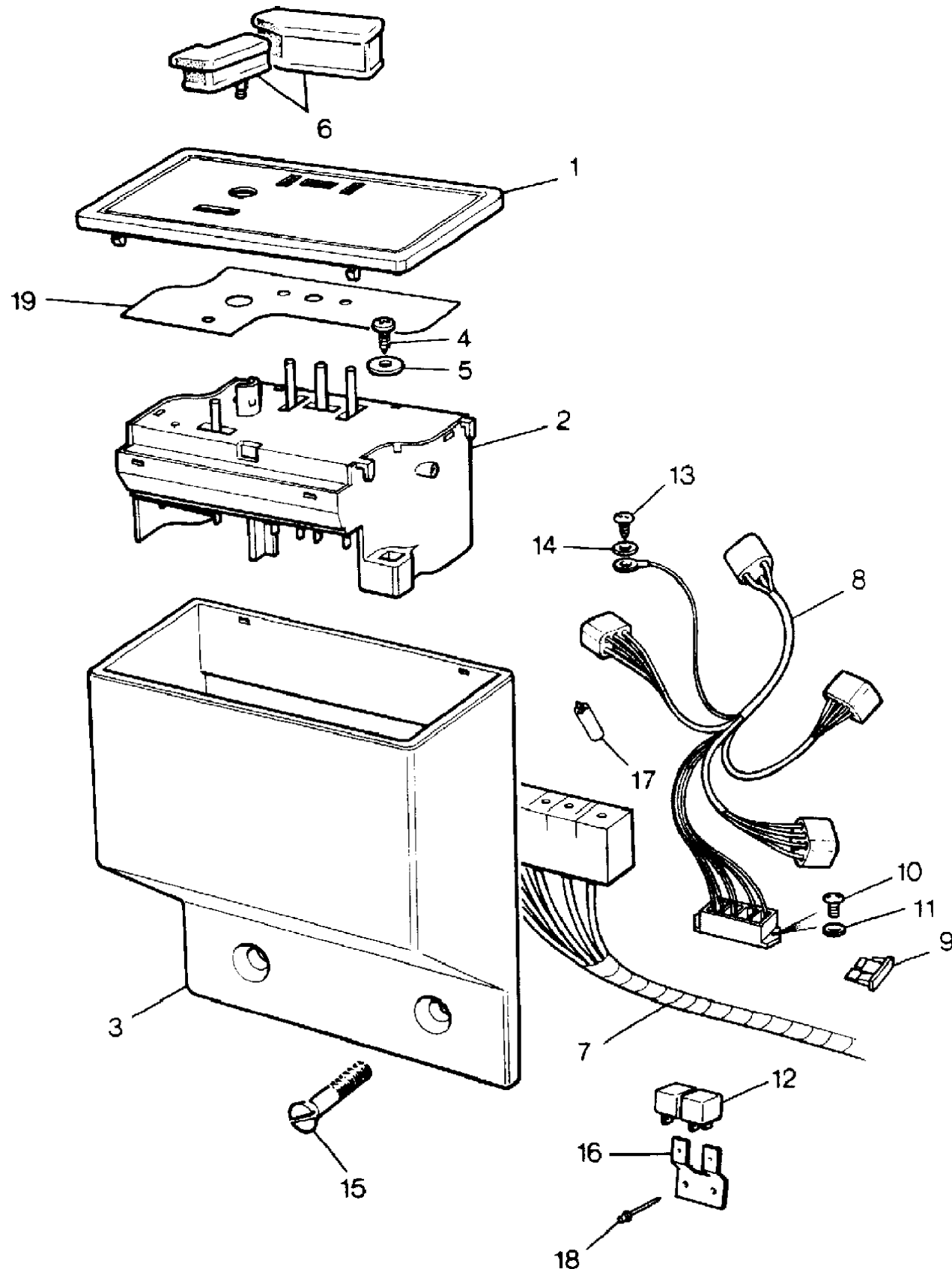
Range Rover (To HA610293)

(TS6079)

Range Rover (To HA610293)

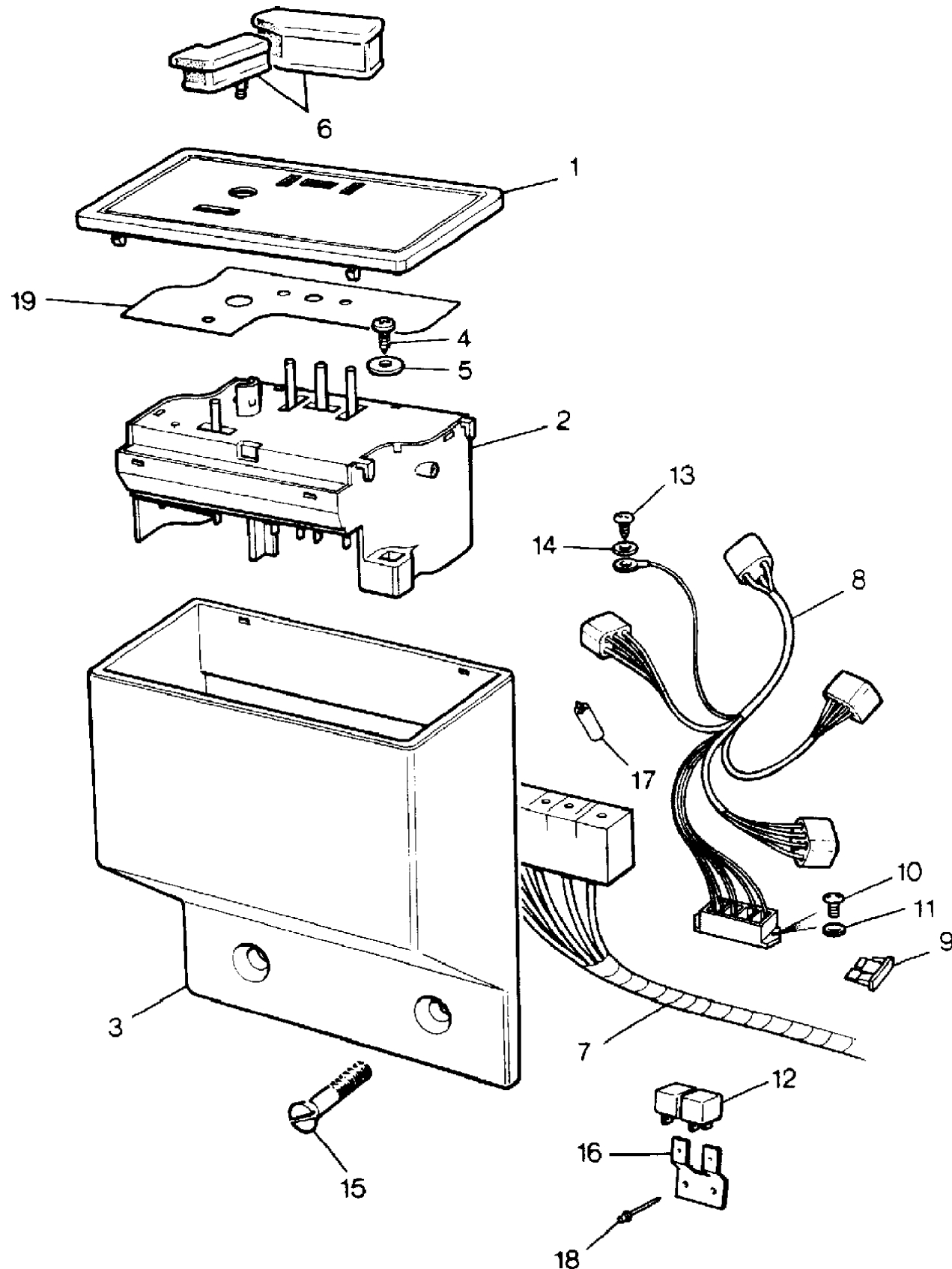
Body Electrics
Switches
Switches-Front Seat-Non Memory

Callout	Name	Application	Remarks & Restrictions	Service No.	Qty
1	Cover-switch box	Change point - VIN end EA351846	Electric seats, Less Memory Seats, RH, Slate Grey	MWC6166LCS	1
		Change point - VIN end EA351846	Electric seats, Less Memory Seats, Slate Grey, LH	MWC6165LCS	1
		Change point - VIN begin FA351847	Electric seats, Less Memory Seats, RH, Bokhara	BTR1334RUN	1
		Change point - VIN begin FA351847	Electric seats, Less Memory Seats, Bokhara, LH	BTR1333RUN	1
2	Switch pack assembly seat		Electric seats, Less Memory Seats, RH, non memory	PRC8095	1
			Electric seats, Less Memory Seats, non memory, LH	PRC8096	1
3	Panel-switch box	Change point - VIN end EA351846	Electric seats, Less Memory Seats, RH, Slate Grey	MWC6170LCS	1
		Change point - VIN end EA351846	Electric seats, Less Memory Seats, Slate Grey, LH	MWC6169LCS	1
		Change point - VIN begin FA351847	Electric seats, Less Memory Seats, Bokhara, LH	BTR1335RUN	1
		Change point - VIN begin FA351847	Electric seats, Less Memory Seats, RH, Bokhara	BTR1336RUN	1
4	Screw-plastic		Electric seats, Less Memory Seats	MUC5848	4
5	Washer-nylon		Electric seats, Less Memory Seats	MUC5845	4
6	Switch		Electric seats, Less Memory Seats, RH, squab	PRC6030	1
			Electric seats, Less Memory Seats, squab, LH	PRC6029	1
			Electric seats, Less Memory Seats, RH, Cushion	PRC6032	1
			Electric seats, Less Memory Seats, LH, Cushion	PRC6031	1
7	Harness seat	Change point - VIN end EA351846	Electric seats, Less Memory Seats, Front, LH	PRC6273	1
		Change point - VIN begin FA351847	Electric seats, Less Memory Seats, Front, LH	PRC7050	1
		Change point - VIN end EA351846	Electric seats, Less Memory Seats, Front, RH	PRC6274	1
		Change point - VIN begin FA351847	Electric seats, Less Memory Seats, Front, RH	PRC7051	1
8	Harness-link	Change point - VIN end EA351846	Electric seats, Less Memory Seats, driver & passenger seats to main harness	PRC6272	1
		Change point - VIN begin FA351847	Electric seats, Less Memory Seats, driver & passenger seats to main harness	PRC8483	1
		Change point - VIN begin GA399973, RHD	Electric seats, Less Memory Seats, main harness to seat assembly	PRC8175	1
9	Fuse		Electric seats, Less Memory Seats, AUTO, 30 AMP, Standard	RTC4507	4



Range Rover (To HA610293)

(TS6079)



Range Rover (To HA610293)

Callout	Name	Application	Remarks & Restrictions	Service No.	Qty
10	Screw-pan		Electric seats, Less Memory Seats, retaining fusebox to seat plinth	SP105101L	2
11	Washer		Electric seats, Less Memory Seats, retaining fusebox to seat plinth, M5, Plain, Standard	WA105001L	2
12	Relay	Change point - VIN end GA464553 Change point - VIN begin HA464554	Electric seats, Less Memory Seats, motor front seat Electric seats, Less Memory Seats, motor front seat	YWB10032 YWB10027	2 2
13	Screw		Electric seats, Less Memory Seats, retaining earth lead, Self Tapping, No 8 x 3/8	AB608031L	2
14	Washer-Plain		Electric seats, Less Memory Seats, retaining earth lead	WC702101L	2
15	Screw		Electric seats, Less Memory Seats, retaining control box to seat	SA106251	4
16	Bracket assembly-relay mounting		Electric seats, Less Memory Seats	PRC7054	1
17	Diode Assy		Electric seats, Less Memory Seats, for harness link d/passenger seats to main harness, Pektron	AAU5034	2
18	Rivet-pop-aluminium		Electric seats, Less Memory Seats	RA612183	2
19	Diaphragm-front seat -switches		Electric seats, Less Memory Seats	PRC8097	1
[900]	Relay	Change point - VIN begin HA464554 Change point - VIN end GA464553	Electric seats, Less Memory Seats, motor front seat, changeover, Yellow Electric seats, Less Memory Seats, motor front seat, Green, changeover	YWB000150 YWB000160	2 2

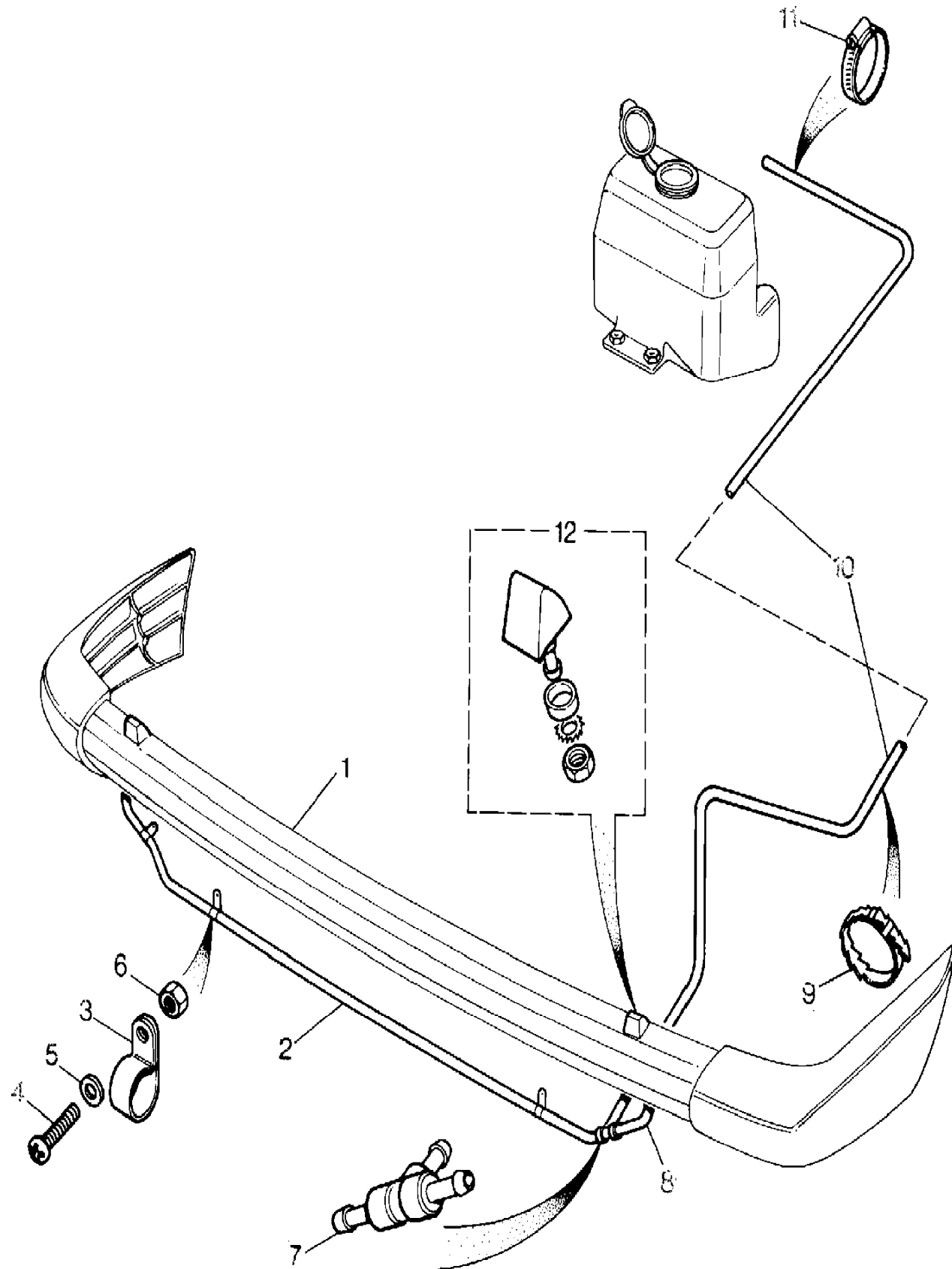
Range Rover (To HA610293)

(TS5401)

Range Rover (To HA610293)

With Headlamp Washer/Wiper

Callout	Name	Application	Remarks & Restrictions	Service No.	Qty
1	Bumper assembly		Black, Front	NTC4281	1
2	Hose-headlamp wash		RH jet to T piece	PRC5401	1
3	Clip-p			C39377/1	1
4	Screw		Black, M5 x 16	SE105165L	1
5	Washer		M5, Plain, Standard	WA105001L	1
6	Nut-hexagonal		M5	NH105041L	1
7	T Piece			JRC1492	1
8	Hose-headlamp wash		T piece to LH jet, 10mm ID x 5M	RTC4848	1
9	Tie-cable			UKC6684	2
10	Hose-headlamp wash		T piece to pump, 10mm ID x 5M	RTC4848	1
11	Clip			CJ600144	6
12	Jet assembly-headlamp wash single	Change point - VIN end LA647644		PRC4615	2



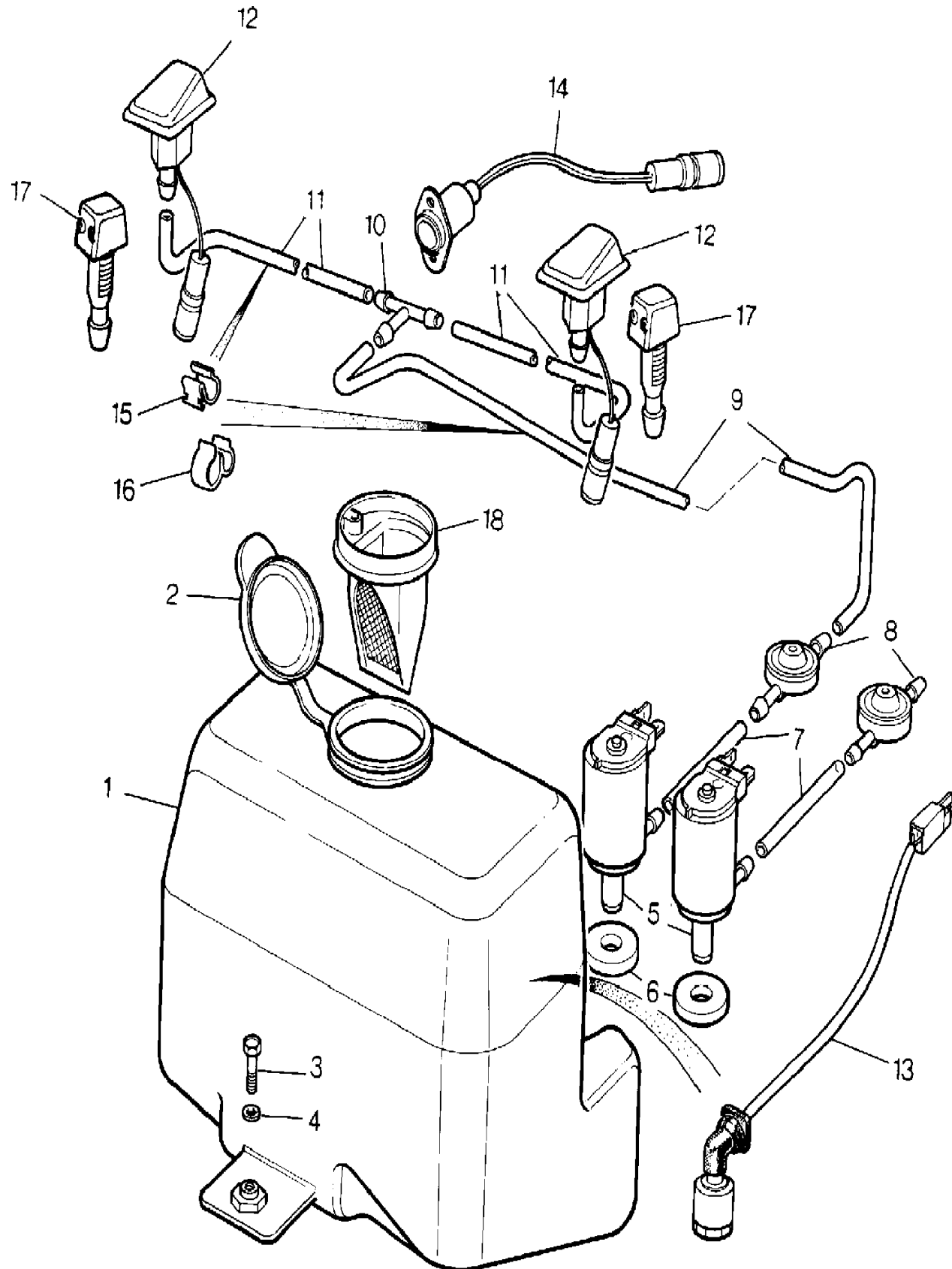
Body Electrics
Wash Wipe Systems
Pump & Reservoir-Non Power Wash 1/2

Range Rover (To HA610293)

(TS6545B)

Range Rover (To HA610293)

Body Electrics
Wash Wipe Systems
Pump & Reservoir-Non Power Wash
Less Headlamp Washer/Wiper



Callout	Name	Application	Remarks & Restrictions	Service No.	Qty
1	Container-windscreen wash	Change point - VIN end DA277450 Change point - VIN begin DA277451	Also serviced as part of a kit	PRC7460	1
2	Cap-washer system	Change point - VIN begin DA277451	Also serviced as part of a kit	PRC6252	1
3	Screw		hexagonal head, 1/4UNF x 3/4	SH604061L	3
4	Washer-Lock		retaining container	WF600041L	3
5	Pump assembly-windscreen wash		Front	PRC7045	1
6	Grommet-container assembly pump		for pump assy	ADU3905	1
7	Hose-wash system		pump to non return valve	RTC3959	2
8	Valve-wash system non return		4MM	RTC3650	2
			Front, 5MM	ACU5037	1
9	Hose-wash system	Change point - VIN end EA351846		PRC6857	1
10	T Piece	Change point - VIN end EA351846 Change point - VIN begin FA351847		PRC5651	1
			5MM	C15644L	1
11	Hose-wash system	Change point - VIN end EA351846 Change point - VIN end EA351846 Change point - VIN begin FA351847	T piece to jet, RH T piece to jet, LH 720mm/long	PRC6855	1
				PRC5652	1
				PRC5653	1
				PRC6852	2
12	Jet assembly-nozzle wash system		Heated use when fitting MWC4699 bonnet assy to vehicles prior to Vin EA351846, unheated	PRC6799	2
				RTC6367	2
13	Sensor-windscreen wash container low level			PRC5440	1
14	Thermostat-headlamp wash			PRC6895	1
15	Clip		for tubing	MWC2552	X
16	Clip		for pipes, Double	PRC6969	5

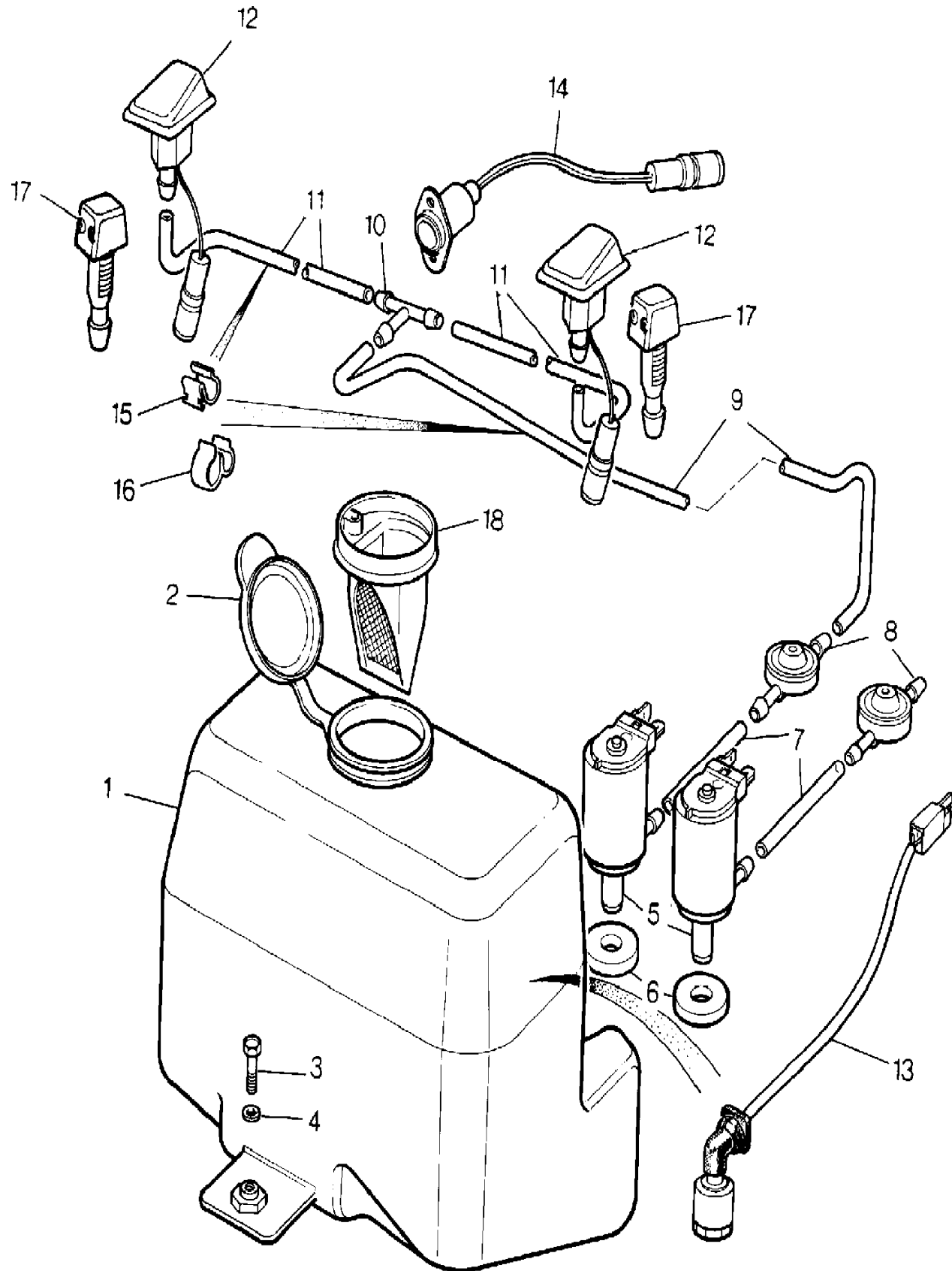
Body Electrics
Wash Wipe Systems
Pump & Reservoir-Non Power Wash 2/2

Range Rover (To HA610293)

(TS6545B)

Range Rover (To HA610293)

Body Electrics
Wash Wipe Systems
Pump & Reservoir-Non Power Wash
Less Headlamp Washer/Wiper



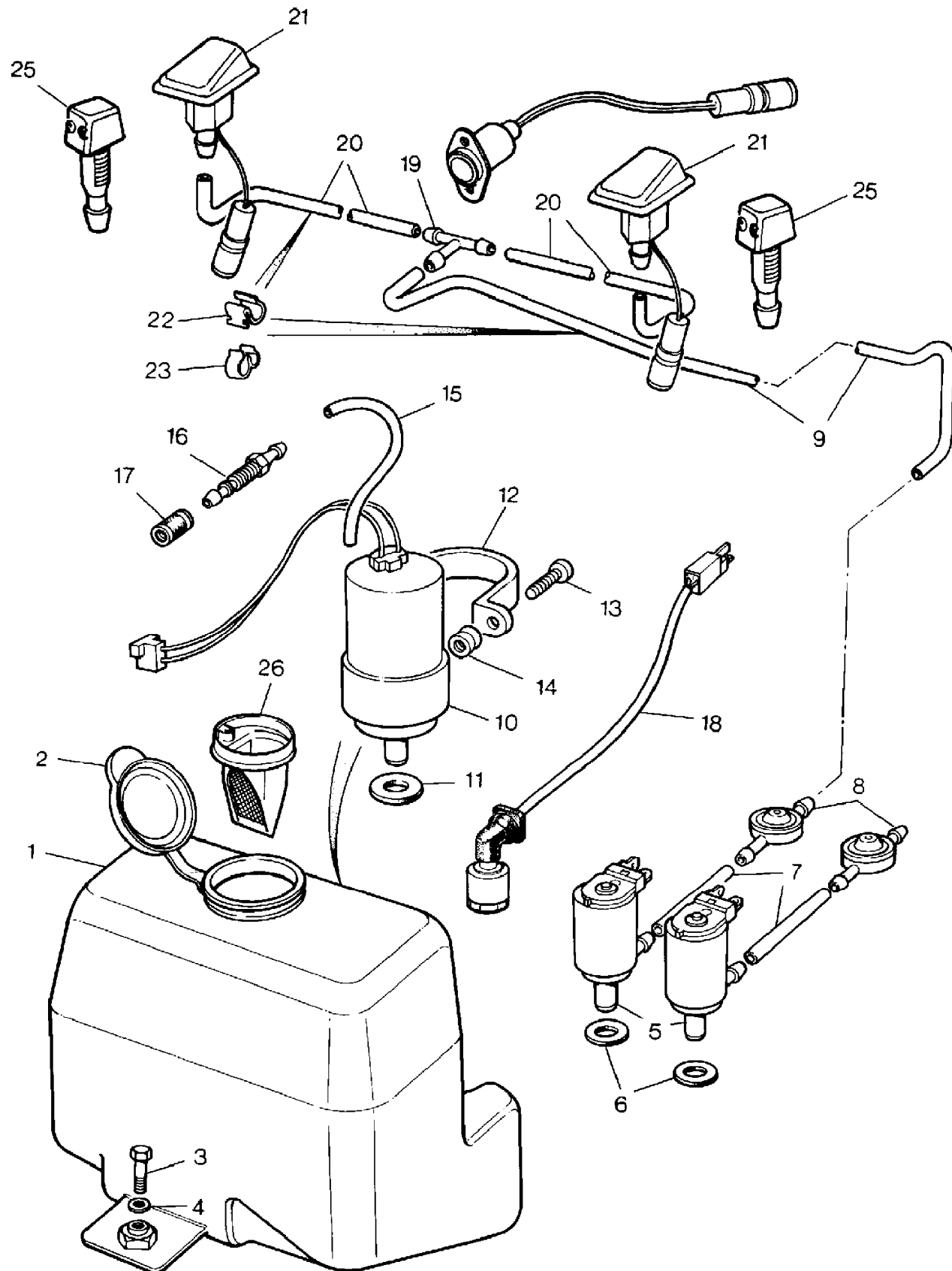
Callout	Name	Application	Remarks & Restrictions	Service No.	Qty
17	Jet assembly-nozzle wash system			BDP1723L	2
18	Filter-container assembly filler neck			STC206	1
[900]	Clip-Retaining		for washer jet	PRC7331	2

Range Rover (To HA610293)

(TS6514B)

Range Rover (To HA610293)

With Headlamp Washer/Wiper



Callout	Name	Application	Remarks & Restrictions	Service No.	Qty
1	Container-windscreen wash	Change point - VIN end CA273922 Change point - VIN begin DA273923, Change point - VIN end DA277450 Change point - VIN begin DA277451, Change point - VIN end FA374641 Change point - VIN begin FA374642	Also serviced as part of a kit	PRC4289	1
			Also serviced as part of a kit	PRC6252	1
			Also serviced as part of a kit	PRC5677	1
			Also serviced as part of a kit	PRC7457	1
2	Cap-washer system	Change point - VIN end CA273922	Also serviced as part of a kit	RTC3961	1
3	Screw		hexagonal head, 1/4UNF x 3/4	SH604061L	3
4	Washer-Lock			WF600041L	3
5	Pump assembly-windscreen wash			ADU3905	1
			Front	PRC7045	1
6	Grommet-container assembly pump		for pump assy	RTC3959	2
7	Hose-wash system		pump to non return valve	RTC3650	2
8	Valve-wash system non return		4MM	ACU5037	1
			Front, 5MM	PRC6857	1
9	Hose-wash system		multi use non return valve to T piece non return valve to T piece, RH	RTC3650 PRC5651 PRC5652	1 1 1
10	Pump assembly-headlamp wash	Change point - VIN end EA351846 Change point - VIN begin FA351847		ADU6409L	1
				AFU4146	1
11	Grommet-container assembly pump		for pump assy	ADU6418L	1
12	Clamp		fixing pump	RTC3960	1
13	Screw		fixing pump	RTC3957	1
14	Nut-plastic		fixing pump	RTC3958	1
15	Hose-wash system			RTC3650	1
16	Connector-wash system straight		headlamp washer to reservoir	RTC4614	1

Body Electrics
Wash Wipe Systems
Pump & Reservoir-Power Wash 2/2

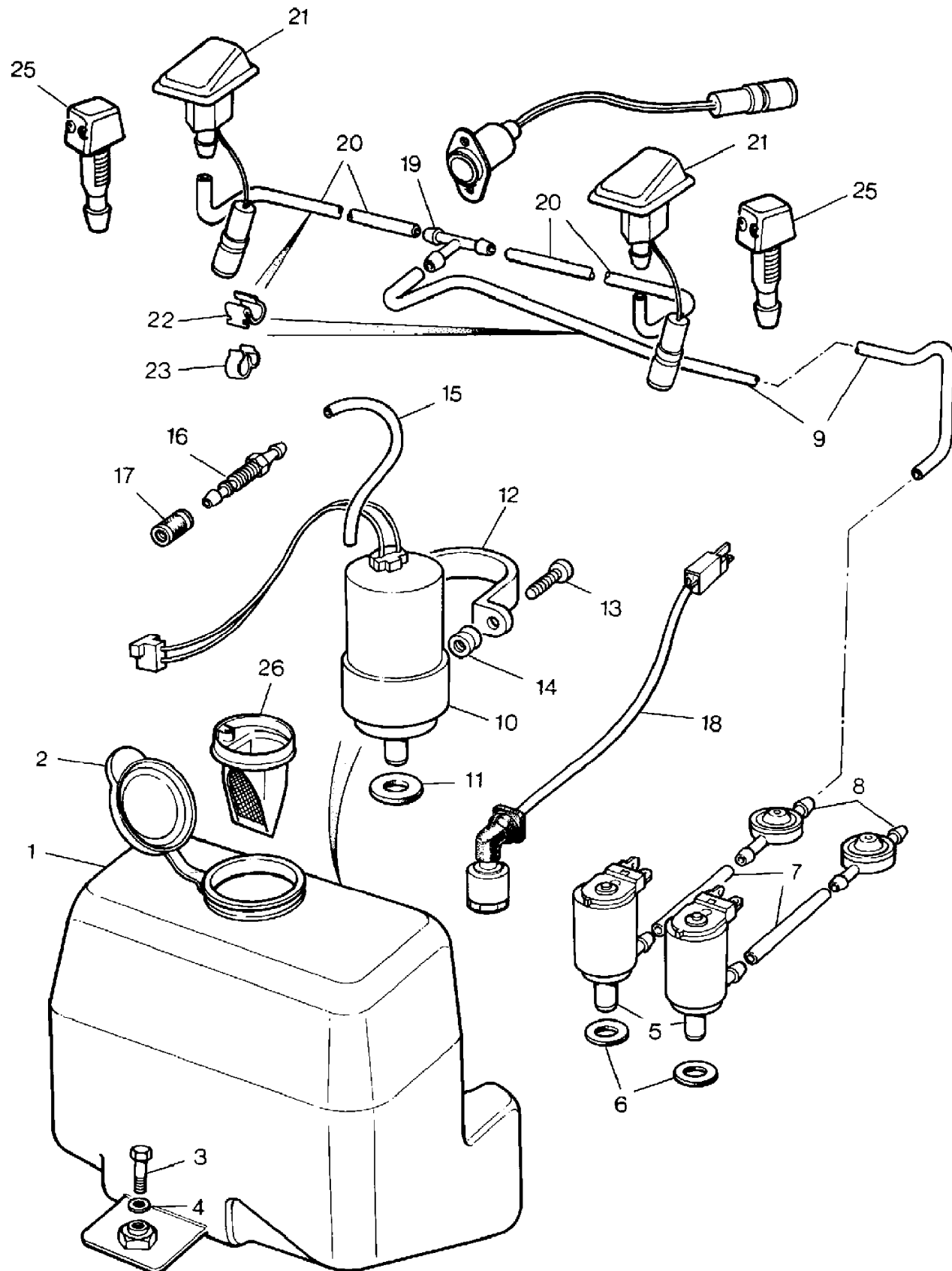
Range Rover (To HA610293)

(TS6514B)

Range Rover (To HA610293)

Body Electrics
Wash Wipe Systems
Pump & Reservoir-Power Wash

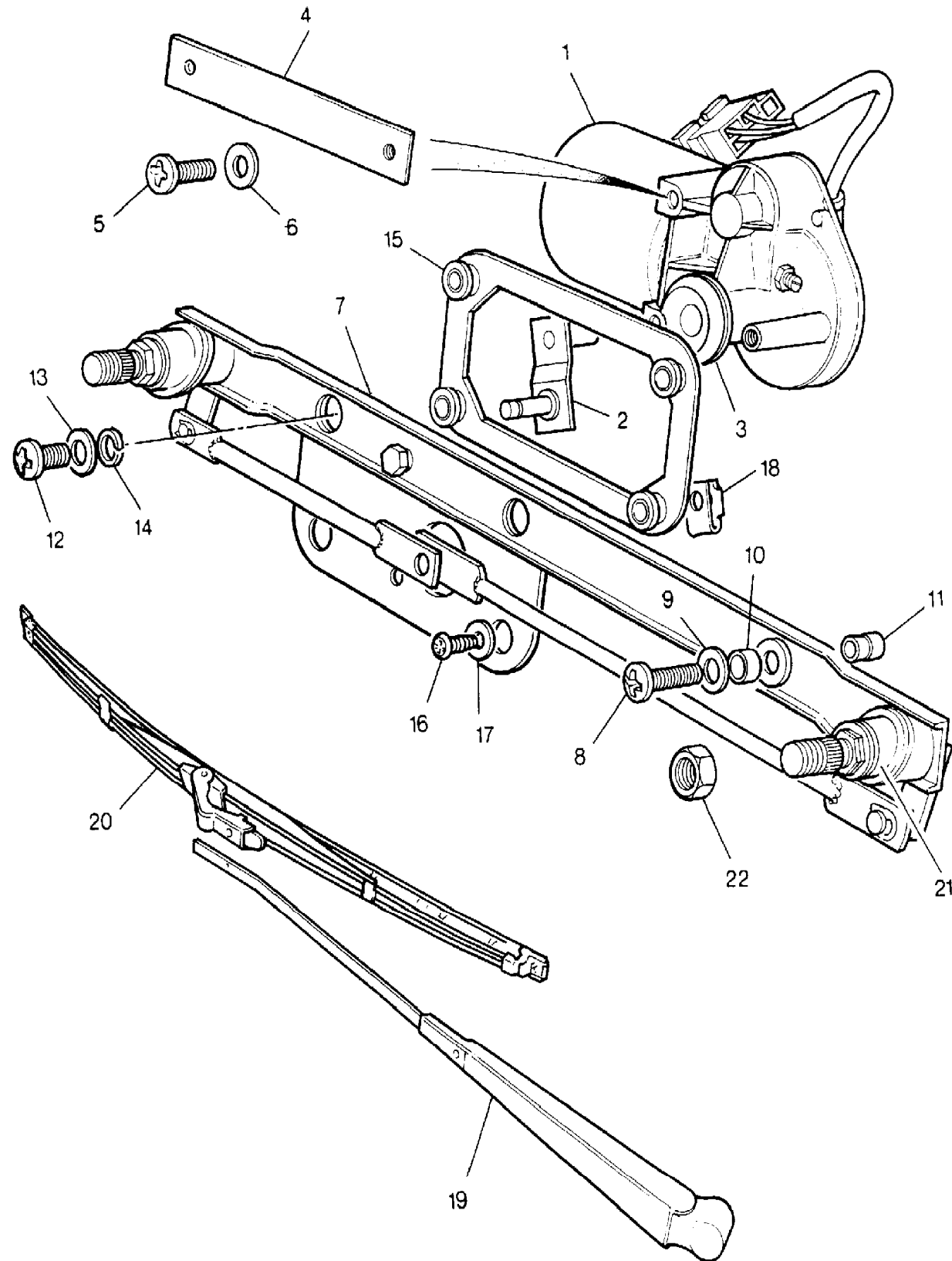
With Headlamp Washer/Wiper



Callout	Name	Application	Remarks & Restrictions	Service No.	Qty
17	Nut-plastic		for connector jet	RTC4779	1
18	Sensor-windscreen wash container low level			PRC5440	1
19	T Piece		5MM	PRC6855 C15644L	1 1
20	Hose-wash system		T piece to jet, RH T piece to jet, LH	PRC5652 PRC5653	1 1
21	Jet assembly-nozzle wash system		Heated	PRC6799	2
			use when fitting bonnet assy RTC6368 to vehicles prior to Vin EA351846, unheated	RTC6367	2
22	Clip		for tubing	MWC2552	X
23	Clip		for pipes, Double	PRC6969	5
24	Thermostat-headlamp wash			PRC6895	1
25	Jet assembly-nozzle wash system			BDP1723L	2
26	Filter-container assembly filler neck			STC206	1
[900]	Hose-wash system		T piece to jet, 720mm/long	PRC6852	2
[901]	Clip-Retaining			PRC7331	2

Range Rover (To HA610293)

(TS6496A)



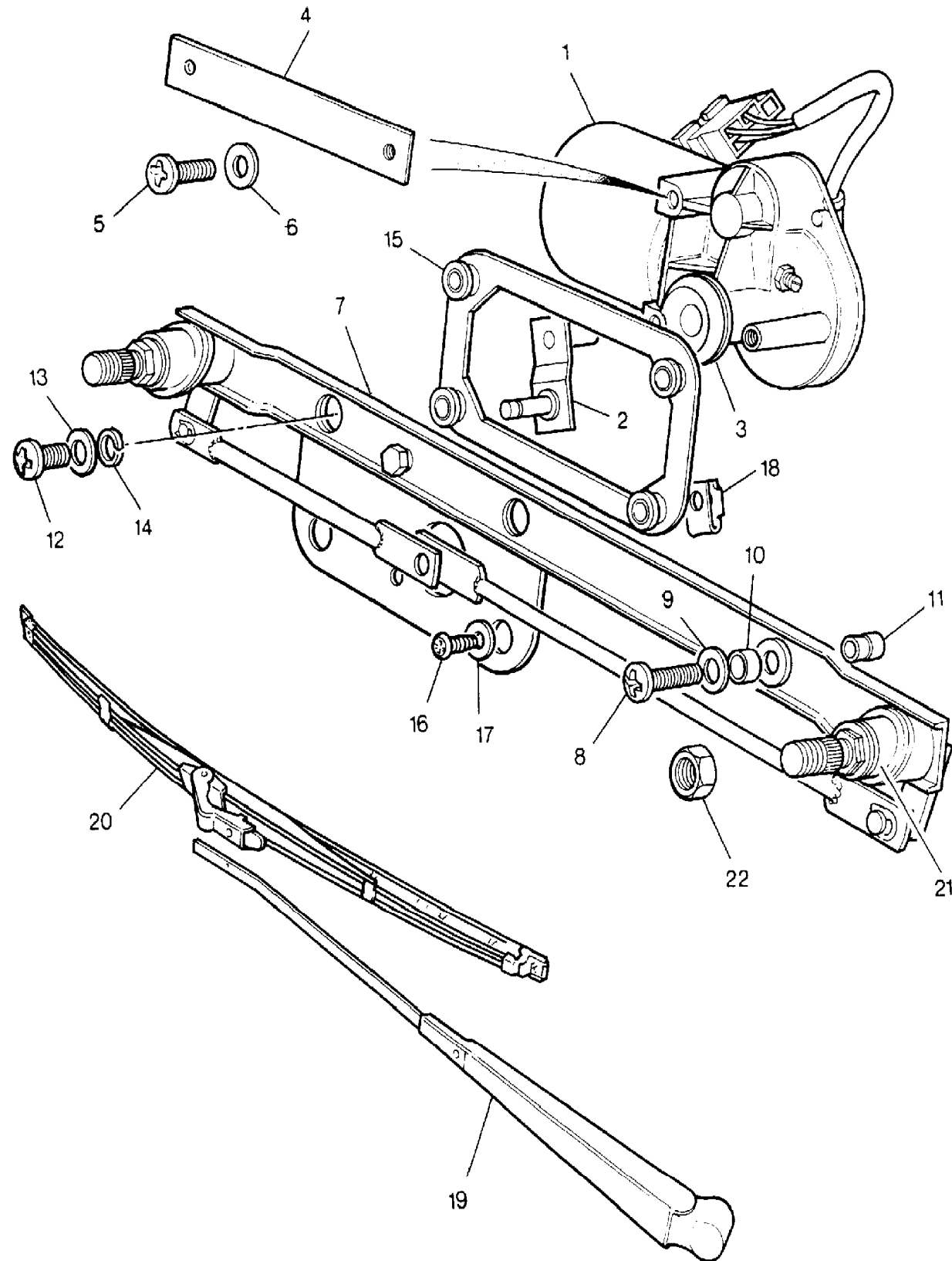
Range Rover (To HA610293)

Callout	Name	Application	Remarks & Restrictions	Service No.	Qty
1	Motor & bracket assembly-windscreen wiper			PRC7096	1
2	Link-windscreen wiper motor rotary			AEU4087 RTC6361 RTC6611	1 1 1
3	Seal-windscreen wiper			PRC7098	1
4	Plate		fixing wiper motor	MUC4277	1
5	Screw		fixing bracket-wiper support, pan head, M6 x 25	SE106251L	2
6	Washer		fixing bracket-wiper support, M6, starlock	WF106001L	2
7	Link assembly-windscreen wiper	Change point - VIN end FA399972, RHD	Front	RTC6095	1
		Change point - VIN end FA399972, LHD	Front	RTC6096	1
		Change point - VIN begin GA399973, RHD		RTC6632	1
		Change point - VIN begin GA399973, LHD	Front	RTC6633	1
8	Screw			78759	1
9	Washer			3821	1
10	Spacer			PRC1352	1
11	Nutsert-blind			79240	1
12	Screw		M6 X 16, hexagonal head	SH106161L	1
13	Washer		6MM	WA106041L	1
14	Washer		M6, sprung	WL106001L	1
15	Seal-windscreen wiper motor mounting bracket			PRC7781	1
16	Screw-self tapping B		No 12 x 1"	AB612081L	4
17	Washer-Plain		M6	WJ106001L	4
18	Nut-spring-J type			AK612014	4
19	Arm-windscreen wiper	Change point - VIN end FA399972, RHD		PRC1896	2
		Change point - VIN end FA399972, LHD		PRC1895	2

Body Electrics
 Wash Wipe Systems
 Windscreen Wiper 2/2

Range Rover (To HA610293)

(TS6496A)



Range Rover (To HA610293)

Body Electrics
 Wash Wipe Systems
 Windscreen Wiper

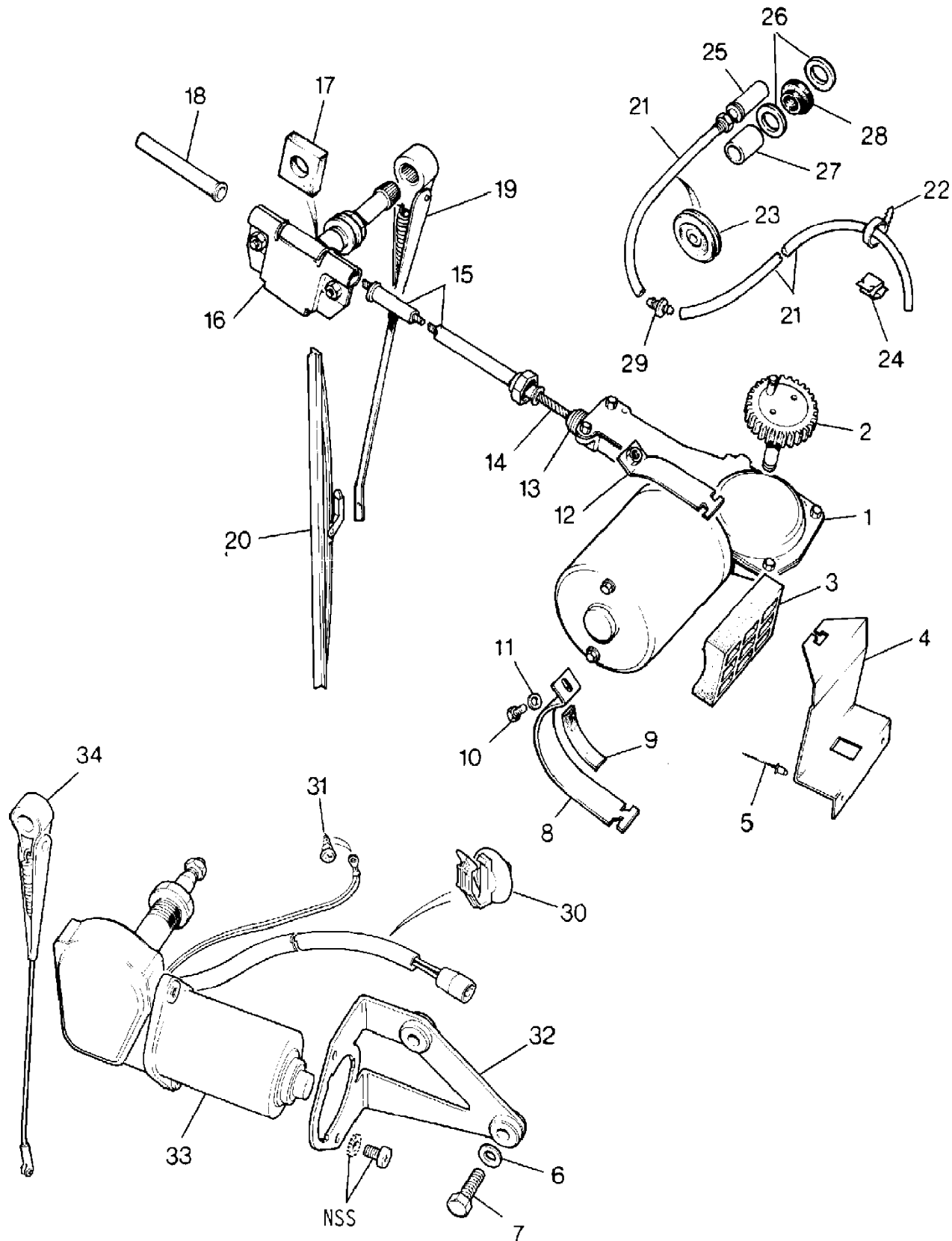
Callout	Name	Application	Remarks & Restrictions	Service No.	Qty
19	Arm-windscreen wiper	Change point - VIN begin GA399973, RHD Change point - VIN begin GA399973, LHD		PRC6826	2
				PRC6839	2
20	Blade-windscreen wiper	Change point - VIN end FA399972 Change point - VIN begin GA399973		RTC6787	2
				PRC6827	2
21	Bush	Change point - VIN end EA327674		607107	2
22	Nut - Hex.		M8, flange	FN108041	2
[900]	Washer		8MM	WP8019L	1

Range Rover (To HA610293)

(TS6123)

Range Rover (To HA610293)

Callout	Name	Application	Remarks & Restrictions	Service No.	Qty
1	Motor-windscreen wiper	Change point - VIN end CA274120	Also serviced as part of a kit	RTC3867	1
2	Gear-wiper motor			608092	1
3	Pad-rubber		wiper motor mounting	150844	1
4	Bracket-wiper support			393003	1
5	Rivet		fixing bracket-wiper support, 3/16" x 0.45"lng, pop	78248	4
6	Washer		fixing support bracket-wiper motor, 6MM	WA106041L	2
7	Screw		fixing support bracket-wiper motor, M6 X 20, hexagonal head	SH106201L	2
8	Clamp		fixing wiper motor, Lower	393004	1
9	Sleeve-backlight wiper motor mounting			586198	3
10	Screw		fixing clamp, M5, hexagonal head, 6MM	SH604081L	1
11	Washer-Plain		fixing clamp, M6	3831L	1
12	Clamp		fixing wiper motor, Upper	393005	1
13	Ferrule		rack drive	37H3694L	1
14	Wiper rack			508182	1
15	Tube	RHD LHD	outer casing-rack outer casing-rack	AAU1909 589761	1 1
16	Cover assembly-backlight wiper motor			589798	1
17	Washer-foam		wheelbox	PRC2062	1
18	Tube		outer casing-rack	575047	1
19	Arm-backlight wiper	Change point - VIN end CA274120, RHD Change point - VIN end CA274120, LHD		PRC3575 PRC3576	1 1
20	Blade-windscreen wiper	Change point - VIN end GA413742 Change point - VIN begin GA413743		RTC6787 PRC6827	1 1
21	Hose-wash system		to rear jet	RTC3650	1
22	Tie-cable		3 1/4"	240429	1



Range Rover (To HA610293)

(TS6123)

Range Rover (To HA610293)

Callout	Name	Application	Remarks & Restrictions	Service No.	Qty
23	Grommet		Black, cable, 3 x 25.5mm	233243	1
24	Clip-Pipe		Rear	369092	2
25	Jet assembly-backlight wash single nozzle			PRC2438	1
26	Washer		fixing jet	4878	2
27	Bush-spacer		fixing jet	500446	1
28	Washer-rubber		fixing jet	393400	1
29	Connector fit		for tubing	RTC1698	1
30	Clip-cable		8mm hole	AFU1090L	3
31	Screw		EARTH, M5	SE105101L	1
32	Bracket assembly-wiper motor			PRC6044	1
33	Motor-backlight wiper		Change point - VIN begin DA273923, LHD Change point - VIN begin DA273923, RHD	PRC8187 PRC8186	1 1
34	Arm-backlight wiper		Change point - VIN begin DA273923, Change point - VIN end GA413742, RHD Change point - VIN begin DA273923, Change point - VIN end GA413742, LHD Change point - VIN begin GA413743, RHD Change point - VIN begin GA413743, LHD	PRC6050 PRC6049 PRC8222 PRC8223	1 1 1 1

