

SEP 04

629

Body & Chassis
Body
Bodyshell 1/1

Range Rover (To HA610293)
(TS5744)

629

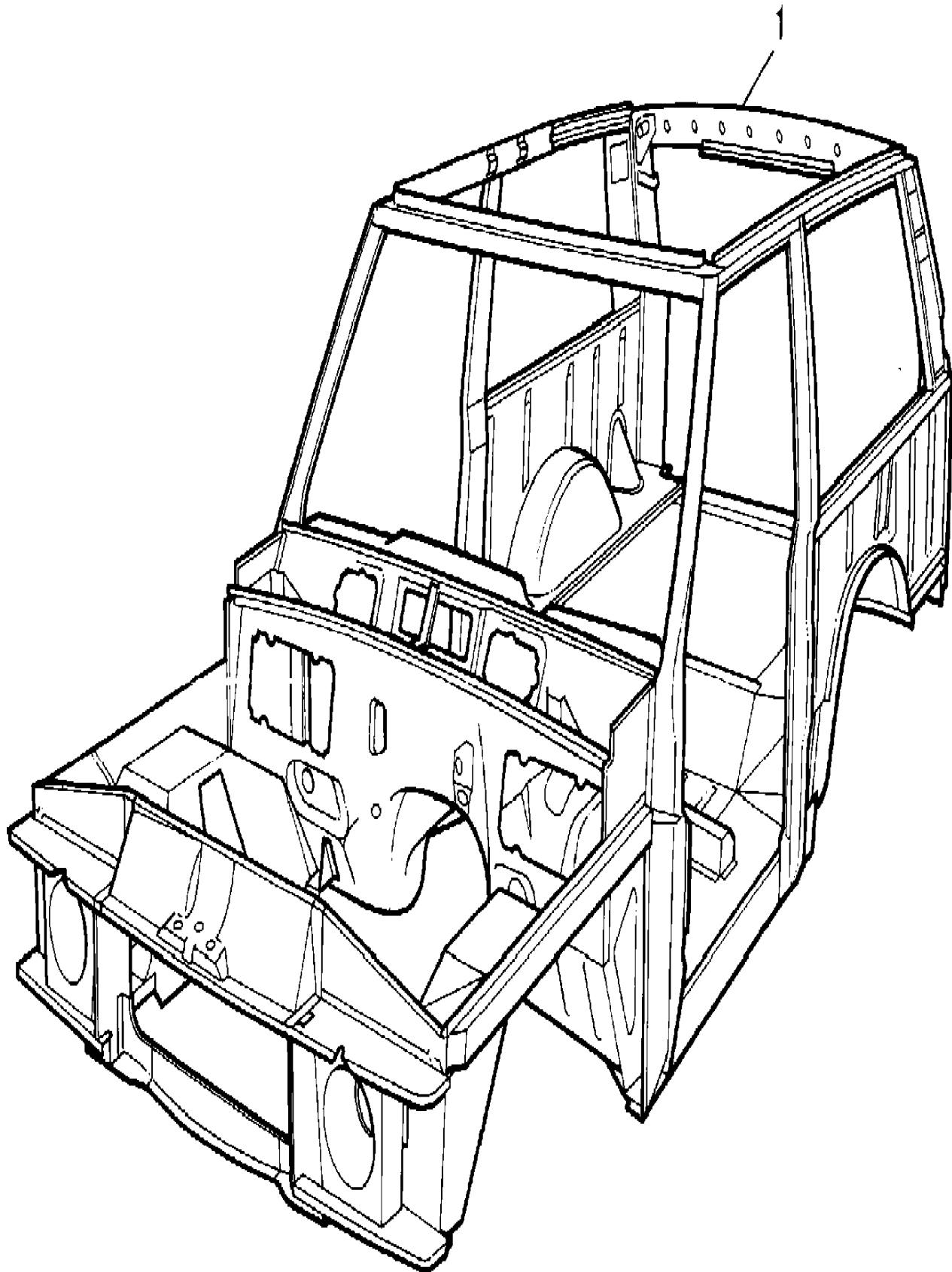
SEP 04

Range Rover (To HA610293)

Body & Chassis
Body
Bodyshell

2 Door Station Wagon

Callout	Name	Application	Remarks & Restrictions	Service No.	Qty
1	Body Shell	Change point - VIN end FA374641, (+)"F" Change point - VIN begin FA374642, Change point - VIN end GA441003, (+)"F" Change point - VIN end GA441003, (-)"F" Change point - VIN begin GA441004, Change point - VIN end HA606949, (-)"F" Change point - VIN begin HA606950, (-)"F"		MWC8237 STC1022 STC1022 STC1031 MXC9491	1 1 1 1 1



SEP 04

630

Body & Chassis
Body
Bodyshell 1/1

Range Rover (To HA610293)
(TS5745)

630

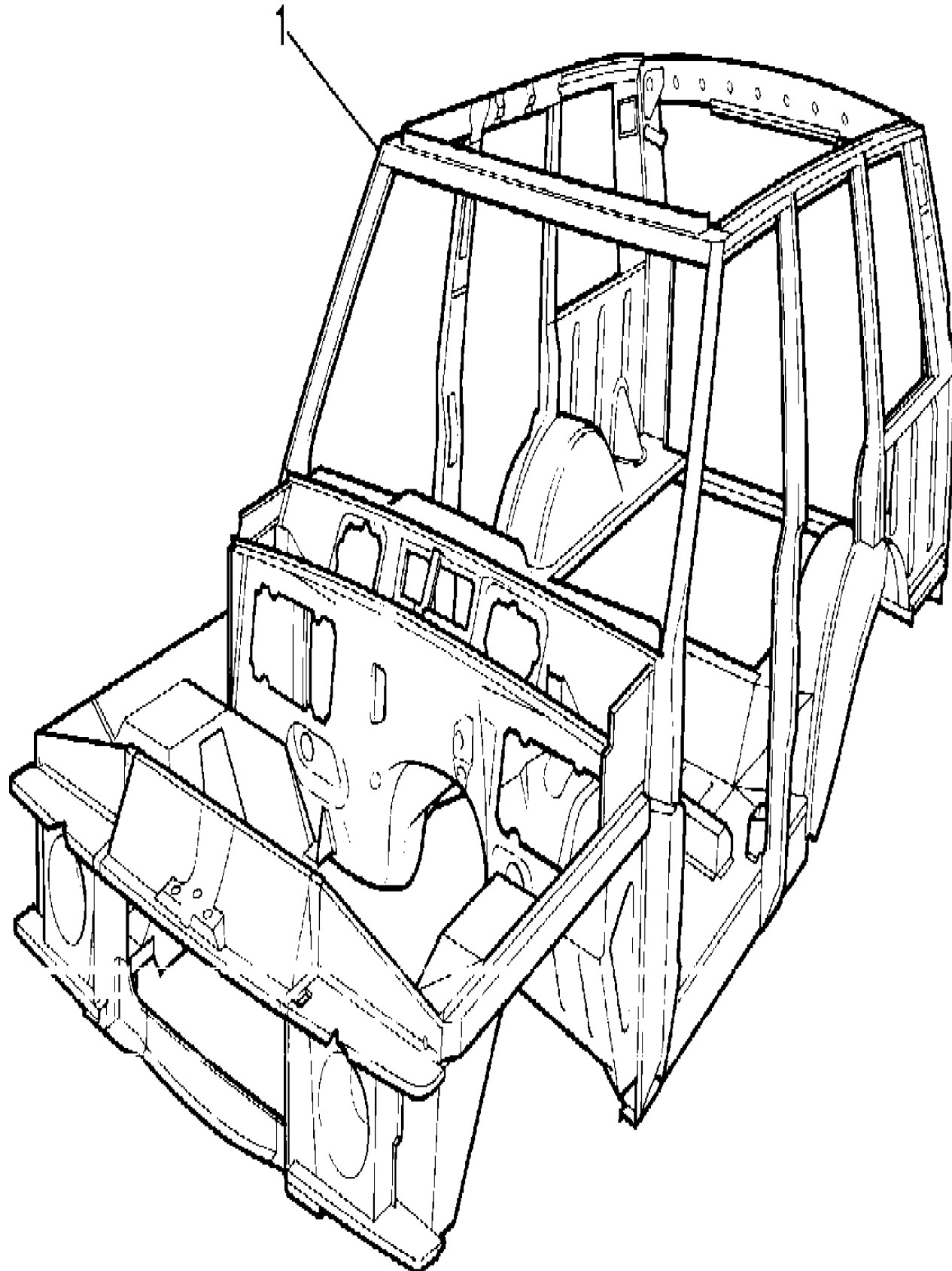
SEP 04

Range Rover (To HA610293)

Body & Chassis
Body
Bodyshell

Change point - VIN end GA464553, 4 Door Station Wagon

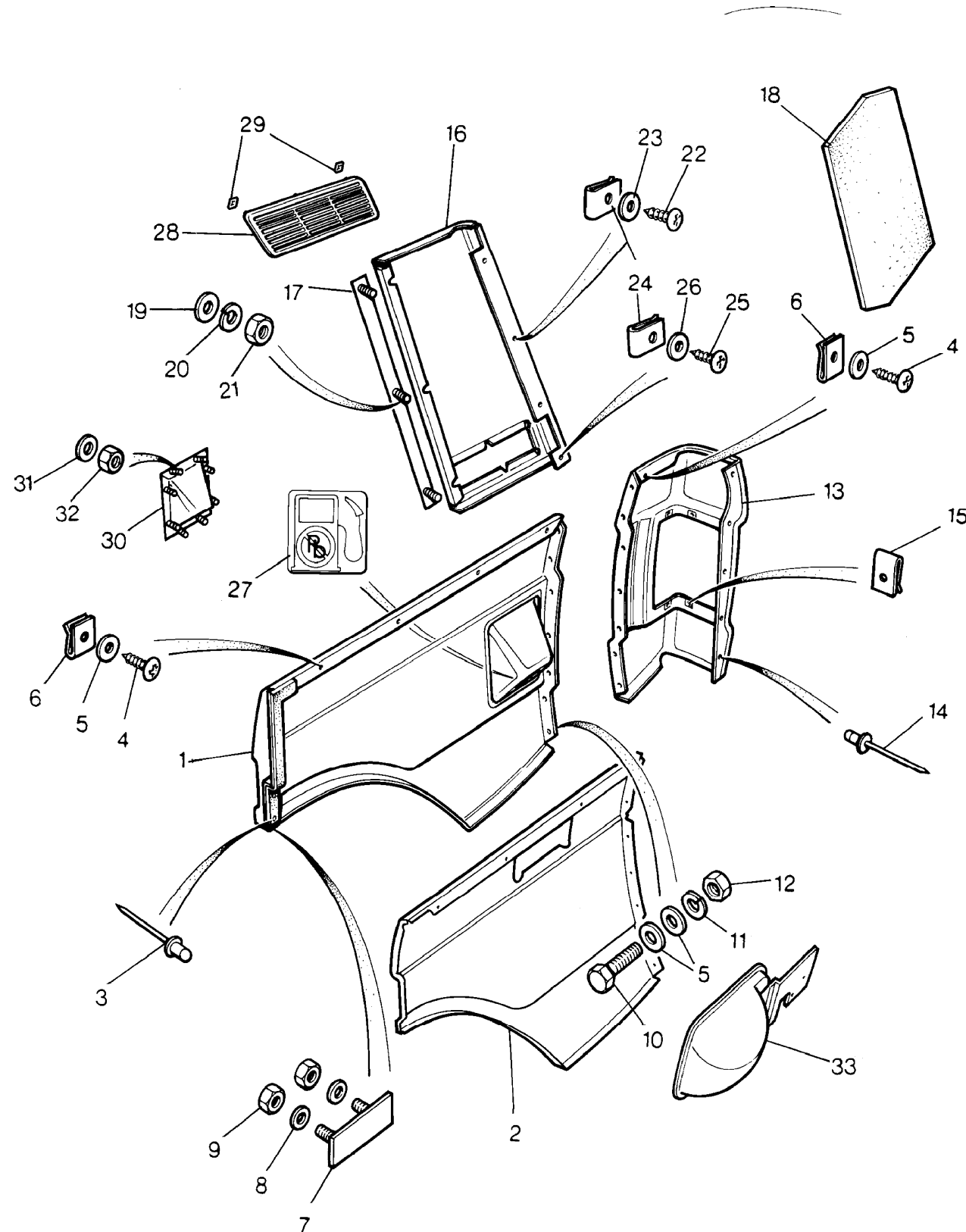
Callout	Name	Application	Remarks & Restrictions	Service No.	Qty
1	Body Shell	Change point - VIN end FA374641		STC1028	1
		Change point - VIN begin FA374642, Change point - VIN end GA441003		STC1025	1
		Change point - VIN begin GA441004, Change point - VIN end GA464553		STC1058	1
		Change point - VIN begin HA464554		MXC9490	1
[900]	Body Shell	Change point - VIN end GA441003		AAC730030	1
		Change point - VIN end GA441003		AAC730040	1
		Change point - VIN end GA441003		AAC730060	1
		Change point - VIN end GA441003		AAC730100	1



Range Rover (To HA610293)

(TS6105C)

Range Rover (To HA610293)



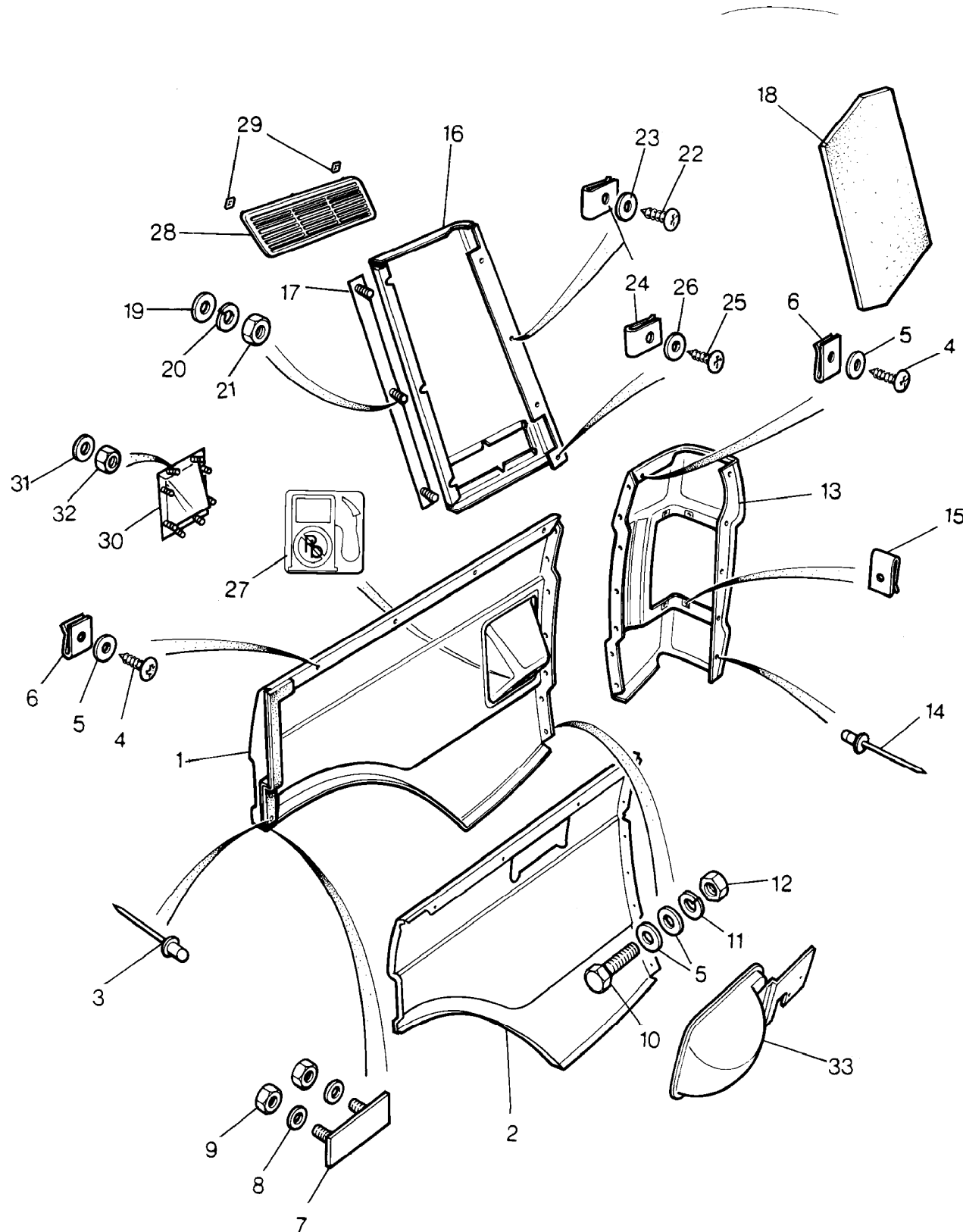
TS 6105B

Callout	Name	Application	Remarks & Restrictions	Service No.	Qty
1	Panel-bodyside trim	Change point - VIN end GA464553, 2 Door Station Wagon	RH	RTC6198	2
		Change point - VIN end HA464553, 2 Door Station Wagon	LH	390372	2
		Change point - VIN end CA273922, 4 Door Station Wagon	RH	MTC5538	4
		Change point - VIN begin DA273923, Change point - VIN end HA464553, 4 Door Station Wagon	RH	RTC6199	1
		Change point - VIN end GA464553, 4 Door Station Wagon	LH	RTC6200	2
		2	Panel-bodyside trim	Change point - VIN begin HA464554, 2 Door Station Wagon	RH
Change point - VIN begin HA464554, 2 Door Station Wagon	LH			MWC9959	2
Change point - VIN begin HA464554, 4 Door Station Wagon	RH			MXC9624	4
Change point - VIN begin HA464554, 4 Door Station Wagon	LH			RTC6200	4
Change point - VIN begin HA464554, 4 Door Station Wagon	LH			RTC6200	4
3	Rivet-pop-steel			RA608127	12
4	Screw-self tapping		pan head, No 12 x 1/2, pointed	AB612041L	X
5	Washer-Plain		M6	3831L	X
6	Nut - Hex.			RTC3726	8
7	Plate assembly			MTC5501	2
8	Washer		M6, sprung	WL106001L	4
9	Nut - Hex.		M6, nyloc, Hexagonal	NH106041L	4
10	Screw		1/4UNF x 3/4	255207	14
11	Washer-Spring		1/4 dia, Square	WM60004 1L	14
12	Nut - Hex.		hexagonal head, Coarse Thread, 1/4UNF	NH60404 1L	14
13	Panel Corner		RH	RTC6203	1
			LH	RTC6204	1
14	Rivet			78257	14
15	Nut-spring-J type			79039	12

Range Rover (To HA610293)

(TS6105C)

Range Rover (To HA610293)



TS 6105B

Callout	Name	Application	Remarks & Restrictions	Service No.	Qty
16	Panel Assy - Rear Quarter	With Petrol Engines	Outer, RH	MUC7694	1
		With Petrol Engines	Outer, LH	MUC7695	1
		With Diesel Engines	Outer, RH	MUC8596	1
		With Diesel Engines	Outer, LH	MUC8597	1
17	Plate-trim retention			390055	2
19	Washer			3902L	6
20	Washer-Spring		3/16 dia, Square	WM702001L	6
21	Nut - Hex.		UNF	257023	6
22	Screw-self tapping AB		M8 x 12	AB610041L	6
23	Washer-Plain			WC702101L	6
24	Nut-spire			78947	6
25	Screw		Self Tapping, No 6 x 1/2	AB606041L	2
26	Washer-Plain			WC702101L	2
27	Label-caution fuel filler			NTC7503	1
28	Vent-air extractor		RH, Gloss	390515	1
			Gloss, LH	390516	1
			RH, Matt	RTC6698	1
			Matt, LH	RTC6699	1
29	Clip			PFS104L	6
30	Panel			393030	1
31	Washer-Plain			4034L	8
32	Nut - Hex.		to panel corner	AK612011L	8
33	Cowl-fuel filler			MXC9623	1
[900]	Nut - Hex.			NH2005L	8

Body & Chassis

Body

Bodyside-2 Door-From (V) GA441004 1/2

Range Rover (To HA610293)

(TS6847)

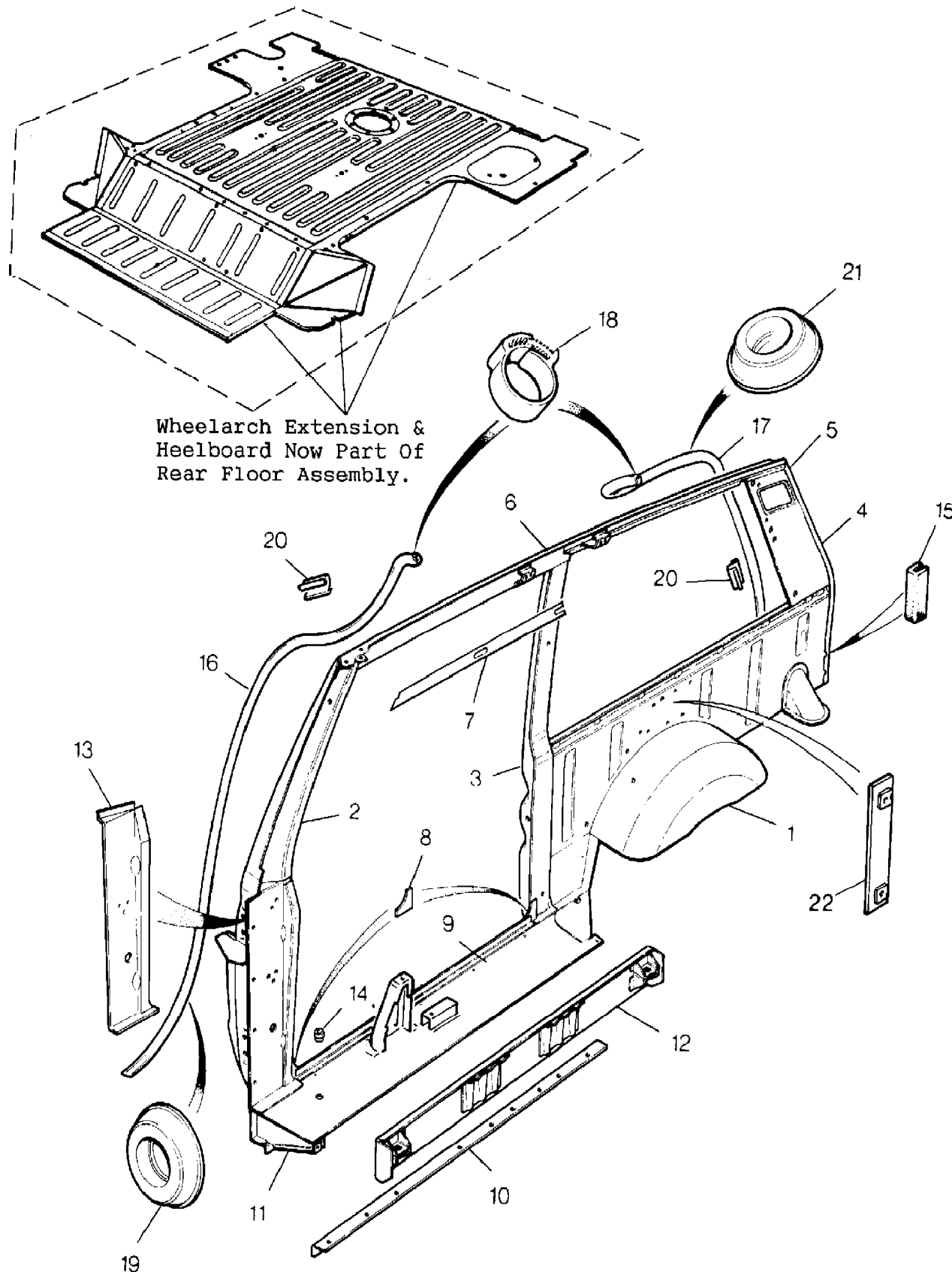
Body & Chassis

Body

Bodyside-2 Door-From (V) GA441004

Range Rover (To HA610293)

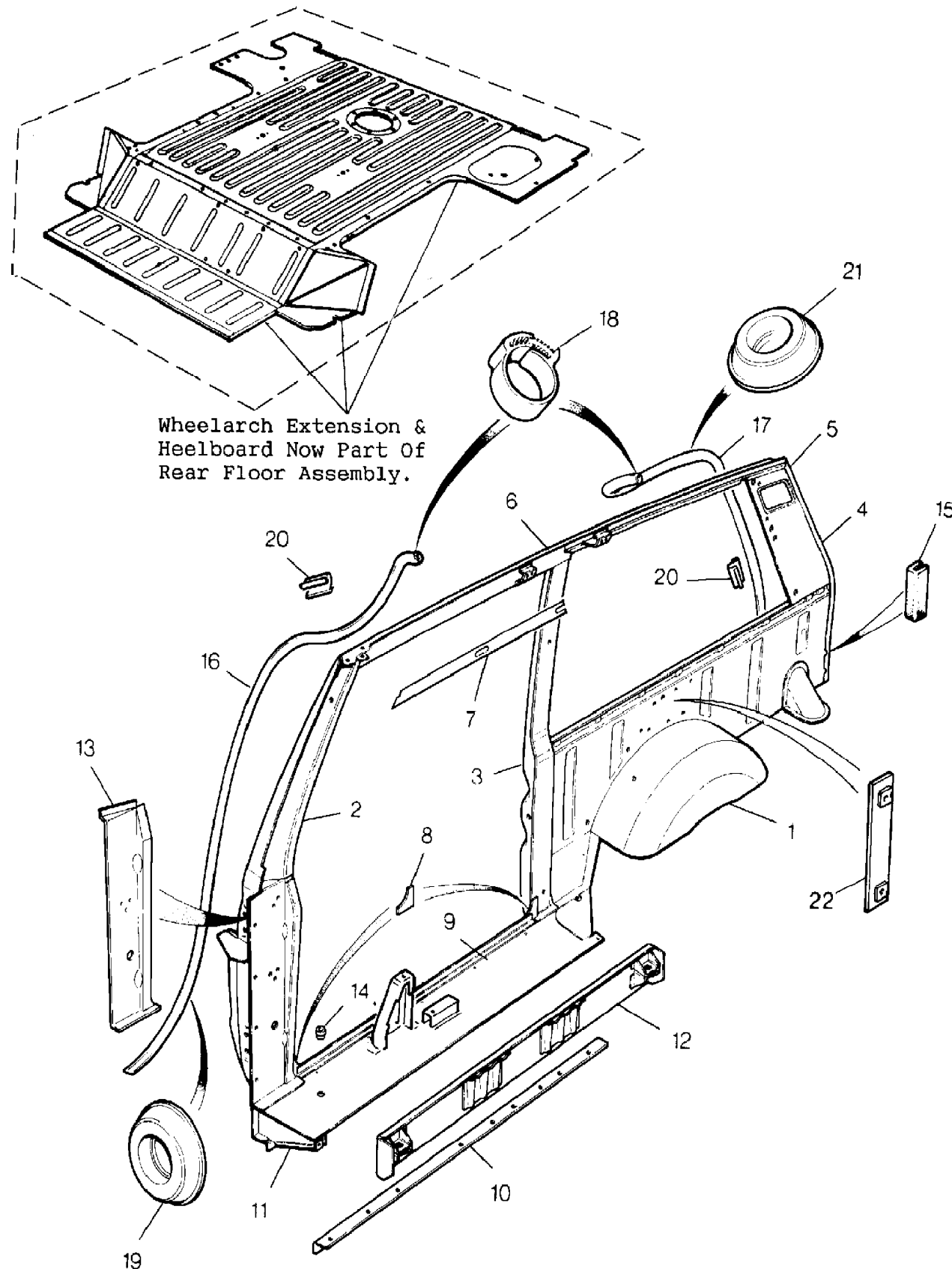
Change point - VIN begin GA441004, 2 Door Station Wagon



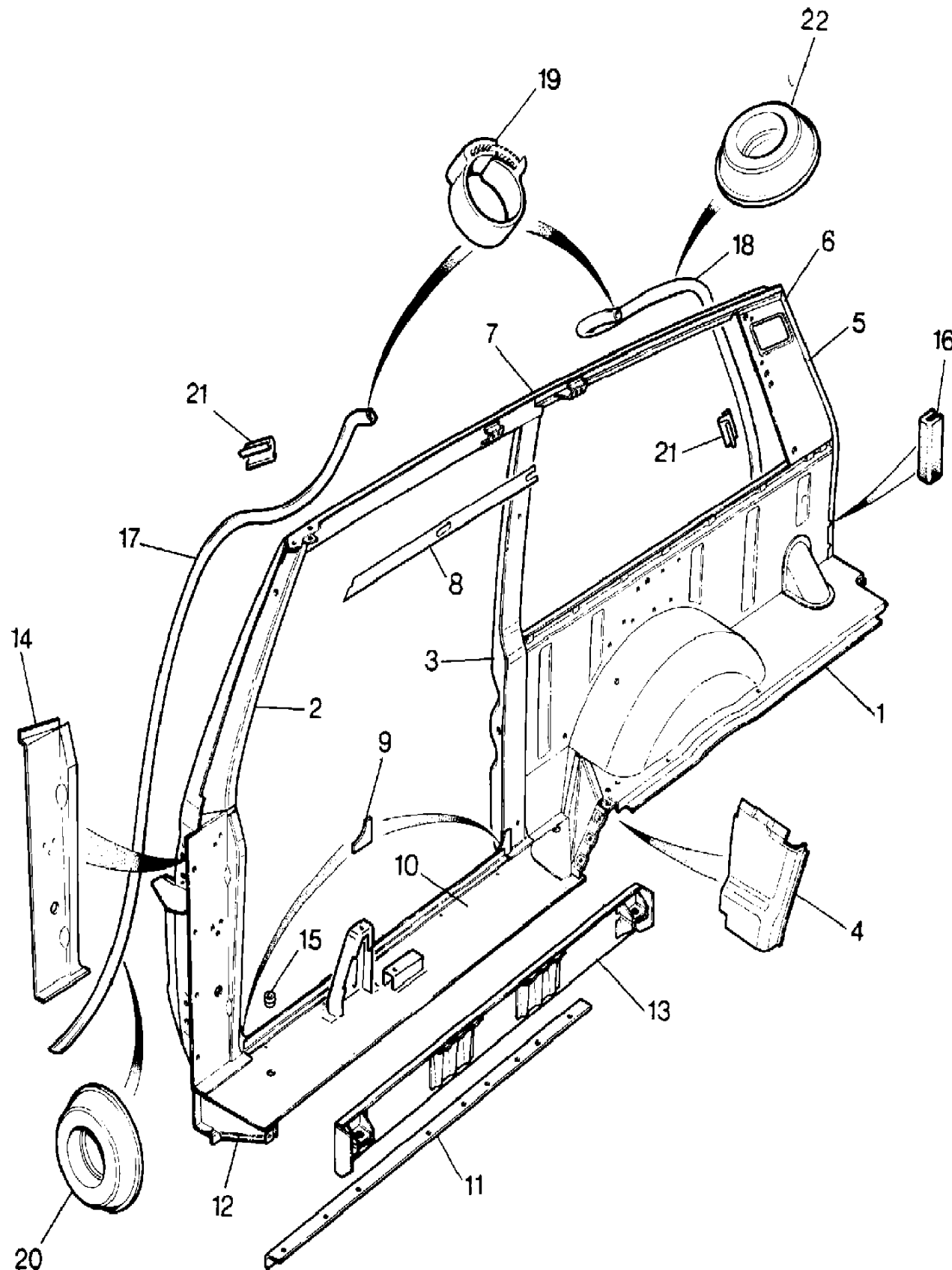
Callout	Name	Application	Remarks & Restrictions	Service No.	Qty
1	Body side assembly	Change point - VIN begin GA441004	Also serviced as part of a kit, RH	MXC9530	1
		Change point - VIN begin GA441004	Also serviced as part of a kit, LH	MXC9529	1
2	A post assembly	Change point - VIN begin GA441004	Also serviced as part of a kit, RH	MXC9566	1
		Change point - VIN begin GA441004	Also serviced as part of a kit, LH	MXC9567	1
3	BC post assembly	Change point - VIN begin GA441004	Also serviced as part of a kit, RH	MWC6350	1
		Change point - VIN begin GA441004	Also serviced as part of a kit, LH	MWC6351	1
4	Panel-rear inner quarter	Change point - VIN begin GA441004	Also serviced as part of a kit, LH	MXC5461	1
		Change point - VIN begin GA441004	Also serviced as part of a kit, RH	MXC5462	1
5	Angle mounting	Change point - VIN begin GA441004	Also serviced as part of a kit, LH	MUC6261	1
		Change point - VIN begin GA441004	Also serviced as part of a kit, RH	MUC6260	1
6	Cantrail	Change point - VIN begin GA441004, Change point - VIN end HA606949	Also serviced as part of a kit, LH	MXC5463	1
		Change point - VIN begin HA606950	Also serviced as part of a kit, LH	MXC9531	1
		Change point - VIN begin GA441004	Also serviced as part of a kit, RH	MXC9532	1
7	Panel closing	Change point - VIN begin GA441004, Change point - VIN end GA464553	Also serviced as part of a kit, LH	MWC8699	1
		Change point - VIN begin HA464554	Also serviced as part of a kit, LH	MXC8939	1
		Change point - VIN begin GA441004, Change point - VIN end GA464553	Also serviced as part of a kit, RH	MWC8698	1
		Change point - VIN begin HA464554	Also serviced as part of a kit, RH	MXC8940	1
8	Gusset-a post lower	Change point - VIN begin GA441004	Also serviced as part of a kit	MWC9966	2
9	Sill outer	Change point - VIN begin GA441004	Also serviced as part of a kit, LH	STC86	1
		Change point - VIN begin GA441004	Also serviced as part of a kit, RH	STC85	1
10	Stiffener	Change point - VIN begin GA441004	Also serviced as part of a kit, LH	390050	1
		Change point - VIN begin GA441004	Also serviced as part of a kit, RH	390049	1
11	Panel closing	Change point - VIN begin GA441004	Also serviced as part of a kit, Front, LH	390046	1

Change point - VIN begin GA441004, 2 Door Station Wagon

Callout	Name	Application	Remarks & Restrictions	Service No.	Qty
11	Panel closing	Change point - VIN begin GA441004	Also serviced as part of a kit, Front, RH	390045	1
12	Sill	Change point - VIN begin GA441004	Also serviced as part of a kit, Inner, LH	MXC3919	1
		Change point - VIN begin GA441004	Also serviced as part of a kit, RH, Inner	MXC3918	1
13	Closing-A post	Change point - VIN begin GA441004	RH, Lower	MXC7927	1
		Change point - VIN begin GA441004	Lower, LH	MXC7926	1
14	Plug-blanking	Change point - VIN begin GA441004	25.5MM, Plastic	338023	2
15	Protector-edge	Change point - VIN begin GA441004		DRC1530	2
16	Tube-sunroof drain	Change point - VIN begin GA441004	Front	MWC5964	2
17	Tube-rear sunroof drain	Change point - VIN begin GA441004		MWC5966	2
18	Clip-Hose	Change point - VIN begin GA441004		MWC5734	4
19	Grommet	Change point - VIN begin GA441004		ATU1040	4
20	Clip	Change point - VIN begin GA441004		ADU8460	10
21	Grommet	Change point - VIN begin GA441004		DRC1170	6
22	Nut-plate	Change point - VIN begin GA441004, (+)"Europe"		ALR1696	2

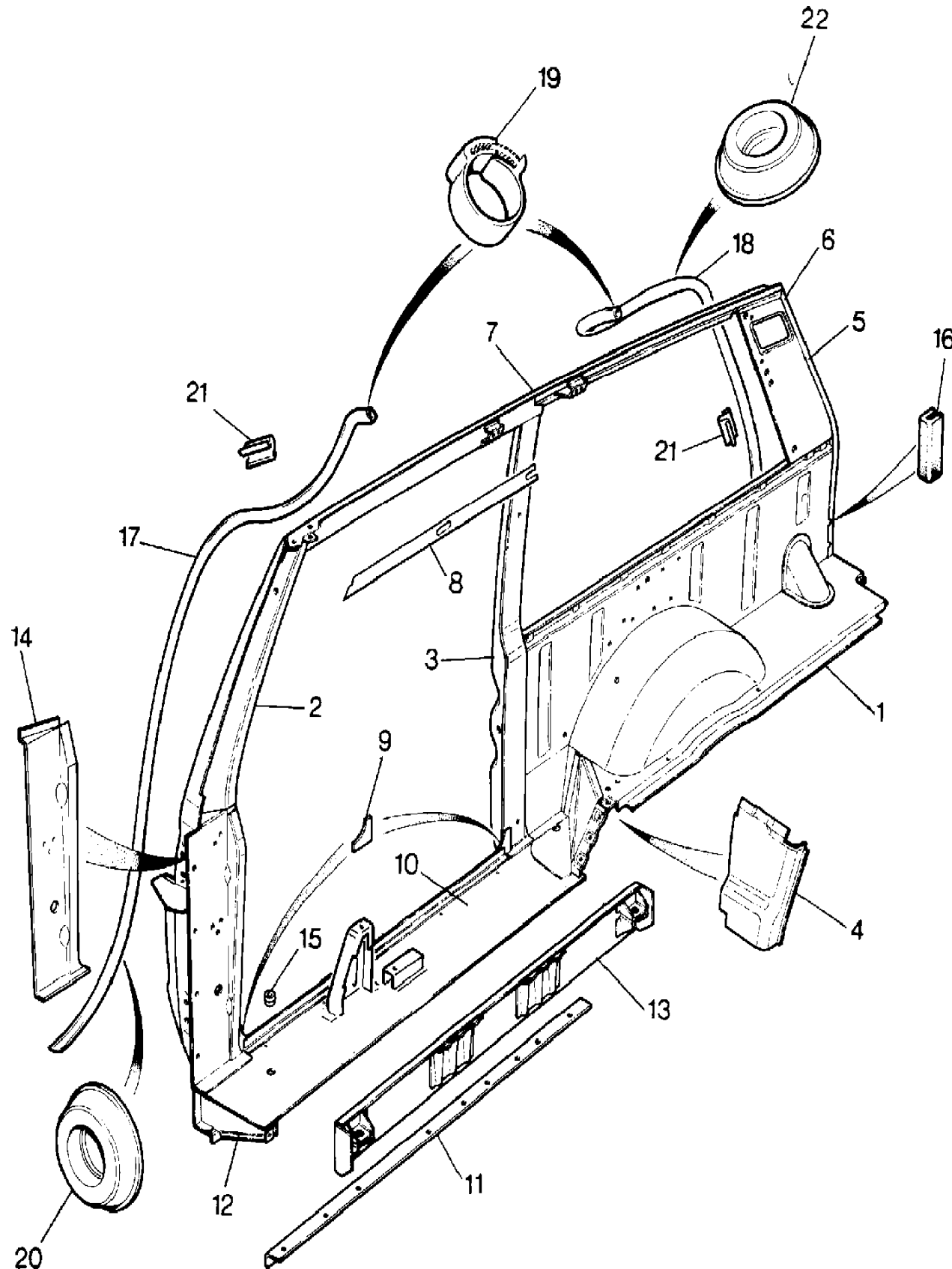


Callout	Name	Application	Remarks & Restrictions	Service No.	Qty
1	Body side assembly	Change point - VIN end GA441003	Also serviced as part of a kit, RH	STC1023	1
		Change point - VIN end GA441003	Also serviced as part of a kit, LH	STC1024	1
2	A post assembly	Change point - VIN end GA441003	Also serviced as part of a kit, RH	RTC6310	1
		Change point - VIN end GA441003	Also serviced as part of a kit, LH	RTC6311	1
3	BC post assembly	Change point - VIN end EA351846	Also serviced as part of a kit, RH	MTC5648	1
		Change point - VIN begin FA351847, Change point - VIN end GA441003	Also serviced as part of a kit, RH	MWC6350	1
		Change point - VIN end GA441003	Also serviced as part of a kit, LH	MWC6351	1
4	Extension-wheelarch liner	Change point - VIN end GA441003	Also serviced as part of a kit, RH	MTC5872	1
		Change point - VIN end GA441003	Also serviced as part of a kit, LH	MTC5873	1
5	Panel-rear inner quarter	Change point - VIN end GA441003	Also serviced as part of a kit, RH	MXC5462	1
		Change point - VIN end GA441003	Also serviced as part of a kit, LH	MXC5461	1
6	Angle mounting	Change point - VIN end GA441003	Also serviced as part of a kit, RH	MUC6260	1
		Change point - VIN end GA441003	Also serviced as part of a kit, LH	MUC6261	1
7	Cantrail	Change point - VIN end GA441003	Also serviced as part of a kit, RH	MXC5464	1
		Change point - VIN end GA441003	Also serviced as part of a kit, LH	MXC5463	1
8	Panel closing	Change point - VIN end GA441003	Also serviced as part of a kit, RH	MWC8698	1
		Change point - VIN end GA441003	Also serviced as part of a kit, LH	MWC8699	1
9	Gusset-a post lower	Change point - VIN end GA441003	Also serviced as part of a kit	MWC9966	2
10	Sill outer	Change point - VIN end GA441003	Also serviced as part of a kit, RH	STC85	1
		Change point - VIN end GA441003	Also serviced as part of a kit, LH	STC86	1
11	Stiffener	Change point - VIN end GA441003	Also serviced as part of a kit, RH	390049	1
		Change point - VIN end GA441003	Also serviced as part of a kit, LH	390050	1
12	Panel closing	Change point - VIN end GA441003	Also serviced as part of a kit, Front, RH	390045	1



Change point - VIN end GA441003, 2 Door Station Wagon

Callout	Name	Application	Remarks & Restrictions	Service No.	Qty
12	Panel closing	Change point - VIN end GA441003	Also serviced as part of a kit, Front, LH	390046	1
13	Sill	Change point - VIN end GA441003	Also serviced as part of a kit, Inner, LH	MXC3919	1
		Change point - VIN end GA441003	Also serviced as part of a kit, RH, Inner	MXC3918	1
14	Closing-A post	Change point - VIN end FA399972	RH, Lower	MUC6926	1
		Change point - VIN end FA399972	Lower, LH	MUC6925	1
		Change point - VIN begin GA399973, Change point - VIN end GA441003	RH, Lower	MXC7927	1
		Change point - VIN begin GA399973, Change point - VIN end GA441003	Lower, LH	MXC7926	1
15	Plug-blanking	Change point - VIN end GA441003	25.5MM, Plastic	338023	2
16	Protector-edge	Change point - VIN end GA441003		DRC1530	2
17	Tube-sunroof drain	Change point - VIN end GA441003	Front	MWC5964	2
18	Tube-rear sunroof drain	Change point - VIN end GA441003		MWC5966	2
19	Clip-Hose	Change point - VIN end GA441003		MWC5734	4
20	Grommet	Change point - VIN end GA441003		ATU1040	4
21	Clip	Change point - VIN end GA441003		ADU8460	10
22	Grommet	Change point - VIN end GA441003		DRC1170	6



Body & Chassis
 Body
 Bodyshell 1/2

Range Rover (To HA610293)

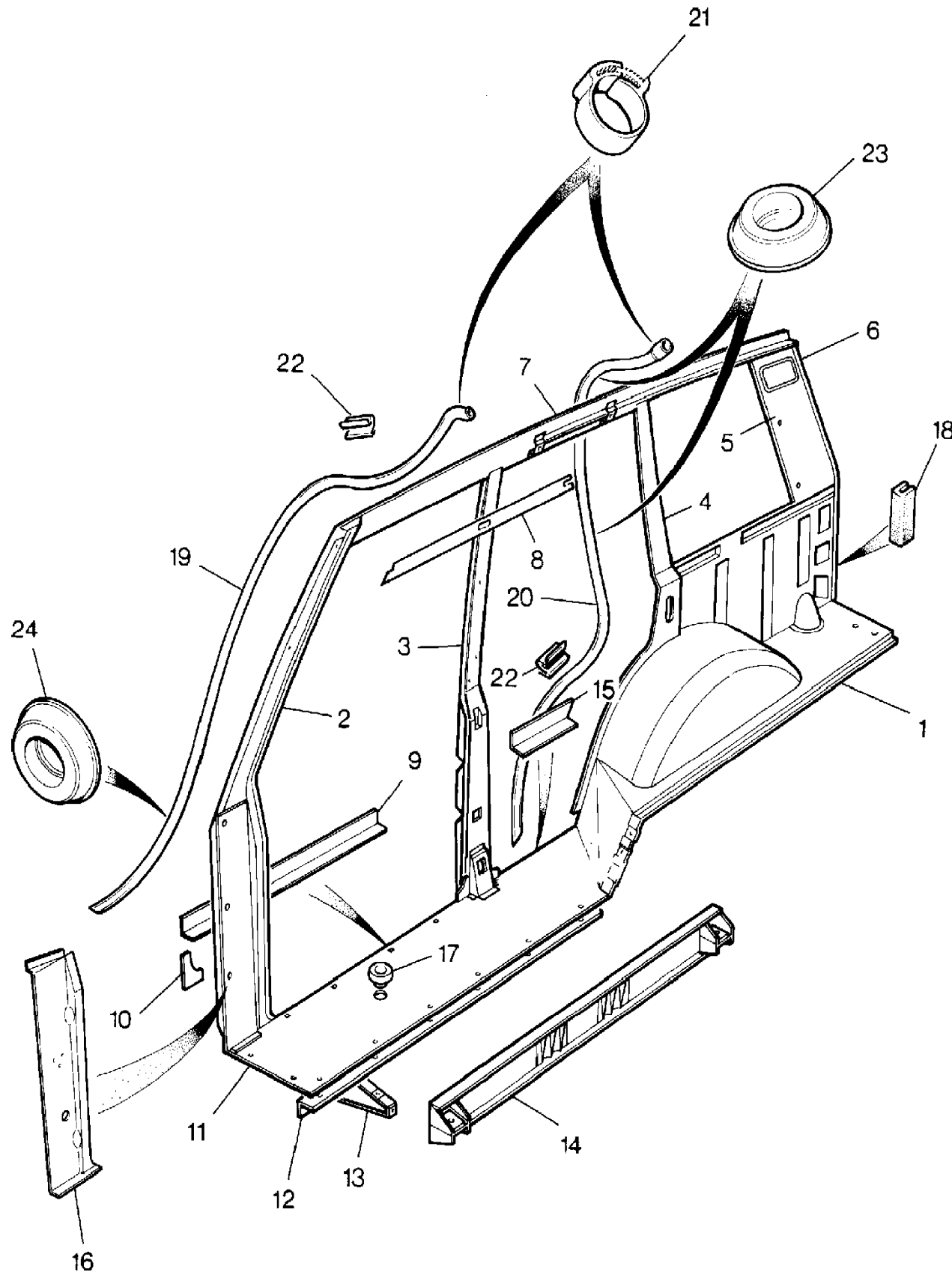
(VS3194C)

Range Rover (To HA610293)

Body & Chassis
 Body
 Bodyshell

4 Door Station Wagon

Callout	Name	Application	Remarks & Restrictions	Service No.	Qty
1	Body side assembly	Change point - VIN end EA351846 Change point - VIN begin FA351847	Also serviced as part of a kit, LH Also serviced as part of a kit, LH Also serviced as part of a kit, RH	MWC6185 MXC3915 MXC3914	1 1 1
2	A post assembly	Change point - VIN end EA351846	Also serviced as part of a kit, LH Also serviced as part of a kit, RH	RTC6311 RTC6310	1 1
3	B post-inner	Change point - VIN end EA351846	Also serviced as part of a kit, LH Also serviced as part of a kit, RH	MWC3195 RTC6307	1 1
4	D post assembly	Change point - VIN end EA351846	Also serviced as part of a kit, LH Also serviced as part of a kit, RH	MWC2629 MWC2628	1 1
5	Panel-rear inner quarter	Change point - VIN end EA351846	Also serviced as part of a kit, LH Also serviced as part of a kit, RH	MXC5461 MWC3077	1 1
6	Angle mounting	Change point - VIN end EA351846	Also serviced as part of a kit, LH Also serviced as part of a kit, RH	MUC6261 MUC6260	1 1
7	Cantrail	Change point - VIN end EA351846	Also serviced as part of a kit, LH Also serviced as part of a kit, RH	MWC8695 MWC5024	1 1
8	Panel closing	Change point - VIN end EA351846	Also serviced as part of a kit, LH Also serviced as part of a kit, RH	MWC8699 MWC8698	1 1
9	Flange-sill	Change point - VIN end EA351846	Also serviced as part of a kit Also serviced as part of a kit	MTC9217 MTC9217	2 2
10	Gusset-a post lower	Change point - VIN end EA351846	Also serviced as part of a kit Also serviced as part of a kit	MWC9966 MWC9966	2 2
11	Sill outer	Change point - VIN end EA351846	Also serviced as part of a kit, LH Also serviced as part of a kit, RH	STC86 STC85	1 1
12	Stiffener	Change point - VIN end EA351846	Also serviced as part of a kit, LH	390050	1



Body & Chassis
 Body
 Bodyshell 2/2

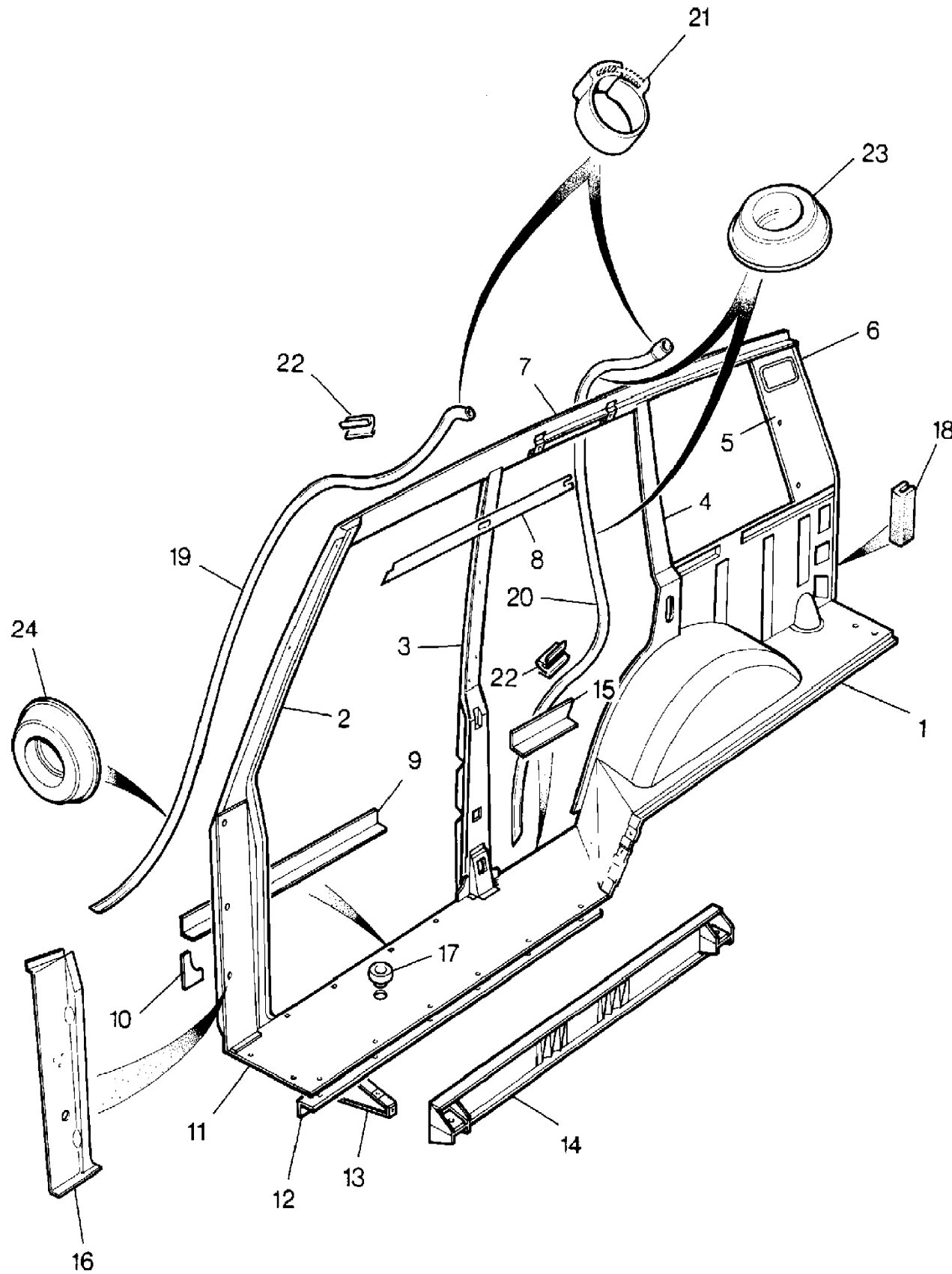
Range Rover (To HA610293)
 (VS3194C)

Range Rover (To HA610293)

Body & Chassis
 Body
 Bodyshell

4 Door Station Wagon

Callout	Name	Application	Remarks & Restrictions	Service No.	Qty
12	Stiffener		Also serviced as part of a kit, RH	390049	1
13	Panel closing	Change point - VIN end EA351846	Also serviced as part of a kit, Front, LH Also serviced as part of a kit, Front, RH	390046 390045	1 1
14	Sill	Change point - VIN end EA351846	Also serviced as part of a kit, Inner, LH Also serviced as part of a kit, RH, Inner	MXC3919 MXC3918	1 1
15	Flange-sill	Change point - VIN end EA351846	Also serviced as part of a kit, LH Also serviced as part of a kit, RH	MTC9207 MTC9208	1 1
16	Closing-A post		RH, Lower Lower, LH	MUC6926 MUC6925	1 1
17	Plug-blanking		25.5MM, Plastic	338023	2
18	Protector-edge			DRC 1530	2
19	Tube-sunroof drain		Front	MWC5964	2
20	Tube-rear sunroof drain			MWC5966	2
21	Clip-Hose			MWC5734	4
22	Clip			ADU8460	10
24	Grommet			ATU1040	4



Body & Chassis

Range Rover (To HA610293)

Body

Bodyside-4 Door-From (V) FA374642 To (V) GA441003 1/3

(VS3194D)

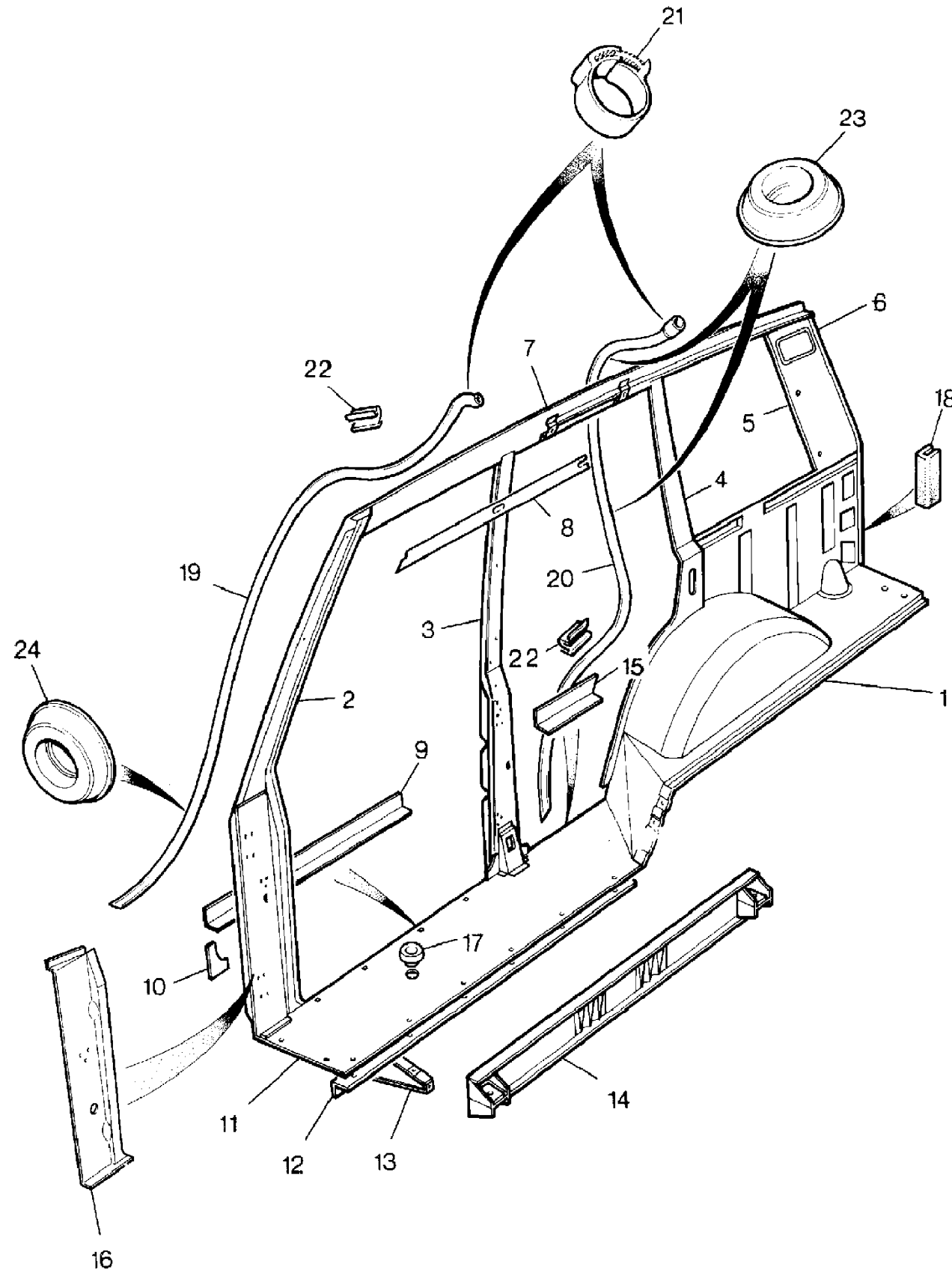
Body & Chassis

Range Rover (To HA610293)

Body

Bodyside-4 Door-From (V) FA374642 To (V) GA441003

Change point - VIN begin FA374642, Change point - VIN end GA441003, 4 Door Station Wagon



Callout	Name	Application	Remarks & Restrictions	Service No.	Qty
1	Body side assembly	Change point - VIN begin FA374642, Change point - VIN end GA441003	Also serviced as part of a kit, RH	STC1026	1
		Change point - VIN begin FA374642, Change point - VIN end GA441003	Also serviced as part of a kit, LH	STC1027	1
2	A post assembly	Change point - VIN begin FA374642, Change point - VIN end GA441003	Also serviced as part of a kit, RH	MXC9554	1
		Change point - VIN begin FA374642, Change point - VIN end GA441003	Also serviced as part of a kit, LH	MXC9555	1
3	B post-inner	Change point - VIN begin FA374642, Change point - VIN end GA441003	Also serviced as part of a kit, RH	MXC6504	1
		Change point - VIN begin FA374642, Change point - VIN end GA441003	Also serviced as part of a kit, LH	MXC6503	1
4	D post assembly	Change point - VIN begin FA374642, Change point - VIN end GA441003	Also serviced as part of a kit, RH	MWC2628	1
		Change point - VIN begin FA374642, Change point - VIN end GA441003	Also serviced as part of a kit, LH	MWC2629	1
5	Panel-rear inner quarter	Change point - VIN begin FA374642, Change point - VIN end GA441003	Also serviced as part of a kit, RH	MXC5462	1
		Change point - VIN begin FA374642, Change point - VIN end GA441003	Also serviced as part of a kit, LH	MXC5461	1
6	Angle mounting	Change point - VIN begin FA374642, Change point - VIN end GA441003	Also serviced as part of a kit, RH	MUC6260	1
		Change point - VIN begin FA374642, Change point - VIN end GA441003	Also serviced as part of a kit, LH	MUC6261	1
7	Cantrail	Change point - VIN begin FA374642, Change point - VIN end GA441003	Also serviced as part of a kit, RH	MWC8694	1
		Change point - VIN begin FA374642, Change point - VIN end GA441003	Also serviced as part of a kit, LH	MWC8695	1
8	Panel closing	Change point - VIN begin FA374642, Change point - VIN end GA441003	Also serviced as part of a kit, RH	MWC8698	1
		Change point - VIN begin FA374642, Change point - VIN end GA441003	Also serviced as part of a kit, LH	MWC8699	1
9	Flange-sill	Change point - VIN begin FA374642, Change point - VIN end GA441003	Also serviced as part of a kit	MTC9217	2

Body & Chassis

Range Rover (To HA610293)

Body

Bodyside-4 Door-From (V) FA374642 To (V) GA441003 2/3

(VS3194D)

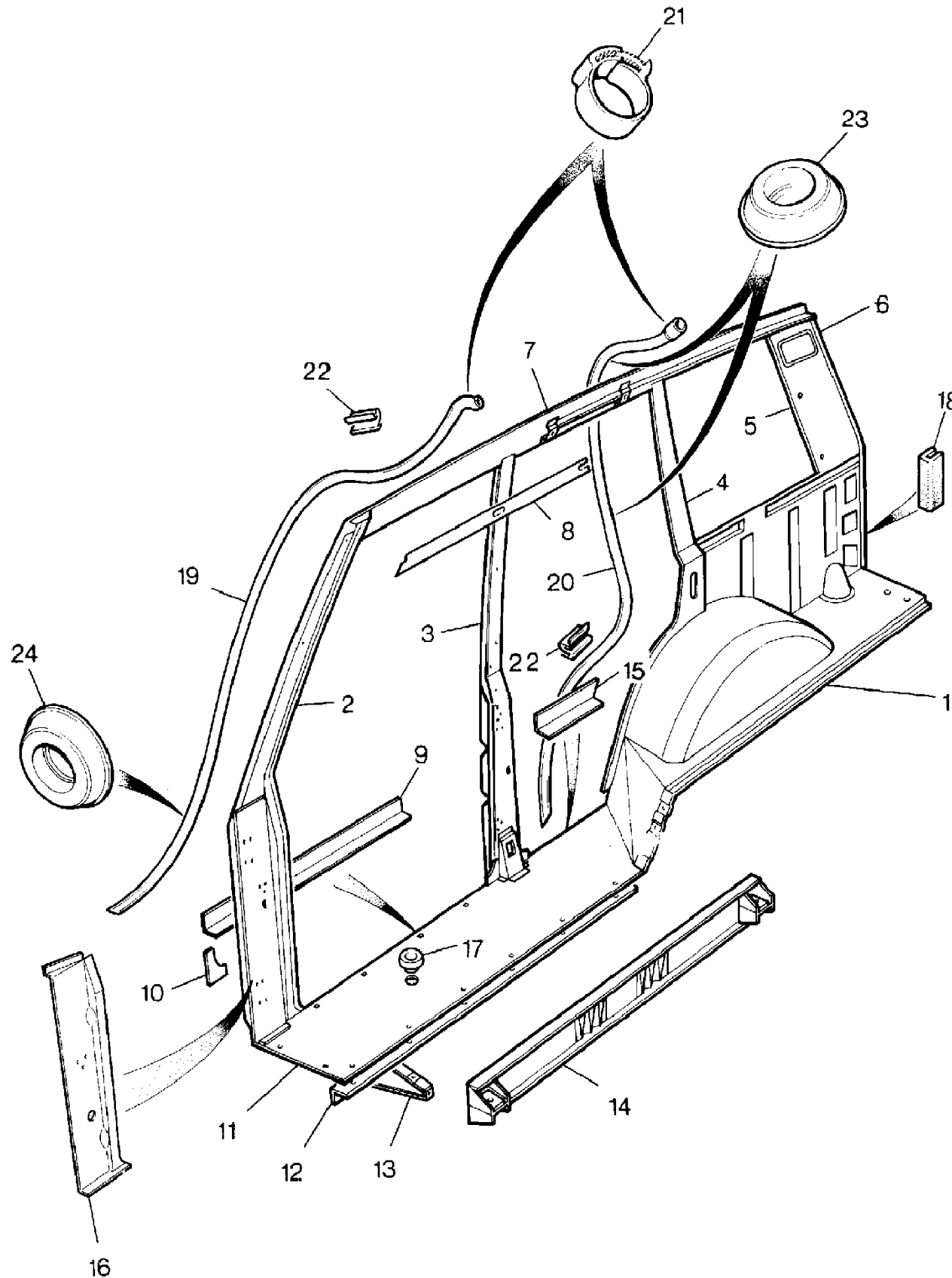
Body & Chassis

Range Rover (To HA610293)

Body

Bodyside-4 Door-From (V) FA374642 To (V) GA441003

Change point - VIN begin FA374642, Change point - VIN end GA441003, 4 Door Station Wagon



Callout	Name	Application	Remarks & Restrictions	Service No.	Qty
10	Gusset-a post lower	Change point - VIN begin FA374642, Change point - VIN end GA441003	Also serviced as part of a kit	MWC9966	2
11	Sill outer	Change point - VIN begin FA374642, Change point - VIN end GA441003	Also serviced as part of a kit, RH	MXC6168	1
		Change point - VIN begin FA374642, Change point - VIN end GA441003	Also serviced as part of a kit, LH	MXC6169	1
12	Stiffener	Change point - VIN begin FA374642, Change point - VIN end GA441003	Also serviced as part of a kit, RH	390049	1
		Change point - VIN begin FA374642, Change point - VIN end GA441003	Also serviced as part of a kit, LH	390050	1
13	Panel closing	Change point - VIN begin FA374642, Change point - VIN end GA441003	Also serviced as part of a kit, Front, RH	390045	1
		Change point - VIN begin FA374642, Change point - VIN end GA441003	Also serviced as part of a kit, Front, LH	390046	1
14	Sill	Change point - VIN begin FA374642, Change point - VIN end GA441003	Also serviced as part of a kit, RH, Inner	MXC3918	1
		Change point - VIN begin FA374642, Change point - VIN end GA441003	Also serviced as part of a kit, Inner, LH	MXC3919	1
15	Flange-sill	Change point - VIN begin FA374642, Change point - VIN end GA441003	Also serviced as part of a kit, RH	MTC9208	1
		Change point - VIN begin FA374642, Change point - VIN end GA441003	Also serviced as part of a kit, LH	MTC9207	1
16	Closing-A post	Change point - VIN begin FA374642, Change point - VIN end GA441003	RH	MXC8054	1
		Change point - VIN begin FA374642, Change point - VIN end GA441003	LH	MXC8053	1
17	Plug-blanking	Change point - VIN begin FA374642, Change point - VIN end GA441003	25.5MM, Plastic	338023	2
19	Tube-sunroof drain	Change point - VIN begin FA374642, Change point - VIN end GA441003	Front	MWC5964	2
20	Tube-rear sunroof drain	Change point - VIN begin FA374642, Change point - VIN end GA441003		MWC5966	2

Body & Chassis

Range Rover (To HA610293)

Body

Bodyside-4 Door-From (V) FA374642 To (V) GA441003 3/3

(VS3194D)

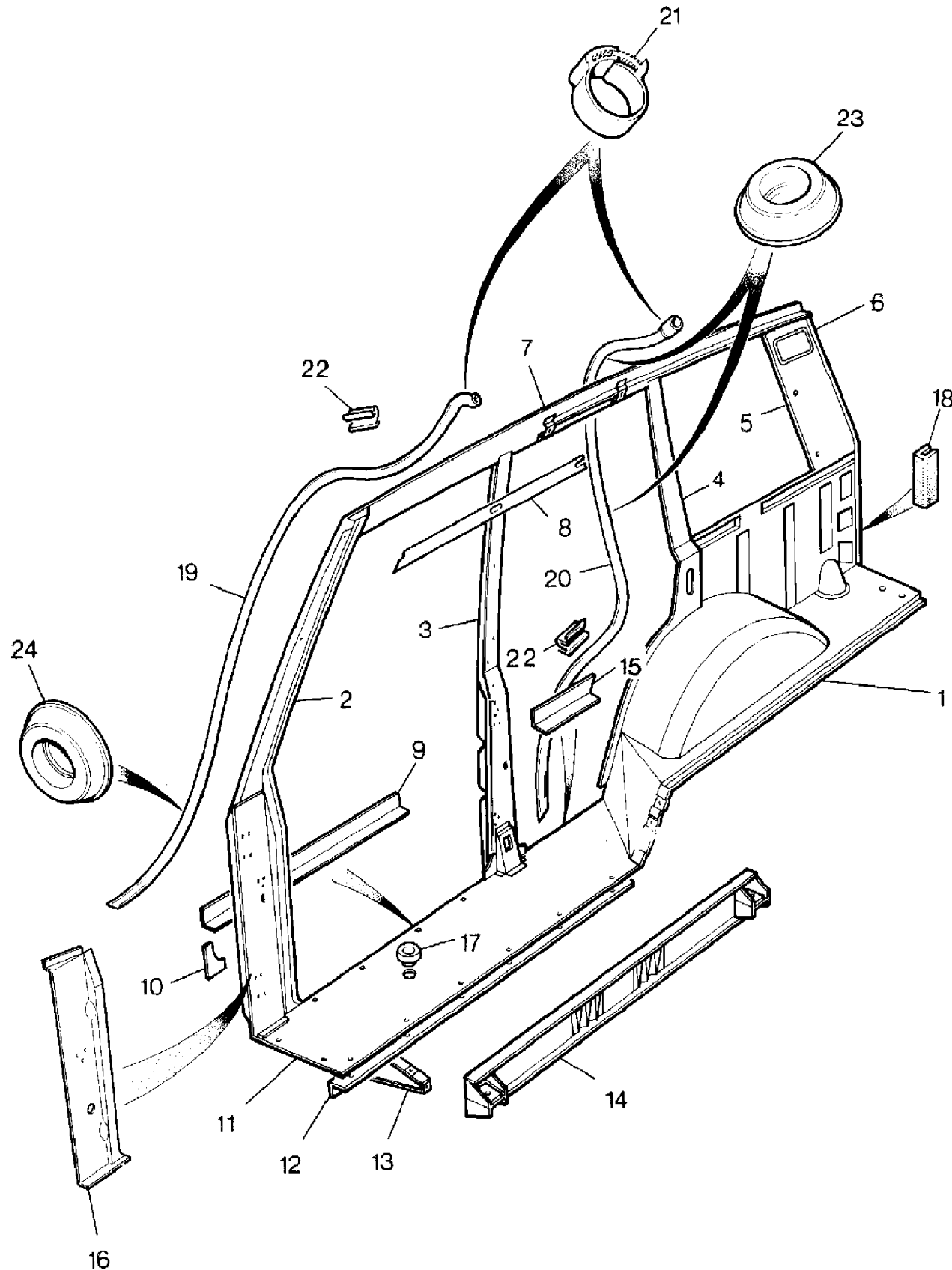
Body & Chassis

Range Rover (To HA610293)

Body

Bodyside-4 Door-From (V) FA374642 To (V) GA441003

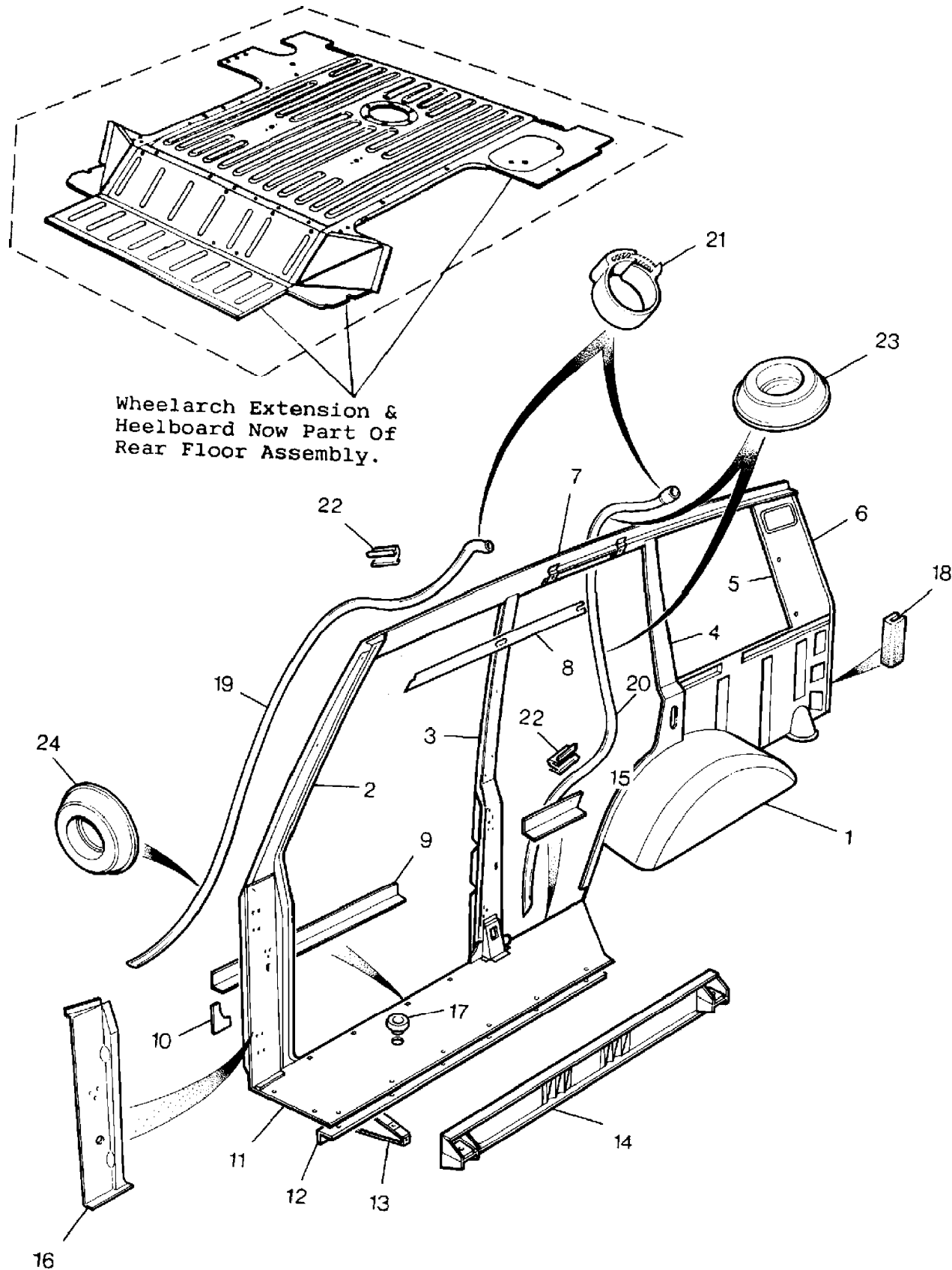
Change point - VIN begin FA374642, Change point - VIN end GA441003, 4 Door Station Wagon



Callout	Name	Application	Remarks & Restrictions	Service No.	Qty
21	Clip-Hose	Change point - VIN begin FA374642, Change point - VIN end GA441003		MWC5734	4
22	Clip	Change point - VIN begin FA374642, Change point - VIN end GA441003		ADU8460	10
23	Grommet	Change point - VIN begin FA374642, Change point - VIN end GA441003		DRC1170	6
24	Grommet	Change point - VIN begin FA374642, Change point - VIN end GA441003		ATU1040	4

Change point - VIN begin GA441004, 4 Door Station Wagon

Callout	Name	Application	Remarks & Restrictions	Service No.	Qty		
1	Body side assembly	Change point - VIN begin GA441004, Change point - VIN end GA464553	Also serviced as part of a kit, LH	MXC8353	1		
		Change point - VIN begin GA441004, Change point - VIN end GA464553	Also serviced as part of a kit, RH	STC1059	1		
		Change point - VIN begin HA464554, Change point - VIN end HA606949	Also serviced as part of a kit, LH	MXC9665	1		
		Change point - VIN begin HA464554, Change point - VIN end HA606949	Also serviced as part of a kit, RH	MXC9664	1		
		Change point - VIN begin HA606950	Also serviced as part of a kit, LH	MXC9493	1		
		Change point - VIN begin HA606950	Also serviced as part of a kit, RH	MXC9492	1		
		2	A post assembly	Change point - VIN begin GA441004, Change point - VIN end GA464553	Also serviced as part of a kit, LH	MXC9555	1
				Change point - VIN begin GA441004, Change point - VIN end GA464553	Also serviced as part of a kit, RH	MXC9554	1
Change point - VIN begin HA464554, Change point - VIN end HA606949	Also serviced as part of a kit, LH			MXC9555	1		
Change point - VIN begin HA464554, Change point - VIN end HA606949	Also serviced as part of a kit, RH			MXC9554	1		
Change point - VIN begin HA606950	Also serviced as part of a kit, LH			MXC9555	1		
Change point - VIN begin HA606950	Also serviced as part of a kit, RH			MXC9554	1		
3	B post-inner			Change point - VIN begin GA441004, Change point - VIN end GA464553	Also serviced as part of a kit, LH	MXC9563	1
				Change point - VIN begin GA441004, Change point - VIN end GA464553	Also serviced as part of a kit, RH	MXC9562	1
		Change point - VIN begin HA464554, Change point - VIN end HA606949	Also serviced as part of a kit, LH	MXC9563	1		
		Change point - VIN begin HA464554, Change point - VIN end HA606949	Also serviced as part of a kit, RH	MXC9562	1		
		Change point - VIN begin HA606950	Also serviced as part of a kit, LH	MXC9563	1		
		Change point - VIN begin HA606950	Also serviced as part of a kit, RH	MXC9562	1		
		4	D post assembly	Change point - VIN begin GA441004, Change point - VIN end GA464553	Also serviced as part of a kit, LH	MXC9545	1
				Change point - VIN begin GA441004, Change point - VIN end HA606949	Also serviced as part of a kit, RH	MWC2628	1
Change point - VIN begin HA606950	Also serviced as part of a kit, LH			MXC9544	1		
Change point - VIN begin HA606950	Also serviced as part of a kit, RH			MXC9544	1		



Body & Chassis

Range Rover (To HA610293)

Body

Bodyside-4 Door-From (V) GA441004 2/5

(TS6848)

Body & Chassis

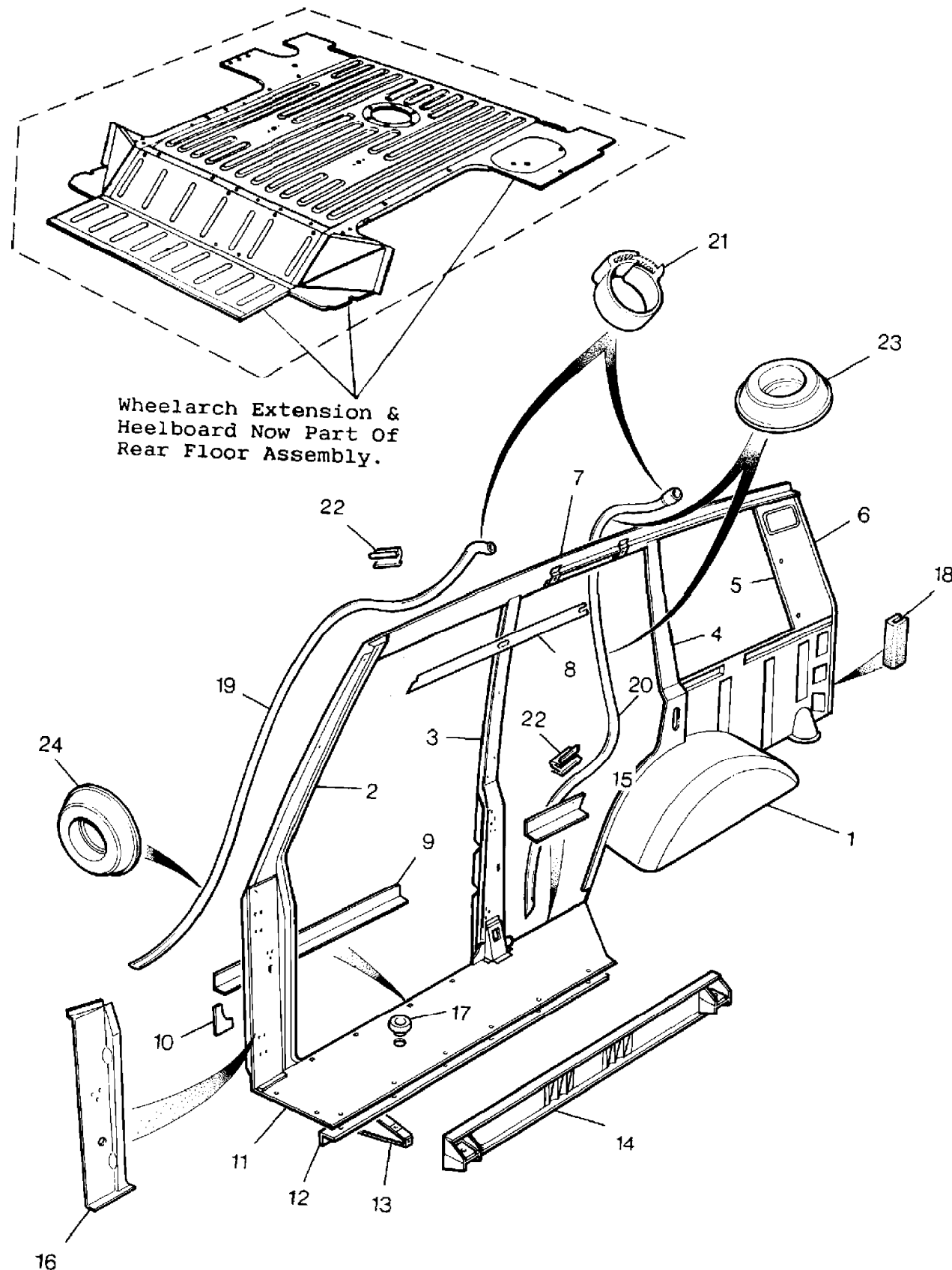
Range Rover (To HA610293)

Body

Bodyside-4 Door-From (V) GA441004

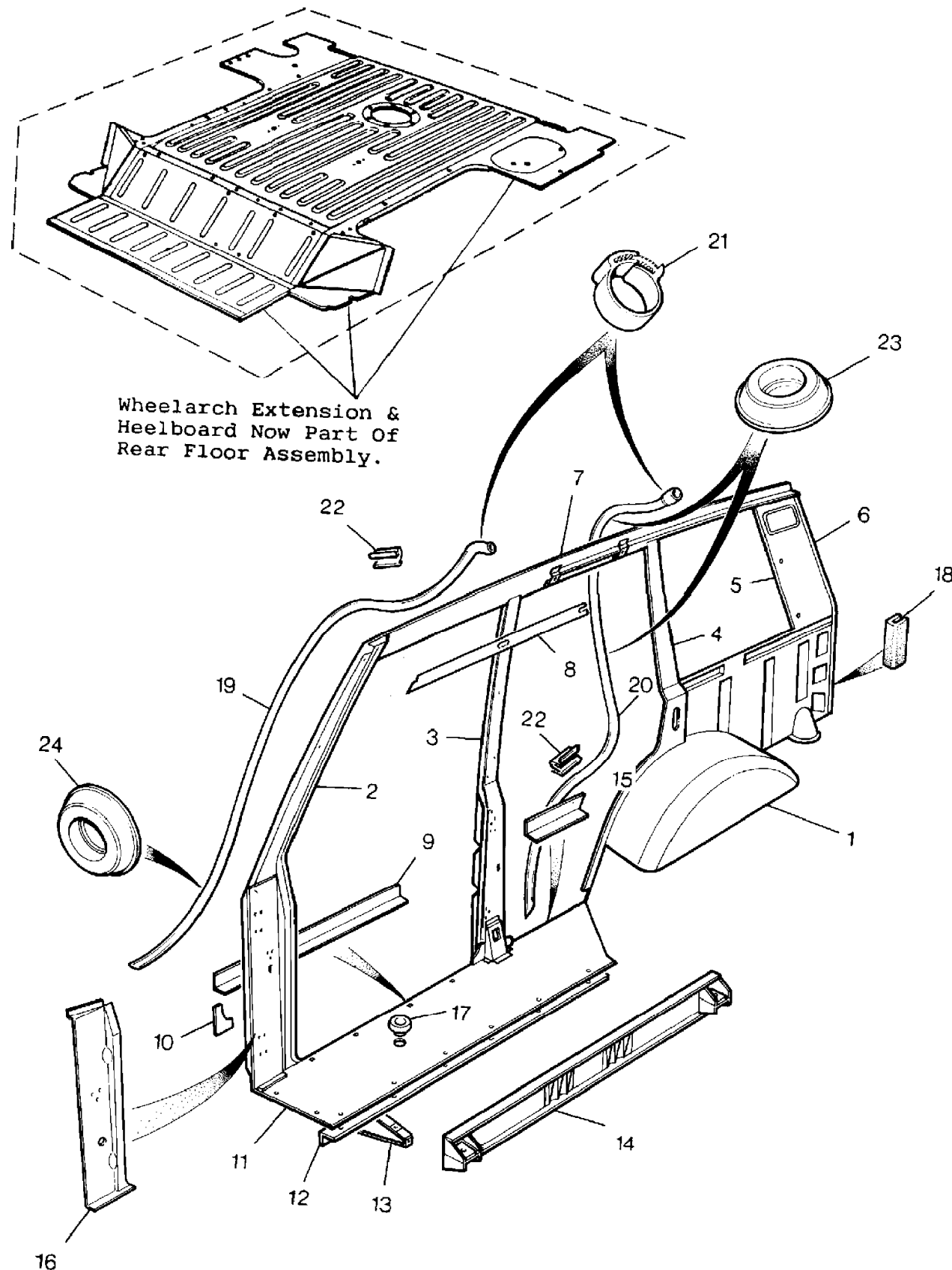
Change point - VIN begin GA441004, 4 Door Station Wagon

Callout	Name	Application	Remarks & Restrictions	Service No.	Qty		
4	D post assembly	Change point - VIN begin HA464554, Change point - VIN end HA606949	Also serviced as part of a kit, LH	MXC9545	1		
		Change point - VIN begin HA464554, Change point - VIN end HA606949	Also serviced as part of a kit, RH	MWC2628	1		
		Change point - VIN begin HA606950	Also serviced as part of a kit, LH	MXC9545	1		
5	Panel-rear inner quarter	Change point - VIN begin GA441004, Change point - VIN end GA464553	Also serviced as part of a kit, LH	MXC5461	1		
		Change point - VIN begin GA441004, Change point - VIN end GA464553	Also serviced as part of a kit, RH	MXC5462	1		
		Change point - VIN begin HA464554, Change point - VIN end HA606949	Also serviced as part of a kit, LH	MXC5461	1		
		Change point - VIN begin HA464554, Change point - VIN end HA606949	Also serviced as part of a kit, RH	MXC5462	1		
		Change point - VIN begin HA606950	Also serviced as part of a kit, LH	MXC5461	1		
		Change point - VIN begin HA606950	Also serviced as part of a kit, RH	MXC5462	1		
6	Angle mounting	Change point - VIN begin GA441004, Change point - VIN end GA464553	Also serviced as part of a kit, LH	MUC6261	1		
		Change point - VIN begin GA441004, Change point - VIN end GA464553	Also serviced as part of a kit, RH	MUC6260	1		
		Change point - VIN begin HA464554, Change point - VIN end HA606949	Also serviced as part of a kit, LH	MUC6261	1		
		Change point - VIN begin HA464554, Change point - VIN end HA606949	Also serviced as part of a kit, RH	MUC6260	1		
		Change point - VIN begin HA606950	Also serviced as part of a kit, LH	MUC6261	1		
		Change point - VIN begin HA606950	Also serviced as part of a kit, RH	MUC6260	1		
		7	Cantrail	Change point - VIN begin GA441004, Change point - VIN end GA464553	Also serviced as part of a kit, LH	MXC9527	1
				Change point - VIN begin GA441004, Change point - VIN end GA464553	Also serviced as part of a kit, RH	MXC9528	1
Change point - VIN begin HA464554, Change point - VIN end HA606949	Also serviced as part of a kit, LH			MXC9527	1		
Change point - VIN begin HA464554, Change point - VIN end HA606949	Also serviced as part of a kit, RH			MXC9528	1		
		Change point - VIN begin HA606950	Also serviced as part of a kit, LH	MXC9527	1		
		Change point - VIN begin HA606950	Also serviced as part of a kit, RH	MXC9528	1		



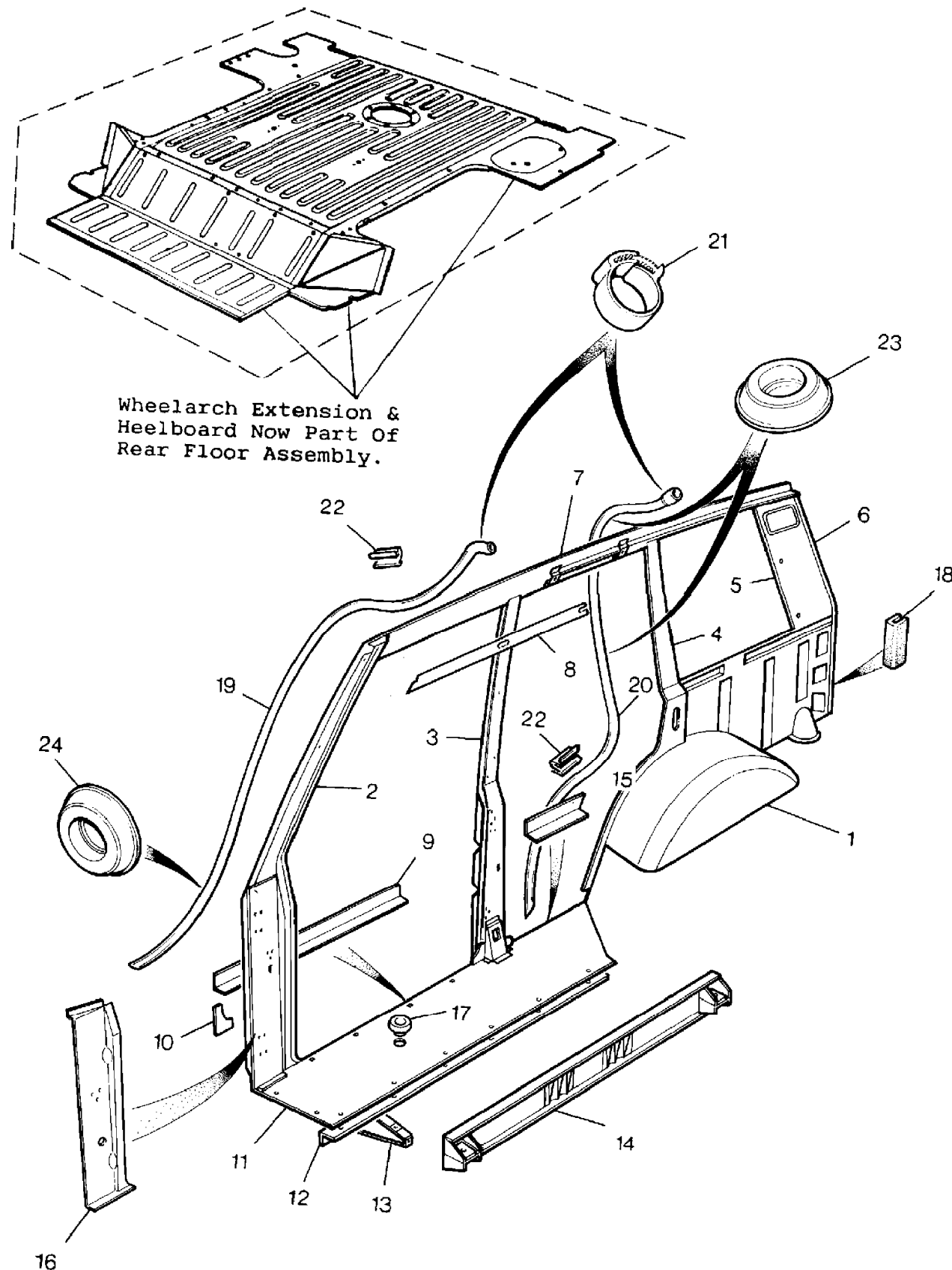
Change point - VIN begin GA441004, 4 Door Station Wagon

Callout	Name	Application	Remarks & Restrictions	Service No.	Qty
8	Panel closing	Change point - VIN begin GA441004, Change point - VIN end GA464553	Also serviced as part of a kit, LH	MWC8699	1
		Change point - VIN begin HA464554	Also serviced as part of a kit, LH	MXC8939	1
		Change point - VIN begin GA441004, Change point - VIN end GA464553	Also serviced as part of a kit, RH	MWC8698	1
		Change point - VIN begin HA464554	Also serviced as part of a kit, RH	MXC8940	1
		Change point - VIN begin HA464554, Change point - VIN end HA606949	Also serviced as part of a kit, LH	MXC8939	1
		Change point - VIN begin HA464554, Change point - VIN end HA606949	Also serviced as part of a kit, RH	MXC8940	1
		Change point - VIN begin HA606950	Also serviced as part of a kit, LH	MXC8939	1
		9	Flange-sill	Change point - VIN begin GA441004, Change point - VIN end GA464553	Also serviced as part of a kit
10	Gusset-a post lower	Change point - VIN begin HA464554, Change point - VIN end HA606949	Also serviced as part of a kit	MTC9217	2
		Change point - VIN begin HA606950	Also serviced as part of a kit	MTC9217	2
		Change point - VIN begin GA441004, Change point - VIN end GA464553	Also serviced as part of a kit	MWC9966	2
11	Sill outer	Change point - VIN begin HA464554, Change point - VIN end HA606949	Also serviced as part of a kit	MWC9966	2
		Change point - VIN begin HA606950	Also serviced as part of a kit	MWC9966	2
		Change point - VIN begin GA441004, Change point - VIN end GA464553	Also serviced as part of a kit, LH	STC84	1
12	Stiffener	Change point - VIN begin GA441004, Change point - VIN end GA464553	Also serviced as part of a kit, RH	STC83	1
		Change point - VIN begin HA464554, Change point - VIN end HA606949	Also serviced as part of a kit, LH	STC84	1
		Change point - VIN begin HA464554, Change point - VIN end HA606949	Also serviced as part of a kit, RH	STC83	1
		Change point - VIN begin HA606950	Also serviced as part of a kit, LH	STC84	1
		Change point - VIN begin HA606950	Also serviced as part of a kit, RH	STC83	1
		Change point - VIN begin GA441004, Change point - VIN end GA464553	Also serviced as part of a kit, LH	390050	1
		Change point - VIN begin GA441004, Change point - VIN end GA464553	Also serviced as part of a kit, RH	390049	1



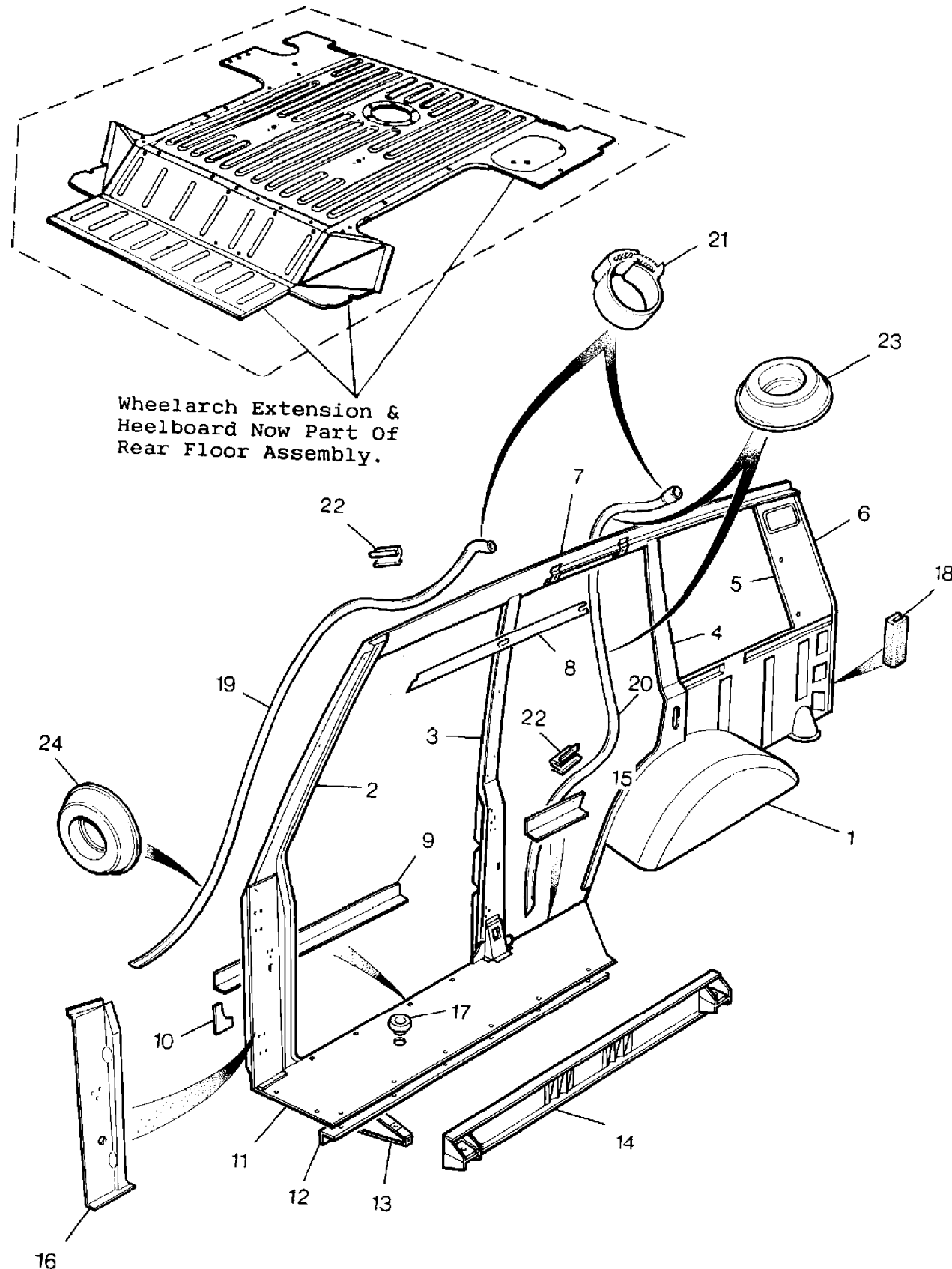
Change point - VIN begin GA441004, 4 Door Station Wagon

Callout	Name	Application	Remarks & Restrictions	Service No.	Qty	
12	Stiffener	Change point - VIN begin HA464554, Change point - VIN end HA606949	Also serviced as part of a kit, LH	390050	1	
		Change point - VIN begin HA464554, Change point - VIN end HA606949	Also serviced as part of a kit, RH	390049	1	
		Change point - VIN begin HA606950	Also serviced as part of a kit, LH	390050	1	
		Change point - VIN begin HA606950	Also serviced as part of a kit, RH	390049	1	
13	Panel closing	Change point - VIN begin GA441004, Change point - VIN end GA464553	Also serviced as part of a kit, Front, LH	390046	1	
		Change point - VIN begin GA441004, Change point - VIN end GA464553	Also serviced as part of a kit, Front, RH	390045	1	
		Change point - VIN begin HA464554, Change point - VIN end HA606949	Also serviced as part of a kit, Front, LH	390046	1	
		Change point - VIN begin HA464554, Change point - VIN end HA606949	Also serviced as part of a kit, Front, RH	390045	1	
		Change point - VIN begin HA606950	Also serviced as part of a kit, Front, LH	390046	1	
		Change point - VIN begin HA606950	Also serviced as part of a kit, Front, RH	390045	1	
14	Sill	Change point - VIN begin GA441004, Change point - VIN end GA464553	Also serviced as part of a kit, Inner, LH	MXC3919	1	
		Change point - VIN begin GA441004, Change point - VIN end GA464553	Also serviced as part of a kit, RH, Inner	MXC3918	1	
		Change point - VIN begin HA464554, Change point - VIN end HA606949	Also serviced as part of a kit, Inner, LH	MXC3919	1	
		Change point - VIN begin HA464554, Change point - VIN end HA606949	Also serviced as part of a kit, RH, Inner	MXC3918	1	
		Change point - VIN begin HA606950	Also serviced as part of a kit, Inner, LH	MXC3919	1	
		Change point - VIN begin HA606950	Also serviced as part of a kit, RH, Inner	MXC3918	1	
15	Flange-sill	Change point - VIN begin GA441004, Change point - VIN end GA464553	Also serviced as part of a kit, LH	MTC9207	1	
		Change point - VIN begin GA441004, Change point - VIN end GA464553	Also serviced as part of a kit, RH	MTC9208	1	
		Change point - VIN begin HA464554, Change point - VIN end HA606949	Also serviced as part of a kit, LH	MTC9207	1	
		Change point - VIN begin HA464554, Change point - VIN end HA606949	Also serviced as part of a kit, RH	MTC9208	1	
		Change point - VIN begin HA606950	Also serviced as part of a kit, LH	MTC9207	1	



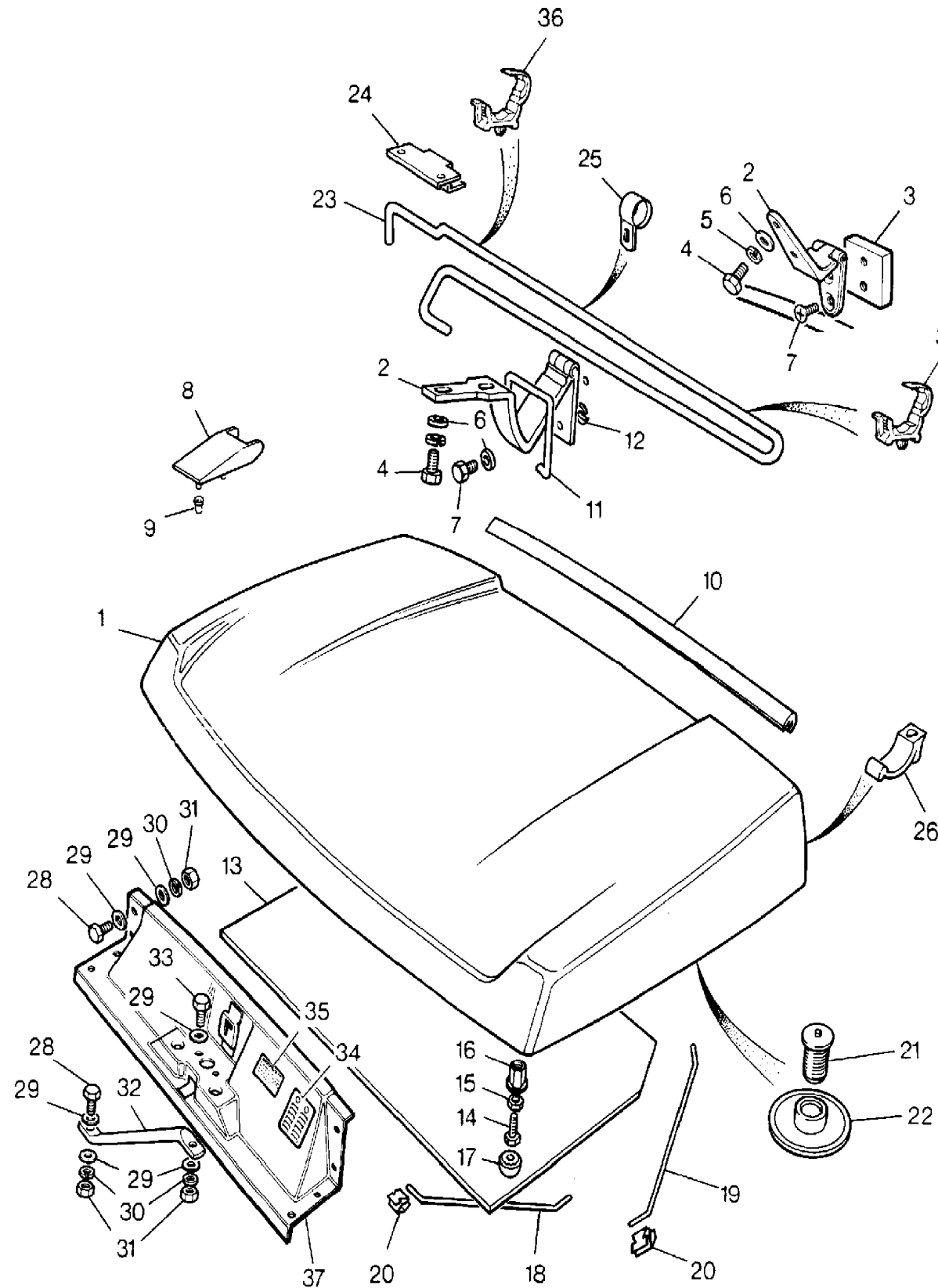
Change point - VIN begin GA441004, 4 Door Station Wagon

Callout	Name	Application	Remarks & Restrictions	Service No.	Qty
15	Flange-sill	Change point - VIN begin HA606950	Also serviced as part of a kit, RH	MTC9208	1
16	Closing-A post	Change point - VIN begin GA441004	RH	MXC8054	1
		Change point - VIN begin GA441004	LH	MXC8053	1
17	Plug-blanking	Change point - VIN begin GA441004	25.5MM, Plastic	338023	2
18	Protector-edge	Change point - VIN begin GA441004		DRC1530	2
19	Tube-sunroof drain	Change point - VIN begin GA441004	Front	MWC5964	2
20	Tube-rear sunroof drain	Change point - VIN begin GA441004		MWC5966	2
21	Clip-Hose	Change point - VIN begin GA441004		MWC5734	4
22	Clip	Change point - VIN begin GA441004		ADU8460	10
23	Grommet	Change point - VIN begin GA441004		DRC1170	6
24	Grommet	Change point - VIN begin GA441004		ATU1040	4



Range Rover (To HA610293)

(TS6875)



Range Rover (To HA610293)

Callout	Name	Application	Remarks & Restrictions	Service No.	Qty
1	Bonnet assembly	Change point - VIN end CA274120 Change point - VIN begin DA274121		RTC6163 RTC6368	1 1
2	Hinge assembly-bonnet	Change point - VIN end CA274120 Change point - VIN begin DA274121		390342 MWC2680	2 2
3	Plate		Hinge	390194	2
4	Screw		M8 x 25, hexagonal head	SH108251L	4
5	Washer-Spring		5/16"	WM600051L	4
6	Washer-Plain			3830L	4
7	Screw		M8 X 15, hexagonal head	SH108151L	2
8	Cover-hinge-bonnet	(+)"D"		RTC4431	1
9	Bush	(+)"D"		RTC3792	4
10	Seal		bonnet to deck	MUC3717	1
11	Check strap			MWC2486	2
12	Spacer			MWC4560	2
13	Pad-insulation bonnet			MXC5027	1
14	Screw		M8 x 25, hexagonal head	SH108251L	2
15	Nut - Hex.	Change point - VIN end CA274120 Change point - VIN begin DA274121	M8, hexagonal head M8, nyloc	NH108041L NY108041L	2 2
16	Retainer			ATU1029	2
17	Buffer-bonnet			391287	2
18	Retaining rod		insulation, Front	392147	2
19	Retaining rod		insulation, Rear	MWC4875	2
20	Clip-Pipe		Rear	369092	X
21	Clip		Steel Aluminium	MTC6926 MTC7171	X X
22	Clip-button			MTC6927	X
23	Torsion Bar			MUC5482	2
24	Bracket			MXC5230	2

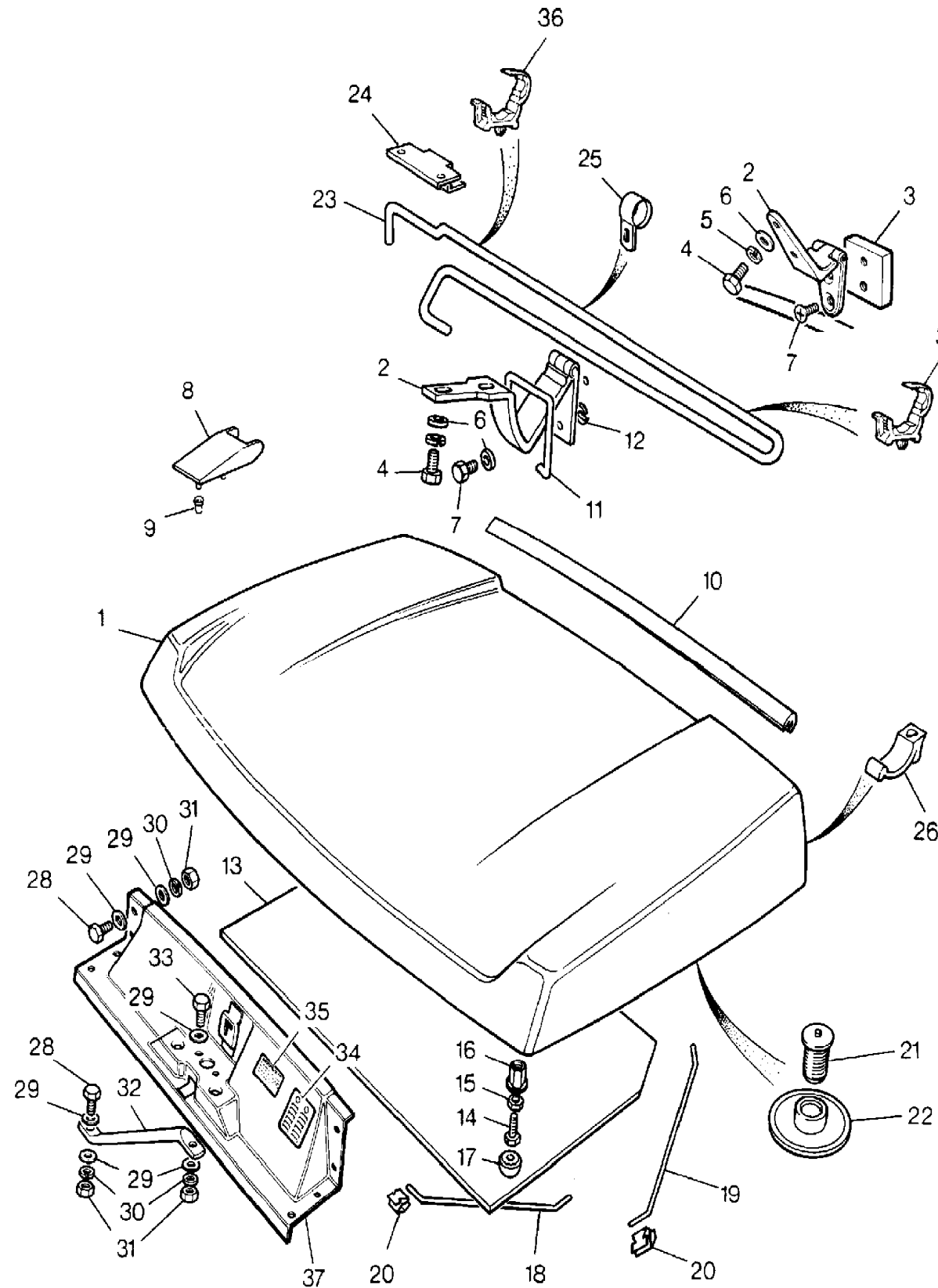
Body & Chassis

Body

Bonnet & Locking Platform 2/2

Range Rover (To HA610293)

(TS6875)



Range Rover (To HA610293)

Body & Chassis

Body

Bonnet & Locking Platform

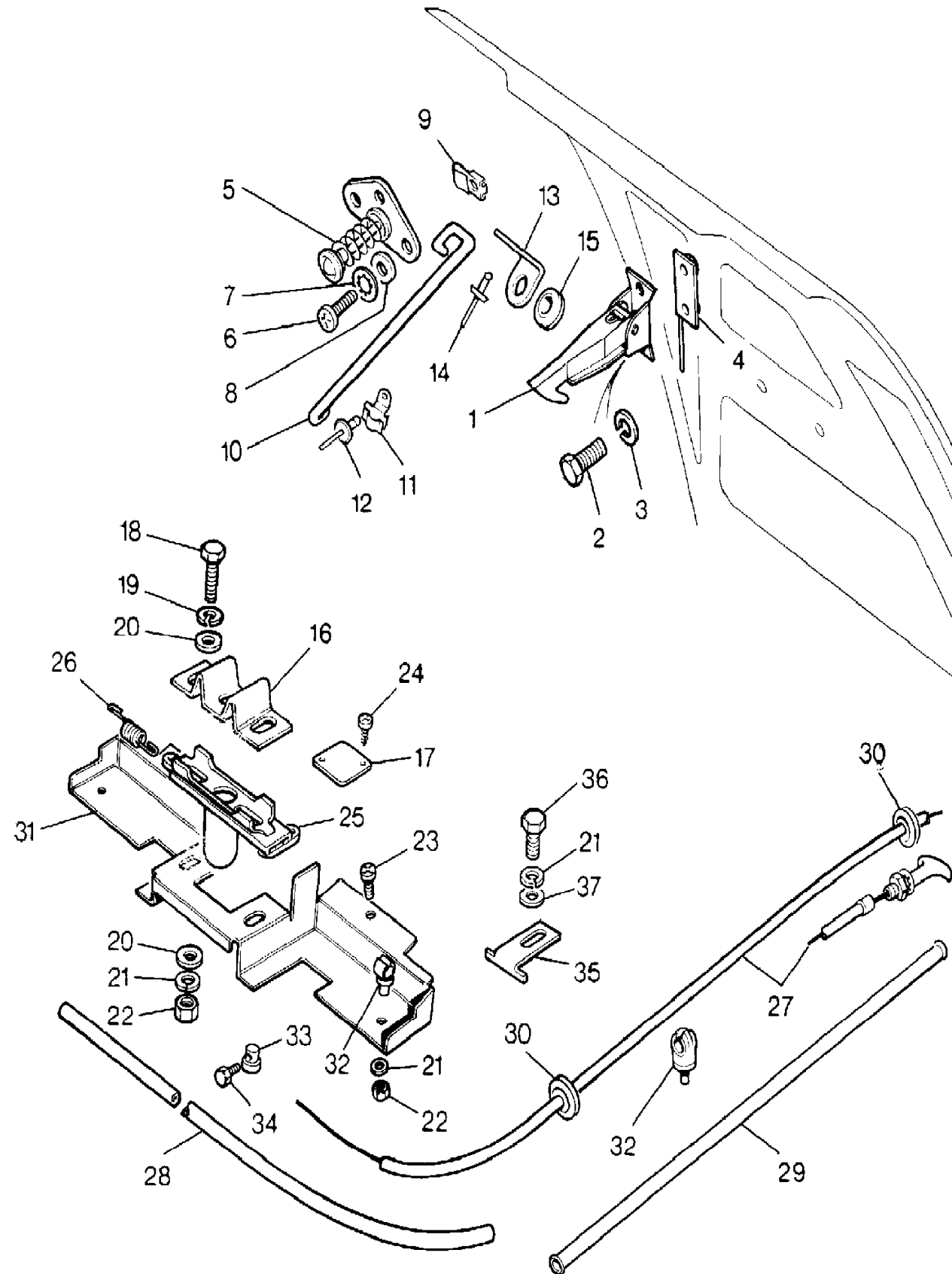
Callout	Name	Application	Remarks & Restrictions	Service No.	Qty
25	Clip			13H8702L	2
26	Clip-button			MXC6928	X
27	Platform-bonnet locking			MXC6500	1
28	Screw		1/4UNF x 5/8	255206	5
29	Washer-Plain		M6	3831L	16
30	Washer-Spring		1/4 dia, Square	WM600041L	8
31	Nut - Hex.		hexagonal head, Coarse Thread, 1/4UNF	NH604041L	8
32	Crossbrace			MXC5603	2
33	Screw			255211	1
34	Label-E mark		door locks suppression	393270 MRC168	1 1
35	Label-oil/diesel	Change point - VIN end CA274120		MUC8975	1
36	Clip			MXC3426	2
37	Platform-bonnet locking			MXC6500	1
[900]	Screw		M8 x 25, hexagonal head	SH108257	4

Range Rover (To HA610293)

(TS6582B)

Range Rover (To HA610293)

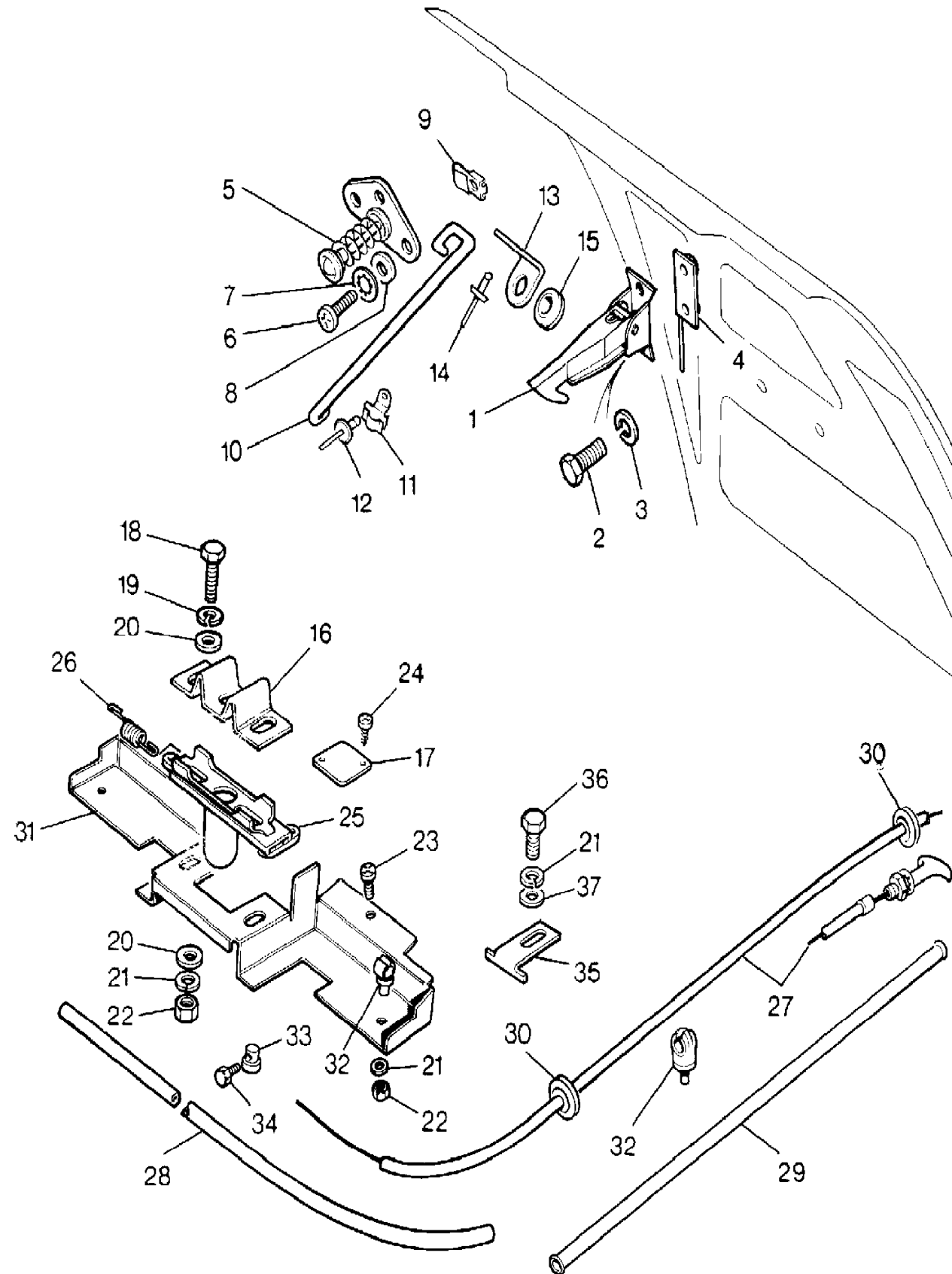
Callout	Name	Application	Remarks & Restrictions	Service No.	Qty
1	Catch assembly-bonnet safety			FPD100060	1
2	Screw	Change point - VIN end DA282877	M5 x 16	257017	2
		Change point - VIN begin DA282878	pan head, M5 x 16, recessed	SE105161L	2
3	Washer-Spring		3/16 dia, Square	WM702001L	2
4	Nut-plate	Change point - VIN end DA282877		393216	1
		Change point - VIN begin DA282878		MWC3389	1
5	Striker-bonnet			MWC6193	1
6	Screw		1/4UNF x 3/4	255207	3
7	Washer-Lock			WF600041L	3
8	Washer			RTC618	3
9	Nut - Hex.		1/4UNF	346073	3
10	Prop-bonnet-solid			393202	1
11	Clip			MXC8710	1
12	Rivet			RTC3687	1
13	Bracket-bonnet stay pivot			391184	1
14	Rivet			78257	4
15	Grommet			369746	1
16	Plate-striker			350343	1
17	Plate		bonnet locking platform	MXC2775	1
18	Screw	Change point - VIN end EA351846	M5, hexagonal head, 6MM	SH604081L	2
		Change point - VIN begin FA351847, Change point - VIN end FA374641	hexagonal head, 1/4UNF x 1 1/4	SH604101L	2
		Change point - VIN begin FA374642	hexagonal head, M6 x 30	SH106301L	2
19	Washer		M6, rectangular	WL106007L	2
20	Washer-Plain	Change point - VIN end EA351846	M6	3831L	4
		Change point - VIN begin EA351846	M6, oversize	WC106041L	4
21	Washer-Spring		1/4 dia, Square	WM600041L	2



Range Rover (To HA610293)

(TS6582B)

Range Rover (To HA610293)



Callout	Name	Application	Remarks & Restrictions	Service No.	Qty
22	Nut - Hex.		hexagonal head, Coarse Thread, 1/4UNF	NH604041L	2
23	Screw-pan	Change point - VIN end FA374641	1/4UNF x 5/8	SE604051L	2
		Change point - VIN begin FA374642	M6 X 16	SE106167	2
24	Screw		Self Tapping, No 6 x 3/8	AR606031L	4
25	Catch assembly-bonnet safety		RH	368011	1
			LH	368012	1
26	Spring-return			351991	1
27	Cable assembly-bonnet release assembly	Change point - VIN end CA274120		391290	1
		Change point - VIN begin DA274121		MWC2287	1
28	Pipe-bonnet release cable			MXC2776	1
29	Tube		bonnet release cable, RH bonnet release cable, LH	MXC2784 MXC2777	1 1
30	Grommet		Black, 3 x 19mm, cable	233244	2
31	Cover plate-bonnet lock			MXC5604	1
32	Clip - Brake Pipe	Change point - VIN end EA351846		CRC1250L	5
		Change point - VIN begin FA351847	8MM	79122	4
33	Retainer			356225	1
34	Screw			257194	1
35	Plate-adjusting-hook			393218	1
36	Screw			255204	1
37	Washer		Standard	3900L	1
[900]	Plate-adjusting-hook			FPN000010	1

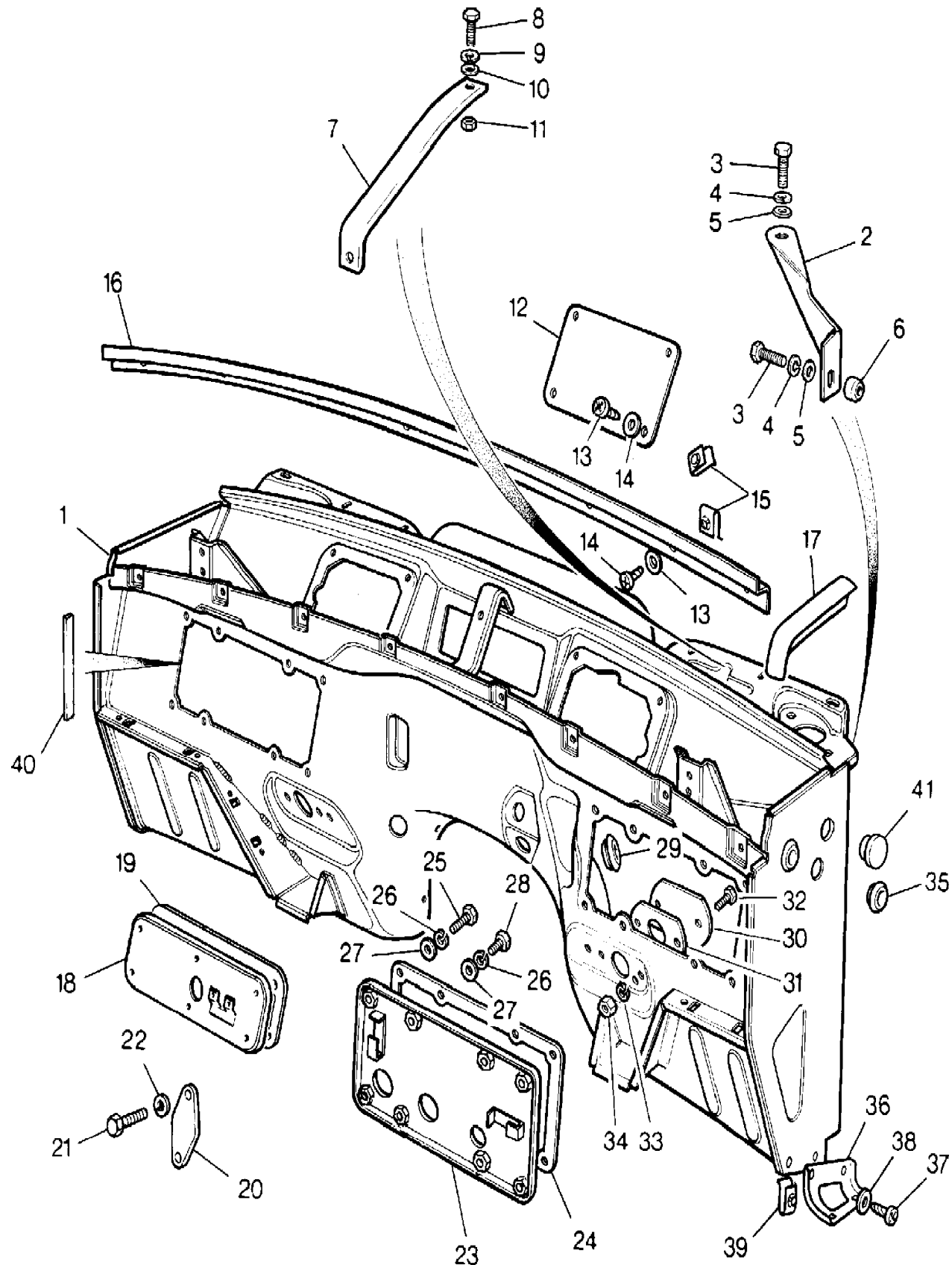
Body & Chassis
 Body
 Dash Assembly 1/2

Range Rover (To HA610293)

(TS5345D)

Range Rover (To HA610293)

Body & Chassis
 Body
 Dash Assembly



Callout	Name	Application	Remarks & Restrictions	Service No.	Qty
1	Dash assembly	Change point - VIN end HA606949, 2 Door Station Wagon Change point - VIN begin HA606950, 2 Door Station Wagon Change point - VIN end FA399972, 4 Door Station Wagon Change point - VIN begin GA427921, Change point - VIN end HA606949, 4 Door Station Wagon Change point - VIN begin HA606950, 4 Door Station Wagon		MXC7928 MXC8902 MXC5627 MXC8234 MXC8901	1 1 1 1 1
2	Bracket		RH, Side Side, LH	391462 391461	1 1
3	Screw			257015	2
4	Washer-Spring		3/16 dia, Square	WM702001L	2
5	Washer			WA702101L	2
6	Nutsert-blind			79239	1
7	Bracket			MWC7689	1
8	Screw			255223	2
9	Washer-Spring		Also serviced as part of a kit, 5/16"	WM600051L	2
10	Washer-Plain		M8	WB108051L	2
11	Nut - Hex.		hexagonal head, 5/16UNF	NH605041L	2
12	Cover Plate			STC323	1
13	Screw-self tapping		pan head, No 12 x 1/2, pointed	AB612041L	12
14	Washer-Plain		M6	3831L	12
15	Nut - Hex.			RTC3726	12
16	Angle mounting		deck to dash	MUC5945	1
17	Seal		deck to dash	391424	2
18	Plate-relay mounting			MUC1723	1
19	Gasket-relay plate			MUC1722	1
20	Cover-plate.	Automatic Transmission	Clutch	NRC6655	1

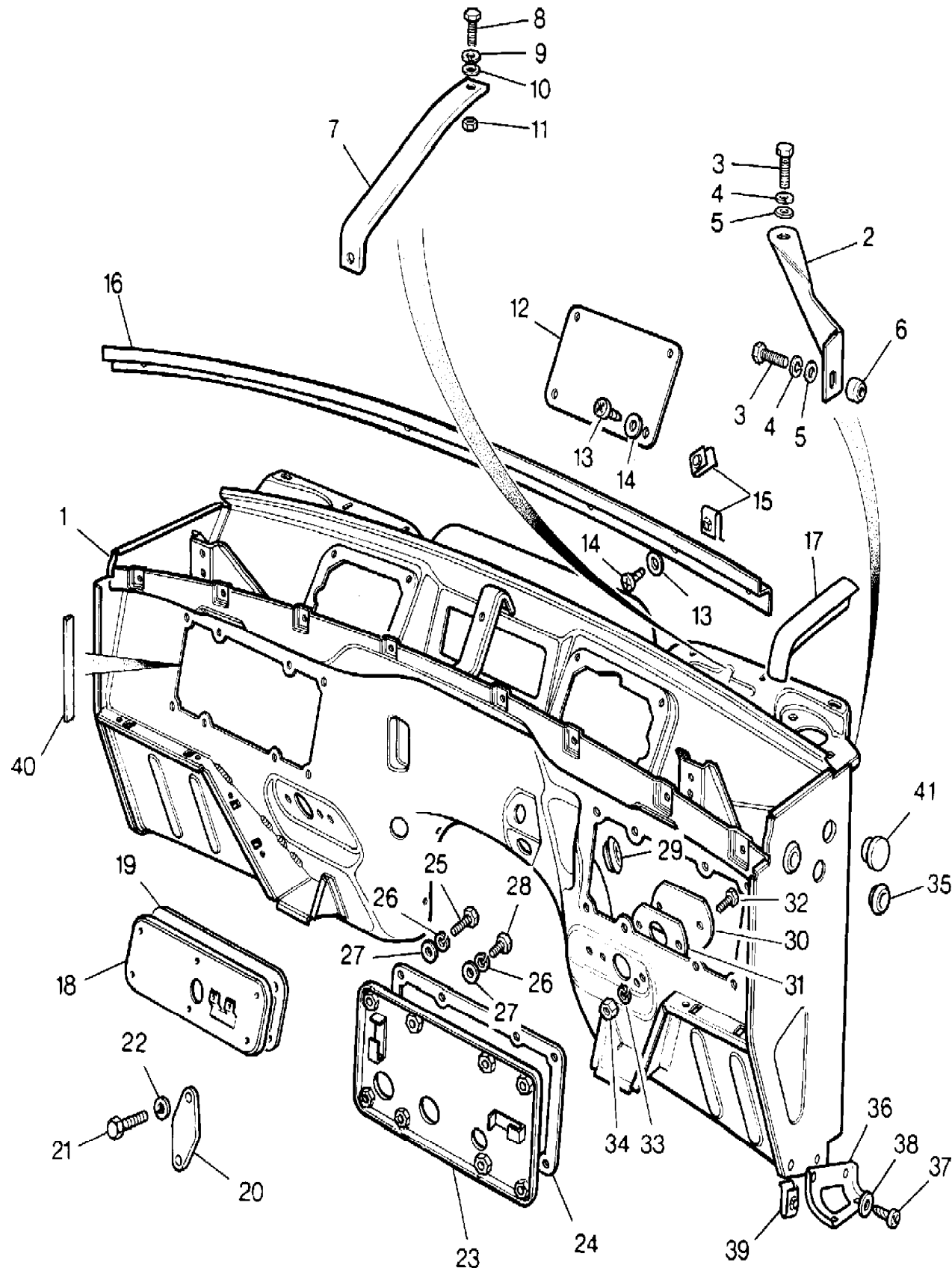
Body & Chassis
Body
Dash Assembly 2/2

Range Rover (To HA610293)

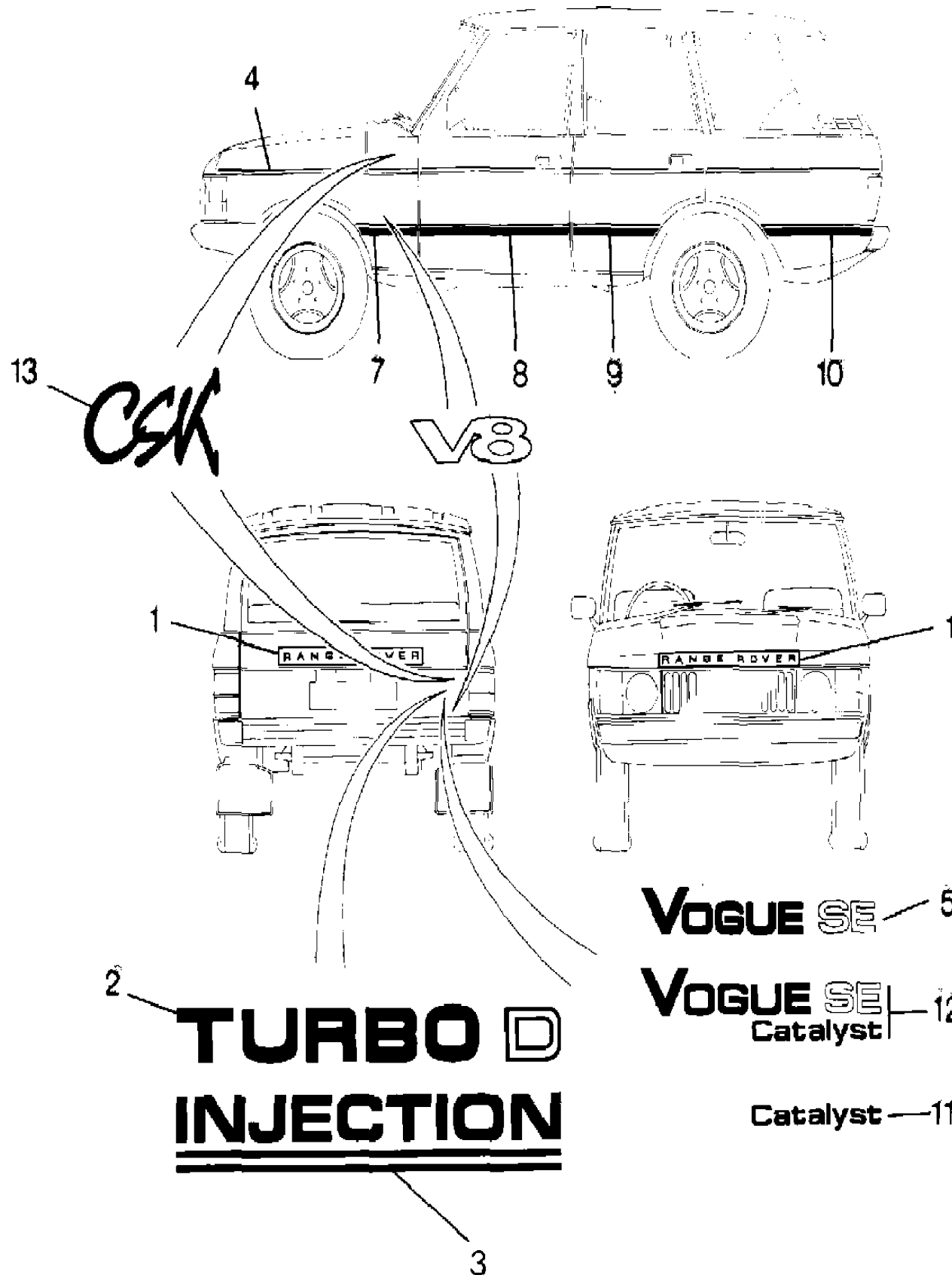
(TS5345D)

Range Rover (To HA610293)

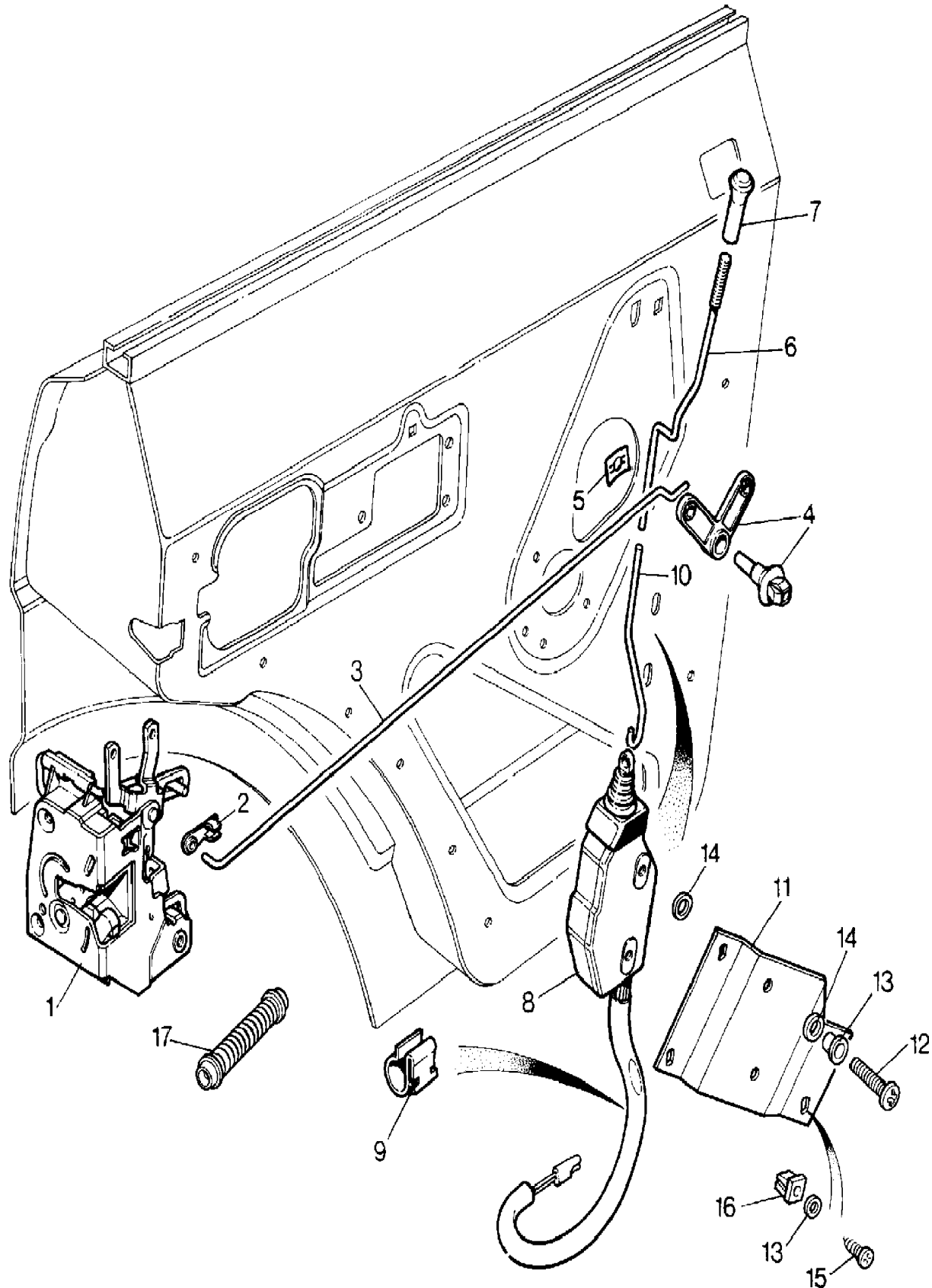
Body & Chassis
Body
Dash Assembly



Callout	Name	Application	Remarks & Restrictions	Service No.	Qty
21	Screw		hexagonal head, 5/16UNF x 3/4	SH605061L	2
22	Washer-Spring		5/16"	WM600051L	2
23	Plate-mounting pedal	RHD Change point - VIN begin DA273923, Change point - VIN end GA399972, LHD Change point - VIN begin GA399973, LHD		PRC9780 MWC3191	1 1
24	Gasket-pedal box			PRC9778	1
25	Screw		hexagonal head, 5/16UNF x 1	572498	1
26	Washer-Spring		5/16"	SH605081L	2
27	Washer-Plain		M12 x 28	WM600051L	8
28	Screw		hexagonal head, 5/16UNF x 5/8	WC112081L	8
29	Plug-blanking		25.5MM, Plastic	SH605051L	6
30	Gasket-sealing			338023	1
31	Cover Plate			575733	1
32	Screw		hexagonal head, 5/16UNF x 5/8	575862	1
33	Washer-Spring		5/16"	SH605051L	2
34	Nut - Hex.		hexagonal head, 5/16UNF	NH605041L	2
35	Plug-blanking		Plastic, 19MM	338020	2
36	Bracket		dash to wing, RH dash to wing, LH	390384 390385	1 1
37	Screw-self tapping		pan head, No 12 x 1/2, pointed	AB612041L	4
38	Washer-Plain		M6	3831L	4
39	Nut - Hex.			RTC3726	4
40	Strip-beading-dash assembly			399518	1
41	Plug-blanking			PRC7490	1
[900]	Harness Main			PRC7400	1



Callout	Name	Application	Remarks & Restrictions	Service No.	Qty
1	Decal-Range Rover		Grey, bonnet/tailgate Brown, bonnet/tailgate bonnet/tailgate, Dark Green. Silver, bonnet/tailgate Front, Nimbus Rear, Nimbus	RTC6466 RTC6463 RTC6464 RTC6465 MUC2955LMP MUC2956LMP	1 2 2 1 1 1
2	Decal-tailgate		Brown Silver Grey	MUC8579AC MUC8579MF MUC8579LMP	1 1 1
3	Decal injection		Black Silver	RTC4930 RTC4931	1 1
4	Decal sidestripe	(-) Vogue SE (-) Vogue SE Vogue SE	Silver, 10M Nimbus, 10M	MXC1172MCF MXC1172LMP BTR2216MCF	X X X
5	Decal-tailgate	Vogue SE Vogue SE	Silver Grey	MXC4658MCF MXC4658LMP	1 1
6	Badge	(+)"J"	V8	BRC6484	3
7	Strip front wing	Change point - VIN end FA374641 Change point - VIN end FA374641 Change point - VIN begin FA374642 Change point - VIN begin FA374642	RH LH RH LH	MUC3484 MUC3485 MWC8692 MWC8693	1 1 1 1
8	Strip-front door edge	Change point - VIN end FA374641, (-) CSK Change point - VIN begin FA374642, (-) CSK CSK		MUC3486 MWC8688 BTR1033	2 2 2
9	Strip rear door	(-) CSK (-) CSK CSK CSK	RH LH RH LH	MUC3488 MUC3489 BTR1032 BTR1031	1 1 1 1
10	Strip rear wing		RH LH	MUC3490 MUC3491	1 1
11	Badge-catalyst		Silver Grey	BTR945MCF BTR945LMP	1 1
12	Badge-catalyst		Silver Grey	BTR944MCF BTR944LMP	1 1
13	Decal-tailgate	CSK CSK	deck panel Tailgate	STC373 STC374	2 1
[900]	Tape	CSK		BTR1034MCF	X



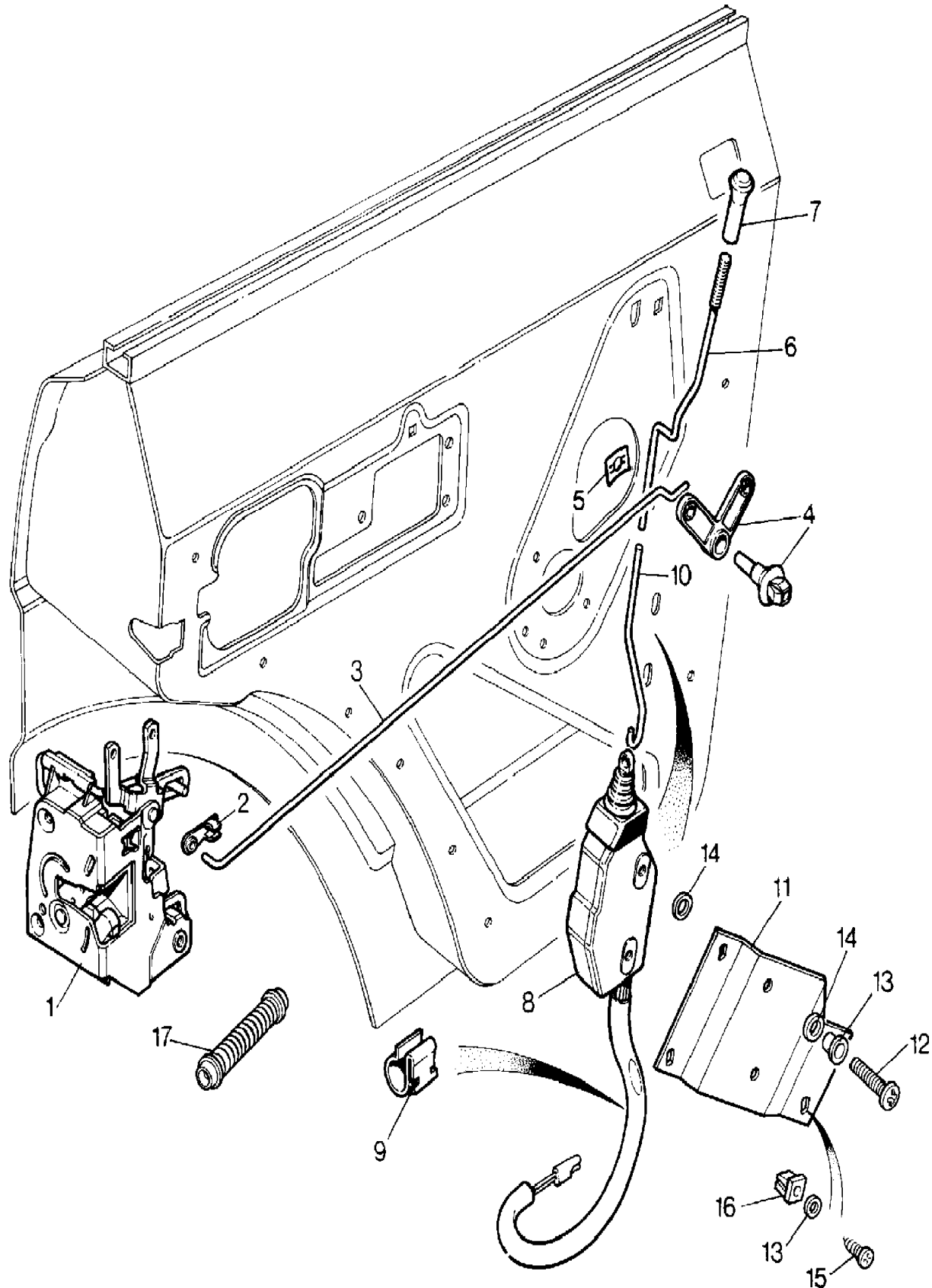
Change point - VIN end EA351846, 4 Door Station Wagon, With Central Locking System

Callout	Name	Application	Remarks & Restrictions	Service No.	Qty
1	Latch assembly-rear door	Change point - VIN end EA351846	RH	MTC9204	1
		Change point - VIN end EA351846	LH	MTC9203	2
2	Clip-linkage	Change point - VIN end EA351846		DZA943L	2
3	Link - locks	Change point - VIN end EA351846	to bellcrank	MTC7790	2
4	Bellcrank-door	Change point - VIN end EA351846		DZA1435L	4
5	Retainer	Change point - VIN end EA351846		AN604041L	4
6	Link-rear door sill button /latch	Change point - VIN end EA351846		MTC9149	2
7	Button sill	Change point - VIN end EA351846	Brushwood	MUC3366AV	2
		Change point - VIN end EA351846	Bitter Chocolate.	MUC3366CC	2
		Change point - VIN end EA351846	Flint Grey	MUC3366LG	2
8	Actuator-central door locking	Change point - VIN end EA351846	Passenger	PRC3916	2
9	Clip-cable	Change point - VIN end EA351846	Rear	345662	X
10	Link - locks	Change point - VIN end EA351846	actuator to bellcrank, RH	MTC7786	1
		Change point - VIN end EA351846	actuator to bellcrank, LH	MTC7787	1
11	Plate	Change point - VIN end EA351846	RH	MTC7788	1
		Change point - VIN end EA351846	LH	MTC7789	1
12	Screw	Change point - VIN end EA351846	Black, Self Tapping, No8 x 5/8	AB608051L	8
13	Bush	Change point - VIN end EA351846		EAM9067L	16
14	Grommet	Change point - VIN end EA351846		EAM9066L	16
15	Screw	Change point - VIN end EA351846	plastite	ADU6780	8
16	Nut-lokut-seal	Change point - VIN end EA351846		CZK3264	8

Body & Chassis
 Body
 Door Locks Rear 2/2

Range Rover (To HA610293)

(TS5284B)



Range Rover (To HA610293)

Body & Chassis
 Body
 Door Locks Rear

Change point - VIN end EA351846, 4 Door Station Wagon, With Central Locking System

Callout	Name	Application	Remarks & Restrictions	Service No.	Qty
17	Grommet-convolute	Change point - VIN end EA351846		DRC5377	2

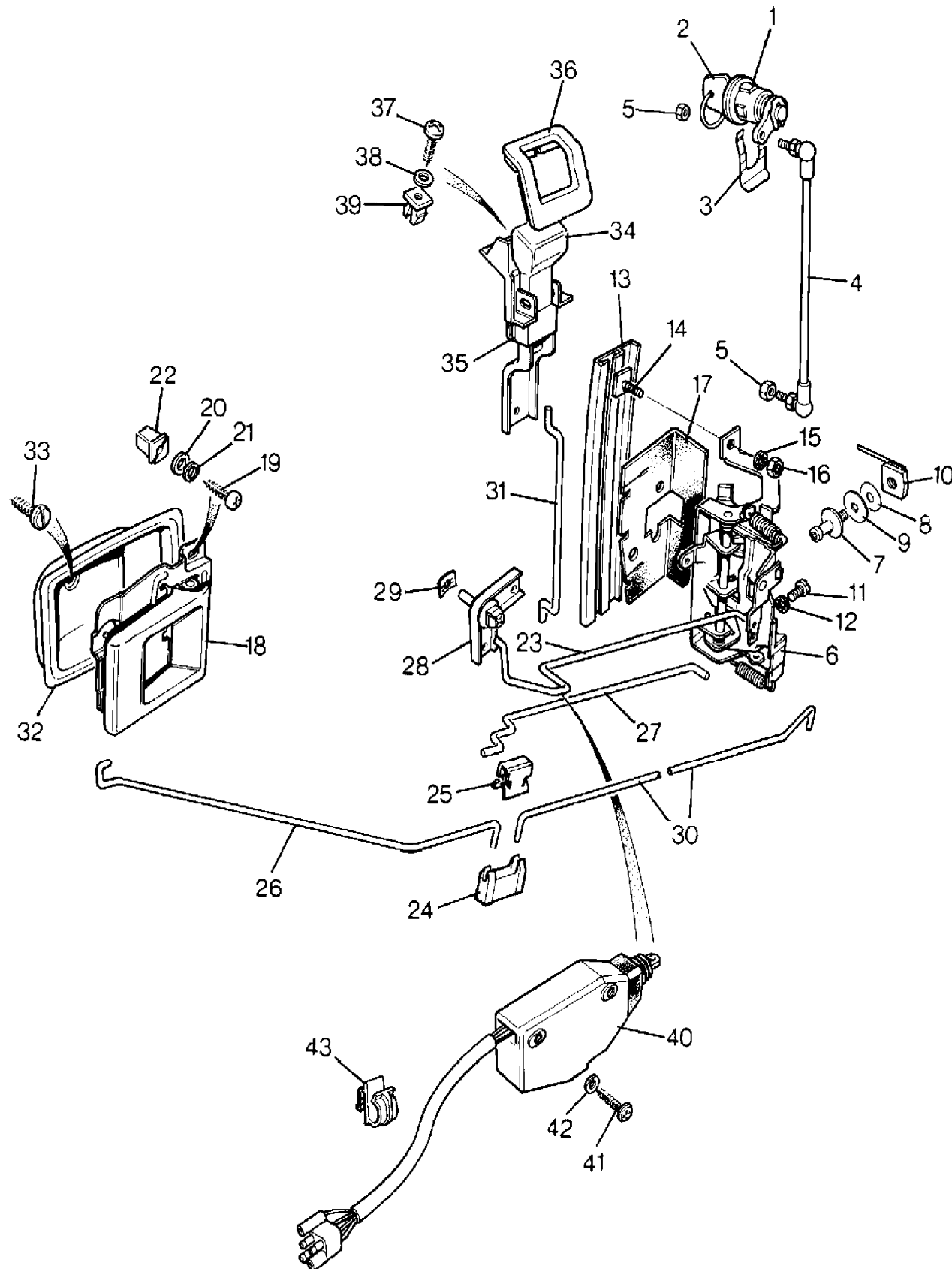
Range Rover (To HA610293)

(TS6510)

Range Rover (To HA610293)

Change point - VIN begin FA351847, 2 Door Station Wagon

Callout	Name	Application	Remarks & Restrictions	Service No.	Qty
1	Lock assembly-door	Change point - VIN begin FA351847	RH	391148	1
		Change point - VIN begin FA351847	LH	391149	1
2	Key-blank owner	Change point - VIN begin FA351847		MUC2153	1
3	Retainer	Change point - VIN begin FA351847		723290	2
4	Control Rod	Change point - VIN begin FA351847		392226	2
5	Nut - Hex.	Change point - VIN begin FA351847		251335	2
6	Latch assembly-front door	Change point - VIN begin FA351847	RH	MXC1738	1
		Change point - VIN begin FA351847	LH	MXC1737	1
7	Striker-Door Lock	Change point - VIN begin FA351847		390448	2
8	Shim	Change point - VIN begin FA351847		391591	2
9	Seal-door lock striker	Change point - VIN begin FA351847		MWC7677	2
10	Plate-Retaining	Change point - VIN begin FA351847		390816	2
11	Screw	Change point - VIN begin FA351847		79154	6
12	Washer-Lock	Change point - VIN begin FA351847		WF600041L	6
13	Handle-door grab	Change point - VIN begin FA351847		390506	2
14	Plate-stud	Change point - VIN begin FA351847		390507	4
15	Washer-Lock	Change point - VIN begin FA351847		WF600041L	4
16	Nut - Hex.	Change point - VIN begin FA351847	hexagonal head, Coarse Thread, 1/4UNF	NH604041L	4
17	Seal	Change point - VIN begin FA351847		MRC7166	2
18	Handle assembly-door	Change point - VIN begin FA351847	Black, RH	DBP5840PMA	1



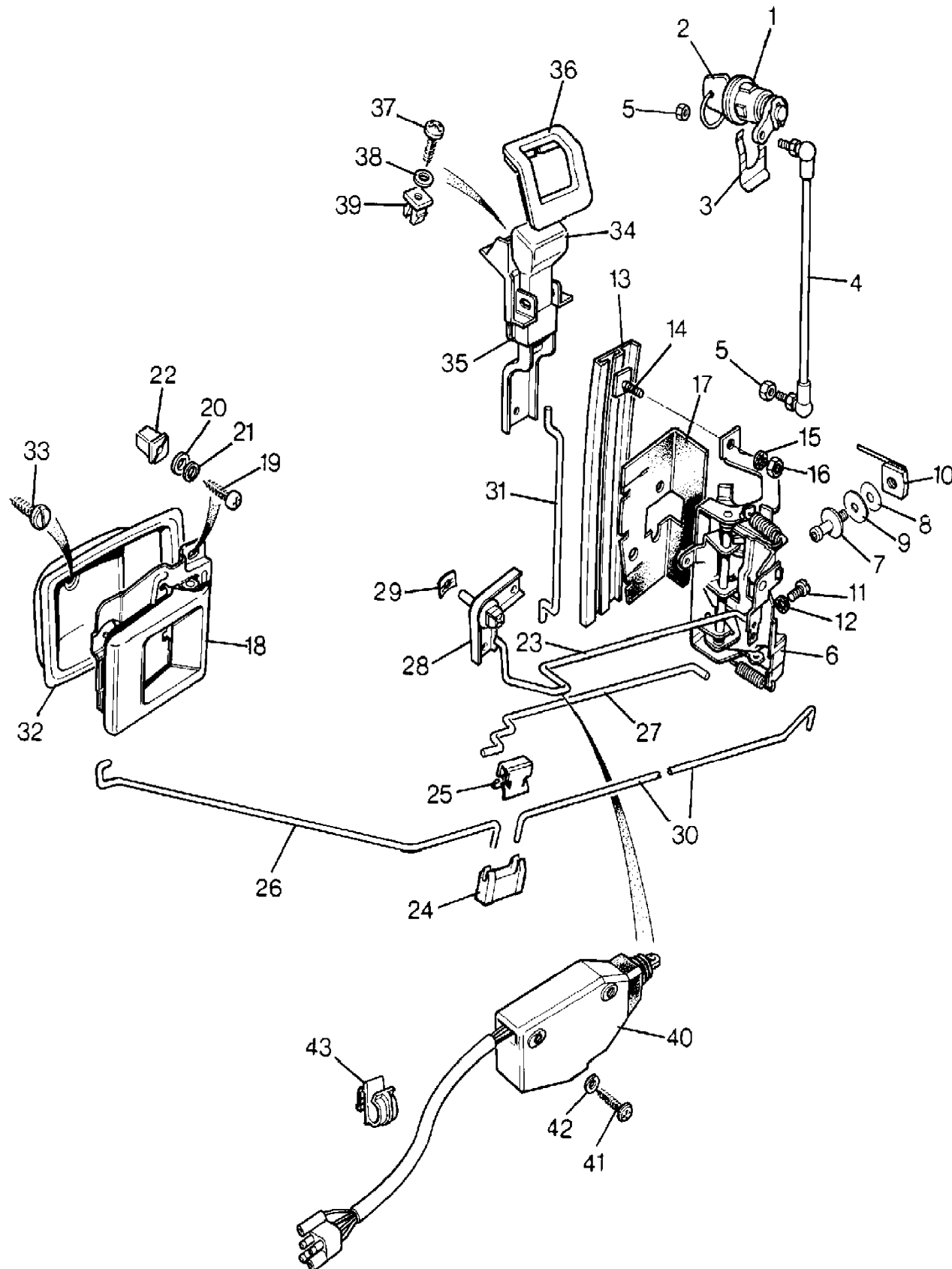
Range Rover (To HA610293)

(TS6510)

Range Rover (To HA610293)

Change point - VIN begin FA351847, 2 Door Station Wagon

Callout	Name	Application	Remarks & Restrictions	Service No.	Qty
18	Handle assembly-door	Change point - VIN begin FA351847	Black, LH	DBP5841PMA	1
19	Screw	Change point - VIN begin FA351847		SP106141	4
20	Washer-Plain	Change point - VIN begin FA351847	M4	WA104001L	4
21	Washer-Spring	Change point - VIN begin FA351847		WL104001L	4
22	Nut-lokut	Change point - VIN begin FA351847		ADU3775	4
23	Link rod	Change point - VIN begin FA351847	RH	MXC4622	1
		Change point - VIN begin FA351847	LH	MXC4621	1
24	Connector fit	Change point - VIN begin FA351847		AFU3019	2
25	Clip-edge harness	Change point - VIN begin FA351847		MTC6264	2
26	Link rod	Change point - VIN begin FA351847	RH	MXC3025	1
		Change point - VIN begin FA351847	LH	MXC3026	1
27	Link rod	Change point - VIN begin FA351847		MXC1947	2
28	Bellcrank-door	Change point - VIN begin FA351847		DZA1435L	2
29	Retainer	Change point - VIN begin FA351847		AN104041L	2
30	Link rod	Change point - VIN begin FA351847	RH	MXC1650	1
		Change point - VIN begin FA351847	LH	MXC1651	1
31	Link rod	Change point - VIN begin FA351847		MXC1657	2
32	Bezel-door handle	Change point - VIN begin FA351847	Black, RH	DBP6532PMA	1
		Change point - VIN begin FA351847	Black, LH	DBP6533PMA	1
33	Screw-self tapping	Change point - VIN begin FA351847	Self Tapping, M8 x 13	DA608044L	2
34	Button sill	Change point - VIN begin FA351847	Black	JRC1775PMA	2



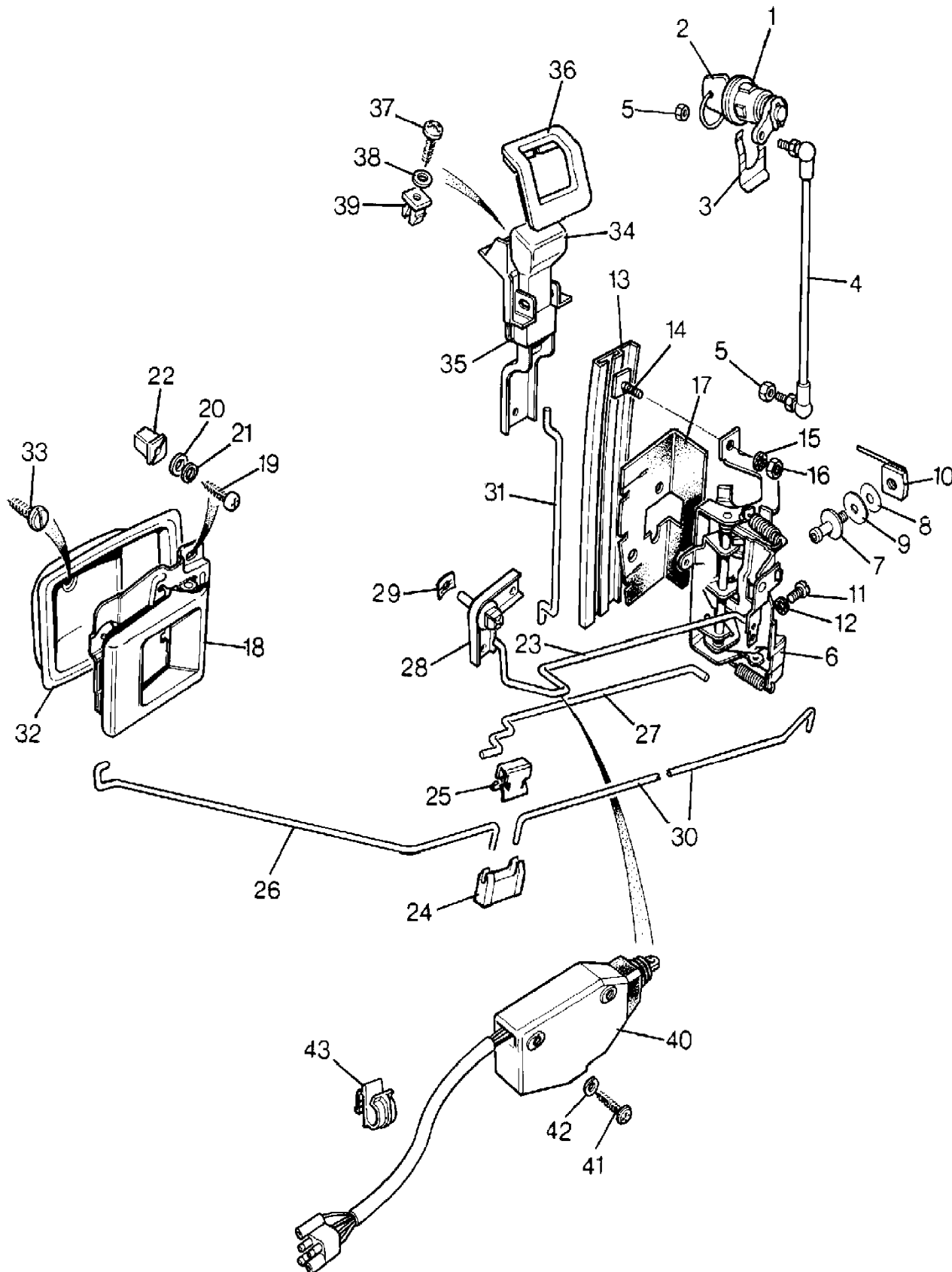
Range Rover (To HA610293)

(TS6510)

Range Rover (To HA610293)

Change point - VIN begin FA351847, 2 Door Station Wagon

Callout	Name	Application	Remarks & Restrictions	Service No.	Qty
35	Housing-door lock	Change point - VIN begin FA351847	Black	BRC8965PMA	2
36	Escutcheon-door-lock	Change point - VIN begin FA351847	Black	MXC4738PMA	2
37	Screw	Change point - VIN begin FA351847	Self Tapping, No 6 x 1/2	AB606041L	4
38	Washer-Plain	Change point - VIN begin FA351847	M4	WA104001L	4
39	Nut-lokut	Change point - VIN begin FA351847		MWC 1950	4
40	Actuator-central door locking	Change point - VIN begin FA351847 Change point - VIN begin FA351847	Driver Passenger	PRC4831 PRC3916	1 1
41	Screw	Change point - VIN begin FA351847	plastite	ADU6780	4
42	Washer-Plain	Change point - VIN begin FA351847	M4	WA104001L	4
43	Clip	Change point - VIN begin FA351847	Plastic	PRC4496	X
[900]	Housing-door lock	Change point - VIN begin FA351847	Black	EJS000010PMA	2

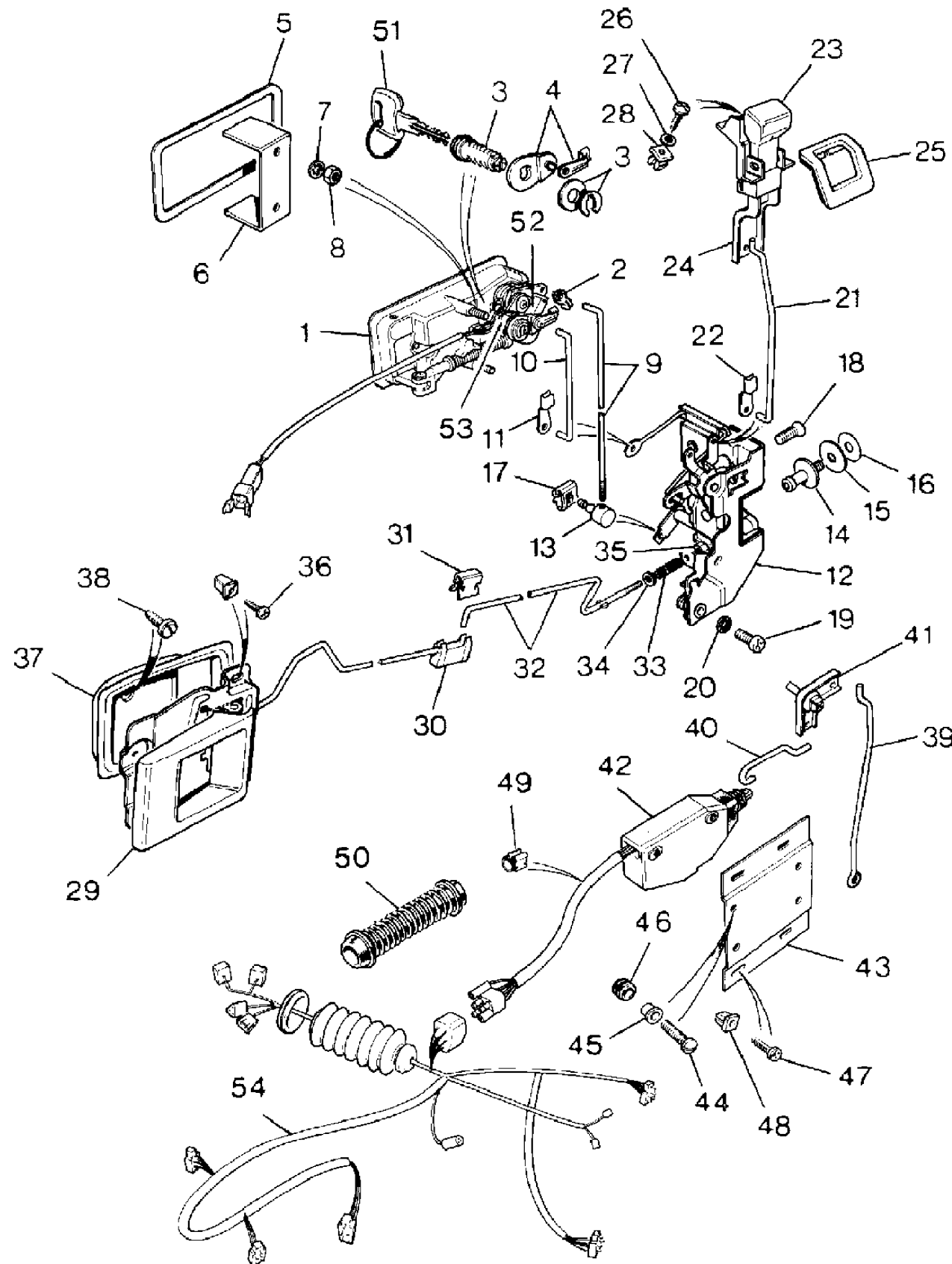


Range Rover (To HA610293)

(TS6919)

4 Door Station Wagon

Callout	Name	Application	Remarks & Restrictions	Service No.	Qty
1	Handle assembly-door	Change point - VIN begin HA464554 Change point - VIN begin HA464554	Outer, RH Outer, LH	MXC8924 MXC8925	1 1
2	Clip	Change point - VIN begin HA464554		BFP1265	2
3	Lock assembly-door	Change point - VIN begin HA464554 Change point - VIN begin HA464554	RH, red cam blue cam, LH	RTC5024 RTC5025	1 1
4	Link-door handle	Change point - VIN begin HA464554 Change point - VIN begin HA464554	RH, Red Blue., LH	RTC5555 RTC5556	1 1
5	Seal	Change point - VIN begin HA464554		MXC3178	2
6	Bracket	Change point - VIN begin HA464554	fixing outer handle	CZK8207	2
7	Washer-Spring	Change point - VIN begin HA464554	rectangular, No 10, single coil	WL700101L	4
8	Locknut	Change point - VIN begin HA464554	10x32UNF	NH910011L	4
9	Link-handle	Change point - VIN begin HA464554	to lock	MTC9145	2
10	Link - locks	Change point - VIN begin HA464554		MTC7029	2
11	Clip	Change point - VIN begin HA464554		MTC9623	2
12	Latch assembly-front door	Change point - VIN begin HA464554 Change point - VIN begin HA464554	RH LH	MTC7593 MTC7592	1 1
13	Link adjusting	Change point - VIN begin HA464554		MTC9289	2
14	Striker-Door Lock	Change point - VIN begin HA464554		390448	2
15	Seal-door lock striker	Change point - VIN begin HA464554		MWC7677	2
16	Shim	Change point - VIN begin HA464554		391591	2
17	Clip-retainer pin	Change point - VIN begin HA464554		MTC9290	2

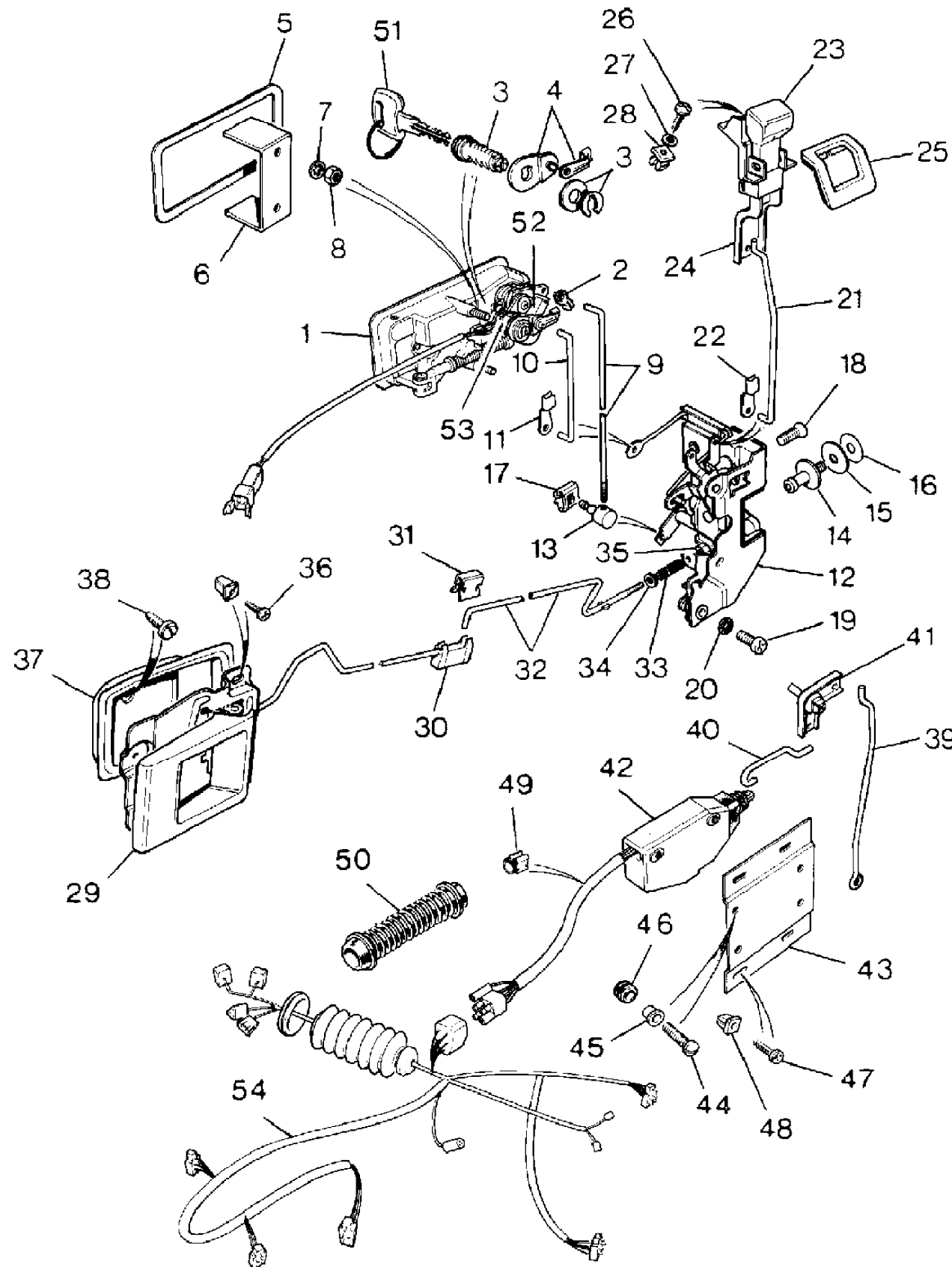


Range Rover (To HA610293)

(TS6919)

4 Door Station Wagon

Callout	Name	Application	Remarks & Restrictions	Service No.	Qty
18	Screw	Change point - VIN begin HA464554	No 6 x 12	SF106121L	4
19	Screw-pan	Change point - VIN begin HA464554	M6 X 12, pan head	SE106121L	2
20	Washer-Lock	Change point - VIN begin HA464554		WF702101L	2
21	Button/link assembly-front door sill lock	Change point - VIN begin HA464554		MWC5124	2
22	Clip-linkage	Change point - VIN begin HA464554		BRC1393	2
24	Housing-door lock	Change point - VIN begin HA464554	Black	BRC8965PMA	2
25	Escutcheon-door-lock	Change point - VIN begin HA464554	Bokhara	MXC4738RUN	2
26	Screw	Change point - VIN begin HA464554	sill button, Self Tapping, No 6 x 1/2	AB606041L	4
27	Washer-Plain	Change point - VIN begin HA464554	M4	WA104001L	4
29	Handle assembly-door	Change point - VIN begin HA464554 Change point - VIN begin HA464554	RH, Bokhara Bokhara, LH	MXC2722RUN MXC2723RUN	1 1
30	Connector fit	Change point - VIN begin HA464554		AFU3019	2
31	Clip-edge harness	Change point - VIN begin HA464554		MTC6264	2
32	Link-front door lock/latch	Change point - VIN begin HA464554		MWC6621	2
33	Spring	Change point - VIN begin HA464554		MTC9505	2
34	Washer	Change point - VIN begin HA464554		WA704061	2
35	Nut-hexagonal	Change point - VIN begin HA464554	M4	NH104041L	2
36	Rivet	Change point - VIN begin HA464554		AS604044	4
37	Housing-inner panel door release assembly	Change point - VIN begin HA464554	RH, Bokhara	DBP6532RUN	1



Body & Chassis
 Body
 Door Locks Front-Heated-4 Door 3/4

Range Rover (To HA610293)

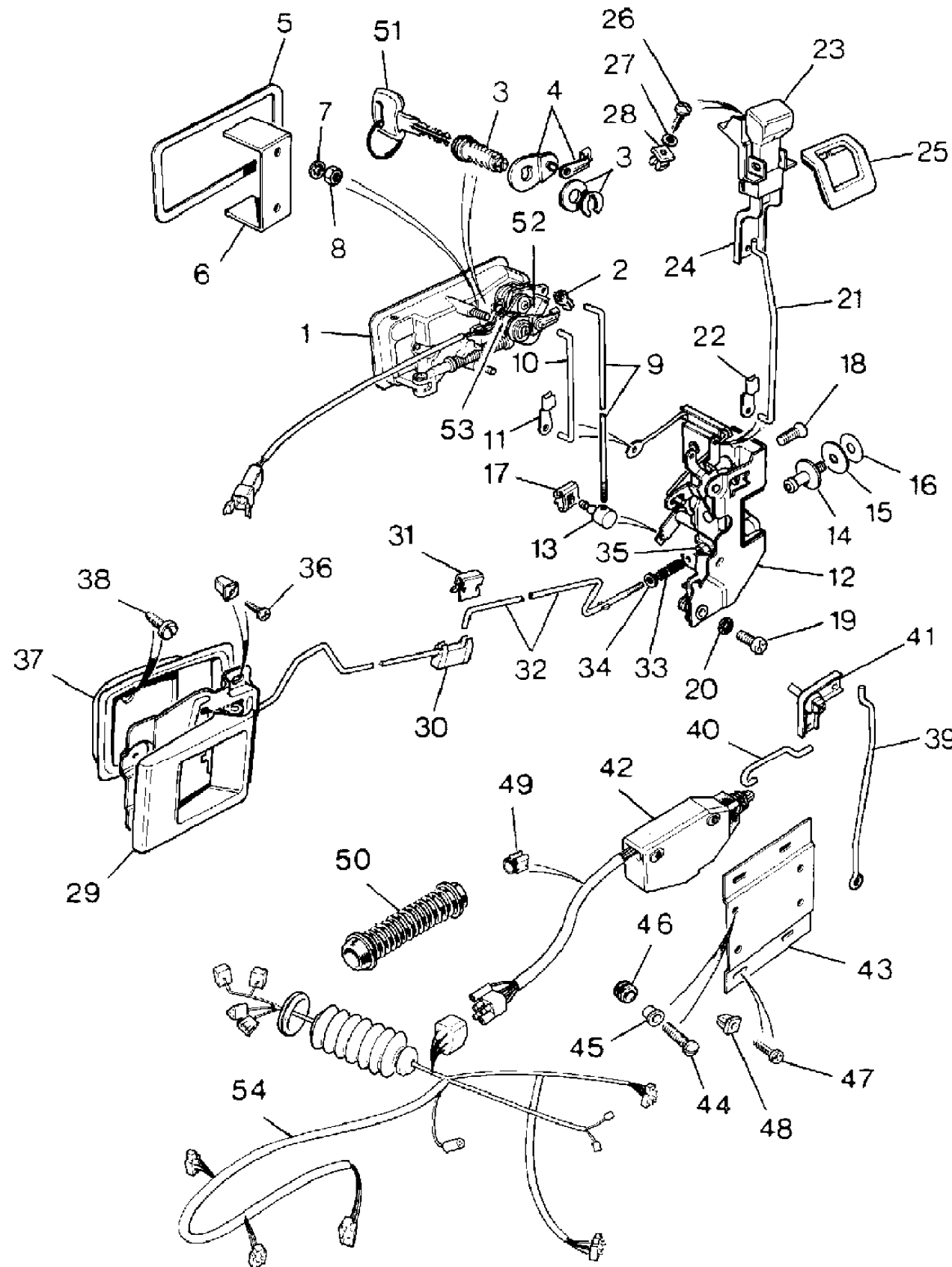
(TS6919)

Body & Chassis
 Body
 Door Locks Front-Heated-4 Door

Range Rover (To HA610293)

4 Door Station Wagon

Callout	Name	Application	Remarks & Restrictions	Service No.	Qty
37	Housing-inner panel door release assembly	Change point - VIN begin HA464554	Bokhara, LH	DBP6533RUN	1
38	Screw-self tapping	Change point - VIN begin HA464554	fixing bezel, Self Tapping, M8 x 13	DA608044L	2
39	Link - locks	Change point - VIN begin HA464554	latch to bellcrank, RH	MTC6864	1
		Change point - VIN begin HA464554	latch to bellcrank, LH	MTC7032	1
40	Link - locks	Change point - VIN begin HA464554	bellcrank to actuator	MXC8701	2
41	Bellcrank-door	Change point - VIN begin HA464554	RH	MXC7336	1
		Change point - VIN begin HA464554	LH	MXC7337	1
42	Actuator-central door locking	Change point - VIN begin HA464554	Driver	PRC8098	2
43	Plate-door actuator mounting	Change point - VIN begin HA464554		MWC5126	2
44	Screw	Change point - VIN begin HA464554	Black, Self Tapping, No8 x 5/8	AB608051L	8
45	Bush	Change point - VIN begin HA464554		EAM9067L	8
46	Grommet	Change point - VIN begin HA464554		EAM9066L	4
47	Screw	Change point - VIN begin HA464554	plastite	ADU6780	8
48	Nut-lokut-seal	Change point - VIN begin HA464554		CZK3264	8
49	Clip	Change point - VIN begin HA464554, Change point - VIN end HA606488	Plastic	PRC4496	2
50	Grommet-convolute	Change point - VIN begin HA464554		MUC6521	2
51	Key-blank owner	Change point - VIN begin HA464554		MUC2153	1
		Change point - VIN begin HA464554		MUC2154	1
52	Switch-micro	Change point - VIN begin HA464554	Front, RH	STC382	1
		Change point - VIN begin HA464554	Front, LH	STC383	1



Body & Chassis
 Body
 Door Locks Front-Heated-4 Door 4/4

Range Rover (To HA610293)

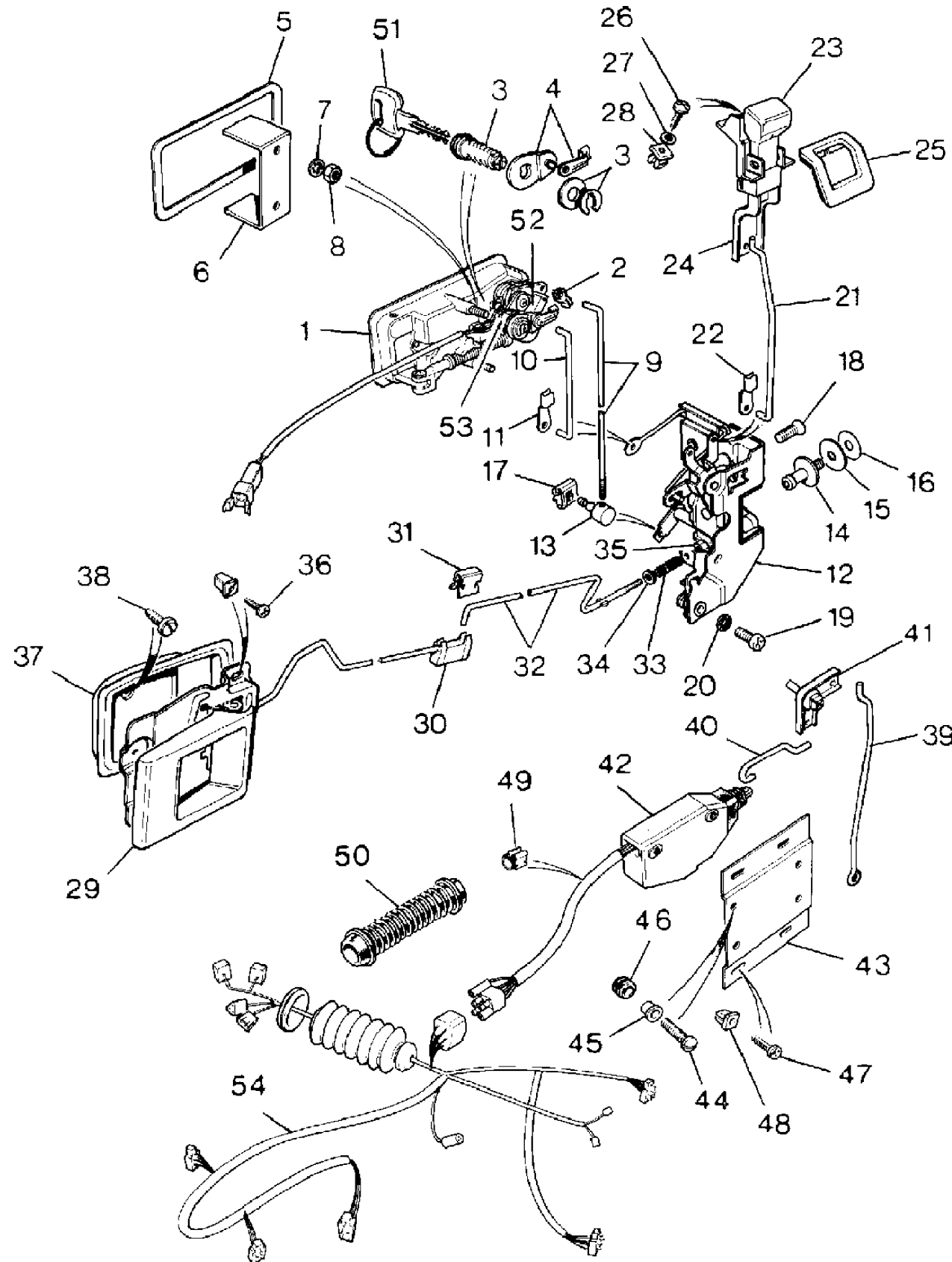
(TS6919)

Body & Chassis
 Body
 Door Locks Front-Heated-4 Door

Range Rover (To HA610293)

4 Door Station Wagon

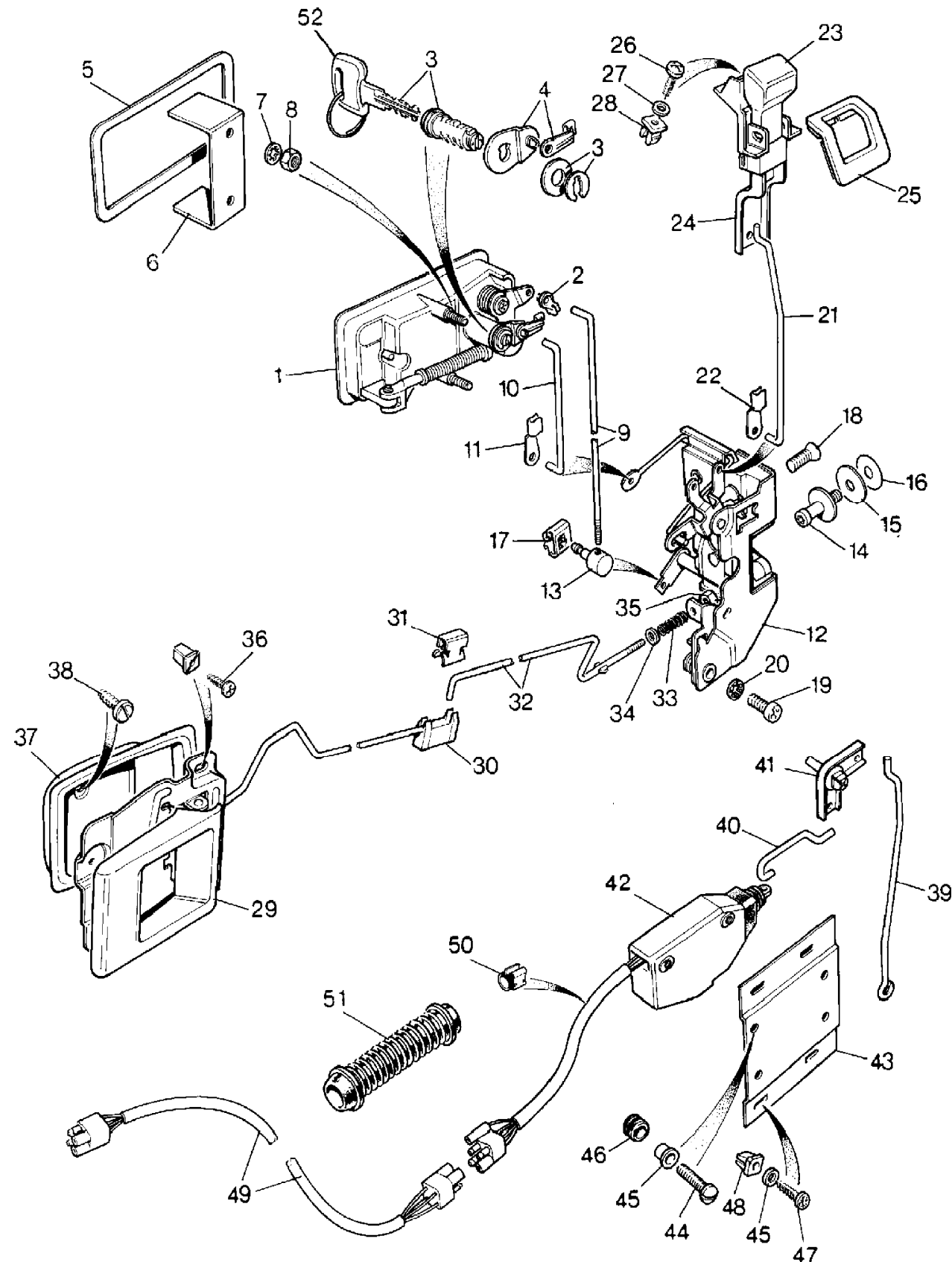
Callout	Name	Application	Remarks & Restrictions	Service No.	Qty
53	Heater element-door lock	Change point - VIN begin HA464554		STC253	2
54	Harness-link	Change point - VIN begin HA464554		PRC8580	2
[900]	Housing-door lock	Change point - VIN begin HA464554	Black	EJS000010PMA	2
			Black	EJS000010PMA	2
[901]	Tie-cable		Black, inside serated, 3.5 x 150mm	UKC6684L	2



Range Rover (To HA610293)

(TS6524)

4 Door Station Wagon

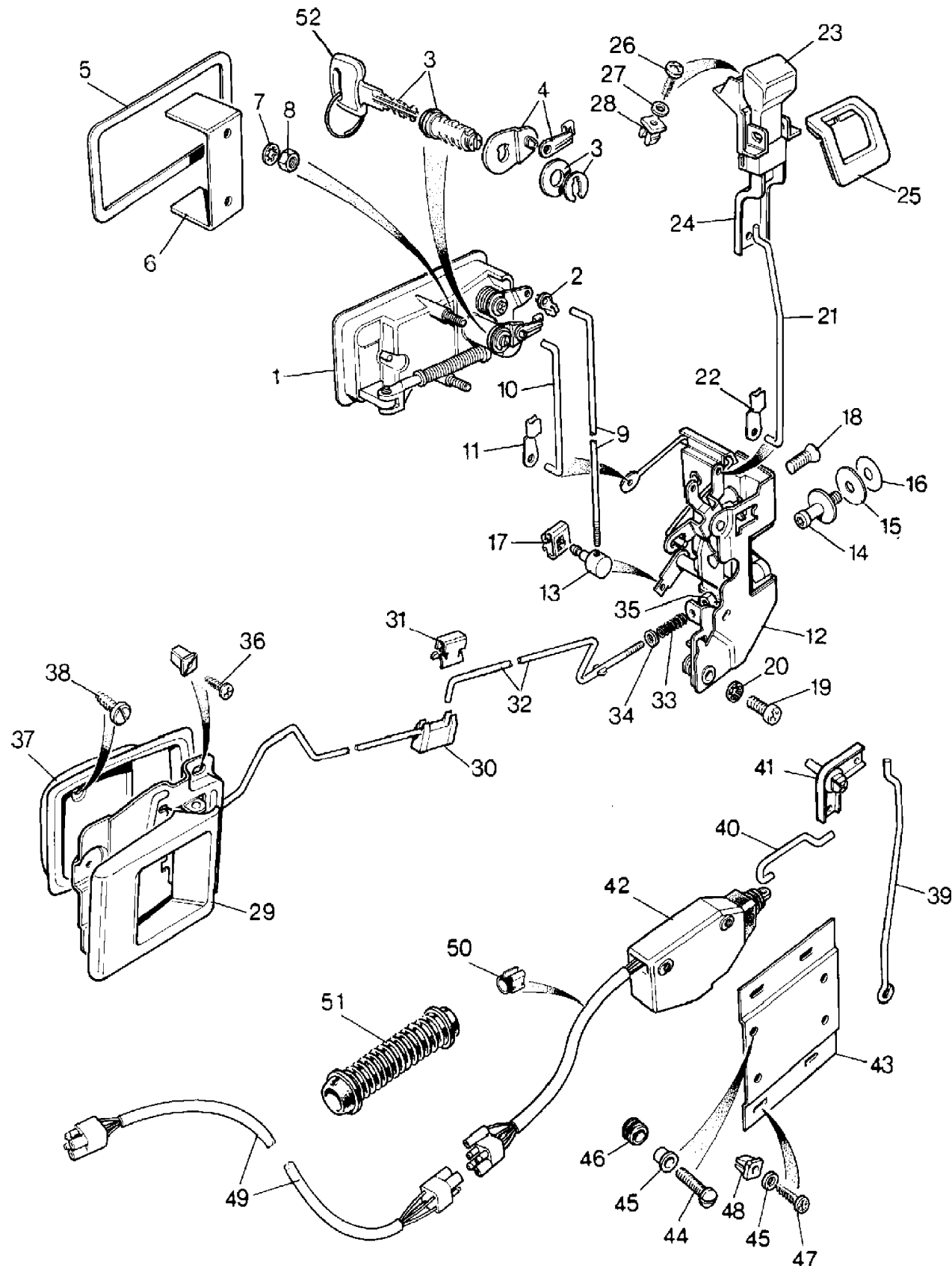


Callout	Name	Application	Remarks & Restrictions	Service No.	Qty
1	Handle assembly-door	Change point - VIN begin FA351847 Change point - VIN begin FA351847	Outer, RH Outer, LH	MTC6738 MTC6742	1 1
2	Clip	Change point - VIN begin FA351847		BFP1265	2
3	Lock assembly-door	Change point - VIN begin FA351847 Change point - VIN begin FA351847	RH, red cam blue cam, LH	RTC5024 RTC5025	1 1
4	Link-door handle	Change point - VIN begin FA351847 Change point - VIN begin FA351847	RH, Red Blue., LH	RTC5555 RTC5556	1 1
5	Seal	Change point - VIN begin FA351847		MXC3178	2
6	Bracket	Change point - VIN begin FA351847	fixing outer handle	CZK8207	2
7	Washer-Spring	Change point - VIN begin FA351847	rectangular, No 10, single coil	WL700101L	4
8	Locknut	Change point - VIN begin FA351847	10x32UNF	NH910011L	4
9	Link-handle	Change point - VIN begin FA351847	to lock	MTC9145	2
10	Link - locks	Change point - VIN begin FA351847		MTC7029	2
11	Clip	Change point - VIN begin FA351847		MTC9623	2
12	Latch assembly-front door	Change point - VIN begin FA351847 Change point - VIN begin FA351847	RH LH	MTC7593 MTC7592	1 1
13	Link adjusting	Change point - VIN begin FA351847		MTC9289	2
14	Striker-Door Lock	Change point - VIN begin FA351847		390448	2
15	Seal-door lock striker	Change point - VIN begin FA351847		MWC7677	2
16	Shim	Change point - VIN begin FA351847		391591	2
17	Clip-retainer pin	Change point - VIN begin FA351847		MTC9290	2

Range Rover (To HA610293)

(TS6524)

4 Door Station Wagon

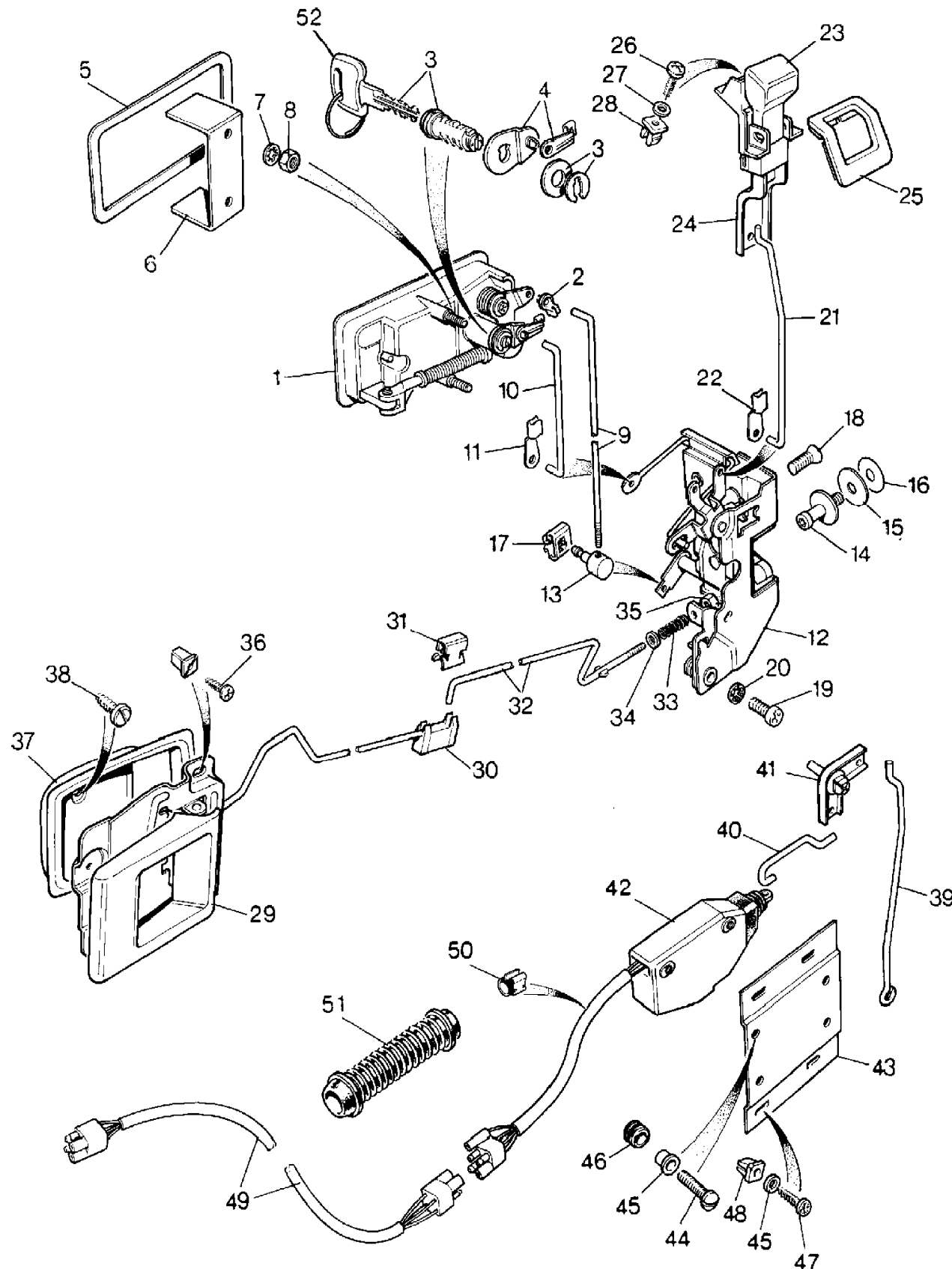


Callout	Name	Application	Remarks & Restrictions	Service No.	Qty
18	Screw	Change point - VIN begin FA351847	latch, No 6 x 12	SF106121L	4
19	Screw-pan	Change point - VIN begin FA351847	M6 X 12, pan head	SE106121L	2
20	Washer-Lock	Change point - VIN begin FA351847		WF702101L	2
21	Button/link assembly-front door sill lock	Change point - VIN begin FA351847		MWC5124	2
22	Clip-linkage	Change point - VIN begin FA351847		BRC1393	2
23	Button sill	Change point - VIN begin FA351847	Bokhara	JRC1775RUN	2
24	Housing-door lock	Change point - VIN begin FA351847	Black	BRC8965PMA	2
25	Escutcheon-door-lock	Change point - VIN begin FA351847	Bokhara	MXC4738RUN	2
26	Screw	Change point - VIN begin FA351847	fixing sill button, Self Tapping, No 6 x 1/2	AB606041L	4
27	Washer-Plain	Change point - VIN begin FA351847	M4	WA104001L	4
28	Nut-lokut	Change point - VIN begin FA351847		MWC1950	4
29	Handle assembly-door	Change point - VIN begin FA351847 Change point - VIN begin FA351847	RH, Bokhara Bokhara, LH	MXC2722RUN MXC2723RUN	1 1
30	Connector fit	Change point - VIN begin FA351847		AFU3019	2
31	Clip-edge harness	Change point - VIN begin FA351847		MTC6264	2
32	Link-front door lock/latch	Change point - VIN begin FA351847	latch to remote control	MWC6621	2
33	Spring	Change point - VIN begin FA351847		MTC9505	2
34	Washer	Change point - VIN begin FA351847		WA704061	2
35	Nut-hexagonal	Change point - VIN begin FA351847	M4	NH104041L	2

Range Rover (To HA610293)

(TS6524)

4 Door Station Wagon



Callout	Name	Application	Remarks & Restrictions	Service No.	Qty
36	Rivet	Change point - VIN begin FA351847	fixing remote control	AS604044	4
37	Housing-inner panel door release assembly	Change point - VIN begin FA351847	RH, Bokhara	DBP6532RUN	1
		Change point - VIN begin FA351847	Bokhara, LH	DBP6533RUN	1
38	Screw-self tapping	Change point - VIN begin FA351847	fixing bezel, Self Tapping, M8 x 13	DA608044L	2
39	Link - locks	Change point - VIN begin FA351847	latch to bellcrank, RH	MTC6864	1
		Change point - VIN begin FA351847	latch to bellcrank, LH	MTC7032	1
40	Link - locks	Change point - VIN begin FA351847	bellcrank to actuator	MXC8701	2
41	Bellcrank-door	Change point - VIN begin FA351847, Change point - VIN end FA399972		DZA1435L	2
		Change point - VIN begin GA399973	RH	MXC7336	1
		Change point - VIN begin GA399973	LH	MXC7337	1
42	Actuator-central door locking	Change point - VIN begin FA351847, Change point - VIN end FA399972	Driver	PRC4831	1
		Change point - VIN begin FA351847, Change point - VIN end FA399972	Passenger	PRC3916	1
		Change point - VIN begin GA399973	Driver	PRC8098	2
43	Plate-door actuator mounting	Change point - VIN begin FA351847		MWC5126	2
44	Screw	Change point - VIN begin FA351847	Black, Self Tapping, No8 x 5/8	AB608051L	8
45	Bush	Change point - VIN begin FA351847		EAM9067L	8
46	Grommet	Change point - VIN begin FA351847		EAM9066L	4
47	Screw	Change point - VIN begin FA351847	plastite	ADU6780	8
48	Nut-lokut-seal	Change point - VIN begin FA351847		CZK3264	8
49	Harness-central door locking	Change point - VIN begin FA351847	Driver	PRC4719	1
		Change point - VIN begin FA351847	Passenger	PRC4721	1

Body & Chassis

Body

Door Locks Front-Non Heated-4 Door 4/4

Range Rover (To HA610293)

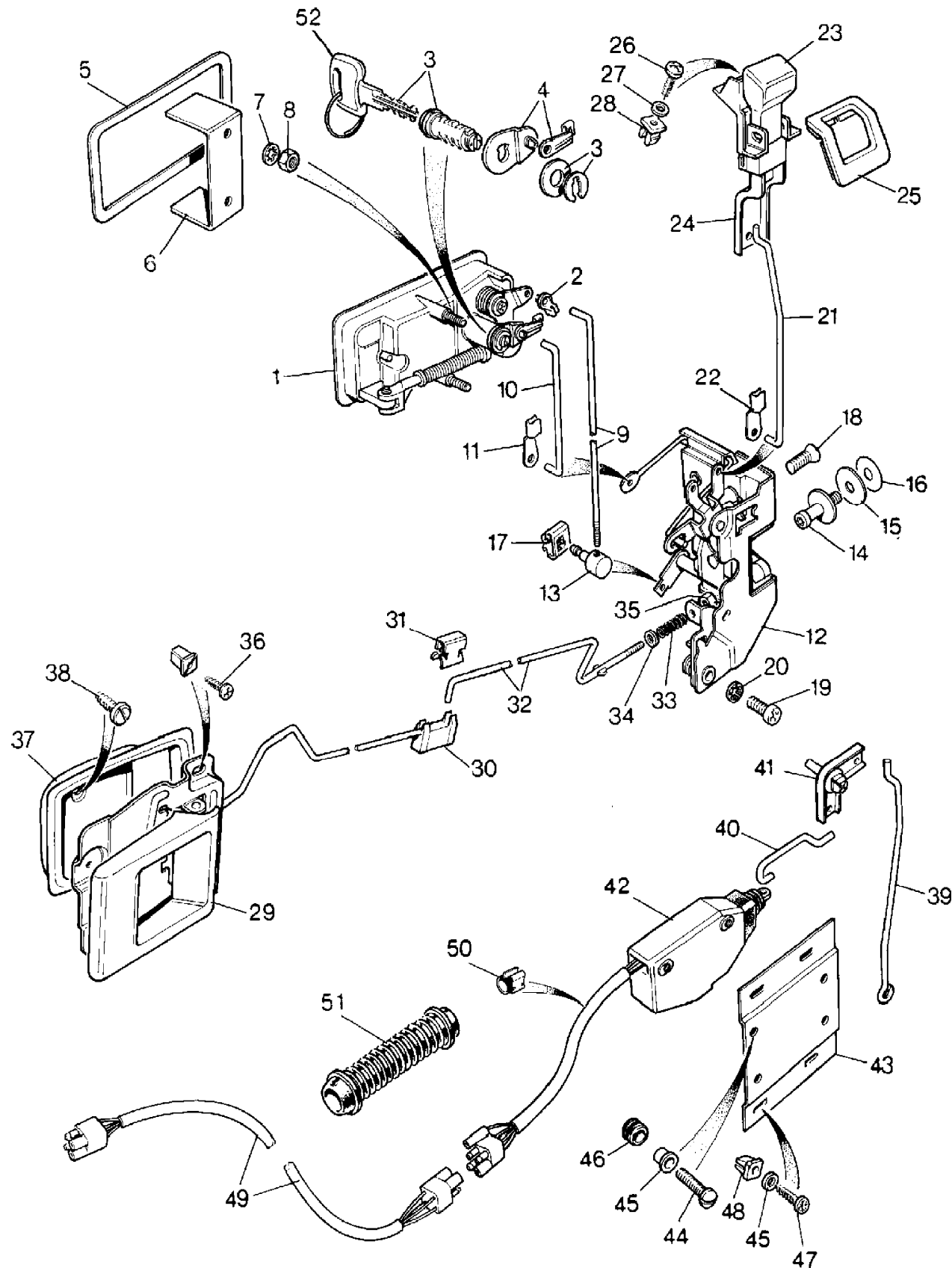
(TS6524)

Body & Chassis

Body

Door Locks Front-Non Heated-4 Door

4 Door Station Wagon



Callout	Name	Application	Remarks & Restrictions	Service No.	Qty
50	Clip	Change point - VIN begin FA351847, Change point - VIN end HA606488	Plastic	PRC4496	2
51	Grommet-convolute	Change point - VIN begin FA351847		MUC6521	2
52	Key-blank owner	Change point - VIN begin FA351847		MUC2153	1
		Change point - VIN begin FA351847		MUC2154	1
[900]	Tie-cable		Black, inside serated, 3.5 x 150mm	UKC6684L	2
[901]	Housing-door lock	Change point - VIN begin FA351847	Black	EJS000010PMA	2
			Black	EJS000010PMA	2

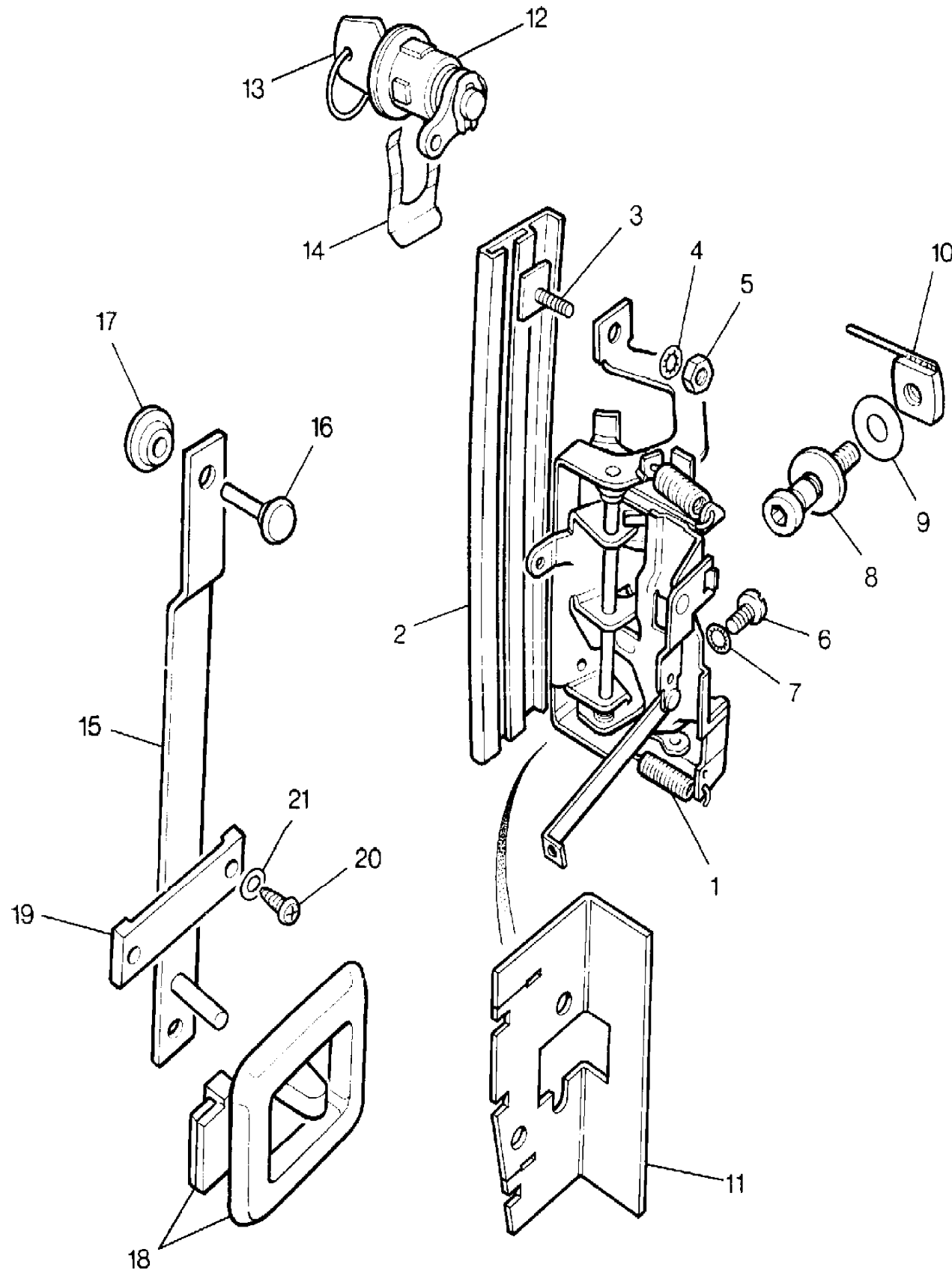
Range Rover (To HA610293)

(P186)

Range Rover (To HA610293)

2 Door Station Wagon

Callout	Name	Application	Remarks & Restrictions	Service No.	Qty
1	Latch assembly-front door	Change point - VIN end EA351846	RH	390365	1
		Change point - VIN end EA351846	LH	390366	1
2	Handle-door grab	Change point - VIN end EA351846		390506	2
3	Plate-stud	Change point - VIN end EA351846		390507	4
4	Washer	Change point - VIN end EA351846		WF611141L	4
5	Nut - Hex.	Change point - VIN end EA351846	hexagonal head, Coarse Thread, 1/4UNF	NH604041L	4
6	Screw	Change point - VIN end EA351846		79154	6
7	Washer	Change point - VIN end EA351846		WF611141L	6
8	Striker-Door Lock	Change point - VIN end EA351846		390448	2
9	Shim	Change point - VIN end EA351846		391591	2
10	Plate-Retaining	Change point - VIN end EA351846		390816	2
11	Seal	Change point - VIN end EA351846		MRC7166	2
12	Lock assembly-door	Change point - VIN end EA351846	RH	391148	1
		Change point - VIN end EA351846	LH	391149	1
13	Key-blank owner	Change point - VIN end EA351846		MUC2153	1
14	Retainer	Change point - VIN end EA351846	LOCK	723290	2
15	Lever-front door locking	Change point - VIN end EA351846		392227	2
16	Pin	Change point - VIN end EA351846		390641	2
17	Bearing-nylon	Change point - VIN end EA351846		390642	2
18	Bolt	Change point - VIN end EA351846		390833	2



Body & Chassis
 Body
 Door Locks 2/2

Range Rover (To HA610293)

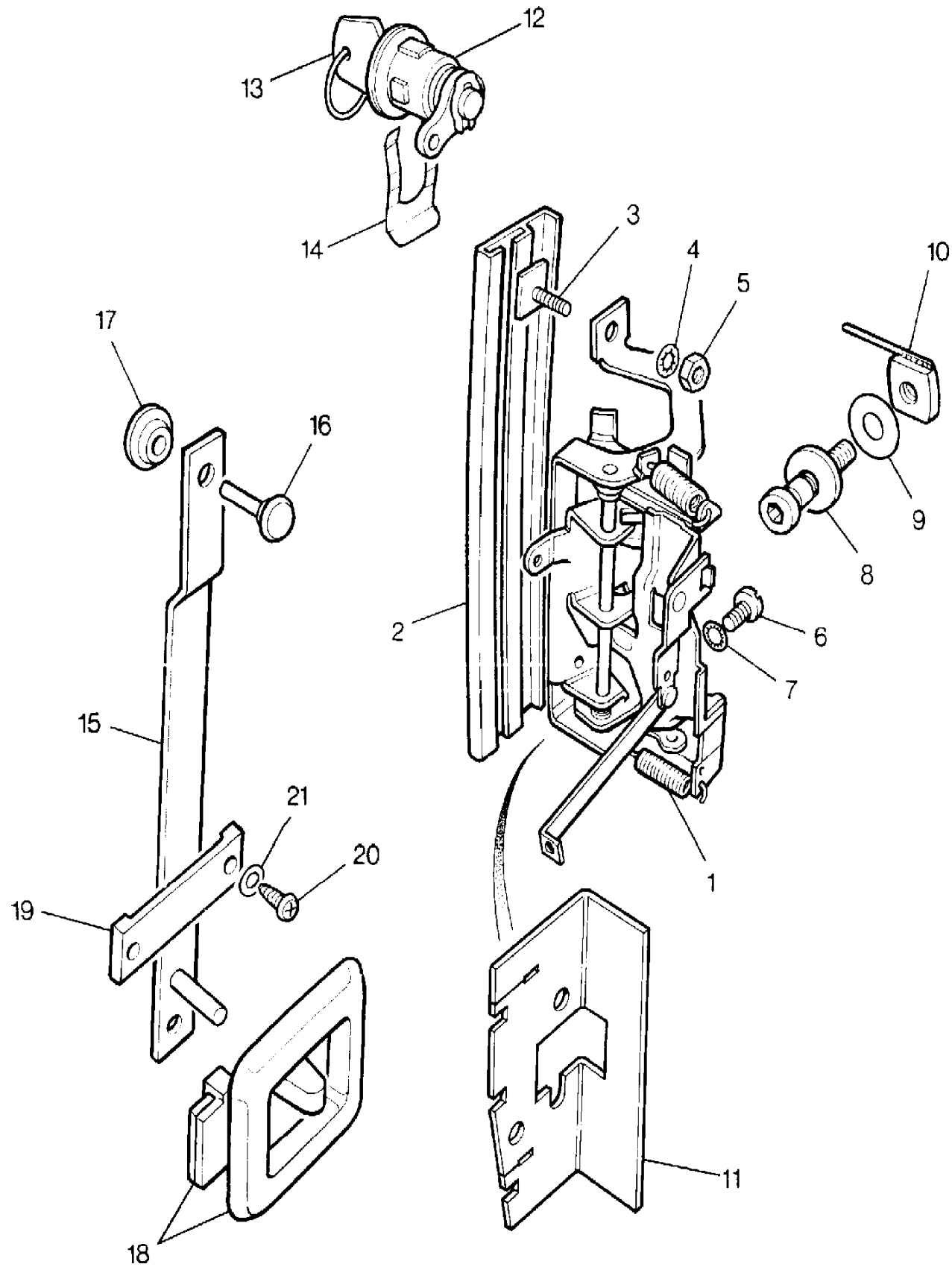
(P186)

Range Rover (To HA610293)

Body & Chassis
 Body
 Door Locks

2 Door Station Wagon

Callout	Name	Application	Remarks & Restrictions	Service No.	Qty
19	Guide	Change point - VIN end EA351846	locking lever	391566	2
20	Screw	Change point - VIN end EA351846	Self Tapping, No 6 x 5/8	AB606051L	4
21	Washer-Plain	Change point - VIN end EA351846		WA703081L	4

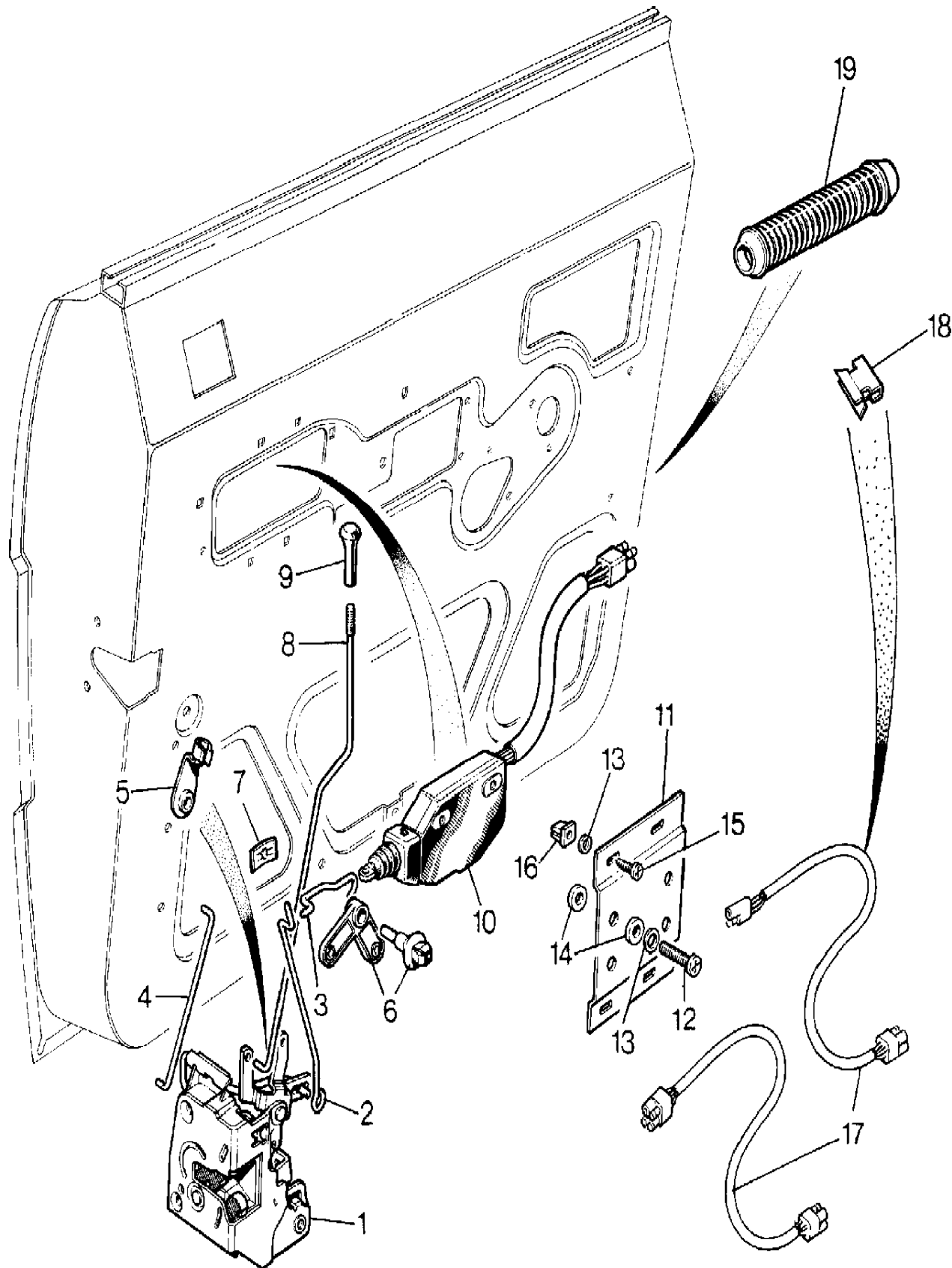


Range Rover (To HA610293)

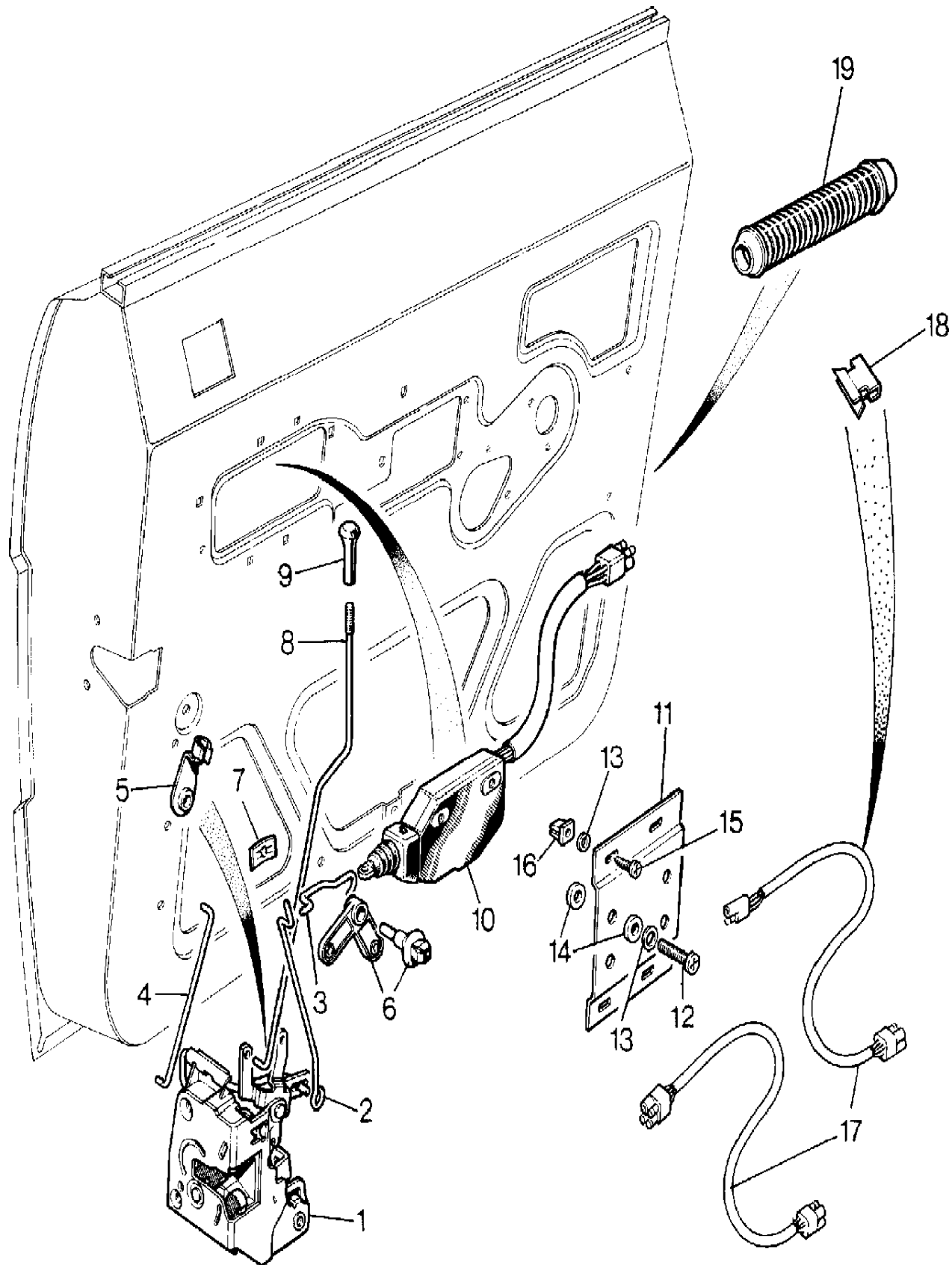
(TS5614)

4 Door Station Wagon, With Central Locking System

Callout	Name	Application	Remarks & Restrictions	Service No.	Qty
1	Latch assembly-front door	Change point - VIN end EA351846	LH	MTC7592	1
		Change point - VIN end EA351846	RH	MTC7593	1
2	Link - locks	Change point - VIN end EA351846	latch to bellcrank, RH	MTC6864	1
		Change point - VIN end EA351846	latch to bellcrank, LH	MTC7032	1
3	Link - locks	Change point - VIN end EA351846	bellcrank to actuator, LH	MTC7645	1
		Change point - VIN end EA351846	bellcrank to actuator, RH	MTC7644	1
4	Link - locks	Change point - VIN end EA351846	Lock Barrel	MTC7029	2
5	Clip-linkage	Change point - VIN end EA351846		DZA943L	2
6	Bellcrank-door	Change point - VIN end EA351846		DZA1435L	2
7	Retainer	Change point - VIN end EA351846		AN604041L	2
8	Link-front door sill button/latch	Change point - VIN end EA351846	LH	MTC6913	1
		Change point - VIN end EA351846	RH	MTC6912	1
9	Button sill	Change point - VIN end EA351846	Brushwood	MUC3366AV	2
		Change point - VIN end EA351846	Bitter Chocolate.	MUC3366CC	2
		Change point - VIN end EA351846	Flint Grey	MUC3366LG	2
10	Actuator-central door locking	Change point - VIN end EA351846	Driver	PRC4831	1
		Change point - VIN end EA351846	Passenger	PRC3916	1
11	Plate	Change point - VIN end EA351846		MTC6862	2
12	Screw	Change point - VIN end EA351846	Black, Self Tapping, No8 x 5/8	AB608051L	8
13	Bush	Change point - VIN end EA351846		EAM9067L	16
14	Grommet	Change point - VIN end EA351846		EAM9066L	16
15	Screw	Change point - VIN end EA351846	plastite	ADU6780	8



Callout	Name	Application	Remarks & Restrictions	Service No.	Qty
16	Nut-lokut-seal	Change point - VIN end EA351846		CZK3264	8
17	Harness-central door locking	Change point - VIN end EA351846 Change point - VIN end EA351846	Driver Passenger	PRC4719 PRC4721	1 1
18	Clip	Change point - VIN end EA351846		578030	X
19	Grommet-convolute	Change point - VIN end CA273922 Change point - VIN begin DA273923, Change point - VIN end EA351846		DRC5377 MUC6521	2 2



Body & Chassis
 Body
 Door Mirrors 1/1

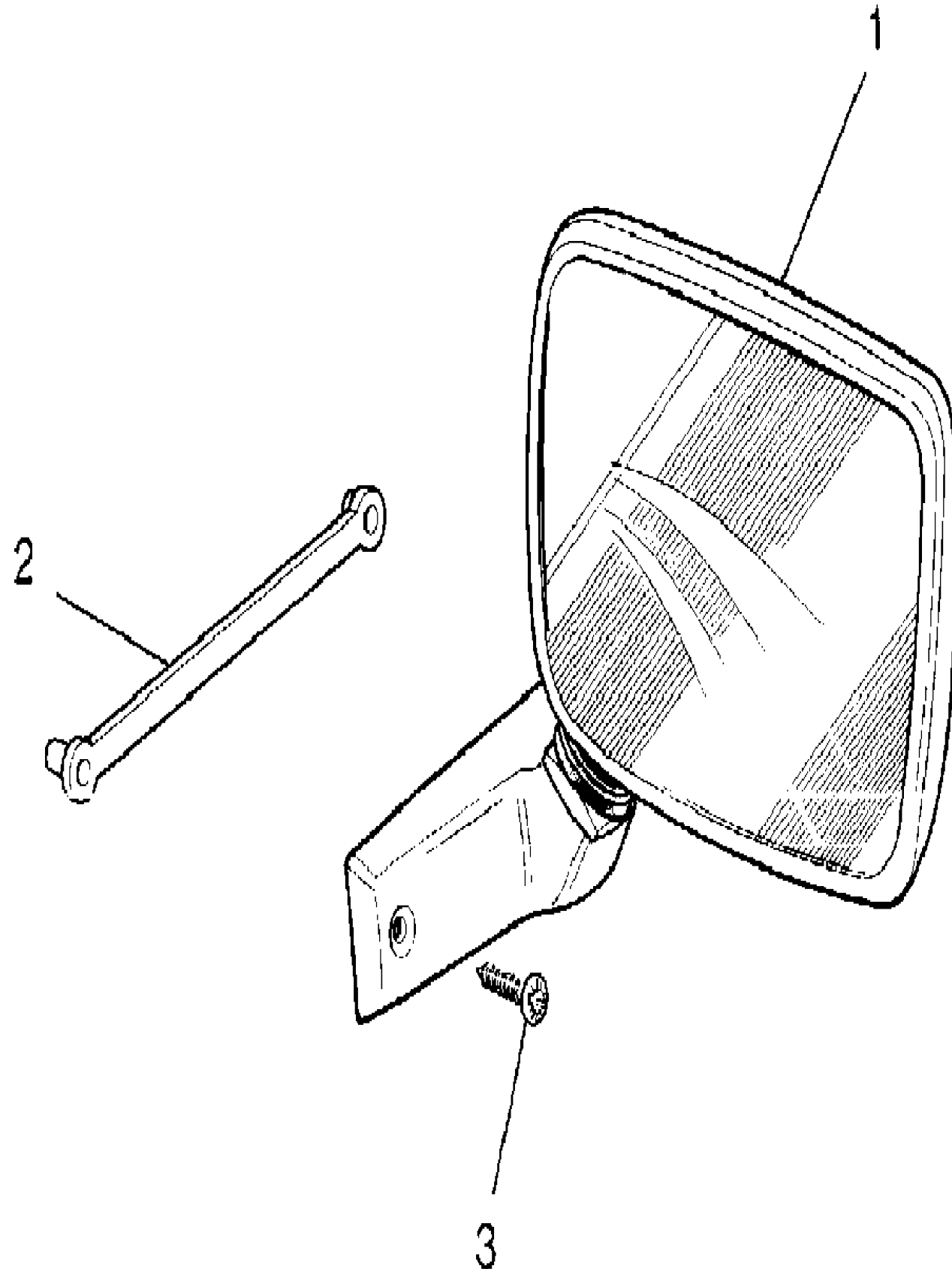
Range Rover (To HA610293)
 (TS5054A)

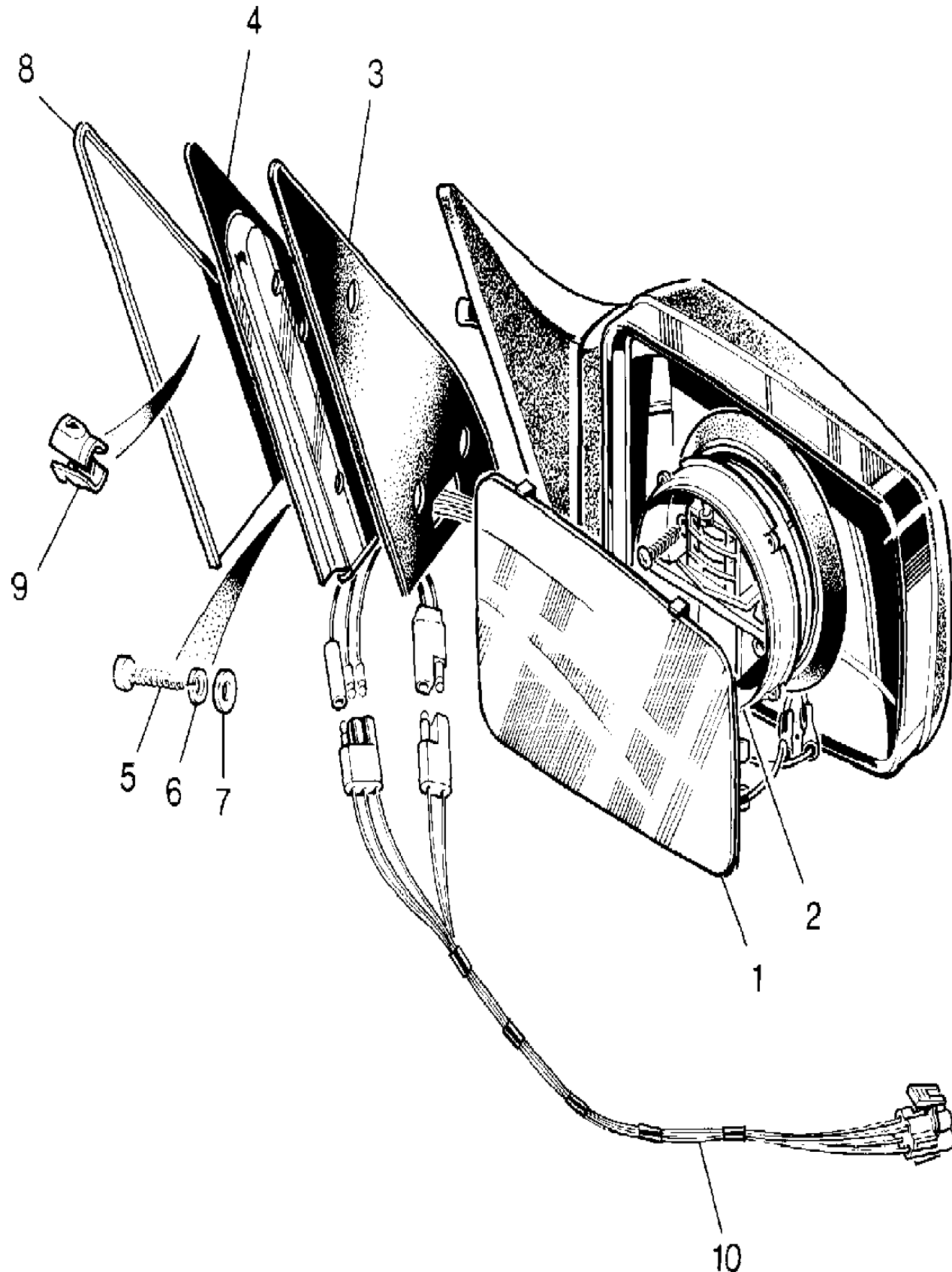
Range Rover (To HA610293)

Body & Chassis
 Body
 Door Mirrors

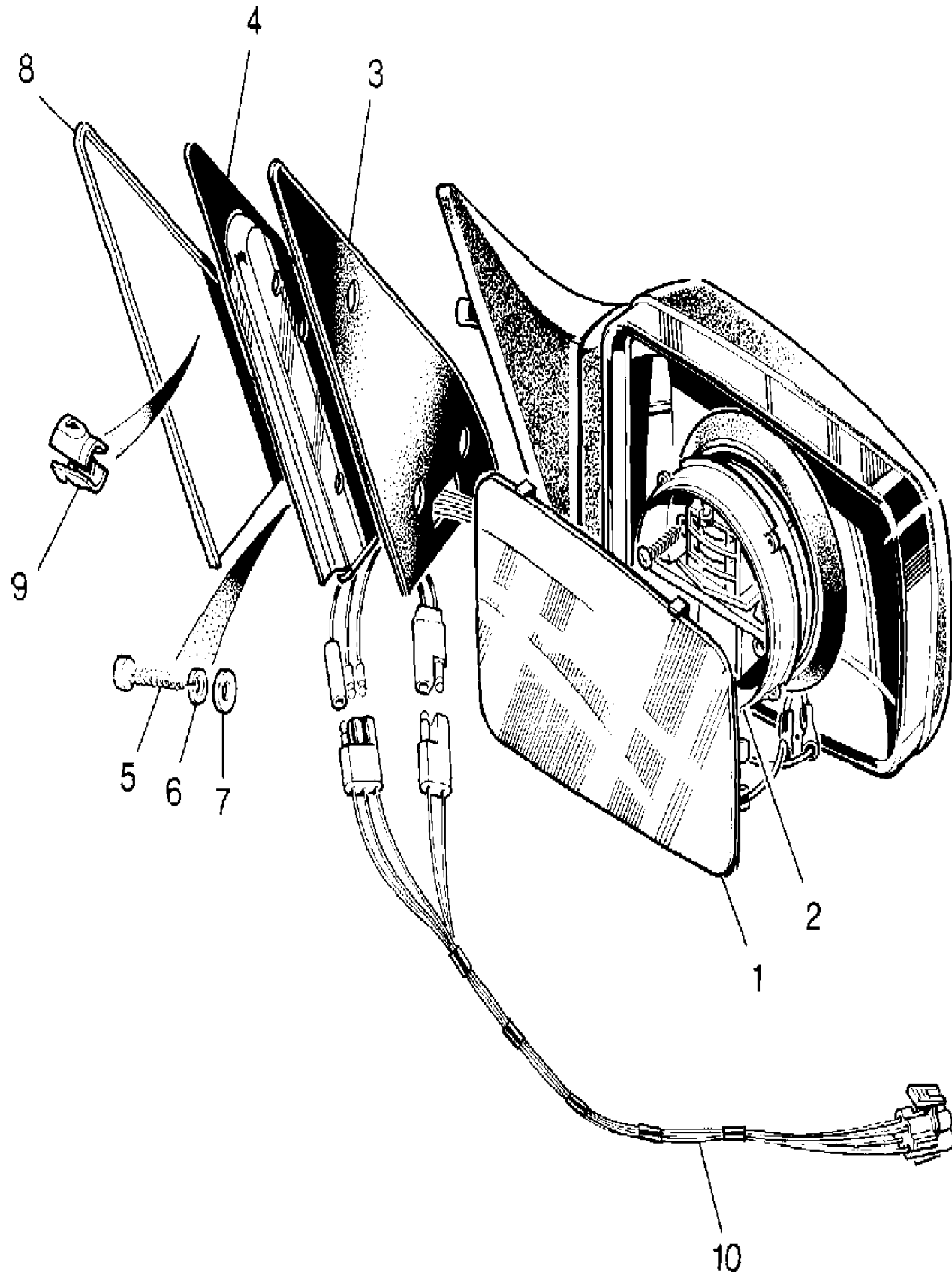
2 Door Station Wagon

Callout	Name	Application	Remarks & Restrictions	Service No.	Qty
1	Glass assembly-mirror	(-)"AUS"	Hand Set Door Mirrors, RH, convex	MTC8528	1
		(-)"AUS"	Hand Set Door Mirrors, convex, LH	MTC8529	1
		(+)"AUS"	Hand Set Door Mirrors, Flat, RH	MTC8530	1
		(+)"AUS"	Hand Set Door Mirrors, Flat, LH	MTC8531	1
2	Screw	(-)"AUS"	Hand Set Door Mirrors	MTC8527	2
3	Striker-Door Lock	(-)"AUS"	Hand Set Door Mirrors	MUC8526	4

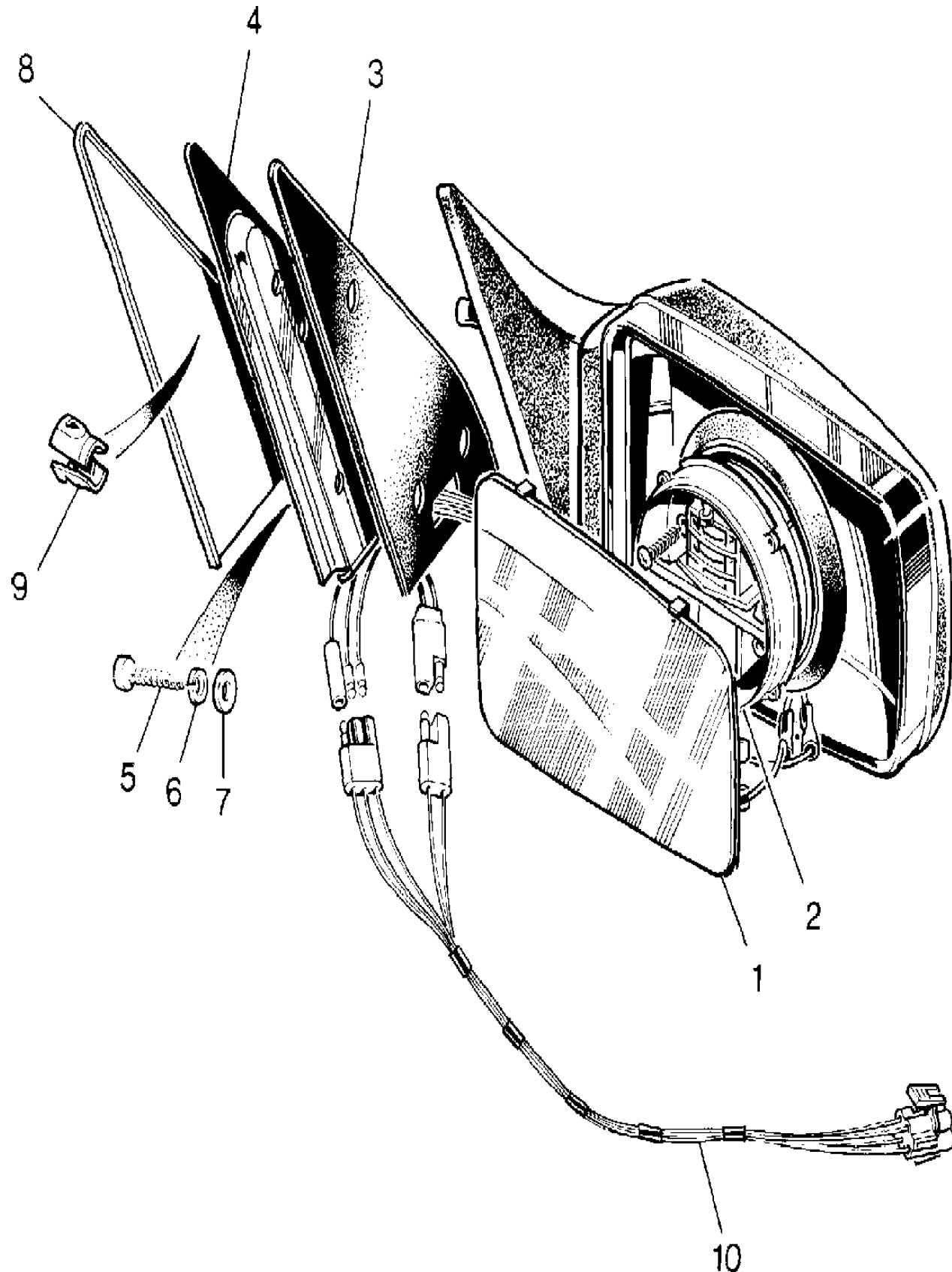




Callout	Name	Application	Remarks & Restrictions	Service No.	Qty
1	Glass assembly-mirror	Change point - VIN begin GA441004	Electric Door Mirrors, Also serviced as part of a kit, Heated, Flat, RH	MUC1606	1
		Change point - VIN begin GA441004	Electric Door Mirrors, Also serviced as part of a kit, Heated, Flat, LH	MUC1607	1
		Change point - VIN begin GA441004	Electric Door Mirrors, Also serviced as part of a kit, Heated, RH, convex	MTC6538	1
		Change point - VIN begin GA441004	Electric Door Mirrors, Also serviced as part of a kit, Heated, convex, LH	MUC1609	1
2	Motor assembly-exterior mirror assembly electric	Change point - VIN begin GA441004	Electric Door Mirrors, Also serviced as part of a kit	RTC3263	2
3	Gasket-exterior mirror	Change point - VIN begin GA441004		MUC1792	2
4	Plate	Change point - VIN begin GA441004	RH	MXC8714	1
		Change point - VIN begin GA441004	LH	MXC8715	1
5	Screw	Change point - VIN begin GA441004	Self Tapping, No10 x 3/4	AB610061L	6
6	Washer	Change point - VIN begin GA441004	M5, retaining	WL105001L	6
7	Washer	Change point - VIN begin GA441004	M5, Plain, Standard	WA105001L	6
8	Cheater-exterior mirror	Change point - VIN begin GA441004	Bokhara, Inner, LH	MXC5292RUN	1
		Change point - VIN begin GA441004	RH, Bokhara, Inner	MXC5291RUN	1
9	Clip	Change point - VIN begin GA441004		AFU3009	4
[900]	Mirror assembly-electric control exterior	Change point - VIN begin GA441004	Electric Door Mirrors, Also serviced as part of a kit, Flat, RH	BTR383	1
		Change point - VIN begin GA441004	Electric Door Mirrors, Also serviced as part of a kit, Flat, LH	BTR384	1
		Change point - VIN begin GA441004	Electric Door Mirrors, Also serviced as part of a kit, RH, convex	BTR385	1
		Change point - VIN begin GA441004	Electric Door Mirrors, Also serviced as part of a kit, convex, LH	BTR386	1



Callout	Name	Application	Remarks & Restrictions	Service No.	Qty
1	Glass-exterior mirror assembly	Change point - VIN end GA441003	Electric Door Mirrors, Also serviced as part of a kit, Heated, RH, convex	MTC6538	1
		Change point - VIN end GA441003	Electric Door Mirrors, Also serviced as part of a kit, Heated, convex, LH	MUC1609	1
		Change point - VIN end GA441003	Electric Door Mirrors, Also serviced as part of a kit, Heated, Flat, RH	MUC1606	1
		Change point - VIN end GA441003	Electric Door Mirrors, Also serviced as part of a kit, Heated, Flat, LH	MUC1607	1
		Change point - VIN end GA441003	Less Electric Door Mirrors, Also serviced as part of a kit, Heated, RH, convex	MTC6538	1
		Change point - VIN end GA441003	Less Electric Door Mirrors, Also serviced as part of a kit, Heated, convex, LH	MUC1609	1
		Change point - VIN end GA441003	Less Electric Door Mirrors, Also serviced as part of a kit, Heated, Flat, RH	MUC1606	1
		Change point - VIN end GA441003	Less Electric Door Mirrors, Also serviced as part of a kit, Heated, Flat, LH	MUC1607	1
2	Motor assembly-exterior mirror assembly electric	Change point - VIN end GA441003	Electric Door Mirrors, Also serviced as part of a kit	RTC3263	1
		Change point - VIN end GA441003	Less Electric Door Mirrors, Also serviced as part of a kit	RTC3264	1
3	Gasket-exterior mirror	Change point - VIN end GA441003		MUC1792	2
4	Plate-exterior mirror retaining	Change point - VIN end GA441003	RH	MUC1790	1
		Change point - VIN end GA441003	LH	MUC1791	1
5	Screw	Change point - VIN end GA441003	Self Tapping, No10 x 3/4	AB610061L	6
6	Washer	Change point - VIN end GA441003	M5, retaining	WL105001L	6
7	Washer	Change point - VIN end GA441003	M5, Plain, Standard	WA105001L	6
8	Finisher	Change point - VIN end EA351846	LH	MUC2579	1
		Change point - VIN end GA441003, Change point - VIN begin FA351847	Bokhara, Inner, LH	MXC5292RUN	1
		Change point - VIN end EA351846	RH	MUC2580	1
		Change point - VIN end GA441003, Change point - VIN begin FA351847	RH, Bokhara, Inner	MXC5291RUN	1
9	Clip	Change point - VIN end GA441003		AFU3009	4



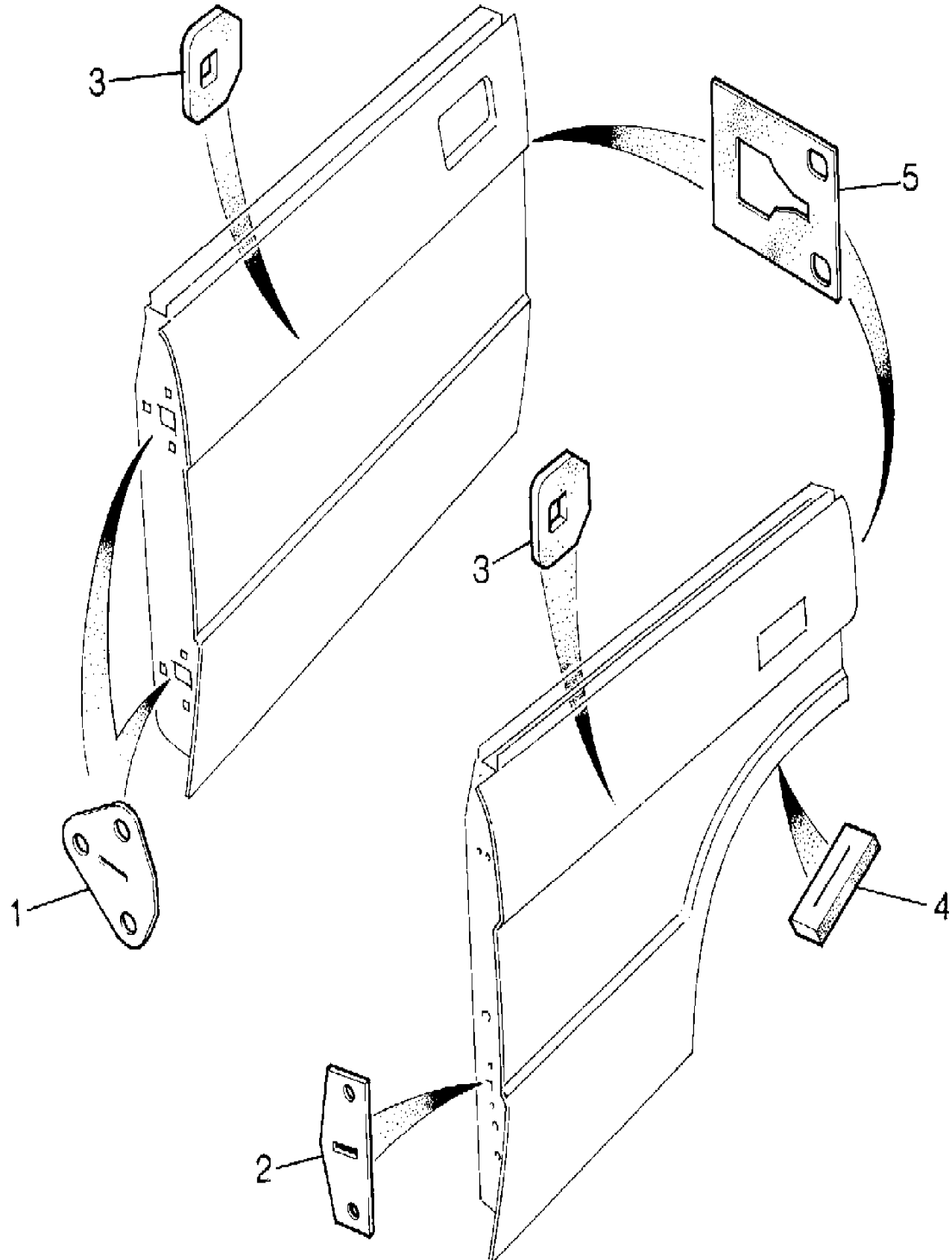
Callout	Name	Application	Remarks & Restrictions	Service No.	Qty
10	Harness-link	Change point - VIN end GA441003		PRC4272	2
[900]	Mirror assembly-electric control exterior	Change point - VIN end GA441003	Electric Door Mirrors, Also serviced as part of a kit, RH, Self Colour, convex	MTC5830	1
		Change point - VIN end GA441003	Electric Door Mirrors, Also serviced as part of a kit, Self Colour, convex, LH	MTC5831	1
[901]	Mirror assembly-exterior	Change point - VIN end GA441003	Electric Door Mirrors, Also serviced as part of a kit, Flat, RH	MTC8636	1
		Change point - VIN end GA441003	Electric Door Mirrors, Also serviced as part of a kit, Flat, LH	MTC8637	1
		Change point - VIN end GA441003	Less Electric Door Mirrors, Also serviced as part of a kit, RH, convex	MTC5828	1
		Change point - VIN end GA441003	Less Electric Door Mirrors, Also serviced as part of a kit, convex, LH	MTC5829	1
		Change point - VIN end GA441003	Less Electric Door Mirrors, Also serviced as part of a kit, Flat, RH	MTC8634	1
		Change point - VIN end GA441003	Less Electric Door Mirrors, Also serviced as part of a kit, Flat, LH	MTC8635	1

Range Rover (To HA610293)

(TS5355)

Range Rover (To HA610293)

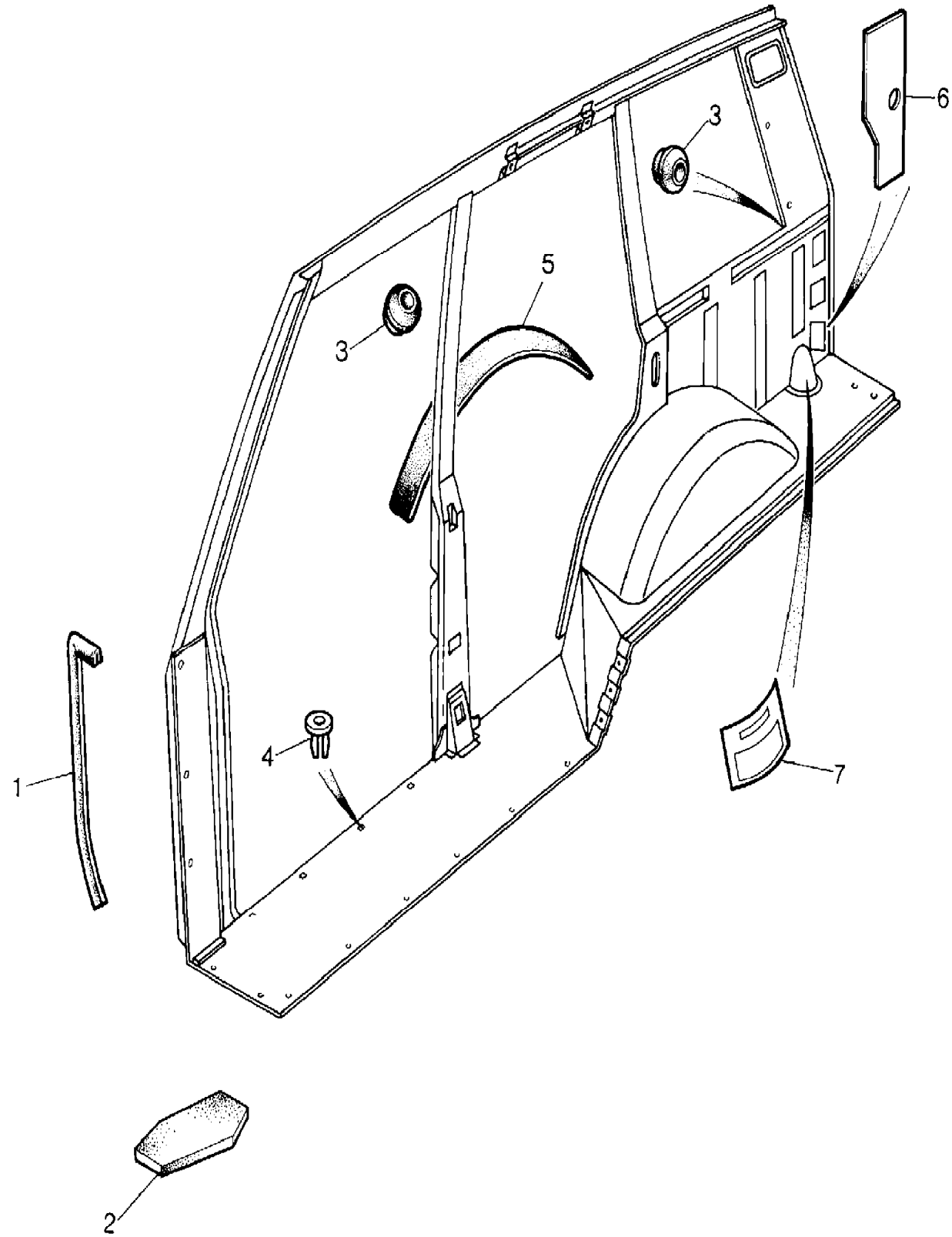
Callout	Name	Application	Remarks & Restrictions	Service No.	Qty
1	Seal		Check strap, Front	MUC1818	4
2	Seal		Check strap, Rear	MUC1819	2
3	Seal		remote control handle	MUC1839	4
4	Seal		child proof lock	MUC1820	2
5	Seal		door latch	MUC1822	4



Body & Chassis
 Body
 Dust Proofing Seals 1/1

Range Rover (To HA610293)

(TS5642)



Range Rover (To HA610293)

Body & Chassis
 Body
 Dust Proofing Seals

4 Door Station Wagon

Callout	Name	Application	Remarks & Restrictions	Service No.	Qty
1	Seal		A post to wing	391318	2
2	Seal-Dust		LH RH	MTC1879 MTC1880	1 1
3	Plug-blanking		Plastic, 19MM	338020	14
4	Nut - Hex.			RTC3746	12
5	Seal			MUC3715	2
6	Seal-Dust			MRC7226	2
7	Label-jack information			NRC5301	1

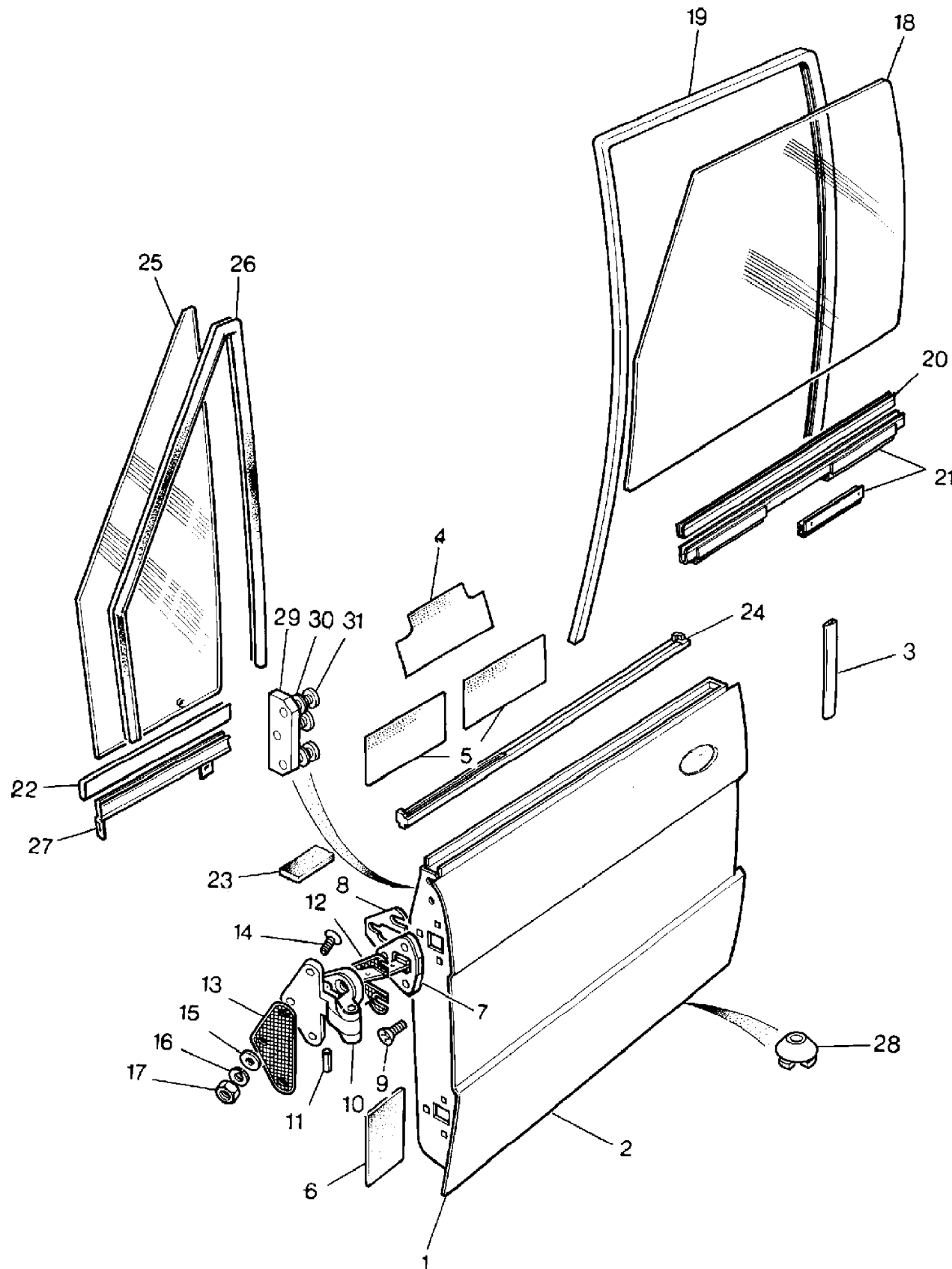
Range Rover (To HA610293)

(TS6527C)

Range Rover (To HA610293)

Change point - VIN begin FA351847, 2 Door Station Wagon

Callout	Name	Application	Remarks & Restrictions	Service No.	Qty
1	Door assembly-front	Change point - VIN begin FA351847 Change point - VIN begin FA351847	Also serviced as part of a kit, RH Also serviced as part of a kit, LH	MXC4886 MXC4887	1 1
2	Panel outer	Change point - VIN begin FA351847 Change point - VIN begin FA351847	Also serviced as part of a kit, RH Also serviced as part of a kit, LH	RTC6297 RTC6298	1 1
3	Protector-edge	Change point - VIN begin FA351847		DZA6330	2
4	Pad-anti rattle	Change point - VIN begin FA351847		391552	2
5	Pad-anti rattle	Change point - VIN begin FA351847		392569	2
6	Pad-anti rattle	Change point - VIN begin FA351847	100 x 75 x 20	392748	4
7	Check strap	Change point - VIN begin FA351847		391280	2
8	Shim	Change point - VIN begin FA351847 Change point - VIN begin FA351847	10.SWG 6.SWG	392865 392866	X X
9	Screw	Change point - VIN begin FA351847		392920	12
10	Hinge assembly-front door	Change point - VIN begin FA351847		390415	4
11	Pin-roll	Change point - VIN begin FA351847		391439	4
12	Shim	Change point - VIN begin FA351847	Check strap, textured	392876	4
13	Shim	Change point - VIN begin FA351847	Hinge	391592	4
14	Screw	Change point - VIN begin FA351847		391043	12
15	Washer-Plain	Change point - VIN begin FA351847		RTC613	12
16	Washer-Spring	Change point - VIN begin FA351847	5/16"	WM600051L	12
17	Nut - Hex.	Change point - VIN begin FA351847	hexagonal head, 5/16UNF	NH605041L	12



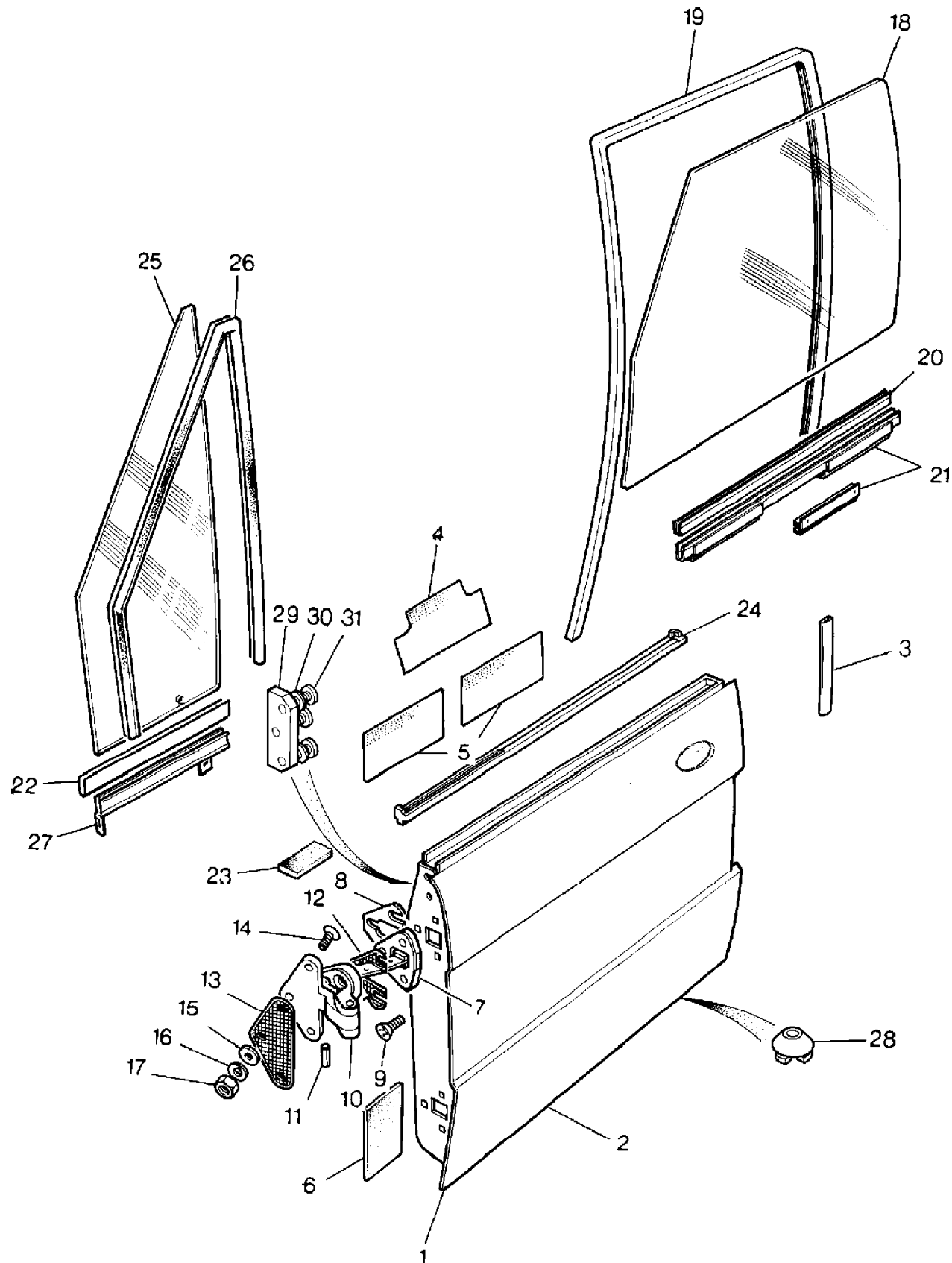
Range Rover (To HA610293)

(TS6527C)

Range Rover (To HA610293)

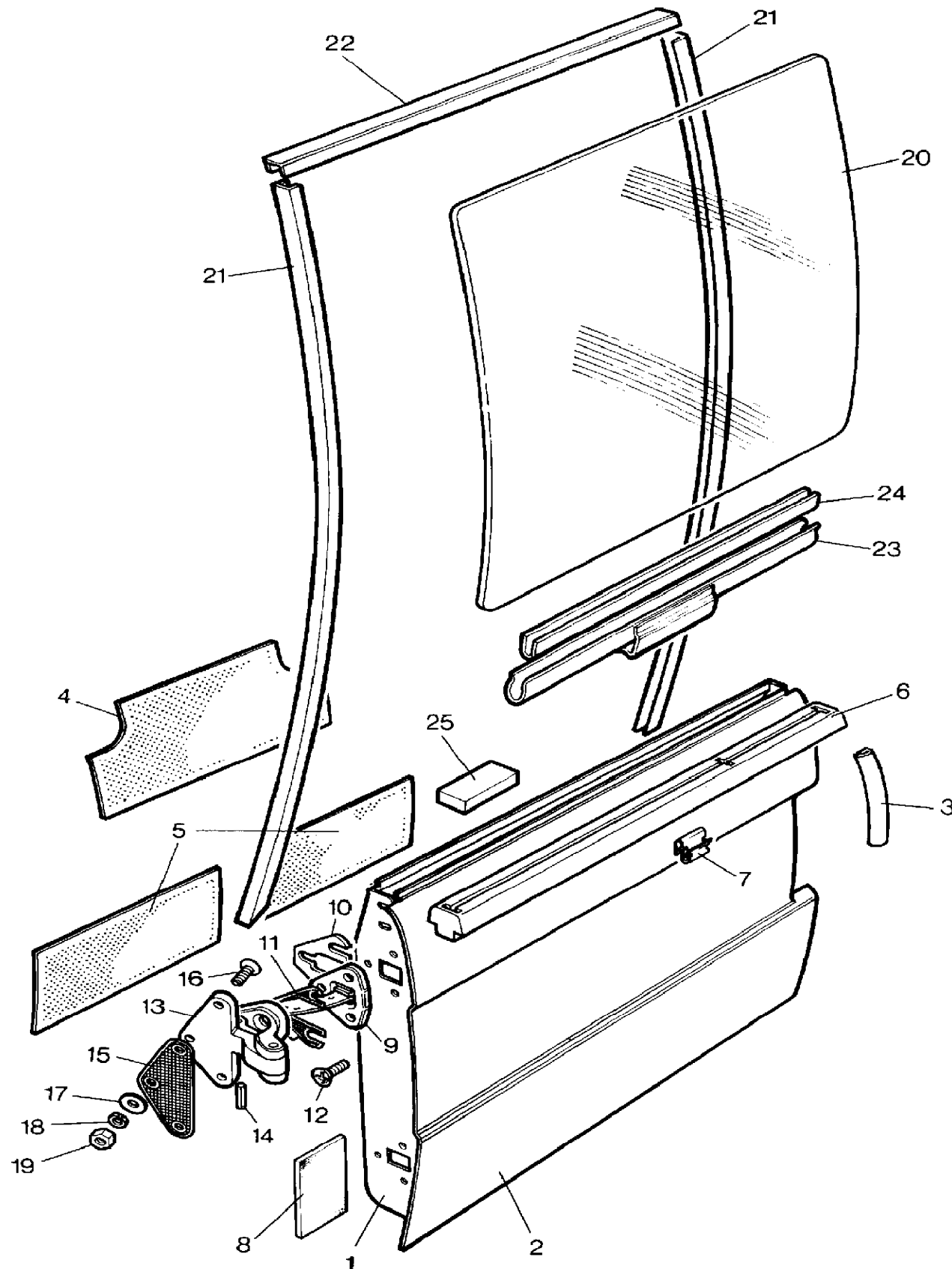
Change point - VIN begin FA351847, 2 Door Station Wagon

Callout	Name	Application	Remarks & Restrictions	Service No.	Qty
18	Glass-front door clear	Change point - VIN begin FA351847	RH	MWC8430	1
		Change point - VIN begin FA351847	LH	MWC8431	1
19	Glass channel	Change point - VIN begin FA351847		MXC1949	2
20	Channel-rear door glass run	Change point - VIN begin FA351847	Rubber	MTC7290	2
21	Channel-rear door glass lift	Change point - VIN begin FA351847	RH	MUC1218	1
		Change point - VIN begin FA351847	LH	MUC1219	1
22	Strip-glazing	Change point - VIN begin FA351847		RTC6455	2
23	Pad-anti rattle	Change point - VIN begin FA351847		MUC2177	2
24	Seal waist outer	Change point - VIN begin FA351847	RH	MXC5355	1
		Change point - VIN begin FA351847	LH	MXC5356	1
25	Glass-front door clear	Change point - VIN begin FA351847	RH, Fixed	MWC6328	1
		Change point - VIN begin FA351847	LH, Fixed	MWC6329	1
26	Weatherstrip-quarterlight	Change point - VIN begin FA351847		MWC6305	2
27	Channel-front door guide	Change point - VIN begin FA351847	RH	MWC6308	1
		Change point - VIN begin FA351847	LH	MWC6309	1
28	Grommet	Change point - VIN begin FA351847		MXC1956	2
29	Plate-Retaining	Change point - VIN begin FA351847		MXC1867	2
30	Washer-Plain	Change point - VIN begin FA351847		RTC613	6
31	Screw	Change point - VIN begin FA351847		MXC1638	6



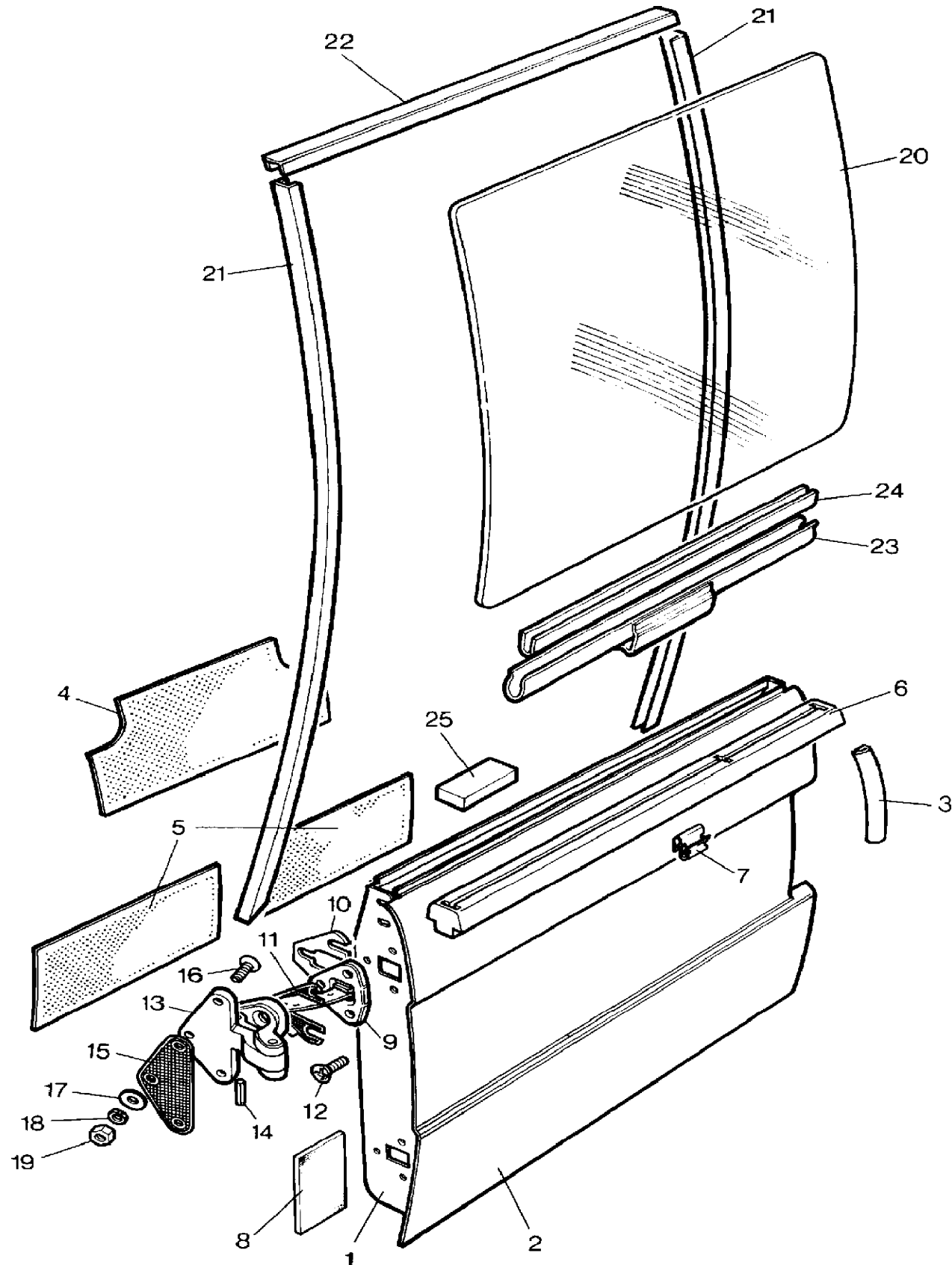
Change point - VIN end EA351846, 2 Door Station Wagon

Callout	Name	Application	Remarks & Restrictions	Service No.	Qty
1	Door assembly-front	Change point - VIN end EA351846	Also serviced as part of a kit, RH	RTC6183	1
		Change point - VIN end EA351846	Also serviced as part of a kit, LH	RTC6184	1
2	Panel outer	Change point - VIN end EA351846	Also serviced as part of a kit, RH	RTC6297	1
		Change point - VIN end EA351846	Also serviced as part of a kit, LH	RTC6298	1
3	Protector-edge	Change point - VIN end EA351846		DZA6330	2
4	Pad-anti rattle	Change point - VIN end EA351846		391552	2
5	Pad-anti rattle	Change point - VIN end EA351846		392569	2
6	Seal-rubber	Change point - VIN end EA351846	RH	392624	1
		Change point - VIN end EA351846	LH	392625	1
7	Clip	Change point - VIN end EA351846		393116	28
8	Pad-anti rattle	Change point - VIN end EA351846	100 x 75 x 20	392748	4
9	Check strap	Change point - VIN end EA351846		391280	2
10	Shim	Change point - VIN end EA351846	10.SWG	392865	X
		Change point - VIN end EA351846	6.SWG	392866	X
11	Shim	Change point - VIN end EA351846	textured	392876	4
12	Screw	Change point - VIN end EA351846		392920	12
13	Hinge assembly-front door	Change point - VIN end EA351846		390415	4
14	Pin-roll	Change point - VIN end EA351846		391439	4
15	Shim	Change point - VIN end EA351846		391592	4
16	Screw	Change point - VIN end EA351846		391043	12
17	Washer-Plain	Change point - VIN end EA351846		RTC613	12



Change point - VIN end EA351846, 2 Door Station Wagon

Callout	Name	Application	Remarks & Restrictions	Service No.	Qty
18	Washer-Spring	Change point - VIN end EA351846	5/16"	WM600051L	12
19	Nut - Hex.	Change point - VIN end EA351846	hexagonal head, Coarse Thread, 1/4UNF	NH604041L	12
20	Glass door front	Change point - VIN end EA351846	RH	MTC5942	1
		Change point - VIN end EA351846	LH	MTC5943	1
21	Channel-front door glass run	Change point - VIN end EA351846	Side	390721	4
22	Channel-front door guide	Change point - VIN end EA351846	top	390722	2
23	Channel-front door guide	Change point - VIN end EA351846	bottom	390681	2
24	Glazing rubber	Change point - VIN end EA351846	5.0MM	MUC2325	X
25	Stop-window glass	Change point - VIN end EA351846		367496	2



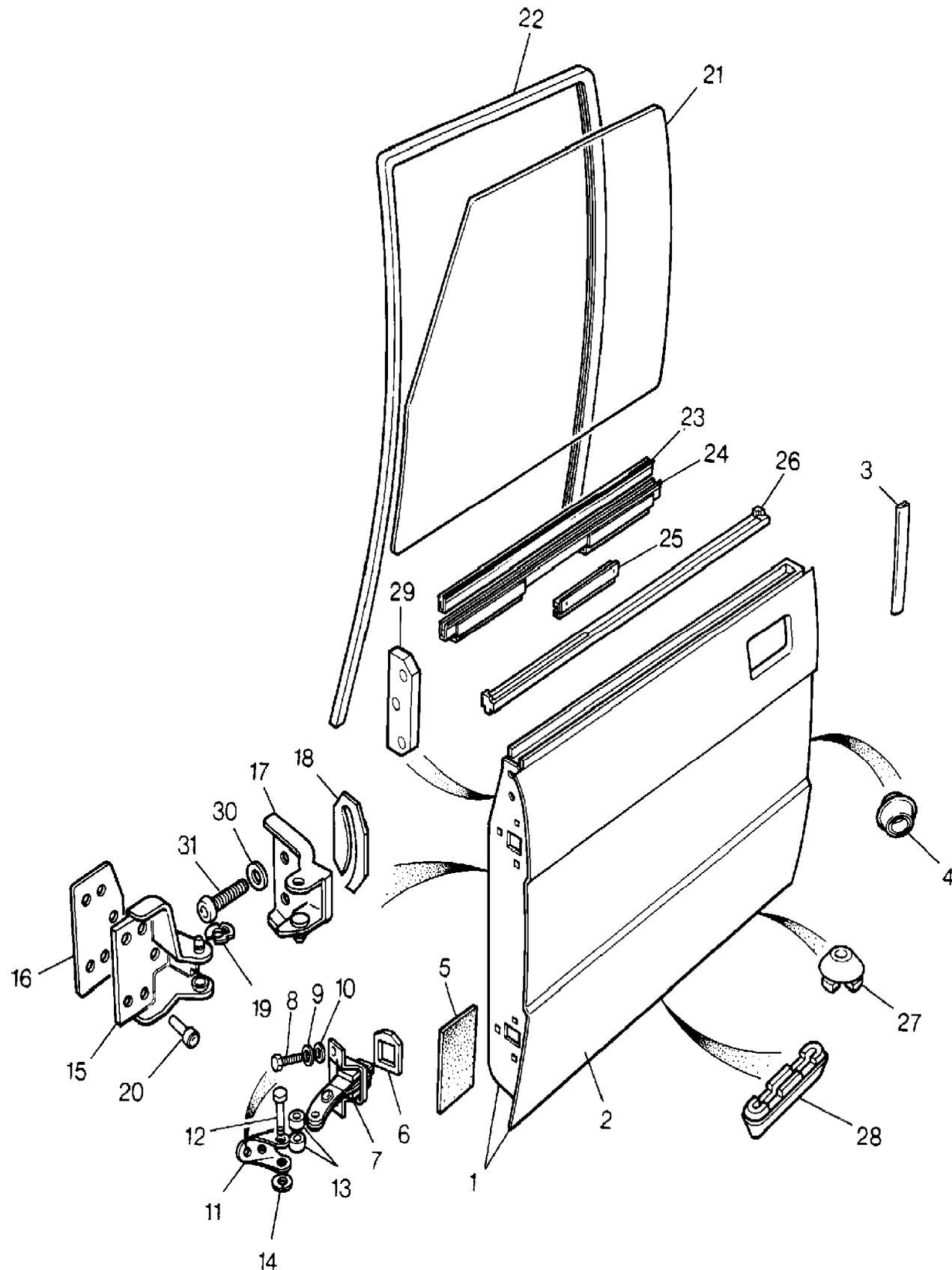
Range Rover (To HA610293)

(TS6606C)

Range Rover (To HA610293)

Change point - VIN begin FA374642, 4 Door Station Wagon

Callout	Name	Application	Remarks & Restrictions	Service No.	Qty
1	Door assembly-front	Change point - VIN begin FA374642	Also serviced as part of a kit, RH	MWC5850	1
		Change point - VIN begin FA374642	Also serviced as part of a kit, LH	MWC5851	2
2	Door assembly-outer front	Change point - VIN begin FA374642	Also serviced as part of a kit, RH	MXC2064	1
		Change point - VIN begin FA374642	Also serviced as part of a kit, LH	MXC2063	1
3	Protector-edge	Change point - VIN begin FA374642		DZA6330	2
4	Plug-blanking	Change point - VIN begin FA374642	9.5MM, Plastic	338013	X
		Change point - VIN begin FA374642	25.5MM, Plastic	338023	X
5	Pad-anti rattle	Change point - VIN begin FA374642	100 x 75 x 20	392748	4
		Change point - VIN begin FA374642	230 x 100 x 10mm	392745	2
6	Gasket	Change point - VIN begin FA374642	Check strap	MXC8335	2
7	Check strap	Change point - VIN begin FA374642	RH	MXC1966	1
		Change point - VIN begin FA374642	LH	MXC1967	1
8	Screw	Change point - VIN begin FA374642	M6 X 16, hexagonal head	SH106161L	8
9	Washer	Change point - VIN begin FA374642	M6, sprung	WL106001L	8
10	Washer	Change point - VIN begin FA374642	6MM	WA106041L	8
11	Bracket	Change point - VIN begin FA374642		MTC9066	2
12	Pin	Change point - VIN begin FA374642		CLP6552	2
13	Spacer	Change point - VIN begin FA374642		MTC9631	4
14	Circlip	Change point - VIN begin FA374642		MTC9632	2
15	Hinge A post	Change point - VIN begin FA374642	RH, Upper	MXC2164	1
		Change point - VIN begin FA374642	Upper, LH	MXC2165	1
		Change point - VIN begin FA374642	RH, Lower	MXC5770	1



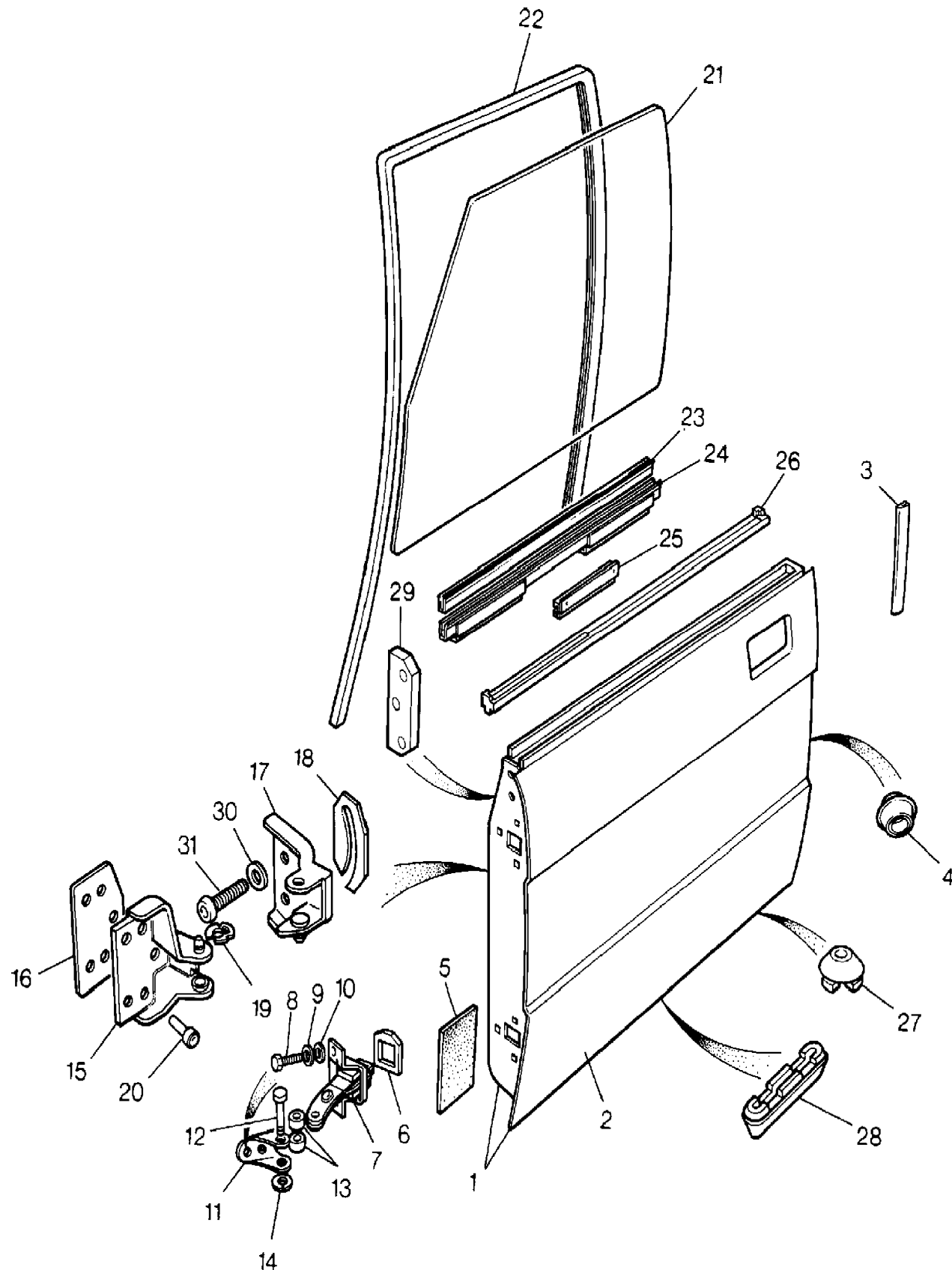
Range Rover (To HA610293)

(TS6606C)

Range Rover (To HA610293)

Change point - VIN begin FA374642, 4 Door Station Wagon

Callout	Name	Application	Remarks & Restrictions	Service No.	Qty
15	Hinge A post	Change point - VIN begin FA374642	Lower, LH	MXC5771	1
16	Shim-door hinge	Change point - VIN begin FA374642		MWC8680	4
17	Hinge assembly-front door	Change point - VIN begin FA374642	RH	MXC2166	2
		Change point - VIN begin FA374642	LH	MXC2167	2
18	Shim-door hinge	Change point - VIN begin FA374642	1.30MM	MWC5845	2
		Change point - VIN begin FA374642	1.30MM	ALR1976	2
		Change point - VIN begin FA374642	2.60MM	MXC6035	2
19	Circlip	Change point - VIN begin FA374642		MXC5267	4
20	Screw-pan	Change point - VIN begin FA374642	A post to hinge	MXC4918	16
21	Glass door front	Change point - VIN begin FA374642	RH, 4.0MM	MWC8436	1
		Change point - VIN begin FA374642	4.0MM, LH	MWC8437	1
22	Channel-front door glass run	Change point - VIN begin FA374642	4.0MM	MWC9602	2
23	Glazing rubber	Change point - VIN begin FA374642	5.0MM	MUC2325	2
24	Channel-front door glass lift	Change point - VIN begin FA374642		MUC2322	2
25	Channel locating	Change point - VIN begin FA374642		MWC2941	2
26	Seal-front door waist inner	Change point - VIN begin FA374642	RH	MXC8014	1
		Change point - VIN begin FA374642	LH	MXC8015	1
27	Grommet	Change point - VIN begin FA374642	drainseal	MXC1956	2
28	Grommet	Change point - VIN begin FA374642	drainage hole	MUC1733	2
29	Plate-Retaining	Change point - VIN begin FA374642		MXC1867	2
30	Washer-Plain	Change point - VIN begin FA374642		RTC613	6



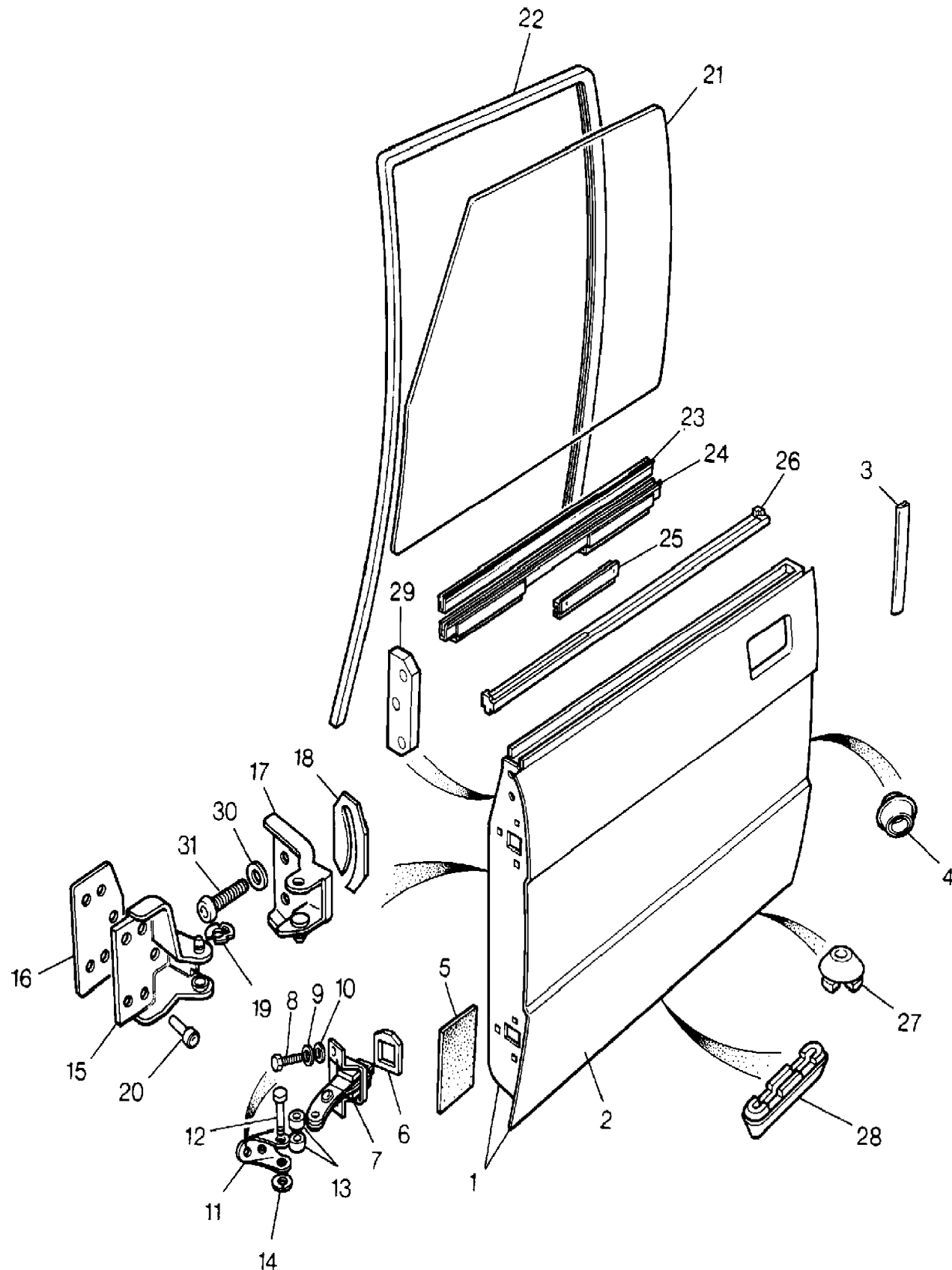
Range Rover (To HA610293)

(TS6606C)

Range Rover (To HA610293)

Change point - VIN begin FA374642, 4 Door Station Wagon

Callout	Name	Application	Remarks & Restrictions	Service No.	Qty
31	Screw	Change point - VIN begin FA374642	Hinge	MXC1638	6
[900]	Shim-door hinge	Change point - VIN begin FA374642	1.30MM	ALR1976	2



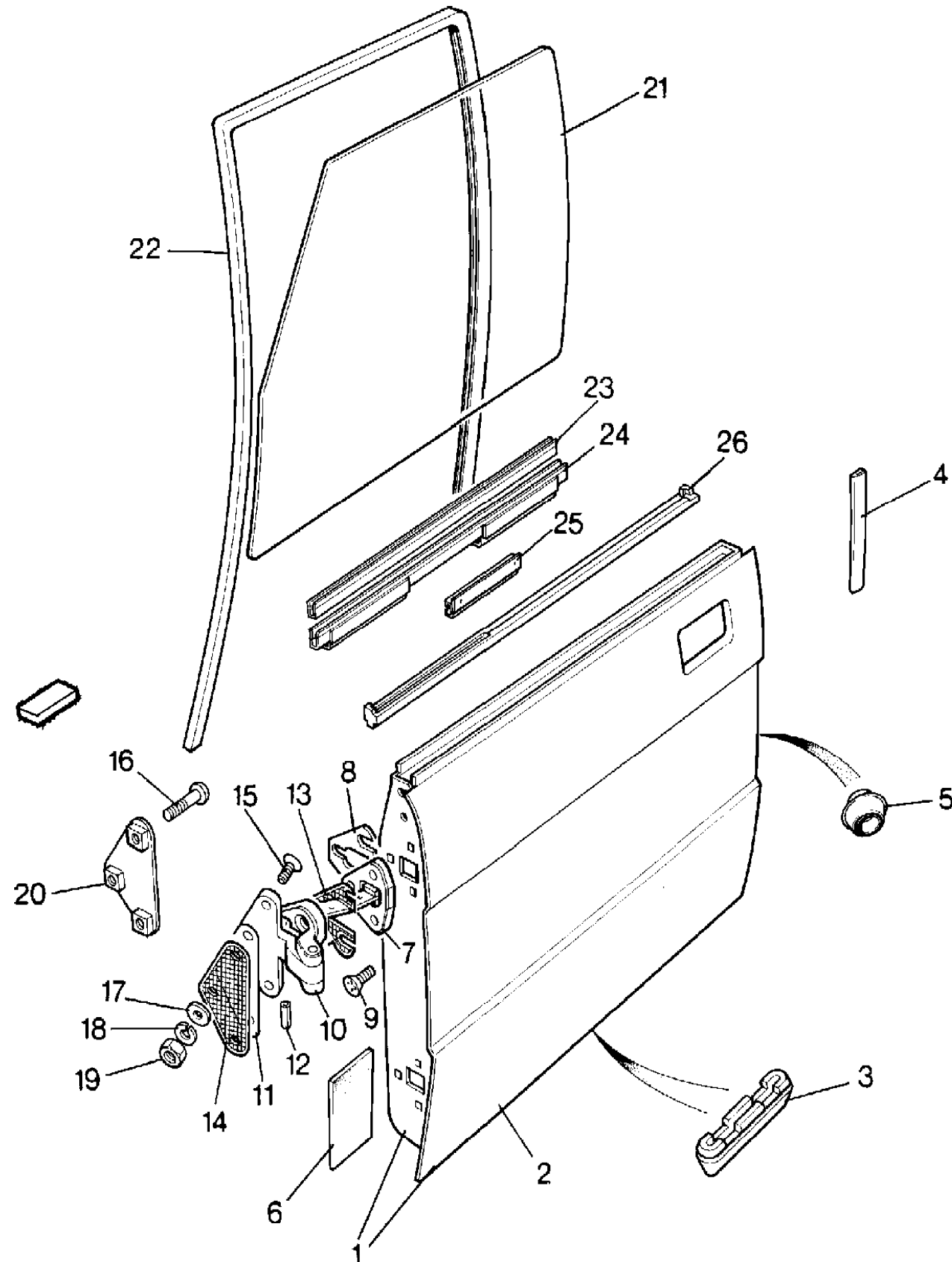
Range Rover (To HA610293)

(TS5350C)

Range Rover (To HA610293)

Change point - VIN end FA374641, 4 Door Station Wagon

Callout	Name	Application	Remarks & Restrictions	Service No.	Qty
1	Door assembly-front	Change point - VIN end EA351846	Also serviced as part of a kit, RH	RTC6293	1
		Change point - VIN end FA374641, Change point - VIN begin FA351847	Also serviced as part of a kit, RH	MXC4872	1
		Change point - VIN end EA351846	Also serviced as part of a kit, LH	RTC6294	1
		Change point - VIN end FA374641, Change point - VIN begin FA351847	Also serviced as part of a kit, LH	MXC4873	1
2	Panel-bodyside trim	Change point - VIN end EA351846	Also serviced as part of a kit, RH	RTC6190	1
		Change point - VIN end EA351846	Also serviced as part of a kit, LH	RTC6189	1
3	Grommet	Change point - VIN end FA374641	drainage hole	MUC1733	2
4	Protector-edge	Change point - VIN end FA374641		DZA6330	2
5	Plug-blanking	Change point - VIN end FA374641	9.5MM, Plastic	338013	X
		Change point - VIN end FA374641	25.5MM, Plastic	338023	X
6	Pad-anti rattle	Change point - VIN end FA374641	waist	MTC7176	2
		Change point - VIN end FA374641	Upper	MTC7177	2
7	Check strap	Change point - VIN end FA374641		MTC7772	2
8	Shim	Change point - VIN end FA374641	10.SWG	392865	X
		Change point - VIN end FA374641	6.SWG	392866	X
9	Screw	Change point - VIN end FA374641		392920	12
10	Hinge assembly-front door	Change point - VIN end FA374641		390415	4
11	Gasket	Change point - VIN end FA374641	Hinge	MWC7676	4
12	Pin-roll	Change point - VIN end FA374641		391439	4
13	Shim	Change point - VIN end FA374641	Check strap, textured	392876	4
14	Shim	Change point - VIN end FA374641	Hinge	391592	4



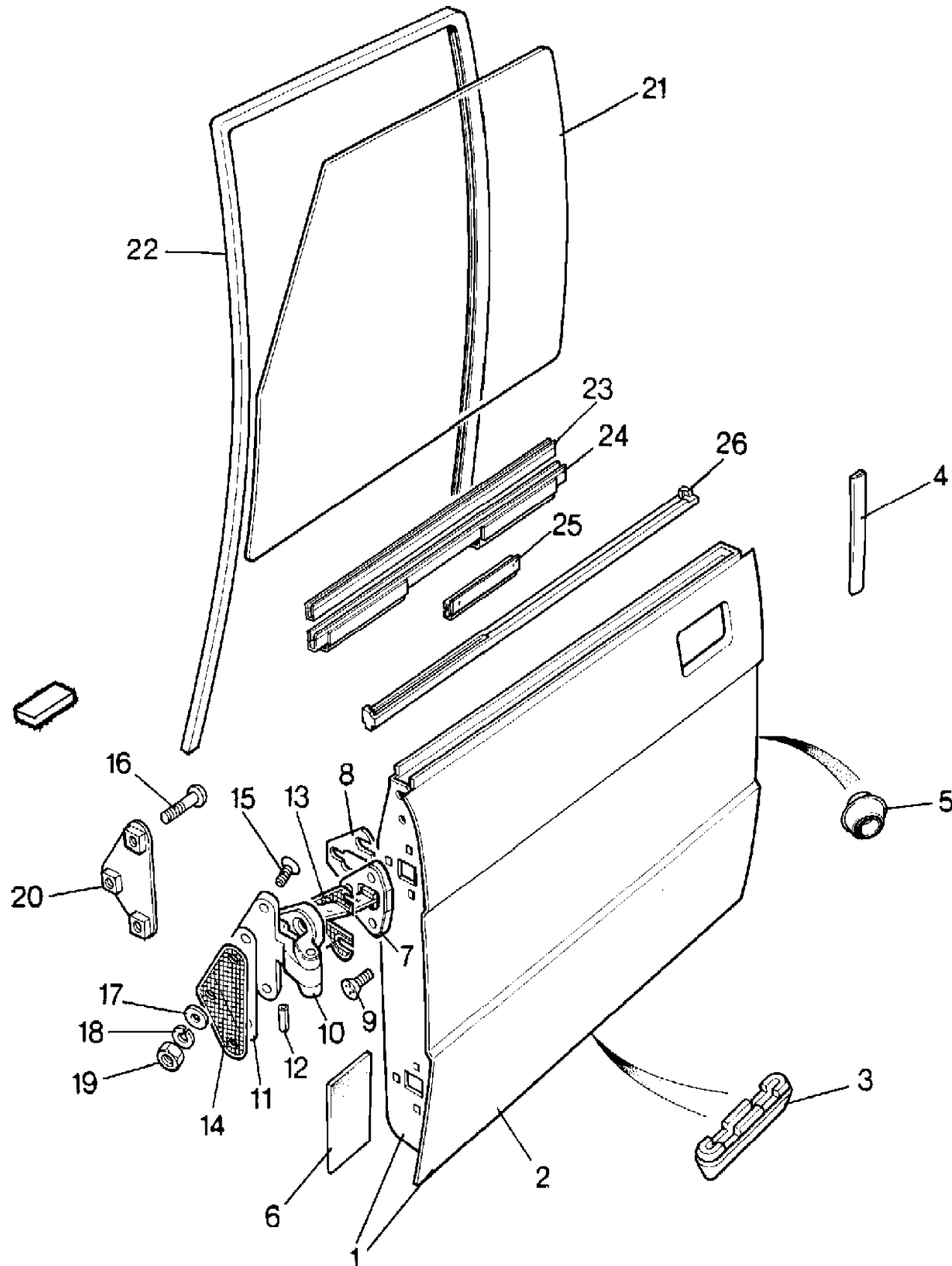
Range Rover (To HA610293)

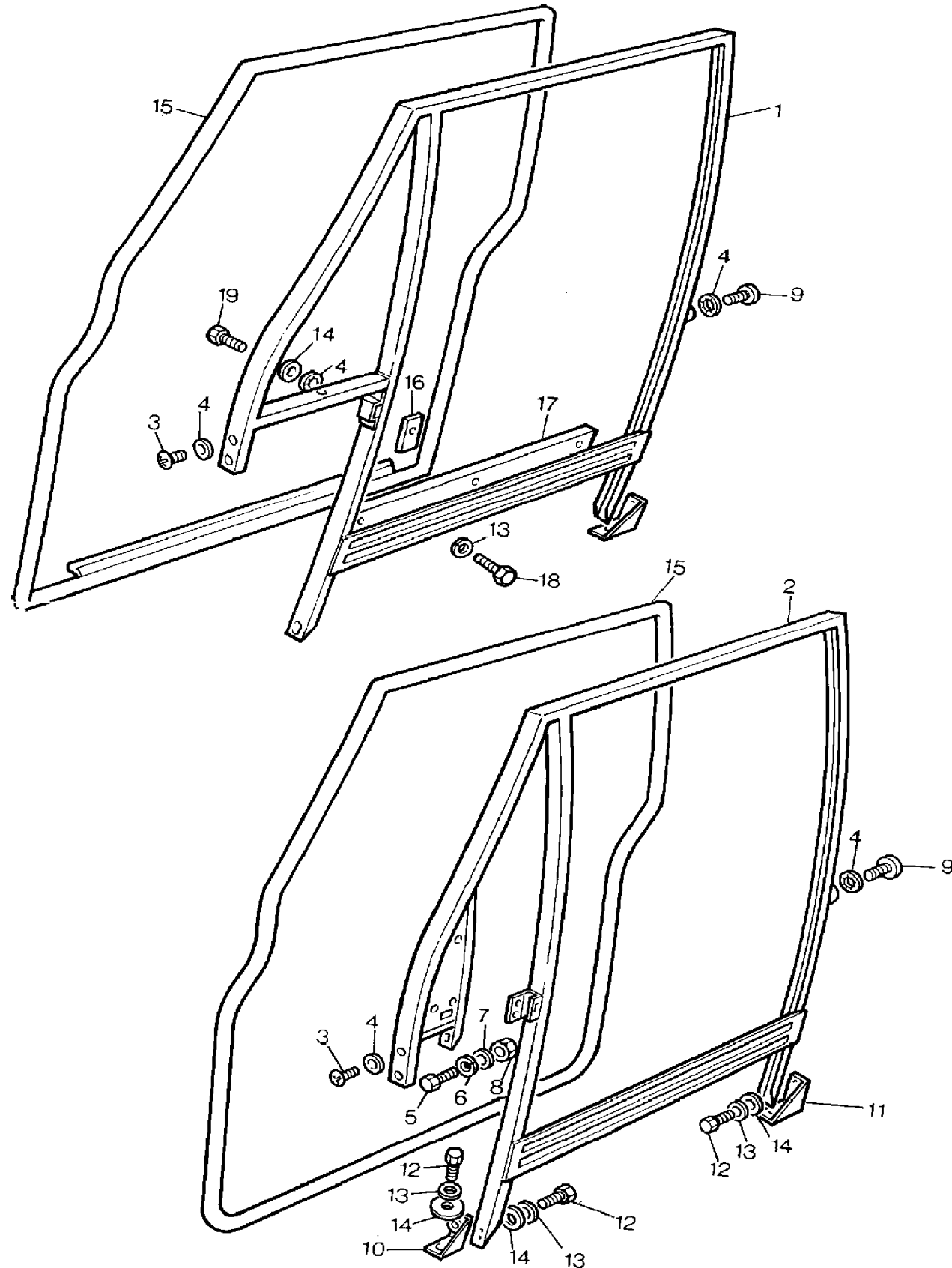
(TS5350C)

Range Rover (To HA610293)

Change point - VIN end FA374641, 4 Door Station Wagon

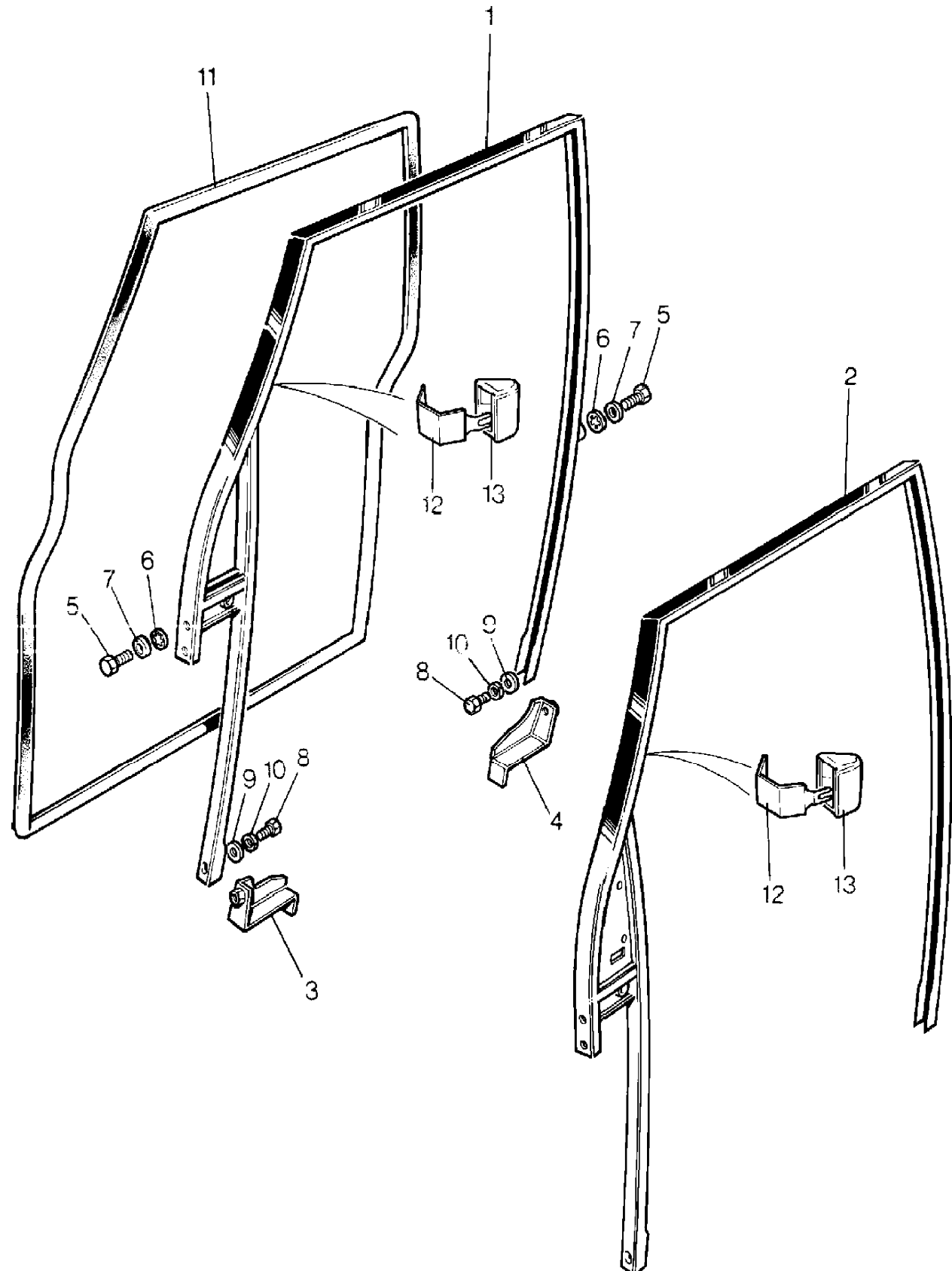
Callout	Name	Application	Remarks & Restrictions	Service No.	Qty
15	Screw	Change point - VIN end FA374641		391043	12
16	Bolt	Change point - VIN end FA374641	counter sunk, Upper	MXC1436	12
17	Washer-Plain	Change point - VIN end FA374641		RTC613	12
18	Washer-Spring	Change point - VIN end FA374641	5/16"	WM600051L	12
20	Nut Plate	Change point - VIN end FA374641		MWC7171	4
21	Glass door front	Change point - VIN end EA351846	RH, 5.0MM	MTC9792	1
		Change point - VIN end EA351846	LH, 5.0MM	MTC9793	1
		Change point - VIN begin FA351847, Change point - VIN end FA374641	RH, 4.0MM	MWC8436	1
		Change point - VIN begin FA351847, Change point - VIN end FA374641	4.0MM, LH	MWC8437	1
22	Channel-front door glass run	Change point - VIN end FA374641	5.0MM	MUC1744	2
		Change point - VIN end FA374641	4.0MM	MWC9602	2
23	Glazing rubber	Change point - VIN end FA374641	5.0MM	MUC2325	2
24	Channel-front door glass lift	Change point - VIN end FA374641		MUC2322	2
25	Channel locating	Change point - VIN end FA374641		MWC2941	2
26	Seal	Change point - VIN end FA374641	RH	MXC5353	1
		Change point - VIN end FA374641	LH	MXC5354	1
27	Pad-anti rattle	Change point - VIN end FA374641		MUC2177	2





Callout	Name	Application	Remarks & Restrictions	Service No.	Qty
1	Frame-front door	Change point - VIN end EA351846	RH	390669	1
		Change point - VIN end EA351846	LH	390670	1
2	Frame-front door	Change point - VIN begin FA351847	RH	MWC6338	1
		Change point - VIN begin FA351847	LH	MWC6339	1
3	Screw	Change point - VIN end EA351846	1/4UNF x 3/8	78616	2
		Change point - VIN begin FA351847	1/4UNF x 1/2	SE604041L	2
4	Washer-Lock			WF600041L	X
5	Screw		M6 X 16, hexagonal head	SH106161L	4
6	Washer		6MM	WA106041L	4
7	Washer		M6, sprung	WL106001L	4
8	Nut - Hex.		M6, nyloc, Hexagonal	NH106041L	4
9	Screw		1/4UNF x 3/8	78616	2
10	Bracket Mounting		Front, RH	390614	1
			Front, LH	390615	1
11	Bracket Mounting		Rear, RH	390616	1
			Rear, LH	390617	1
12	Screw		1/4UNF x 5/8	255206	10
13	Washer-Spring		1/4 dia, Square	WM600041L	6
14	Washer-Plain		M6	3831L	10
15	Seal-front door	Change point - VIN end EA351846	RH, Savannah	MXC1466AAL	1
		Change point - VIN end EA351846	Savannah, LH	MXC1467AAL	1
		Change point - VIN begin FA351847	RH, Sorrel Brown	ALR1614SUA	1
		Change point - VIN begin FA351847	Sorrel Brown, LH	ALR1615SUA	1
16	Nut Plate			390725	2
17	Stiffener			392182	2
18	Screw		hexagonal head, 1/4UNF x 1/2	SH604041L	6
19	Screw			255215	2

Callout	Name	Application	Remarks & Restrictions	Service No.	Qty
1	Frame-front door	Change point - VIN end FA374641	RH	MWC9824	1
		Change point - VIN end FA374641	LH	MWC9825	1
2	Frame-front door	Change point - VIN end FA374641	RH	MXC8922	1
		Change point - VIN end FA374641	LH	MXC8923	1
3	Bracket Mounting	Change point - VIN end FA374641	Front, RH	MUC1750	1
		Change point - VIN end FA374641	Front, LH	MUC1751	1
4	Bracket Mounting	Change point - VIN end FA374641	Rear, RH	MUC1746	1
		Change point - VIN end FA374641	Rear, LH	MUC1747	1
5	Screw	Change point - VIN end FA374641	M8 X 15, hexagonal head	SH108151L	2
		Change point - VIN end FA374641	M8 X 16, hexagonal head	SH108161L	2
		Change point - VIN end FA374641	Torx Drive	AFU4180	4
6	Washer	Change point - VIN end FA374641	M8, sprung	WL108001L	4
7	Washer	Change point - VIN end FA374641	8MM	WA108051L	4
8	Screw	Change point - VIN end FA374641	lower frame	GG106301L	4
9	Washer	Change point - VIN end FA374641	M6	WA106001L	4
10	Washer	Change point - VIN end FA374641	M6, sprung	WL106001L	4
11	Seal-front door	Change point - VIN end CA273922	RH, Savannah, felt	MUC3701AL	1
		Change point - VIN end CA273922	RH, felt, Silver Fox.	MUC3701MF	1
		Change point - VIN end CA273922	Savannah, felt, LH	MUC3702AL	1
		Change point - VIN end CA273922	felt, Silver Fox., LH	MUC3702MF	1
		Change point - VIN begin DA273923, Change point - VIN end EA351846	Plastic, RH, Savannah	MXC1468AAL	1
		Change point - VIN begin DA273923, Change point - VIN end EA351846	Plastic, RH, Silver Fox.	MXC1468MMF	1
		Change point - VIN begin DA273923, Change point - VIN end EA351846	Plastic, Savannah, LH	MXC1469AAL	1



Body & Chassis

Body

Front Door Frame & Seals-4 Door 2/2

Range Rover (To HA610293)

(TS5349C)

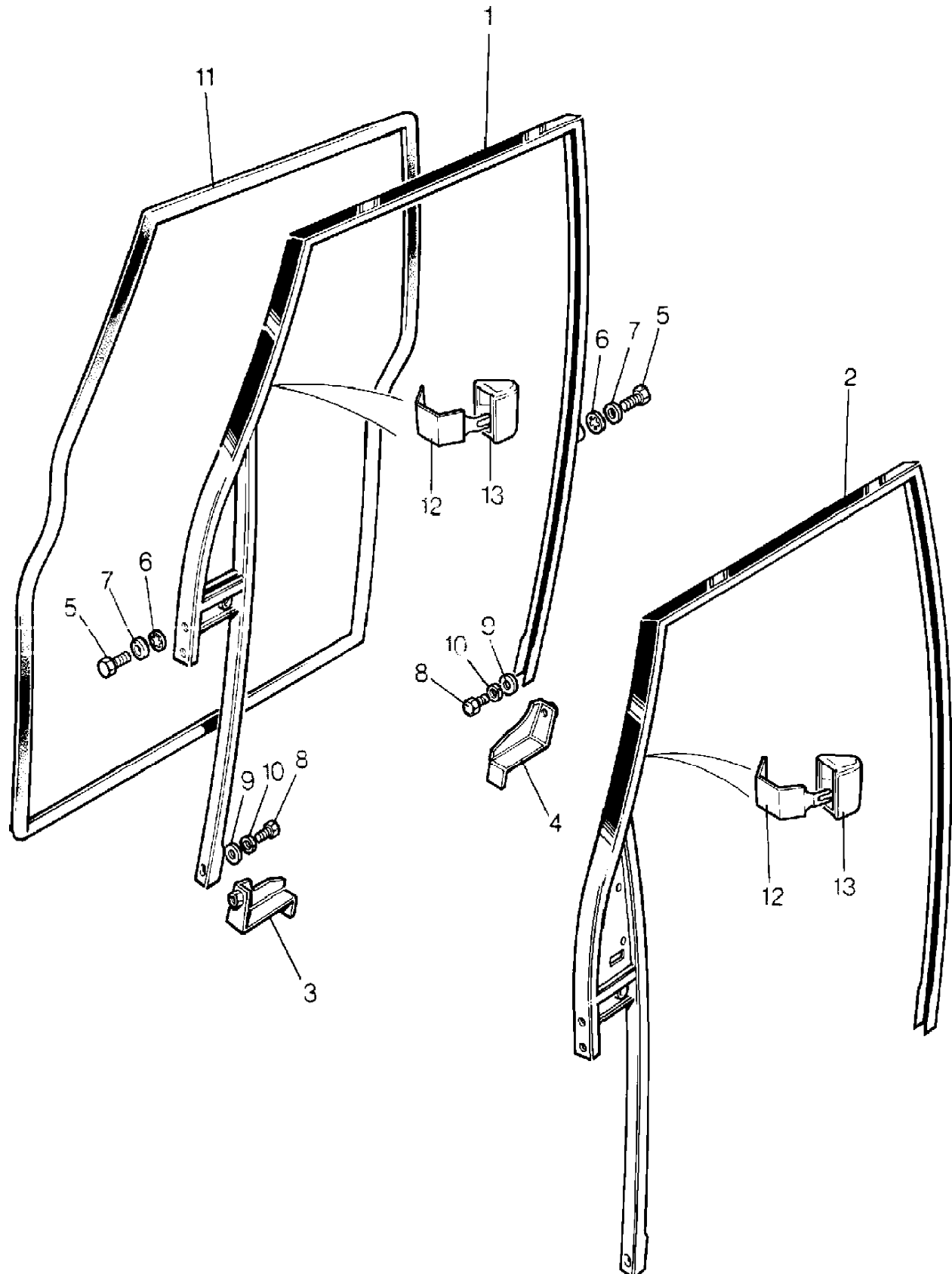
Body & Chassis

Body

Front Door Frame & Seals-4 Door

4 Door Station Wagon

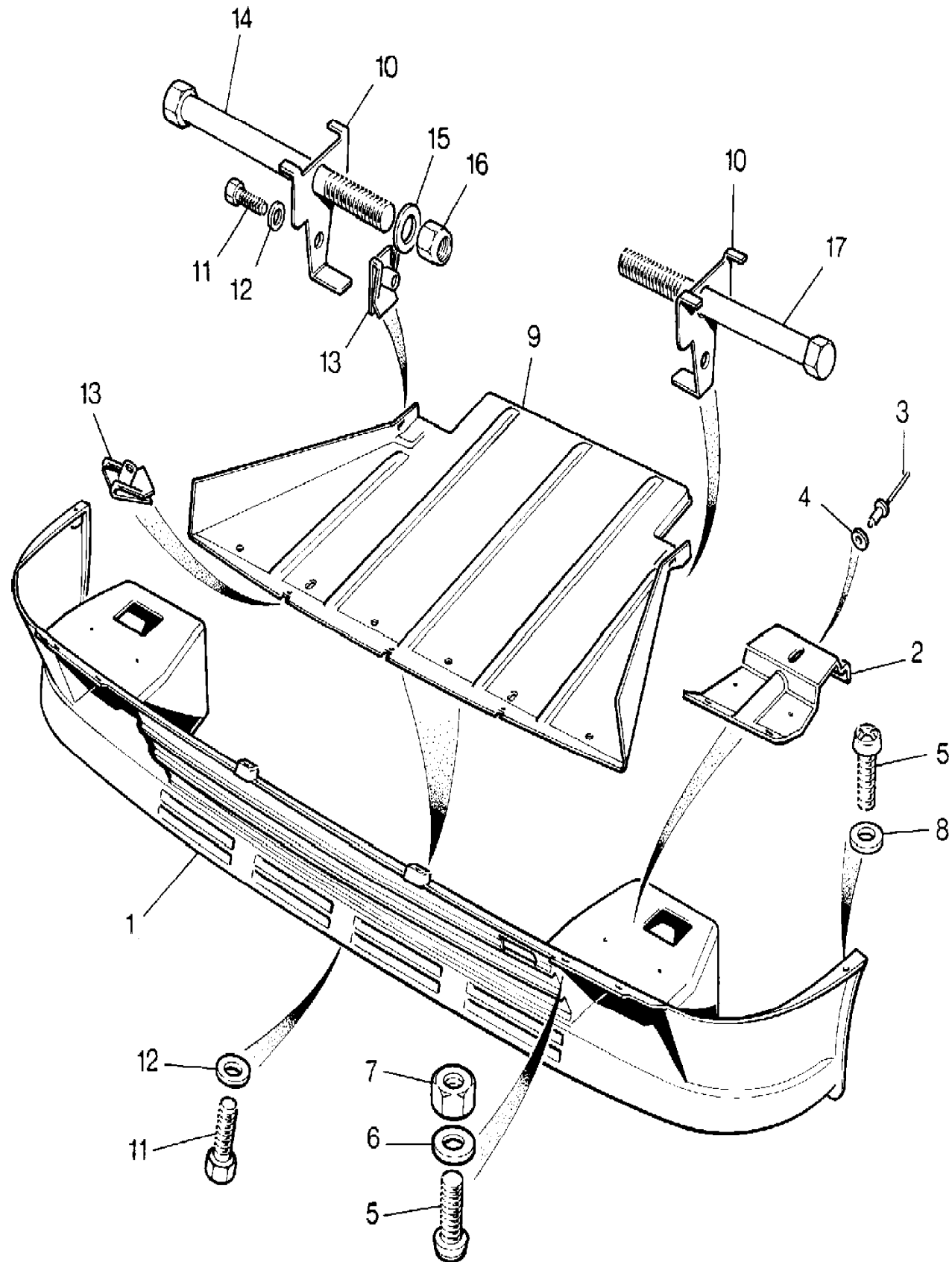
Callout	Name	Application	Remarks & Restrictions	Service No.	Qty		
11	Seal-front door	Change point - VIN begin DA273923, Change point - VIN end EA351846	Plastic, Silver Fox., LH	MXC1469MMF	1		
		Change point - VIN end FA374641, Change point - VIN begin FA351847	Plastic, RH, Sorrel Brown	MXC5568SUA	1		
		Change point - VIN end FA374641, Change point - VIN begin FA351847	Plastic, RH, Sorrel Brown	ALR1062SUA	1		
		Change point - VIN end FA374641, Change point - VIN begin FA351847	Plastic, RH, Winchester Grey	MXC5568LUL	1		
		Change point - VIN end FA374641, Change point - VIN begin FA351847	Plastic, RH, Winchester Grey	ALR1062LUL	1		
		Change point - VIN end FA374641, Change point - VIN begin FA351847	Plastic, Sorrel Brown, LH	MXC5569SUA	1		
		Change point - VIN end FA374641, Change point - VIN begin FA351847	Plastic, Sorrel Brown, LH	ALR1063SUA	1		
		Change point - VIN end FA374641, Change point - VIN begin FA351847	Plastic, Winchester Grey, LH	MXC5569LUL	1		
		Change point - VIN end FA374641, Change point - VIN begin FA351847	Plastic, Winchester Grey, LH	ALR1063LUL	1		
		12	Clip	Change point - VIN end FA374641		MXC8602	2
		13	Button window guide	Change point - VIN end FA374641		MXC8603	2
		[900]	Washer	Change point - VIN end FA374641	8MM, sprung	WL108007	4



Range Rover (To HA610293)

(TS6439)

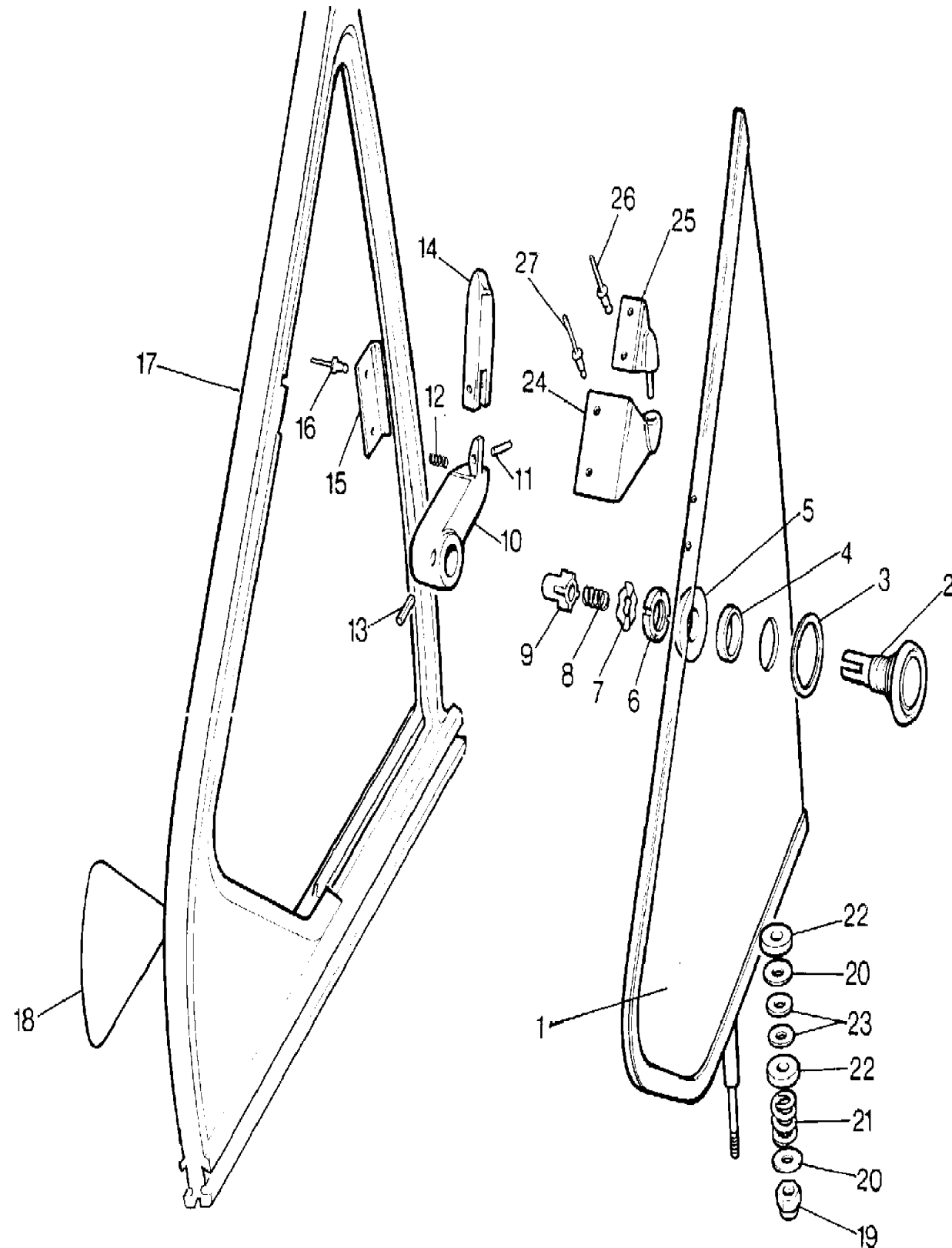
Range Rover (To HA610293)



Callout	Name	Application	Remarks & Restrictions	Service No.	Qty
1	Spoiler-front bumper	(+)"GCC"		MXC6828 MXC6829	1 1
2	Bracket Mounting		RH LH	MUC9286 MUC9285	1 1
3	Rivet	Change point - VIN end GA408885 Change point - VIN begin GA408886		MUC8506 MXC1849	4 4
4	Washer-Plain			WA104055L	4
5	Screw			SE108201L	6
6	Washer		8MM	WA108051L	6
7	Nut - Hex.		M8, hexagonal head	NH108041L	4
8	Washer		8MM	WA108051L	2
9	Tray engine			MXC5469	1
10	Bracket			MWC6938	2
11	Screw		M6 X 20, hexagonal head	SH106201L	5
12	Washer		M6	WA106001L	5
13	Nut - Hex.			MWC8501	5
14	Bolt			BH608481L	1
15	Washer-Plain		M12 x 28	WC112081L	2
16	Nut - Hex.		nyloc, Hexagonal, 1/2UNF	NY608041L	2
17	Bolt			BH608321L	1

Range Rover (To HA610293)

(M941)



Range Rover (To HA610293)

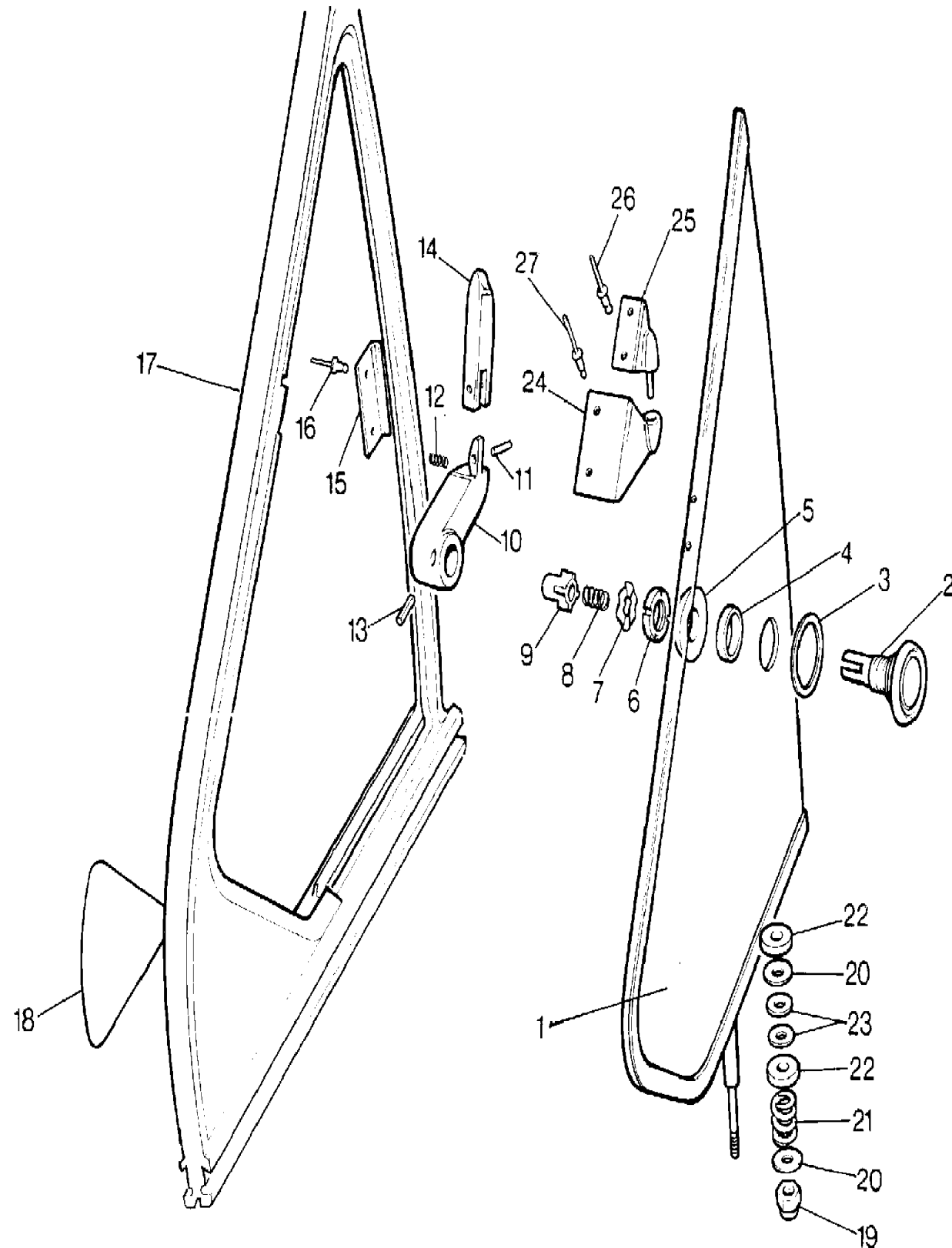
2 Door Station Wagon

Callout	Name	Application	Remarks & Restrictions	Service No.	Qty
1	Vent-air extractor	Change point - VIN end EA351846	Also serviced as part of a kit, RH	MTC5940	1
		Change point - VIN end EA351846	Also serviced as part of a kit, inner LH	MTC5941	1
2	Plug	Change point - VIN end EA351846	Also serviced as part of a kit	391104	2
3	Washer-sealing	Change point - VIN end EA351846	Also serviced as part of a kit	391094	2
4	Washer	Change point - VIN end EA351846	Also serviced as part of a kit	391105	2
5	Washer	Change point - VIN end EA351846	Also serviced as part of a kit	391103	2
6	Washer-Lock	Change point - VIN end EA351846	Also serviced as part of a kit	391102	2
7	Washer	Change point - VIN end EA351846	Also serviced as part of a kit	391101	2
8	Spring	Change point - VIN end EA351846	Also serviced as part of a kit	391099	2
9	Button-front/rear door sill lock	Change point - VIN end EA351846	Also serviced as part of a kit	391100	2
10	Handle-locking	Change point - VIN end EA351846	Also serviced as part of a kit, RH	391096	1
		Change point - VIN end EA351846	Also serviced as part of a kit, LH	391097	1
11	Pin-Spring	Change point - VIN end EA351846	Also serviced as part of a kit	391107	2
12	Spring	Change point - VIN end EA351846	Also serviced as part of a kit	391106	2
13	Pin	Change point - VIN end EA351846	Also serviced as part of a kit	391098	2
14	Latch assembly-manual front door interior	Change point - VIN end EA351846	Also serviced as part of a kit, RH	391109	1
		Change point - VIN end EA351846	Also serviced as part of a kit, LH	391110	1
15	Plate-catch assembly base	Change point - VIN end EA351846	Also serviced as part of a kit	391017	2
16	Rivet	Change point - VIN end EA351846	Also serviced as part of a kit	78257	4
17	Seal	Change point - VIN end EA351846	RH	MTC7640	1

Body & Chassis
Body
Front Ventilators-2 Door 2/2

Range Rover (To HA610293)

(M941)



Range Rover (To HA610293)

Body & Chassis
Body
Front Ventilators-2 Door

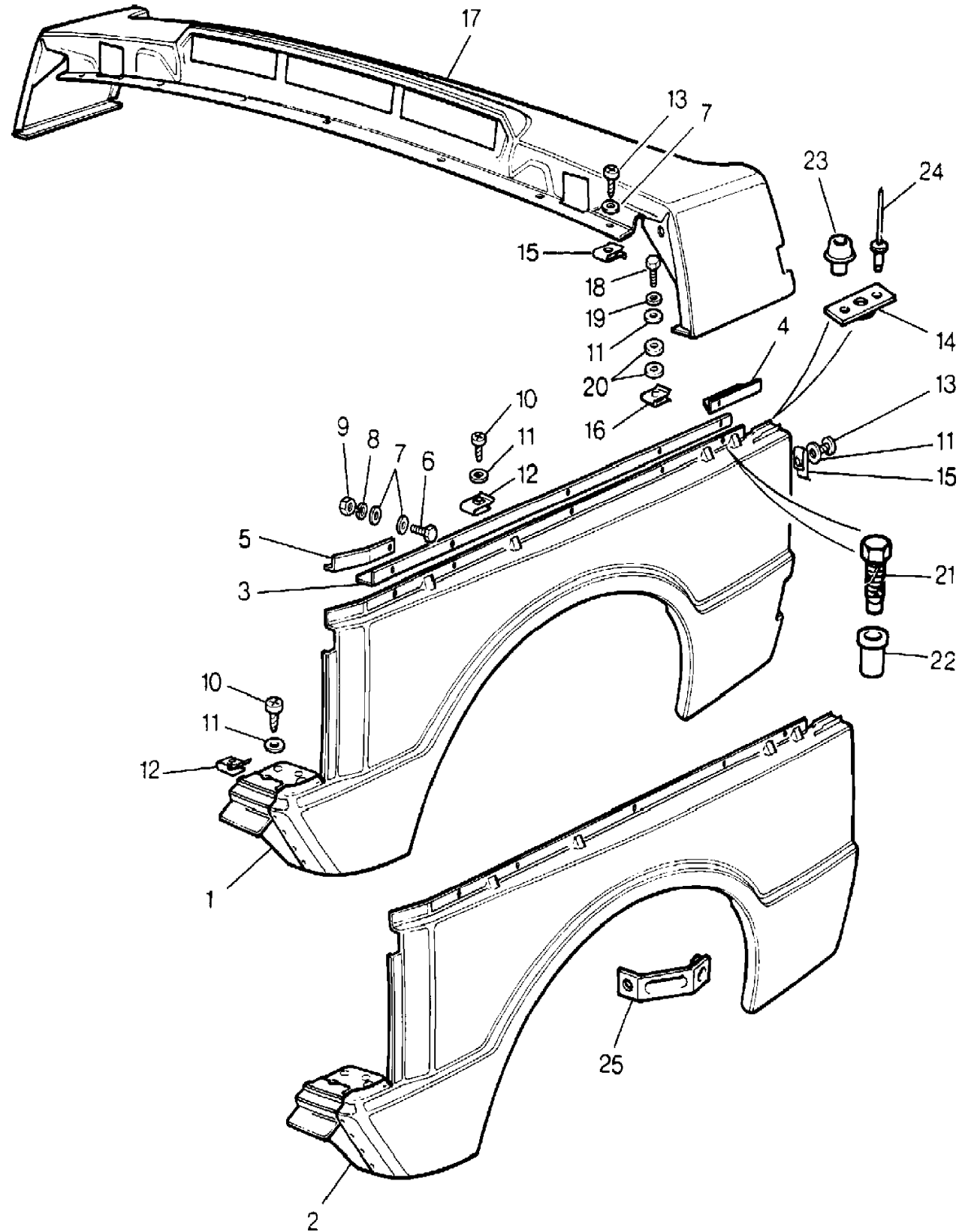
2 Door Station Wagon

Callout	Name	Application	Remarks & Restrictions	Service No.	Qty
17	Seal	Change point - VIN end EA351846	LH	MTC7639	1
18	Coupling	Change point - VIN end EA351846		390968	2
19	Locknut	Change point - VIN end EA351846		NY605041L	2
20	Washer	Change point - VIN end EA351846		390966	4
21	Spring	Change point - VIN end EA351846		390964	2
22	Washer	Change point - VIN end EA351846		390963	4
23	Washer	Change point - VIN end EA351846		390970	4
24	Pivot bracket	Change point - VIN end EA351846	RH, Lower	390960	1
		Change point - VIN end EA351846	Lower, LH	390961	1
25	Pivot bracket	Change point - VIN end EA351846	RH, Upper	391092	1
		Change point - VIN end EA351846	Upper, LH	391093	1
26	Rivet	Change point - VIN end EA351846		78257	4
27	Rivet	Change point - VIN end EA351846		78867	6
[900]	Ventilator	Change point - VIN end EA351846	Also serviced as part of a kit, RH, Sundym	MUC1126	1
		Change point - VIN end EA351846	Also serviced as part of a kit, Sundym, LH	MUC1127	1

Range Rover (To HA610293)

(TS6107D)

Range Rover (To HA610293)

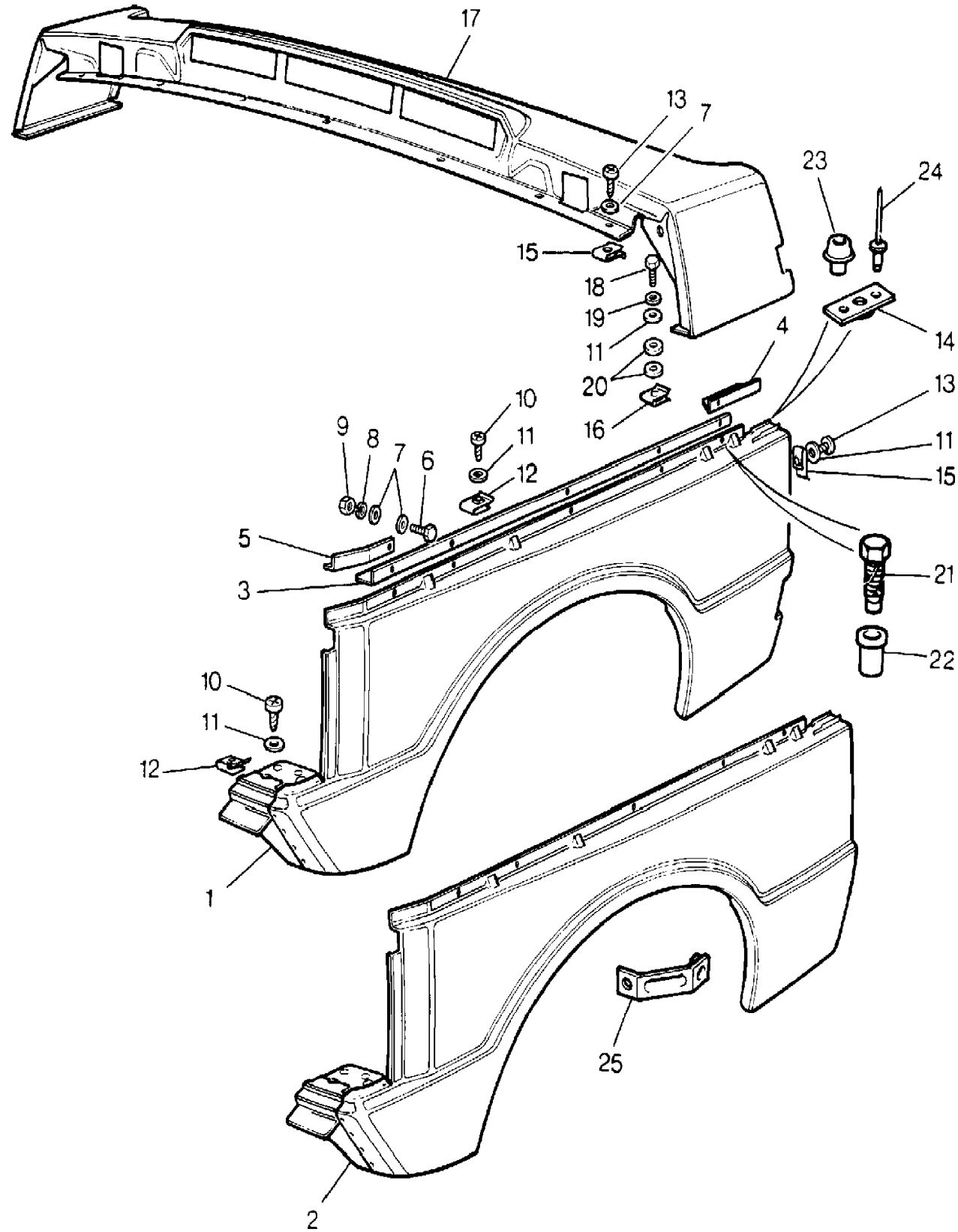


Callout	Name	Application	Remarks & Restrictions	Service No.	Qty
1	Fender-front	Change point - VIN end FA374641	RH	STC729	1
		Change point - VIN end FA374641	LH	STC730	1
2	Fender-front	Change point - VIN begin FA374642, 4 Door Station Wagon	LH	MXC1409	1
		Change point - VIN begin FA374642, 4 Door Station Wagon	RH	MXC1408	1
3	Angle mounting		Front wing, RH	390123	1
			Front wing, LH	390124	1
4	Extension			391317	2
5	Angle mounting		filler piece, RH	391139	1
			filler piece, LH	391140	1
6	Screw		hexagonal head, 5/16UNF x 5/8	SH605051L	10
7	Washer-Plain			RTC613	20
8	Washer-Spring		5/16"	WM600051L	10
9	Nut - Hex.		hexagonal head, 5/16UNF	NH605041L	10
10	Screw-self tapping		No 12 x 5/8	AB612051L	14
11	Washer-Plain		M6	3831L	X
12	Nut-spire			79019	14
13	Screw-self tapping		pan head, No 12 x 1/2, pointed	AB612041L	13
14	Nut-plate			390728	4
15	Nut-spire			RTC3725	13
16	Nut-spire		M6	NK106067L	4
17	Panel-deck	2 Door Station Wagon, LHD		ALR2215	1
		Change point - VIN end FA374641, 4 Door Station Wagon, RHD		MXC9595	1
		Change point - VIN end FA374641, 4 Door Station Wagon, LHD		ALR2215	1
		Change point - VIN begin FA374642, 4 Door Station Wagon, RHD		ALR2210	1
		Change point - VIN begin FA374642, 4 Door Station Wagon, LHD		ALR2211	1

Range Rover (To HA610293)

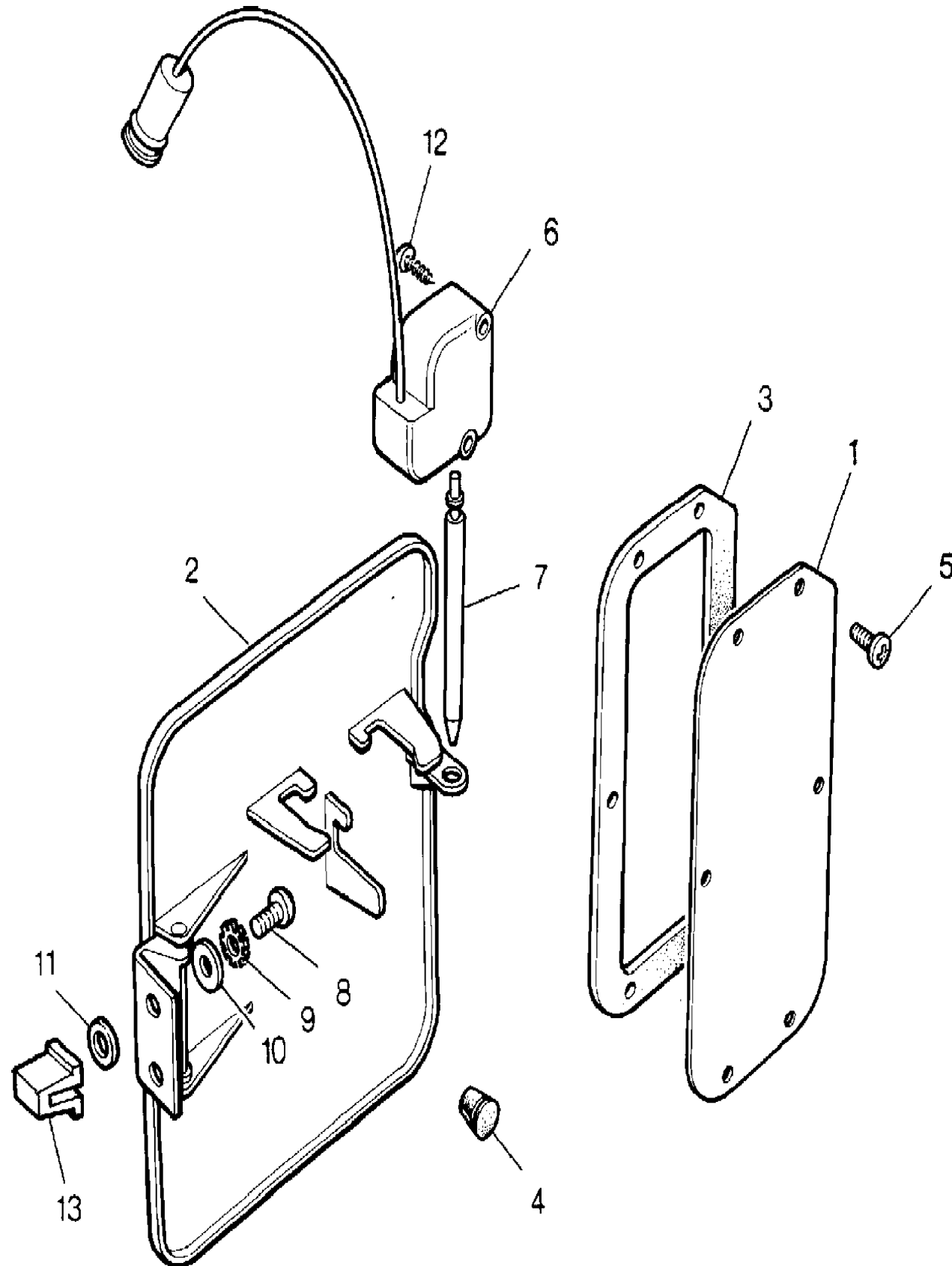
(TS6107D)

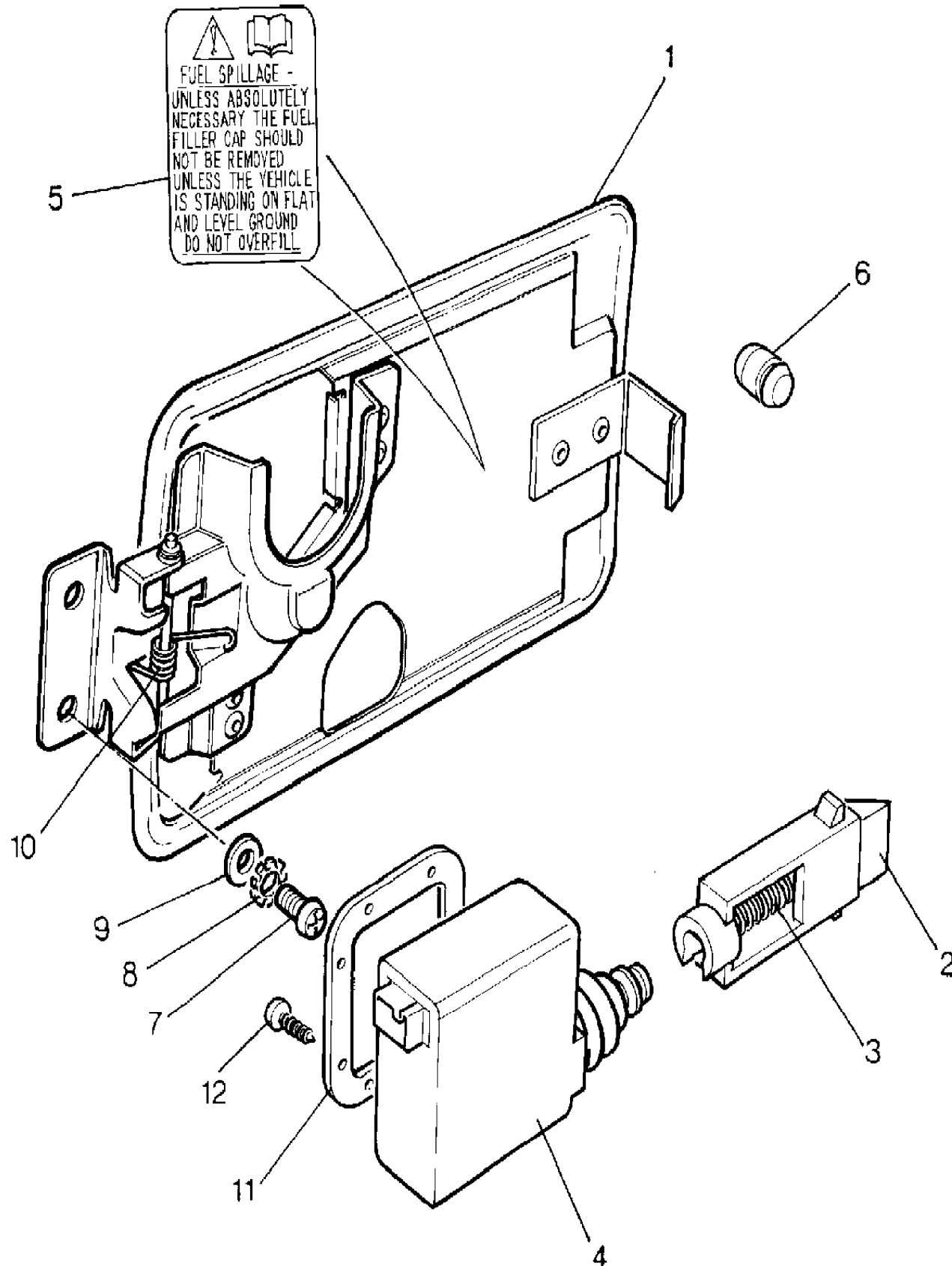
Range Rover (To HA610293)



Callout	Name	Application	Remarks & Restrictions	Service No.	Qty
18	Screw	Change point - VIN end CA274120	M5, hexagonal head, 6MM	SH604081L	4
		Change point - VIN begin DA274121	M5, 6MM	BH105067L	4
19	Washer-Spring		1/4 dia, Square	WM600041L	4
20	Washer-fibre			MXC8304	28
21	Screw			GG106251	4
22	Nutsert-blind		M6	NN106021	4
23	Plug-blanking		aerial hole, 25.5MM, Plastic	338023	1
24	Rivet			RU608183L	8
25	Stay			MXC1097	2
[900]	Panel-deck	Change point - VIN begin FA374642, 4 Door Station Wagon, RHD		ALR2010	1

Callout	Name	Application	Remarks & Restrictions	Service No.	Qty
1	Panel			MUC5688	1
2	Lock-fuel filler flap			MWC 1955	1
3	Seal			MUC5925	1
4	Stop-door release assembly bump			PAM1144	2
5	Screw-self tapping		M8 x 10	DA608031L	6
6	Actuator-locking fuel flap			PRC5085	1
7	Actuator-fuel flap release			MWC 1976	1
8	Screw		M5	SE105101L	2
9	Washer-starlock			WE702101L	2
10	Washer		Also serviced as part of a kit, M5, oversize, Plain	WJ105001L	2
11	Washer		M5, Plain, Standard	WA105001L	2
12	Screw-self tapping AB		M8 x 12	AB610041L	2
13	Nut-lokut			79051	2





Callout	Name	Application	Remarks & Restrictions	Service No.	Qty
1	Fuel filler door	Change point - VIN begin HA464554		MXC9640	1
2	Latch-fuel filler latch	Change point - VIN begin HA464554, Change point - VIN end HA606949	Also serviced as part of a kit	MXC6369	1
		Change point - VIN begin HA606950	Also serviced as part of a kit	ALR1661	1
3	Spring-fuel fill door	Change point - VIN begin HA606950	Also serviced as part of a kit	MXC1670	1
4	Actuator-fuel flap release	Change point - VIN begin HA464554		PRC9681	1
5	Label-fuel caution	Change point - VIN begin HA464554		ESR436	1
6	Buffer filler flap	Change point - VIN begin HA464554		MWC9919	2
7	Screw	Change point - VIN begin HA464554	pan head, M5 x 16, recessed	SE105161L	2
8	Washer-starlock	Change point - VIN begin HA464554		WE702101L	2
9	Washer	Change point - VIN begin HA464554	Also serviced as part of a kit, M5, oversize, Plain	WJ105001L	2
10	Spring-fuel fill door	Change point - VIN begin HA464554		MXC8732	1
11	Seal	Change point - VIN begin HA464554		MWC9932	1
12	Screw-self tapping AB	Change point - VIN begin HA464554	M8 x 12	AB610041L	2

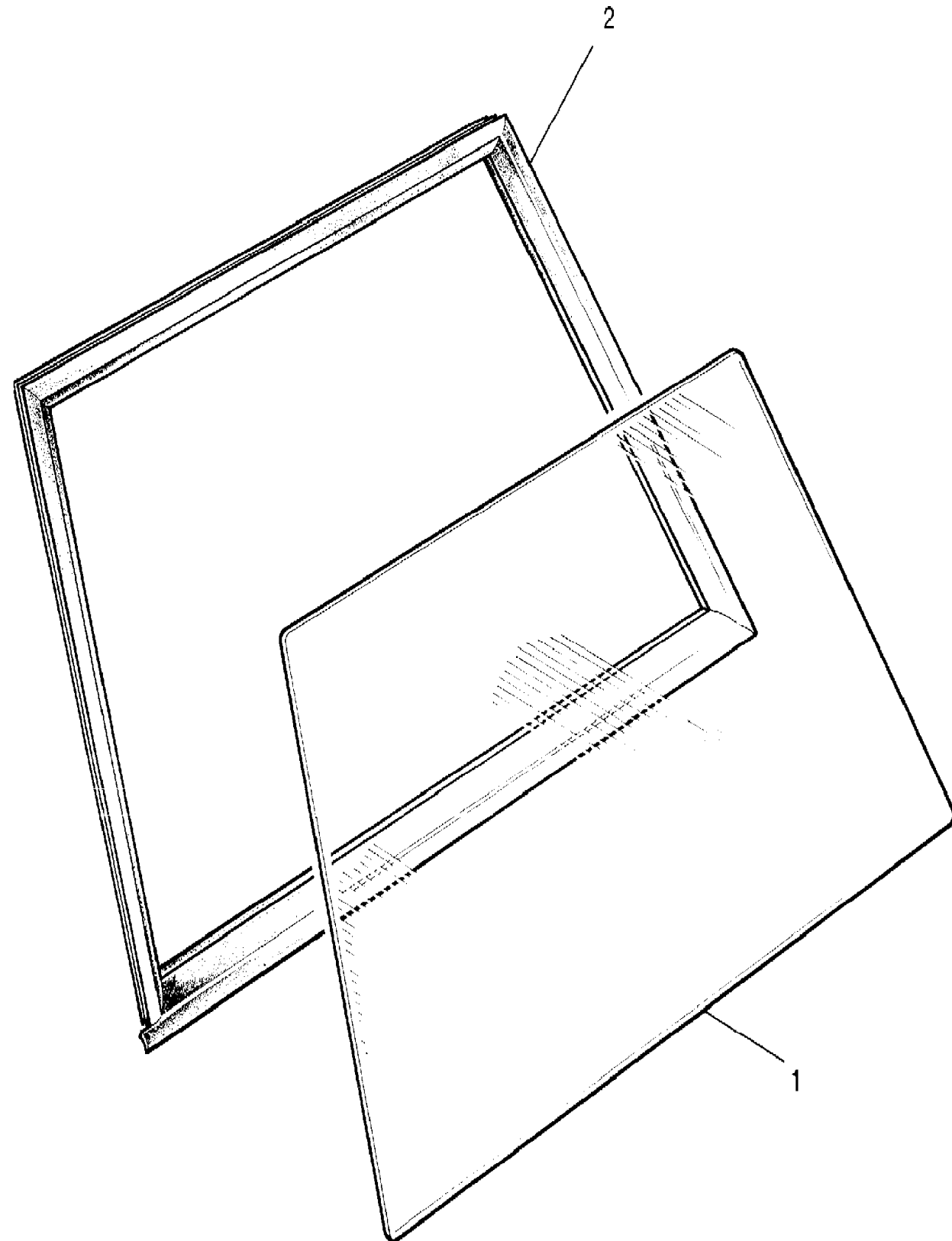
Body & Chassis

Range Rover (To HA610293)

Body

Glass Bodyside-4 Door 1/1

(VS3203)



Range Rover (To HA610293)

Body & Chassis

Body

Glass Bodyside-4 Door

4 Door Station Wagon

Callout	Name	Application	Remarks & Restrictions	Service No.	Qty
1	Glass Bodyside	Change point - VIN end EA351846	RH	MTC5958	1
		Change point - VIN end EA351846	LH	MTC5957	1
		Change point - VIN begin FA351847	RH	MWC8442	1
		Change point - VIN begin FA351847	LH	MWC8443	1
2	Weatherstrip-rear quarter		RH	MUC6414	1
			LH	MUC6415	1

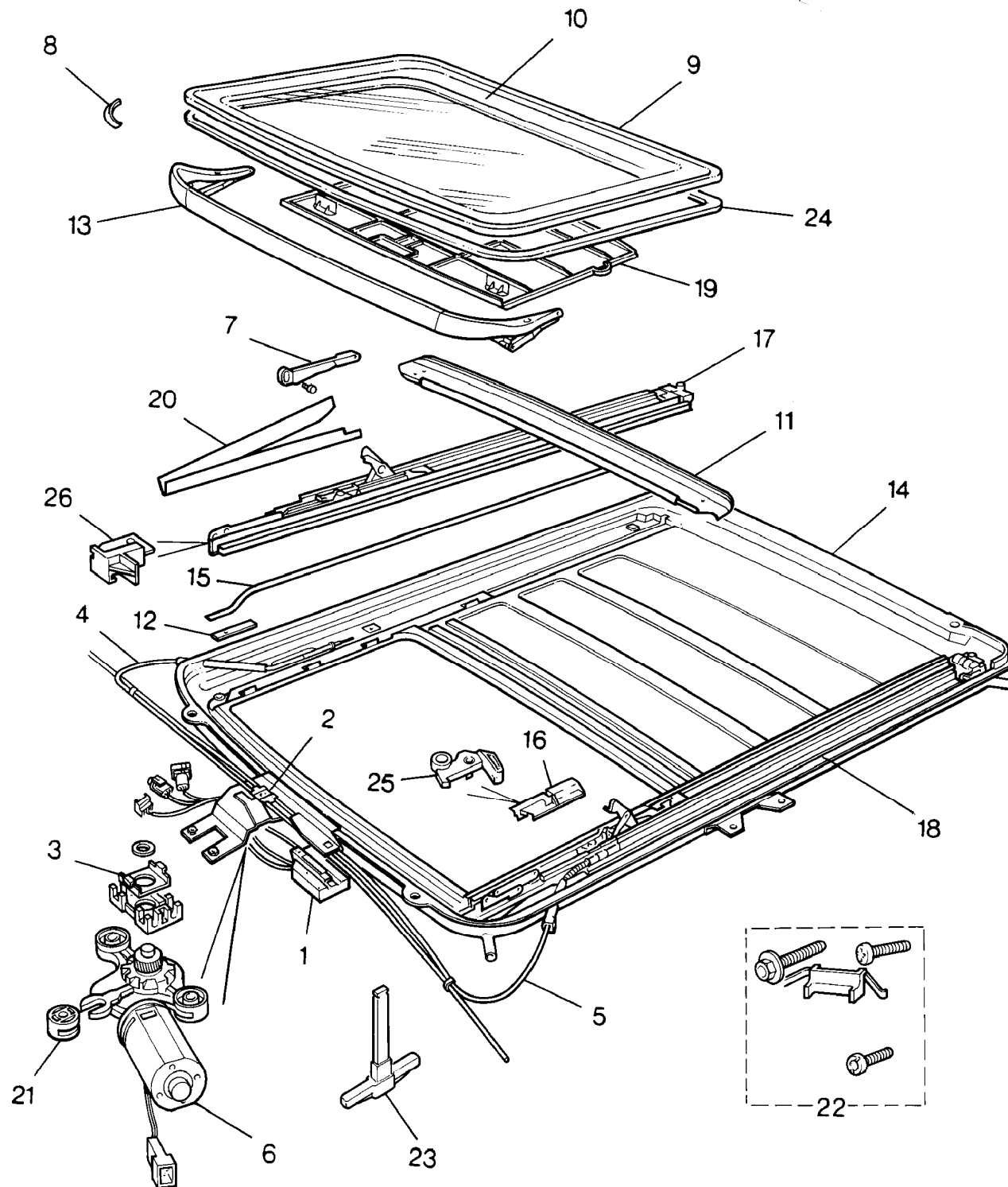
Range Rover (To HA610293)

(TS6874C)

Range Rover (To HA610293)

With Sunroof

Callout	Name	Application	Remarks & Restrictions	Service No.	Qty
1	Control unit sunroof	Change point - VIN begin HA464554		MXC9575	1
2	Bracket-sunshine roof	Change point - VIN begin HA464554		STC188	1
3	Insert-sunroof	Change point - VIN begin HA464554		STC187	1
4	Cable assembly-sunroof drive	Change point - VIN begin HA464554	RH	STC167	1
5	Cable assembly-sunroof drive	Change point - VIN begin HA464554	LH	STC168	1
6	Motor assembly-sunroof	Change point - VIN begin HA464554		MXC9574	1
7	Guide assembly-sunroof	Change point - VIN begin HA464554	RH	STC186	1
		Change point - VIN begin HA464554	LH	STC185	1
8	Pad-anti rattle	Change point - VIN begin HA464554		STC170	2
9	Seal-glass	Change point - VIN begin HA464554		STC171	1
10	Glass panel-sunroof	Change point - VIN begin HA464554		MXC9573	1
11	Drain channel	Change point - VIN begin HA464554		STC173	1
12	Gasket-sunroof spacer hinge block	Change point - VIN begin HA464554		STC174	2
13	Deflector assembly-sunroof wind	Change point - VIN begin HA464554		STC175	1
14	Tray sunroof	Change point - VIN begin HA464554		STC176	1
15	Seal-sunroof frame	Change point - VIN begin HA464554	Side	STC177	2
16	Locator-sunroof drive cable	Change point - VIN begin HA464554	RH	STC178	1
		Change point - VIN begin HA464554	LH	STC179	1
17	Guide assembly-sunroof	Change point - VIN begin HA464554	RH	STC180	1



Body & Chassis
 Body
 Glass-Sunroof 2/2

Range Rover (To HA610293)

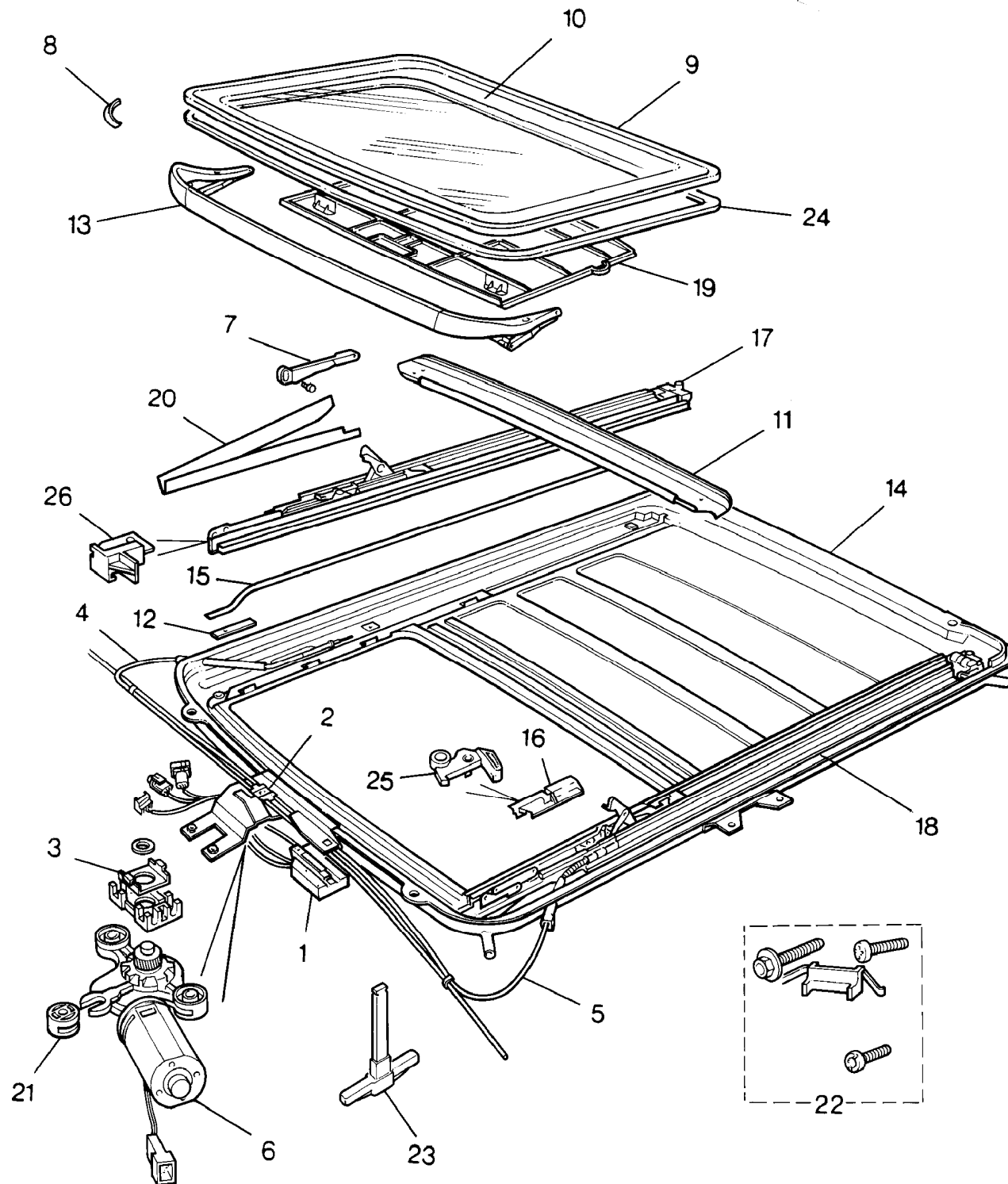
(TS6874C)

Body & Chassis
 Body
 Glass-Sunroof

Range Rover (To HA610293)

With Sunroof

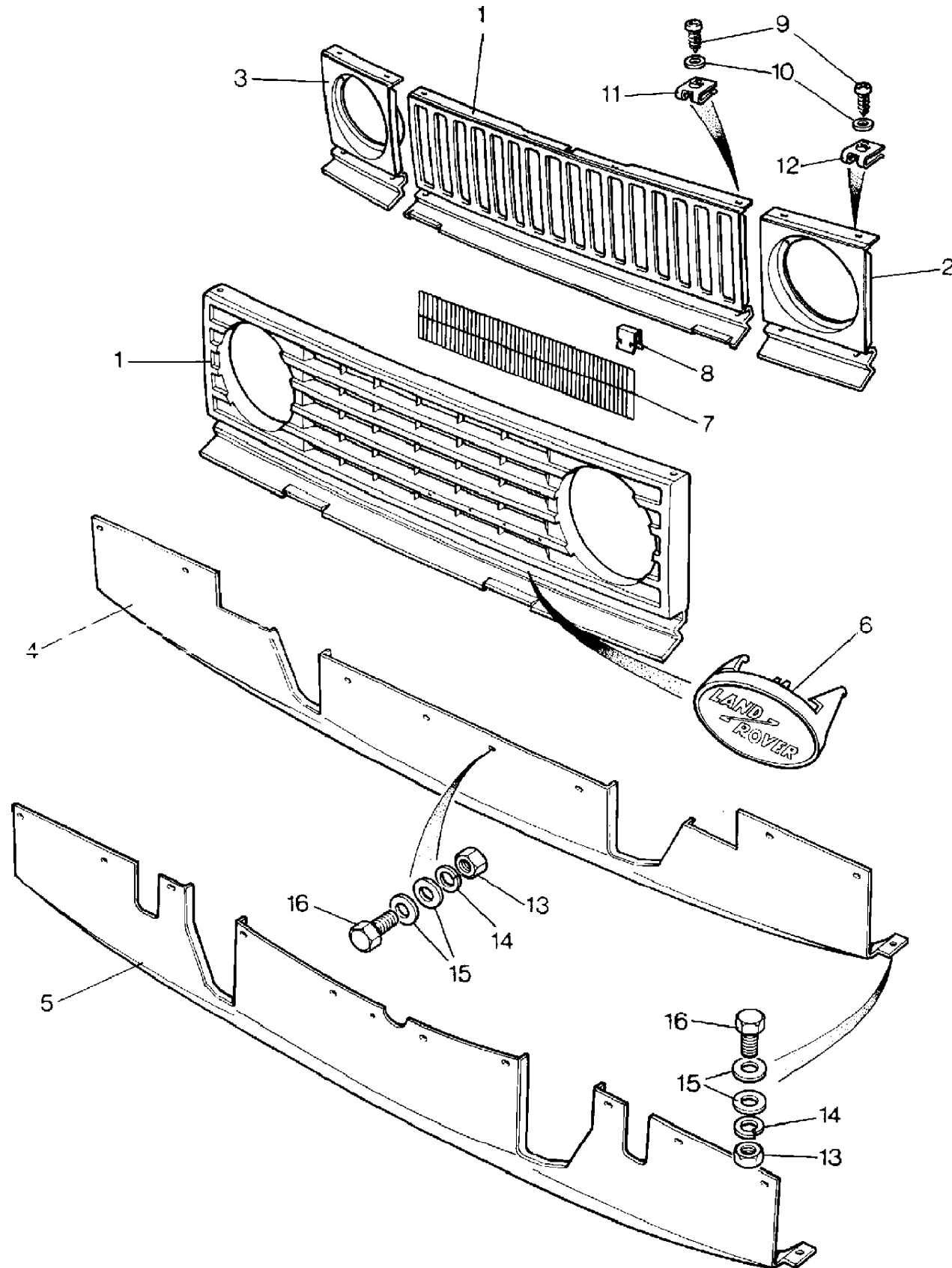
Callout	Name	Application	Remarks & Restrictions	Service No.	Qty
18	Guide assembly-sunroof	Change point - VIN begin HA464554	LH	STC181	1
19	Sunshade assembly-sunroof sliding	Change point - VIN begin HA464554		STC182	1
20	Cover-sunroof mechanism	Change point - VIN begin HA464554	RH	MXC9570	1
		Change point - VIN begin HA464554	LH	MXC9571	1
21	Spacer	Change point - VIN begin HA464554		STC261	3
22	Tensioner-sunroof drive cable	Change point - VIN begin HA464554		STC266	4
23	Key-sunroof motor	Change point - VIN begin HA464554		MXC9502	1
24	Finisher-sunroof	Change point - VIN begin HA464554, Change point - VIN end HA606488		BTR1217LUM	1
		Change point - VIN begin HA606489		BTR1341LUM	1
25	Locator-sunroof drive cable	Change point - VIN begin HA464554	LH	STC451	1
		Change point - VIN begin HA464554	RH	STC452	1
26	Block-sunroof pivot	Change point - VIN begin HA464554	RH	STC445	1
		Change point - VIN begin HA464554	LH	STC446	1
[900]	Cable assembly-sunroof drive			EGY100200	1
[901]	Locator-sunroof drive cable		LH	EEK100180	1



Range Rover (To HA610293)

(TS6080C)

Range Rover (To HA610293)

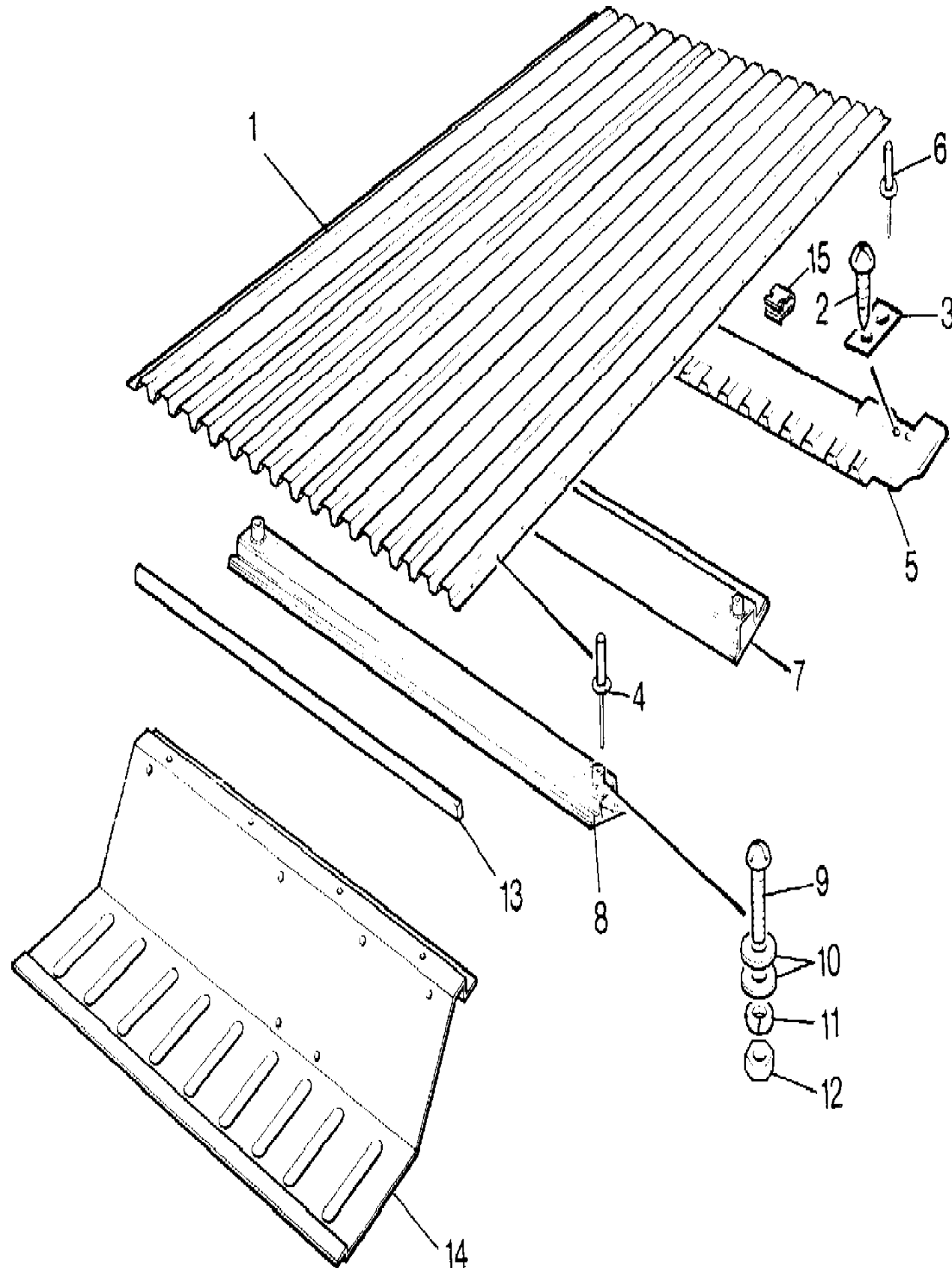


Callout	Name	Application	Remarks & Restrictions	Service No.	Qty
1	Grille-front	Change point - VIN end CA274121	vertical	MUC8485	1
		Change point - VIN begin DA274122	horizontal	BTR451	1
2	Panel-headlamp mounting	Change point - VIN end CA274121		MUC6309	1
3	Panel-headlamp mounting	Change point - VIN end CA274121		MUC6308	1
4	Panel Lower	Change point - VIN end EA351846	Front	MTC5866	1
5	Panel Lower	Change point - VIN begin FA351847	Front	MXC1959	1
6	Badge-Land Rover			MXC3374	1
7	Guard-radiator grille			MXC3070	1
8	Clip			MXC3133	6
9	Screw-self tapping AB		M8 x 12	AB610041L	14
10	Washer-Plain			4563L	14
11	Nut-spire			78947	6
12	Nut-spire			PFS410	8
13	Screw		1/4UNF x 5/8	255206	12
14	Washer		6MM	WA106041L	20
15	Washer-Spring		1/4 dia, Square	WM600041L	4
16	Nut - Hex.		hexagonal head, Coarse Thread, 1/4UNF	NH604041L	12

Range Rover (To HA610293)

(TS6090A)

Range Rover (To HA610293)



Callout	Name	Application	Remarks & Restrictions	Service No.	Qty
1	Rear floor assembly	Change point - VIN end GA441003		MXC7581	1
2	Screw-self tapping	Change point - VIN end GA441003	No 8 x 3/4	AR608061L	4
3	Seal	Change point - VIN end GA441003		MWC2930	4
4	Rivet	Change point - VIN end GA441003	3/16" x 0.45"lng, pop 3/16" x 0.7"lng	78248 RU612503	32 6
5	Seal	Change point - VIN end GA441003	Rear Floor	390214	1
6	Rivet	Change point - VIN end GA441003	3/16" x 0.7"lng	RU612503	4
7	Crossmember assembly-rear floor	Change point - VIN end CA274120, 2 Door Station Wagon Change point - VIN begin DA274121, 2 Door Station Wagon Change point - VIN end CA273922, 4 Door Station Wagon Change point - VIN begin DA273923, 4 Door Station Wagon		390353 MUC6306 390353 MUC6306	1 1 1 1
8	Crossmember assembly-rear floor	Change point - VIN end GA441003	Front	MRC8175	1
9	Screw	Change point - VIN end GA441003		79042	4
10	Washer-Plain	Change point - VIN end GA441003	M6	3831L	8
11	Washer-Spring	Change point - VIN end GA441003	1/4 dia, Square	WM600041L	4
12	Nut - Hex.	Change point - VIN end GA441003	hexagonal head, Coarse Thread, 1/4UNF	NH604041L	4
13	Seal	Change point - VIN end GA441003		392168	1
14	Heelboard & Extension	Change point - VIN end GA441003		MWC6059	1
15	Clip	Change point - VIN end GA441003	retaining rubber seal	MWC6472	9

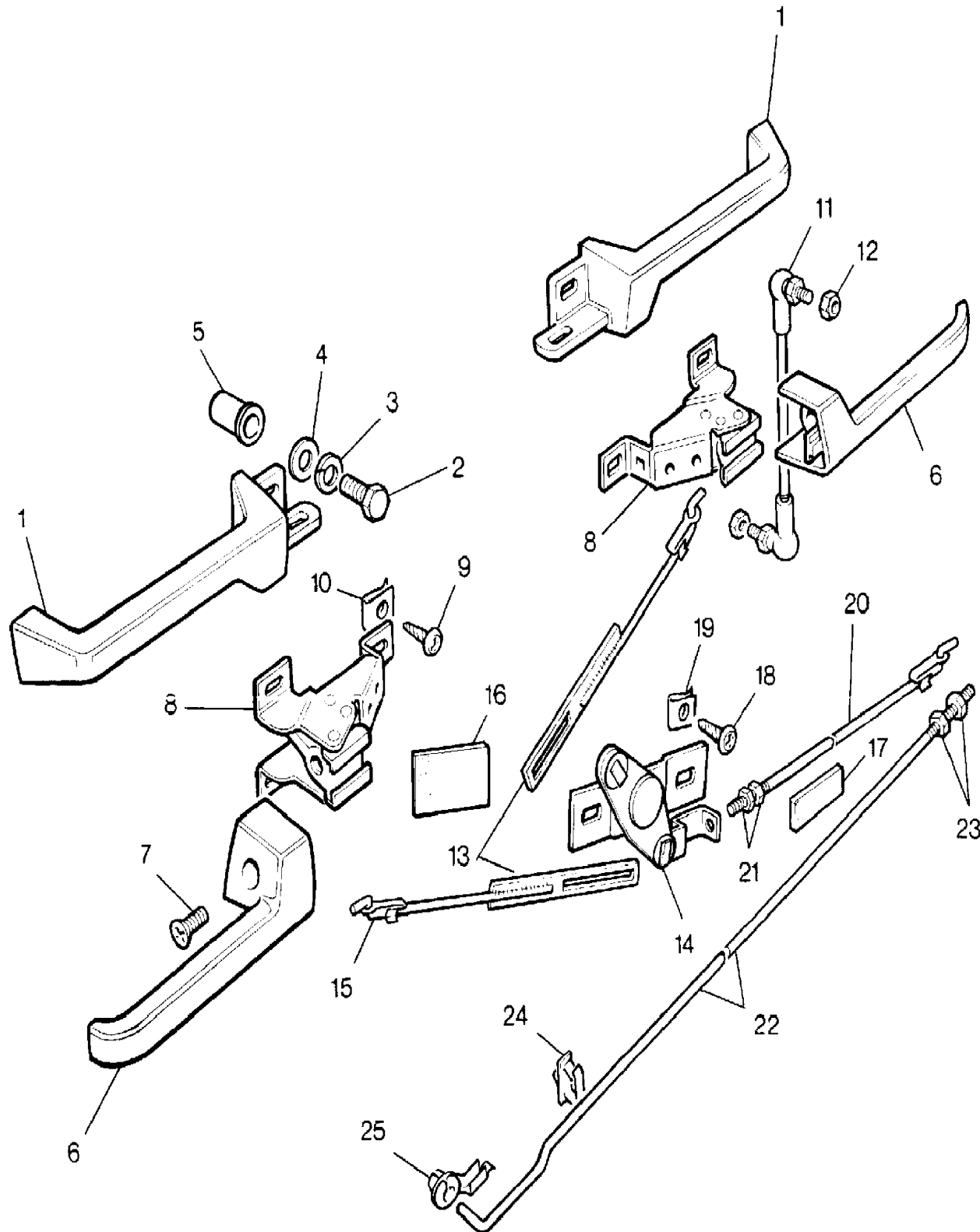
Range Rover (To HA610293)

(P187)

Range Rover (To HA610293)

2 Door Station Wagon

Callout	Name	Application	Remarks & Restrictions	Service No.	Qty
1	Handle assembly-door	Change point - VIN end EA351032	RH	390767	1
		Change point - VIN end EA351032	LH	390768	1
2	Screw	Change point - VIN end EA351032	door handle	255209	4
3	Washer-Spring	Change point - VIN end EA351032		WM611141L	4
4	Washer-Plain	Change point - VIN end EA351032	M6	3831L	4
5	Nutsert-blind	Change point - VIN end EA351032		79240	4
6	Handle assembly-door	Change point - VIN end EA351032	RH	390738	1
		Change point - VIN end EA351032	LH	390739	1
7	Screw	Change point - VIN end EA351032		79045	4
8	Remote unit-locking system	Change point - VIN end EA351032		390356	4
9	Screw	Change point - VIN end EA351032		AB611141L	12
10	Nut-spire	Change point - VIN end EA351032		RTC3725	12
11	Control Rod	Change point - VIN end EA351032	Door Lock	392226	2
12	Nut - Hex.	Change point - VIN end EA351032		251335	4
13	Control Rod	Change point - VIN end EA351032	Door Lock	392165	4
14	Bellcrank-door	Change point - VIN end EA351032	RH	392203	1
		Change point - VIN end EA351032	LH	392204	1
15	Clip	Change point - VIN end EA351032		AFU1175	4
16	Pad-anti rattle	Change point - VIN end EA351032		392581	4
17	Pad-anti rattle	Change point - VIN end EA351032		392747	2



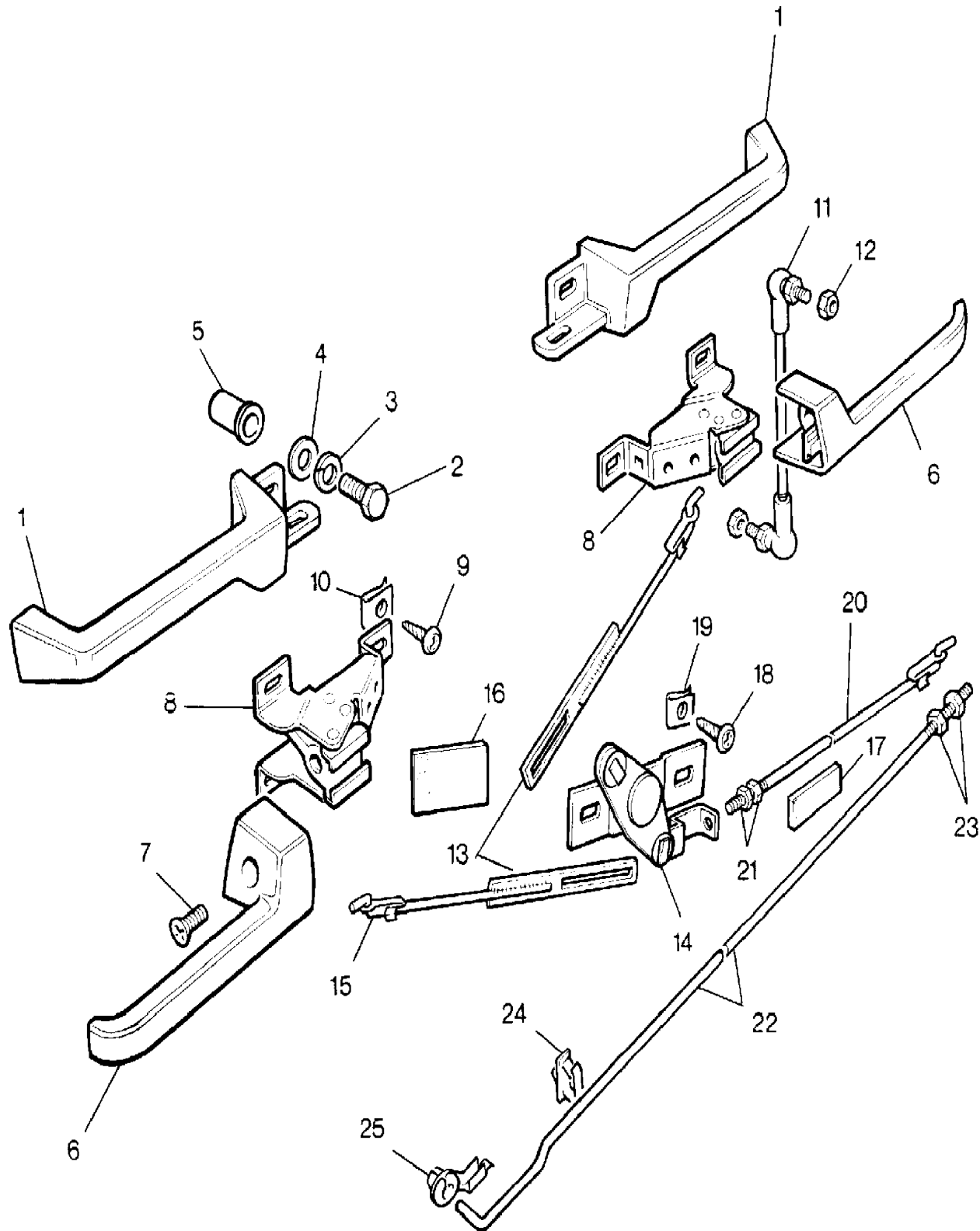
Range Rover (To HA610293)

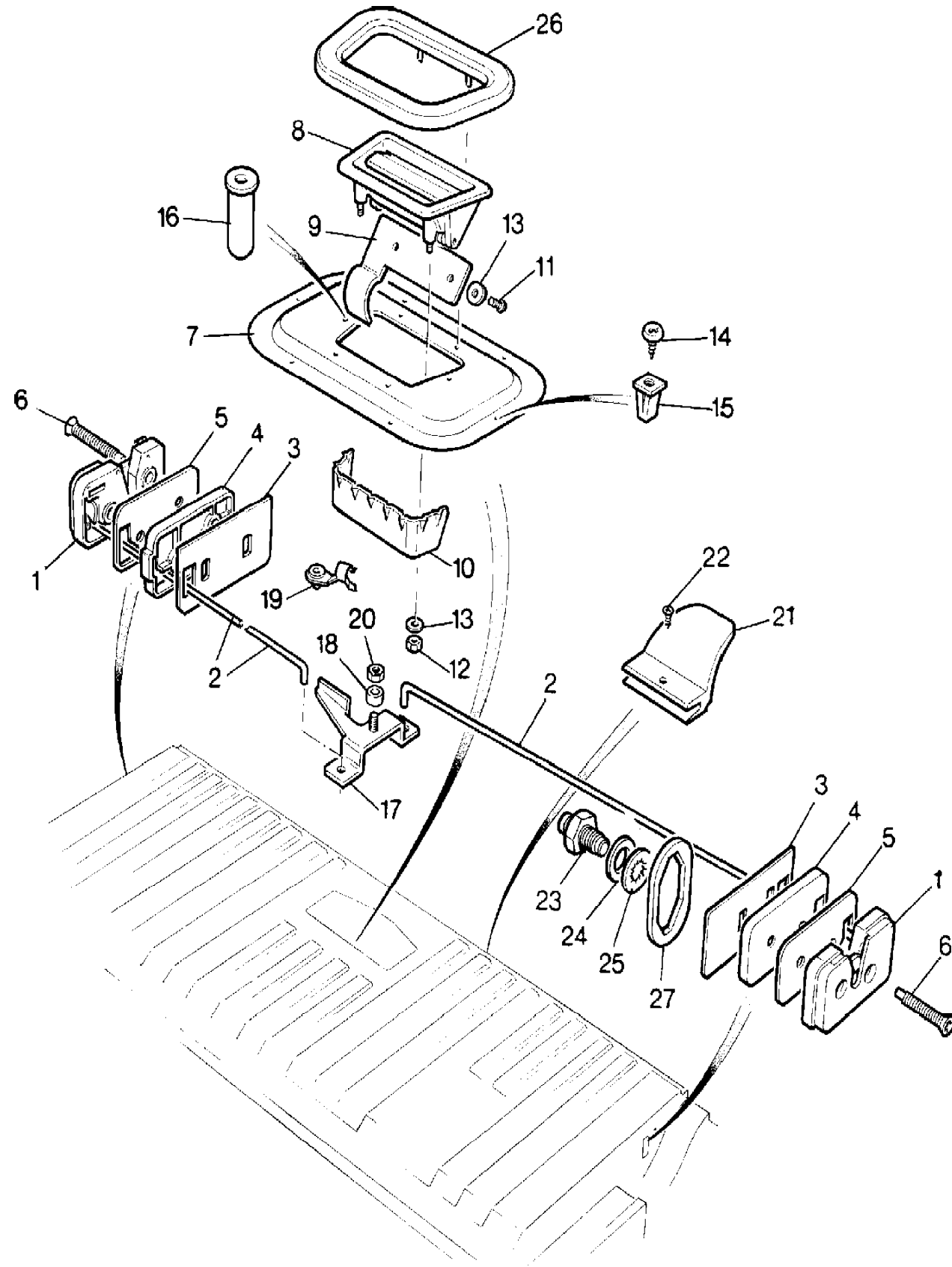
(P187)

Range Rover (To HA610293)

2 Door Station Wagon

Callout	Name	Application	Remarks & Restrictions	Service No.	Qty
18	Screw	Change point - VIN end EA351032		AB611141L	4
19	Nut-spire	Change point - VIN end EA351032		RTC3725	4
20	Control Rod	Change point - VIN end EA351032	Door Lock	392205	2
21	Nut - Hex.	Change point - VIN end EA351032	control rod	4023	4
22	Control Rod	Change point - VIN end EA351032	side door lock	392206	2
23	Nut - Hex.	Change point - VIN end EA351032	control rod	4023	4
24	Clip	Change point - VIN end EA351032	Plastic	577186	12
25	Clip-linkage	Change point - VIN end EA351032		RTC3765	2





Callout	Name	Application	Remarks & Restrictions	Service No.	Qty
1	Latch assembly-tailgate	Change point - VIN begin DA273923		MWC2638	2
2	Link-tailgate lock to latch	Change point - VIN begin DA273923		MWC 1394	2
3	Gasket-tailgate spoiler	Change point - VIN begin DA273923		MWC2485	2
4	Spacer	Change point - VIN begin DA273923		MWC4814	2
5	Gasket-sealing	Change point - VIN begin DA273923		MWC 1399	2
6	Screw	Change point - VIN begin DA273923		GU108501L	2
7	Cover Plate	Change point - VIN begin DA273923		MWC2262	1
8	Handle assembly-inner panel door release	Change point - VIN begin DA273923		MWC2260	1
9	Lever assembly-tailgate release	Change point - VIN begin DA273923		MWC 1384	1
11	Screw	Change point - VIN begin DA273923		SL103121L	2
12	Nut-hexagonal	Change point - VIN begin DA273923	M4	NH104041L	2
13	Washer-Plain	Change point - VIN begin DA273923	M4	WA104001L	4
14	Screw	Change point - VIN begin DA273923	No 8 x 1/2, Self Tapping	AB608041L	6
15	Nut-lokut	Change point - VIN begin DA273923		RTC3743	6
16	Bush	Change point - VIN begin DA273923		MWC2707	6
17	Camshaft-tailgate release lever	Change point - VIN begin DA273923		MWC4818	1
18	Bush-tailgate hinge	Change point - VIN begin DA273923		MWC4406	1
19	Clip	Change point - VIN begin DA273923		BFP1265	2
20	Locknut	Change point - VIN begin DA273923		NY910041L	1

Body & Chassis

Body

Lock Lower Tailgate-From (V) DA274121 (2Dr) & (V) DA273923 (4Dr) 2/2

(TS6121B)

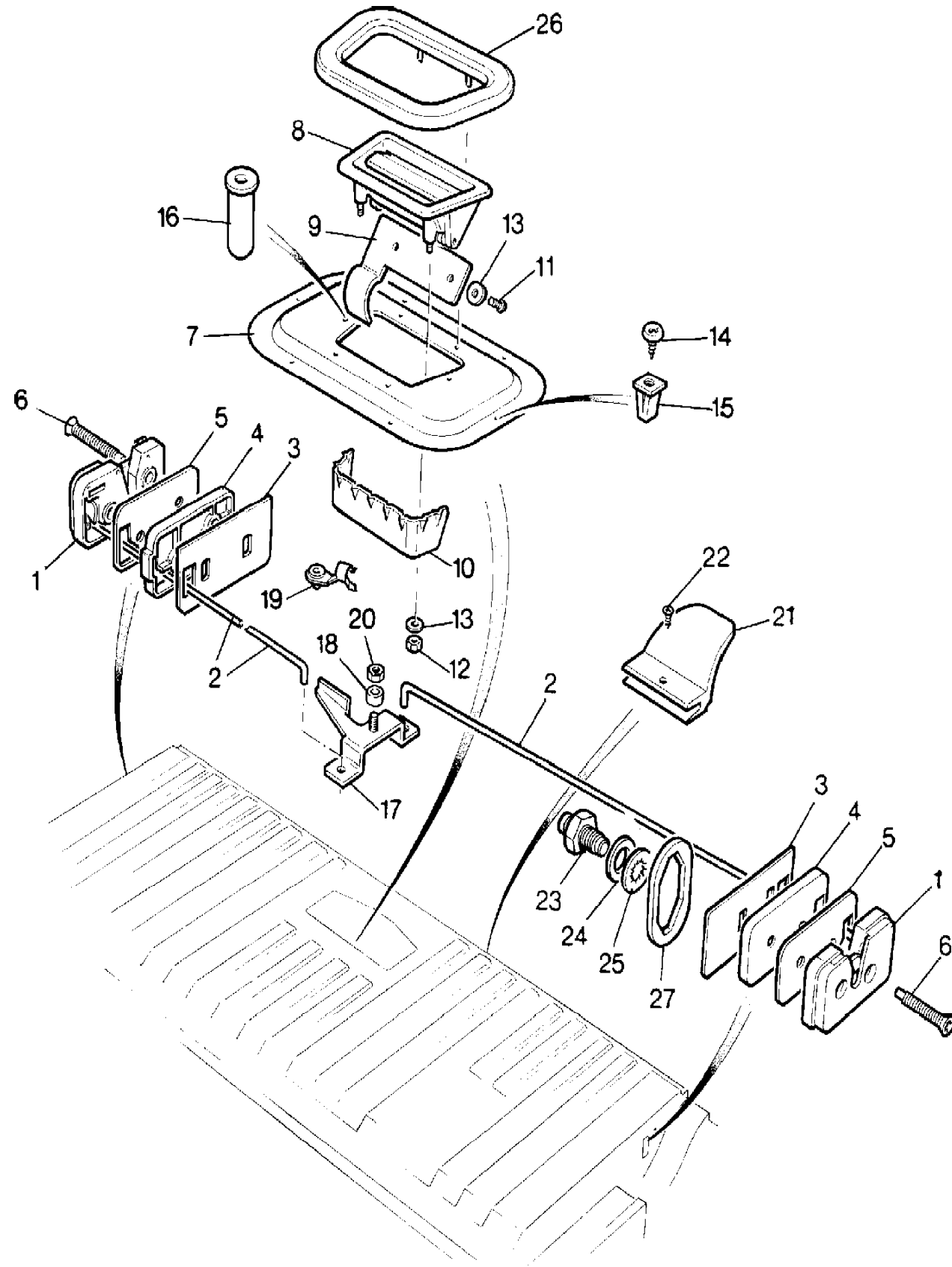
Range Rover (To HA610293)

Body & Chassis

Body

Lock Lower Tailgate-From (V) DA274121 (2Dr) & (V) DA273923 (4Dr)

Range Rover (To HA610293)



Callout	Name	Application	Remarks & Restrictions	Service No.	Qty
21	Tab-lock lower tailgate	Change point - VIN begin DA273923		MWC 1654	2
22	Screw-self tapping	Change point - VIN begin DA273923	counter sunk, No 6 x 3/8	AD606035L	2
23	Striker-tailgate	Change point - VIN begin DA273923		MWC2750	2
24	Gasket-tail door hinge	Change point - VIN begin DA273923		MWC7678	2
25	Washer-starlock	Change point - VIN begin DA273923		WF600121L	2
26	Finisher-tailgate	Change point - VIN begin DA273923		MWC2480	1
27	Pad-tailgate insulation	Change point - VIN begin DA273923		MWC3085	2

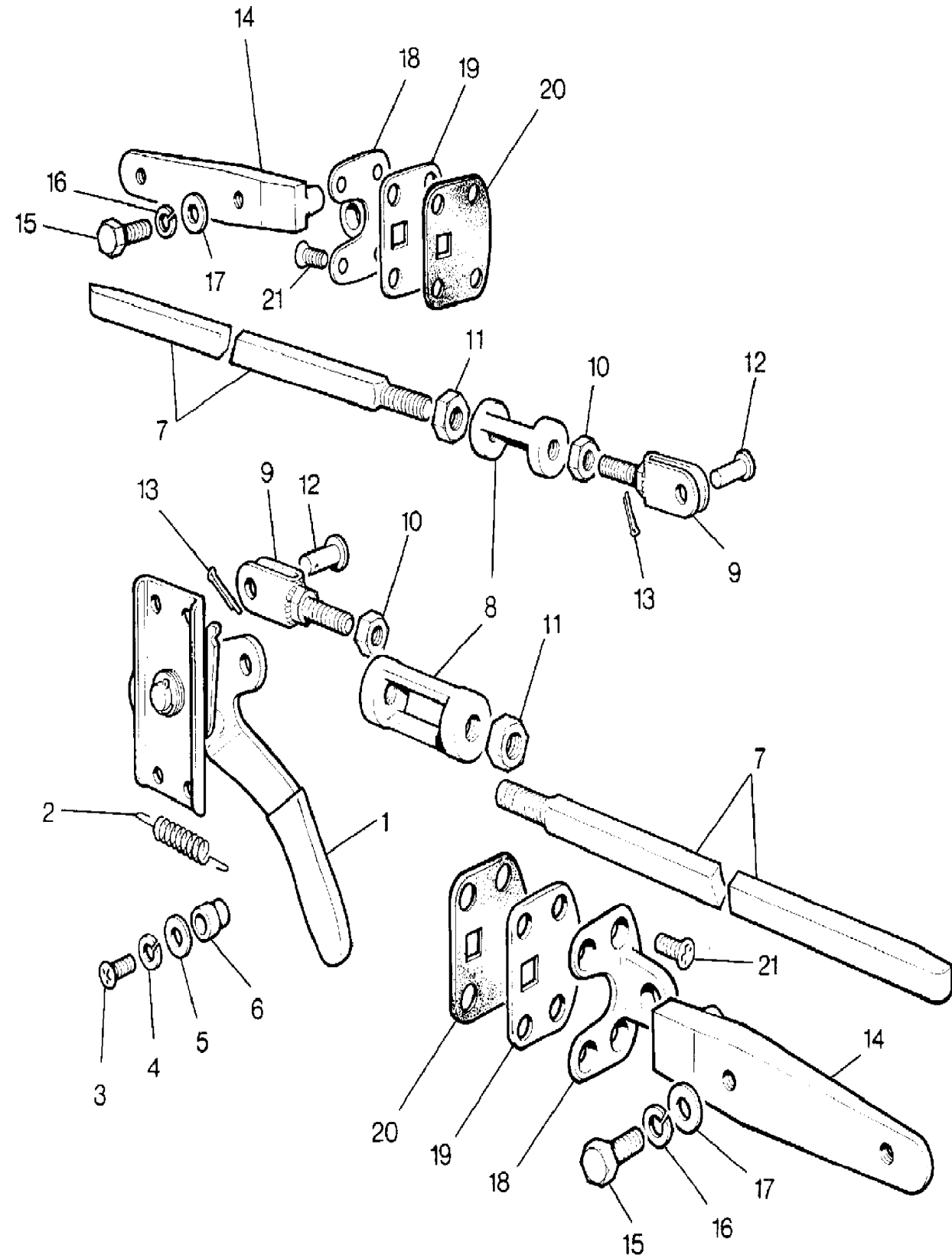
Body & Chassis

Range Rover (To HA610293)

Body

Lock Lower Tailgate-To (V) CA274120 (2Dr) & (V) CA273922 (4Dr) 1/2

(N959)



Range Rover (To HA610293)

Body & Chassis

Body

Lock Lower Tailgate-To (V) CA274120 (2Dr) & (V) CA273922 (4Dr)

Callout	Name	Application	Remarks & Restrictions	Service No.	Qty
1	Handle assembly-door	Change point - VIN end CA274120	Also serviced as part of a kit	320778	1
2	Spring	Change point - VIN end CA274120	Also serviced as part of a kit	320779	1
3	Screw	Change point - VIN end CA274120	Also serviced as part of a kit	78898	4
4	Washer-Spring	Change point - VIN end CA274120	Also serviced as part of a kit, 1/4 dia, Square	WM600041L	4
5	Washer-Plain	Change point - VIN end CA274120	Also serviced as part of a kit, M6	3831L	4
6	Nutsert-blind	Change point - VIN end CA274120	Also serviced as part of a kit	79240	4
7	Link assembly-trunk/tailgate latch	Change point - VIN end CA274120	Also serviced as part of a kit	320783	2
8	Adjuster-threaded	Change point - VIN end CA274120	Also serviced as part of a kit	320782	2
9	Fork-locks	Change point - VIN end CA274120	Also serviced as part of a kit	320780	2
10	Nut - Hex.	Change point - VIN end CA274120	Also serviced as part of a kit, hexagonal head, Coarse Thread, 1/4UNF	NH604041L	2
11	Locknut	Change point - VIN end CA274120	Also serviced as part of a kit	320787	2
12	Pin assembly-clevis	Change point - VIN end CA274120	Also serviced as part of a kit	320781	2
13	Pin-split	Change point - VIN end CA274120	Also serviced as part of a kit	3958L	2
14	Spigot	Change point - VIN end CA274120	Also serviced as part of a kit	320786	2
15	Bolt	Change point - VIN end CA274120	Also serviced as part of a kit	255226	4
16	Washer-Spring	Change point - VIN end CA274120	Also serviced as part of a kit, 5/16"	WM600051L	4
17	Washer-Plain	Change point - VIN end CA274120	Also serviced as part of a kit	RTC613	4
18	Plate	Change point - VIN end CA274120	Also serviced as part of a kit	320785	2
19	Plate	Change point - VIN end CA274120	Also serviced as part of a kit	320784	2

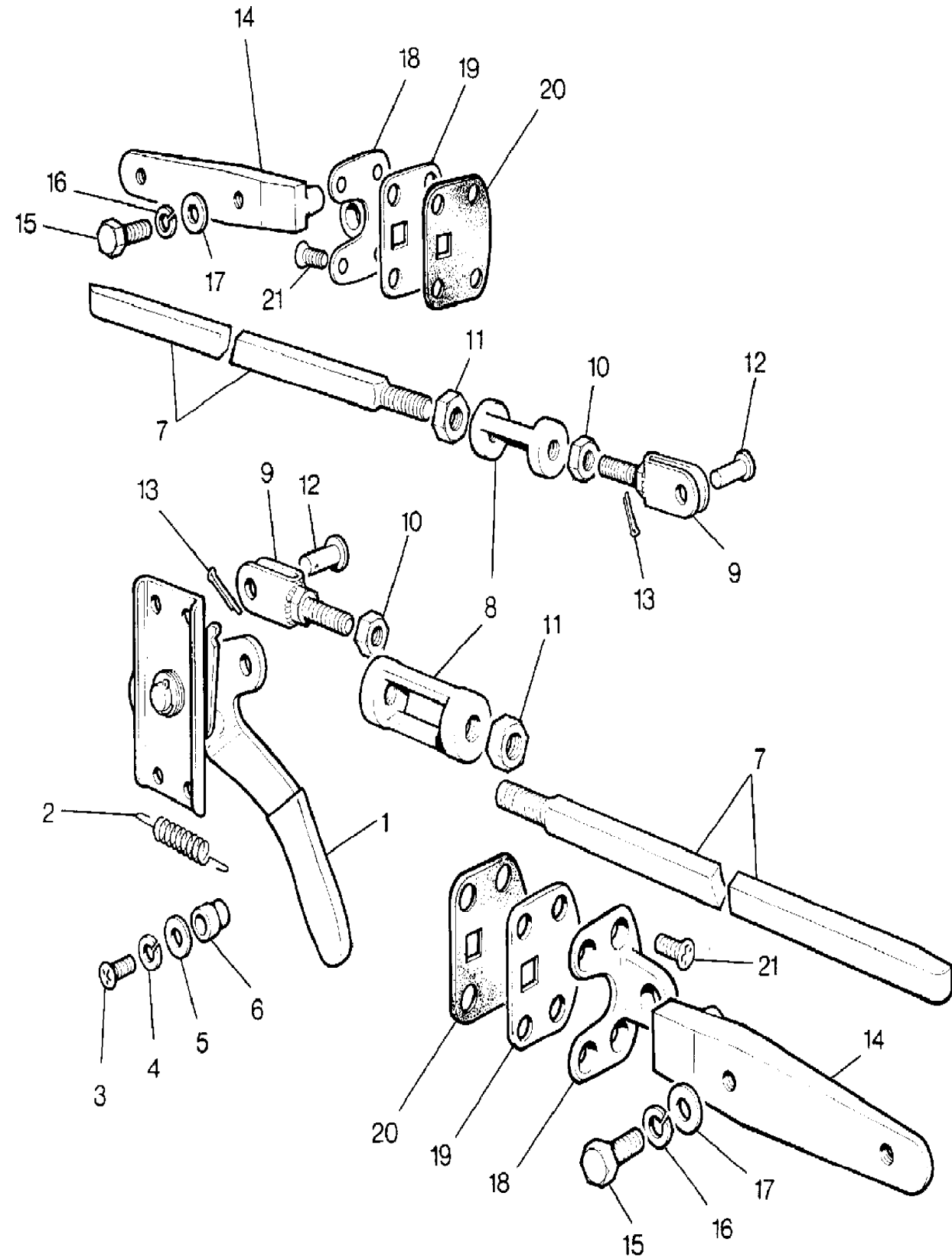
Body & Chassis

Range Rover (To HA610293)

Body

Lock Lower Tailgate-To (V) CA274120 (2Dr) & (V) CA273922 (4Dr) 2/2

(N959)



Range Rover (To HA610293)

Body & Chassis

Body

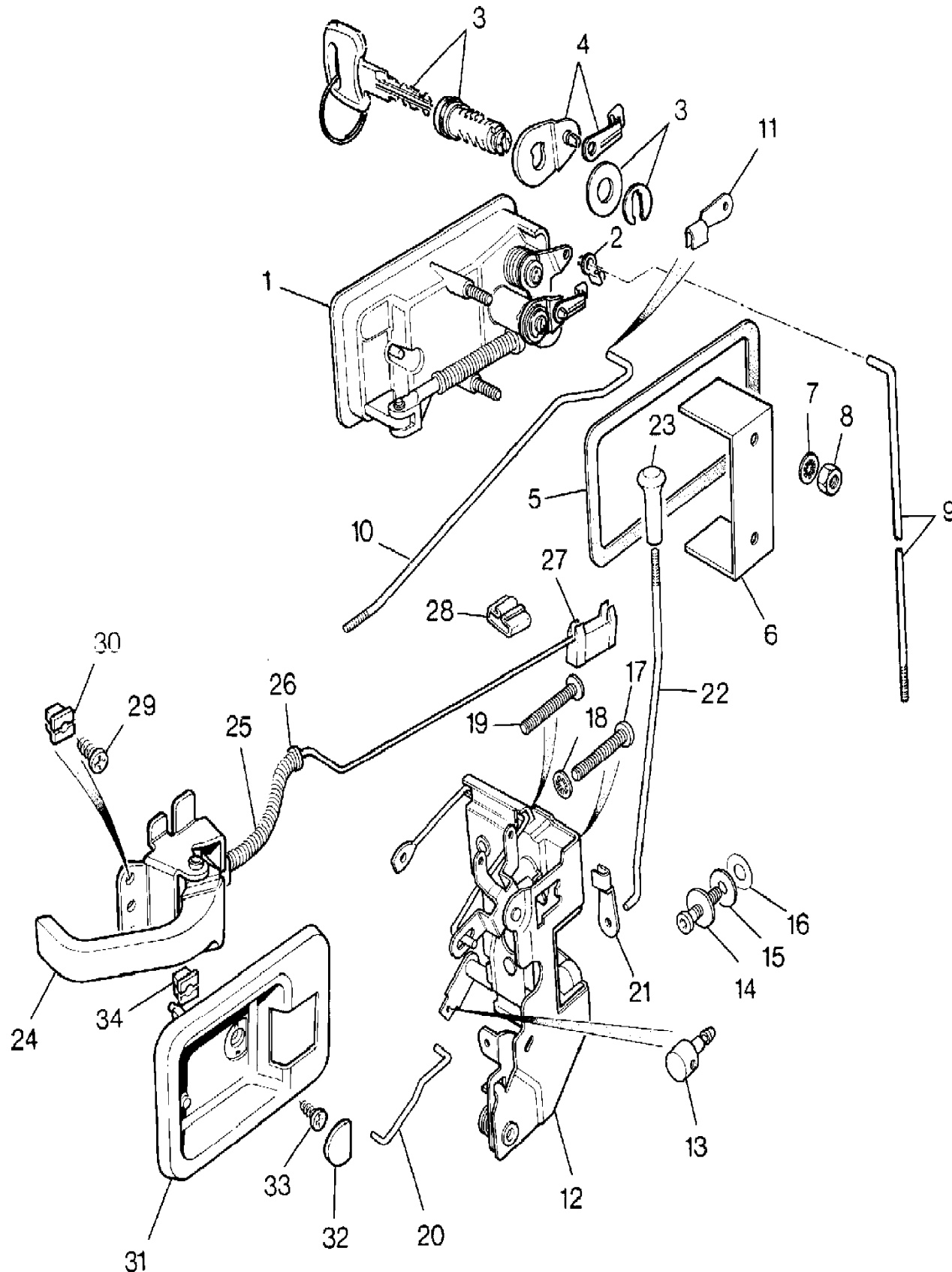
Lock Lower Tailgate-To (V) CA274120 (2Dr) & (V) CA273922 (4Dr)

Callout	Name	Application	Remarks & Restrictions	Service No.	Qty
20	Seal	Change point - VIN end CA274120	Also serviced as part of a kit	MRC124	2
21	Screw	Change point - VIN end CA274120	Also serviced as part of a kit	79140	8
[900]	Lock assembly-tailgate	Change point - VIN end CA274120	Also serviced as part of a kit	390277	1

Range Rover (To HA610293)

(TS5354B)

Range Rover (To HA610293)

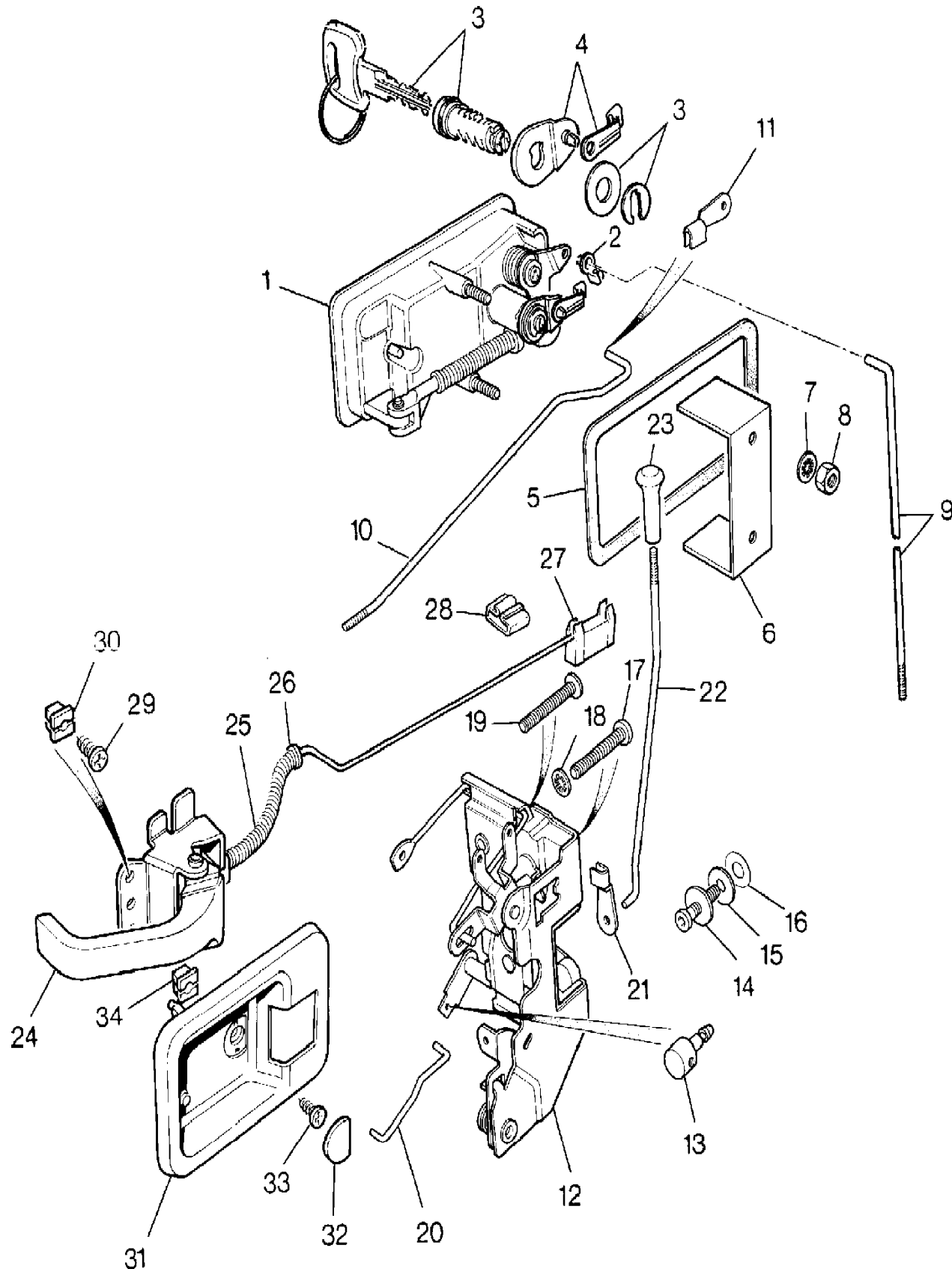


Callout	Name	Application	Remarks & Restrictions	Service No.	Qty
1	Handle assembly-door	Change point - VIN end EA351846	Outer, RH	MTC6738	1
		Change point - VIN end EA351846	Outer, LH	MTC6742	1
2	Clip	Change point - VIN end EA322140		MTC9623	2
		Change point - VIN begin EA322141		BFP1265	2
3	Lock assembly-door	Change point - VIN end EA351846	RH, red cam	RTC5024	1
		Change point - VIN end EA351846	blue cam, LH	RTC5025	1
4	Link-door handle	Change point - VIN end EA351846	RH, Red	RTC5555	1
		Change point - VIN end EA351846	Blue., LH	RTC5556	1
5	Seal	Change point - VIN end EA351846		CZK8356	2
6	Bracket	Change point - VIN end EA351846	outer handle	CZK8207	2
7	Washer-Spring	Change point - VIN end EA351846	rectangular, No 10, single coil	WL700101L	4
8	Locknut	Change point - VIN end EA351846		NY910041L	4
9	Link-handle	Change point - VIN end EA351846	LOCK	MTC9145	2
10	Link-door latch	Change point - VIN end EA351846		MUC3762	2
11	Clip-linkage	Change point - VIN end EA351846		BRC1393	2
12	Latch assembly-front door	Change point - VIN end EA351846	LH	MTC7592	1
		Change point - VIN end EA351846	RH	MTC7593	1
13	Link adjusting	Change point - VIN end EA351846		MTC9289	2
14	Striker-Door Lock	Change point - VIN end EA351846		390448	2
15	Seal-door lock striker	Change point - VIN end EA351846		MWC7677	4
16	Shim	Change point - VIN end EA351846		391591	2
17	Screw-pan	Change point - VIN end EA351846	M6 X 12, pan head	SE106121L	2

Range Rover (To HA610293)

(TS5354B)

Range Rover (To HA610293)



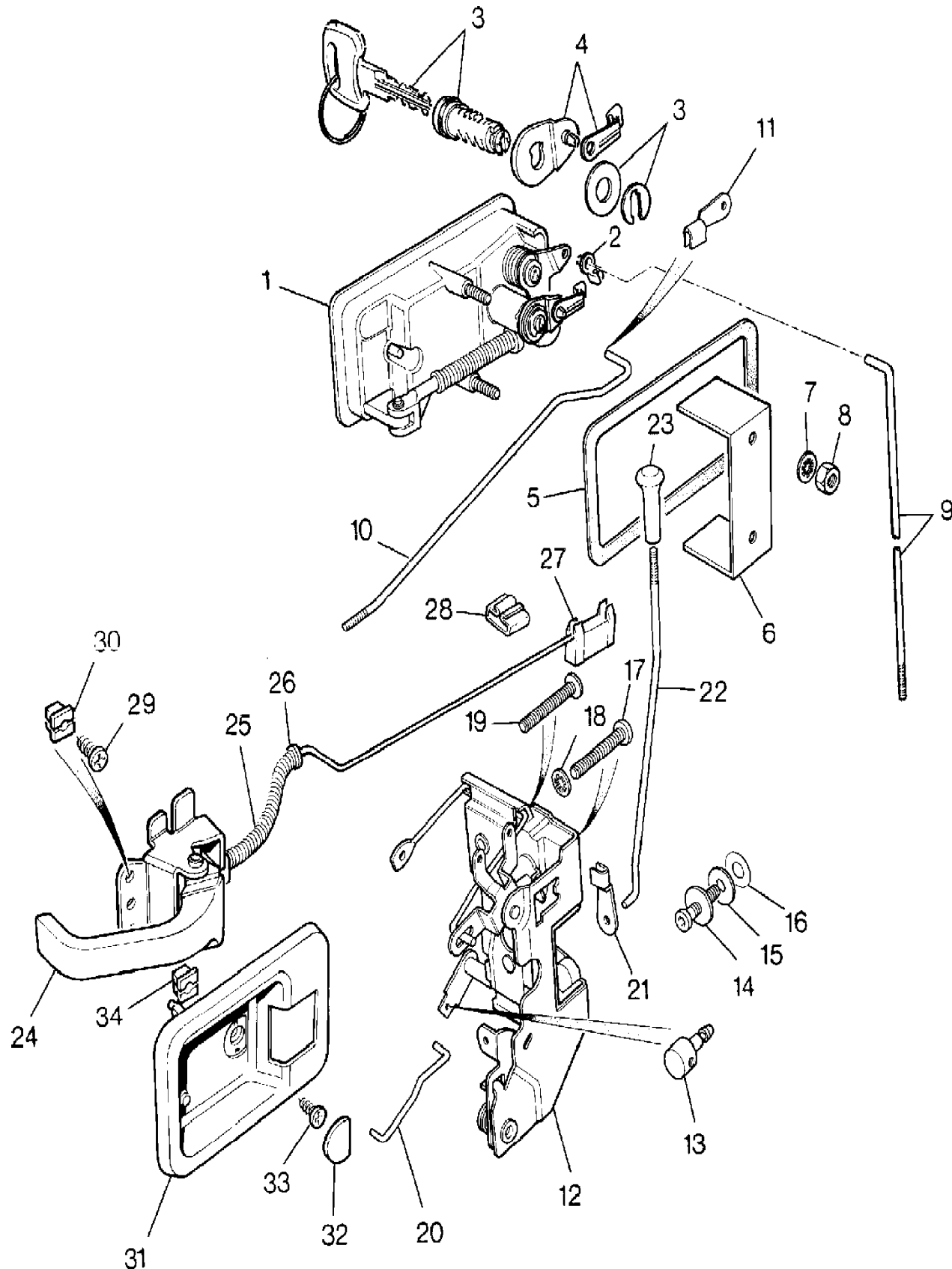
Callout	Name	Application	Remarks & Restrictions	Service No.	Qty
18	Washer-Lock	Change point - VIN end EA351846		WF702101L	2
19	Screw	Change point - VIN end EA351846	door latch, No 6 x 12	SF106121L	4
20	Link - locks	Change point - VIN end EA351846		MTC7029	2
21	Clip	Change point - VIN end EA351846		MTC9623	2
22	Link-front door sill button/latch	Change point - VIN end EA351846 Change point - VIN end EA351846	RH LH	MTC7848 MTC7849	1 1
23	Button sill	Change point - VIN end EA351846 Change point - VIN begin EA326881 Change point - VIN end EA351846	Brushwood Bitter Chocolate. Flint Grey	MUC3366AV MUC3366CC MUC3366LG	2 2 2
24	Handle assembly-front door	Change point - VIN begin EA326881 Change point - VIN end EA351846 Change point - VIN end EA351846 Change point - VIN begin EA326881 Change point - VIN end EA351846	Also serviced as part of a kit, RH, Bitter Chocolate. Also serviced as part of a kit, RH, Flint Grey Also serviced as part of a kit, Brushwood, LH Also serviced as part of a kit, Bitter Chocolate., LH Also serviced as part of a kit, Flint Grey, LH	MUC1280CC MUC1280LG MUC1281AV MUC1281CC MUC1281LG	1 1 1 1 1
25	Spring	Change point - VIN begin EA326881	Also serviced as part of a kit	MTC9505	2
26	Washer-Plain	Change point - VIN begin EA326881	Also serviced as part of a kit, M4	WA104001L	2
27	Connector fit	Change point - VIN begin EA326881	Also serviced as part of a kit	AFU3019	2
28	Clip-retainer pin	Change point - VIN end EA351846		MTC9290	2
29	Screw	Change point - VIN end EA351846	Black, Self Tapping, No8 x 5/8	AB608051L	6
30	Nut-lokut-seal	Change point - VIN end EA351846		CZK3264	6
31	Bezel	Change point - VIN begin EA326881 Change point - VIN end EA351846	Bitter Chocolate. Flint Grey	RTC3936CC RTC3936LG	2 2
32	Escutcheon-door-lock	Change point - VIN end EA351846	Brushwood	RTC3937AV	2

Range Rover (To HA610293)

(TS5354B)

Range Rover (To HA610293)

Callout	Name	Application	Remarks & Restrictions	Service No.	Qty
32	Escutcheon-door-lock	Change point - VIN end EA351846	Bitter Chocolate.	RTC3937CC	2
		Change point - VIN end EA351846	Flint Grey	RTC3937LG	2
33	Screw-self tapping	Change point - VIN end EA351846	escutcheon, counter sunk, No 8 x 3/4	AC608061L	4
34	Nut-lokut-seal	Change point - VIN end EA351846		CZK3264	4
35	Key-blank owner	Change point - VIN end EA351846, 4 Door Station Wagon		MUC2153	1
		Change point - VIN end EA351846, 2 Door Station Wagon		MUC2154	1



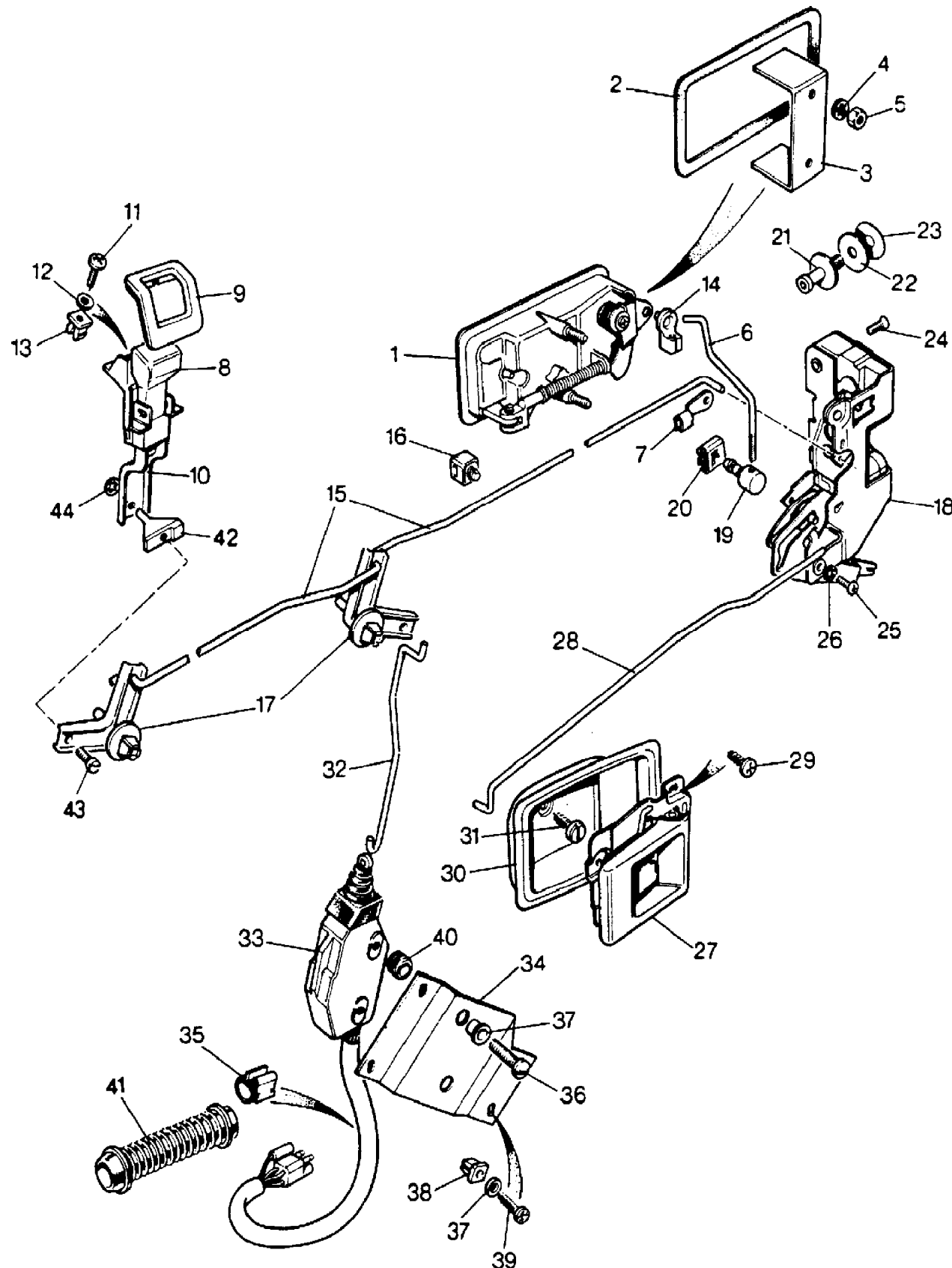
Range Rover (To HA610293)

(TS6516)

Range Rover (To HA610293)

Change point - VIN begin FA351847, 4 Door Station Wagon

Callout	Name	Application	Remarks & Restrictions	Service No.	Qty
1	Handle assembly-rear door	Change point - VIN begin FA351847	Outer, RH	MTC9114	1
		Change point - VIN begin FA351847	Outer, LH	MTC9113	1
2	Seal	Change point - VIN begin FA351847		MXC3178	2
3	Bracket	Change point - VIN begin FA351847	fixing outer handle, Rear	MTC7188	2
4	Washer-Spring	Change point - VIN begin FA351847	rectangular, No 10, single coil	WL700101L	4
5	Locknut	Change point - VIN begin FA351847		NY910041L	4
6	Link-rear door handle	Change point - VIN begin FA351847		MXC4605	2
7	Clip	Change point - VIN begin FA351847		BFP1265	2
8	Button sill	Change point - VIN begin FA351847	Bokhara	JRC1775RUN	2
9	Escutcheon-door-lock	Change point - VIN begin FA351847	Bokhara	MXC4738RUN	2
10	Housing-door lock	Change point - VIN begin FA351847		BRC8965RUN	2
11	Screw	Change point - VIN begin FA351847	sill button, Self Tapping, No 6 x 1/2	AB606041L	4
12	Washer-Plain	Change point - VIN begin FA351847	M4	WA104001L	4
13	Nut-lokut	Change point - VIN begin FA351847		MWC1950	4
14	Clip-linkage	Change point - VIN begin FA351847		BRC1393	2
15	Link-rear door crank/latch	Change point - VIN begin FA351847	RH	MWC5150	1
		Change point - VIN begin FA351847	LH	MWC5151	1
16	Clip	Change point - VIN begin FA351847	Rear	MTC9625	2
17	Lever assembly bell crank	Change point - VIN begin FA351847		MWC5360	4
18	Latch assembly-rear door	Change point - VIN begin FA351847	RH	MTC9204	1

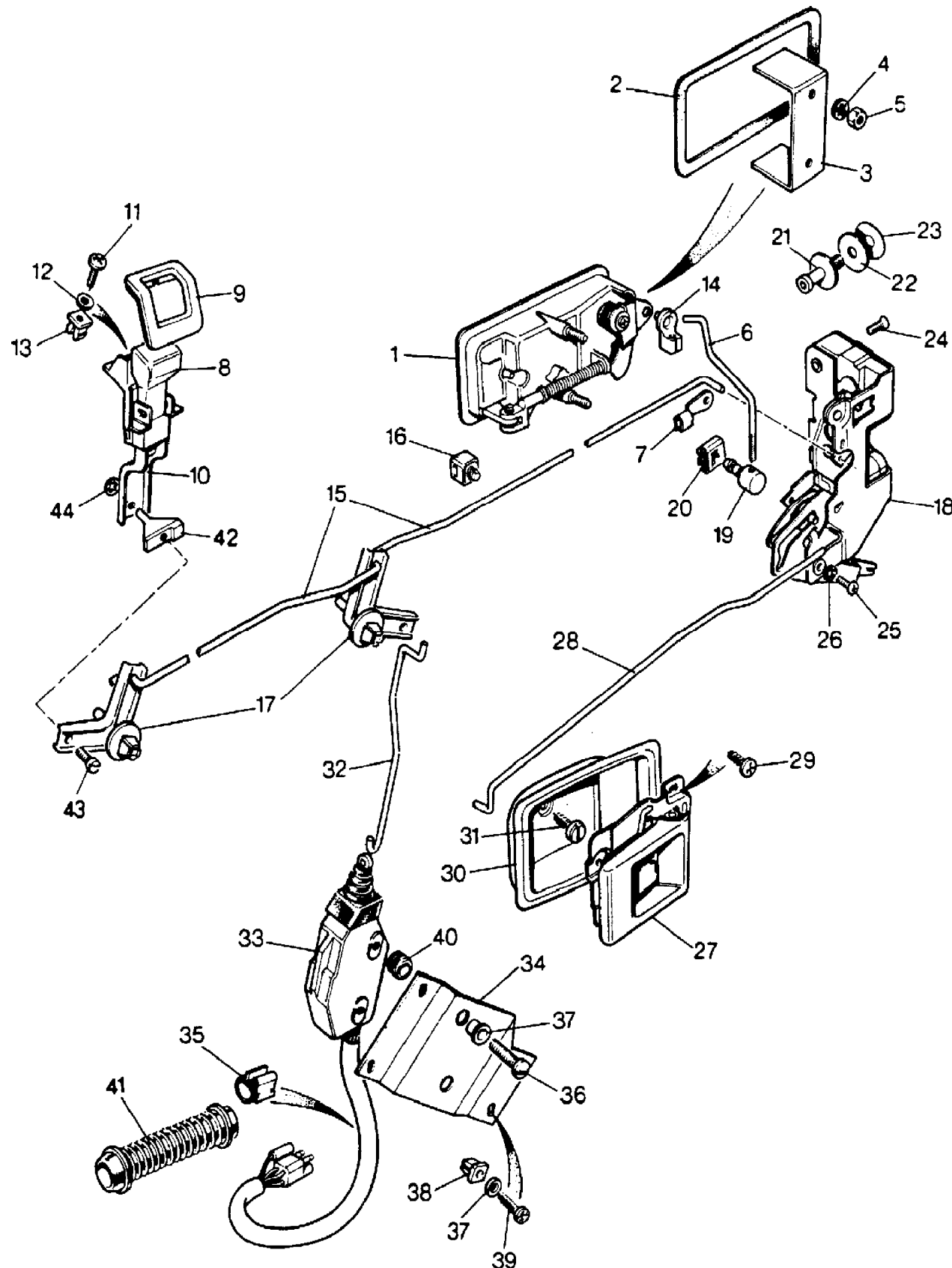


Range Rover (To HA610293)

(TS6516)

Range Rover (To HA610293)

Change point - VIN begin FA351847, 4 Door Station Wagon



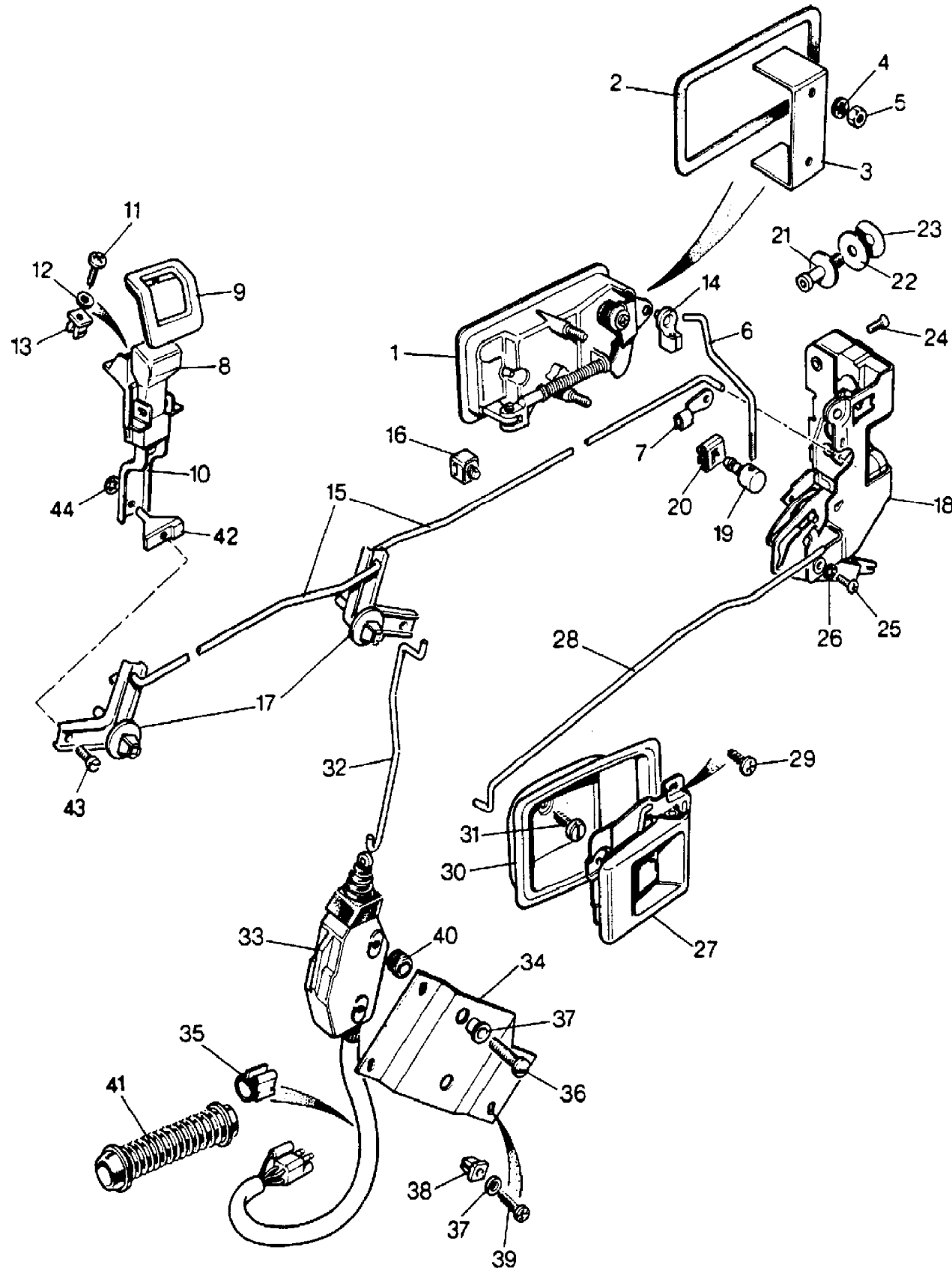
Callout	Name	Application	Remarks & Restrictions	Service No.	Qty
18	Latch assembly-rear door	Change point - VIN begin FA351847	LH	MTC9203	1
19	Link adjusting	Change point - VIN begin FA351847		MTC9289	2
20	Clip-retainer pin	Change point - VIN begin FA351847		MTC9290	2
21	Striker-Door Lock	Change point - VIN begin FA351847		390448	2
22	Seal-door lock striker	Change point - VIN begin FA351847		MWC7677	2
23	Shim	Change point - VIN begin FA351847		391591	2
24	Screw	Change point - VIN begin FA351847	door latch, No 6 x 12	SF106121L	4
25	Screw-pan	Change point - VIN begin FA351847	M6 X 12, pan head	SE106121L	2
26	Washer-Lock	Change point - VIN begin FA351847		WF702101L	2
27	Handle assembly-door	Change point - VIN begin FA351847	RH, Bokhara	MXC2722RUN	1
		Change point - VIN begin FA351847	Bokhara, LH	MXC2723RUN	1
28	Link-rear door handle	Change point - VIN begin FA351847	RH	MWC5144	1
		Change point - VIN begin FA351847	LH	MWC5145	1
29	Screw-self tapping B	Change point - VIN begin FA351847	Handle, No 4 x 1/2	AB604044	4
30	Housing-inner panel door release assembly	Change point - VIN begin FA351847	RH, Bokhara	DBP6532RUN	1
		Change point - VIN begin FA351847	Bokhara, LH	DBP6533RUN	1
31	Screw-self tapping	Change point - VIN begin FA351847	fixing bezel, Self Tapping, M8 x 13	DA608044L	2
32	Link - locks	Change point - VIN begin FA351847	actuator to bellcrank, RH	MWC5148	1
		Change point - VIN begin FA351847	actuator to bellcrank, LH	MWC5149	1
33	Actuator-central door locking	Change point - VIN begin FA351847, Change point - VIN end FA399972	Passenger	PRC3916	2

Range Rover (To HA610293)

(TS6516)

Range Rover (To HA610293)

Change point - VIN begin FA351847, 4 Door Station Wagon



Callout	Name	Application	Remarks & Restrictions	Service No.	Qty
33	Actuator-central door locking	Change point - VIN begin GA399973	Passenger	PRC8099	2
34	Plate-rear door actuator	Change point - VIN begin FA351847	RH	MWC6432	1
		Change point - VIN begin FA351847	LH	MWC6433	1
35	Clip-cable	Change point - VIN begin FA351847	Rear	345662	X
36	Screw	Change point - VIN begin FA351847	Black, Self Tapping, No8 x 5/8	AB608051L	8
37	Bush	Change point - VIN begin FA351847		EAM9067L	8
38	Nut-lokut-seal	Change point - VIN begin FA351847		CZK3264	8
39	Screw	Change point - VIN begin FA351847	plastite	ADU6780	8
40	Grommet	Change point - VIN begin FA351847		EAM9066L	4
41	Grommet-convolute	Change point - VIN begin FA351847		DRC5377	2
42	Bellcrank peg	Change point - VIN begin FA351847	Rear	MUC5783	2
43	Screw	Change point - VIN begin FA351847	Self Tapping, No 6 x 3/8	AB606031L	2
44	Retainer	Change point - VIN begin FA351847		AN104041L	2

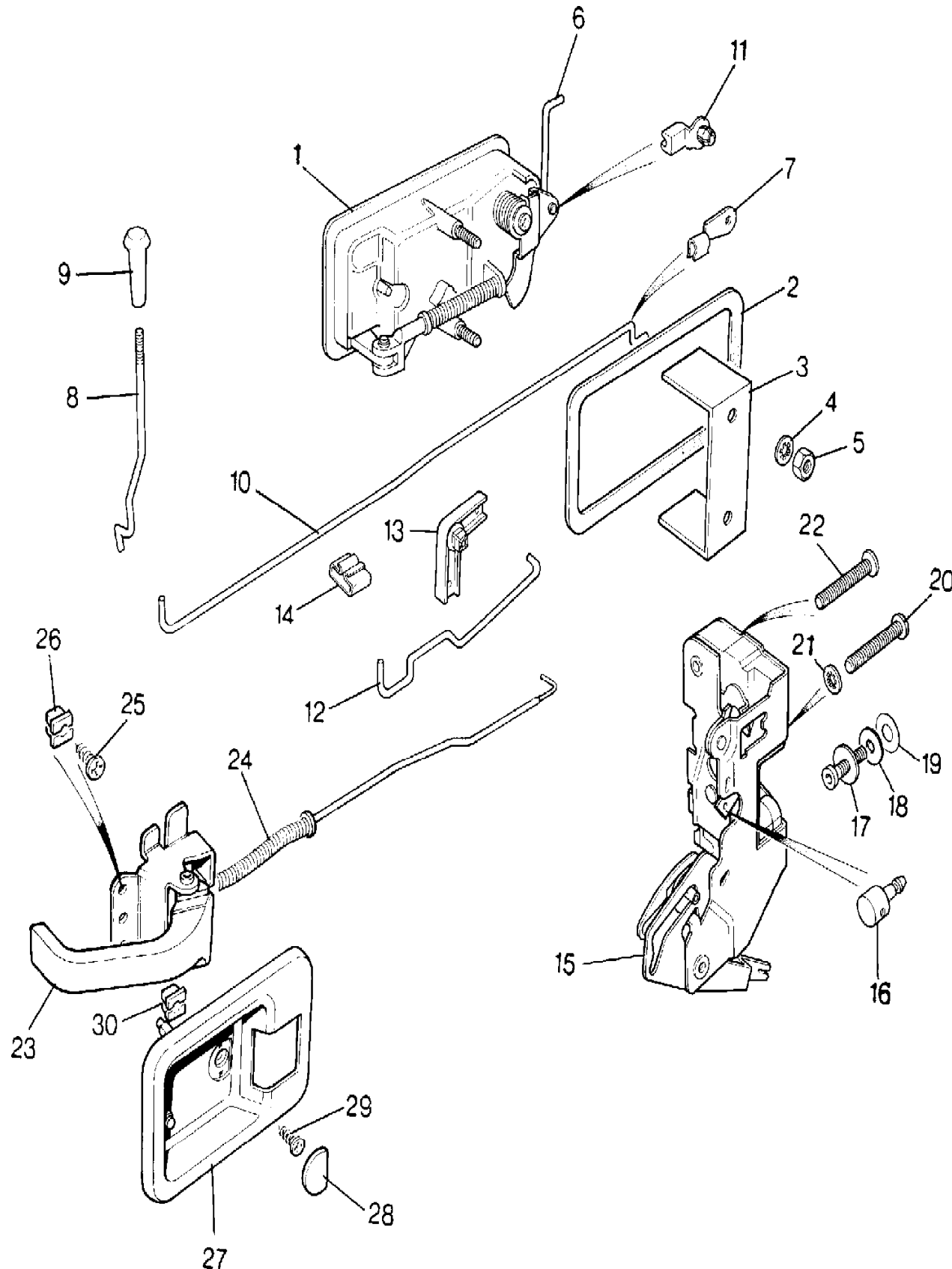
Range Rover (To HA610293)

(TS5353B)

Range Rover (To HA610293)

Change point - VIN end EA351846, 4 Door Station Wagon

Callout	Name	Application	Remarks & Restrictions	Service No.	Qty
1	Handle assembly-rear door	Change point - VIN end EA351846	Outer, RH	MTC9114	1
		Change point - VIN end EA351846	Outer, LH	MTC9113	1
2	Seal	Change point - VIN end EA351846		CZK8356	2
3	Bracket	Change point - VIN end EA351846	fixing outer handle, Rear	MTC7188	2
4	Washer-Spring	Change point - VIN end EA351846	rectangular, No 10, single coil	WL700101L	4
5	Locknut	Change point - VIN end EA351846		NY910041L	4
6	Link - locks	Change point - VIN end EA351846	handle to lock	MTC9153	2
7	Clip	Change point - VIN end EA322140		MTC9623	2
		Change point - VIN end EA351846, Change point - VIN begin EA322141		BFP1265	2
8	Link-rear door sill button /latch	Change point - VIN end EA351846		MTC9149	2
9	Button sill	Change point - VIN end EA351846	Brushwood	MUC3366AV	2
		Change point - VIN begin EA326881, Change point - VIN end EA351846	Bitter Chocolate.	MUC3366CC	2
		Change point - VIN end EA351846	Flint Grey	MUC3366LG	2
10	Link - locks	Change point - VIN end EA351846	bellcrank to latch	MTC9151	2
11	Clip-linkage	Change point - VIN end EA351846		BRC1393	2
12	Link-front door interior release handle/latch	Change point - VIN end EA351846	RH	MUC3846	1
		Change point - VIN end EA351846	LH	MUC3847	1
13	Bellcrank-door	Change point - VIN end EA351846		DZA1435L	2
14	Clip-retainer pin	Change point - VIN end EA351846		MTC9290	2
15	Latch assembly-rear door	Change point - VIN end EA351846	RH	MTC9204	1
		Change point - VIN end EA351846	LH	MTC9203	1



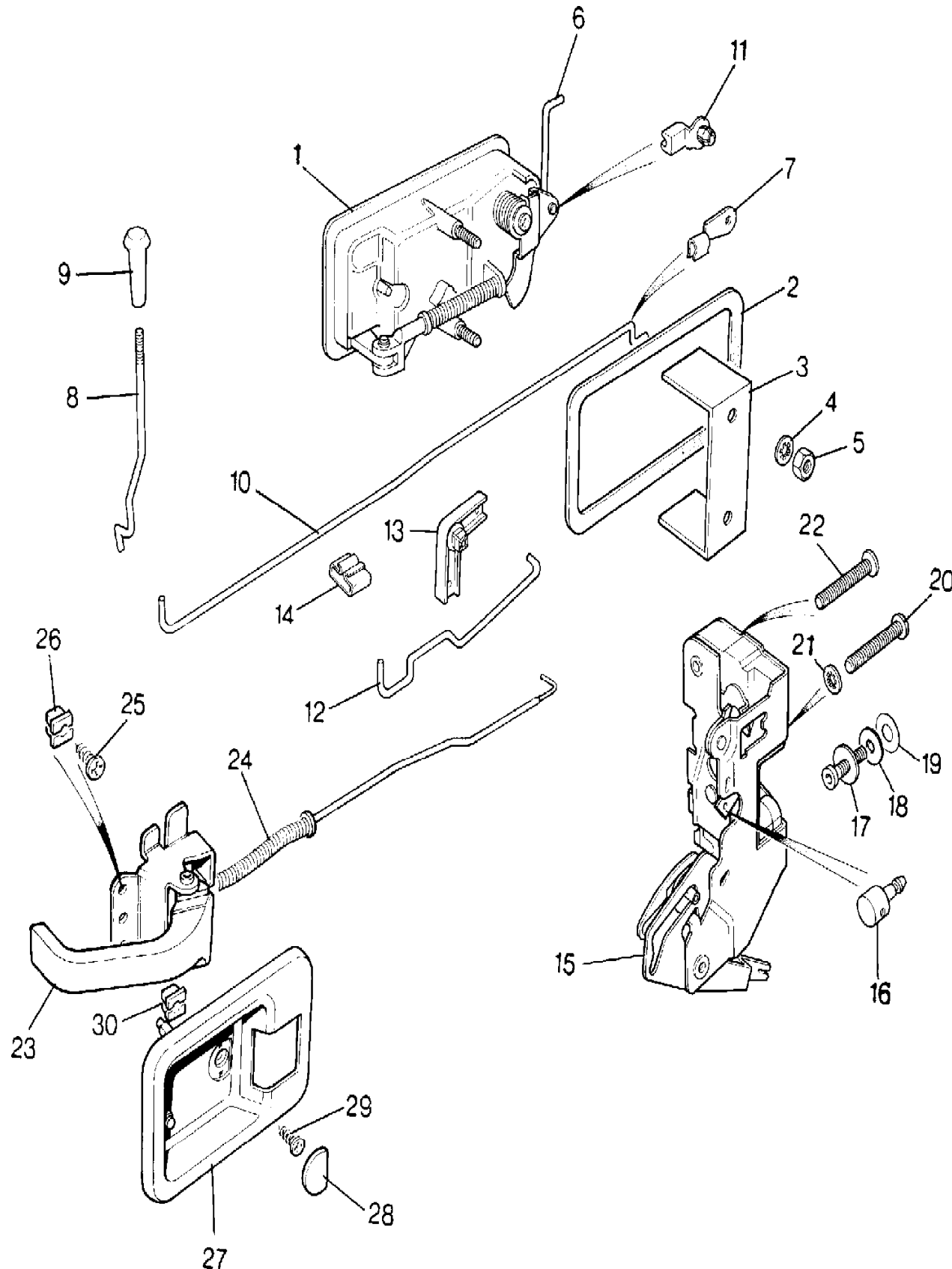
Range Rover (To HA610293)

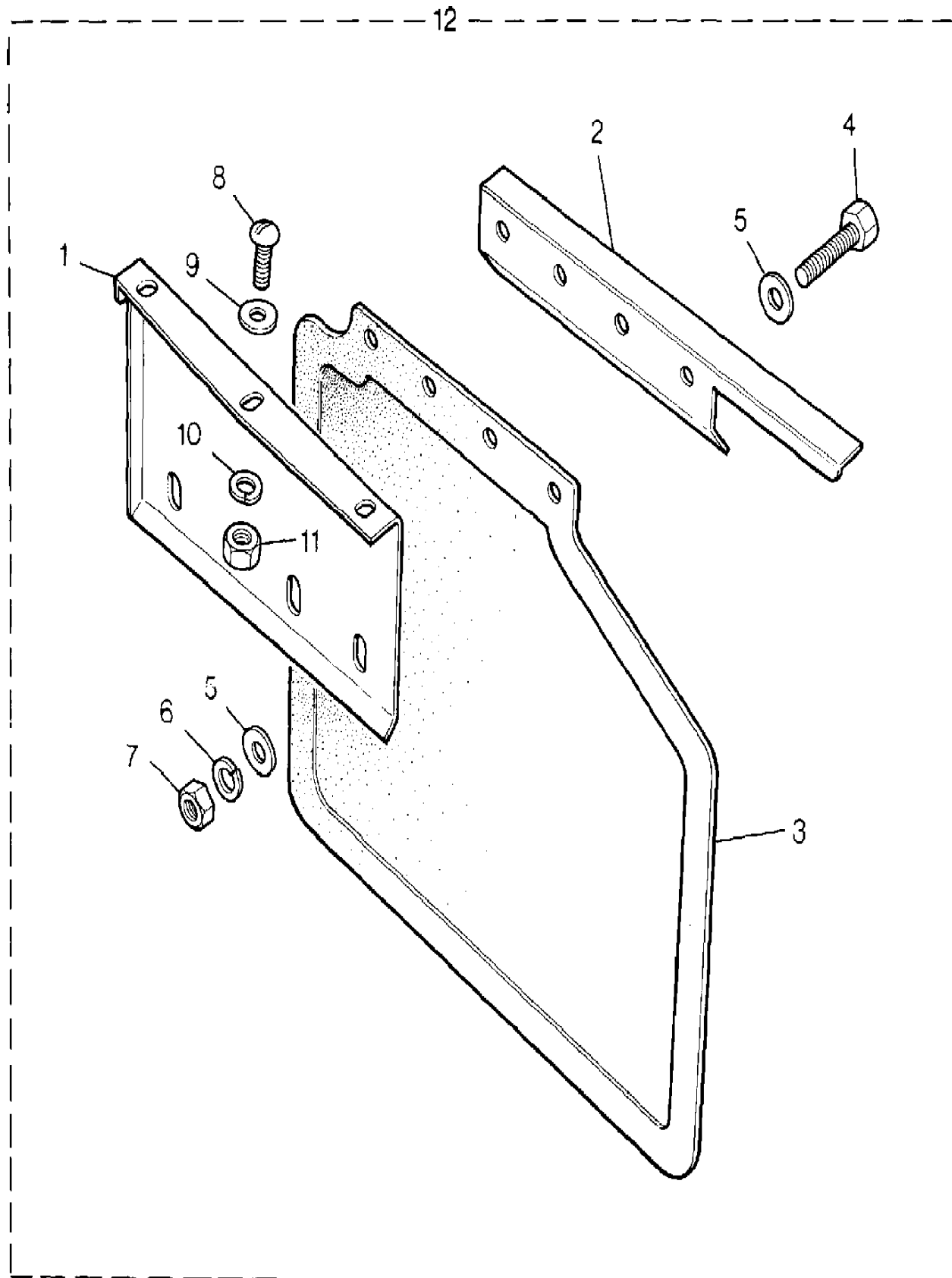
(TS5353B)

Range Rover (To HA610293)

Change point - VIN end EA351846, 4 Door Station Wagon

Callout	Name	Application	Remarks & Restrictions	Service No.	Qty
16	Link adjusting	Change point - VIN end EA351846		MTC9289	2
17	Striker-Door Lock	Change point - VIN end EA351846		390448	2
18	Seal-door lock striker	Change point - VIN end EA351846		MWC7677	4
19	Shim	Change point - VIN end EA351846		391591	2
21	Washer-Lock	Change point - VIN end EA351846		WF702101L	2
22	Screw	Change point - VIN end EA351846	No 6 x 12	SF106121L	4
23	Handle assembly-rear door	Change point - VIN begin EA326881, Change point - VIN end EA351846	Also serviced as part of a kit, RH, Bitter Chocolate.	MUC3850CC	1
		Change point - VIN end EA351846	Also serviced as part of a kit, RH, Flint Grey	MUC3850LG	1
		Change point - VIN begin EA326881, Change point - VIN end EA351846	Also serviced as part of a kit, Bitter Chocolate., LH	MUC3849CC	1
		Change point - VIN end EA351846	Also serviced as part of a kit, Flint Grey, LH	MUC3849LG	1
24	Spring	Change point - VIN begin EA326881, Change point - VIN end EA351846	Also serviced as part of a kit	MTC9505	2
25	Screw	Change point - VIN end EA351846	Black, Self Tapping, No8 x 5/8	AB608051L	6
26	Nut-lokut-seal	Change point - VIN end EA351846		CZK3264	6
27	Bezel	Change point - VIN begin EA326881, Change point - VIN end EA351846	Bitter Chocolate.	RTC3936CC	2
		Change point - VIN end EA351846	Flint Grey	RTC3936LG	2
28	Escutcheon-door-lock	Change point - VIN end EA351846	Brushwood	RTC3937AV	2
		Change point - VIN end EA351846	Bitter Chocolate.	RTC3937CC	2
		Change point - VIN end EA351846	Flint Grey	RTC3937LG	2
29	Screw-self tapping	Change point - VIN end EA351846	counter sunk, No 8 x 3/4	AC608061L	4
30	Nut-lokut-seal	Change point - VIN end EA351846		CZK3264	4





Callout	Name	Application	Remarks & Restrictions	Service No.	Qty
1	Bracket	Change point - VIN end FA374641	Front, RH	392678	1
		Change point - VIN end FA374641	Front, LH	392679	1
		Change point - VIN begin FA374642	Also serviced as part of a kit, Front, RH	392678	1
		Change point - VIN begin FA374642	Also serviced as part of a kit, Front, LH	392679	1
2	Angle mounting	Change point - VIN end FA374641	RH	392676	1
		Change point - VIN end FA374641	LH	392677	1
		Change point - VIN begin FA374642	Also serviced as part of a kit	MXC6743	2
3	Mudflaps-front	Change point - VIN end FA374641		MXC5587	2
4	Screw	Change point - VIN end FA374641	hexagonal head, 1/4UNF x 7/8	SH604071L	8
		Change point - VIN begin FA374642	Also serviced as part of a kit, hexagonal head, 1/4UNF x 7/8	SH604071L	8
5	Washer-Plain	Change point - VIN end FA374641	M6	3831L	4
		Change point - VIN begin FA374642	Also serviced as part of a kit, M6	3831L	4
6	Washer-Spring	Change point - VIN end FA374641	1/4 dia, Square	WM600041L	8
		Change point - VIN begin FA374642	Also serviced as part of a kit, 1/4 dia, Square	WM600041L	8
7	Nut - Hex.	Change point - VIN end FA374641	hexagonal head, Coarse Thread, 1/4UNF	NH604041L	8
		Change point - VIN begin FA374642	Also serviced as part of a kit, M6, nyloc, Hexagonal	NH106041L	8
8	Screw	Change point - VIN end FA374641		79154	6
		Change point - VIN begin FA374642	Also serviced as part of a kit, M6 X 16	SE106161L	6
9	Washer-Plain	Change point - VIN end FA374641	M6	3831L	6
		Change point - VIN begin FA374642	Also serviced as part of a kit, 6MM	WA106041L	6
10	Washer-Spring	Change point - VIN end FA374641	1/4 dia, Square	WM600041L	6
		Change point - VIN begin FA374642	Also serviced as part of a kit, M6, sprung	WL106001L	6
11	Nut - Hex.	Change point - VIN end FA374641	hexagonal head, Coarse Thread, 1/4UNF	NH604041L	6
		Change point - VIN begin FA374642	Also serviced as part of a kit, hexagonal head, Coarse Thread, 1/4UNF	NH604041L	6

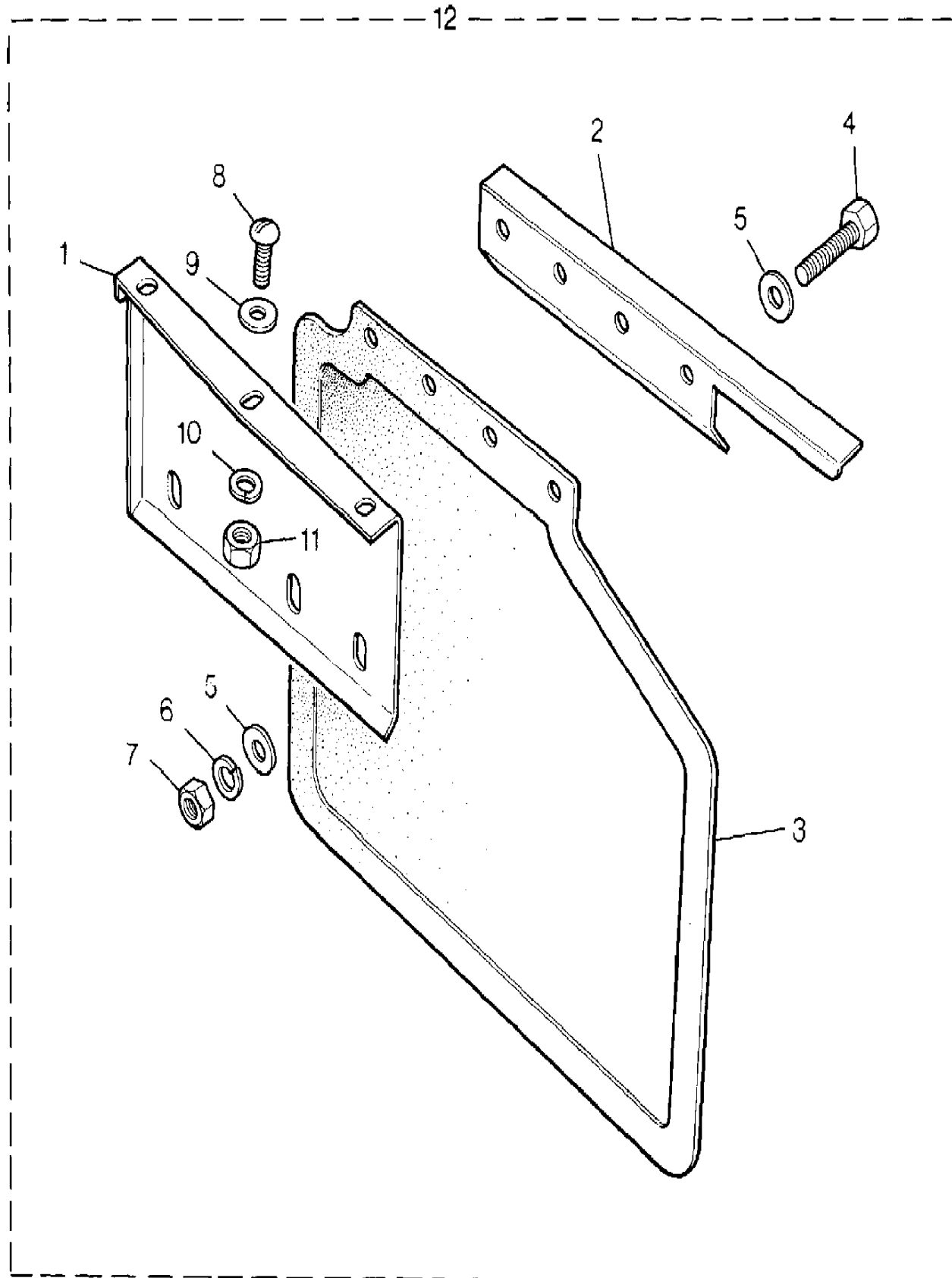
Body & Chassis
 Body
 Mudflaps Front 2/2

Range Rover (To HA610293)
 (TS5626)

Range Rover (To HA610293)

Body & Chassis
 Body
 Mudflaps Front

Callout	Name	Application	Remarks & Restrictions	Service No.	Qty
12	Mudflaps-kit front	Change point - VIN begin FA374642	Also serviced as part of a kit	RTC9562	1



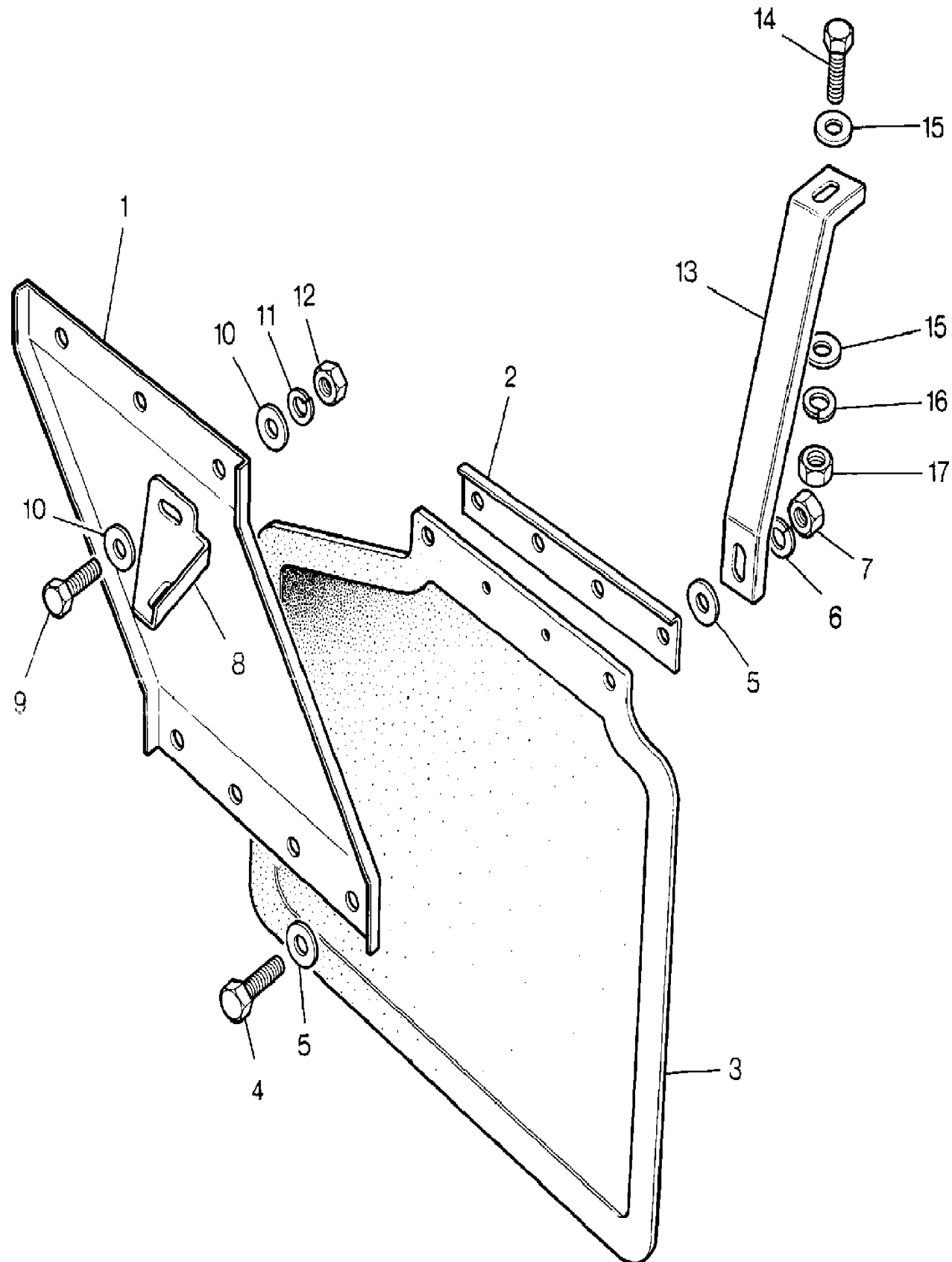
Body & Chassis
Body
Mudflaps Rear 1/1

Range Rover (To HA610293)

(TS5627)

Range Rover (To HA610293)

Body & Chassis
Body
Mudflaps Rear

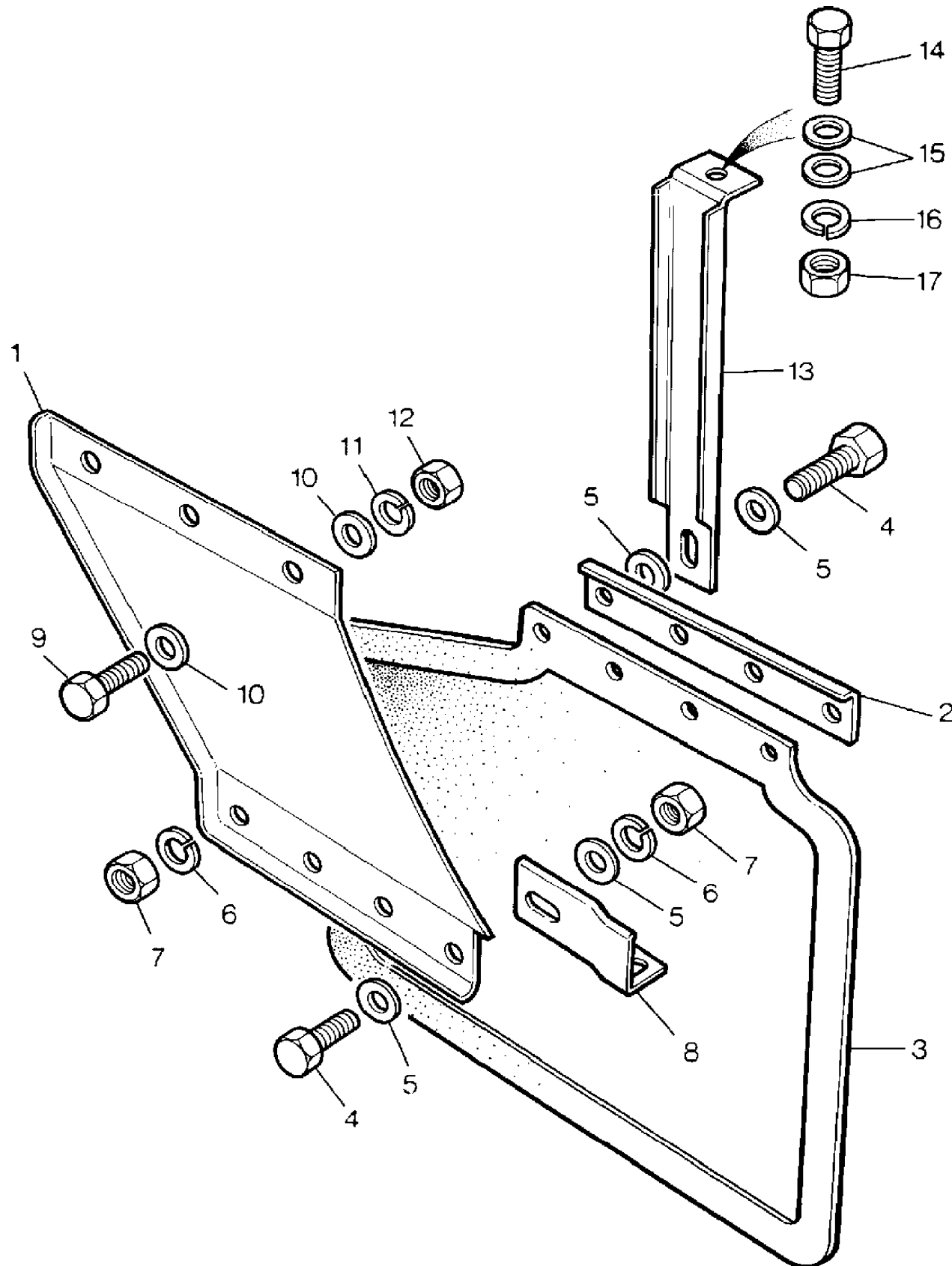


Callout	Name	Application	Remarks & Restrictions	Service No.	Qty
1	Retainer	Change point - VIN end GA441003	RH	390751	1
		Change point - VIN end GA441003	LH	390752	1
2	Angle mounting	Change point - VIN end GA441003		390998	2
3	Mudflap-rear	Change point - VIN end GA441003		MUC3719	2
4	Bolt	Change point - VIN end GA441003		255208	8
5	Washer-Plain	Change point - VIN end GA441003	M6	3831L	16
6	Washer-Spring	Change point - VIN end GA441003	1/4 dia, Square	WM600041L	8
7	Nut - Hex.	Change point - VIN end GA441003	hexagonal head, Coarse Thread, 1/4UNF	NH604041L	8
8	Panel-mudflap mounting	Change point - VIN end GA441003	RH	391029	1
		Change point - VIN end GA441003	LH	391030	1
9	Screw	Change point - VIN end GA441003	1/4UNF x 5/8	255206	8
10	Washer-Plain	Change point - VIN end GA441003	M6	3831L	16
11	Washer-Spring	Change point - VIN end GA441003	1/4 dia, Square	WM600041L	8
12	Nut - Hex.	Change point - VIN end GA441003	hexagonal head, Coarse Thread, 1/4UNF	NH604041L	8
13	Stay-rear mudflap	Change point - VIN end GA441003	LH	390997	1
		Change point - VIN end GA441003	RH	390999	1
14	Screw	Change point - VIN end GA441003	1/4UNF x 5/8	255206	2
15	Washer-Plain	Change point - VIN end GA441003	M6	3831L	4
16	Washer-Spring	Change point - VIN end GA441003	1/4 dia, Square	WM600041L	2
17	Nut - Hex.	Change point - VIN end GA441003	hexagonal head, Coarse Thread, 1/4UNF	NH604041L	2

Range Rover (To HA610293)

(TS5627A)

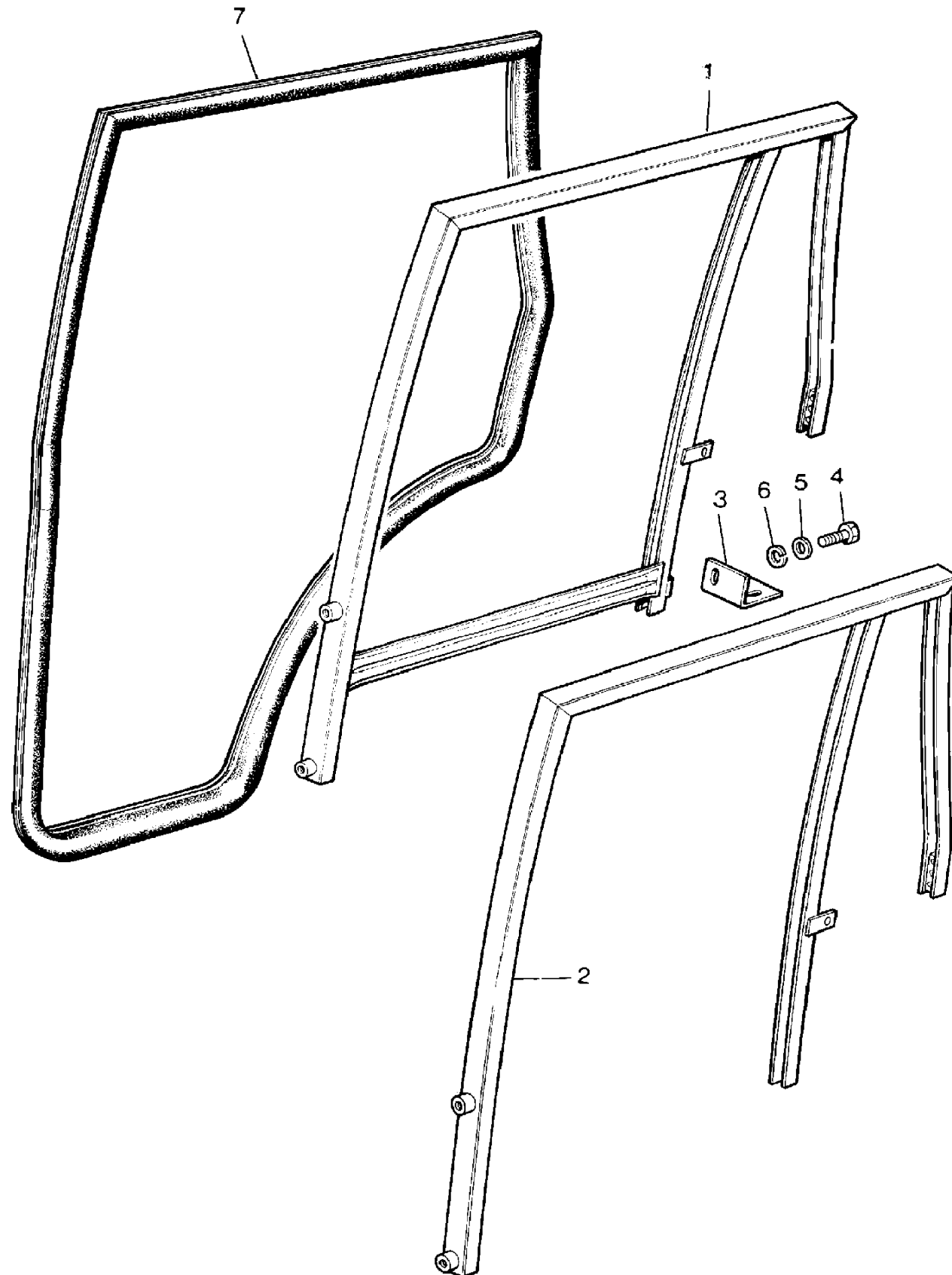
Range Rover (To HA610293)

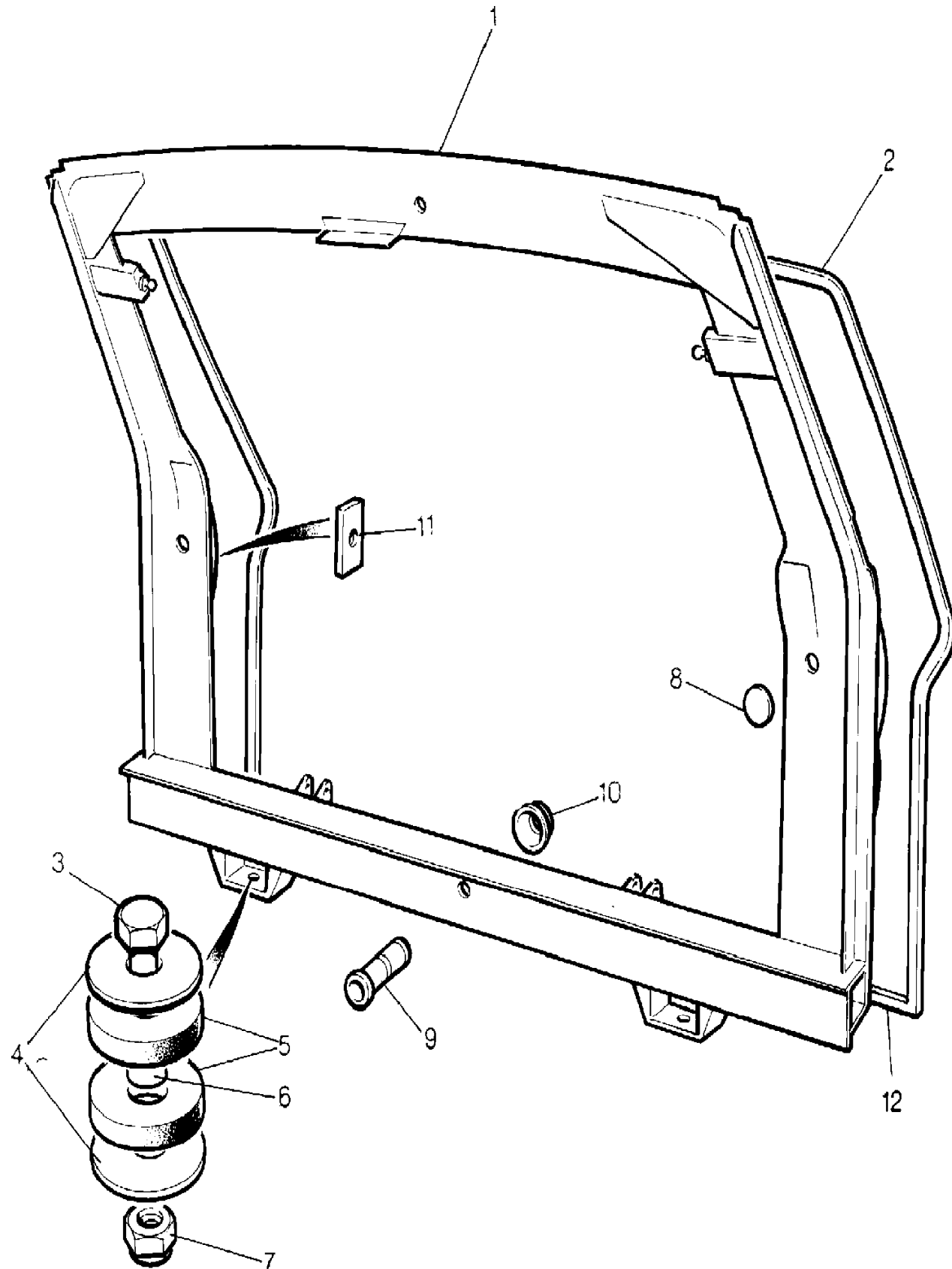


Callout	Name	Application	Remarks & Restrictions	Service No.	Qty
1	Panel-mudflap mounting	Change point - VIN begin GA441004	RH	BTR432	1
		Change point - VIN begin GA441004	LH	BTR433	1
2	Angle mounting	Change point - VIN begin GA441004		390998	2
3	Mudflap-rear	Change point - VIN begin GA441004		MUC3719	2
4	Bolt	Change point - VIN begin GA441004		255208	8
5	Washer-Plain	Change point - VIN begin GA441004	M6	3831L	16
6	Washer-Spring	Change point - VIN begin GA441004	1/4 dia, Square	WM600041L	8
7	Nut - Hex.	Change point - VIN begin GA441004	hexagonal head, Coarse Thread, 1/4UNF	NH604041L	8
8	Angle mounting	Change point - VIN begin GA441004	RH	MXC5546	1
		Change point - VIN begin GA441004	LH	MXC5545	1
9	Screw	Change point - VIN begin GA441004	1/4UNF x 5/8	255206	8
10	Washer-Plain	Change point - VIN begin GA441004	M6	3831L	16
11	Washer-Spring	Change point - VIN begin GA441004	1/4 dia, Square	WM600041L	8
12	Nut - Hex.	Change point - VIN begin GA441004	hexagonal head, Coarse Thread, 1/4UNF	NH604041L	8
13	Stay-rear mudflap	Change point - VIN begin GA441004	LH	MXC5547	1
		Change point - VIN begin GA441004	RH	MXC5548	1
14	Screw	Change point - VIN begin GA441004	1/4UNF x 5/8	255206	2
15	Washer-Plain	Change point - VIN begin GA441004	M6	3831L	4
16	Washer-Spring	Change point - VIN begin GA441004	1/4 dia, Square	WM600041L	2
17	Nut - Hex.	Change point - VIN begin GA441004	hexagonal head, Coarse Thread, 1/4UNF	NH604041L	2

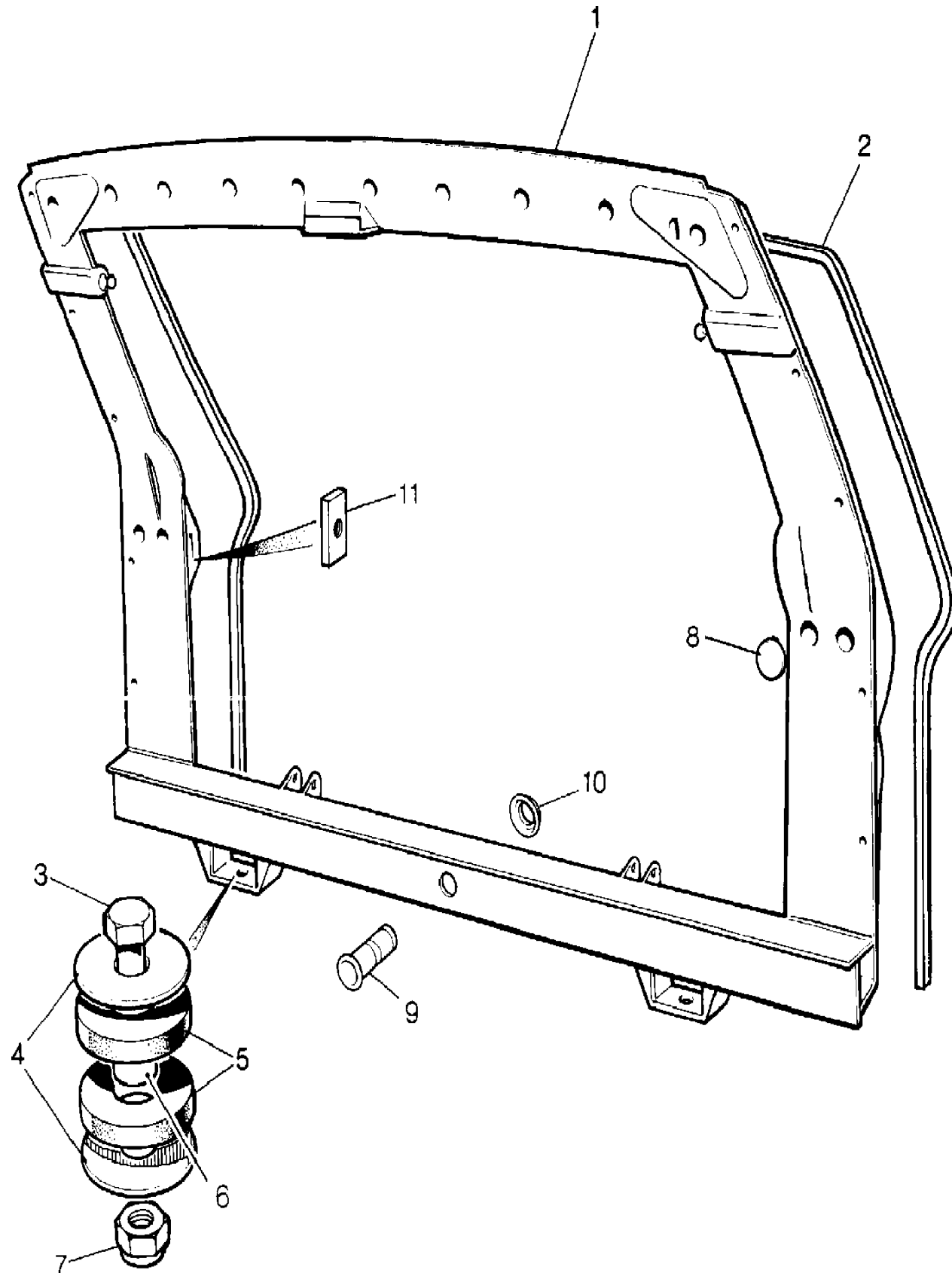
4 Door Station Wagon

Callout	Name	Application	Remarks & Restrictions	Service No.	Qty
1	Frame assembly-rear door	Change point - VIN end FA374641	RH	MWC2162	1
		Change point - VIN end FA374641	LH	MWC2163	1
2	Frame-rear door upper	Change point - VIN begin FA374642, Change point - VIN end HA607410	RH	MXC1954	1
		Change point - VIN begin FA374642, Change point - VIN end HA607410	LH	MXC1955	1
		Change point - VIN begin HA607411	LH	MXC8707	1
		Change point - VIN begin HA607411	RH	MXC8706	1
3	Bracket Mounting		RH	MTC9164	1
			LH	MTC9163	1
4	Screw		bracket to door, hexagonal head	SH604031L	4
5	Washer		Standard	3900L	4
6	Washer		M6, sprung	WL106001L	4
7	Seal-Rear Door	Change point - VIN end CA273922	Savannah, felt	MUC3735AL	2
		Change point - VIN end CA273922	felt, Silver Fox.	MUC3735MF	2
		Change point - VIN begin DA273923, Change point - VIN end EA351846	Plastic, RH, Savannah	MXC1470AAL	1
		Change point - VIN begin DA273923, Change point - VIN end EA351846	Plastic, RH, Silver Fox.	MXC1470MMF	1
		Change point - VIN begin DA273923, Change point - VIN end EA351846	Plastic, Savannah, LH	MXC1471AAL	1
		Change point - VIN begin DA273923, Change point - VIN end EA351846	Plastic, Silver Fox., LH	MXC1471MMF	1
			Rubber, RH, Sorrel Brown	MXC5570SUA	1
			Rubber, RH, Winchester Grey	MXC5570LUL	1
			Rubber, Sonoran Brown, LH	MXC5571SUA	1
			Rubber, Winchester Grey, LH	MXC5571LUL	1
[900]	Frame-rear door upper		RH	MXC8706	1





Callout	Name	Application	Remarks & Restrictions	Service No.	Qty
1	Rear end assembly	Change point - VIN begin GA441004		ALR3185	1
2	Seal-tailgate	Change point - VIN begin GA441004		MTC2398	1
3	Bolt	Change point - VIN begin GA441004	3/8UNF x 3 1/4	592512	10
4	Washer-Plain	Change point - VIN begin GA441004	10mm ID	566580	20
5	Washer-rubber	Change point - VIN begin GA441004		572295	20
6	Spacer	Change point - VIN begin GA441004		566581	10
7	Nut - Hex.	Change point - VIN begin GA441004		252162	10
8	Plug	Change point - VIN begin GA441004		392687	4
9	Bush	Change point - VIN begin GA441004		391129	1
10	Retainer	Change point - VIN begin GA441004		391130	1
11	Plate	Change point - VIN begin GA441004		MWC2692	2
12	Seal	Change point - VIN begin GA441004	Lower	MXC9584	1

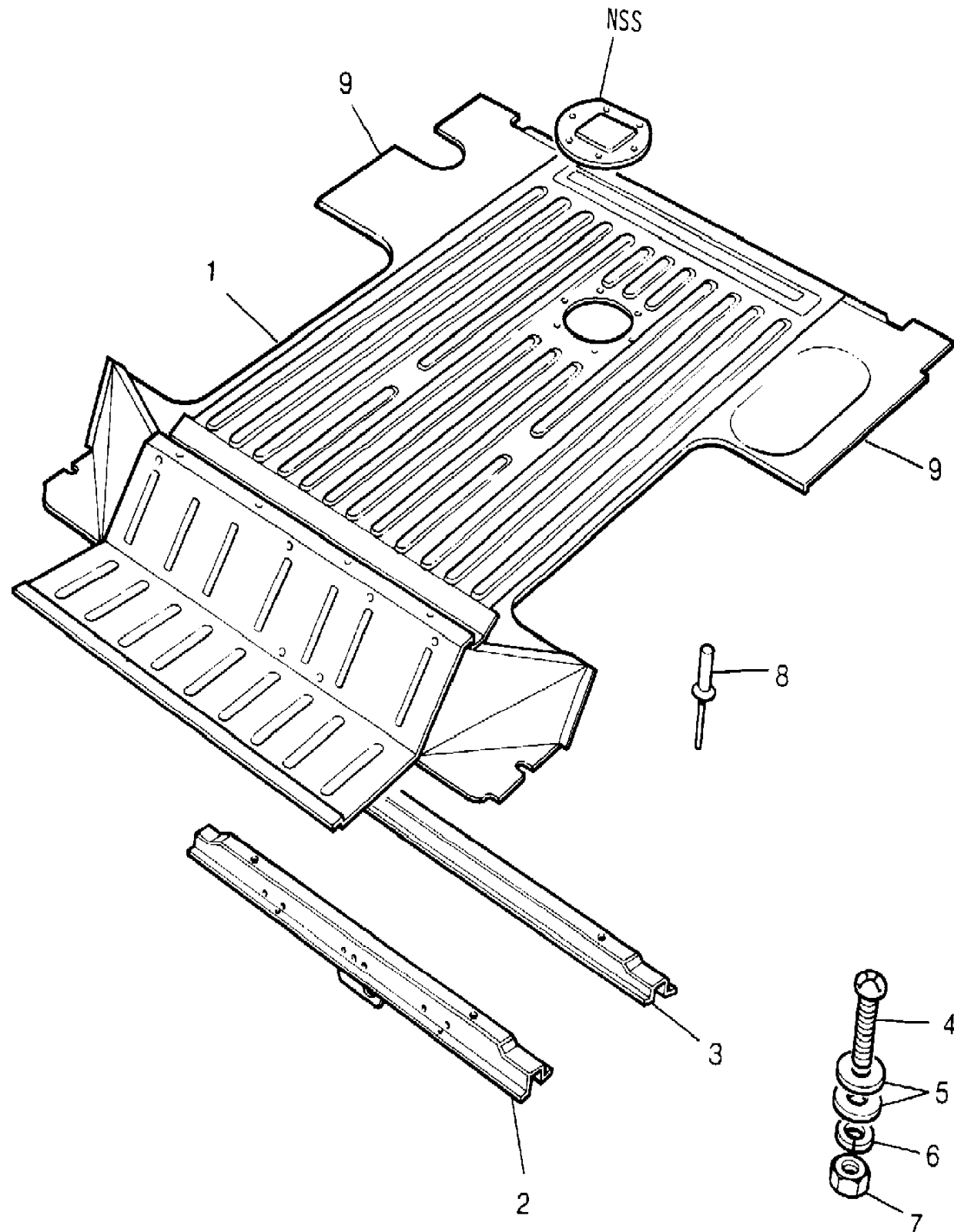


Callout	Name	Application	Remarks & Restrictions	Service No.	Qty
1	Rear end assembly	Change point - VIN end CA274120, 2 Door Station Wagon		STC606	1
		Change point - VIN end GA441003, Change point - VIN begin DA274121, 2 Door Station Wagon		MXC7776	1
		Change point - VIN end CA273922, 4 Door Station Wagon		STC606	1
		Change point - VIN end GA441003, Change point - VIN begin DA273923, 4 Door Station Wagon		MXC7776	1
2	Seal-tailgate	Change point - VIN end GA441003	Upper, Lower	MWC2929	1
3	Bolt	Change point - VIN end GA441003	3/8UNF x 3 1/4	592512	10
		Change point - VIN end GA441003	3/8UNF x 3 1/2	595098	10
4	Washer-Plain	Change point - VIN end GA441003	10mm ID	566580	12
5	Washer-rubber	Change point - VIN end GA441003		572295	20
6	Spacer	Change point - VIN end GA441003		566581	10
7	Nut - Hex.	Change point - VIN end GA441003		252162	10
8	Grommet	Change point - VIN end CA274120, 2 Door Station Wagon		MUC6384	4
		Change point - VIN end GA441003, Change point - VIN begin DA274121, 2 Door Station Wagon		ACU2535L	2
		Change point - VIN end CA273922, 4 Door Station Wagon		MUC6384	4
		Change point - VIN end GA441003, Change point - VIN begin DA273923, 4 Door Station Wagon		ACU2535L	2
9	Bush	Change point - VIN end GA441003		391129	1
10	Retainer	Change point - VIN end GA441003		391130	1
11	Plate	Change point - VIN end GA441003		MWC2692	2

Range Rover (To HA610293)

(TS6605A)

Range Rover (To HA610293)



Callout	Name	Application	Remarks & Restrictions	Service No.	Qty
1	Rear floor assembly	Change point - VIN begin GA441004, Change point - VIN end GA464553		MXC7151	1
		Change point - VIN begin HA464554		MXC9096	1
2	Crossmember Floor	Change point - VIN begin GA441004	Front	MXC7154	1
3	Crossmember Rear	Change point - VIN begin GA441004		MXC7155	1
4	Screw	Change point - VIN begin GA441004		79042	4
5	Washer-Plain	Change point - VIN begin GA441004	M6	3831L	8
6	Washer-Spring	Change point - VIN begin GA441004	1/4 dia, Square	WM600041L	4
7	Nut - Hex.	Change point - VIN begin GA441004	hexagonal head, Coarse Thread, 1/4UNF	NH604041L	4
8	Rivet	Change point - VIN begin GA441004	3/16" x 0.45"lng	RU612253	X
9	Panel outer	Change point - VIN begin GA441004	RH	MXC6058	1
		Change point - VIN begin GA441004	LH	MXC6059	1

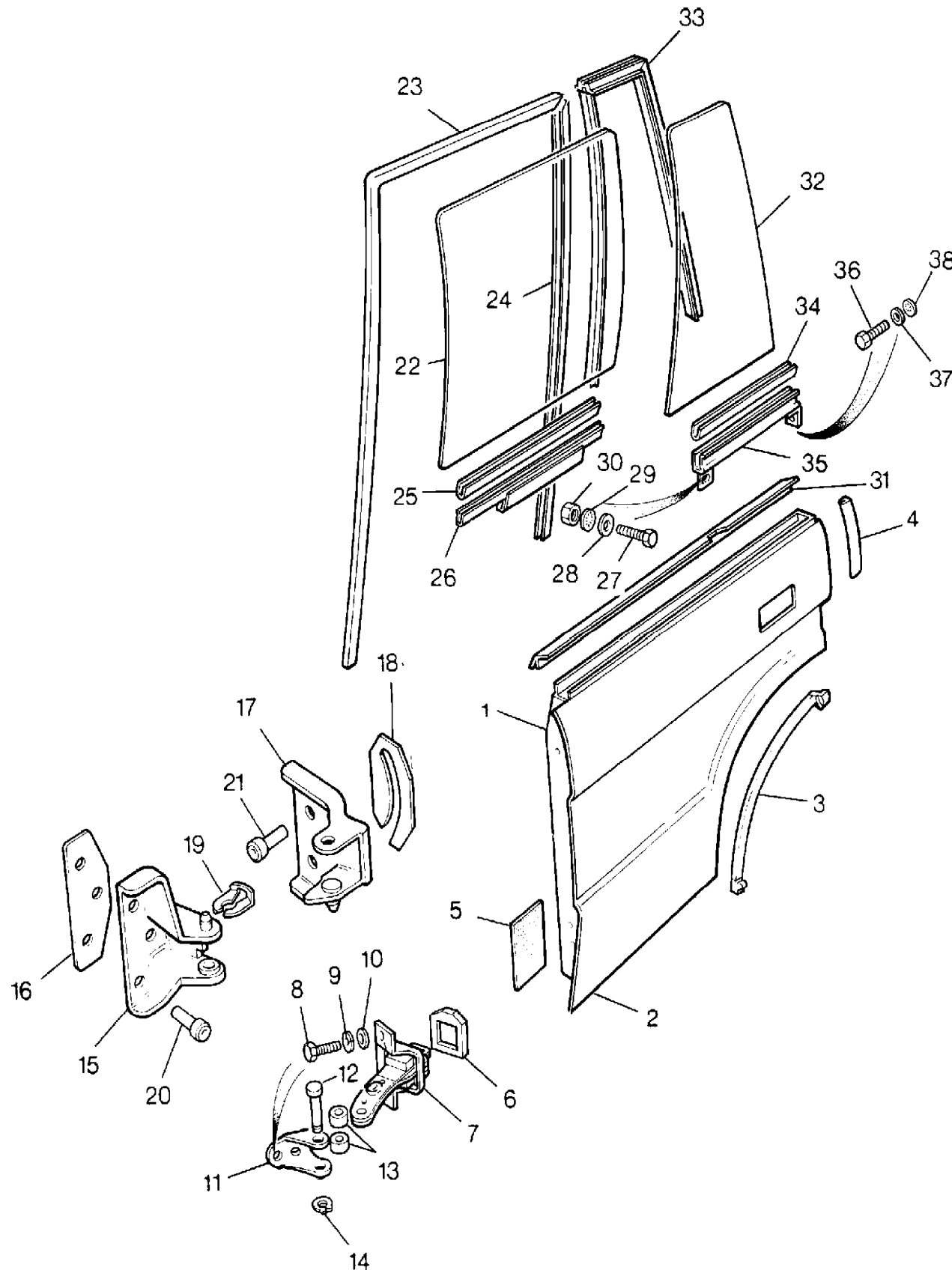
Range Rover (To HA610293)

(TS6607)

Range Rover (To HA610293)

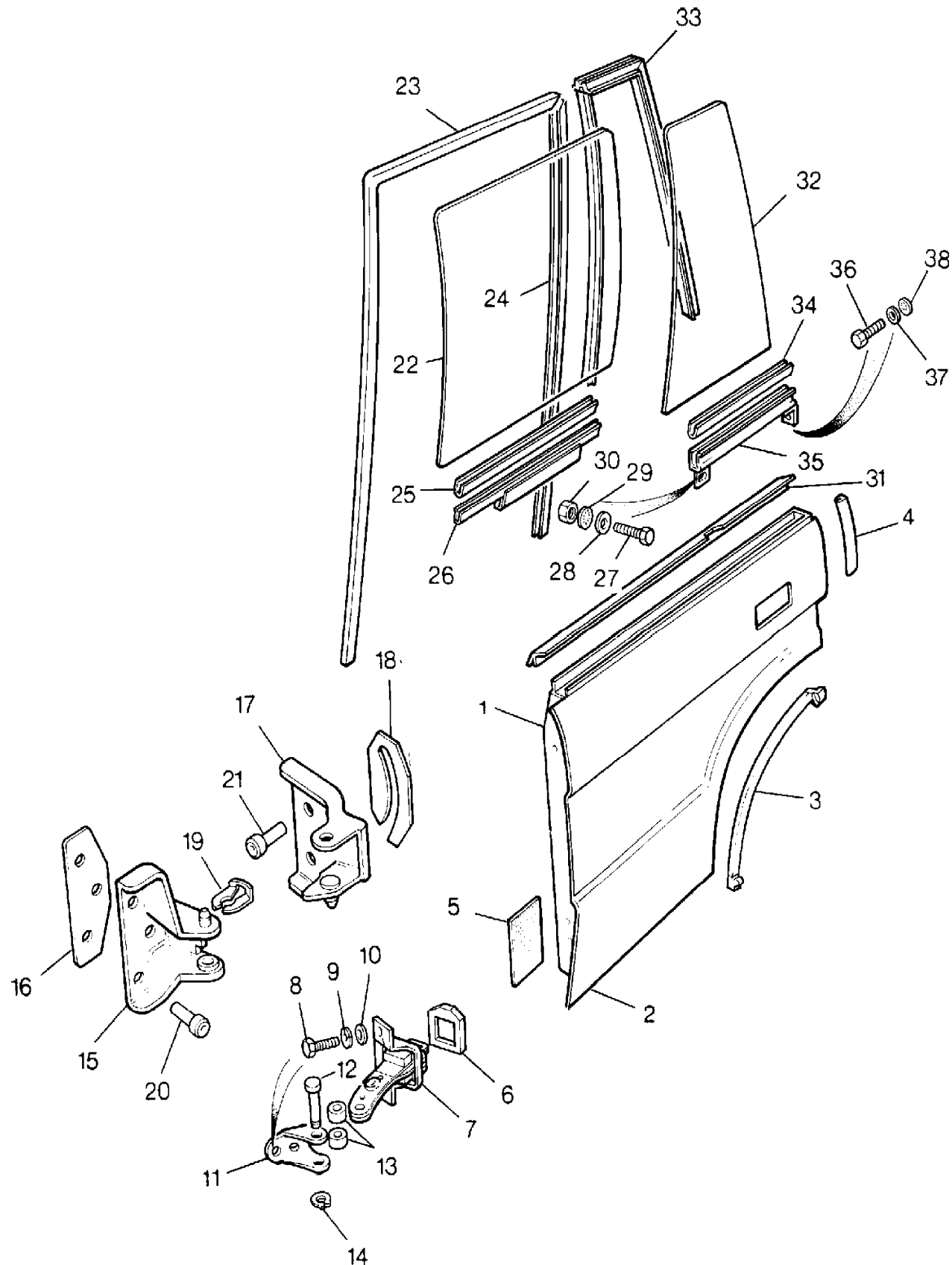
Change point - VIN begin FA374642, 4 Door Station Wagon

Callout	Name	Application	Remarks & Restrictions	Service No.	Qty
1	Door assembly-rear	Change point - VIN begin FA374642	Also serviced as part of a kit, RH	MXC5610	1
		Change point - VIN begin FA374642	Also serviced as part of a kit, LH	MXC5611	1
2	Panel outer	Change point - VIN begin FA374642	Also serviced as part of a kit, RH, rear door	RTC6188	1
		Change point - VIN begin FA374642	Also serviced as part of a kit, LH	RTC6187	1
3	Seal	Change point - VIN begin FA374642	door to wheelarch	MXC4655	2
4	Protector-edge	Change point - VIN begin FA374642		DZA6330	2
5	Pad-anti rattle	Change point - VIN begin FA374642	100 x 75 x 20	392748	4
		Change point - VIN begin FA374642	230 x 100 x 10mm	392745	2
6	Gasket	Change point - VIN begin FA374642	Check strap	MXC8335	2
7	Check strap	Change point - VIN begin FA374642		MXC1965	2
8	Screw	Change point - VIN begin FA374642	M6 X 16, hexagonal head	SH106161L	8
9	Washer	Change point - VIN begin FA374642	M6, sprung	WL106001L	8
10	Washer	Change point - VIN begin FA374642	6MM	WA106041L	8
11	Bracket	Change point - VIN begin FA374642		MTC9066	2
12	Pin	Change point - VIN begin FA374642		CLP6552	2
13	Spacer	Change point - VIN begin FA374642		MTC9631	4
14	Circlip	Change point - VIN begin FA374642		MTC9632	2
15	Hinge B post	Change point - VIN begin FA374642	RH, Upper	MXC2162	1
		Change point - VIN begin FA374642	Upper, LH	MXC2163	1
		Change point - VIN begin FA374642	RH, Lower	MXC5768	1
		Change point - VIN begin FA374642	Lower, LH	MXC5769	1



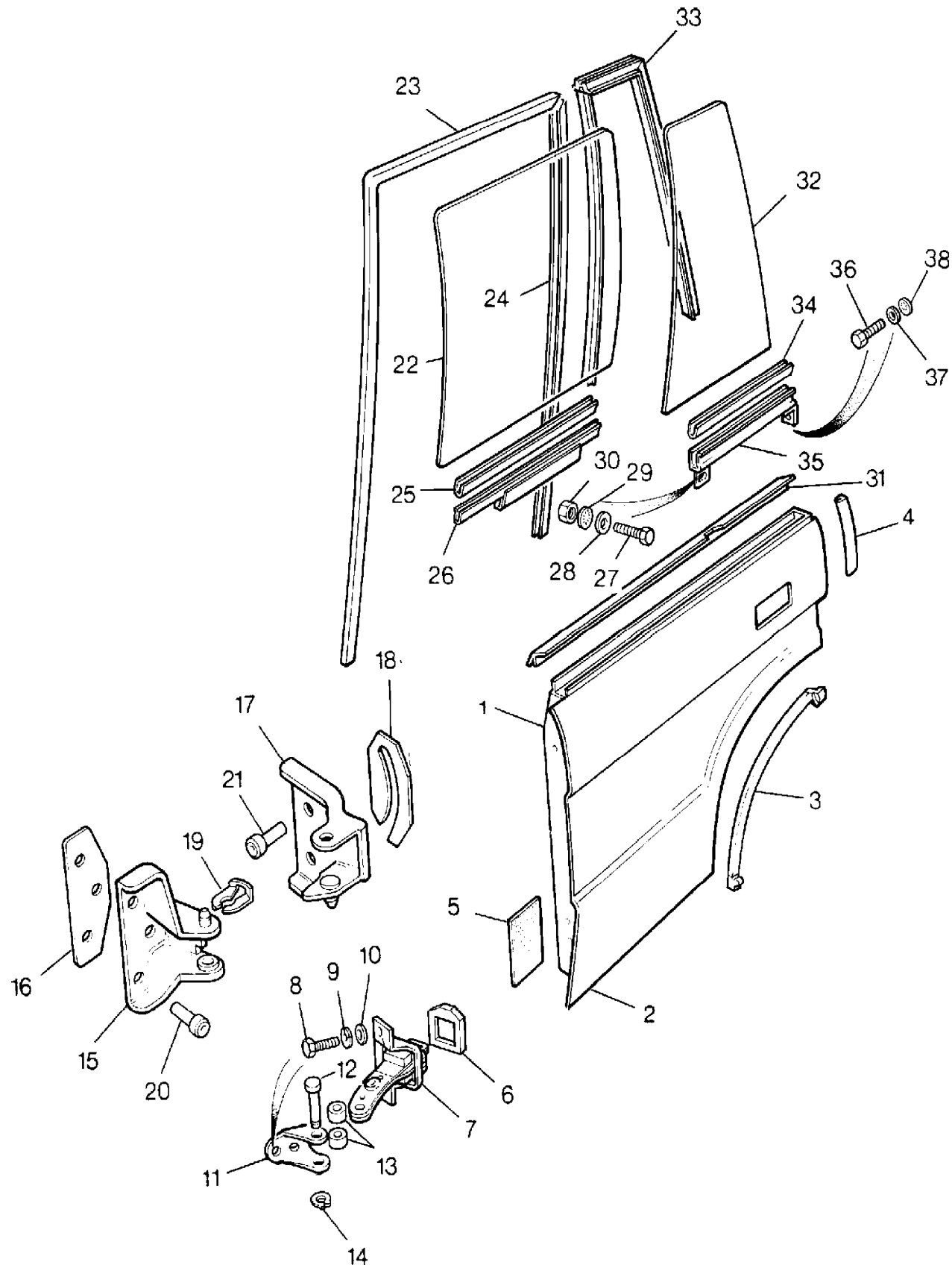
Change point - VIN begin FA374642, 4 Door Station Wagon

Callout	Name	Application	Remarks & Restrictions	Service No.	Qty
16	Plate-Retaining	Change point - VIN begin FA374642	retaining door hinge	MXC1867	4
17	Hinge assembly-front door	Change point - VIN begin FA374642	RH	MXC2166	2
		Change point - VIN begin FA374642	LH	MXC2167	2
18	Shim-door hinge	Change point - VIN begin FA374642	2.60MM	MXC6035	2
19	Circlip	Change point - VIN begin FA374642		MXC5267	4
20	Screw-pan	Change point - VIN begin FA374642	B post to hinge	MXC4918	12
21	Screw	Change point - VIN begin FA374642	HINGE TO DOOR	MXC1638	12
22	Glass-rear-door	Change point - VIN begin FA374642	RH, 4.0MM	MWC8438	1
		Change point - VIN begin FA374642	4.0MM, LH	MWC8439	1
23	Channel-rear door glass run	Change point - VIN begin FA374642	Front, top, 4.0MM	MWC9603	2
24	Channel-rear door glass run	Change point - VIN begin FA374642		MTC9177	2
25	Channel-rear door glass run	Change point - VIN begin FA374642	Rubber	MTC7290	2
26	Channel-rear door glass lift	Change point - VIN begin FA374642	RH	MUC1218	1
		Change point - VIN begin FA374642	LH	MUC1219	1
27	Screw	Change point - VIN begin FA374642	hexagonal head, 1/4UNF x 1/2	SH604041L	2
28	Washer	Change point - VIN begin FA374642	6MM	WA106041L	2
29	Washer-Lock	Change point - VIN begin FA374642		WF600041L	2
30	Nut - Hex.	Change point - VIN begin FA374642	hexagonal head, Coarse Thread, 1/4UNF	NH604041L	2
31	Seal-rear door inner waist	Change point - VIN begin FA374642	RH	MXC8016	1
		Change point - VIN begin FA374642	LH	MXC8017	1
32	Glass-rear quarter	Change point - VIN begin FA374642	RH	MTC5956	1



Change point - VIN begin FA374642, 4 Door Station Wagon

Callout	Name	Application	Remarks & Restrictions	Service No.	Qty
32	Glass-rear quarter	Change point - VIN begin FA374642	LH	MTC5955	1
33	Seal-rear quarter glass	Change point - VIN begin FA374642		MTC9131	2
34	Channel-rear door glass run	Change point - VIN begin FA374642	Rubber	MTC7290	X
35	Channel locating	Change point - VIN begin FA374642	regulator, RH	MTC9274	1
		Change point - VIN begin FA374642	regulator, LH	MTC9273	1
36	Screw	Change point - VIN begin FA374642	channel to door, hexagonal head	SH604031L	2
37	Washer	Change point - VIN begin FA374642	6MM	WA106041L	2
38	Washer-Lock	Change point - VIN begin FA374642		WF600041L	2
[900]	Shim-door hinge	Change point - VIN begin FA374642	1.30MM	ALR1976	2

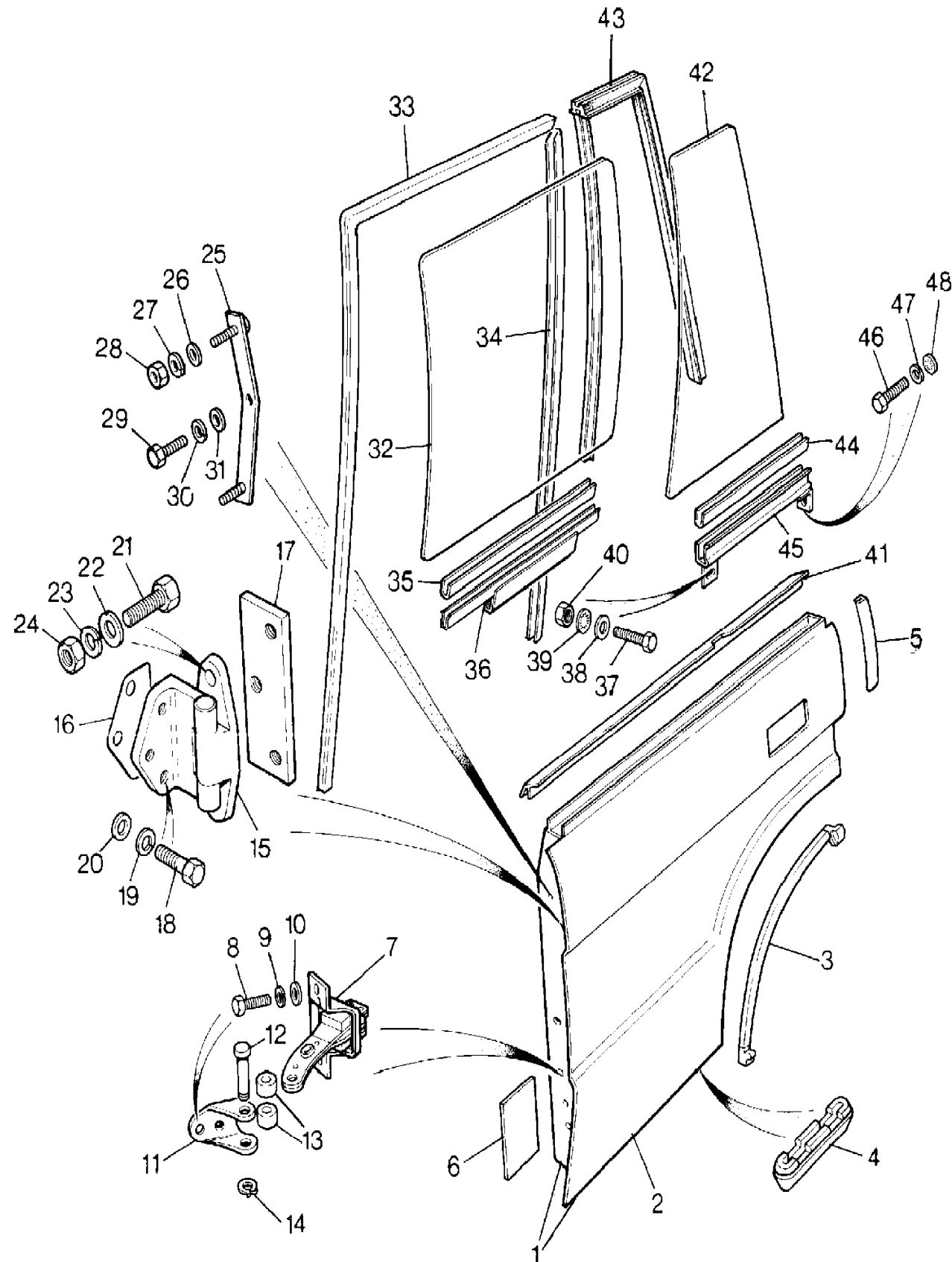


Range Rover (To HA610293)

(TS5645A)

Range Rover (To HA610293)

Change point - VIN end FA374641, 4 Door Station Wagon



Callout	Name	Application	Remarks & Restrictions	Service No.	Qty
1	Panel outer	Change point - VIN end EA351846	Also serviced as part of a kit, RH	RTC6196	1
		Change point - VIN end EA351846	Also serviced as part of a kit, rear door, LH	RTC6197	1
		Change point - VIN end FA374641, Change point - VIN begin FA351847	Also serviced as part of a kit, RH	MWC6426	1
		Change point - VIN end FA374641, Change point - VIN begin FA351847	Also serviced as part of a kit, LH	MWC6427	1
2	Panel outer	Change point - VIN end EA351846	Also serviced as part of a kit, RH, rear door	RTC6188	1
		Change point - VIN end EA351846	Also serviced as part of a kit, LH	RTC6187	1
		Change point - VIN end FA374641, Change point - VIN begin FA351847	Also serviced as part of a kit, RH, rear door	RTC6188	1
		Change point - VIN end FA374641, Change point - VIN begin FA351847	Also serviced as part of a kit, LH	RTC6187	1
3	Seal	Change point - VIN end FA374641	door to wheelarch, RH	MTC7580	1
		Change point - VIN end FA374641	door to wheelarch, LH	MTC7579	1
4	Grommet	Change point - VIN end FA374641		MUC1733	4
5	Protector-edge	Change point - VIN end FA374641		DZA6330	2
6	Pad-anti rattle	Change point - VIN end FA374641	100 x 75 x 20	392748	4
		Change point - VIN end FA374641	230 x 100 x 10mm	392745	2
7	Check strap	Change point - VIN end FA374641		MTC9701	2
8	Screw	Change point - VIN end FA374641	M6 X 16, hexagonal head	SH106161L	8
9	Washer	Change point - VIN end FA374641	M6, sprung	WL106001L	8
10	Washer	Change point - VIN end FA374641	6MM	WA106041L	8
11	Bracket	Change point - VIN end FA374641		MTC9066	2
12	Pin	Change point - VIN end FA374641		MTC9630	2
13	Spacer	Change point - VIN end FA374641		MTC9631	4

Body & Chassis
Body
Rear Side Door Assembly 2/4

Range Rover (To HA610293)

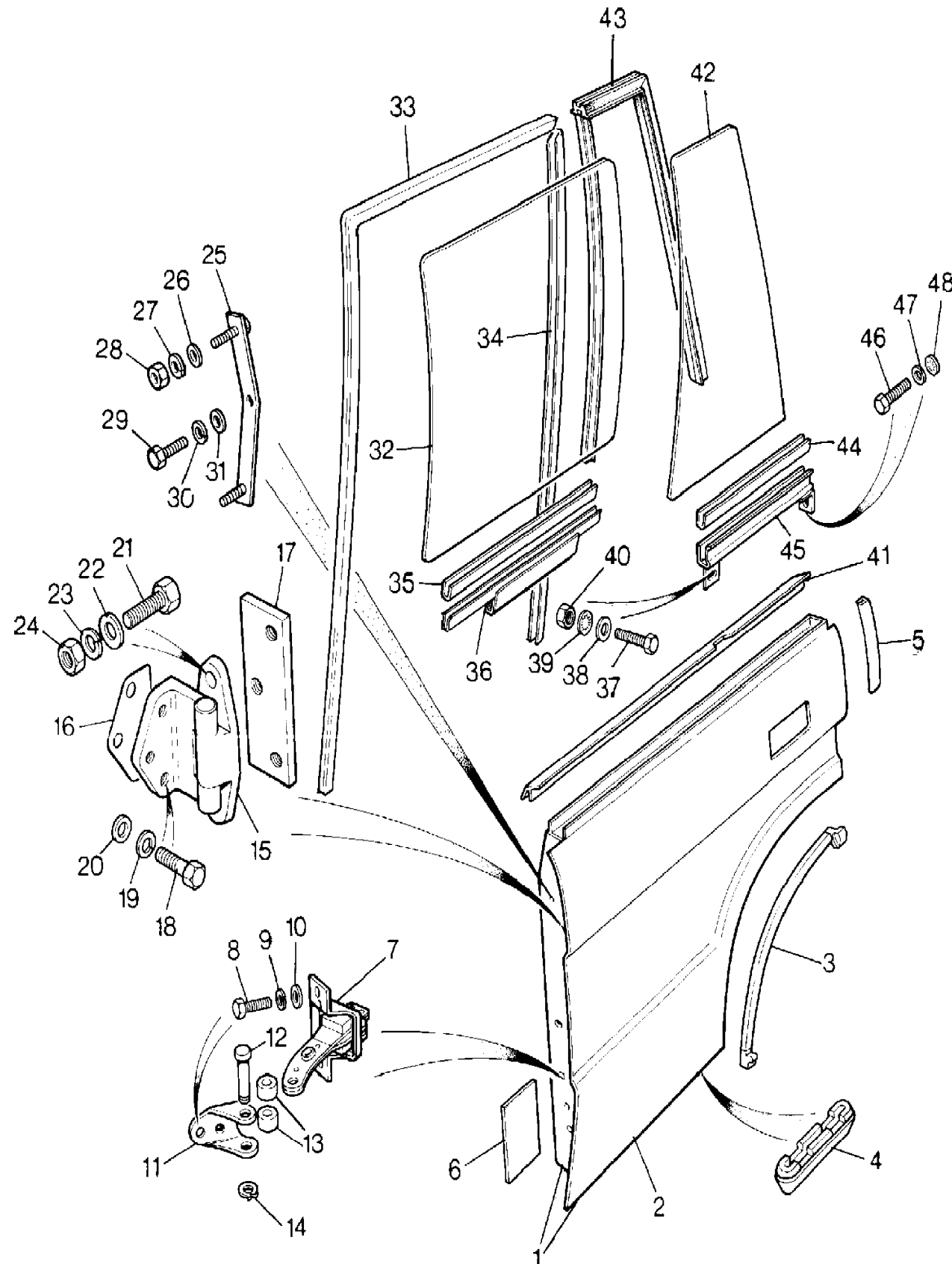
(TS5645A)

Range Rover (To HA610293)

Body & Chassis
Body
Rear Side Door Assembly

Change point - VIN end FA374641, 4 Door Station Wagon

Callout	Name	Application	Remarks & Restrictions	Service No.	Qty
14	Circlip	Change point - VIN end FA374641		MTC9632	2
15	Hinge assembly-rear door	Change point - VIN end FA374641	RH	MTC6962	2
		Change point - VIN end FA374641	LH	MTC6963	2
16	Gasket-door hinge	Change point - VIN end FA374641		MWC6125	6
17	Plate	Change point - VIN end FA374641		MTC6889	4
18	Bolt	Change point - VIN end FA374641	Door Hinge, 5/16 x 2 2/3	BH605211L	12
19	Washer	Change point - VIN end FA374641	M8, sprung	WL108001L	12
20	Washer-Plain	Change point - VIN end FA374641		4594L	12
21	Screw	Change point - VIN end FA374641	Hinge, hexagonal head, 5/16UNF x 3/4	SH605061L	12
22	Washer	Change point - VIN end FA374641	8MM	WA108051L	12
23	Washer	Change point - VIN end FA374641	M8, sprung	WL108001L	4
24	Nut - Hex.	Change point - VIN end FA374641	hexagonal head, 5/16UNF	NH605041L	8
25	Plate	Change point - VIN end FA374641		MTC9504	4
26	Washer	Change point - VIN end FA374641	8MM	WA108051L	8
27	Washer	Change point - VIN end FA374641	M8, sprung	WL108001L	8
28	Nut - Hex.	Change point - VIN end FA374641	hexagonal head, 5/16UNF	NH605041L	8
29	Screw	Change point - VIN end FA374641	hexagonal head, 5/16UNF x 3/4	SH605061L	4
30	Washer	Change point - VIN end FA374641	M8, sprung	WL108001L	4
31	Washer	Change point - VIN end FA374641	8MM	WA108051L	4
32	Glass-rear-door	Change point - VIN end EA351846	RH, 5.0MM	MTC5954	1



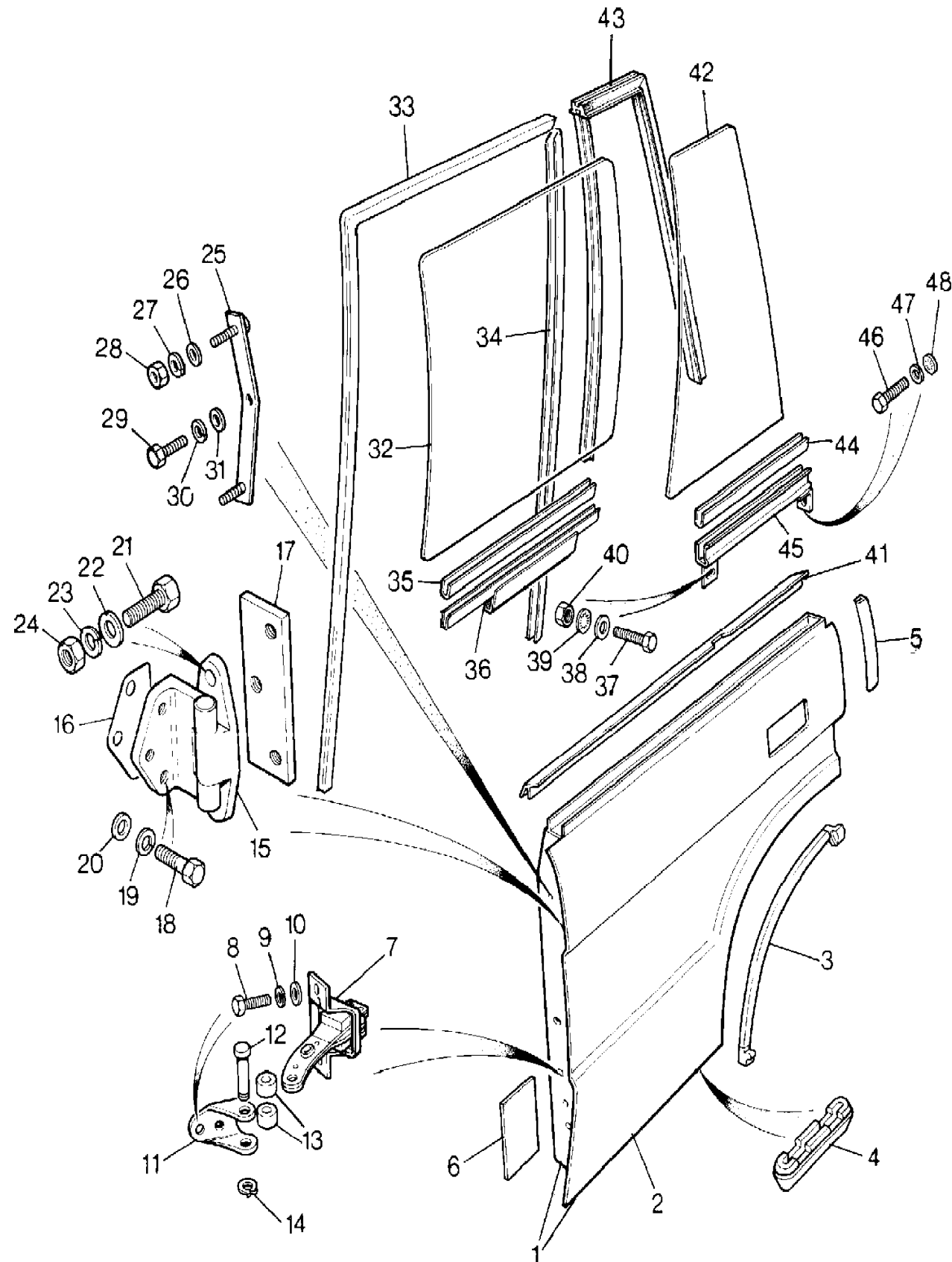
Range Rover (To HA610293)

(TS5645A)

Range Rover (To HA610293)

Change point - VIN end FA374641, 4 Door Station Wagon

Callout	Name	Application	Remarks & Restrictions	Service No.	Qty
32	Glass-rear-door	Change point - VIN end EA351846	LH, 5.0MM	MTC5953	1
		Change point - VIN end FA374641, Change point - VIN begin FA351847	RH, 4.0MM	MWC8438	1
		Change point - VIN end FA374641, Change point - VIN begin FA351847	4.0MM, LH	MWC8439	1
33	Channel-rear door glass run	Change point - VIN end EA351846	Front, top, 5.0MM	MUC2369	2
		Change point - VIN end FA374641, Change point - VIN begin FA351847	Front, top, 4.0MM	MWC9603	2
34	Channel-rear door glass run	Change point - VIN end FA374641		MTC9177	2
35	Channel-rear door glass run	Change point - VIN end FA374641	Rubber	MTC7290	2
36	Channel-rear door glass lift	Change point - VIN end FA374641	RH	MUC1218	1
		Change point - VIN end FA374641	LH	MUC1219	1
37	Screw	Change point - VIN end FA374641	hexagonal head, 1/4UNF x 1/2	SH604041L	2
38	Washer	Change point - VIN end FA374641	6MM	WA106041L	2
39	Washer-Lock	Change point - VIN end FA374641		WF600041L	2
40	Nut - Hex.	Change point - VIN end FA374641	hexagonal head, Coarse Thread, 1/4UNF	NH604041L	2
41	Seal	Change point - VIN end FA374641	RH	MUC3218	1
		Change point - VIN end FA374641	LH	MUC3219	1
42	Glass-rear quarter	Change point - VIN end FA374641	RH	MTC5956	1
		Change point - VIN end FA374641	LH	MTC5955	1
43	Seal-rear quarter glass	Change point - VIN end FA374641		MTC9131	2
44	Channel-rear door glass run	Change point - VIN end FA374641	Rubber	MTC7290	X
45	Channel locating	Change point - VIN end FA374641	regulator, RH	MTC9274	1
		Change point - VIN end FA374641	regulator, LH	MTC9273	1



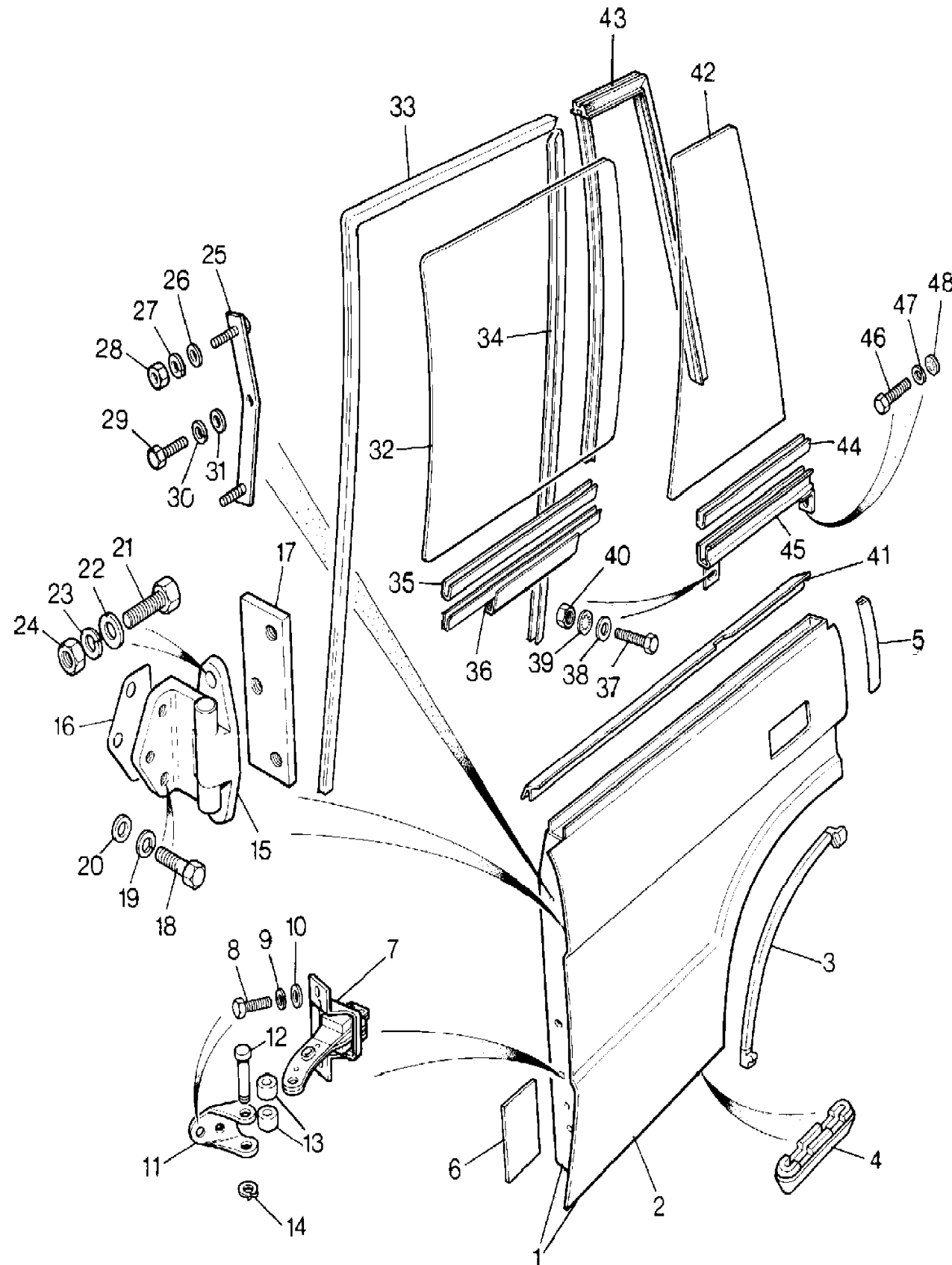
Range Rover (To HA610293)

(TS5645A)

Range Rover (To HA610293)

Change point - VIN end FA374641, 4 Door Station Wagon

Callout	Name	Application	Remarks & Restrictions	Service No.	Qty
46	Screw	Change point - VIN end FA374641	channel, hexagonal head	SH604031L	2
47	Washer	Change point - VIN end FA374641	6MM	WA106041L	2
48	Washer-Lock	Change point - VIN end FA374641		WF600041L	2
[900]	Washer	Change point - VIN end FA374641	8MM, sprung	WL108007	12



Body & Chassis
Body
Roof Assembly 1/1

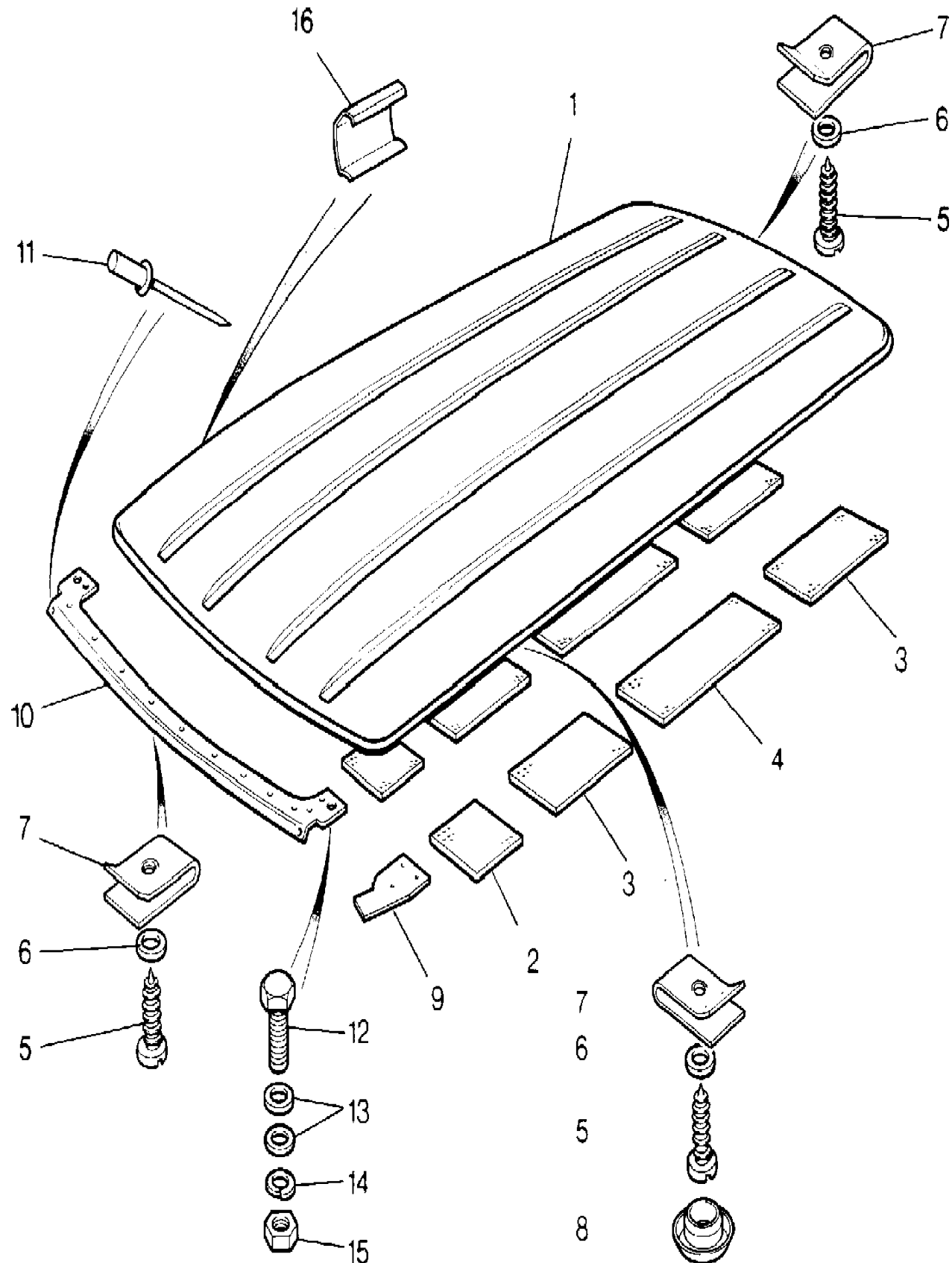
Range Rover (To HA610293)
(VS3330A)

Range Rover (To HA610293)

Body & Chassis
Body
Roof Assembly

Less Sun Roof

Callout	Name	Application	Remarks & Restrictions	Service No.	Qty
1	Roof assembly			RTC6341	1
2	Pad-insulation			MUC5236	3
3	Pad-insulation			MUC5376	6
4	Pad-insulation			MUC5235	3
5	Screw-self tapping		No 12 x 3/4	AB612061L	50
6	Washer-Plain		M6	3831L	50
7	Nut - Hex.			AFU1016	50
8	Plug			MWC2639	18
9	Seal		Side	MTC2108	1
10	Seal		Front	MTC2109	1
11	Rivet			78243	2
12	Screw			255225	4
14	Washer-Spring		5/16"	WM600051L	4
15	Nut - Hex.		hexagonal head, 5/16UNF	NH605041L	4
16	Clip			390159	4
17	Sealant		Prestik P41	13296	X



Body & Chassis

Body

Roof Assembly-Sunroof 1/1

Range Rover (To HA610293)

(TS6432A)

Body & Chassis

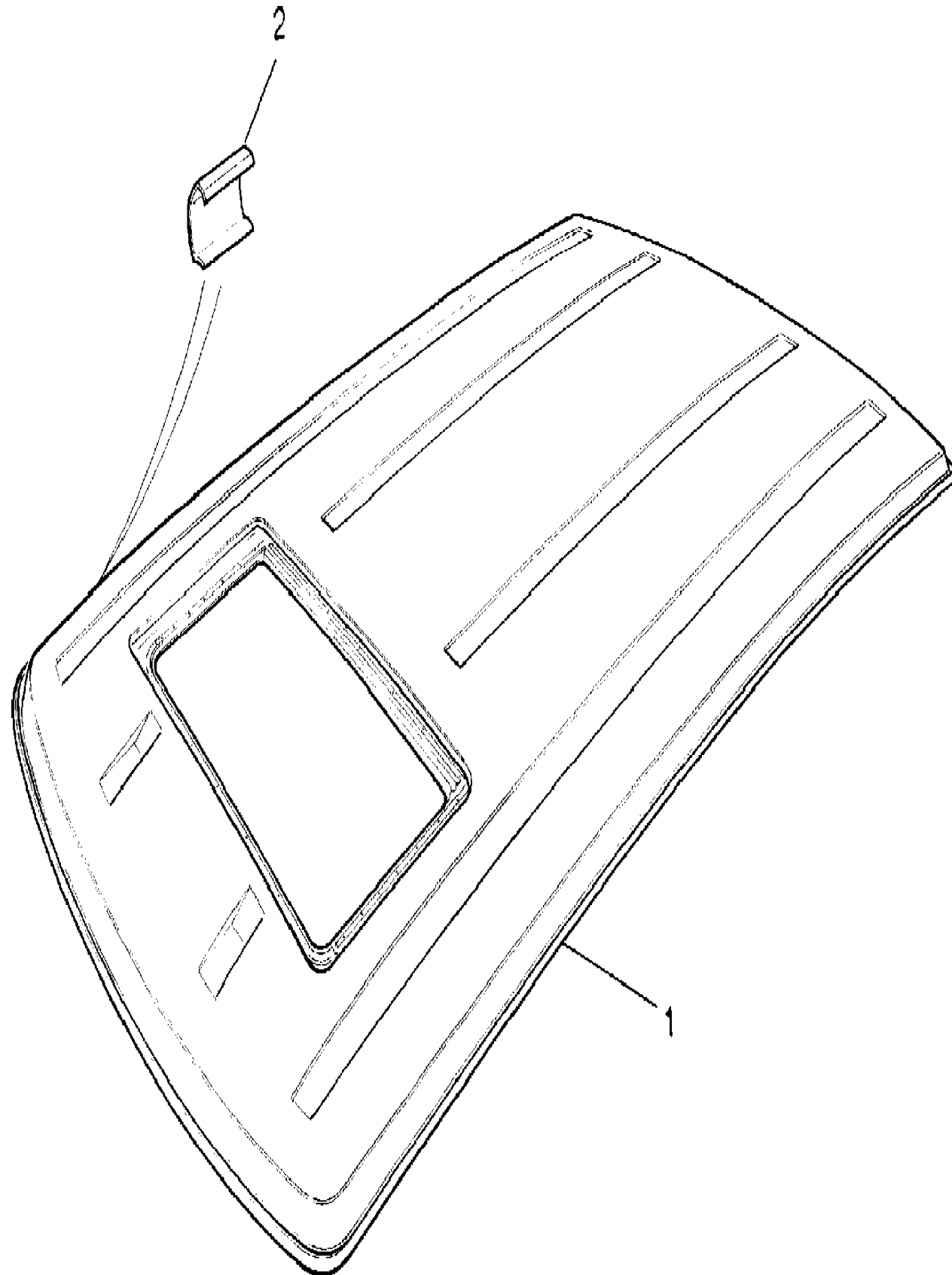
Body

Roof Assembly-Sunroof

Range Rover (To HA610293)

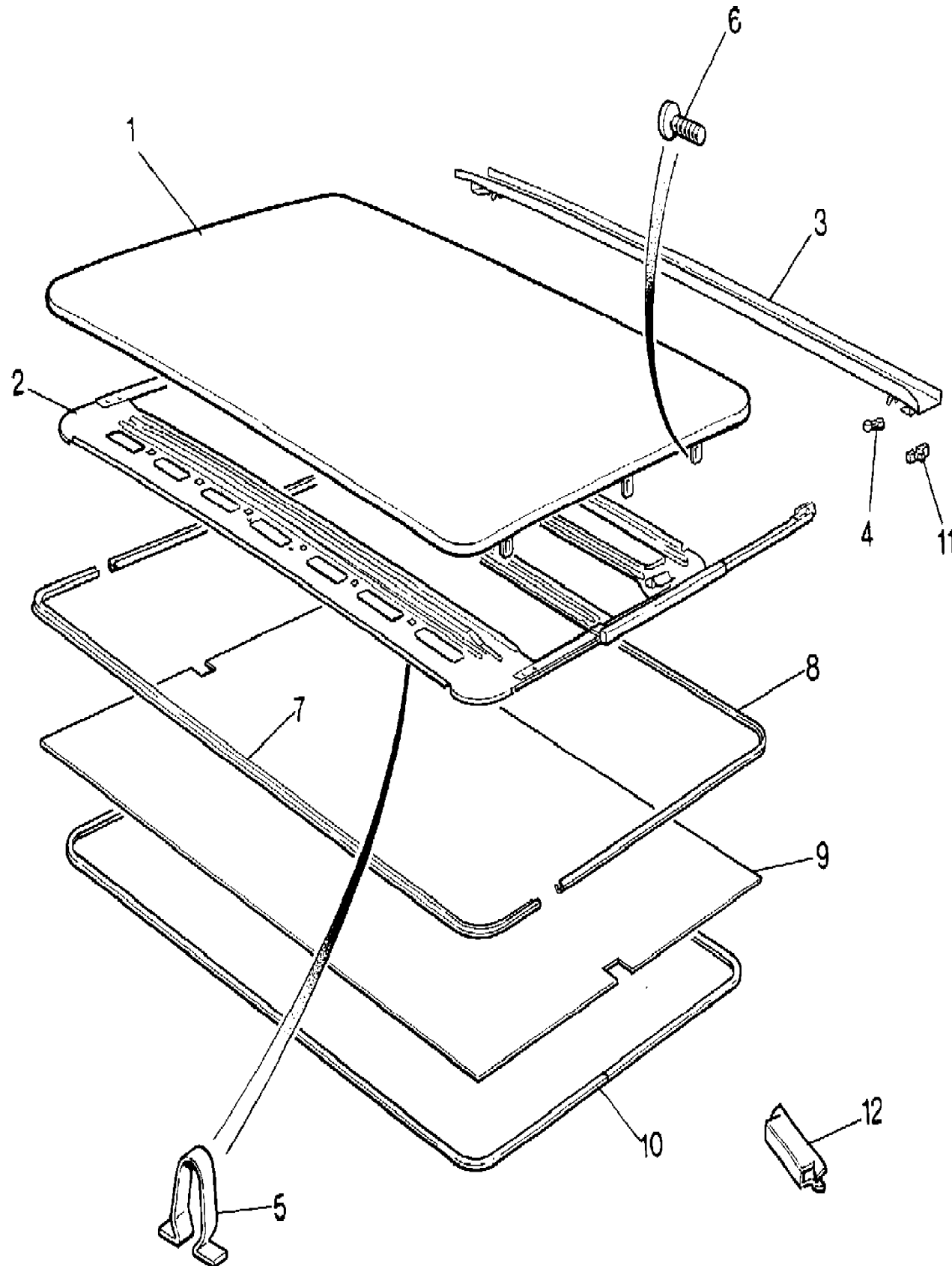
With Sunroof

Callout	Name	Application	Remarks & Restrictions	Service No.	Qty
1	Roof assembly-sunshine	Change point - VIN end GA464553 Change point - VIN begin HA464554		MWC5666 MXC8408	1 1
2	Clip			390159	4
3	Sealant		Prestik P41	13296	X



With Sunroof

Callout	Name	Application	Remarks & Restrictions	Service No.	Qty
1	Panel-tilt & remove sunroof	Change point - VIN end GA464553	Steel	MWC6083	1
2	Block-sunshade slide	Change point - VIN end GA464553		RTC6374	1
3	Drain channel	Change point - VIN end GA464553		MWC6016	1
4	Runner block	Change point - VIN end GA464553		MWC6017	2
5	Clip	Change point - VIN end GA464553		MWC6012	6
6	Screw	Change point - VIN end GA464553		MWC6027	6
7	Seal	Change point - VIN end GA464553	Front	MWC6029	1
8	Seal	Change point - VIN end GA464553	Rear	MXC8406	1
9	Sunshade assembly-sunroof sliding	Change point - VIN end EA351846	Palomino	MWC6010AL	1
		Change point - VIN end EA351846	Cool Grey	MWC6010LG	1
		Change point - VIN begin FA351847	Mist Grey	MWC6010LUM	1
10	Finisher-sunroof	Change point - VIN end GA464553	Palomino	MWC5994AL	1
		Change point - VIN end GA464553	Cool Grey	MWC5994LG	1
		Change point - VIN end GA464553	Mist Grey	MWC5994LUM	1
11	Bracket	Change point - VIN end GA464553		MWC6015	2
12	Clip	Change point - VIN end GA464553		BRC3101	8



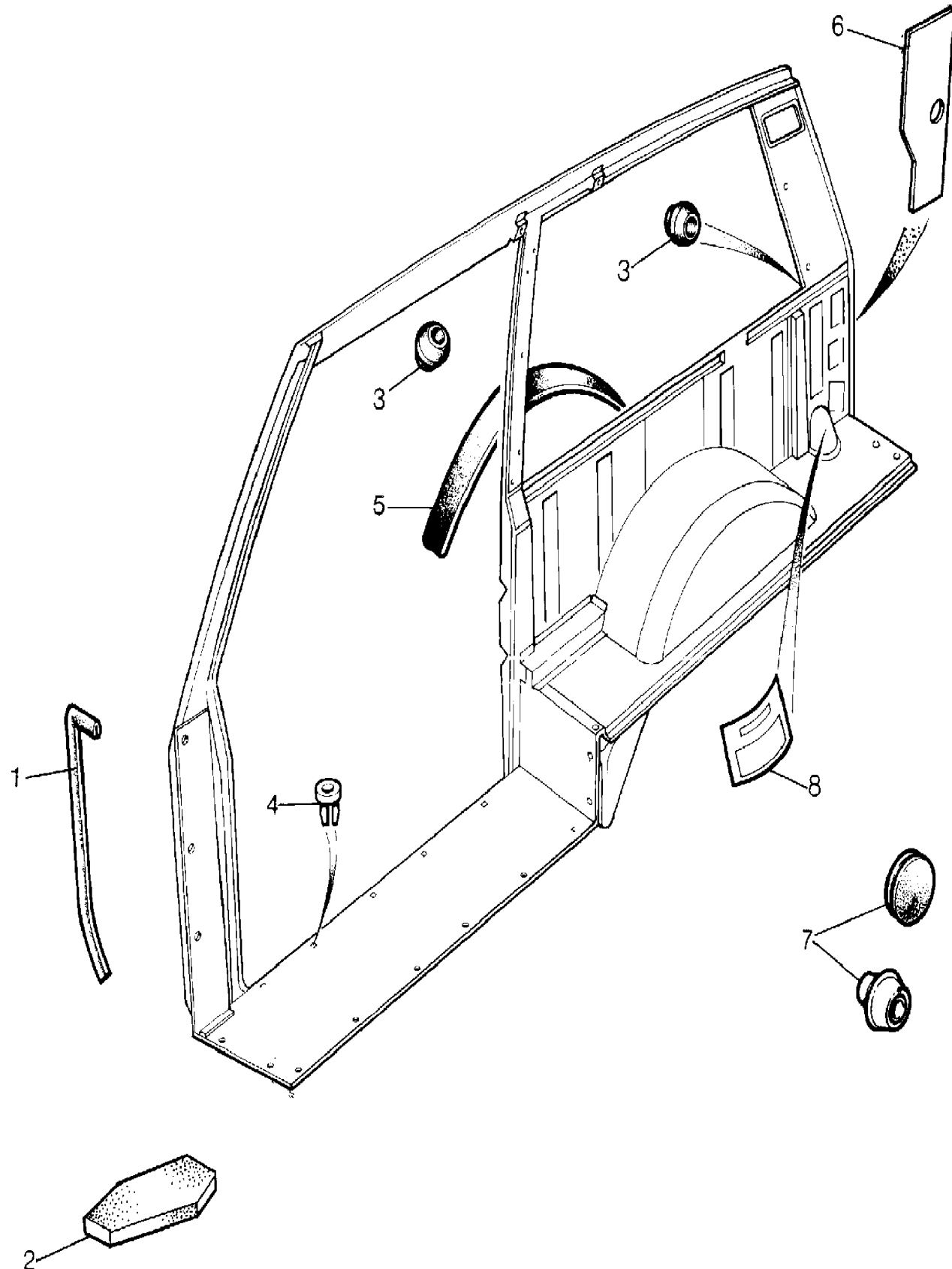
Range Rover (To HA610293)

(N953A)

Range Rover (To HA610293)

2 Door Station Wagon

Callout	Name	Application	Remarks & Restrictions	Service No.	Qty
1	Seal		A post to wing	391318	2
2	Seal-Dust		LH RH	MTC1879 MTC1880	1 1
3	Plug-blanking		Plastic, 19MM	338020	14
4	Nut - Hex.			RTC3746	10
5	Seal-rubber			MUC3714	2
6	Seal-Dust			MRC7226	2
7	Grommet	Less Speaker		ULC3893L	4
8	Label-jack information			NRC5301	1



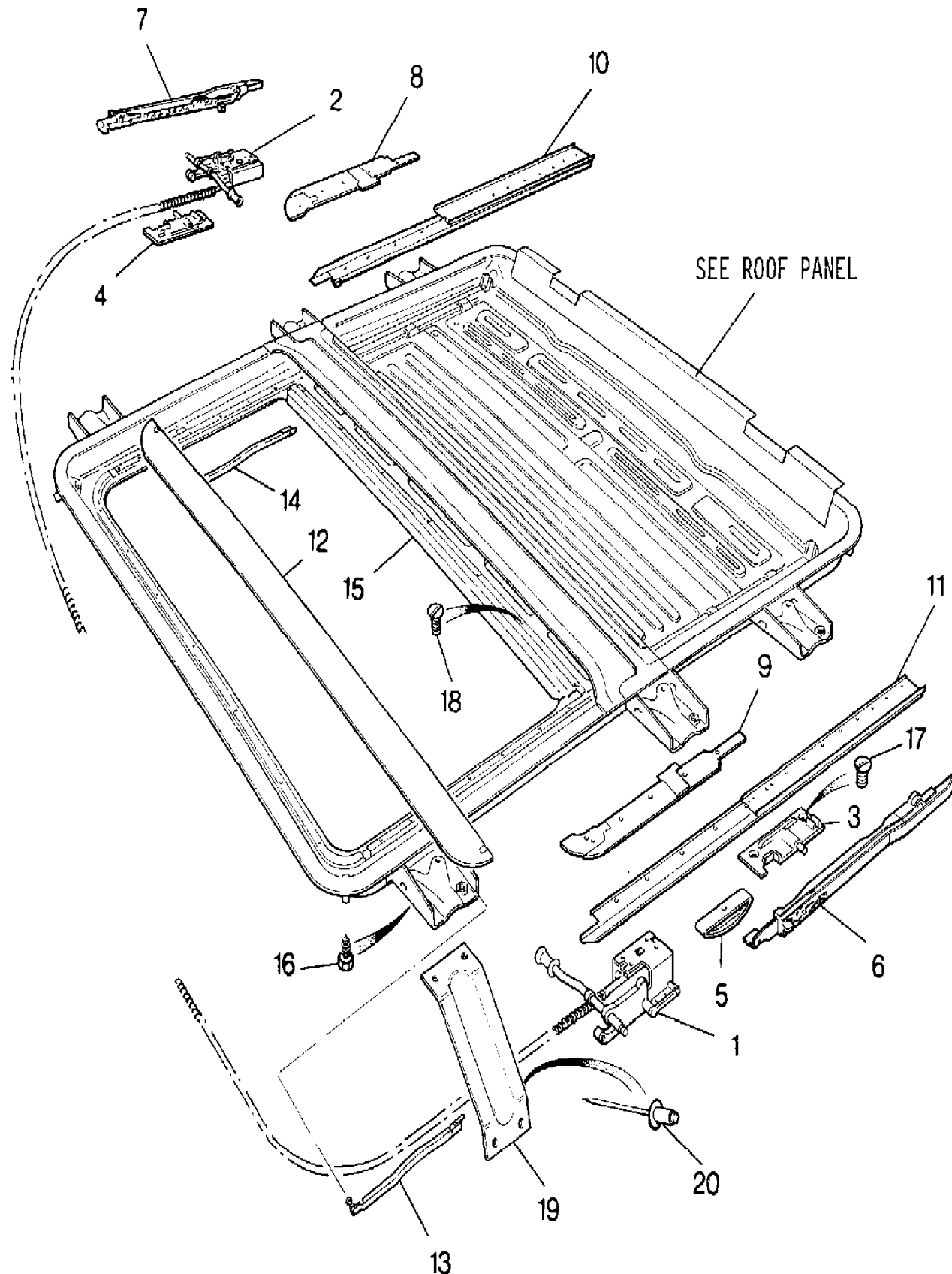
Range Rover (To HA610293)

(TS6385B)

Range Rover (To HA610293)

With Sunroof

Callout	Name	Application	Remarks & Restrictions	Service No.	Qty
1	Guide assembly-sunroof	Change point - VIN end GA464553	Rear, LH	MWC6039	1
2	Guide assembly-sunroof	Change point - VIN end GA464553	Rear, RH	MWC6038	1
3	Plate-sunroof pilot	Change point - VIN end GA464553	LH	MWC6041	1
4	Plate-sunroof pilot	Change point - VIN end GA464553	RH	MWC6040	1
5	Slide-ashtray	Change point - VIN end GA464553		MWC6031	2
6	Culisse assembly-sunroof	Change point - VIN end GA464553	LH	MWC6037	1
7	Culisse assembly-sunroof	Change point - VIN end GA464553	RH	MWC6036	1
8	Slider-sunroof front	Change point - VIN end GA464553	RH	MWC8522	1
9	Slider-sunroof front	Change point - VIN end GA464553	LH	MWC8523	1
10	Guide assembly-sunroof	Change point - VIN end GA464553	RH	MWC6032	1
11	Guide assembly-sunroof	Change point - VIN end GA464553	LH	MWC6033	1
12	Deflector-tilt & remove sunroof wind	Change point - VIN end GA464553		MWC6043	1
13	Deflector assembly-tilt & remove sunroof wind	Change point - VIN end GA464553	LH	MWC6045	1
14	Deflector assembly-tilt & remove sunroof wind	Change point - VIN end GA464553	RH	MWC6044	1
15	Finisher-roof panel edge	Change point - VIN end GA464553		MWC3275	1
16	Screw-hexagon socket	Change point - VIN end GA464553		AZ610031	8
17	Screw	Change point - VIN end GA464553	M4 x 10	SF104104	10
18	Screw-self tapping	Change point - VIN end GA464553	counter sunk, No 6 x 3/8	AD606034	24



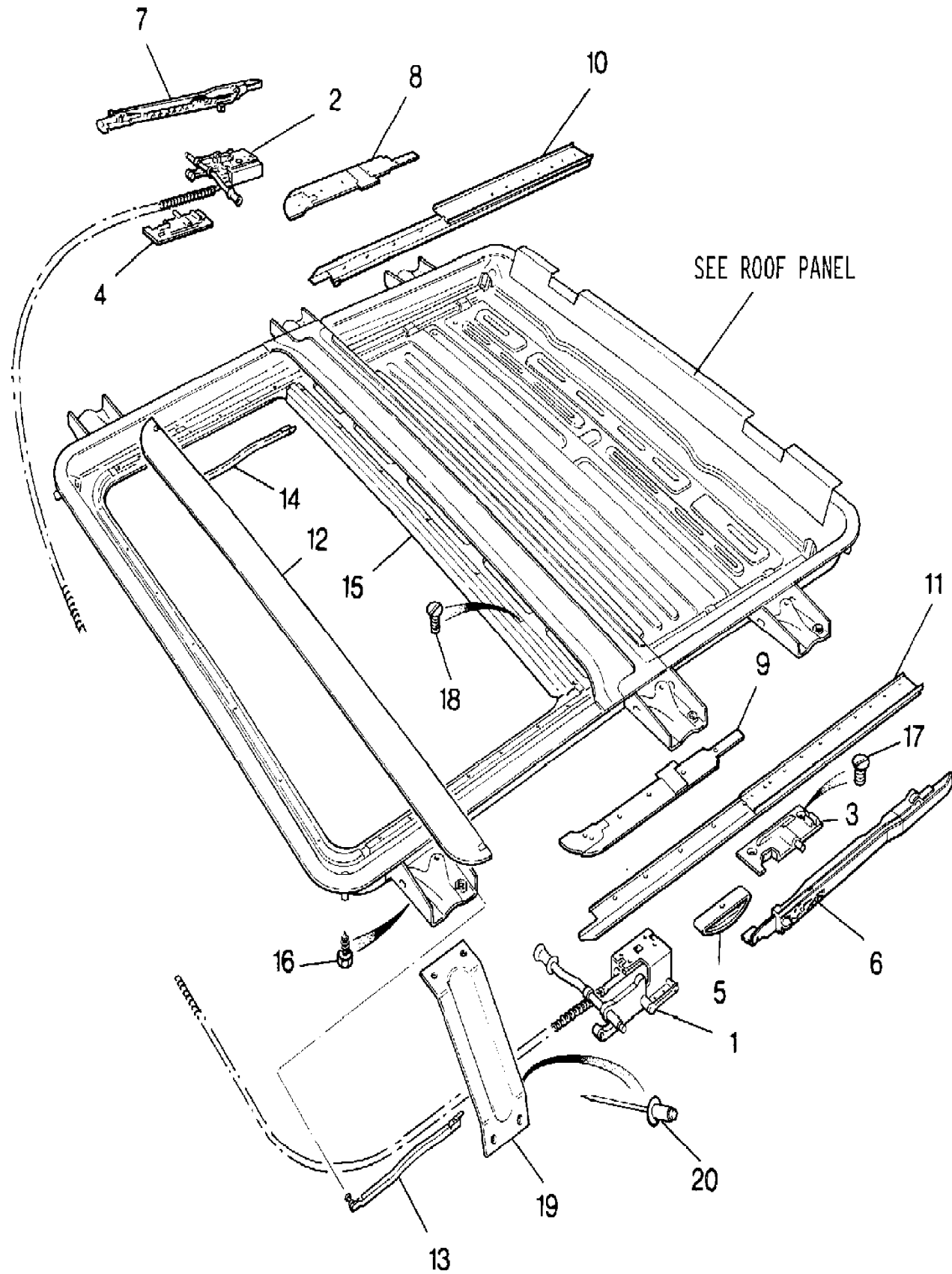
Range Rover (To HA610293)

(TS6385B)

Range Rover (To HA610293)

With Sunroof

Callout	Name	Application	Remarks & Restrictions	Service No.	Qty
19	Bracket	Change point - VIN end GA464553, 4 Door Station Wagon		MWC3288	6
		Change point - VIN end GA464553, 2 Door Station Wagon		MWC3288	4
20	Rivet	Change point - VIN end GA464553		RA612156L	24



Body & Chassis
 Body
 Sunvisors 1/1

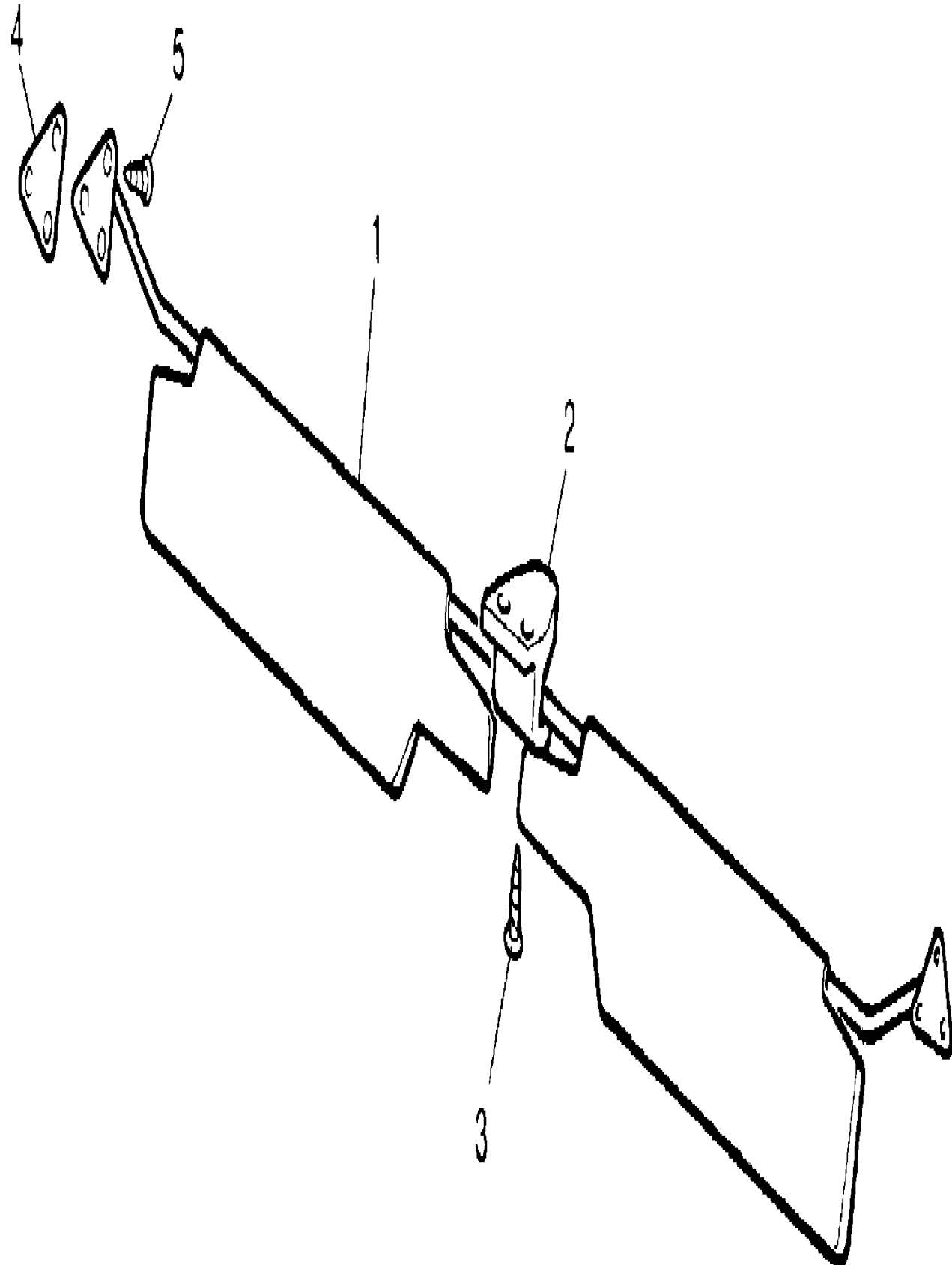
Range Rover (To HA610293)

(TS6584)

Range Rover (To HA610293)

Body & Chassis
 Body
 Sunvisors

Callout	Name	Application	Remarks & Restrictions	Service No.	Qty
1	Sunvisor assembly-front header	LHD	RH, with vanity mirror, Palomino	MWC4386AL	1
		LHD	Grey, RH, with vanity mirror	MWC4386LO	1
		Change point - VIN begin FA351847, LHD	RH, Mist Grey, with vanity mirror	MWC4386LUM	1
		RHD	with vanity mirror, Palomino, LH	MWC4387AL	1
		RHD	Grey, with vanity mirror, LH	MWC4387LO	1
		Change point - VIN begin FA351847, RHD	Mist Grey, with vanity mirror, LH	MWC4387LUM	1
		RHD	RH, with ticket pocket, Palomino	MWC4388AL	1
		RHD	Grey, RH, with ticket pocket	MWC4388LO	1
		Change point - VIN begin FA351847, RHD	RH, Mist Grey, with ticket pocket	MWC4388LUM	1
		LHD	with ticket pocket, Palomino, LH	MWC4389AL	1
		LHD	Grey, with ticket pocket, LH	MWC4389LO	1
		LHD	Change point - VIN begin FA351847, LHD	Mist Grey, with ticket pocket, LH	MWC4389LUM
2	Clip-sunvisor retainer		Black	392954	1
			Mist Grey	392954LUM	1
3	Screw		Self Tapping, No 8 x 3/4	AB608061L	2
4	Plate			391537	2
5	Screw-self tapping		counter sunk, zinc, No 10 x 1"	AD610081L	6
			counter sunk, No 10 x 1", chrome plated.	AD610083	6
[900]	Sunvisor assembly-front header	LHD	Mist Grey, with vanity mirror, LH	MWC4387LUM	1



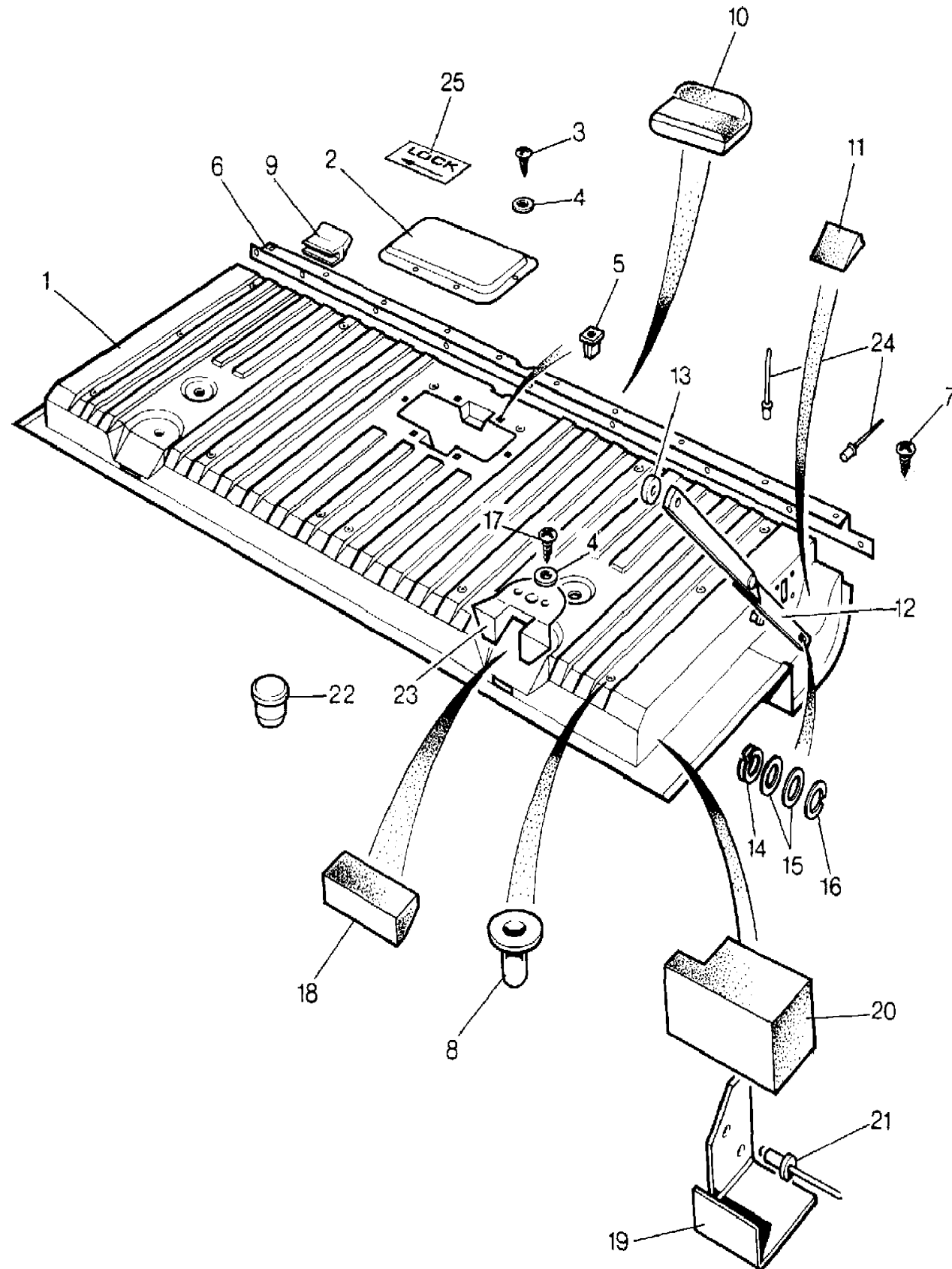
Body & Chassis
Body
Tailgate Assembly-Lower 1/2

Range Rover (To HA610293)

(TS5625B)

Body & Chassis
Body
Tailgate Assembly-Lower

Range Rover (To HA610293)



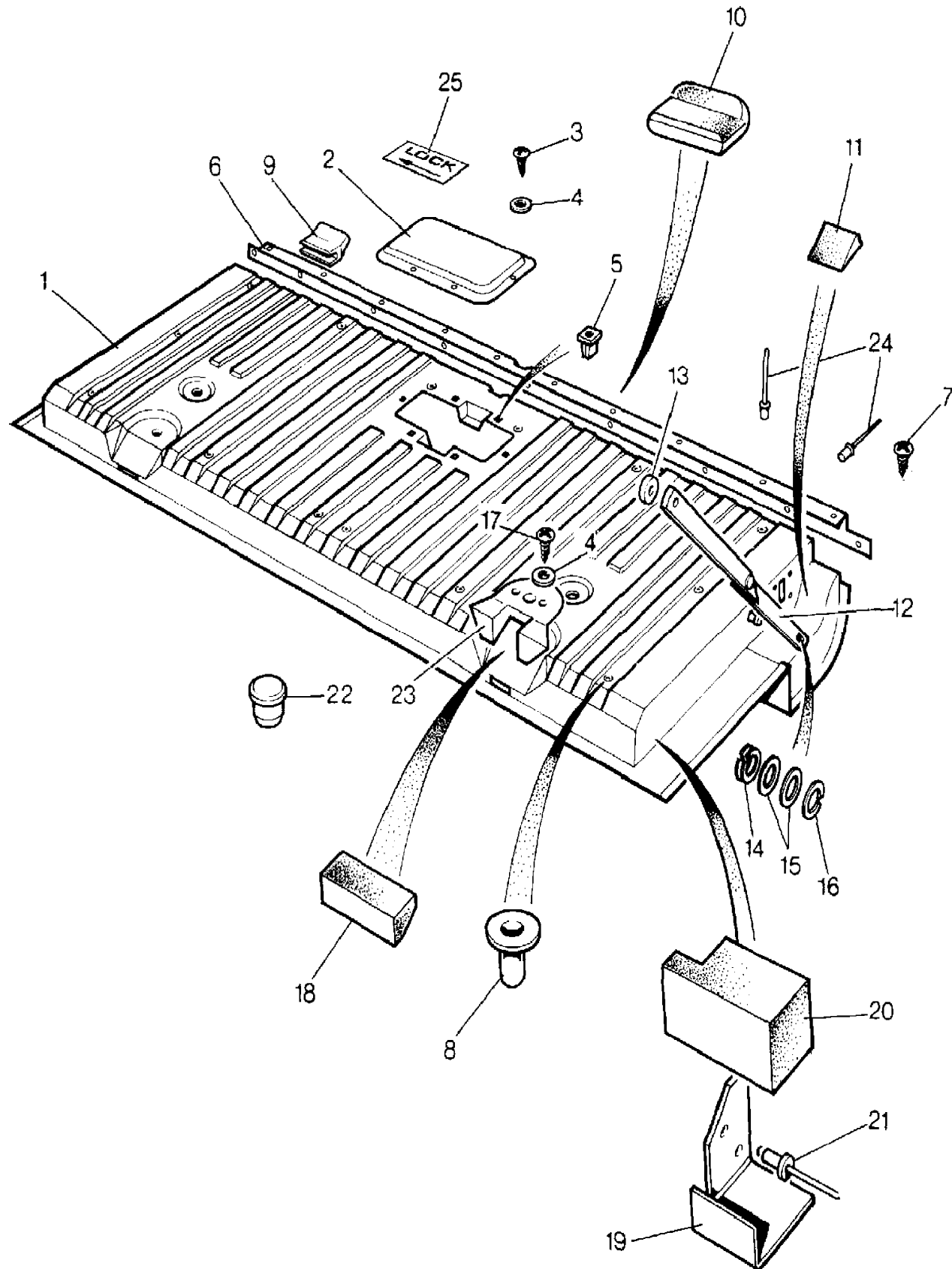
Callout	Name	Application	Remarks & Restrictions	Service No.	Qty
1	Tailgate assembly	Change point - VIN end CA271420 Change point - VIN begin DA273923	Lower Lower	STC601 STC267	1 1
2	Plate	Change point - VIN end GA441003		MUC6519	1
3	Screw	Change point - VIN end GA441003	No 8 x 1/2, Self Tapping	AB608041L	6
4	Washer	Change point - VIN end GA441003		WA702101L	X
5	Nut-lokut	Change point - VIN end GA441003		RTC3743	6
6	Retainer	Change point - VIN end EA319244 Change point - VIN begin EA319245		MWC2278 MWC6137	1 1
7	Screw-self tapping	Change point - VIN end GA441003	counter sunk, No 6 x 3/8	AD606035L	19
8	Snap fit	Change point - VIN end GA441003		ATU1013	14
9	Pin assembly-rear parcel shelf attachment	Change point - VIN end GA441003		MRC4705	2
10	Retainer	Change point - VIN end GA441003		390057	2
11	Seal	Change point - VIN end GA441003		MUC6427	2
12	Stay	Change point - VIN end GA441003 Change point - VIN end GA441003	RH LH	390326 390327	1 1
13	Spacer	Change point - VIN end GA441003		393388	4
14	Washer-Spring	Change point - VIN end GA441003		4909	4
15	Washer	Change point - VIN end GA441003		RTC606	8
16	Circlip	Change point - VIN end GA441003		391023	4
17	Screw	Change point - VIN end GA441003	Self Tapping, No 8 x 3/8	AB608031L	4
18	Foam	Change point - VIN end GA441003		MUC6426	2

Body & Chassis
 Body
 Tailgate Assembly-Lower 2/2

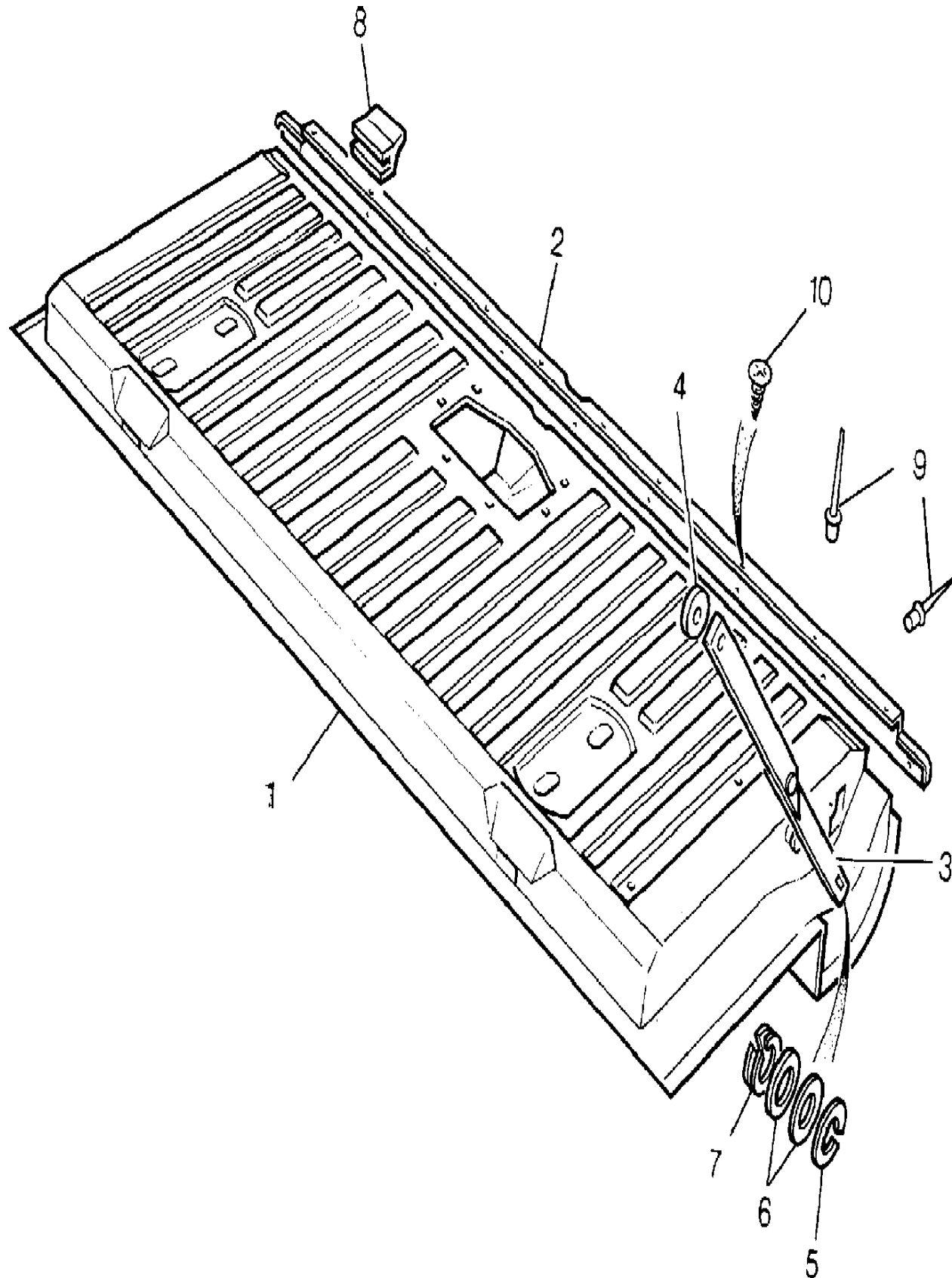
Range Rover (To HA610293)
 (TS5625B)

Range Rover (To HA610293)

Body & Chassis
 Body
 Tailgate Assembly-Lower



Callout	Name	Application	Remarks & Restrictions	Service No.	Qty
19	Seal-tailgate	Change point - VIN end GA441003	RH	MUC6424	1
		Change point - VIN end GA441003	LH	MUC6425	1
20	Seal	Change point - VIN end GA441003		MWC2928	2
21	Rivet	Change point - VIN end GA441003		RU608183L	4
22	Plug-blanking	Change point - VIN end GA441003		MUC9408	12
23	Insert-fuel filler cap	Change point - VIN end GA441003		392586	2
24	Rivet	Change point - VIN end GA441003		MTC5762	4
25	Label lock operation	Change point - VIN end GA441003		392911	1

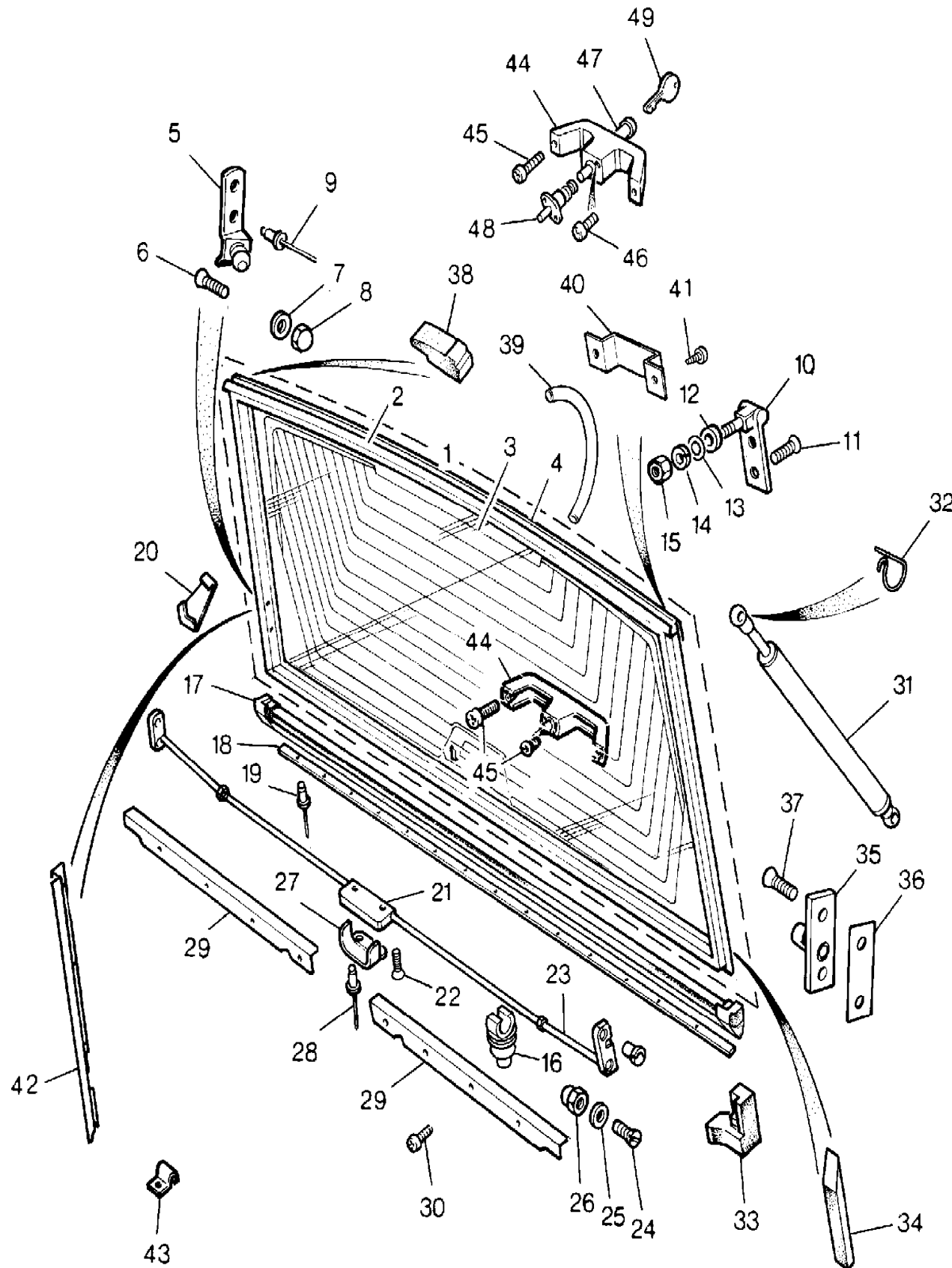


Callout	Name	Application	Remarks & Restrictions	Service No.	Qty
1	Tailgate assembly	Change point - VIN begin GA441004		MXC9489	1
2	Retainer	Change point - VIN begin GA441004		MWC6137	1
3	Stay	Change point - VIN begin GA441004	RH	MXC9472	1
		Change point - VIN begin GA441004	LH	MXC9473	1
4	Spacer	Change point - VIN begin GA441004		393388	2
5	Circlip	Change point - VIN begin GA441004		391023	2
6	Washer	Change point - VIN begin GA441004		RTC606	8
7	Washer-Spring	Change point - VIN begin GA441004		4909	4
8	Pin assembly-rear parcel shelf attachment	Change point - VIN begin GA441004		MRC4705	2
9	Rivet	Change point - VIN begin GA441004		MTC5762	2
10	Screw	Change point - VIN begin GA441004		AY606105	X

Range Rover (To HA610293)

(TS6104G)

Range Rover (To HA610293)



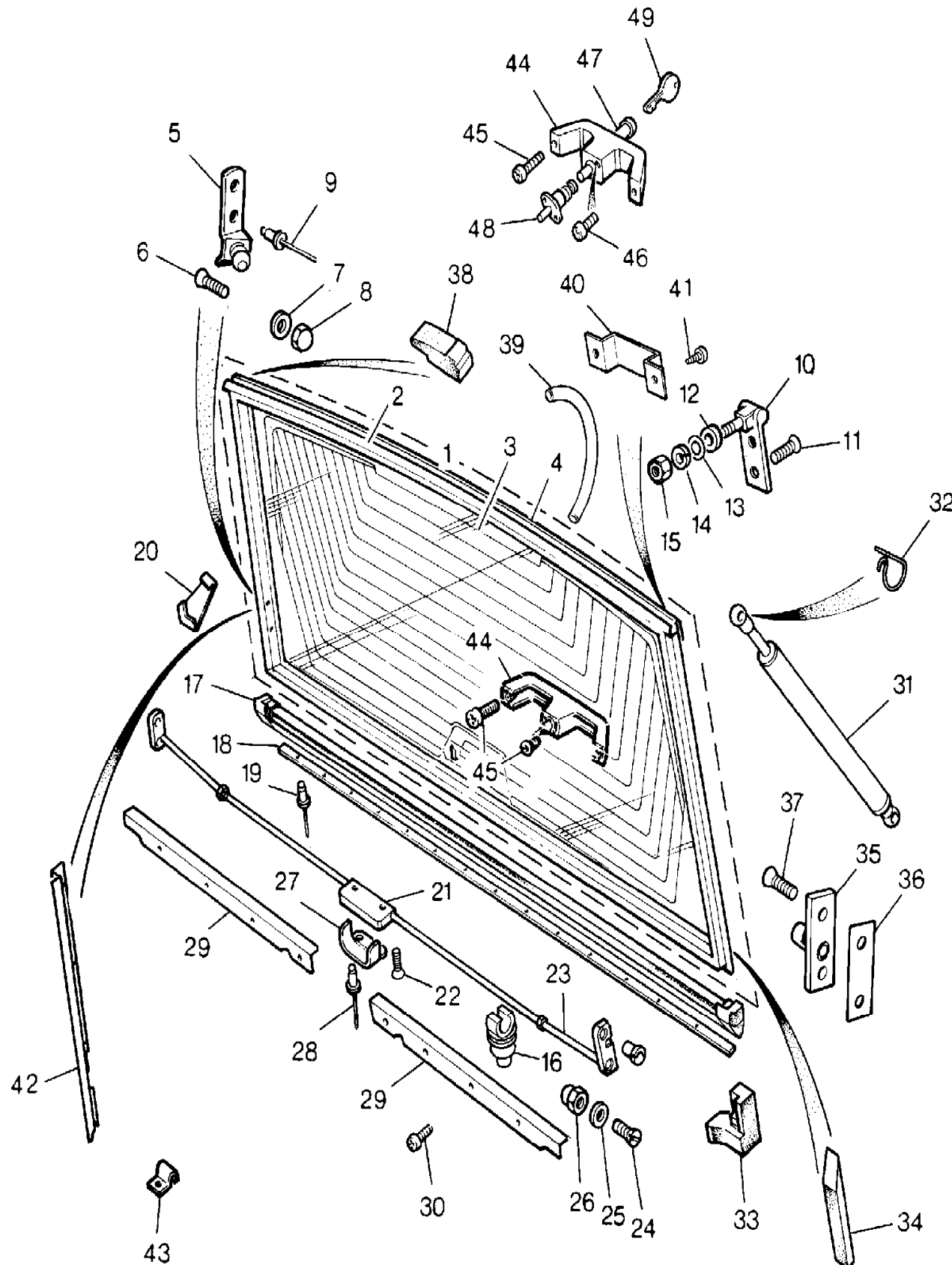
Callout	Name	Application	Remarks & Restrictions	Service No.	Qty
1	Tailgate assembly	Change point - VIN end CA274120, Less Central Door Locking	Also serviced as part of a kit	MUC6940	1
		Change point - VIN begin DA274121, Change point - VIN end EA351846, Less Central Door Locking	Also serviced as part of a kit	MWC2192	1
		Change point - VIN begin FA351847, Less Central Door Locking	Also serviced as part of a kit	MXC2034	1
		With Central Locking System	Also serviced as part of a kit	MXC8415	1
2	Tailgate-outer	Change point - VIN end CA274120, Less Central Door Locking	Also serviced as part of a kit	RTC4517	1
		Change point - VIN begin DA274121, Change point - VIN end EA351846, Less Central Door Locking	Also serviced as part of a kit	RTC4517	1
		Change point - VIN begin FA351847, Less Central Door Locking	Also serviced as part of a kit	RTC4517	1
		With Central Locking System	Also serviced as part of a kit	RTC4517	1
3	Glass-Green backlight	Change point - VIN end CA274120, Less Central Door Locking	Also serviced as part of a kit	MTC5959	1
		Change point - VIN begin DA274121, Change point - VIN end EA351846, Less Central Door Locking	Also serviced as part of a kit	MWC1580	1
		Change point - VIN begin FA351847, Less Central Door Locking	Also serviced as part of a kit	MXC1377	1
		Change point - VIN end CA274120, With Central Locking System	Also serviced as part of a kit	MTC5959	1
		Change point - VIN begin DA274121, Change point - VIN end EA351846, With Central Locking System	Also serviced as part of a kit	MWC1580	1
		Change point - VIN begin FA351847, With Central Locking System	Also serviced as part of a kit	MXC1377	1
		With High Mounted Stop Lamp	Also serviced as part of a kit	MXC5791	1
4	Seal-tailgate	Change point - VIN end CA274120, Less Central Door Locking	Also serviced as part of a kit	RTC4264	X
		Change point - VIN begin DA274121, Change point - VIN end EA351846, Less Central Door Locking	Also serviced as part of a kit	RTC4264	X
		Change point - VIN begin FA351847, Less Central Door Locking	Also serviced as part of a kit	RTC4264	X
		With Central Locking System	Also serviced as part of a kit	RTC4264	X

Range Rover (To HA610293)

(TS6104G)

Range Rover (To HA610293)

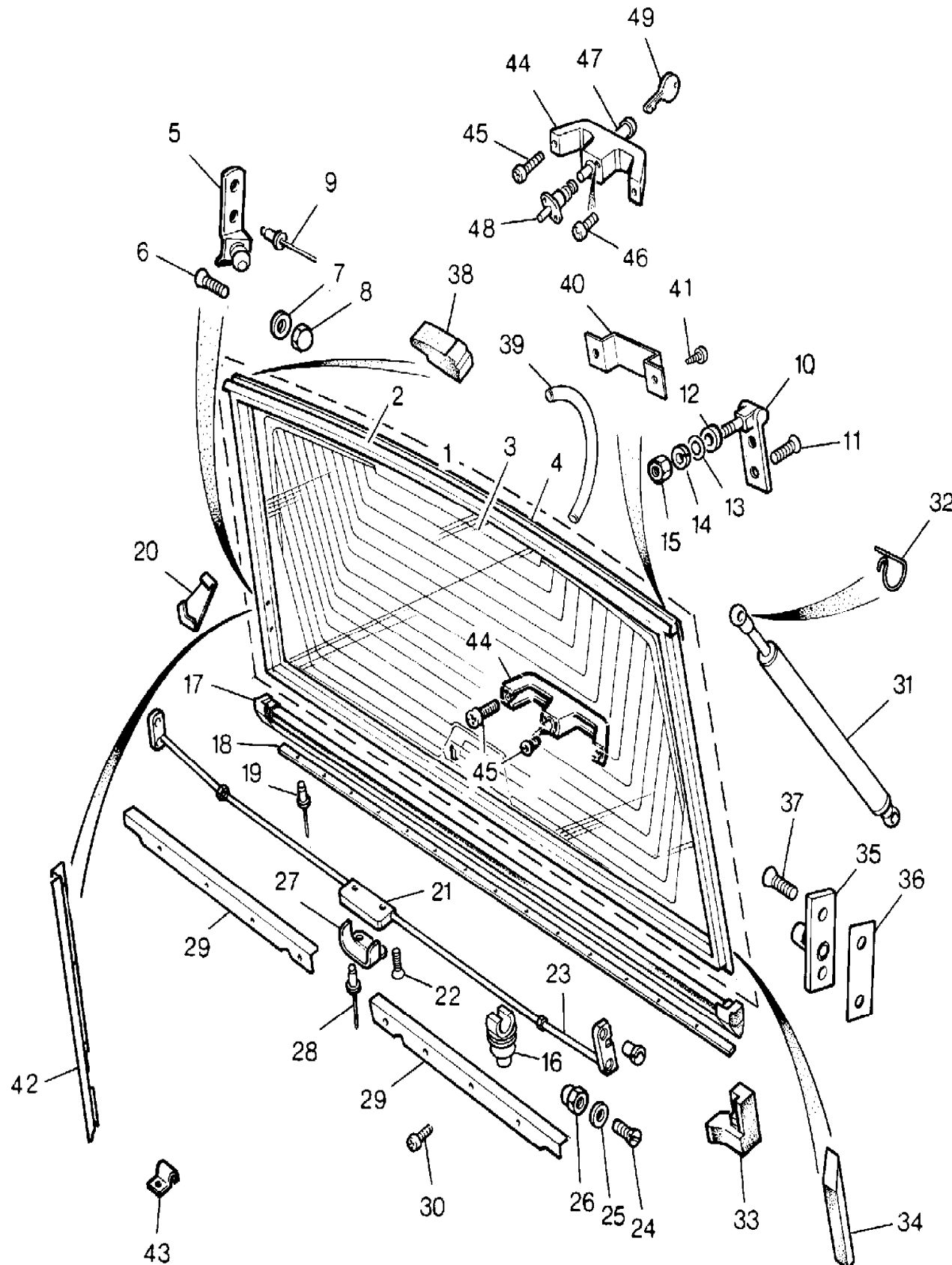
Callout	Name	Application	Remarks & Restrictions	Service No.	Qty		
5	Bracket	Change point - VIN end CA274120, Less Central Door Locking	Also serviced as part of a kit, LH	MUC2931	1		
		Change point - VIN end CA274120, Less Central Door Locking	Also serviced as part of a kit, RH	MUC2932	1		
		Change point - VIN begin DA274121, Change point - VIN end EA351846, Less Central Door Locking	Also serviced as part of a kit, LH	MUC2931	1		
		Change point - VIN begin DA274121, Change point - VIN end EA351846, Less Central Door Locking	Also serviced as part of a kit, RH	MUC2932	1		
		Change point - VIN begin FA351847, Less Central Door Locking	Also serviced as part of a kit, RH	MXC1382	1		
		Change point - VIN begin FA351847, Less Central Door Locking	Also serviced as part of a kit, LH	MXC1383	1		
		Change point - VIN end EA351846, With Central Locking System	Also serviced as part of a kit, LH	MUC2931	1		
		Change point - VIN end EA351846, With Central Locking System	Also serviced as part of a kit, RH	MUC2932	1		
		Change point - VIN begin FA351847, With Central Locking System	Also serviced as part of a kit, RH	MXC1382	1		
		Change point - VIN begin FA351847, With Central Locking System	Also serviced as part of a kit, LH	MXC1383	1		
		6	Screw	Change point - VIN end CA274120, Less Central Door Locking	Also serviced as part of a kit	RTC3951	2
				Change point - VIN end CA274120, Less Central Door Locking	Also serviced as part of a kit	RTC3952	2
				Change point - VIN begin DA274121, Change point - VIN end EA351846, Less Central Door Locking	Also serviced as part of a kit	RTC3951	2
Change point - VIN begin DA274121, Change point - VIN end EA351846, Less Central Door Locking	Also serviced as part of a kit			RTC3952	2		
Change point - VIN begin FA351847, Less Central Door Locking	Also serviced as part of a kit			SF604127	4		
Change point - VIN end EA351846, With Central Locking System	Also serviced as part of a kit			RTC3951	2		
Change point - VIN end EA351846, With Central Locking System	Also serviced as part of a kit			RTC3952	2		
Change point - VIN begin FA351847, With Central Locking System	Also serviced as part of a kit			SF604127	4		
7	Washer-Plain			Change point - VIN end CA274120, Less Central Door Locking	Also serviced as part of a kit	WC702101L	2



Range Rover (To HA610293)

(TS6104G)

Range Rover (To HA610293)

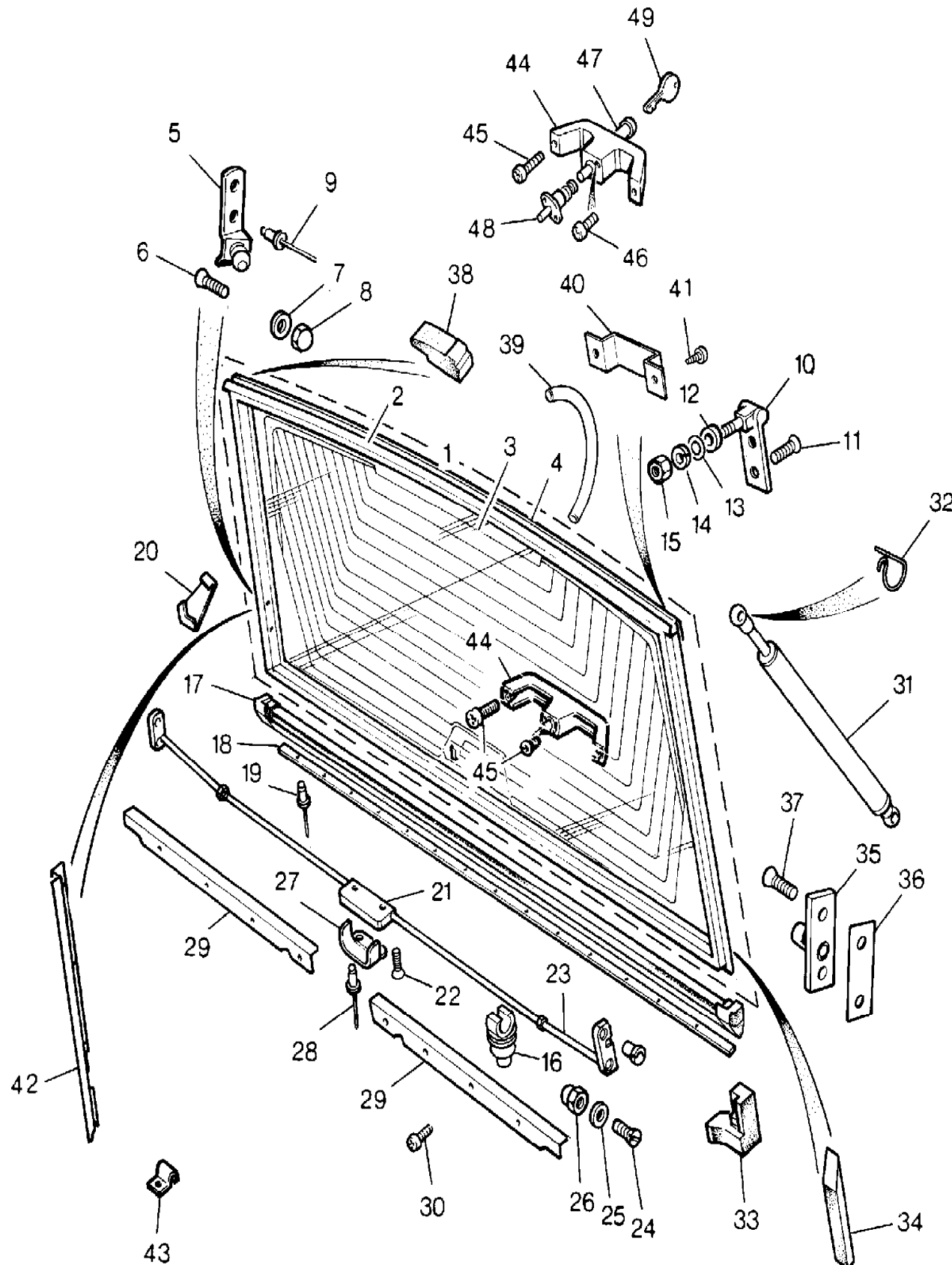


Callout	Name	Application	Remarks & Restrictions	Service No.	Qty
7	Washer-Plain	Change point - VIN begin DA274121, Change point - VIN end EA351846, Less Central Door Locking	Also serviced as part of a kit	WC702101L	2
		Change point - VIN begin FA351847, Less Central Door Locking	Also serviced as part of a kit	WC702101L	2
		With Central Locking System	Also serviced as part of a kit	WC702101L	2
8	Nut - Hex.	Change point - VIN end CA274120, Less Central Door Locking	Also serviced as part of a kit	RTC3953	2
		Change point - VIN begin DA274121, Change point - VIN end EA351846, Less Central Door Locking	Also serviced as part of a kit	RTC3953	2
		Change point - VIN begin FA351847, Less Central Door Locking	Also serviced as part of a kit	RTC3953	2
		With Central Locking System	Also serviced as part of a kit	RTC3953	2
9	Rivet	Change point - VIN end CA274120, Less Central Door Locking	Also serviced as part of a kit	RTC3954	2
		Change point - VIN begin DA274121, Change point - VIN end EA351846, Less Central Door Locking	Also serviced as part of a kit	RTC3954	2
		Change point - VIN begin FA351847, Less Central Door Locking	Also serviced as part of a kit	RTC3954	2
		With Central Locking System	Also serviced as part of a kit	RTC3954	2
10	Hinge assembly-tailgate	Change point - VIN end CA274120, Less Central Door Locking	Also serviced as part of a kit, RH, Upper	390084	1
		Change point - VIN end CA274120, Less Central Door Locking	Also serviced as part of a kit, Upper, LH	390085	1
		Change point - VIN begin DA274121, Change point - VIN end EA351846, Less Central Door Locking	Also serviced as part of a kit, RH, Upper	390084	1
		Change point - VIN begin DA274121, Change point - VIN end EA351846, Less Central Door Locking	Also serviced as part of a kit, Upper, LH	390085	1
		Change point - VIN begin FA351847, Less Central Door Locking	Also serviced as part of a kit, RH, Upper	390084	1
		Change point - VIN begin FA351847, Less Central Door Locking	Also serviced as part of a kit, Upper, LH	390085	1
		With Central Locking System	Also serviced as part of a kit, RH, Upper	390084	1
		With Central Locking System	Also serviced as part of a kit, Upper, LH	390085	1

Range Rover (To HA610293)

(TS6104G)

Range Rover (To HA610293)

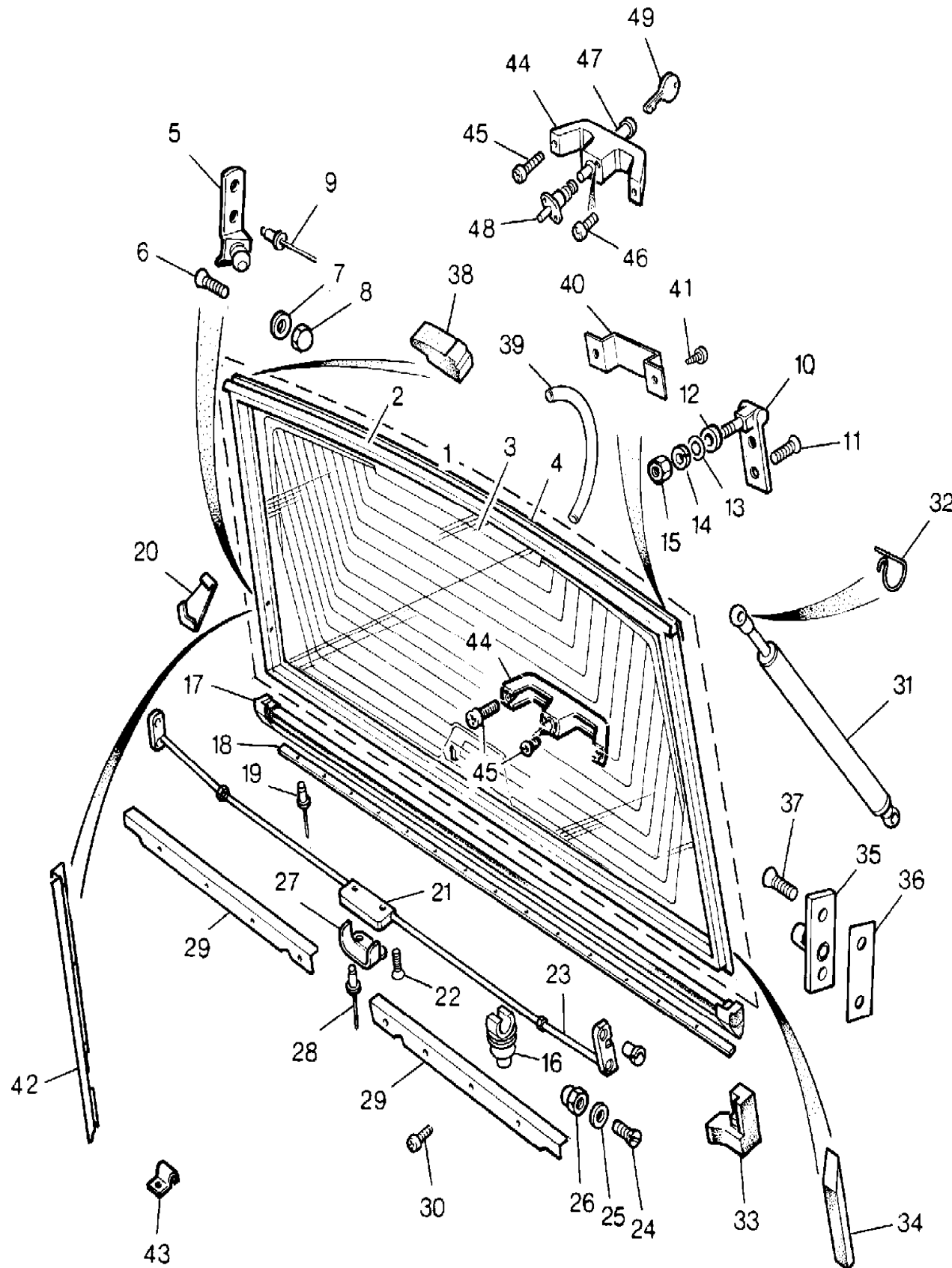


Callout	Name	Application	Remarks & Restrictions	Service No.	Qty
11	Screw-torx-countersunk	Change point - VIN end CA274120, Less Central Door Locking	Also serviced as part of a kit	SF604057	4
		Change point - VIN begin DA274121, Change point - VIN end EA351846, Less Central Door Locking	Also serviced as part of a kit	MWC9605	4
		Change point - VIN begin FA351847, Less Central Door Locking	Also serviced as part of a kit	MWC9605	4
		Change point - VIN end CA274120, With Central Locking System	Also serviced as part of a kit	SF604057	4
		Change point - VIN begin DA274121, With Central Locking System	Also serviced as part of a kit	MWC9605	4
12	Washer-copper	Change point - VIN end CA274120, Less Central Door Locking	Also serviced as part of a kit	MUC3905	2
		Change point - VIN begin DA274121, Change point - VIN end EA351846, Less Central Door Locking	Also serviced as part of a kit	MUC3905	2
		Change point - VIN begin FA351847, Less Central Door Locking	Also serviced as part of a kit	MUC3905	2
		With Central Locking System	Also serviced as part of a kit	MUC3905	2
13	Washer	Change point - VIN end CA274120, Less Central Door Locking	Also serviced as part of a kit	3982L	2
		Change point - VIN begin DA274121, Change point - VIN end EA351846, Less Central Door Locking	Also serviced as part of a kit	3982L	2
		Change point - VIN begin FA351847, Less Central Door Locking	Also serviced as part of a kit	3982L	2
		With Central Locking System	Also serviced as part of a kit	3982L	2
14	Washer-Spring	Change point - VIN end CA274120, Less Central Door Locking	Also serviced as part of a kit, 5/16"	WM600051L	2
		Change point - VIN begin DA274121, Change point - VIN end EA351846, Less Central Door Locking	Also serviced as part of a kit, 5/16"	WM600051L	2
		Change point - VIN begin FA351847, Less Central Door Locking	Also serviced as part of a kit, 5/16"	WM600051L	2
		With Central Locking System	Also serviced as part of a kit, 5/16"	WM600051L	2
15	Nut - Hex.	Change point - VIN end CA274120, Less Central Door Locking	Also serviced as part of a kit, 1/4", nyloc, Hexagonal	NY604041L	2
		Change point - VIN begin DA274121, Change point - VIN end EA351846, Less Central Door Locking	Also serviced as part of a kit, 1/4", nyloc, Hexagonal	NY604041L	2

Range Rover (To HA610293)

(TS6104G)

Range Rover (To HA610293)



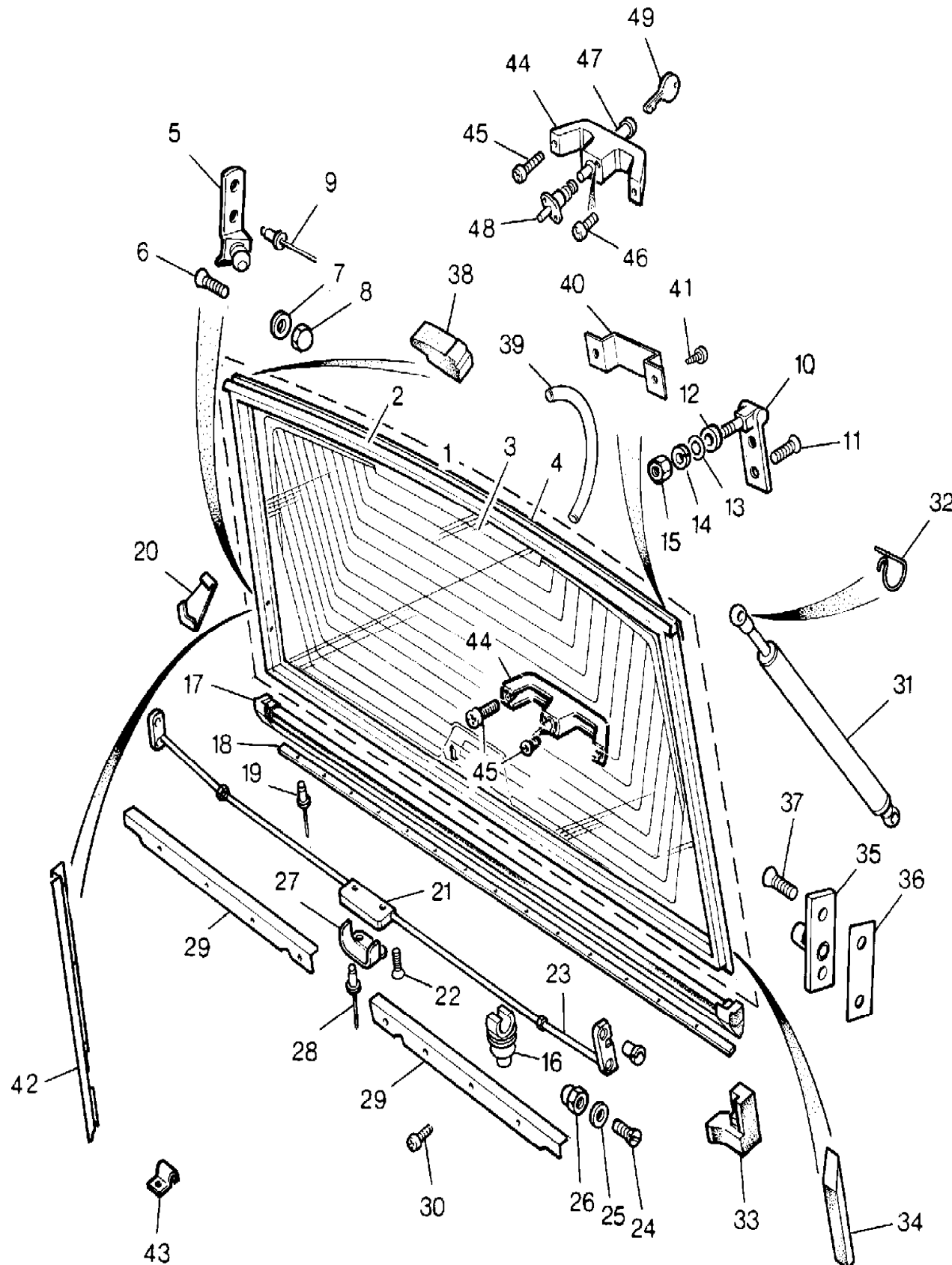
Callout	Name	Application	Remarks & Restrictions	Service No.	Qty
15	Nut - Hex.	Change point - VIN begin FA351847, Less Central Door Locking	Also serviced as part of a kit, 1/4", nyloc, Hexagonal	NY604041L	2
		With Central Locking System	Also serviced as part of a kit, 1/4", nyloc, Hexagonal	NY604041L	2
16	Clip - Brake Pipe	Change point - VIN end CA274120, Less Central Door Locking	Also serviced as part of a kit	79124	2
		Change point - VIN begin DA274121, Change point - VIN end EA351846, Less Central Door Locking	Also serviced as part of a kit	79124	2
		Change point - VIN begin FA351847, Less Central Door Locking	Also serviced as part of a kit	79124	2
		With Central Locking System	Also serviced as part of a kit	79124	2
17	Seal-tailgate	Change point - VIN end CA274120, Less Central Door Locking	Also serviced as part of a kit	MXC8422	1
		Change point - VIN begin DA274121, Change point - VIN end EA351846, Less Central Door Locking	Also serviced as part of a kit	MXC8422	1
		Change point - VIN begin FA351847, Less Central Door Locking	Also serviced as part of a kit	MXC8422	1
		With Central Locking System	Also serviced as part of a kit	MXC8422	1
18	Retainer	Change point - VIN end CA274120, Less Central Door Locking	Also serviced as part of a kit	MTC7553	1
		Change point - VIN begin DA274121, Change point - VIN end EA351846, Less Central Door Locking	Also serviced as part of a kit	MTC7553	1
		Change point - VIN begin FA351847, Less Central Door Locking	Also serviced as part of a kit	MTC7553	1
		With Central Locking System	Also serviced as part of a kit	MTC7553	1
19	Rivet-pop-aluminium	Change point - VIN end CA274120, Less Central Door Locking	Also serviced as part of a kit	78788	8
		Change point - VIN end CA274120, Less Central Door Locking	Also serviced as part of a kit, Aluminium, pop, 0.125"	RU608123L	8
		Change point - VIN begin DA274121, Change point - VIN end EA351846, Less Central Door Locking	Also serviced as part of a kit	78788	8
		Change point - VIN begin DA274121, Change point - VIN end EA351846, Less Central Door Locking	Also serviced as part of a kit, Aluminium, pop, 0.125"	RU608123L	8
		Change point - VIN begin FA351847, Less Central Door Locking	Also serviced as part of a kit	78788	8

Range Rover (To HA610293)

(TS6104G)

Range Rover (To HA610293)

Callout	Name	Application	Remarks & Restrictions	Service No.	Qty
19	Rivet-pop-aluminium	Change point - VIN begin FA351847, Less Central Door Locking With Central Locking System	Also serviced as part of a kit, Aluminium, pop, 0.125" Also serviced as part of a kit	RU608123L 78788	8 8
		With Central Locking System	Also serviced as part of a kit, Aluminium, pop, 0.125"	RU608123L	8
20	Clip	Change point - VIN end CA274120, Less Central Door Locking Change point - VIN begin DA274121, Change point - VIN end EA351846, Less Central Door Locking Change point - VIN begin FA351847, Less Central Door Locking With Central Locking System	Also serviced as part of a kit Also serviced as part of a kit Also serviced as part of a kit Also serviced as part of a kit	MRC7257 MRC7257 MRC7257 MRC7257	2 2 2 2
21	Lock-tailgate	Change point - VIN end CA274120, Less Central Door Locking Change point - VIN begin DA274121, Change point - VIN end EA351846, Less Central Door Locking Change point - VIN begin FA351847, Less Central Door Locking With Central Locking System	Also serviced as part of a kit Also serviced as part of a kit Also serviced as part of a kit Also serviced as part of a kit	MUC6938 MUC6938 MUC6938 MUC6938	1 1 1 1
22	Screw	Change point - VIN end CA274120, Less Central Door Locking Change point - VIN begin DA274121, Change point - VIN end EA351846, Less Central Door Locking Change point - VIN begin FA351847, Less Central Door Locking With Central Locking System	Also serviced as part of a kit Also serviced as part of a kit Also serviced as part of a kit Also serviced as part of a kit	SA105201 SA105201 SA105201 SA105201	2 2 2 2
23	Lock extension	Change point - VIN end CA274120, Less Central Door Locking Change point - VIN end CA274120, Less Central Door Locking Change point - VIN begin DA274121, Change point - VIN end EA351846, Less Central Door Locking Change point - VIN begin DA274121, Change point - VIN end EA351846, Less Central Door Locking	Also serviced as part of a kit, RH Also serviced as part of a kit, LH Also serviced as part of a kit, RH Also serviced as part of a kit, LH	MXC8420 MXC8421 MXC8420 MXC8421	1 1 1 1



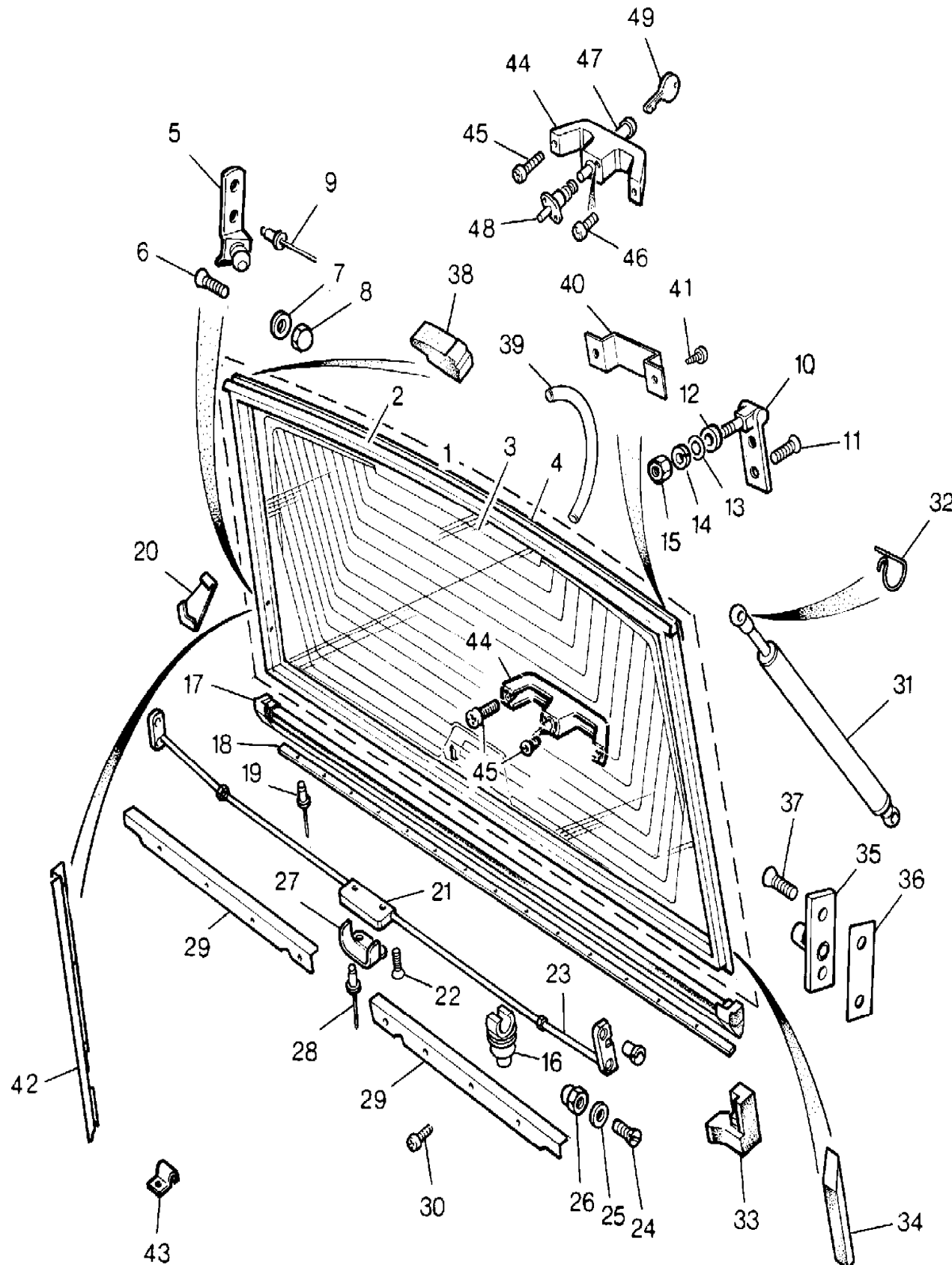
Body & Chassis
Body
Tailgate Assembly-Upper 7/10

Range Rover (To HA610293)

(TS6104G)

Range Rover (To HA610293)

Body & Chassis
Body
Tailgate Assembly-Upper

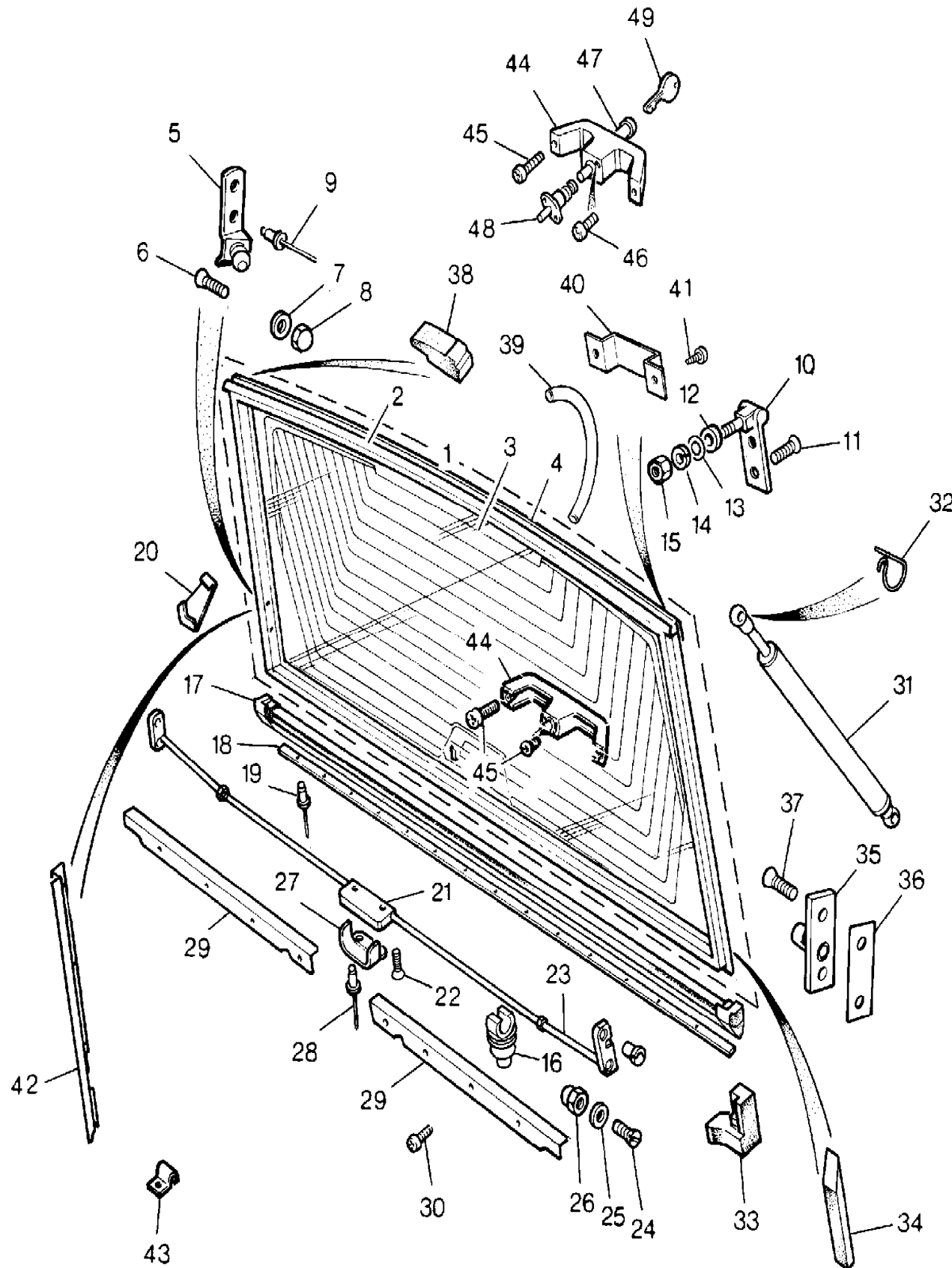


Callout	Name	Application	Remarks & Restrictions	Service No.	Qty
23	Lock extension	Change point - VIN begin FA351847, Less Central Door Locking	Also serviced as part of a kit, RH	MXC8420	1
		Change point - VIN begin FA351847, Less Central Door Locking	Also serviced as part of a kit, LH	MXC8421	1
		With Central Locking System	Also serviced as part of a kit, RH	MXC8420	1
		With Central Locking System	Also serviced as part of a kit, LH	MXC8421	1
24	Screw	Change point - VIN end CA274120, Less Central Door Locking	Also serviced as part of a kit, 1/4UNF x 3/8	78345	2
		Change point - VIN end CA274120, Less Central Door Locking	Also serviced as part of a kit, 1/4UNF x 1	78389	2
		Change point - VIN end CA274120, Less Central Door Locking	Also serviced as part of a kit, 1/4UNF x 1	SF604087	4
		Change point - VIN begin DA274121, Change point - VIN end EA351846, Less Central Door Locking	Also serviced as part of a kit, 1/4UNF x 3/8	78345	2
		Change point - VIN begin DA274121, Change point - VIN end EA351846, Less Central Door Locking	Also serviced as part of a kit, 1/4UNF x 1	78389	2
		Change point - VIN begin DA274121, Change point - VIN end EA351846, Less Central Door Locking	Also serviced as part of a kit, 1/4UNF x 1	SF604087	4
		Change point - VIN begin FA351847, Less Central Door Locking	Also serviced as part of a kit, 1/4UNF x 3/8	78345	2
		Change point - VIN begin FA351847, Less Central Door Locking	Also serviced as part of a kit, 1/4UNF x 1	78389	2
		Change point - VIN begin FA351847, Less Central Door Locking	Also serviced as part of a kit, 1/4UNF x 1	SF604087	4
		With Central Locking System	Also serviced as part of a kit, 1/4UNF x 3/8	78345	2
		With Central Locking System	Also serviced as part of a kit, 1/4UNF x 1	78389	2
		With Central Locking System	Also serviced as part of a kit, 1/4UNF x 1	SF604087	4
25	Washer	Change point - VIN end CA274120, Less Central Door Locking	Also serviced as part of a kit, 6MM	WA106041L	2
		Change point - VIN begin DA274121, Change point - VIN end EA351846, Less Central Door Locking	Also serviced as part of a kit, 6MM	WA106041L	2
		Change point - VIN begin FA351847, Less Central Door Locking	Also serviced as part of a kit, 6MM	WA106041L	2
		With Central Locking System	Also serviced as part of a kit, 6MM	WA106041L	2

Range Rover (To HA610293)

(TS6104G)

Range Rover (To HA610293)

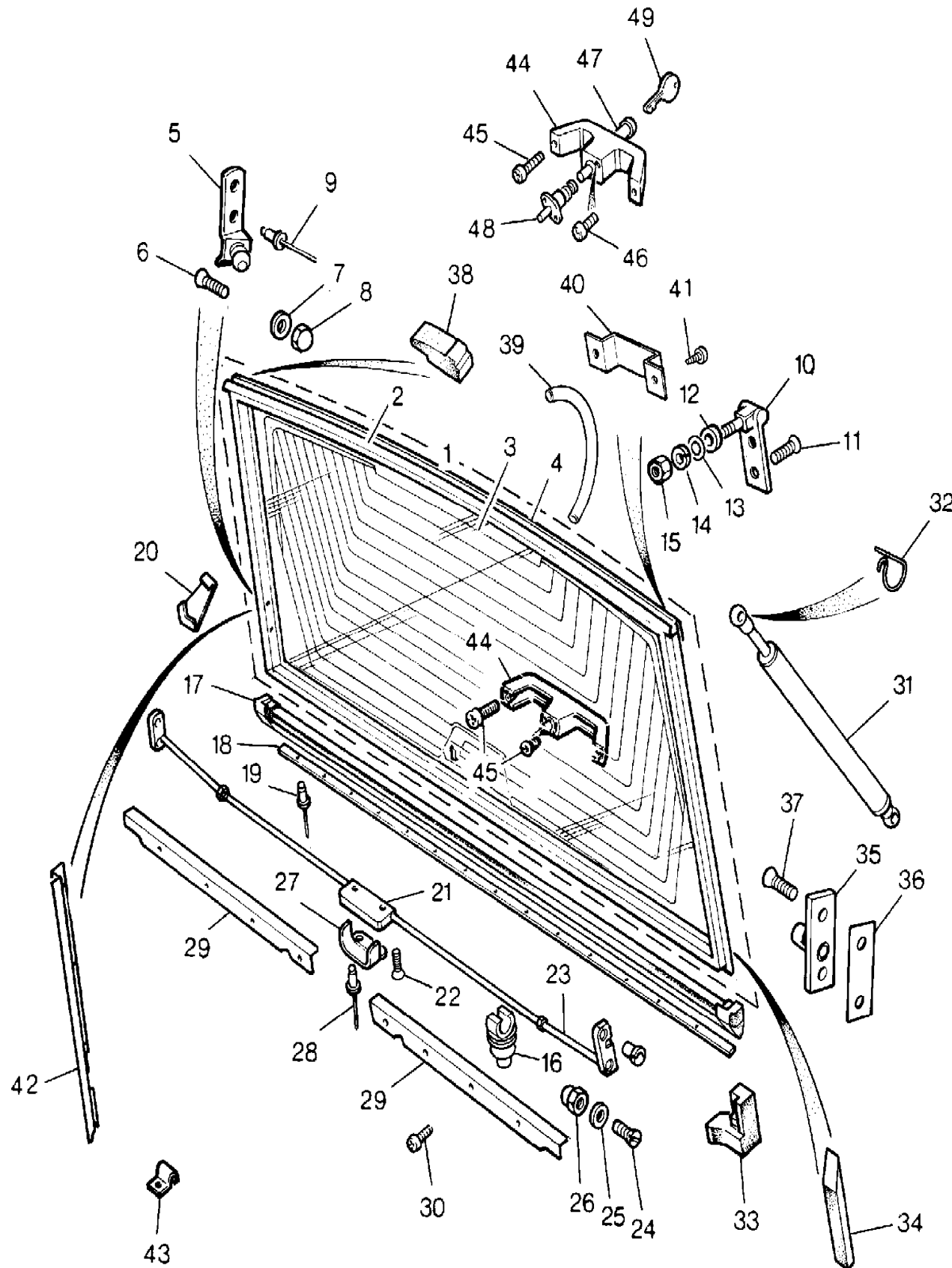


Callout	Name	Application	Remarks & Restrictions	Service No.	Qty
26	Nut-domed	Change point - VIN end CA274120, Less Central Door Locking	Also serviced as part of a kit	RTC1146	2
		Change point - VIN begin DA274121, Change point - VIN end EA351846, Less Central Door Locking	Also serviced as part of a kit	RTC1146	2
		Change point - VIN begin FA351847, Less Central Door Locking	Also serviced as part of a kit	RTC1146	2
		With Central Locking System	Also serviced as part of a kit	RTC1146	2
27	Shield-lock	Change point - VIN end CA274120, Less Central Door Locking	Also serviced as part of a kit	MUC1987	2
		Change point - VIN begin DA274121, Change point - VIN end EA351846, Less Central Door Locking	Also serviced as part of a kit	MUC1987	2
		Change point - VIN begin FA351847, Less Central Door Locking	Also serviced as part of a kit	MUC1987	2
		With Central Locking System	Also serviced as part of a kit	MUC1987	2
28	Rivet-pop-steel	Change point - VIN end CA274120, Less Central Door Locking	Also serviced as part of a kit	RA608127	2
		Change point - VIN begin DA274121, Change point - VIN end EA351846, Less Central Door Locking	Also serviced as part of a kit	RA608127	2
		Change point - VIN begin FA351847, Less Central Door Locking	Also serviced as part of a kit	RA608127	2
		With Central Locking System	Also serviced as part of a kit	RA608127	2
29	Lock Lid	Change point - VIN end CA274120, Less Central Door Locking	Also serviced as part of a kit, RH	MUC6936	1
		Change point - VIN end CA274120, Less Central Door Locking	Also serviced as part of a kit, LH	MUC6937	1
		Change point - VIN begin DA274121, Change point - VIN end EA351846, Less Central Door Locking	Also serviced as part of a kit, RH	MUC6936	1
		Change point - VIN begin DA274121, Change point - VIN end EA351846, Less Central Door Locking	Also serviced as part of a kit, LH	MUC6937	1
		Change point - VIN begin FA351847, Less Central Door Locking	Also serviced as part of a kit, RH	MXC1389	1
		Change point - VIN begin FA351847, Less Central Door Locking	Also serviced as part of a kit, LH	MUC6937	1
		Change point - VIN end EA351846, With Central Locking System	Also serviced as part of a kit, RH	MUC6936	1

Range Rover (To HA610293)

(TS6104G)

Range Rover (To HA610293)



Callout	Name	Application	Remarks & Restrictions	Service No.	Qty
29	Lock Lid	Change point - VIN begin FA351847, With Central Locking System	Also serviced as part of a kit, RH	MXC1389	1
			Also serviced as part of a kit, LH	MUC6937	1
30	Screw-self tapping		No 6 x 3/8	AR606037	8
31	Strut-tailgate gas			MXC7833	2
32	Clip			BRC2623	4
33	Seal-tailgate		LH	391482	1
			RH	391483	1
34	Seal-upper tailgate waist			MUC6429	2
35	Striker assembly-tailgate			MUC4135	2
36	Shim			391373	2
37	Screw			78591	2
38	Seal		LH	MWC3347	1
			RH	MWC3348	1
39	Sleeve			589818	1
40	Bracket			589130	1
41	Screw		Self Tapping, No 8 x 3/8	AB608031L	2
42	Cover harness			MXC1379	1
43	Clip			MXC1378	2
44	Handle assembly-tailgate	Change point - VIN end CA274120 Change point - VIN begin DA274121, Change point - VIN end EA351846 Change point - VIN begin FA351847		390838	1
				RTC5578	1
			Also serviced as part of a kit	MWC8656	1
45	Screw-pan			SE910441	2
46	Screw			SA910121L	1
47	Lock assembly-load/tail door			391523	1
48	Kit-tailgate key & lock cylinder			390982	1
49	Key-blank owner		square head, FS Series	17H2475L	1

Body & Chassis
Body
Tailgate Assembly-Upper 10/10

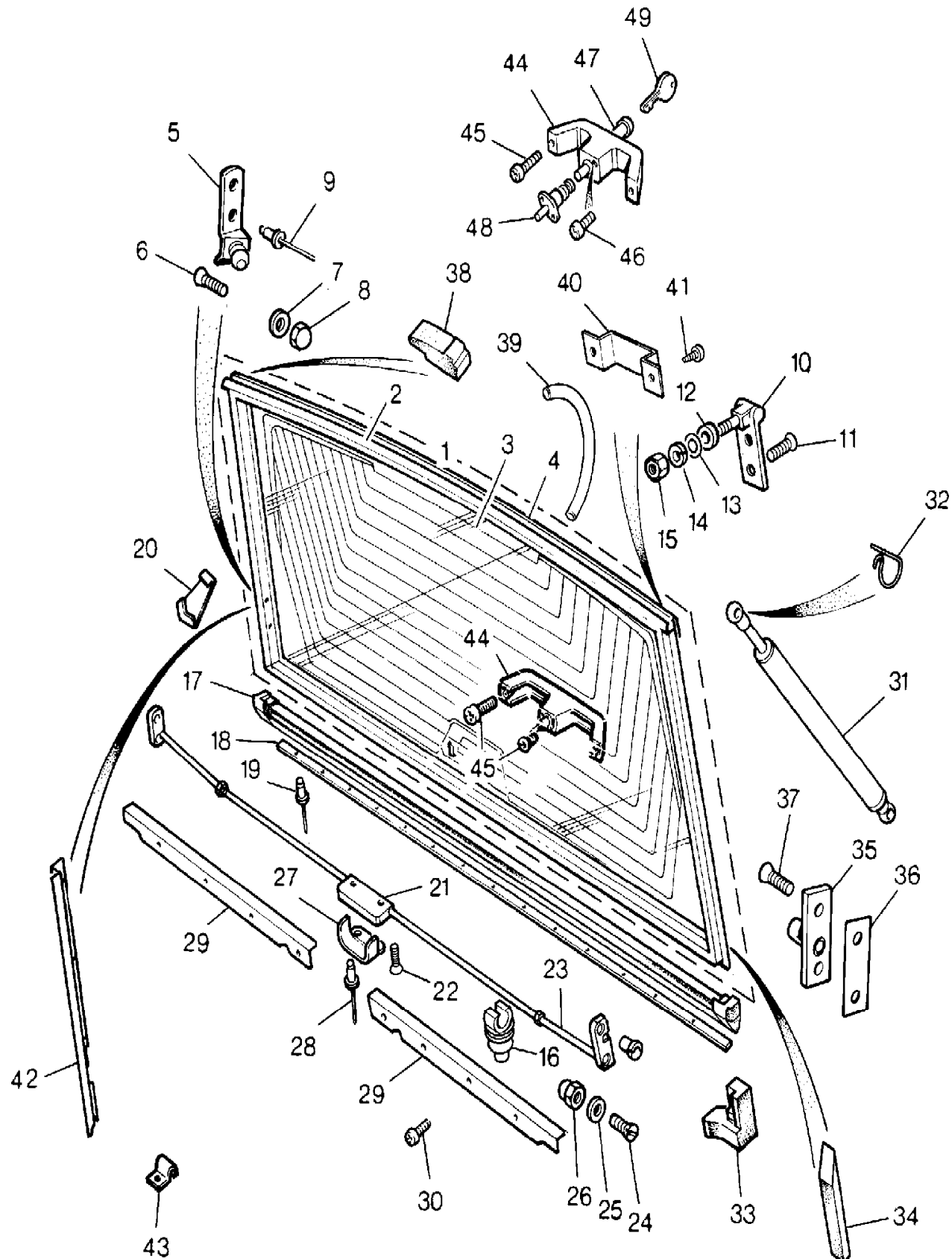
Range Rover (To HA610293)

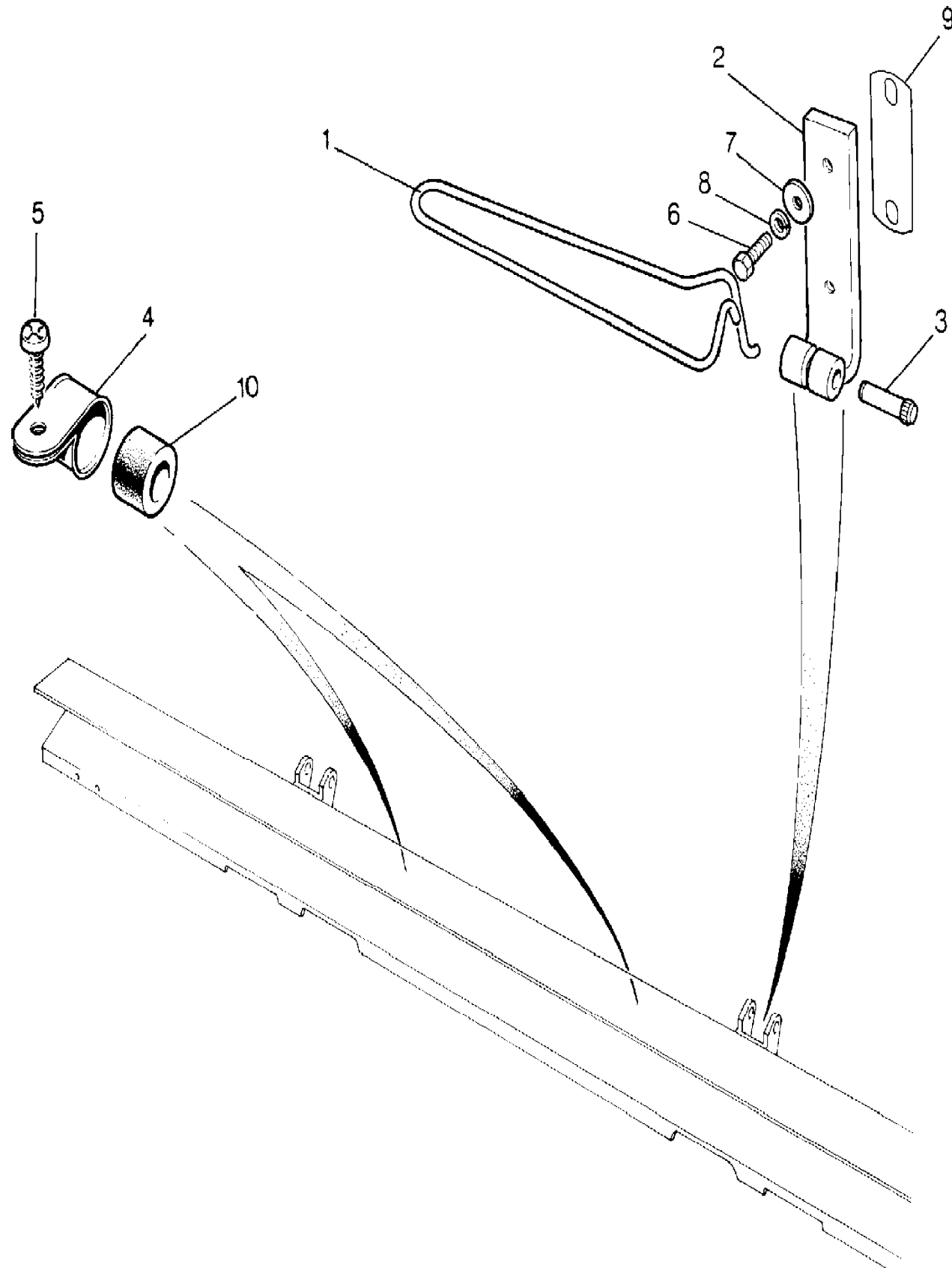
(TS6104G)

Body & Chassis
Body
Tailgate Assembly-Upper

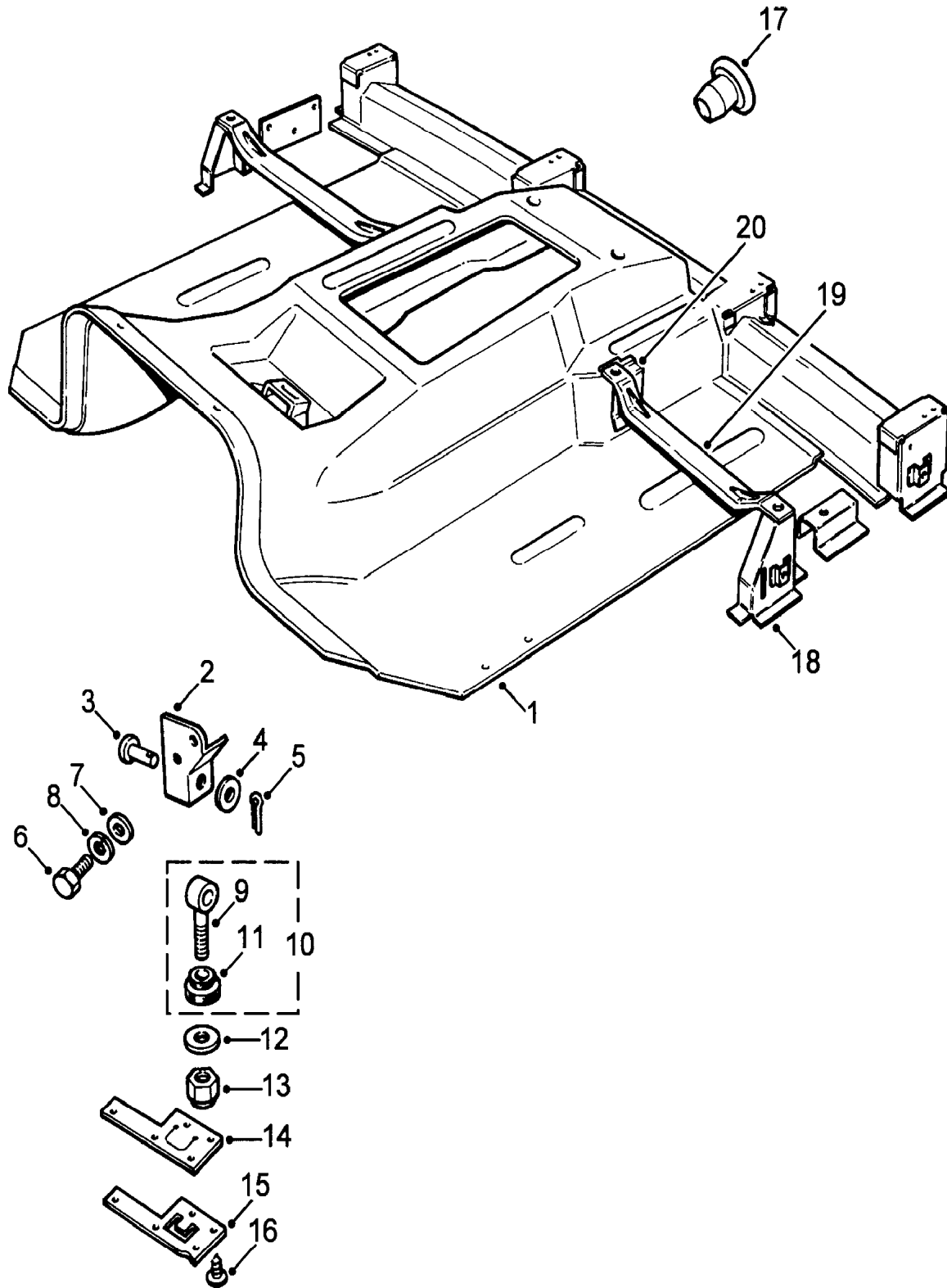
Range Rover (To HA610293)

Callout	Name	Application	Remarks & Restrictions	Service No.	Qty
49	Key-blank owner		arrow head	CD31726BL	1
[900]	Glass-Green backlight	Less Central Door Locking		MXC1377	1
		With Central Locking System		MXC1377	1
[901]	Hinge assembly-tailgate	Less Central Door Locking	RH, Upper	ALR4638	1
		With Central Locking System	RH, Upper	ALR4638	1



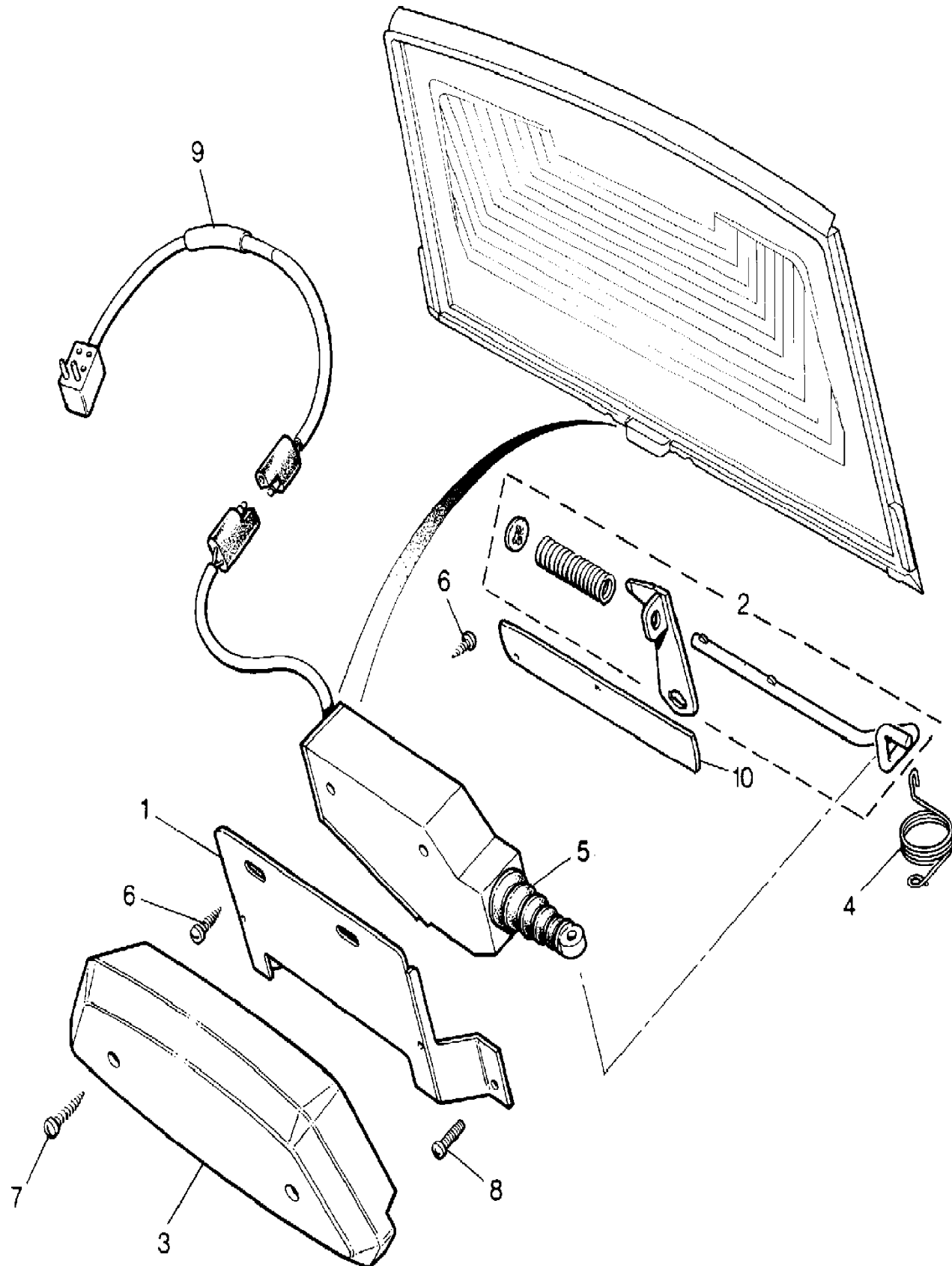


Callout	Name	Application	Remarks & Restrictions	Service No.	Qty
1	Spring-torsion		RH LH	MTC5604 MTC5605	1 1
2	Hinge assembly-tailgate			MXC8391	2
3	Pin-tailgate hinge			MTC6677	2
4	Clip	Change point - VIN end CA274120 Change point - VIN begin DA274121		CP105191 ATU1017L	2 2
5	Screw-self tapping	Change point - VIN end CA274120 Change point - VIN begin DA274121	No 12 x 5/8 No 8 x 3/4	AB612051L AFU3002	2 2
6	Bolt			256223	4
7	Washer-Plain			4594L	4
8	Washer-Spring		5/16"	WM60005 1L	4
9	Gasket-tail door hinge	Change point - VIN begin GA399973		MXC8454	2
10	Sleeve			576643	2



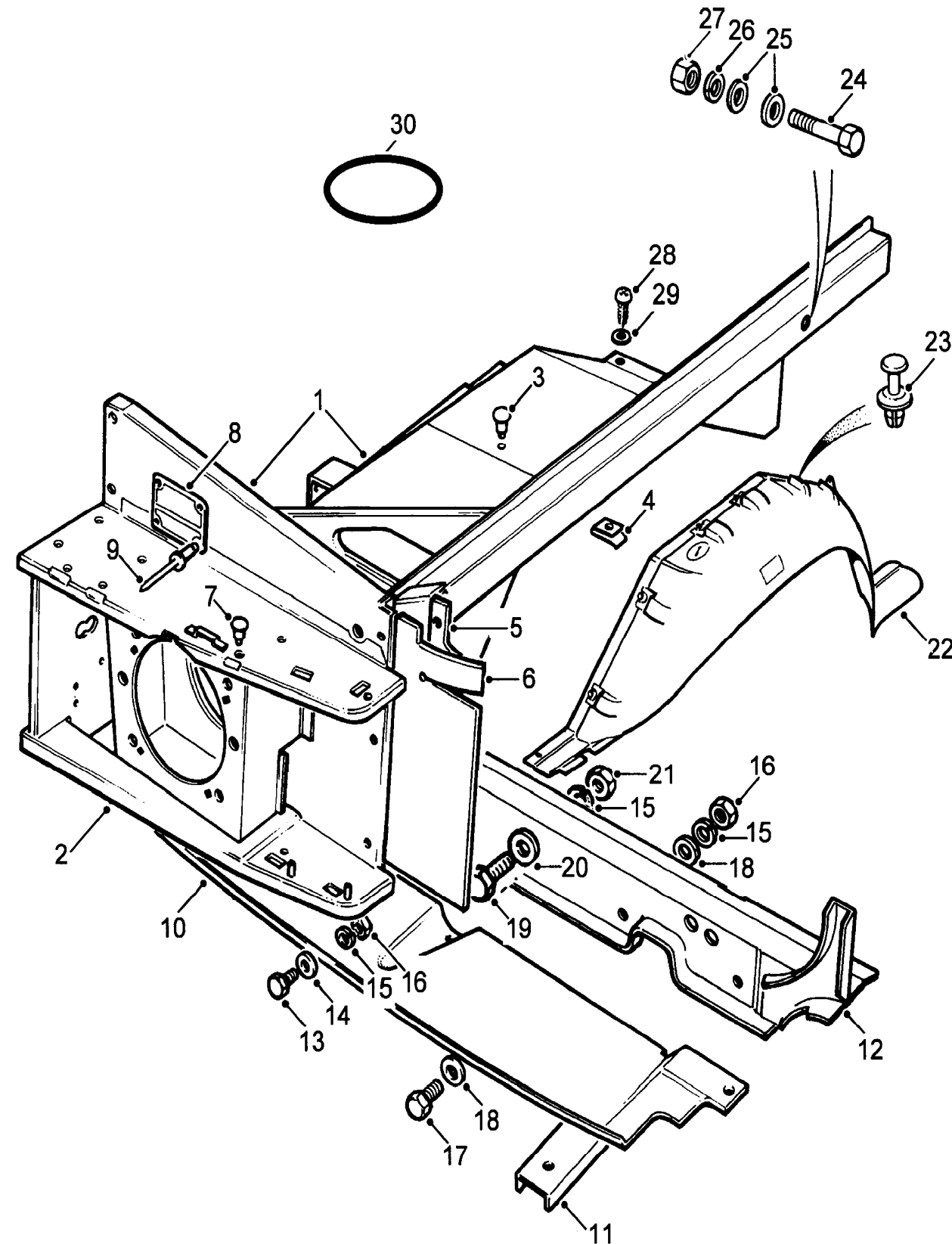
Callout	Name	Application	Remarks & Restrictions	Service No.	Qty
1	Tunnel assembly-main floor			MXC9590	1
2	Support Bracket		RH LH	577786 577787	1 1
3	Pin-clevis			577259	2
4	Washer-Plain			RTC611	2
5	Pin-split			RTC601	2
6	Screw		1/4UNF x 3/4	255207	4
7	Washer-Plain		M6	3831L	4
8	Washer-Spring		1/4 dia, Square	WM600041L	4
9	Tie rod			595099 BTR8341	2 2
10	Kit-eye bolts & bushes			STC1393	2
11	Grommet			577255	2
12	Washer			577254	2
13	Nut - Hex.		nyloc, 7/16UNF	NY607041L	2
14	Seal			577775	2
15	Plate Cover		RH LH	577776 577777	1 1
16	Screw		Self Tapping, No 6 x 3/8	AB606031L	10
17	Plug	Change point - VIN begin GA422297	handbrake fixing holes	MXC8709	X
18	Bracket		seat plinth, RH seat plinth, LH	MWC2404 MWC2405	1 1
19	Bracket		Crossmember, RH Crossmember, LH	MUC9536 MUC9537	1 1
20	Bracket		X member to tunnel, RH X member to tunnel, LH	MWC6652 MWC6653	1 1

Callout	Name	Application	Remarks & Restrictions	Service No.	Qty
1	Bracket			MWC8552	1
2	Link-tailgate lock to latch			MXC1391	1
3	Cover-tailgate latch			MWC8557	1
4	Spring			MXC4892	1
5	Actuator-central door locking		Passenger	PRC3916	1
6	Screw-self tapping		Self Tapping, M8 x 13	DA608044L	4
7	Screw		Self Tapping, No8 x 5/8	AB608054L	2
8	Screw		M4	SC104141	2
9	Lead link			PRC6939	1
10	Bracket			MXC4927	1



Range Rover (To HA610293)

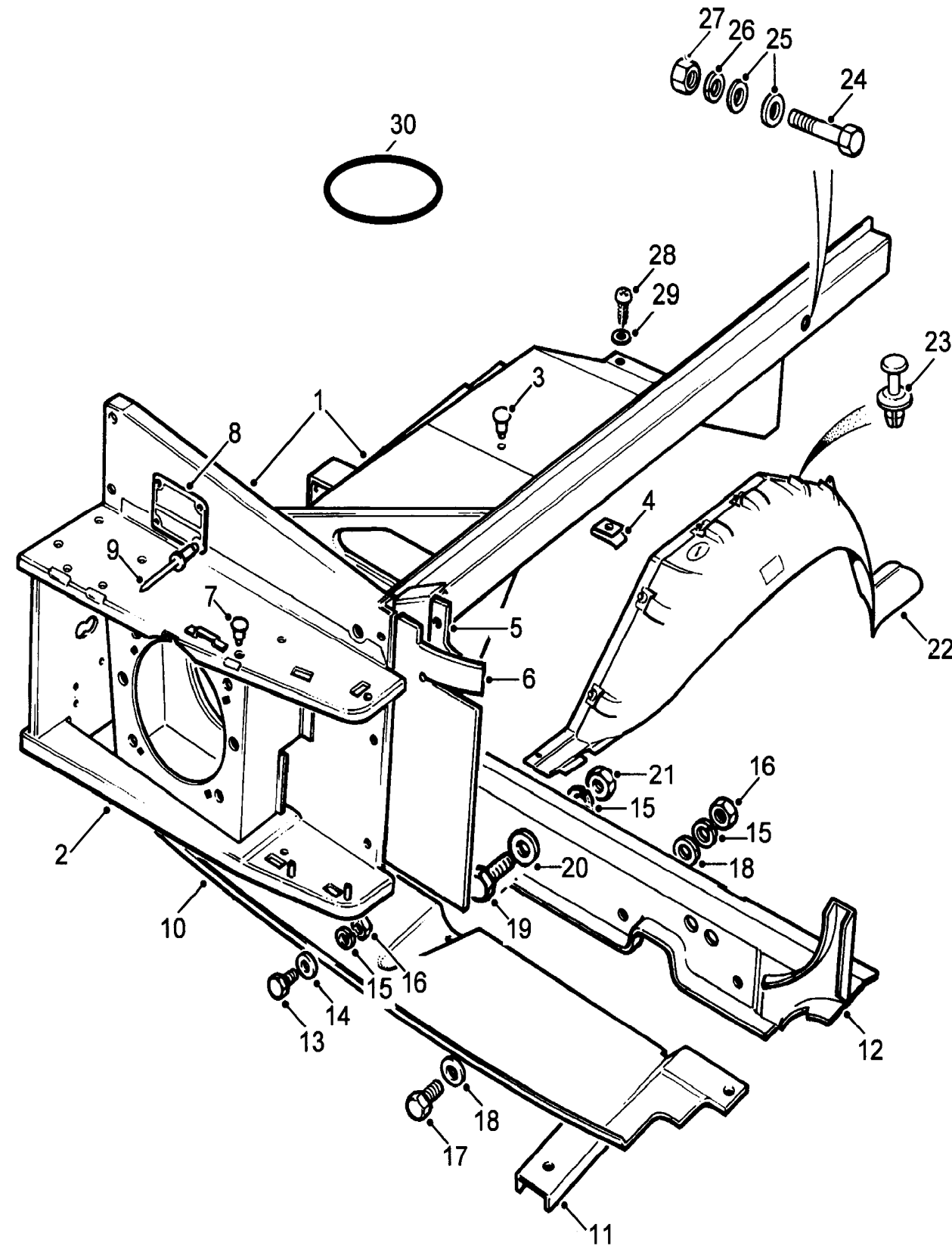
(TS6536C)



TS6536C

Range Rover (To HA610293)

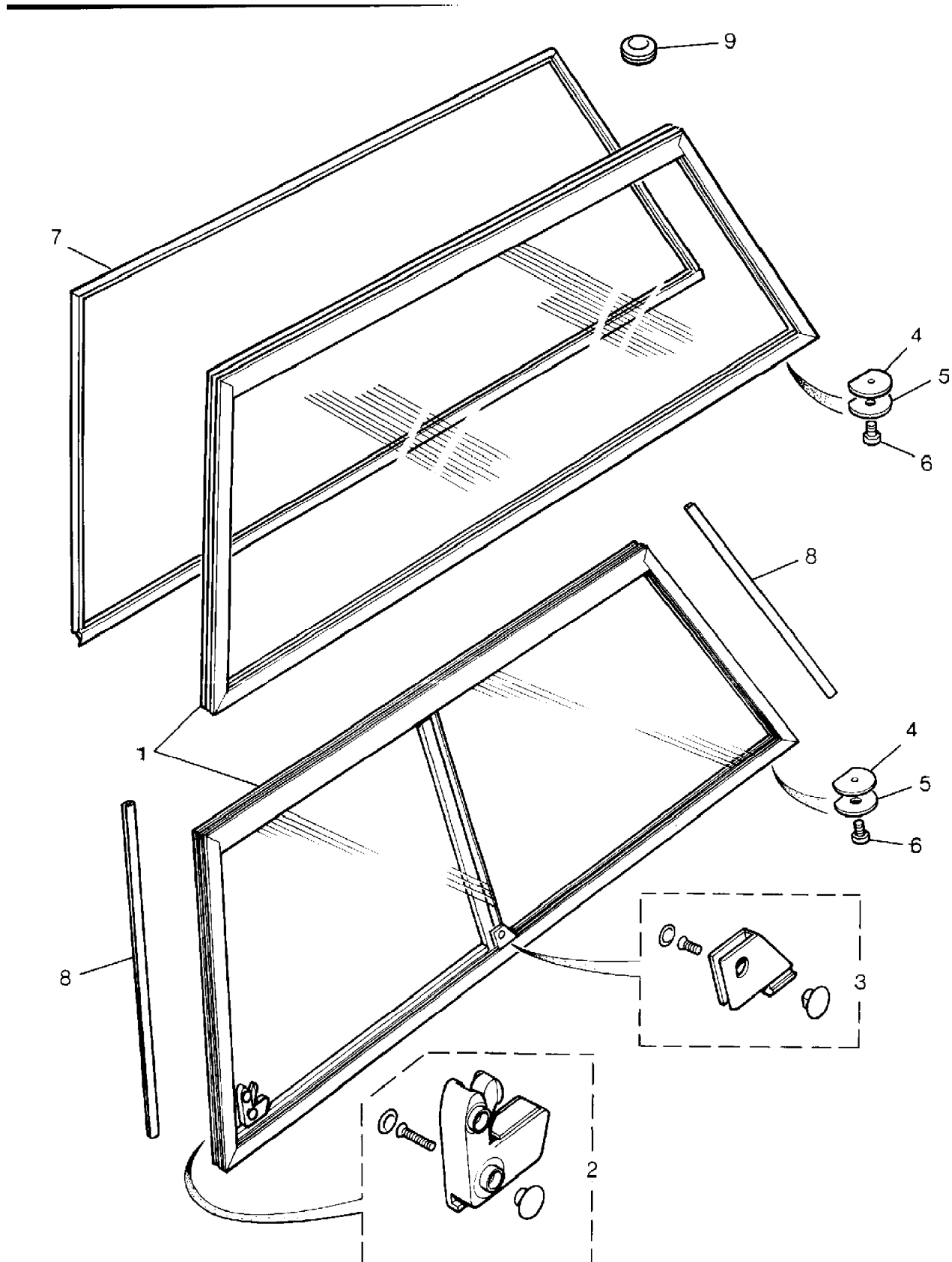
Callout	Name	Application	Remarks & Restrictions	Service No.	Qty
1	Wheelarch & Valance	Change point - VIN end CA274120	RH	RTC6319	1
		Change point - VIN end CA274120	LH	RTC5795	1
		Change point - VIN begin DA273923, Change point - VIN end EA351846	RH	MXC1174	1
		Change point - VIN begin DA273923, Change point - VIN end EA351846	LH	MXC1175	1
		Change point - VIN begin FA351847, 2 Door Station Wagon	LH	MXC9135	1
		Change point - VIN begin FA351847, 2 Door Station Wagon	RH	MXC9136	1
		Change point - VIN begin FA351847, 4 Door Station Wagon	RH	MXC9132	1
		Change point - VIN begin FA351847, 4 Door Station Wagon	LH	MXC9131	1
		2	Headlamp mounting assembly	Change point - VIN end CA274120	RH
Change point - VIN end CA274120	LH			RTC6318	1
	RH			MXC5816	1
	LH			MXC5817	1
3	Buffer rubber-valance			312322	1
4	Nut-spire			RTC3725	8
5	Retainer			391277	2
6	Rubber strip-wing inner			391141	2
7	Plug		3/8"	307220	2
8	Label-warning-battery cable negative			396116	1
9	Rivet			78257	4
10	Closing panel	Change point - VIN end EA351846		MTC4903	1
		Change point - VIN begin FA351847		MXC1944	1
11	Washer Plate			MTC5865	4
12	Crossmember-front			MXC5070	1
13	Screw		1/4UNF x 5/8	255206	12
			1/4UNF x 3/4	255207	4
14	Washer-Plain		M6	3831L	32



Callout	Name	Application	Remarks & Restrictions	Service No.	Qty
15	Washer-Spring		1/4 dia, Square	WM600041L	14
16	Nut - Hex.		hexagonal head, Coarse Thread, 1/4UNF	NH604041L	16
17	Screw		hexagonal head, 1/4UNF x 5/8	SH604051L	4
18	Washer		6MM	WA106041L	4
19	Screw		M5 x 16	257017	2
20	Washer			4030L	2
21	Nut - Hex.	Change point - VIN end EA351846	UNF	HN2005L	2
		Change point - VIN begin FA351847	UNF	257023	2
22	Liner-front wheelarch		LH RH	MXC6281 MXC6282	1 1
23	Rivet		Liner to wheelarch	MXC3119	12
24	Screw		hexagonal head	SH605161L	4
25	Washer-Plain			RTC613	8
26	Washer-Spring		5/16"	WM600051L	4
27	Nut - Hex.		hexagonal head, 5/16UNF	NH605041L	4
28	Screw-self tapping		pan head, No 12 x 1/2, pointed	AB612041L	8
29	Washer-Plain			3031L	8
30	Tape		Black, 25MM, Thin	18123	X

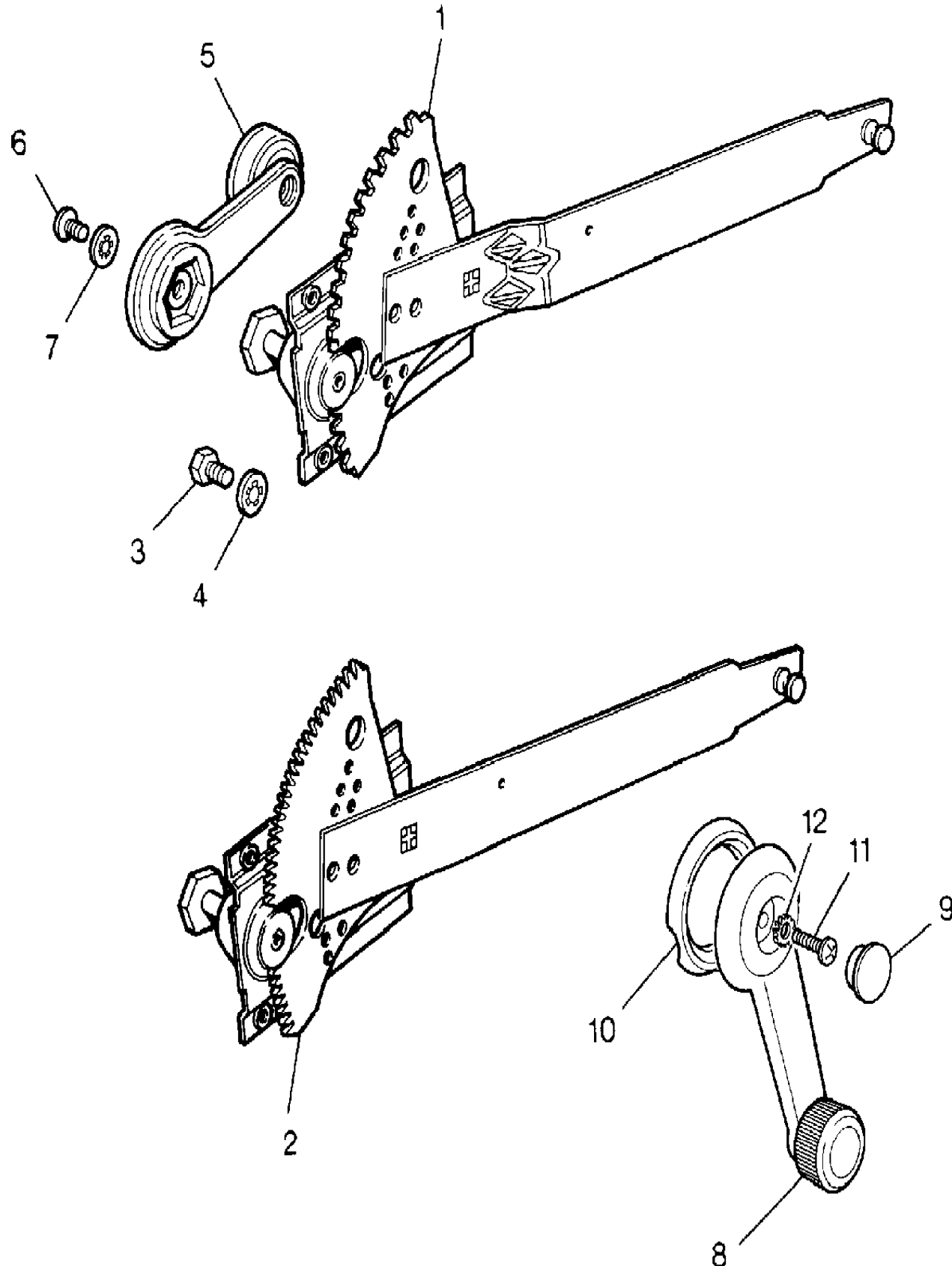
2 Door Station Wagon

Callout	Name	Application	Remarks & Restrictions	Service No.	Qty
1	Glass & seal assembly-rear quarter	Change point - VIN end EA351846	Also serviced as part of a kit, RH, 5MM	MTC6066	1
		Change point - VIN end EA351846	Also serviced as part of a kit, 5MM, LH	MTC6067	1
		Change point - VIN begin FA351847	Also serviced as part of a kit, 4MM, RH	MXC1494	1
		Change point - VIN begin FA351847	Also serviced as part of a kit, 4MM, LH	MXC1495	1
		Change point - VIN begin DA295585	Also serviced as part of a kit, RH	MWC2944	1
		Change point - VIN begin DA295585	Also serviced as part of a kit, LH	MWC2945	1
		2	Catch assembly-side opening window	Change point - VIN end EA351846	Also serviced as part of a kit, RH
Change point - VIN end EA351846	Also serviced as part of a kit, LH			MTC1739	1
3	Follower slide	Change point - VIN end EA351846	Also serviced as part of a kit, RH	MTC1742	1
		Change point - VIN end EA351846, (+)"GB"	Also serviced as part of a kit, LH	MTC1743	1
		Change point - VIN end EA351846, (-)"GB"	Also serviced as part of a kit, LH	MTC1743	1
4	Washer	Change point - VIN end EA351846	Also serviced as part of a kit	AFU1398	6
5	Washer	Change point - VIN end EA351846	Also serviced as part of a kit	AFU1397	6
6	Screw	Change point - VIN end EA351846	Also serviced as part of a kit, hexagonal head, M5 x 12	SH105121L	6
7	Seal	Change point - VIN end EA351846	Also serviced as part of a kit, RH	MTC3054	1
		Change point - VIN end EA351846	Also serviced as part of a kit, LH	MTC3055	1
8	Finisher-D post	Change point - VIN end EA351846	Also serviced as part of a kit	MRC8167	2
9	Grommet			312856	2



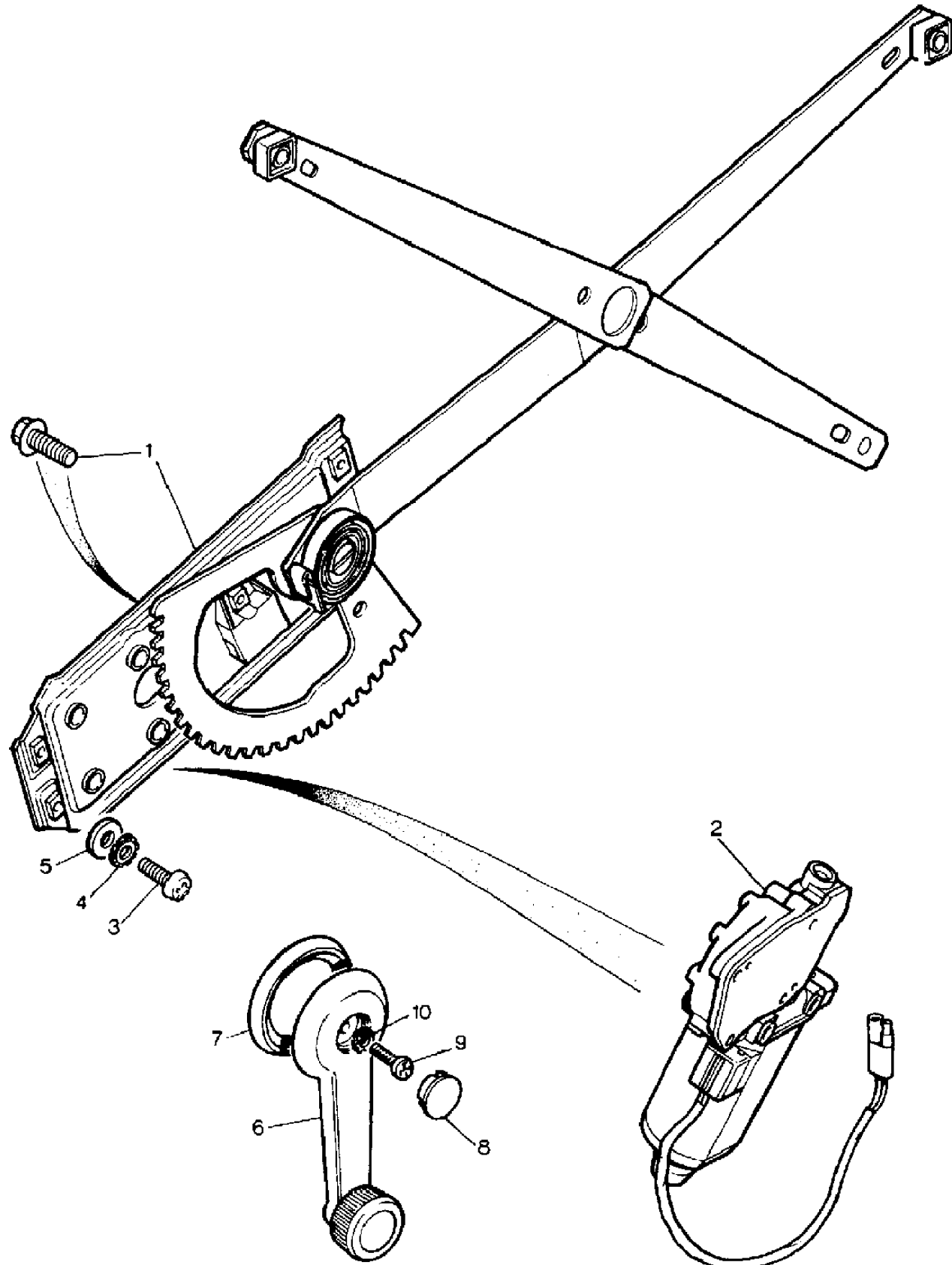
2 Door Station Wagon

Callout	Name	Application	Remarks & Restrictions	Service No.	Qty
1	Regulator-front door glass	Change point - VIN end EA351846	Manual Windows, RH	MTC3775	1
		Change point - VIN end EA351846	Manual Windows, LH	MTC3776	1
2	Regulator-front door glass	Change point - VIN begin FA351847	Manual Windows, RH	RTC6554	1
		Change point - VIN begin FA351847	Manual Windows, LH	RTC6555	1
3	Screw		hexagonal head, M6 x 10	SH106101L	8
4	Washer			WF600061L	8
5	Handle assembly-front door window regulator	Change point - VIN end EA351846		MRC9390	2
6	Screw	Change point - VIN end EA351846	10UNF x 1/2	79120	2
7	Washer-Lock	Change point - VIN end EA351846		WF702101L	2
8	Handle-front door window regulator	Change point - VIN begin FA351847	Black	RTC3939PA	2
9	Cover Handle	Change point - VIN begin FA351847	Black	RTC3940PA	2
10	Escutcheon-window regulator	Change point - VIN begin FA351847	Black	JPC9023PMA	2
11	Screw-pan	Change point - VIN begin FA351847	M5 x 16	SE105161	2
12	Washer-Spring	Change point - VIN begin FA351847		WE105001	2



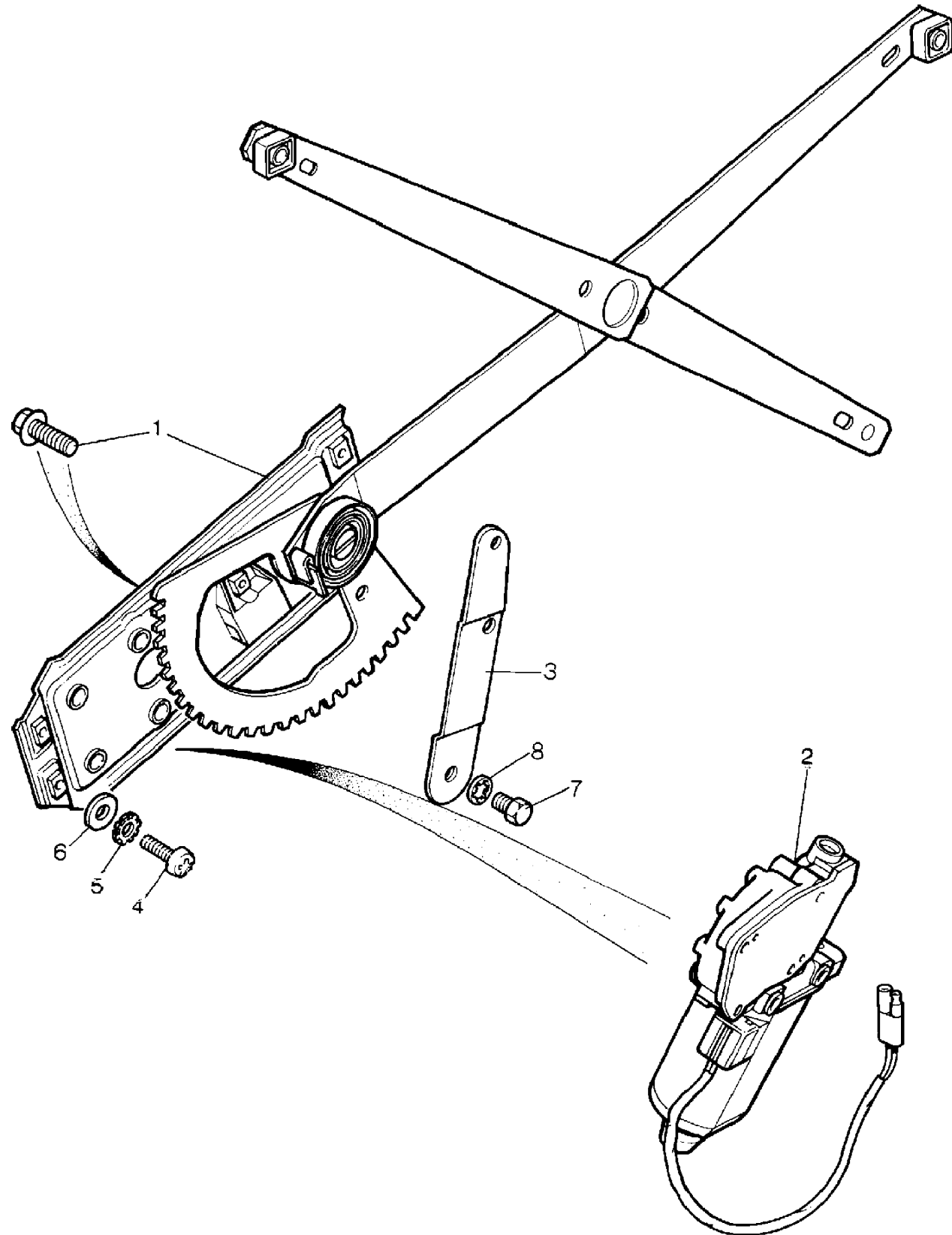
4 Door Station Wagon

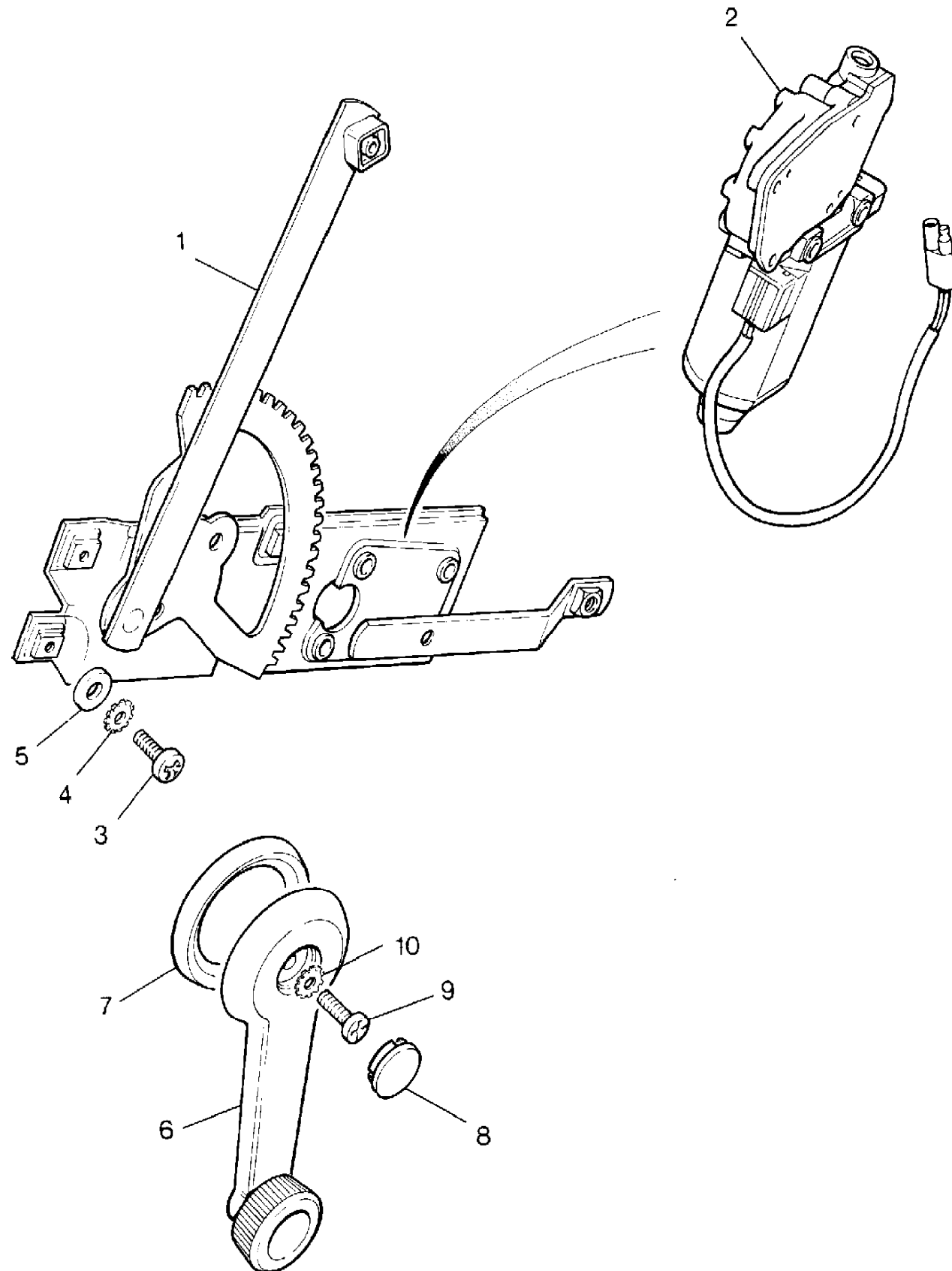
Callout	Name	Application	Remarks & Restrictions	Service No.	Qty	
1	Regulator-front door glass		Manual Windows, RH	MUC2038	1	
			Manual Windows, LH	MUC2039	1	
			Electric Windows, RH	RTC3814	1	
			Change point - VIN end HA610293	Electric Windows, LH	RTC3815	1
2	Motor-front door window regulator		Change point - VIN end GA399972	RH	RTC3820	1
			Change point - VIN end GA399972	LH	RTC3821	1
			Change point - VIN begin GA399973	RH	RTC6641	1
			Change point - VIN begin GA399973	LH	RTC6640	1
3	Screw-pan		M6 X 12, pan head	SE106121L	4	
4	Washer-Lock			WE106001L	4	
5	Washer		6MM	WA106041L	4	
6	Handle window regulator.		Bitter Chocolate.	RTC3939CC	2	
			Flint Grey	RTC3939LG	2	
7	Bezel		Brushwood	RTC3935AV	2	
			Bitter Chocolate.	RTC3935CC	2	
			Flint Grey	RTC3935LG	2	
8	Escutcheon Regulator		Brushwood	RTC3940AV	2	
			Bitter Chocolate.	RTC3940CC	2	
			Flint Grey	RTC3940LG	2	
9	Screw		No 6 x 12	SF106121L	2	
10	Washer-Lock			WE105001L	2	



2 Door Station Wagon

Callout	Name	Application	Remarks & Restrictions	Service No.	Qty
1	Regulator-front door glass	Change point - VIN begin FA351847	Electric Windows, RH	RTC6387	1
		Change point - VIN begin FA351847	Electric Windows, LH	RTC6388	1
2	Motor-front door window regulator	Change point - VIN begin FA351847, Change point - VIN end FA399972	Electric Windows, RH	RTC3820	1
		Change point - VIN begin FA351847, Change point - VIN end FA399972	Electric Windows, LH	RTC3821	1
		Change point - VIN begin GA399973	Electric Windows, RH	RTC6641	1
		Change point - VIN begin GA399973	Electric Windows, LH	RTC6640	1
		Change point - VIN begin FA351847	Electric Windows, LH	MXC3022	1
		Change point - VIN begin FA351847	Electric Windows, RH	MXC3021	2
3	Mounting Plate	Change point - VIN begin FA351847	Electric Windows, LH	MXC3022	1
		Change point - VIN begin FA351847	Electric Windows, RH	MXC3021	2
4	Screw-pan	Change point - VIN begin FA351847	Electric Windows, M6 X 12, pan head	SE106121L	4
5	Washer-Lock	Change point - VIN begin FA351847	Electric Windows	WE106001L	4
6	Washer	Change point - VIN begin FA351847	Electric Windows, 6MM	WA106041L	4
7	Screw		Electric Windows, M5 X 10, hexagonal head	SH105101L	2
8	Washer	Change point - VIN begin FA351847	Electric Windows, M5, starlock	WF105001L	2



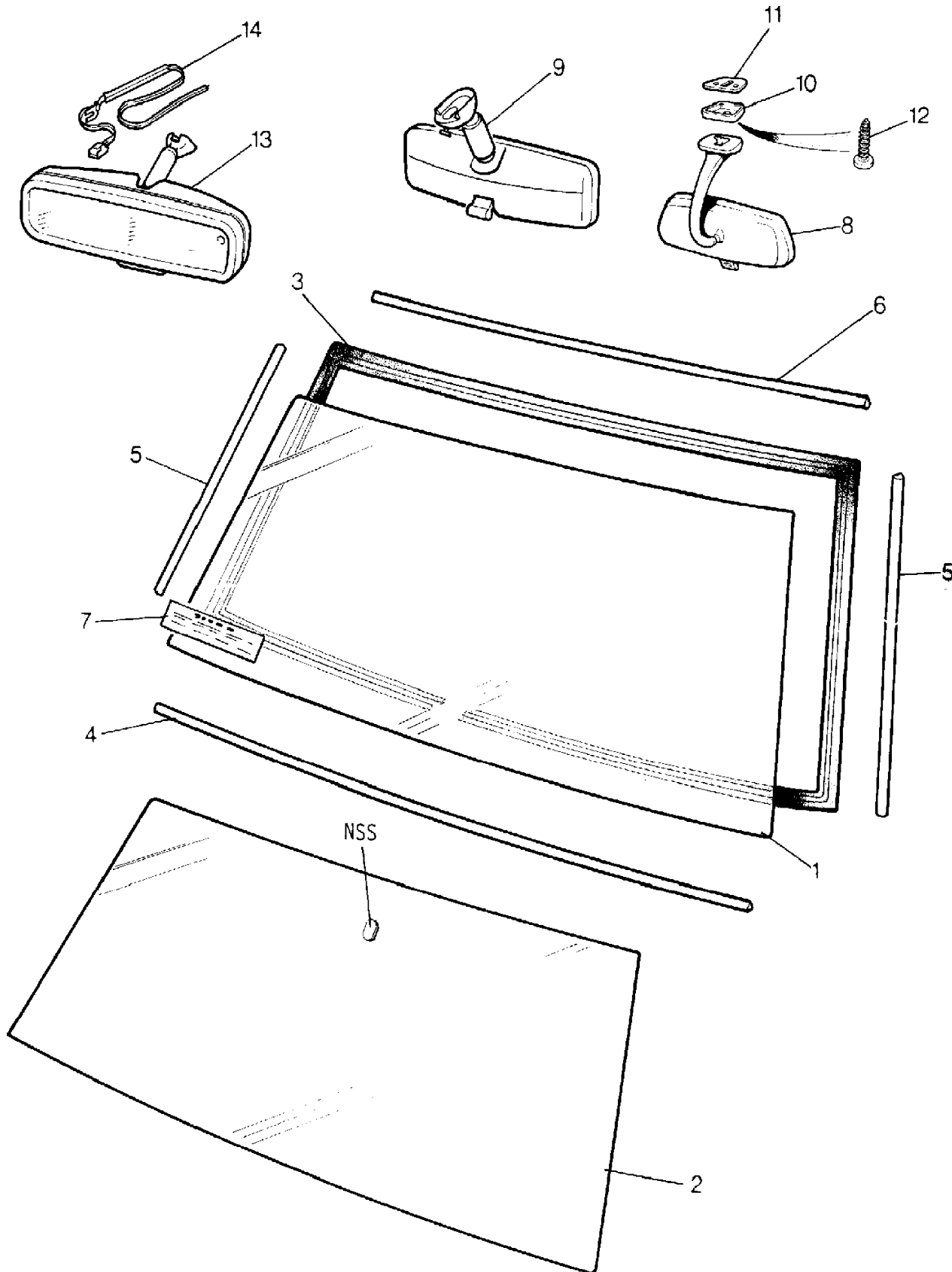


Callout	Name	Application	Remarks & Restrictions	Service No.	Qty
1	Regulator-rear door glass	Change point - VIN end HA610293	Manual Windows, RH	MTC8906	1
		Change point - VIN end HA610293	Manual Windows, LH	MTC8907	1
			Electric Windows, RH	RTC3816	1
			Electric Windows, LH	RTC3817	1
2	Motor-rear door window regulator	Change point - VIN end FA399972	RH	RTC3818	1
		Change point - VIN end FA399972	LH	RTC3819	1
		Change point - VIN begin GA399973	RH	RTC6643	1
		Change point - VIN begin GA399973	LH	RTC6642	1
3	Screw-pan		M6 X 12, pan head	SE106121L	4
4	Washer-Lock			WE106001L	4
5	Washer		6MM	WA106041L	4
6	Handle window regulator.		Bitter Chocolate.	RTC3939CC	2
			Flint Grey	RTC3939LG	2
7	Bezel		Brushwood	RTC3935AV	2
			Bitter Chocolate.	RTC3935CC	2
			Flint Grey	RTC3935LG	2
8	Escutcheon Regulator		Brushwood	RTC3940AV	2
			Bitter Chocolate.	RTC3940CC	2
			Flint Grey	RTC3940LG	2
9	Screw		pan head, M5 x 16, recessed	SE105161L	2
10	Washer-Lock			WE105001L	2

Range Rover (To HA610293)

(TS6584B)

Range Rover (To HA610293)



Callout	Name	Application	Remarks & Restrictions	Service No.	Qty
1	Windscreen assembly	Change point - VIN end EA351846, (+)"AUS"	Clear.	MRC9506	1
		Change point - VIN begin FA351847, (+)"AUS"	Clear.	MXC3343	1
		Change point - VIN end EA351846	Clear.	MTC5961	1
2	Windscreen assembly	Change point - VIN begin FA351847	unheated, Sundym	MXC3342	1
		Change point - VIN begin FA351847	Heated, Sundym	MXC5648	1
3	Seal-windscreen glazing	Change point - VIN end GA415619		MXC6360	1
		Change point - VIN begin GA415620, Change point - VIN end HA610293, 4 Door Station Wagon		MXC7405	1
		Change point - VIN begin GA415620, Change point - VIN end HA610293, 2 Door Station Wagon		MXC7406	1
4	Filler strip		bottom	391476	1
5	Filler strip		Side	391474	2
6	Filler strip		top	391475	1
7	Instruction drawing-windscreen label			598936	1
8	Mirror-interior dipping	Change point - VIN end EA351846		MRC3075	1
9	Mirror assembly-interior	Change point - VIN begin FA351847	Black, Dipping	MXC3340	1
10	Mounting-mirror	Change point - VIN end EA351846		BRC173	1
11	Plate	Change point - VIN end EA351846		MRC4148	1
12	Screw-self tapping	Change point - VIN end EA351846	counter sunk, No 10 x 1"	AC610081L	2
13	Mirror-interior dipping			BTR1339	1
14	Harness-link	Change point - VIN begin HA464554	Sundym	PRC8560	1
[900]	Windscreen assembly	(+)"AUS"	Clear.	MTC5961	1

Body & Chassis
Chassis
Frame Assembly 1/2

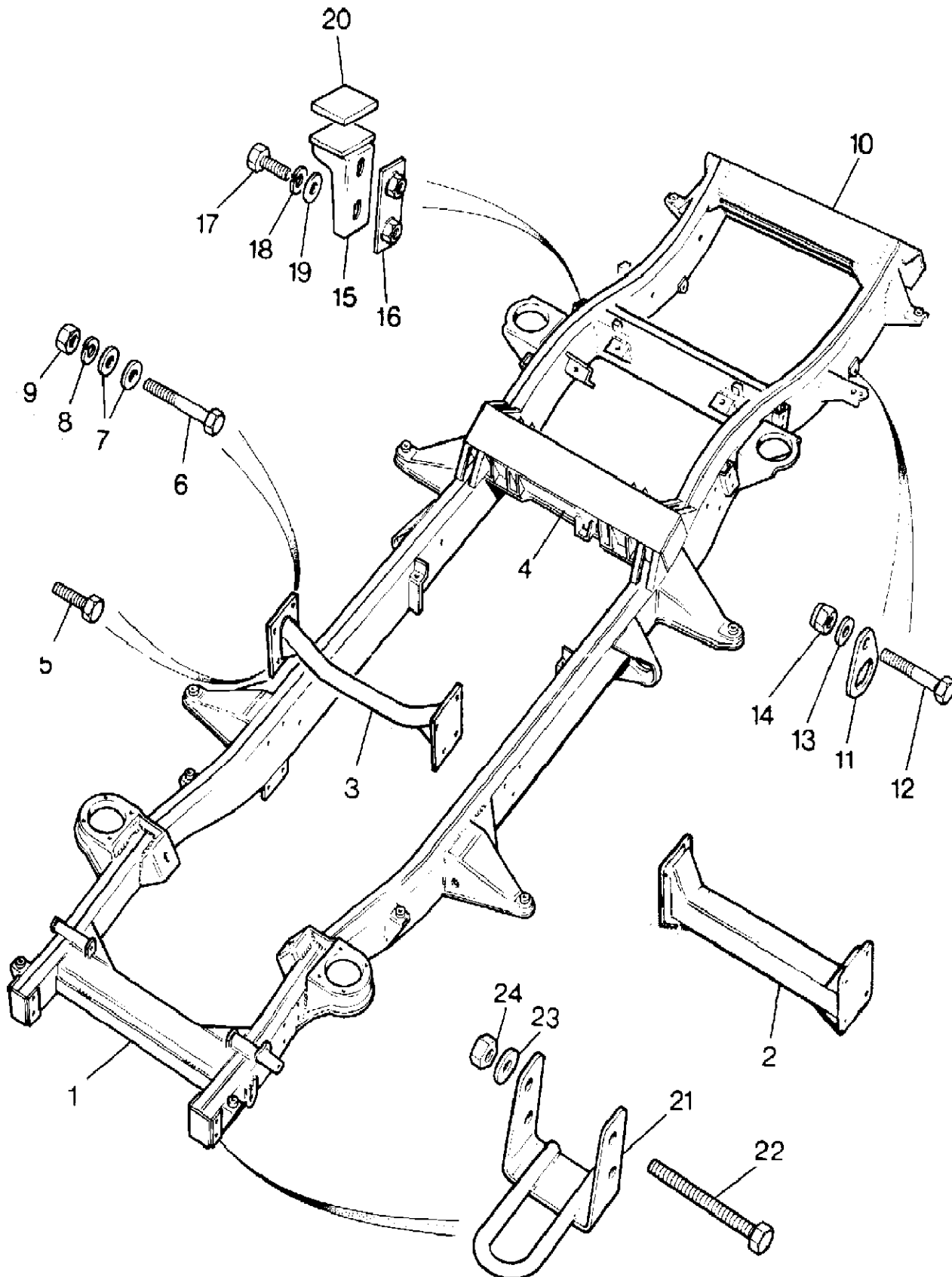
Range Rover (To HA610293)

(TS6518)

Range Rover (To HA610293)

Body & Chassis
Chassis
Frame Assembly

Callout	Name	Application	Remarks & Restrictions	Service No.	Qty
1	Frame-chassis	3.5L Petrol, (-) CSK Change point - VIN begin GA399973, Change point - VIN end GA464553, 3.9L Petrol, (-) CSK	Also serviced as part of a kit Also serviced as part of a kit	NTC2800 NTC7785	1 1
		Change point - VIN begin GA399973, Change point - VIN end GA464553, Diesel 2.5, (-) CSK 3.9L Petrol, CSK Diesel 2.4, (-) CSK	Also serviced as part of a kit	NTC7785	1
2	Crossmember assembly-chassis frame	Change point - VIN begin HA464554, Change point - VIN end GA64553, (-) CSK	Also serviced as part of a kit	NRC7768	1
		Change point - VIN begin HA464554, CSK	Also serviced as part of a kit	NTC5031	1
		Change point - VIN end GA464553, 3.9L Petrol, (-) CSK	Also serviced as part of a kit	NTC5031	1
3	Crossmember assembly-chassis frame	Change point - VIN begin GA399973, Change point - VIN end GA464553, 3.9L Petrol, (-) CSK	Also serviced as part of a kit	NTC7128	1
		Change point - VIN begin GA399973, Change point - VIN end GA464553, Diesel 2.5, (-) CSK	Also serviced as part of a kit	NTC7128	1
5	Screw		Also serviced as part of a kit, hexagonal head, M10 x 25	SH110251L	4
6	Bolt		Also serviced as part of a kit, hexagonal head, M10 x 100	BH110201L	4
7	Washer		Also serviced as part of a kit, M10	WA110051L	16
8	Washer	3.5L Petrol, (-) CSK	Also serviced as part of a kit, M10	WL110001L	8
9	Nut - Hex.		Also serviced as part of a kit, M10, hexagonal head, Coarse Thread	NH110041L	8
10	Crossmember	Change point - VIN end GA464553	Also serviced as part of a kit, Rear	RTC5237	1
		Change point - VIN begin HA464554	Also serviced as part of a kit, Rear	STC453	1
11	Bracket-towing		front & rear, Less Spoiler	90577509	2
12	Bolt			NRC2384	2

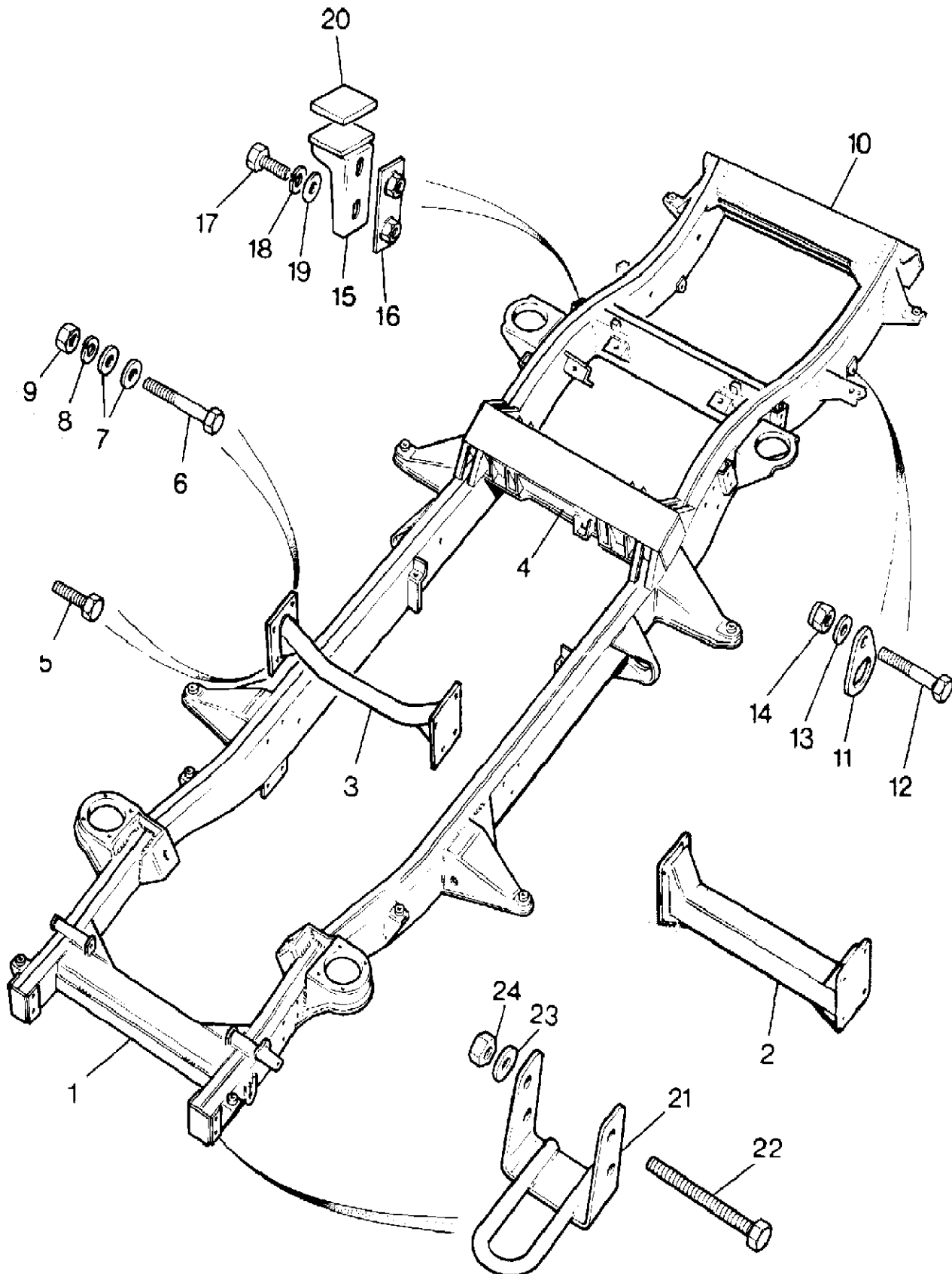


Range Rover (To HA610293)

(TS6518)

Range Rover (To HA610293)

Callout	Name	Application	Remarks & Restrictions	Service No.	Qty
13	Washer-plain-thin		M10	WB110061L	2
14	Nut - Hex.		hexagonal head, 3/8, UNF, nyloc	NY606041L	2
15	Bracket-reinforcement main floor			575571	4
16	Nut - Hex.			575670	4
17	Bolt			255226	8
18	Washer-Spring		5/16"	WM600051L	8
19	Washer-Plain			RTC610	8
20	Pad-buffer			90575573	4
21	Bracket-towing		With Spoiler, Front	NTC3519	1
22	Bolt		3/8UNF	BH606361L	2
23	Washer-Plain			WA116101L	2
24	Nut - Hex.			NT606041L	2



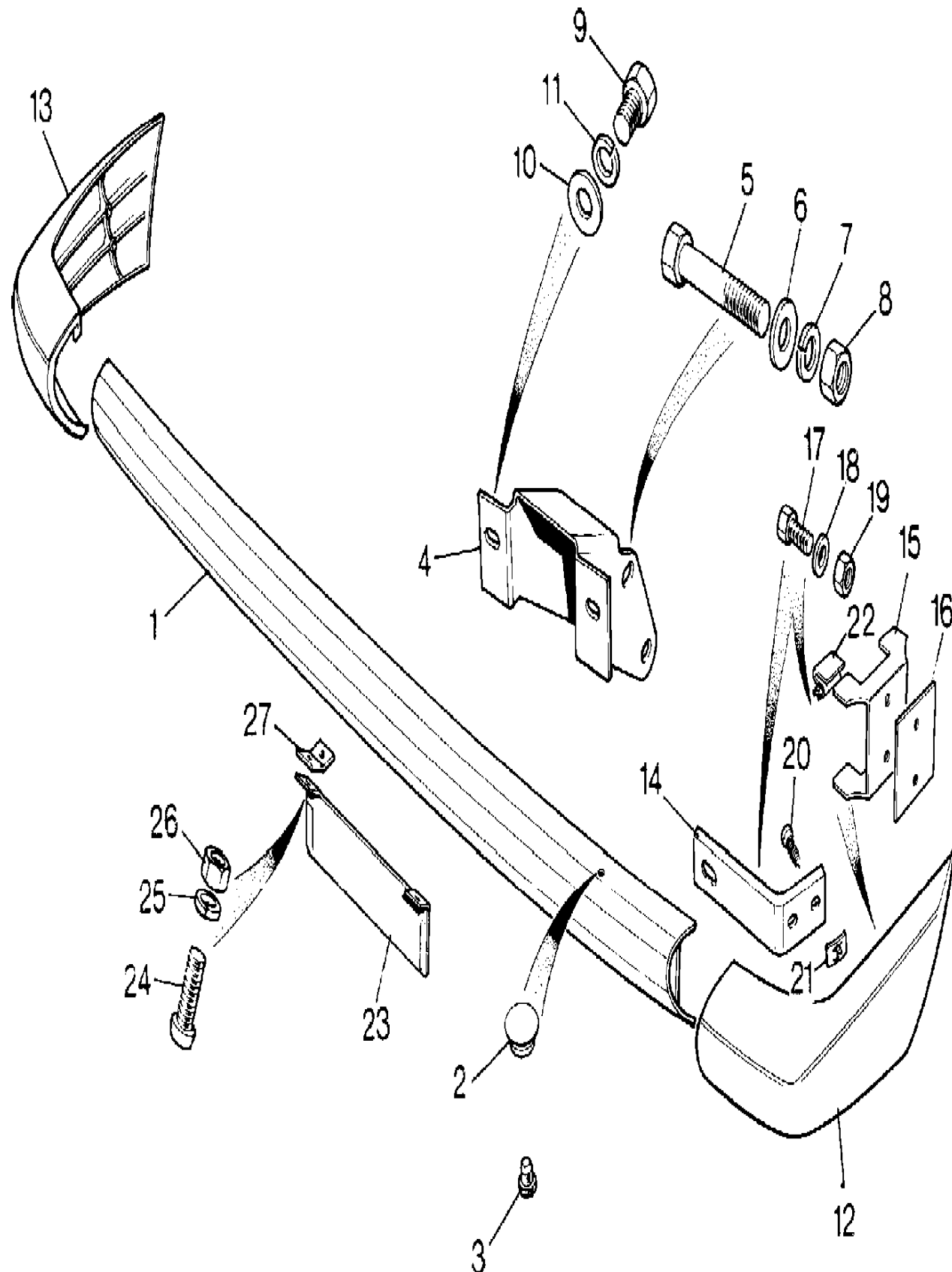
Body & Chassis
Chassis
Front Bumper 1/2

Range Rover (To HA610293)

(TS5622B)

Range Rover (To HA610293)

Body & Chassis
Chassis
Front Bumper



Callout	Name	Application	Remarks & Restrictions	Service No.	Qty	
1	Bumper assembly	(-) CSK (-) CSK Change point - VIN end HA610293, CSK	Black, Front	NTC4281	1	
				NTC7041	1	
			Chrome	NTC8540	1	
2	Grommet			NTC2804	2	
3	Plug-blanking			MUC8478	2	
4	Bracket-bumper mounting		Front, RH	NTC3297	1	
			Front, LH	NTC3298	1	
5	Bolt			3/8UNF	BH606361L	2
6	Washer-Plain				3036L	4
7	Washer			3/8", Square	WM600061L	4
8	Nut - Hex.			hexagonal head, 3/8UNF	NH606041L	4
9	Screw			hexagonal head, 3/8UNF x 1	SH606081L	4
10	Washer-Plain				3036L	4
11	Washer			3/8", Square	WM600061L	4
12	Capping			LH	RTC5696	1
13	Capping			RH	RTC5695	1
14	Bracket Mounting		RH	NTC2780	1	
			LH	NTC2781	1	
15	Bracket		wing to end cap, Metal	NTC5683	2	
			wing to end cap, Plastic	MUC6394	2	
16	Pad-buffer		Change point - VIN end DA300057	MUC9338	2	
			Change point - VIN begin DA300058	NTC4718	2	
17	Screw			M6 X 16, hexagonal head	SH106161L	4
18	Washer			M6, oversize	WC106041L	8
19	Nut - Hex.			M6, hexagonal head, nyloc	NY106041L	4
20	Screw				AW608125L	2
21	Nut-spring-flat			No10	AH610011	2
22	Clip				ADU7954	2
23	Panel-licence plate support		Less Spoiler	90577143	1	
			With Spoiler	NTC1718	1	

Body & Chassis
Chassis
Front Bumper 2/2

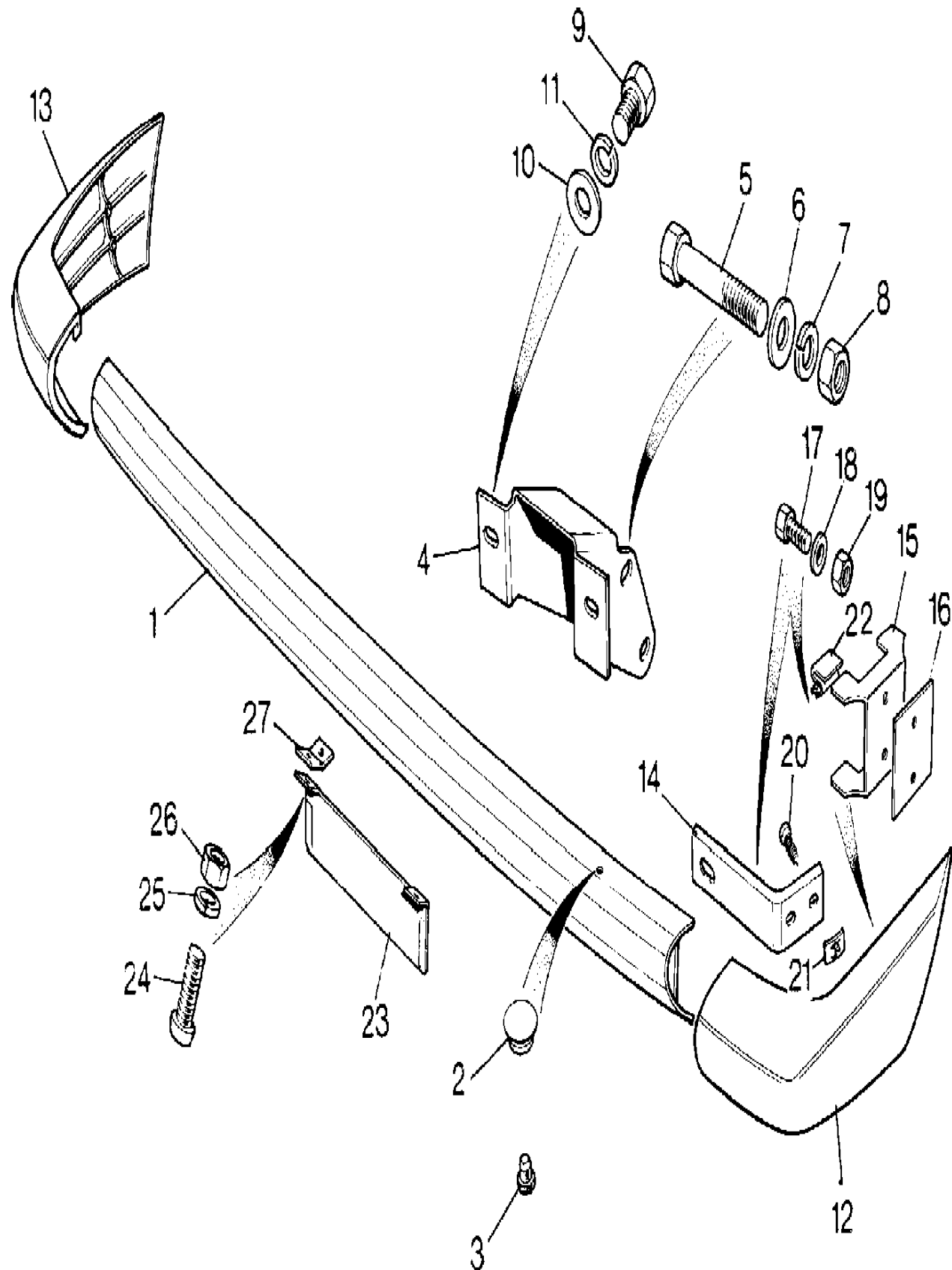
Range Rover (To HA610293)

(TS5622B)

Body & Chassis
Chassis
Front Bumper

Range Rover (To HA610293)

Callout	Name	Application	Remarks & Restrictions	Service No.	Qty
24	Screw			MWC 1865	2
25	Washer		M8, starlock	WF108001L	4
26	Nut - Hex.		M8, hexagonal head	NH108041L	4
27	Bracket Mounting		Less Spoiler	592023	2



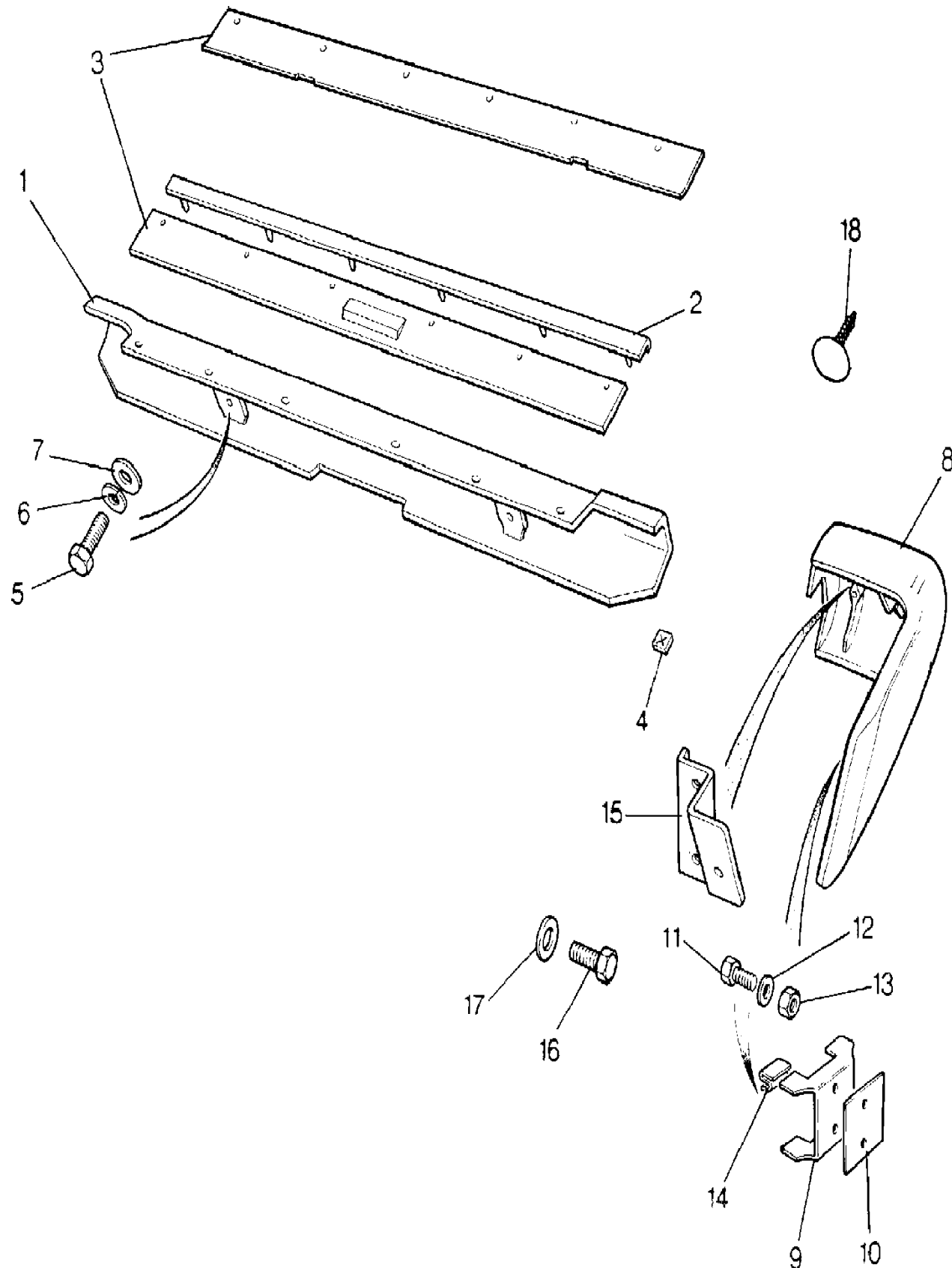
Body & Chassis
Chassis
Rear Bumper 1/1

Range Rover (To HA610293)

(TS5677A)

Range Rover (To HA610293)

Body & Chassis
Chassis
Rear Bumper



Callout	Name	Application	Remarks & Restrictions	Service No.	Qty
1	Bumper	Change point - VIN end HA610293, (-) CSK	Less Body Styling Kit, Black, Rear	NTC3065	1
			Less Body Styling Kit, Rear, Chrome	NTC7042	1
2	Strip retaining-dust seal-rear bumper		Black	NRC5214	1
			Chrome	NTC7263	1
3	Seal			NTC7833	1
4	Retainer		Less Alternatives	AN604041L	6
5	Screw		hexagonal head, 3/8UNF x 1	SH606081L	2
6	Washer		3/8", Square	WM600061L	2
7	Washer			3822	2
8	Capping		RH	NTC5232	1
			LH	NTC5233	1
9	Bracket		Metal	NTC5683	2
			Plastic	MUC6394	2
10	Pad-buffer	Change point - VIN end DA300057 Change point - VIN begin DA300058		MUC9338	2
				NTC4718	2
11	Screw		M6 X 16, hexagonal head	SH106161L	4
			M6 X 12, hexagonal head	SH106121L	2
12	Washer		6MM	WA106041L	2
			M6, oversize	WC106041L	8
13	Nut - Hex.		M6, hexagonal head, nyloc	NY106041L	4
14	Clip			ADU7954	8
15	Bracket Mounting		LH	NTC1949	1
			RH	NTC1950	1
16	Screw		hexagonal head, M5 x 12	SH105121L	12
			M6 X 12, hexagonal head	SH106121L	2
17	Washer		M5, Plain, Standard	WA105001L	12
18	Fastener-drive			MUC8600	2
[900]	Washer		Less Alternatives	4030L	6
[901]	Nut - Hex.		Less Alternatives	4023	6