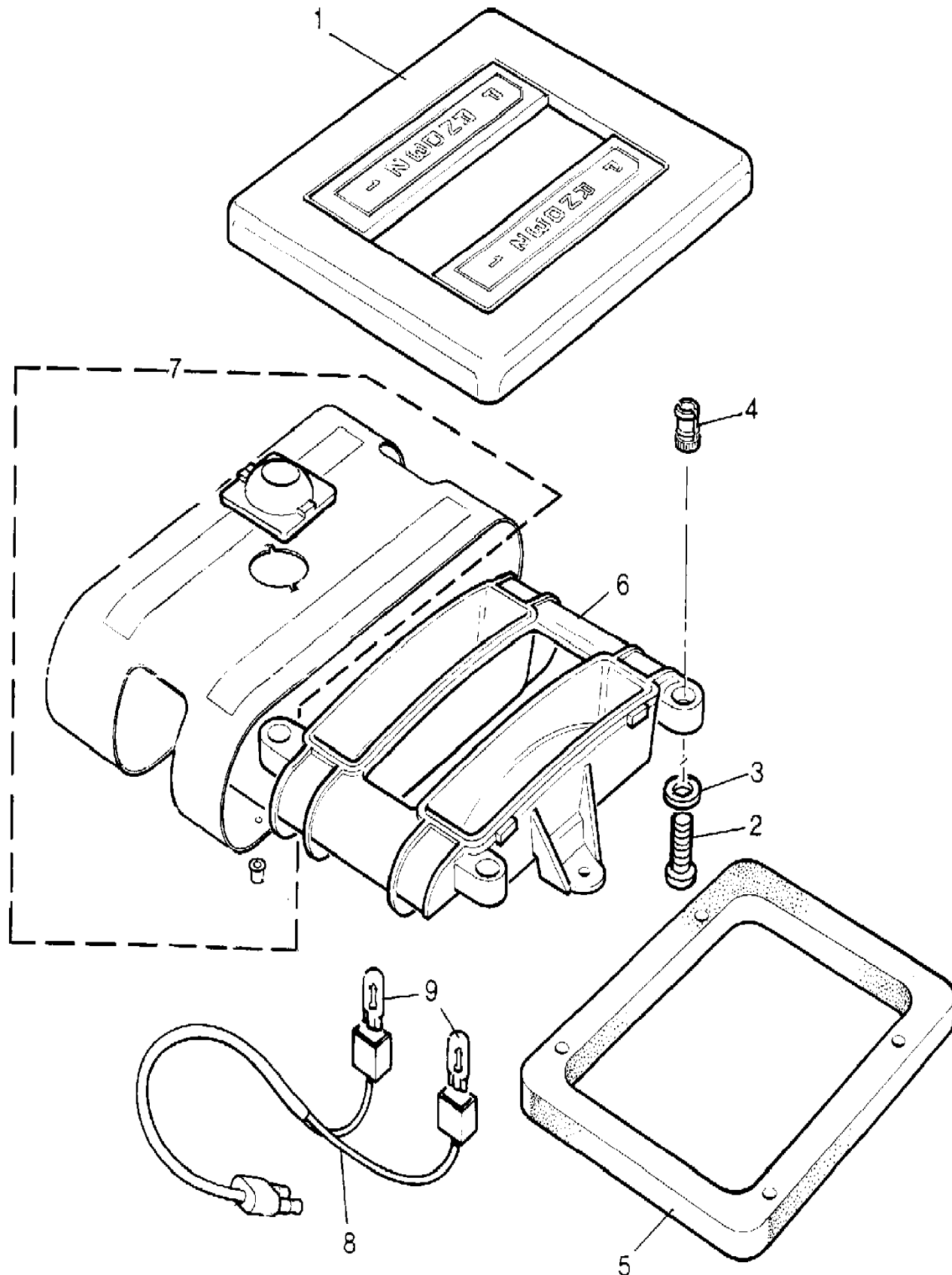


Automatic Transmission

Callout	Name	Application	Remarks & Restrictions	Service No.	Qty
1	Finisher-front console automatic selector			MWC2976	1
2	Screw		M4 x 16	SE104161	4
3	Washer-Plain		M4	WA104001L	4
4	Retainer			ATU1008L	4
5	Gasket-guide box-auto			MUC4129	1
6	Guide automatic transmission			MUC8989	1
7	Illumination assembly selector mechanism			RTC6683	1
8	Cable-selector automatic transmission			PRC6180	1
9	Bulb-illumination			RTC6089	24
[900]	Harness automatic gear shift			PRC7871	1
[901]	Spacer			MXC5103	1



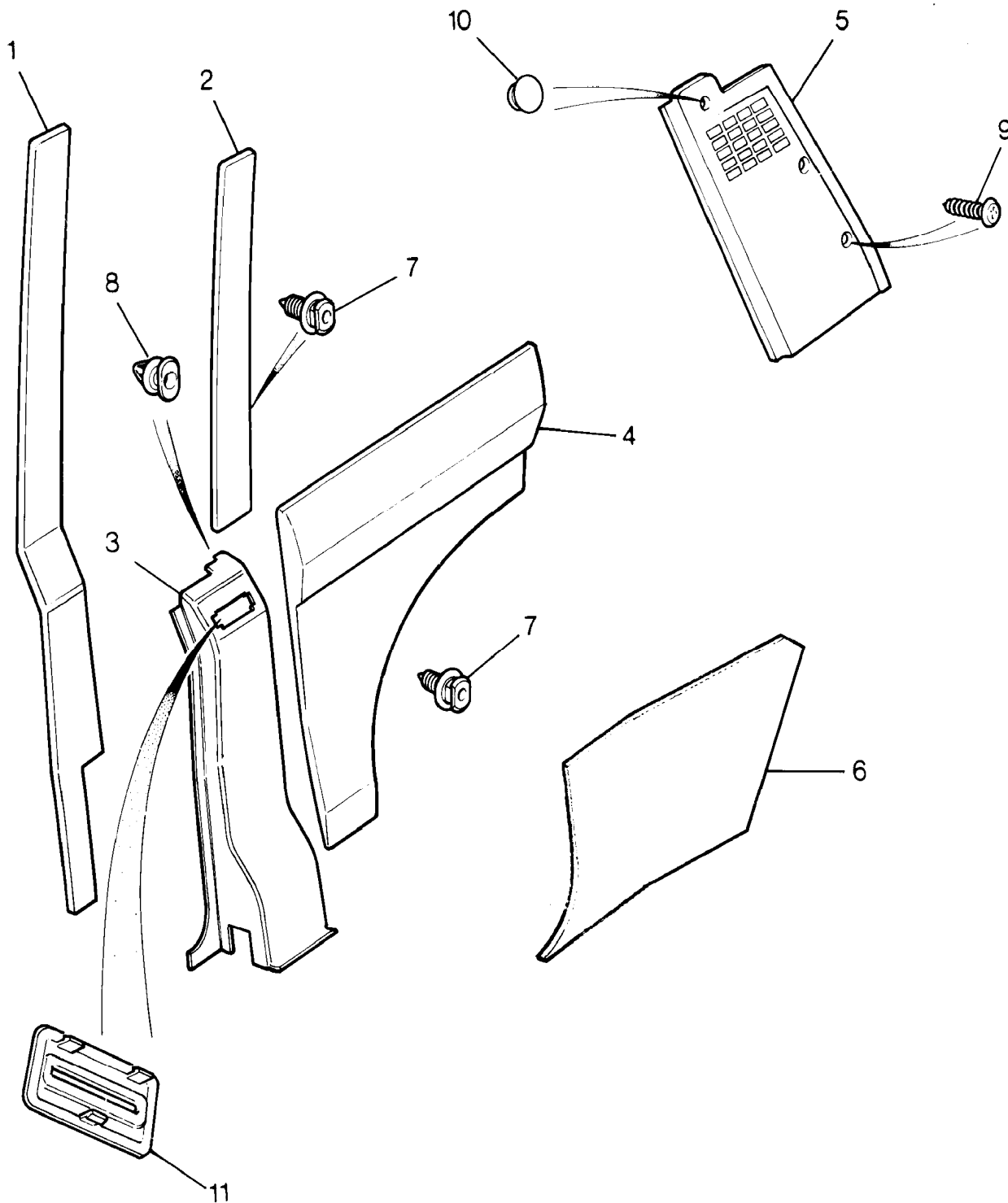
Range Rover (To HA610293)

(TS6530B)

Range Rover (To HA610293)

2 Door Station Wagon

Callout	Name	Application	Remarks & Restrictions	Service No.	Qty
1	Finisher-BC post	Change point - VIN end EA351846	RH	MTC6178	1
		Change point - VIN end EA351846	LH	MTC6179	1
2	Covering-BC post upper material	Change point - VIN begin FA351847	RH, Sorrel Brown	MWC7244SUA	1
		Change point - VIN begin FA351847	Sorrel Brown, LH	MWC7245SUA	1
3	Covering-BC post lower material	Change point - VIN begin FA351847	RH, Sorrel Brown	MXC4672SUA	1
		Change point - VIN begin FA351847	Sorrel Brown, LH	MXC4671SUA	1
4	Panel-rear inner quarter	Change point - VIN end EA351846, (-)"Europe"	RH	MWC4374	1
		Change point - VIN end EA351846, (-)"Europe"	LH	MWC4373	1
		Change point - VIN begin FA351847, (-)"Europe"	RH, Sorrel Brown	MXC2245SUA	1
		Change point - VIN begin FA351847, (-)"Europe"	Sorrel Brown, LH	MXC2246SUA	1
		(-)"Europe", (-)"Europe", (+)"Europe", (+)"Europe",	RH, Sorrel Brown	STC341SUA	1
		(-)"Europe", (-)"Europe", (+)"Europe", (+)"Europe",	Sorrel Brown, LH	STC342SUA	1
5	Finisher assembly-quarter trim	Change point - VIN end EA351846	RH, Palomino	MTC3711AE	1
		Change point - VIN end EA351846	Palomino, LH	MTC3712AE	1
		Change point - VIN begin FA351847	Sorrel Brown, LH	MTC3711SUA	1
6	Carpet-toe panel		RH	MTC6290	1
			LH	MTC6291	1
7	Clip			MTC9665	22
8	Clip			MRC7399	X
9	Screw		No 8 x 1/2, Self Tapping	AB608041L	4
10	Plug		Palomino	393096AE	2
			Sorrel Brown	393096SUA	1
11	Escutcheon- BC post lower		Sorrel Brown	MXC4644SUA	2



Interior Trim  
Trim  
Carpets-Centre Floor-From (V) GA441004 To (V) GA464553 1/1

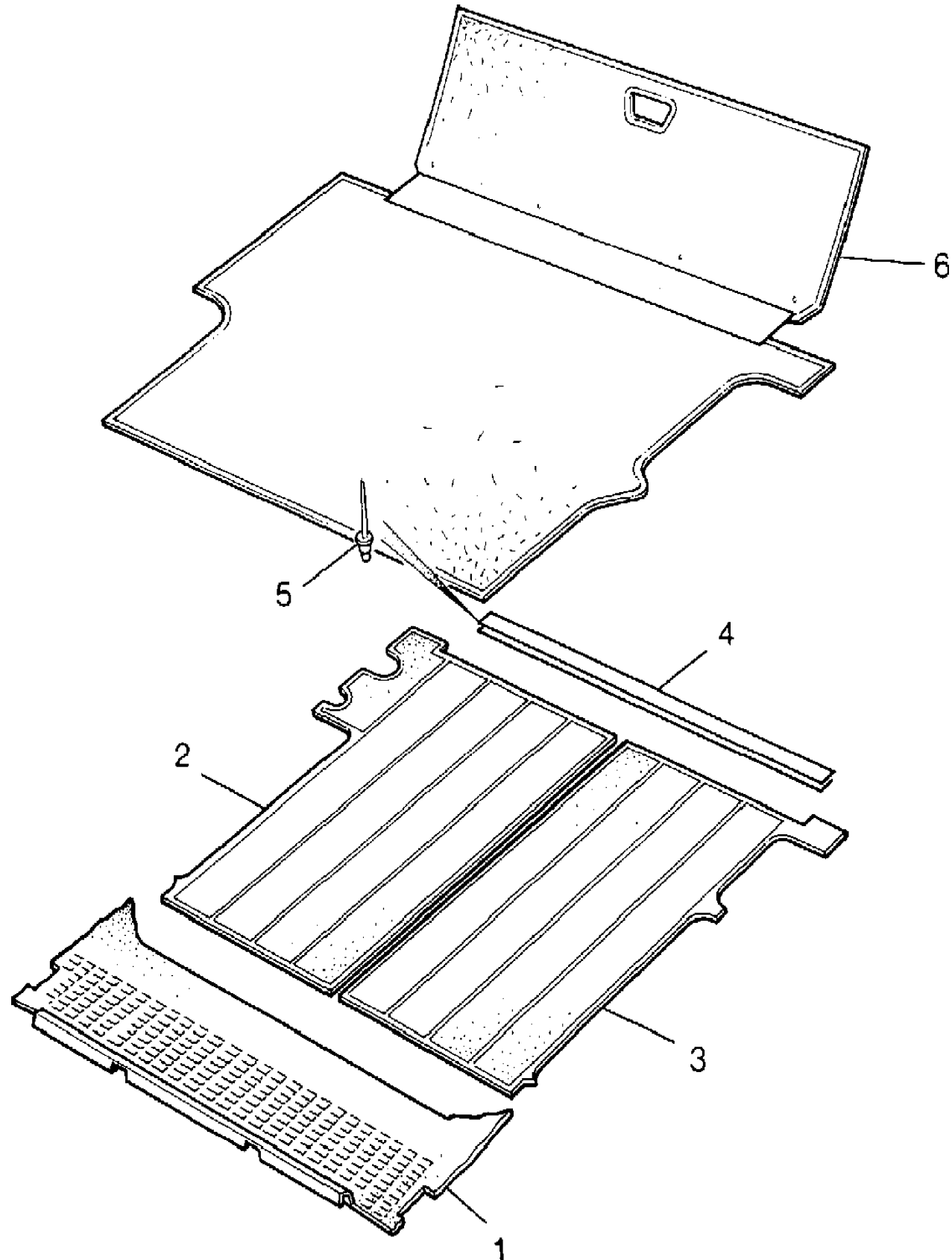
Range Rover (To HA610293)

(TS5633B)

Range Rover (To HA610293)

Interior Trim  
Trim

Carpets-Centre Floor-From (V) GA441004 To (V) GA464553



Callout	Name	Application	Remarks & Restrictions	Service No.	Qty
1	Mat-rear floor drop in	Change point - VIN begin GA441004, Change point - VIN end HA464553		MUC3661	1
2	Mat-loadspace	Change point - VIN begin GA441004, Change point - VIN end HA464553		BTR294	1
3	Mat-loadspace	Change point - VIN begin GA441004, Change point - VIN end HA464553		BTR293	1
4	Retainer	Change point - VIN begin GA441004, Change point - VIN end HA464553		391800	1
5	Rivet-pop-aluminium	Change point - VIN begin GA441004, Change point - VIN end HA464553		78788	10
6	Carpet assembly-loadspace	Change point - VIN begin GA441004, Change point - VIN end HA464553 Change point - VIN begin GA441004, Change point - VIN end HA464553	Brogue	BTR854AUE	1
			Winchester Grey	BTR854LUL	1

Interior Trim  
Trim  
Carpets-Front & Intermediate Floor 1/2

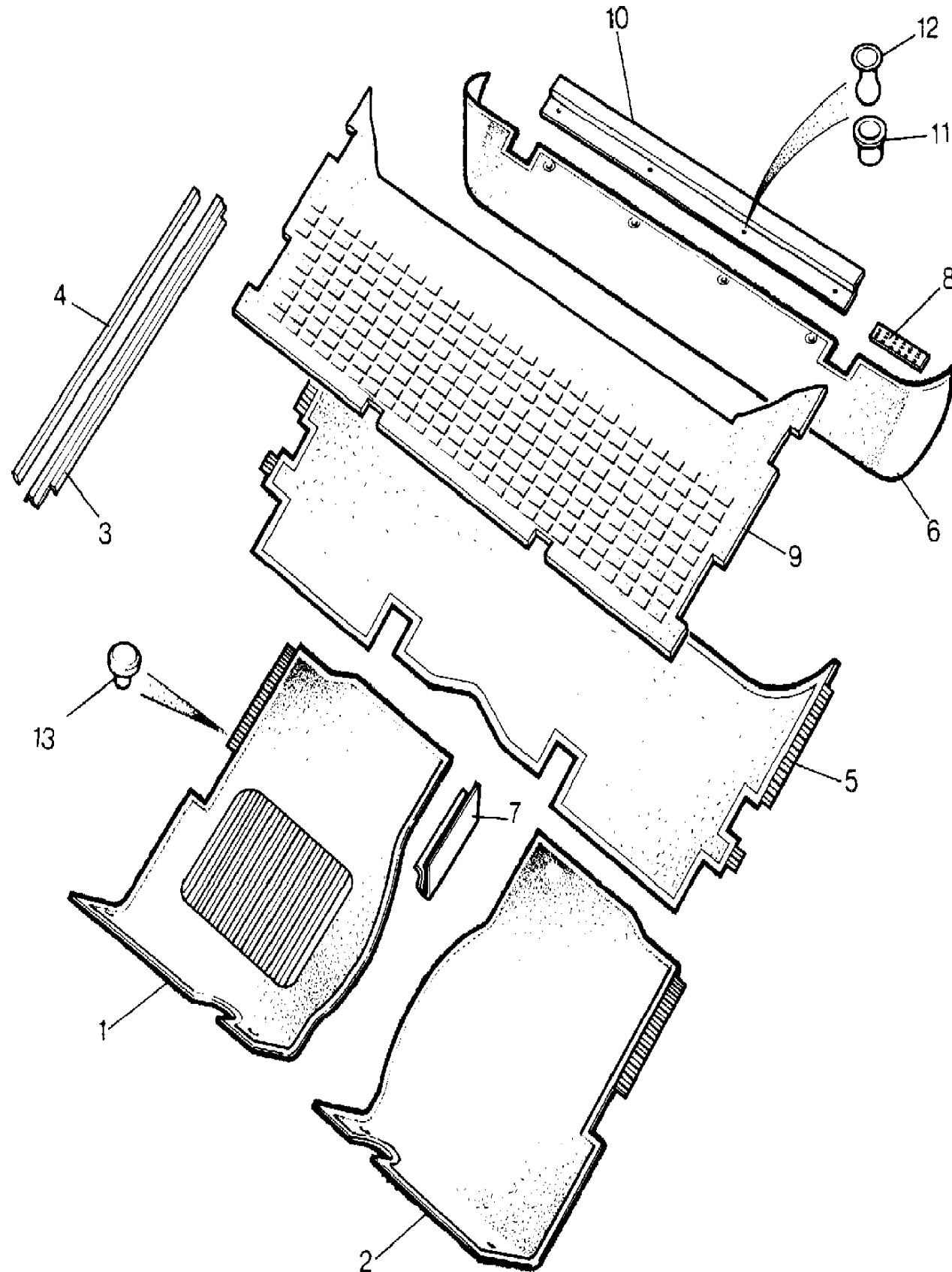
Range Rover (To HA610293)

(TS6541A)

Range Rover (To HA610293)

Carpets-Front & Intermediate Floor

Interior Trim  
Trim



Callout	Name	Application	Remarks & Restrictions	Service No.	Qty
1	Carpet assembly-front floor		RH, Brogue	MXC7564AUE	1
			RH, Winchester Grey	MXC7564LUL	1
2	Carpet assembly-front floor		Brogue, LH	MXC7563AUE	1
			Winchester Grey, LH	MXC7563LUL	1
3	Treadstrip	2 Door Station Wagon	RH	MXC1706	1
		2 Door Station Wagon	LH	MXC1707	1
		4 Door Station Wagon	Black, Front, LH	MTC3877	1
		4 Door Station Wagon	Black, Front, RH	MTC3878	1
		4 Door Station Wagon	Black, Rear, LH	MTC3879	1
		4 Door Station Wagon	Black, Rear, RH	MTC3880	1
4	Seal			MTC2342	4
5	Carpet assembly-rear floor	Change point - VIN end GA426052, 2 Door Station Wagon	Brogue	MXC3322AUE	1
		Change point - VIN begin GA426053, 2 Door Station Wagon	Brogue	MXC7560AUE	1
		Change point - VIN end GA414298, 4 Door Station Wagon	Brogue	MXC3233AUE	1
		Change point - VIN begin GA414299, 4 Door Station Wagon	Brogue	MXC7643AUE	1
		Change point - VIN end GA414296	Winchester Grey	MXC3233LUL	1
		Change point - VIN begin GA414297	Winchester Grey	MXC7643LUL	1
6	Carpet-centre floor heelboard	Change point - VIN begin HA464554, Change point - VIN end HA610293, CSK	Brogue	BTR1149AUE	1
		Change point - VIN end GA414855, (-) CSK	Brogue	MWC6163AUE	1
		Change point - VIN begin GA414856, (-) CSK	Brogue	MXC7641AUE	1
		Change point - VIN end GA414599, (-) CSK	Winchester Grey	MWC6163LUL	1
		Change point - VIN begin GA414600, (-) CSK	Winchester Grey	MXC7641LUL	1
7	Clip			MWC6911	2
8	Velcro-eye		70MM	MWC6175	70
			150MM	MWC6176	2
9	Mat-rubber	Change point - VIN end GA439480, 2 Door Station Wagon		MXC3339PCH	1
		Change point - VIN begin GA439481, 2 Door Station Wagon		BTR656	1
		Change point - VIN end GA439660, 4 Door Station Wagon		MXC3232PCH	1

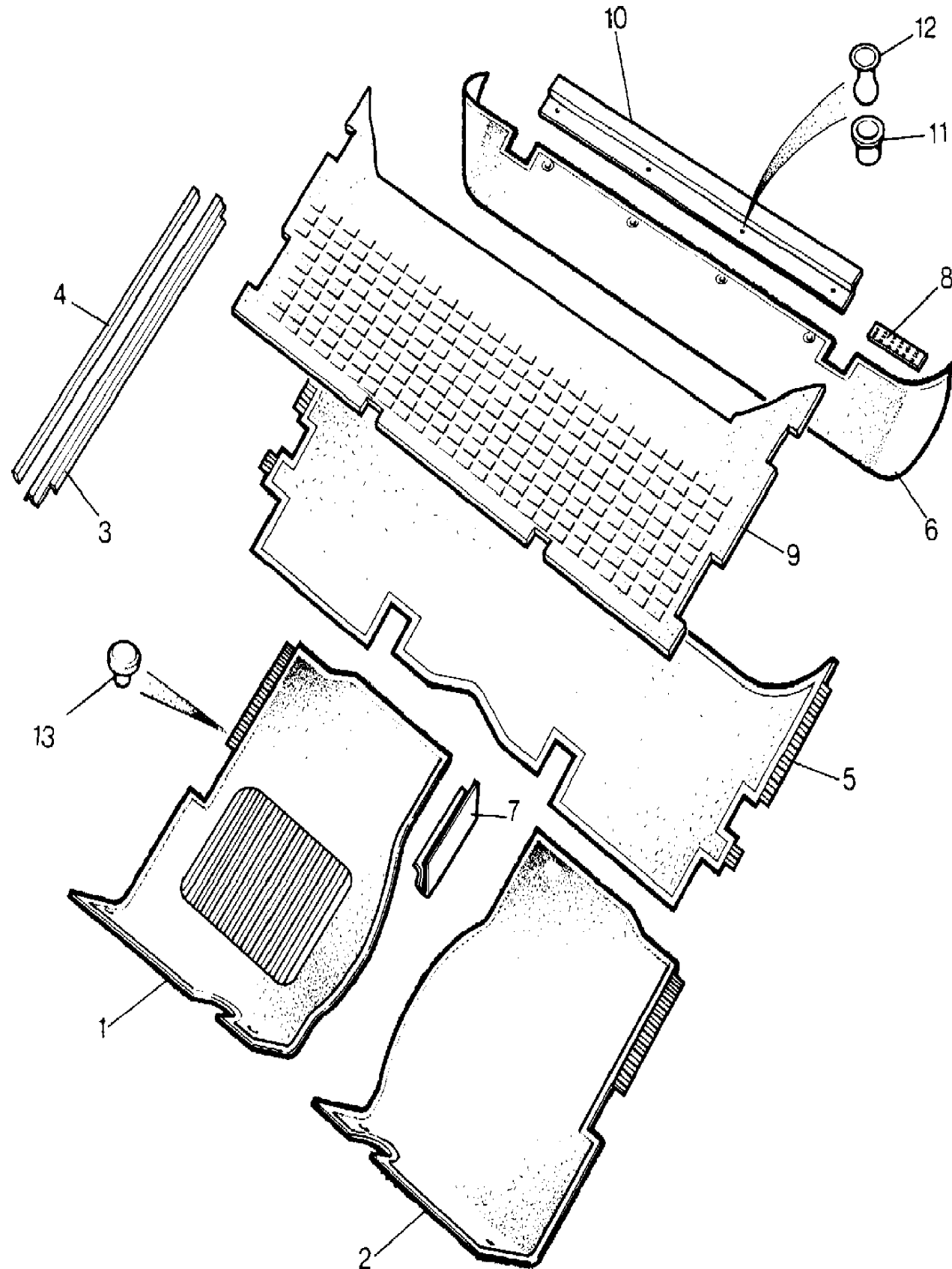
Interior Trim  
Trim  
Carpets-Front & Intermediate Floor 2/2

Range Rover (To HA610293)

(TS6541A)

Range Rover (To HA610293)

Interior Trim  
Trim  
Carpets-Front & Intermediate Floor



Callout	Name	Application	Remarks & Restrictions	Service No.	Qty
9	Mat-rubber	Change point - VIN begin GA439661, 4 Door Station Wagon		BTR655	1
10	Finisher-floor cover carpet/crossbar		Bokhara Primer	MWC6062RUN MWC6062P	1 1
11	Stud			AFU1231RUN	4
12	Stud			79118RUN	4
13	Finisher-trim retention	Change point - VIN end FA372300 Change point - VIN end FA372300 Change point - VIN begin FA372301 Change point - VIN begin FA372301	Sorrel Brown Winchester Grey Sorrel Brown Winchester Grey	MXC4678SUA MXC4678LUL MXC5616SUA MXC5616LUL	X X X X
14	Rivet			RTC6853	X
15	Pad-front floor insulation	Change point - VIN end GA414312 Change point - VIN end GA414312 Change point - VIN begin GA414313 Change point - VIN begin GA414313	RH LH RH LH	MXC3240PCH MXC3241PCH MXC7566PCH MXC7567PCH	1 1 1 1

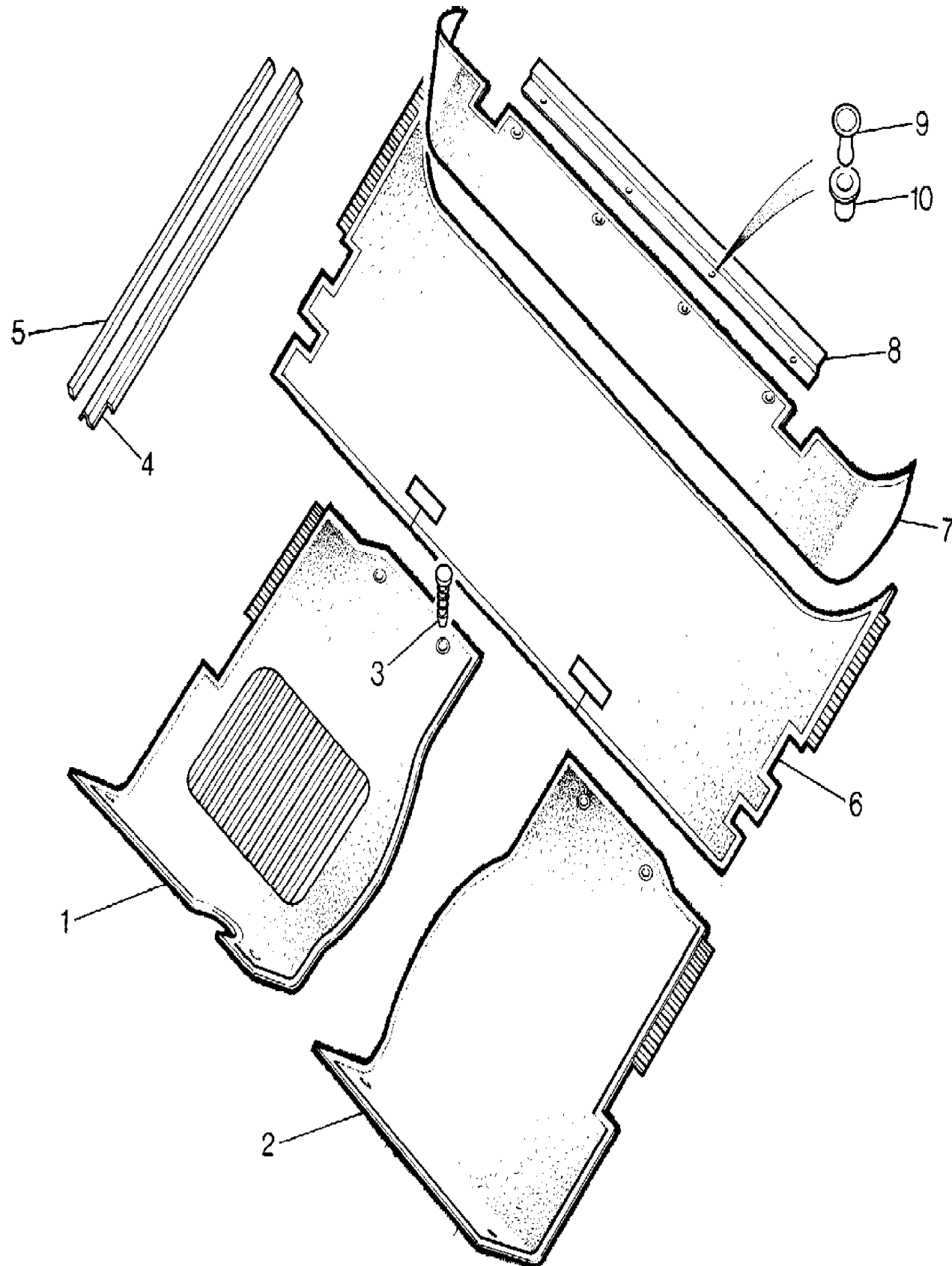
Range Rover (To HA610293)

(TS5373)

Range Rover (To HA610293)

2 Door Station Wagon

Callout	Name	Application	Remarks & Restrictions	Service No.	Qty
1	Carpet-front floor	Change point - VIN end CA274120, RHD	RH, Nutmeg	MUC2506AH	1
		Change point - VIN end CA274120, RHD	RH, Slate Grey	MUC2506LE	1
		Change point - VIN end CA274120, LHD	RH, Nutmeg	MUC2507AH	1
		Change point - VIN end CA274120, LHD	RH, Slate Grey	MUC2507LE	1
2	Carpet-front floor	Change point - VIN end CA274120, RHD	Nutmeg, LH	MUC2504AH	1
		Change point - VIN end CA274120, RHD	Slate Grey, LH	MUC2504LE	1
		Change point - VIN end CA274120, LHD	Nutmeg, LH	MUC2505AH	1
		Change point - VIN end CA274120, LHD	Slate Grey, LH	MUC2505LE	1
3	Fastener-carpet	Change point - VIN end CA274120	Nutmeg	AFU1231AH	24
		Change point - VIN end CA274120	Black	AFU1231PH	24
4	Treadstrip	Change point - VIN end CA274120	Black, Front, LH	MTC3877	1
		Change point - VIN end CA274120	Black, Front, RH	MTC3878	1
		Change point - VIN end CA274120	Black, Rear, LH	MTC3879	1
		Change point - VIN end CA274120	Black, Rear, RH	MTC3880	1
5	Seal	Change point - VIN end CA274120		MTC2342	4
6	Carpet assembly-intermediate	Change point - VIN end CA274120	Nutmeg	MUC9738AH	1
		Change point - VIN end CA274120	Nutmeg	MUC9737AH	1
		Change point - VIN end CA274120	Slate Grey	MUC9737LE	1
7	Carpet-front floor wheelarch	Change point - VIN end CA274120	Nutmeg	MTC9321AH	1
		Change point - VIN end CA274120	Slate Grey	MTC9321LE	1
8	Finisher-floor cover carpet/crossbar	Change point - VIN end CA274120	Primer	MWC6062P	1
		Change point - VIN end CA274120	Phantom Grey	MTC9317LJ	1
9	Stud	Change point - VIN end CA274120		79118	4
10	Clip-snap-sack	Change point - VIN end CA274120		13H2475L	4



Interior Trim  
Trim  
Carpets-Front Floor-From (V) DA296637 (2Dr) & (V) DA299852 (4Dr) 1/1

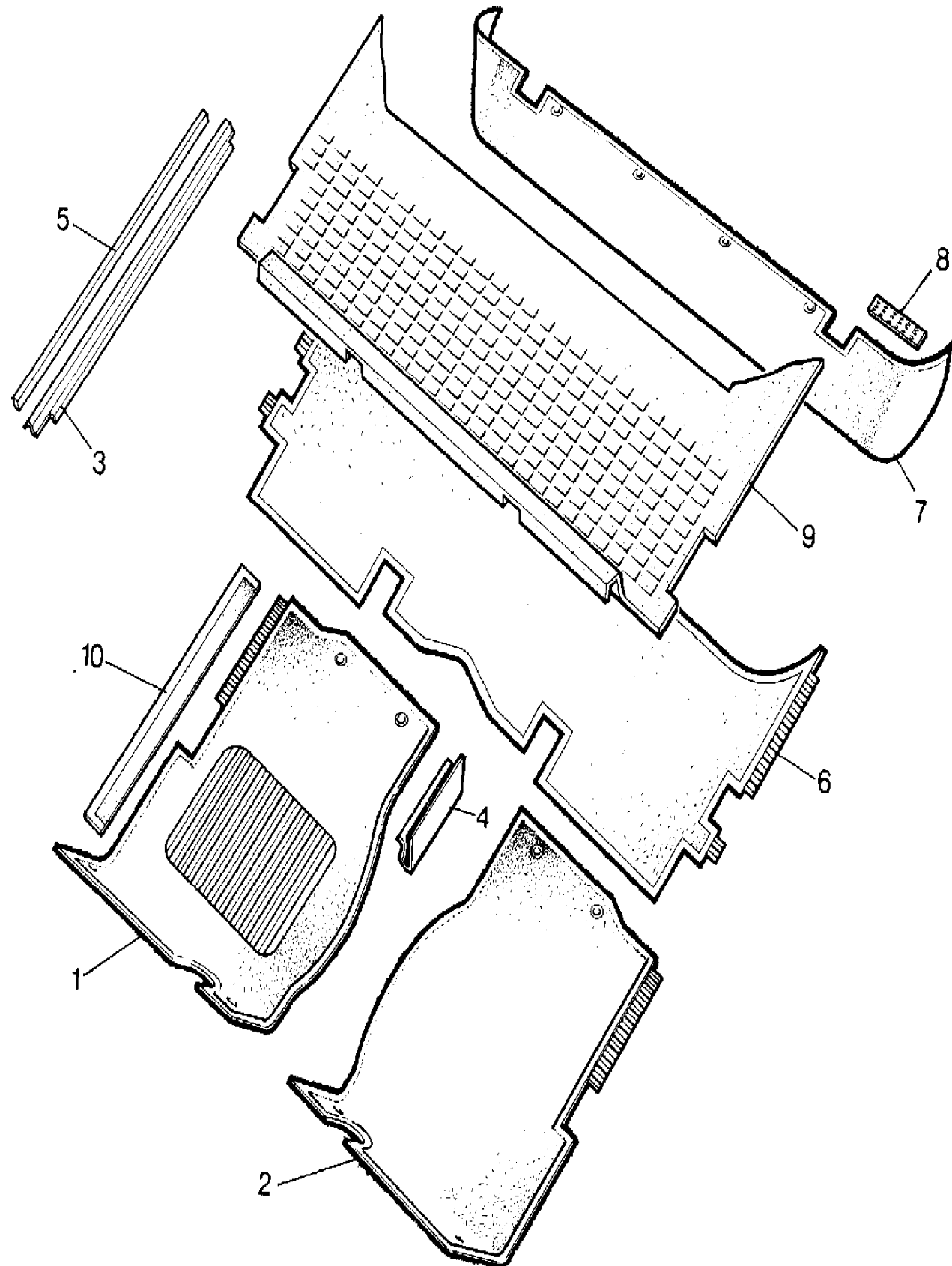
Range Rover (To HA610293)

(TS6047C)

Range Rover (To HA610293)

Carpets-Front Floor-From (V) DA296637 (2Dr) & (V) DA299852 (4Dr)

Interior Trim  
Trim



Callout	Name	Application	Remarks & Restrictions	Service No.	Qty
1	Carpet-front floor		RH, Nutmeg RH, Slate Grey	MWC3382AH MWC3382LE	1 1
2	Carpet-front floor		Nutmeg, LH Slate Grey, LH	MWC3383AH MWC3383LE	1 1
3	Treadstrip		Black, Front, LH Black, Front, RH Black, Rear, LH Black, Rear, RH	MTC3877 MTC3878 MTC3879 MTC3880	1 1 1 1
4	Clip			MWC6911	2
5	Seal			MTC2342	4
6	Carpet assembly-intermediate	2 Door Station Wagon 4 Door Station Wagon 4 Door Station Wagon	Nutmeg Nutmeg Slate Grey	MUC9738AH MWC4433AH MWC4433LE	1 1 1
7	Carpet-front floor wheelarch			MWC9626ACH	1
8	Velcro-eye		70MM 150MM	MWC6175 MWC6176	2 2
9	Dummy description			MWC5040	1
10	Carpet-front door kick strip		Nutmeg Slate Grey	MWC4307AH MWC4307LE	2 2

Interior Trim  
Trim  
Carpets-Front Floor-To (V) DA296636 (2Dr) & (V) DA299851 (4Dr) 1/1

**Range Rover (To HA610293)**

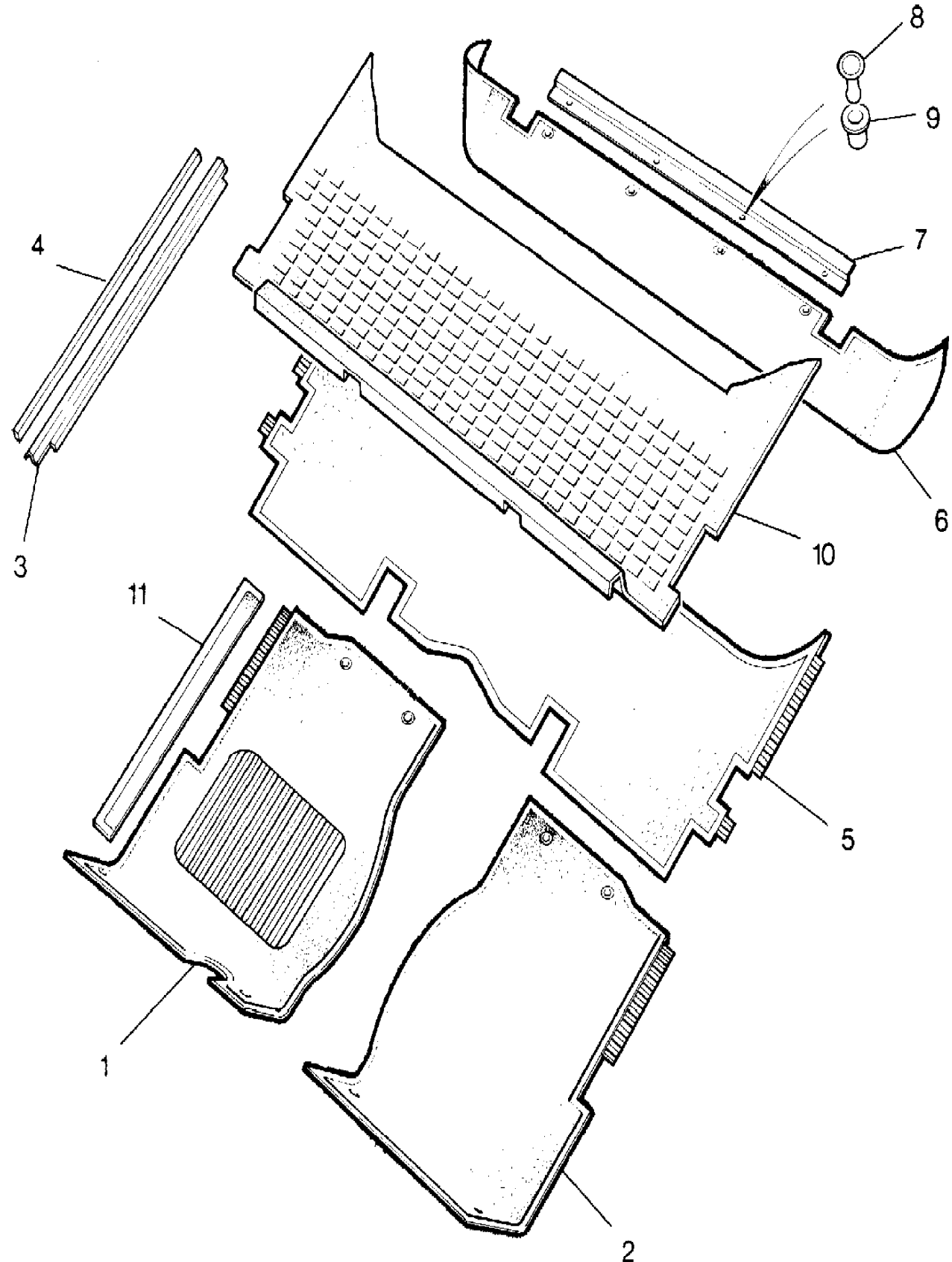
(TS6047A)

**Range Rover (To HA610293)**

Carpets-Front Floor-To (V) DA296636 (2Dr) & (V) DA299851 (4Dr)

Interior Trim  
Trim

Callout	Name	Application	Remarks & Restrictions	Service No.	Qty
1	Carpet-front floor	4 Door Station Wagon	RH, Nutmeg	MWC3382AH	1
		4 Door Station Wagon	RH, Slate Grey	MWC3382LE	1
2	Carpet-front floor	4 Door Station Wagon	Nutmeg, LH	MWC3383AH	1
		4 Door Station Wagon	Slate Grey, LH	MWC3383LE	1
3	Treadstrip		Black, Front, LH	MTC3877	1
			Black, Front, RH	MTC3878	1
			Black, Rear, LH	MTC3879	1
			Black, Rear, RH	MTC3880	1
4	Seal			MTC2342	4
5	Carpet assembly-intermediate	2 Door Station Wagon	Nutmeg	MUC9738AH	1
		4 Door Station Wagon	Nutmeg	MWC4433AH	1
		4 Door Station Wagon	Slate Grey	MWC4433LE	1
6	Carpet-front floor wheelarch			MWC3384AH	1
7	Finisher-floor cover carpet/crossbar		Primer	MWC6062P	1
			Slate Grey	MWC6062LN	1
8	Stud		Palomino	79118AE	4
			Black	79118PH	4
9	Clip-snap-sack			13H2475L	4
10	Mat-rubber			MXC3232PCH	1
11	Carpet-front door kick strip		Nutmeg	MWC4307AH	2
			Slate Grey	MWC4307LE	2

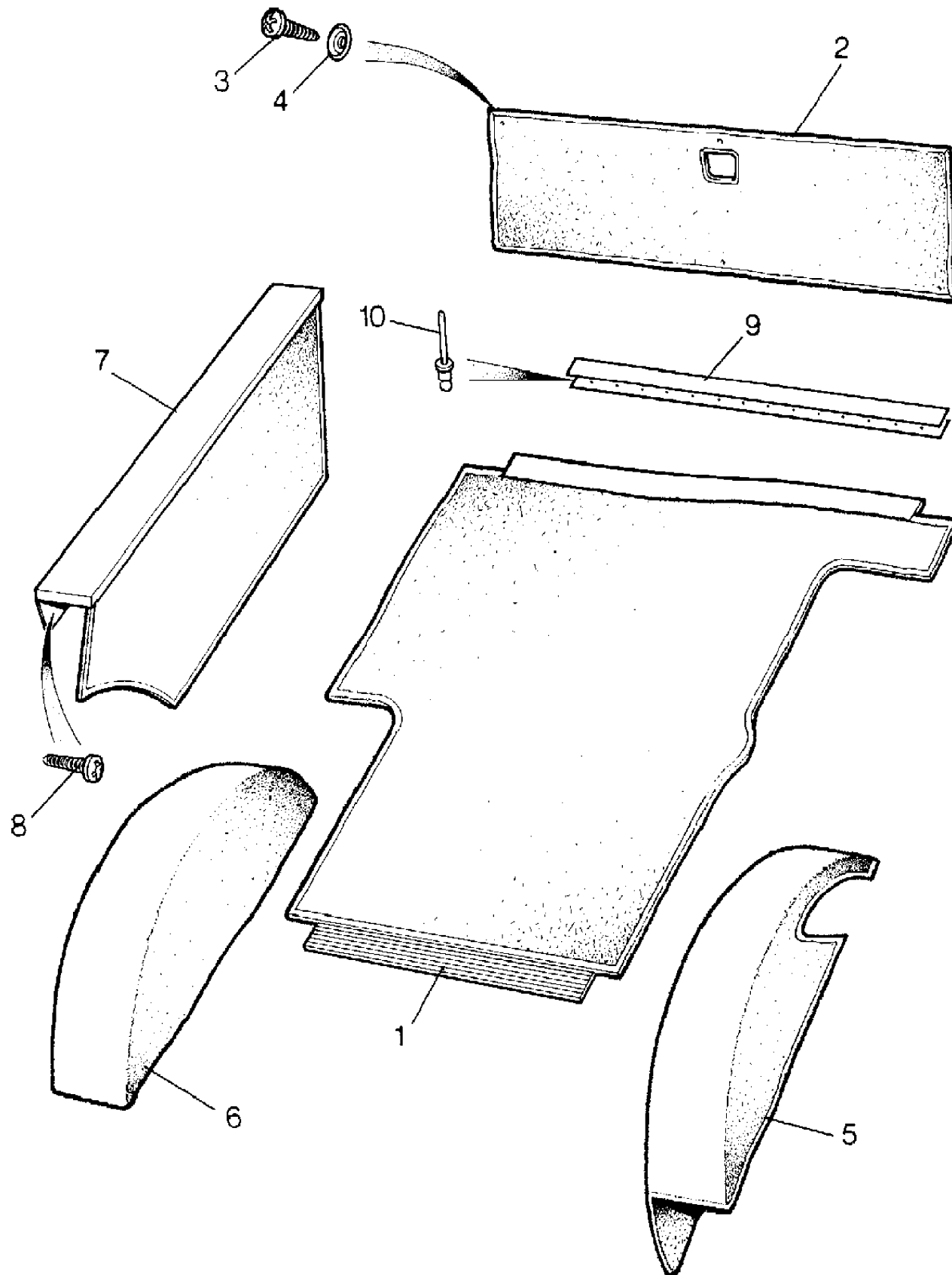




Range Rover (To HA610293)

(TS5372A)

Range Rover (To HA610293)



Callout	Name	Application	Remarks & Restrictions	Service No.	Qty
1	Carpet-Rear Floor	Change point - VIN end CA273922	Nutmeg	MTC5723AH	1
		Change point - VIN end CA273922	Slate Grey	MTC5723LE	1
2	Carpet-lower tailgate	Change point - VIN end CA273922	Nutmeg	MUC9214AH	1
		Change point - VIN end CA273922	Slate Grey	MUC9214LE	1
3	Screw	Change point - VIN end CA273922		MTC9428	8
4	Washer-cup	Change point - VIN end CA273922		MTC9429	8
5	Cover assembly-spare wheel	Change point - VIN end CA273922	Slate Grey	MWC6112LE	1
6	Carpet-rear floor wheelarch	Change point - VIN end CA273922	Nutmeg, LH	MTC6916AH	1
		Change point - VIN end CA273922	Slate Grey, LH	MTC6916LE	1
		Change point - VIN end CA273922	RH, Nutmeg	MTC6917AH	1
		Change point - VIN end CA273922	RH, Slate Grey	MTC6917LE	1
7	Cover assembly-loadspace	Change point - VIN end CA273922		MTC2669AH	1
8	Screw-self tapping AB	Change point - VIN end CA273922	M8 x 12	AB610041L	3
9	Retainer	Change point - VIN end CA273922		391800	1
10	Rivet-pop-aluminium	Change point - VIN end CA273922		78788	10
[900]	Fastener-carpet	Change point - VIN end CA273922		MUC8995	12
[901]	Seal	Change point - VIN end CA273922	Velcro	MUC8996	12

Interior Trim  
Trim  
Carpets-Rear Floor-From (V) DA274121 (2Dr) & (V) DA273923 (4Dr) 1/1

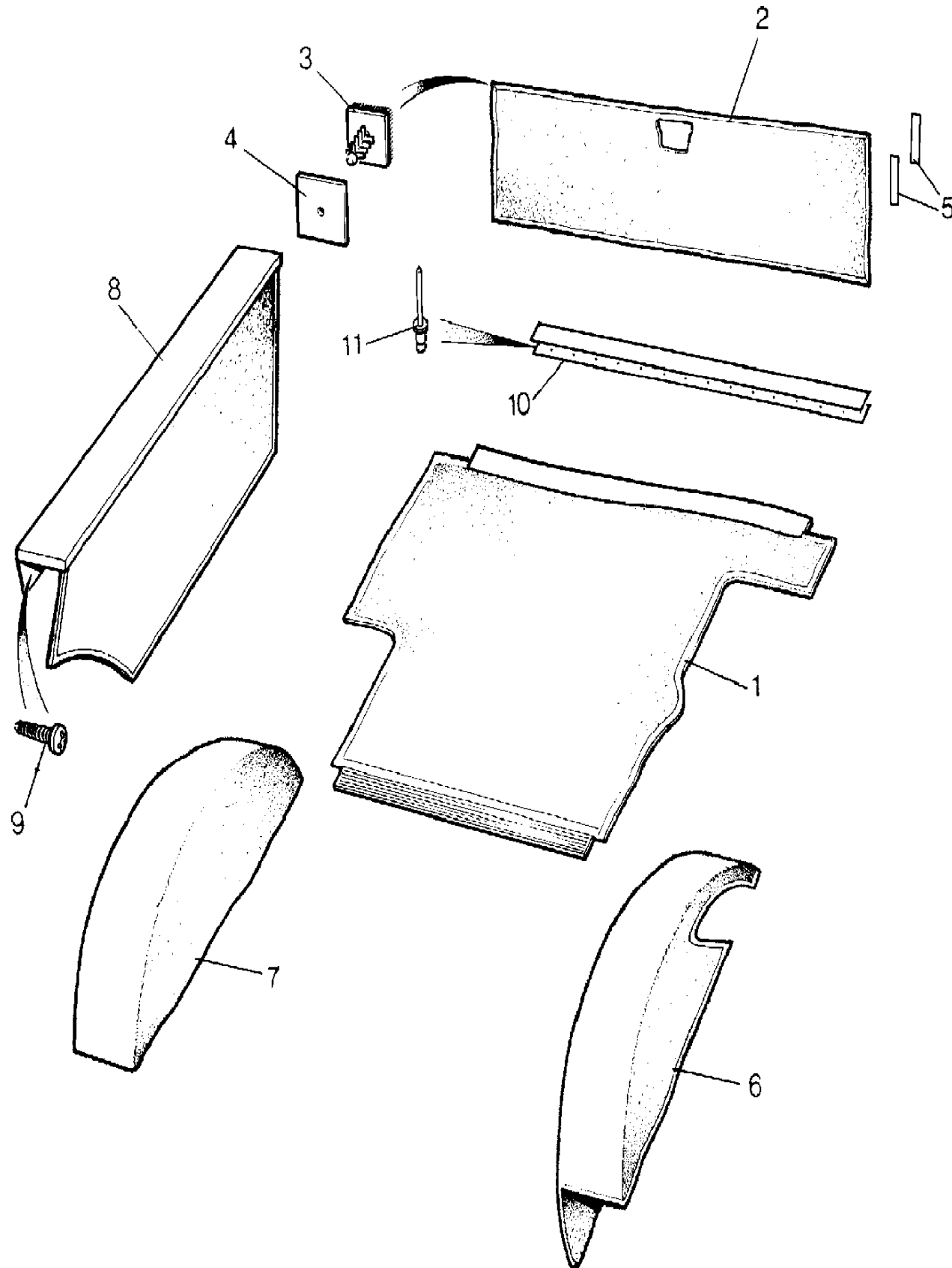
Range Rover (To HA610293)

(TS5372B)

Range Rover (To HA610293)

Carpets-Rear Floor-From (V) DA274121 (2Dr) & (V) DA273923 (4Dr)

Interior Trim  
Trim



Callout	Name	Application	Remarks & Restrictions	Service No.	Qty
1	Carpet-Rear Floor	Change point - VIN begin DA273923	Nutmeg	MTC5723AH	1
		Change point - VIN begin DA273923	Slate Grey	MTC5723LE	1
2	Carpet-lower tailgate	Change point - VIN begin DA273923	Nutmeg	MWC6469ACH	1
		Change point - VIN begin DA273923	Slate Grey	MWC6469LDE	1
3	Fastener-carpet	Change point - VIN begin DA273923		MUC8995	12
4	Seal	Change point - VIN begin DA273923	Velcro	MUC8996	12
5	Velcro-eye	Change point - VIN begin DA273923		MWC6471	4
6	Cover assembly-spare wheel	Change point - VIN begin DA273923	Nutmeg	MWC6112AH	1
		Change point - VIN begin DA273923	Slate Grey	MWC6112LE	1
7	Carpet-rear floor wheelarch	Change point - VIN begin DA273923	RH, Nutmeg	MTC6917AH	1
		Change point - VIN begin DA273923	RH, Slate Grey	MTC6917LE	1
		Change point - VIN begin DA273923	Nutmeg, LH	MTC6916AH	1
		Change point - VIN begin DA273923	Slate Grey, LH	MTC6916LE	1
8	Cover assembly-loadspace	Change point - VIN begin DA273923		MTC2669AH	1
9	Screw-self tapping AB	Change point - VIN begin DA273923	M8 x 12	AB610041L	3
10	Retainer	Change point - VIN begin DA273923		391800	1
11	Rivet-pop-aluminium	Change point - VIN begin DA273923		78788	10
[900]	Screw	Change point - VIN begin DA273923		MTC9428	8
[901]	Washer-cup	Change point - VIN begin DA273923		MTC9429	8

Interior Trim  
Trim  
Carpets-Rear Floor-From (V) FA351033 (2Dr) & (V) GA441003 (4Dr) 1/2

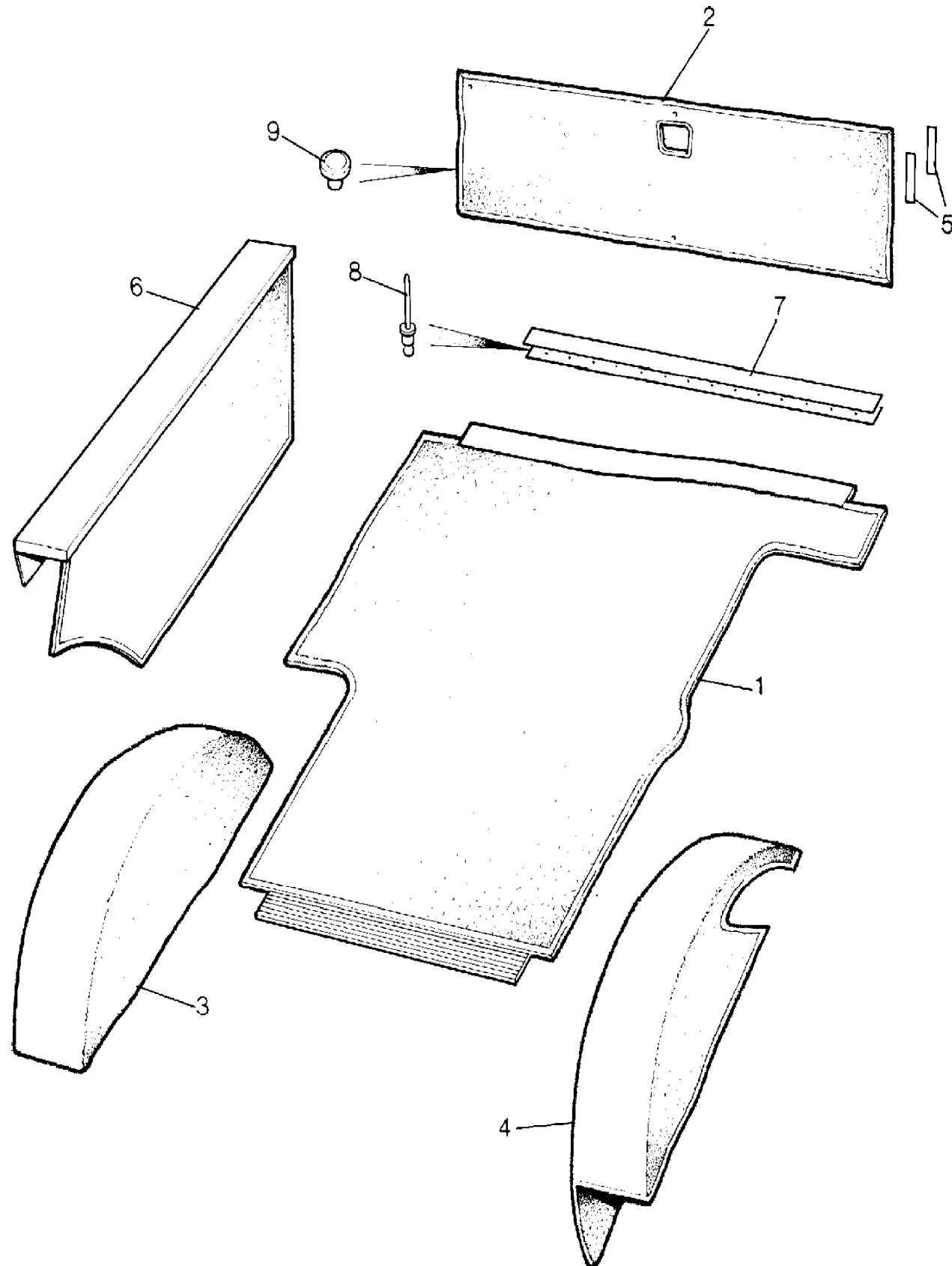
Range Rover (To HA610293)

(TS5372D)

Range Rover (To HA610293)

Carpets-Rear Floor-From (V) FA351033 (2Dr) & (V) GA441003 (4Dr)

Interior Trim  
Trim



Callout	Name	Application	Remarks & Restrictions	Service No.	Qty
1	Carpet assembly-loadspace		Brogue	BTR854AUE	1
			Winchester Grey	MTC5723LUL	1
2	Carpet-lower tailgate		Brogue	MXC3229AUE	1
			Winchester Grey	MXC3229LUL	1
3	Carpet-centre floor wheelarch	2 Door Station Wagon	Brogue	MTC6916AUE	2
		4 Door Station Wagon	RH, Brogue	MTC9320AUE	1
		4 Door Station Wagon	RH, Winchester Grey	MTC9320LUL	1
		4 Door Station Wagon	Brogue, LH	MTC9319AUE	1
4	Cover assembly-spare wheel	Change point - VIN end HA601996	Brogue	MWC6112AUE	1
		Change point - VIN end HA601996	Winchester Grey	MWC6112LUL	1
		Change point - VIN begin HA601997	Brogue	BTR1312AUE	1
		Change point - VIN begin HA601997	Winchester Grey	BTR1312LUL	1
5	Velcro-eye			MWC6471	4
6	Cover assembly-tool storage	Change point - VIN begin GA420961, Change point - VIN end GA464553, 4 Door Station Wagon	Brogue	MWC4661AUE	1
		Change point - VIN begin GA420961, Change point - VIN end GA464553, 4 Door Station Wagon	Winchester Grey	MWC4661LUL	1
		Change point - VIN end GA464553, 2 Door Station Wagon	Brogue	MTC7018AUE	1
		Change point - VIN begin HA464554, 2 Door Station Wagon	Brogue	BTR322AUE	1
		Change point - VIN end GA420960, 4 Door Station Wagon	Sorrel Brown	MWC5269SUA	1
		Change point - VIN end GA420960, 4 Door Station Wagon	Winchester Grey	MWC5269LUL	1
7	Retainer			391800	1
8	Rivet-pop-aluminium			78788	10
9	Finisher-trim retention	Change point - VIN end FA372300	Sorrel Brown	MXC4678SUA	X
		Change point - VIN end FA372300	Winchester Grey	MXC4678LUL	X
		Change point - VIN begin FA372301	Sorrel Brown	MXC5616SUA	X
		Change point - VIN begin FA372301	Winchester Grey	MXC5616LUL	X

Interior Trim  
Trim  
Carpets-Rear Floor-From (V) FA351033 (2Dr) & (V) GA441003 (4Dr) 2/2

Range Rover (To HA610293)

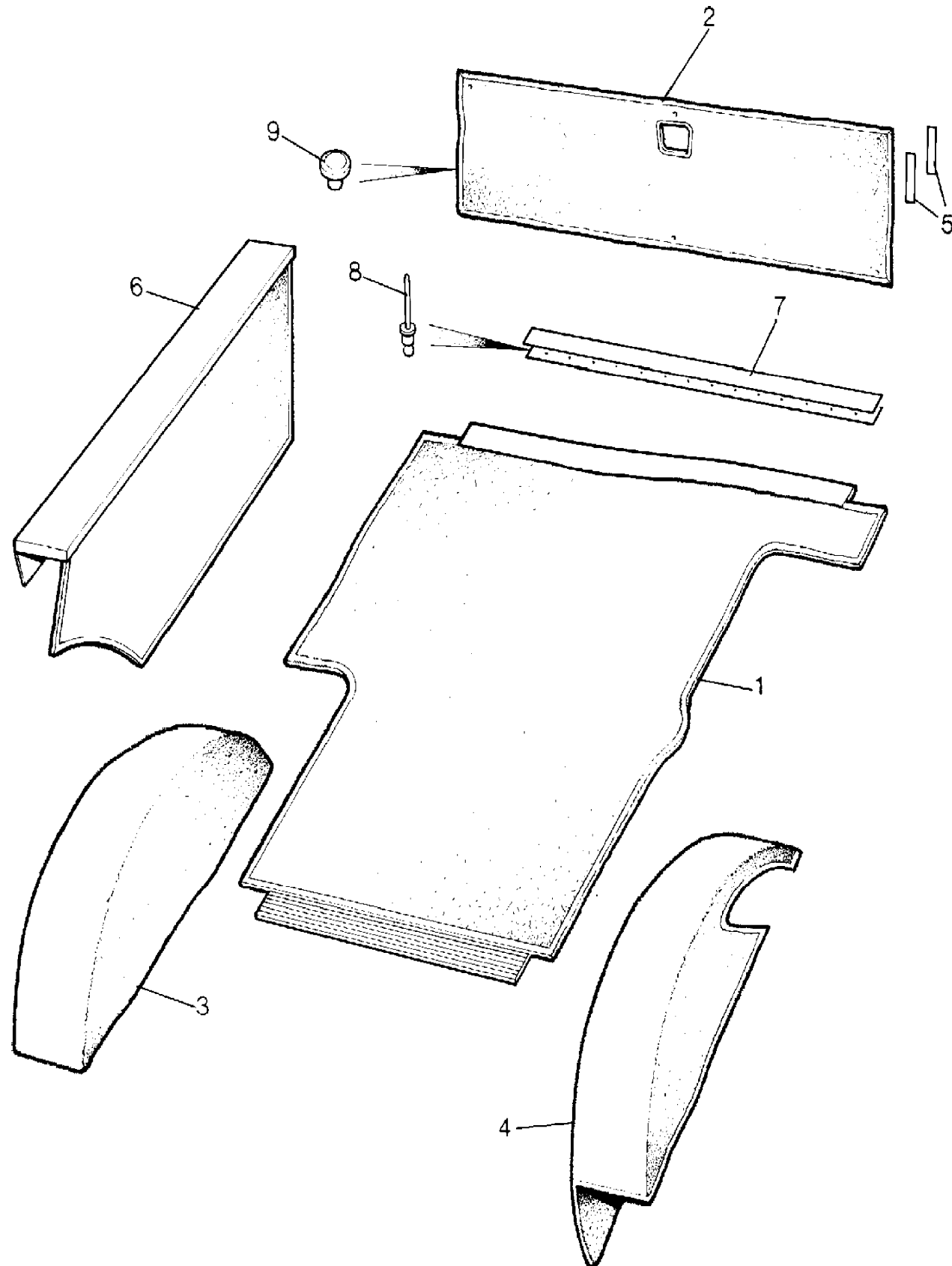
(TS5372D)

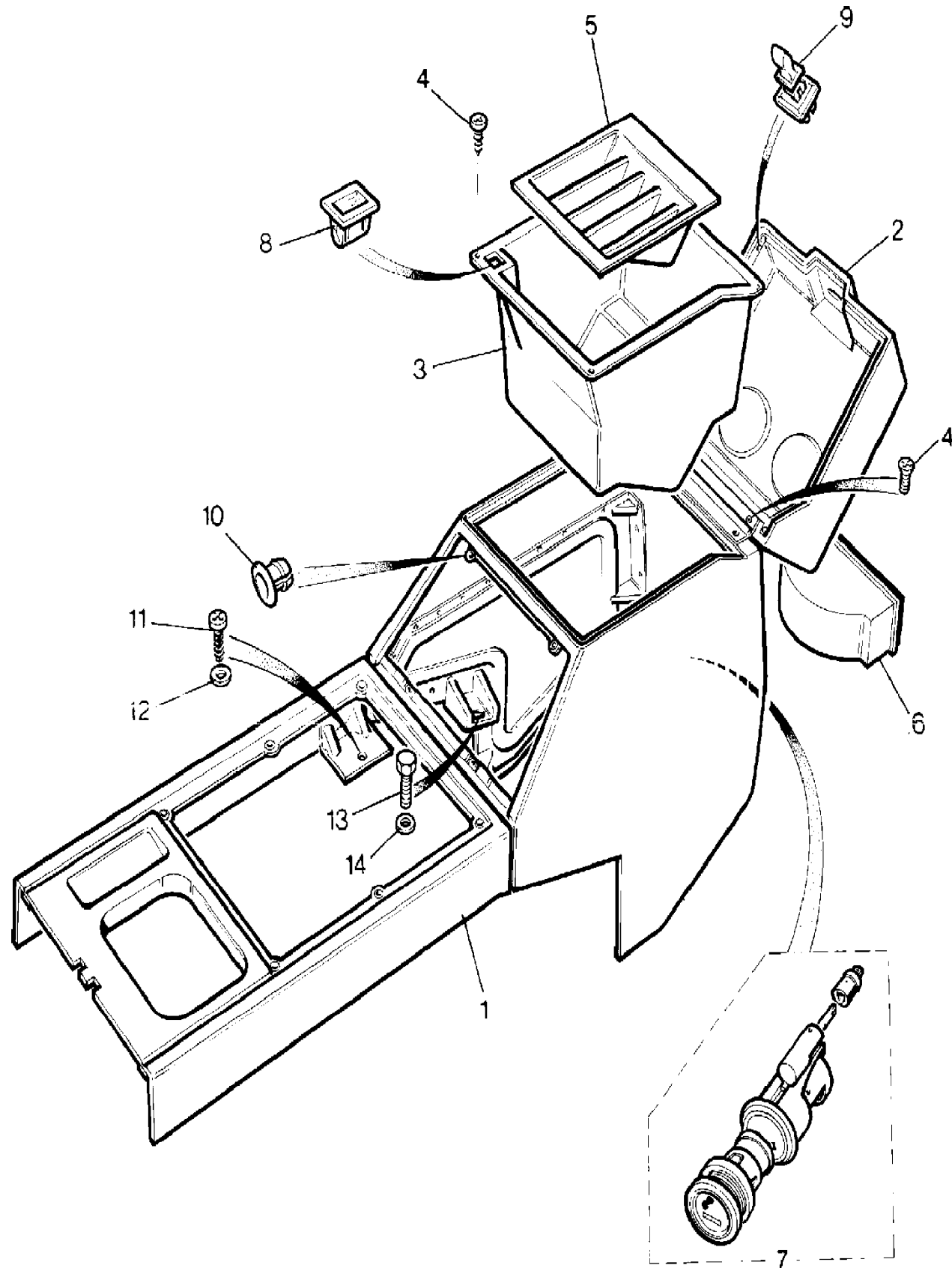
Range Rover (To HA610293)

Carpets-Rear Floor-From (V) FA351033 (2Dr) & (V) GA441003 (4Dr)

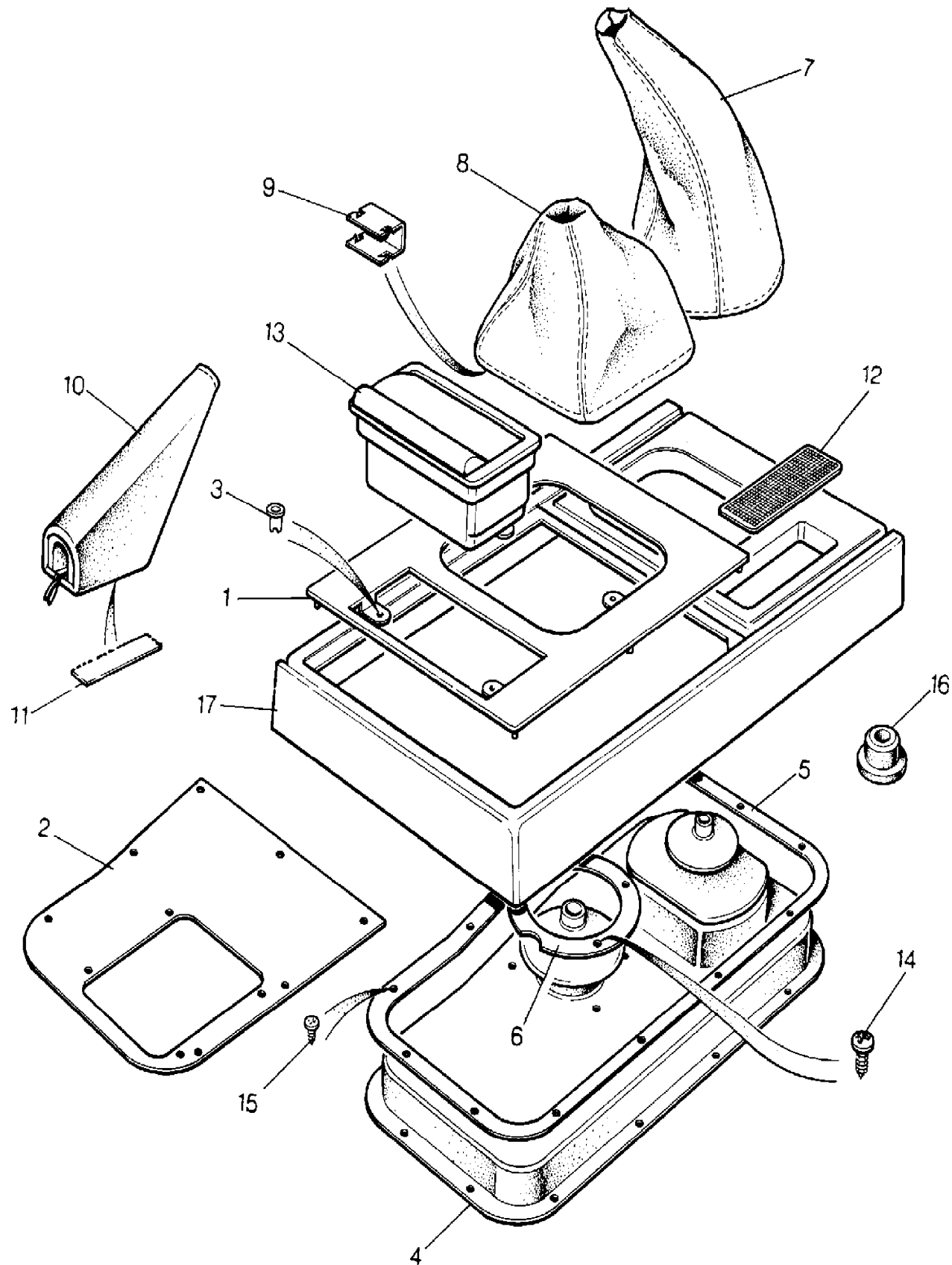
Interior Trim  
Trim

Callout	Name	Application	Remarks & Restrictions	Service No.	Qty
[900]	Support-side-parcel shelf	Change point - VIN begin HA464554, 4 Door Station Wagon	Also serviced as part of a kit, Brogue, LH	BTR332AUE	1
		Change point - VIN begin HA464554, 4 Door Station Wagon	Also serviced as part of a kit, Winchester Grey, LH	BTR332LUL	1





Callout	Name	Application	Remarks & Restrictions	Service No.	Qty
1	Cubby box	Change point - VIN end EA351846 Change point - VIN begin FA351847	Also serviced as part of a kit, Bokhara	STC941 BTR962RUN	1 1
2	Lid assembly-tunnel console	Change point - VIN begin FA351847	Also serviced as part of a kit, Bokhara Grey Bokhara	MUC9897RUN RTC5976 RTC8091RUN	1 1 1
3	Moulding-cubby box insert	Change point - VIN end EA351846 Change point - VIN begin FA351847, Change point - VIN end GA421854 Change point - VIN begin GA421855, Change point - VIN end HA481867 Change point - VIN begin HA481868	Black Black Black	MWC8634 MXC3061PMA MXC6546PMA BTR1018PMA	1 1 1 1
4	Screw		M4	SF104084L	1
5	Tray-cassette box			MUC3672	1
6	Ashtray assembly-facia			MUC4194	1
7	Cigar lighter facia		Also serviced as part of a kit	DRC8584	1
8	Latch assembly-tunnel console lid			MUC9336	1
9	Striker-centre console stowage box lid			MUC9335	1
10	Stud			AFU3075	4
11	Screw		Self Tapping	AB614081L	2
12	Washer		Plain	MRC5528	2
13	Screw		hexagonal head, M8 x 45	SH108451	1
[900]	Harness-link	2 Door Station Wagon, (+)"E"		PRC8887	1

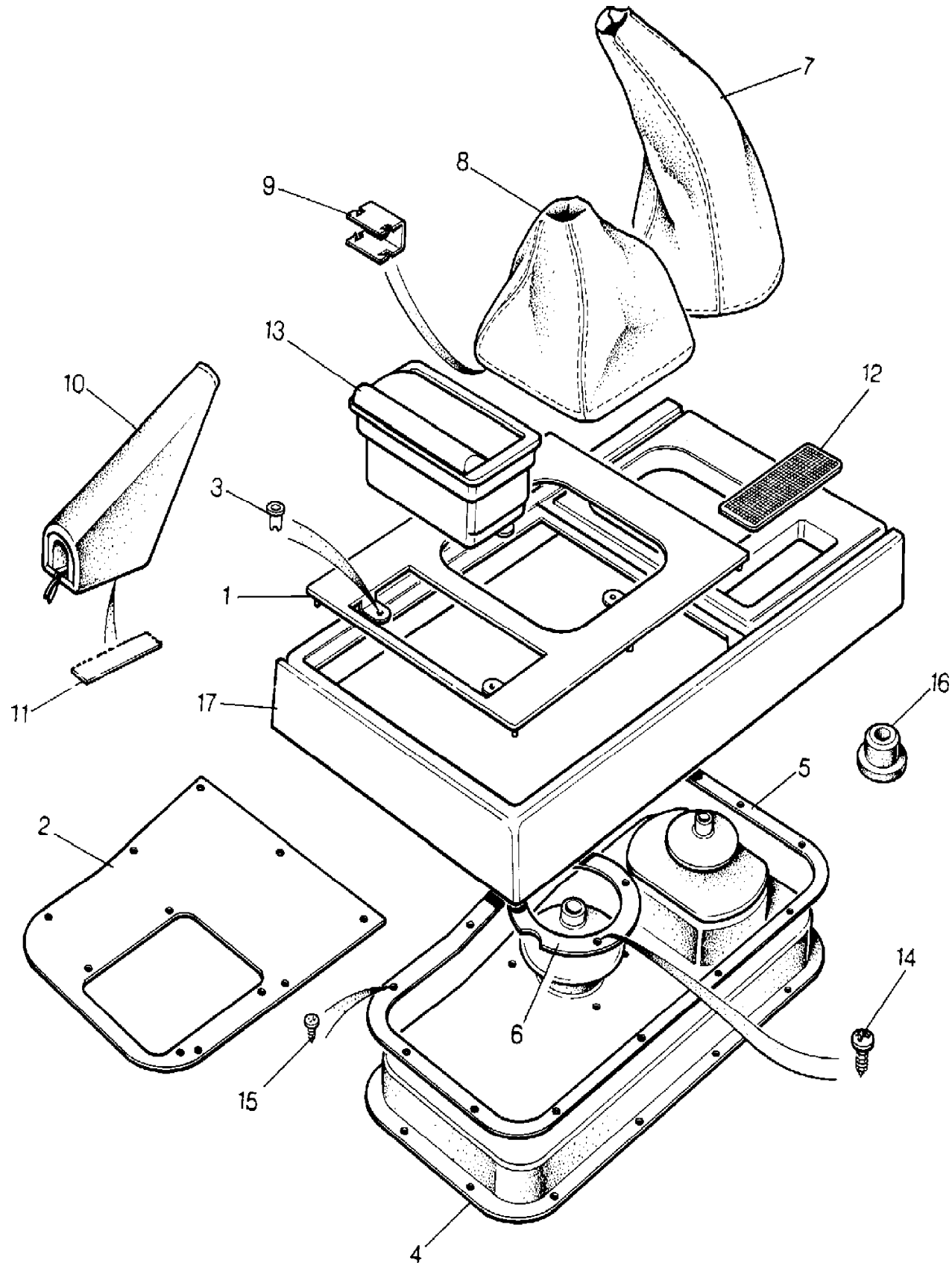


Callout	Name	Application	Remarks & Restrictions	Service No.	Qty
1	Panel assembly-tunnel console centre	Change point - VIN end EA351846	Black	MUC8984	1
		Change point - VIN end EA351846	Black	MUC8985	1
		Change point - VIN begin FA351847, Manual Transmission	Bokhara	MUC8984RUN	1
		Change point - VIN begin FA351847, Automatic Transmission	Bokhara	MUC8985RUN	1
2	Panel closing			MWC2961	1
3	Stud			AFU3075	16
4	Gaiter-gear lever assembly inner	Manual Transmission		MUC6806	1
		3.5L, Automatic Transmission		MUC2489	1
		3.9L, Automatic Transmission		MWC5396	1
5	Retainer-gear lever assembly gaiter	Manual Transmission		MUC9281	1
		Automatic Transmission		MUC9284	1
6	Retainer-gear lever assembly gaiter	Manual Transmission		MUC3664	1
7	Gaiter-gear lever assembly	Change point - VIN end EA351846	Slate Grey	MWC8564LCQ	1
		Change point - VIN begin FA351847	Vinyl, Bokhara	MXC2070RUN	1
		Change point - VIN begin FA351847	Bokhara, Leather	MXC1889RUN	1
8	Gaiter-hi/low lever	Change point - VIN end EA351846	Black	MUC2478	1
		Change point - VIN end EA351846	Slate Grey	MXC1196LCQ	1
		Change point - VIN begin FA351847	Vinyl, Bokhara	MXC2067RUN	1
		Change point - VIN begin FA351847	Bokhara, Leather	MXC1639RUN	1
9	Clip-edge harness			CSK3643L MTC6264	4 4
10	Gaiter-handbrake assembly	Change point - VIN end EA351846	Black, Vinyl	MUC9454	1
		Change point - VIN end EA351846	Vinyl, Bokhara	MWC3242	1
		Change point - VIN end EA351846	Vinyl, Slate Grey	MXC1362LCQ	1
		Change point - VIN end EA351846	Bokhara, Leather	MXC7712RUN	1
		Change point - VIN begin FA351847, Change point - VIN end GA414221	Bokhara, Leather	MXC2074RUN	1

Range Rover (To HA610293)

(TS5687A)

Range Rover (To HA610293)



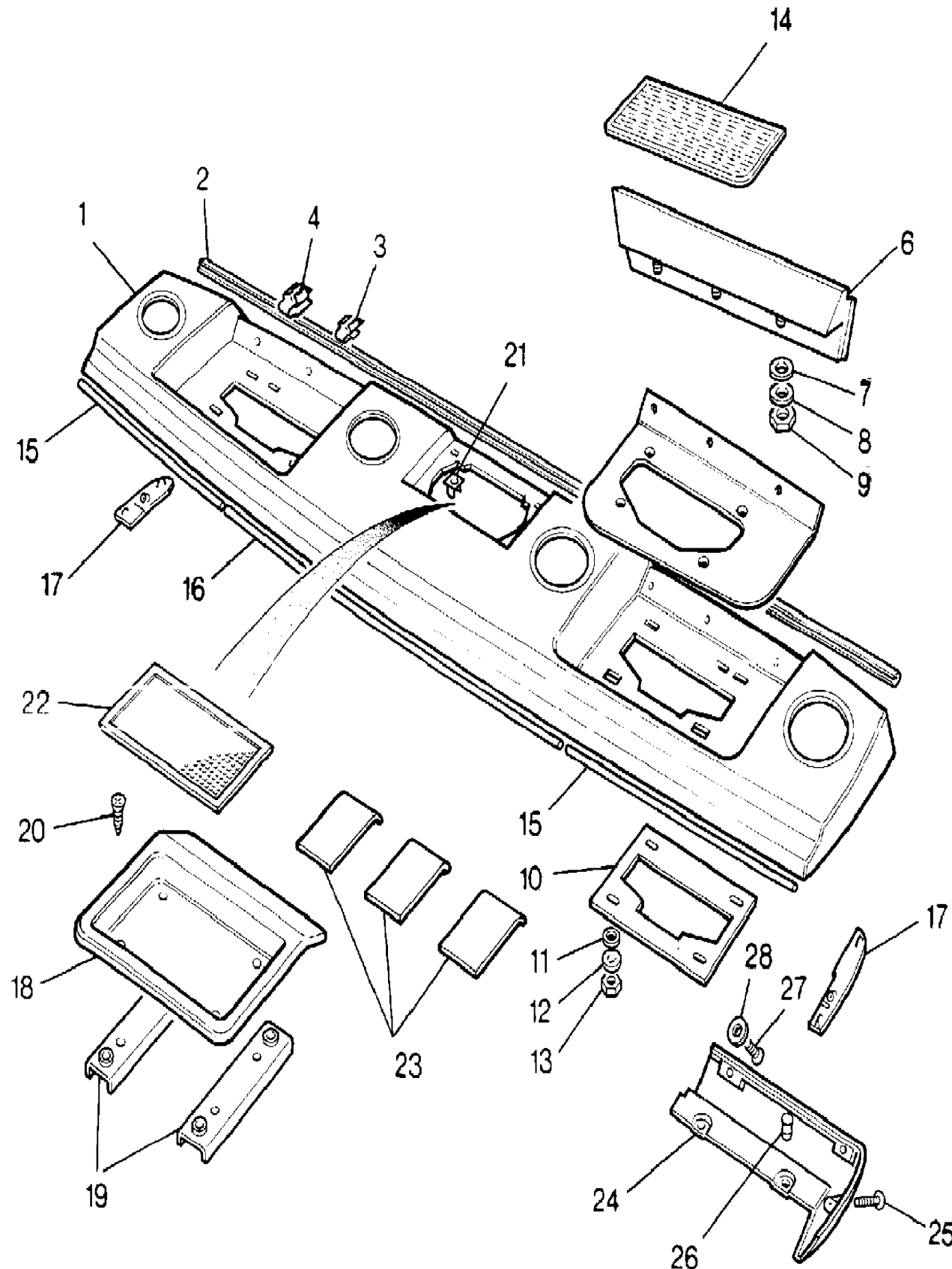
Callout	Name	Application	Remarks & Restrictions	Service No.	Qty
10	Gaiter-handbrake assembly	Change point - VIN begin GA414222	Bokhara, Leather	MXC7711RUN	1
11	Retaining-strip			MWC3360	2
12	Mat-coin tray	Change point - VIN end EA351846 Change point - VIN begin FA351847	Black Bokhara	MUC2498 MUC2498RUN	2 2
13	Ashtray assembly-tunnel console			MUC8987	1
14	Screw-self tapping AB		M8 x 12	AB610041L	4
15	Screw		M6 X 20, pan head	SE106201L	14
16	Bush			MUC4856	1

Range Rover (To HA610293)

(TS5377B)

Range Rover (To HA610293)

Callout	Name	Application	Remarks & Restrictions	Service No.	Qty
1	Facia rail-upper	Change point - VIN end CA273922		MUC2083	1
		Change point - VIN begin DA273923, Change point - VIN end EA351846		MUC9557	1
		Change point - VIN begin FA351847, Change point - VIN end GA436999	Bokhara	MUC9557RUN	1
		Change point - VIN begin GA437000	Bokhara	BTR429RUN	1
2	Reinforcement	LHD		MUC1207	1
		RHD		MUC1208	1
3	Clip			RTC3724	2
4	Nut-spire			RTC3725	12
5	Stiffener	Less Air Conditioning	RH	392619	1
		Less Air Conditioning	LH	392620	1
		With Air Conditioning	RH	MWC7672	1
		With Air Conditioning	LH	MWC7671	1
6	Handle assembly-grab	Change point - VIN end CA274120, LHD	Vinyl	MWC2367	1
		Change point - VIN end CA273922, LHD	Vinyl	MWC2367	1
		Change point - VIN end CA274120, RHD	Vinyl	MWC2366	1
		Change point - VIN end CA273922, RHD	Vinyl	MWC2366	1
		Change point - VIN begin FA351847, LHD	Vinyl, Bokhara	MWC2367RUN	1
		Change point - VIN begin FA351847, RHD	Vinyl, Bokhara	MWC2366RUN	1
		Change point - VIN begin DA274121, Change point - VIN end EA351846, RHD	Grey, Leather	MXC1699LCS	1
		Change point - VIN begin DA273923, Change point - VIN end EA351846, RHD	Grey, Leather	MXC1699LCS	1
		Change point - VIN begin DA274121, Change point - VIN end EA351846, LHD	Grey, Leather	MXC1700LCS	1
		Change point - VIN begin DA273923, Change point - VIN end EA351846, LHD	Grey, Leather	MXC1700LCS	1
		Change point - VIN begin FA351847, LHD	Bokhara, Leather	MXC1700RUN	1
		Change point - VIN begin FA351847, RHD	Bokhara, Leather	MXC1699RUN	1
7	Washer			3852L	3
8	Washer-Spring	Less Air Conditioning		WL115001L	3
9	Nut-hexagonal	Less Air Conditioning	M5	NH105041L	3

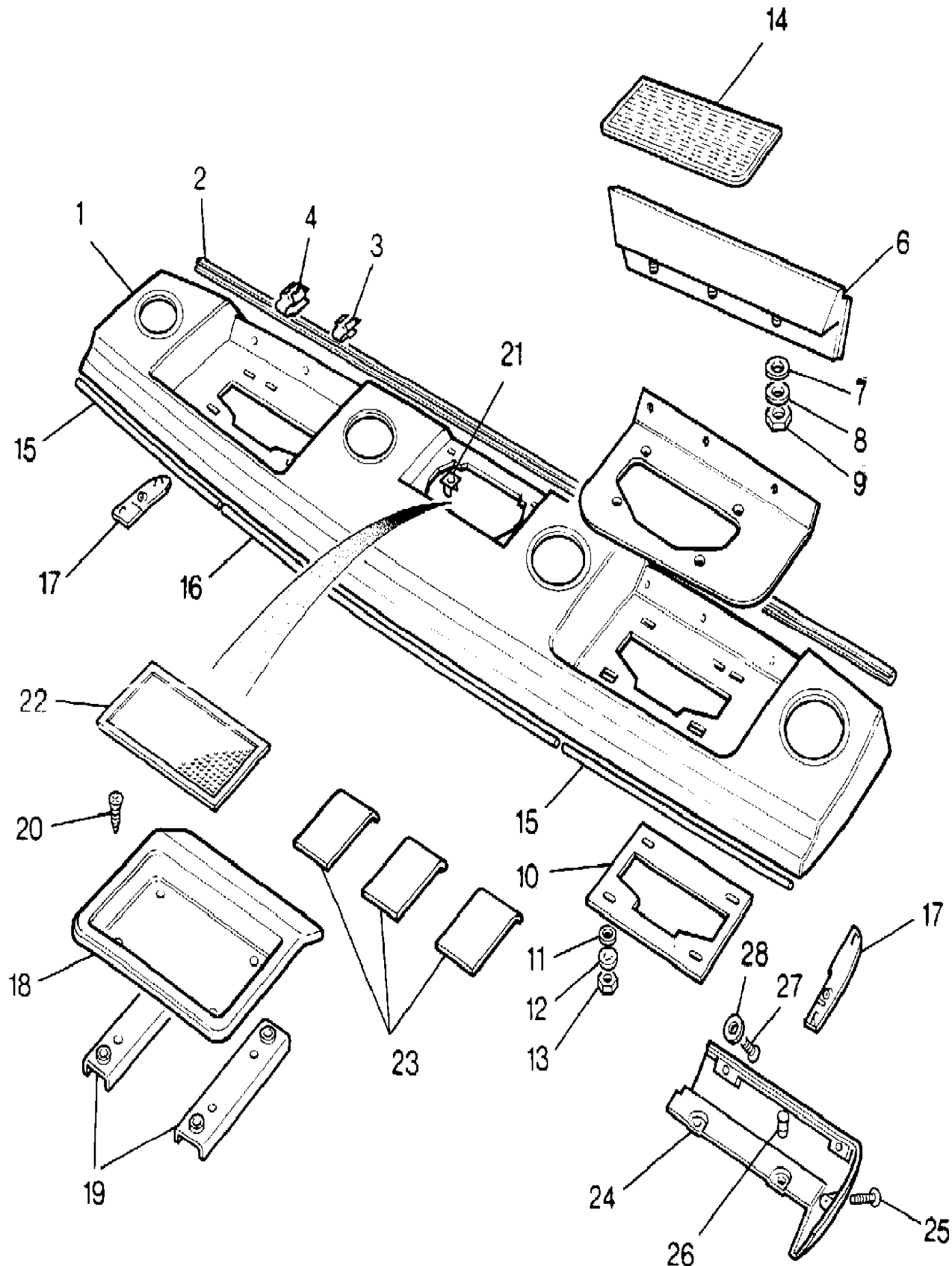




Range Rover (To HA610293)

(TS5377B)

Range Rover (To HA610293)

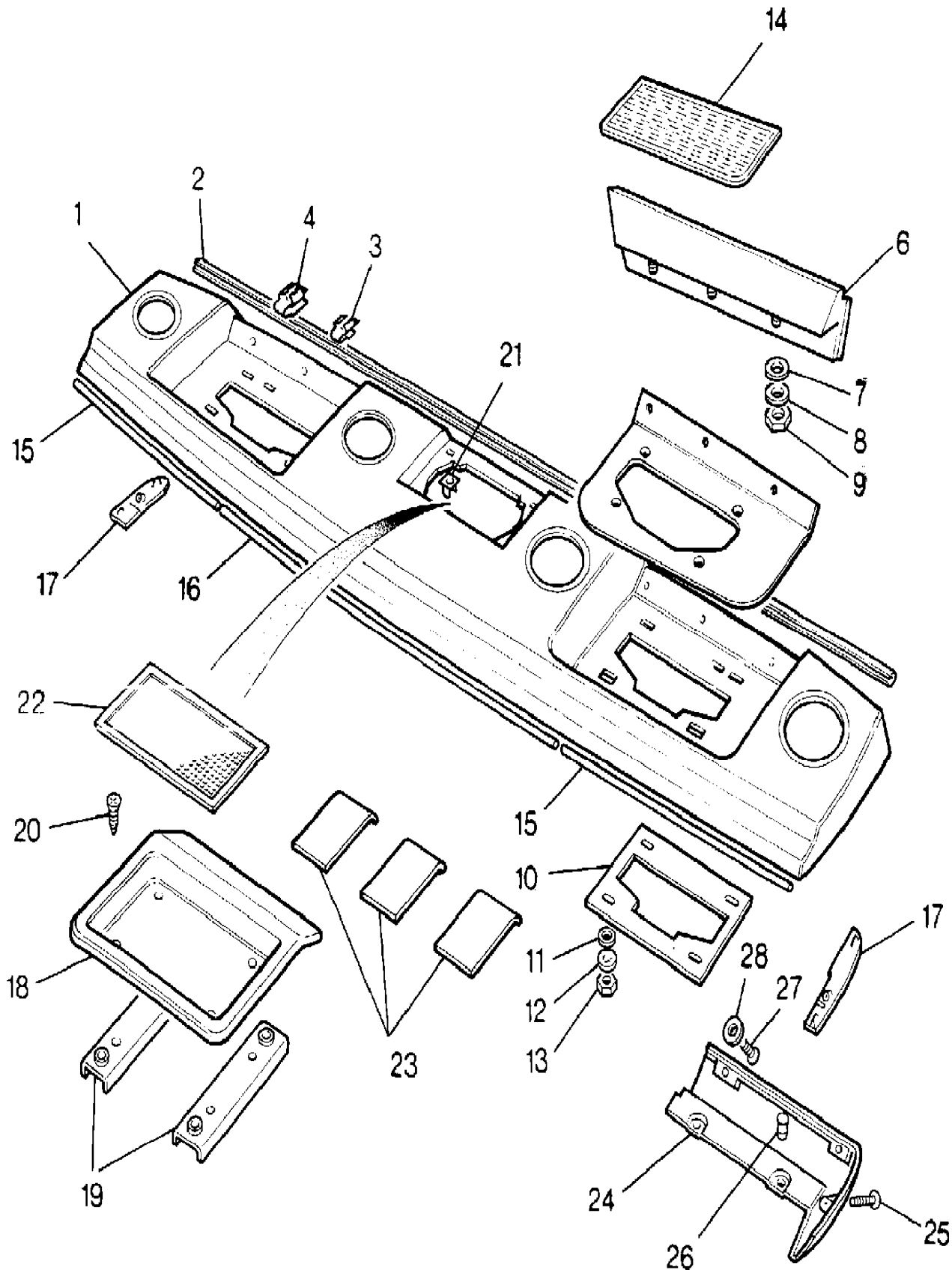


Callout	Name	Application	Remarks & Restrictions	Service No.	Qty
10	Pad-facia top & fixings			MWC8583	3
11	Washer			3852L	5
12	Washer	Less Air Conditioning	M5, retaining	WL105001L	5
13	Locknut	Less Air Conditioning	10x32UNF	NH910011L	5
14	Mat-facia	Change point - VIN begin DA273923, Change point - VIN end EA351846	LH	390574	1
		Change point - VIN begin DA273923, Change point - VIN end EA351846	RH	390573	1
		Change point - VIN begin FA351847	Bokhara, LH	390574RUN	1
		Change point - VIN begin FA351847	RH, Bokhara	390573RUN	1
15	Reinforcement			393001	2
16	Reinforcement-channel-facia rail			392162	1
17	Finisher	Change point - VIN end CA274120	RH	MUC2168	1
		Change point - VIN begin DA273923, Change point - VIN end EA351846	RH	MUC9558	1
		Change point - VIN begin FA351847	RH, Bokhara	MUC9558RUN	1
		Change point - VIN end CA274120	LH	MUC2167	1
		Change point - VIN begin DA273923, Change point - VIN end EA351846	LH	MUC9559	1
		Change point - VIN begin FA351847	Bokhara, LH	MUC9559RUN	1
18	Tray Trinket	Change point - VIN begin DA273923, Change point - VIN end EA351846		MTC5520	1
		Change point - VIN begin FA351847	Bokhara	MTC5520RUN	1
19	Bracket	Change point - VIN end CA274120		MTC5544	2
		Change point - VIN end EA351846, Change point - VIN begin FA351847		MWC 1267	1
20	Screw		counter sunk, Self Tapping, 6 x 1/2	AC606041L	4
21	Nut-lokut			RTC3745	4
22	Mat-facia	Change point - VIN begin DA273923, Change point - VIN end EA351846	Centre	MTC6019	1

Range Rover (To HA610293)

(TS5377B)

Range Rover (To HA610293)



Callout	Name	Application	Remarks & Restrictions	Service No.	Qty
22	Mat-facia	Change point - VIN begin FA351847	Bokhara, Centre	MTC6019RUN	1
23	Panel-facia			391332	3
24	Panel-facia	Change point - VIN end CA274120	RH, Lower	MTC4688	1
		Change point - VIN end CA274120	Lower, LH	MTC4689	1
25	Screw		Self Tapping, No 8 x 1 1/4	AB608107	2
26	Buffer rubber-valance			312322	2
27	Screw		Self Tapping, No10 x 3/4	AB610061L	3
28	Washer			4030L	3
[900]	Screw-self tapping	With Air Conditioning	counter sunk, No 10 x 1"	AC610081L	2
[901]	Nut-spring-special	With Air Conditioning	No10	AL610011L	2
[902]	Screw	With Air Conditioning	M5 x 25	SF105251L	2
[903]	Nut - Hex.	With Air Conditioning	M5	AK105061	2

Interior Trim  
Trim  
Footrest & Sound Deadening pad 1/1

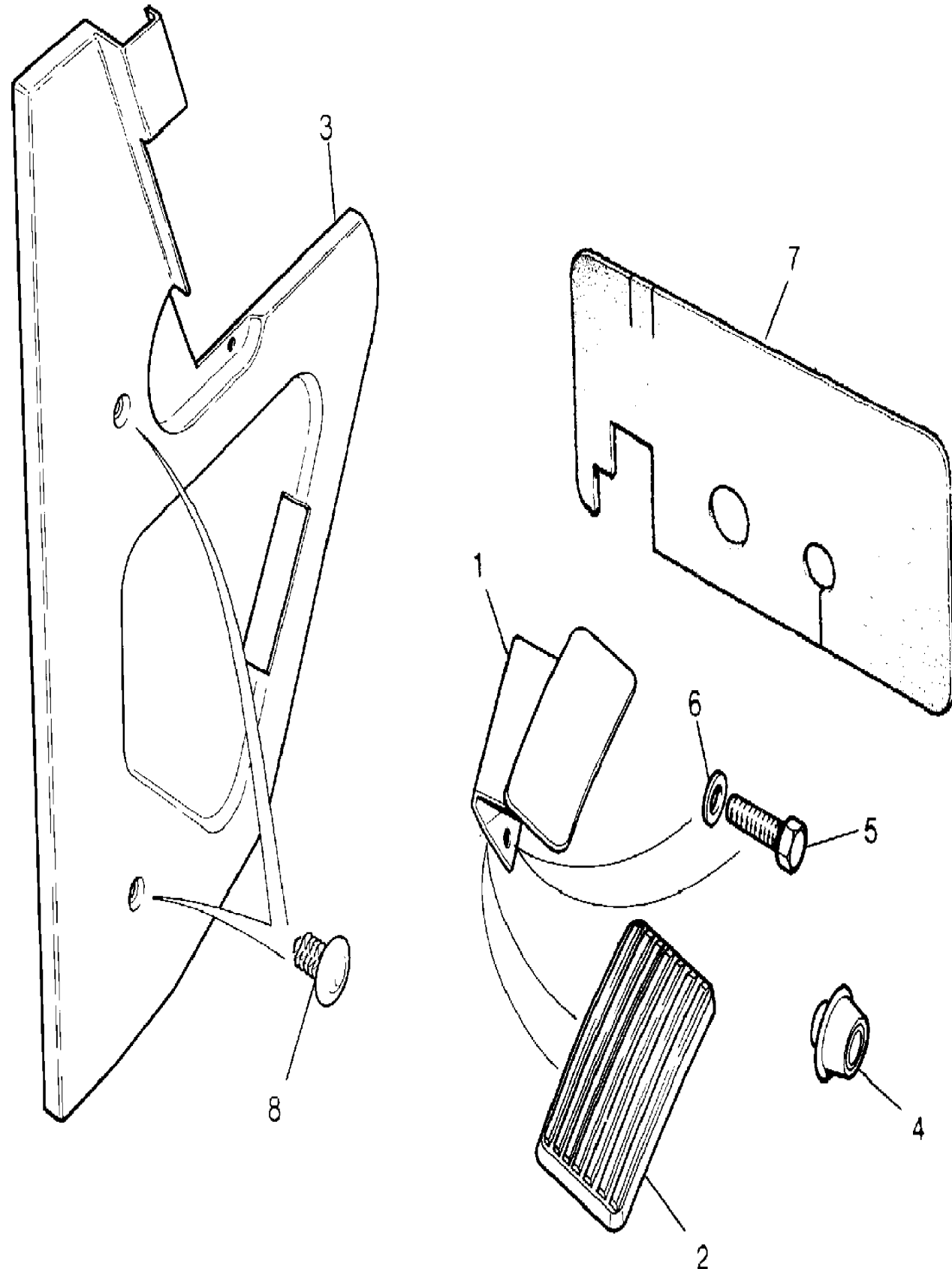
Range Rover (To HA610293)

(TS5655D)

Range Rover (To HA610293)

Interior Trim  
Trim  
Footrest & Sound Deadening pad

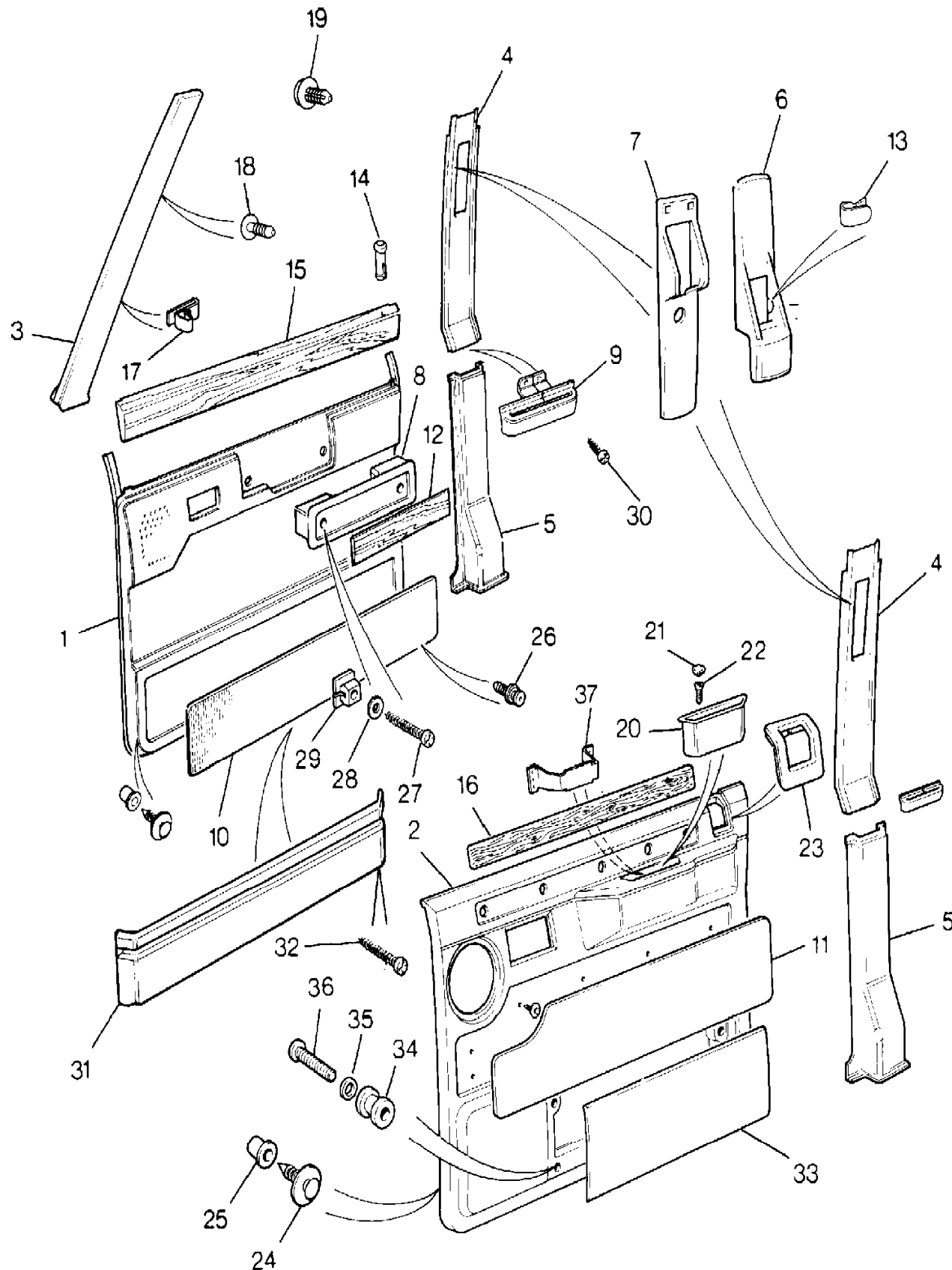
Callout	Name	Application	Remarks & Restrictions	Service No.	Qty
1	Footrest assembly-front floor	Change point - VIN begin FA351847	Black nylon, LH	MUC4193	1
		Change point - VIN end FA374641	RH, Rubber pad	MUC9472	1
		Change point - VIN end FA374641	Rubber pad, LH	MUC9473	1
		Change point - VIN begin FA374642	LH	MXC2531	1
2	Pad-pedal lever accelerator			592840	1
3	Panel toebox trim		RH, Palomino	MUC9478AE	1
			RH, Silver Grey	MUC9478LP	1
			RH, without pocket, Sorrel Brown	MUC9478SUA	1
			RH, Winchester Grey, without pocket	MUC9478LUL	1
		RHD	Palomino, LH	MUC9479AE	1
		RHD	Silver Grey, LH	MUC9479LP	1
		RHD	without pocket, Sorrel Brown, LH	MUC9479SUA	1
		RHD	Winchester Grey, without pocket, LH	MUC9479LUL	1
		LHD	Palomino, LH	MUC9477AE	1
		LHD	Silver Grey, LH	MUC9477LP	1
		LHD	without pocket, Sorrel Brown, LH	MUC9477SUA	1
		LHD	Winchester Grey, without pocket, LH	MUC9477LUL	1
4	Plug			MUC9210	2
5	Screw		M6 X 12, hexagonal head	SH106121L	2
6	Washer		6MM	WA106041L	2
7	Pad-insulation	RHD		MUC9208	1
		LHD		MUC9209	1
8	Fastener-drive	Change point - VIN end EA351846, Change point - VIN begin FA351847	Palomino	MUC9219AE	2
		Change point - VIN end EA351846, Change point - VIN begin FA351847	Silver Grey	MUC9219LP	2
		Change point - VIN end EA351846, Change point - VIN begin FA351847	Sorrel Brown	MUC9219SUA	2
		Change point - VIN end EA351846, Change point - VIN begin FA351847	Winchester Grey	MUC9219LUL	2



Range Rover (To HA610293)

(TS6918)

Range Rover (To HA610293)



Callout	Name	Application	Remarks & Restrictions	Service No.	Qty
1	Casing-front door	Change point - VIN begin DA273923, Change point - VIN end EA351032, With High Line	Manual Windows, Palomino, LH	MWC 1217AE	1
		Change point - VIN begin DA273923, Change point - VIN end EA351032, With Low Line	Electric Windows, RH, Palomino	MWC 1214AE	1
		Change point - VIN begin DA273923, Change point - VIN end EA351032, With Low Line	Electric Windows, Palomino, LH	MWC 1215AE	1
		Change point - VIN begin DA273923, Change point - VIN end EA351032, With High Line	Electric Windows, RH, Palomino	MWC 1218AE	1
		Change point - VIN begin DA273923, Change point - VIN end EA351032, With High Line	RH, Steel Grey	MWC 1218LR	1
		Change point - VIN begin DA273923, Change point - VIN end EA351032, With High Line	Electric Windows, Palomino, LH	MWC 1219AE	1
		Change point - VIN begin DA273923, Change point - VIN end EA351032, With High Line	Electric Windows, Steel Grey, LH	MWC 1219LR	1
		Change point - VIN end CA273922, With Low Line	Manual Windows, RH, Palomino	MUC2236AE	1
		Change point - VIN end CA273922, With Low Line	Manual Windows, Palomino, LH	MUC2237AE	1
		Change point - VIN end CA273922, With High Line	Manual Windows, RH, Palomino	MUC2238AE	1
		Change point - VIN end CA273922, With High Line	Manual Windows, RH, Steel Grey	MUC2238LR	1
		Change point - VIN end CA273922, With High Line	Manual Windows, Palomino, LH	MUC2239AE	1
		Change point - VIN end CA273922, With High Line	Manual Windows, Steel Grey, LH	MUC2239LR	1
		Change point - VIN end CA273922, With Low Line	Electric Windows, RH, Palomino	MUC2240AE	1
		Change point - VIN end CA273922, With Low Line	Electric Windows, Palomino, LH	MUC2241AE	1
		Change point - VIN end CA273922, With High Line	Electric Windows, RH, Palomino	MUC2242AE	1
		Change point - VIN end CA273922, With High Line	Electric Windows, RH, Steel Grey	MUC2242LR	1
		Change point - VIN end CA273922, With High Line	Electric Windows, Palomino, LH	MUC2243AE	1
		Change point - VIN end CA273922, With High Line	Electric Windows, Steel Grey, LH	MUC2243LR	1
		Change point - VIN begin DA273923, Change point - VIN end EA351032, With Low Line	Manual Windows, RH, Palomino	MWC 1212AE	1

Interior Trim

Trim

Front Door Casing 2/6

Range Rover (To HA610293)

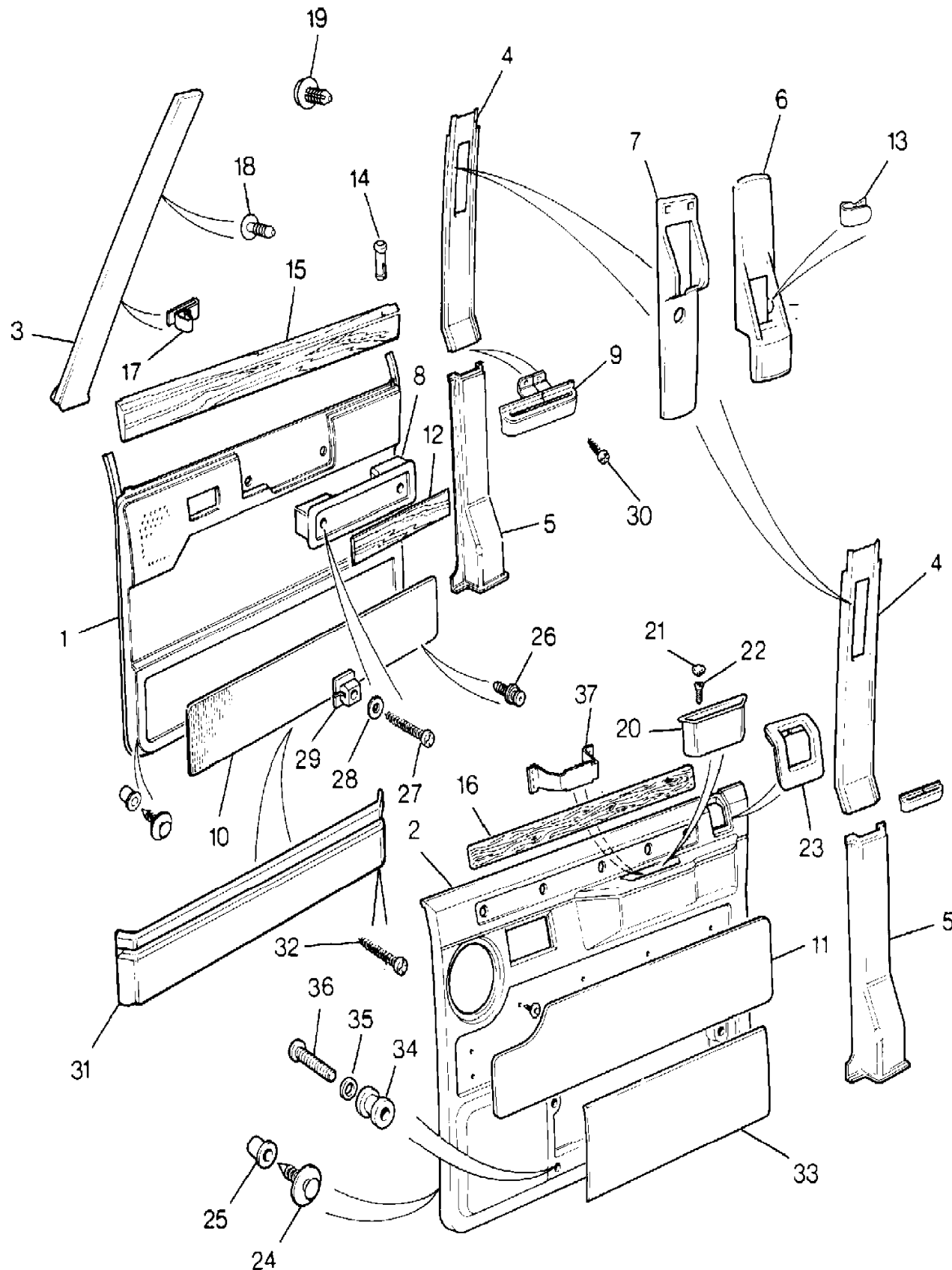
(TS6918)

Range Rover (To HA610293)

Interior Trim

Trim

Front Door Casing



Callout	Name	Application	Remarks & Restrictions	Service No.	Qty		
1	Casing-front door	Change point - VIN begin DA273923, Change point - VIN end EA351032, With Low Line	Manual Windows, Palomino, LH	MWC1213AE	1		
		Change point - VIN begin DA273923, Change point - VIN end EA351032, With High Line	Manual Windows, RH, Palomino	MWC1216AE	1		
2	Casing-front door	Change point - VIN begin FA351033, With Low Line	RH, 1 speaker aperture, Sorrel Brown, without wood trim	MXC3038SUA	1		
		Change point - VIN begin FA351033, With Low Line	1 speaker aperture, Sorrel Brown, without wood trim, LH	MXC3037SUA	1		
		Change point - VIN begin FA351033, With Low Line	RH, Winchester Grey, 1 speaker aperture, without wood trim	MXC3038LUL	1		
		Change point - VIN begin FA351033, With High Line	1 speaker aperture, Sorrel Brown, With Wood Trim, LH	MXC3035SUA	1		
		Change point - VIN begin FA351033, Vogue, With High Line	RH, Winchester Grey, 1 speaker aperture, With Wood Trim	MXC3036LUL	1		
		Change point - VIN begin FA351033, Vogue, With High Line	Winchester Grey, 1 speaker aperture, With Wood Trim, LH	MXC3035LUL	1		
		Change point - VIN begin FA351033, Vogue SE, With 6 Speakers	RH, 1 speaker aperture, Sorrel Brown, With Wood Trim	MXC3378SUA	1		
		Change point - VIN begin FA351033, Vogue SE, With 6 Speakers	1 speaker aperture, Sorrel Brown, With Wood Trim, LH	MXC3377SUA	1		
		Change point - VIN begin FA351033, Vogue SE, With 6 Speakers	RH, Winchester Grey, 1 speaker aperture, With Wood Trim	MXC3378LUL	1		
		Change point - VIN begin FA351033, Vogue SE, With 6 Speakers	Winchester Grey, 1 speaker aperture, With Wood Trim, LH	MXC3377LUL	1		
		3	Finisher-a post	Change point - VIN begin FA374642, 2 Door Station Wagon	Bokhara, LH	BTR399RUN	2
				Change point - VIN begin FA374642, 2 Door Station Wagon	RH, Bokhara	BTR400RUN	2
Change point - VIN end EA351846	RH, Slate Grey			MUC5792	1		
Change point - VIN end EA351846	Slate Grey, LH			MUC5793	1		
Change point - VIN end EA351846	RH, Aquila			MUC3420	1		
Change point - VIN end EA351846	Aquila, LH			MUC3421	1		
Change point - VIN begin FA351847, Change point - VIN end FA374641	RH, Bokhara			MUC5792RUN	1		
Change point - VIN begin FA351847, Change point - VIN end FA374641	Bokhara, LH			MUC5793RUN	1		
Change point - VIN begin FA374642, 4 Door Station Wagon	Bokhara, LH			BTR397RUN	4		

Interior Trim

Trim

Front Door Casing 3/6

Range Rover (To HA610293)

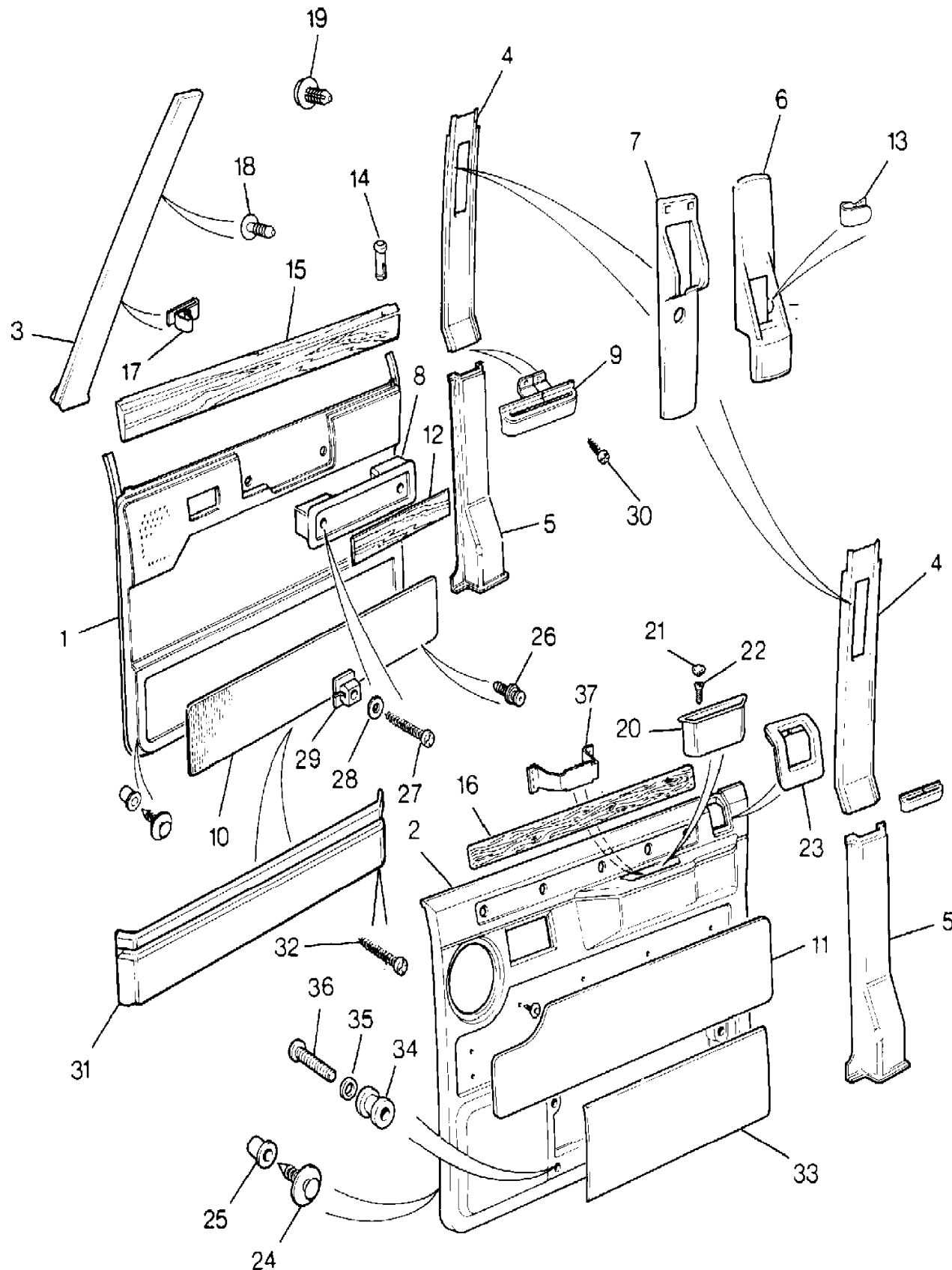
(TS6918)

Range Rover (To HA610293)

Interior Trim

Trim

Front Door Casing



Callout	Name	Application	Remarks & Restrictions	Service No.	Qty		
3	Finisher-a post	Change point - VIN begin FA374642, 4 Door Station Wagon	RH, Bokhara	BTR398RUN	4		
4	Finisher-BC post	Change point - VIN end DA318175	RH, Steel Grey	MTC7388LR	1		
		Change point - VIN end DA318175	Palomino, LH	MTC7389AE	1		
		Change point - VIN end DA318175	Steel Grey, LH	MTC7389LR	1		
		Change point - VIN begin DA318176, Change point - VIN end EA351846	RH, Palomino	MWC8418AE	1		
		Change point - VIN begin DA318176, Change point - VIN end EA351846	RH, Steel Grey	MWC8418LR	1		
		Change point - VIN begin DA318176, Change point - VIN end EA351846	Palomino, LH	MWC8419AE	1		
		Change point - VIN begin DA318176, Change point - VIN end EA351846	Steel Grey, LH	MWC8419LR	1		
		Change point - VIN begin FA351847	RH, Sorrel Brown	MWC8418SUA	1		
		Change point - VIN begin FA351847	RH, Winchester Grey	MWC8418LUL	1		
		Change point - VIN begin FA351847	Sorrel Brown, LH	MWC8419SUA	1		
		Change point - VIN begin FA351847	Winchester Grey, LH	MWC8419LUL	1		
		5	Finisher-BC post	Change point - VIN end EA351846	RH, Palomino	MWC6134AE	1
				Change point - VIN end EA351846	RH, Steel Grey	MWC6134LP	1
				Change point - VIN end EA351846	Palomino, LH	MWC6133AE	1
Change point - VIN end EA351846	Steel Grey, LH			MWC6133LP	1		
Change point - VIN begin FA351847, Change point - VIN end FA374642	Winchester Grey, LH			MWC6134LUL	1		
Change point - VIN begin FA351847, Change point - VIN end FA374642	Sorrel Brown, LH			MWC6134SUA	1		
Change point - VIN begin FA351847, Change point - VIN end FA374642	RH, Winchester Grey			MWC6133LUL	1		
Change point - VIN begin FA351847, Change point - VIN end FA374642	RH, Sorrel Brown			MWC6133SUA	1		
Change point - VIN begin FA374643, Change point - VIN end GA448552	Winchester Grey, LH			MXC5701LUL	1		
Change point - VIN begin FA374643, Change point - VIN end GA448552	Sorrel Brown, LH			MXC5701SUA	1		
Change point - VIN begin FA374643, Change point - VIN end GA448552	RH, Winchester Grey	MXC5702LUL	1				

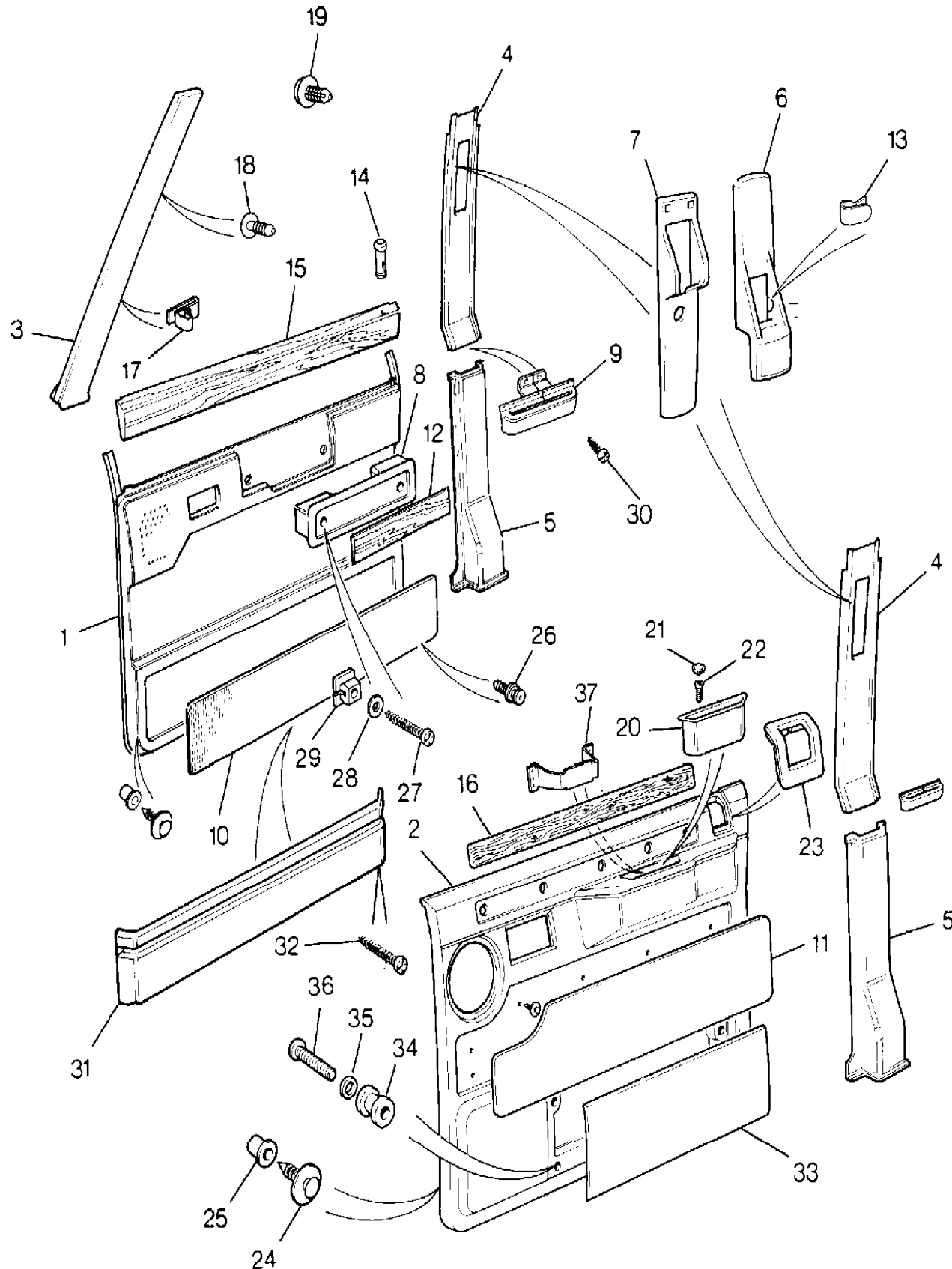
Interior Trim  
Trim  
Front Door Casing 4/6

Range Rover (To HA610293)

(TS6918)

Range Rover (To HA610293)

Interior Trim  
Trim  
Front Door Casing

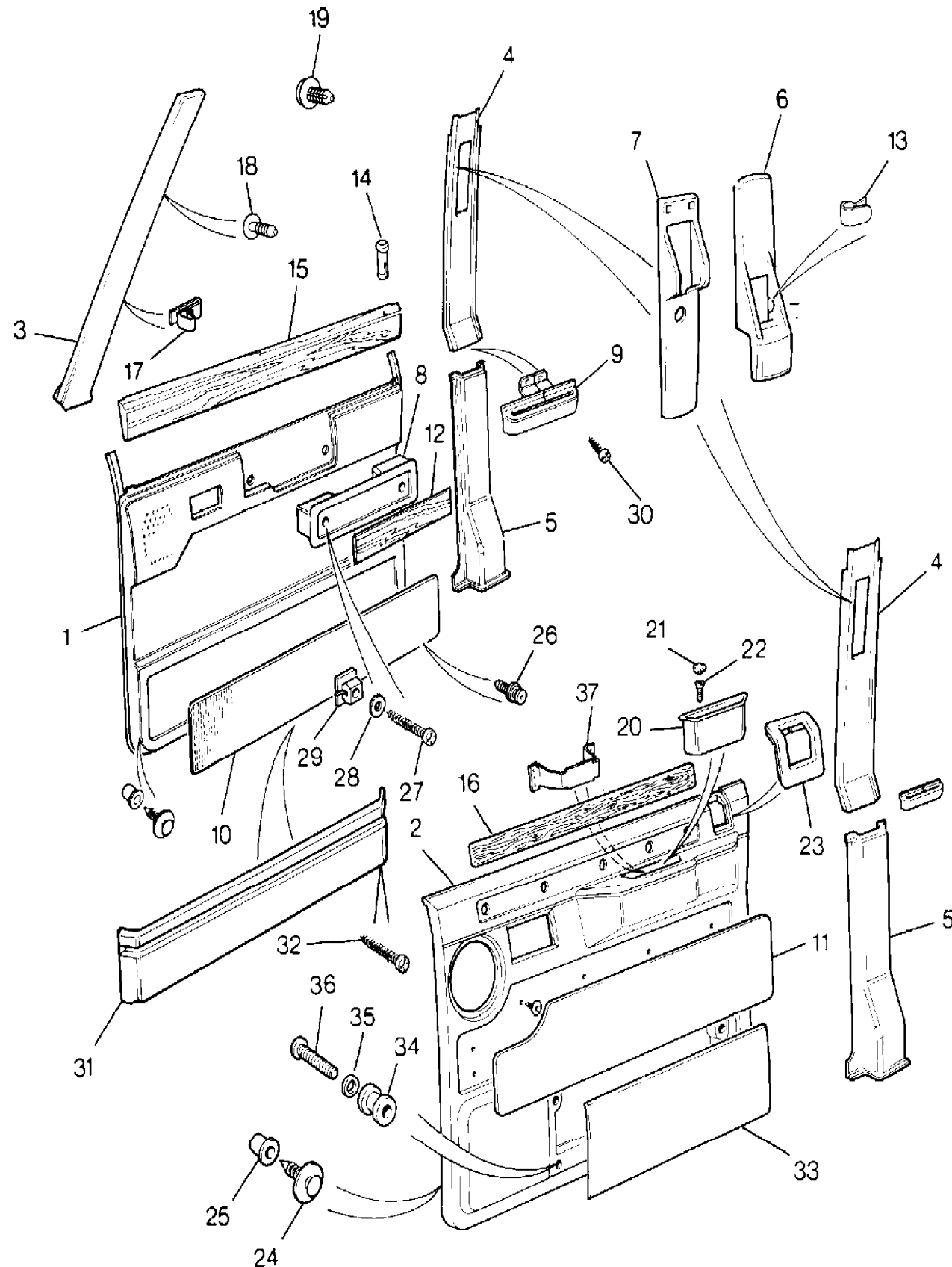


Callout	Name	Application	Remarks & Restrictions	Service No.	Qty
5	Finisher-BC post	Change point - VIN begin FA374643, Change point - VIN end GA448552	RH, Sorrel Brown	MXC5702SUA	1
		Change point - VIN begin GA448553	Winchester Grey, LH	BTR137LUL	1
		Change point - VIN begin GA448553	Sorrel Brown, LH	BTR137SUA	1
		Change point - VIN begin GA448553	RH, Winchester Grey	BTR138LUL	1
		Change point - VIN begin GA448553	RH, Sorrel Brown	BTR138SUA	1
		Change point - VIN begin GA448553			
6	Moulding-seat belt	Change point - VIN end EA351846	Palomino, Upper	MUC1612AE	2
		Change point - VIN end EA351846	Cool Grey	MUC1613LG	2
		Change point - VIN begin FA351847	Sorrel Brown, Upper	MUC1612SUA	2
		Change point - VIN begin FA351847	Winchester Grey, Upper	MUC1612LUL	2
		Change point - VIN begin FA351847			
7	Moulding-seat belt	Change point - VIN end EA351846	Palomino, Lower	MUC1613AE	2
		Change point - VIN end EA351846	Cool Grey	MUC1613LG	2
		Change point - VIN begin FA351847	Sorrel Brown, Lower	MUC1613SUA	2
		Change point - VIN begin FA351847	Winchester Grey, Lower	MUC1613LUL	2
		Change point - VIN begin FA351847			
8	Armrest-front door	Change point - VIN end EA351846	Palomino	MUC2208AE	2
		Change point - VIN end EA351846	Steel Grey	MUC2208LR	2
9	Escutcheon- BC post lower	Change point - VIN end EA351846	Palomino	MTC7392AE	2
		Change point - VIN end EA351846	Silver Grey	MTC7392LP	2
10	Insert-front door casing	Change point - VIN end CA273922	Bronze..	MTC9839BA	2
		Change point - VIN end CA273922	Cool Grey	MUC3572LG	2
11	Insert-front door casing		Cloth, RH, Brogue	MXC1330AUE	1
			Cloth, RH, Winchester Grey	MXC1330LUL	1
			Brogue, LH	MXC1331AUE	1
			Winchester Grey, LH	MXC1331LUL	1
12	Insert-plain	Change point - VIN end EA351846, With Low Line	Plastic, Palomino	MTC7268AE	1
		Change point - VIN end EA351846, With Low Line	Plastic, Silver Grey	MTC7268LP	1
		Change point - VIN end EA351846, With High Line	wooden	MTC7782	1
		With High Line	wooden	MWC9830	2
13	Clip			RTC3764	4

Range Rover (To HA610293)

(TS6918)

Range Rover (To HA610293)



Callout	Name	Application	Remarks & Restrictions	Service No.	Qty		
14	Plate-sill button escutcheon retaining	Change point - VIN end EA351846	Brushwood	MTC7781AV	2		
		Change point - VIN end EA351846	Cool Grey	MTC7781LG	2		
		Change point - VIN end EA351846	Bitter Chocolate.	MTC7781CC	2		
15	Wood capping	Change point - VIN end EA351846, (-) Vogue SE	RH, front door	MUC2342	1		
		Change point - VIN end EA351846, (-) Vogue	RH, front door	MUC2342	1		
		Change point - VIN end EA351846, (-) Vogue	front door, LH	MUC2343	1		
		Change point - VIN end EA351846, (-) Vogue SE	front door, LH	MUC2343	1		
		Change point - VIN end EA351846, (-) Vogue SE	Kit	RTC3075	1		
		Change point - VIN end EA351846, (-) Vogue	Kit	RTC3075	1		
		Change point - VIN end EA351846, Vogue	front door, Burr Walnut, LH	MXC1195	1		
		Change point - VIN end EA351846, Vogue SE	front door, Burr Walnut, LH	MXC1195	1		
		16	Wood capping	Vogue	RH, front door, Burr Walnut	MXC4843	1
				Vogue SE	RH, front door, Burr Walnut	MXC4843	1
Vogue	front door, Burr Walnut, LH			MXC4844	1		
Vogue SE	front door, Burr Walnut, LH			MXC4844	1		
(-) Vogue SE	RH, front door, American Walnut			MXC4848	1		
(-) Vogue	RH, front door, American Walnut			MXC4848	1		
(-) Vogue SE	front door, American Walnut, LH			MXC4849	1		
(-) Vogue	front door, American Walnut, LH			MXC4849	1		
Vogue	Kit, Burr Walnut			RTC6392	1		
Vogue SE	Kit, Burr Walnut			RTC6392	1		
(-) Vogue SE	Kit, American Walnut	RTC6391	1				
(-) Vogue	Kit, American Walnut	RTC6391	1				
17	Clip-trim retention	Change point - VIN end FA374641		BRC2582	6		
18	Clip			MUC3186	6		
19	Fastener-drive		Plastic, Winchester Grey	MRC4283LUL	2		
20	Pull-front/rear door	Change point - VIN begin FA351847	Sorrel Brown	MXC1306SUA	2		
		Change point - VIN begin FA351847	Winchester Grey	MXC1306LUL	2		
21	Cover-screw		Sorrel Brown	MXC1309SUA	4		
			Winchester Grey	MXC1309LUL	4		
22	Screw		Self Tapping	AC610061L	4		



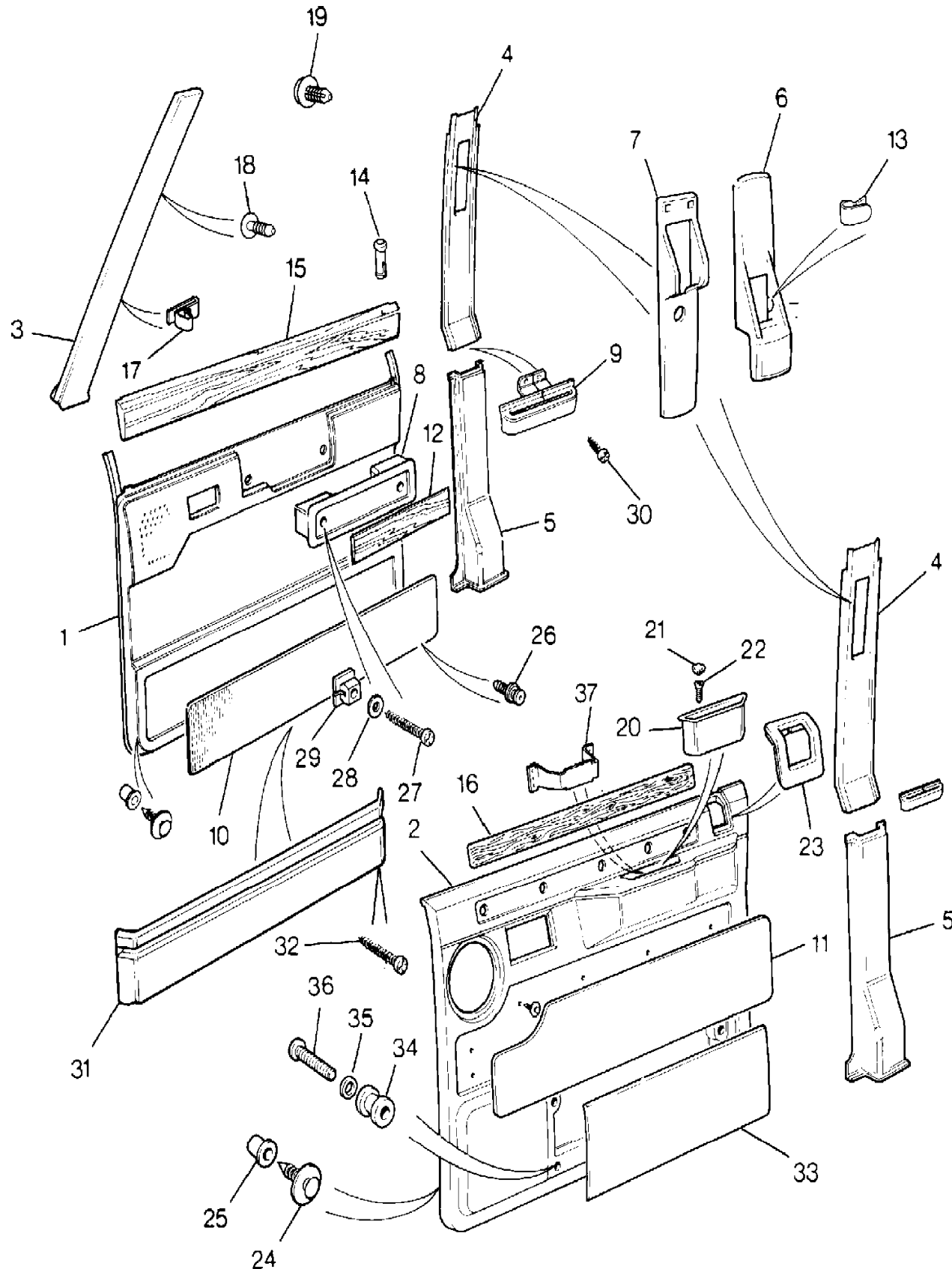
Interior Trim  
Trim  
Front Door Casing 6/6

Range Rover (To HA610293)

(TS6918)

Range Rover (To HA610293)

Interior Trim  
Trim  
Front Door Casing

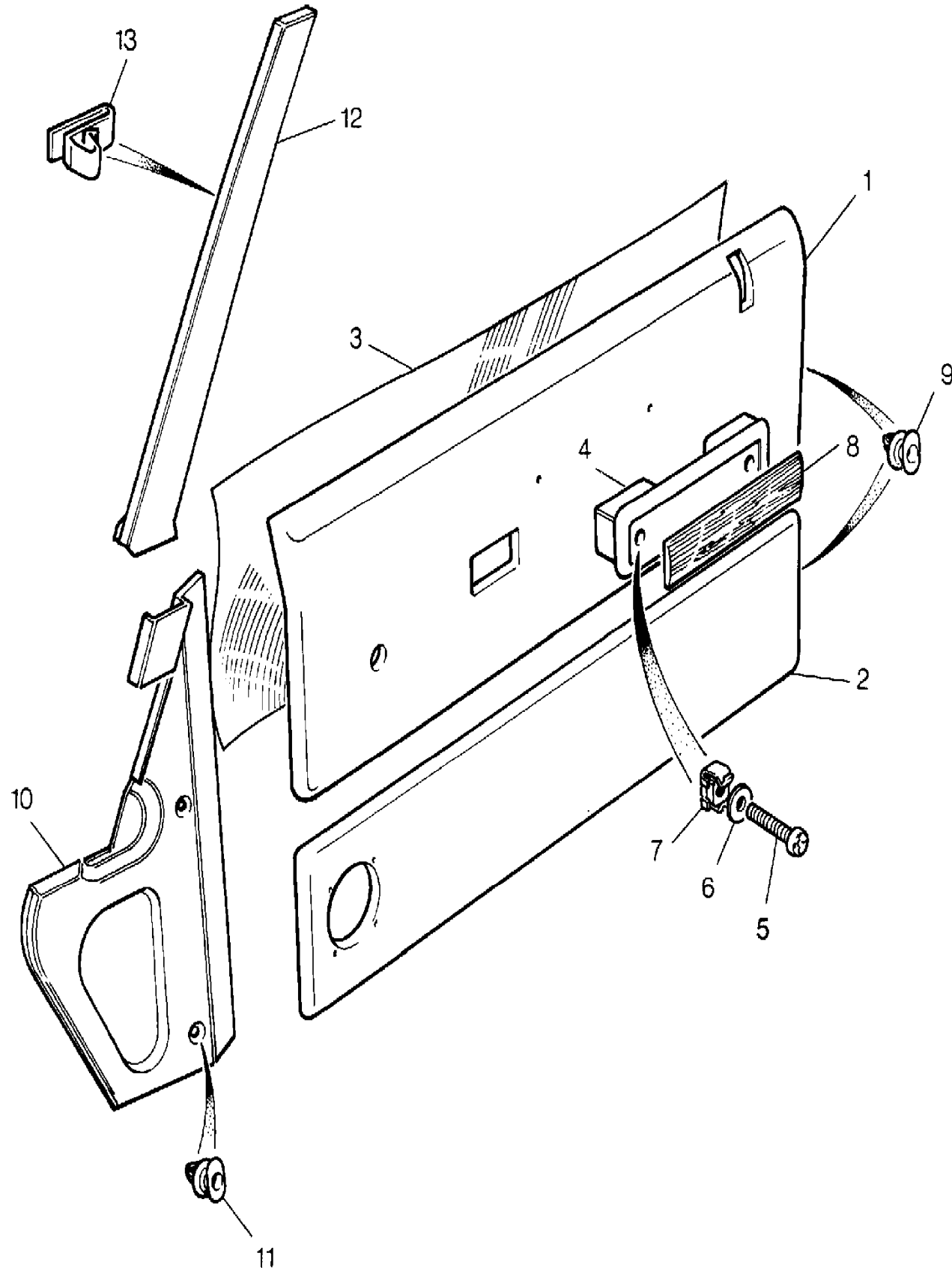


Callout	Name	Application	Remarks & Restrictions	Service No.	Qty
23	Escutcheon-door-lock	Change point - VIN begin FA351847	Bokhara	MXC4738RUN	2
24	Fastener-fir tree			MWC3129	22
25	Insert-plain			AJU1136L	22
26	Clip			AFU2989	X
27	Screw	Change point - VIN end EA351846	No 8	79231	4
28	Washer-Plain	Change point - VIN end EA351846		4563	4
29	Nut-lokut	Change point - VIN end EA351846	No10	ADU3775L	4
30	Screw		Self Tapping, No 8 x 3/8	AB608031L	4
31	Pocket-door casing	Change point - VIN end EA351846	Palomino	MUC9782AE	2
		Change point - VIN end EA351846	Steel Grey	MUC9782LR	2
32	Screw-self tapping B	Change point - VIN end EA351846	No 4 x 5/8	AB604051	14
33	Pocket-bodyside trim		Sorrel Brown Winchester Grey	MXC1324SUA MXC1324LUL	2 2
34	Spacer	Change point - VIN end EA351846, Change point - VIN begin FA351847		MXC1325	12
35	Washer	Change point - VIN end EA351846, Change point - VIN begin FA351847	M5, Plain, Standard	WA105001L	12
36	Screw	Change point - VIN end EA351846, Change point - VIN begin FA351847	plastite	ADU6780	12
37	Bracket assembly-bonnet release assembly			MXC8311	2
[900]	Retainer			RTC6798	X

Interior Trim  
Trim  
Front Door Trim-2 Door-From (V) FA351847 1/1

Range Rover (To HA610293)

(TS6538)



Range Rover (To HA610293)

Interior Trim  
Trim

Front Door Trim-2 Door-From (V) FA351847

Change point - VIN begin FA351847, 2 Door Station Wagon

Callout	Name	Application	Remarks & Restrictions	Service No.	Qty
1	Casing-front door	Change point - VIN begin FA351847	Less Electric Windows, RH, Upper	MWC6397	1
		Change point - VIN begin FA351847	Less Electric Windows, Upper, LH	MWC6398	1
		Change point - VIN begin FA351847	Electric Windows, RH, Sorrel Brown, Upper	MXC2958SUA	1
		Change point - VIN begin FA351847	Electric Windows, Sorrel Brown, Upper, LH	MXC2959SUA	1
2	Casing-front door	Change point - VIN begin FA351847	RH, Sorrel Brown, Lower	MXC2050SUA	1
		Change point - VIN begin FA351847	Sorrel Brown, Lower, LH	MXC2051SUA	1
3	Cover-front door casing	Change point - VIN begin FA351847		392213	2
4	Armrest/door pull-front/rear door	Change point - VIN begin FA351847	Sorrel Brown	MUC2208SUA	2
5	Screw-pan	Change point - VIN begin FA351847	M6 x 35	SE106351L	4
6	Washer	Change point - VIN begin FA351847	6MM	WA106041L	4
7	Nut-spire	Change point - VIN begin FA351847	M6	NK106067L	4
8	Insert-front door grab handle	Change point - VIN begin FA351847	Sorrel Brown	MTC7268SUA	2
10	Panel toebox trim	Change point - VIN begin FA351847	RH, without pocket, Sorrel Brown	MUC9478SUA	1
		Change point - VIN begin FA351847, LHD	without pocket, Sorrel Brown, LH	MUC9477SUA	1
11	Fastener-drive	Change point - VIN begin FA351847	Sorrel Brown	MUC9219SUA	4
12	Finisher-a post	Change point - VIN begin FA351847	RH, Bokhara	MUC5792RUN	1
		Change point - VIN begin FA351847	Bokhara, LH	MUC5793RUN	1
13	Clip-trim retention	Change point - VIN begin FA351847		BRC2582	6
[900]	Screw	Change point - VIN begin FA351847	pan head, recessed, M5 x 30	SE105301L	4
[901]	Washer	Change point - VIN begin FA351847	M5, Plain, Large	WC105001L	4

Interior Trim  
Trim  
Front Door Trim-2 Door-To (V) EA351846 1/1

Range Rover (To HA610293)

(VS4312A)

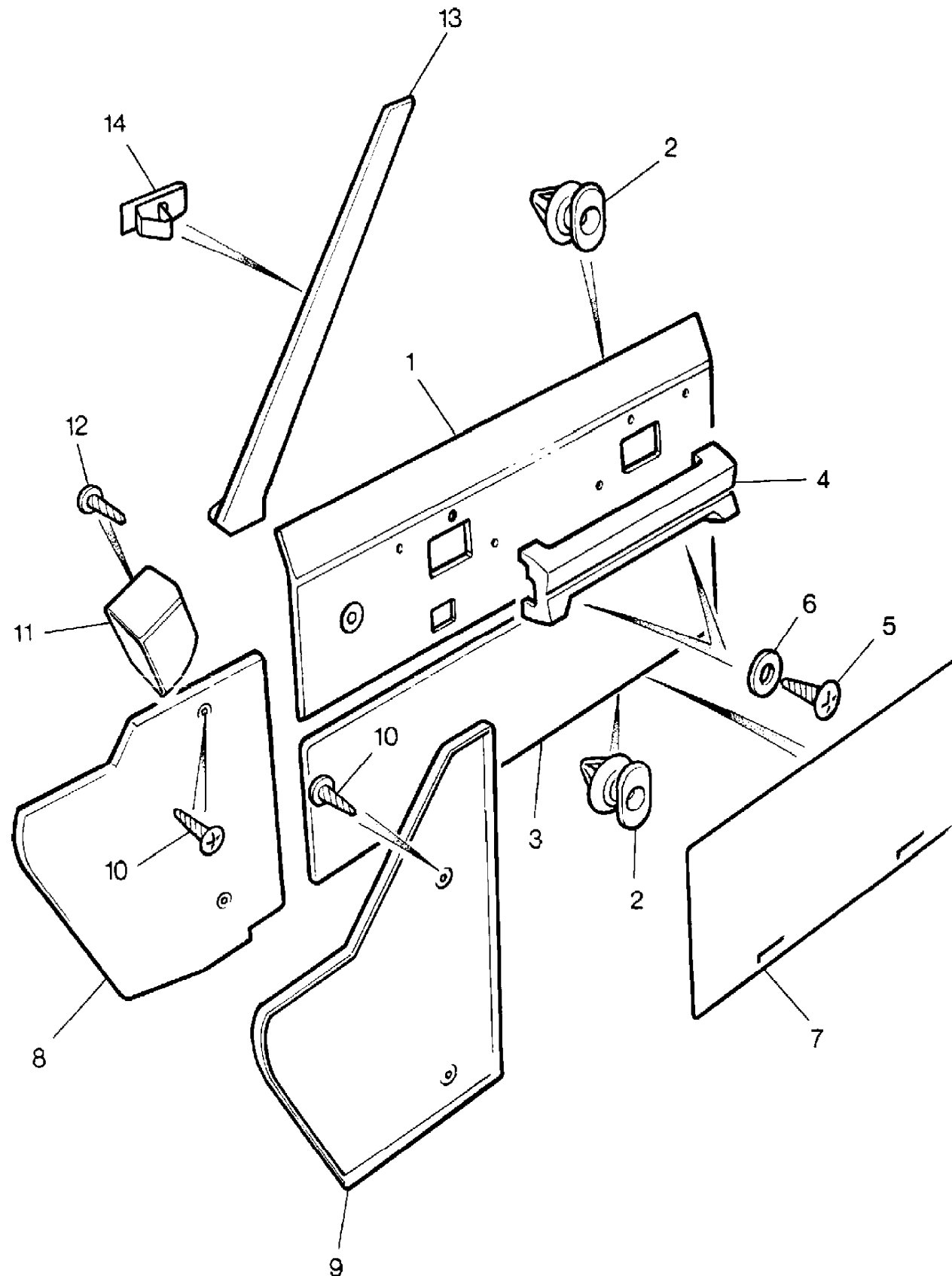
Range Rover (To HA610293)

Interior Trim  
Trim

Front Door Trim-2 Door-To (V) EA351846

Change point - VIN end EA351846, 2 Door Station Wagon

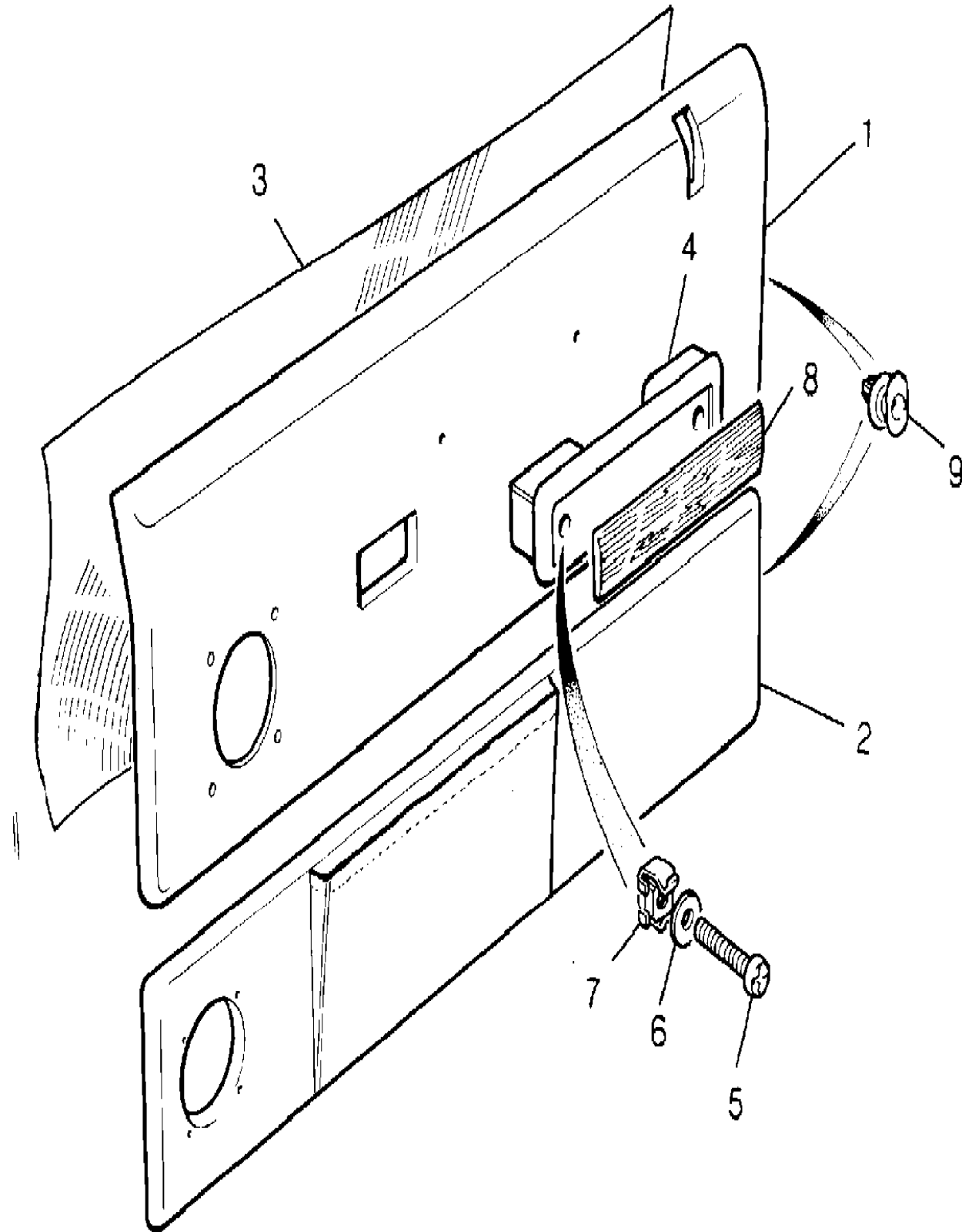
Callout	Name	Application	Remarks & Restrictions	Service No.	Qty
1	Casing-front door	Change point - VIN end EA351846	RH	392684	1
		Change point - VIN end EA351846	LH	392685	1
3	Casing-front door	Change point - VIN end EA351846	Cloth, RH, Velour	MRC9537	1
		Change point - VIN end EA351846	Cloth, Velour, LH	MRC9538	1
		Change point - VIN end EA351846	Vinyl, RH	MTC2296	1
		Change point - VIN end EA351846	Vinyl, LH	MTC2297	1
4	Armrest-front door	Change point - VIN end EA351846		392941	2
5	Screw	Change point - VIN end EA351846	Self Tapping, No10 x 3/4	AB610061L	4
6	Washer-Plain	Change point - VIN end EA351846		WC702101L	4
7	Cover-front door casing	Change point - VIN end EA351846		392213	2
8	Pad-front footwell insulation	Change point - VIN end EA351846, RHD	Palomino	392822AE	1
		Change point - VIN end EA351846, LHD	Palomino	392823AE	1
9	Pad-front footwell insulation	Change point - VIN end EA351846, RHD	Palomino	392823AE	1
		Change point - VIN end EA351846, LHD	Palomino	392822AE	1
10	Screw	Change point - VIN end EA351846	Self Tapping, No 8 x 3/8	AB608031L	2
11	Bracket-cable choke	Change point - VIN end EA351846, RHD		391291	1
		Change point - VIN end EA351846, LHD		391292	1
12	Rivet	Change point - VIN end EA351846		RTC3687	1
13	Finisher-a post	Change point - VIN end EA351846	RH, Slate Grey	MUC5792	1
		Change point - VIN end EA351846	Slate Grey, LH	MUC5793	1
14	Clip-trim retention	Change point - VIN end EA351846		BRC2582	6



Interior Trim  
Trim  
Front Door Trim-C.S.K only 1/1

Range Rover (To HA610293)

(TS6538A)



Range Rover (To HA610293)

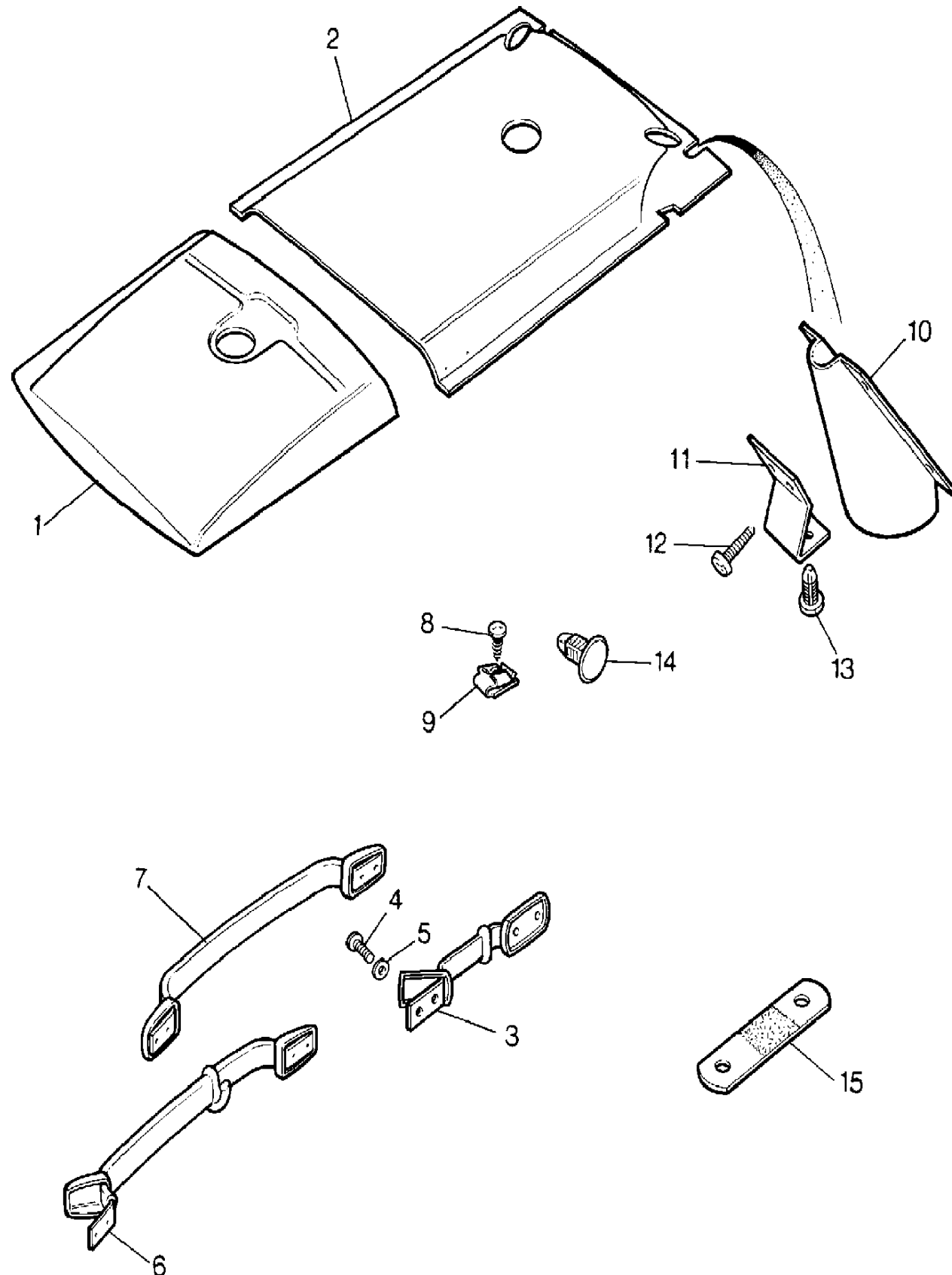
Interior Trim  
Trim  
Front Door Trim-C.S.K only

2 Door Station Wagon, CSK

Callout	Name	Application	Remarks & Restrictions	Service No.	Qty
1	Casing-front door		RH, Sorrel Brown, Leather Sorrel Brown, LH, Leather	STC337SUA STC338SUA	1 1
2	Casing-front door		RH, Sorrel Brown, Carpet Sorrel Brown, Carpet, LH	STC339SUA STC340SUA	1 1
3	Cover-front door casing			392213	2
4	Pull assembly-front door			MUC2208RUN	2
5	Screw-pan		M6 x 35	SE106351L	4
6	Washer		6MM	WA106041L	4
7	Nut-spire		M6	NK106067L	4
8	Bezel-door pull		American Walnut	BTR1210	2
9	Clip			MRC7399	X

Range Rover (To HA610293)

(TS6475)



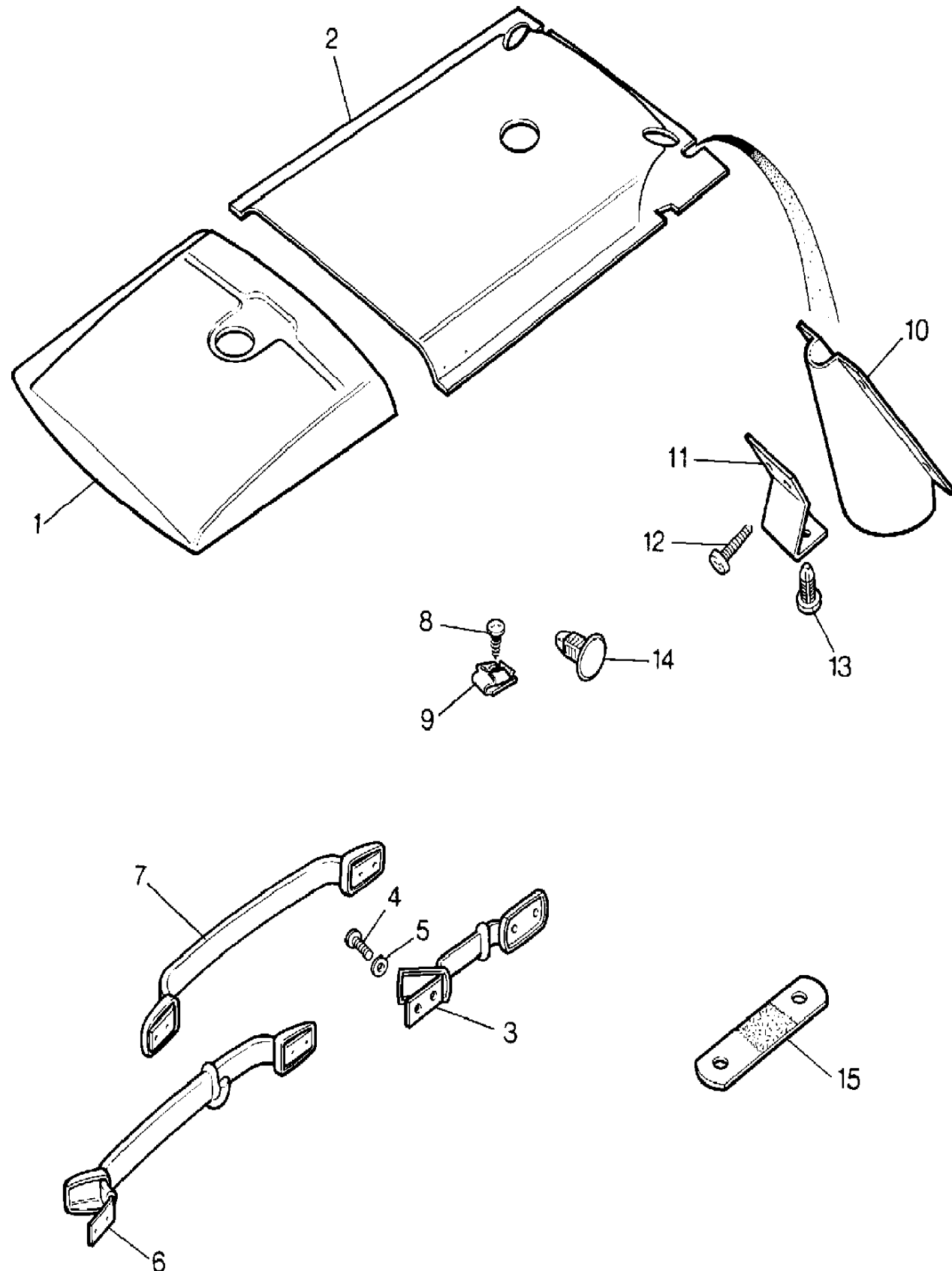
Range Rover (To HA610293)

Callout	Name	Application	Remarks & Restrictions	Service No.	Qty		
1	Headlining-roof trim	Change point - VIN end DA281664	Front, Savannah	MUC4192AL	1		
		Change point - VIN end DA281664	Front, Cool Grey	MUC4192LG	1		
2	Headlining-roof trim	Change point - VIN end DA281664, 2 Door Station Wagon	Rear, without speaker aperture, Savannah	MTC6998AL	1		
		Change point - VIN end DA281664, 2 Door Station Wagon	Rear, with speaker aperture	MUC1996	1		
		Change point - VIN end DA281664, 4 Door Station Wagon	Rear, without speaker aperture, Savannah	MTC6851AL	1		
		Change point - VIN end DA281664, 4 Door Station Wagon	Rear, with speaker aperture, Savannah	MUC2597AL	1		
		Change point - VIN end DA281664, 4 Door Station Wagon	Rear, without speaker aperture, Cool Grey	MTC6851LG	1		
		Change point - VIN end DA281664, 4 Door Station Wagon	Rear, with speaker aperture, Cool Grey	MUC2597LG	1		
		3	Handle-grab	Change point - VIN end CA274120		391506	2
		4	Screw	Change point - VIN end CA274120		78553	8
5	Washer-Lock	Change point - VIN end CA274120		WF702101L	8		
6	Handle-roof trim grab	Change point - VIN end DA281664, Change point - VIN begin DA273923	With Coat Hook, Rear, Mist	MUC5088	2		
7	Handle-roof trim grab	Change point - VIN end DA281664, Change point - VIN begin DA273923	Front	MUC5486	2		
8	Screw-self tapping	Change point - VIN end DA281664, Change point - VIN begin DA273923	counter sunk, No 10 x 1"	AD610084L	8		
9	Nut-spring-special	Change point - VIN end DA281664, Change point - VIN begin DA273923	No10	AL610011L	8		
10	Retainer	Change point - VIN end DA281664	RH, Palomino	392267AE	1		
		Change point - VIN end DA281664	Palomino, LH	393182AE	1		
		Change point - VIN end DA281664	RH, Silver Grey	392267LP	1		
		Change point - VIN end DA281664	Silver Grey, LH	393182LP	1		
11	Bracket-headlining support	Change point - VIN end DA281664		MWC8447	2		

Range Rover (To HA610293)

(TS6475)

Range Rover (To HA610293)

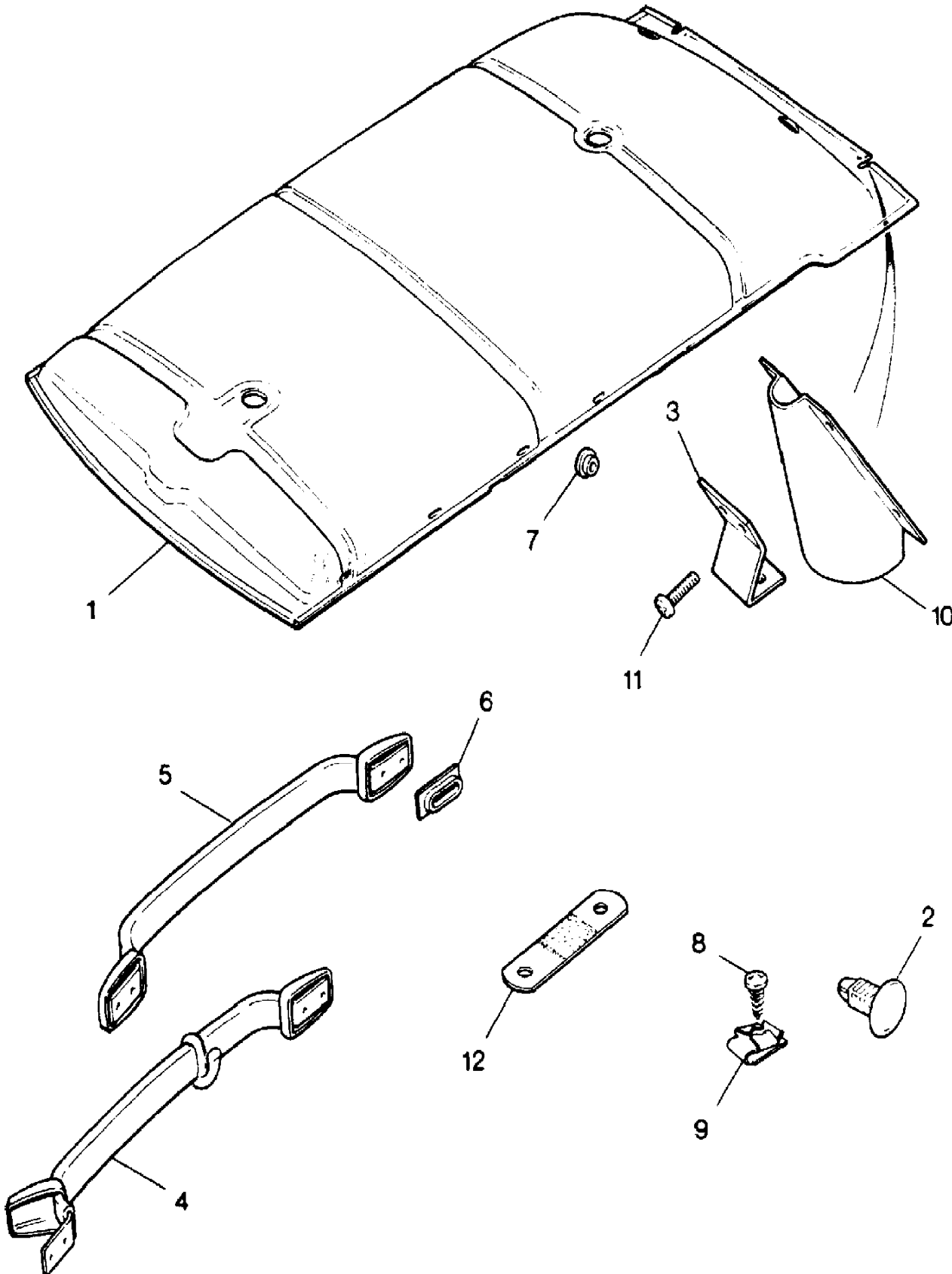


Callout	Name	Application	Remarks & Restrictions	Service No.	Qty
12	Screw	Change point - VIN end DA281664	Self Tapping, No 8 x 3/8	AB608031L	8
13	Fastener-drive	Change point - VIN end CA274120	flock coated, Savannah	MWC8228AL	X
		Change point - VIN end CA274120	flock coated, Cool Grey	MWC8228LG	X
		Change point - VIN end DA281664	Grey, flock coated	ADU8026LO	X
		Change point - VIN end DA281664, Change point - VIN begin DA273923	Brushwood	MWC3938AV	X
		Change point - VIN end DA281664, Change point - VIN begin DA273923	Grey, flock coated	ADU8026LO	X
		Change point - VIN end DA281664, Change point - VIN begin DA273923			
14	Clip	Change point - VIN end DA281664, Change point - VIN begin DA273923	Savannah	MWC3297AL	X
		Change point - VIN end DA281664, Change point - VIN begin DA273923	Cool Grey	MWC3297LG	X
15	Clip-trim retention	Change point - VIN end DA281664	Savannah	RTC5784AL	2
		Change point - VIN end DA281664	Cool Grey	RTC5784LG	2

Interior Trim  
Trim  
Headlining Assembly 1/2

Range Rover (To HA610293)

(TS6321B)



Range Rover (To HA610293)

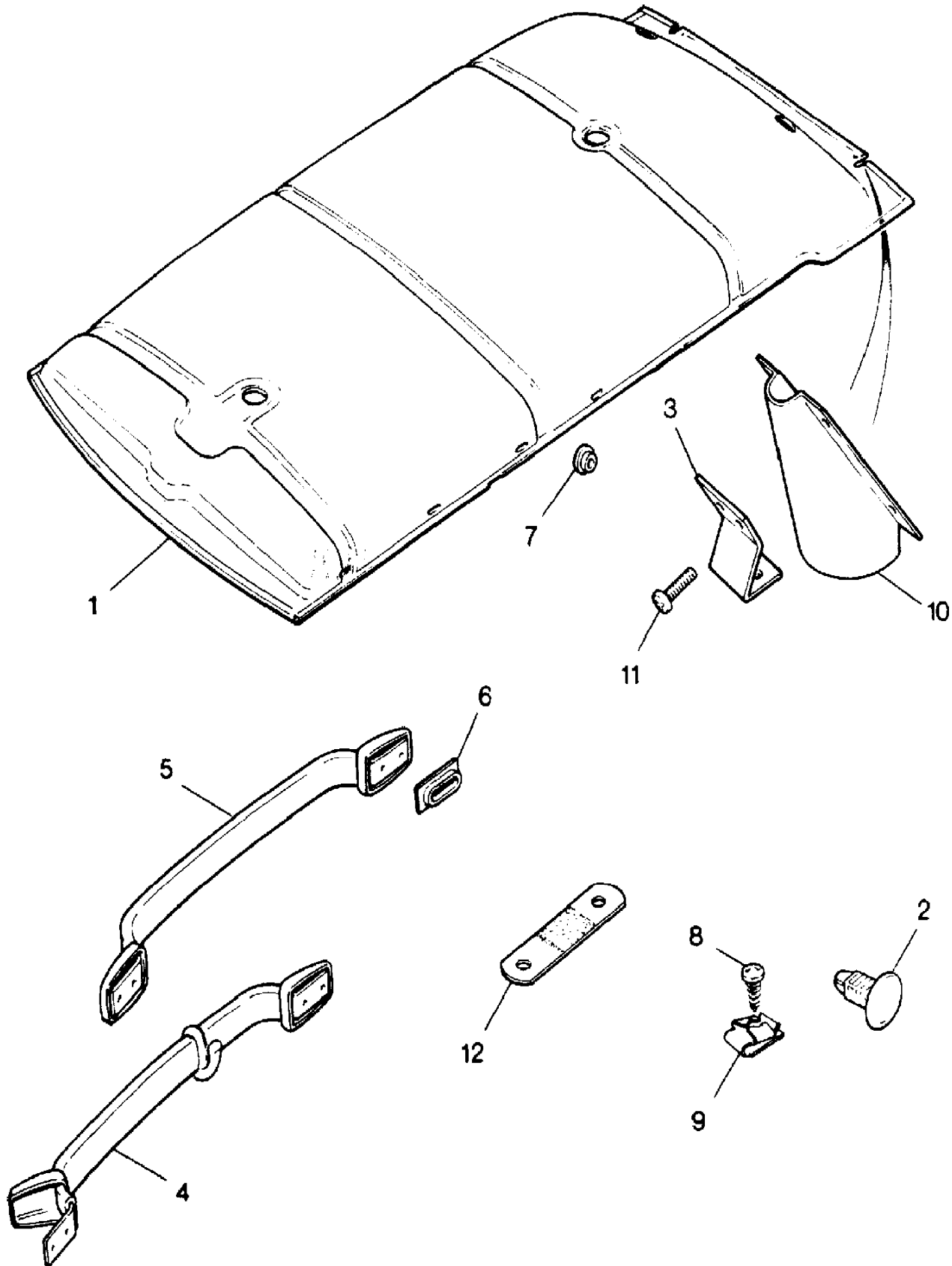
Interior Trim  
Trim  
Headlining Assembly

Callout	Name	Application	Remarks & Restrictions	Service No.	Qty
1	Headlining-roof trim	Change point - VIN begin DA281665, 2 Door Station Wagon, Less Sun Roof	without speaker aperture, Savannah	MWC5975AL	1
		Change point - VIN begin FA351033, 2 Door Station Wagon, Less Sun Roof	Mist Grey, without speaker aperture	MWC5975LUM	1
		Change point - VIN begin DA281665, 4 Door Station Wagon, Less Sun Roof	without speaker aperture, Savannah	MWC5961AL	1
		Change point - VIN begin DA281665, 4 Door Station Wagon, Less Sun Roof	with speaker aperture, Savannah	MWC5481AL	1
		Change point - VIN begin FA351033, 4 Door Station Wagon, Less Sun Roof	Mist Grey, with speaker aperture	MWC5481LUM	1
		2	Fastener-drive	Change point - VIN begin DA281665	flock coated, Savannah
Change point - VIN begin DA281665	flock coated, Cool Grey			MWC8228LG	X
Change point - VIN begin DA281665	Grey, flock coated			ADU8026LO	X
Change point - VIN begin FA351033	Mist Grey, flock coated			MWC8228LUM	X
3	Bracket-headlining support	Change point - VIN begin DA281665		MWC8447	2
4	Handle-roof trim grab	Change point - VIN begin DA281665	With Coat Hook, Rear, Mist	MUC5088	2
		Change point - VIN begin FA351033	With Coat Hook, Rear, Mist Grey	MUC5088LUM	2
5	Handle-roof trim grab	Change point - VIN begin DA281665	Front	MUC5486	2
		Change point - VIN begin FA351033	Front, Mist Grey	MUC5486LUM	2
6	Insert-front headrest grab handle	Change point - VIN begin DA281665		MWC9640	8
7	Insert receptacle	Change point - VIN begin DA281665		MWC9822	2
8	Screw-self tapping	Change point - VIN begin DA281665	counter sunk, No 10 x 1"	AD610084	8
9	Nut-spring-J type	Change point - VIN begin DA281665		AL610011	8
10	Retainer	Change point - VIN begin DA281665	RH, Palomino	392267AE	1
		Change point - VIN begin DA281665	RH, Silver Grey	392267LP	1
		Change point - VIN begin FA351033	RH, Mist Grey	392267LUM	1
		Change point - VIN begin DA281665	Palomino, LH	393182AE	1
		Change point - VIN begin DA281665	Silver Grey, LH	393182LP	1

Interior Trim  
Trim  
Headlining Assembly 2/2

Range Rover (To HA610293)

(TS6321B)



Range Rover (To HA610293)

Interior Trim  
Trim  
Headlining Assembly

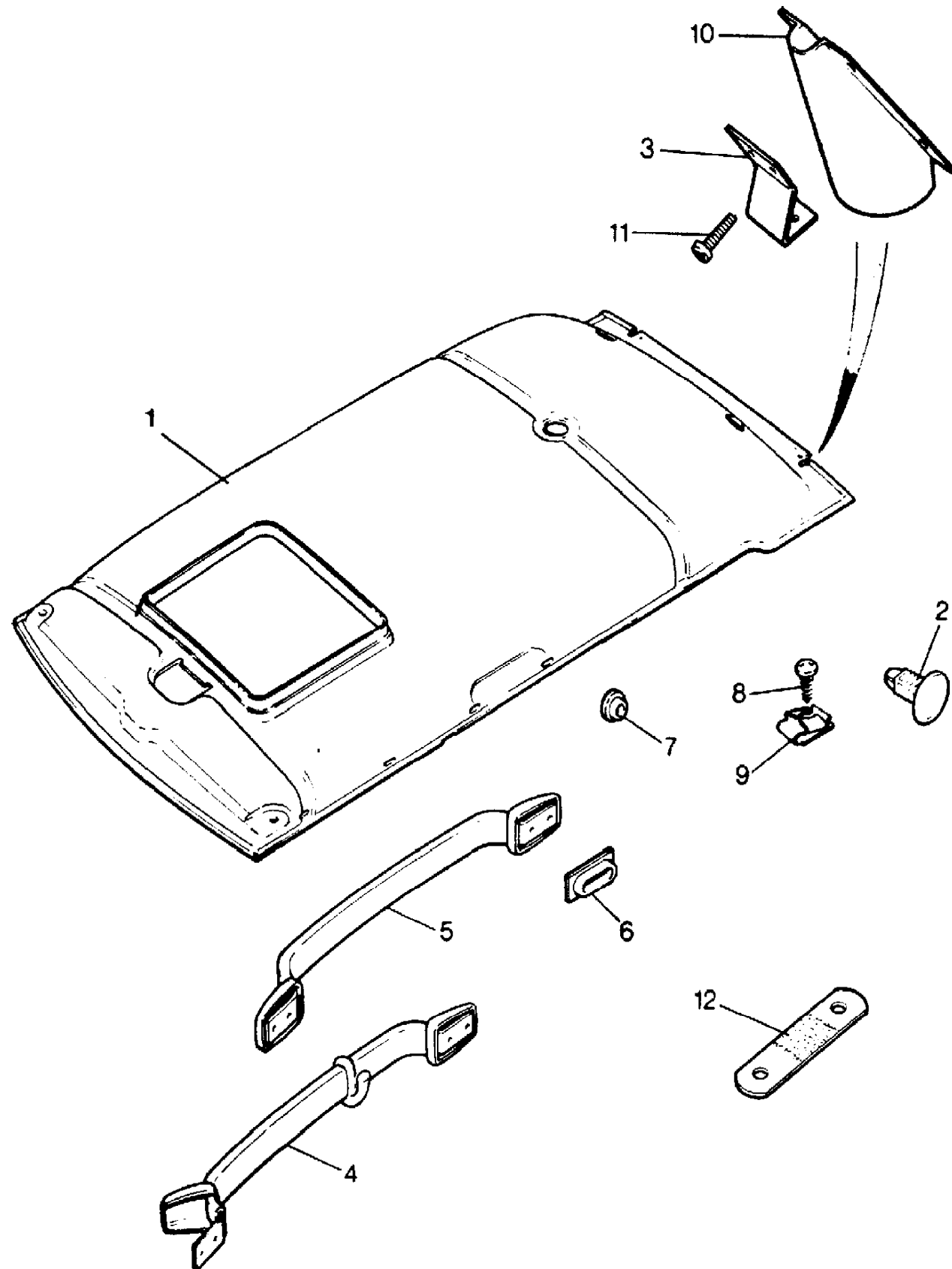
Callout	Name	Application	Remarks & Restrictions	Service No.	Qty
10	Retainer	Change point - VIN begin FA351033	Mist Grey, LH	393182LUM	1
11	Screw	Change point - VIN begin DA281665	Self Tapping, No 8 x 3/8	AB608031L	8
12	Clip-trim retention	Change point - VIN begin DA281665	Savannah	RTC5784AL	2
		Change point - VIN begin DA281665	Cool Grey	RTC5784LG	2



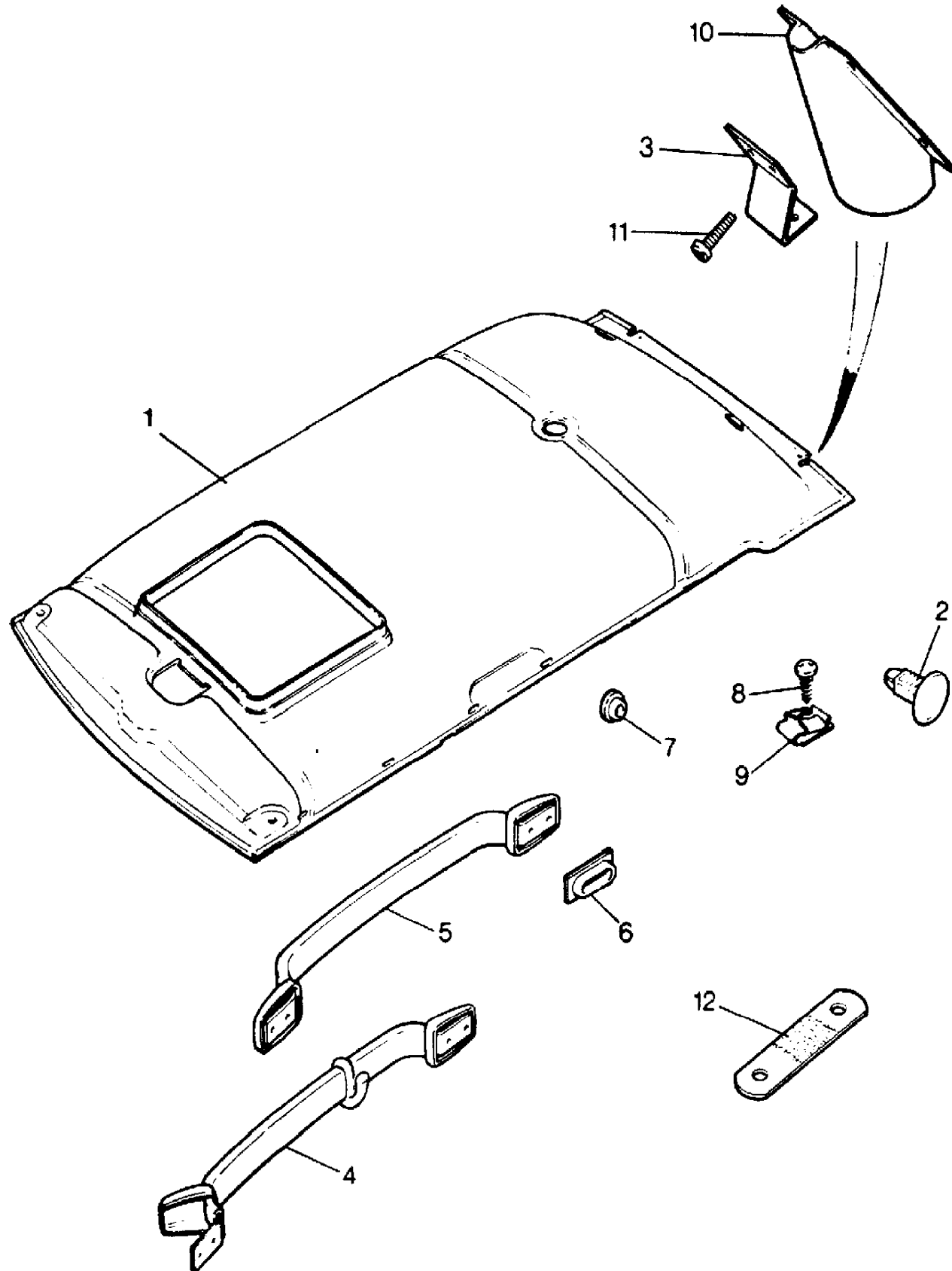
Range Rover (To HA610293)

(TS6321C)

Range Rover (To HA610293)



Callout	Name	Application	Remarks & Restrictions	Service No.	Qty		
1	Headlining assembly-sunroof	Change point - VIN begin DA281665, 2 Door Station Wagon, CSK, With Sunroof,	Mist Grey	MWC6002LUM	1		
		Change point - VIN begin DA281665, Change point - VIN end EA351846, 2 Door Station Wagon, With Sunroof	Savannah	MWC6003AL	1		
		Change point - VIN begin FA351847, Change point - VIN end GA464553, 2 Door Station Wagon, With Sunroof	Mist Grey	MWC6003LUM	1		
		Change point - VIN begin HA464554, 2 Door Station Wagon, (-) CSK, With Sunroof	Mist Grey	BTR443LUM	1		
		Change point - VIN begin DA281665, Change point - VIN end EA351846, 4 Door Station Wagon, With Sunroof	Savannah	MWC5012AL	1		
		Change point - VIN begin FA351847, Change point - VIN end GA464553, 4 Door Station Wagon, With Sunroof	Mist Grey	MWC5012LUM	1		
		Change point - VIN begin HA464554, 4 Door Station Wagon, With Sunroof	Mist Grey	BTR444LUM	1		
		2	Fastener-drive	Change point - VIN begin DA281665	Plastic, Brushwood	RTC3938AV	4
				Change point - VIN begin DA281665	Grey, flock coated	ADU8026LO	4
Change point - VIN begin FA351847	Plastic, Sorrel Brown			MRC4283SUA	4		
Change point - VIN begin FA351847	Plastic, Winchester Grey			MRC4283LUL	4		
Change point - VIN begin DA281665	flock coated, Savannah			MWC8228AL	4		
Change point - VIN begin DA281665	flock coated, Cool Grey			MWC8228LG	4		
Change point - VIN begin FA351847	Mist Grey, flock coated			MWC8228LUM	4		
3	Bracket-headlining support			Change point - VIN begin DA281665		MWC8447	2
4	Handle-roof trim grab	Change point - VIN begin DA281665, Change point - VIN end EA351846	With Coat Hook, Rear, Mist	MUC5088	2		
		Change point - VIN begin FA351847	With Coat Hook, Rear, Mist Grey	MUC5088LUM	2		
5	Handle-roof trim grab	Change point - VIN begin DA281665, Change point - VIN end EA351846	Front	MUC5486	2		
		Change point - VIN begin FA351847	Front, Mist Grey	MUC5486LUM	2		



Callout	Name	Application	Remarks & Restrictions	Service No.	Qty
6	Insert-front headrest grab handle	Change point - VIN begin DA281665		MWC9640	8
7	Insert receptacle	Change point - VIN begin DA281665		MWC9822	2
8	Screw-self tapping	Change point - VIN begin DA281665	counter sunk, No 10 x 1"	AD610084	8
9	Nut-spring-J type	Change point - VIN begin DA281665		AL610011	8
10	Retainer	Change point - VIN begin DA281665 Change point - VIN begin DA281665 Change point - VIN begin FA351847 Change point - VIN begin DA281665 Change point - VIN begin DA281665 Change point - VIN begin FA351847	RH, Palomino RH, Silver Grey RH, Mist Grey Palomino, LH Silver Grey, LH Mist Grey, LH	392267AE 392267LP 392267LUM 393182AE 393182LP 393182LUM	1 1 1 1 1 1
11	Screw	Change point - VIN begin DA281665	fixing bracket headlining support, Self Tapping, No 8 x 3/8	AB608031L	8
12	Clip-trim retention	Change point - VIN begin DA281665 Change point - VIN begin DA281665	Savannah Cool Grey	RTC5784AL RTC5784LG	2 2

Interior Trim  
Trim  
Insulation & Sound Deadening Pads 1/1

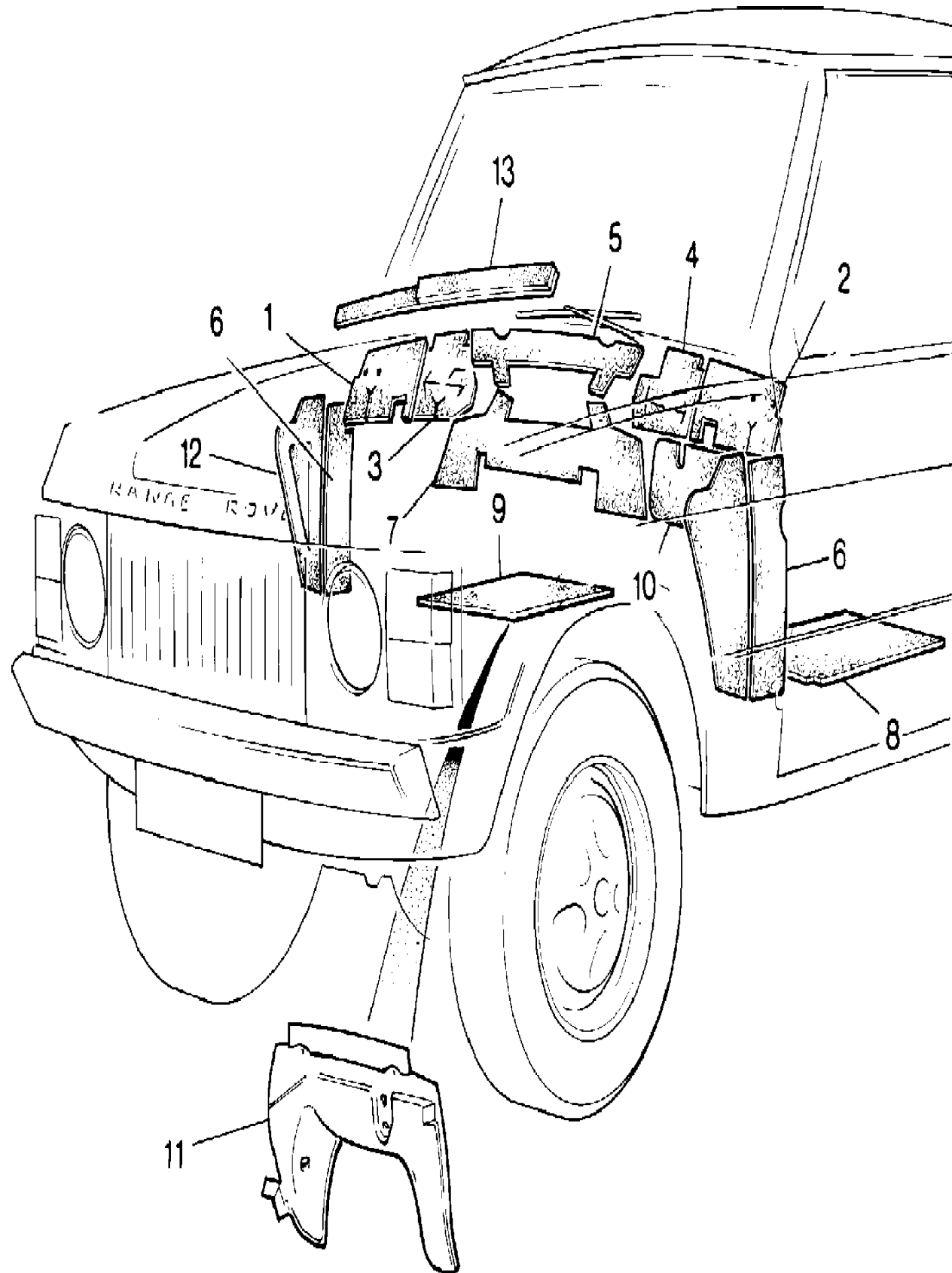
Range Rover (To HA610293)

(TS6147A)

Range Rover (To HA610293)

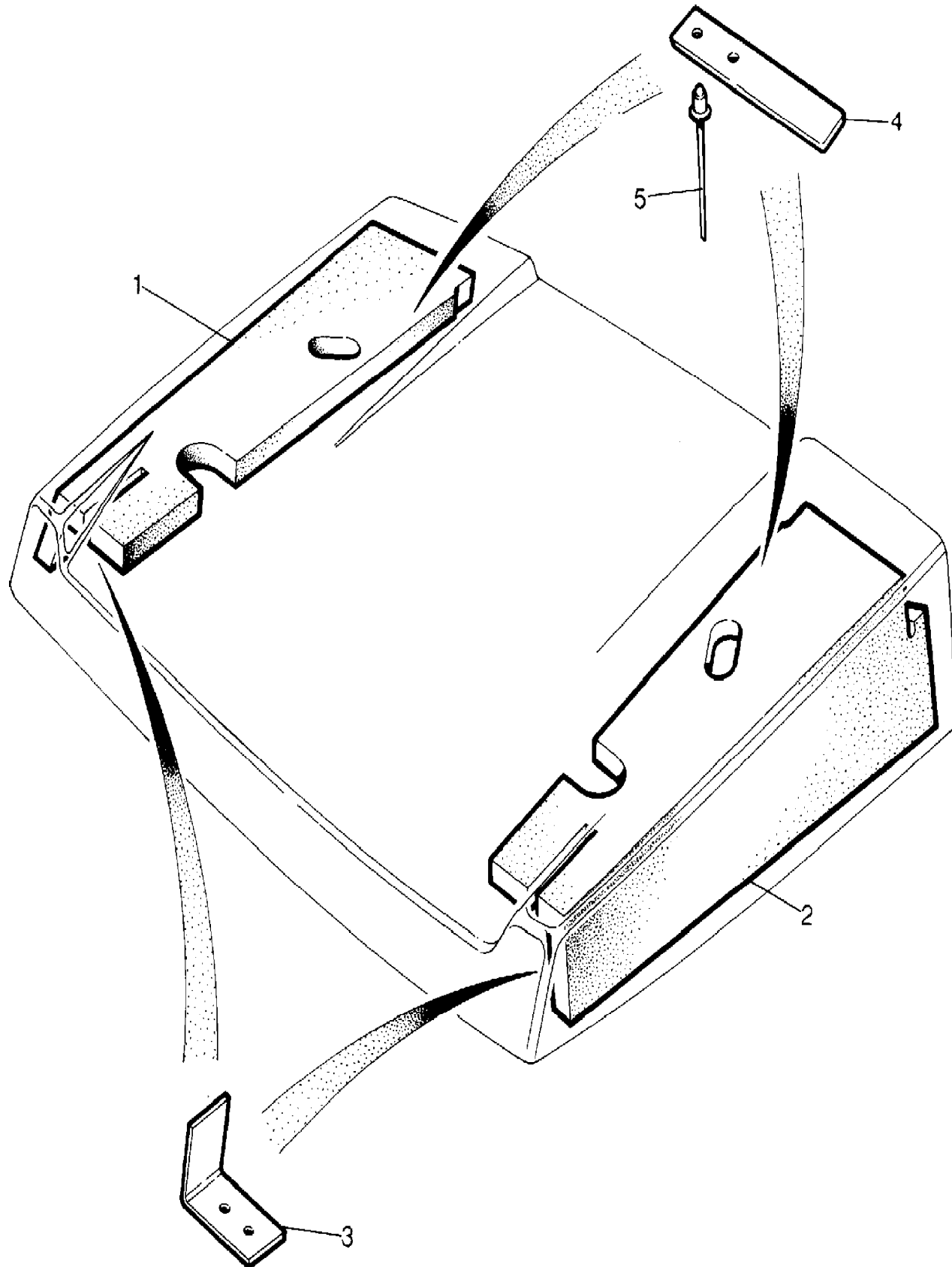
Interior Trim  
Trim

Insulation & Sound Deadening Pads



Callout	Name	Application	Remarks & Restrictions	Service No.	Qty
1	Pad-front bulkhead right hand side insulation	Change point - VIN end EA351846	Outer	MUC2903	1
		Change point - VIN begin FA351847	Outer, RH	MWC2640	1
2	Pad-front bulkhead left hand side insulation	Change point - VIN end EA351846	Outer	MUC2904	1
		Change point - VIN begin FA351847	Outer, LH	MWC2641	1
3	Pad-front bulkhead insulation		RH, Inner	MUC2902	1
4	Pad-front bulkhead insulation		Inner, LH	MUC2901	1
5	Pad-front bulkhead insulation		Centre	393031	1
6	Pad-insulation	Change point - VIN end DA291924	bulkhead, Rear, Side	393039	2
		Change point - VIN begin DA291925	bulkhead, Rear, Side	MWC4803	2
7	Pad-rear bulkhead insulation	Change point - VIN end CA273922	behind heater	393032	1
		Change point - VIN begin DA273923	behind heater	MWC2645	1
8	Pad-acoustic	Change point - VIN end CA273922	seat base	MUC3202	2
		Change point - VIN begin DA273923, Change point - VIN end FA399972	seat base, LH	MWC4451	1
		Change point - VIN end FA399972	seat base, RH	MWC4450	1
		Change point - VIN begin GA399973	seat base, LH	MXC6583	1
		Change point - VIN begin DA273923	seat base, RH	MXC5606	1
10	Pad-front footwell insulation	Change point - VIN end CA273922	RH	MUC2000	1
		Change point - VIN end CA273922	LH	MUC1999	1
11	Pad-facia insulation	Change point - VIN begin DA273923	drivers side dash	MWC2693	1
12	Pad-insulation		bulkhead, Front, Side	MUC9489	2
		Change point - VIN begin DA273923	engine side dash	MWC4567	1
13	Pad-upper dash insulation	RHD	Passenger Side	MUC7682	1
		LHD	Passenger Side	MWC7681	1

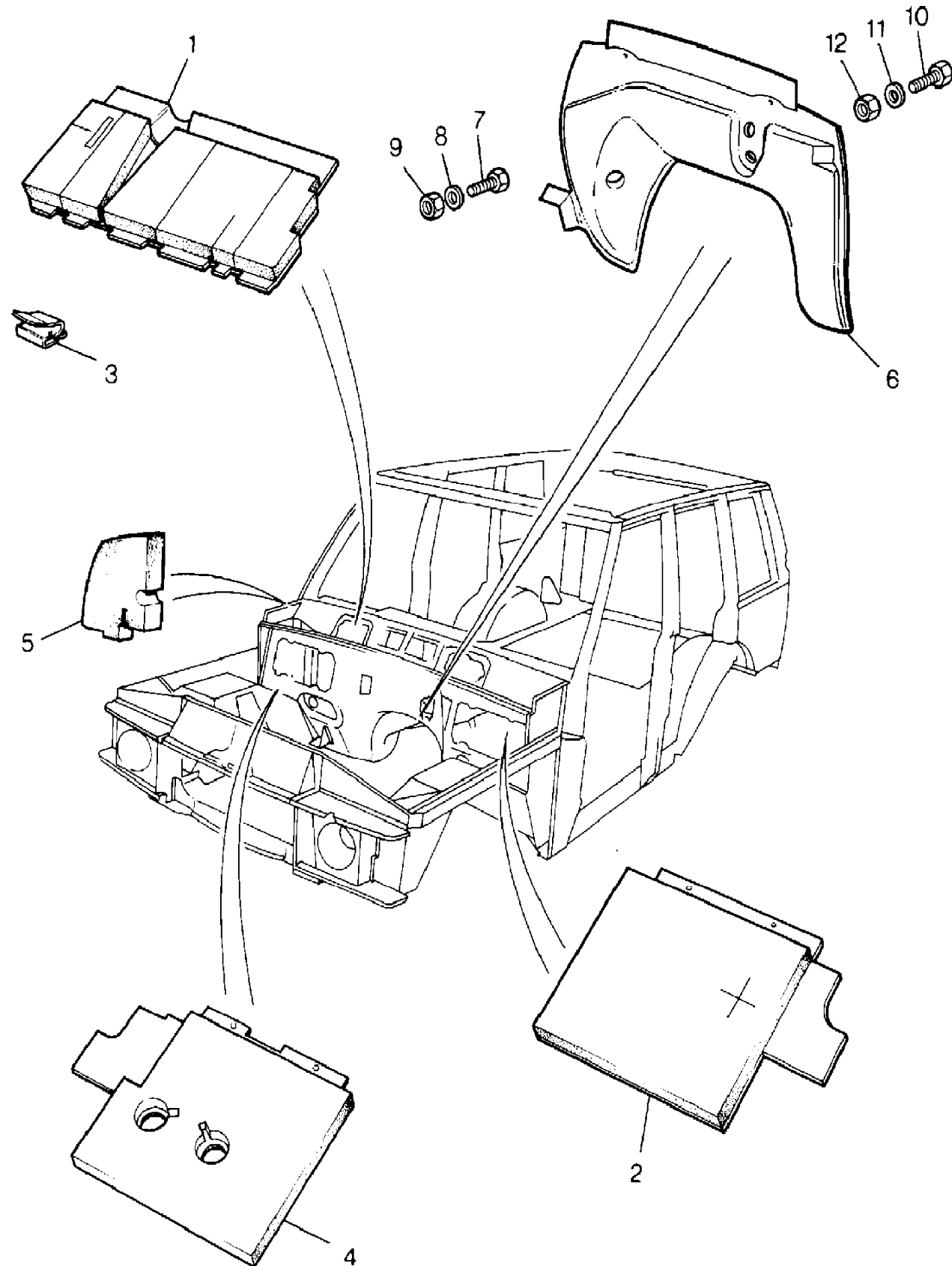
Callout	Name	Application	Remarks & Restrictions	Service No.	Qty
1	Pad-insulation bonnet		RH	MTC4474	1
2	Pad-insulation bonnet		LH	MTC4473	1
3	Bracket		fixing insulation pad	MTC4476	6
4	Retainer		fixing insulation pad	MTC4531	6
5	Rivet		fixing insulation pad	RU608127L	24



Range Rover (To HA610293)

Range Rover (To HA610293)

Callout	Name	Application	Remarks & Restrictions	Service No.	Qty
1	Pad-insulation	With Petrol Engines	closer-drivers side	MWC6401	1
		With Diesel Engines	closer-drivers side	MUC4230	1
2	Pad-insulation	With Petrol Engines	closer-passenger side	MUC8977	1
		Change point - VIN end EA332762, With Diesel Engines	closer-passenger side	MUC4229	1
		Change point - VIN begin EA332763, With Diesel Engines, RHD	closer-passenger side	MWC7682	1
		Change point - VIN begin EA332763, With Diesel Engines, LHD	closer-passenger side	MWC7681	1
3	Clip			MUC8960	4
4	Pad-insulation	Change point - VIN end FA399972, With Petrol Engines, LHD	closer-facia	MXC5141	1
		Change point - VIN end FA399972, With Petrol Engines, RHD	closer-facia	MXC5140	1
		Change point - VIN begin GA399973, With Petrol Engines, LHD	closer-facia	MXC7645	1
		Change point - VIN begin GA399973, With Petrol Engines, RHD	closer-facia	MXC7646	1
		With Diesel Engines, RHD	closer-facia	MUC8976	1
		With Diesel Engines, LHD	closer-facia	MUC8977	1
5	Pad-insulation	Change point - VIN end FA399972, RHD	decker panel	MUC9431	1
		Change point - VIN end FA399972, LHD	decker panel	MWC6401	1
		Change point - VIN begin GA399973	decker panel	MUC8954	1
6	Pad-front bulkhead insulation		dash & tunnel	MUC7581	1
7	Screw		hexagonal head, M4 x 10	SH104101L	2
8	Washer-Plain		M4	WA104001L	2
9	Nut-hexagonal		M4	NH104041L	2
10	Screw		M5 X 10, hexagonal head	SH105101L	2
11	Washer		Also serviced as part of a kit, M5, oversize, Plain	WJ105001L	2
12	Nut-hexagonal		M5	NH105041L	2



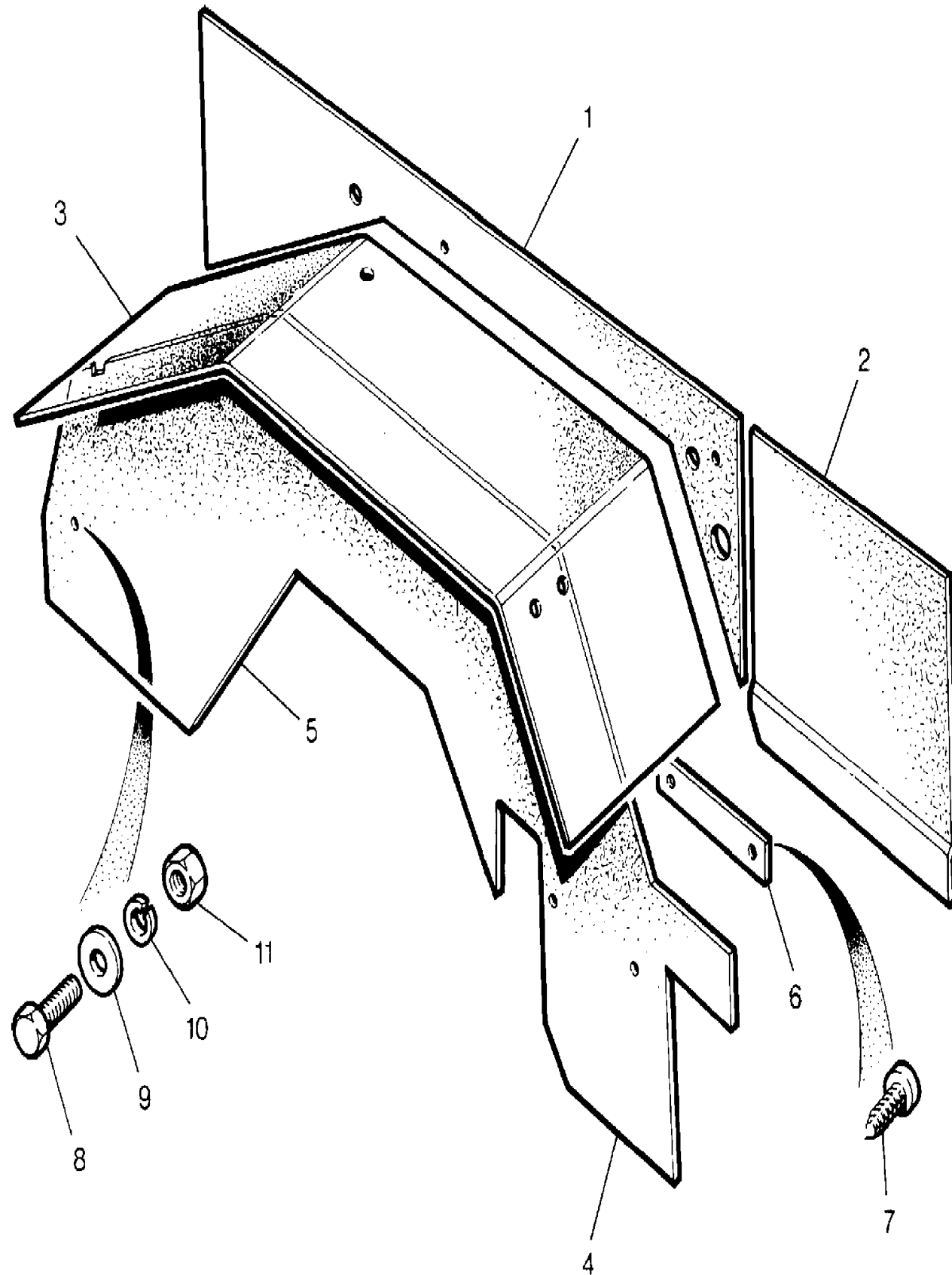
Interior Trim  
Trim  
Insulation-Pad Wheelarch 1/1

Range Rover (To HA610293)  
(VS4007)

Range Rover (To HA610293)

Interior Trim  
Trim  
Insulation-Pad Wheelarch

Callout	Name	Application	Remarks & Restrictions	Service No.	Qty
1	Pad-insulation		Wheelarch, RH, Upper Wheelarch, Upper, LH	MTC4082 MTC4083	1 1
2	Pad-insulation		Wheelarch, Front, Side, LH	MTC4493	1
3	Pad-insulation		Wheelarch, RH, top Wheelarch, top, LH	MTC4590 MTC4591	1 1
4	Pad-insulation		Wheelarch, Front, RH, Inner Wheelarch, Front, Inner, LH	MTC6512 MTC6511	1 1
5	Pad-insulation		Wheelarch, Rear, RH, Inner Wheelarch, Rear, Inner, LH	MTC6514 MTC6513	1 1
6	Plate-trim retention			MTC4596	2
7	Screw		Self Tapping, No 14 x 3/4	AB614061L	4
8	Screw		M6 X 16, hexagonal head	SH106161L	9
9	Washer		Plain	AFU1080	9
10	Washer		M6, sprung	WL106001L	9
11	Nut - Hex.		M6, nyloc, Hexagonal	NH106041L	9



Interior Trim  
Trim  
Insulation-Tunnel Front & Rear Floor 1/2

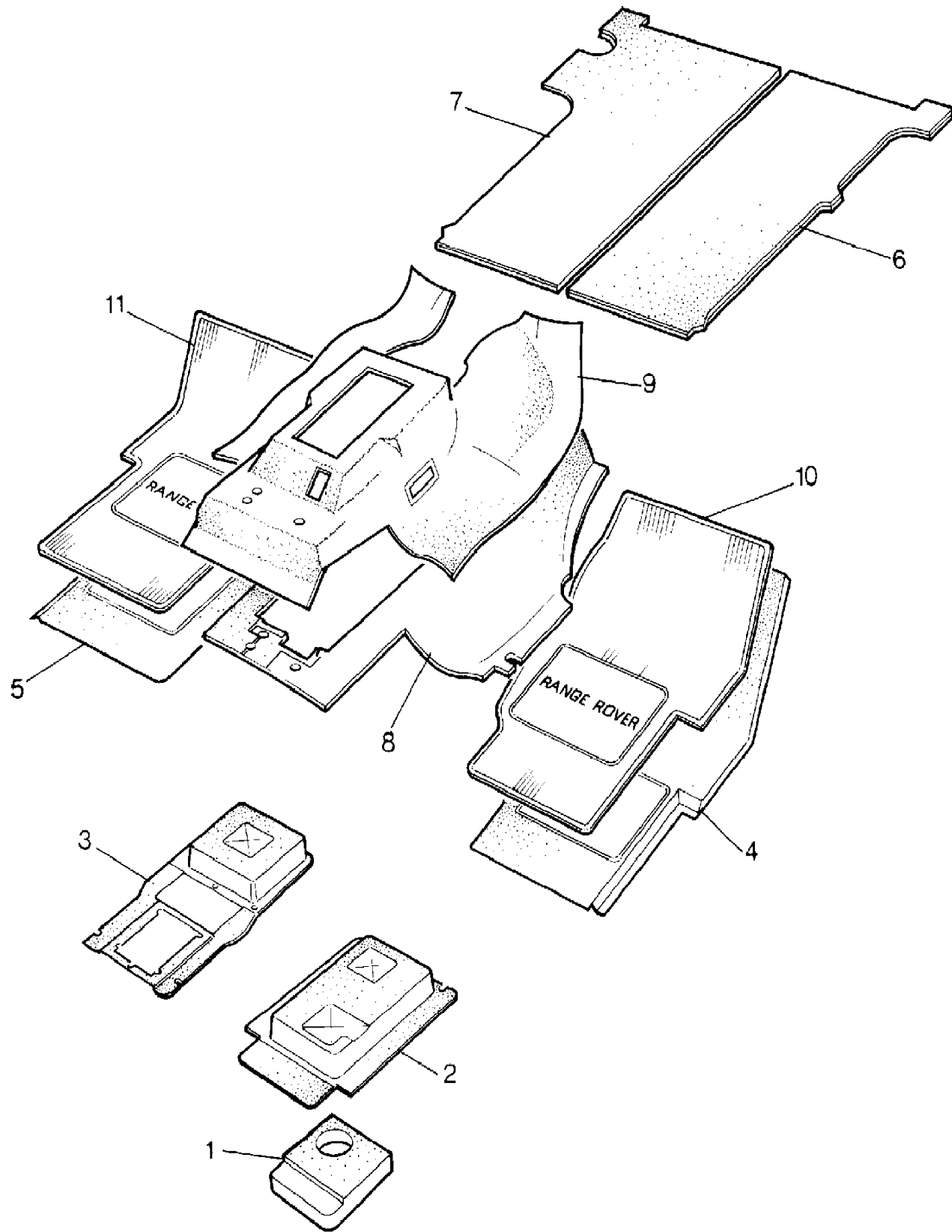
Range Rover (To HA610293)

(TS6923)

Range Rover (To HA610293)

Interior Trim  
Trim

Insulation-Tunnel Front & Rear Floor



Callout	Name	Application	Remarks & Restrictions	Service No.	Qty
1	Pad-insulation	Manual Transmission	gear lever gaiter	MUC7981	1
2	Pad-insulation	Manual Transmission	sealing gaiter	MUC7864	1
3	Pad-insulation	Automatic Transmission	sealing gaiter	MUC7863	1
4	Pad-front floor insulation	Change point - VIN end CA273922, With Diesel Engines	Black, RH	MUC7582	1
		Change point - VIN begin DA273923, With Diesel Engines	Black, RH	MXC7576PCH	1
		Change point - VIN end CA273922, With Petrol Engines	Black, RH	MUC6802	1
		Change point - VIN begin DA273923, With Petrol Engines	Black, RH	MXC7578PCH	1
		Change point - VIN end CA273972, With Diesel Engines	Black, LH	MUC7583	1
5	Pad-front floor insulation	Change point - VIN begin DA273923, With Diesel Engines	Black, LH	MXC7575PCH	1
		Change point - VIN end EA335931, With Diesel Engines	Grey, LH	MWC4563	1
		Change point - VIN end CA273922, With Petrol Engines	Black, LH	MUC6803	1
		Change point - VIN begin DA273923, With Petrol Engines	Black, LH	MXC7577PCH	1
		Change point - VIN end CA273922	RH	MTC5576	1
6	Pad-rear floor insulation	Change point - VIN begin DA273923	RH	MWC4448	1
		Change point - VIN end CA273922	LH	MTC5577	1
7	Pad-rear floor insulation	Change point - VIN begin DA273923	LH	MWC4449	1
		Change point - VIN end CA273922	LH	MWC4449	1
8	Pad-insulation-front tunnel	Change point - VIN end CA273922		MUC2511	1
		Change point - VIN begin DA273923		MXC7751PCH	1
		Change point - VIN end EA351846		MUC7584	1
		Change point - VIN begin FA351847, Change point - VIN end GA414566		MXC3224PCH	1
		Change point - VIN begin GA414567		MXC7749PCH	1
9	Carpet-tunnel	Change point - VIN end CA273922, (-) Vogue SE	Nutmeg	MUC2502AH	1
		Change point - VIN end CA273922, (-) Vogue SE	Slate Grey	MUC2502LE	1

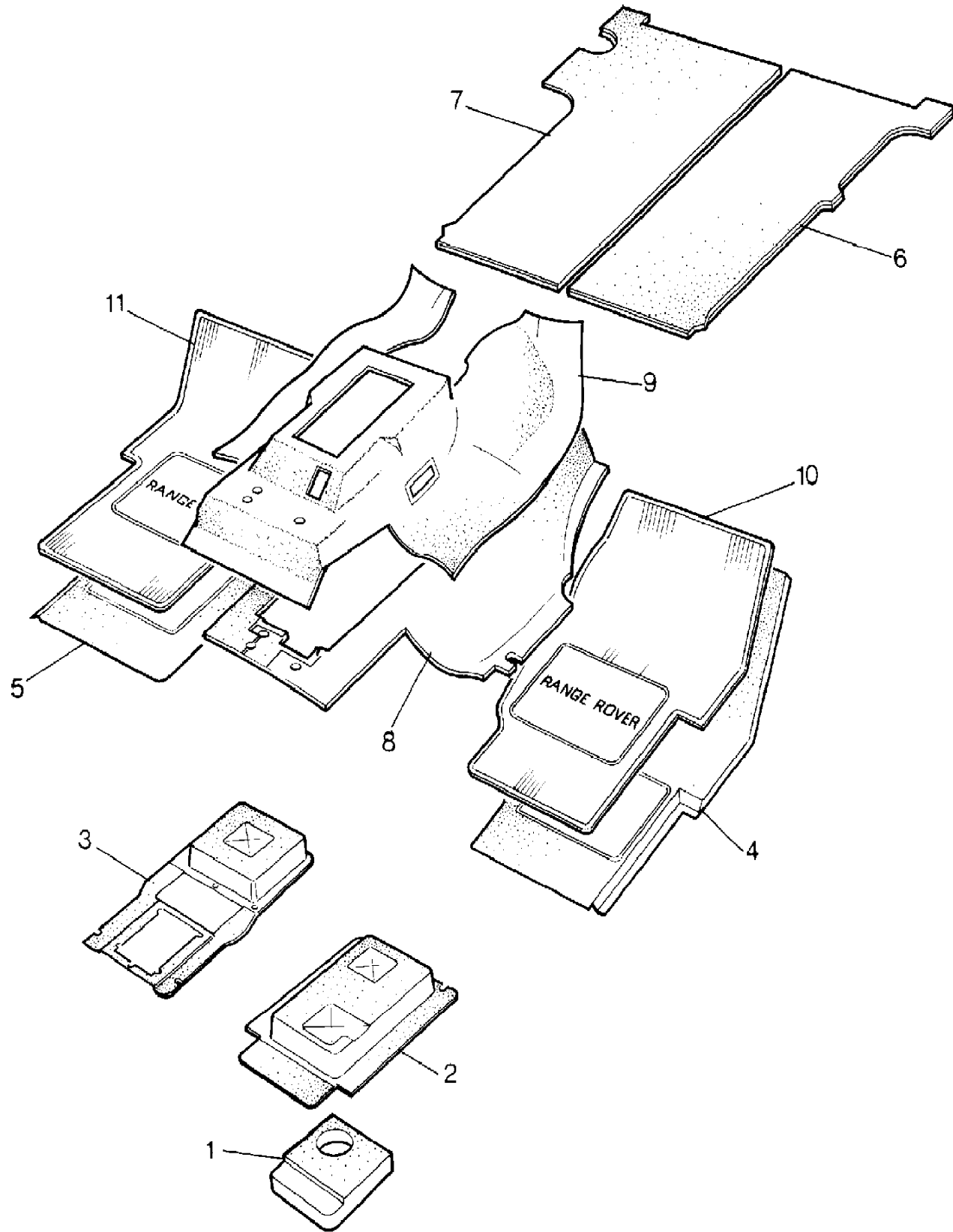
Interior Trim  
Trim  
Insulation-Tunnel Front & Rear Floor 2/2

Range Rover (To HA610293)

(TS6923)

Range Rover (To HA610293)

Interior Trim  
Trim  
Insulation-Tunnel Front & Rear Floor



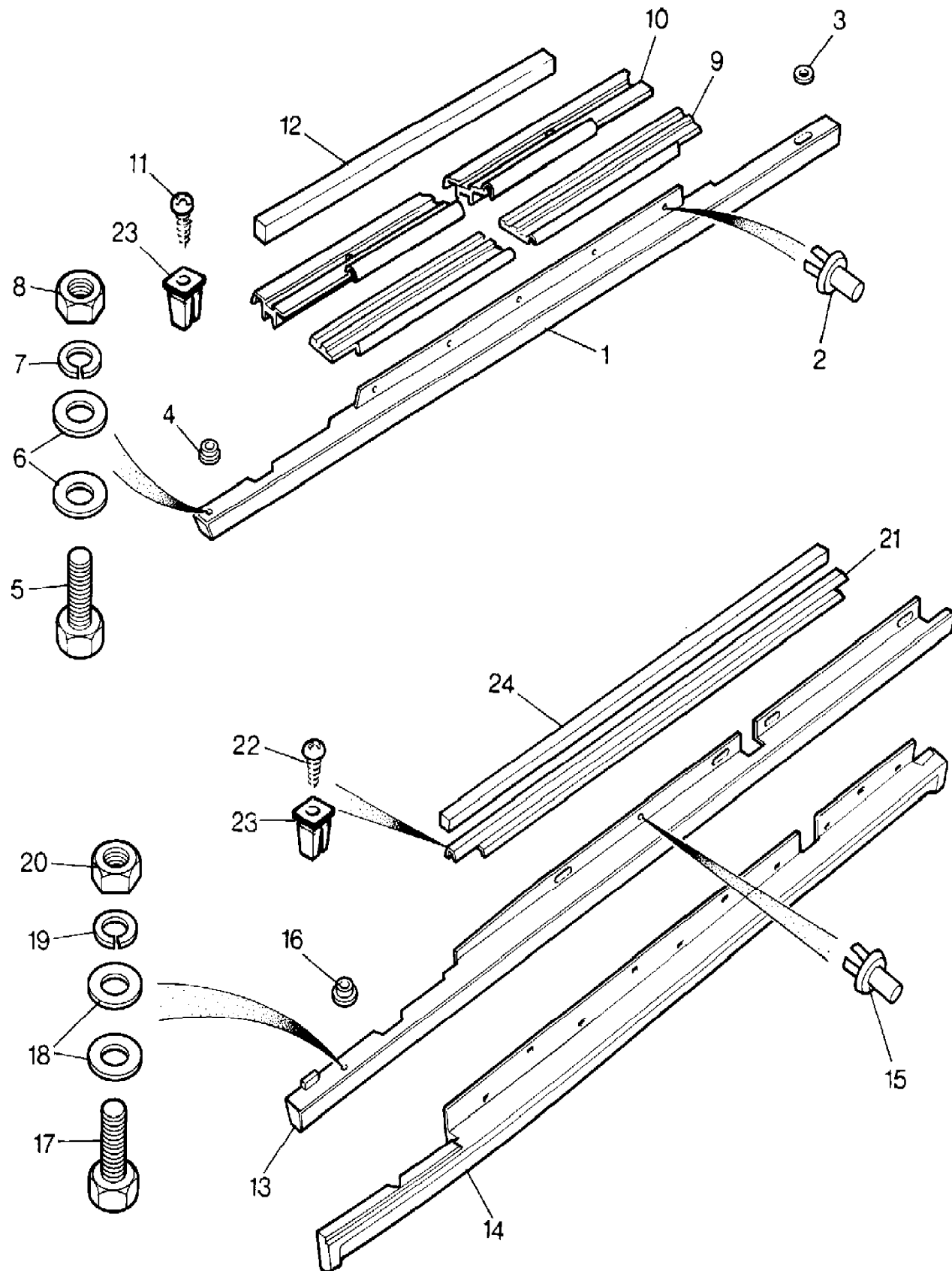
Callout	Name	Application	Remarks & Restrictions	Service No.	Qty		
9	Carpet-tunnel	Change point - VIN begin DA273923, Change point - VIN end EA351846, (-) Vogue SE	Nutmeg	MWC4552AH	1		
		Change point - VIN begin DA273923, Change point - VIN end EA351846, (-) Vogue SE	Slate Grey	MWC6202LE	1		
		Change point - VIN begin FA351847, (-) Vogue SE	Winchester Grey	MXC7750LUL	1		
		Change point - VIN begin FA351847, (-) Vogue SE	Brogue	MXC7750AUE	1		
		Change point - VIN begin DA273923, Change point - VIN end EA351846, Vogue SE	Slate Grey	MXC1627LDE	1		
		Change point - VIN begin FA351847, Vogue SE	Brogue	MXC7647AUE	1		
		Change point - VIN begin FA351847, Vogue SE	Winchester Grey	MXC7647LUL	1		
		10	Mat-front floor drop in		RH	393078AE	1
		11	Mat-front floor drop in		LH	MTC7541AE	1



Range Rover (To HA610293)

(TS5757B)

Range Rover (To HA610293)



Callout	Name	Application	Remarks & Restrictions	Service No.	Qty
1	Finisher-body side sill	2 Door Station Wagon 2 Door Station Wagon	RH LH	390568 390569	1 1
2	Rivet-plastic-drive	2 Door Station Wagon		79086	10
3	Spacer	2 Door Station Wagon	Rear	390586	2
4	Spacer	2 Door Station Wagon	Front	390585	2
5	Screw	2 Door Station Wagon	M5, hexagonal head, 6MM	SH604081L	4
6	Washer	2 Door Station Wagon		RTC618	8
7	Washer-Spring	2 Door Station Wagon	1/4 dia, Square	WM600041L	4
8	Nut - Hex.	2 Door Station Wagon	hexagonal head, Coarse Thread, 1/4UNF	NH604041L	4
9	Plate-floor cover front sill tread	Change point - VIN end EA351032, 2 Door Station Wagon Change point - VIN end EA351032, 2 Door Station Wagon	RH LH	MTC6288 MTC6289	1 1
10	Treadstrip	Change point - VIN begin FA351033, 2 Door Station Wagon Change point - VIN begin FA351033, 2 Door Station Wagon	RH LH	MXC1706 MXC1707	1 1
11	Screw-self tapping	2 Door Station Wagon	counter sunk, No 10 x 1"	AC610081L	10
12	Seal	2 Door Station Wagon		MTC2342	2
13	Finisher-body side sill	Change point - VIN end FA374641, 4 Door Station Wagon Change point - VIN end FA374641, 4 Door Station Wagon	RH LH	MTC9305 MTC9304	1 1
14	Finisher-body side sill	Change point - VIN begin FA374642, 4 Door Station Wagon Change point - VIN begin FA374642, 4 Door Station Wagon	Black, RH Black, LH	BTR1686PUB BTR1687PUB	1 1
15	Rivet-plastic-drive	4 Door Station Wagon		79086	12
16	Spacer	4 Door Station Wagon	Front	390585	2
17	Screw	4 Door Station Wagon	M5, hexagonal head, 6MM	SH604081L	2
19	Washer-Spring	4 Door Station Wagon	1/4 dia, Square	WM600041L	2

Interior Trim

Trim

Interior Sill Finishers 2/2

Range Rover (To HA610293)

(TS5757B)

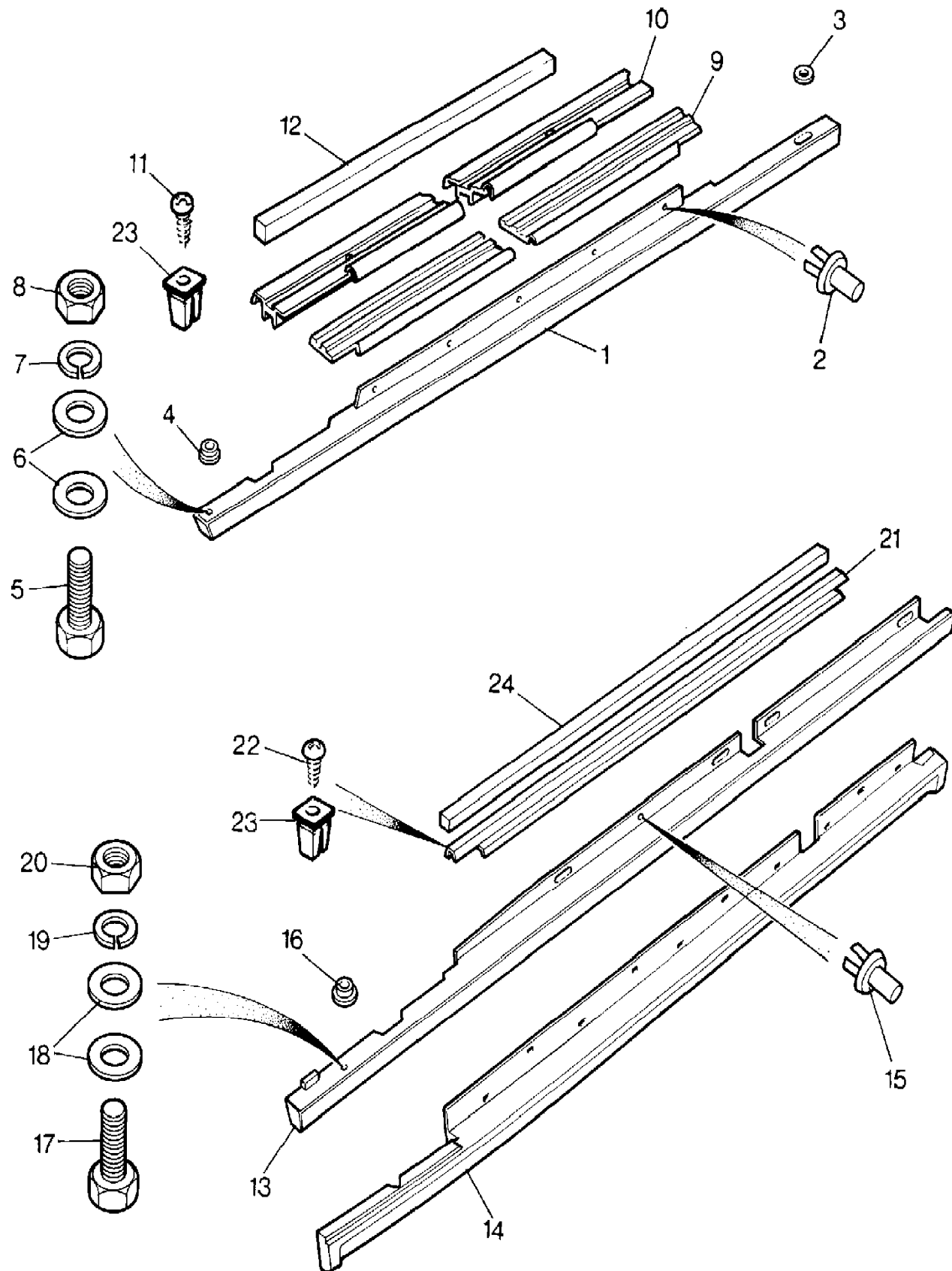
Interior Trim

Trim

Interior Sill Finishers

Range Rover (To HA610293)

Callout	Name	Application	Remarks & Restrictions	Service No.	Qty
20	Nut - Hex.	4 Door Station Wagon	hexagonal head, Coarse Thread, 1/4UNF	NH604041L	2
21	Treadstrip	4 Door Station Wagon	Black, Front, LH	MTC3877	1
		4 Door Station Wagon	Black, Front, RH	MTC3878	1
		4 Door Station Wagon	Black, Rear, LH	MTC3879	1
		4 Door Station Wagon	Black, Rear, RH	MTC3880	1
22	Screw-self tapping	4 Door Station Wagon	counter sunk, No 10 x 1"	AC610081L	12
23	Nut - Hex.	4 Door Station Wagon		RTC3746	20
24	Seal	4 Door Station Wagon		MTC2342	4

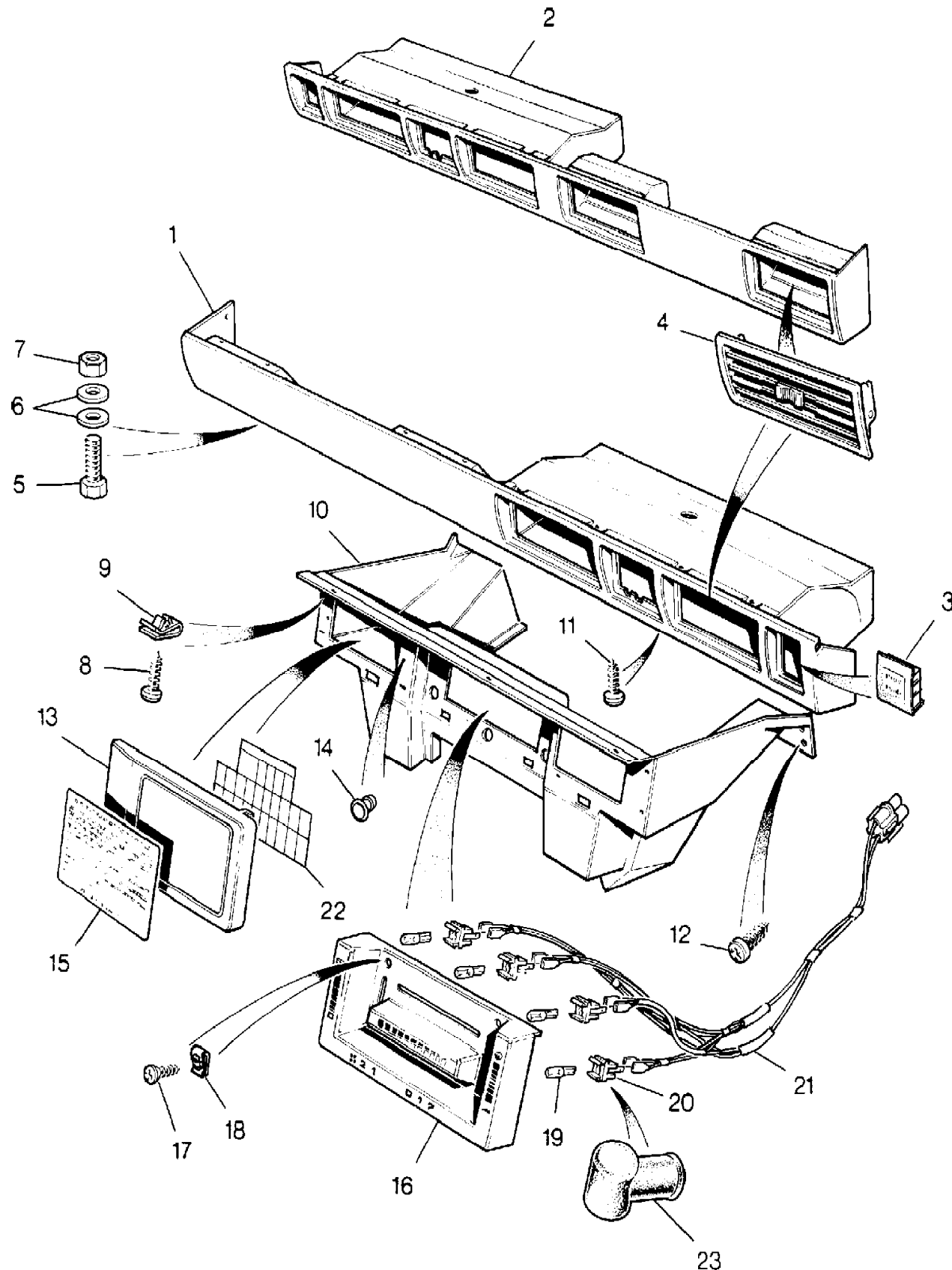


Range Rover (To HA610293)

(TS6242B)

Range Rover (To HA610293)

Callout	Name	Application	Remarks & Restrictions	Service No.	Qty
1	Facia rail lower assembly	Change point - VIN end EA351846, RHD Change point - VIN end EA351846, LHD Change point - VIN begin FA351847, RHD		MWC2675 MWC2676 MWC2675RUN	1 1 1
2	Facia rail lower assembly	Change point - VIN begin GA399973, RHD Change point - VIN begin GA399973, LHD		MXC6928RUN MXC6929RUN	1 1
3	Finisher-facia	Change point - VIN end DA309776 Change point - VIN begin DA273923	With Logo With Logo	MWC 1293 MWC3067	1 1
4	Housing-facia vent louvre	Change point - VIN end HA472682 Change point - VIN begin HA472683	with wood inserts	MXC5572 BTR1191	2 2
5	Screw		hexagonal head, M4 x 20	SH104201	5
6	Washer-Plain		M4	WA104001L	10
7	Nut-hexagonal		M4	NH104041L	5
8	Screw		No 8 x 3/4	AFU3002	4
9	Nut-spring-u type			AK608141L	4
10	Console assembly-facia	Change point - VIN end EA351846, RHD Change point - VIN end EA351846, LHD Change point - VIN begin FA351847, RHD Change point - VIN begin FA351847, LHD Change point - VIN begin GA399973, RHD Change point - VIN begin GA399973, LHD		MWC8580 MWC8579 MXC5258RUN MXC5257RUN MXC4612RUN MXC4613RUN	1 1 1 1 1 1
11	Screw		Self Tapping, No10 x 3/4	AB610061L	4
12	Screw-self tapping		pan head, No 12 x 1/2, pointed	AB612041L	4
13	Cover-facia fuse box access	Change point - VIN end EA351846 Change point - VIN begin FA351847 Change point - VIN begin GA399973		MUC9218 MUC9218RUN MXC5485RUN	1 1 1
14	Stud			AFU3075	4



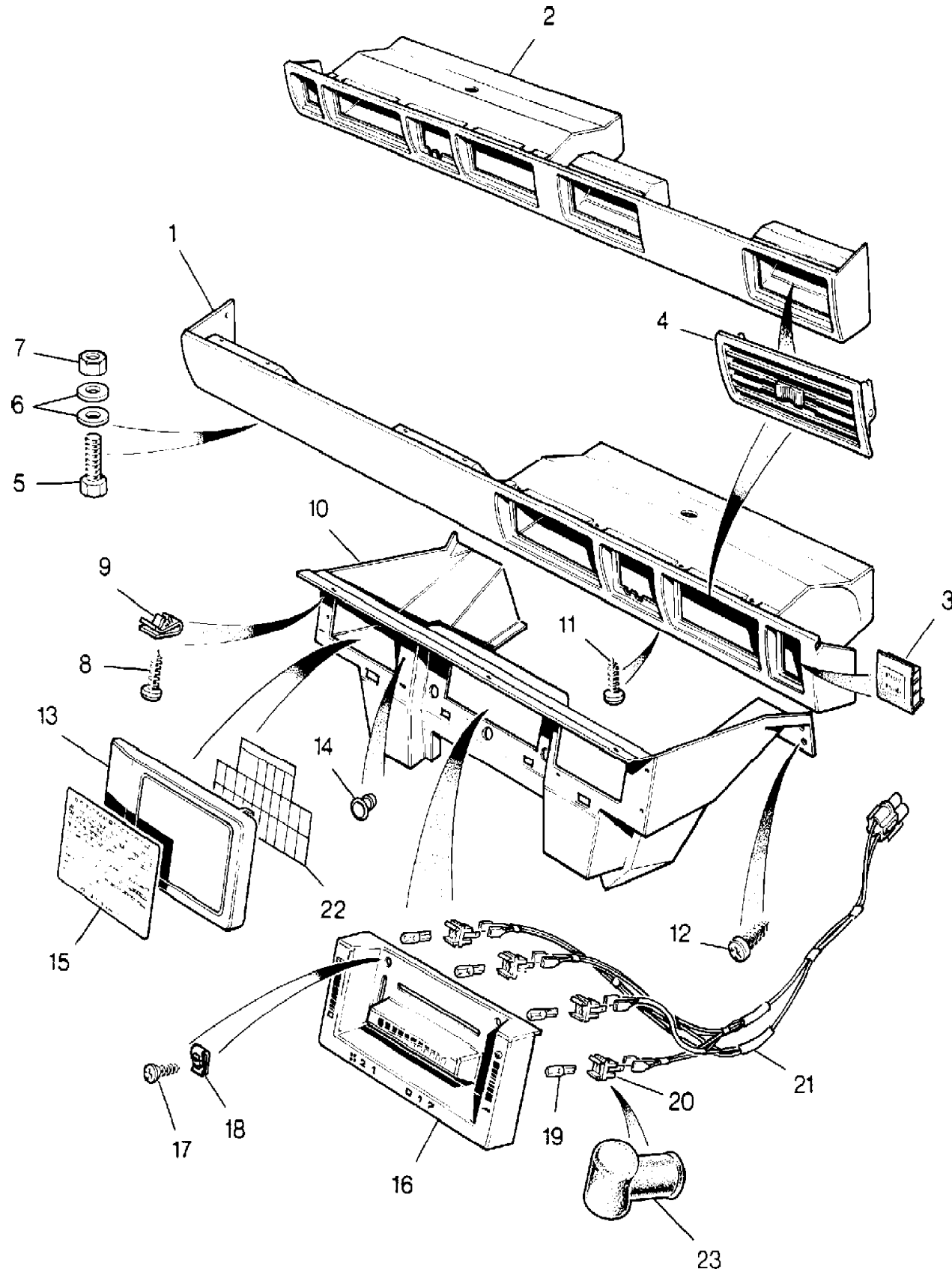
Interior Trim  
Trim  
Lower Facia Assembly 2/3

Range Rover (To HA610293)

(TS6242B)

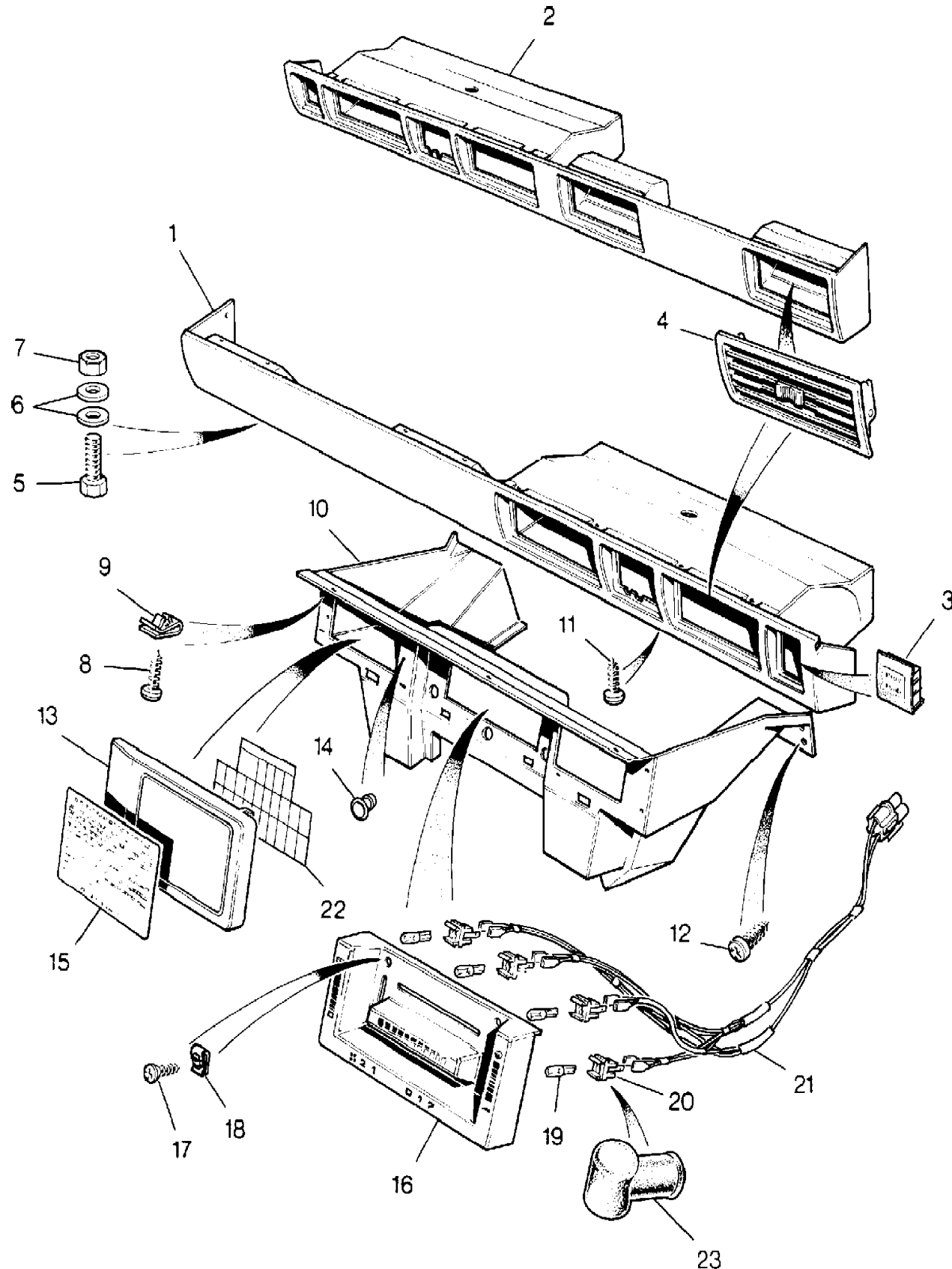
Range Rover (To HA610293)

Interior Trim  
Trim  
Lower Facia Assembly



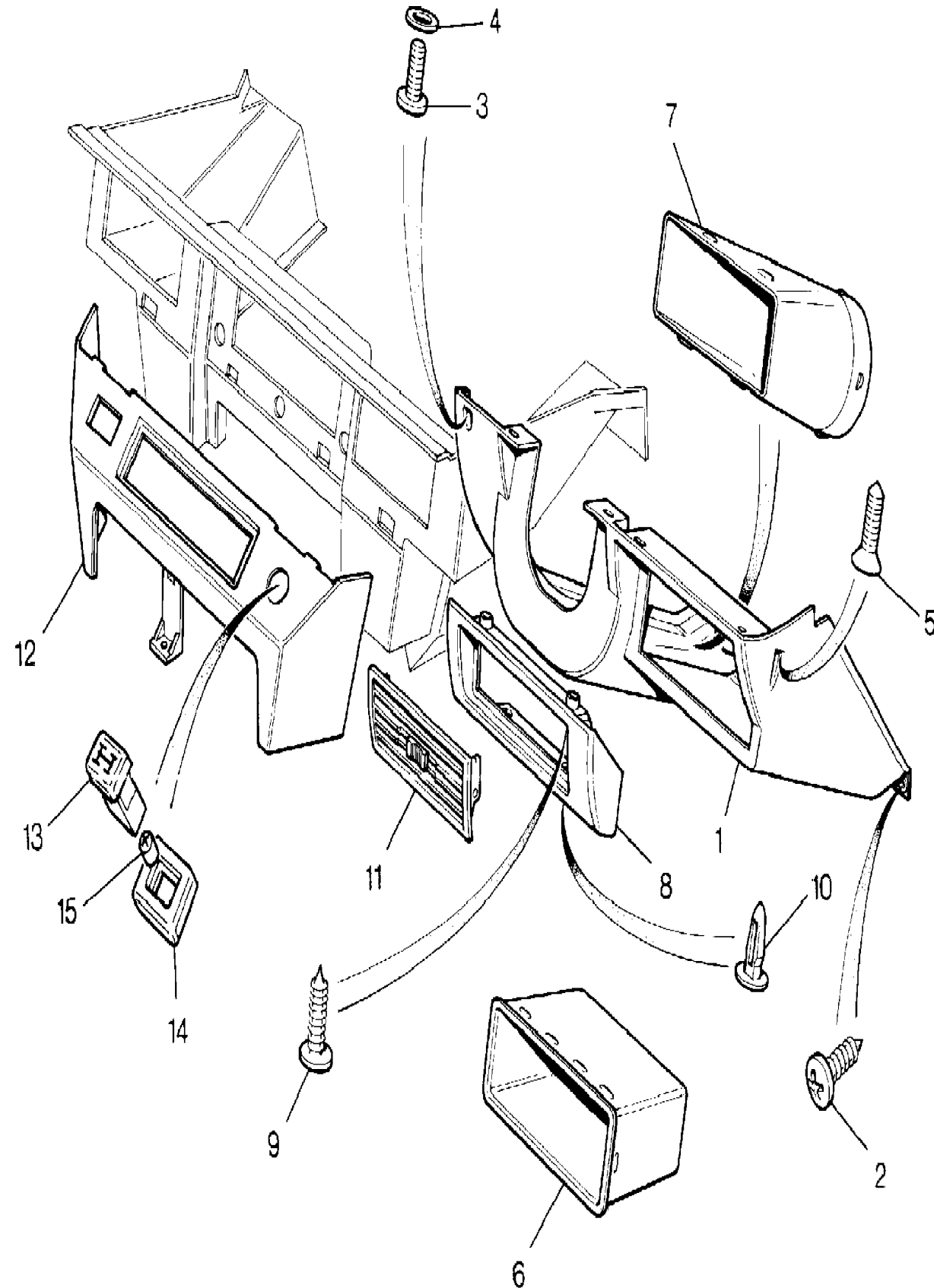
Callout	Name	Application	Remarks & Restrictions	Service No.	Qty	
15	Plate-instruction	Change point - VIN end EA351846, Manual Transmission		MUC6930	1	
		Change point - VIN end EA351846, Automatic Transmission		MUC6929	1	
		Change point - VIN begin FA351847, Manual Transmission		BTR1315	1	
		Change point - VIN begin FA351847, Automatic Transmission		BTR1314	1	
16	Heater surround	Change point - VIN end DA309776		MUC9239	1	
		Change point - VIN begin DA274121, Change point - VIN end EA351846, Less Air Conditioning		MWC6021	1	
		Change point - VIN begin DA274121, Change point - VIN end EA351846, With Air Conditioning		MWC6020	1	
		Change point - VIN begin FA351847, Change point - VIN end FA399972, Less Air Conditioning		MXC1960	1	
		Change point - VIN begin FA351847, Change point - VIN end FA399972, With Air Conditioning		MXC3518	1	
		Change point - VIN begin GA399973, Less Air Conditioning		MXC5550	1	
		Change point - VIN begin GA399973, With Air Conditioning		MXC5551	1	
17	Screw-self tapping		counter sunk, No 8 x 3/4	AS608064	2	
18	Nut-spring-self thread			AK608045	2	
19	Bulb-wedge illumination		1.2 WATT, 12V	RTC3635	4	
20	Bulbholder			ADU4903L	4	
21	Harness-heater			PRC5620	1	
22	Label-fusebox	Change point - VIN end CA274120, Less Air Conditioning		PRC5646	1	
		Change point - VIN begin DA274121, Change point - VIN end EA351846, Less Air Conditioning		PRC6762	1	
		Change point - VIN begin FA351847, Change point - VIN end GA399972, Less Air Conditioning		PRC7103	1	

Callout	Name	Application	Remarks & Restrictions	Service No.	Qty
22	Label-fusebox	Change point - VIN begin FA351847, Change point - VIN end GA399972, With Air Conditioning Change point - VIN begin GA399973, Change point - VIN end HA464554, Less Air Conditioning Change point - VIN begin GA399973, Change point - VIN end HA464554, With Air Conditioning Change point - VIN begin GA399973, Less Air Conditioning Change point - VIN end GA399972, With Air Conditioning Change point - VIN begin HA464554, Less Air Conditioning Change point - VIN begin HA464554, With Air Conditioning		PRC7104  PRC8119  PRC8118  PRC8357  PRC8356  PRC8859  PRC8858	1  1  1  1  1  1  1
23	Cover-terminal post			ATU1024	4
[900]	Bezel facia-rail	LHD RHD	Bokhara, Lower Bokhara, Lower	MXC6962RUN MXC6963RUN	1 1



Range Rover (To HA610293)

(TS6240)

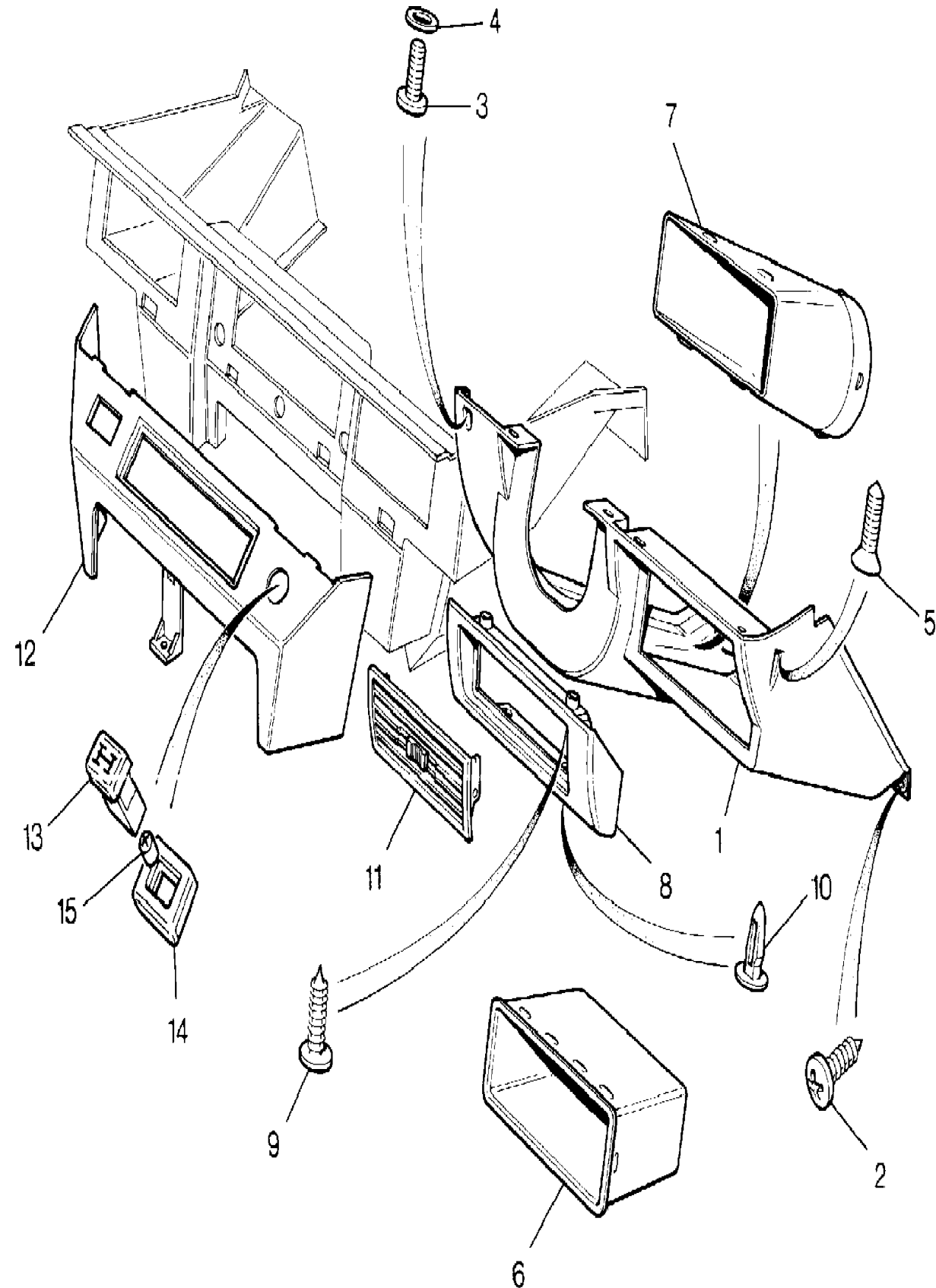


Range Rover (To HA610293)

Callout	Name	Application	Remarks & Restrictions	Service No.	Qty
1	Lower facia panel	Change point - VIN end CA274120, RHD Change point - VIN end CA274120, LHD Change point - VIN begin DA273923, Change point - VIN end EA351846, RHD Change point - VIN begin DA273923, Change point - VIN end EA351846, LHD Change point - VIN begin FA351847, Change point - VIN end GA439029, RHD Change point - VIN begin FA351847, LHD		MUC2570 MUC2569 MUC9560 MUC9561 MUC9560RUN Bokhara BTR431RUN	1 1 1 1 1 1
2	Screw-self tapping		pan head, No 12 x 1/2, pointed	AB612041L	2
3	Screw		Self Tapping, No10 x 3/4	AB610061L	1
4	Washer			4030L	3
5	Screw-self tapping B		No 8 x 1 1/4	AB608101L	1
6	Pocket assembly-driver facia	Less Air Conditioning		MUC3870	1
7	Duct assembly-fresh air			MUC6342	1
8	Armature-facia bezel	Change point - VIN end CA274120, RHD Change point - VIN end CA274120, Change point - VIN begin DA273923, LHD Change point - VIN begin DA273923, Change point - VIN end EA351846, RHD Change point - VIN begin FA351847, LHD Change point - VIN begin FA351847, RHD		MUC6558 MUC6559 MWC3250 Bokhara MUC6559RUN Bokhara MWC3250RUN	1 1 1 1 1
9	Screw		fixing air conditioning bezel facia	DA606104L	2
10	Rivet-plastic-snap in	Change point - VIN begin DA273923, Change point - VIN end EA351846		MUC6587	2
11	Housing-facia vent louvre			MXC5572	1
12	Housing assembly-facia radio	Change point - VIN end CA274120, LHD Change point - VIN end CA274120, RHD		MUC6079 MUC6080	1 1

Range Rover (To HA610293)

(TS6240)



Range Rover (To HA610293)

Callout	Name	Application	Remarks & Restrictions	Service No.	Qty
12	Housing assembly-facia radio	Change point - VIN begin DA273923, Change point - VIN end EA351846, LHD		MWC6443	1
		Change point - VIN begin DA273923, Change point - VIN end EA351846, RHD		MWC6442	1
		Change point - VIN begin FA351847, RHD		MWC9838RUN	1
		Change point - VIN begin FA351847, LHD		MWC9837RUN	1
		Change point - VIN begin GA399973, LHD, With Manual Headlamp Levelling		MXC6329RUN	1
13	Light assembly-warning			PRC6700	1
14	Bezel	Change point - VIN end EA351846, Change point - VIN begin FA351847		PRC6276	1
15	Bulb-illumination	Change point - VIN end EA351846, Change point - VIN begin FA351847		RTC3636	2
[900]	Fastener-drive	Change point - VIN begin FA351847	Plastic, Winchester Grey	MRC4283LUL	2
[901]	Console assembly-facia	Change point - VIN begin HA464554, With Manual Headlamp Levelling		BTR2614RUN	1
[902]	Screw		Self Tapping	AB614081L	1

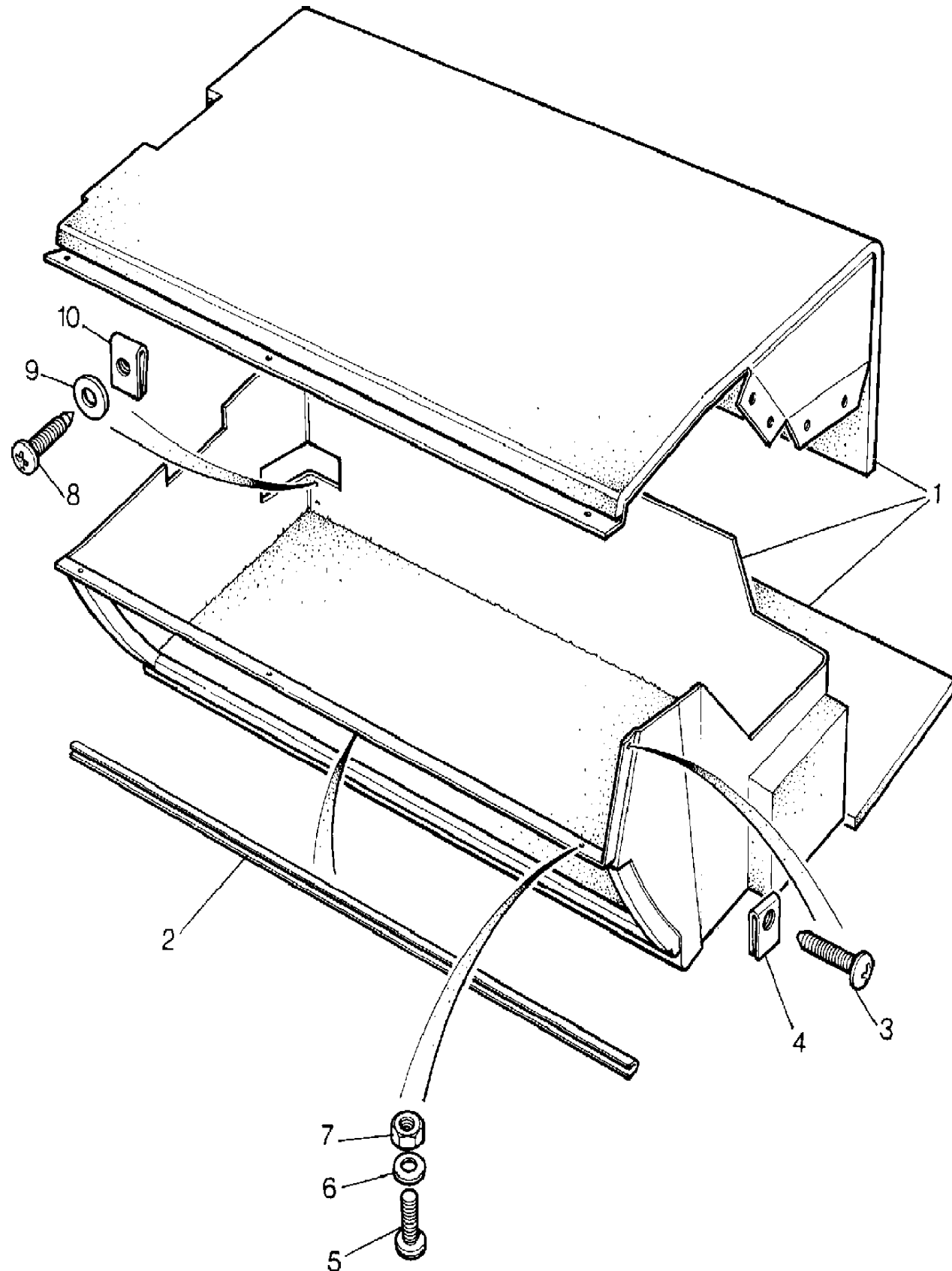
Interior Trim  
Trim  
Parcel Shelf 1/1

Range Rover (To HA610293)

(TS5865A)

Range Rover (To HA610293)

Interior Trim  
Trim  
Parcel Shelf

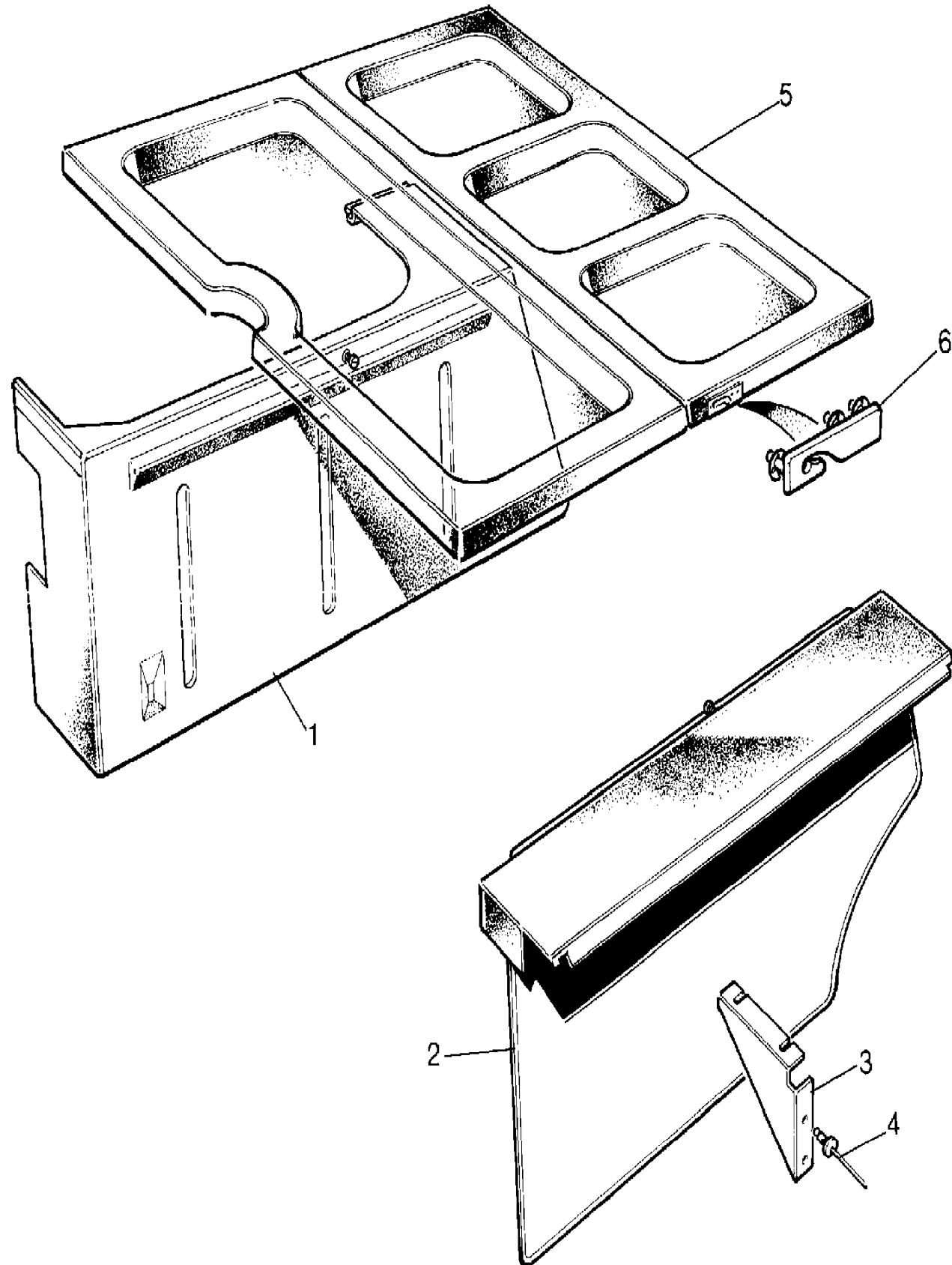


Callout	Name	Application	Remarks & Restrictions	Service No.	Qty			
1	Parcel shelf-rear	Change point - VIN end CA170457, RHD		MUC6538	1			
		Change point - VIN end CA170457, LHD		MUC6539	1			
		Change point - VIN begin CA170458, Change point - VIN end EA351846, RHD		MUC8958	1			
		Change point - VIN begin CA170458, Change point - VIN end EA351846, LHD		MUC8959	1			
		Change point - VIN begin FA351847, RHD	Also serviced as part of a kit, Bokhara	MUC8958RUN	1			
		Change point - VIN begin FA351847, LHD	Also serviced as part of a kit, Bokhara	MUC8959RUN	1			
		2	Finisher-parcel shelf	Change point - VIN end EA351846, Change point - VIN begin FA351847	Bokhara	MUC4138RUN	1	
				3	Screw	No 8 x 3/4	AFU3002	1
						4	Nut-spring-u type	
		5	Screw	Black, M5 x 16	SE105165L			3
6	Washer			M5, Plain, Standard	WA105001L	3		
		7	Nut-hexagonal		NM105011	3		
8	Screw-self tapping B			No 12 x 1/2	AB612044	3		
		9	Washer-Plain		WC701124	3		
10	Nut-spring-J type				AK612014	3		



Range Rover (To HA610293)

(TS6094A)



Range Rover (To HA610293)

Callout	Name	Application	Remarks & Restrictions	Service No.	Qty
1	Cover assembly-tool storage	Change point - VIN begin FA351847	Brogue	MWC4661AUE	1
		Change point - VIN begin FA351847	Winchester Grey	MWC4661LUL	1
		Change point - VIN end EA351846	Nutmeg, LH	MWC4661AH	1
		Change point - VIN end EA351846	Slate Grey, LH	MWC4661LE	1
			Also serviced as part of a kit, Brogue, LH	BTR332AUE	1
2	Support-side-parcel shelf	Change point - VIN end EA351846	RH, Nutmeg	MWC5269AH	1
		Change point - VIN begin FA351847, Change point - VIN end GA464553	RH, Winchester Grey	MXC3652LUL	1
		Change point - VIN begin HA464554, 2 Door Station Wagon	RH, Brogue	MXC6216AUE	1
		Change point - VIN begin HA464554, 4 Door Station Wagon	RH, Winchester Grey	MXC6214LUL	1
4	Rivet-pop-aluminium			RU612183	6
5	Tray-console picnic	Change point - VIN end EA351846	Also serviced as part of a kit, Nutmeg	MWC5271AH	1
		Change point - VIN end EA351846	Also serviced as part of a kit, Slate Grey	MWC5271LE	1
		Change point - VIN begin FA351847	Also serviced as part of a kit, Brogue	MXC5650AUE	1
		Change point - VIN begin FA351847	Also serviced as part of a kit, Winchester Grey	MXC5650LUL	1
6	Bracket-rear parcel shelf attachment	Change point - VIN begin FA351847	Also serviced as part of a kit, Winchester Grey	RTC6111LUL	X
		Change point - VIN begin FA351847	Also serviced as part of a kit, Sorrel Brown	RTC6112SUA	X
[900]	Peg-parcel tray	Change point - VIN end EA351846		STC335	2
		Change point - VIN begin FA351847		STC335	2

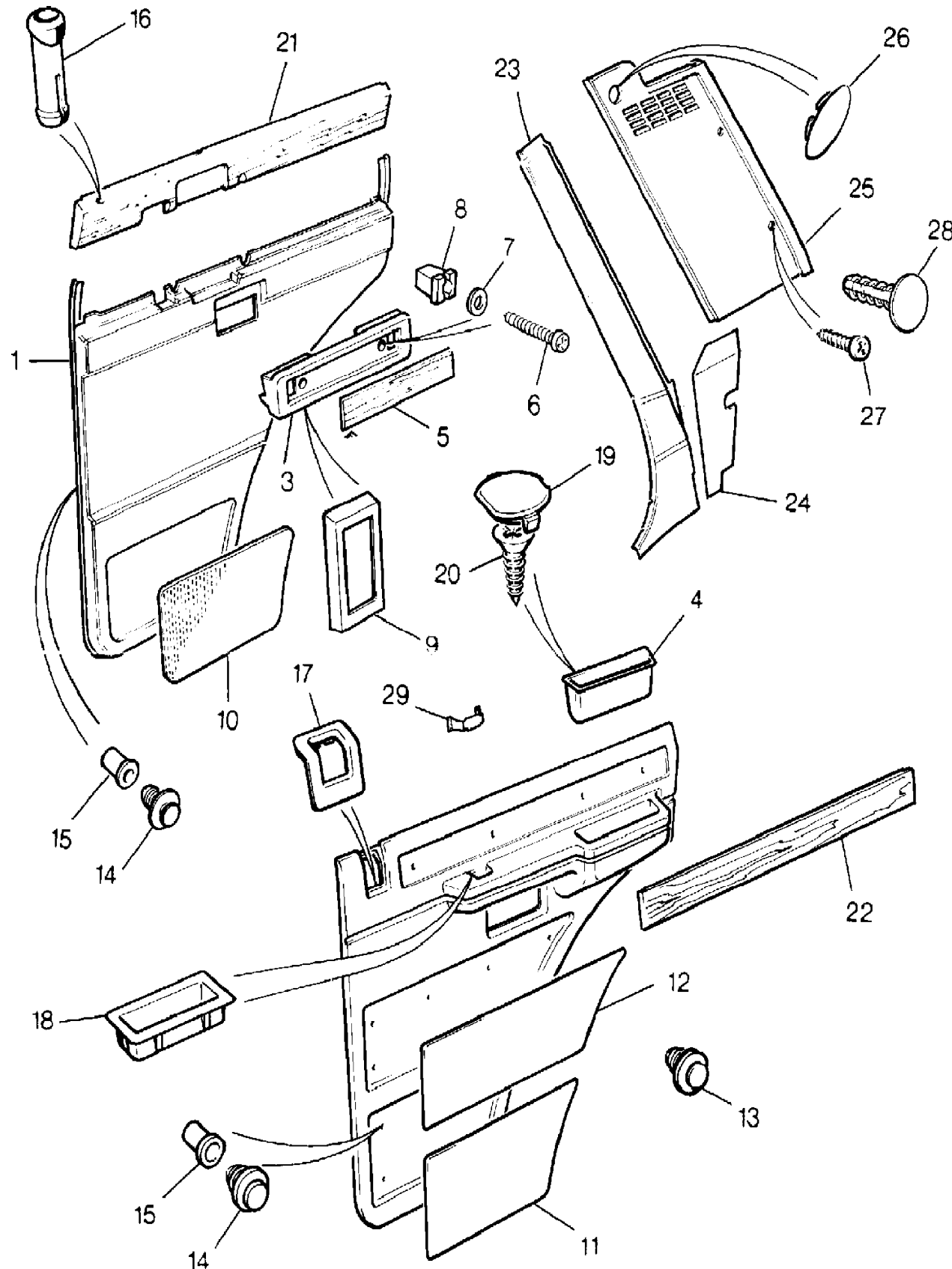
Range Rover (To HA610293)

(TS6921)

Range Rover (To HA610293)

4 Door Station Wagon

Callout	Name	Application	Remarks & Restrictions	Service No.	Qty		
1	Casing rear door	Change point - VIN end EA351032, With Low Line	Manual Windows, RH, Palomino	MUC2244AE	1		
		Change point - VIN end EA351032, With Low Line	Manual Windows, Palomino, LH	MUC2245AE	1		
		Change point - VIN end EA351032, With High Line	Manual Windows, RH, Palomino	MUC2250AE	1		
		Change point - VIN end EA351032, With High Line	Manual Windows, RH, Steel Grey	MUC2250LR	1		
		Change point - VIN end EA351032, With High Line	Manual Windows, Palomino, LH	MUC2251AE	1		
		Change point - VIN end EA351032, With High Line	Manual Windows, Steel Grey, LH	MUC2251LR	1		
		Change point - VIN end EA351032, With Low Line	Electric Windows, RH, Palomino	MUC2248AE	1		
		Change point - VIN end EA351032, With Low Line	Electric Windows, Palomino, LH	MUC2249AE	1		
		Change point - VIN end EA351032, With High Line	Electric Windows, RH, Palomino	MUC2246AE	1		
		Change point - VIN end EA351032, With High Line	Electric Windows, RH, Steel Grey	MUC2246LR	1		
		Change point - VIN end EA351032, With High Line	Electric Windows, Palomino, LH	MUC2247AE	1		
		Change point - VIN end EA351032, With High Line	Electric Windows, Steel Grey, LH	MUC2247LR	1		
		2	Casing rear door	Change point - VIN begin FA351033, With Low Line	RH, Sorrel Brown, without wood trim, without grab handle	BTR625SUA	1
				Change point - VIN begin FA351033, With Low Line	RH, Winchester Grey, without wood trim, without grab handle	BTR625LUL	1
				Change point - VIN begin FA351033, With Low Line	Sorrel Brown, without wood trim, without grab handle, LH	BTR626SUA	1
Change point - VIN begin FA351033, With Low Line	Winchester Grey, without wood trim, without grab handle, LH			BTR626LUL	1		
Change point - VIN begin FA351033, With High Line	RH, Sorrel Brown, With Wood Trim, without grab handle			BTR623SUA	1		
Change point - VIN begin FA351033, With High Line	RH, Winchester Grey, With Wood Trim, without grab handle			BTR623LUL	1		
With High Line	Sorrel Brown, With Wood Trim, without grab handle, LH			BTR624SUA	1		
With High Line	Winchester Grey, With Wood Trim, without grab handle, LH	BTR624LUL	1				
3	Armrest assembly-front/rear door		Palomino	MTC5862AE	2		
			Steel Grey	MTC5862LR	2		
4	Pull-front/rear door		Sorrel Brown	MXC1306SUA	2		
			Winchester Grey	MXC1306LUL	2		
5	Insert-plain	With Low Line	Electric Windows, Palomino	MTC7940AE	2		
		With High Line	Armrest, Electric Windows	MTC7303	2		



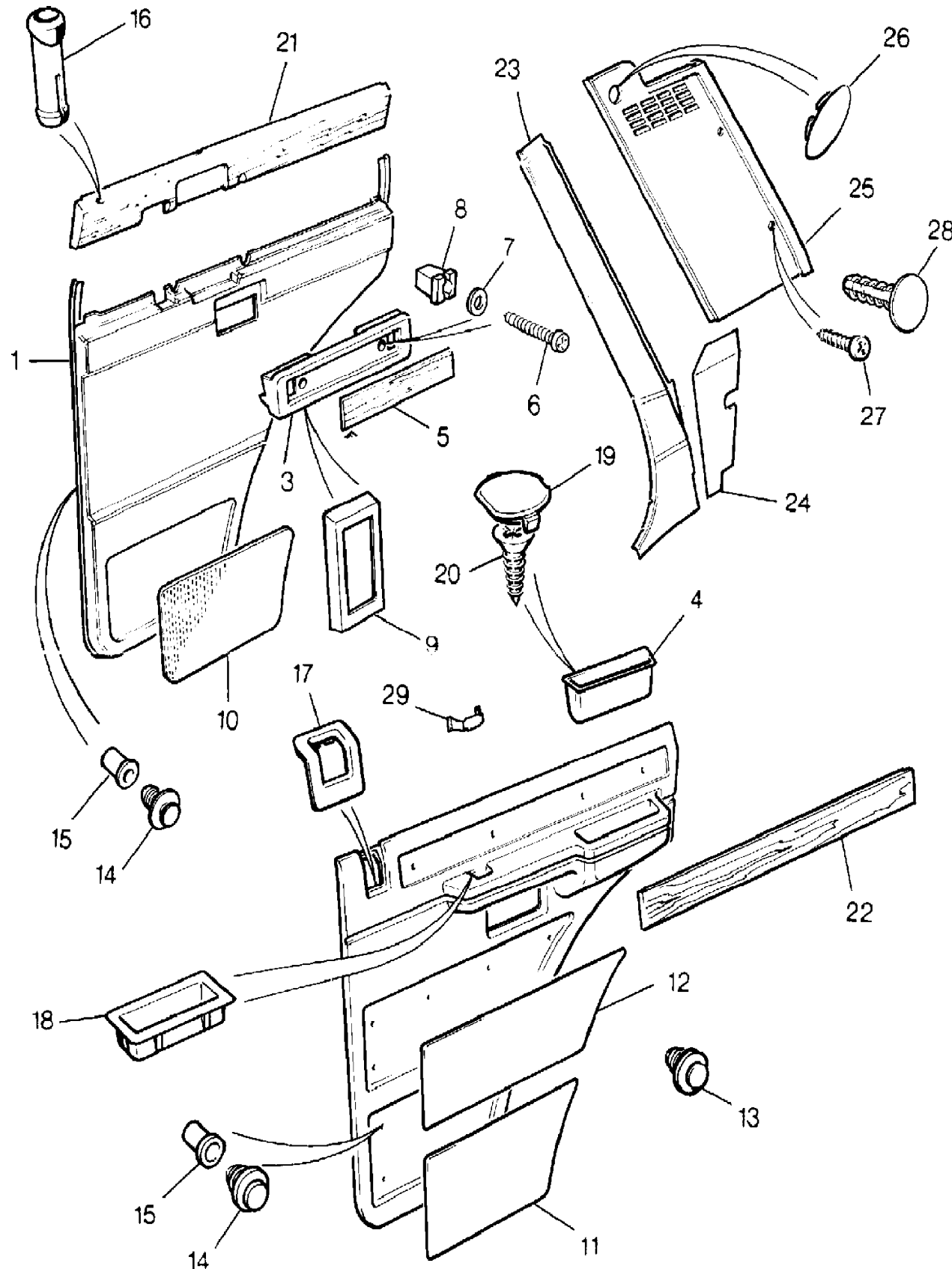
Range Rover (To HA610293)

(TS6921)

Range Rover (To HA610293)

4 Door Station Wagon

Callout	Name	Application	Remarks & Restrictions	Service No.	Qty
5	Insert-plain	With Low Line	Manual Windows, Plastic, Palomino	MTC7268AE	2
		With High Line	Manual Windows, Plastic, Silver Grey	MTC7268LP	2
6	Screw	Change point - VIN end EA322140	No 8	79231	4
		Change point - VIN begin EA322141	M6 x 35	SE106351L	4
7	Washer-Plain	Change point - VIN end EA322140		4563	4
		Change point - VIN begin EA322141	6MM	WA106041L	4
8	Nut-lokut	Change point - VIN end EA322140	No10	ADU3775L	4
		Change point - VIN begin EA322141	M6	NK106067L	4
9	Bezel-door pull			MTC7302	2
10	Insert-front door casing		RH, Bronze..., Lower	MTC9844BA	1
			Bronze..., Lower, LH	MTC9845BA	1
			RH, Cool Grey, Lower	MUC3574LG	1
			Cool Grey, Lower, LH	MUC3575LG	1
11	Insert-rear door casing		RH, Brogue, Lower	MXC1342AUE	1
			RH, Winchester Grey, Lower	MXC1342LUL	1
			Brogue, Lower, LH	MXC1343AUE	1
12	Insert-rear door casing		RH, Brogue, Upper	MXC1340AUE	1
			RH, Winchester Grey, Upper	MXC1340LUL	1
			Brogue, Upper, LH	MXC1341AUE	1
13	Clip			AFU2989	12
14	Fastener-fir tree			MWC3129	22
15	Insert-plain			AJU1136L	22
16	Plate-sill button escutcheon retaining	Change point - VIN end EA351846	Brushwood	MTC7781AV	2
		Change point - VIN end EA351846	Cool Grey	MTC7781LG	2
		Change point - VIN end EA351846	Bitter Chocolate.	MTC7781CC	2
17	Escutcheon-door-lock		Bokhara	MXC4738RUN	2
18	Escutcheon-armrest			MXC1173	2
19	Cover-screw		Sorrel Brown	MXC1309SUA	4
			Winchester Grey	MXC1309LUL	4



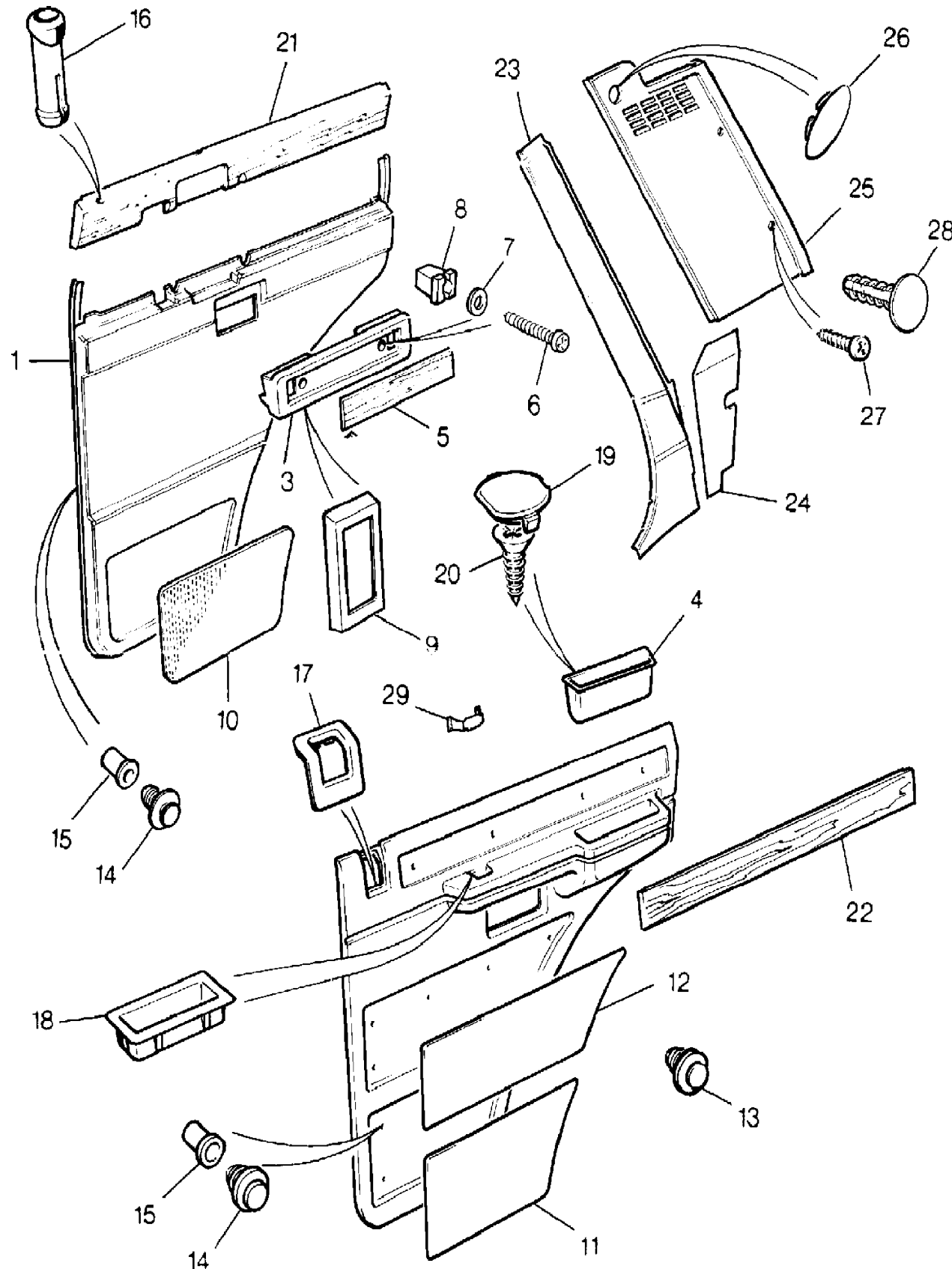
Range Rover (To HA610293)

(TS6921)

Range Rover (To HA610293)

4 Door Station Wagon

Callout	Name	Application	Remarks & Restrictions	Service No.	Qty
20	Screw		Self Tapping	AC610061L	4
21	Wood capping-rear door	(-) Vogue SE	RH	MUC2254	1
		(-) Vogue SE	LH	MUC2255	1
		Vogue SE	LH	MXC1193	1
		Vogue SE	RH	MXC1192	1
		(-) Vogue SE	Kit	RTC3075	1
		(-) Vogue	Kit	RTC3075	1
22	Wood capping-rear door	Vogue	RH, Burr Walnut	MXC4845	1
		Vogue SE	RH, Burr Walnut	MXC4845	1
		Vogue	Burr Walnut, LH	MXC4846	1
		Vogue SE	Burr Walnut, LH	MXC4846	1
		(-) Vogue	RH, American Walnut	MXC4850	1
		(-) Vogue SE	RH, American Walnut	MXC4850	1
		Vogue	Kit, Burr Walnut	RTC6392	1
		Vogue SE	Kit, Burr Walnut	RTC6392	1
		Vogue SE	Kit, American Walnut	RTC6391	1
		23	Finisher assembly-d post	Change point - VIN end CA273972	RH, Palomino
Change point - VIN end CA273972	RH, Steel Grey			MTC9325LR	1
Change point - VIN end CA273972	Palomino, LH			MTC9324AE	1
Change point - VIN end CA273972	Steel Grey, LH			MTC9324LR	1
Change point - VIN begin DA273923, Change point - VIN end EA351846	RH, Palomino			MWC2626AE	1
Change point - VIN begin DA273923, Change point - VIN end EA351846	RH, Steel Grey			MWC2626LR	1
Change point - VIN begin DA273923, Change point - VIN end EA351846	Palomino, LH			MWC2627AE	1
Change point - VIN begin DA273923, Change point - VIN end EA351846	Steel Grey, LH			MWC2627LR	1
Change point - VIN begin FA351847	RH, Brogue			MWC2626AUE	1
Change point - VIN begin FA351847	RH, Sorrel Brown			MWC2626SUA	1
Change point - VIN begin FA351847	RH, Winchester Grey			MWC2626LUL	1
Change point - VIN begin FA351847	Brogue, LH			MWC2627AUE	1
Change point - VIN begin FA351847	Sorrel Brown, LH			MWC2627SUA	1
Change point - VIN begin FA351847	Winchester Grey, LH			MWC2627LUL	1
24	Panel-bodyside trim	Change point - VIN end EA351846	RH, Palomino	MTC8345AE	1
		Change point - VIN end EA351846	RH, Steel Grey	MTC9345LR	1



Interior Trim

Trim

Rear Door Casing 4/4

Range Rover (To HA610293)

(TS6921)

Interior Trim

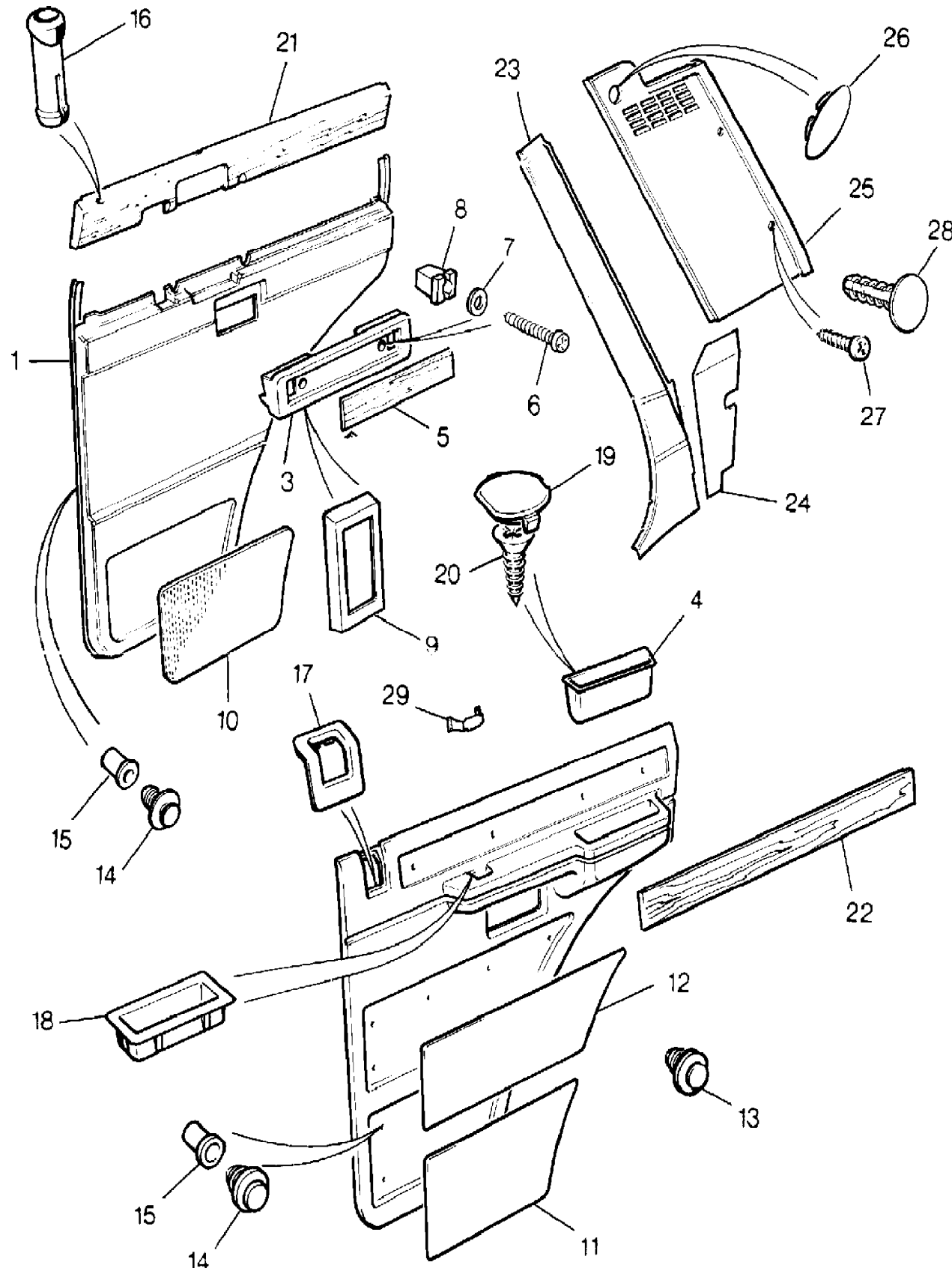
Trim

Rear Door Casing

Range Rover (To HA610293)

4 Door Station Wagon

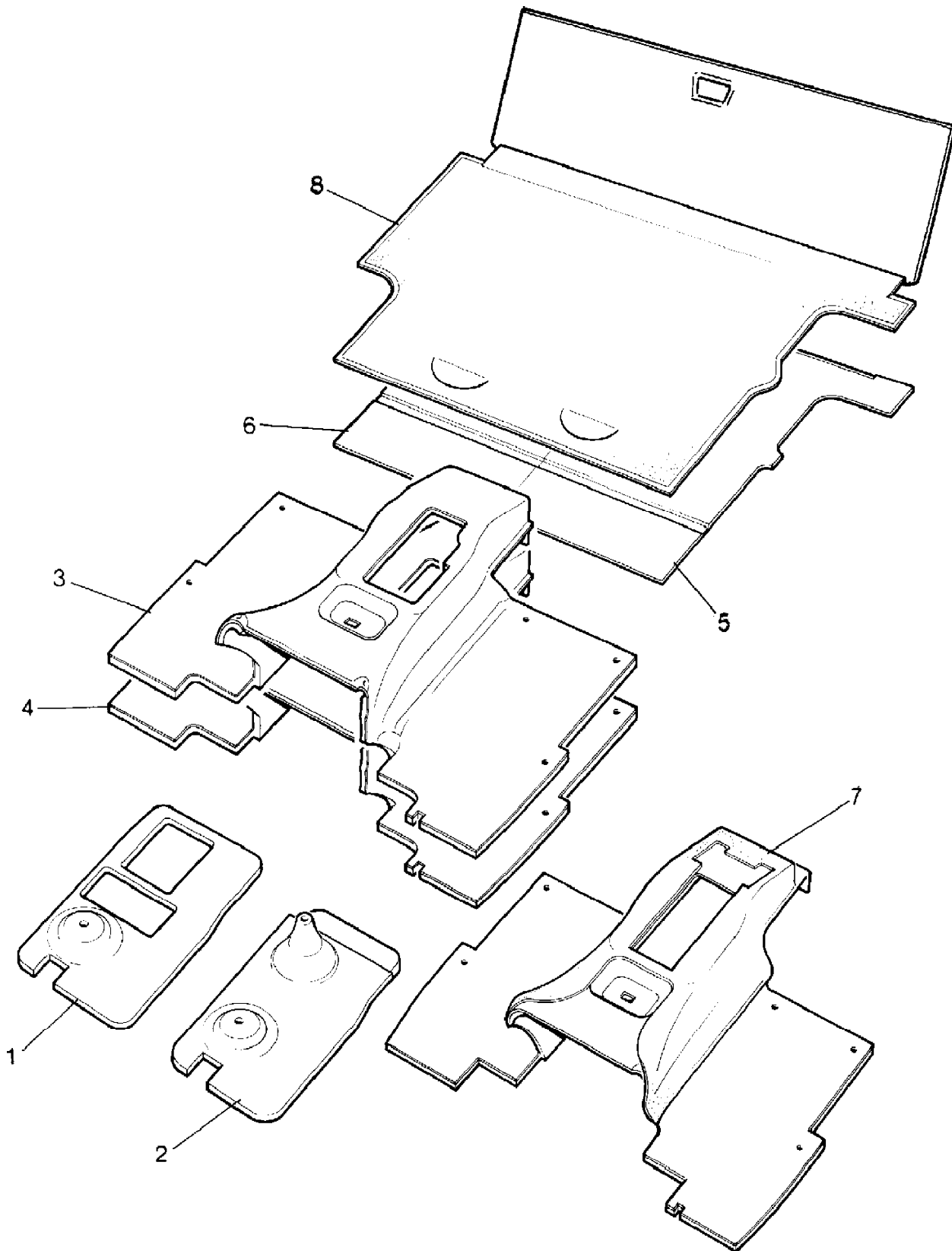
Callout	Name	Application	Remarks & Restrictions	Service No.	Qty
24	Panel-bodyside trim	Change point - VIN end EA351846	Palomino, LH	MTC9344AE	1
		Change point - VIN end EA351846	Steel Grey, LH	MTC9344LR	1
25	Finisher assembly-quarter trim	Change point - VIN end EA351846	RH, Palomino	MTC3711AE	1
		Change point - VIN end EA351846	RH, Silver Grey	MTC3711LP	1
		Change point - VIN end EA351846	Palomino, LH	MTC3712AE	1
		Change point - VIN end EA351846	Silver Grey, LH	MTC3712LP	1
		Change point - VIN begin FA351847, Change point - VIN end FA374641	Sorrel Brown, LH	MTC3711SUA	1
		Change point - VIN begin FA351847, Change point - VIN end FA374641	RH, Winchester Grey	MTC3711LUL	1
		Change point - VIN begin FA351847, Change point - VIN end FA374641	RH, Sorrel Brown	MTC3712SUA	1
		Change point - VIN begin FA351847, Change point - VIN end FA374641	Winchester Grey, LH	MTC3712LUL	1
		Change point - VIN begin FA374642	RH, Sorrel Brown	MXC5449SUA	1
		Change point - VIN begin FA374642	RH, Winchester Grey	MXC5449LUL	1
		Change point - VIN begin FA374642	Sorrel Brown, LH	MXC5450SUA	1
		Change point - VIN begin FA374642	Winchester Grey, LH	MXC5450LUL	1
26	Plug	Change point - VIN end EA351846	Palomino	393096AE	2
		Change point - VIN end EA351846	Silver Grey	393096LP	2
		Change point - VIN begin FA351847	Sorrel Brown	393096SUA	2
		Change point - VIN begin FA351847	Winchester Grey	393096LUL	2
27	Screw		No 8 x 1/2, Self Tapping	AB608041L	4
28	Stud	Change point - VIN begin FA374642	Sorrel Brown	MXC5451SUA	6
		Change point - VIN begin FA374642	Winchester Grey	MXC5451LUL	6
29	Bracket assembly-bonnet release assembly			MXC8311	2
[900]	Bezel-door pull			RTC6532	2
[901]	Wood capping		Kit	RTC6078	1
[902]	Retainer			RTC6798	X



Range Rover (To HA610293)

(TS6929)

Range Rover (To HA610293)



Callout	Name	Application	Remarks & Restrictions	Service No.	Qty
1	Pad-insulation	Change point - VIN begin HA464554, Automatic Transmission		BTR375	1
2	Pad-insulation	Change point - VIN begin HA464554, Manual Transmission		BTR374	1
3	Pad-insulation-front tunnel	Change point - VIN begin HA464554, With Catalyst		BTR373PCH	1
4	Pad-insulation-front tunnel	Change point - VIN begin HA464554, Less Catalyst		BTR372PCH	1
5	Pad-front floor insulation	Change point - VIN begin HA464554	LH	BTR318	1
6	Pad-front floor insulation	Change point - VIN begin HA464554	RH	BTR319	1
7	Carpet-tunnel	Change point - VIN begin HA464554, Vogue SE	Brogue	BTR371AUE	1
		Change point - VIN begin HA464554, Vogue SE	Winchester Grey	BTR371LUL	1
		Change point - VIN begin HA464554, (-) Vogue SE	Brogue	BTR370AUE	1
		Change point - VIN begin HA464554, (-) Vogue SE	Winchester Grey	BTR370LUL	1
		Change point - VIN begin HA464554, (-) Vogue SE			
8	Carpet assembly-loadspace	Change point - VIN begin HA464554	Brogue	BTR877AUE	1
		Change point - VIN begin HA464554	Winchester Grey	BTR877LUL	1

Interior Trim  
Trim  
Rubber Mats 1/1

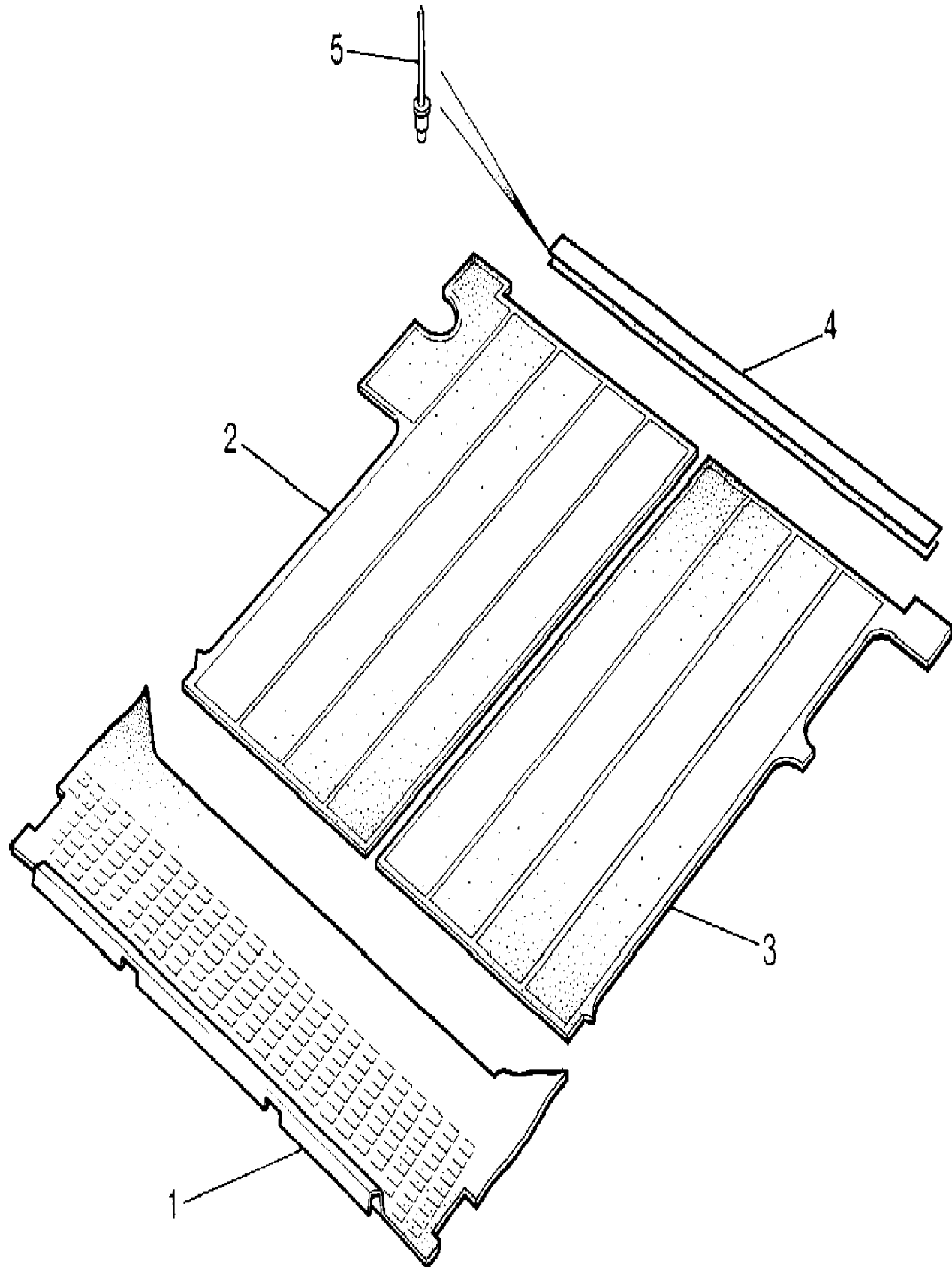
Range Rover (To HA610293)

(TS5633)

Range Rover (To HA610293)

Interior Trim  
Trim  
Rubber Mats

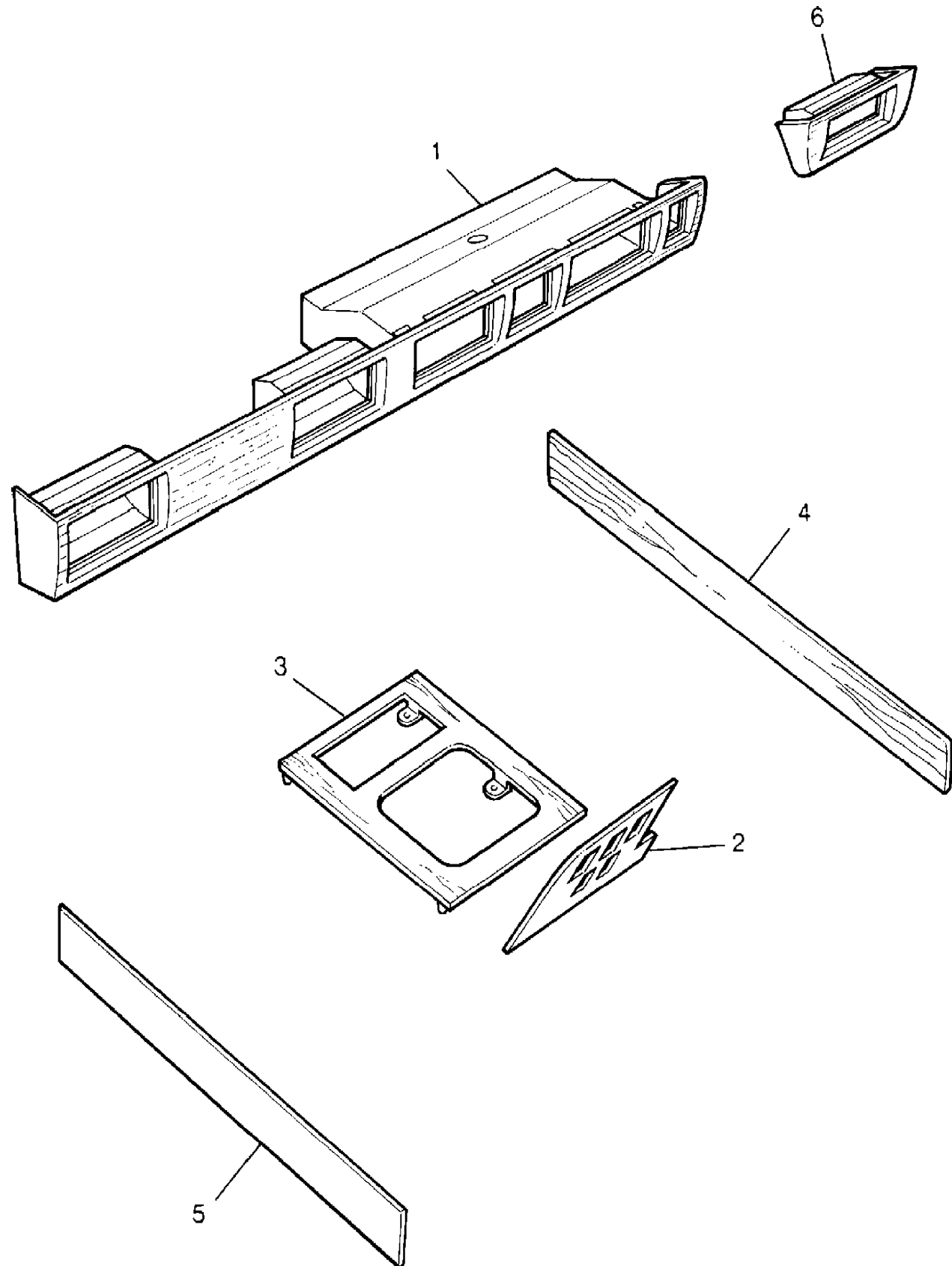
Callout	Name	Application	Remarks & Restrictions	Service No.	Qty
1	Mat-rear floor drop in			MUC3661	1
2	Mat-load area-RH			MUC6344	1
3	Mat-load area-LH			MUC6345	1
4	Retainer			391800	1
5	Rivet-pop-aluminium			78788	10



Range Rover (To HA610293)

(TS6947)

Range Rover (To HA610293)



Callout	Name	Application	Remarks & Restrictions	Service No.	Qty
1	Facia rail assembly	Change point - VIN begin HA464554, LHD	Burr Walnut	BTR1190	1
		Change point - VIN end GA464553, RHD	Burr Walnut	MXC2325	1
		Change point - VIN begin HA464554, RHD	Burr Walnut	BTR1189	1
		Change point - VIN end HA472682, LHD	American Walnut	BTR462	1
		Change point - VIN begin HA472683, LHD	American Walnut	BTR3478	1
		RHD,	American Walnut	BTR463	1
		Change point - VIN end GA464553, LHD	Burr Walnut	MXC2324	1
2	Panel-switches mounting	Change point - VIN end GA421854, RHD	Burr Walnut	MXC3028	1
		Change point - VIN begin GA421855, RHD	Burr Walnut	MXC7784	1
		LHD,	Burr Walnut	MXC7785	1
		LHD	American Walnut	BTR620	1
3	Panel assembly-facia console	Manual Transmission	Burr Walnut	BTR1025	1
		Automatic Transmission	Burr Walnut	MXC2321	1
		Automatic Transmission	American Walnut	MXC2320	1
4	Wood capping	Manual Transmission	American Walnut	BTR619	1
		RH, front door, Burr Walnut	Burr Walnut	MXC4843	1
		front door, Burr Walnut, LH	American Walnut	MXC4844	1
5	Wood capping-rear door	RH, front door, American Walnut	American Walnut	MXC4848	1
		front door, American Walnut, LH	American Walnut	MXC4849	1
		RH, Burr Walnut	Burr Walnut	MXC4845	1
		Burr Walnut, LH	Burr Walnut	MXC4846	1
6	Bezel-side window demist facia	RH, American Walnut	American Walnut	MXC4850	1
		rear door, American Walnut, LH	American Walnut	MXC4851	1
		Change point - VIN end GA464553, RHD	Burr Walnut	MXC5986	1
		Change point - VIN begin HA464554, RHD	Also serviced as part of a kit, Burr Walnut	BTR1188	1
		Change point - VIN end GA464553, LHD	Burr Walnut	MXC5987	1
		Change point - VIN begin HA464554, LHD	Also serviced as part of a kit, Burr Walnut	BTR1187	1
		Change point - VIN end HA472682, LHD	American Walnut	BTR465	1
		Change point - VIN begin HA472683, LHD	American Walnut	BTR1201	1
RHD,	American Walnut	BTR464	1		
[900]	Bezel-door pull	CSK	American Walnut	BTR1210	2