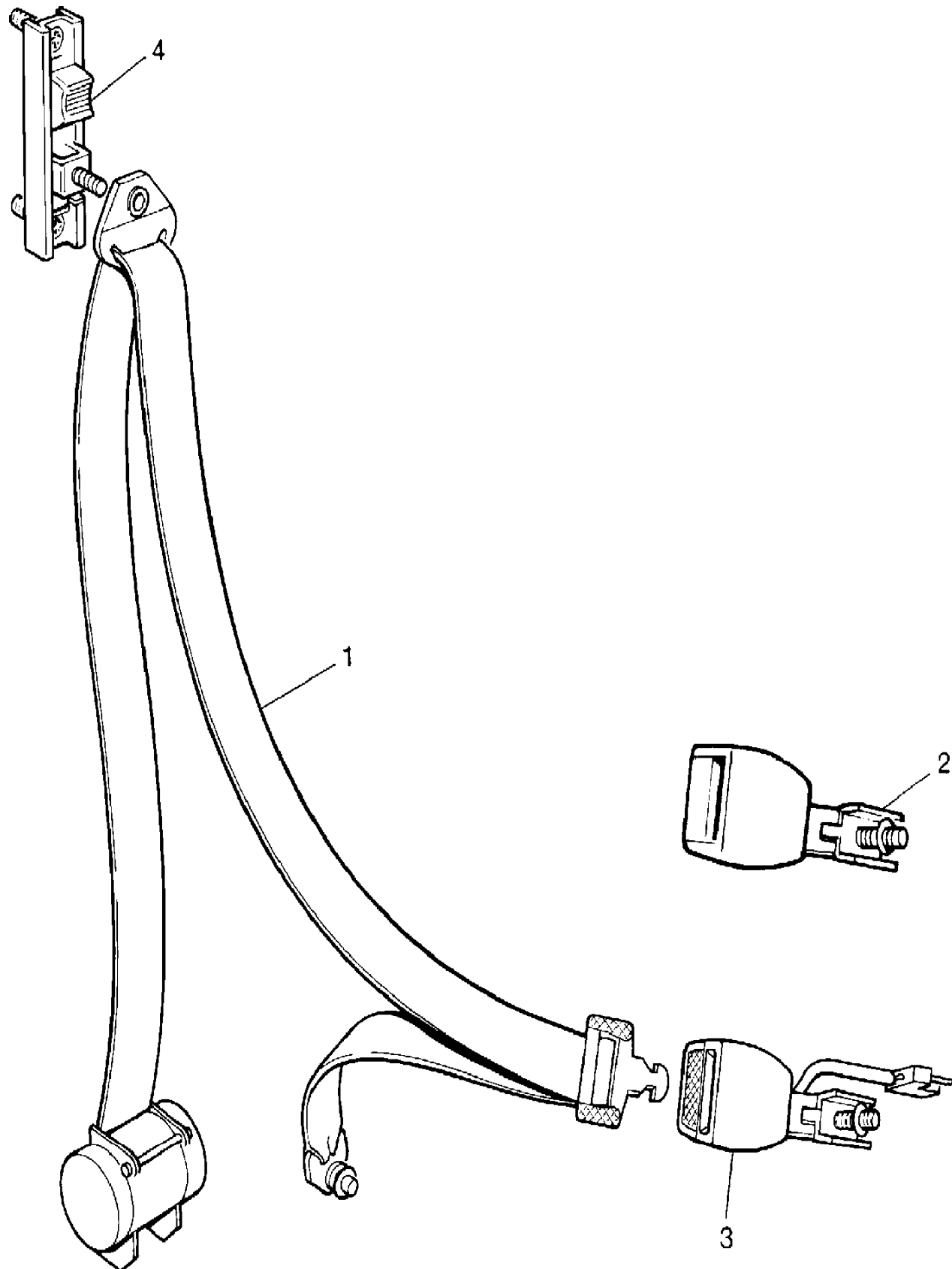


Seats
 Seat Belts
 Front Seats-Inertia Reel Mounting 1/1

Range Rover (To HA610293)

(TS6115)



Range Rover (To HA610293)

Seats
 Seat Belts
 Front Seats-Inertia Reel Mounting

Callout	Name	Application	Remarks & Restrictions	Service No.	Qty
1	Seat belt assembly-passive front	Change point - VIN end FA399972, 2 Door Station Wagon		MXC1122RUN	2
		Change point - VIN begin GA399973, 2 Door Station Wagon	Bokhara	MXC5499RUN	2
		Change point - VIN end EA351846, 4 Door Station Wagon	non audible, Brushwood	RTC6097AMV	4
		Change point - VIN end EA351846, 4 Door Station Wagon	Flint Grey, non audible	RTC6097LCG	4
		Change point - VIN end EA351846, 4 Door Station Wagon	audible, Brushwood	RTC6098AMV	4
		Change point - VIN end EA351846, 4 Door Station Wagon	Flint Grey, audible	RTC6098LCG	4
		Change point - VIN begin FA351033, Change point - VIN end FA399972, 4 Door Station Wagon	Bokhara	MUC5955RUN	4
		Change point - VIN begin GA399973, 4 Door Station Wagon	Bokhara	MXC5379RUN	4
		(+)"AUS"		MXC5372	2
		2	Seat belt assembly-short end	Change point - VIN end GA430260	Bokhara, audible
Change point - VIN begin GA430261	Bokhara, audible			BTR144RUN	2
3	Seat belt assembly-short end	Change point - VIN end GA430260	Bokhara, non audible	MWC2617RUN	1
		Change point - VIN begin GA430261, (-)"GB"	Bokhara, non audible	BTR143RUN	2
		Change point - VIN begin GA430261, (+)"GB"	Bokhara, non audible	BTR143RUN	2
		(+)"AUS"	Bokhara	MWC6295RUN	2
4	Adjuster seatbelt height			MUC2564	2

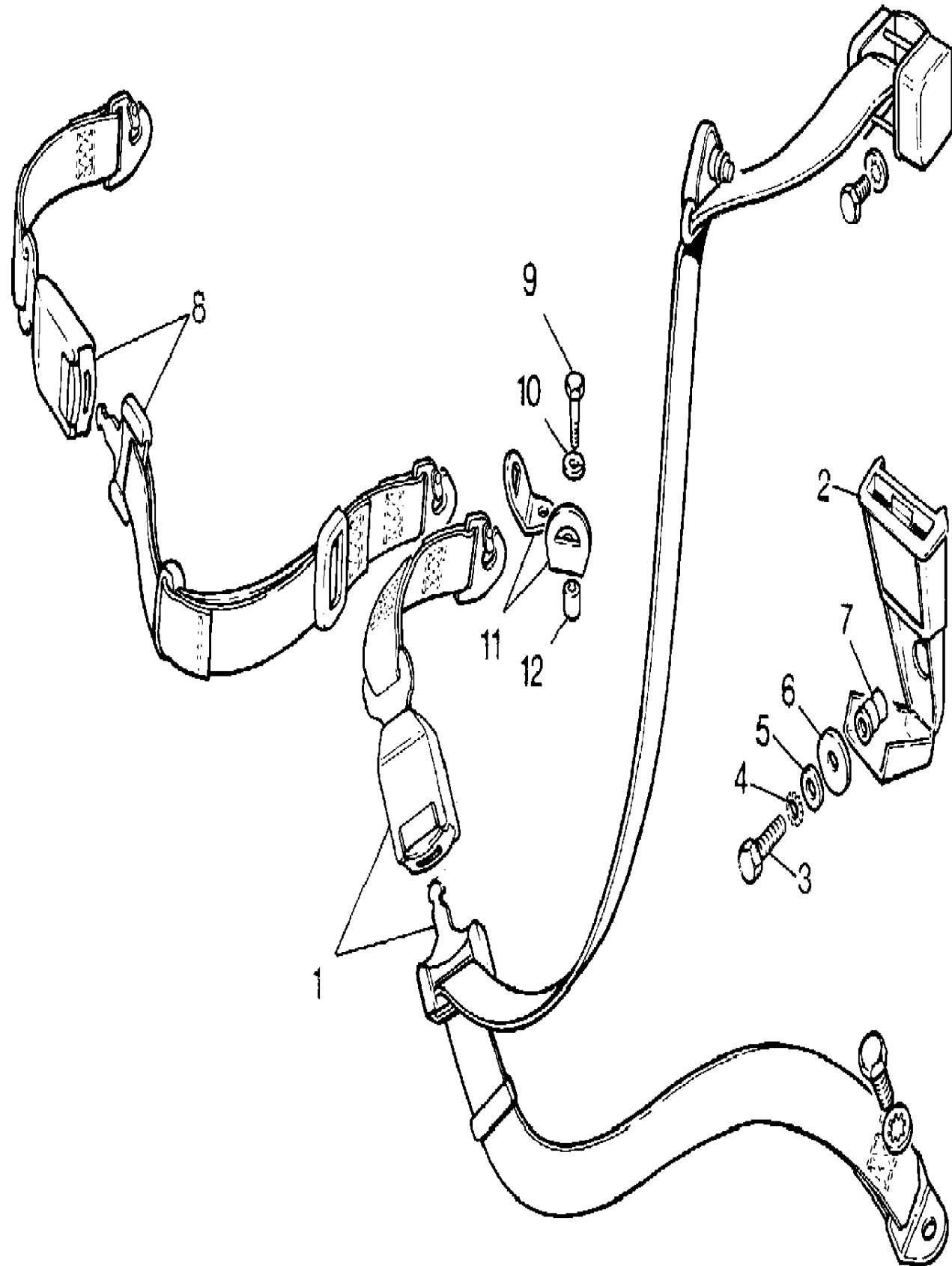
Seats
 Seat Belts
 Rear Forward Facing Seats 1/1

Range Rover (To HA610293)

(TS5392A)

Range Rover (To HA610293)

Seats
 Seat Belts
 Rear Forward Facing Seats



Callout	Name	Application	Remarks & Restrictions	Service No.	Qty		
1	Seat belt assembly-individual rear	Change point - VIN end CA273922, 2 Door Station Wagon, (-)"GB"	Brushwood, LH	RTC6752AMV	1		
		Change point - VIN end CA273922, 2 Door Station Wagon, (-)"GB"	Flint, LH	RTC6752LCG	1		
		Change point - VIN end CA273922, 2 Door Station Wagon, (-)"GB"	RH, Flint Grey	MWC2328LG	1		
		Change point - VIN end CA273922, 2 Door Station Wagon, (-)"GB"	RH, Brushwood	RTC6753AMV	1		
		Change point - VIN end CA273922, 2 Door Station Wagon, (-)"GB"	RH, Flint	RTC6753LCG	1		
		Change point - VIN end CA273922, 2 Door Station Wagon, (+)"AUS"	Black, RH	MUC9888	1		
		Change point - VIN end CA273922, 2 Door Station Wagon, (+)"AUS"	Black, LH	MUC9889	1		
		2	Clip	Change point - VIN end CA273922, 2 Door Station Wagon	seatbelt stowage	MRC7685	2
				Change point - VIN end CA273922, 2 Door Station Wagon	seatbelt stowage	MWC 1055	2
3	Screw	Change point - VIN end CA171957	hexagonal head, 5/16UNF x 7/8	SH605071L	2		
4	Washer	Change point - VIN end CA171957	M8, starlock	WF108001L	1		
5	Washer	Change point - VIN end CA171957	M8	WC108051L	2		
6	Washer	Change point - VIN end CA273922, 2 Door Station Wagon	Plain, Standard	WP185L	2		
7	Rivnut	Change point - VIN end CA273922, 2 Door Station Wagon		79103	2		
8	Seat belt assembly-rear-centre	Change point - VIN end CA273922, 2 Door Station Wagon, (-)"GB"	Brushwood	RTC6750AMV	1		
		Change point - VIN end CA273922, 2 Door Station Wagon, (-)"GB"	Flint Grey	RTC6750LCG	1		
		Change point - VIN end CA273922, 2 Door Station Wagon, (+)"AUS"	Also serviced as part of a kit, Black	MUC9733	1		
[900]	Screw-self tapping	Change point - VIN end CA273922, 2 Door Station Wagon	counter sunk, No 10 x 1"	AD610084	2		

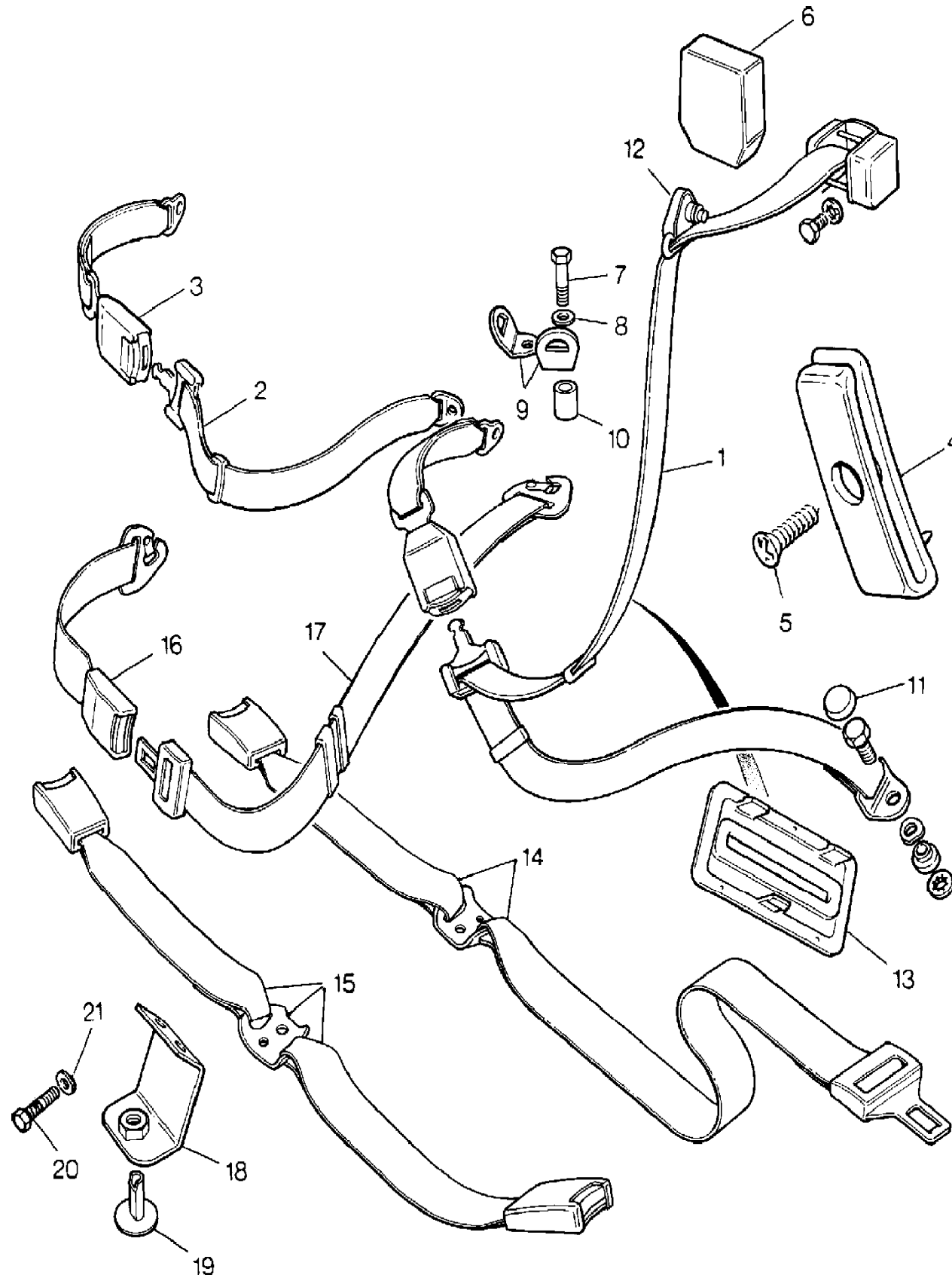
Seats
Seat Belts
Rear Seat Belt 1/2

Range Rover (To HA610293)

(TS6114A)

Range Rover (To HA610293)

Seats
Seat Belts
Rear Seat Belt



Callout	Name	Application	Remarks & Restrictions	Service No.	Qty
1	Reel assembly	Change point - VIN begin FA361897, Change point - VIN end FA399972	LH	MWC 1671RUN	1
		Change point - VIN begin FA361897, Change point - VIN end FA399972	RH	MWC 1672RUN	1
		Change point - VIN begin GA399973	RH	MXC5376RUN	1
		Change point - VIN begin GA399973	LH	MXC5377RUN	1
2	Seat belt assembly-rear-centre lap	Change point - VIN begin FA361897, Change point - VIN end FA399972		MWC 1681RUN	1
		Change point - VIN begin GA399973		MXC5504RUN	1
3	Seat belt assembly-short end	Change point - VIN begin FA361897, Change point - VIN end FA399972		MWC 1680RUN	3
		Change point - VIN begin GA399973		MXC5503RUN	3
		Change point - VIN begin FA361897, (+)"AUS"		MWC6297RUN	2
4	Clip-rear seat belt stowage	Change point - VIN begin FA361897	Bokhara	MWC 1055RUN	2
5	Screw-self tapping	Change point - VIN begin FA361897	counter sunk, No 10 x 1"	AD610084	2
6	Cover-pillar trim seat belt reel	Change point - VIN begin FA361897	Bokhara	MWC4592RUN	2
7	Bolt	Change point - VIN begin FA361897		MWC8517	4
8	Washer-Lock	Change point - VIN begin FA361897		392809	4
9	Plate-rear seat belt male anchor	Change point - VIN begin FA361897	Single	MRC4655	8
10	Spacer	Change point - VIN begin FA361897		MWC8520	4
11	Cap-seat belt bolt head	Change point - VIN begin FA361897		MTC2610	2
12	Cover-rear seat belt pillar anchorage	Change point - VIN begin FA361897		RTC5917	2
13	Escutcheon- BC post lower	Change point - VIN begin FA361897	Sorrel Brown	MXC4644SUA	2
14	Housing-rear seat squab seat belt one buckle	Change point - VIN begin FA361897	Bokhara	BTR545RUN	1

Seats
Seat Belts
Rear Seat Belt 2/2

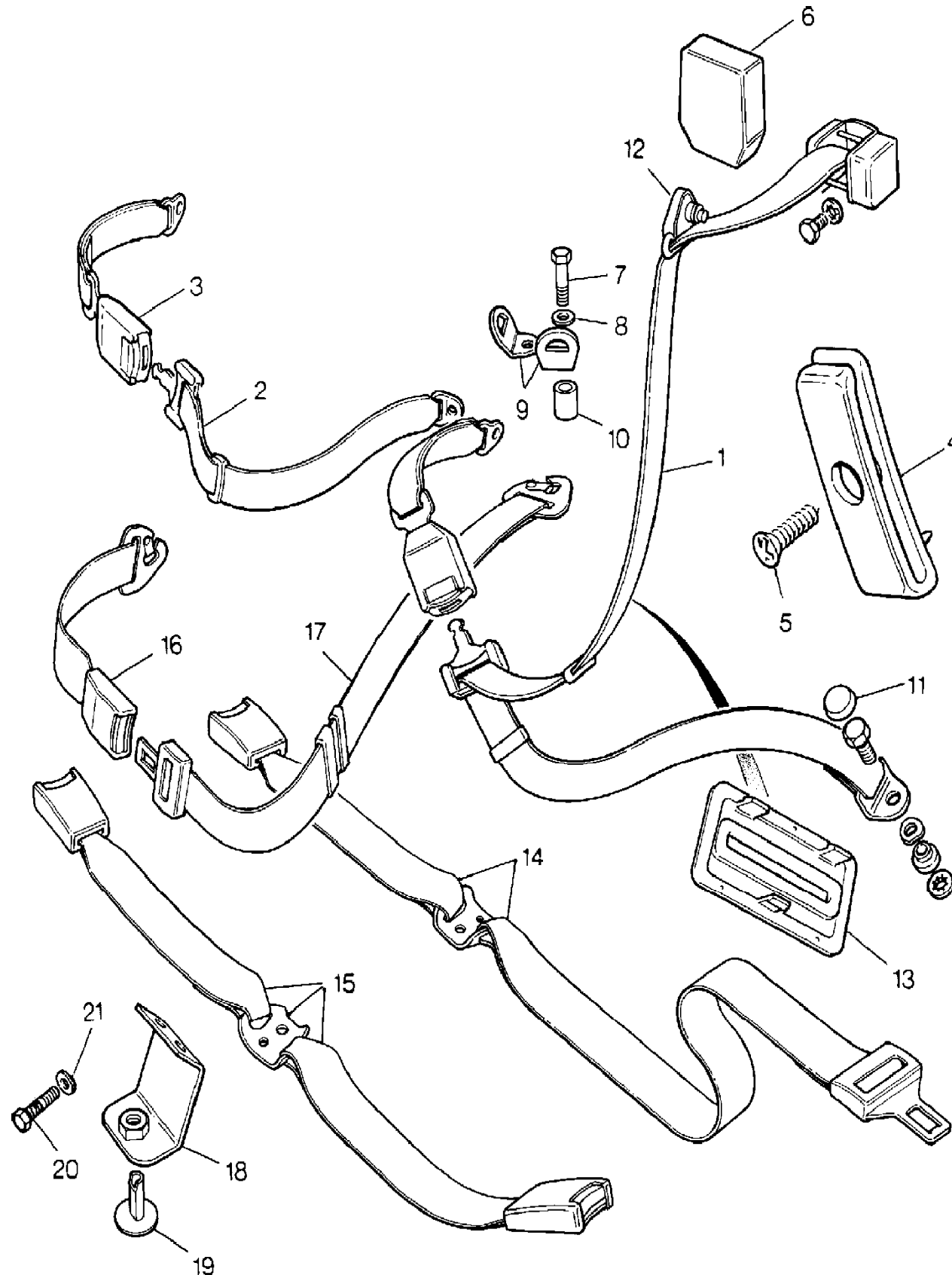
Range Rover (To HA610293)

(TS6114A)

Range Rover (To HA610293)

Seats
Seat Belts
Rear Seat Belt

Callout	Name	Application	Remarks & Restrictions	Service No.	Qty
15	Housing-rear seat squab seat belt two buckle	Change point - VIN begin FA361897	Bokhara	BTR339RUN	1
16	Seat belt assembly-short end	Change point - VIN begin FA361897	Bokhara	BTR479RUN	2
17	Tongue assembly-seat belt	Change point - VIN begin FA361897	Bokhara	BTR512RUN	3
18	Plate assembly-child restraint rear floor mounting	Change point - VIN begin FA361897		BTR453	3
19	Plug-taper thread	Change point - VIN begin FA361897		BTR380	1
20	Screw	Change point - VIN begin FA361897	pan head, M5 x 12	SE105121L	6
21	Washer	Change point - VIN begin FA361897	M5, retaining	WL105001L	6



Seats
 Seat Belts
 Seat Belt Assembly-Front 1/1

Range Rover (To HA610293)

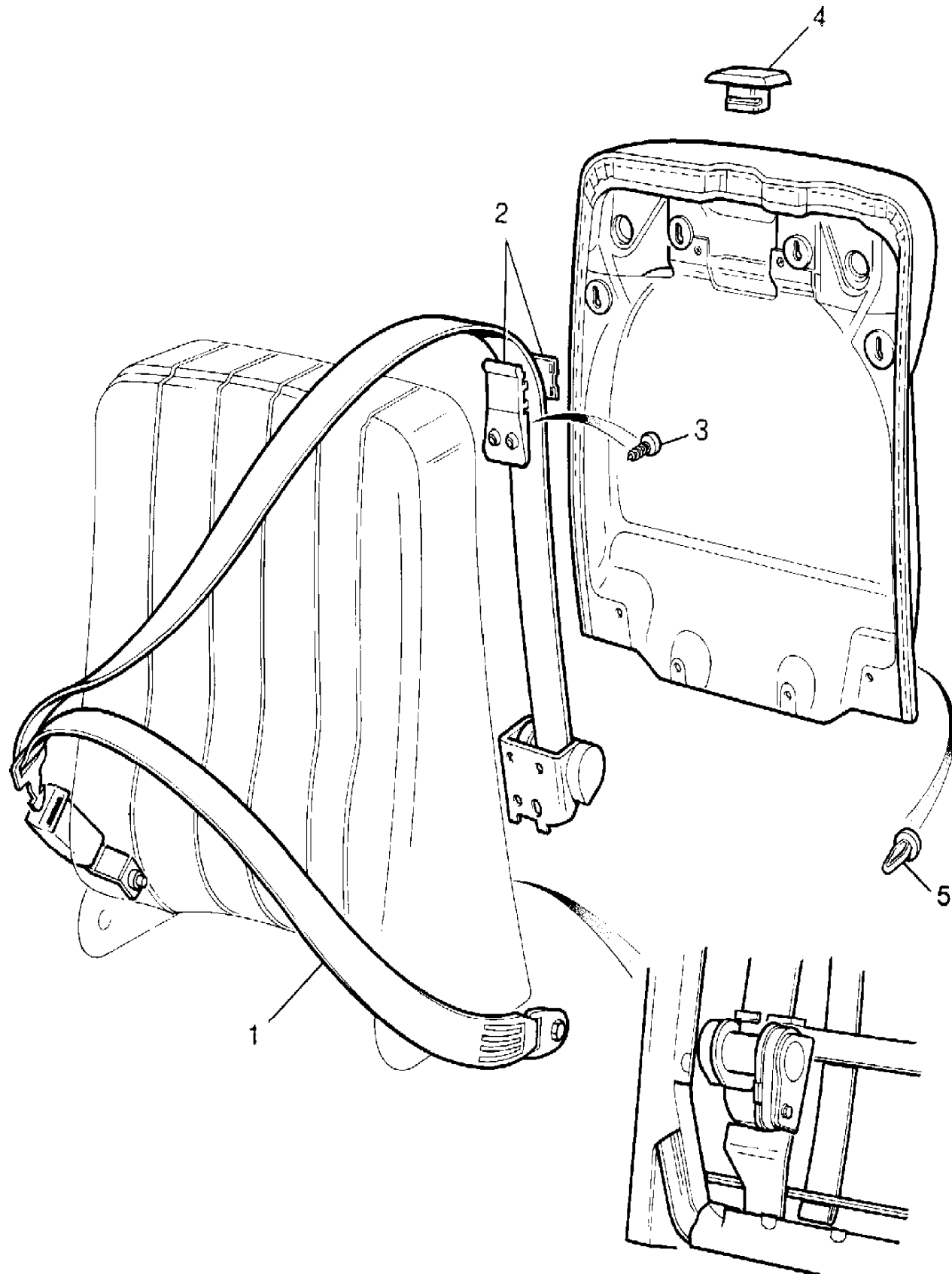
(TS5390)

Range Rover (To HA610293)

Seats
 Seat Belts
 Seat Belt Assembly-Front

2 Door Station Wagon

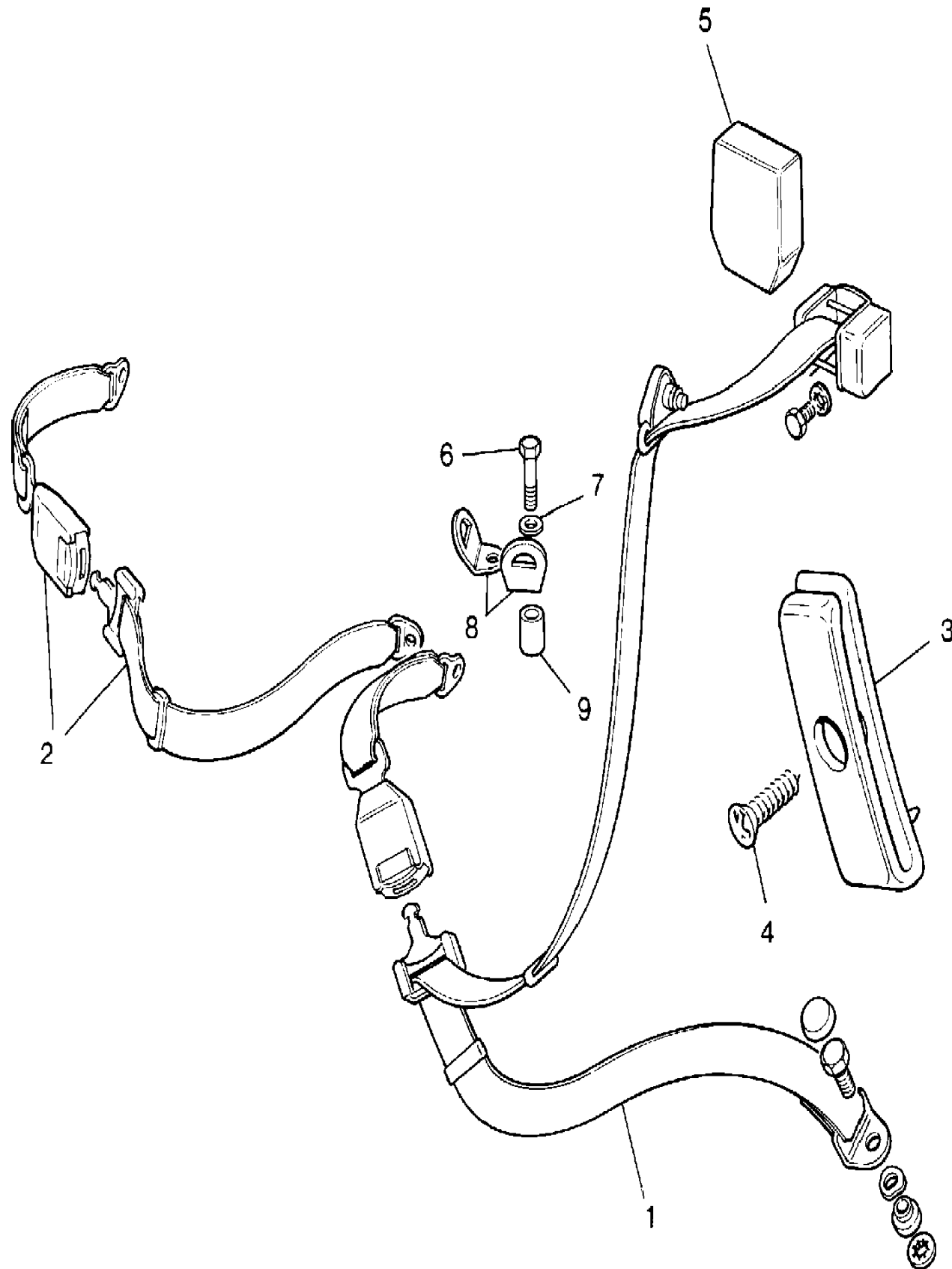
Callout	Name	Application	Remarks & Restrictions	Service No.	Qty
1	Seat belt assembly-passive front		non audible	STC98AMV	2
			audible	MUC2396	2
2	Guide-front seat belt webbing			MRC5798	2
3	Screw		Self Tapping, No 6 x 3/8	AB606031L	4
4	Plug			MRC1102	2
5	Fastener-drive			RTC3752	8



Seats
Seat Belts
Seat Belt Assembly-Rear 1/2

Range Rover (To HA610293)

(TS6114)



Range Rover (To HA610293)

Seats
Seat Belts
Seat Belt Assembly-Rear

Callout	Name	Application	Remarks & Restrictions	Service No.	Qty		
1	Seat belt assembly-individual rear	Change point - VIN begin DA273923, Change point - VIN end EA351846, (+)"AUS"	RH, Flint Grey	MWC6298LG	1		
		Change point - VIN begin DA273923, Change point - VIN end EA351846, (+)"AUS"	Brushwood, LH	MWC6299AV	1		
		Change point - VIN begin DA273923, Change point - VIN end EA351846, (+)"AUS"	Flint Grey, LH	MWC6299LG	1		
		Change point - VIN begin DA273923, Change point - VIN end EA351846	RH, Brushwood	RTC6753AMV	1		
		Change point - VIN begin DA273923, Change point - VIN end EA351846	RH, Flint	RTC6753LCG	1		
		Change point - VIN begin DA273923, Change point - VIN end EA351846	Brushwood, LH	RTC6752AMV	1		
		Change point - VIN begin DA273923, Change point - VIN end EA351846	Flint, LH	RTC6752LCG	1		
		Change point - VIN begin DA273923, Change point - VIN end EA351846, (+)"AUS"	RH, Brushwood	MWC6298AV	1		
		2	Seat belt assembly-rear-centre	Change point - VIN begin DA273923, Change point - VIN end EA351846	Brushwood	RTC6750AMV	1
				Change point - VIN begin DA273923, Change point - VIN end EA351846	Flint Grey	RTC6750LCG	1
Change point - VIN begin DA273923, Change point - VIN end EA351846, (+)"AUS"	Brushwood			RTC6852AMV	1		
Change point - VIN begin DA273923, Change point - VIN end EA351846, (+)"AUS"	Flint Grey			MWC6300LG	1		
3	Clip			Change point - VIN begin DA273923, Change point - VIN end EA351846	seatbelt stowage	MWC 1055	2
4	Screw-self tapping	Change point - VIN begin DA273923, Change point - VIN end EA351846	counter sunk, No 10 x 1"	AD610084	2		
5	Cap-seat belt bolt head	Change point - VIN begin DA273923, Change point - VIN end EA351846		MWC4592	2		
6	Bolt	Change point - VIN begin DA273923, Change point - VIN end EA351846		392670	4		
7	Washer-Lock	Change point - VIN begin DA273923, Change point - VIN end EA351846		392809	4		

Seats
 Seat Belts
 Seat Belt Assembly-Rear 2/2

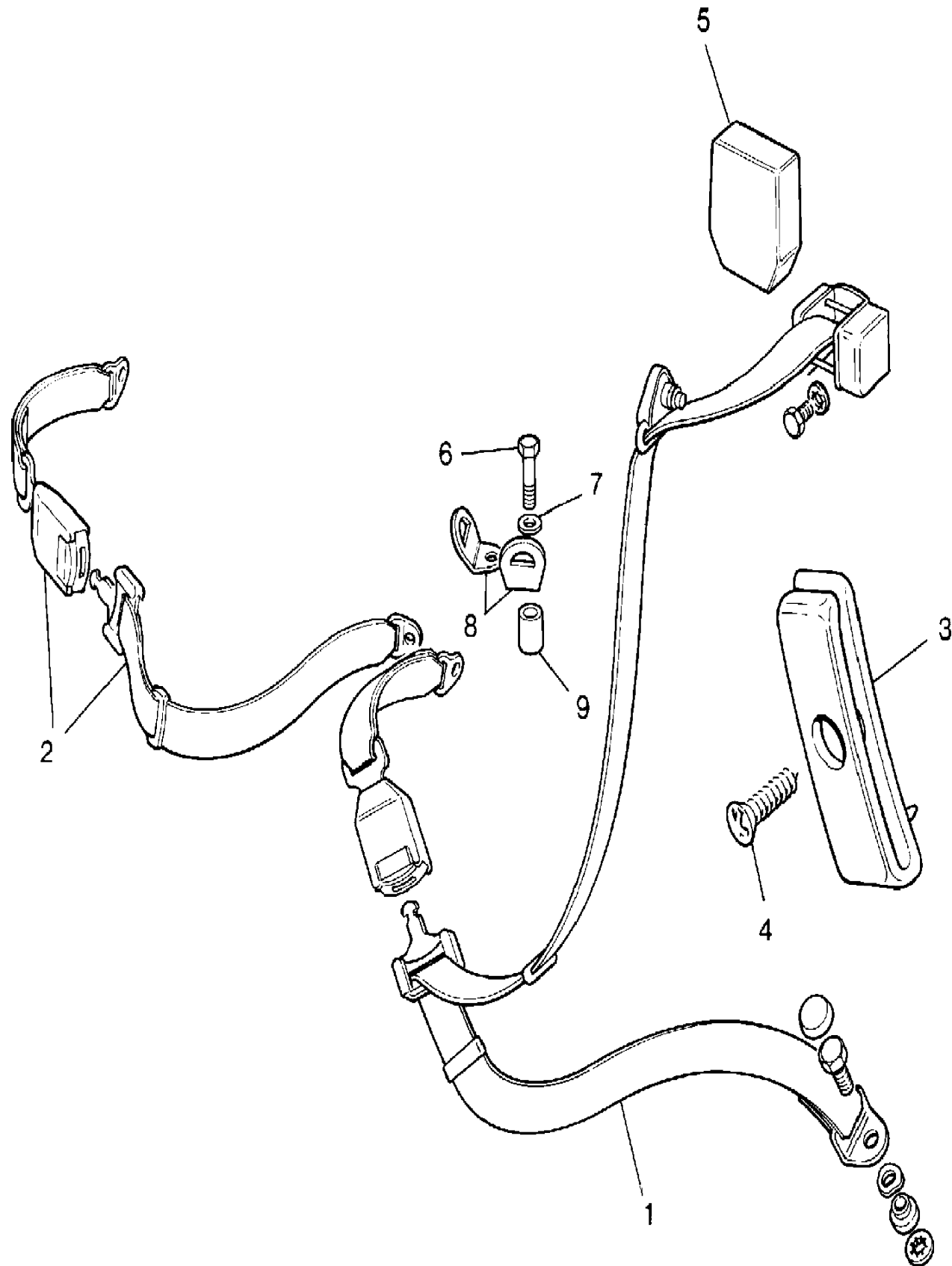
Range Rover (To HA610293)

(TS6114)

Range Rover (To HA610293)

Seats
 Seat Belts
 Seat Belt Assembly-Rear

Callout	Name	Application	Remarks & Restrictions	Service No.	Qty
8	Plate-rear seat belt male anchor	Change point - VIN begin DA273923, Change point - VIN end EA351846	Single	MRC4655	8
9	Spacer	Change point - VIN begin DA273923, Change point - VIN end EA351846		MRC4658	4



Seats
 Seat Belts
 Seat Belt-Rear Anchorage 1/1

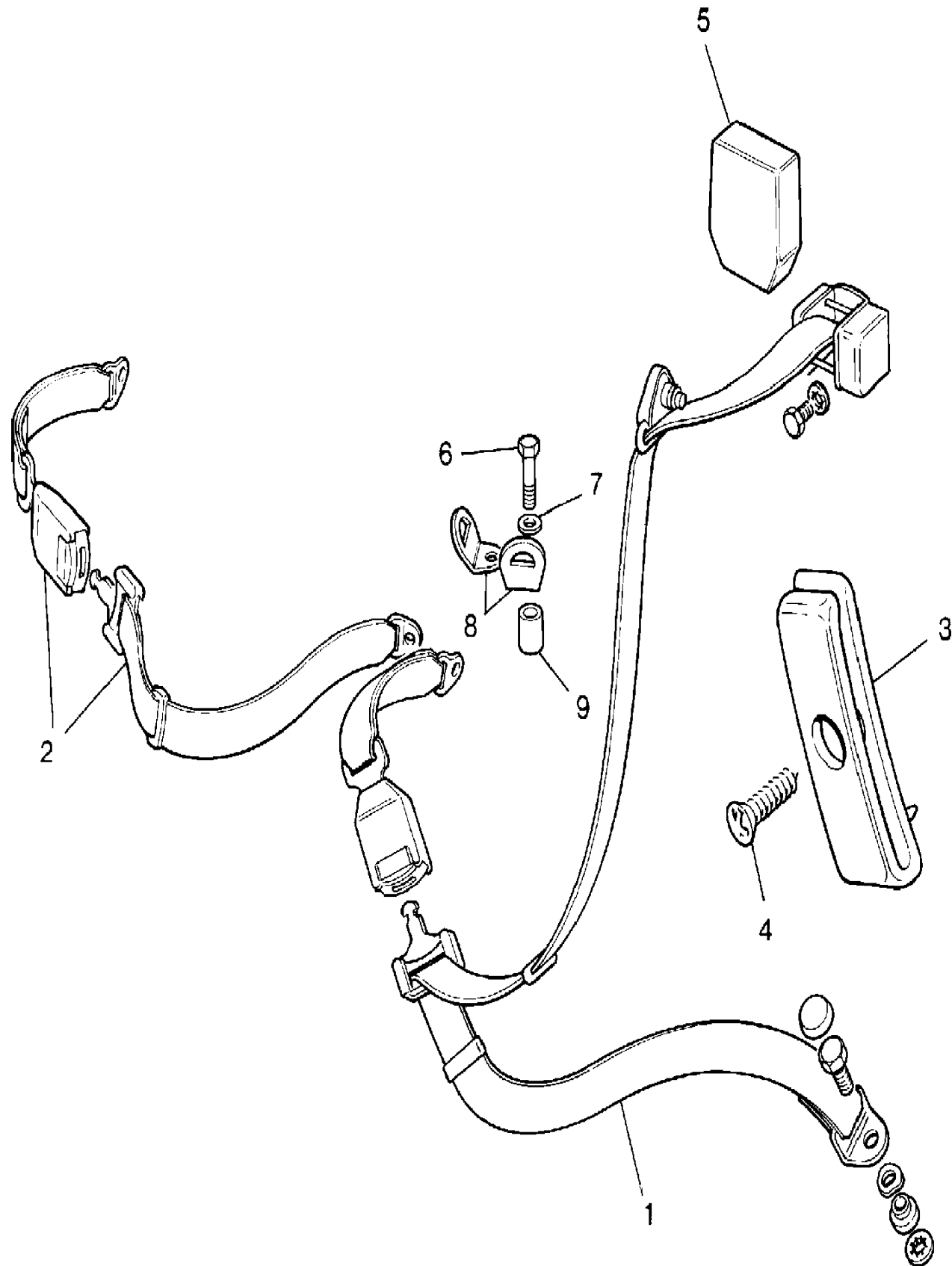
Range Rover (To HA610293)

(TS6114)

Range Rover (To HA610293)

Seats
 Seat Belts
 Seat Belt-Rear Anchorage

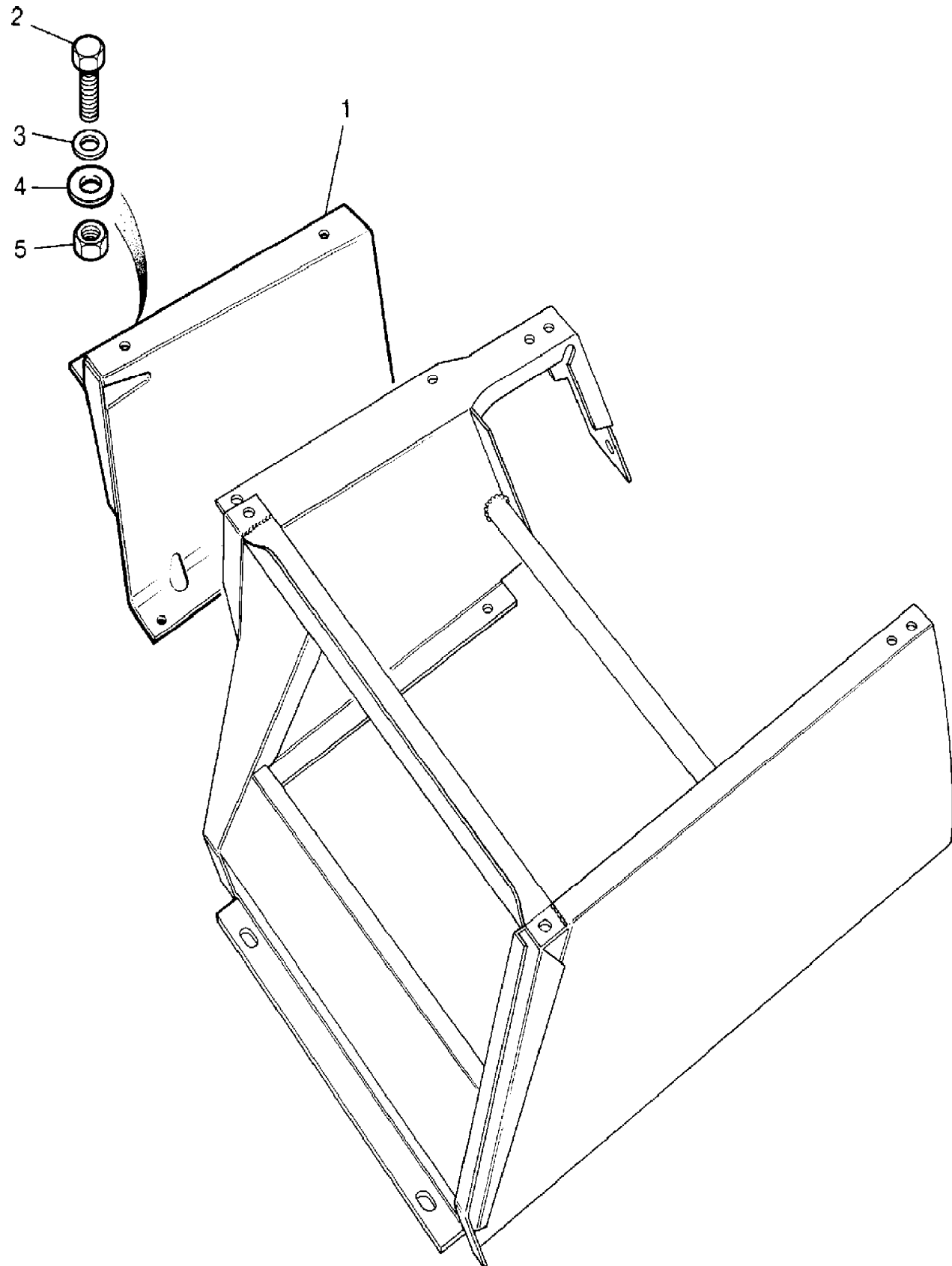
Callout	Name	Application	Remarks & Restrictions	Service No.	Qty
1	Bracket-rear seat belt lower anchorage			390774	2
2	Pin-clevis			577259	2
4	Pin-split			RTC601	2
5	Rivet			78410	4
6	Tie rod			595099	2
7	Grommet			577255	2
8	Washer			577254	2
9	Nut - Hex.		nyloc, 7/16UNF	NY607041L	2



Seats
Seating
Bracket-Seat Mounting 1/1

Range Rover (To HA610293)

(TS5632)



Range Rover (To HA610293)

Seats
Seating
Bracket-Seat Mounting

4 Door Station Wagon

Callout	Name	Application	Remarks & Restrictions	Service No.	Qty
1	Bracket assembly-front seat mounting	Change point - VIN end CA273922	RH	MUC3896	1
		Change point - VIN end CA273922	LH	MUC3897	1
2	Screw	Change point - VIN end CA273922	M8 X 16, hexagonal head	SH108161L	1
3	Washer	Change point - VIN end CA273922	8MM	WA108051L	10
4	Washer	Change point - VIN end CA273922		WJ108001L	8
5	Nut - Hex.	Change point - VIN end CA273922	M8, hexagonal head	NH108041L	8

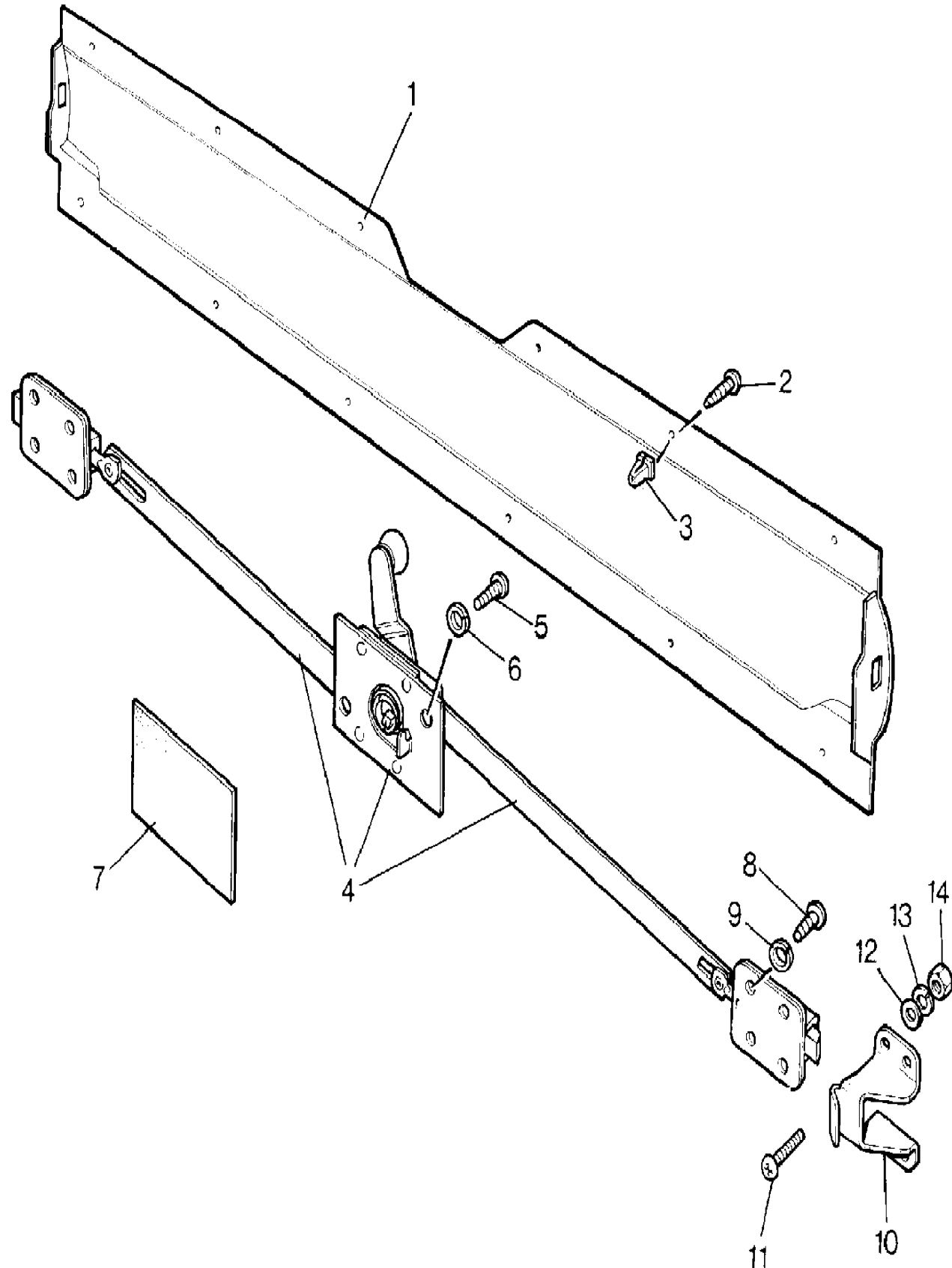
Seats
Seating
Cover Panel & Lock-Bench 1/1

Range Rover (To HA610293)

(N965)

Range Rover (To HA610293)

Seats
Seating
Cover Panel & Lock-Bench



Callout	Name	Application	Remarks & Restrictions	Service No.	Qty
1	Cover Panel		Palomino Phantom Grey	390795AE 390795LJ	1 1
2	Screw		No 8 x 1/2, Self Tapping	AB608041L	12
3	Nut-lokut			570779	12
4	Lock assembly-door			390747	1
5	Screw			78898	2
7	Pad-anti rattle			392581	1
8	Screw			AFU1153	8
11	Screw			AFU1153	8
13	Washer-Spring		3/16 dia, Square	WM702001L	8
14	Nut - Hex.		UNF	HN2005L	8

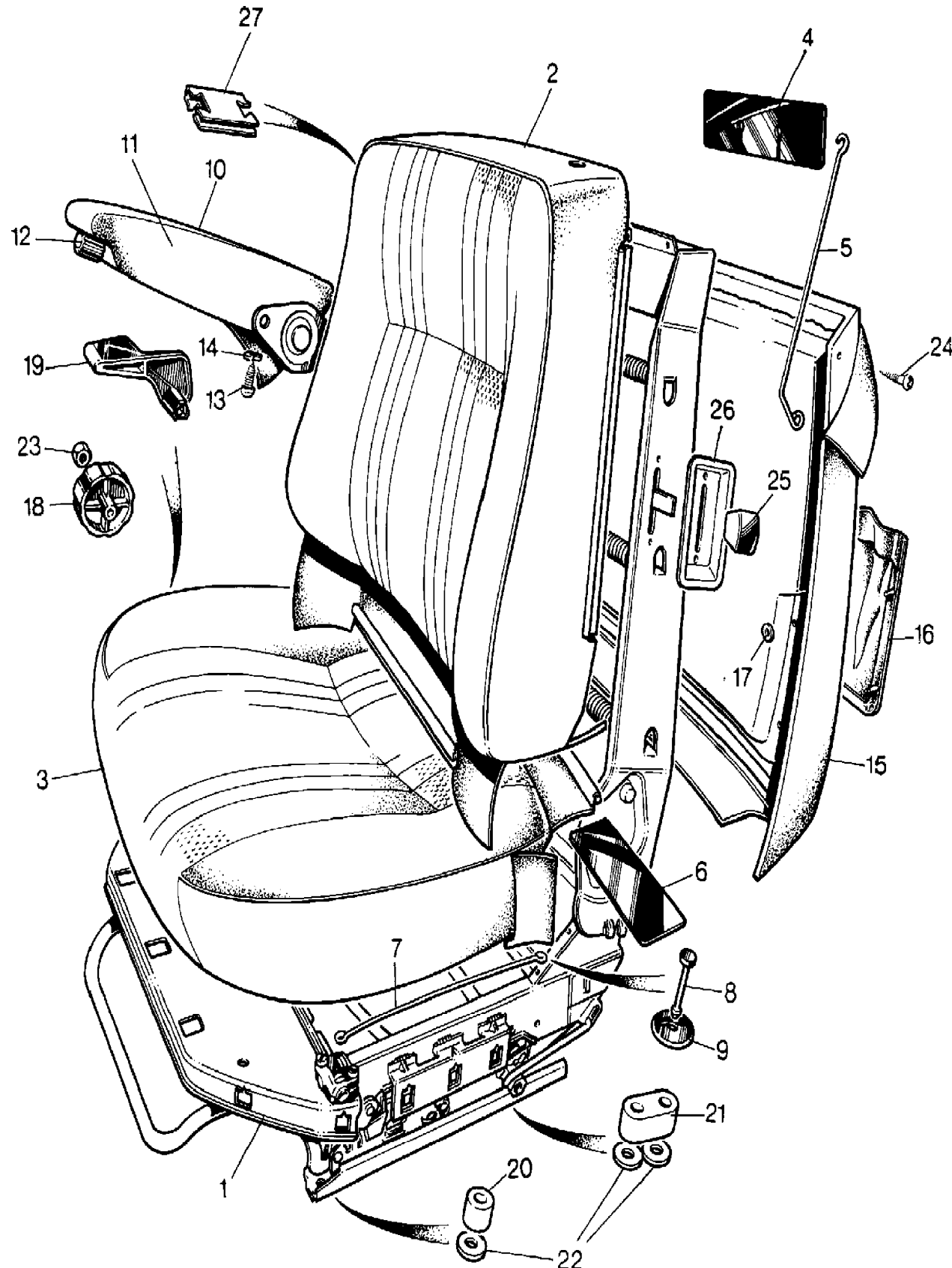
Range Rover (To HA610293)

(TS6544)

Range Rover (To HA610293)

2 Door Station Wagon

Callout	Name	Application	Remarks & Restrictions	Service No.	Qty
1	Frame assembly-manual front seat	Change point - VIN begin FA351847, (-) CSK, Less Electric Driver Seat Adjuster, Less Electric Pass.Seat Adjuster	Also serviced as part of a kit, RH, Bokhara	MXC5798RUN	1
		Change point - VIN begin FA351847, (-) CSK, Less Electric Driver Seat Adjuster, Less Electric Pass.Seat Adjuster	Also serviced as part of a kit, Bokhara, LH	MXC5799RUN	1
		Change point - VIN begin FA351847, (+)"Europe", CSK, Less Electric Driver Seat Adjuster, Less Electric Pass.Seat Adjuster	Also serviced as part of a kit, RH, Bokhara	BTR1182RUN	1
		Change point - VIN begin FA351847, (+)"Europe", CSK, Less Electric Driver Seat Adjuster, Less Electric Pass.Seat Adjuster	Also serviced as part of a kit, Bokhara, LH	BTR1183RUN	1
		Change point - VIN begin GA399973, (-) CSK, Less Electric Driver Seat Adjuster, Less Electric Pass.Seat Adjuster			
2	Cover assembly-front seat squab	Change point - VIN begin FA351847, Change point - VIN end FA399972, (-) CSK, Less Electric Driver Seat Adjuster, Less Electric Pass.Seat Adjuster	Cloth, Velour, Brogue, With Armrest	MWC6990AUE	2
		Change point - VIN begin GA399973, (-) CSK, Less Electric Driver Seat Adjuster, Less Electric Pass.Seat Adjuster	Cloth, Velour, Brogue, With Armrest	MXC4797AUE	2
		Change point - VIN begin FA351847, CSK, Less Electric Driver Seat Adjuster, Less Electric Pass.Seat Adjuster	Sorrel Brown	BTR597SUA	2
3	Cover assembly-front seat cushion	Change point - VIN begin FA351847, Change point - VIN end FA399972, (-) CSK, Less Electric Driver Seat Adjuster, Less Electric Pass.Seat Adjuster	Cloth, Velour, Brogue	MWC6976AUE	2
		Change point - VIN begin GA399973, (-) CSK, Less Electric Driver Seat Adjuster, Less Electric Pass.Seat Adjuster	Cloth, Velour, Brogue	MXC4787AUE	2
		Change point - VIN begin FA351847, CSK, Less Electric Driver Seat Adjuster, Less Electric Pass.Seat Adjuster,	Cloth, Velour, Sorrel Brown	BTR598SUA	2



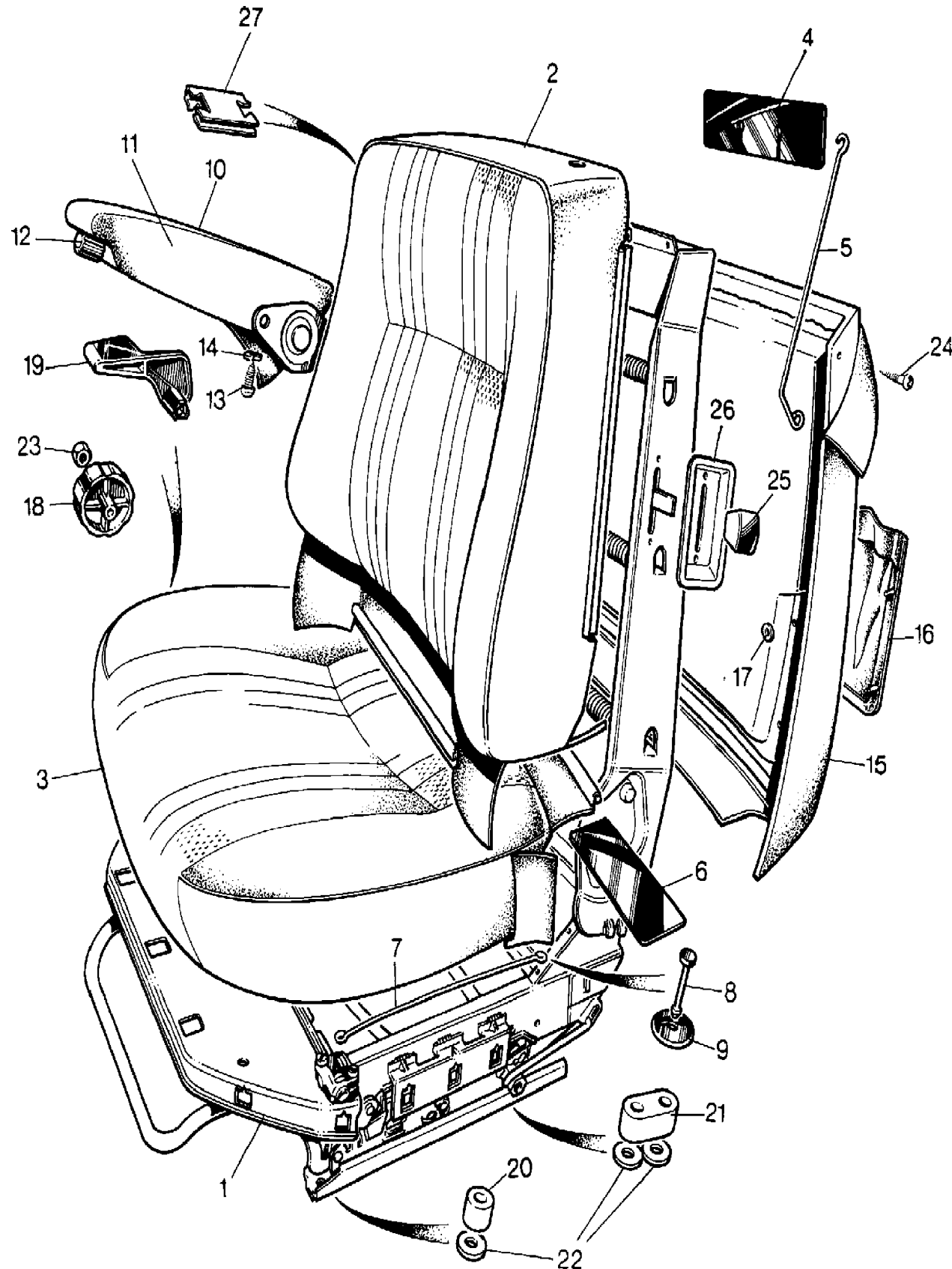
Range Rover (To HA610293)

(TS6544)

Range Rover (To HA610293)

2 Door Station Wagon

Callout	Name	Application	Remarks & Restrictions	Service No.	Qty
4	Plate-rear seat squab retention	Change point - VIN begin FA351847, Less Electric Driver Seat Adjuster, Less Electric Pass.Seat Adjuster	Upper	MUC1561	2
5	Wire-trim retention	Change point - VIN begin FA351847, Change point - VIN end FA399972, Less Electric Driver Seat Adjuster, Less Electric Pass.Seat Adjuster Change point - VIN begin GA399973, Less Electric Driver Seat Adjuster, Less Electric Pass.Seat Adjuster		MUC1525 MXC6474	4 4
6	Plate	Change point - VIN begin FA351847, Less Electric Driver Seat Adjuster, Less Electric Pass.Seat Adjuster		BTR344	2
7	Wire-trim retention	Change point - VIN begin FA351847, Change point - VIN end FA399972, Less Electric Driver Seat Adjuster, Less Electric Pass.Seat Adjuster Change point - VIN begin GA399973, Less Electric Driver Seat Adjuster, Less Electric Pass.Seat Adjuster		MWC5259 MXC6473	4 4
8	Clip-trim retention	Change point - VIN begin FA351847, Less Electric Driver Seat Adjuster, Less Electric Pass.Seat Adjuster Change point - VIN begin FA351847, Less Electric Driver Seat Adjuster, Less Electric Pass.Seat Adjuster		AFU3026 AFU4056	4 4
9	Washer	Change point - VIN begin FA351847, Less Electric Driver Seat Adjuster, Less Electric Pass.Seat Adjuster		BRC5803	8
10	Armrest assembly-front seat	Change point - VIN begin FA351847, Less Electric Driver Seat Adjuster, Less Electric Pass.Seat Adjuster	Also serviced as part of a kit, Cloth, RH, Velour, Brogue	RTC6506	1



Seats
Seating
Front Seats 3/5

Range Rover (To HA610293)

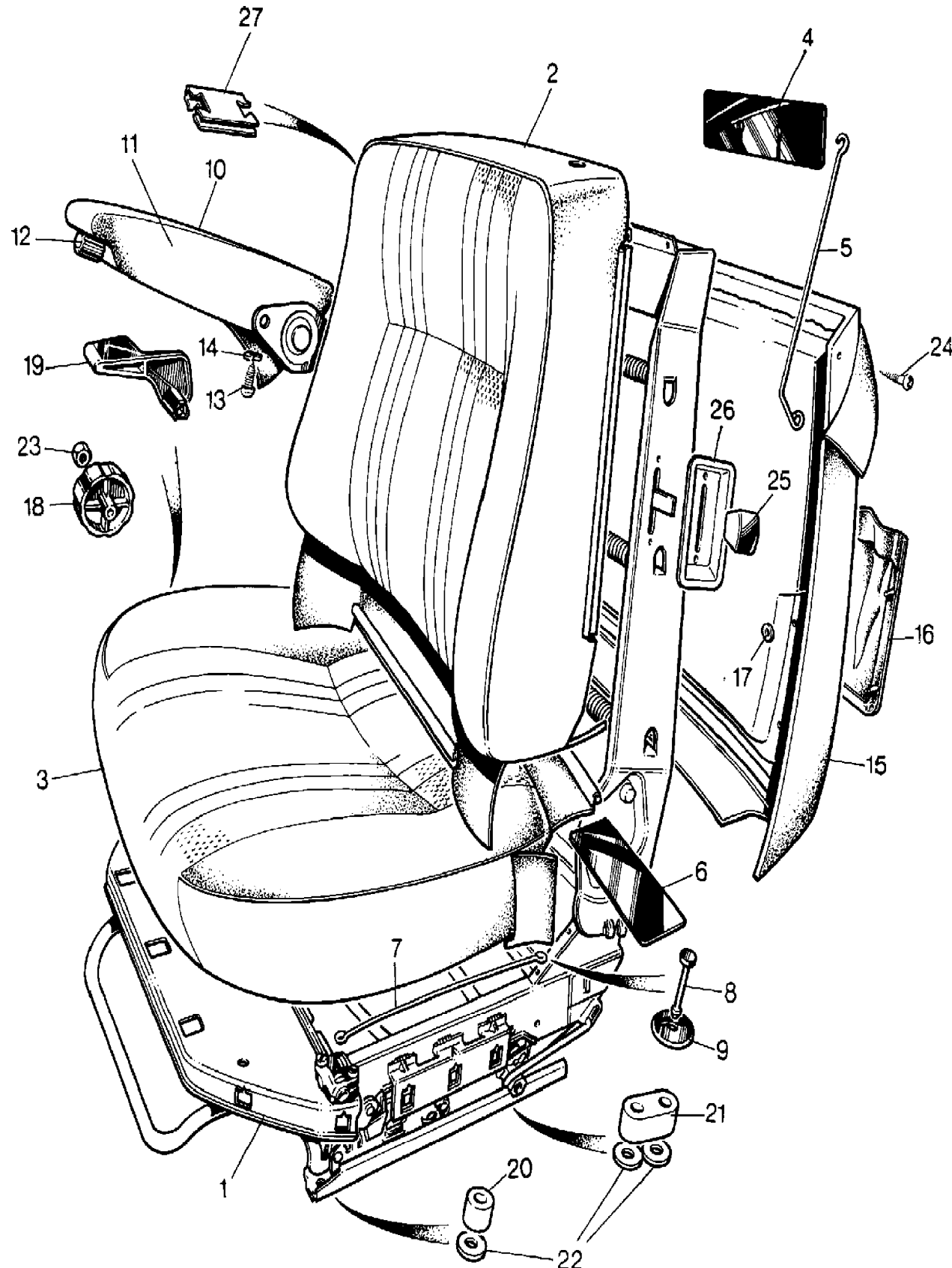
(TS6544)

Range Rover (To HA610293)

Seats
Seating
Front Seats

2 Door Station Wagon

Callout	Name	Application	Remarks & Restrictions	Service No.	Qty
10	Armrest assembly-front seat	Change point - VIN begin FA351847, Less Electric Driver Seat Adjuster, Less Electric Pass.Seat Adjuster	Also serviced as part of a kit, Cloth, Velour, Brogue, LH	RTC6507	1
11	Cover-armrest-front seat	Change point - VIN begin FA351847, Less Electric Driver Seat Adjuster, Less Electric Pass.Seat Adjuster	Also serviced as part of a kit, Cloth, RH, Velour, Brogue	RTC6522	1
		Change point - VIN begin FA351847, Less Electric Driver Seat Adjuster, Less Electric Pass.Seat Adjuster	Also serviced as part of a kit, Cloth, Velour, Brogue, LH	RTC6523	1
12	Knob-front seat armrest adjuster	Change point - VIN begin FA351847, Less Electric Driver Seat Adjuster, Less Electric Pass.Seat Adjuster	Also serviced as part of a kit, Sorrel Brown	MUC1121SUA	2
13	Screw	Change point - VIN begin FA351847, Less Electric Driver Seat Adjuster, Less Electric Pass.Seat Adjuster	hexagonal head, 5/16UNF x 3/4	SH605061L	4
14	Washer-Spring	Change point - VIN begin FA351847, Less Electric Driver Seat Adjuster, Less Electric Pass.Seat Adjuster	Also serviced as part of a kit, 5/16"	WM600051L	4
15	Backboard-front seat	Change point - VIN begin FA351847, (-) CSK, Less Electric Driver Seat Adjuster, Less Electric Pass.Seat Adjuster	Cloth, Velour, Brogue	MWC8592AUE	2
		Change point - VIN begin FA351847, CSK, Less Electric Driver Seat Adjuster, Less Electric Pass.Seat Adjuster	Also serviced as part of a kit, Sorrel Brown, Leather	MWC8594SUA	2
16	Pocket-seat back	Change point - VIN begin FA351847, (-) CSK, Less Electric Driver Seat Adjuster, Less Electric Pass.Seat Adjuster	Cloth, Velour, Brogue	MWC8652AUE	2
		Change point - VIN begin FA351847, CSK, Less Electric Driver Seat Adjuster, Less Electric Pass.Seat Adjuster	Sorrel Brown, Leather	MWC8653SUA	2
17	Retainer	Change point - VIN begin FA351847, Less Electric Driver Seat Adjuster, Less Electric Pass.Seat Adjuster		AN104041L	12



Seats
Seating
Front Seats 4/5

Range Rover (To HA610293)

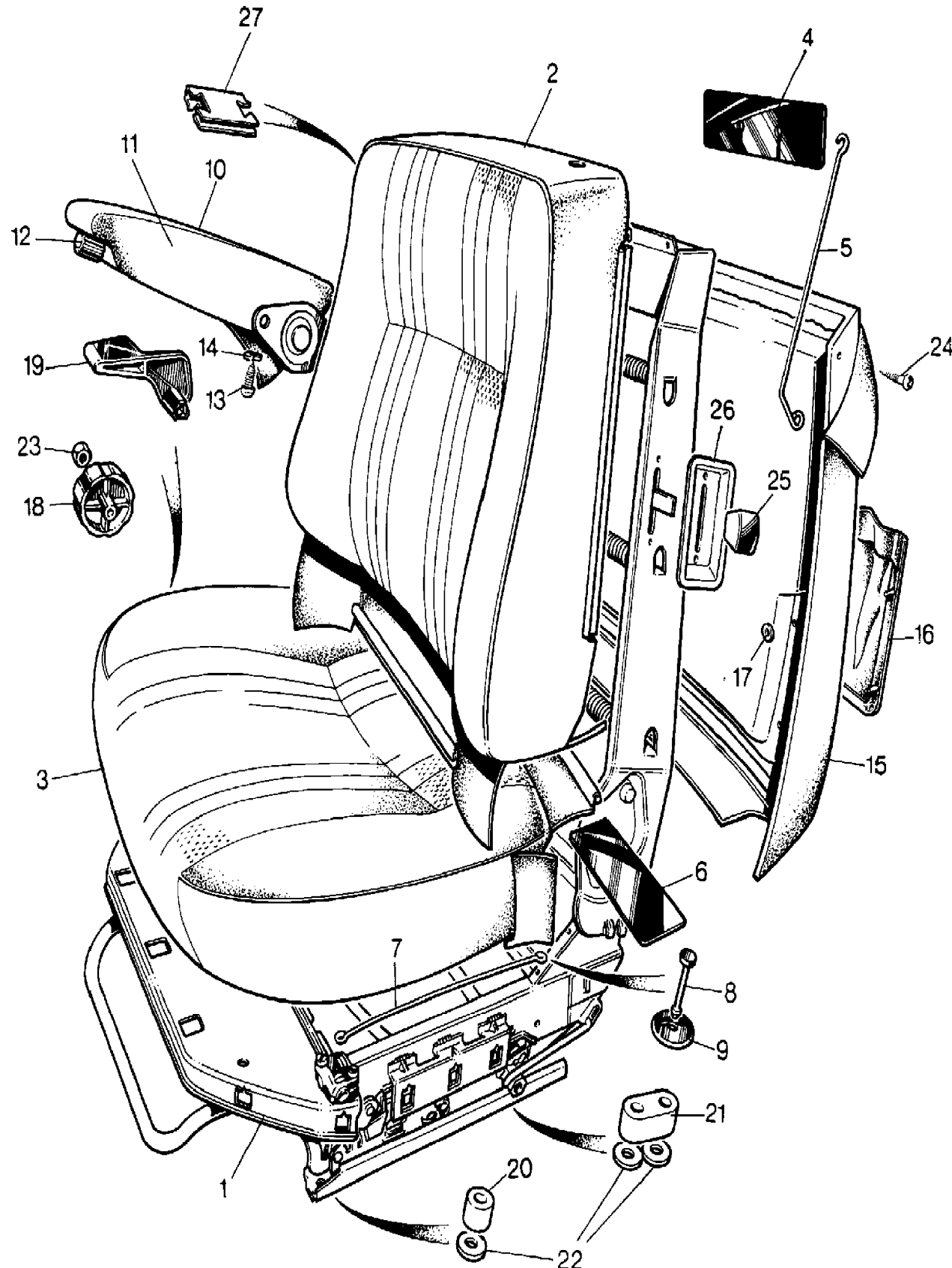
(TS6544)

Range Rover (To HA610293)

Seats
Seating
Front Seats

2 Door Station Wagon

Callout	Name	Application	Remarks & Restrictions	Service No.	Qty
18	Recline mechanism-manual front seat squab	Change point - VIN begin FA351847, Less Electric Driver Seat Adjuster, Less Electric Pass.Seat Adjuster	Bokhara	MWC2955RUN	2
19	Lever-front seat height adjust	Change point - VIN begin FA351847, Less Electric Driver Seat Adjuster, Less Electric Pass.Seat Adjuster Change point - VIN begin FA351847, Less Electric Driver Seat Adjuster, Less Electric Pass.Seat Adjuster	RH LH	MUC1626RUN MUC1627RUN	1 1
20	Spacer	Change point - VIN begin FA351847, Less Electric Driver Seat Adjuster, Less Electric Pass.Seat Adjuster	Front	MWC1388	2
21	Spacer	Change point - VIN begin FA351847, Less Electric Driver Seat Adjuster, Less Electric Pass.Seat Adjuster	Rear	MWC1389	2
22	Washer-fibre	Change point - VIN begin FA351847, Less Electric Driver Seat Adjuster, Less Electric Pass.Seat Adjuster		MWC4804	6
23	Nut - Hex.	Change point - VIN begin FA351847, Less Electric Driver Seat Adjuster, Less Electric Pass.Seat Adjuster	M10, hexagonal head, nyloc	NY110041L	2
24	Screw	Change point - VIN begin FA351847, Less Electric Driver Seat Adjuster, Less Electric Pass.Seat Adjuster		DA606061L	4
25	Knob-front seat armrest adjuster	Change point - VIN begin FA351847, Less Electric Driver Seat Adjuster, Less Electric Pass.Seat Adjuster	Sorrel Brown	MWC9618SUA	2
26	Escutcheon-front seat tip lever	Change point - VIN begin FA351847, Less Electric Driver Seat Adjuster, Less Electric Pass.Seat Adjuster	Sorrel Brown	MWC9619SUA	2



Seats
Seating
Front Seats 5/5

Range Rover (To HA610293)

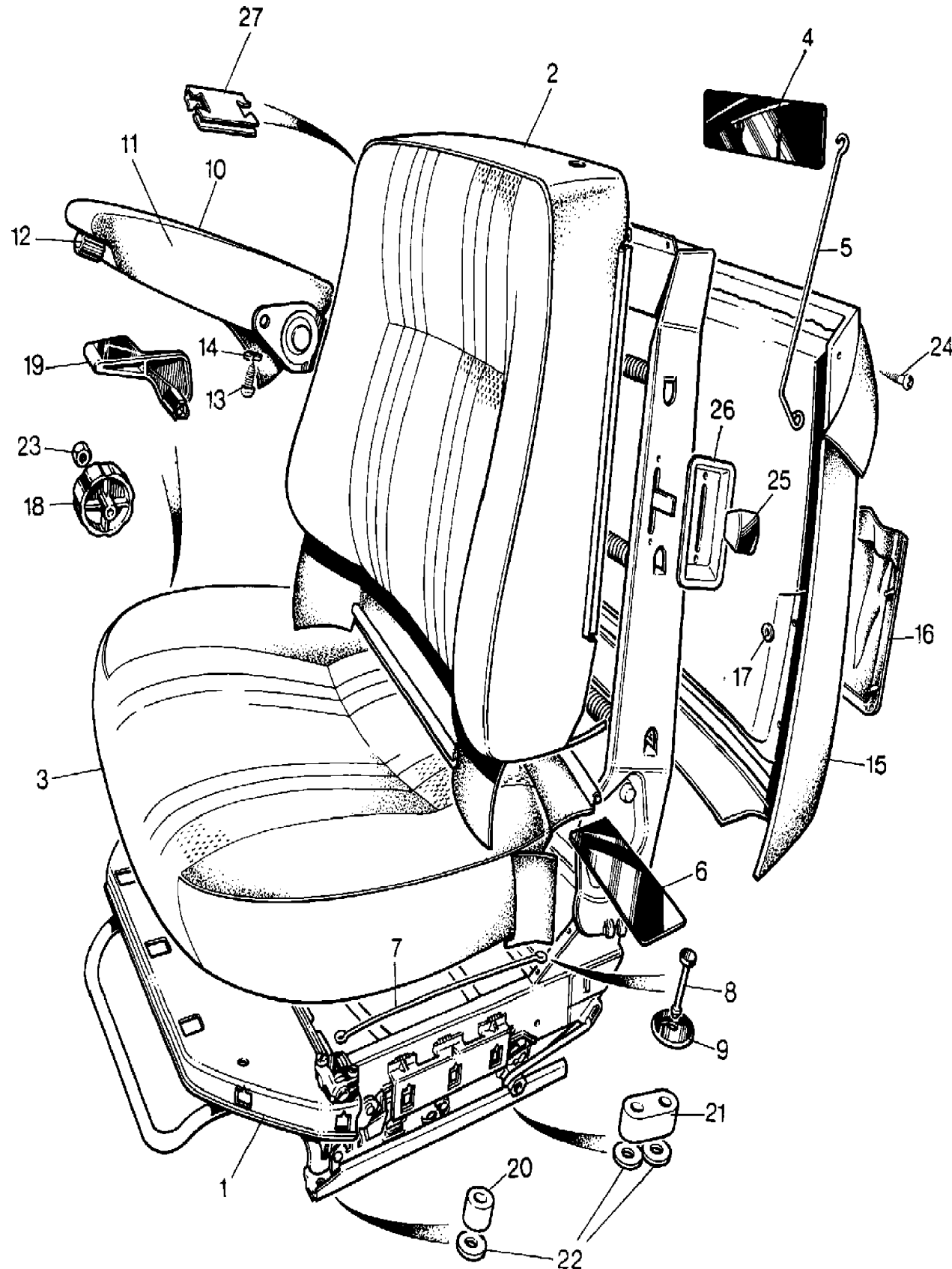
(TS6544)

Range Rover (To HA610293)

Seats
Seating
Front Seats

2 Door Station Wagon

Callout	Name	Application	Remarks & Restrictions	Service No.	Qty
[900]	Recline mechanism-manual front seat squab	Change point - VIN begin FA351847, Less Electric Driver Seat Adjuster, Less Electric Pass.Seat Adjuster		RTC6390	2
[901]	Seat-manual front	Change point - VIN begin FA351847, Change point - VIN end FA399972, Less Electric Driver Seat Adjuster, Less Electric Pass.Seat Adjuster Change point - VIN begin FA351847, Change point - VIN end FA399972, Less Electric Driver Seat Adjuster, Less Electric Pass.Seat Adjuster	Also serviced as part of a kit, RH, Brogue Brogue, LH	MWC6972AUE MWC6973AUE	1 1
		Change point - VIN begin GA399973, Less Electric Driver Seat Adjuster, Less Electric Pass.Seat Adjuster	Also serviced as part of a kit, RH, Brogue	MXC5128AUE	1
		Change point - VIN begin GA399973, Less Electric Driver Seat Adjuster, Less Electric Pass.Seat Adjuster	Also serviced as part of a kit, Brogue, LH	MXC5129AUE	1
[902]	Cable-rear seat squab release	Change point - VIN begin FA351847, (-) CSK, Less Electric Driver Seat Adjuster, Less Electric Pass.Seat Adjuster	Also serviced as part of a kit	RTC6736	2



Seats
Seating
Front Seats 1/4

Range Rover (To HA610293)

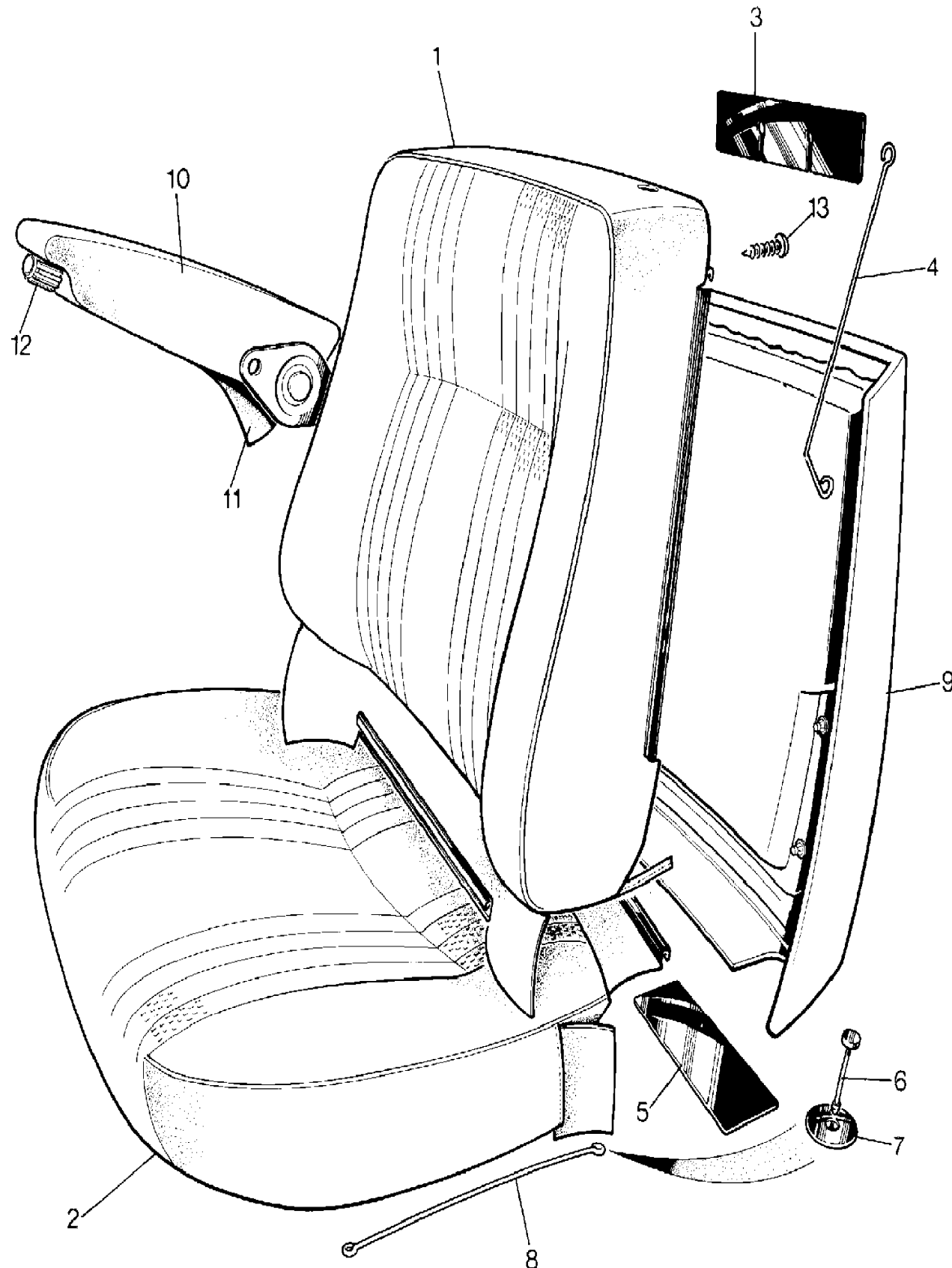
(TS5358)

Range Rover (To HA610293)

Seats
Seating
Front Seats

4 Door Station Wagon

Callout	Name	Application	Remarks & Restrictions	Service No.	Qty
1	Cover assembly-front seat squab	Change point - VIN end CA273922, Less Electric Driver Seat Adjuster, Less Electric Pass.Seat Adjuster	Cloth, Velour, Bracken, With Armrest	MUC6556BC	2
		Change point - VIN end CA273922, Less Electric Driver Seat Adjuster, Less Electric Pass.Seat Adjuster	Cloth, RH, Velour, Bronze..., With Armrest	MUC2978BB	1
		Change point - VIN end CA273922, Less Electric Driver Seat Adjuster, Less Electric Pass.Seat Adjuster	Cloth, Velour, Bronze..., With Armrest, LH	MUC2979BB	1
		Change point - VIN end CA273922, Less Electric Driver Seat Adjuster, Less Electric Pass.Seat Adjuster	Cloth, RH, Velour, Osprey Grey, With Armrest	MUC6556LH	1
		Change point - VIN end CA273922, Less Electric Driver Seat Adjuster, Less Electric Pass.Seat Adjuster	Cloth, Velour, Osprey Grey, With Armrest, LH	MUC6557LH	1
		Change point - VIN end CA273922, Less Electric Driver Seat Adjuster, Less Electric Pass.Seat Adjuster	Cloth, RH, Velour, Bracken	MUC6554BC	1
		Change point - VIN end CA273922, Less Electric Driver Seat Adjuster, Less Electric Pass.Seat Adjuster	Cloth, Velour, Bracken, LH	MUC6555BC	1
2	Cover assembly-front seat cushion	Change point - VIN end CA273922, Less Electric Driver Seat Adjuster, Less Electric Pass.Seat Adjuster	Cloth, RH, Velour, Bronze..	MUC3064BB	1
		Change point - VIN end CA273922, Less Electric Driver Seat Adjuster, Less Electric Pass.Seat Adjuster	Cloth, Velour, Bronze..., LH	MUC3065BB	1
		Change point - VIN end CA273922, Less Electric Driver Seat Adjuster, Less Electric Pass.Seat Adjuster	Cloth, RH, Velour, Osprey Grey	MUC6554LH	1
		Change point - VIN end CA273922, Less Electric Driver Seat Adjuster, Less Electric Pass.Seat Adjuster	Cloth, Velour, Osprey Grey, LH	MUC6555LH	1
		Change point - VIN end CA273922, Less Electric Driver Seat Adjuster, Less Electric Pass.Seat Adjuster	Upper	MUC1561	2
3	Plate-rear seat squab retention	Change point - VIN end CA273922, Less Electric Driver Seat Adjuster, Less Electric Pass.Seat Adjuster			



Seats
Seating
Front Seats 2/4

Range Rover (To HA610293)

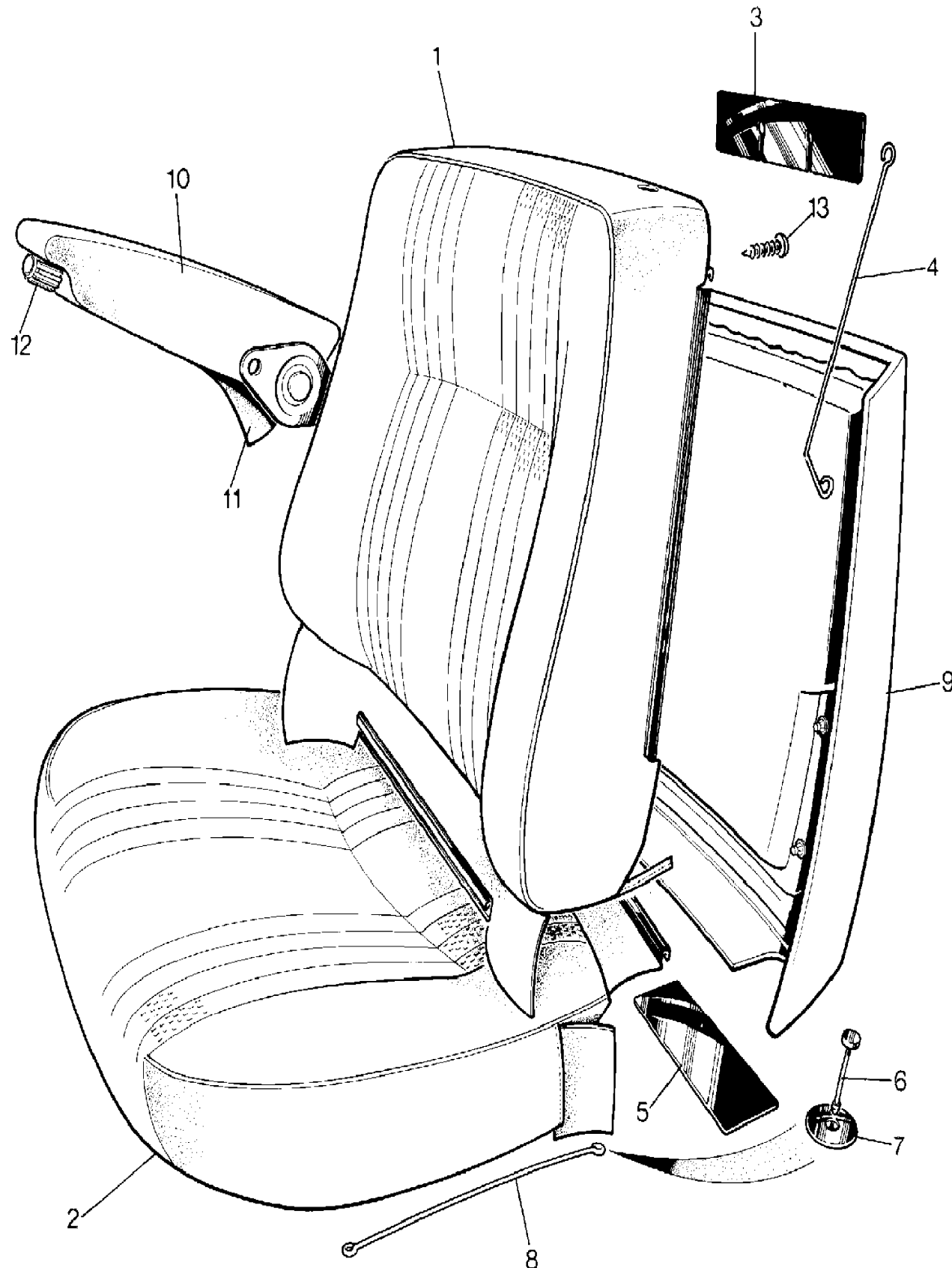
(TS5358)

Range Rover (To HA610293)

Seats
Seating
Front Seats

4 Door Station Wagon

Callout	Name	Application	Remarks & Restrictions	Service No.	Qty
4	Wire-trim retention	Change point - VIN end CA273922, Less Electric Driver Seat Adjuster, Less Electric Pass.Seat Adjuster		MUC1525	4
5	Retainer	Change point - VIN end CA273922, Less Electric Driver Seat Adjuster, Less Electric Pass.Seat Adjuster		BDP1530	2
6	Clip-trim retention	Change point - VIN end CA273922, Less Electric Driver Seat Adjuster, Less Electric Pass.Seat Adjuster		AFU3026	2
		Change point - VIN end CA273922, Less Electric Driver Seat Adjuster, Less Electric Pass.Seat Adjuster		BRC5789	2
7	Washer	Change point - VIN end CA273922, Less Electric Driver Seat Adjuster, Less Electric Pass.Seat Adjuster		BRC5803	4
8	Wire-trim retention	Change point - VIN end CA273922, Less Electric Driver Seat Adjuster, Less Electric Pass.Seat Adjuster		MUC3243	4
9	Panel-rear seat back	Change point - VIN end CA273922, Less Electric Driver Seat Adjuster, Less Electric Pass.Seat Adjuster	RH	MUC1854BB	2
		Change point - VIN end CA273922, Less Electric Driver Seat Adjuster, Less Electric Pass.Seat Adjuster	LH	MUC1854LH	2
10	Armrest assembly-front seat	Change point - VIN end CA273922, Less Electric Driver Seat Adjuster, Less Electric Pass.Seat Adjuster	Also serviced as part of a kit, Cloth, RH, Bracken	RTC6502	1
		Change point - VIN end CA273922, Less Electric Driver Seat Adjuster, Less Electric Pass.Seat Adjuster	Also serviced as part of a kit, Cloth, Bracken, LH	RTC6503	1
		Change point - VIN end CA273922, Less Electric Driver Seat Adjuster, Less Electric Pass.Seat Adjuster	Also serviced as part of a kit, Cloth, RH, Silver Grey	RTC6504	1



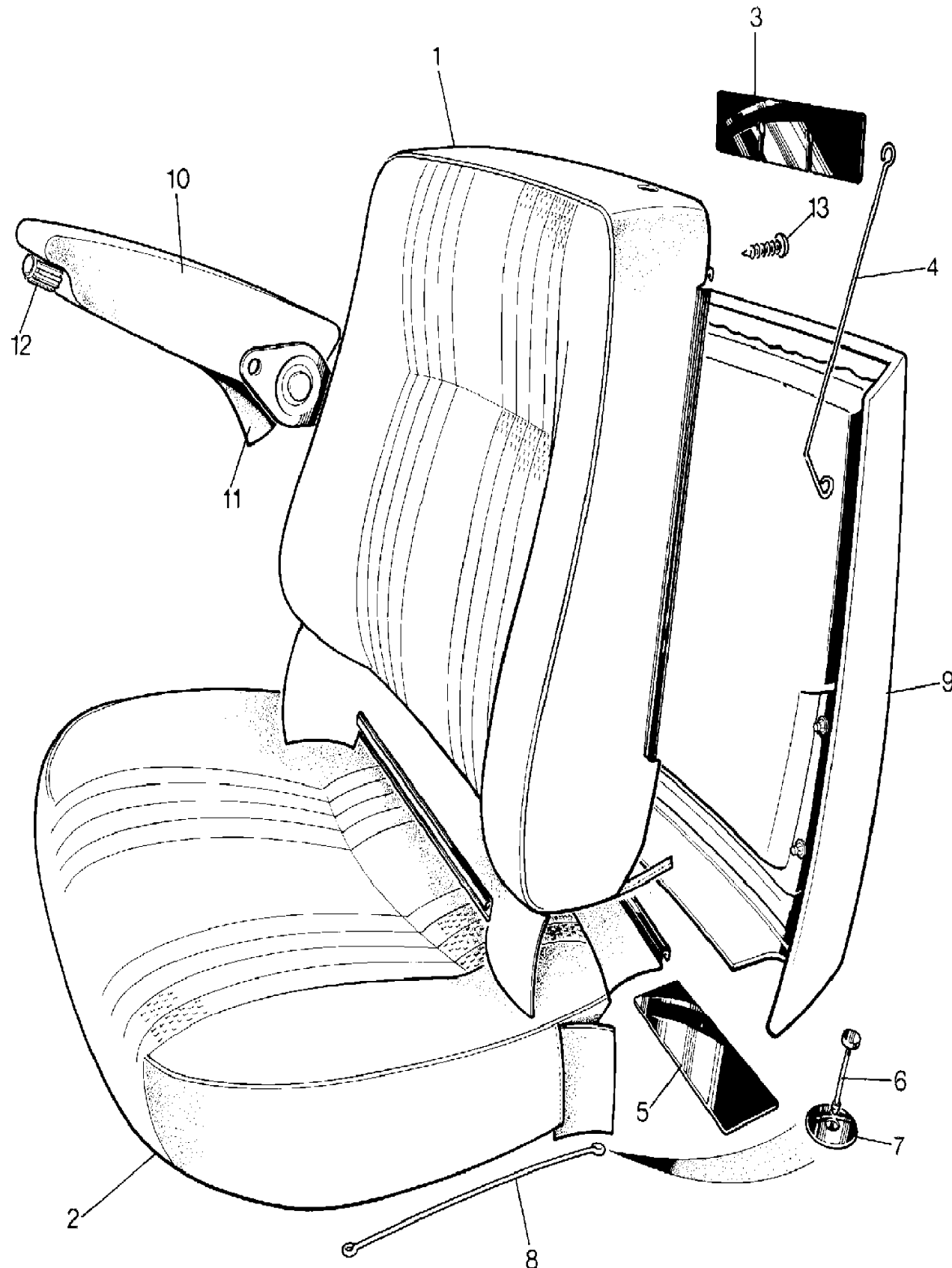
Range Rover (To HA610293)

(TS5358)

Range Rover (To HA610293)

4 Door Station Wagon

Callout	Name	Application	Remarks & Restrictions	Service No.	Qty
10	Armrest assembly-front seat	Change point - VIN end CA273922, Less Electric Driver Seat Adjuster, Less Electric Pass.Seat Adjuster	Also serviced as part of a kit, Cloth, Silver Grey, LH	RTC6505	1
11	Cover-armrest-front seat	Change point - VIN end CA273922, Less Electric Driver Seat Adjuster, Less Electric Pass.Seat Adjuster Change point - VIN end CA273922, Less Electric Driver Seat Adjuster, Less Electric Pass.Seat Adjuster Change point - VIN end CA273922, Less Electric Driver Seat Adjuster, Less Electric Pass.Seat Adjuster Change point - VIN end CA273922, Less Electric Driver Seat Adjuster, Less Electric Pass.Seat Adjuster	Also serviced as part of a kit, RH, Bracken Also serviced as part of a kit, Silver Grey, LH Also serviced as part of a kit, RH, Silver Grey Also serviced as part of a kit, Bracken, LH	RTC6520 RTC6521 RTC6518 RTC6519	1 1 1 1
12	Knob-front seat armrest adjuster	Change point - VIN end CA273922, Less Electric Driver Seat Adjuster, Less Electric Pass.Seat Adjuster Change point - VIN end CA273922, Less Electric Driver Seat Adjuster, Less Electric Pass.Seat Adjuster	Also serviced as part of a kit, Palomino Also serviced as part of a kit, Silver Grey	MUC1121AE MUC1121LP	1 1
13	Screw	Change point - VIN end CA273922, Less Electric Driver Seat Adjuster, Less Electric Pass.Seat Adjuster		DA606061L	4
[900]	Foam cushion	Change point - VIN end CA273922, Less Electric Driver Seat Adjuster, Less Electric Pass.Seat Adjuster Change point - VIN end CA273922, Less Electric Driver Seat Adjuster, Less Electric Pass.Seat Adjuster	RH LH	MTC9875 MTC9874	1 1
[901]	Foam-squab	Change point - VIN end CA273922, Less Electric Driver Seat Adjuster, Less Electric Pass.Seat Adjuster	RH	MTC9878	1



Seats
Seating
Front Seats 4/4

Range Rover (To HA610293)

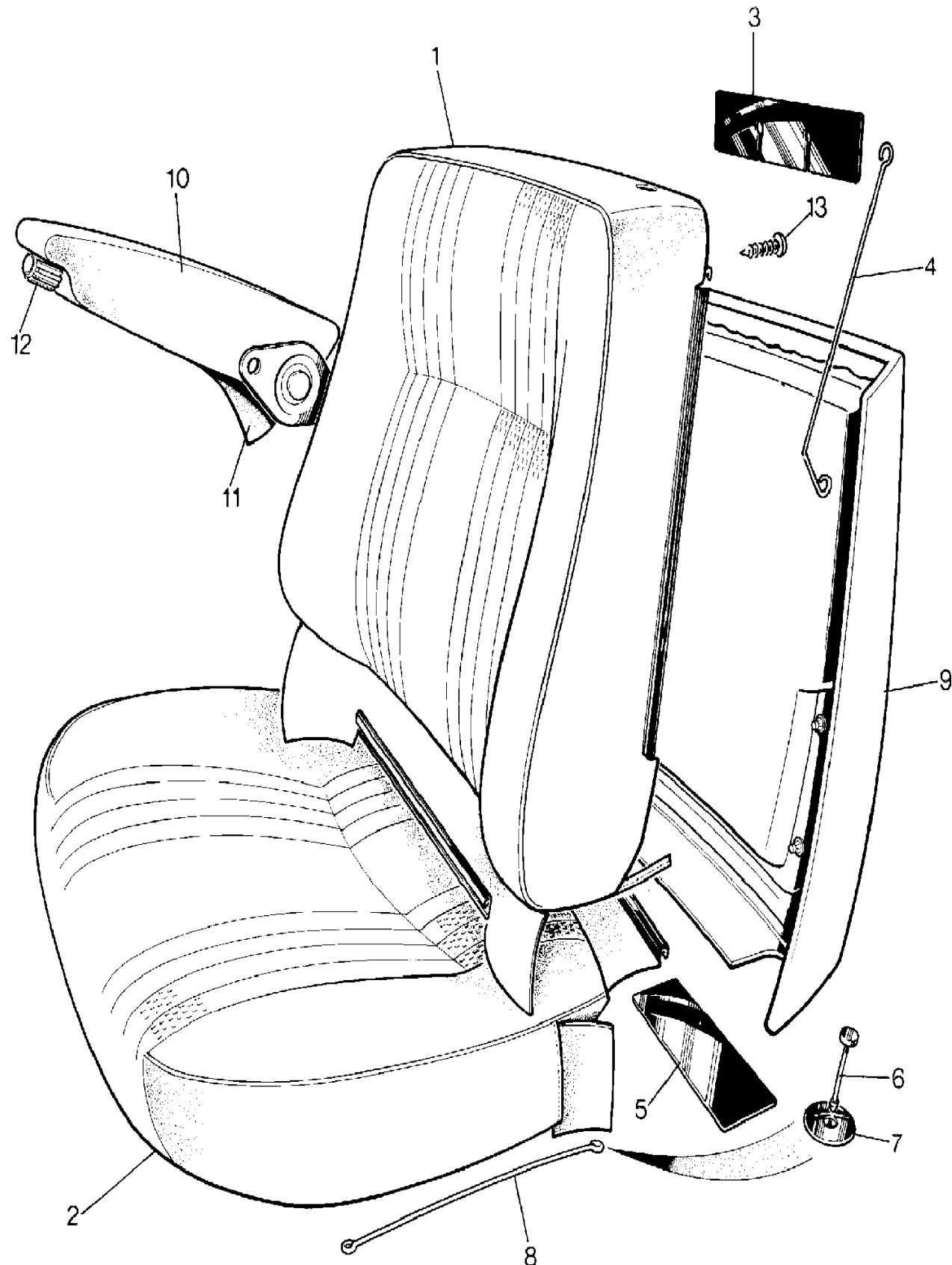
(TS5358)

Range Rover (To HA610293)

Seats
Seating
Front Seats

4 Door Station Wagon

Callout	Name	Application	Remarks & Restrictions	Service No.	Qty
[901]	Foam-squab	Change point - VIN end CA273922, Less Electric Driver Seat Adjuster, Less Electric Pass.Seat Adjuster	LH	MTC9877	1



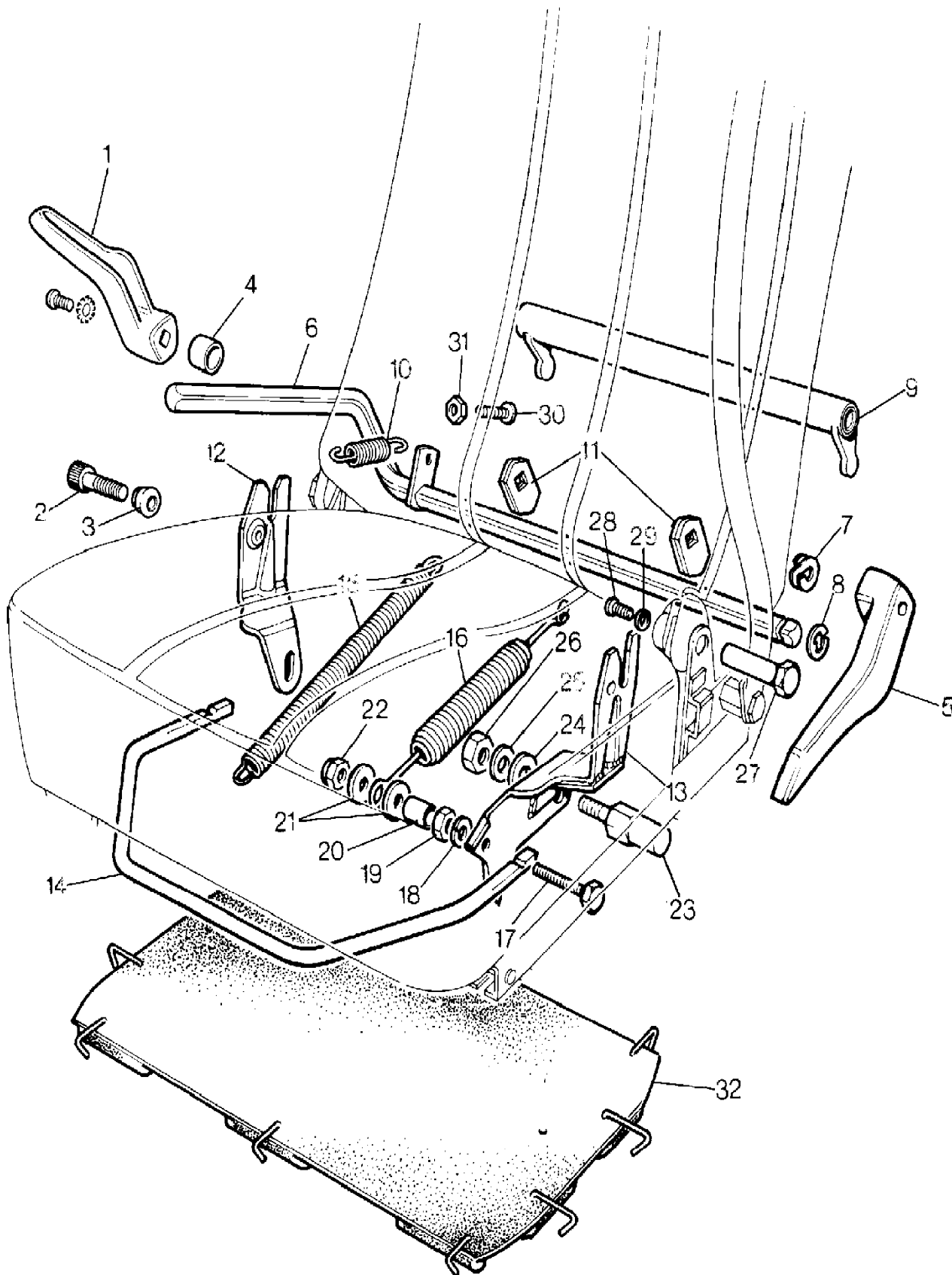
Range Rover (To HA610293)

(TS5637)

Range Rover (To HA610293)

2 Door Station Wagon

Callout	Name	Application	Remarks & Restrictions	Service No.	Qty
1	Handle-squab release	Change point - VIN end EA351846, (-)"D"	RH Side Of Seat	392214	1
		Change point - VIN end EA351846, (+)"D"	RH Side Of Seat	393175	1
		Change point - VIN end EA351846, (-)"D"	LH Side Of Seat	392215	1
		Change point - VIN end EA351846, (+)"D"	LH Side Of Seat	392214	1
2	Screw	Change point - VIN end EA351846		SS105164	2
3	Washer-nylon	Change point - VIN end EA351846		MRC9851	2
4	Spacer	Change point - VIN end EA351846		390883	2
5	Handle-squab release	Change point - VIN end EA351846, (-)"D"	RH Side Of Seat	392214	1
		Change point - VIN end EA351846	RH Side Of Seat	392215	1
		Change point - VIN end EA351846, (-)"D"	LH Side Of Seat	392215	1
		Change point - VIN end EA351846, (+)"D"	LH Side Of Seat	392215	1
6	Lever-front seat fore & aft mechanism	Change point - VIN end EA351846		393170	1
7	Washer-Spring	Change point - VIN end EA351846		WS600071	1
8	Circlip	Change point - VIN end EA351846		393171	1
9	Cross rod tube	Change point - VIN end EA351846		393168	1
10	Spring	Change point - VIN end EA351846		393399	1
11	Locking cam	Change point - VIN end EA351846		393167	1
12	Operating arm-trigger release	Change point - VIN end EA351846, (-)"D"	RH Side	391422	1
		Change point - VIN end EA351846, (+)"D"	RH Side	391422	1
		Change point - VIN end EA351846, (-)"D"	LH side	391423	1
		Change point - VIN end EA351846, (+)"D"	LH side	393071	1
13	Operating arm-trigger release	Change point - VIN end EA351846, (-)"D"	RH Side	393071	1
		Change point - VIN end EA351846, (+)"D"	RH Side	391423	1



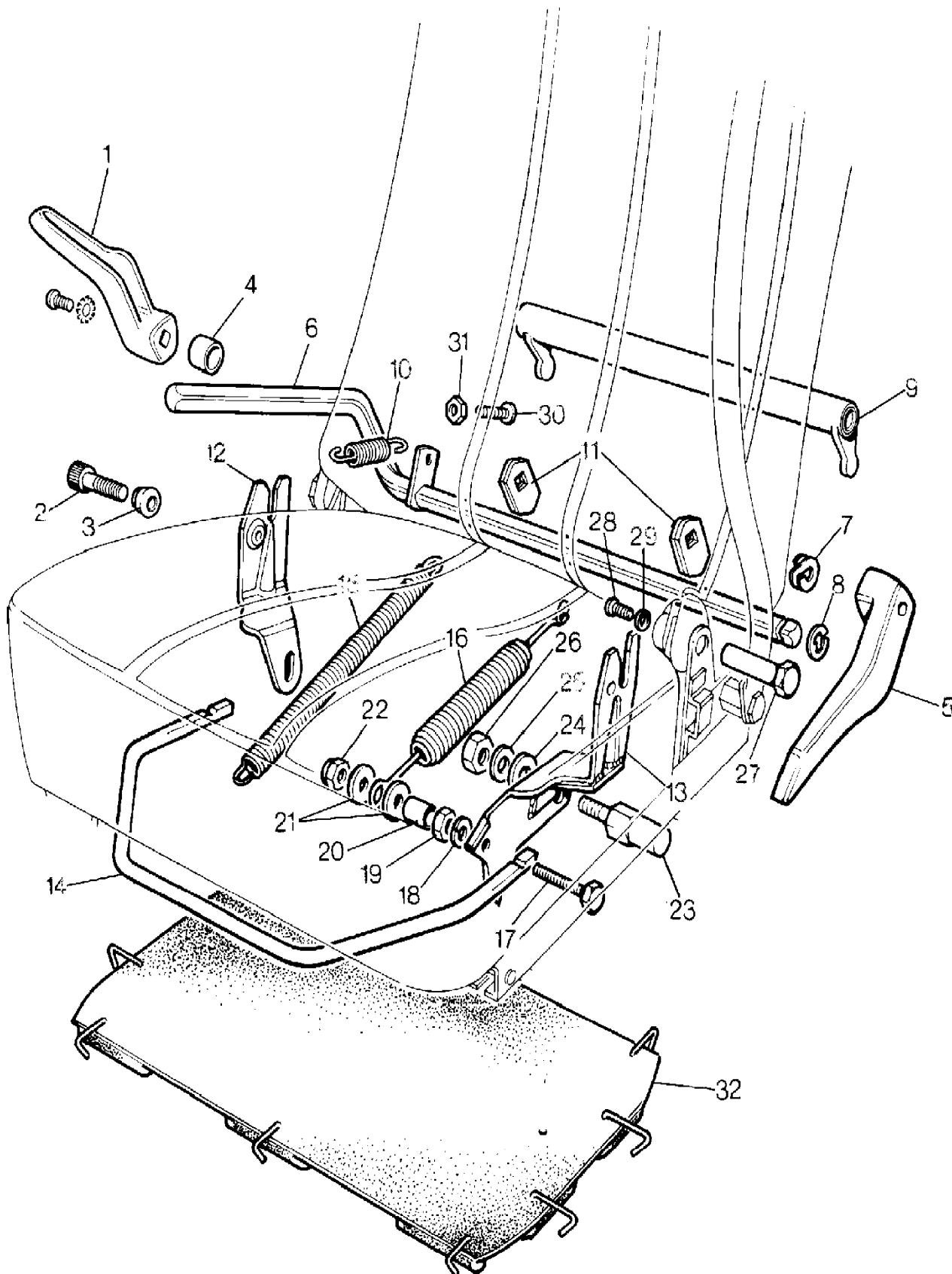
Range Rover (To HA610293)

(TS5637)

Range Rover (To HA610293)

2 Door Station Wagon

Callout	Name	Application	Remarks & Restrictions	Service No.	Qty
13	Operating arm-trigger release	Change point - VIN end EA351846, (-)"D"	LH side	393072	1
		Change point - VIN end EA351846, (+)"D"	LH side	393072	1
14	Operating bar - seat slides	Change point - VIN end EA351846		393497	2
15	Spring	Change point - VIN end EA351846		393073	1
16	Spring	Change point - VIN end EA351846		393059	1
17	Screw	Change point - VIN end EA351846	hexagonal head, 1/4UNF x 1/2	SH604041L	1
18	Washer-Spring	Change point - VIN end EA351846	1/4 dia, Square	WM600041L	2
19	Nut - Hex.	Change point - VIN end EA351846	hexagonal head, Coarse Thread, 1/4UNF	NH604041L	2
20	Spacer	Change point - VIN end EA351846		393086	1
21	Washer-Plain	Change point - VIN end EA351846		4599	2
22	Nut - Hex.	Change point - VIN end EA351846	1/4", nyloc, Hexagonal	NY604041L	2
23	Pin	Change point - VIN end EA351846		391073	2
24	Washer-Plain	Change point - VIN end EA351846		3036L	2
25	Washer	Change point - VIN end EA351846	3/8", Square	WM600061L	2
26	Nut - Hex.	Change point - VIN end EA351846	hexagonal head, 3/8UNF	NH606041L	2
27	Bolt	Change point - VIN end EA351846		391395	2
28	Screw	Change point - VIN end EA351846		78898	2
29	Washer-Spring	Change point - VIN end EA351846	1/4 dia, Square	WM600041L	2
30	Screw	Change point - VIN end EA351846	M5, hexagonal head, 6MM	SH604081L	2
31	Nut - Hex.	Change point - VIN end EA351846		254850	2



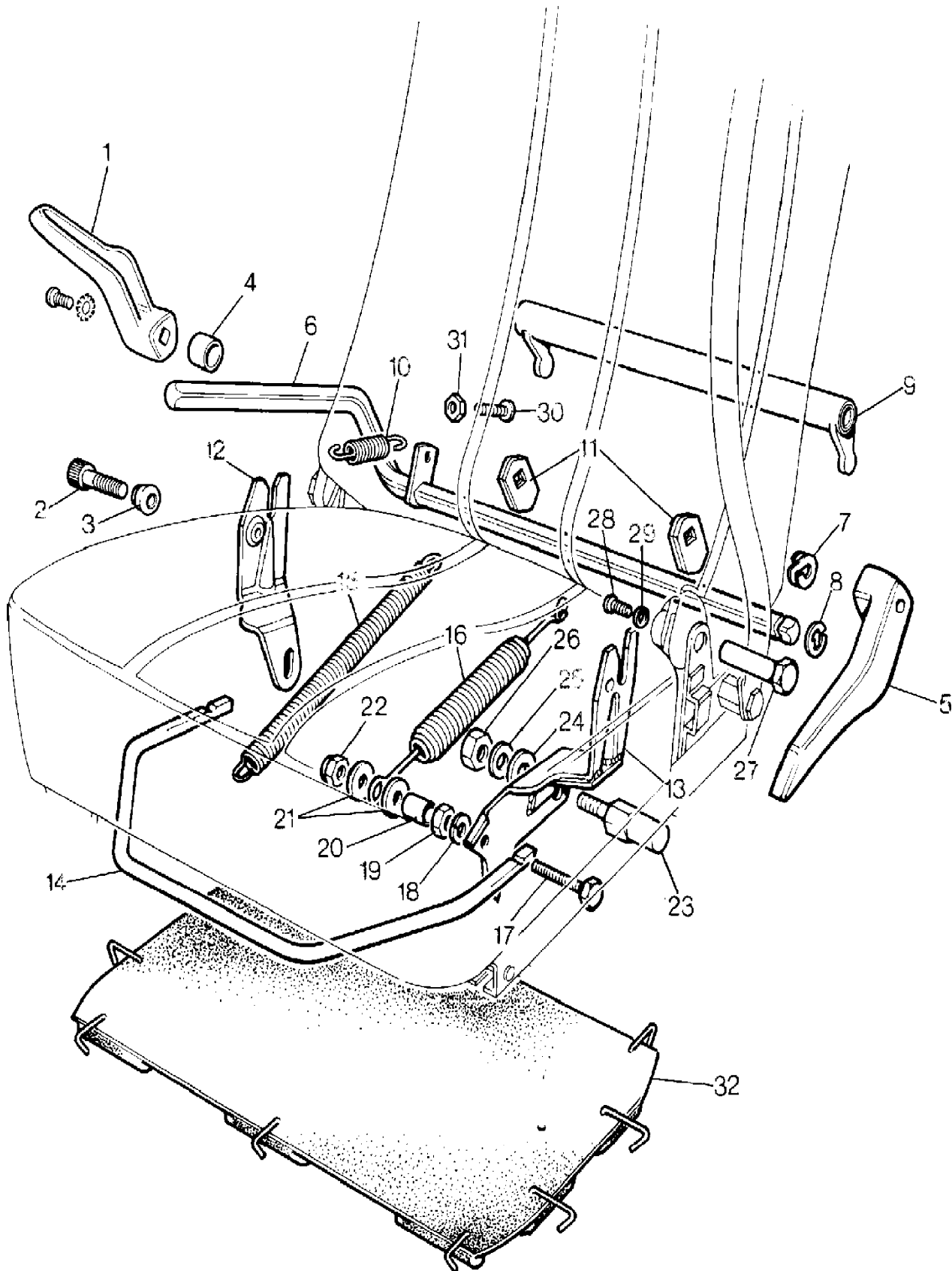
Range Rover (To HA610293)

(TS5637)

Range Rover (To HA610293)

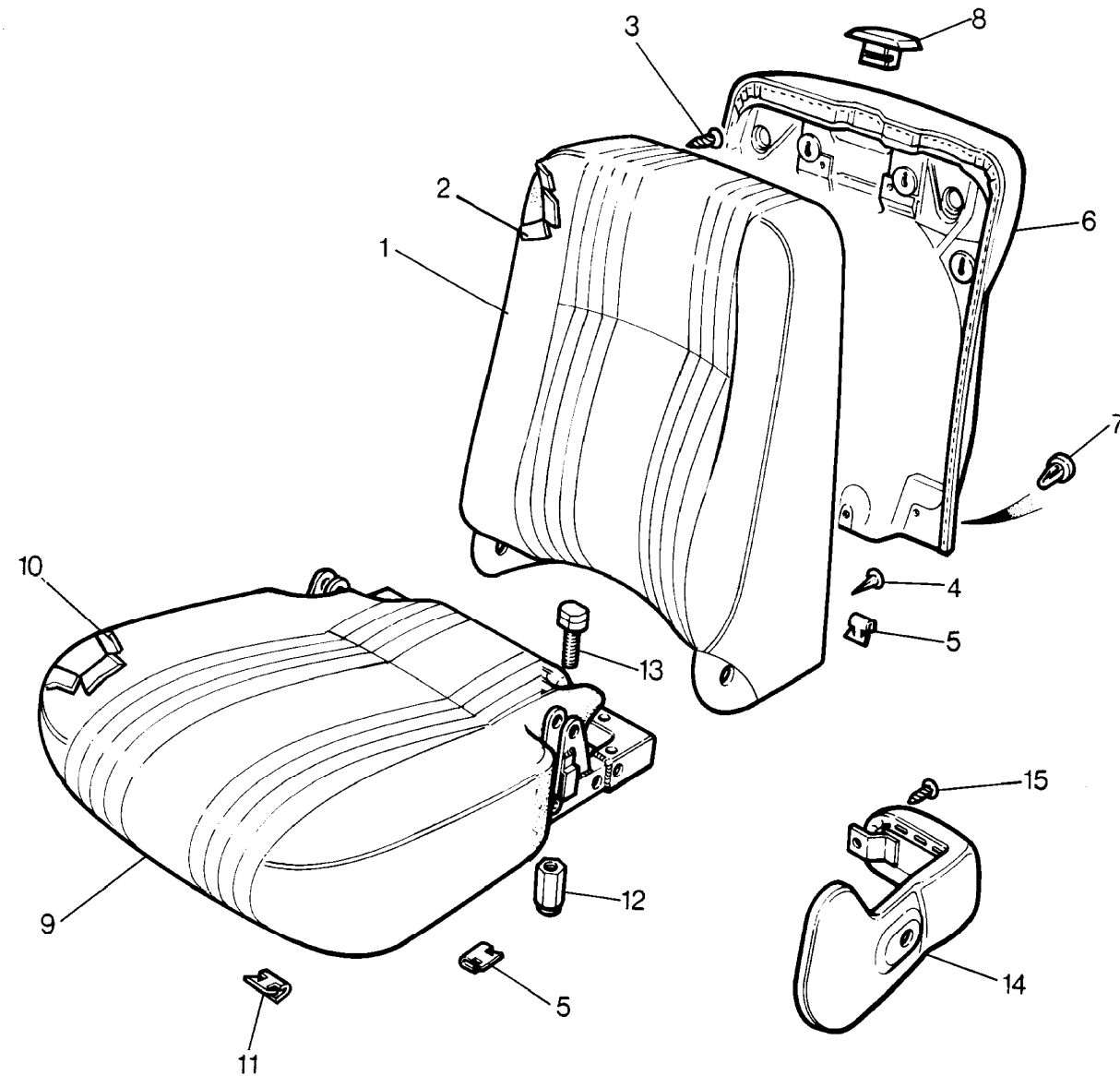
2 Door Station Wagon

Callout	Name	Application	Remarks & Restrictions	Service No.	Qty
32	Diaphragm-rear outer front seat	Change point - VIN end EA351846		391460	1



Range Rover (To HA610293)

(TS5364)



TS 5364

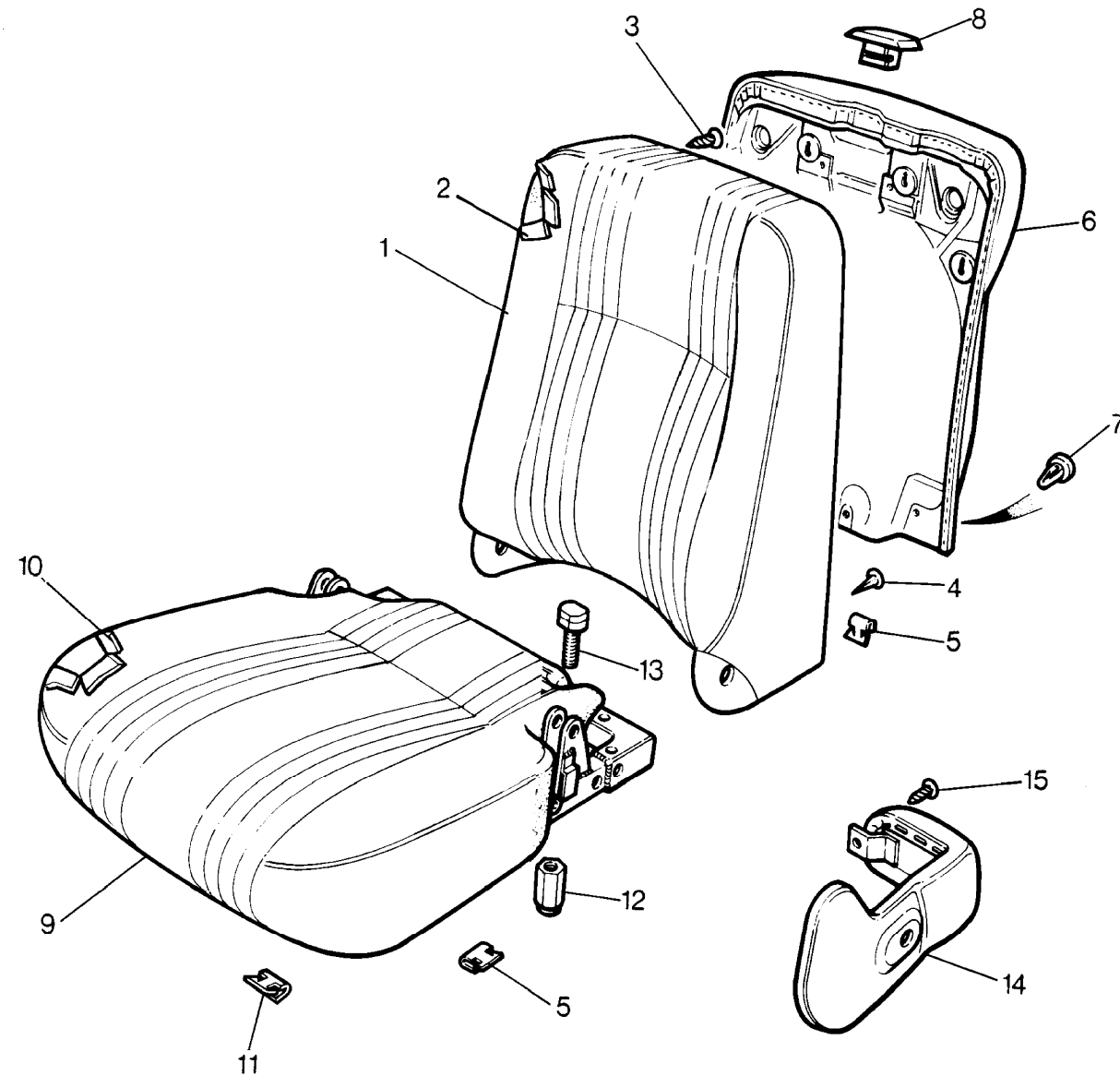
Range Rover (To HA610293)

Callout	Name	Application	Remarks & Restrictions	Service No.	Qty
1	Squab-manual front seat	Change point - VIN end EA351846, 2 Door Station Wagon, Less Electric Driver Seat Adjuster, Less Electric Pass.Seat Adjuster	Also serviced as part of a kit, Brown, RH	MUC3050	1
		Change point - VIN end EA351846, 2 Door Station Wagon	Also serviced as part of a kit, Brown, LH	MUC3051	1
2	Cover assembly-front seat squab	Change point - VIN end EA351846, 2 Door Station Wagon, Less Electric Driver Seat Adjuster, Less Electric Pass.Seat Adjuster	Also serviced as part of a kit	MUC2985	2
3	Screw-self tapping B	Change point - VIN end EA351846, 2 Door Station Wagon, Less Electric Driver Seat Adjuster, Less Electric Pass.Seat Adjuster	Also serviced as part of a kit, No 8 x 1	AB608081L	2
4	Fastener-drive	Change point - VIN end EA351846, 2 Door Station Wagon, Less Electric Driver Seat Adjuster, Less Electric Pass.Seat Adjuster	Also serviced as part of a kit	RTC3750	16
5	Clip-trim retention	Change point - VIN end EA351846, 2 Door Station Wagon, Less Electric Driver Seat Adjuster, Less Electric Pass.Seat Adjuster	Also serviced as part of a kit	315264	32
6	Panel-rear seat squab face	Change point - VIN end EA351846, 2 Door Station Wagon, Less Electric Driver Seat Adjuster, Less Electric Pass.Seat Adjuster	RH, without pocket	MRC6212	1
		Change point - VIN end EA351846, 2 Door Station Wagon, Less Electric Driver Seat Adjuster, Less Electric Pass.Seat Adjuster	without pocket, LH	MRC6213	1
		Change point - VIN end EA351846, 2 Door Station Wagon, Less Electric Driver Seat Adjuster, Less Electric Pass.Seat Adjuster	With Pocket, RH	MTC4890	1
		Change point - VIN end EA351846, 2 Door Station Wagon, Less Electric Driver Seat Adjuster, Less Electric Pass.Seat Adjuster	With Pocket, LH	MTC4891	1

Seats
Seating
Front Seats 2/2

Range Rover (To HA610293)

(TS5364)



TS 5364

Range Rover (To HA610293)

Seats
Seating
Front Seats

Callout	Name	Application	Remarks & Restrictions	Service No.	Qty
7	Fastener-drive	Change point - VIN end EA351846, 2 Door Station Wagon, Less Electric Driver Seat Adjuster, Less Electric Pass.Seat Adjuster		MRC20AE	8
8	Plug	Change point - VIN end EA351846, 2 Door Station Wagon, Less Electric Driver Seat Adjuster, Less Electric Pass.Seat Adjuster		MRC1102	2
9	Cushion-manual front seat	Change point - VIN end EA351846, 2 Door Station Wagon, Less Electric Driver Seat Adjuster, Less Electric Pass.Seat Adjuster	Also serviced as part of a kit	MUC3045	2
10	Cover assembly-front seat cushion	Change point - VIN end EA351846, 2 Door Station Wagon, Less Electric Driver Seat Adjuster, Less Electric Pass.Seat Adjuster	Also serviced as part of a kit	MUC2986	2
11	Clip	Change point - VIN end EA351846, 2 Door Station Wagon, Less Electric Driver Seat Adjuster, Less Electric Pass.Seat Adjuster	Also serviced as part of a kit	RTC3764	40
12	Locknut	Change point - VIN end EA351846, 2 Door Station Wagon, Less Electric Driver Seat Adjuster, Less Electric Pass.Seat Adjuster		391385	4
13	Screw	Change point - VIN end EA351846, 2 Door Station Wagon, Less Electric Driver Seat Adjuster, Less Electric Pass.Seat Adjuster		390957	4
14	Finisher-seat front	Change point - VIN end EA351846, 2 Door Station Wagon, Less Electric Driver Seat Adjuster, Less Electric Pass.Seat Adjuster Change point - VIN end EA351846, 2 Door Station Wagon, Less Electric Driver Seat Adjuster, Less Electric Pass.Seat Adjuster	RH LH	MRC6206 MRC6207	1 1
15	Screw-self tapping	Change point - VIN end EA351846	No 8 x 3/8	AR608031	2

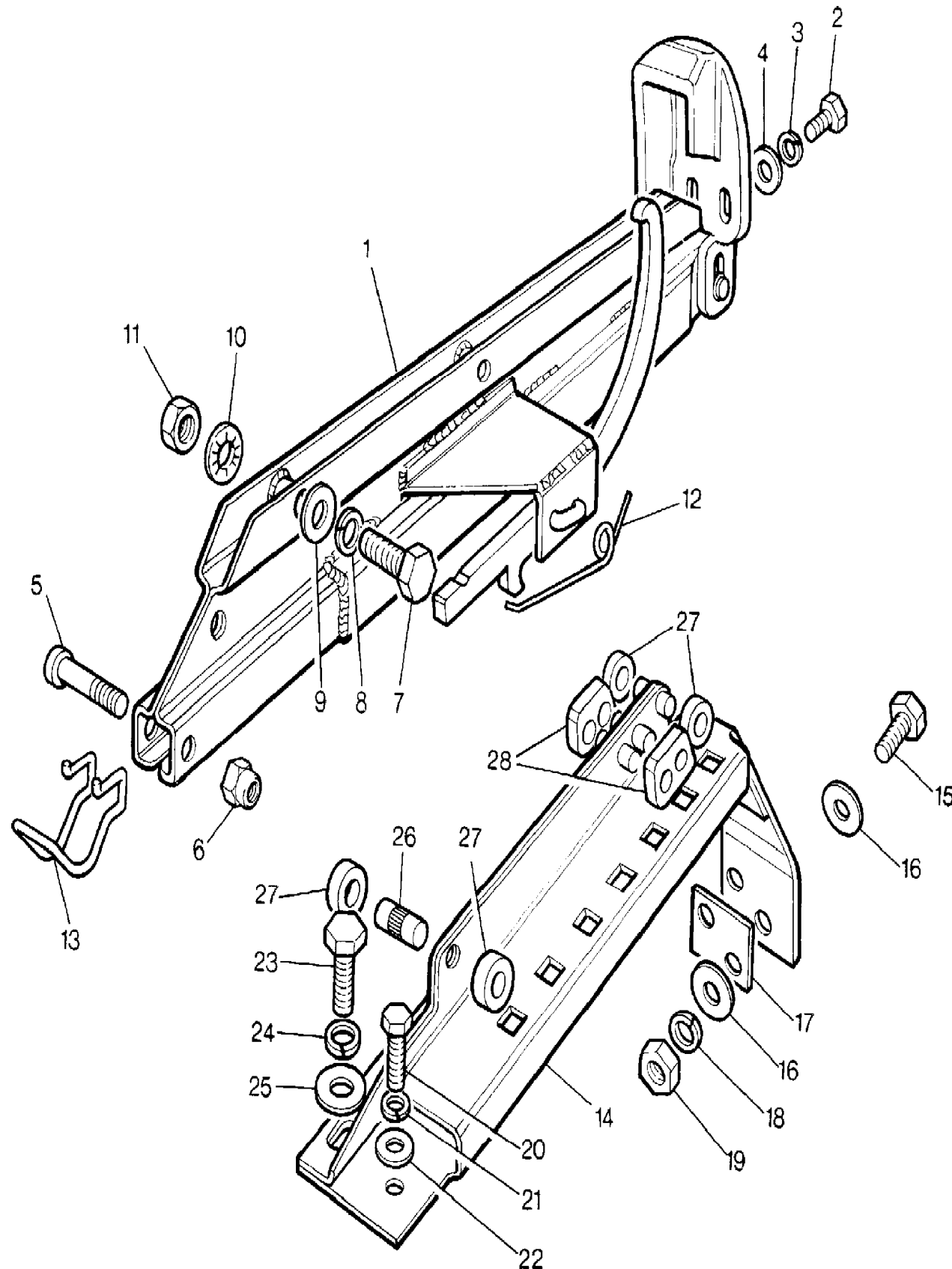
Range Rover (To HA610293)

(N736)

Range Rover (To HA610293)

2 Door Station Wagon

Callout	Name	Application	Remarks & Restrictions	Service No.	Qty		
1	Slide & bracket assembly-front seat	Change point - VIN end EA351846, (-)"D"	RH, Upper	MRC6112	2		
		Change point - VIN end EA351846, (-)"D"	Upper, LH	MRC6113	2		
		Change point - VIN end EA351846, LHD, (+)"D"	RH, Upper	MRC6174	1		
		Change point - VIN end EA351846, LHD, (+)"D"	Upper, LH	MRC6175	1		
		Change point - VIN end EA351846, RHD, (+)"D"	RH, Upper	MRC6112	1		
		Change point - VIN end EA351846, RHD, (+)"D"	Upper, LH	MRC6113	1		
		2	Bolt	Change point - VIN end EA351846		SX605081L	8
3	Washer-Spring			Change point - VIN end EA351846	5/16"	WM600051L	8
				4	Washer-Plain	Change point - VIN end EA351846	
5	Bolt					Change point - VIN end EA351846	
				6	Nut - Hex.	Change point - VIN end EA351846	1/4", nyloc, Hexagonal
7	Bolt					Change point - VIN end EA351846	
				8	Washer	Change point - VIN end EA351846	3/8", Square
9	Washer-Plain					Change point - VIN end EA351846	
				10	Washer	Change point - VIN end EA351846	
11	Nut - Hex.					Change point - VIN end EA351846	
				12	Spring-tension	Change point - VIN end EA351846	RH
Change point - VIN end EA351846	LH					392755	2
13	Spring			Change point - VIN end EA351846		MTC3266	2
				14	Slide & bracket assembly-front seat	Change point - VIN end EA351846	(LH for Germany Only), RH, Lower
Change point - VIN end EA351846	(RH for Germany Only), Lower, LH					392133	1
15	Screw	Change point - VIN end EA351846	hexagonal head, 5/16UNF x 1	SH605081L	4		



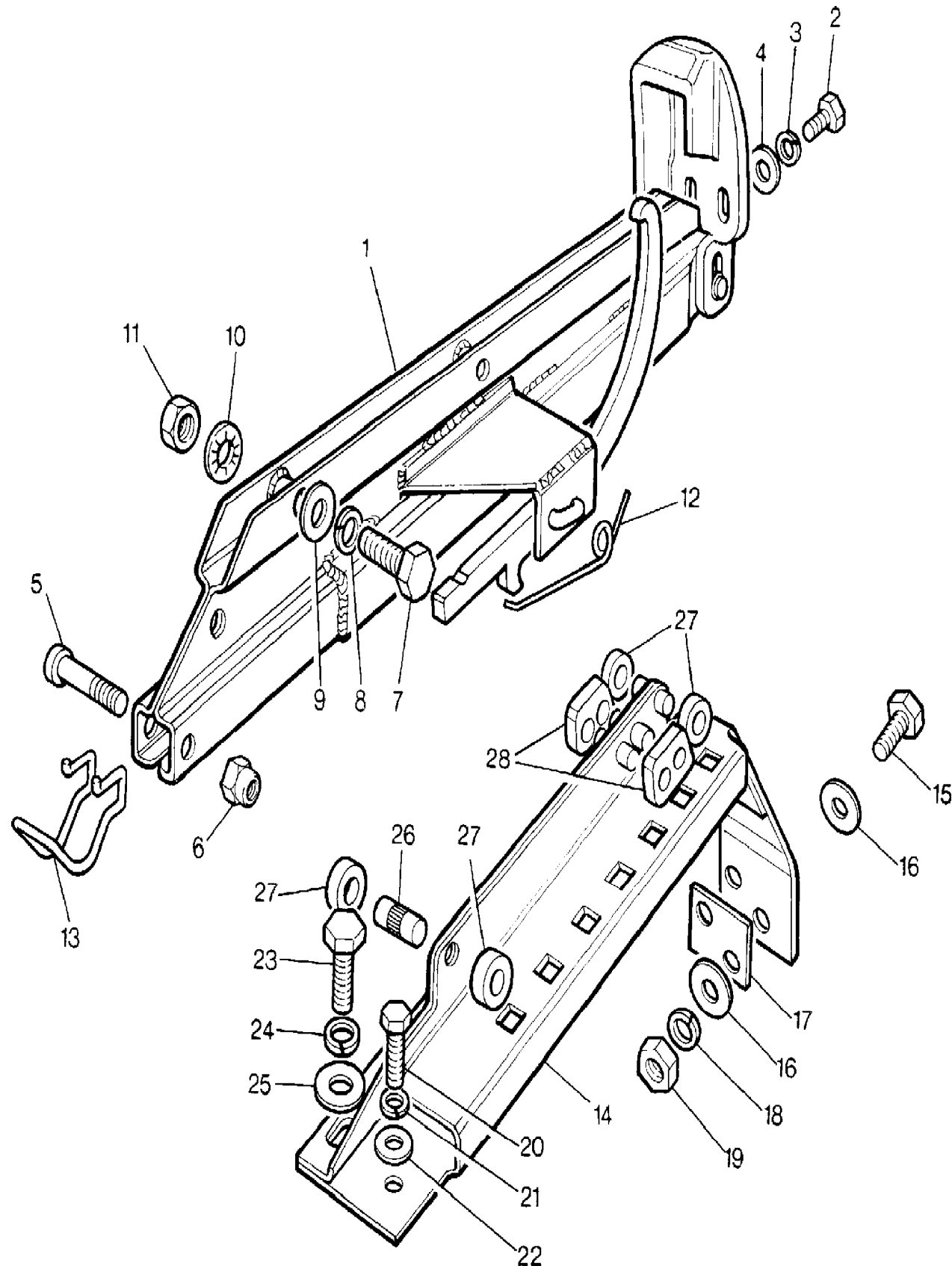
Range Rover (To HA610293)

(N736)

Range Rover (To HA610293)

2 Door Station Wagon

Callout	Name	Application	Remarks & Restrictions	Service No.	Qty
16	Washer-Plain	Change point - VIN end EA351846		RTC613	8
17	Plate	Change point - VIN end EA351846		391372	7
18	Washer-Spring	Change point - VIN end EA351846	5/16"	WM600051L	4
19	Nut - Hex.	Change point - VIN end EA351846	hexagonal head, 5/16UNF	NH605041L	4
20	Screw	Change point - VIN end EA351846		255225	2
21	Washer-Spring	Change point - VIN end EA351846	5/16"	WM600051L	4
22	Washer-Plain	Change point - VIN end EA351846		RTC610	2
23	Screw	Change point - VIN end EA351846	hexagonal head, 5/16UNF x 1	SH605081L	4
24	Washer-Spring	Change point - VIN end EA351846	1/4 dia, Square	WM600041L	4
25	Washer-Plain	Change point - VIN end EA351846		4599	4
26	Pin	Change point - VIN end EA351846		390938	8
27	Bush	Change point - VIN end EA351846		390939	16



Seats
Seating
Front-Electric 1/4

Range Rover (To HA610293)

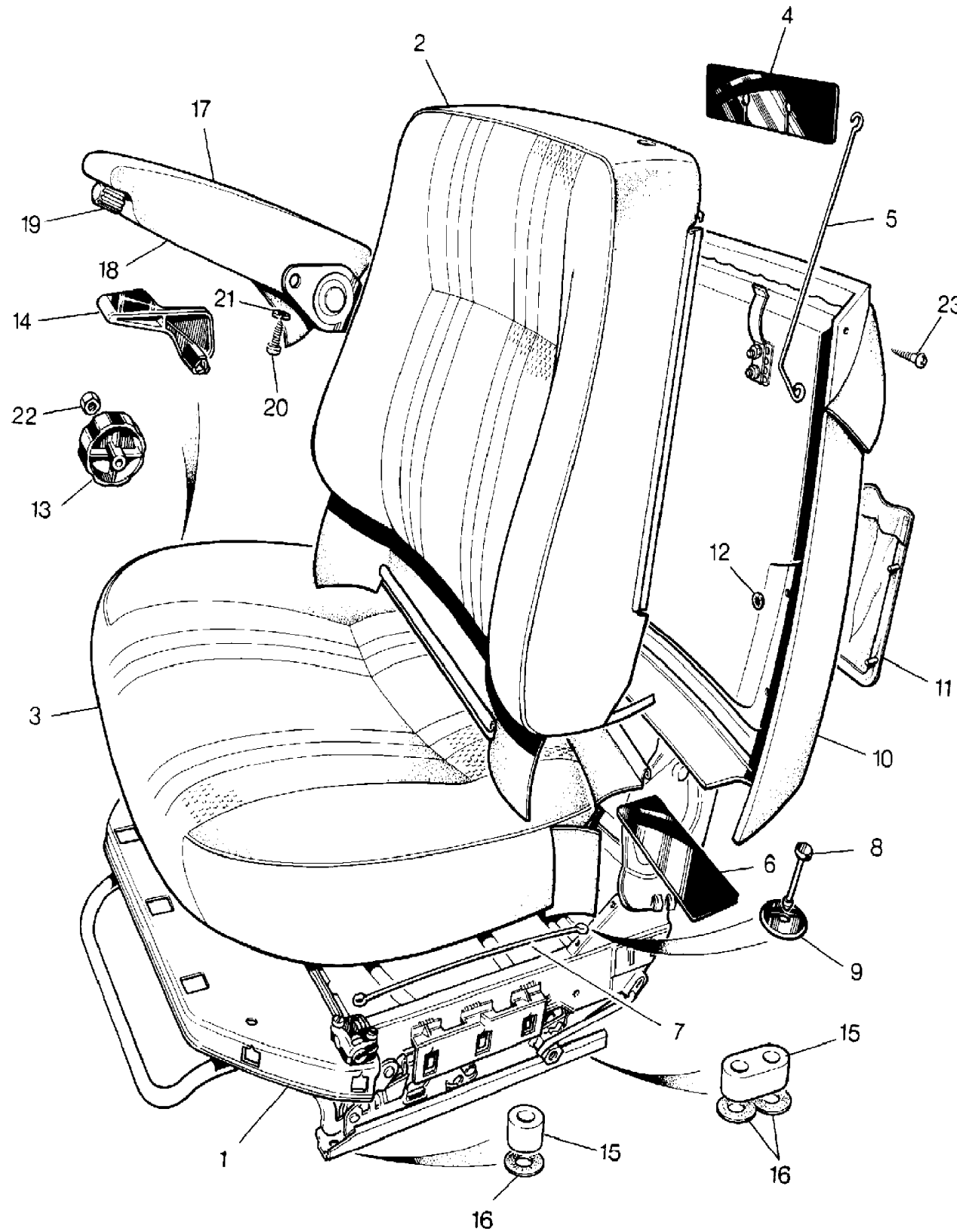
(TS6119B)

Range Rover (To HA610293)

Seats
Seating
Front-Electric

4 Door Station Wagon

Callout	Name	Application	Remarks & Restrictions	Service No.	Qty		
1	Frame-assembly-seat-front-electric	Change point - VIN end EA351846	Electric seats, Slate Grey	MWC5726LN	1		
		Change point - VIN begin FA351847, Change point - VIN end FA399972	Electric seats, Bokhara	MWC5726RUN	2		
		Change point - VIN begin GA399973	Electric seats, Bokhara	MXC5800RUN	2		
2	Cover assembly-front seat squab	Change point - VIN end EA351846	Electric seats, RH, Steel Grey, Leather	MWC5086LR	1		
		Change point - VIN end EA351846	Electric seats, Steel Grey, LH, Leather	MWC5087LR	1		
		Change point - VIN begin FA351847, Change point - VIN end FA399972	Electric seats, Sorrel Brown, Leather	MWC5086SUA	2		
		Change point - VIN begin FA351847, Change point - VIN end FA399972	Electric seats, Winchester Grey, Leather	MWC5086LUL	2		
		Change point - VIN begin GA399973	Electric seats, Sorrel Brown, Leather	MXC4771SUA	2		
		Change point - VIN begin GA399973	Electric seats, Winchester Grey, Leather	MXC4771LUL	2		
		Change point - VIN end FA399972	Electric seats, Cloth, Velour, Brogue, With Armrest	MWC6990AUE	2		
		Change point - VIN end FA399972	Electric seats, Cloth, Winchester Grey, Velour, With Armrest	MWC6990LUL	2		
		Change point - VIN begin GA399973	Electric seats, Cloth, Velour, Brogue, With Armrest	MXC4797AUE	2		
		Change point - VIN begin GA399973	Electric seats, Cloth, Winchester Grey, Velour, With Armrest	MXC4797LUL	2		
		3	Cover assembly-front seat cushion	Change point - VIN end EA351846	Electric seats, Steel Grey, Leather	MWC5084LR	2
				Change point - VIN begin FA351847, Change point - VIN end FA399972	Electric seats, Sorrel Brown, Leather	MWC5084SUA	2
Change point - VIN begin FA351847, Change point - VIN end FA399972	Electric seats, Winchester Grey, Leather			MWC5084LUL	2		
Change point - VIN begin GA399973	Electric seats, Sorrel Brown, Leather			MXC4760SUA	2		
Change point - VIN end FA399972	Electric seats, Cloth, Velour, Brogue			MWC6976AUE	2		
Change point - VIN end FA399972	Electric seats, Cloth, Winchester Grey, Velour			MWC6976LUL	2		
4	Plate-rear seat squab retention	Change point - VIN begin GA399973	Electric seats, Cloth, Velour, Brogue	MXC4787AUE	2		
		Change point - VIN begin GA399973	Electric seats, Cloth, Winchester Grey, Velour	MXC4787LUL	2		
			Electric seats, Upper	MUC1561	2		
5	Wire-trim retention	Change point - VIN end FA399972	Electric seats	MUC1525	4		
		Change point - VIN begin GA399973	Electric seats	MXC6474	4		



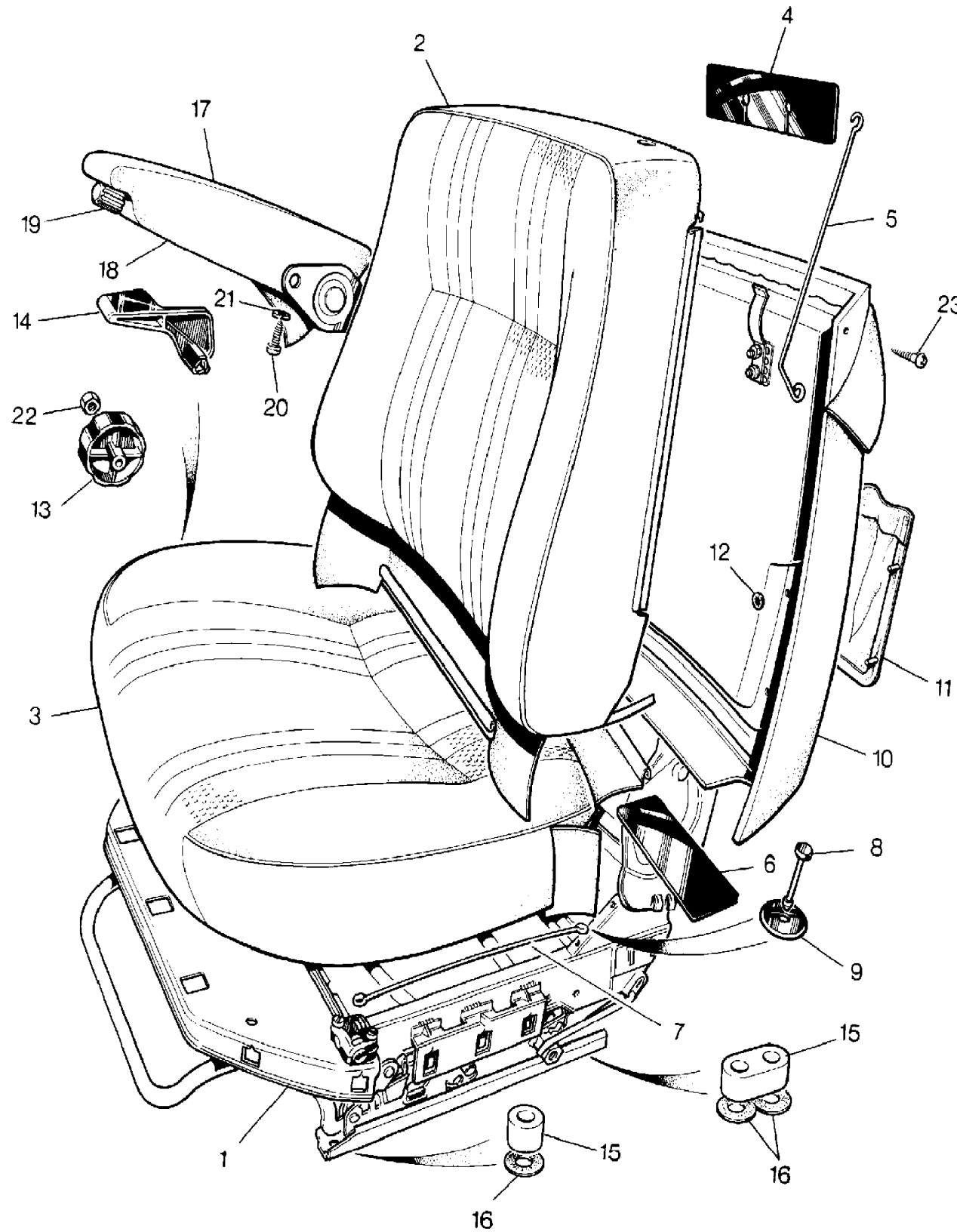
Range Rover (To HA610293)

(TS6119B)

Range Rover (To HA610293)

4 Door Station Wagon

Callout	Name	Application	Remarks & Restrictions	Service No.	Qty
6	Plate		Electric seats	BTR344	2
7	Wire-trim retention	Change point - VIN end FA399972	Electric seats	MWC5259	4
		Change point - VIN begin GA399973	Electric seats	MXC6473	4
8	Clip-trim retention		Electric seats	AFU4056	4
9	Washer		Electric seats	BRC5803	8
10	Armrest assembly-front seat		Electric seats, Also serviced as part of a kit, RH, Steel Grey, Leather	RTC6510	1
			Electric seats, Also serviced as part of a kit, Steel Grey, LH, Leather	RTC6511	1
			Electric seats, Also serviced as part of a kit, RH, Sorrel Brown, Leather	RTC6512	1
			Electric seats, Also serviced as part of a kit, RH, Winchester Grey, Leather	RTC6514	1
			Electric seats, Also serviced as part of a kit, Sorrel Brown, LH, Leather	RTC6513	1
			Electric seats, Also serviced as part of a kit, Winchester Grey, LH, Leather	RTC6515	1
			Electric seats, Also serviced as part of a kit, Cloth, RH, Velour, Brogue	RTC6506	1
			Electric seats, Also serviced as part of a kit, Cloth, RH, Winchester Grey, Velour	RTC6508	1
			Electric seats, Also serviced as part of a kit, Cloth, Velour, Brogue, LH	RTC6507	1
			Electric seats, Also serviced as part of a kit, Cloth, Winchester Grey, Velour, LH	RTC6509	1
		11	Cover-armrest-front seat		Electric seats, Also serviced as part of a kit, RH, Steel Grey, Leather
	Electric seats, Also serviced as part of a kit, Steel Grey, LH, Leather			RTC6527	1
	Electric seats, Also serviced as part of a kit, RH, Sorrel Brown, Leather			RTC6528	1
	Electric seats, Also serviced as part of a kit, RH, Winchester Grey, Leather			RTC6530	1
	Electric seats, Also serviced as part of a kit, Sorrel Brown, LH, Leather			RTC6529	1
	Electric seats, Also serviced as part of a kit, Winchester Grey, LH, Leather			RTC6531	1



Seats
Seating
Front-Electric 3/4

Range Rover (To HA610293)

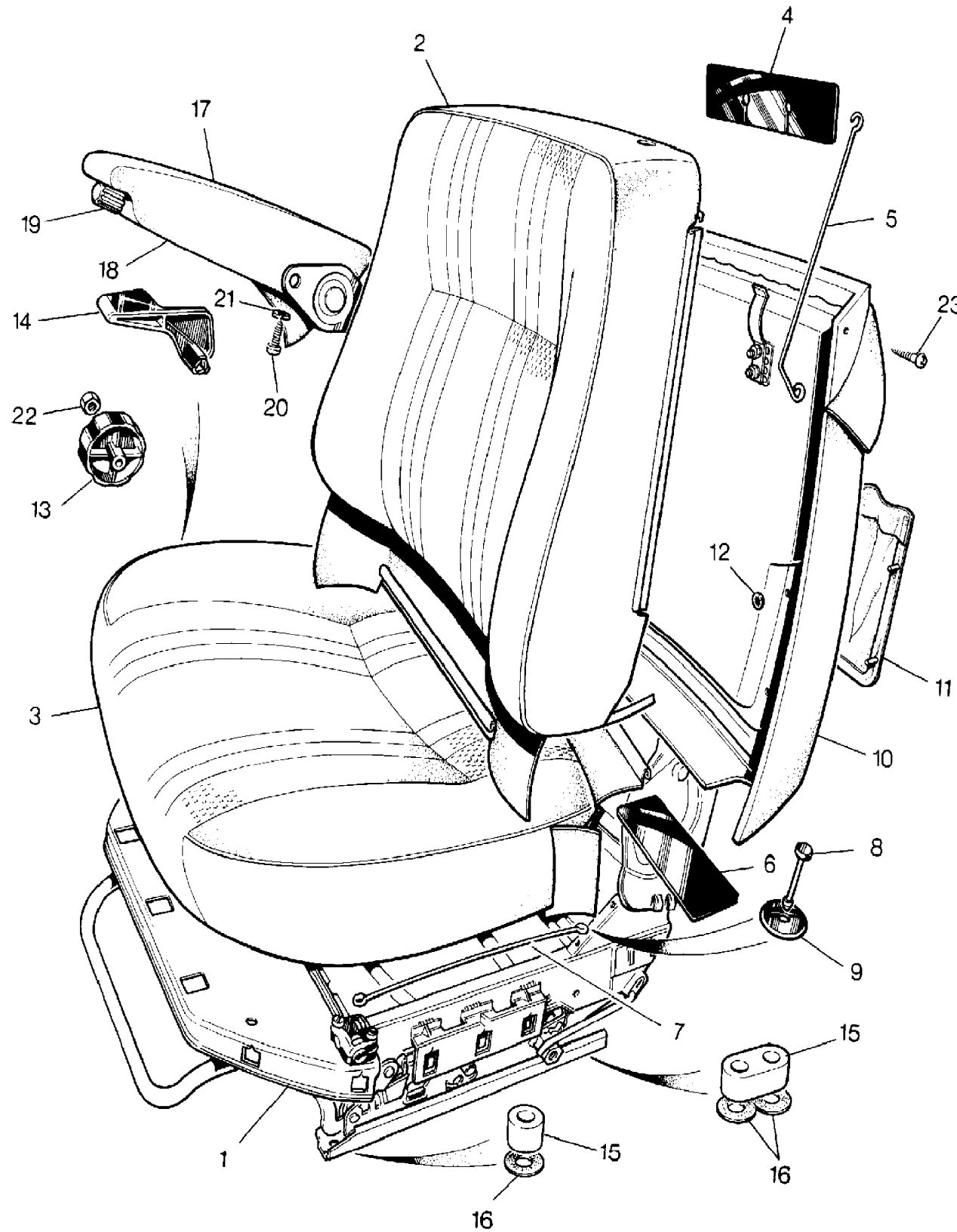
(TS6119B)

Range Rover (To HA610293)

Seats
Seating
Front-Electric

4 Door Station Wagon

Callout	Name	Application	Remarks & Restrictions	Service No.	Qty
11	Cover-armrest-front seat		Electric seats, Also serviced as part of a kit, Cloth, RH, Velour, Brogue	RTC6522	1
			Electric seats, Also serviced as part of a kit, Cloth, RH, Winchester Grey, Velour	RTC6524	1
			Electric seats, Also serviced as part of a kit, Cloth, Velour, Brogue, LH	RTC6523	1
			Electric seats, Also serviced as part of a kit, Cloth, Winchester Grey, Velour, LH	RTC6525	1
12	Knob-front seat armrest adjuster		Electric seats, Also serviced as part of a kit, Silver Grey	MUC1121LP	1
			Electric seats, Also serviced as part of a kit, Sorrel Brown	MUC1121SUA	1
			Electric seats, Also serviced as part of a kit, Winchester Grey	MUC1121LUL	1
13	Screw		Electric seats, hexagonal head, 5/16UNF x 3/4	SH605061L	4
14	Washer-Spring		Electric seats, Also serviced as part of a kit, 5/16"	WM600051L	4
15	Backboard-front seat	Change point - VIN end EA351846	Electric seats, Also serviced as part of a kit, Leather	STC165	2
		Change point - VIN begin FA351847	Electric seats, Also serviced as part of a kit, Sorrel Brown, Leather	MWC8594SUA	2
		Change point - VIN begin FA351847	Electric seats, Also serviced as part of a kit, Winchester Grey, Leather	MWC8594LUL	2
			Electric seats, Also serviced as part of a kit, Cloth, Winchester Grey, Velour	MWC8593LUL	2
			Electric seats, Also serviced as part of a kit, Cloth, Velour, Brogue	MWC8593AUE	2
16	Pocket-seat back	Change point - VIN end EA351846	Electric seats, Also serviced as part of a kit, Steel Grey, Leather	MWC5754LR	2
		Change point - VIN begin FA351847	Electric seats, Also serviced as part of a kit, Sorrel Brown, Leather	MWC8653SUA	2
		Change point - VIN begin FA351847	Electric seats, Also serviced as part of a kit, Winchester Grey, Leather	MWC8653LUL	1
			Electric seats, Also serviced as part of a kit, Cloth, Winchester Grey, Velour	MWC8652LUL	2
			Electric seats, Also serviced as part of a kit, Cloth, Velour, Brogue	MWC8652AUE	2
17	Retainer		Electric seats	AN104041L	12



Seats
Seating
Front-Electric 4/4

Range Rover (To HA610293)

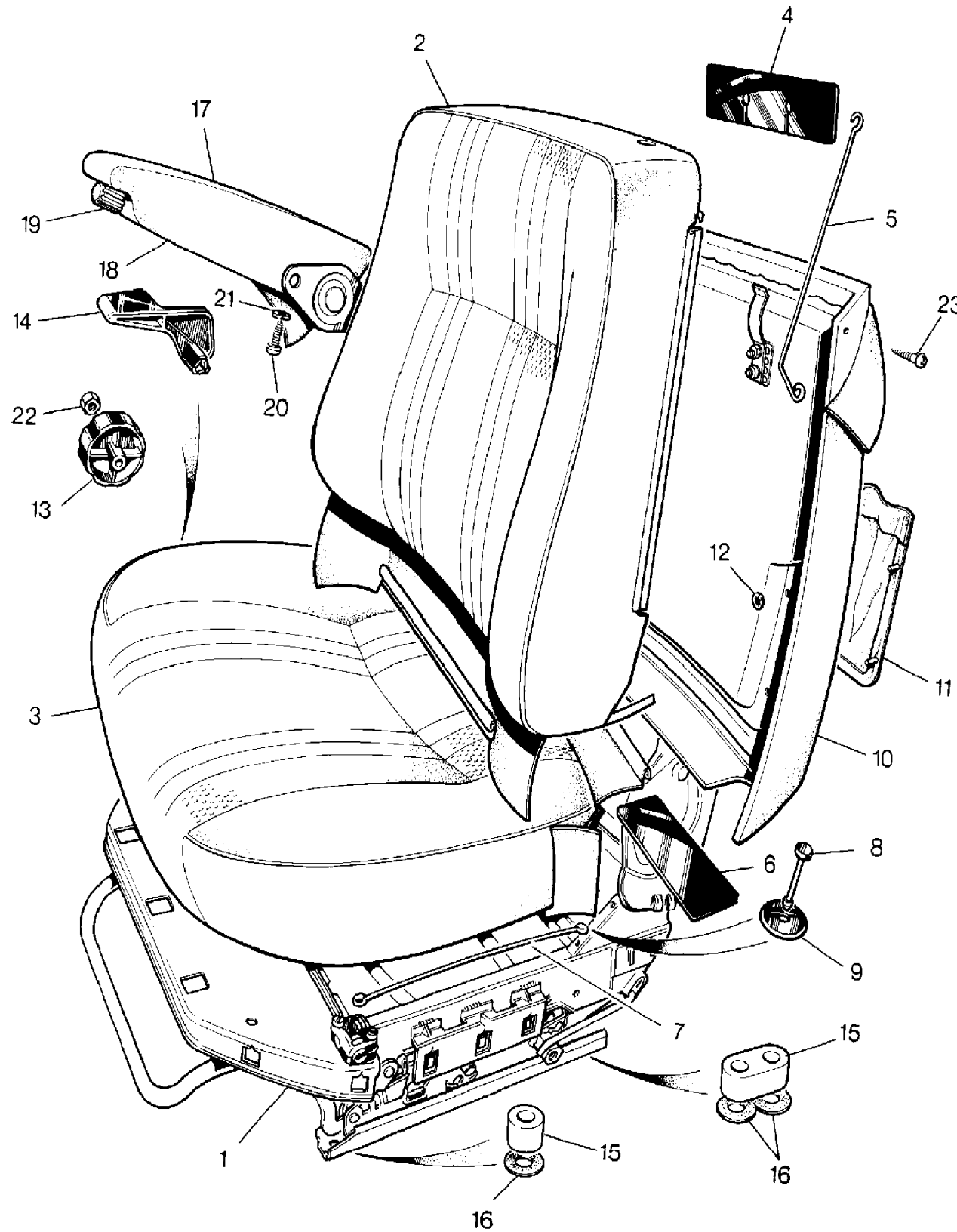
(TS6119B)

Range Rover (To HA610293)

Seats
Seating
Front-Electric

4 Door Station Wagon

Callout	Name	Application	Remarks & Restrictions	Service No.	Qty
18	Screw		Electric seats	DA606061L	4
19	Fastener-carpet		Electric seats	MUC8995	12
20	Seal		Electric seats, Velcro	MUC8996	12
[900]	Seat-electric front	Change point - VIN end FA399972	Electric seats, Cloth, RH, Velour, Brogue	MWC6962AUE	1
		Change point - VIN end FA399972	Electric seats, Cloth, RH, Winchester Grey, Velour	MWC6962LUL	1
		Change point - VIN end FA399972	Electric seats, Cloth, Velour, Brogue, LH	MWC6963AUE	1
		Change point - VIN end FA399972	Electric seats, Cloth, Winchester Grey, Velour, LH	MWC6963LUL	1
		Change point - VIN begin GA399973	Electric seats, Cloth, RH, Velour, Brogue	MXC5126AUE	1
		Change point - VIN begin GA399973	Electric seats, Cloth, RH, Winchester Grey, Velour	MXC5126LUL	1
		Change point - VIN begin GA399973	Electric seats, Cloth, Velour, Brogue, LH	MXC6888AUE	1
		Change point - VIN begin GA399973	Electric seats, Cloth, Winchester Grey, Velour, LH	MXC6888LUL	1
		Change point - VIN end EA351846	Electric seats, RH, Steel Grey, Leather	RTC6596LR	1
		Change point - VIN begin FA351847, Change point - VIN end FA399972	Electric seats, RH, Sorrel Brown, Leather	MWC6964SUA	1
		Change point - VIN begin FA351847, Change point - VIN end FA399972	Electric seats, RH, Winchester Grey, Leather	MWC6964LUL	1
		Change point - VIN begin FA351847, Change point - VIN end FA399972	Electric seats, Sorrel Brown, LH, Leather	MWC6965SUA	1
		Change point - VIN begin FA351847, Change point - VIN end FA399972	Electric seats, Winchester Grey, LH, Leather	MWC6965LUL	1
		Change point - VIN begin GA399973	Electric seats, RH, Sorrel Brown, Leather	MXC5122SUA	1
		Change point - VIN begin GA399973	Electric seats, RH, Winchester Grey, Leather	MXC5122LUL	1
		Change point - VIN begin GA399973	Electric seats, Sorrel Brown, LH, Leather	MXC5121SUA	1
		Change point - VIN begin GA399973	Electric seats, Also serviced as part of a kit, Winchester Grey, LH, Leather	MXC5121LUL	1

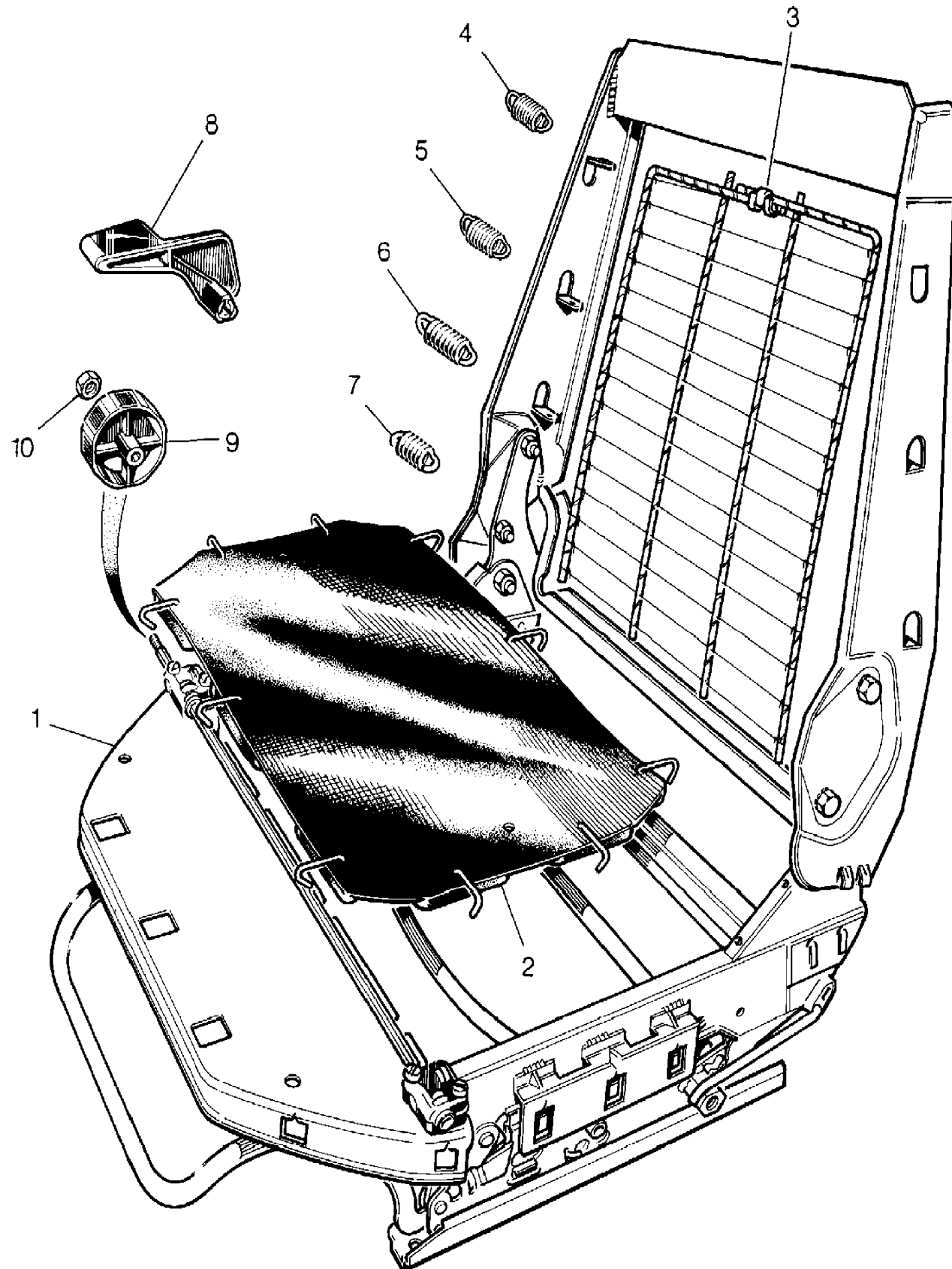


Range Rover (To HA610293)

(TS5644)

Range Rover (To HA610293)

4 Door Station Wagon, Less Electric Driver Seat Adjuster, Less Electric Pass.Seat Adjuster



Callout	Name	Application	Remarks & Restrictions	Service No.	Qty
1	Frame assembly-manual front seat	Change point - VIN end CA273922	RH, Bokhara	MWC3222RUN	1
		Change point - VIN end CA273922	Bokhara, LH	MWC3223RUN	1
2	Diaphragm-rear outer front seat	Change point - VIN end CA273922		MTC9931	2
3	Diaphragm-rear outer front seat	Change point - VIN end CA273922		MTC9943	2
4	Spring-front seat squab suspension	Change point - VIN end CA273922	top	MUC1515	4
5	Spring-front seat squab suspension	Change point - VIN end CA273922	middle, Upper	MUC1516	4
6	Spring-front seat squab suspension	Change point - VIN end CA273922	middle, Lower	MUC3098	4
7	Spring-front seat squab suspension	Change point - VIN end CA273922	bottom	MUC1514	4
8	Lever-front seat height adjust	Change point - VIN end CA273922	RH	MUC1626	1
		Change point - VIN end CA273922	LH	MUC1627	1
9	Recline mechanism-manual front seat squab	Change point - VIN end CA273922		RTC6390	2
10	Nut - Hex.	Change point - VIN end CA273922	M10, hexagonal head, nyloc	NY110041L	2

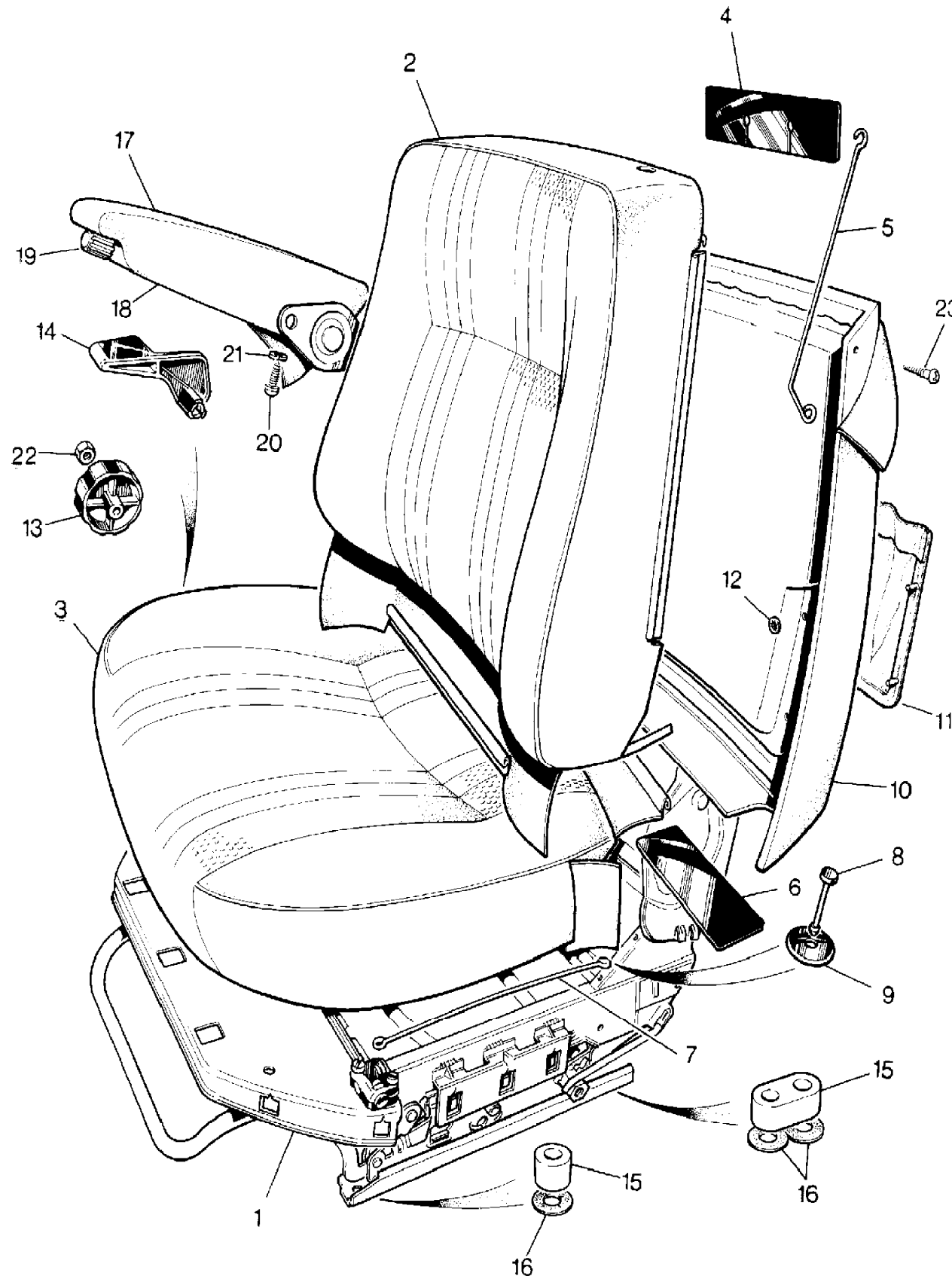
Range Rover (To HA610293)

(TS6119A)

Range Rover (To HA610293)

4 Door Station Wagon

Callout	Name	Application	Remarks & Restrictions	Service No.	Qty
1	Frame assembly-manual front seat	Change point - VIN end EA351846, Less Electric Driver Seat Adjuster, Less Electric Pass.Seat Adjuster	RH, Bokhara	MWC3222RUN	1
		Change point - VIN end EA351846, Less Electric Driver Seat Adjuster, Less Electric Pass.Seat Adjuster	Bokhara, LH	MWC3223RUN	1
		Change point - VIN begin FA351847, Less Electric Driver Seat Adjuster, Less Electric Pass.Seat Adjuster	RH, Bokhara	MXC5802RUN	1
		Change point - VIN begin FA351847, Less Electric Driver Seat Adjuster, Less Electric Pass.Seat Adjuster	Bokhara, LH	MXC5801RUN	1
		Change point - VIN end EA351846, Less Electric Driver Seat Adjuster, Less Electric Pass.Seat Adjuster	Cloth, RH, Bracken, With Armrest	MWC2728BC	1
		Change point - VIN end EA351846, Less Electric Driver Seat Adjuster, Less Electric Pass.Seat Adjuster	Cloth, RH, Velour, Bronze..., With Armrest	MUC2978BB	1
2	Cover assembly-front seat squab	Change point - VIN end EA351846, Less Electric Driver Seat Adjuster, Less Electric Pass.Seat Adjuster	Cloth, RH, Silver Grey, With Armrest	MWC2728LP	1
		Change point - VIN end EA351846, Less Electric Driver Seat Adjuster, Less Electric Pass.Seat Adjuster	Cloth, Bracken, With Armrest, LH	MWC2729BC	1
		Change point - VIN end EA351846, Less Electric Driver Seat Adjuster, Less Electric Pass.Seat Adjuster	Cloth, Velour, Bronze..., With Armrest, LH	MUC2979BB	1
		Change point - VIN end EA351846, Less Electric Driver Seat Adjuster, Less Electric Pass.Seat Adjuster	Cloth, Silver Grey, With Armrest, LH	MWC2729LP	1
		Change point - VIN end EA351846, Less Electric Driver Seat Adjuster, Less Electric Pass.Seat Adjuster	Cloth, Bronze Check, Less Armrest	MWC2730AM	2
		Change point - VIN begin FA351847, Change point - VIN end FA399972, Less Electric Driver Seat Adjuster, Less Electric Pass.Seat Adjuster	Cloth, Velour, Brogue, With Armrest	MWC6990AUE	2



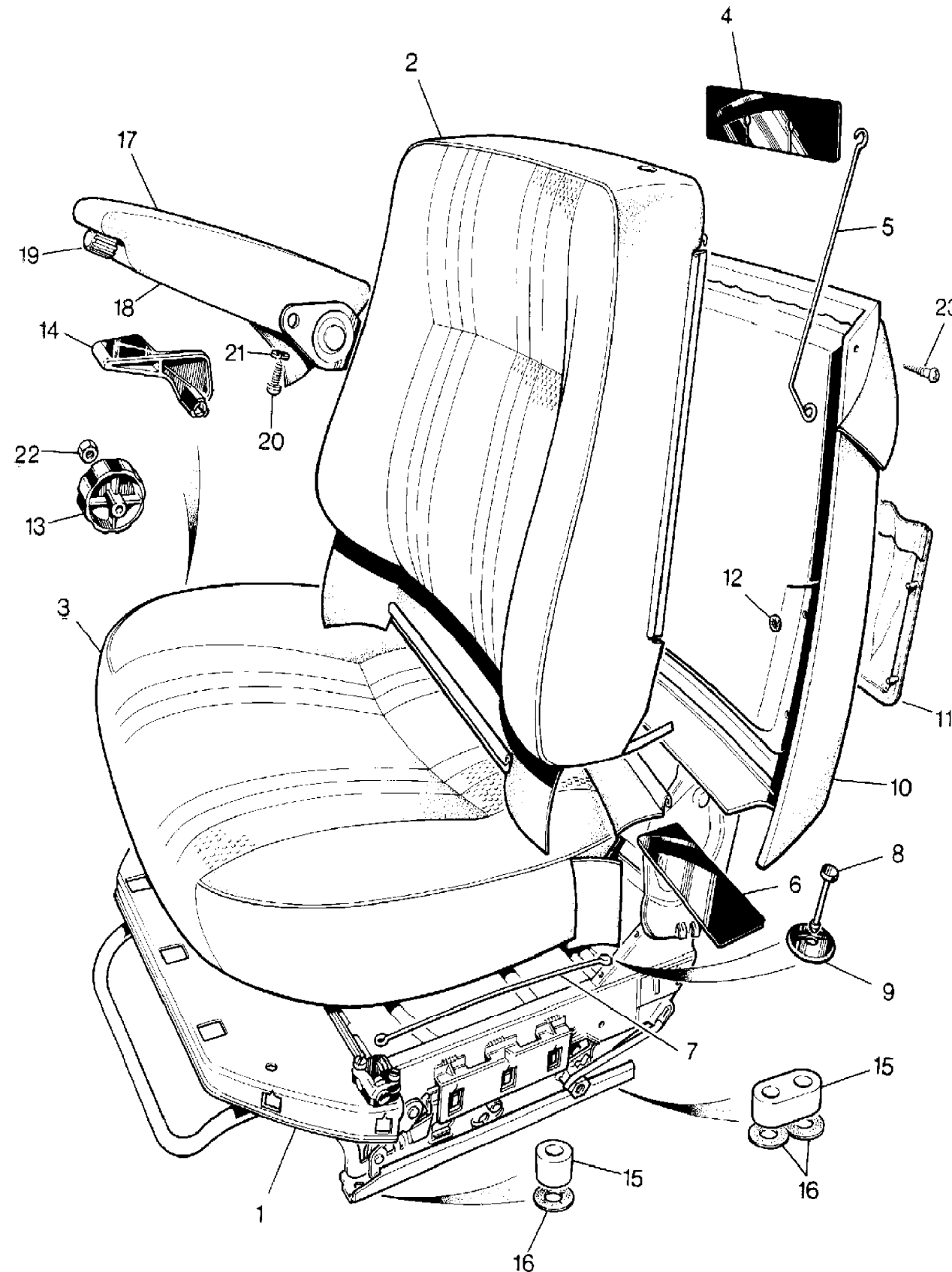
Range Rover (To HA610293)

(TS6119A)

Range Rover (To HA610293)

4 Door Station Wagon

Callout	Name	Application	Remarks & Restrictions	Service No.	Qty
2	Cover assembly-front seat squab	Change point - VIN begin FA351847, Change point - VIN end FA399972, Less Electric Driver Seat Adjuster, Less Electric Pass.Seat Adjuster	Cloth, Winchester Grey, Velour, With Armrest	MWC6990LUL	2
		Change point - VIN begin GA399973, Less Electric Driver Seat Adjuster, Less Electric Pass.Seat Adjuster	Cloth, Velour, Brogue, With Armrest	MXC4797AUE	2
		Change point - VIN begin GA399973, Less Electric Driver Seat Adjuster, Less Electric Pass.Seat Adjuster	Cloth, Winchester Grey, Velour, With Armrest	MXC4797LUL	2
3	Cover assembly-front seat cushion	Change point - VIN end EA351846, Less Electric Driver Seat Adjuster, Less Electric Pass.Seat Adjuster	Cloth, RH, Velour, Bracken	MWC2726BC	1
		Change point - VIN end EA351846, Less Electric Driver Seat Adjuster, Less Electric Pass.Seat Adjuster	Cloth, RH, Velour, Bronze..	MUC3064BB	1
		Change point - VIN end EA351846, Less Electric Driver Seat Adjuster, Less Electric Pass.Seat Adjuster	Cloth, RH, Velour, Silver Grey	MWC2726LP	1
		Change point - VIN end EA351846, Less Electric Driver Seat Adjuster, Less Electric Pass.Seat Adjuster	Cloth, RH, Velour, Bronze Check	MWC2726AM	1
		Change point - VIN end EA351846, Less Electric Driver Seat Adjuster, Less Electric Pass.Seat Adjuster	Cloth, Velour, Bronze Check, LH	MWC2727AM	1
		Change point - VIN end EA351846, Less Electric Driver Seat Adjuster, Less Electric Pass.Seat Adjuster	Cloth, Velour, Bronze., LH	MUC3065BB	1
		Change point - VIN end EA351846, Less Electric Driver Seat Adjuster, Less Electric Pass.Seat Adjuster	Cloth, Velour, Silver Grey, LH	MWC2727LP	1
		Change point - VIN end EA351846, Less Electric Driver Seat Adjuster, Less Electric Pass.Seat Adjuster	Cloth, Velour, Bracken, LH	MWC2727BC	1
		Change point - VIN begin FA351847, Change point - VIN end FA399972, Less Electric Driver Seat Adjuster, Less Electric Pass.Seat Adjuster	Cloth, Velour, Brogue	MWC6976AUE	2



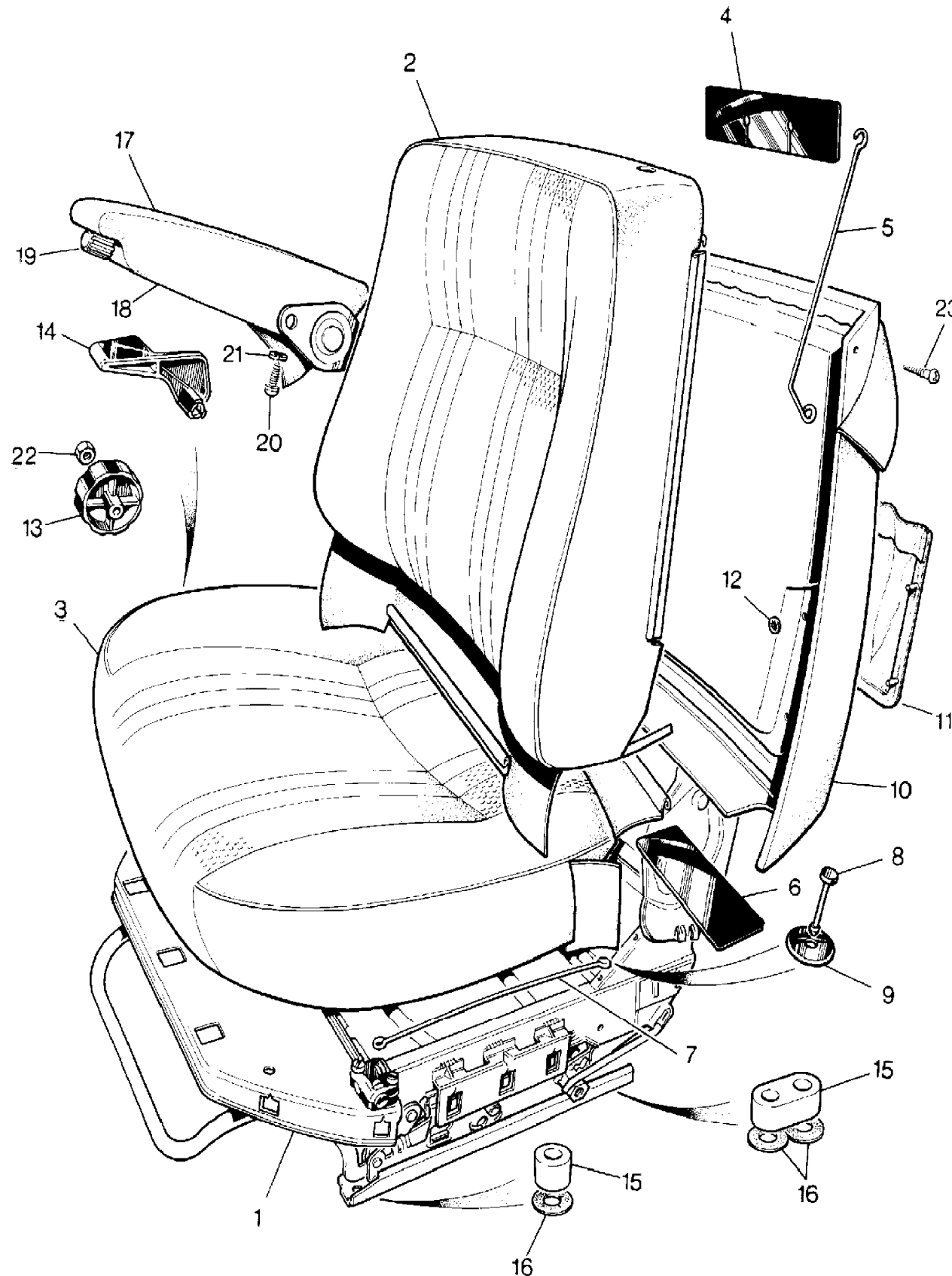
Range Rover (To HA610293)

(TS6119A)

Range Rover (To HA610293)

4 Door Station Wagon

Callout	Name	Application	Remarks & Restrictions	Service No.	Qty
3	Cover assembly-front seat cushion	Change point - VIN begin FA351847, Change point - VIN end FA399972, Less Electric Driver Seat Adjuster, Less Electric Pass.Seat Adjuster	Cloth, Winchester Grey, Velour	MWC6976LUL	2
		Change point - VIN begin GA399973, Less Electric Driver Seat Adjuster, Less Electric Pass.Seat Adjuster	Cloth, Velour, Brogue	MXC4787AUE	2
		Change point - VIN begin GA399973, Less Electric Driver Seat Adjuster, Less Electric Pass.Seat Adjuster	Cloth, Winchester Grey, Velour	MXC4787LUL	2
		Less Electric Driver Seat Adjuster, Less Electric Pass.Seat Adjuster,	Cloth, RH, Winchester Grey, Velour	BTR2238LUL	1
		Less Electric Driver Seat Adjuster, Less Electric Pass.Seat Adjuster,	Cloth, Winchester Grey, Velour, LH	BTR2239LUL	1
4	Plate-rear seat squab retention	Less Electric Driver Seat Adjuster, Less Electric Pass.Seat Adjuster	Upper	MUC1561	2
5	Wire-trim retention	Change point - VIN begin GA399973, Less Electric Driver Seat Adjuster, Less Electric Pass.Seat Adjuster		MXC6474	4
		Change point - VIN end FA399972, Less Electric Driver Seat Adjuster, Less Electric Pass.Seat Adjuster		MUC1525	4
6	Plate	Less Electric Driver Seat Adjuster, Less Electric Pass.Seat Adjuster		BTR344	2
7	Wire-trim retention	Change point - VIN end EA351846, Less Electric Driver Seat Adjuster, Less Electric Pass.Seat Adjuster		MUC3243	4
		Change point - VIN begin GA399973, Less Electric Driver Seat Adjuster, Less Electric Pass.Seat Adjuster		MXC6473	4
8	Clip	Less Electric Driver Seat Adjuster, Less Electric Pass.Seat Adjuster		AUE4056	2
9	Washer	Less Electric Driver Seat Adjuster, Less Electric Pass.Seat Adjuster		BRC5803	2



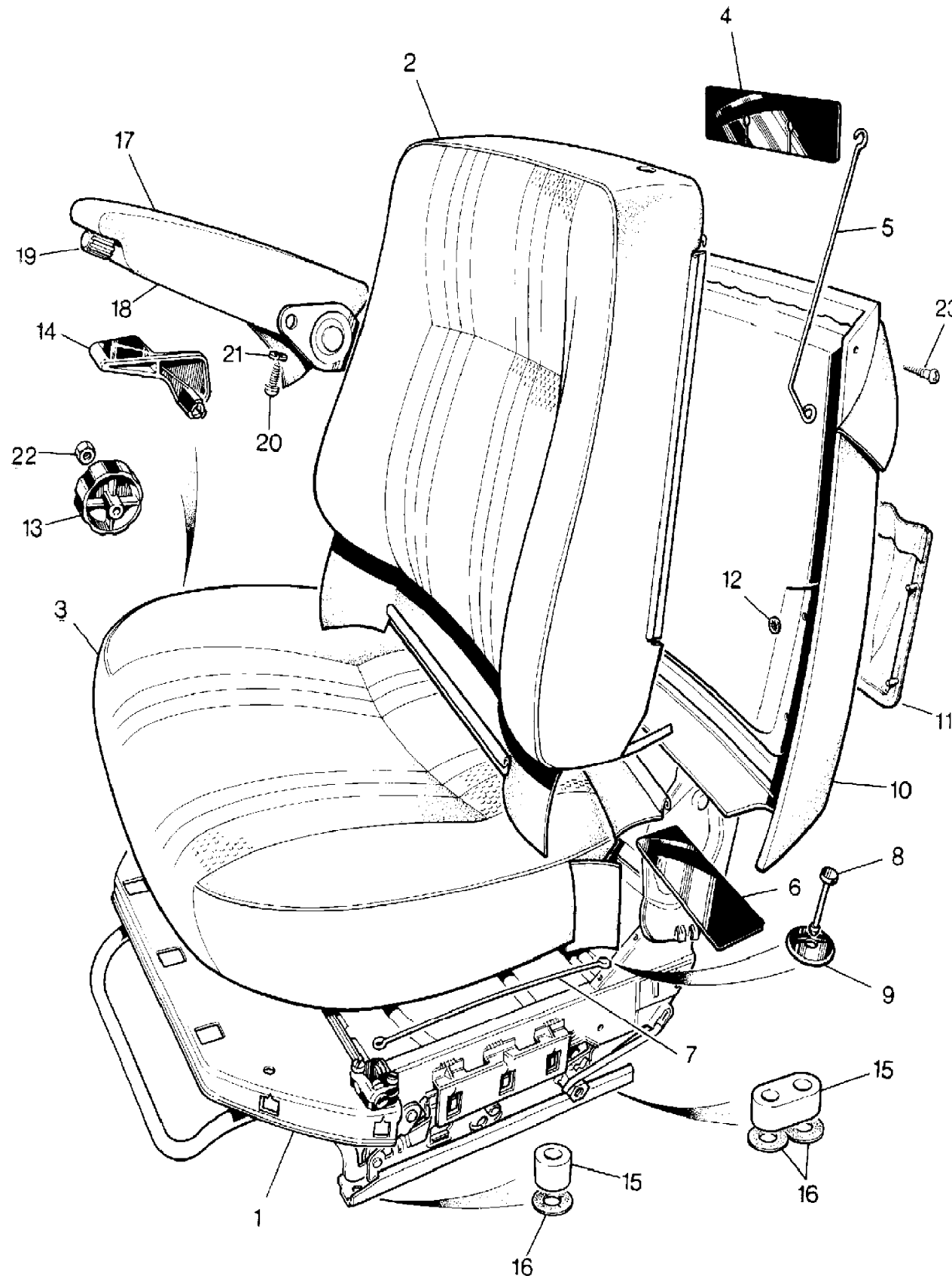
Range Rover (To HA610293)

(TS6119A)

Range Rover (To HA610293)

4 Door Station Wagon

Callout	Name	Application	Remarks & Restrictions	Service No.	Qty
10	Backboard-front seat	Change point - VIN end EA351846, Less Electric Driver Seat Adjuster, Less Electric Pass.Seat Adjuster	Cloth, Velour, Bracken	MWC6943BC	2
		Change point - VIN end EA351846, Less Electric Driver Seat Adjuster, Less Electric Pass.Seat Adjuster	Cloth, Velour, Silver Grey	STC164	2
		Change point - VIN begin FA351847, Less Electric Driver Seat Adjuster, Less Electric Pass.Seat Adjuster	Cloth, Velour, Brogue	MWC8592AUE	1
		Change point - VIN begin FA351847, Less Electric Driver Seat Adjuster, Less Electric Pass.Seat Adjuster	Cloth, Winchester Grey, Velour	MWC8592LUL	1
		Change point - VIN end EA351846, Less Electric Driver Seat Adjuster, Less Electric Pass.Seat Adjuster	Cloth, Velour, Bronze..	MUC1855BB	2
11	Pocket-seat back	Change point - VIN end EA351846, Less Electric Driver Seat Adjuster, Less Electric Pass.Seat Adjuster	Cloth, Velour, Osprey Grey	MUC1855LH	2
		Change point - VIN begin FA351847, Less Electric Driver Seat Adjuster, Less Electric Pass.Seat Adjuster	Cloth, Velour, Brogue	MWC8652AUE	2
		Change point - VIN begin FA351847, Less Electric Driver Seat Adjuster, Less Electric Pass.Seat Adjuster	Cloth, Winchester Grey, Velour	MWC8652LUL	2
		Less Electric Driver Seat Adjuster, Less Electric Pass.Seat Adjuster		AN104041L	12
12	Retainer	Change point - VIN end EA351846, Less Electric Driver Seat Adjuster, Less Electric Pass.Seat Adjuster		RTC6390	2
		Change point - VIN begin FA351847, Less Electric Driver Seat Adjuster, Less Electric Pass.Seat Adjuster	Bokhara	MWC2955RUN	2
13	Recline mechanism-manual front seat squab	Change point - VIN end EA351846, Less Electric Driver Seat Adjuster, Less Electric Pass.Seat Adjuster			
14	Lever-front seat height adjust	Change point - VIN end EA351846, Less Electric Driver Seat Adjuster, Less Electric Pass.Seat Adjuster	RH	MUC1626	1



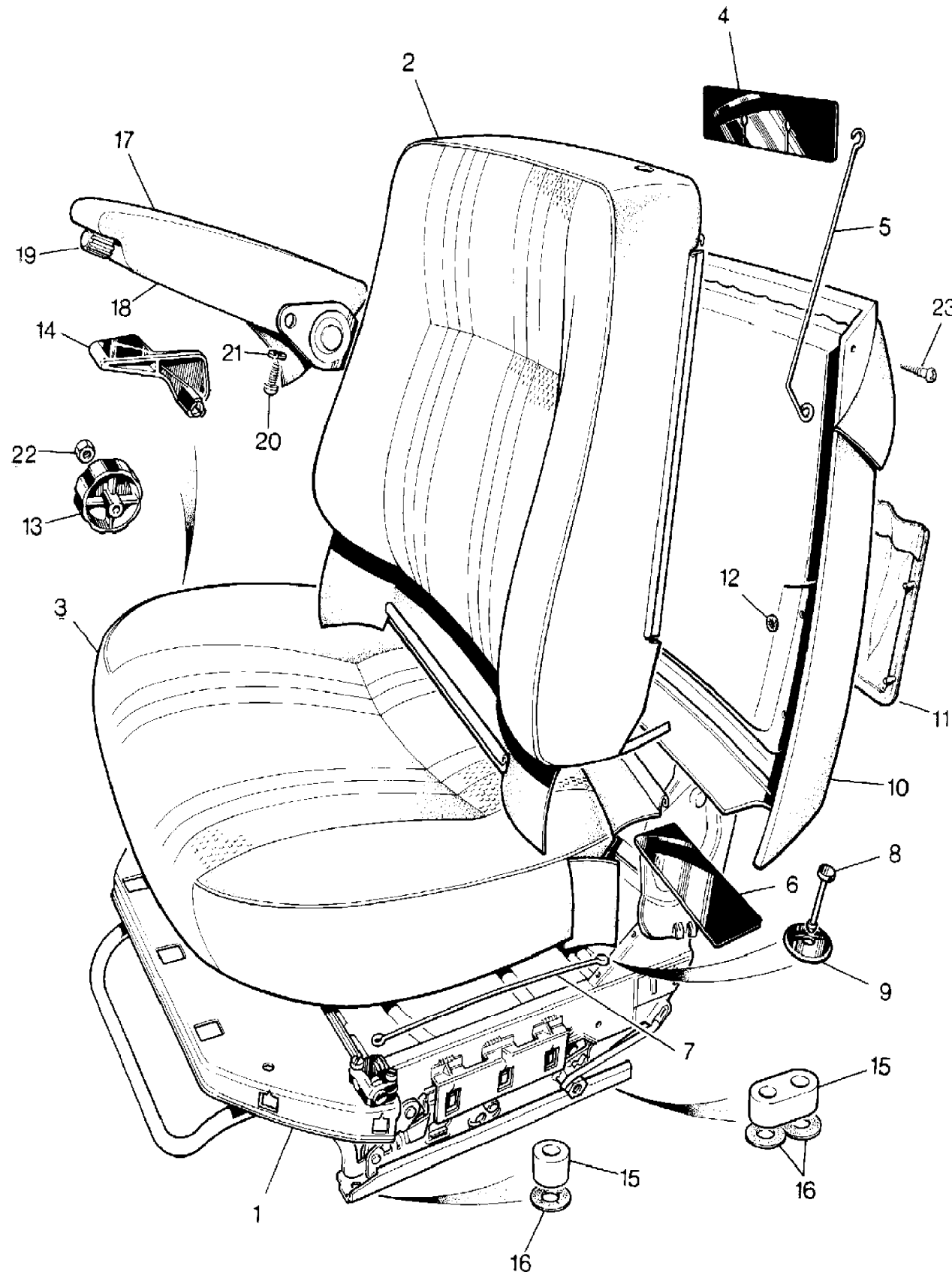
Range Rover (To HA610293)

(TS6119A)

Range Rover (To HA610293)

4 Door Station Wagon

Callout	Name	Application	Remarks & Restrictions	Service No.	Qty
14	Lever-front seat height adjust	Change point - VIN end EA351846, Less Electric Driver Seat Adjuster, Less Electric Pass.Seat Adjuster	LH	MUC1627	1
		Change point - VIN begin FA351847, Change point - VIN end GA441003, Less Electric Driver Seat Adjuster, Less Electric Pass.Seat Adjuster	RH	MUC1626RUN	1
		Change point - VIN begin FA351847, Change point - VIN end GA441003, Less Electric Driver Seat Adjuster, Less Electric Pass.Seat Adjuster	LH	MUC1627RUN	1
		Change point - VIN begin GA441004, Less Electric Driver Seat Adjuster, Less Electric Pass.Seat Adjuster	RH	STC219	1
		Change point - VIN begin GA441004, Less Electric Driver Seat Adjuster, Less Electric Pass.Seat Adjuster	LH	STC220	1
		Change point - VIN end EA351846, Less Electric Driver Seat Adjuster, Less Electric Pass.Seat Adjuster	Front	MWC1388	2
15	Spacer	Change point - VIN end EA351846, Less Electric Driver Seat Adjuster, Less Electric Pass.Seat Adjuster	Rear	MWC1389	2
		Change point - VIN end EA351846, Less Electric Driver Seat Adjuster, Less Electric Pass.Seat Adjuster		MWC4804	6
16	Washer-fibre	Change point - VIN end EA351846, Less Electric Driver Seat Adjuster, Less Electric Pass.Seat Adjuster		MWC4804	6
17	Armrest assembly-front seat	Change point - VIN end EA351846, Less Electric Driver Seat Adjuster, Less Electric Pass.Seat Adjuster	Also serviced as part of a kit, Cloth, RH, Bracken	RTC6502	1
		Change point - VIN end EA351846, Less Electric Driver Seat Adjuster, Less Electric Pass.Seat Adjuster	Also serviced as part of a kit, Cloth, RH, Silver Grey	RTC6504	1
		Change point - VIN end EA351846, Less Electric Driver Seat Adjuster, Less Electric Pass.Seat Adjuster	Also serviced as part of a kit, Cloth, Silver Grey, LH	RTC6505	1



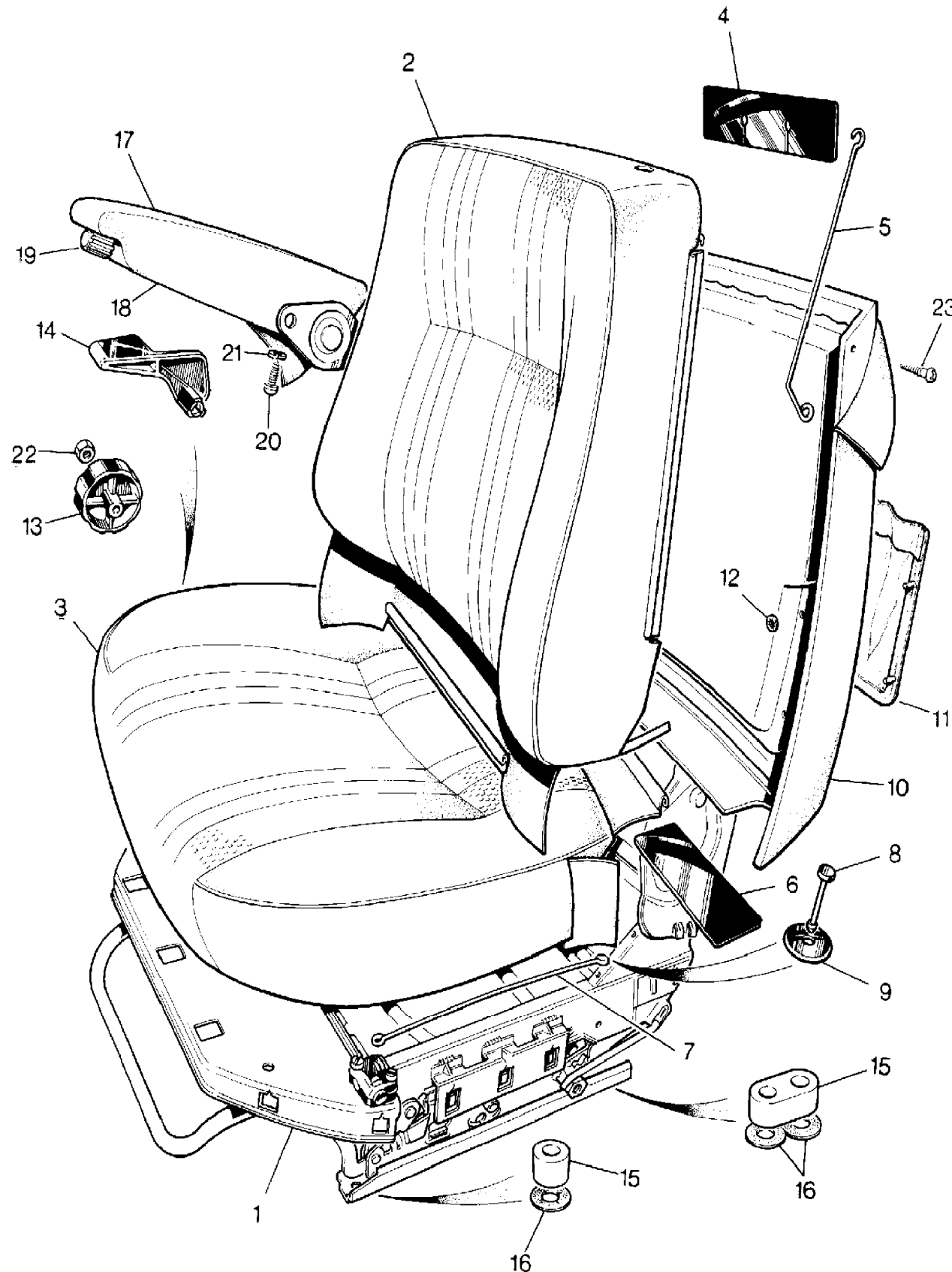
Range Rover (To HA610293)

(TS6119A)

Range Rover (To HA610293)

4 Door Station Wagon

Callout	Name	Application	Remarks & Restrictions	Service No.	Qty		
17	Armrest assembly-front seat	Change point - VIN end EA351846, Less Electric Driver Seat Adjuster, Less Electric Pass.Seat Adjuster	Also serviced as part of a kit, Cloth, Bracken, LH	RTC6503	1		
		Change point - VIN end EA351846, Less Electric Driver Seat Adjuster, Less Electric Pass.Seat Adjuster	Also serviced as part of a kit, Cloth, RH, Velour, Brogue	RTC6506	1		
		Change point - VIN end EA351846, Less Electric Driver Seat Adjuster, Less Electric Pass.Seat Adjuster	Also serviced as part of a kit, Cloth, RH, Winchester Grey, Velour	RTC6508	1		
		Change point - VIN end EA351846, Less Electric Driver Seat Adjuster, Less Electric Pass.Seat Adjuster	Also serviced as part of a kit, Cloth, Velour, Brogue, LH	RTC6507	1		
		Change point - VIN end EA351846, Less Electric Driver Seat Adjuster, Less Electric Pass.Seat Adjuster	Also serviced as part of a kit, Cloth, Winchester Grey, Velour, LH	RTC6509	1		
		18	Cover-armrest-front seat	Change point - VIN end EA351846, Less Electric Driver Seat Adjuster, Less Electric Pass.Seat Adjuster	Also serviced as part of a kit, RH, Bracken	RTC6520	1
				Change point - VIN end EA351846, Less Electric Driver Seat Adjuster, Less Electric Pass.Seat Adjuster	Also serviced as part of a kit, RH, Silver Grey	RTC6518	1
Change point - VIN end EA351846, Less Electric Driver Seat Adjuster, Less Electric Pass.Seat Adjuster	Also serviced as part of a kit, Bracken, LH			RTC6519	1		
Change point - VIN end EA351846, Less Electric Driver Seat Adjuster, Less Electric Pass.Seat Adjuster	Also serviced as part of a kit, Silver Grey, LH			RTC6521	1		
Change point - VIN end EA351846, Less Electric Driver Seat Adjuster, Less Electric Pass.Seat Adjuster	Also serviced as part of a kit, Cloth, RH, Velour, Brogue			RTC6522	1		
Change point - VIN end EA351846, Less Electric Driver Seat Adjuster, Less Electric Pass.Seat Adjuster	Also serviced as part of a kit, Cloth, RH, Winchester Grey, Velour			RTC6524	1		
		Change point - VIN end EA351846, Less Electric Driver Seat Adjuster, Less Electric Pass.Seat Adjuster	Also serviced as part of a kit, Cloth, Velour, Brogue, LH	RTC6523	1		



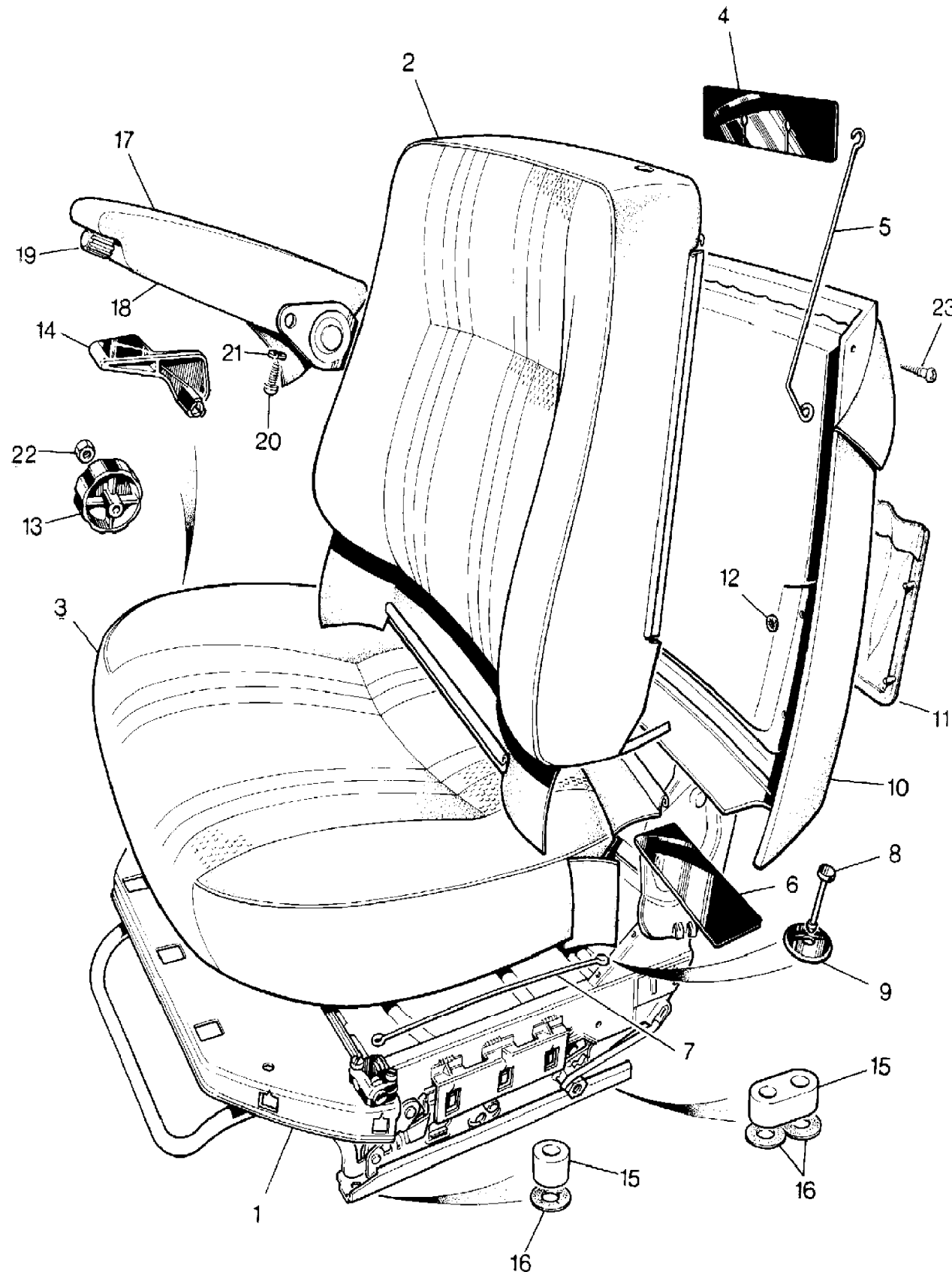
Range Rover (To HA610293)

(TS6119A)

Range Rover (To HA610293)

4 Door Station Wagon

Callout	Name	Application	Remarks & Restrictions	Service No.	Qty
18	Cover-armrest-front seat	Change point - VIN end EA351846, Less Electric Driver Seat Adjuster, Less Electric Pass.Seat Adjuster	Also serviced as part of a kit, Cloth, Winchester Grey, Velour, LH	RTC6525	1
19	Knob-front seat armrest adjuster	Change point - VIN end EA351846, Less Electric Driver Seat Adjuster, Less Electric Pass.Seat Adjuster Change point - VIN end EA351846, Less Electric Driver Seat Adjuster, Less Electric Pass.Seat Adjuster Change point - VIN end EA351846, Less Electric Driver Seat Adjuster, Less Electric Pass.Seat Adjuster Change point - VIN end EA351846, Less Electric Driver Seat Adjuster, Less Electric Pass.Seat Adjuster	Also serviced as part of a kit, Palomino Also serviced as part of a kit, Silver Grey Also serviced as part of a kit, Sorrel Brown Also serviced as part of a kit, Winchester Grey	MUC1121AE MUC1121LP MUC1121SUA MUC1121LUL	1 1 2 1
20	Screw	Less Electric Driver Seat Adjuster, Less Electric Pass.Seat Adjuster	hexagonal head, 5/16UNF x 3/4	SH605061L	1
21	Washer-Spring	Change point - VIN end EA351846, Less Electric Driver Seat Adjuster, Less Electric Pass.Seat Adjuster	5/16"	WM600051L	4
22	Nut - Hex.	Change point - VIN end EA351846, Less Electric Driver Seat Adjuster, Less Electric Pass.Seat Adjuster	M10, hexagonal head, nyloc	NY110041L	2
23	Screw	Change point - VIN end EA351846, Less Electric Driver Seat Adjuster, Less Electric Pass.Seat Adjuster		DA606061L	4
[900]	Recline mechanism-manual front seat squab	Less Electric Driver Seat Adjuster, Less Electric Pass.Seat Adjuster		RTC6390	2
[901]	Seat-manual front	Change point - VIN end EA351846, Less Electric Driver Seat Adjuster, Less Electric Pass.Seat Adjuster	RH, Bracken	MWC2492BCC	1



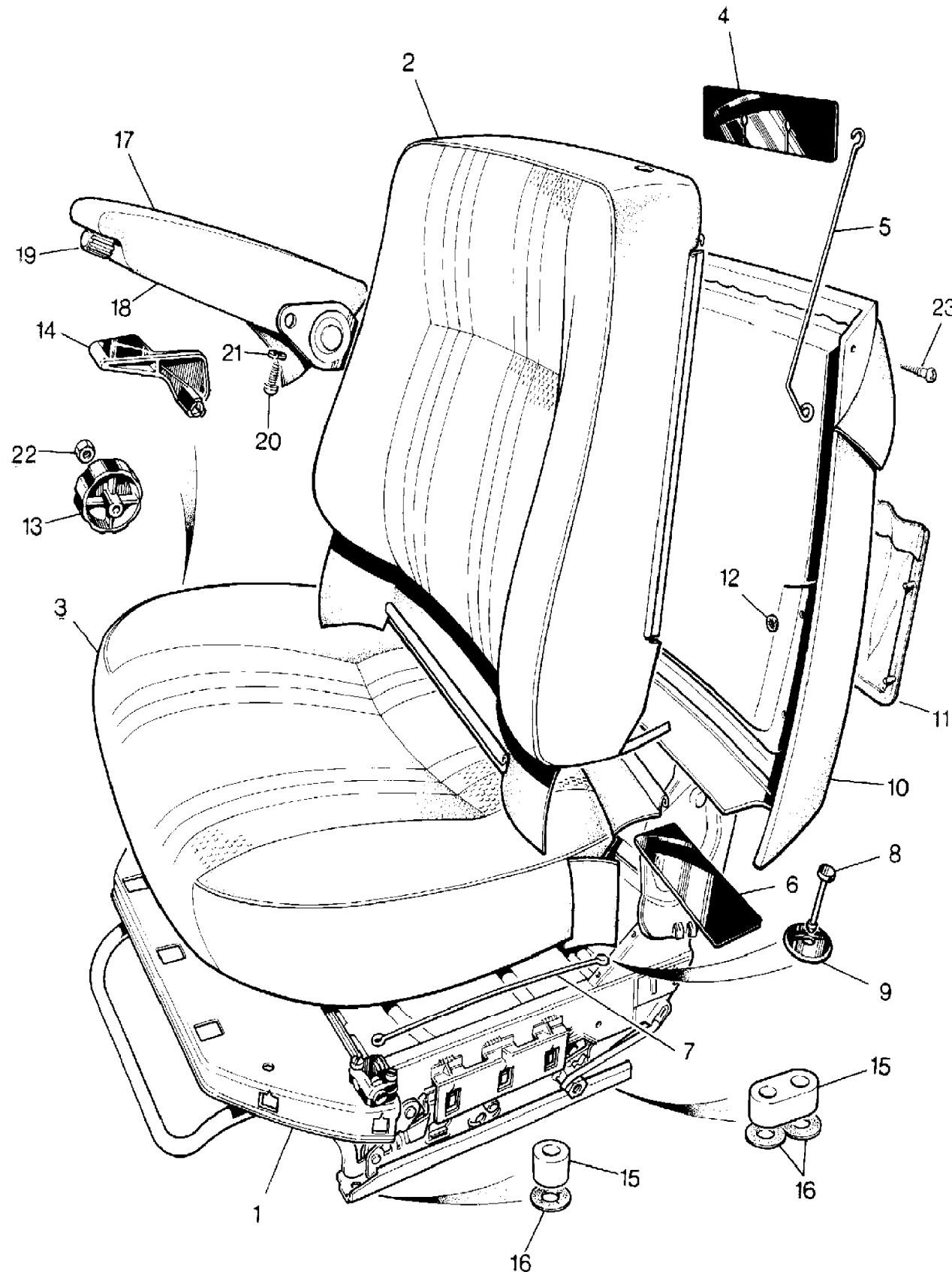
Range Rover (To HA610293)

(TS6119A)

Range Rover (To HA610293)

4 Door Station Wagon

Callout	Name	Application	Remarks & Restrictions	Service No.	Qty
[901]	Seat-manual front	Change point - VIN end EA351846, Less Electric Driver Seat Adjuster, Less Electric Pass.Seat Adjuster	RH, Silver Grey	MWC2492LCP	1
		Change point - VIN end EA351846, Less Electric Driver Seat Adjuster, Less Electric Pass.Seat Adjuster	Bracken, LH	MWC2493BCC	1
		Change point - VIN end EA351846, Less Electric Driver Seat Adjuster, Less Electric Pass.Seat Adjuster	Silver Grey, LH	MWC2493LCP	1
		Change point - VIN begin FA351847, Change point - VIN end FA399972, Less Electric Driver Seat Adjuster, Less Electric Pass.Seat Adjuster	RH, Brogue	MWC6970AUE	1
		Change point - VIN begin FA351847, Change point - VIN end FA399972, Less Electric Driver Seat Adjuster, Less Electric Pass.Seat Adjuster	RH, Winchester Grey	MWC6970LUL	1
		Change point - VIN begin FA351847, Change point - VIN end FA399972, Less Electric Driver Seat Adjuster, Less Electric Pass.Seat Adjuster	Brogue, LH	MWC6971AUE	1
		Change point - VIN begin FA351847, Change point - VIN end FA399972, Less Electric Driver Seat Adjuster, Less Electric Pass.Seat Adjuster	Winchester Grey, LH	MWC6971LUL	1
		Change point - VIN begin GA399973, Less Electric Driver Seat Adjuster, Less Electric Pass.Seat Adjuster	RH, Brogue	MXC5130AUE	1
		Change point - VIN begin GA399973, Less Electric Driver Seat Adjuster, Less Electric Pass.Seat Adjuster	RH, Winchester Grey	MXC3130LUL	1
		Change point - VIN begin GA399973, Less Electric Driver Seat Adjuster, Less Electric Pass.Seat Adjuster	Brogue, LH	MXC5139AUE	1
		Change point - VIN begin GA399973, Less Electric Driver Seat Adjuster, Less Electric Pass.Seat Adjuster	Also serviced as part of a kit, Winchester Grey, LH	MXC5139LUL	1



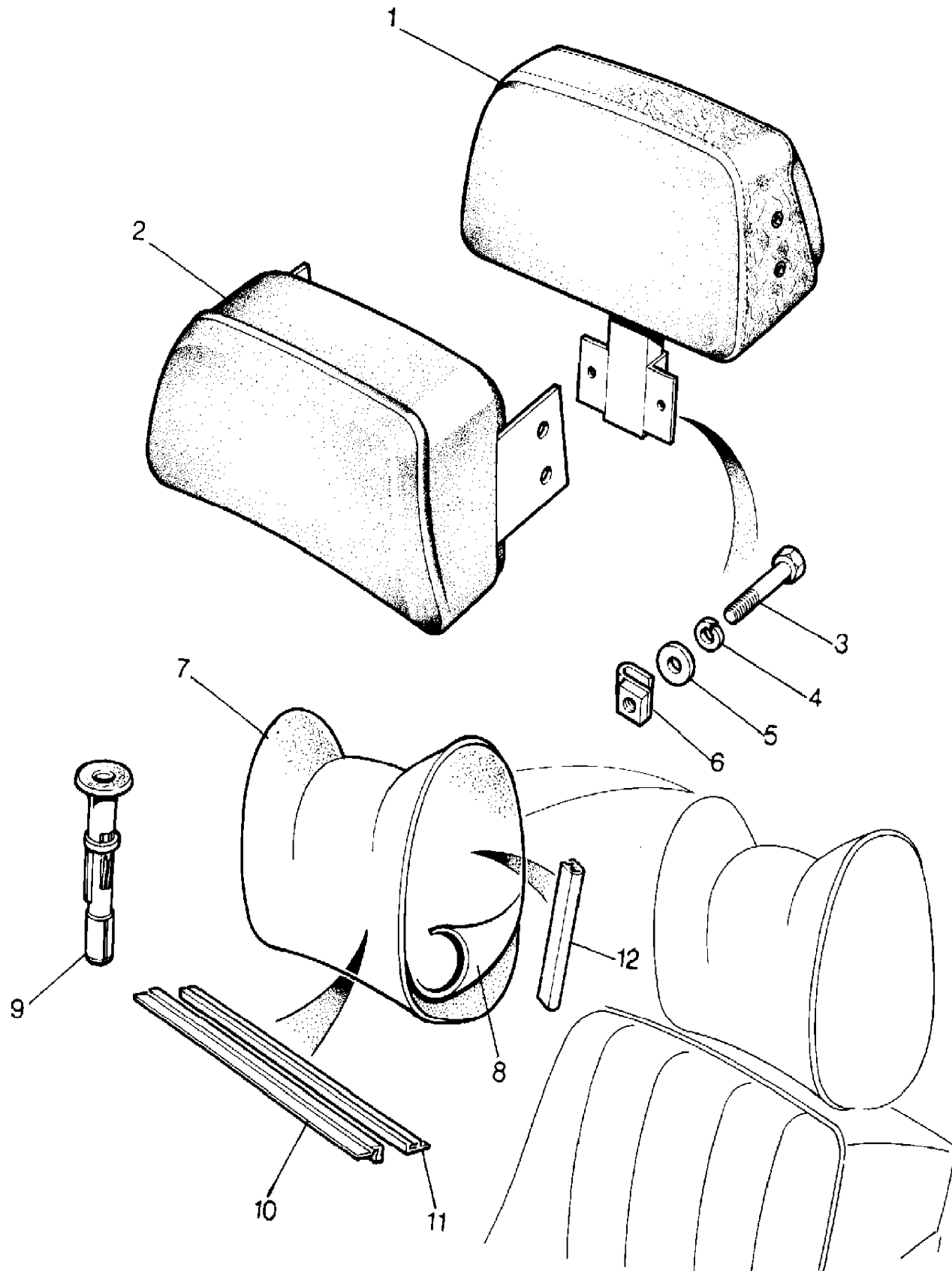
Seats
Seating
Headrests 1/2

Range Rover (To HA610293)

(TS6955)

Range Rover (To HA610293)

Seats
Seating
Headrests



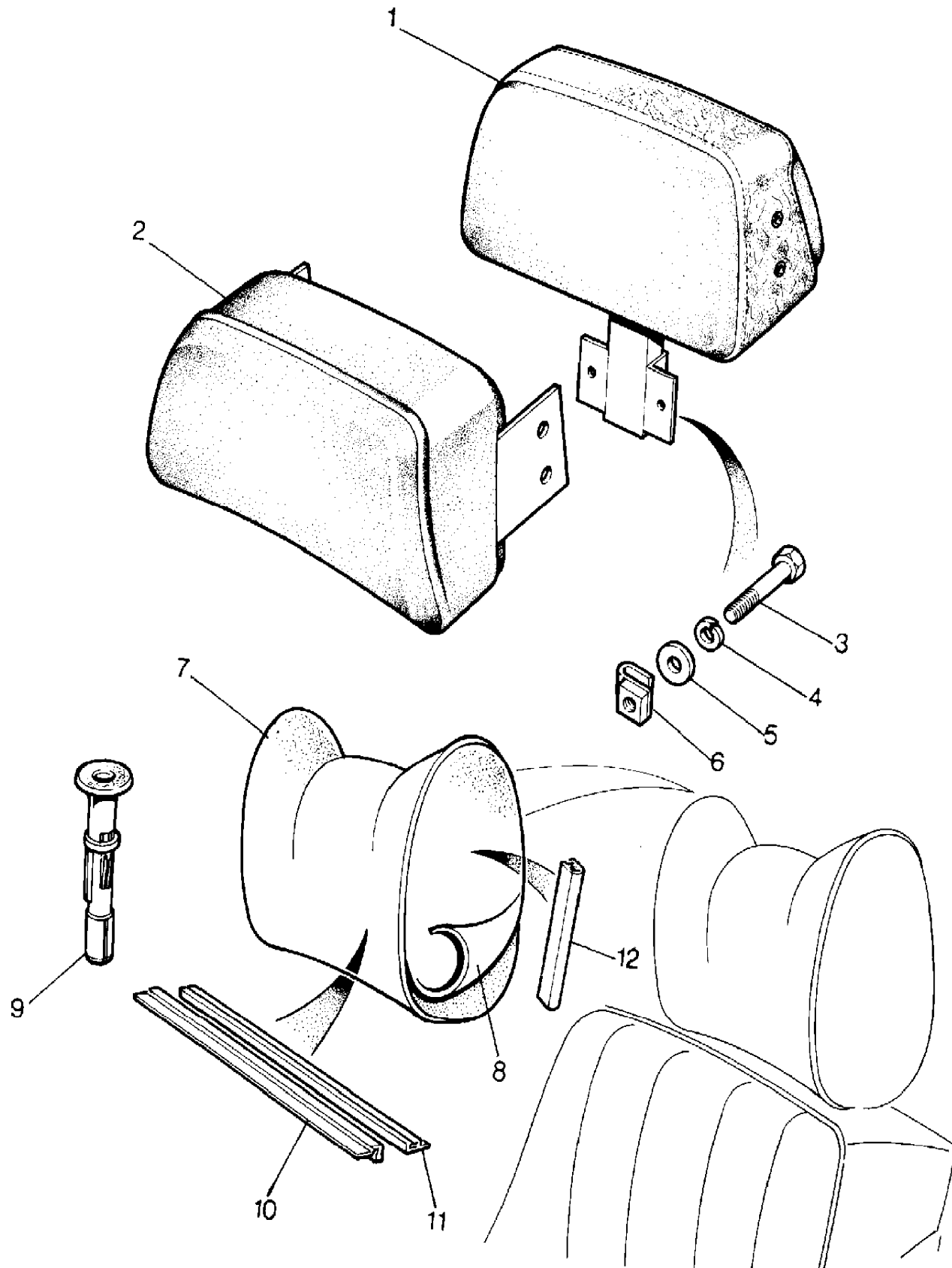
Callout	Name	Application	Remarks & Restrictions	Service No.	Qty
1	Headrest assembly	Change point - VIN end EA351846, 2 Door Station Wagon	Brown	MRC9469	2
2	Cover assembly-seat-front-headrest	Change point - VIN end EA351846, 2 Door Station Wagon	Bronze..	BRC5167BB	2
3	Screw	Change point - VIN end EA351846, 2 Door Station Wagon	hexagonal head, 1/4UNF x 5/8	SH604051L	4
4	Washer-Spring	Change point - VIN end EA351846, 2 Door Station Wagon	1/4 dia, Square	WM600041L	4
5	Washer	Change point - VIN end EA351846, 2 Door Station Wagon		RTC618	4
6	Nut - Hex.	Change point - VIN end EA351846, 2 Door Station Wagon	1/4UNF	346073	4
7	Headrest assembly	Change point - VIN end EA351846	Also serviced as part of a kit, Cloth, Front, Velour, Bracken	MUC2598BC	2
		Change point - VIN end EA351846	Also serviced as part of a kit, Cloth, Front, Velour, Osprey Grey	MUC2598LH	2
		Change point - VIN begin FA351847	Also serviced as part of a kit, Cloth, Front, Velour, Brogue	MWC4666AUE	2
		Change point - VIN begin FA351847	Also serviced as part of a kit, Cloth, Winchester Grey, Velour	MWC4666LUL	2
		Change point - VIN end EA351846	Also serviced as part of a kit, Front, Steel Grey, Leather	MWC5976LR	2
		Change point - VIN begin FA351847	Also serviced as part of a kit, Front, Sorrel Brown, Leather	MWC5976SUA	2
		Change point - VIN begin FA351847	Also serviced as part of a kit, Front, Winchester Grey, Leather	MWC5976LUL	2
		Change point - VIN end FA361896	Also serviced as part of a kit, Cloth, Rear, Velour, Bracken	MUC3078BC	2
		Change point - VIN end EA351846	Also serviced as part of a kit, Rear, Velour, Osprey Grey	MUC3078LH	2
8	Cover-headrest	Change point - VIN end EA351846	Also serviced as part of a kit, Cloth, Front, Velour, Bracken	MUC2555BC	2
		Change point - VIN end EA351846	Also serviced as part of a kit, Cloth, Front, Velour, Osprey Grey	MUC2555LH	2
		Change point - VIN begin FA351847	Also serviced as part of a kit, Cloth, Velour, Brogue	MWC4667AUE	2
		Change point - VIN begin FA351847	Also serviced as part of a kit, Cloth, Winchester Grey, Velour	MWC4667LUL	2
		Change point - VIN end EA351846	Also serviced as part of a kit, Cloth, Front, Velour, Steel Grey	MWC5977LR	2

Range Rover (To HA610293)

(TS6955)

Range Rover (To HA610293)

Callout	Name	Application	Remarks & Restrictions	Service No.	Qty
8	Cover-headrest	Change point - VIN begin FA351847	Also serviced as part of a kit, Sorrel Brown, Leather	MWC5977SUA	2
		Change point - VIN begin FA351847	Also serviced as part of a kit, Winchester Grey, Leather	MWC5977LUL	2
		Change point - VIN end FA361896	Also serviced as part of a kit, Cloth, Rear, Velour, Bracken	MTC9885BC	2
		Change point - VIN end EA351846	Also serviced as part of a kit, Cloth, Rear, Velour, Osprey Grey	MTC9885LH	2
9	Escutcheon-headrest	Change point - VIN end EA351846	Front, Palomino	YXX2777AE	2
		Change point - VIN end EA351846	Front, Flint Grey	YXX2777LG	2
		Change point - VIN begin FA351847	Rear, Winchester Grey	YXX2777LUL	2
		Change point - VIN begin FA351847	Front, Sorrel Brown	YXX2777SUA	2
		Change point - VIN end EA351846	Rear, Brushwood	MUC2338AV	2
		Change point - VIN end EA351846	Rear, Flint Grey	MUC2338LG	4
10	Finisher-front seat headrest	Change point - VIN end EA351846	Inner	BNP1791	2
		Change point - VIN begin FA351847	Inner	MXC1160	2
11	Finisher-front seat headrest	Change point - VIN end EA351846	Outer	BNP1792	2
		Change point - VIN begin FA351847	Outer	MXC1161	2
12	Strip-edge protection		89mm	JRC7549	2



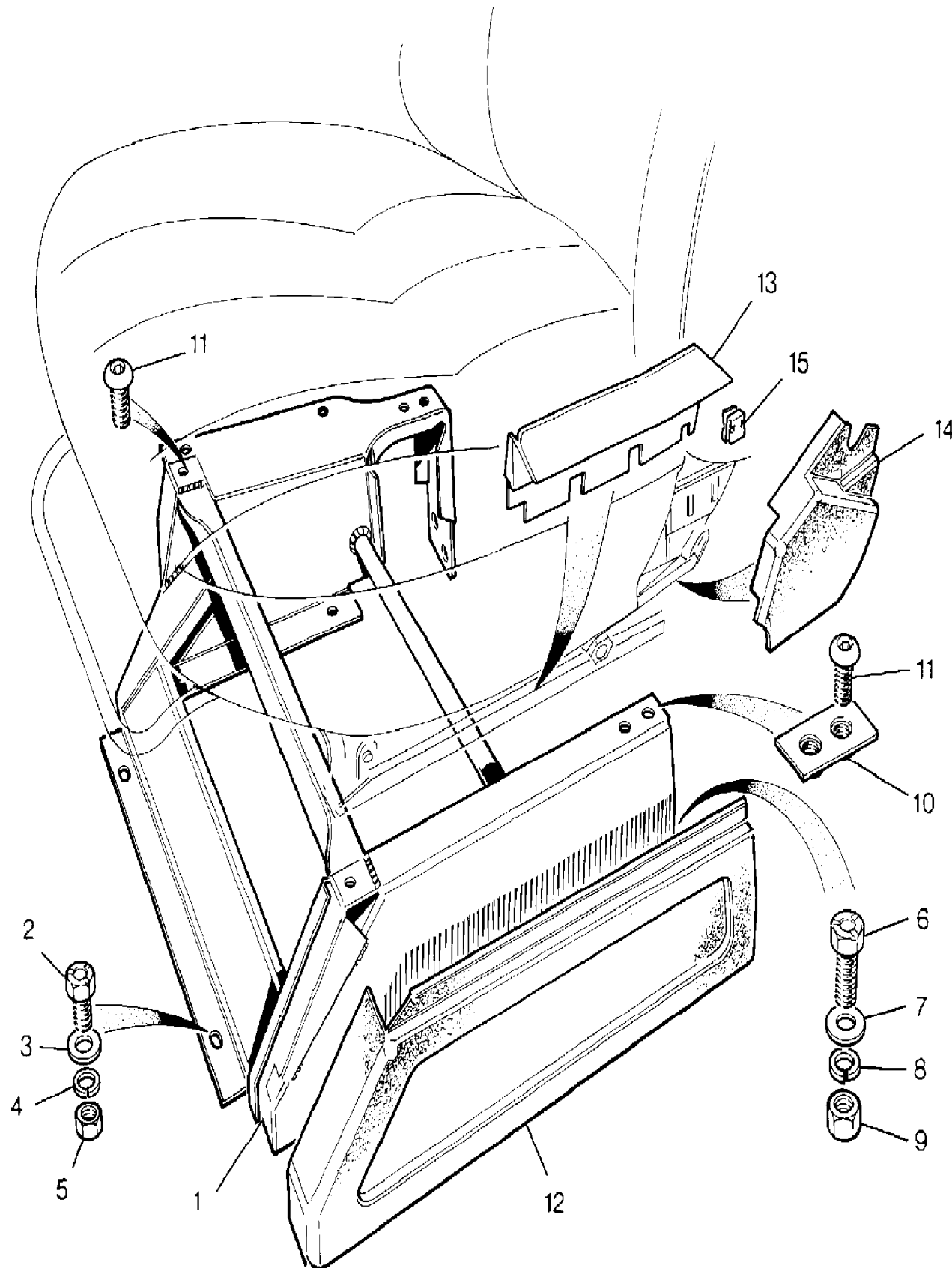
Range Rover (To HA610293)

(TS5360A)

Range Rover (To HA610293)

4 Door Station Wagon

Callout	Name	Application	Remarks & Restrictions	Service No.	Qty
1	Plinth assembly-seat	Change point - VIN end CA273922, Less Electric Driver Seat Adjuster, Less Electric Pass.Seat Adjuster Change point - VIN end CA273922, Less Electric Driver Seat Adjuster, Less Electric Pass.Seat Adjuster Change point - VIN end CA273922, Less Electric Driver Seat Adjuster, Less Electric Pass.Seat Adjuster Change point - VIN end CA273922, Less Electric Driver Seat Adjuster, Less Electric Pass.Seat Adjuster	RH, Palomino Palomino, LH RH, Phantom Grey Phantom Grey, LH	MTC9854AE MTC9855AE MTC9854LJ MTC9855LJ	1 1 1 1
2	Screw	Change point - VIN end CA273922	hexagonal head, 3/8UNF x 1 1/4	SH606101L	4
3	Washer-plain-thin	Change point - VIN end CA273922, Less Electric Driver Seat Adjuster, Less Electric Pass.Seat Adjuster	M10	WB110061L	4
4	Washer	Change point - VIN end CA273922, Less Electric Driver Seat Adjuster, Less Electric Pass.Seat Adjuster	3/8", Square	WM600061L	4
5	Nut - Hex.	Change point - VIN end CA273922, Less Electric Driver Seat Adjuster, Less Electric Pass.Seat Adjuster	hexagonal head, 3/8UNF	NH606041L	4
6	Screw	Change point - VIN end CA273922, Less Electric Driver Seat Adjuster, Less Electric Pass.Seat Adjuster	hexagonal head, 5/16UNF x 1	SH605081L	8
8	Washer-Spring	Change point - VIN end CA273922, Less Electric Driver Seat Adjuster, Less Electric Pass.Seat Adjuster	5/16"	WM600051L	8
9	Nut - Hex.	Change point - VIN end CA273922, Less Electric Driver Seat Adjuster, Less Electric Pass.Seat Adjuster	hexagonal head, 5/16UNF	NH605041L	8



Seats
Seating
Plinth & Finishers 2/3

Range Rover (To HA610293)

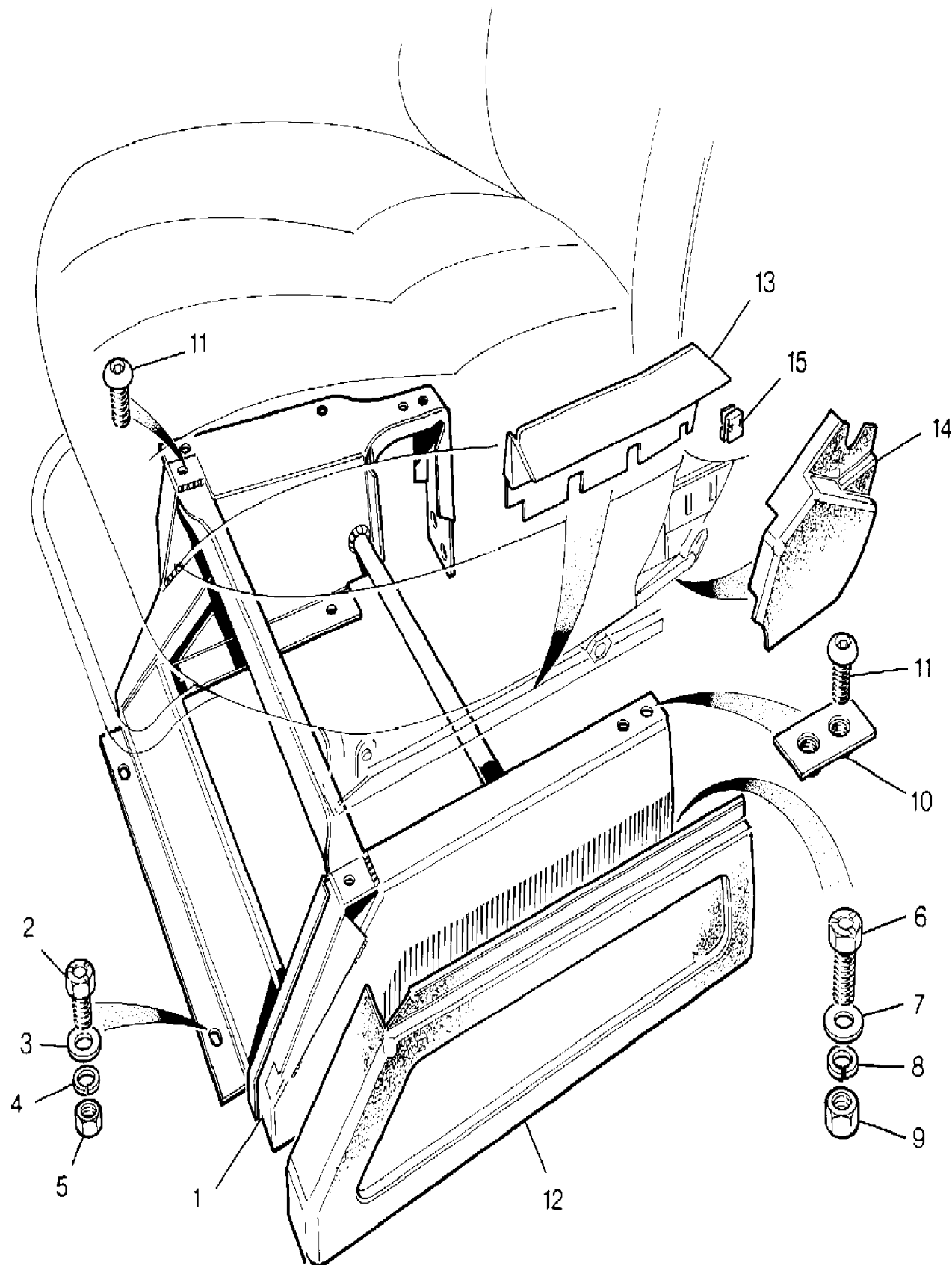
(TS5360A)

Range Rover (To HA610293)

Seats
Seating
Plinth & Finishers

4 Door Station Wagon

Callout	Name	Application	Remarks & Restrictions	Service No.	Qty
10	Nut - Hex.	Change point - VIN end CA273922, Less Electric Driver Seat Adjuster, Less Electric Pass.Seat Adjuster		MUC3957	2
11	Screw-hexagon socket	Change point - VIN end CA273922, Less Electric Driver Seat Adjuster, Less Electric Pass.Seat Adjuster	Front	SB108201L	6
		Change point - VIN end CA273922, Less Electric Driver Seat Adjuster, Less Electric Pass.Seat Adjuster	Rear	SB108401	6
12	Finisher-side plinth	Change point - VIN end CA273922, Less Electric Driver Seat Adjuster, Less Electric Pass.Seat Adjuster	Palomino, LH	MUC2581AE	1
		Change point - VIN end CA273922, Less Electric Driver Seat Adjuster, Less Electric Pass.Seat Adjuster	RH, Palomino	MUC2582AE	1
		Change point - VIN end CA273922, Less Electric Driver Seat Adjuster, Less Electric Pass.Seat Adjuster	Silver Grey, LH	MUC2581LP	1
		Change point - VIN end CA273922, Less Electric Driver Seat Adjuster, Less Electric Pass.Seat Adjuster	RH, Silver Grey	MUC2582LP	1
		Change point - VIN end CA273922, Less Electric Driver Seat Adjuster, Less Electric Pass.Seat Adjuster	RH, Palomino	MUC6798AE	1
		Change point - VIN end CA273922, Less Electric Driver Seat Adjuster, Less Electric Pass.Seat Adjuster	Palomino, LH	MUC6797AE	1
13	Finisher-height adjust mechanism	Change point - VIN end CA273922, Less Electric Driver Seat Adjuster, Less Electric Pass.Seat Adjuster	RH, Silver Grey	MUC6798LP	1
		Change point - VIN end CA273922, Less Electric Driver Seat Adjuster, Less Electric Pass.Seat Adjuster	Silver Grey, LH	MUC6797LP	1



Seats
Seating
Plinth & Finishers 3/3

Range Rover (To HA610293)

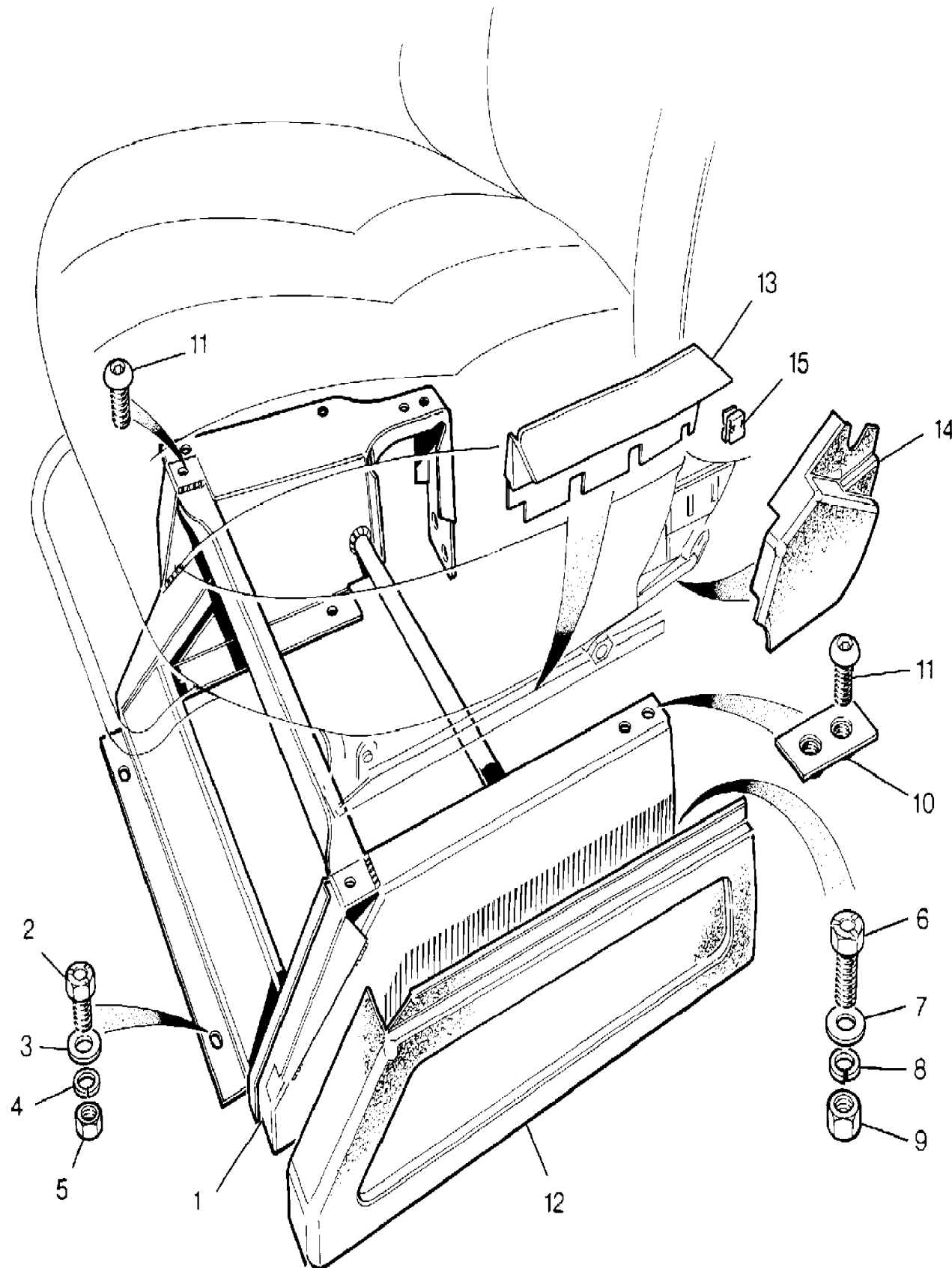
(TS5360A)

Range Rover (To HA610293)

Seats
Seating
Plinth & Finishers

4 Door Station Wagon

Callout	Name	Application	Remarks & Restrictions	Service No.	Qty
14	Finisher-recline mechanism	Change point - VIN end CA273922, Less Electric Driver Seat Adjuster, Less Electric Pass.Seat Adjuster	RH, Palomino	MUC2915AE	1
		Change point - VIN end CA273922, Less Electric Driver Seat Adjuster, Less Electric Pass.Seat Adjuster	Palomino, LH	MUC2914AE	1
		Change point - VIN end CA273922, Less Electric Driver Seat Adjuster, Less Electric Pass.Seat Adjuster	RH, Silver Grey	MUC2914LP	1
		Change point - VIN end CA273922, Less Electric Driver Seat Adjuster, Less Electric Pass.Seat Adjuster	Silver Grey, LH	MUC2915LP	1
15	Clip	Change point - VIN end CA273922, Less Electric Driver Seat Adjuster, Less Electric Pass.Seat Adjuster		ATU1015L	8
[900]	Pad-acoustic	Change point - VIN end CA273922, Less Electric Driver Seat Adjuster, Less Electric Pass.Seat Adjuster		MUC3202	2

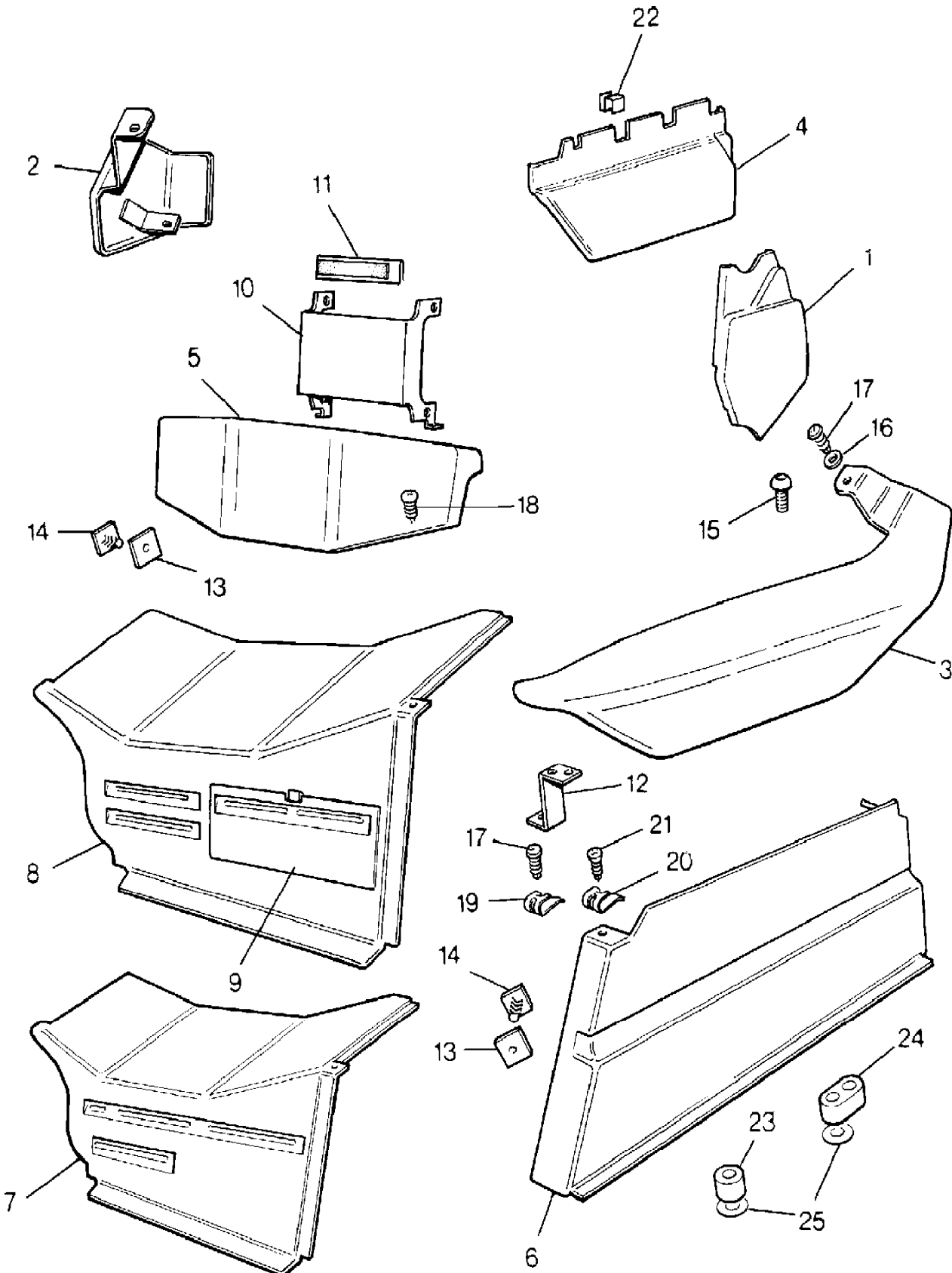


Seats
Seating
Plinth & Finishers-From (V) HA469435 (2Dr) & (V) FA351847(4Dr) 1/5 (TS6239F)

Range Rover (To HA610293)

Range Rover (To HA610293)
Plinth & Finishers-From (V) HA469435 (2Dr) & (V) FA351847(4Dr)

Seats
Seating



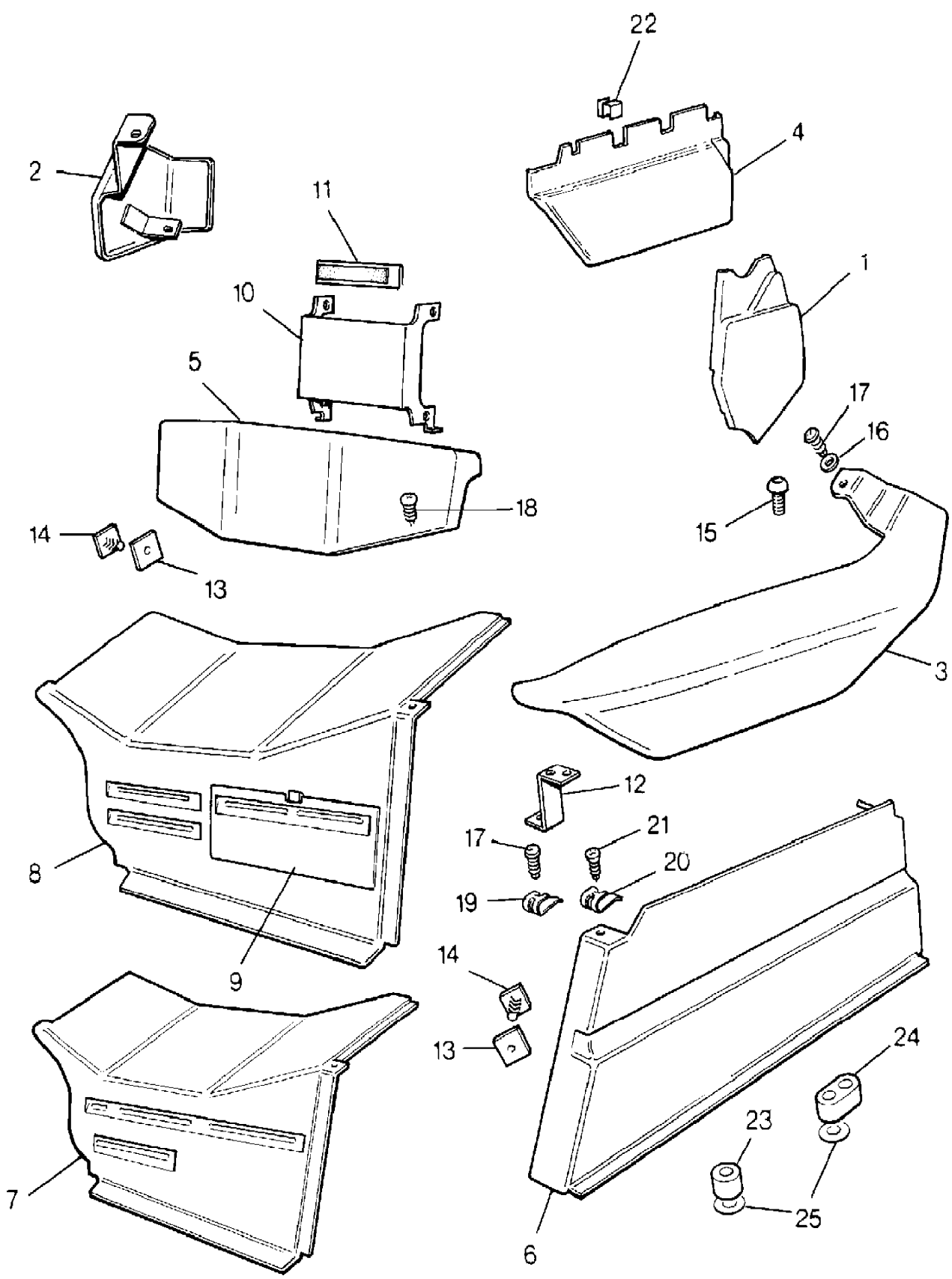
Callout	Name	Application	Remarks & Restrictions	Service No.	Qty		
1	Finisher-recline mechanism	Change point - VIN begin HA469435	Sorrel Brown, LH	BTR881SUA	1		
		Change point - VIN begin FA351847, Change point - VIN end EA351846	Palomino, LH	MUC2914AE	1		
		Change point - VIN begin FA351847, Change point - VIN end EA351846	Grey, RH	MUC2914LS	1		
		Change point - VIN begin FA351847, Change point - VIN end EA351846	RH, Palomino	MUC2915AE	1		
		Change point - VIN begin FA351847, Change point - VIN end EA351846	Grey, LH	MUC2915LS	1		
		Change point - VIN begin FA351847, Change point - VIN end HA469434	RH, Sorrel Brown	MUC2914SUA	1		
		Change point - VIN begin FA351847, Change point - VIN end HA469434	RH, Winchester Grey	MUC2914LUL	1		
		Change point - VIN begin FA351847, Change point - VIN end HA469434	Sorrel Brown, LH	MUC2915SUA	1		
		Change point - VIN begin FA351847, Change point - VIN end HA469434	Winchester Grey, LH	MUC2915LUL	1		
		Change point - VIN begin HA469435	RH, Winchester Grey	BTR880LUL	1		
		Change point - VIN begin HA469435	RH, Sorrel Brown	BTR880SUA	1		
		Change point - VIN begin HA469435	Winchester Grey, LH	BTR881LUL	1		
		2	Finisher-seat plinth	Change point - VIN begin FA351847, Change point - VIN end EA351846	Palomino, Inner, LH	MWC3169AE	1
				Change point - VIN begin FA351847, Change point - VIN end EA351846	Grey, Inner, LH	MWC3169LS	1
				Change point - VIN begin FA351847, Change point - VIN end EA351846	RH, Palomino, Inner	MWC3170AE	1
				Change point - VIN begin FA351847, Change point - VIN end EA351846	Grey, RH, Inner	MWC3170LS	1
Change point - VIN begin FA351847	Sorrel Brown, Inner, LH			MWC3169SUA	1		
Change point - VIN begin FA351847	Winchester Grey, Inner, LH			MWC3169LUL	1		
Change point - VIN begin FA351847	RH, Sorrel Brown, Inner			MWC3170SUA	1		
Change point - VIN begin FA351847	RH, Winchester Grey, Inner			MWC3170LUL	1		
3	Finisher-seat plinth			Change point - VIN begin FA351847, Change point - VIN end EA351846	Outer, RH, Palomino	MWC3167AE	1
		Change point - VIN begin FA351847, Change point - VIN end EA351846	Outer, Grey, LH	MWC3167LS	1		
		Change point - VIN begin FA351847, Change point - VIN end EA351846	Outer, Palomino, LH	MWC3168AE	1		

Seats
Seating
Plinth & Finishers-From (V) HA469435 (2Dr) & (V) FA351847(4Dr) 2/5 (TS6239F)

Range Rover (To HA610293)

Seats
Seating
Plinth & Finishers-From (V) HA469435 (2Dr) & (V) FA351847(4Dr)

Range Rover (To HA610293)



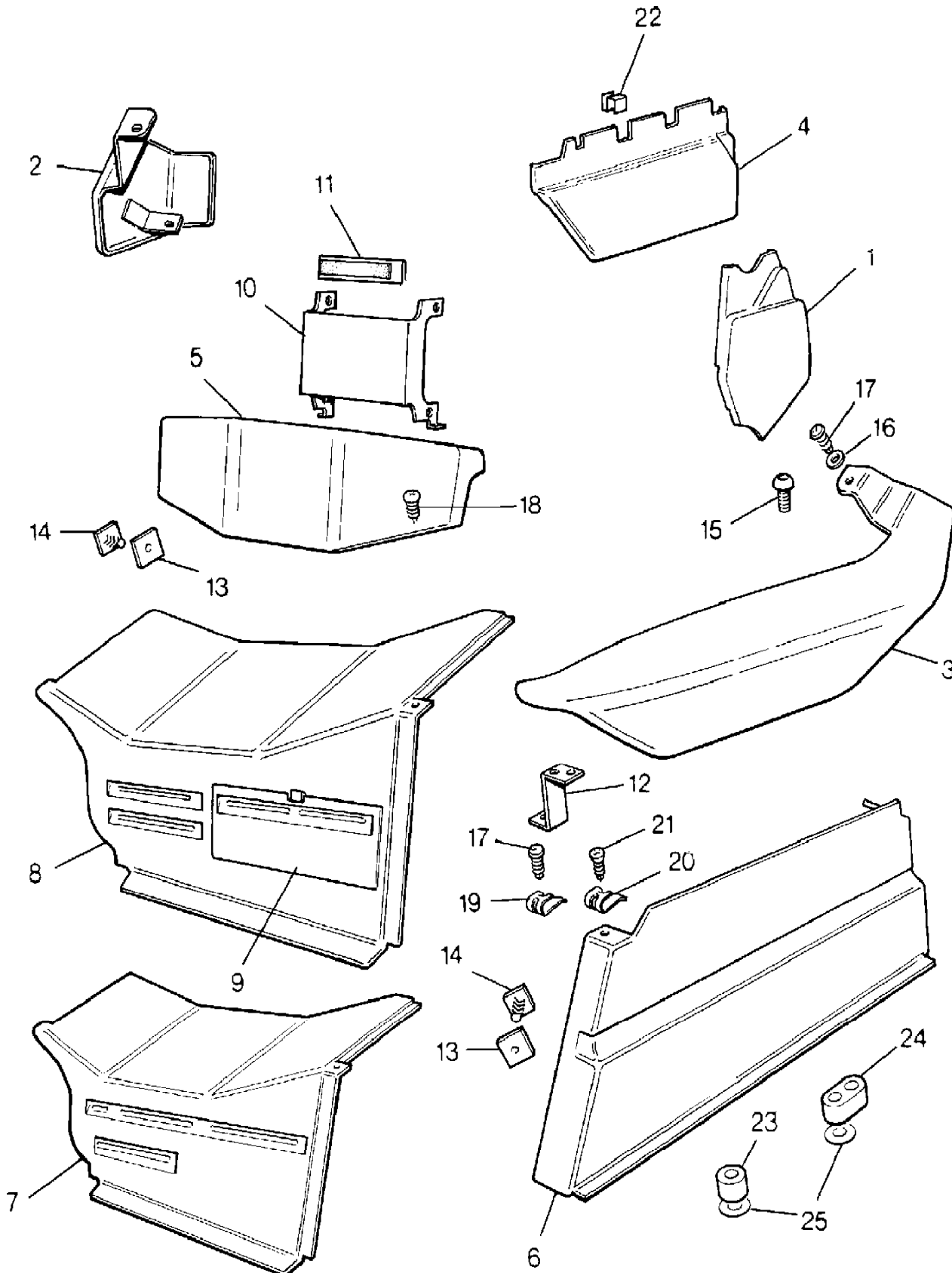
Callout	Name	Application	Remarks & Restrictions	Service No.	Qty	
3	Finisher-seat plinth	Change point - VIN begin FA351847, Change point - VIN end EA351846	Outer, Grey, RH	MWC3168LS	1	
		Change point - VIN begin FA351847	Outer, Sorrel Brown, LH	BTR391SUA	1	
		Change point - VIN begin FA351847	Outer, Winchester Grey, LH	BTR391LUL	1	
		Change point - VIN begin FA351847	Outer, RH, Sorrel Brown	BTR390SUA	1	
		Change point - VIN begin FA351847	Outer, RH, Winchester Grey	BTR390LUL	1	
		Change point - VIN begin FA351847				
4	Finisher-height adjust mechanism	Change point - VIN begin HA469435	RH, Sorrel Brown	MWC9622SUA	1	
		Change point - VIN begin HA469435	Sorrel Brown, LH	MWC9621SUA	1	
		Change point - VIN begin FA351847, Change point - VIN end EA351846	RH, Palomino	MWC5004AE	1	
		Change point - VIN begin FA351847, Change point - VIN end EA351846	Grey, RH	MWC5004LS	1	
		Change point - VIN begin FA351847, Change point - VIN end EA351846	Palomino, LH	MWC5003AE	1	
		Change point - VIN begin FA351847, Change point - VIN end EA351846	Grey, LH	MWC5003LS	1	
		Change point - VIN begin FA351847, Change point - VIN end EA351846	RH, Sorrel Brown	MWC5004SUA	1	
		Change point - VIN begin FA351847, Change point - VIN end EA351846	RH, Winchester Grey	MWC5004LUL	1	
		Change point - VIN begin FA351847	Sorrel Brown, LH	MWC5003SUA	1	
		Change point - VIN begin FA351847	Winchester Grey, LH	MWC5003LUL	1	
		Change point - VIN begin FA351847				
		5	Cover Plate	Change point - VIN begin FA351847	Grey	MWC5605LS
Change point - VIN begin FA351847	Winchester Grey			MWC5605LUL	1	
Change point - VIN begin FA351847	Sorrel Brown			MWC5605SUA	1	
6	Finisher-seat plinth	Change point - VIN begin HA469435	RH, Sorrel Brown, Side	MWC5774SUA	1	
		Change point - VIN begin HA469435	Sorrel Brown, Side, LH	MWC5775SUA	1	
		Change point - VIN begin FA351847, Change point - VIN end EA351846	RH, Palomino, Side	MWC5774AE	1	
		Change point - VIN begin FA351847, Change point - VIN end EA351846	Grey, RH, Side	MWC5774LS	1	
		Change point - VIN begin FA351847, Change point - VIN end EA351846	Palomino, Side, LH	MWC5775AE	1	
		Change point - VIN begin FA351847, Change point - VIN end EA351846	Grey, Side, LH	MWC5775LS	1	

Seats
Seating
Plinth & Finishers-From (V) HA469435 (2Dr) & (V) FA351847(4Dr) 3/5 (TS6239F)

Range Rover (To HA610293)

Range Rover (To HA610293)
Plinth & Finishers-From (V) HA469435 (2Dr) & (V) FA351847(4Dr)

Seats
Seating



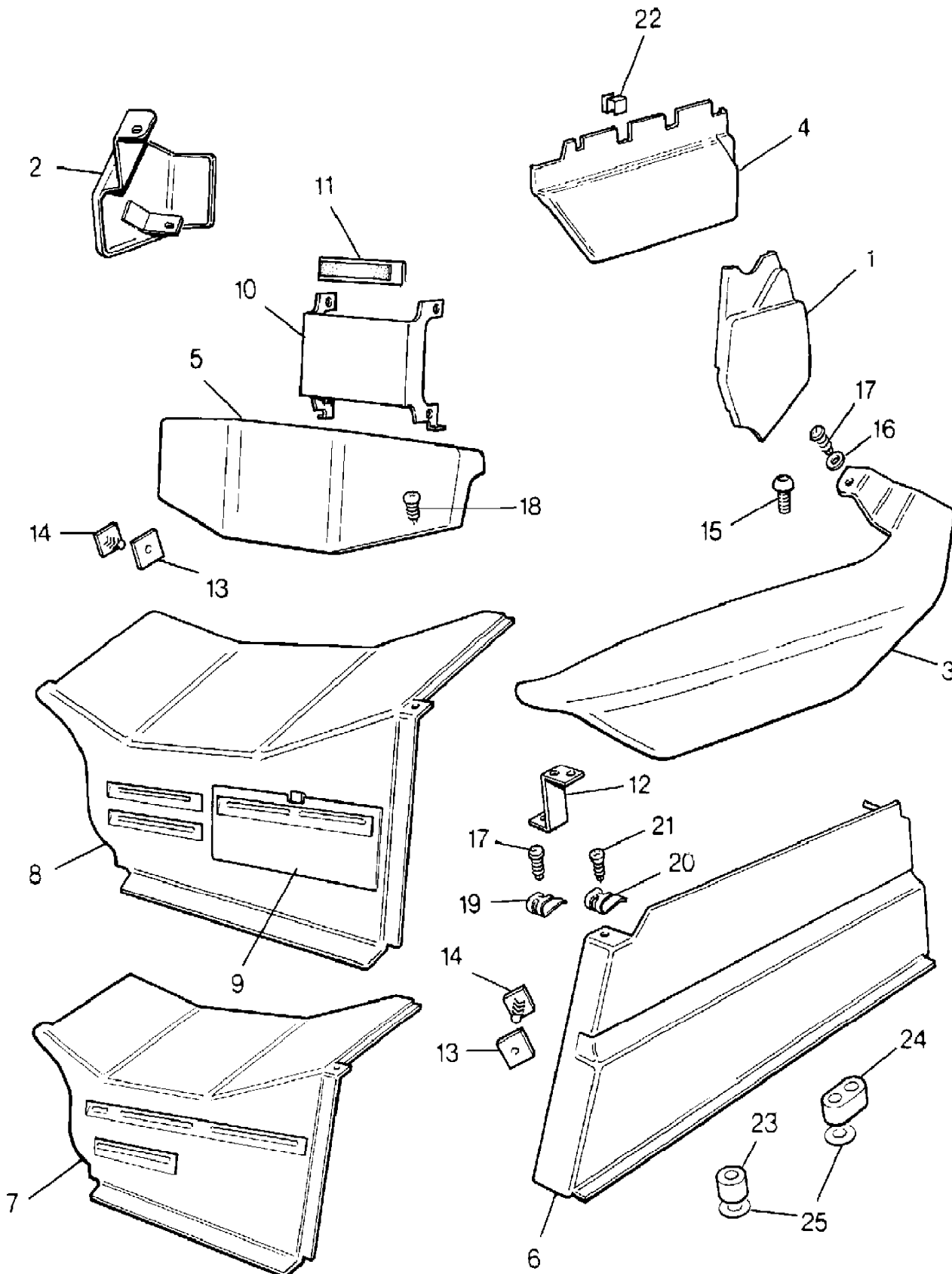
Callout	Name	Application	Remarks & Restrictions	Service No.	Qty		
6	Finisher-seat plinth	Change point - VIN begin FA351847, Change point - VIN end GA422286	RH, Sorrel Brown, Side	MWC5774SUA	1		
		Change point - VIN begin FA351847, Change point - VIN end GA422286	RH, Winchester Grey, Side	MWC5774LUL	1		
		Change point - VIN begin FA351847, Change point - VIN end GA422286	Sorrel Brown, Side, LH	MWC5775SUA	1		
		Change point - VIN begin FA351847, Change point - VIN end GA422286	Winchester Grey, Side, LH	MWC5775LUL	1		
		Change point - VIN begin GA422287	Winchester Grey, Side, LH	BTR309LUL	1		
		Change point - VIN begin GA422287	Sorrel Brown, Side, LH	BTR309SUA	1		
		Change point - VIN begin GA422287	RH, Winchester Grey, Side	BTR310LUL	1		
		Change point - VIN begin GA422287	RH, Sorrel Brown, Side	BTR310SUA	1		
		7	Finisher-seat plinth	Change point - VIN begin FA351847, Change point - VIN end EA351846	Front, RH, Palomino	MUC5988AE	1
				Change point - VIN begin FA351847, Change point - VIN end EA351846	Grey, Front, RH	MUC5988LS	1
Change point - VIN begin FA351847, Change point - VIN end EA351846	Front, Palomino, LH			MUC5989AE	1		
Change point - VIN begin FA351847, Change point - VIN end EA351846	Brown, Front, LH			STC343	1		
Change point - VIN begin FA351847, Change point - VIN end EA351846	Front, RH, Sorrel Brown			MUC5988SUA	1		
Change point - VIN begin FA351847, Change point - VIN end GA449935	Front, RH, Winchester Grey			MUC5988LUL	1		
Change point - VIN begin GA449936	Front, RH, Sorrel Brown			BTR314SUA	1		
Change point - VIN begin GA449936	Front, RH, Winchester Grey			BTR314LUL	1		
Change point - VIN begin FA351847, Change point - VIN end GA399744	Front, Sorrel Brown, LH			MUC5989SUA	1		
Change point - VIN begin FA351847, Change point - VIN end GA399744	Front, Winchester Grey, LH			MUC5989LUL	1		
Change point - VIN begin GA449936	Front, Sorrel Brown, LH			BTR313SUA	1		
Change point - VIN begin GA449936	Front, Winchester Grey, LH			BTR313LUL	1		
8	Finisher-seat plinth			Change point - VIN begin GA399745, Change point - VIN end GA449935	Front, Sorrel Brown, LH	BTR2SUA	1
				Change point - VIN begin GA399745, Change point - VIN end GA449935	Front, Winchester Grey, LH	BTR2LUL	1
				Change point - VIN begin GA449936	Front, Sorrel Brown, LH	BTR307SUA	1

Seats
Seating
Plinth & Finishers-From (V) HA469435 (2Dr) & (V) FA351847(4Dr) 4/5 (TS6239F)

Range Rover (To HA610293)

Range Rover (To HA610293)
Plinth & Finishers-From (V) HA469435 (2Dr) & (V) FA351847(4Dr)

Seats
Seating



Callout	Name	Application	Remarks & Restrictions	Service No.	Qty
8	Finisher-seat plinth	Change point - VIN begin GA449936	Front, Winchester Grey, LH	BTR307LUL	1
		Change point - VIN begin GA449936	Front, RH, Sorrel Brown	BTR308SUA	1
		Change point - VIN begin GA449936	Front, RH, Winchester Grey	BTR308LUL	1
9	Inspection hatch-seat plinth	Change point - VIN begin GA399745	Sorrel Brown	BTR3SUA	1
		Change point - VIN begin GA399745	Winchester Grey	BTR3LUL	1
10	Bracket-front seat rise & fall motor	Change point - VIN begin FA351847		MWC2450	8
11	Clip-edge harness	Change point - VIN begin FA351847		MWC2754	2
12	Bracket	Change point - VIN begin FA351847	Also serviced as part of a kit	MWC3226	2
13	Seal	Change point - VIN begin FA351847	Velcro	MUC8996	12
14	Fastener-carpet	Change point - VIN begin FA351847		MUC8995	12
15	Screw-hexagon socket	Change point - VIN begin FA351847	seat to floor, Front	SB108201L	12
		Change point - VIN begin FA351847	seat to floor, Rear	SB108401	12
17	Screw	Change point - VIN begin FA351847		AV608081L	X
18	Screw	Change point - VIN begin FA351847	Self Tapping, No 8 x 3/8	AB608031L	3
19	Nut-spring-self thread	Change point - VIN begin FA351847		AK608045	2
20	Nut - Hex.	Change point - VIN begin FA351847	M6	AJ606011L	2
21	Screw	Change point - VIN begin FA351847		AY606105	2
22	Clip	Change point - VIN begin FA351847		ATU1015L	4
23	Spacer	Change point - VIN begin FA351847	Front	MWC1388	2
24	Spacer	Change point - VIN begin FA351847	Rear	MWC1389	2
25	Washer-fibre	Change point - VIN begin FA351847		MWC4804	4

Seats
Seating
Plinth & Finishers-From (V) HA469435 (2Dr) & (V) FA351847(4Dr) 5/5

Range Rover (To HA610293)

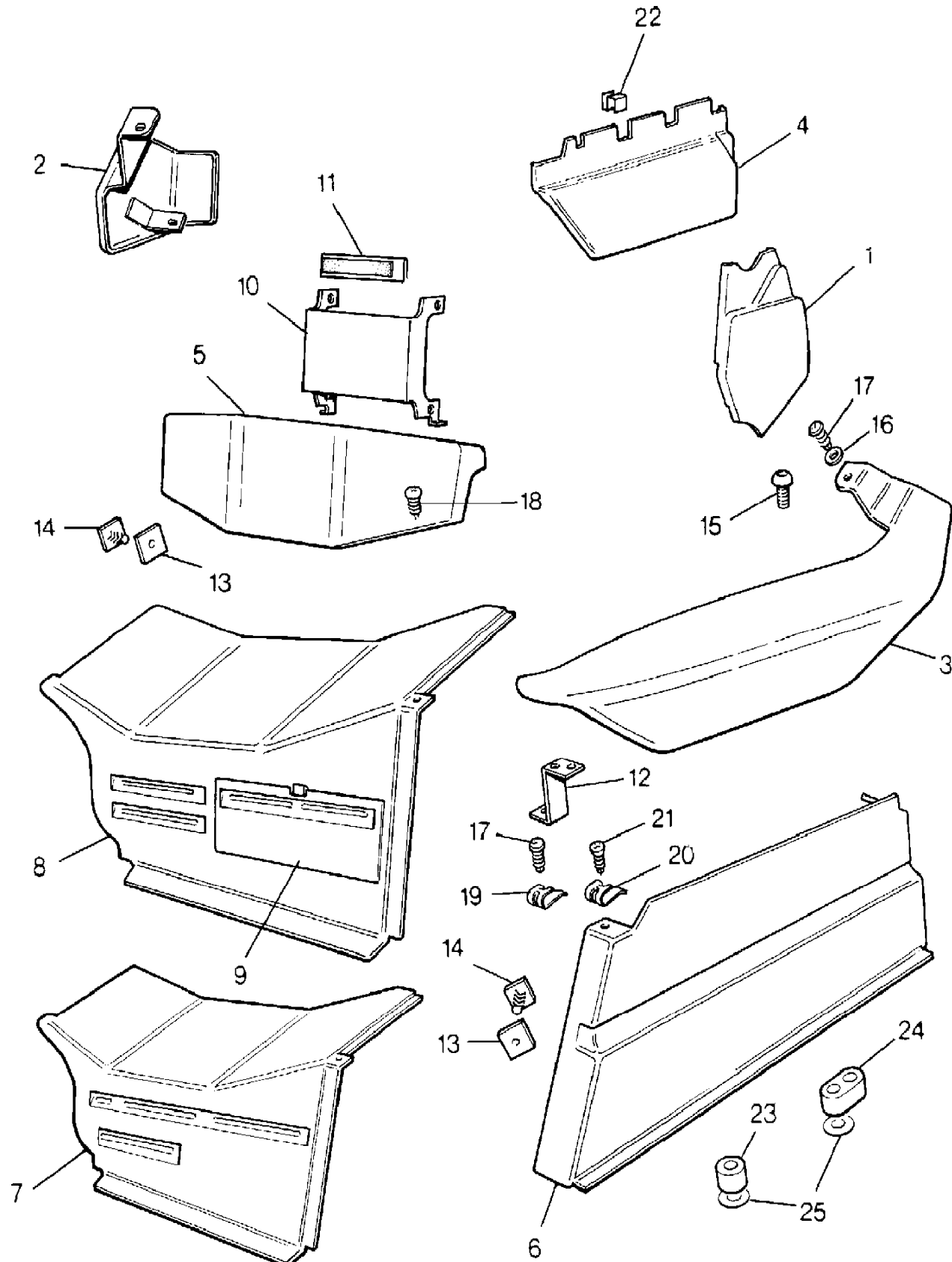
(TS6239F)

Range Rover (To HA610293)

Plinth & Finishers-From (V) HA469435 (2Dr) & (V) FA351847(4Dr)

Seats
Seating

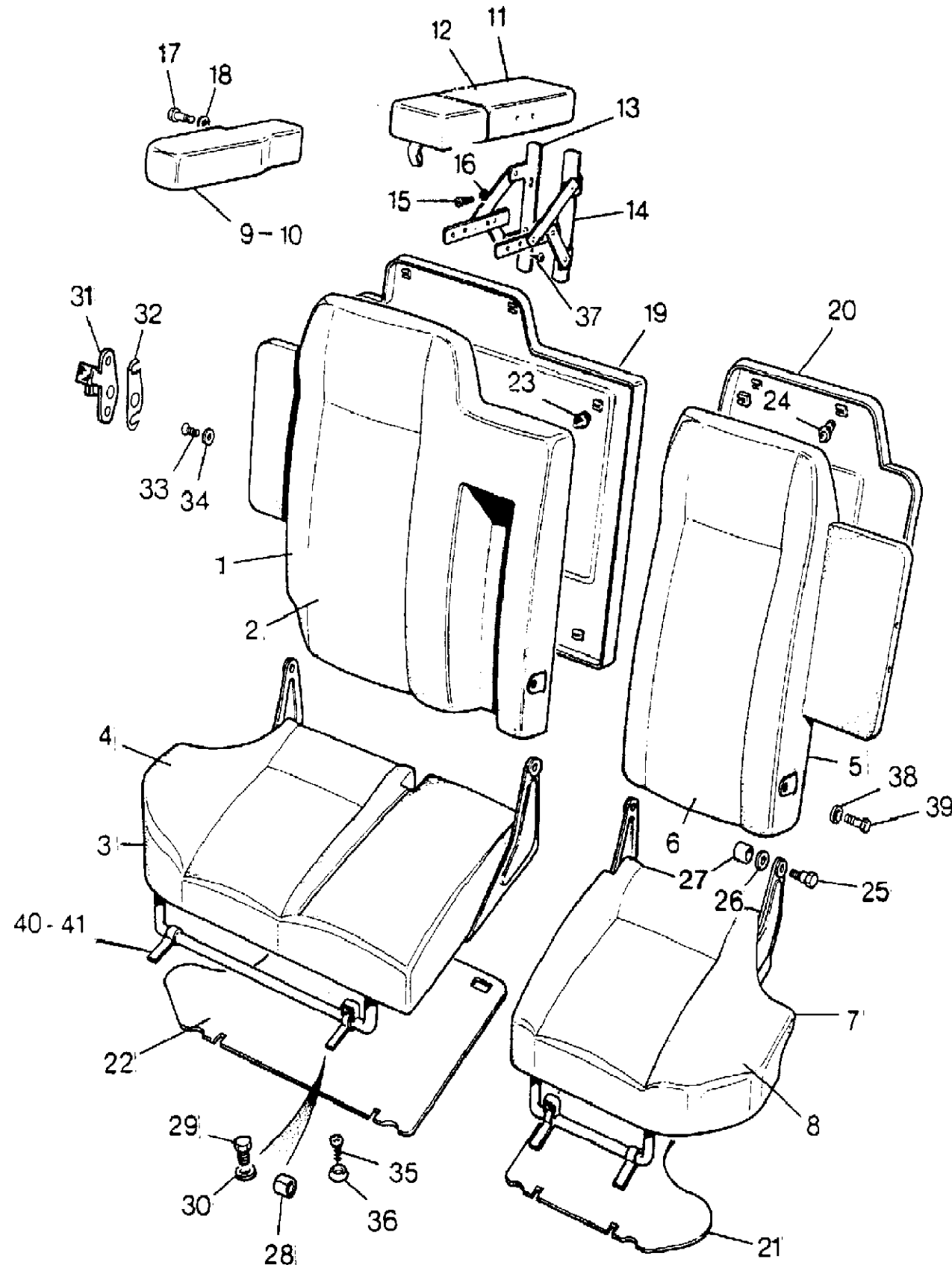
Callout	Name	Application	Remarks & Restrictions	Service No.	Qty
[900]	Finisher-recline mechanism	Change point - VIN begin HA469435, 2 Door Station Wagon Change point - VIN begin HA469435, 2 Door Station Wagon Change point - VIN begin HA469435, 2 Door Station Wagon	RH, Sorrel Brown Sorrel Brown, LH RH, Sorrel Brown, Inner	MXC5202SUA MXC5203SUA MXC5198SUA	1 1 1
[901]	Cover-front seat recline mechanism valance	Change point - VIN begin HA469435, 2 Door Station Wagon	Winchester Grey, Inner, LH	MXC5199LUL	1



Range Rover (To HA610293)

(TS6078B)

Range Rover (To HA610293)

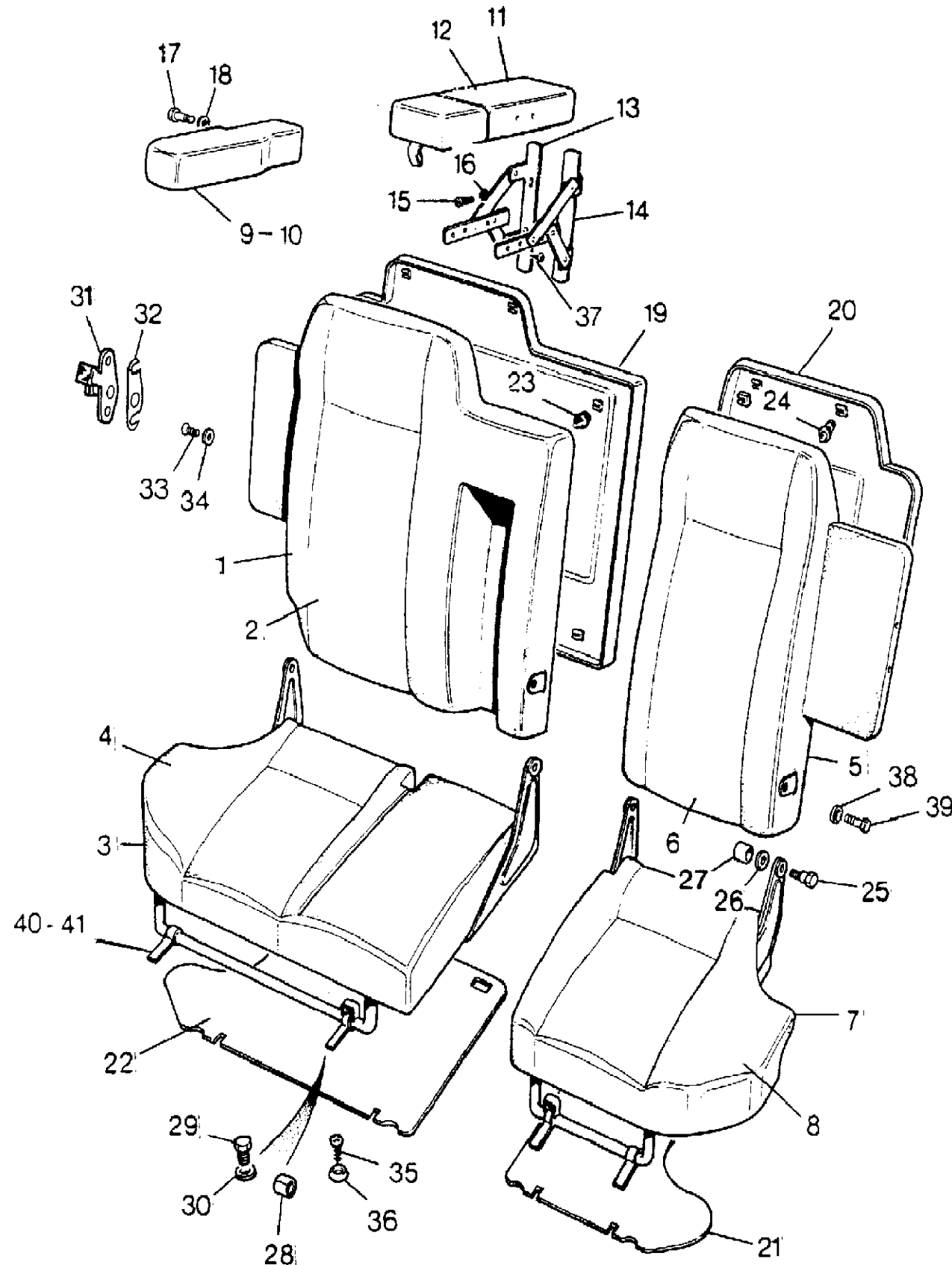


Callout	Name	Application	Remarks & Restrictions	Service No.	Qty		
1	Squab-large split rear seat	Change point - VIN begin FA351847, Change point - VIN end FA399972	Cloth, Velour, Brogue	MWC7020AUE	1		
		Change point - VIN begin FA351847, Change point - VIN end FA399972	Cloth, Winchester Grey, Velour	MWC7020LUL	1		
		Change point - VIN begin GA399973	Cloth, Velour, Brogue	MWC9698AUE	1		
		Change point - VIN begin GA399973	Cloth, Winchester Grey, Velour	MWC9698LUL	1		
		Change point - VIN end EA351846	Steel Grey, Leather	MWC5098LR	1		
		Change point - VIN begin FA351847, Change point - VIN end FA399972	Sorrel Brown, Leather	MXC1346SUA	1		
		Change point - VIN begin FA351847, Change point - VIN end FA399972	Winchester Grey, Leather	MXC1346LUL	1		
		Change point - VIN begin GA399973, Change point - VIN end GA414201	Sorrel Brown, Leather	MWC9802SUA	1		
		Change point - VIN begin GA399973, Change point - VIN end GA414201	Winchester Grey, Leather	MWC9802LUL	1		
		Change point - VIN begin GA414202	Sorrel Brown, Leather	MXC6985SUA	1		
		Change point - VIN begin GA414202	Also serviced as part of a kit, Winchester Grey, Leather	MXC6985LUL	1		
		Change point - VIN end EA351846	Cloth, Velour, Bracken	MWC4486BC	1		
		Change point - VIN end EA351846	Cloth, Velour, Silver Grey	MWC4486LP	1		
		2	Cover assembly-rear seat large split squab	Change point - VIN end EA351846	Cloth, Velour, Bracken	MWC1686BC	1
				Change point - VIN end EA351846	Cloth, Velour, Silver Grey	MWC1686LP	1
				Change point - VIN begin FA351847, Change point - VIN end FA399972	Cloth, Velour, Brogue	MWC7026AUE	1
				Change point - VIN begin FA351847, Change point - VIN end FA399972	Cloth, Winchester Grey, Velour	MWC7026LUL	1
Change point - VIN begin GA399973	Cloth, Velour, Brogue			MXC4829AUE	1		
Change point - VIN begin GA399973	Cloth, Winchester Grey, Velour			MXC4829LUL	1		
Change point - VIN end EA351846	Steel Grey, Leather			MWC5280LR	1		
Change point - VIN begin FA351847, Change point - VIN end FA399972	Sorrel Brown, Leather			MWC5280SUA	1		
Change point - VIN begin FA351847, Change point - VIN end FA399972	Winchester Grey, Leather			MWC5280LUL	1		
Change point - VIN begin GA399973	Sorrel Brown, Leather			MXC4810SUA	1		
Change point - VIN begin GA399973	Winchester Grey, Leather			MXC4810LUL	1		
	Sorrel Brown, perforated leather	BTR608SUA	1				

Range Rover (To HA610293)

(TS6078B)

Range Rover (To HA610293)

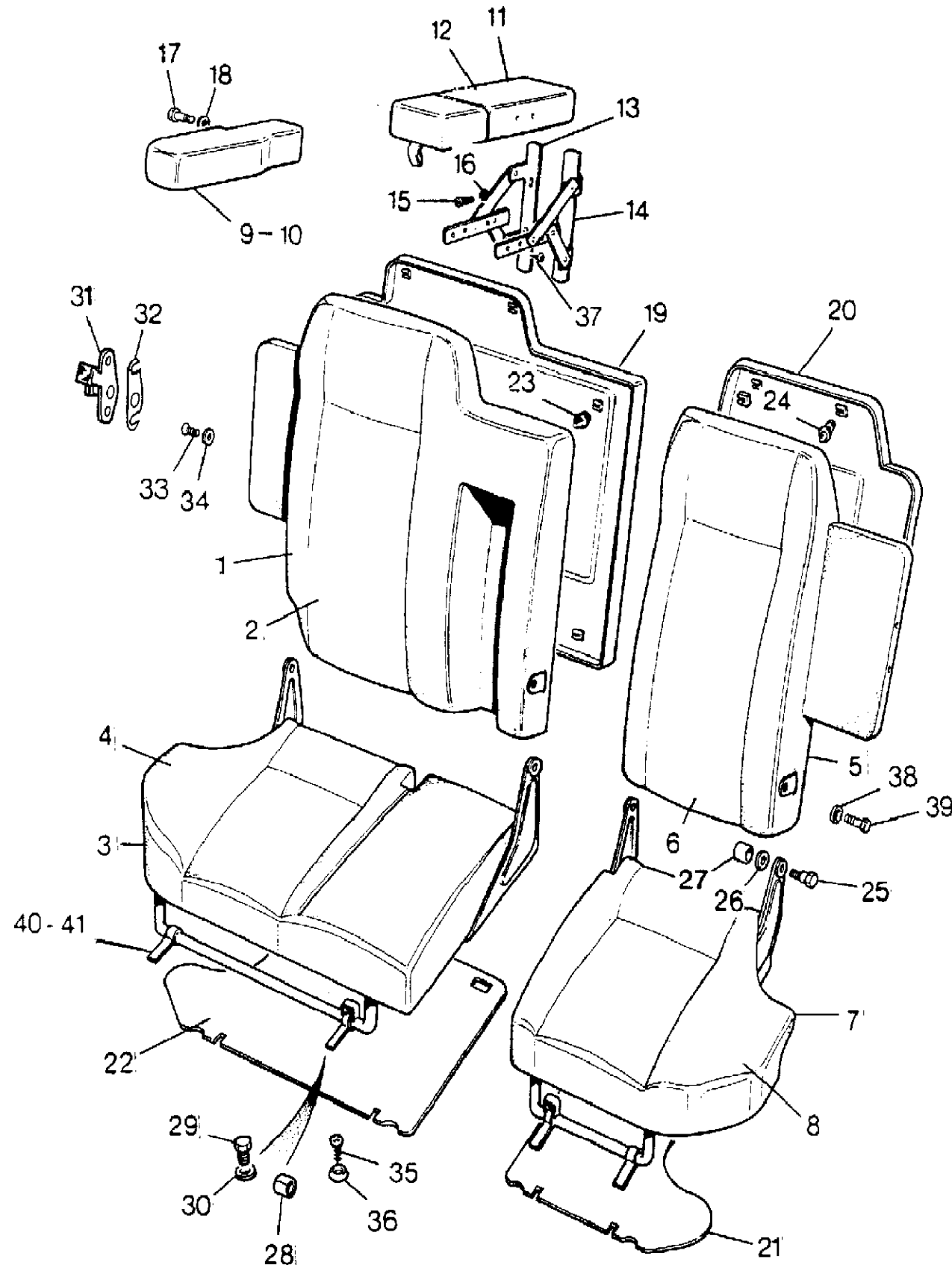


Callout	Name	Application	Remarks & Restrictions	Service No.	Qty		
2	Cover assembly-rear seat large split squab		Winchester Grey, perforated leather	BTR608LUL	1		
3	Cushion-large split rear seat	Change point - VIN begin FA351847, Change point - VIN end GA399972	Cloth, Velour, Brogue	MWC7022AUE	1		
		Change point - VIN begin FA351847, Change point - VIN end GA399972	Cloth, Winchester Grey, Velour	MWC7022LUL	1		
		Change point - VIN begin GA399973	Cloth, Velour, Brogue	MWC9804AUE	1		
		Change point - VIN begin GA399973	Cloth, Winchester Grey, Velour	MWC9804LUL	1		
		Change point - VIN end EA351846	Steel Grey, Leather	MWC5096LR	1		
		Change point - VIN begin FA351847, Change point - VIN end GA399972	Sorrel Brown, Leather	MWC5096SUA	1		
		Change point - VIN begin FA351847, Change point - VIN end GA399972	Winchester Grey, Leather	MWC5096LUL	1		
		Change point - VIN begin GA399973	Sorrel Brown, Leather	MWC9806SUA	1		
		Change point - VIN begin GA399973	Winchester Grey, Leather	MWC9806LUL	1		
		Change point - VIN end EA351846	Cloth, Velour, Bracken	MWC4488BC	1		
		Change point - VIN end EA351846	Cloth, Velour, Silver Grey	MWC4488LP	1		
		4	Cover assembly-rear seat large split cushion	Change point - VIN end EA351846	Cloth, Velour, Bracken	MWC1684BC	1
				Change point - VIN end EA351846	Cloth, Velour, Silver Grey	MWC1684LP	1
				Change point - VIN begin FA351847, Change point - VIN end FA399972	Cloth, Velour, Brogue	MWC7024AUE	1
				Change point - VIN begin FA351847, Change point - VIN end GA399972	Cloth, Winchester Grey, Velour	MWC7024LUL	1
				Change point - VIN begin GA399973	Cloth, Velour, Brogue	MXC4827AUE	1
Change point - VIN begin GA399973	Cloth, Winchester Grey, Velour			MXC4827LUL	1		
Change point - VIN end EA351846	Steel Grey, Leather			MWC5278LR	1		
Change point - VIN begin FA351847, Change point - VIN end GA399972	Sorrel Brown, Leather			MWC5278SUA	1		
Change point - VIN begin FA351847, Change point - VIN end FA399972	Winchester Grey, Leather			MWC5278LUL	1		
Change point - VIN begin GA399973	Sorrel Brown, Leather			MXC4807SUA	1		
Change point - VIN begin GA399973	Winchester Grey, Leather	MXC4807LUL	1				
			Sorrel Brown, perforated leather	BTR606SUA	1		
			Winchester Grey, perforated leather	BTR606LUL	1		

Range Rover (To HA610293)

(TS6078B)

Range Rover (To HA610293)

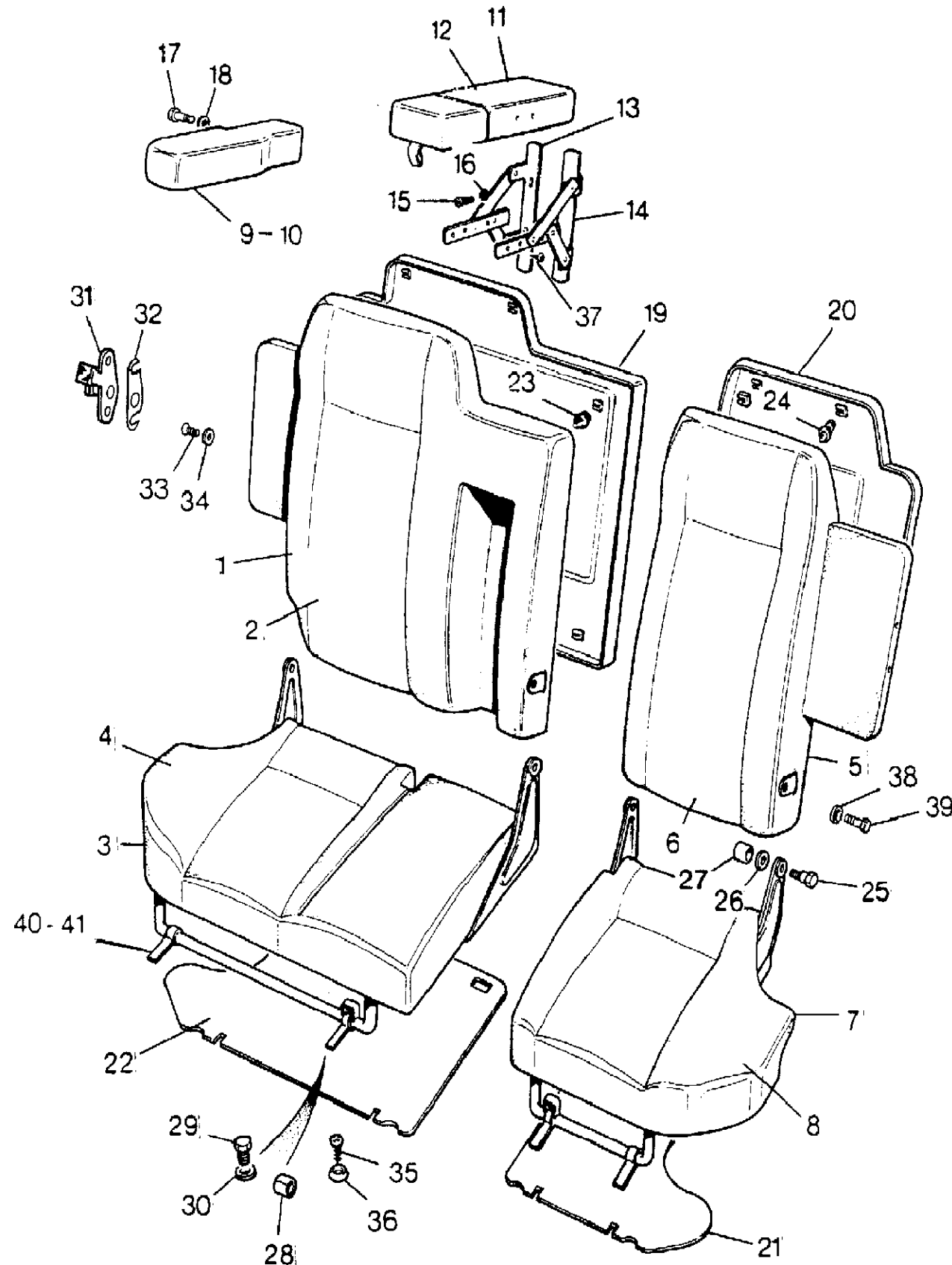


Callout	Name	Application	Remarks & Restrictions	Service No.	Qty		
5	Squab-small split rear seat	Change point - VIN begin GA399973	Cloth, Velour, Brogue	MWC9699AUE	1		
		Change point - VIN begin GA399973	Cloth, Winchester Grey, Velour	MWC9699LUL	1		
		Change point - VIN end EA351846	Steel Grey, Leather	MWC5099LR	1		
		Change point - VIN begin FA351847, Change point - VIN end GA399972	Winchester Grey, Leather	MXC1347LUL	1		
		Change point - VIN begin FA351847, Change point - VIN end GA399972	Sorrel Brown, Leather	MXC1347SUA	1		
		Change point - VIN begin GA399973, Change point - VIN end GA414201	Also serviced as part of a kit, Winchester Grey, Leather	MWC9803LUL	1		
		Change point - VIN begin GA399973, Change point - VIN end GA414201	Sorrel Brown, Leather	MWC9803SUA	1		
		Change point - VIN begin GA414202	Sorrel Brown, Leather	MXC6986SUA	1		
		Change point - VIN begin GA414202	Winchester Grey, Leather	MXC6986LUL	1		
		Change point - VIN end EA351846	Cloth, Velour, Bracken	MWC4487BC	1		
		Change point - VIN end EA351846	Cloth, Velour, Silver Grey	MWC4487LP	1		
		Change point - VIN begin FA351847, Change point - VIN end GA399972	Cloth, Velour, Brogue	MWC7021AUE	1		
		Change point - VIN begin FA351847, Change point - VIN end GA399972	Cloth, Winchester Grey, Velour	MWC7021LUL	1		
		6	Cover assembly-rear seat small split squab	Change point - VIN end EA351846	Cloth, Velour, Bracken	MWC1687BC	1
				Change point - VIN end FA361896	Cloth, Velour, Silver Grey	MWC1687LP	1
				Change point - VIN begin FA351847, Change point - VIN end FA399972	Cloth, Velour, Brogue	MWC7027AUE	1
				Change point - VIN begin FA351847, Change point - VIN end GA399972	Cloth, Winchester Grey, Velour	MWC7027LUL	1
Change point - VIN begin GA399973	Cloth, Velour, Brogue			MXC4833AUE	1		
Change point - VIN begin GA399973	Cloth, Winchester Grey, Velour			MXC4833LUL	1		
Change point - VIN end EA351846	Steel Grey, Leather			MWC5281LR	1		
Change point - VIN begin FA351847, Change point - VIN end GA399972	Sorrel Brown, Leather			MWC5281SUA	1		
Change point - VIN begin FA351847, Change point - VIN end GA399972	Winchester Grey, Leather			MWC5281LUL	1		
Change point - VIN begin GA399973	Sorrel Brown, Leather			MXC4816SUA	1		
Change point - VIN begin GA399973	Winchester Grey, Leather			MXC4816LUL	1		
	Sorrel Brown, perforated leather			BTR607SUA	1		

Range Rover (To HA610293)

(TS6078B)

Range Rover (To HA610293)

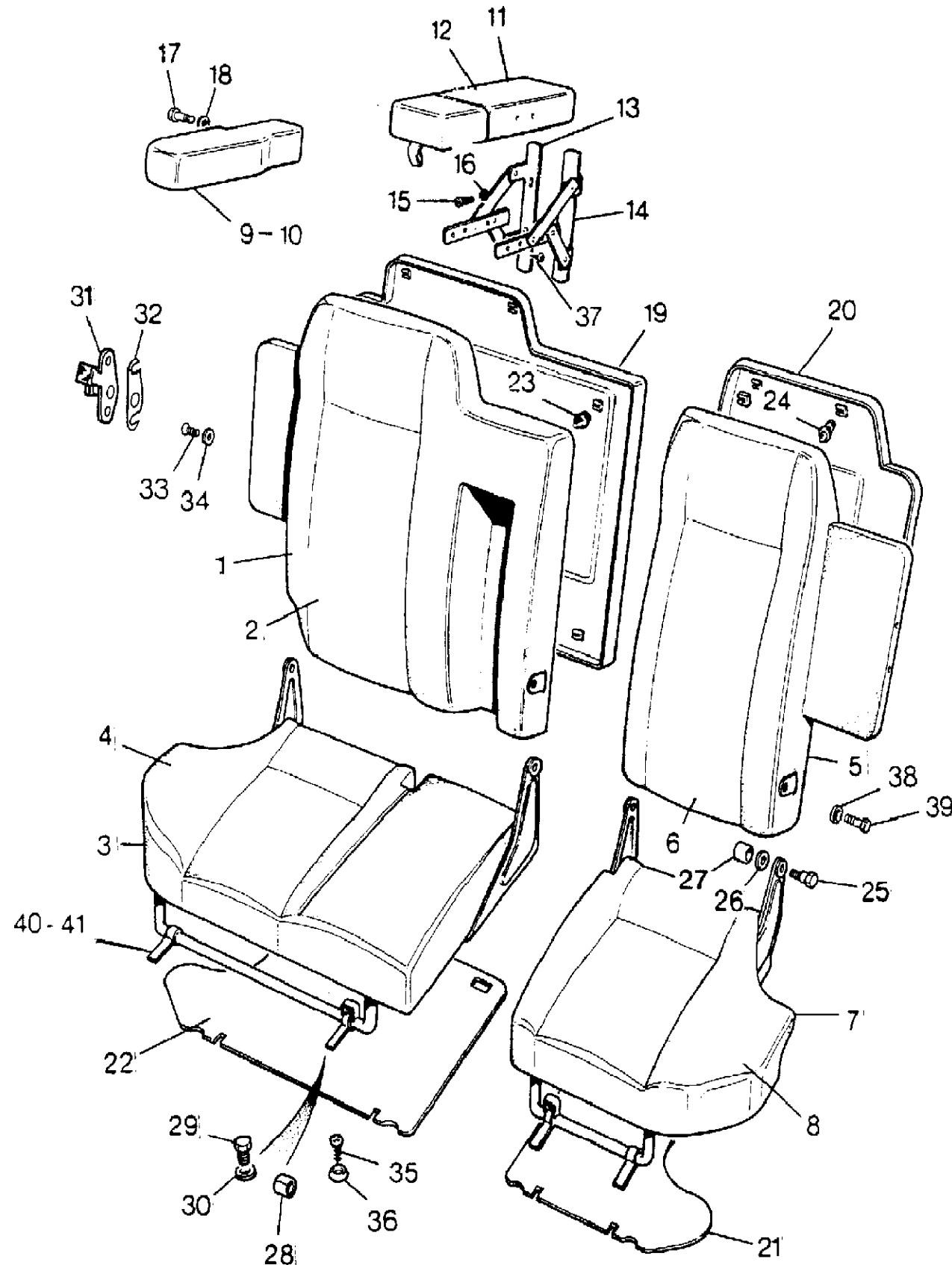


Callout	Name	Application	Remarks & Restrictions	Service No.	Qty		
6	Cover assembly-rear seat small split squab		Winchester Grey, perforated leather	BTR607LUL	1		
7	Cushion-small split rear seat	Change point - VIN end EA351846	Cloth, Velour, Bracken	MWC4489BC	1		
		Change point - VIN end EA351846	Cloth, Velour, Silver Grey	MWC4489LP	1		
		Change point - VIN begin FA351847, Change point - VIN end GA399972	Cloth, Velour, Brogue	MWC7023AUE	1		
		Change point - VIN begin FA351847, Change point - VIN end GA399972	Cloth, Winchester Grey, Velour	MWC7023LUL	1		
		Change point - VIN begin GA399973	Cloth, Velour, Brogue	MWC9805AUE	1		
		Change point - VIN begin GA399973	Cloth, Winchester Grey, Velour	MWC9805LUL	1		
		Change point - VIN end EA351846	Cloth, Steel Grey, Leather	MWC5097LR	1		
		Change point - VIN begin FA351847, Change point - VIN end FA399972	Sorrel Brown, Leather	MWC5097SUA	1		
		Change point - VIN begin FA351847, Change point - VIN end FA399972	Winchester Grey, Leather	MWC5097LUL	1		
		Change point - VIN begin GA399973	Sorrel Brown, Leather	MWC9807SUA	1		
		Change point - VIN begin GA399973	Also serviced as part of a kit, Winchester Grey, Leather	MWC9807LUL	1		
		8	Cover assembly-rear seat small split cushion	Change point - VIN end EA351846	Cloth, Velour, Bracken	MWC1685BC	1
				Change point - VIN end EA351846	Cloth, Velour, Silver Grey	MWC1685LP	1
				Change point - VIN begin FA351847, Change point - VIN end GA399972	Cloth, Velour, Brogue	MWC7025AUE	1
Change point - VIN begin FA351847, Change point - VIN end GA399972	Cloth, Winchester Grey, Velour			MWC7025LUL	1		
Change point - VIN begin GA399973	Cloth, Velour, Brogue			MXC4831AUE	1		
Change point - VIN begin GA399973	Cloth, Winchester Grey, Velour			MXC4831LUL	1		
Change point - VIN end EA351846	Steel Grey, Leather			MWC5279LR	1		
Change point - VIN begin FA351847, Change point - VIN end GA399972	Sorrel Brown, Leather			MWC5279SUA	1		
Change point - VIN begin FA351847, Change point - VIN end GA399972	Winchester Grey, Leather			MWC5279LUL	1		
Change point - VIN begin GA399973	Sorrel Brown, Leather			MXC4813SUA	1		
Change point - VIN begin GA399973	Winchester Grey, Leather			MXC4813LUL	1		
	Sorrel Brown, Leather			BTR605SUA	1		
	Winchester Grey, Leather			BTR605LUL	1		
9	Armrest-split rear seat			Change point - VIN end EA351846	Cloth, RH, Velour, Bracken	MWC4484BC	1

Range Rover (To HA610293)

(TS6078B)

Range Rover (To HA610293)

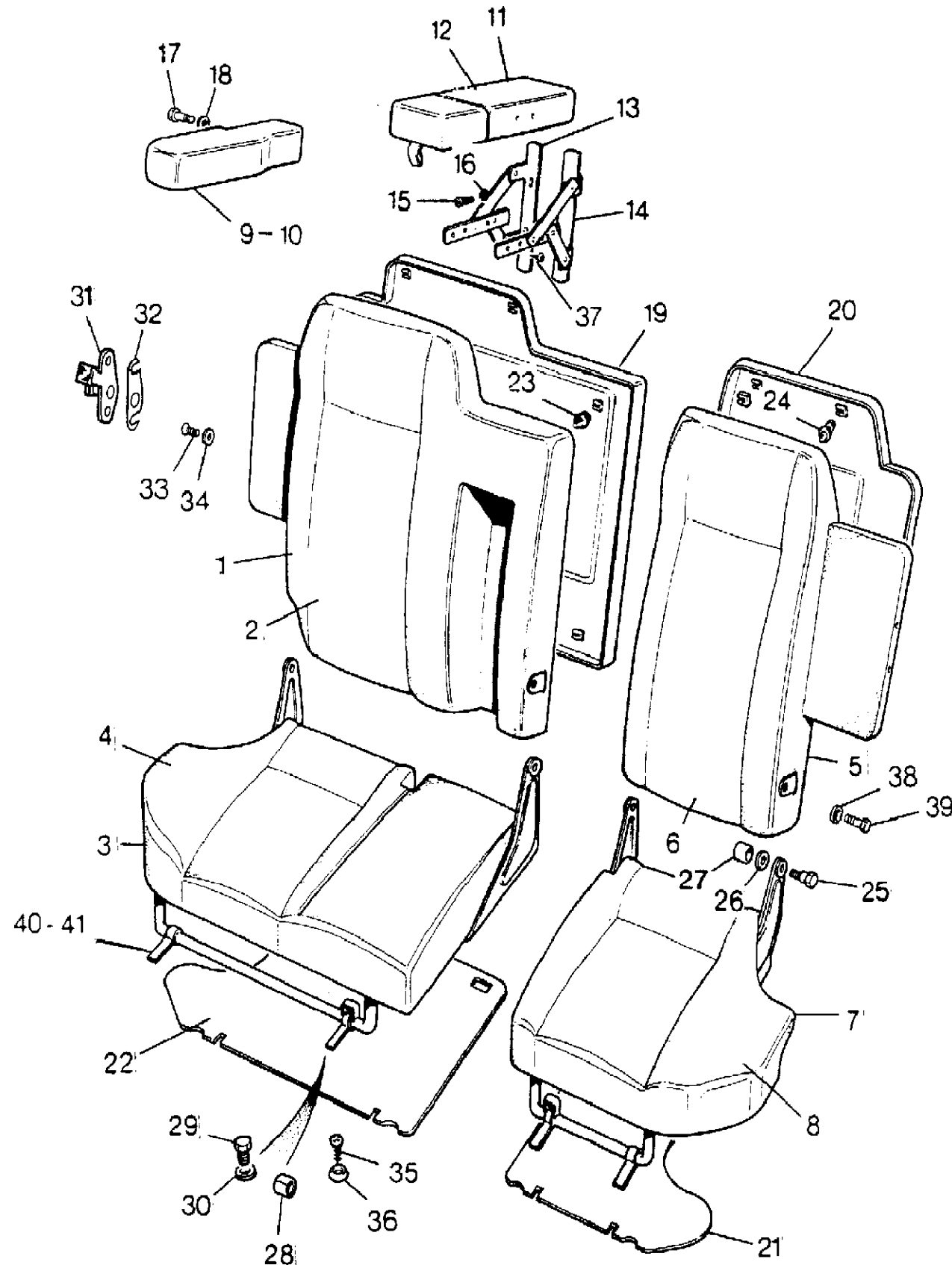


Callout	Name	Application	Remarks & Restrictions	Service No.	Qty		
9	Armrest-split rear seat	Change point - VIN end EA351846	Cloth, RH, Velour, Silver Grey	MWC4484LP	1		
		Change point - VIN end EA351846	Cloth, Velour, Bracken, LH	MWC4485BC	1		
		Change point - VIN end EA351846	Cloth, Velour, Silver Grey, LH	MWC4485LP	1		
		Change point - VIN begin FA351033	Cloth, RH, Velour, Brogue	MWC8486AUE	1		
		Change point - VIN end GA414202	Cloth, Winchester Grey, Velour, 2/3	MWC8486LUL	1		
		Change point - VIN begin FA351847, Change point - VIN end GA414202	Cloth, Velour, 1/3, Brogue	MWC8487AUE	1		
		Change point - VIN begin FA351847, Change point - VIN end GA414202	Cloth, Winchester Grey, Velour, 1/3	MWC8487LUL	1		
		Change point - VIN begin GA414203	Velour, 2/3, Brogue	MXC6988AUE	1		
		Change point - VIN begin GA414203	Winchester Grey, Velour, 2/3	MXC6988LUL	1		
		Change point - VIN begin GA414203	Velour, 1/3, Brogue	MXC6987AUE	1		
		Change point - VIN begin GA414203	Winchester Grey, Velour, 1/3	MXC6987LUL	1		
		Change point - VIN end EA351846	2/3, Steel Grey, Leather	MWC5254LR	1		
		Change point - VIN end EA351846	1/3, Steel Grey, Leather	MWC5255LR	1		
		Change point - VIN begin FA351847, Change point - VIN end GA414181	RH, Sorrel Brown, 2/3, Leather	MWC5254SUA	1		
		Change point - VIN begin FA351847, Change point - VIN end GA414181	Winchester Grey, 2/3, Leather	MWC5254LUL	1		
		Change point - VIN begin GA414182	Sorrel Brown, 2/3, Leather	MXC6996SUA	1		
		Change point - VIN begin GA414182	Winchester Grey, 2/3, Leather	MXC6996LUL	1		
		Change point - VIN begin FA361897	Sorrel Brown, 1/3, Leather	MXC6997SUA	1		
		Change point - VIN begin FA351847	Winchester Grey, 1/3, Leather	MXC6997LUL	1		
		10	Cover assembly-rear seat armrest	Change point - VIN end EA351846	Cloth, Velour, 2/3, Bracken	MWC2298BC	1
				Change point - VIN end EA351846	Cloth, Velour, 2/3, Silver Grey	MWC2298LP	1
				Change point - VIN end EA351846	Cloth, Velour, 1/3, Bracken	MWC2299BC	1
				Change point - VIN end EA351846	Cloth, Velour, 1/3, Silver Grey	MWC2299LP	1
Change point - VIN end GA414202	Cloth, Winchester Grey, Velour, 1/3			MWC7029LUL	1		
Change point - VIN end GA414202	Cloth, Winchester Grey, Velour, 2/3			MWC7028LUL	1		
Change point - VIN begin FA351847, Change point - VIN end GA414202	Velour, 2/3, Brogue			MXC7002AUE	1		
Change point - VIN begin FA351847, Change point - VIN end GA414202	Cloth, Winchester Grey, Velour, 2/3			MXC7002LUL	1		

Range Rover (To HA610293)

(TS6078B)

Range Rover (To HA610293)

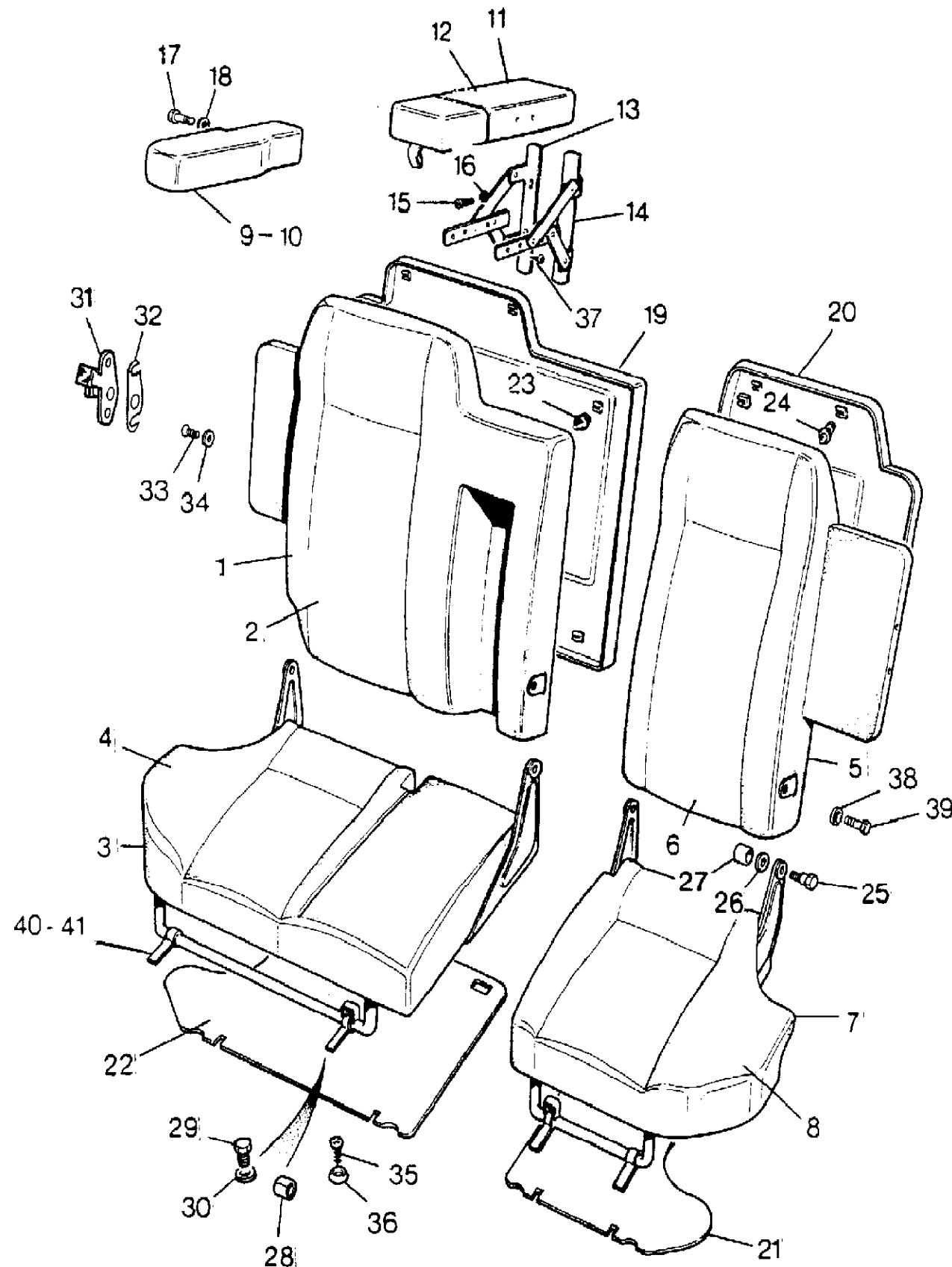


Callout	Name	Application	Remarks & Restrictions	Service No.	Qty
10	Cover assembly-rear seat armrest	Change point - VIN begin GA414203	Cloth, Velour, 1/3, Brogue	MXC7001AUE	1
		Change point - VIN begin GA414203	Cloth, Winchester Grey, Velour, 1/3	MXC7001LUL	1
		Change point - VIN end EA351846	2/3, Steel Grey, Leather	MWC5256LR	1
		Change point - VIN end EA351846	1/3, Steel Grey, Leather	MWC5257LR	1
		Change point - VIN end EA351846	Winchester Grey, 1/3, Leather	MWC5257LUL	1
		Change point - VIN begin GA414182	Sorrel Brown, 2/3, Leather	MXC7000SUA	1
		Change point - VIN begin GA414182	Winchester Grey, 2/3, Leather	MXC7000LUL	1
		Change point - VIN begin GA414182	Sorrel Brown, 1/3, Leather	MXC6999SUA	1
		Change point - VIN begin GA414182	Winchester Grey, 1/3, Leather	MXC6999LUL	1
		11	Armrest assembly-rear-seats-centre	Change point - VIN end EA351846	Brown, Cloth, Velour
Change point - VIN end EA351846	Grey, Cloth, Velour			RTC5875	1
Change point - VIN begin FA351847, Change point - VIN end GA399972	Cloth, Velour, Brogue			MWC8485AUE	1
Change point - VIN begin FA351847, Change point - VIN end GA399972	Cloth, Winchester Grey, Velour			MWC8485LUL	1
Change point - VIN begin GA399973	Cloth, Velour, Brogue			RTC6614	1
Change point - VIN begin GA399973	Grey, Cloth, Velour			RTC6615	1
Change point - VIN end EA351846	Grey, Leather			RTC5873	1
Change point - VIN begin FA351847, Change point - VIN end GA399972	Sorrel Brown, Leather			RTC5873SUA	1
Change point - VIN begin FA351847, Change point - VIN end GA399972	Winchester Grey, Leather			RTC5873LUL	1
Change point - VIN begin GA399973	Brown, Leather			RTC6617	1
Change point - VIN begin GA399973	Also serviced as part of a kit, Grey, Leather	RTC6616	1		
12	Cover armrest-rear-seat-centre	Change point - VIN end EA351846	Cloth, Velour, Bracken	MWC4467BC	1
		Change point - VIN end EA351846	Cloth, Velour, Silver Grey	MWC4467LP	1
		Change point - VIN begin FA351847, Change point - VIN end GA399972	Cloth, Velour, Brogue	MWC7030AUE	1
		Change point - VIN begin FA351847, Change point - VIN end FA399972	Cloth, Winchester Grey, Velour	MWC7030LUL	1
		Change point - VIN begin GA399973	Cloth, Velour, Brogue	MXC5991AUE	1
		Change point - VIN begin GA399973	Cloth, Winchester Grey, Velour	MXC5991LUL	1

Range Rover (To HA610293)

(TS6078B)

Range Rover (To HA610293)

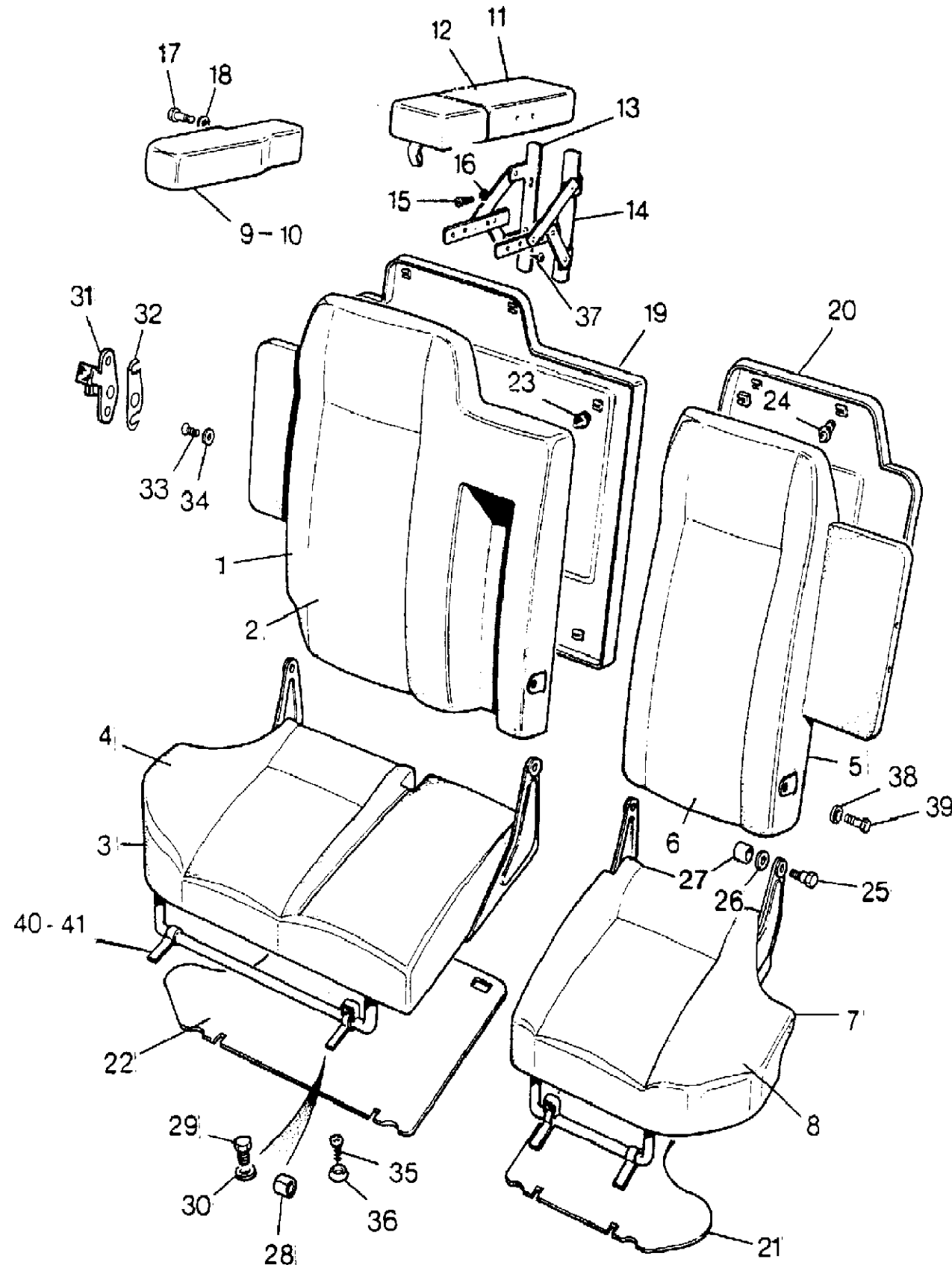


Callout	Name	Application	Remarks & Restrictions	Service No.	Qty
12	Cover armrest-rear-seat-centre	Change point - VIN end EA351846	Steel Grey, Leather	MWC5258LR	1
		Change point - VIN begin FA351847, Change point - VIN end GA399972	Sorrel Brown, Leather	MWC5258SUA	1
		Change point - VIN begin FA351847, Change point - VIN end GA399972	Winchester Grey, Leather	MWC5258LUL	1
		Change point - VIN begin GA399973	Sorrel Brown, Leather	MXC5992SUA	1
		Change point - VIN begin GA399973	Winchester Grey, Leather	MXC5992LUL	1
13	Hinge-rear seat armrest		RH	MWC2720	1
14	Hinge-rear seat armrest		LH	MWC2721	1
15	Screw		M6 X 16	SE106161L	4
16	Washer		6MM	WA106041L	4
17	Bolt		hexagonal head, M8 x 90	BH108181L	2
18	Washer		M8, starlock	WF108001L	2
19	Panel-rear seat back	Change point - VIN end EA351846	2/3, Palomino	MWC4437AE	1
		Change point - VIN end EA351846	Grey, 2/3	MWC4437LS	1
		Change point - VIN begin FA351033	Sorrel Brown, 2/3	MWC4437SUA	1
		Change point - VIN begin FA351033	Winchester Grey, 2/3	MWC4437LUL	1
20	Panel-rear seat back	Change point - VIN end EA351846	1/3, Palomino	MWC4436AE	1
		Change point - VIN begin FA351847	Sorrel Brown, 1/3	MWC4436SUA	1
		Change point - VIN begin FA351847	Winchester Grey, 1/3	MWC4436LUL	1
21	Panel-rear seat base	Change point - VIN end EA351846	1/3, Flipjack	MWC5063AA	1
		Change point - VIN end EA351846	Grey, 1/3	MWC5063LS	1
		Change point - VIN begin FA351847, Change point - VIN end HA469556	Sorrel Brown, 1/3	MWC5063SUA	1
		Change point - VIN begin FA351847, Change point - VIN end HA469556	Winchester Grey, 1/3	MWC5063LUL	1
		Change point - VIN begin HA469557	Bokhara, 1/3	MXC7811RUN	1
22	Panel-rear seat base	Change point - VIN end EA351846	2/3, Flipjack	MWC5064AA	1
		Change point - VIN end EA351846	Grey, 2/3	MWC5064LS	1

Range Rover (To HA610293)

(TS6078B)

Range Rover (To HA610293)

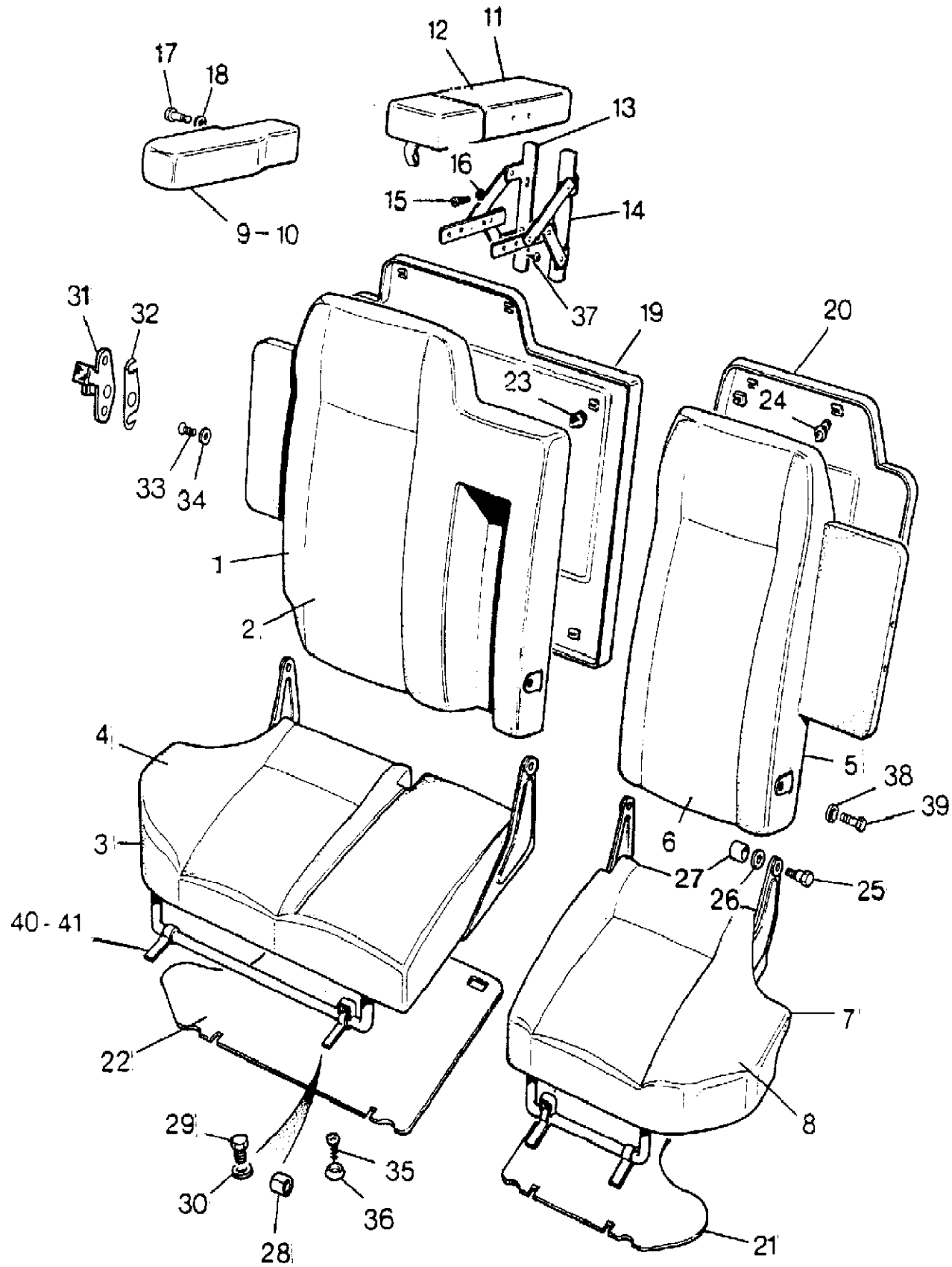


Callout	Name	Application	Remarks & Restrictions	Service No.	Qty
22	Panel-rear seat base	Change point - VIN begin FA351847, Change point - VIN end HA469556	Sorrel Brown, 2/3	MWC5064SUA	1
		Change point - VIN begin FA351847, Change point - VIN end HA469556	Winchester Grey, 2/3	MWC5064LUL	1
		Change point - VIN begin HA469557	Bokhara, 2/3	MWC7812RUN	1
23	Clip	Change point - VIN end EA351846		MWC1755	X
24	Clip			MWC2696	6
25	Screw		M6, cap head	SB106121	2
26	Washer			WD106041L	2
27	Spacer			MWC5053	2
28	Bush			MWC4816	4
29	Screw		M6 X 16, hexagonal head	SH106161L	4
31	Striker-rear seat squab	Change point - VIN end EA351846	RH	MWC2662	1
		Change point - VIN end EA351846	LH	MWC2663	1
		Change point - VIN begin FA351847	RH	MXC3076	1
		Change point - VIN begin FA351847	LH	MXC3077	1
32	Shim			MXC3187	1
33	Screw			SJ106200	4
34	Washer		M6, sprung	WL106001L	4
35	Screw			MTC9428	X
36	Washer-cup			MTC9429	X
37	Screw-self tapping		counter sunk, No8 x 5/8	AC608052L	4
38	Washer		M8, starlock	WF108001L	1
40	Bracket-rear seat pivot		Upper	MWC6060	4
41	Bracket-rear seat pivot		Lower, Primer	MWC6061	4
[900]	Wire-trim retention		Short	MWC1570	1
			Long	MWC1569	1
			Short	MWC1573	1
			Long	MWC1568	1

Range Rover (To HA610293)

(TS6078B)

Range Rover (To HA610293)

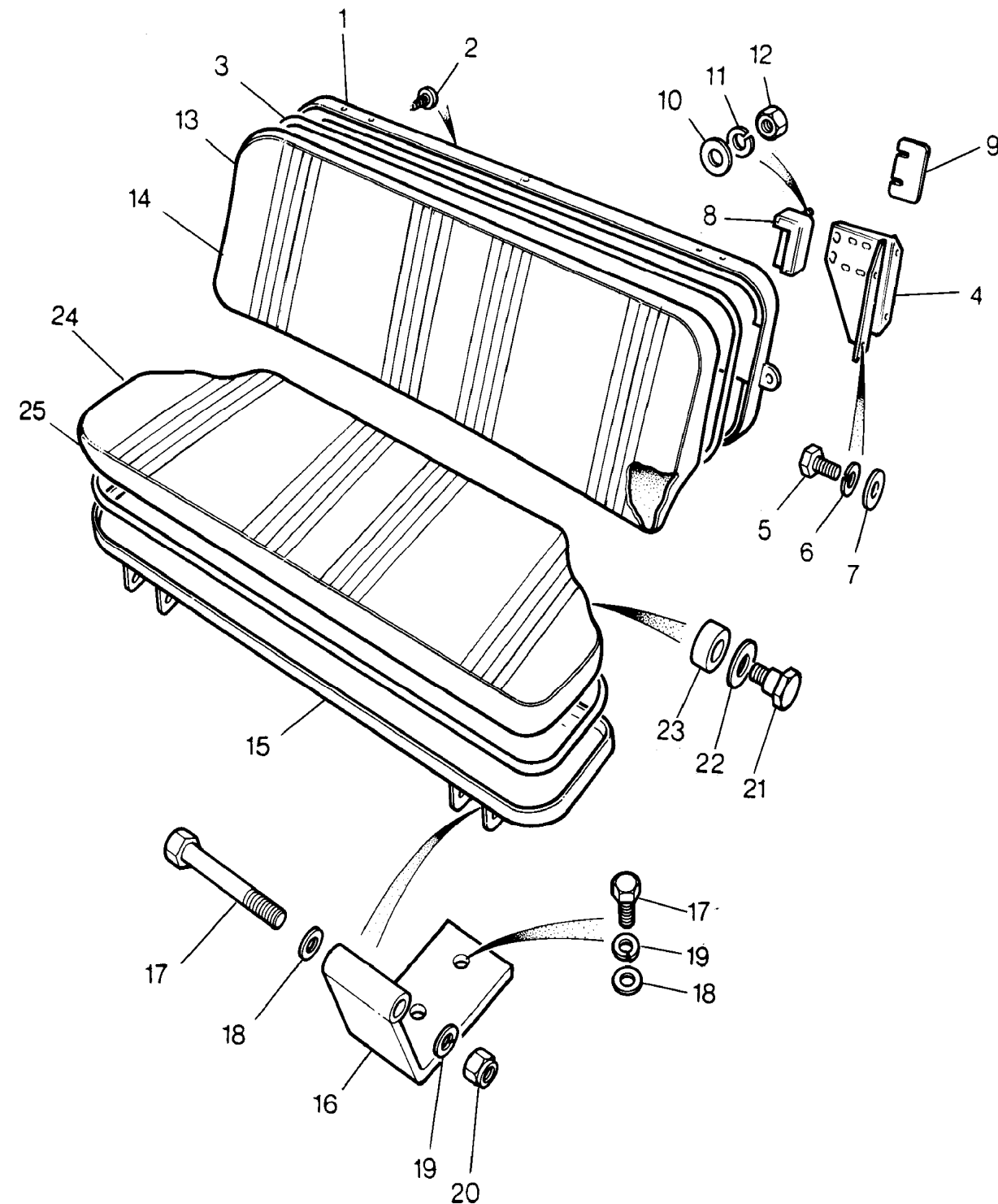


Callout	Name	Application	Remarks & Restrictions	Service No.	Qty
[901]	Clip-Retaining			331071	X
[902]	Striker-rear seat squab		RH	MXC1166	1
			RH	BTR4892	1

Seats
Seating
Rear Assembly-Bench Type 1/2

Range Rover (To HA610293)

(TS5638A)



TS 5638/A

Range Rover (To HA610293)

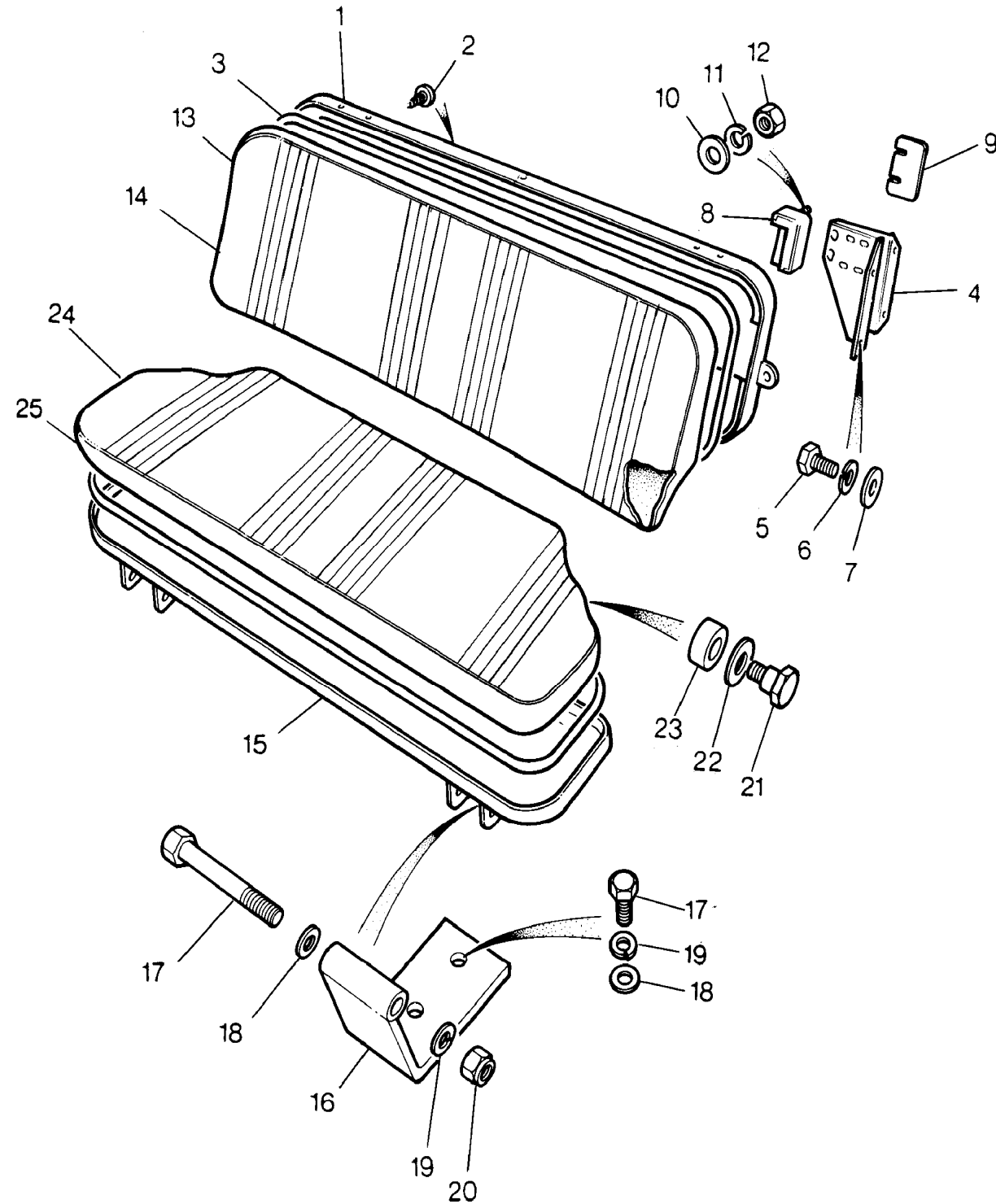
Seats
Seating
Rear Assembly-Bench Type

Callout	Name	Application	Remarks & Restrictions	Service No.	Qty
1	Frame assembly-rear seat bench cushion		Bokhara	MTC9333RUN	1
2	Screw-self tapping AB		M8 x 12	AB610041L	16
3	Beading		Palomino Bokhara	391133AE 391133RUN	1 1
4	Bracket-rear seat retention		RH LH	MRC3661 MRC3662	1 1
5	Screw		1/4UNF x 5/8	255206	8
6	Washer-Spring		1/4 dia, Square	WM600041L	8
7	Washer			RTC618	8
8	Buffer-stop		RH LH	MRC1785 MRC1786	1 1
9	Shim			MRC2371	2
10	Washer-Plain			4034L	4
11	Washer-Spring		3/16 dia, Square	WM702001L	4
12	Nut - Hex.		UNF	HN2005L	4
13	Squab assembly-rear	Change point - VIN end EA351846 Change point - VIN begin FA351847, Change point - VIN end FA399972 Change point - VIN begin GA399973	Brown Brogue Also serviced as part of a kit, Brogue	MUC3060 MWC7032AUE MXC6822AUE	1 1 1
14	Cover-squab-rear seat	Change point - VIN end EA351846 Change point - VIN begin FA351847, Change point - VIN end FA399972 Change point - VIN begin GA399973	Brown Brogue Brogue	MUC2974 MWC7034AUE MXC4838AUE	1 1 1
15	Frame assembly-rear seat bench cushion	Change point - VIN end EA351846 Change point - VIN begin FA351847	Palomino Bokhara	MTC9333AE MTC9333RUN	1 1
16	Pivot bracket		Palomino Bokhara	MTC9334AE MTC9334RUN	2 2
17	Screw		hexagonal head, 5/16UNF x 7/8	SH605071L	1
18	Washer		8MM	WA108051L	4

Seats
Seating
Rear Assembly-Bench Type 2/2

Range Rover (To HA610293)

(TS5638A)



TS 5638/A

Range Rover (To HA610293)

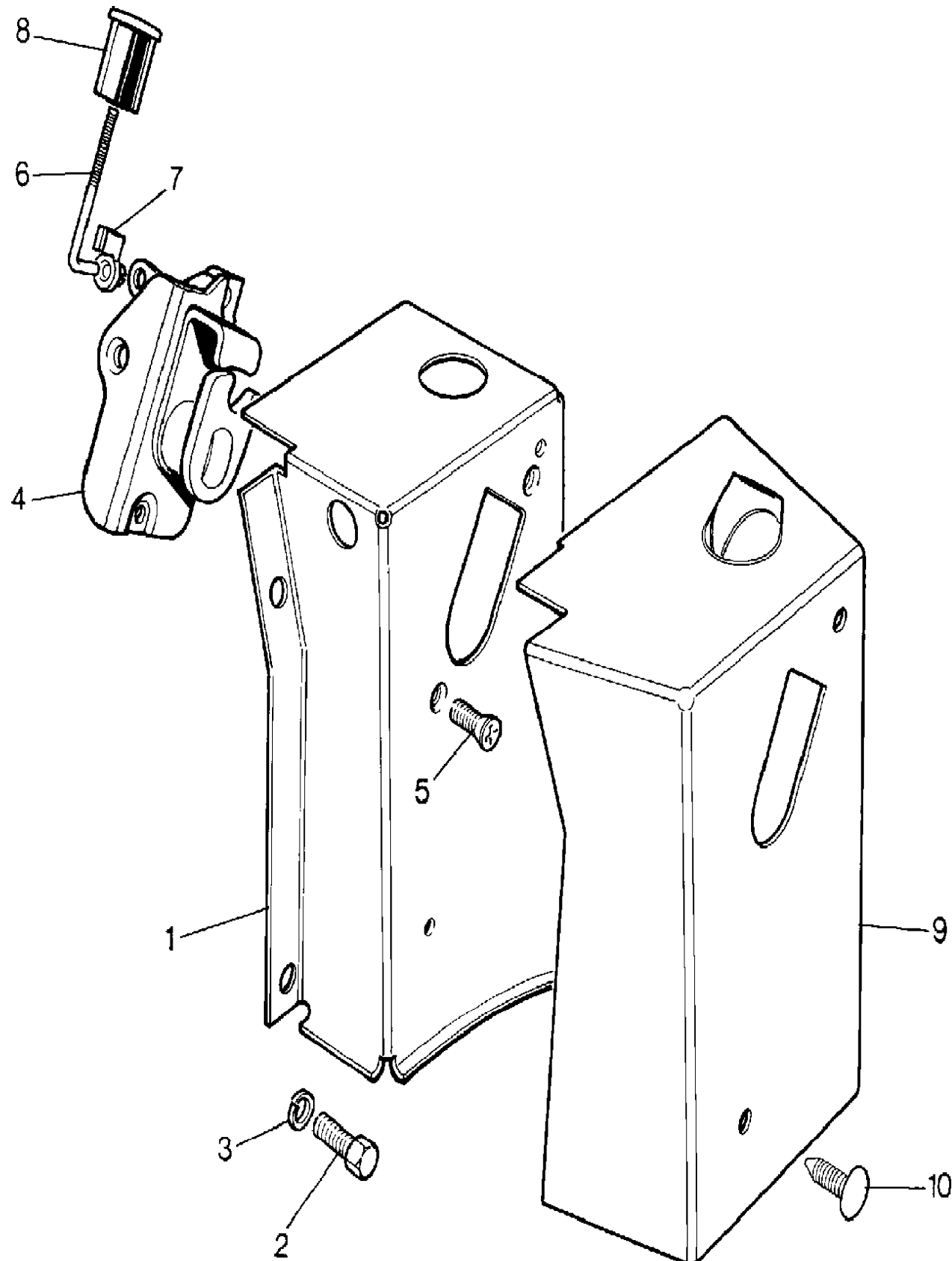
Seats
Seating
Rear Assembly-Bench Type

Callout	Name	Application	Remarks & Restrictions	Service No.	Qty
19	Washer		M8, sprung	WL108001L	4
20	Nut - Hex.		M8, nyloc	NY108041L	4
21	Bolt-shouldered			390413	2
22	Washer			4889	2
23	Spacer			390414	2
24	Cushion-rear seat folding bench	Change point - VIN end EA351846	Brown	MUC2967	1
		Change point - VIN end EA351846	Bronze..	MUC2976BB	1
		Change point - VIN begin FA351847, Change point - VIN end FA399972	Brogue	MWC7033AUE	1
		Change point - VIN begin GA399973	Also serviced as part of a kit, Brogue	MXC6823AUE	1
25	Cover assembly-rear seat fixed bench cushion	Change point - VIN end EA351846	Brown	MUC2527	1
		Change point - VIN end EA351846	Bronze..	MUC2527BB	1
		Change point - VIN begin FA351847	Brogue	MWC7035AUE	1
[900]	Washer		8MM, sprung	WL108007	4

Seats
Seating
Rear Assembly-Release Mechanism 1/1

Range Rover (To HA610293)

(TS6537)



Range Rover (To HA610293)

Seats
Seating
Rear Assembly-Release Mechanism
4 Door Station Wagon

Callout	Name	Application	Remarks & Restrictions	Service No.	Qty
1	Side support-squab release	Change point - VIN begin FA351847, (-) CSK	RH	MWC8292	1
		Change point - VIN begin FA351847, (-) CSK	LH	MWC8293	1
		Change point - VIN begin FA351847, CSK	RH	BTR1038	1
		Change point - VIN begin FA351847, CSK	LH	BTR1039	1
2	Screw	Change point - VIN begin FA351847	hexagonal head, 1/4UNF x 5/8	SH604051L	8
3	Washer-Spring	Change point - VIN begin FA351847	1/4 dia, Square	WM600041L	8
4	Latch assembly-rear seat squab	Change point - VIN begin FA351847	LH	MWC8299	1
		Change point - VIN begin FA351847	RH	MWC8300	1
5	Screw	Change point - VIN begin FA351847	M6 X 20, counter sunk, recessed	SF106201L	6
6	Rod-rear seat squab latch link	Change point - VIN begin FA351847		MXC3909	2
7	Clip	Change point - VIN begin FA351847		MXC1198	2
8	Button-rear seat squab release	Change point - VIN begin FA351847	Sorrel Brown	MXC3073SUA	2
		Change point - VIN begin FA351847	Winchester Grey	MXC3073LUL	2
9	Cover-side support-seat	Change point - VIN begin FA351847	RH, Sorrel Brown	MWC8294SUA	1
		Change point - VIN begin FA351847	RH, Winchester Grey	MWC8294LUL	1
		Change point - VIN begin FA351847	Sorrel Brown, LH	MWC8295SUA	1
		Change point - VIN begin FA351847	Winchester Grey, LH	MWC8295LUL	1
10	Fastener-drive	Change point - VIN begin FA351847	Plastic, Sorrel Brown	MRC4283SUA	4
		Change point - VIN begin FA351847	Plastic, Winchester Grey	MRC4283LUL	4

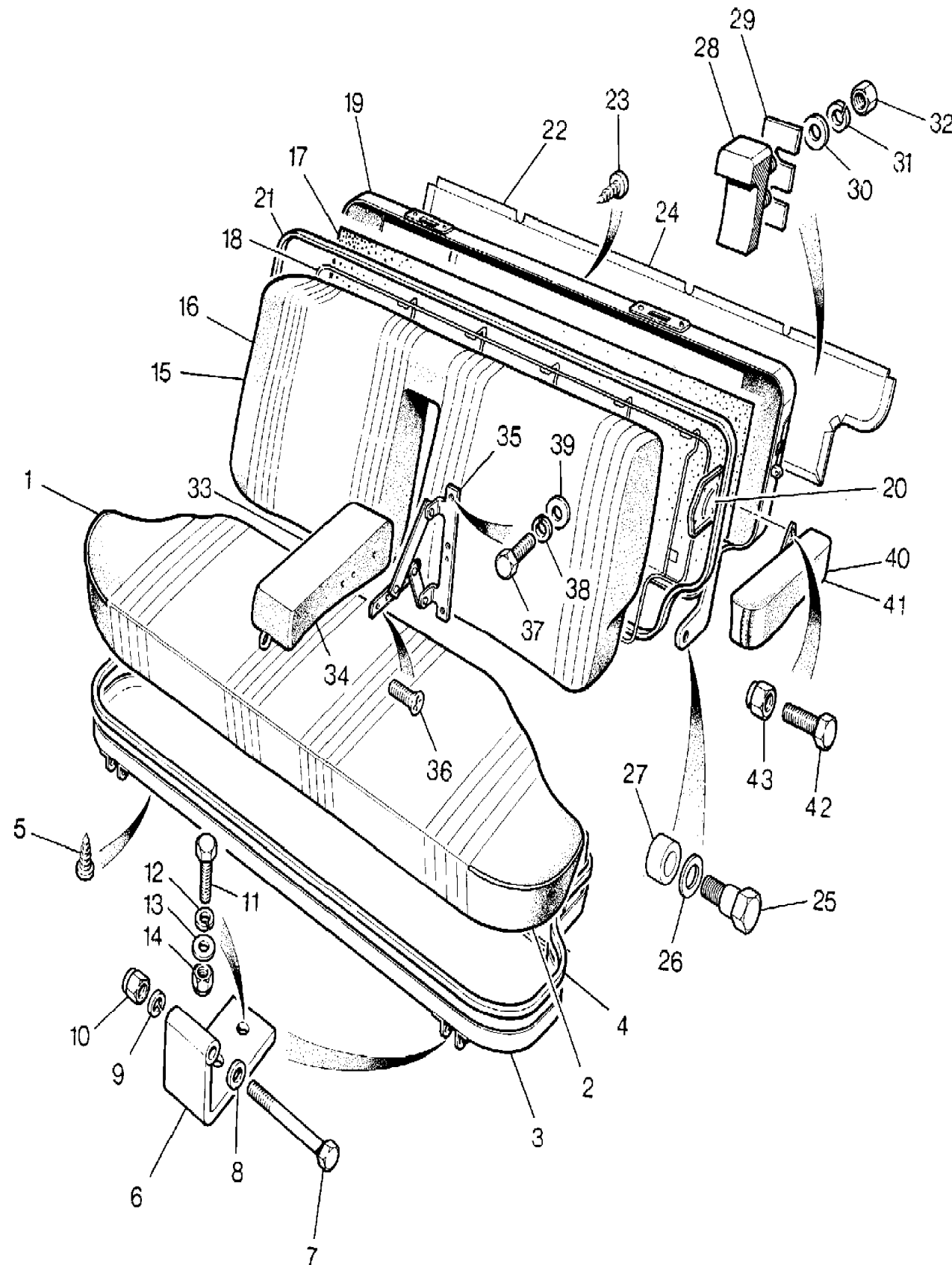
Range Rover (To HA610293)

(TS5385A)

Range Rover (To HA610293)

4 Door Station Wagon

Callout	Name	Application	Remarks & Restrictions	Service No.	Qty
1	Cushion-rear seat individual	Change point - VIN end CA273922	Bracken	MUC6547BC	1
2	Cushion-rear seat individual	Change point - VIN end CA273922	Also serviced as part of a kit, Osprey Grey	MUC6547LH	1
3	Frame assembly-rear seat bench cushion	Change point - VIN end CA273922 Change point - VIN end CA273922	Palomino Phantom Grey	MTC9333AE MTC9333LJ	1 1
4	Beading	Change point - VIN end CA273922 Change point - VIN end CA273922	Palomino Steel Grey	391133AE 391133LR	1 1
5	Screw-self tapping AB	Change point - VIN end CA273922	M8 x 12	AB610041L	10
6	Pivot bracket	Change point - VIN end CA273922 Change point - VIN end CA273922	Palomino Phantom Grey	MTC9334AE MTC9334LJ	2 2
7	Screw	Change point - VIN end CA273922	hexagonal head, 5/16UNF x 7/8	SH605071L	4
9	Washer	Change point - VIN end CA273922	M8, sprung	WL108001L	4
10	Nut - Hex.	Change point - VIN end CA273922	M8, nyloc	NY108041L	4
11	Screw	Change point - VIN end CA273922	hexagonal head, 5/16UNF x 7/8	SH605071L	4
12	Washer	Change point - VIN end CA273922	M8, sprung	WL108001L	4
13	Washer	Change point - VIN end CA273922	8MM	WA108051L	4
15	Squab assembly-rear	Change point - VIN end CA273922 Change point - VIN end CA273922	Brown Also serviced as part of a kit, Grey	RTC4616 RTC4617	1 1
19	Frame assembly-rear seat bench squab	Change point - VIN end CA273922 Change point - VIN end CA273922	Palomino Phantom Grey	MTC9890AE MTC9890LJ	1 1
20	Bracket	Change point - VIN end CA273922		MTC5690	2
21	Beading	Change point - VIN end CA273922	Palomino	391133AE	1



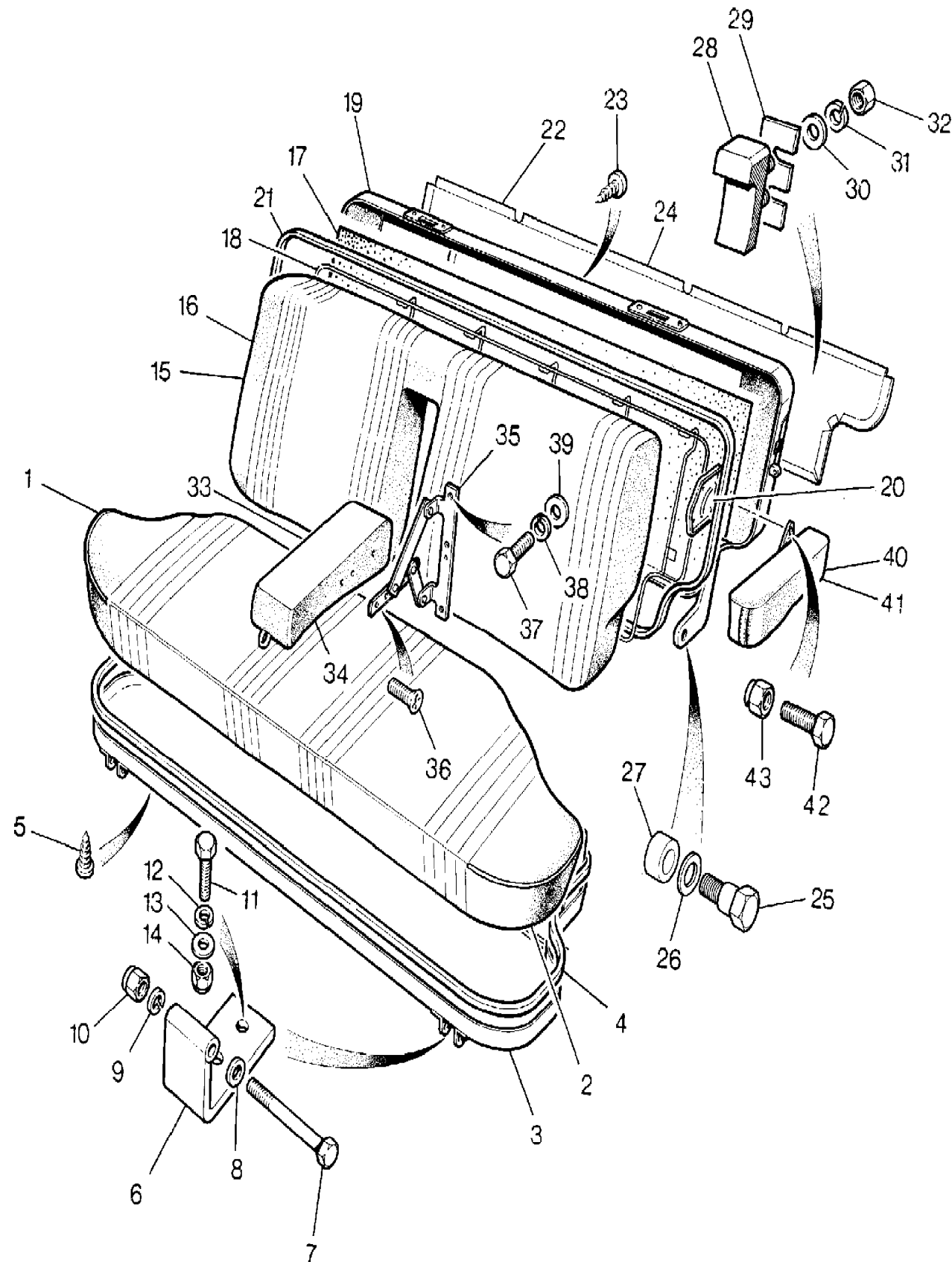
Range Rover (To HA610293)

(TS5385A)

Range Rover (To HA610293)

4 Door Station Wagon

Callout	Name	Application	Remarks & Restrictions	Service No.	Qty
21	Beading	Change point - VIN end CA273922	Phantom Grey	391133LJ	1
22	Panel-rear seat back	Change point - VIN end CA273922	Nutmeg	MUC1737AH	1
		Change point - VIN end CA273922	Slate Grey	MUC1737LE	1
25	Bolt	Change point - VIN end CA273922		390473	2
26	Washer	Change point - VIN end CA273922		4889	2
27	Spacer	Change point - VIN end CA273922		390414	2
28	Buffer-stop	Change point - VIN end CA273922	LH	MRC1786	1
29	Shim	Change point - VIN end CA273922		MRC2371	2
30	Washer-Plain	Change point - VIN end CA273922		4034L	4
31	Washer-Spring	Change point - VIN end CA273922	3/16 dia, Square	WM702001L	4
32	Nut - Hex.	Change point - VIN end CA273922	UNF	HN2005L	4
33	Armrest assembly-rear-seats-centre	Change point - VIN end CA273922	Bracken	MTC5284BC	1
			Also serviced as part of a kit, Osprey Grey	MTC5284LH	1
37	Screw	Change point - VIN end CA273922	M6 X 16, hexagonal head	SH106161L	1
39	Washer-Plain	Change point - VIN end CA273922	Standard	RTC609	6
40	Armrest-bench rear seat	Change point - VIN end CA273922	RH, Bracken	MTC5286BC	1
			RH, Osprey Grey	MTC5286LH	1
			Bracken, LH	MTC5287BC	1
			Also serviced as part of a kit, Osprey Grey, LH	MTC5287LH	1
[900]	Washer	Change point - VIN end CA273922	8MM, sprung	WL108007	4



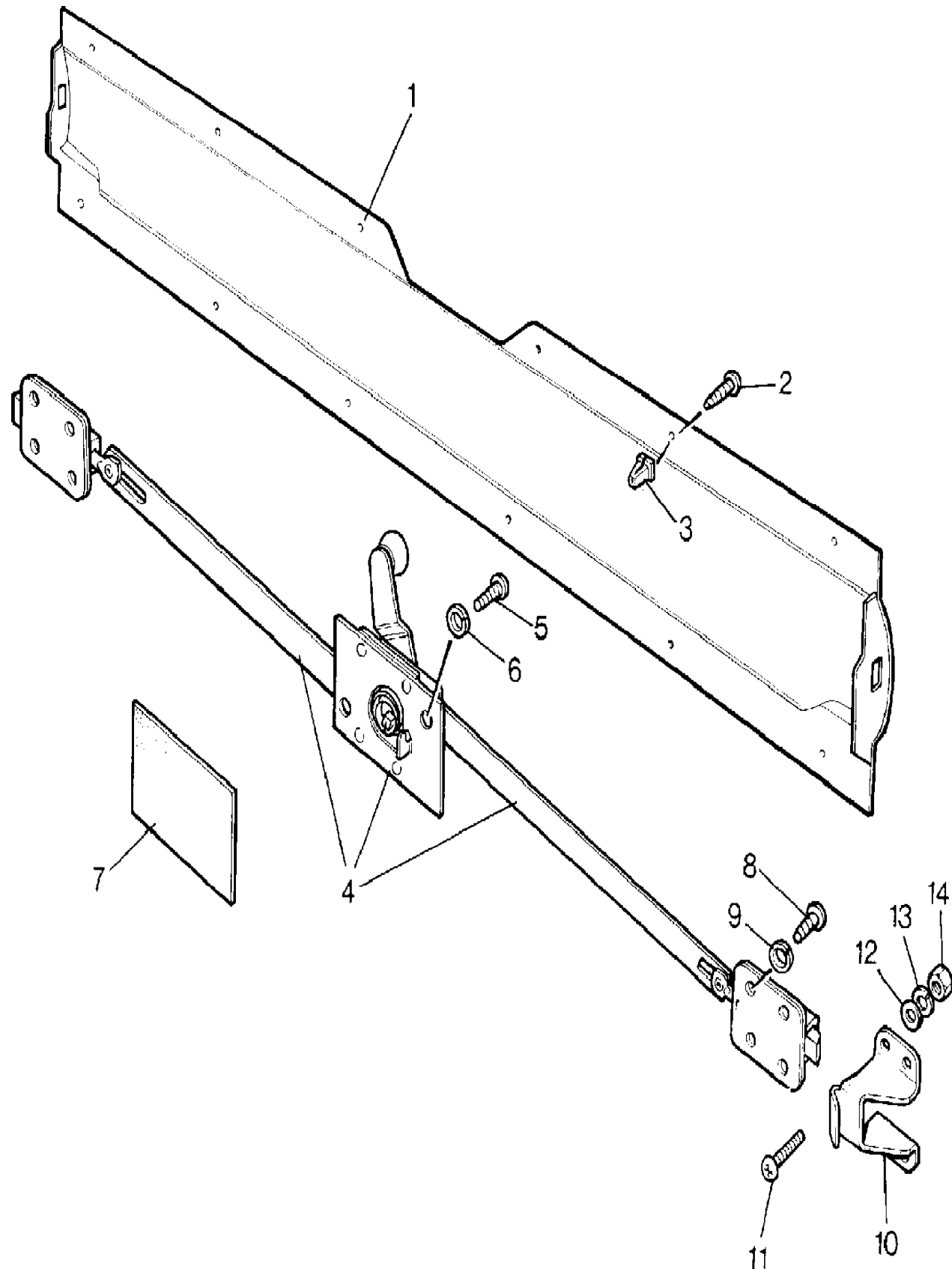
Seats
Seating
Rear-Cover Panel & Lock-4 Door with Bench Seats 1/1

Range Rover (To HA610293)

(N965)

Range Rover (To HA610293)

Seats
Seating
Rear-Cover Panel & Lock-4 Door with Bench Seats
4 Door Station Wagon

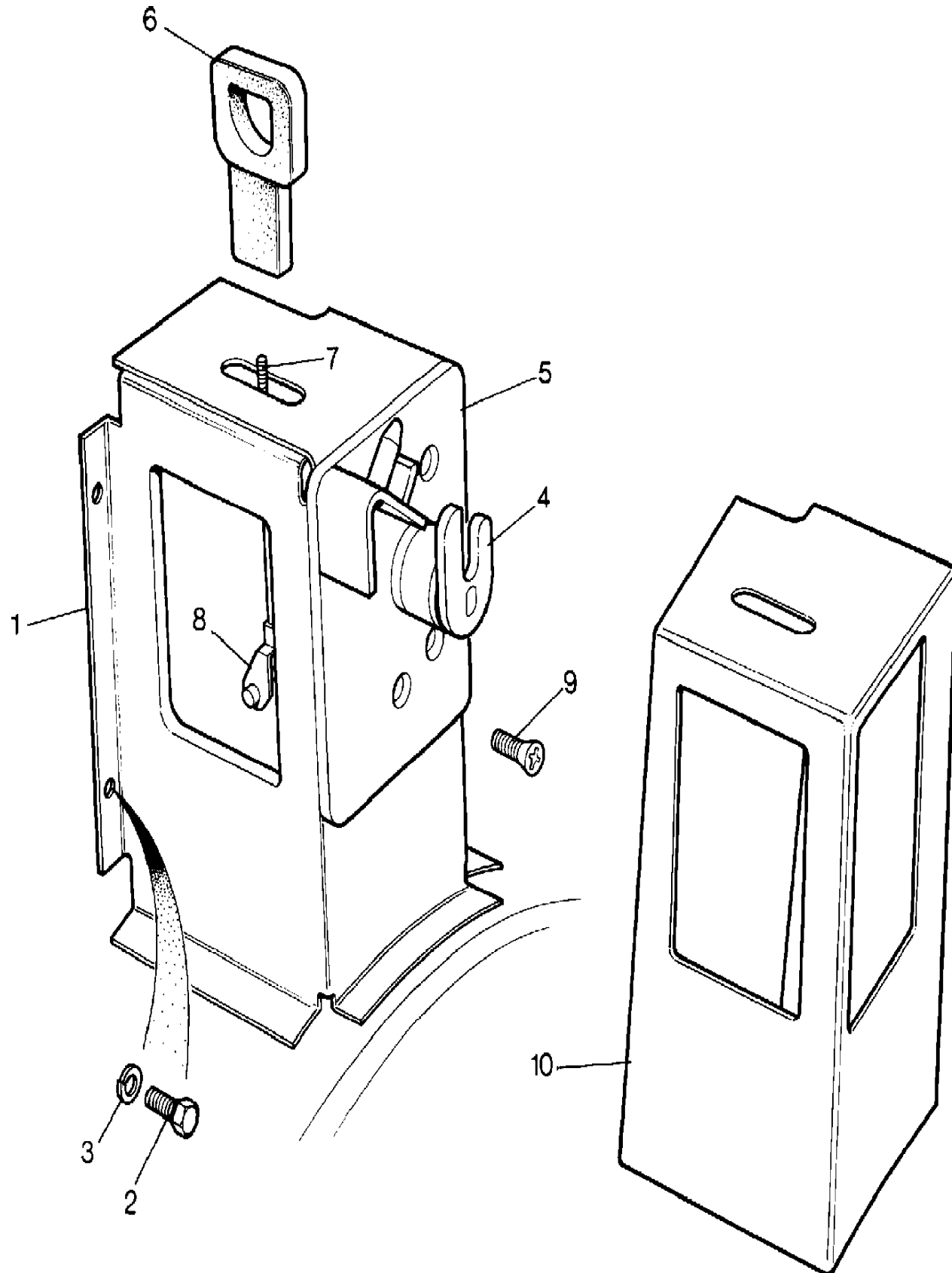


Callout	Name	Application	Remarks & Restrictions	Service No.	Qty
1	Cover Panel	Change point - VIN end EA351846	Palomino	390795AE	1
		Change point - VIN end EA351846	Phantom Grey	390795LJ	1
		Change point - VIN end EA351846	Bokhara	390795RUN	1
2	Screw	Change point - VIN end EA351846	No 8 x 1/2, Self Tapping	AB608041L	12
3	Nut-lokut	Change point - VIN end EA351846		570779	12
4	Lock assembly-door	Change point - VIN end EA351846		390747	1
5	Screw	Change point - VIN end EA351846		78898	2
6	Washer-Spring	Change point - VIN end EA351846	1/4 dia, Square	WM600041L	2
7	Pad-anti rattle	Change point - VIN end EA351846		392581	1
8	Screw	Change point - VIN end EA351846		AFU1153	8
9	Washer-Spring	Change point - VIN end EA351846	3/16 dia, Square	WM702001L	8
10	Bracket	Change point - VIN end EA351846	RH	MRC1390	1
		Change point - VIN end EA351846	LH	MRC1391	1
11	Screw	Change point - VIN end EA351846		AFU1153	8
12	Washer-Plain	Change point - VIN end EA351846		WC702101L	8
13	Washer-Spring	Change point - VIN end EA351846	3/16 dia, Square	WM702001L	8
14	Nut - Hex.	Change point - VIN end EA351846	UNF	HN2005L	8

Seats
Seating
Split-Lockdown Mechanism & Squab Release 1/1

Range Rover (To HA610293)

(TS6077B)



Range Rover (To HA610293)

Seats
Seating
Split-Lockdown Mechanism & Squab Release
4 Door Station Wagon

Callout	Name	Application	Remarks & Restrictions	Service No.	Qty
1	Escutcheon-rear seat squab latch striker		RH	MWC2368	1
			LH	MWC2369	1
2	Screw		hexagonal head, 1/4UNF x 3/4	SH604061L	8
3	Washer-Spring		1/4 dia, Square	WM600041L	8
4	Bracket-rear seat release catch		RH	MWC2656	1
			LH	MWC2657	1
5	Latch assembly-rear seat squab		RH	MWC4808	1
			LH	MWC4809	1
6	Ring pull-seat lock-rear seats			MWC2722	2
7	Lever-rear seat squab latch release			MWC 1563	2
8	Clip-linkage			ADU3469L	2
9	Screw			SF910141L	6
10	Cover-side support-seat		RH, Flap Jack	MWC4806AA	1
			RH, Coke Grey	MWC4806LA	1
			RH, Steel Grey	MWC4806LR	1
			Flap Jack, LH	MWC4807AA	1
			Coke Grey, LH	MWC4807LA	1
Steel Grey, LH	MWC4807LR	1			