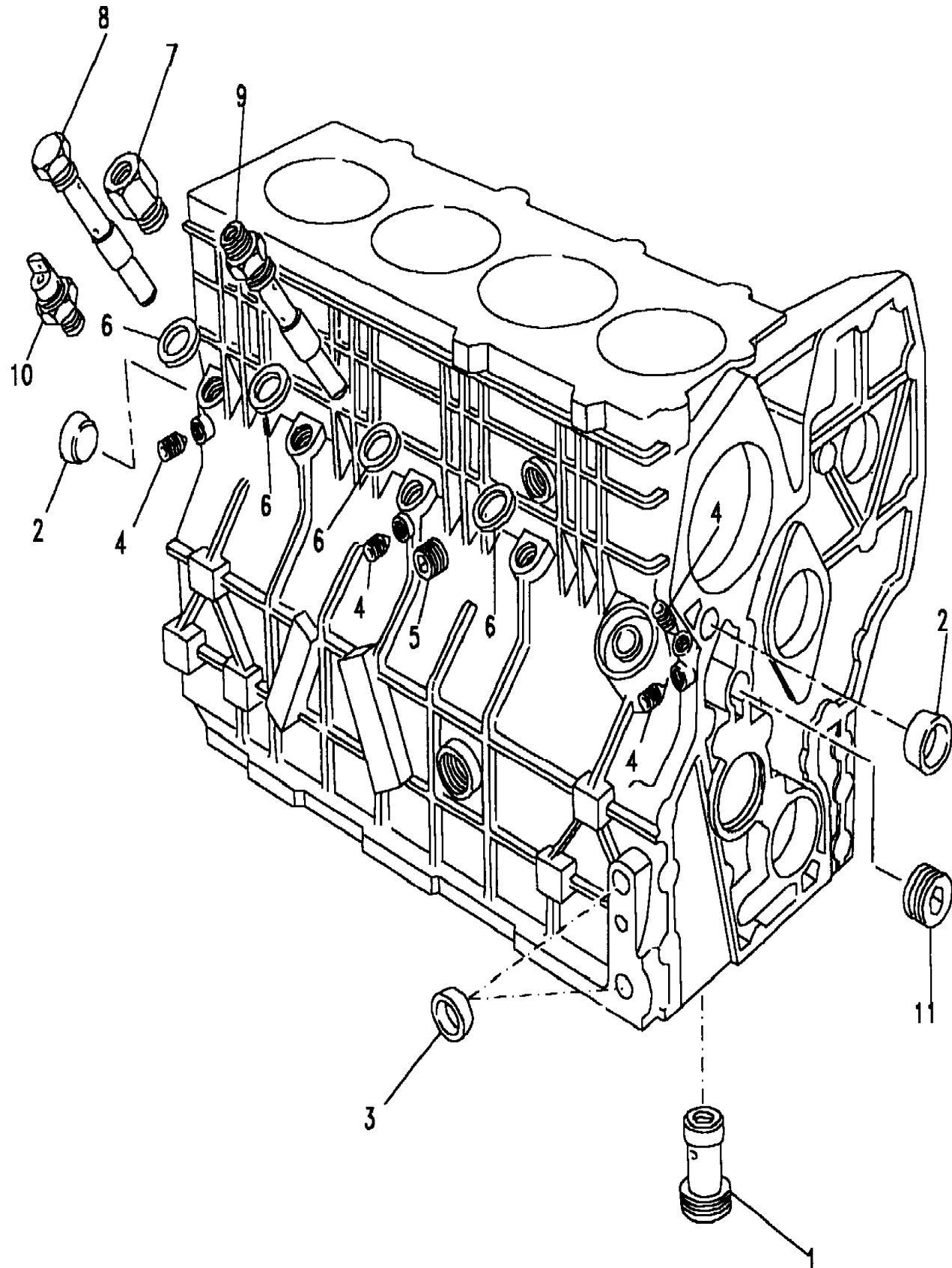


Engine
2500 - Diesel - Turbo
Adaptors - Block 1/1

Range Rover (From JA610294)
(BDBWBA2A)



Range Rover (From JA610294)

Engine
2500 - Diesel - Turbo
Adaptors - Block

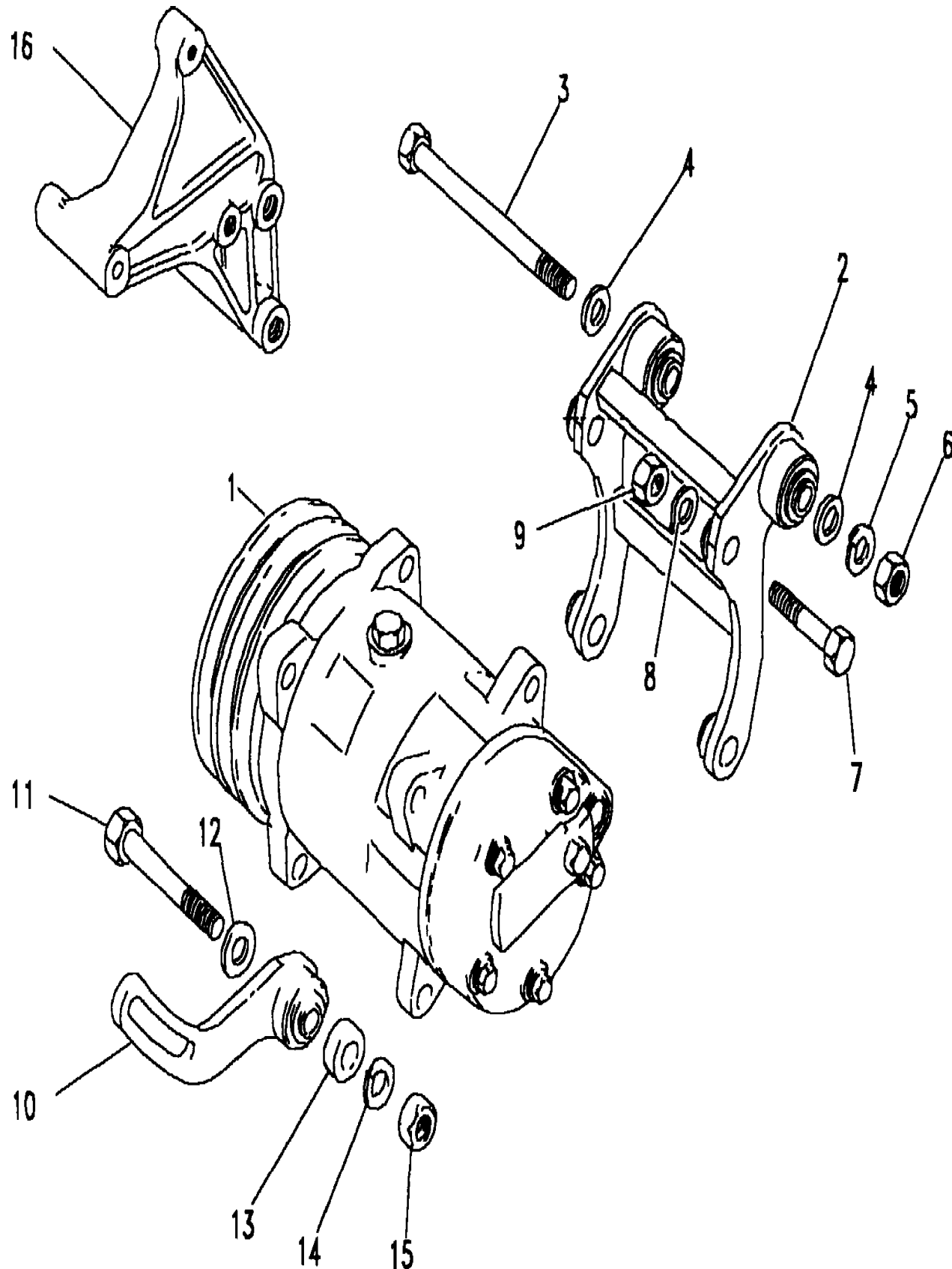
2.5L Turbo Diesel VM

Callout	Name	Application	Remarks & Restrictions	Service No.	Qty
1	Valve oil pressure	Change point - VIN begin JA610294	4 Cylinder	AEU2195L	1
2	Plug-core	Change point - VIN begin JA610294	4 Cylinder, 18MM	AEU2196L	2
3	Plug-core	Change point - VIN begin JA610294	4 Cylinder, 16MM	AEU2198L	2
4	Screw-plug	Change point - VIN begin JA610294	4 Cylinder	AEU2199L	4
5	Screw-plug	Change point - VIN begin JA610294	4 Cylinder	AEU2200L	1
6	Washer-sealing	Change point - VIN begin JA610294	4 Cylinder	AEU2228L	4
7	Adaptor-oil pressure switch	Change point - VIN begin JA610294	4 Cylinder	RTC4966	1
8	Bolt	Change point - VIN begin JA610294	4 Cylinder	AEU2230L	2
9	Bolt	Change point - VIN begin JA610294	4 Cylinder	AEU2285L	1
10	Switch-oil pressure engine	Change point - VIN begin JA610294	4 Cylinder	PRC6387	1
11	Screw-plug	Change point - VIN begin JA610294	4 Cylinder	RTC6711	1

Engine
2500 - Diesel - Turbo
Air Conditioning Compressor 1/1

Range Rover (From JA610294)

(BDBWNE1A)



Range Rover (From JA610294)

Engine
2500 - Diesel - Turbo
Air Conditioning Compressor

2.5L Turbo Diesel VM, With Air Conditioning

Callout	Name	Application	Remarks & Restrictions	Service No.	Qty
1	Compressor assembly air conditioning		4 Cylinder	BTR1302	1
2	Bracket-compressor air conditioning		4 Cylinder	ETC9014	1
3	Bolt		4 Cylinder, to bracket mounting, M12 x 150	BH112301L	1
4	Washer		4 Cylinder, M12, Plain, Standard	WA112081L	2
5	Washer		4 Cylinder	WL112001L	1
6	Nut - Hex.		4 Cylinder, to bracket compressor, M12, Hexagonal	NH112041L	1
7	Bolt		4 Cylinder, bracket mounting to compressor, Long, hexagonal head, M10 x 50	BH110101L	2
8	Washer		4 Cylinder, M10, Plain	WA110001L	1
9	Nut - Hex.		4 Cylinder, bracket mounting to compressor, M10, flange 4 Cylinder, bracket mounting to compressor, M10, flange	FN110041L FN110047	4 4
10	Link-adjusting compressor		4 Cylinder, 127/65 amp	ETC9111	1
11	Bolt		4 Cylinder, link adjuster to compressor, M10 x 35 4 Cylinder, link adjuster to compressor, hexagonal head, M10 x 35	BH110071L BX110071L	1 1
12	Washer		4 Cylinder, M10, Plain	WA110001L	5
13	Washer		4 Cylinder	ETC9012	1
14	Washer		4 Cylinder, M10	WL110001L	1
15	Nut - Hex.		4 Cylinder, to link adjusting, M10, hexagonal head, Coarse Thread	NH110041L	1
16	Bracket assembly power assisted steering pump & alternator		4 Cylinder	ETC9073	1
[900]	Belt-polyvee air conditioning compressor		4 Cylinder	ETC9009	1

Engine
2500 - Diesel - Turbo
Alternator 1/1

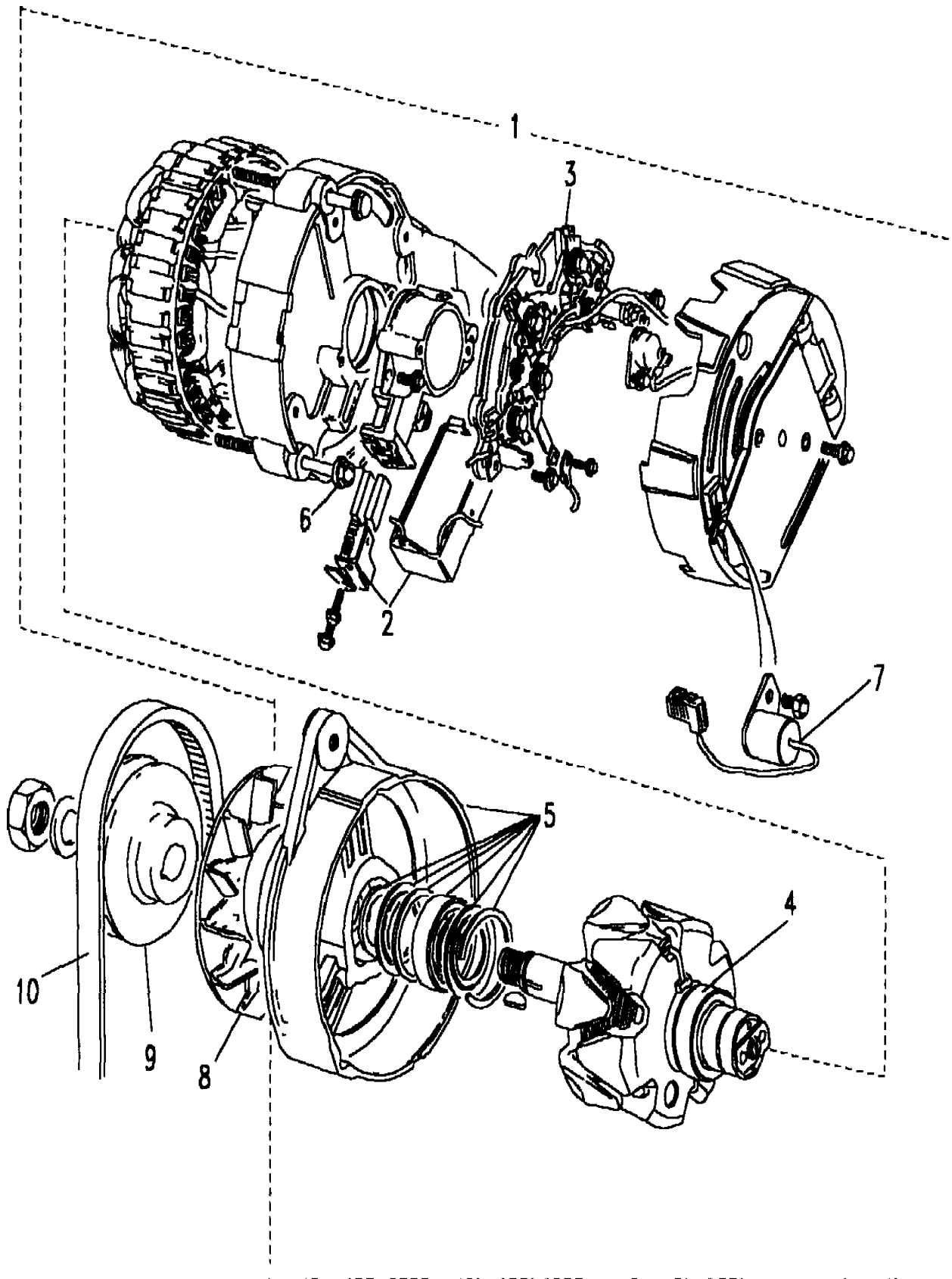
Range Rover (From JA610294)
(BDBWPC1A)

Engine
2500 - Diesel - Turbo
Alternator

Range Rover (From JA610294)

2.5L Turbo Diesel VM

Callout	Name	Application	Remarks & Restrictions	Service No.	Qty
1	Alternator assembly		4 Cylinder, Also serviced as part of a kit, New, A127-65 amp, LH 4 Cylinder, Also serviced as part of a kit, exchange, A127-65 amp, LH	RTC5681N RTC5681E	1 1
2	Regulator & brush box assembly alternator		4 Cylinder, Also serviced as part of a kit	RTC5670	1
3	Rectifier-alternator		4 Cylinder, Also serviced as part of a kit	RTC5671	1
4	Bearing-alternator front		4 Cylinder, Also serviced as part of a kit	RTC5926	1
5	Bracket-drive end c/w bearing alternator e		4 Cylinder, Also serviced as part of a kit, RH	RTC5687	1
6	Kit-fixings alternator/vacuum pump		4 Cylinder, Also serviced as part of a kit, LH 4 Cylinder, Also serviced as part of a kit, LH	RTC5925 RTC5925	1 1
7	Capacitor alternator		4 Cylinder, Also serviced as part of a kit 4 Cylinder, Also serviced as part of a kit	RTC6114 RTC6114	1 1
8	Fan Alternator		4 Cylinder	AAU2249L	1
9	Pulley-alternator		4 Cylinder, 65 AMP	ERR405	1
10	Belt-polyvee alternator	RHD LHD	4 Cylinder 4 Cylinder	ERR416 ERR914	1 1
[900]	Nut - Hex.		4 Cylinder	ETC9039	1
[901]	Lead-link-solenoid fuel shut off		4 Cylinder	PRC4643	1



Engine
2500 - Diesel - Turbo
Alternator - Con 1/1

Range Rover (From JA610294)

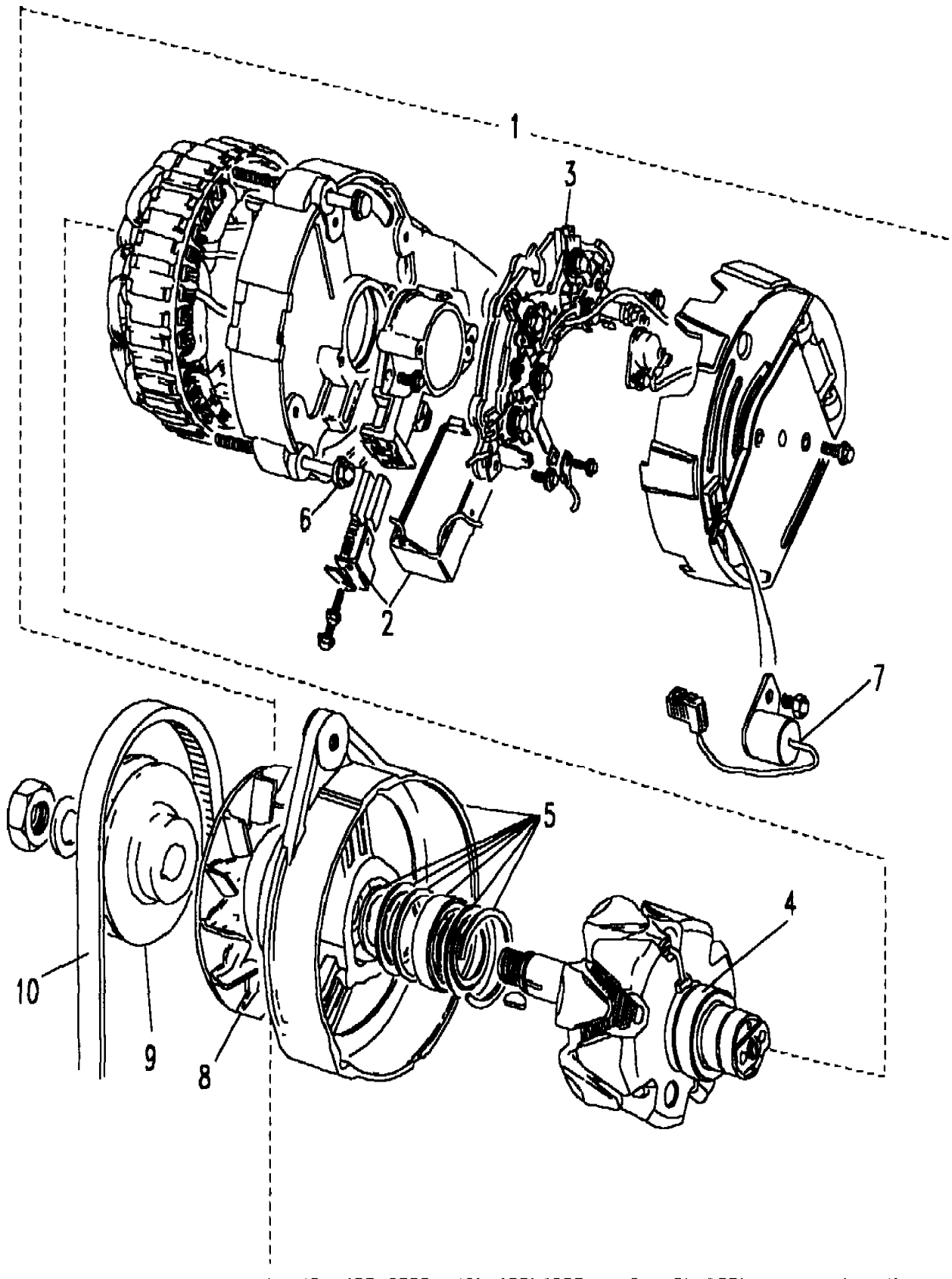
(BDBWPC2A)

Engine
2500 - Diesel - Turbo
Alternator - Con

Range Rover (From JA610294)

2.5L Turbo Diesel VM

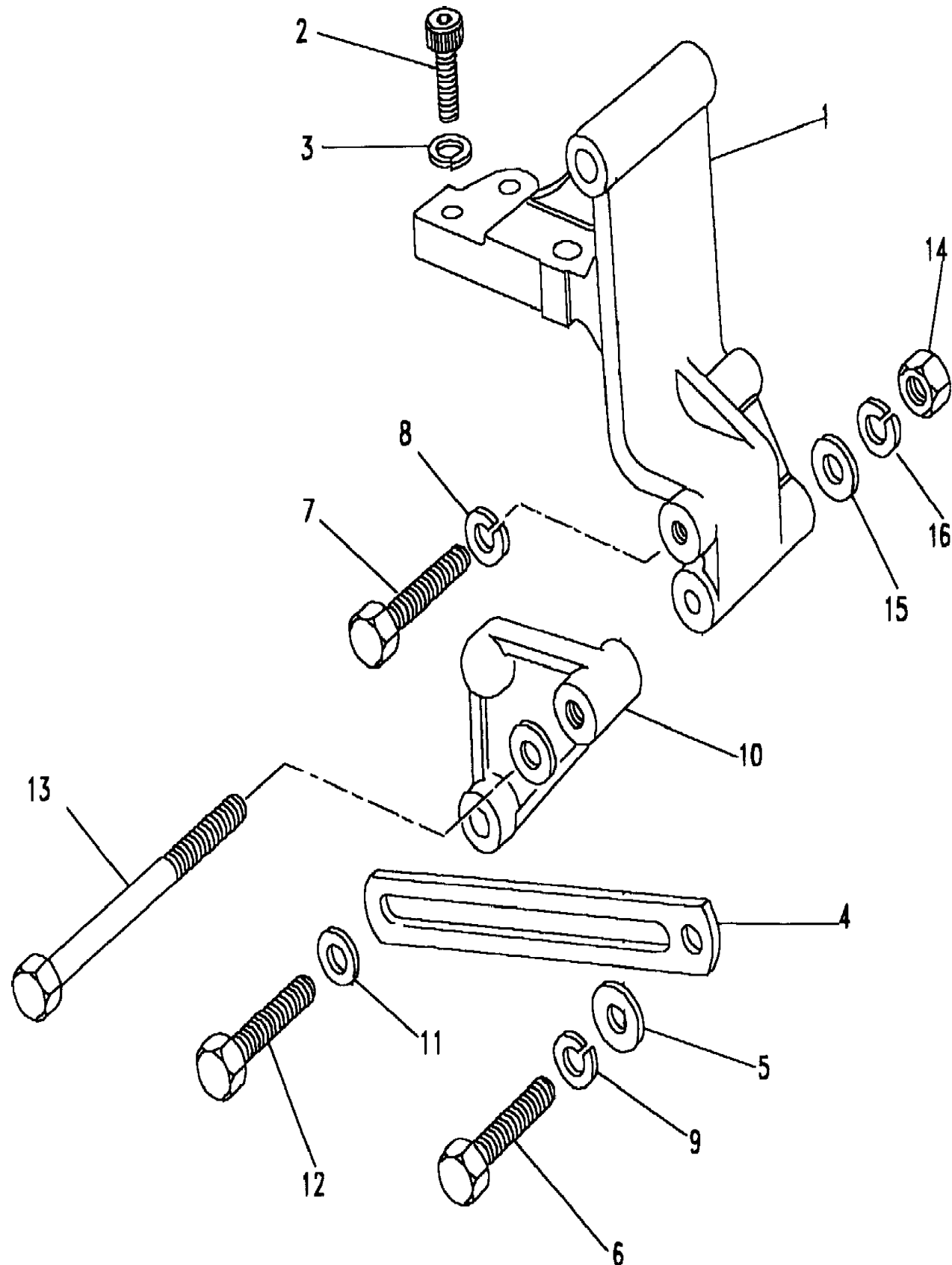
Callout	Name	Application	Remarks & Restrictions	Service No.	Qty
1	Alternator assembly		4 Cylinder, Also serviced as part of a kit, New, A127-100 amp 4 Cylinder, Also serviced as part of a kit, New, A133-80 amp 4 Cylinder, Also serviced as part of a kit, exchange, A133-80 amp	STC3092 PRC7084 PRC7084E	1 1 1
2	Regulator assembly alternator		4 Cylinder, Also serviced as part of a kit, 85 amp/100 amp	RTC5928	1
3	Rectifier-alternator		4 Cylinder, Also serviced as part of a kit, 85 amp/100 amp	RTC5609	1
4	Bearing-alternator front		4 Cylinder, Also serviced as part of a kit	AEU1532	1
5	Kit-bearing-drive end alternator		4 Cylinder, Also serviced as part of a kit	RTC6786	1
6	Kit-fixings alternator/vacuum pump		4 Cylinder, Also serviced as part of a kit, LH	RTC5925	1
7	Capacitor alternator		4 Cylinder, Also serviced as part of a kit	RTC6114	1
8	Fan Alternator		4 Cylinder, 80 AMP	RTC5054	1
9	Pulley-alternator		4 Cylinder, Also serviced as part of a kit, 100 AMP 4 Cylinder, 80 AMP	STC3094 ERR608	1 1
10	Belt-polyvee alternator	RHD LHD	4 Cylinder	ERR416 ERR914	1 1
[900]	Nut - Hex.		4 Cylinder, Also serviced as part of a kit	STC3093	1
[901]	Cover Alternator		4 Cylinder, Also serviced as part of a kit	RTC5610	1
[902]	Box assembly-brush alternator		4 Cylinder, Also serviced as part of a kit	BAU2195L	1
[903]	Brush alternator		4 Cylinder, Also serviced as part of a kit	RTC5611	1
[904]	Kit-screw		4 Cylinder, belt coolant to fan	AEU1706	1
[905]	Spacer		4 Cylinder	AEU1708	1



Engine
2500 - Diesel - Turbo
Alternator Mountings 1/2

Range Rover (From JA610294)

(BDBWPC3A)



Range Rover (From JA610294)

Engine
2500 - Diesel - Turbo
Alternator Mountings

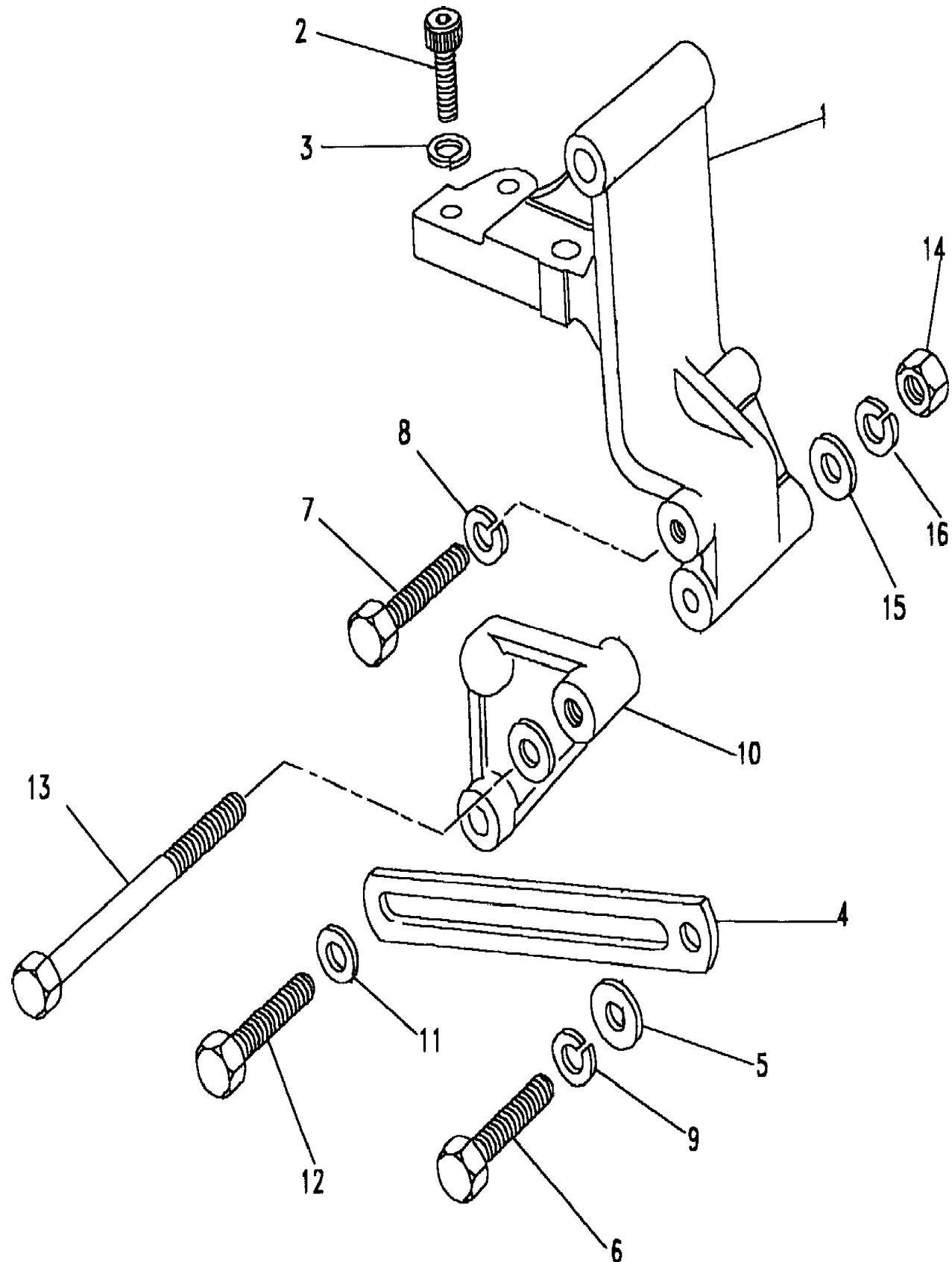
2.5L Turbo Diesel VM

Callout	Name	Application	Remarks & Restrictions	Service No.	Qty
1	Bracket-mounting-compressor & alternator air conditioning		4 Cylinder	ERR739	1
2	Screw		4 Cylinder, to bracket assembly, M10 X 45	SS110451L	2
3	Washer		4 Cylinder, M10	WL110001L	2
4	Link-adjuster alternator		4 Cylinder	ETC9004	1
		LHD	4 Cylinder	ETC9004	1
5	Washer-plain-thick		4 Cylinder	ETC9011	1
		LHD	4 Cylinder	ETC9011	1
6	Screw		4 Cylinder, to link adjusting, Flanged Head, M8 x 20	FS108201L	1
		LHD	4 Cylinder, Flanged Head, M8 x 20	FS108201L	1
7	Screw		TO BRACKET, 4 Cylinder, M8 x 25, hexagonal head	SH108251L	1
		LHD	4 Cylinder, M8 x 25, Flanged Head	FS108251L	1
		LHD	4 Cylinder, M8 x 25, hexagonal head	SH108251L	1
8	Washer		4 Cylinder, 8MM	WA108051L	1
9	Washer		4 Cylinder, M8, sprung	WL108001L	2
		LHD	4 Cylinder, M8, sprung	WL108001L	2
10	Bracket-support alternator		4 Cylinder	ETC9096	1
11	Washer-Plain		4 Cylinder, M14	WA114001L	1
		LHD	4 Cylinder, M14	WA114001L	2
12	Screw		4 Cylinder, link assembly to bracket, Flanged Head, M14 x 40	SH114401	1
13	Bolt		4 Cylinder, bracket support to bracket assembly, M8 x 125	ETC9058	1
		LHD	4 Cylinder, hexagonal head, M14 x 55	BH114111L	2
		LHD	4 Cylinder, M8 x 120	ETC9062	1
14	Nut - Hex.		TO BRACKET, 4 Cylinder, M8, hexagonal head	NH108041L	1
		LHD	4 Cylinder, M8, hexagonal head	NH108041L	1
15	Washer		4 Cylinder, 8MM	WA108051L	2
		LHD	4 Cylinder, 8MM	WA108051L	1

Engine
2500 - Diesel - Turbo
Alternator Mountings 2/2

Range Rover (From JA610294)

(BDBWPC3A)



Range Rover (From JA610294)

Engine
2500 - Diesel - Turbo
Alternator Mountings

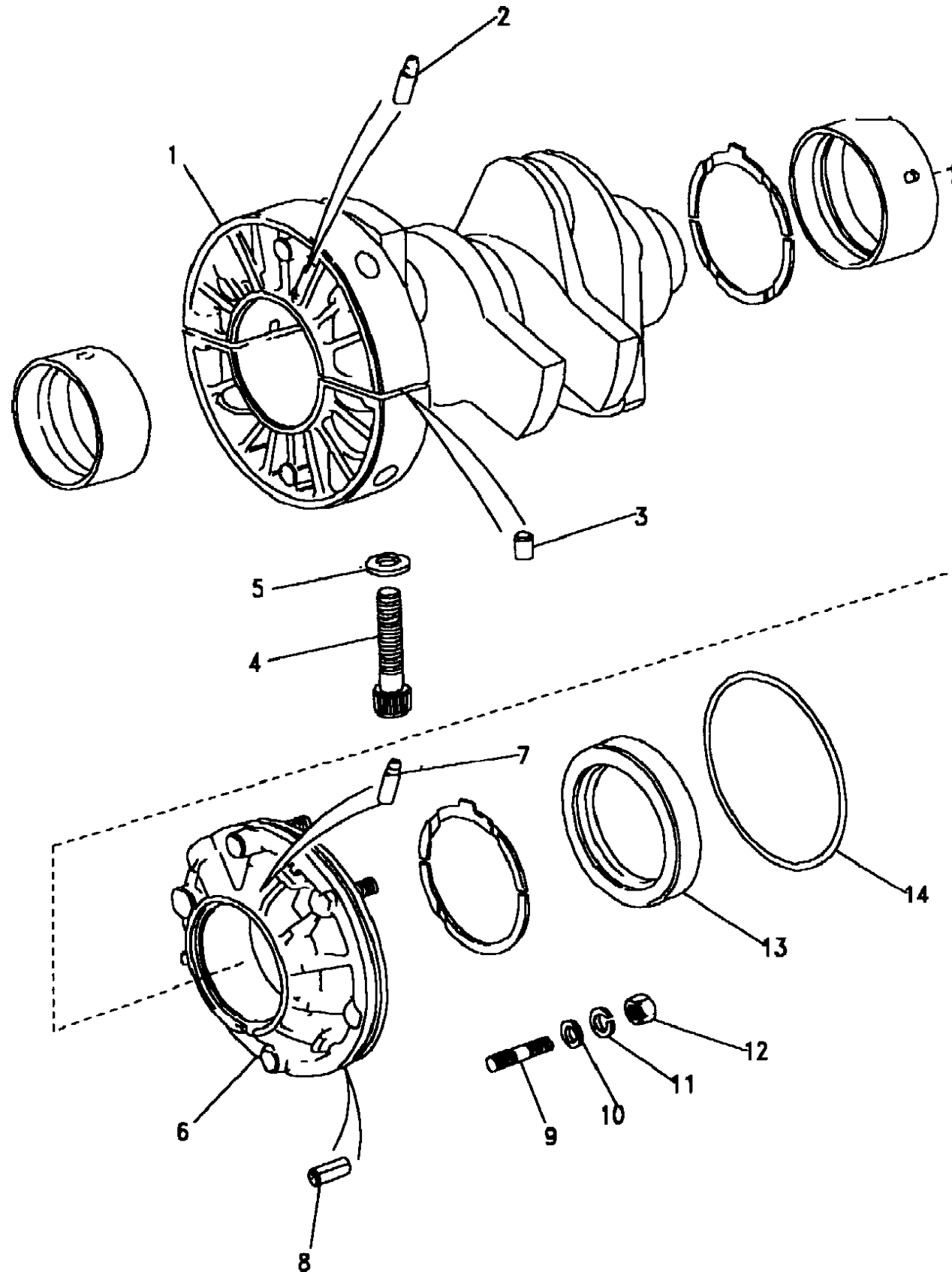
2.5L Turbo Diesel VM

Callout	Name	Application	Remarks & Restrictions	Service No.	Qty
16	Washer		4 Cylinder, M8, sprung 4 Cylinder, M8, sprung	WL108001 WL108001L	1 1
[902]	Bracket assembly power assisted steering pump & alternator	LHD	4 Cylinder	ETC9073	1

Engine
2500 - Diesel - Turbo
Bearings Crankshaft 1/2

Range Rover (From JA610294)

(BDBWCA2A)



Range Rover (From JA610294)

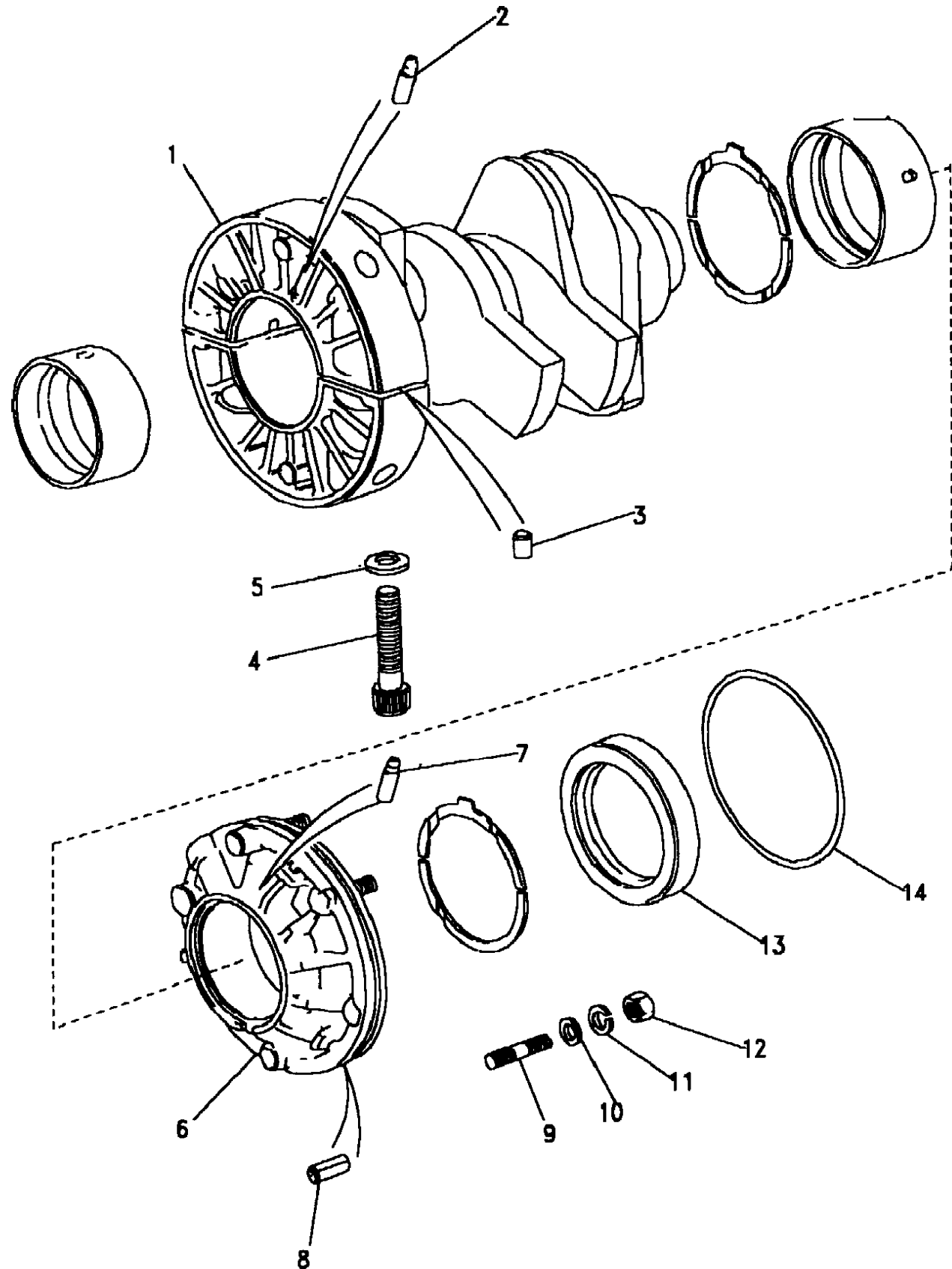
Engine
2500 - Diesel - Turbo
Bearings Crankshaft

2.5L Turbo Diesel VM

Callout	Name	Application	Remarks & Restrictions	Service No.	Qty
1	Housing assembly-crankshaft centre bearing	Change point - VIN begin JA610294, Change point - Engine end 95A15970	4 Cylinder, Also serviced as part of a kit	AEU2023L	3
		Change point - VIN begin JA610294, Change point - Engine begin 95A15971	4 Cylinder, Also serviced as part of a kit	STC818	3
2	Valve-bearing housing jet	Change point - VIN begin JA610294, Change point - Engine end 95A15970	4 Cylinder, Also serviced as part of a kit	AEU2294L	3
		Change point - VIN begin JA610294, Change point - Engine begin 95A15971	4 Cylinder, Also serviced as part of a kit	STC817	4
3	Dowel	Change point - VIN begin JA610294, Change point - Engine end 95A15970	4 Cylinder, Also serviced as part of a kit	AEU2025L	6
		Change point - VIN begin JA610294, Change point - Engine begin 95A15971	4 Cylinder, Also serviced as part of a kit	AEU2025L	6
4	Bolt	Change point - VIN begin JA610294	4 Cylinder	AEU2026L	6
5	Washer	Change point - VIN begin JA610294	4 Cylinder	AEU2027L	6
6	Housing assembly-crankshaft rear bearing	Change point - VIN begin JA610294, Change point - Engine end 95A15970	4 Cylinder, Also serviced as part of a kit	RTC6709	1
		Change point - VIN begin JA610294, Change point - Engine begin 95A15971	4 Cylinder, Also serviced as part of a kit	STC819	1
7	Valve-bearing housing jet	Change point - VIN begin JA610294, Change point - Engine end 95A15970	4 Cylinder, Also serviced as part of a kit	AEU2794L	4
		Change point - VIN begin JA610294, Change point - Engine begin 95A15971	4 Cylinder, Also serviced as part of a kit	STC817	4
8	Dowel	Change point - VIN begin JA610294, Change point - Engine begin 95A15971	4 Cylinder, Also serviced as part of a kit	AEU2029L	1
9	Stud	Change point - VIN begin JA610294, Change point - Engine begin 95A15971	4 Cylinder, Also serviced as part of a kit, M8	RTC6761	6
10	Washer-Plain	Change point - VIN begin JA610294	4 Cylinder, 8MM	WA108041L	6
11	Washer	Change point - VIN begin JA610294	4 Cylinder, M8, sprung	WL108001L	6
12	Nut - Hex.	Change point - VIN begin JA610294	4 Cylinder, M8, hexagonal head	NH108041L	6

Engine
2500 - Diesel - Turbo
Bearings Crankshaft 2/2

Range Rover (From JA610294)
(BDBWCA2A)



Range Rover (From JA610294)

Engine
2500 - Diesel - Turbo
Bearings Crankshaft

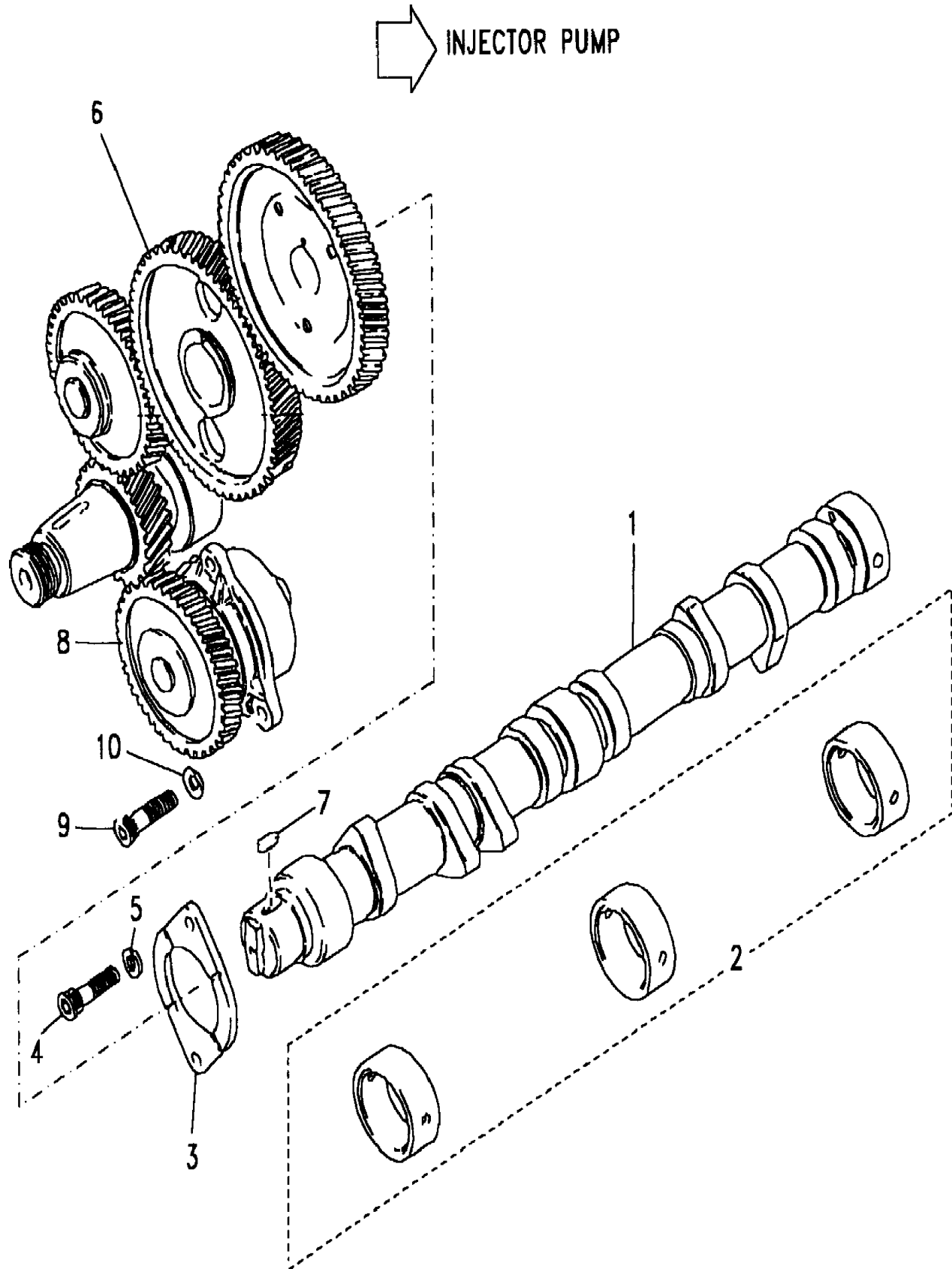
2.5L Turbo Diesel VM

Callout	Name	Application	Remarks & Restrictions	Service No.	Qty
13	Seal-krankshaft rear oil	Change point - VIN begin JA610294	4 Cylinder	RTC6710	1
14	O Ring	Change point - VIN begin JA610294	4 Cylinder, crankshaft rear bearing thrust spacer	AEU2035L	1

Engine
2500 - Diesel - Turbo
Camshaft 1/1

Range Rover (From JA610294)

(BDBWG11A)



Range Rover (From JA610294)

Engine
2500 - Diesel - Turbo
Camshaft

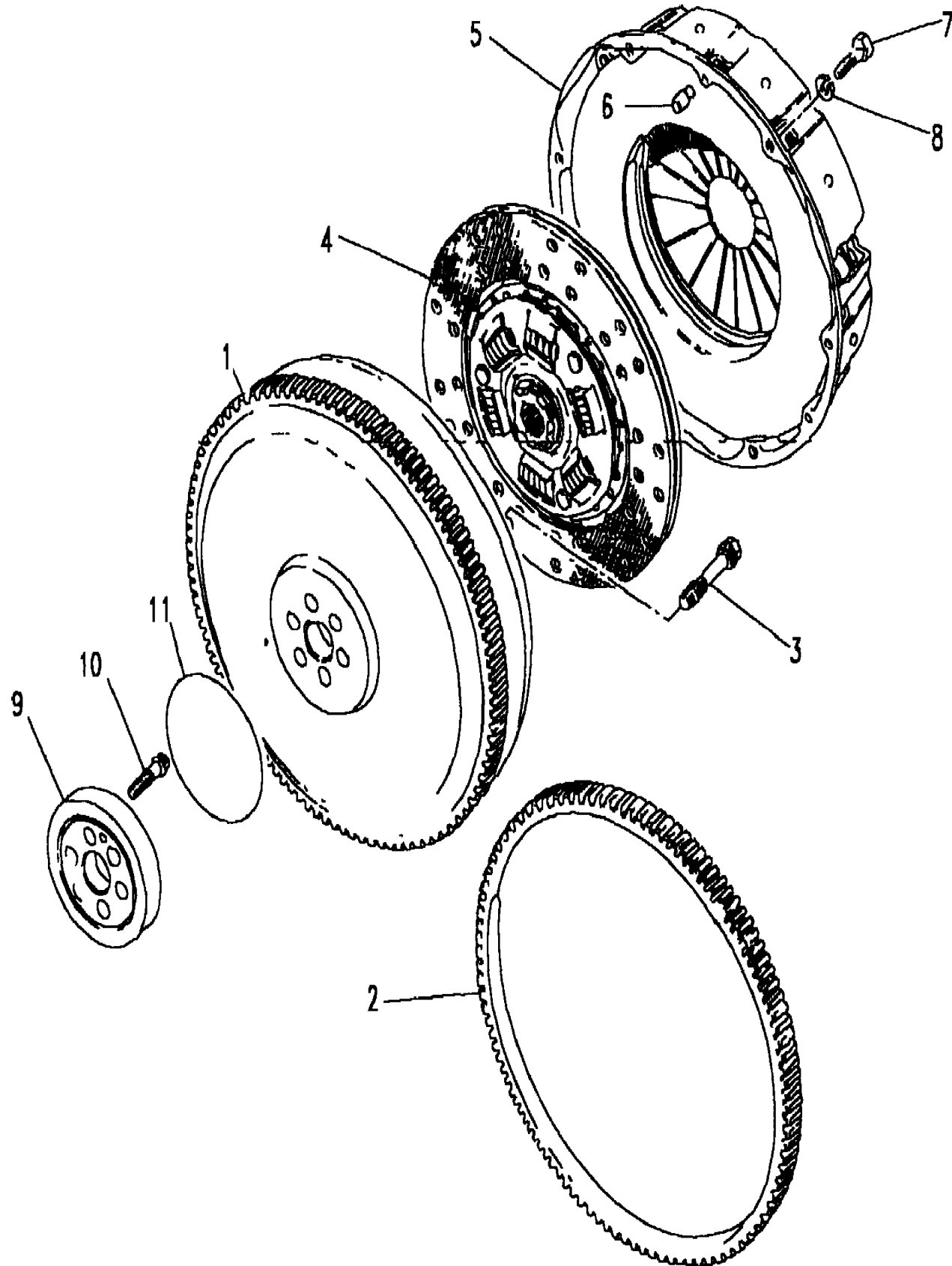
2.5L Turbo Diesel VM

Callout	Name	Application	Remarks & Restrictions	Service No.	Qty
1	Camshaft-engine	Change point - VIN begin JA610294	4 Cylinder	BAU5313L	1
2	Set-camshaft bearings	Change point - VIN begin JA610294	4 Cylinder, Standard	AEU2134L	3
		Change point - VIN begin JA610294	4 Cylinder, 0.010", undersize	AEU2135L	3
3	Plate	Change point - VIN begin JA610294	4 Cylinder	AEU2137L	3
4	Screw-hexagon socket	Change point - VIN begin JA610294	gear to camshaft, 4 Cylinder, M8	SS108181L	3
5	Washer	Change point - VIN begin JA610294	4 Cylinder, M8, sprung	WL108001L	2
6	Gear-carburettor choke camshaft	Change point - VIN begin JA610294	4 Cylinder	AEU2139L	1
7	Key-camshaft location	Change point - VIN begin JA610294	4 Cylinder	AEU2136L	1
8	Pump assembly-engine oil	Change point - VIN begin JA610294	4 Cylinder, 39 Teeth	AEU2144L	1
9	Screw-hexagon socket	Change point - VIN begin JA610294	PUMP TO BLOCK, 4 Cylinder, M8	SS108181L	3
10	Washer	Change point - VIN begin JA610294	4 Cylinder	AEU2146L	3

Engine
2500 - Diesel - Turbo
Clutch & Flywheel 1/1

Range Rover (From JA610294)

(BDBWRA2A)



Range Rover (From JA610294)

Engine
2500 - Diesel - Turbo
Clutch & Flywheel

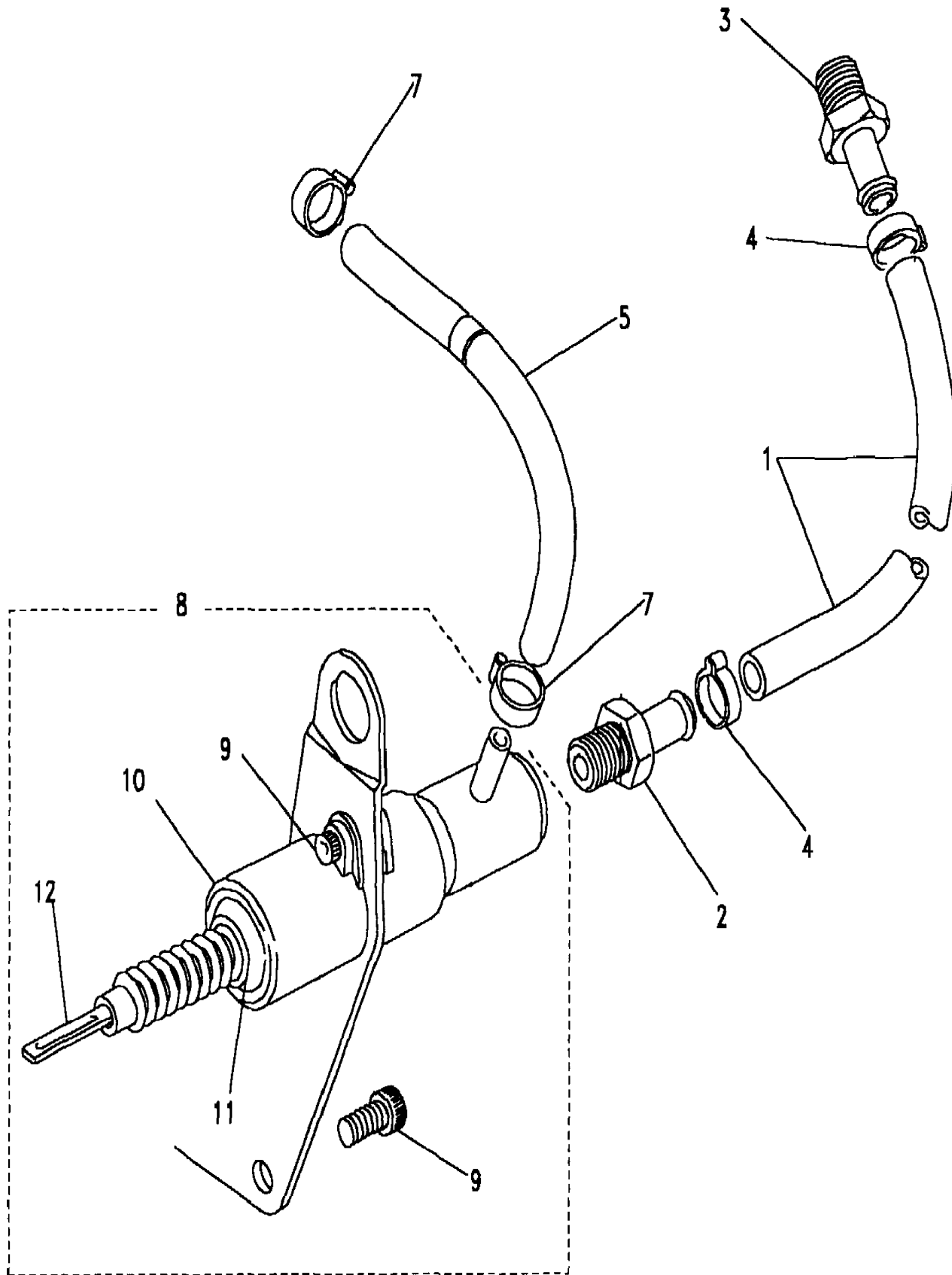
2.5L Turbo Diesel VM

Callout	Name	Application	Remarks & Restrictions	Service No.	Qty
1	Flywheel engine		4 Cylinder, Also serviced as part of a kit	RTC4945	1
2	Gear starter ring torque converter		4 Cylinder, Also serviced as part of a kit	RTC4927	1
3	Bolt-fixing flywheel crankshaft		4 Cylinder, to plate clutch driven, M10 x 60	RTC6731	6
4	Plate-clutch-driven		4 Cylinder 4 Cylinder 4 Cylinder, Also serviced as part of a kit	FTC2149 FTC4204 FTC2149	1 1 1
5	Cover-clutch assembly		4 Cylinder 4 Cylinder 4 Cylinder, Also serviced as part of a kit	FTC575 URB100760 FTC575	1 1 1
6	Dowel		4 Cylinder	ETC9063	3
7	Bolt		4 Cylinder, to cover clutch assembly, M8 x 20	SX108201L	6
8	Washer		4 Cylinder, M8, sprung	WL108001L	6
9	Spacer		4 Cylinder	AEU2293L	1
10	Bolt-fixing flywheel crankshaft		4 Cylinder, to spacer	AEU2239L	1
11	O Ring		4 Cylinder, flywheel housing to cylinder block	AEU2193L	1
[900]	Bearing-clutch release		4 Cylinder, Also serviced as part of a kit	FRC9568	1
[902]	Kit-clutch		4 Cylinder, Also serviced as part of a kit	STC8358	1

Engine
2500 - Diesel - Turbo
Cold Start 1/1

Range Rover (From JA610294)

(BDBWGK1A)



Range Rover (From JA610294)

Engine
2500 - Diesel - Turbo
Cold Start

2.5L Turbo Diesel VM

Callout	Name	Application	Remarks & Restrictions	Service No.	Qty
1	Pipe-feed-fuel lines		4 Cylinder	RTC4958	1
2	Connector-inlet manifold adaptor		4 Cylinder	RTC4968	1
3	Connector-inlet manifold adaptor		4 Cylinder	RTC4967	1
4	Clip		4 Cylinder	EAC22723	2
5	Pipe-return fuel lines		4 Cylinder	RTC4962	1
7	Clip		4 Cylinder	EAC22723	2
8	Sensor-temperature cold start (ksb) injection pump		4 Cylinder	RTC5624	1
9	Screw-hexagon socket		4 Cylinder, M6 x 25	SS106251L	5
10	Boot-rubber		4 Cylinder	RTC5723	1
11	Thermostat-engine		4 Cylinder, cold start	RTC5724	1
12	Rod-cold start & fast fill		4 Cylinder	RTC5725	1

Engine
2500 - Diesel - Turbo
Complete Engine 1/1

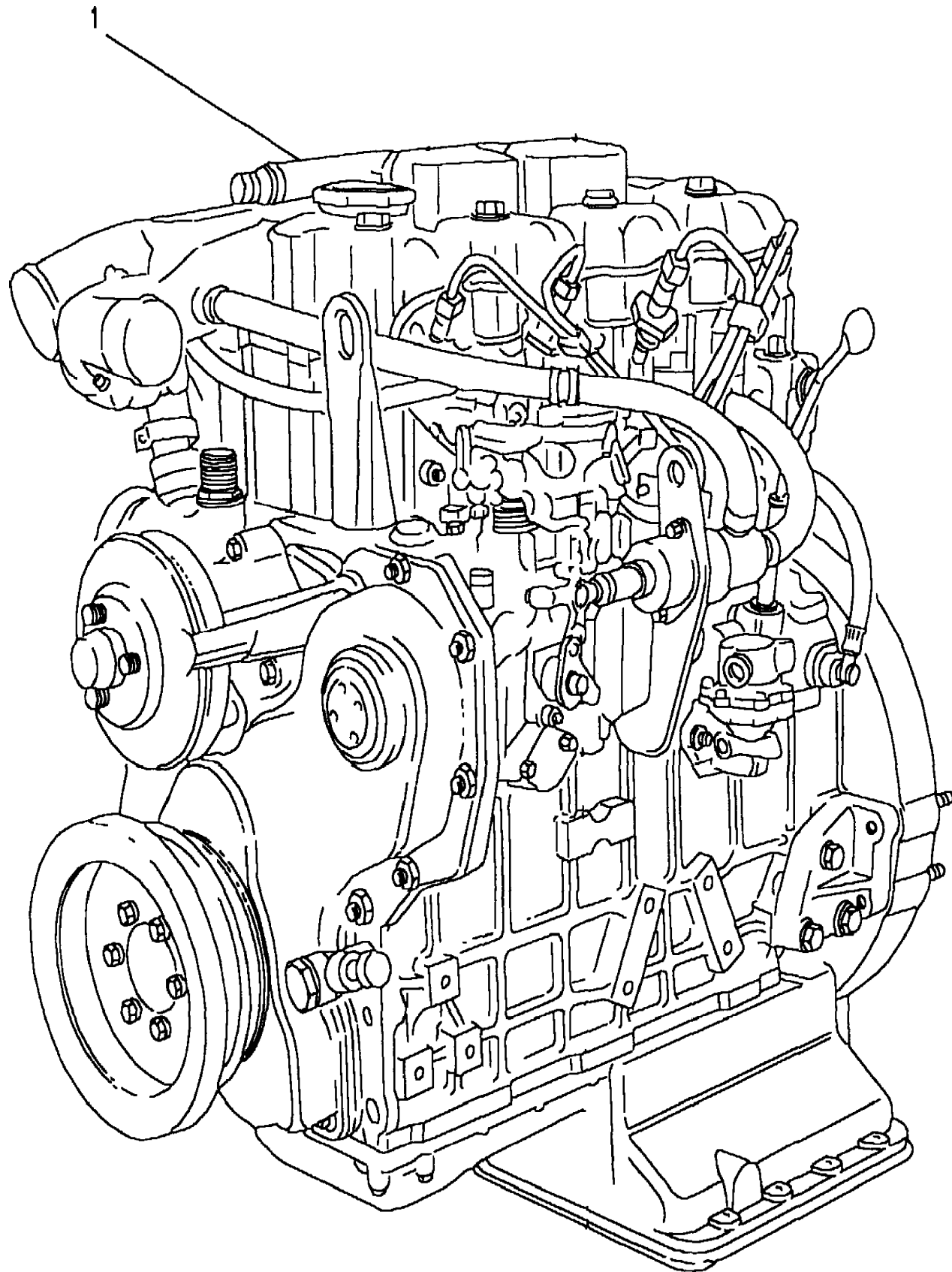
Range Rover (From JA610294)
(BDBWAA1A)

Range Rover (From JA610294)

Engine
2500 - Diesel - Turbo
Complete Engine

2.5L Turbo Diesel VM

Callout	Name	Application	Remarks & Restrictions	Service No.	Qty
1	Engine assembly-power unit	Change point - VIN begin JA610294	4 Cylinder	ETC9104N	1



Engine
2500 - Diesel - Turbo
Cooling Fan - Viscous Drive 1/1

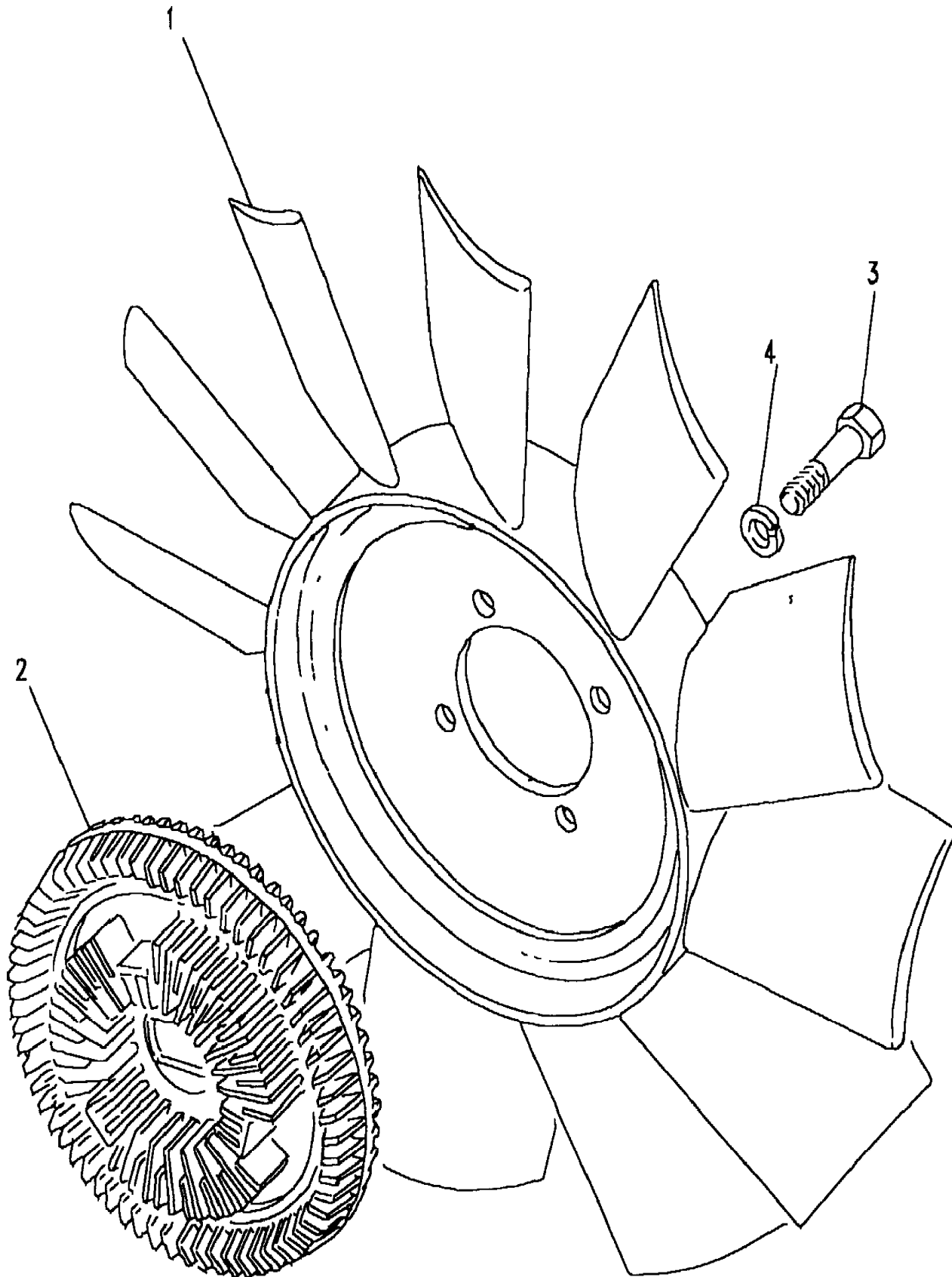
Range Rover (From JA610294)
(BDBWEG1A)

Range Rover (From JA610294)

Engine
2500 - Diesel - Turbo
Cooling Fan - Viscous Drive

2.5L 4 Cyl Turbo Diesel, 2.5L Turbo Diesel VM

Callout	Name	Application	Remarks & Restrictions	Service No.	Qty
1	Fan-cooling	Change point - VIN begin JA610294	White., 17", 11 Blade	ETC1275	1
2	Coupling-engine fan viscous	Change point - VIN begin JA610294	17", 11 Blade	ETC1260	1
3	Screw	Change point - VIN begin JA610294	cooling fan to viscous drive, hexagonal head, 5/16UNC x 5/8	SH505051L	4
4	Washer-Plain	Change point - VIN begin JA610294		587405	4



Engine
2500 - Diesel - Turbo
Crankshaft & Bearings 1/1

Range Rover (From JA610294)

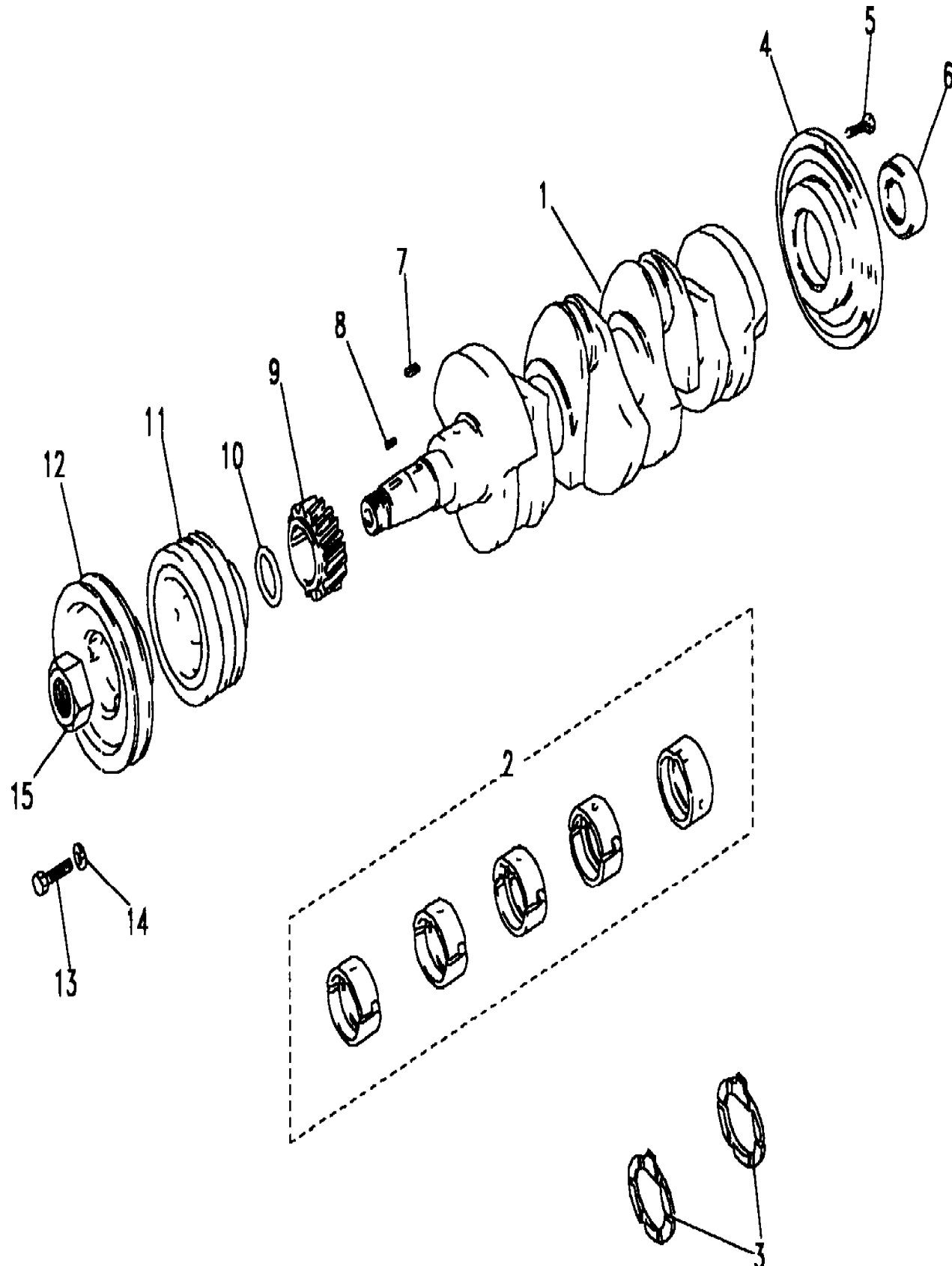
(BDBWCA1A)

Engine
2500 - Diesel - Turbo
Crankshaft & Bearings

Range Rover (From JA610294)

2.5L Turbo Diesel VM

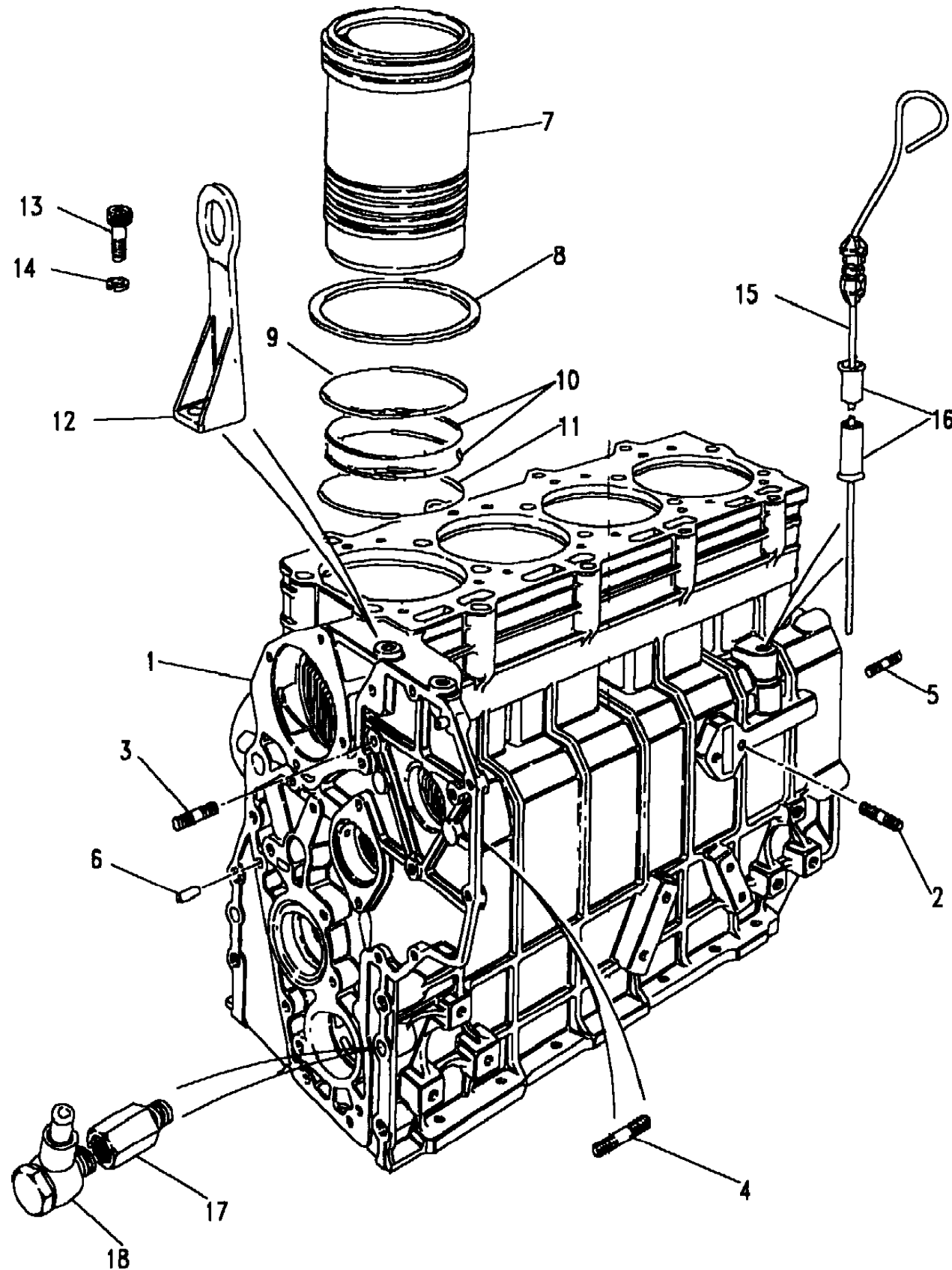
Callout	Name	Application	Remarks & Restrictions	Service No.	Qty
1	Crankshaft assembly-engine	Change point - VIN begin JA610294	4 Cylinder	RTC6653	1
2	Set-crankshaft bearings	Change point - VIN begin JA610294	4 Cylinder, 3 split & 2 whole rings, Standard	RTC2765SL	1
		Change point - VIN begin JA610294	4 Cylinder, Standard	STC651S	1
		Change point - VIN begin JA610294	4 Cylinder, 25mm undersize	RTC276525L	1
		Change point - VIN begin JA610294	4 Cylinder, 50mm undersize	RTC276550L	1
3	Washer-thrust	Change point - VIN begin JA610294	4 Cylinder, Standard	AEU2020L	1
		Change point - VIN begin JA610294	4 Cylinder, 0.10MM	AEU2021L	1
		Change point - VIN begin JA610294	4 Cylinder, 0.20MM	AEU2022L	1
4	Housing spigot	Change point - VIN begin JA610294	4 Cylinder	ETC9044	1
5	Screw	Change point - VIN begin JA610294	4 Cylinder, hexagonal head, M6 x 10	SH106101L	3
		Change point - VIN begin JA610294	4 Cylinder, M6 x 10	FS106101L	3
6	Bearing-thrust crankshaft	Change point - VIN begin JA610294	4 Cylinder	ETC9043	1
7	Key-timing gear	Change point - VIN begin JA610294	4 Cylinder	AEU2008L	1
8	Key-pulley	Change point - VIN begin JA610294	4 Cylinder	AEU2009L	1
9	Gear-crankshaft timing drive	Change point - VIN begin JA610294	4 Cylinder	AEU2010L	1
10	O Ring	Change point - VIN begin JA610294	4 Cylinder	AEU2173L	1
11	Pulley-crankshaft	Change point - VIN begin JA610294, With Air Conditioning	4 Cylinder	RTC6655	1
12	Pulley-drive air conditioning	Change point - VIN begin JA610294	4 Cylinder	RTC6654	1
13	Screw-hexagon socket	Change point - VIN begin JA610294	4 Cylinder, M8 x 40	SS108401	6
14	Washer	Change point - VIN begin JA610294	4 Cylinder, M8, sprung	WL108001L	6
15	Nut-hexagonal-thin	Change point - VIN begin JA610294	CRANKSHAFT PULLEY, 4 Cylinder	NT124041	1



Engine
2500 - Diesel - Turbo
Cylinder Block 1/2

Range Rover (From JA610294)

(BDBWBA1A)



Range Rover (From JA610294)

Engine
2500 - Diesel - Turbo
Cylinder Block

2.5L 4 Cyl Turbo Diesel, 2.5L Turbo Diesel VM

Callout	Name	Application	Remarks & Restrictions	Service No.	Qty
1	Cylinder block-engine	Change point - VIN begin JA610294		RTC6649	1
2	Stud	Change point - VIN begin JA610294	Fuel Pump, M8	RTC6762	2
3	Stud	Change point - VIN begin JA610294	injector pump, M8	RTC6763	2
4	Stud	Change point - VIN begin JA610294	injector pump, M8	RTC6764	1
5	Stud	Change point - VIN begin JA610294	flywheel housing, M8	RTC6761	6
6	Dowel	Change point - VIN begin JA610294	front cover securing	AEU2180L	2
7	Liner-engine cylinder	Change point - VIN begin JA610294		AEU2001L	4
8	Shim	Change point - VIN begin JA610294	0.15MM	AEU2272L	X
		Change point - VIN begin JA610294	0.20MM	AEU2273L	X
		Change point - VIN begin JA610294	0.23mm	AEU2290L	X
9	O Ring	Change point - VIN begin JA610294	Brown, top, 1.78	STC159	4
10	O Ring	Change point - VIN begin JA610294	Black, 2.62MM, middle	RTC6766	8
11	O Ring	Change point - VIN begin JA610294	Brown, 2.62MM, bottom	RTC6765	4
12	Bracket-lifting engine front	Change point - VIN begin JA610294		AEU2288L	1
13	Screw	Change point - VIN begin JA610294	lifting eye to block, M10 X 45	SS110451L	1
14	Washer	Change point - VIN begin JA610294	M10	WL110001L	1
15	Dipstick-oil	Change point - VIN begin JA610294	two-piece sump	RTC6663	1
		Change point - VIN begin JA610294	one-piece sump	STC658	1
16	Tube-oil dipstick	Change point - VIN begin JA610294		AEU2796L	1
17	Connector-inlet manifold adaptor	Change point - VIN begin JA610294		RTC6647	1

Engine
2500 - Diesel - Turbo
Cylinder Block 2/2

Range Rover (From JA610294)

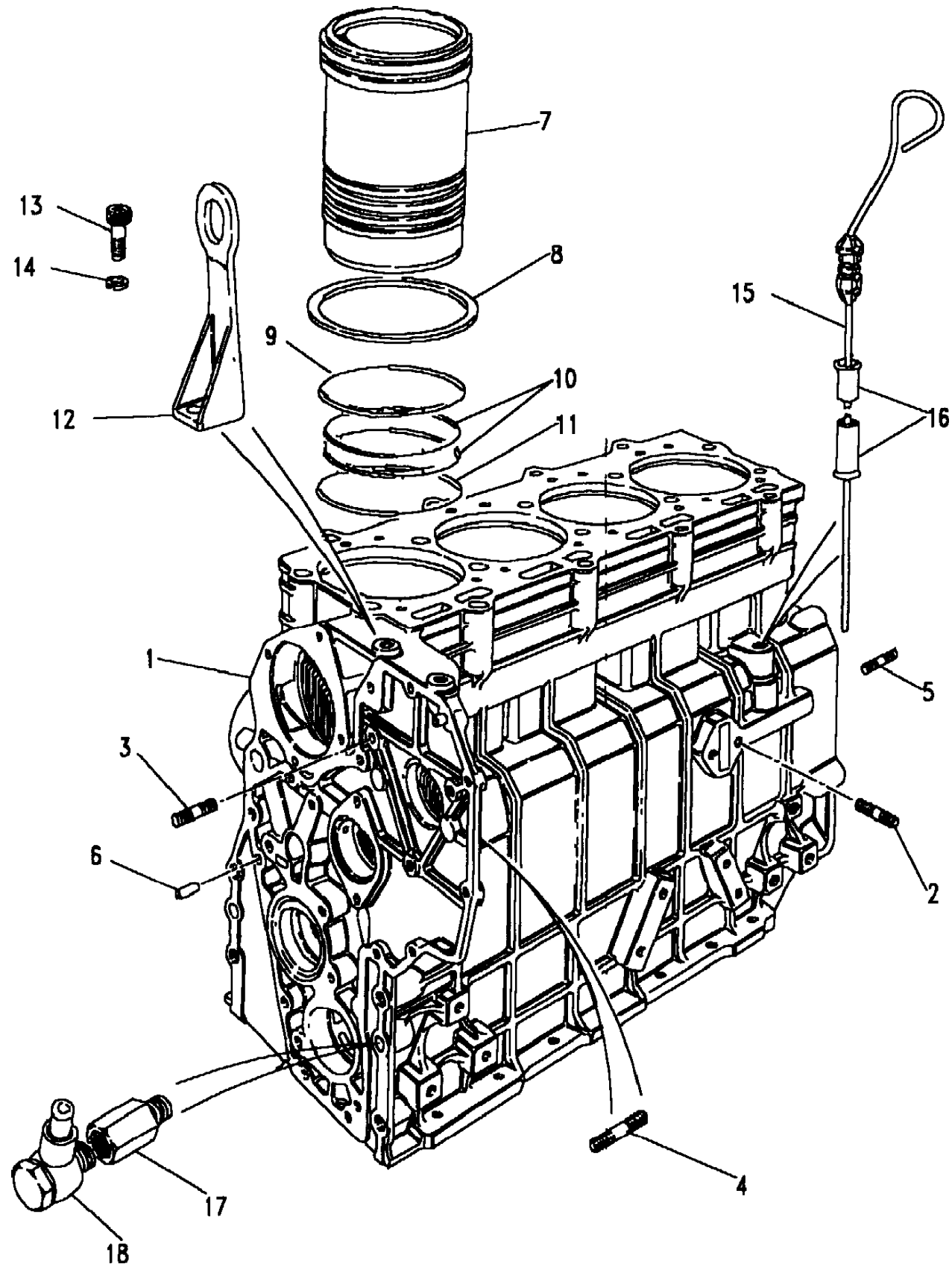
(BDBWBA1A)

Engine
2500 - Diesel - Turbo
Cylinder Block

Range Rover (From JA610294)

2.5L 4 Cyl Turbo Diesel, 2.5L Turbo Diesel VM

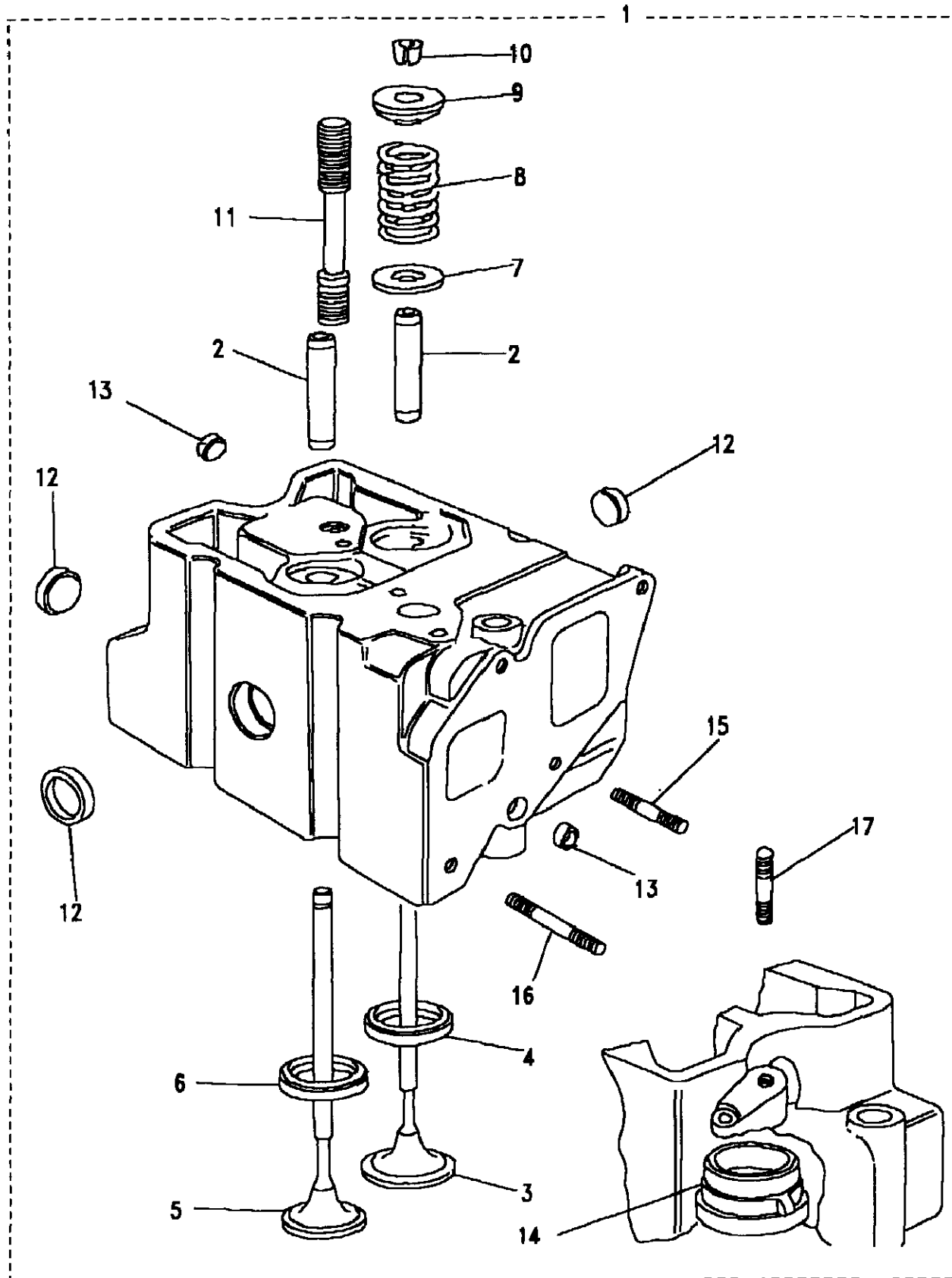
Callout	Name	Application	Remarks & Restrictions	Service No.	Qty
18	Valve-non return brake vacuum	Change point - VIN begin JA610294		RTC6648	1



Engine
2500 - Diesel - Turbo
Cylinder Head 1/2

Range Rover (From JA610294)

(BDBWGA1A)



Range Rover (From JA610294)

Engine
2500 - Diesel - Turbo
Cylinder Head

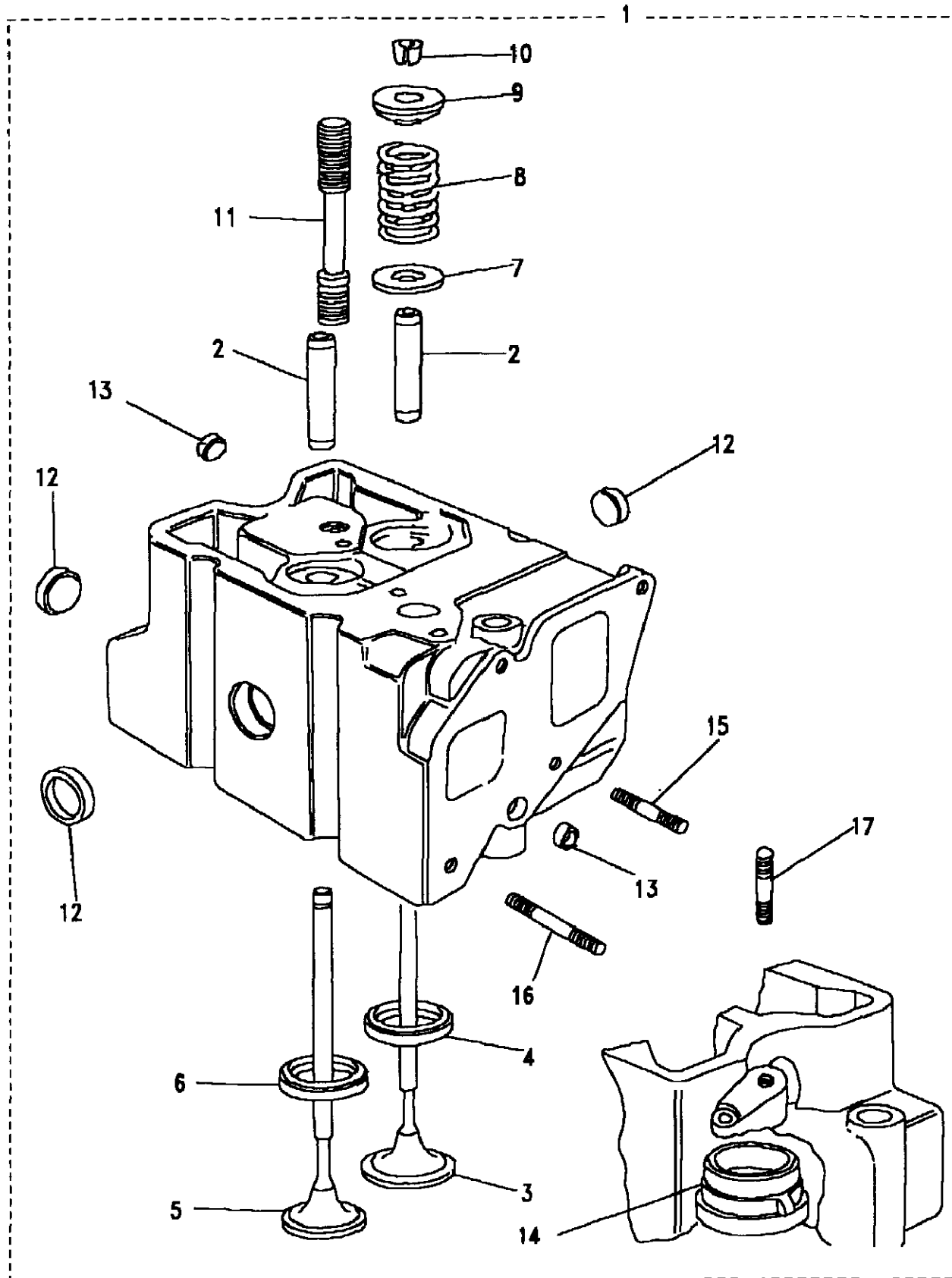
2.5L Turbo Diesel VM

Callout	Name	Application	Remarks & Restrictions	Service No.	Qty
1	Cylinder head assembly-engine	Change point - VIN begin JA610294	4 Cylinder, Also serviced as part of a kit	STC1347	4
2	Guide-cylinder head valve	Change point - VIN begin JA610294	4 Cylinder, Also serviced as part of a kit	AEU2045L	8
3	Valve-cylinder head inlet	Change point - VIN begin JA610294	4 Cylinder, Also serviced as part of a kit	AEU2296L	4
4	Seat-cylinder head inlet valve	Change point - VIN begin JA610294	4 Cylinder, Also serviced as part of a kit	RTC6704	4
5	Valve-cylinder head exhaust	Change point - VIN begin JA610294	4 Cylinder, Also serviced as part of a kit	RTC4916	4
6	Seat-cylinder head exhaust valve	Change point - VIN begin JA610294	4 Cylinder, Also serviced as part of a kit	RTC6705	4
7	Seat-cylinder head valve spring	Change point - VIN begin JA610294	4 Cylinder, Also serviced as part of a kit	RTC6707	8
8	Spring-cylinder head valve	Change point - VIN begin JA610294	4 Cylinder, Also serviced as part of a kit	AEU2051L	8
9	Collar	Change point - VIN begin JA610294	4 Cylinder, Also serviced as part of a kit	AEU2052L	8
10	Collet-cylinder head valve	Change point - VIN begin JA610294	4 Cylinder, Also serviced as part of a kit	AEU2053L	16
11	Stud	Change point - VIN begin JA610294	4 Cylinder, Also serviced as part of a kit	AEU2054L	4
12	Plug-core	Change point - VIN begin JA610294	4 Cylinder, Also serviced as part of a kit	AEU2056L	8
13	Plug-core	Change point - VIN begin JA610294	4 Cylinder, Also serviced as part of a kit	AEU2057L	4
14	Insert-cylinder head-pre combustion chamber	Change point - VIN begin JA610294	4 Cylinder, Also serviced as part of a kit	RTC6708	4
15	Stud	Change point - VIN begin JA610294	4 Cylinder	AEU2207L	8
16	Spacer-exhaust manifold stud nut	Change point - VIN begin JA610294	4 Cylinder	RTC6719	8
17	Stud	Change point - VIN begin JA610294	4 Cylinder	AEU2109L	4
[900]	Plug-core	Change point - VIN begin JA610294	4 Cylinder, Also serviced as part of a kit, 16MM	AEU2198L	4
[901]	Plug	Change point - VIN begin JA610294	4 Cylinder, Also serviced as part of a kit	RTC6774	2

Engine
2500 - Diesel - Turbo
Cylinder Head 2/2

Range Rover (From JA610294)

(BDBWGA1A)



Range Rover (From JA610294)

Engine
2500 - Diesel - Turbo
Cylinder Head

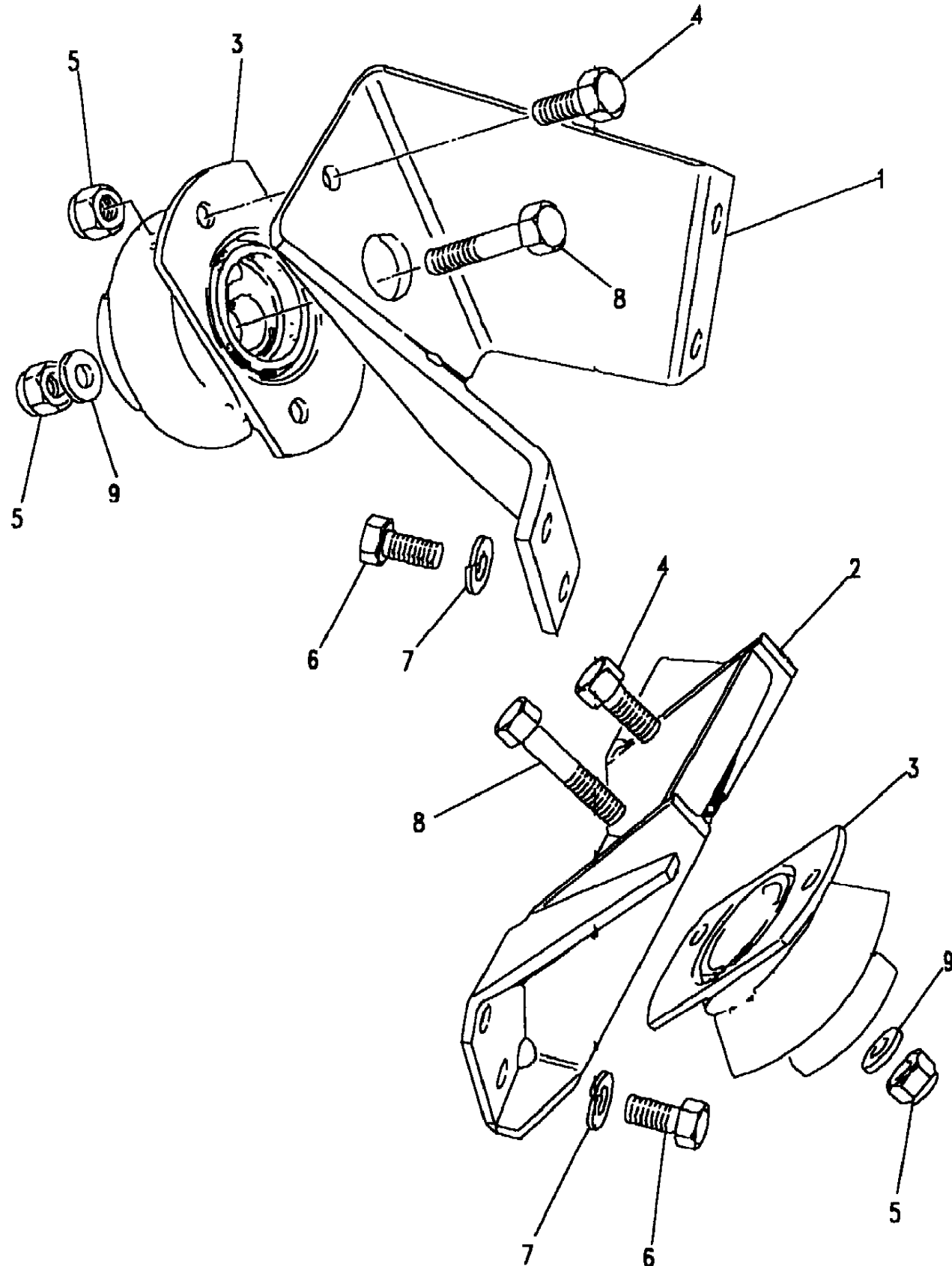
2.5L Turbo Diesel VM

Callout	Name	Application	Remarks & Restrictions	Service No.	Qty
[902]	Washer	Change point - VIN begin JA610294	4 Cylinder, Also serviced as part of a kit	JAM3256L	4
[903]	Transducer coolant temperature	Change point - VIN begin JA610294	4 Cylinder	PRC7917	1

Engine
2500 - Diesel - Turbo
Engine Mountings - Front 1/1

Range Rover (From JA610294)

(BDBWDC1A)



Range Rover (From JA610294)

Engine
2500 - Diesel - Turbo
Engine Mountings - Front

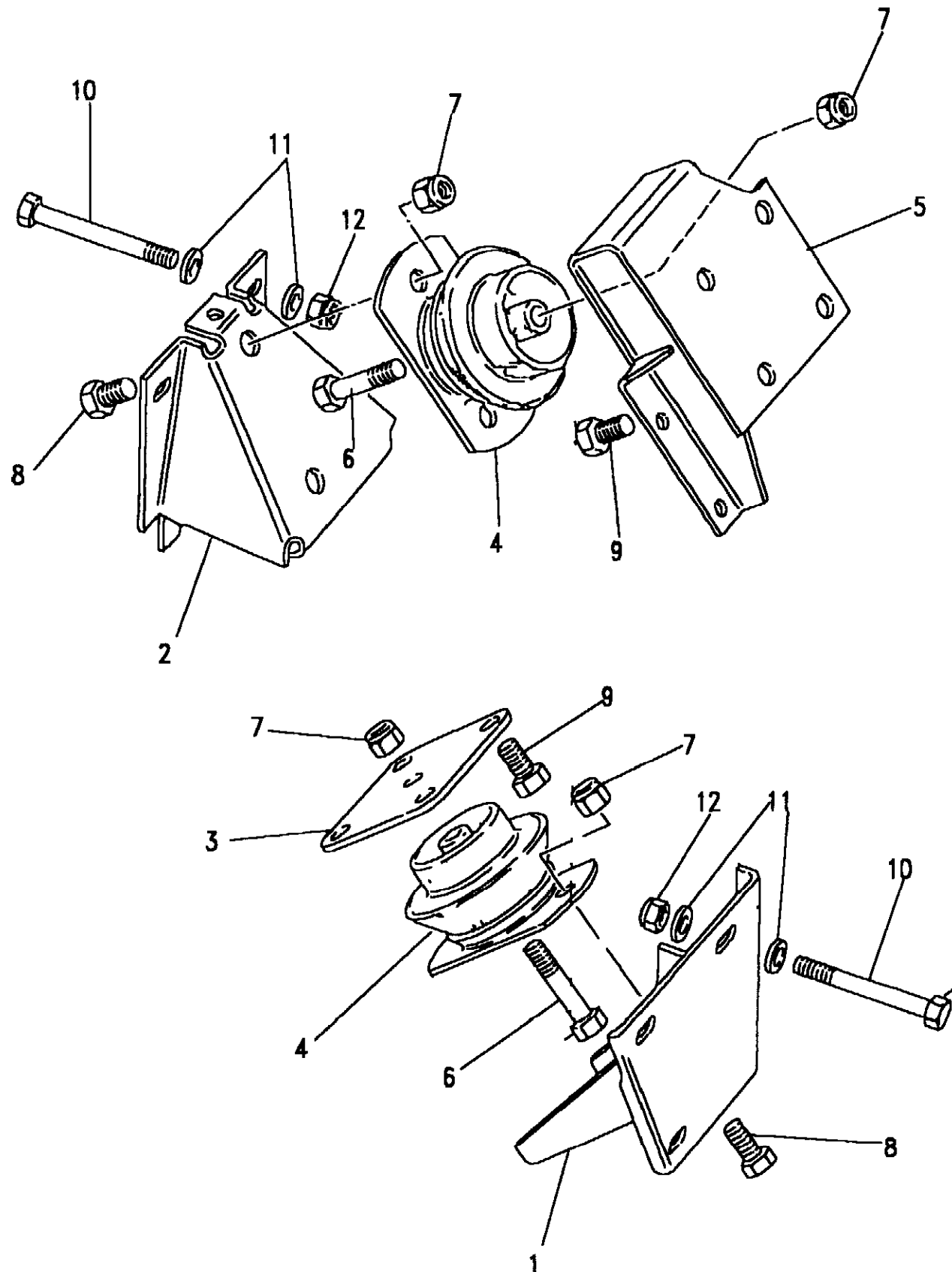
2.5L Turbo Diesel VM

Callout	Name	Application	Remarks & Restrictions	Service No.	Qty
1	Bracket-engine mounting	Change point - VIN begin JA610294	4 Cylinder, Front, RH	NTC3237	1
2	Bracket-engine mounting	Change point - VIN begin JA610294	4 Cylinder, Front, LH	NTC2776	1
3	Mounting-engine rubber	Change point - VIN begin JA610294	4 Cylinder, Rear	NTC3241	2
4	Screw	Change point - VIN begin JA610294	4 Cylinder, bracket to bracket, hexagonal head, M10 x 25	SH110251L	4
5	Nut - Hex.	Change point - VIN begin JA610294	4 Cylinder, M10, hexagonal head, nyloc	NY110041L	4
		Change point - VIN begin JA610294	4 Cylinder, M10, nyloc, flange	NY110047L	4
6	Screw	Change point - VIN begin JA610294	bracket to block, 4 Cylinder, hexagonal head, M10 x 20	SH110201L	8
7	Washer	Change point - VIN begin JA610294	4 Cylinder, M10	WL110001L	8
8	Bolt	Change point - VIN begin JA610294	BRACKET TO BODY, 4 Cylinder, Long, M10 x 60	BH110121L	2
9	Washer	Change point - VIN begin JA610294	4 Cylinder, M10, Plain	WA110001L	2

Engine
2500 - Diesel - Turbo
Engine Mountings - Rear 1/1

Range Rover (From JA610294)

(BDBWDC2A)



Range Rover (From JA610294)

Engine
2500 - Diesel - Turbo
Engine Mountings - Rear

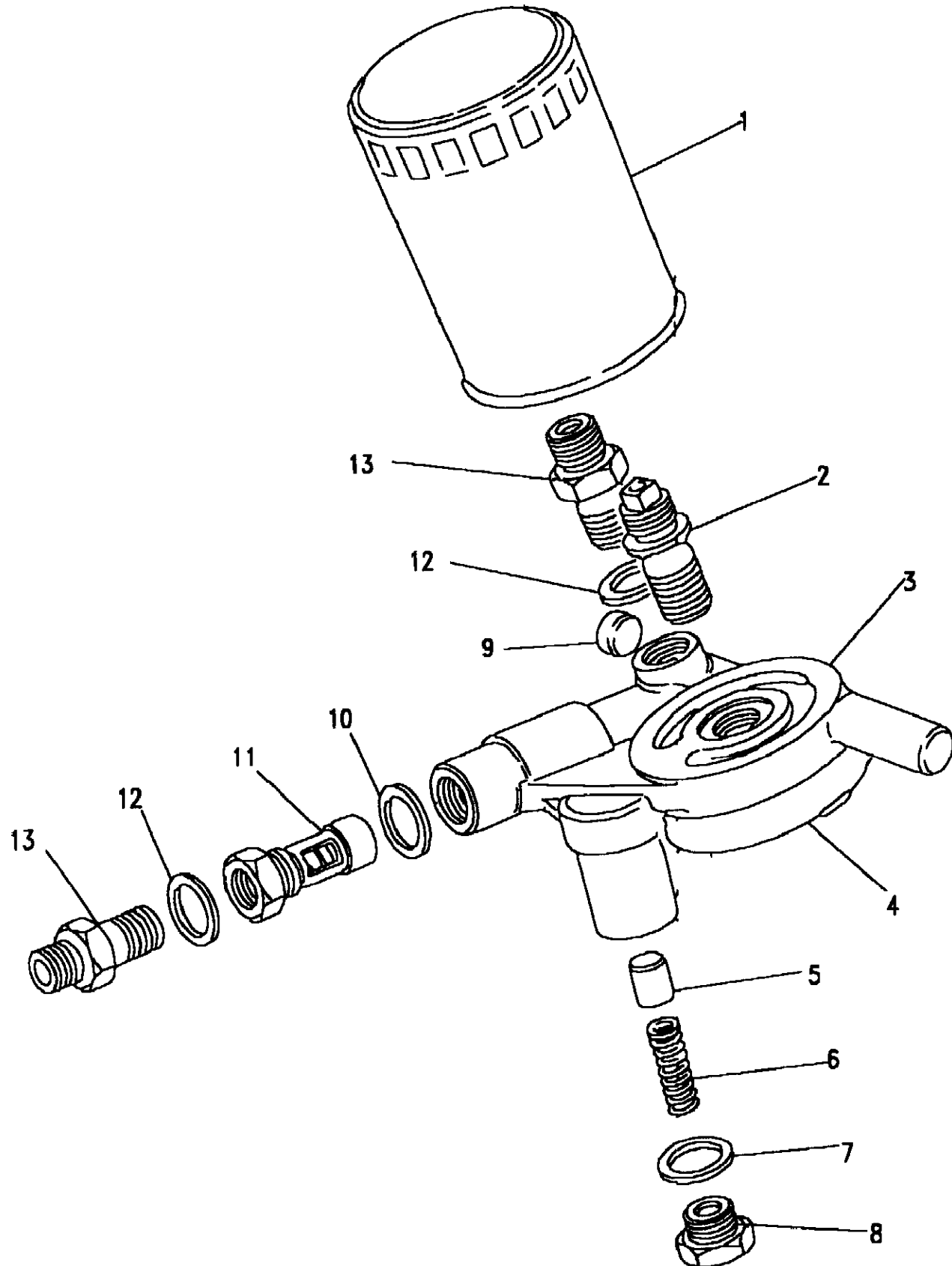
2.5L Turbo Diesel VM

Callout	Name	Application	Remarks & Restrictions	Service No.	Qty
1	Bracket-engine mounting	Change point - VIN begin JA610294	4 Cylinder, Rear, RH	NTC7271	1
2	Bracket-engine mounting	Change point - VIN begin JA610294	4 Cylinder, Rear, LH	NTC2306	1
3	Plate Mounting	Change point - VIN begin JA610294	4 Cylinder, RH	NRC8204	1
		Change point - VIN begin JA610294	4 Cylinder, RH	ANR2819	1
4	Mounting-engine rubber	Change point - VIN begin JA610294	4 Cylinder, Rear, LH	NTC3242	1
		Change point - VIN begin JA610294	4 Cylinder, Rear, RH	NTC7270	1
5	Bracket-engine mounting	Change point - VIN begin JA610294	4 Cylinder, LH	NTC5867	1
		Change point - VIN begin JA610294	4 Cylinder, Rear, RH	NTC7272	1
6	Bolt	Change point - VIN begin JA610294	4 Cylinder, bracket to bracket, Long, M10 x 60	BH110121L	2
7	Nut - Hex.	Change point - VIN begin JA610294	4 Cylinder, M10, hexagonal head, nyloc	NY110041L	6
		Change point - VIN begin JA610294	4 Cylinder, M10, nyloc, flange	NY110047L	6
8	Screw	Change point - VIN begin JA610294	4 Cylinder, bracket to bracket, hexagonal head, M10 x 25	SH110251L	4
9	Screw	Change point - VIN begin JA610294	4 Cylinder, bracket to bracket, hexagonal head, M12 x 20	SH112201	8
10	Bolt	Change point - VIN begin JA610294	4 Cylinder, hexagonal head, M8 x 100	BH108201L	6
11	Washer	Change point - VIN begin JA610294	4 Cylinder, M10, oversize, Plain	WC110061L	1
		Change point - VIN begin JA610294	4 Cylinder, 8MM	WA108051L	12
12	Nut - Hex.	Change point - VIN begin JA610294	4 Cylinder, M8, nyloc	NY108041L	6

Engine
2500 - Diesel - Turbo
Filter & Adaptor 1/1

Range Rover (From JA610294)

(BDBWFA1A)



Range Rover (From JA610294)

Engine
2500 - Diesel - Turbo
Filter & Adaptor

2.5L Turbo Diesel VM

Callout	Name	Application	Remarks & Restrictions	Service No.	Qty
1	Cartridge-engine oil filter	Change point - VIN begin JA610294	4 Cylinder	AEU2218L	1
2	Adaptor-oil filter	Change point - VIN begin JA610294	4 Cylinder	AEU2226L	1
3	Plate assembly	Change point - VIN begin JA610294	4 Cylinder, Less Hole	RTC6376	1
4	Gasket-oil cooler-adaptor	Change point - VIN begin JA610294	4 Cylinder	RTC6769	1
5	Relief Valve	Change point - VIN begin JA610294	4 Cylinder	AEU2875L	1
6	Spring	Change point - VIN begin JA610294	4 Cylinder	RTC6770	1
7	Washer-copper	Change point - VIN begin JA610294	4 Cylinder	JAM3254L	1
8	Plug	Change point - VIN begin JA610294	4 Cylinder	AEU2876L	1
9	Plug-core	Change point - VIN begin JA610294	4 Cylinder	AEU2057L	1
10	Washer-copper	Change point - VIN begin JA610294	4 Cylinder	AEU2219L	1
11	Valve-thermostatic expansion	Change point - VIN begin JA610294	4 Cylinder	AEU2220L	1
12	Washer-sealing	Change point - VIN begin JA610294	4 Cylinder	ETC9065	2
13	Adaptor-oil cooler	Change point - VIN begin JA610294	4 Cylinder	ETC9064	2

Engine
2500 - Diesel - Turbo
Flywheel Housing 1/1

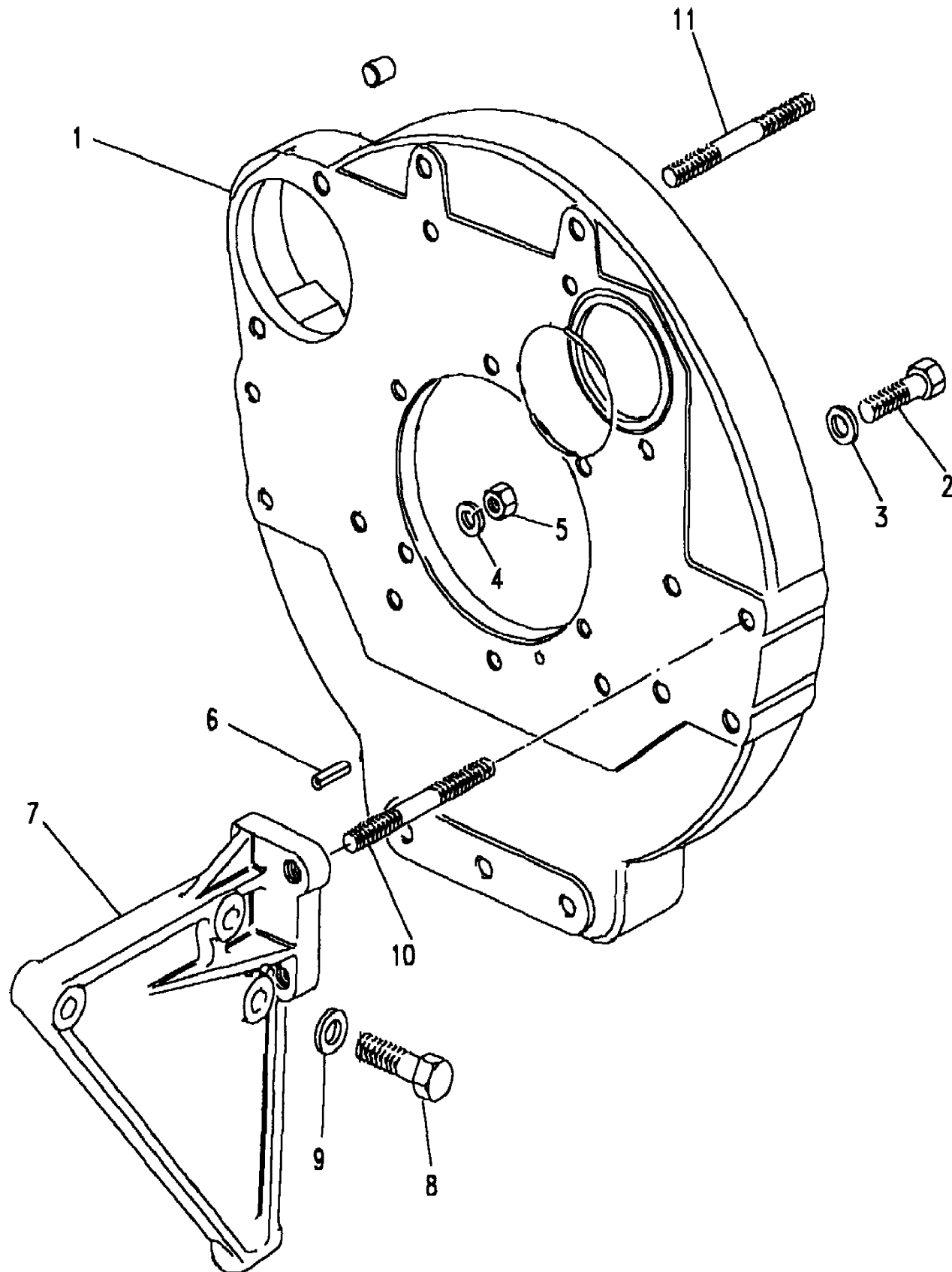
Range Rover (From JA610294)
(BDBWRA1A)

Engine
2500 - Diesel - Turbo
Flywheel Housing

Range Rover (From JA610294)

2.5L Turbo Diesel VM

Callout	Name	Application	Remarks & Restrictions	Service No.	Qty
1	Housing-flywheel assembly		4 Cylinder	RTC6652	1
2	Screw		4 Cylinder, to housing flywheel assembly, Flanged Head, M10 x 30, top	FS110301L	9
3	Washer-plain-thin		4 Cylinder, M10	WB110061L	9
4	Nut - Hex.		4 Cylinder, to housing flywheel assembly, M8, flange	FN108041L	6
6	Housing-flywheel assembly		4 Cylinder, LH 4 Cylinder, RH	RTC6650 RTC6651	1 1
7	Bolt		4 Cylinder, to housing flywheel assembly, M10 X 45	BH110091L	6
8	Washer		4 Cylinder, M10	WL110001L	6
9	Shaft-gearbox support		4 Cylinder	RTC6775	2
10	Stud		4 Cylinder	RTC4964	5
11	Bolt		4 Cylinder, to housing flywheel assembly, Long, M10 x 60	BH110121L	2
12	Washer		4 Cylinder, M10	WL110001L	2
13	O Ring		4 Cylinder	STC769	1



Engine
2500 - Diesel - Turbo
Front Cover 1/1

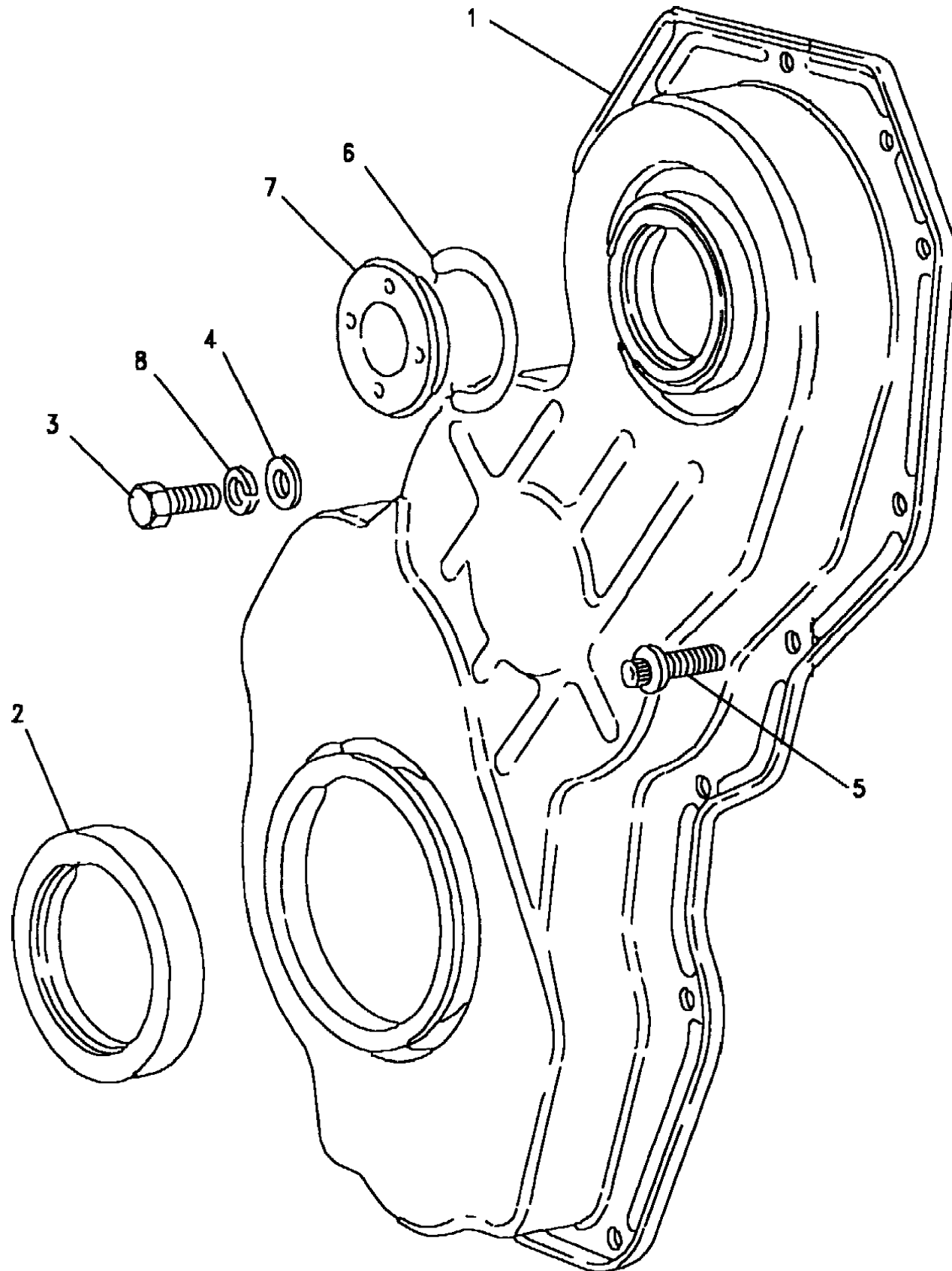
Range Rover (From JA610294)
(BDBWEA1A)

Engine
2500 - Diesel - Turbo
Front Cover

Range Rover (From JA610294)

2.5L Turbo Diesel VM

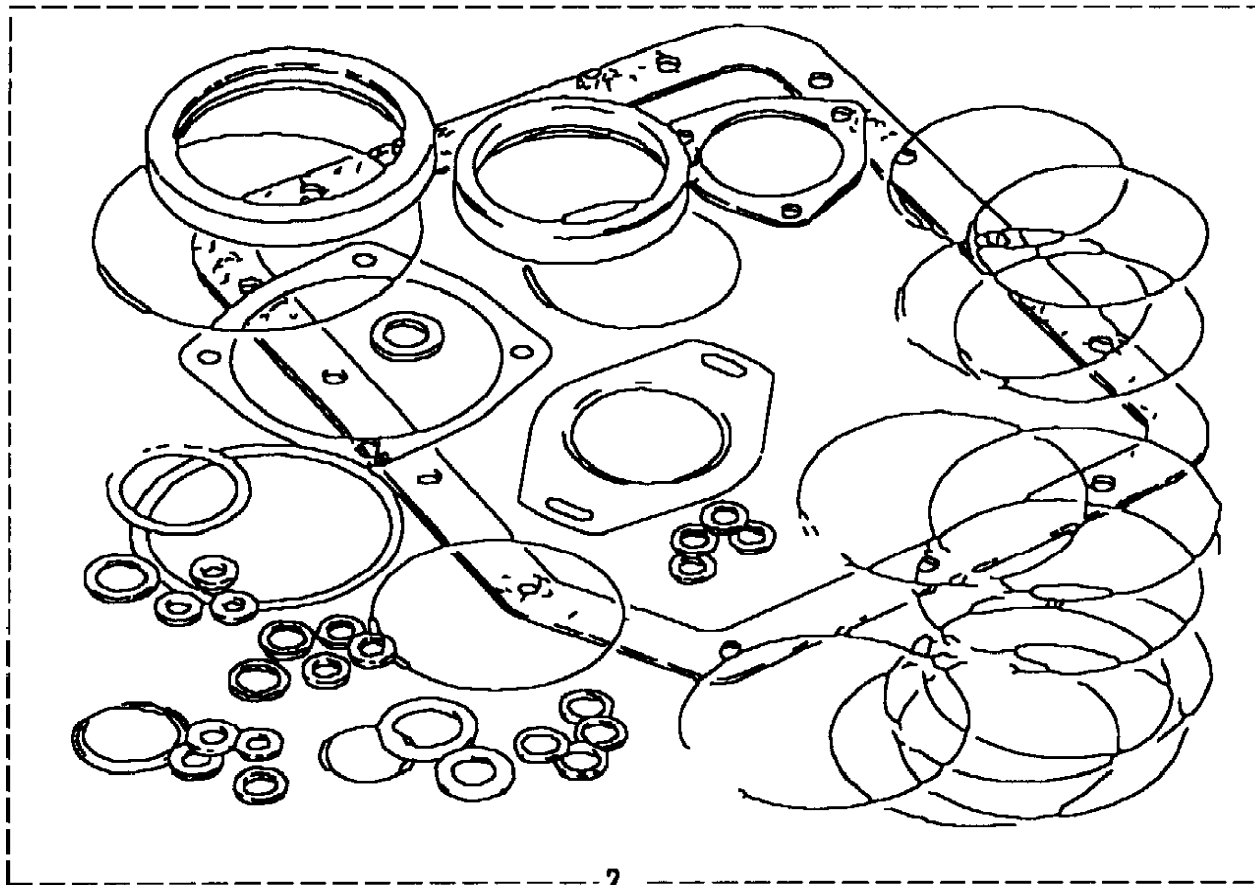
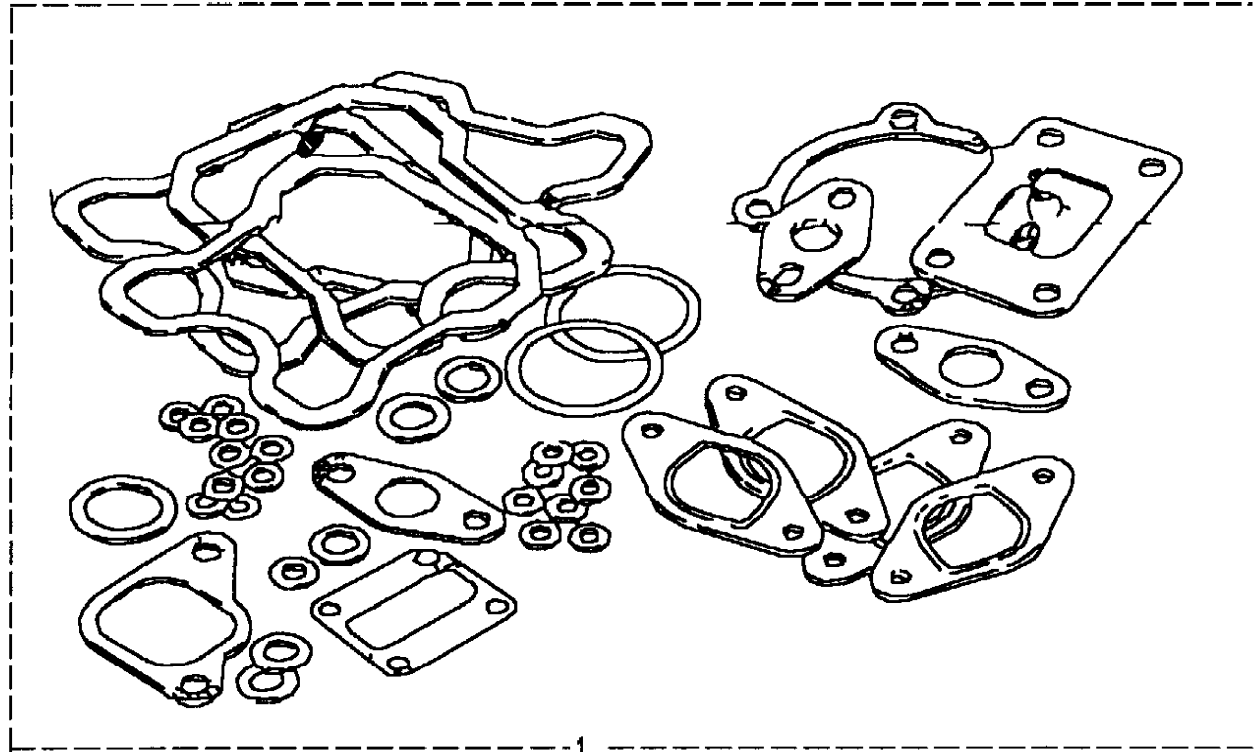
Callout	Name	Application	Remarks & Restrictions	Service No.	Qty
1	Cover-timing belt	Change point - VIN begin JA610294	4 Cylinder, Also serviced as part of a kit	RTC6656	1
2	Seal-cylinder head oil feed	Change point - VIN begin JA610294	4 Cylinder, Also serviced as part of a kit	RTC6771	1
3	Screw	Change point - VIN begin JA610294	4 Cylinder, M8 X 16, hexagonal head	SH108161L	1
		Change point - VIN begin JA610294	4 Cylinder, M8 X 16, Flanged Head	FS108161L	1
4	Washer	Change point - VIN begin JA610294	4 Cylinder, 8MM	WA108051L	1
5	Screw	Change point - VIN begin JA610294	4 Cylinder, M6 X 14	RTC6716	13
6	Gasket-fuel pump blanking plate	Change point - VIN begin JA610294	4 Cylinder	RTC6658	1
7	Plate	Change point - VIN begin JA610294	4 Cylinder	RTC6657	1
8	Washer	Change point - VIN begin JA610294	4 Cylinder, 6MM	WA106041L	1
[900]	Gasket-front cover manual transmission	Change point - VIN begin JA610294	4 Cylinder	AEU2179L	X
		Change point - VIN begin JA610294	4 Cylinder	STC2905	1
[901]	Bracket	Change point - VIN begin JA610294	4 Cylinder	RTC6772	1



Engine
2500 - Diesel - Turbo
Gaskets 1/1

Range Rover (From JA610294)

(BDBWMA1A)



Range Rover (From JA610294)

Engine
2500 - Diesel - Turbo
Gaskets

2.5L Turbo Diesel VM

Callout	Name	Application	Remarks & Restrictions	Service No.	Qty
1	Kit-gasket-cylinder head		4 Cylinder	RTC4993	1
2	Kit-gasket automatic transmission		4 Cylinder	STC158	1

Engine
2500 - Diesel - Turbo
Injection Pump 1/1

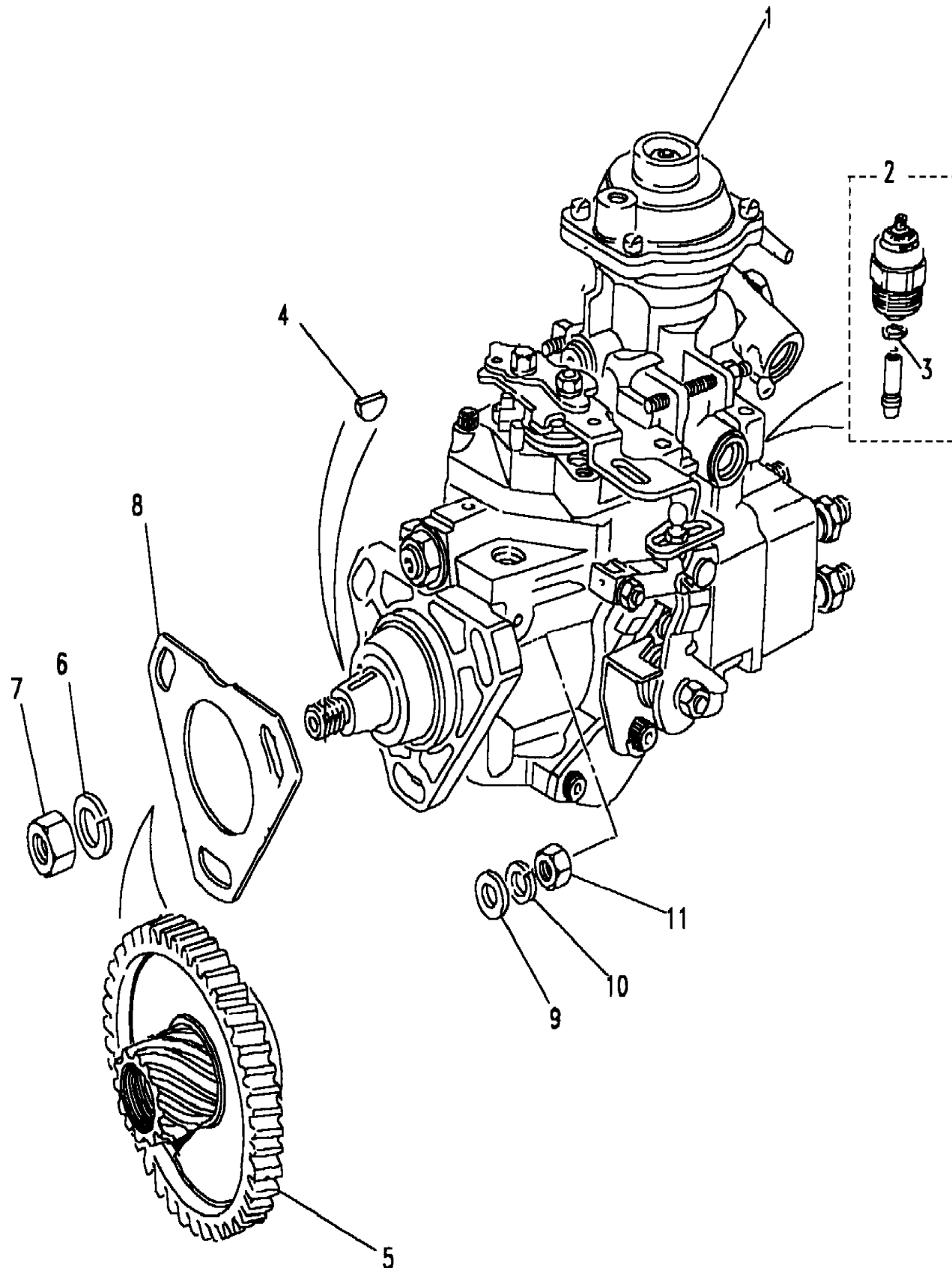
Range Rover (From JA610294)
(BDBWKC1A)

Engine
2500 - Diesel - Turbo
Injection Pump

Range Rover (From JA610294)

2.5L Turbo Diesel VM

Callout	Name	Application	Remarks & Restrictions	Service No.	Qty
1	Pump-fuel injection		4 Cylinder, Also serviced as part of a kit, New 4 Cylinder, exchange	RTC6659 RTC6659E	1 1
2	Switch-electronic diesel control		4 Cylinder, Also serviced as part of a kit	RTC6702	1
3	Gasket-fuel cut off valve		4 Cylinder, Also serviced as part of a kit	RTC6703	1
4	Key		4 Cylinder	AEU2111L	1
5	Gear-crankshaft timing drive		4 Cylinder	RTC6661	1
6	Washer-Spring		4 Cylinder	AEU2112L	1
7	Nut - Hex.		4 Cylinder	AEU2113L	1
8	Gasket-injector diesel		4 Cylinder	STC807	1
9	Washer		4 Cylinder, 8MM	WA108051L	2
10	Washer		4 Cylinder, M8, sprung	WL108001L	2
11	Nut - Hex.		4 Cylinder, M8, hexagonal head	NH108041L	2
[900]	Washer		4 Cylinder	AEU2072L	1
[901]	Bolt-banjo		4 Cylinder	RTC6713	1
[902]	Adaptor-vacuum pipe injection pump		4 Cylinder	RTC6714	1
[903]	Switch-micro-injection pump diesel		4 Cylinder	RTC6712	1
[904]	Connector-inlet manifold adaptor		4 Cylinder	RTC4968	1
[905]	Washer-sealing		4 Cylinder	RTC5016	1
[906]	Lead-link-solenoid fuel shut off		4 Cylinder	RTC6715	1



Engine
2500 - Diesel - Turbo
Injector Assembly 1/1

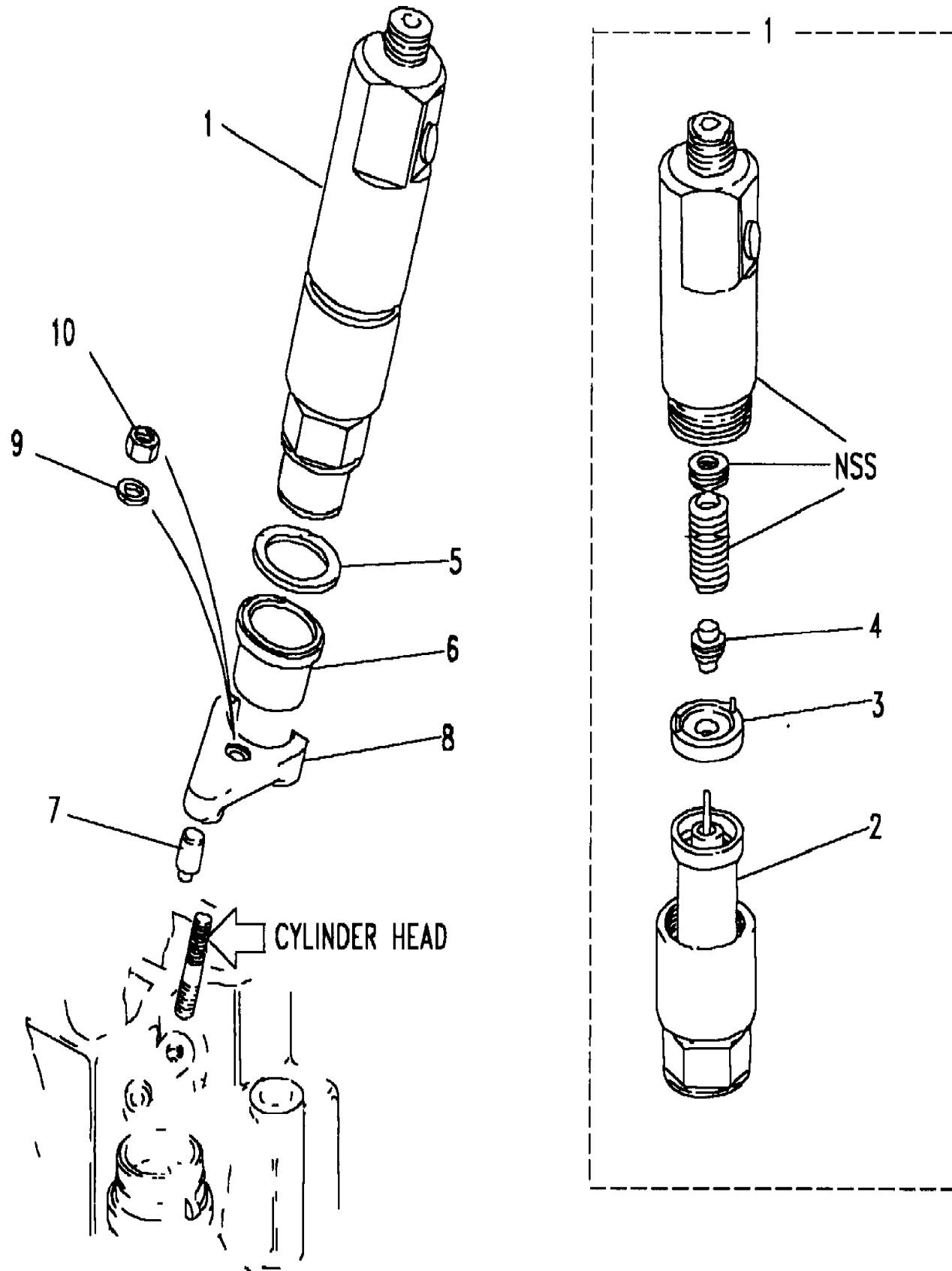
Range Rover (From JA610294)
(BDBWKE2A)

Engine
2500 - Diesel - Turbo
Injector Assembly

Range Rover (From JA610294)

2.5L Turbo Diesel VM

Callout	Name	Application	Remarks & Restrictions	Service No.	Qty
1	Injector & sensor assembly-diesel		4 Cylinder, Also serviced as part of a kit, exchange 4 Cylinder, Also serviced as part of a kit, New	AEU2098E AEU2098L	4 4
2	Atomiser-carburettor fuel		4 Cylinder, Also serviced as part of a kit	AEU2103L	4
3	Holder-nozzle diesel		4 Cylinder, Also serviced as part of a kit	RTC5987	4
4	Nozzle-injection diesel		4 Cylinder, Also serviced as part of a kit	RTC5988	4
5	Washer-sealing		4 Cylinder	AEU2104L	4
6	Shroud		4 Cylinder	AEU2105L	4
7	Dowel		4 Cylinder	AEU2108L	4
8	Plate-locating.		4 Cylinder	AEU2300L	4
9	Washer		4 Cylinder, M8, sprung	WL108001L	4
10	Nut-hexagonal		4 Cylinder, plate to cylinder head	NH10804LL	4



Engine
2500 - Diesel - Turbo
Injectors & Pipes 1/1

Range Rover (From JA610294)

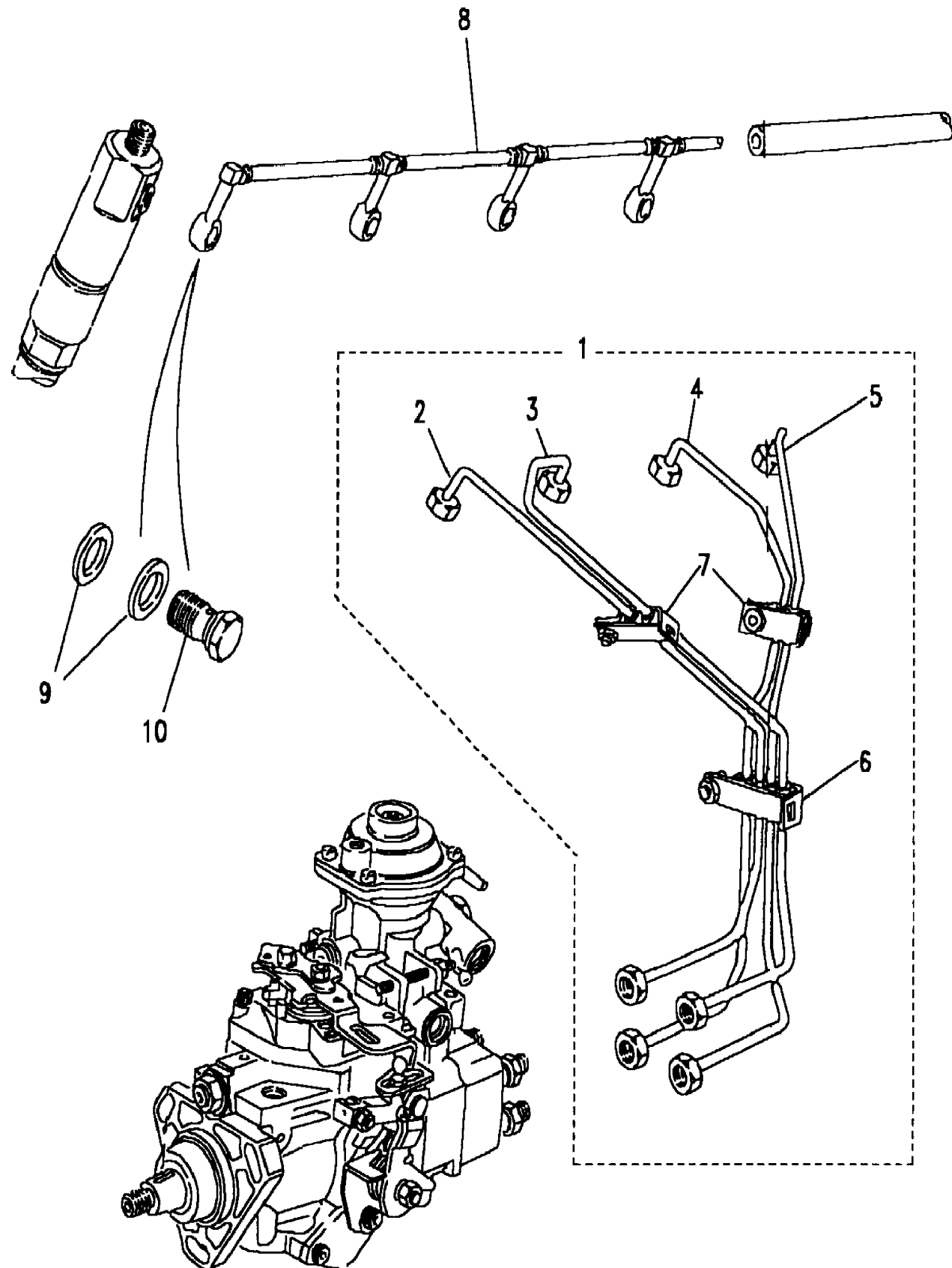
(BDBWKE1A)

Engine
2500 - Diesel - Turbo
Injectors & Pipes

Range Rover (From JA610294)

2.5L Turbo Diesel VM

Callout	Name	Application	Remarks & Restrictions	Service No.	Qty
1	Injector assembly-diesel holder & nozzle		(-) TDI, 4 Cylinder, Also serviced as part of a kit	AEU2123L	1
2	Pipe-fuel-injector		(-) TDI, 4 Cylinder, Also serviced as part of a kit, No1	AEU2124L	1
3	Pipe-fuel-injector		(-) TDI, 4 Cylinder, Also serviced as part of a kit, No2	AEU2125L	1
4	Pipe-fuel-injector		(-) TDI, 4 Cylinder, Also serviced as part of a kit, No3	AEU2126L	1
5	Pipe-fuel-injector		(-) TDI, 4 Cylinder, Also serviced as part of a kit, No4	AEU2127L	1
6	Clamp		(-) TDI, 4 Cylinder, Also serviced as part of a kit, 4 pipes	AEU2128L	1
7	Clamp		(-) TDI, 4 Cylinder, Also serviced as part of a kit, 2 pipes	AEU2129L	2
8	Pipe-spill return fuel injection		4 Cylinder	RTC4957	1
9	Washer-sealing		diesel injector spill return pipe banjo, 4 Cylinder	ERR1304	8
10	Bolt-banjo		4 Cylinder	AEU2132L	4
[900]	Adaptor-spill return injection pump		4 Cylinder	RTC6660	1



Engine
2500 - Diesel - Turbo
Lift Pump 1/1

Range Rover (From JA610294)

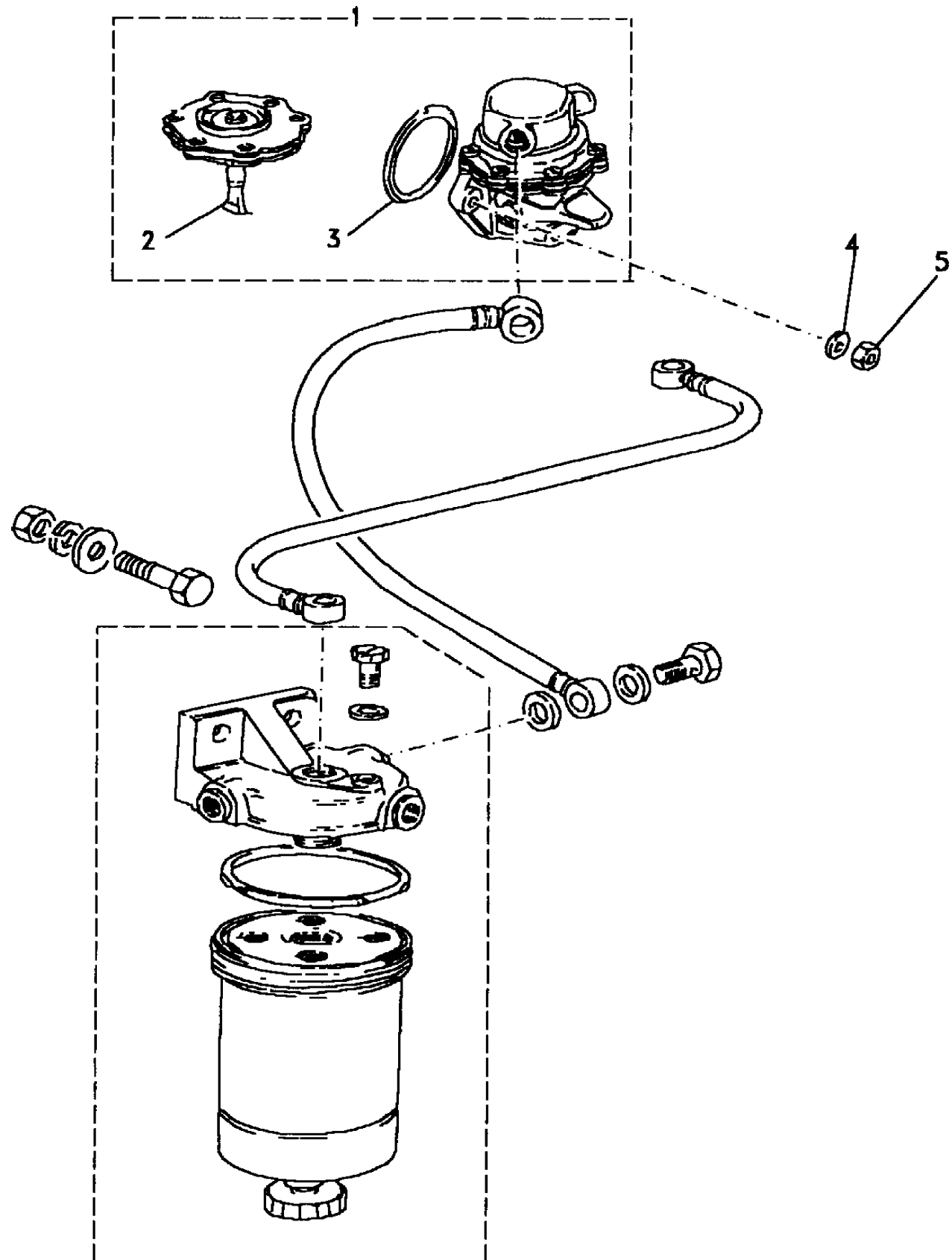
(BDBWKA1A)

Engine
2500 - Diesel - Turbo
Lift Pump

Range Rover (From JA610294)

2.5L Turbo Diesel VM

Callout	Name	Application	Remarks & Restrictions	Service No.	Qty
1	Pump assembly-fuel injection diesel		4 Cylinder, Also serviced as part of a kit	AEU2291L	1
2	Diaphragm assembly fuel system		4 Cylinder, Also serviced as part of a kit	AEU2151L	1
3	O Ring		4 Cylinder	AEU2152L	1
4	Washer		4 Cylinder, 8MM	WA108051L	2
5	Nut - Hex.		4 Cylinder, M8, flange	FN108041L	2



Engine
2500 - Diesel - Turbo
Manifold Exhaust 1/1

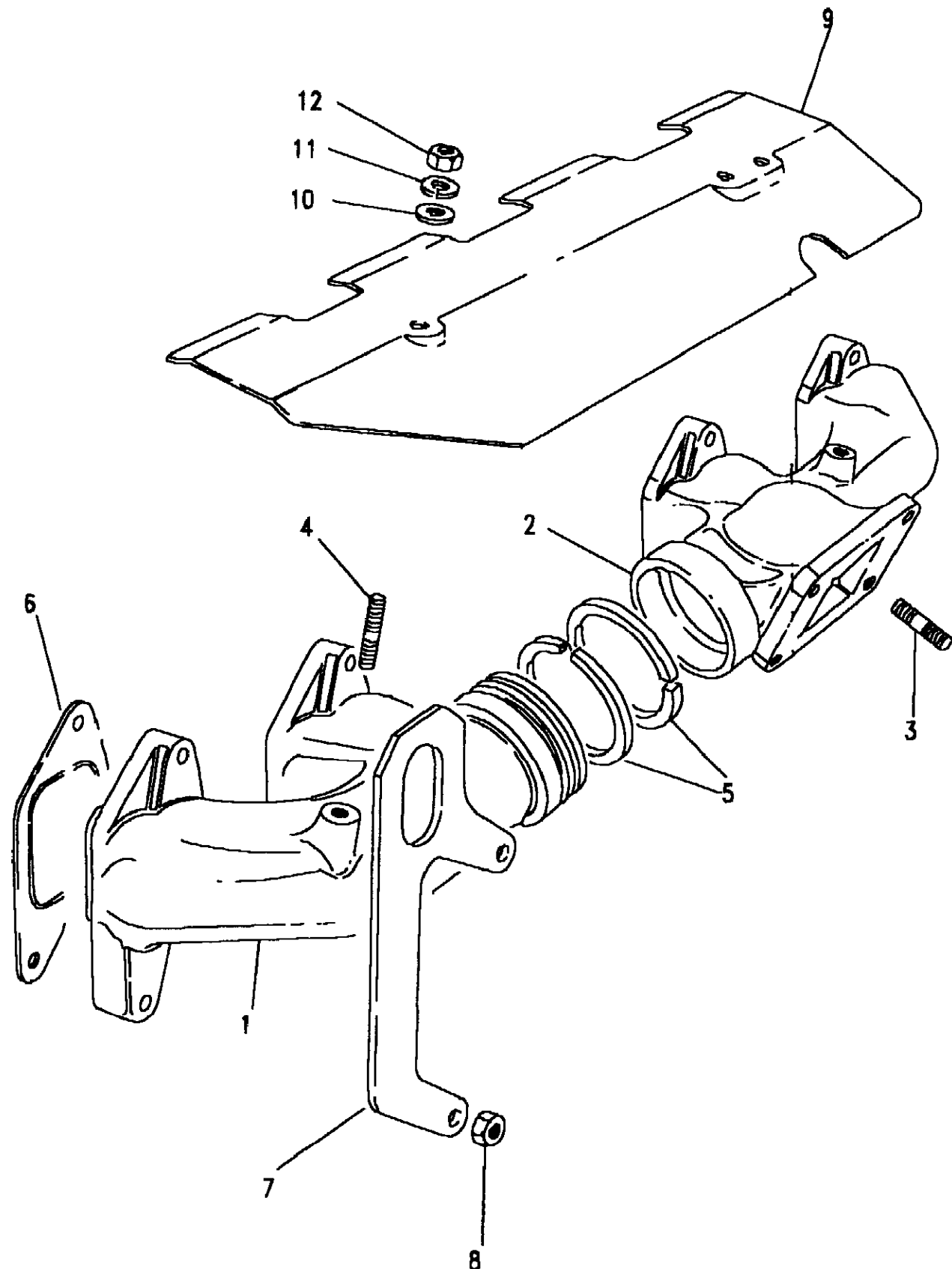
Range Rover (From JA610294)
(BDBWHC1A)

Engine
2500 - Diesel - Turbo
Manifold Exhaust

Range Rover (From JA610294)

2.5L Turbo Diesel VM

Callout	Name	Application	Remarks & Restrictions	Service No.	Qty
1	Manifold-engine rear exhaust		4 Cylinder, Also serviced as part of a kit, Rear	AEU2233L	1
2	Manifold-engine front exhaust		4 Cylinder, Also serviced as part of a kit, Front	RTC4924	1
6	Gasket-exhaust manifold		4 Cylinder	RTC4893	4
7	Bracket-lifting engine rear		4 Cylinder	AEU2214L	1
8	Nut - Hex.		TO BLOCK, 4 Cylinder, M8, flange	FN108041L	8
9	Heatshield-exhaust manifold		4 Cylinder	AEU2217L	1
10	Washer		4 Cylinder, 6MM	WA106041L	2
11	Washer		4 Cylinder, M6, sprung	WL106001L	2
12	Nut - Hex.		heatshield to manifold, 4 Cylinder, M6, nyloc, Hexagonal	NH106041L	2
[900]	Stud		4 Cylinder, Also serviced as part of a kit, M8 4 Cylinder, Also serviced as part of a kit, M6	RTC6717 RTC6718	4 2
[901]	Circlip		4 Cylinder, Also serviced as part of a kit	AEU2234L	2



Engine
2500 - Diesel - Turbo
Manifold Inlet 1/1

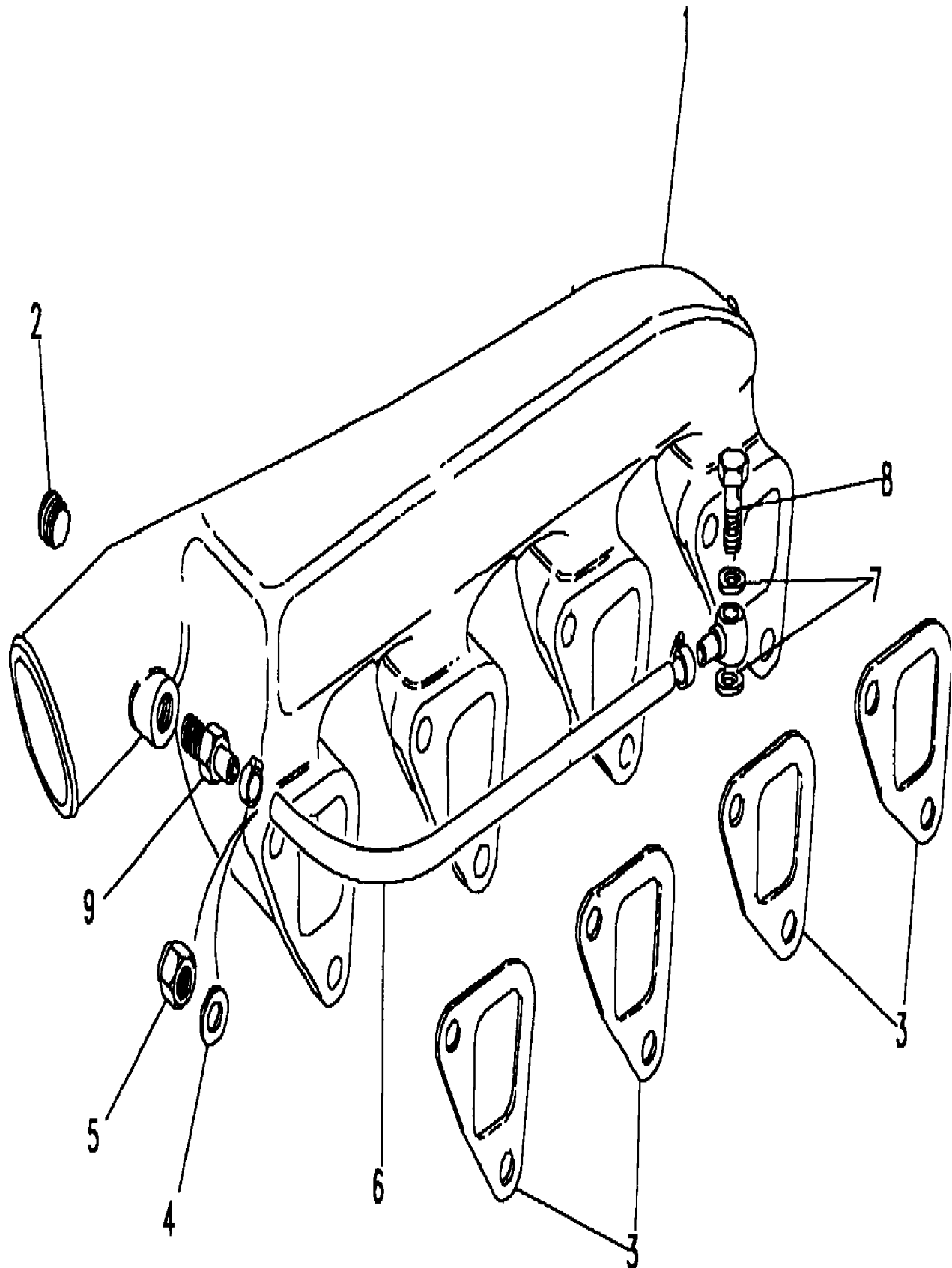
Range Rover (From JA610294)
(BDBWHA1A)

Engine
2500 - Diesel - Turbo
Manifold Inlet

Range Rover (From JA610294)

2.5L Turbo Diesel VM

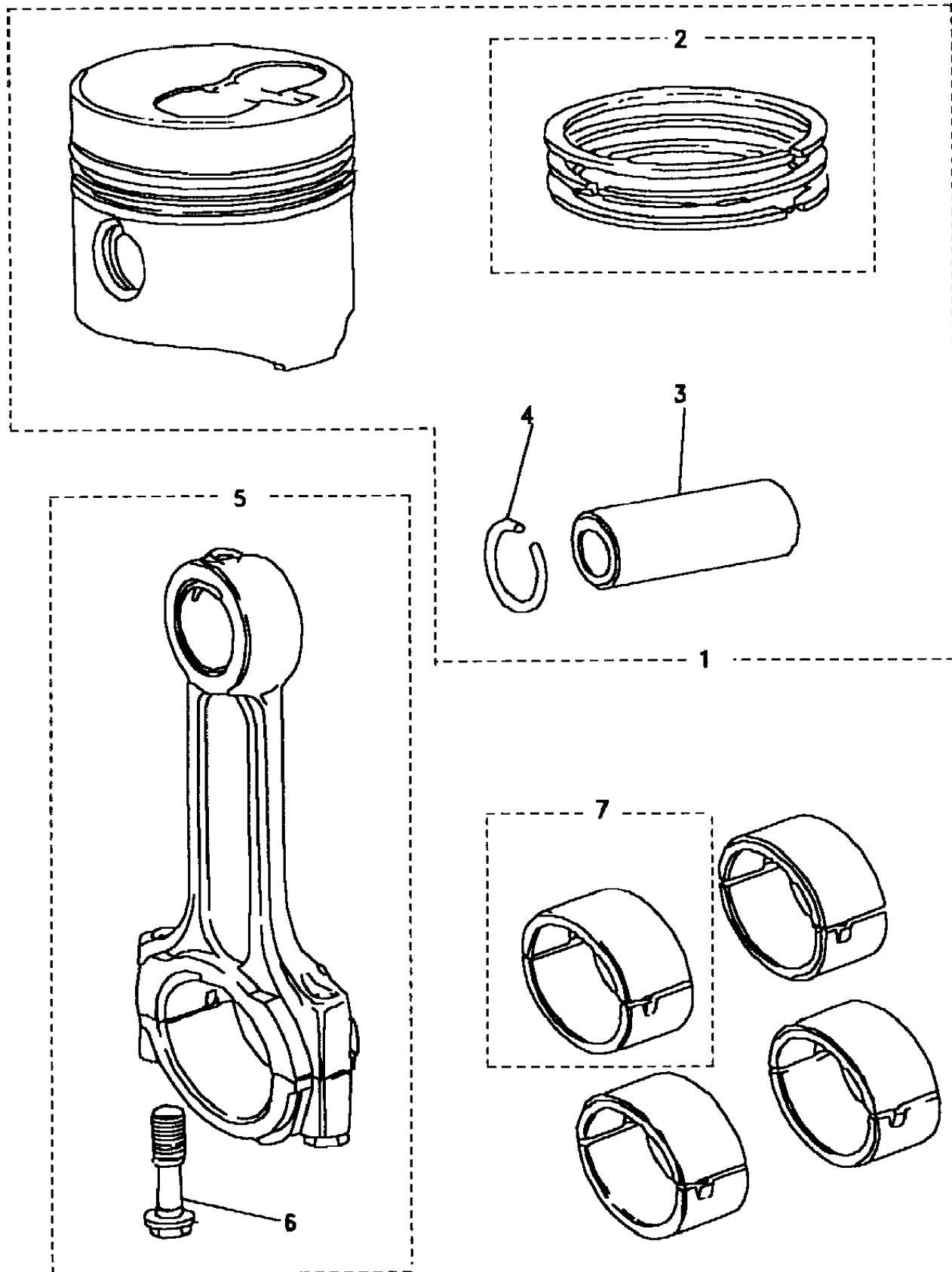
Callout	Name	Application	Remarks & Restrictions	Service No.	Qty
1	Manifold-engine inlet		4 Cylinder	RTC4923	1
2	Plug-blanking		4 Cylinder	AEU2209L	1
3	Gasket-inlet manifold	Change point - VIN begin JA610294, Change point - VIN end MA660163	4 Cylinder	STC804	4
4	Washer		4 Cylinder, 8MM	WA108051L	8
5	Nut - Hex.		4 Cylinder, M8, hexagonal head	NH108041L	8
6	Pipe-inlet manifold vacuum		4 Cylinder	RTC4961	1
7	Washer-copper		4 Cylinder	AEU2164L	2
8	Bolt-banjo		4 Cylinder	AEU2165L	1
9	Adaptor-inlet manifold		4 Cylinder	RTC4969	1



Engine
2500 - Diesel - Turbo
Piston & Rings 1/1

Range Rover (From JA610294)

(BDBWCC1A)



Range Rover (From JA610294)

Engine
2500 - Diesel - Turbo
Piston & Rings

2.5L Turbo Diesel VM

Callout	Name	Application	Remarks & Restrictions	Service No.	Qty
1	Piston-engine	Change point - VIN begin JA610294	4 Cylinder, Also serviced as part of a kit	RTC6646	4
2	Kit-piston ring	Change point - VIN begin JA610294	4 Cylinder, Also serviced as part of a kit	AEU2284L	
		Change point - VIN begin JA610294	4 Cylinder, Also serviced as part of a kit	LFP10081L	4
3	Pin-piston gudgeon	Change point - VIN begin JA610294	4 Cylinder, Also serviced as part of a kit	RTC5003	4
4	Spring Ring	Change point - VIN begin JA610294	4 Cylinder, Also serviced as part of a kit	AEU2042L	8
5	Set-crankshaft connecting rod	Change point - VIN begin JA610294	4 Cylinder, Also serviced as part of a kit	RTC6645	4
6	Bolt-connecting rod	Change point - VIN begin JA610294	4 Cylinder, Also serviced as part of a kit	AEU2038L	8
7	Set-connecting rod big end half bearing	Change point - VIN begin JA610294	4 Cylinder, standard.	AEU2039L	4
		Change point - VIN begin JA610294	4 Cylinder, 0.010" undersize	AEU2040L	4
		Change point - VIN begin JA610294	4 Cylinder, 0.020 undersize	AEU2041L	4
[900]	Bolt-connecting rod	Change point - VIN begin JA610294	4 Cylinder, Also serviced as part of a kit	AEU2038L	8
[901]	Kit-crankshaft/rod/piston	Change point - VIN begin JA610294	4 Cylinder, Also serviced as part of a kit	STC1573	1

Engine
2500 - Diesel - Turbo
Power Steering Pump 1/1

Range Rover (From JA610294)

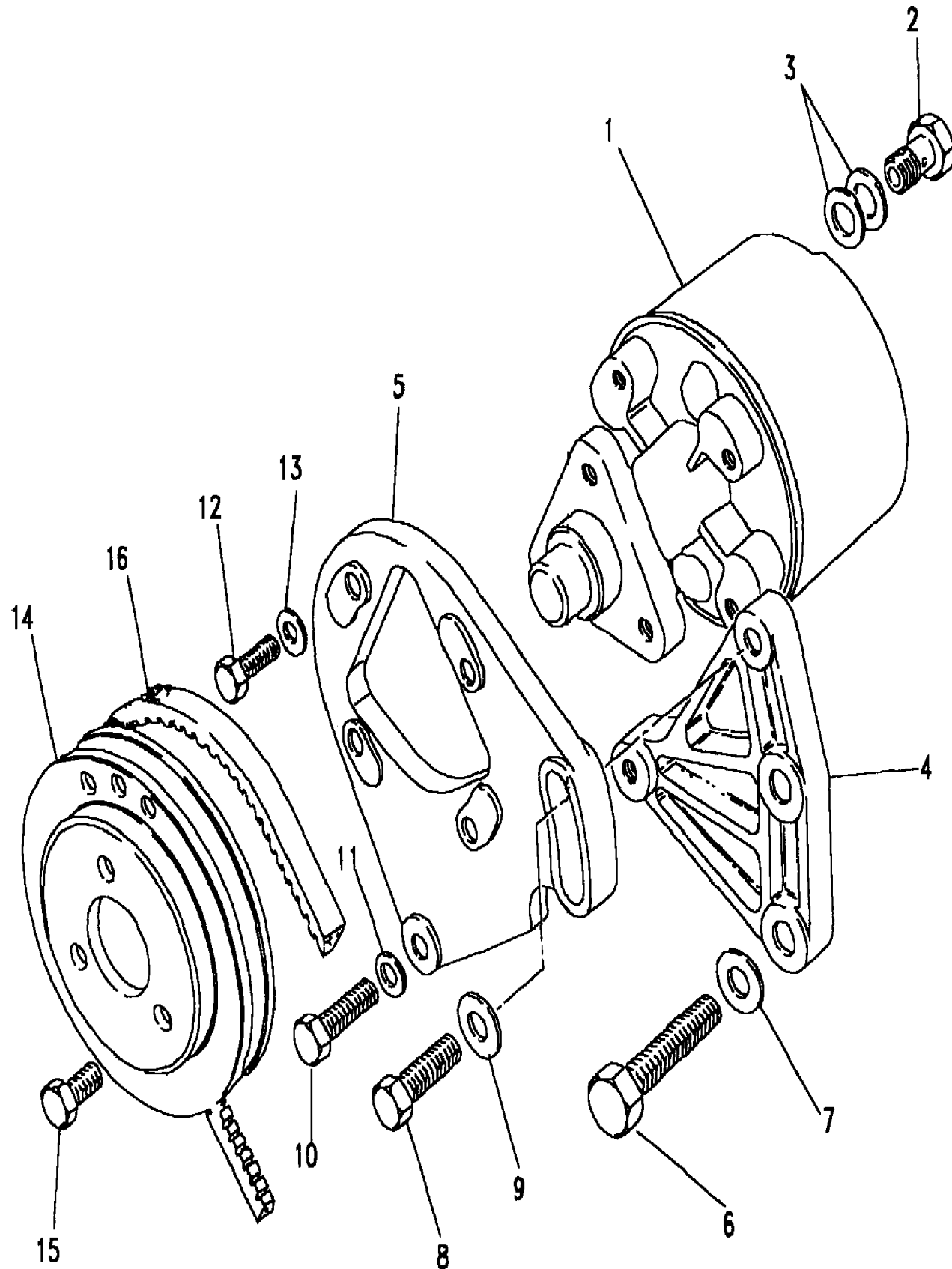
(BDBWNC1A)

Engine
2500 - Diesel - Turbo
Power Steering Pump

Range Rover (From JA610294)

2.5L Turbo Diesel VM

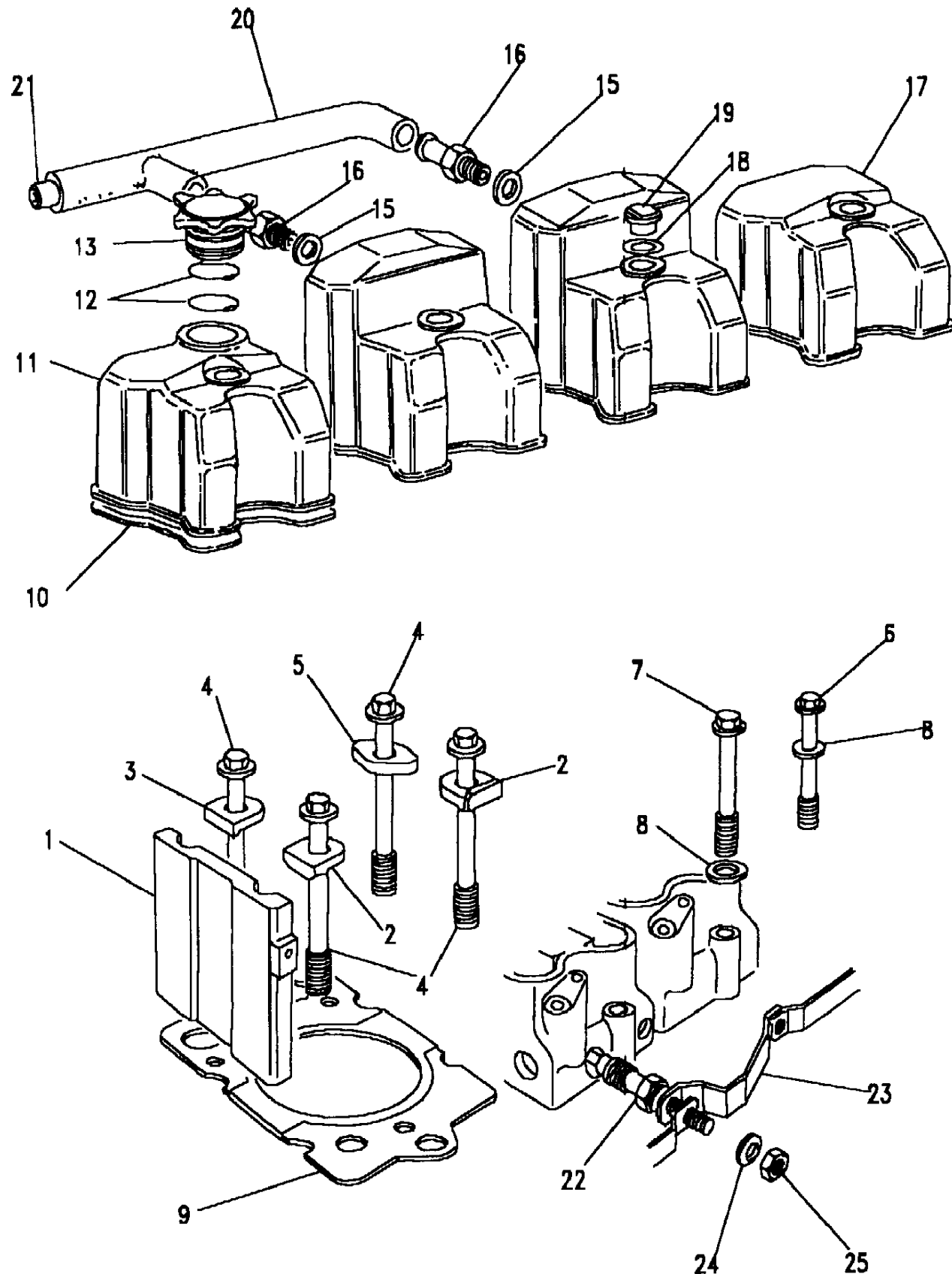
Callout	Name	Application	Remarks & Restrictions	Service No.	Qty
1	Pump assembly power assisted steering		4 Cylinder	NTC8289	1
2	Bolt-banjo		TO PUMP, 4 Cylinder	RTC6833	1
3	Washer-sealing		4 Cylinder	RTC5675	2
4	Bracket-support power assisted steering pipes	RHD	4 Cylinder	ETC9074	1
5	Bracket-support power assisted steering pipes	LHD	4 Cylinder	ETC9075	1
		RHD	4 Cylinder	ETC9076	1
6	Bolt		TO BLOCK, 4 Cylinder, RH, M14 x 50	BH114101L	2
7	Washer-Plain		4 Cylinder, M14	WA114001L	2
8	Bolt		4 Cylinder, bracket to bracket, M12 x 45	BH112091L	1
9	Washer		4 Cylinder, M12, Plain, Standard	WA112081L	1
10	Screw		TO BLOCK, 4 Cylinder, hexagonal head, M8 x 45	SH108451	1
11	Washer		4 Cylinder, 8MM	WA108051L	1
12	Bolt		bracket to pump, 4 Cylinder, hexagonal head, M6 x 30	BH106061L	4
13	Washer		4 Cylinder, 6MM	WA106041L	4
14	Pulley power assisted steering pump		4 Cylinder	ERR626	1
15	Screw		TO BRACKET, 4 Cylinder, hexagonal head, M8 x 10	SH108101L	3
16	Belt-front camshaft drive		4 Cylinder	ETC9101	1



Engine
2500 - Diesel - Turbo
Rocker Cover 1/2

Range Rover (From JA610294)

(BDBWGG1A)



Range Rover (From JA610294)

Engine
2500 - Diesel - Turbo
Rocker Cover

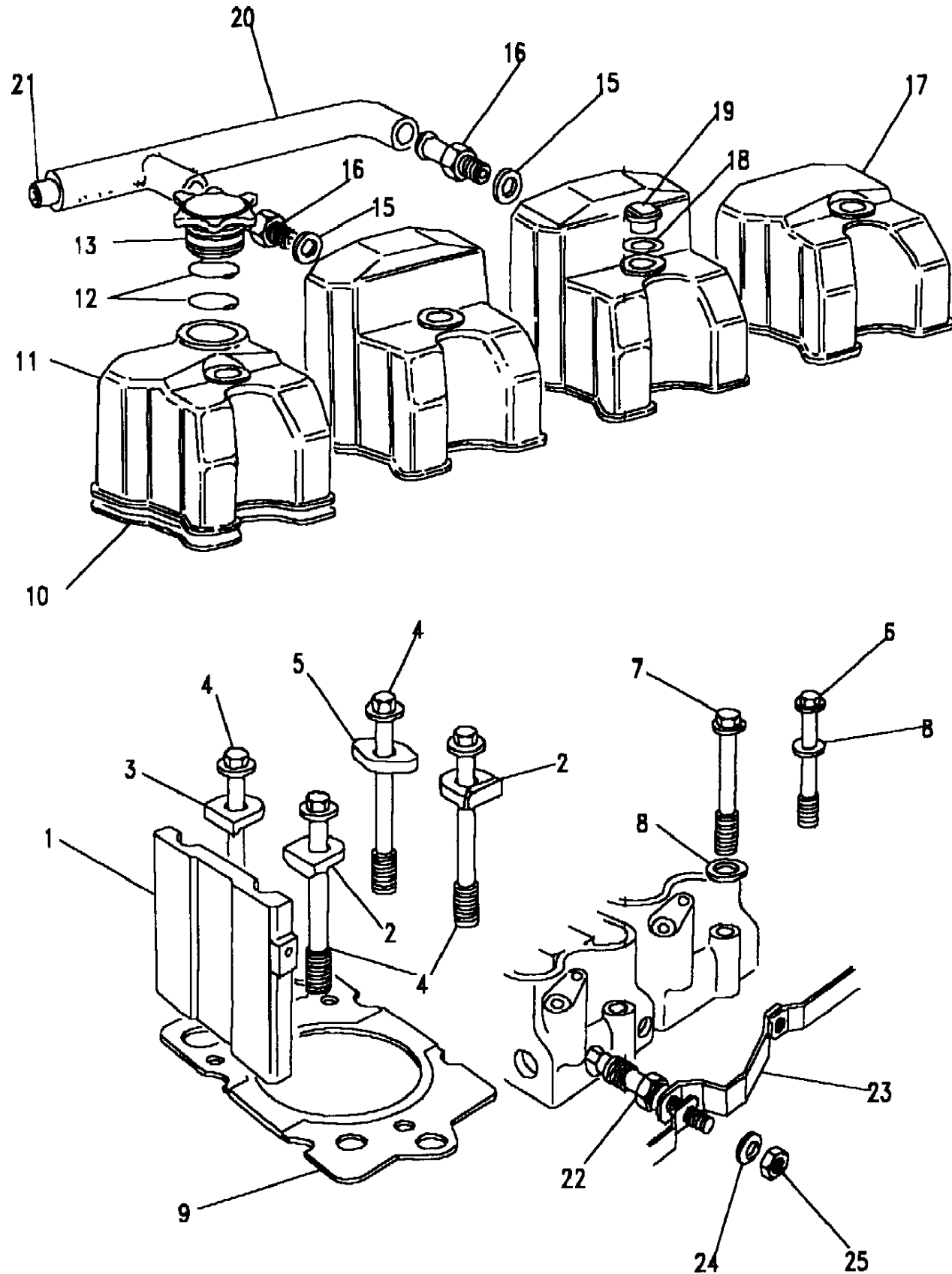
2.5L Turbo Diesel VM

Callout	Name	Application	Remarks & Restrictions	Service No.	Qty
1	Cover-valve rocker	Change point - VIN begin JA610294	4 Cylinder	AEU2082L	2
2	Clamp-cylinder head	Change point - VIN begin JA610294	4 Cylinder	AEU2080L	5
3	Clamp-cylinder head	Change point - VIN begin JA610294	4 Cylinder	AEU2079L	2
4	Bolt	Change point - VIN begin JA610294	4 Cylinder, gasket to cover, M12	AEU2078L	10
5	Clamp-cylinder head	Change point - VIN begin JA610294	4 Cylinder	AEU2081L	3
6	Bolt	Change point - VIN begin JA610294	COVER TO BLOCK, 4 Cylinder, M12	AEU2083L	4
7	Bolt	Change point - VIN begin JA610294 Change point - VIN begin JA610294	COVER TO BLOCK, 4 Cylinder, M12 COVER TO BLOCK, 4 Cylinder, M12	AEU2085L STC3128	1 4
8	Washer-Plain	Change point - VIN begin JA610294	4 Cylinder, M12 x 22	WB112081L	8
9	Gasket-Cylinder Head	Change point - VIN begin JA610294 Change point - VIN begin JA610294 Change point - VIN begin JA610294	4 Cylinder, 1.42mm thick, 3 notches 4 Cylinder, 1.52mm thick, 2 notches 4 Cylinder, 1.62mm thick, 1 Notch	STC1570 STC1571 STC1844	X X X
10	Gasket-engine rocker cover	Change point - VIN begin JA610294, Change point - Engine end 95A18390 Change point - VIN begin JA610294, Change point - Engine begin 95A18391	4 Cylinder 4 Cylinder	RTC4892 STC814	4 1
11	Cover-valve rocker	Change point - VIN begin JA610294	4 Cylinder, Front	RTC6449	1
12	Seal-oil filler cap	Change point - VIN begin JA610294	4 Cylinder	AEU2091L	2
13	Filler-oil	Change point - VIN begin JA610294	4 Cylinder	AEU2090L	1
14	Cover-valve rocker	Change point - VIN begin JA610294	4 Cylinder, Intermediate	RTC6450	2
15	Washer	Change point - VIN begin JA610294	4 Cylinder	AEU2094L	2
16	Connector-inlet manifold adaptor	Change point - VIN begin JA610294	4 Cylinder, M16	AEU2202L	2

Engine
2500 - Diesel - Turbo
Rocker Cover 2/2

Range Rover (From JA610294)

(BDBWGG1A)



Range Rover (From JA610294)

Engine
2500 - Diesel - Turbo
Rocker Cover

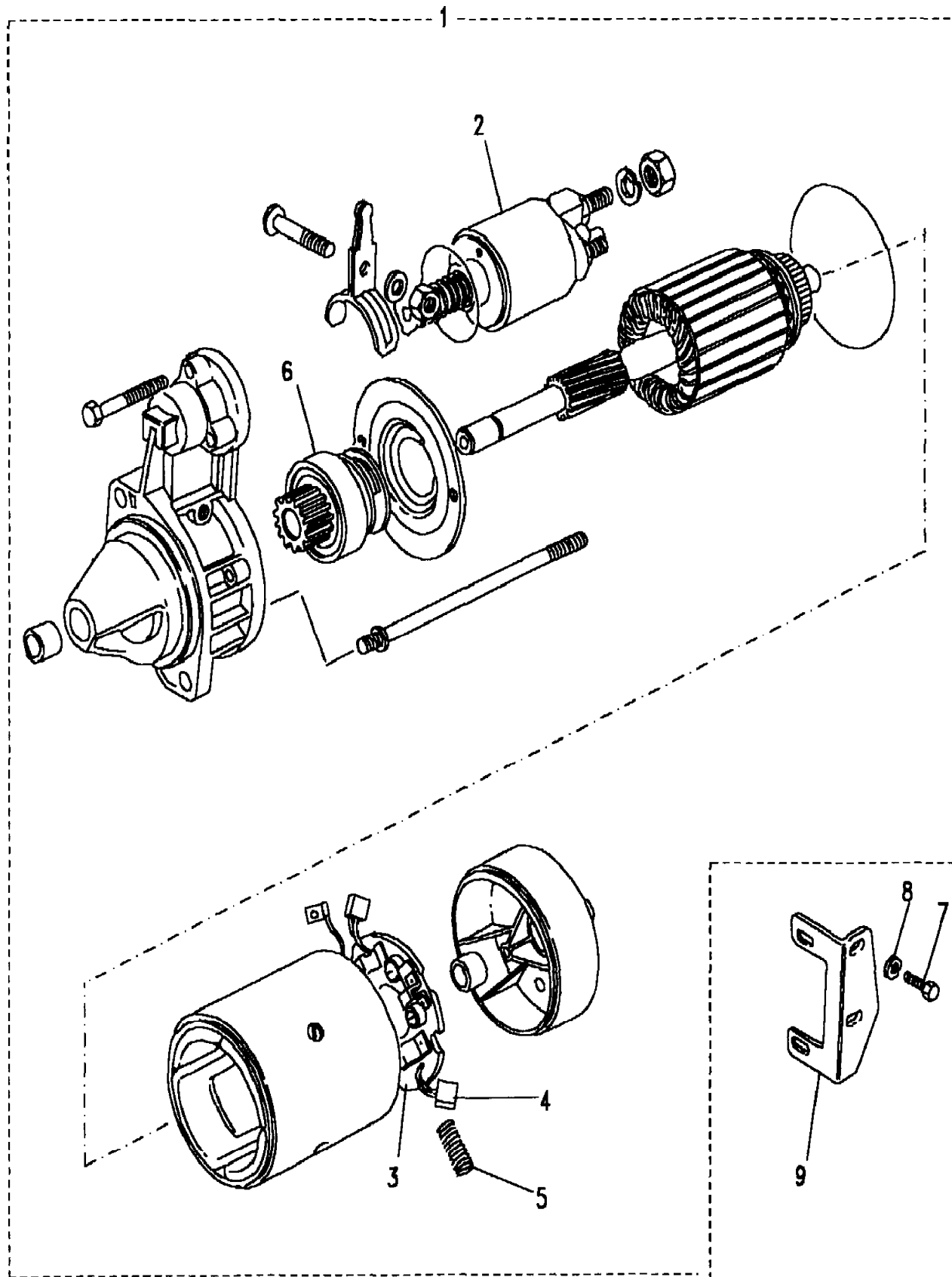
2.5L Turbo Diesel VM

Callout	Name	Application	Remarks & Restrictions	Service No.	Qty
17	Cover-valve rocker	Change point - VIN begin JA610294	4 Cylinder, Rear	RTC6451	1
18	O Ring	Change point - VIN begin JA610294	4 Cylinder	AEU2093L	4
19	Nut - Hex.	Change point - VIN begin JA610294	4 Cylinder	AEU3043L	4
20	Hose assembly-breather	Change point - VIN begin JA610294	4 Cylinder	BAU5090L	1
21	Connector fit	Change point - VIN begin JA610294	4 Cylinder	BAU5091L	2
22	Plug-heater ignition	Change point - VIN begin JA610294	4 Cylinder	ERC8648	4
23	Conductor heater plug	Change point - VIN begin JA610294	4 Cylinder	RTC6674	3
24	Washer	Change point - VIN begin JA610294	4 Cylinder, M5, Plain, Standard	WA105001L	4
25	Nut-hexagonal	Change point - VIN begin JA610294	4 Cylinder, M5	NH105041L	4

Engine
2500 - Diesel - Turbo
Starter Motor 1/1

Range Rover (From JA610294)

(BDBWPE1A)



Range Rover (From JA610294)

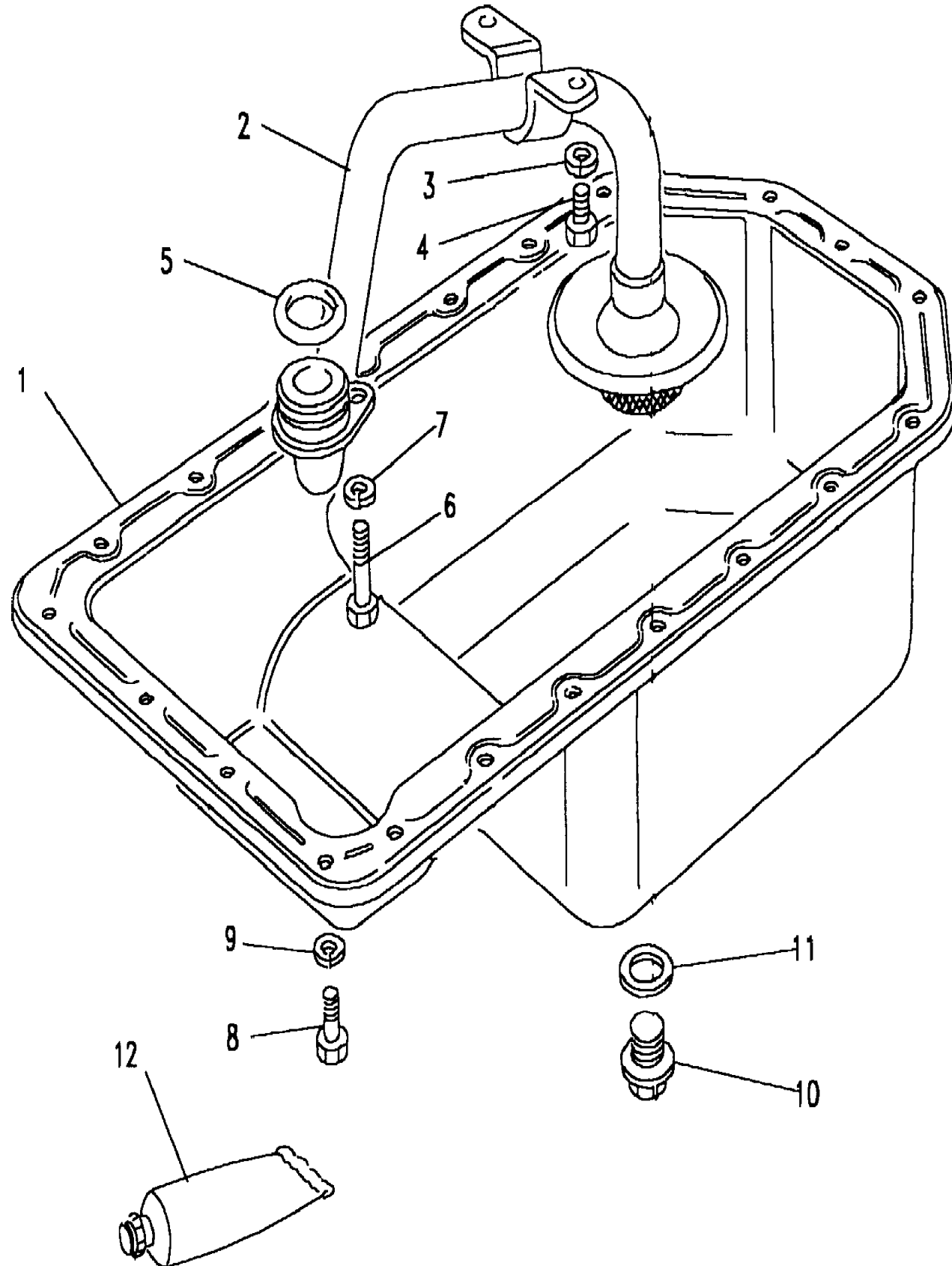
Engine
2500 - Diesel - Turbo
Starter Motor

2.5L Turbo Diesel VM

Callout	Name	Application	Remarks & Restrictions	Service No.	Qty
1	Kit-starter motor		4 Cylinder, Also serviced as part of a kit, exchange 4 Cylinder, Also serviced as part of a kit, New	PRC5669E PRC5669	1 1
2	Solenoid starter motor		4 Cylinder, Also serviced as part of a kit	RTC5750	1
3	Box assembly-brush starter motor		4 Cylinder, Also serviced as part of a kit	RTC5751	1
4	Brush alternator		4 Cylinder, Also serviced as part of a kit	RTC5752	1
5	Spring		4 Cylinder, Also serviced as part of a kit	RTC5754	4
6	Drive clutch		4 Cylinder, Also serviced as part of a kit	RTC5753	1
7	Screw-flanged head		4 Cylinder, to bracket support, M6 X 16, Flanged Head	FS106167L	2
8	Washer		4 Cylinder, 6MM	WA106041L	2
9	Bracket-support starter motor		4 Cylinder	RTC4947	1
[900]	Cable assembly starter & earth		4 Cylinder	PRC5237	1
[901]	Harness link-solenoid		4 Cylinder	PRC5240	1

Engine
2500 - Diesel - Turbo
Sump 1/1

Range Rover (From JA610294)
(BDBWDA1A)



Range Rover (From JA610294)

Engine
2500 - Diesel - Turbo
Sump

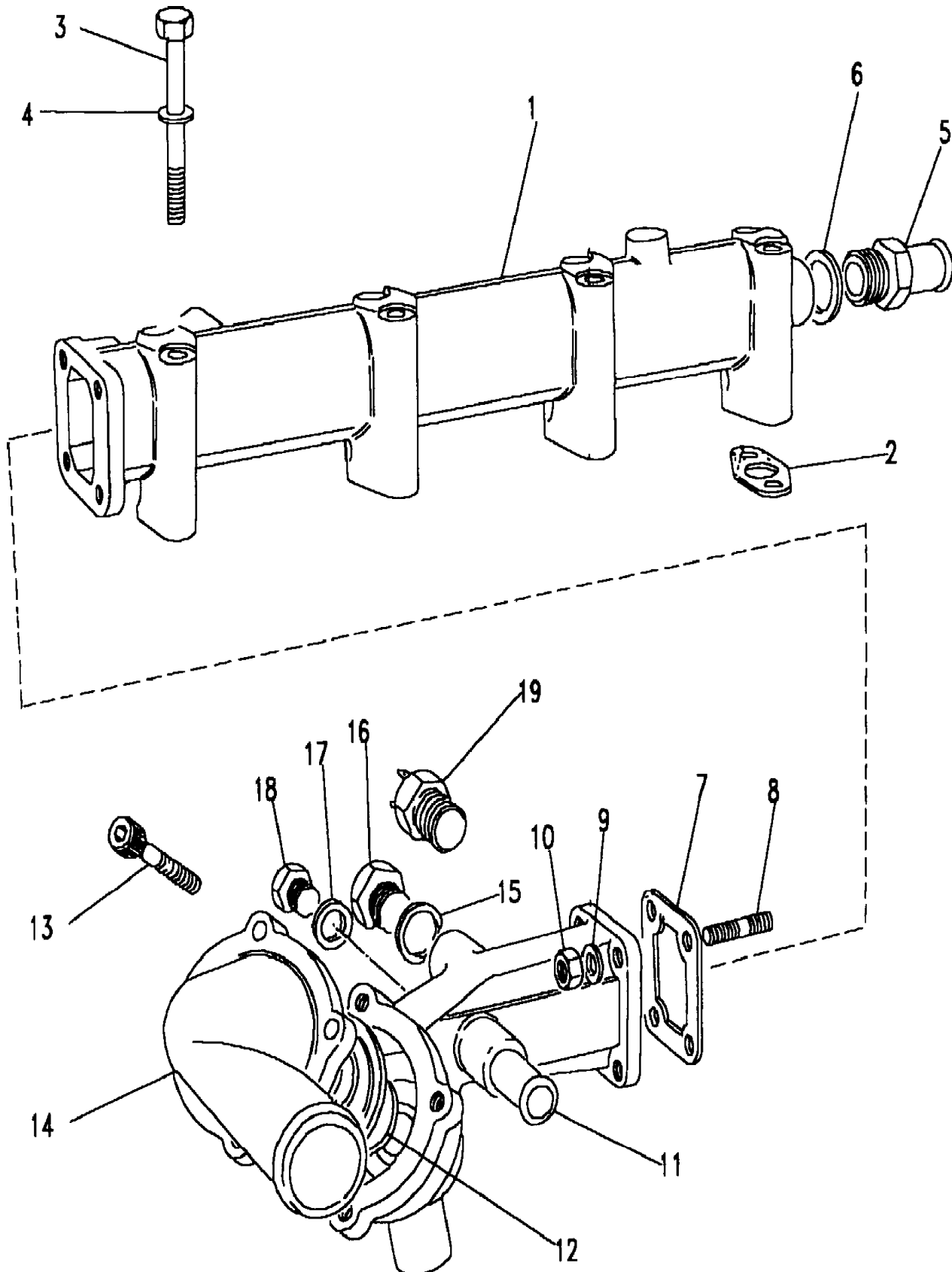
2.5L Turbo Diesel VM

Callout	Name	Application	Remarks & Restrictions	Service No.	Qty
1	Sump assembly-engine oil	Change point - VIN begin JA610294	4 Cylinder, One Piece	STC701	1
2	Pipe-oil pick up-sump	Change point - VIN begin JA610294	4 Cylinder	RTC6767	1
3	Washer	Change point - VIN begin JA610294	4 Cylinder, 6MM	WA106041L	2
4	Screw	Change point - VIN begin JA610294	4 Cylinder, pipe to block, hexagonal head, M6 X 14	SH106141L	2
5	O Ring	Change point - VIN begin JA610294	4 Cylinder, adaptor to block	AEU2281L	1
6	Bolt	Change point - VIN begin JA610294	4 Cylinder, M6 x 50	BH106101L	1
7	Washer	Change point - VIN begin JA610294	4 Cylinder, M6, sprung	WL106001L	1
8	Screw	Change point - VIN begin JA610294	sump to block, 4 Cylinder, M6 X 20, Flanged Head	FS106201	21
9	Washer	Change point - VIN begin JA610294	4 Cylinder, M6, sprung	WL106001L	21
10	Plug-sump assembly oil drain	Change point - VIN begin JA610294	4 Cylinder	BAU4978L	1
11	Washer-sealing	Change point - VIN begin JA610294	sump drain plug, 4 Cylinder	BAU4979L	1
12	Sealant	Change point - VIN begin JA610294	4 Cylinder, silicone	RTC3254	X

Engine
2500 - Diesel - Turbo
Thermostat Housing 1/1

Range Rover (From JA610294)

(BDBWGK2A)



Range Rover (From JA610294)

Engine
2500 - Diesel - Turbo
Thermostat Housing

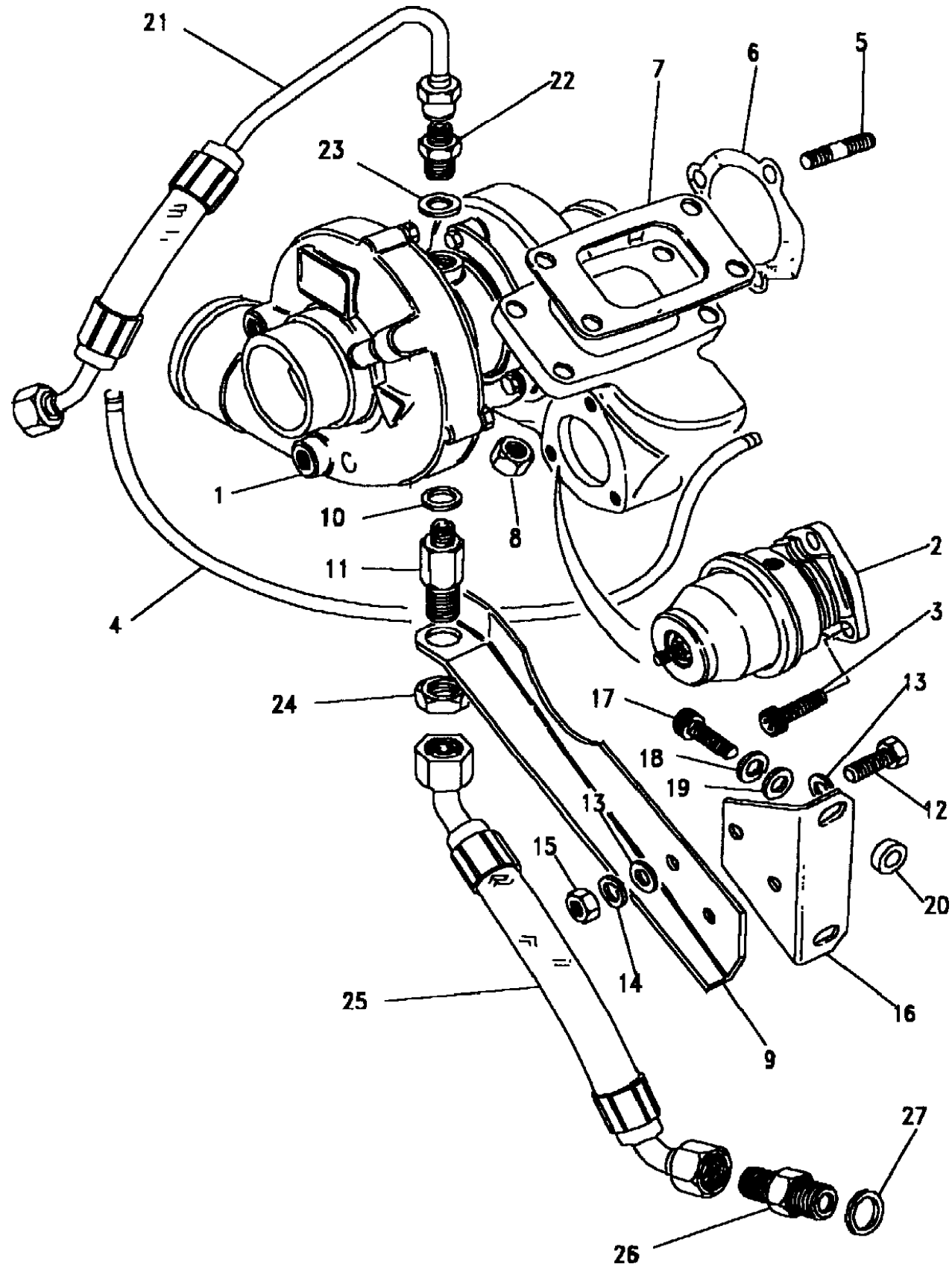
2.5L Turbo Diesel VM

Callout	Name	Application	Remarks & Restrictions	Service No.	Qty
1	Manifold-water-thermostat	Change point - VIN begin JA610294	4 Cylinder	RTC5726	1
2	Gasket-coolant manifold	Change point - VIN begin JA610294	4 Cylinder	STC806	4
3	Bolt	Change point - VIN begin JA610294	TO BLOCK, 4 Cylinder, M6 x 80	BH106161L	8
4	Washer	Change point - VIN begin JA610294	4 Cylinder, M6	WA106001L	12
5	Connector-inlet manifold adaptor	Change point - VIN begin JA610294	4 Cylinder, M16	AEU2202L	1
6	Washer	Change point - VIN begin JA610294	4 Cylinder	AEU2094L	1
7	Gasket-thermostat housing	Change point - VIN begin JA610294	4 Cylinder	STC808	1
8	Stud	Change point - VIN begin JA610294	4 Cylinder	AEU2186L	4
9	Washer	Change point - VIN begin JA610294	4 Cylinder, 6MM	WA106041L	4
10	Nut - Hex.	Change point - VIN begin JA610294	4 Cylinder, M6, nyloc, Hexagonal	NH106041L	4
11	Housing-thermostat	Change point - VIN begin JA610294	4 Cylinder	RTC6778	1
12	Thermostat-engine	Change point - VIN begin JA610294	4 Cylinder, 80 degrees C	RTC6673	1
13	Screw-hexagon socket	Change point - VIN begin JA610294	4 Cylinder, cover to housing	SS106201L	4
14	Cover-thermostat housing	Change point - VIN begin JA610294	4 Cylinder	RTC6667	1
15	Washer-sealing	Change point - VIN begin JA610294	4 Cylinder	RTC6773	1
16	Plug	Change point - VIN begin JA610294	4 Cylinder	RTC6779	1
17	Washer-sealing	Change point - VIN begin JA610294	4 Cylinder	RTC5016	1
18	Plug	Change point - VIN begin JA610294	4 Cylinder	RTC6780	1
19	Switch-engine thermostat	Change point - VIN begin JA610294	4 Cylinder	PRC8170	1

Engine
2500 - Diesel - Turbo
Turbocharger 1/2

Range Rover (From JA610294)

(BDBWLA1A)



Range Rover (From JA610294)

Engine
2500 - Diesel - Turbo
Turbocharger

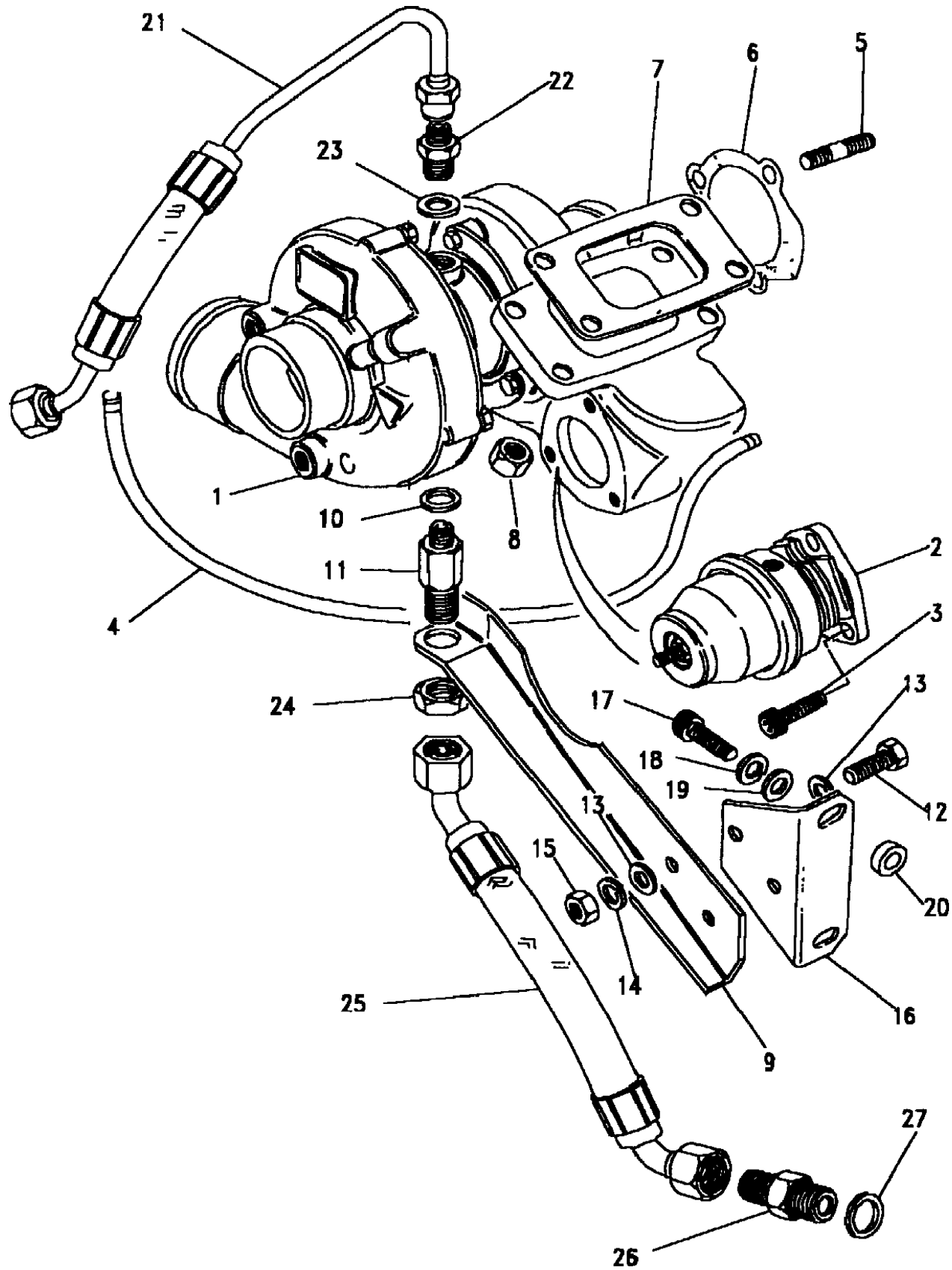
2.5L Turbo Diesel VM

Callout	Name	Application	Remarks & Restrictions	Service No.	Qty
1	Turbocharger assembly		4 Cylinder, Also serviced as part of a kit, New 4 Cylinder, Also serviced as part of a kit, exchange	RTC4910 RTC4910E	1 1
2	Valve-waste gate-control turbocharger		4 Cylinder, Also serviced as part of a kit	RTC5017	1
3	Screw-hexagon socket		4 Cylinder, Also serviced as part of a kit, M8 x 20	SS108201	3
4	Tube-pulse air valve to turbocharger wastegate		4 Cylinder, Also serviced as part of a kit	RTC5018	1
5	Stud		4 Cylinder, Also serviced as part of a kit, M8	RTC6717	3
6	Gasket exhaust system		(-) TDI, turbo outlet to exhaust downpipe, 4 Cylinder	RTC4894	1
7	Gasket-turbocharger/manifold turbo		4 Cylinder	RTC5004	1
8	Nut-hexagonal		4 Cylinder, M8	NH108141L	4
9	Bracket-support turbocharger		4 Cylinder	RTC4952	1
10	Washer-sealing		4 Cylinder	RTC5016	1
11	Connector-inlet manifold adaptor		4 Cylinder	RTC4943	1
12	Screw		4 Cylinder, to bracket support, Flanged Head, M8 x 20	FS108207L	2
13	Washer		4 Cylinder, 8MM	WA108051L	4
14	Washer		4 Cylinder, M8, sprung	WL108001L	2
15	Nut-hexagonal		4 Cylinder, to bracket support, M8	NH108051L	2
16	Bracket-support turbocharger		4 Cylinder	RTC4951	1
17	Screw-hexagon socket		4 Cylinder, to bracket support, M8 x 25	SS108251	2
18	Washer		4 Cylinder, M8, sprung	WL108001L	2
19	Washer		4 Cylinder, 8MM	WA108051L	2
20	Spacer		4 Cylinder	RTC4963	2

Engine
2500 - Diesel - Turbo
Turbocharger 2/2

Range Rover (From JA610294)

(BDBWLA1A)



Range Rover (From JA610294)

Engine
2500 - Diesel - Turbo
Turbocharger

2.5L Turbo Diesel VM

Callout	Name	Application	Remarks & Restrictions	Service No.	Qty
21	Pipe assembly-oil feed-turbocharger		4 Cylinder	RTC4960	1
22	Union-oil feed pipe turbocharger		4 Cylinder	RTC5015	1
23	Washer-copper		4 Cylinder	BAU5374L	1
24	Nut - Hex.		4 Cylinder	RTC4972	1
25	Pipe-oil scaveige-turbocharge		4 Cylinder	RTC4941	1
26	Adaptor-turbocharger to exhaust sealing		4 Cylinder	JAM3255L	1
27	Washer		4 Cylinder	JAM3256L	2

Engine
2500 - Diesel - Turbo
Vacuum Pump 1/1

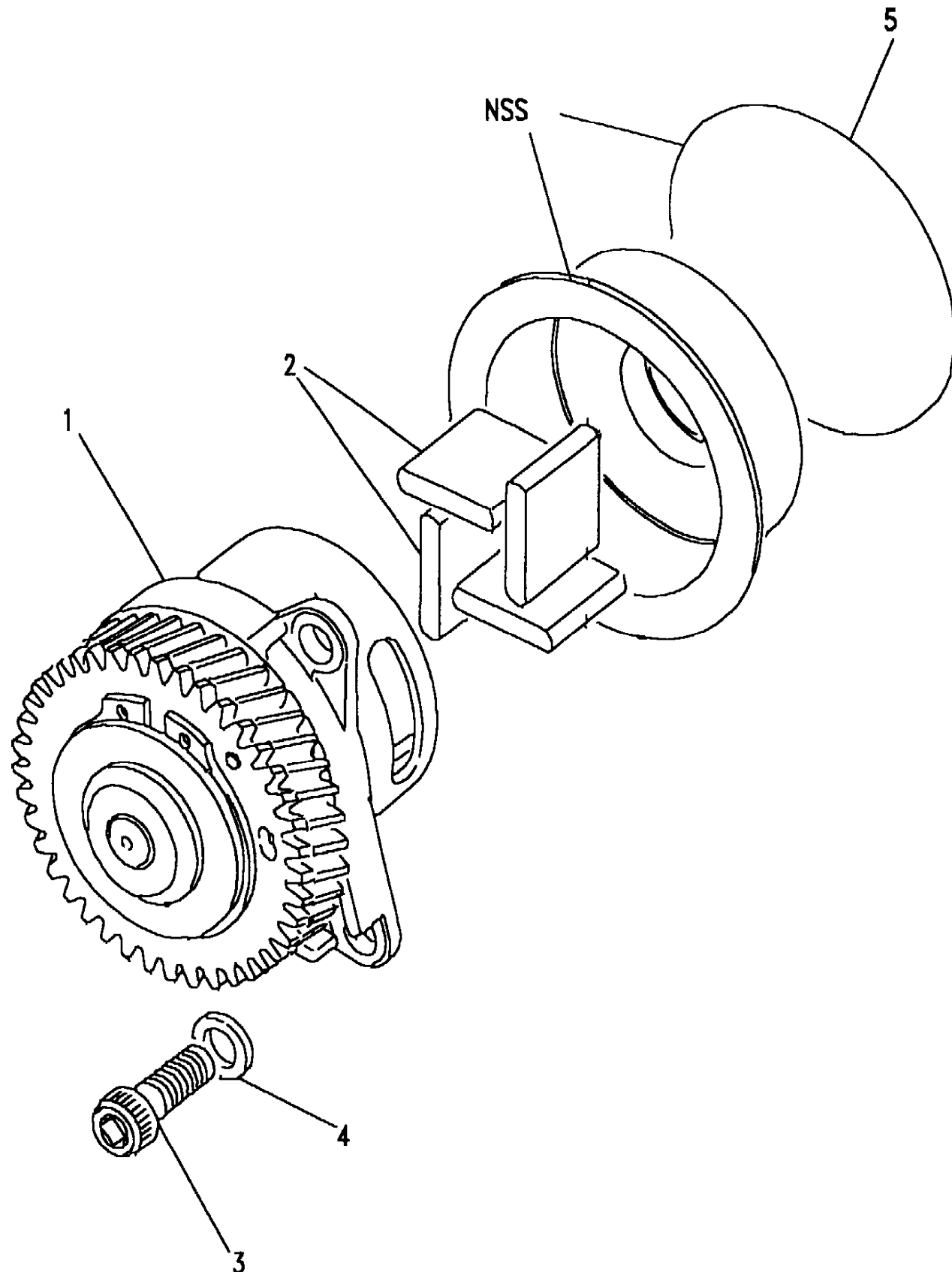
Range Rover (From JA610294)
(BDBWNA1A)

Engine
2500 - Diesel - Turbo
Vacuum Pump

Range Rover (From JA610294)

2.5L Turbo Diesel VM

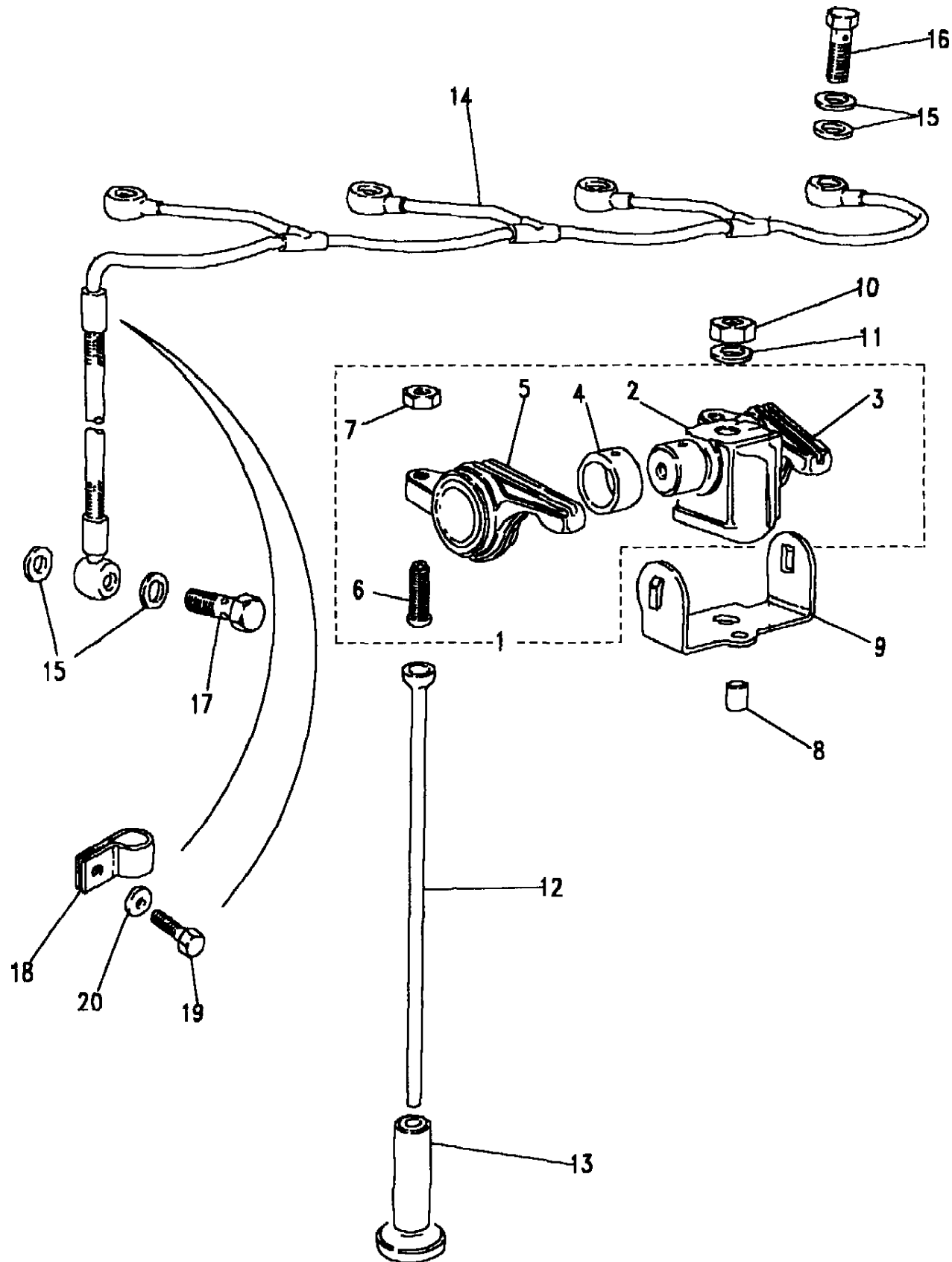
Callout	Name	Application	Remarks & Restrictions	Service No.	Qty
1	Pump brake vacuum		4 Cylinder, Also serviced as part of a kit, 37 Teeth	RTC6644	1
2	Kit-vanes-vacuum-pump		4 Cylinder, Also serviced as part of a kit	RTC6768	1
3	Screw-hexagon socket		TO BLOCK, 4 Cylinder, M8	SS108181L	3
4	Washer		4 Cylinder	AEU2146L	3



Engine
2500 - Diesel - Turbo
Valve Rockers 1/2

Range Rover (From JA610294)

(BDBWGC1A)



Engine
2500 - Diesel - Turbo
Valve Rockers

Range Rover (From JA610294)

2.5L Turbo Diesel VM

Callout	Name	Application	Remarks & Restrictions	Service No.	Qty
1	Rocker assembly-cylinder head	Change point - VIN begin JA610294	4 Cylinder, Also serviced as part of a kit	AEU2059L	4
2	Pedestal-valve rockers	Change point - VIN begin JA610294	4 Cylinder, Also serviced as part of a kit	AEU2062L	4
3	Arm-inlet valve rocker	Change point - VIN begin JA610294	4 Cylinder, Also serviced as part of a kit	AEU2063L	4
4	Arm & bush assembly-inlet valve rocker	Change point - VIN begin JA610294	4 Cylinder, Also serviced as part of a kit, Less Hole	AEU2067L	4
5	Arm-exhaust valve rocker	Change point - VIN begin JA610294	4 Cylinder, Also serviced as part of a kit	AEU2064L	4
6	Screw-engine tappet adjustment	Change point - VIN begin JA610294	4 Cylinder, Also serviced as part of a kit	AEU2065L	8
7	Nut - Hex.	Change point - VIN begin JA610294	4 Cylinder, Also serviced as part of a kit, M8, hexagonal head	NH108041L	8
8	Dowel	Change point - VIN begin JA610294	4 Cylinder	AEU2060L	4
9	Plate	Change point - VIN begin JA610294	4 Cylinder	AEU2061L	4
10	Nut - Hex.	Change point - VIN begin JA610294	4 Cylinder	AEU2068L	8
11	Washer	Change point - VIN begin JA610294	4 Cylinder, M12, Plain, Standard	WA112081L	8
12	Rod-engine push	Change point - VIN begin JA610294	4 Cylinder	AEU2070L	8
13	Follower-inlet manifold camshaft	Change point - VIN begin JA610294	4 Cylinder	AEU2069L	8
14	Pipe oil rockers	Change point - VIN begin JA610294	4 Cylinder	AEU2071L	1
15	Washer	Change point - VIN begin JA610294	4 Cylinder	AEU2072L	10
16	Bolt-banjo pump feed pipe	Change point - VIN begin JA610294	4 Cylinder	AEU2073L	4
17	Bolt-banjo pump feed pipe	Change point - VIN begin JA610294	4 Cylinder	AEU2074L	1
18	Clip-p	Change point - VIN begin JA610294	4 Cylinder, 5/8"	56667	1

Engine
2500 - Diesel - Turbo
Valve Rockers 2/2

Range Rover (From JA610294)

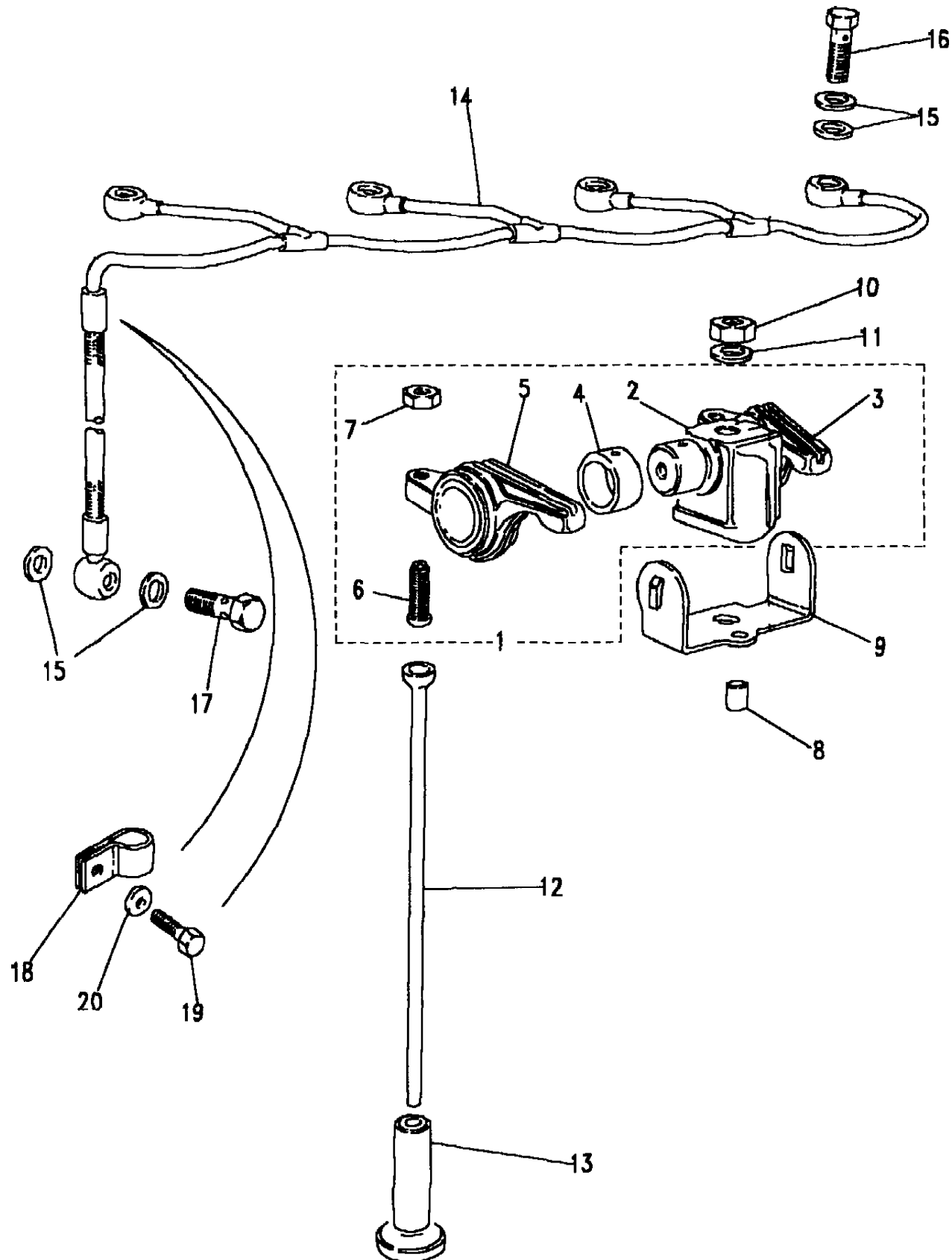
(BDBWGC1A)

Engine
2500 - Diesel - Turbo
Valve Rockers

Range Rover (From JA610294)

2.5L Turbo Diesel VM

Callout	Name	Application	Remarks & Restrictions	Service No.	Qty
19	Screw	Change point - VIN begin JA610294	TO BLOCK, 4 Cylinder, hexagonal head, M5 x 12	SH105121L	1
20	Washer-Plain	Change point - VIN begin JA610294	4 Cylinder	WA105041L	1



Engine
2500 - Diesel - Turbo
Water Pump 1/1

Range Rover (From JA610294)

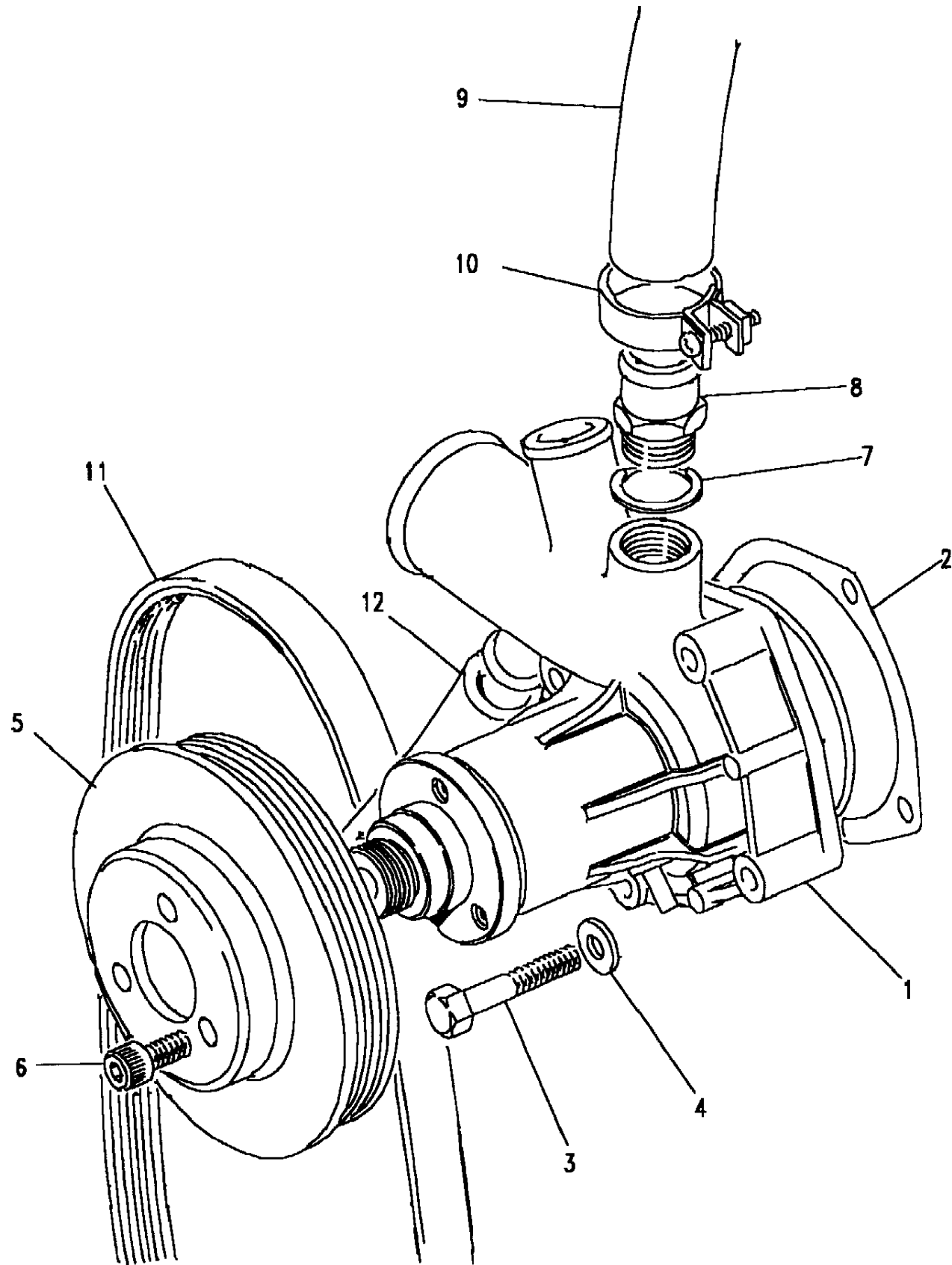
(BDBWEE1A)

Engine
2500 - Diesel - Turbo
Water Pump

Range Rover (From JA610294)

2.5L Turbo Diesel VM

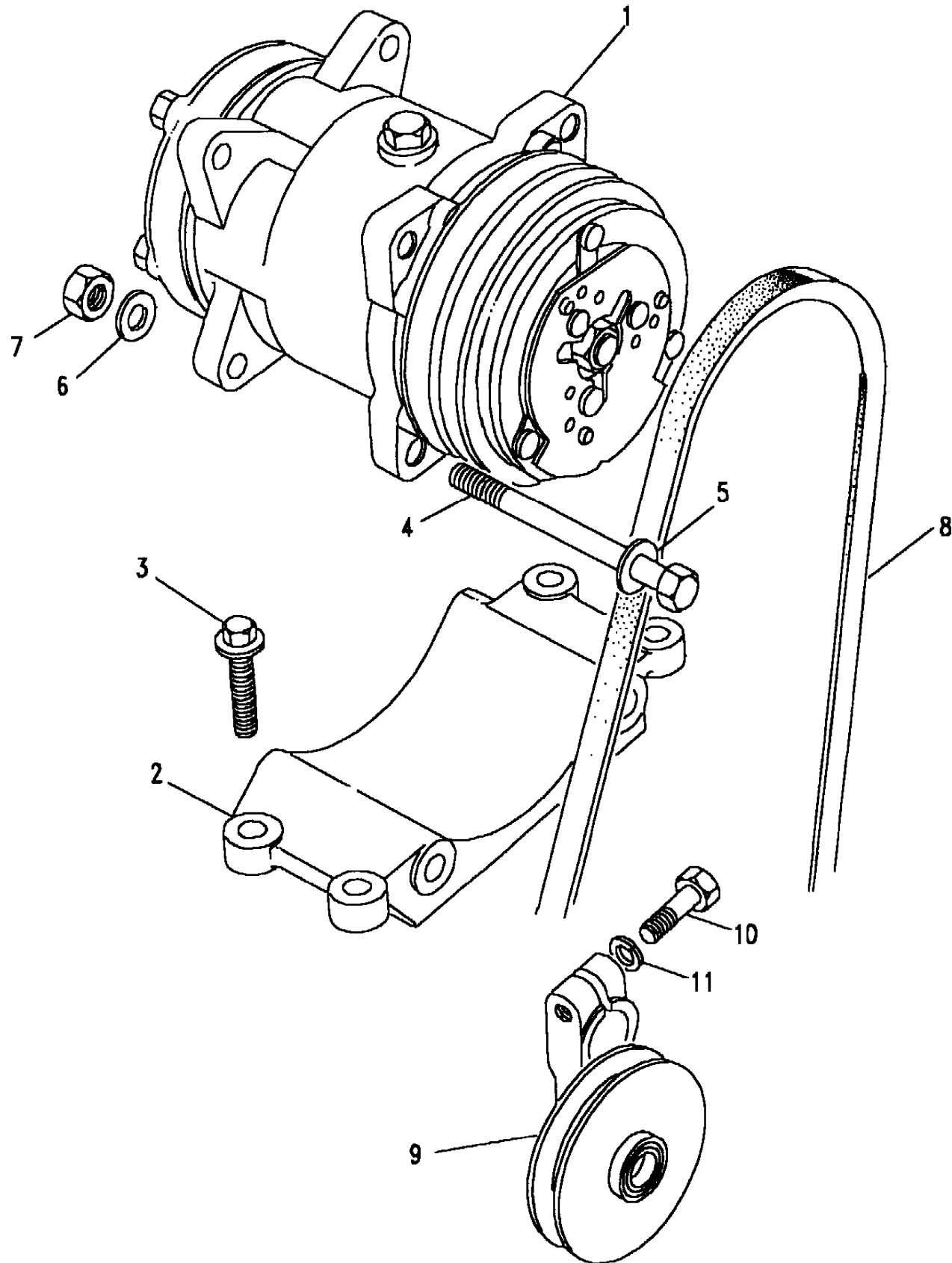
Callout	Name	Application	Remarks & Restrictions	Service No.	Qty
1	Pump assembly-engine coolant	Change point - VIN begin JA610294	4 Cylinder	RTC6666	1
2	Gasket-coolant pump body	Change point - VIN begin JA610294	4 Cylinder	STC805	1
3	Bolt	Change point - VIN begin JA610294	TO BLOCK, 4 Cylinder, M8 x 45	BH108091L	4
4	Washer-Plain	Change point - VIN begin JA610294	4 Cylinder, 8MM	WA108041L	4
5	Pulley coolant pump	Change point - VIN begin JA610294	4 Cylinder	RTC6671	1
6	Screw-hexagon socket	Change point - VIN begin JA610294	4 Cylinder, M8 X 16	SS108161L	3
7	Washer-sealing	Change point - VIN begin JA610294	4 Cylinder	RTC6773	1
8	Hose assembly-heater in/out	Change point - VIN begin JA610294	4 Cylinder	RTC6670	1
9	Hose-bypass to pump coolant	Change point - VIN begin JA610294	4 Cylinder	RTC6668	1
10	Clip	Change point - VIN begin JA610294	4 Cylinder	EAC22723	2
11	Belt-polyvee alternator	Change point - VIN begin JA610294, RHD Change point - VIN begin JA610294, LHD	4 Cylinder 4 Cylinder	ERR416 ERR914	1 1
12	Pipe-coolant pump drain	Change point - VIN begin JA610294	4 Cylinder	RTC6669	1



Engine
2500 - Diesel - Turbo - 200 Tdi
Air Conditioning Compressor 1/1

Range Rover (From JA610294)

(BDBMNE1A)



Range Rover (From JA610294)

Engine
2500 - Diesel - Turbo - 200 Tdi
Air Conditioning Compressor

2.5L I4 200 TDi Turbo Diesel, 5 Speed Manual Transmission, Less Catalyst

Callout	Name	Application	Remarks & Restrictions	Service No.	Qty
1	Compressor assembly air conditioning	2.5L I4 200 TDi L/R Turbo Diesel	Also serviced as part of a kit, Engine Code 4L 2.5 TDi Manual - 'Zircon'	ERR845	1
2	Bracket-compressor air conditioning	2.5L I4 200 TDi L/R Turbo Diesel	Engine Code 4L 2.5 TDi Manual - 'Zircon'	ETC8852	1
3	Screw	2.5L I4 200 TDi L/R Turbo Diesel	Engine Code 4L 2.5 TDi Manual - 'Zircon', Flanged Head, M10 x 30, top	FS110301L	4
4	Bolt	2.5L I4 200 TDi L/R Turbo Diesel	Engine Code 4L 2.5 TDi Manual - 'Zircon', 3/8UNF x 5	BH606401L	2
5	Washer	2.5L I4 200 TDi L/R Turbo Diesel	3/8", Engine Code 4L 2.5 TDi Manual - 'Zircon', Square	WM600061L	2
6	Washer	2.5L I4 200 TDi L/R Turbo Diesel	M10, Engine Code 4L 2.5 TDi Manual - 'Zircon'	WA110061L	4
7	Nut - Hex.	2.5L I4 200 TDi L/R Turbo Diesel	Engine Code 4L 2.5 TDi Manual - 'Zircon', hexagonal head, 3/8UNF	NH606041L	2
8	Belt-polyvee air conditioning compressor	2.5L I4 200 TDi L/R Turbo Diesel	Engine Code 4L 2.5 TDi Manual - 'Zircon'	ETC9009	1
9	Pulley-tensioner ancillary drive	2.5L I4 200 TDi L/R Turbo Diesel	Also serviced as part of a kit, Engine Code 4L 2.5 TDi Manual - 'Zircon'	614718	1
10	Bolt	2.5L I4 200 TDi L/R Turbo Diesel	Engine Code 4L 2.5 TDi Manual - 'Zircon', hexagonal head, 5/16UNF x 1 1/4	BH605101L	1
11	Washer-Spring	2.5L I4 200 TDi L/R Turbo Diesel	5/16", Engine Code 4L 2.5 TDi Manual - 'Zircon'	WM600051L	1

Engine
2500 - Diesel - Turbo - 200 Tdi
Alternator 1/1

Range Rover (From JA610294)

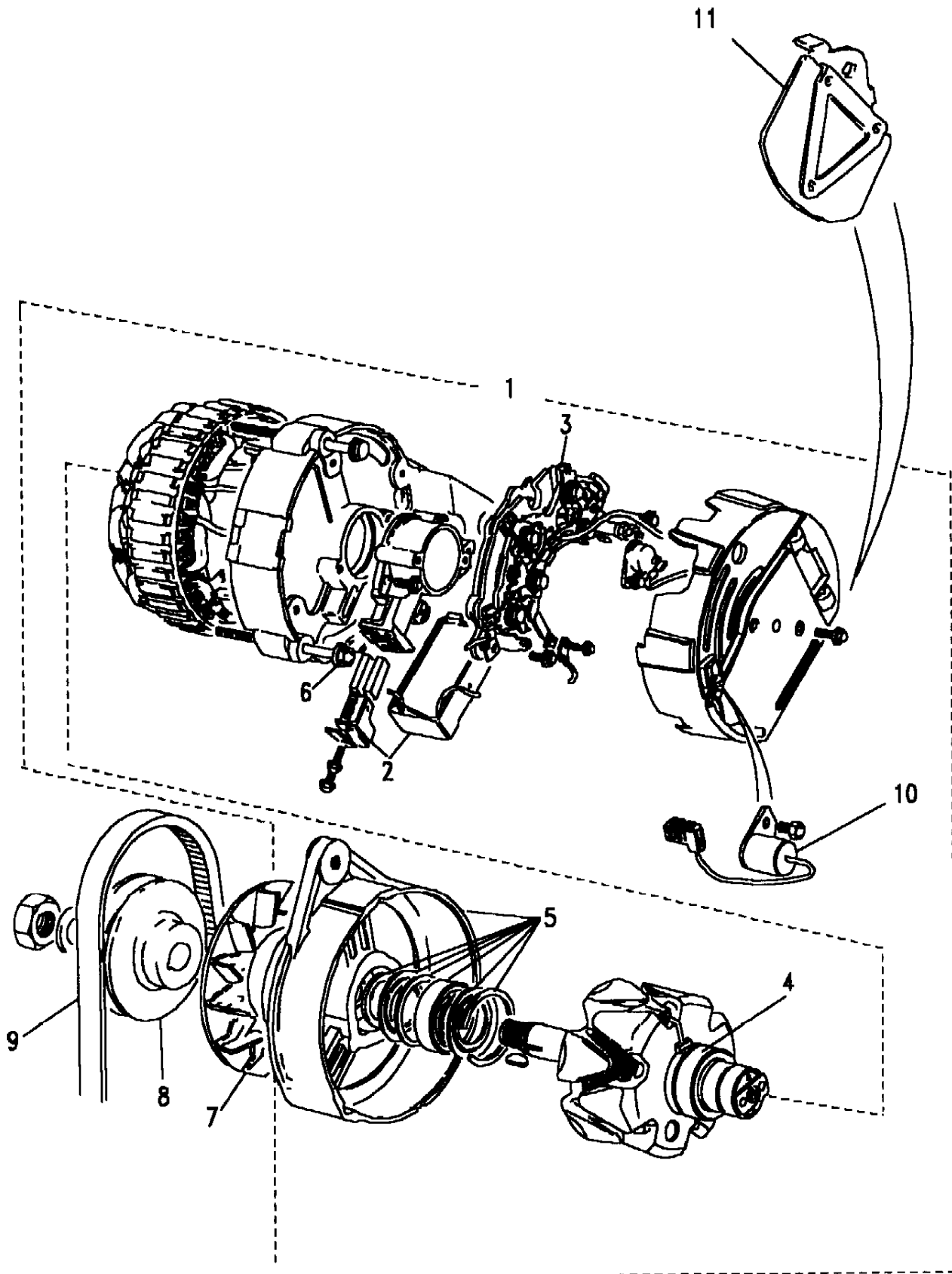
(BDBMPC1A)

Range Rover (From JA610294)

Engine
2500 - Diesel - Turbo - 200 Tdi
Alternator

2.5L I4 200 TDi Turbo Diesel, 5 Speed Manual Transmission, Less Catalyst

Callout	Name	Application	Remarks & Restrictions	Service No.	Qty
1	Kit-alternator	2.5L I4 200 TDi L/R Turbo Diesel	Also serviced as part of a kit, Engine Code 4L 2.5 TDi Manual - 'Zircon'	STC233	1
		2.5L I4 200 TDi L/R Turbo Diesel	Also serviced as part of a kit, Engine Code 4L 2.5 TDi Manual - 'Zircon', exchange, A127-65 amp, LH	RTC5681E	1
2	Regulator & brush box assembly alternator	2.5L I4 200 TDi L/R Turbo Diesel	Also serviced as part of a kit, Engine Code 4L 2.5 TDi Manual - 'Zircon'	RTC5670	1
3	Rectifier-alternator	2.5L I4 200 TDi L/R Turbo Diesel	Also serviced as part of a kit, Engine Code 4L 2.5 TDi Manual - 'Zircon'	RTC5671	1
5	Bracket-drive end c/w bearing alternator e	2.5L I4 200 TDi L/R Turbo Diesel	Also serviced as part of a kit, RH, Engine Code 4L 2.5 TDi Manual - 'Zircon'	RTC5687	1
7	Fan Alternator	2.5L I4 200 TDi L/R Turbo Diesel	Engine Code 4L 2.5 TDi Manual - 'Zircon'	AAU2249L	1
8	Pulley-alternator	2.5L I4 200 TDi L/R Turbo Diesel	Engine Code 4L 2.5 TDi Manual - 'Zircon'	RTC5847	1
9	Belt-polyvee alternator	2.5L I4 200 TDi L/R Turbo Diesel	Engine Code 4L 2.5 TDi Manual - 'Zircon'	ETC7469	1
10	Capacitor alternator	2.5L I4 200 TDi L/R Turbo Diesel	Also serviced as part of a kit, Engine Code 4L 2.5 TDi Manual - 'Zircon'	RTC6114	1
		2.5L I4 200 TDi L/R Turbo Diesel	Engine Code 4L 2.5 TDi Manual - 'Zircon'	RTC6114	1
11	Heatshield alternator	2.5L I4 200 TDi L/R Turbo Diesel	Engine Code 4L 2.5 TDi Manual - 'Zircon'	UAM7498L	1
[900]	Kit-fixings alternator/vacuum pump	2.5L I4 200 TDi L/R Turbo Diesel	Also serviced as part of a kit, Engine Code 4L 2.5 TDi Manual - 'Zircon', LH	RTC5925	1
[901]	Bearing-alternator front	2.5L I4 200 TDi L/R Turbo Diesel	Also serviced as part of a kit, Engine Code 4L 2.5 TDi Manual - 'Zircon'	RTC5926	1
[902]	Spacer	2.5L I4 200 TDi L/R Turbo Diesel	Engine Code 4L 2.5 TDi Manual - 'Zircon'	RTC5689	1
[903]	Nut-hexagonal	2.5L I4 200 TDi L/R Turbo Diesel	M5, Engine Code 4L 2.5 TDi Manual - 'Zircon'	NH105041L	1



Engine
2500 - Diesel - Turbo - 200 Tdi
Camshaft 1/1

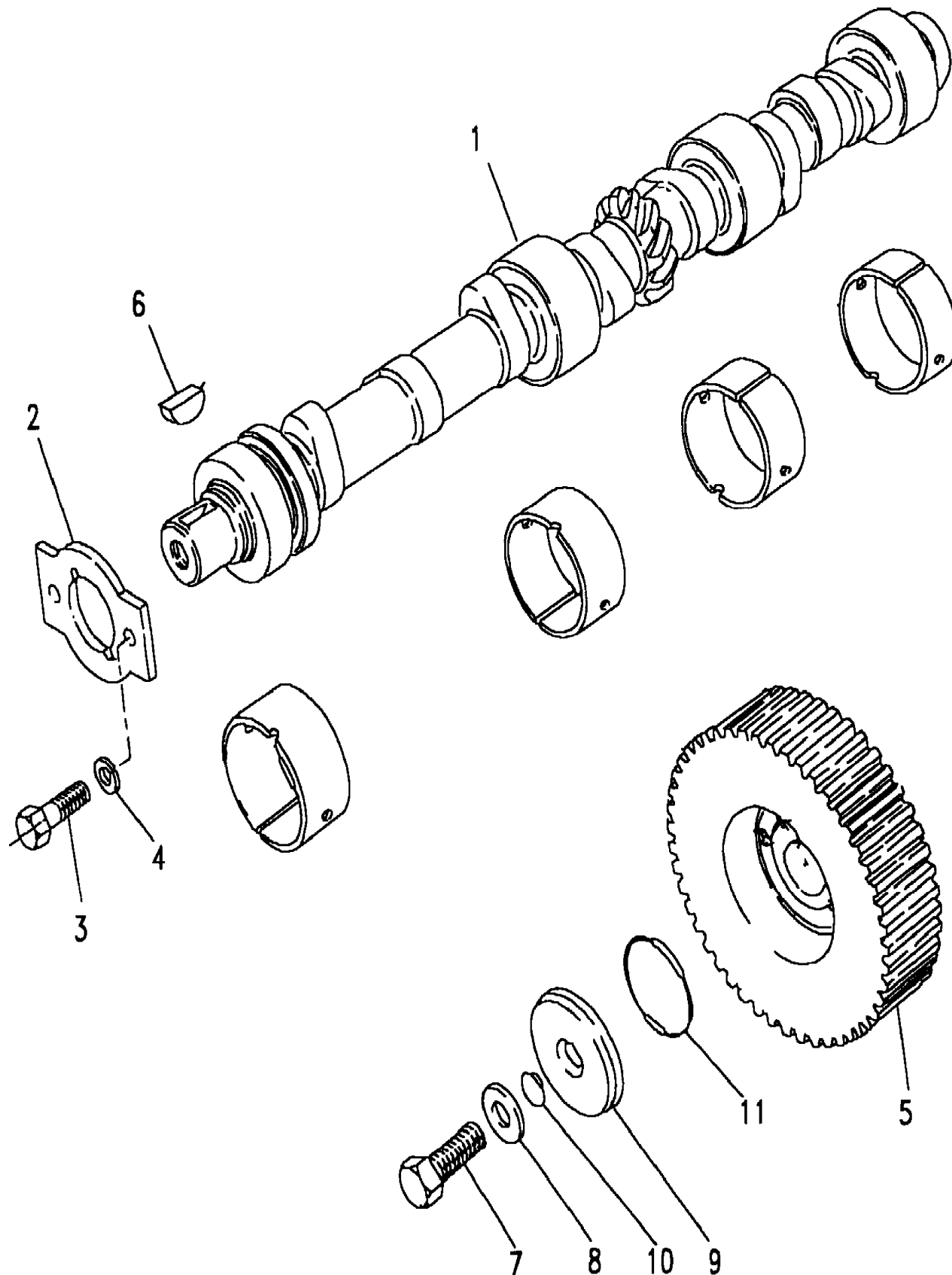
Range Rover (From JA610294)
(BDBMG11A)

Range Rover (From JA610294)

Engine
2500 - Diesel - Turbo - 200 Tdi
Camshaft

2.5L I4 200 TDi Turbo Diesel, 5 Speed Manual Transmission, Less Catalyst

Callout	Name	Application	Remarks & Restrictions	Service No.	Qty
1	Camshaft assembly-engine	2.5L I4 200 TDi L/R Turbo Diesel	Engine Code 4L 2.5 TDi Manual - 'Zircon'	ETC7128	1
2	Plate-camshaft retaining	2.5L I4 200 TDi L/R Turbo Diesel	Engine Code 4L 2.5 TDi Manual - 'Zircon'	ERC1561	1
3	Screw-flanged head	2.5L I4 200 TDi L/R Turbo Diesel	to plate camshaft, M6 X 16, Engine Code 4L 2.5 TDi Manual - 'Zircon', Flanged Head	FS106167L	2
4	Washer	2.5L I4 200 TDi L/R Turbo Diesel	M6, Engine Code 4L 2.5 TDi Manual - 'Zircon', sprung	WL106001L	2
5	Pulley-camshaft	2.5L I4 200 TDi L/R Turbo Diesel	Engine Code 4L 2.5 TDi Manual - 'Zircon'	ERR666	1
6	Key	2.5L I4 200 TDi L/R Turbo Diesel	Engine Code 4L 2.5 TDi Manual - 'Zircon'	230313	1
7	Bolt	2.5L I4 200 TDi L/R Turbo Diesel	to pulley, Engine Code 4L 2.5 TDi Manual - 'Zircon', hexagonal head, M10 x 35	BX110071L	1
		2.5L I4 200 TDi L/R Turbo Diesel	to pulley, Engine Code 4L 2.5 TDi Manual - 'Zircon', hexagonal head, M10 x 35	BX110071M	1
8	Washer-Plain	2.5L I4 200 TDi L/R Turbo Diesel	Engine Code 4L 2.5 TDi Manual - 'Zircon'	ETC4670	1
9	Plate-camshaft pulley retaining	2.5L I4 200 TDi L/R Turbo Diesel	Engine Code 4L 2.5 TDi Manual - 'Zircon'	ERC8847	1
10	O Ring	2.5L I4 200 TDi L/R Turbo Diesel	Engine Code 4L 2.5 TDi Manual - 'Zircon'	ERC8849	1
11	O Ring	2.5L I4 200 TDi L/R Turbo Diesel	Engine Code 4L 2.5 TDi Manual - 'Zircon'	ETC4076	1



Engine
2500 - Diesel - Turbo - 200 Tdi
Coolant Pump 1/1

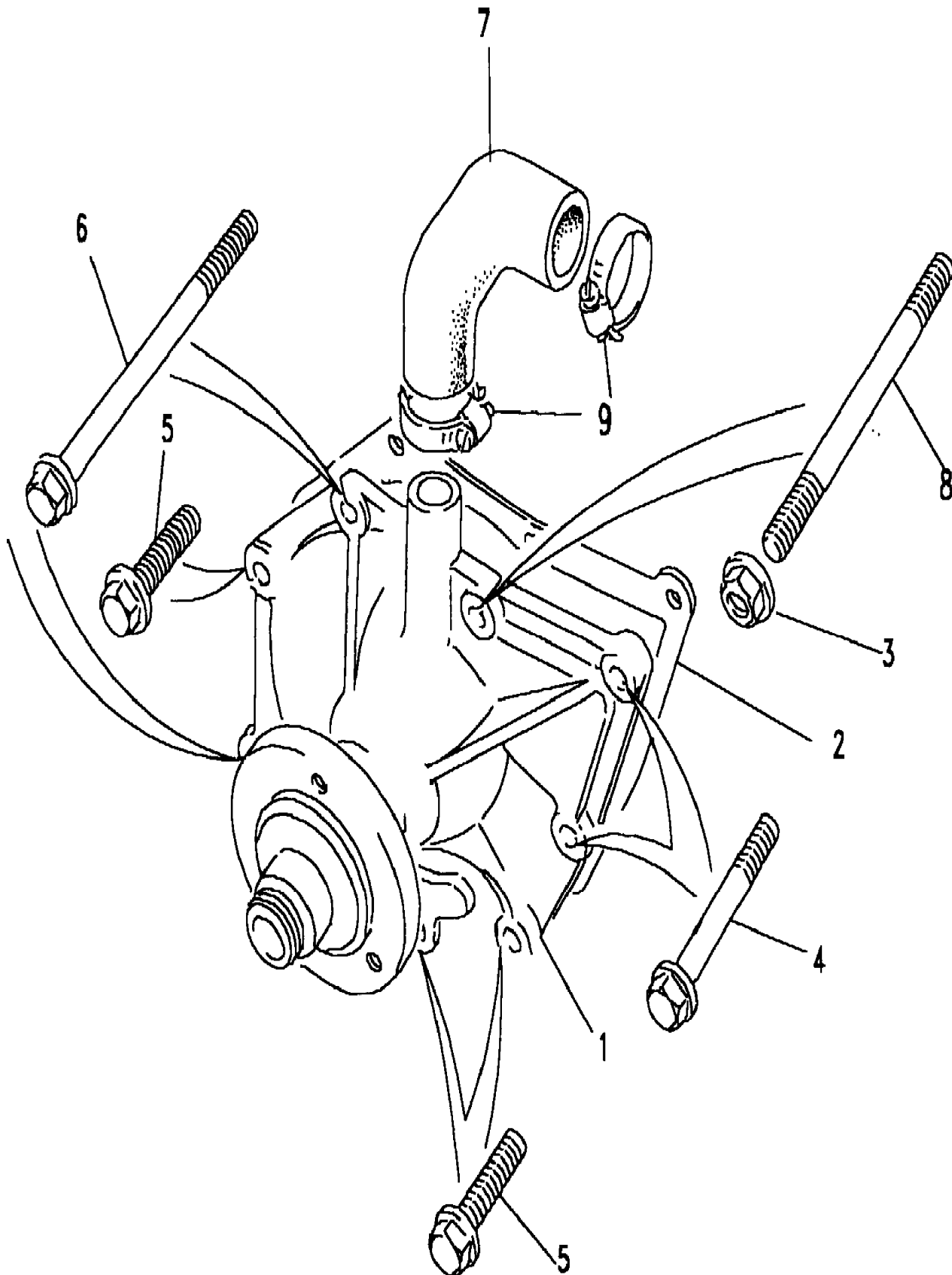
Range Rover (From JA610294)
(BDBMEE1A)

Range Rover (From JA610294)

Engine
2500 - Diesel - Turbo - 200 Tdi
Coolant Pump

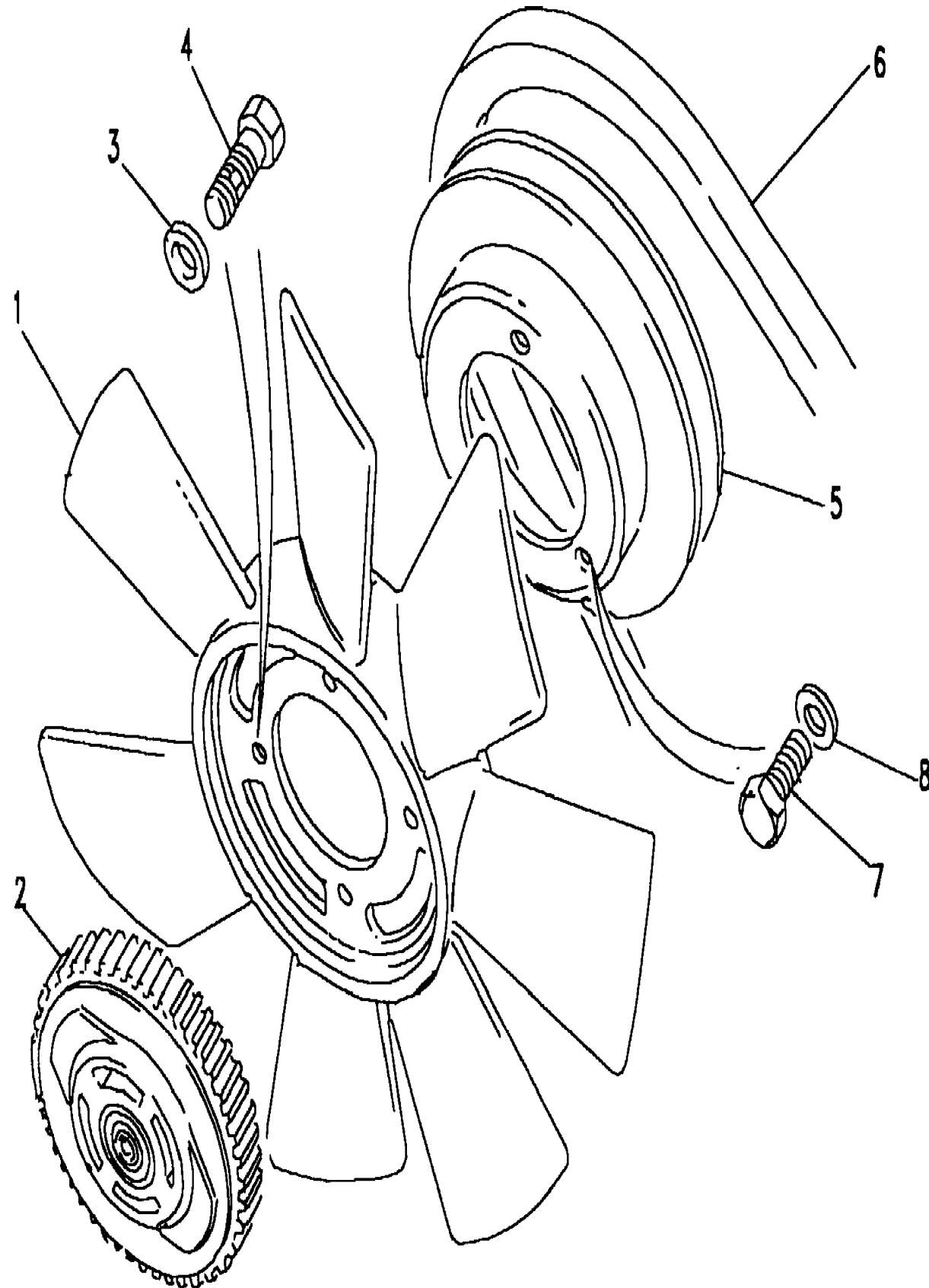
2.5L I4 200 TDi Turbo Diesel, 5 Speed Manual Transmission, Less Catalyst

Callout	Name	Application	Remarks & Restrictions	Service No.	Qty
1	Pump assembly-engine coolant	2.5L I4 200 TDi L/R Turbo Diesel	Also serviced as part of a kit, Engine Code 4L 2.5 TDi Manual - 'Zircon'	RTC6395	1
2	Gasket-coolant pump body	2.5L I4 200 TDi L/R Turbo Diesel	Also serviced as part of a kit, Engine Code 4L 2.5 TDi Manual - 'Zircon'	ERR388	1
3	Nut - Hex.	2.5L I4 200 TDi L/R Turbo Diesel	M8, Engine Code 4L 2.5 TDi Manual - 'Zircon', flange	FN108041L	1
4	Bolt	2.5L I4 200 TDi L/R Turbo Diesel	Engine Code 4L 2.5 TDi Manual - 'Zircon', M8 x 55	ERR1120M	2
5	Screw	2.5L I4 200 TDi L/R Turbo Diesel	M8 x 25, Engine Code 4L 2.5 TDi Manual - 'Zircon'	ERR1121M	3
6	Bolt	2.5L I4 200 TDi L/R Turbo Diesel	Engine Code 4L 2.5 TDi Manual - 'Zircon', M8 x 110	ERR1119M	2
7	Hose-bypass to pump coolant	2.5L I4 200 TDi L/R Turbo Diesel	Engine Code 4L 2.5 TDi Manual - 'Zircon'	ERR1361	1
8	Stud	2.5L I4 200 TDi L/R Turbo Diesel	Engine Code 4L 2.5 TDi Manual - 'Zircon', M8 x 110	TD108201	1
9	Clip-Hose	2.5L I4 200 TDi L/R Turbo Diesel	Engine Code 4L 2.5 TDi Manual - 'Zircon'	CN100408L	2



Engine
2500 - Diesel - Turbo - 200 Tdi
Cooling Fan & Belt 1/1

Range Rover (From JA610294)
(BDBMEG1A)



Range Rover (From JA610294)

Engine
2500 - Diesel - Turbo - 200 Tdi
Cooling Fan & Belt

2.5L I4 200 TDi Turbo Diesel, 5 Speed Manual Transmission, Less Catalyst

Callout	Name	Application	Remarks & Restrictions	Service No.	Qty
1	Fan-cooling	2.5L I4 200 TDi L/R Turbo Diesel	Engine Code 4L 2.5 TDi Manual - 'Zircon'	ERR3380	1
2	Coupling-engine fan viscous	2.5L I4 200 TDi L/R Turbo Diesel	Engine Code 4L 2.5 TDi Manual - 'Zircon'	ETC7238	1
3	Washer-Plain	2.5L I4 200 TDi L/R Turbo Diesel	Engine Code 4L 2.5 TDi Manual - 'Zircon'	4589L	4
4	Screw	2.5L I4 200 TDi L/R Turbo Diesel	Engine Code 4L 2.5 TDi Manual - 'Zircon', M6 X 14	ERC5709	4
5	Pulley coolant pump	2.5L I4 200 TDi L/R Turbo Diesel	Engine Code 4L 2.5 TDi Manual - 'Zircon'	ETC5499	1
6	Belt-vee power assisted steering	2.5L I4 200 TDi L/R Turbo Diesel	Engine Code 4L 2.5 TDi Manual - 'Zircon'	ERR810	1
7	Screw	2.5L I4 200 TDi L/R Turbo Diesel	Engine Code 4L 2.5 TDi Manual - 'Zircon', hexagonal head, 1/4UNF x 5/8	SH604051L	3
8	Washer	2.5L I4 200 TDi L/R Turbo Diesel	Engine Code 4L 2.5 TDi Manual - 'Zircon', 6MM	WA106041L	3

Engine
2500 - Diesel - Turbo - 200 Tdi
Cover Side 1/1

Range Rover (From JA610294)

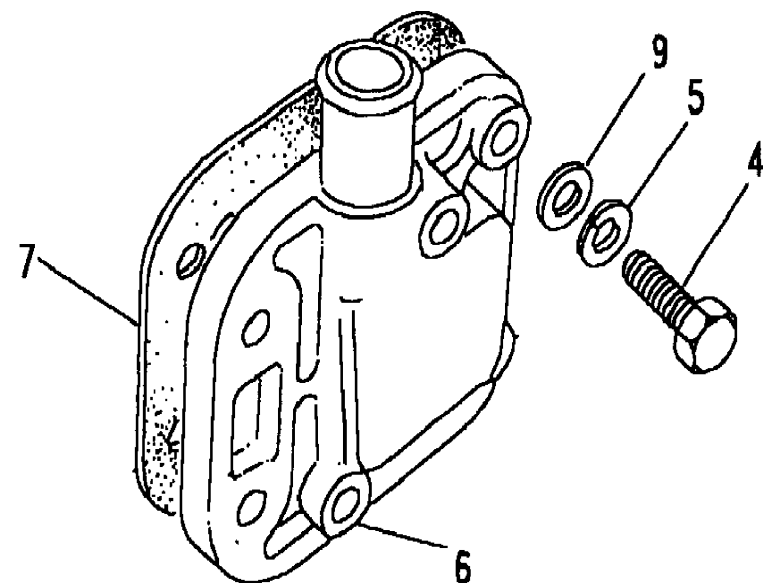
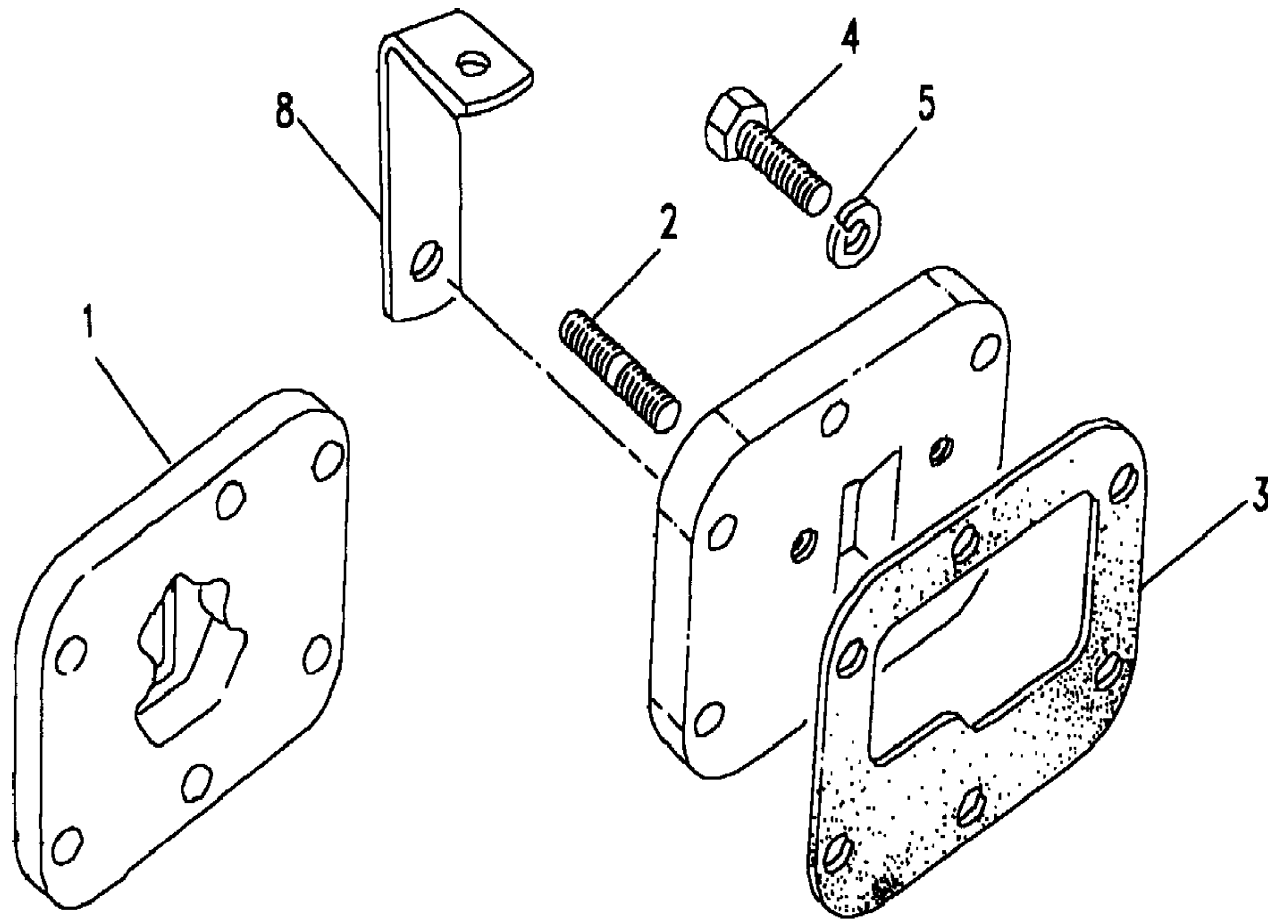
(BDBMBC1A)

Range Rover (From JA610294)

Engine
2500 - Diesel - Turbo - 200 Tdi
Cover Side

2.5L I4 200 TDi Turbo Diesel, 5 Speed Manual Transmission, Less Catalyst

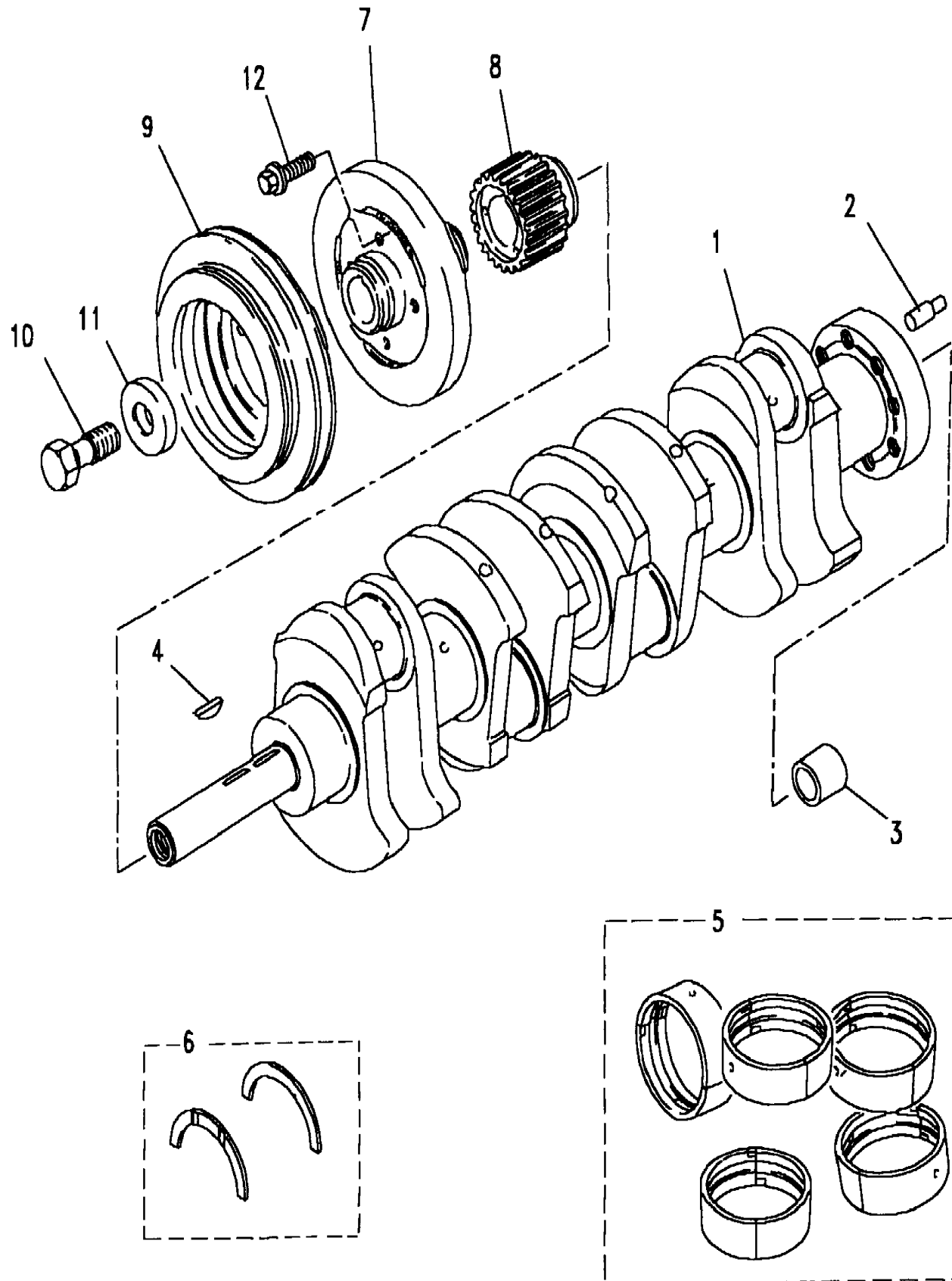
Callout	Name	Application	Remarks & Restrictions	Service No.	Qty
1	Cover Plate	2.5L I4 200 TDi L/R Turbo Diesel	Also serviced as part of a kit, Engine Code 4L 2.5 TDi Manual - 'Zircon', Side	ETC7929	1
2	Stud	2.5L I4 200 TDi L/R Turbo Diesel	Also serviced as part of a kit, Engine Code 4L 2.5 TDi Manual - 'Zircon', M8 x 20	TE108041L	2
3	Gasket-cylinder block side cover	2.5L I4 200 TDi L/R Turbo Diesel	Engine Code 4L 2.5 TDi Manual - 'Zircon'	ERR1475	1
4	Screw	2.5L I4 200 TDi L/R Turbo Diesel	to gasket, M8 x 25, Engine Code 4L 2.5 TDi Manual - 'Zircon', Flanged Head	FS108251L	3
		2.5L I4 200 TDi L/R Turbo Diesel	to gasket, M8 x 25, Engine Code 4L 2.5 TDi Manual - 'Zircon', Flanged Head	FS108257L	3
5	Washer	2.5L I4 200 TDi L/R Turbo Diesel	M8, Engine Code 4L 2.5 TDi Manual - 'Zircon', sprung	WL108001L	12
6	Breather assembly-crankcase	2.5L I4 200 TDi L/R Turbo Diesel	Engine Code 4L 2.5 TDi Manual - 'Zircon'	541010	1
7	Gasket-cylinder block side cover	2.5L I4 200 TDi L/R Turbo Diesel	Engine Code 4L 2.5 TDi Manual - 'Zircon'	247555	1
		2.5L I4 200 TDi L/R Turbo Diesel	Engine Code 4L 2.5 TDi Manual - 'Zircon'	ERR3605	1
8	Bracket	2.5L I4 200 TDi L/R Turbo Diesel	Engine Code 4L 2.5 TDi Manual - 'Zircon'	ERC9480	1
9	Washer	2.5L I4 200 TDi L/R Turbo Diesel	8MM, Engine Code 4L 2.5 TDi Manual - 'Zircon'	WA108051L	3



Engine
2500 - Diesel - Turbo - 200 Tdi
Crankshaft & Bearings 1/2

Range Rover (From JA610294)

(BDBMCA1B)



Range Rover (From JA610294)

Engine
2500 - Diesel - Turbo - 200 Tdi
Crankshaft & Bearings

2.5L I4 200 TDi Turbo Diesel, 5 Speed Manual Transmission, Less Catalyst

Callout	Name	Application	Remarks & Restrictions	Service No.	Qty
1	Crankshaft-engine	2.5L I4 200 TDi L/R Turbo Diesel	Also serviced as part of a kit, Engine Code 4L 2.5 TDi Manual - 'Zircon'	ERR1181	1
2	Dowel-flywheel to crankshaft	2.5L I4 200 TDi L/R Turbo Diesel	Also serviced as part of a kit, Engine Code 4L 2.5 TDi Manual - 'Zircon'	ERC4650	1
3	Bush-crankshaft	2.5L I4 200 TDi L/R Turbo Diesel	Also serviced as part of a kit, Engine Code 4L 2.5 TDi Manual - 'Zircon'	8566L	1
4	Key-crankshaft	2.5L I4 200 TDi L/R Turbo Diesel	Also serviced as part of a kit, Engine Code 4L 2.5 TDi Manual - 'Zircon'	235770	2
5	Set-crankshaft bearings	2.5L I4 200 TDi L/R Turbo Diesel 2.5L I4 200 TDi L/R Turbo Diesel	Engine Code 4L 2.5 TDi Manual - 'Zircon', standard. Engine Code 4L 2.5 TDi Manual - 'Zircon', standard.	RTC4783 STC3395	1 1
6	Washer-crankshaft thrust	2.5L I4 200 TDi L/R Turbo Diesel 2.5L I4 200 TDi L/R Turbo Diesel 2.5L I4 200 TDi L/R Turbo Diesel 2.5L I4 200 TDi L/R Turbo Diesel	Engine Code 4L 2.5 TDi Manual - 'Zircon', Pair, standard. Engine Code 4L 2.5 TDi Manual - 'Zircon', Pair, oversize., 0.0025" Engine Code 4L 2.5 TDi Manual - 'Zircon', Pair, 0.005", oversize. Engine Code 4L 2.5 TDi Manual - 'Zircon', Pair, 0.01", oversize.	RTC2825 538131 538132 538134	X X X X
7	Pulley & torsional vibration damper-crankshaft	2.5L I4 200 TDi L/R Turbo Diesel	Also serviced as part of a kit, Engine Code 4L 2.5 TDi Manual - 'Zircon'	ERR751	1
8	Gear-crankshaft timing drive	2.5L I4 200 TDi L/R Turbo Diesel	Engine Code 4L 2.5 TDi Manual - 'Zircon'	ERR1642	1
9	Pulley-crankshaft	2.5L I4 200 TDi L/R Turbo Diesel, With Air Conditioning 2.5L I4 200 TDi L/R Turbo Diesel, Less Air Conditioning	Engine Code 4L 2.5 TDi Manual - 'Zircon' Engine Code 4L 2.5 TDi Manual - 'Zircon'	ERR2352 ERR2351	1 1
10	Bolt-crankshaft pulley	2.5L I4 200 TDi L/R Turbo Diesel	Engine Code 4L 2.5 TDi Manual - 'Zircon'	ERR605	1
11	Washer-crankshaft thrust	2.5L I4 200 TDi L/R Turbo Diesel	Engine Code 4L 2.5 TDi Manual - 'Zircon'	ERR705	1
12	Screw	2.5L I4 200 TDi L/R Turbo Diesel	Engine Code 4L 2.5 TDi Manual - 'Zircon', Flanged Head, M8 x 20	FS108201L	4

Engine
2500 - Diesel - Turbo - 200 Tdi
Crankshaft & Bearings 2/2

Range Rover (From JA610294)

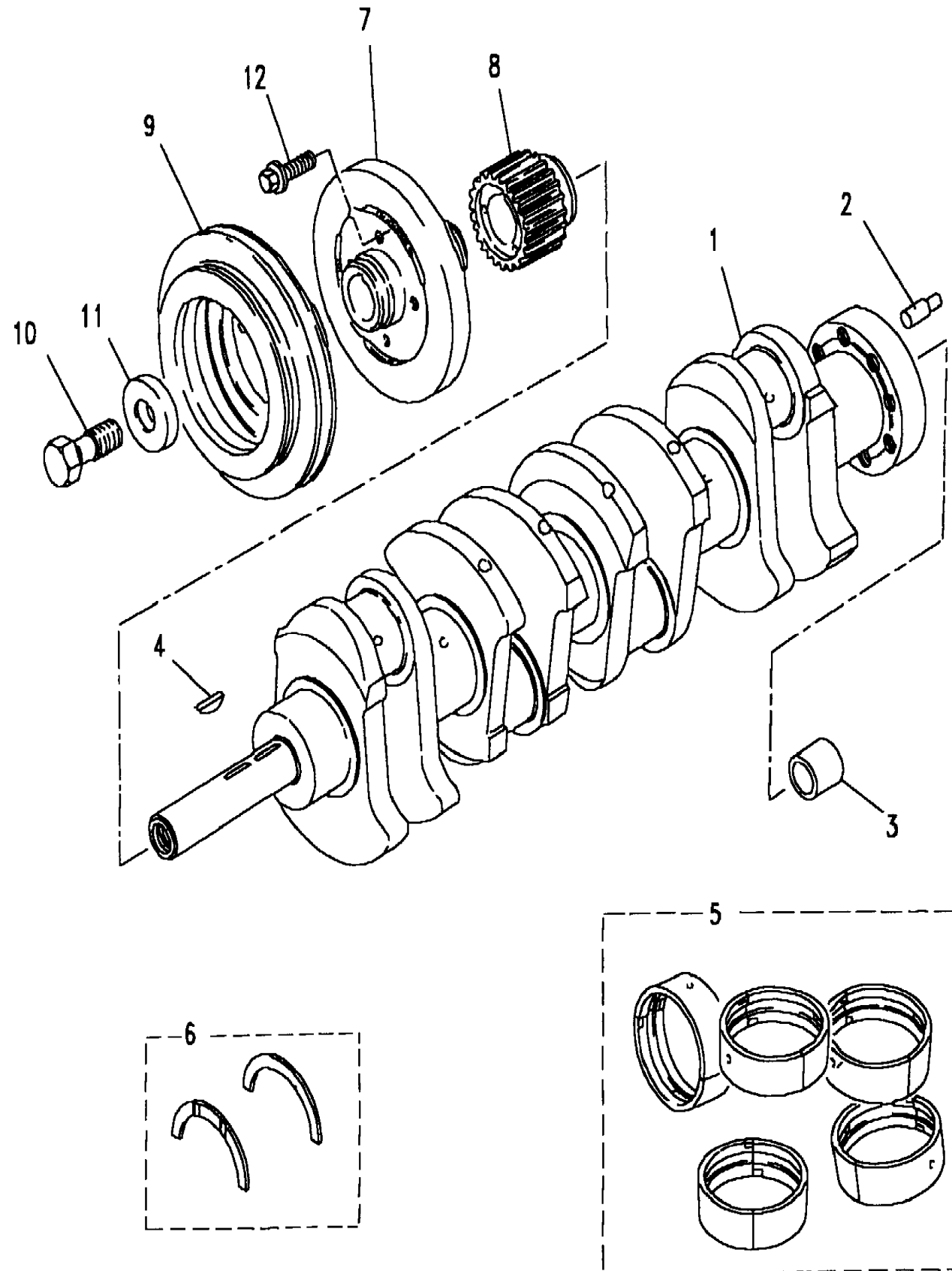
(BDBMCA1B)

Range Rover (From JA610294)

Engine
2500 - Diesel - Turbo - 200 Tdi
Crankshaft & Bearings

2.5L I4 200 TDi Turbo Diesel, 5 Speed Manual Transmission, Less Catalyst

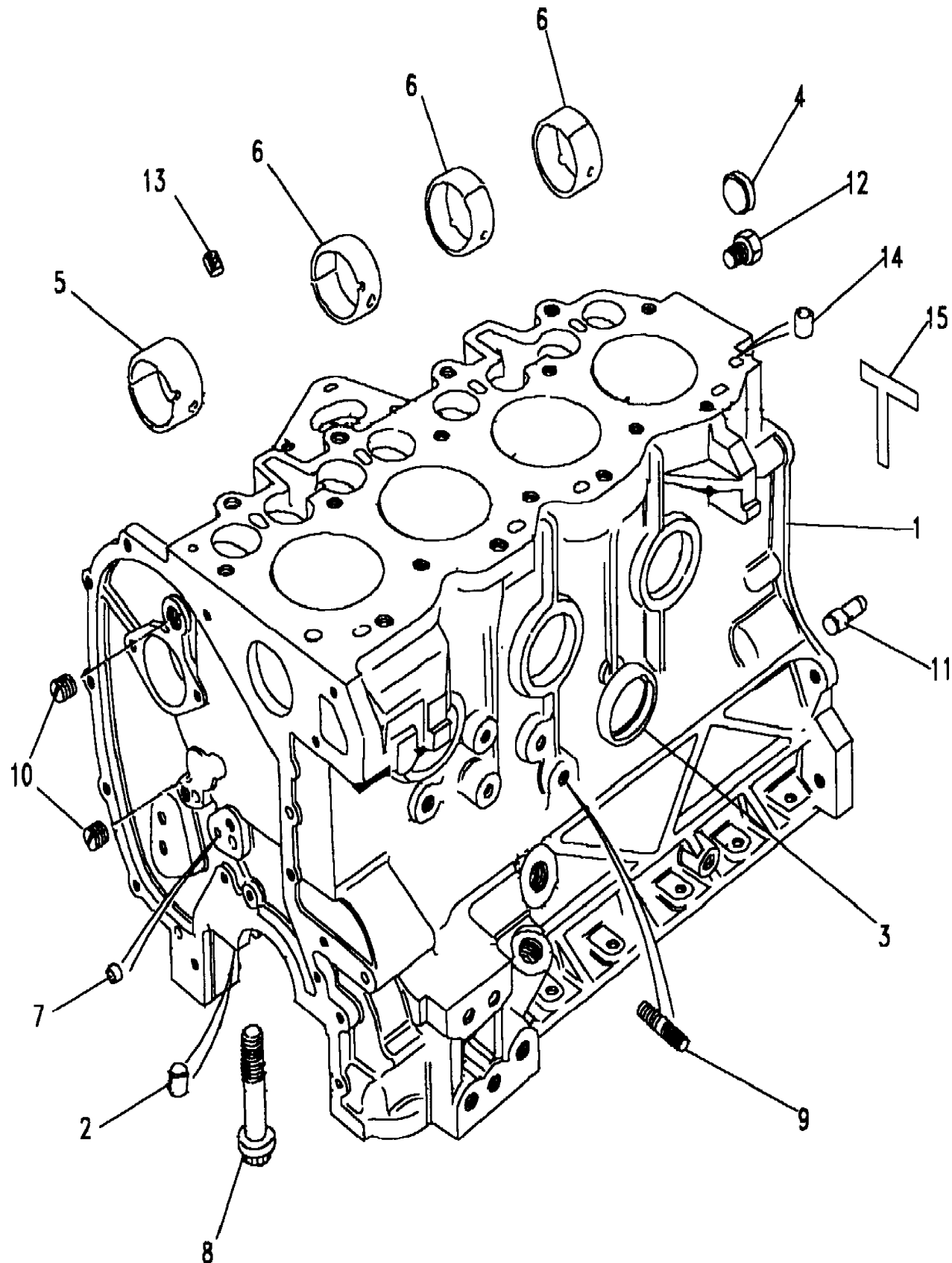
Callout	Name	Application	Remarks & Restrictions	Service No.	Qty
[900]	Flinger-crankshaft pulley	2.5L I4 200 TDi L/R Turbo Diesel	Also serviced as part of a kit, Engine Code 4L 2.5 TDi Manual - 'Zircon'	ETC4390	1



Engine
2500 - Diesel - Turbo - 200 Tdi
Cylinder Block 1/1

Range Rover (From JA610294)

(BDBMBA1A)



Range Rover (From JA610294)

Engine
2500 - Diesel - Turbo - 200 Tdi
Cylinder Block

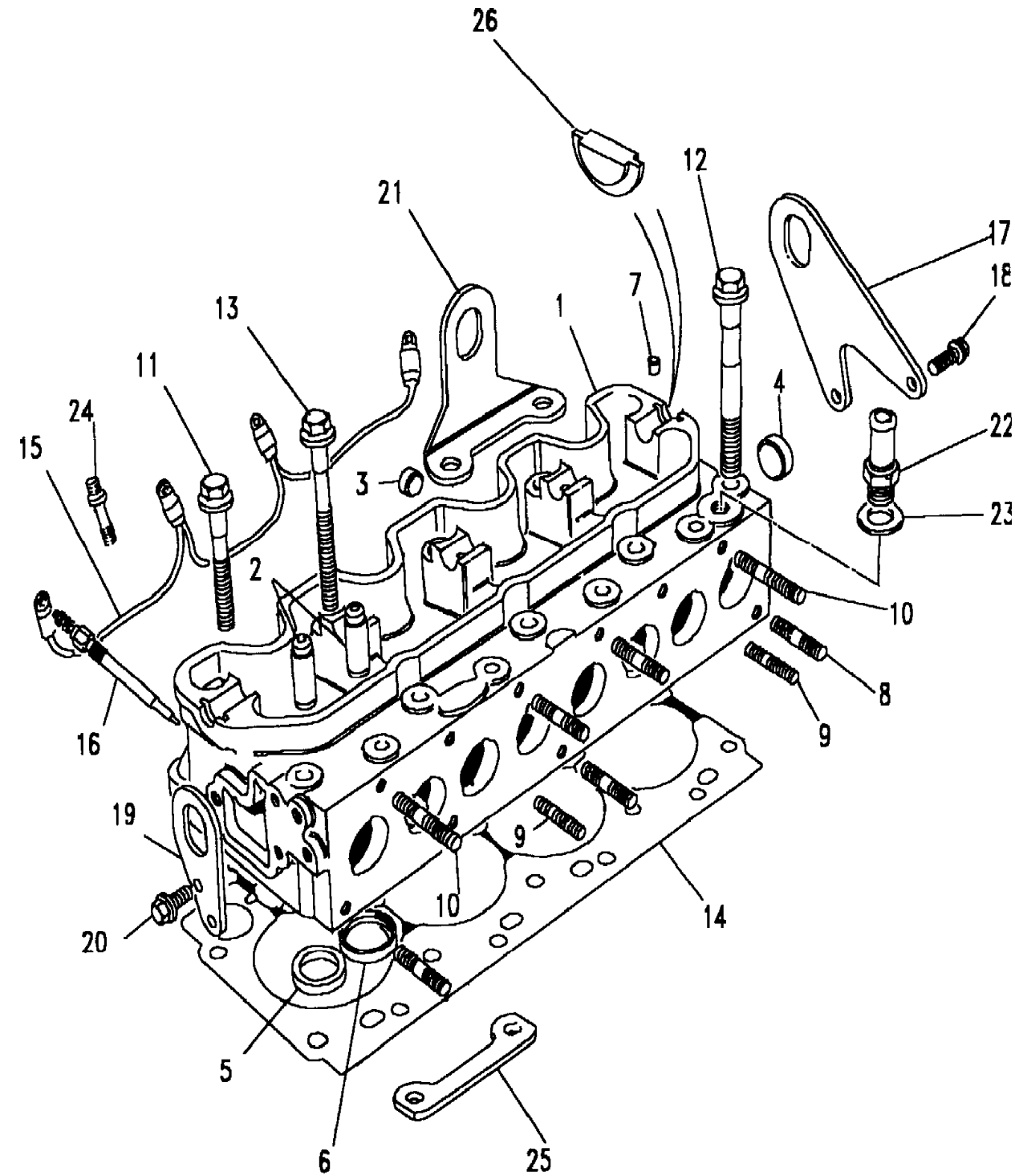
2.5L I4 200 TDi Turbo Diesel, 5 Speed Manual Transmission, Less Catalyst

Callout	Name	Application	Remarks & Restrictions	Service No.	Qty
1	Cylinder block-engine	2.5L I4 200 TDi L/R Turbo Diesel	Also serviced as part of a kit, Engine Code 4L 2.5 TDi Manual - 'Zircon'	ERR3	1
2	Dowel	2.5L I4 200 TDi L/R Turbo Diesel	Also serviced as part of a kit, Engine Code 4L 2.5 TDi Manual - 'Zircon'	501593	10
3	Plug-core	2.5L I4 200 TDi L/R Turbo Diesel	Also serviced as part of a kit, Engine Code 4L 2.5 TDi Manual - 'Zircon'	ERC4996	7
4	Plug-core	2.5L I4 200 TDi L/R Turbo Diesel	Also serviced as part of a kit, Engine Code 4L 2.5 TDi Manual - 'Zircon'	597586	1
5	Bearing-camshaft front	2.5L I4 200 TDi L/R Turbo Diesel	Also serviced as part of a kit, Engine Code 4L 2.5 TDi Manual - 'Zircon'	ETC8442	1
6	Bearing-camshaft rear	2.5L I4 200 TDi L/R Turbo Diesel	Also serviced as part of a kit, Engine Code 4L 2.5 TDi Manual - 'Zircon'	90519055	3
7	Plug-core	2.5L I4 200 TDi L/R Turbo Diesel	Also serviced as part of a kit, Engine Code 4L 2.5 TDi Manual - 'Zircon'	ETC4529	1
8	Bolt	2.5L I4 200 TDi L/R Turbo Diesel	Also serviced as part of a kit, Engine Code 4L 2.5 TDi Manual - 'Zircon'	ETC8074	10
10	Plug-cylinder block oil way	2.5L I4 200 TDi L/R Turbo Diesel	Engine Code 4L 2.5 TDi Manual - 'Zircon'	247127	1
11	Dowel	2.5L I4 200 TDi L/R Turbo Diesel	Engine Code 4L 2.5 TDi Manual - 'Zircon'	ERC4644	2
12	Plug	2.5L I4 200 TDi L/R Turbo Diesel	Engine Code 4L 2.5 TDi Manual - 'Zircon'	ETC4992	2
13	Plug-camshaft blanking	2.5L I4 200 TDi L/R Turbo Diesel	Rubber, Engine Code 4L 2.5 TDi Manual - 'Zircon'	ERR5034	3
14	Dowel-ring	2.5L I4 200 TDi L/R Turbo Diesel	Engine Code 4L 2.5 TDi Manual - 'Zircon'	ETC8352	1
15	Packing strip	2.5L I4 200 TDi L/R Turbo Diesel	Engine Code 4L 2.5 TDi Manual - 'Zircon'	ERR913	2

Engine
2500 - Diesel - Turbo - 200 Tdi
Cylinder Head 1/2

Range Rover (From JA610294)

(BDBMGA1B)



Range Rover (From JA610294)

Engine
2500 - Diesel - Turbo - 200 Tdi
Cylinder Head

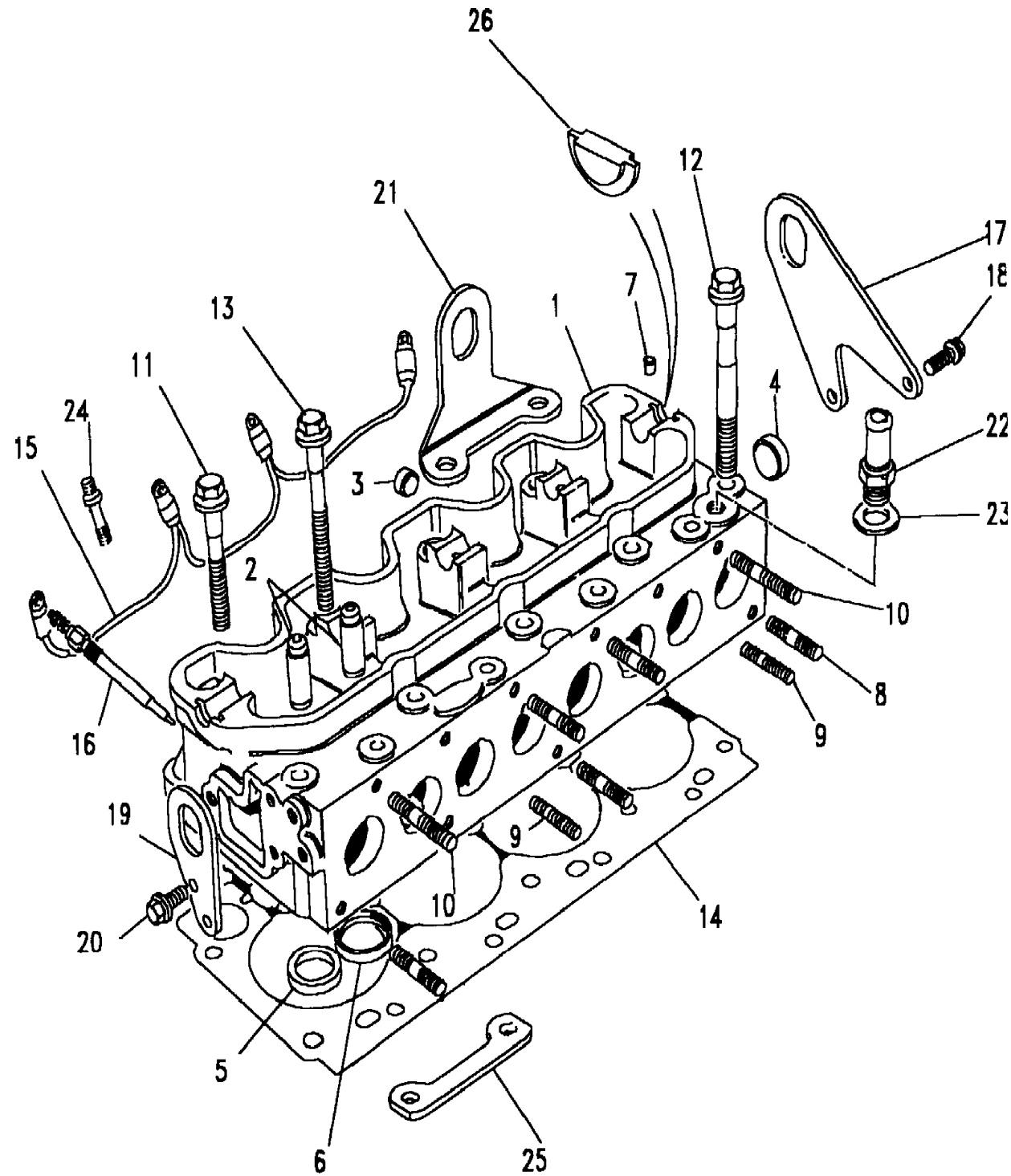
2.5L I4 200 TDi Turbo Diesel, 5 Speed Manual Transmission, Less Catalyst

Callout	Name	Application	Remarks & Restrictions	Service No.	Qty
1	Cylinder head assembly-engine	2.5L I4 200 TDi L/R Turbo Diesel	Also serviced as part of a kit, Engine Code 4L 2.5 TDi Manual - 'Zircon'	RTC6896	1
2	Guide-cylinder head valve	2.5L I4 200 TDi L/R Turbo Diesel	Also serviced as part of a kit, Engine Code 4L 2.5 TDi Manual - 'Zircon'	ETC8003	8
		2.5L I4 200 TDi L/R Turbo Diesel	Engine Code 4L 2.5 TDi Manual - 'Zircon'	LGJ100880	X
3	Plug-core	2.5L I4 200 TDi L/R Turbo Diesel	Also serviced as part of a kit, Engine Code 4L 2.5 TDi Manual - 'Zircon'	525497	1
4	Plug-core	2.5L I4 200 TDi L/R Turbo Diesel	Also serviced as part of a kit, Engine Code 4L 2.5 TDi Manual - 'Zircon'	524765	1
5	Insert-cylinder head exhaust valve seat	2.5L I4 200 TDi L/R Turbo Diesel	Also serviced as part of a kit, Engine Code 4L 2.5 TDi Manual - 'Zircon'	ETC8002	4
6	Insert-inlet valve seat-cylinder head	2.5L I4 200 TDi L/R Turbo Diesel	Also serviced as part of a kit, Engine Code 4L 2.5 TDi Manual - 'Zircon'	ETC8001	4
7	Dowel-ring	2.5L I4 200 TDi L/R Turbo Diesel	Also serviced as part of a kit, Engine Code 4L 2.5 TDi Manual - 'Zircon'	ETC8194	1
8	Stud	2.5L I4 200 TDi L/R Turbo Diesel	Engine Code 4L 2.5 TDi Manual - 'Zircon', M10 x 25	TE110051L	5
9	Stud	2.5L I4 200 TDi L/R Turbo Diesel	M8 x 25, Engine Code 4L 2.5 TDi Manual - 'Zircon'	TE108051L	2
10	Stud	2.5L I4 200 TDi L/R Turbo Diesel	Engine Code 4L 2.5 TDi Manual - 'Zircon', M10 x 35	TE110071L	2
11	Bolt-cylinder head fixing	2.5L I4 200 TDi L/R Turbo Diesel	Short, Engine Code 4L 2.5 TDi Manual - 'Zircon', M12 x 100	ETC8808	4
12	Bolt-cylinder head fixing	2.5L I4 200 TDi L/R Turbo Diesel	Long, Engine Code 4L 2.5 TDi Manual - 'Zircon'	ETC8809	10
13	Bolt-cylinder head fixing	2.5L I4 200 TDi L/R Turbo Diesel	Also serviced as part of a kit, Engine Code 4L 2.5 TDi Manual - 'Zircon', M10 x 117	ETC8810	4
14	Gasket-Cylinder Head	2.5L I4 200 TDi L/R Turbo Diesel	1 Hole, 1.30MM, Engine Code 4L 2.5 TDi Manual - 'Zircon'	ERR5261	1
		2.5L I4 200 TDi L/R Turbo Diesel	2 Holes, 1.40MM, Engine Code 4L 2.5 TDi Manual - 'Zircon'	ERR5262	1
		2.5L I4 200 TDi L/R Turbo Diesel	3 Holes, 1.50MM, Engine Code 4L 2.5 TDi Manual - 'Zircon'	ERR5263	1

Engine
2500 - Diesel - Turbo - 200 Tdi
Cylinder Head 2/2

Range Rover (From JA610294)

(BDBMGA1B)



Range Rover (From JA610294)

Engine
2500 - Diesel - Turbo - 200 Tdi
Cylinder Head

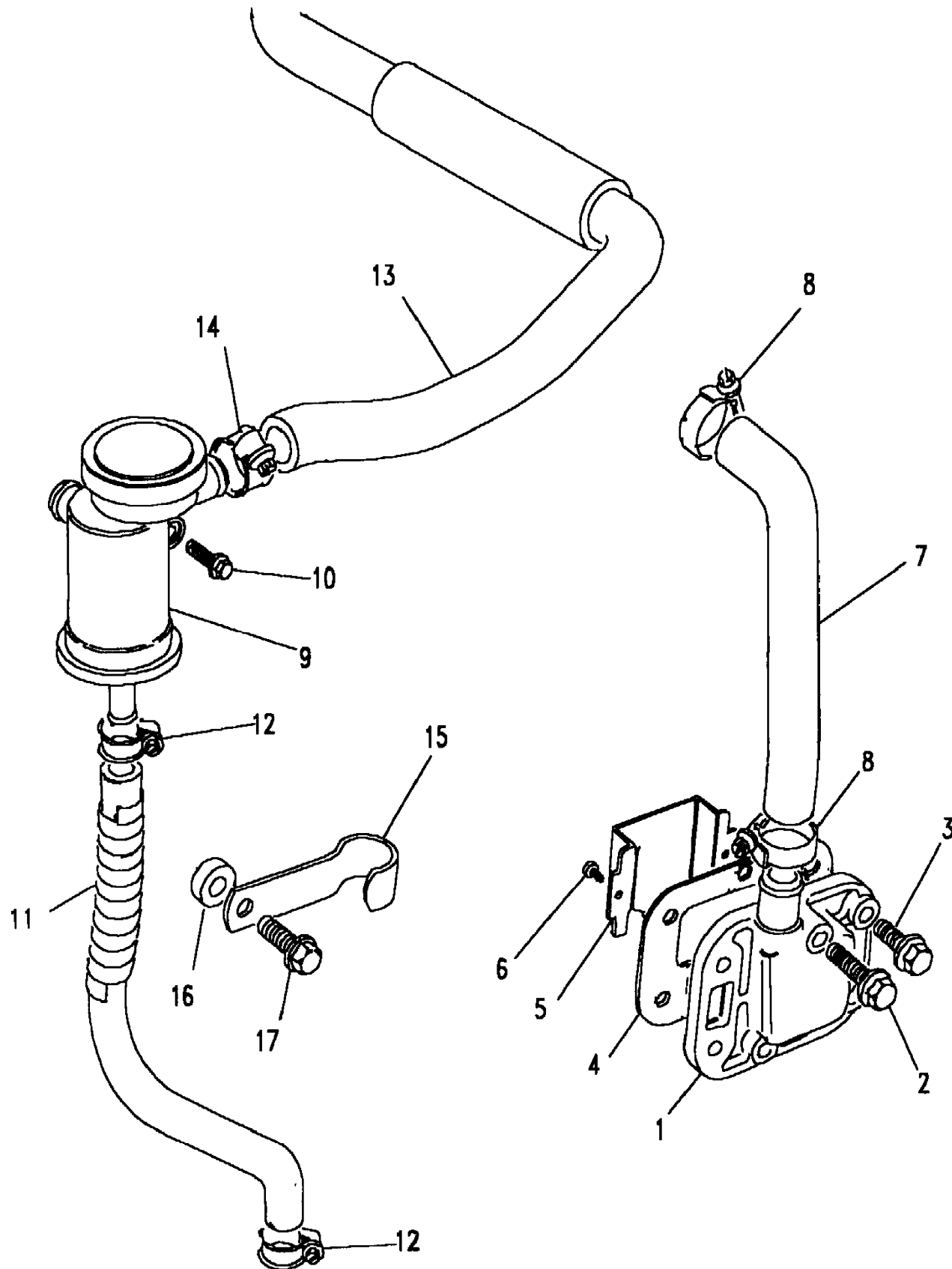
2.5L I4 200 TDi Turbo Diesel, 5 Speed Manual Transmission, Less Catalyst

Callout	Name	Application	Remarks & Restrictions	Service No.	Qty
15	Cable-heater plug ignition	Change point - Engine end 14L02114A, 2.5L I4 200 TDi L/R Turbo Diesel	Engine Code 4L 2.5 TDi Manual - 'Zircon'	PRC6947	1
		Change point - Engine begin 14L02115A, 2.5L I4 200 TDi L/R Turbo Diesel	Engine Code 4L 2.5 TDi Manual - 'Zircon'	AMR2425	1
16	Plug-heater ignition	2.5L I4 200 TDi L/R Turbo Diesel	Engine Code 4L 2.5 TDi Manual - 'Zircon'	ETC8847	4
17	Bracket-lifting engine rear	2.5L I4 200 TDi L/R Turbo Diesel	Engine Code 4L 2.5 TDi Manual - 'Zircon'	ETC8036	1
18	Screw	2.5L I4 200 TDi L/R Turbo Diesel	M8 x 25, Engine Code 4L 2.5 TDi Manual - 'Zircon', Flanged Head	FS108251L	2
		2.5L I4 200 TDi L/R Turbo Diesel	M8 x 25, Engine Code 4L 2.5 TDi Manual - 'Zircon', Flanged Head	FS108257L	2
19	Bracket-lifting engine front	2.5L I4 200 TDi L/R Turbo Diesel	Engine Code 4L 2.5 TDi Manual - 'Zircon'	ETC8031	1
20	Screw	2.5L I4 200 TDi L/R Turbo Diesel	M8 x 25, Engine Code 4L 2.5 TDi Manual - 'Zircon', Flanged Head	FS108251L	2
		2.5L I4 200 TDi L/R Turbo Diesel	M8 x 25, Engine Code 4L 2.5 TDi Manual - 'Zircon', Flanged Head	FS108257L	2
21	Bracket-lifting engine rear	2.5L I4 200 TDi L/R Turbo Diesel	Engine Code 4L 2.5 TDi Manual - 'Zircon'	ERR978	1
22	Adaptor-pipe coolant	2.5L I4 200 TDi L/R Turbo Diesel	Engine Code 4L 2.5 TDi Manual - 'Zircon'	624091	1
23	Washer-sealing	2.5L I4 200 TDi L/R Turbo Diesel	Engine Code 4L 2.5 TDi Manual - 'Zircon'	243959	1
24	Stud	2.5L I4 200 TDi L/R Turbo Diesel	Engine Code 4L 2.5 TDi Manual - 'Zircon'	ERR1019	4
25	Spacer	2.5L I4 200 TDi L/R Turbo Diesel	Engine Code 4L 2.5 TDi Manual - 'Zircon'	ERR1536	2
26	Plug-cylinder block oil way	2.5L I4 200 TDi L/R Turbo Diesel	Rubber, Engine Code 4L 2.5 TDi Manual - 'Zircon'	ERR765	2

Engine
2500 - Diesel - Turbo - 200 Tdi
Engine Breather 1/2

Range Rover (From JA610294)

(BDBMGG2B)



Range Rover (From JA610294)

Engine
2500 - Diesel - Turbo - 200 Tdi
Engine Breather

2.5L I4 200 TDi Turbo Diesel, 5 Speed Manual Transmission, Less Catalyst

Callout	Name	Application	Remarks & Restrictions	Service No.	Qty
1	Breather assembly-crankcase	2.5L I4 200 TDi L/R Turbo Diesel	Engine Code 4L 2.5 TDi Manual - 'Zircon'	541010	1
2	Bolt	2.5L I4 200 TDi L/R Turbo Diesel	plate cover to gasket, Engine Code 4L 2.5 TDi Manual - 'Zircon', Flanged Head, M8 x 40	FB108081L	1
3	Screw	2.5L I4 200 TDi L/R Turbo Diesel	plate to gasket, M8 x 25, Engine Code 4L 2.5 TDi Manual - 'Zircon', Flanged Head	FS108251L	5
		2.5L I4 200 TDi L/R Turbo Diesel	plate to gasket, M8 x 25, Engine Code 4L 2.5 TDi Manual - 'Zircon', Flanged Head	FS108257L	5
4	Gasket-cylinder block side cover	2.5L I4 200 TDi L/R Turbo Diesel	Engine Code 4L 2.5 TDi Manual - 'Zircon'	247555	1
			Engine Code 4L 2.5 TDi Manual - 'Zircon'	ERR3605	1
5	Baffle-oil separator	2.5L I4 200 TDi L/R Turbo Diesel	Engine Code 4L 2.5 TDi Manual - 'Zircon'	ERR874	1
6	Screw	2.5L I4 200 TDi L/R Turbo Diesel	baffle plate to gasket, Engine Code 4L 2.5 TDi Manual - 'Zircon', No 6 x 5/16	79026	2
7	Hose-crankcase breather flexible	2.5L I4 200 TDi L/R Turbo Diesel	Engine Code 4L 2.5 TDi Manual - 'Zircon'	ERR877	1
8	Clip-Hose	2.5L I4 200 TDi L/R Turbo Diesel	25MM, Engine Code 4L 2.5 TDi Manual - 'Zircon'	CN100258L	2
9	Separator assembly-crankcase breather oil	2.5L I4 200 TDi L/R Turbo Diesel	Also serviced as part of a kit, Engine Code 4L 2.5 TDi Manual - 'Zircon'	ERR1471	1
10	Bolt	2.5L I4 200 TDi L/R Turbo Diesel	to separator assembly, Engine Code 4L 2.5 TDi Manual - 'Zircon', Flanged Head, M6 x 60	FB106121L	2
11	Hose-oil separator drain	2.5L I4 200 TDi L/R Turbo Diesel	Engine Code 4L 2.5 TDi Manual - 'Zircon'	ERR1605	1
12	Clip-Hose	2.5L I4 200 TDi L/R Turbo Diesel	20MM, Engine Code 4L 2.5 TDi Manual - 'Zircon'	CN100208L	2
13	Hose-cyclone-air cleaner	2.5L I4 200 TDi L/R Turbo Diesel	Engine Code 4L 2.5 TDi Manual - 'Zircon'	ERR3381	1
14	Clip-Hose	2.5L I4 200 TDi L/R Turbo Diesel	25MM, Engine Code 4L 2.5 TDi Manual - 'Zircon'	CN100258L	2
15	Gasket-oil separator	2.5L I4 200 TDi L/R Turbo Diesel	Engine Code 4L 2.5 TDi Manual - 'Zircon'	ERR882	1

Engine
2500 - Diesel - Turbo - 200 Tdi
Engine Breather 2/2

Range Rover (From JA610294)

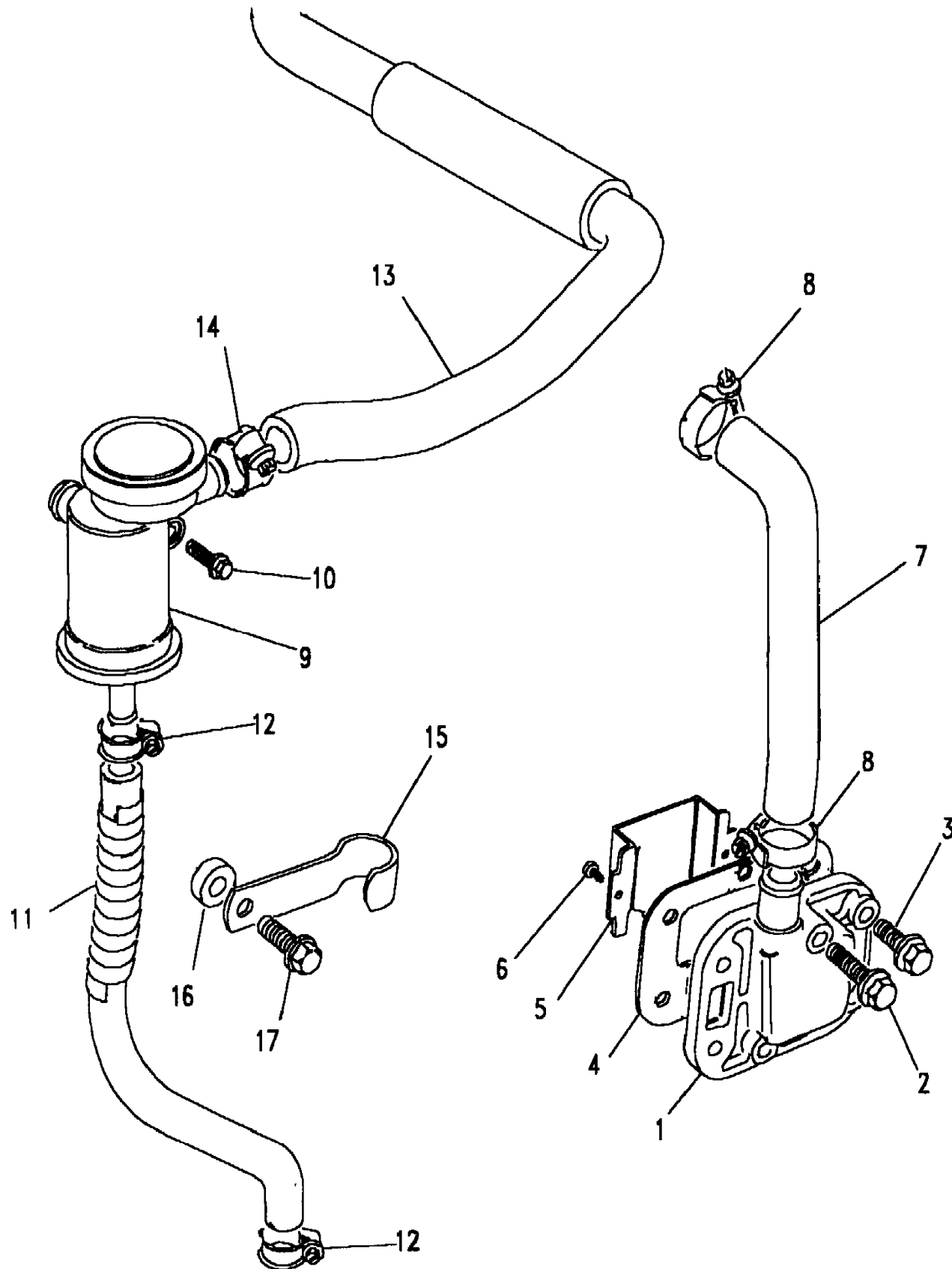
(BDBMGG2B)

Range Rover (From JA610294)

Engine
2500 - Diesel - Turbo - 200 Tdi
Engine Breather

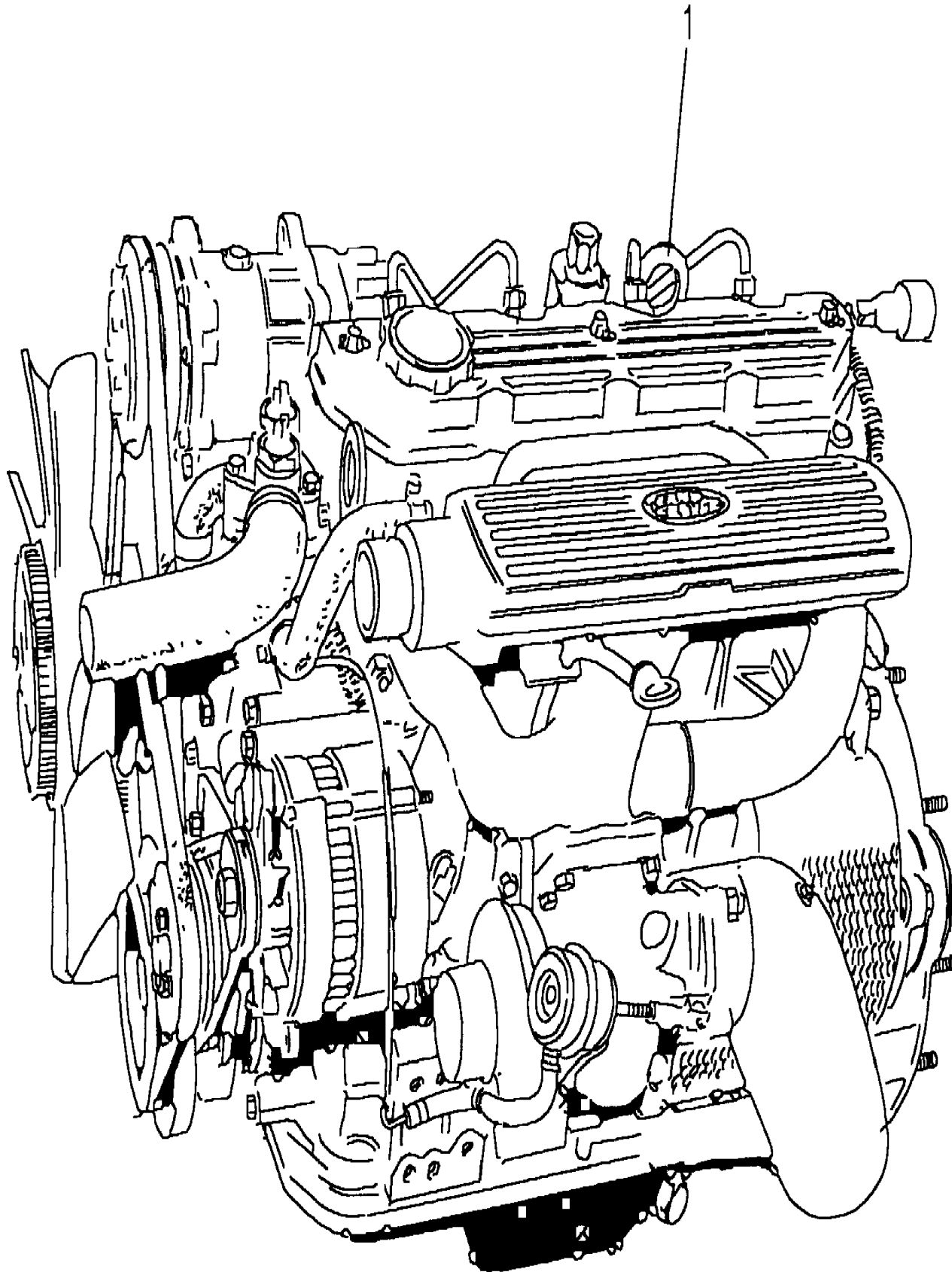
2.5L I4 200 TDi Turbo Diesel, 5 Speed Manual Transmission, Less Catalyst

Callout	Name	Application	Remarks & Restrictions	Service No.	Qty
16	Clip-Hose	2.5L I4 200 TDi L/R Turbo Diesel	Engine Code 4L 2.5 TDi Manual - 'Zircon'	ERR878	1
17	Spacer	2.5L I4 200 TDi L/R Turbo Diesel	Engine Code 4L 2.5 TDi Manual - 'Zircon'	ERR879	1
18	Screw	2.5L I4 200 TDi L/R Turbo Diesel	Engine Code 4L 2.5 TDi Manual - 'Zircon', hexagonal head, M10 x 20	SH110201L	1
[900]	O Ring	2.5L I4 200 TDi L/R Turbo Diesel	Also serviced as part of a kit, Engine Code 4L 2.5 TDi Manual - 'Zircon'	LLO100000	1



Engine
2500 - Diesel - Turbo - 200 Tdi
Engine Complete 1/1

Range Rover (From JA610294)
(BDBMAA1A)



Range Rover (From JA610294)

Engine
2500 - Diesel - Turbo - 200 Tdi
Engine Complete

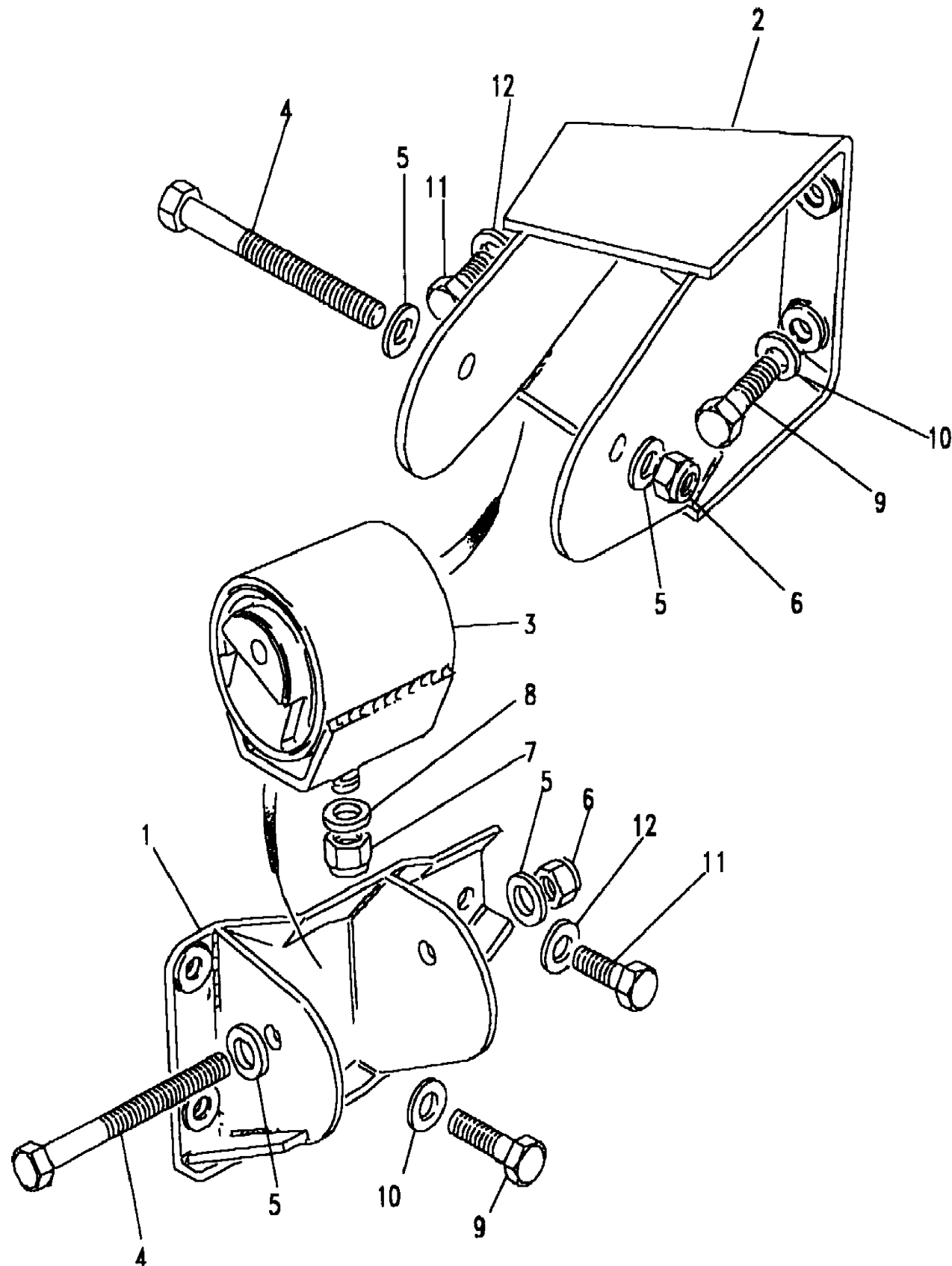
2.5L I4 200 TDi Turbo Diesel, 5 Speed Manual Transmission, Less Catalyst

Callout	Name	Application	Remarks & Restrictions	Service No.	Qty
1	Engine assembly-power unit	2.5L I4 200 TDi L/R Turbo Diesel, Less Air Conditioning	Engine Code 4L 2.5 TDi Manual - 'Zircon'	STC1202N	1
		2.5L I4 200 TDi L/R Turbo Diesel, With Air Conditioning	Engine Code 4L 2.5 TDi Manual - 'Zircon'	STC1173N	1

Engine
2500 - Diesel - Turbo - 200 Tdi
Engine Mountings 1/1

Range Rover (From JA610294)

(BDBMDC1A)



Range Rover (From JA610294)

Engine
2500 - Diesel - Turbo - 200 Tdi
Engine Mountings

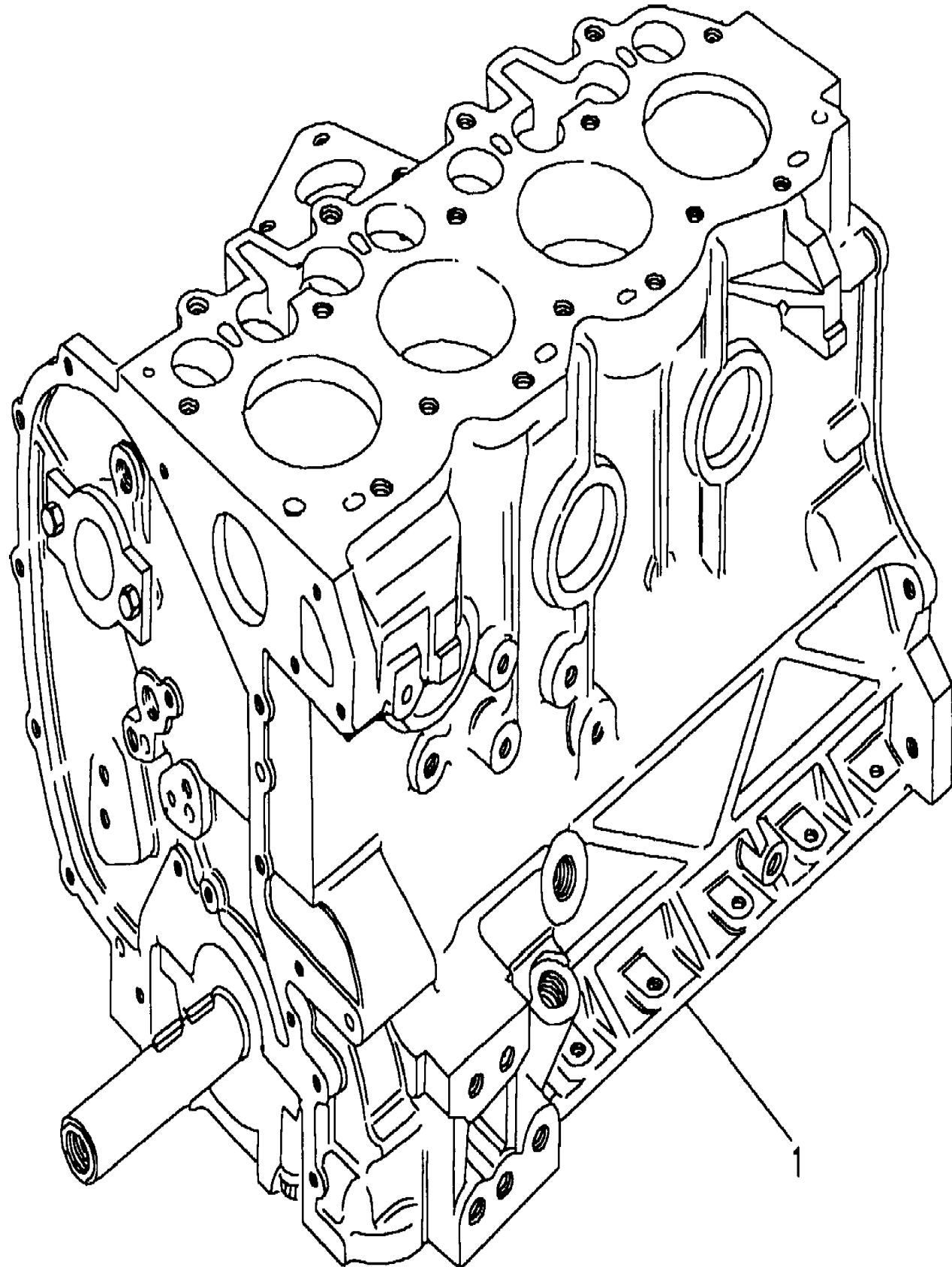
2.5L I4 200 TDi Turbo Diesel, 5 Speed Manual Transmission, Less Catalyst

Callout	Name	Application	Remarks & Restrictions	Service No.	Qty
1	Bracket-engine mounting	2.5L I4 200 TDi L/R Turbo Diesel	Engine Code 4L 2.5 TDi Manual - 'Zircon', LH	NTC6280	1
2	Bracket-engine mounting	2.5L I4 200 TDi L/R Turbo Diesel	RH, Engine Code 4L 2.5 TDi Manual - 'Zircon'	NTC6281	1
3	Mounting-engine rubber	Change point - Engine end 14L03568A, 2.5L I4 200 TDi L/R Turbo Diesel	Engine Code 4L 2.5 TDi Manual - 'Zircon'	NTC6279	2
4	Mounting-engine rubber	Change point - Engine begin 14L03569A, 2.5L I4 200 TDi L/R Turbo Diesel	Engine Code 4L 2.5 TDi Manual - 'Zircon'	ANR2488	2
5	Bolt	2.5L I4 200 TDi L/R Turbo Diesel	TO BRACKET, Engine Code 4L 2.5 TDi Manual - 'Zircon'	BH112261L	2
6	Washer	2.5L I4 200 TDi L/R Turbo Diesel	M12, Engine Code 4L 2.5 TDi Manual - 'Zircon', Plain, Standard	WA112081L	4
7	Nut - Hex.	2.5L I4 200 TDi L/R Turbo Diesel	TO BRACKET, M12, Engine Code 4L 2.5 TDi Manual - 'Zircon', hexagonal head, nyloc	NY112041L	2
8	Nut - Hex.	2.5L I4 200 TDi L/R Turbo Diesel	to mounting, M16, Engine Code 4L 2.5 TDi Manual - 'Zircon', hexagonal head, nyloc	NY116041L	2
9	Washer-Plain	2.5L I4 200 TDi L/R Turbo Diesel	Engine Code 4L 2.5 TDi Manual - 'Zircon'	WA116101L	2
10	Screw	2.5L I4 200 TDi L/R Turbo Diesel	Engine Code 4L 2.5 TDi Manual - 'Zircon', hexagonal head, M12 x 25	SH112251L	4
11	Washer	2.5L I4 200 TDi L/R Turbo Diesel	M12, Engine Code 4L 2.5 TDi Manual - 'Zircon', Plain, Standard	WA112081L	4
12	Screw	2.5L I4 200 TDi L/R Turbo Diesel	TO BRACKET, Engine Code 4L 2.5 TDi Manual - 'Zircon', hexagonal head, M10 x 20	SH110201L	2
13	Washer	2.5L I4 200 TDi L/R Turbo Diesel	M10, Engine Code 4L 2.5 TDi Manual - 'Zircon'	WA110061L	2

Engine
2500 - Diesel - Turbo - 200 Tdi
Engine Short 1/1

Range Rover (From JA610294)

(BDBMAE1A)



Range Rover (From JA610294)

Engine
2500 - Diesel - Turbo - 200 Tdi
Engine Short

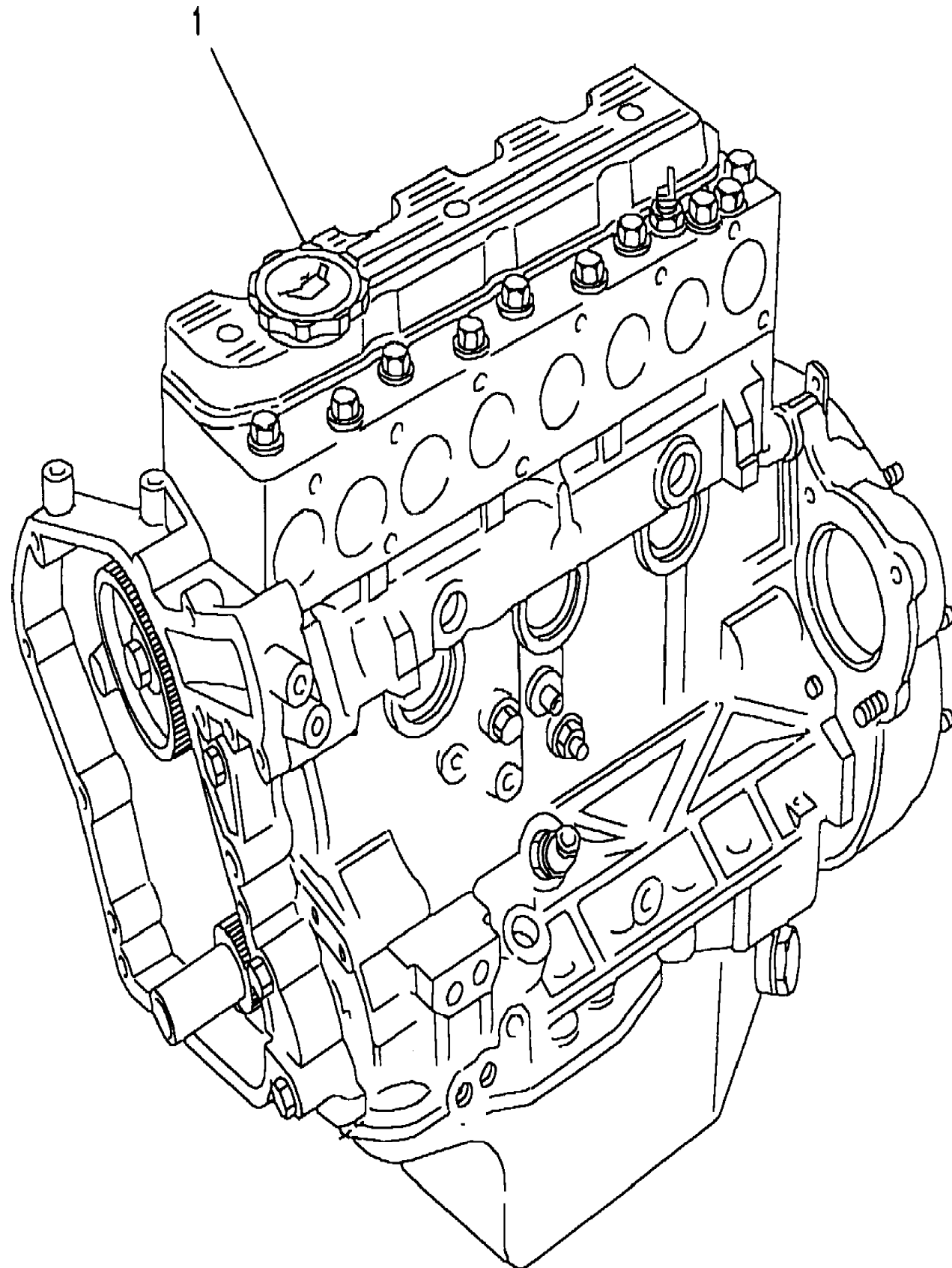
2.5L I4 200 TDi Turbo Diesel, 5 Speed Manual Transmission, Less Catalyst

Callout	Name	Application	Remarks & Restrictions	Service No.	Qty
1	Engine base unit-part	2.5L I4 200 TDi L/R Turbo Diesel	Short, Engine Code 4L 2.5 TDi Manual - 'Zircon'	RTC6635	1

Engine
2500 - Diesel - Turbo - 200 Tdi
Engine Stripped 1/1

Range Rover (From JA610294)

(BDBMAC1B)



Range Rover (From JA610294)

Engine
2500 - Diesel - Turbo - 200 Tdi
Engine Stripped

2.5L I4 200 TDi Turbo Diesel, 5 Speed Manual Transmission, Less Catalyst

Callout	Name	Application	Remarks & Restrictions	Service No.	Qty
1	Engine unit-stripped	2.5L I4 200 TDi L/R Turbo Diesel	Engine Code 4L 2.5 TDi Manual - 'Zircon', New	STC1065N	1

Engine
2500 - Diesel - Turbo - 200 Tdi
Exhaust Gas Recirculation 1/2

Range Rover (From JA610294)

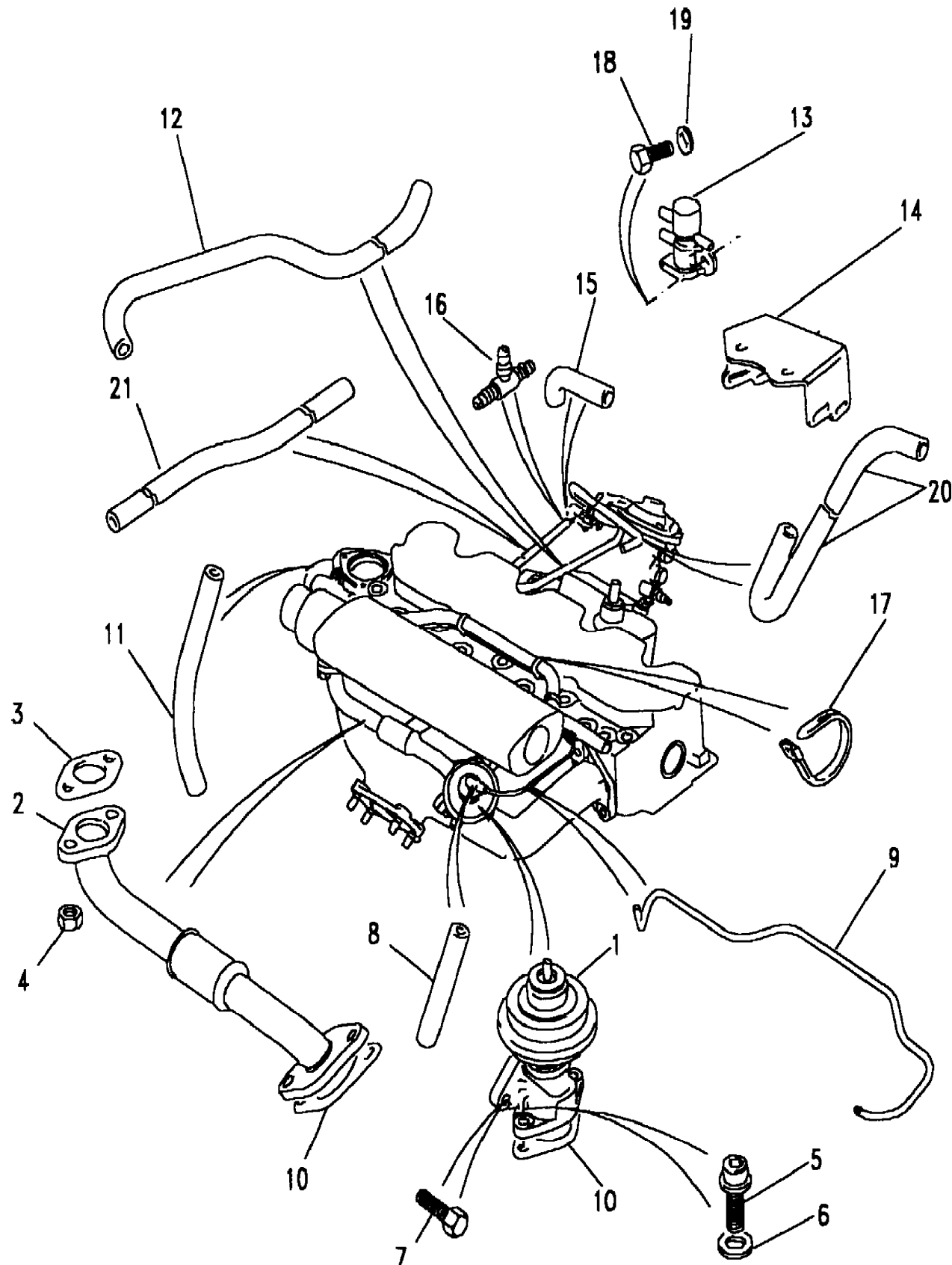
(BDBMHE1A)

Range Rover (From JA610294)

Engine
2500 - Diesel - Turbo - 200 Tdi
Exhaust Gas Recirculation

2.5L I4 200 TDi Turbo Diesel, 5 Speed Manual Transmission, Less Catalyst

Callout	Name	Application	Remarks & Restrictions	Service No.	Qty
1	Valve-solenoid-exhaust gas recirculation diesel	2.5L I4 200 TDi L/R Turbo Diesel	Engine Code 4L 2.5 TDi Manual - 'Zircon'	ERR296	1
2	Pipe-feed-exhaust gas recirculation engine exhaust	2.5L I4 200 TDi L/R Turbo Diesel	Engine Code 4L 2.5 TDi Manual - 'Zircon'	ERR297	1
3	Gasket-exhaust gas recirculating pipe/exhaust manifold	2.5L I4 200 TDi L/R Turbo Diesel	Engine Code 4L 2.5 TDi Manual - 'Zircon'	ERR657	1
4	Nut-flange	2.5L I4 200 TDi L/R Turbo Diesel	M8, Engine Code 4L 2.5 TDi Manual - 'Zircon'	FN108045L	2
5	Screw-hexagon socket	2.5L I4 200 TDi L/R Turbo Diesel	Engine Code 4L 2.5 TDi Manual - 'Zircon', M8 x 20	SS108201	2
6	Washer	2.5L I4 200 TDi L/R Turbo Diesel	8MM, Engine Code 4L 2.5 TDi Manual - 'Zircon'	WA108051L	2
7	Screw-flanged head	2.5L I4 200 TDi L/R Turbo Diesel	Engine Code 4L 2.5 TDi Manual - 'Zircon', M8 x 20	FS108205L	2
8	Pipe-solenoid valve/exhaust gas recirculation diesel	2.5L I4 200 TDi L/R Turbo Diesel	Engine Code 4L 2.5 TDi Manual - 'Zircon'	ERR1550	1
9	Pipe-vacuum exhaust gas recirculation valve solenoid	2.5L I4 200 TDi L/R Turbo Diesel	Engine Code 4L 2.5 TDi Manual - 'Zircon'	ERR690	1
10	Gasket-exhaust gas recirculation valve to pipe	2.5L I4 200 TDi L/R Turbo Diesel	Engine Code 4L 2.5 TDi Manual - 'Zircon'	ERR542	2
11	Hose vacuum..	2.5L I4 200 TDi L/R Turbo Diesel	cut to length required, Engine Code 4L 2.5 TDi Manual - 'Zircon', 6"	ETC7313	1
12	Hose vacuum..	2.5L I4 200 TDi L/R Turbo Diesel	cut to length required, Engine Code 4L 2.5 TDi Manual - 'Zircon'	ETC7329	1
13	Valve-exhaust gas recirculation engine exhaust	2.5L I4 200 TDi L/R Turbo Diesel	Engine Code 4L 2.5 TDi Manual - 'Zircon'	ERR355	2
14	Bracket-exhaust gas recirculation valve engine exhaust	2.5L I4 200 TDi L/R Turbo Diesel	Engine Code 4L 2.5 TDi Manual - 'Zircon'	ERR2386	1
15	Hose vacuum..	2.5L I4 200 TDi L/R Turbo Diesel	cut to length required, Engine Code 4L 2.5 TDi Manual - 'Zircon', 6"	ETC7313	1
16	T Piece	2.5L I4 200 TDi L/R Turbo Diesel	Engine Code 4L 2.5 TDi Manual - 'Zircon'	ERR1549	1



Engine
2500 - Diesel - Turbo - 200 Tdi
Exhaust Gas Recirculation 2/2

Range Rover (From JA610294)

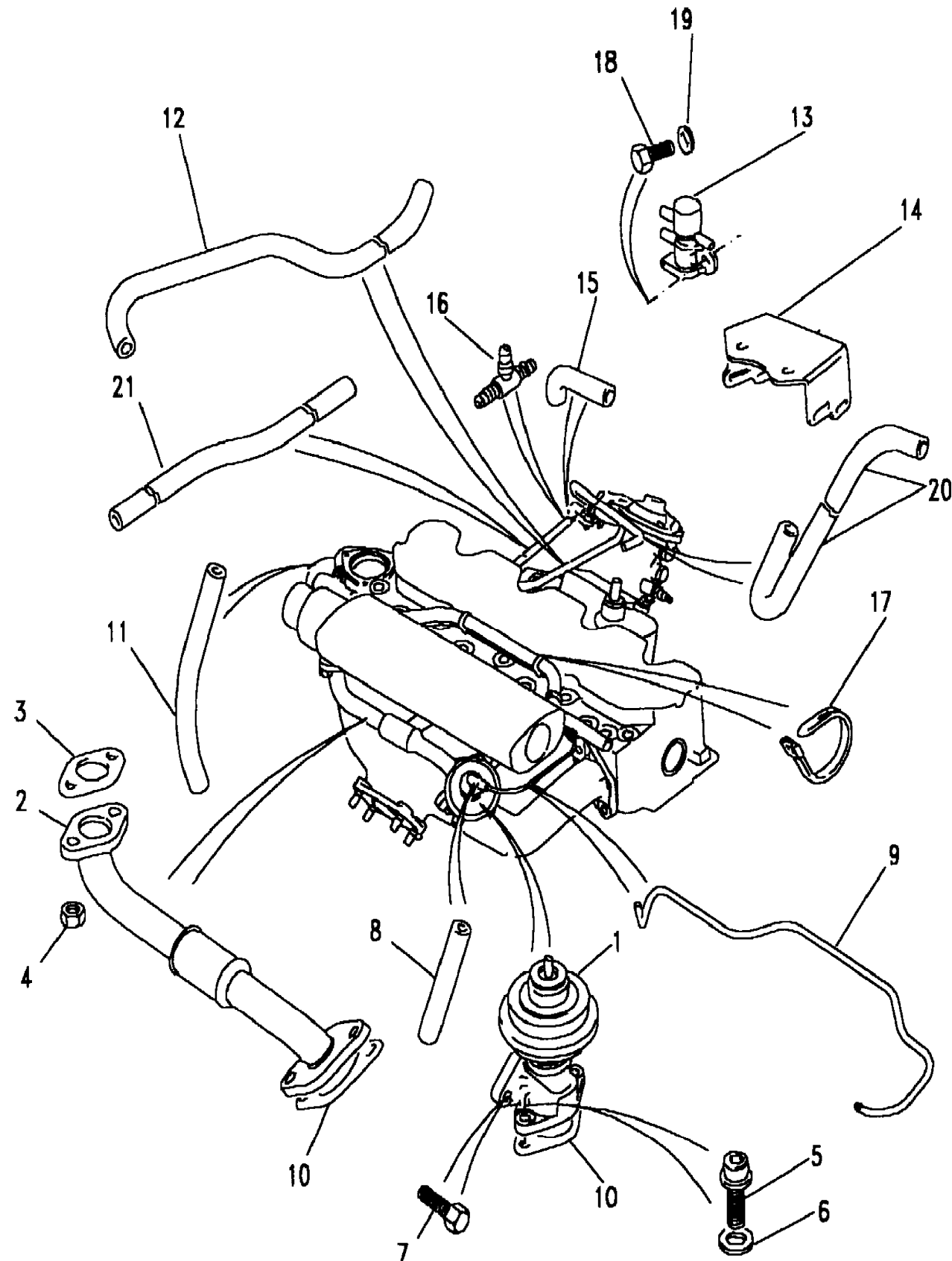
(BDBMHE1A)

Range Rover (From JA610294)

Engine
2500 - Diesel - Turbo - 200 Tdi
Exhaust Gas Recirculation

2.5L I4 200 TDi Turbo Diesel, 5 Speed Manual Transmission, Less Catalyst

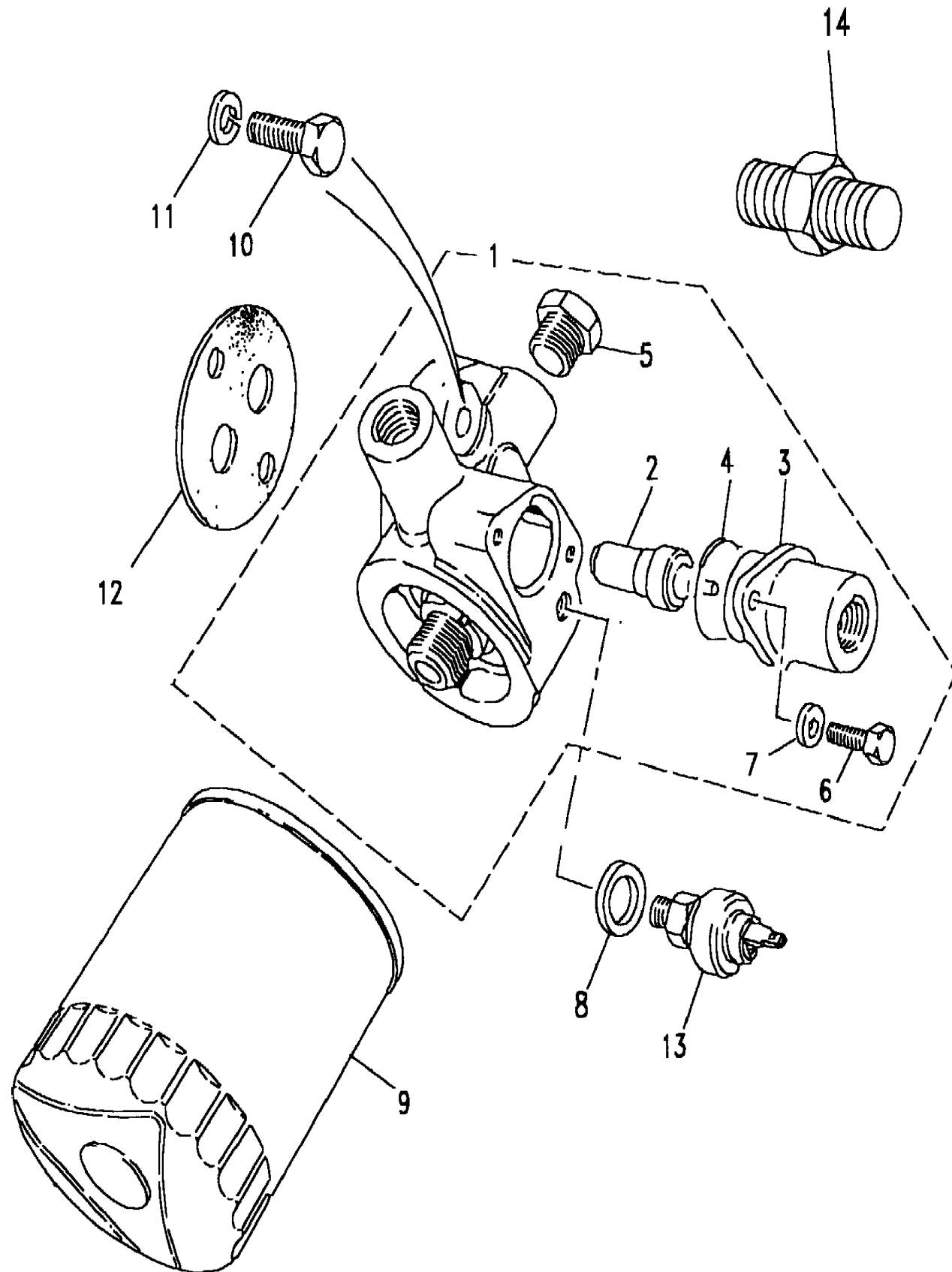
Callout	Name	Application	Remarks & Restrictions	Service No.	Qty
17	Tie-cable	2.5L I4 200 TDi L/R Turbo Diesel	Black, Engine Code 4L 2.5 TDi Manual - 'Zircon', inside serated, 4.8 x 115mm	573246	3
		2.5L I4 200 TDi L/R Turbo Diesel	Engine Code 4L 2.5 TDi Manual - 'Zircon', 4.8 x 270mm, inside serated	568680	1
18	Screw	2.5L I4 200 TDi L/R Turbo Diesel	to valve, Engine Code 4L 2.5 TDi Manual - 'Zircon', hexagonal head, M5 x 16	SH105161L	2
19	Washer	2.5L I4 200 TDi L/R Turbo Diesel	M5, Engine Code 4L 2.5 TDi Manual - 'Zircon', Plain, Standard	WA105001L	2
20	Hose vacuum..	2.5L I4 200 TDi L/R Turbo Diesel	cut to length required, Engine Code 4L 2.5 TDi Manual - 'Zircon'	ETC7329	1
21	Hose vacuum..	2.5L I4 200 TDi L/R Turbo Diesel	cut to length required, Engine Code 4L 2.5 TDi Manual - 'Zircon'	ETC7329	1
[900]	Connector exhaust gas recirculation valve/solenoid	2.5L I4 200 TDi L/R Turbo Diesel	Engine Code 4L 2.5 TDi Manual - 'Zircon'	ERR1548	3
[901]	Hose vacuum..	2.5L I4 200 TDi L/R Turbo Diesel	50MM, Engine Code 4L 2.5 TDi Manual - 'Zircon'	ERR1132	1
		2.5L I4 200 TDi L/R Turbo Diesel	70MM, Engine Code 4L 2.5 TDi Manual - 'Zircon'	ERR1133	3
		2.5L I4 200 TDi L/R Turbo Diesel	152MM, Engine Code 4L 2.5 TDi Manual - 'Zircon'	ERR1134	1
		2.5L I4 200 TDi L/R Turbo Diesel, EGR, (+)"A"	solenoid to pipe-EGR, Engine Code 4L 2.5 TDi Manual - 'Zircon'	ERR2354	1
		2.5L I4 200 TDi L/R Turbo Diesel, EGR, (+)"A"	solenoid-del/valve, Engine Code 4L 2.5 TDi Manual - 'Zircon'	ERR2443	1
[902]	Pipe-exhaust gas recirculation	2.5L I4 200 TDi L/R Turbo Diesel, EGR, (+)"A"	EGR to solenoid, Engine Code 4L 2.5 TDi Manual - 'Zircon'	ERR1986	1
[903]	Valve-solenoid-exhaust gas recirculation diesel	2.5L I4 200 TDi L/R Turbo Diesel, EGR, (+)"A"	Engine Code 4L 2.5 TDi Manual - 'Zircon'	PRC9146	1
[904]	Bracket-mounting	2.5L I4 200 TDi L/R Turbo Diesel, EGR, (+)"A"	SOLENOID, Engine Code 4L 2.5 TDi Manual - 'Zircon'	ERR2381	1
[905]	Clip-swivel	2.5L I4 200 TDi L/R Turbo Diesel, EGR, (+)"A"	Engine Code 4L 2.5 TDi Manual - 'Zircon'	AFU1158	1



Engine
2500 - Diesel - Turbo - 200 Tdi
Filter & Adaptor 1/1

Range Rover (From JA610294)

(BDBMFC1A)



Range Rover (From JA610294)

Engine
2500 - Diesel - Turbo - 200 Tdi
Filter & Adaptor

2.5L I4 200 TDi Turbo Diesel, 5 Speed Manual Transmission, Less Catalyst

Callout	Name	Application	Remarks & Restrictions	Service No.	Qty
1	Adaptor assembly-oil filter	2.5L I4 200 TDi L/R Turbo Diesel	Also serviced as part of a kit, Engine Code 4L 2.5 TDi Manual - 'Zircon'	ERR2711	1
2	Thermostat assembly-oil	2.5L I4 200 TDi L/R Turbo Diesel	Also serviced as part of a kit, Engine Code 4L 2.5 TDi Manual - 'Zircon'	ERC5923	1
3	Waxstat adaptor	2.5L I4 200 TDi L/R Turbo Diesel	Also serviced as part of a kit, Engine Code 4L 2.5 TDi Manual - 'Zircon'	ERR2241	1
4	O Ring	2.5L I4 200 TDi L/R Turbo Diesel	Also serviced as part of a kit, Engine Code 4L 2.5 TDi Manual - 'Zircon'	ERC5913	1
5	Plug	2.5L I4 200 TDi L/R Turbo Diesel	Also serviced as part of a kit, Engine Code 4L 2.5 TDi Manual - 'Zircon'	ETC4021	1
6	Screw	2.5L I4 200 TDi L/R Turbo Diesel	Also serviced as part of a kit, Engine Code 4L 2.5 TDi Manual - 'Zircon', hexagonal head, M6 X 14	SH106141L	2
7	Washer	2.5L I4 200 TDi L/R Turbo Diesel	Also serviced as part of a kit, Engine Code 4L 2.5 TDi Manual - 'Zircon', 6MM	WA106041L	2
8	Washer-sealing	2.5L I4 200 TDi L/R Turbo Diesel	Engine Code 4L 2.5 TDi Manual - 'Zircon'	ETC7398	2
9	Cartridge-engine oil filter	2.5L I4 200 TDi L/R Turbo Diesel	Engine Code 4L 2.5 TDi Manual - 'Zircon'	ERR3340	1
10	Screw	2.5L I4 200 TDi L/R Turbo Diesel	Engine Code 4L 2.5 TDi Manual - 'Zircon', Flanged Head, M10 x 30, top	FS110301L	1
11	Washer	2.5L I4 200 TDi L/R Turbo Diesel	M10, Engine Code 4L 2.5 TDi Manual - 'Zircon'	WL110001L	2
12	Gasket-cylinder block to oil filter adaptor	2.5L I4 200 TDi L/R Turbo Diesel	Engine Code 4L 2.5 TDi Manual - 'Zircon'	ETC5276	1
13	Switch-oil pressure engine	2.5L I4 200 TDi L/R Turbo Diesel	Engine Code 4L 2.5 TDi Manual - 'Zircon'	PRC6387	1
14	Coupling	2.5L I4 200 TDi L/R Turbo Diesel	Engine Code 4L 2.5 TDi Manual - 'Zircon'	NRC8618	2
[900]	Adaptor-oil filter	2.5L I4 200 TDi L/R Turbo Diesel	Also serviced as part of a kit, Engine Code 4L 2.5 TDi Manual - 'Zircon'	ERR2623	1

Engine
2500 - Diesel - Turbo - 200 Tdi
Flywheel & Clutch 1/2

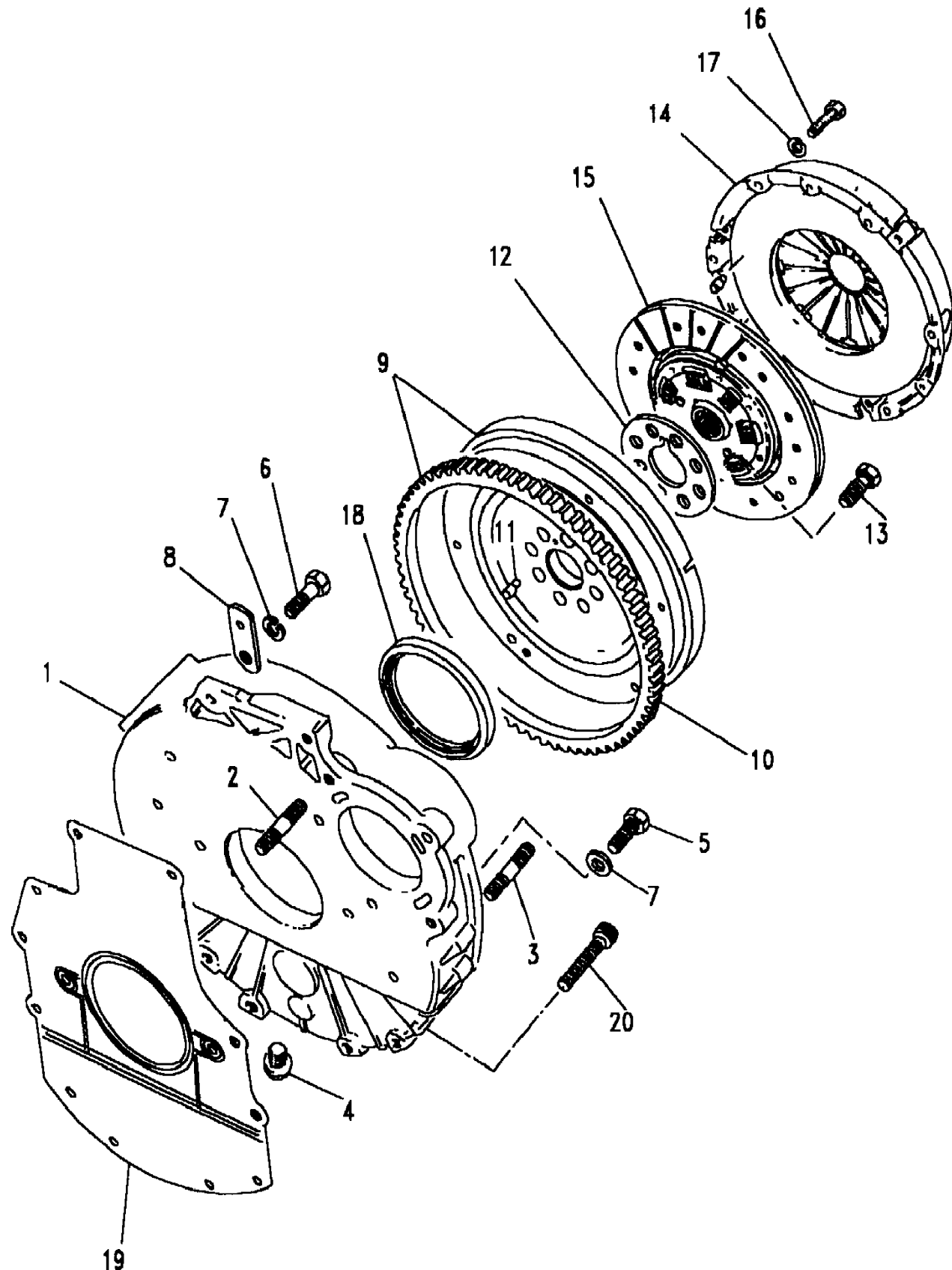
Range Rover (From JA610294)

(BDBMRA1B)

Range Rover (From JA610294)

Engine
2500 - Diesel - Turbo - 200 Tdi
Flywheel & Clutch

2.5L I4 200 TDi Turbo Diesel, Manual Transmission, 5 Speed Manual Transmission, Less Catalyst



Callout	Name	Application	Remarks & Restrictions	Service No.	Qty
1	Housing assembly-clutch	Change point - Engine end 60160A, 2.5L I4 200 TDi L/R Turbo Diesel, 5 Speed Manual Transmission Change point - Engine begin 60161A, 2.5L I4 200 TDi L/R Turbo Diesel, 5 Speed Manual Transmission	Engine Code 4L 2.5 TDi Manual - 'Zircon'	ERR675	1
2	Stud	2.5L I4 200 TDi L/R Turbo Diesel, 5 Speed Manual Transmission	Engine Code 4L 2.5 TDi Manual - 'Zircon', M10 x 30	TE110061L	9
3	Stud	2.5L I4 200 TDi L/R Turbo Diesel, 5 Speed Manual Transmission	M10, Engine Code 4L 2.5 TDi Manual - 'Zircon'	ERC9240	1
4	Plug	2.5L I4 200 TDi L/R Turbo Diesel, 5 Speed Manual Transmission	Engine Code 4L 2.5 TDi Manual - 'Zircon'	ERC7295	1
5	Screw	2.5L I4 200 TDi L/R Turbo Diesel, 5 Speed Manual Transmission	Engine Code 4L 2.5 TDi Manual - 'Zircon', Flanged Head, M10 x 30, top	FS110301L	6
6	Bolt	2.5L I4 200 TDi L/R Turbo Diesel, 5 Speed Manual Transmission	Engine Code 4L 2.5 TDi Manual - 'Zircon', M10 X 45	BH110091L	2
7	Washer	2.5L I4 200 TDi L/R Turbo Diesel, 5 Speed Manual Transmission	M10, Engine Code 4L 2.5 TDi Manual - 'Zircon'	WA110061L	8
8	Bracket Harness	2.5L I4 200 TDi L/R Turbo Diesel, 5 Speed Manual Transmission	Engine Code 4L 2.5 TDi Manual - 'Zircon'	ERC9404	2
9	Flywheel engine	2.5L I4 200 TDi L/R Turbo Diesel, 5 Speed Manual Transmission	Also serviced as part of a kit, Engine Code 4L 2.5 TDi Manual - 'Zircon'	ERR719	1
10	Gear-ring-flywheel engine	2.5L I4 200 TDi L/R Turbo Diesel, 5 Speed Manual Transmission	Also serviced as part of a kit, Engine Code 4L 2.5 TDi Manual - 'Zircon'	568431	1
11	Dowel-flywheel to crankshaft	2.5L I4 200 TDi L/R Turbo Diesel, 5 Speed Manual Transmission	Also serviced as part of a kit, Engine Code 4L 2.5 TDi Manual - 'Zircon'	502116	3
12	Plate-reinforcement	2.5L I4 200 TDi L/R Turbo Diesel, 5 Speed Manual Transmission	Not Required On Re-Assembly, Engine Code 4L 2.5 TDi Manual - 'Zircon'	ERC4658	1
13	Bolt-fixing flywheel crankshaft	2.5L I4 200 TDi L/R Turbo Diesel, 5 Speed Manual Transmission	Long, Engine Code 4L 2.5 TDi Manual - 'Zircon'	ERC6551	8

Engine
2500 - Diesel - Turbo - 200 Tdi
Flywheel & Clutch 2/2

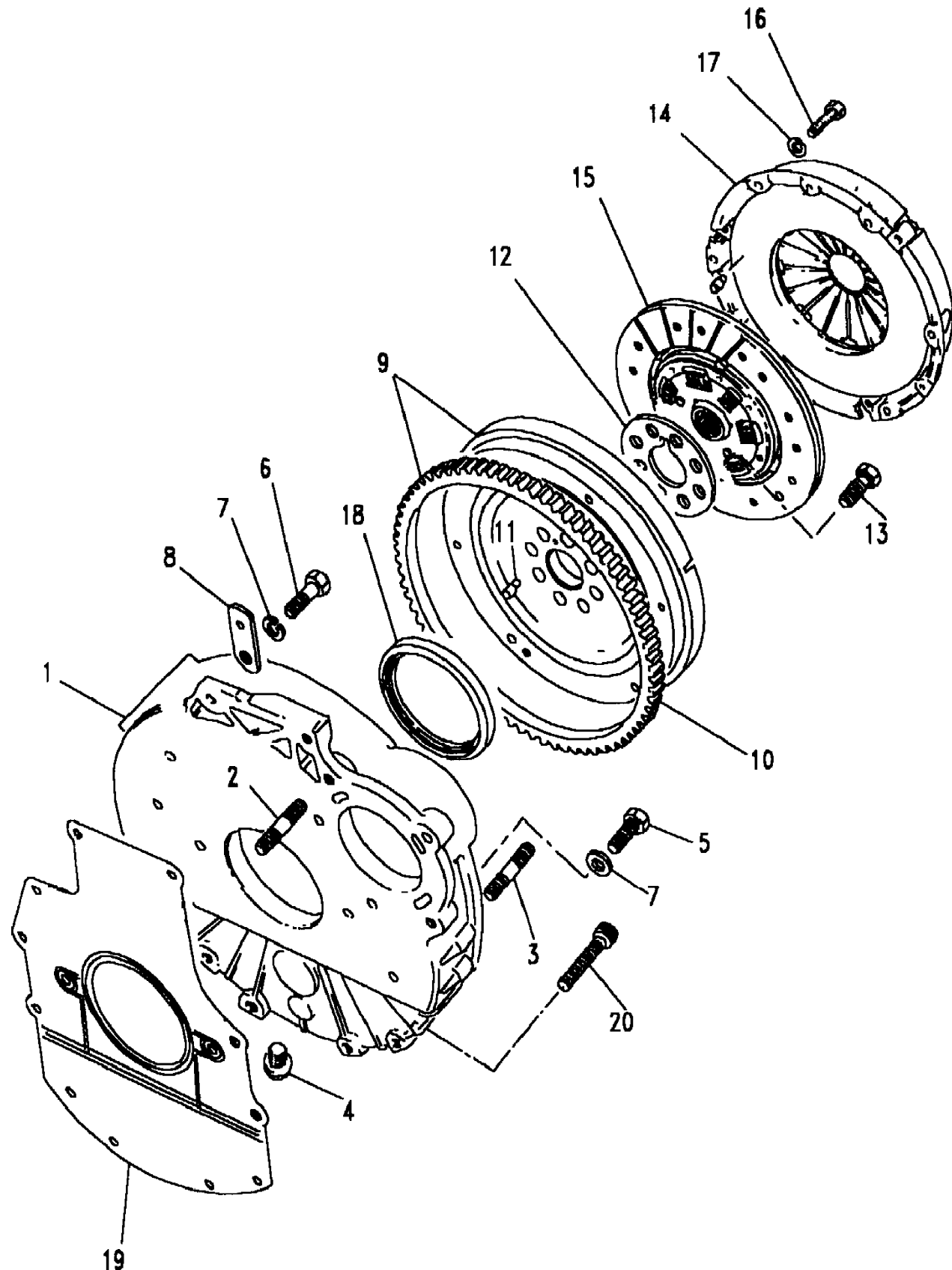
Range Rover (From JA610294)

(BDBMRA1B)

Range Rover (From JA610294)

Engine
2500 - Diesel - Turbo - 200 Tdi
Flywheel & Clutch

2.5L I4 200 TDi Turbo Diesel, Manual Transmission, 5 Speed Manual Transmission, Less Catalyst



Callout	Name	Application	Remarks & Restrictions	Service No.	Qty
13	Bolt-fixing flywheel crankshaft	2.5L I4 200 TDi L/R Turbo Diesel, 5 Speed Manual Transmission	Short, Engine Code 4L 2.5 TDi Manual - 'Zircon'	ERR4574	8
14	Cover-clutch assembly	2.5L I4 200 TDi L/R Turbo Diesel, 5 Speed Manual Transmission	Engine Code 4L 2.5 TDi Manual - 'Zircon'	FTC575	1
		2.5L I4 200 TDi L/R Turbo Diesel, 5 Speed Manual Transmission	Engine Code 4L 2.5 TDi Manual - 'Zircon'	URB100760	1
15	Plate-clutch-driven	2.5L I4 200 TDi L/R Turbo Diesel, 5 Speed Manual Transmission	Engine Code 4L 2.5 TDi Manual - 'Zircon'	FTC2149	1
		2.5L I4 200 TDi L/R Turbo Diesel, 5 Speed Manual Transmission	Engine Code 4L 2.5 TDi Manual - 'Zircon'	FTC4204	1
16	Bolt	2.5L I4 200 TDi L/R Turbo Diesel, 5 Speed Manual Transmission	Engine Code 4L 2.5 TDi Manual - 'Zircon', M8 x 20	SX108201L	6
17	Washer	2.5L I4 200 TDi L/R Turbo Diesel, 5 Speed Manual Transmission	M8, Engine Code 4L 2.5 TDi Manual - 'Zircon', sprung	WL108001L	6
18	Seal	2.5L I4 200 TDi L/R Turbo Diesel, 5 Speed Manual Transmission	CRANKSHAFT REAR, Engine Code 4L 2.5 TDi Manual - 'Zircon'	ERR2532	1
19	Gasket-flywheel/drive plate housing/crankcase	2.5L I4 200 TDi L/R Turbo Diesel, 5 Speed Manual Transmission	Engine Code 4L 2.5 TDi Manual - 'Zircon'	ERR1440	1
20	Screw	2.5L I4 200 TDi L/R Turbo Diesel, 5 Speed Manual Transmission	Engine Code 4L 2.5 TDi Manual - 'Zircon', M10 x 80	SS110801	4
[904]	Insulator upper	2.5L I4 200 TDi L/R Turbo Diesel, 5 Speed Manual Transmission	Engine Code 4L 2.5 TDi Manual - 'Zircon'	FTC2823	1
[905]	Insulator lower	2.5L I4 200 TDi L/R Turbo Diesel, 5 Speed Manual Transmission	Engine Code 4L 2.5 TDi Manual - 'Zircon'	FTC2824	1
[906]	Kit-clutch	2.5L I4 200 TDi L/R Turbo Diesel, 5 Speed Manual Transmission	Also serviced as part of a kit, Engine Code 4L 2.5 TDi Manual - 'Zircon'	STC8358	1

Engine
2500 - Diesel - Turbo - 200 Tdi
Front Cover 1/2

Range Rover (From JA610294)

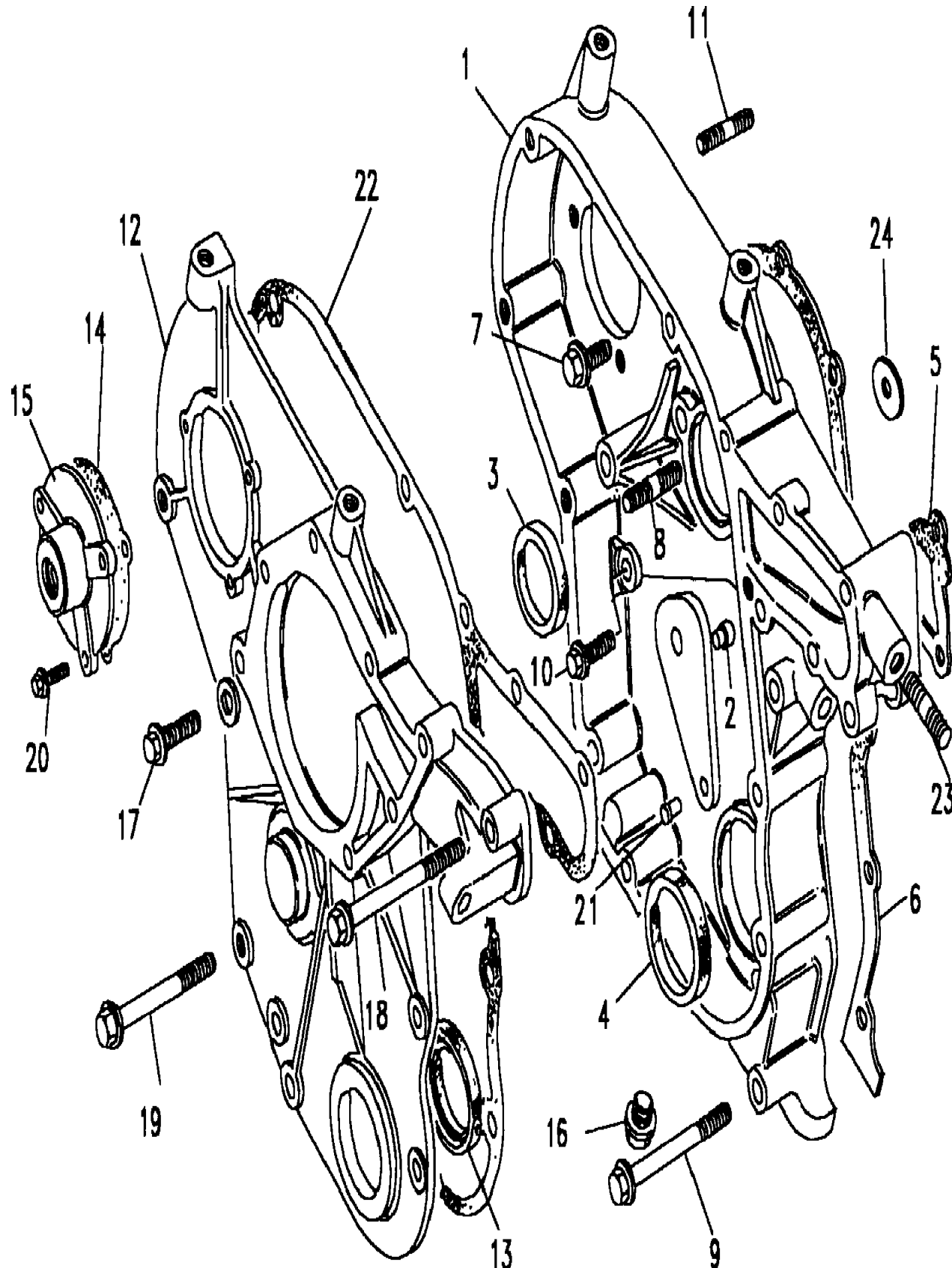
(BDBMEA1B)

Range Rover (From JA610294)

Engine
2500 - Diesel - Turbo - 200 Tdi
Front Cover

2.5L I4 200 TDi Turbo Diesel, 5 Speed Manual Transmission, Less Catalyst

Callout	Name	Application	Remarks & Restrictions	Service No.	Qty
1	Cover-engine	2.5L I4 200 TDi L/R Turbo Diesel	Front, Engine Code 4L 2.5 TDi Manual - 'Zircon'	ERR1111	1
2	Dowel	2.5L I4 200 TDi L/R Turbo Diesel	Engine Code 4L 2.5 TDi Manual - 'Zircon'	6395L	1
3	Seal-camshaft oil	2.5L I4 200 TDi L/R Turbo Diesel	Engine Code 4L 2.5 TDi Manual - 'Zircon'	ETC5064	1
4	Seal-crankshaft front oil	2.5L I4 200 TDi L/R Turbo Diesel	Engine Code 4L 2.5 TDi Manual - 'Zircon'	ETC5065	1
		2.5L I4 200 TDi L/R Turbo Diesel	Engine Code 4L 2.5 TDi Manual - 'Zircon'	ERR1632	1
		Change point - VIN begin JA610294, 2.5L I4 200 TDi L/R Turbo Diesel	Engine Code 4L 2.5 TDi Manual - 'Zircon'	ERR6490	1
5	Gasket-coolant pump body	2.5L I4 200 TDi L/R Turbo Diesel	to front cover, Asbestos Free, Engine Code 4L 2.5 TDi Manual - 'Zircon'	ERR1607	1
6	Gasket-timing gear housing drain plate	2.5L I4 200 TDi L/R Turbo Diesel	Engine Code 4L 2.5 TDi Manual - 'Zircon'	538039	1
7	Screw	2.5L I4 200 TDi L/R Turbo Diesel	M8 x 25, Engine Code 4L 2.5 TDi Manual - 'Zircon', Flanged Head	FS108251L	1
		2.5L I4 200 TDi L/R Turbo Diesel	M8 x 25, Engine Code 4L 2.5 TDi Manual - 'Zircon', Flanged Head	FS108257L	1
8	Stud	2.5L I4 200 TDi L/R Turbo Diesel	Engine Code 4L 2.5 TDi Manual - 'Zircon', M8 x 110	TD108201	1
9	Bolt	2.5L I4 200 TDi L/R Turbo Diesel	Engine Code 4L 2.5 TDi Manual - 'Zircon', Flanged Head, M8 x 70	FB108141L	2
10	Bolt	2.5L I4 200 TDi L/R Turbo Diesel	M8 X 35, Engine Code 4L 2.5 TDi Manual - 'Zircon', Flanged Head	FB108071L	1
11	Stud	2.5L I4 200 TDi L/R Turbo Diesel	M8 X 30, Engine Code 4L 2.5 TDi Manual - 'Zircon'	TE108061L	3
12	Cover-timing belt	2.5L I4 200 TDi L/R Turbo Diesel	Front, Engine Code 4L 2.5 TDi Manual - 'Zircon'	ERR390	1
13	Seal	2.5L I4 200 TDi L/R Turbo Diesel	Engine Code 4L 2.5 TDi Manual - 'Zircon'	ETC4154	1
14	Gasket	2.5L I4 200 TDi L/R Turbo Diesel	Engine Code 4L 2.5 TDi Manual - 'Zircon'	ERR635	1
15	Plate-timing belt cover	2.5L I4 200 TDi L/R Turbo Diesel, With Air Conditioning	Engine Code 4L 2.5 TDi Manual - 'Zircon'	ETC8853	1



Engine
2500 - Diesel - Turbo - 200 Tdi
Front Cover 2/2

Range Rover (From JA610294)

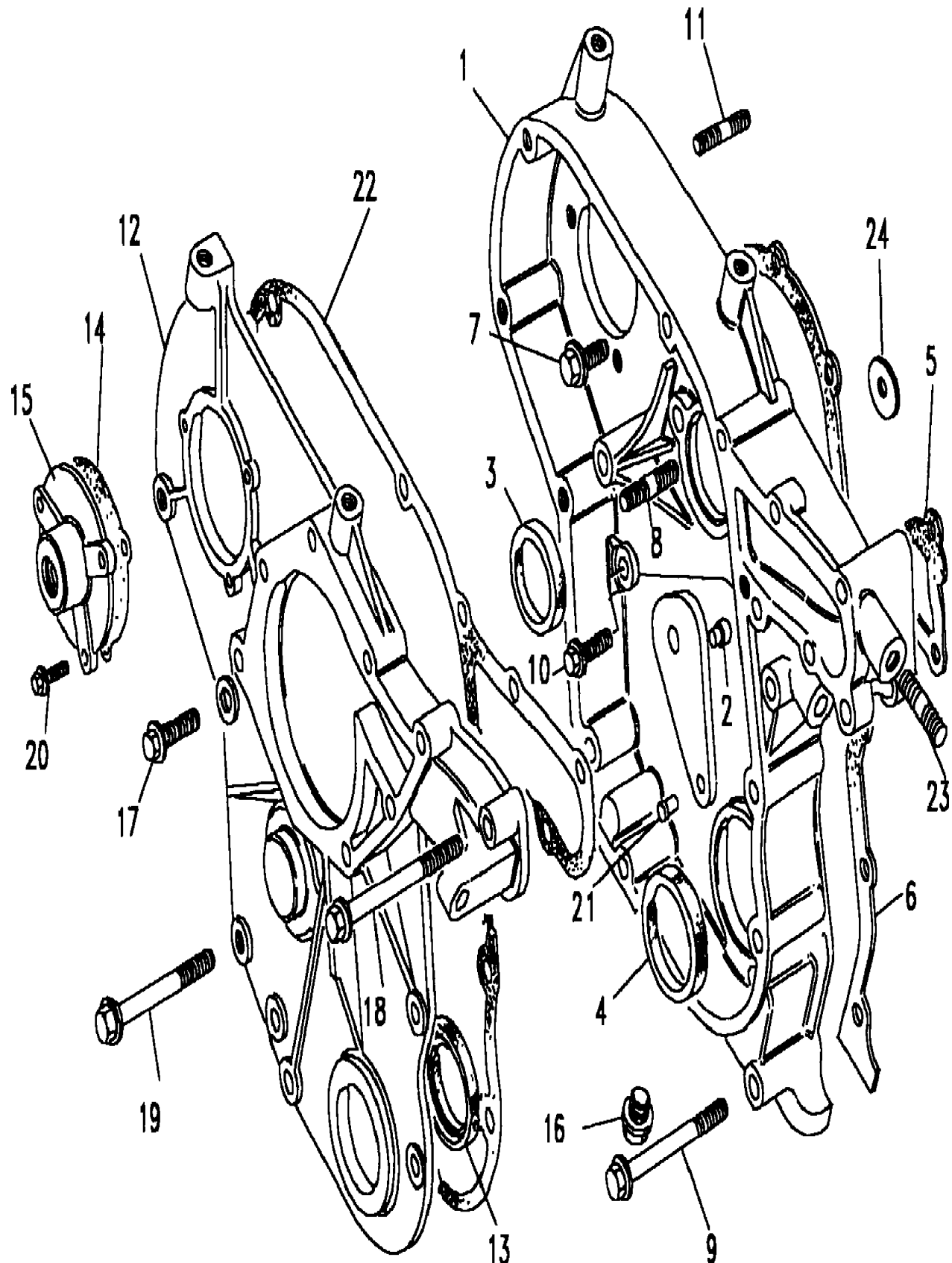
(BDBMEA1B)

Range Rover (From JA610294)

Engine
2500 - Diesel - Turbo - 200 Tdi
Front Cover

2.5L I4 200 TDi Turbo Diesel, 5 Speed Manual Transmission, Less Catalyst

Callout	Name	Application	Remarks & Restrictions	Service No.	Qty
16	Plug	2.5L I4 200 TDi L/R Turbo Diesel	Engine Code 4L 2.5 TDi Manual - 'Zircon'	ERC7295	1
17	Screw	2.5L I4 200 TDi L/R Turbo Diesel	M8 x 25, Engine Code 4L 2.5 TDi Manual - 'Zircon'	ERR1121M	3
18	Bolt	2.5L I4 200 TDi L/R Turbo Diesel	Engine Code 4L 2.5 TDi Manual - 'Zircon', Flanged Head, M8 x 90	ERR1122M	2
		2.5L I4 200 TDi L/R Turbo Diesel	Engine Code 4L 2.5 TDi Manual - 'Zircon', Flanged Head, M8 x 90	FB108181ML	2
19	Bolt	2.5L I4 200 TDi L/R Turbo Diesel	Engine Code 4L 2.5 TDi Manual - 'Zircon', Flanged Head, M8 x 80	FB108161L	4
20	Screw	2.5L I4 200 TDi L/R Turbo Diesel	Engine Code 4L 2.5 TDi Manual - 'Zircon', M6 x 10	SE106101L	3
		2.5L I4 200 TDi L/R Turbo Diesel	Engine Code 4L 2.5 TDi Manual - 'Zircon', M6 x 10	FS106101L	3
21	Pin	2.5L I4 200 TDi L/R Turbo Diesel	Engine Code 4L 2.5 TDi Manual - 'Zircon'	ERR14	1
22	Gasket-timing gear cover plate	2.5L I4 200 TDi L/R Turbo Diesel	Engine Code 4L 2.5 TDi Manual - 'Zircon'	ERR1195	1
23	Stud	2.5L I4 200 TDi L/R Turbo Diesel	M8 X 1.25, Engine Code 4L 2.5 TDi Manual - 'Zircon'	ERR1108	2
24	Gasket	2.5L I4 200 TDi L/R Turbo Diesel	Engine Code 4L 2.5 TDi Manual - 'Zircon'	ERR394	1
[900]	Plate-timing belt cover	2.5L I4 200 TDi L/R Turbo Diesel, Less Air Conditioning	Engine Code 4L 2.5 TDi Manual - 'Zircon'	ERR25	1



Engine
2500 - Diesel - Turbo - 200 Tdi
Fuel Pump 1/1

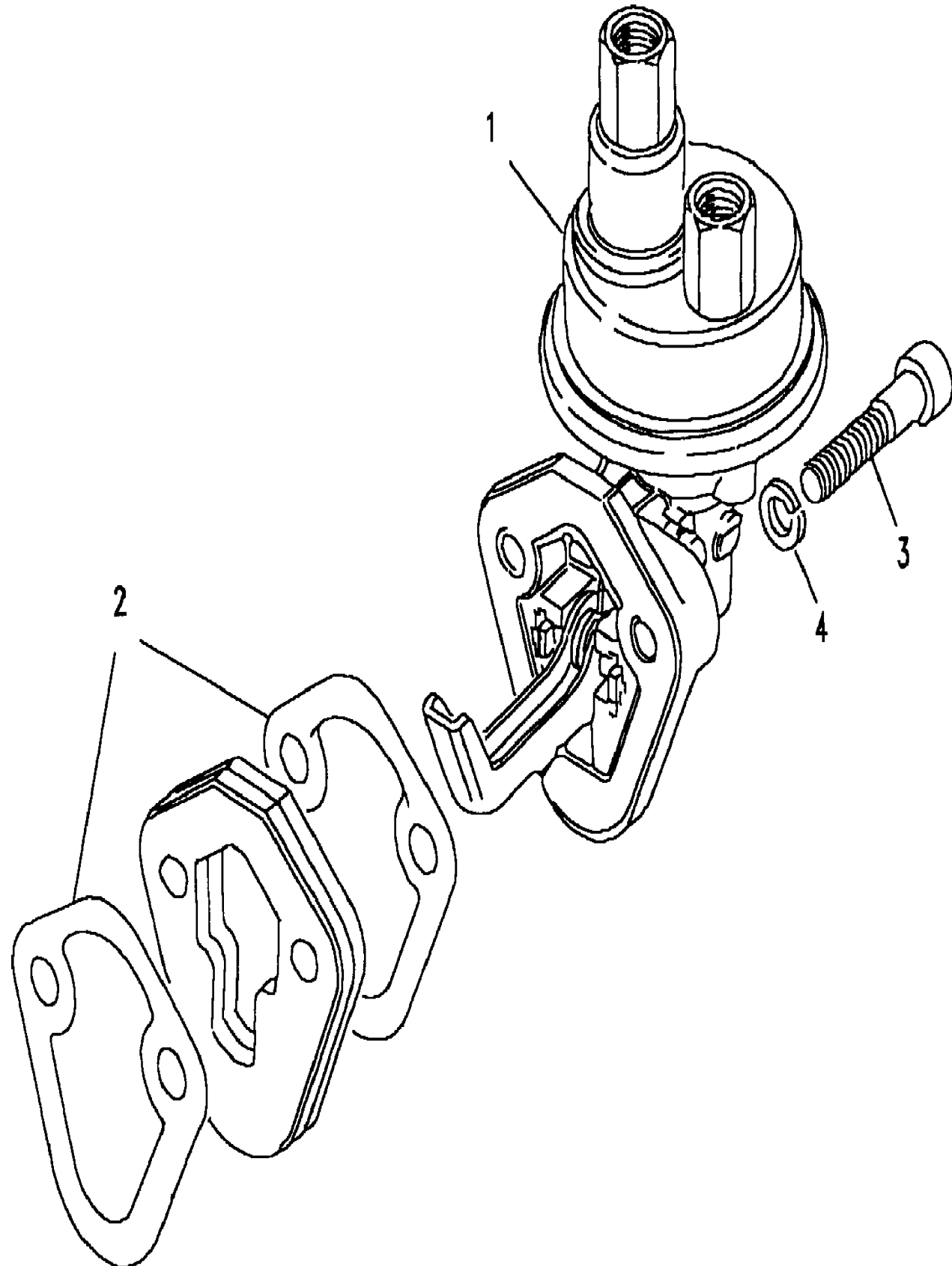
Range Rover (From JA610294)
(BDBMKA1A)

Range Rover (From JA610294)

Engine
2500 - Diesel - Turbo - 200 Tdi
Fuel Pump

2.5L I4 200 TDi Turbo Diesel, 5 Speed Manual Transmission, Less Catalyst

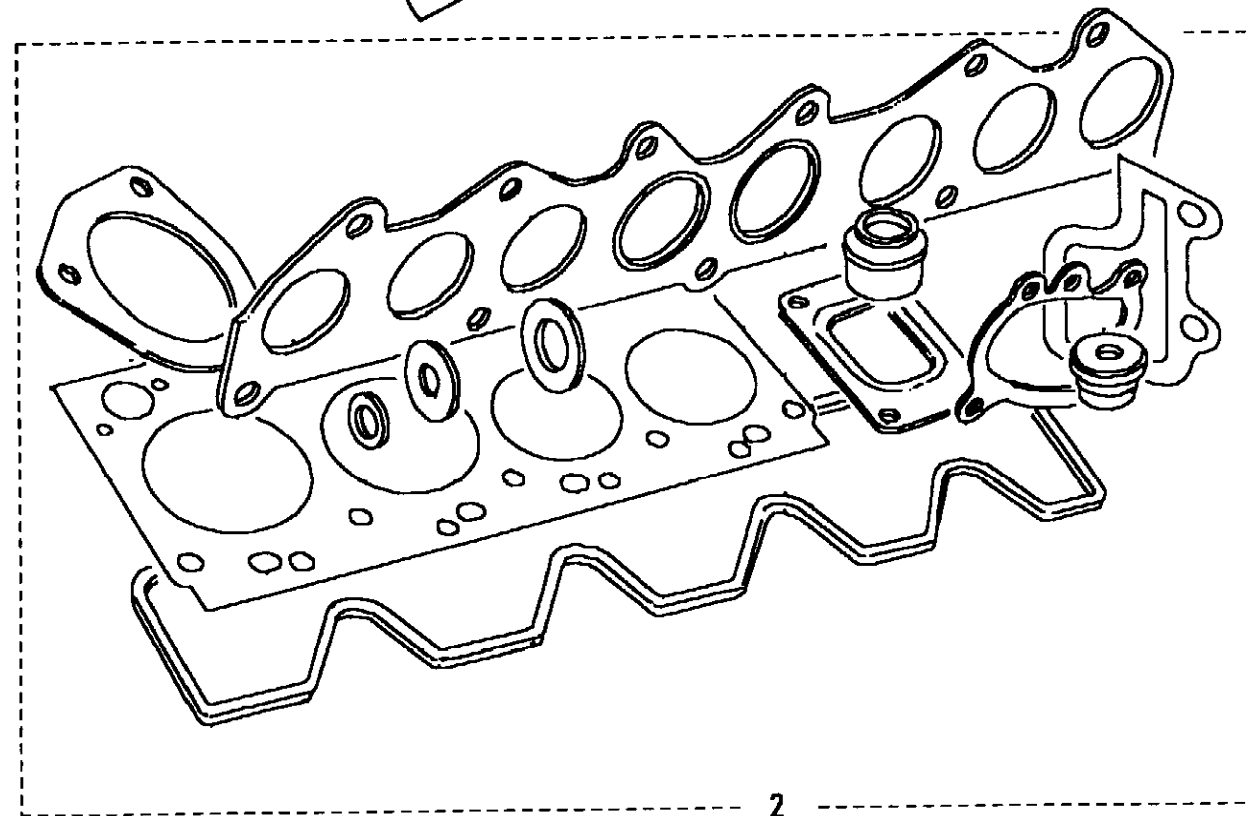
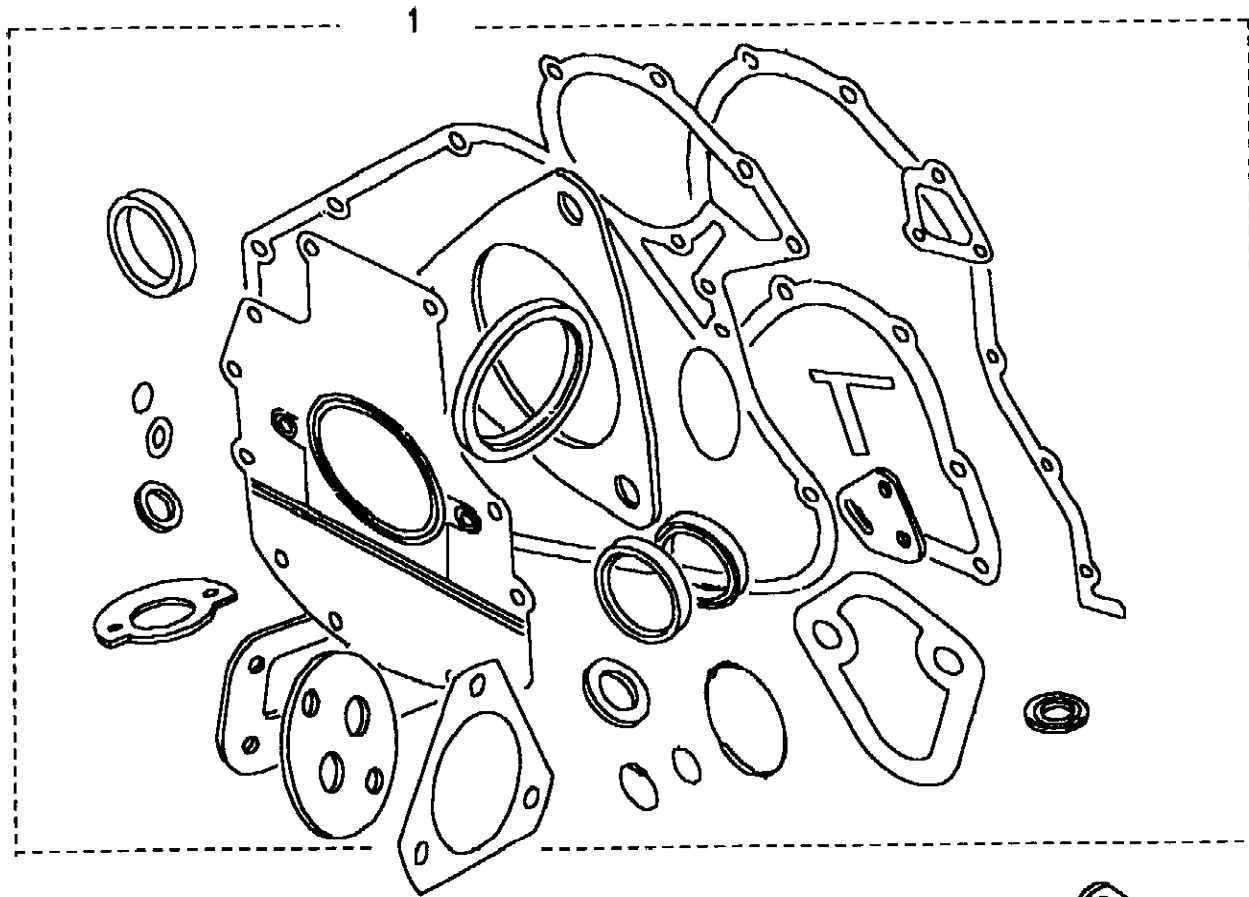
Callout	Name	Application	Remarks & Restrictions	Service No.	Qty
1	Pump-fuel mechanical	2.5L I4 200 TDi L/R Turbo Diesel	Engine Code 4L 2.5 TDi Manual - 'Zircon'	ETC7869	1
2	Gasket-fuel lift pump	2.5L I4 200 TDi L/R Turbo Diesel	Engine Code 4L 2.5 TDi Manual - 'Zircon'	ETC7970	2
		2.5L I4 200 TDi L/R Turbo Diesel	Engine Code 4L 2.5 TDi Manual - 'Zircon'	ERR2028	2
3	Screw-flanged head	2.5L I4 200 TDi L/R Turbo Diesel	M8 X 30, Engine Code 4L 2.5 TDi Manual - 'Zircon'	SS108301L	2
4	Washer	2.5L I4 200 TDi L/R Turbo Diesel	8MM, Engine Code 4L 2.5 TDi Manual - 'Zircon'	WA108051L	2
[900]	Kit-fuel pump repair	2.5L I4 200 TDi L/R Turbo Diesel	Also serviced as part of a kit, Engine Code 4L 2.5 TDi Manual - 'Zircon'	STC1190	1



Engine
2500 - Diesel - Turbo - 200 Tdi
Gasket Kits 1/1

Range Rover (From JA610294)

(BDBMMA1A)



Range Rover (From JA610294)

Engine
2500 - Diesel - Turbo - 200 Tdi
Gasket Kits

2.5L I4 200 TDi Turbo Diesel, 5 Speed Manual Transmission, Less Catalyst

Callout	Name	Application	Remarks & Restrictions	Service No.	Qty
1	Set-engine gasket	2.5L I4 200 TDi L/R Turbo Diesel	Asbestos Free, Engine Code 4L 2.5 TDi Manual - 'Zircon'	STC1557	1
2	Set-cylinder head gasket	2.5L I4 200 TDi L/R Turbo Diesel	Engine Code 4L 2.5 TDi Manual - 'Zircon'	STC1172	1

Engine
2500 - Diesel - Turbo - 200 Tdi
Injection Pump 1/1

Range Rover (From JA610294)

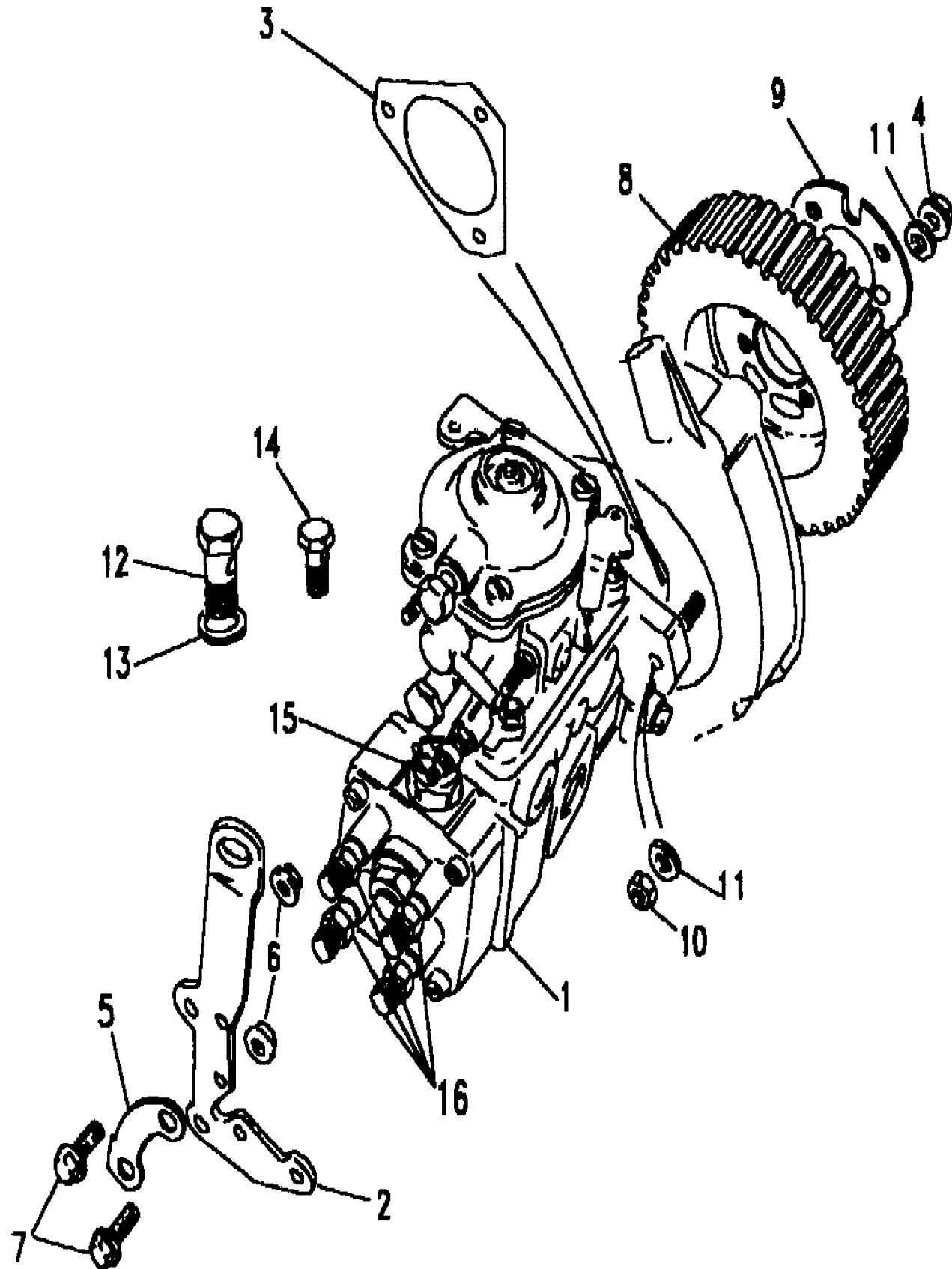
(BDBMKC1A)

Range Rover (From JA610294)

Engine
2500 - Diesel - Turbo - 200 Tdi
Injection Pump

2.5L I4 200 TDi Turbo Diesel, 5 Speed Manual Transmission, Less Catalyst

Callout	Name	Application	Remarks & Restrictions	Service No.	Qty
1	Pump assembly-fuel injection diesel	2.5L I4 200 TDi L/R Turbo Diesel, (-)"GB" 2.5L I4 200 TDi L/R Turbo Diesel 2.5L I4 200 TDi L/R Turbo Diesel, EGR, (+)"A"	Engine Code 4L 2.5 TDi Manual - 'Zircon', New Engine Code 4L 2.5 TDi Manual - 'Zircon', exchange Engine Code 4L 2.5 TDi Manual - 'Zircon', New	ERR459 ERR459E ERR1985	1 1 1
2	Bracket-injection pump diesel	2.5L I4 200 TDi L/R Turbo Diesel	Engine Code 4L 2.5 TDi Manual - 'Zircon'	ERR419	1
3	Gasket-injection pump-diesel engine	2.5L I4 200 TDi L/R Turbo Diesel	Engine Code 4L 2.5 TDi Manual - 'Zircon'	ERR631	1
4	Nut - Hex.	2.5L I4 200 TDi L/R Turbo Diesel	M8, Engine Code 4L 2.5 TDi Manual - 'Zircon', flange	FN108041L	2
5	Bracket-injection pump diesel	2.5L I4 200 TDi L/R Turbo Diesel	Engine Code 4L 2.5 TDi Manual - 'Zircon'	ERR1661	1
6	Nut - Hex.	2.5L I4 200 TDi L/R Turbo Diesel	M8, Engine Code 4L 2.5 TDi Manual - 'Zircon', flange	FN108041L	2
7	Screw	2.5L I4 200 TDi L/R Turbo Diesel	TO BRACKET, Engine Code 4L 2.5 TDi Manual - 'Zircon', Flanged Head, M8 x 20	FS108201L	2
8	Pulley assembly-pump fuel injection pump drive	2.5L I4 200 TDi L/R Turbo Diesel	Engine Code 4L 2.5 TDi Manual - 'Zircon'	ERR667	1
9	Plate	2.5L I4 200 TDi L/R Turbo Diesel	Engine Code 4L 2.5 TDi Manual - 'Zircon'	ERR359	1
10	Nut - Hex.	2.5L I4 200 TDi L/R Turbo Diesel	M8, Engine Code 4L 2.5 TDi Manual - 'Zircon', flange	FN108041L	3
11	Washer	2.5L I4 200 TDi L/R Turbo Diesel	8MM, Engine Code 4L 2.5 TDi Manual - 'Zircon'	WA108051L	6
12	Bolt-banjo	2.5L I4 200 TDi L/R Turbo Diesel	Engine Code 4L 2.5 TDi Manual - 'Zircon'	ERR886	1
13	Washer-sealing	2.5L I4 200 TDi L/R Turbo Diesel	Engine Code 4L 2.5 TDi Manual - 'Zircon'	ERR894	2
14	Bolt-banjo	2.5L I4 200 TDi L/R Turbo Diesel	Engine Code 4L 2.5 TDi Manual - 'Zircon'	ERR1125	1
15	Switch-electronic diesel control	2.5L I4 200 TDi L/R Turbo Diesel	Engine Code 4L 2.5 TDi Manual - 'Zircon'	RTC6702	1
16	Adaptor-pipe-dual male	2.5L I4 200 TDi L/R Turbo Diesel	Engine Code 4L 2.5 TDi Manual - 'Zircon'	STC262	4



Engine
2500 - Diesel - Turbo - 200 Tdi
Injectors & Pipes 1/1

Range Rover (From JA610294)

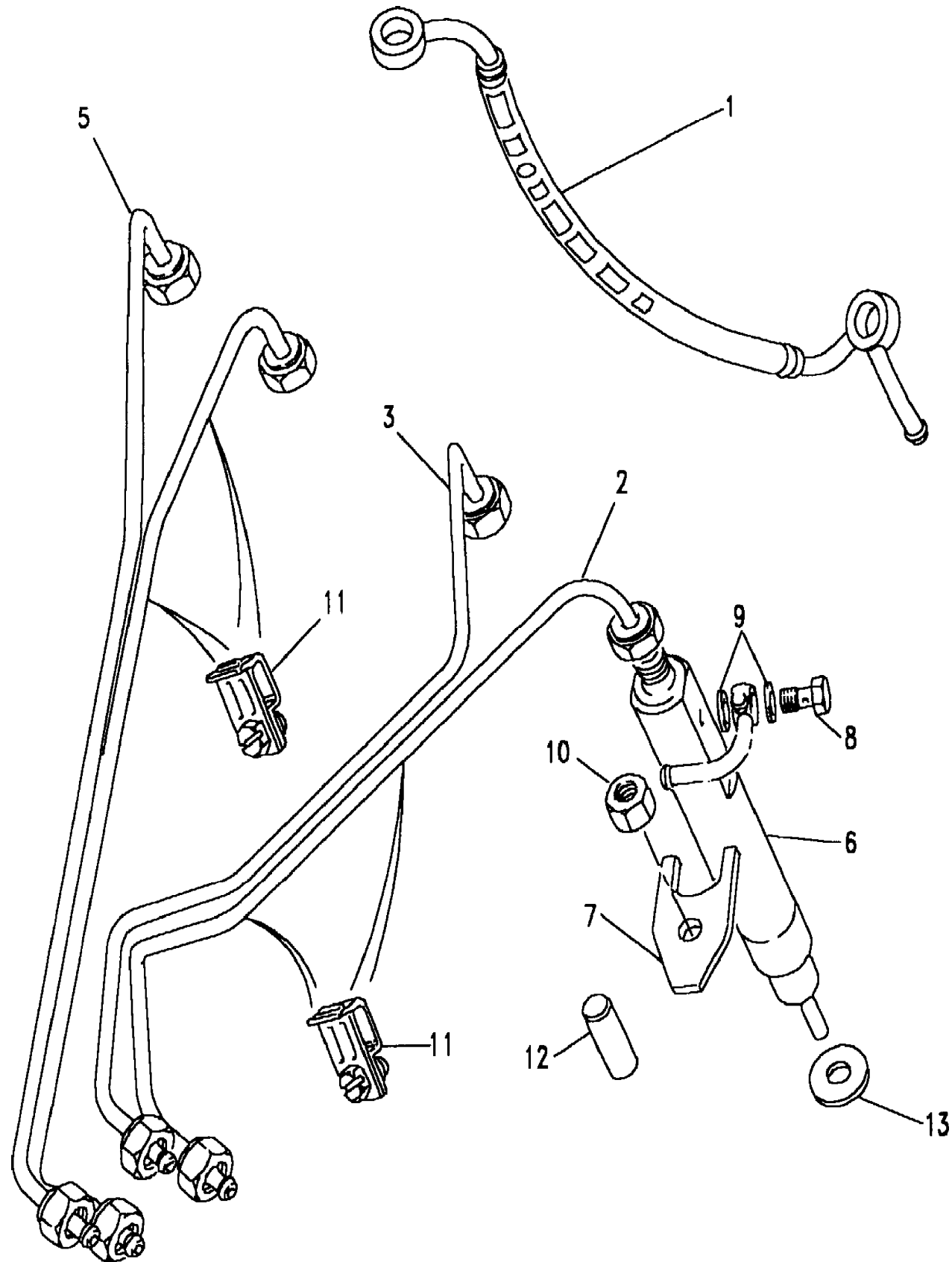
(BDBMKE1A)

Range Rover (From JA610294)

Engine
2500 - Diesel - Turbo - 200 Tdi
Injectors & Pipes

2.5L I4 200 TDi Turbo Diesel, 5 Speed Manual Transmission, Less Catalyst

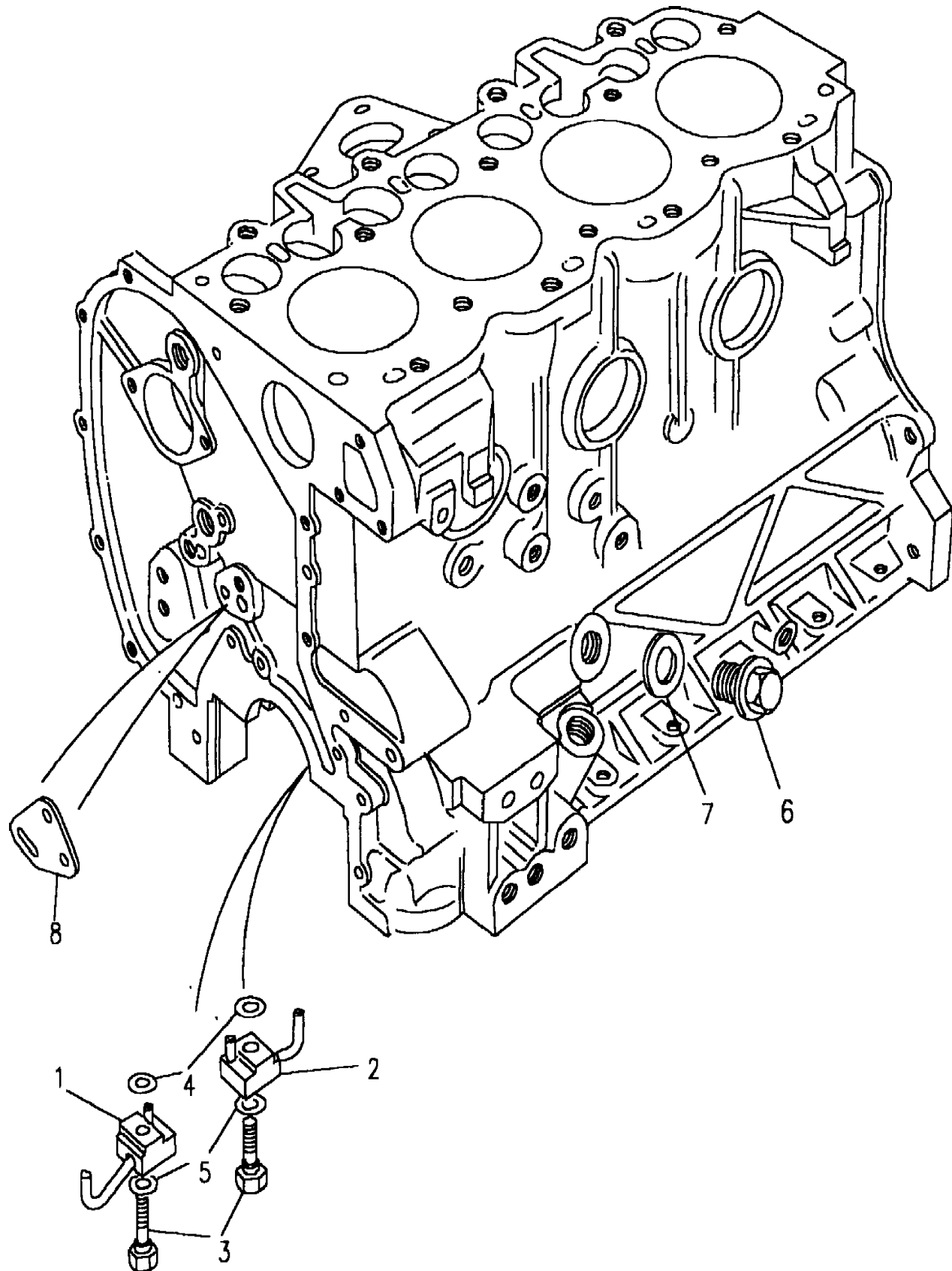
Callout	Name	Application	Remarks & Restrictions	Service No.	Qty
1	Pipe-spill return fuel injection	2.5L I4 200 TDi L/R Turbo Diesel	Engine Code 4L 2.5 TDi Manual - 'Zircon'	ERR3651	1
2	Pipe-cylinder 1-high pressure fuel injection	2.5L I4 200 TDi L/R Turbo Diesel	Engine Code 4L 2.5 TDi Manual - 'Zircon'	RTC6732	1
3	Pipe-cylinder 2-high pressure fuel injection	2.5L I4 200 TDi L/R Turbo Diesel	Engine Code 4L 2.5 TDi Manual - 'Zircon'	RTC6733	1
4	Pipe-cylinder 3-high pressure fuel injection	2.5L I4 200 TDi L/R Turbo Diesel	Engine Code 4L 2.5 TDi Manual - 'Zircon'	RTC6734	1
5	Pipe-cylinder 4-high pressure fuel injection	2.5L I4 200 TDi L/R Turbo Diesel	Engine Code 4L 2.5 TDi Manual - 'Zircon'	RTC6735	1
6	Injector assembly-diesel holder & nozzle	2.5L I4 200 TDi L/R Turbo Diesel	Engine Code 4L 2.5 TDi Manual - 'Zircon', New	ETC8412	4
		2.5L I4 200 TDi L/R Turbo Diesel	Engine Code 4L 2.5 TDi Manual - 'Zircon', exchange	ETC8412E	4
7	Clamp fuel injector	2.5L I4 200 TDi L/R Turbo Diesel	Engine Code 4L 2.5 TDi Manual - 'Zircon'	ETC8197	4
8	Bolt-banjo	2.5L I4 200 TDi L/R Turbo Diesel	Engine Code 4L 2.5 TDi Manual - 'Zircon', 6MM	ERR1200	4
		2.5L I4 200 TDi L/R Turbo Diesel	Also serviced as part of a kit, Engine Code 4L 2.5 TDi Manual - 'Zircon'	STC3297	4
9	Washer-sealing	2.5L I4 200 TDi L/R Turbo Diesel	diesel injector spill return pipe banjo, Also serviced as part of a kit, Engine Code 4L 2.5 TDi Manual - 'Zircon'	ERR1304	8
10	Nut - Hex.	2.5L I4 200 TDi L/R Turbo Diesel	M8, Engine Code 4L 2.5 TDi Manual - 'Zircon', flange	FN108041L	1
11	Clamp	2.5L I4 200 TDi L/R Turbo Diesel	Engine Code 4L 2.5 TDi Manual - 'Zircon', 2 pipes	AEU2129L	4
12	Dowel-ring	2.5L I4 200 TDi L/R Turbo Diesel	Engine Code 4L 2.5 TDi Manual - 'Zircon'	ETC8470	4
13	Washer-sealing	2.5L I4 200 TDi L/R Turbo Diesel	diesel injector to cylinder head, Engine Code 4L 2.5 TDi Manual - 'Zircon'	ERR4621	1



Engine
2500 - Diesel - Turbo - 200 Tdi
Jet Adaptors 1/1

Range Rover (From JA610294)

(BDBMBA2A)



Range Rover (From JA610294)

Engine
2500 - Diesel - Turbo - 200 Tdi
Jet Adaptors

2.5L I4 200 TDi Turbo Diesel, 5 Speed Manual Transmission, Less Catalyst

Callout	Name	Application	Remarks & Restrictions	Service No.	Qty
1	Jet assembly-piston cooling	2.5L I4 200 TDi L/R Turbo Diesel	Engine Code 4L 2.5 TDi Manual - 'Zircon', No1, No3	ETC6531	2
2	Jet assembly-piston cooling	2.5L I4 200 TDi L/R Turbo Diesel	Engine Code 4L 2.5 TDi Manual - 'Zircon', No2, No4	ETC6532	2
3	Valve-bearing housing jet	2.5L I4 200 TDi L/R Turbo Diesel	Engine Code 4L 2.5 TDi Manual - 'Zircon'	ETC5592	2
4	Washer-sealing	2.5L I4 200 TDi L/R Turbo Diesel	Engine Code 4L 2.5 TDi Manual - 'Zircon'	AFU1879L	4
5	Washer-sealing	2.5L I4 200 TDi L/R Turbo Diesel	Engine Code 4L 2.5 TDi Manual - 'Zircon'	AFU1887L	4
6	Plug-Drain	2.5L I4 200 TDi L/R Turbo Diesel	Engine Code 4L 2.5 TDi Manual - 'Zircon'	ERC9410	1
7	Washer-assembly drain plug	2.5L I4 200 TDi L/R Turbo Diesel	Engine Code 4L 2.5 TDi Manual - 'Zircon'	AFU1882L	1
8	Gasket	2.5L I4 200 TDi L/R Turbo Diesel	Engine Code 4L 2.5 TDi Manual - 'Zircon'	ERC8864	1

Engine
2500 - Diesel - Turbo - 200 Tdi
Manifolds 1/2

Range Rover (From JA610294)

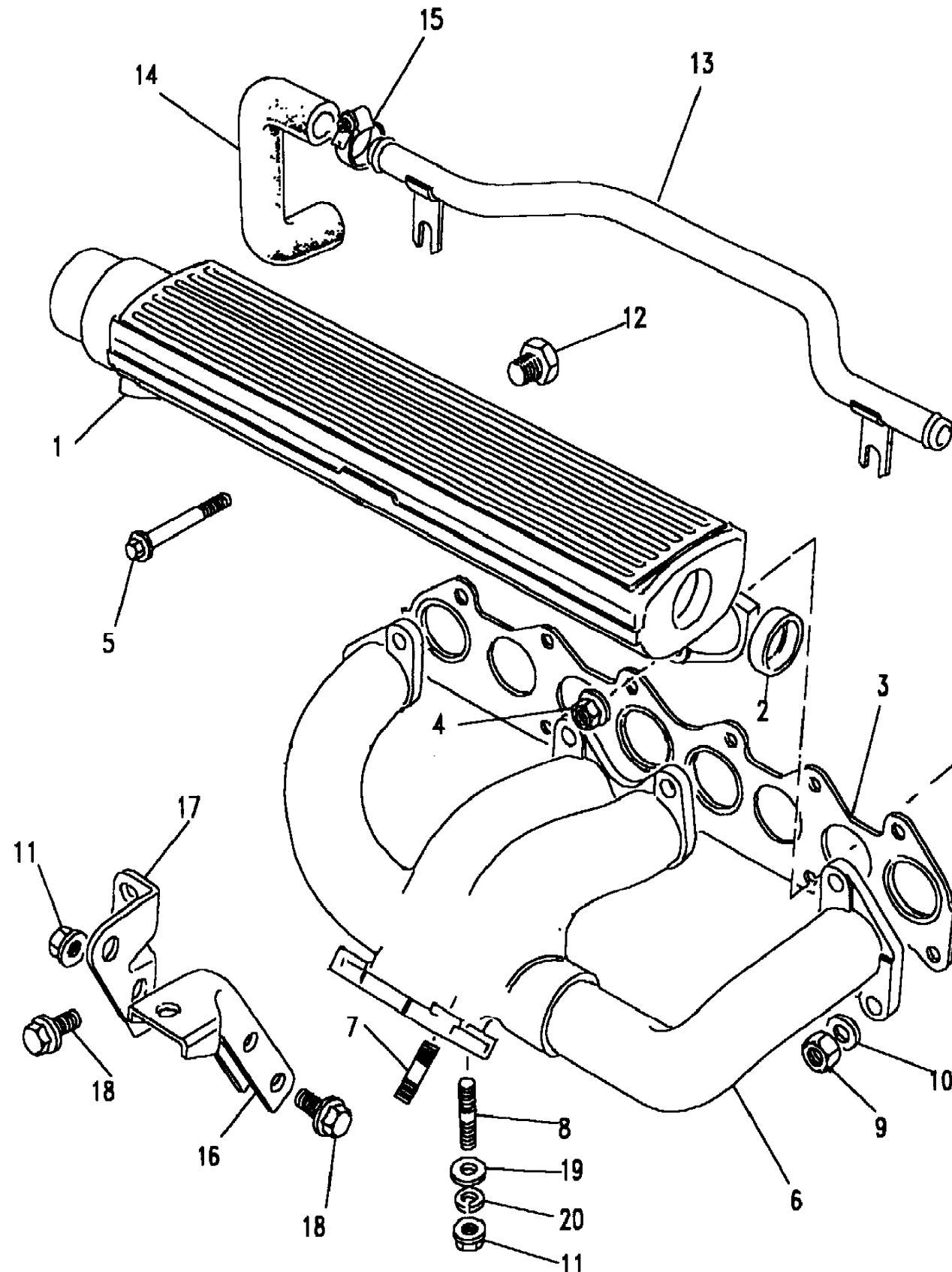
(BDBMHA1B)

Range Rover (From JA610294)

Engine
2500 - Diesel - Turbo - 200 Tdi
Manifolds

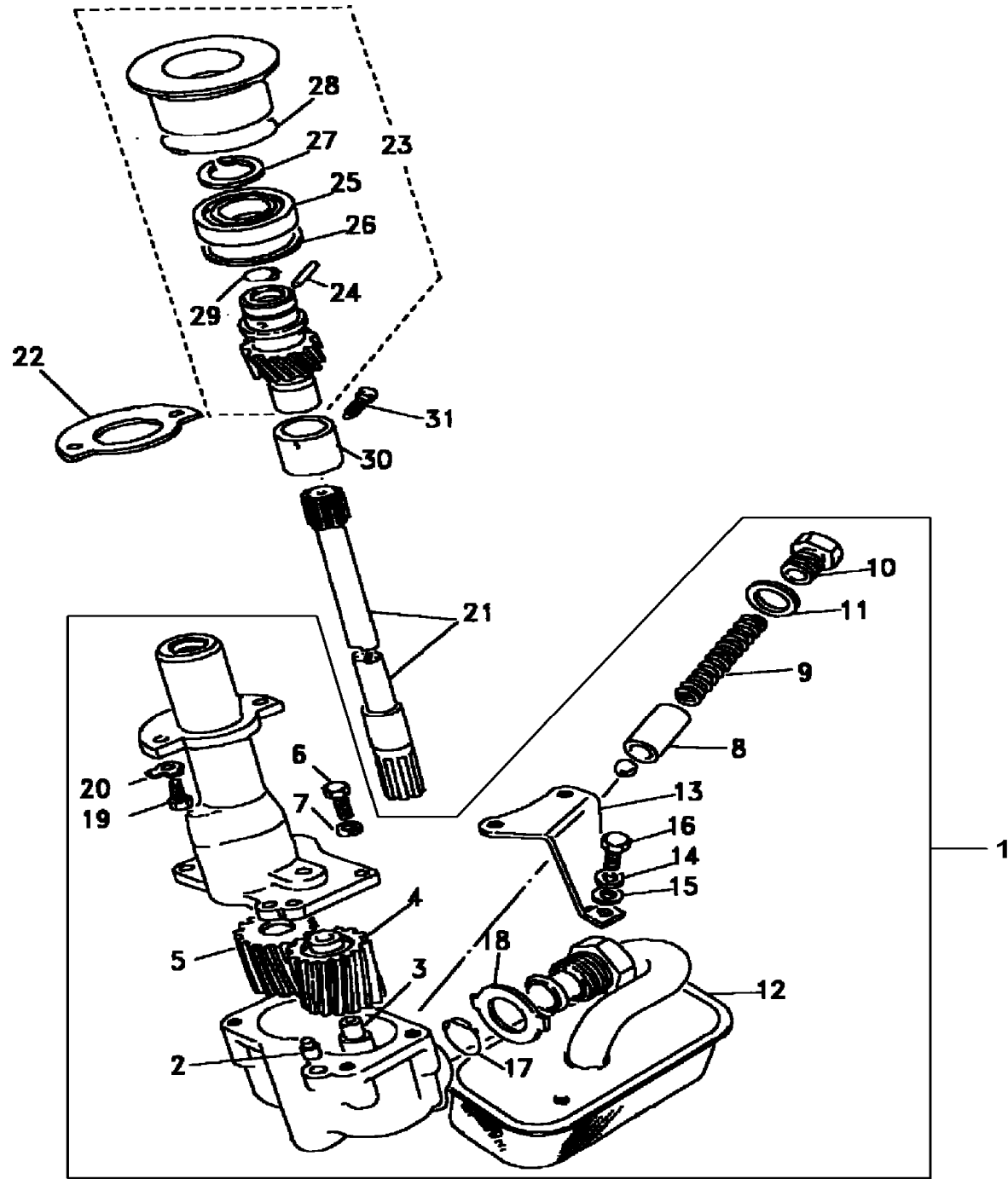
2.5L I4 200 TDi Turbo Diesel, 5 Speed Manual Transmission, Less Catalyst

Callout	Name	Application	Remarks & Restrictions	Service No.	Qty
1	Manifold-engine inlet	2.5L I4 200 TDi L/R Turbo Diesel, (-)"GB"	Also serviced as part of a kit, Engine Code 4L 2.5 TDi Manual - 'Zircon'	ERR250	1
		2.5L I4 200 TDi L/R Turbo Diesel, (+)"CH"	Also serviced as part of a kit, Engine Code 4L 2.5 TDi Manual - 'Zircon'	ERR537	1
2	Plug-core	2.5L I4 200 TDi L/R Turbo Diesel	Engine Code 4L 2.5 TDi Manual - 'Zircon'	524765	1
3	Gasket-engine inlet/exhaust manifold	2.5L I4 200 TDi L/R Turbo Diesel	Engine Code 4L 2.5 TDi Manual - 'Zircon'	ERR1208	1
4	Nut - Hex.	2.5L I4 200 TDi L/R Turbo Diesel	to gasket, M8, Engine Code 4L 2.5 TDi Manual - 'Zircon', flange	FN108041L	2
5	Bolt	2.5L I4 200 TDi L/R Turbo Diesel	TO MANIFOLD, Engine Code 4L 2.5 TDi Manual - 'Zircon', M8 x 90	FB108181	2
6	Manifold-engine exhaust	2.5L I4 200 TDi L/R Turbo Diesel, (-)"GB"	Also serviced as part of a kit, Engine Code 4L 2.5 TDi Manual - 'Zircon'	ERR789	1
		2.5L I4 200 TDi L/R Turbo Diesel, (+)"CH"	Also serviced as part of a kit, Engine Code 4L 2.5 TDi Manual - 'Zircon'	ERR788	1
7	Stud	2.5L I4 200 TDi L/R Turbo Diesel	Engine Code 4L 2.5 TDi Manual - 'Zircon'	ETC7667	4
8	Stud	2.5L I4 200 TDi L/R Turbo Diesel	M8 X 30, Engine Code 4L 2.5 TDi Manual - 'Zircon'	TE108061L	1
9	Nut-flange	2.5L I4 200 TDi L/R Turbo Diesel	M10, Engine Code 4L 2.5 TDi Manual - 'Zircon'	FX110041L	7
10	Washer	2.5L I4 200 TDi L/R Turbo Diesel	M10, Engine Code 4L 2.5 TDi Manual - 'Zircon'	WA110061L	11
11	Nut - Hex.	2.5L I4 200 TDi L/R Turbo Diesel	M8, Engine Code 4L 2.5 TDi Manual - 'Zircon', flange	FN108041L	3
12	Plug-Drain	2.5L I4 200 TDi L/R Turbo Diesel	Engine Code 4L 2.5 TDi Manual - 'Zircon'	ETC5577	1
13	Pipe-heater to hose coolant	2.5L I4 200 TDi L/R Turbo Diesel	Engine Code 4L 2.5 TDi Manual - 'Zircon'	ERR371	1
14	Hose-pipe to heater	2.5L I4 200 TDi L/R Turbo Diesel	Engine Code 4L 2.5 TDi Manual - 'Zircon'	ERR372	1
15	Clip-Hose	2.5L I4 200 TDi L/R Turbo Diesel	25MM, Engine Code 4L 2.5 TDi Manual - 'Zircon'	CN100258L	2
16	Bracket-inlet manifold support	2.5L I4 200 TDi L/R Turbo Diesel	Engine Code 4L 2.5 TDi Manual - 'Zircon'	ERR1004	1



Engine
2500 - Diesel - Turbo - 200 Tdi
Oil Pump 1/2

Range Rover (From JA610294)
(BDBMFA1B)



G02.125
10-2003
L2
BDBMFA1B

Range Rover (From JA610294)

Engine
2500 - Diesel - Turbo - 200 Tdi
Oil Pump

200 TDi Turbo Diesel

Callout	Name	Application	Remarks & Restrictions	Service No.	Qty
1	Pump assembly-engine oil			ERR1178	1
2	Dowel			236257	2
3	Spindle-oil pump			ERR1063	1
4	Gear-oil pump idler		10 teeth	ERR1088	1
5	Gear-oil pump		10 teeth	ERC9706	1
6	Screw		Flanged Head, M8 x 20	FS108201L	4
7	Washer		M8, sprung	WL108001L	4
8	Plunger-oil pump relief valve			ETC4880	1
9	Spring-oil pump relief valve			564456	1
10	Plug			564455	1
11	Washer-sealing			232044	1
13	Bracket			ERR541	1
14	Washer		8MM	WA108051L	1
15	Washer		M8, sprung	WL108001L	1
16	Screw		Flanged Head, M8 x 20	FS108201L	1
17	O Ring			244488	1
18	Washer-Lock			244487	1
19	Screw		M8 x 25, Flanged Head	FS108251L	2
20	Washer-Lock			247665	2
21	Shaft-oil pump			ERR850	1
22	Gasket-cylinder block oil pump		Asbestos Free	ERR3606	1
23	Drive assembly-oil pump			ERR928	1
24	Pin-roll-spring tension			ERR309	1
25	Bearing-ball			ERR528	1
26	Ring-Snap		Outer	CR120305	1

Engine
2500 - Diesel - Turbo - 200 Tdi
Oil Pump 2/2

Range Rover (From JA610294)

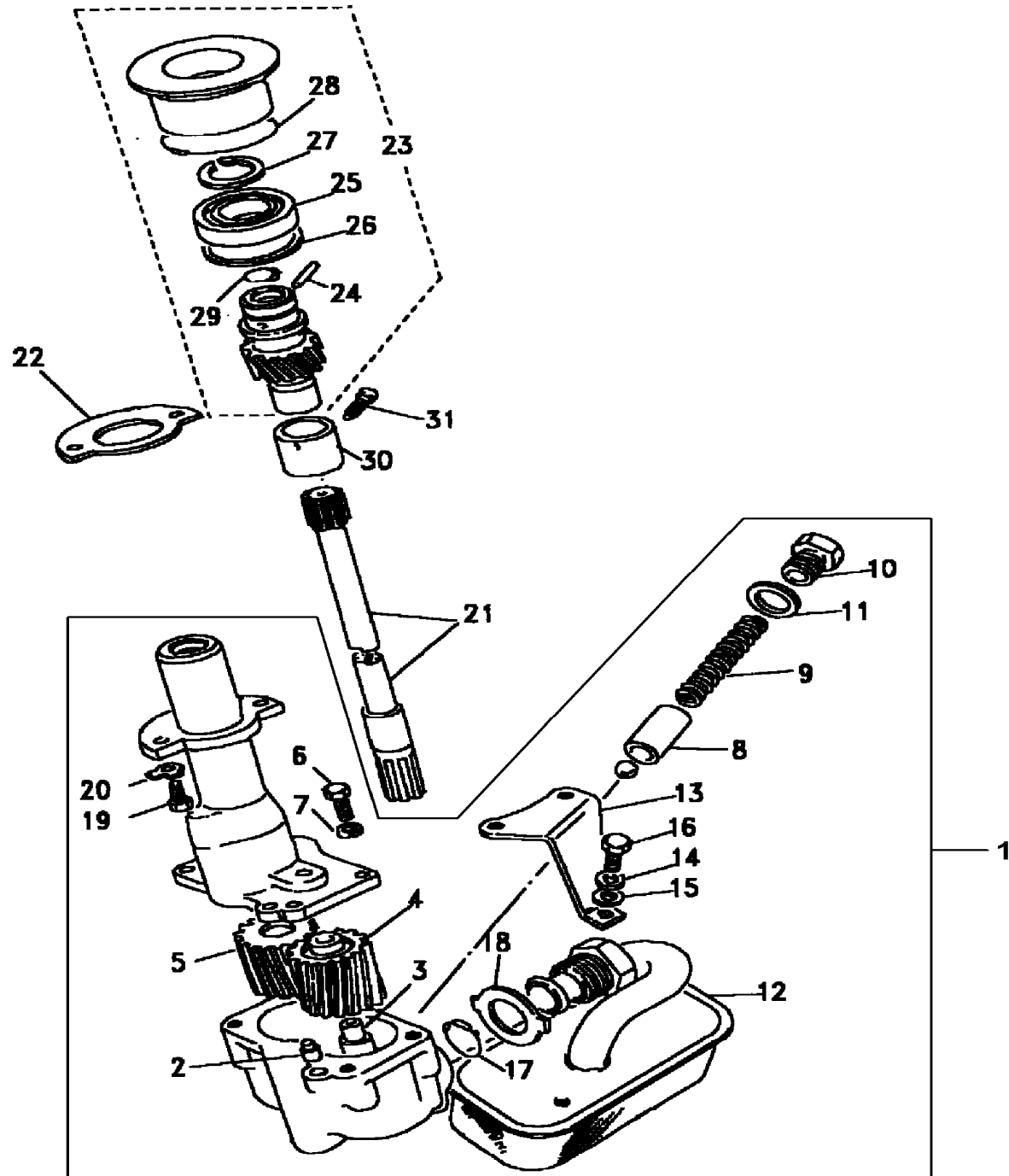
(BDBMFA1B)

Range Rover (From JA610294)

Engine
2500 - Diesel - Turbo - 200 Tdi
Oil Pump

200 TDi Turbo Diesel

Callout	Name	Application	Remarks & Restrictions	Service No.	Qty
27	Ring-Snap		Inner	ERR530	1
28	O Ring			ERR531	1
29	O Ring			ERR532	1
30	Bush			ERR500	1
31	Screw			ERR848	1



G02.125
10-2003
L2
BDBMFA1B

Engine
2500 - Diesel - Turbo - 200 Tdi
Piston, Connecting Rod & Bearings 1/1

Range Rover (From JA610294)

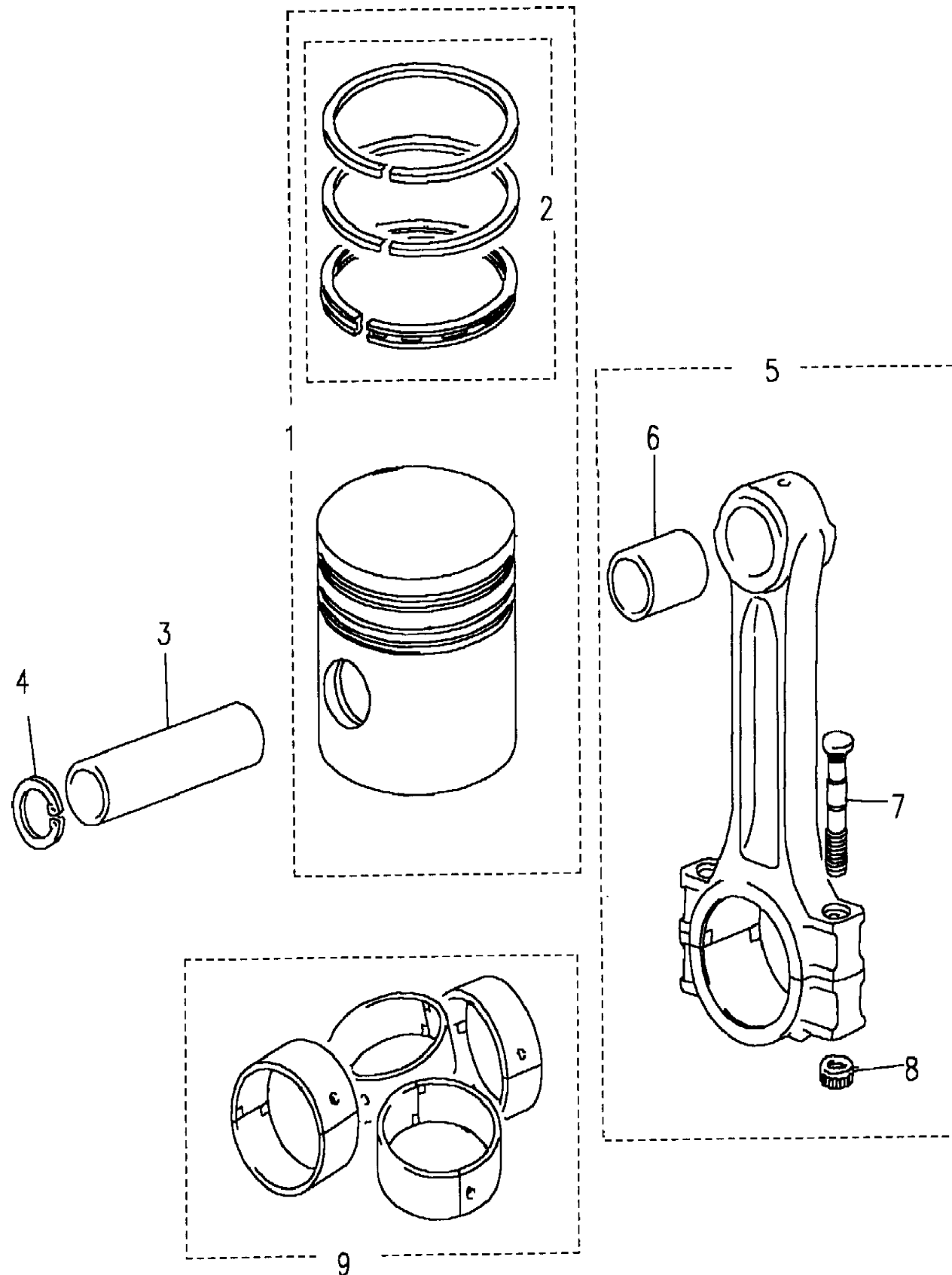
(BDBMCC1A)

Range Rover (From JA610294)

Engine
2500 - Diesel - Turbo - 200 Tdi
Piston, Connecting Rod & Bearings

2.5L I4 200 TDi Turbo Diesel, 5 Speed Manual Transmission, Less Catalyst

Callout	Name	Application	Remarks & Restrictions	Service No.	Qty
1	Piston-engine	2.5L I4 200 TDi L/R Turbo Diesel	Also serviced as part of a kit, Engine Code 4L 2.5 TDi Manual - 'Zircon', standard., 'X'	ERR1390	4
		2.5L I4 200 TDi L/R Turbo Diesel	Also serviced as part of a kit, Engine Code 4L 2.5 TDi Manual - 'Zircon', standard., 'Y'	ERR1391	4
		2.5L I4 200 TDi L/R Turbo Diesel	Also serviced as part of a kit, Engine Code 4L 2.5 TDi Manual - 'Zircon', 0.020" oversize	STC1052020	4
		2.5L I4 200 TDi L/R Turbo Diesel	Also serviced as part of a kit, Engine Code 4L 2.5 TDi Manual - 'Zircon', 0.040" oversize	STC1052040	4
2	Ring set assembly-piston	2.5L I4 200 TDi L/R Turbo Diesel	Also serviced as part of a kit, Engine Code 4L 2.5 TDi Manual - 'Zircon', standard.	RTC6457	4
		2.5L I4 200 TDi L/R Turbo Diesel	Also serviced as part of a kit, Engine Code 4L 2.5 TDi Manual - 'Zircon', 0.020" oversize	RTC645720	4
		2.5L I4 200 TDi L/R Turbo Diesel	Also serviced as part of a kit, Engine Code 4L 2.5 TDi Manual - 'Zircon', 0.040" oversize	RTC645740	4
3	Pin-piston gudgeon	2.5L I4 200 TDi L/R Turbo Diesel	Engine Code 4L 2.5 TDi Manual - 'Zircon'	ERR703	4
4	Circlip-piston	2.5L I4 200 TDi L/R Turbo Diesel	Engine Code 4L 2.5 TDi Manual - 'Zircon'	266945	2
5	Rod-crankshaft connecting	2.5L I4 200 TDi L/R Turbo Diesel	Also serviced as part of a kit, Engine Code 4L 2.5 TDi Manual - 'Zircon'	ETC8086	4
6	Bearing bush-connecting rod small end	2.5L I4 200 TDi L/R Turbo Diesel	Also serviced as part of a kit, Engine Code 4L 2.5 TDi Manual - 'Zircon'	ETC7286	4
7	Bolt-connecting rod	2.5L I4 200 TDi L/R Turbo Diesel	Also serviced as part of a kit, Engine Code 4L 2.5 TDi Manual - 'Zircon'	ETC7357	2
8	Nut-connecting rod	2.5L I4 200 TDi L/R Turbo Diesel	Also serviced as part of a kit, Engine Code 4L 2.5 TDi Manual - 'Zircon'	ETC8191	2
9	Set-connecting rod big end half bearing	2.5L I4 200 TDi L/R Turbo Diesel	Engine Code 4L 2.5 TDi Manual - 'Zircon', standard.	RTC2993	1
		2.5L I4 200 TDi L/R Turbo Diesel	Engine Code 4L 2.5 TDi Manual - 'Zircon', 0.010" undersize	RTC299310	1



Engine
2500 - Diesel - Turbo - 200 Tdi
Power Steering Pump 1/2

Range Rover (From JA610294)

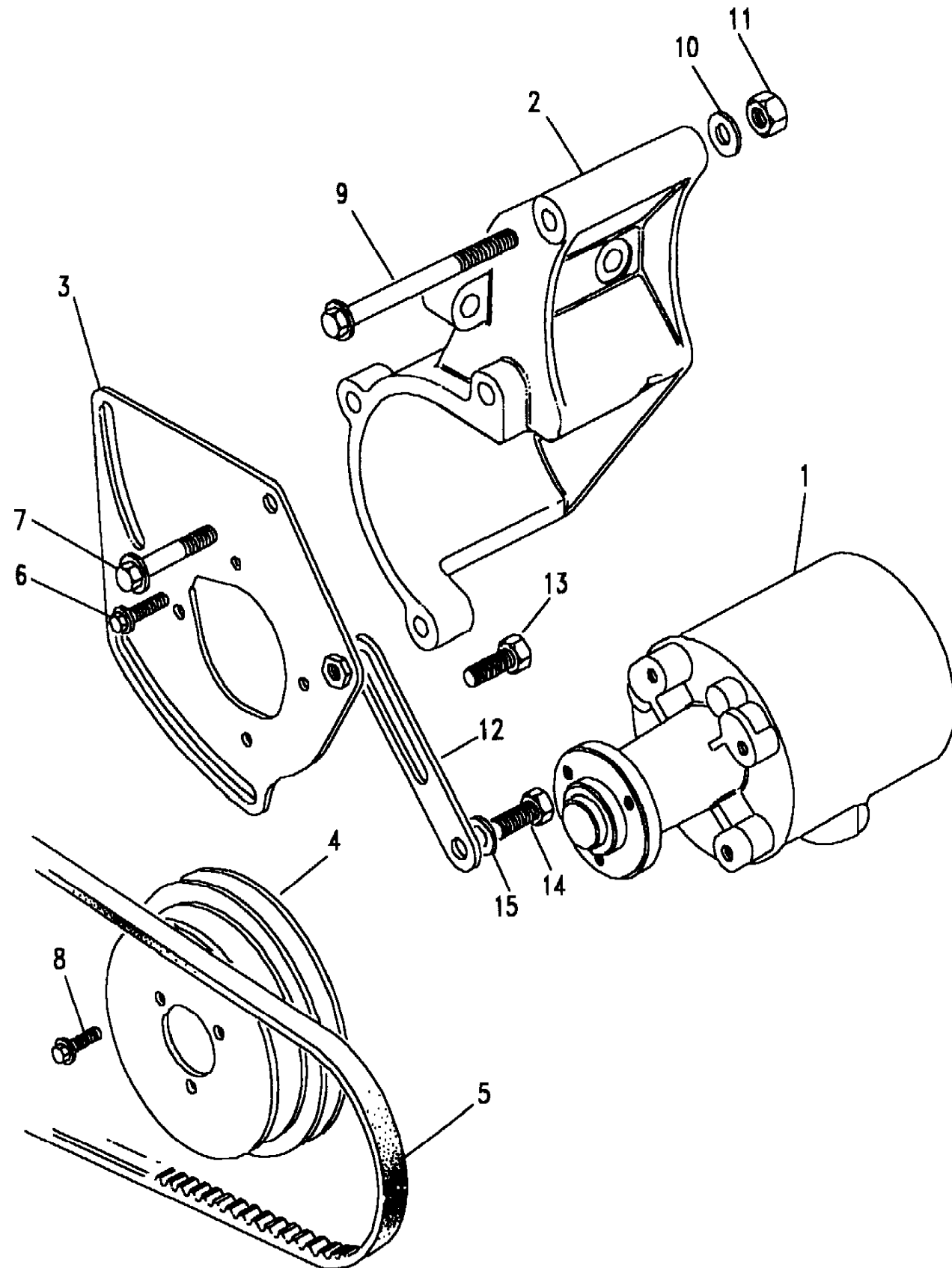
(BDBMNC1A)

Range Rover (From JA610294)

Engine
2500 - Diesel - Turbo - 200 Tdi
Power Steering Pump

2.5L I4 200 TDi Turbo Diesel, 5 Speed Manual Transmission, Less Catalyst

Callout	Name	Application	Remarks & Restrictions	Service No.	Qty
1	Pump assembly power assisted steering	2.5L I4 200 TDi L/R Turbo Diesel	Engine Code 4L 2.5 TDi Manual - 'Zircon'	NTC8288	1
2	Bracket power assisted steering pump & alternator	2.5L I4 200 TDi L/R Turbo Diesel	Engine Code 4L 2.5 TDi Manual - 'Zircon'	ERR1115	1
3	Plate-anti vibration power assisted steering pump	2.5L I4 200 TDi L/R Turbo Diesel	Engine Code 4L 2.5 TDi Manual - 'Zircon'	ERR1174	1
4	Pulley power assisted steering pump	2.5L I4 200 TDi L/R Turbo Diesel	Engine Code 4L 2.5 TDi Manual - 'Zircon'	ETC7528	1
5	Belt-vee power assisted steering	2.5L I4 200 TDi L/R Turbo Diesel	Engine Code 4L 2.5 TDi Manual - 'Zircon'	ERR810	1
6	Screw-flanged head	2.5L I4 200 TDi L/R Turbo Diesel	M6 X 16, Engine Code 4L 2.5 TDi Manual - 'Zircon', Flanged Head	FS106167L	4
7	Screw	2.5L I4 200 TDi L/R Turbo Diesel	Engine Code 4L 2.5 TDi Manual - 'Zircon', Flanged Head, M8 x 20	FS108201L	3
8	Screw-flanged head	2.5L I4 200 TDi L/R Turbo Diesel	M6 X 16, Engine Code 4L 2.5 TDi Manual - 'Zircon', Flanged Head	FS106167L	3
9	Bolt	2.5L I4 200 TDi L/R Turbo Diesel	Engine Code 4L 2.5 TDi Manual - 'Zircon', Flanged Head, M8 x 125	FB108251	1
10	Washer	2.5L I4 200 TDi L/R Turbo Diesel	8MM, Engine Code 4L 2.5 TDi Manual - 'Zircon'	WA108051L	2
11	Locknut	2.5L I4 200 TDi L/R Turbo Diesel	M8, Engine Code 4L 2.5 TDi Manual - 'Zircon'	NY108051L	1
12	Link-power assisted steering pump adjusting	2.5L I4 200 TDi L/R Turbo Diesel	Engine Code 4L 2.5 TDi Manual - 'Zircon'	ERR1173	1
13	Screw	2.5L I4 200 TDi L/R Turbo Diesel	M8 X 30, Engine Code 4L 2.5 TDi Manual - 'Zircon', Flanged Head	FS108301L	1
		2.5L I4 200 TDi L/R Turbo Diesel	M8 X 30, Engine Code 4L 2.5 TDi Manual - 'Zircon', Flanged Head	FS108307L	1
14	Screw	2.5L I4 200 TDi L/R Turbo Diesel	Engine Code 4L 2.5 TDi Manual - 'Zircon', Flanged Head, M8 x 20	FS108201L	1
15	Washer	2.5L I4 200 TDi L/R Turbo Diesel	8MM, Engine Code 4L 2.5 TDi Manual - 'Zircon'	WA108051L	1



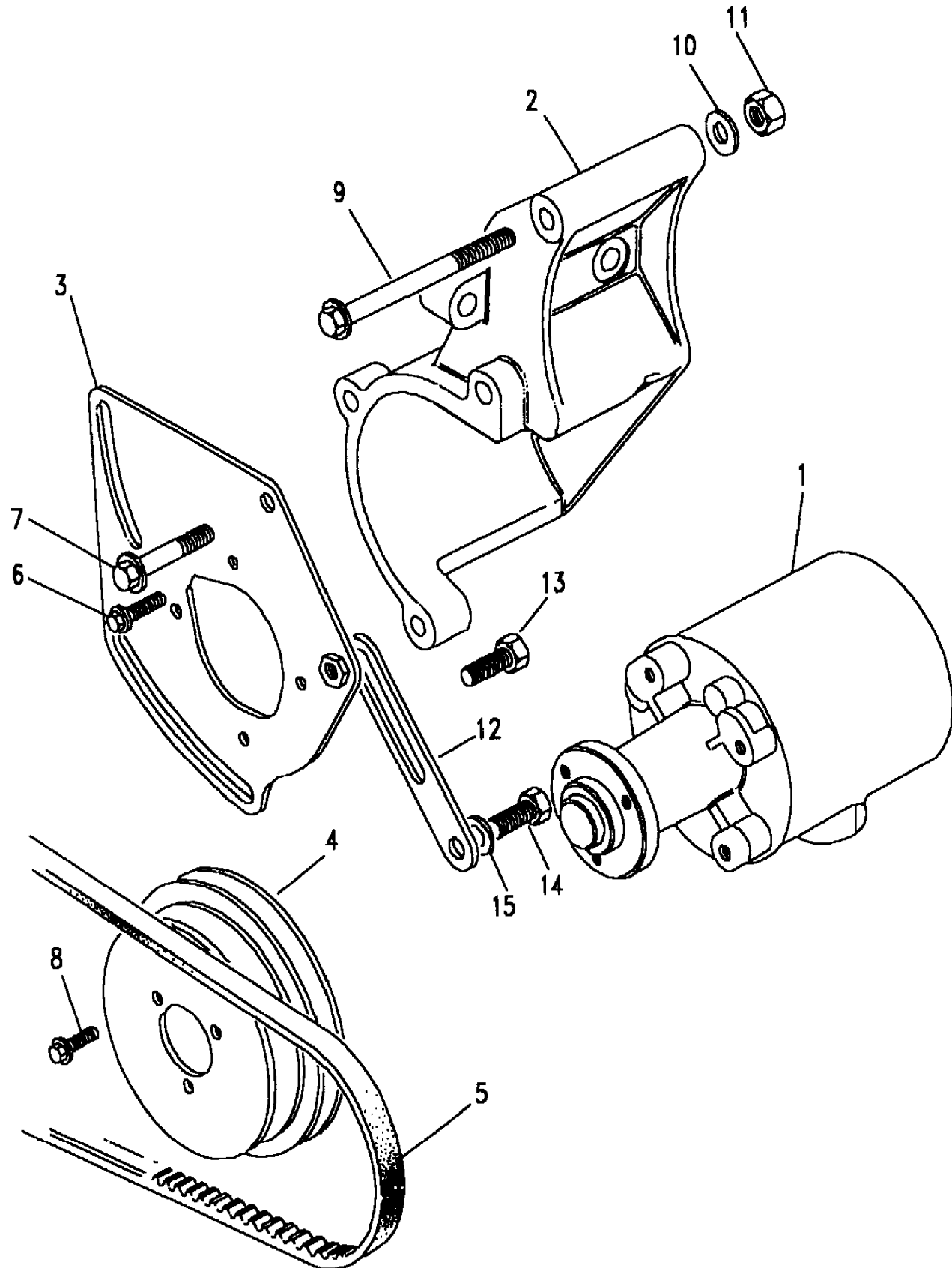
Engine
2500 - Diesel - Turbo - 200 Tdi
Power Steering Pump 2/2

Range Rover (From JA610294)
(BDBMNC1A)

Range Rover (From JA610294)

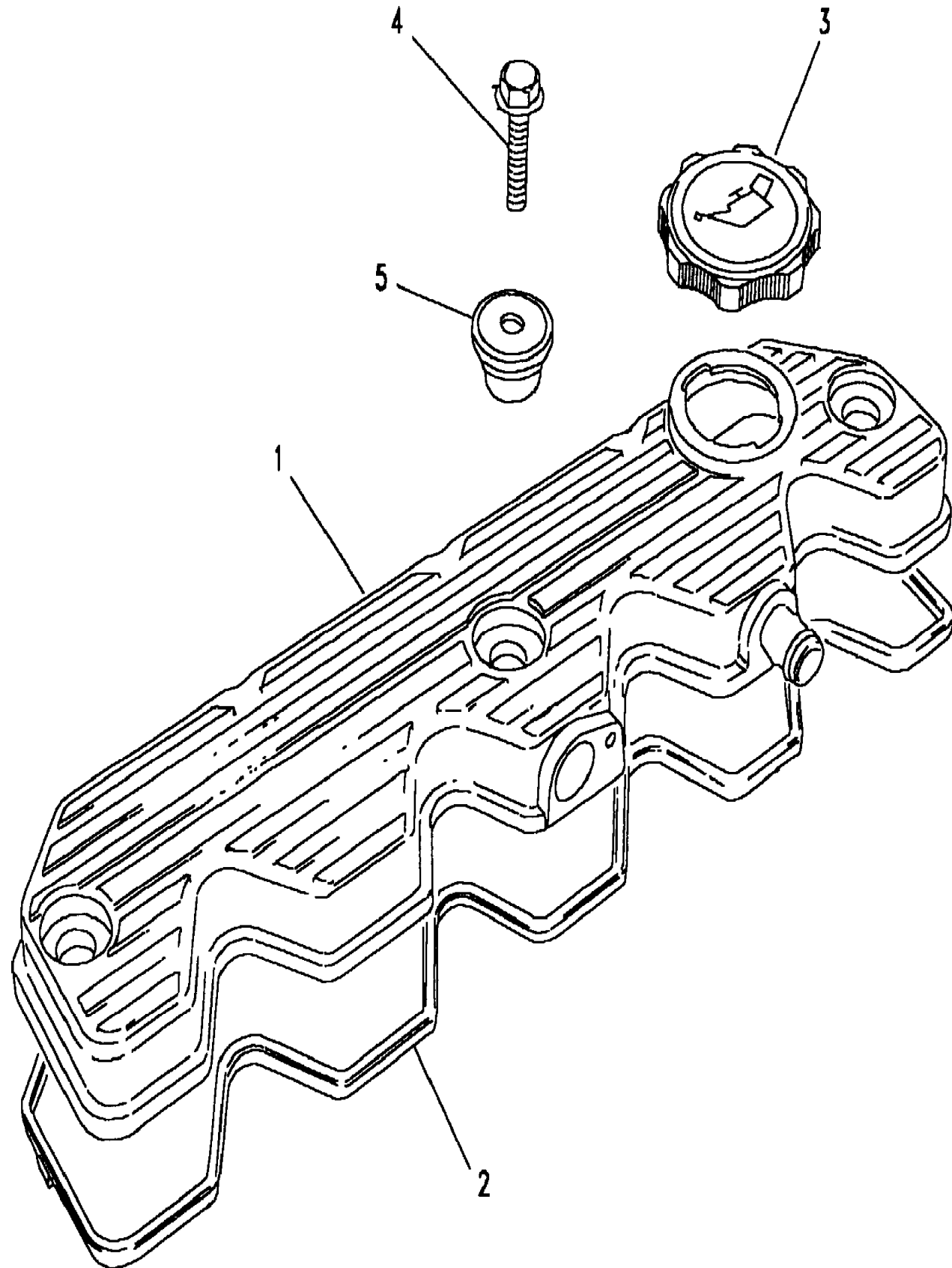
Engine
2500 - Diesel - Turbo - 200 Tdi
Power Steering Pump
2.5L I4 200 TDi Turbo Diesel, 5 Speed Manual Transmission, Less Catalyst

Callout	Name	Application	Remarks & Restrictions	Service No.	Qty
[900]	Stud	2.5L I4 200 TDi L/R Turbo Diesel	Engine Code 4L 2.5 TDi Manual - 'Zircon', M8 x 20	TE108041L	2
[901]	Nut - Hex.	2.5L I4 200 TDi L/R Turbo Diesel	M8, Engine Code 4L 2.5 TDi Manual - 'Zircon', flange	FN108041L	2



Engine
2500 - Diesel - Turbo - 200 Tdi
Rocker Cover 1/1

Range Rover (From JA610294)
(BDBMGG1B)



Range Rover (From JA610294)

Engine
2500 - Diesel - Turbo - 200 Tdi
Rocker Cover

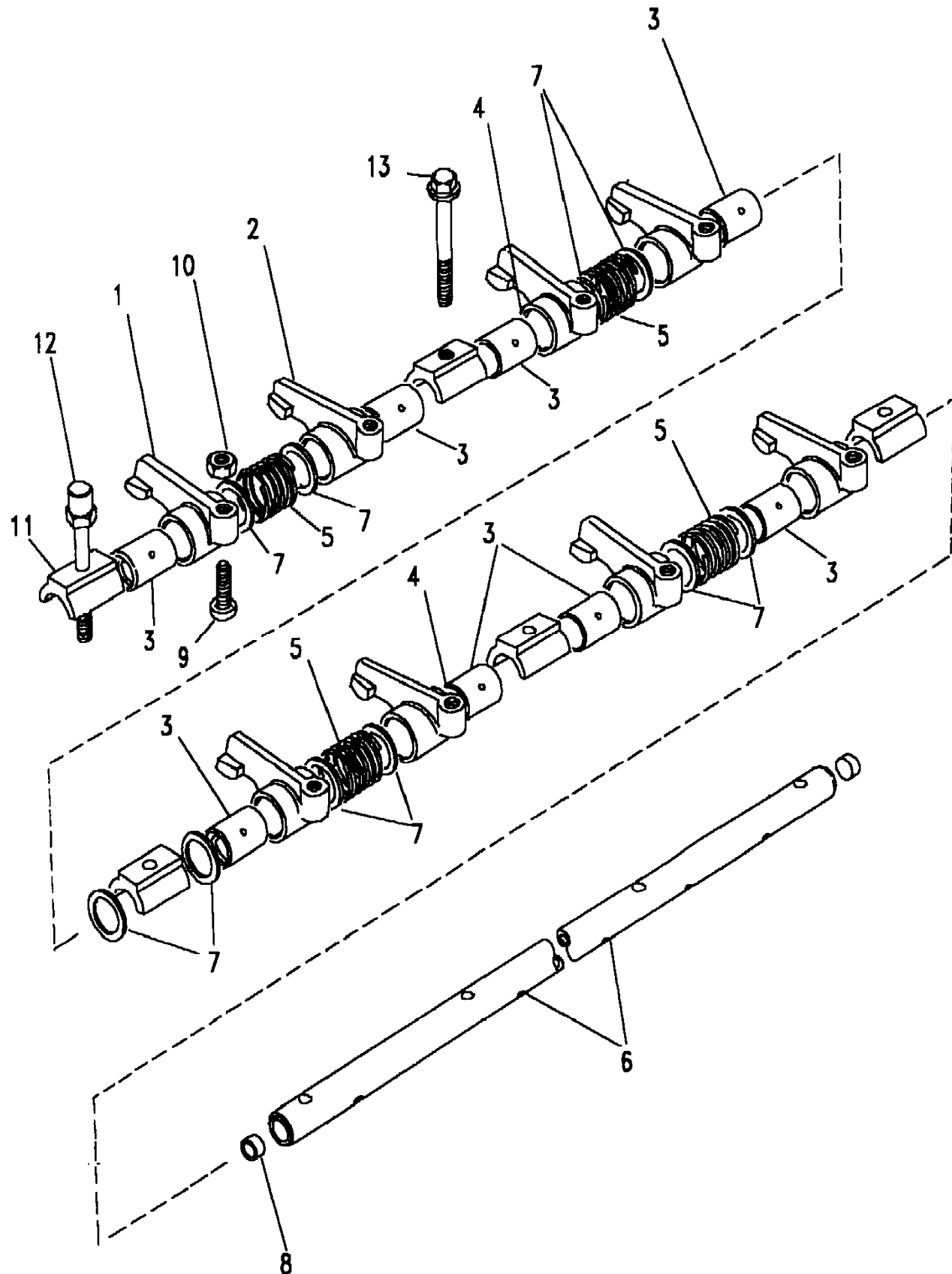
2.5L I4 200 TDi Turbo Diesel, 5 Speed Manual Transmission, Less Catalyst

Callout	Name	Application	Remarks & Restrictions	Service No.	Qty
1	Cover assembly-valve rocker	2.5L I4 200 TDi L/R Turbo Diesel	Engine Code 4L 2.5 TDi Manual - 'Zircon'	ERR3368	1
2	Gasket-engine rocker cover	2.5L I4 200 TDi L/R Turbo Diesel	Engine Code 4L 2.5 TDi Manual - 'Zircon'	ERR2393	1
3	Cap-oil filler	Change point - Engine end 648397, 2.5L I4 200 TDi L/R Turbo Diesel	Engine Code 4L 2.5 TDi Manual - 'Zircon'	ERR2529	1
		2.5L I4 200 TDi L/R Turbo Diesel	Engine Code 4L 2.5 TDi Manual - 'Zircon'	ERR5041	1
		Change point - Engine begin 648398, 2.5L I4 200 TDi L/R Turbo Diesel	Engine Code 4L 2.5 TDi Manual - 'Zircon'	ERR5041	1
4	Screw	2.5L I4 200 TDi L/R Turbo Diesel	Engine Code 4L 2.5 TDi Manual - 'Zircon', Flanged Head, M6 x 25	FS106255L	3
5	Seal	2.5L I4 200 TDi L/R Turbo Diesel	Engine Code 4L 2.5 TDi Manual - 'Zircon'	ERR663	3
[900]	Cover-valve rocker	2.5L I4 200 TDi L/R Turbo Diesel	Engine Code 4L 2.5 TDi Manual - 'Zircon'	ERR3276	1
[901]	Washer-Plain	2.5L I4 200 TDi L/R Turbo Diesel	M6, Engine Code 4L 2.5 TDi Manual - 'Zircon'	WJ106001L	3

Engine
2500 - Diesel - Turbo - 200 Tdi
Rockershaft 1/1

Range Rover (From JA610294)

(BDBMGC1A)



Range Rover (From JA610294)

Engine
2500 - Diesel - Turbo - 200 Tdi
Rockershaft

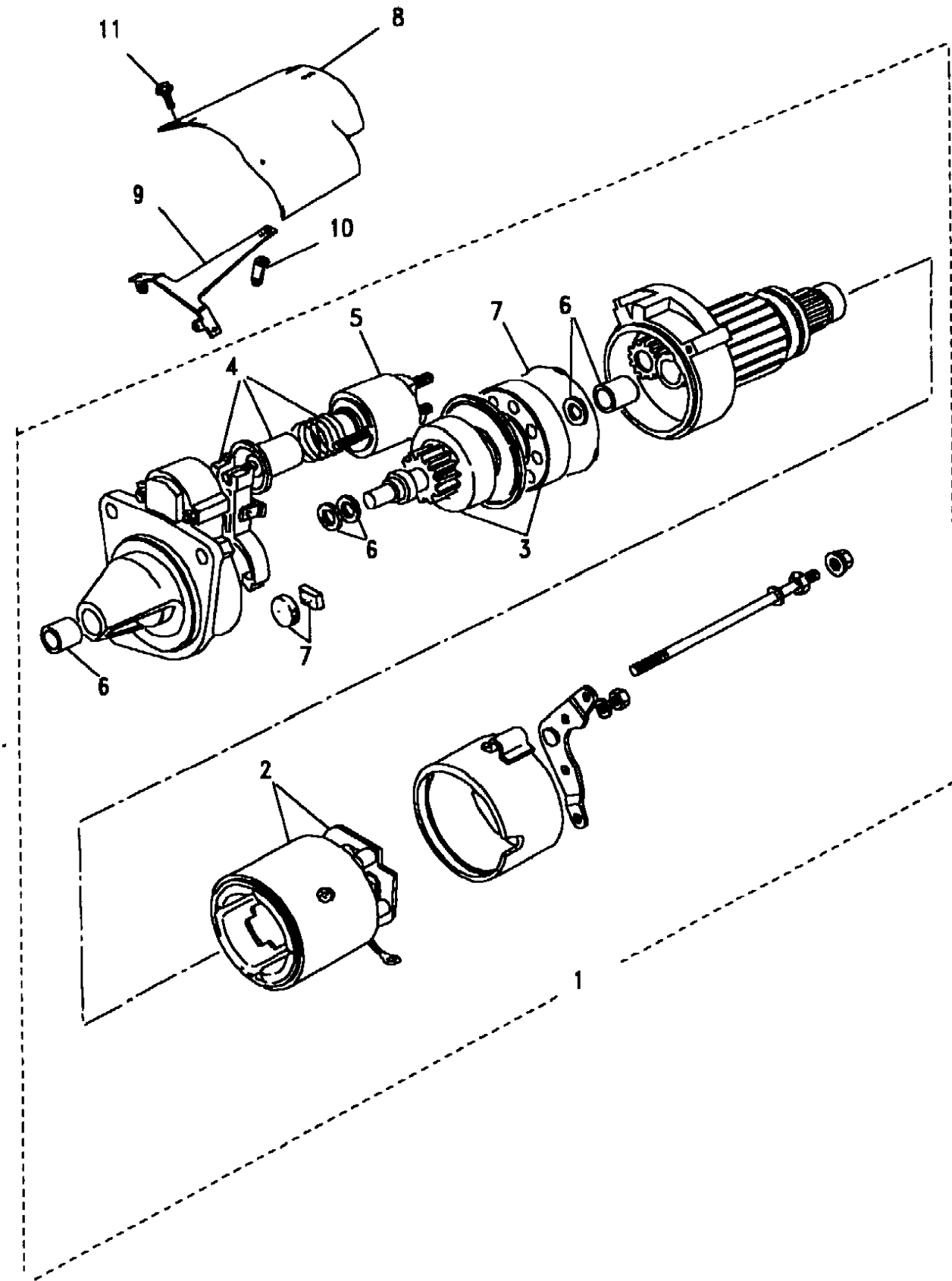
2.5L I4 200 TDi Turbo Diesel, 5 Speed Manual Transmission, Less Catalyst

Callout	Name	Application	Remarks & Restrictions	Service No.	Qty
1	Arm & bush assembly-exhaust valve rocker	2.5L I4 200 TDi L/R Turbo Diesel	Also serviced as part of a kit, RH, Engine Code 4L 2.5 TDi Manual - 'Zircon'	ERR1202	4
2	Arm & bush assembly-inlet valve rocker	2.5L I4 200 TDi L/R Turbo Diesel	Also serviced as part of a kit, Engine Code 4L 2.5 TDi Manual - 'Zircon', LH	ERR1201	4
3	Bush-cylinder head rocker arm	2.5L I4 200 TDi L/R Turbo Diesel	Also serviced as part of a kit, Engine Code 4L 2.5 TDi Manual - 'Zircon'	ERR1203	4
4	Spacer	2.5L I4 200 TDi L/R Turbo Diesel	Engine Code 4L 2.5 TDi Manual - 'Zircon'	ERR1209	6
5	Spring-rocker shaft	2.5L I4 200 TDi L/R Turbo Diesel	Engine Code 4L 2.5 TDi Manual - 'Zircon'	ETC8095	4
6	Shaft-rocker	Change point - Engine end DEC 93, 2.5L I4 200 TDi L/R Turbo Diesel Change point - Engine begin JAN 94, 2.5L I4 200 TDi L/R Turbo Diesel	Engine Code 4L 2.5 TDi Manual - 'Zircon'	ERR1197	1
			Engine Code 4L 2.5 TDi Manual - 'Zircon'	ERR4682	1
7	Spacer	2.5L I4 200 TDi L/R Turbo Diesel	Also serviced as part of a kit, Engine Code 4L 2.5 TDi Manual - 'Zircon'	ERR1210	10
8	Plug	2.5L I4 200 TDi L/R Turbo Diesel	Also serviced as part of a kit, Engine Code 4L 2.5 TDi Manual - 'Zircon'	ETC8103	2
9	Screw-engine tappet adjustment	2.5L I4 200 TDi L/R Turbo Diesel	Engine Code 4L 2.5 TDi Manual - 'Zircon'	ERR559	8
10	Nut-locking	2.5L I4 200 TDi L/R Turbo Diesel	Engine Code 4L 2.5 TDi Manual - 'Zircon'	ERR560	8
11	Clamp-rocker shaft	2.5L I4 200 TDi L/R Turbo Diesel	Engine Code 4L 2.5 TDi Manual - 'Zircon'	ERR1107	5
12	Bolt	2.5L I4 200 TDi L/R Turbo Diesel	Engine Code 4L 2.5 TDi Manual - 'Zircon'	ETC7530	3
13	Bolt	2.5L I4 200 TDi L/R Turbo Diesel	M8 x 50, Engine Code 4L 2.5 TDi Manual - 'Zircon', Flanged Head	FB108101	2

Engine
2500 - Diesel - Turbo - 200 Tdi
Starter Motor Lucas 1/2

Range Rover (From JA610294)

(BDBMPE1A)



Range Rover (From JA610294)

Engine
2500 - Diesel - Turbo - 200 Tdi
Starter Motor Lucas

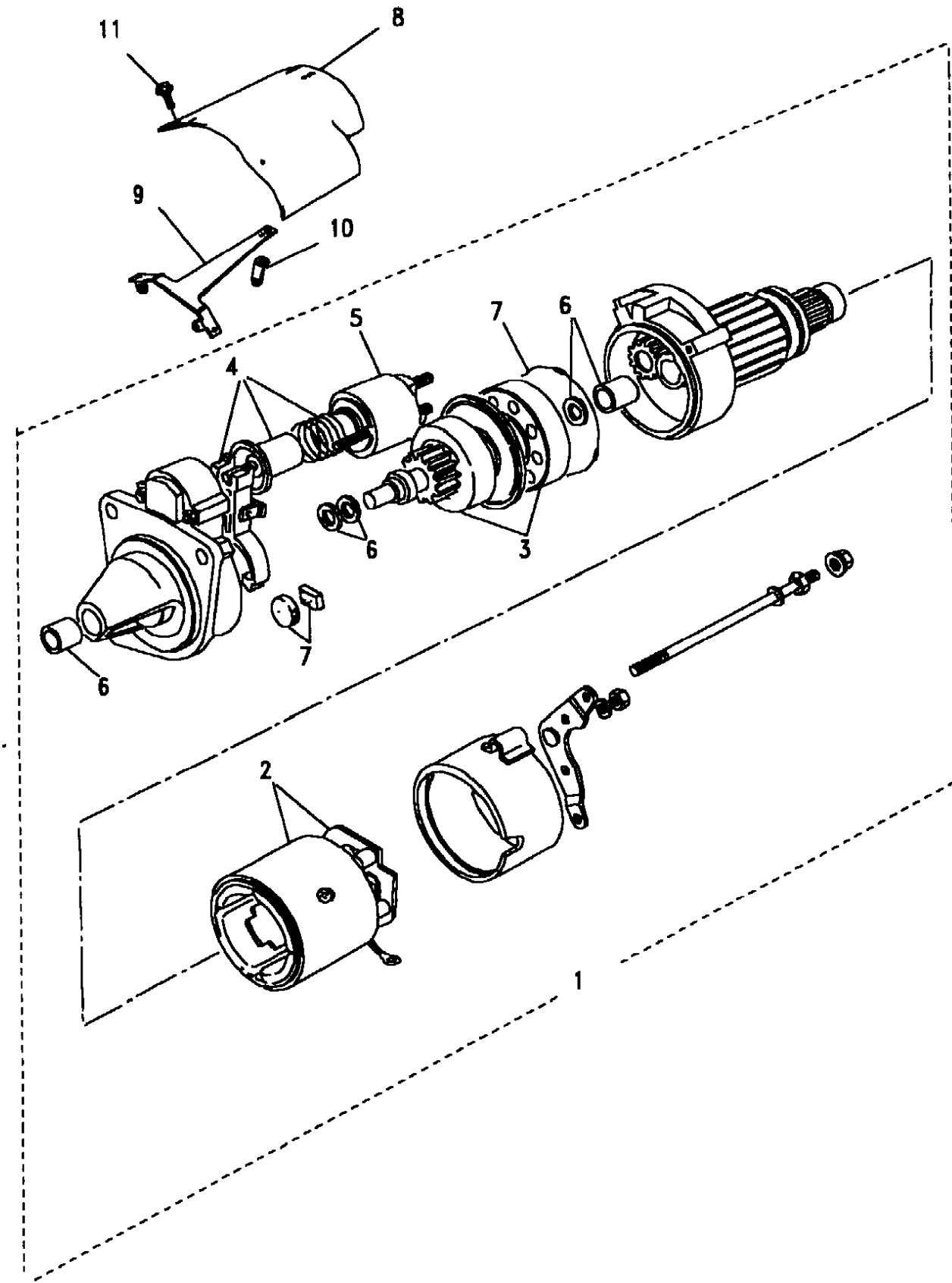
2.5L I4 200 TDi Turbo Diesel, 5 Speed Manual Transmission, Less Catalyst

Callout	Name	Application	Remarks & Restrictions	Service No.	Qty
1	Motor-starter engine	2.5L I4 200 TDi L/R Turbo Diesel	Also serviced as part of a kit, Lucas, Engine Code 4L 2.5 TDi Manual - 'Zircon'	NAD10039	1
2	Box assembly-brush starter motor	2.5L I4 200 TDi L/R Turbo Diesel	Also serviced as part of a kit, Bosch, Engine Code 4L 2.5 TDi Manual - 'Zircon'	STC1246	1
3	Spring-coil	2.5L I4 200 TDi L/R Turbo Diesel	Also serviced as part of a kit, Engine Code 4L 2.5 TDi Manual - 'Zircon'	STC1254	4
4	Guide-starter motor brush	2.5L I4 200 TDi L/R Turbo Diesel	Also serviced as part of a kit, Engine Code 4L 2.5 TDi Manual - 'Zircon'	STC1247	4
5	Drive assembly starter motor	2.5L I4 200 TDi L/R Turbo Diesel	Also serviced as part of a kit, Bosch, Engine Code 4L 2.5 TDi Manual - 'Zircon'	STC1244	1
6	Solenoid starter motor	2.5L I4 200 TDi L/R Turbo Diesel	Also serviced as part of a kit, Bosch, Engine Code 4L 2.5 TDi Manual - 'Zircon', 0 331 303 165	STC1245	1
		2.5L I4 200 TDi L/R Turbo Diesel	Also serviced as part of a kit, Bosch, Engine Code 4L 2.5 TDi Manual - 'Zircon', 9 330 331 006	STC3715	1
7	Bush-starter motor	2.5L I4 200 TDi L/R Turbo Diesel	Also serviced as part of a kit, Engine Code 4L 2.5 TDi Manual - 'Zircon', Centre	STC1250	2
8	Bush-starter motor	2.5L I4 200 TDi L/R Turbo Diesel	Also serviced as part of a kit, Rear, Engine Code 4L 2.5 TDi Manual - 'Zircon'	STC1251	1
9	Bush-starter motor	2.5L I4 200 TDi L/R Turbo Diesel	Also serviced as part of a kit, Front, Engine Code 4L 2.5 TDi Manual - 'Zircon'	STC1255	1
10	Heatshield assembly exhaust-downpipe	2.5L I4 200 TDi L/R Turbo Diesel	Engine Code 4L 2.5 TDi Manual - 'Zircon'	ERR3451	1
11	Bracket-heatshield exhaust system	2.5L I4 200 TDi L/R Turbo Diesel	Engine Code 4L 2.5 TDi Manual - 'Zircon'	ERR3452	1
12	Screw	2.5L I4 200 TDi L/R Turbo Diesel	M5, Engine Code 4L 2.5 TDi Manual - 'Zircon'	ERR3453	1
13	Screw	2.5L I4 200 TDi L/R Turbo Diesel	M5 X 10, Engine Code 4L 2.5 TDi Manual - 'Zircon', hexagonal head	FS105107	4
		2.5L I4 200 TDi L/R Turbo Diesel	Engine Code 4L 2.5 TDi Manual - 'Zircon', Flanged Head, M10 x 30, top	FS110301L	1
[908]	Nut - Hex.	2.5L I4 200 TDi L/R Turbo Diesel	M10, Engine Code 4L 2.5 TDi Manual - 'Zircon', flange	FN110041L	2

Engine
2500 - Diesel - Turbo - 200 Tdi
Starter Motor Lucas 2/2

Range Rover (From JA610294)

(BDBMPE1A)



Range Rover (From JA610294)

Engine
2500 - Diesel - Turbo - 200 Tdi
Starter Motor Lucas

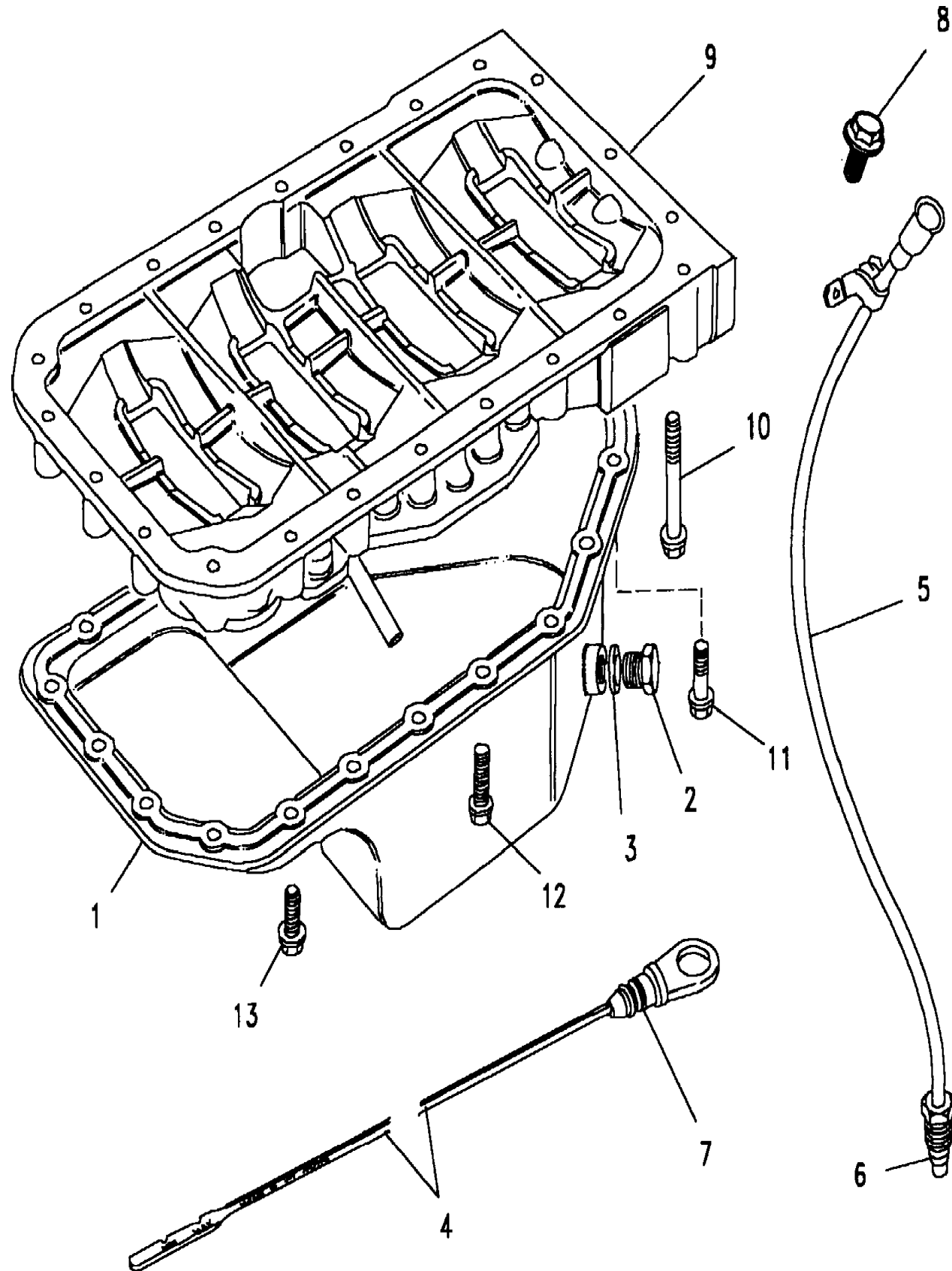
2.5L I4 200 TDi Turbo Diesel, 5 Speed Manual Transmission, Less Catalyst

Callout	Name	Application	Remarks & Restrictions	Service No.	Qty
[909]	Nut-flange	2.5L I4 200 TDi L/R Turbo Diesel	M10, Engine Code 4L 2.5 TDi Manual - 'Zircon', flange	FN110047	2
[910]	Washer	2.5L I4 200 TDi L/R Turbo Diesel	M10, Engine Code 4L 2.5 TDi Manual - 'Zircon'	WL110001L	3
[911]	Bolt	2.5L I4 200 TDi L/R Turbo Diesel	Engine Code 4L 2.5 TDi Manual - 'Zircon', M10 X 45	BH110091L	1

Engine
2500 - Diesel - Turbo - 200 Tdi
Sump/Ladder Frame 1/2

Range Rover (From JA610294)

(BDBMDA1A)



Range Rover (From JA610294)

Engine
2500 - Diesel - Turbo - 200 Tdi
Sump/Ladder Frame

2.5L I4 200 TDi Turbo Diesel, 5 Speed Manual Transmission, Less Catalyst

Callout	Name	Application	Remarks & Restrictions	Service No.	Qty
1	Sump assembly-engine oil	2.5L I4 200 TDi L/R Turbo Diesel	Engine Code 4L 2.5 TDi Manual - 'Zircon'	ERR3277	1
		2.5L I4 200 TDi L/R Turbo Diesel	Engine Code 4L 2.5 TDi Manual - 'Zircon'	ERR1790	1
2	Plug-sump assembly oil drain	2.5L I4 200 TDi L/R Turbo Diesel	Engine Code 4L 2.5 TDi Manual - 'Zircon'	603659	1
3	Washer-sealing	2.5L I4 200 TDi L/R Turbo Diesel	sump drain plug, Engine Code 4L 2.5 TDi Manual - 'Zircon'	213961	1
4	Dipstick-oil	2.5L I4 200 TDi L/R Turbo Diesel	Engine Code 4L 2.5 TDi Manual - 'Zircon'	ERR1103	1
5	Tube-oil dipstick	2.5L I4 200 TDi L/R Turbo Diesel	Engine Code 4L 2.5 TDi Manual - 'Zircon'	ERR1248	1
6	Olive	2.5L I4 200 TDi L/R Turbo Diesel	Engine Code 4L 2.5 TDi Manual - 'Zircon'	236408	1
7	O Ring	2.5L I4 200 TDi L/R Turbo Diesel	Engine Code 4L 2.5 TDi Manual - 'Zircon'	ERR1213	1
8	Screw	2.5L I4 200 TDi L/R Turbo Diesel	M5 X 10, Engine Code 4L 2.5 TDi Manual - 'Zircon', hexagonal head	FS105107	2
9	Cylinder block/ladder assembly	2.5L I4 200 TDi L/R Turbo Diesel	Engine Code 4L 2.5 TDi Manual - 'Zircon'	ERR1291	1
10	Bolt	2.5L I4 200 TDi L/R Turbo Diesel	Engine Code 4L 2.5 TDi Manual - 'Zircon', Flanged Head, M8 x 125	FB108251	2
11	Bolt	2.5L I4 200 TDi L/R Turbo Diesel	sump-treated to ladder frame., Engine Code 4L 2.5 TDi Manual - 'Zircon', Flanged Head, M8 x 60	FB108121L	16
12	Screw	2.5L I4 200 TDi L/R Turbo Diesel	sump-treated to ladder frame., M8 X 30, Engine Code 4L 2.5 TDi Manual - 'Zircon', Flanged Head	FS108301L	3
		2.5L I4 200 TDi L/R Turbo Diesel	sump-treated to ladder frame., M8 X 30, Engine Code 4L 2.5 TDi Manual - 'Zircon', Flanged Head	FS108307L	3
13	Screw	2.5L I4 200 TDi L/R Turbo Diesel	sump-treated to ladder frame., M8 x 25, Engine Code 4L 2.5 TDi Manual - 'Zircon', Flanged Head	FS108251L	8
		2.5L I4 200 TDi L/R Turbo Diesel	sump-treated to ladder frame., M8 x 25, Engine Code 4L 2.5 TDi Manual - 'Zircon', Flanged Head	FS108257L	8

Engine
2500 - Diesel - Turbo - 200 Tdi
Sump/Ladder Frame 2/2

Range Rover (From JA610294)

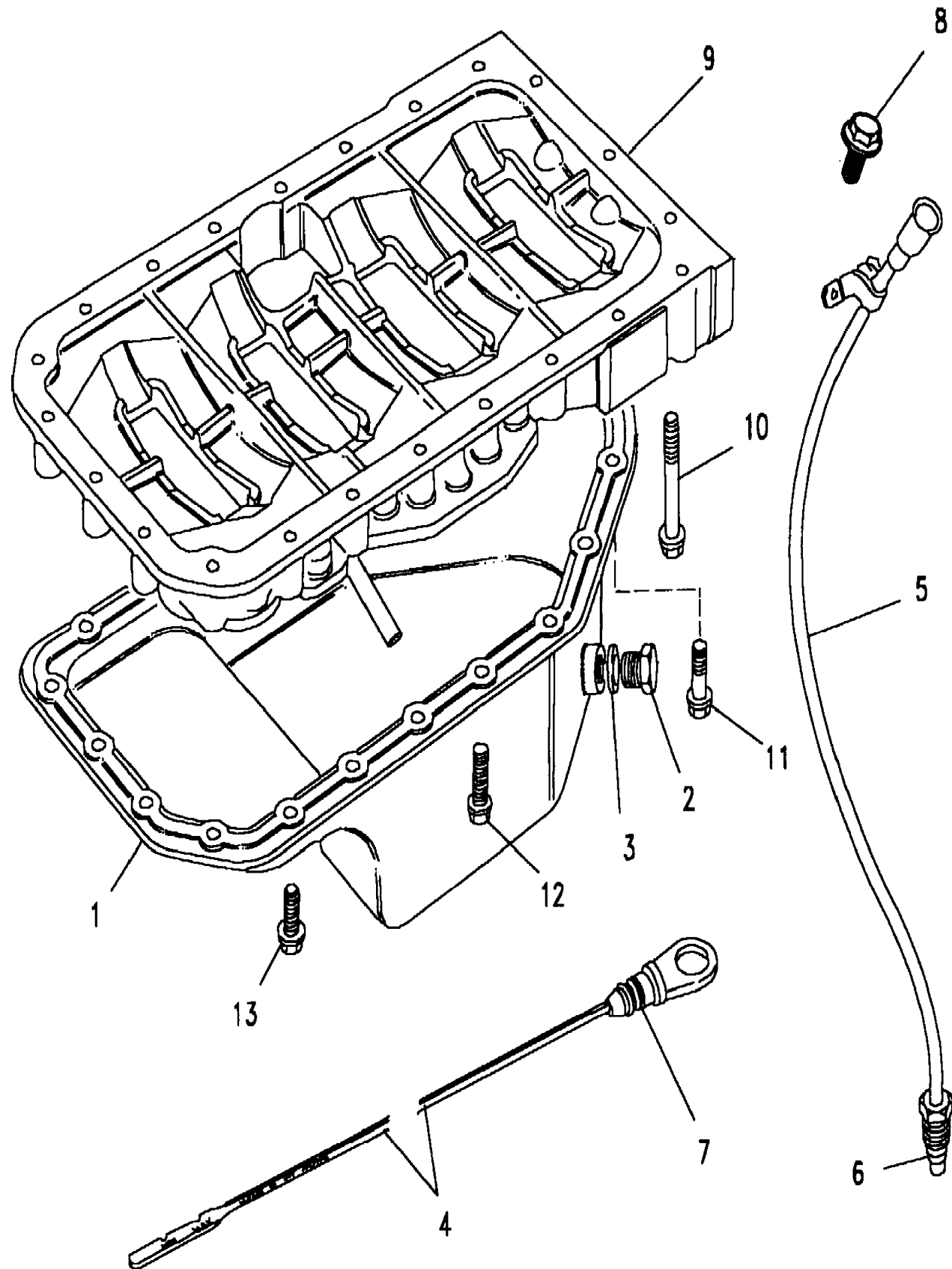
(BDBMDA1A)

Range Rover (From JA610294)

Engine
2500 - Diesel - Turbo - 200 Tdi
Sump/Ladder Frame

2.5L I4 200 TDi Turbo Diesel, 5 Speed Manual Transmission, Less Catalyst

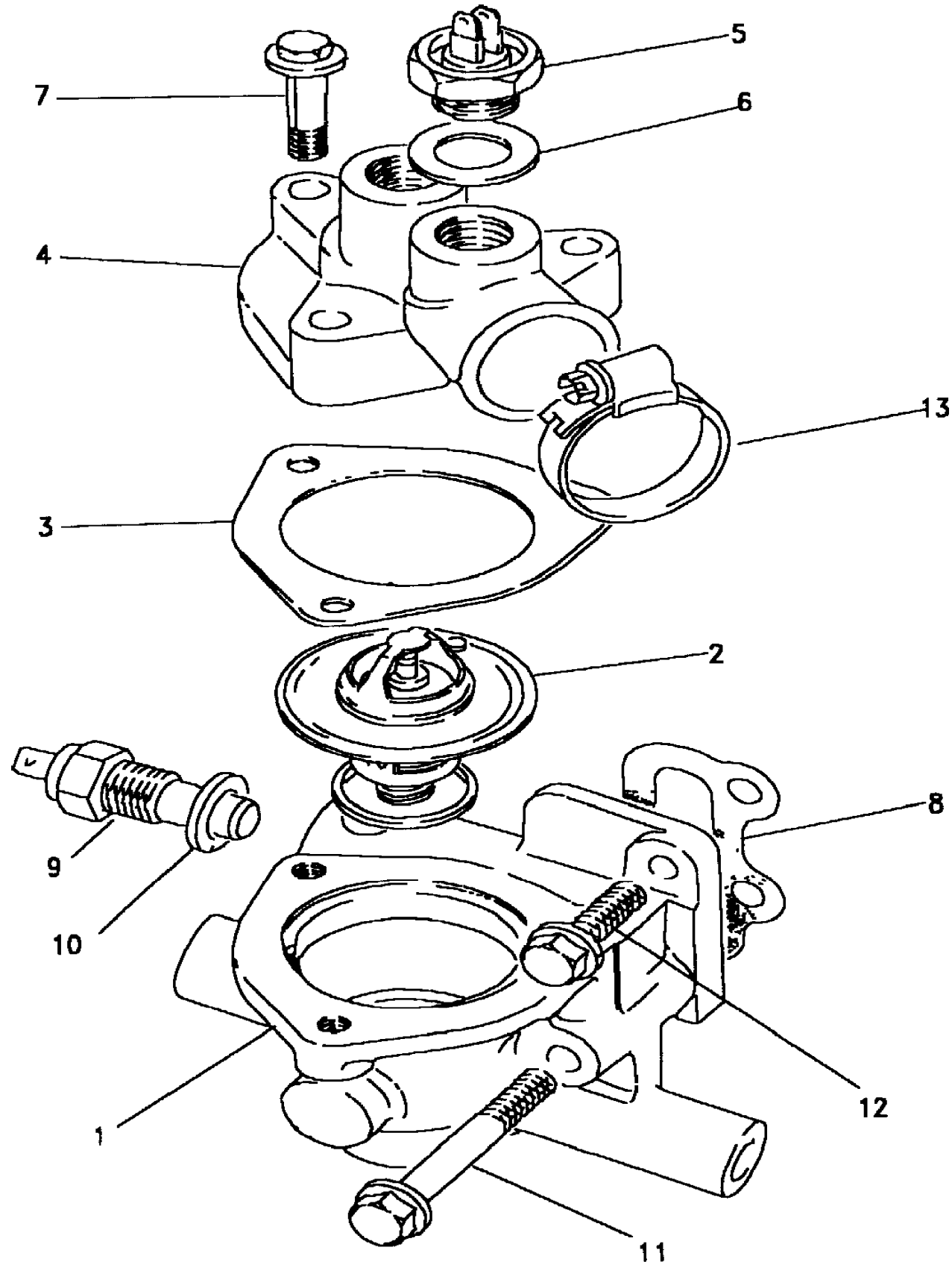
Callout	Name	Application	Remarks & Restrictions	Service No.	Qty
[901]	Sealant	2.5L I4 200 TDi L/R Turbo Diesel	Engine Code 4L 2.5 TDi Manual - 'Zircon', Hylomar 2000	STC611	1



Engine
2500 - Diesel - Turbo - 200 Tdi
Thermostat Housing 1/1

Range Rover (From JA610294)

(BDBMGK1A)



Range Rover (From JA610294)

Engine
2500 - Diesel - Turbo - 200 Tdi
Thermostat Housing

2.5L I4 200 TDi Turbo Diesel, 5 Speed Manual Transmission, Less Catalyst

Callout	Name	Application	Remarks & Restrictions	Service No.	Qty
1	Housing-thermostat	2.5L I4 200 TDi L/R Turbo Diesel, (-)"GB"	Engine Code 4L 2.5 TDi Manual - 'Zircon'	ERR492	1
		2.5L I4 200 TDi L/R Turbo Diesel, (+)"CH"	Engine Code 4L 2.5 TDi Manual - 'Zircon'	ERR630	1
2	Thermostat-engine	2.5L I4 200 TDi L/R Turbo Diesel	88 °C, Engine Code 4L 2.5 TDi Manual - 'Zircon'	ERR2803	1
3	Gasket-thermostat housing	2.5L I4 200 TDi L/R Turbo Diesel	Engine Code 4L 2.5 TDi Manual - 'Zircon', top	ERR977	1
4	Elbow-engine coolant outlet	2.5L I4 200 TDi L/R Turbo Diesel, With Air Conditioning	Engine Code 4L 2.5 TDi Manual - 'Zircon'	ERR809	1
		2.5L I4 200 TDi L/R Turbo Diesel, Less Air Conditioning	Engine Code 4L 2.5 TDi Manual - 'Zircon'	ETC5967	1
5	Switch-engine thermostat	2.5L I4 200 TDi L/R Turbo Diesel, (-)"GB"	Green, Engine Code 4L 2.5 TDi Manual - 'Zircon'	PRC3359	1
		2.5L I4 200 TDi L/R Turbo Diesel, (+)"CH"	Engine Code 4L 2.5 TDi Manual - 'Zircon'	ERR338	1
6	Washer-copper	2.5L I4 200 TDi L/R Turbo Diesel	M14, Engine Code 4L 2.5 TDi Manual - 'Zircon'	ERR696	1
7	Bolt	2.5L I4 200 TDi L/R Turbo Diesel	to elbow coolant, M6 X 40MM, Engine Code 4L 2.5 TDi Manual - 'Zircon', Flanged Head	FB106081L	3
8	Gasket-thermostat housing	2.5L I4 200 TDi L/R Turbo Diesel	Engine Code 4L 2.5 TDi Manual - 'Zircon', bottom	ETC8007	1
9	Transducer coolant temperature	2.5L I4 200 TDi L/R Turbo Diesel	Engine Code 4L 2.5 TDi Manual - 'Zircon'	AMR1712	1
10	Washer-sealing	2.5L I4 200 TDi L/R Turbo Diesel	Engine Code 4L 2.5 TDi Manual - 'Zircon'	AFU1890L	1
11	Bolt	2.5L I4 200 TDi L/R Turbo Diesel	to housing thermostat, Engine Code 4L 2.5 TDi Manual - 'Zircon', Flanged Head, M8 x 60	FB108121L	2
12	Screw	2.5L I4 200 TDi L/R Turbo Diesel	to housing thermostat, M8 x 25, Engine Code 4L 2.5 TDi Manual - 'Zircon', Flanged Head	FS108251L	1
		2.5L I4 200 TDi L/R Turbo Diesel	to housing thermostat, M8 x 25, Engine Code 4L 2.5 TDi Manual - 'Zircon', Flanged Head	FS108257L	1
13	Clip-Hose	2.5L I4 200 TDi L/R Turbo Diesel	Engine Code 4L 2.5 TDi Manual - 'Zircon'	CJ600304L	1

Engine
2500 - Diesel - Turbo - 200 Tdi
Timing Belt & Tensioner 1/1

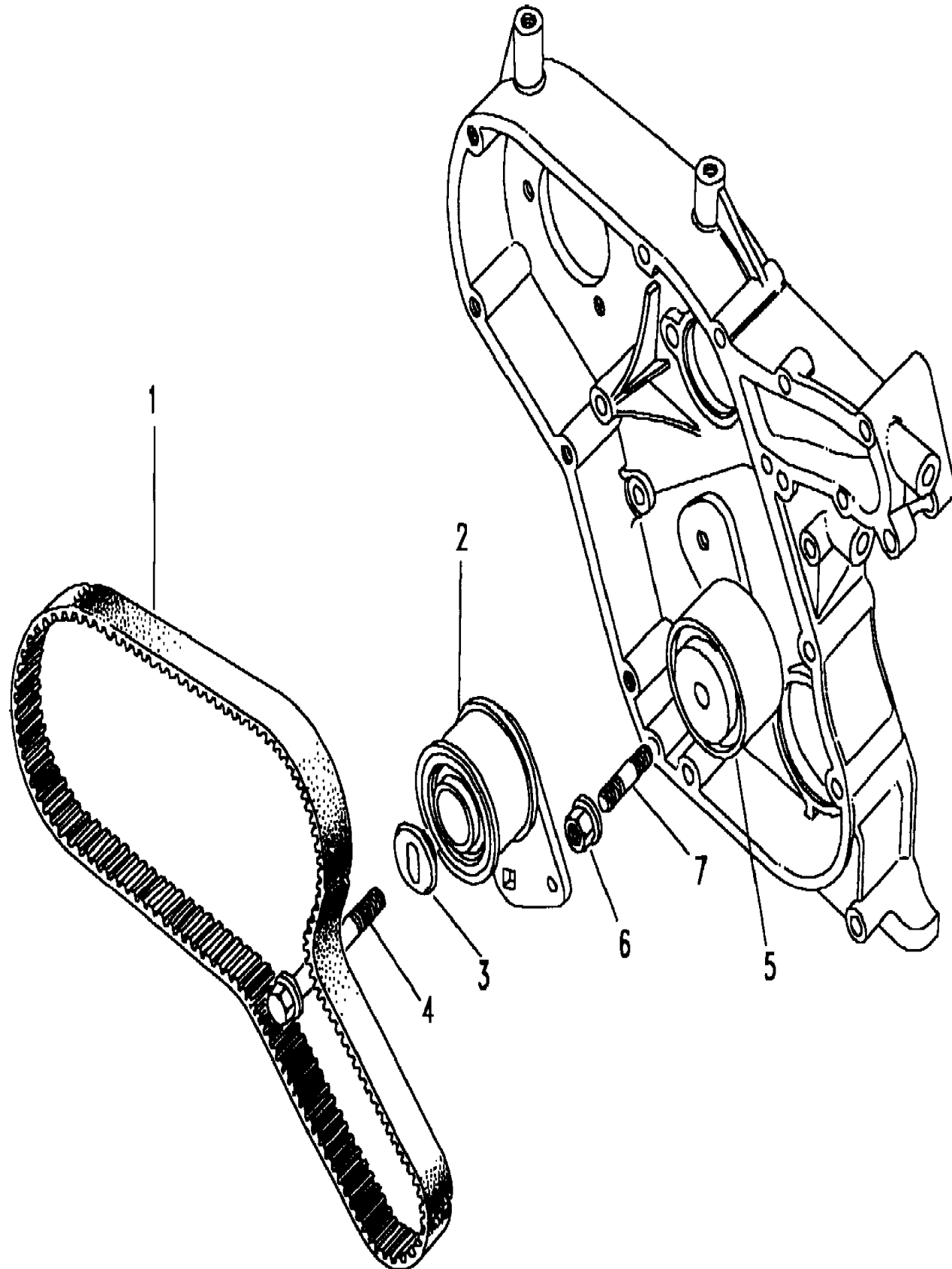
Range Rover (From JA610294)
(BDBMEC1A)

Range Rover (From JA610294)

Engine
2500 - Diesel - Turbo - 200 Tdi
Timing Belt & Tensioner

2.5L I4 200 TDi Turbo Diesel, 5 Speed Manual Transmission, Less Catalyst

Callout	Name	Application	Remarks & Restrictions	Service No.	Qty
1	Belt-engine timing	2.5L I4 200 TDi L/R Turbo Diesel	Engine Code 4L 2.5 TDi Manual - 'Zircon'	ETC8550	1
2	Tensioner-timing belt	2.5L I4 200 TDi L/R Turbo Diesel	Engine Code 4L 2.5 TDi Manual - 'Zircon'	ERR2530	1
3	Washer	2.5L I4 200 TDi L/R Turbo Diesel	Engine Code 4L 2.5 TDi Manual - 'Zircon'	ERR900	1
4	Bolt	2.5L I4 200 TDi L/R Turbo Diesel	Engine Code 4L 2.5 TDi Manual - 'Zircon', Flanged Head, M10 x 70	FB110141L	1
5	Idler-timing belt	2.5L I4 200 TDi L/R Turbo Diesel	Engine Code 4L 2.5 TDi Manual - 'Zircon'	ETC8560	1
6	Nut - Hex.	2.5L I4 200 TDi L/R Turbo Diesel	M10, Engine Code 4L 2.5 TDi Manual - 'Zircon', flange	FN110041L	1
		2.5L I4 200 TDi L/R Turbo Diesel	M10, Engine Code 4L 2.5 TDi Manual - 'Zircon', flange	FN110047	1
7	Stud	2.5L I4 200 TDi L/R Turbo Diesel	Engine Code 4L 2.5 TDi Manual - 'Zircon', M10 x 20	TD110041L	1



Engine
2500 - Diesel - Turbo - 200 Tdi
Turbo Charger Adaptors 2/2

Range Rover (From JA610294)

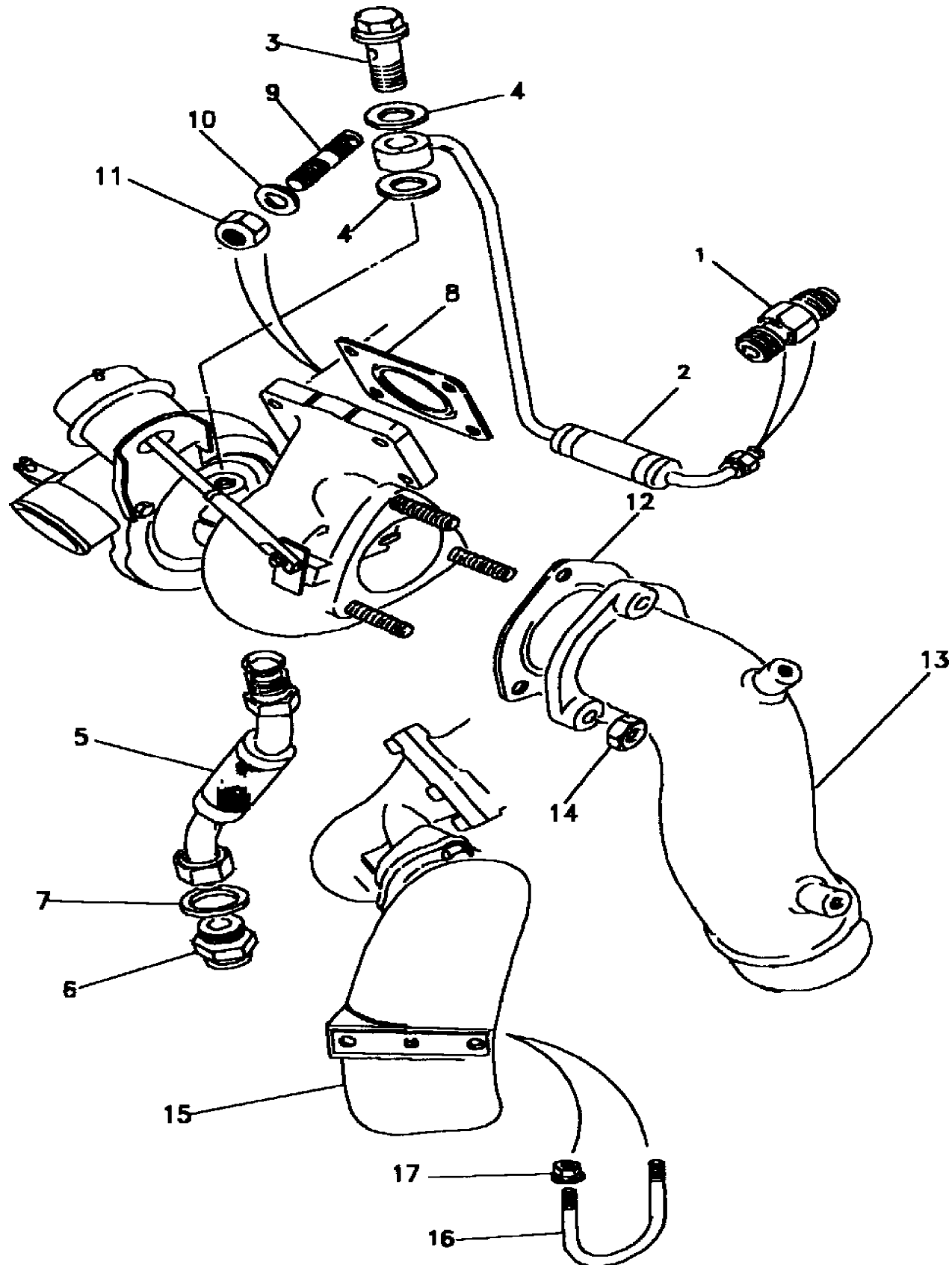
(BDBMLA2A)

Range Rover (From JA610294)

Engine
2500 - Diesel - Turbo - 200 Tdi
Turbo Charger Adaptors

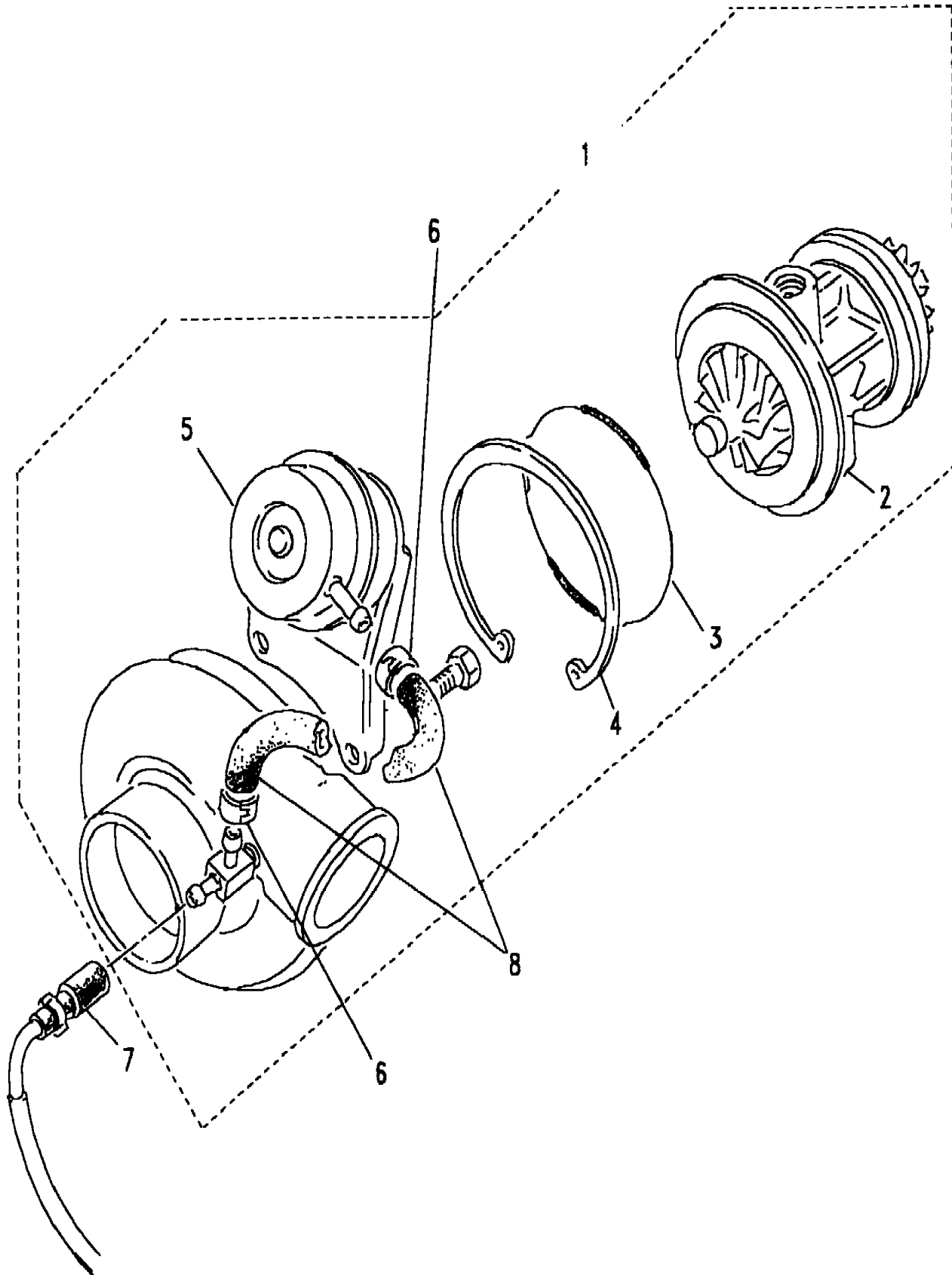
2.5L I4 200 TDi Turbo Diesel, 5 Speed Manual Transmission, Less Catalyst

Callout	Name	Application	Remarks & Restrictions	Service No.	Qty
17	Nut - Hex.	2.5L I4 200 TDi L/R Turbo Diesel	M8, Engine Code 4L 2.5 TDi Manual - 'Zircon'	ETC7184	2



Engine
2500 - Diesel - Turbo - 200 Tdi
Turbocharger 1/1

Range Rover (From JA610294)
(BDBMLA1A)



Range Rover (From JA610294)

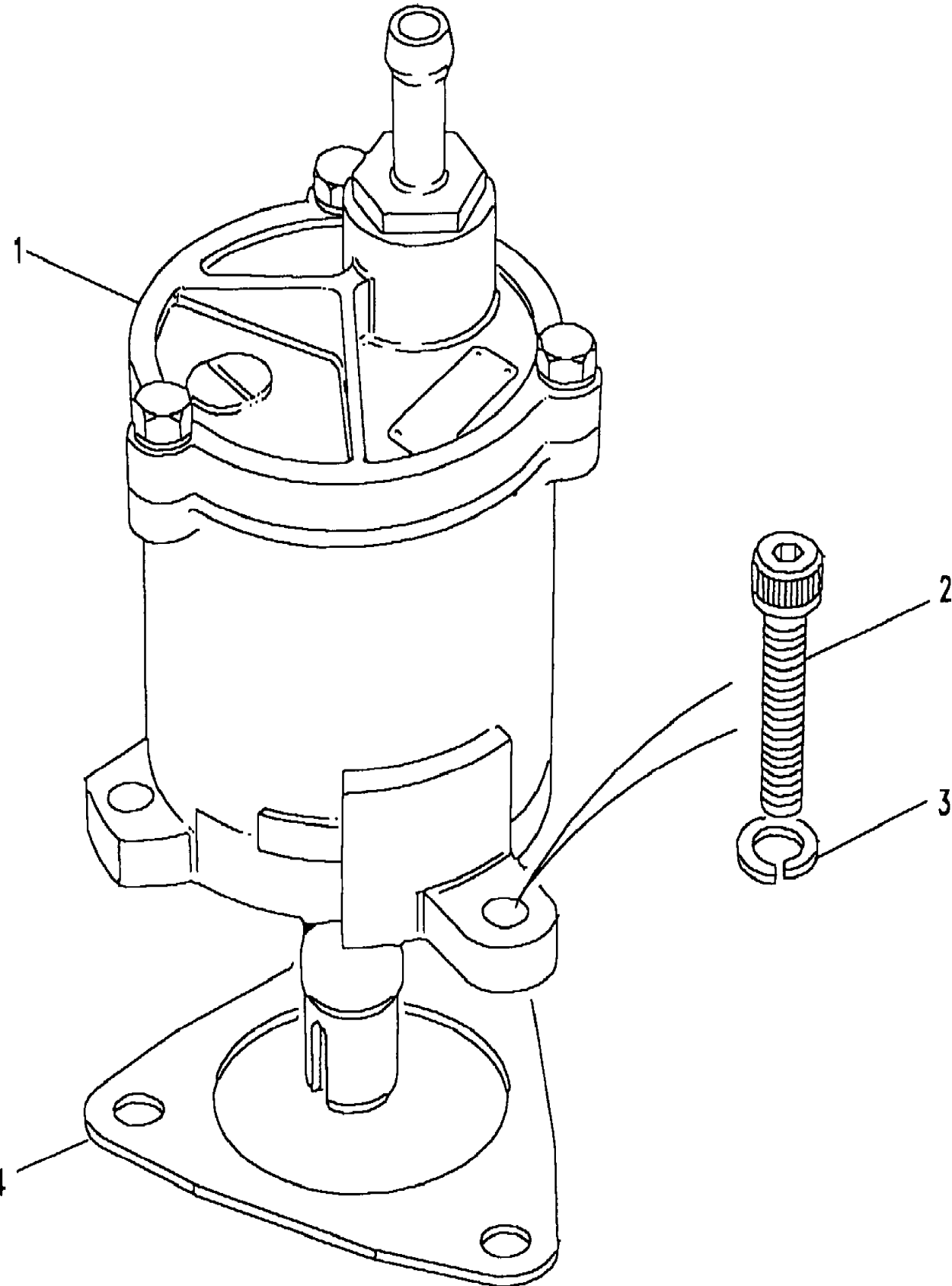
Engine
2500 - Diesel - Turbo - 200 Tdi
Turbocharger

2.5L I4 200 TDi Turbo Diesel, 5 Speed Manual Transmission, Less Catalyst

Callout	Name	Application	Remarks & Restrictions	Service No.	Qty
1	Turbocharger assembly	2.5L I4 200 TDi L/R Turbo Diesel	Also serviced as part of a kit, Engine Code 4L 2.5 TDi Manual - 'Zircon', New	ETC7461	1
		2.5L I4 200 TDi L/R Turbo Diesel	Also serviced as part of a kit, Engine Code 4L 2.5 TDi Manual - 'Zircon', exchange	ETC7461E	1
2	Rotor assembly-turbocharger	2.5L I4 200 TDi L/R Turbo Diesel	Also serviced as part of a kit, Engine Code 4L 2.5 TDi Manual - 'Zircon'	RTC6535	1
3	O Ring	2.5L I4 200 TDi L/R Turbo Diesel	Also serviced as part of a kit, Engine Code 4L 2.5 TDi Manual - 'Zircon'	RTC6536	1
4	Ring-Snap	2.5L I4 200 TDi L/R Turbo Diesel	Also serviced as part of a kit, Engine Code 4L 2.5 TDi Manual - 'Zircon'	RTC6537	1
5	Actuator-waste gate turbocharger	2.5L I4 200 TDi L/R Turbo Diesel	Also serviced as part of a kit, Engine Code 4L 2.5 TDi Manual - 'Zircon'	RTC6538	1
6	Clip-Hose	2.5L I4 200 TDi L/R Turbo Diesel	Engine Code 4L 2.5 TDi Manual - 'Zircon'	UKC3803L	2
7	Pipe-sampling exhaust gas	2.5L I4 200 TDi L/R Turbo Diesel	Engine Code 4L 2.5 TDi Manual - 'Zircon'	ERR4029	1
8	Hose wastegate control	2.5L I4 200 TDi L/R Turbo Diesel	90MM, Engine Code 4L 2.5 TDi Manual - 'Zircon'	RTC6539	1

Engine
2500 - Diesel - Turbo - 200 Tdi
Vacuum Pump 1/1

Range Rover (From JA610294)
(BDBMNA1A)



Range Rover (From JA610294)

Engine
2500 - Diesel - Turbo - 200 Tdi
Vacuum Pump

2.5L I4 200 TDi Turbo Diesel, 5 Speed Manual Transmission, Less Catalyst

Callout	Name	Application	Remarks & Restrictions	Service No.	Qty
1	Pump brake vacuum	2.5L I4 200 TDi L/R Turbo Diesel	Also serviced as part of a kit, Engine Code 4L 2.5 TDi Manual - 'Zircon'	ERR535	1
2	Bolt	2.5L I4 200 TDi L/R Turbo Diesel	Also serviced as part of a kit, Engine Code 4L 2.5 TDi Manual - 'Zircon'	AEU2720	4
3	Washer	2.5L I4 200 TDi L/R Turbo Diesel	Also serviced as part of a kit, M6, Engine Code 4L 2.5 TDi Manual - 'Zircon', sprung	WL106001L	4
4	Rotor blade-vacuum pump	2.5L I4 200 TDi L/R Turbo Diesel	Also serviced as part of a kit, Engine Code 4L 2.5 TDi Manual - 'Zircon'	AEU2718	4
5	O Ring	2.5L I4 200 TDi L/R Turbo Diesel	Also serviced as part of a kit, Engine Code 4L 2.5 TDi Manual - 'Zircon'	AEU2719	1
6	Gasket-vacuum pump	2.5L I4 200 TDi L/R Turbo Diesel	Engine Code 4L 2.5 TDi Manual - 'Zircon'	ETC4616	1
7	Bolt	2.5L I4 200 TDi L/R Turbo Diesel	M8 x 25, Engine Code 4L 2.5 TDi Manual - 'Zircon', hexagonal socket	SS108251L	3
8	Washer-Spring	2.5L I4 200 TDi L/R Turbo Diesel	5/16", Engine Code 4L 2.5 TDi Manual - 'Zircon'	WM600051L	3

Engine
2500 - Diesel - Turbo - 200 Tdi
Valves & Tappets 1/1

Range Rover (From JA610294)

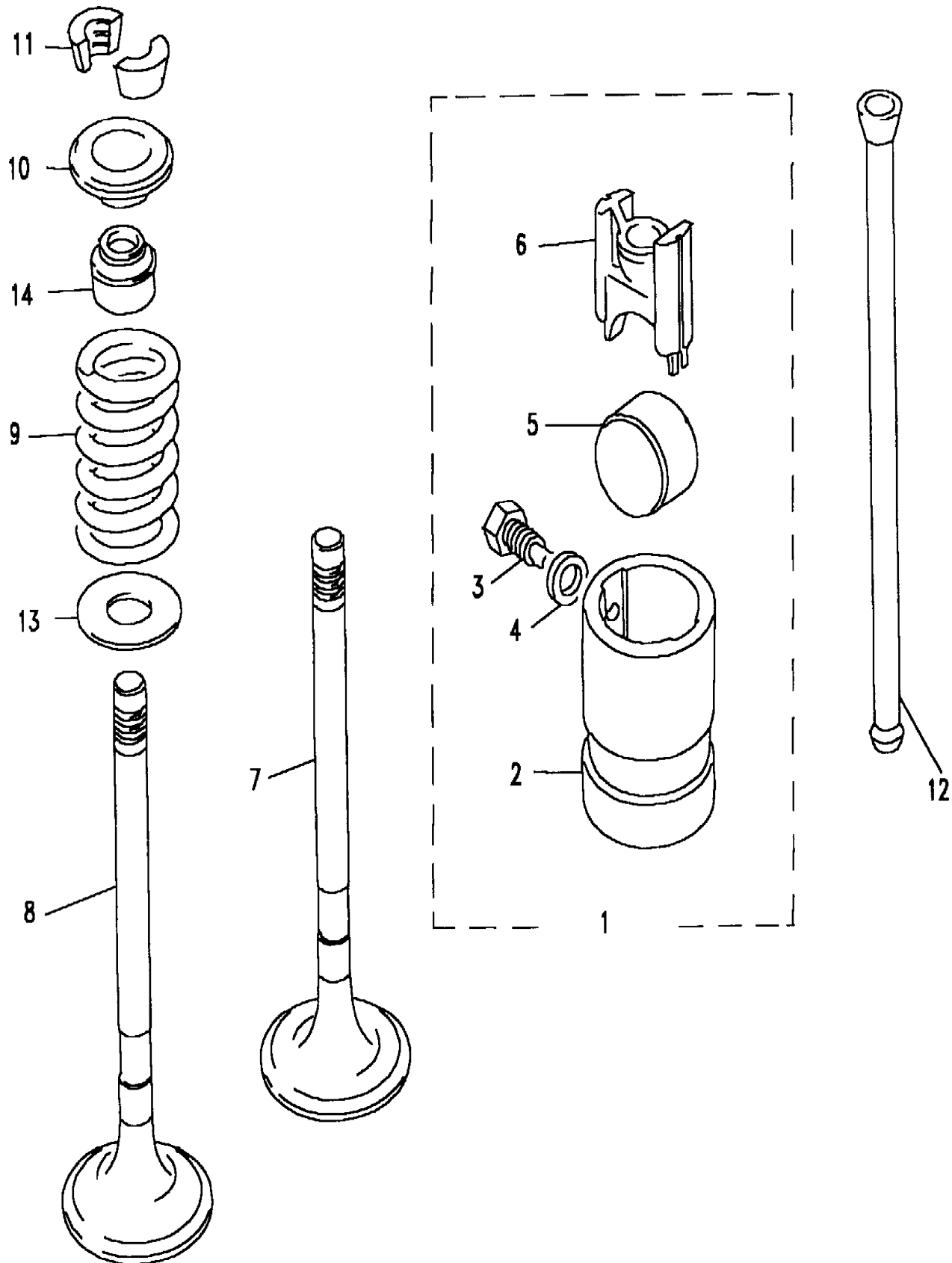
(BDBMGE1A)

Range Rover (From JA610294)

Engine
2500 - Diesel - Turbo - 200 Tdi
Valves & Tappets

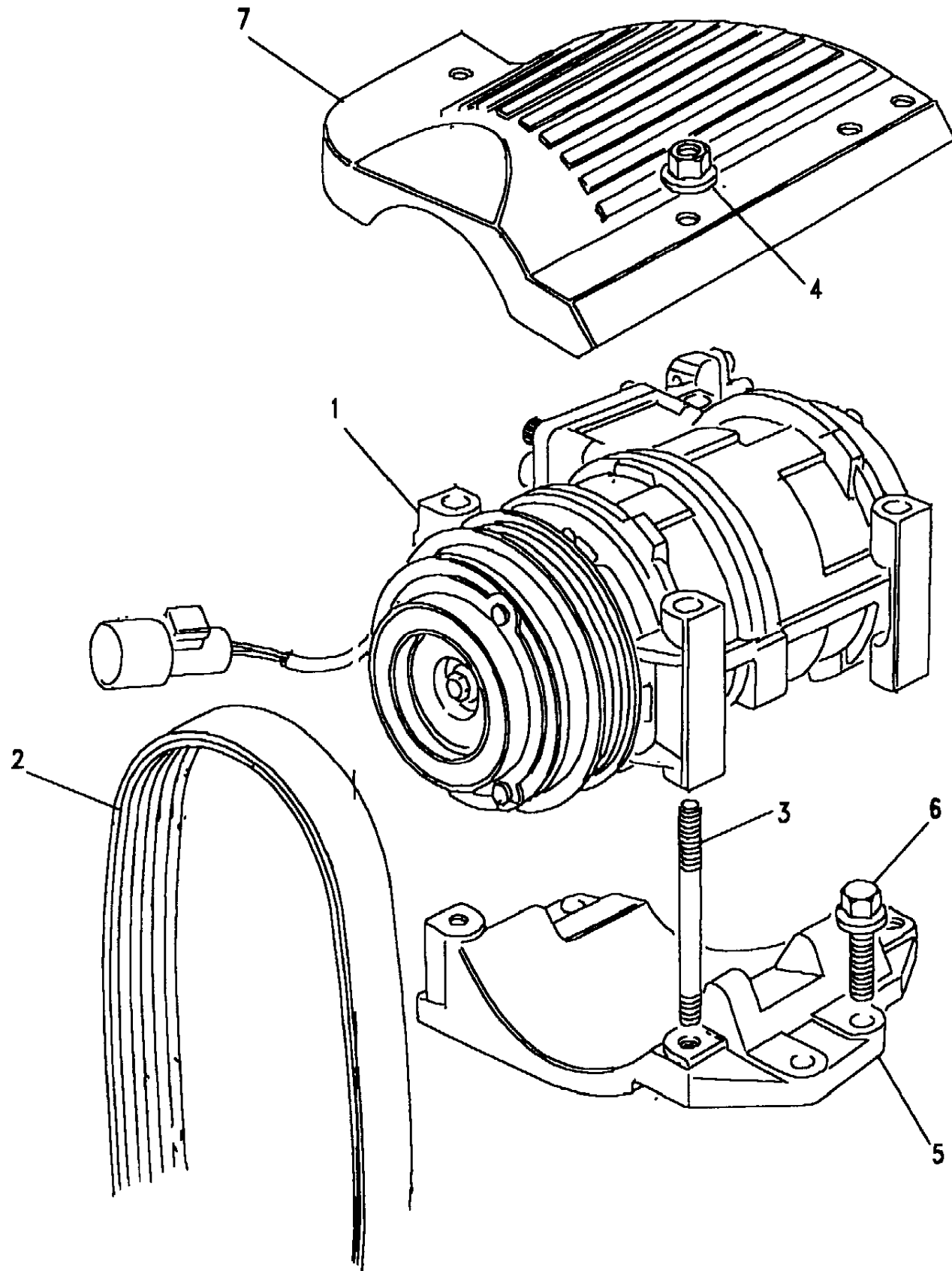
2.5L I4 200 TDi Turbo Diesel, 5 Speed Manual Transmission, Less Catalyst

Callout	Name	Application	Remarks & Restrictions	Service No.	Qty
1	Tappet-engine valve hydraulic	2.5L I4 200 TDi L/R Turbo Diesel	Also serviced as part of a kit, Engine Code 4L 2.5 TDi Manual - 'Zircon'	RTC6564	8
2	Slide-tappet guide	2.5L I4 200 TDi L/R Turbo Diesel	Also serviced as part of a kit, Engine Code 4L 2.5 TDi Manual - 'Zircon'	502473	8
3	Bolt	2.5L I4 200 TDi L/R Turbo Diesel	Also serviced as part of a kit, Engine Code 4L 2.5 TDi Manual - 'Zircon'	ETC4246	8
4	Washer - Sealing		Also serviced as part of a kit, Engine Code 4L 2.5 TDi Manual - 'Zircon'	273069	8
5	Roller-tappet guide	2.5L I4 200 TDi L/R Turbo Diesel	Also serviced as part of a kit, Engine Code 4L 2.5 TDi Manual - 'Zircon'	ERR561	8
6	Tappet-engine valve mechanical	2.5L I4 200 TDi L/R Turbo Diesel	Also serviced as part of a kit, Engine Code 4L 2.5 TDi Manual - 'Zircon'	ERR607	8
7	Valve-cylinder head inlet	2.5L I4 200 TDi L/R Turbo Diesel	Engine Code 4L 2.5 TDi Manual - 'Zircon'	ERR1157	4
8	Valve-cylinder head exhaust	2.5L I4 200 TDi L/R Turbo Diesel	Engine Code 4L 2.5 TDi Manual - 'Zircon'	ERR1156	4
9	Spring-cylinder head valve	2.5L I4 200 TDi L/R Turbo Diesel	Engine Code 4L 2.5 TDi Manual - 'Zircon'	ERR4640	8
10	Cap-cylinder head valve spring	2.5L I4 200 TDi L/R Turbo Diesel	Engine Code 4L 2.5 TDi Manual - 'Zircon'	ETC4068	8
11	Cotter-valve	2.5L I4 200 TDi L/R Turbo Diesel	Engine Code 4L 2.5 TDi Manual - 'Zircon'	ETC4069	16
12	Rod-engine push	2.5L I4 200 TDi L/R Turbo Diesel	Engine Code 4L 2.5 TDi Manual - 'Zircon'	546799	8
13	Seat-cylinder head valve spring	2.5L I4 200 TDi L/R Turbo Diesel	Engine Code 4L 2.5 TDi Manual - 'Zircon'	ETC8193	8
14	Seal-cylinder head valve stem	2.5L I4 200 TDi L/R Turbo Diesel	Engine Code 4L 2.5 TDi Manual - 'Zircon'	ETC8663	8
[900]	Cap-valve stem	2.5L I4 200 TDi L/R Turbo Diesel	Engine Code 4L 2.5 TDi Manual - 'Zircon'	ERR1158	8



Engine
2500 - Diesel - Turbo - 300 Tdi
Air Conditioning Compressor 1/1

Range Rover (From JA610294)
(BDBNNE1A)



Range Rover (From JA610294)

Engine
2500 - Diesel - Turbo - 300 Tdi
Air Conditioning Compressor

2.5L TDi Turbo Diesel, With Air Conditioning

Callout	Name	Application	Remarks & Restrictions	Service No.	Qty
1	Compressor Air Conditioning	2.5L 4 Cyl 300 TDi L/R Diesel	(-) 200 TDI, (-) 14L 2.5 TDI Manual - Zircon	BTR4717	1
2	Belt-polyvee air conditioning compressor	2.5L 4 Cyl 300 TDi L/R Diesel	(-) 200 TDI, (-) 14L 2.5 TDI Manual - Zircon	ERR2215	1
3	Stud	2.5L 4 Cyl 300 TDi L/R Diesel	(-) 200 TDI, (-) 14L 2.5 TDI Manual - Zircon, M8 x 90	TE108181	3
4	Nut - Hex.	2.5L 4 Cyl 300 TDi L/R Diesel	(-) 200 TDI, M8, (-) 14L 2.5 TDI Manual - Zircon, flange	FN108041L	3
5	Bracket-compressor air conditioning	2.5L 4 Cyl 300 TDi L/R Diesel	(-) 200 TDI, (-) 14L 2.5 TDI Manual - Zircon	ERR4975	1
6	Screw	2.5L 4 Cyl 300 TDi L/R Diesel	(-) 200 TDI, (-) 14L 2.5 TDI Manual - Zircon, Flanged Head, M10 x 30, top	FS110301L	4
7	Shroud air conditioning	2.5L 4 Cyl 300 TDi L/R Diesel	(-) 200 TDI, (-) 14L 2.5 TDI Manual - Zircon	ERR4639	1
8	Nut - Hex.	2.5L 4 Cyl 300 TDi L/R Diesel	(-) 200 TDI, M8, (-) 14L 2.5 TDI Manual - Zircon, flange	FN108041L	3

Engine
2500 - Diesel - Turbo - 300 Tdi
Air Conditioning Idlers 1/1

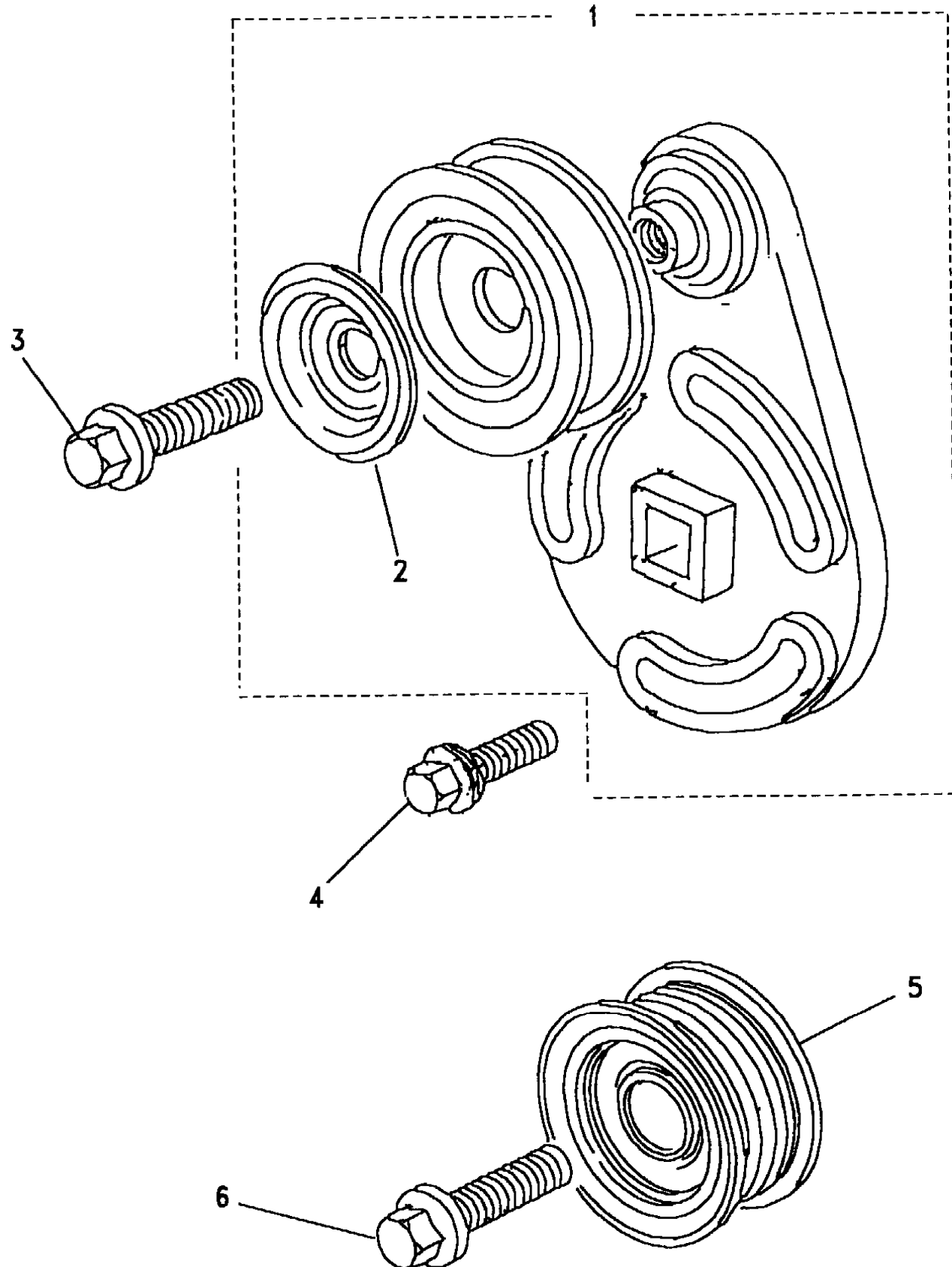
Range Rover (From JA610294)
(BDBNNE2A)

Range Rover (From JA610294)

Engine
2500 - Diesel - Turbo - 300 Tdi
Air Conditioning Idlers

2.5L TDi Turbo Diesel, With Air Conditioning

Callout	Name	Application	Remarks & Restrictions	Service No.	Qty
1	Pulley-tensioner ancillary drive	2.5L 4 Cyl 300 TDi L/R Diesel	(-) 200 TDI, Also serviced as part of a kit, (-) 14L 2.5 TDI Manual - Zircon	ERR4543	1
2	Cover-air conditioning belt tensioner	2.5L 4 Cyl 300 TDi L/R Diesel	(-) 200 TDI, Also serviced as part of a kit, (-) 14L 2.5 TDI Manual - Zircon	ERR3807	1
3	Screw	2.5L 4 Cyl 300 TDi L/R Diesel	(-) 200 TDI, Also serviced as part of a kit, (-) 14L 2.5 TDI Manual - Zircon, Flanged Head, M10 x 30, top	FS110301L	1
4	Screw	2.5L 4 Cyl 300 TDi L/R Diesel	(-) 200 TDI, M8 x 25, (-) 14L 2.5 TDI Manual - Zircon, Flanged Head	FS108251L	3
		2.5L 4 Cyl 300 TDi L/R Diesel	(-) 200 TDI, M8 x 25, (-) 14L 2.5 TDI Manual - Zircon, Flanged Head	FS108257L	3
5	Pulley-idler ancillary drive	2.5L 4 Cyl 300 TDi L/R Diesel	(-) 200 TDI, (-) 14L 2.5 TDI Manual - Zircon	ERR2798	1
6	Screw	2.5L 4 Cyl 300 TDi L/R Diesel	(-) 200 TDI, (-) 14L 2.5 TDI Manual - Zircon, Flanged Head, M10 x 30, top	FS110301L	1



Engine
2500 - Diesel - Turbo - 300 Tdi
Alternator 1/1

Range Rover (From JA610294)

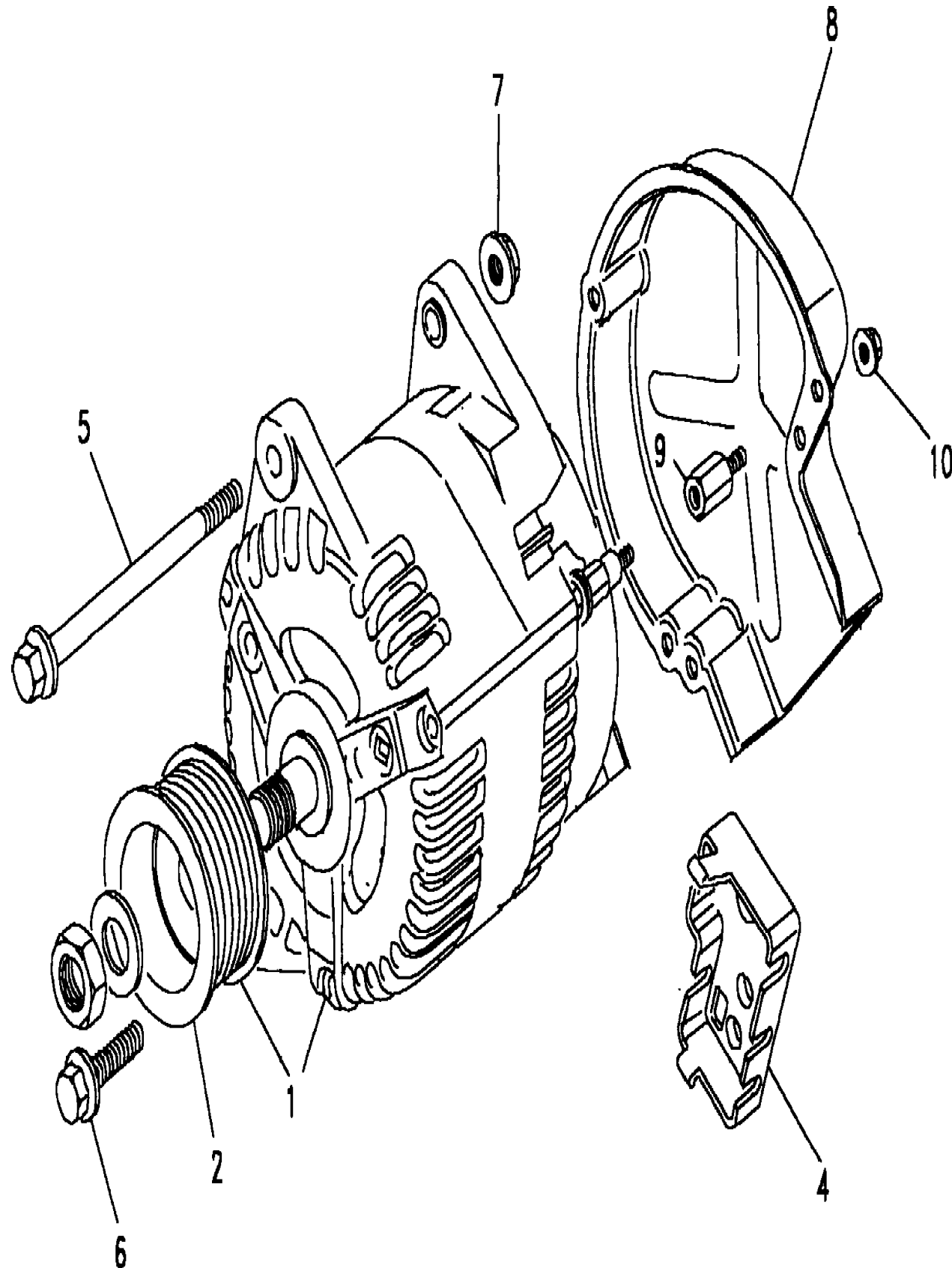
(BDBNPC1A)

Range Rover (From JA610294)

Engine
2500 - Diesel - Turbo - 300 Tdi
Alternator

2.5L TDi Turbo Diesel

Callout	Name	Application	Remarks & Restrictions	Service No.	Qty
1	Alternator assembly	2.5L 4 Cyl 300 TDi L/R Diesel	(-) 200 TDI, Also serviced as part of a kit, (-) 14L 2.5 TDI Manual - Zircon, exchange, A127i-100 amp	YLE10113E	1
		2.5L 4 Cyl 300 TDi L/R Diesel	(-) 200 TDI, Also serviced as part of a kit, (-) 14L 2.5 TDI Manual - Zircon, New, A127i-100 amp	YLE10113	1
2	Pulley-polyvee alternator	2.5L 4 Cyl 300 TDi L/R Diesel	(-) 200 TDI, Also serviced as part of a kit, 61MM, (-) 14L 2.5 TDI Manual - Zircon	STC1796	1
		2.5L 4 Cyl 300 TDi L/R Diesel,	(-) 200 TDI, (-) 14L 2.5 TDI Manual - Zircon, 49MM	STC3202	1
3	Nut & washer set	2.5L 4 Cyl 300 TDi L/R Diesel	(-) 200 TDI, (-) 14L 2.5 TDI Manual - Zircon, 6MM	AMR2218	2
4	Cover-terminal alternator	2.5L 4 Cyl 300 TDi L/R Diesel	(-) 200 TDI, (-) 14L 2.5 TDI Manual - Zircon	AMR2263	1
5	Bolt	2.5L 4 Cyl 300 TDi L/R Diesel	(-) 200 TDI, to engine block, (-) 14L 2.5 TDI Manual - Zircon, Flanged Head, M8 x 125	FB108251	1
6	Screw	2.5L 4 Cyl 300 TDi L/R Diesel	(-) 200 TDI, M8 X 30, (-) 14L 2.5 TDI Manual - Zircon, Flanged Head	FS108301L	1
		2.5L 4 Cyl 300 TDi L/R Diesel	(-) 200 TDI, M8 X 30, (-) 14L 2.5 TDI Manual - Zircon, Flanged Head	FS108307L	1
7	Nut - Hex.	2.5L 4 Cyl 300 TDi L/R Diesel	(-) 200 TDI, M8, (-) 14L 2.5 TDI Manual - Zircon, Flanged Head	FX108047	1
		2.5L 4 Cyl 300 TDi L/R Diesel	(-) 200 TDI, M8, (-) 14L 2.5 TDI Manual - Zircon, nyloc, flange	FY108047	1
8	Heatshield alternator	2.5L 4 Cyl 300 TDi L/R Diesel	(-) 200 TDI, (-) 14L 2.5 TDI Manual - Zircon	ERR4859	1
9	Spacer	2.5L 4 Cyl 300 TDi L/R Diesel	(-) 200 TDI, (-) 14L 2.5 TDI Manual - Zircon	ERR5189	3
10	Nut-flange	2.5L 4 Cyl 300 TDi L/R Diesel	(-) 200 TDI, M5, (-) 14L 2.5 TDI Manual - Zircon	FN105041	2
11	Spacer	2.5L 4 Cyl 300 TDi L/R Diesel	(-) 200 TDI, (-) 14L 2.5 TDI Manual - Zircon	STC3163	3



Engine
2500 - Diesel - Turbo - 300 Tdi
Camshaft 1/1

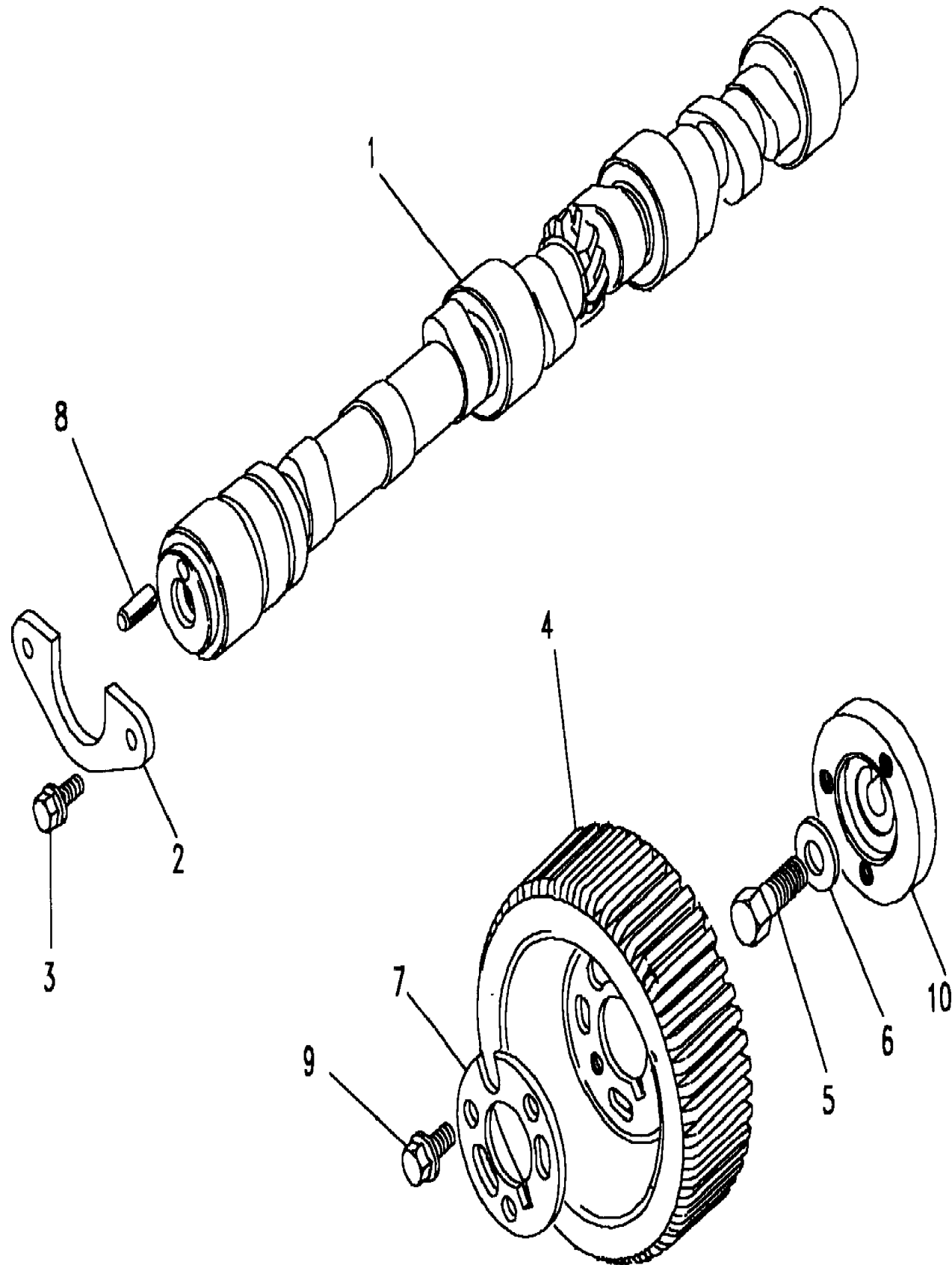
Range Rover (From JA610294)
(BDBNG11A)

Range Rover (From JA610294)

Engine
2500 - Diesel - Turbo - 300 Tdi
Camshaft

2.5L TDi Turbo Diesel

Callout	Name	Application	Remarks & Restrictions	Service No.	Qty
1	Camshaft-engine	2.5L 4 Cyl 300 TDi L/R Diesel	(-) 200 TDI, (-) 14L 2.5 TDI Manual - Zircon	ERR3547	1
2	Plate-camshaft retaining	2.5L 4 Cyl 300 TDi L/R Diesel	(-) 200 TDI, (-) 14L 2.5 TDI Manual - Zircon	ERR3754	1
3	Screw-flanged head	2.5L 4 Cyl 300 TDi L/R Diesel	(-) 200 TDI, M6 X 16, (-) 14L 2.5 TDI Manual - Zircon, Flanged Head	FS106167L	2
4	Pulley-camshaft	2.5L 4 Cyl 300 TDi L/R Diesel	(-) 200 TDI, (-) 14L 2.5 TDI Manual - Zircon	ERR3545	1
5	Bolt	2.5L 4 Cyl 300 TDi L/R Diesel	(-) 200 TDI, hub to camshaft, (-) 14L 2.5 TDI Manual - Zircon, M12 x 45	BX112091	1
6	Washer-special idler pulley	2.5L 4 Cyl 300 TDi L/R Diesel	(-) 200 TDI, (-) 14L 2.5 TDI Manual - Zircon	BDU1496L	1
7	Plate-camshaft pulley retaining	2.5L 4 Cyl 300 TDi L/R Diesel	(-) 200 TDI, (-) 14L 2.5 TDI Manual - Zircon	ERR2216	1
8	Dowel-pin	2.5L I4 200 TDi L/R Turbo Diesel, 5 Speed Manual Transmission, Less Catalyst	(-) 200 TDI, (-) 14L 2.5 TDI Manual - Zircon, Engine Code 4L 2.5 TDi Manual - 'Zircon'	ERR4709	1
9	Screw	2.5L 4 Cyl 300 TDi L/R Diesel	(-) 200 TDI, pulley to camshaft, M8 X 16, (-) 14L 2.5 TDI Manual - Zircon, Flanged Head	FS108161L	3
10	Hub-camshaft pulley	2.5L 4 Cyl 300 TDi L/R Diesel	(-) 200 TDI, (-) 14L 2.5 TDI Manual - Zircon	ERR3756	1



Engine
2500 - Diesel - Turbo - 300 Tdi
Coolant Pump 1/2

Range Rover (From JA610294)

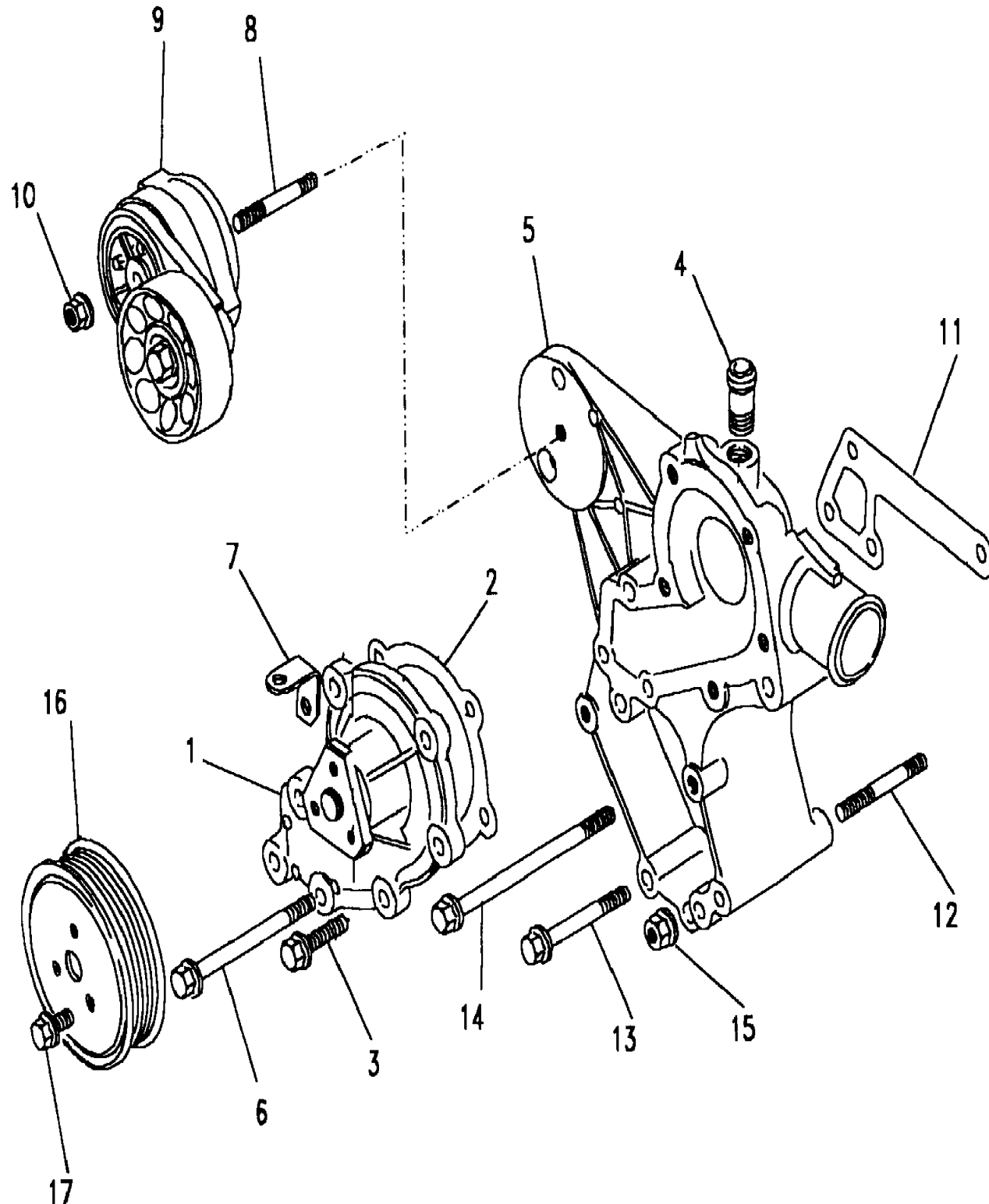
(BDBNEE1A)

Range Rover (From JA610294)

Engine
2500 - Diesel - Turbo - 300 Tdi
Coolant Pump

2.5L TDi Turbo Diesel

Callout	Name	Application	Remarks & Restrictions	Service No.	Qty
1	Pump assembly-engine coolant	2.5L 4 Cyl 300 TDi L/R Diesel	(-) 200 TDI, Also serviced as part of a kit, (-) 14L 2.5 TDI Manual - Zircon	STC1086	1
2	Gasket-coolant pump body	2.5L 4 Cyl 300 TDi L/R Diesel	(-) 200 TDI, Also serviced as part of a kit, (-) 14L 2.5 TDI Manual - Zircon	ERR3284	1
3	Screw	2.5L 4 Cyl 300 TDi L/R Diesel	(-) 200 TDI, to bracket mounting, M8 X 30, (-) 14L 2.5 TDI Manual - Zircon, Flanged Head	FS108301L	5
		2.5L 4 Cyl 300 TDi L/R Diesel	(-) 200 TDI, to bracket mounting, M8 X 30, (-) 14L 2.5 TDI Manual - Zircon, Flanged Head	FS108307L	5
4	Pipe assembly-engine coolant	2.5L 4 Cyl 300 TDi L/R Diesel	(-) 200 TDI, (-) 14L 2.5 TDI Manual - Zircon	ERR3622	1
5	Bracket-coolant pump support	2.5L 4 Cyl 300 TDi L/R Diesel	(-) 200 TDI, (-) 14L 2.5 TDI Manual - Zircon	ERR3736	1
6	Bolt-flanged head	2.5L 4 Cyl 300 TDi L/R Diesel	(-) 200 TDI, to bracket mounting, (-) 14L 2.5 TDI Manual - Zircon, M8 x 120	FB108241L	3
7	Bracket-coolant hose support	2.5L 4 Cyl 300 TDi L/R Diesel	(-) 200 TDI, (-) 14L 2.5 TDI Manual - Zircon	ERR5259	1
8	Stud	2.5L 4 Cyl 300 TDi L/R Diesel	(-) 200 TDI, (-) 14L 2.5 TDI Manual - Zircon, M10 x 75	TE110151	1
9	Tensioner-automatic ancillary drive	2.5L 4 Cyl 300 TDi L/R Diesel	(-) 200 TDI, (-) 14L 2.5 TDI Manual - Zircon	ERR4708	1
10	Nut - Hex.	2.5L 4 Cyl 300 TDi L/R Diesel	(-) 200 TDI, M10, (-) 14L 2.5 TDI Manual - Zircon, flange	FN110041L	1
		2.5L 4 Cyl 300 TDi L/R Diesel	(-) 200 TDI, M10, (-) 14L 2.5 TDI Manual - Zircon, flange	FN110047	1
11	Gasket-coolant pump distance piece to block	2.5L 4 Cyl 300 TDi L/R Diesel	(-) 200 TDI, (-) 14L 2.5 TDI Manual - Zircon	ERR2378	1
12	Stud	2.5L 4 Cyl 300 TDi L/R Diesel	(-) 200 TDI, (-) 14L 2.5 TDI Manual - Zircon, M8 x 52	ERR5691	1
13	Bolt-flanged head	2.5L 4 Cyl 300 TDi L/R Diesel	(-) 200 TDI, to bracket mounting, (-) 14L 2.5 TDI Manual - Zircon, M8 x 65	FB108131L	1
14	Bolt	2.5L 4 Cyl 300 TDi L/R Diesel	(-) 200 TDI, to bracket mounting, (-) 14L 2.5 TDI Manual - Zircon, Flanged Head, M8 x 130	FB108261	1



Engine
2500 - Diesel - Turbo - 300 Tdi
Coolant Pump 2/2

Range Rover (From JA610294)

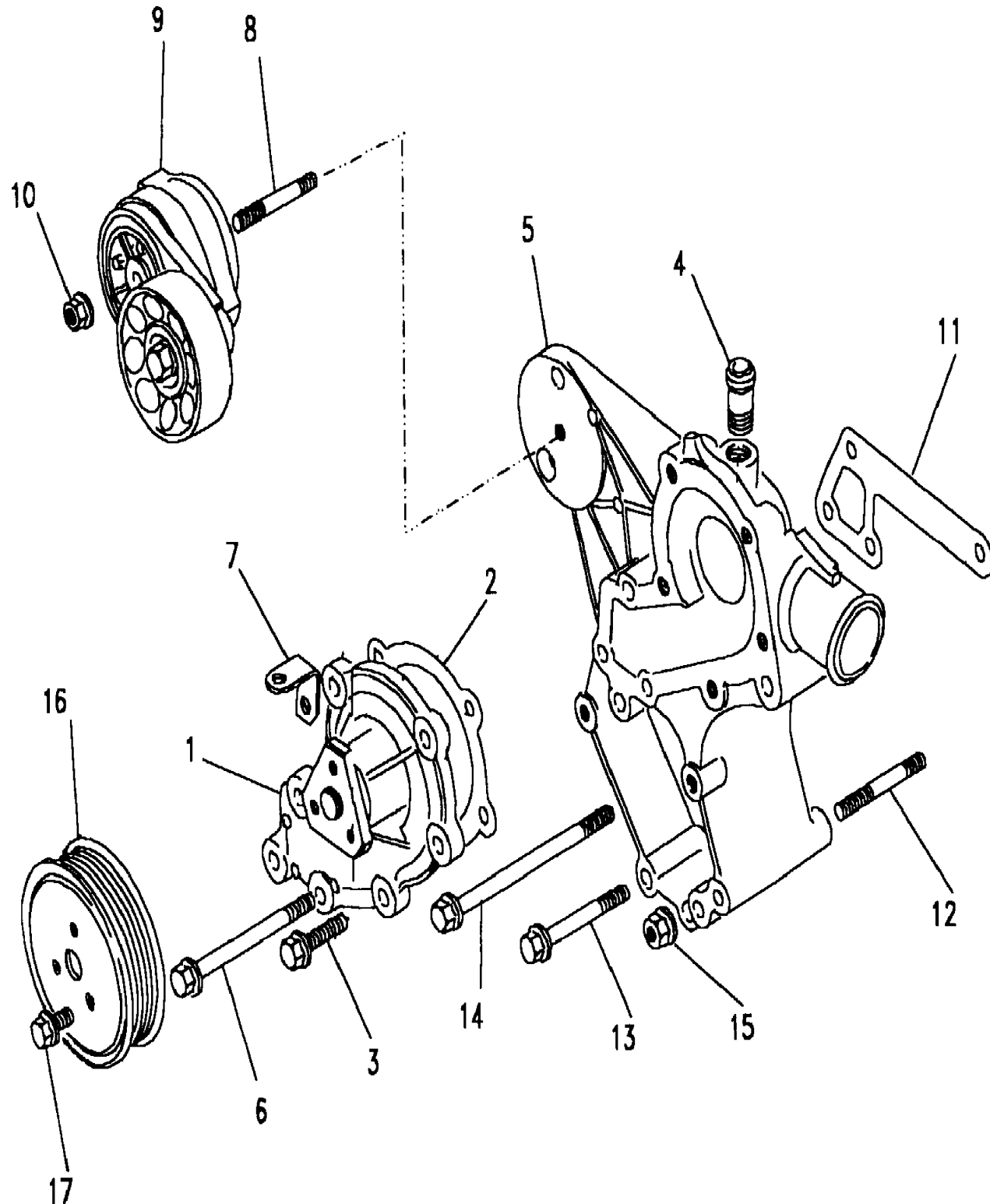
(BDBNEE1A)

Range Rover (From JA610294)

Engine
2500 - Diesel - Turbo - 300 Tdi
Coolant Pump

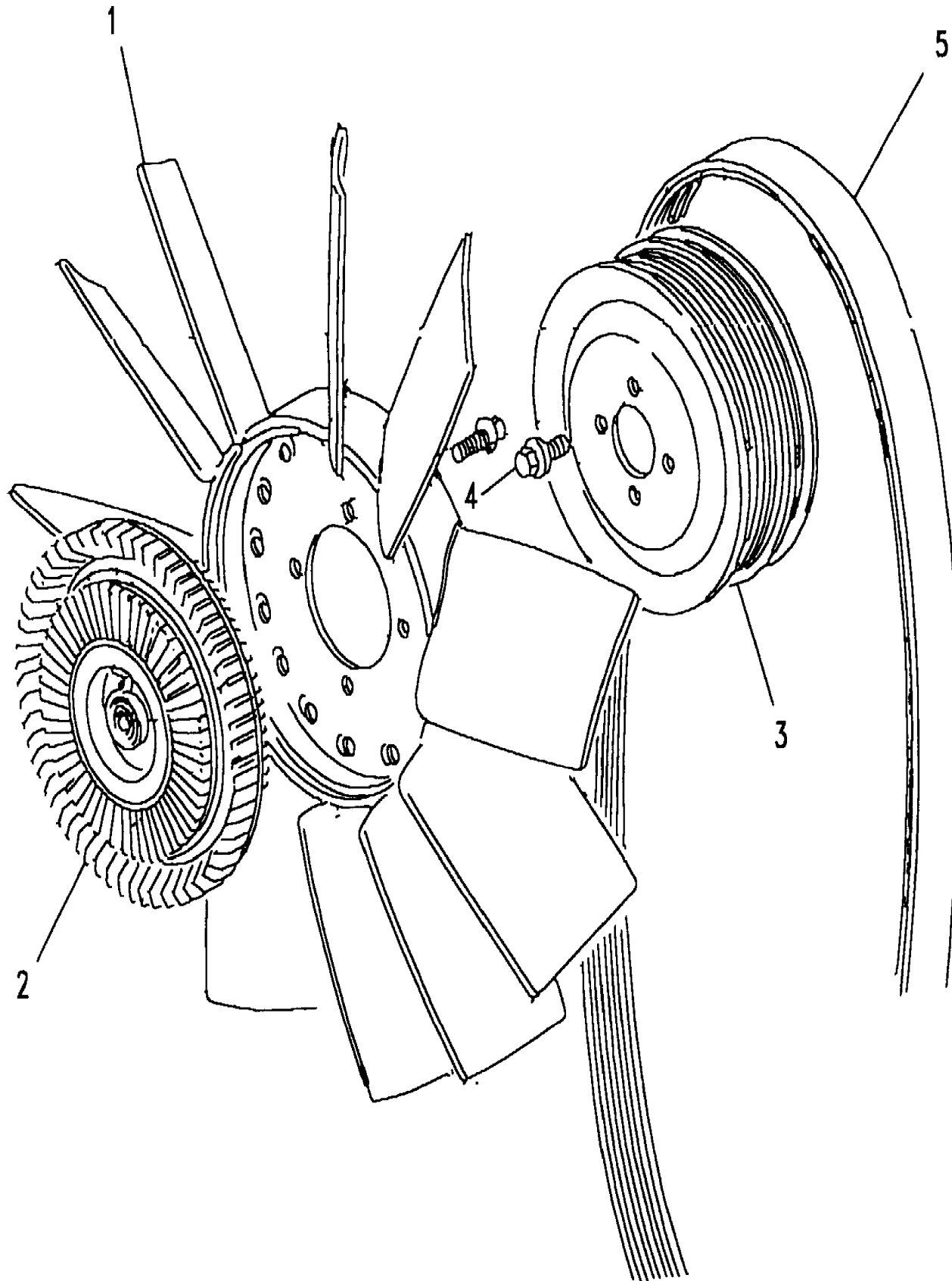
2.5L TDi Turbo Diesel

Callout	Name	Application	Remarks & Restrictions	Service No.	Qty
15	Nut - Hex.	2.5L 4 Cyl 300 TDi L/R Diesel	(-) 200 TDI, M8, (-) 14L 2.5 TDI Manual - Zircon	FX108041L	2
16	Pulley coolant pump	2.5L 4 Cyl 300 TDi L/R Diesel	(-) 200 TDI, (-) 14L 2.5 TDI Manual - Zircon	ERR3734	1
17	Screw-flanged head	2.5L 4 Cyl 300 TDi L/R Diesel	(-) 200 TDI, pulley to pump, (-) 14L 2.5 TDI Manual - Zircon, Flanged Head, M8 x 12	FS108127L	3
[902]	Hose-bypass to pump coolant	2.5L 4 Cyl 300 TDi L/R Diesel	(-) 200 TDI, (-) 14L 2.5 TDI Manual - Zircon	ERR5099	1



Engine
2500 - Diesel - Turbo - 300 Tdi
Cooling Fan & Belt 1/1

Range Rover (From JA610294)
(BDBNEG1A)



Range Rover (From JA610294)

Engine
2500 - Diesel - Turbo - 300 Tdi
Cooling Fan & Belt

2.5L TDi Turbo Diesel

Callout	Name	Application	Remarks & Restrictions	Service No.	Qty
1	Fan-cooling	2.5L 4 Cyl 300 TDi L/R Diesel	(-) 200 TDI, (-) 14L 2.5 TDI Manual - Zircon	ERR2789	1
2	Coupling-engine fan viscous	2.5L 4 Cyl 300 TDi L/R Diesel	(-) 200 TDI, (-) 14L 2.5 TDI Manual - Zircon	ERR2266	1
3	Pulley coolant pump	2.5L 4 Cyl 300 TDi L/R Diesel	(-) 200 TDI, (-) 14L 2.5 TDI Manual - Zircon	ERR3735	1
4	Screw-flanged head	2.5L 4 Cyl 300 TDi L/R Diesel	(-) 200 TDI, (-) 14L 2.5 TDI Manual - Zircon, Flanged Head, M8 x 12	FS108127L	4
5	Belt-polyvee coolant pump	2.5L 4 Cyl 300 TDi L/R Diesel, 2.5L 4 Cyl 300 TDi L/R Diesel,	(-) 200 TDI, (-) 14L 2.5 TDI Manual - Zircon (-) 200 TDI, (-) 14L 2.5 TDI Manual - Zircon	ERR3287 ERR5911	1 1

Engine
2500 - Diesel - Turbo - 300 Tdi
Crankshaft & Bearings 1/1

Range Rover (From JA610294)

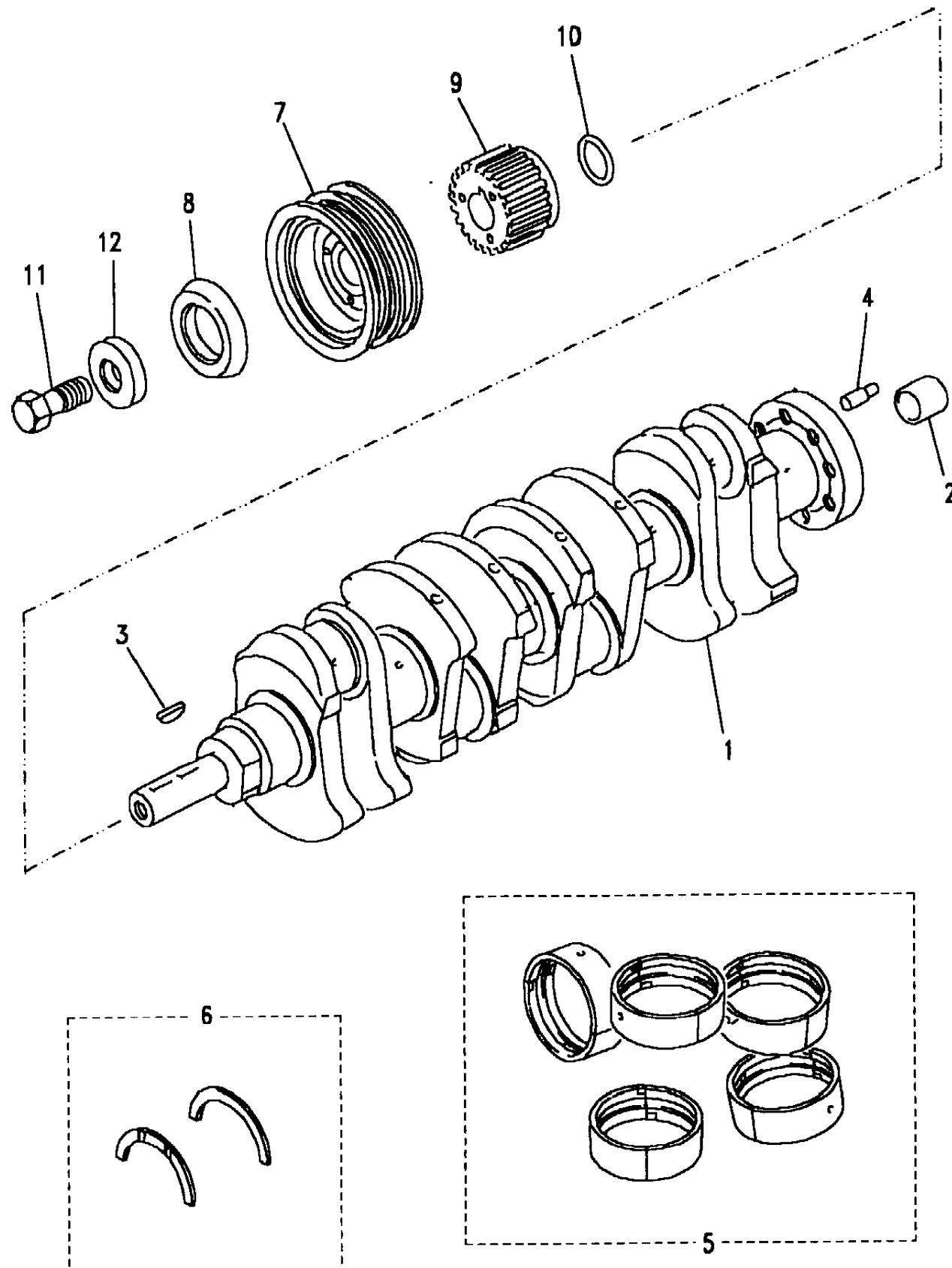
(BDBNCA1A)

Range Rover (From JA610294)

Engine
2500 - Diesel - Turbo - 300 Tdi
Crankshaft & Bearings

2.5L TDi Turbo Diesel

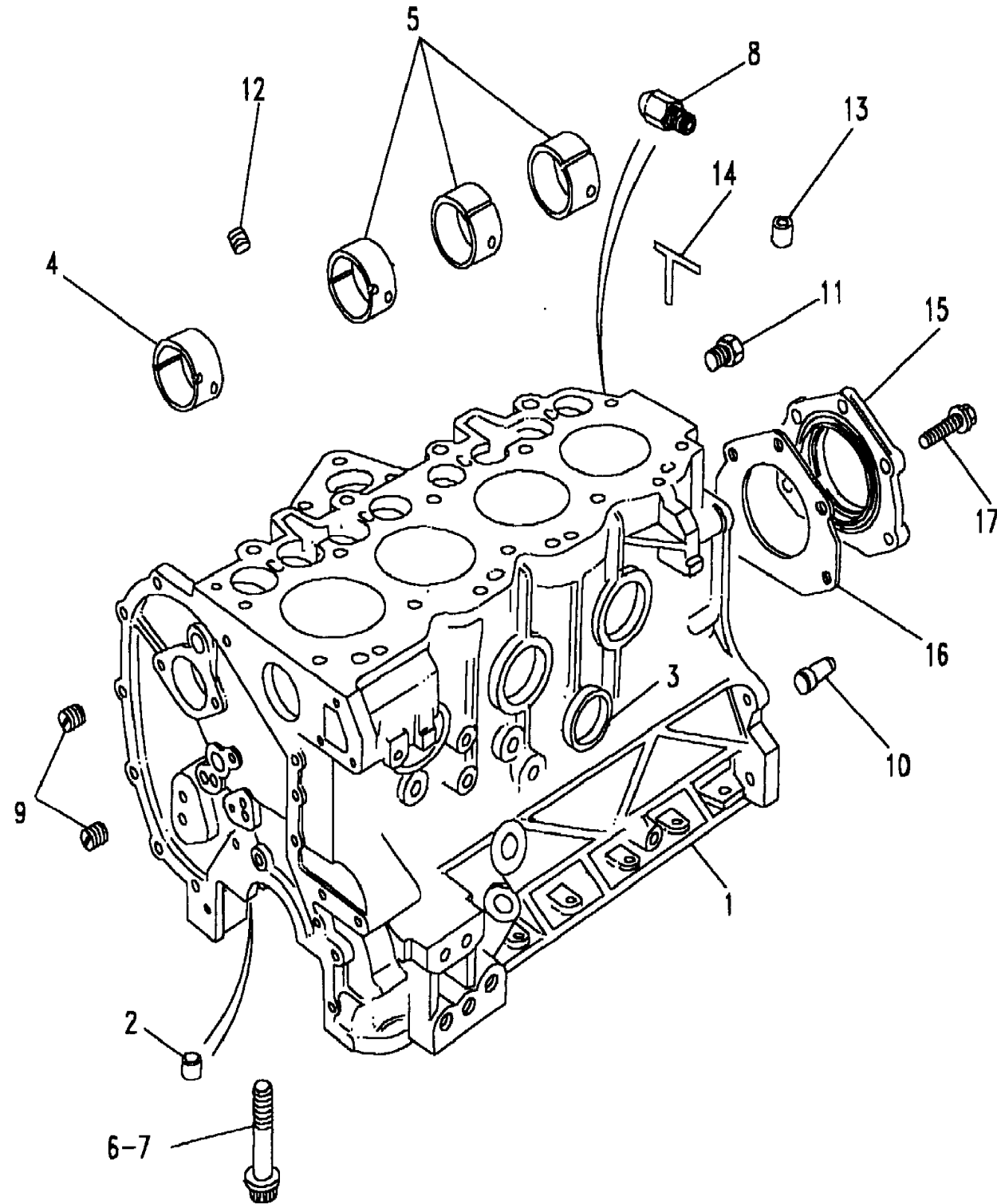
Callout	Name	Application	Remarks & Restrictions	Service No.	Qty
1	Crankshaft-engine	2.5L 4 Cyl 300 TDi L/R Diesel	(-) 200 TDI, Also serviced as part of a kit, (-) 14L 2.5 TDI Manual - Zircon	ERR2112	1
2	Bush-crankshaft	2.5L 4 Cyl 300 TDi L/R Diesel	(-) 200 TDI, Also serviced as part of a kit, (-) 14L 2.5 TDI Manual - Zircon	8566L	1
3	Key-crankshaft	2.5L 4 Cyl 300 TDi L/R Diesel	(-) 200 TDI, Also serviced as part of a kit, (-) 14L 2.5 TDI Manual - Zircon	ERR3987	2
4	Dowel-flywheel to crankshaft	2.5L 4 Cyl 300 TDi L/R Diesel	(-) 200 TDI, (-) 14L 2.5 TDI Manual - Zircon	ERR1630	1
5	Set-crankshaft bearings	2.5L 4 Cyl 300 TDi L/R Diesel 2.5 4 Cyl TDi L/R Diesel	(-) 200 TDI, (-) 14L 2.5 TDI Manual - Zircon, standard. (-) 200 TDI, (-) 12L 2.5 TDI Manual - Gemini, (-) 14L 2.5 TDI Manual - Zircon, standard.	RTC4783 STC3395	1 1
		2.5L 4 Cyl 300 TDi L/R Diesel	(-) 200 TDI, Also serviced as part of a kit, (-) 14L 2.5 TDI Manual - Zircon, 0.010" undersize	RTC478310	1
7	Torsional vibration damper-engine crankshaft	2.5L 4 Cyl 300 TDi L/R Diesel	(-) 200 TDI, (-) 14L 2.5 TDI Manual - Zircon	ERR2220	1
8	Flinger-crankshaft pulley	2.5L 4 Cyl 300 TDi L/R Diesel	(-) 200 TDI, (-) 14L 2.5 TDI Manual - Zircon	ERR2100	1
9	Pulley-crankshaft	2.5L 4 Cyl 300 TDi L/R Diesel	(-) 200 TDI, (-) 14L 2.5 TDI Manual - Zircon	ERR4707	1
10	O Ring	2.5L 4 Cyl 300 TDi L/R Diesel	(-) 200 TDI, crankshaft to toothed pulley, (-) 14L 2.5 TDI Manual - Zircon	ERR4710	1
11	Bolt-crankshaft pulley	2.5L 4 Cyl 300 TDi L/R Diesel	(-) 200 TDI, (-) 14L 2.5 TDI Manual - Zircon	ERR5087	1
12	Washer-crankshaft thrust	2.5L 4 Cyl 300 TDi L/R Diesel	(-) 200 TDI, (-) 14L 2.5 TDI Manual - Zircon	ERR1564	1



Engine
2500 - Diesel - Turbo - 300 Tdi
Cylinder Block 1/2

Range Rover (From JA610294)

(BDBNBA1A)



Range Rover (From JA610294)

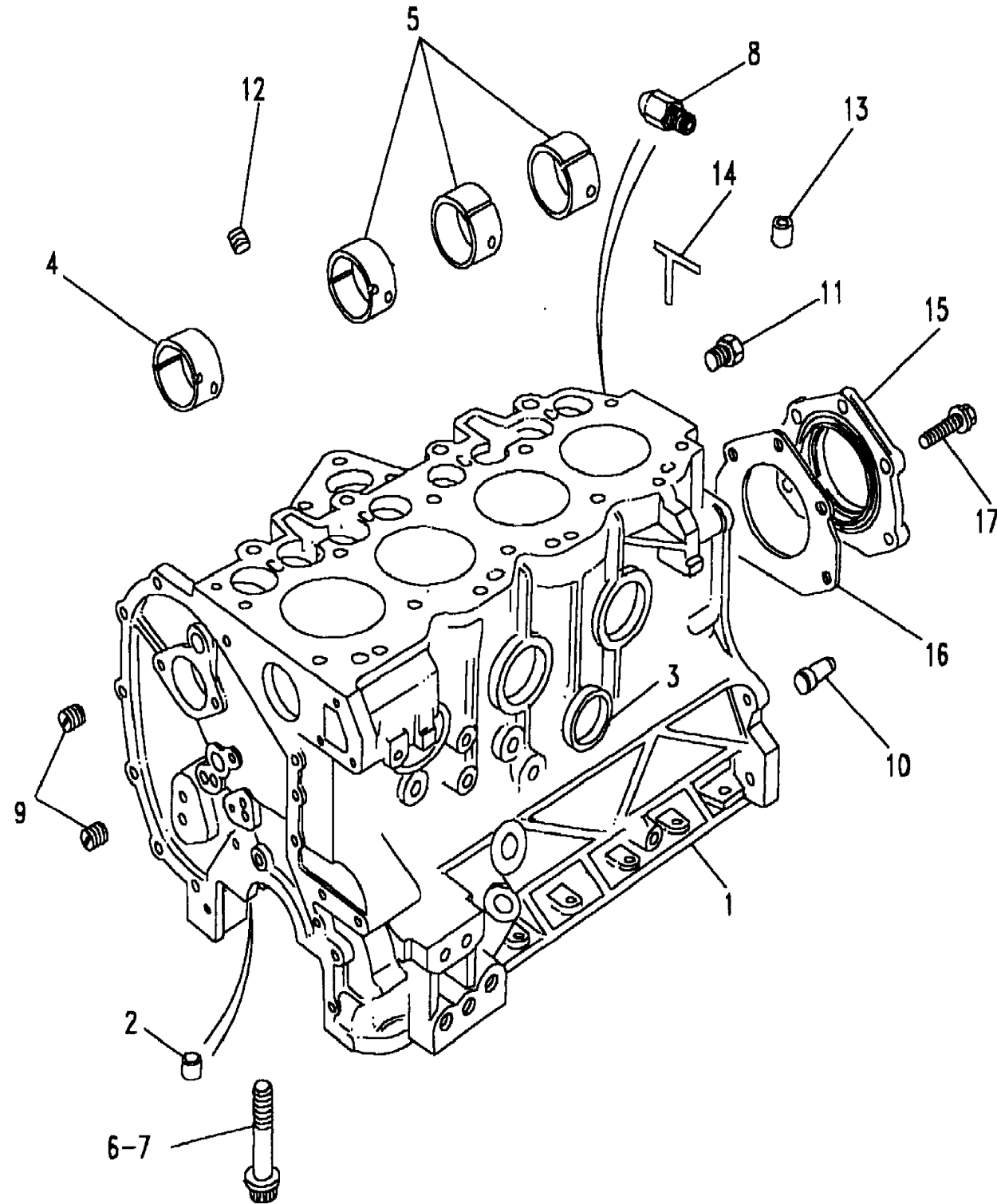
Engine
2500 - Diesel - Turbo - 300 Tdi
Cylinder Block

2.5L TDi Turbo Diesel

Callout	Name	Application	Remarks & Restrictions	Service No.	Qty
1	Cylinder block-engine	2.5L 4 Cyl 300 TDi L/R Diesel	(-) 200 TDI, Also serviced as part of a kit, (-) 14L 2.5 TDI Manual - Zircon	ERR1919	1
2	Dowel	2.5L 4 Cyl 300 TDi L/R Diesel	(-) 200 TDI, Also serviced as part of a kit, (-) 14L 2.5 TDI Manual - Zircon	501593	10
3	Plug-core	2.5L 4 Cyl 300 TDi L/R Diesel	(-) 200 TDI, Also serviced as part of a kit, (-) 14L 2.5 TDI Manual - Zircon	ERC4996	6
4	Bearing-camshaft front	2.5L 4 Cyl 300 TDi L/R Diesel	(-) 200 TDI, Also serviced as part of a kit, (-) 14L 2.5 TDI Manual - Zircon	ETC8442	1
5	Bearing-camshaft rear	2.5L 4 Cyl 300 TDi L/R Diesel	(-) 200 TDI, Also serviced as part of a kit, (-) 14L 2.5 TDI Manual - Zircon	90519055	3
6	Bolt	2.5L 4 Cyl 300 TDi L/R Diesel	(-) 200 TDI, Also serviced as part of a kit, (-) 14L 2.5 TDI Manual - Zircon	ETC8074	8
7	Setscrew-cylinder block main bearing cap	2.5L 4 Cyl 300 TDi L/R Diesel	(-) 200 TDI, Also serviced as part of a kit, (-) 14L 2.5 TDI Manual - Zircon	ERR3419	2
8	Jet-camshaft oil	2.5L 4 Cyl 300 TDi L/R Diesel	(-) 200 TDI, (-) 14L 2.5 TDI Manual - Zircon	ERR2767	1
9	Plug-cylinder block oil way	2.5L 4 Cyl 300 TDi L/R Diesel	(-) 200 TDI, (-) 14L 2.5 TDI Manual - Zircon	247127	2
10	Dowel-ring	2.5L 4 Cyl 300 TDi L/R Diesel	(-) 200 TDI, (-) 14L 2.5 TDI Manual - Zircon, 15.0mm	FRC2482	2
11	Plug	2.5L 4 Cyl 300 TDi L/R Diesel	(-) 200 TDI, (-) 14L 2.5 TDI Manual - Zircon	ETC4922	2
12	Plug-camshaft blanking	2.5L 4 Cyl 300 TDi L/R Diesel	(-) 200 TDI, Rubber, (-) 14L 2.5 TDI Manual - Zircon	ERR5034	3
13	Dowel-ring	2.5L 4 Cyl 300 TDi L/R Diesel	(-) 200 TDI, (-) 14L 2.5 TDI Manual - Zircon	ETC8352	2
14	Packing strip	2.5L 4 Cyl 300 TDi L/R Diesel	(-) 200 TDI, (-) 14L 2.5 TDI Manual - Zircon	ERR913	2
15	Seal-crankshaft rear oil	2.5L 4 Cyl 300 TDi L/R Diesel	(-) 200 TDI, (-) 14L 2.5 TDI Manual - Zircon	ERR4179	1
		2.5L 4 Cyl 300 TDi L/R Diesel	CRANKSHAFT REAR, (-) 200 TDI, (-) 14L 2.5 TDI Manual - Zircon	ERR6818	1
		2.5L 4 Cyl 300 TDi L/R Diesel	CRANKSHAFT REAR, (-) 200 TDI, (-) 14L 2.5 TDI Manual - Zircon	LUF100430	1

Engine
2500 - Diesel - Turbo - 300 Tdi
Cylinder Block 2/2

Range Rover (From JA610294)
(BDBNBA1A)



Range Rover (From JA610294)

Engine
2500 - Diesel - Turbo - 300 Tdi
Cylinder Block

2.5L TDi Turbo Diesel

Callout	Name	Application	Remarks & Restrictions	Service No.	Qty
16	Gasket-crankcase rear oil seal housing	2.5L 4 Cyl 300 TDi L/R Diesel 2.5L 4 Cyl 300 TDi L/R Diesel	(-) 200 TDI, (-) 14L 2.5 TDI Manual - Zircon (-) 200 TDI, (-) 14L 2.5 TDI Manual - Zircon	ERR4861 ERR6811	1 1
17	Screw	2.5L 4 Cyl 300 TDi L/R Diesel 2.5L 4 Cyl 300 TDi L/R Diesel	(-) 200 TDI, M8 x 25, (-) 14L 2.5 TDI Manual - Zircon, Flanged Head (-) 200 TDI, M8 x 25, (-) 14L 2.5 TDI Manual - Zircon, Flanged Head	FS108251L FS108257L	5 5

Engine
2500 - Diesel - Turbo - 300 Tdi
Cylinder Head 1/2

Range Rover (From JA610294)

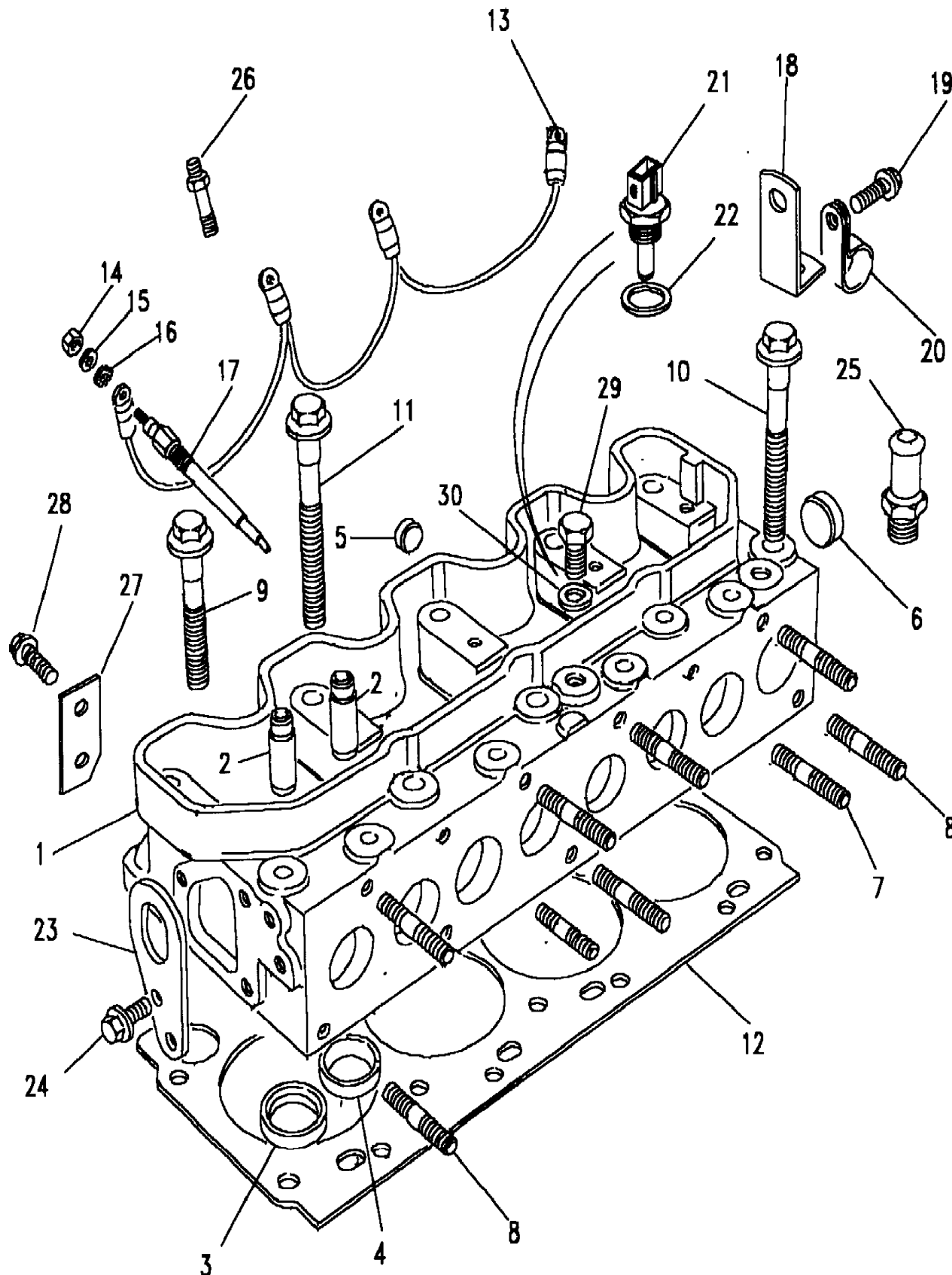
(BDBNGA1A)

Range Rover (From JA610294)

Engine
2500 - Diesel - Turbo - 300 Tdi
Cylinder Head

2.5L TDi Turbo Diesel

Callout	Name	Application	Remarks & Restrictions	Service No.	Qty
1	Cylinder head-engine	2.5L 4 Cyl 300 TDi L/R Diesel	(-) 200 TDI, Also serviced as part of a kit, (-) 14L 2.5 TDI Manual - Zircon, less core plugs	ERR5027	1
2	Guide-cylinder head valve	2.5L 4 Cyl 300 TDi L/R Diesel	(-) 200 TDI, Also serviced as part of a kit, (-) 14L 2.5 TDI Manual - Zircon	LGJ100880	8
3	Insert-inlet valve seat-cylinder head	2.5L 4 Cyl 300 TDi L/R Diesel	(-) 200 TDI, Also serviced as part of a kit, (-) 14L 2.5 TDI Manual - Zircon	ERR2396	4
4	Insert-cylinder head exhaust valve seat	2.5L 4 Cyl 300 TDi L/R Diesel	(-) 200 TDI, Also serviced as part of a kit, (-) 14L 2.5 TDI Manual - Zircon	ERR3753	4
5	Plug-core	2.5L 4 Cyl 300 TDi L/R Diesel	(-) 200 TDI, (-) 14L 2.5 TDI Manual - Zircon	525497	1
6	Plug-core	2.5L 4 Cyl 300 TDi L/R Diesel	(-) 200 TDI, (-) 14L 2.5 TDI Manual - Zircon	524765	1
7	Stud	2.5L 4 Cyl 300 TDi L/R Diesel	(-) 200 TDI, M8 x 25, (-) 14L 2.5 TDI Manual - Zircon	TE108051L	2
8	Stud	2.5L 4 Cyl 300 TDi L/R Diesel	(-) 200 TDI, (-) 14L 2.5 TDI Manual - Zircon, M10 x 35	TE110071L	7
9	Bolt-cylinder head fixing	2.5L 4 Cyl 300 TDi L/R Diesel	(-) 200 TDI, Short, (-) 14L 2.5 TDI Manual - Zircon, M12 x 100	ETC8808	4
10	Bolt-cylinder head fixing	2.5L 4 Cyl 300 TDi L/R Diesel	(-) 200 TDI, Long, (-) 14L 2.5 TDI Manual - Zircon, M12 x 140	ERR1939	10
11	Bolt-cylinder head fixing	2.5L 4 Cyl 300 TDi L/R Diesel	(-) 200 TDI, Also serviced as part of a kit, (-) 14L 2.5 TDI Manual - Zircon, M10 x 117	ETC8810	4
12	Gasket-Cylinder Head	2.5L 4 Cyl 300 TDi L/R Diesel	(-) 200 TDI, 1 Hole, 1.30MM, (-) 14L 2.5 TDI Manual - Zircon	ERR5261	X
		2.5L 4 Cyl 300 TDi L/R Diesel	(-) 200 TDI, 3 Holes, 1.50MM, (-) 14L 2.5 TDI Manual - Zircon	ERR5263	X
		2.5L 4 Cyl 300 TDi L/R Diesel	(-) 200 TDI, (-) 14L 2.5 TDI Manual - Zircon, 1.60mm.	ERR7154	X
13	Cable-heater plug ignition	2.5L 4 Cyl 300 TDi L/R Diesel	(-) 200 TDI, (-) 14L 2.5 TDI Manual - Zircon	AMR2425	1
14	Nut-hexagonal	2.5L 4 Cyl 300 TDi L/R Diesel	(-) 200 TDI, M4, (-) 14L 2.5 TDI Manual - Zircon	NH104041L	4
15	Washer-Plain	2.5L 4 Cyl 300 TDi L/R Diesel	(-) 200 TDI, M4, (-) 14L 2.5 TDI Manual - Zircon	WA104001L	4



Engine
2500 - Diesel - Turbo - 300 Tdi
Cylinder Head 2/2

Range Rover (From JA610294)

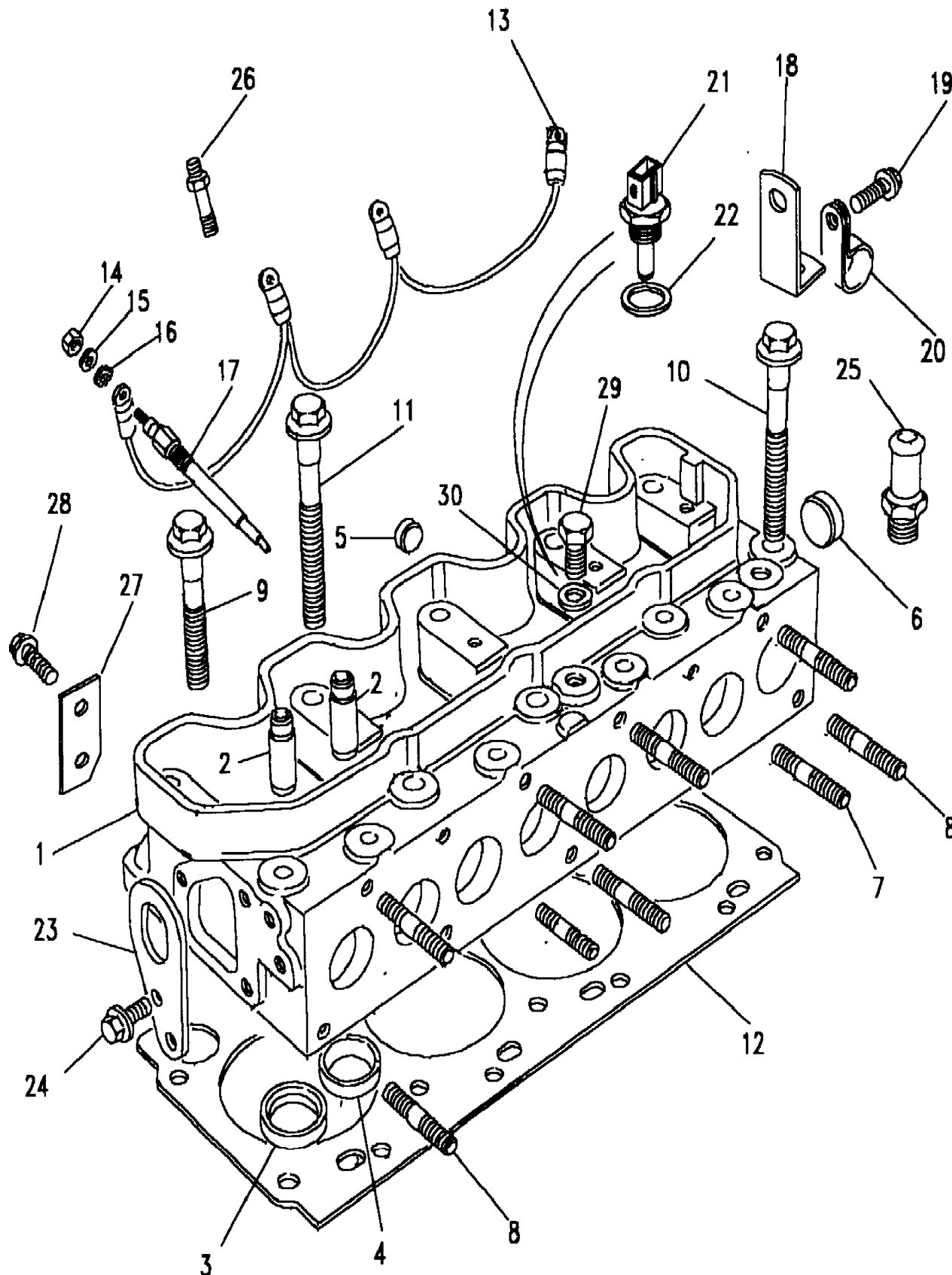
(BDBNGA1A)

Range Rover (From JA610294)

Engine
2500 - Diesel - Turbo - 300 Tdi
Cylinder Head

2.5L TDi Turbo Diesel

Callout	Name	Application	Remarks & Restrictions	Service No.	Qty
16	Washer- shakeproof	2.5L 4 Cyl 300 TDi L/R Diesel	(-) 200 TDI, M4, (-) 14L 2.5 TDI Manual - Zircon	WE104001L	4
17	Plug-heater ignition	2.5L 4 Cyl 300 TDi L/R Diesel	(-) 200 TDI, (-) 14L 2.5 TDI Manual - Zircon	ETC8847	4
18	Bracket	2.5L 4 Cyl 300 TDi L/R Diesel	(-) 200 TDI, (-) 14L 2.5 TDI Manual - Zircon	ERC9480	1
19	Screw	2.5L 4 Cyl 300 TDi L/R Diesel	(-) 200 TDI, (-) 14L 2.5 TDI Manual - Zircon, Flanged Head, M8 x 20	FS108201L	2
20	Clip-p	2.5L 4 Cyl 300 TDi L/R Diesel	(-) 200 TDI, (-) 14L 2.5 TDI Manual - Zircon	CP108251	1
21	Sensor-Temperature	2.5L 4 Cyl 300 TDi L/R Diesel, EGR	(-) 200 TDI, (-) 14L 2.5 TDI Manual - Zircon	ERR2081	1
22	Washer-sealing	2.5L 4 Cyl 300 TDi L/R Diesel, EGR	(-) 200 TDI, (-) 14L 2.5 TDI Manual - Zircon	ERR894	1
23	Bracket-lifting engine front	2.5L 4 Cyl 300 TDi L/R Diesel	(-) 200 TDI, (-) 14L 2.5 TDI Manual - Zircon	ETC8031	1
24	Screw	2.5L 4 Cyl 300 TDi L/R Diesel	(-) 200 TDI, (-) 14L 2.5 TDI Manual - Zircon, Flanged Head, M8 x 20	FS108201L	2
25	Adaptor-pipe coolant	2.5L 4 Cyl 300 TDi L/R Diesel	(-) 200 TDI, (-) 14L 2.5 TDI Manual - Zircon	624091	1
26	Stud	2.5L 4 Cyl 300 TDi L/R Diesel	(-) 200 TDI, (-) 14L 2.5 TDI Manual - Zircon	ERR1019	4
27	Bracket Harness	2.5L 4 Cyl 300 TDi L/R Diesel	(-) 200 TDI, (-) 14L 2.5 TDI Manual - Zircon	ERC9404	1
28	Screw	2.5L 4 Cyl 300 TDi L/R Diesel	(-) 200 TDI, bracket to engine block, M8 X 16, (-) 14L 2.5 TDI Manual - Zircon, Flanged Head	FS108161L	1
29	Plug-Drain	2.5L 4 Cyl 300 TDi L/R Diesel	(-) 200 TDI, (-) 14L 2.5 TDI Manual - Zircon	ETC5577	1
30	Washer-sealing	2.5L 4 Cyl 300 TDi L/R Diesel	(-) 200 TDI, (-) 14L 2.5 TDI Manual - Zircon	FRC4808	1



Engine
2500 - Diesel - Turbo - 300 Tdi
Drive Plate Auto 1/2

Range Rover (From JA610294)

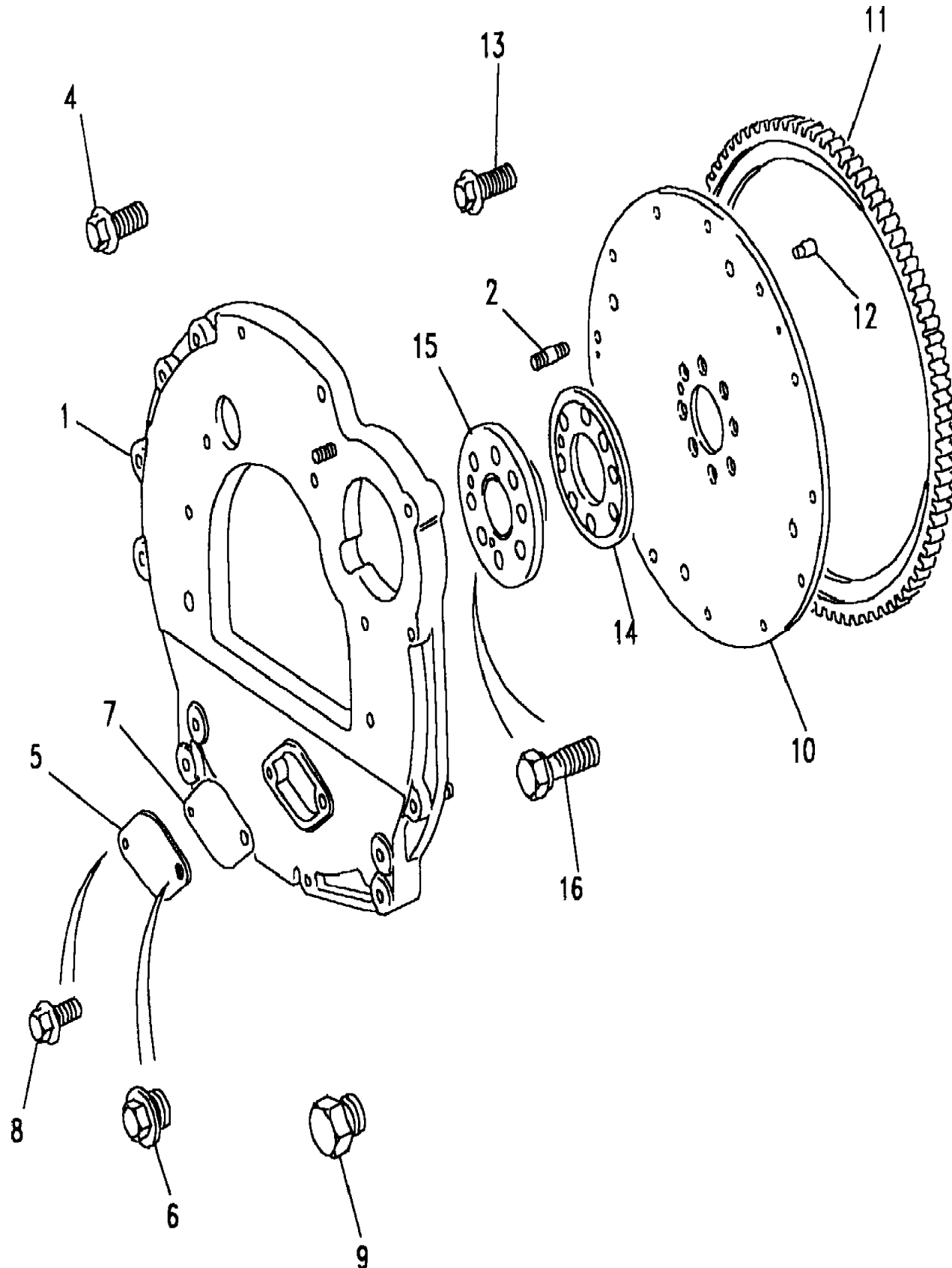
(BDBNRA2A)

Range Rover (From JA610294)

Engine
2500 - Diesel - Turbo - 300 Tdi
Drive Plate Auto

2.5L TDi Turbo Diesel, 2.5L 4 Cyl TDi Diesel, Automatic Transmission

Callout	Name	Application	Remarks & Restrictions	Service No.	Qty
1	Plate-gearbox mounting	2.5L 4 Cyl 300 TDi L/R Diesel	(-) 200 TDI, (-) 14L 2.5 TDI Manual - Zircon	ERR1616	1
2	Stud	2.5L 4 Cyl 300 TDi L/R Diesel	(-) 200 TDI, (-) 14L 2.5 TDI Manual - Zircon, M10 x 35	TE110071L	3
3	Bracket Harness	2.5L 4 Cyl 300 TDi L/R Diesel	(-) 200 TDI, (-) 14L 2.5 TDI Manual - Zircon	AMR3754	1
4	Screw	2.5L 4 Cyl 300 TDi L/R Diesel	(-) 200 TDI, (-) 14L 2.5 TDI Manual - Zircon, Flanged Head, M10 x 30, top	FS110301L	6
5	Plate-closure automatic transmission	2.5L 4 Cyl 300 TDi L/R Diesel	(-) 200 TDI, (-) 14L 2.5 TDI Manual - Zircon	ERR1618	1
6	Plug	2.5L 4 Cyl 300 TDi L/R Diesel	(-) 200 TDI, (-) 14L 2.5 TDI Manual - Zircon	ERR1617	1
7	Gasket	2.5L 4 Cyl 300 TDi L/R Diesel	(-) 200 TDI, (-) 14L 2.5 TDI Manual - Zircon	ERR1619	1
8	Screw	2.5L 4 Cyl 300 TDi L/R Diesel	(-) 200 TDI, (-) 14L 2.5 TDI Manual - Zircon, Flanged Head, M8 x 20	FS108201L	1
9	Plug	2.5L 4 Cyl 300 TDi L/R Diesel	(-) 200 TDI, (-) 14L 2.5 TDI Manual - Zircon	ERC7295	1
10	Plate-drive assembly automatic transmission	2.5L I4 TDi L/R Turbo Diesel, EGR, Less Catalyst	(-) 200 TDI, Also serviced as part of a kit, (-) 14L 2.5 TDI Manual - Zircon, Engine Code 20L 2.5 TDI GEM 111 Auto	FTC4050	1
		2.5L I4 TDi L/R Turbo Diesel, 4 Speed Automatic Transmissions, EGR, Less Catalyst	(-) 200 TDI, Also serviced as part of a kit, (-) 14L 2.5 TDI Manual - Zircon, Engine Code 20L 2.5 TDI GEM 111 Auto	FTC4050	1
		2.5L I4 TDi L/R Turbo Diesel, EGR, Less Catalyst	(-) 200 TDI, Also serviced as part of a kit, (-) 14L 2.5 TDI Manual - Zircon, Engine Code 22L 2.5 TDI GEM 111 Electronic EGR	FTC4050	1
		2.5L I4 TDi L/R Turbo Diesel, 4 Speed Automatic Transmissions, Less Catalyst	(-) 200 TDI, Also serviced as part of a kit, (-) 14L 2.5 TDI Manual - Zircon, Engine Code 19L 2.5 TDI GEM 111 Auto	FTC4052	1
		2.5L I4 TDi L/R Turbo Diesel, Less Catalyst	(-) 200 TDI, Also serviced as part of a kit, (-) 14L 2.5 TDI Manual - Zircon, Engine Code 19L 2.5 TDI GEM 111 Auto	FTC4052	1



Engine
2500 - Diesel - Turbo - 300 Tdi
Drive Plate Auto 2/2

Range Rover (From JA610294)

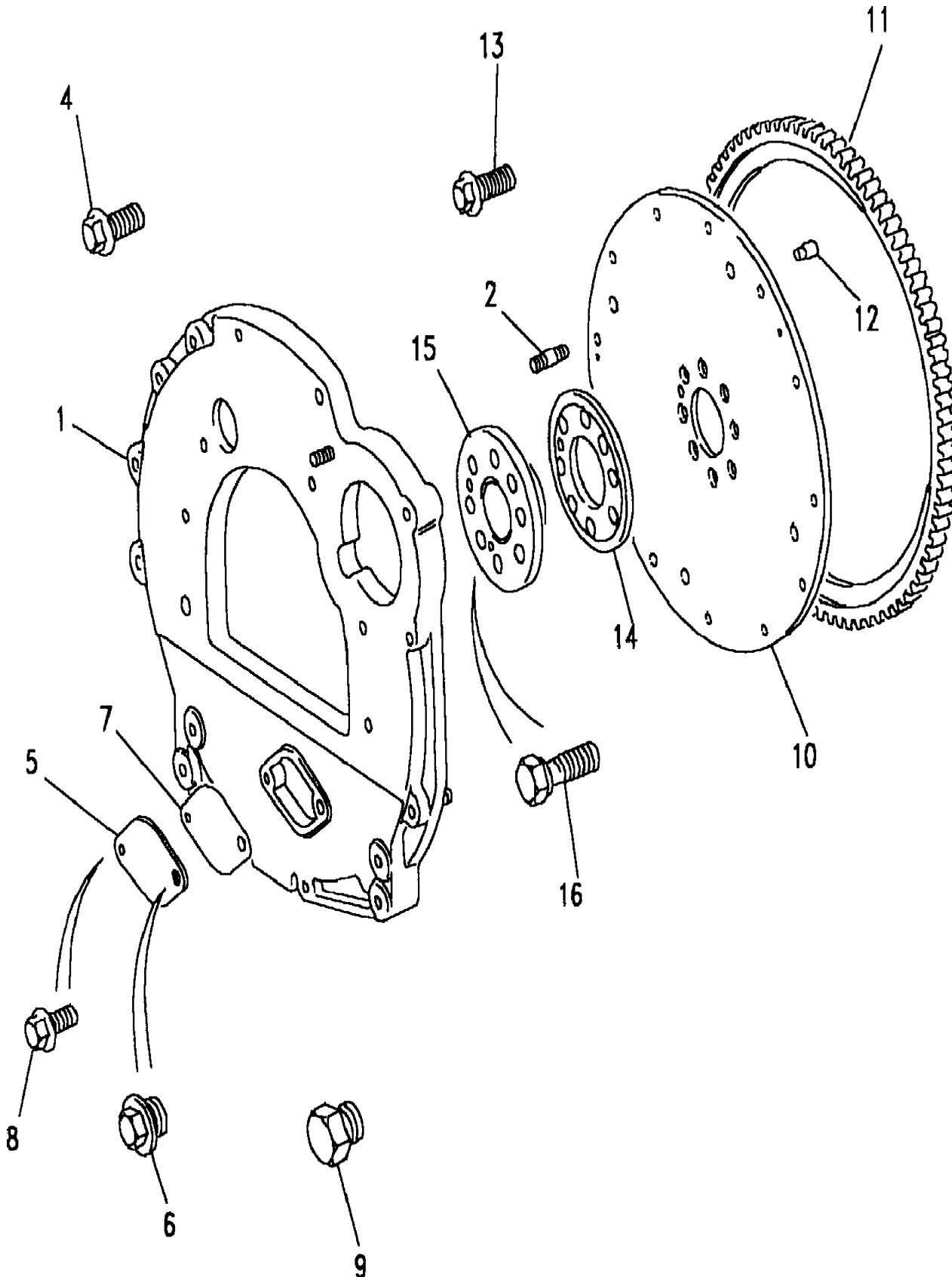
(BDBNRA2A)

Range Rover (From JA610294)

Engine
2500 - Diesel - Turbo - 300 Tdi
Drive Plate Auto

2.5L TDi Turbo Diesel, 2.5L 4 Cyl TDi Diesel, Automatic Transmission

Callout	Name	Application	Remarks & Restrictions	Service No.	Qty
11	Gear-ring-flywheel engine	2.5L I4 TDi L/R Turbo Diesel, EGR, Less Catalyst	(-) 200 TDI, Also serviced as part of a kit, (-) 14L 2.5 TDI Manual - Zircon, Engine Code 20L 2.5 TDI GEM 111 Auto	ERR4829	1
		2.5L I4 TDi L/R Turbo Diesel, 4 Speed Automatic Transmissions, EGR, Less Catalyst	(-) 200 TDI, Also serviced as part of a kit, (-) 14L 2.5 TDI Manual - Zircon, Engine Code 20L 2.5 TDI GEM 111 Auto	ERR4829	1
		2.5L I4 TDi L/R Turbo Diesel, 4 Speed Automatic Transmissions, Less Catalyst	(-) 200 TDI, Also serviced as part of a kit, (-) 14L 2.5 TDI Manual - Zircon, Engine Code 19L 2.5 TDI GEM 111 Auto	ERR4829	1
		2.5L I4 TDi L/R Turbo Diesel, Less Catalyst	(-) 200 TDI, Also serviced as part of a kit, (-) 14L 2.5 TDI Manual - Zircon, Engine Code 19L 2.5 TDI GEM 111 Auto	ERR4829	1
12	Dowel-flywheel spigot alignment	2.5L I4 TDi L/R Turbo Diesel, EGR, Less Catalyst	(-) 200 TDI, Also serviced as part of a kit, (-) 14L 2.5 TDI Manual - Zircon, Engine Code 20L 2.5 TDI GEM 111 Auto	529364	2
		2.5L I4 TDi L/R Turbo Diesel, 4 Speed Automatic Transmissions, EGR, Less Catalyst	(-) 200 TDI, Also serviced as part of a kit, (-) 14L 2.5 TDI Manual - Zircon, Engine Code 20L 2.5 TDI GEM 111 Auto	529364	2
		2.5L I4 TDi L/R Turbo Diesel, 4 Speed Automatic Transmissions, Less Catalyst	(-) 200 TDI, Also serviced as part of a kit, (-) 14L 2.5 TDI Manual - Zircon, Engine Code 19L 2.5 TDI GEM 111 Auto	529364	2
		2.5L I4 TDi L/R Turbo Diesel, Less Catalyst	(-) 200 TDI, Also serviced as part of a kit, (-) 14L 2.5 TDI Manual - Zircon, Engine Code 19L 2.5 TDI GEM 111 Auto	529364	2
14	Plate-backing automatic transmission	2.5L 4 Cyl 300 TDi L/R Diesel	(-) 200 TDI, (-) 14L 2.5 TDI Manual - Zircon	FTC4213	1
15	Spacer-crank/drive plate automatic transmission	2.5L 4 Cyl TDi L/R Diesel	(-) 200 TDI, (-) 12L 2.5 TDI Manual - Gemini, (-) 14L 2.5 TDI Manual - Zircon	FTC3628	1
		2.5L 4 Cyl 300 TDi L/R Diesel	(-) 200 TDI, (-) 14L 2.5 TDI Manual - Zircon	FTC4557	1
16	Bolt-fixing flywheel crankshaft	2.5L 4 Cyl 300 TDi L/R Diesel	(-) 200 TDI, Short, (-) 14L 2.5 TDI Manual - Zircon	ERR4574	8



Engine
2500 - Diesel - Turbo - 300 Tdi
Engine Breather 1/1

Range Rover (From JA610294)

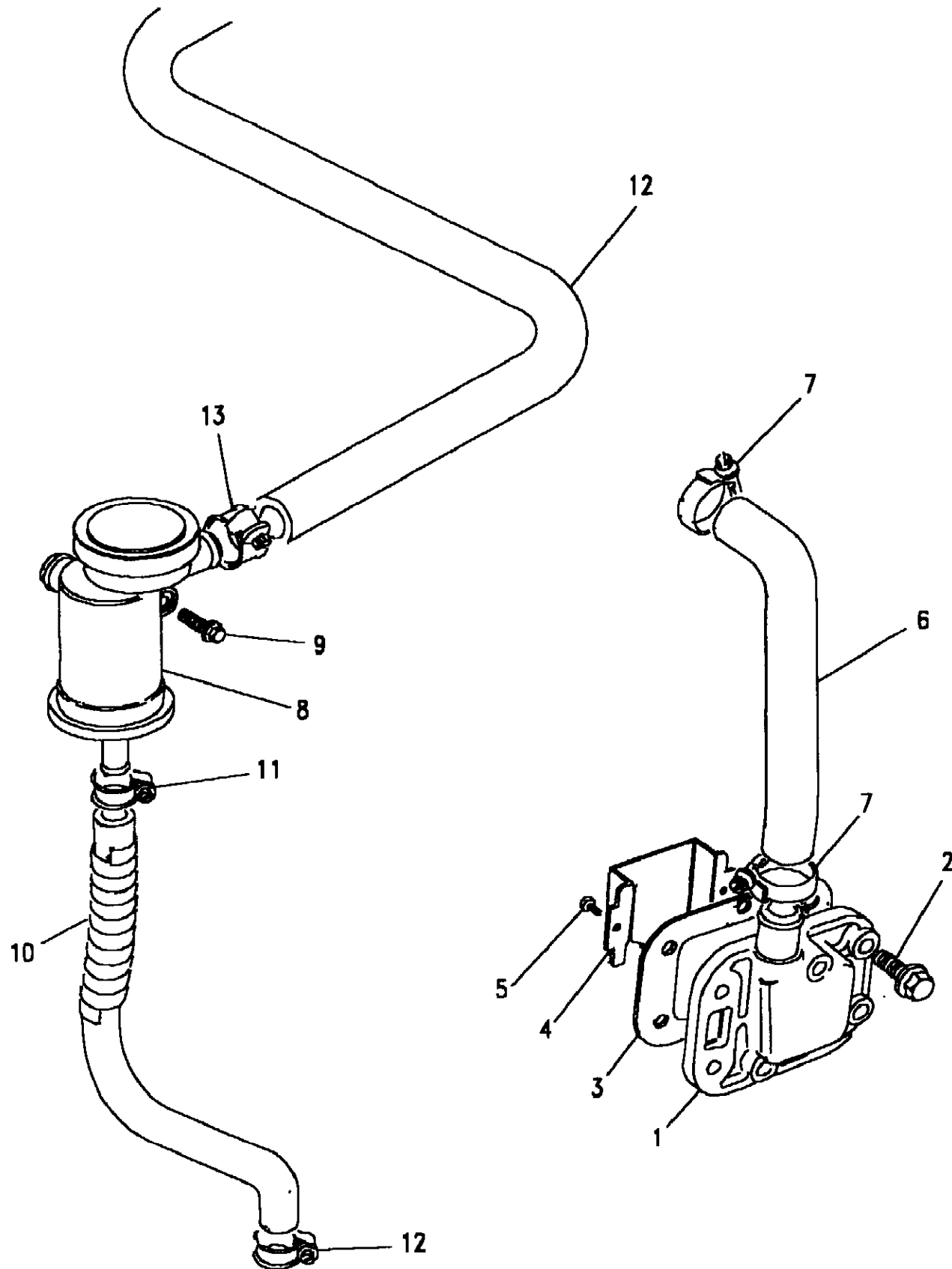
(BDBNGG2A)

Range Rover (From JA610294)

Engine
2500 - Diesel - Turbo - 300 Tdi
Engine Breather

2.5L TDi Turbo Diesel

Callout	Name	Application	Remarks & Restrictions	Service No.	Qty
1	Cover-breather	2.5L 4 Cyl 300 TDi L/R Diesel	(-) 200 TDI, (-) 14L 2.5 TDI Manual - Zircon	ERR4706	1
2	Screw	2.5L 4 Cyl 300 TDi L/R Diesel	(-) 200 TDI, M8 x 25, (-) 14L 2.5 TDI Manual - Zircon, Flanged Head	FS108251L	3
		2.5L 4 Cyl 300 TDi L/R Diesel	(-) 200 TDI, M8 x 25, (-) 14L 2.5 TDI Manual - Zircon, Flanged Head	FS108257L	3
3	Gasket-cylinder block side cover	2.5L 4 Cyl 300 TDi L/R Diesel	(-) 200 TDI, Asbestos Free, (-) 14L 2.5 TDI Manual - Zircon	ERR2026	1
4	Baffle-oil separator	2.5L 4 Cyl 300 TDi L/R Diesel	(-) 200 TDI, (-) 14L 2.5 TDI Manual - Zircon	ERR874	1
5	Screw	2.5L 4 Cyl 300 TDi L/R Diesel	(-) 200 TDI, (-) 14L 2.5 TDI Manual - Zircon, 6 x 3/8	79027	1
6	Hose-crankcase breather	2.5L 4 Cyl 300 TDi L/R Diesel	(-) 200 TDI, (-) 14L 2.5 TDI Manual - Zircon	ERR3084	1
		2.5 4 Cyl TDi L/R Diesel	(-) 200 TDI, (-) 12L 2.5 TDI Manual - Gemini, (-) 14L 2.5 TDI Manual - Zircon	ERR7340	1
7	Clip-Hose	2.5L 4 Cyl 300 TDi L/R Diesel	(-) 200 TDI, 25MM, (-) 14L 2.5 TDI Manual - Zircon	CN100258L	2
8	Separator assembly-crankcase breather oil	2.5L 4 Cyl 300 TDi L/R Diesel	(-) 200 TDI, Also serviced as part of a kit, (-) 14L 2.5 TDI Manual - Zircon	ERR1471	1
9	Bolt	2.5L 4 Cyl 300 TDi L/R Diesel	(-) 200 TDI, (-) 14L 2.5 TDI Manual - Zircon, Flanged Head, M6 x 55	FB106111L	1
10	Hose-oil separator drain	2.5L 4 Cyl 300 TDi L/R Diesel	(-) 200 TDI, (-) 14L 2.5 TDI Manual - Zircon	ERR1351	1
11	Clip-Hose	2.5L 4 Cyl 300 TDi L/R Diesel	(-) 200 TDI, 20MM, (-) 14L 2.5 TDI Manual - Zircon	CN100208L	2
12	Hose-oil separator drain	2.5L 4 Cyl 300 TDi L/R Diesel	(-) 200 TDI, (-) 14L 2.5 TDI Manual - Zircon	ERR4689	1
13	Clip-Hose	2.5L 4 Cyl 300 TDi L/R Diesel	(-) 200 TDI, 25MM, (-) 14L 2.5 TDI Manual - Zircon	CN100258L	2
14	Clip-p	2.5L 4 Cyl 300 TDi L/R Diesel	(-) 200 TDI, (-) 14L 2.5 TDI Manual - Zircon	CP108251L	1
15	Screw	2.5L 4 Cyl 300 TDi L/R Diesel	(-) 200 TDI, (-) 14L 2.5 TDI Manual - Zircon, Flanged Head, M8 x 20	FS108201L	1
[901]	O Ring	2.5L 4 Cyl 300 TDi L/R Diesel	(-) 200 TDI, Also serviced as part of a kit, (-) 14L 2.5 TDI Manual - Zircon	LLO100000	1



Engine
2500 - Diesel - Turbo - 300 Tdi
Engine Mountings 1/1

Range Rover (From JA610294)

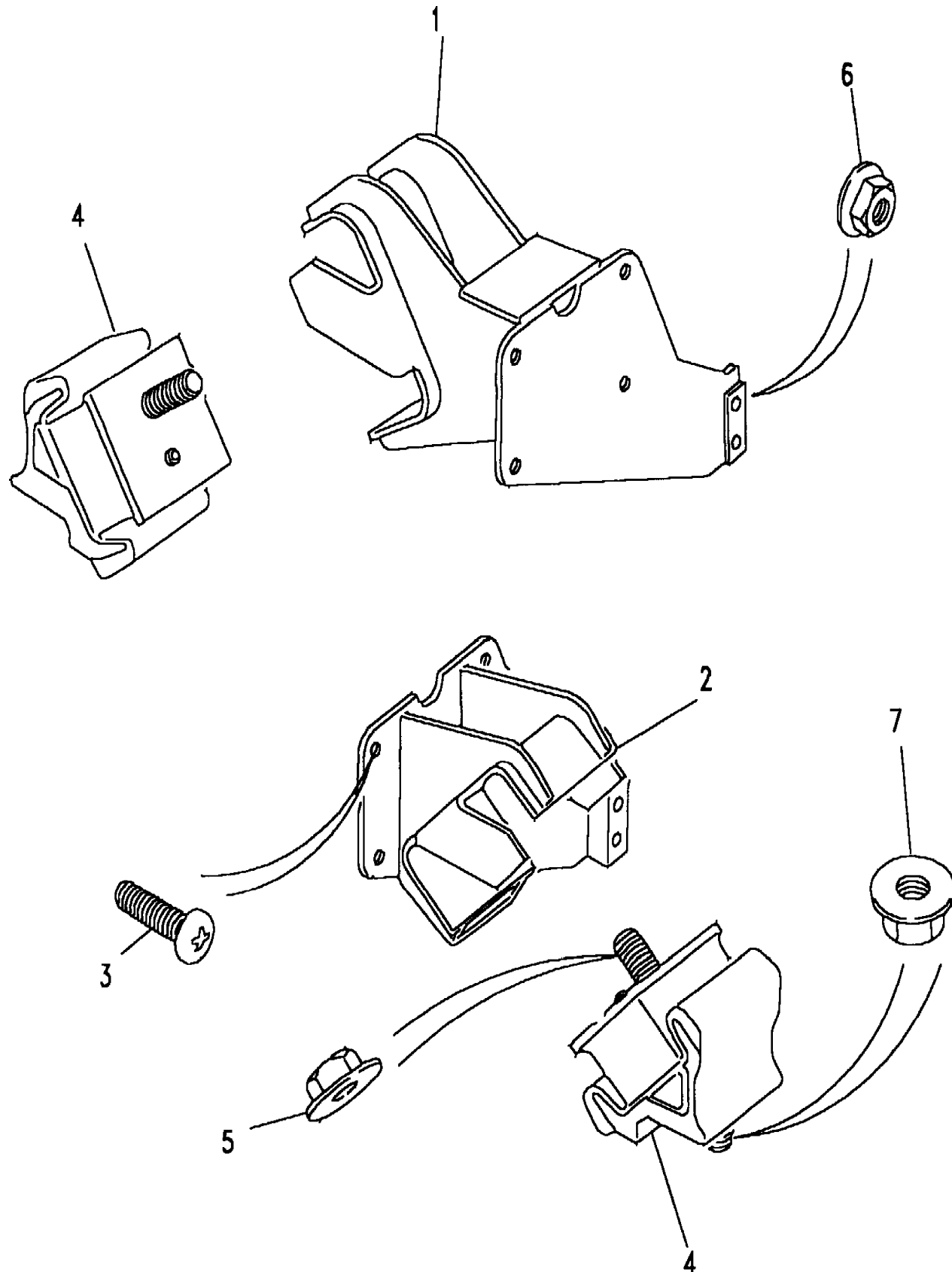
(BDBNDC1A)

Range Rover (From JA610294)

Engine
2500 - Diesel - Turbo - 300 Tdi
Engine Mountings

2.5L TDi Turbo Diesel

Callout	Name	Application	Remarks & Restrictions	Service No.	Qty
1	Bracket-engine mounting	2.5L 4 Cyl 300 TDi L/R Diesel	(-) 200 TDI, RH, (-) 14L 2.5 TDI Manual - Zircon	ANR2868	1
2	Bracket-engine mounting	2.5L 4 Cyl 300 TDi L/R Diesel	(-) 200 TDI, (-) 14L 2.5 TDI Manual - Zircon, LH	NTC9415	1
3	Screw	2.5L 4 Cyl 300 TDi L/R Diesel	(-) 200 TDI, bracket to bracket, (-) 14L 2.5 TDI Manual - Zircon, hexagonal head, M12 x 20	SH112201	8
4	Bracket-ancillary mounting	2.5L 4 Cyl 300 TDi L/R Diesel	(-) 200 TDI, (-) 14L 2.5 TDI Manual - Zircon	NTC9416	2
5	Nut-flange	2.5L 4 Cyl 300 TDi L/R Diesel	(-) 200 TDI, Also serviced as part of a kit, M12, (-) 14L 2.5 TDI Manual - Zircon	FX112041L	2
6	Nut-flange	2.5L 4 Cyl 300 TDi L/R Diesel	(-) 200 TDI, M10, (-) 14L 2.5 TDI Manual - Zircon	FX110041L	2
7	Nut-flange	2.5L 4 Cyl 300 TDi L/R Diesel	(-) 200 TDI, Also serviced as part of a kit, M12, (-) 14L 2.5 TDI Manual - Zircon	FX112041L	2



Engine
2500 - Diesel - Turbo - 300 Tdi
Engine Short 1/1

Range Rover (From JA610294)

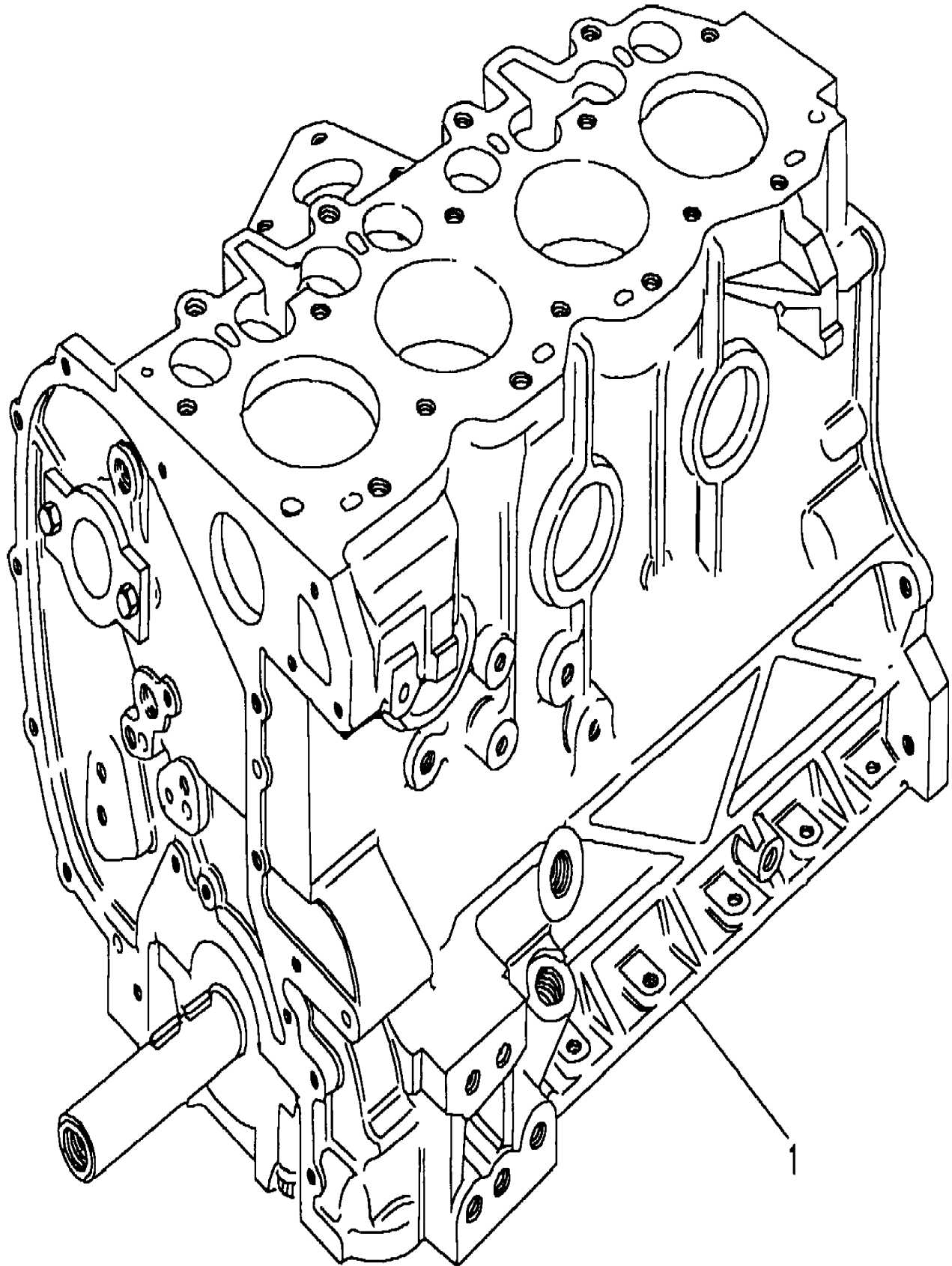
(BDBNAE1A)

Range Rover (From JA610294)

Engine
2500 - Diesel - Turbo - 300 Tdi
Engine Short

2.5L TDi Turbo Diesel

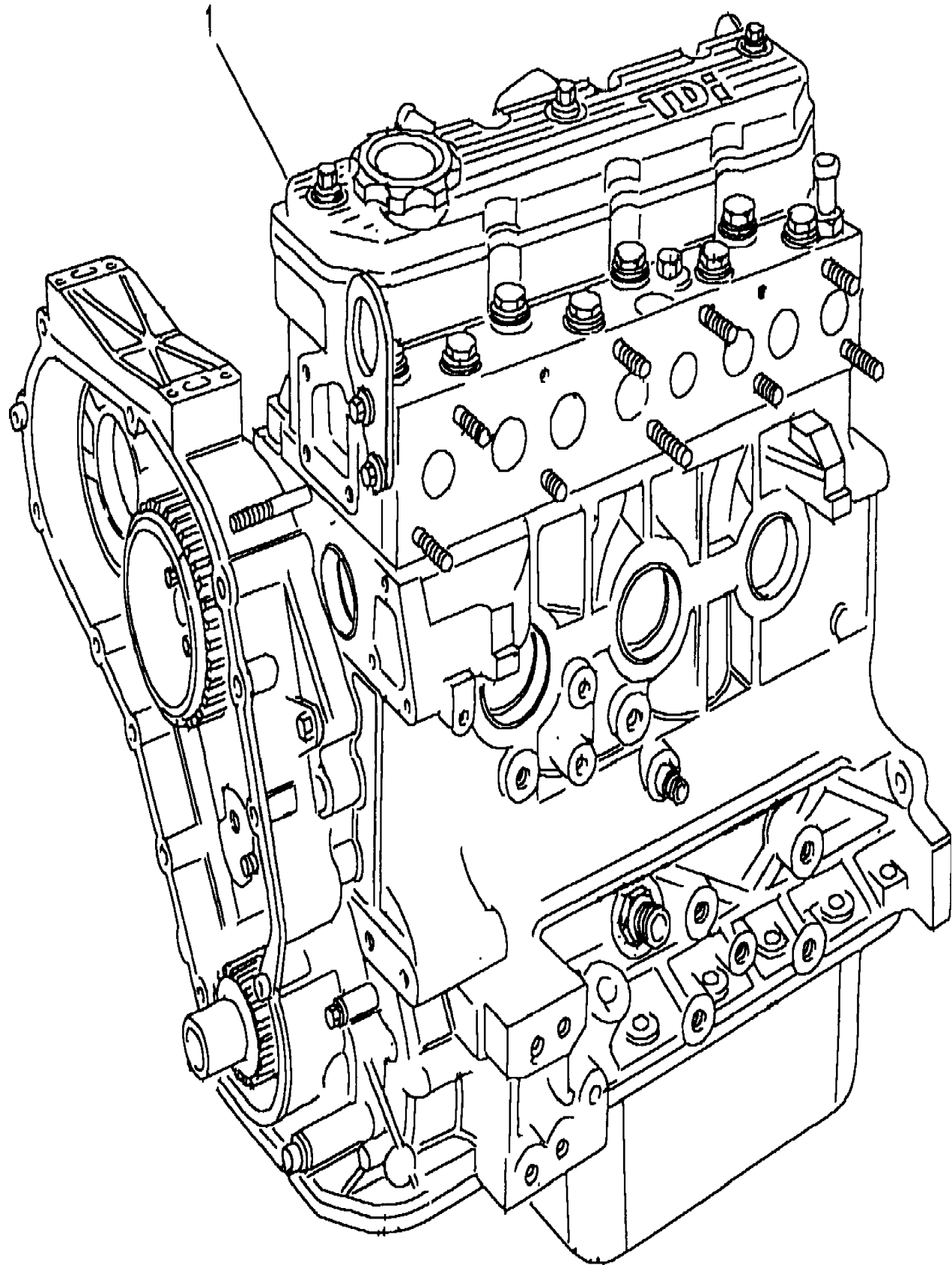
Callout	Name	Application	Remarks & Restrictions	Service No.	Qty
1	Engine assembly - Short	2.5L 4 Cyl 300 TDi L/R Diesel	(-) 200 TDI, (-) 14L 2.5 TDI Manual - Zircon	STC1675	1



Engine
2500 - Diesel - Turbo - 300 Tdi
Engine Stripped 1/1

Range Rover (From JA610294)

(BDBNAC1A)



Range Rover (From JA610294)

Engine
2500 - Diesel - Turbo - 300 Tdi
Engine Stripped

2.5L TDi Turbo Diesel

Callout	Name	Application	Remarks & Restrictions	Service No.	Qty
1	Engine unit-stripped	2.5L 4 Cyl 300 TDi L/R Diesel	(-) 200 TDI, (-) 14L 2.5 TDI Manual - Zircon, New	STC1736N	1
		2.5L 4 Cyl 300 TDi L/R Diesel	(-) 200 TDI, (-) 14L 2.5 TDI Manual - Zircon, Engine Code 16L 2.5 TDi GEM III Manual - 300 Series, exchange	STC1736E	1

Engine
2500 - Diesel - Turbo - 300 Tdi
Flywheel & Clutch 1/2

Range Rover (From JA610294)

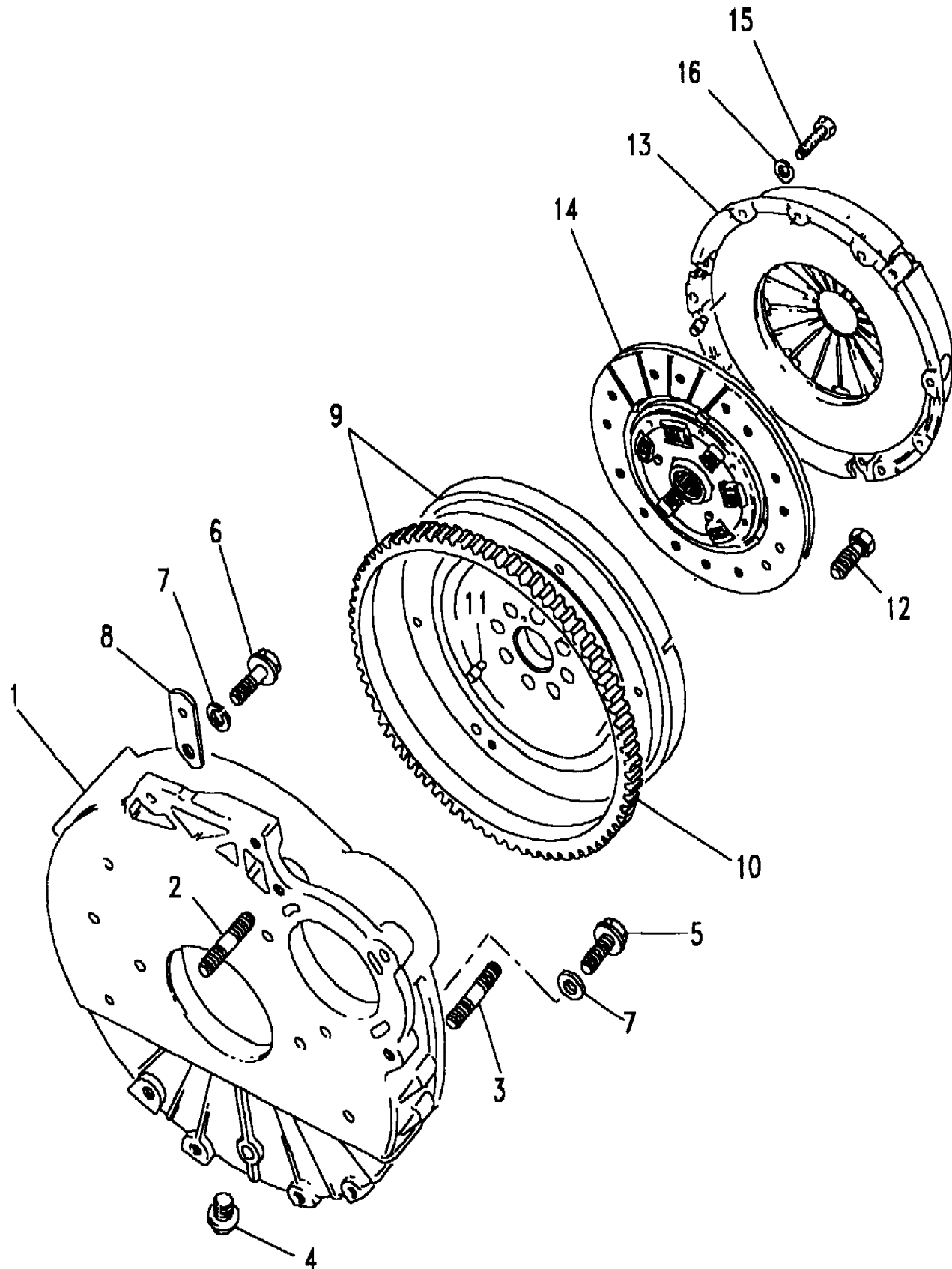
(BDBNRA1A)

Range Rover (From JA610294)

Engine
2500 - Diesel - Turbo - 300 Tdi
Flywheel & Clutch

2.5L TDi Turbo Diesel, Manual Transmission

Callout	Name	Application	Remarks & Restrictions	Service No.	Qty
1	Housing assembly-clutch	2.5L 4 Cyl 300 TDi L/R Diesel, Less EDC	(-) 200 TDI, Also serviced as part of a kit, (-) 14L 2.5 TDI Manual - Zircon	ERR4723	1
		2.5 4 Cyl 300 Series/TDI Diesel, EDC	(-) 200 TDI, Also serviced as part of a kit, (-) 14L 2.5 TDI Manual - Zircon	ERR4722	1
2	Stud	2.5 4 Cyl 300 Series/TDI Diesel, EDC	(-) 200 TDI, Also serviced as part of a kit, (-) 14L 2.5 TDI Manual - Zircon, M10 x 30	TE110061L	9
3	Stud	2.5 4 Cyl 300 Series/TDI Diesel, EDC	(-) 200 TDI, Also serviced as part of a kit, (-) 14L 2.5 TDI Manual - Zircon, M10 x 25	TE110051L	1
4	Plug	2.5L 4 Cyl 300 TDi L/R Diesel, EGR	(-) 200 TDI, (-) 14L 2.5 TDI Manual - Zircon	ERC7295	1
5	Screw	2.5L 4 Cyl 300 TDi L/R Diesel, EGR	(-) 200 TDI, (-) 14L 2.5 TDI Manual - Zircon, Flanged Head, M10 x 30, top	FS110301L	6
6	Bolt	2.5L 4 Cyl 300 TDi L/R Diesel, EGR	(-) 200 TDI, (-) 14L 2.5 TDI Manual - Zircon, Flanged Head, M10 x 35	FB110071L	2
		2.5L 4 Cyl 300 TDi L/R Diesel, EGR	(-) 200 TDI, (-) 14L 2.5 TDI Manual - Zircon, Flanged Head, M10 x 70	FB110141L	4
7	Washer	2.5L 4 Cyl 300 TDi L/R Diesel, EGR	(-) 200 TDI, M10, (-) 14L 2.5 TDI Manual - Zircon	WA110061L	2
8	Bracket Harness	2.5L 4 Cyl 300 TDi L/R Diesel, EGR	(-) 200 TDI, (-) 14L 2.5 TDI Manual - Zircon	AMR3755	1
9	Flywheel engine	2.5L 4 Cyl 300 TDi L/R Diesel, EGR	(-) 200 TDI, Also serviced as part of a kit, (-) 14L 2.5 TDI Manual - Zircon	ERR719	1
10	Gear-ring-flywheel engine	2.5L 4 Cyl 300 TDi L/R Diesel, EGR	(-) 200 TDI, Also serviced as part of a kit, (-) 14L 2.5 TDI Manual - Zircon	568431	1
11	Dowel-flywheel to crankshaft	2.5L 4 Cyl 300 TDi L/R Diesel, EGR	(-) 200 TDI, Also serviced as part of a kit, (-) 14L 2.5 TDI Manual - Zircon	502116	3
12	Bolt-fixing flywheel crankshaft	2.5L 4 Cyl 300 TDi L/R Diesel, EGR	(-) 200 TDI, Short, (-) 14L 2.5 TDI Manual - Zircon	ERR4574	8
13	Cover-clutch assembly	2.5L 4 Cyl 300 TDi L/R Diesel, EGR	(-) 200 TDI, (-) 14L 2.5 TDI Manual - Zircon	FTC575	1
		2.5L 4 Cyl 300 TDi L/R Diesel, EGR	(-) 200 TDI, (-) 14L 2.5 TDI Manual - Zircon	URB100760	1
		2.5 4 Cy 300TDi Diesel Turbo LR	(-) 200 TDI, Also serviced as part of a kit, (-) 14L 2.5 TDI Manual - Zircon	FTC575	1



Engine
2500 - Diesel - Turbo - 300 Tdi
Flywheel & Clutch 2/2

Range Rover (From JA610294)

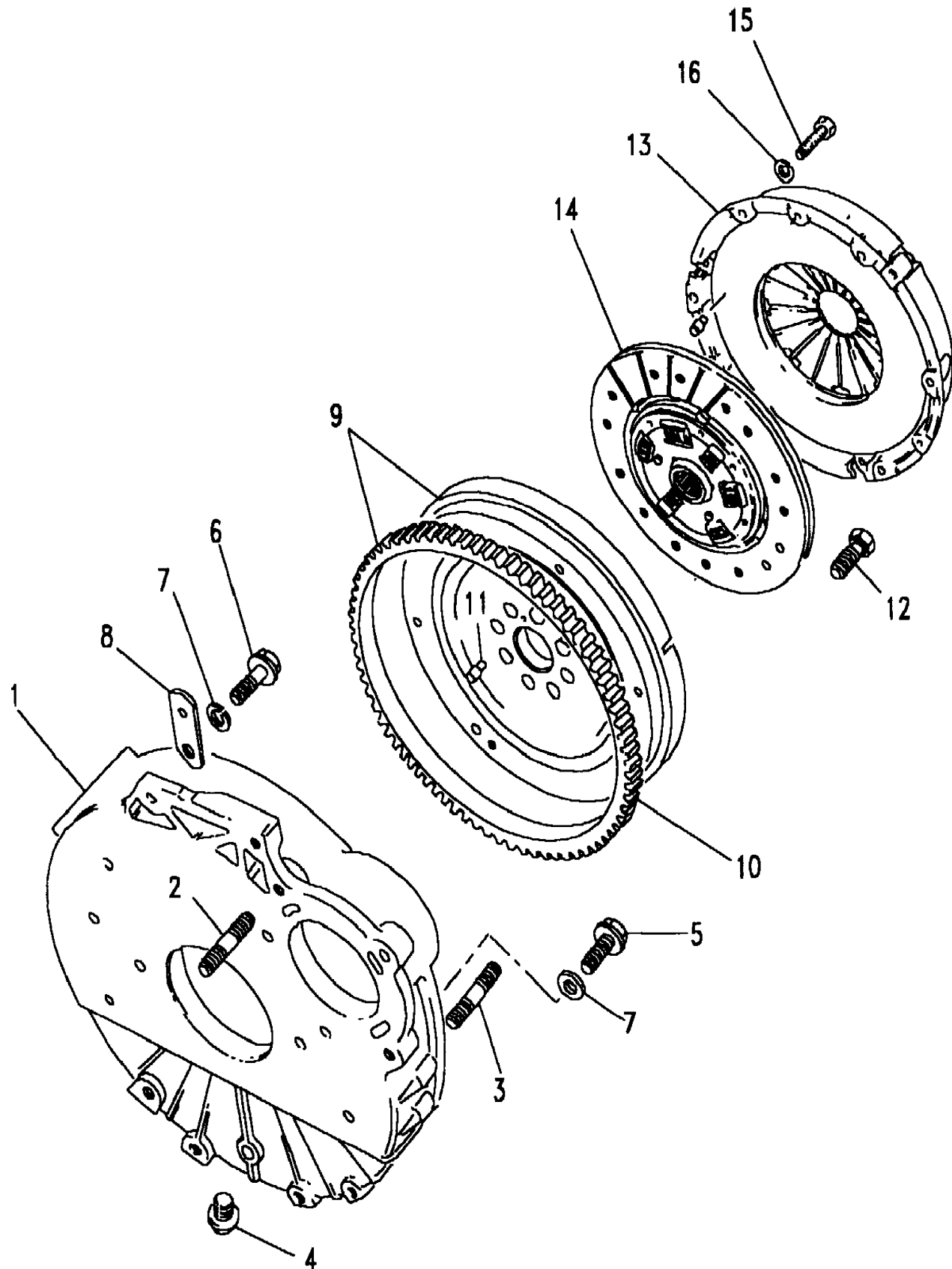
(BDBNRA1A)

Range Rover (From JA610294)

Engine
2500 - Diesel - Turbo - 300 Tdi
Flywheel & Clutch

2.5L TDi Turbo Diesel, Manual Transmission

Callout	Name	Application	Remarks & Restrictions	Service No.	Qty
14	Plate-clutch-driven	2.5 4 Cy 300TDi Diesel Turbo LR	(-) 200 TDI, (-) 14L 2.5 TDI Manual - Zircon	FTC4204	1
		2.5 4 Cy 300TDi Diesel Turbo LR	(-) 200 TDI, Also serviced as part of a kit, (-) 14L 2.5 TDI Manual - Zircon	FTC4204	1
		2.5 4 Cy 300TDi Diesel Turbo LR	(-) 200 TDI, Also serviced as part of a kit, (-) 14L 2.5 TDI Manual - Zircon	FTC2149	1
15	Bolt	2.5L 4 Cyl 300 TDi L/R Diesel, EGR	(-) 200 TDI, (-) 14L 2.5 TDI Manual - Zircon, M8 x 20	SX108201L	6
16	Washer	2.5L 4 Cyl 300 TDi L/R Diesel, EGR	(-) 200 TDI, M8, (-) 14L 2.5 TDI Manual - Zircon, sprung	WL108001L	6
[905]	Kit-clutch	2.5 4 Cy 300TDi Diesel Turbo LR	(-) 200 TDI, Also serviced as part of a kit, (-) 14L 2.5 TDI Manual - Zircon	STC50505	1
		2.5 4 Cy 300TDi Diesel Turbo LR	(-) 200 TDI, Also serviced as part of a kit, (-) 14L 2.5 TDI Manual - Zircon	STC8358	1
[906]	Sleeve-guide clutch	2.5 4 Cy 300TDi Diesel Turbo LR	(-) 200 TDI, Also serviced as part of a kit, (-) 14L 2.5 TDI Manual - Zircon	FRC4078	1



Engine
2500 - Diesel - Turbo - 300 Tdi
Front Cover 1/3

Range Rover (From JA610294)

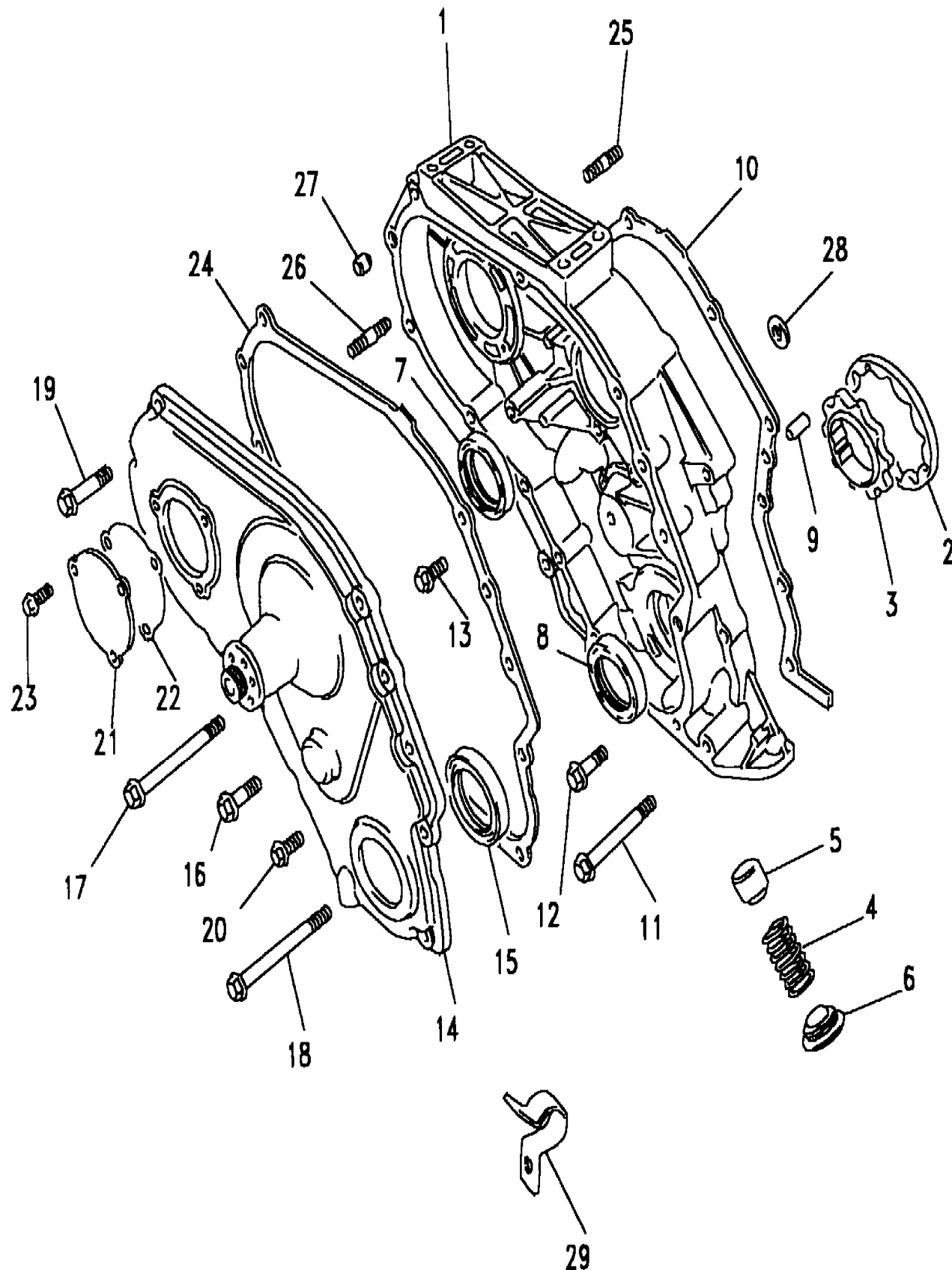
(BDBNEA1A)

Range Rover (From JA610294)

Engine
2500 - Diesel - Turbo - 300 Tdi
Front Cover

2.5L TDi Turbo Diesel

Callout	Name	Application	Remarks & Restrictions	Service No.	Qty
1	Cover-timing belt	2.5L 4 Cyl 300 TDi L/R Diesel	(-) 200 TDI, Also serviced as part of a kit, (-) 14L 2.5 TDI Manual - Zircon, Inner	ERR4664	1
2	Rotor-oil pump outer	2.5L 4 Cyl 300 TDi L/R Diesel	(-) 200 TDI, Also serviced as part of a kit, (-) 14L 2.5 TDI Manual - Zircon	ERR1040	1
3	Rotor-oil pump inner	2.5L 4 Cyl 300 TDi L/R Diesel	(-) 200 TDI, Also serviced as part of a kit, (-) 14L 2.5 TDI Manual - Zircon	ERR1041	1
4	Spring-oil pump relief valve	2.5L 4 Cyl 300 TDi L/R Diesel	(-) 200 TDI, Also serviced as part of a kit, (-) 14L 2.5 TDI Manual - Zircon	ERR1084	1
5	Plunger-oil pump relief valve	2.5L 4 Cyl 300 TDi L/R Diesel	(-) 200 TDI, Also serviced as part of a kit, (-) 14L 2.5 TDI Manual - Zircon	ERR1085	1
6	Plug	2.5L 4 Cyl 300 TDi L/R Diesel	(-) 200 TDI, Also serviced as part of a kit, (-) 14L 2.5 TDI Manual - Zircon	ERR1086	1
7	Seal-camshaft oil	2.5L 4 Cyl 300 TDi L/R Diesel	(-) 200 TDI, Also serviced as part of a kit, (-) 14L 2.5 TDI Manual - Zircon	ERR3356	1
8	Seal-crankshaft front oil	2.5L 4 Cyl 300 TDi L/R Diesel	(-) 200 TDI, Also serviced as part of a kit, (-) 14L 2.5 TDI Manual - Zircon, Inner	ERR4575	1
9	Dowel	2.5L 4 Cyl 300 TDi L/R Diesel	(-) 200 TDI, (-) 14L 2.5 TDI Manual - Zircon	6395L	4
10	Gasket-timing gear housing drain plate	2.5L 4 Cyl 300 TDi L/R Diesel	(-) 200 TDI, (-) 14L 2.5 TDI Manual - Zircon	ERR4860	1
11	Bolt	2.5L 4 Cyl 300 TDi L/R Diesel	(-) 200 TDI, to engine block, Diesel (-) 14L 2.5 TDI Manual - Zircon, Flanged Head, M8 x 80	FB108161L	2
12	Bolt	2.5L 4 Cyl 300 TDi L/R Diesel	(-) 200 TDI, to engine block, M8 X 35, (-) 14L 2.5 TDI Manual - Zircon, Flanged Head	FB108071L	3
13	Screw	2.5L 4 Cyl 300 TDi L/R Diesel	(-) 200 TDI, M8 x 25, (-) 14L 2.5 TDI Manual - Zircon, Flanged Head	FS108251L	5
		2.5L 4 Cyl 300 TDi L/R Diesel	(-) 200 TDI, M8 x 25, (-) 14L 2.5 TDI Manual - Zircon, Flanged Head	FS108257L	5
14	Cover-engine	2.5L 4 Cyl 300 TDi L/R Diesel	(-) 200 TDI, Also serviced as part of a kit, Front, (-) 14L 2.5 TDI Manual - Zircon	ERR4578	1



Engine
2500 - Diesel - Turbo - 300 Tdi
Front Cover 2/3

Range Rover (From JA610294)

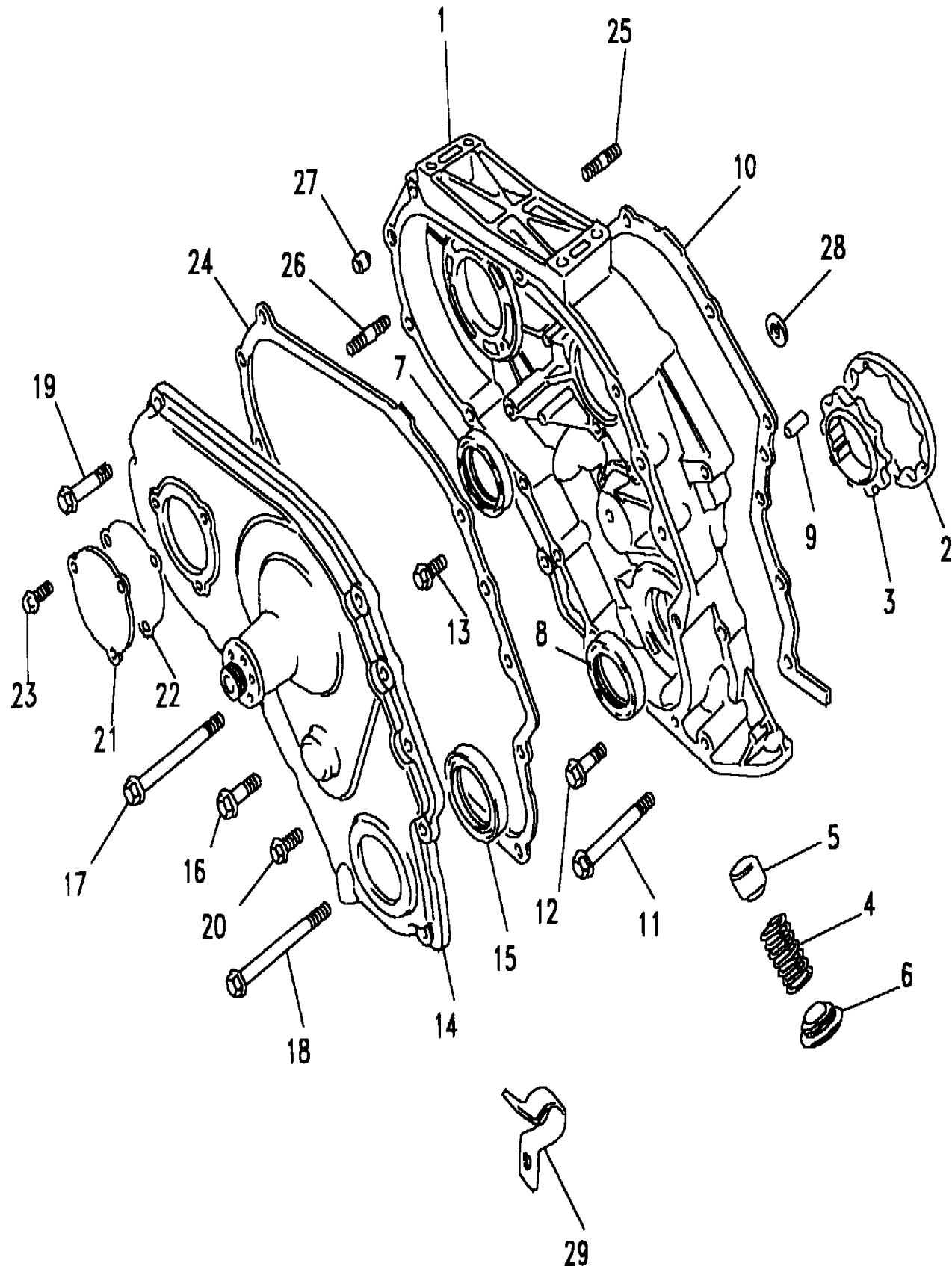
(BDBNEA1A)

Range Rover (From JA610294)

Engine
2500 - Diesel - Turbo - 300 Tdi
Front Cover

2.5L TDi Turbo Diesel

Callout	Name	Application	Remarks & Restrictions	Service No.	Qty
15	Seal-crankshaft front oil		(-) 200 TDI, Also serviced as part of a kit, Outer, (-) 14L 2.5 TDI Manual - Zircon	ERR4576	1
16	Bolt	2.5L 4 Cyl 300 TDi L/R Diesel	(-) 200 TDI, to engine block, M8 X 35, (-) 14L 2.5 TDI Manual - Zircon, Flanged Head	FB108071L	5
		2.5L 4 Cyl 300 TDi L/R Diesel	(-) 200 TDI, to engine block, (-) 14L 2.5 TDI Manual - Zircon, Flanged Head, M8 x 40	FB108081L	2
17	Bolt	2.5L 4 Cyl 300 TDi L/R Diesel	(-) 200 TDI, to engine block, (-) 14L 2.5 TDI Manual - Zircon, Flanged Head, M8 x 100	FB108201L	2
18	Bolt	2.5L 4 Cyl 300 TDi L/R Diesel	(-) 200 TDI, to engine block, (-) 14L 2.5 TDI Manual - Zircon, Flanged Head, M8 x 110	FB108221	2
19	Bolt	2.5L 4 Cyl 300 TDi L/R Diesel	(-) 200 TDI, to engine block, M8 x 50, (-) 14L 2.5 TDI Manual - Zircon, Flanged Head	FB108101	2
20	Screw	2.5L 4 Cyl 300 TDi L/R Diesel	(-) 200 TDI, to cover, M8 x 25, (-) 14L 2.5 TDI Manual - Zircon, Flanged Head	FS108251L	1
		2.5L 4 Cyl 300 TDi L/R Diesel	(-) 200 TDI, to cover, M8 x 25, (-) 14L 2.5 TDI Manual - Zircon, Flanged Head	FS108257L	1
21	Cover Plate	2.5L 4 Cyl 300 TDi L/R Diesel, Less Air Conditioning	(-) 200 TDI, (-) 14L 2.5 TDI Manual - Zircon	ERR1560	1
22	Gasket-front plate to timing chain cover	2.5L 4 Cyl 300 TDi L/R Diesel, Less Air Conditioning	(-) 200 TDI, (-) 14L 2.5 TDI Manual - Zircon	ERR1561	1
23	Screw-flanged head	2.5L 4 Cyl 300 TDi L/R Diesel, Less Air Conditioning	(-) 200 TDI, (-) 14L 2.5 TDI Manual - Zircon, Flanged Head, M8 x 12	FS108127L	3
24	Gasket-timing gear cover plate	2.5L 4 Cyl 300 TDi L/R Diesel	(-) 200 TDI, (-) 14L 2.5 TDI Manual - Zircon	ERR4120	1
		2.5L 4 Cyl 300 TDi L/R Diesel	(-) 200 TDI, (-) 14L 2.5 TDI Manual - Zircon	ERR7293	1
25	Stud	2.5L 4 Cyl 300 TDi L/R Diesel	(-) 200 TDI, M8 X 30, (-) 14L 2.5 TDI Manual - Zircon	TE108061L	3
26	Stud	2.5L 4 Cyl 300 TDi L/R Diesel	(-) 200 TDI, (-) 14L 2.5 TDI Manual - Zircon, M10 x 25	TE110051L	1
27	Dowel	2.5L 4 Cyl 300 TDi L/R Diesel	(-) 200 TDI, (-) 14L 2.5 TDI Manual - Zircon	ERR3286	2



Engine
2500 - Diesel - Turbo - 300 Tdi
Front Cover 3/3

Range Rover (From JA610294)

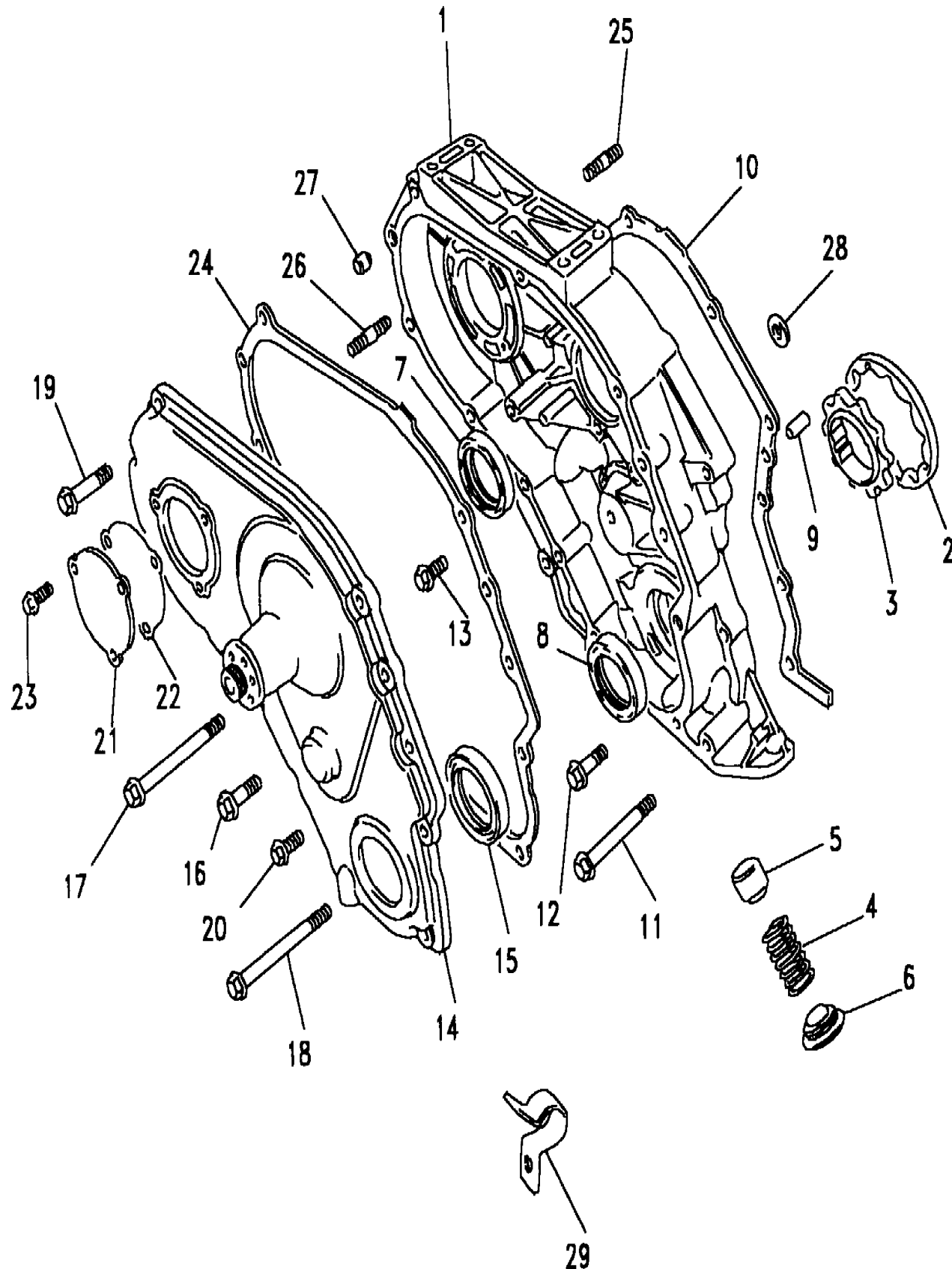
(BDBNEA1A)

Range Rover (From JA610294)

Engine
2500 - Diesel - Turbo - 300 Tdi
Front Cover

2.5L TDi Turbo Diesel

Callout	Name	Application	Remarks & Restrictions	Service No.	Qty
28	Washer-sealing	2.5L 4 Cyl 300 TDi L/R Diesel	(-) 200 TDI, (-) 14L 2.5 TDI Manual - Zircon	ERR2344	1
29	Clip-Hose	2.5L 4 Cyl 300 TDi L/R Diesel	(-) 200 TDI, (-) 14L 2.5 TDI Manual - Zircon	ERR4824	2
[902]	Rotor-oil pump outer	2.5L 4 Cyl 300 TDi L/R Diesel	(-) 200 TDI, Also serviced as part of a kit, (-) 14L 2.5 TDI Manual - Zircon	STC3407	1



Engine
2500 - Diesel - Turbo - 300 Tdi
Fuel Pump 1/1

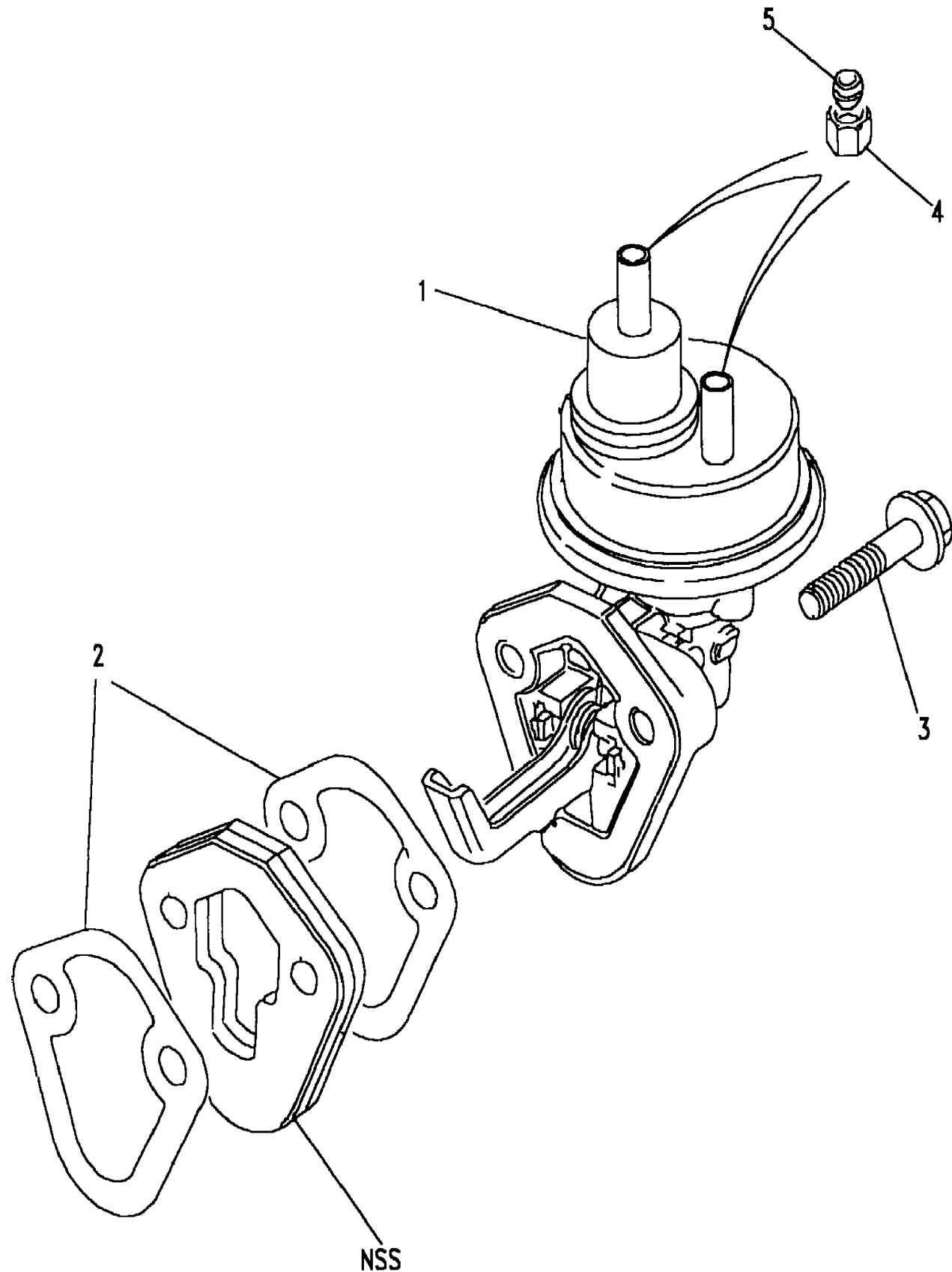
Range Rover (From JA610294)
(BDBNKA1A)

Range Rover (From JA610294)

Engine
2500 - Diesel - Turbo - 300 Tdi
Fuel Pump

2.5L TDi Turbo Diesel

Callout	Name	Application	Remarks & Restrictions	Service No.	Qty
1	Pump-fuel mechanical	2.5L 4 Cyl 300 TDi L/R Diesel	(-) 200 TDI, (-) 14L 2.5 TDI Manual - Zircon	ERR5057	1
2	Gasket-fuel lift pump	2.5L 4 Cyl 300 TDi L/R Diesel	(-) 200 TDI, (-) 14L 2.5 TDI Manual - Zircon	ERR2028	1
3	Screw	2.5L 4 Cyl 300 TDi L/R Diesel	(-) 200 TDI, M8 X 30, (-) 14L 2.5 TDI Manual - Zircon, Flanged Head	FS108301L	2
		2.5L 4 Cyl 300 TDi L/R Diesel	(-) 200 TDI, M8 X 30, (-) 14L 2.5 TDI Manual - Zircon, Flanged Head	FS108307L	2
4	Nut-tube-female	2.5L 4 Cyl 300 TDi L/R Diesel	(-) 200 TDI, M12, (-) 14L 2.5 TDI Manual - Zircon	NRC9770	2
5	Olive	2.5L 4 Cyl 300 TDi L/R Diesel	(-) 200 TDI, (-) 14L 2.5 TDI Manual - Zircon	NRC9771	2



Engine
2500 - Diesel - Turbo - 300 Tdi
Injection Pump 1/2

Range Rover (From JA610294)

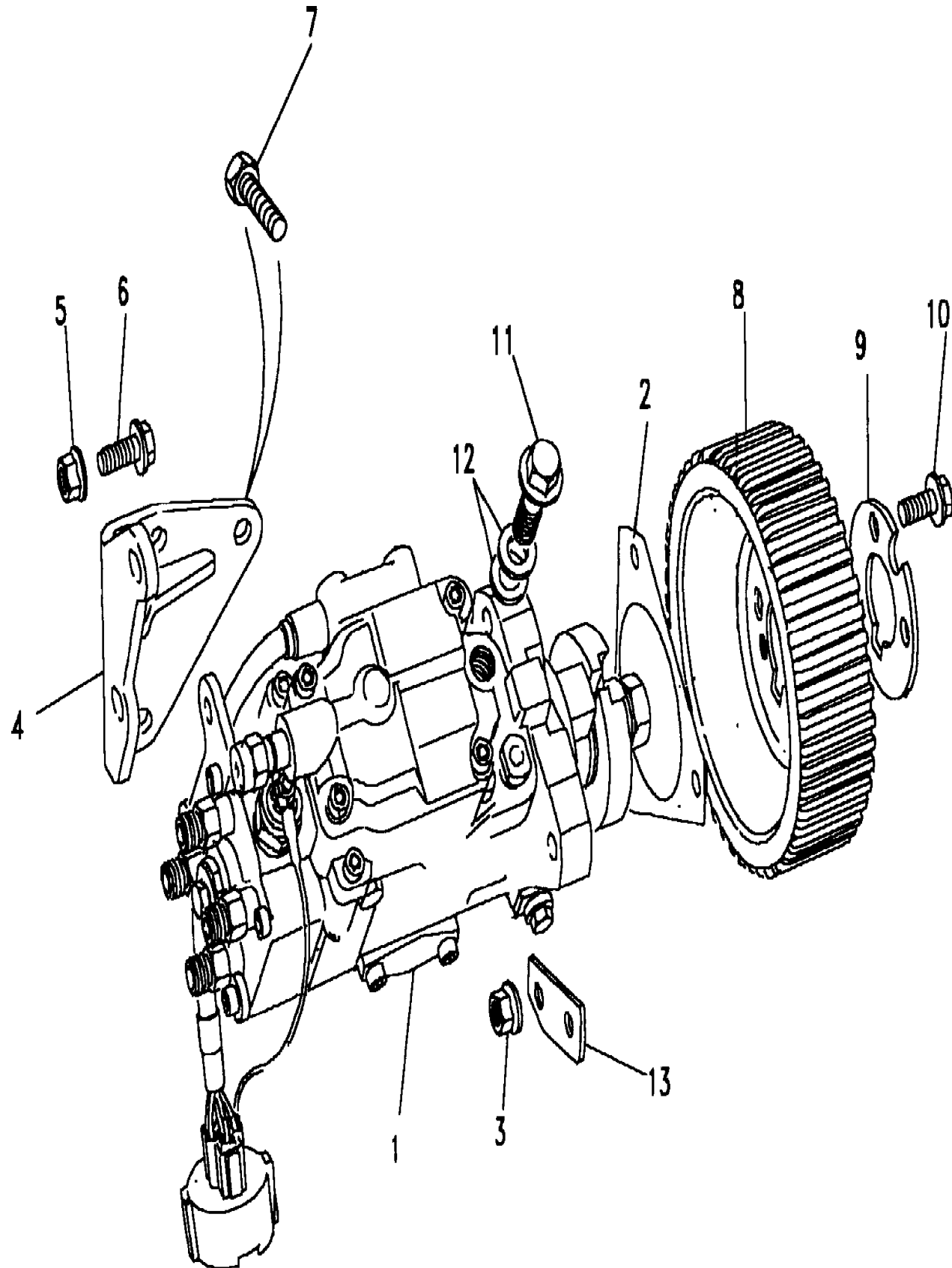
(BDBNKC1A)

Range Rover (From JA610294)

Engine
2500 - Diesel - Turbo - 300 Tdi
Injection Pump

2.5L TDi Turbo Diesel

Callout	Name	Application	Remarks & Restrictions	Service No.	Qty
1	Pump-fuel injection	2.5L 4 Cyl 300 TDi, Detoxed	(-) 200 TDI, Also serviced as part of a kit, (-) 14L 2.5 TDI Manual - Zircon, New	ERR4419	1
		2.5 4 Cyl 300 Series/TDI Diesel, Detoxed	(-) 200 TDI, Also serviced as part of a kit, (-) 14L 2.5 TDI Manual - Zircon, exchange	ERR4419E	1
		2.5 4 Cyl 300 Series/TDI Diesel, EDC	(-) 200 TDI, Also serviced as part of a kit, (-) 14L 2.5 TDI Manual - Zircon, New	ERR3336	1
		2.5 4 Cyl 300 Series/TDI Diesel, EDC	(-) 200 TDI, Also serviced as part of a kit, (-) 14L 2.5 TDI Manual - Zircon, exchange	ERR3336E	1
		2.5L 4 Cyl 300 TDi L/R Diesel, EGR	(-) 200 TDI, Also serviced as part of a kit, (-) 14L 2.5 TDI Manual - Zircon, New	ERR4046	1
		2.5L 4 Cyl 300 TDi L/R Diesel, EGR	(-) 200 TDI, Also serviced as part of a kit, (-) 14L 2.5 TDI Manual - Zircon, exchange	ERR4046E	1
2	Gasket-injection pump-diesel engine	2.5L 4 Cyl 300 TDi L/R Diesel	(-) 200 TDI, (-) 14L 2.5 TDI Manual - Zircon	ERR2023	1
3	Nut - Hex.	2.5L 4 Cyl 300 TDi L/R Diesel	(-) 200 TDI, M8, (-) 14L 2.5 TDI Manual - Zircon, flange	FN108041L	3
4	Bracket-injection pump diesel	2.5L 4 Cyl 300 TDi L/R Diesel, Manual Transmission	(-) 200 TDI, (-) 14L 2.5 TDI Manual - Zircon	ERR4725	1
		2.5L 4 Cyl 300 TDi L/R Diesel, Manual Transmission	(-) 200 TDI, (-) 14L 2.5 TDI Manual - Zircon	ERR6835	1
		2.5L 4 Cyl 300 TDi L/R Diesel, Automatic Transmission	(-) 200 TDI, (-) 14L 2.5 TDI Manual - Zircon	ERR1604	1
5	Nut - Hex.	2.5L 4 Cyl 300 TDi L/R Diesel	(-) 200 TDI, M8, (-) 14L 2.5 TDI Manual - Zircon, flange	FN108041L	2
6	Screw	2.5L 4 Cyl 300 TDi L/R Diesel	(-) 200 TDI, (-) 14L 2.5 TDI Manual - Zircon, Flanged Head, M8 x 20	FS108201L	2
		2.5L 4 Cyl 300 TDi L/R Diesel, Automatic Transmission	(-) 200 TDI, M6 X 20, (-) 14L 2.5 TDI Manual - Zircon, Flanged Head	FS106207L	1
7	Bolt	2.5L 4 Cyl 300 TDi L/R Diesel	(-) 200 TDI, M8 x 50, (-) 14L 2.5 TDI Manual - Zircon, Flanged Head	FB108101	3
8	Pulley-camshaft	2.5L 4 Cyl 300 TDi L/R Diesel	(-) 200 TDI, (-) 14L 2.5 TDI Manual - Zircon	ERR3545	1
9	Plate-camshaft pulley retaining	2.5L 4 Cyl 300 TDi L/R Diesel	(-) 200 TDI, (-) 14L 2.5 TDI Manual - Zircon	ERR2216	1
10	Screw	2.5L 4 Cyl 300 TDi L/R Diesel	(-) 200 TDI, pulley to pump, M8 X 16, (-) 14L 2.5 TDI Manual - Zircon, Flanged Head	FS108161L	3



Engine
2500 - Diesel - Turbo - 300 Tdi
Injection Pump 2/2

Range Rover (From JA610294)

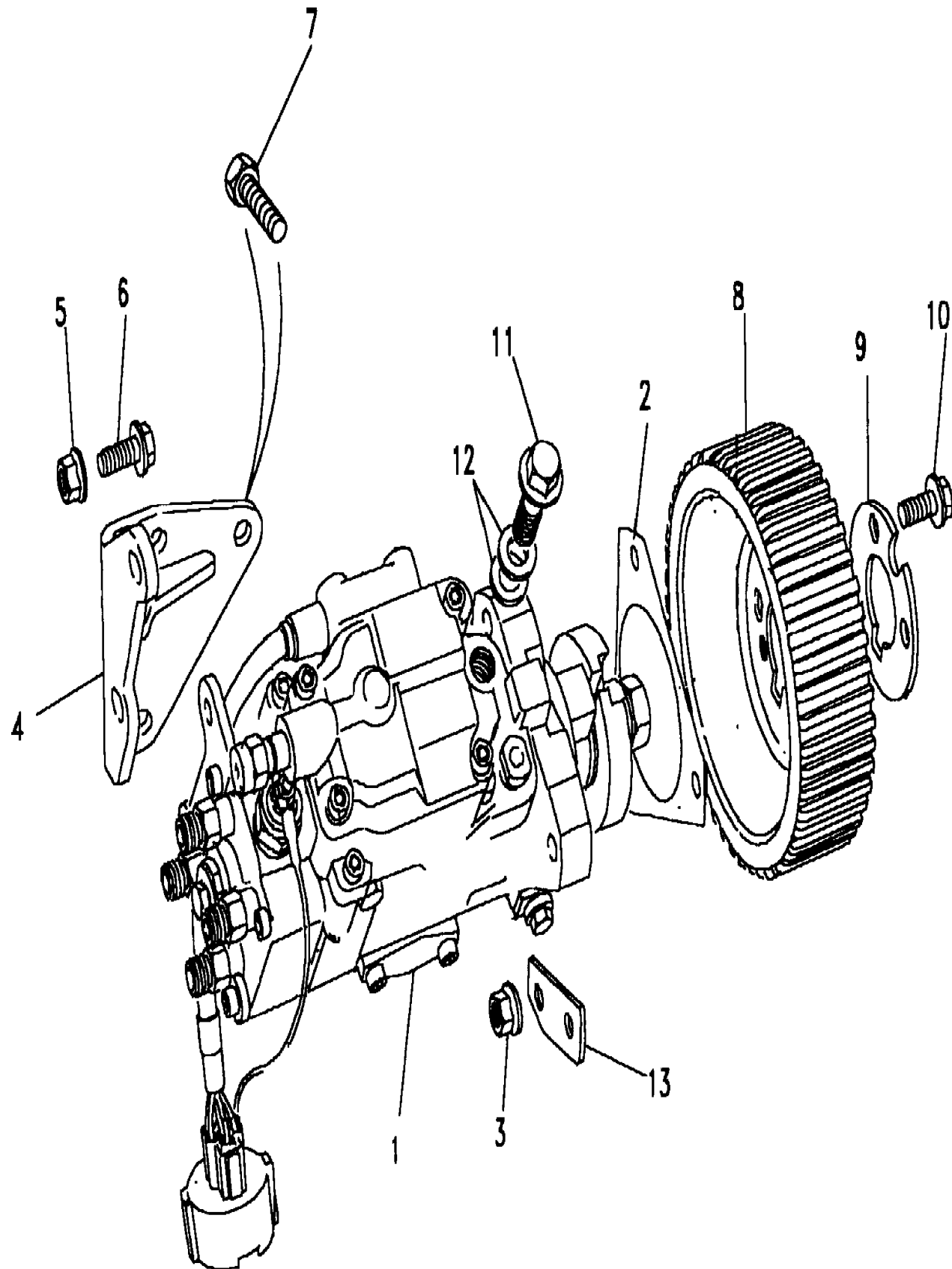
(BDBNKC1A)

Range Rover (From JA610294)

Engine
2500 - Diesel - Turbo - 300 Tdi
Injection Pump

2.5L TDi Turbo Diesel

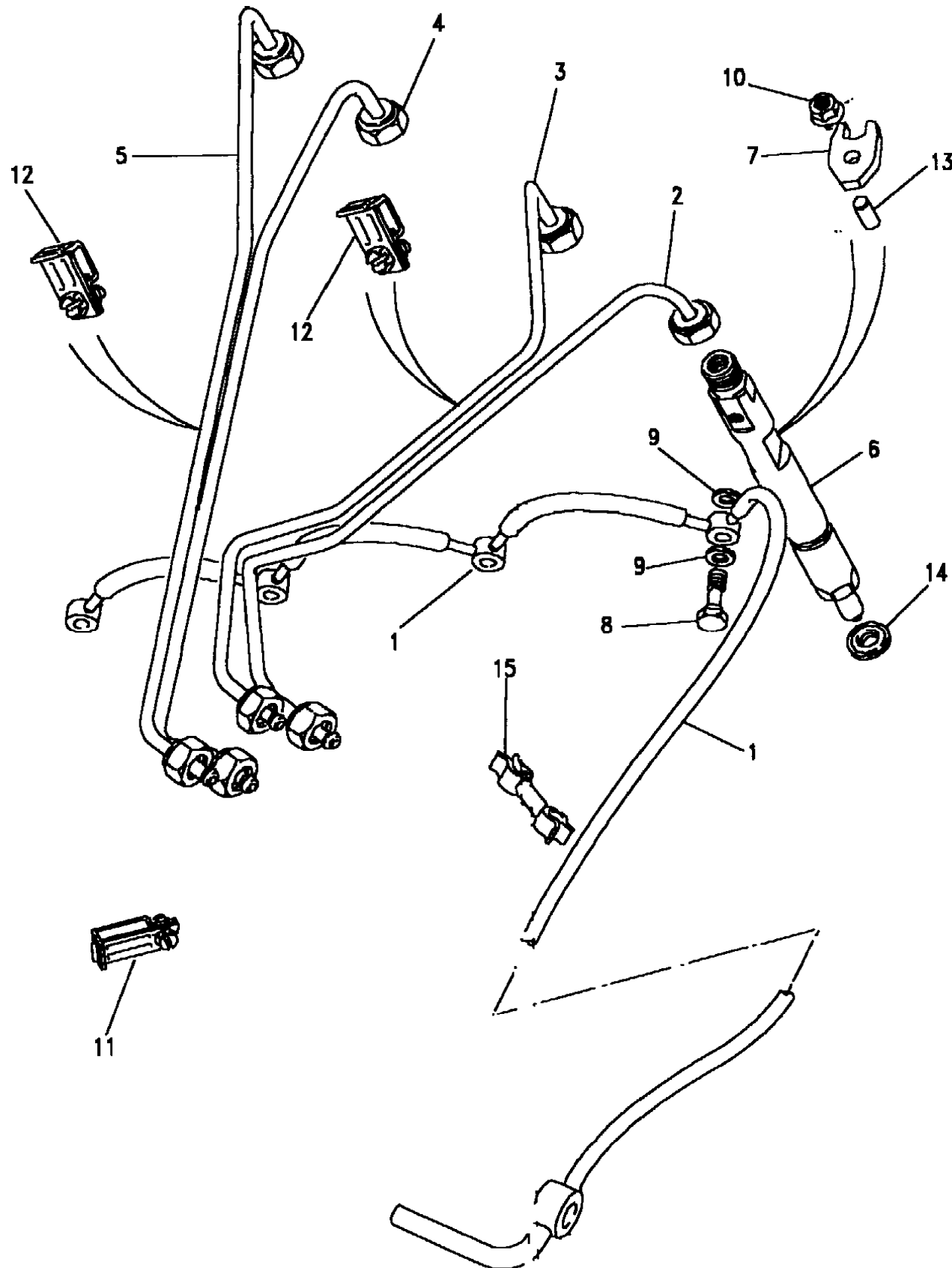
Callout	Name	Application	Remarks & Restrictions	Service No.	Qty
11	Bolt-banjo	2.5L 4 Cyl 300 TDi L/R Diesel	(-) 200 TDI, (-) 14L 2.5 TDI Manual - Zircon	ERR886	1
12	Washer-sealing	2.5L 4 Cyl 300 TDi L/R Diesel	(-) 200 TDI, (-) 14L 2.5 TDI Manual - Zircon	ERR894	2
13	Bracket Harness	2.5L 4 Cyl 300 TDi L/R Diesel	(-) 200 TDI, (-) 14L 2.5 TDI Manual - Zircon	ERC9404	1
14	Bolt	2.5L 4 Cyl 300 TDi L/R Diesel	(-) 200 TDI, M8 x 25, (-) 14L 2.5 TDI Manual - Zircon, Flanged Head	FB108051	3
15	Washer-sealing	2.5L 4 Cyl 300 TDi L/R Diesel	(-) 200 TDI, (-) 14L 2.5 TDI Manual - Zircon	ERR894	2
16	Bolt-banjo	2.5L 4 Cyl 300 TDi L/R Diesel	(-) 200 TDI, (-) 14L 2.5 TDI Manual - Zircon	ERR1125	1
17	Lever-kickdown automatic transmission	2.5L 4 Cyl 300 TDi L/R Diesel, Automatic Transmission	(-) 200 TDI, (-) 14L 2.5 TDI Manual - Zircon	ERR4897	1
18	Bolt	2.5L 4 Cyl 300 TDi L/R Diesel, Automatic Transmission	(-) 200 TDI, (-) 14L 2.5 TDI Manual - Zircon, Flanged Head, M6 x 60	FB106121L	1
19	Screw	2.5L 4 Cyl 300 TDi L/R Diesel, Automatic Transmission	(-) 200 TDI, M6 X 20, (-) 14L 2.5 TDI Manual - Zircon, Flanged Head	FS106201L	1
[903]	Switch-electronic diesel control	2.5L 4 Cyl 300 TDi, Detoxed	(-) 200 TDI, Also serviced as part of a kit, (-) 14L 2.5 TDI Manual - Zircon	RTC6702	1
[904]	Bolt-banjo fuel lines	2.5L 4 Cyl 300 TDi, Detoxed	(-) 200 TDI, Also serviced as part of a kit, (-) 14L 2.5 TDI Manual - Zircon	STC3597	1
[905]	Potentiometer-throttle diesel	2.5L 4 Cyl 300 TDi, Detoxed	(-) 200 TDI, Also serviced as part of a kit, (-) 14L 2.5 TDI Manual - Zircon	STC3624	1



Engine
2500 - Diesel - Turbo - 300 Tdi
Injectors & Pipes 1/2

Range Rover (From JA610294)

(BDBNKE1A)



Range Rover (From JA610294)

Engine
2500 - Diesel - Turbo - 300 Tdi
Injectors & Pipes

2.5L TDi Turbo Diesel

Callout	Name	Application	Remarks & Restrictions	Service No.	Qty
1	Pipe-spill return fuel injection	2.5L 4 Cyl 300 TDi L/R Diesel	(-) 200 TDI, (-) 14L 2.5 TDI Manual - Zircon	MJN100910	1
2	Pipe-cylinder 1-high pressure fuel injection	2.5L 4 Cyl 300 TDi L/R Diesel, Less EDC	(-) 200 TDI, (-) 14L 2.5 TDI Manual - Zircon	STC1694	1
		2.5 4 Cyl 300 Series/TDI Diesel, EDC	(-) 200 TDI, (-) 14L 2.5 TDI Manual - Zircon	STC1698	1
3	Pipe-cylinder 2-high pressure fuel injection	2.5L 4 Cyl 300 TDi L/R Diesel, Less EDC	(-) 200 TDI, (-) 14L 2.5 TDI Manual - Zircon	STC1695	1
		2.5 4 Cyl 300 Series/TDI Diesel, EDC	(-) 200 TDI, (-) 14L 2.5 TDI Manual - Zircon	STC1699	1
4	Pipe-cylinder 3-high pressure fuel injection	2.5L 4 Cyl 300 TDi L/R Diesel, Less EDC	(-) 200 TDI, (-) 14L 2.5 TDI Manual - Zircon	STC1696	1
		2.5 4 Cyl 300 Series/TDI Diesel, EDC	(-) 200 TDI, (-) 14L 2.5 TDI Manual - Zircon	STC1700	1
5	Pipe-cylinder 4-high pressure fuel injection	2.5L 4 Cyl 300 TDi L/R Diesel, Less EDC	(-) 200 TDI, (-) 14L 2.5 TDI Manual - Zircon	STC1697	1
		2.5 4 Cyl 300 Series/TDI Diesel, EDC	(-) 200 TDI, (-) 14L 2.5 TDI Manual - Zircon	STC1701	1
6	Injector assembly-diesel holder & nozzle	2.5 4 Cyl 300 Series/TDI Diesel, EGR	(-) 200 TDI, (-) 14L 2.5 TDI Manual - Zircon, New	ERR3339	4
		2.5L 4 Cyl 300 Series Turbo Die, Detoxed	(-) 200 TDI, (-) 14L 2.5 TDI Manual - Zircon, New	ERR3337	1
		2.5L 4 Cyl 300 Series Turbo Die, EDC	(-) 200 TDI, (-) 14L 2.5 TDI Manual - Zircon, New	ERR3348	3
		2.5L 4 Cyl 300 Series Turbo Die, EDC	(-) 200 TDI, (-) 14L 2.5 TDI Manual - Zircon, exchange	ERR3348E	1
7	Clamp fuel injector	2.5L 4 Cyl 300 TDi L/R Diesel	(-) 200 TDI, (-) 14L 2.5 TDI Manual - Zircon	ERR3780	4
8	Bolt-banjo	2.5L 4 Cyl 300 TDi L/R Diesel	(-) 200 TDI, (-) 14L 2.5 TDI Manual - Zircon, 6MM	ERR1200	4
		2.5L 4 Cyl 300 TDi L/R Diesel	(-) 200 TDI, Also serviced as part of a kit, (-) 14L 2.5 TDI Manual - Zircon	STC3297	1
9	Washer-sealing	2.5L 4 Cyl 300 TDi L/R Diesel	(-) 200 TDI, diesel injector spill return pipe banjo, (-) 14L 2.5 TDI Manual - Zircon	232042	8
10	Nut - Hex.	2.5L 4 Cyl 300 TDi L/R Diesel	(-) 200 TDI, M8, (-) 14L 2.5 TDI Manual - Zircon, flange	FN108041L	4
11	Clip-Pipe	2.5L 4 Cyl 300 TDi L/R Diesel	(-) 200 TDI, (-) 14L 2.5 TDI Manual - Zircon	STC1738	2
12	Clip-Pipe	2.5L 4 Cyl 300 TDi L/R Diesel	(-) 200 TDI, (-) 14L 2.5 TDI Manual - Zircon	STC1739	2

Engine
2500 - Diesel - Turbo - 300 Tdi
Injectors & Pipes 2/2

Range Rover (From JA610294)

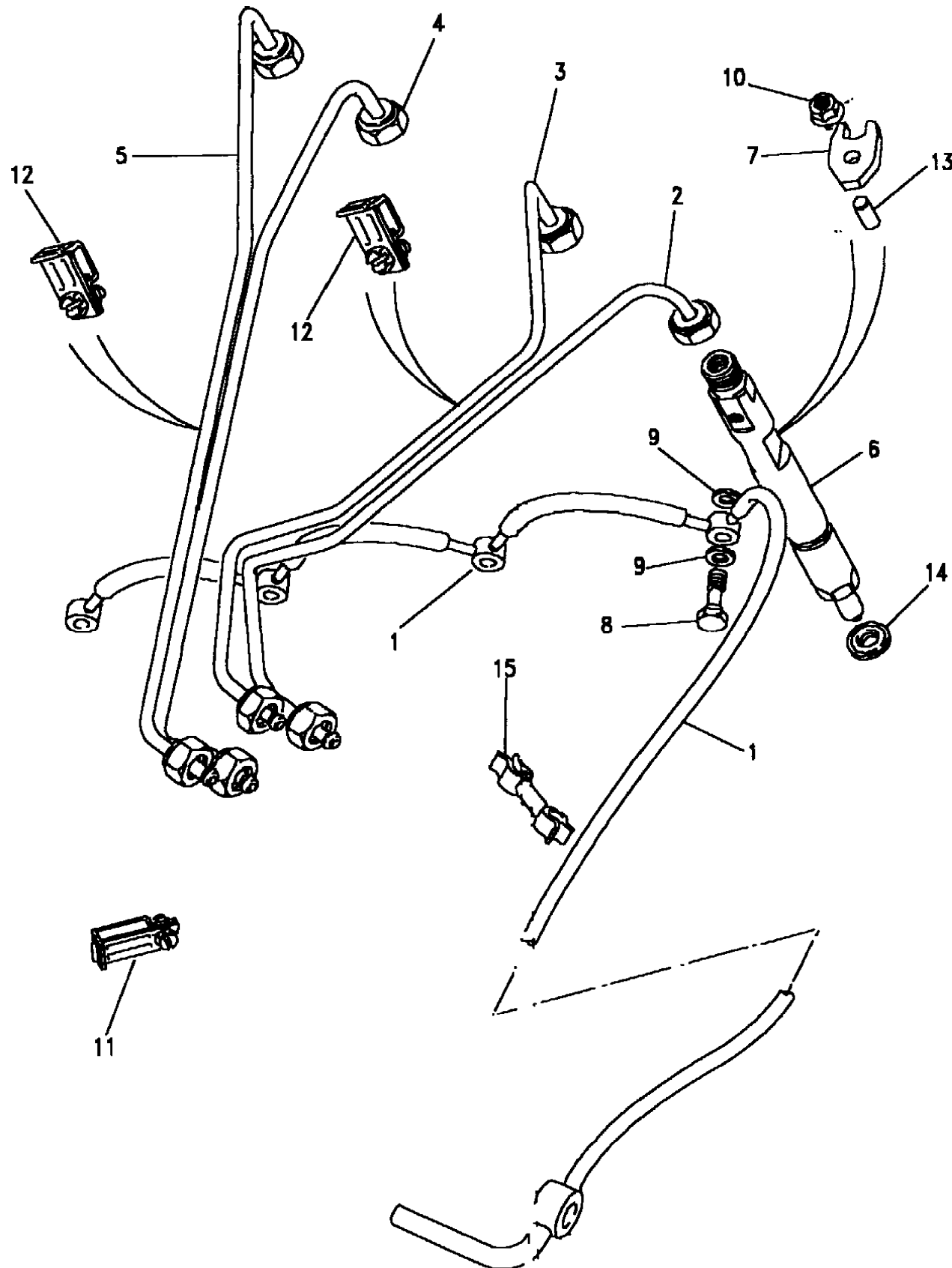
(BDBNKE1A)

Range Rover (From JA610294)

Engine
2500 - Diesel - Turbo - 300 Tdi
Injectors & Pipes

2.5L TDi Turbo Diesel

Callout	Name	Application	Remarks & Restrictions	Service No.	Qty
13	Pin-roll-spring tension	2.5L 4 Cyl 300 TDi L/R Diesel	(-) 200 TDI, (-) 14L 2.5 TDI Manual - Zircon	ERR3468	4
14	Washer-sealing	2.5L 4 Cyl 300 TDi L/R Diesel	(-) 200 TDI, diesel injector to cylinder head, (-) 14L 2.5 TDI Manual - Zircon	ERR4621	4
15	Clip-cable	2.5L 4 Cyl 300 TDi L/R Diesel	(-) 200 TDI, (-) 14L 2.5 TDI Manual - Zircon	DCP7384L	1



Engine
2500 - Diesel - Turbo - 300 Tdi
Jet Adaptors 1/1

Range Rover (From JA610294)

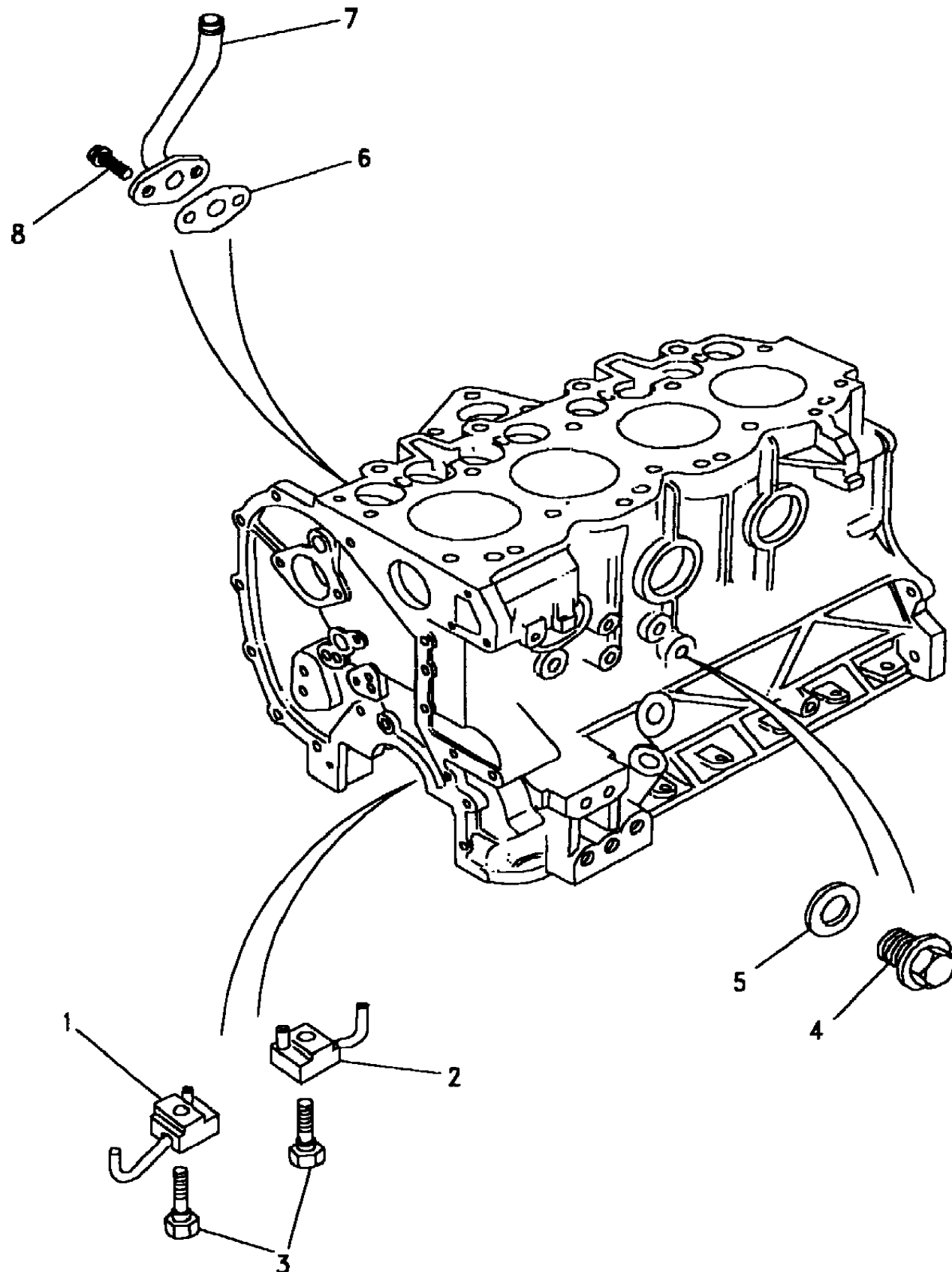
(BDBNBA2A)

Range Rover (From JA610294)

Engine
2500 - Diesel - Turbo - 300 Tdi
Jet Adaptors

2.5L TDi Turbo Diesel

Callout	Name	Application	Remarks & Restrictions	Service No.	Qty
1	Jet assembly-piston cooling	2.5L 4 Cyl 300 TDi L/R Diesel	(-) 200 TDI, (-) 14L 2.5 TDI Manual - Zircon, No1, No3	ETC6531	2
2	Jet assembly-piston cooling	2.5L 4 Cyl 300 TDi L/R Diesel	(-) 200 TDI, (-) 14L 2.5 TDI Manual - Zircon, No2, No4	ETC6532	2
3	Valve-bearing housing jet	2.5L 4 Cyl 300 TDi L/R Diesel	(-) 200 TDI, (-) 14L 2.5 TDI Manual - Zircon	ETC5592	4
4	Plug-Drain	2.5L 4 Cyl 300 TDi L/R Diesel	(-) 200 TDI, (-) 14L 2.5 TDI Manual - Zircon	ERC9410	1
5	Washer-ump assembly drain plug	2.5L 4 Cyl 300 TDi L/R Diesel	(-) 200 TDI, (-) 14L 2.5 TDI Manual - Zircon	AFU1882L	1
6	Pipe-oil drain turbocharger	2.5L 4 Cyl 300 TDi L/R Diesel	(-) 200 TDI, (-) 14L 2.5 TDI Manual - Zircon	ERR1094	1
7	Gasket-external drain pipe	2.5L 4 Cyl 300 TDi L/R Diesel	(-) 200 TDI, (-) 14L 2.5 TDI Manual - Zircon	ERR1653	1
8	Screw	2.5L 4 Cyl 300 TDi L/R Diesel	(-) 200 TDI, (-) 14L 2.5 TDI Manual - Zircon, Flanged Head, M8 x 20	FS108201L	2



Engine
2500 - Diesel - Turbo - 300 Tdi
Manifolds 1/2

Range Rover (From JA610294)

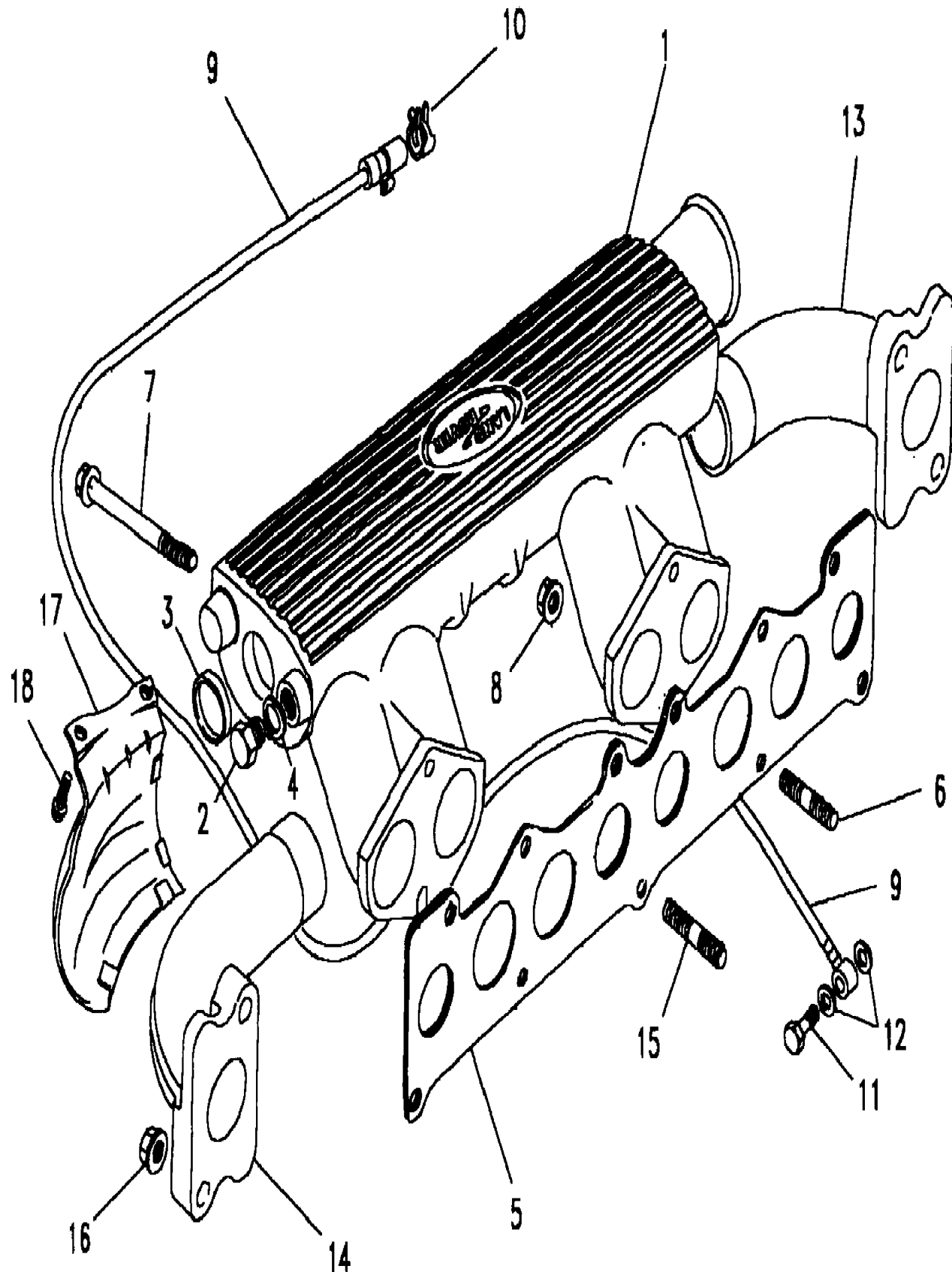
(BDBNHA1A)

Range Rover (From JA610294)

Engine
2500 - Diesel - Turbo - 300 Tdi
Manifolds

2.5L TDi Turbo Diesel

Callout	Name	Application	Remarks & Restrictions	Service No.	Qty
1	Manifold-engine inlet	2.5 4 Cyl 300 Series/TDi Diesel, EDC 2.5L 4 Cyl 300 TDi L/R Diesel, Less EDC	(-) 200 TDI, (-) 14L 2.5 TDI Manual - Zircon (-) 200 TDI, (-) 14L 2.5 TDI Manual - Zircon	ERR3481 ERR2284	1 1
2	Plug-Drain	2.5L 4 Cyl 300 TDi L/R Diesel	(-) 200 TDI, (-) 14L 2.5 TDI Manual - Zircon	ETC5577	1
3	Plug-core	2.5L 4 Cyl 300 TDi L/R Diesel	(-) 200 TDI, (-) 14L 2.5 TDI Manual - Zircon	524765	1
4	Washer-sealing	2.5L 4 Cyl 300 TDi L/R Diesel	(-) 200 TDI, (-) 14L 2.5 TDI Manual - Zircon	ERR894	1
5	Gasket-inlet manifold	2.5L 4 Cyl 300 TDi L/R Diesel	(-) 200 TDI, (-) 14L 2.5 TDI Manual - Zircon	ERR3785	1
6	Stud	2.5L 4 Cyl 300 TDi L/R Diesel	(-) 200 TDI, M8 x 25, (-) 14L 2.5 TDI Manual - Zircon	TE108051L	2
7	Bolt	2.5L 4 Cyl 300 TDi L/R Diesel	(-) 200 TDI, Long, (-) 14L 2.5 TDI Manual - Zircon, Flanged Head, M8 x 85	FB108171L	2
8	Nut - Hex.	2.5L 4 Cyl 300 TDi L/R Diesel	(-) 200 TDI, M8, (-) 14L 2.5 TDI Manual - Zircon, flange	FN108041L	2
9	Pipe boost control	2.5L 4 Cyl 300 TDi L/R Diesel, Less EDC 2.5 4 Cyl 300 Series/TDi Diesel, EDC	(-) 200 TDI, Also serviced as part of a kit, (-) 14L 2.5 TDI Manual - Zircon (-) 200 TDI, Also serviced as part of a kit, (-) 14L 2.5 TDI Manual - Zircon	ERR4699 ERR4700	1 1
10	Clip-Hose	2.5 4 Cyl 300 Series/TDi Diesel, EDC	(-) 200 TDI, Also serviced as part of a kit, (-) 14L 2.5 TDI Manual - Zircon	UKC3803L	1
11	Bolt-banjo	2.5L 4 Cyl 300 TDi L/R Diesel	(-) 200 TDI, (-) 14L 2.5 TDI Manual - Zircon	ERR886	1
12	Washer-sealing	2.5L 4 Cyl 300 TDi L/R Diesel	(-) 200 TDI, (-) 14L 2.5 TDI Manual - Zircon	273069	2
13	Manifold-engine exhaust	2.5L 4 Cyl 300 TDi L/R Diesel	(-) 200 TDI, (-) 14L 2.5 TDI Manual - Zircon, LH	ERR4000	1
14	Manifold-engine exhaust	2.5L 4 Cyl 300 TDi L/R Diesel	(-) 200 TDI, RH, (-) 14L 2.5 TDI Manual - Zircon	ERR4001	1
15	Stud	2.5L 4 Cyl 300 TDi L/R Diesel	(-) 200 TDI, (-) 14L 2.5 TDI Manual - Zircon, M10 x 35	TE110071L	7
16	Nut-flange	2.5L 4 Cyl 300 TDi L/R Diesel	(-) 200 TDI, M10, (-) 14L 2.5 TDI Manual - Zircon	FX110041L	7
17	Heatshield-exhaust manifold	2.5L 4 Cyl 300 TDi L/R Diesel	(-) 200 TDI, (-) 14L 2.5 TDI Manual - Zircon	ESR2422	1



Engine
2500 - Diesel - Turbo - 300 Tdi
Manifolds 2/2

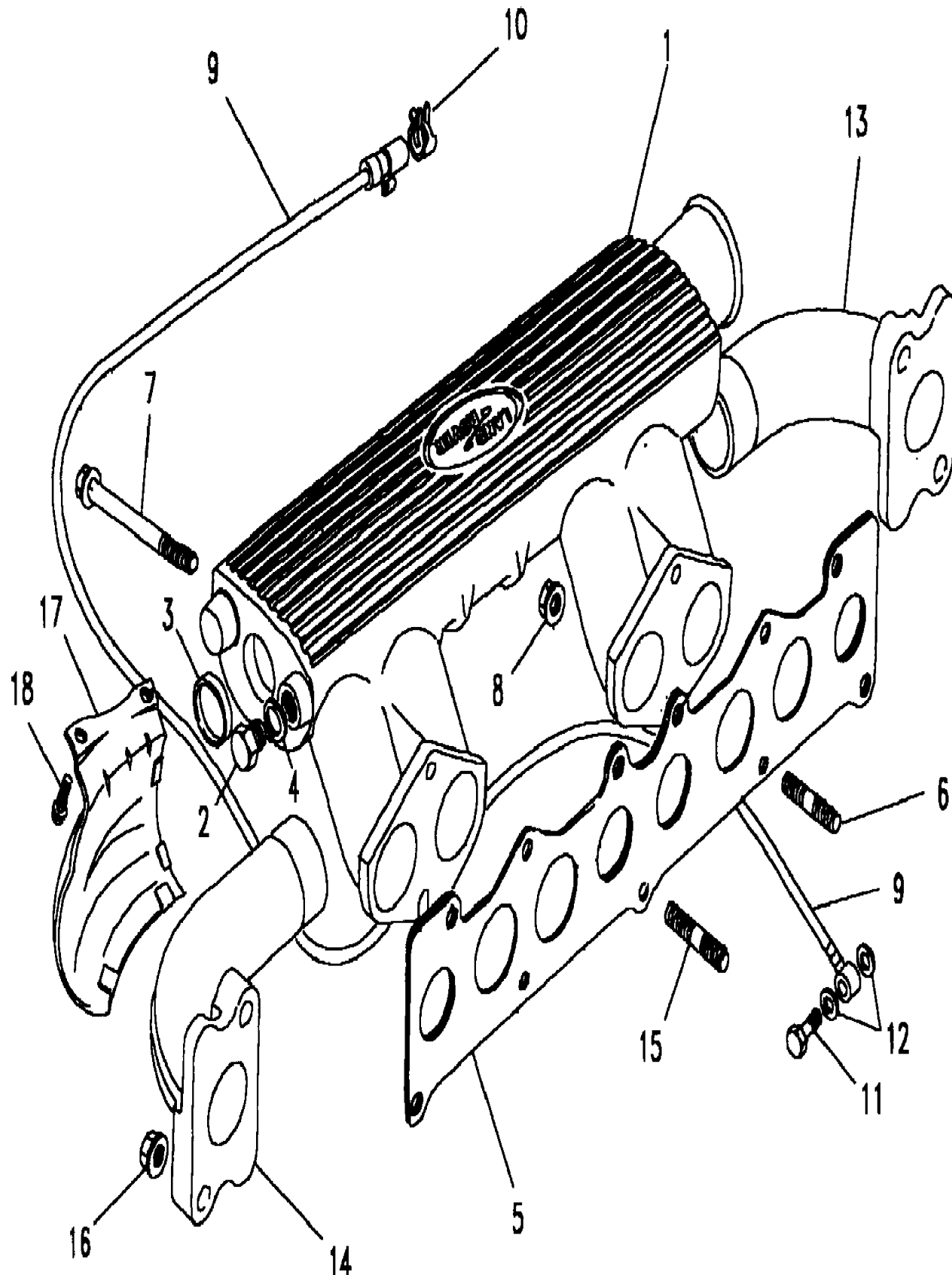
Range Rover (From JA610294)
(BDBNHA1A)

Range Rover (From JA610294)

Engine
2500 - Diesel - Turbo - 300 Tdi
Manifolds

2.5L TDi Turbo Diesel

Callout	Name	Application	Remarks & Restrictions	Service No.	Qty
18	Screw	2.5L 4 Cyl 300 TDi L/R Diesel	(-) 200 TDI, M5 X 10, (-) 14L 2.5 TDI Manual - Zircon, hexagonal head	FS105107	2
[901]	Actuator-waste gate turbocharger	2.5L 4 Cyl 300 TDi L/R Diesel	(-) 200 TDI, Also serviced as part of a kit, (-) 14L 2.5 TDI Manual - Zircon	STC3084	1
[902]	Clip	2.5L 4 Cyl 300 TDi L/R Diesel	(-) 200 TDI, Also serviced as part of a kit, (-) 14L 2.5 TDI Manual - Zircon	STC3592	1
[906]	Turbocharger assembly	2.5L 4 Cyl 300 TDi L/R Diesel	(-) 200 TDI, Also serviced as part of a kit, (-) 14L 2.5 TDI Manual - Zircon, New	ERR4802	1



Engine
2500 - Diesel - Turbo - 300 Tdi
Oil Filter 1/1

Range Rover (From JA610294)

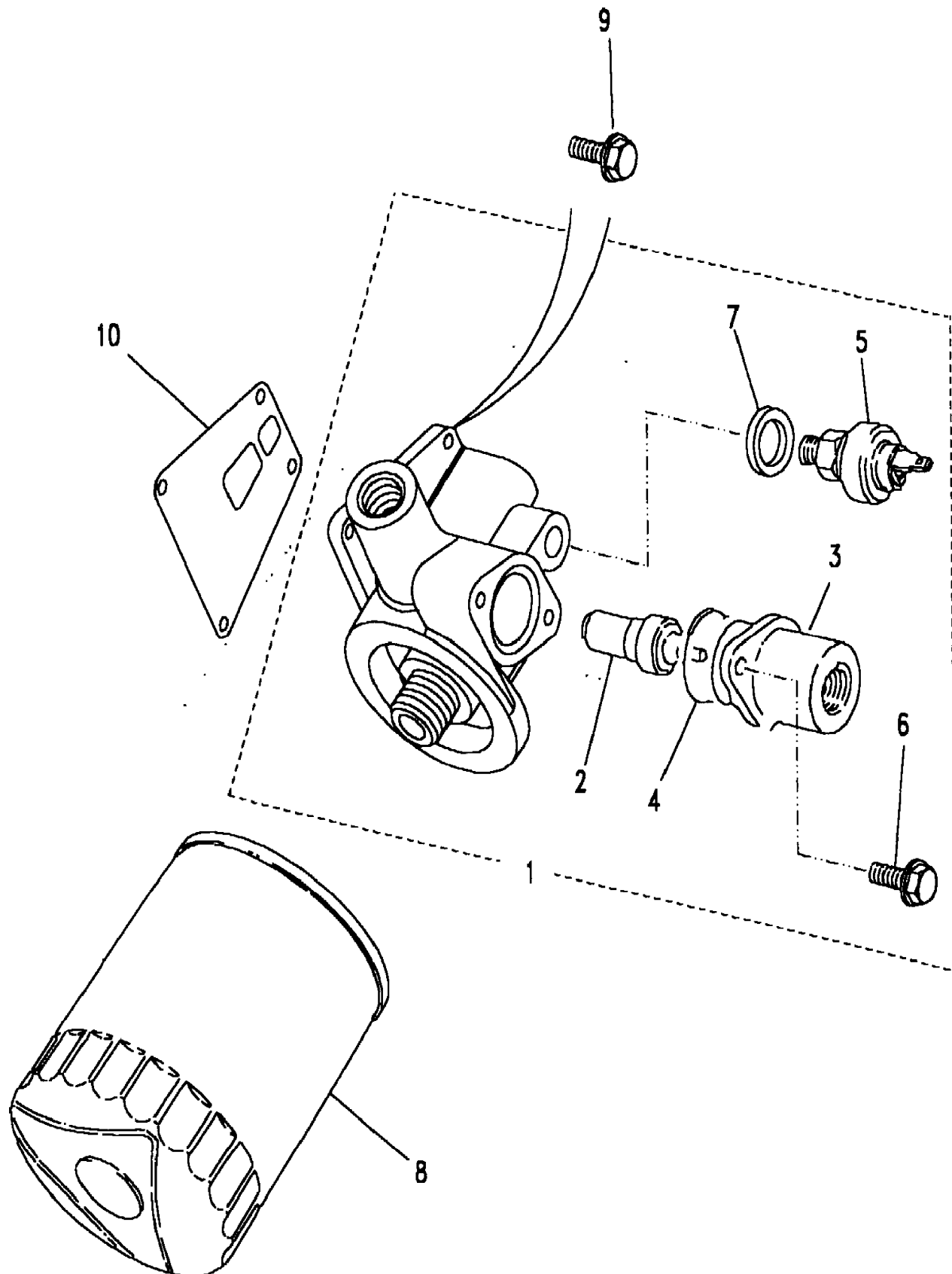
(BDBNFC1A)

Range Rover (From JA610294)

Engine
2500 - Diesel - Turbo - 300 Tdi
Oil Filter

2.5L TDi Turbo Diesel

Callout	Name	Application	Remarks & Restrictions	Service No.	Qty
1	Adaptor-oil filter	2.5L 4 Cyl 300 TDi L/R Diesel	(-) 200 TDI, Also serviced as part of a kit, (-) 14L 2.5 TDI Manual - Zircon	ERR2317	1
2	Thermostat assembly-oil	2.5L 4 Cyl 300 TDi L/R Diesel	(-) 200 TDI, Also serviced as part of a kit, (-) 14L 2.5 TDI Manual - Zircon	ERC5923	1
3	Waxstat adaptor	2.5L 4 Cyl 300 TDi L/R Diesel	(-) 200 TDI, Also serviced as part of a kit, (-) 14L 2.5 TDI Manual - Zircon	ERR2241	1
4	O Ring	2.5L 4 Cyl 300 TDi L/R Diesel	(-) 200 TDI, Also serviced as part of a kit, (-) 14L 2.5 TDI Manual - Zircon	ERC5913	1
5	Switch-oil pressure engine	2.5L 4 Cyl 300 TDi L/R Diesel	(-) 200 TDI, Also serviced as part of a kit, (-) 14L 2.5 TDI Manual - Zircon	PRC6387	1
6	Screw-flanged head	2.5L 4 Cyl 300 TDi L/R Diesel	(-) 200 TDI, Also serviced as part of a kit, M6 X 16, (-) 14L 2.5 TDI Manual - Zircon, Flanged Head	FS106167L	2
7	Washer-sealing	2.5L 4 Cyl 300 TDi L/R Diesel	(-) 200 TDI, Also serviced as part of a kit, (-) 14L 2.5 TDI Manual - Zircon	AFU1887L	1
8	Cartridge-engine oil filter	2.5L 4 Cyl 300 TDi L/R Diesel	(-) 200 TDI, (-) 14L 2.5 TDI Manual - Zircon	ERR3340	1
9	Screw	2.5L 4 Cyl 300 TDi L/R Diesel	(-) 200 TDI, to engine block, (-) 14L 2.5 TDI Manual - Zircon, Flanged Head, M10 x 30, top	FS110301L	4
10	Gasket-cylinder block to oil filter adaptor	2.5L 4 Cyl 300 TDi L/R Diesel	(-) 200 TDI, (-) 14L 2.5 TDI Manual - Zircon	ERR3283	1



Engine
2500 - Diesel - Turbo - 300 Tdi
Piston, Connecting Rod & Bearings 1/1

Range Rover (From JA610294)

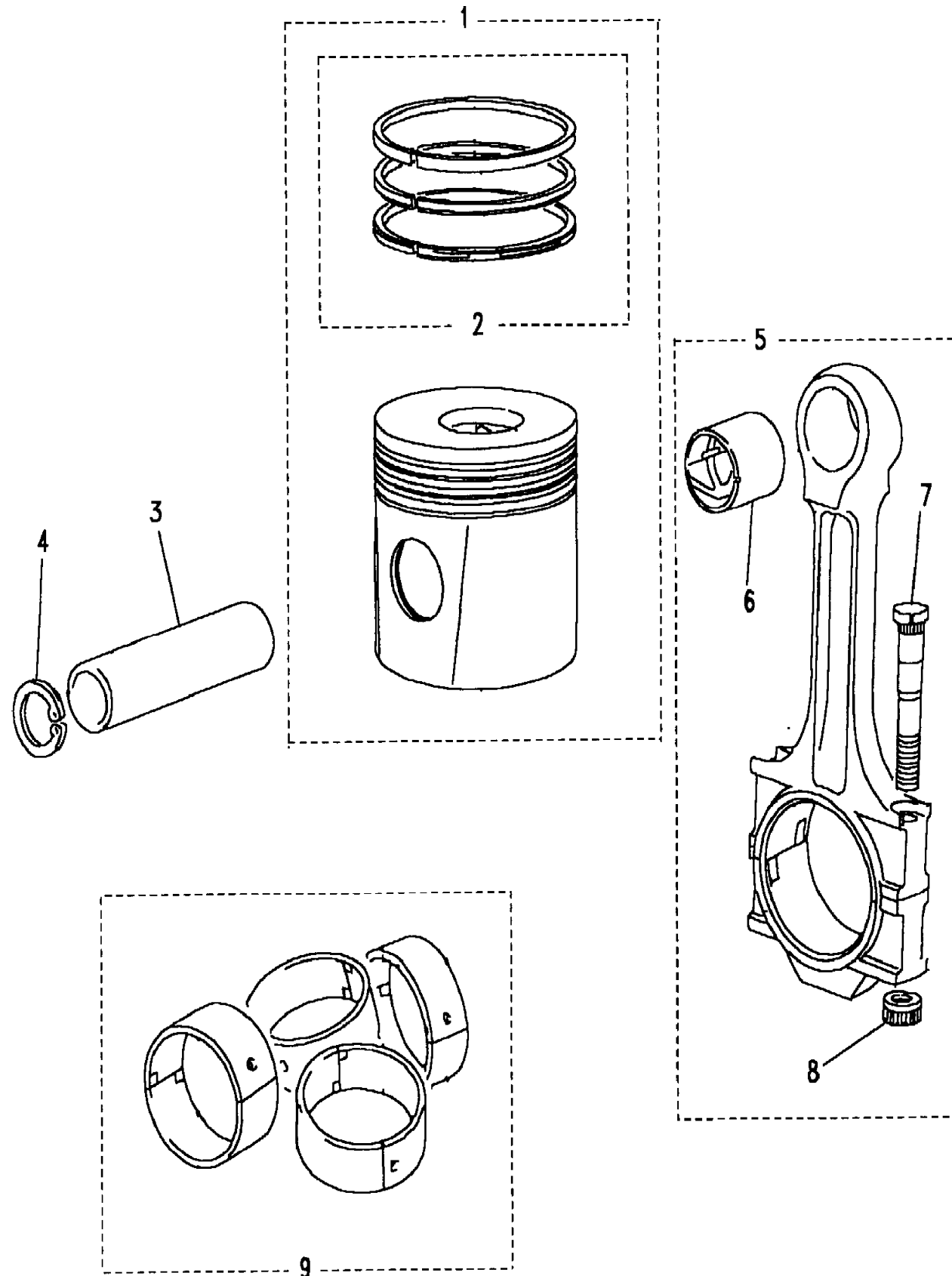
(BDBNCC1A)

Range Rover (From JA610294)

Engine
2500 - Diesel - Turbo - 300 Tdi
Piston, Connecting Rod & Bearings

2.5L TDi Turbo Diesel

Callout	Name	Application	Remarks & Restrictions	Service No.	Qty
1	Piston-engine	2.5L 4 Cyl 300 TDi L/R Diesel	(-) 200 TDI, Also serviced as part of a kit, (-) 14L 2.5 TDI Manual - Zircon, 0.020" oversize	STC298220	4
		2.5L 4 Cyl 300 TDi L/R Diesel	(-) 200 TDI, Also serviced as part of a kit, (-) 14L 2.5 TDI Manual - Zircon, 0.010" oversize	STC298210	4
		2.5L 4 Cyl 300 TDi L/R Diesel	(-) 200 TDI, Also serviced as part of a kit, (-) 14L 2.5 TDI Manual - Zircon, standard.	ERR2410	4
2	Kit-piston ring	2.5L 4 Cyl 300 TDi L/R Diesel	(-) 200 TDI, Also serviced as part of a kit, (-) 14L 2.5 TDI Manual - Zircon	STC958	4
3	Pin-piston gudgeon	2.5L 4 Cyl 300 TDi L/R Diesel	(-) 200 TDI, (-) 14L 2.5 TDI Manual - Zircon	ERR703	4
4	Circlip-piston	2.5L 4 Cyl 300 TDi L/R Diesel	(-) 200 TDI, (-) 14L 2.5 TDI Manual - Zircon	266945	8
5	Rod-crankshaft connecting	2.5L 4 Cyl 300 TDi L/R Diesel	(-) 200 TDI, Also serviced as part of a kit, (-) 14L 2.5 TDI Manual - Zircon	ERR2418	4
6	Bearing bush-connecting rod small end	2.5L 4 Cyl 300 TDi L/R Diesel	(-) 200 TDI, Also serviced as part of a kit, (-) 14L 2.5 TDI Manual - Zircon	ERR2419	4
7	Bolt-connecting rod	2.5L 4 Cyl 300 TDi L/R Diesel	(-) 200 TDI, Also serviced as part of a kit, (-) 14L 2.5 TDI Manual - Zircon	ETC7357	8
8	Nut-connecting rod	2.5L 4 Cyl 300 TDi L/R Diesel	(-) 200 TDI, Also serviced as part of a kit, (-) 14L 2.5 TDI Manual - Zircon	ETC8191	8
9	Set-connecting rod big end half bearing	2.5L 4 Cyl 300 TDi L/R Diesel	(-) 200 TDI, (-) 14L 2.5 TDI Manual - Zircon, standard.	RTC2993	X
		2.5L 4 Cyl 300 TDi L/R Diesel	(-) 200 TDI, (-) 14L 2.5 TDI Manual - Zircon, 0.010" undersize	RTC299310	X



Engine
2500 - Diesel - Turbo - 300 Tdi
Power Steering Pump 1/1

Range Rover (From JA610294)

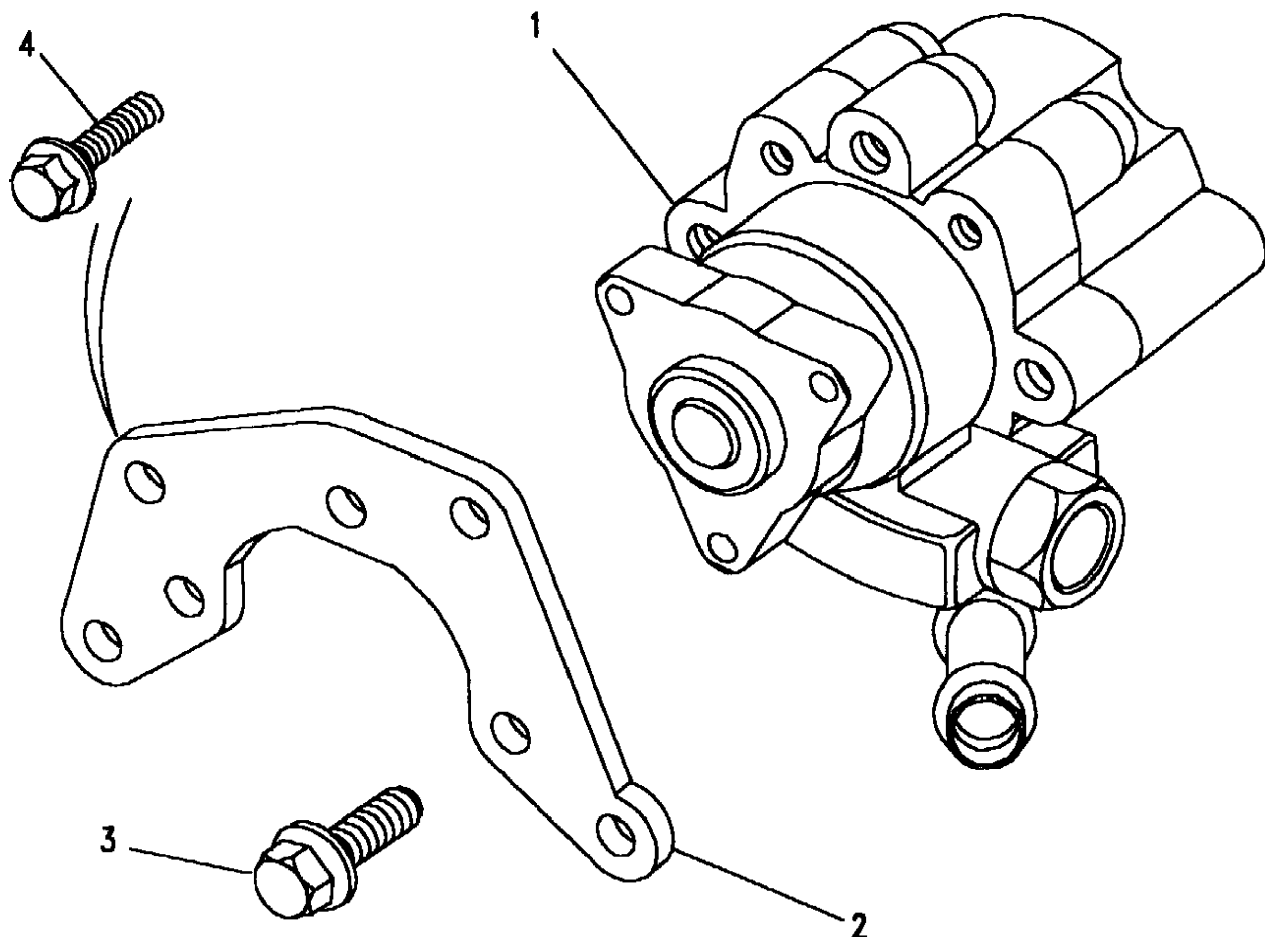
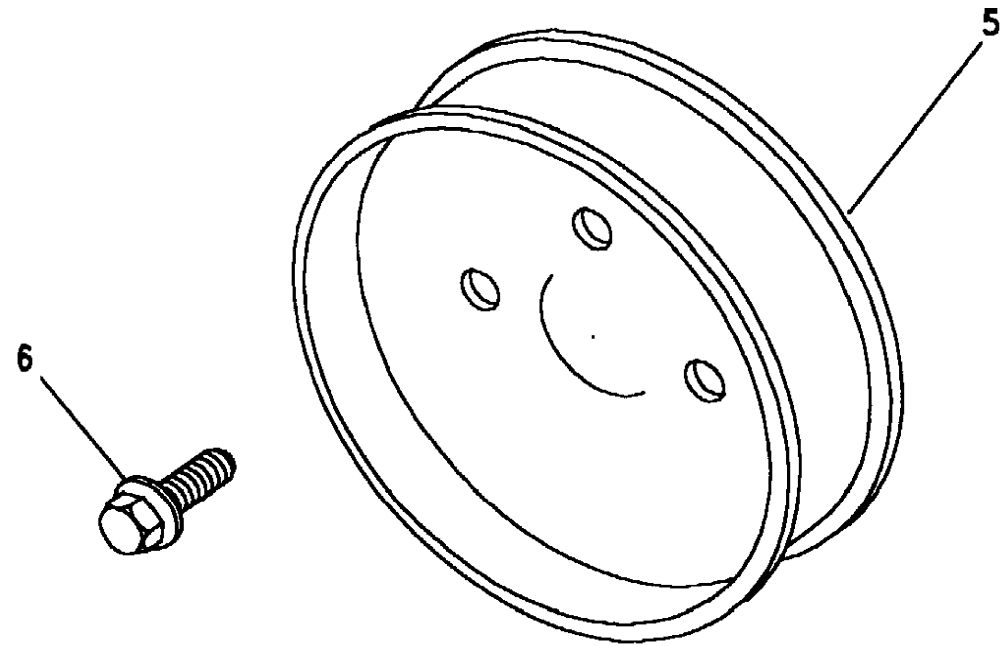
(BDBNNC1A)

Range Rover (From JA610294)

Engine
2500 - Diesel - Turbo - 300 Tdi
Power Steering Pump

2.5L TDi Turbo Diesel, With Power Steering

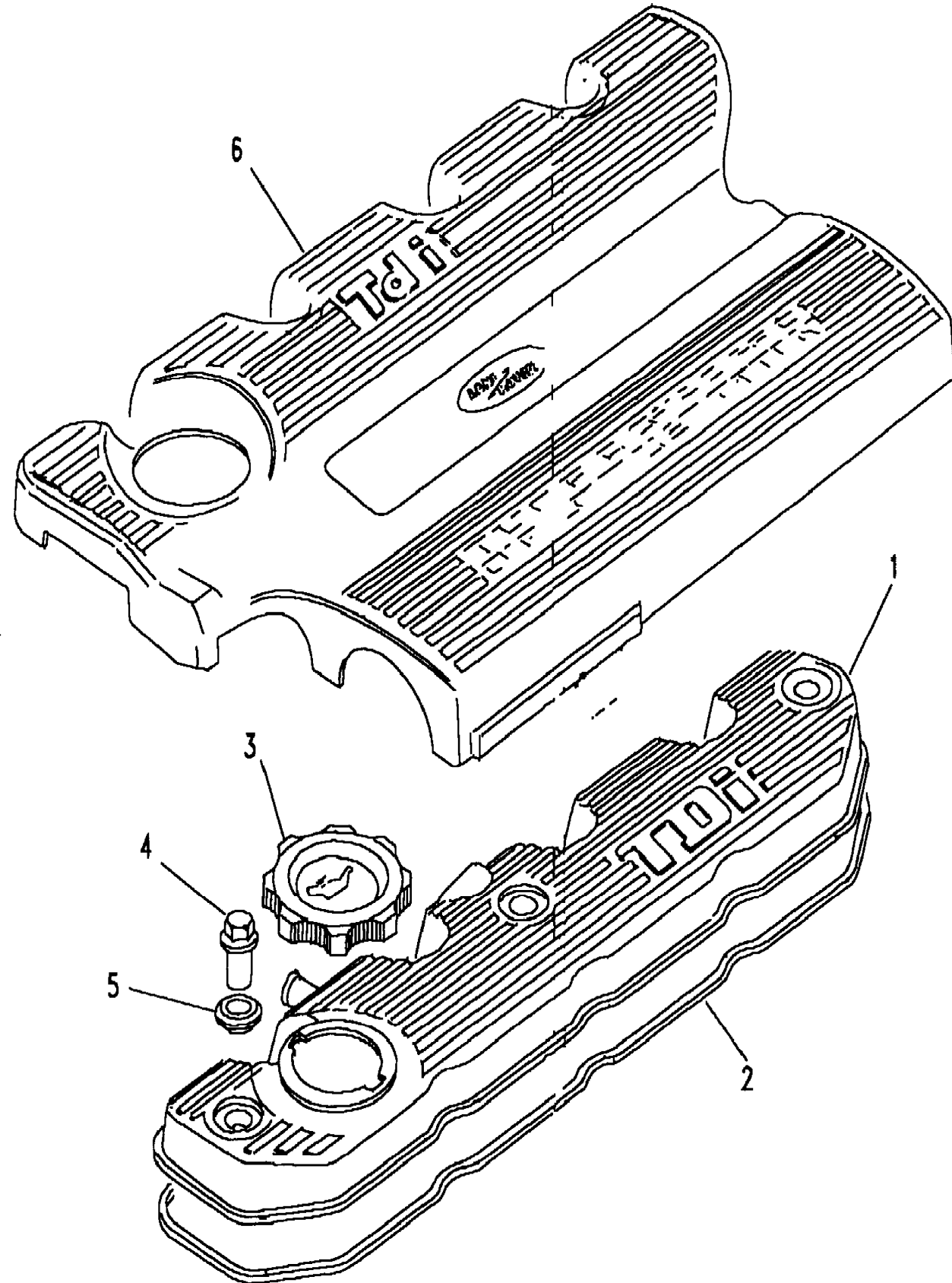
Callout	Name	Application	Remarks & Restrictions	Service No.	Qty
1	Pump assembly power assisted steering	2.5L 4 Cyl 300 TDi L/R Diesel	(-) 200 TDI, (-) 14L 2.5 TDI Manual - Zircon	ANR2157	1
2	Bracket-mounting power assisted steering pump	2.5L 4 Cyl 300 TDi L/R Diesel	(-) 200 TDI, (-) 14L 2.5 TDI Manual - Zircon	ERR2228	1
3	Screw	2.5L 4 Cyl 300 TDi L/R Diesel	(-) 200 TDI, M8 X 16, (-) 14L 2.5 TDI Manual - Zircon, Flanged Head	FS108161L	3
4	Screw	2.5L 4 Cyl 300 TDi L/R Diesel	(-) 200 TDI, (-) 14L 2.5 TDI Manual - Zircon, Flanged Head, M8 x 20	FS108201L	4
5	Pulley power assisted steering pump	2.5L 4 Cyl 300 TDi L/R Diesel	(-) 200 TDI, (-) 14L 2.5 TDI Manual - Zircon	ERR3733	1
6	Screw-flanged head	2.5L 4 Cyl 300 TDi L/R Diesel	(-) 200 TDI, pulley to pump, (-) 14L 2.5 TDI Manual - Zircon, Flanged Head, M8 x 12	FS108127L	3



Engine
2500 - Diesel - Turbo - 300 Tdi
Rocker Cover 1/1

Range Rover (From JA610294)

(BDBNGG1A)



Range Rover (From JA610294)

Engine
2500 - Diesel - Turbo - 300 Tdi
Rocker Cover

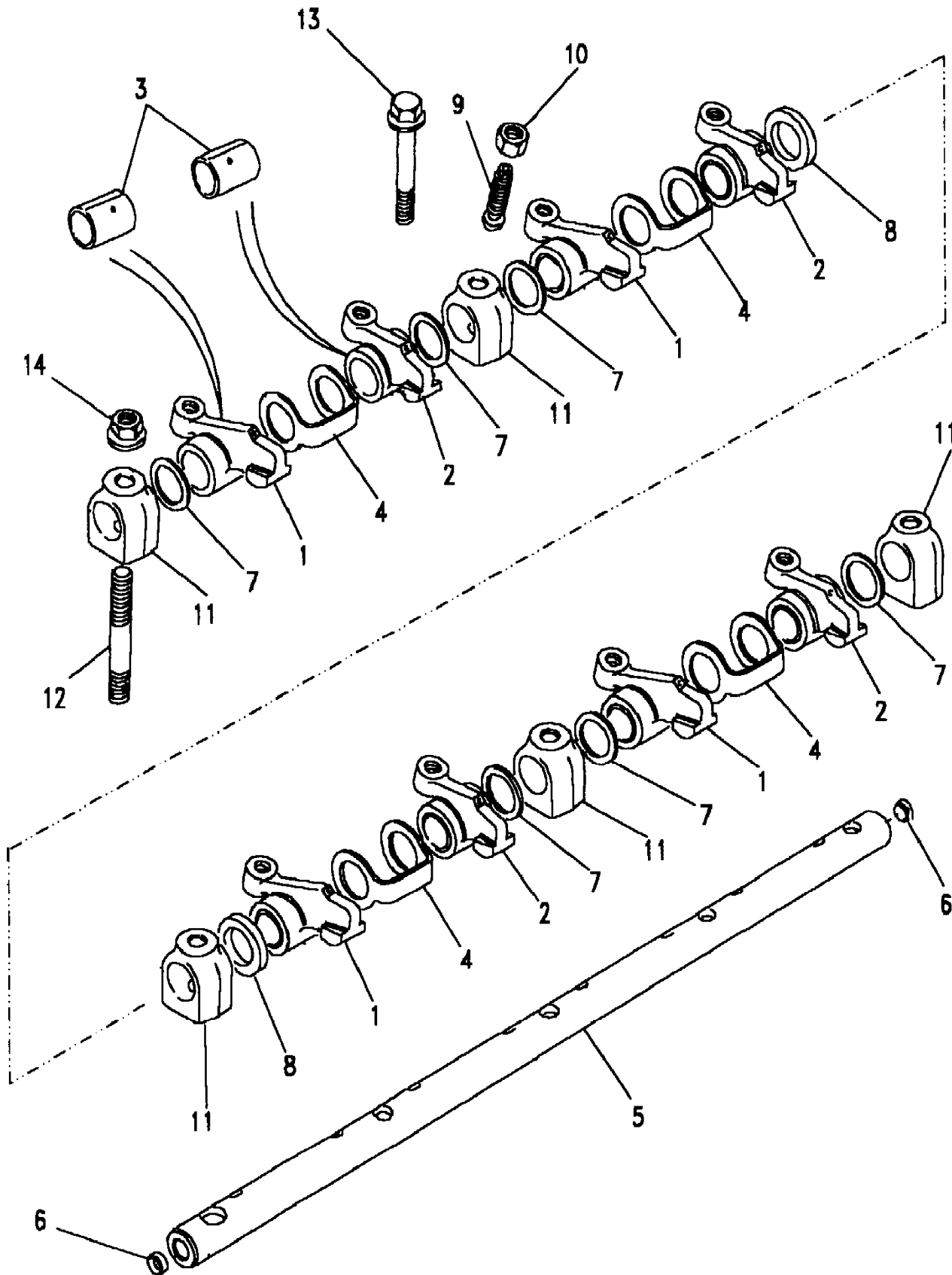
2.5L TDi Turbo Diesel

Callout	Name	Application	Remarks & Restrictions	Service No.	Qty
1	Cover assembly-valve rocker	2.5L 4 Cyl 300 TDi L/R Diesel	(-) 200 TDI, (-) 14L 2.5 TDI Manual - Zircon	ERR4691	1
				8510243	1
2	Gasket-engine rocker cover	2.5L 4 Cyl 300 TDi L/R Diesel	(-) 200 TDI, (-) 14L 2.5 TDI Manual - Zircon	ERR2409	1
3	Cap-oil filler	2.5L 4 Cyl 300 TDi L/R Diesel	(-) 200 TDI, (-) 14L 2.5 TDI Manual - Zircon	ERR5041	1
4	Screw	2.5L 4 Cyl 300 TDi L/R Diesel	(-) 200 TDI, (-) 14L 2.5 TDI Manual - Zircon	ERR4834	3
5	Washer-sealing	2.5L 4 Cyl 300 TDi L/R Diesel	(-) 200 TDI, (-) 14L 2.5 TDI Manual - Zircon	ERR3424	3
6	Cover-engine	2.5L 4 Cyl 300 TDi L/R Diesel	(-) 200 TDI, (-) 14L 2.5 TDI Manual - Zircon, top	ERR4632	1

Engine
2500 - Diesel - Turbo - 300 Tdi
Rockershaft 1/1

Range Rover (From JA610294)

(BDBNGC1A)



Range Rover (From JA610294)

Engine
2500 - Diesel - Turbo - 300 Tdi
Rockershaft

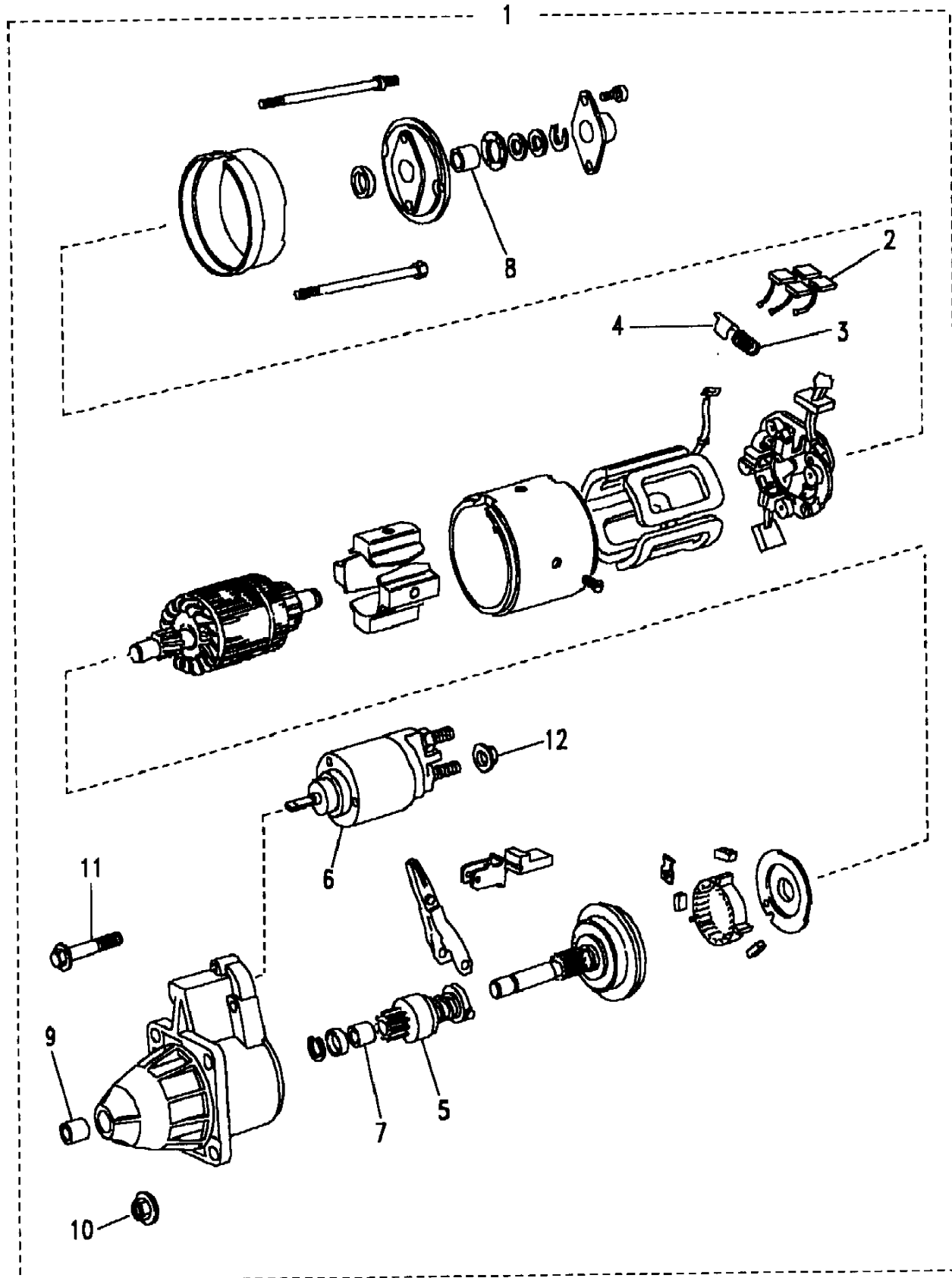
2.5L TDi Turbo Diesel

Callout	Name	Application	Remarks & Restrictions	Service No.	Qty
1	Rocker assembly-cylinder head	2.5L 4 Cyl 300 TDi L/R Diesel	(-) 200 TDI, Also serviced as part of a kit, RH, (-) 14L 2.5 TDI Manual - Zircon	ERR3343	4
2	Rocker assembly-cylinder head	2.5L 4 Cyl 300 TDi L/R Diesel	(-) 200 TDI, Also serviced as part of a kit, (-) 14L 2.5 TDI Manual - Zircon, LH	ERR3342	4
3	Bush-cylinder head rocker arm	2.5L 4 Cyl 300 TDi L/R Diesel	(-) 200 TDI, Also serviced as part of a kit, (-) 14L 2.5 TDI Manual - Zircon	ERR1203	8
4	Spring-rocker shaft	2.5L 4 Cyl 300 TDi L/R Diesel	(-) 200 TDI, (-) 14L 2.5 TDI Manual - Zircon	ERR2405	4
5	Shaft-rocker	2.5L 4 Cyl 300 TDi L/R Diesel	(-) 200 TDI, Also serviced as part of a kit, (-) 14L 2.5 TDI Manual - Zircon	ERR4848	1
6	Plug	2.5L 4 Cyl 300 TDi L/R Diesel	(-) 200 TDI, Also serviced as part of a kit, (-) 14L 2.5 TDI Manual - Zircon	ERR3457	2
7	Spacer	2.5L 4 Cyl 300 TDi L/R Diesel	(-) 200 TDI, (-) 14L 2.5 TDI Manual - Zircon	ERR1209	6
8	Spacer	2.5L 4 Cyl 300 TDi L/R Diesel	(-) 200 TDI, (-) 14L 2.5 TDI Manual - Zircon	ERR2732	2
9	Screw-engine tappet adjustment	2.5L 4 Cyl 300 TDi L/R Diesel	(-) 200 TDI, (-) 14L 2.5 TDI Manual - Zircon	ERR4883	8
10	Nut-locking	2.5L 4 Cyl 300 TDi L/R Diesel	(-) 200 TDI, (-) 14L 2.5 TDI Manual - Zircon	ERR560	8
11	Clamp-rocker shaft	2.5L 4 Cyl 300 TDi L/R Diesel	(-) 200 TDI, (-) 14L 2.5 TDI Manual - Zircon	ERR3779	5
12	Stud	2.5L 4 Cyl 300 TDi L/R Diesel	(-) 200 TDI, (-) 14L 2.5 TDI Manual - Zircon	ERR4687	3
13	Bolt	2.5L 4 Cyl 300 TDi L/R Diesel	(-) 200 TDI, rocker shaft to head, M8 x 50, (-) 14L 2.5 TDI Manual - Zircon, Flanged Head	FB108101	2
14	Nut - Hex.	2.5L 4 Cyl 300 TDi L/R Diesel	(-) 200 TDI, M8, (-) 14L 2.5 TDI Manual - Zircon, flange	FN108041L	3

Engine
2500 - Diesel - Turbo - 300 Tdi
Starter Motor 1/1

Range Rover (From JA610294)

(BDBNPE1A)



Range Rover (From JA610294)

Engine
2500 - Diesel - Turbo - 300 Tdi
Starter Motor

2.5L TDi Turbo Diesel

Callout	Name	Application	Remarks & Restrictions	Service No.	Qty
1	Motor-starter engine	2.5L 4 Cyl 300 TDi L/R Diesel	(-) 200 TDI, Also serviced as part of a kit, Bosch, (-) 14L 2.5 TDI Manual - Zircon, exchange	ERR5009E	1
		2.5L 4 Cyl 300 TDi L/R Diesel	(-) 200 TDI, Also serviced as part of a kit, Bosch, (-) 14L 2.5 TDI Manual - Zircon, New	ERR5009	1
2	Box assembly-brush starter motor	2.5L 4 Cyl 300 TDi L/R Diesel	(-) 200 TDI, Also serviced as part of a kit, Bosch, (-) 14L 2.5 TDI Manual - Zircon	STC1246	1
3	Spring-coil	2.5L 4 Cyl 300 TDi L/R Diesel	(-) 200 TDI, Also serviced as part of a kit, (-) 14L 2.5 TDI Manual - Zircon	STC1254	4
4	Guide-starter motor brush	2.5L 4 Cyl 300 TDi L/R Diesel	(-) 200 TDI, Also serviced as part of a kit, (-) 14L 2.5 TDI Manual - Zircon	STC1247	4
5	Drive assembly starter motor	2.5L 4 Cyl 300 TDi L/R Diesel	(-) 200 TDI, Also serviced as part of a kit, Bosch, (-) 14L 2.5 TDI Manual - Zircon	STC1244	1
6	Solenoid starter motor	2.5L 4 Cyl 300 TDi L/R Diesel	(-) 200 TDI, Also serviced as part of a kit, Bosch, (-) 14L 2.5 TDI Manual - Zircon, 0 331 303 165	STC1245	1
		2.5L 4 Cyl 300 TDi L/R Diesel	(-) 200 TDI, Also serviced as part of a kit, Bosch, (-) 14L 2.5 TDI Manual - Zircon, 9 330 331 006	STC3715	1
7	Bush-starter motor	2.5L 4 Cyl 300 TDi L/R Diesel	(-) 200 TDI, Also serviced as part of a kit, (-) 14L 2.5 TDI Manual - Zircon, Centre	STC1250	2
8	Bush-starter motor	2.5L 4 Cyl 300 TDi L/R Diesel	(-) 200 TDI, Also serviced as part of a kit, Rear, (-) 14L 2.5 TDI Manual - Zircon	STC1251	1
9	Bush-starter motor	2.5L 4 Cyl 300 TDi L/R Diesel	(-) 200 TDI, Also serviced as part of a kit, Front, (-) 14L 2.5 TDI Manual - Zircon	STC1255	1
10	Nut - Hex.	2.5L 4 Cyl 300 TDi L/R Diesel	(-) 200 TDI, M10, (-) 14L 2.5 TDI Manual - Zircon, flange	FN110041L	1
		2.5L 4 Cyl 300 TDi L/R Diesel	(-) 200 TDI, M10, (-) 14L 2.5 TDI Manual - Zircon, flange	FN110047	1
11	Screw	2.5L 4 Cyl 300 TDi L/R Diesel	(-) 200 TDI, (-) 14L 2.5 TDI Manual - Zircon, Flanged Head, M10 x 30, top	FS110301L	2
12	Nut - Hex.	2.5L 4 Cyl 300 TDi L/R Diesel	(-) 200 TDI, M8, (-) 14L 2.5 TDI Manual - Zircon, flange	FN108041L	1

Engine
2500 - Diesel - Turbo - 300 Tdi
Sump 1/2

Range Rover (From JA610294)

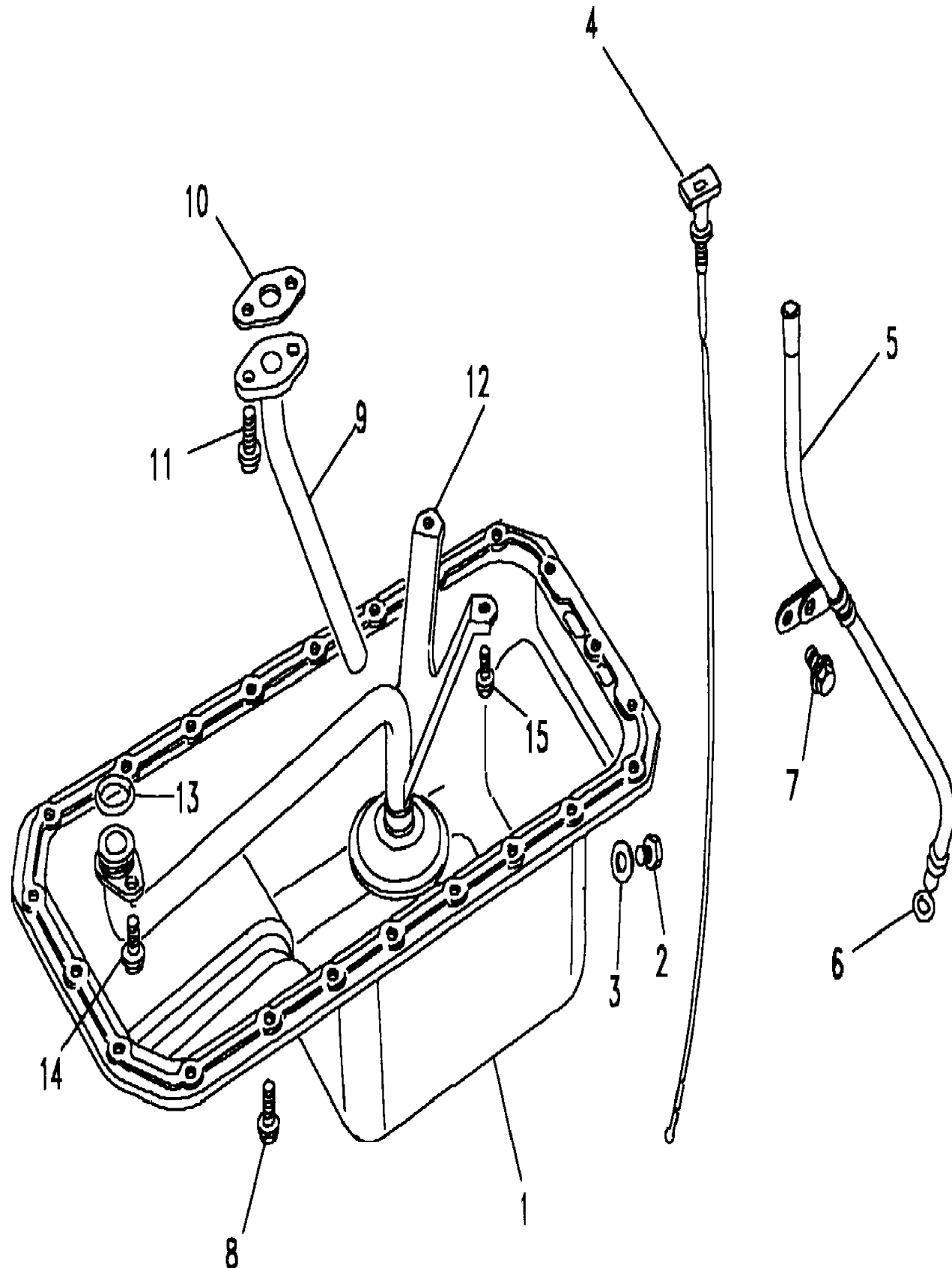
(BDBNDA1A)

Range Rover (From JA610294)

Engine
2500 - Diesel - Turbo - 300 Tdi
Sump

2.5L TDi Turbo Diesel

Callout	Name	Application	Remarks & Restrictions	Service No.	Qty
1	Sump-engine oil	2.5L 4 Cyl 300 TDi L/R Diesel	(-) 200 TDI, Also serviced as part of a kit, (-) 14L 2.5 TDI Manual - Zircon	ERR4696	1
		2.5L 4 Cyl 300 TDi L/R Diesel	(-) 200 TDI, Also serviced as part of a kit, (-) 14L 2.5 TDI Manual - Zircon	LSB102610	1
2	Plug-sump assembly oil drain	2.5L 4 Cyl 300 TDi L/R Diesel	(-) 200 TDI, Also serviced as part of a kit, (-) 14L 2.5 TDI Manual - Zircon	UAM2957L	1
		2.5L 4 Cyl 300 TDi L/R Diesel	(-) 200 TDI, Also serviced as part of a kit, (-) 14L 2.5 TDI Manual - Zircon	LSF100040L	1
3	Washer-sealing	2.5L 4 Cyl 300 TDi L/R Diesel	(-) 200 TDI, sump drain plug, Also serviced as part of a kit, (-) 14L 2.5 TDI Manual - Zircon	UAM2857L	1
		2.5L 4 Cyl 300 TDi L/R Diesel	(-) 200 TDI, sump drain plug, Also serviced as part of a kit, (-) 14L 2.5 TDI Manual - Zircon	ALU1403L	1
4	Dipstick-oil	2.5L 4 Cyl 300 TDi L/R Diesel	(-) 200 TDI, (-) 14L 2.5 TDI Manual - Zircon	ERR3809	1
5	Tube-oil dipstick	2.5L 4 Cyl 300 TDi L/R Diesel	(-) 200 TDI, (-) 14L 2.5 TDI Manual - Zircon	ERR4697	1
6	O Ring	2.5L 4 Cyl 300 TDi L/R Diesel	(-) 200 TDI, (-) 14L 2.5 TDI Manual - Zircon	ERR3683	1
7	Screw	2.5L 4 Cyl 300 TDi L/R Diesel	(-) 200 TDI, to engine block, M8 X 16, (-) 14L 2.5 TDI Manual - Zircon, Flanged Head	FS108161L	1
8	Screw	2.5L 4 Cyl 300 TDi L/R Diesel	(-) 200 TDI, to engine block, M8 X 16, (-) 14L 2.5 TDI Manual - Zircon, Flanged Head	FS108161L	22
9	Pipe-sump assembly oil drain	2.5L 4 Cyl 300 TDi L/R Diesel	(-) 200 TDI, (-) 14L 2.5 TDI Manual - Zircon	ERR3633	1
10	Gasket-external drain pipe	2.5L 4 Cyl 300 TDi L/R Diesel	(-) 200 TDI, (-) 14L 2.5 TDI Manual - Zircon	ERR1653	1
11	Screw	2.5L 4 Cyl 300 TDi L/R Diesel	(-) 200 TDI, to engine block, (-) 14L 2.5 TDI Manual - Zircon, Flanged Head, M8 x 20	FS108201L	2
12	Strainer and pipe assembly-oil	2.5L 4 Cyl 300 TDi L/R Diesel	(-) 200 TDI, (-) 14L 2.5 TDI Manual - Zircon	ERR3299	1
		2.5L 4 Cyl 300 TDi L/R Diesel	(-) 200 TDI, (-) 14L 2.5 TDI Manual - Zircon	ERR7002	1
13	O ring-oil suction pipe seal	2.5L 4 Cyl 300 TDi L/R Diesel	(-) 200 TDI, (-) 14L 2.5 TDI Manual - Zircon	ERR3417	1



Engine
2500 - Diesel - Turbo - 300 Tdi
Sump 2/2

Range Rover (From JA610294)

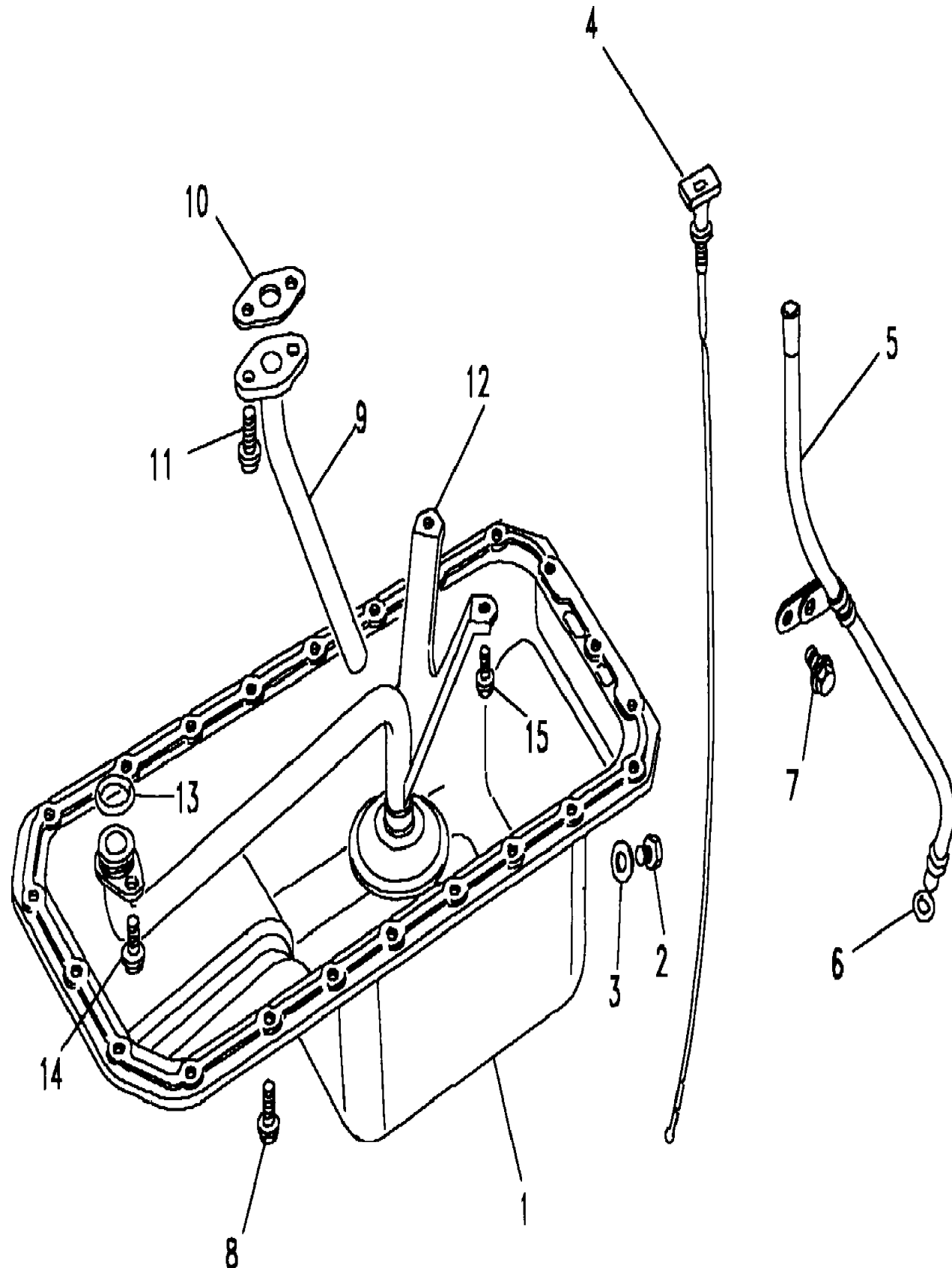
(BDBNDA1A)

Range Rover (From JA610294)

Engine
2500 - Diesel - Turbo - 300 Tdi
Sump

2.5L TDi Turbo Diesel

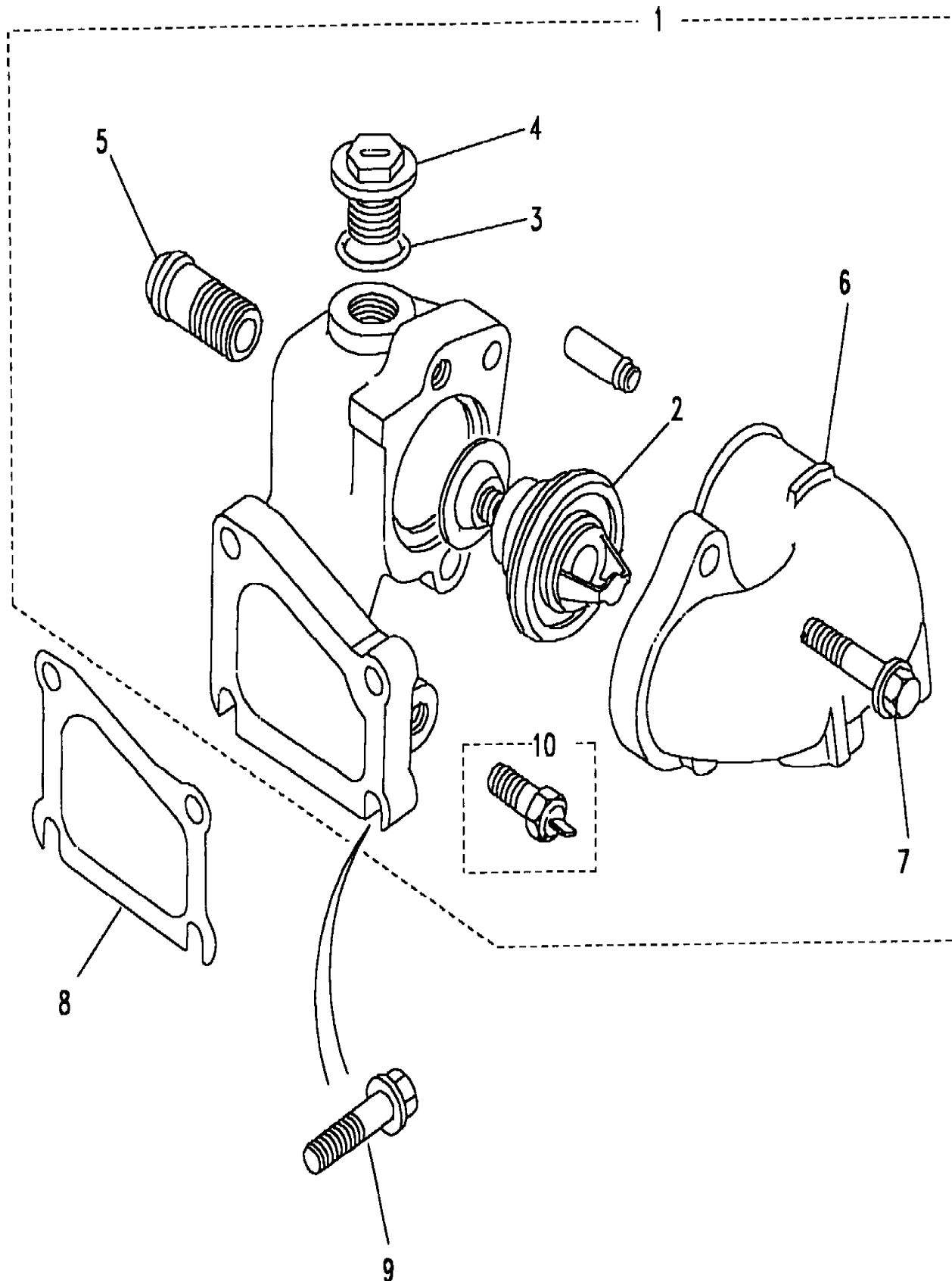
Callout	Name	Application	Remarks & Restrictions	Service No.	Qty
14	Screw	2.5L 4 Cyl 300 TDi L/R Diesel	(-) 200 TDI, to engine block, M8 X 16, (-) 14L 2.5 TDI Manual - Zircon, Flanged Head	FS108161L	1
15	Screw	2.5L 4 Cyl 300 TDi L/R Diesel	(-) 200 TDI, to engine block, M8 X 16, (-) 14L 2.5 TDI Manual - Zircon, Flanged Head	FS108161L	2
[900]	Gasket-sealing	2.5L 300 TDi Diesel Turbo LR	(-) 200 TDI, (-) 14L 2.5 TDI Manual - Zircon, 50ml	STC50550	X



Engine
2500 - Diesel - Turbo - 300 Tdi
Thermostat Housing 1/1

Range Rover (From JA610294)

(BDBNGK1A)



Range Rover (From JA610294)

Engine
2500 - Diesel - Turbo - 300 Tdi
Thermostat Housing

2.5L TDi Turbo Diesel

Callout	Name	Application	Remarks & Restrictions	Service No.	Qty
1	Housing-thermostat	2.5L 4 Cyl 300 TDi L/R Diesel, Less Air Conditioning	(-) 200 TDI, Also serviced as part of a kit, (-) 14L 2.5 TDI Manual - Zircon	ERR3479	1
		2.5L 4 Cyl 300 TDi L/R Diesel, With Air Conditioning	(-) 200 TDI, Also serviced as part of a kit, (-) 14L 2.5 TDI Manual - Zircon	ERR5098	1
2	Thermostat-engine	2.5L 4 Cyl 300 TDi L/R Diesel, Less Air Conditioning	(-) 200 TDI, Also serviced as part of a kit, (-) 14L 2.5 TDI Manual - Zircon	ERR3291	1
		2.5L 4 Cyl 300 TDi L/R Diesel, With Air Conditioning	(-) 200 TDI, Also serviced as part of a kit, (-) 14L 2.5 TDI Manual - Zircon	ERR3291	1
3	O Ring	2.5L 4 Cyl 300 TDi L/R Diesel, Less Air Conditioning	(-) 200 TDI, Also serviced as part of a kit, (-) 14L 2.5 TDI Manual - Zircon	ERR4685	1
		2.5L 4 Cyl 300 TDi L/R Diesel, With Air Conditioning	(-) 200 TDI, Also serviced as part of a kit, (-) 14L 2.5 TDI Manual - Zircon	ERR4685	1
4	Plug	2.5L 4 Cyl 300 TDi L/R Diesel, Less Air Conditioning	(-) 200 TDI, Also serviced as part of a kit, (-) 14L 2.5 TDI Manual - Zircon	ERR4686	1
		2.5L 4 Cyl 300 TDi L/R Diesel, With Air Conditioning	(-) 200 TDI, Also serviced as part of a kit, (-) 14L 2.5 TDI Manual - Zircon	ERR4686	1
5	Pipe assembly-engine coolant	2.5L 4 Cyl 300 TDi L/R Diesel, Less Air Conditioning	(-) 200 TDI, Also serviced as part of a kit, (-) 14L 2.5 TDI Manual - Zircon	ERR3622	1
		2.5L 4 Cyl 300 TDi L/R Diesel, Less Air Conditioning	(-) 200 TDI, Also serviced as part of a kit, (-) 14L 2.5 TDI Manual - Zircon	PEP102840	1
		2.5L 4 Cyl 300 TDi L/R Diesel, With Air Conditioning	(-) 200 TDI, Also serviced as part of a kit, (-) 14L 2.5 TDI Manual - Zircon	ERR3622	1
6	Elbow-engine coolant outlet	2.5L 4 Cyl 300 TDi L/R Diesel, Less Air Conditioning	(-) 200 TDI, Also serviced as part of a kit, (-) 14L 2.5 TDI Manual - Zircon	ERR3737	1
		2.5L 4 Cyl 300 TDi L/R Diesel, With Air Conditioning	(-) 200 TDI, Also serviced as part of a kit, (-) 14L 2.5 TDI Manual - Zircon	ERR3738	1
8	Gasket-thermostat housing	2.5L 4 Cyl 300 TDi L/R Diesel	(-) 200 TDI, (-) 14L 2.5 TDI Manual - Zircon	ERR3490	1
9	Screw	2.5L 4 Cyl 300 TDi L/R Diesel	(-) 200 TDI, M8 x 25, (-) 14L 2.5 TDI Manual - Zircon, Flanged Head	FS108251L	4
		2.5L 4 Cyl 300 TDi L/R Diesel	(-) 200 TDI, M8 x 25, (-) 14L 2.5 TDI Manual - Zircon, Flanged Head	FS108257L	4
10	Sensor-Temperature	2.5L 4 Cyl 300 TDi L/R Diesel	(-) 200 TDI, (-) 14L 2.5 TDI Manual - Zircon	AMR1425	1

Engine
2500 - Diesel - Turbo - 300 Tdi
Timing Belt & Tensioner 1/1

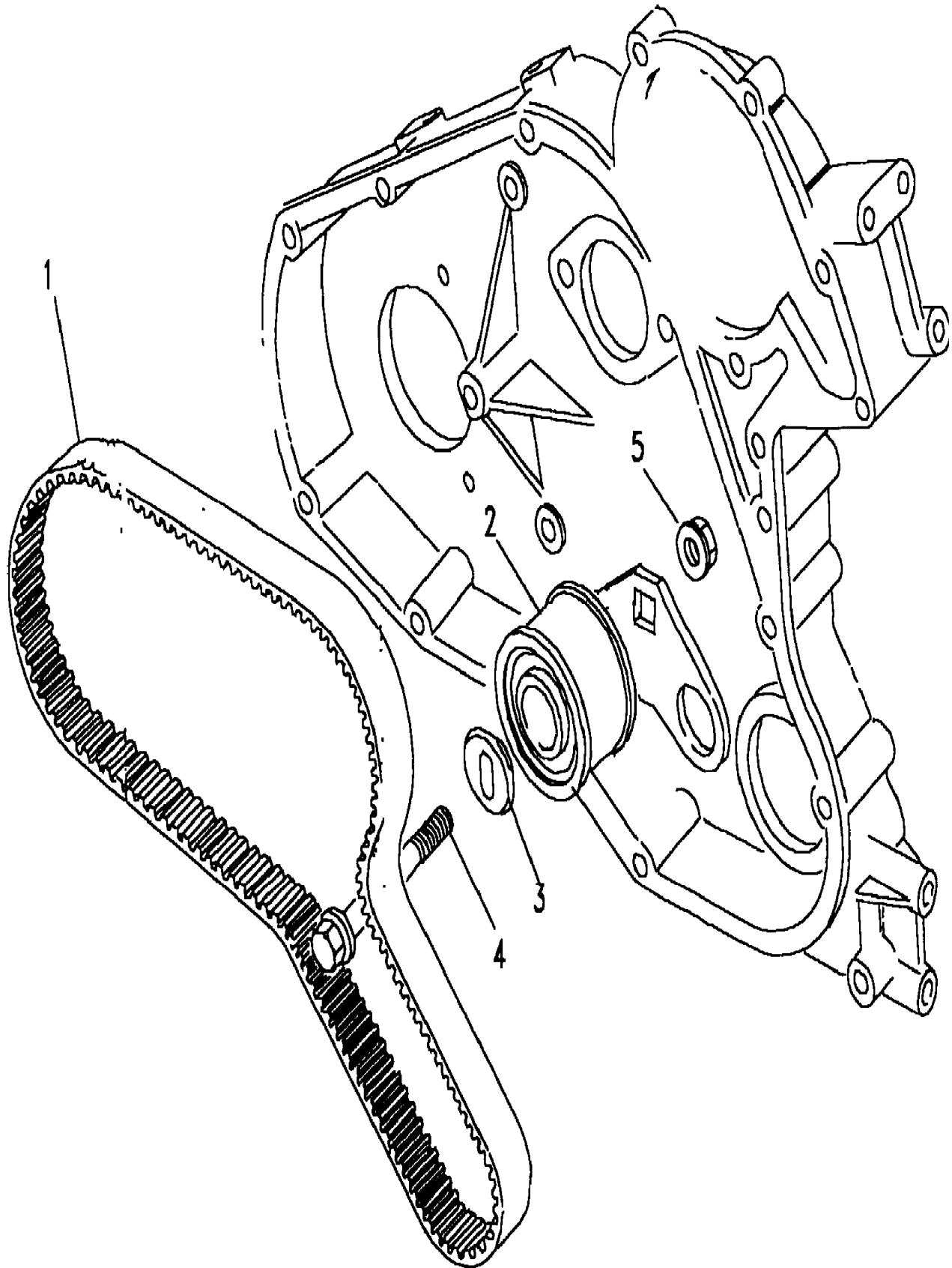
Range Rover (From JA610294)
(BDBNEC1A)

Range Rover (From JA610294)

Engine
2500 - Diesel - Turbo - 300 Tdi
Timing Belt & Tensioner

2.5L TDi Turbo Diesel

Callout	Name	Application	Remarks & Restrictions	Service No.	Qty
1	Belt-engine timing	2.5L 4 Cyl 300 TDi L/R Diesel	(-) 200 TDI, (-) 14L 2.5 TDI Manual - Zircon	ERR1092	1
2	Tensioner-timing belt	2.5L 4 Cyl 300 TDi L/R Diesel	(-) 200 TDI, (-) 14L 2.5 TDI Manual - Zircon	ERR1972	1
3	Washer	2.5L 4 Cyl 300 TDi L/R Diesel	(-) 200 TDI, (-) 14L 2.5 TDI Manual - Zircon	ERR900	1
4	Bolt-flanged head	2.5L 4 Cyl 300 TDi L/R Diesel	(-) 200 TDI, (-) 14L 2.5 TDI Manual - Zircon, M10 x 65	FB110131L	1
5	Nut - Hex.	2.5L 4 Cyl 300 TDi L/R Diesel	(-) 200 TDI, M10, (-) 14L 2.5 TDI Manual - Zircon, flange	FN110041L	1
		2.5L 4 Cyl 300 TDi L/R Diesel	(-) 200 TDI, M10, (-) 14L 2.5 TDI Manual - Zircon, flange	FN110047	1
6	Idler-timing belt	2.5L 4 Cyl 300 TDi L/R Diesel	(-) 200 TDI, (-) 14L 2.5 TDI Manual - Zircon	ETC8560	1
7	Washer	2.5L 4 Cyl 300 TDi L/R Diesel	(-) 200 TDI, (-) 14L 2.5 TDI Manual - Zircon	ERR1973	1



Engine
2500 - Diesel - Turbo - 300 Tdi
Turbocharger 1/2

Range Rover (From JA610294)

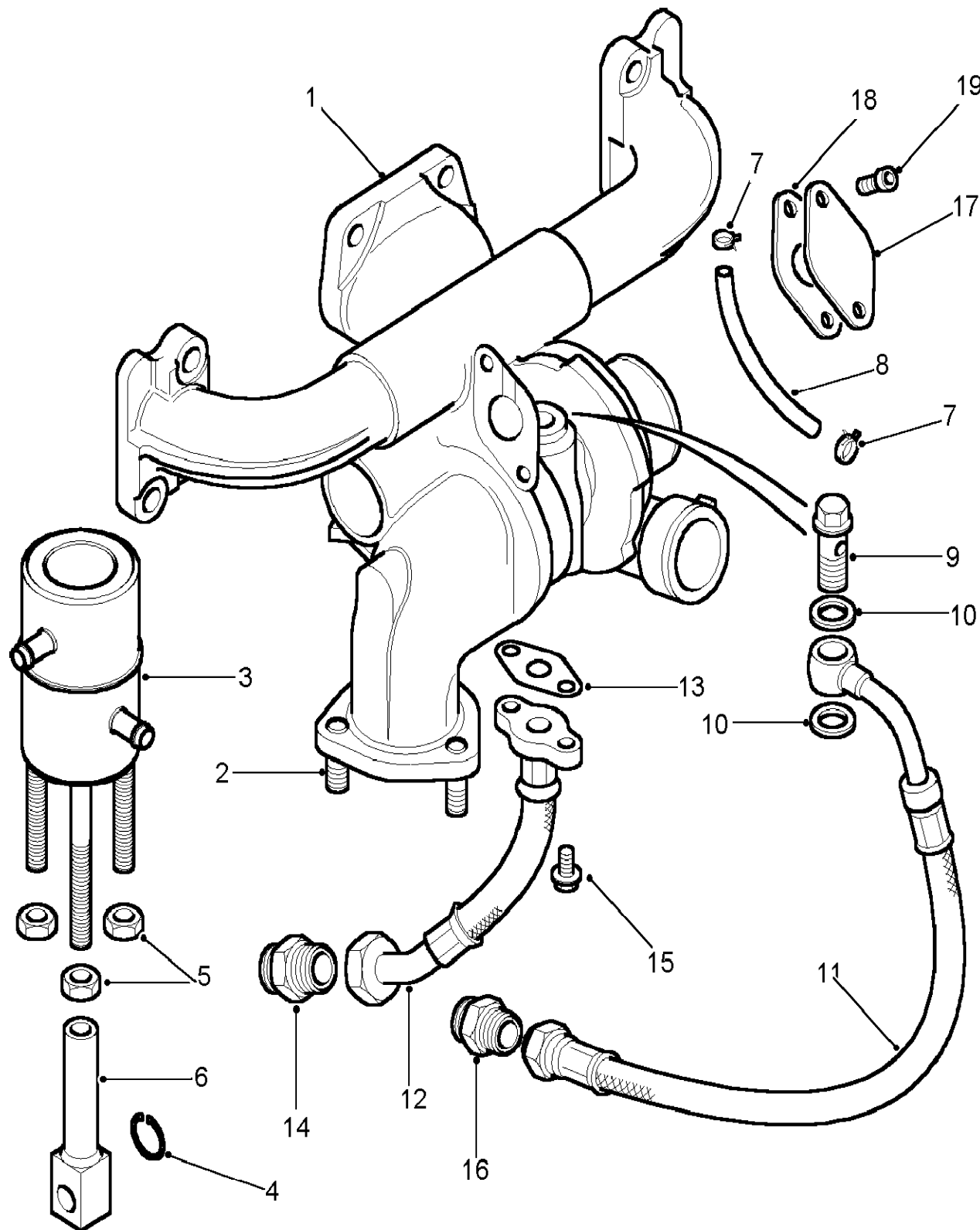
(LB0032A)

Range Rover (From JA610294)

Engine
2500 - Diesel - Turbo - 300 Tdi
Turbocharger

2.5L TDi Turbo Diesel

Callout	Name	Application	Remarks & Restrictions	Service No.	Qty
1	Turbocharger assembly	2.5L 4 Cyl 300 TDi L/R Diesel 2.5L L/R TDi	(-) 200 TDI, Also serviced as part of a kit, (-) 14L 2.5 TDI Manual - Zircon, New (-) 200 TDI, Also serviced as part of a kit, (-) 14L 2.5 TDI Manual - Zircon, exchange	ERR4802 ERR4802E	1 1
2	Stud	2.5L 4 Cyl 300 TDi L/R Diesel	(-) 200 TDI, Also serviced as part of a kit, (-) 14L 2.5 TDI Manual - Zircon	STC3159	3
3	Actuator-waste gate turbocharger	2.5L 4 Cyl 300 TDi L/R Diesel	(-) 200 TDI, Also serviced as part of a kit, (-) 14L 2.5 TDI Manual - Zircon	STC3084	1
4	Clip	2.5L 4 Cyl 300 TDi L/R Diesel	(-) 200 TDI, Also serviced as part of a kit, (-) 14L 2.5 TDI Manual - Zircon	STC3592	1
5	Nut - Hex.	2.5L 4 Cyl 300 TDi L/R Diesel	(-) 200 TDI, Also serviced as part of a kit, (-) 14L 2.5 TDI Manual - Zircon	STC4614	3
6	End-yoke	2.5L 4 Cyl 300 TDi L/R Diesel	(-) 200 TDI, Also serviced as part of a kit, (-) 14L 2.5 TDI Manual - Zircon	STC4615	1
7	Clip-Hose	2.5L 4 Cyl 300 TDi L/R Diesel	(-) 200 TDI, Also serviced as part of a kit, (-) 14L 2.5 TDI Manual - Zircon	PYC101800L	2
8	Hose wastegate control	2.5L 4 Cyl 300 TDi L/R Diesel	(-) 200 TDI, Also serviced as part of a kit, (-) 14L 2.5 TDI Manual - Zircon	STC4617	1
9	Bolt-banjo	2.5L 4 Cyl 300 TDi L/R Diesel	(-) 200 TDI, (-) 14L 2.5 TDI Manual - Zircon	ERR1125	1
10	Washer-sealing	2.5L 4 Cyl 300 TDi L/R Diesel	(-) 200 TDI, turbocharger oil feed pipe banjo, (-) 14L 2.5 TDI Manual - Zircon	FRC4808	2
11	Pipe turbocharger oil feed	2.5L 4 Cyl 300 TDi L/R Diesel	(-) 200 TDI, (-) 14L 2.5 TDI Manual - Zircon	ERR4894	1
12	Pipe-oil drain turbocharger	2.5L 4 Cyl 300 TDi L/R Diesel	(-) 200 TDI, (-) 14L 2.5 TDI Manual - Zircon	ERR4895	1
13	Gasket-oil drain turbocharger	2.5L 4 Cyl 300 TDi L/R Diesel	(-) 200 TDI, (-) 14L 2.5 TDI Manual - Zircon	ERR2109	1
14	Adaptor-oil drain pipe turbocharger	2.5L 4 Cyl 300 TDi L/R Diesel	(-) 200 TDI, (-) 14L 2.5 TDI Manual - Zircon	ERR335	1
15	Screw	2.5L 4 Cyl 300 TDi L/R Diesel	(-) 200 TDI, (-) 14L 2.5 TDI Manual - Zircon, Flanged Head, M8 x 20	FS108201L	2



LB0032A

Engine
2500 - Diesel - Turbo - 300 Tdi
Turbocharger 2/2

Range Rover (From JA610294)

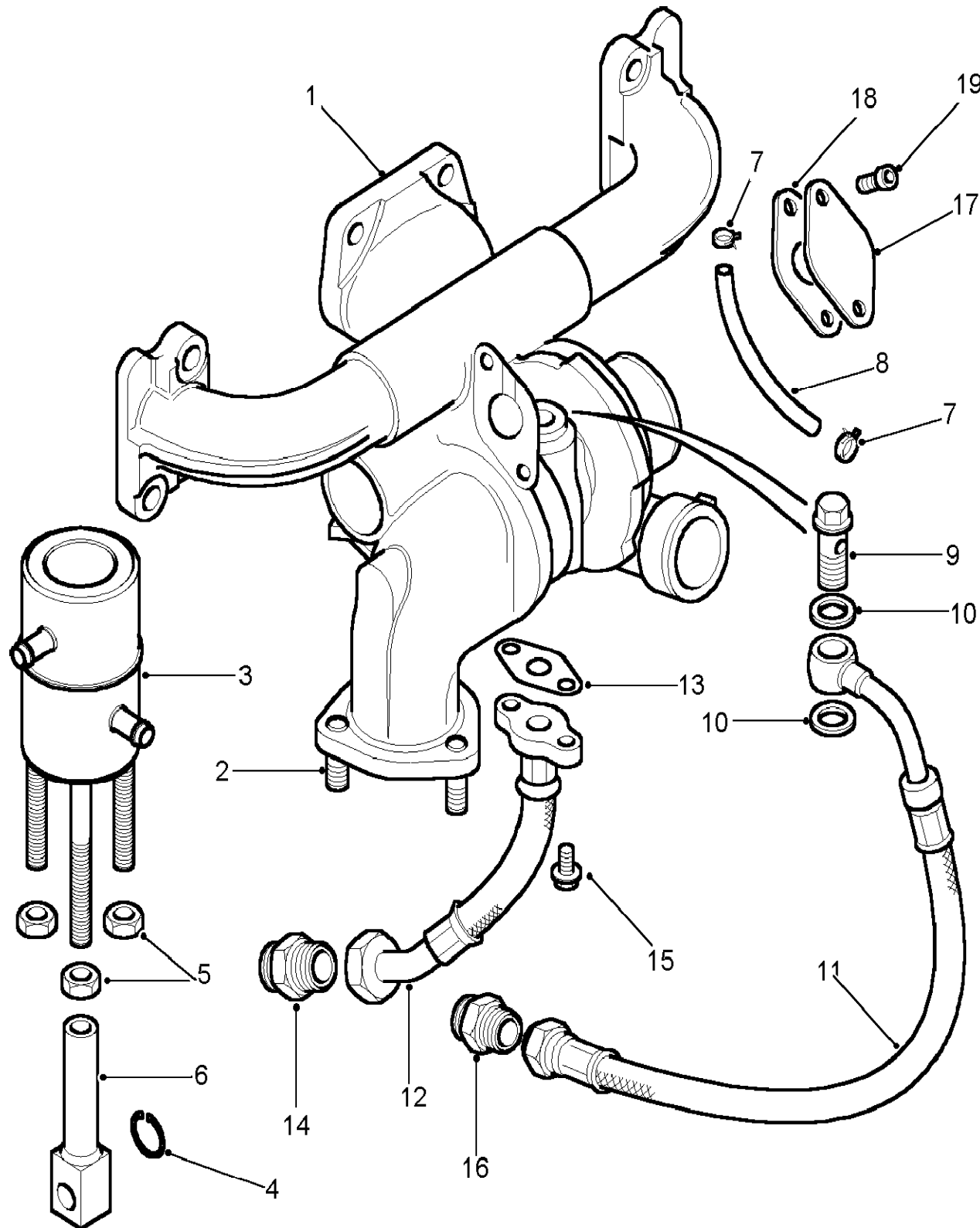
(LB0032A)

Range Rover (From JA610294)

Engine
2500 - Diesel - Turbo - 300 Tdi
Turbocharger

2.5L TDi Turbo Diesel

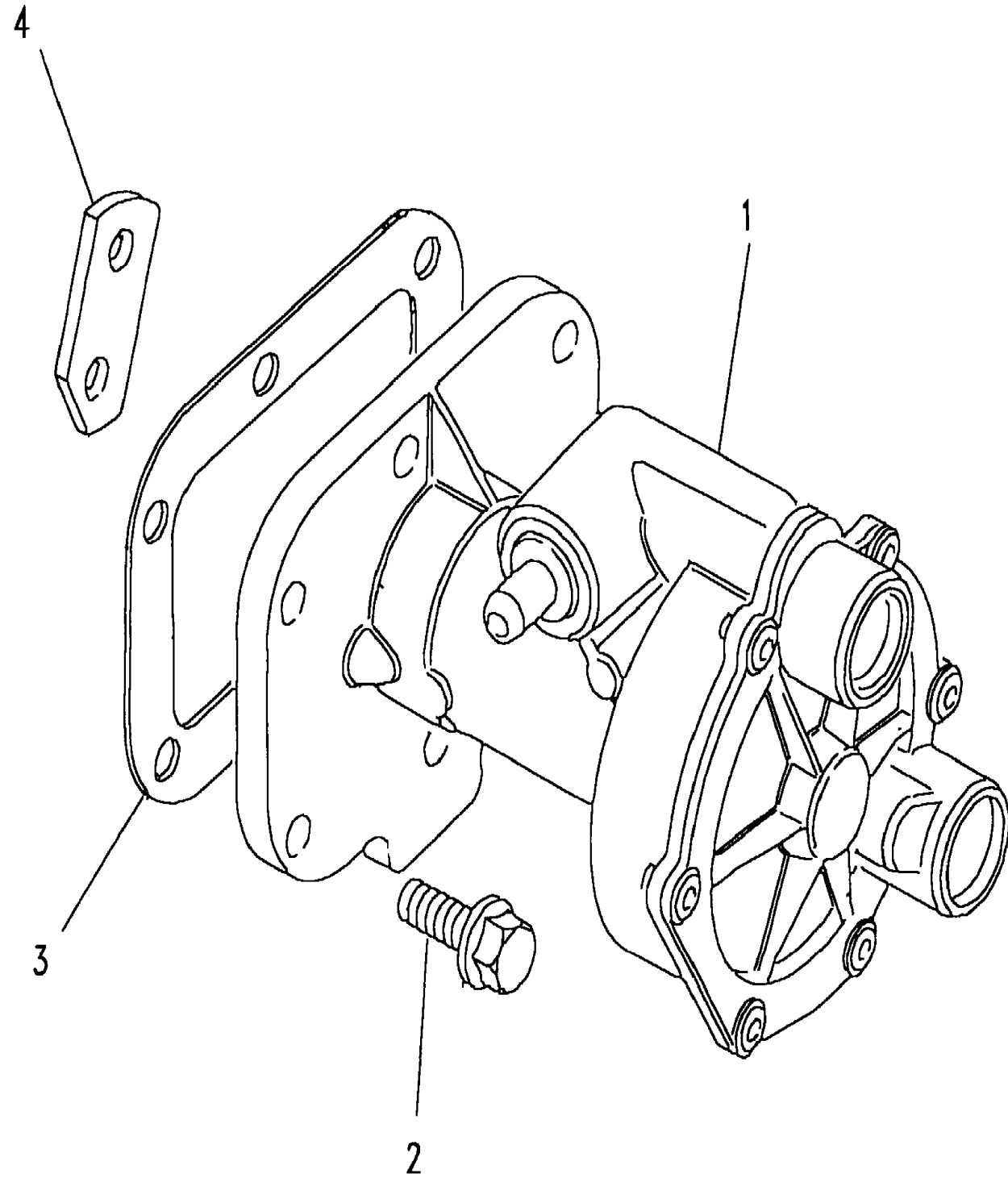
Callout	Name	Application	Remarks & Restrictions	Service No.	Qty
15	Screw	2.5L L/R TDi Diesel	(-) 200 TDI, (-) 14L 2.5 TDI Manual - Zircon, Flanged Head, M8 x 20	FS108207L	1
17	Plate-turbocharger blanking	2.5L 4 Cyl 300 TDi L/R Diesel	(-) 200 TDI, (-) 14L 2.5 TDI Manual - Zircon	ERR4698	1
18	Gasket-exhaust gas recirculation valve to pipe	2.5L 4 Cyl 300 TDi L/R Diesel	(-) 200 TDI, (-) 14L 2.5 TDI Manual - Zircon	ERR5455	1
		2.5L 4 Cyl 300 TDi L/R Diesel	(-) 200 TDI, (-) 14L 2.5 TDI Manual - Zircon	WAL100130	1
		2.5L L/R TDi Diesel	(-) 200 TDI, (-) 14L 2.5 TDI Manual - Zircon	ERR7173	1
19	Bolt	2.5L L/R TDi Diesel	(-) 200 TDI, M8 x 25, (-) 14L 2.5 TDI Manual - Zircon, hexagonal socket	SS108251L	2
		2.5L 4 Cyl 300 TDi L/R Diesel	(-) 200 TDI, plate to turbo, (-) 14L 2.5 TDI Manual - Zircon, M8 x 20	SS108201	2



LB0032A

Engine
2500 - Diesel - Turbo - 300 Tdi
Vacuum Pump 1/1

Range Rover (From JA610294)
(BDBNNA1A)



Range Rover (From JA610294)

Engine
2500 - Diesel - Turbo - 300 Tdi
Vacuum Pump

2.5L TDi Turbo Diesel

Callout	Name	Application	Remarks & Restrictions	Service No.	Qty
1	Pump brake vacuum	2.5L 4 Cyl 300 TDi L/R Diesel	(-) 200 TDI, (-) 14L 2.5 TDI Manual - Zircon	ERR3539	1
2	Screw	2.5L 4 Cyl 300 TDi L/R Diesel	(-) 200 TDI, to engine block, (-) 14L 2.5 TDI Manual - Zircon, Flanged Head, M8 x 20	FS108201L	5
3	Gasket-vacuum pump	2.5L 4 Cyl 300 TDi L/R Diesel	(-) 200 TDI, (-) 14L 2.5 TDI Manual - Zircon	ERR2027	1
4	Bracket Harness	2.5L 4 Cyl 300 TDi L/R Diesel	(-) 200 TDI, (-) 14L 2.5 TDI Manual - Zircon	ERC9404	1

Engine
2500 - Diesel - Turbo - 300 Tdi
Valves & Tappets 1/1

Range Rover (From JA610294)

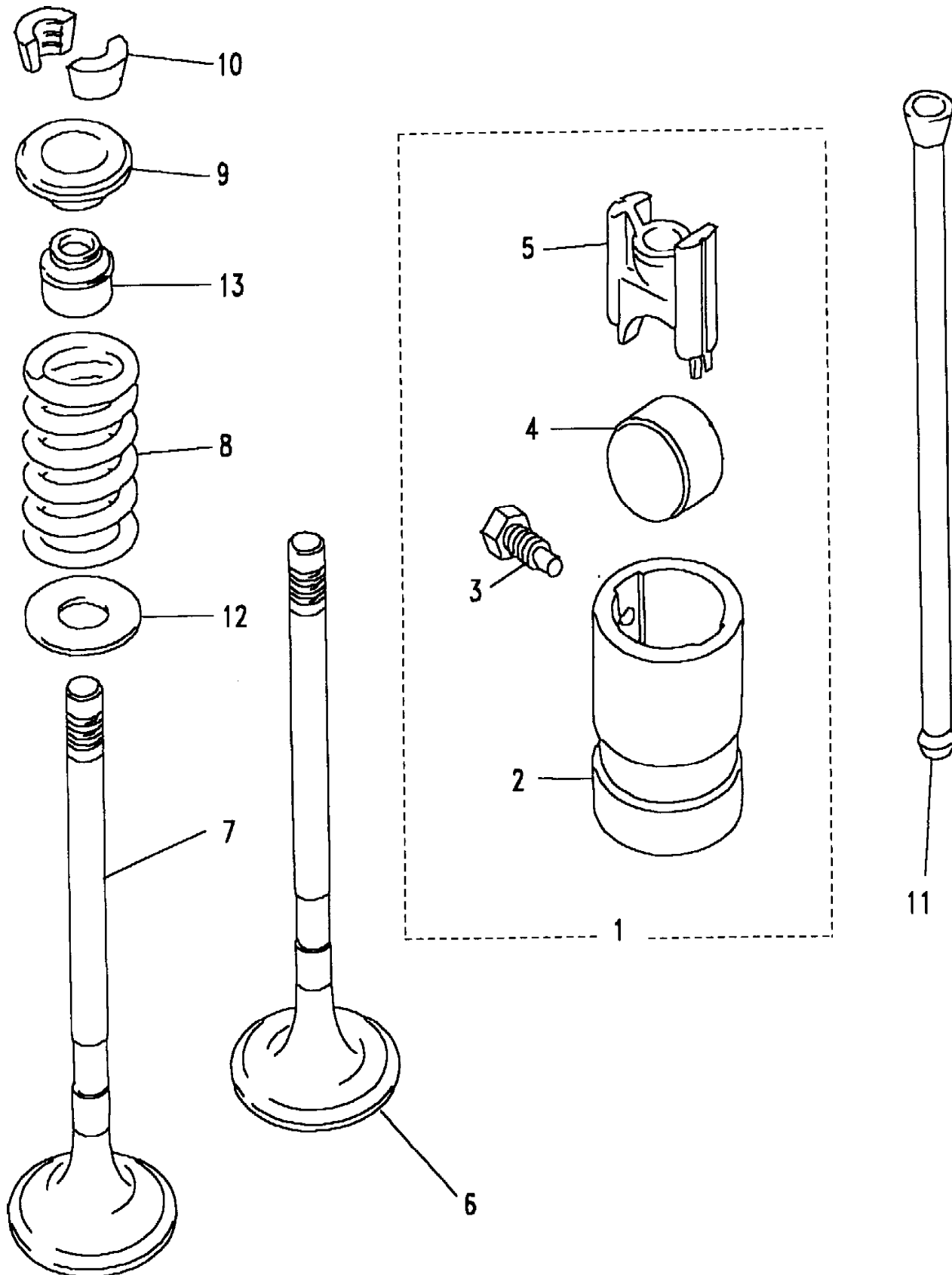
(BDBNGE1A)

Range Rover (From JA610294)

Engine
2500 - Diesel - Turbo - 300 Tdi
Valves & Tappets

2.5L TDi Turbo Diesel

Callout	Name	Application	Remarks & Restrictions	Service No.	Qty
1	Tappet-engine valve hydraulic	2.5L 4 Cyl 300 TDi L/R Diesel	(-) 200 TDI, Also serviced as part of a kit, (-) 14L 2.5 TDI Manual - Zircon	RTC6564	8
2	Slide-tappet guide	2.5L 4 Cyl 300 TDi L/R Diesel	(-) 200 TDI, Also serviced as part of a kit, (-) 14L 2.5 TDI Manual - Zircon	502473	8
3	Bolt	2.5L 4 Cyl 300 TDi L/R Diesel	(-) 200 TDI, Also serviced as part of a kit, (-) 14L 2.5 TDI Manual - Zircon	ETC4246	8
4	Roller-tappet guide	2.5L 4 Cyl 300 TDi L/R Diesel	(-) 200 TDI, Also serviced as part of a kit, (-) 14L 2.5 TDI Manual - Zircon	ERR561	8
5	Tappet-engine valve mechanical	2.5L 4 Cyl 300 TDi L/R Diesel	(-) 200 TDI, Also serviced as part of a kit, (-) 14L 2.5 TDI Manual - Zircon	ERR607	8
6	Valve-cylinder head inlet	2.5L 4 Cyl 300 TDi L/R Diesel	(-) 200 TDI, (-) 14L 2.5 TDI Manual - Zircon	ERR3777	4
7	Valve-cylinder head exhaust	2.5L 4 Cyl 300 TDi L/R Diesel	(-) 200 TDI, (-) 14L 2.5 TDI Manual - Zircon	ERR1156	4
8	Spring-cylinder head valve	2.5L 4 Cyl 300 TDi L/R Diesel	(-) 200 TDI, (-) 14L 2.5 TDI Manual - Zircon	ERR4640	8
9	Cap-cylinder head valve spring	2.5L 4 Cyl 300 TDi L/R Diesel	(-) 200 TDI, (-) 14L 2.5 TDI Manual - Zircon	ETC4068	8
10	Cotter-valve	2.5L 4 Cyl 300 TDi L/R Diesel	(-) 200 TDI, (-) 14L 2.5 TDI Manual - Zircon	ETC4069	16
11	Rod-engine push	2.5L 4 Cyl 300 TDi L/R Diesel	(-) 200 TDI, (-) 14L 2.5 TDI Manual - Zircon	546799	8
12	Seat-cylinder head valve spring	2.5L 4 Cyl 300 TDi L/R Diesel	(-) 200 TDI, (-) 14L 2.5 TDI Manual - Zircon	ETC8193	8
13	Seal-cylinder head valve stem	2.5L 4 Cyl 300 TDi L/R Diesel	(-) 200 TDI, (-) 14L 2.5 TDI Manual - Zircon	ETC8663	8
14	Cap-valve stem	2.5L 4 Cyl 300 TDi L/R Diesel 2.5L 4 Cyl 300 TDi L/R Diesel	(-) 200 TDI, (-) 14L 2.5 TDI Manual - Zircon (-) 200 TDI, (-) 14L 2.5 TDI Manual - Zircon	ERR4175 LJC100270	8 8
[900]	Washer-sealing	2.5L 4 Cyl 300 TDi L/R Diesel	(-) 200 TDI, Also serviced as part of a kit, (-) 14L 2.5 TDI Manual - Zircon	273069	8



Engine
V8 Petrol - EFI
Air Conditioning Compressor V Belt Drive 1/2

Range Rover (From JA610294)

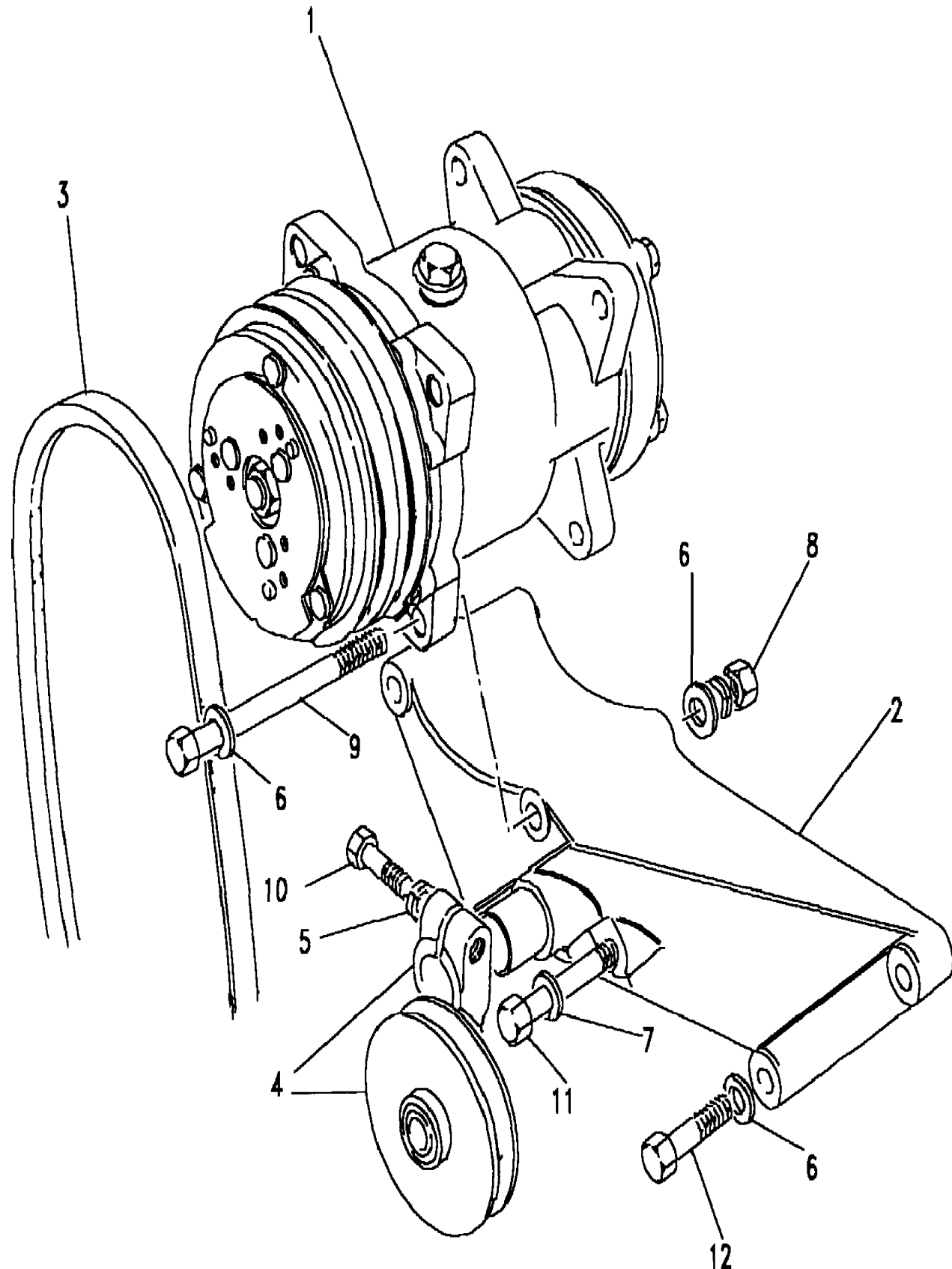
(BDBRNE1A)

Range Rover (From JA610294)

Engine
V8 Petrol - EFI
Air Conditioning Compressor V Belt Drive

V8 EFI Petrol, With Air Conditioning

Callout	Name	Application	Remarks & Restrictions	Service No.	Qty
1	Compressor assembly air conditioning	Change point - VIN end LA647644, Petrol V8 L/R EFI (+)"CDN/MEX/USA"	Engine Code 36D	BTR1301	1
2	Bracket-air compressor	Change point - VIN end LA647644, Petrol V8 L/R EFI Change point - VIN end LA647644, Petrol V8 L/R EFI		ETC7994 ETC5690 ERR4521	1 1 1
3	Belt-polyvee alternator	Change point - VIN end LA647644, Petrol V8 L/R EFI		611612	1
4	Pulley-tensioner ancillary drive	Change point - VIN end LA647644, Petrol V8 L/R EFI	Also serviced as part of a kit	ETC6159	1
5	Washer-Spring	Change point - VIN end LA647644, Petrol V8 L/R EFI	5/16"	WM600051L	1
6	Washer	Change point - VIN end LA647644, Petrol V8 L/R EFI	M10	WA110061L	6
7	Washer	Change point - VIN end LA647644, Petrol V8 L/R EFI	8MM	WA108051L	1
8	Nut - Hex.	Change point - VIN end LA647644, Petrol V8 L/R EFI	hexagonal head, 3/8UNF	NH606041L	2
9	Bolt	Change point - VIN end LA647644, Petrol V8 L/R EFI	3/8UNF x 5	BH606401L	2
10	Bolt	Change point - VIN end LA647644, Petrol V8 L/R EFI	hexagonal head, 5/16UNF x 1 1/4	BH605101L	1
11	Bolt	Change point - VIN end LA647644, Petrol V8 L/R EFI Change point - VIN end LA647644, Change point - VIN begin MA647645, Petrol V8 L/R EFI	5/16UNC x 4 1/4	BH505341L BH506345	1 1
12	Bolt	Change point - VIN end LA647644, Petrol V8 L/R EFI Change point - VIN end LA647644, Petrol V8 L/R EFI	3/8UNC x 1 7/8 hexagonal head, 1/4UNC x 1 7/8	BH506131L BH504151L	1 1



Engine
V8 Petrol - EFI
Air Conditioning Compressor V Belt Drive 2/2

Range Rover (From JA610294)

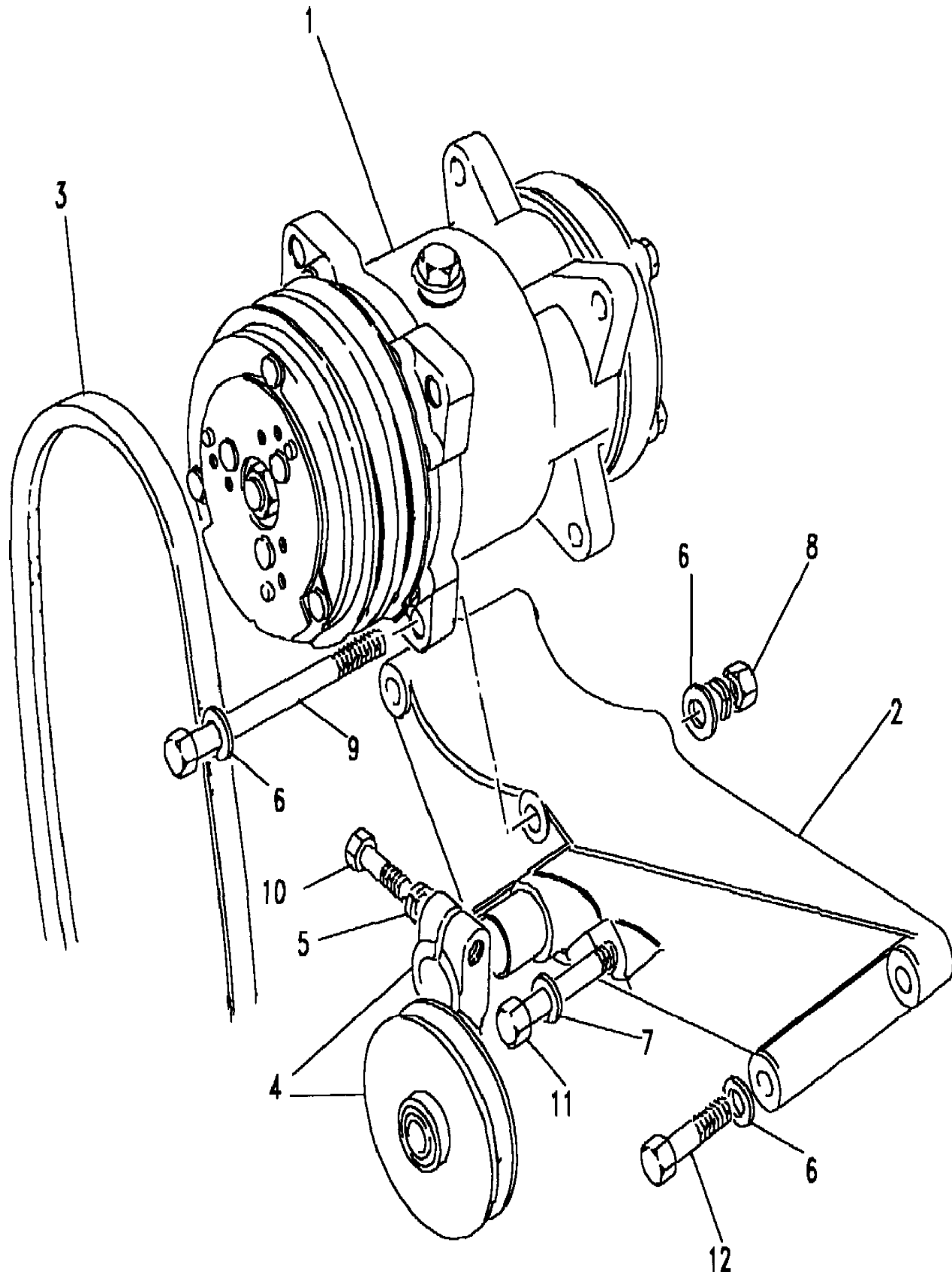
(BDBRNE1A)

Range Rover (From JA610294)

Engine
V8 Petrol - EFI
Air Conditioning Compressor V Belt Drive

V8 EFI Petrol, With Air Conditioning

Callout	Name	Application	Remarks & Restrictions	Service No.	Qty
12	Bolt	Change point - VIN end LA647644, Petrol V8 L/R EFI	hexagonal head, 5/16UNC x 5 1/2	BH505441L	1
[900]	Bracket-pulley support belt tensioner	Change point - VIN end LA647644, Petrol V8 L/R EFI	Also serviced as part of a kit	ETC6148	1
[901]	Pulley-tensioner ancillary drive	Change point - VIN end LA647644, Petrol V8 L/R EFI	Also serviced as part of a kit	614718	1
[902]	Bearing-ball	Change point - VIN end LA647644, Petrol V8 L/R EFI	Also serviced as part of a kit	614154	1
[903]	Ring - Sealing	(+)"CDN/MEX/USA"		AEW1626	2



Engine
V8 Petrol - EFi
Air-Con Compressor Serpentine Belt Drive 1/1

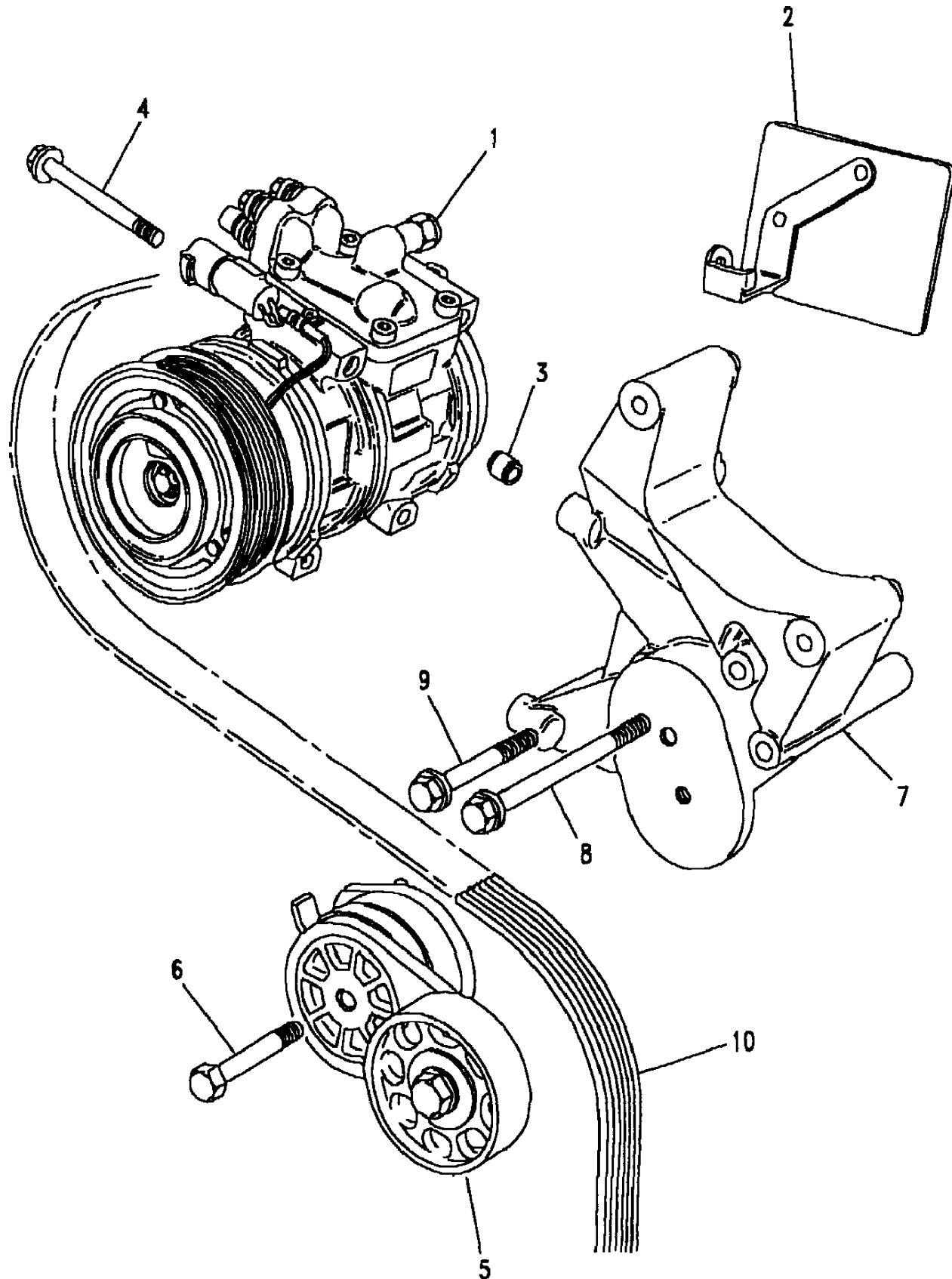
Range Rover (From JA610294)

(BDBRNE2A)

Range Rover (From JA610294)

Engine
V8 Petrol - EFi

Air-Con Compressor Serpentine Belt Drive
V8 EFI Petrol, With Power Steering

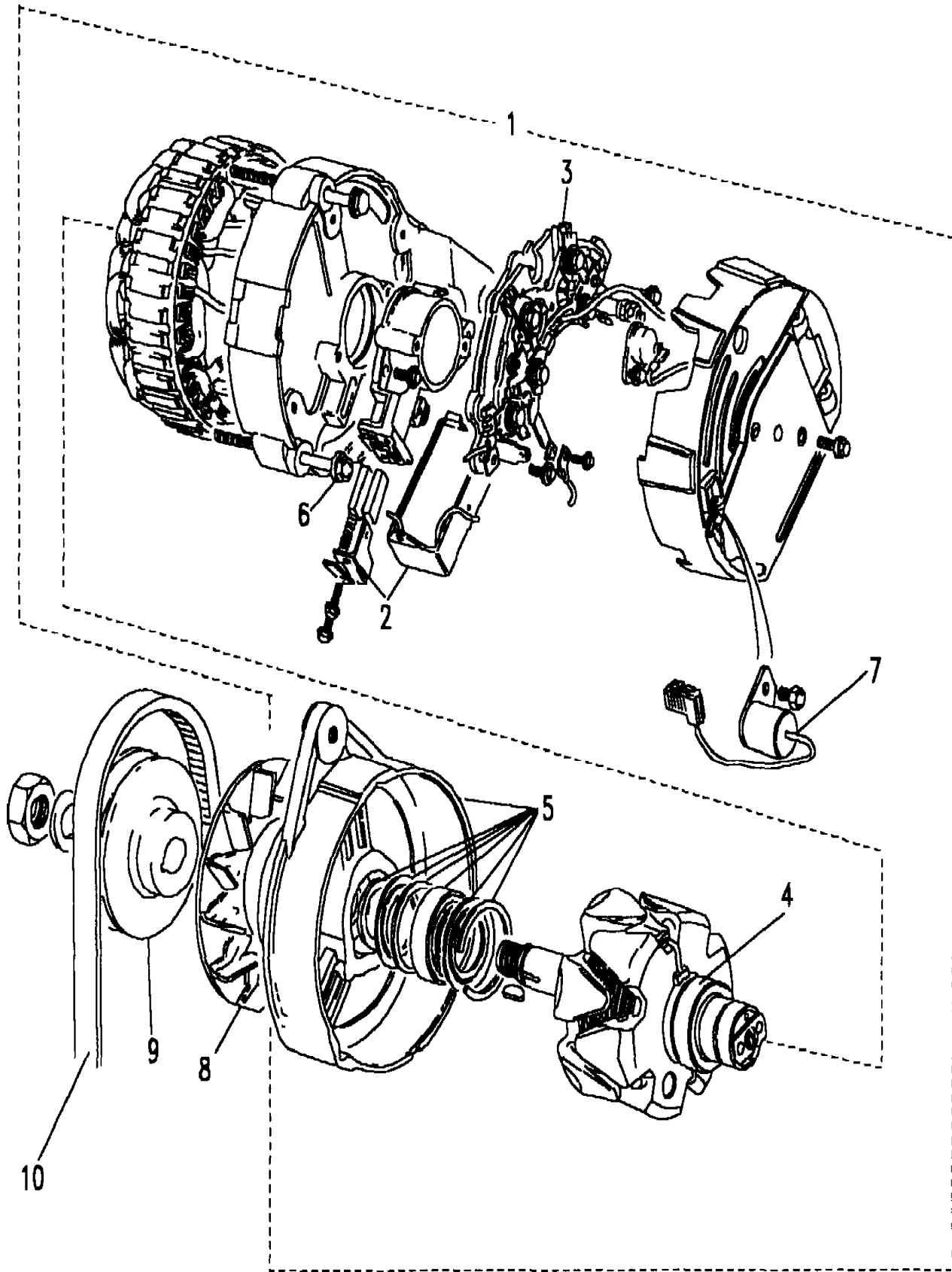


Callout	Name	Application	Remarks & Restrictions	Service No.	Qty
1	Compressor assembly air conditioning	Change point - VIN begin MA647645, Petrol V8 L/R EFI		BTR5750	1
2	Heatshield assembly air conditioning compressor	Change point - VIN begin MA647645, Petrol V8 L/R EFI		ERR3671	1
3	Dowel	Change point - VIN begin MA647645, Petrol V8 L/R EFI		ERR4052	2
4	Bolt	Change point - VIN begin MA647645, Petrol V8 L/R EFI	Flanged Head, M8 x 95	FB108197	4
5	Pulley-tensioner ancillary drive	Change point - VIN begin MA647645, Petrol V8 L/R EFI		ERR3440	1
6	Bolt	Change point - VIN begin MA647645, Petrol V8 L/R EFI	Flanged Head, M10 x 75	FB110151L	1
7	Bracket-ancillary mounting	Change point - VIN begin MA647645, Petrol V8 L/R EFI		ERR4513	1
8	Bolt	Change point - VIN begin MA647645, Petrol V8 L/R EFI	Flanged Head, 3/8UNC x 5 1/4	ERR3062	2
9	Bolt-flanged head	Change point - VIN begin MA647645, Petrol V8 L/R EFI	3/8UNC x 3 1/4	FB506267	2
10	Belt-polyvee alternator	Change point - VIN begin MA647645, Petrol V8 L/R EFI		ERR4623	1
[901]	Ring - Sealing	(+)"CDN/MEX/USA"	O Ring	STC3131	2

Engine
V8 Petrol - EFi
Alternator Lucas A127 1/1

Range Rover (From JA610294)

(BDBRPC1A)



Range Rover (From JA610294)

Engine
V8 Petrol - EFi
Alternator Lucas A127

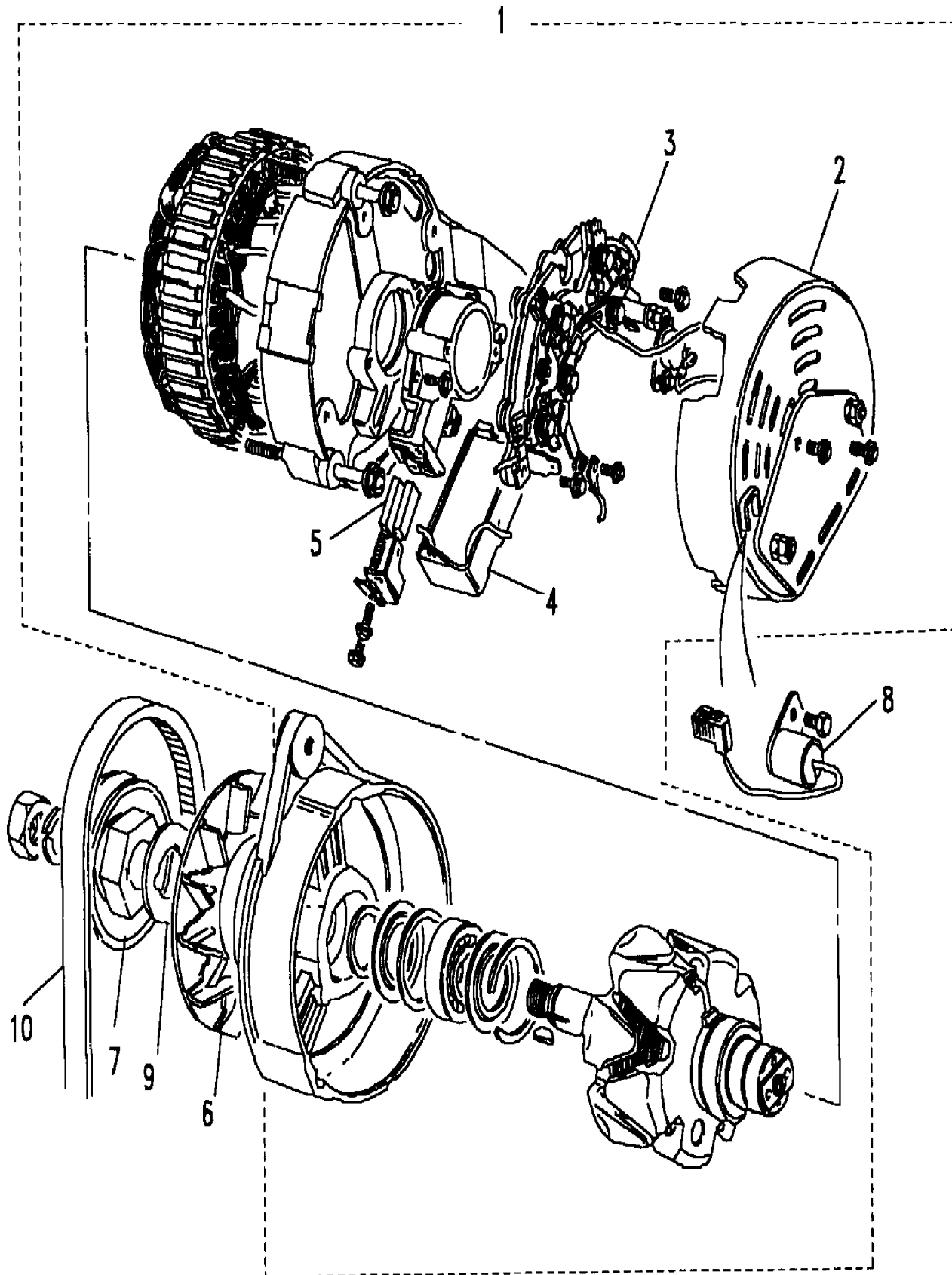
V8 EFI Petrol

Callout	Name	Application	Remarks & Restrictions	Service No.	Qty
1	Alternator assembly	Change point - VIN begin JA610294, Petrol V8 L/R EFi	Also serviced as part of a kit, RH, New, A127-65 amp	STC234	1
		Petrol V8 L/R EFi	Also serviced as part of a kit, RH, exchange, A127-65 amp	RTC5680E	1
2	Regulator & brush box assembly alternator	Petrol V8 L/R EFi	Also serviced as part of a kit	RTC5670	1
3	Rectifier-alternator	Petrol V8 L/R EFi	Also serviced as part of a kit	RTC5671	1
4	Bearing-alternator front		Also serviced as part of a kit	RTC5047	1
5	Bracket-drive end c/w bearing alternator e	Petrol V8 L/R EFi	Also serviced as part of a kit, RH	RTC5687	1
6	Kit-fixings alternator/vacuum pump	Petrol V8 L/R EFi	Also serviced as part of a kit, RH	RTC5046	1
7	Capacitor alternator		Also serviced as part of a kit	RTC6114	1
8	Fan Alternator	Petrol V8 L/R EFi	127/65 amp	605410	1
9	Pulley Assy - Alternator	Petrol V8 L/R EFi	68mm, 127/65 amp	ETC9083	1
10	Belt-polyvee alternator	Change point - VIN end JA624754, Petrol V8 L/R EFi		ERR2073	1

Engine
V8 Petrol - EFi
Alternator Lucas A133 1/3

Range Rover (From JA610294)

(CABRPC2A)



Range Rover (From JA610294)

Engine
V8 Petrol - EFi
Alternator Lucas A133

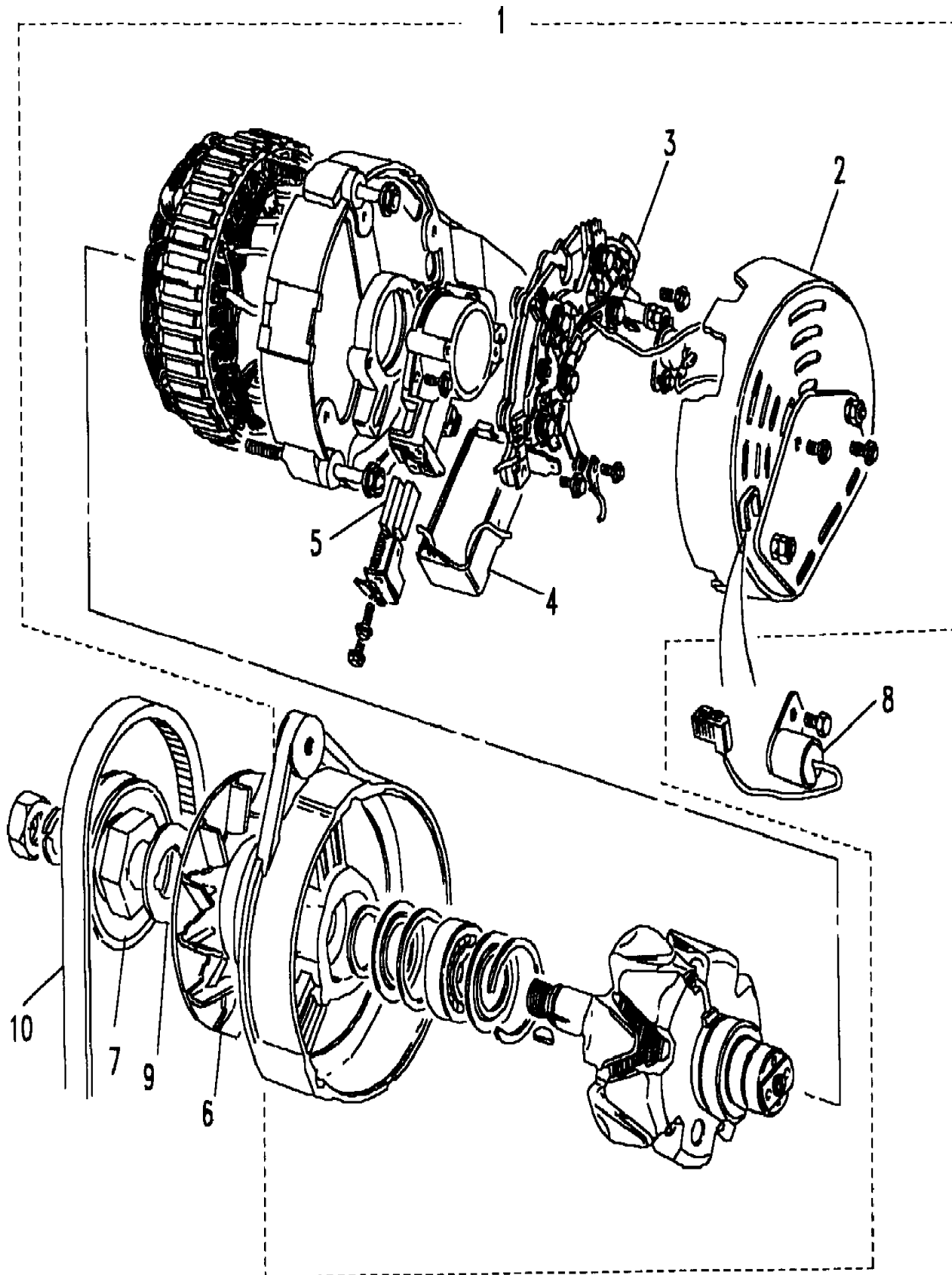
V8 EFI Petrol

Callout	Name	Application	Remarks & Restrictions	Service No.	Qty
1	Alternator assembly	Change point - Engine end JA624755, Petrol V8 L/R EFi		STC232	1
		Change point - Engine end JA624755, Petrol V8 L/R EFi	Also serviced as part of a kit, New, A133-80 amp	STC1753	1
		Change point - Engine end JA624755, Petrol V8 L/R EFi	Also serviced as part of a kit, exchange, A133-80 amp	RTC5053E	1
		Change point - VIN begin KA624756, Petrol V8 L/R EFi	Also serviced as part of a kit, New, A127i-85 amp	YLE10099	1
		Change point - VIN begin KA624756, Petrol V8 L/R EFi	Also serviced as part of a kit, exchange, A127i-85 amp	YLE10099E	1
		Change point - VIN begin KA624756, Petrol V8 L/R EFi	Also serviced as part of a kit, New, A127i-100 amp	YLE10100	1
		Change point - VIN begin KA624756, Petrol V8 L/R EFi	Also serviced as part of a kit, exchange, A127i-100 amp	YLE10100E	1
		Change point - VIN begin MA647645, Petrol V8 L/R EFi	Also serviced as part of a kit, New, A127i-100 amp	AMR3107	1
		Change point - VIN begin MA647645, Petrol V8 L/R EFi	Also serviced as part of a kit, exchange, A127i-100 amp	AMR3107E	1
		2	Cover Alternator	Change point - Engine end JA624755, Petrol V8 L/R EFi	Also serviced as part of a kit
Change point - VIN begin MA647645, Petrol V8 L/R EFi	Also serviced as part of a kit			RTC5610	1
3	Rectifier-alternator	Change point - Engine end JA624755, Petrol V8 L/R EFi	Also serviced as part of a kit, 85 amp/100 amp	RTC5609	1
		Change point - VIN begin KA624756, Petrol V8 L/R EFi	Also serviced as part of a kit	STC986	1
		Change point - VIN begin MA647645, Petrol V8 L/R EFi	Also serviced as part of a kit, 85 amp/100 amp	RTC5609	1
		Change point - VIN begin MA647645, Petrol V8 L/R EFi	Also serviced as part of a kit	STC986	1
4	Regulator assembly alternator	Change point - VIN begin MA647645, Petrol V8 L/R EFi	Also serviced as part of a kit, 85 amp/100 amp	RTC5928	1
		Change point - VIN begin MA647645, Petrol V8 L/R EFi	Also serviced as part of a kit	STC985	1
		Change point - Engine end JA624755, Petrol V8 L/R EFi	Also serviced as part of a kit, 85 amp/100 amp	RTC5928	1
		Change point - VIN begin KA624756, Petrol V8 L/R EFi	Also serviced as part of a kit	STC985	1

Engine
V8 Petrol - EFi
Alternator Lucas A133 2/3

Range Rover (From JA610294)

(CABRPC2A)



Range Rover (From JA610294)

Engine
V8 Petrol - EFi
Alternator Lucas A133

V8 EFI Petrol

Callout	Name	Application	Remarks & Restrictions	Service No.	Qty
5	Brush alternator	Change point - VIN begin MA647645, Petrol V8 L/R EFi	Also serviced as part of a kit	RTC5611	1
		Change point - Engine end JA624755, Petrol V8 L/R EFi	Also serviced as part of a kit	RTC5611	1
		Change point - VIN begin KA624756, Petrol V8 L/R EFi	Also serviced as part of a kit	RTC5611	1
6	Fan Alternator	Petrol V8 L/R EFi	80 AMP	RTC5054	1
		Petrol V8 L/R EFi	127/65 amp	605410	1
7	Pulley-alternator	Change point - VIN end JA624755, Petrol V8 L/R EFi		ERR767	1
		Change point - VIN begin KA624756, Petrol V8 L/R EFi		STC862	1
8	Capacitor alternator	Petrol V8 L/R EFi		AEU1616	2
		Change point - VIN begin KA624756, Petrol V8 L/R EFi	Also serviced as part of a kit	RTC6114	1
9	Spacer	Petrol V8 L/R EFi		RTC6166	2
10	Belt-polyvee alternator	Change point - VIN end JA624754, Petrol V8 L/R EFi		ERR2073	1
		Change point - VIN begin KA624756, Petrol V8 L/R EFi		ERR2678	1
[900]	Heatshield alternator	Change point - VIN end JA624754, Petrol V8 L/R EFi	80 AMP	ERR1606	1
		Change point - VIN begin KA624756, Petrol V8 L/R EFi	85 AMP	ERR3764	1
[901]	Clip	Petrol V8 L/R EFi	Pipe, Single	PRC3180	2
[908]	Bearing-alternator front	Change point - VIN begin KA624756, Petrol V8 L/R EFi	Also serviced as part of a kit	RTC5047	1
		Petrol V8 L/R EFi		RTC5926	1
[909]	Bracket-drive end c/w bearing alternator e	Change point - VIN begin KA624756, Petrol V8 L/R EFi	Also serviced as part of a kit, RH	RTC5687	1
[910]	Kit-fixings alternator/vacuum pump	Change point - VIN begin KA624756, Petrol V8 L/R EFi	Also serviced as part of a kit, RH	RTC5046	1
[911]	Cover-terminal alternator	Change point - VIN begin MA647645, Petrol V8 L/R EFi	Also serviced as part of a kit	AMR2263	1

Engine
V8 Petrol - EFi
Alternator Lucas A133 3/3

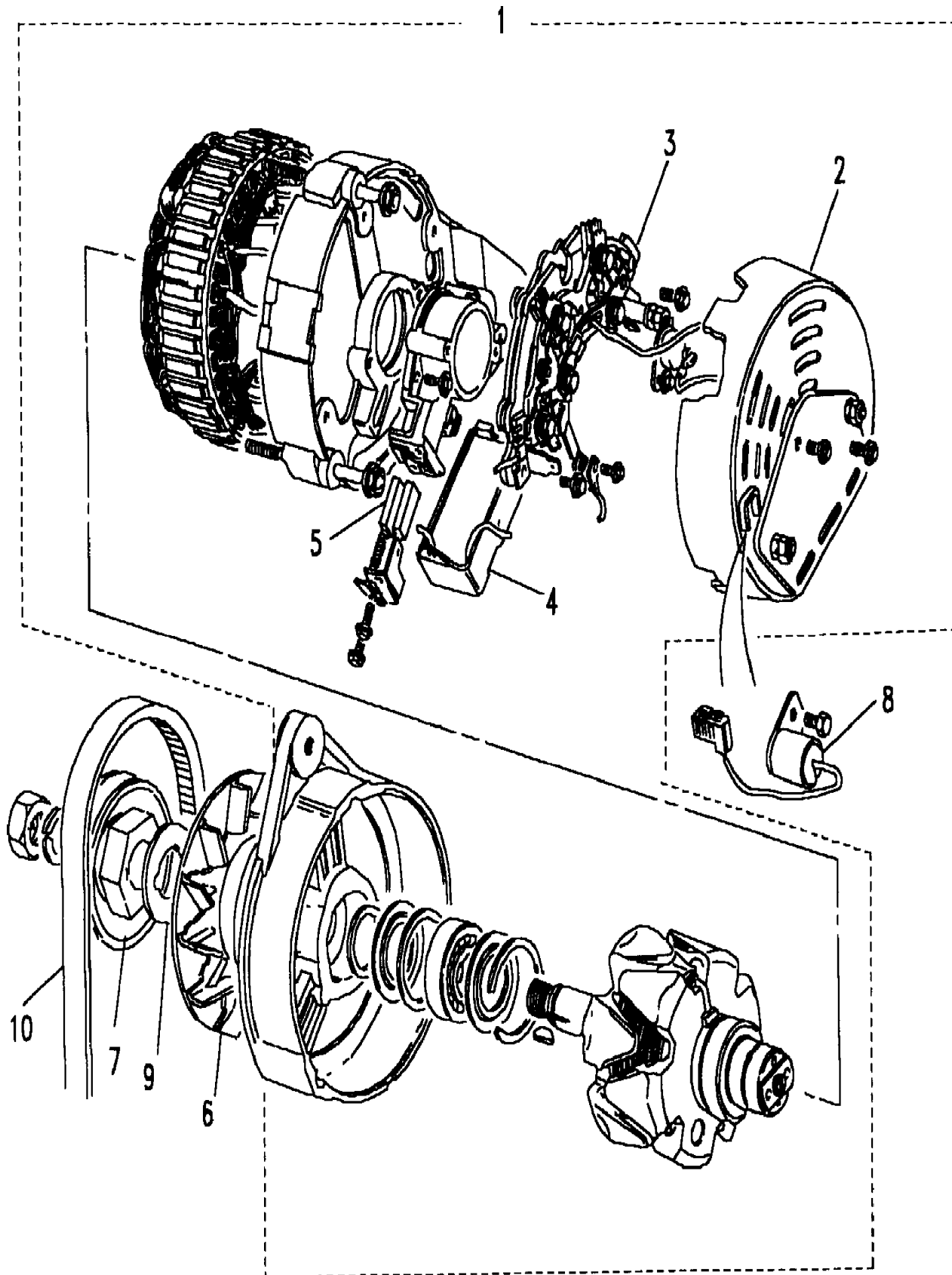
Range Rover (From JA610294)

(CABRPC2A)

Engine
V8 Petrol - EFi
Alternator Lucas A133

Range Rover (From JA610294)

V8 EFI Petrol



Callout	Name	Application	Remarks & Restrictions	Service No.	Qty
[912]	Nut & washer set	Change point - VIN begin MA647645, Petrol V8 L/R EFi	Also serviced as part of a kit, 5.0M, Flanged Head	AMR2217	1
		Change point - VIN begin MA647645, Petrol V8 L/R EFi	Also serviced as part of a kit, 6MM	AMR2218	1

Engine
V8 Petrol - EFI
Alternator Mounting 1/2

Range Rover (From JA610294)

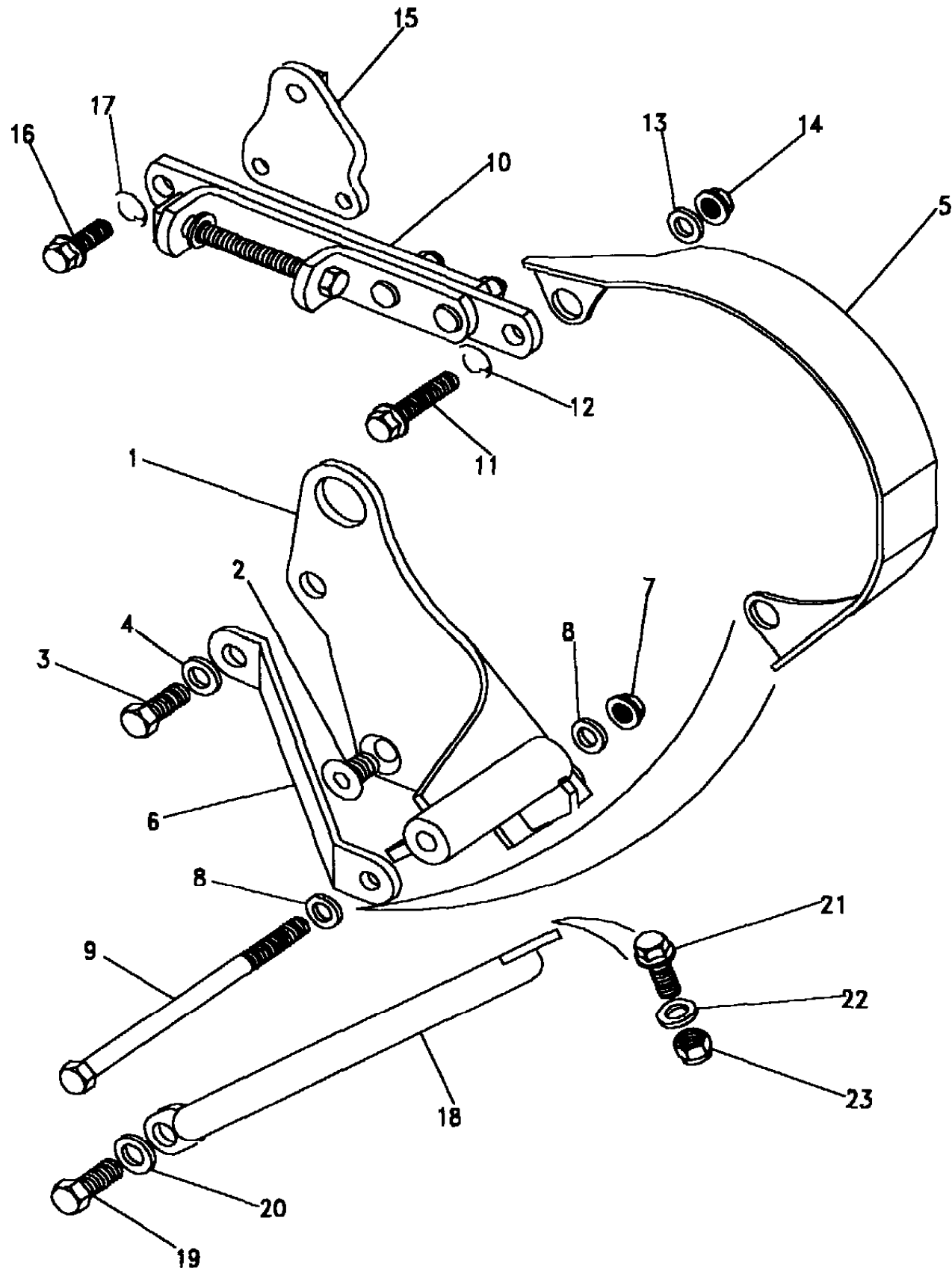
(BDBRPC3A)

Range Rover (From JA610294)

Engine
V8 Petrol - EFI
Alternator Mounting

V8 EFI Petrol

Callout	Name	Application	Remarks & Restrictions	Service No.	Qty
1	Bracket-mounting-alternator	Change point - VIN end JA624754, Petrol V8 L/R EFI Change point - VIN begin KA624756, Petrol V8 L/R EFI	85 AMP	ERR1929 ERR2676	1 1
2	Screw	Petrol V8 L/R EFI	3/8UNC x 1	ETC8765	1
3	Screw	Petrol V8 L/R EFI	hexagonal head, 3/8UNC x 1 1/8	SH506095L	2
4	Washer-Plain	Petrol V8 L/R EFI		4594L	2
5	Guard-fan alternator	Petrol V8 L/R EFI	80 AMP	ETC8440	1
6	Bracket assembly-mounting alternator	Change point - VIN end JA624754, Petrol V8 L/R EFI		ERR1588	1
7	Nut - Hex.	Petrol V8 L/R EFI	M8, flange	FN108041L	2
8	Washer	Petrol V8 L/R EFI	8MM	WA108051L	4
9	Bolt	Petrol V8 L/R EFI		BH108281	1
10	Link-adjuster alternator	Petrol V8 L/R EFI, (-) "CDN/MEX/USA" (+) "CDN/MEX/USA"		ERR1574 ERR1909	1 1
11	Screw-flanged head	Petrol V8 L/R EFI	Long, M8 x 40 M8 X 35, Flanged Head	FS108351L FS108357	1 1
12	Washer	Petrol V8 L/R EFI	M8, sprung	WL108001L	1
13	Washer	Petrol V8 L/R EFI	8MM	WA108051L	2
14	Nut - Hex.	Petrol V8 L/R EFI	M8, flange	FN108041L	1
15	Support-adjuster link alternator	Change point - VIN end JA624754, Petrol V8 L/R EFI Change point - VIN begin KA624756, Petrol V8 L/R EFI		ERR1885 ERR2673	1 1
16	Screw	Petrol V8 L/R EFI	Flanged Head, M8 x 20	FS108201L	1
17	Washer	Petrol V8 L/R EFI	M8, sprung	WL108001L	1
18	Strut-alternator	Petrol V8 L/R EFI	85 AMP	ERR1589	1
19	Screw	Petrol V8 L/R EFI	hexagonal head, 3/8UNC x 1 1/8	SH506095L	1
20	Washer	Petrol V8 L/R EFI	M10	WA110061L	1



Engine
V8 Petrol - EFi
Alternator Mounting 2/2

Range Rover (From JA610294)

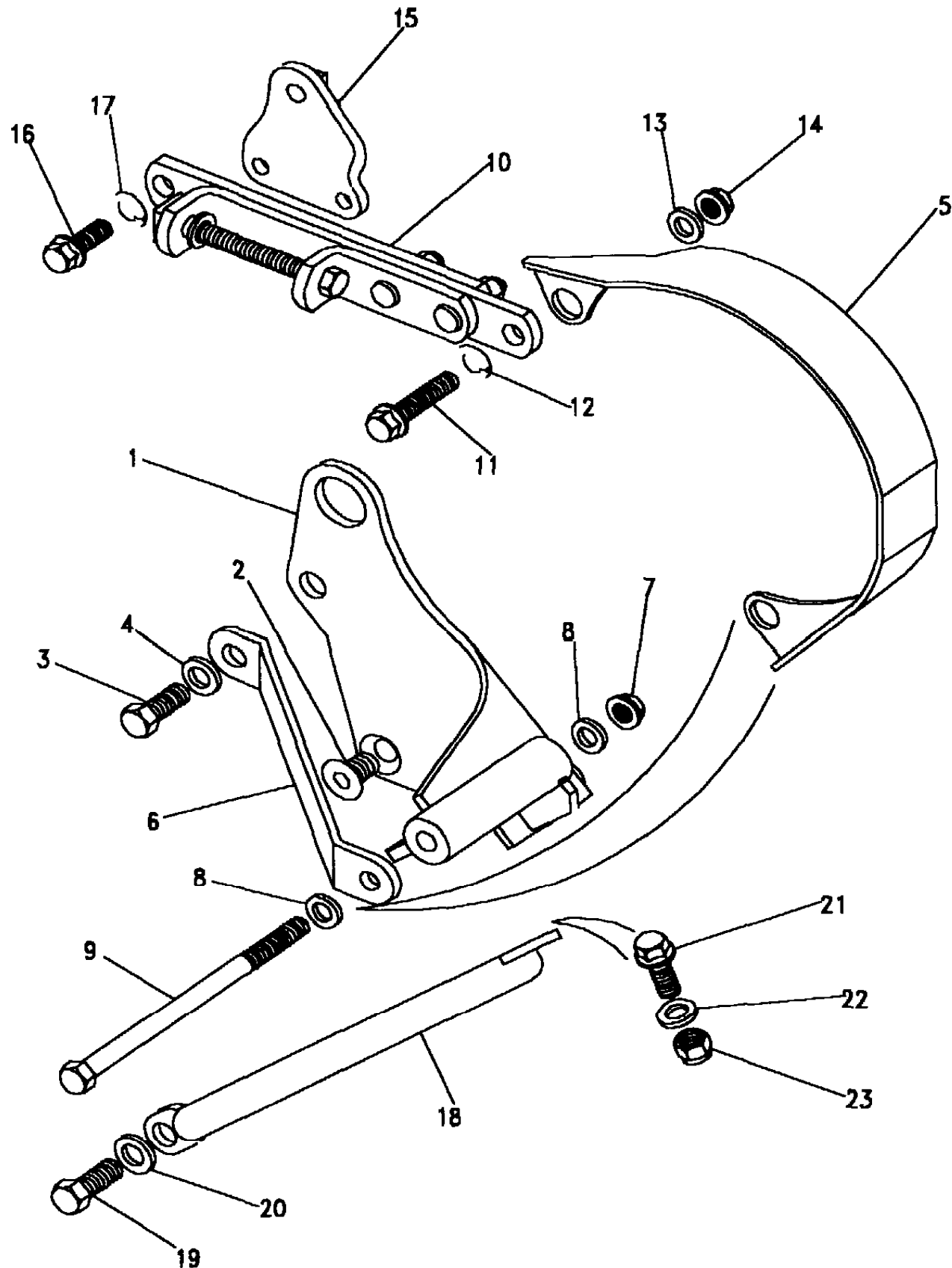
(BDBRPC3A)

Range Rover (From JA610294)

Engine
V8 Petrol - EFi
Alternator Mounting

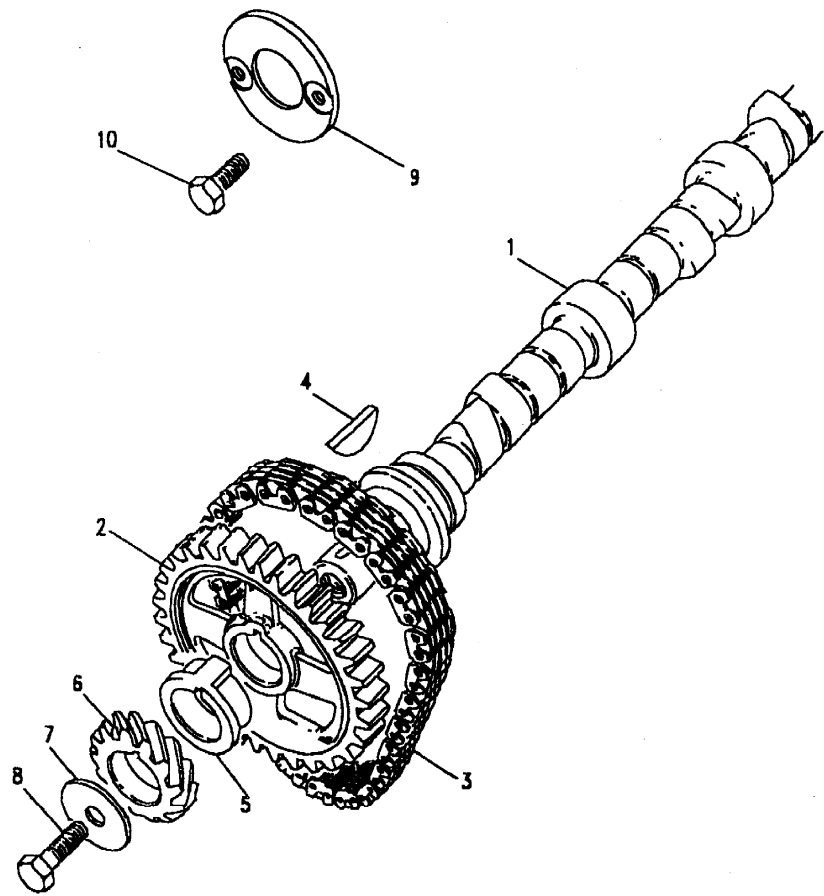
V8 EFI Petrol

Callout	Name	Application	Remarks & Restrictions	Service No.	Qty
21	Screw	Petrol V8 L/R EFi	M8 x 25, Flanged Head	FS108251L	1
22	Washer-Plain	Petrol V8 L/R EFi	8MM	WA108251L	1
23	Locknut	Petrol V8 L/R EFi	M8	NY108051L	1
[902]	Tie-cable	Change point - VIN begin KA624756, Petrol V8 L/R EFi	8mm hole, 4.6 x 215mm	YYD10003	1
[903]	Grommet	Petrol V8 L/R EFi		ERC5830	2
[904]	Bush	Petrol V8 L/R EFi		ETC8559	2
[905]	Harness earth bond	Change point - VIN begin KA624756, Petrol V8 L/R EFi		ERR2677	1



Engine
V8 Petrol - EFI
Camshaft 1/1

Range Rover (From JA610294)
(BEBRG11A)



G04.030
11-2002
L2
BEBRG11A

Range Rover (From JA610294)

Engine
V8 Petrol - EFI
Camshaft

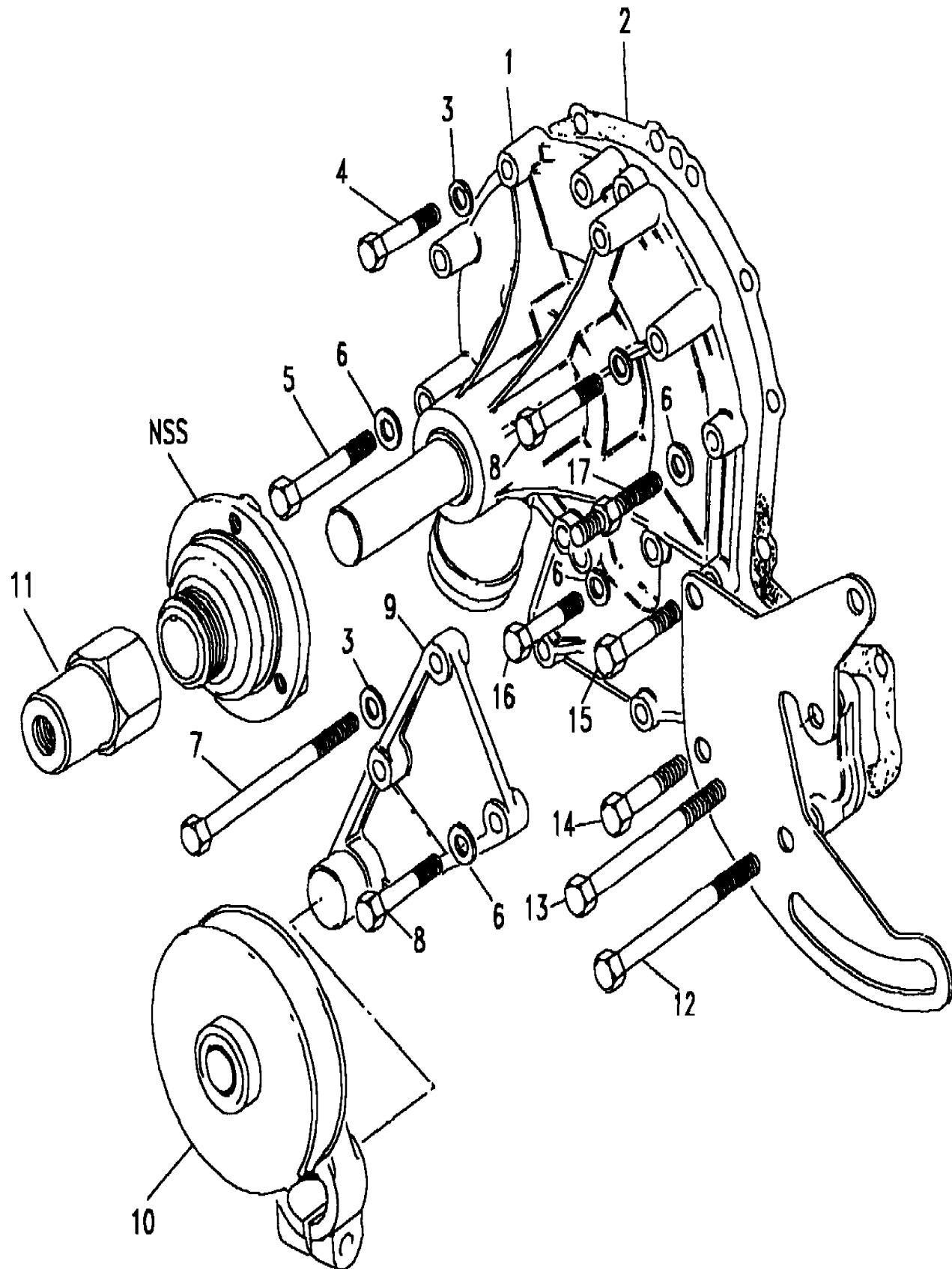
V8 EFI Petrol

Callout	Name	Application	Remarks & Restrictions	Service No.	Qty
1	Camshaft-engine	Change point - VIN end 659897, 3.9L V8 L/R EFI Petrol		ETC8686	1
		Change point - VIN begin 659898, 3.9L V8 L/R EFI Petrol		ERR5924	1
		Change point - VIN end 659897, 4.2L V8 L/R EFI Petrol		ERR4946	1
		Change point - VIN begin 659898, 4.2L V8 L/R EFI Petrol		ERR5925	1
		Change point - Engine end 40D09581, 4.2 V8 Petrol Efi, (+)"CDN/MEX/USA"		ERR3456	1
2	Sprocket-camshaft	Petrol V8 L/R EFI		610289	1
3	Chain-engine timing	Petrol V8 L/R EFI		ERC7929	1
4	Key-camshaft location	Petrol V8 L/R EFI		ERC2838	1
5	Spacer	Petrol V8 L/R EFI		ERC2839	1
6	Gear-drive-distributor	Petrol V8 L/R EFI		614188	1
7	Washer-Plain	Petrol V8 L/R EFI		ERC6552	1
8	Bolt	Petrol V8 L/R EFI	7/16UNC x 1 1/8	602227	1
9	Plate-camshaft retaining	Change point - VIN begin 659898, Petrol V8 L/R EFI		ERR5926	1
10	Screw	Change point - VIN begin 659898, Petrol V8 L/R EFI	hexagonal head, 5/16UNC x 3/4	SH505061	1

Engine
V8 Petrol - EFI
Coolant Pump 1/2

Range Rover (From JA610294)

(BDBREE1A)



Range Rover (From JA610294)

Engine
V8 Petrol - EFI
Coolant Pump

V8 EFI Petrol

Callout	Name	Application	Remarks & Restrictions	Service No.	Qty
1	Pump assembly-engine coolant	Change point - Engine end 38D27237B, Petrol V8 L/R EFI	Also serviced as part of a kit	STC483	1
		Change point - Engine begin 40D09582B, Petrol V8 L/R EFI	Also serviced as part of a kit	STC1693	1
2	Gasket-cylinder block coolant pump	Change point - Engine end 38D27237B, Petrol V8 L/R EFI	Also serviced as part of a kit	ERR2428	1
		Change point - Engine begin 40D09582B, Petrol V8 L/R EFI	Also serviced as part of a kit	ERR4077	1
		Change point - Engine end 38D27237B, Petrol V8 L/R EFI		ERR2428	1
		Change point - Engine begin 40D09582B, Petrol V8 L/R EFI		ERR4077	1
3	Washer	Petrol V8 L/R EFI	8MM	WA108051L	4
4	Screw	Petrol V8 L/R EFI	Flanged Head, 1/4UNC x 2	SH504161L	1
		Petrol V8 L/R EFI	Flanged Head, 5/16UNC x 1 1/2	BH505121L	2
		Change point - Engine begin 40D09582B, Petrol V8 L/R EFI	M8 x 25, Flanged Head	FS108257L	6
5	Bolt	Petrol V8 L/R EFI	1/4UNC x 2	BH504161L	2
6	Washer	Petrol V8 L/R EFI	6MM	WA106041L	6
7	Bolt	Petrol V8 L/R EFI	hexagonal head, 5/16UNC x 5 1/2	BH505441L	1
		Petrol V8 L/R EFI	5/16UNC x 6	BH505485L	1
8	Bolt	Petrol V8 L/R EFI	hexagonal head, 1/4UNC x 1 7/8	BH504151L	2
9	Bracket-pulley support belt tensioner	Petrol V8 L/R EFI		ETC6148	1
10	Pulley-tensioner ancillary drive	Change point - VIN end JA624754, Petrol V8 L/R EFI	Also serviced as part of a kit	614718	1
		Change point - VIN begin KA624756, Petrol V8 L/R EFI	Also serviced as part of a kit	ERR3767	1
11	Adaptor-water pump drive	Petrol V8 L/R EFI		ETC6104	1
12	Bolt	Petrol V8 L/R EFI	hexagonal head, 5/16UNC x 5	BH505401L	1
13	Bolt	Petrol V8 L/R EFI	hexagonal head, 5/16UNC x 4 3/4	BH505381L	1

Engine
V8 Petrol - EFI
Coolant Pump 2/2

Range Rover (From JA610294)

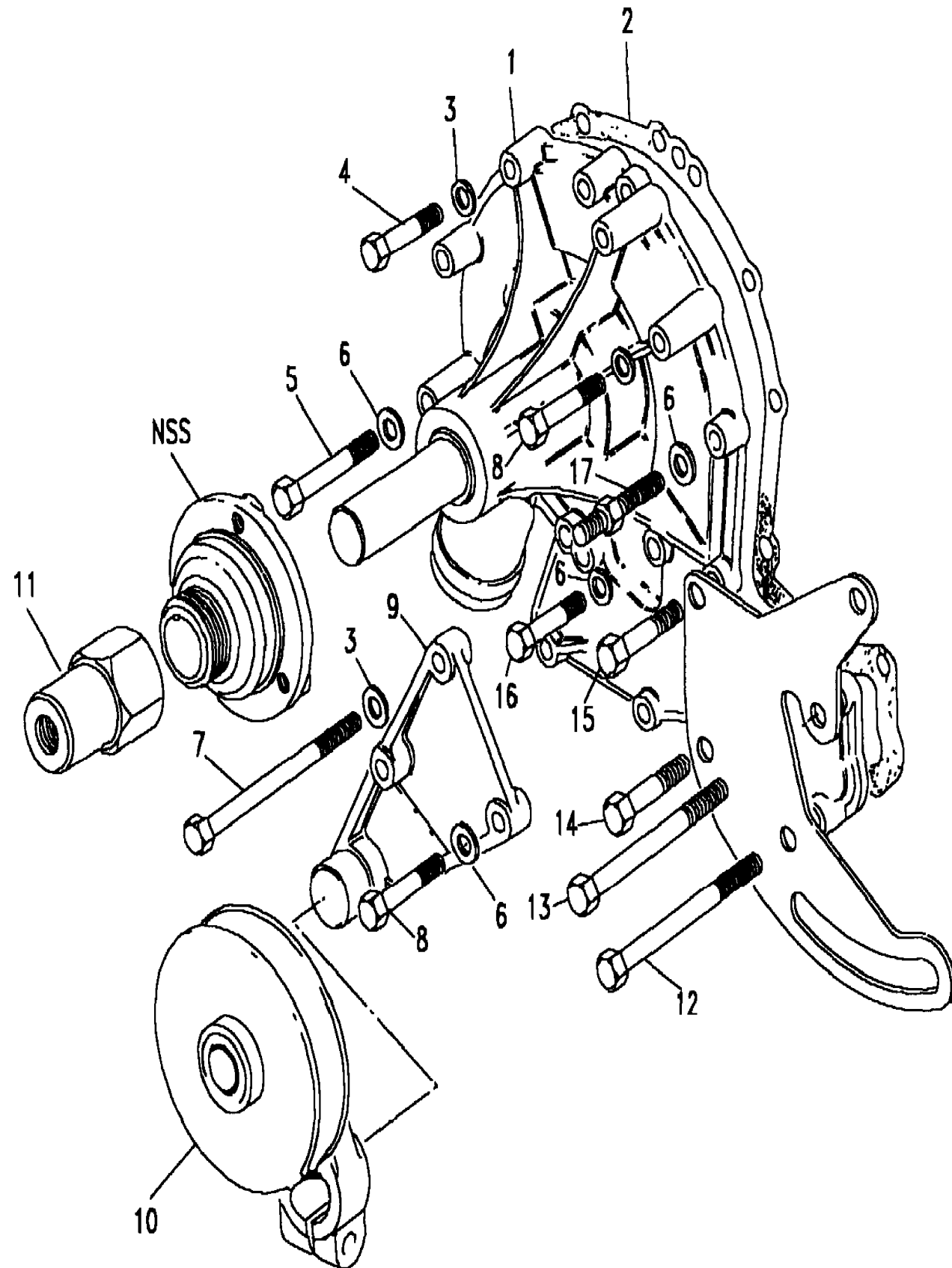
(BDBREE1A)

Engine
V8 Petrol - EFI
Coolant Pump

Range Rover (From JA610294)

V8 EFI Petrol

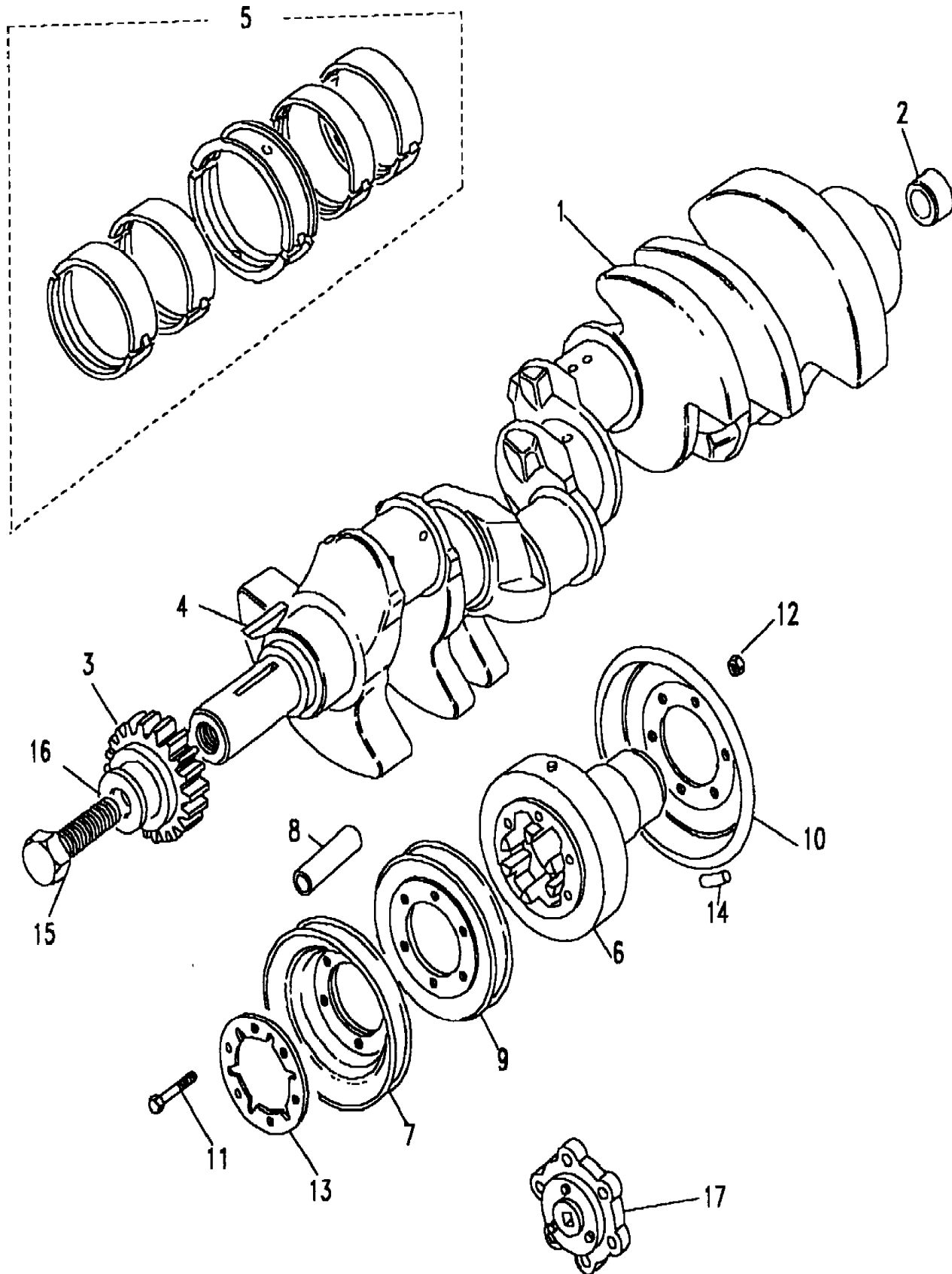
Callout	Name	Application	Remarks & Restrictions	Service No.	Qty
14	Bolt	Petrol V8 L/R EFI	1/4UNC x 1 3/8	BH504111L	1
15	Bolt	Petrol V8 L/R EFI	hexagonal head, 1/4UNC x 1 1/2	BH504121L	1
16	Bolt	Petrol V8 L/R EFI	1/4UNC x 1 1/4	BH504101L	1
[902]	Bearing-ball	Change point - VIN end JA624754, Petrol V8 L/R EFI	Also serviced as part of a kit	614154	1
		Change point - VIN begin KA624756, Petrol V8 L/R EFI	Also serviced as part of a kit	614154	1



Engine
V8 Petrol - EFI
Crankshaft & Bearings 1/2

Range Rover (From JA610294)

(BDBRCA2A)



Range Rover (From JA610294)

Engine
V8 Petrol - EFI
Crankshaft & Bearings

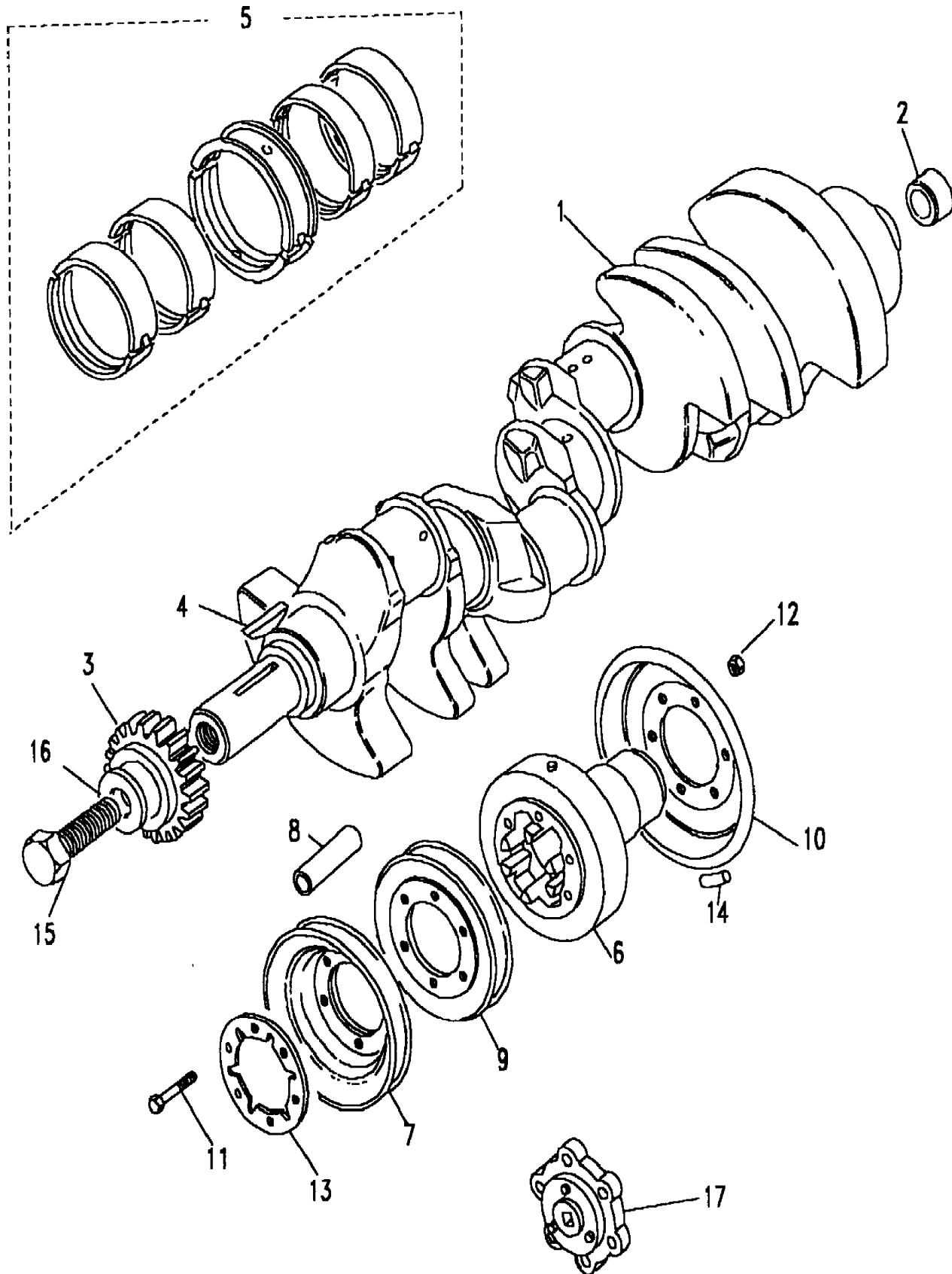
V8 EFI Petrol

Callout	Name	Application	Remarks & Restrictions	Service No.	Qty
1	Crankshaft-engine	Change point - Engine end 38D27330B, Petrol V8 L/R EFI		612989	1
		Change point - Engine begin 38D27331B, 3.9L V8 L/R EFI Petrol		ERR4060	1
		Change point - Engine end 40D09581B, 4.2L V8 L/R EFI Petrol		ERR3037	1
		Change point - Engine begin 40D09582B, 4.2L V8 L/R EFI Petrol		ERR4152	1
2	Bush-crankshaft	Petrol V8 L/R EFI		549911	1
3	Sprocket-Crankshaft	Change point - Engine end 40D09581B, Petrol V8 L/R EFI		90602372	1
		Change point - Engine begin 38D27331B, Petrol V8 L/R EFI		ERR2958	1
4	Key-crankshaft	Change point - Engine end 40D09581B, Petrol V8 L/R EFI		90602025	1
		Change point - Engine begin 38D27331B, Petrol V8 L/R EFI		ERR2846	1
5	Set-crankshaft bearings	Change point - Engine end 40D09581B, Petrol V8 L/R EFI	standard.	RTC1718	1
		Change point - Engine end 40D09581B, Petrol V8 L/R EFI	0.010" undersize	RTC171810	1
		Change point - Engine end 40D09581B, Petrol V8 L/R EFI	0.020 undersize	RTC171820	1
		Change point - Engine begin 38D27331B, Petrol V8 L/R EFI	standard.	STC3724	1
6	Damper-torsional vibration	Petrol V8 L/R EFI		ETC7339	1
		Petrol V8 L/R EFI, With Police Vehicle		ETC7339	1
7	Pulley-crankshaft	Change point - VIN end JA624754, Petrol V8 L/R EFI	single groove	ETC5679	1
		Change point - Engine begin 38D27331B, Petrol V8 L/R EFI		ERR4866	1
8	Pin-Spring	Petrol V8 L/R EFI		603535	1
		Petrol V8 L/R EFI, With Police Vehicle		603535	1

Engine
V8 Petrol - EFi
Crankshaft & Bearings 2/2

Range Rover (From JA610294)

(BDBRCA2A)



Range Rover (From JA610294)

Engine
V8 Petrol - EFi
Crankshaft & Bearings

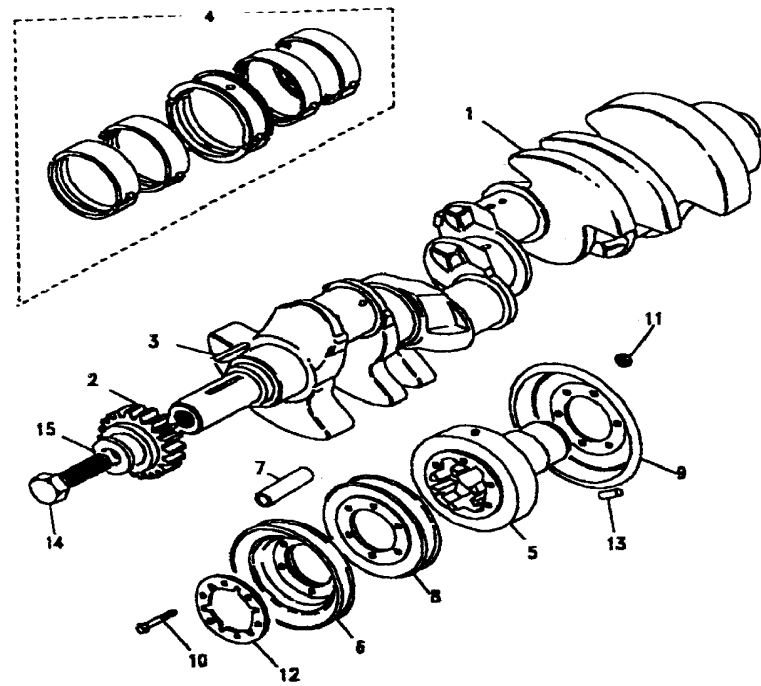
V8 EFI Petrol

Callout	Name	Application	Remarks & Restrictions	Service No.	Qty
9	Pulley-crankshaft	Change point - VIN begin KA624756, Petrol V8 L/R EFi	to alternator & water pump	ERR2799	1
		Petrol V8 L/R EFi	to pas pump	ETC4330	1
		Change point - VIN end JA624754, Petrol V8 L/R EFi, With Police Vehicle		ETC4330	1
10	Plate-crankshaft balancing	Petrol V8 L/R EFi		ETC7996	1
		Petrol V8 L/R EFi, With Police Vehicle		ETC7996	1
11	Bolt	Petrol V8 L/R EFi	plate to crankshaft pulley, 5/16UNF x 1 5/8	BH605131L	6
12	Nut - Hex.	Petrol V8 L/R EFi	hexagonal head, 5/16UNF	NH605041L	6
13	Plate	Petrol V8 L/R EFi		602587	1
14	Weight-crankshaft balance	Petrol V8 L/R EFi	.17oz	ERC4877	X
		Petrol V8 L/R EFi	.35oz	ERC4878	X
		Petrol V8 L/R EFi	.53oz	ERC4879	X
		Petrol V8 L/R EFi	.71oz	ERC4880	X
15	Bolt-crankshaft pulley	Petrol V8 L/R EFi		ERC417	1
16	Washer	Petrol V8 L/R EFi		ERC416	1
17	Plate-crankshaft balancing	Change point - VIN end JA624754, Petrol V8 L/R EFi, With Police Vehicle		ETC7419	1
		Change point - VIN begin KA624756, Petrol V8 L/R EFi, With Police Vehicle		ERR2773	1
[900]	Absorber-crankshaft vibration	Change point - Engine begin 38D27331B, 3.9L V8 L/R EFi Petrol	Also serviced as part of a kit	ERR3442	1
[901]	Pulley & torsional vibration damper-crankshaft	Change point - Engine begin 40D09582B, 4.2L V8 L/R EFi Petrol		ERR4594	1
[902]	Pulley coolant pump	Change point - VIN begin KA624756, Petrol V8 L/R EFi, With Police Vehicle		ERR2671	1
[903]	Pulley power assisted steering pump	Petrol V8 L/R EFi, With Police Vehicle	single groove	ETC6647	1
[904]	Shield-rear flange oil deflector	Petrol V8 L/R EFi, With Police Vehicle		613671	1
[905]	Belt-vee power assisted steering	Petrol V8 L/R EFi, With Police Vehicle		ERC675	1

Engine
V8 Petrol - EFi
Crankshaft And Related Parts 1/3

Range Rover (From JA610294)

(BEBRCA1A)



G04.041
11-2002
L2
BEBRCA1A

Range Rover (From JA610294)

Engine
V8 Petrol - EFi
Crankshaft And Related Parts

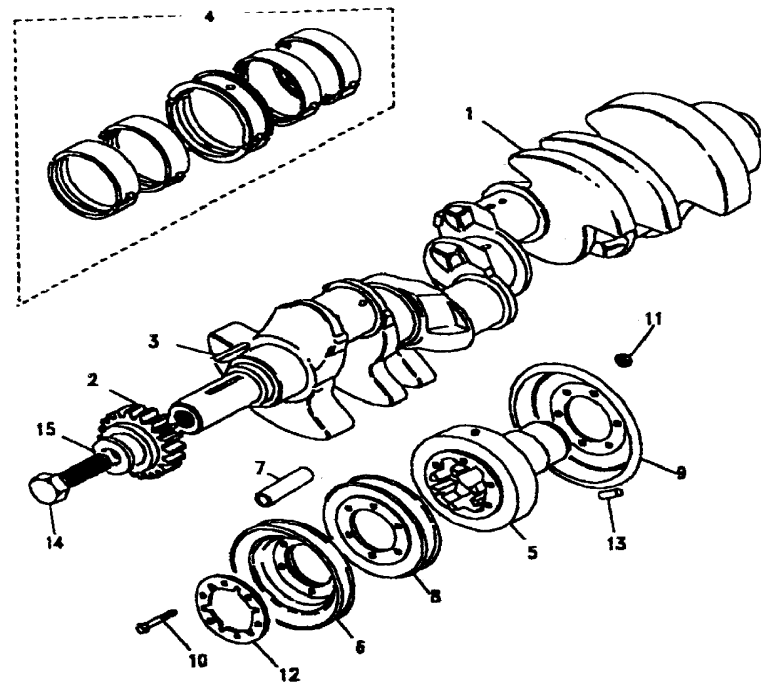
(+)"CDN/MEX/USA"

Callout	Name	Application	Remarks & Restrictions	Service No.	Qty		
1	Crankshaft Assy	3.9/4.0 V8 Petrol Efi	Engine Code 36D	612989	1		
		4.2 V8 Petrol Efi	Engine Code 40D	ERR3037	1		
		Change point - Engine begin 36D25155B, 3.9/4.0 V8 Petrol Efi		ERR4060	1		
		Change point - Engine begin 40D09582B, 4.2 V8 Petrol Efi		ERR4152	1		
2	Sprocket - Crankshaft	Change point - Engine end 36D25154A		90602372	1		
		Change point - Engine end 40D09581A		90602372	1		
		Change point - Engine begin 36D25155B		ERR2958	1		
		Change point - Engine begin 40D09582B		ERR2958	1		
3	Key	Change point - Engine end 36D25154A		90602025	1		
		Change point - Engine end 40D09581A		90602025	1		
		Change point - Engine begin 36D25155B		ERR2846	1		
		Change point - Engine begin 40D09582B		ERR2846	1		
4	Kit - Bearing	3.9/4.0 V8 Petrol Efi		RTC1718	1		
		4.2 V8 Petrol Efi		STC3724	1		
5	Damper Assy - Crankshaft	Change point - Engine end 36D25154A, 3.9/4.0 V8 Petrol Efi, 100"		ERR2674	1		
		Change point - Engine end 40D09581A, 3.9/4.0 V8 Petrol Efi, 100"		ERR2674	1		
		Change point - Engine end 36D25154A, 4.2 V8 Petrol Efi, 108" (2743mm) Wheelbase		ERR2674	1		
		Change point - Engine end 40D09581A, 4.2 V8 Petrol Efi, 108" (2743mm) Wheelbase		ERR2674	1		
		Change point - Engine begin 36D25155B, 3.9/4.0 V8 Petrol Efi, 100"		ERR3442	1		
		Change point - Engine begin 40D09582A, 4.2 V8 Petrol Efi, 108" (2743mm) Wheelbase		ERR4594	1		
		6	Pulley	Change point - Engine end 36D25154A, 3.9/4.0 V8 Petrol Efi, 100"		ERR2799	1
				Change point - Engine end 40D09581A, 3.9/4.0 V8 Petrol Efi, 100"		ERR2799	1

Engine
V8 Petrol - EFi
Crankshaft And Related Parts 2/3

Range Rover (From JA610294)

(BEBRCA1A)



G04.041
11-2002
L2
BEBRCA1A

Range Rover (From JA610294)

Engine
V8 Petrol - EFi
Crankshaft And Related Parts

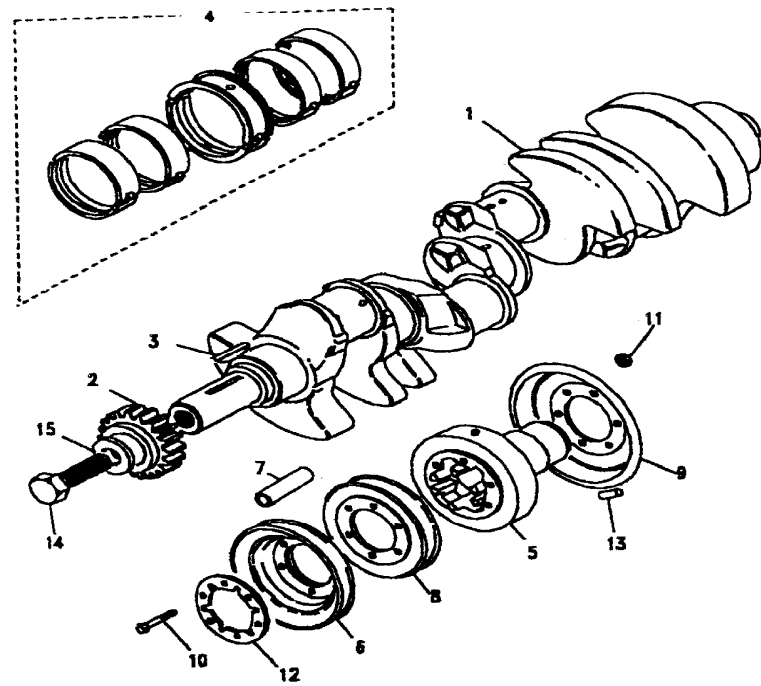
(+)"CDN/MEX/USA"

Callout	Name	Application	Remarks & Restrictions	Service No.	Qty
6	Pulley	Change point - Engine end 36D25154A, 4.2 V8 Petrol Efi, 108" (2743mm) Wheelbase		ERR2799	1
		Change point - Engine end 40D09581A, 4.2 V8 Petrol Efi, 108" (2743mm) Wheelbase		ERR2799	1
		Change point - Engine begin 36D25155B, 4.2 V8 Petrol Efi, 108" (2743mm) Wheelbase		ERR4866	1
		Change point - Engine begin 40D09582A, 4.2 V8 Petrol Efi, 108" (2743mm) Wheelbase		ERR4866	1
7	Dowel - Spring	Change point - Engine end 36D25154A, 3.9/4.0 V8 Petrol Efi, 100"		ETC4330	1
		Change point - Engine end 40D09581A, 3.9/4.0 V8 Petrol Efi, 100"		ETC4330	1
		Change point - Engine end 36D25154A, 4.2 V8 Petrol Efi, 108" (2743mm) Wheelbase		ETC4330	1
		Change point - Engine end 40D09581A, 4.2 V8 Petrol Efi, 108" (2743mm) Wheelbase		ETC4330	1
		Change point - Engine begin 36D25155B, 3.9/4.0 V8 Petrol Efi, 100"		603535	1
8	Pulley - Power Steering	Change point - Engine end 36D25154A, 3.9/4.0 V8 Petrol Efi, 100"		ETC4330	1
		Change point - Engine end 40D09581A, 3.9/4.0 V8 Petrol Efi, 100"		ETC4330	1
		Change point - Engine end 36D25154A, 4.2 V8 Petrol Efi, 108" (2743mm) Wheelbase		ETC4330	1
		Change point - Engine end 40D09581A, 4.2 V8 Petrol Efi, 108" (2743mm) Wheelbase		ETC4330	1
9	Plate		Classic, Engine Code 36D, Engine Code 40D	ETC7996	1
		Change point - Engine begin 40D09582B		603301	1
10	Bolt		5/16UNF x 1 1/2	BH605131L	6
11	Nut			NH605041L	6
12	Plate - Reinforcement			602587	1

Engine
V8 Petrol - EFi
Crankshaft And Related Parts 3/3

Range Rover (From JA610294)

(BEBRCA1A)



G04.041
11-2002
L2
BEBRCA1A

Range Rover (From JA610294)

Engine
V8 Petrol - EFi
Crankshaft And Related Parts

(+)"CDN/MEX/USA"

Callout	Name	Application	Remarks & Restrictions	Service No.	Qty
13	Weight - Balance		.17oz .35oz .53oz .71oz	ERC4877 ERC4878 ERC4879 ERC4880	X X X X
14	Bolt			ERC417	1
15	Washer			ERC418	1
[900]	Bush		Primary	549911	

Engine
V8 Petrol - EFI
Cylinder Block 1/2

Range Rover (From JA610294)

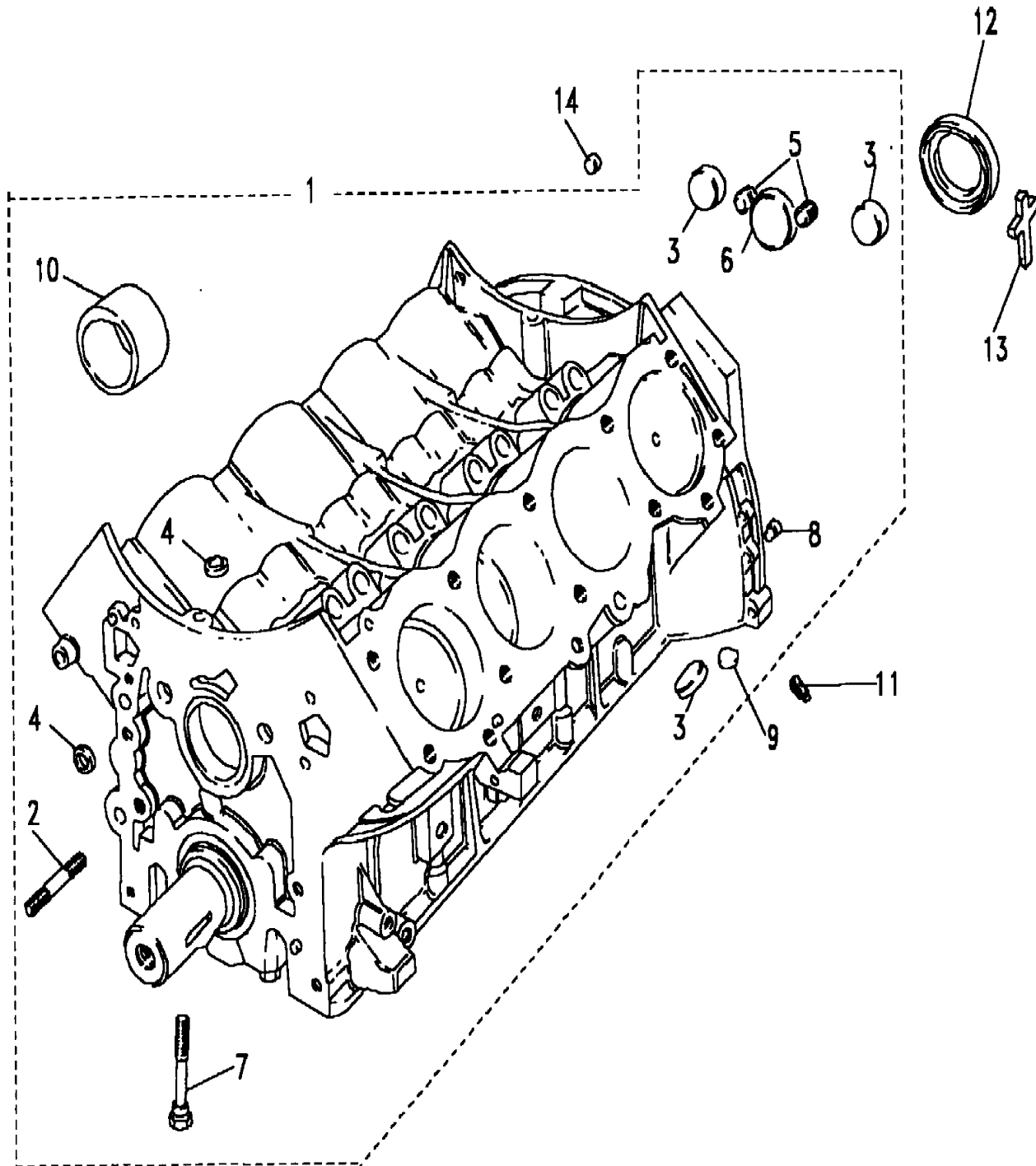
(BDBRBA2A)

Range Rover (From JA610294)

Engine
V8 Petrol - EFI
Cylinder Block

V8 EFI Petrol

Callout	Name	Application	Remarks & Restrictions	Service No.	Qty
1	Cylinder block-engine	Change point - Engine end 38D27237B, 3.9L V8 L/R EFI Petrol	Also serviced as part of a kit	ERR4166	1
		4.2L	Also serviced as part of a kit	ERR4166	1
		3.9L V8 L/R EFI Petrol	Also serviced as part of a kit	ERR5225	1
		4.2L	Also serviced as part of a kit	ERR5225	1
		3.9L V8 L/R EFI Petrol, (-)"CDN/MEX/USA"	Also serviced as part of a kit	ERR7350	1
		4.2L, (-)"CDN/MEX/USA"	Also serviced as part of a kit	ERR7350	1
		Change point - Engine end 36D25154B, (+)"CDN/MEX/USA"		ETC7802	1
		Change point - Engine end 40D09581B, (+)"CDN/MEX/USA"		ETC7802	1
		Change point - Engine end 36D25154B, (+)"CDN"	With Cylinder Block Heater	ERR3506	1
		Change point - Engine end 40D09581B, (+)"CDN"	With Cylinder Block Heater	ERR3506	1
		Change point - Engine begin 36D25155B, Change point - Engine end 36D30362B, (+)"CDN"	With Cylinder Block Heater	ERR4169	1
		Change point - Engine begin 40D09582B, Change point - Engine end 40D12581B, (+)"CDN"	With Cylinder Block Heater	ERR4169	1
		Change point - VIN begin 36D30363B, (+)"CDN"	With Cylinder Block Heater	ERR5229	1
		Change point - Engine begin 40D12582B, (+)"CDN"	With Cylinder Block Heater	ERR5229	1
2	Stud	Change point - Engine end 38D27237B, 3.9L V8 L/R EFI Petrol	Also serviced as part of a kit, 5/16UNC x 1 3/8	252513	1
		4.2L	Also serviced as part of a kit, 5/16UNC x 1 3/8	252513	1
3	Plug-cup	Change point - Engine end 38D27237B, 3.9L V8 L/R EFI Petrol	Also serviced as part of a kit	602152	8
		4.2L	Also serviced as part of a kit	602152	8
		3.9L V8 L/R EFI Petrol	Also serviced as part of a kit	602152	8
4	Plug-cylinder block oil way	Change point - Engine end 38D27237B, 3.9L V8 L/R EFI Petrol	Also serviced as part of a kit	602147	4
		4.2L	Also serviced as part of a kit	602147	4
5	Plug-blanking.	Change point - Engine end 38D27237B, 3.9L V8 L/R EFI Petrol	Also serviced as part of a kit	602212	2
		4.2L	Also serviced as part of a kit	602212	2



Engine
V8 Petrol - EFi
Cylinder Block 2/2

Range Rover (From JA610294)

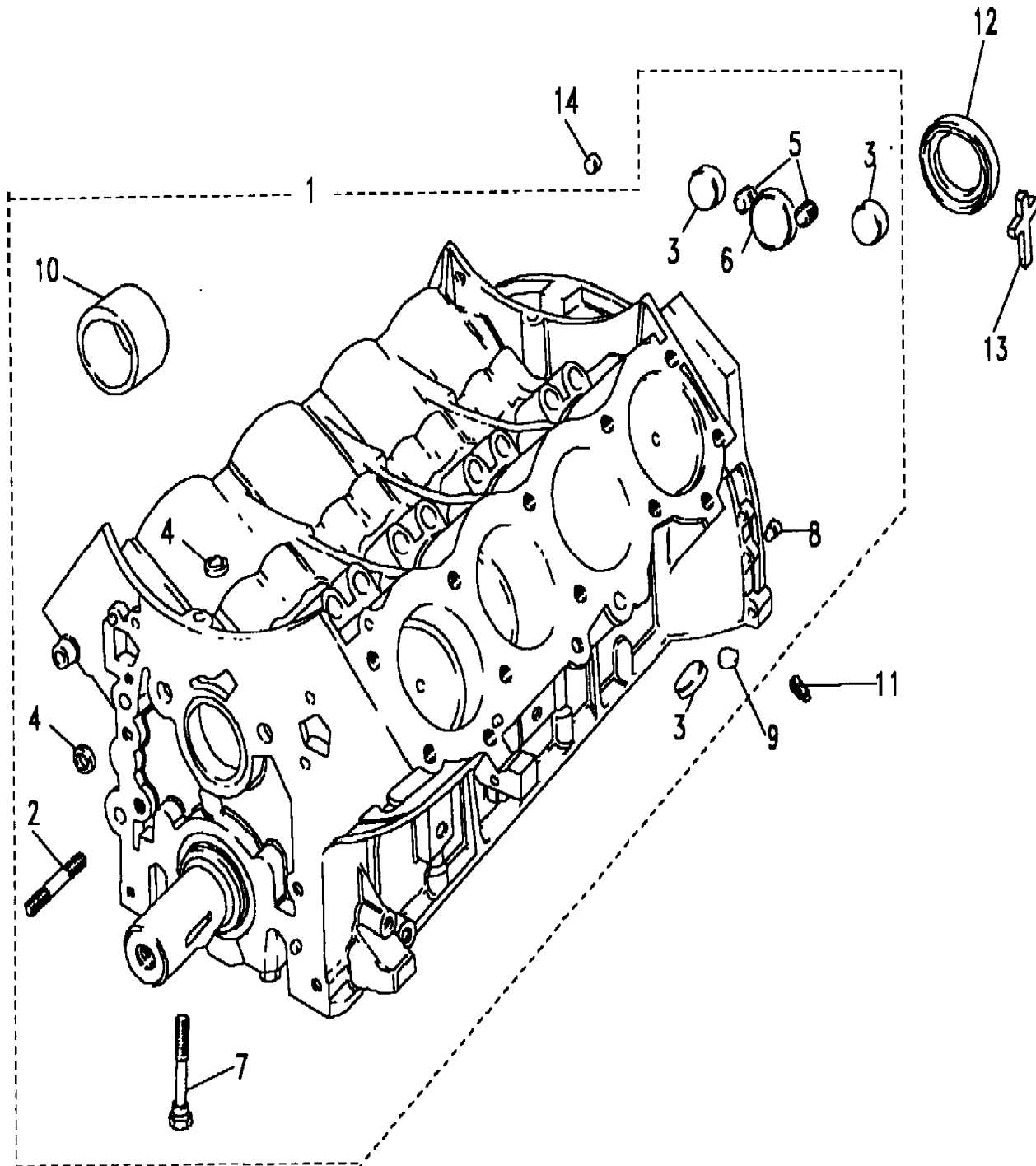
(BDBRBA2A)

Range Rover (From JA610294)

Engine
V8 Petrol - EFi
Cylinder Block

V8 EFI Petrol

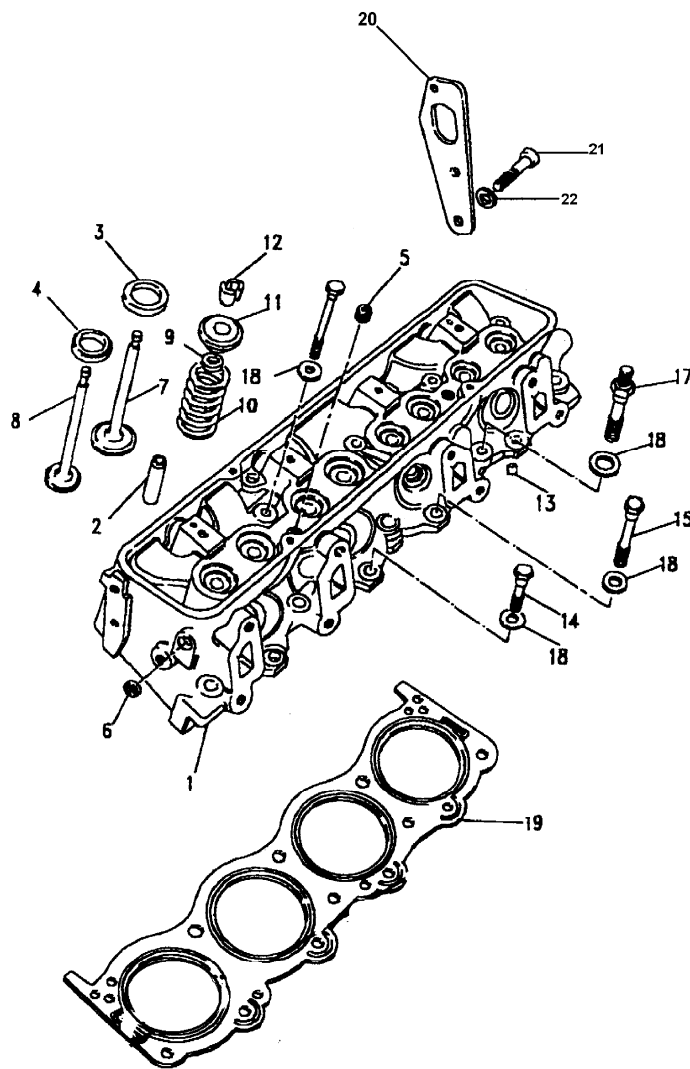
Callout	Name	Application	Remarks & Restrictions	Service No.	Qty
6	Plug	Change point - Engine end 38D27237B, 3.9L V8 L/R EFI Petrol 4.2L	Also serviced as part of a kit	602146	1
			Also serviced as part of a kit	602146	1
7	Setscrew-cylinder block main bearing cap	Change point - Engine end 38D27237B, 3.9L V8 L/R EFI Petrol 4.2L 3.9L V8 L/R EFI Petrol	Also serviced as part of a kit	602130	10
			Also serviced as part of a kit	602130	10
			Also serviced as part of a kit	602130	10
			Also serviced as part of a kit	602130	10
8	Dowel	Change point - Engine end 38D27237B, 3.9L V8 L/R EFI Petrol 4.2L	Also serviced as part of a kit	602141	2
			Also serviced as part of a kit	602141	2
9	Plug	Change point - Engine end 38D27237B, 3.9L V8 L/R EFI Petrol 4.2L	Also serviced as part of a kit	612898	2
			Also serviced as part of a kit	612898	2
10	Set-camshaft bearings	Change point - Engine end 38D27237B, 3.9L V8 L/R EFI Petrol 4.2L 4.2L 3.9L V8 L/R EFI Petrol	Also serviced as part of a kit	RTC5918	1
			Also serviced as part of a kit unfinished	RTC5918	1
			Also serviced as part of a kit unfinished	STC1961	1
			Also serviced as part of a kit unfinished	STC1961	1
11	Plug-coolant drain	4.2L 3.9L V8 L/R EFI Petrol		3290	2
				3290	2
12	Seal-crankshaft rear oil			ERR2640	1
13	Seal-main bearing rear cap half joint	4.2L 3.9L V8 L/R EFI Petrol		611089	2
				611089	2
14	Plug-core	4.2L 3.9L V8 L/R EFI Petrol		154545	1
				154545	1
[901]	Tap drain-cylinder block	4.2L 3.9L V8 L/R EFI Petrol	alternative	602915	2
			alternative	602915	2
[903]	Cable Assy - Heater	(+)"CDN"	With Cylinder Block Heater	PRC8717	1
[904]	Clip - Cable	(+)"CDN"	With Cylinder Block Heater	PRC9408	1



Engine
V8 Petrol - EFI
Cylinder Head 1/3

Range Rover (From JA610294)

(BEBRGA1A)



G04.050
11-2002
L2
BEBRGA1A

Range Rover (From JA610294)

Engine
V8 Petrol - EFI
Cylinder Head

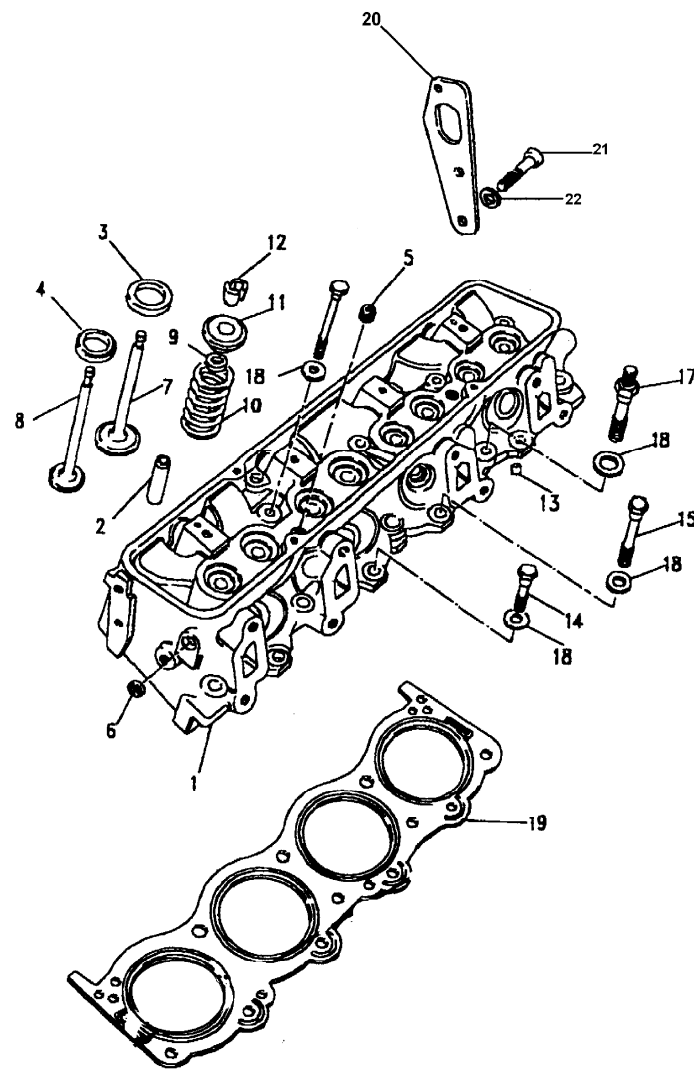
V8 EFI Petrol

Callout	Name	Application	Remarks & Restrictions	Service No.	Qty
1	Cylinder head assembly-engine	Change point - Engine end 38D23045A, Petrol V8 L/R EFI	Also serviced as part of a kit	ERR1404	2
		Change point - Engine begin 38D23046A, Petrol V8 L/R EFI	Also serviced as part of a kit	ERR3649	2
		Change point - Engine begin 40D09582B, Petrol V8 L/R EFI	Also serviced as part of a kit	ERR4323	2
2	Guide-cylinder head valve	Change point - Engine end 38D23045A, Petrol V8 L/R EFI	finished to size, Also serviced as part of a kit	603554	16
		Change point - Engine end 38D23045A, Petrol V8 L/R EFI	Also serviced as part of a kit	ERR3648	8
		Change point - Engine begin 38D23046A, Petrol V8 L/R EFI	INLET AND EXHAUST, Also serviced as part of a kit	ERR3648	16
		Change point - Engine begin 40D09582B, Petrol V8 L/R EFI	Also serviced as part of a kit	ERR3648	X
		Change point - Engine begin 40D09582B, Petrol V8 L/R EFI	Also serviced as part of a kit	LGJ100900	16
		Change point - Engine begin 40D09582B, Petrol V8 L/R EFI	Also serviced as part of a kit	LGJ100900	16
3	Seat-cylinder head inlet valve	Change point - Engine end 38D23045A, Petrol V8 L/R EFI	Also serviced as part of a kit, standard.	ERC224	4
		Change point - Engine end 38D23045A, Petrol V8 L/R EFI	Also serviced as part of a kit, 0.010" oversize	ERC225	8
		Change point - Engine begin 38D23046A, Petrol V8 L/R EFI	Also serviced as part of a kit, standard.	ERC224	8
		Change point - Engine begin 40D09582B, Petrol V8 L/R EFI	Also serviced as part of a kit, standard.	ERC224	8
4	Seat-cylinder head exhaust valve	Change point - Engine end 38D23045A, Petrol V8 L/R EFI	Also serviced as part of a kit, Standard	ETC8596	4
		Change point - Engine end 38D23045A, Petrol V8 L/R EFI	Also serviced as part of a kit, 0.010" oversize	ERC211	8
		Change point - Engine begin 38D23046A, Petrol V8 L/R EFI	Also serviced as part of a kit, Standard	ETC8596	8
		Change point - Engine begin 40D09582B, Petrol V8 L/R EFI	Also serviced as part of a kit, Standard	ETC8596	8
5	Plug-core	Change point - Engine end 38D23045A, Petrol V8 L/R EFI	Also serviced as part of a kit	602123	2
		Change point - Engine begin 38D23046A, Petrol V8 L/R EFI	Also serviced as part of a kit	602123	4
		Change point - Engine begin 40D09582B, Petrol V8 L/R EFI	Also serviced as part of a kit	602123	4

Engine
V8 Petrol - EFI
Cylinder Head 2/3

Range Rover (From JA610294)

(BEBRGA1A)



G04.050
11-2002
L2
BEBRGA1A

Range Rover (From JA610294)

Engine
V8 Petrol - EFI
Cylinder Head

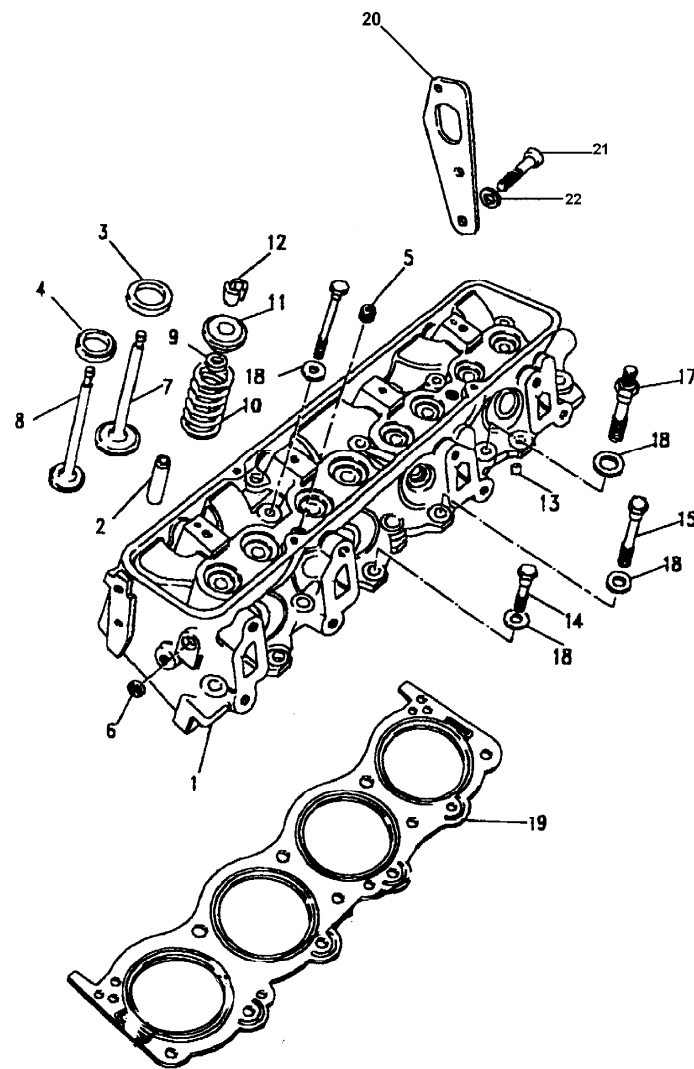
V8 EFI Petrol

Callout	Name	Application	Remarks & Restrictions	Service No.	Qty
6	Plug-cup	Change point - Engine end 38D23045A, Petrol V8 L/R EFI	Also serviced as part of a kit	602289	2
		Change point - Engine begin 38D23046A, Petrol V8 L/R EFI	Also serviced as part of a kit	602289	4
		Change point - Engine begin 40D09582B, Petrol V8 L/R EFI	Also serviced as part of a kit	602289	4
7	Valve-cylinder head inlet	Change point - Engine end 38D23045A, Petrol V8 L/R EFI		ERC9088	8
		Change point - Engine begin 38D23046A, Petrol V8 L/R EFI		ERR1780	8
8	Valve-cylinder head exhaust	Change point - Engine end 38D23045A, Petrol V8 L/R EFI		ETC8684	8
		Change point - Engine begin 38D23046A, Petrol V8 L/R EFI		ERR1781	8
		Petrol V8 L/R EFI		ERR7027	8
		Change point - Engine begin 38D23046A, Petrol V8 L/R EFI		ERR7027	8
		Change point - Engine begin 38D23046A, Petrol V8 L/R EFI		ERR7338	8
9	Seal-cylinder head valve stem oil	Change point - Engine end 38D23045A, Petrol V8 L/R EFI	Inlet	ERC7865	8
		Change point - Engine begin 38D23046A, Petrol V8 L/R EFI		ERR1782	16
10	Spring-cylinder head valve	Petrol V8 L/R EFI		ERR4628	8
11	Cap-cylinder head valve spring	Petrol V8 L/R EFI		ERC573	16
12	Cotter-valve	Petrol V8 L/R EFI		ERC1637	16
13	Dowel	Petrol V8 L/R EFI		602040	4
14	Bolt-cylinder head fixing	Petrol V8 L/R EFI	7/16UNC x 2 1/4	602191	4
15	Bolt-cylinder head fixing	Change point - Engine end 38D27237B, Petrol V8 L/R EFI	7/16UNC x 2.71	602192	7
		Change point - Engine begin 40D09582B, Petrol V8 L/R EFI	7/16UNC x 2.6	ERR2943	14

Engine
V8 Petrol - EFI
Cylinder Head 3/3

Range Rover (From JA610294)

(BEBRGA1A)



G04.050
11-2002
L2
BEBRGA1A

Range Rover (From JA610294)

Engine
V8 Petrol - EFI
Cylinder Head

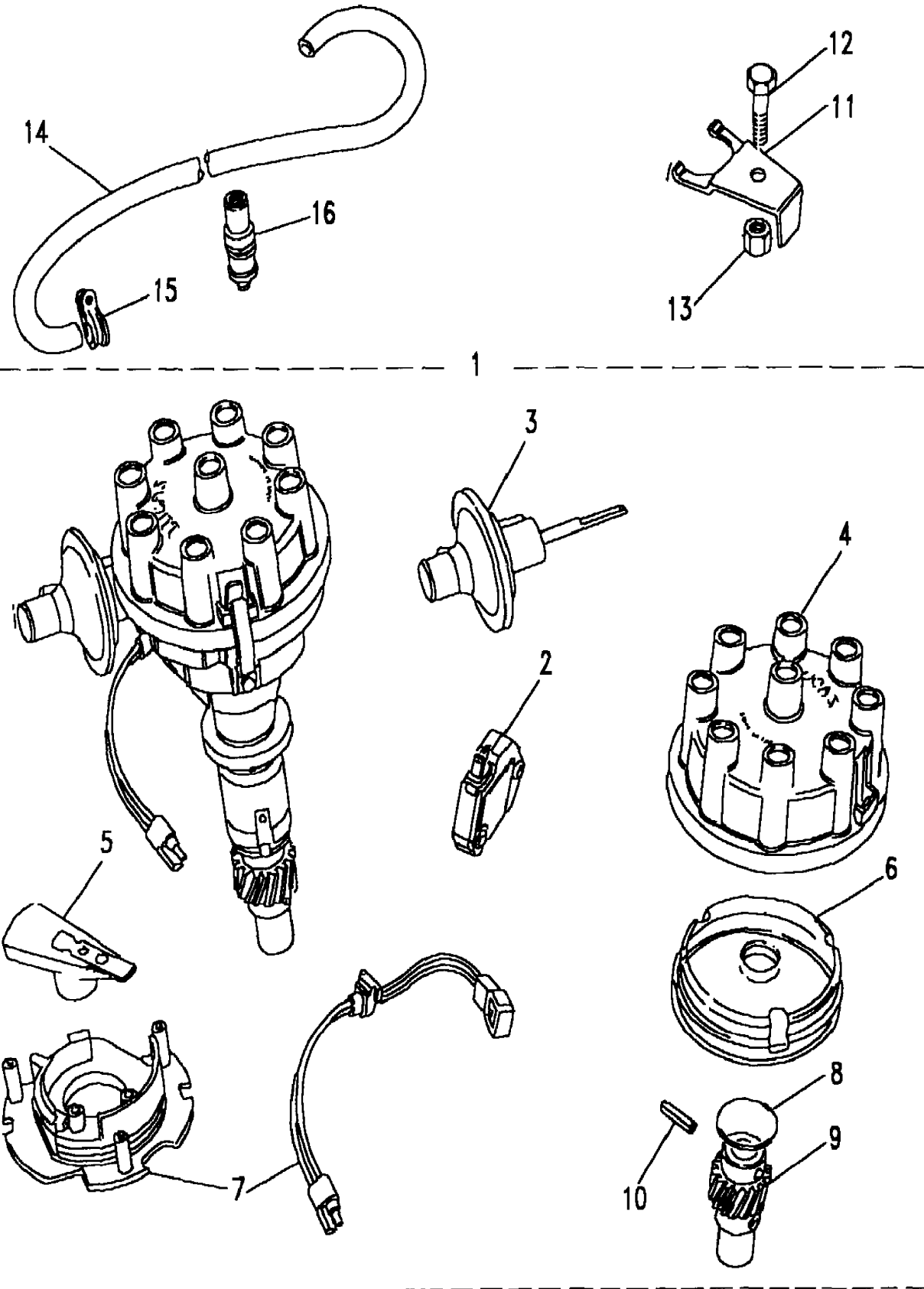
V8 EFI Petrol

Callout	Name	Application	Remarks & Restrictions	Service No.	Qty
16	Bolt-cylinder head fixing	Change point - Engine end 38D27237B, Petrol V8 L/R EFI	7/16UNC x 3.91	602193	3
		Change point - Engine begin 40D09582B, Petrol V8 L/R EFI	7/16UNC x 3.78	ERR2944	6
17	Bolt	Petrol V8 L/R EFI	7/16UNC x 2.71	602200	1
18	Washer-Plain	Petrol V8 L/R EFI		602098	14
19	Gasket-Cylinder Head	Change point - Engine end 38D27237B, Petrol V8 L/R EFI		ETC7819	2
		Change point - Engine begin 40D09582B, Petrol V8 L/R EFI		ERR5437	2
		Change point - Engine begin 40D09582B, Petrol V8 L/R EFI		ERR7217	2
20	Bracket - Engine Lifting	(+)"CDN/MEX/USA"	Rear, RH	ERC614	1
21	Screw	Petrol V8 L/R EFI, (-)"CDN/MEX/USA"	hexagonal head, 5/16UNC x 1 1/8	SH505091L	1
		(+)"CDN/MEX/USA"	3/8UNC x 7/8	SH506071L	2
		Petrol V8 L/R EFI, (+)"CDN/MEX/USA"	hexagonal head, 3/8UNC x 7/8	SH506071L	2
22	Washer - Spring	(+)"CDN/MEX/USA"	3/8", Square	WM600061L	2
		Petrol V8 L/R EFI, (+)"CDN/MEX/USA"	3/8", Square	WM600061L	2
[900]	Bracket-lifting engine front	Change point - Engine begin 40D09582B, Petrol V8 L/R EFI		ETC5964	1
		Change point - Engine end 38D27237B, Petrol V8 L/R EFI		ERR4679	1
[902]	Washer-Spring	Petrol V8 L/R EFI	5/16"	WM600051L	1

Engine
V8 Petrol - EFI
Distributor 1/4

Range Rover (From JA610294)

(BDBRPA1A)



Range Rover (From JA610294)

Engine
V8 Petrol - EFI
Distributor

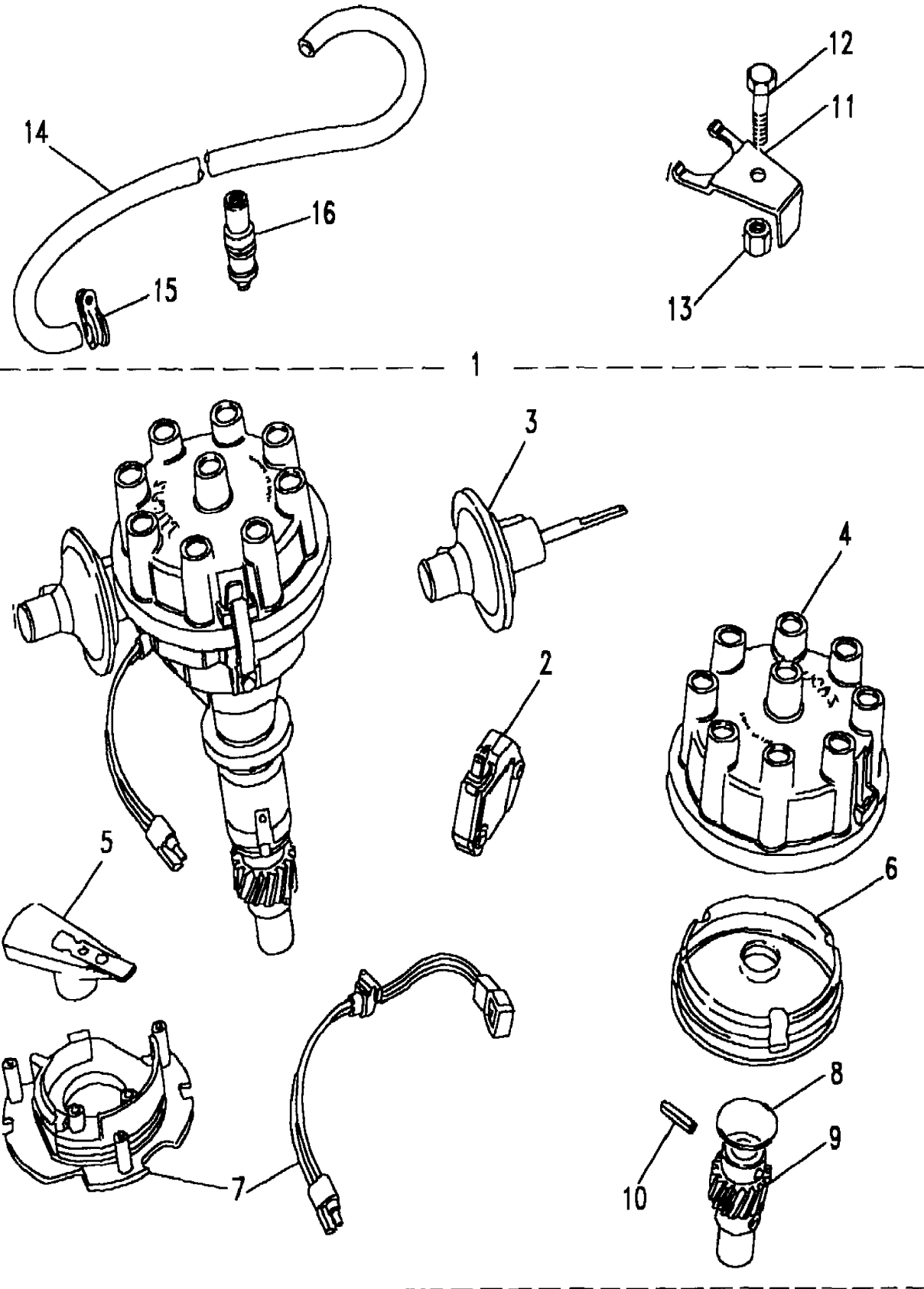
V8 EFI Petrol

Callout	Name	Application	Remarks & Restrictions	Service No.	Qty
1	Distributor assembly ignition	Change point - Engine end 18873A, 3.9L V8 L/R EFI NA Petrol, 5 Speed Manual Transmission, (-)"AUS", With Catalyst	Catalyst/Non Catalyst, Engine Code 35D 3.9 V8 EFI H/C Man, Engine Code 36D 3.9 V8 EFI H/C Auto, 2 Pin	ERR4114	1
		Change point - Engine end 18873A, 3.9L V8 L/R EFI NA Petrol, 4 Speed Automatic Transmissions, (-)"AUS", With Catalyst	Catalyst/Non Catalyst, Engine Code 35D 3.9 V8 EFI H/C Man, Engine Code 36D 3.9 V8 EFI H/C Auto, 2 Pin	ERR4114	1
		Change point - Engine begin 18874A, 3.9L V8 L/R EFI NA Petrol, 5 Speed Manual Transmission, (-)"AUS", With Catalyst	Engine Code 35D 3.9 V8 EFI H/C Man, Engine Code 36D 3.9 V8 EFI H/C Auto	ERR4739	1
		Change point - Engine begin 18874A, 3.9L V8 L/R EFI NA Petrol, 4 Speed Automatic Transmissions, (-)"AUS", With Catalyst	Engine Code 35D 3.9 V8 EFI H/C Man, Engine Code 36D 3.9 V8 EFI H/C Auto	ERR4739	1
		Change point - Engine begin 18874A, 3.9L V8 L/R EFI NA Petrol, 5 Speed Manual Transmission, (-)"AUS", Less Catalyst	Engine Code 35D 3.9 V8 EFI H/C Man, Engine Code 36D 3.9 V8 EFI H/C Auto	ERR4739	1
		Change point - Engine begin 18874A, 3.9L V8 L/R EFI NA Petrol, 4 Speed Automatic Transmissions, (-)"AUS", Less Catalyst	Engine Code 35D 3.9 V8 EFI H/C Man, Engine Code 36D 3.9 V8 EFI H/C Auto	ERR4739	1
		Change point - Engine begin 18874A, 3.9L V8 L/R EFI NA Petrol, 5 Speed Manual Transmission, (-)"AUS/CDN/MEX/USA", With Catalyst	Engine Code 35D 3.9 V8 EFI H/C Man, Engine Code 36D 3.9 V8 EFI H/C Auto	ERR4755	1
		Change point - Engine begin 18874A, 3.9L V8 L/R EFI NA Petrol, 4 Speed Automatic Transmissions, (-)"AUS/CDN/MEX/USA", With Catalyst	Engine Code 35D 3.9 V8 EFI H/C Man, Engine Code 36D 3.9 V8 EFI H/C Auto	ERR4755	1
		Change point - Engine begin 36D28464B, 3.9L V8 L/R EFI NA Petrol, 5 Speed Manual Transmission, (-)"AUS", With Catalyst	Engine Code 35D 3.9 V8 EFI H/C Man, Engine Code 36D 3.9 V8 EFI H/C Auto	ERR5208	1
		Change point - Engine begin 36D28464B, 3.9L V8 L/R EFI NA Petrol, 4 Speed Automatic Transmissions, (-)"AUS", With Catalyst	Engine Code 35D 3.9 V8 EFI H/C Man, Engine Code 36D 3.9 V8 EFI H/C Auto	ERR5208	1

Engine
V8 Petrol - EFi
Distributor 2/4

Range Rover (From JA610294)

(BDBRPA1A)



Range Rover (From JA610294)

Engine
V8 Petrol - EFi
Distributor

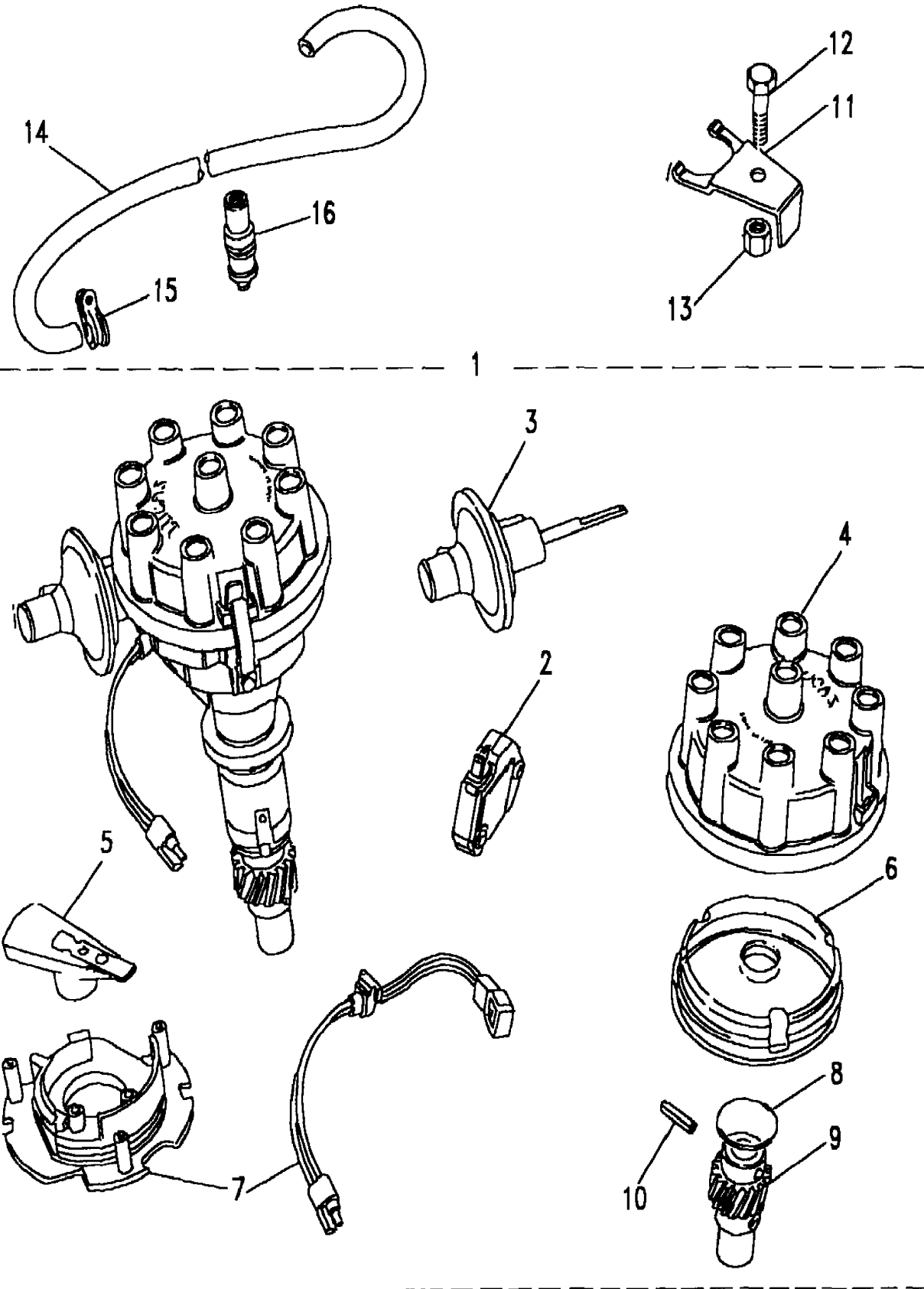
V8 EFI Petrol

Callout	Name	Application	Remarks & Restrictions	Service No.	Qty
1	Distributor assembly ignition	Change point - Engine begin 36D28464B, 3.9L V8 L/R EFI NA Petrol, 5 Speed Manual Transmission, (-)"AUS", Less Catalyst	Engine Code 35D 3.9 V8 EFI H/C Man, Engine Code 36D 3.9 V8 EFI H/C Auto	ERR5208	1
		Change point - Engine begin 36D28464B, 3.9L V8 L/R EFI NA Petrol, 4 Speed Automatic Transmissions, (-)"AUS", Less Catalyst	Engine Code 35D 3.9 V8 EFI H/C Man, Engine Code 36D 3.9 V8 EFI H/C Auto	ERR5208	1
		Change point - Engine begin 36D28464B, 3.9L V8 L/R EFI NA Petrol, 5 Speed Manual Transmission, (-)"AUS", With Catalyst	Engine Code 35D 3.9 V8 EFI H/C Man, Engine Code 36D 3.9 V8 EFI H/C Auto	ERR5209	1
		Change point - Engine begin 36D28464B, 3.9L V8 L/R EFI NA Petrol, 4 Speed Automatic Transmissions, (-)"AUS", With Catalyst	Engine Code 35D 3.9 V8 EFI H/C Man, Engine Code 36D 3.9 V8 EFI H/C Auto	ERR5209	1
		Change point - Engine begin 36D18874A, Change point - Engine end 36D28463B, 3.9/4.0 V8 Petrol Efi, (+)"CDN/MEX/USA"	3 Pin	ERR4738	1
		Change point - Engine end 38D28017B, 3.9L V8 L/R EFI NA Petrol, 5 Speed Manual Transmission, (-)"AUS/CDN/MEX/USA", With Catalyst	Engine Code 37D 3.9 V8 EFI L/C Man, Engine Codes 38D 3.9 EFI V8 NAS Auto	ERR4037	1
		Change point - Engine end 38D28017B, 3.9L V8 L/R EFI NA Petrol, 4 Speed Automatic Transmissions, (-)"AUS/CDN/MEX/USA", With Catalyst	Engine Code 37D 3.9 V8 EFI L/C Man, Engine Codes 38D 3.9 EFI V8 NAS Auto	ERR4037	1
		Change point - Engine begin 38D28018B, 3.9L V8 L/R EFI NA Petrol, 5 Speed Manual Transmission, (-)"AUS/CDN/MEX/USA", With Catalyst	Engine Code 37D 3.9 V8 EFI L/C Man, Engine Codes 38D 3.9 EFI V8 NAS Auto	ERR5207	1
		Change point - Engine begin 38D28018B, 3.9L V8 L/R EFI NA Petrol, 4 Speed Automatic Transmissions, (-)"AUS/CDN/MEX/USA", With Catalyst	Engine Code 37D 3.9 V8 EFI L/C Man, Engine Codes 38D 3.9 EFI V8 NAS Auto	ERR5207	1
		Change point - Engine end 18873A, 3.9L V8 L/R EFI NA Petrol, 5 Speed Manual Transmission, (+)"AUS", With Catalyst	Catalyst/Non Catalyst, Engine Code 35D 3.9 V8 EFI H/C Man, Engine Code 36D 3.9 V8 EFI H/C Auto, 2 Pin	ERR1250	1

Engine
V8 Petrol - EFi
Distributor 3/4

Range Rover (From JA610294)

(BDBRPA1A)



Range Rover (From JA610294)

Engine
V8 Petrol - EFi
Distributor

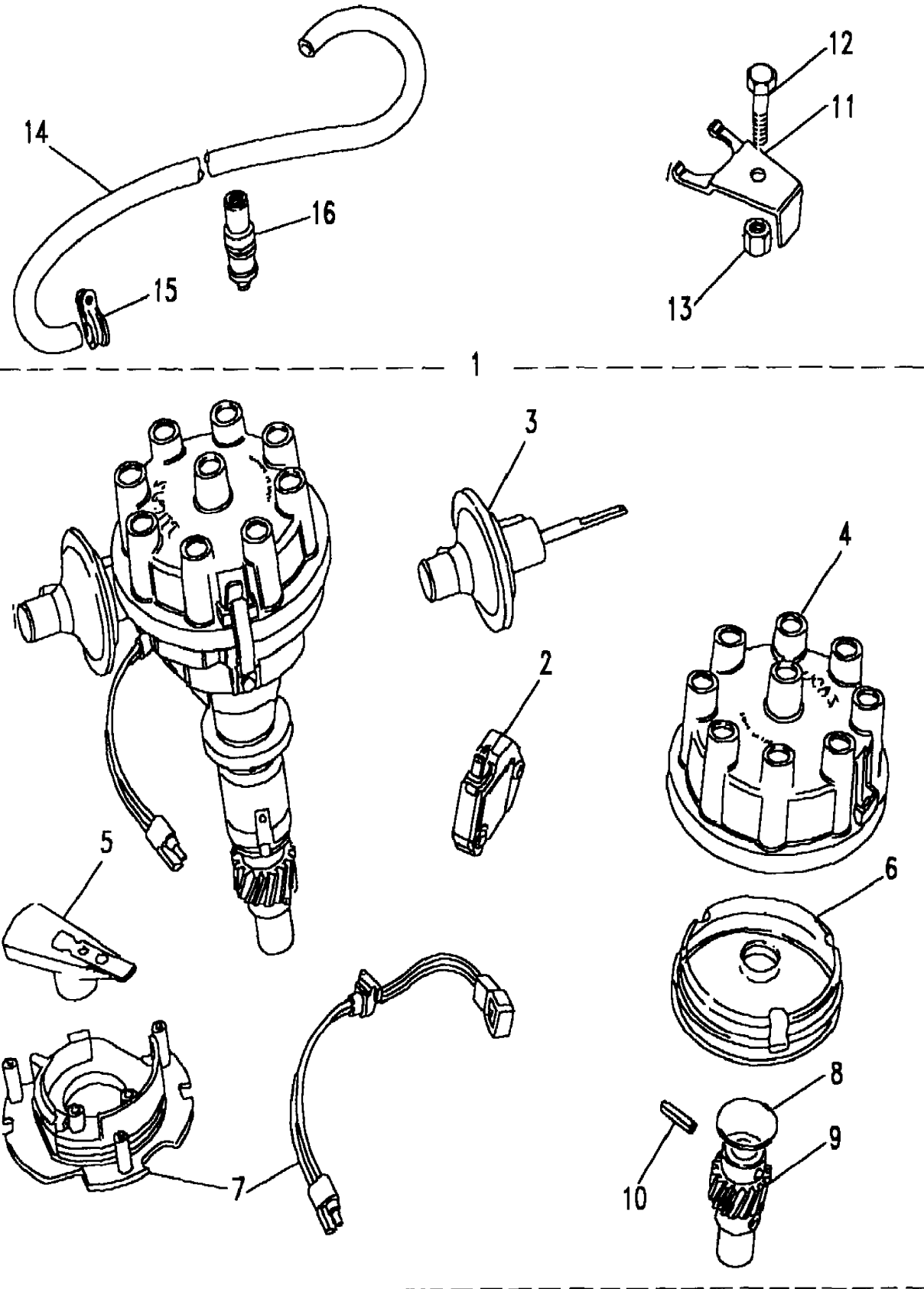
V8 EFi Petrol

Callout	Name	Application	Remarks & Restrictions	Service No.	Qty
1	Distributor assembly ignition	Change point - Engine end 18873A, 3.9L V8 L/R EFI NA Petrol, 4 Speed Automatic Transmissions, (+)"AUS", With Catalyst	Catalyst/Non Catalyst, Engine Code 35D 3.9 V8 EFI H/C Man, Engine Code 36D 3.9 V8 EFI H/C Auto, 2 Pin	ERR1250	1
		Change point - Engine begin 18874A, 3.9L V8 L/R EFI NA Petrol, 5 Speed Manual Transmission, (+)"AUS", With Catalyst	Engine Code 35D 3.9 V8 EFI H/C Man, Engine Code 36D 3.9 V8 EFI H/C Auto	ERR4740	1
		Change point - Engine begin 18874A, 3.9L V8 L/R EFI NA Petrol, 4 Speed Automatic Transmissions, (+)"AUS", With Catalyst	Engine Code 35D 3.9 V8 EFI H/C Man, Engine Code 36D 3.9 V8 EFI H/C Auto	ERR4740	1
		Change point - Engine begin 18874A, 3.9L V8 L/R EFI NA Petrol, 5 Speed Manual Transmission, (+)"AUS", Less Catalyst	Engine Code 35D 3.9 V8 EFI H/C Man, Engine Code 36D 3.9 V8 EFI H/C Auto	ERR4740	1
		Change point - Engine begin 18874A, 3.9L V8 L/R EFI NA Petrol, 4 Speed Automatic Transmissions, (+)"AUS", Less Catalyst	Engine Code 35D 3.9 V8 EFI H/C Man, Engine Code 36D 3.9 V8 EFI H/C Auto	ERR4740	1
		Change point - Engine begin 38D28018B, 3.9L V8 L/R EFI NA Petrol, 5 Speed Manual Transmission, (+)"AUS", With Catalyst	Engine Code 37D 3.9 V8 EFI L/C Man, Engine Codes 38D 3.9 EFI V8 NAS Auto	ERR5207	1
		Change point - Engine begin 38D28018B, 3.9L V8 L/R EFI NA Petrol, 4 Speed Automatic Transmissions, (+)"AUS", With Catalyst	Engine Code 37D 3.9 V8 EFI L/C Man, Engine Codes 38D 3.9 EFI V8 NAS Auto	ERR5207	1
		Change point - Engine end 02227A, 4.2L V8 L/R EFI Petrol	2 Pin	ERR4113	1
		Change point - Engine begin 02228A, 4.2L V8 L/R EFI Petrol		ERR4739	1
		Change point - Engine begin 40D10938B		ERR5208	1
2	Module-distributor	Petrol V8 L/R EFI	2 Pin	RTC5089	1
		Petrol V8 L/R EFI	3 Pin	STC1184	1
3	Capsule-vacuum distributor	Petrol V8 L/R EFI	2 Pin	RTC3201	1
		Petrol V8 L/R EFI, (-)"CDN/MEX/USA"	3 Pin	STC1185	1
		(+)"CDN/MEX/USA"	2 Pin	RTC5092	1
4	Cap-distributor ignition	Petrol V8 L/R EFI, (-)"CDN/MEX/USA"		RTC3197	1

Engine
V8 Petrol - EFI
Distributor 4/4

Range Rover (From JA610294)

(BDBRPA1A)



Range Rover (From JA610294)

Engine
V8 Petrol - EFI
Distributor

V8 EFI Petrol

Callout	Name	Application	Remarks & Restrictions	Service No.	Qty
4	Cap-distributor ignition	(+)"CDN/MEX/USA"		STC8368	1
5	Arm-rotor distributor	Petrol V8 L/R EFI (+)"CDN/MEX/USA"		STC1857 RTC6629	1 1
6	Kit-insulation cover distributor	Petrol V8 L/R EFI		RTC5091	1
7	Plate-mounting distributor	Change point - Engine end 40D10938B, Petrol V8 L/R EFI Change point - Engine begin 35D09450B, Petrol V8 L/R EFI		RTC5090 STC2898	1 1
8	O Ring	Petrol V8 L/R EFI		603446	1
9	Gear & coupling assembly	Petrol V8 L/R EFI	Also serviced as part of a kit	ERC1353	1
10	Pin-roll	Petrol V8 L/R EFI		602953	1
11	Clamp-distributor	Petrol V8 L/R EFI		613857	1
12	Screw	Petrol V8 L/R EFI	hexagonal head, 3/8UNC x 1 1/2	SH506125	1
13	Nut - Hex.	Petrol V8 L/R EFI		ETC7427	1
14	Tube-carburettor vacuum ignition	Petrol V8 L/R EFI, (-)"CDN/MEX/USA" (+)"CDN/MEX/USA"	Local Supply	ETC7322 RTC7751	X 1
15	Clip-p	Petrol V8 L/R EFI, Automatic Transmission		50642	X
16	Suppressor assembly-noise distributor	Petrol V8 L/R EFI		PRC5086	1
[900]	Kit-igniter unit distributor	Change point - Engine begin 35D09450B, Petrol V8 L/R EFI		STC1856	1
[901]	Link	(+)"CDN/MEX/USA"	Use Between Advance Unit & Engine Harness	STC1212	1

Engine
V8 Petrol - EFI
Drive Plate Automatic 1/1

Range Rover (From JA610294)

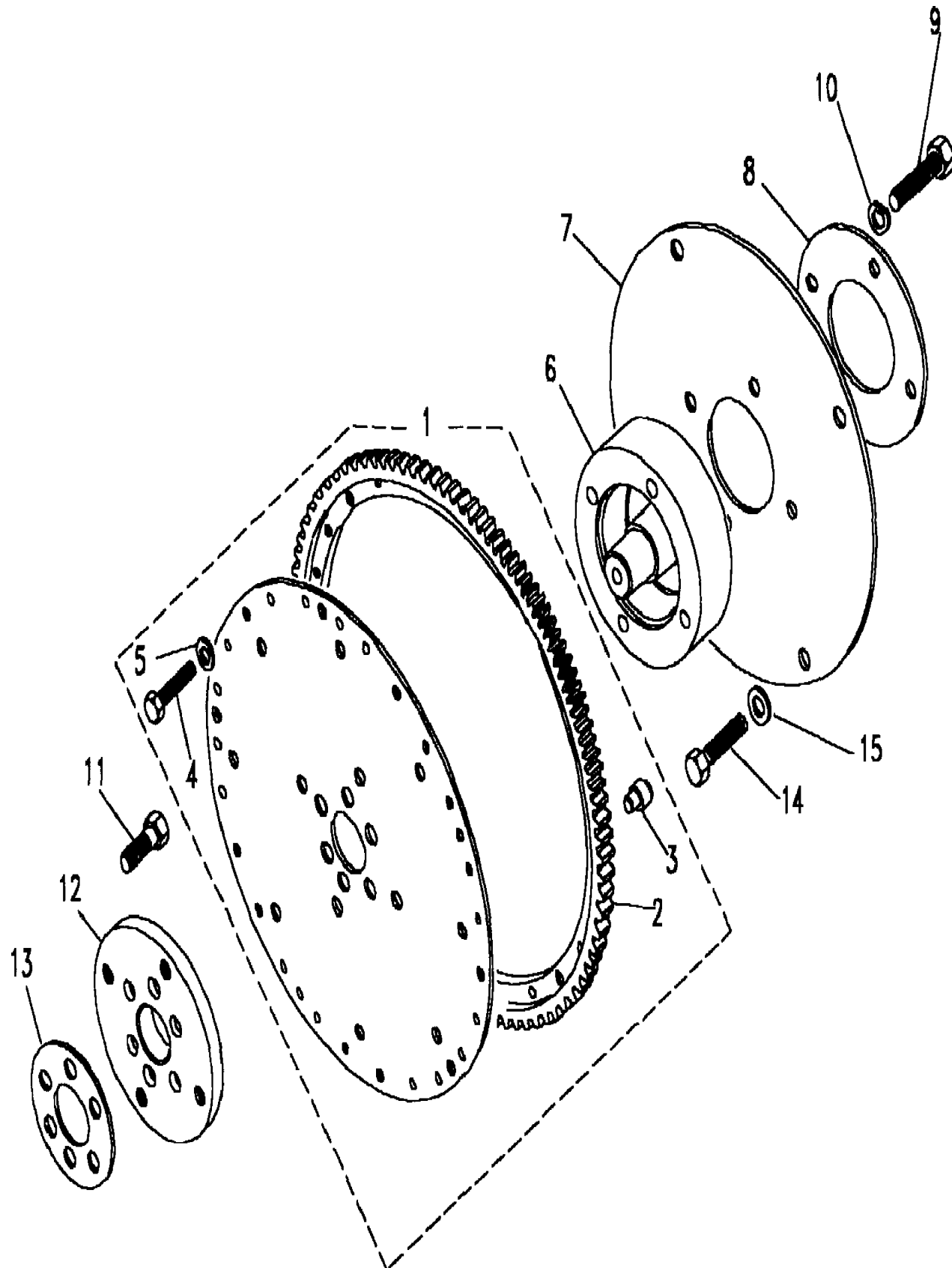
(BDBRRA2A)

Range Rover (From JA610294)

Engine
V8 Petrol - EFI
Drive Plate Automatic

V8 EFI Petrol, Automatic Transmission

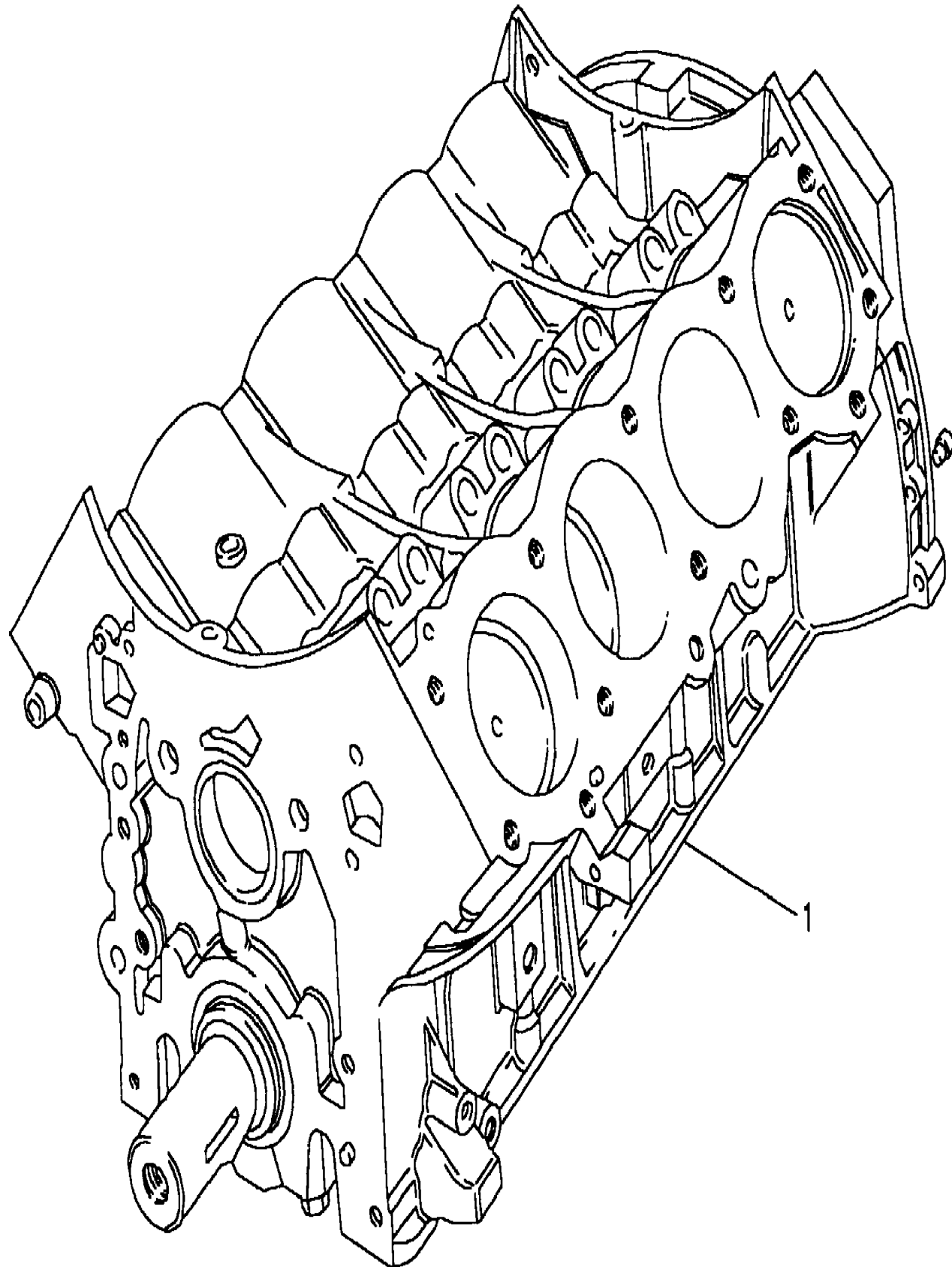
Callout	Name	Application	Remarks & Restrictions	Service No.	Qty
1	Plate-drive assembly automatic transmission	Petrol V8 L/R EFI	Also serviced as part of a kit	FRC7851	1
2	Gear-ring-flywheel engine	Petrol V8 L/R EFI	Also serviced as part of a kit	603340	1
3	Dowel-flywheel spigot alignment	Petrol V8 L/R EFI	Also serviced as part of a kit	529364	2
4	Bolt	Petrol V8 L/R EFI	Also serviced as part of a kit, 5/16UNF x 0.58	610735	10
		Petrol V8 L/R EFI	Also serviced as part of a kit, 5/16UNF x 0.58	FTC4388	10
5	Washer	Petrol V8 L/R EFI	Also serviced as part of a kit	610736	10
6	Spigot-flywheel alignment	Petrol V8 L/R EFI		FRC7075	1
7	Plate assembly-drive torque converter	Petrol V8 L/R EFI		FRC7081	1
8	Plate-support-drive plate automatic transmission	Petrol V8 L/R EFI		FRC7080	1
9	Bolt	Petrol V8 L/R EFI	M10 x 55	BH110111L	4
10	Washer	Petrol V8 L/R EFI	M10	WL110001L	4
11	Screw	Petrol V8 L/R EFI	7/16UNF x 3/4	SS607061	6
12	Spacer	Petrol V8 L/R EFI		FRC7042	1
13	Shim	Petrol V8 L/R EFI	1.25MM	FRC9203	X
		Petrol V8 L/R EFI	1.45MM	FRC9205	X
		Petrol V8 L/R EFI	1.65MM	FRC9207	X
		Petrol V8 L/R EFI	1.85 mm	FRC9209	X
		Petrol V8 L/R EFI	2.05MM	FRC9211	X
14	Screw	Petrol V8 L/R EFI	hexagonal head, M10 x 20	SH110201L	4
15	Washer	Petrol V8 L/R EFI	M10	WA110061L	4



Engine
V8 Petrol - EFi
Engine Short 1/2

Range Rover (From JA610294)

(BDBRAE1A)



Range Rover (From JA610294)

Engine
V8 Petrol - EFi
Engine Short

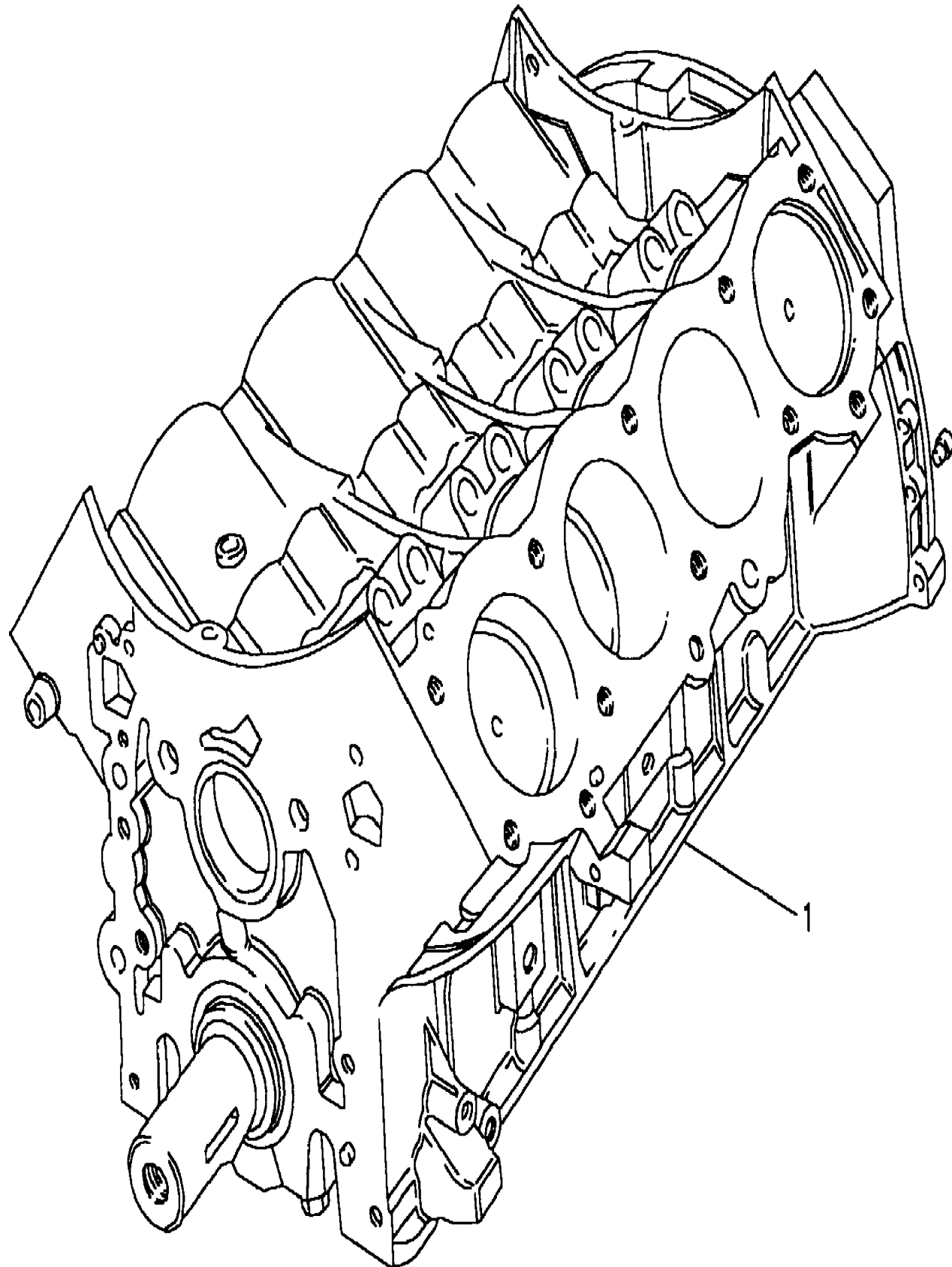
V8 EFI Petrol

Callout	Name	Application	Remarks & Restrictions	Service No.	Qty
1	Engine base unit-part	Change point - Engine end 37D02089B, 3.9L V8 L/R EFI NA Petrol, 5 Speed Manual Transmission, (-)"CDN/MEX/USA", With Catalyst	Engine Code 37D 3.9 V8 EFI L/C Man, 8.13:1	ETC7801	1
		Change point - Engine end 38D27237B, 3.9L V8 L/R EFI NA Petrol, 4 Speed Automatic Transmissions, (-)"CDN/MEX/USA", With Catalyst	Engine Codes 38D 3.9 EFI V8 NAS Auto, 8.13:1	ETC7801	1
		Change point - Engine begin 37D02090B, 3.9L V8 L/R EFI NA Petrol, 5 Speed Manual Transmission, (-)"CDN/MEX/USA", With Catalyst	Engine Code 37D 3.9 V8 EFI L/C Man	ERR4170	1
		Change point - Engine begin 38D27238B, 3.9L V8 L/R EFI NA Petrol, 4 Speed Automatic Transmissions, (-)"CDN/MEX/USA", With Catalyst	Engine Codes 38D 3.9 EFI V8 NAS Auto	ERR4170	1
		Change point - Engine end 35D08927B, 3.9L V8 L/R EFI NA Petrol, 5 Speed Manual Transmission, With Catalyst	Engine Code 35D 3.9 V8 EFI H/C Man, 9.35:1	ERR514	1
		Change point - Engine end 36D25154B, 3.9L V8 L/R EFI NA Petrol, 4 Speed Automatic Transmissions, With Catalyst	Engine Code 36D 3.9 V8 EFI H/C Auto, 9.35:1	ERR514	1
		Change point - Engine begin 35D08928B, 3.9L V8 L/R EFI NA Petrol, 5 Speed Manual Transmission, With Catalyst	Engine Code 35D 3.9 V8 EFI H/C Man	ERR4165	1
		Change point - Engine begin 36D25155B, 3.9L V8 L/R EFI NA Petrol, 4 Speed Automatic Transmissions, With Catalyst	Engine Code 36D 3.9 V8 EFI H/C Auto	ERR4165	1
		4.2L V8 EFI NA Petrol LR, With Catalyst	Engine Code 40D 4.2 EFI V8	ERR3400	1
		Change point - Engine begin 40D09582B, 4.2L V8 EFI NA Petrol LR, With Catalyst	Engine Code 40D 4.2 EFI V8	ERR4171	1
		Change point - VIN end RA647649, 3.9/4.0 V8 Petrol Efi, (+)"CDN"		ERR2984	1

Engine
V8 Petrol - EFi
Engine Short 2/2

Range Rover (From JA610294)

(BDBRAE1A)



Range Rover (From JA610294)

Engine
V8 Petrol - EFi
Engine Short

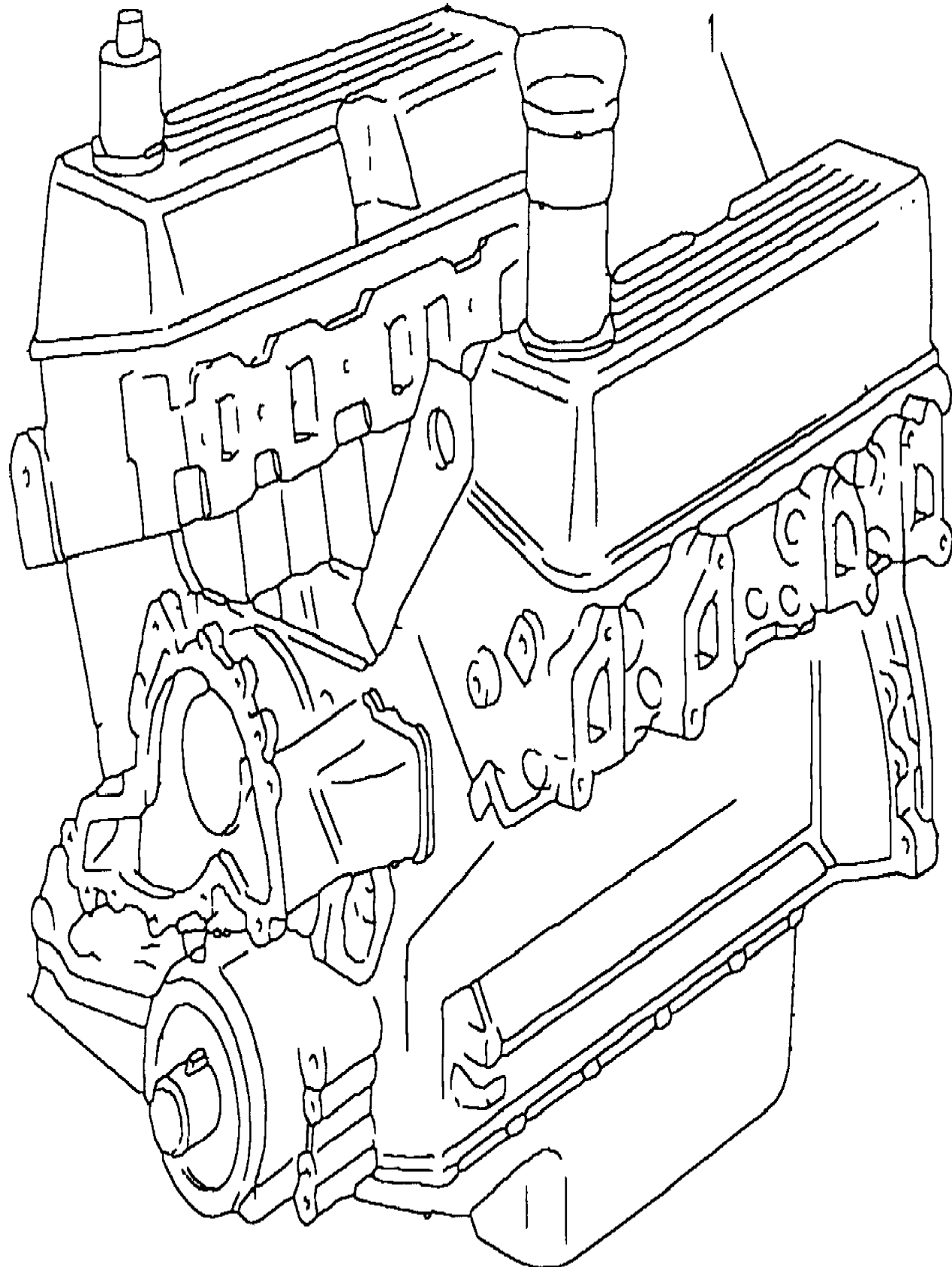
V8 EFI Petrol

Callout	Name	Application	Remarks & Restrictions	Service No.	Qty
1	Engine base unit-part	Change point - VIN begin SA647650, 3.9/4.0 V8 Petrol Efi, (+)"CDN" Change point - VIN end RA647649, 4.2 V8 Petrol Efi, (+)"CDN" Change point - VIN begin SA647650, 4.2 V8 Petrol Efi, (+)"CDN"		ERR4168 ERR3507 ERR4173	1 1 1

Engine
V8 Petrol - EFI
Engine Stripped 1/3

Range Rover (From JA610294)

(BDBRAC1A)



Range Rover (From JA610294)

Engine
V8 Petrol - EFI
Engine Stripped

V8 EFI Petrol

Callout	Name	Application	Remarks & Restrictions	Service No.	Qty
1	Engine unit-stripped	Change point - VIN end MA650325, 3.9L V8 L/R EFI NA Petrol, 5 Speed Manual Transmission, (-)"CDN/MEX/USA", With Catalyst	Engine Code 37D 3.9 V8 EFI L/C Man, Engine Codes 38D 3.9 EFI V8 NAS Auto, New	STC1101N	1
		Change point - VIN end MA650325, 3.9L V8 L/R EFI NA Petrol, 4 Speed Automatic Transmissions, (-)"CDN/MEX/USA", With Catalyst	Engine Code 37D 3.9 V8 EFI L/C Man, Engine Codes 38D 3.9 EFI V8 NAS Auto, New	STC1101N	1
		Change point - VIN begin MA650326, 3.9L V8 L/R EFI NA Petrol, 5 Speed Manual Transmission, (-)"CDN/MEX/USA", With Catalyst	Engine Code 37D 3.9 V8 EFI L/C Man, Engine Codes 38D 3.9 EFI V8 NAS Auto, New	STC1862N	1
		Change point - VIN begin MA650326, 3.9L V8 L/R EFI NA Petrol, 4 Speed Automatic Transmissions, (-)"CDN/MEX/USA", With Catalyst	Engine Code 37D 3.9 V8 EFI L/C Man, Engine Codes 38D 3.9 EFI V8 NAS Auto, New	STC1862N	1
		Change point - VIN begin MA650326, 3.9L V8 L/R EFI NA Petrol, Manual Transmission, (-)"CDN/MEX/USA", With Catalyst	Engine Code 37D 3.9 V8 EFI L/C Man, Engine Codes 38D 3.9 EFI V8 NAS Auto, exchange	STC1862E	1
		Change point - VIN begin MA650326, 3.9L V8 L/R EFI NA Petrol, 4 Speed Automatic Transmissions, (-)"CDN/MEX/USA", With Catalyst	Engine Code 37D 3.9 V8 EFI L/C Man, Engine Codes 38D 3.9 EFI V8 NAS Auto, exchange	STC1862E	1
		Change point - Engine end 38D27238B, 3.9L V8 L/R EFI Petrol, (-)"CDN/MEX/USA"	exchange, 8.13:1	RTC6414E	1
		Change point - Engine begin 36D25155B, Change point - VIN end MA650325, 3.9L V8 L/R EFI NA Petrol, 5 Speed Manual Transmission, With Catalyst	Engine Code 35D 3.9 V8 EFI H/C Man, Engine Code 36D 3.9 V8 EFI H/C Auto, New	STC1102N	1
		Change point - Engine begin 36D25155B, Change point - VIN end MA650325, 3.9L V8 L/R EFI NA Petrol, 4 Speed Automatic Transmissions, With Catalyst	Engine Code 35D 3.9 V8 EFI H/C Man, Engine Code 36D 3.9 V8 EFI H/C Auto, New	STC1102N	1
		Change point - Engine begin 36D25155B, Change point - VIN end MA650325, 3.9L V8 L/R EFI NA Petrol, 5 Speed Manual Transmission, (-)"CDN/MEX/USA", With Catalyst	Engine Code 35D 3.9 V8 EFI H/C Man, Engine Code 36D 3.9 V8 EFI H/C Auto, exchange	STC1102E	1

Engine
V8 Petrol - EFI
Engine Stripped 2/3

Range Rover (From JA610294)

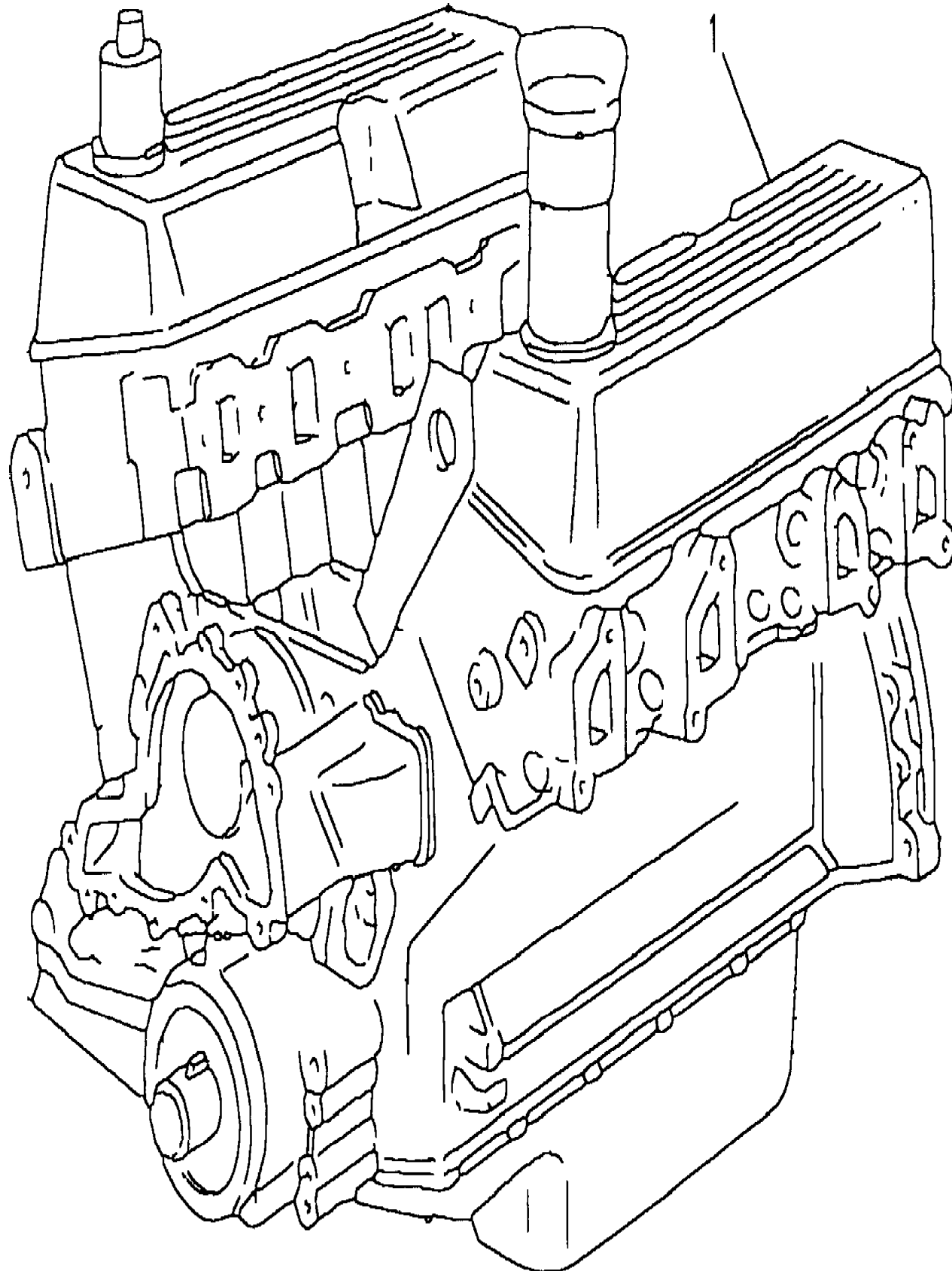
(BDBRAC1A)

Range Rover (From JA610294)

Engine
V8 Petrol - EFI
Engine Stripped

V8 EFI Petrol

Callout	Name	Application	Remarks & Restrictions	Service No.	Qty
1	Engine unit-stripped	Change point - Engine begin 36D25155B, Change point - VIN end MA650325, 3.9L V8 L/R EFI NA Petrol, 4 Speed Automatic Transmissions, (-)"CDN/MEX/USA", With Catalyst	Engine Code 35D 3.9 V8 EFI H/C Man, Engine Code 36D 3.9 V8 EFI H/C Auto, exchange	STC1102E	1
		Change point - VIN begin MA650326, 3.9L V8 L/R EFI NA Petrol, 5 Speed Manual Transmission, With Catalyst	Engine Code 35D 3.9 V8 EFI H/C Man, Engine Code 36D 3.9 V8 EFI H/C Auto, New	STC1861N	1
		Change point - VIN begin MA650326, 3.9L V8 L/R EFI NA Petrol, 4 Speed Automatic Transmissions, With Catalyst	Engine Code 35D 3.9 V8 EFI H/C Man, Engine Code 36D 3.9 V8 EFI H/C Auto, New	STC1861N	1
		Change point - VIN begin MA650326, 3.9L V8 L/R EFI NA Petrol, 5 Speed Manual Transmission, (-)"CDN/MEX/USA", With Catalyst	Engine Code 35D 3.9 V8 EFI H/C Man, Engine Code 36D 3.9 V8 EFI H/C Auto, exchange	STC1861E	1
		Change point - VIN begin MA650326, 3.9L V8 L/R EFI NA Petrol, 4 Speed Automatic Transmissions, (-)"CDN/MEX/USA", With Catalyst	Engine Code 35D 3.9 V8 EFI H/C Man, Engine Code 36D 3.9 V8 EFI H/C Auto, exchange	STC1861E	1
		Change point - Engine end 36D25154B, 3.9L V8 L/R EFI Petrol, (-)"CDN/MEX/USA"	exchange, 9.35:1	RTC6748E	1
		Change point - VIN end MA650325, 4.2L V8 L/R EFI Petrol	New	STC1106N	1
		Change point - VIN end MA650325, 4.2L V8 L/R EFI Petrol, (-)"CDN/MEX/USA"	exchange	STC1106E	1
		Change point - VIN begin MA650326, 4.2L V8 EFI NA Petrol LR, With Catalyst	Engine Code 40D 4.2 EFI V8, New	STC1860N	1
		Change point - VIN begin MA650326, 4.2L V8 L/R EFI Petrol, Automatic Transmission, (-)"CDN/MEX/USA"	exchange	STC1860E	1
		Change point - VIN end RA640399, 3.9/4.0 V8 Petrol Efi, (+)"CDN/MEX/USA"	9.35:1, Engine Code 36D	STC1097N	1
		3.9/4.0 V8 Petrol Efi, (+)"CDN"	With Cylinder Block Heater, 9.35:1, Engine Code 36D	STC1098N	1
		Change point - VIN begin SA650326, 3.9/4.0 V8 Petrol Efi, (+)"CDN/MEX/USA"	8.94:1, Engine Code 40D	STC1861N	1
		Change point - VIN end RA640399, 4.2 V8 Petrol Efi, (+)"CDN/MEX/USA"	8.94:1, Engine Code 40D	STC1099N	1



Engine
V8 Petrol - EFi
Engine Stripped 3/3

Range Rover (From JA610294)

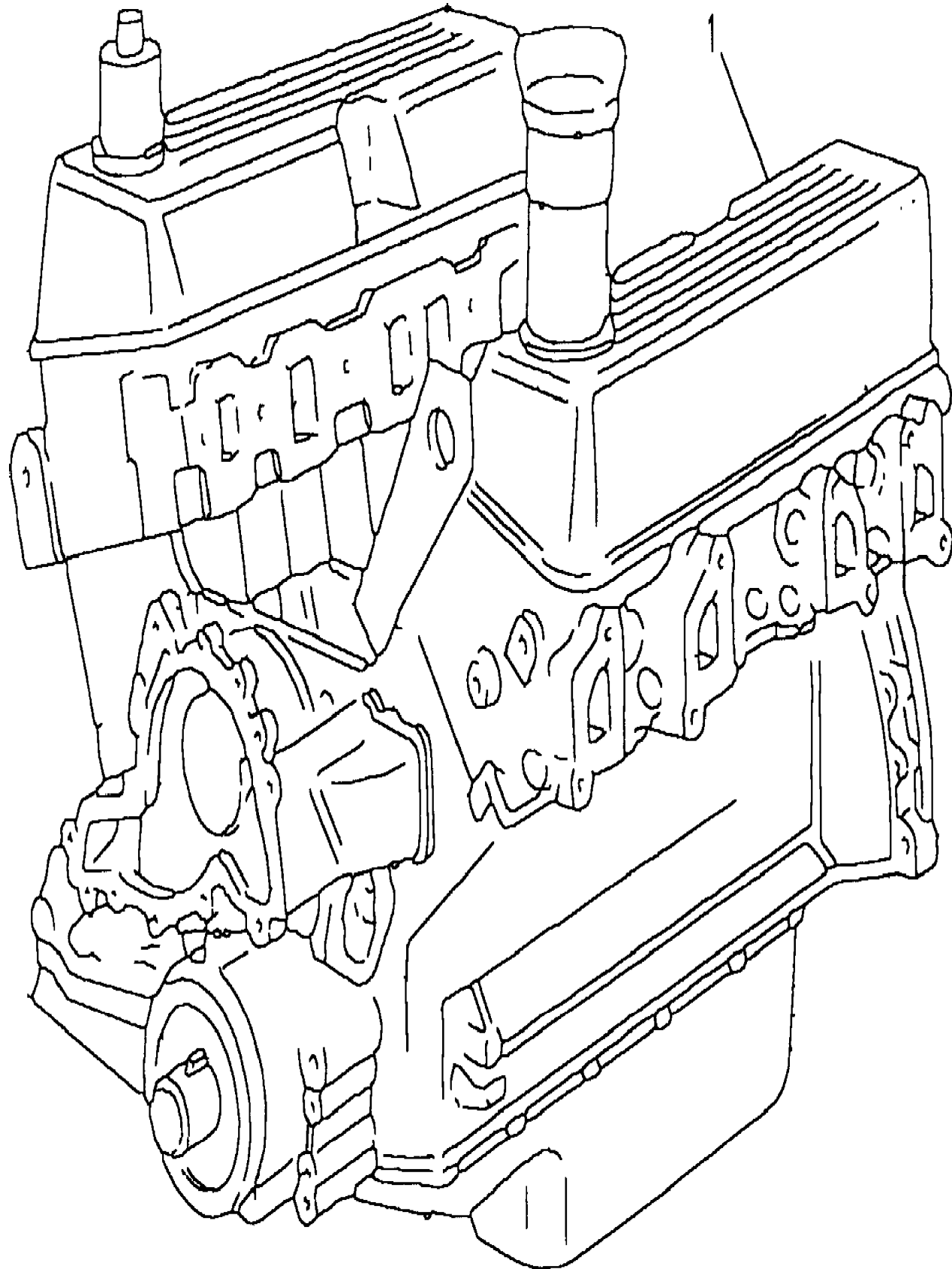
(BDBRAC1A)

Range Rover (From JA610294)

Engine
V8 Petrol - EFi
Engine Stripped

V8 EFI Petrol

Callout	Name	Application	Remarks & Restrictions	Service No.	Qty
1	Engine unit-stripped	4.2 V8 Petrol Efi, (+)"CDN"	With Cylinder Block Heater, 8.94:1, Engine Code 40D	STC1100N	1



Engine
V8 Petrol - EFI
Exhaust Manifold 1/2

Range Rover (From JA610294)

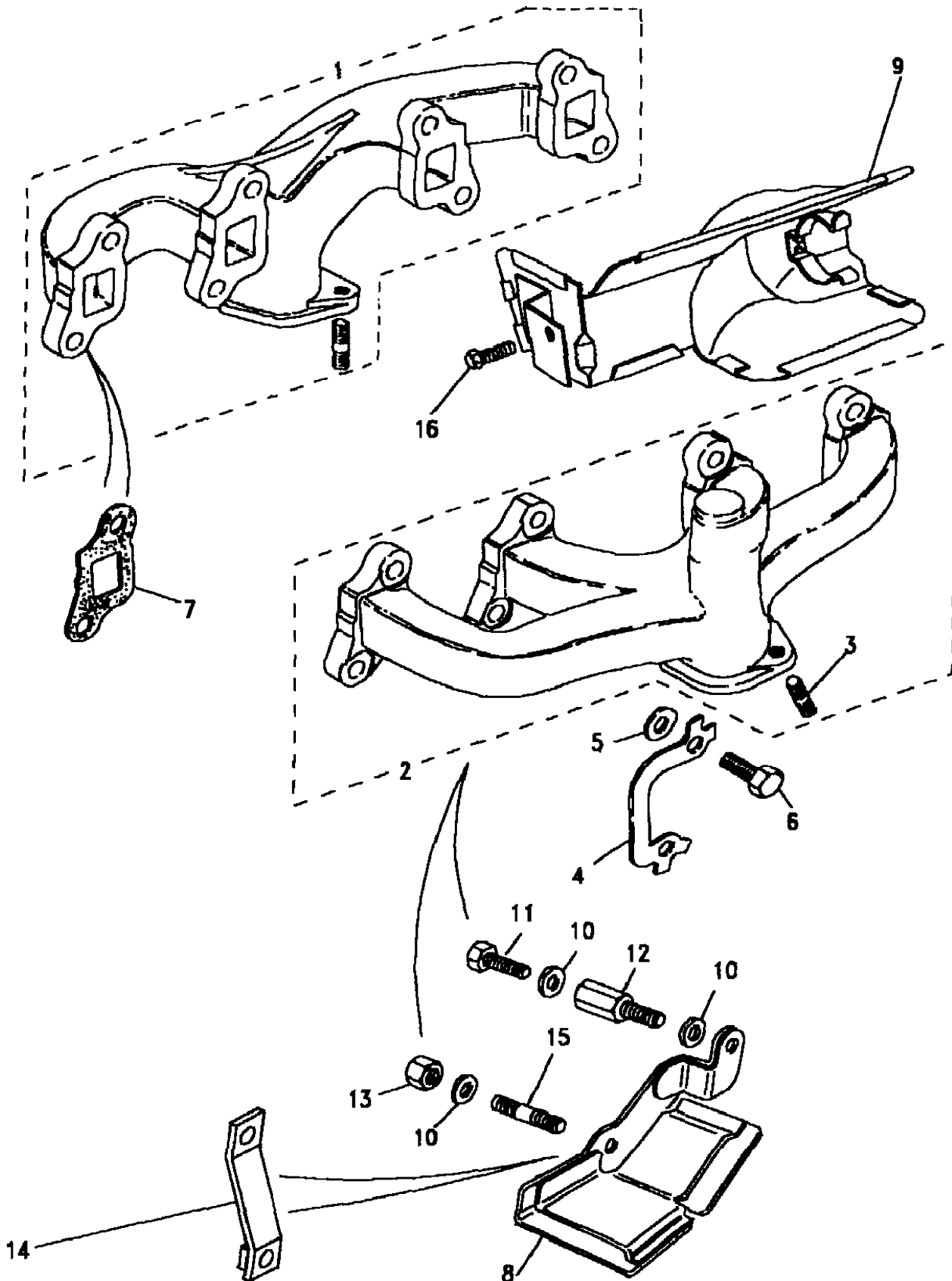
(BDBRHC1A)

Range Rover (From JA610294)

Engine
V8 Petrol - EFI
Exhaust Manifold

V8 EFI Petrol

Callout	Name	Application	Remarks & Restrictions	Service No.	Qty	
1	Manifold-engine exhaust	(+)"CDN/MEX/USA"	RH, Engine Code 36D	ETC5809	1	
		(+)"CDN/MEX/USA"	RH, Engine Code 40D	ERR3454	1	
		Petrol V8 L/R EFI	Also serviced as part of a kit, RH	ERR5023	1	
2	Manifold-engine exhaust	(+)"CDN/MEX/USA"	LH, Engine Code 36D	ETC5811	1	
		(+)"CDN/MEX/USA"	LH, Engine Code 40D	ERR3455	1	
		Change point - VIN begin JA610294, Petrol V8 L/R EFI	Also serviced as part of a kit, LH	ERR5024	1	
3	Stud	Change point - VIN begin JA610294, Petrol V8 L/R EFI, (-)"CDN/MEX/USA" (+)"CDN/MEX/USA"	Also serviced as part of a kit, M8 x 25	ERR551L	6	
				ERR551	6	
4	Washer-exhaust manifold to cylinder head tab	Petrol V8 L/R EFI		ERC7321	4	
5	Washer-Plain	Petrol V8 L/R EFI		3036L	8	
6	Screw	Petrol V8 L/R EFI	hexagonal head, 3/8UNC x 1 1/8	SH506095L	6	
7	Gasket-exhaust manifold	(+)"CDN/MEX/USA"	Part Of Gasket Kit STC494	ERC3606	8	
			Change point - VIN begin JA610294, Change point - VIN end MA660163, Petrol V8 L/R EFI	No1	ERR5008	2
			Change point - VIN begin JA610294, Change point - VIN end MA660163, Petrol V8 L/R EFI	No2	ERR5010	2
8	Heatshield-exhaust manifold	Petrol V8 L/R EFI		ERC5875	1	
9	Heatshield-exhaust manifold	Petrol V8 L/R EFI, (-)"CDN/MEX/USA" (+)"CDN/MEX/USA"		ERR5795	1	
				ERR6382	1	
10	Washer-Plain	Petrol V8 L/R EFI		RTC613	3	
11	Screw	Petrol V8 L/R EFI	hexagonal head, 5/16UNF x 5/8	SH605051L	1	
12	Screw	Petrol V8 L/R EFI	3/8UNC x 1 1/8	614443	1	
13	Nut - Hex.	Petrol V8 L/R EFI	1/4UNF	NR604090	1	
14	Bracket-heatshield exhaust system	Petrol V8 L/R EFI		ERR117	1	
15	Stud	Petrol V8 L/R EFI	1/4UNF x 1	ERC3690	1	



Engine
V8 Petrol - EFI
Exhaust Manifold 2/2

Range Rover (From JA610294)

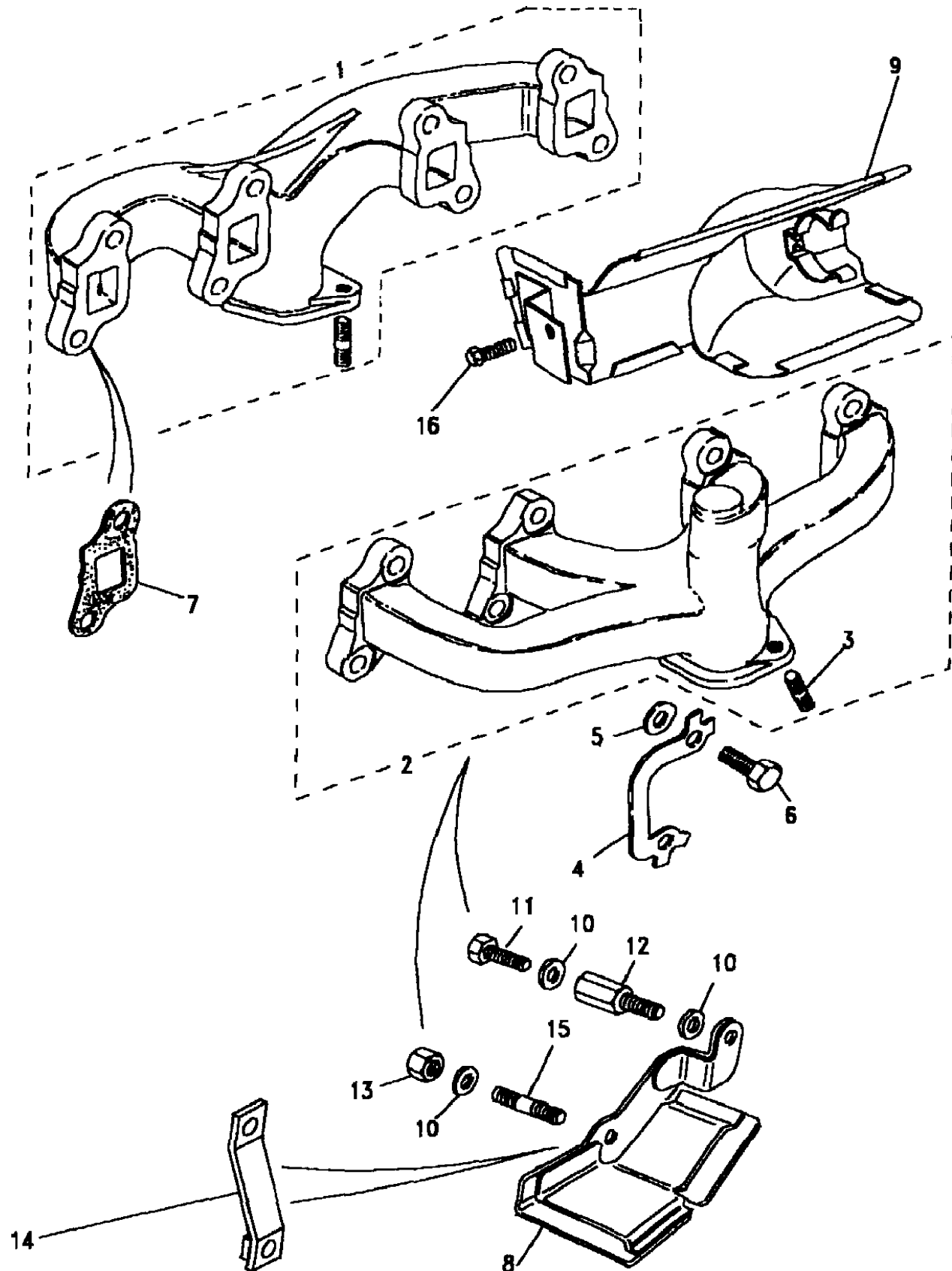
(BDBRHC1A)

Engine
V8 Petrol - EFI
Exhaust Manifold

Range Rover (From JA610294)

V8 EFI Petrol

Callout	Name	Application	Remarks & Restrictions	Service No.	Qty
16	Screw	Petrol V8 L/R EFI	pan head, M6 x 25	SE106251L	1



Engine
V8 Petrol - EFI
Flywheel & Clutch 1/1

Range Rover (From JA610294)

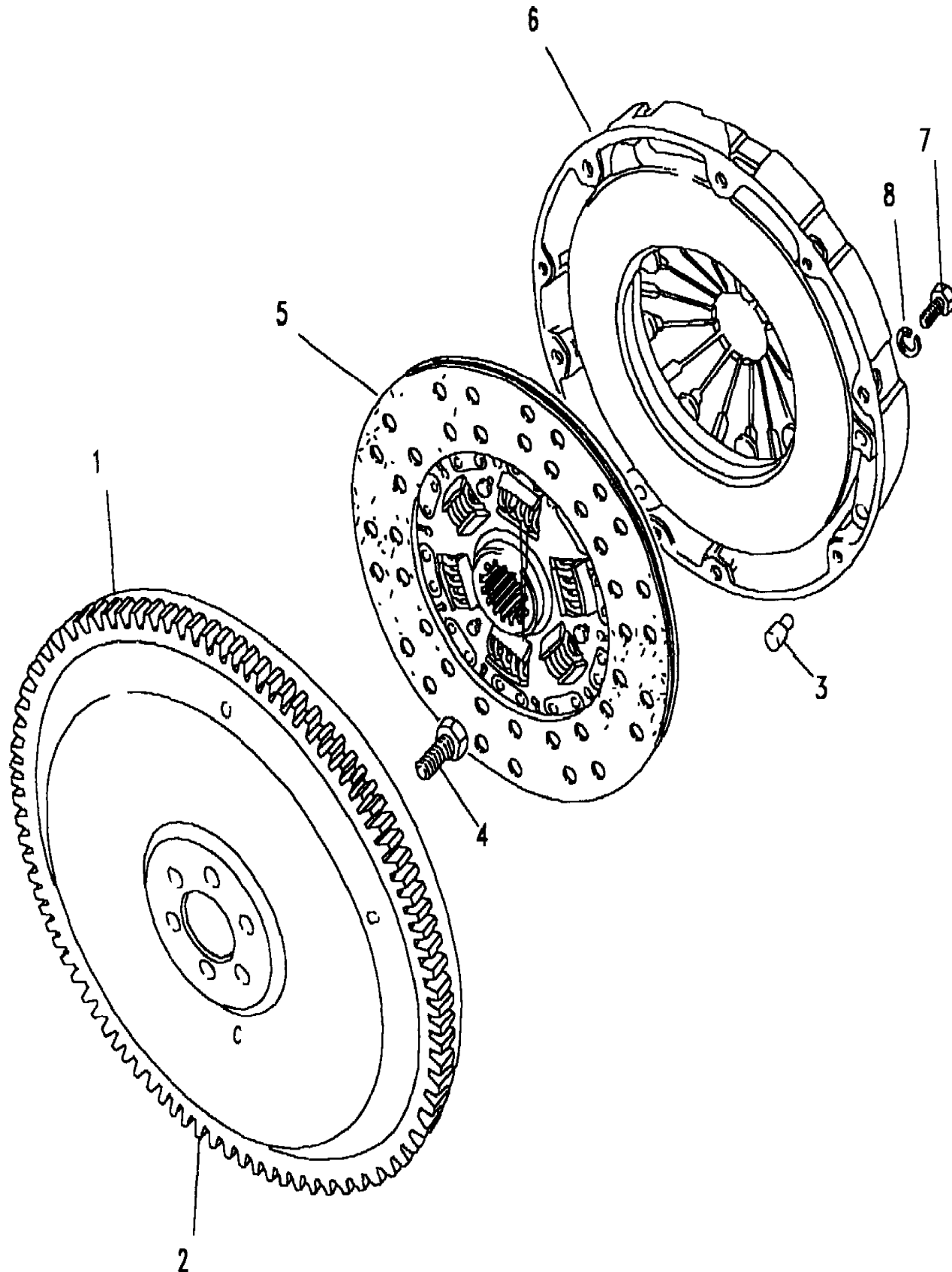
(BDBRRA1A)

Engine
V8 Petrol - EFI
Flywheel & Clutch

Range Rover (From JA610294)

V8 EFI Petrol, Manual Transmission

Callout	Name	Application	Remarks & Restrictions	Service No.	Qty
1	Flywheel engine	Petrol V8 L/R EFI	Also serviced as part of a kit	ERR5575	1
2	Gear-ring-flywheel engine	Petrol V8 L/R EFI	Also serviced as part of a kit	611323	1
3	Dowel	Petrol V8 L/R EFI	Also serviced as part of a kit	6395L	3
4	Screw	Petrol V8 L/R EFI	hexagonal head, 7/16UNC x 1	SH607081L	6
5	Plate-clutch-driven	Change point - VIN begin JA610294, 3.9L V8 L/R EFI Petrol Change point - VIN begin JA610294, 3.9L V8 EFI Petrol	Asbestos Free Also serviced as part of a kit, Asbestos Free	FTC2002 FTC2002	1 1
6	Cover-clutch assembly	Change point - VIN begin JA610294, 3.9L V8 EFI Petrol Change point - VIN begin JA610294, Change point - VIN end MA660163, Petrol V8 L/R EFI	Also serviced as part of a kit	FTC2001 FTC2001	1 1
7	Screw	Petrol V8 L/R EFI	hexagonal head, 3/8UNC x 3/4	SH606061L	6
8	Washer	Petrol V8 L/R EFI	3/8", Square	WM600061L	6
[900]	Bearing-clutch release	Change point - VIN begin JA610294, 3.9L V8 EFI Petrol	Also serviced as part of a kit	FRC9568	1
[901]	Sleeve-guide clutch	Change point - VIN begin JA610294, 3.9L V8 EFI Petrol	Also serviced as part of a kit	FRC4078	1
[902]	Cover & driven plate assembly clutch	Petrol V8 L/R EFI		FTC4828	1
[903]	Kit-clutch	Change point - VIN begin JA610294, 3.9L V8 EFI Petrol	Also serviced as part of a kit	STC50506	1



Engine
V8 Petrol - EFi
Front Cover 1/3

Range Rover (From JA610294)

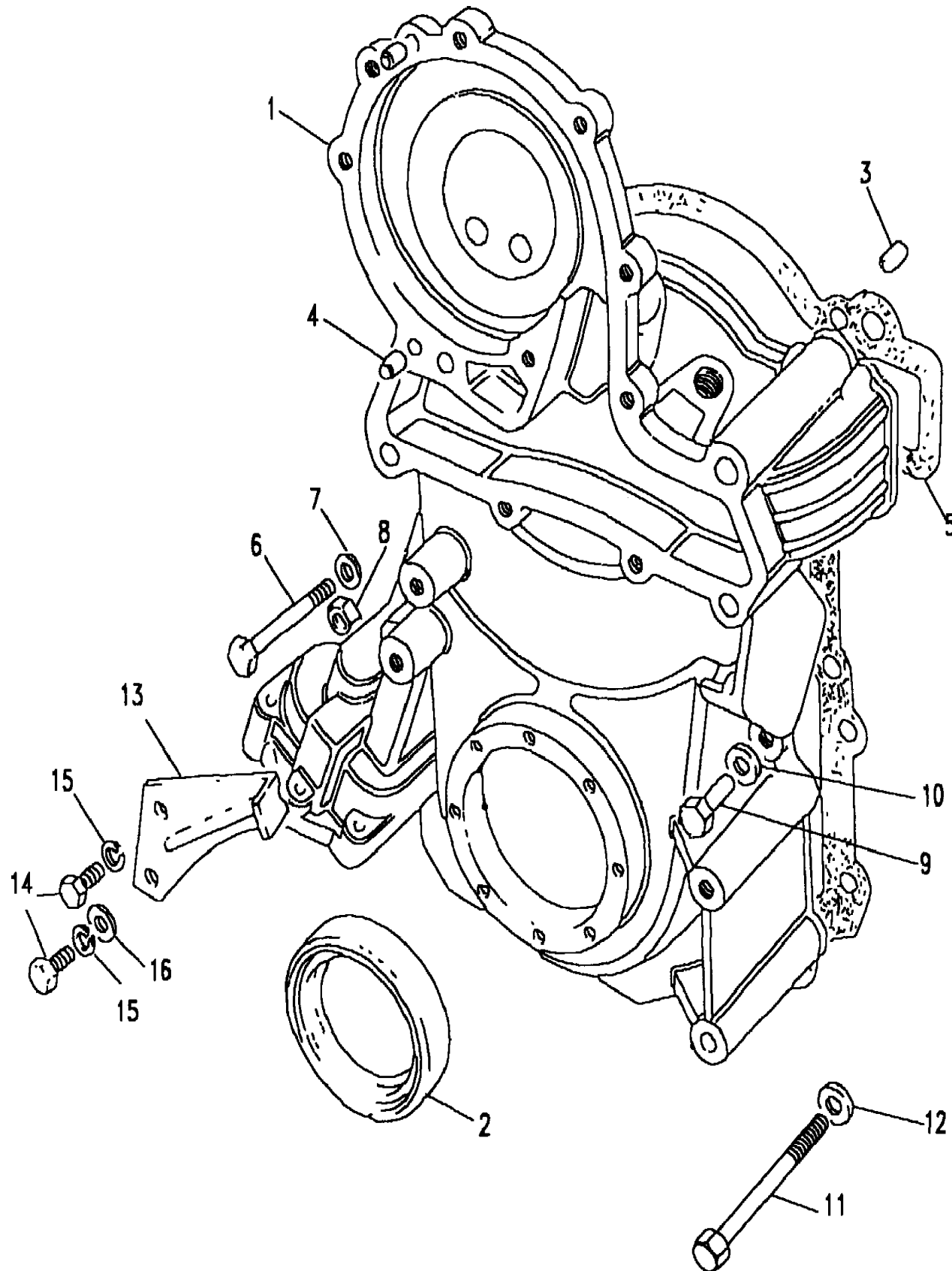
(BDBREA2A)

Range Rover (From JA610294)

Engine
V8 Petrol - EFi
Front Cover

V8 EFI Petrol

Callout	Name	Application	Remarks & Restrictions	Service No.	Qty
1	Cover-engine	Change point - Engine end 38D27237B, Petrol V8 L/R EFi	Also serviced as part of a kit, Front	ETC7385	1
		Change point - Engine begin 40D09582B, Change point - VIN end MA650325, Petrol V8 L/R EFi	Also serviced as part of a kit	ERR3434	1
		Change point - VIN begin MA650326, Petrol V8 L/R EFi	Also serviced as part of a kit	ERR5258	1
		Change point - VIN begin MA661300, Petrol V8 L/R EFi	Also serviced as part of a kit	ERR5572	1
2	Seal-crankshaft front oil	Change point - Engine end 38D27237B, Petrol V8 L/R EFi	Also serviced as part of a kit	ETC5065	1
		Change point - Engine end 38D27237B, Petrol V8 L/R EFi	Also serviced as part of a kit	ERR1632	1
		Petrol V8 L/R EFi	Also serviced as part of a kit	ERR6490	1
		Change point - Engine begin 40D09582B, Change point - VIN end MA650325, Petrol V8 L/R EFi	Also serviced as part of a kit	ERR1632	1
		Change point - VIN begin MA650326, Petrol V8 L/R EFi	Also serviced as part of a kit	ETC5065	1
		Change point - VIN begin MA650326, Petrol V8 L/R EFi	Also serviced as part of a kit	ERR1632	1
		Change point - VIN begin MA650326, Petrol V8 L/R EFi	Also serviced as part of a kit	ERR6490	1
		Change point - VIN begin MA650326, Petrol V8 L/R EFi	Also serviced as part of a kit	ETC5065	1
		Change point - VIN begin MA661300, Petrol V8 L/R EFi	Also serviced as part of a kit	ERR1632	1
		Change point - VIN begin MA661300, Petrol V8 L/R EFi	Also serviced as part of a kit	ERR6490	1
		3	Dowel	Change point - Engine end 38D27237B, Petrol V8 L/R EFi	Also serviced as part of a kit
Change point - Engine begin 40D09582B, Change point - VIN end MA650325, Petrol V8 L/R EFi	Also serviced as part of a kit			90602202	2
Change point - VIN begin MA650326, Petrol V8 L/R EFi	Also serviced as part of a kit			90602202	2
Change point - VIN begin MA661300, Petrol V8 L/R EFi	Also serviced as part of a kit			90602202	2



Engine
V8 Petrol - EFi
Front Cover 2/3

Range Rover (From JA610294)

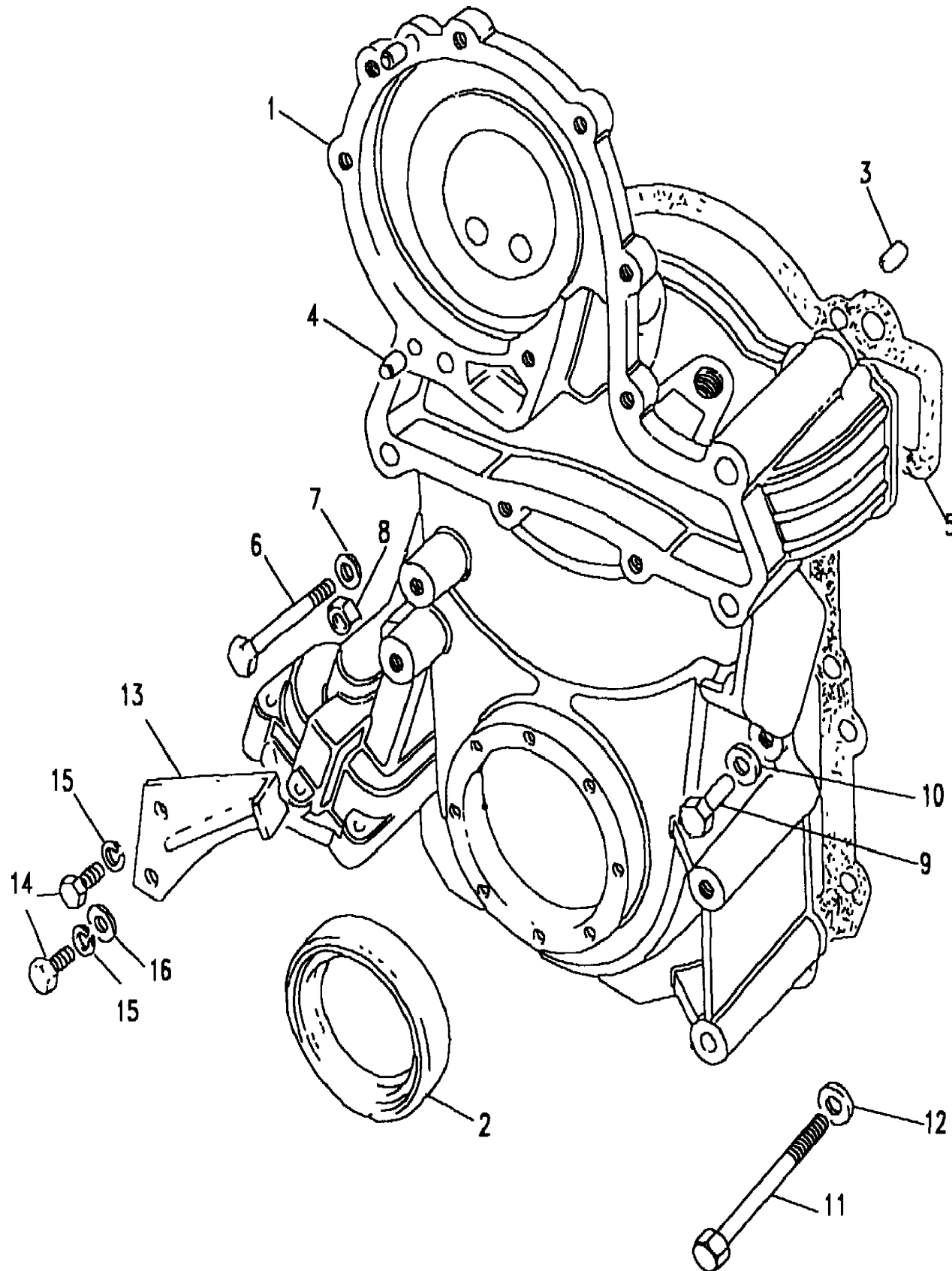
(BDBREA2A)

Engine
V8 Petrol - EFi
Front Cover

Range Rover (From JA610294)

V8 EFI Petrol

Callout	Name	Application	Remarks & Restrictions	Service No.	Qty
4	Dowel	Change point - Engine end 38D27237B, Petrol V8 L/R EFI	Also serviced as part of a kit	602201	2
		Change point - Engine begin 40D09582B, Change point - VIN end MA650325, Petrol V8 L/R EFI	Also serviced as part of a kit	602201	2
		Change point - VIN begin MA650326, Petrol V8 L/R EFI	Also serviced as part of a kit	602201	2
		Change point - VIN begin MA661300, Petrol V8 L/R EFI	Also serviced as part of a kit	602201	2
5	Gasket-cover front	Change point - Engine end 38D27237B, Petrol V8 L/R EFI		ERR4936	1
		Change point - Engine begin 40D09582B, Petrol V8 L/R EFI		ERR4421	1
		Petrol V8 L/R EFI		ERR7280	1
6	Bolt	Petrol V8 L/R EFI	5/16UNC x 3	BH505241L	1
		Petrol V8 L/R EFI	5/16UNC x 3 1/8	FB505251S	5
		Petrol V8 L/R EFI	5/16UNC x 3 7/8	FB505311S	1
		Petrol V8 L/R EFI	5/16UNC x 4 3/4	FB505381S	3
7	Washer	Petrol V8 L/R EFI	8MM	WA108051L	1
8	Nut - Hex.	Petrol V8 L/R EFI	hexagonal head, 5/16UNF	NH605041L	1
9	Screw	Petrol V8 L/R EFI	hexagonal head, 5/16UNC x 1 1/8	SH505091L	2
10	Washer	Petrol V8 L/R EFI	8MM	WA108051L	2
11	Bolt	Petrol V8 L/R EFI	5/16UNC x 3.8	602388	1
12	Washer	Petrol V8 L/R EFI	M8, Plain	4075L	1
13	Pointer-engine timing	Petrol V8 L/R EFI		ETC7345	1
14	Screw	Petrol V8 L/R EFI	Flanged Head, 1/4UNC x 5/8	FS504055	2
		Petrol V8 L/R EFI	hexagonal head, 1/4UNF x 5/8	SH504051L	2
15	Washer-Spring	Petrol V8 L/R EFI	1/4 dia, Square	WM600041L	2
16	Washer-Plain	Petrol V8 L/R EFI	Standard	RTC609	2
[900]	Plug-core	Change point - Engine end 38D27237B, Petrol V8 L/R EFI	Also serviced as part of a kit	154545	1



Engine
V8 Petrol - EFi
Front Cover 3/3

Range Rover (From JA610294)

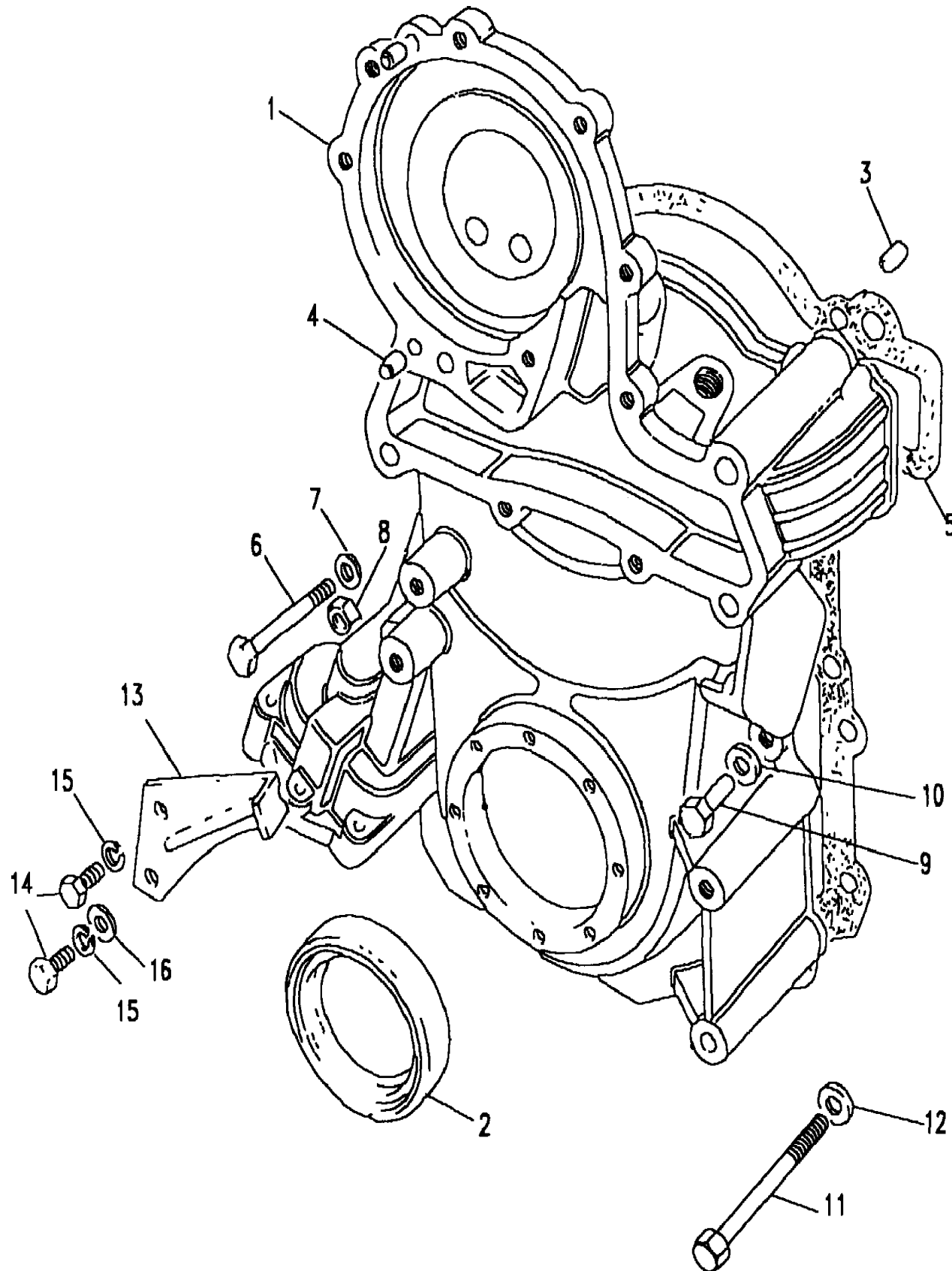
(BDBREA2A)

Range Rover (From JA610294)

Engine
V8 Petrol - EFi
Front Cover

V8 EFI Petrol

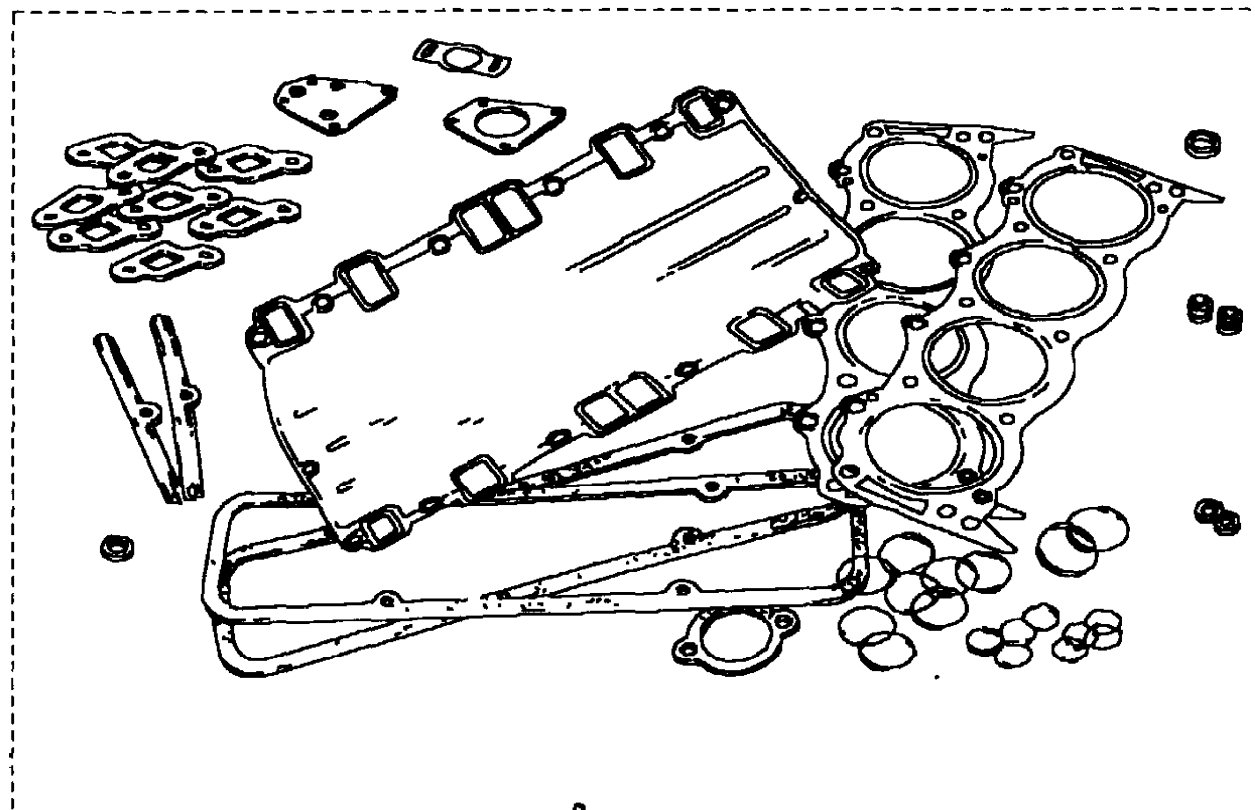
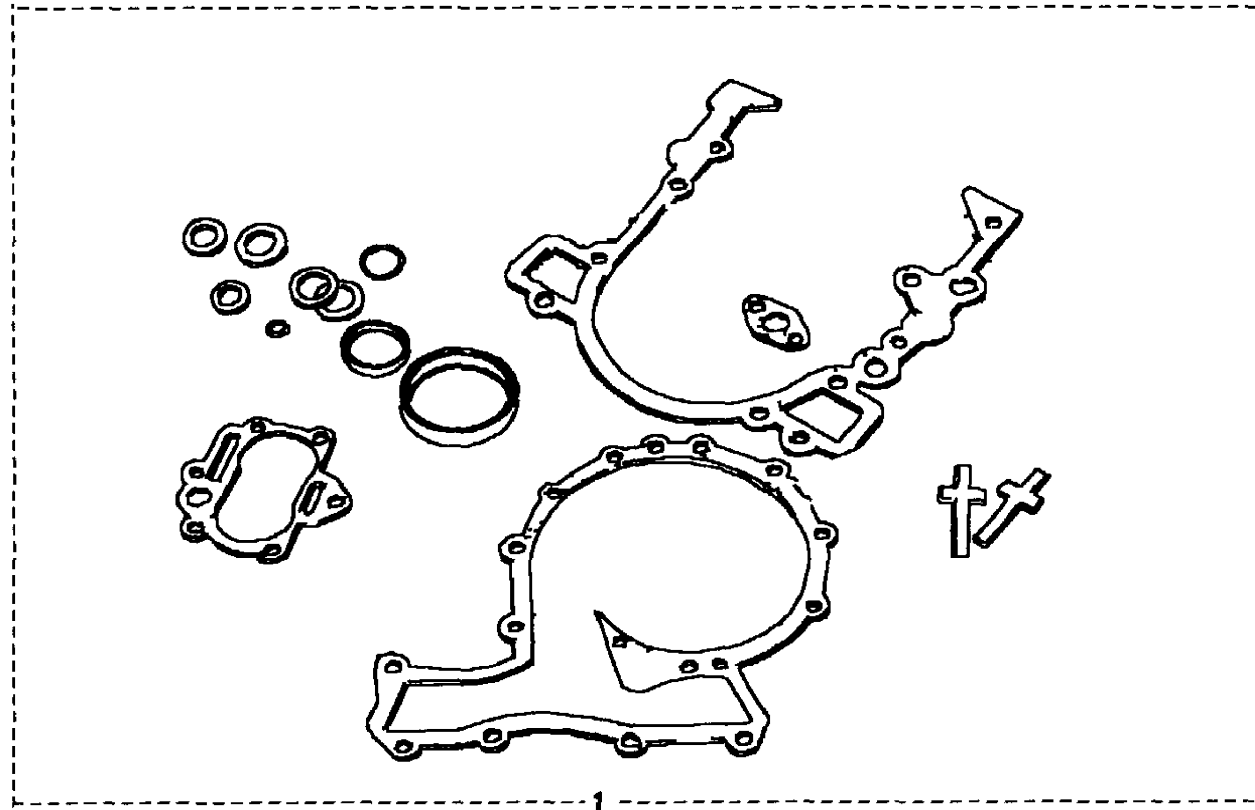
Callout	Name	Application	Remarks & Restrictions	Service No.	Qty
[900]	Plug-core	Change point - Engine begin 40D09582B, Change point - VIN end MA650325, Petrol V8 L/R EFi	Also serviced as part of a kit	154545	1
		Change point - VIN begin MA650326, Petrol V8 L/R EFi	Also serviced as part of a kit	154545	1
		Change point - VIN begin MA661300, Petrol V8 L/R EFi	Also serviced as part of a kit	154545	1
[901]	Excluder mud	Change point - VIN begin MA650326, Petrol V8 L/R EFi	Also serviced as part of a kit	247766	1
		Change point - VIN begin MA661300, Petrol V8 L/R EFi	Also serviced as part of a kit	247766	1
[902]	Screw-self tapping	Change point - VIN begin MA650326, Petrol V8 L/R EFi	Also serviced as part of a kit, No 6	78782	8
		Change point - VIN begin MA661300, Petrol V8 L/R EFi	Also serviced as part of a kit, No 6	78782	8
[903]	Stud	Petrol V8 L/R EFi	5/16UNC x 1 3/8	252513	1



Engine
V8 Petrol - EFi
Gasket Kit 1/1

Range Rover (From JA610294)

(BDBRMA1A)



Range Rover (From JA610294)

Engine
V8 Petrol - EFi
Gasket Kit

V8 EFI Petrol

Callout	Name	Application	Remarks & Restrictions	Service No.	Qty
1	Set-engine gasket	Change point - Engine end 37D02931B, Petrol V8 L/R EFi	Asbestos Free, overhaul	STC1639	1
		Change point - Engine begin 37D02932B, Petrol V8 L/R EFi		STC2823	1
2	Set-cylinder head gasket	Change point - Engine end 37D02931B, Petrol V8 L/R EFi		STC1641	1
		Change point - Engine begin 37D02932B, Petrol V8 L/R EFi		STC2822	1

Engine
V8 Petrol - EFI
High Tension Leads & Plugs 1/2

Range Rover (From JA610294)

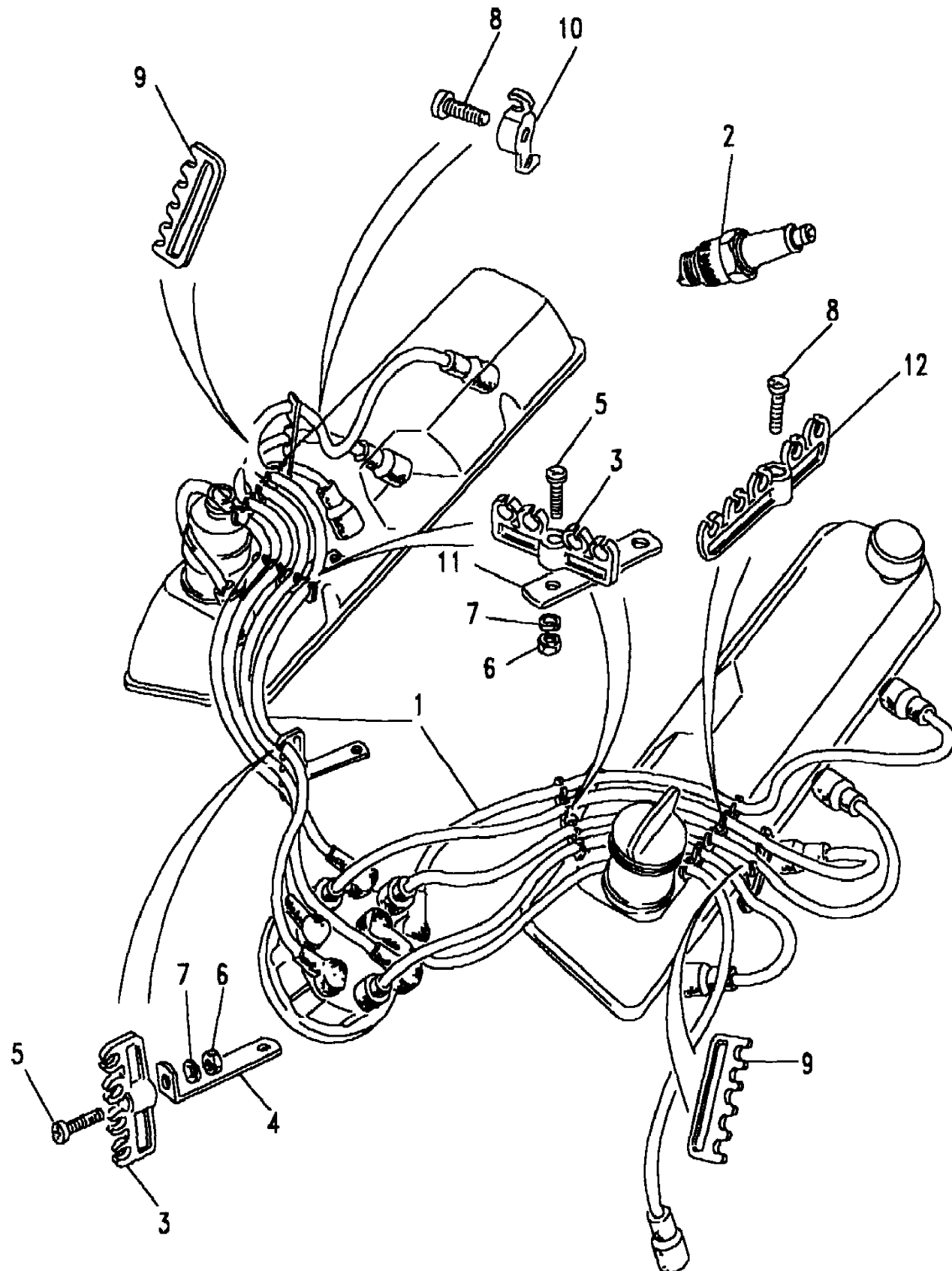
(BDBRPA2A)

Range Rover (From JA610294)

Engine
V8 Petrol - EFI
High Tension Leads & Plugs

V8 EFI Petrol

Callout	Name	Application	Remarks & Restrictions	Service No.	Qty		
1	Lead-high tension ignition	Change point - VIN end MA647644, Petrol V8 L/R EFI	Also serviced as part of a kit, No1	ETC8610	1		
		Change point - VIN end MA647644, Petrol V8 L/R EFI	Also serviced as part of a kit, No3	ETC8611	1		
		Change point - VIN end MA647644, Petrol V8 L/R EFI	Also serviced as part of a kit, No5	ETC8612	1		
		Change point - VIN end MA647644, Petrol V8 L/R EFI	Also serviced as part of a kit, No2	ETC8613	1		
		Change point - VIN end MA647644, Petrol V8 L/R EFI	Also serviced as part of a kit, No4	ETC8614	1		
		Change point - VIN end MA647644, Petrol V8 L/R EFI	Also serviced as part of a kit, No6	ETC8615	1		
		Change point - VIN end MA647644, Petrol V8 L/R EFI	Also serviced as part of a kit, No8	ETC8616	1		
		Change point - VIN end MA647644, Petrol V8 L/R EFI	Also serviced as part of a kit, No7	ETC8617	1		
		Change point - VIN end RA647649, (+)"CDN/MEX/USA"	King Lead, silicone	AMR1894	1		
		Change point - VIN begin MA647645, Petrol V8 L/R EFI	No1	ERR4121	1		
		Change point - VIN begin MA647645, Petrol V8 L/R EFI	No2	ERR4122	1		
		Change point - VIN begin MA647645, Petrol V8 L/R EFI	No3	ERR4123	1		
		Petrol V8 L/R EFI	No4	ERR4124	1		
		Petrol V8 L/R EFI	No5	ERR4125	1		
		Petrol V8 L/R EFI	No6	ERR4126	1		
		Petrol V8 L/R EFI	No7	ERR4127	1		
		Petrol V8 L/R EFI	No8	ERR4128	1		
		Change point - VIN begin SA647650, (+)"CDN/MEX/USA"	King Lead	ERR4788	1		
		2	Plug-sparking	Change point - VIN end HA610293, 3.9L V8 L/R EFI Petrol	RN9YC	ERR743	8
				Change point - VIN begin JA610294, Change point - VIN end MA660163, 3.9L V8 L/R EFI Petrol	RN12YC	ETC7244	8
4.2L V8 L/R EFI Petrol	RN11YC			ERR3799	8		
3	Clip-spacer-high tension lead ignition	Petrol V8 L/R EFI		603672	3		
4	Bracket-support-lead ignition	Petrol V8 L/R EFI	Centre	ETC6237	1		



Engine
V8 Petrol - EFI
High Tension Leads & Plugs 2/2

Range Rover (From JA610294)

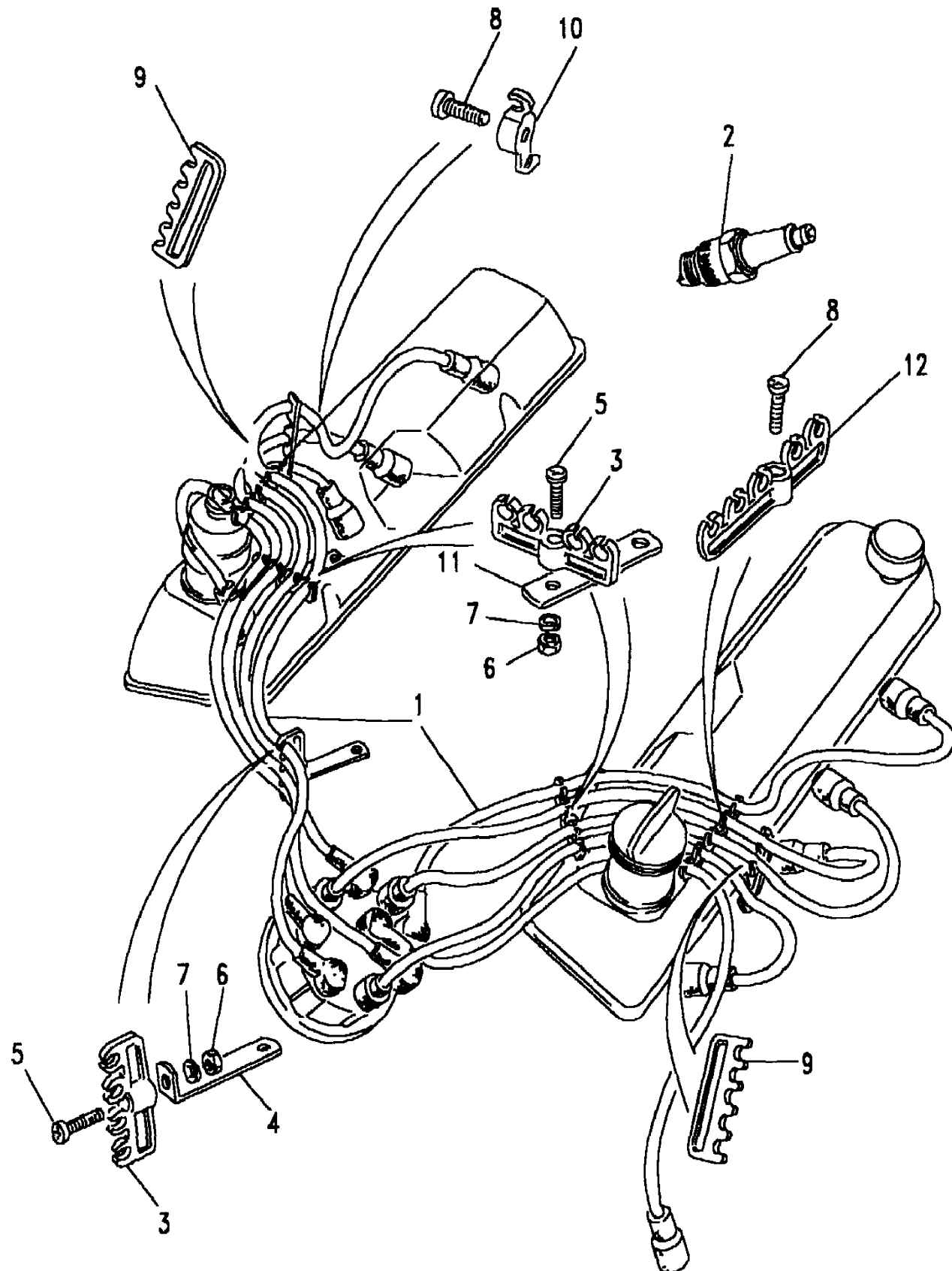
(BDBRPA2A)

Range Rover (From JA610294)

Engine
V8 Petrol - EFI
High Tension Leads & Plugs

V8 EFI Petrol

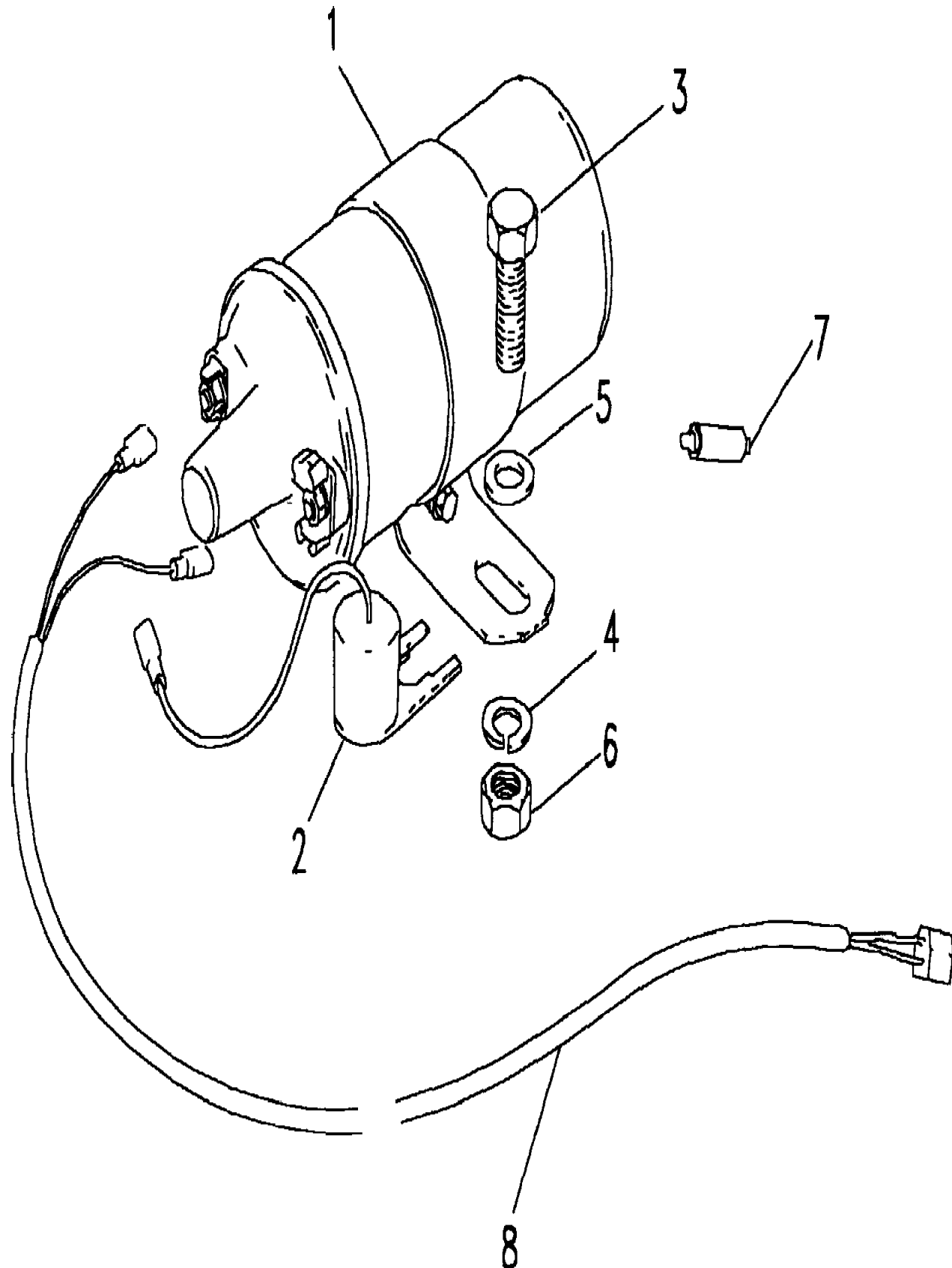
Callout	Name	Application	Remarks & Restrictions	Service No.	Qty
5	Screw	Petrol V8 L/R EFI		SE910161L	1
6	Locknut	Petrol V8 L/R EFI	10x32UNF	NH910011L	1
7	Washer-Spring	Petrol V8 L/R EFI	rectangular, No 10, single coil	WL700101L	3
8	Screw-self tapping AB	Petrol V8 L/R EFI	M8 x 12	AB610041L	4
9	Clip-spacer-high tension lead ignition	Petrol V8 L/R EFI		603673	1
10	Clip-spacer-high tension lead ignition	Petrol V8 L/R EFI		587477L	1
11	Bracket-support-lead ignition	Petrol V8 L/R EFI		ETC6093	2
12	Clip-spacer-high tension lead ignition	Petrol V8 L/R EFI	5 Way (+)"CDN/MEX/USA" 4-Way	ETC7971 ETC6107	1 1
13	Clip-plastic	Petrol V8 L/R EFI		PRC5681	1
[900]	Lead-high tension ignition	Petrol V8 L/R EFI		STC9124	1
[901]	Kit-high tension leads ignition	Change point - VIN end MA647644, Petrol V8 L/R EFI	Also serviced as part of a kit, silicone	RTC6551	1
[902]	Lead-king ignition	Change point - VIN end MA647644, Petrol V8 L/R EFI, (-)"CDN/MEX/USA" Petrol V8 L/R EFI Petrol V8 L/R EFI, (-)"CDN/MEX/USA"	Also serviced as part of a kit	ETC8618 ERR4129 STC8656	1 1 1
[903]	Harness earth bond	Petrol V8 L/R EFI		AMR2515	1
[904]	Clip	Change point - VIN begin SA647650, (+)"CDN/MEX/USA"	King Lead	PRC3180	1



Engine
V8 Petrol - EFi
Ignition Coil 1/1

Range Rover (From JA610294)

(BDBRPA3A)



Range Rover (From JA610294)

Engine
V8 Petrol - EFi
Ignition Coil

V8 EFI Petrol

Callout	Name	Application	Remarks & Restrictions	Service No.	Qty
1	Coil Ignition	Petrol V8 L/R EFI Petrol V8 L/R EFI	Lucas Bosch	RTC5628 PRC6574	1 1
2	Capacitor ignition coil	Change point - Engine end JA624755, Petrol V8 L/R EFI Change point - VIN begin KA624756, Petrol V8 L/R EFI		PRC1360 ADU7242L	1 1
3	Screw	Petrol V8 L/R EFI Petrol V8 L/R EFI	M8 X 30, Flanged Head M8 X 30, Flanged Head	FS108301L FS108307L	2 2
4	Washer	Petrol V8 L/R EFI	M8, sprung	WL108001L	2
5	Washer	Petrol V8 L/R EFI	8MM	WA108051L	4
6	Nut - Hex.	Petrol V8 L/R EFI	M8, hexagonal head	NH108041L	2
7	Resistor Assy	Change point - Engine end JA624755, Petrol V8 L/R EFI, (-)"CDN/MEX/USA" (+)"CDN/MEX/USA"		DRC1752L ERR4019	1 1
8	Harness-link-low tension ignition coil	Petrol V8 L/R EFI	2 Pin	PRC6144	1
[901]	Bolt	Petrol V8 L/R EFI	M8	YYG10005	2
[902]	Module-distributor	Petrol V8 L/R EFI	with inner wing bracket and harness	ERR5210	1
[903]	Tie-cable	Petrol V8 L/R EFI	4.8 x 270mm, inside serated	568680	1
[904]	Harness earth bond	Change point - Engine end JA624755, Petrol V8 L/R EFI Change point - VIN begin KA624756, Petrol V8 L/R EFI Petrol V8 L/R EFI	engine coil engine coil bonnet hinge	AMR2224 AMR2515 AMR2224	1 1 1
[905]	Diode Assy	Change point - VIN begin KA624756, Petrol V8 L/R EFI		ERR4019	1
[906]	Screw	Petrol V8 L/R EFI	Flanged Head, M8 x 20	FS108201L	2
[907]	Suppressor assembly-noise distributor	Petrol V8 L/R EFI		PRC7365	1

Engine
V8 Petrol - EFI
Injectors & Pipes 1/2

Range Rover (From JA610294)

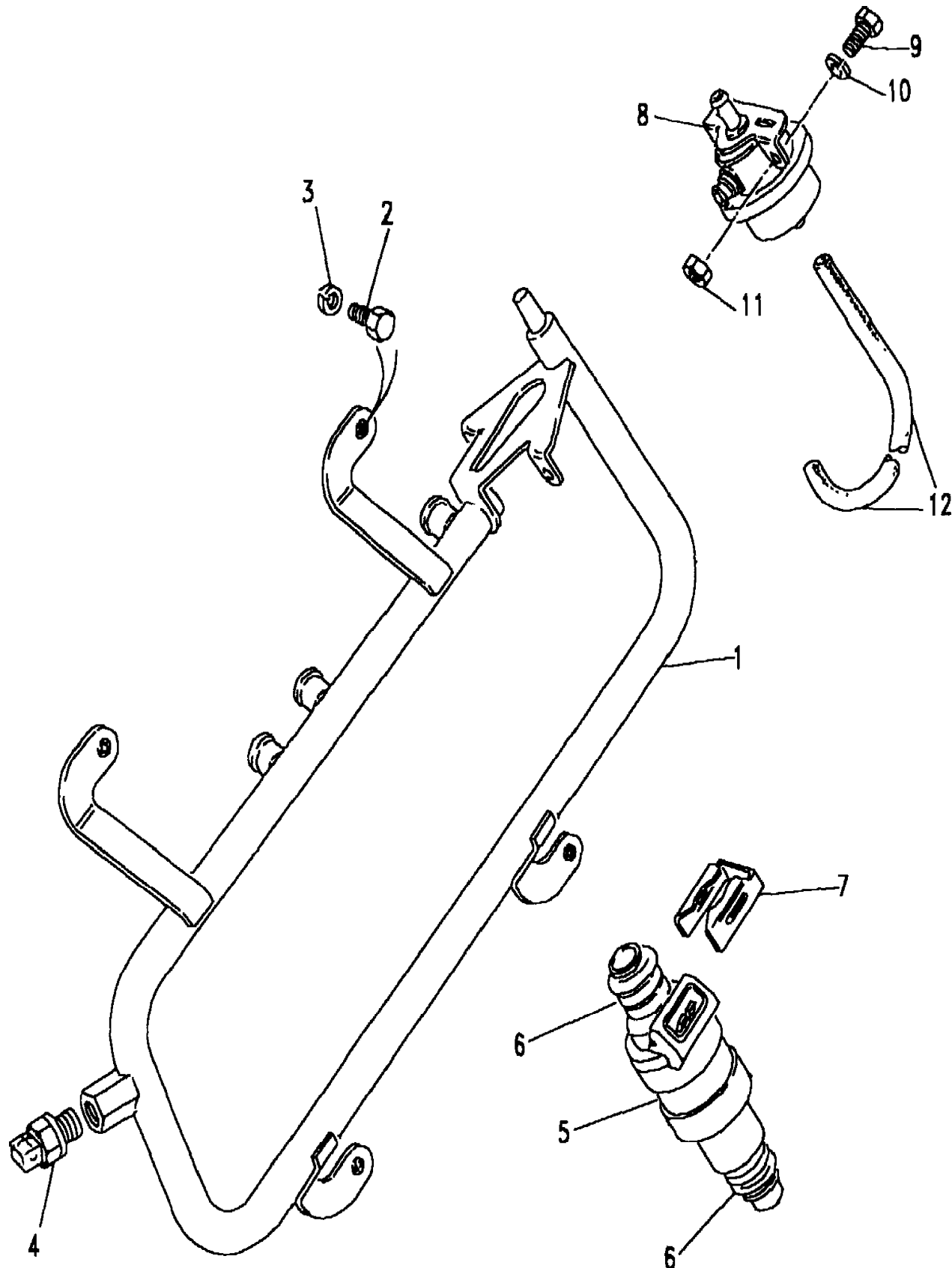
(BDBRJA1A)

Range Rover (From JA610294)

Engine
V8 Petrol - EFI
Injectors & Pipes

V8 EFI Petrol

Callout	Name	Application	Remarks & Restrictions	Service No.	Qty
1	Rail assembly-multi point injection fuel distribution	Petrol V8 L/R EFI, (+)"BR" Change point - VIN begin MA647645, Petrol V8 L/R EFI, (-)"BR" Change point - VIN end MA647644, Petrol V8 L/R EFI, (-)"BR" Change point - Engine begin 36D25155B, (+)"CDN/MEX/USA" Change point - Engine begin 40D09582B, (+)"CDN/MEX/USA"		ERR3005 ERR4937 ETC6913 ERR4747 ERR4747	1 1 1 1
2	Screw	Petrol V8 L/R EFI Petrol V8 L/R EFI	Flanged Head, 1/4UNC x 1/2 hexagonal head, 1/4UNF x 1/2	FS504047 SH604041L	2 2
3	Washer-Spring	Petrol V8 L/R EFI	1/4 dia, Square	WM600041L	5
4	Sensor-fuel temperature multi point injection/tbi	Petrol V8 L/R EFI		ETC6661	1
5	Injector-fuel multi point injection	Change point - VIN begin JA610294, Petrol V8 L/R EFI	Also serviced as part of a kit	ERR722	8
6	O Ring	Petrol V8 L/R EFI Petrol V8 L/R EFI	petrol injector to fuel rail, Centre, Large petrol injector to inlet manifold, Also serviced as part of a kit	EAC2414L EAC2415L	8 8
7	Clip-fuel injector multi point injection	Petrol V8 L/R EFI		ETC6375	8
8	Regulator-fuel pressure	Petrol V8 L/R EFI, (-)"BR" Petrol V8 L/R EFI, (+)"BR"		ETC8494 ERR2996	1 1
9	Screw	Petrol V8 L/R EFI	hexagonal head, 1/4UNF x 1/2	SH604041L	2
10	Washer	Petrol V8 L/R EFI	6MM	WA106041L	2
11	Nut - Hex.	Petrol V8 L/R EFI	hexagonal head, 3/8UNF	NH606041L	2
12	Pipe-inlet manifold vacuum	Petrol V8 L/R EFI		RTC3942	X
[900]	O Ring	Change point - VIN begin JA610294, Petrol V8 L/R EFI Change point - VIN begin JA610294, Petrol V8 L/R EFI	Also serviced as part of a kit, Small Also serviced as part of a kit, Small	BAU5325L RTC5679	16 16



Engine
V8 Petrol - EFi
Injectors & Pipes 2/2

Range Rover (From JA610294)

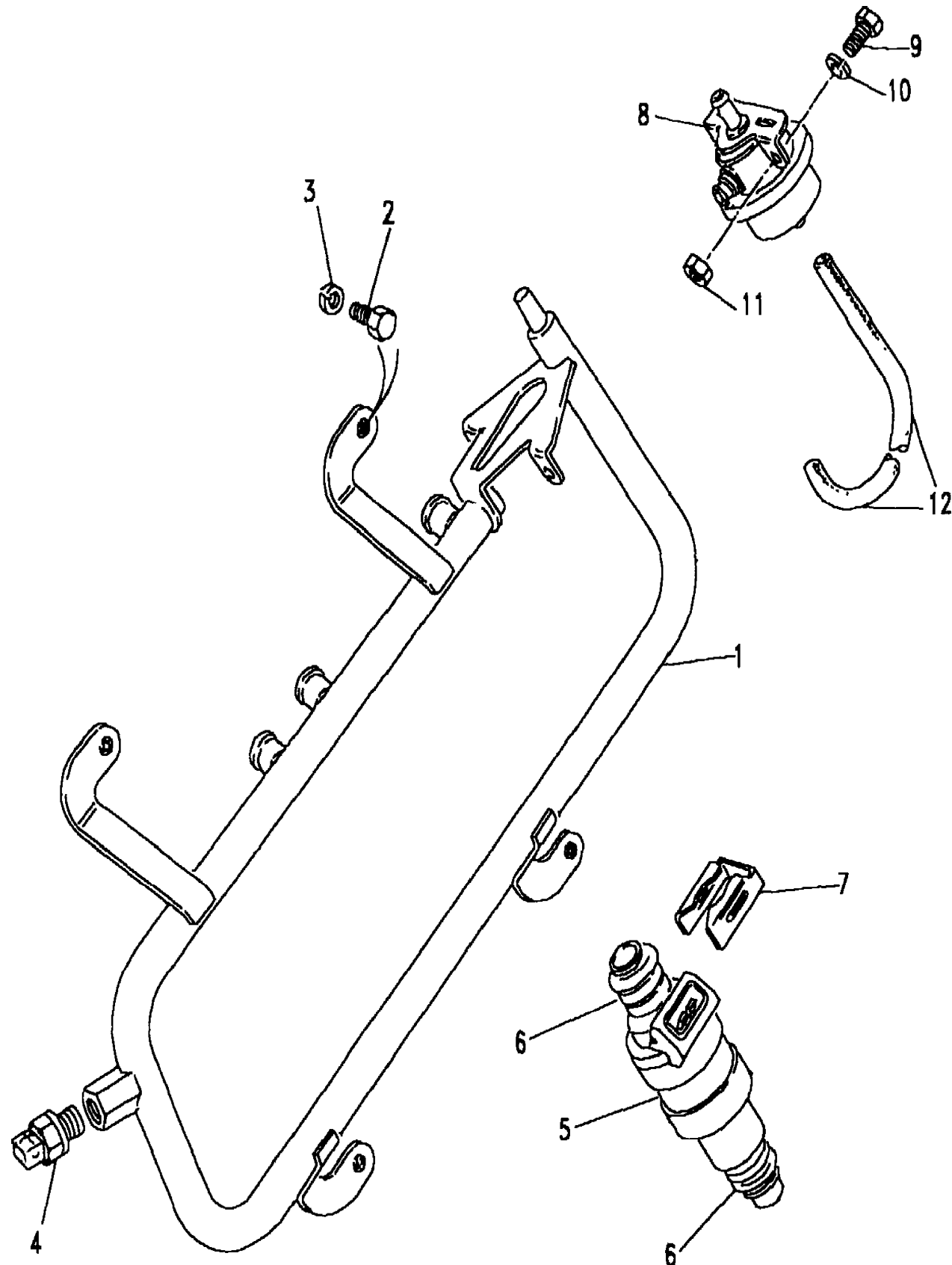
(BDBRJA1A)

Engine
V8 Petrol - EFi
Injectors & Pipes

Range Rover (From JA610294)

V8 EFI Petrol

Callout	Name	Application	Remarks & Restrictions	Service No.	Qty
[902]	Hose Assy - Fuel Return	Change point - Engine begin 36D25155B, (+)"CDN/MEX/USA"		ERR2966	1
		Change point - Engine begin 40D09582B, (+)"CDN/MEX/USA"		ERR2966	1
[903]	Pipe - Fuel Return	Change point - Engine begin 36D25155B, (+)"CDN/MEX/USA"		ERR4541	1
		Change point - Engine begin 40D09582B, (+)"CDN/MEX/USA"		ERR4541	1



Engine
V8 Petrol - EFi
Inlet Manifold 1/3

Range Rover (From JA610294)

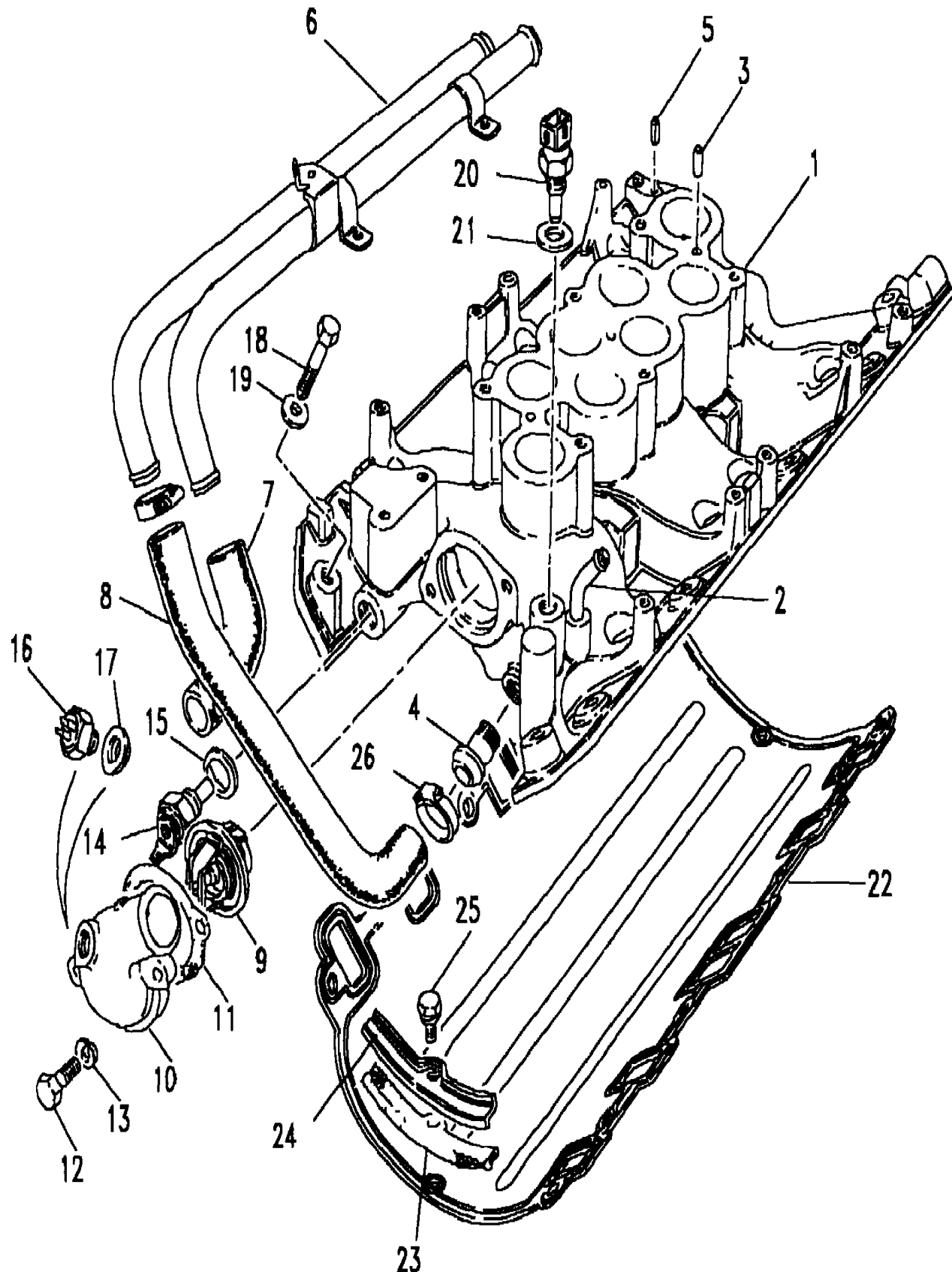
(BDBRHA2A)

Range Rover (From JA610294)

Engine
V8 Petrol - EFi
Inlet Manifold

V8 EFI Petrol

Callout	Name	Application	Remarks & Restrictions	Service No.	Qty
1	Manifold-engine inlet	Change point - Engine end 40D09581A, Petrol V8 L/R EFi	Also serviced as part of a kit	ETC6444	1
		Change point - Engine begin 40D09582B, Petrol V8 L/R EFi	Also serviced as part of a kit	ERR4892	1
2	Pipe-outlet stub	Change point - Engine end 40D09581A, Petrol V8 L/R EFi	Also serviced as part of a kit	ETC6503	1
		Change point - Engine begin 40D09582B, Petrol V8 L/R EFi	Also serviced as part of a kit	ETC6503	1
3	Dowel	Change point - Engine end 40D09581A, Petrol V8 L/R EFi	Also serviced as part of a kit	602201	2
		Change point - Engine begin 40D09582B, Petrol V8 L/R EFi	Also serviced as part of a kit	602201	2
4	Adaptor-inlet manifold bypass	Change point - Engine end 40D09581A, Petrol V8 L/R EFi	Also serviced as part of a kit	ETC6547	1
		Change point - Engine begin 40D09582B, Petrol V8 L/R EFi	Also serviced as part of a kit	ETC6547	1
5	Pin-Spring	Change point - Engine end 40D09581A, Petrol V8 L/R EFi	Also serviced as part of a kit	603428	1
		Change point - Engine begin 40D09582B, Petrol V8 L/R EFi	Also serviced as part of a kit	603428	1
6	Pipe assembly-heater feed	Change point - Engine end 40D09581A, Petrol V8 L/R EFi		ERR319	1
		Change point - Engine begin 40D09582B, Petrol V8 L/R EFi	Return	ERR4635	1
		Change point - Engine begin 40D12001B, Petrol V8 L/R EFi		ERR5473	1
		Petrol V8 L/R EFi		ERR4635	1
				ERR5238	1
7	Hose-heater to pump coolant	Change point - Engine begin 40D12001B, Petrol V8 L/R EFi		ERR5238	1
		Petrol V8 L/R EFi		PEH101170	1
		Petrol V8 L/R EFi		ETC6889	1
8	Hose-heater to inlet manifold coolant	Petrol V8 L/R EFi		ETC6890	1
9	Thermostat-engine	Petrol V8 L/R EFi	88 °C	ETC4765	1
10	Elbow-engine coolant outlet	Petrol V8 L/R EFi, Less Air Conditioning		ETC4596	1



Engine
V8 Petrol - EFi
Inlet Manifold 2/3

Range Rover (From JA610294)

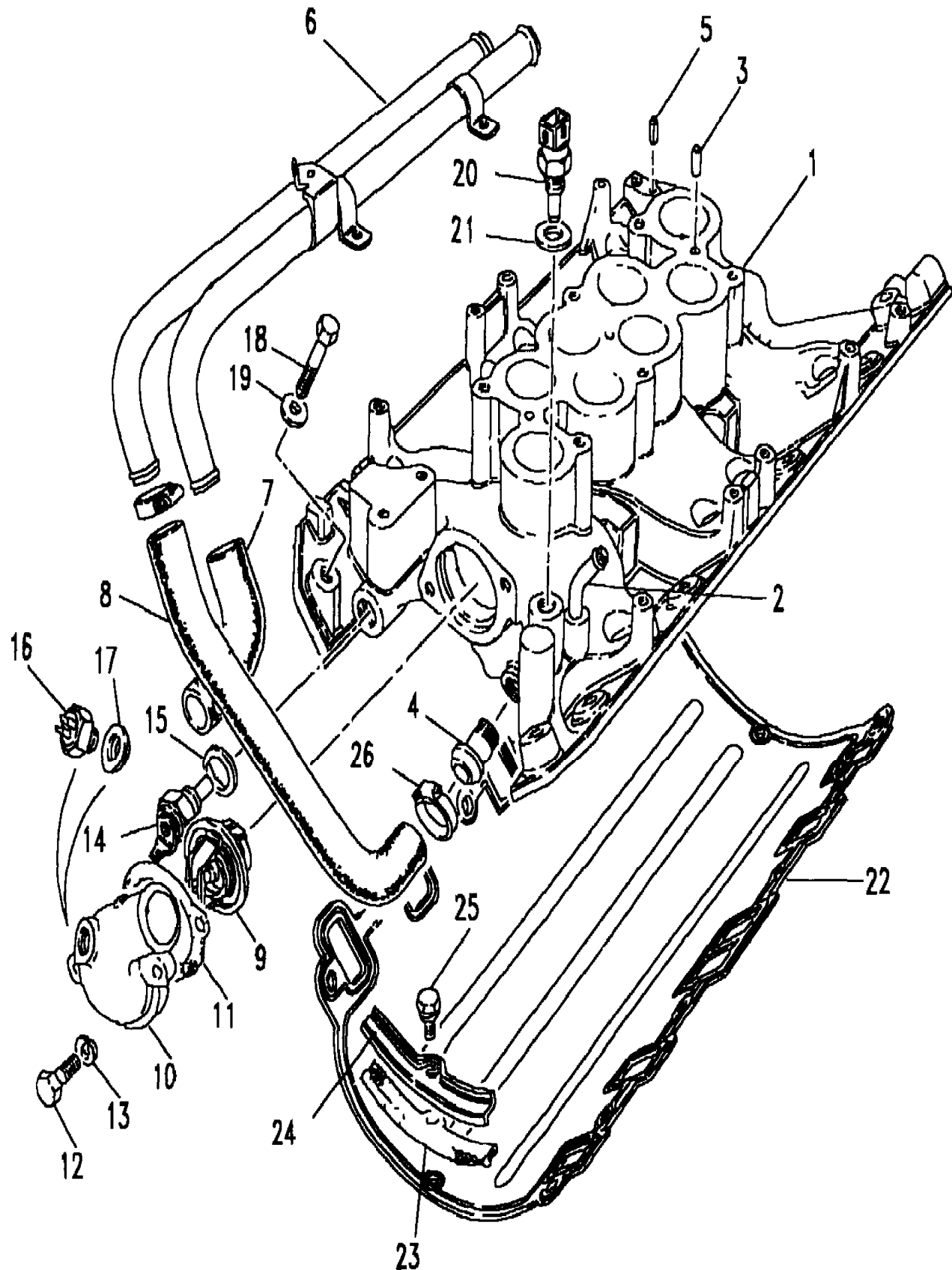
(BDBRHA2A)

Engine
V8 Petrol - EFi
Inlet Manifold

Range Rover (From JA610294)

V8 EFI Petrol

Callout	Name	Application	Remarks & Restrictions	Service No.	Qty
10	Elbow-engine coolant outlet	Petrol V8 L/R EFI, With Air Conditioning		ETC6135	1
11	Gasket-coolant outlet elbow	Change point - VIN begin JA610294, Petrol V8 L/R EFI		ERR2429	1
12	Screw	Petrol V8 L/R EFI	hexagonal head, 5/16UNC x 7/8	SH505071L	2
13	Washer-Spring	Change point - Engine begin 40D12001B, Petrol V8 L/R EFI	Also serviced as part of a kit, 1/4 dia, Square	WM600041L	2
		Petrol V8 L/R EFI	5/16"	WM600051L	2
14	Transducer coolant temperature	Change point - Engine end 40D09581A, Petrol V8 L/R EFI		PRC7918	1
		Change point - Engine begin 40D09582B, Petrol V8 L/R EFI		ETC8496	1
15	Washer-sealing	Petrol V8 L/R EFI		90568054	1
16	Switch-engine thermostat	Petrol V8 L/R EFI	Yellow..	PRC3505	1
17	Washer-sealing	Petrol V8 L/R EFI		C457593	1
18	Bolt	Petrol V8 L/R EFI	hexagonal head, 3/8UNC x 1 1/2	BH506121L	10
		Petrol V8 L/R EFI	hexagonal head, 3/8UNC x 2	BH506161L	2
19	Washer	Petrol V8 L/R EFI		2204L	12
20	Sensor-Temperature	Petrol V8 L/R EFI	to ECU	ETC8496	1
		Petrol V8 L/R EFI	to gauge	AMR1425	1
21	Washer-sealing	Petrol V8 L/R EFI		243967	1
22	Gasket-inlet manifold	Petrol V8 L/R EFI		ERR4923	1
		Change point - VIN begin JA610294, Change point - VIN end MA660163, Petrol V8 L/R EFI, (-)"CDN/MEX/USA" (+)"CDN/MEX/USA"		ERR7306	1
23	Seal-inlet manifold gasket	Petrol V8 L/R EFI		602099	2
		Petrol V8 L/R EFI		ERR7283	2
24	Clamp-inlet manifold gasket seal	Petrol V8 L/R EFI		602076	2
25	Bolt	Petrol V8 L/R EFI	5/16UNC	602236	2



Engine
V8 Petrol - EFi
Inlet Manifold 3/3

Range Rover (From JA610294)

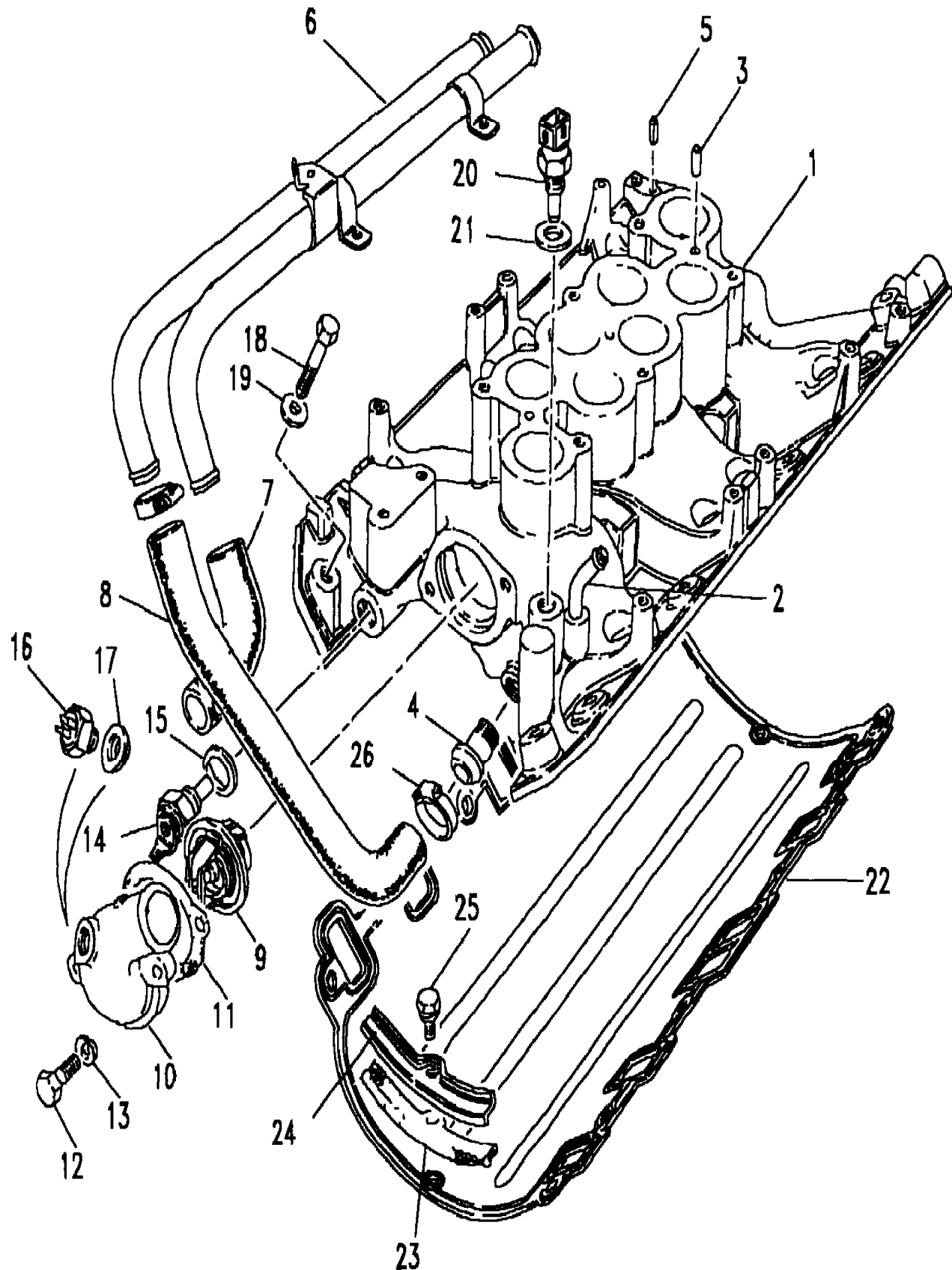
(BDBRHA2A)

Engine
V8 Petrol - EFi
Inlet Manifold

Range Rover (From JA610294)

V8 EFi Petrol

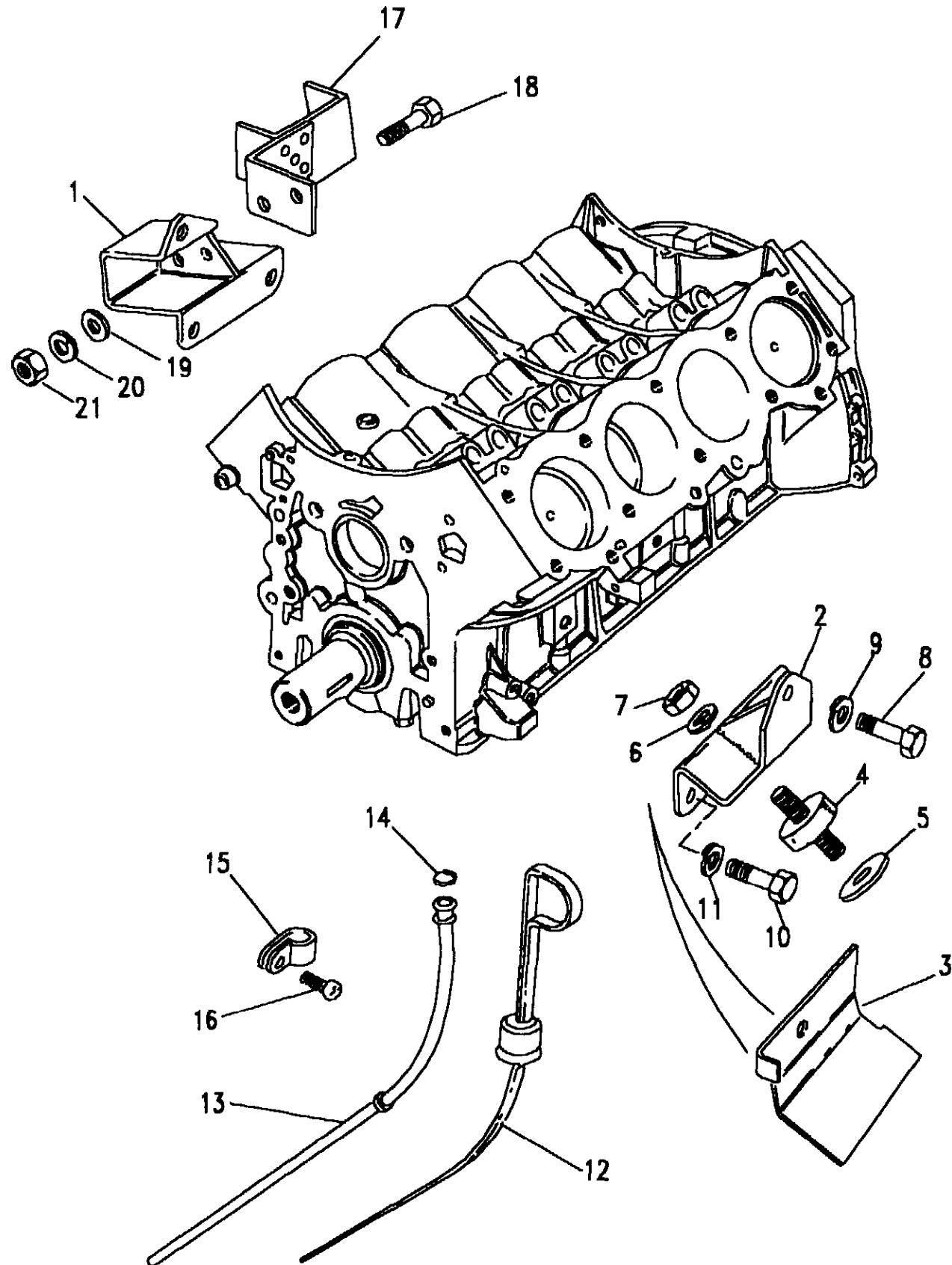
Callout	Name	Application	Remarks & Restrictions	Service No.	Qty
26	Clip-Hose	Change point - Engine begin 40D12001B, Petrol V8 L/R EFi	30MM	CN100308L	1
		Petrol V8 L/R EFi	30MM	CN100308L	4
[902]	Pipe-outlet to heater coolant	Change point - Engine begin 40D12001B, Petrol V8 L/R EFi	Also serviced as part of a kit	ERR5474	1
[903]	Plug-drain/filler level	Change point - Engine begin 40D12001B, Petrol V8 L/R EFi	Also serviced as part of a kit	NTC4609	1
[904]	O Ring	Change point - Engine begin 40D12001B, Petrol V8 L/R EFi	Also serviced as part of a kit	NTC5171	1
[905]	Setscrew	Change point - Engine begin 40D12001B, Petrol V8 L/R EFi	Also serviced as part of a kit, 1/4UNC x 3/4	SH504061L	2



Engine
V8 Petrol - EFi
Mountings-Dipstick 1/2

Range Rover (From JA610294)

(BDBRDC1A)



Range Rover (From JA610294)

Engine
V8 Petrol - EFi
Mountings-Dipstick

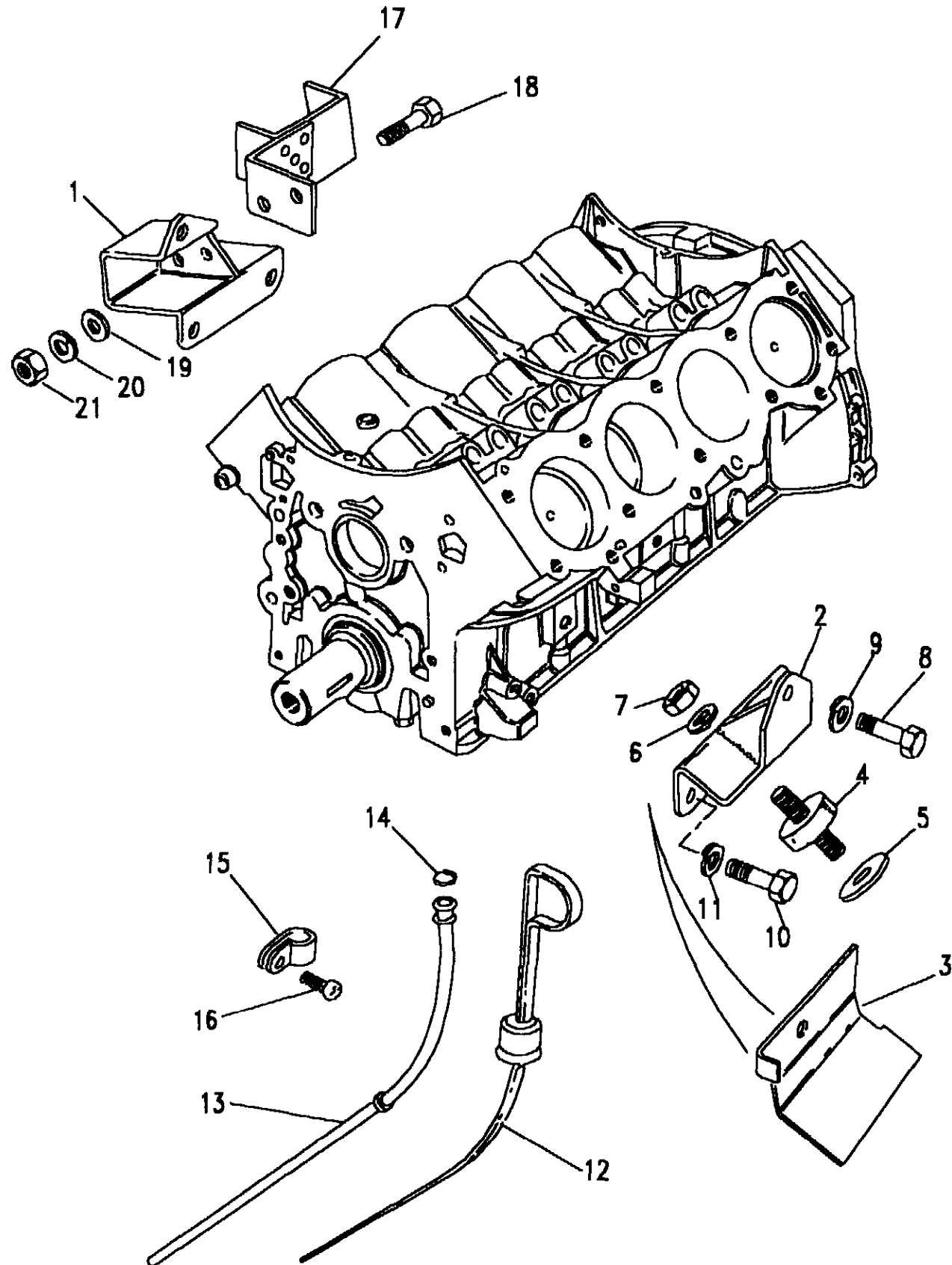
V8 EFI Petrol

Callout	Name	Application	Remarks & Restrictions	Service No.	Qty
1	Bracket-engine mounting	Petrol V8 L/R EFi	RH	NRC1302	1
		Change point - Engine end 38D27237B, Petrol V8 L/R EFi	RH	ANR2815	1
		Petrol V8 L/R EFi	RH	ANR4697	1
		Change point - Engine begin 40D09582B, Petrol V8 L/R EFi	RH	ANR4697	1
2	Bracket-engine mounting	Change point - Engine end 38D27237B, Petrol V8 L/R EFi	LH	NRC3314	1
		Change point - Engine begin 40D09582B, Petrol V8 L/R EFi	LH	ANR2816	1
		Petrol V8 L/R EFi,	LH	ANR4696	1
3	Heatshield-front engine mounting	Petrol V8 L/R EFi	LH	NTC4205	1
4	Mounting-rubber	Change point - Engine begin 40D09582B, Petrol V8 L/R EFi		ANR2803	1
		Change point - Engine begin 40D09582B, Petrol V8 L/R EFi	M12	ANR2804	1
5	Washer		Also serviced as part of a kit, M10, oversize, Plain	WC110061L	2
6	Washer		Also serviced as part of a kit, M10	WL110001L	4
7	Nut - Hex.		Also serviced as part of a kit, M10, hexagonal head, Coarse Thread	NH110041L	4
8	Screw	Petrol V8 L/R EFi	hexagonal head, 5/16UNC x 7/8	SH505071L	2
9	Washer-Spring	Petrol V8 L/R EFi	5/16"	WM600051L	2
10	Screw	Petrol V8 L/R EFi	hexagonal head, 7/16UNC x 1 1/8	SH507091L	4
11	Washer	Petrol V8 L/R EFi	7/16", sprung	WM600071L	4
12	Dipstick-oil	Petrol V8 L/R EFi		ERR1922L	1
13	Tube-oil dipstick	Petrol V8 L/R EFi		ERR4556	1
14	O Ring	Petrol V8 L/R EFi		602545	1
15	Clip	Petrol V8 L/R EFi		610489	1
16	Screw-self tapping AB	Petrol V8 L/R EFi	M8 x 12	AB610041L	1

Engine
V8 Petrol - EFi
Mountings-Dipstick 2/2

Range Rover (From JA610294)

(BDBRDC1A)



Range Rover (From JA610294)

Engine
V8 Petrol - EFi
Mountings-Dipstick

V8 EFI Petrol

Callout	Name	Application	Remarks & Restrictions	Service No.	Qty
17	Heatshield assembly exhaust-downpipe	Petrol V8 L/R EFI, (-)"CDN/MEX/USA" (+)"CDN/MEX/USA"		NTC4602	1
				577846	1
18	Screw	Petrol V8 L/R EFI	hexagonal head, 1/4UNF x 7/8	SH604071L	2
19	Washer	Petrol V8 L/R EFI	6MM	WA106041L	2
20	Washer-Spring	Petrol V8 L/R EFI	1/4 dia, Square	WM600041L	2
21	Nut - Hex.	Petrol V8 L/R EFI	hexagonal head, Coarse Thread, 1/4UNF	NH604041L	2
[900]	Mounting-engine rubber	Petrol V8 L/R EFI	Also serviced as part of a kit	RTC6115	2
		Petrol V8 L/R EFI	Also serviced as part of a kit	STC434	2
[901]	Washer	Petrol V8 L/R EFI	Also serviced as part of a kit, M10, oversize, Plain	WC110061L	2
		Petrol V8 L/R EFI	Also serviced as part of a kit, M10	WL110001L	4
[902]	Nut - Hex.	Petrol V8 L/R EFI	Also serviced as part of a kit, M10, hexagonal head, Coarse Thread	NH110041L	4
[903]	Nut-flange	Change point - Engine begin 40D09582B, Petrol V8 L/R EFI	Also serviced as part of a kit, M12	FX112041L	2

Engine
V8 Petrol - EFI
Oil Pump & Filter 1/1

Range Rover (From JA610294)

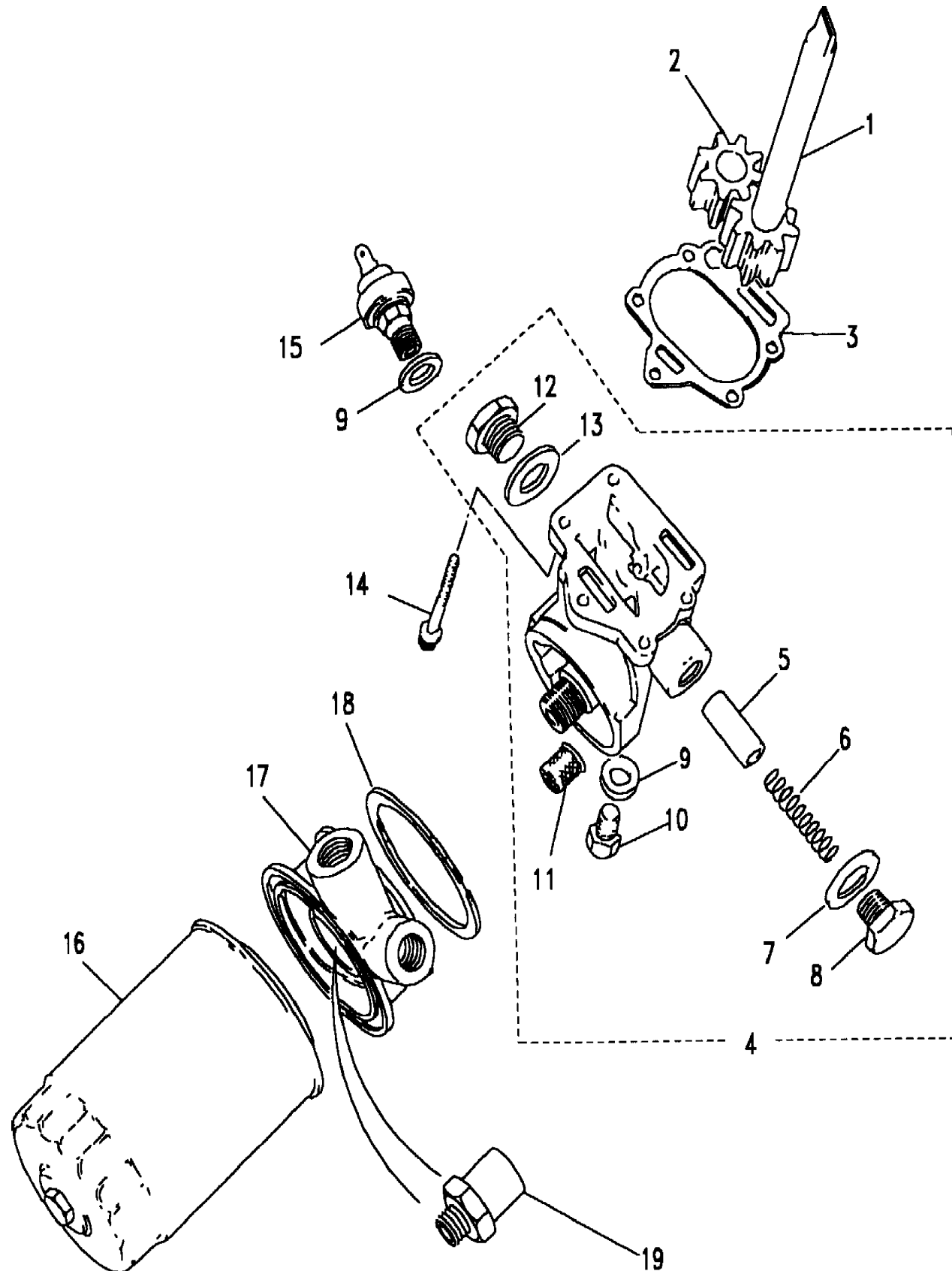
(BDBRFA2A)

Range Rover (From JA610294)

Engine
V8 Petrol - EFI
Oil Pump & Filter

V8 EFI Petrol

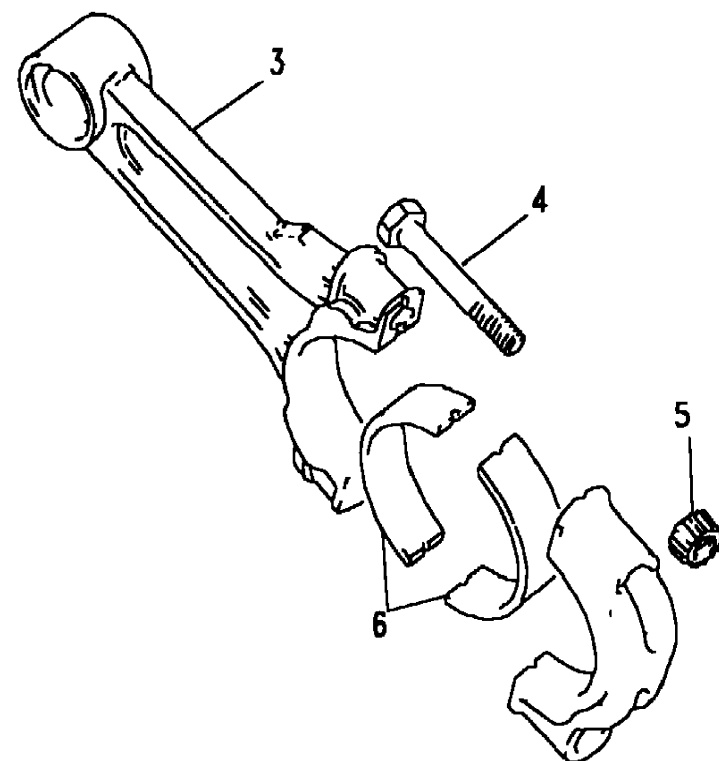
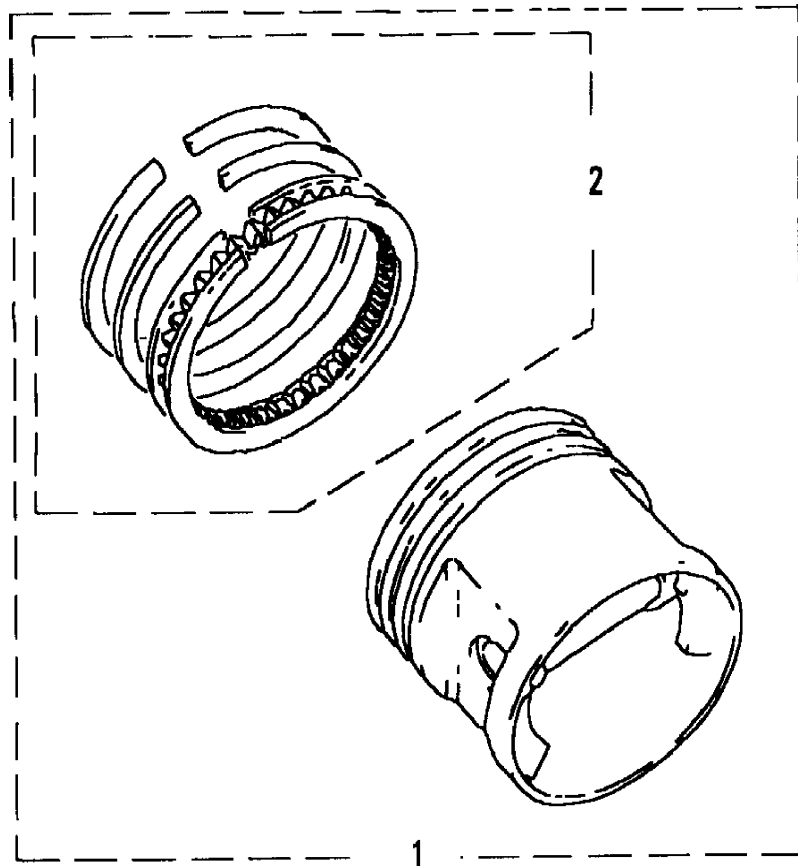
Callout	Name	Application	Remarks & Restrictions	Service No.	Qty
1	Shaft-oil pump	Petrol V8 L/R EFI		ERC1351	1
2	Gear-oil pump	Petrol V8 L/R EFI		614037	1
3	Gasket-cylinder block oil pump	Petrol V8 L/R EFI		ERR1990	1
4	Adaptor assembly-oil filter	Petrol V8 L/R EFI	Also serviced as part of a kit	ETC4276	1
5	Plunger-oil pump relief valve	Petrol V8 L/R EFI	Also serviced as part of a kit	90602064	1
6	Spring-oil pump relief valve	Petrol V8 L/R EFI	Also serviced as part of a kit	602067	1
7	Washer-oil pressure switch engine	Petrol V8 L/R EFI	Also serviced as part of a kit	ETC8833	1
8	Plug-oil pump relief valve	Petrol V8 L/R EFI	Also serviced as part of a kit	602071	1
9	Washer-sealing	Petrol V8 L/R EFI	Also serviced as part of a kit	243968	1
10	Plug	Petrol V8 L/R EFI	Also serviced as part of a kit	273166	1
11	Strainer-oil	Petrol V8 L/R EFI	Also serviced as part of a kit	614202	1
14	Bolt	Petrol V8 L/R EFI Petrol V8 L/R EFI Petrol V8 L/R EFI	1/4UNC x 7/8 1/4UNC x 1 1/4 1/4UNC x 9/16	602910 602912 602913	3 2 1
15	Switch-oil pressure engine	Petrol V8 L/R EFI		STC4104	1
		Petrol V8 L/R EFI Petrol V8 L/R EFI Petrol V8 L/R EFI		PRC7204 AMR2092 NUC100310	1 1 1
16	Cartridge-engine oil filter	Change point - VIN begin JA610294, Petrol V8 L/R EFI		ERR3340	1
17	Adaptor-oil filter	Change point - VIN end JA624754, Petrol V8 L/R EFI Change point - VIN begin KA624756, Petrol V8 L/R EFI		ERC8501 ERR2490	1 1
18	Gasket-adaptor.	Petrol V8 L/R EFI		ERR852	1
19	Adaptor-oil filter	Petrol V8 L/R EFI, (-)"CDN/MEX/USA" (+)"CDN/MEX/USA"		ERC2226L ERC2226	1 1



Engine
V8 Petrol - EFI
Piston,Connecting Rod & Bearings 1/2

Range Rover (From JA610294)

(BDBRCC1A)



Range Rover (From JA610294)

Engine
V8 Petrol - EFI
Piston,Connecting Rod & Bearings

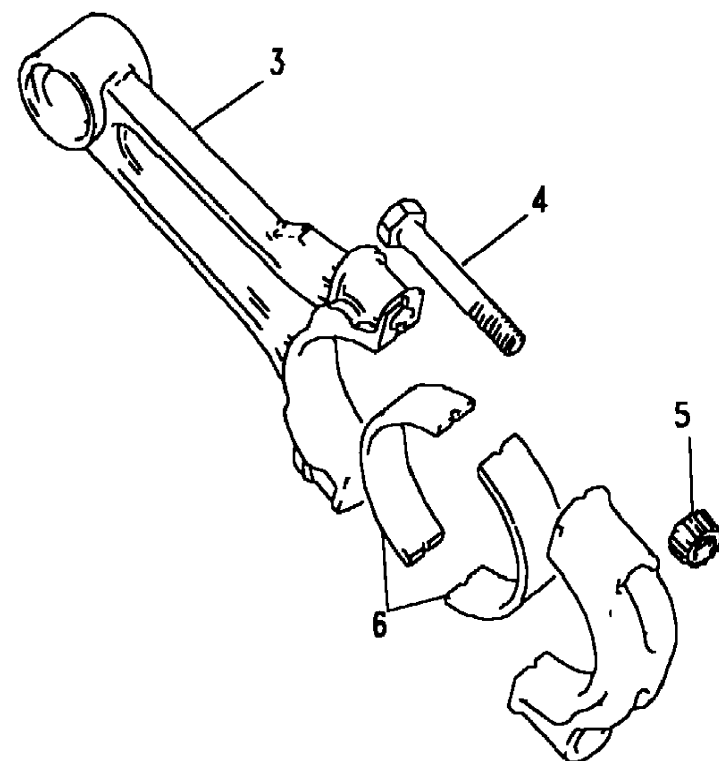
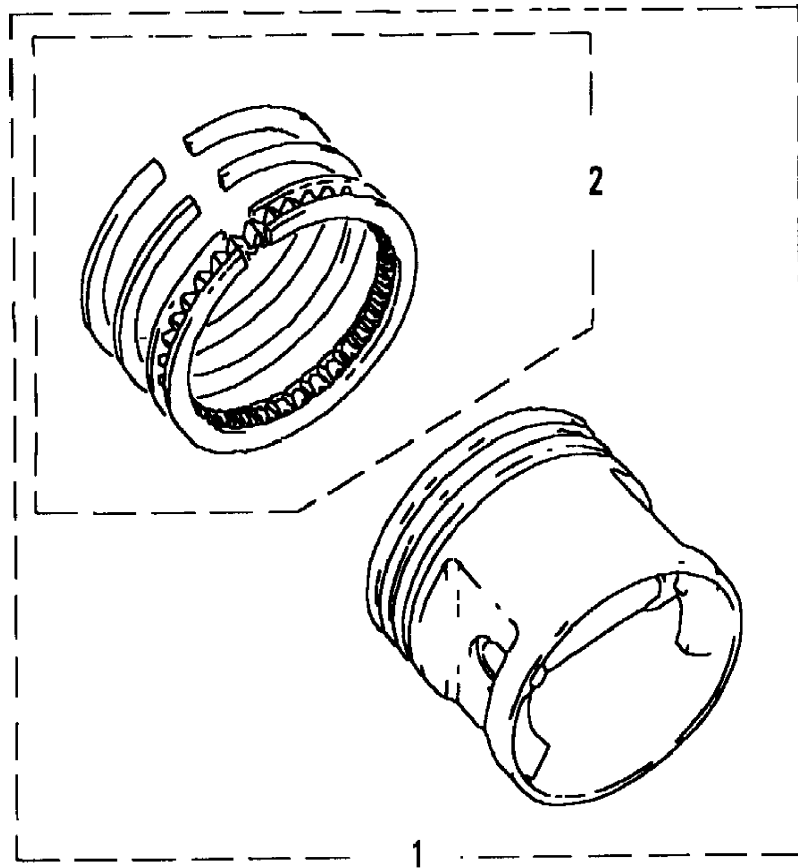
V8 EFI Petrol

Callout	Name	Application	Remarks & Restrictions	Service No.	Qty		
1	Piston-engine	3.9L V8 L/R EFI NA Petrol, 5 Speed Manual Transmission, With Catalyst	Also serviced as part of a kit, Engine Code 37D 3.9 V8 EFI L/C Man, Engine Codes 38D 3.9 EFI V8 NAS Auto, standard.	STC908S	8		
		3.9L V8 L/R EFI NA Petrol, 4 Speed Automatic Transmissions, With Catalyst	Also serviced as part of a kit, Engine Code 37D 3.9 V8 EFI L/C Man, Engine Codes 38D 3.9 EFI V8 NAS Auto, standard.	STC908S	8		
		3.9L V8 L/R EFI NA Petrol, 5 Speed Manual Transmission, With Catalyst	0.020" oversize	STC64620	8		
		3.9L V8 L/R EFI NA Petrol, 4 Speed Automatic Transmissions, With Catalyst	0.020" oversize	STC64620	8		
		3.9L V8 L/R EFI NA Petrol, 5 Speed Manual Transmission, With Catalyst	Also serviced as part of a kit, Engine Code 35D 3.9 V8 EFI H/C Man, Engine Code 36D 3.9 V8 EFI H/C Auto, standard.	STC909S	8		
		3.9L V8 L/R EFI NA Petrol, 4 Speed Automatic Transmissions, With Catalyst	Also serviced as part of a kit, Engine Code 35D 3.9 V8 EFI H/C Man, Engine Code 36D 3.9 V8 EFI H/C Auto, standard.	STC909S	8		
		3.9L V8 L/R EFI NA Petrol, 5 Speed Manual Transmission, With Catalyst	Also serviced as part of a kit, Engine Code 35D 3.9 V8 EFI H/C Man, Engine Code 36D 3.9 V8 EFI H/C Auto, 0.020" oversize	STC64720	8		
		3.9L V8 L/R EFI NA Petrol, 4 Speed Automatic Transmissions, With Catalyst	Also serviced as part of a kit, Engine Code 35D 3.9 V8 EFI H/C Man, Engine Code 36D 3.9 V8 EFI H/C Auto, 0.020" oversize	STC64720	8		
		4.2L V8 EFI NA Petrol LR, With Catalyst	Also serviced as part of a kit, Engine Code 40D 4.2 EFI V8, standard.	STC1191S	8		
		4.2L V8 EFI NA Petrol LR, With Catalyst	Engine Code 40D 4.2 EFI V8, 0.020" oversize	STC119120	8		
		2	Ring set assembly-piston	3.9L V8 L/R EFI NA Petrol, 5 Speed Manual Transmission, With Catalyst	Also serviced as part of a kit, Engine Code 37D 3.9 V8 EFI L/C Man, Engine Codes 38D 3.9 EFI V8 NAS Auto, standard.	RTC6066S	8
				3.9L V8 L/R EFI NA Petrol, 4 Speed Automatic Transmissions, With Catalyst	Also serviced as part of a kit, Engine Code 37D 3.9 V8 EFI L/C Man, Engine Codes 38D 3.9 EFI V8 NAS Auto, standard.	RTC6066S	8
3.9L V8 L/R EFI NA Petrol, 5 Speed Manual Transmission, With Catalyst	Also serviced as part of a kit, Engine Code 37D 3.9 V8 EFI L/C Man, Engine Codes 38D 3.9 EFI V8 NAS Auto, 0.020" oversize			STC362120	8		

Engine
V8 Petrol - EFi
Piston,Connecting Rod & Bearings 2/2

Range Rover (From JA610294)

(BDBRCC1A)



Range Rover (From JA610294)

Engine
V8 Petrol - EFi
Piston,Connecting Rod & Bearings

V8 EFi Petrol

Callout	Name	Application	Remarks & Restrictions	Service No.	Qty
2	Ring set assembly-piston	3.9L V8 L/R EFi NA Petrol, 4 Speed Automatic Transmissions, With Catalyst	Also serviced as part of a kit, Engine Code 37D 3.9 V8 EFi L/C Man, Engine Codes 38D 3.9 EFi V8 NAS Auto, 0.020" oversize	STC362120	8
		3.9L V8 L/R EFi NA Petrol, 5 Speed Manual Transmission, With Catalyst	Also serviced as part of a kit, Engine Code 35D 3.9 V8 EFi H/C Man, Engine Code 36D 3.9 V8 EFi H/C Auto, standard.	RTC6066S	8
		3.9L V8 L/R EFi NA Petrol, 4 Speed Automatic Transmissions, With Catalyst	Also serviced as part of a kit, Engine Code 35D 3.9 V8 EFi H/C Man, Engine Code 36D 3.9 V8 EFi H/C Auto, standard.	RTC6066S	8
		3.9L V8 L/R EFi NA Petrol, 5 Speed Manual Transmission, With Catalyst	Also serviced as part of a kit, Engine Code 35D 3.9 V8 EFi H/C Man, Engine Code 36D 3.9 V8 EFi H/C Auto, 0.020" oversize	STC362220	8
		3.9L V8 L/R EFi NA Petrol, 4 Speed Automatic Transmissions, With Catalyst	Also serviced as part of a kit, Engine Code 35D 3.9 V8 EFi H/C Man, Engine Code 36D 3.9 V8 EFi H/C Auto, 0.020" oversize	STC362220	8
		4.2L V8 EFi NA Petrol LR, With Catalyst	Also serviced as part of a kit, Engine Code 40D 4.2 EFi V8, standard.	RTC6066S	8
3	Rod-crankshaft connecting	Petrol V8 L/R EFi	Also serviced as part of a kit	602082	8
4	Bolt-connecting rod	Petrol V8 L/R EFi	Also serviced as part of a kit, 11/32UNS-3A	602609	16
5	Nut-connecting rod	Petrol V8 L/R EFi	Also serviced as part of a kit, 11/32UNS-3B	602061	16
6	Set-connecting rod big end half bearing	Petrol V8 L/R EFi	standard.	RTC2117	1
		Petrol V8 L/R EFi	0.010" undersize	RTC211710	1
		Petrol V8 L/R EFi	0.020 undersize	RTC211720	1

Engine
V8 Petrol - EFi
Plenum Chamber 1/3

Range Rover (From JA610294)

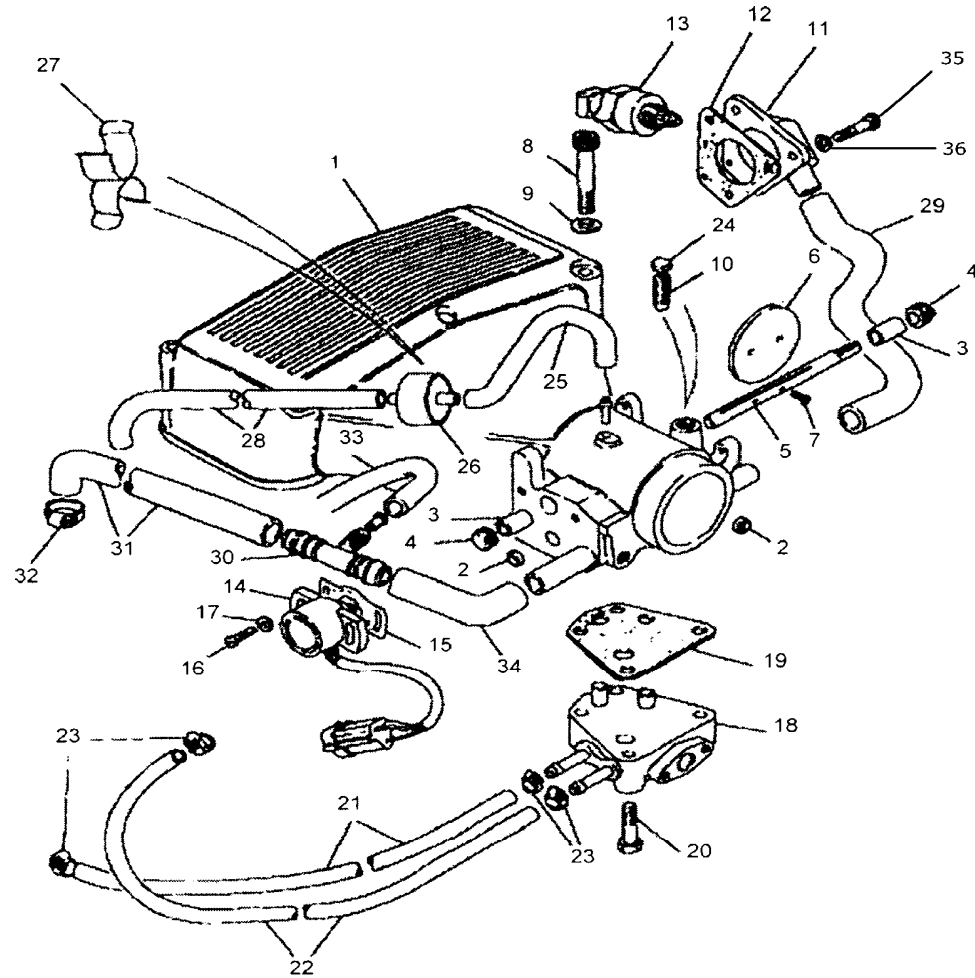
(BEBRJC1A)

Range Rover (From JA610294)

Engine
V8 Petrol - EFi
Plenum Chamber

V8 EFI Petrol

Callout	Name	Application	Remarks & Restrictions	Service No.	Qty
1	Plenum-inlet manifold	3.9L V8 L/R EFI Petrol, Manual Transmission 3.9L V8 L/R EFI Petrol, Automatic Transmission 3.9L V8 L/R EFI Petrol, Manual Transmission 4.2L V8 L/R EFI Petrol	Also serviced as part of a kit	ERR941 ERR6262 ERR6263 ERR3401	1 1 1 1
2	Plug-cup	4.2L V8 L/R EFI Petrol	Also serviced as part of a kit	ERC255	1
3	Bush-throttle spindle tbi	4.2L V8 L/R EFI Petrol	Also serviced as part of a kit	ERR1756	2
4	Seal-throttle spindle multi point injection	4.2L V8 L/R EFI Petrol	Also serviced as part of a kit	AUD3577L	1
5	Spindle-carburettor throttle	4.2L V8 L/R EFI Petrol	Also serviced as part of a kit	ETC6223	1
6	Disc-carburettor throttle	4.2L V8 L/R EFI Petrol	Also serviced as part of a kit	ETC6222	1
7	Screw-carburettor throttle disc	4.2L V8 L/R EFI Petrol	Also serviced as part of a kit	RTC5965	2
8	Screw	Petrol V8 L/R EFI	M8 x 80	SS108801L	6
9	Washer	Petrol V8 L/R EFI	8MM	WA108051L	6
10	Setscrew	Petrol V8 L/R EFI		ST606080L	1
11	Connector-inlet manifold adaptor	Change point - VIN end RA647649, Petrol V8 L/R EFI Change point - VIN begin SA647650, Change point - VIN end 40D12000B, (+)"CDN/MEX/USA" Change point - VIN begin 40D123001B, (+)"CDN/MEX/USA"	1 outlet	ETC6214 ERR4247 ETC6214	1 1 1
12	Gasket-stepping motor	(+)"CDN/MEX/USA" Petrol V8 L/R EFI		ETC6206 ERR2926	1 1
13	Motor-multi point injection stepping	Change point - VIN end MA656101, Petrol V8 L/R EFI Change point - VIN begin MA656102, Petrol V8 L/R EFI		ETC6660 ERR5199	1 1
14	Potentiometer-throttle multi point injection	Change point - VIN end MA656101, Petrol V8 L/R EFI Change point - VIN begin MA656102, Petrol V8 L/R EFI		ETC8495 ERR2263	1 1



Engine
V8 Petrol - EFi
Plenum Chamber 2/3

Range Rover (From JA610294)

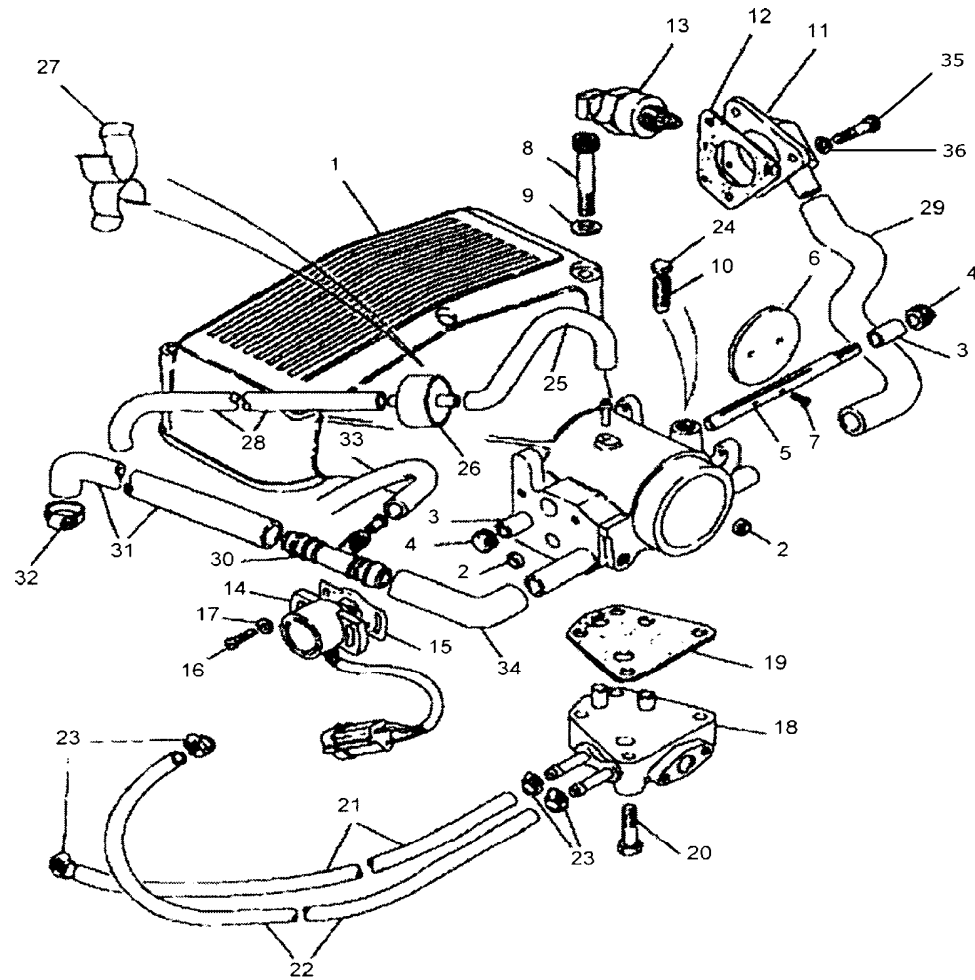
(BEBRJC1A)

Range Rover (From JA610294)

Engine
V8 Petrol - EFi
Plenum Chamber

V8 EFI Petrol

Callout	Name	Application	Remarks & Restrictions	Service No.	Qty
15	Gasket-potentiometer-throttle multi point injection	Petrol V8 L/R EFI		ERR4944	1
		(+)"CDN/MEX/USA"	Part Of Gasket Kit STC494	ETC5599	1
16	Screw	Petrol V8 L/R EFI		SC104141L	2
17	Washer-Plain	Petrol V8 L/R EFI	M4	WA104001L	2
18	Cover assembly-water jacket	Petrol V8 L/R EFI		ERR1262	1
		(+)"CDN/MEX/USA"	Engine Code 36D	ERC9139	1
19	Gasket-water jacket to plenum chamber	Petrol V8 L/R EFI		ETC7353	1
20	Bolt	Petrol V8 L/R EFI	1/4UNC x 1 3/8	BH504111L	1
21	Hose-manifold	Petrol V8 L/R EFI		ERC8598	1
22	Hose.	Petrol V8 L/R EFI		ERR330	1
23	Clip-Hose	Petrol V8 L/R EFI		EAC32151	2
24	Cap-tamperproof	Petrol V8 L/R EFI		ETC6874	1
25	Valve-vacuum delay	Petrol V8 L/R EFI		ETC7306	1
26	Valve-vacuum delay	Petrol V8 L/R EFI	Orange	ERC6997	1
27	Clip	Petrol V8 L/R EFI		ETC7181	X
28	Hose vacuum-plenum chamber	Petrol V8 L/R EFI		ETC7325	1
29	Hose-plenum chamber to starter motor housing	Petrol V8 L/R EFI		ETC7874	1
30	T connector-crankcase breather	Petrol V8 L/R EFI		ERR4765	1
		(+)"CDN/MEX/USA"		ETC6374	1
31	Hose-flame trap t piece-plenum chamber	Petrol V8 L/R EFI		ERR4762	1
		(+)"CDN/MEX/USA"		ETC6370	1
32	Clip	Petrol V8 L/R EFI		EAC22723	3
33	Hose-solenoid valve	Petrol V8 L/R EFI		ERR4764	1
		(+)"CDN/MEX/USA"		ERC9218	1
34	Hose-plenum	Petrol V8 L/R EFI		ERR4763	1
		(+)"CDN/MEX/USA"		ETC6371	1



Engine
V8 Petrol - EFi
Plenum Chamber 3/3

Range Rover (From JA610294)

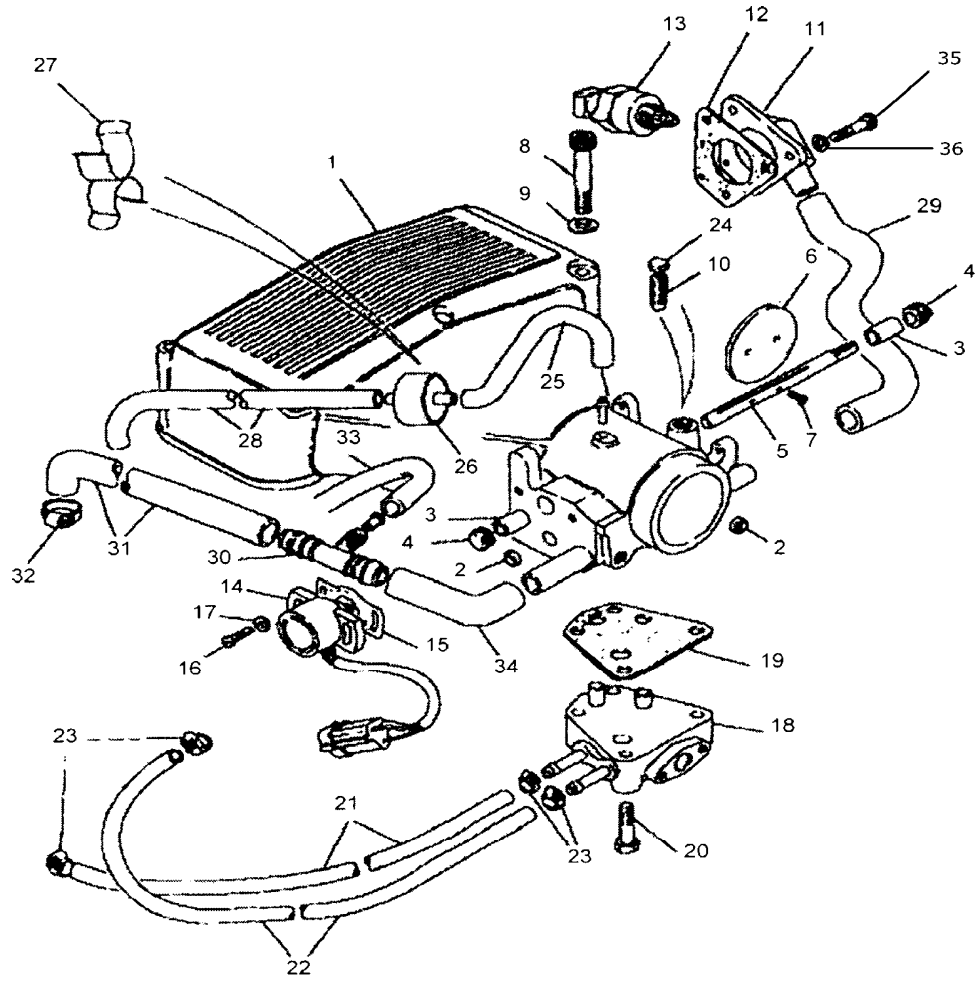
(BEBRJC1A)

Range Rover (From JA610294)

Engine
V8 Petrol - EFi
Plenum Chamber

V8 EFI Petrol

Callout	Name	Application	Remarks & Restrictions	Service No.	Qty
35	Screw	(+)"CDN/MEX/USA"		SS505061L	3
36	Washer - Spring	(+)"CDN/MEX/USA"		WM600051L	3
[901]	Pipe-plenum chamber breather	Petrol V8 L/R EFI	Also serviced as part of a kit	ERR1261	2
[903]	Screw	Petrol V8 L/R EFI	hexagonal head, 1/4UNC x 1	SH504081L	3
[904]	Connector-inlet manifold adaptor	Petrol V8 L/R EFI	2 outlets	ERR4247	1
[905]	Gasket	(+)"CDN/MEX/USA"	IACV	LRNA6660G	1



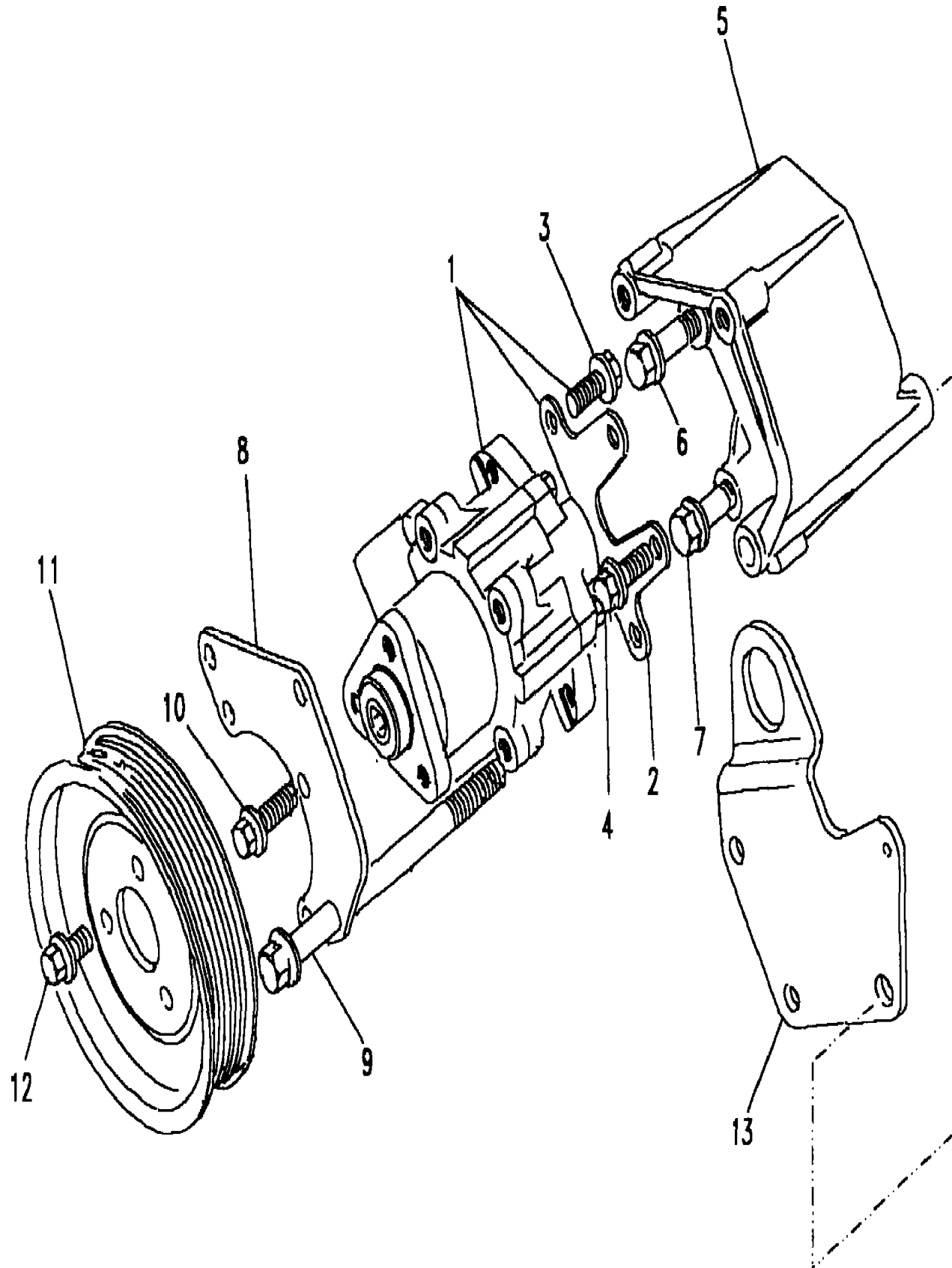
Engine
V8 Petrol - EFI
Power Steering Pump Serpentine Belt Drive 1/1

Range Rover (From JA610294)

(BDBRNC4A)

Range Rover (From JA610294)

Engine
V8 Petrol - EFI
Power Steering Pump Serpentine Belt Drive
V8 EFI Petrol, With Power Steering



Callout	Name	Application	Remarks & Restrictions	Service No.	Qty
1	Pump assembly power assisted steering	Change point - VIN begin MA647645, Petrol V8 L/R EFI	Also serviced as part of a kit	ERR4066	1
		Change point - VIN begin JA610294, Petrol V8 L/R EFI	Serpentine belt drive	QVB101110	1
2	Bracket-mounting power assisted steering pump	Change point - VIN begin MA647645, Petrol V8 L/R EFI	Also serviced as part of a kit, Centre	ERR4054	1
3	Screw	Change point - VIN begin MA647645, Petrol V8 L/R EFI	Also serviced as part of a kit, Flanged Head, M8 x 20	FS108201L	2
4	Screw	Change point - VIN begin MA647645, Petrol V8 L/R EFI	Flanged Head, M8 x 20	FS108207L	2
5	Bracket-mounting power assisted steering pump	Change point - VIN begin MA647645, Petrol V8 L/R EFI	Rear	ERR4053	1
6	Bolt-flanged head	Change point - VIN begin MA647645, Petrol V8 L/R EFI	3/8UNC x 3 1/4	FB506217	1
7	Bolt-flanged head	Change point - VIN begin MA647645, Petrol V8 L/R EFI	3/8UNC x 3 1/4	FB506267	1
8	Bracket-mounting power assisted steering pump	Change point - VIN begin MA647645, Petrol V8 L/R EFI	Front	ERR4427	1
9	Bolt	Change point - VIN begin MA647645, Petrol V8 L/R EFI	Flanged Head, 3/8UNC x 5 1/4	ERR3062	1
10	Screw	Change point - VIN begin MA647645, Petrol V8 L/R EFI	Flanged Head, M8 x 20	FS108207L	5
11	Pulley-assembly	Change point - VIN begin MA647645, Petrol V8 L/R EFI		ERR4868	1
12	Screw-flanged head	Change point - VIN begin MA647645, Petrol V8 L/R EFI	M8 x 12, patch lock	FS108127ML	3
13	Bracket-lifting engine front	Change point - VIN begin MA647645, Petrol V8 L/R EFI		ERR4679	1

Engine
V8 Petrol - EFi
Power Steering Pump V Belt Drive 1/2

Range Rover (From JA610294)

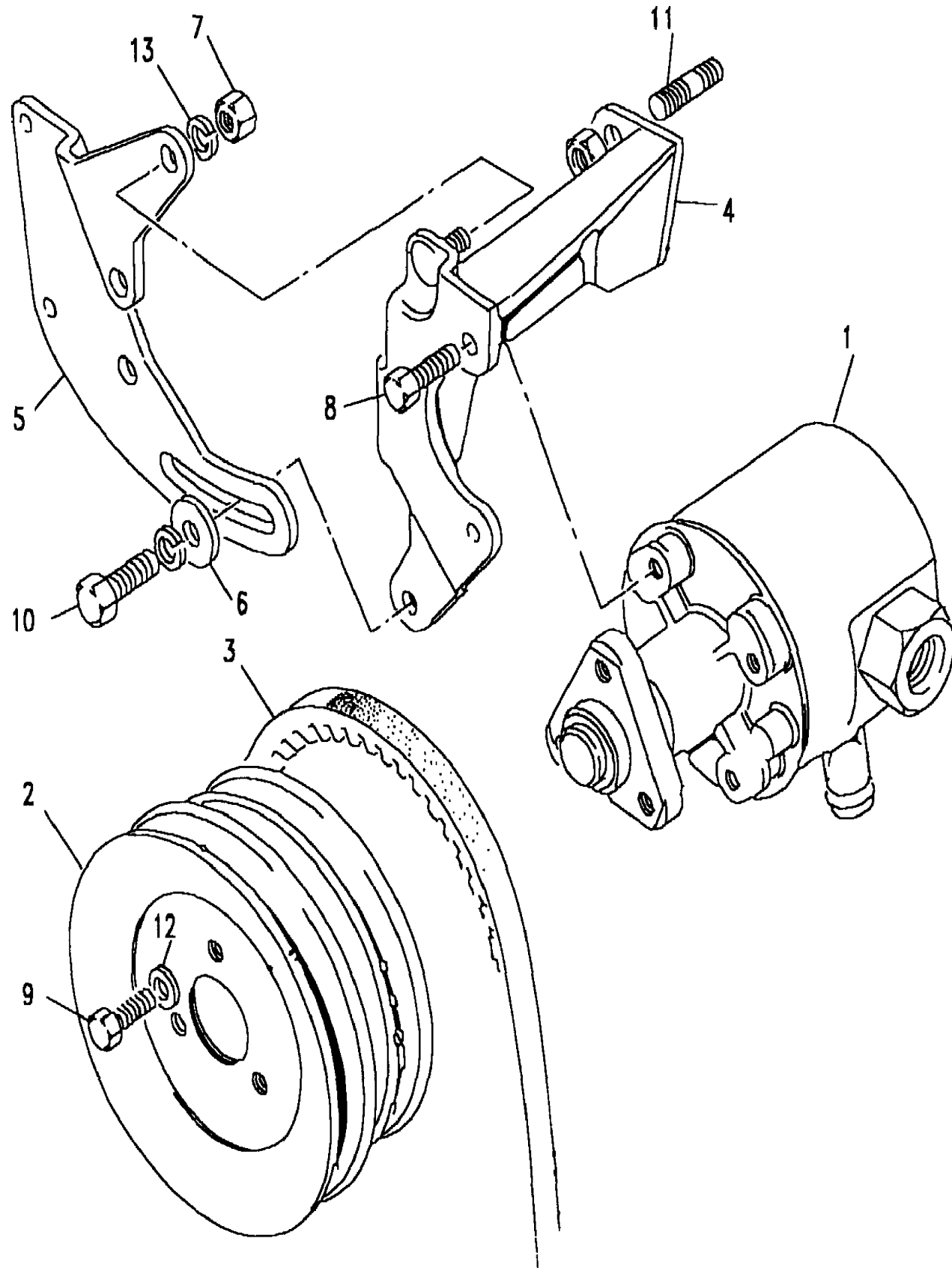
(BDBRNC3A)

Range Rover (From JA610294)

Engine
V8 Petrol - EFi
Power Steering Pump V Belt Drive

V8 EFI Petrol, With Power Steering

Callout	Name	Application	Remarks & Restrictions	Service No.	Qty
1	Pump assembly power assisted steering	Change point - Engine end 40D02228A, Change point - VIN end KA630428, Petrol V8 L/R EFI Change point - VIN end LA647644, Change point - Engine begin 40D02228A, Change point - VIN begin KA630429, Petrol V8 L/R EFI	Also serviced as part of a kit, V belt drive V belt drive	NTC8286 ANR2003	1 1
2	Pulley power assisted steering pump	Change point - VIN end JA624754, Petrol V8 L/R EFI Change point - VIN end LA647644, Change point - VIN begin KA624756, Petrol V8 L/R EFI	twin groove, A127 alternator	ETC6408 ERR2985	1 1
3	Belt-vee power assisted steering	Change point - VIN end LA647644, Petrol V8 L/R EFI		ERC675	1
4	Bracket-mounting power assisted steering pump	Change point - VIN end LA647644, Petrol V8 L/R EFI		ERR798	1
5	Link-power assisted steering pump adjusting	Change point - VIN end LA647644, Petrol V8 L/R EFI		ETC6607	1
6	Washer-Plain	Change point - VIN end LA647644, Petrol V8 L/R EFI		4478	1
7	Nut - Hex.	Change point - VIN end LA647644, Change point - VIN begin KA624756, Petrol V8 L/R EFI Change point - VIN end LA647644, Petrol V8 L/R EFI	M8, flange M8, hexagonal head	FN108041L NH108041L	1 1
8	Screw	Change point - VIN end LA647644, Petrol V8 L/R EFI	Flanged Head, M8 x 20	FS108201L	3
9	Screw	Change point - Engine end 40D02228A, Change point - VIN end KA630428, Petrol V8 L/R EFI Change point - VIN end LA647644, Petrol V8 L/R EFI	M8 X 16, hexagonal head M8 X 16, Flanged Head	SH108161L FS108161L	3 3



Engine
V8 Petrol - EFi
Power Steering Pump V Belt Drive 2/2

Range Rover (From JA610294)

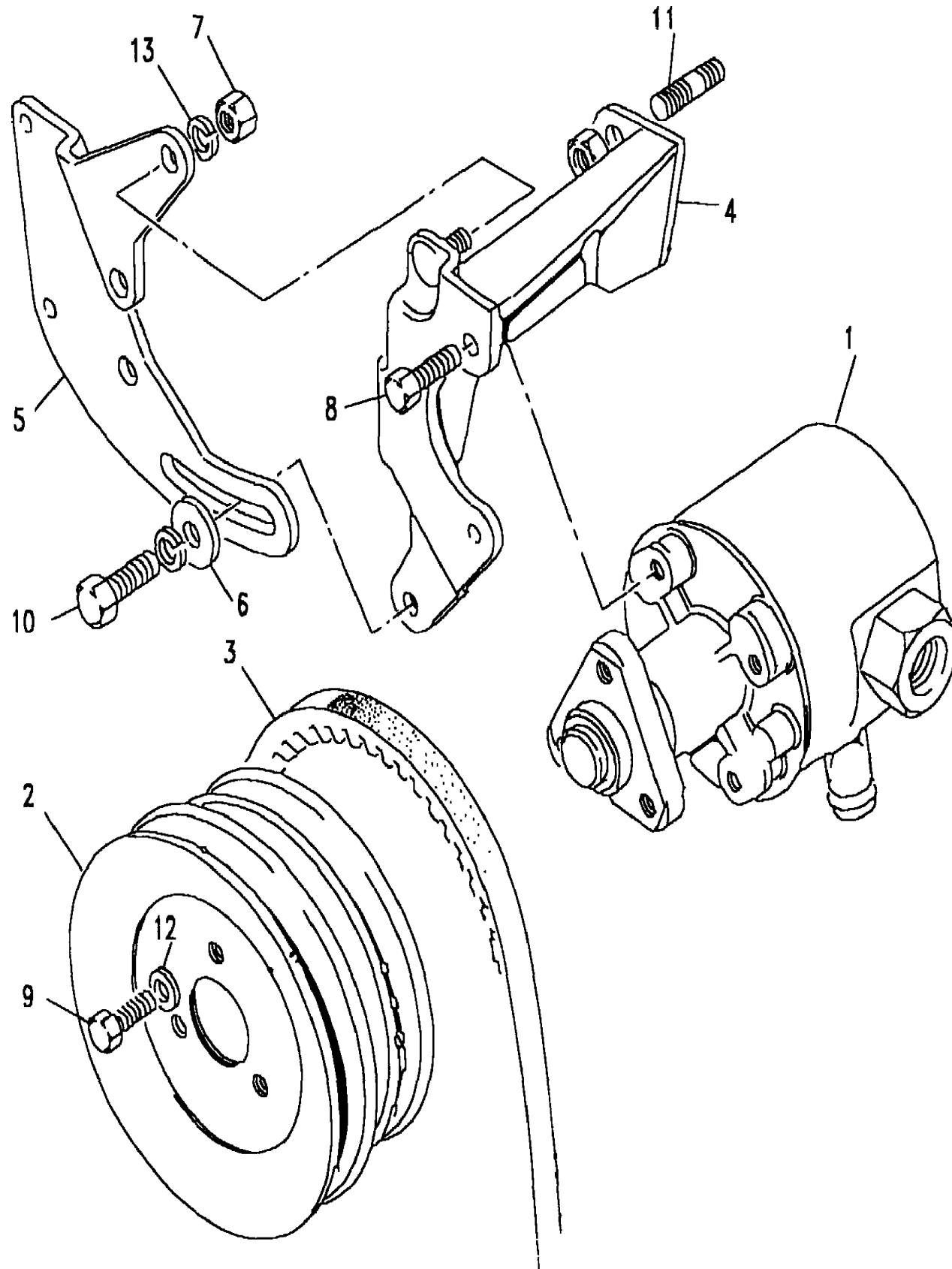
(BDBRNC3A)

Range Rover (From JA610294)

Engine
V8 Petrol - EFi
Power Steering Pump V Belt Drive

V8 EFI Petrol, With Power Steering

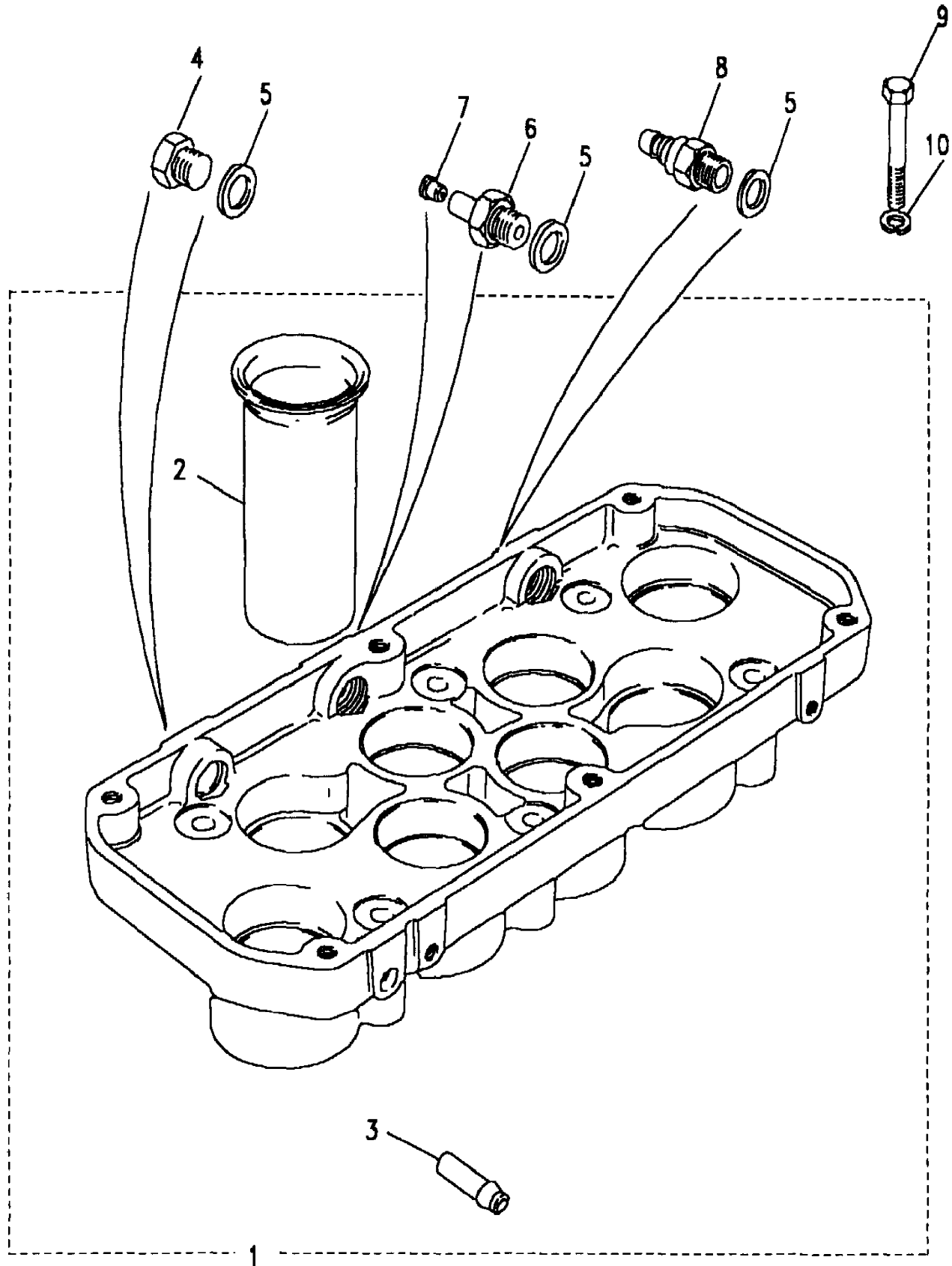
Callout	Name	Application	Remarks & Restrictions	Service No.	Qty
10	Screw	Change point - Engine end 40D02228A, Change point - VIN end KA630428, Petrol V8 L/R EFi	M8 x 25, hexagonal head	SH108251L	1
		Change point - VIN end LA647644, Petrol V8 L/R EFi	M8 x 25, Flanged Head	FS108251L	1
11	Stud	Change point - VIN end LA647644, Petrol V8 L/R EFi	3/8UNF x 1 1/8	TE506101L	1
12	Washer	Change point - VIN end LA647644, Petrol V8 L/R EFi	8MM	WA108051L	3
13	Washer-Spring	Change point - VIN end LA647644, Petrol V8 L/R EFi	5/16"	WM600051L	1
[900]	Screw	Change point - VIN end LA647644, Petrol V8 L/R EFi	3/8UNC x 3/4	SS506060	1
[901]	O Ring	Change point - Engine end 40D02228A, Change point - VIN end KA630428, Petrol V8 L/R EFi	Also serviced as part of a kit, Large	RTC6074	1
		Change point - Engine end 40D02228A, Change point - VIN end KA630428, Petrol V8 L/R EFi	Also serviced as part of a kit, Small	RTC6075	1
[902]	Kit-power assisted steering pump seal	Change point - Engine end 40D02228A, Change point - VIN end KA630428, Petrol V8 L/R EFi	Also serviced as part of a kit	STC1633	1
[903]	Spacer	Change point - VIN end LA647644, Petrol V8 L/R EFi	Also serviced as part of a kit	RTC6760	1
[904]	Bolt	Change point - VIN end LA647644, Petrol V8 L/R EFi	hexagonal head, 1/4UNC x 1 1/2	BH504121L	2
		Change point - VIN end LA647644, Petrol V8 L/R EFi	hexagonal head, 5/16UNC x 4 3/4	BH505381L	1
		Change point - VIN end LA647644, Petrol V8 L/R EFi	hexagonal head, 5/16UNC x 5	BH505401L	1
[905]	Nut - Hex.	Change point - VIN end LA647644, Petrol V8 L/R EFi	hexagonal head, 3/8UNF	NH606041L	1



Engine
V8 Petrol - EFi
Ram Pipes Housing 1/1

Range Rover (From JA610294)

(BDBRJG2A)



Range Rover (From JA610294)

Engine
V8 Petrol - EFi
Ram Pipes Housing

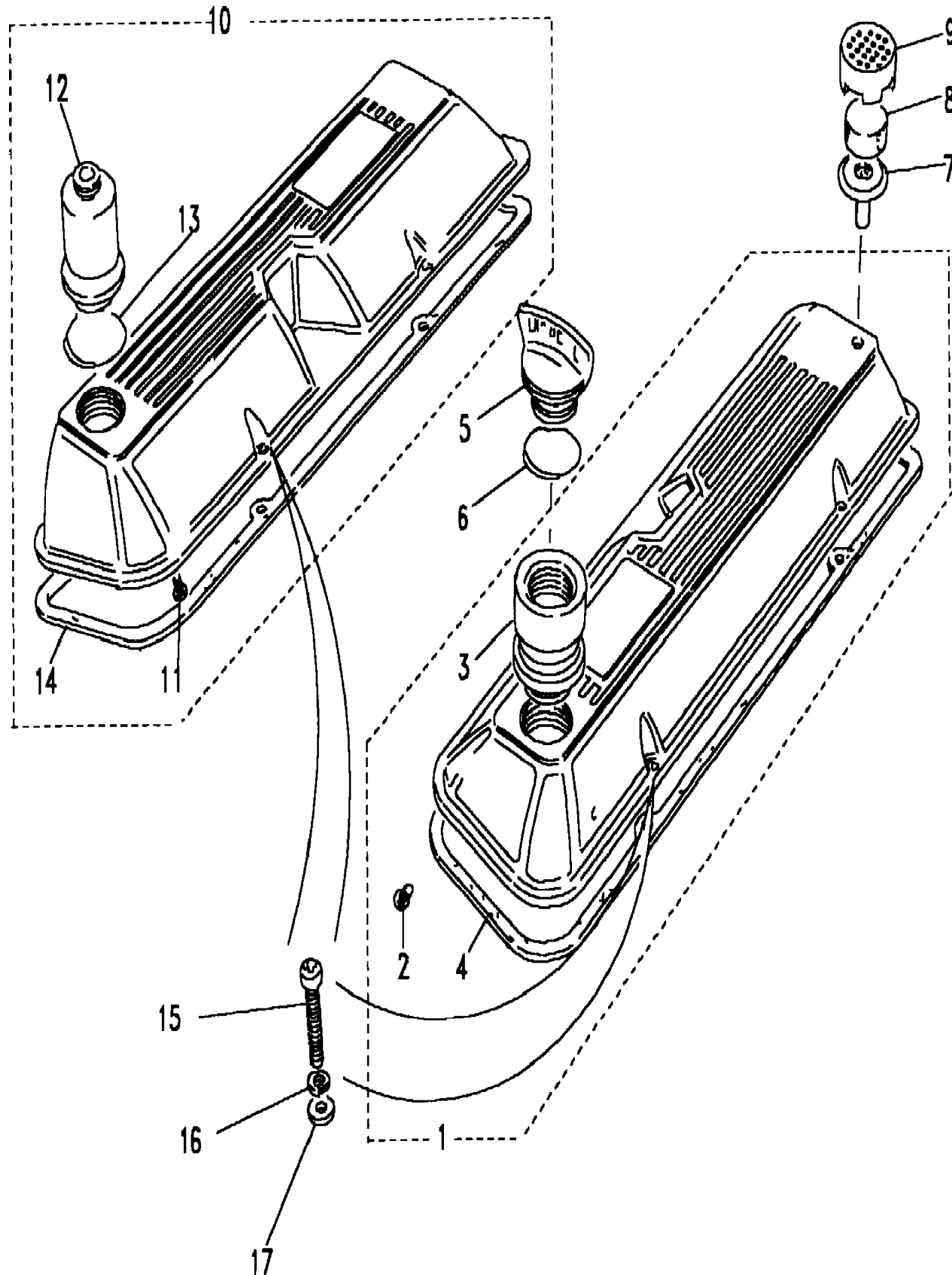
V8 EFI Petrol

Callout	Name	Application	Remarks & Restrictions	Service No.	Qty
1	Housing-ram pipes	Petrol V8 L/R EFI	Also serviced as part of a kit	ERR1290	1
		Petrol V8 L/R EFI, (-) "CDN/MEX/USA"	Also serviced as part of a kit	ERR6072	1
		(+) "CDN/MEX/USA"	Engine Code 36D	ETC8641	1
2	Pipe-ram	Petrol V8 L/R EFI	Also serviced as part of a kit	ERC9110	8
3	Pipe induction system	Change point - VIN end MA663080, Petrol V8 L/R EFI	Also serviced as part of a kit	ERC377L	1
		Change point - VIN begin MA663081, Petrol V8 L/R EFI	Also serviced as part of a kit	ERR4566	1
4	Plug-blanking	Petrol V8 L/R EFI V8 L/R EFI, Less Air Conditioning	Also serviced as part of a kit	603224	1
			Also serviced as part of a kit	603224	2
5	Washer-sealing	Petrol V8 L/R EFI V8 L/R EFI	Also serviced as part of a kit	232043 232043	2 3
6	Connector-inlet manifold adaptor	V8 L/R EFI		ERR20	1
7	Connector-inlet manifold adaptor	V8 L/R EFI		ETC6505	1
8	Valve-inlet manifold non return	Petrol V8 L/R EFI, (-) "CDN/MEX/USA" (+) "CDN/MEX/USA"		RTC5907 ADU1402L	1 1
9	Bolt	Petrol V8 L/R EFI	Flanged Head	FB505181L	6
10	Washer	Petrol V8 L/R EFI	8MM	WA108051L	6
[900]	Plug	V8 L/R EFI, With Air Conditioning		ERC4626	1

Engine
V8 Petrol - EFi
Rocker Cover 1/1

Range Rover (From JA610294)

(BDBRGG1A)



Range Rover (From JA610294)

V8 EFI Petrol

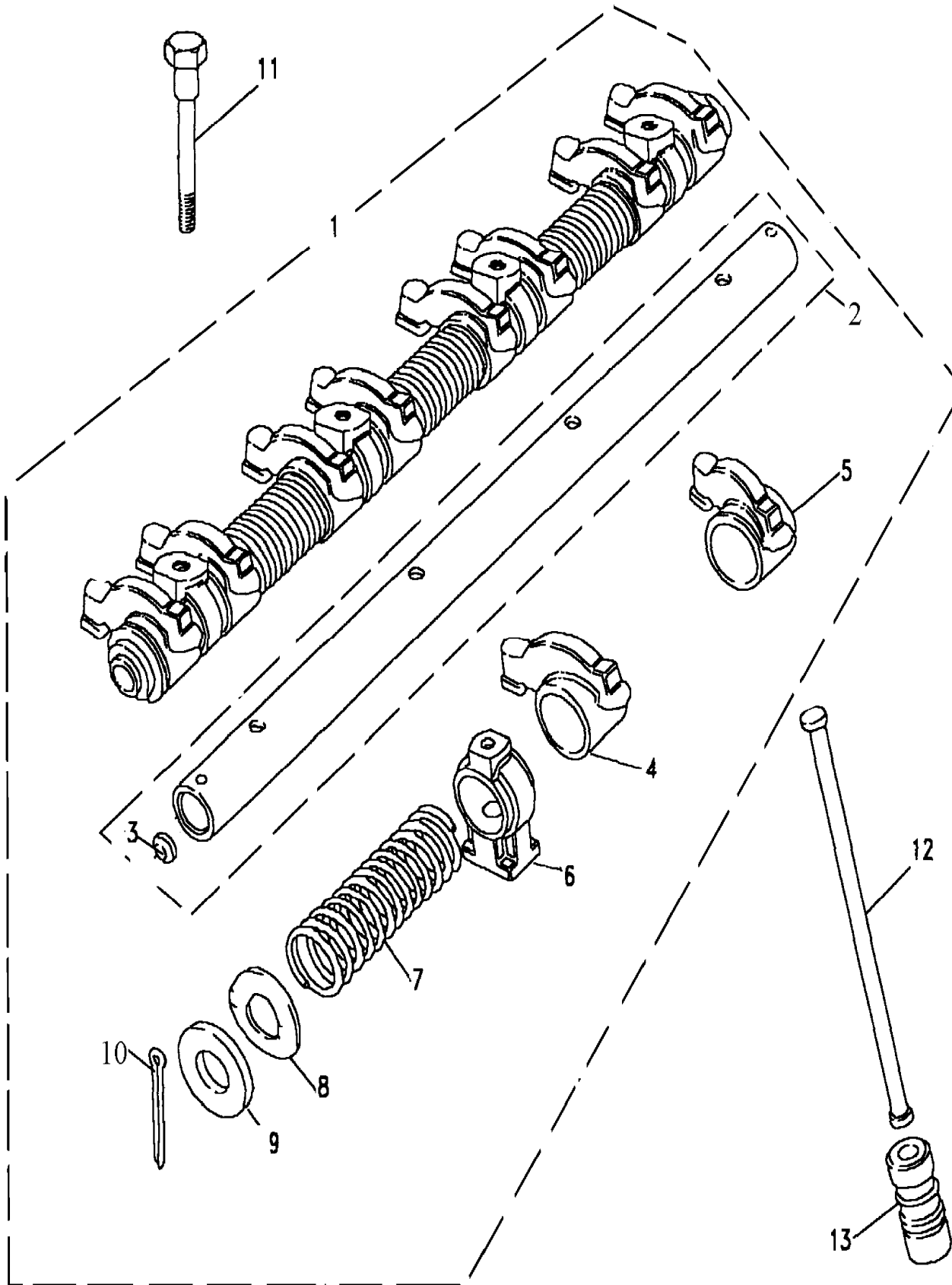
Engine
V8 Petrol - EFi
Rocker Cover

Callout	Name	Application	Remarks & Restrictions	Service No.	Qty
1	Cover assembly-valve rocker	Change point - Engine end 38D27237B, Petrol V8 L/R EFI Change point - Engine begin 40D09582B, Petrol V8 L/R EFI	Also serviced as part of a kit, LH Also serviced as part of a kit, LH	ETC8679 ERR4870	1 1
2	Screw	Change point - Engine begin 40D09582B, Petrol V8 L/R EFI	Also serviced as part of a kit, 6 x 3/8	79027	8
3	Filler-oil	Change point - Engine begin 40D09582B, Petrol V8 L/R EFI	Also serviced as part of a kit	ERC2989	1
4	Gasket-engine rocker cover	Change point - Engine begin 40D09582B, Petrol V8 L/R EFI	Also serviced as part of a kit	602512	1
5	Cap-oil filler	Petrol V8 L/R EFI		625038	1
6	O Ring	Petrol V8 L/R EFI	OIL FILLER CAP	564258	1
7	Plate	Petrol V8 L/R EFI		ERC3933	1
8	Filter-crankcase intake foam	Petrol V8 L/R EFI		ERC3209	1
9	Cap-filter.	Petrol V8 L/R EFI		ERC3208	1
10	Cover assembly-valve rocker	Change point - Engine end 38D27237B, Petrol V8 L/R EFI Change point - Engine begin 40D09582B, Petrol V8 L/R EFI	Also serviced as part of a kit, RH Also serviced as part of a kit, RH	ETC8680 ERR4672	1 1
11	Screw	Petrol V8 L/R EFI	1/4UNC x 1 5/16	603127	2
12	Filter-crankcase breather	Change point - Engine begin 40D09582B, Petrol V8 L/R EFI	Also serviced as part of a kit	ERC248	1
13	O Ring	Change point - Engine begin 40D09582B, Petrol V8 L/R EFI	positive crankcase ventilation breather, Also serviced as part of a kit	564258	1
14	Gasket-engine rocker cover	Change point - Engine begin 40D09582B, Petrol V8 L/R EFI	Also serviced as part of a kit	602512	1
15	Screw	Petrol V8 L/R EFI	1/4UNC x 7/8	SY504072	4
16	Washer-Spring	Petrol V8 L/R EFI	1/4 dia, Square	WM600041L	4
17	Washer	Petrol V8 L/R EFI	M6	WB106041L	8

Engine
V8 Petrol - EFi
Rockershaft 1/1

Range Rover (From JA610294)

(BDBRGC1A)



Range Rover (From JA610294)

Engine
V8 Petrol - EFi
Rockershaft

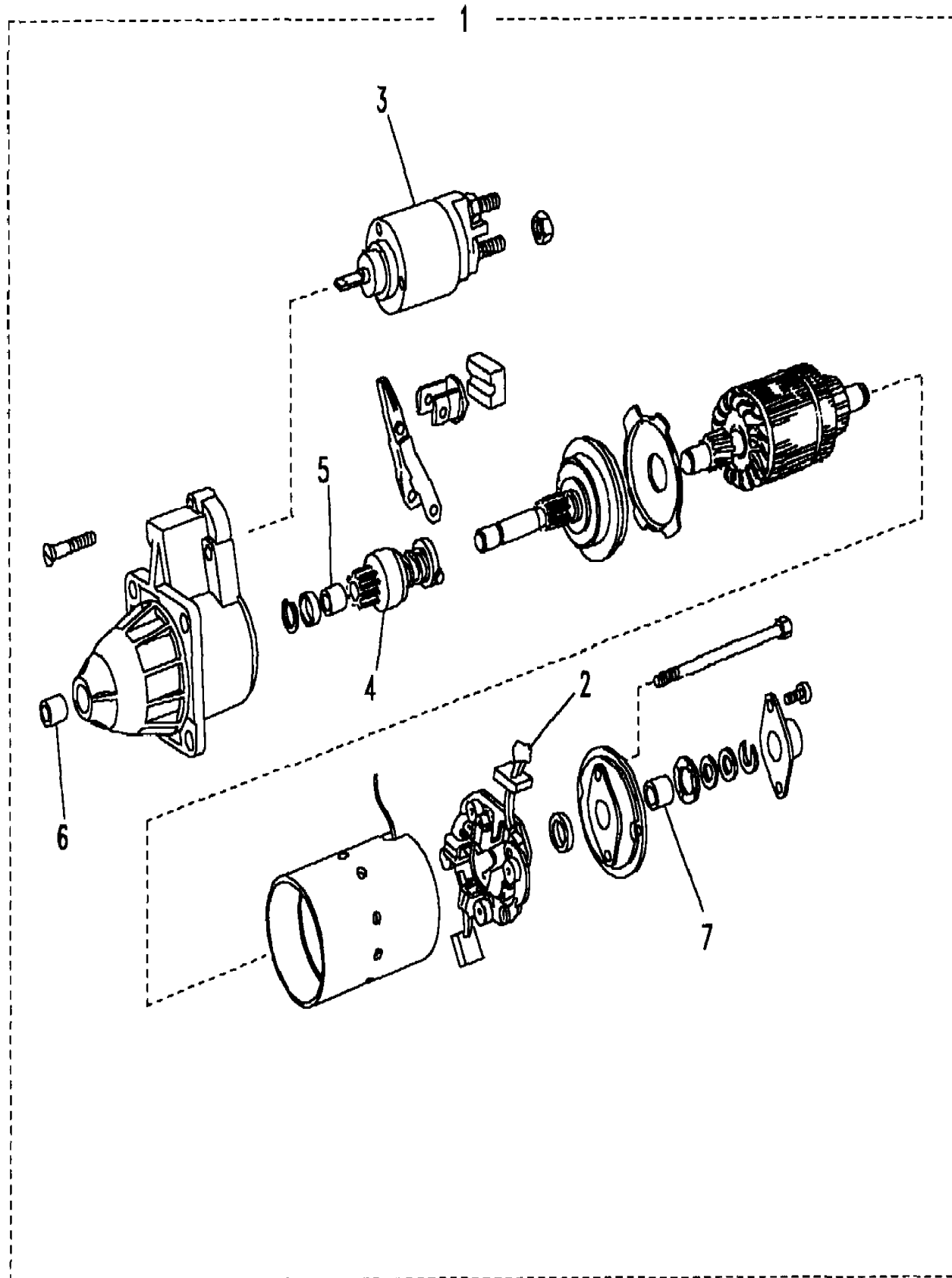
V8 EFi Petrol

Callout	Name	Application	Remarks & Restrictions	Service No.	Qty
1	Shaft assembly-rocker	Petrol V8 L/R EFi	Also serviced as part of a kit	611660	2
2	Shaft-rocker	Petrol V8 L/R EFi	Also serviced as part of a kit	611659L	2
3	Plug-core	Petrol V8 L/R EFi	Also serviced as part of a kit	154545	4
4	Rocker assembly-cylinder head	Petrol V8 L/R EFi	Also serviced as part of a kit, RH	602153	8
5	Rocker assembly-cylinder head	Petrol V8 L/R EFi	Also serviced as part of a kit, LH	602154	8
6	Pillar-cylinder head rocker support	Petrol V8 L/R EFi	Also serviced as part of a kit	603734	8
7	Spring-rocker shaft	Petrol V8 L/R EFi	Also serviced as part of a kit	602142	6
8	Washer-waved	Petrol V8 L/R EFi	Also serviced as part of a kit	602148	4
9	Washer-Plain	Petrol V8 L/R EFi	Also serviced as part of a kit	602186	4
10	Pin-split	Petrol V8 L/R EFi	Also serviced as part of a kit	PS606101L	4
11	Bolt	Petrol V8 L/R EFi	3/8UNC x 2.79	602097	8
12	Rod-engine push	Petrol V8 L/R EFi		603378	16
13	Tappet-engine valve hydraulic	Petrol V8 L/R EFi		ERC4949	16

Engine
V8 Petrol - EFI
Starter Motor Bosch 1/1

Range Rover (From JA610294)

(BDBRPE2A)



Range Rover (From JA610294)

Engine
V8 Petrol - EFI
Starter Motor Bosch

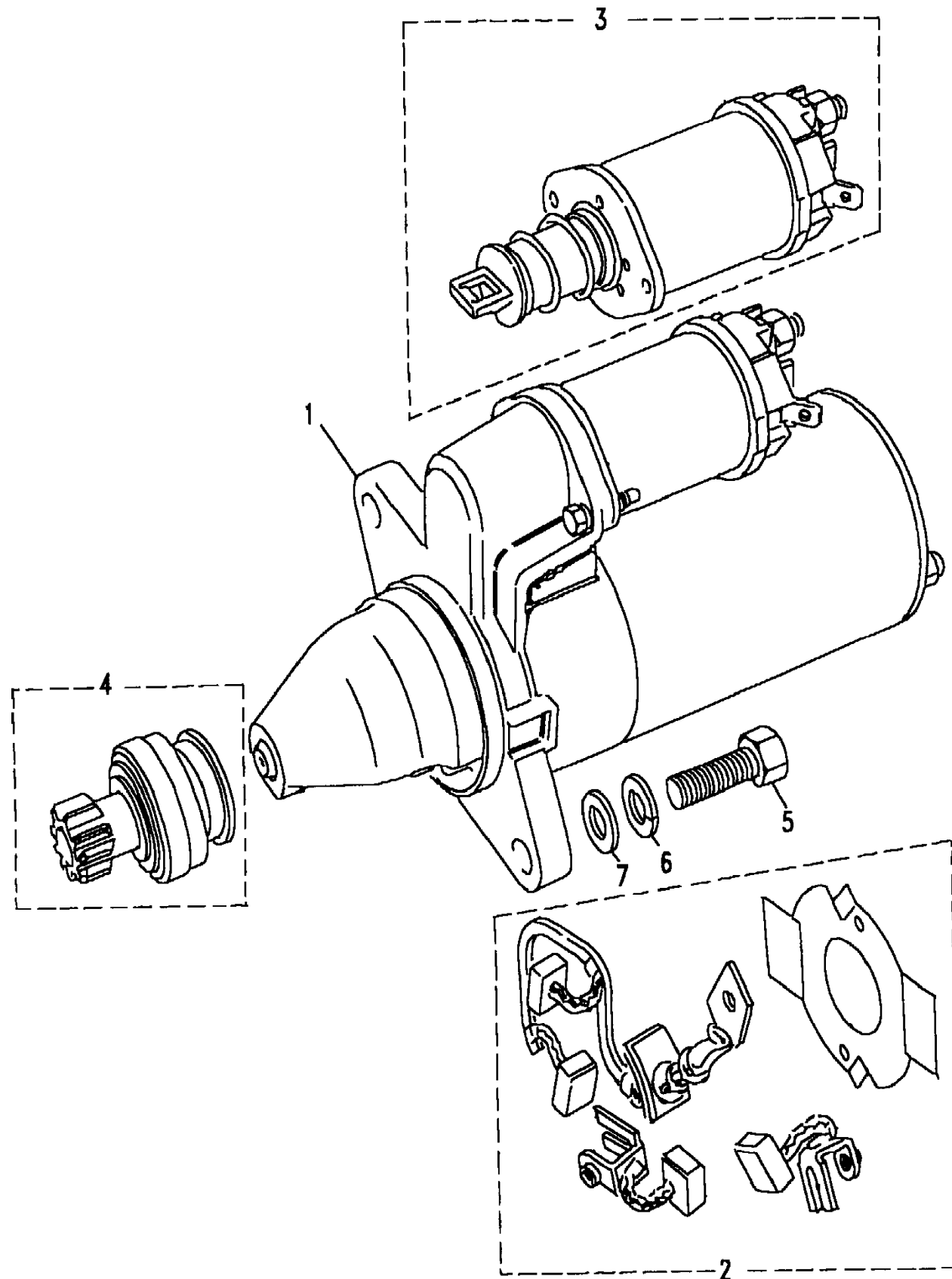
V8 EFI Petrol

Callout	Name	Application	Remarks & Restrictions	Service No.	Qty
1	Motor-starter engine	Change point - Engine begin 40D03277A, Petrol V8 L/R EFI	Also serviced as part of a kit, Bosch, exchange	NAD10038E	1
		Change point - Engine begin 40D03277A, Petrol V8 L/R EFI	Also serviced as part of a kit, Bosch, New	NAD10038	1
		Change point - Engine begin 40D03277A, Petrol V8 L/R EFI	Also serviced as part of a kit, Bosch, New	ESR2191	1
		Change point - Engine begin 40D03277A, Petrol V8 L/R EFI	Also serviced as part of a kit, Bosch, exchange	ERR6087E	1
2	Box assembly-brush starter motor	Change point - Engine begin 40D03277A, Petrol V8 L/R EFI	Also serviced as part of a kit	STC1243	1
3	Solenoid starter motor	Change point - Engine begin 40D03277A, Petrol V8 L/R EFI	Also serviced as part of a kit	STC1242	1
4	Drive assembly starter motor	Change point - Engine begin 40D03277A, Petrol V8 L/R EFI	Also serviced as part of a kit	STC1241	1
5	Bush-starter motor	Change point - Engine begin 40D03277A, Petrol V8 L/R EFI	Also serviced as part of a kit, Centre	STC1250	2
6	Bush-starter motor	Change point - Engine begin 40D03277A, Petrol V8 L/R EFI	Also serviced as part of a kit, Front	STC1252	1
7	Bush-starter motor	Change point - Engine begin 40D03277A, Petrol V8 L/R EFI	Also serviced as part of a kit, Rear	STC1253	1
[900]	Bracket & heatshield assembly-starter motor support	Change point - Engine begin 40D03277A, Petrol V8 L/R EFI		ERR6108	1

Engine
V8 Petrol - EFi
Starter Motor Lucas 1/1

Range Rover (From JA610294)

(BDBRPE1A)



Range Rover (From JA610294)

Engine
V8 Petrol - EFi
Starter Motor Lucas

V8 EFI Petrol

Callout	Name	Application	Remarks & Restrictions	Service No.	Qty
1	Motor-starter engine	Change point - Engine end 40D03276A, Petrol V8 L/R EFI Change point - Engine end 40D03276A, Petrol V8 L/R EFI	Also serviced as part of a kit, Lucas, New Also serviced as part of a kit, Lucas, exchange	RTC6061N RTC5228E	1 1
2	Kit-brush starter motor	Change point - Engine end 40D03276A, Petrol V8 L/R EFI	Also serviced as part of a kit, Lucas, with M78R starter motor	RTC5048	1
3	Solenoid starter motor	Change point - Engine end 40D03276A, Petrol V8 L/R EFI	Also serviced as part of a kit, Lucas, with M78R starter motor	RTC5049	1
4	Drive assembly starter motor	Change point - Engine end 40D03276A, Petrol V8 L/R EFI	Also serviced as part of a kit	RTC5050	1
5	Screw	Change point - Engine end 40D03276A, Petrol V8 L/R EFI	3/8UNC x 1 1/2	SS506121L	2
6	Washer	Change point - Engine end 40D03276A, Petrol V8 L/R EFI	3/8", Square	WM600061L	2
7	Washer	Change point - Engine end 40D03276A, Petrol V8 L/R EFI	M10	WA110061L	2
[900]	Cable assembly starter & earth	Change point - Engine end 40D03276A, Petrol V8 L/R EFI		PRC3623	1
[901]	Harness-link	Change point - Engine end 40D03276A, Petrol V8 L/R EFI		PRC5208	1

Engine
V8 Petrol - EFi
Sump 1/1

Range Rover (From JA610294)

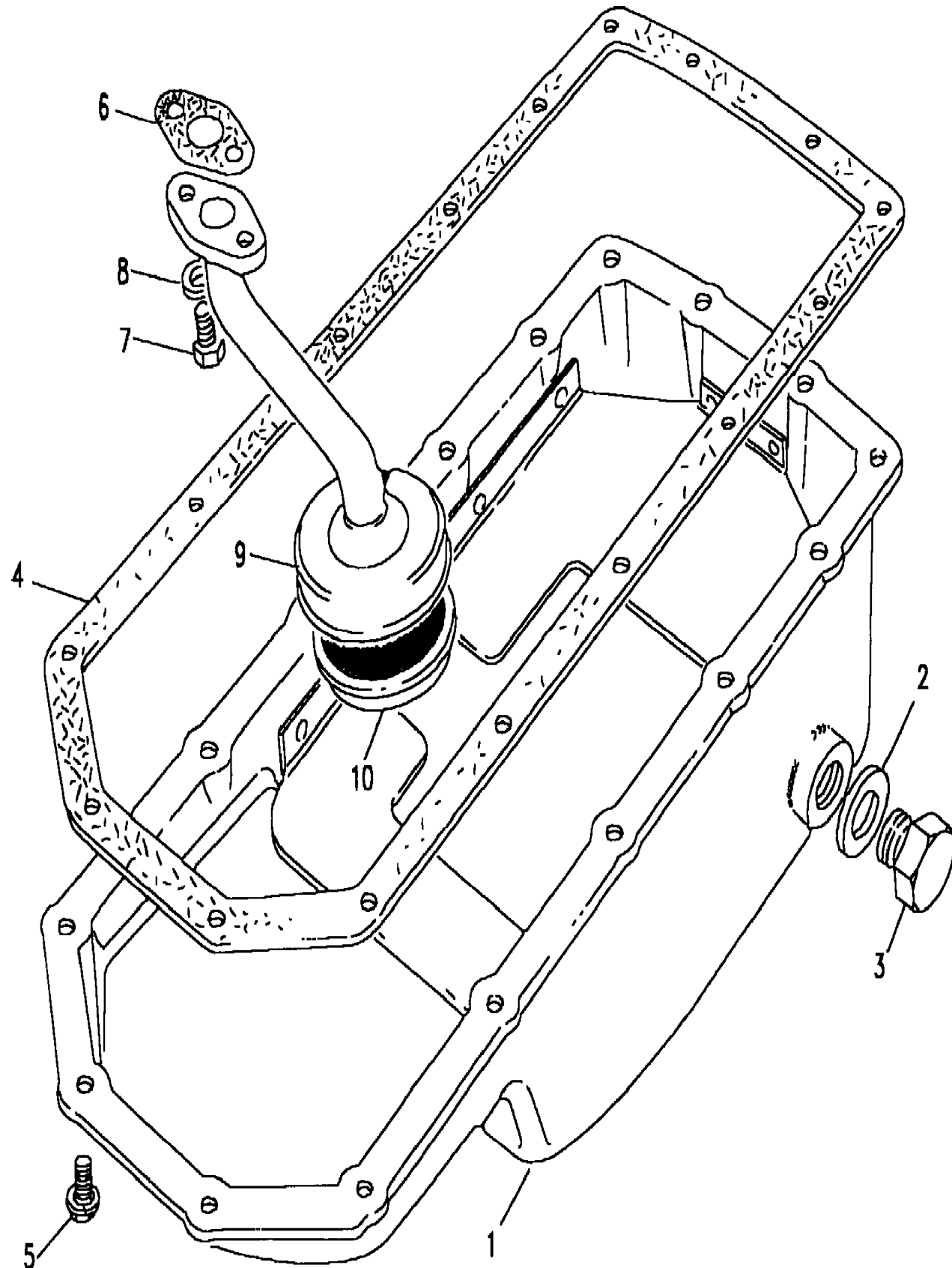
(BDBRDA1A)

Engine
V8 Petrol - EFi
Sump

Range Rover (From JA610294)

V8 EFi Petrol

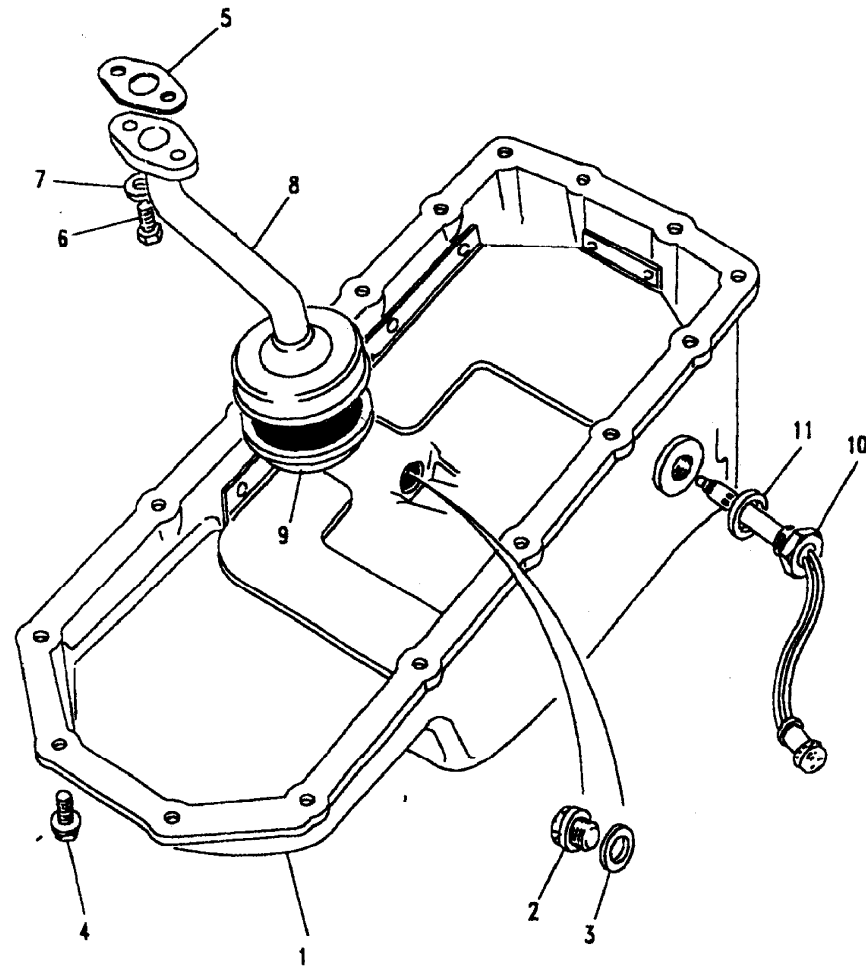
Callout	Name	Application	Remarks & Restrictions	Service No.	Qty
1	Sump-engine oil	Petrol V8 L/R EFi		ERR4633	1
2	Washer-sealing	Petrol V8 L/R EFi	sump drain plug	213961	1
3	Plug-sump assembly oil drain	Petrol V8 L/R EFi		603659	1
4	Gasket-crankcase oil sump	Petrol V8 L/R EFi		602087	1
5	Bolt & washer assembly-sump	Petrol V8 L/R EFi	5/16UNC	602199	16
		Petrol V8 L/R EFi		LSO100000	16
6	Gasket-sump oil strainer	Petrol V8 L/R EFi		ERR3788	1
7	Setscrew	Petrol V8 L/R EFi	1/4UNC x 3/4	SH504061L	2
8	Washer-Spring	Petrol V8 L/R EFi	1/4 dia, Square	WM600041L	2
9	Strainer and pipe assembly-oil	Petrol V8 L/R EFi		ERR3677	1
10	Cover-oil strainer	Petrol V8 L/R EFi		602070	1



Engine
V8 Petrol - EFi
Sump 1/1

Range Rover (From JA610294)

(BEBRDA1A)



G04.176
11-2002
L2
BEBRDA1A

Range Rover (From JA610294)

Engine
V8 Petrol - EFi
Sump

(+)"CDN/MEX/USA"

Callout	Name	Application	Remarks & Restrictions	Service No.	Qty
1	Sump-engine oil	Change point - VIN end 640399		ERR4634	1
		Change point - VIN begin 640400		ERR4633	1
2	Plug-sump assembly oil drain			603659	1
3	Washer-sealing	Change point - VIN end 640399		213961	1
		Change point - VIN begin 640400		ETC7398	1
4	Bolt & washer assembly-sump			602199	16
5	Gasket-sump oil strainer	Change point - VIN end 640399		90602068	1
		Change point - VIN begin 640400		ERR3788	1
6	Setscrew			SH504061L	2
7	Washer-Spring			WM600041L	2
8	Strainer and pipe assembly-oil			ERR3677	1
9	Cover-oil strainer			602070	1
10	Indicator Assy - Oil Level	Change point - VIN end 640399		AFU2786L	1
11	Washer - Sealing	Change point - VIN end 640399		243960	1

Engine
V8 Petrol - EFi
Throttle Linkage 1/1

Range Rover (From JA610294)

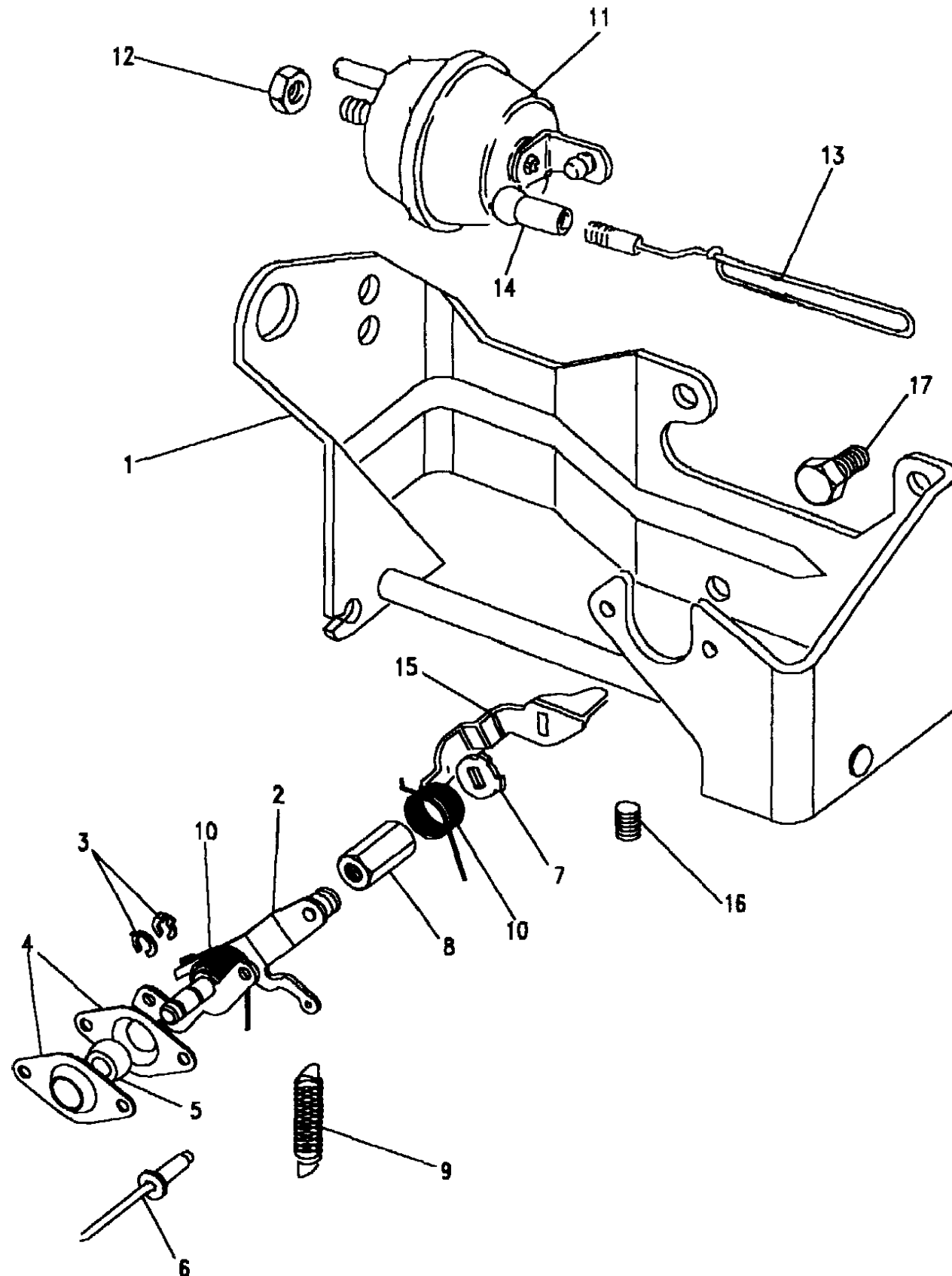
(BDBRJ11A)

Range Rover (From JA610294)

Engine
V8 Petrol - EFi
Throttle Linkage

V8 EFI Petrol

Callout	Name	Application	Remarks & Restrictions	Service No.	Qty
1	Bracket-cable accelerator	Petrol V8 L/R EFI Petrol V8 L/R EFI		ETC7870 ERR6704	1 1
2	Lever assembly-throttle tbi	Petrol V8 L/R EFI, Manual Transmission Petrol V8 L/R EFI, Automatic Transmission	Also serviced as part of a kit Also serviced as part of a kit	ETC7887 ETC7886	1 1
3	Clip-spring steel	Petrol V8 L/R EFI, Manual Transmission Petrol V8 L/R EFI, Automatic Transmission	Also serviced as part of a kit Also serviced as part of a kit	ETC7884 ETC7884	2 2
4	Housing Bearing	Petrol V8 L/R EFI, (-)"CDN/MEX/USA" (+)"CDN/MEX/USA"	spherical	ERR3712 ERC4211	2 2
5	Bush	Petrol V8 L/R EFI, Manual Transmission Petrol V8 L/R EFI	Also serviced as part of a kit, spherical spherical	ERC4215 ERC4215	1 1
6	Rivet-pop-aluminium	Petrol V8 L/R EFI		RA612183	2
7	Washer-Lock	Petrol V8 L/R EFI		C43231L	1
8	Nut - Hex.	Petrol V8 L/R EFI	M5 x 12	ERC3579L	1
9	Spring	Petrol V8 L/R EFI		ETC5524	1
10	Spring-return-tension accelerator	Petrol V8 L/R EFI, Manual Transmission Petrol V8 L/R EFI	Also serviced as part of a kit	ERC3792L ERC3792L	1 1
11	Actuator assembly cruise control	Petrol V8 L/R EFI		ETC7150	1
12	Nut - Hex.	Petrol V8 L/R EFI	M8, hexagonal head	NH108041L	1
13	Link cruise control	Petrol V8 L/R EFI		ETC7875	1
14	Joint-ball	Petrol V8 L/R EFI		ETC7149	1
15	Lever-throttle multi point injection	Petrol V8 L/R EFI		ETC7769	1
16	Screw-idle adjustment tbi	Petrol V8 L/R EFI		ETC7668ML	1
17	Screw	Petrol V8 L/R EFI	Flanged Head, 1/4UNC x 1/2	FS504047	3



Engine
V8 Petrol - EFI
Viscous Drive & Fan 1/2

Range Rover (From JA610294)

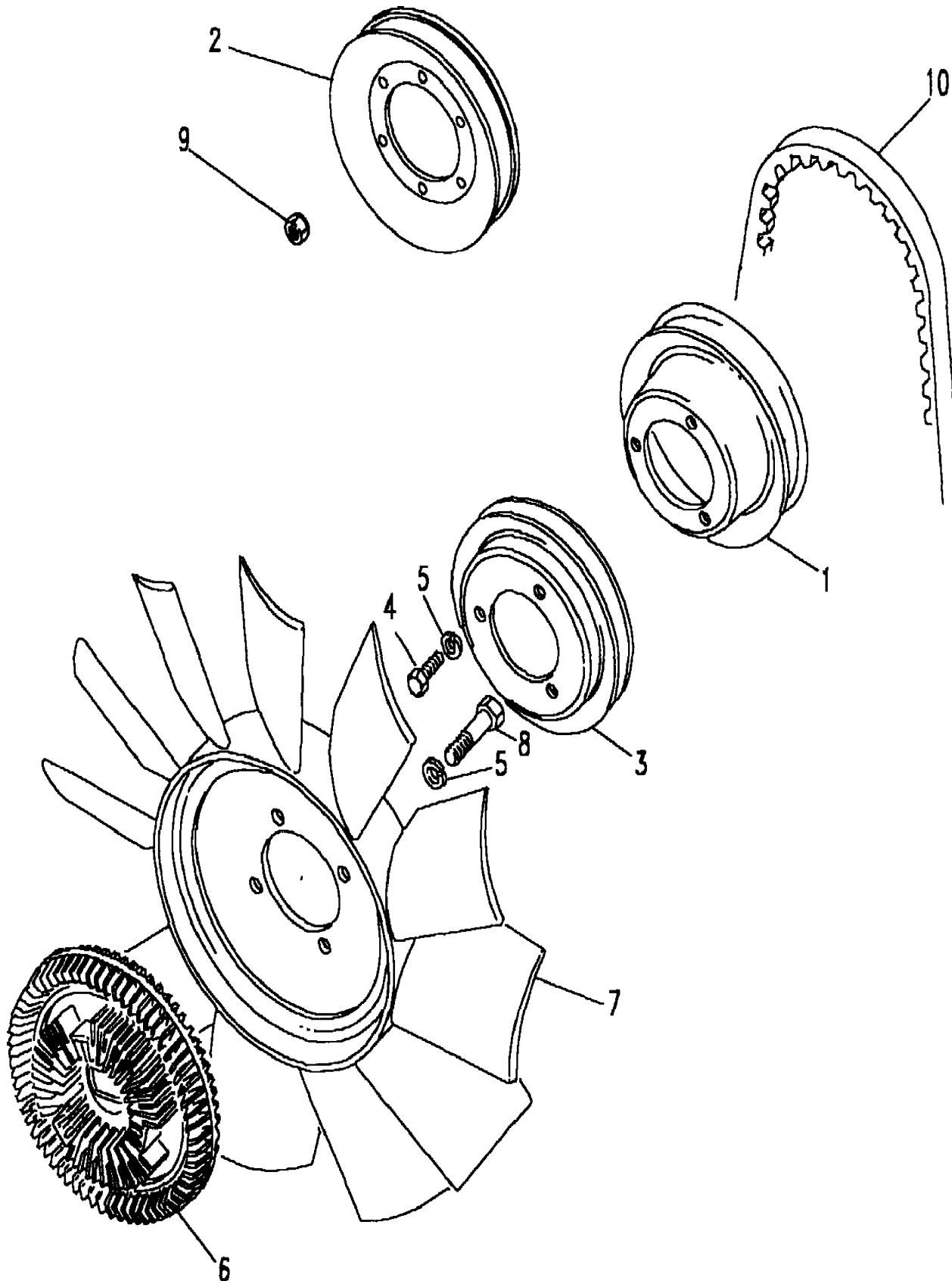
(BDBREG1A)

Range Rover (From JA610294)

Engine
V8 Petrol - EFI
Viscous Drive & Fan

V8 EFI Petrol

Callout	Name	Application	Remarks & Restrictions	Service No.	Qty
1	Pulley coolant pump	Change point - Engine end 38D27237B, Petrol V8 L/R EFI, Less Air Conditioning Change point - Engine end 38D27237B, Petrol V8 L/R EFI, With Air Conditioning		ETC5499 ETC5422	1 1
2	Pulley coolant pump	Change point - Engine begin 40D09582B, Petrol V8 L/R EFI		ERR4867	1
3	Pulley-driven air conditioning	Change point - Engine end 38D27237B, Petrol V8 L/R EFI, With Air Conditioning		ETC5423	1
4	Screw	Petrol V8 L/R EFI	hexagonal head, 1/4UNF x 5/8	SH604051L	1
5	Washer	Petrol V8 L/R EFI	6MM	WA106041L	3
6	Coupling-engine fan viscous	Change point - Engine end 38D27237B, Petrol V8 L/R EFI Change point - Engine begin 40D09582B, Petrol V8 L/R EFI Petrol V8 L/R EFI	White., 7 blade, 16" M30 x 1.5 THREAD FITTING (35mm NUT) M24 x 1.5 THREAD FITTING (30mm NUT), 17", 11 Blade	ERC2849 ERR3443 ETC1260	1 1 1
7	Fan-cooling	Petrol V8 L/R EFI Change point - Engine end 38D27237B, Petrol V8 L/R EFI Change point - Engine begin 40D09582B, Petrol V8 L/R EFI	White., 7 blade, 16" White., 17", 11 Blade Black, 17", 11 Blade	614739 ETC1275 ERR3439	1 1 1
8	Screw	Petrol V8 L/R EFI Change point - Engine begin 40D09582B, Petrol V8 L/R EFI	hexagonal head, 5/16UNC x 5/8 M8 X 14, hexagonal head	SH505051L ERR4194	4 4
9	Locknut	Petrol V8 L/R EFI	UNF, 1/4	NY604041	4
10	Belt-polyvee alternator	Change point - Engine end 38D27237B, Petrol V8 L/R EFI, Less Police Change point - Engine begin 40D09582B, Petrol V8 L/R EFI, Less Air Conditioning, Less Police Change point - Engine begin 40D09582B, Petrol V8 L/R EFI, With Air Conditioning, Less Police		611612 ERR4461 ERR4623	1 1 1



Engine
V8 Petrol - EFI
Viscous Drive & Fan 2/2

Range Rover (From JA610294)

(BDBREG1A)

Engine
V8 Petrol - EFI
Viscous Drive & Fan

Range Rover (From JA610294)

V8 EFI Petrol

Callout	Name	Application	Remarks & Restrictions	Service No.	Qty
10	Belt-polyvee alternator	Petrol V8 L/R EFI, With Police Vehicle Petrol V8 L/R EFI, Less Police,		ERC675 ERR5579	1 1
[900]	Washer-Plain	Petrol V8 L/R EFI		4910L	1
[901]	Screw	Petrol V8 L/R EFI	hexagonal head	SH607101L	1

