

Gearbox  
77mm-5 Speed-Manual-4 Cylinder  
Bell Housing 1/1

Range Rover (From JA610294)

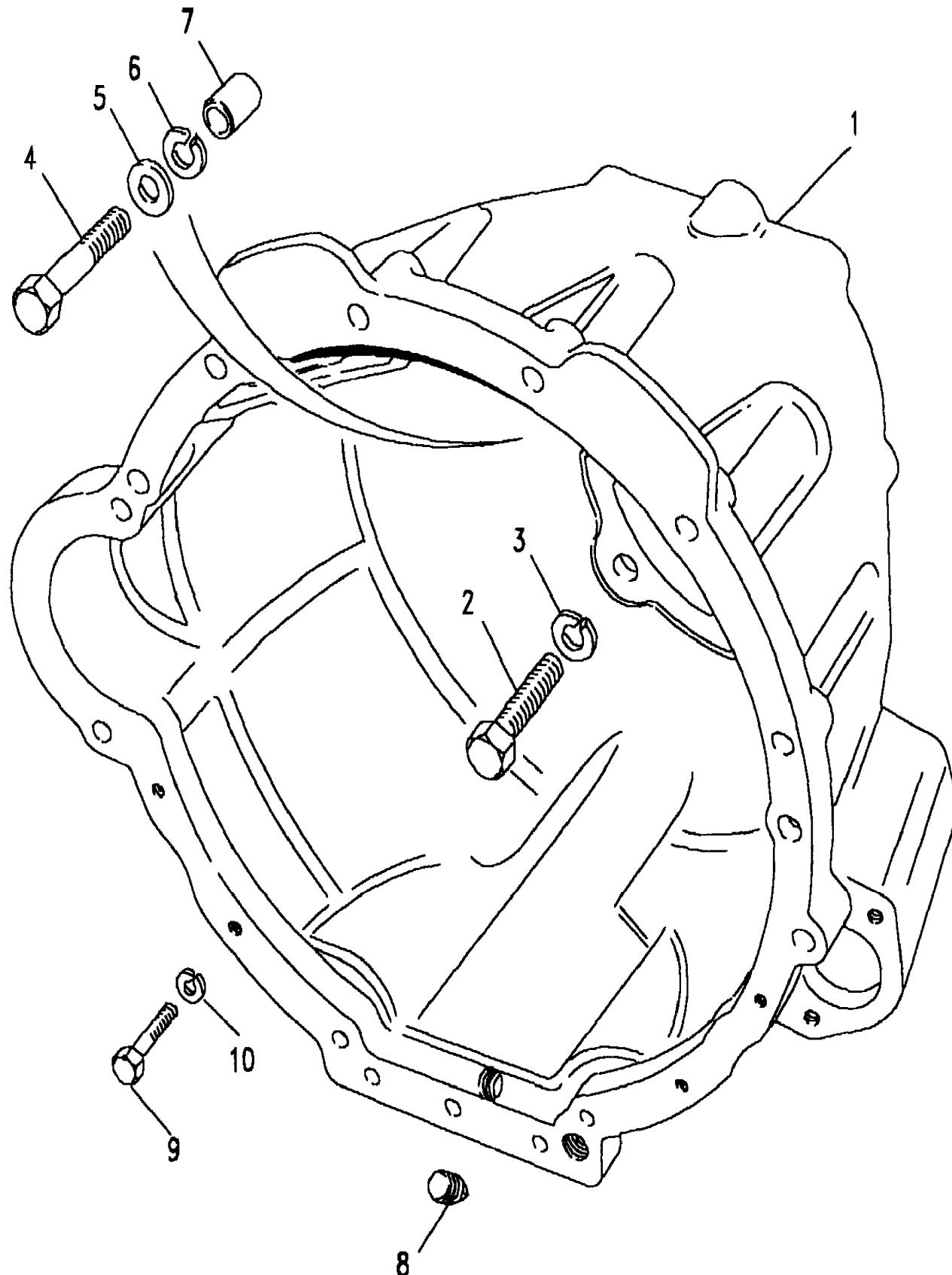
(BDCEEA1A)

Range Rover (From JA610294)

Gearbox  
77mm-5 Speed-Manual-4 Cylinder  
Bell Housing

Manual Transmission, 5 Speed

Callout	Name	Application	Remarks & Restrictions	Service No.	Qty
1	Housing-clutch manual transmission	DIESEL, (-) TDI, VM	FRC8570	1	
		EFI	FRC6154	1	
		TDi Diesel (-)VM	FTC1270	1	
2	Screw	Manual Transmission	hexagonal head, M12 x 30	SH112301L	4
3	Washer	Manual Transmission		WL112001L	4
4	Bolt	Manual Transmission	M12 x 45	BH112091L	2
5	Washer	Manual Transmission	M12, Plain, Standard	WA112081L	2
6	Washer	Manual Transmission		WL112001L	2
7	Dowel	Manual Transmission	gearbox to engine	FRC8758	2
		Manual Transmission	housing to gear case	UKC25L	2
8	Plug-coolant drain	Manual Transmission		3290	1
9	Bolt	Manual Transmission	hexagonal head, 3/8UNC x 2	BH506161L	8
10	Washer	Manual Transmission	3/8", Square	WM600061L	8
[900]	Insulator upper	TDi Diesel, Manual Transmission		FTC2823	1
[901]	Insulator lower	TDi Diesel, Manual Transmission		FTC2824	1



Gearbox  
77mm-5 Speed-Manual-4 Cylinder  
Bottom Cover 1/1

Range Rover (From JA610294)

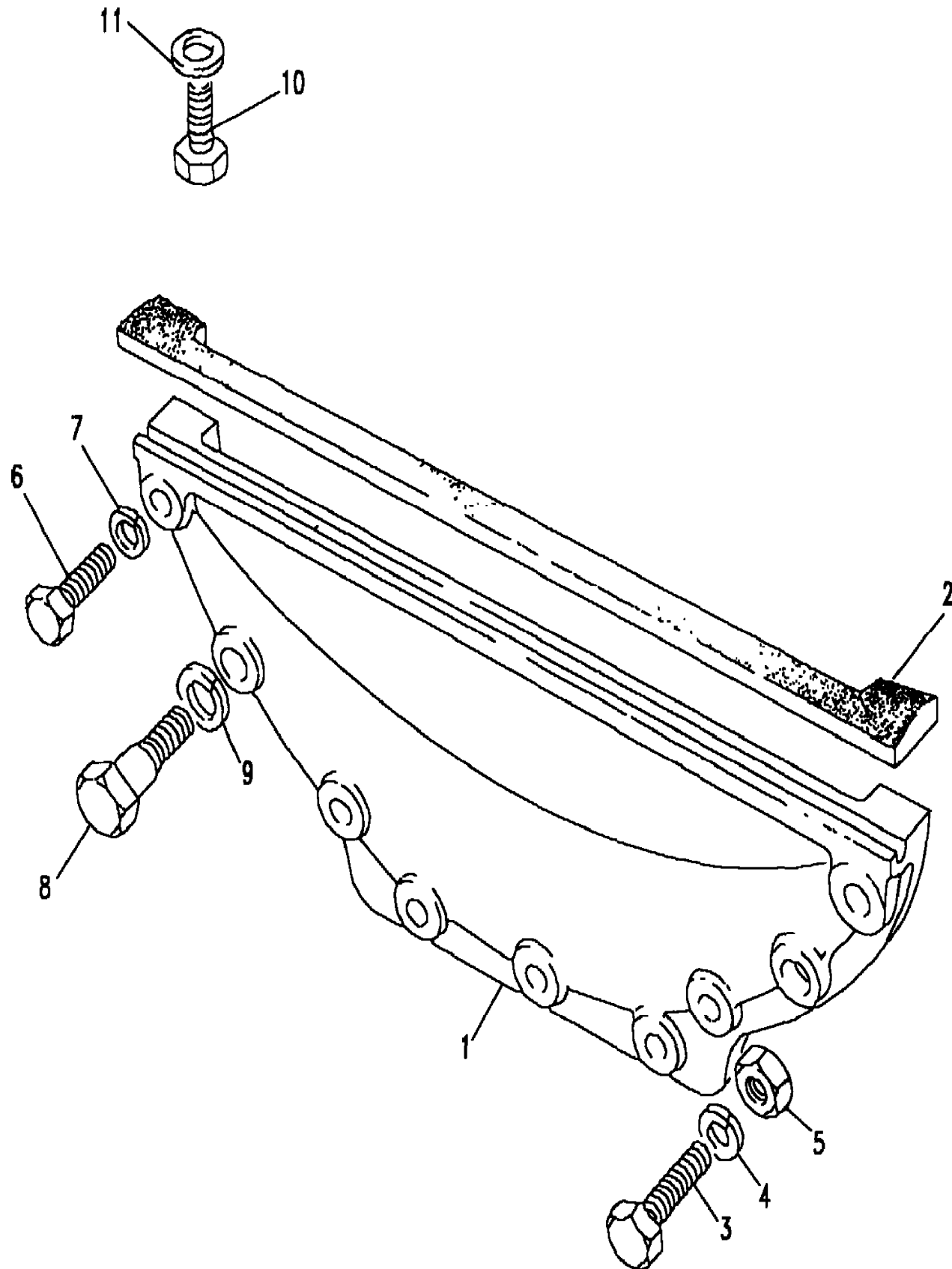
(BDCEEA2A)

Range Rover (From JA610294)

Gearbox  
77mm-5 Speed-Manual-4 Cylinder  
Bottom Cover

Manual Transmission, 5 Speed

Callout	Name	Application	Remarks & Restrictions	Service No.	Qty
1	Cover-bell housing		bottom	FRC2859	1
2	Seal		bottom	594087	1
3	Screw		to plate bottom, hexagonal head, M6 x 45	SH106451L	5
4	Washer		M6, sprung	WL106001L	5
5	Nut - Hex.		M6, nyloc, Hexagonal	NH106041L	5
6	Screw		to plate bottom, Flanged Head, M6 x 25	FS106255L	2
7	Washer		M6, sprung	WL106001L	2
8	Bolt		to plate bottom	594134	2
9	Washer		M8, sprung	WL108001L	2
10	Screw		to plate bottom, hexagonal head, 5/16UNC x 1/2	SH505041L	2
11	Washer			232038	2



Gearbox  
77mm-5 Speed-Manual-4 Cylinder  
Clutch Release Mechanism 1/2

Range Rover (From JA610294)

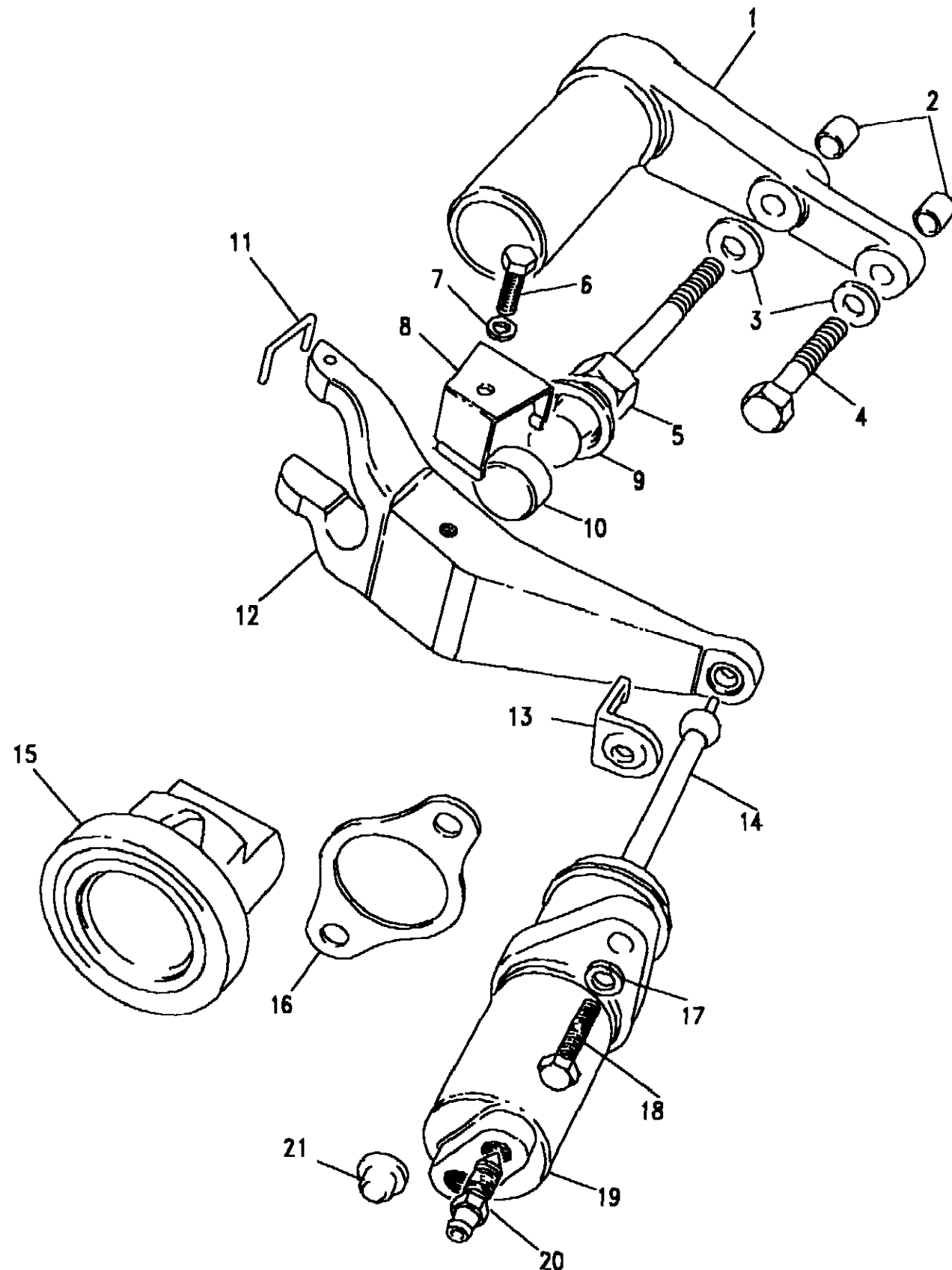
(BDCECA1A)

Range Rover (From JA610294)

Gearbox  
77mm-5 Speed-Manual-4 Cylinder  
Clutch Release Mechanism

Manual Transmission, 5 Speed

Callout	Name	Application	Remarks & Restrictions	Service No.	Qty
1	Guide-clutch release bearing	Change point - Engine end 35D07802A, Change point - Gearbox end 55A02048 14A Change point - Engine begin 35D07803A, Change point - Gearbox begin 55A02048 15A	Aluminium	FRC4803	1
2	Dowel			FRC2481	2
3	Washer		M8, sprung	WL108001L	1
4	Screw		to sleeve assembly, hexagonal head, M8 x 40	SH108401L	1
5	Pivot-clutch release lever			FRC2528	1
6	Screw		To retainer clip, hexagonal head, M6 x 10	SH106101L	1
7	Washer		M6, sprung	WL106001L	1
8	Clip-clutch release-pivot post			571163	1
9	Cap-clutch release lever pivot			FRC2975	1
10	Insert-clutch lever			571161	1
11	Retention-bearing clutch release	Change point - VIN begin JA610294, 4 Cylinder	Transmission LT 77	576203	1
12	Arm-clutch release clutch	Change point - Engine end 35D07802A, Change point - Gearbox end 55A02048 14A Change point - Engine begin 35D07803A, Change point - Gearbox begin 55A02048 15A		576137	1
				FTC2957	1
13	Clip			576723	1
14	Rod assembly-push slave cylinder			571160	1
15	Bearing-clutch release		Also serviced as part of a kit	FRC9568	1
16	Plate			591988	1
17	Washer		M8, sprung	WL108001L	2
18	Screw		To slave cylinder, M8 x 25, hexagonal head	SH108251L	2



Gearbox  
77mm-5 Speed-Manual-4 Cylinder  
Clutch Release Mechanism 2/2

Range Rover (From JA610294)

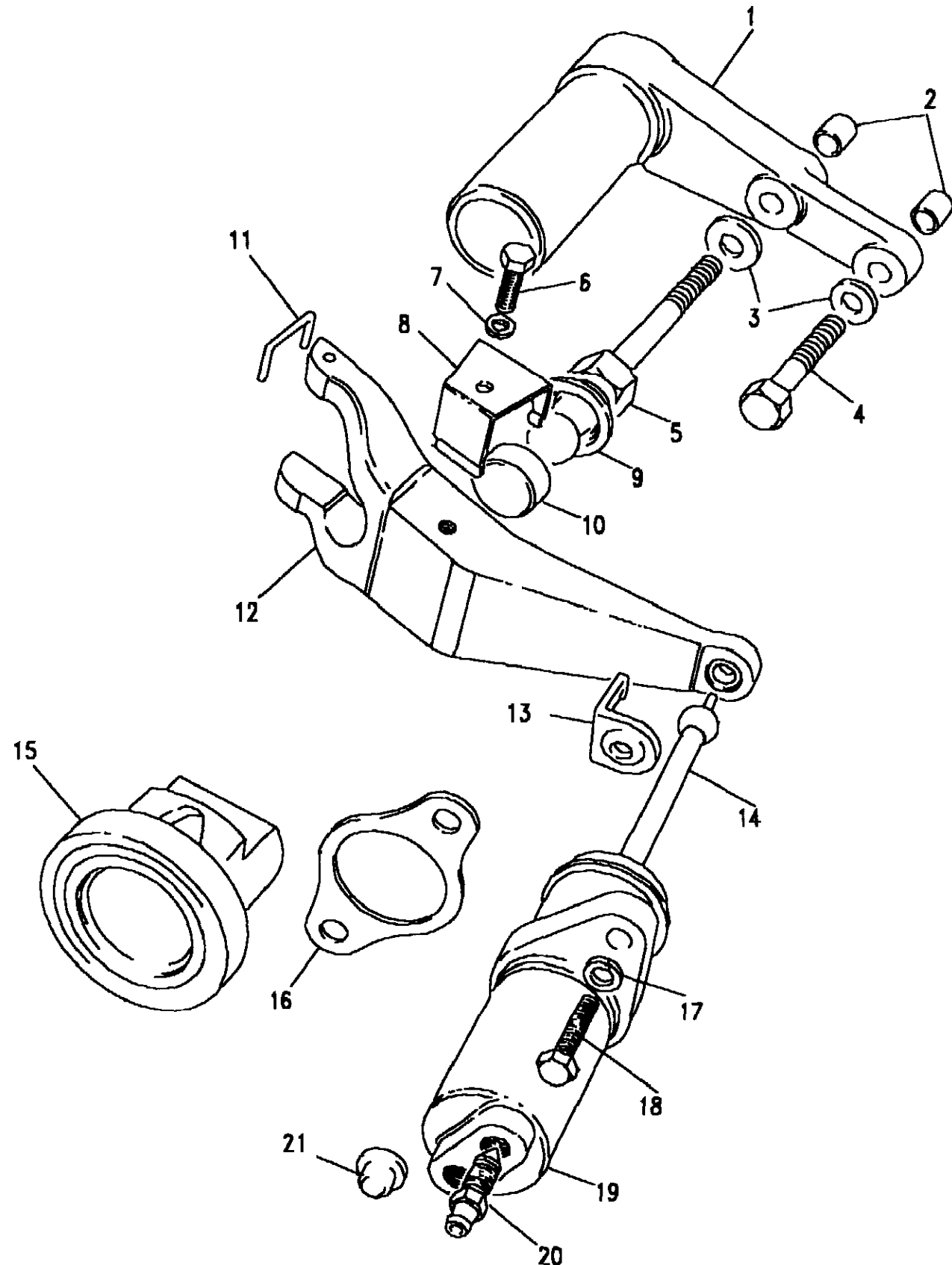
(BDCECA1A)

Range Rover (From JA610294)

Gearbox  
77mm-5 Speed-Manual-4 Cylinder  
Clutch Release Mechanism

Manual Transmission, 5 Speed

Callout	Name	Application	Remarks & Restrictions	Service No.	Qty
19	Slave cylinder clutch	Change point - Engine end 35D07802A, Change point - Gearbox end 55A02048 14A	Also serviced as part of a kit, Transmission LT 77	TKC2786L	1
		Change point - Engine begin 35D07803A, Change point - Gearbox begin 55A02048 15A	Transmission LT 77	FTC2498	1
20	Screw-bleed clutch slave cylinder			606733	1
21	Cap-protective			594091	1
[905]	Kit-repair clutch slave cylinder	Change point - Engine end 35D07802A, Change point - Gearbox end 55A02048 14A		514244	1



Gearbox  
77mm-5 Speed-Manual-4 Cylinder  
Extension Case 1/2

Range Rover (From JA610294)

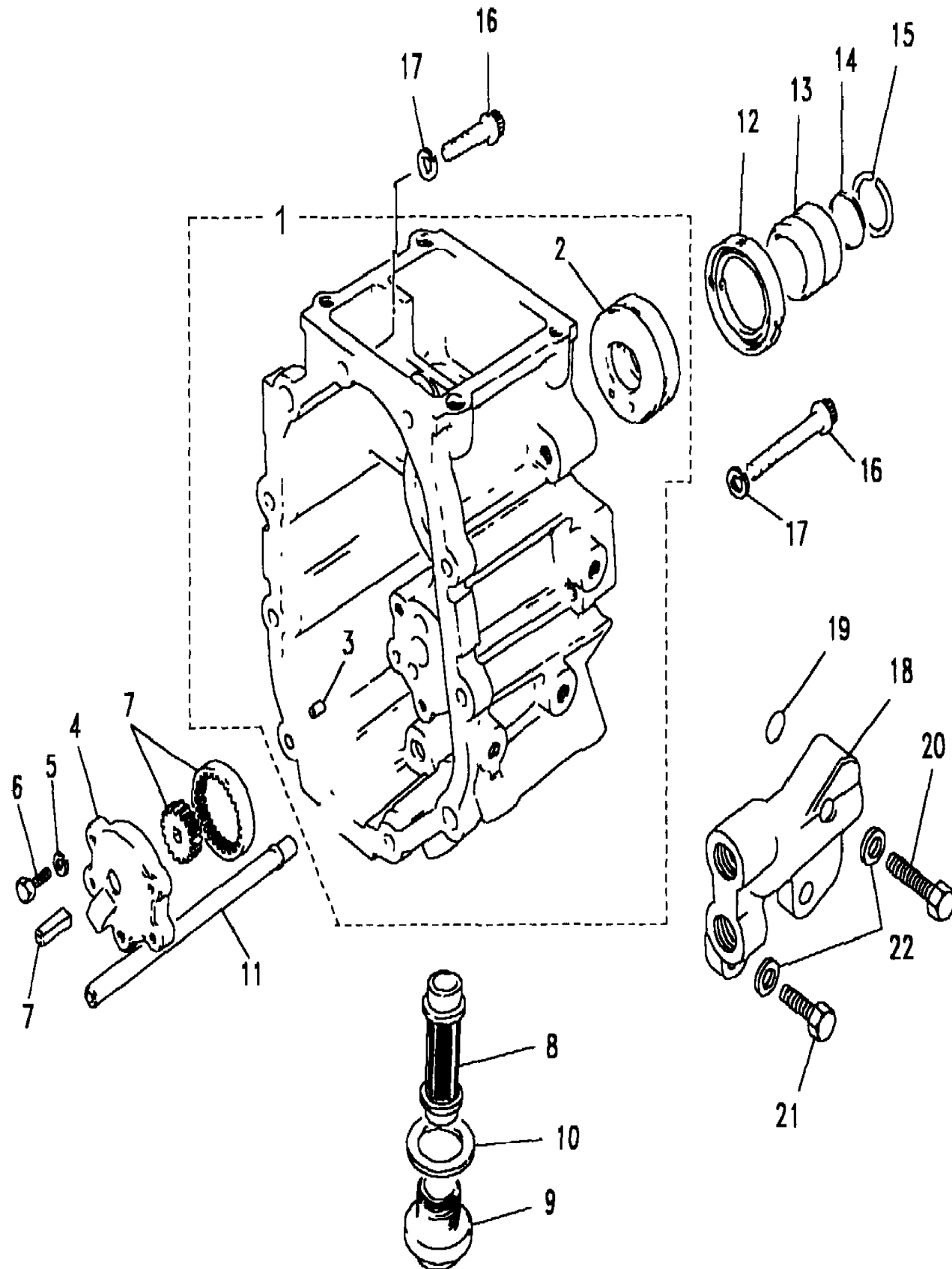
(BDCEGA1B)

Range Rover (From JA610294)

Gearbox  
77mm-5 Speed-Manual-4 Cylinder  
Extension Case

Manual Transmission, 5 Speed

Callout	Name	Application	Remarks & Restrictions	Service No.	Qty
1	Case assembly-extension	With Petrol Engines, Manual Transmission With Diesel Engines, Manual Transmission	Also serviced as part of a kit Also serviced as part of a kit	FTC1482 FTC1494	1 1
2	Ring-mainshaft oil feed	With Diesel Engines, Manual Transmission		FRC4449	1
3	Dowel	With Diesel Engines, Manual Transmission	Also serviced as part of a kit	UKC2738L	2
4	Body-transmission oil pump	Change point - Gearbox end 0207550H, Manual Transmission Change point - Gearbox begin 0207751H, Manual Transmission		FTC1403 FTC3623	1 1
5	Washer	Manual Transmission	M6, sprung	WL106001L	3
6	Screw	Manual Transmission	To pump oil body, M6 X 20, Flanged Head	FS106201L	3
7	Gears & shaft assembly-transmission oil pump	Manual Transmission		RTC6730	1
8	Strainer-transmission oil	Manual Transmission		FRC6244	1
9	Plug	Manual Transmission		90571104	1
10	Washer-sealing	Manual Transmission	man trans extension case drain plug	FRC4810	1
11	Pipe-transmission oil inlet	Manual Transmission		FRC8104	1
12	Seal	Manual Transmission		FRC2365	1
13	Collar	Manual Transmission		FRC4493	1
14	O Ring	Manual Transmission		FRC4501	1
15	Spring Ring	Manual Transmission		FRC4494	1
16	Bolt	Manual Transmission Manual Transmission	Flanged Head, M8 x 60 M8 x 50, Flanged Head	FRC4282 BH108105L	8 2
17	Washer	Manual Transmission	M8, sprung	WL108001L	10
18	Housing-transmission thermostat	Manual Transmission		FTC1404	1
19	O Ring	Manual Transmission		FTC1441	2



Gearbox  
77mm-5 Speed-Manual-4 Cylinder  
Extension Case 2/2

Range Rover (From JA610294)

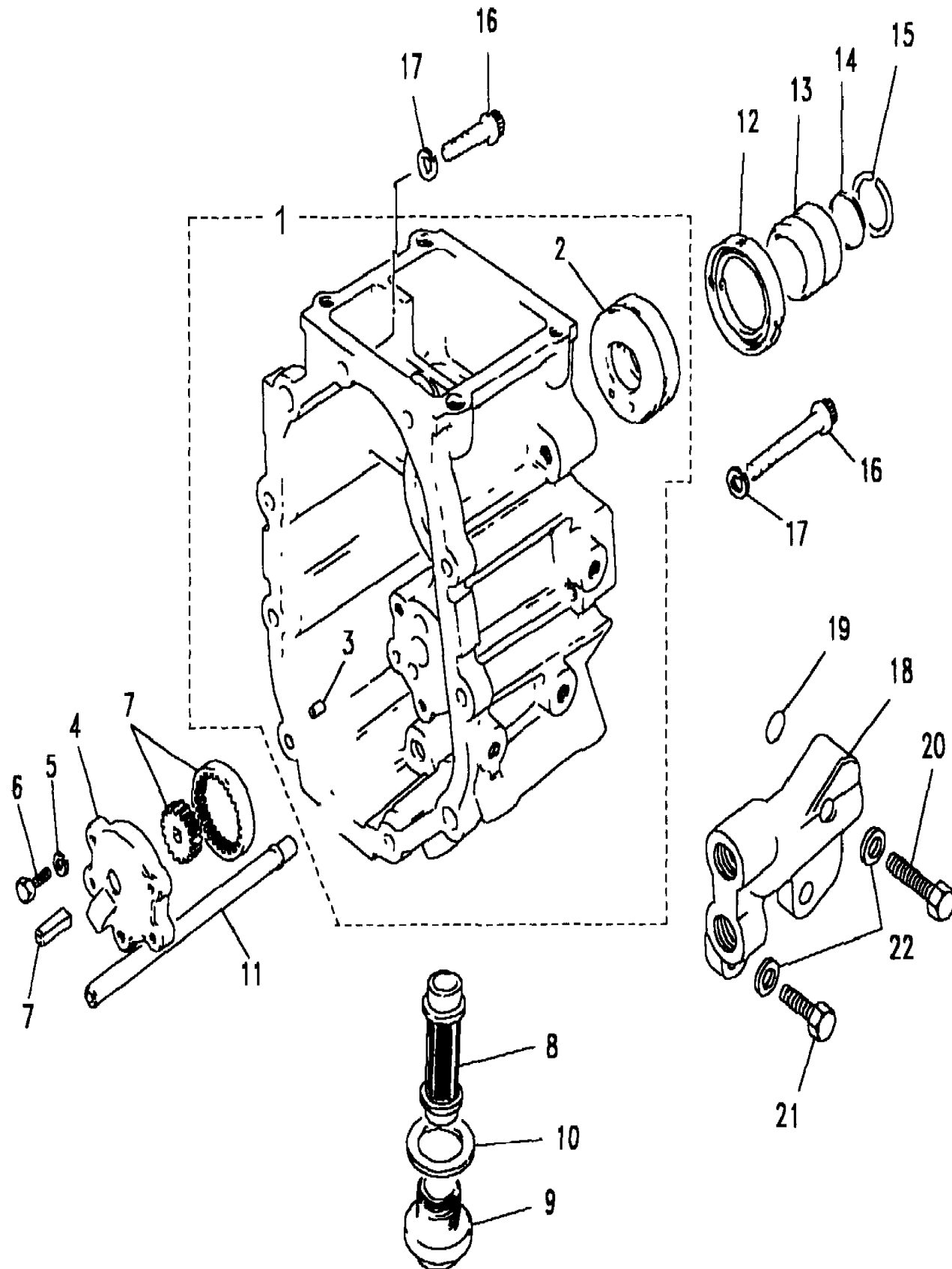
(BDCEGA1B)

Range Rover (From JA610294)

Gearbox  
77mm-5 Speed-Manual-4 Cylinder  
Extension Case

Manual Transmission, 5 Speed

Callout	Name	Application	Remarks & Restrictions	Service No.	Qty
20	Screw	Manual Transmission	to thermostat housing, hexagonal head, M8 x 40	SH108401L	1
21	Screw	Manual Transmission	to thermostat housing, M8 X 30, hexagonal head	SH108301L	2
22	Washer	Manual Transmission	8MM	WA108051L	3
[900]	Clip-p	Manual Transmission	5/16"	BAU1689	1
[901]	Retainer	Manual Transmission		FRC9310	1
[902]	Stud	Manual Transmission		FTC890	1
[908]	Screw-Grub	With Diesel Engines, Manual Transmission	Also serviced as part of a kit	FTC1533	1



Gearbox  
77mm-5 Speed-Manual-4 Cylinder  
Gearbox Assembly 1/1

Range Rover (From JA610294)

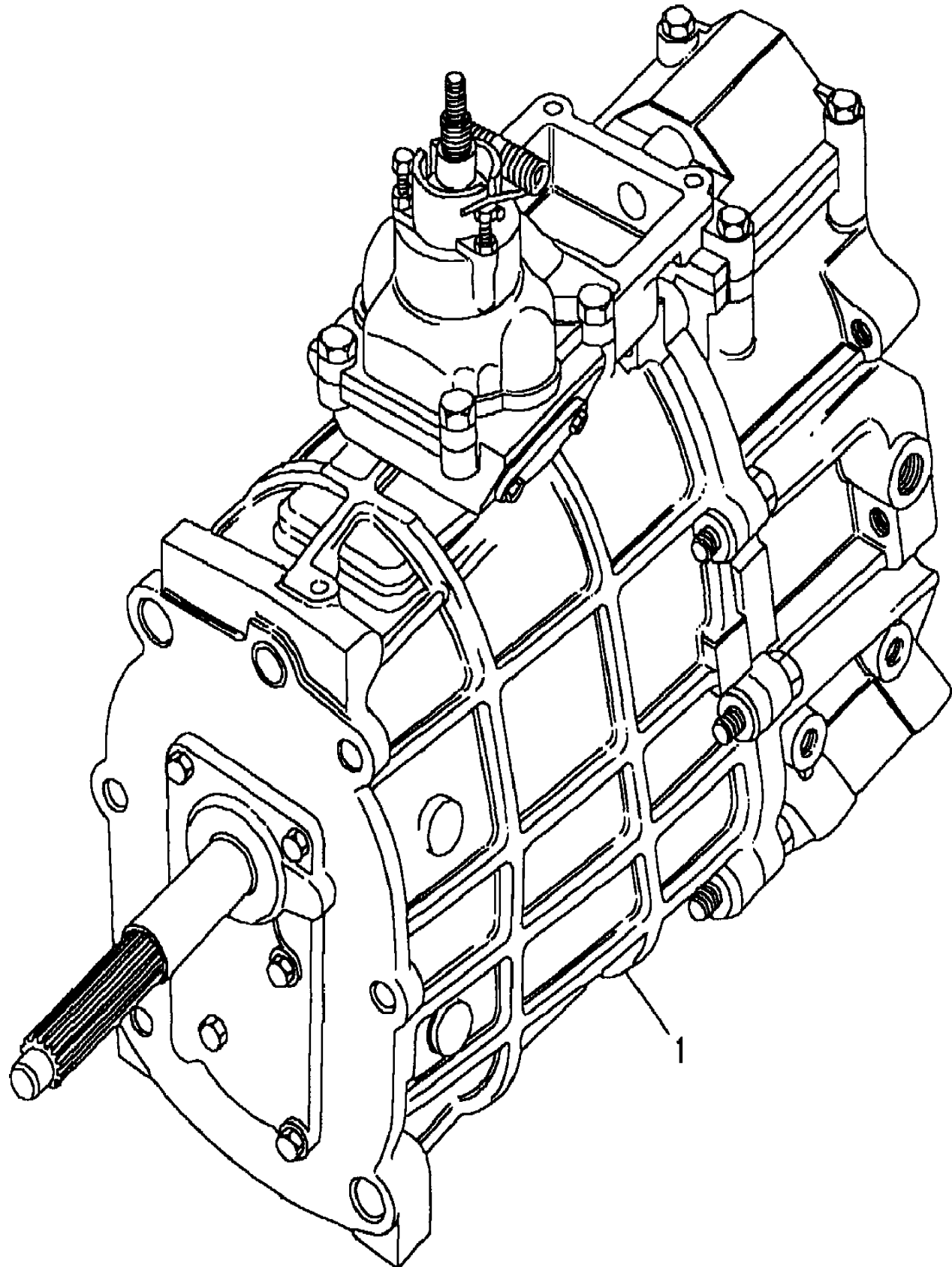
(BDCEAA1A)

Range Rover (From JA610294)

Gearbox  
77mm-5 Speed-Manual-4 Cylinder  
Gearbox Assembly

Manual Transmission, 5 Speed

Callout	Name	Application	Remarks & Restrictions	Service No.	Qty
1	Transmission assembly manual	With Petrol Engines	Engine Code 41A, New	FTC4489	1
		With Petrol Engines	Engine Code 53A, exchange	STC1000E	1
			VM, Engine Code 54A, exchange	STC1001E	1
		TDi	Engine Code 40A, New	FTC4495	1
		TDi	Engine Code 55A, exchange	STC1093E	1
[901]	Kit-gearbox conversion fitting			STC2771	1



Gearbox  
77mm-5 Speed-Manual-4 Cylinder  
Gearcase 1/1

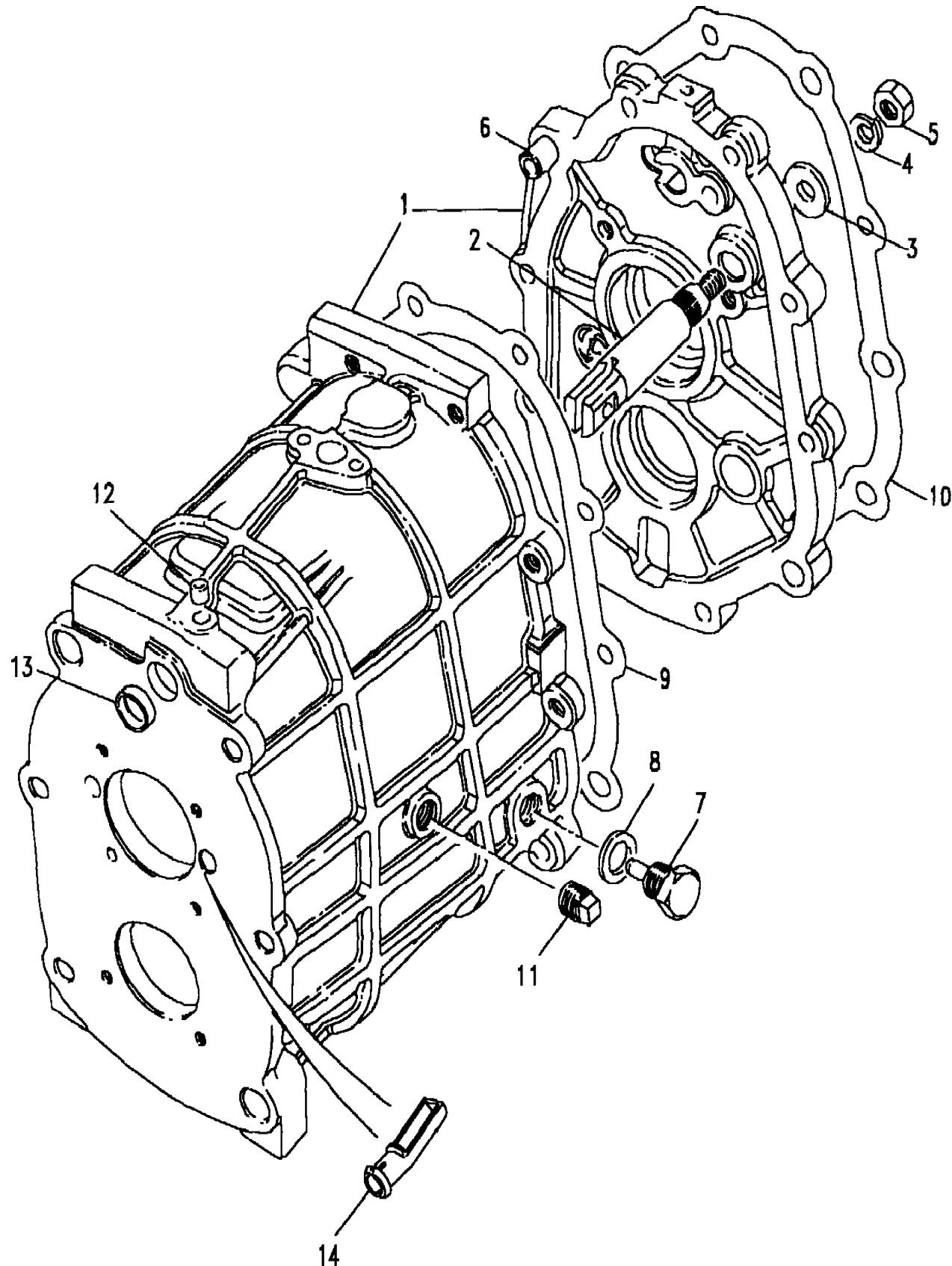
**Range Rover (From JA610294)**  
(BDCEEA3A)

**Range Rover (From JA610294)**

Gearbox  
77mm-5 Speed-Manual-4 Cylinder  
Gearcase

Manual Transmission, 5 Speed

Callout	Name	Application	Remarks & Restrictions	Service No.	Qty
1	Case-manual transmission	Manual Transmission		FTC2192	1
2	Pin-reverse gear selector lever pivot	Manual Transmission		FRC8383	1
3	Washer	Manual Transmission	M10	WA110061L	1
4	Washer	Manual Transmission		WL100001L	1
5	Locknut	Manual Transmission		NH100041L	1
6	Dowel	Manual Transmission		UKC170L	2
7	Plug and magnet assembly-transmission case	Manual Transmission		FRC6145	1
8	Washer-sealing	Change point - VIN begin JA610294, Change point - VIN end MA660163, Manual Transmission	man trans drain plug, Transmission LT 77	FTC4112	1
9	Gasket-centre plate to extension case	Manual Transmission		TKC1229L	1
10	Gasket-centre plate to extension case	Manual Transmission		TKC1235L	1
11	Plug-level	Manual Transmission		3292	1
12	Plug-core	Manual Transmission	9MM	FRC9803	1
13	Plug-core	Manual Transmission	9MM	UKC30L	1
14	Catcher-manual transmission oil	Manual Transmission		TKC5779L	1
[901]	Tube-breather transmission case	Manual Transmission		FRC9427	1
		Manual Transmission		FRC9430	1
[902]	Clip-p	Manual Transmission	5/16"	BAU1689	1





Gearbox  
77mm-5 Speed-Manual-4 Cylinder  
Gearchange & Lever 1/2

Range Rover (From JA610294)

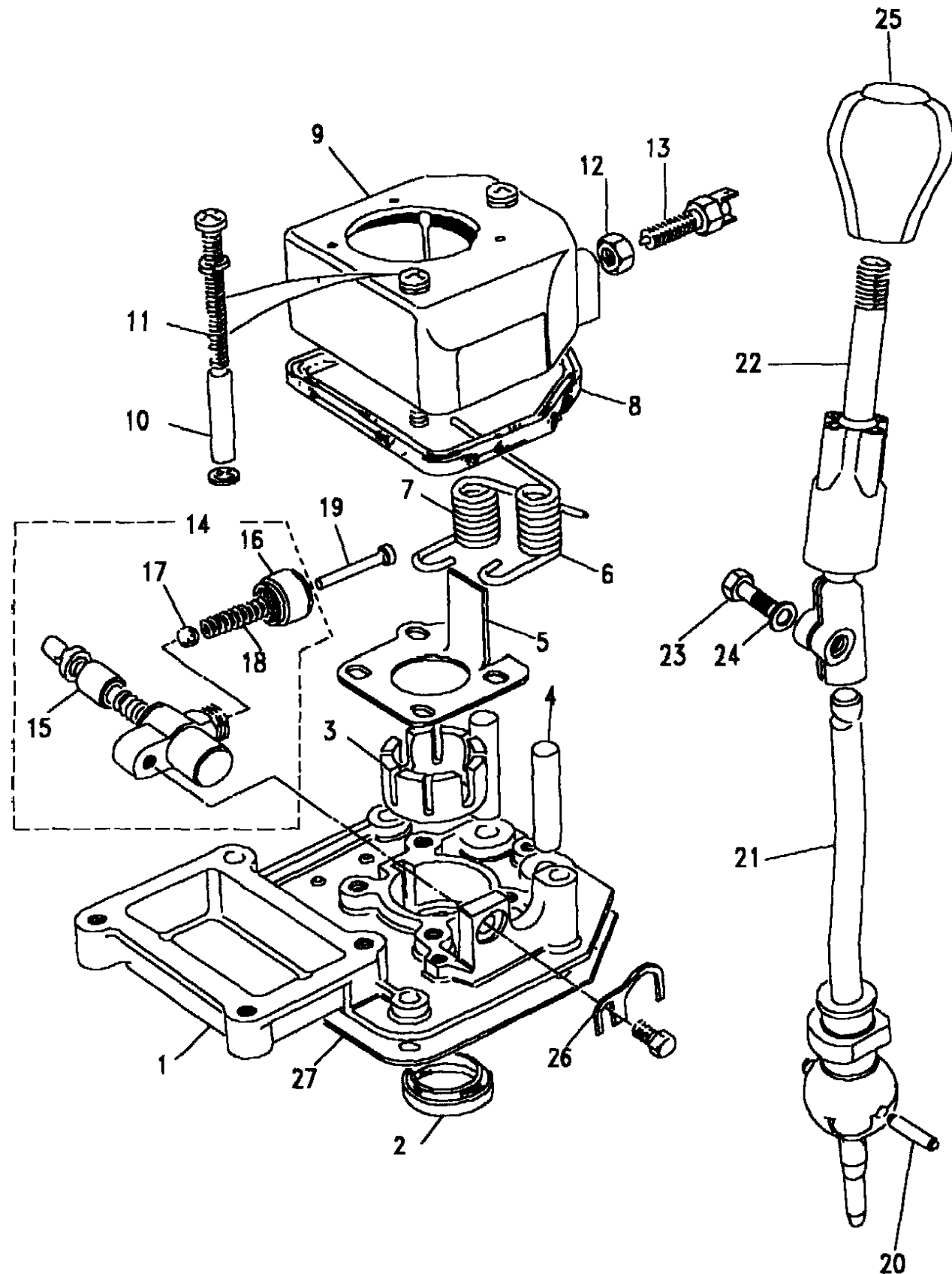
(BDCEKC2A)

Range Rover (From JA610294)

Gearbox  
77mm-5 Speed-Manual-4 Cylinder  
Gearchange & Lever

Manual Transmission, 5 Speed

Callout	Name	Application	Remarks & Restrictions	Service No.	Qty
1	Housing-ball pin gear change-manual transmission			FTC2448	1
2	Seal			FTC2199	1
3	Bush-change pivot manual transmission			FRC9985	1
4	Pin-roll-spring tension			FRC9028	2
5	Plate			FTC1987	1
6	Spring-1st/2nd bias manual transmission			FTC1988	1
7	Spring-5th bias manual transmission			FRC8490	1
8	Seal-dust-gear change/plate manual transmission			FRC8507	1
9	Housing-change ball manual transmission		Also serviced as part of a kit	FRC8915	1
10	Spacer		Also serviced as part of a kit	FRC8520	2
11	Screw		To housing top cover, Also serviced as part of a kit, M6 x 60	SE106601	2
12	Locknut		To housing top cover, M10	NT110041L	1
13	Switch		Reverse Lamp	PRC2911	1
14	Plunger-locking manual transmission	Change point - Gearbox end 0239603H Change point - Gearbox begin 0239604H	Also serviced as part of a kit	FTC1908	1
15	Spring-coil	Change point - Gearbox begin 0239604H	Also serviced as part of a kit	FRC6318	1
16	Cover-spring assembly detent arm	Change point - Gearbox begin 0239604H	Also serviced as part of a kit	FRC8793	1
17	Ball-detent manual transmission	Change point - Gearbox begin 0239604H	Also serviced as part of a kit	571146	1
18	Spring-plunger manual transmission	Change point - Gearbox begin 0239604H	Also serviced as part of a kit	FRC8776	1
19	Plunger-reverse switch			FRC8517	1
20	Pin			UKC3092	2



Gearbox  
77mm-5 Speed-Manual-4 Cylinder  
Gearchange & Lever 2/2

Range Rover (From JA610294)

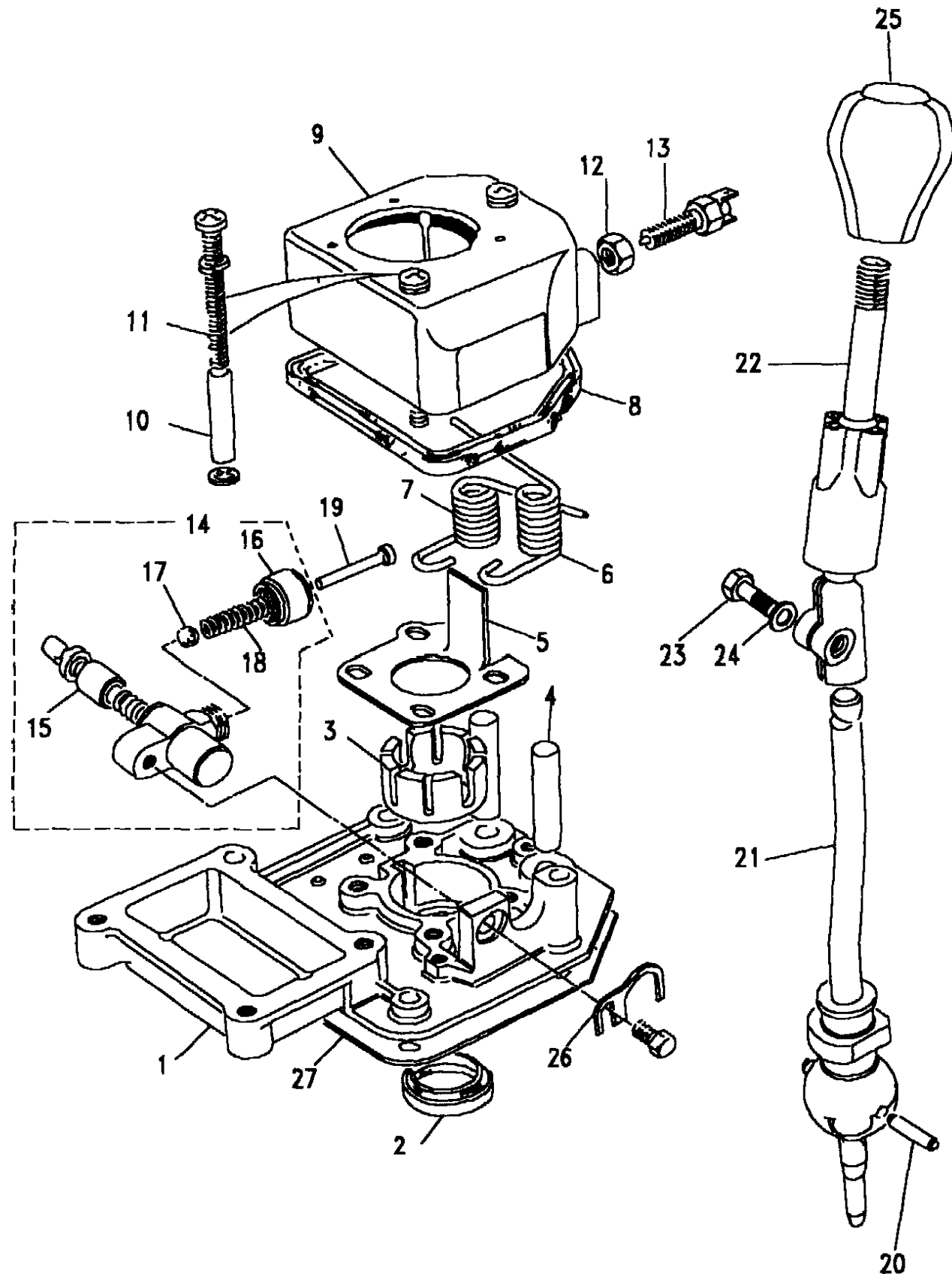
(BDCEKC2A)

Range Rover (From JA610294)

Gearbox  
77mm-5 Speed-Manual-4 Cylinder  
Gearchange & Lever

Manual Transmission, 5 Speed

Callout	Name	Application	Remarks & Restrictions	Service No.	Qty
21	Lever-lower manual transmission			FTC4026	1
22	Lever-upper manual transmission			FTC4129	1
23	Screw		To gear lever upper assy, M8 x 25, hexagonal head	SH108251L	1
			M8 x 25, hexagonal head	SH108251L	4
24	Washer		8MM	WA108051L	2
25	Knob assembly-change manual transmission			FTC1245RUN	1
26	Gasket-gearchange ball pin housing			FRC8505	1
[900]	Screw		M6 X 20, Flanged Head M8 X 30, hexagonal head M8 x 25, hexagonal head	FS106201L SH108301L SH108251L	2 1 4
[901]	Bolt		M8 X 35 M8 x 50, Flanged Head Flanged Head, M8 x 55 Flanged Head, M8 x 60	BH108071L FB108101 FB108111L FB108121L	2 2 1 1
[902]	Washer		6MM M8, sprung	WA106041L WL108001L	2 8
[903]	Pin-Spring			FRC2626	2
[904]	Screw-flanged head		M8 X 30 M6 X 16, Flanged Head	FS108301 FS106167L	2 1
[905]	Nut - Hex.		M6, nyloc, Hexagonal	NH106041L	2



Gearbox  
77mm-5 Speed-Manual-4 Cylinder  
Layshaft - Reverse Idler 1/2

Range Rover (From JA610294)

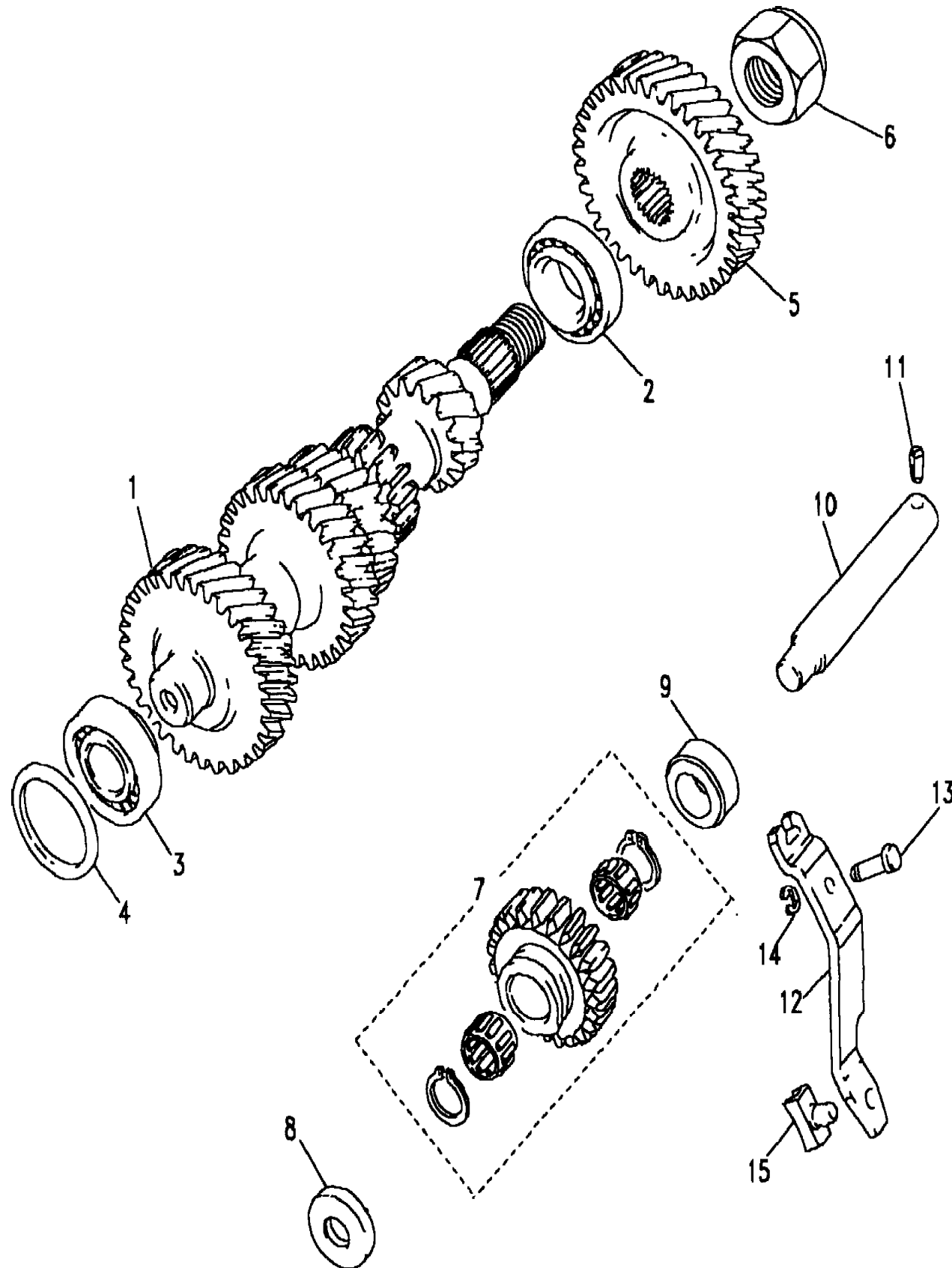
(BDCEIE1A)

Range Rover (From JA610294)

Gearbox  
77mm-5 Speed-Manual-4 Cylinder  
Layshaft - Reverse Idler

Manual Transmission, 5 Speed

Callout	Name	Application	Remarks & Restrictions	Service No.	Qty
1	Shaft-lay	With Diesel Engines With Petrol Engines		FTC1074 FTC1073	1 1
2	Bearing-taper roller		31.75 x 59.0	FTC317	1
3	Bearing-taper roller		31.75 x 62.0	FTC248	1
4	Shim	Change point - VIN begin JA610294	man trans countershaft bearing/front cover, 1.39MM	FTC263	1
		Change point - VIN begin JA610294	man trans countershaft bearing/front cover, 1.45MM	FTC265	1
		Change point - VIN begin JA610294	man trans countershaft bearing/front cover, 1.51MM	FTC267	1
		Change point - VIN begin JA610294	man trans countershaft bearing/front cover, 1.57MM	FTC269	1
		Change point - VIN begin JA610294	man trans countershaft bearing/front cover, 1.63MM	FTC271	1
		Change point - VIN begin JA610294	man trans countershaft bearing/front cover, 1.69MM	FTC273	1
		Change point - VIN begin JA610294	man trans countershaft bearing/front cover, 1.75MM	FTC275	1
		Change point - VIN begin JA610294	man trans countershaft bearing/front cover, 1.81MM	FTC277	1
		Change point - VIN begin JA610294	man trans countershaft bearing/front cover, 1.87MM	FTC279	1
		Change point - VIN begin JA610294	man trans countershaft bearing/front cover, 1.93MM	FTC281	1
		Change point - VIN begin JA610294	man trans countershaft bearing/front cover, 1.99MM	FTC283	1
		Change point - VIN begin JA610294	man trans countershaft bearing/front cover, 2.05MM	FTC285	1
		Change point - VIN begin JA610294	man trans countershaft bearing/front cover, 2.11MM	FTC287	1
		Change point - VIN begin JA610294	man trans countershaft bearing/front cover, 2.17MM	FTC289	1
		Change point - VIN begin JA610294	man trans countershaft bearing/front cover, 2.23MM	FTC291	1
		Change point - VIN begin JA610294	man trans countershaft bearing/front cover, 2.29MM	FTC293	1
		Change point - VIN begin JA610294	man trans countershaft bearing/front cover, 2.35MM	FTC295	1
5	Gear-5th speed countershaft manual transmission	With Diesel Engines  With Petrol Engines		FTC419  FTC1359	1  1
6	Nut-stake			FRC7214	1
7	Gear-reverse manual transmission			FRC8285	1
8	Spacer			FRC4947	1
9	Spacer		Rear	FRC5186	1



Gearbox  
77mm-5 Speed-Manual-4 Cylinder  
Layshaft - Reverse Idler 2/2

Range Rover (From JA610294)

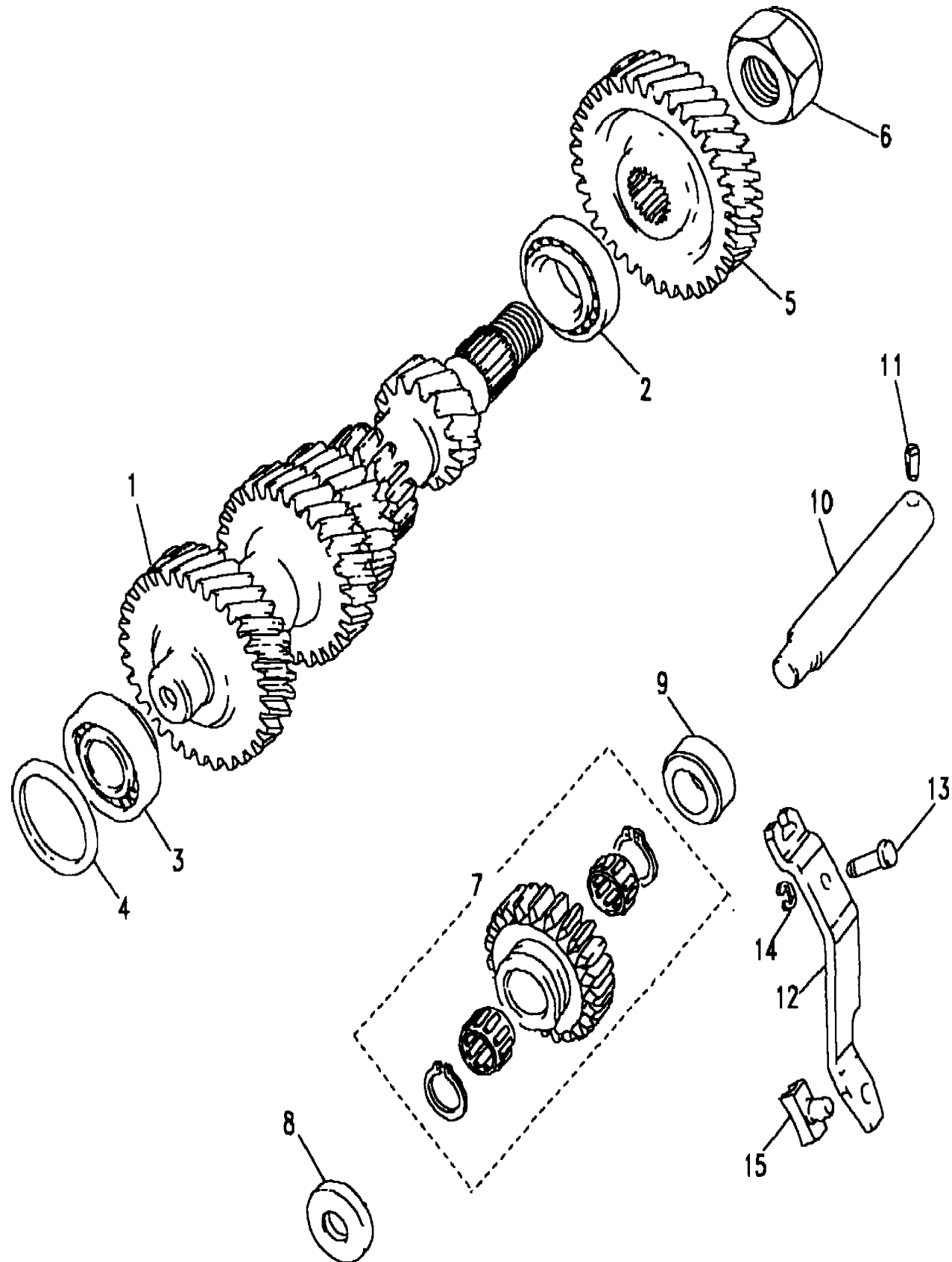
(BDCEIE1A)

Range Rover (From JA610294)

Gearbox  
77mm-5 Speed-Manual-4 Cylinder  
Layshaft - Reverse Idler

Manual Transmission, 5 Speed

Callout	Name	Application	Remarks & Restrictions	Service No.	Qty
10	Shaft-reverse idler assembly-manual transmission			FRC5095	1
11	Pin			UKC18L	1
12	Lever-selector selector mechanism			FRC8246	1
13	Pin-reverse gear selector lever pivot			FRC8382	1
14	Circlip			13H2023L	1
15	Pad-reverse gear selector lever			FTC1435	1



Gearbox  
77mm-5 Speed-Manual-4 Cylinder  
Mainshaft 1/2

Range Rover (From JA610294)

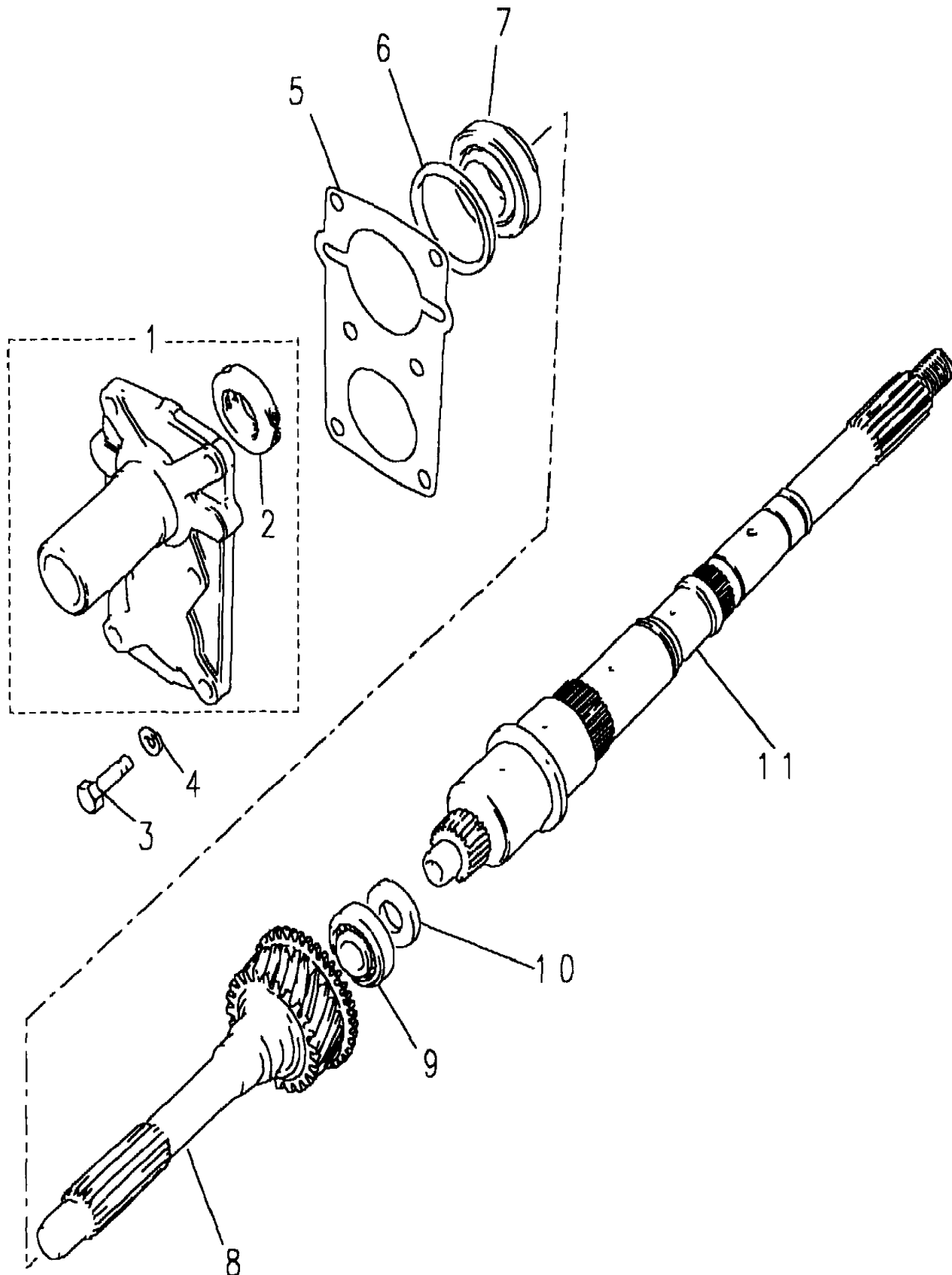
(BDCEIA1A)

Range Rover (From JA610294)

Gearbox  
77mm-5 Speed-Manual-4 Cylinder  
Mainshaft

5 Speed, Manual Transmission

Callout	Name	Application	Remarks & Restrictions	Service No.	Qty
1	Cover-end manual transmission	Manual Transmission	Also serviced as part of a kit, Long, Front	FTC917	1
		Manual Transmission	Also serviced as part of a kit, Front	FTC2822	1
2	Seal	Manual Transmission	man trans primary shaft, Also serviced as part of a kit	UKC1060L	1
3	Screw	Manual Transmission	M8 x 25, hexagonal head	SH108251L	6
4	Washer	Manual Transmission	8MM	WA108051L	6
5	Gasket-front cover manual transmission	Change point - VIN begin JA610294, Manual Transmission	Transmission LT 77	FTC316	1
6	Shim	Manual Transmission	man trans primary shaft bearing/front cover, 1.51MM	FRC4327	X
		Manual Transmission	man trans primary shaft bearing/front cover, 1.57MM	FRC4329	X
		Manual Transmission	man trans primary shaft bearing/front cover, 1.63MM	FRC4331	X
		Manual Transmission	man trans primary shaft bearing/front cover, 1.69MM	FRC4333	X
		Manual Transmission	man trans primary shaft bearing/front cover, 1.75MM	FRC4335	X
		Manual Transmission	man trans primary shaft bearing/front cover, 1.81MM	FRC4337	X
		Manual Transmission	man trans primary shaft bearing/front cover, 1.87MM	FRC4339	X
		Manual Transmission	man trans primary shaft bearing/front cover, 1.93MM	FRC4341	X
		Manual Transmission	man trans primary shaft bearing/front cover, 1.99MM	FRC4343	X
		Manual Transmission	man trans primary shaft bearing/front cover, 2.05MM	FRC4345	X
		Manual Transmission	man trans primary shaft bearing/front cover, 2.11MM	FRC4347	X
		Manual Transmission	man trans primary shaft bearing/front cover, 2.17MM	FRC4349	X
		Manual Transmission	man trans primary shaft bearing/front cover, 2.23MM	FRC4351	X
		Manual Transmission	man trans primary shaft bearing/front cover, 2.29MM	FRC4353	X
		Manual Transmission	man trans primary shaft bearing/front cover, 2.35MM	FRC4355	X
		Manual Transmission	man trans primary shaft bearing/front cover, 2.41MM	FRC4357	X
		Manual Transmission	man trans primary shaft bearing/front cover, 2.47MM	FRC4359	X
		Manual Transmission	man trans primary shaft bearing/front cover, 2.53MM	FRC4361	X
Manual Transmission	man trans primary shaft bearing/front cover, 2.59MM	FRC4363	X		
Manual Transmission	man trans primary shaft bearing/front cover, 2.65MM	FRC4365	X		
Manual Transmission	man trans primary shaft bearing/front cover, 2.71mm	FRC4367	X		



Gearbox  
77mm-5 Speed-Manual-4 Cylinder  
Mainshaft 2/2

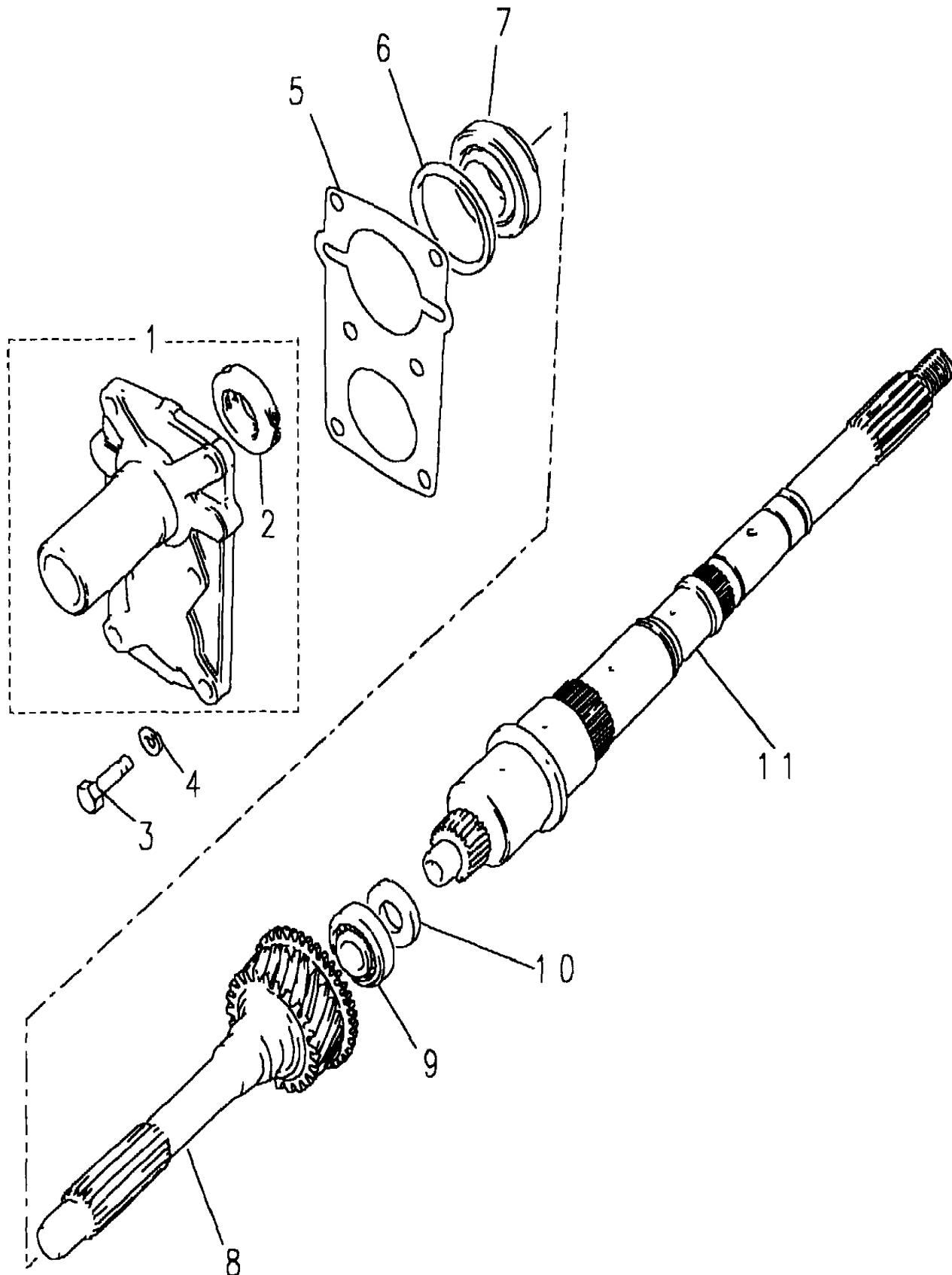
Range Rover (From JA610294)  
(BDCEIA1A)

Range Rover (From JA610294)

Gearbox  
77mm-5 Speed-Manual-4 Cylinder  
Mainshaft

5 Speed, Manual Transmission

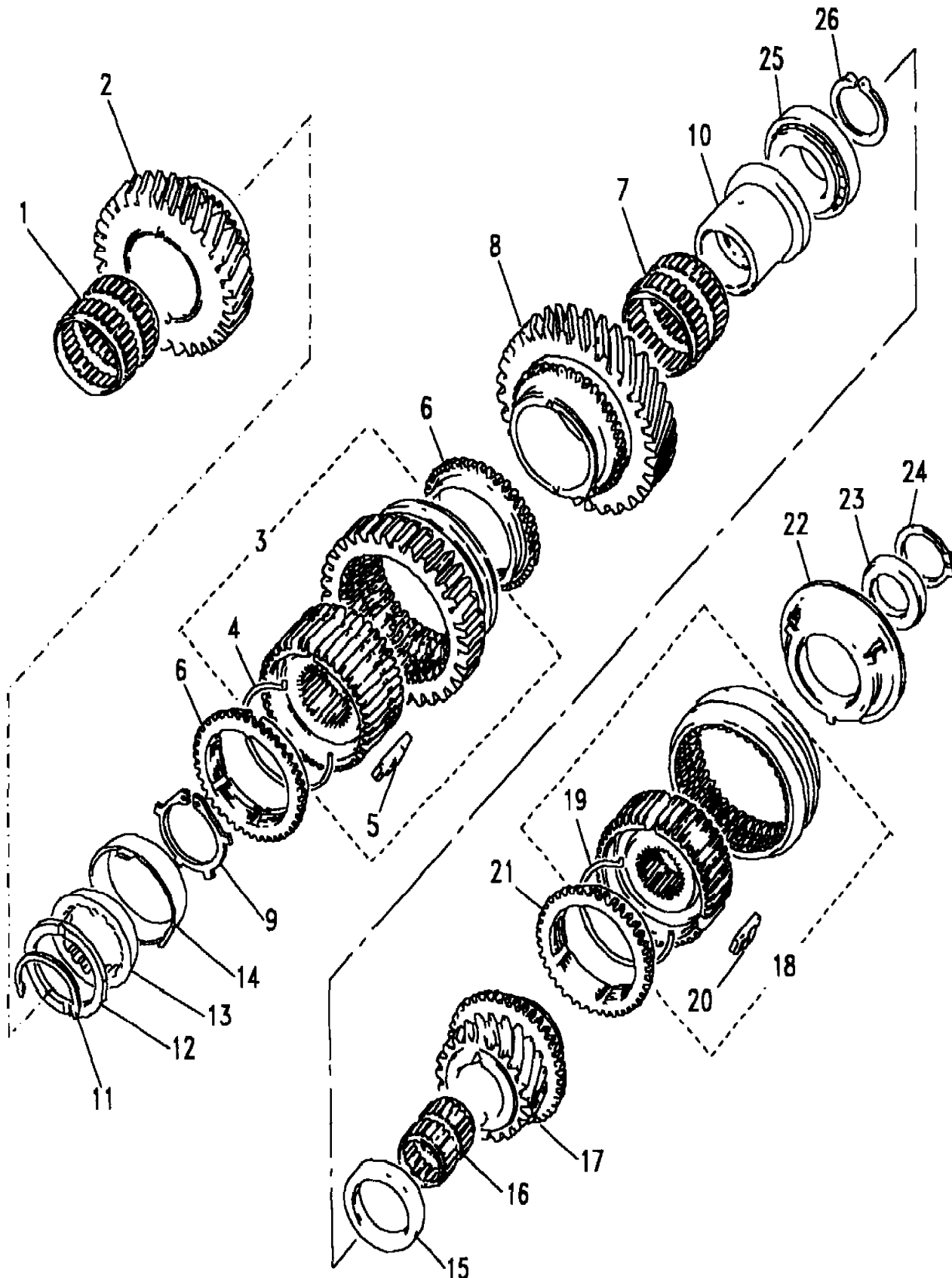
Callout	Name	Application	Remarks & Restrictions	Service No.	Qty
6	Shim	Manual Transmission	man trans primary shaft bearing/front cover, 2.77MM	FRC4369	X
7	Bearing-taper roller	Manual Transmission	35.0 x 68.5	RTC6751	1
8	Shaft-pinion differential	With Petrol Engines, Manual Transmission	Also serviced as part of a kit	FTC347	1
		Manual Transmission	DIESEL, TDi, Also serviced as part of a kit, VM	FTC347	1
		Manual Transmission	DIESEL, TDi, Also serviced as part of a kit, VM	FTC1426	1
9	Bearing-taper roller	Manual Transmission	17.5 x 40.0	UKC8L	1
10	Spacer	Manual Transmission		UKC37L	1
11	Shaft-main manual transmission	Manual Transmission		STC1889	1
[900]	Disc synchro stop-mainshaft	With Petrol Engines, Manual Transmission	Also serviced as part of a kit	FTC1112	1



Gearbox  
77mm-5 Speed-Manual-4 Cylinder  
Mainshaft Gears 1st/2nd/5th 1/3

Range Rover (From JA610294)

(BDCEIC2A)



Range Rover (From JA610294)

Gearbox  
77mm-5 Speed-Manual-4 Cylinder  
Mainshaft Gears 1st/2nd/5th

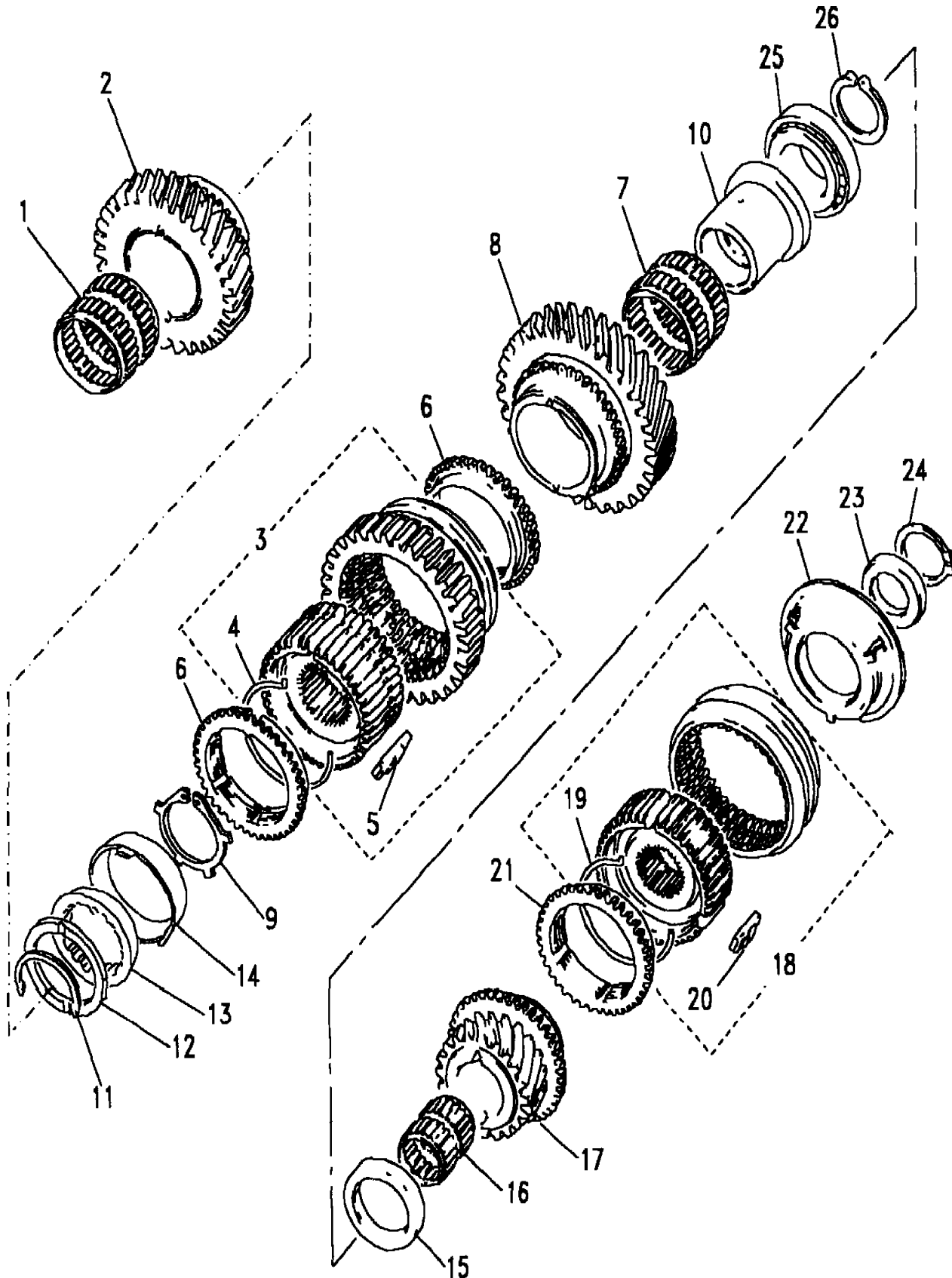
Manual Transmission, 5 Speed

Callout	Name	Application	Remarks & Restrictions	Service No.	Qty
1	Bearing-needle roller	Manual Transmission		FTC1312	1
2	Gear-2nd driven manual transmission	With Diesel Engines, Manual Transmission With Petrol Engines, Manual Transmission		FTC2462 FTC2461	1 1
3	Synchroniser assembly-1st & 2nd mainshaft assembly	Change point - Gearbox end 0242819H, Manual Transmission Change point - Gearbox begin 0242820H, Manual Transmission	Also serviced as part of a kit, Transmission LT 77 Also serviced as part of a kit, Transmission LT 77	STC8577 FTC4087	1 1
4	Spring 1st & 2nd synchroniser	Change point - Gearbox begin 0242820H, Manual Transmission	Also serviced as part of a kit, Transmission LT 77	FTC2285	2
5	Plate-synchroniser	Change point - Gearbox begin 0242820H, Manual Transmission	Also serviced as part of a kit, Transmission LT 77	FTC4011	3
6	Ring-baulk	Change point - Gearbox end 0242819H, Manual Transmission Change point - Gearbox begin 0242820H, Manual Transmission	1st/2nd gear 1st/2nd gear, Transmission LT 77	FTC2282 FTC4007	2 2
7	Bearing-needle roller manual transmission	Manual Transmission		FTC1311	2
8	Gear-1st driven manual transmission	With Diesel Engines, Manual Transmission With Petrol Engines, Manual Transmission		FTC1989 FTC1982	1 1
9	Circlip	Change point - VIN begin JA610294, Change point - VIN end MA660163, Manual Transmission	man trans 1st & 2nd synchroniser hub	FTC4009	2
10	Bush-1st gear selective	Manual Transmission	30.905 to 30.955mm 30.955 to 31.005mm 31.005 to 31.055mm 31.055 to 31.105mm 31.105 to 31.155mm	FTC2005 FTC2006 FTC2007 FTC2008 FTC2009	1 1 1 1 1
11	Circlip	Manual Transmission	man trans 2nd gear thrust washer	FTC1752	1
12	Washer-thrust manual transmission	Manual Transmission	1st/2nd gear	FTC1301	2
13	Cone-synchronizer inner	Change point - Gearbox end 0242819H, Manual Transmission		FTC2283	2

Gearbox  
77mm-5 Speed-Manual-4 Cylinder  
Mainshaft Gears 1st/2nd/5th 2/3

Range Rover (From JA610294)

(BDCEIC2A)



Range Rover (From JA610294)

Gearbox  
77mm-5 Speed-Manual-4 Cylinder  
Mainshaft Gears 1st/2nd/5th

Manual Transmission, 5 Speed

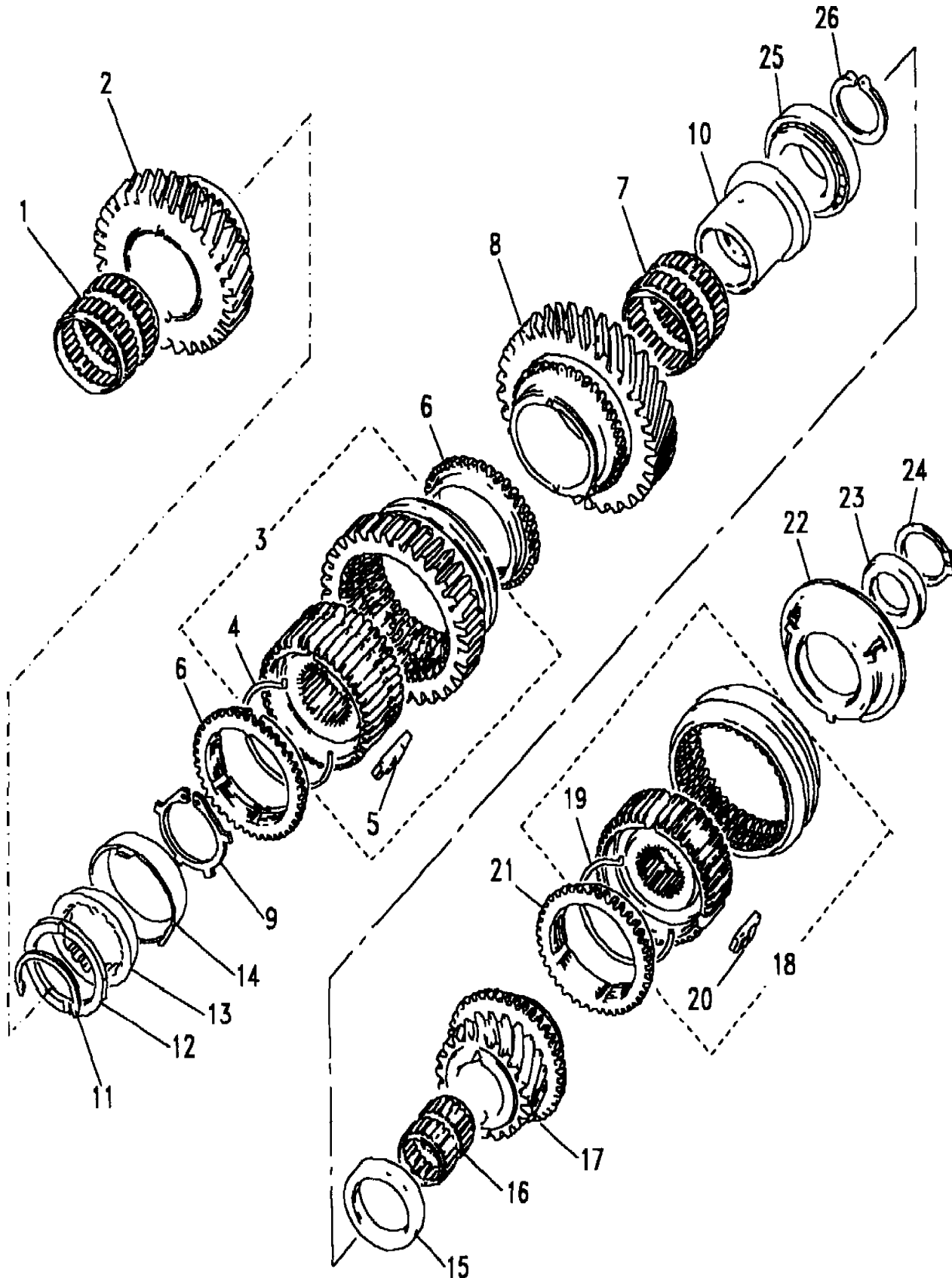
Callout	Name	Application	Remarks & Restrictions	Service No.	Qty
13	Cone-synchronizer inner	Change point - Gearbox begin 0242820H, Manual Transmission		FTC4008	2
14	Ring-synchroniser friction	Change point - Gearbox end 0242819H, Manual Transmission Change point - Gearbox begin 0242820H, Manual Transmission		FTC2284 FTC4010	2 2
15	Collar-distance manual transmission	Manual Transmission		FRC4321	1
16	Bearing-needle roller manual transmission	Manual Transmission		FRC5280	1
17	Gear-5th speed main shaft manual transmission	With Diesel Engines, Manual Transmission With Petrol Engines, Manual Transmission		FTC1791 FTC1360	1 1
18	Synchroniser assembly-5th gear mainshaft assembly	Change point - VIN begin JA610294, Manual Transmission	Also serviced as part of a kit, Transmission LT 77	FTC1329	1
19	Spring 1st & 2nd synchroniser	Change point - VIN begin JA610294, Manual Transmission	Also serviced as part of a kit, Transmission LT 77	UKC31L	1
20	Plate-synchroniser	Change point - VIN begin JA610294, Manual Transmission	Also serviced as part of a kit, Transmission LT 77	UKC3530L	3
21	Ring-baulk	Manual Transmission	5th Gear, Also serviced as part of a kit, Transmission LT 77	FRC8232	1
22	Plate-5th gear synchroniser support	Manual Transmission		FRC5235	1
23	Shim	Manual Transmission	man trans 5th gear synchroniser hub, 5.10mm Manual Transmission man trans 5th gear synchroniser hub, 5.16mm Manual Transmission man trans 5th gear synchroniser hub, 5.22mm Manual Transmission man trans 5th gear synchroniser hub, 5.28mm Manual Transmission man trans 5th gear synchroniser hub, 5.34mm Manual Transmission man trans 5th gear synchroniser hub, 5.40mm Manual Transmission man trans 5th gear synchroniser hub, 5.46mm Manual Transmission man trans 5th gear synchroniser hub, 5.52mm	FRC5284 FRC5286 FRC5288 FRC5290 FRC5292 FRC5294 FRC5296 FRC5298	X X X X X X X X X



Gearbox  
77mm-5 Speed-Manual-4 Cylinder  
Mainshaft Gears 1st/2nd/5th 3/3

Range Rover (From JA610294)

(BDCEIC2A)



Range Rover (From JA610294)

Gearbox  
77mm-5 Speed-Manual-4 Cylinder  
Mainshaft Gears 1st/2nd/5th

Manual Transmission, 5 Speed

Callout	Name	Application	Remarks & Restrictions	Service No.	Qty
23	Shim	Manual Transmission	man trans 5th gear synchroniser hub, 5.58mm	FRC5300	X
		Manual Transmission	man trans 5th gear synchroniser hub, 5.64mm	FRC5302	X
24	Circlip	Manual Transmission	man trans 5th gear synchroniser hub	FRC9526	X
25	Bearing-taper roller	Manual Transmission		RTC2914	1
26	Circlip	Manual Transmission		FRC9812	1
[903]	Spacer	Manual Transmission		UKC37L	1
[904]	Collar-distance manual transmission	Manual Transmission		FTC916	1

Gearbox  
77mm-5 Speed-Manual-4 Cylinder  
Mainshaft Gears 3rd/4th 1/1

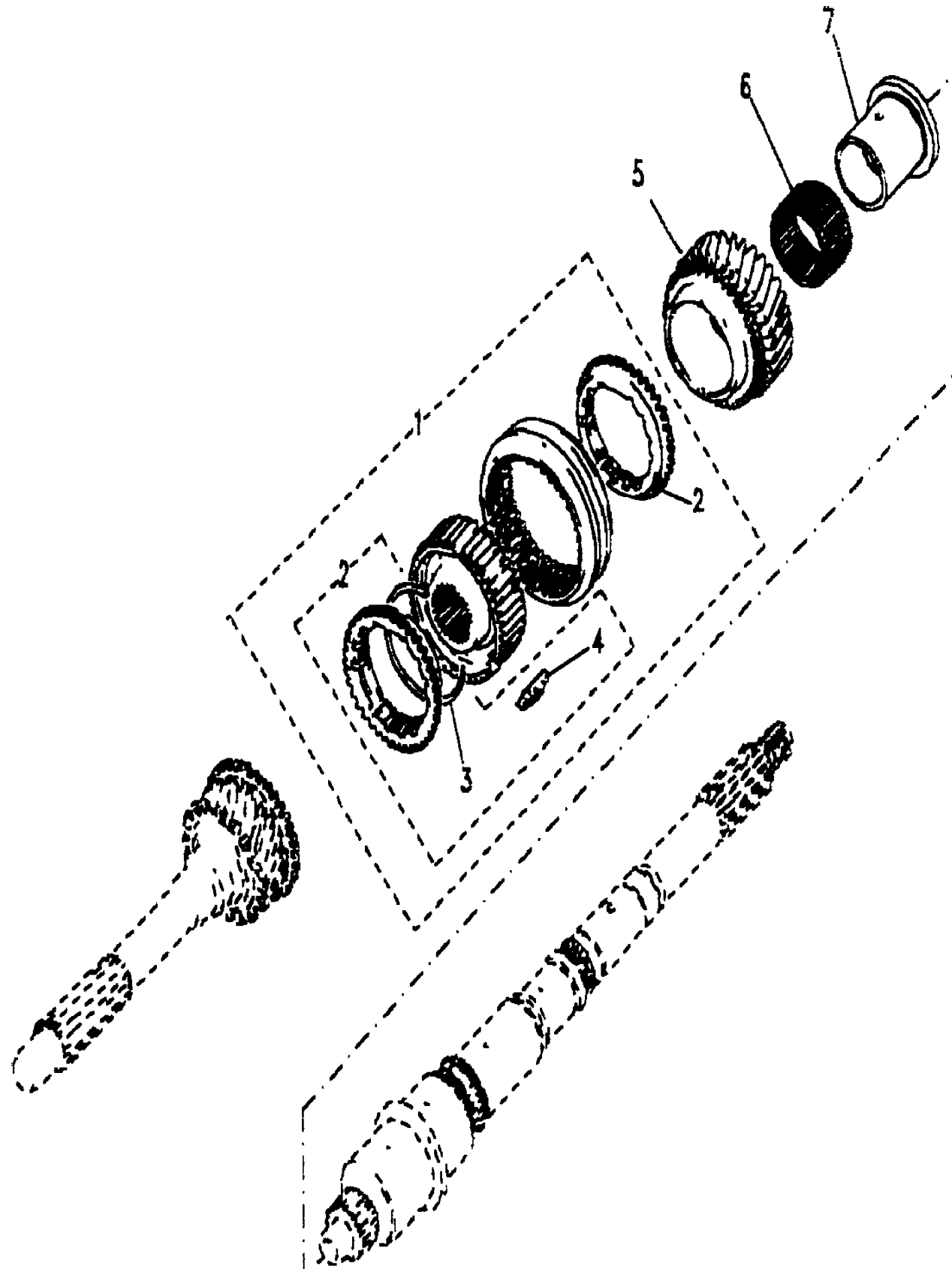
Range Rover (From JA610294)  
(BDCEIC1A)

Range Rover (From JA610294)

Gearbox  
77mm-5 Speed-Manual-4 Cylinder  
Mainshaft Gears 3rd/4th

Manual Transmission, 5 Speed

Callout	Name	Application	Remarks & Restrictions	Service No.	Qty
1	Synchroniser assembly-3rd & 4th mainshaft assembly	Change point - VIN begin JA610294	Also serviced as part of a kit, Transmission LT 77	FRC9792L	1
2	Ring-baulk	Change point - VIN begin JA610294	Also serviced as part of a kit, Transmission LT 77	FRC8232	2
5	Gear-3rd driven manual transmission	With Petrol Engines With Diesel Engines		FTC2504 FTC2505	1 1
6	Bearing-needle roller			FTC1313	2
7	Bush-3rd gear			FTC1310	1
[900]	Spring 1st & 2nd synchroniser	Change point - VIN begin JA610294	Also serviced as part of a kit, Transmission LT 77	UKC31L	2
[901]	Plate-synchroniser	Change point - VIN begin JA610294	Also serviced as part of a kit, Transmission LT 77	UKC3530L	3



Gearbox  
77mm-5 Speed-Manual-4 Cylinder  
Oil Cooler 1/2

Range Rover (From JA610294)

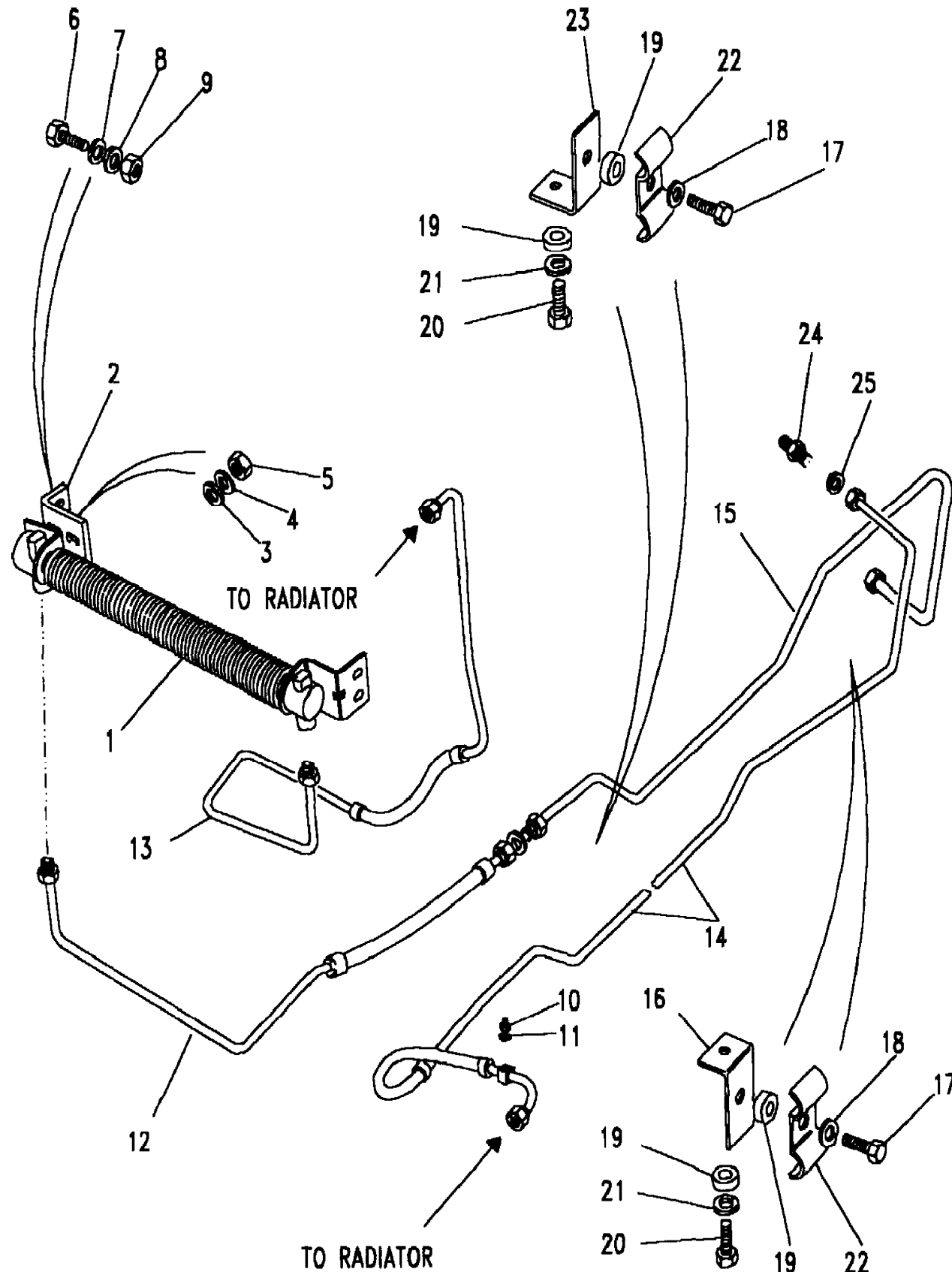
(BDCEO1A)

Range Rover (From JA610294)

Gearbox  
77mm-5 Speed-Manual-4 Cylinder  
Oil Cooler

5 Speed, Manual Transmission

Callout	Name	Application	Remarks & Restrictions	Service No.	Qty
1	Oil cooler transmission	Change point - VIN end JA624754 Change point - VIN begin KA624756		NTC6166 ESR1703	1 1
2	Bracket-mounting oil cooler			NTC1868	1
3	Washer		6MM	WA106041L	2
4	Washer		M6, sprung	WL106001L	2
5	Nut - Hex.		to bracket mounting, M6, nyloc, Hexagonal	NH106041L	2
6	Screw-flanged head		to bracket mounting, M6 X 16, Flanged Head	FS106167L	4
7	Washer		6MM	WA106041L	4
8	Washer		M6, sprung	WL106001L	4
9	Nut - Hex.		to bracket mounting, M6, nyloc, Hexagonal	NH106041L	4
10	Switch-transmission oil cooler temperature			PRC3139	1
11	Washer-sealing			232039	1
12	Pipe-oil cooler/transmission	Change point - VIN end JA624754 Change point - VIN begin KA624756 Change point - VIN begin KA626100	Also serviced as part of a kit, Front Also serviced as part of a kit Also serviced as part of a kit	NTC5799 ESR1243 ESR2093	1 1 1
13	Pipe-oil cooler/transmission	Change point - VIN begin KA624756 Change point - VIN begin KA626100 Change point - VIN end JA624754	Also serviced as part of a kit Also serviced as part of a kit Also serviced as part of a kit	ESR1247 ESR2094 NTC5743	1 1 1
16	Bracket-mounting oil pipe			NTC5794	1
17	Screw		To clamp, hexagonal head, 5/8UNC x 1	SH505081L	2
18	Washer		M6, sprung	WL106001L	2
19	Washer-Plain			4266L	4
20	Screw		to bracket mounting, hexagonal head, 5/8UNC x 1	SH505081L	2



Gearbox  
77mm-5 Speed-Manual-4 Cylinder  
Oil Cooler 2/2

Range Rover (From JA610294)

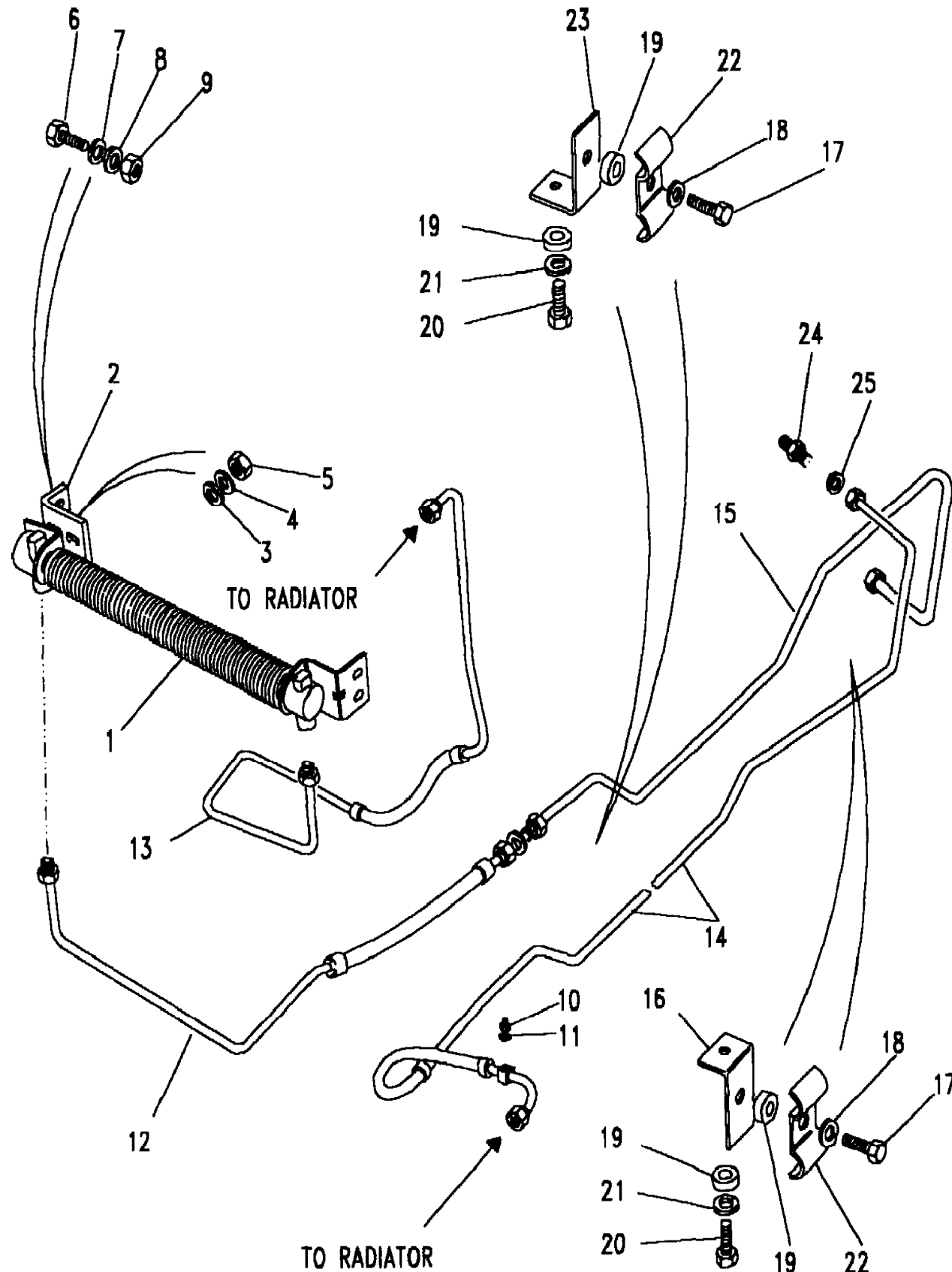
(BDCEO1A)

Range Rover (From JA610294)

Gearbox  
77mm-5 Speed-Manual-4 Cylinder  
Oil Cooler

5 Speed, Manual Transmission

Callout	Name	Application	Remarks & Restrictions	Service No.	Qty
21	Washer		M8, sprung	WL108001L	2
22	Clamp			594637	2
23	Bracket-mounting oil pipe			NTC5897	1
24	Adaptor-pipe-dual male			FTC815	2
25	Seal			FTC1525	2
[900]	O Ring	Change point - VIN end JA624754 Change point - VIN begin KA624756	transmission oil cooler hose, Also serviced as part of a kit	ESR1594L	1
			transmission oil cooler hose, Also serviced as part of a kit	ESR1594L	1



Gearbox  
77mm-5 Speed-Manual-4 Cylinder  
Selectors & Forks 1/2

Range Rover (From JA610294)

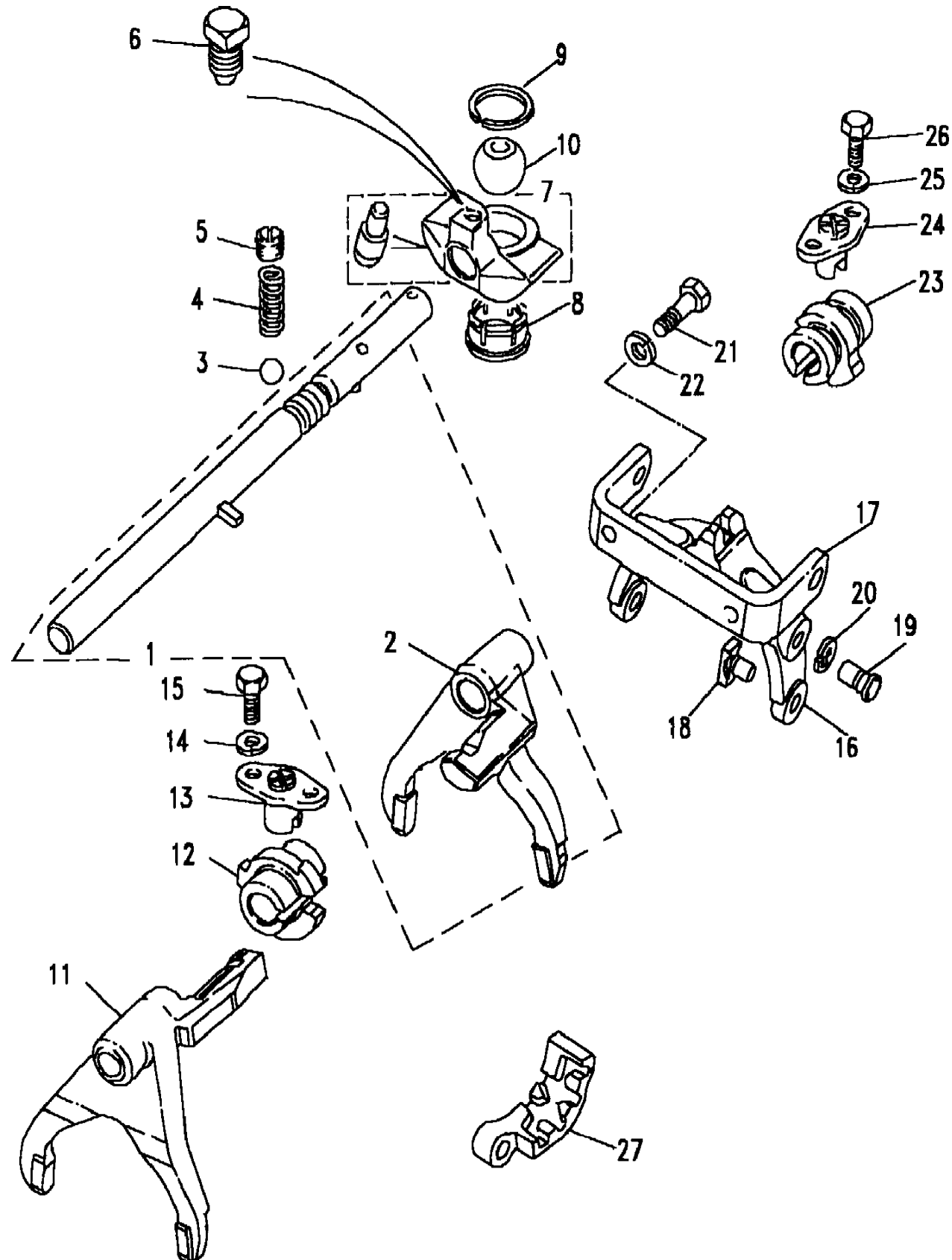
(BDCEKA1A)

Range Rover (From JA610294)

Gearbox  
77mm-5 Speed-Manual-4 Cylinder  
Selectors & Forks

Manual Transmission, 5 Speed

Callout	Name	Application	Remarks & Restrictions	Service No.	Qty
1	Shaft & lever assembly-selector manual transmission	Manual Transmission	Also serviced as part of a kit	FTC1316	1
2	Fork assembly-selector-1st/ 2nd manual transmission	Manual Transmission	Also serviced as part of a kit	FTC2450	1
3	Ball-detent manual transmission	Manual Transmission		BLS112L	1
4	Spring-detent manual transmission	Manual Transmission		FTC3382	1
5	Plug	Manual Transmission		FTC2193	1
6	Screw-Grub	Manual Transmission		FTC4536	1
7	Yoke-shift rod manual transmission	Manual Transmission		FTC3372	1
8	Bush-selector yoke spherical			FTC2203	1
9	Ring-Snap	Manual Transmission		FRC8882	1
10	Ball-selector yoke	Manual Transmission		FRC8485	1
11	Fork assembly-3rd & 4th manual transmission	Manual Transmission		FTC1489	1
12	Spool-interlock	Manual Transmission		TKC290L	1
13	Retainer-interlock	Manual Transmission		FRC8239	1
14	Washer-Spring	Manual Transmission	M6, Square	WM106001L	2
15	Screw-flanged head	Manual Transmission	M6 X 16, Flanged Head	FS106167L	2
16	Fork assembly-5th manual transmission	Manual Transmission		FRC8482	1
17	Bracket-5th gear selector fork support	Manual Transmission		FRC8481	1
18	Pad-5th gear selector fork	Manual Transmission		532943	1
19	Pin-clevis/pivot	Manual Transmission		UKC2089L	2
20	Circlip	Manual Transmission		UKC2105L	2
21	Screw-flanged head	Manual Transmission	M6 X 16, Flanged Head	FS106167L	2
22	Washer	Manual Transmission	M8, sprung	WL108001L	2



Gearbox  
77mm-5 Speed-Manual-4 Cylinder  
Selectors & Forks 2/2

Range Rover (From JA610294)

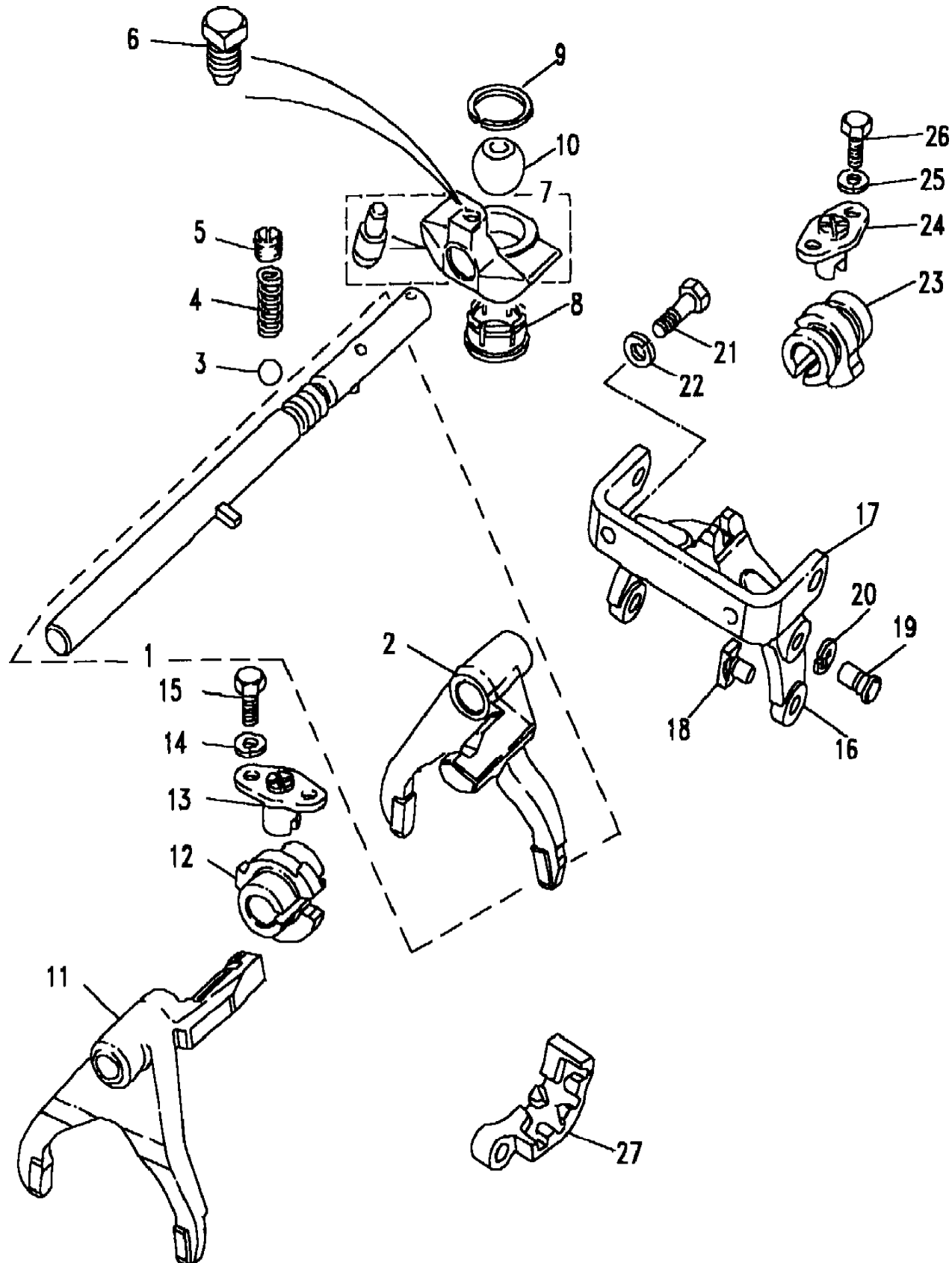
(BDCEKA1A)

Range Rover (From JA610294)

Gearbox  
77mm-5 Speed-Manual-4 Cylinder  
Selectors & Forks

Manual Transmission, 5 Speed

Callout	Name	Application	Remarks & Restrictions	Service No.	Qty
23	Spool-interlock	Manual Transmission		FRC7192	1
24	Retainer-interlock	Manual Transmission		FRC4905	1
25	Washer	Manual Transmission	M6, sprung	WL106001L	2
26	Screw-flanged head	Manual Transmission	M6 X 16, Flanged Head	FS106167L	2
27	Plate-lever-gating selector mechanism	Manual Transmission		FTC1512	1
[901]	Yoke assembly-selector rod	Manual Transmission	Also serviced as part of a kit	STC1063	1
[902]	O Ring	Manual Transmission		FRC8170	1
[903]	Dowel	Manual Transmission		FRC2481	2
[904]	Screw-flanged head	Manual Transmission	Long, M8 x 40	FS108351L	2
[905]	Screw	Manual Transmission	M8 X 35, Flanged Head	FS108357	2



Gearbox  
77mm-5 Speed-Manual-4 Cylinder  
Transmission Mountings 1/1

Range Rover (From JA610294)

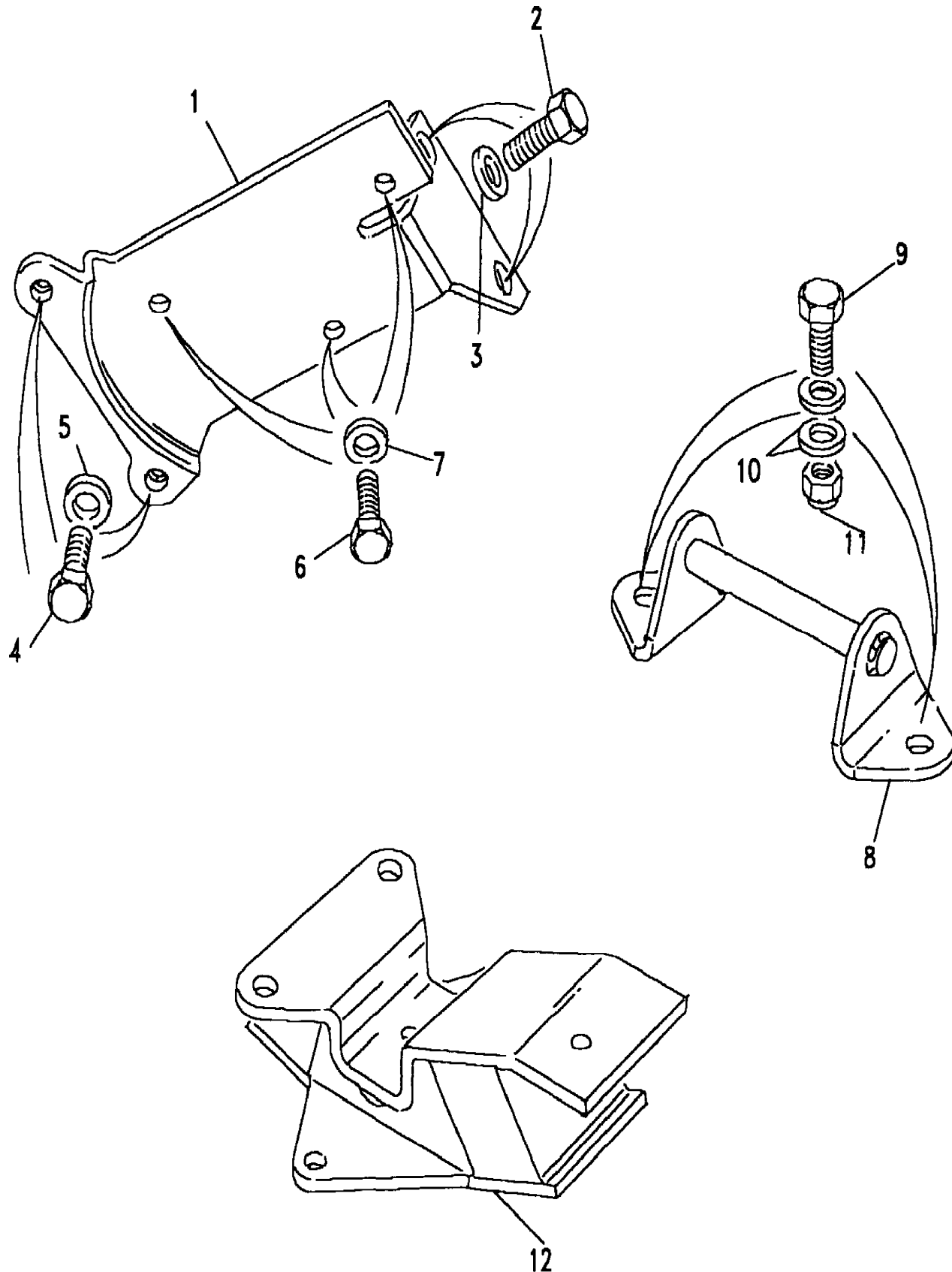
(BDCEMA1A)

Range Rover (From JA610294)

Gearbox  
77mm-5 Speed-Manual-4 Cylinder  
Transmission Mountings

2.5L TDi, 5 Speed, Manual Transmission

Callout	Name	Application	Remarks & Restrictions	Service No.	Qty
1	Bracket-Transmission Mounting	TDi		NTC7558	1
2	Screw	TDi	hexagonal head, M10 x 25	SH110251L	2
3	Washer	TDi	M10	WA110061L	2
4	Screw	TDi	M8 X 16, hexagonal head	SH108161L	2
5	Washer	TDi	8MM	WA108051L	2
6	Screw	TDi	M8 x 25, hexagonal head	SH108251L	3
7	Washer	TDi	8MM	WA108051L	3
8	Bar-gearbox snubbing	TDi		NTC7853	1
9	Screw	TDi	hexagonal head, M10 x 25	SH110251L	2
10	Washer	TDi	M10	WA110061L	4
11	Nut - Hex.	TDi	M10, hexagonal head, nyloc	NY110041L	2
12	Mounting-gearbox	TDi		NTC6282	1



Gearbox  
R380-5 Speed-Manual  
Bell Housing 1/1

Range Rover (From JA610294)

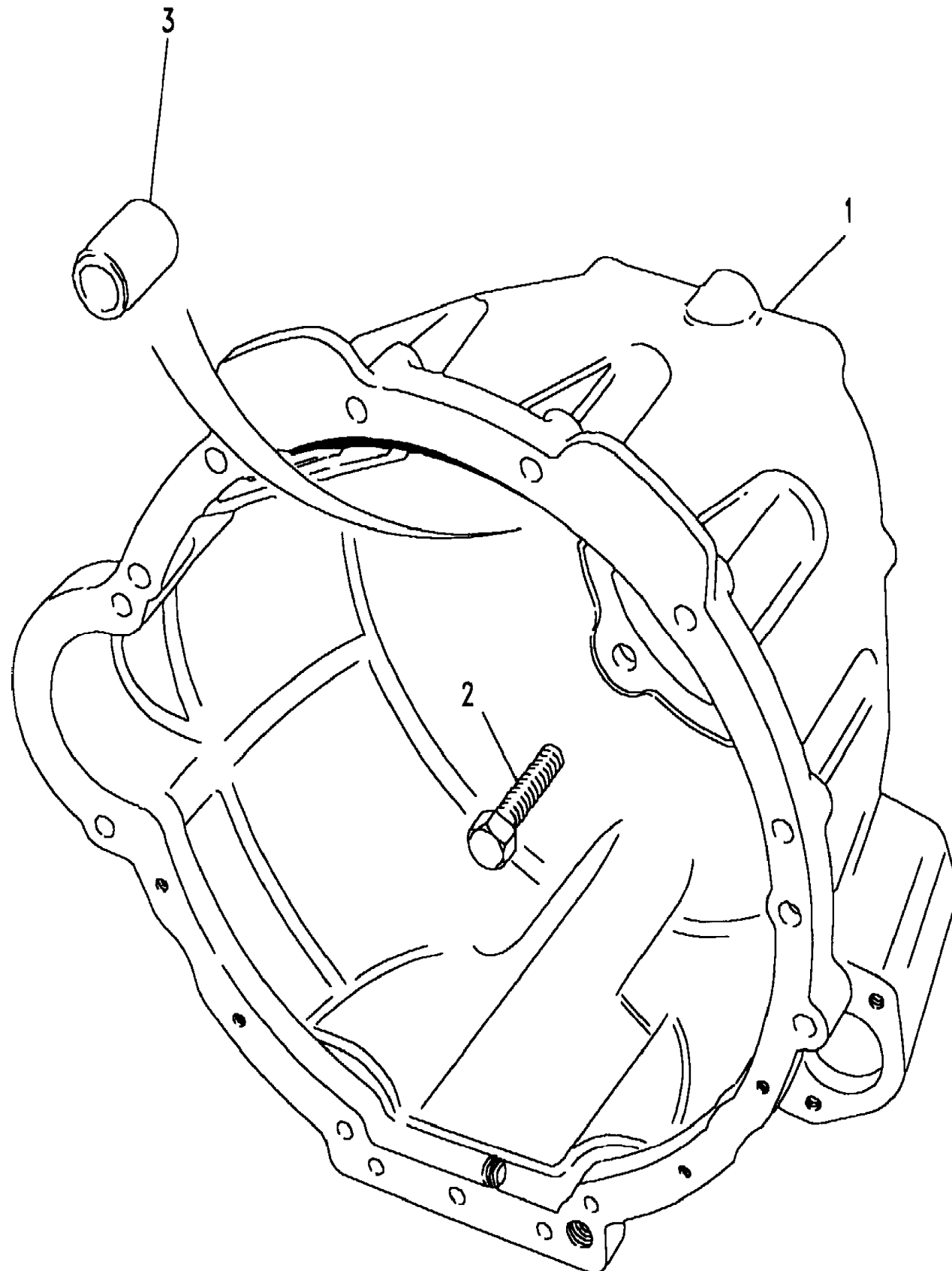
(BDCFEA1B)

Gearbox  
R380-5 Speed-Manual  
Bell Housing

Range Rover (From JA610294)

Manual Transmission

Callout	Name	Application	Remarks & Restrictions	Service No.	Qty
1	Housing-clutch manual transmission	With Diesel Engines	Also serviced as part of a kit, Transmission R 380	FTC3921	1
		With Petrol Engines	Also serviced as part of a kit, Transmission R 380	FTC3922	1
		V8 Petrol, 5 Speed	Transmission R 380	UNB100190	1
		V8 Petrol	Transmission R 380	UNB100190	1
2	Screw-flanged head		to housing clutch, Transmission R 380, M12 x 40	FS112401L	6
3	Dowel		Transmission R 380	UKC25L	2
[900]	Plug-coolant drain		Transmission R 380	3290	1





Gearbox  
R380-5 Speed-Manual  
Bottom Cover 1/1

Range Rover (From JA610294)

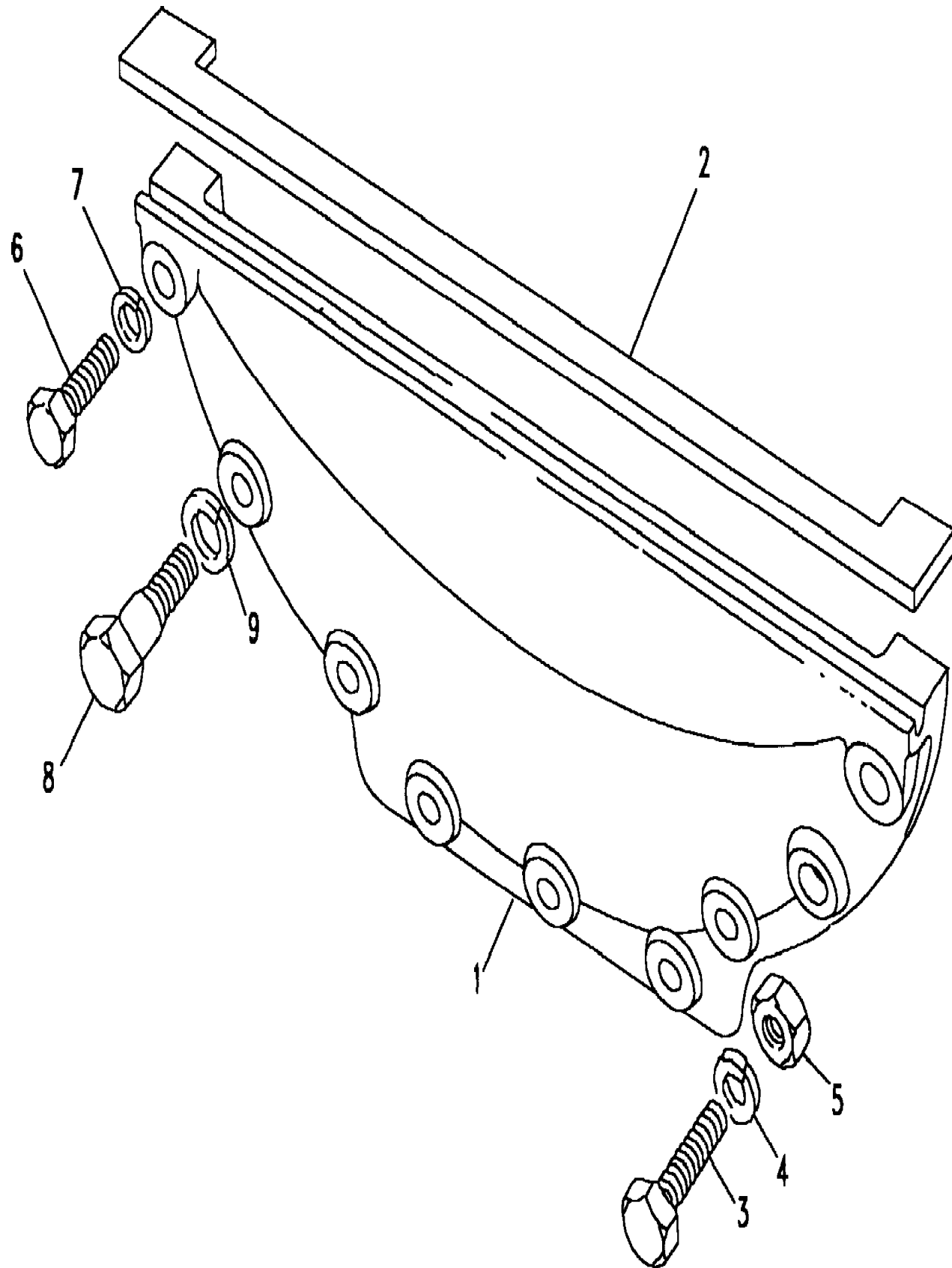
(BDCFEA2A)

Gearbox  
R380-5 Speed-Manual  
Bottom Cover

Range Rover (From JA610294)

V8, Manual Transmission, 5 Speed

Callout	Name	Application	Remarks & Restrictions	Service No.	Qty
1	Cover-bell housing		bottom	FRC2859	1
2	Seal		bottom	594087	1
3	Screw		to plate bottom, hexagonal head, M6 x 35	SH106351L	5
4	Washer		M6, sprung	WL106001L	5
5	Nut-flange		to plate bottom	FN106041L	5
6	Screw		to plate bottom, Flanged Head, M6 x 25	FS106255L	2
7	Washer		M6, sprung	WL106001L	2
8	Bolt		to plate bottom	594134	2
9	Washer		M8, sprung	WL108001L	2



Gearbox  
R380-5 Speed-Manual  
Clutch Release Mechanism 1/1

Range Rover (From JA610294)

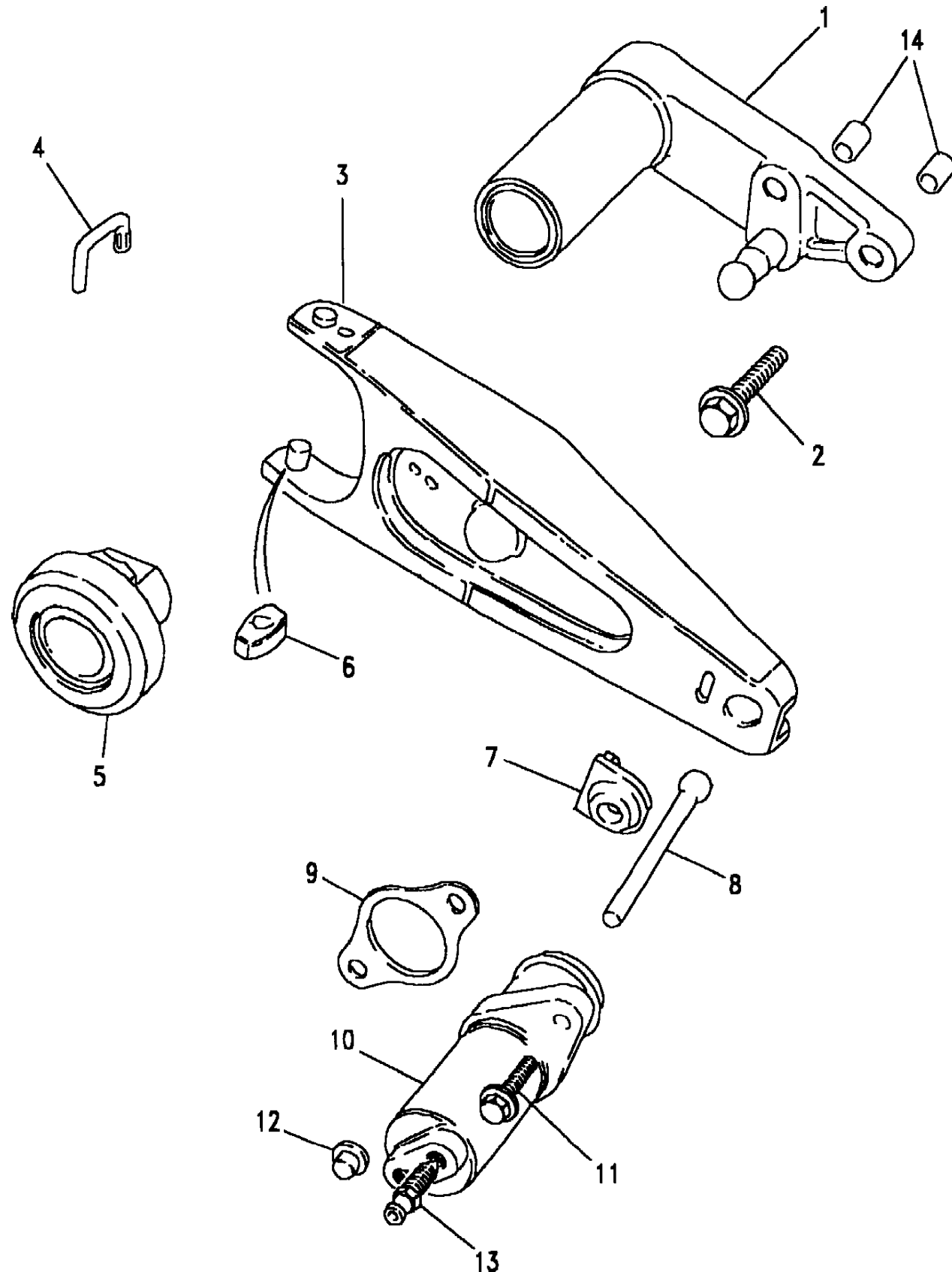
(BDCFCA1A)

Range Rover (From JA610294)

Gearbox  
R380-5 Speed-Manual  
Clutch Release Mechanism

With Diesel Engines, 5 Speed, Manual Transmission

Callout	Name	Application	Remarks & Restrictions	Service No.	Qty
1	Guide-clutch release bearing		Aluminium	FTC1271	1
			Cast Iron	FTC5218	1
2	Bolt		Flanged Head, M8 x 40	FB108081L	2
3	Arm-clutch release clutch			FTC2957	1
4	Retention-bearing clutch release	Change point - VIN begin JA610294, Manual Transmission	Transmission R 380	FRC3416	1
5	Bearing-clutch release		Also serviced as part of a kit	FRC9568	1
6	Pad-clutch release lever slipper			FRC5255	2
7	Clip			FRC3327	1
8	Rod-push slave cylinder			FTC3912	1
9	Plate			FRC2402	1
10	Slave cylinder clutch	Change point - VIN begin JA610294, 4 Cylinder Diesel	Transmission R 380	FTC3911	1
				FTC5072	1
11	Screw		to slave cylinder clutch, M8 x 25, Flanged Head	FS108251ML	2
12	Cap-protective			594091	1
13	Screw-bleed clutch slave cylinder		to slave cylinder clutch	606733	1
14	Dowel			FRC2481	2
[900]	Kit-repair clutch slave cylinder			STC2818	1



Gearbox  
R380-5 Speed-Manual  
Clutch Release Mechanism 1/1

Range Rover (From JA610294)

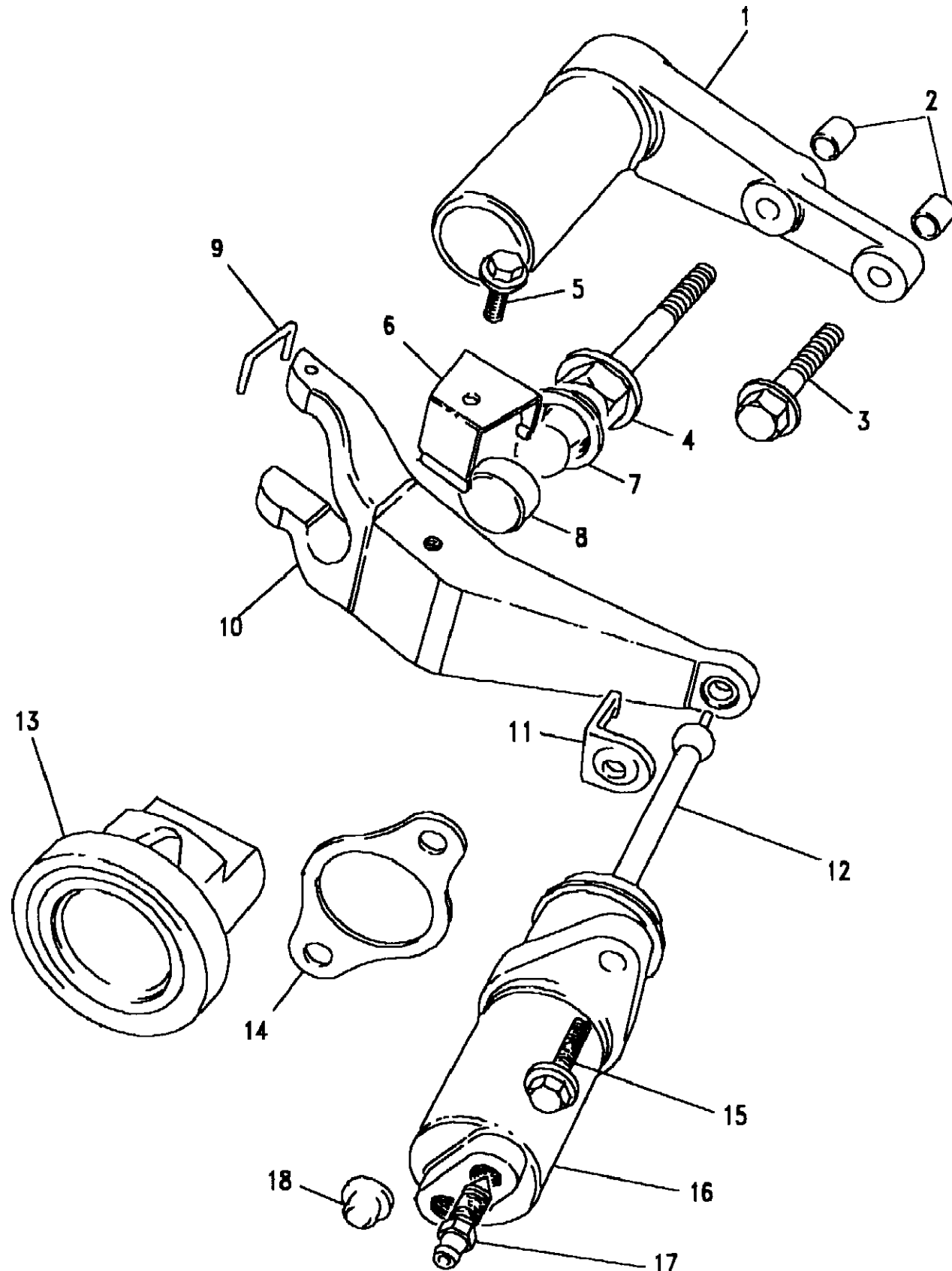
(BDCFCA2A)

Range Rover (From JA610294)

Gearbox  
R380-5 Speed-Manual  
Clutch Release Mechanism

V8 Petrol, 5 Speed, Manual Transmission

Callout	Name	Application	Remarks & Restrictions	Service No.	Qty
1	Guide-clutch release bearing	V8		FRC4803	1
2	Dowel	V8		FRC2481	2
3	Bolt	V8	to sleeve assembly, Flanged Head, M8 x 40	FB108081L	1
4	Pivot-clutch release lever	V8		FRC2528	1
5	Screw-flanged head	V8	to clip clutch release, M6 x 10	FS106101L	1
6	Clip-clutch release-pivot post	V8		571163	1
7	Cap-clutch release lever pivot	V8		FRC2975	1
8	Insert-clutch lever	V8		571161	1
9	Retention-bearing clutch release	Change point - VIN begin JA610294, V8	Transmission R 380	576203	1
10	Arm-clutch release clutch	V8		576137	1
11	Clip	V8		576723	1
12	Rod assembly-push slave cylinder	V8		FTC3913	1
13	Bearing-clutch release	V8	Also serviced as part of a kit	FRC9568	1
14	Plate	V8		FRC2402	1
15	Screw	V8	to slave cylinder clutch, M8 x 25, Flanged Head	FS108251ML	2
16	Slave cylinder clutch	V8 Change point - VIN begin JA610294, V8	Transmission R 380	FTC3911 FTC5072	1 1
17	Screw-bleed clutch slave cylinder	V8		606733	1
18	Cap-protective	V8		594091	1
[901]	Kit-repair clutch slave cylinder	V8		STC2818	1



Gearbox  
R380-5 Speed-Manual  
Extension Case 1/2

Range Rover (From JA610294)

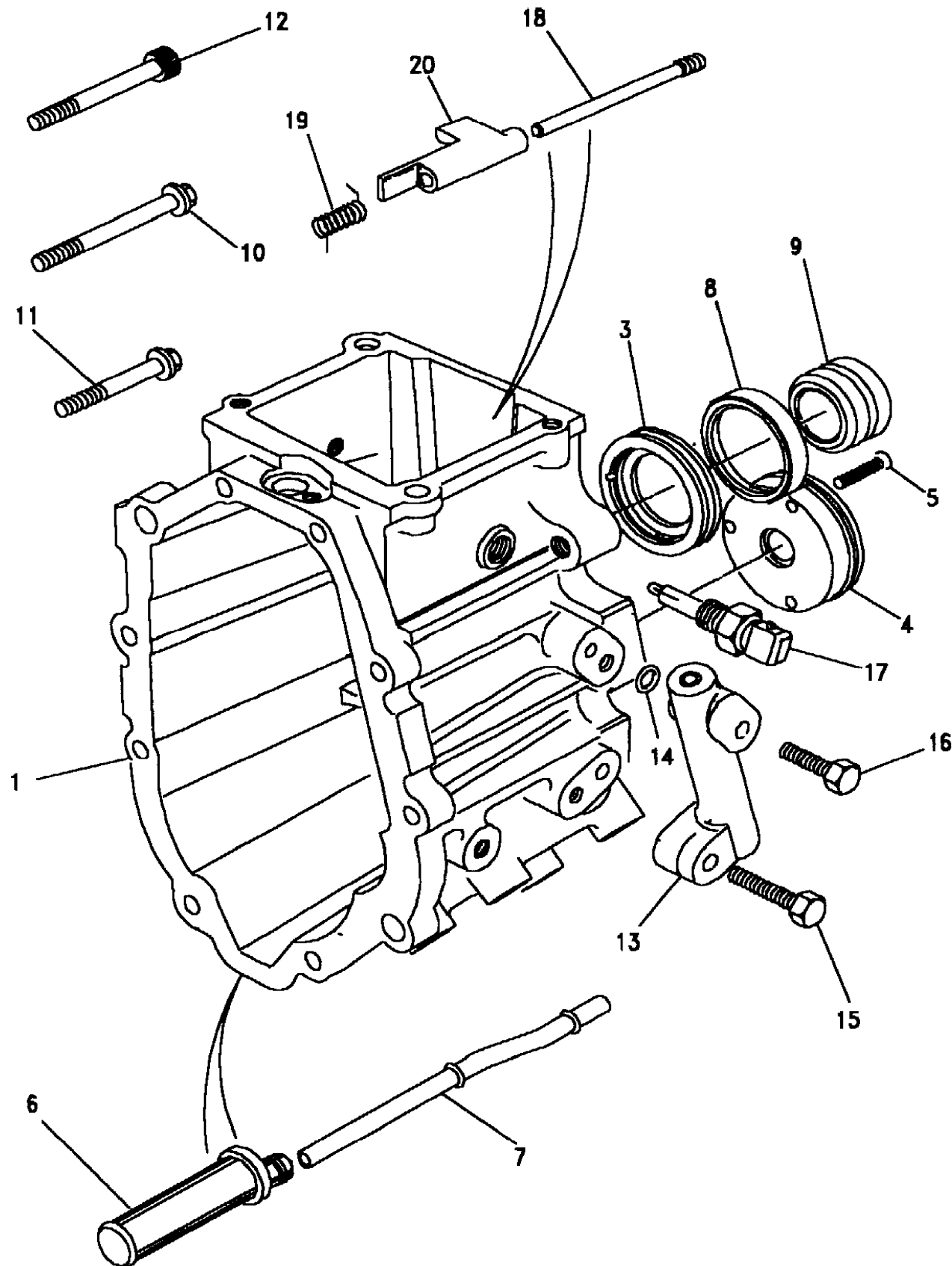
(BDCFGA1A)

Range Rover (From JA610294)

Gearbox  
R380-5 Speed-Manual  
Extension Case

Manual Transmission, 5 Speed

Callout	Name	Application	Remarks & Restrictions	Service No.	Qty
1	Case assembly-extension	Change point - VIN end MA655198, Manual Transmission	Also serviced as part of a kit	FTC4241	1
		Change point - VIN begin MA655199, Manual Transmission	Also serviced as part of a kit	FTC4522	1
2	Plug-blanking	Change point - VIN end MA655198, Manual Transmission	Also serviced as part of a kit	LYQ100050	1
		Change point - VIN begin MA655199, Manual Transmission	Also serviced as part of a kit	LYQ100050	1
3	Ring-mainshaft oil feed	Change point - Gearbox end 410128J, Manual Transmission		FTC3701	1
		Change point - Gearbox begin 410129J, Manual Transmission		FTC4991	1
4	Pump-transmission oil	Manual Transmission	Also serviced as part of a kit	FTC4206	1
5	Screw-torx-flange	Manual Transmission	to pump transmission, M5 x 30	FTC4449	3
6	Strainer-transmission oil	Manual Transmission		FRC7855	1
7	Pipe-transmission oil inlet	Manual Transmission		FTC3387	1
8	Seal	Manual Transmission	man trans output shaft	FTC2383	1
9	Collar-distance manual transmission	Manual Transmission		FTC4021	1
10	Bolt	Manual Transmission	to case assembly, Flanged Head, M8 x 55	FB108111L	6
11	Bolt	Manual Transmission	to case assembly, Long, Flanged Head, M8 x 85	FB108171L	2
12	Screw	Manual Transmission	M8 x 70	SS108701S	2
		Manual Transmission	M8 x 70	FB108141S	2
13	Pipe-transmission oil inlet	4 Cyl TDi Diesel, Manual Transmission		FTC4053	1
		V8 Petrol, Manual Transmission		FTC2687	1
14	O Ring	Manual Transmission		FTC1441	2
15	Bolt	4 Cyl TDi Diesel, Manual Transmission	to oil block, Flanged Head, M8 x 40	FB108081L	2
		V8 Petrol, Manual Transmission	to oil block, Flanged Head, M8 x 40	FB108081L	1



Gearbox  
R380-5 Speed-Manual  
Extension Case 2/2

Range Rover (From JA610294)

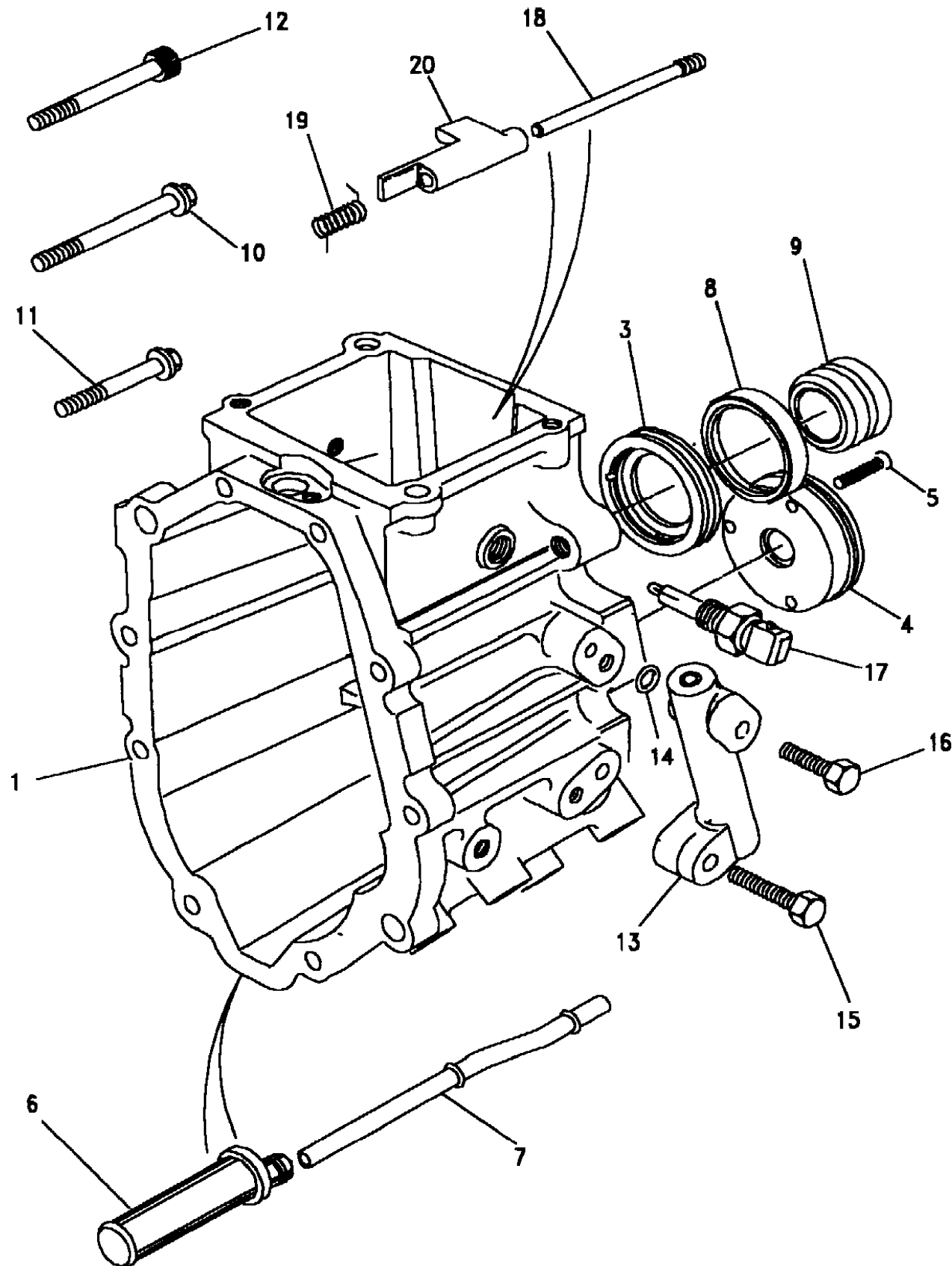
(BDCFGA1A)

Range Rover (From JA610294)

Gearbox  
R380-5 Speed-Manual  
Extension Case

Manual Transmission, 5 Speed

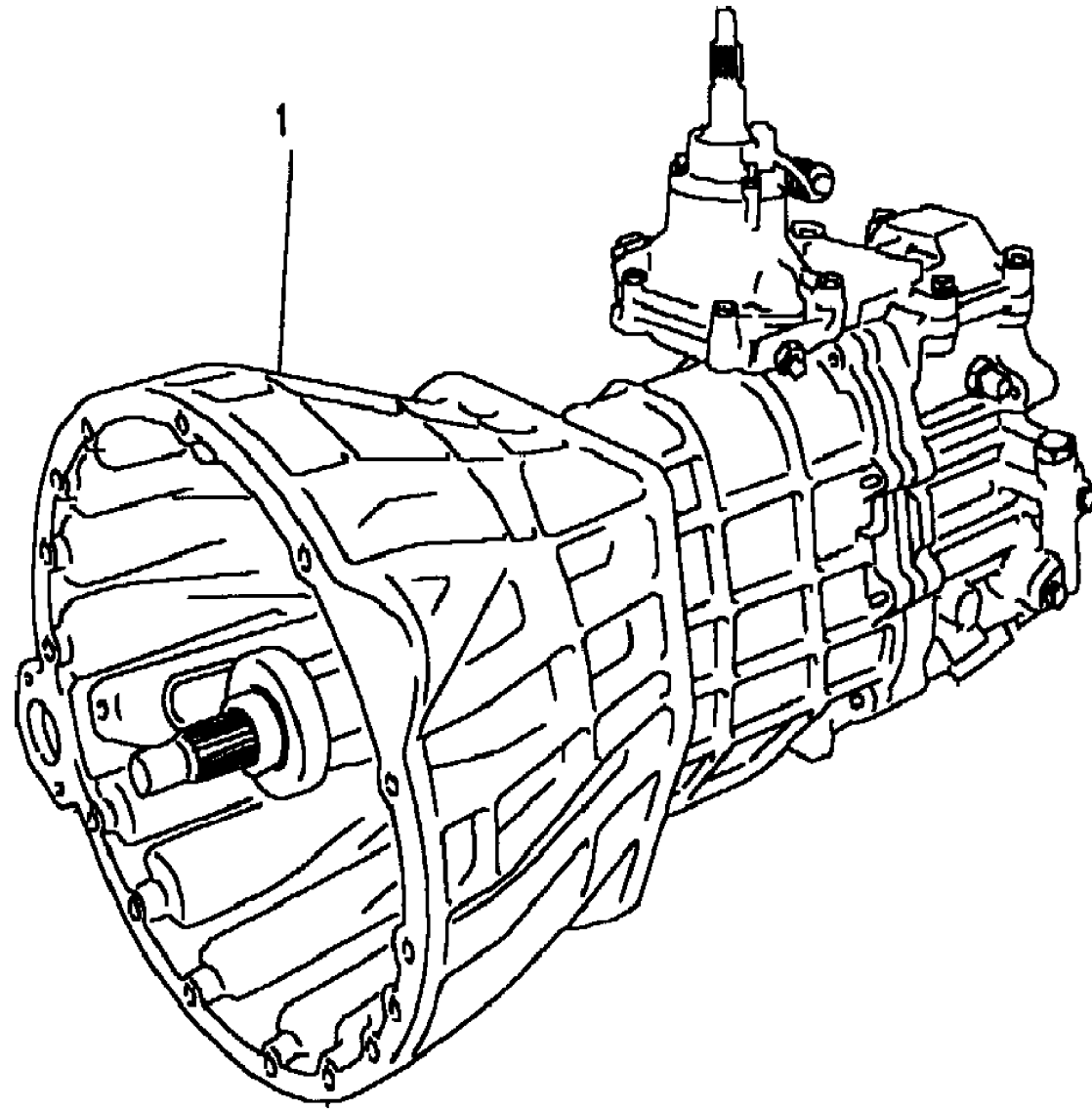
Callout	Name	Application	Remarks & Restrictions	Service No.	Qty
16	Screw	V8 Petrol, Manual Transmission	oil block to case assembly, M8 X 30, Flanged Head	FS108301L	2
17	Switch-reverse light manual transmission	Change point - VIN end MA655198, Manual Transmission	Also serviced as part of a kit	CDU51	1
18	Shaft-camshaft reverse lock	Manual Transmission		FTC3711	1
19	Spring-torsion	Manual Transmission		FTC4483	1
20	Camshaft-reverse lock manual transmission	Manual Transmission		FTC3713	1
21	Tube-breather transmission case	Manual Transmission		FRC9430	1
[901]	Case-extension-gearbox	Change point - VIN end MA655198, Manual Transmission Change point - VIN begin MA655199, Manual Transmission	Also serviced as part of a kit Also serviced as part of a kit	FTC3730 FTC3730	1 1
[902]	Pin-Spring	Change point - VIN end MA655198, Manual Transmission Change point - VIN begin MA655199, Manual Transmission	Also serviced as part of a kit Also serviced as part of a kit	FRC2626 FRC2626	2 2
[903]	Screw	Change point - VIN begin MA655199, Manual Transmission	Also serviced as part of a kit	FTC2392	1
[904]	Switch-reverse light manual transmission		Also serviced as part of a kit	ALU1403	1
[905]	Harness-link	Manual Transmission		AMR3859	1
[906]	O ring-oil pump seal	Manual Transmission	Also serviced as part of a kit	BZV1051	1



Gearbox  
R380-5 Speed-Manual  
Gearbox Assembly 1/1

Range Rover (From JA610294)

(BDCFAA1A)



Range Rover (From JA610294)

Gearbox  
R380-5 Speed-Manual  
Gearbox Assembly

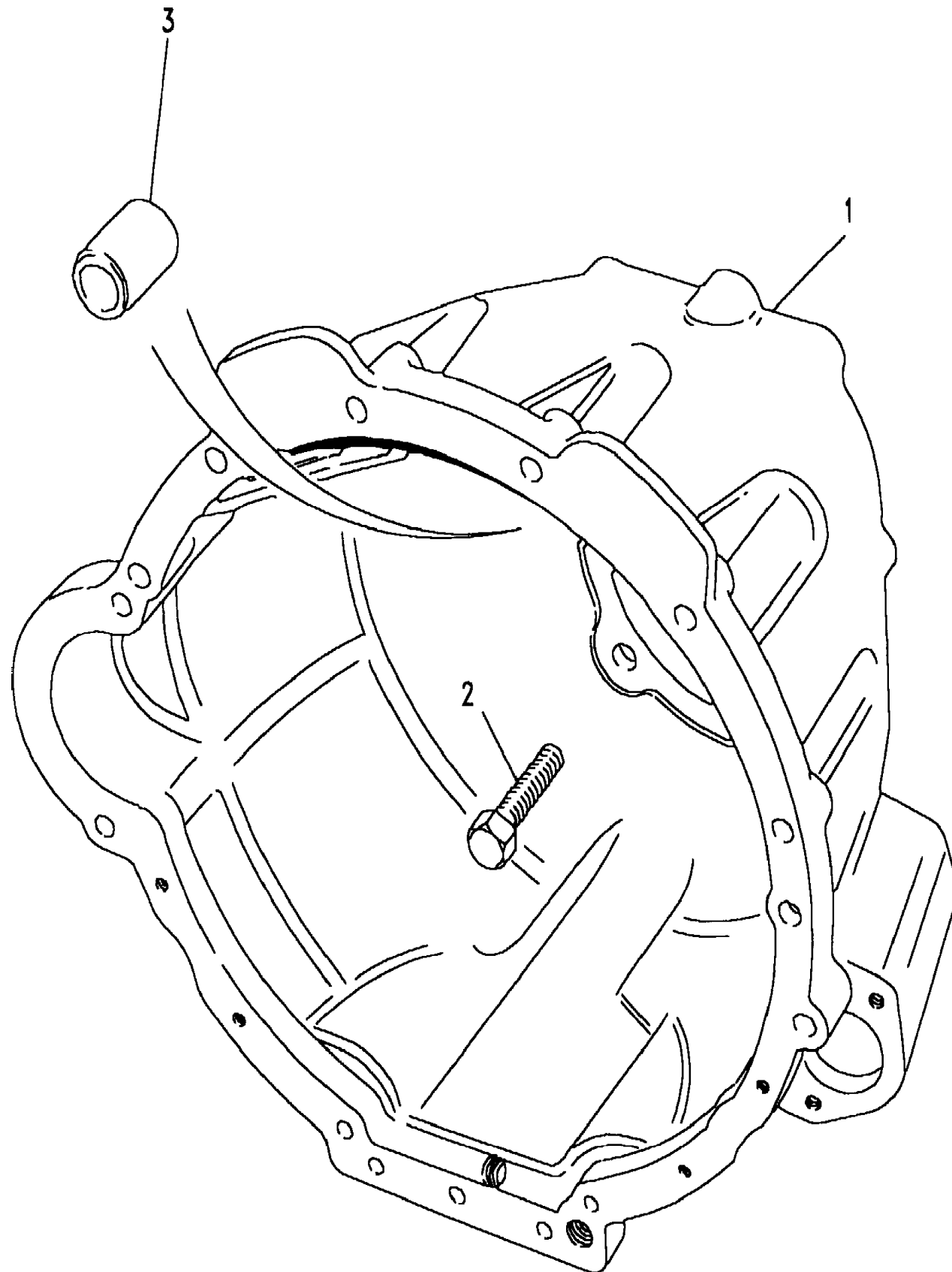
Manual Transmission, 5 Speed

Callout	Name	Application	Remarks & Restrictions	Service No.	Qty
1	Transmission assembly manual	Change point - Gearbox begin 53A000001J, Change point - Gearbox end 53A999999J, With Petrol Engines	New	STC1543N	1
		Change point - Gearbox begin 53A000001J, Change point - Gearbox end 53A999999J, With Petrol Engines	New	STC1543N	1
		Change point - Gearbox begin 53A000001J, Change point - Gearbox end 53A999999J, With Petrol Engines	exchange	STC1543E	1
		Change point - Gearbox begin 53A000001J, Change point - Gearbox end 53A999999J, With Petrol Engines	exchange	STC1543E	1
		With Petrol Engines	New	TRC102940	1
		With Petrol Engines	New	TRC102940	1
		With Petrol Engines	exchange	TRC102940E	1
		With Petrol Engines	exchange	TRC102940E	1
		Change point - Gearbox begin 55A000001J, Change point - Gearbox end 55A999999J, With Diesel Engines	New	STC1544N	1
		Change point - Gearbox begin 55A000001J, Change point - Gearbox end 55A999999J, With Diesel Engines	exchange	STC1544E	1
		Change point - Gearbox begin 55A000001J, Change point - Gearbox end 55A999999J, With Diesel Engines	exchange	STC1544E	1
		With Diesel Engines	New	TRC102960	1
		With Diesel Engines	New	TRC102960	1
		With Diesel Engines, Manual Transmission	Transmission R 380, exchange	TRC102960E	1
		With Diesel Engines	Suffix L, New	TRC103400	1
		With Diesel Engines	Suffix L, New	TRC103400	1
		With Diesel Engines	Suffix L, exchange	TRC103400E	1
		With Diesel Engines	Suffix L, exchange	TRC103400E	1

Gearbox  
R380-5 Speed-Manual  
Gearcase 1/3

Range Rover (From JA610294)

(BDCFEA1B)



Range Rover (From JA610294)

Gearbox  
R380-5 Speed-Manual  
Gearcase

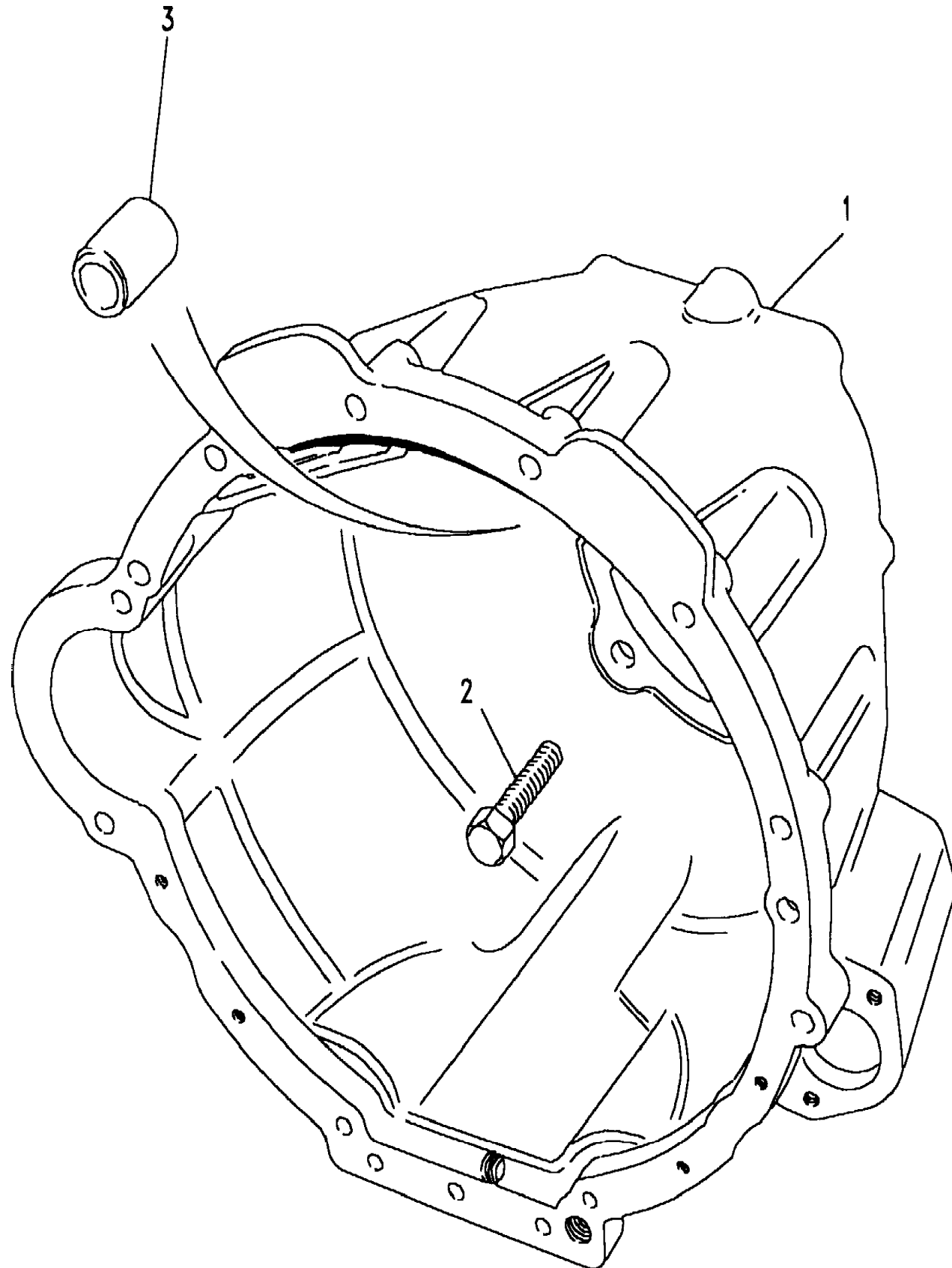
Manual Transmission, 5 Speed

Callout	Name	Application	Remarks & Restrictions	Service No.	Qty
1	Case-manual transmission	Manual Transmission		FTC3848	1
2	Plate-baffle	Manual Transmission		FTC4131	1
3	Screw-flanged head	Manual Transmission	M6 X 16	FS106161ML	2
4	Plug	Manual Transmission		FTC4108	1
5	Spring-detent manual transmission	Manual Transmission		FTC3382	2
6	Ball-detent manual transmission	Manual Transmission		BLS112L	2
7	Dowel	Manual Transmission		UKC170L	2
8	Washer-sealing	Change point - VIN begin JA610294, Change point - VIN end MA660163, Manual Transmission	man trans drain plug, Transmission R 380	FTC4112	1
9	Plug and magnet assembly-transmission case	Manual Transmission		FRC6145	1
10	Plug-level	Manual Transmission		FTC4056	1
11	Plug-core	Manual Transmission	9MM	FRC9803	1
12	Plug-core	Manual Transmission	9MM	UKC30L	1
13	Shim	Manual Transmission	man trans mainshaft bearing/centre plate, 1.740/1.715mm	FTC3739	X
		Manual Transmission	man trans mainshaft bearing/centre plate, 1.790/1.765mm	FTC3741	X
		Manual Transmission	man trans mainshaft bearing/centre plate, 1.840/1.815mm	FTC3743	X
		Manual Transmission	man trans mainshaft bearing/centre plate, 1.890/1.865mm	FTC3745	X
		Manual Transmission	man trans mainshaft bearing/centre plate, 1.940/1.915mm	FTC3747	X
		Manual Transmission	man trans mainshaft bearing/centre plate, 1.990/1.965mm	FTC3749	X
		Manual Transmission	man trans mainshaft bearing/centre plate, 2.040/2.015mm	FTC3751	X
		Manual Transmission	man trans mainshaft bearing/centre plate, 2.090/2.065mm	FTC3753	X
		Manual Transmission	2.140/2.115mm	FTC3755	X

Gearbox  
R380-5 Speed-Manual  
Gearcase 2/3

Range Rover (From JA610294)

(BDCFEA1B)



Range Rover (From JA610294)

Gearbox  
R380-5 Speed-Manual  
Gearcase

Manual Transmission, 5 Speed

Callout	Name	Application	Remarks & Restrictions	Service No.	Qty
13	Shim	Manual Transmission	man trans mainshaft bearing/centre plate, 2.190/2.165mm	FTC3757	X
		Manual Transmission	man trans mainshaft bearing/centre plate, 2.240/2.215mm	FTC3759	X
		Manual Transmission	man trans mainshaft bearing/centre plate, 2.290/2.265mm	FTC3761	X
		Manual Transmission	man trans mainshaft bearing/centre plate, 2.340/2.315mm	FTC3763	X
		Manual Transmission	man trans mainshaft bearing/centre plate, 2.390/2.365mm	FTC3765	X
		Manual Transmission	man trans mainshaft bearing/centre plate, 2.440/2.415mm	FTC3767	X
		Manual Transmission	man trans mainshaft bearing/centre plate, 2.490/2.465mm	FTC3769	X
		Manual Transmission	man trans mainshaft bearing/centre plate, 2.540/2.515mm	FTC3771	X
		Manual Transmission	man trans mainshaft bearing/centre plate, 2.590/2.565mm	FTC3773	X
		Manual Transmission	man trans mainshaft bearing/centre plate, 2.640/2.615mm	FTC3775	X
		Manual Transmission	man trans mainshaft bearing/centre plate, 2.690/2.665mm	FTC3777	X
		Manual Transmission	man trans mainshaft bearing/centre plate, 2.740/2.715mm	FTC3779	X
		Manual Transmission	man trans mainshaft bearing/centre plate, 2.790/2.765mm	FTC3781	X
		Manual Transmission	man trans mainshaft bearing/centre plate, 2.840/2.815mm	FTC3783	X
		Manual Transmission	man trans mainshaft bearing/centre plate, 2.890/2.865mm	FTC3785	X
		Manual Transmission	man trans mainshaft bearing/centre plate, 2.940/2.915mm	FTC3787	X
14	Shim	Manual Transmission	man trans countershaft bearing/centre plate, 1.477/1.452mm	FTC4296	X
		Manual Transmission	man trans countershaft bearing/centre plate, 1.527/1.502mm	FTC4298	X
		Manual Transmission	man trans countershaft bearing/centre plate, 1.577/1.552mm	FTC4300	X
		Manual Transmission	man trans countershaft bearing/centre plate, 1.627/1.602mm	FTC4302	X



Gearbox  
R380-5 Speed-Manual  
Gearcase 3/3

Range Rover (From JA610294)

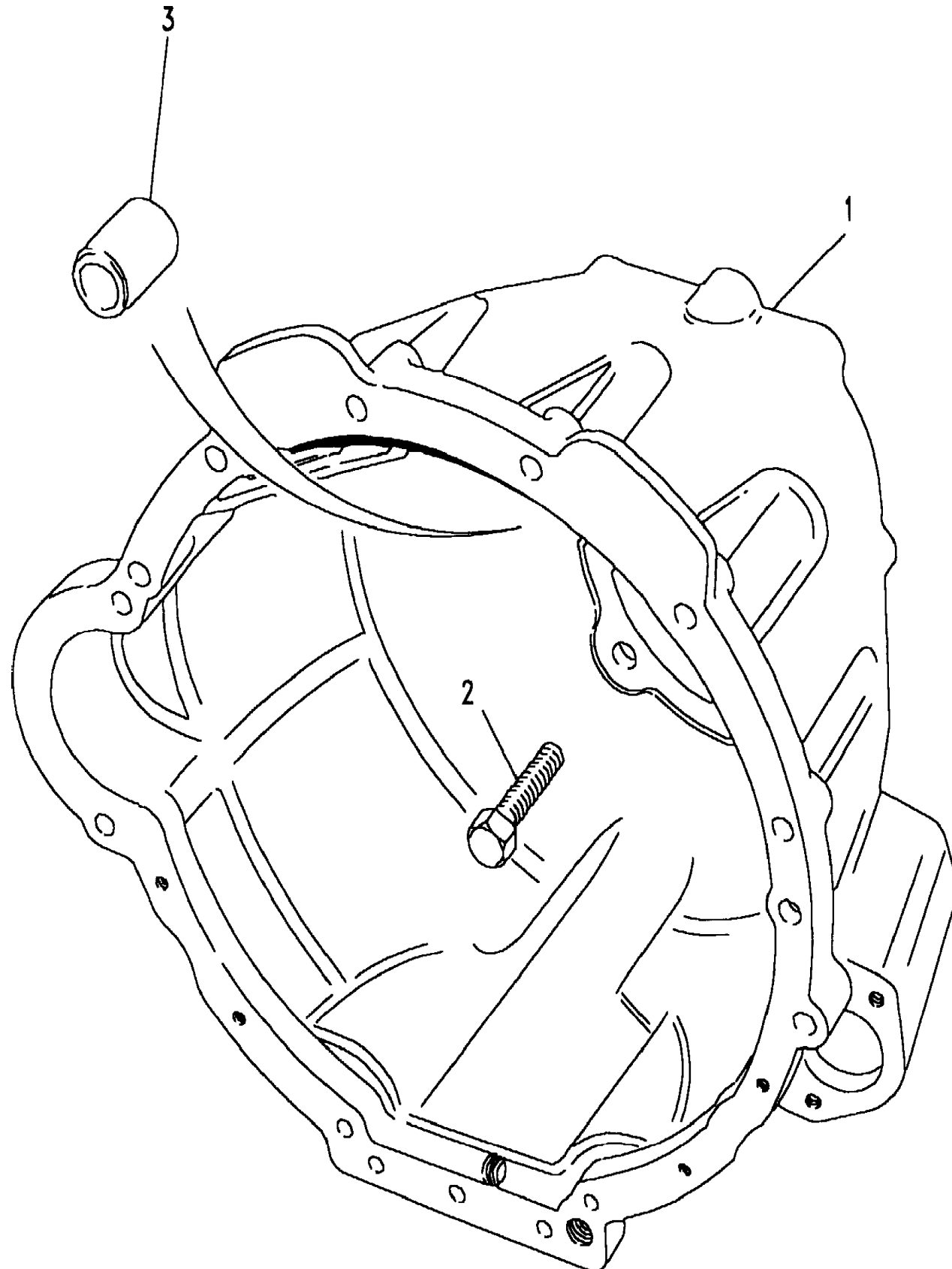
(BDCFEA1B)

Range Rover (From JA610294)

Gearbox  
R380-5 Speed-Manual  
Gearcase

Manual Transmission, 5 Speed

Callout	Name	Application	Remarks & Restrictions	Service No.	Qty
14	Shim	Manual Transmission	man trans countershaft bearing/centre plate, 1.677/1.652mm	FTC4304	X
		Manual Transmission	man trans countershaft bearing/centre plate, 1.727/1.702mm	FTC4306	X
		Manual Transmission	man trans countershaft bearing/centre plate, 1.777/1.752mm	FTC4308	X
		Manual Transmission	man trans countershaft bearing/centre plate, 1.827/1.802mm	FTC4310	X
		Manual Transmission	man trans countershaft bearing/centre plate, 1.877/1.852mm	FTC4312	X
		Manual Transmission	man trans countershaft bearing/centre plate, 1.927/1.902mm	FTC4314	X
		Manual Transmission	man trans countershaft bearing/centre plate, 1.977/1.952mm	FTC4316	X
		Manual Transmission	man trans countershaft bearing/centre plate, 2.027/2.002mm	FTC4318	X
		Manual Transmission	man trans countershaft bearing/centre plate, 2.077/2.052mm	FTC4320	X
		Manual Transmission	man trans countershaft bearing/centre plate, 2.127/2.102mm	FTC4322	X
		Manual Transmission	man trans countershaft bearing/centre plate, 2.177/2.152mm	FTC4324	X
		Manual Transmission	man trans countershaft bearing/centre plate, 2.227/2.202mm	FTC4326	X
		15	Bearing-taper roller	Manual Transmission	man trans primary shaft/gear case, 38.0 x 68.5
16	Sealant - Silicone		Loctite 5900	STC50550	1



Gearbox  
R380-5 Speed-Manual  
Gearchange & Lever 1/1

Range Rover (From JA610294)

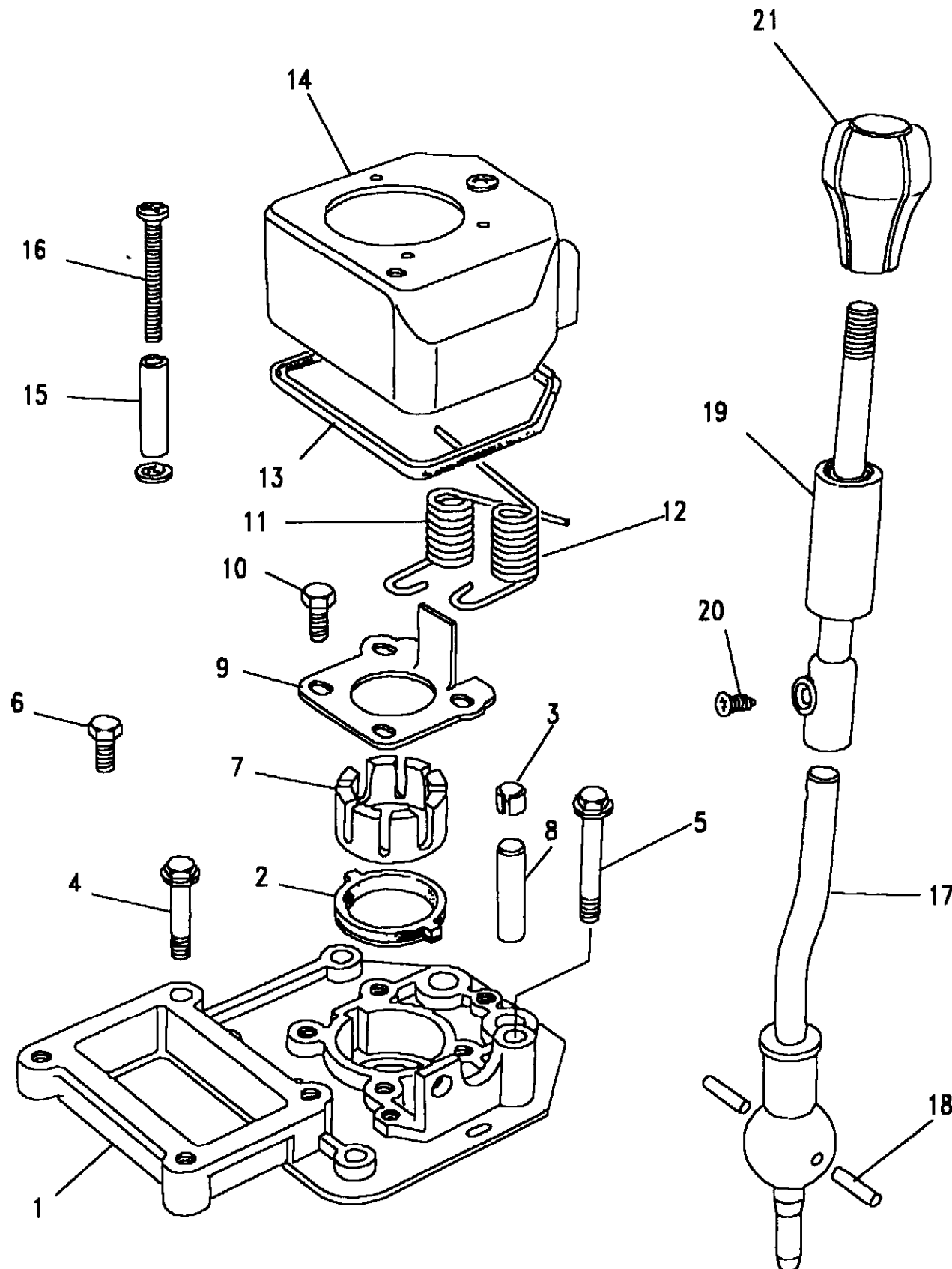
(BDCFKC1A)

Gearbox  
R380-5 Speed-Manual  
Gearchange & Lever

Range Rover (From JA610294)

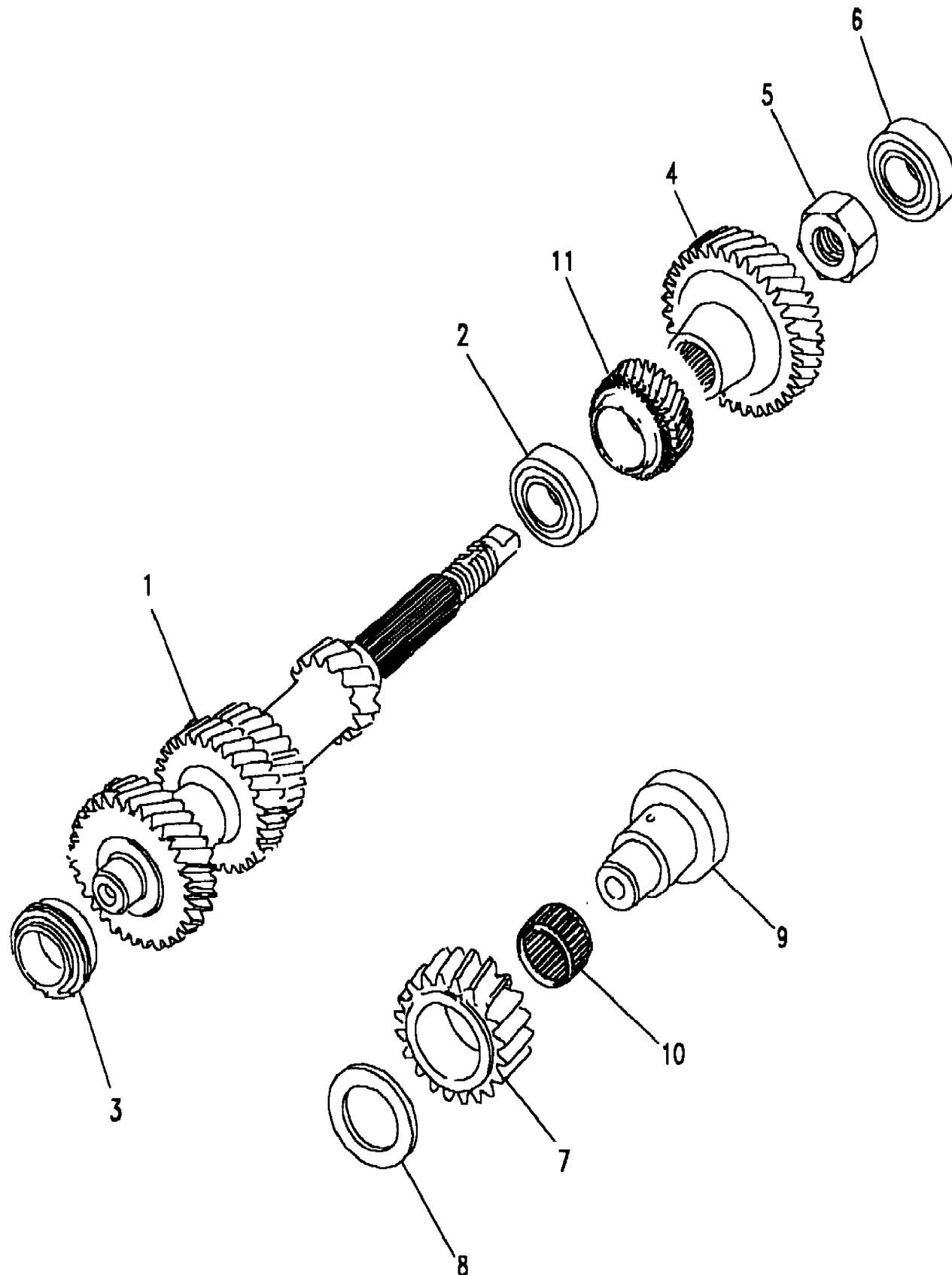
5 Speed, Manual Transmission

Callout	Name	Application	Remarks & Restrictions	Service No.	Qty
1	Housing-gear selector			FTC4122	1
2	Seal			FTC2199	1
3	Pin-Spring			FRC2626	2
4	Bolt		Flanged Head, M8 x 55	FB108111L	1
5	Bolt		Flanged Head, M8 x 60	FB108121L	1
6	Screw-flanged head		Long, M8 x 40	FS108351L	2
7	Bush-change pivot manual transmission			FRC9985	1
8	Pin-roll-spring tension			FRC9028	2
9	Plate-gearchange bias spring adjuster			FRC9340	1
10	Screw	Manual Transmission	M8 x 25, Flanged Head	FS108251ML	4
11	Spring-1st/2nd bias manual transmission			FTC4123	1
12	Spring-5th bias manual transmission			FTC4124	1
13	Seal-dust-gear change/plate manual transmission			FRC8507	1
14	Cover-transfer box gear change housing		Also serviced as part of a kit	FTC4125	1
15	Spacer		Also serviced as part of a kit	FRC8520	2
16	Screw		Also serviced as part of a kit, M6 x 55	SE106551S	2
17	Lever-change manual transmission		Also serviced as part of a kit	FTC3807	1
18	Pin		Also serviced as part of a kit	UKC3092	1
19	Lever-upper manual transmission			FTC4537	1
20	Screw-torx-countersunk		M8	ANU1269L	1
21	Knob assembly-change manual transmission			BTR9349	1



5 Speed, Manual Transmission

Callout	Name	Application	Remarks & Restrictions	Service No.	Qty
1	Shaft-lay	With Diesel Engines Change point - Gearbox begin 416034J, With Diesel Engines Change point - Gearbox end 416033J, With Petrol Engines Change point - Gearbox begin 416034J, With Petrol Engines		FTC2941 FTC4982  FTC2723  FTC4980	1 1  1  1
2	Bearing-taper roller		man trans countershaft/centre plate, 31.75 x 59.0	FTC317	1
3	Bearing-taper roller		man trans countershaft/main case, 31.75 x 62.0	FTC248	1
4	Gear-5th speed countershaft manual transmission	Change point - Gearbox end 416033J, With Diesel Engines Change point - Gearbox begin 416034J, With Petrol Engines Change point - Gearbox end 416033J, With Petrol Engines Change point - Gearbox begin 416034J, With Diesel Engines	37 Teeth	FTC2945 FTC4978 FTC2724 FTC4977	1 1 1 1
5	Nut-stake		man trans countershaft	EJP7738L	1
6	Bearing-taper roller		man trans countershaft/extension case	FTC2385	1
7	Gear-reverse idler assembly manual transmission			FTC2725	1
8	Spacer			FTC3847	1
9	Shaft-reverse idler assembly-manual transmission			FTC3850	1
10	Bearing-needle roller			FTC2582	1
11	Gear-reverse manual transmission			FTC3391	1
12	Collar	Change point - Gearbox begin 416034J, With Diesel Engines	layshaft	FAM9270	1



Gearbox  
R380-5 Speed-Manual  
Mainshaft 1/1

Range Rover (From JA610294)

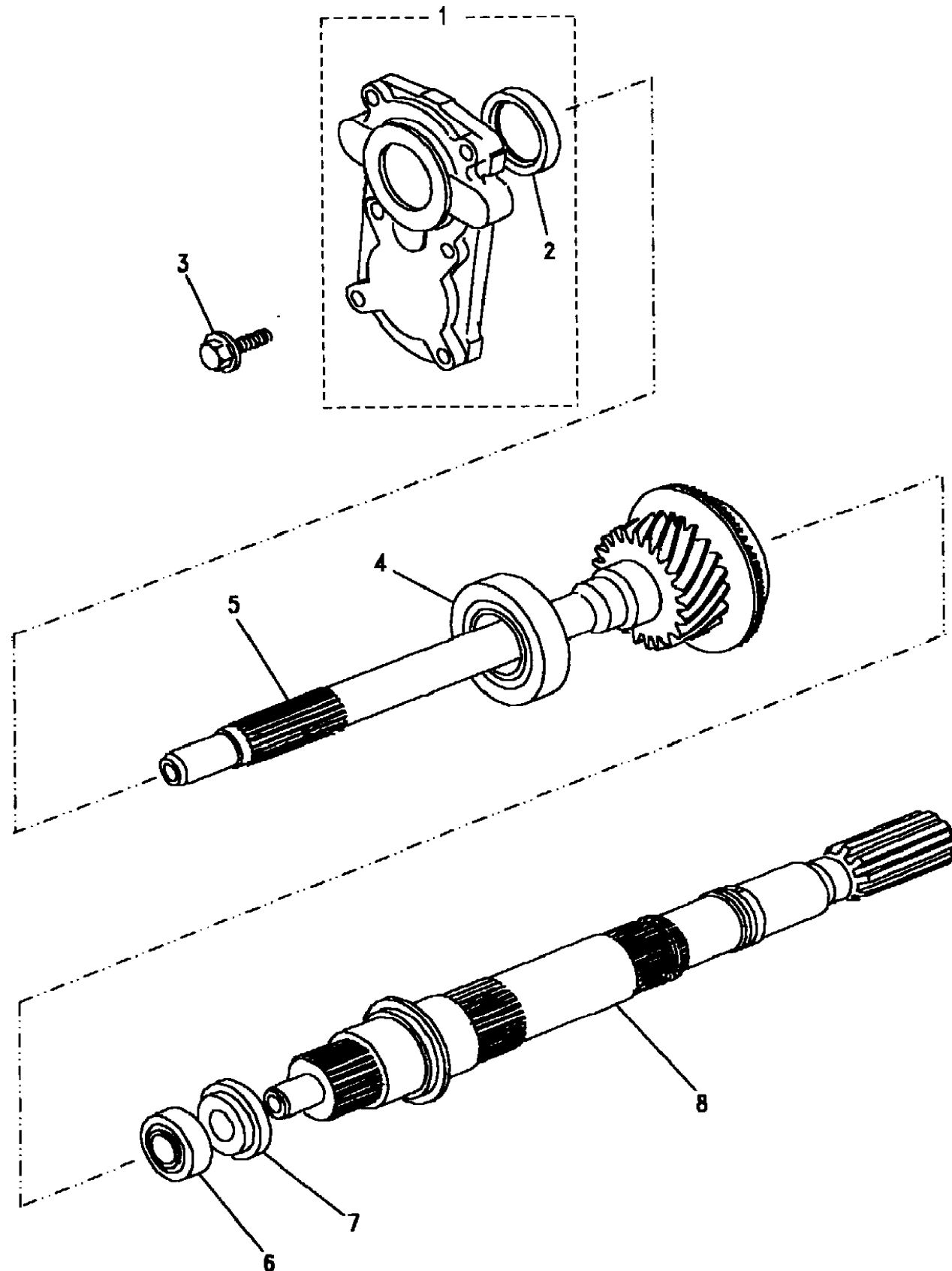
(BDCFIA1A)

Gearbox  
R380-5 Speed-Manual  
Mainshaft

Range Rover (From JA610294)

5 Speed, Manual Transmission

Callout	Name	Application	Remarks & Restrictions	Service No.	Qty
1	Cover-end manual transmission		Also serviced as part of a kit, Front	FTC3696	1
2	Seal		man trans primary shaft, Also serviced as part of a kit	UKC1060L	1
3	Screw		M8 x 25, Flanged Head	FS108251ML	6
4	Bearing-taper roller		35.0 x 68.5	RTC6751	1
5	Shaft primary manual transmission	With Petrol Engines Change point - Gearbox begin 417153J, With Petrol Engines With Diesel Engines Change point - Gearbox begin 417153J, With Diesel Engines		FTC3928 FTC5044 FTC3927 FTC5046	1 1 1 1
6	Bearing-taper roller		man trans primary shaft, 17.5 x 40.0	UKC8L	1
7	Spacer		Mainshaft	FTC2737	1
8	Shaft-main manual transmission			FTC3703	1
[900]	Synchroniser assembly-3rd & 4th mainshaft assembly	Change point - Gearbox begin 417153J	Also serviced as part of a kit, Transmission R 380	FTC5101	1
[901]	Spring Ring	Change point - Gearbox begin 417153J	Also serviced as part of a kit, Transmission R 380	FTC4992	2
[902]	Plate-synchroniser	Change point - Gearbox begin 417153J	Also serviced as part of a kit, Transmission R 380	FTC4171	3
[903]	Ring-baulk	Change point - Gearbox begin 417153J	Also serviced as part of a kit, Transmission R 380	FTC3584	1
[904]	Ring-synchroniser inner	Change point - Gearbox begin 417153J	Also serviced as part of a kit, Transmission R 380	FTC5019	1
[905]	Ring-synchroniser intermediate	Change point - Gearbox begin 417153J	Also serviced as part of a kit, Transmission R 380	FTC2396	1
[906]	Gear-3rd driven manual transmission	Change point - Gearbox begin 417153J	Also serviced as part of a kit, Transmission R 380, 27 teeth	FTC5041	1
[908]	Kit-gears-3rd/4th	Change point - Gearbox begin 417153J	Also serviced as part of a kit, Transmission R 380	STC3376	1



Gearbox  
R380-5 Speed-Manual  
Mainshaft Gears 1st/2nd 1/2

Range Rover (From JA610294)

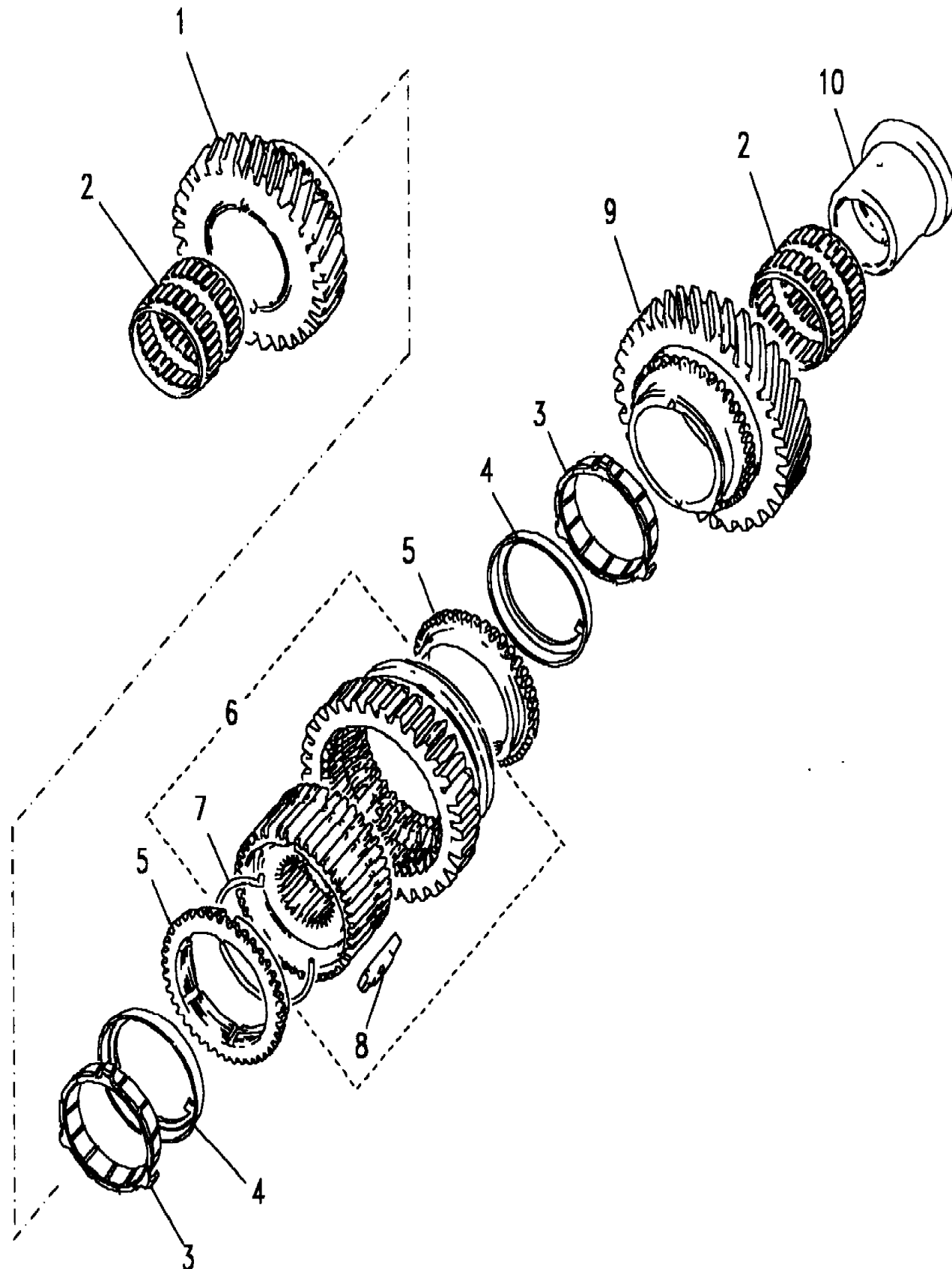
(BDCFIC1A)

Range Rover (From JA610294)

Gearbox  
R380-5 Speed-Manual  
Mainshaft Gears 1st/2nd

5 Speed, Manual Transmission

Callout	Name	Application	Remarks & Restrictions	Service No.	Qty
1	Gear-2nd driven manual transmission	Change point - Gearbox end 417152J		FTC2714	1
		Change point - Gearbox begin 417153J		FTC5038	1
2	Bearing-needle roller manual transmission			FTC1311	2
3	Ring-synchroniser inner		Also serviced as part of a kit, Transmission R 380	FTC5019	2
		Change point - Gearbox end 417152J		FTC2397	2
		Change point - Gearbox begin 417153J		FTC5019	2
4	Ring-synchroniser intermediate		Also serviced as part of a kit, Transmission R 380	FTC2396	2
				FTC2396	2
5	Ring-baulk		Also serviced as part of a kit, Transmission R 380	FTC3584	2
			1st/2nd gear, Transmission R 380	FTC3584	2
6	Synchroniser assembly-1st & 2nd mainshaft assembly	Change point - Gearbox begin 417153J	Also serviced as part of a kit, Transmission R 380	FTC5100	1
		Change point - Gearbox end 417152J	Also serviced as part of a kit, Transmission R 380	FTC2733	1
		Change point - Gearbox begin 417153J	Also serviced as part of a kit, Transmission R 380	FTC5100	1
7	Spring Ring	Change point - Gearbox begin 417153J	Also serviced as part of a kit, Transmission R 380	FTC4992	2
		Change point - Gearbox end 417152J	Also serviced as part of a kit, Transmission R 380	FTC4172	2
		Change point - Gearbox begin 417153J	Also serviced as part of a kit, Transmission R 380	FTC4992	2
8	Plate-synchroniser	Change point - Gearbox begin 417153J	Also serviced as part of a kit, Transmission R 380	FTC4171	3
		Change point - Gearbox end 417152J	Also serviced as part of a kit, Transmission R 380	FTC4171	3
		Change point - Gearbox begin 417153J	Also serviced as part of a kit, Transmission R 380	FTC4171	3
9	Gear-1st driven manual transmission	Change point - Gearbox end 417152J, With Diesel Engines		FTC2948	1
		Change point - Gearbox begin 417153J, With Diesel Engines	32 Teeth	FTC5037	1
		Change point - Gearbox end 417152J, With Petrol Engines		FTC2716	1
		Change point - Gearbox begin 417153J, With Petrol Engines	31 teeth	FTC5036	1



Gearbox  
R380-5 Speed-Manual  
Mainshaft Gears 1st/2nd 2/2

Range Rover (From JA610294)

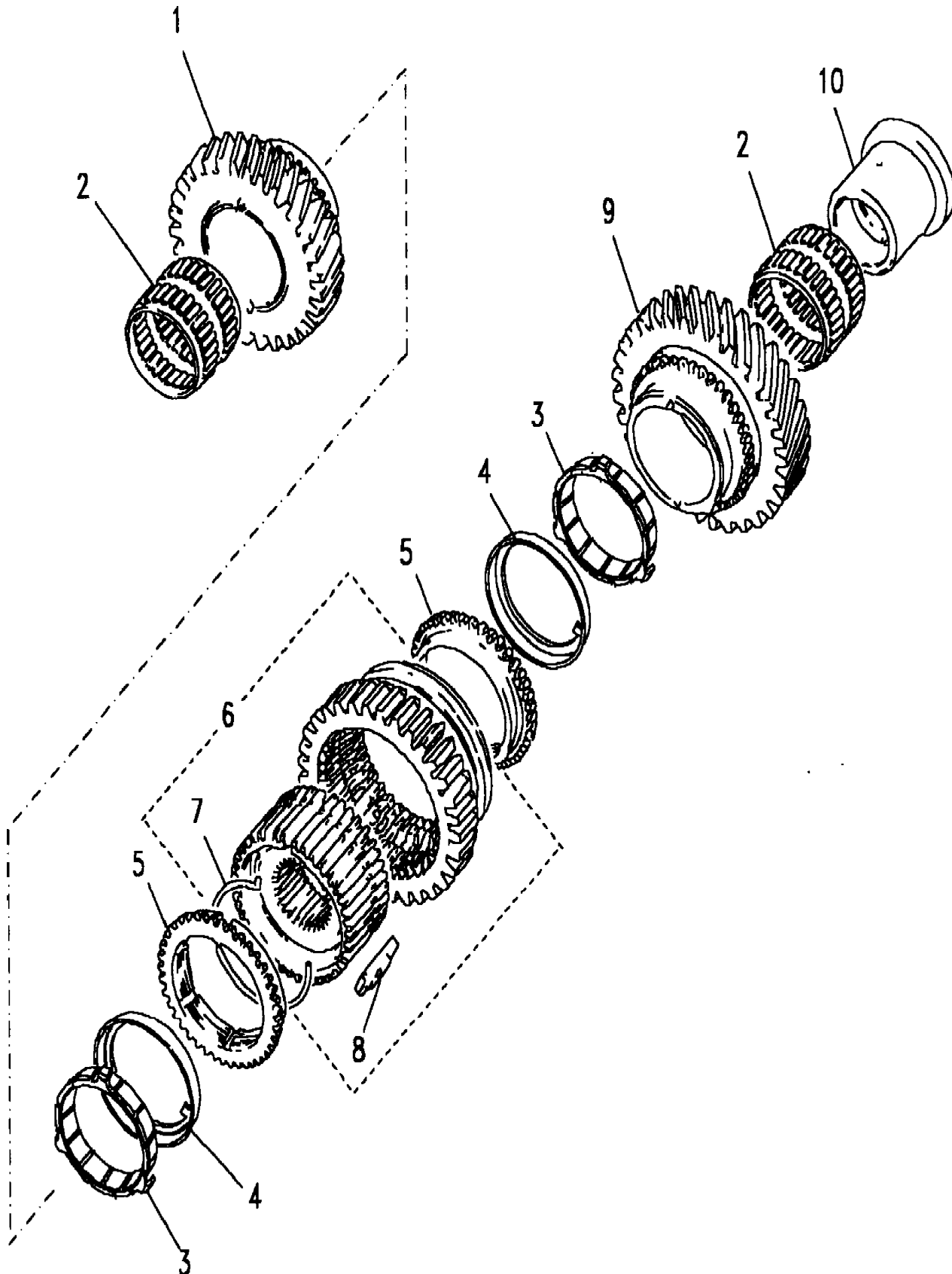
(BDCFIC1A)

Range Rover (From JA610294)

Gearbox  
R380-5 Speed-Manual  
Mainshaft Gears 1st/2nd

5 Speed, Manual Transmission

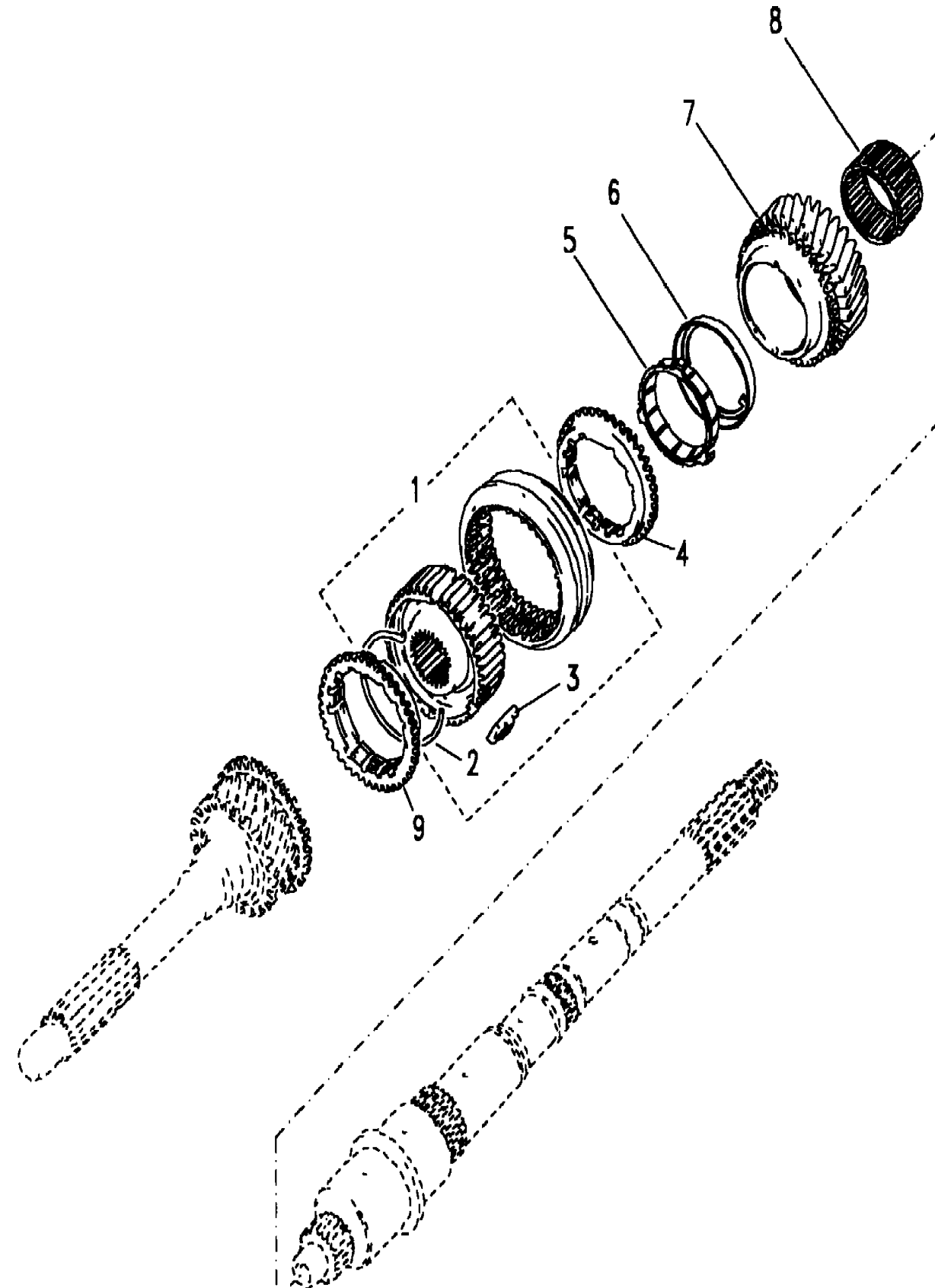
Callout	Name	Application	Remarks & Restrictions	Service No.	Qty
10	Bush-1st gear selective		30.905 to 30.955mm	FTC2005	1
[900]	Kit-gears-1st/2nd		Also serviced as part of a kit, Transmission R 380	STC3375	1



Gearbox  
R380-5 Speed-Manual  
Mainshaft Gears 3rd/4th 1/1

Range Rover (From JA610294)

(BDCFIC2A)



Range Rover (From JA610294)

Gearbox  
R380-5 Speed-Manual  
Mainshaft Gears 3rd/4th

Manual Transmission, 5 Speed

Callout	Name	Application	Remarks & Restrictions	Service No.	Qty
1	Synchroniser assembly-3rd & 4th mainshaft assembly	Change point - Gearbox begin 417153J	Also serviced as part of a kit, Transmission R 380	FTC5101	1
		Change point - Gearbox end 417152J	Also serviced as part of a kit, Transmission R 380	FTC2887	1
		Change point - Gearbox begin 417153J	Also serviced as part of a kit, Transmission R 380	FTC5101	1
2	Spring Ring	Change point - Gearbox begin 417153J	Also serviced as part of a kit, Transmission R 380	FTC4992	2
		Change point - Gearbox end 417152J	Also serviced as part of a kit, Transmission R 380	FTC4172	2
		Change point - Gearbox begin 417153J	Also serviced as part of a kit, Transmission R 380	FTC4992	2
3	Plate-synchroniser	Change point - Gearbox begin 417153J	Also serviced as part of a kit, Transmission R 380	FTC4171	3
		Change point - Gearbox end 417152J	Also serviced as part of a kit, Transmission R 380	FTC4171	3
		Change point - Gearbox begin 417153J	Also serviced as part of a kit, Transmission R 380	FTC4171	3
4	Ring-baulk	Change point - Gearbox begin 417153J	Also serviced as part of a kit, Transmission R 380	FTC3584	1
		Change point - Gearbox begin 417153J	3rd/4th gear	FTC3584	1
5	Ring-synchroniser intermediate	Change point - Gearbox begin 417153J	Also serviced as part of a kit, Transmission R 380	FTC2396	1
6	Ring-synchroniser inner	Change point - Gearbox begin 417153J	Also serviced as part of a kit, Transmission R 380	FTC5019	1
		Change point - Gearbox end 417152J		FTC2397	1
		Change point - Gearbox begin 417153J		FTC5019	1
7	Gear-3rd driven manual transmission	Change point - Gearbox begin 417153J	Also serviced as part of a kit, Transmission R 380, 27 teeth	FTC5041	1
		Change point - Gearbox end 417152J	27 teeth	FTC2712	1
		Change point - Gearbox begin 417153J	27 teeth	FTC5041	1
8	Bearing-needle roller manual transmission			FTC1311	1
9	Ring-baulk	Change point - Gearbox end 417152J	3rd/4th gear	FTC2731	1
		Change point - Gearbox end 417152J	3rd/4th gear	FTC5018	1
[900]	Kit-gears-3rd/4th	Change point - Gearbox begin 417153J	Also serviced as part of a kit, Transmission R 380	STC3376	1

Gearbox  
R380-5 Speed-Manual  
Mainshaft Gears 5th/Reverse 1/3

Range Rover (From JA610294)

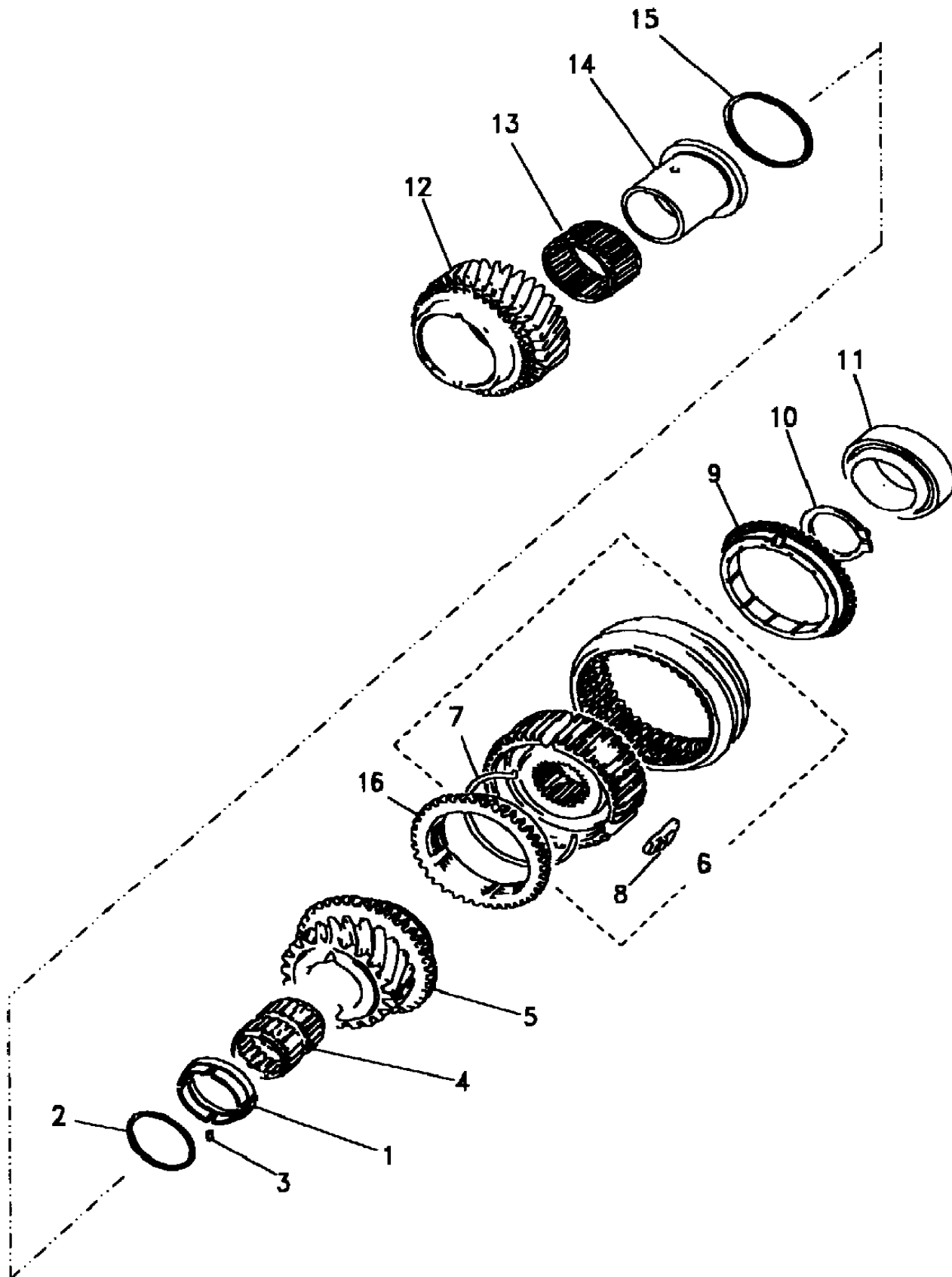
(BDCFIC3A)

Range Rover (From JA610294)

Gearbox  
R380-5 Speed-Manual  
Mainshaft Gears 5th/Reverse

5 Speed, Manual Transmission

Callout	Name	Application	Remarks & Restrictions	Service No.	Qty
1	Washer-thrust manual transmission	Manual Transmission	Also serviced as part of a kit, Transmission R 380	FTC4989	2
		Manual Transmission		FTC3699	1
		Change point - Gearbox end 410128J, Manual Transmission		FTC4989	1
		Change point - Gearbox begin 410129J, Manual Transmission		FTC5288	1
2	Ring-retention	Manual Transmission	Also serviced as part of a kit, Transmission R 380	FTC4990	1
		Change point - Gearbox end 410128J, Manual Transmission		FTC4524	1
		Change point - Gearbox begin 410129J, Manual Transmission		FTC4990	1
3	Pin-Spring	Change point - Gearbox begin 410128J, Manual Transmission		PA108101L	1
4	Bearing-needle roller manual transmission	Manual Transmission		FRC5280	1
5	Gear-5th driven manual transmission	Change point - Gearbox end 417152J, With Diesel Engines, Manual Transmission		FTC4539	1
		Change point - Gearbox begin 417153J, With Diesel Engines, Manual Transmission	19 Teeth	FTC5043	1
		Change point - Gearbox end 417152J, With Petrol Engines, Manual Transmission		FTC4538	1
		Change point - Gearbox begin 417153J, With Petrol Engines, Manual Transmission	20 Teeth	FTC5042	1
6	Synchroniser assembly-5th gear mainshaft assembly	Change point - Gearbox begin 417153J, Manual Transmission	Also serviced as part of a kit, Transmission R 380	FTC5102	1
		Change point - Gearbox end 417152J, Manual Transmission	Also serviced as part of a kit, Transmission R 380	FTC2727	1
		Change point - Gearbox begin 417153J, With Diesel Engines, Manual Transmission	Also serviced as part of a kit, Transmission R 380	FTC5102	1
7	Spring Ring	Change point - Gearbox begin 417153J, With Diesel Engines, Manual Transmission	Also serviced as part of a kit, Transmission R 380	FTC4992	2
		Change point - Gearbox begin 417153J, Manual Transmission	Also serviced as part of a kit, Transmission R 380	FTC4992	2





Gearbox  
R380-5 Speed-Manual  
Mainshaft Gears 5th/Reverse 2/3

Range Rover (From JA610294)

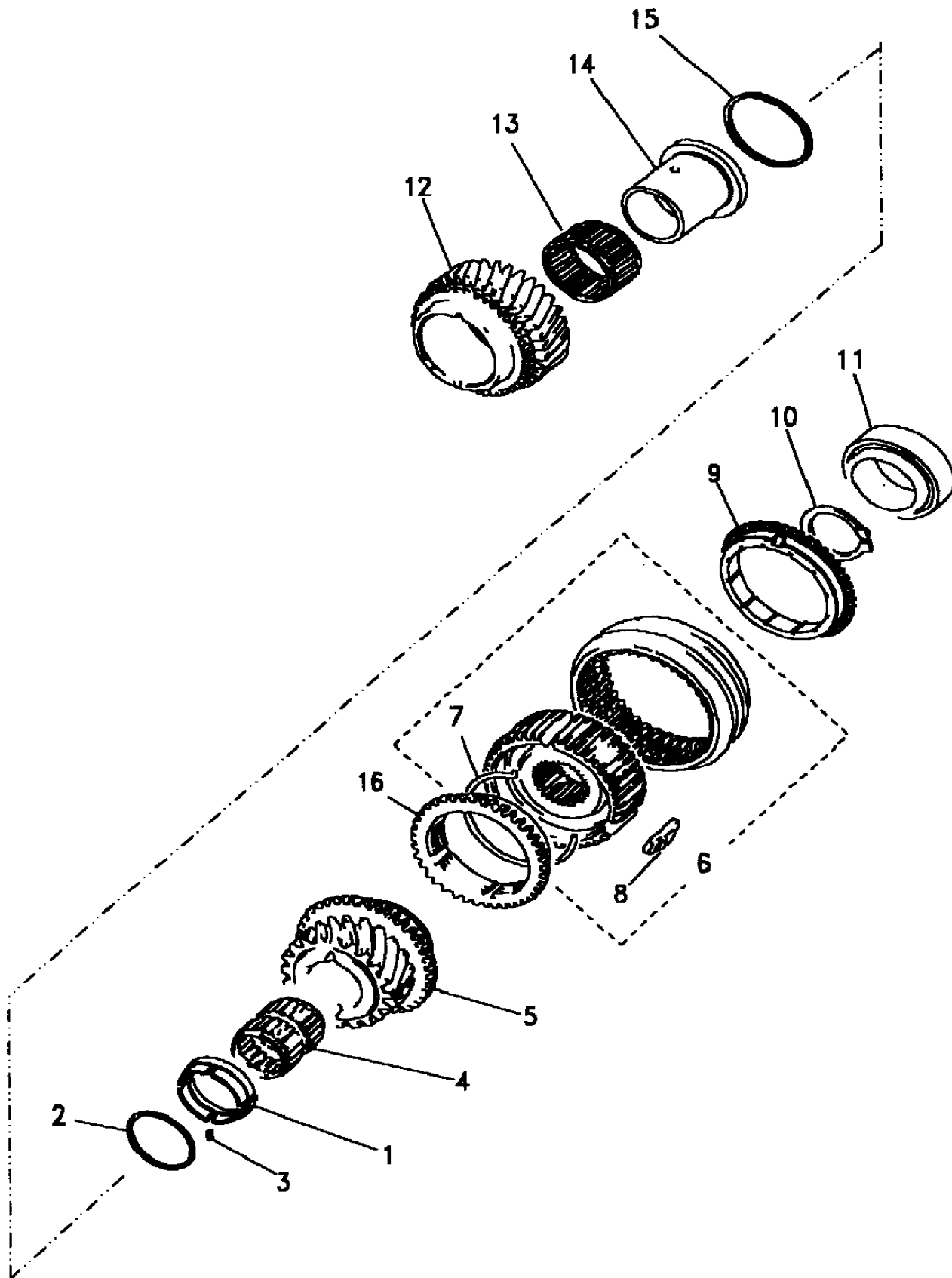
(BDCFIC3A)

Range Rover (From JA610294)

Gearbox  
R380-5 Speed-Manual  
Mainshaft Gears 5th/Reverse

5 Speed, Manual Transmission

Callout	Name	Application	Remarks & Restrictions	Service No.	Qty
7	Spring Ring	Change point - Gearbox end 417152J, Manual Transmission	Also serviced as part of a kit, Transmission R 380	FTC4245	2
8	Plate-synchroniser	Change point - Gearbox end 417152J, Manual Transmission	Also serviced as part of a kit, Transmission R 380	FTC4171	3
		Change point - Gearbox begin 417153J, Manual Transmission	Also serviced as part of a kit, Transmission R 380	FTC4171	3
9	Ring-baulk	Manual Transmission	Also serviced as part of a kit, Transmission R 380	FTC5018	1
		Change point - Gearbox end 417152J, Manual Transmission	4th/5th gear	FTC2731	1
		Change point - Gearbox end 417152J, With Diesel Engines, Manual Transmission	4th/5th gear	FTC5018	1
10	Circlip	Manual Transmission	man trans mainshaft/centre plate bearing	FTC3697	1
11	Bearing-taper roller	Manual Transmission	man trans mainshaft/primary shaft	FTC3371	1
12	Gear-reverse manual transmission	Manual Transmission	Also serviced as part of a kit, Transmission R 380	FTC5070	1
		Change point - Gearbox end 417152J, Manual Transmission		FTC4242	1
		Change point - Gearbox begin 417153J, Manual Transmission		FTC5070	1
13	Bearing-needle roller manual transmission	Manual Transmission		FTC1311	1
14	Bush-1st gear selective	Manual Transmission	30.905 to 30.955mm	FTC2005	1
15	Shim	Manual Transmission	man trans reverse gear bush, 2.475/2.450mm	FTC3951	X
		Manual Transmission	man trans reverse gear bush, 2.425/2.400mm	FTC3953	X
		Manual Transmission	man trans reverse gear bush, 2.375/2.350mm	FTC3955	X
		Manual Transmission	man trans reverse gear bush, 2.325/2.300mm	FTC3957	X
		Manual Transmission	man trans reverse gear bush, 2.275/2.250mm	FTC3959	X
		Manual Transmission	man trans reverse gear bush, 2.225/2.200mm	FTC3961	X
		Manual Transmission	man trans reverse gear bush, 2.175/2.150mm	FTC3963	X
		Manual Transmission	man trans reverse gear bush, 2.125/2.100mm	FTC3965	X



Gearbox  
R380-5 Speed-Manual  
Mainshaft Gears 5th/Reverse 3/3

Range Rover (From JA610294)

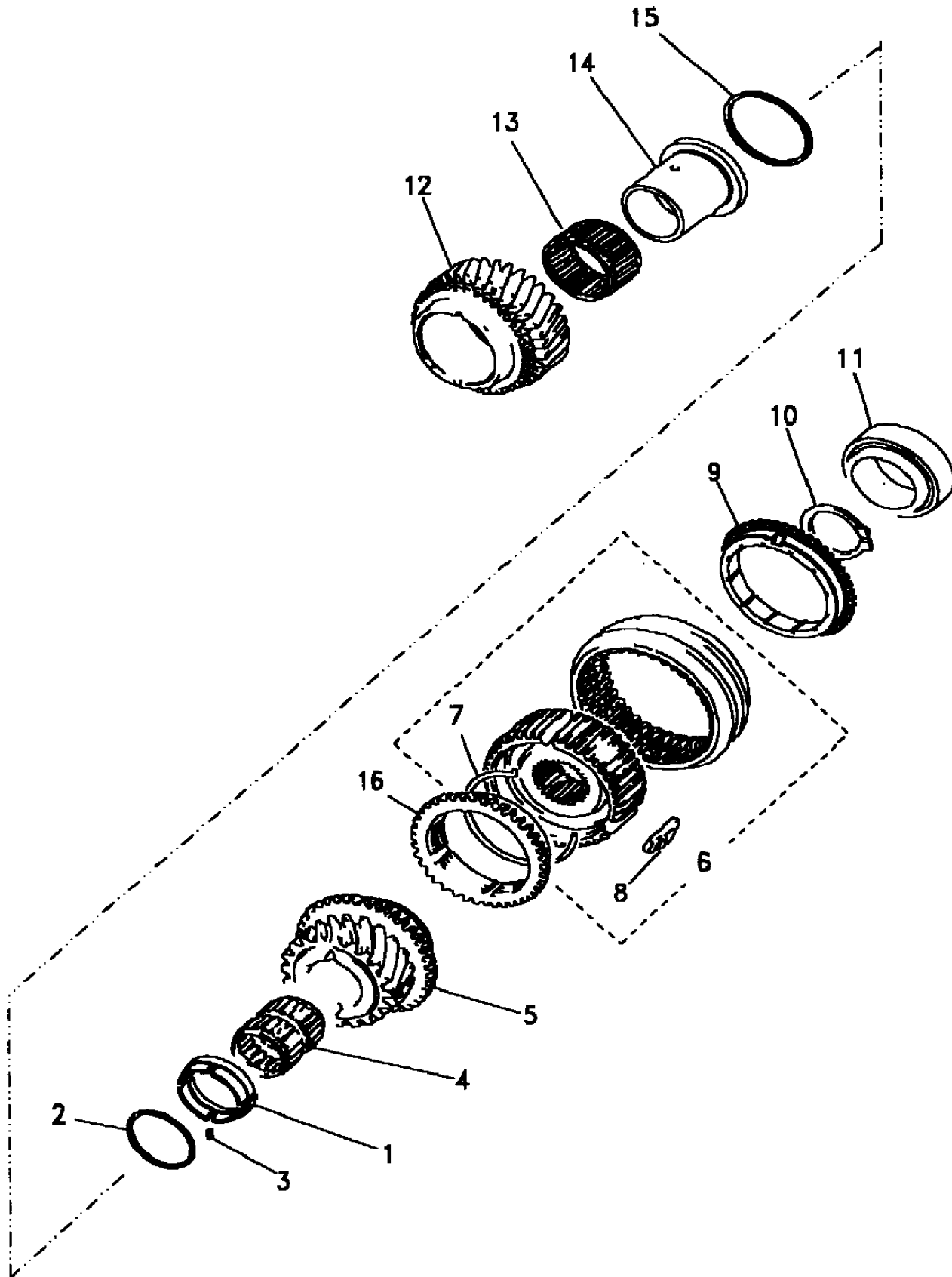
(BDCFIC3A)

Range Rover (From JA610294)

Gearbox  
R380-5 Speed-Manual  
Mainshaft Gears 5th/Reverse

5 Speed, Manual Transmission

Callout	Name	Application	Remarks & Restrictions	Service No.	Qty
15	Shim	Manual Transmission	man trans reverse gear bush, 2.075/2.050mm	FTC3967	X
		Manual Transmission	man trans reverse gear bush, 2.025/2.000mm	FTC3969	X
16	Ring-baulk	Manual Transmission	Also serviced as part of a kit, Transmission R 380	FTC3584	1
		Manual Transmission	5th Gear, Transmission R 380	FTC3584	1
[900]	Washer-thrust manual transmission	Manual Transmission	Also serviced as part of a kit, Transmission R 380	FTC5288	2
[901]	Ring-mainshaft oil feed	Manual Transmission	Also serviced as part of a kit, Transmission R 380	FTC4991	1
[902]	Kit-synchroniser assembly-main shaft-5th & reverse gear	Manual Transmission	Also serviced as part of a kit, Transmission R 380	STC3377	1



Gearbox  
R380-5 Speed-Manual  
Oil Cooler 1/2

Range Rover (From JA610294)

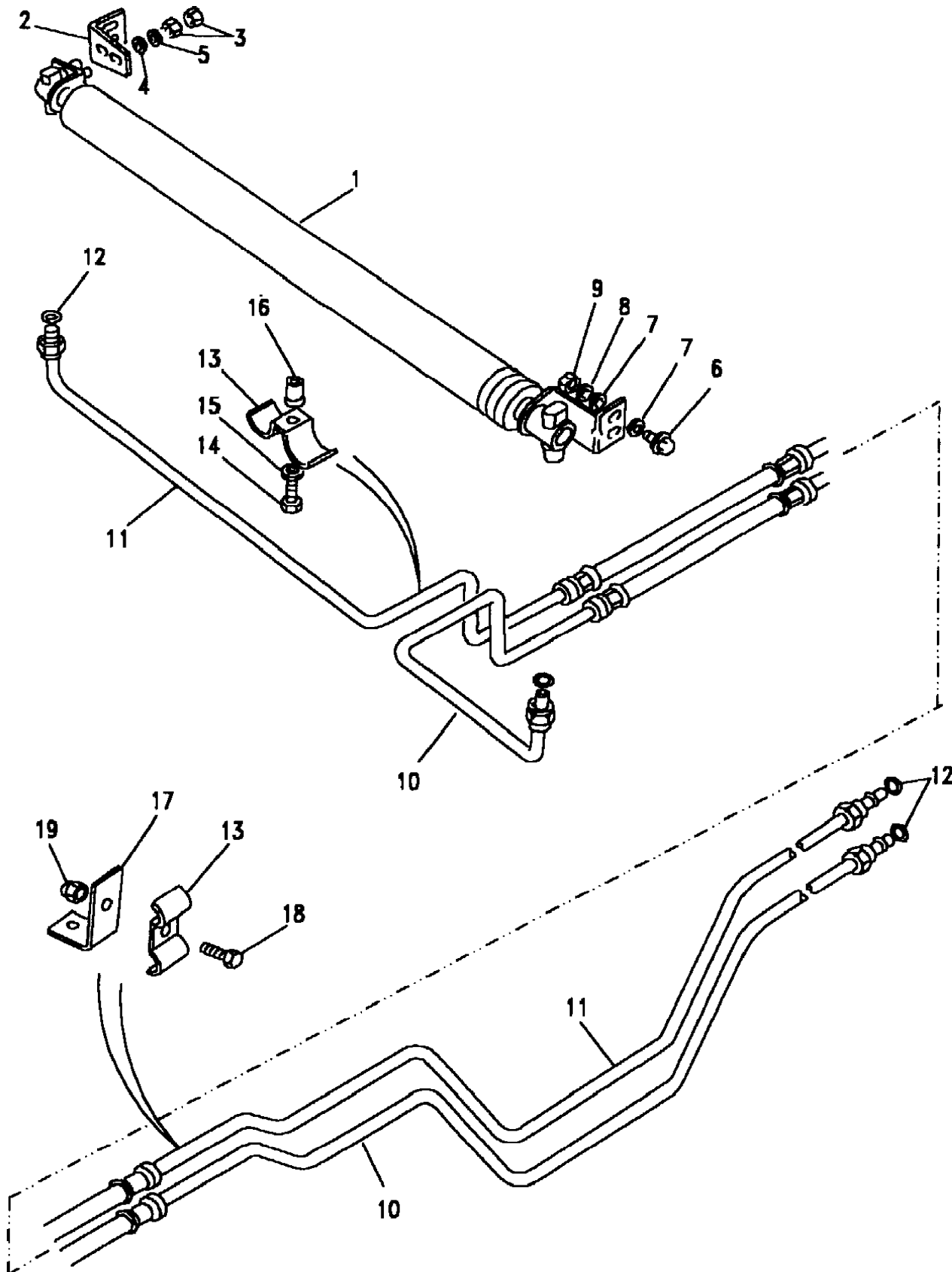
(BDCFOA1A)

Gearbox  
R380-5 Speed-Manual  
Oil Cooler

Range Rover (From JA610294)

V8 Petrol, 5 Speed, Manual Transmission

Callout	Name	Application	Remarks & Restrictions	Service No.	Qty
1	Oil cooler transmission	Change point - VIN begin MA647645, V8, Manual Transmission		ESR1703	1
2	Bracket-mounting oil cooler	Change point - VIN begin MA647645, V8, Manual Transmission		NTC1868	1
3	Nut - Hex.	Change point - VIN begin MA647645, V8, Manual Transmission	M6, nyloc, Hexagonal	NH106041L	2
4	Washer	Change point - VIN begin MA647645, V8, Manual Transmission	6MM	WA106041L	2
5	Washer	Change point - VIN begin MA647645, V8, Manual Transmission	M6, sprung	WL106001L	2
6	Screw-flanged head	Change point - VIN begin MA647645, V8, Manual Transmission	M6 X 16, Flanged Head	FS106167L	4
7	Washer	Change point - VIN begin MA647645, V8, Manual Transmission	6MM	WA106041L	8
8	Washer	Change point - VIN begin MA647645, V8, Manual Transmission	M6, sprung	WL106001L	4
9	Nut - Hex.	Change point - VIN begin MA647645, V8, Manual Transmission	M6, nyloc, Hexagonal	NH106041L	4
10	Pipe-transmission/oil cooler	Change point - VIN begin MA647645, V8, Manual Transmission	Also serviced as part of a kit	ESR2808	1
11	Pipe-oil cooler/transmission	Change point - VIN begin MA647645, V8, Manual Transmission	Also serviced as part of a kit	ESR2809	1
13	Clamp	Change point - VIN begin MA647645, V8, Manual Transmission		ESR2806	2
14	Screw	Change point - VIN begin MA647645, V8, Manual Transmission	hexagonal head, M6 x 35	SH106351L	1
15	Washer	Change point - VIN begin MA647645, V8, Manual Transmission	M6, sprung	WL106001L	1
16	Nutsert-blind	Change point - VIN begin MA647645, V8, Manual Transmission	M6	NN106021	1



Gearbox  
R380-5 Speed-Manual  
Oil Cooler 2/2

Range Rover (From JA610294)

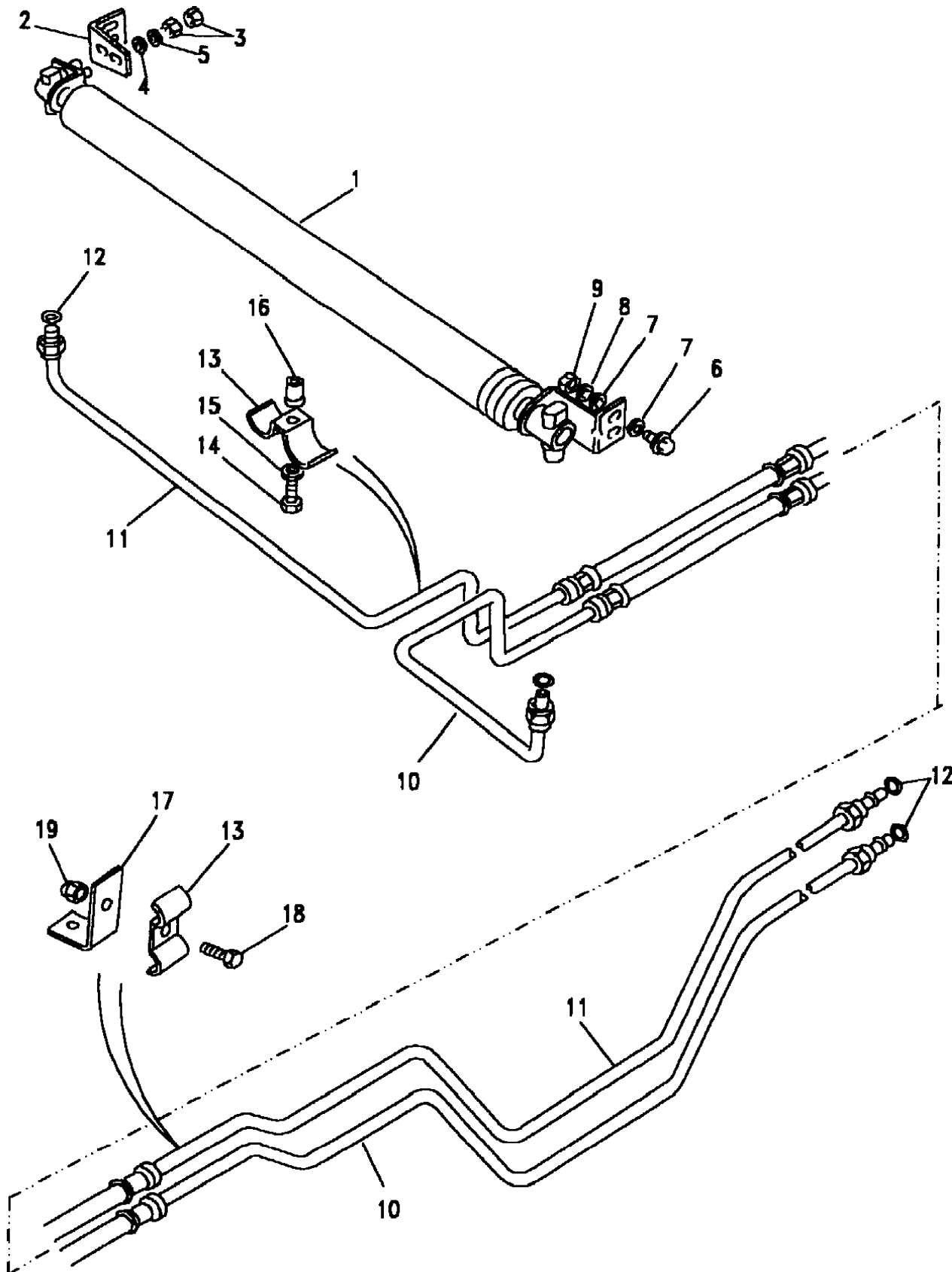
(BDCFOA1A)

Gearbox  
R380-5 Speed-Manual  
Oil Cooler

Range Rover (From JA610294)

V8 Petrol, 5 Speed, Manual Transmission

Callout	Name	Application	Remarks & Restrictions	Service No.	Qty
17	Pipe assembly-pump to steering box	Change point - VIN begin MA647645, V8, Manual Transmission		NTC5494	1
18	Screw-flanged head	Change point - VIN begin MA647645, V8, Manual Transmission	M6 X 16, Flanged Head	FS106167L	1
19	Nut - Hex.	Change point - VIN begin MA647645, V8, Manual Transmission	M6, nyloc, flange	NY106041	1
[900]	O Ring	Change point - VIN begin MA647645, V8, Manual Transmission	transmission oil cooler hose, Also serviced as part of a kit	ESR1594L	4



Gearbox  
R380-5 Speed-Manual  
Selectors & Shafts 1/2

Range Rover (From JA610294)

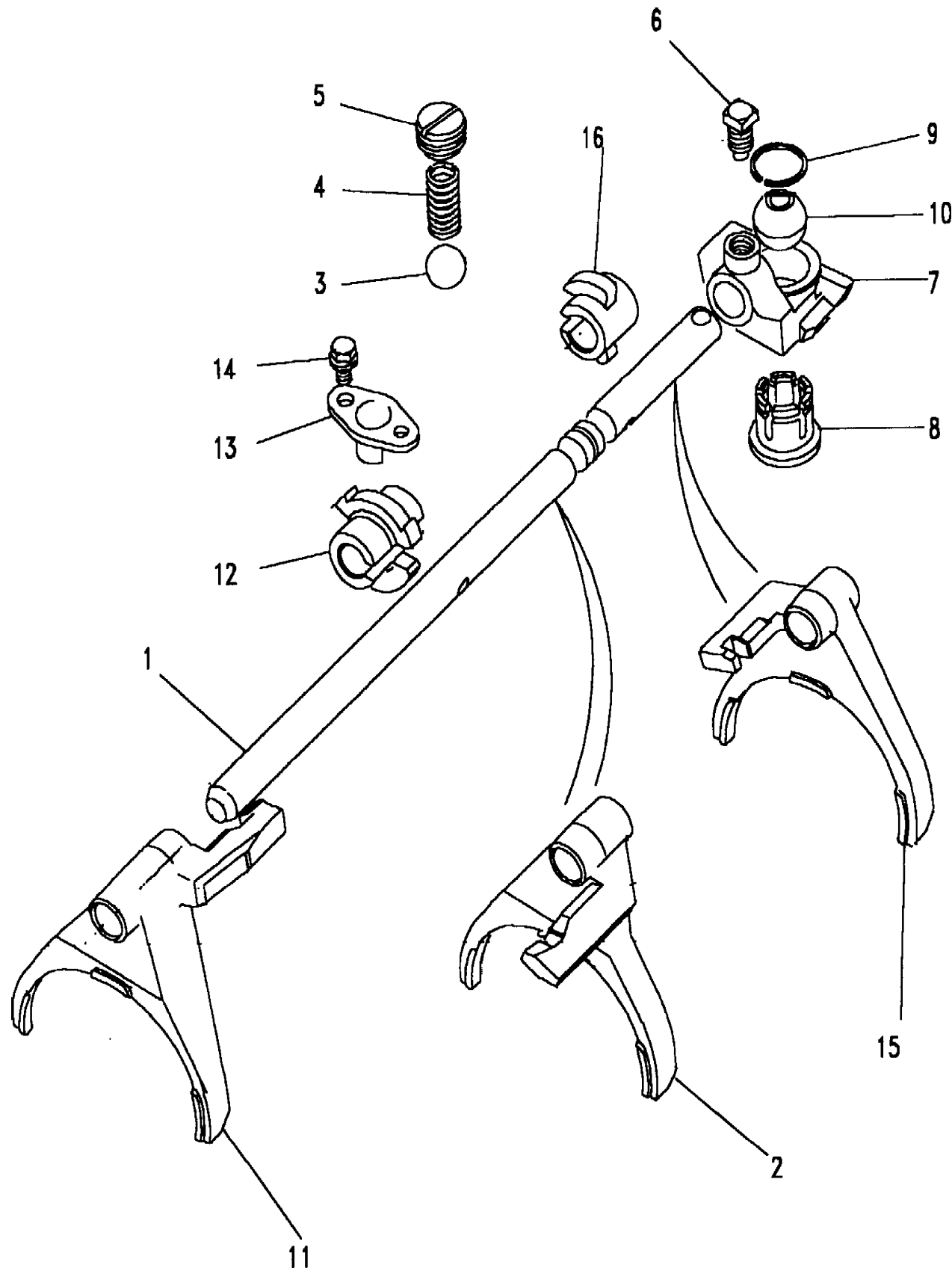
(BDCFK1A)

Range Rover (From JA610294)

Gearbox  
R380-5 Speed-Manual  
Selectors & Shafts

5 Speed, Manual Transmission

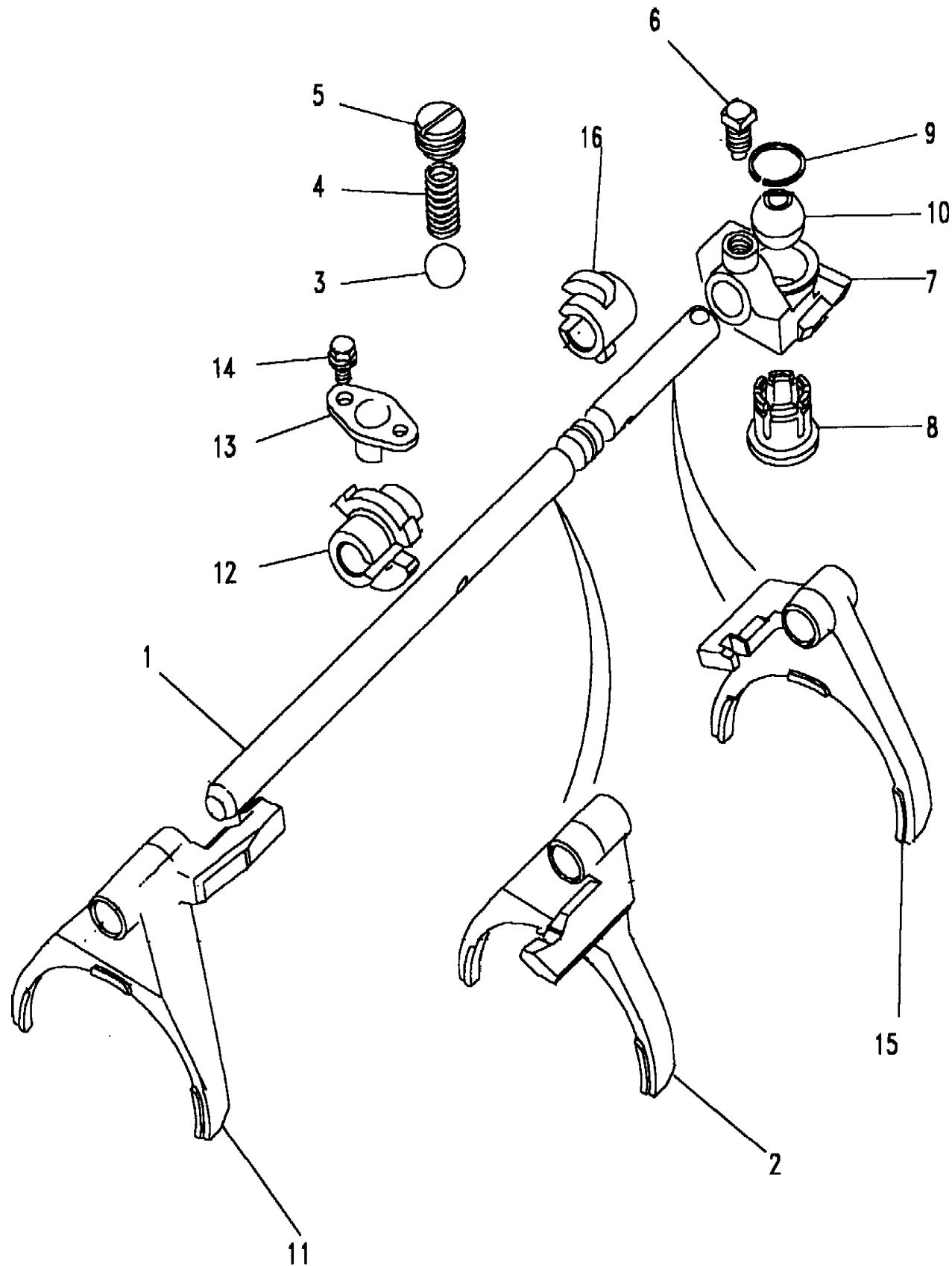
Callout	Name	Application	Remarks & Restrictions	Service No.	Qty
1	Shaft-selector manual transmission			FTC3381	1
				FTC4590	1
2	Fork assembly-selector-1st/ 2nd manual transmission			FTC3581	1
3	Ball-detent manual transmission	Change point - VIN end 655 187		BLS112L	2
		Change point - VIN begin 655 188		FTC4596	2
4	Spring-detent manual transmission			FTC3382	2
5	Plug			FTC2193	1
6	Screw-Grub	Change point - VIN end 655 187	Also serviced as part of a kit	FTC4536	1
		Change point - VIN end 655 187	Also serviced as part of a kit	FRC7018	1
		Change point - VIN begin 655 188	Also serviced as part of a kit	FTC4536	1
7	Yoke-shift rod manual transmission	Change point - VIN end 655 187	Also serviced as part of a kit	FTC3715	1
		Change point - VIN begin 655 188	Also serviced as part of a kit	FTC4622	1
8	Bush-selector yoke spherical	Change point - VIN end 655 187	Also serviced as part of a kit	FTC2203	1
		Change point - VIN begin 655 188	Also serviced as part of a kit	FTC2203	1
9	Ring-Snap	Change point - VIN end 655 187	Also serviced as part of a kit	FTC4458	1
		Change point - VIN begin 655 188	Also serviced as part of a kit	FTC4458	1
10	Ball-selector yoke	Change point - VIN end 655 187	Also serviced as part of a kit	FRC8485	1
		Change point - VIN begin 655 188	Also serviced as part of a kit	FTC4249	1
11	Fork assembly-3rd & 4th manual transmission			FTC3582	1
12	Interlock manual transmission			FTC3370	1
13	Retainer-interlock			FRC8239	1
14	Screw		M6 X 16, hexagonal head	SH106161M	2



Gearbox  
R380-5 Speed-Manual  
Selectors & Shafts 2/2

Range Rover (From JA610294)

(BDCFK1A)



Range Rover (From JA610294)

Gearbox  
R380-5 Speed-Manual  
Selectors & Shafts

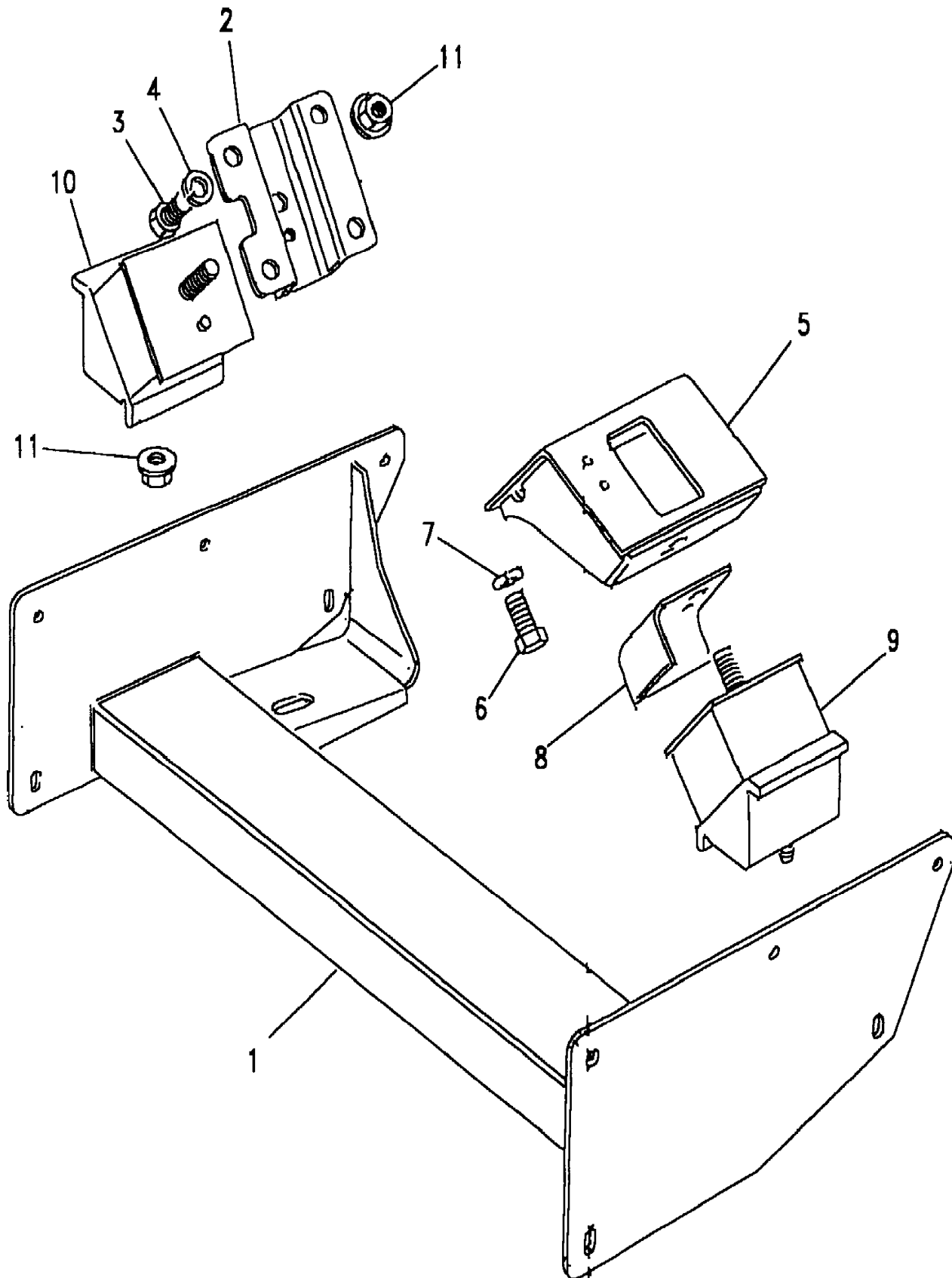
5 Speed, Manual Transmission

Callout	Name	Application	Remarks & Restrictions	Service No.	Qty
15	Fork assembly-5th manual transmission	Change point - VIN end 655187 Change point - VIN begin 655188		FTC3583	1
16	Interlock-5th/reverse			FTC4597	1
[903]	Ring-Snap	Change point - VIN end 655187	Also serviced as part of a kit	FRC8882	1
[905]	Pin-selector lever/shaft manual transmission			FRC8127	1
[906]	Pin-roll	Change point - VIN end 655187	Also serviced as part of a kit	FTC3845	1

Gearbox  
R380-5 Speed-Manual  
Transmission Mountings 1/1

Range Rover (From JA610294)

(BDCFMA1A)



Range Rover (From JA610294)

Gearbox  
R380-5 Speed-Manual  
Transmission Mountings

TDi Diesel, 5 Speed, Manual Transmission

Callout	Name	Application	Remarks & Restrictions	Service No.	Qty
1	Crossmember assembly-chassis frame	TDi		ANR2278	1
2	Bracket assembly-transmission mounting	TDi		ANR2423	1
3	Screw	TDi	hexagonal head, M12 x 25	SH112251L	4
4	Washer	TDi		WL112001L	4
5	Bracket-Transmission Mounting	TDi	LH	ANR3225	1
6	Screw	TDi	hexagonal head, M12 x 25	SH112251L	4
7	Washer	TDi		WL112001L	4
8	Heatshield assembly exhaust-downpipe	TDi		ANR3138	1
9	Mounting-rubber	TDi	LH	ANR3201	1
10	Mounting-rubber	TDi	RH	ANR3200	1
11	Nut-flange	TDi	M10	FX110041L	4

Gearbox  
ZF-4 Speed-Automatic  
Adaptor Plate 1/1

Range Rover (From JA610294)

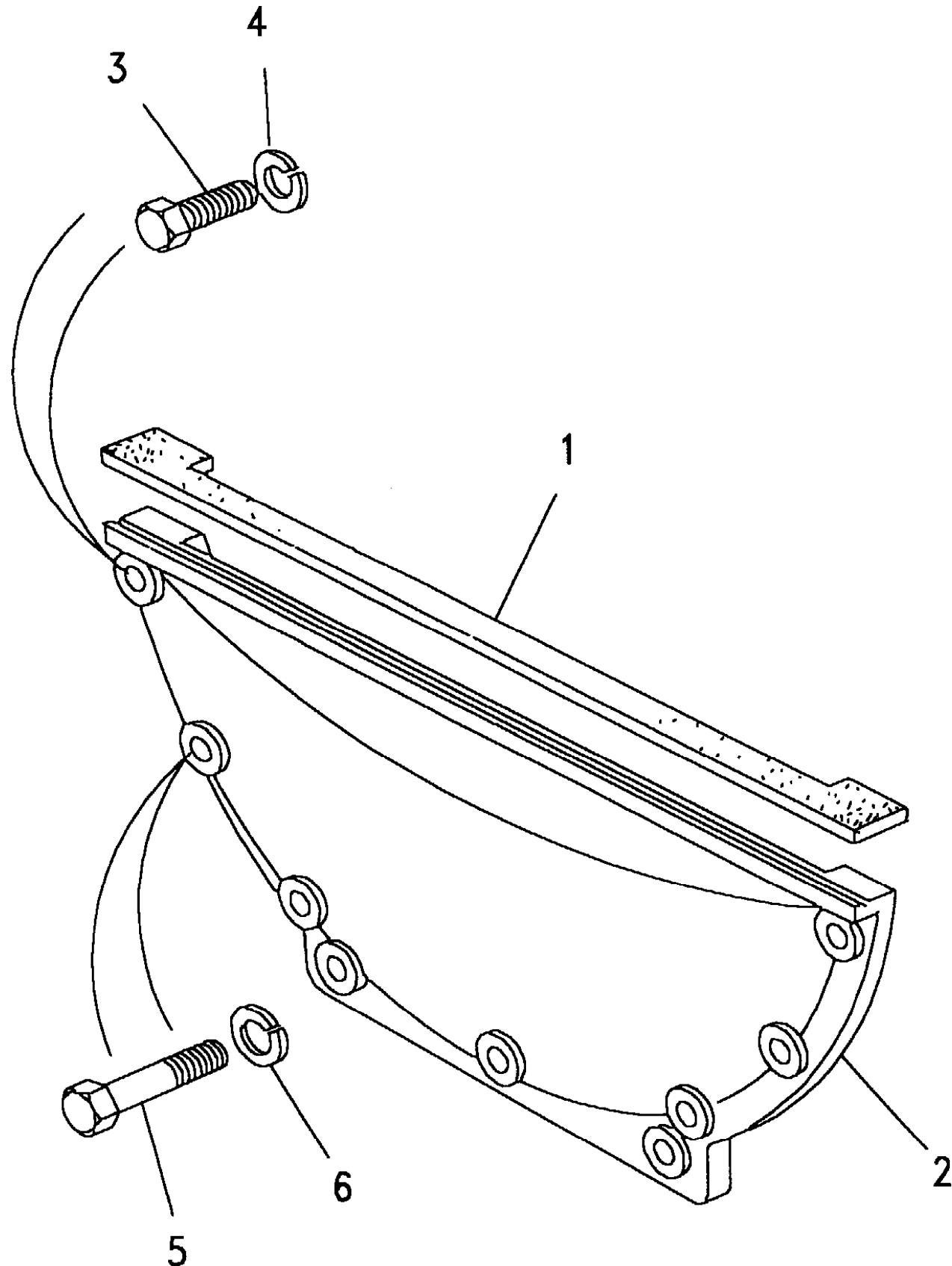
(BDCPEA1A)

Gearbox  
ZF-4 Speed-Automatic  
Adaptor Plate

Range Rover (From JA610294)

Automatic Transmission, 4 Speed

Callout	Name	Application	Remarks & Restrictions	Service No.	Qty
1	Seal		bottom	594087	1
2	Cover-bell housing		bottom	FRC2859	1
3	Screw		to cover bottom, Flanged Head, M6 x 25	FS106255L	7
4	Washer-Spring		M6, Square	WM106001L	7
5	Bolt		to cover bottom	594134	2
6	Washer-Spring		M8	WM108001L	2





Gearbox  
ZF-4 Speed-Automatic  
Brake 'C-C' 1/1

Range Rover (From JA610294)

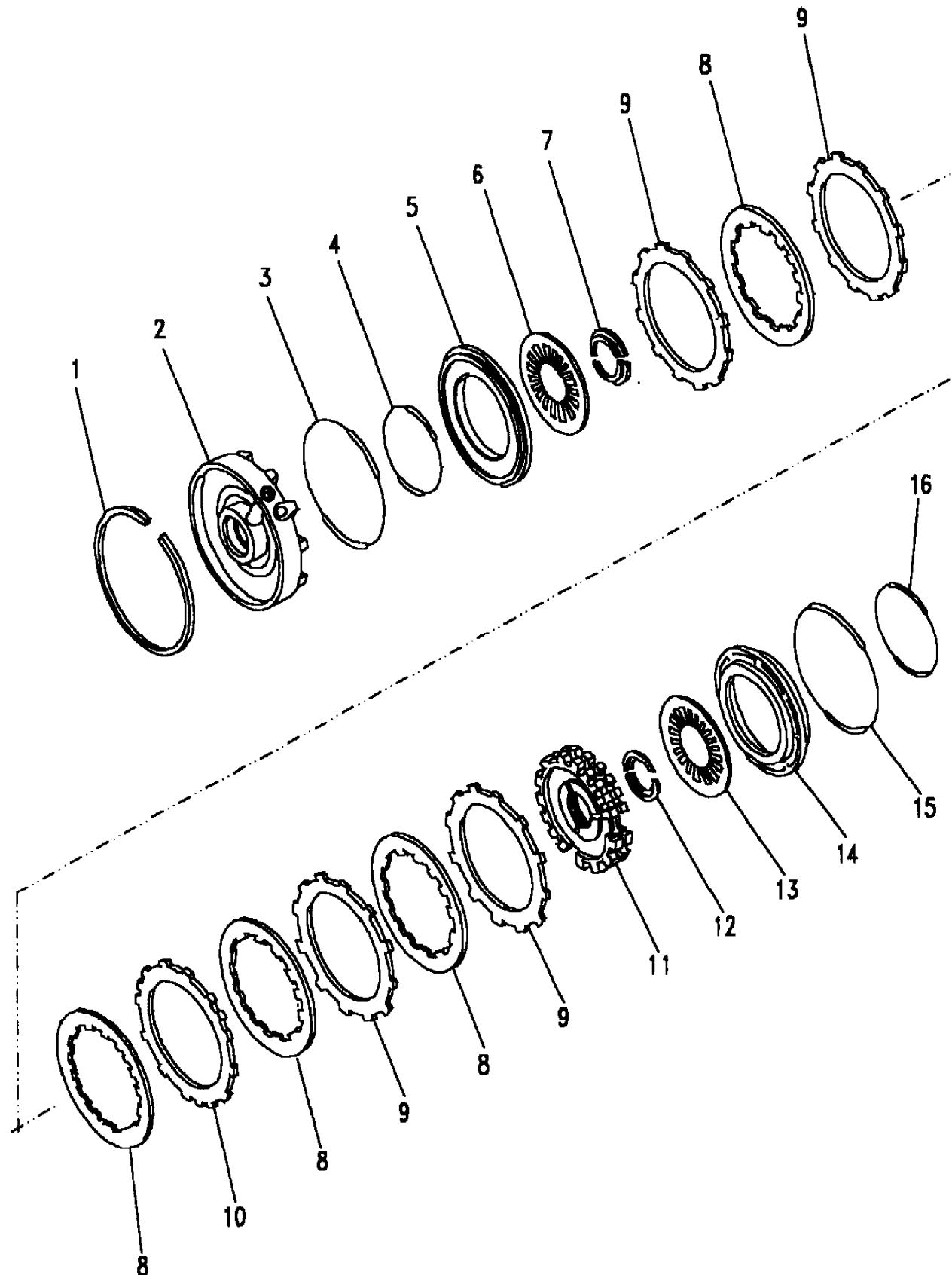
(BDCPPG2B)

Gearbox  
ZF-4 Speed-Automatic  
Brake 'C-C'

Range Rover (From JA610294)

4 Speed, Automatic Transmission

Callout	Name	Application	Remarks & Restrictions	Service No.	Qty
1	Ring-snap automatic transmission	Automatic Transmission	Large	RTC5173	1
2	Plate	3.9L, Automatic Transmission 4.2L, Automatic Transmission	Centre Centre	RTC5174 STC989	1 1
5	Piston-clutch-automatic	3.9L, Automatic Transmission 4.2L, Automatic Transmission		RTC5175 STC990	1 1
6	Spring	Automatic Transmission		RTC5176	1
7	Ring-backing automatic transmission	Automatic Transmission		RTC5177	1
8	Disc-clutch automatic transmission	3.9L, Automatic Transmission 4.2L, Automatic Transmission	lined lined	RTC5122 RTC5122	4 5
9	Disc-clutch automatic transmission	4.2L, Automatic Transmission 3.9L, Automatic Transmission	Outer Outer	RTC5126 RTC5126	1 4
10	Disc-clutch automatic transmission	3.9L, Automatic Transmission 4.2L, Automatic Transmission	end	RTC5123 STC992	1 1
11	Drive assembly-freewheel	3.9L, Automatic Transmission 4.2L, Automatic Transmission		RTC5178 STC993	1 1
12	Ring-backing automatic transmission	Automatic Transmission		RTC5177	1
13	Spring	Automatic Transmission		RTC5176	1
14	Piston-clutch-automatic	Automatic Transmission		RTC5179	1
17	Disc-clutch automatic transmission	4.2L, Automatic Transmission	Outer, Steel	RTC5121	4



Gearbox  
ZF-4 Speed-Automatic  
Brake 'D' 1/1

Range Rover (From JA610294)

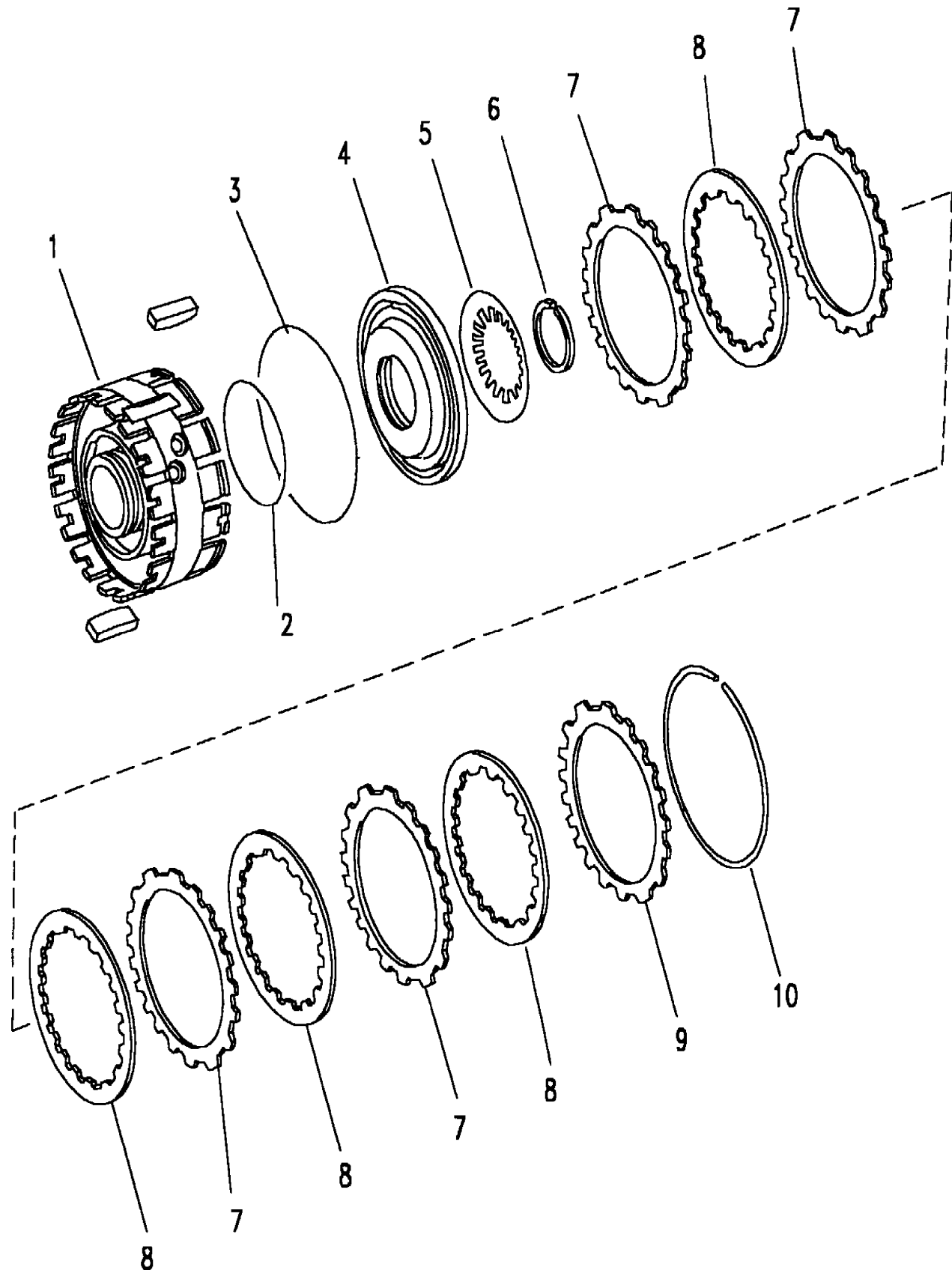
(BDCPGG3B)

Gearbox  
ZF-4 Speed-Automatic  
Brake 'D'

Range Rover (From JA610294)

Automatic Transmission, 4 Speed

Callout	Name	Application	Remarks & Restrictions	Service No.	Qty
1	Cylinder	Automatic Transmission		RTC5151	1
4	Piston-clutch-automatic	Automatic Transmission		RTC5152	1
5	Spring	Automatic Transmission		RTC5153	1
6	Connector fit	Automatic Transmission		RTC5154	1
7	Disc-clutch automatic transmission	3.9L, Automatic Transmission 4.2L, Automatic Transmission	Outer	RTC5126 STC3617	4 5
8	Disc-clutch automatic transmission	3.9L, Automatic Transmission 4.2L, Automatic Transmission	lined	RTC5127 STC3616	4 5
9	Disc-clutch automatic transmission	Automatic Transmission	Outer	RTC5125	1
10	Ring-snap automatic transmission	Automatic Transmission		RTC5128	1



Gearbox  
ZF-4 Speed-Automatic  
Brakes 'F' 1/1

Range Rover (From JA610294)

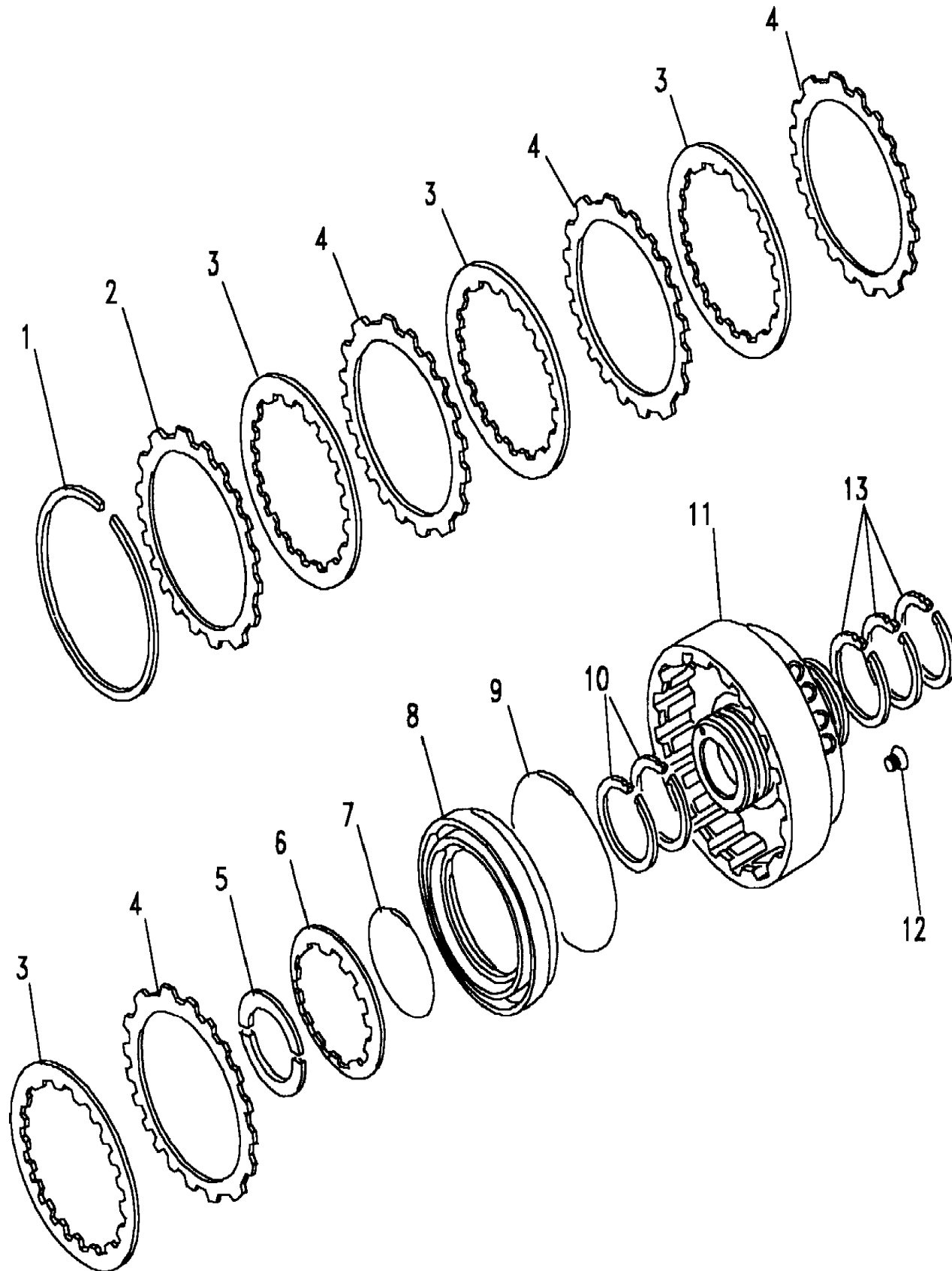
(BDCPGG1A)

Gearbox  
ZF-4 Speed-Automatic  
Brakes 'F'

Range Rover (From JA610294)

Automatic Transmission, 4 Speed

Callout	Name	Application	Remarks & Restrictions	Service No.	Qty
1	Ring-snap automatic transmission	Automatic Transmission		RTC5137	1
2	Plate-automatic transmission clutch end	Automatic Transmission		RTC5136	1
3	Disc-clutch automatic transmission	Automatic Transmission	lined	RTC5135	4
4	Disc-clutch automatic transmission	Automatic Transmission		RTC5134	4
5	Ring-backing automatic transmission	Automatic Transmission		RTC5160	1
6	Disc-brake spring	Automatic Transmission		RTC5159	1
8	Piston-clutch-automatic	Automatic Transmission		RTC5158	1
10	Ring-piston-forward shaft automatic transmission	Automatic Transmission		RTC5157	2
11	Cylinder	Automatic Transmission		RTC5155	1
12	Screw	Automatic Transmission	To cylinder	RTC5156	10
13	Ring set assembly-piston	Automatic Transmission		RTC4660	3



Gearbox  
ZF-4 Speed-Automatic  
Casing & Sump 1/2

Range Rover (From JA610294)

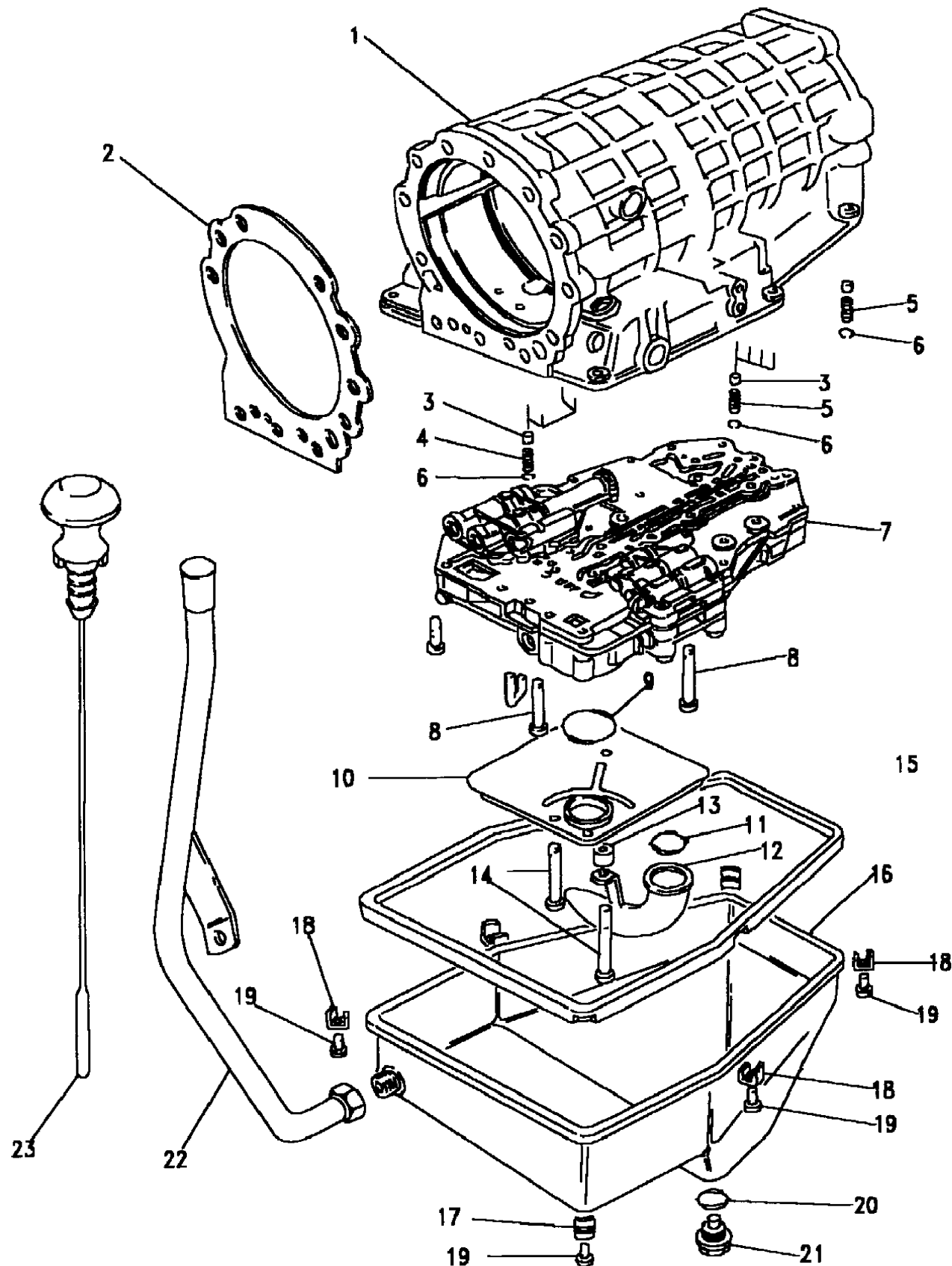
(BDCPEA3A)

Gearbox  
ZF-4 Speed-Automatic  
Casing & Sump

Range Rover (From JA610294)

Automatic Transmission

Callout	Name	Application	Remarks & Restrictions	Service No.	Qty
2	Gasket-end cover automatic transmission			RTC4320	1
3	Sleeve		for oil feed, Short Long	RTC4280 RTC5209	8 1
4	Spring		Short	RTC4281	4
5	Spring		Long	RTC4282	5
6	Circlip			RTC4657	9
7	Valve-block	3.9L EFI 4.2L EFI 2.5L TDi		STC930 STC907 STC1582	1 1 1
8	Screw		To control unit, Long, 83mm To control unit, Long, 65MM To control unit, Long, 60MM To control unit, Long, 30MM	RTC4649 RTC4278 RTC4277 RTC4279	1 4 3 8
9	O Ring		auto trans strainer to control unit	RTC4276	1
10	Strainer-oil-automatic transmission fluid automatic transmission			RTC4653	1
11	O Ring		auto trans fluid suction pipe	RTC5818	1
12	Pipe-suction automatic transmission			RTC4655	1
13	Sleeve			RTC4656	1
14	Screw		Screen oil to control unit, Long, 65MM Screen oil to control unit, Long, 83mm	RTC4278 RTC4649	2 1
15	Gasket-sump/transmission case automatic transmission			RTC4268	1
16	Pan assembly-oil transmission case			RTC4652	1
17	Plate			RTC5733	4
18	Plate			RTC5734	2
19	Screw		To plate fixing	RTC5735	6



Gearbox  
ZF-4 Speed-Automatic  
Casing & Sump 2/2

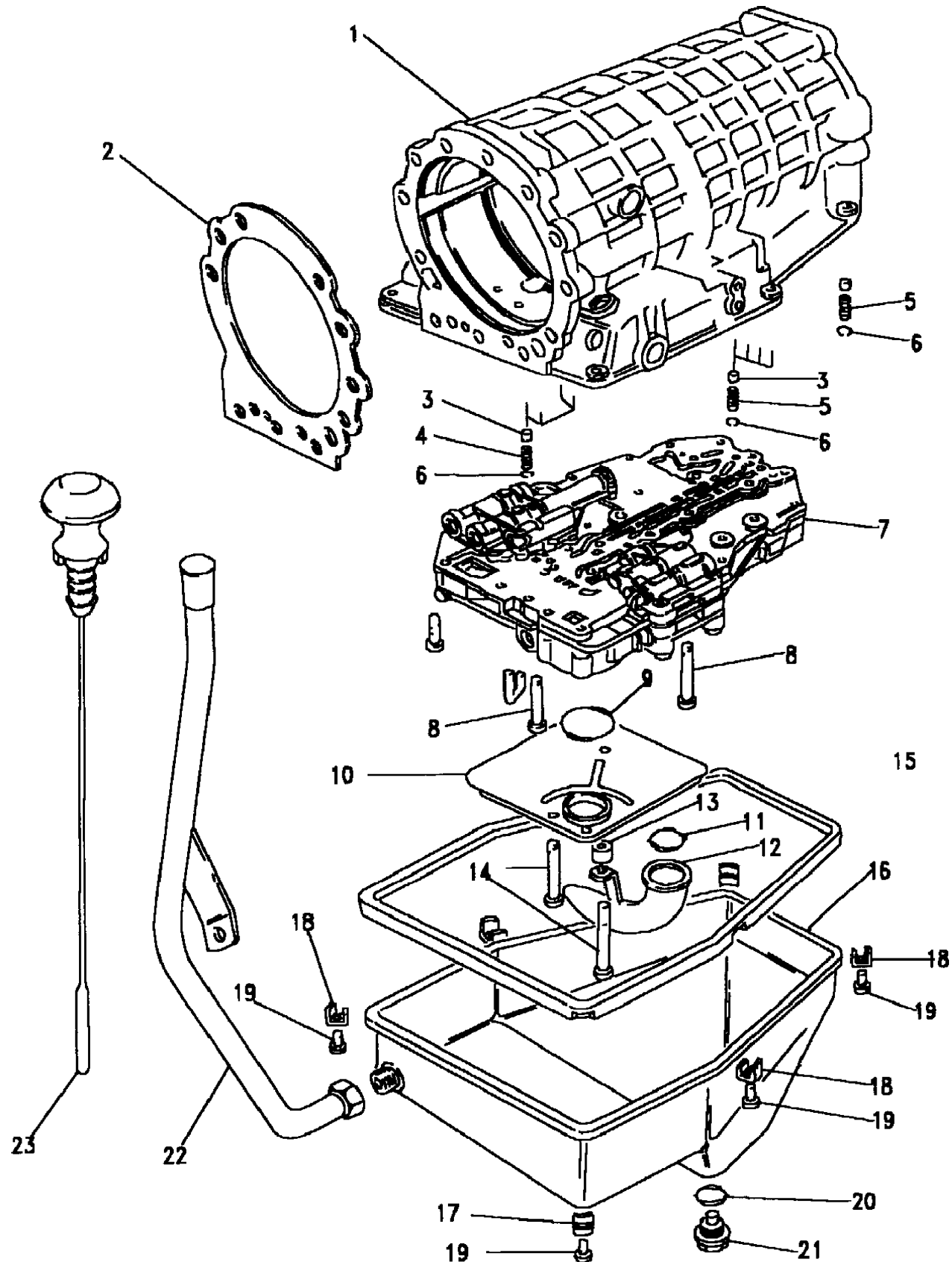
Range Rover (From JA610294)  
(BDCPEA3A)

Gearbox  
ZF-4 Speed-Automatic  
Casing & Sump

Range Rover (From JA610294)

Automatic Transmission

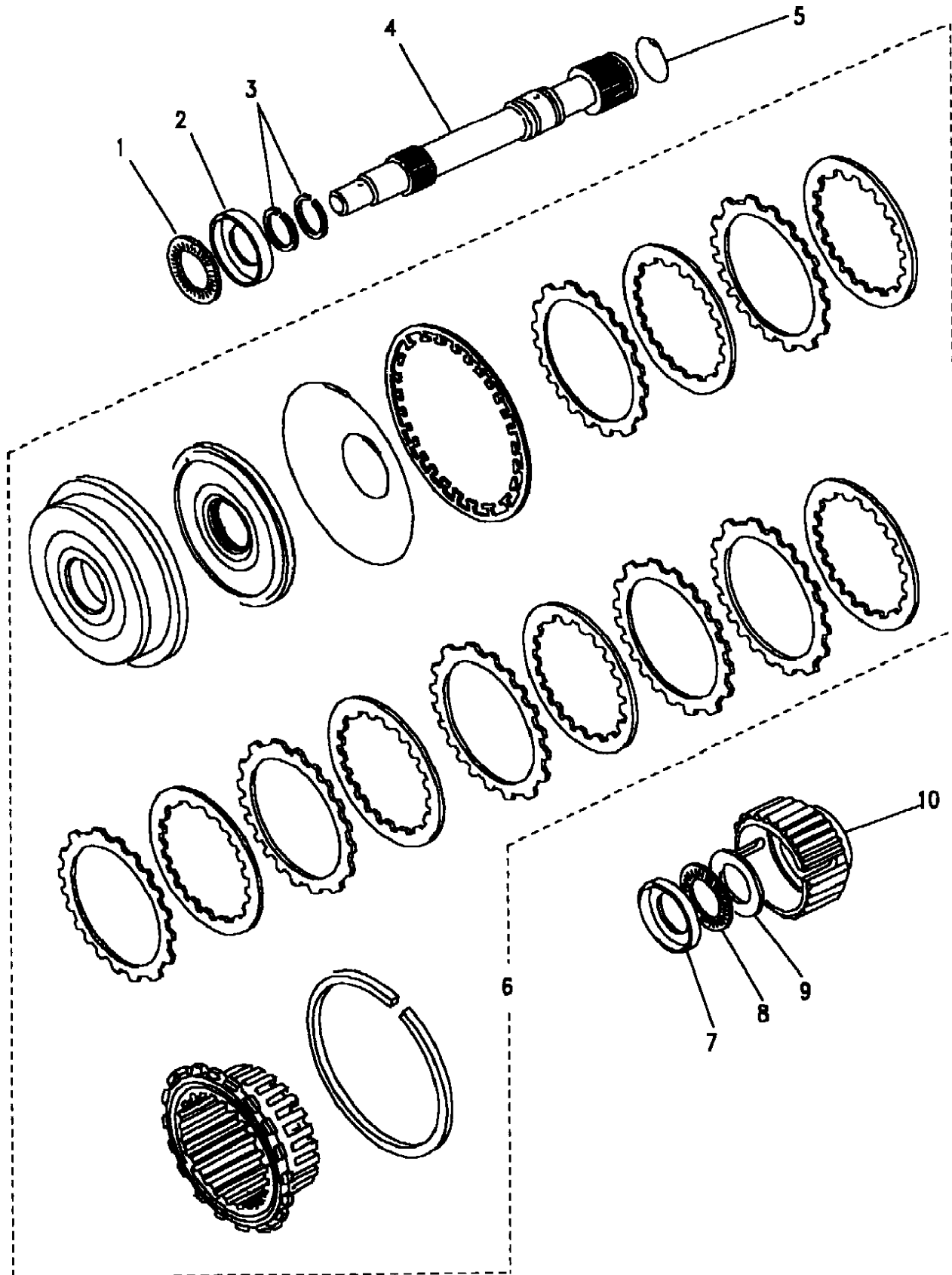
Callout	Name	Application	Remarks & Restrictions	Service No.	Qty
20	Washer-sealing		drain plug-automatic transmission	STC1060	1
21	Plug and magnet assembly-transmission case			RTC4647	1
22	Pipe-dipstick automatic transmission	V8 Petrol		FTC1356	1
		TDi Diesel		FTC1609	1
23	Dipstick automatic transmission	Change point - VIN end FA367030, V8 Petrol	620MM	SFR23	1
		Change point - VIN begin FA367031, V8 Petrol	689mm	FTC1357	1
		TDi Diesel		FTC4475	1
		Change point - VIN begin KA638961, V8 Petrol	693mm	FTC4474	1



Gearbox  
ZF-4 Speed-Automatic  
Clutch 'A' 1/1

Range Rover (From JA610294)

(BDCPGE1B)



Range Rover (From JA610294)

Gearbox  
ZF-4 Speed-Automatic  
Clutch 'A'

Automatic Transmission, 4 Speed

Callout	Name	Application	Remarks & Restrictions	Service No.	Qty
2	Retainer-bearing automatic transmission	Automatic Transmission		RTC5143	1
4	Shaft-counter automatic transmission	Automatic Transmission		RTC5141	1
6	Kit-clutch	Automatic Transmission		RTC5142	1
10	Carrier-gear automatic transmission	Automatic Transmission		RTC5144	1

Gearbox  
ZF-4 Speed-Automatic  
Clutch 'B' 1/1

Range Rover (From JA610294)

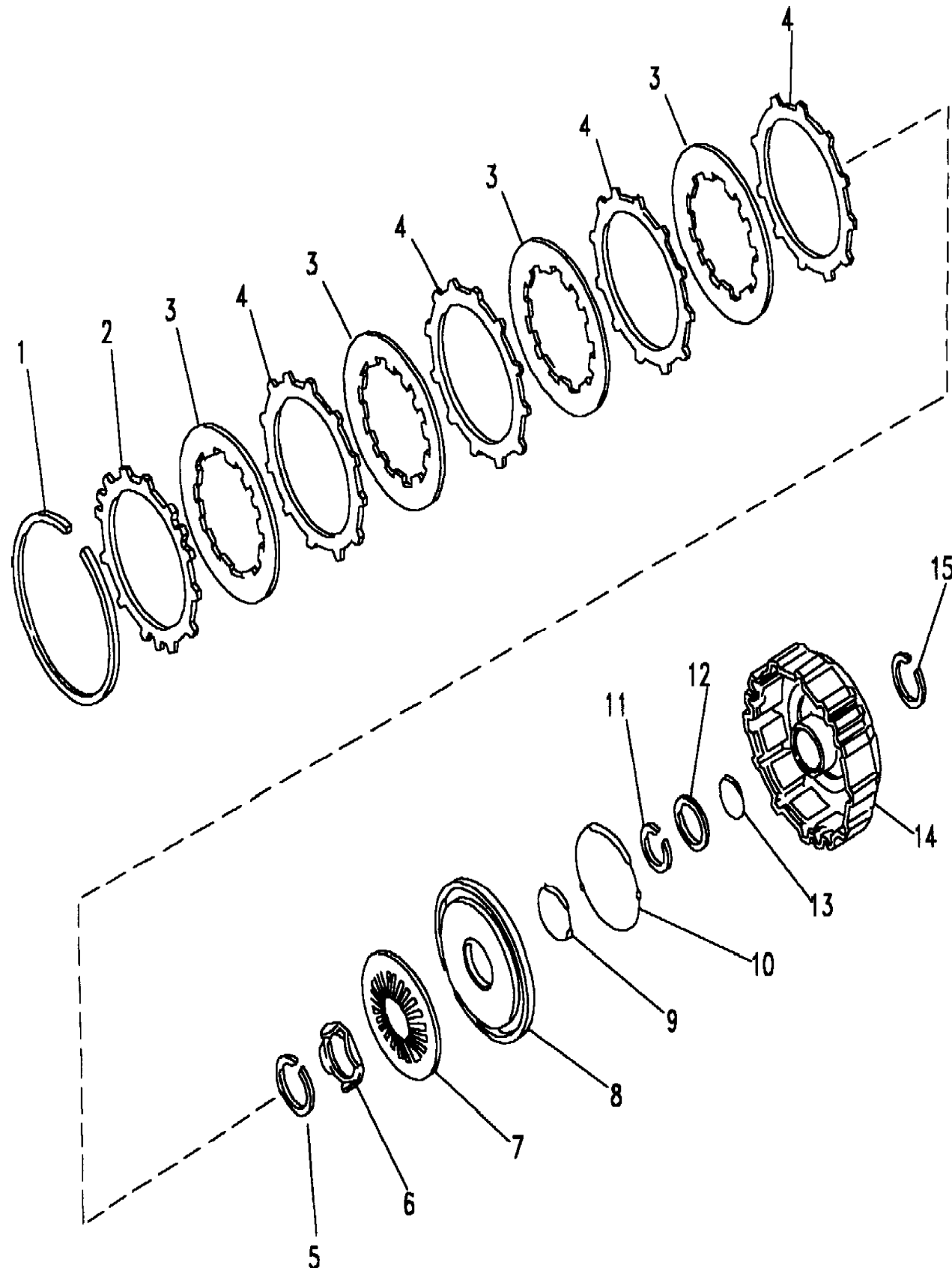
(BDCPGE2A)

Gearbox  
ZF-4 Speed-Automatic  
Clutch 'B'

Range Rover (From JA610294)

Automatic Transmission, 4 Speed

Callout	Name	Application	Remarks & Restrictions	Service No.	Qty
1	Ring-snap automatic transmission	Automatic Transmission		RTC5124	1
2	Disc-clutch automatic transmission	3.9L, Automatic Transmission 4.2L, Automatic Transmission	end	RTC5123 STC998	1 1
3	Disc-clutch automatic transmission	3.9L, Automatic Transmission 4.2L, Automatic Transmission	lined lined	RTC5122 RTC5122	4 5
4	Disc-clutch automatic transmission	3.9L, Automatic Transmission 4.2L, Automatic Transmission	Outer, Steel Outer	RTC5121 RTC5126	4 5
5	Ring-snap automatic transmission	Automatic Transmission		RTC5148	1
7	Spring	Automatic Transmission		RTC5147	1
8	Piston-clutch-automatic	Automatic Transmission		RTC5146	1
12	Ring-support	Automatic Transmission		RTC5149	1
14	Guide automatic transmission	3.9L, Automatic Transmission 4.2L, Automatic Transmission		RTC5145 STC999	1 1
16	Plate-automatic transmission clutch end	4.2L, Automatic Transmission		STC1107	1



Gearbox  
ZF-4 Speed-Automatic  
Clutch 'E' 1/1

Range Rover (From JA610294)

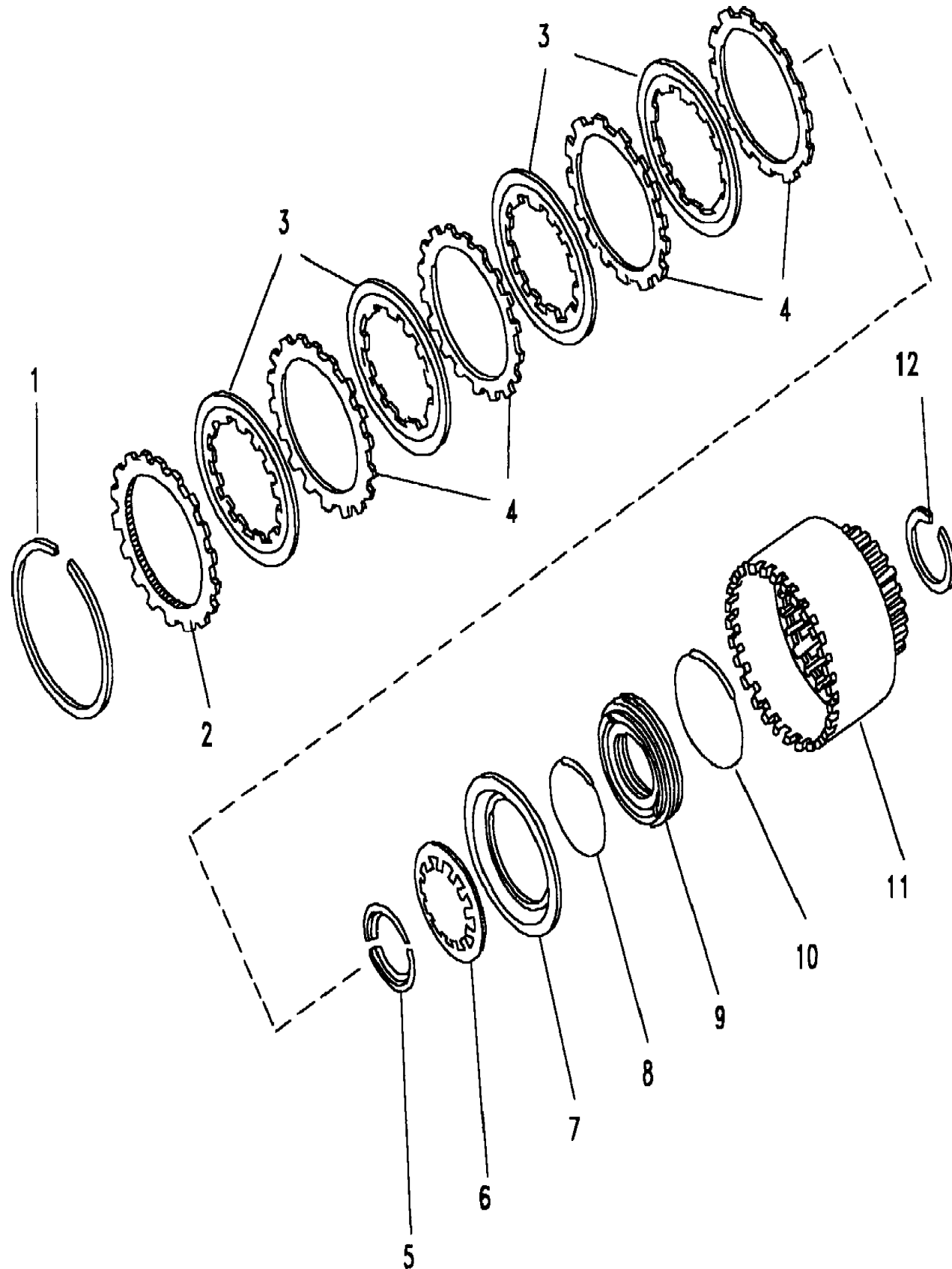
(BDCPGE3B)

Gearbox  
ZF-4 Speed-Automatic  
Clutch 'E'

Range Rover (From JA610294)

Automatic Transmission, 4 Speed

Callout	Name	Application	Remarks & Restrictions	Service No.	Qty
1	Ring-snap automatic transmission	Automatic Transmission		RTC5137	1
2	Disc-clutch automatic transmission	Automatic Transmission	end	RTC5139	1
3	Disc-clutch automatic transmission	Automatic Transmission	lined	RTC5135	4
4	Disc-clutch automatic transmission	Automatic Transmission	Outer	RTC5138	4
6	Spring	Automatic Transmission		RTC5164	1
7	Plate-forward clutch pressure	Automatic Transmission		RTC5163	1
9	Piston-clutch-automatic	Automatic Transmission		RTC5162	1
11	Cylinder	Automatic Transmission		RTC5161	1
12	Ring-snap automatic transmission	Automatic Transmission	Small	RTC5171	1

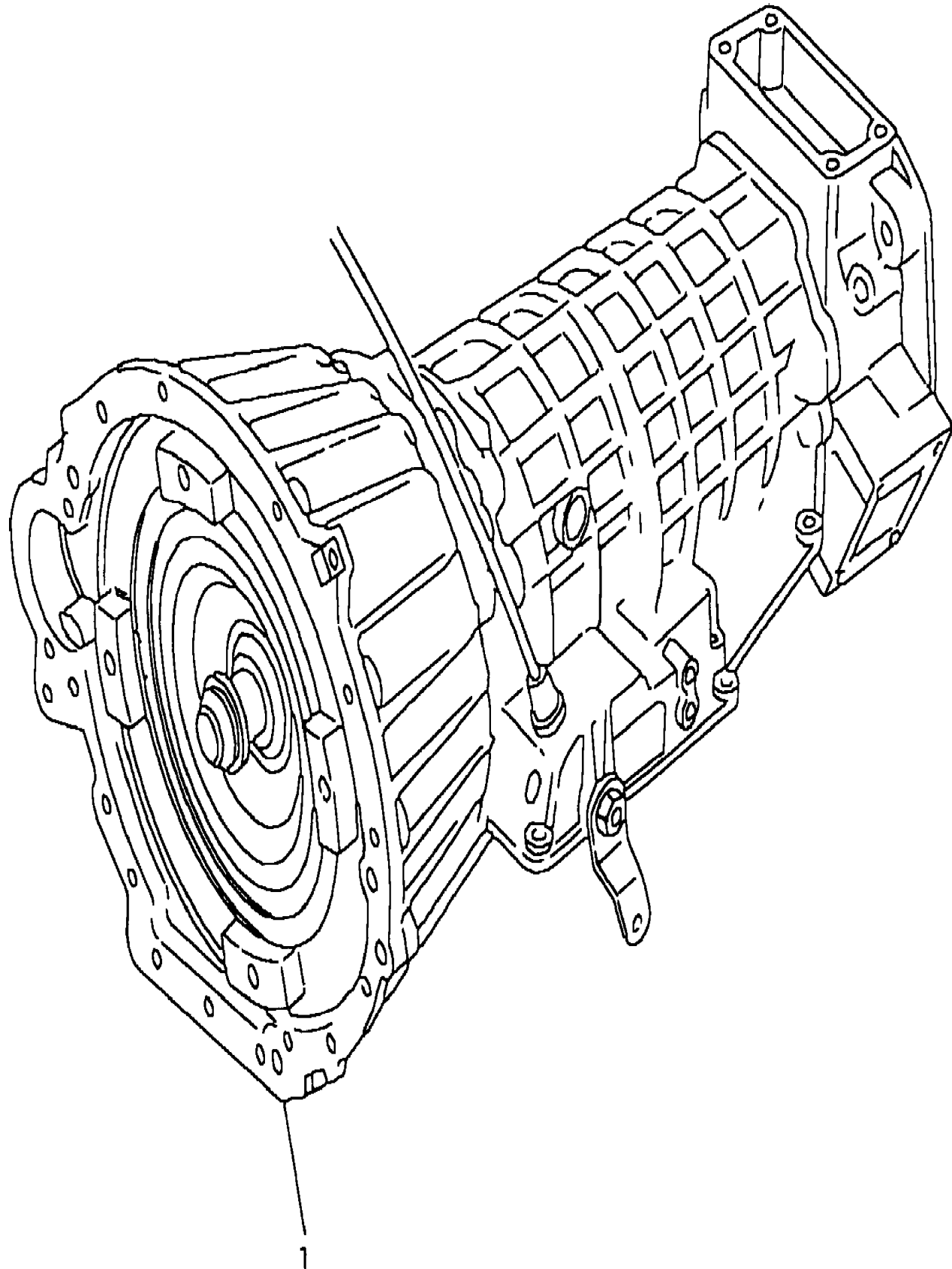




Gearbox  
ZF-4 Speed-Automatic  
Gearbox Assembly 1/1

Range Rover (From JA610294)

(BDCPAA1A)



Range Rover (From JA610294)

Gearbox  
ZF-4 Speed-Automatic  
Gearbox Assembly

Automatic Transmission, 4 Speed

Callout	Name	Application	Remarks & Restrictions	Service No.	Qty
1	Transmission assembly automatic	Change point - VIN end MA662928, 3.9L V8 L/R EFI Petrol	New	FTC3099	1
		Change point - VIN end MA662928, 4.2L V8 L/R EFI Petrol	New	FTC2871	1
		2.5L 4 Cyl TDi Diesel	New	FTC2756	1
		Change point - VIN begin TA662929, Petrol V8 L/R EFI	New	FTC4969	1
		3.9L V8 L/R EFI Petrol	reconditioned	FTC3099R	1
		Change point - VIN end MA662928, 3.9L V8 L/R EFI Petrol	exchange	FTC3099E	1
		4.2L V8 L/R EFI Petrol	reconditioned	FTC2871R	1
		Change point - VIN end MA662928, 4.2L V8 L/R EFI Petrol	exchange	FTC2871E	1
		2.5L 4 Cyl TDi Diesel	reconditioned	FTC2756R	1
		2.5L 4 Cyl TDi Diesel	exchange	FTC2756E	1
		Change point - VIN begin TA662929, Petrol V8 L/R EFI	exchange	FTC4969E	1

Gearbox  
ZF-4 Speed-Automatic  
Gearchange 1/4

Range Rover (From JA610294)

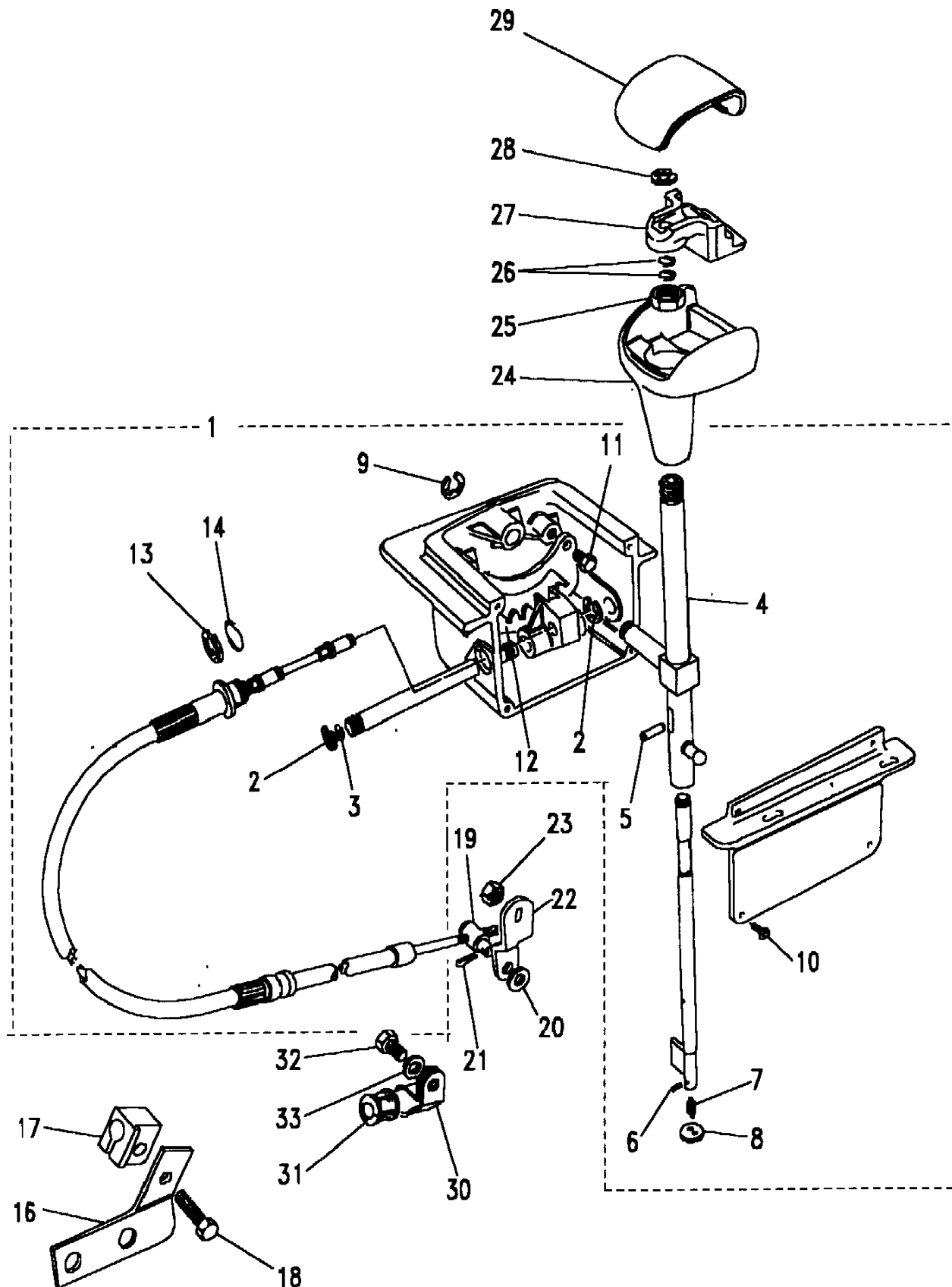
(BDCPKC1A)

Gearbox  
ZF-4 Speed-Automatic  
Gearchange

Range Rover (From JA610294)

4 Speed, Automatic Transmission

Callout	Name	Application	Remarks & Restrictions	Service No.	Qty
1	Lever assembly-operating/ selector automatic transmission	Change point - VIN end LA647644, Automatic Transmission, With Air Suspension Change point - VIN begin MA647645, Automatic Transmission, With Air Suspension Change point - VIN end LA647644, Automatic Transmission, Less Air Suspension Change point - VIN begin MA647645, Automatic Transmission, Less Air Suspension	Also serviced as part of a kit	FTC2703	1
			Also serviced as part of a kit	FTC3909	1
			Also serviced as part of a kit	FTC2903	1
			Also serviced as part of a kit	FTC3907	1
2	Clip-e	Change point - VIN end LA647644, Automatic Transmission, With Air Suspension	Also serviced as part of a kit	FRC8707	2
3	O Ring	Change point - VIN end LA647644, Automatic Transmission, With Air Suspension	Also serviced as part of a kit	FRC8711	2
4	Lever-selector selector mechanism	Change point - VIN end LA647644, Automatic Transmission, With Air Suspension Change point - VIN begin MA647645, Automatic Transmission, With Air Suspension Change point - VIN end LA647644, Automatic Transmission, Less Air Suspension	Also serviced as part of a kit	RTC5008	1
			Also serviced as part of a kit	STC2799	1
			Also serviced as part of a kit	RTC5008	1
6	Pin-Spring	Change point - VIN end LA647644, Automatic Transmission, With Air Suspension	Also serviced as part of a kit	PA103061	1
9	Clip-e	Change point - VIN end LA647644, Automatic Transmission, With Air Suspension	Also serviced as part of a kit	FRC8707	1
10	Screw	Change point - VIN end LA647644, Automatic Transmission, With Air Suspension	Also serviced as part of a kit, Self Tapping, No 6 x 1/2	AB606041	4
11	Screw-flanged head	Change point - VIN end LA647644, Automatic Transmission, With Air Suspension	Also serviced as part of a kit, M6 x 10	FS106101L	2



Gearbox  
ZF-4 Speed-Automatic  
Gearchange 2/4

Range Rover (From JA610294)

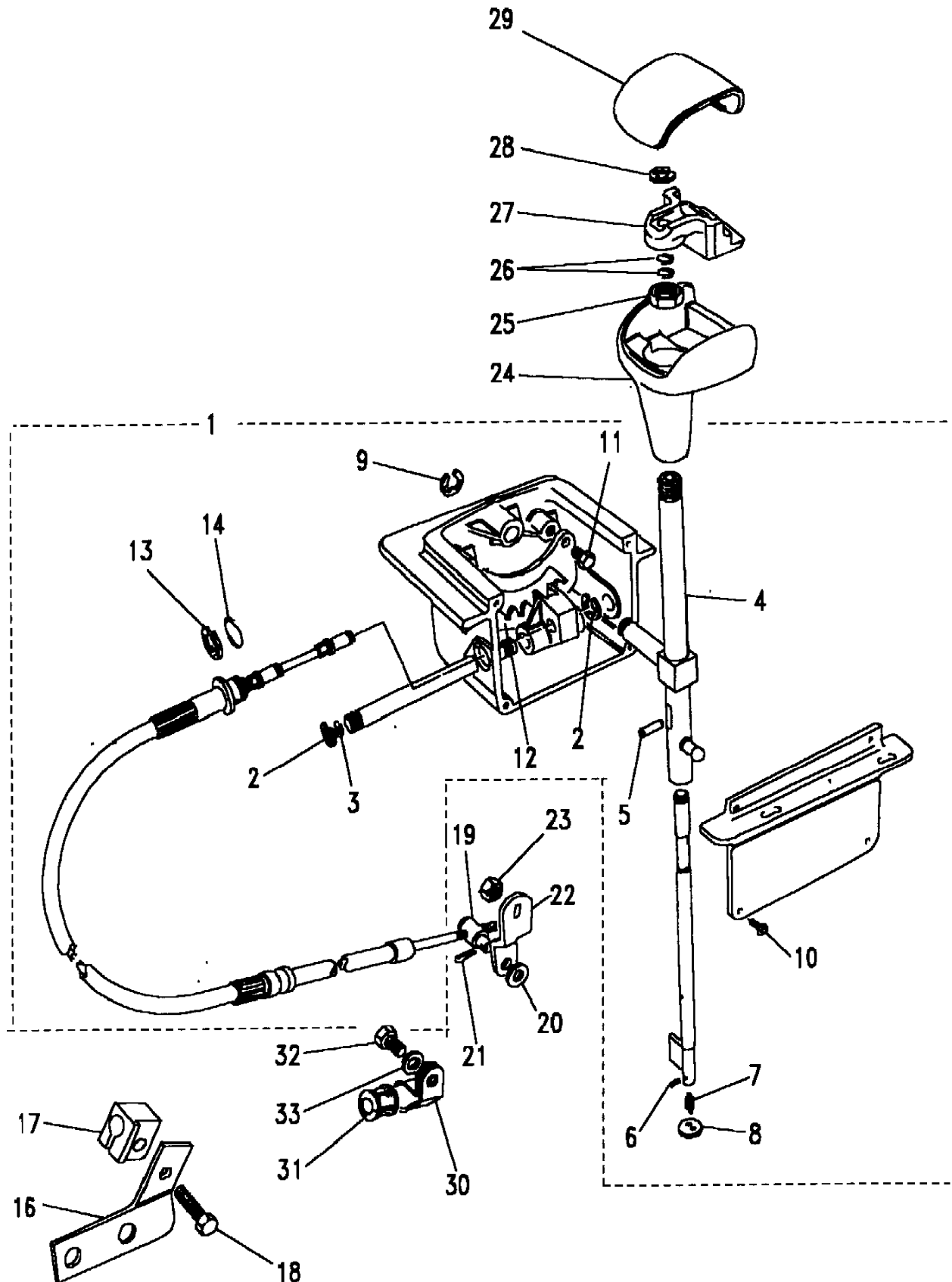
(BDCPKC1A)

Gearbox  
ZF-4 Speed-Automatic  
Gearchange

Range Rover (From JA610294)

4 Speed, Automatic Transmission

Callout	Name	Application	Remarks & Restrictions	Service No.	Qty
12	Hub-selector automatic transmission	Change point - VIN end LA647644, Automatic Transmission, With Air Suspension	Also serviced as part of a kit	FRC9220	1
13	Clip-e	Change point - VIN end LA647644, Automatic Transmission, With Air Suspension	to cable block, Also serviced as part of a kit	FRC8709	1
		Change point - VIN end LA647644, Automatic Transmission, Less Air Suspension	to cable block, Also serviced as part of a kit	FRC8710	1
14	O Ring	Change point - VIN end LA647644, Automatic Transmission, With Air Suspension	Also serviced as part of a kit	FRC8712	1
15	Cable-selector automatic transmission	Change point - VIN end LA647644, Automatic Transmission, With Air Suspension	Also serviced as part of a kit	FTC566	1
16	Bracket-support selector cable	Change point - VIN end LA647644, Automatic Transmission Change point - VIN begin MA647645, Automatic Transmission		FRC8742 FTC3976	1 1
17	Clamp-Cable	Automatic Transmission		FRC8743	1
18	Screw	Automatic Transmission	to bracket support, M8 X 30, Flanged Head	FS108301L	1
19	Nipple-cable automatic transmission	Automatic Transmission		FRC7630	1
20	Washer	Automatic Transmission	8MM	WA108051L	1
21	Pin-split	Automatic Transmission		PS104127L	1
22	Lever assembly-operating automatic transmission	Automatic Transmission		FRC8744	1
23	Nut - Hex.	Automatic Transmission	M8	FRC6915	1
24	Knob-selector drive	Change point - VIN end LA647644, Automatic Transmission Change point - VIN begin MA647645, Automatic Transmission, LHD Change point - VIN begin MA647645, Automatic Transmission, LHD	Ash Grey Black	FRC9357 BTR8332LNF BTR8332PMA	1 1 1



Gearbox  
ZF-4 Speed-Automatic  
Gearchange 3/4

Range Rover (From JA610294)

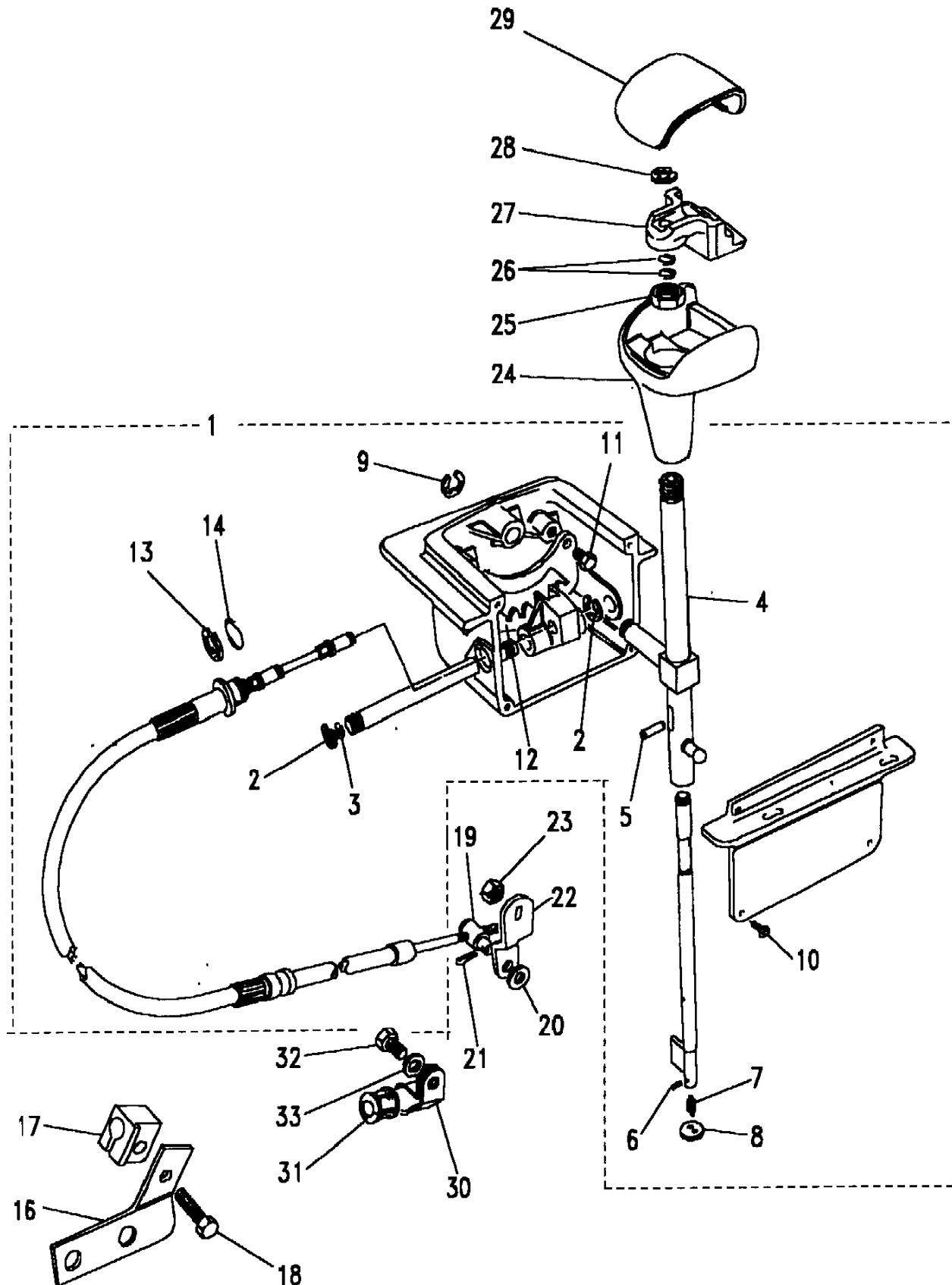
(BDCPKC1A)

Gearbox  
ZF-4 Speed-Automatic  
Gearchange

Range Rover (From JA610294)

4 Speed, Automatic Transmission

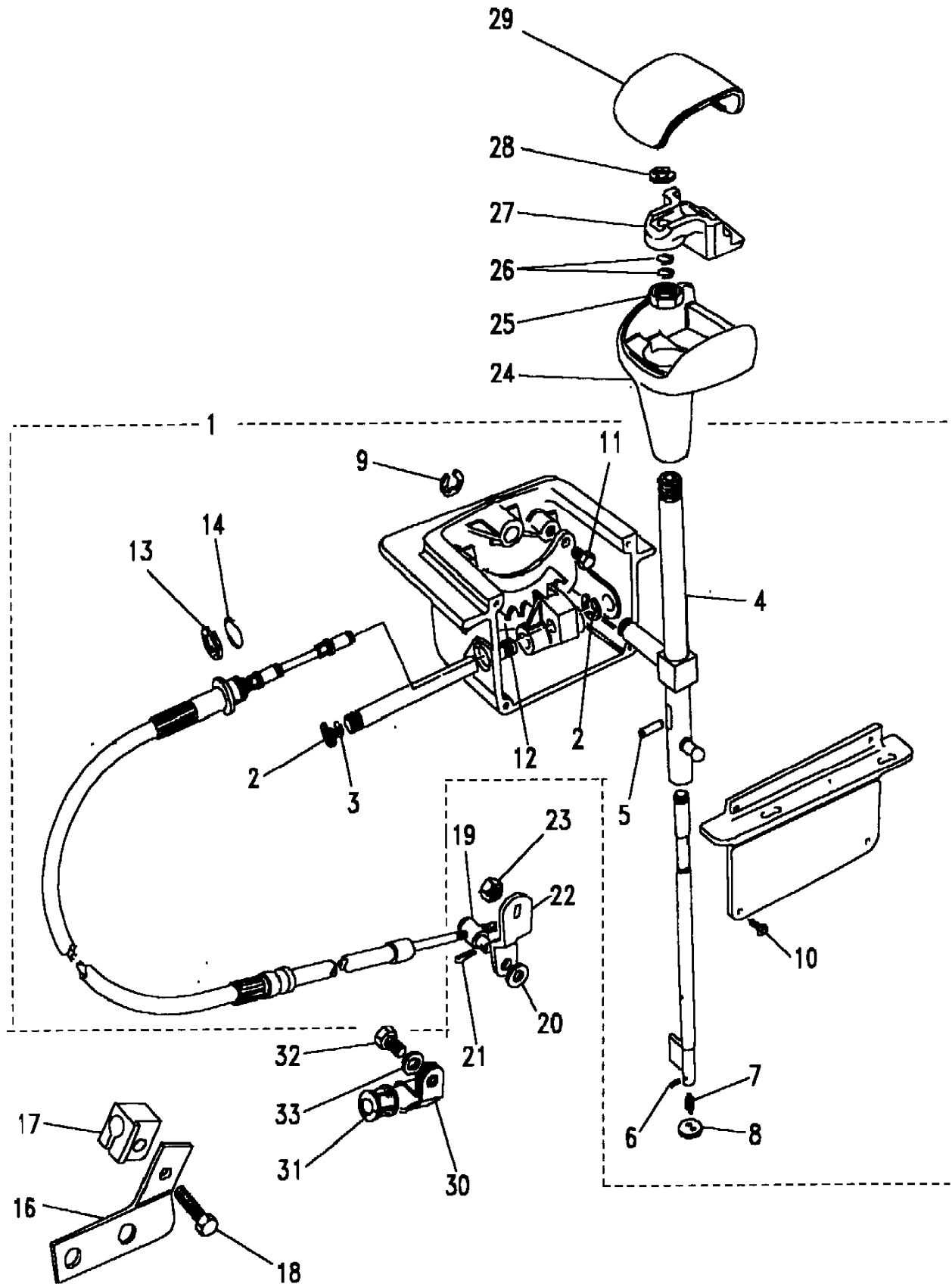
Callout	Name	Application	Remarks & Restrictions	Service No.	Qty
24	Knob-selector drive	Change point - VIN begin MA647645, Automatic Transmission, RHD	Ash Grey	BTR8333LNF	1
		Change point - VIN begin MA647645, Automatic Transmission, RHD	Black	BTR8333PMA	1
25	Nut - Hex.	Automatic Transmission		STC1128	1
26	O Ring	Automatic Transmission		FRC9359	2
27	Button-lever release selector handle	Change point - VIN end LA647644, Automatic Transmission		FTC578	1
		Change point - VIN begin MA647645, Automatic Transmission	Ash Grey	BTR8334LNF	1
		Change point - VIN begin MA647645, Automatic Transmission	Black	BTR8334PMA	1
28	Clip-e	Change point - VIN end LA647644, Automatic Transmission		FRC8708	1
		Change point - VIN begin MA647645, Automatic Transmission		FTC3727	1
29	Cover-handle selector mechanism	Change point - VIN end LA647644, Automatic Transmission	(-) 4200 cc	FRC8698	1
		Change point - VIN begin MA647645, Automatic Transmission	(-) 4200 cc, Ash Grey	BTR8335LNF	1
		Change point - VIN end LA647644, 4.2L, Automatic Transmission	Erable Walnut	FTC2856	1
		Change point - VIN end LA647644, 4.2L, Automatic Transmission	Burr Walnut	FTC2849	1
		Change point - VIN begin MA647645, 4.2L, Automatic Transmission	Burr Walnut	BTR9526	1
30	Clip-p	Automatic Transmission		50641	1
31	Grommet	Automatic Transmission	17/32" hole	589254	1
32	Screw	Automatic Transmission	to 'P' clip, M8 X 16, Flanged Head	FS108161L	1
33	Washer	Automatic Transmission	8MM	WA108051L	1
[903]	Slide selector mechanism	Change point - VIN begin MA647645, Automatic Transmission		BTR8336	1



Gearbox  
ZF-4 Speed-Automatic  
Gearchange 4/4

Range Rover (From JA610294)

(BDCPKC1A)



Range Rover (From JA610294)

Gearbox  
ZF-4 Speed-Automatic  
Gearchange

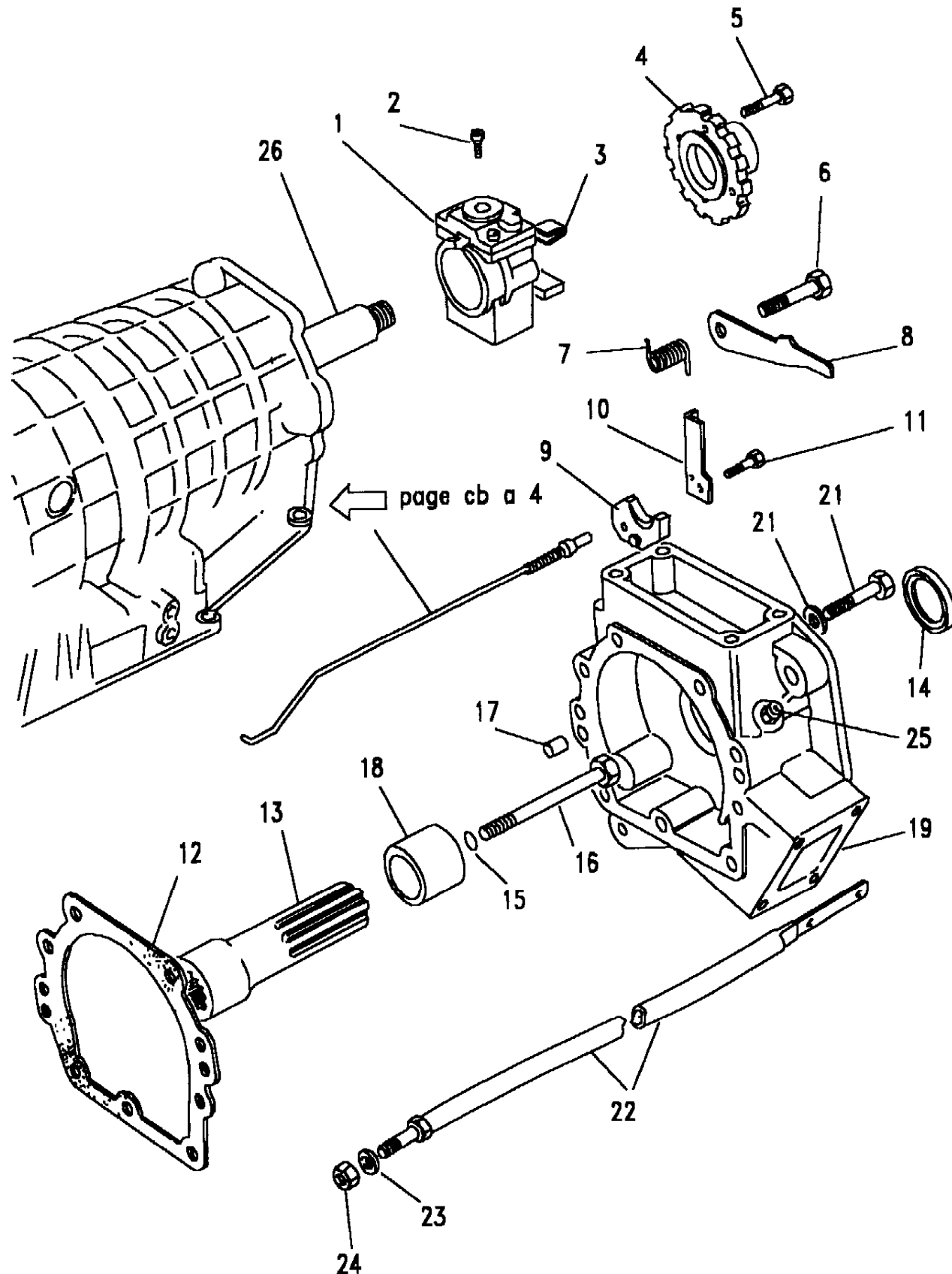
4 Speed, Automatic Transmission

Callout	Name	Application	Remarks & Restrictions	Service No.	Qty
[904]	Spring-release button selector mechanism	Change point - VIN begin MA647645, Automatic Transmission		BTR9623	1

Gearbox  
ZF-4 Speed-Automatic  
Governor & Extension Housing 1/2

Range Rover (From JA610294)

(BDCPII1A)



Range Rover (From JA610294)

Gearbox  
ZF-4 Speed-Automatic  
Governor & Extension Housing

4 Speed, Automatic Transmission

Callout	Name	Application	Remarks & Restrictions	Service No.	Qty
1	Hub-governor	Automatic Transmission		RTC4314	1
2	Screw	Automatic Transmission		RTC4313	2
3	Clamp	Automatic Transmission		RTC4315	1
4	Gear-parking automatic transmission	Automatic Transmission		RTC4662	1
5	Screw	Automatic Transmission		RTC4313	4
6	Bolt	Automatic Transmission		RTC4661	1
7	Spring-parking pawl automatic transmission	Automatic Transmission		RTC4308	1
8	Pawl-parklock automatic transmission	Automatic Transmission		RTC4307	1
9	Plate- guide	Automatic Transmission		RTC5212	1
10	Plate	Automatic Transmission		RTC4663	1
11	Screw	Automatic Transmission		RTC5211	1
12	Gasket-rear extension housing	Automatic Transmission		RTC4295	1
13	Shaft automatic transmission	Automatic Transmission		FTC3981	1
		Automatic Transmission		FTC5090	1
14	Seal	Automatic Transmission	auto trans output shaft	RTC4650	1
15	O Ring	Automatic Transmission		FRC5575	1
16	Bolt	Automatic Transmission	Ring inner to shaft coupling, M10 x 130, zinc	BH110261L	1
17	Dowel	Automatic Transmission		RTC4301	2
18	Spacer	TDi, Automatic Transmission		FTC3275	1
19	Housing-governor extension	Automatic Transmission		RTC4659	1
20	Screw	Automatic Transmission	To housing extension, M6 X 12, hexagonal head	SH106121L	9
21	Washer	Automatic Transmission	6MM	WA106041L	9
22	Rod-transmission support	Automatic Transmission		FRC7500	1

Gearbox  
ZF-4 Speed-Automatic  
Governor & Extension Housing 2/2

Range Rover (From JA610294)

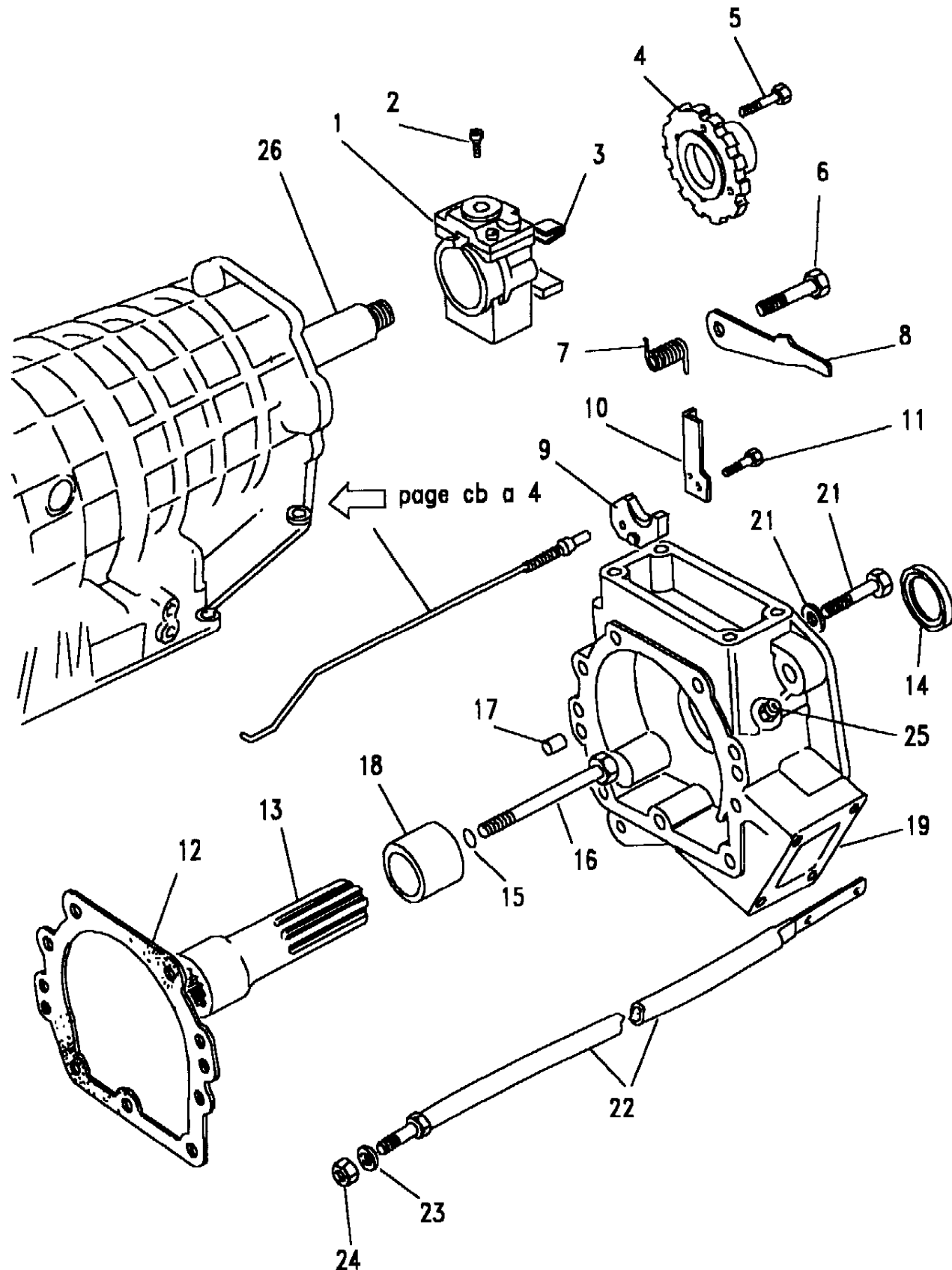
(BDCPII1A)

Range Rover (From JA610294)

Gearbox  
ZF-4 Speed-Automatic  
Governor & Extension Housing

4 Speed, Automatic Transmission

Callout	Name	Application	Remarks & Restrictions	Service No.	Qty
23	Washer	Automatic Transmission	M10	WA110061L	1
24	Nut - Hex.	Automatic Transmission	M10, hexagonal head, nyloc	NY110041L	1
25	Tube-breather transmission case	Automatic Transmission		FRC9427	1
26	Shaft assembly-main automatic transmission	Automatic Transmission		RTC5150	1
[901]	Weight-governor	Automatic Transmission		RTC5792	1
[902]	Stud	Automatic Transmission		FTC890	1



Gearbox  
ZF-4 Speed-Automatic  
Oil Cooler 1/2

Range Rover (From JA610294)

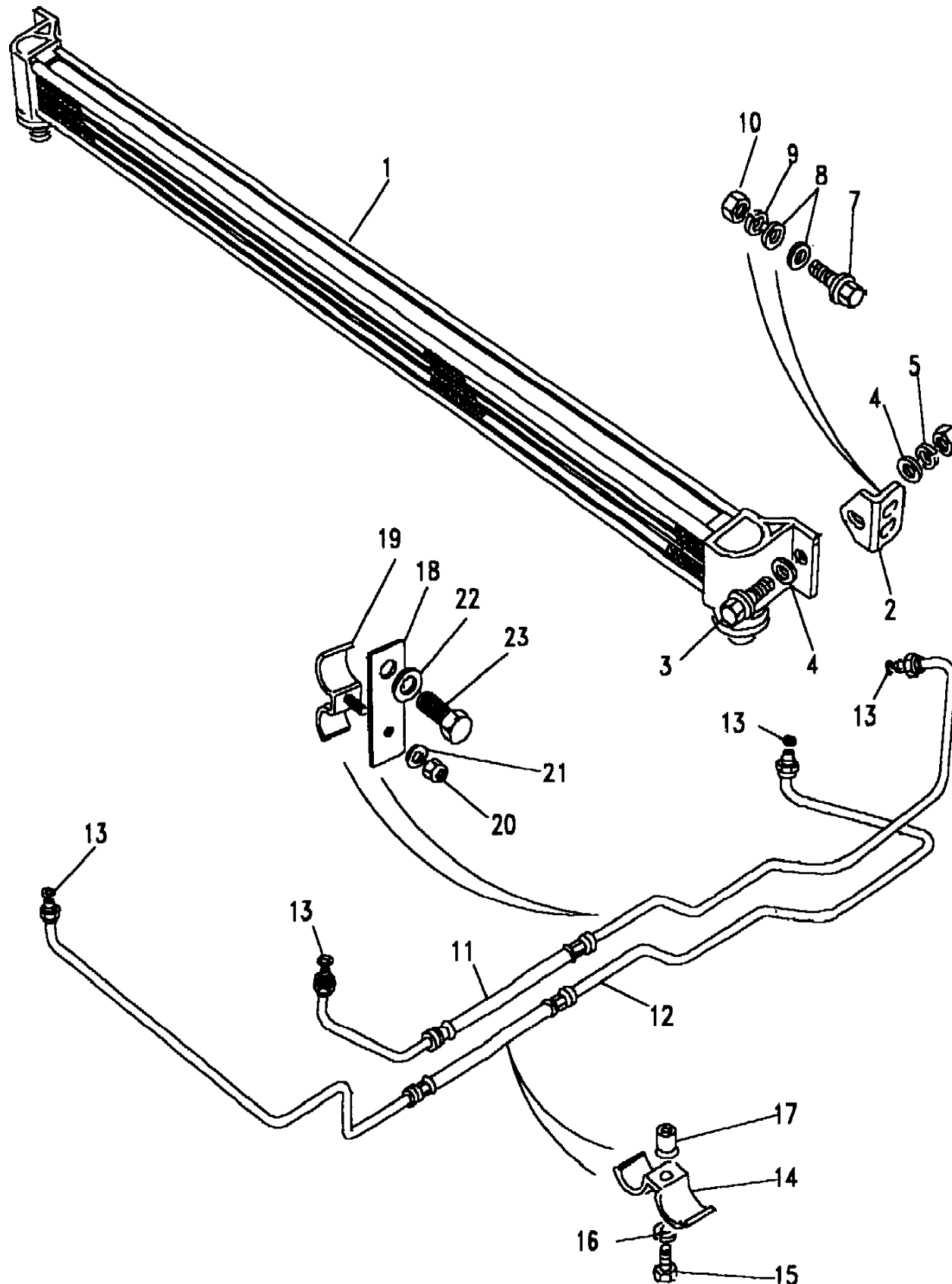
(BDCPOA2B)

Gearbox  
ZF-4 Speed-Automatic  
Oil Cooler

Range Rover (From JA610294)

TDi Diesel, Automatic Transmission, 4 Speed

Callout	Name	Application	Remarks & Restrictions	Service No.	Qty
1	Oil cooler transmission	Change point - VIN begin MA647645, TDi, Automatic Transmission		ESR3228	1
2	Bracket-mounting oil cooler	Change point - VIN begin MA647645, TDi, Automatic Transmission		ESR2311	2
3	Screw-flanged head	Change point - VIN begin MA647645, TDi, Automatic Transmission	to oil cooler, M6 X 16, Flanged Head	FS106167L	2
4	Washer	Change point - VIN begin MA647645, TDi, Automatic Transmission	6MM	WA106041L	4
5	Washer	Change point - VIN begin MA647645, TDi, Automatic Transmission	M6, sprung	WL106001L	2
6	Nut - Hex.	Change point - VIN begin MA647645, TDi, Automatic Transmission	M6, nyloc, Hexagonal	NH106041L	2
7	Screw-flanged head	Change point - VIN begin MA647645, TDi, Automatic Transmission	to mounting bracket, M6 X 16, Flanged Head	FS106167L	4
8	Washer	Change point - VIN begin MA647645, TDi, Automatic Transmission	6MM	WA106041L	8
9	Washer	Change point - VIN begin MA647645, TDi, Automatic Transmission	M6, sprung	WL106001L	4
10	Nut - Hex.	Change point - VIN begin MA647645, TDi, Automatic Transmission	to mounting bracket, M6, nyloc, Hexagonal	NH106041L	4
11	Pipe-oil cooler/transmission	Change point - VIN begin MA647645, TDi, Automatic Transmission	Also serviced as part of a kit	ESR3240	1
12	Pipe-oil cooler/transmission	Change point - VIN begin MA647645, TDi, Automatic Transmission	Also serviced as part of a kit	ESR3239	1
13	O Ring	Change point - VIN begin MA647645, TDi, Automatic Transmission	Also serviced as part of a kit	ESR1594L	2
14	Clamp	Change point - VIN begin MA647645, TDi, Automatic Transmission		ESR2806	1
15	Screw	Change point - VIN begin MA647645, TDi, Automatic Transmission	To saddle clamp, hexagonal head, M6 x 35	SH106351L	1





Gearbox  
ZF-4 Speed-Automatic  
Oil Cooler 2/2

Range Rover (From JA610294)

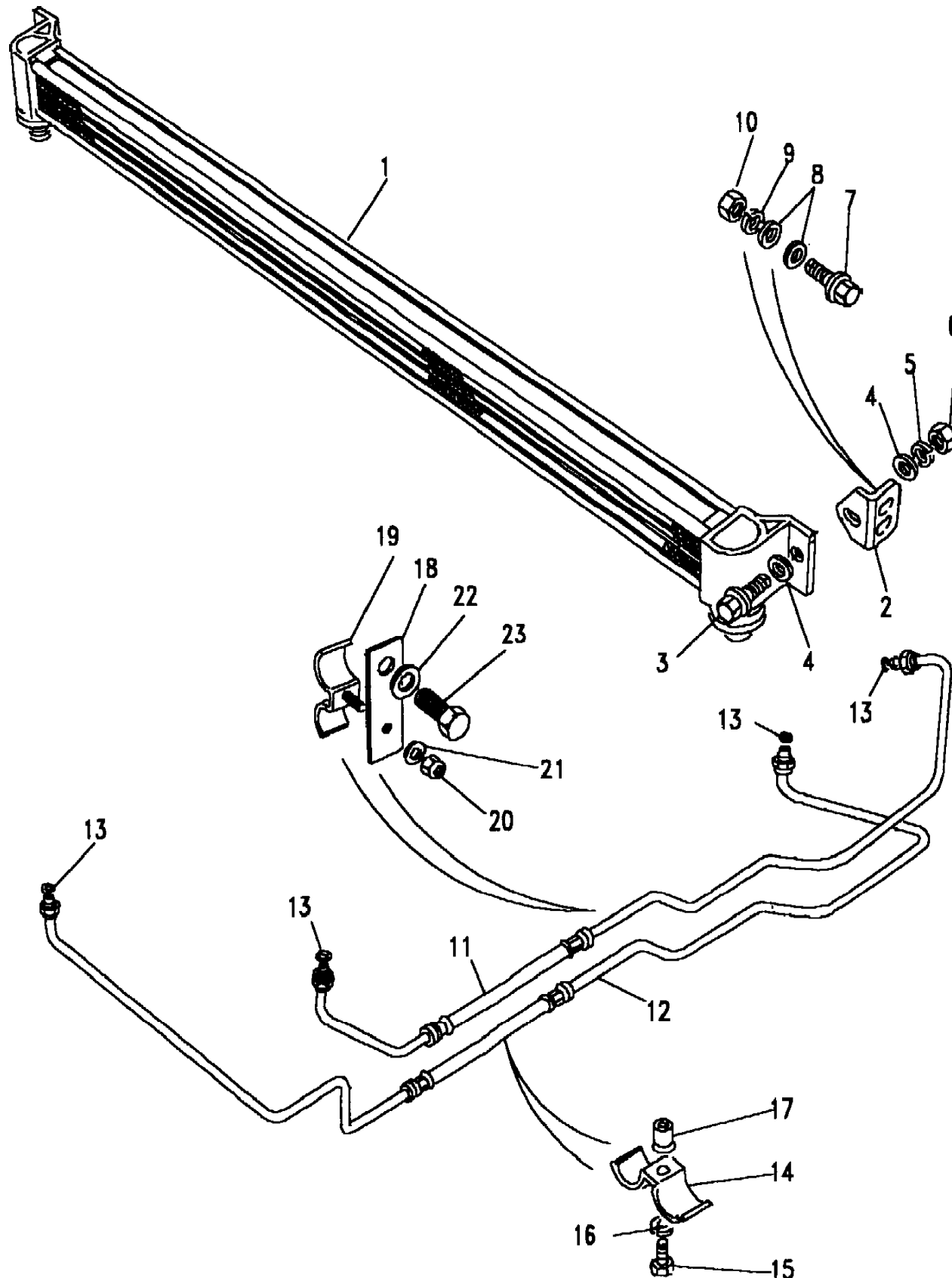
(BDCPOA2B)

Range Rover (From JA610294)

Gearbox  
ZF-4 Speed-Automatic  
Oil Cooler

TDi Diesel, Automatic Transmission, 4 Speed

Callout	Name	Application	Remarks & Restrictions	Service No.	Qty
16	Washer	Change point - VIN begin MA647645, TDi, Automatic Transmission	M6, sprung	WL106001L	1
17	Nutsert-blind	Change point - VIN begin MA647645, TDi, Automatic Transmission	M6	NN106021	1
18	Bracket-mounting oil pipe	Change point - VIN begin MA647645, TDi, Automatic Transmission		ESR2416	1
19	Clamp	Change point - VIN begin MA647645, TDi, Automatic Transmission		ESR2579	1
20	Nut - Hex.	Change point - VIN begin MA647645, TDi, Automatic Transmission	to bracket mounting, M6, nyloc, flange	NY106041	1
21	Washer	Change point - VIN begin MA647645, TDi, Automatic Transmission		WA106041	1
22	Screw	Change point - VIN begin MA647645, TDi, Automatic Transmission	to bracket mounting, hexagonal head, M12 x 20	SH112201	1
23	Washer	Change point - VIN begin MA647645, TDi, Automatic Transmission	M12	WA112081	1
24	Switch-transmission oil cooler temperature	Change point - VIN begin MA647645, TDi, Automatic Transmission		PRC8473	1
25	Washer-sealing	Change point - VIN begin MA647645, TDi, Automatic Transmission		232039	1
26	Adaptor-pipe-dual male	Change point - VIN begin MA647645, TDi, Automatic Transmission		ESR1253	2
27	Seal	Change point - VIN begin MA647645, TDi, Automatic Transmission		FTC1525	2



Gearbox  
ZF-4 Speed-Automatic  
Oil Cooler 1/2

Range Rover (From JA610294)

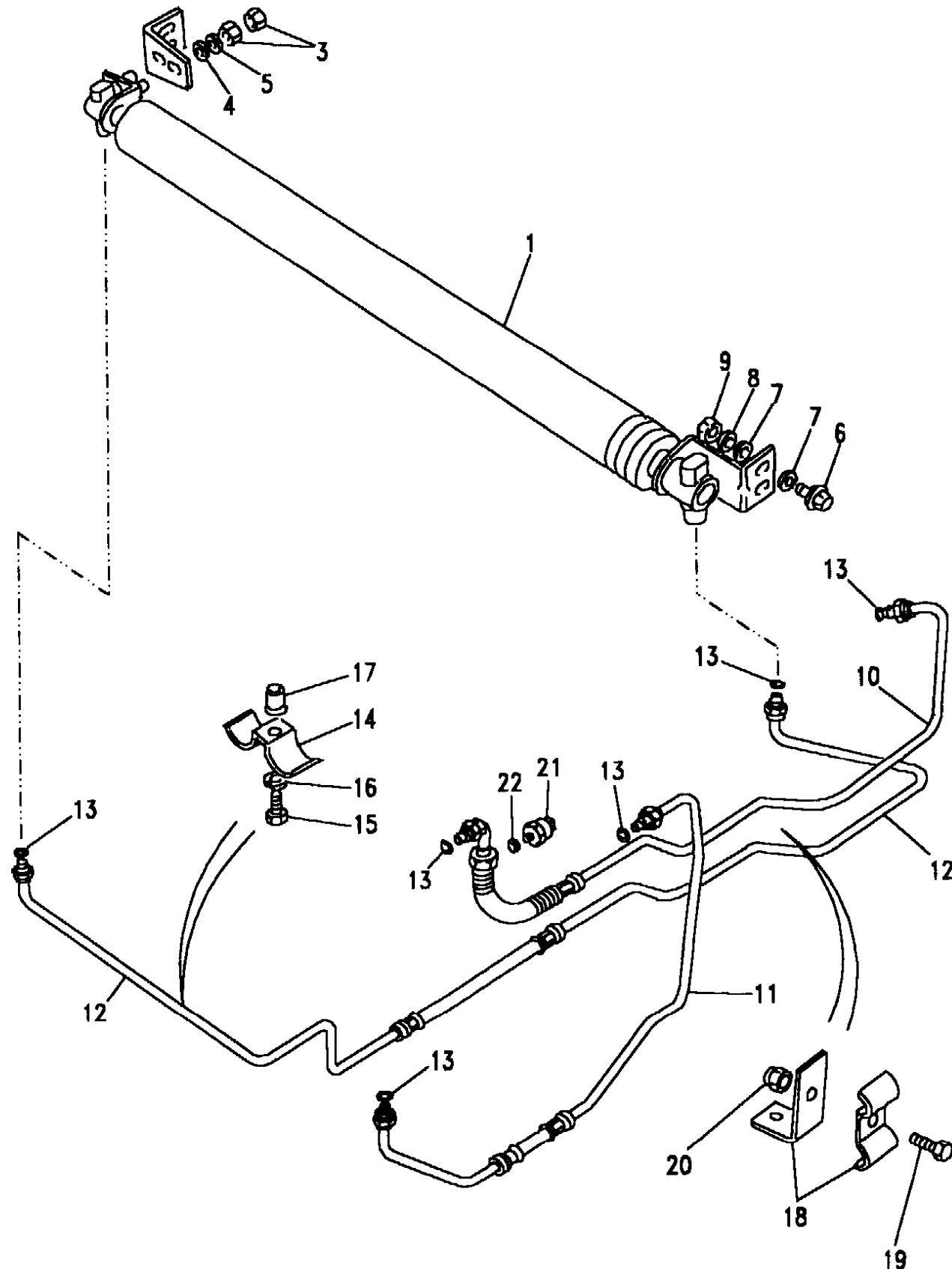
(BDCPOA2A)

Gearbox  
ZF-4 Speed-Automatic  
Oil Cooler

Range Rover (From JA610294)

Change point - VIN begin MA647645, Change point - VIN begin MA647645, Change point - VIN begin MA647645, V8 Petrol, 4 Speed, Automatic Transmission

Callout	Name	Application	Remarks & Restrictions	Service No.	Qty
1	Oil cooler transmission	Change point - VIN begin MA647645, V8, Automatic Transmission		ESR1703	1
2	Bracket-mounting oil cooler	Change point - VIN begin MA647645, V8, Automatic Transmission		NTC1868	1
3	Nut - Hex.	Change point - VIN begin MA647645, V8, Automatic Transmission	M6, nyloc, Hexagonal	NH106041L	2
4	Washer	Change point - VIN begin MA647645, V8, Automatic Transmission	6MM	WA106041L	2
5	Washer	Change point - VIN begin MA647645, V8, Automatic Transmission	M6, sprung	WL106001L	2
6	Screw-flanged head	Change point - VIN begin MA647645, V8, Automatic Transmission	to oil cooler, M6 X 16, Flanged Head	FS106167L	4
7	Washer	Change point - VIN begin MA647645, V8, Automatic Transmission	6MM	WA106041L	8
8	Washer	Change point - VIN begin MA647645, V8, Automatic Transmission	M6, sprung	WL106001L	4
9	Nut - Hex.	Change point - VIN begin MA647645, V8, Automatic Transmission	M6, nyloc, Hexagonal	NH106041L	4
10	Pipe-transmission/oil cooler	Change point - VIN begin MA647645, V8, Automatic Transmission	Also serviced as part of a kit, Rear	ESR2249	1
11	Pipe-oil cooler/transmission	Change point - VIN begin MA647645, V8, Automatic Transmission	Also serviced as part of a kit, Intermediate	ESR2664	1
12	Pipe-oil cooler/transmission	Change point - VIN begin MA647645, V8, Automatic Transmission	Also serviced as part of a kit	ESR2810	1
14	Clamp	Change point - VIN begin MA647645, V8, Automatic Transmission		ESR2806	2
15	Screw	Change point - VIN begin MA647645, V8, Automatic Transmission	To saddle clamp, hexagonal head, M6 x 35	SH106351L	1



Gearbox  
ZF-4 Speed-Automatic  
Oil Cooler 2/2

Range Rover (From JA610294)

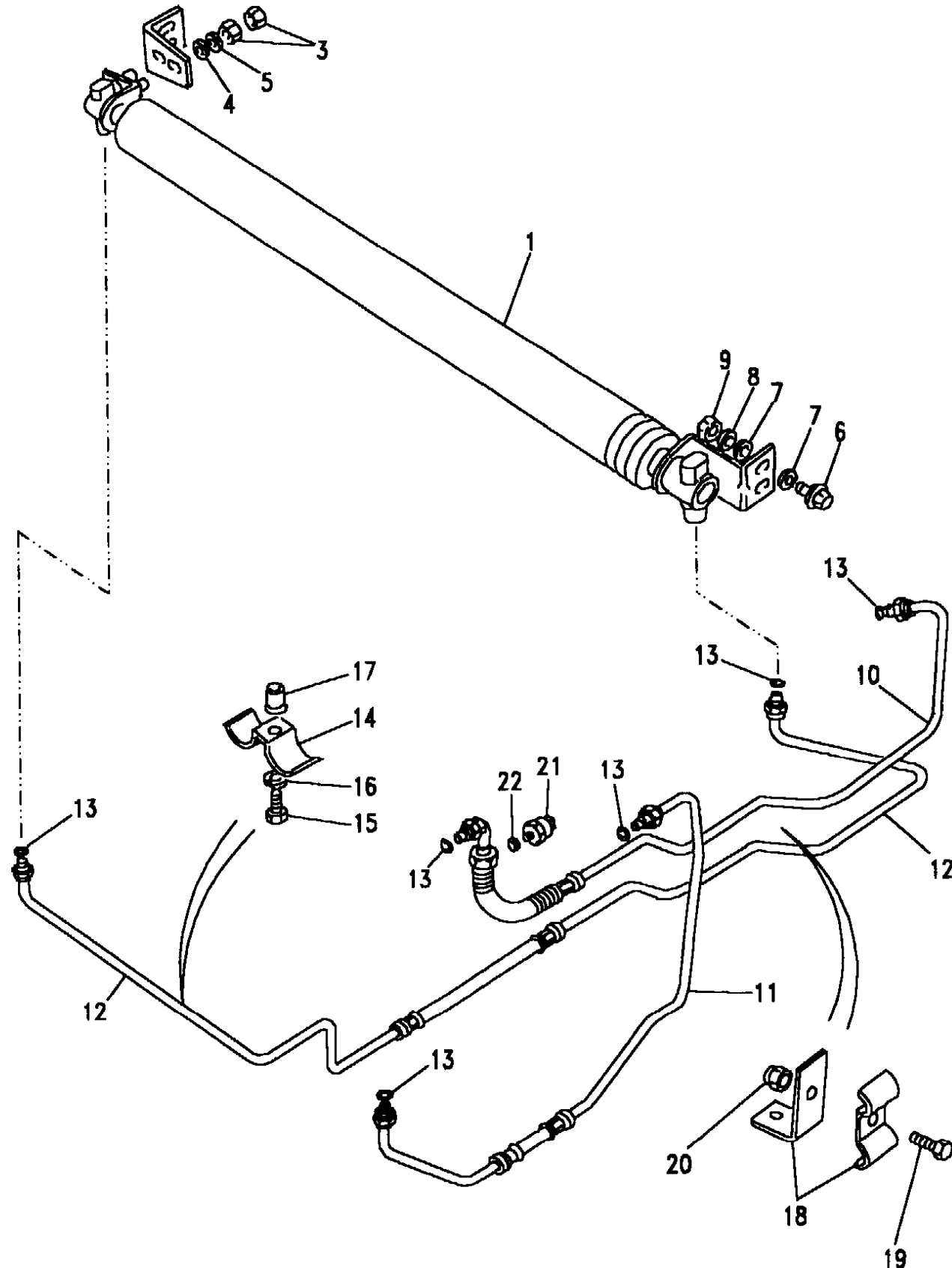
(BDCPOA2A)

Gearbox  
ZF-4 Speed-Automatic  
Oil Cooler

Range Rover (From JA610294)

Change point - VIN begin MA647645, Change point - VIN begin MA647645, Change point - VIN begin MA647645, V8 Petrol, 4 Speed, Automatic Transmission

Callout	Name	Application	Remarks & Restrictions	Service No.	Qty
16	Washer	Change point - VIN begin MA647645, V8, Automatic Transmission	M6, sprung	WL106001L	1
17	Nutsert-blind	Change point - VIN begin MA647645, V8, Automatic Transmission	M6	NN106021	1
18	Bracket-mounting oil pipe	Change point - VIN begin MA647645, V8, Automatic Transmission		NTC5897	1
19	Screw-flanged head	Change point - VIN begin MA647645, V8, Automatic Transmission	to bracket mounting, M6 X 16, Flanged Head	FS106167L	1
20	Nut - Hex.	Change point - VIN begin MA647645, V8, Automatic Transmission	M6, nyloc, flange	NY106041	1
21	Switch-transmission oil cooler temperature	Change point - VIN begin MA647645, V8, Automatic Transmission		PRC8473	1
22	Washer-sealing	Change point - VIN begin MA647645, V8, Automatic Transmission		232039	1
23	Adaptor-pipe-dual male	Change point - VIN begin MA647645, V8, Automatic Transmission		ESR1253	2
24	Seal	Change point - VIN begin MA647645, V8, Automatic Transmission		FTC1525	2
[904]	O Ring	Change point - VIN begin MA647645, V8, Automatic Transmission	Also serviced as part of a kit	ESR1594L	6



Gearbox  
ZF-4 Speed-Automatic  
Oil Cooler 1/2

Range Rover (From JA610294)

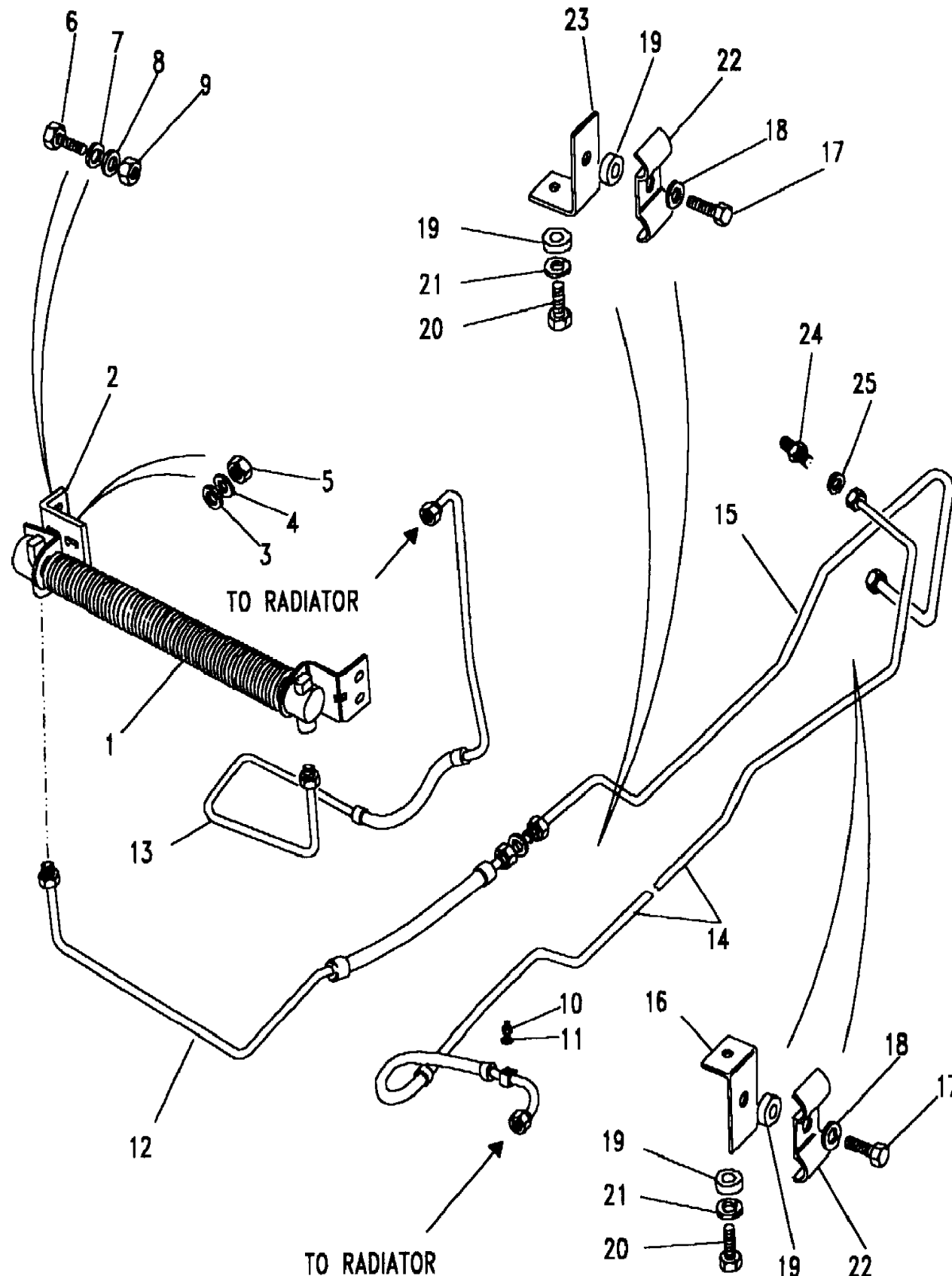
(BDCPOA1A)

Gearbox  
ZF-4 Speed-Automatic  
Oil Cooler

Range Rover (From JA610294)

Change point - VIN end 647644, Change point - VIN end LA647644, Automatic Transmission, 4 Speed

Callout	Name	Application	Remarks & Restrictions	Service No.	Qty
1	Oil cooler transmission	Change point - VIN end JA624754 Change point - VIN begin KA624756, Change point - VIN end KA647644		NTC6166 ESR1703	1 1
2	Bracket-mounting oil cooler	Change point - VIN end KA647644		NTC1868	1
3	Washer	Change point - VIN end KA647644	6MM	WA106041L	2
4	Washer	Change point - VIN end KA647644	M6, sprung	WL106001L	2
5	Nut - Hex.	Change point - VIN end KA647644	M6, nyloc, Hexagonal	NH106041L	2
6	Screw-flanged head	Change point - VIN end KA647644	M6 X 16, Flanged Head	FS106167L	4
7	Washer	Change point - VIN end KA647644	6MM	WA106041L	4
8	Washer	Change point - VIN end KA647644	M6, sprung	WL106001L	4
9	Nut - Hex.	Change point - VIN end KA647644	M6, nyloc, Hexagonal	NH106041L	4
10	Switch-transmission oil cooler temperature	Change point - VIN end KA647644		PRC8473	1
11	Washer-sealing	Change point - VIN end KA647644		232039	1
12	Pipe-oil cooler/transmission	Change point - VIN end JA624754 Change point - VIN begin KA624756, Change point - VIN end KA647644	Also serviced as part of a kit, Front Also serviced as part of a kit	NTC5799 ESR1243	1 1
13	Pipe-oil cooler/transmission	Change point - VIN end JA624754 Change point - VIN begin KA624756, Change point - VIN end KA647644	Also serviced as part of a kit Also serviced as part of a kit, Intermediate	NTC5743 ESR1242	1 1
14	Pipe-transmission/oil cooler	Change point - VIN end JA624754 Change point - VIN begin KA624756, Change point - VIN end KA647644	Also serviced as part of a kit Also serviced as part of a kit	NTC5741 ESR2252	1 1
15	Pipe-oil cooler/transmission	Change point - VIN end JA624754	Also serviced as part of a kit	NTC5838	1



Gearbox  
ZF-4 Speed-Automatic  
Oil Cooler 2/2

Range Rover (From JA610294)

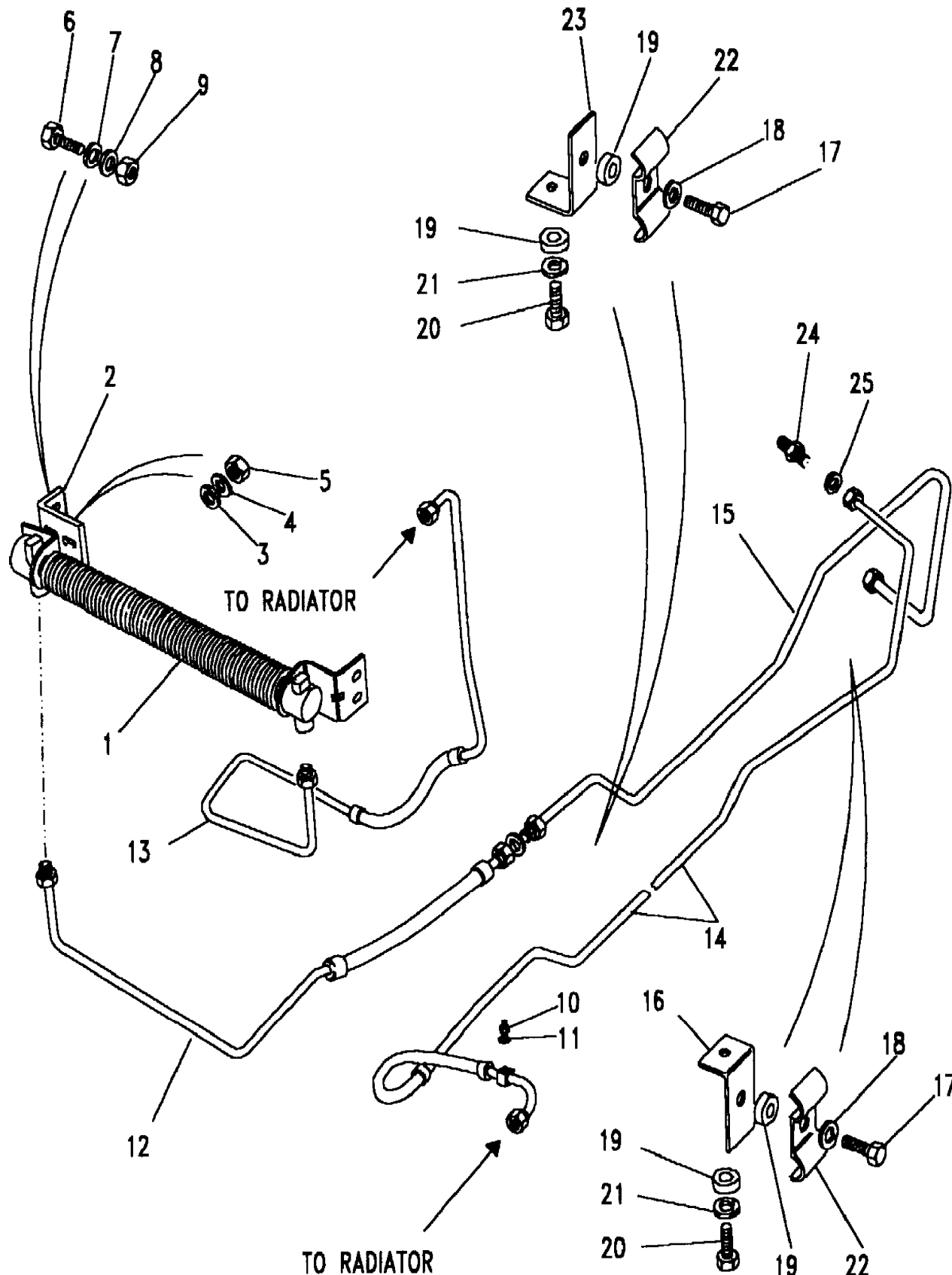
(BDCPOA1A)

Gearbox  
ZF-4 Speed-Automatic  
Oil Cooler

Range Rover (From JA610294)

Change point - VIN end 647644, Change point - VIN end LA647644, Automatic Transmission, 4 Speed

Callout	Name	Application	Remarks & Restrictions	Service No.	Qty
15	Pipe-oil cooler/transmission	Change point - VIN begin KA624756, Change point - VIN end KA647644	Also serviced as part of a kit	ESR2253	1
16	Bracket-mounting oil pipe	Change point - VIN end KA647644		NTC5794	1
17	Screw	Change point - VIN end KA647644	hexagonal head, 5/8UNC x 1	SH505081L	2
18	Washer	Change point - VIN end KA647644	M6, sprung	WL106001L	2
19	Washer-Plain	Change point - VIN end KA647644		4266L	4
20	Screw	Change point - VIN end KA647644	hexagonal head, 5/8UNC x 1	SH505081L	2
21	Washer	Change point - VIN end KA647644	M8, sprung	WL108001L	2
22	Clamp	Change point - VIN end KA647644		594637	2
23	Bracket-mounting oil pipe	Change point - VIN end KA647644		NTC5897	1
24	Adaptor-pipe-dual male	Change point - VIN end JA624754 Change point - VIN begin KA624756, Change point - VIN end KA647644		FTC815 ESR1253	2 2
25	Seal	Change point - VIN end KA647644		FTC1525	2
[903]	O Ring	Change point - VIN begin KA624756, Change point - VIN end KA647644 Change point - VIN end JA624754	Also serviced as part of a kit Also serviced as part of a kit	ESR1594L ESR1594L	1 1



Gearbox  
ZF-4 Speed-Automatic  
Oil Pump 1/1

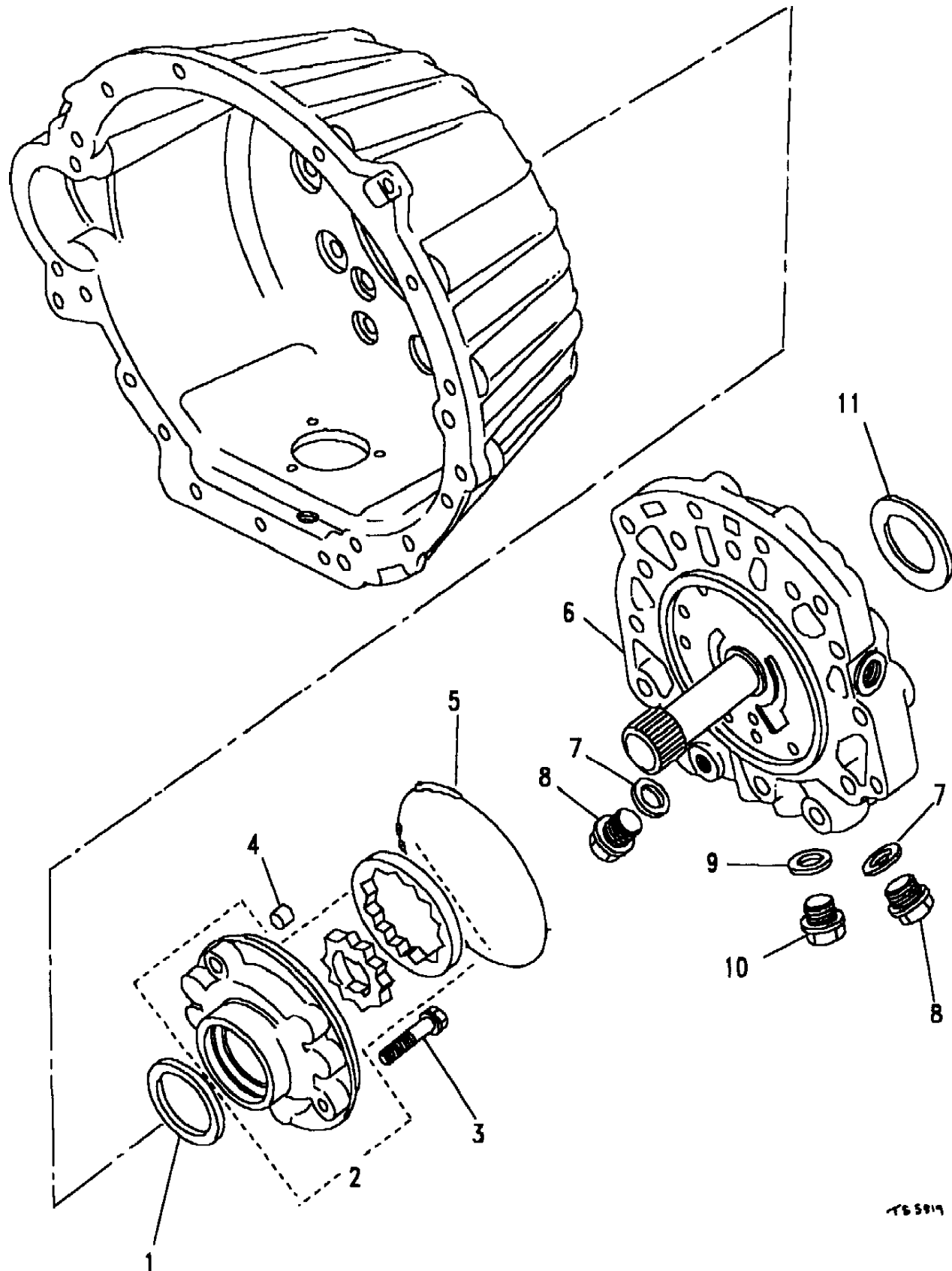
Range Rover (From JA610294)  
(BDCPGA1A)

Gearbox  
ZF-4 Speed-Automatic  
Oil Pump

Range Rover (From JA610294)

Automatic Transmission, 4 Speed

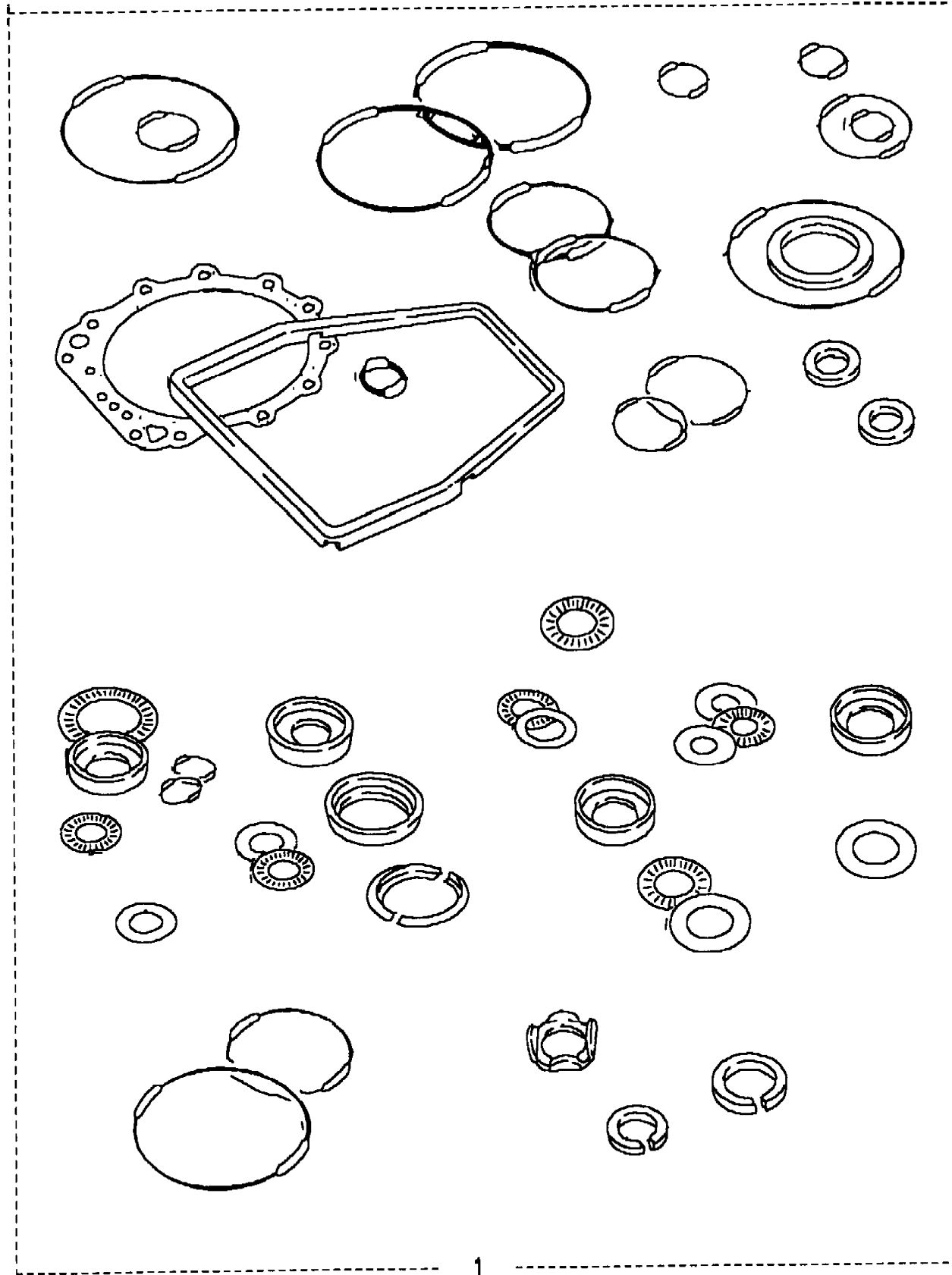
Callout	Name	Application	Remarks & Restrictions	Service No.	Qty
1	Seal		auto trans oil pump	RTC5102	1
2	Pump-transmission oil			STC1836	1
3	Screw		To pump oil assembly, M6 x 28	RTC5105	8
4	Dowel-pin			RTC5106	1
5	O Ring		auto trans oil pump to intermediate plate	RTC5103	1
6	Plate		Intermediate	RTC5107	1
7	Washer-sealing			RTC4339	2
8	Plug-blanking			RTC4335	2
9	Washer-sealing			RTC4338	1
10	Plug-blanking			RTC4336	1
11	Shim		2.8MM 2.6MM 2.4MM 2.20MM 2.00MM 1.80MM 1.6MM 1.40MM 1.20MM 1.0MM	RTC5108 RTC5109 RTC5110 RTC5111 RTC5112 RTC5113 RTC5114 RTC5115 RTC5116 RTC5117	X X X X X X X X X X



Gearbox  
ZF-4 Speed-Automatic  
Service Kits 1/1

Range Rover (From JA610294)

(BDCPMC1A)



Range Rover (From JA610294)

Gearbox  
ZF-4 Speed-Automatic  
Service Kits

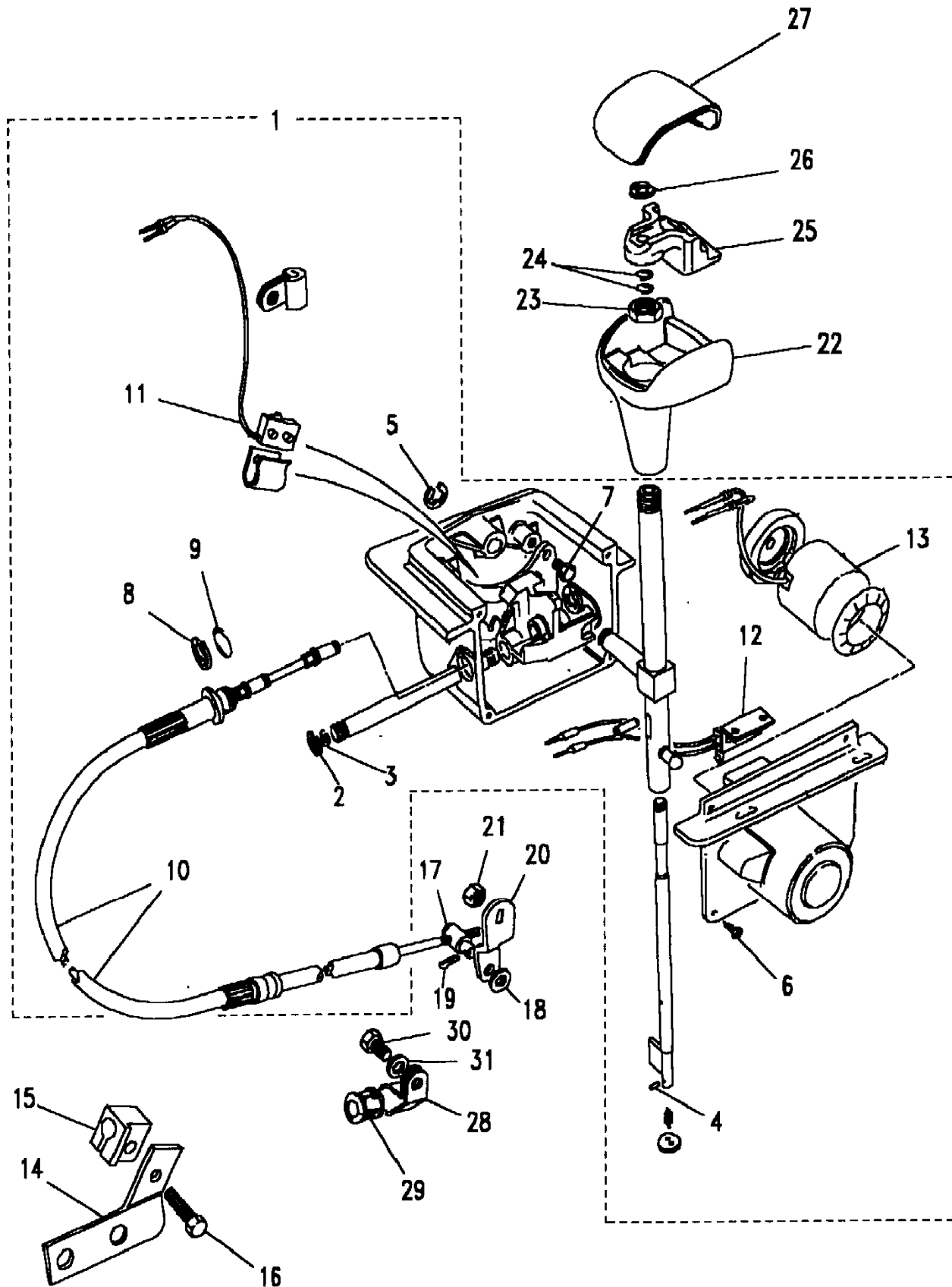
4 Speed, Automatic Transmission

Callout	Name	Application	Remarks & Restrictions	Service No.	Qty
1	Kit-gasket automatic transmission			RTC5100	1
[900]	Kit-automatic transmission bearing overhaul			RTC5101	1

Gearbox  
ZF-4 Speed-Automatic  
Shift Interlock 1/2

Range Rover (From JA610294)

(BDCPKC2A)



Range Rover (From JA610294)

Gearbox  
ZF-4 Speed-Automatic  
Shift Interlock

Automatic Transmission, 4 Speed, (+)"J"

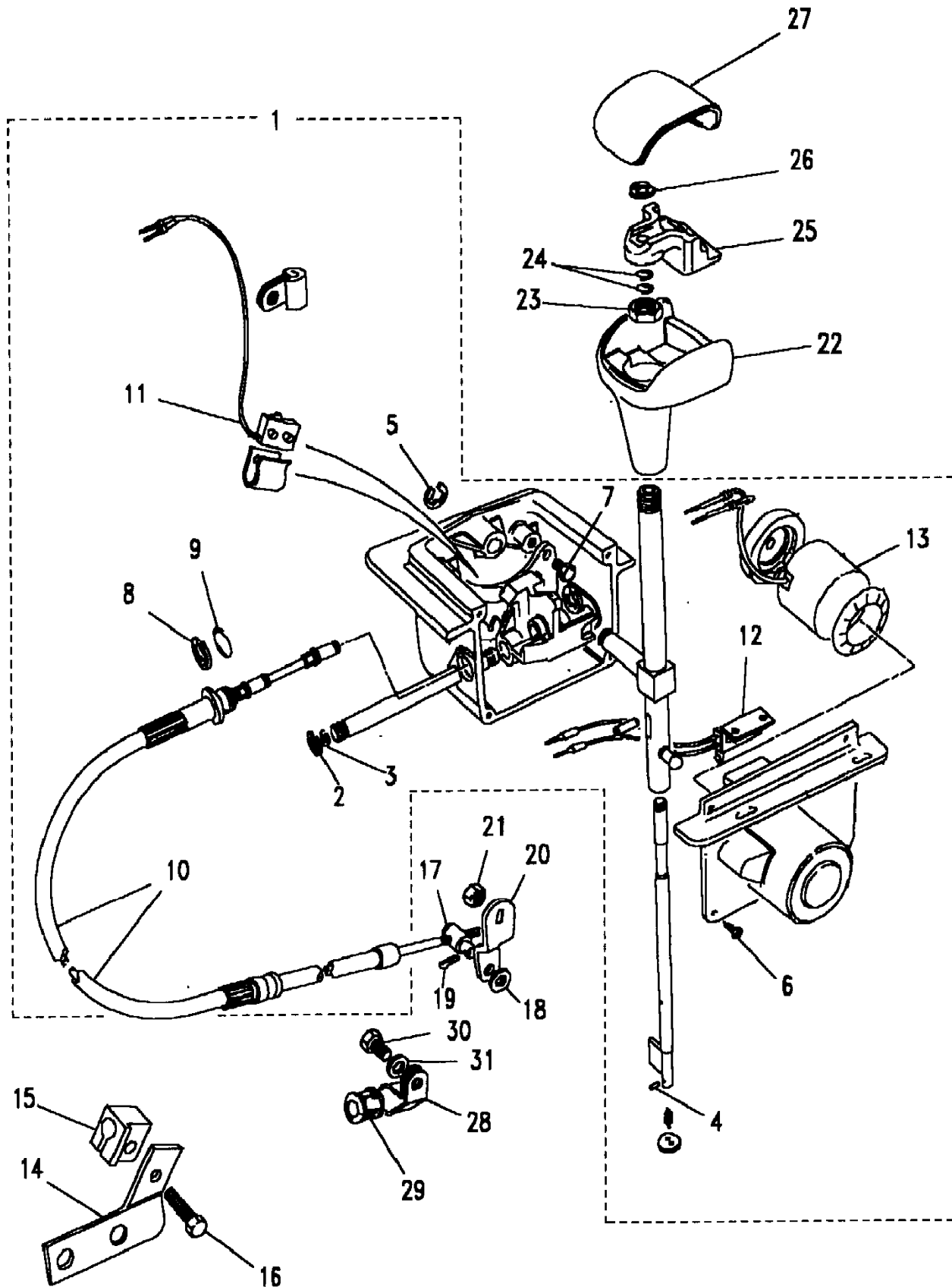
Callout	Name	Application	Remarks & Restrictions	Service No.	Qty
1	Lever assembly-operating/ selector automatic transmission	Change point - VIN end KA647644, Automatic Transmission, (+)"J"	Also serviced as part of a kit	FTC2497	1
		Change point - VIN begin MA647645, Automatic Transmission, (+)"J"	Also serviced as part of a kit	FTC3908	1
2	Clip-e	Change point - VIN begin MA647645, Automatic Transmission, (+)"J"	Also serviced as part of a kit	FRC8707	2
3	O Ring	Change point - VIN begin MA647645, Automatic Transmission, (+)"J"	Also serviced as part of a kit	FRC8711	2
4	Pin-Spring	Change point - VIN begin MA647645, Automatic Transmission, (+)"J"	Also serviced as part of a kit	PA103061	1
5	Clip-e	Change point - VIN end KA647644, Automatic Transmission, (+)"J"	Also serviced as part of a kit	FRC8707	2
6	Screw	Change point - VIN begin MA647645, Automatic Transmission, (+)"J"	Also serviced as part of a kit, Self Tapping, No 6 x 1/2	AB606041L	4
7	Screw	Change point - VIN begin MA647645, Automatic Transmission, (+)"J"	Also serviced as part of a kit, hexagonal head, M6 x 10	SH106101L	1
8	Clip-e	Change point - VIN begin MA647645, Automatic Transmission, (+)"J"	Also serviced as part of a kit	FRC8709	1
9	O Ring	Change point - VIN begin MA647645, Automatic Transmission, (+)"J"	Also serviced as part of a kit	FRC8712	1
10	Cable-selector automatic transmission	Change point - VIN begin MA647645, Automatic Transmission, (+)"J"	Also serviced as part of a kit	FTC566	1
11	Micro switch N.C contacts	Change point - VIN begin MA647645, Automatic Transmission, (+)"J"	Also serviced as part of a kit	PRC9677	1
12	Micro switch N.O contacts	Change point - VIN begin MA647645, Automatic Transmission, (+)"J"	Also serviced as part of a kit	PRC9859	1
13	Solenoid-gear change lock	Change point - VIN begin MA647645, Automatic Transmission, (+)"J"	Also serviced as part of a kit	FTC3283	1
14	Bracket-support selector cable	Automatic Transmission, (+)"J"		FRC8742	1



Gearbox  
ZF-4 Speed-Automatic  
Shift Interlock 2/2

Range Rover (From JA610294)

(BDCPKC2A)



Range Rover (From JA610294)

Gearbox  
ZF-4 Speed-Automatic  
Shift Interlock

Automatic Transmission, 4 Speed, (+)"J"

Callout	Name	Application	Remarks & Restrictions	Service No.	Qty
15	Clamp-Cable	Automatic Transmission, (+)"J"		FRC8743	1
16	Screw	Automatic Transmission, (+)"J"	bracket support to clamp cable, M8 X 30, hexagonal head	SH108301L	1
17	Nipple-cable automatic transmission	Automatic Transmission, (+)"J"		FRC7630	1
18	Washer	Automatic Transmission, (+)"J"	8MM	WA108051L	1
19	Pin-split	Automatic Transmission, (+)"J"		PS104127L	1
20	Lever assembly-operating automatic transmission	Automatic Transmission, (+)"J"		FRC8744	1
21	Nut - Hex.	Automatic Transmission, (+)"J"	M8	FRC6915	1
22	Knob-selector drive	Automatic Transmission, (+)"J"		FRC9357	1
23	Nut - Hex.	Automatic Transmission, (+)"J"		STC1128	1
24	O Ring	Automatic Transmission, (+)"J"		FRC9359	1
25	Button-lever release selector handle	Automatic Transmission, (+)"J"		FTC578	1
26	Clip-e	Automatic Transmission, (+)"J"		FRC8708	1
27	Cover-handle selector mechanism	Automatic Transmission, (+)"J"		FRC8698	1
28	Clip-p	Automatic Transmission, (+)"J"		50641	1
29	Grommet	Automatic Transmission, (+)"J"	17/32" hole	589254	1
30	Screw	Automatic Transmission, (+)"J"	to clip 'P', M8 X 16, hexagonal head	SH108161L	1
31	Washer	Automatic Transmission, (+)"J"	8MM	WA108051L	1

Gearbox  
ZF-4 Speed-Automatic  
Torque Converter & Housing 1/2

Range Rover (From JA610294)

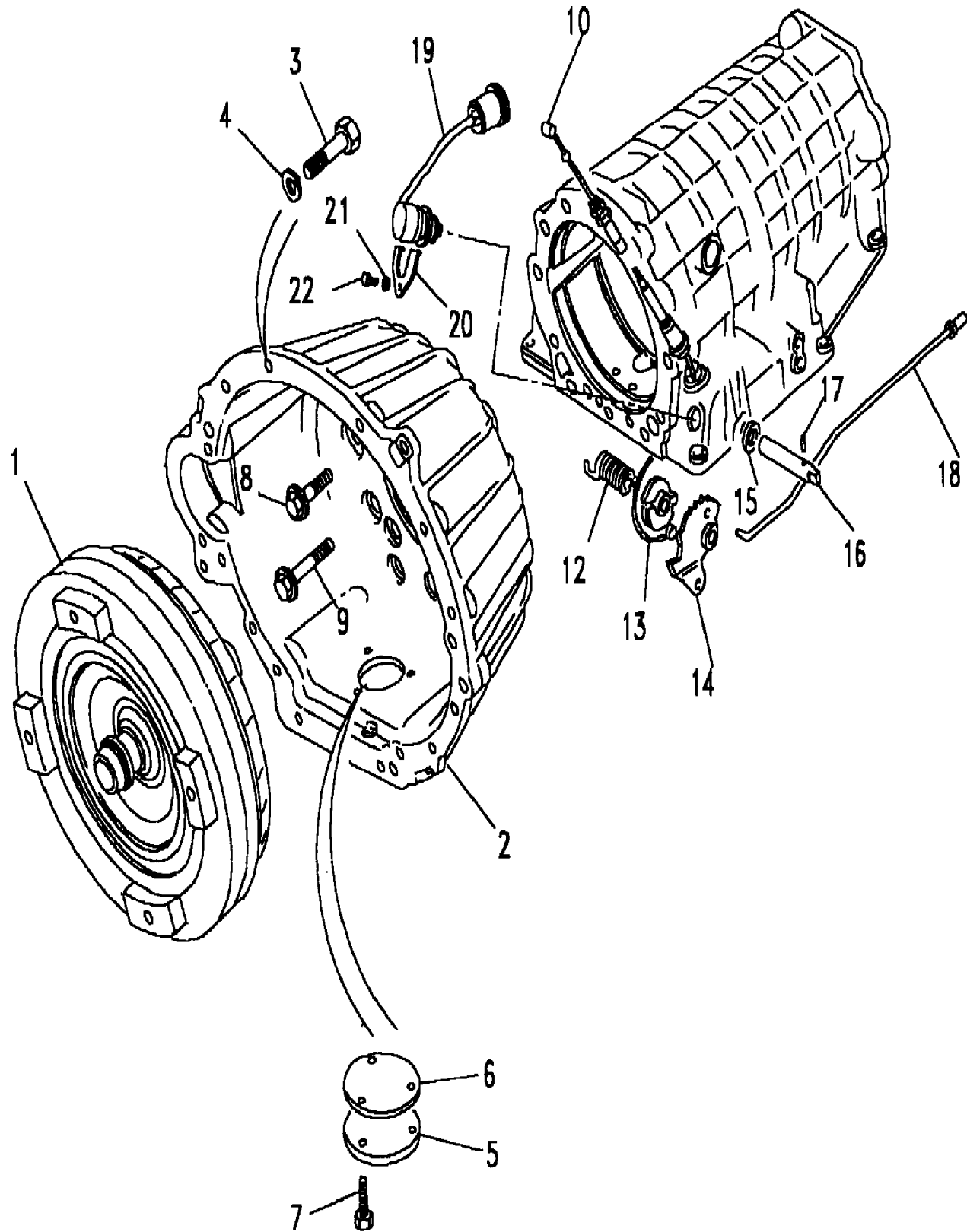
(BDCPEA2A)

Range Rover (From JA610294)

Gearbox  
ZF-4 Speed-Automatic  
Torque Converter & Housing

4 Speed, Automatic Transmission

Callout	Name	Application	Remarks & Restrictions	Service No.	Qty
1	Converter assembly automatic transmission	V8 Petrol TDi Diesel		FRC5981 STC1580	1 1
2	Housing assembly-torque converter automatic transmission	V8 Petrol TDi Diesel		RTC6594 STC1581	1 1
3	Bolt	V8	To converter housing, hexagonal head, 3/8UNC x 2	BH506161L	8
4	Washer-Spring	V8	3/8	WL600061L	8
5	Cover assembly-coverter automatic transmission			FRC7706	1
6	Gasket-converter housing lower access cover			FRC7707	1
7	Screw		Plate cover to converter housing, hexagonal head, M6 x 15	SH106151L	3
8	Bolt		To converter housing, hexagonal head, M10 x 30	FB110301L	6
9	Bolt		To converter housing, Flanged Head, M10 x 70	FB110141L	12
10	Cable assembly-kickdown automatic transmission	V8 Petrol TDi Diesel		RTC4854 STC1583	1 1
11	O Ring			RTC4648	1
12	Spring-lever detent selector mechanism			RTC4288	1
13	Lever assembly-selector selector mechanism			RTC4658	1
14	Lever-detent automatic transmission			RTC4286	1
15	Seal selector mechanism			RTC4289	1
16	Shaft automatic transmission			RTC4285	1



Gearbox  
ZF-4 Speed-Automatic  
Torque Converter & Housing 2/2

Range Rover (From JA610294)

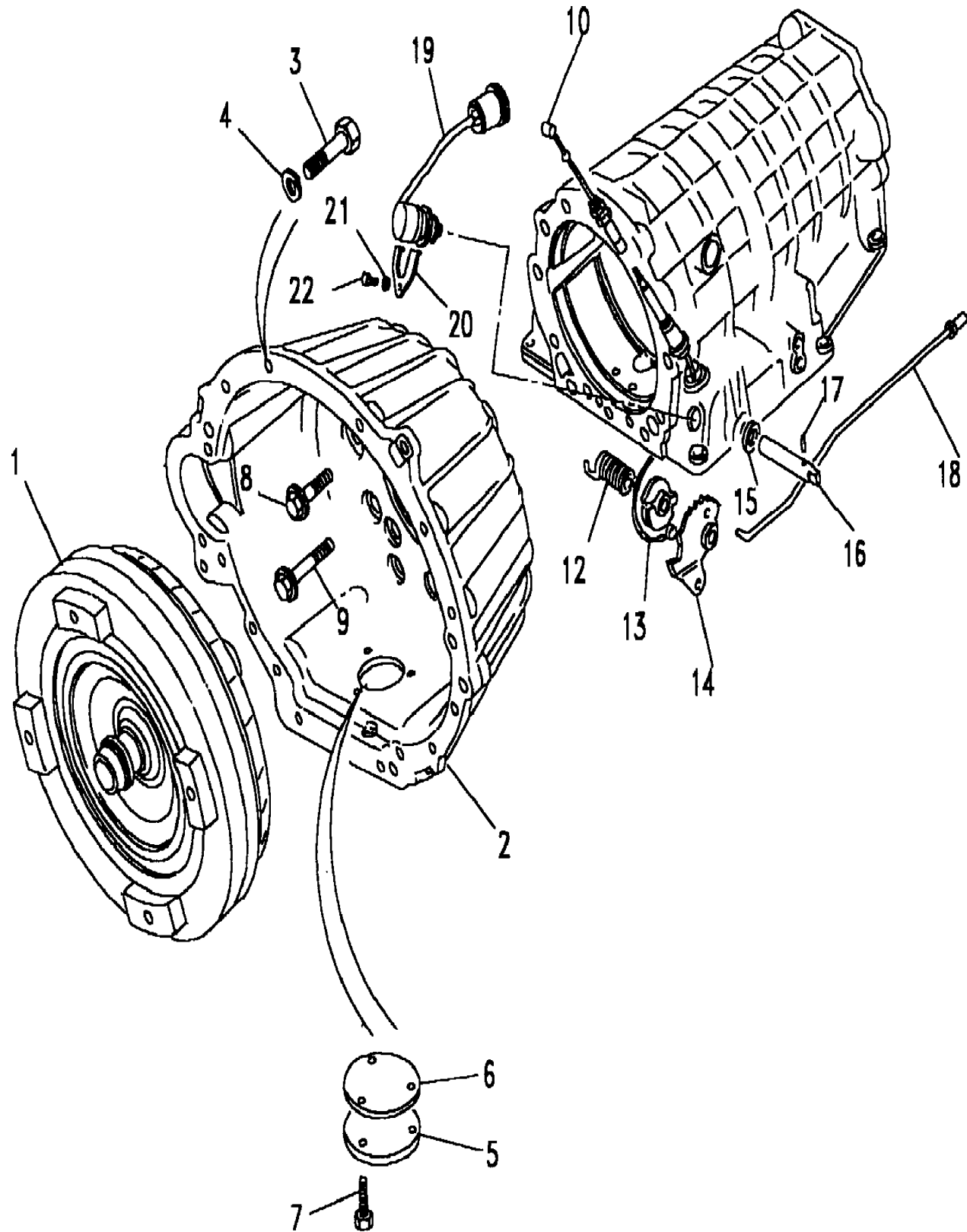
(BDCPEA2A)

Range Rover (From JA610294)

Gearbox  
ZF-4 Speed-Automatic  
Torque Converter & Housing

4 Speed, Automatic Transmission

Callout	Name	Application	Remarks & Restrictions	Service No.	Qty
17	Pin-roll-spring tension			RTC4290	1
18	Rod assembly-kickdown automatic transmission			RTC4291	1
19	Switch-inhibitor change selector			RTC4937	1
20	Plate-inhibitor switch detent			RTC4644	1
21	Washer-Spring			RTC4643	1
22	Screw		To plate retaining	RTC4645	1
[901]	Bolt	TDi	To converter housing, Flanged Head, M10 x 35	FB110071L	5
		TDi	To converter housing, M10 x 55	FB110111L	6
		TDi	To converter housing, M10 x 60	FB110121L	2
[902]	Nut - Hex.	TDi	To converter housing, M10, flange	FN110041L	8
[903]	Screw-flanged head	TDi	To converter housing, M10 x 14	FS110141M	4
[904]	Plate-transfer box detent spring retaining			RTC5203	1



Gearbox  
ZF-4 Speed-Automatic  
Web Shaft & Fourth Gear 1/2

Range Rover (From JA610294)

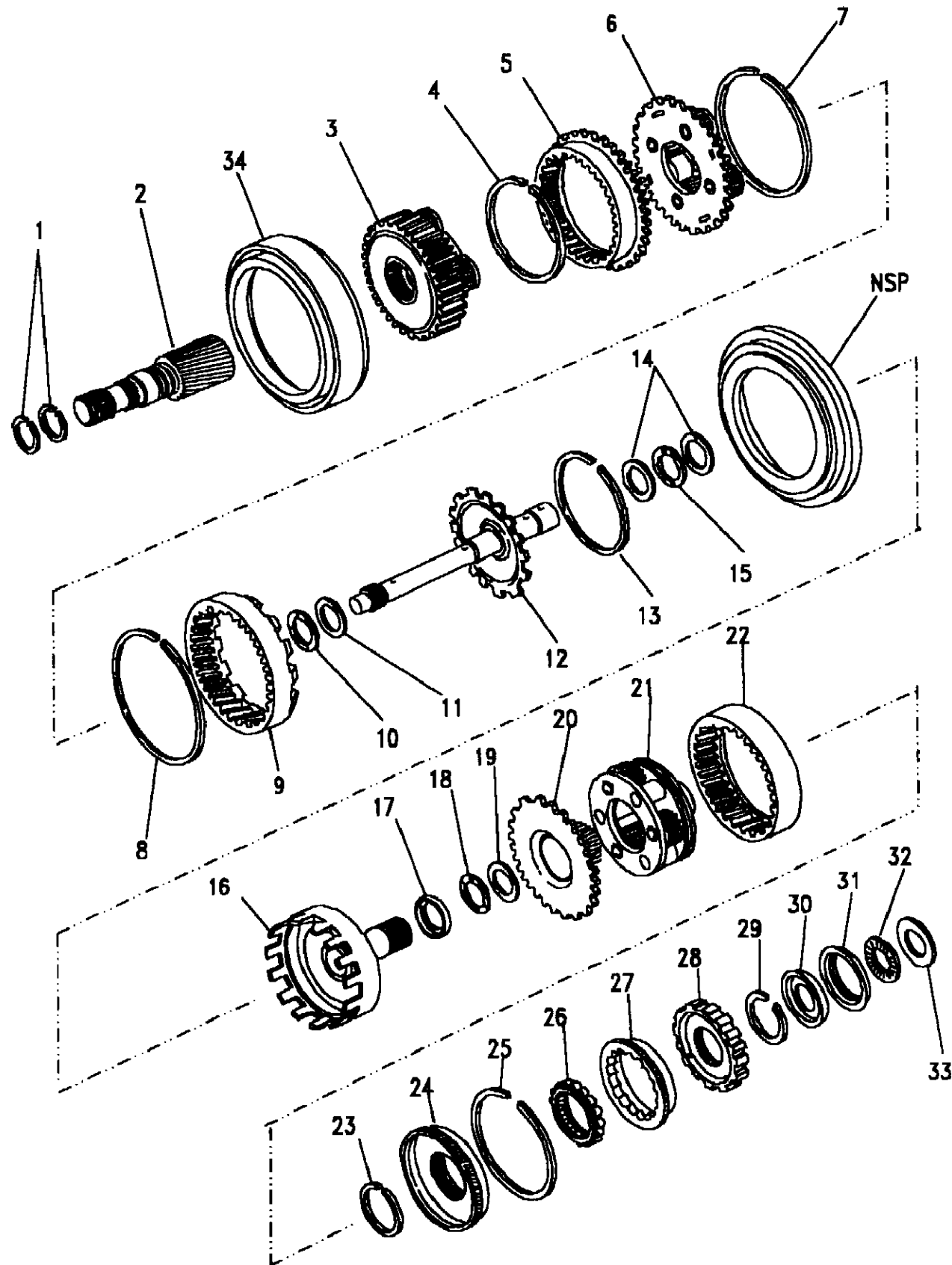
(BDCPIA1B)

Gearbox  
ZF-4 Speed-Automatic  
Web Shaft & Fourth Gear

Range Rover (From JA610294)

Automatic Transmission, 4 Speed

Callout	Name	Application	Remarks & Restrictions	Service No.	Qty
1	Set-ring automatic transmission			RTC5183	2
2	Shaft-sun gear			RTC5182	1
3	Gear assembly-planetary automatic transmission	3.9L	Front	RTC5185	1
		4.2L		STC994	1
4	Ring-snap automatic transmission			RTC5181	1
5	Gear-ring automatic transmission		Front	RTC5180	1
6	Gear assembly-planetary automatic transmission		Front	RTC5188	1
7	Ring-snap automatic transmission		Rear, Large	RTC5190	1
8	Ring-snap automatic transmission			RTC5181	1
9	Gear-ring automatic transmission		Centre	RTC5184	1
12	Shaft-intermediate transmission	3.9L		RTC5186	1
		4.2L		STC995	1
13	Ring-snap automatic transmission		Rear	RTC5187	1
16	Shaft-spider	3.9L		STC996	1
		4.2L		STC996	1
20	Gear-automatic transmission sun			RTC5191	1
21	Gear assembly-planetary automatic transmission	3.9L	Rear	RTC5192	1
		4.2L		STC997	1
22	Gear-ring automatic transmission		Rear	RTC5193	1
23	Ring-snap automatic transmission		Small	RTC5171	1
29	Ring-snap automatic transmission		Small	RTC5172	1



Gearbox  
ZF-4 Speed-Automatic  
Web Shaft & Fourth Gear 2/2

Range Rover (From JA610294)

(BDCPIA1B)

Range Rover (From JA610294)

Gearbox  
ZF-4 Speed-Automatic  
Web Shaft & Fourth Gear

Automatic Transmission, 4 Speed

Callout	Name	Application	Remarks & Restrictions	Service No.	Qty
34	Ring-backing automatic transmission			RTC5129	1
[901]	O Ring			STC334	3

