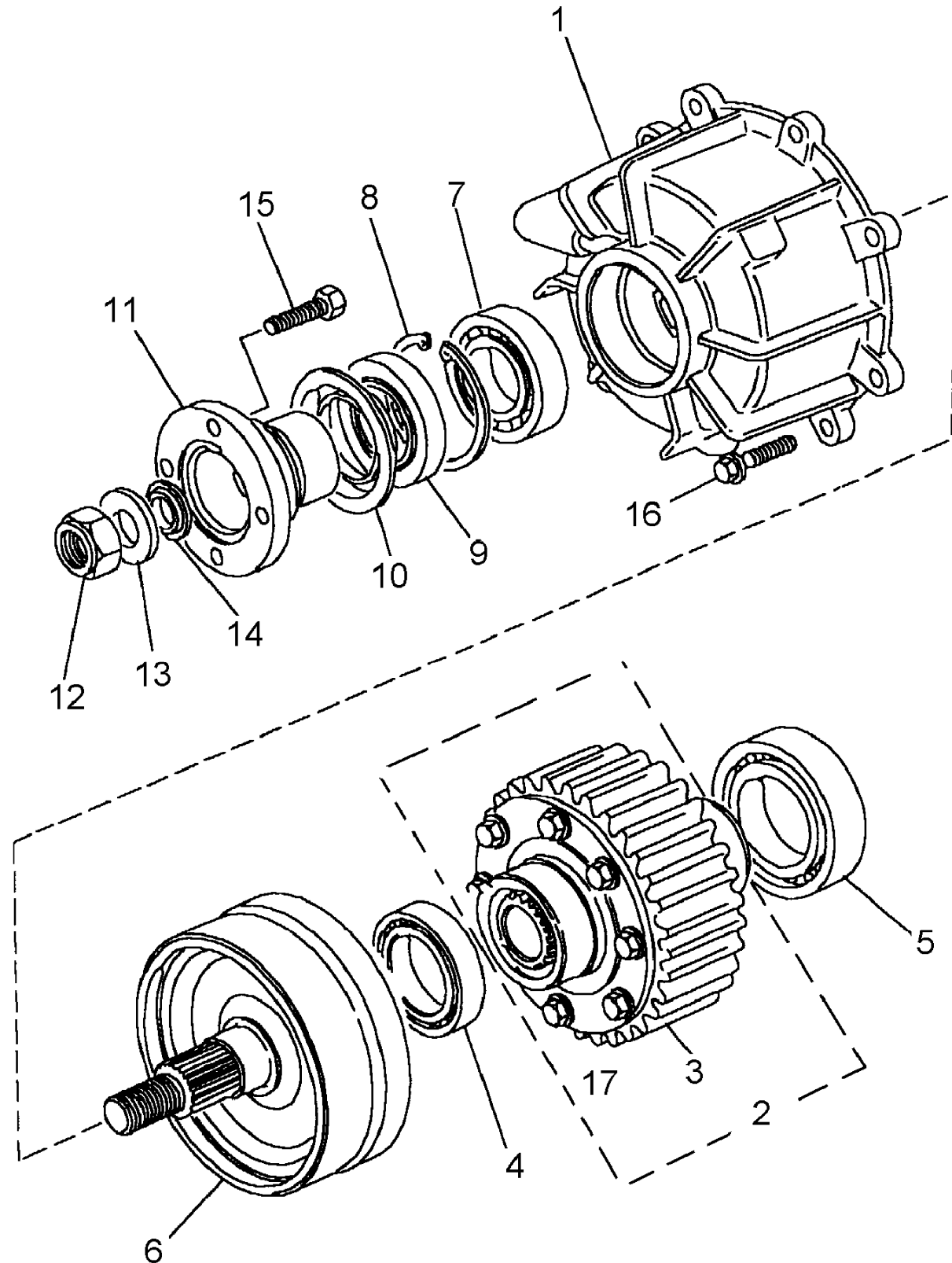


Transfer Box  
Borg Warner-NV225  
Front Housing 1/1

Range Rover (From JA610294)

(LD0001)



LD 0001

Range Rover (From JA610294)

Transfer Box  
Borg Warner-NV225  
Front Housing

Callout	Name	Application	Remarks & Restrictions	Service No.	Qty
1	Housing-viscous coupling unit		Front	RTC6091	1
2	Differential assembly-transfer box		Also serviced as part of a kit	RTC6060	1
3	Chain drive-transfer gear box		Also serviced as part of a kit	STC365	1
4	Bearing-roller differential			RTC6015	1
5	Bearing-ball			RTC6018	1
6	Viscous coupling unit-transfer box			RTC6044	1
7	Bearing-ball		Rear	RTC6025	1
8	Retainer			RTC6020	1
9	Seal-transfer box output			FRC7043	1
11	Flange assembly-front output		Also serviced as part of a kit	RTC6059	1
12	Nut-hexagonal-nyloc		M20	NY120041L	1
13	Washer			571468	1
14	Seal-transfer box output flange spline		Less Alternatives	RTC6363	1
15	Bolt		flange to axle, 3/8UNC x 1 1/4	BT606101L	4
16	Bolt		housing to transfer box	RTC6371	8
17	Bolt differential		Also serviced as part of a kit, M10 x 50	STC3687	8
[901]	Mudshield-transfer box oil seal		Also serviced as part of a kit, Rear	571970	1

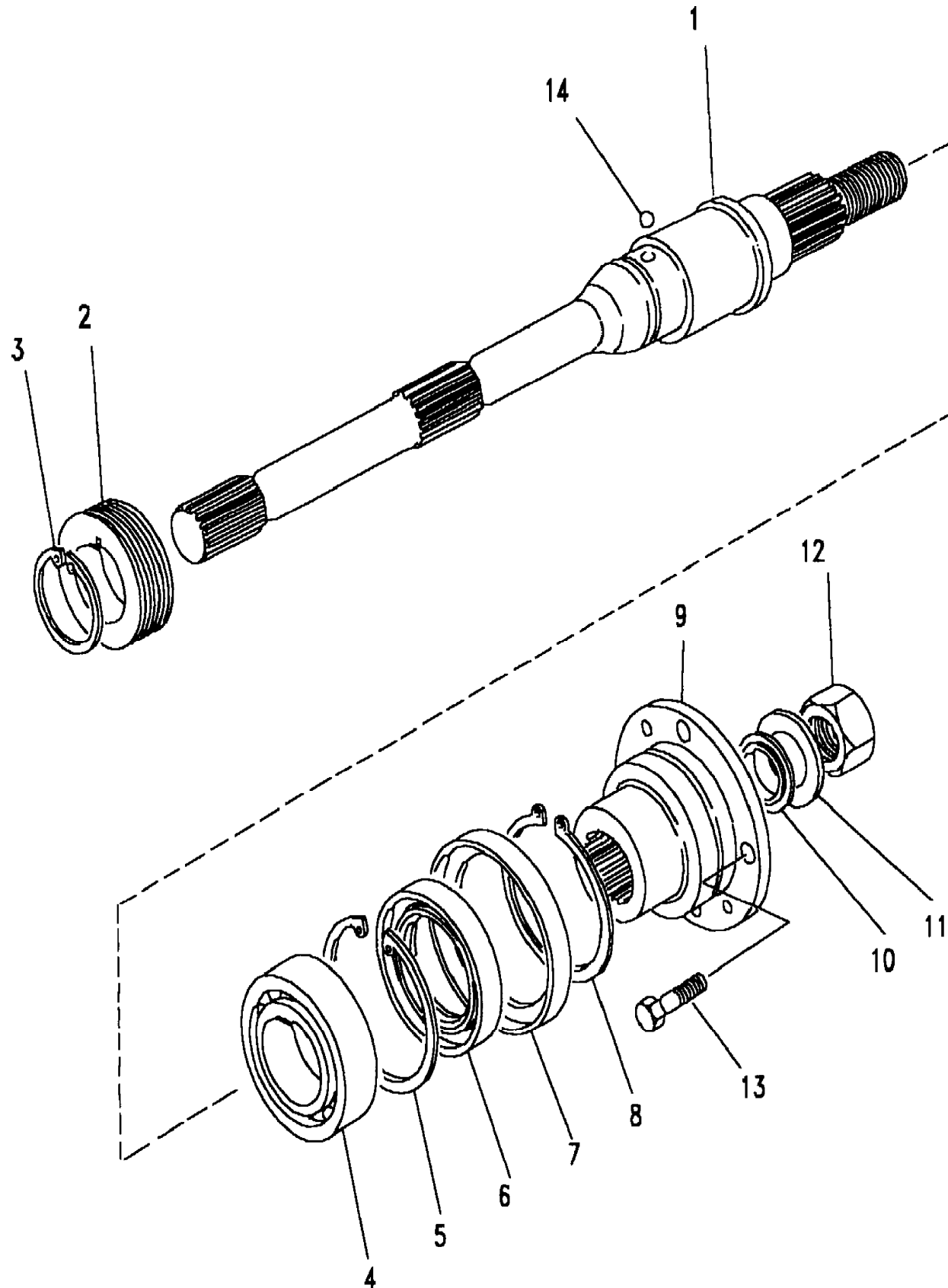
Transfer Box  
Borg Warner-NV225  
Front Output Shaft 1/1

**Range Rover (From JA610294)**  
(BDDGIA2A)

Transfer Box  
Borg Warner-NV225  
Front Output Shaft

**Range Rover (From JA610294)**

Callout	Name	Application	Remarks & Restrictions	Service No.	Qty
1	Shaft-rear output			FTC657	1
2	Gear-speedometer drive			RTC6026	1
3	Circlip			RTC6028	1
4	Bearing-ball			RTC3406 STC1130	X 1
5	Circlip		Large	216962	1
6	Seal-transfer box output			FRC7043	1
7	Mudshield-transfer box oil seal		Rear	571970	1
8	Circlip			571682	1
9	Flange assembly-rear output			FRC5438	1
10	Washer		Less Alternatives Less Alternatives	FRC2464 RTC6363	1 1
11	Washer			571468	1
12	Nut-hexagonal-nyloc		M20	NY120041L	1
13	Bolt		flange to axle, 3/8UNF x 1 3/4	FRC3602	4
14	Bearing-ball		'10', 5MM	RTC6027	1



Transfer Box  
Borg Warner-NV225  
Gear Change 1/2

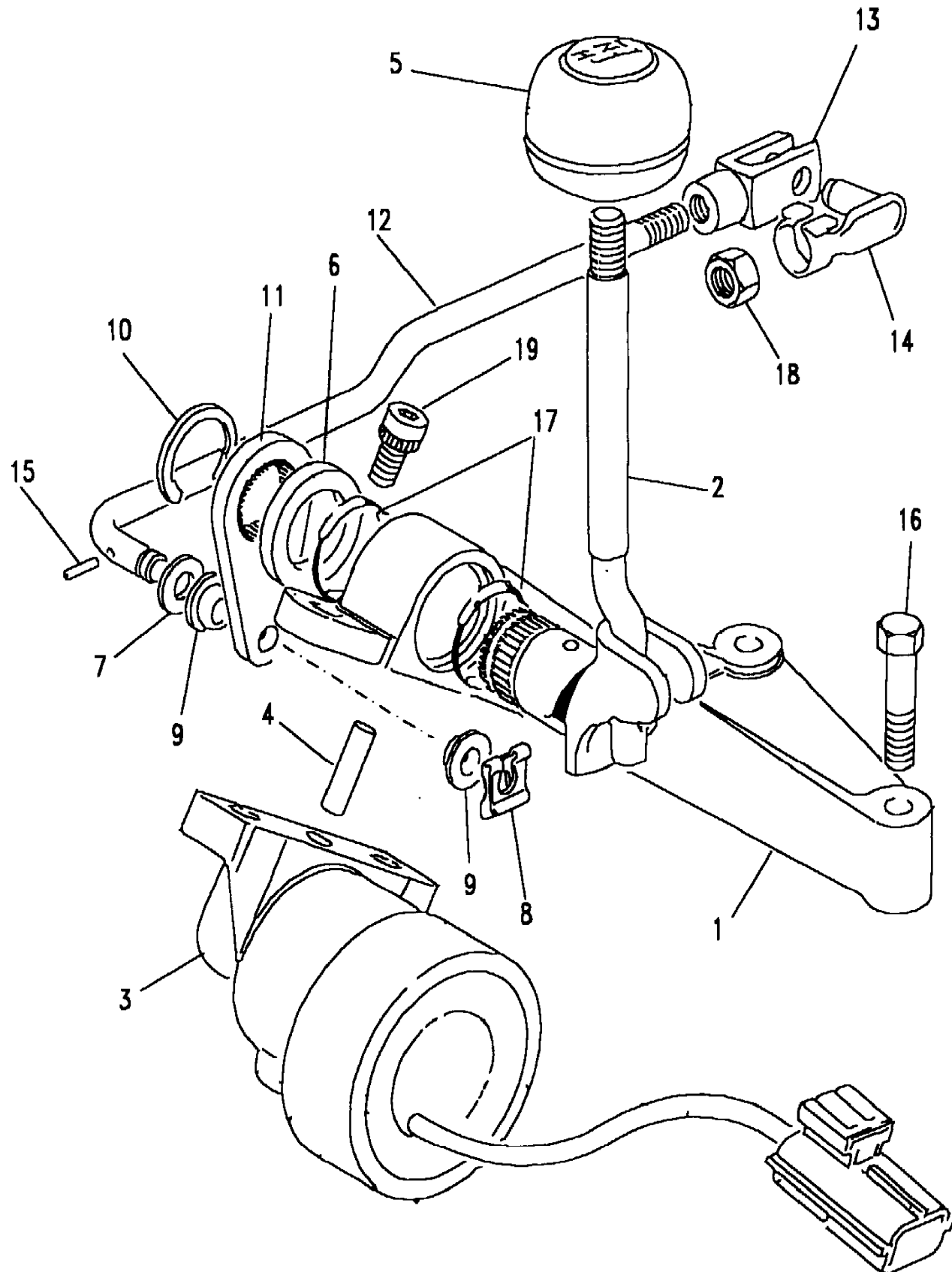
Range Rover (From JA610294)

(BDDGMA2A)

Range Rover (From JA610294)

Transfer Box  
Borg Warner-NV225  
Gear Change

(+)"J"



Callout	Name	Application	Remarks & Restrictions	Service No.	Qty
1	Cover-transfer box gear change housing		Shift Interlock	FTC2145	1
2	Lever-transfer box	Change point - VIN end LA647644	Shift Interlock	FTC2144	1
		Change point - VIN begin MA647645	Shift Interlock	FTC4092	1
3	Solenoid-interlock selector mechanism		Shift Interlock	FTC2890	1
4	Pin-locking	Change point - VIN end LA647644	Shift Interlock	FTC2146	1
		Change point - VIN begin MA647645	Shift Interlock	FTC4110	1
5	Knob assembly-transfer box change	100"	Shift Interlock, Plastic, Bokhara	FTC1242RUN	1
		108" (2743mm) Wheelbase	Shift Interlock	FTC3200	1
		100"	Shift Interlock, wooden	BTR9922	1
6	Spacer	Change point - VIN end MA648524	Shift Interlock	FTC622	1
		Change point - VIN begin MA648525	Shift Interlock	FTC3903	2
7	Washer		Shift Interlock, 8MM	WA108051L	1
8	Pin-split		Shift Interlock	FRC8548	2
9	Bush		Shift Interlock	FRC4499	4
10	Circlip		Shift Interlock	FRC8825	1
11	Fork-high/low selector		Shift Interlock	FTC1045	1
12	Rod assembly-connecting	Change point - VIN end MA648524	Shift Interlock	FTC580	1
		Change point - VIN begin MA648525	Shift Interlock	FTC3448	1
13	Pin assembly-clevis		Shift Interlock	FRC9796	1
14	Clip-spring steel	Change point - VIN end LA647644	Shift Interlock	FRC9797	1
		Change point - VIN begin MA647645	Shift Interlock	ETC7884	1
15	Pin-roll		Shift Interlock	FRC8394	1
16	Bolt		Shift Interlock, Flanged Head, M8 x 40	FB108081L	2
17	O Ring		Shift Interlock	FTC839	2

Transfer Box  
Borg Warner-NV225  
Gear Change 2/2

Range Rover (From JA610294)

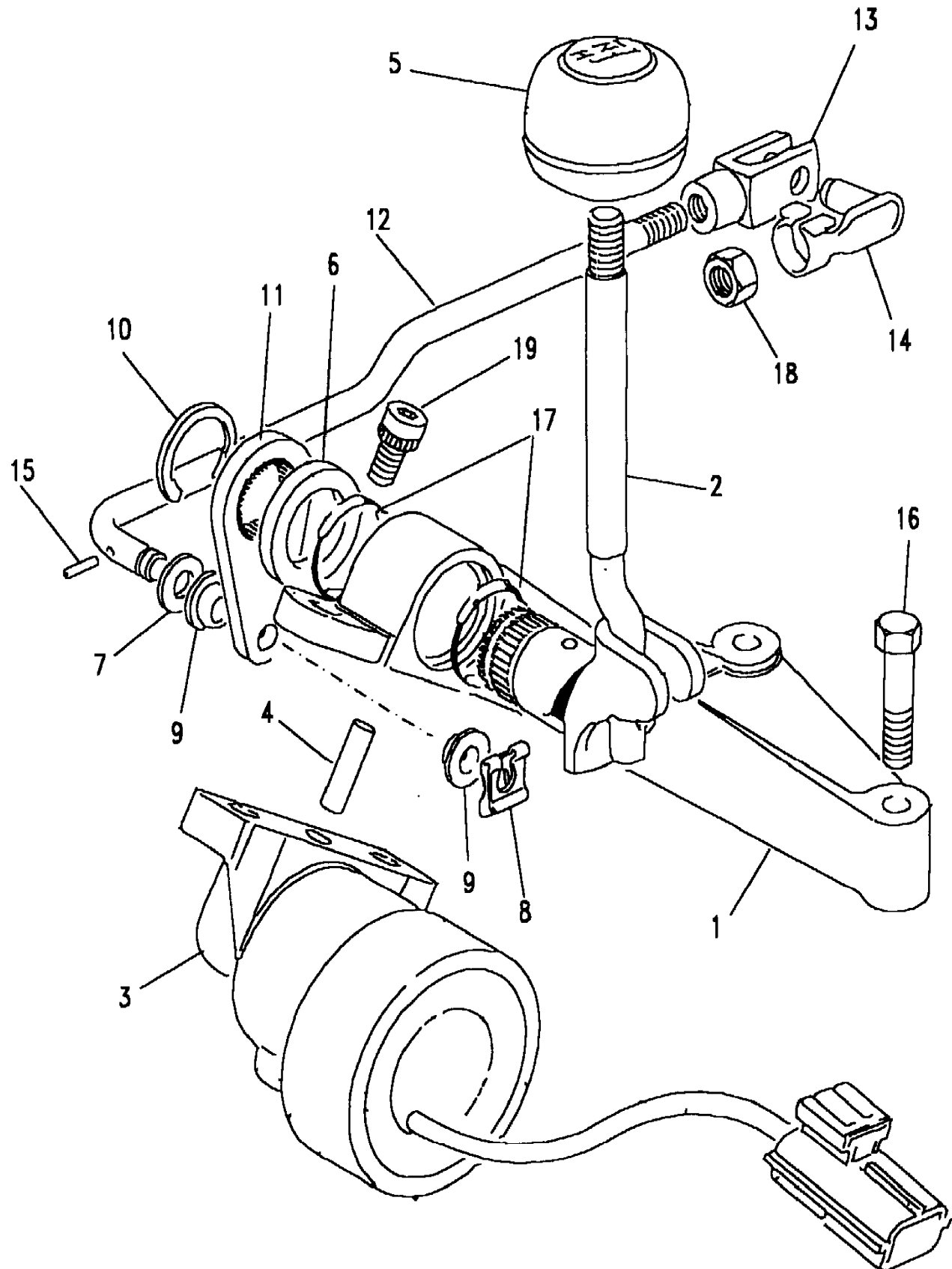
(BDDGMA2A)

Transfer Box  
Borg Warner-NV225  
Gear Change

Range Rover (From JA610294)

(+)"J"

Callout	Name	Application	Remarks & Restrictions	Service No.	Qty
18	Nut - Hex.		Shift Interlock, hexagonal head	NT108041L	1
19	Screw-hexagon socket		Shift Interlock, M8 x 20	SS108201	1
			Shift Interlock, M8 X 30	SS108301	1
[900]	Screw		Shift Interlock, M8 x 25, hexagonal head	SH108251	1
[909]	Pin-clevis/pivot		Shift Interlock	FRC8547	1



Transfer Box  
Borg Warner-NV225  
Gear Change 1/1

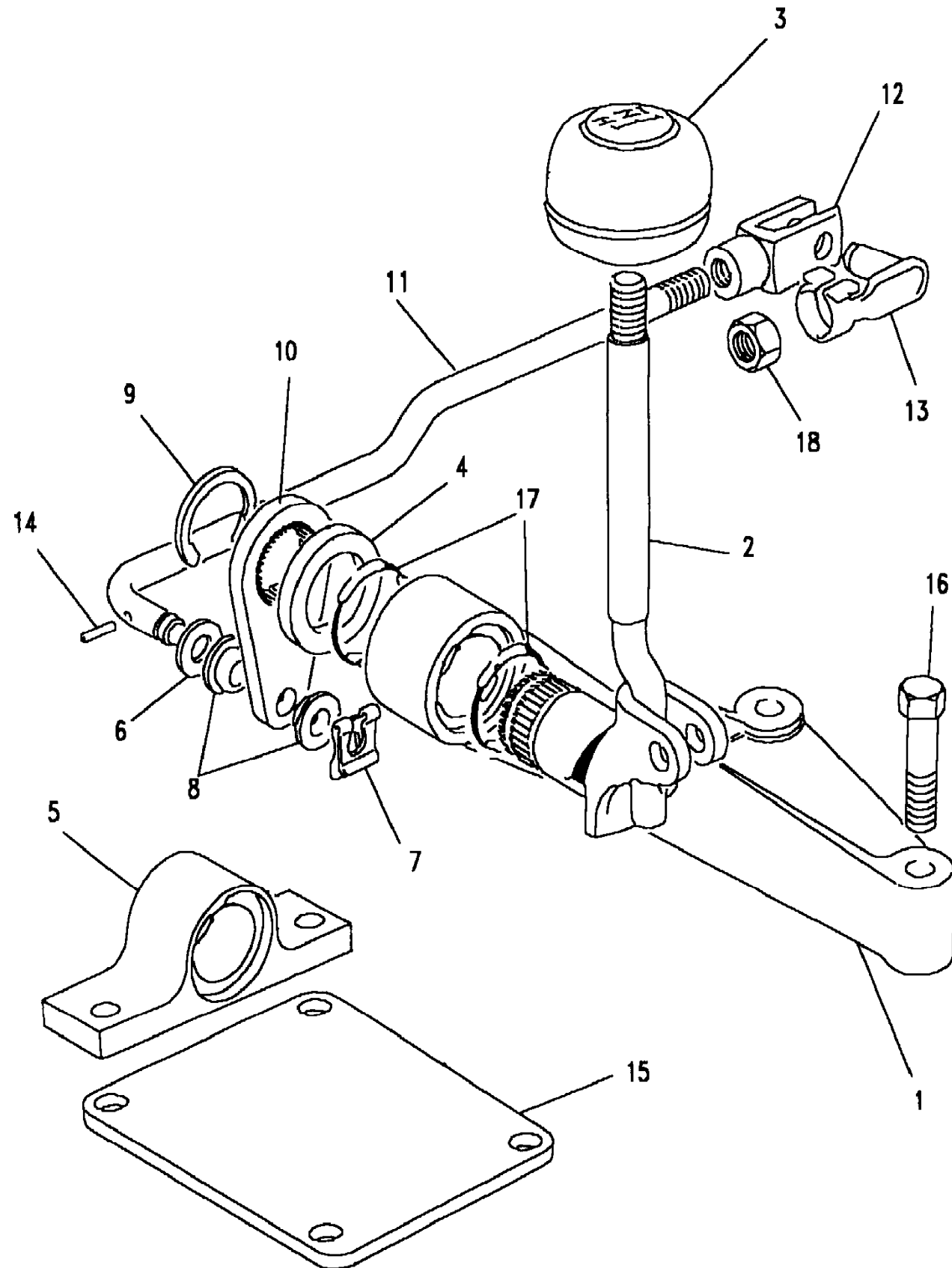
Range Rover (From JA610294)

(BDDGMA1A)

Transfer Box  
Borg Warner-NV225  
Gear Change

Range Rover (From JA610294)

(-)"J"



Callout	Name	Application	Remarks & Restrictions	Service No.	Qty
1	Housing-transfer box			FTC623	1
2	Lever-transfer box	Change point - VIN end LA647644 Change point - VIN begin MA647645		FTC625 FTC3445	1 1
3	Knob assembly-transfer box change	100"  108" (2743mm) Wheelbase 100"	Plastic, Bokhara  wooden	FTC1242RUN  FTC3200 BTR9922	1 1 1
4	Spacer	Change point - VIN end MA648524 Change point - VIN begin MA648525		FTC622 FTC3903	1 2
5	Hinge-bonnet arm			FTC624	1
6	Washer		8MM	WA108051L	1
7	Pin-split			FRC8548	2
8	Bush			FRC4499	4
9	Circlip			FRC8825	1
10	Fork-high/low selector			FTC1045	1
11	Rod assembly-connecting	Change point - VIN end MA648524 Change point - VIN begin MA648525		FTC580 FTC3448	1 1
12	Pin assembly-clevis			FRC9796	1
13	Clip-spring steel	Change point - VIN end LA647644 Change point - VIN begin MA647645		FRC9797 ETC7884	1 1
14	Pin-roll			FRC8394	1
15	Plate			FRC8816	1
16	Bolt		Flanged Head, M8 x 40	FB108081L	2
17	O Ring			FTC839	2
18	Nut - Hex.		hexagonal head	NT108041L	1
[902]	Pin-clevis/pivot			FRC8547	1

Transfer Box  
Borg Warner-NV225  
High/Low Gear 1/1

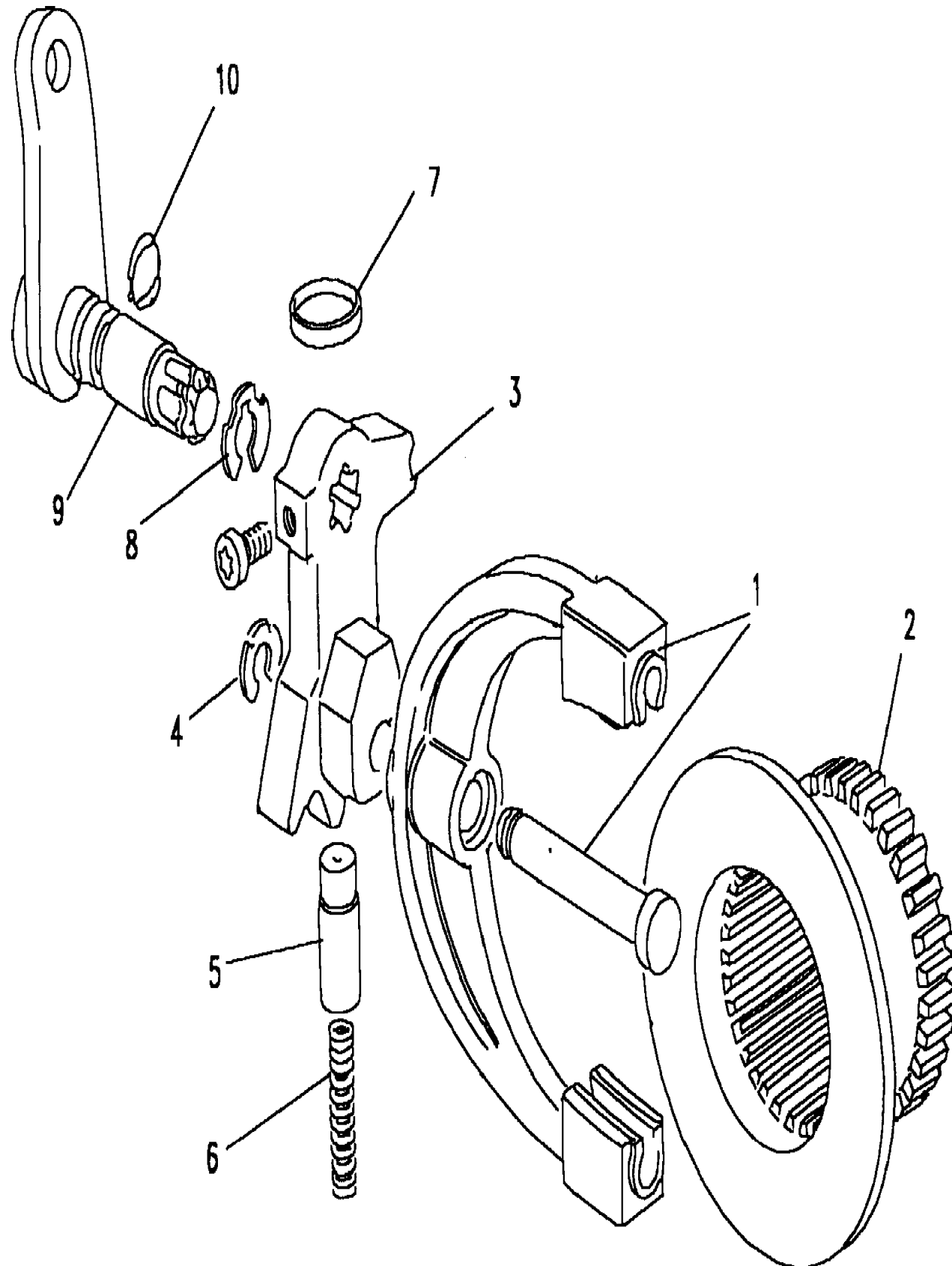
Range Rover (From JA610294)

(BDDGKA1A)

Transfer Box  
Borg Warner-NV225  
High/Low Gear

Range Rover (From JA610294)

Callout	Name	Application	Remarks & Restrictions	Service No.	Qty
1	Fork-high/low selector			RTC6057	1
2	Hub-reduction			RTC6092	1
3	Detent assembly-selector mechanism manual transmission			RTC6032	1
4	Retainer			RTC6035	1
5	Plunger-detent-transfer box			RTC5996	1
6	Spring			RTC5998	1
7	Plug-blanking			RTC6036	1
8	Clip			RTC6049	1
9	Lever assembly-transfer box			RTC6029	1
10	Seal selector mechanism			RTC6031	1



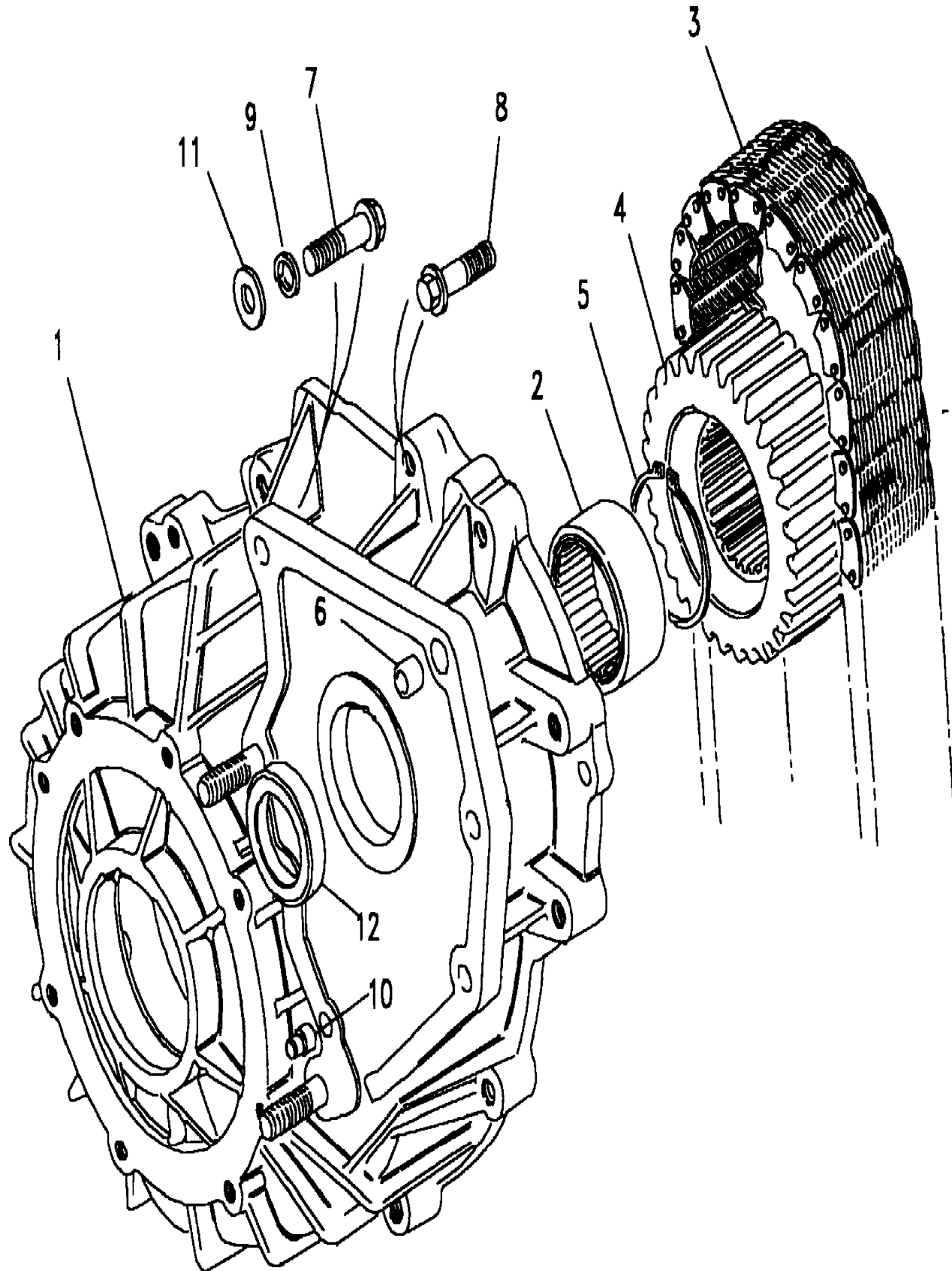
Transfer Box  
Borg Warner-NV225  
Main Case 1/1

**Range Rover (From JA610294)**  
(BDDGCA1A)

Transfer Box  
Borg Warner-NV225  
Main Case

**Range Rover (From JA610294)**

Callout	Name	Application	Remarks & Restrictions	Service No.	Qty
1	Casing-transfer box			RTC6053	1
2	Bearing-needle roller			RTC6045	1
3	Chain drive-transfer gear box			RTC6041	1
4	Sprocket-transfer box			STC364	1
5	Circlip			RTC6046	1
6	Dowel-ring		15.0mm	FRC2482	1
7	Bolt		TO GEARBOX, M10 x 35 TO GEARBOX, M10 X 45	FRC9540 FRC9541	2 1
8	Bolt		to engine block	RTC6370	6
9	Washer		M10	WL110001L	6
10	Dowel			571134	1
11	Washer		M10	WA110061L	3
12	Seal			FRC2365	1
[901]	Washer-sealing			232042	1



Transfer Box  
 Borg Warner-NV225  
 Mainshaft Gear 1/1

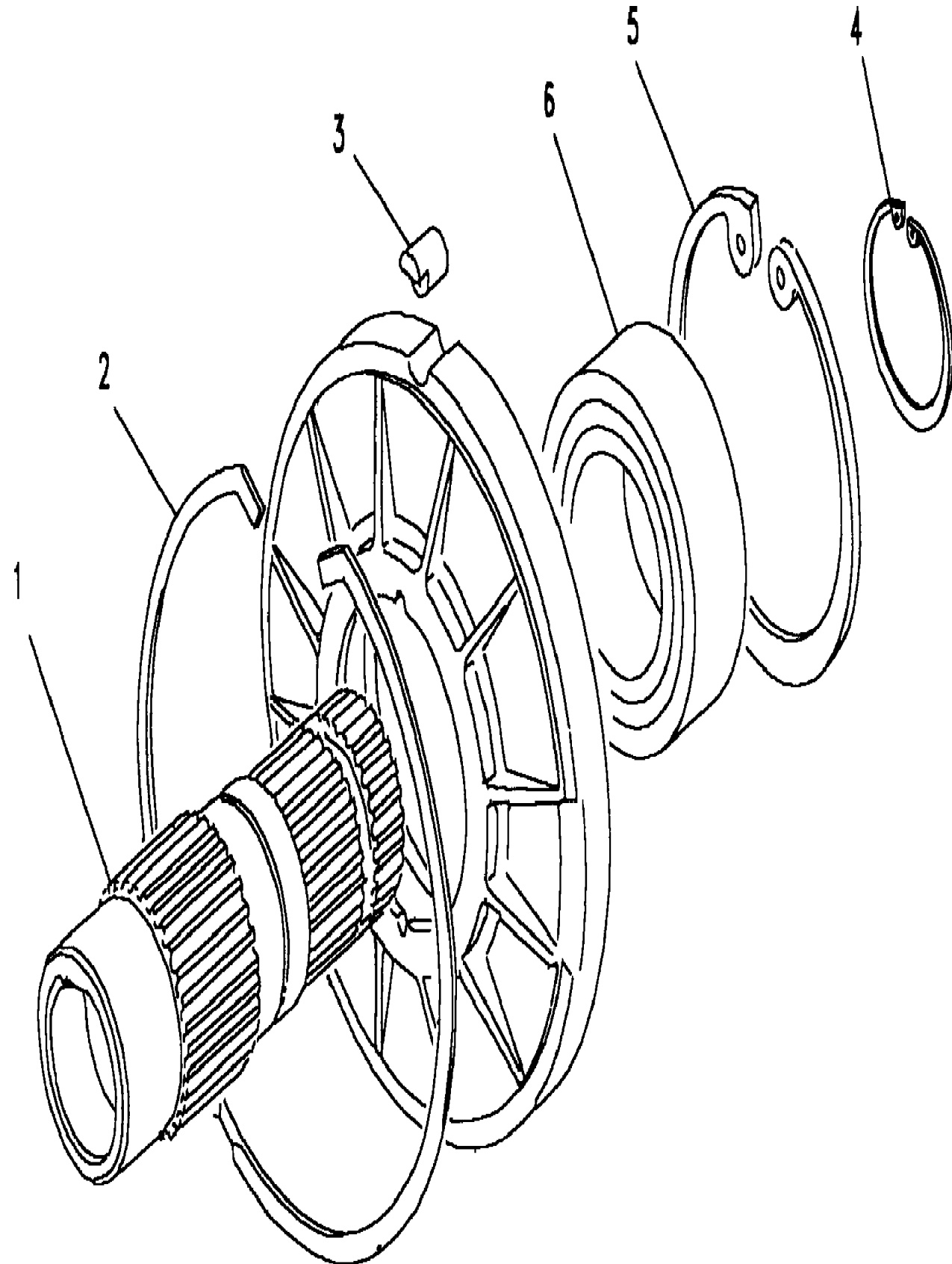
Range Rover (From JA610294)

(BDDGIA1A)

Transfer Box  
 Borg Warner-NV225  
 Mainshaft Gear

Range Rover (From JA610294)

Callout	Name	Application	Remarks & Restrictions	Service No.	Qty
1	Shaft-main-transfer box			RTC6561	1
2	Retainer			RTC6040	1
3	Dowel			RTC6039	1
4	Circlip			RTC6038	1
5	Circlip			RTC6037	1
6	Bearing-ball			RTC6018	1





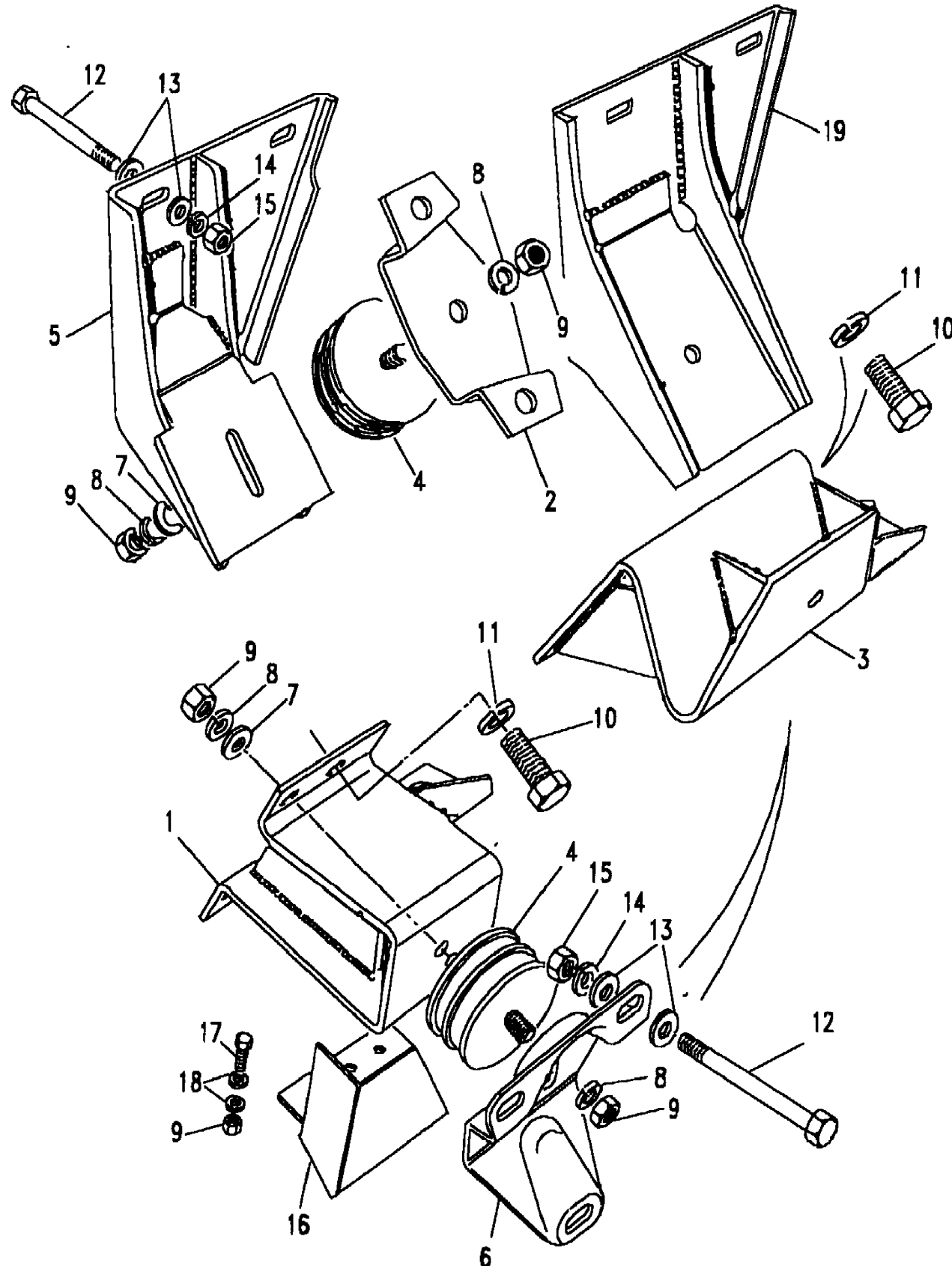
Transfer Box  
Borg Warner-NV225  
Mounting Brackets 1/2

Range Rover (From JA610294)

(BDDGTA1A)

Range Rover (From JA610294)

Transfer Box  
Borg Warner-NV225  
Mounting Brackets



Callout	Name	Application	Remarks & Restrictions	Service No.	Qty
1	Bracket-Transmission Mounting		LH Rear, LH	NTC4474 ANR2821	1 1
2	Bracket-Transmission Mounting	Change point - VIN end LA647644 Change point - VIN begin MA647645	Rear, RH Rear, RH	NTC7269 ANR2823	1 1
3	Bracket-Transmission Mounting	Change point - VIN end LA647644 Change point - VIN begin MA647645	Rear, LH Rear, LH	NRC6528 ANR2817	1 1
4	Mounting-rubber	Change point - VIN end LA647644 Change point - VIN begin MA647645	M10	NTC5890 ANR2805	2 2
5	Bracket-Transmission Mounting	Change point - VIN end LA647644 Change point - VIN begin MA647645, Automatic Transmission	Rear, RH Rear, RH	NRC7136 ANR2818	1 1
6	Bracket-Transmission Mounting	Change point - VIN end LA647644 Change point - VIN begin MA647645	Rear, LH Rear, LH	90575585 ANR2820	1 1
7	Washer		M10	WA110061L	2
8	Washer		3/8", Square	WM600061L	4
9	Nut - Hex.		hexagonal head, 3/8UNF	NH606041L	6
10	Screw		hexagonal head	SH112252L	6
11	Washer			WL112001L	6
12	Bolt		hexagonal head, M8 x 100	BH108201L	6
13	Washer		8MM	WA108051L	12
14	Washer		M8, sprung	WL108001L	6
15	Nut - Hex.		M8, hexagonal head	NH108041L	6
16	Heatshield-bracket			NTC4255	1
17	Screw		M6, hexagonal head	SH106061L	2
18	Washer		6MM	WA106041L	2
19	Bracket-engine mounting	Automatic Transmission		NTC4985	1

Transfer Box  
Borg Warner-NV225  
Mounting Brackets 2/2

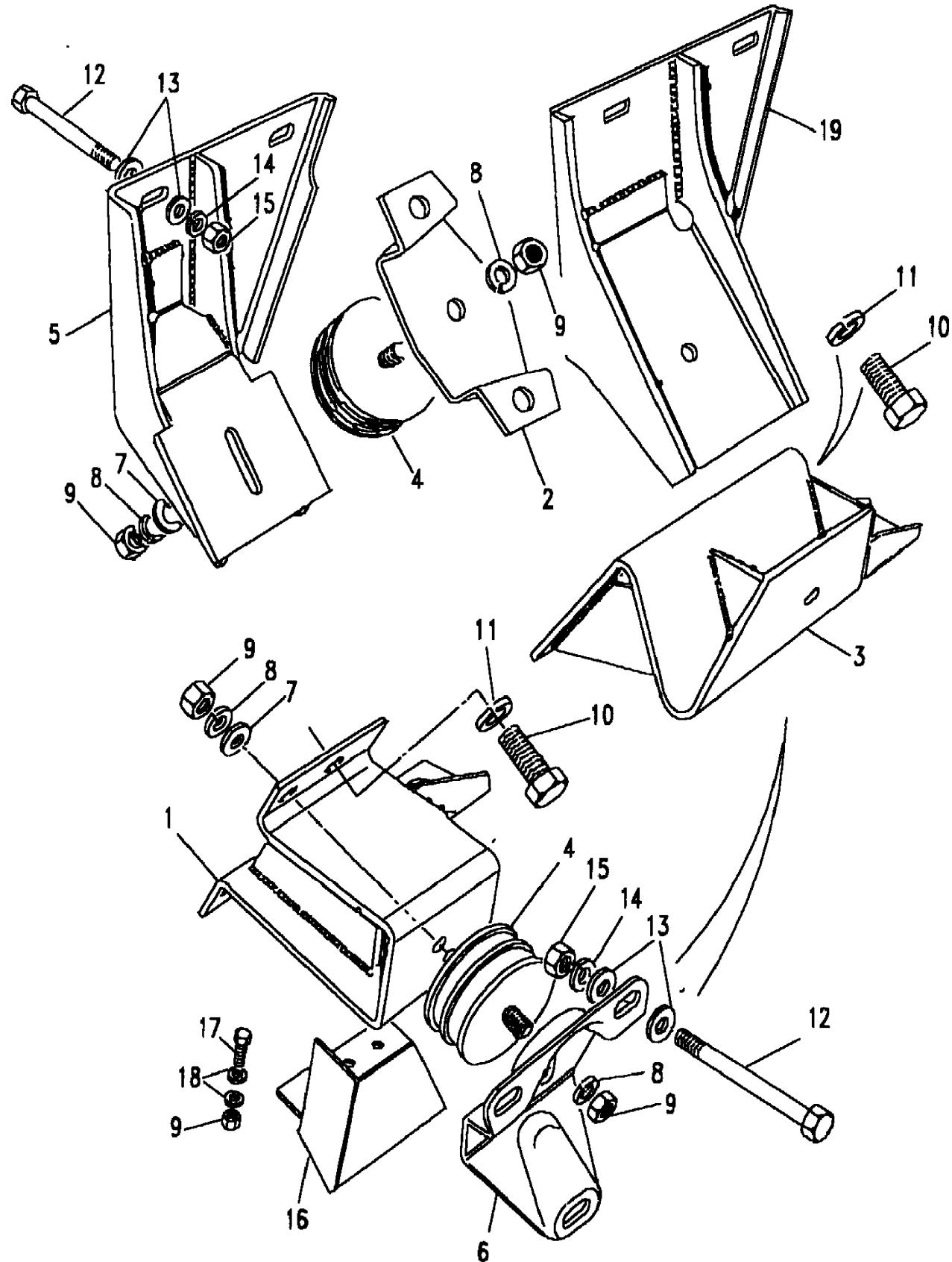
Range Rover (From JA610294)

(BDDGTA1A)

Range Rover (From JA610294)

Transfer Box  
Borg Warner-NV225  
Mounting Brackets

Callout	Name	Application	Remarks & Restrictions	Service No.	Qty
[901]	Bracket-engine mounting	Change point - VIN begin MA647645, Automatic Transmission		ANR2822	1



Transfer Box  
Borg Warner-NV225  
Oil Pump 1/1

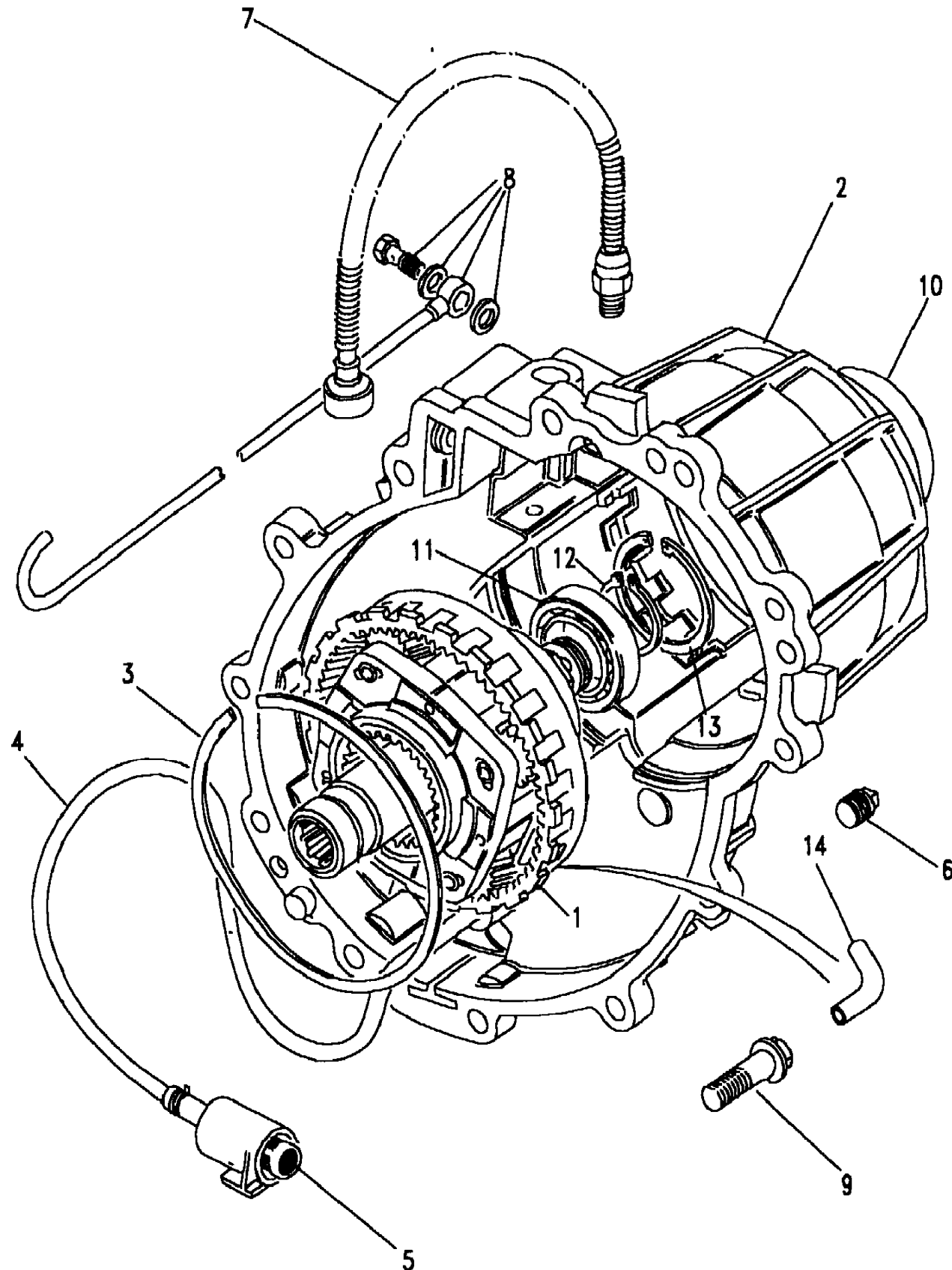
Range Rover (From JA610294)

(BDDGCA3A)

Transfer Box  
Borg Warner-NV225  
Oil Pump

Range Rover (From JA610294)

Callout	Name	Application	Remarks & Restrictions	Service No.	Qty
1	Carrier and pump assy-transfer box			RTC6014	1
2	Casing-transfer box			STC161	1
3	Retainer			RTC5995	1
4	Pipe-transfer box oil supply			RTC6022	1
5	Filter-transfer box oil			RTC6011	1
6	Plug-drain/filler level			RTC6021	1
7	Switch-neutral-transfer box			PRC6609	1
8	Tube-breather transmission case			FRC9427	1
9	Bolt		housing to transfer box	RTC6370	11
10	Cap-differential bearing			RTC6024	1
11	Bearing-ball			RTC6019	1
12	Circlip			RTC6023	1
13	Retainer			RTC6020	1
14	Connector-oil feed pipe			STC774	1
[900]	Plug-blanking			STC785	2
[901]	Switch-transfer box temperature sensor			PRC7984	1



Transfer Box  
Borg Warner-NV225  
Speedo Housing 1/1

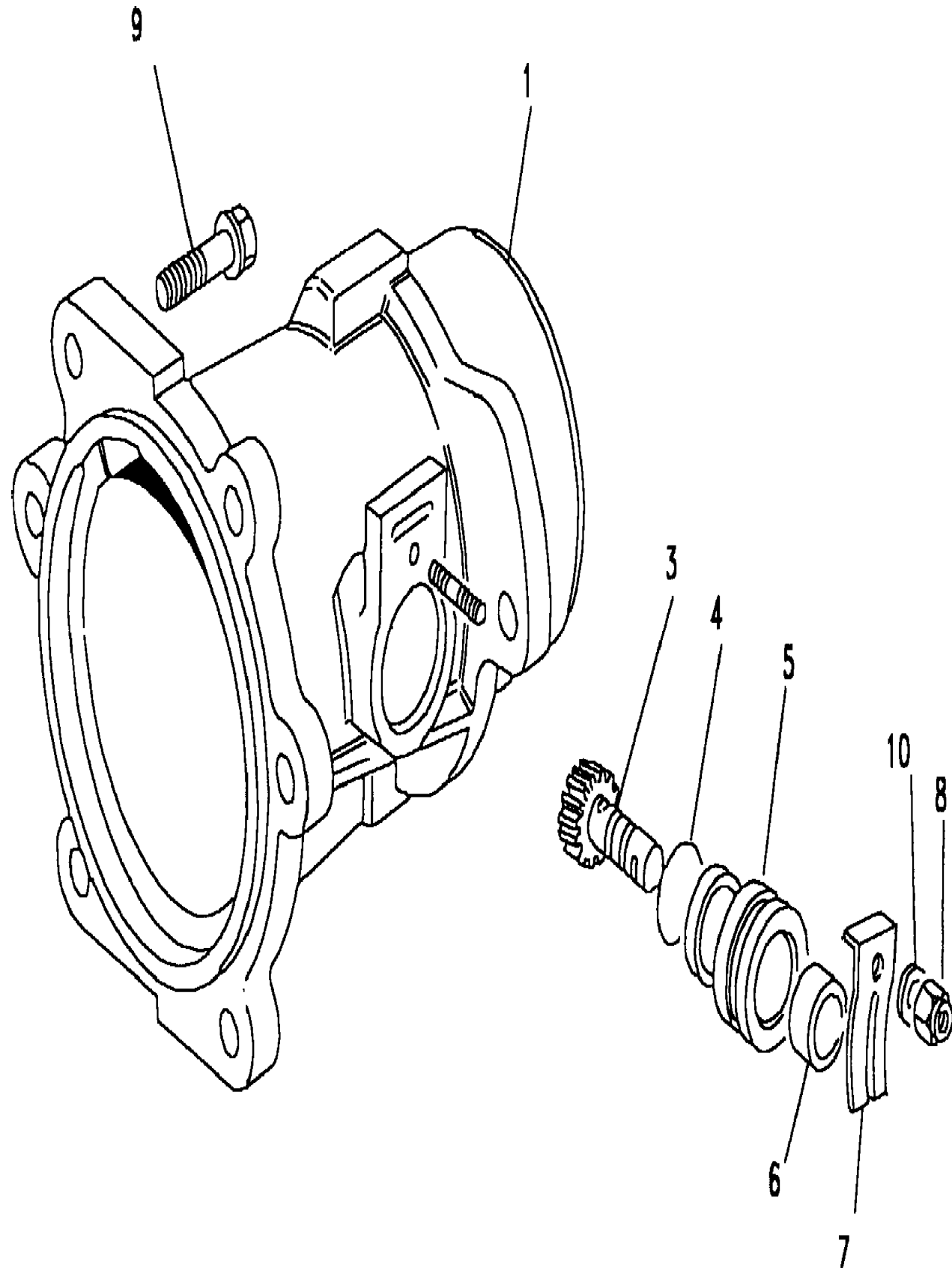
Range Rover (From JA610294)

(BDDGEA1A)

Transfer Box  
Borg Warner-NV225  
Speedo Housing

Range Rover (From JA610294)

Callout	Name	Application	Remarks & Restrictions	Service No.	Qty
1	Housing.			RTC6090	1
2	Stud			571536	1
3	Gear-speedometer drive		23 Teeth	FRC9339	1
4	O Ring			571665	1
5	Housing-spindle			FRC3286	1
6	Seal-oil speedometer pinion			88108757	1
				AAU2304	1
7	Plate-oil seal retainer			533765	1
8	Nut - Hex.		M6, hexagonal head, nyloc	NY106041L	1
9	Bolt			RTC6370	6
10	Washer		6MM	WA106041L	1



Transfer Box  
Borg Warner-NV225  
Transfer Assembly 1/1

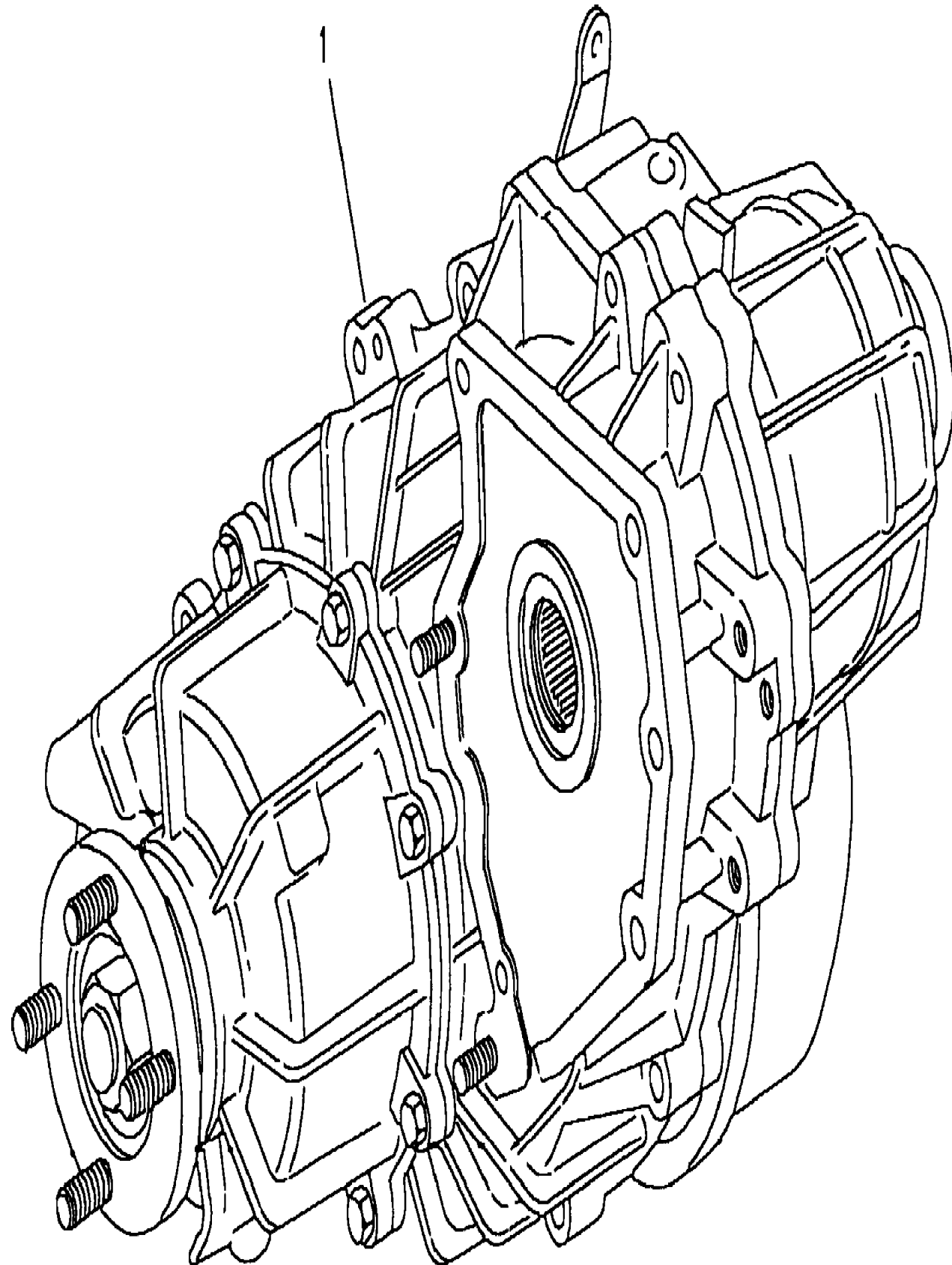
**Range Rover (From JA610294)**

(BDDGAA1A)

**Range Rover (From JA610294)**

Transfer Box  
Borg Warner-NV225  
Transfer Assembly

Callout	Name	Application	Remarks & Restrictions	Service No.	Qty
1	Transfer Box	(-) "GB" Manual Transmission, (+) "J"	New New	FTC1564N FTC1564N	1 1
		(-) "GB" Manual Transmission, (+) "J"	exchange exchange	FTC1564E FTC1564E	1 1
		Automatic Transmission, (+) "J", With Interlock	New	FTC1566	1

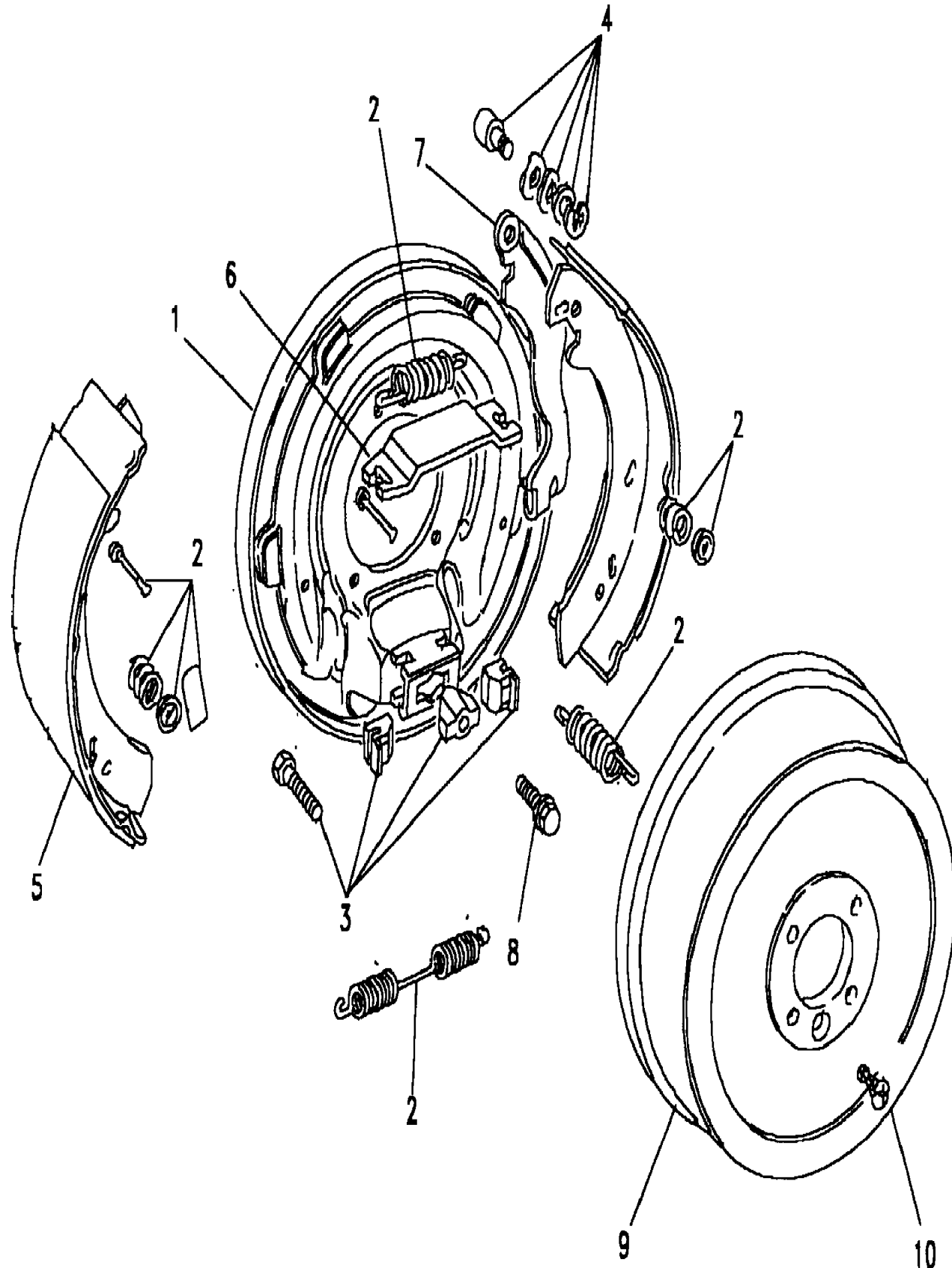


Transfer Box  
Borg Warner-NV225  
Transmission Brake-Direct Entry Cable 1/1

**Range Rover (From JA610294)**  
(BDDGRA2A)

**Range Rover (From JA610294)**

Transfer Box  
Borg Warner-NV225  
Transmission Brake-Direct Entry Cable



Callout	Name	Application	Remarks & Restrictions	Service No.	Qty
1	Backplate-transmission brake assembly	Change point - VIN begin MA647645		STC1793	X
		Change point - VIN begin MA647645		STC1534	1
2	Kit-transmission brake shoe retention	Change point - VIN begin MA647645		STC1526	1
		Change point - VIN begin MA647645		STC1792	X
3	Kit-transmission brake adjuster	Change point - VIN begin MA647645		STC1527	1
4	Kit-transmission brake shoe retention	Change point - VIN begin MA647645		STC1532	1
5	Kit-transmission brake shoe	Change point - VIN begin MA647645		STC1525	1
6	Shaft-cross-transmission brake	Change point - VIN begin MA647645		STC1536	1
7	Lever-transmission brake	Change point - VIN begin MA647645		STC1538	1
8	Bolt	Change point - VIN begin MA647645		AFU1400	4
9	Drum-transmission brake	Change point - VIN begin MA647645	Black	FRC3502	1
10	Screw	Change point - VIN begin MA647645	counter sunk, M8 x 20	SA108201L	1

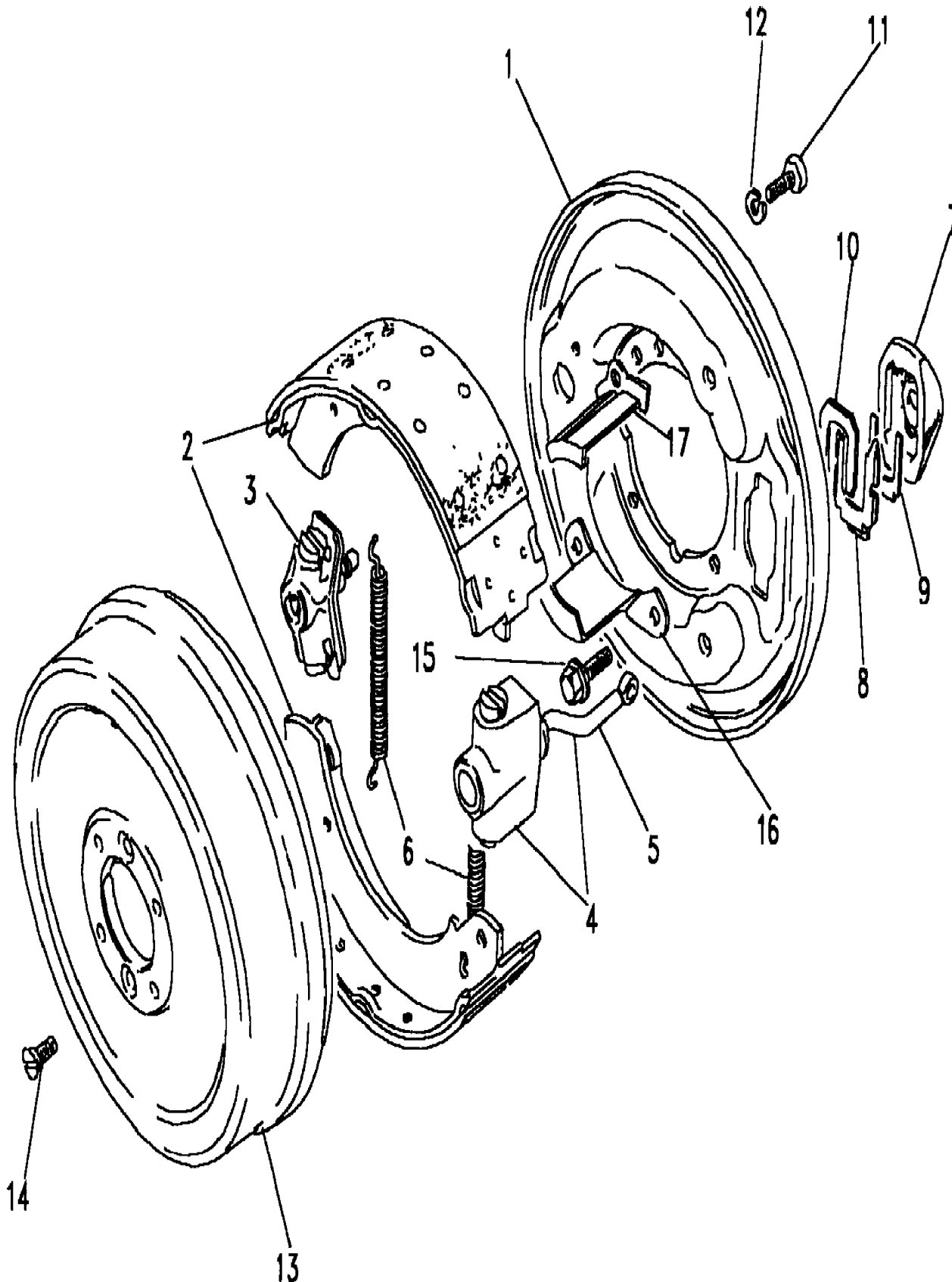
Transfer Box  
Borg Warner-NV225  
Transmission Brake-Rod Operated 1/1

Range Rover (From JA610294)

(BDDGRA1A)

Range Rover (From JA610294)

Transfer Box  
Borg Warner-NV225  
Transmission Brake-Rod Operated



Callout	Name	Application	Remarks & Restrictions	Service No.	Qty
1	Backplate-transmission brake assembly	Change point - VIN end LA647644		STC963	1
2	Kit-transmission brake shoe	Change point - VIN end LA647644		STC965	1
3	Adjuster assembly-transfer box brake shoe	Change point - VIN end LA647644	Also serviced as part of a kit	STC244	1
4	Expander assembly-transfer box brake shoe	Change point - VIN end LA647644	Also serviced as part of a kit	AEU2734	1
5	Connecting rod assembly brake	Change point - VIN end LA647644	Also serviced as part of a kit	STC964	1
6	Spring-return	Change point - VIN end LA647644	Green	STC246	1
7	Cover-dust wheel cylinder	Change point - VIN end LA647644		515466	1
8	Plate-locking	Change point - VIN end LA647644		515467	1
9	Plate-packing	Change point - VIN end LA647644		515470	1
10	Plate	Change point - VIN end LA647644		515468	1
11	Screw	Change point - VIN end LA647644		AEU2737	2
12	Washer	Change point - VIN end LA647644		AEU2738	2
13	Drum-transmission brake	Change point - VIN end LA647644	Black	FRC3502	1
14	Screw	Change point - VIN end LA647644	counter sunk, M8 x 20	SA108201L	2
15	Bolt	Change point - VIN end LA647644		AFU1400	4
16	Catcher-transfer box transmission brake oil	Change point - VIN end LA647644		FRC8093	1
17	Catcher-transfer box transmission brake oil	Change point - VIN end LA647644		FTC547	1
[900]	Washer	Change point - VIN end LA647644	3/8", Square	WM600061L	2