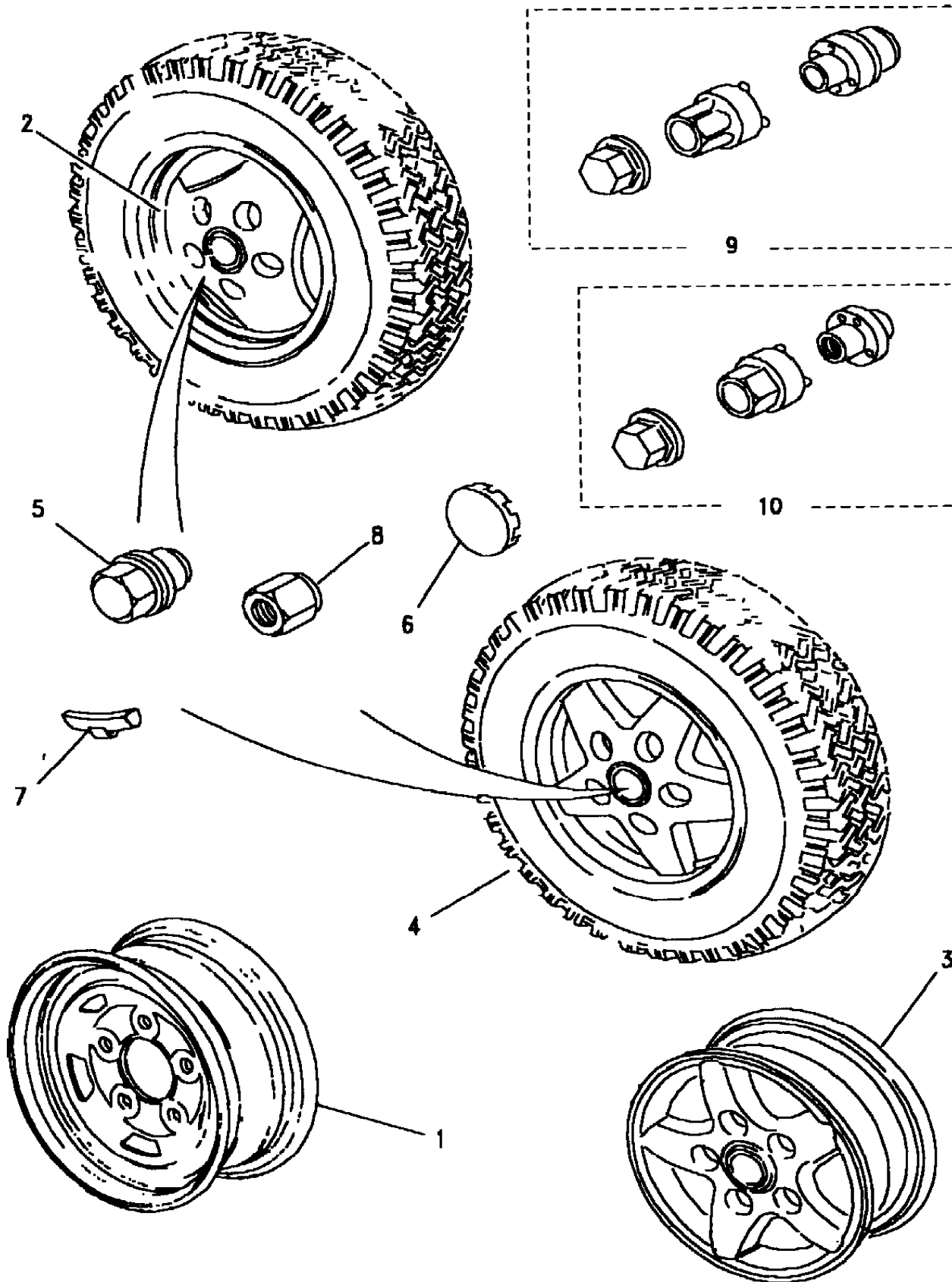




Range Rover (From JA610294)

(BDEXGE1A)



Range Rover (From JA610294)

Callout	Name	Application	Remarks & Restrictions	Service No.	Qty
4	Wheel-alloy road	Change point - VIN begin MA647645, Vogue LSE Change point - VIN begin JA610294, Vogue LSE Change point - VIN begin JA610294, Vogue LSE	Niagara Grey	RTC9526RJP	5
			Winchester Grey	RTC9526RGY	5
			Silver Sparkle	ANR1406MNH	5
5	Nut-alloy road wheels	Change point - VIN end KA635839 Change point - VIN begin KA635840		NRC7415	20
				ANR2763MMM	20
6	Cap assembly-centre alloy wheel		Black, With Logo	NRC8254	4
			With Logo, Quicksilver	ANR2391MUE	4
7	Weight-balance-clip on road wheels		15 G	13H8329L	X
			40 G	13H8332L	X
			60 G	13H8331L	X
			90 G	13H8337L	X
8	Nut-steel road wheels	Change point - VIN end KA638558 Change point - VIN begin KA638559		577473	20
			M16, steel wheel	NTC7396	20
9	Kit-locking nut road wheels	Change point - VIN begin JA610294	Steel, set of 5	RTC9535	1
10	Kit-locking nut road wheels	Change point - VIN begin JA610294	alloy wheel	STC8440	1
[900]	Paint-pencil		Clear Lacquer Silver Sparkle Silver Sparkle Clear Lacquer	RTC9481VT STC8927VT STC8927T RTC9481T	1 1 1 1

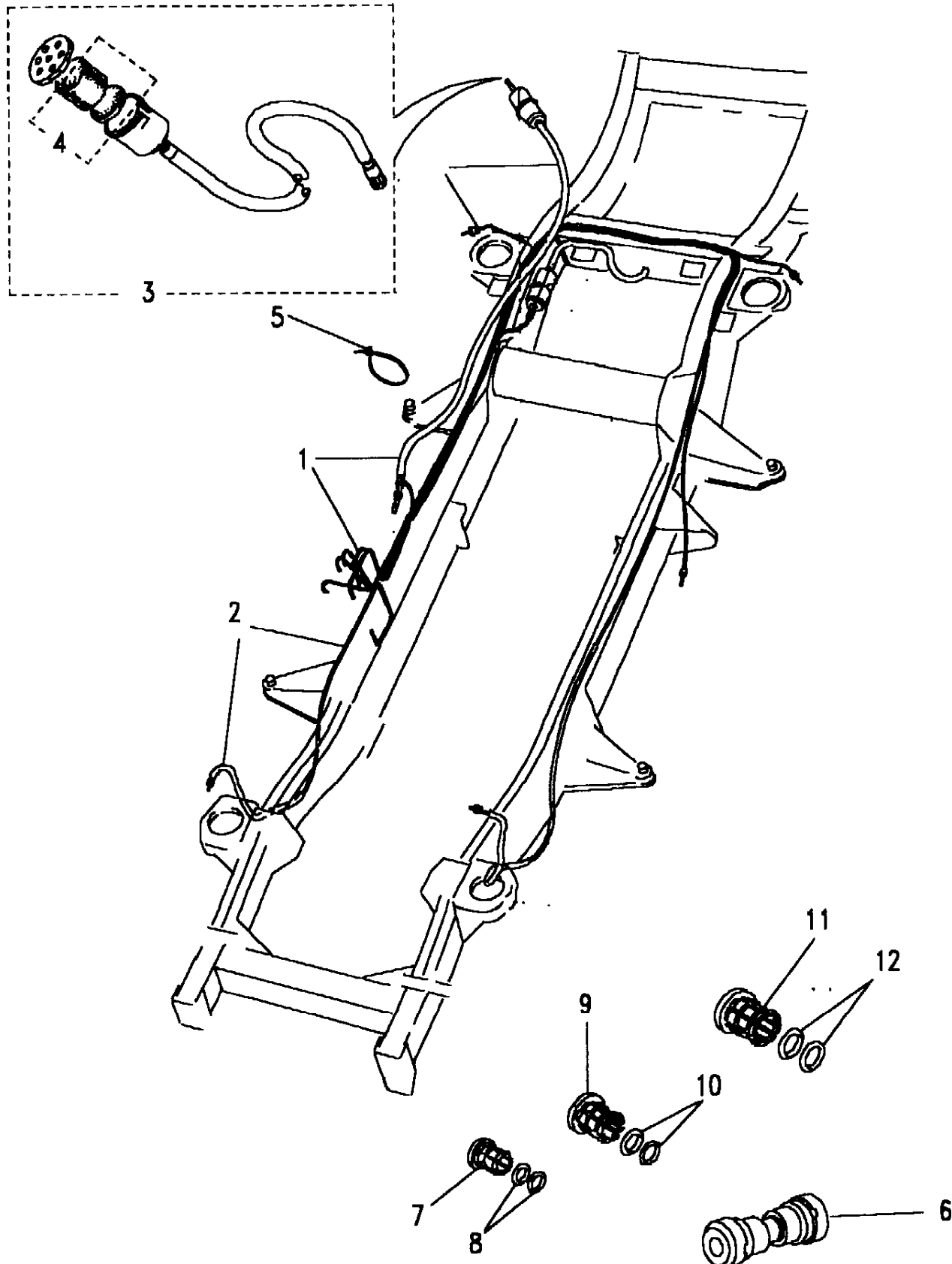
Range Rover (From JA610294)

(BDEXMC2A)

Range Rover (From JA610294)

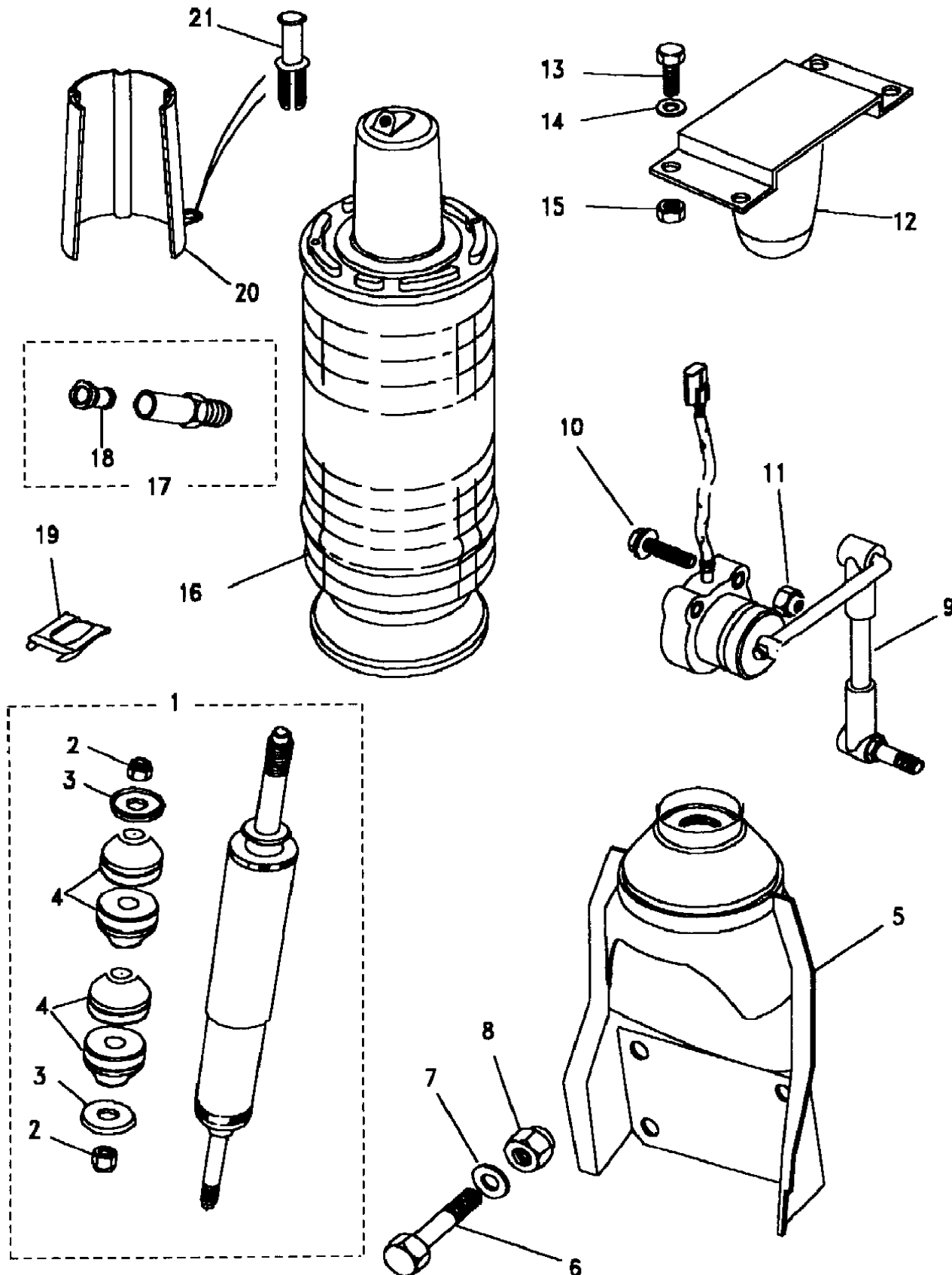
With Air Suspension

Callout	Name	Application	Remarks & Restrictions	Service No.	Qty
1	Harness-air suspension	108" (2743mm) Wheelbase Change point - VIN end LA647644, 108" (2743mm) Wheelbase Change point - VIN begin MA647645, 108" (2743mm) Wheelbase		ANR1739 ANR1741 ANR3484	1 1 1
2	Pipe Fuel			ANR1740	1
3	Duct assembly air inlet	Change point - VIN end KA637414 Change point - VIN begin KA637415	Also serviced as part of a kit	NTC9847 ANR2393	1 1
4	Filter-air suspension compressor inlet	Change point - VIN begin KA637415	Also serviced as part of a kit	STC970	1
5	Tie-cable		4.8 x 270mm, inside serated	568680	2
6	Connector assembly-air pipe repair		For Repairs To Damaged Air Harness - 6mm Only	STC8580	1
7	Collet-air pipe connector		4MM	NTC9824	X
8	O Ring		4MM	STC2764	X
9	Collet-air pipe connector		6MM	NTC9823	X
10	O Ring		6MM	STC2766	X
11	Collet-air pipe connector		8MM	NTC9822	X
12	O Ring		8MM	STC2768	X
[900]	Coupling		compression coupling pipe to compressor	STC942	1
[901]	Clip-double fuel lines		6 - 8MM	ESR1600	10
[902]	Clip-harness	Change point - VIN begin MA647645, 108" (2743mm) Wheelbase		YYC10017	1
[903]	Spray-leak detection-air suspension			STC1090	1



Range Rover (From JA610294)

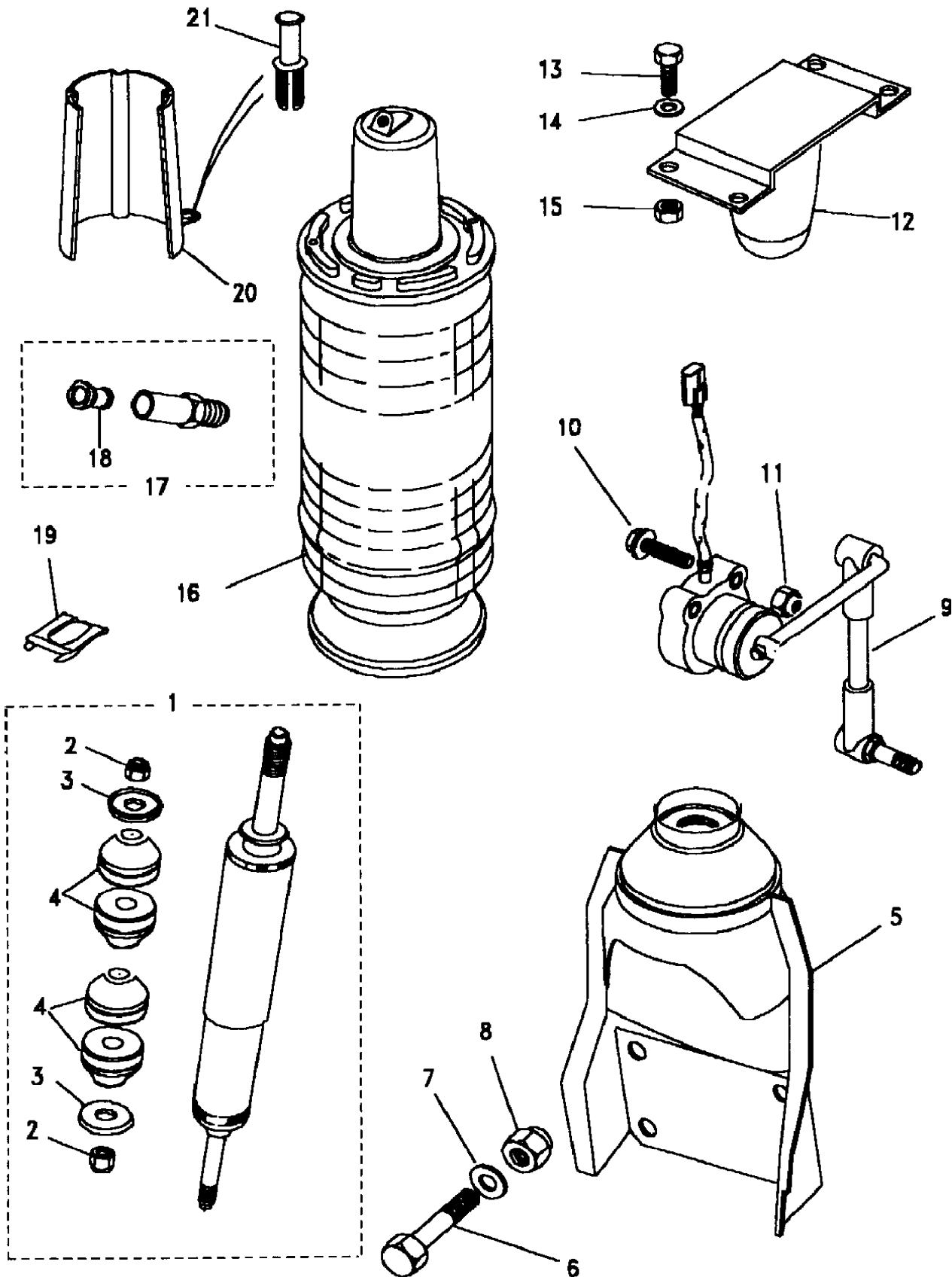
(BDEXID1A)



Range Rover (From JA610294)

With Air Suspension

Callout	Name	Application	Remarks & Restrictions	Service No.	Qty
1	Damper assembly front	Change point - VIN end MA660163	Also serviced as part of a kit	STC825	2
		Change point - VIN begin MA660164	Also serviced as part of a kit	STC2832	2
		Change point - VIN begin MA660164	Also serviced as part of a kit	STC2830	2
2	Nut - Hex.	Change point - VIN end MA660163	Also serviced as part of a kit, M12, Hexagonal	NTC4571	2
		Change point - VIN begin MA660164	Also serviced as part of a kit, M12, Hexagonal	NTC4571	2
3	Washer	Change point - VIN end MA660163	Also serviced as part of a kit	ANR1895	2
		Change point - VIN begin MA660164	Also serviced as part of a kit	ANR1895	2
4	Bush-damper mounting lower	Change point - VIN end MA660163	Also serviced as part of a kit	ANR1721	4
		Change point - VIN begin MA660164	Also serviced as part of a kit	RNF100090L ANR1721	X 4
5	Bracket-top mounting damper		RH	ANR1724	1
			LH	ANR1725	1
6	Bolt		hexagonal head, M12 x 100	BX112201	8
7	Washer		M12, Plain, Standard	WA112081L	8
8	Nut-hexagonal-nyloc			NY112051	8
9	Sensor assembly-front height			ANR1853	2
			Also serviced as part of a kit Also serviced as part of a kit, Front, RH	STC3734AA STC3733AA	1 1
10	Screw		Flanged Head, M6 x 25	FS106255L	8
11	Nut - Hex.		M8, nyloc	NY108041L	8
12	Stop-front suspension rebound	Change point - VIN end LA647644		NTC6085	2
		Change point - VIN begin MA647645		ANR2420	2
13	Screw		Flanged Head, M8 x 20	FS108207L	8
14	Washer		8MM	WA108051L	8
15	Nut - Hex.		M8, nyloc	NY108041L	8
16	Spring assembly-front suspension air		Also serviced as part of a kit	NTC9819	2

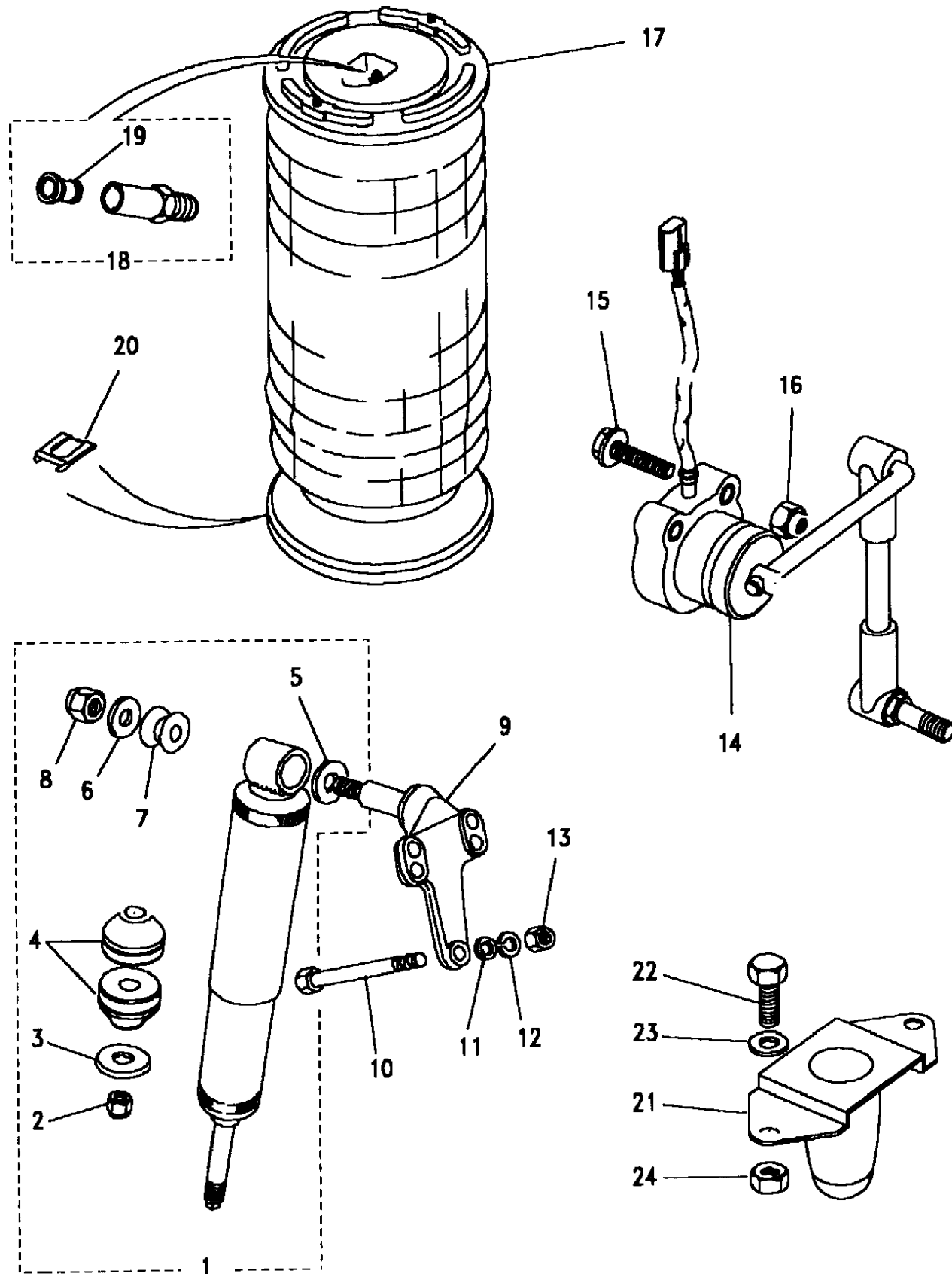


With Air Suspension

Callout	Name	Application	Remarks & Restrictions	Service No.	Qty
17	Connector assembly-air		Also serviced as part of a kit	STC829	2
18	Collet-air pipe connector		Also serviced as part of a kit, 8MM	NTC9822	X
			Also serviced as part of a kit, 6MM	NTC9823	X
			Also serviced as part of a kit, 4MM	NTC9824	X
19	Clip			ANR1220	32
20	Heatshield-front air spring			NTC9828	2
21	Rivet-plastic-drive			ANR1309	2
[900]	O Ring		Also serviced as part of a kit, 4MM	STC2764	X
			Also serviced as part of a kit, 6MM	STC2766	X
			Also serviced as part of a kit, 8MM	STC2768	X

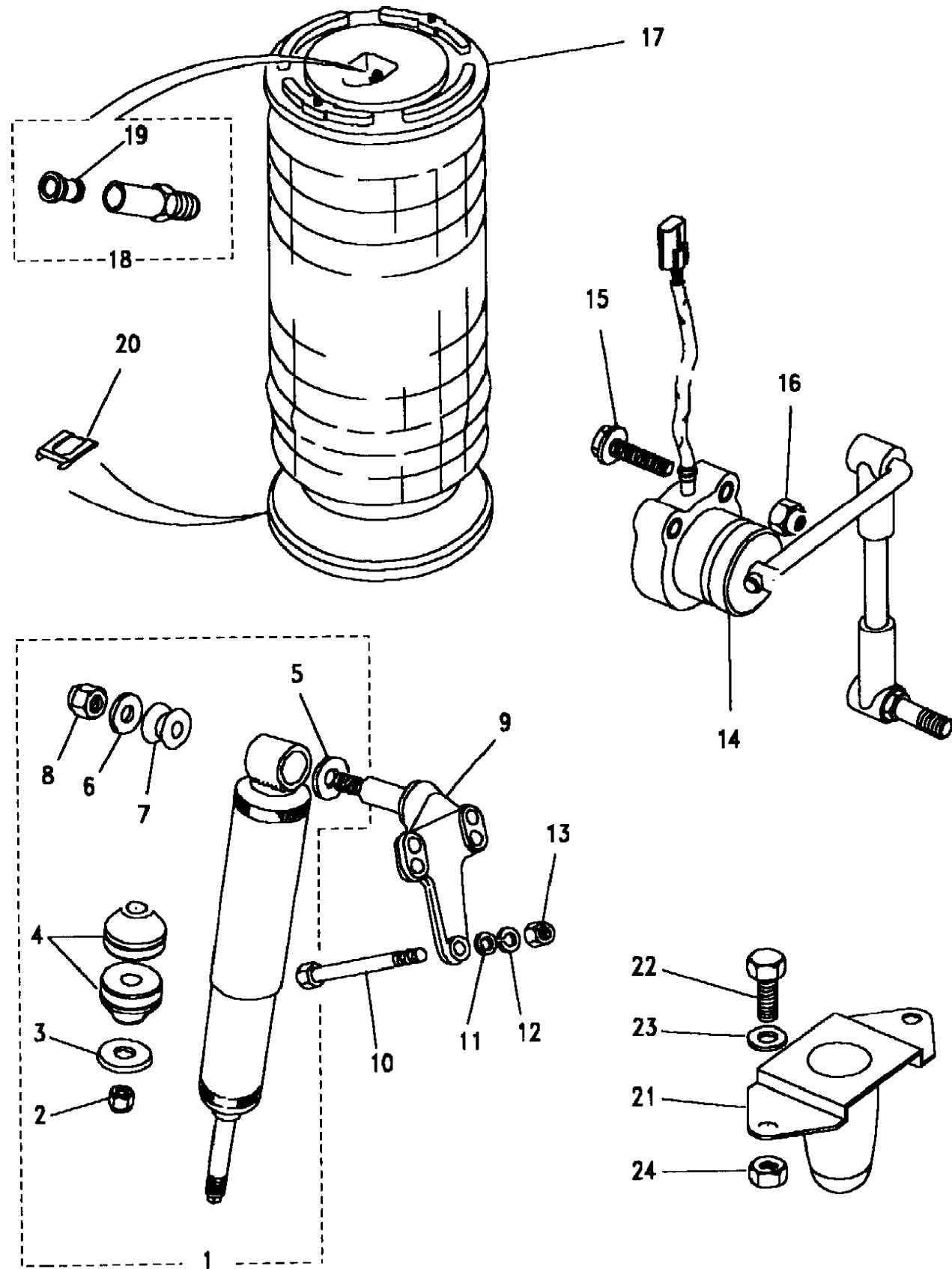
With Air Suspension

Callout	Name	Application	Remarks & Restrictions	Service No.	Qty
1	Damper assembly rear	Change point - VIN end MA660163 Change point - VIN begin MA660164	Also serviced as part of a kit Also serviced as part of a kit	STC826 STC2833	1 1
2	Nut - Hex.	Change point - VIN end MA660163 Change point - VIN begin MA660164	Also serviced as part of a kit, M12, Hexagonal Also serviced as part of a kit, M12, Hexagonal	NTC4571 NTC4571	1 1
3	Washer	Change point - VIN end MA660163 Change point - VIN begin MA660164	Also serviced as part of a kit Also serviced as part of a kit	ANR1895 ANR1895	1 1
4	Bush-damper mounting lower	Change point - VIN end MA660163 Change point - VIN begin MA660164	Also serviced as part of a kit Also serviced as part of a kit	ANR1721 ANR1721	2 2
5	Retainer	Change point - VIN end MA660163 Change point - VIN begin MA660164	Also serviced as part of a kit, Inner Also serviced as part of a kit, Inner	NRC5602 NRC5602	1 1
6	Retainer	Change point - VIN end MA660163 Change point - VIN begin MA660164	Also serviced as part of a kit, Outer Also serviced as part of a kit, Outer	NRC5603 NRC5603	1 1
7	Bush-damper mounting	Change point - VIN end MA660163 Change point - VIN begin MA660164	Also serviced as part of a kit, Rear, Upper Also serviced as part of a kit, Rear, Upper	NRC5593 NRC5593	1 1
8	Nut - Hex.	Change point - VIN end MA660163 Change point - VIN begin MA660164	Also serviced as part of a kit, M12, hexagonal head, nyloc Also serviced as part of a kit, M12, hexagonal head, nyloc	NY112041L NY112041L	1 1
9	Bracket assembly-rear damper		Upper	NRC7981	2
10	Bolt		hexagonal head, M10 x 110	BH110221L	6
11	Washer-Plain			WC110061	6
12	Washer-Spring			WM110001	6
13	Nut - Hex.		M10, flange	FN110041L	6
14	Sensor assembly-rear suspension height			NTC9845	2
15	Screw		Flanged Head, M6 x 25	FS106255L	3



With Air Suspension

Callout	Name	Application	Remarks & Restrictions	Service No.	Qty
16	Nut - Hex.		M8, nyloc	NY108041L	1
17	Spring assembly-rear suspension air		Also serviced as part of a kit	NTC9820	2
18	Connector assembly-air		Also serviced as part of a kit	STC829	2
19	Collet-air pipe connector		Also serviced as part of a kit, 8MM Also serviced as part of a kit, 6MM Also serviced as part of a kit, 4MM	NTC9822 NTC9823 NTC9824	X X X
20	Clip			ANR1220	2
21	Stop-rebound rear suspension			NTC6086	2
22	Screw		Flanged Head, M8 x 20	FS108201L	2
23	Washer		8MM	WA108051L	2
24	Nut - Hex.		M8, nyloc	NY108041L	2
[913]	O Ring		Also serviced as part of a kit, 4MM Also serviced as part of a kit, 6MM Also serviced as part of a kit, 8MM	STC2764 STC2766 STC2768	X X X

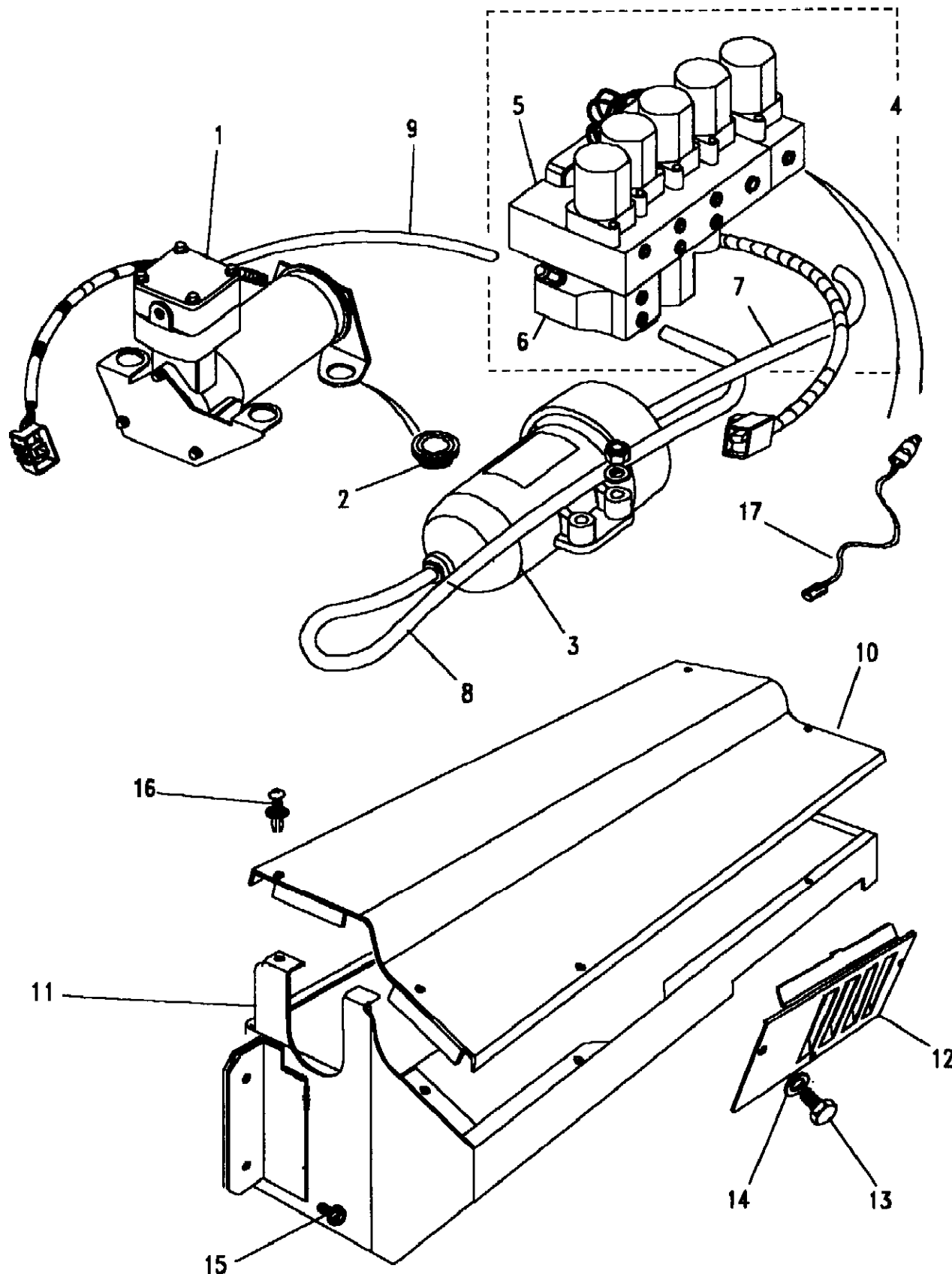


Range Rover (From JA610294)

(BDEXMA1A)

Range Rover (From JA610294)

With Air Suspension



Callout	Name	Application	Remarks & Restrictions	Service No.	Qty
1	Compressor-air suspension	Change point - VIN end MA660290	Also serviced as part of a kit	ANR1847	1
		Change point - VIN begin MA660291	Also serviced as part of a kit	ANR4353	1
2	Mounting-air compressor	Change point - VIN end MA660290	Also serviced as part of a kit, Rubber, Front	STC828	4
		Change point - VIN begin MA660291	Also serviced as part of a kit, Rubber, Front	STC828	4
3	Dryer-air			NTC9812	1
4	Valve assembly-air	Change point - VIN end LA647148		NTC9811	1
		Change point - VIN end LA647148		ANR3147	1
5	Block assembly-air suspension valve	Change point - VIN end LA647148		ANR3282	1
		Change point - VIN begin LA647149		ANR3757	1
6	Drive box	Change point - VIN begin LA647149		ANR3157	1
7	Pipe-air dryer upper			NTC9815	1
8	Pipe-air dryer lower			NTC9814	1
9	Tube		pulse air valve-to compressor	STC913	X
			pulse air valve-to compressor, Also serviced as part of a kit, Blue.	STC3091	1
10	Cover assembly-air supply			ANR1903	1
11	Bracket			ANR1848	1
12	Cover assembly-air supply inspection			ANR1846	1
13	Screw		hexagonal head, M5 x 12	SH105121L	3
14	Washer		M5, Plain, Standard	WA105001L	3
15	Screw		M8 X 16, Flanged Head	FS108161L	4
16	Screw			ANR1308	6
17	Kit-valve block solenoid repair	Change point - VIN begin MA654186		NTC9826	1
[900]	Pipe assembly-air suspension		pulse air valve-to compressor, Also serviced as part of a kit	STC2760	1



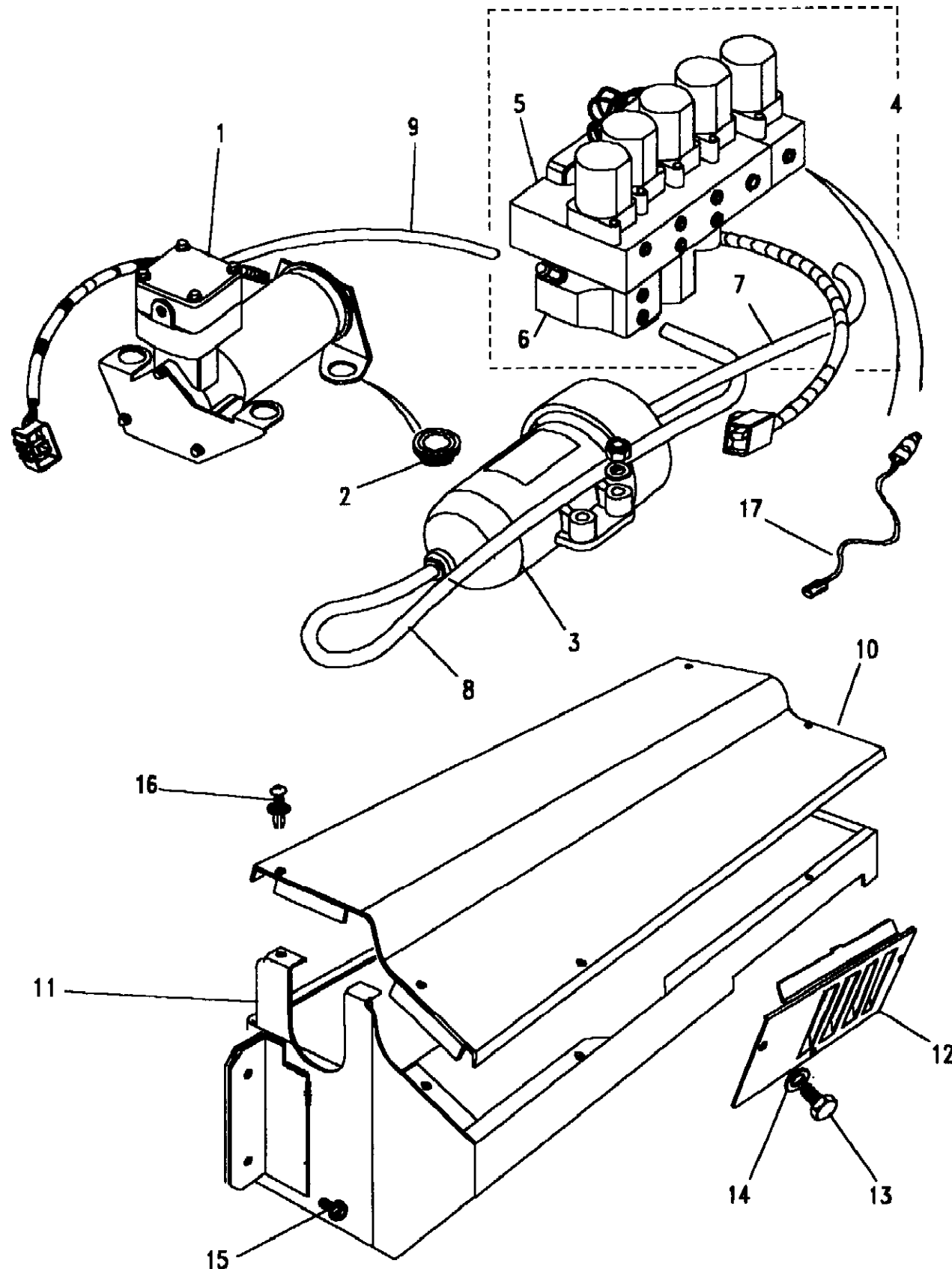
Range Rover (From JA610294)

(BDEXMA1A)

Range Rover (From JA610294)

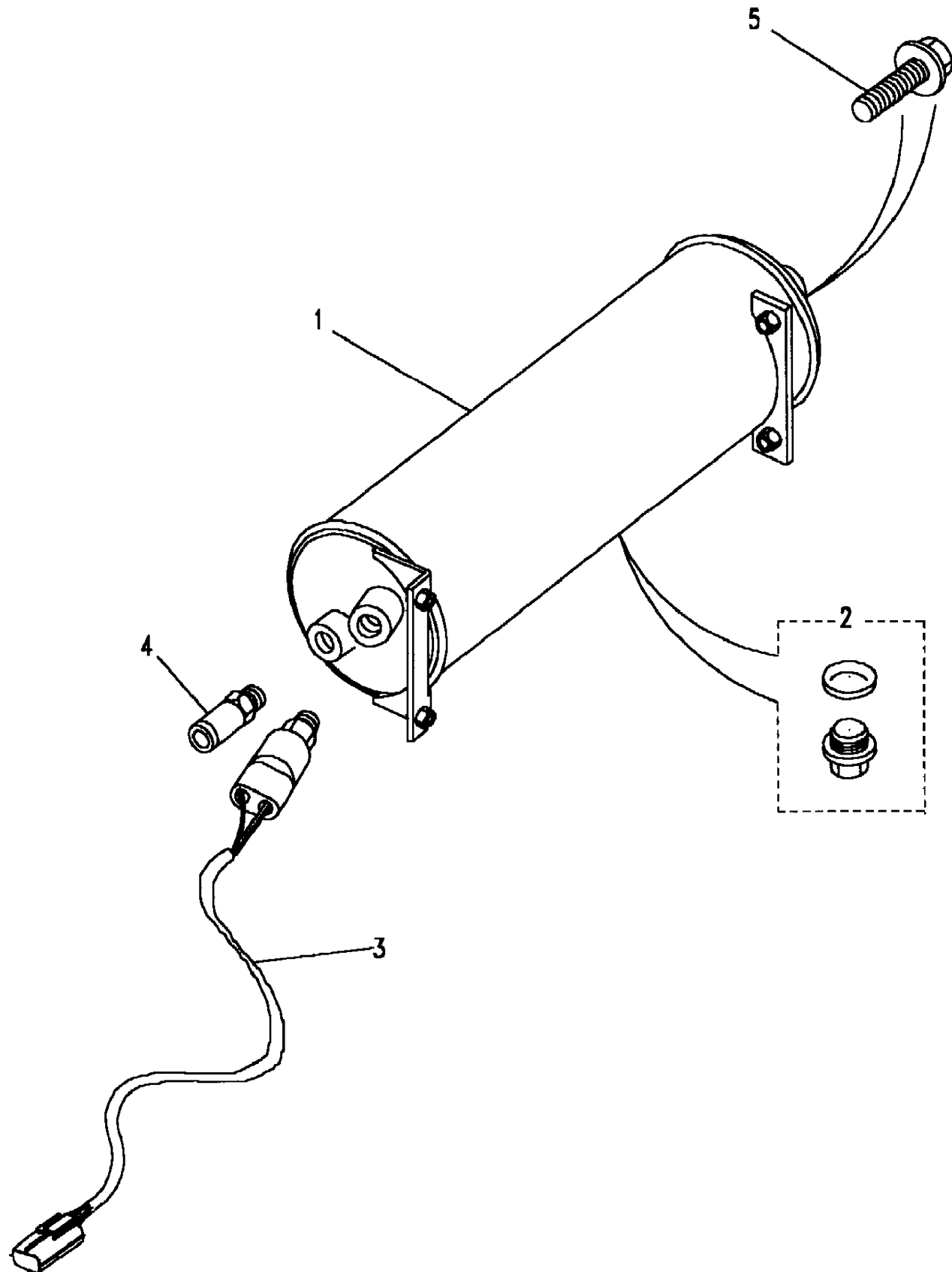
With Air Suspension

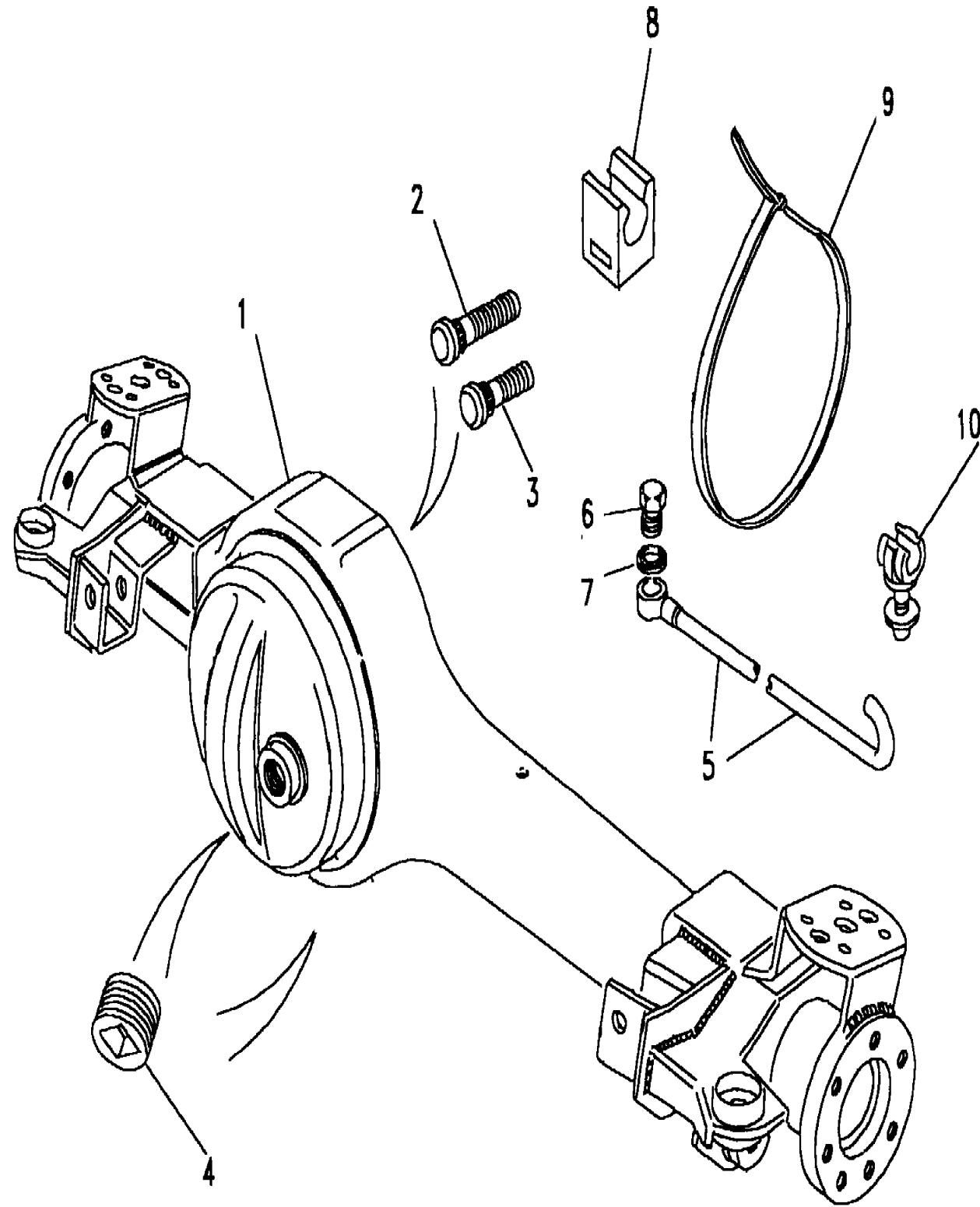
Callout	Name	Application	Remarks & Restrictions	Service No.	Qty
[901]	Mounting-air compressor		Rubber, Front	RVL100000	X
[902]	Nut-olive		Also serviced as part of a kit	STC1472	2
[903]	Kit-valve block diaphragm repair			STC1803	X
[904]	Kit-valve block solenoid repair			STC2761	X



With Air Suspension

Callout	Name	Application	Remarks & Restrictions	Service No.	Qty
1	Reservoir-air suspension	Change point - VIN end MA654292 Change point - VIN begin MA654293	Also serviced as part of a kit Also serviced as part of a kit	NTC9825 ANR3754	1 1
2	Kit-air suspension reservoir drain plug	Change point - VIN end MA654292 Change point - VIN begin MA654293	Also serviced as part of a kit Also serviced as part of a kit	STC830 STC830	1 1
3	Kit-valve block solenoid repair	Change point - VIN end MA654292 Change point - VIN begin MA654293	Also serviced as part of a kit Also serviced as part of a kit	NTC9826 NTC9826	1 1
4	Connector assembly-air	Change point - VIN end MA654292 Change point - VIN begin MA654293	Also serviced as part of a kit Also serviced as part of a kit	STC829 STC829	1 1
5	Screw		M8 X 16, Flanged Head	FS108161L	4



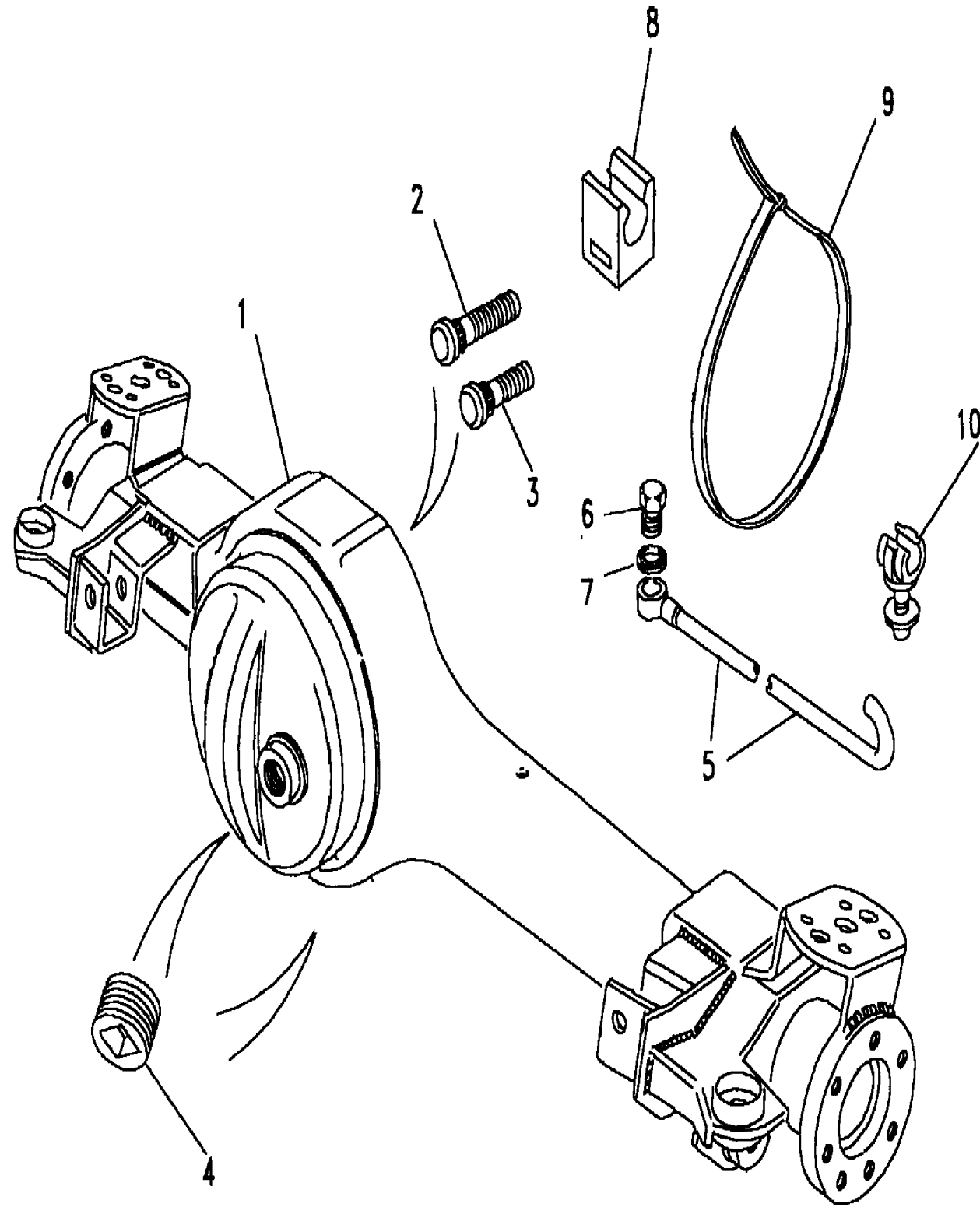


Callout	Name	Application	Remarks & Restrictions	Service No.	Qty
1	Case-front axle	Change point - VIN begin JA610294, Change point - VIN end MA660163		FTC3118	1
				STC3636	1
2	Stud		3/8UNF x 1 3/4	561196	6
3	Stud		3/8UNF x 1 1/4	561195	4
4	Plug-drain/filler level			608246	1
5	Pipe-front axle breather			FTC2175	1
6	Tie-cable		inside serated, 4.6 x 385mm, White.	594594	1
7	Clip-Pipe			NRC9246	3
8	Bolt-banjo			595478	1
9	Washer-sealing		axle breather hose banjo	232039	2
10	Clip		9MM, Single	79121	1

Axles & Suspension  
 Front Axle  
 Case Assembly Front-Non Electronic Air Suspension 1/1

Range Rover (From JA610294)

(BDEXCC1A)

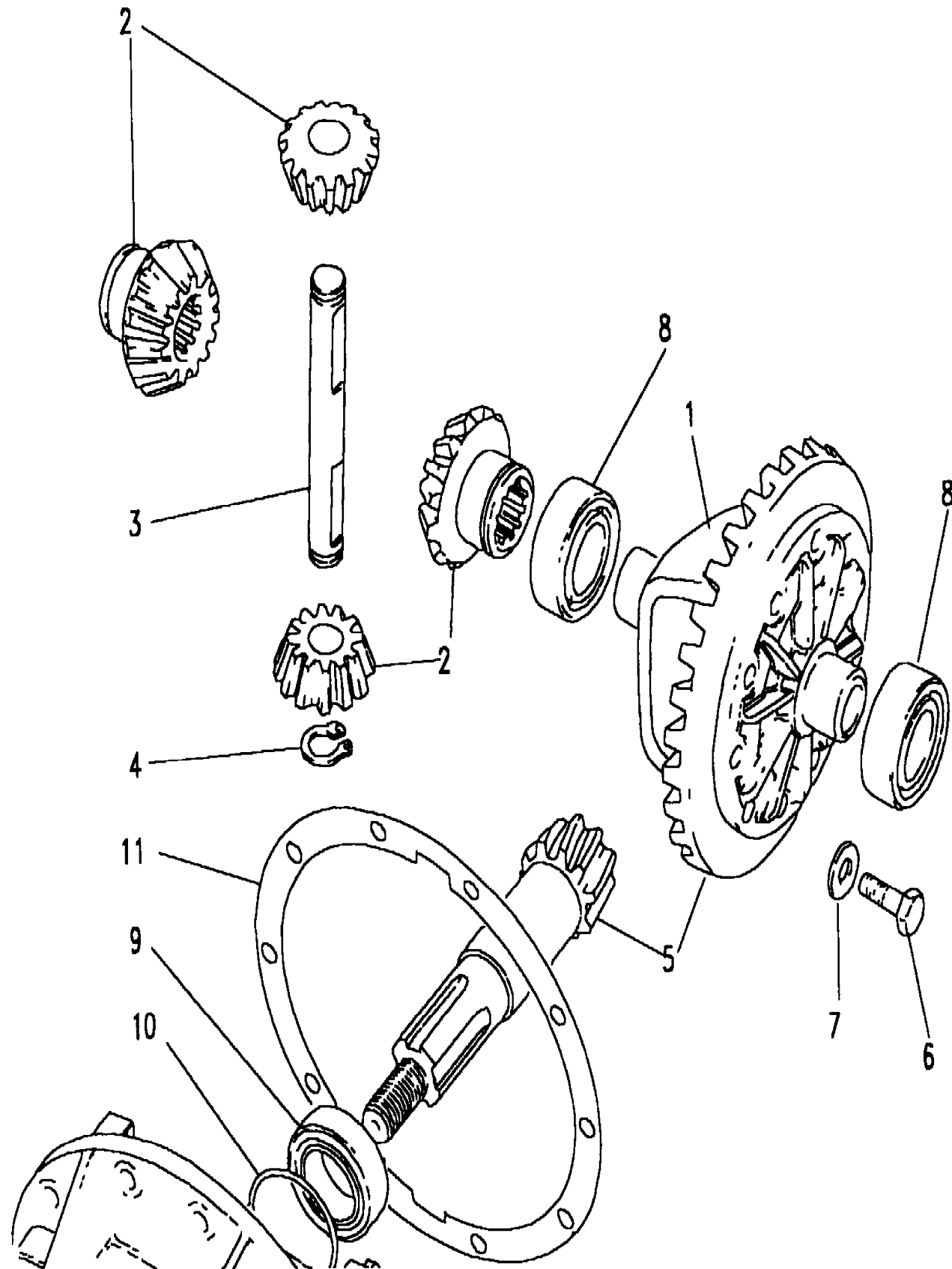


Range Rover (From JA610294)

Axles & Suspension  
 Front Axle

Case Assembly Front-Non Electronic Air Suspension  
 Less Air Suspension

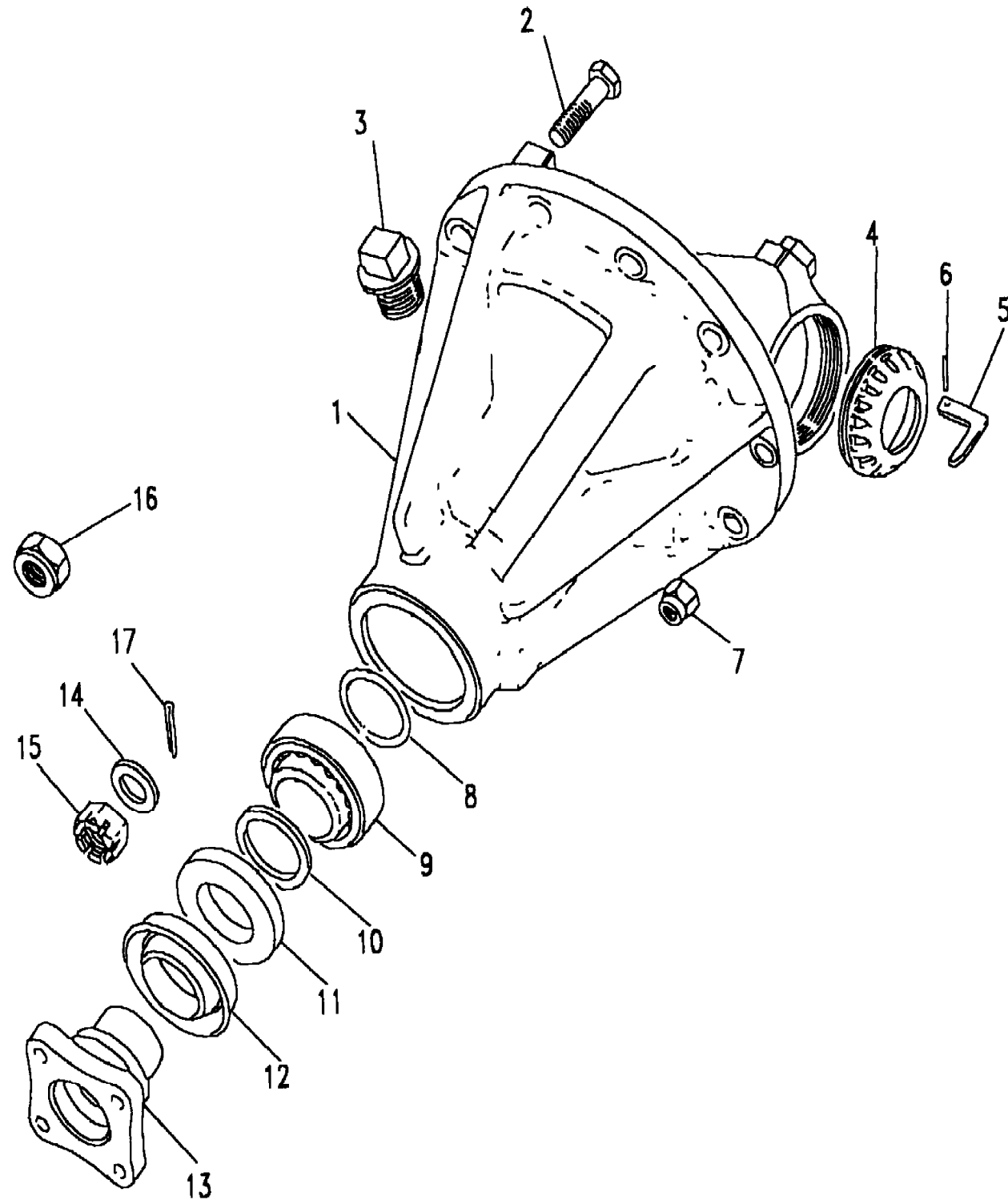
Callout	Name	Application	Remarks & Restrictions	Service No.	Qty
1	Case-front axle	Change point - VIN begin JA610294, Change point - VIN end MA660163, With Petrol Engines Change point - VIN begin JA610294, With Diesel Engines		FTC4417 FTC4413	1 1
2	Stud	With Petrol Engines	3/8UNF x 1 3/4	561196	6
3	Stud	Change point - VIN begin JA610294, Change point - VIN end MA660163, With Petrol Engines Change point - VIN begin JA610294, Change point - VIN end MA660163, With Petrol Engines	3/8UNF x 1 3/4 3/8UNF x 1 1/4	561196 561195	4 4
4	Plug-drain/filler level	Change point - VIN begin JA610294, Change point - VIN end MA660163, With Petrol Engines		608246	2
5	Pipe-front axle breather			FTC2175	1
6	Bolt-banjo			595478	1
7	Washer-sealing		axle breather hose banjo	232039	2
8	Clip-Pipe			NRC9246	3
9	Tie-cable		inside serated, 4.6 x 385mm, White.	594594	1
10	Clip		9MM, Single	79121	1



Callout	Name	Application	Remarks & Restrictions	Service No.	Qty
1	Case - Differential	Change point - Axle begin 57L00001B, Change point - Axle end 57L05188B	10 spline shaft	FRC2933	1
		Change point - Axle begin 57L05189B, Change point - Axle end 57L99999B	24 spline shaft	FTC3269	1
2	Kit-differential gears	Change point - Axle begin 57L00001B, Change point - Axle end 57L05188B	10 spline shaft	STC851	1
		Change point - Axle begin 57L05189B, Change point - Axle end 57L10284B		FTC3267	1
		Change point - Axle begin 57L05189B, Change point - Axle end 57L10284B		FTC3268	1
		Change point - Axle begin 57L05189B, Change point - Axle end 57L10284B	Also serviced as part of a kit, 24 spline shaft	STC1846	1
		Change point - Axle begin 57L10285B		599945	1
3	Cross shaft differential			599945	1
4	Circlip			CCN110L	2
5	Crownwheel and pinion assembly	Change point - Axle end 57L05188B		FTC781	1
		Change point - Axle begin 57L05189B		FTC3620	1
6	Bolt	Change point - Axle end 57L05188B		593692	10
		Change point - Axle begin 57L05189B	3/8UNF	FTC3586	10
7	Washer-Plain			593693	10
8	Bearing-taper roller differential	Change point - Axle end 57L05188B		RTC2726	2
		Change point - Axle begin 57L05189B		RTC3095	2
9	Bearing-taper roller			539706	1
10	Shim		Metric, 1.548mm	FTC3853	X
			Metric, 1.498mm	FTC3855	X
			Metric, 1.448mm	FTC3857	X
			Metric, 1.398mm	FTC3859	X
			Metric, 1.348mm	FTC3861	X
			Metric, 1.298mm	FTC3863	X
			Metric, 1.248mm	FTC3865	X
			Metric, 1.198mm	FTC3867	X
11	Gasket-differential housing to axle case	(-)"AUS"		7316	1
		(+)"AUS"		R07316A	1
[900]	Bolt		3/8UNF	FTC3586	10

Range Rover (From JA610294)

(BDEXCE1A)

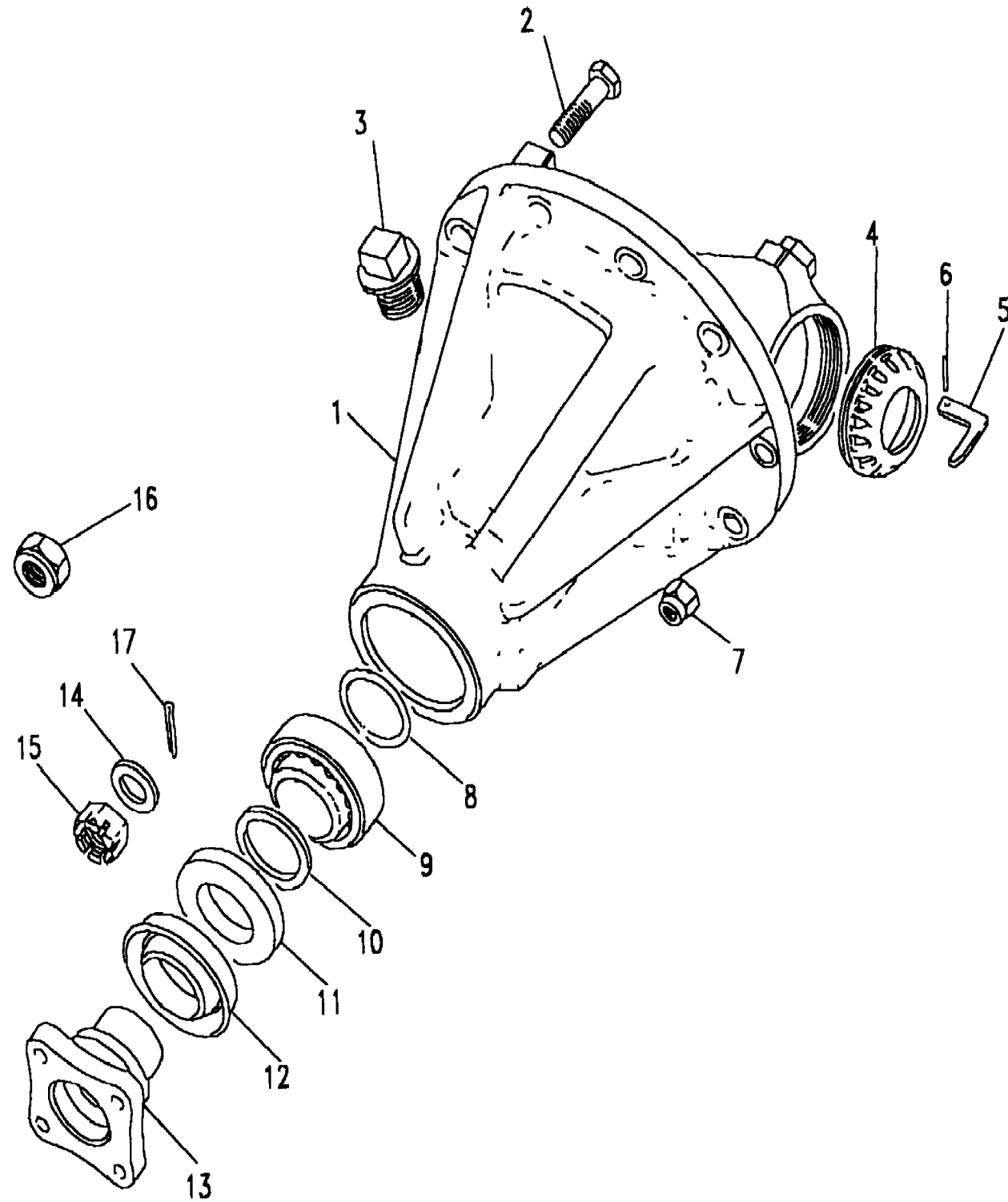


Range Rover (From JA610294)

Callout	Name	Application	Remarks & Restrictions	Service No.	Qty		
1	Housing assembly differential/final drive wheel	Change point - VIN end MA656666	Also serviced as part of a kit, with filler/level plug	FRC5690	1		
		Change point - VIN begin MA656667	Also serviced as part of a kit, less filler/level plug	FRC4112	1		
2	Bolt	Change point - VIN end MA656666	Also serviced as part of a kit, M12 x 50	BH112101L	4		
		Change point - VIN begin MA656667	Also serviced as part of a kit, M12 x 50	BH112101L	4		
		Change point - VIN end JA623679	Also serviced as part of a kit, M12 x 50	BH112101L	4		
		Also serviced as part of a kit, M12 x 50	BH112101L	X			
		Change point - VIN begin JA623680, Change point - VIN end KA637567	Also serviced as part of a kit, M12 x 50	BH112101L	4		
3	Plug-drain/filler level	Change point - VIN end JA623679	Also serviced as part of a kit	608246	1		
4	Ring-differential locking	Change point - VIN end JA623679	Also serviced as part of a kit	FRC5204	2		
		Change point - VIN end JA623679	Also serviced as part of a kit	FTC4210	2		
		Change point - VIN begin JA623680, Change point - VIN end KA637567	Also serviced as part of a kit	FRC5204	2		
		Change point - VIN begin JA623680, Change point - VIN end KA637567	Also serviced as part of a kit	FTC4210	2		
		Change point - VIN begin KA637568	Also serviced as part of a kit	FRC5204	2		
		Change point - VIN begin KA637568	Also serviced as part of a kit	FTC4210	2		
		Change point - VIN begin KA637568, Change point - Axle end 49L11662A	Also serviced as part of a kit	FRC5204	2		
		Change point - Axle begin 49L11663A, Change point - VIN begin KA637568	Also serviced as part of a kit	FTC4210	2		
		5	Tab-differential locking ring	Change point - VIN end JA623679	Also serviced as part of a kit	FRC5661	2
				Change point - VIN begin JA623680, Change point - VIN end KA637567	Also serviced as part of a kit	FRC5661	2
Change point - VIN begin KA637568	Also serviced as part of a kit			FRC5661	2		
Change point - VIN begin KA637568, Change point - Axle end 49L11662A	Also serviced as part of a kit			FRC5661	2		
6	Pin-roll-spring tension	Change point - VIN end JA623679	Also serviced as part of a kit	576159	2		
		Change point - VIN begin JA623680, Change point - VIN end KA637567	Also serviced as part of a kit	576159	2		
		Change point - VIN begin KA637568	Also serviced as part of a kit	576159	2		

Range Rover (From JA610294)

(BDEXCE1A)

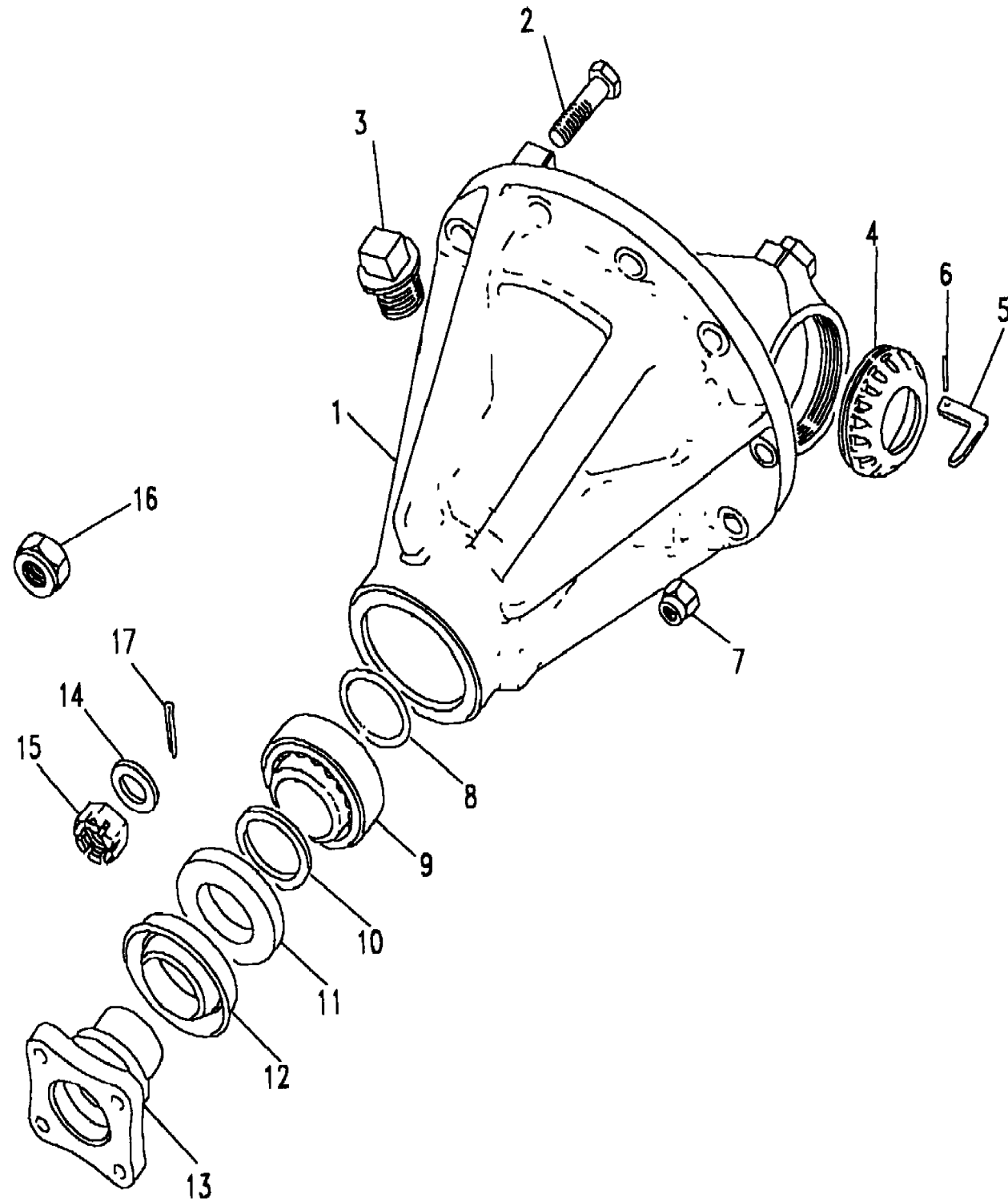


Range Rover (From JA610294)

Callout	Name	Application	Remarks & Restrictions	Service No.	Qty
7	Nut - Hex.	Change point - VIN end JA623679	Also serviced as part of a kit, hexagonal head, 3/8, UNF, nyloc	NY606041L	10
		Change point - VIN begin JA623680, Change point - VIN end KA637567	Also serviced as part of a kit, hexagonal head, 3/8, UNF, nyloc	NY606041L	10
		Change point - VIN begin KA637568	Also serviced as part of a kit, hexagonal head, 3/8, UNF, nyloc	NY606041L	10
8	Shim-bearing differential		2.155MM	FTC3869	X
			2.105mm	FTC3871	X
			2.055mm	FTC3873	X
			2.005mm	FTC3875	X
			1.955mm	FTC3877	X
			1.905mm	FTC3879	X
			1.855mm	FTC3881	X
			1.805mm	FTC3883	X
			1.755mm	FTC3885	X
			1.705mm	FTC3887	X
			1.655mm	FTC3889	X
			1.605mm	FTC3891	X
			1.555mm	FTC3893	X
	1.505mm	FTC3895	X		
9	Bearing-taper roller			539707	1
10	Spacer-pinion bearing			539745	1
11	Seal		differential final drive pinion, front & rear	FRC8220	1
12	Mudshield-front & rear differential			FRC8154	1
13	Flange-driveshaft coupling differential		4 bolt flange	FRC3002	1
14	Washer-Plain			90513454	1
15	Nut-castle			3259	1
16	Nut - Hex.		M16, hexagonal head, nyloc	NY116041L	1
17	Pin-split			PS608101L	1
[900]	Flange & mudshield-front & rear axle		Also serviced as part of a kit	STC3722	1
[901]	Seal		Also serviced as part of a kit, front & rear	FTC5258	1
			Also serviced as part of a kit	FTC5317	1
[905]	Differential assembly differential	Change point - VIN end JA623679	10 spline shaft, New, with filler/level plug	FTC1709N	1

Range Rover (From JA610294)

(BDEXCE1A)



Range Rover (From JA610294)

Callout	Name	Application	Remarks & Restrictions	Service No.	Qty
[905]	Differential assembly differential	Change point - VIN end JA623679 Change point - VIN end JA623679 Change point - VIN begin JA623680, Change point - VIN end KA637567 Change point - VIN begin KA637568	EXCHANGE, 10 spline shaft, with filler/level plug Also serviced as part of a kit, 10 spline shaft, exchange Also serviced as part of a kit, 10 spline shaft, 4 bolt flange, New Also serviced as part of a kit, 24 spline shaft, 4 bolt flange, New	FTC1709E FTC782E FTC2750 FTC3272	1 1 1 1
[913]	Differential assembly-rear	Change point - VIN begin JA623680, Change point - VIN end KA637567	Also serviced as part of a kit, 10 spline shaft, 4 bolt flange, reconditioned	FTC2750R	1
[914]	Differential	Change point - VIN begin KA637568	Also serviced as part of a kit, 24 spline shaft, 4 bolt flange, reconditioned	FTC3272R	1



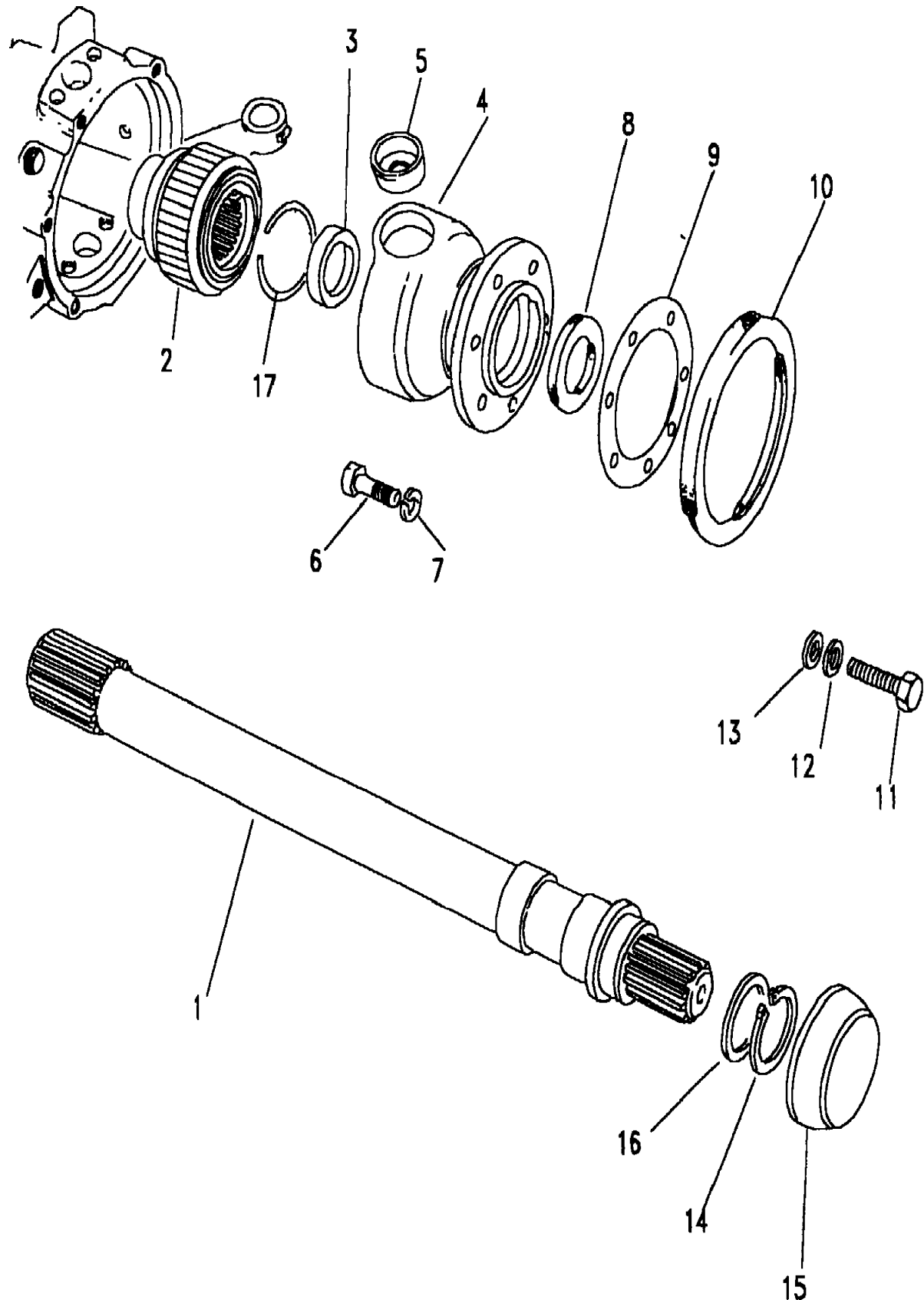
Range Rover (From JA610294)

(BDEXCI2A)

Range Rover (From JA610294)

All Wheel Anti-Lock Braking System

Callout	Name	Application	Remarks & Restrictions	Service No.	Qty
1	Shaft-front axle half	Change point - Axle begin 57L00001B, Change point - Axle end 57L05188B	Also serviced as part of a kit, RH	RTC6754	1
		Change point - Axle begin 57L00001B, Change point - Axle end 57L05188B	Also serviced as part of a kit, LH	RTC6755	1
		Change point - Axle begin 57L05189B, Change point - Axle end 57L99999B	Also serviced as part of a kit, LH	STC3050	1
		Change point - Axle begin 57L05189B, Change point - Axle end 57L99999B	Also serviced as part of a kit, RH	STC3049	1
2	Joint-constant velocity	Change point - Axle begin 57L00001B, Change point - Axle end 57L05188B	Also serviced as part of a kit	RTC6811	2
		Change point - Axle begin 57L05189B, Change point - Axle end 57L99999B	Also serviced as part of a kit	STC3051	1
3	Spacer	Change point - Axle begin 57L00001B, Change point - Axle end 57L05188B	Also serviced as part of a kit	RTC5841	2
		Change point - Axle begin 57L05189B, Change point - Axle end 57L99999B	Also serviced as part of a kit	RTC5841	1
4	Housing-swivel pin bearing		Also serviced as part of a kit	FRC2644	2
				FTC5105	2
5	Housing & bush assembly pinion housing tube		Upper	FTC125	1
6	Bolt		M10	FRC8528	12
			M10, Hexagonal	FTC3456	12
7	Washer-Plain			FRC8530	14
8	Seal-front driveshaft			571718	2
9	Gasket-swivel pin bearing housing to axle case			FRC2349	2
				FTC3646	2
10	Seal-swivel pin housing	Change point - VIN begin JA610294, Change point - VIN end MA660163	9MM	FTC3401	2
11	Bolt			255205	12
12	Washer-Spring			WM600041L	12
13	Washer			WA106041L	12
14	Circlip		axle shaft to hub driving member	549473	2



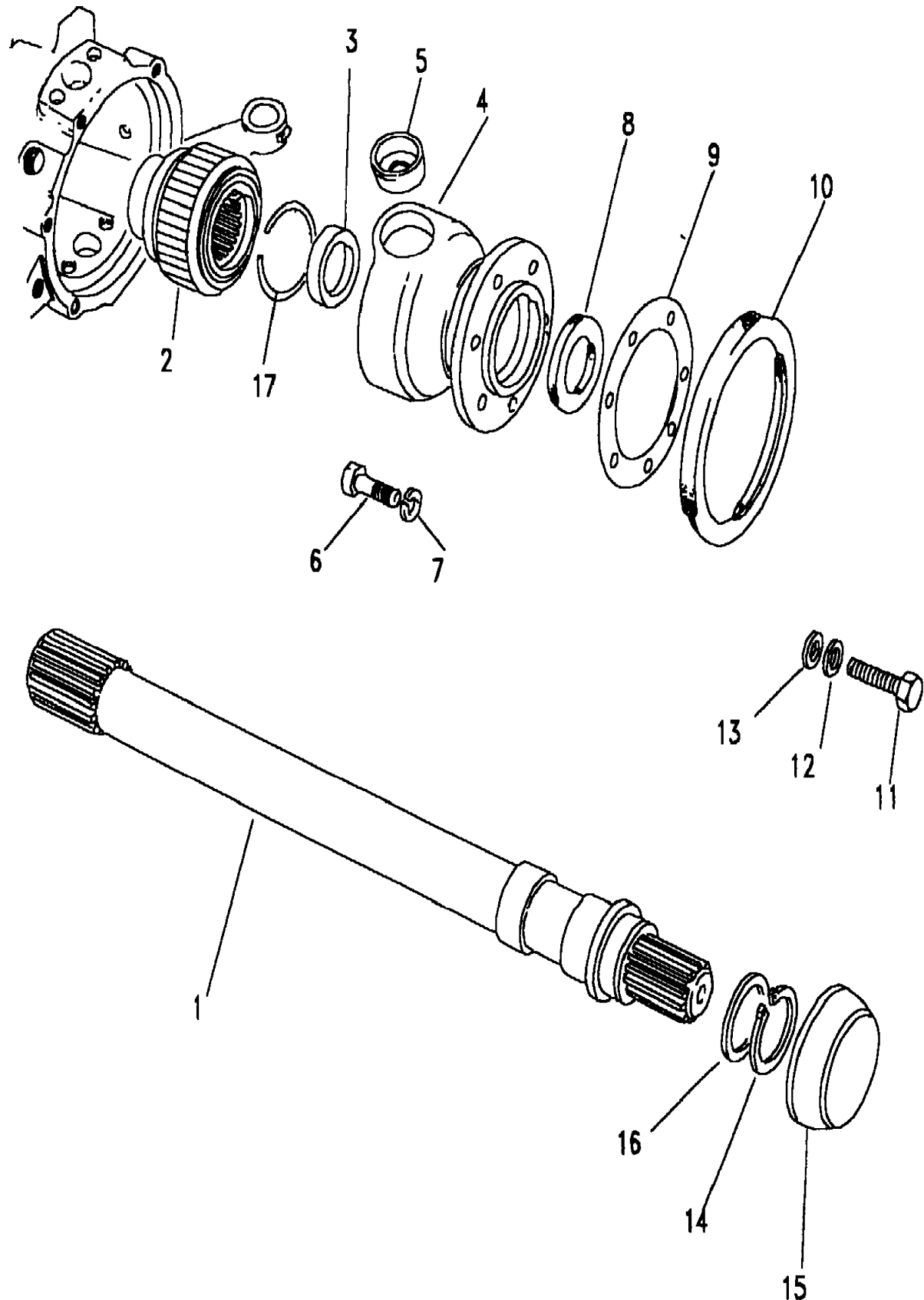
Range Rover (From JA610294)

(BDEXCI2A)

Range Rover (From JA610294)

All Wheel Anti-Lock Braking System

Callout	Name	Application	Remarks & Restrictions	Service No.	Qty
15	Cap-driveshaft coupling bolt locking		Less Logo	FTC943	2
16	Shim-front axle half shaft		0.45MM 0.60MM 0.75MM 0.90mm 1.05MM 1.20MM 1.35MM 1.50MM 1.65MM	FRC6782 FRC6783 FRC6784 FRC6785 FRC6786 FRC6787 FRC6788 FRC6789 FRC6790	X X X X X X X X X
17	Circlip	Change point - Axle begin 57L00001B, Change point - Axle end 57L05188B Change point - Axle begin 57L05189B, Change point - Axle end 57L99999B	front axle shaft to CV joint front axle shaft to CV joint, Also serviced as part of a kit front axle shaft to CV joint, Also serviced as part of a kit	STC579 STC579 STC579	1 2 1
[902]	Driveshaft-front	Change point - Axle begin 57L00001B, Change point - Axle end 57L05188B Change point - Axle begin 57L00001B, Change point - Axle end 57L05188B Change point - Axle begin 57L05189B, Change point - Axle end 57L99999B Change point - Axle begin 57L05189B, Change point - Axle end 57L99999B Change point - Axle begin 57L05189B, Change point - Axle end 57L99999B Change point - Axle begin 57L05189B, Change point - Axle end 57L99999B	RH, 10 spline shaft 10 spline shaft, LH RH, 24 spline shaft 24 spline shaft, LH RH, 24 spline shaft 24 spline shaft, LH	FTC862 FTC863 FTC3146 FTC3147 TDB000180 TDB000190	1 1 1 1 1 1
[903]	Bolt		M10, Hexagonal, dowel	FTC3454	2



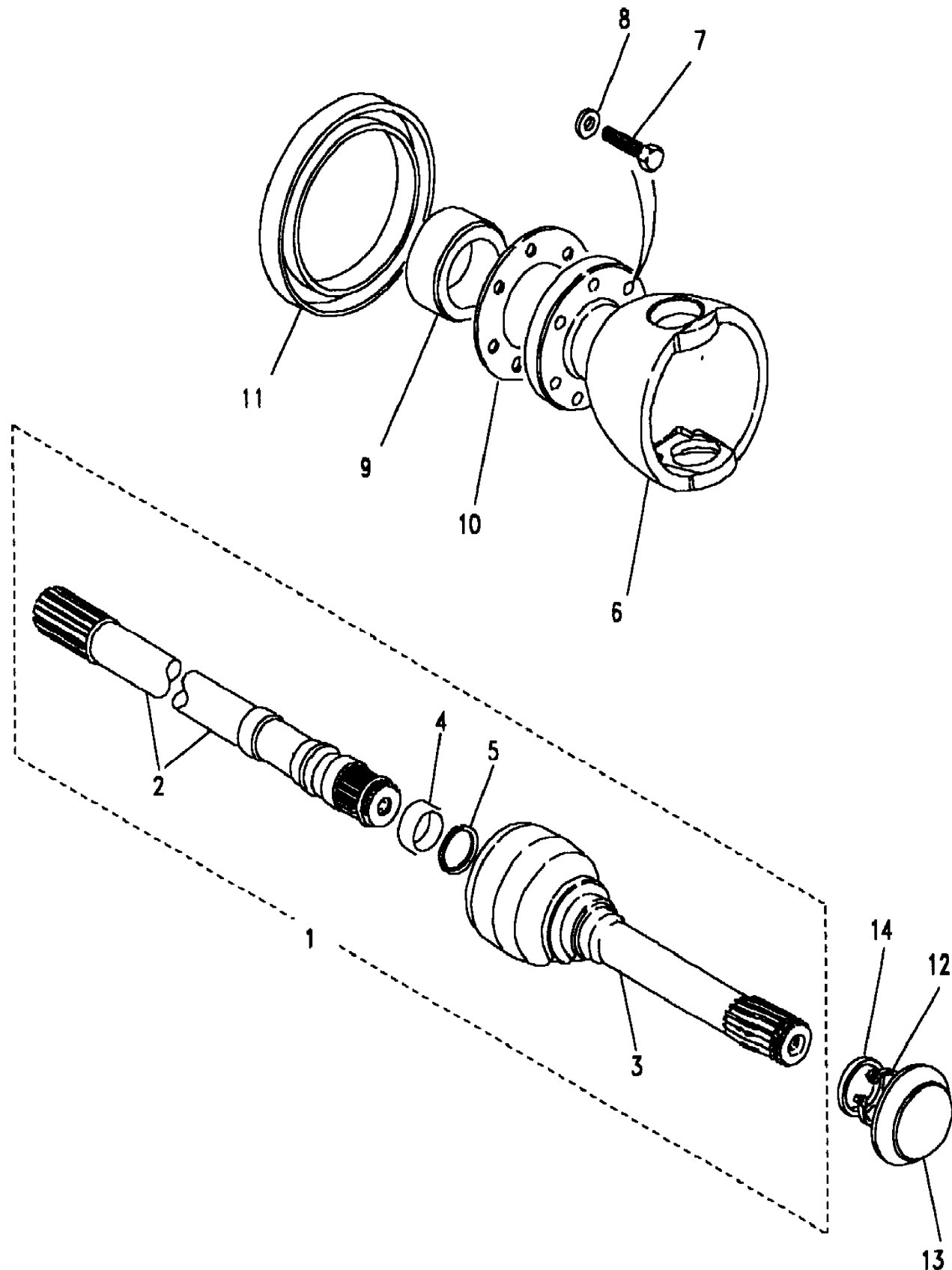
Range Rover (From JA610294)

(BDEXCI3A)

Range Rover (From JA610294)

Change point - VIN begin KA624756, Less Anti-Lock Braking System

Callout	Name	Application	Remarks & Restrictions	Service No.	Qty
1	Driveshaft-front	Change point - VIN begin KA624756, Change point - Axle begin 55L00001B, Change point - Axle end 55L00497B	Also serviced as part of a kit, RH, 10 spline shaft	FTC2880	1
		Change point - VIN begin KA624756, Change point - Axle begin 55L00001B, Change point - Axle end 55L00497B	Also serviced as part of a kit, 10 spline shaft, LH	FTC2881	1
		Change point - VIN begin KA624756, Change point - Axle begin 51L07997C, Change point - Axle end 51L99999C	Also serviced as part of a kit, RH, 24 spline shaft	FTC3148	1
		Change point - VIN begin KA624756, Change point - Axle begin 51L07997C, Change point - Axle end 51L99999C	Also serviced as part of a kit, 24 spline shaft, LH	FTC3149	1
2	Shaft-front axle half	Change point - VIN begin KA624756, Change point - Axle begin 55L00001B, Change point - Axle end 55L00497B	Also serviced as part of a kit, RH	RTC6754	1
		Change point - VIN begin KA624756, Change point - Axle begin 55L00001B, Change point - Axle end 55L00497B	Also serviced as part of a kit, LH	RTC6755	1
		Change point - VIN begin KA624756, Change point - Axle begin 51L07997C, Change point - Axle end 51L99999C	Also serviced as part of a kit, RH	STC3049	1
		Change point - VIN begin KA624756, Change point - Axle begin 51L07997C, Change point - Axle end 51L99999C	Also serviced as part of a kit, LH	STC3050	1
3	Joint-constant velocity	Change point - VIN begin KA624756, Change point - Axle begin 55L00001B, Change point - Axle end 55L00497B	Also serviced as part of a kit	STC3046	2
		Change point - VIN begin KA624756, Change point - Axle begin 51L07997C, Change point - Axle end 51L99999C	Also serviced as part of a kit	STC3051	1
		Change point - Axle end 48L05147C, Change point - Axle begin 48L99999C	Also serviced as part of a kit	STC3051	1
4	Spacer	Change point - VIN begin KA624756, Change point - Axle begin 55L00001B, Change point - Axle end 55L00497B	Also serviced as part of a kit	RTC5841	2



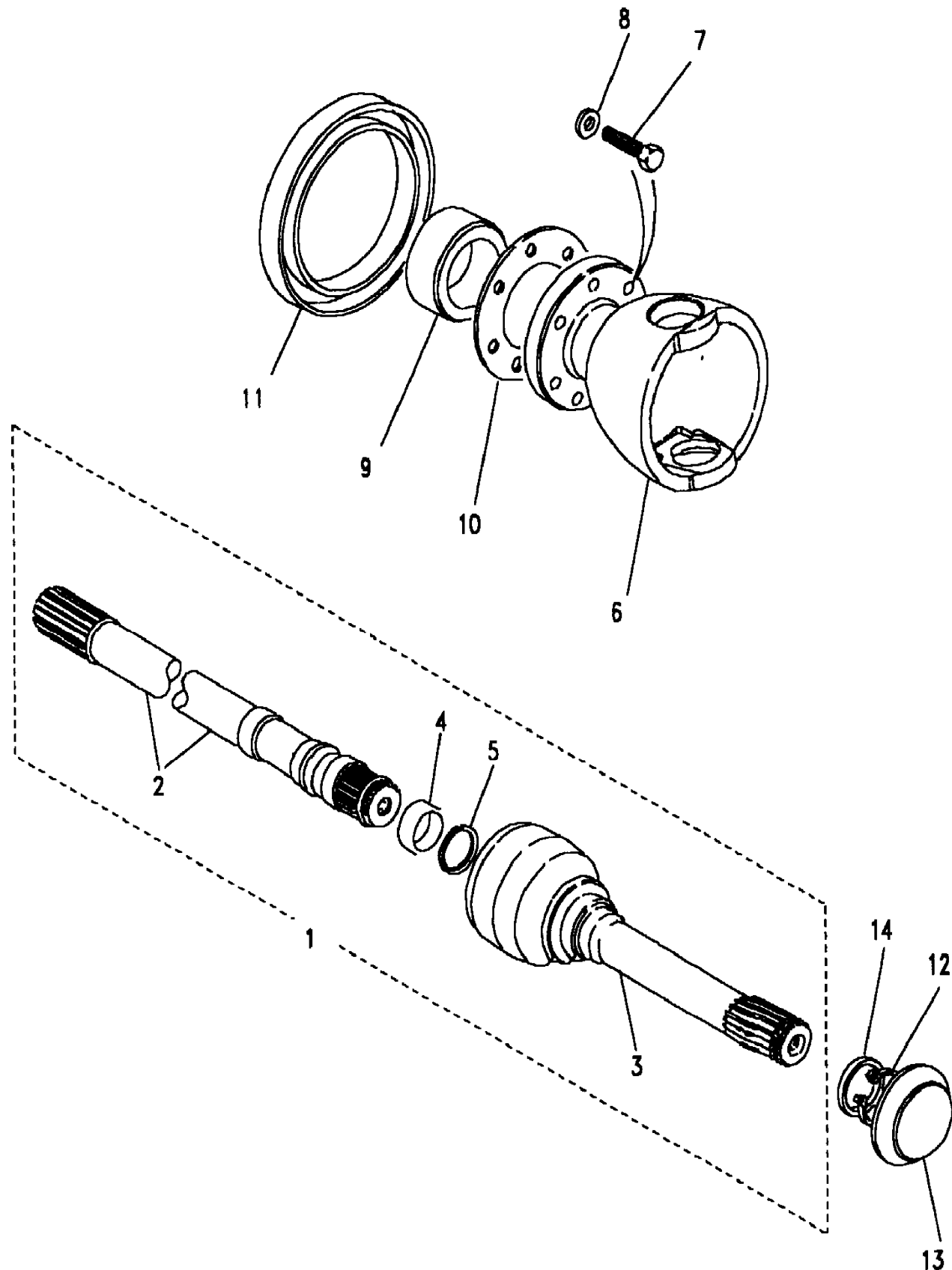
Range Rover (From JA610294)

(BDEXCI3A)

Range Rover (From JA610294)

Change point - VIN begin KA624756, Less Anti-Lock Braking System

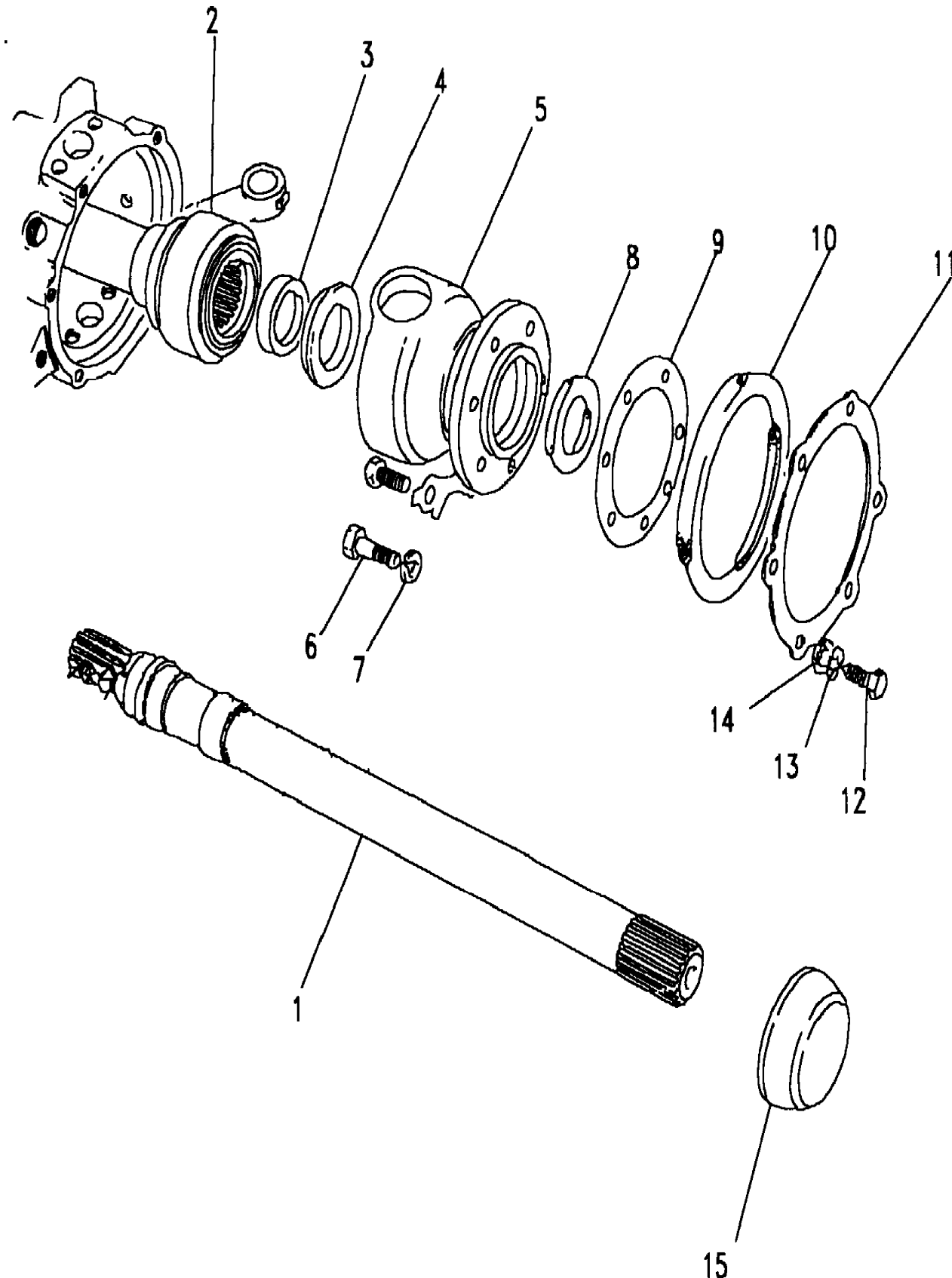
Callout	Name	Application	Remarks & Restrictions	Service No.	Qty
5	Circlip	Change point - VIN begin KA624756, Change point - Axle begin 55L00001B, Change point - Axle end 55L00497B	front axle shaft to CV joint, Also serviced as part of a kit	STC579	1
		Change point - VIN begin KA624756, Change point - Axle begin 51L07997C, Change point - Axle end 51L99999C	front axle shaft to CV joint, Also serviced as part of a kit	STC579	1
6	Housing-swivel pin bearing	Change point - VIN begin KA624756		FRC7065	2
7	Bolt	Change point - VIN begin KA624756	M10, Hexagonal	FTC3456	12
8	Washer-Plain	Change point - VIN begin KA624756		FRC8530	14
9	Seal-front driveshaft	Change point - VIN begin KA624756		571718	2
10	Gasket-swivel pin bearing housing to axle case	Change point - VIN begin KA624756		FRC2349	2
11	Seal-swivel pin housing	Change point - VIN begin KA624756	9MM	FTC3401	2
12	Circlip	Change point - VIN begin KA624756	axle shaft to hub driving member	549473	2
13	Cap-driveshaft coupling bolt locking	Change point - VIN begin KA624756	Less Logo	FTC943	2
14	Shim-front axle half shaft	Change point - VIN begin KA624756	0.45MM	FRC6782	1
		Change point - VIN begin KA624756	0.60MM	FRC6783	1
		Change point - VIN begin KA624756	0.75MM	FRC6784	1
		Change point - VIN begin KA624756	0.90mm	FRC6785	1
		Change point - VIN begin KA624756	1.05MM	FRC6786	1
		Change point - VIN begin KA624756	1.20MM	FRC6787	1
		Change point - VIN begin KA624756	1.35MM	FRC6788	1
		Change point - VIN begin KA624756	1.50MM	FRC6789	1
		Change point - VIN begin KA624756	1.65MM	FRC6790	1
[901]	Bolt	Change point - VIN begin KA624756	M10, Hexagonal, dowel	FTC3454	2



Axles & Suspension  
Front Axle  
Drive Shafts 1/2

Range Rover (From JA610294)

(BDEXC11A)



Range Rover (From JA610294)

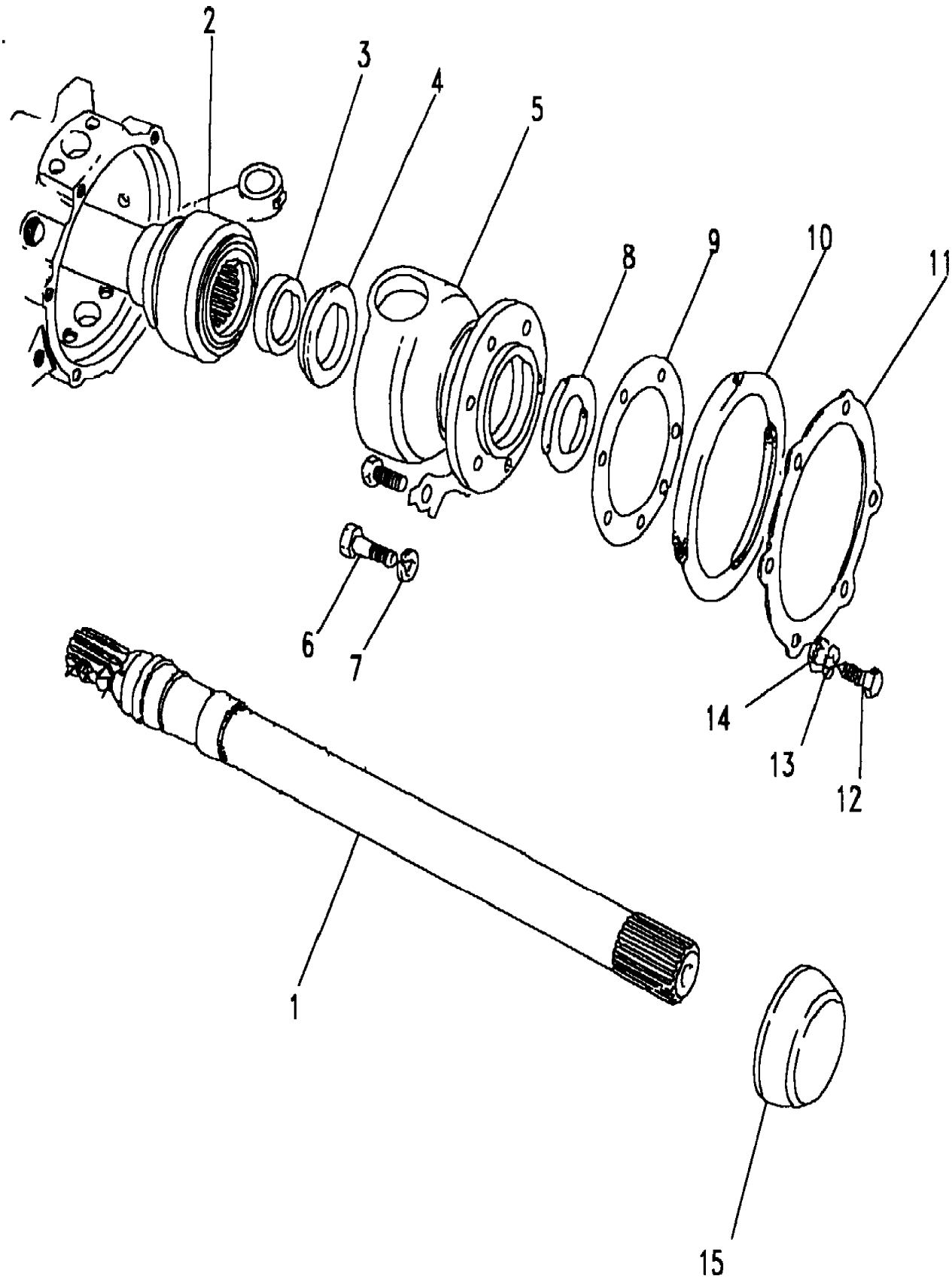
Axles & Suspension  
Front Axle  
Drive Shafts

Change point - VIN end JA624755, Less Anti-Lock Braking System

Callout	Name	Application	Remarks & Restrictions	Service No.	Qty
1	Shaft-front axle half	Change point - VIN end JA624754 Change point - VIN end JA624754	Also serviced as part of a kit, RH Also serviced as part of a kit, LH	RTC5840 RTC5842	1 1
2	Joint-constant velocity	Change point - VIN end JA624754	Also serviced as part of a kit	RTC5843	2
3	Spacer	Change point - VIN end JA624754	Also serviced as part of a kit	RTC5841	2
4	Sleeve	Change point - VIN end JA624754		571822	2
5	Housing-swivel pin bearing	Change point - VIN end JA624754		FRC7065	2
6	Bolt	Change point - VIN end JA624754 Change point - VIN end KA624755	M10 M10, Hexagonal	FRC8528 FTC3456	14 14
7	Washer-Plain	Change point - VIN end JA624754		FRC8530	14
8	Seal-front driveshaft	Change point - VIN end JA624754		571718	2
9	Gasket-swivel pin bearing housing to axle case	Change point - VIN end JA624754 Change point - VIN end KA624755		FRC2349 FTC3646	2 2
10	Seal-swivel pin housing	Change point - VIN end JA624754	9MM	FTC3401	2
11	Plate-oil seal retainer	Change point - VIN end JA624754		571755	2
12	Bolt	Change point - VIN end JA624754	1/4UNF x 9/16	255205	12
13	Washer-Spring	Change point - VIN end JA624754	1/4 dia, Square	WM60004 1L	12
14	Washer	Change point - VIN end JA624754	6MM	WA106041L	12
15	Cap-driveshaft coupling bolt locking	Change point - VIN end JA624754	Less Logo	FTC943	2
[902]	Circlip	Change point - VIN end JA624754	front axle shaft to CV joint, Also serviced as part of a kit	STC579	2
[903]	Shaft & joint assembly- outer	Change point - VIN end JA624754	Also serviced as part of a kit, RH	FRC9518	1

Range Rover (From JA610294)

(BDEXC11A)



Range Rover (From JA610294)

Change point - VIN end JA624755, Less Anti-Lock Braking System

Callout	Name	Application	Remarks & Restrictions	Service No.	Qty
[903]	Shaft & joint assembly- outer	Change point - VIN end JA624754	Also serviced as part of a kit, LH	FRC9519	1

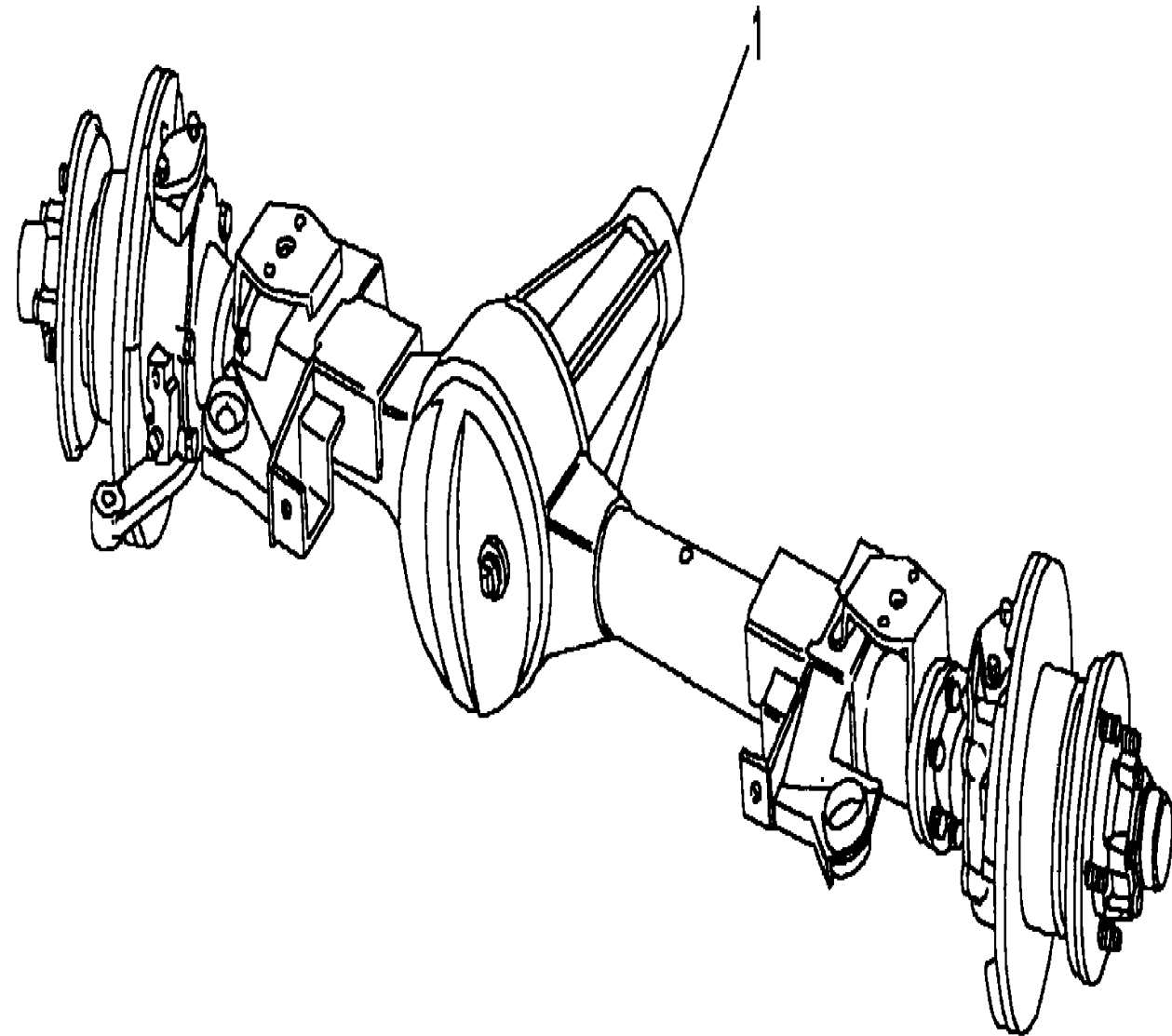
Axles & Suspension

**Range Rover (From JA610294)**

Front Axle

Front Axle Assembly-Electronic Air Suspension 1/1

(BDEXCA2A)



**Range Rover (From JA610294)**

Axles & Suspension

Front Axle

Front Axle Assembly-Electronic Air Suspension  
With Air Suspension

Callout	Name	Application	Remarks & Restrictions	Service No.	Qty
1	Axle/drive unit assembly 4x4-front	Change point - VIN begin JA610294, With Petrol Engines, RHD, Less Anti-Lock Braking System		FTC3085	1
		Change point - VIN begin JA610294, With Petrol Engines, LHD, Less Anti-Lock Braking System		FTC3084	1
		Change point - VIN begin JA610294, With Petrol Engines, RHD, All Wheel Anti-Lock Braking System		FTC3122	1
		Change point - VIN begin JA610294, With Petrol Engines, LHD, All Wheel Anti-Lock Braking System		FTC3121	1

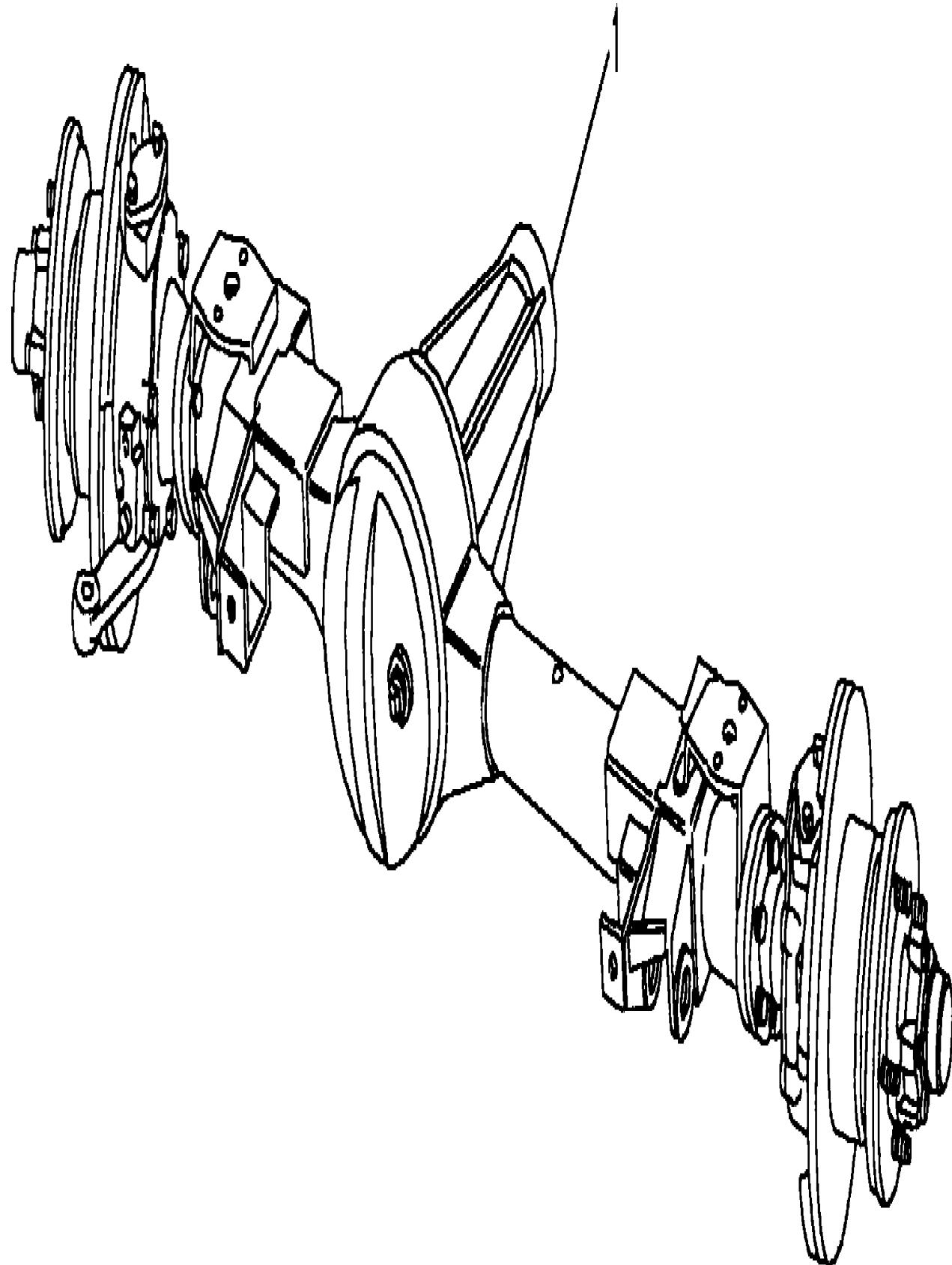
Axles & Suspension

**Range Rover (From JA610294)**

Front Axle

Front Axle Assembly-Non Electronic Air Suspension 1/3

(BDEXCA1A)



Axles & Suspension

**Range Rover (From JA610294)**

Front Axle

Front Axle Assembly-Non Electronic Air Suspension  
Less Air Suspension

Callout	Name	Application	Remarks & Restrictions	Service No.	Qty
1	Axle/drive unit assembly 4x4-front	Change point - VIN end JA624754, With Petrol Engines, 100", LHD, Less Anti-Lock Braking System		FTC2511	1
		Change point - Axle begin 47L00001B, Change point - Axle end 47L11813B, With Petrol Engines, 100", LHD, Less Anti-Lock Braking System		FTC3089	1
		Change point - Axle begin 47L11814B, Change point - Axle end 47L99999B, With Petrol Engines, 100", LHD, Less Anti-Lock Braking System		FTC4407	1
		Change point - Axle begin 49L00001B, Change point - Axle end 49L11576B, With Petrol Engines, 100", LHD, All Wheel Anti-Lock Braking System		FTC2513	1
		Change point - Axle begin 49L11577B, Change point - Axle end 49L99999B, With Petrol Engines, 100", LHD, All Wheel Anti-Lock Braking System		FTC4405	1
		Change point - VIN end JA624754, With Diesel Engines, 100", LHD, Less Anti-Lock Braking System		FTC1935	1
		Change point - Axle begin 51L00001B, Change point - Axle end 51L10266B, With Diesel Engines, 100", LHD, Less Anti-Lock Braking System		FTC3087	1
		Change point - Axle begin 51L10267B, Change point - Axle end 51L99999B, With Diesel Engines, 100", LHD, All Wheel Anti-Lock Braking System		FTC4395	1
		Change point - VIN end JA624754, With Petrol Engines, 100", RHD, Less Anti-Lock Braking System		FTC2510	1
		Change point - Axle begin 46L00001B, Change point - Axle end 46L21008B, With Petrol Engines, 100", RHD, Less Anti-Lock Braking System		FTC3088	1
		Change point - Axle begin 46L21009B, Change point - Axle end 46L99999B, With Petrol Engines, 100", RHD, Less Anti-Lock Braking System		FTC4406	1





Axles & Suspension

**Range Rover (From JA610294)**

Front Axle

Front Axle Assembly-Non Electronic Air Suspension 3/3

(BDEXCA1A)

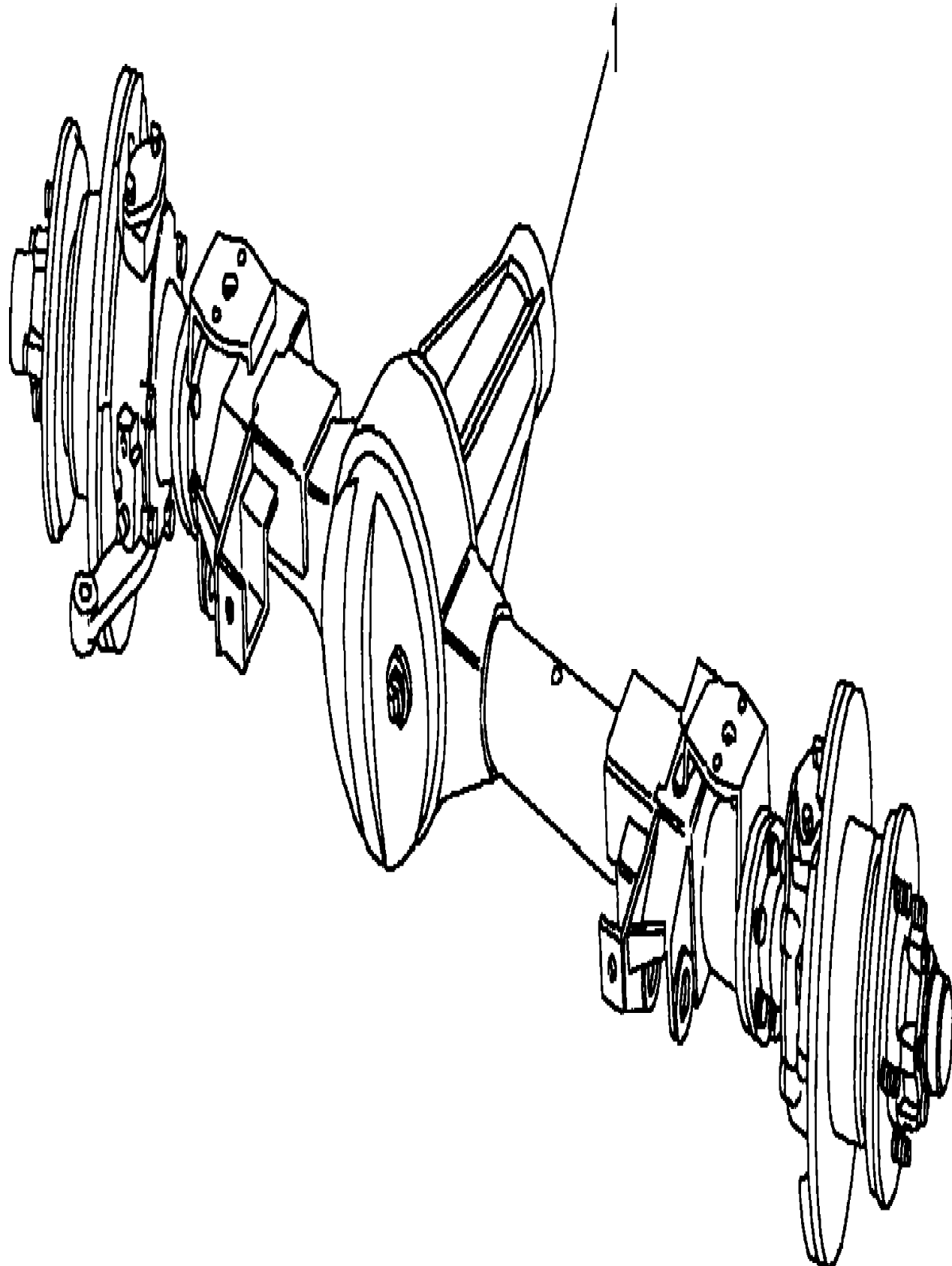
Axles & Suspension

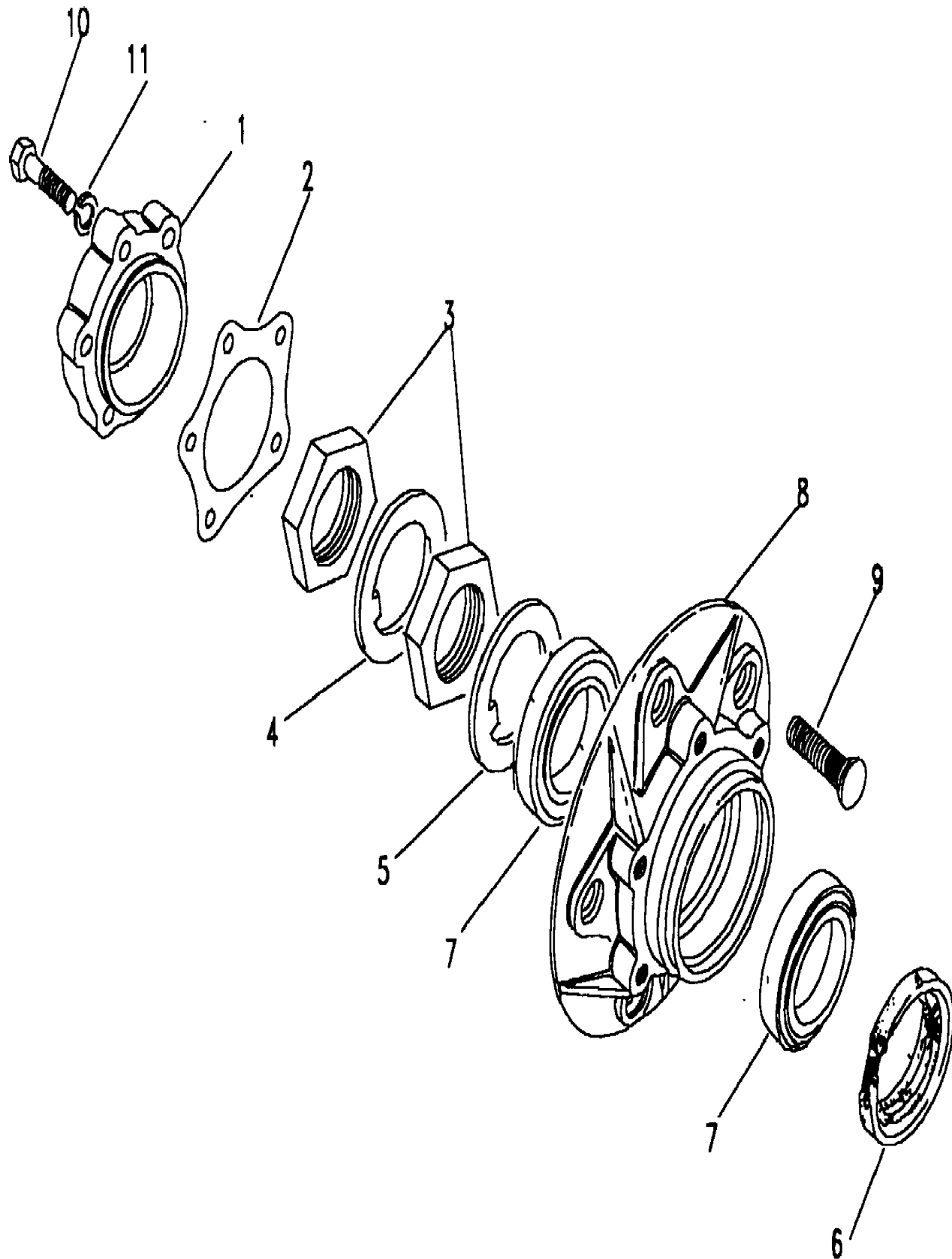
**Range Rover (From JA610294)**

Front Axle

Front Axle Assembly-Non Electronic Air Suspension  
Less Air Suspension

Callout	Name	Application	Remarks & Restrictions	Service No.	Qty
1	Axle/drive unit assembly 4x4-front	Change point - Axle begin 48L05507B, Change point - Axle end 48L99999B, With Petrol Engines, 108" (2743mm) Wheelbase, RHD, All Wheel Anti-Lock Braking System		FTC4404	1
		Change point - Axle begin 49L00001B, Change point - Axle end 49L11576B, With Petrol Engines, 108" (2743mm) Wheelbase, LHD, All Wheel Anti-Lock Braking System		FTC2513	1
		Change point - Axle begin 49L11577B, Change point - Axle end 49L99999B, With Petrol Engines, 108" (2743mm) Wheelbase, LHD, All Wheel Anti-Lock Braking System		FTC4405	1

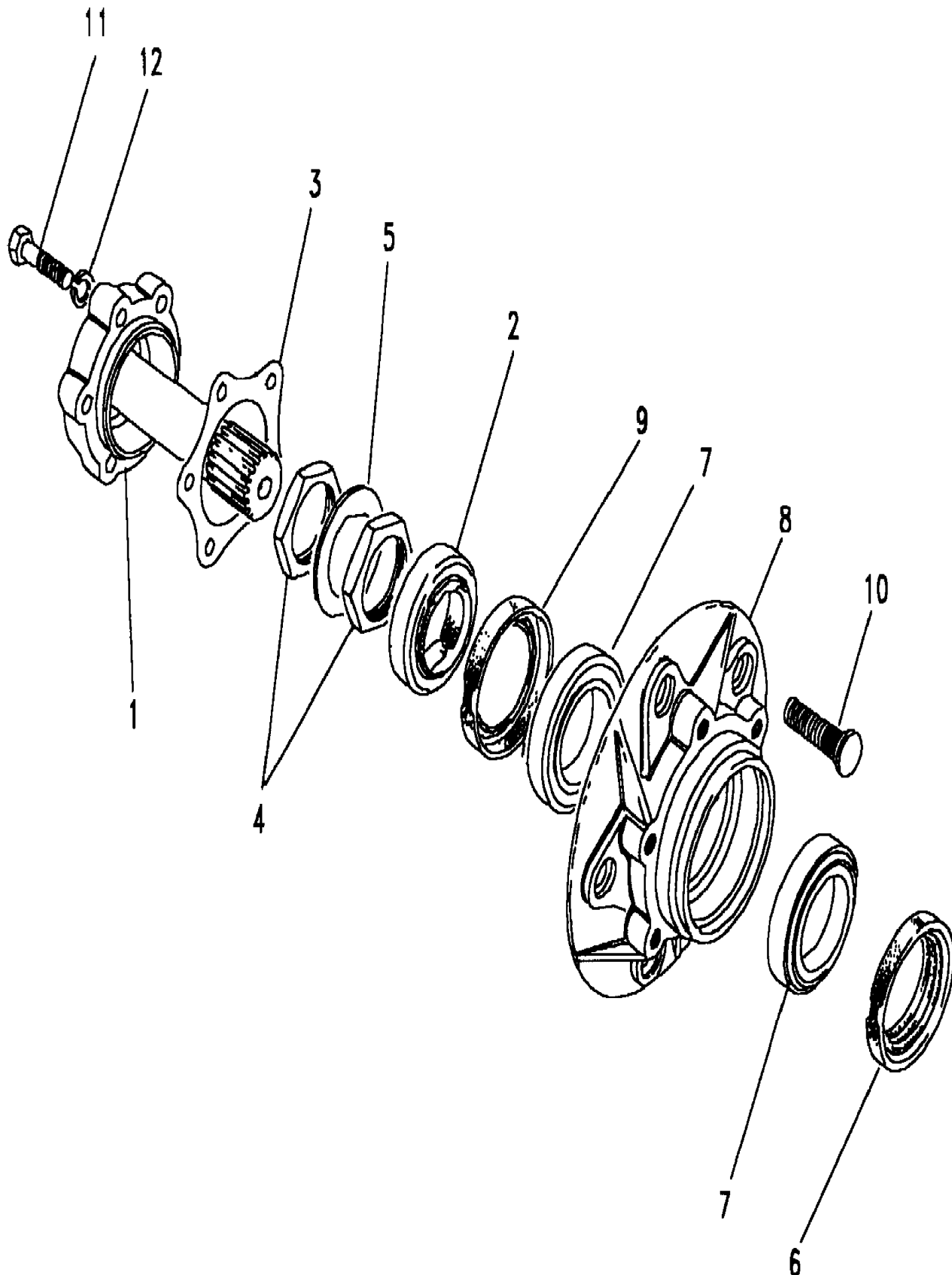




Callout	Name	Application	Remarks & Restrictions	Service No.	Qty
1	Flange-driving shaft joint	Change point - VIN begin JA624517		FTC859	2
2	Gasket-axle shaft drive member	Change point - VIN begin JA624517		571752	2
3	Locknut	Change point - VIN begin JA624517		FRC8700	4
4	Washer-Lock	Change point - VIN begin JA624517	Outer	FTC3179	2
5	Washer-front & rear hub nut tab	Change point - VIN begin JA624517, Change point - VIN end JA624755, All Wheel Anti-Lock Braking System Change point - VIN begin KA624756, All Wheel Anti-Lock Braking System Change point - VIN begin JA624517, Less Anti-Lock Braking System		217352	2
6	Seal assembly-front/rear hub	Change point - VIN begin JA624517	Inner	FTC3185	2
7	Bearing-front/rear axle hub	Change point - VIN begin JA624517		FTC3185	2
8	Hub assembly-front & rear	Change point - VIN begin JA624517		FTC2783	2
9	Stud	Change point - VIN begin JA624517, All Wheel Anti-Lock Braking System	Also serviced as part of a kit	RTC3429	4
10	Bolt	Change point - VIN begin JA624517	Also serviced as part of a kit	FTC860	2
11	Washer	Change point - VIN begin JA624517	Also serviced as part of a kit	FTC942	1
				FRC5926	10
			Pre-Impregnated With Adhesive, M10 X 45	BX110095M	10
			3/8", Square	WM600061L	10

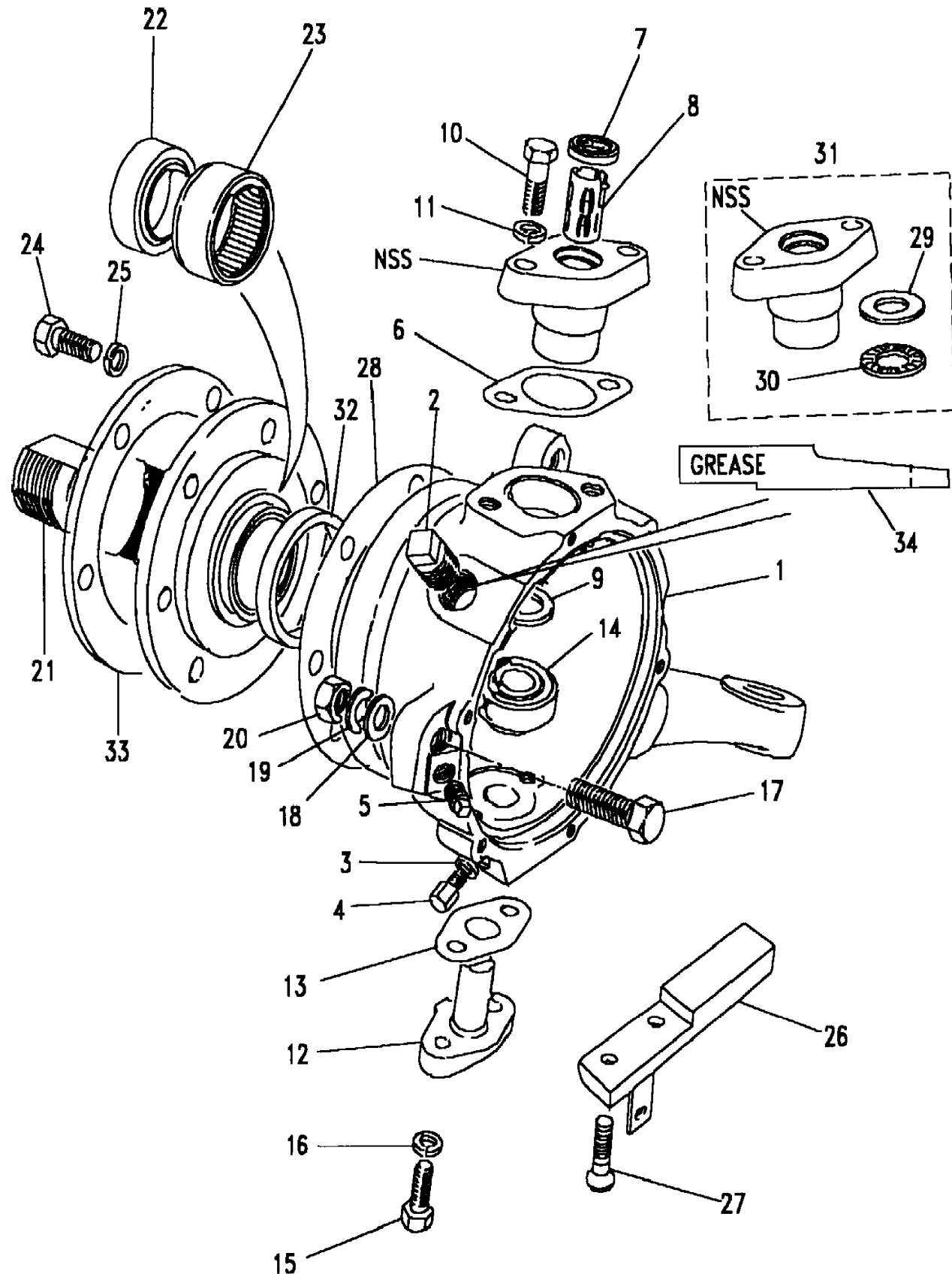
Change point - VIN end JA624516, Less Anti-Lock Braking System

Callout	Name	Application	Remarks & Restrictions	Service No.	Qty
1	Driveshaft-front hub	Change point - VIN end JA624516		571761	2
2	Spacer	Change point - VIN end JA624516		FRC8227	2
3	Gasket-axle shaft drive member	Change point - VIN end JA624516		571752	2
4	Locknut	Change point - VIN end JA624516		FRC8700	4
5	Washer-Lock	Change point - VIN end JA624516		FRC8002	2
6	Seal assembly-front/rear hub	Change point - VIN end JA624516	Inner	FTC2783	2
7	Bearing-front/rear axle hub	Change point - VIN end JA624516 Change point - VIN end JA624516		RTC3429 STC4382	2 2
8	Hub assembly front	Change point - VIN end JA624516	Also serviced as part of a kit	FTC1457	2
9	Seal assembly-front/rear hub	Change point - VIN end JA624516	Outer	FRC8222	2
10	Stud	Change point - VIN end JA624516		FRC5926	5
11	Bolt	Change point - VIN end JA624516		279146	10
12	Washer	Change point - VIN end JA624516	3/8", Square	WM600061L	10



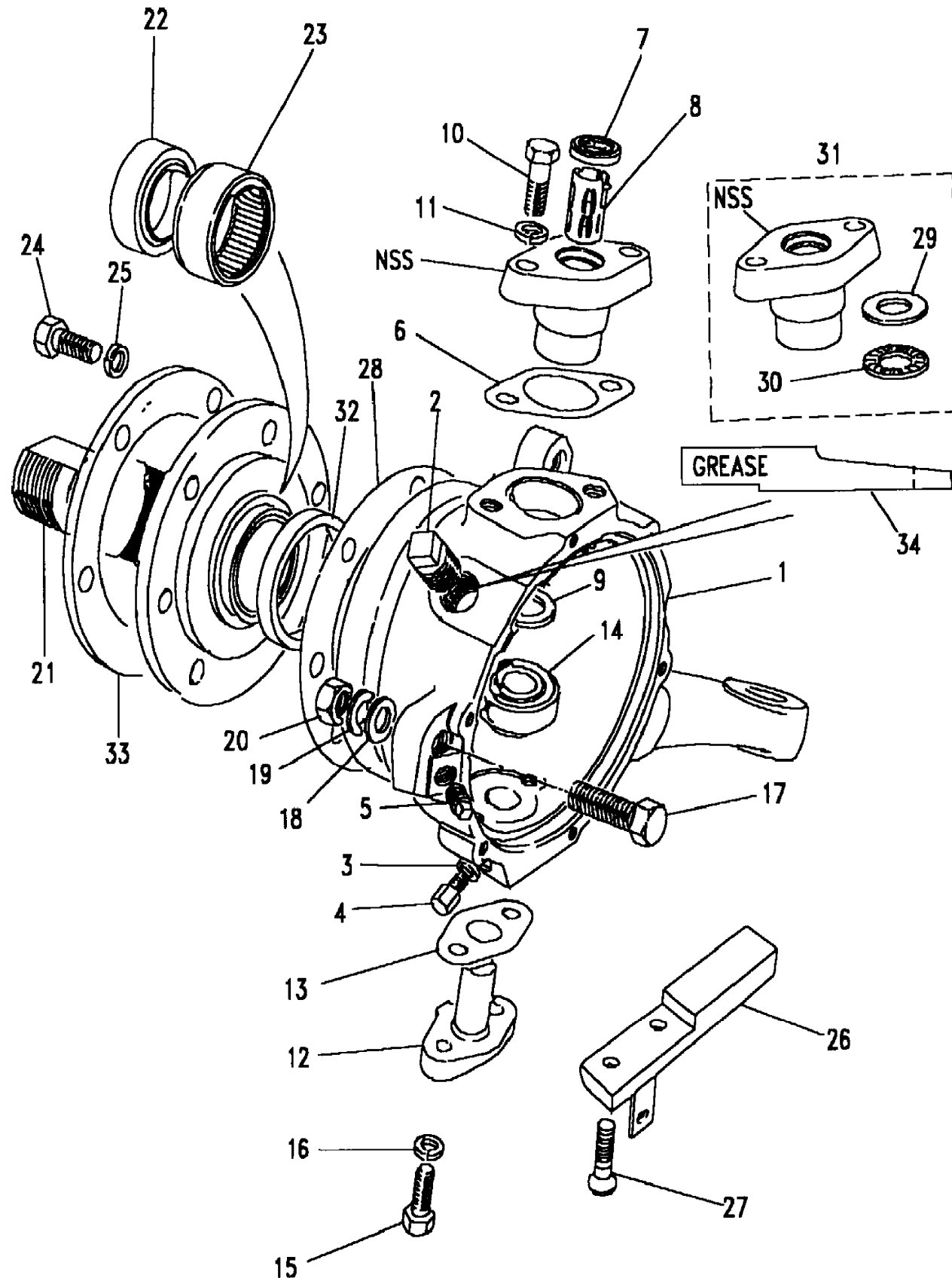
All Wheel Anti-Lock Braking System

Callout	Name	Application	Remarks & Restrictions	Service No.	Qty		
1	Housing-swivel pin	Change point - VIN end JA615502, RHD	RH	FTC1364	1		
		Change point - VIN end JA615502, RHD	LH	FTC1365	1		
		Change point - VIN begin JA615503, Change point - VIN end KA637567, RHD	RH	FTC2524	1		
		Change point - VIN begin JA615503, Change point - VIN end KA637567, RHD	LH	FTC2525	1		
		Change point - VIN begin KA637568, RHD	LH	FTC3309	1		
		Change point - VIN begin KA637568, RHD	RH	FTC3308	1		
		Change point - VIN end JA615502, LHD	RH	FTC1366	1		
		Change point - VIN end JA615502, LHD	LH	FTC1367	1		
		Change point - VIN begin JA615503, Change point - VIN end KA637567, LHD	RH	FTC2526	1		
		Change point - VIN begin JA615503, Change point - VIN end KA637567, LHD	LH	FTC2527	1		
		Change point - VIN begin KA637568, LHD	LH	FTC3311	1		
		Change point - VIN begin KA637568, LHD	RH	FTC3310	1		
		2	Plug-level			3292	2
		3	Washer-sealing		steering swivel pin housing drain plug	230511	2
4	Plug-Drain			236070	2		
5	Plug		square head	3289	2		
			Hexagonal	FTC3670	2		
6	Shim		0.003"	FRC2883	2		
			0.005"	FRC2884	2		
			0.01"	FRC2885	2		
			0.03"	FRC2886	2		
7	Seal-antilock brake system sensor			FTC1376	1		
8	Bush		antilock brake system sensor	FTC1374	1		
9	Washer-swivel pin thrust			FTC124	2		
10	Bolt		hexagonal head, M10 x 35	BX110071L	4		
11	Washer		M10	WL110001L	4		
12	Pin		Lower	FRC2894	2		



All Wheel Anti-Lock Braking System

Callout	Name	Application	Remarks & Restrictions	Service No.	Qty
13	Gasket-lower swivel pin		Asbestos Free	FRC2897	2
			FTC3647		2
14	Bearing-taper roller		Lower	606666	2
15	Bolt-flanged head		7/16UNF x 1 1/8	255467	4
16	Washer		M8, sprung	WL108001L	4
17	Screw		Shouldered, hexagonal head, M12 x 50	SH112505	2
18	Washer-Plain			WD112081L	2
19	Washer			WL112001L	2
20	Nut-hexagonal-thin		M12	NT112041L	2
21	Axle-stub-hub front suspension	Change point - VIN end JA624754 Change point - VIN begin KA624756, Change point - Axle begin 57L00001B, Change point - Axle end 57L05188B Change point - Axle begin 56L03430B, Change point - Axle end 56L99999B Change point - Axle begin 56L03430B, Change point - Axle end 56L99999B	Comes Without Seal, Bearing And Thrust Ring, Also serviced as part of a kit	FTC858	2
				FTC3154	2
			Also serviced as part of a kit	FTC3183	2
			Also serviced as part of a kit	FTC3154	1
22	Seal-stub axle	Change point - Axle begin 56L03430B, Change point - Axle end 56L99999B Change point - Axle begin 56L03430B, Change point - Axle end 56L99999B	Also serviced as part of a kit	FTC3145	2
			Also serviced as part of a kit, Inner	FTC5268	2
23	Bearing-front/rear axle hub	Change point - Axle begin 56L03430B, Change point - Axle end 56L99999B	swivel pin housing, Also serviced as part of a kit	FTC861	1
			swivel pin housing	FTC861	2
24	Screw-hexagon socket		M10 x 25	SX110251	12
25	Washer-starlock			WE110001L	12
26	Damper-swivel pin		RH LH	FTC1616 FTC1617	1 1
27	Screw-torx-countersunk			FTC1626	2
28	Gasket-stub axle		Asbestos Free	FRC3205 FTC3648	1 1



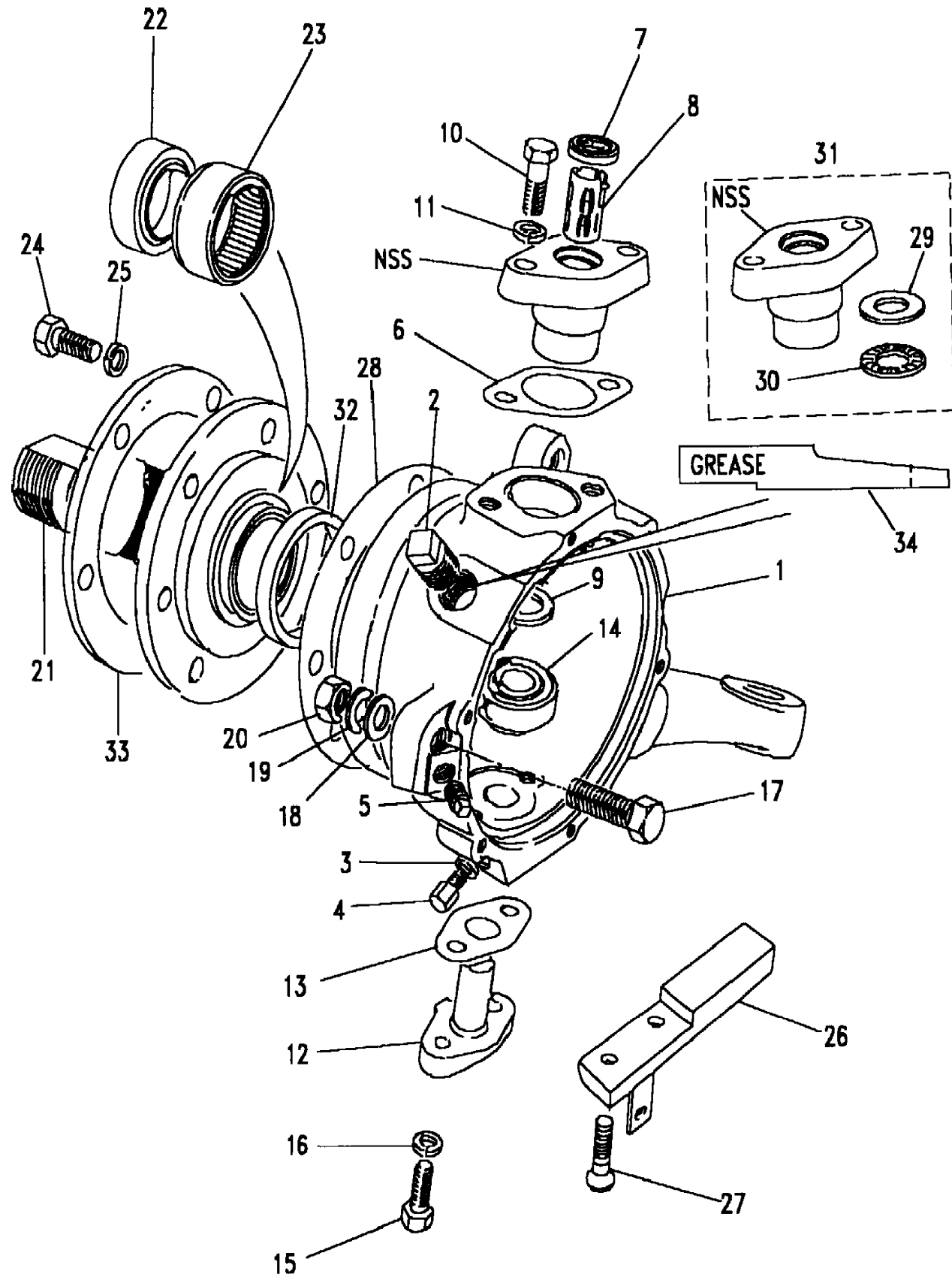
Range Rover (From JA610294)

(BDEXCK2A)

Range Rover (From JA610294)

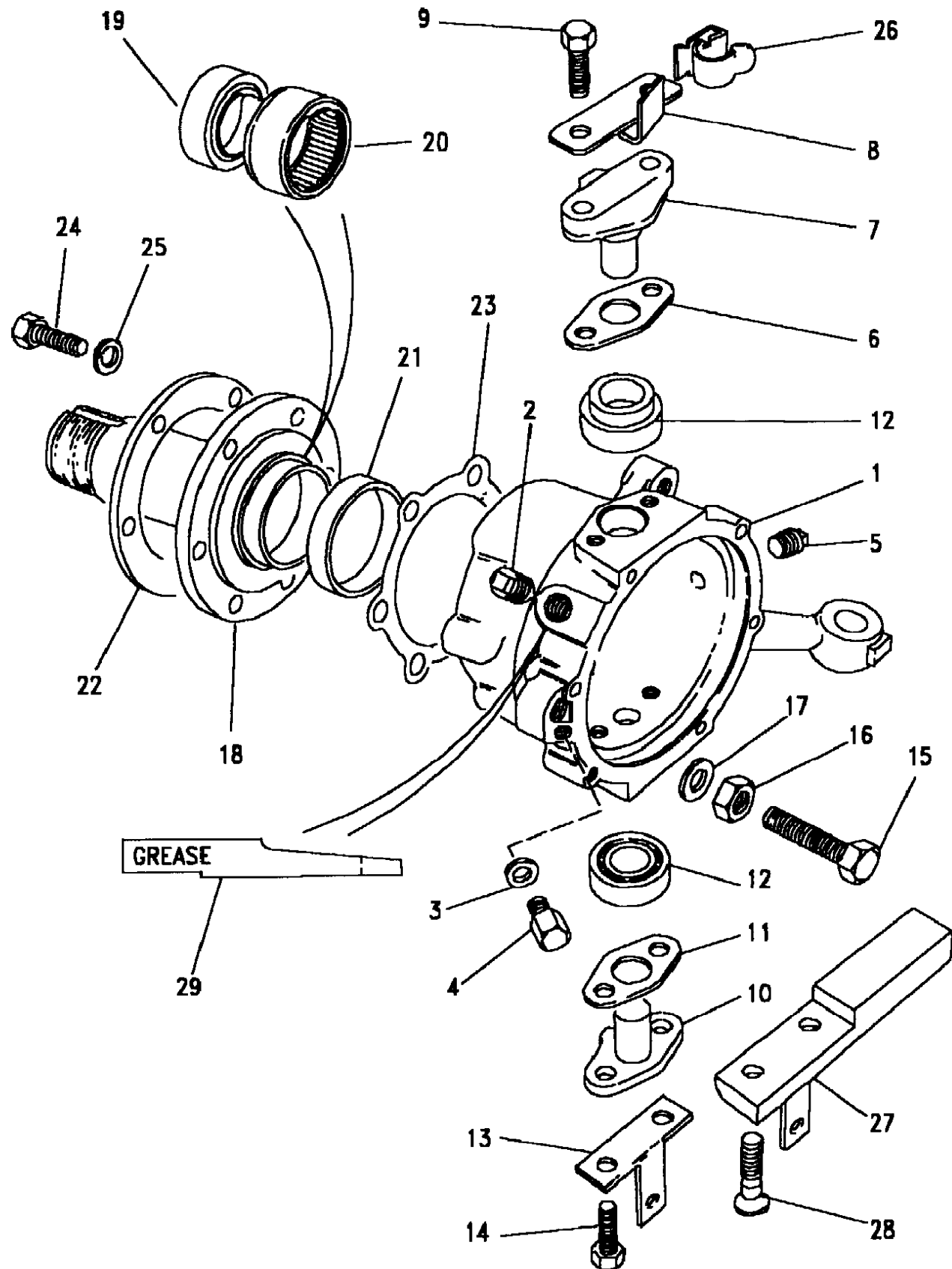
All Wheel Anti-Lock Braking System

Callout	Name	Application	Remarks & Restrictions	Service No.	Qty
29	Washer-thrust		Also serviced as part of a kit	FTC2066	4
30	Bearing-needle roller		Also serviced as part of a kit	FTC2065	2
31	Kit-swivel pin-upper		Also serviced as part of a kit	STC226	2
32	Washer-front hub thrust	Change point - Axle begin 56L03430B, Change point - Axle end 56L99999B	Also serviced as part of a kit	FTC56	1
				FTC56	1
33	Plate-front & rear stub axle locking			FRC2310	1
34	Grease		Can Be Used Instead Of Oil In Swivel Pin Housing, 375cc, one shot	STC3435	1
[900]	Screw		counter sunk	FTC3455	2



Less Anti-Lock Braking System

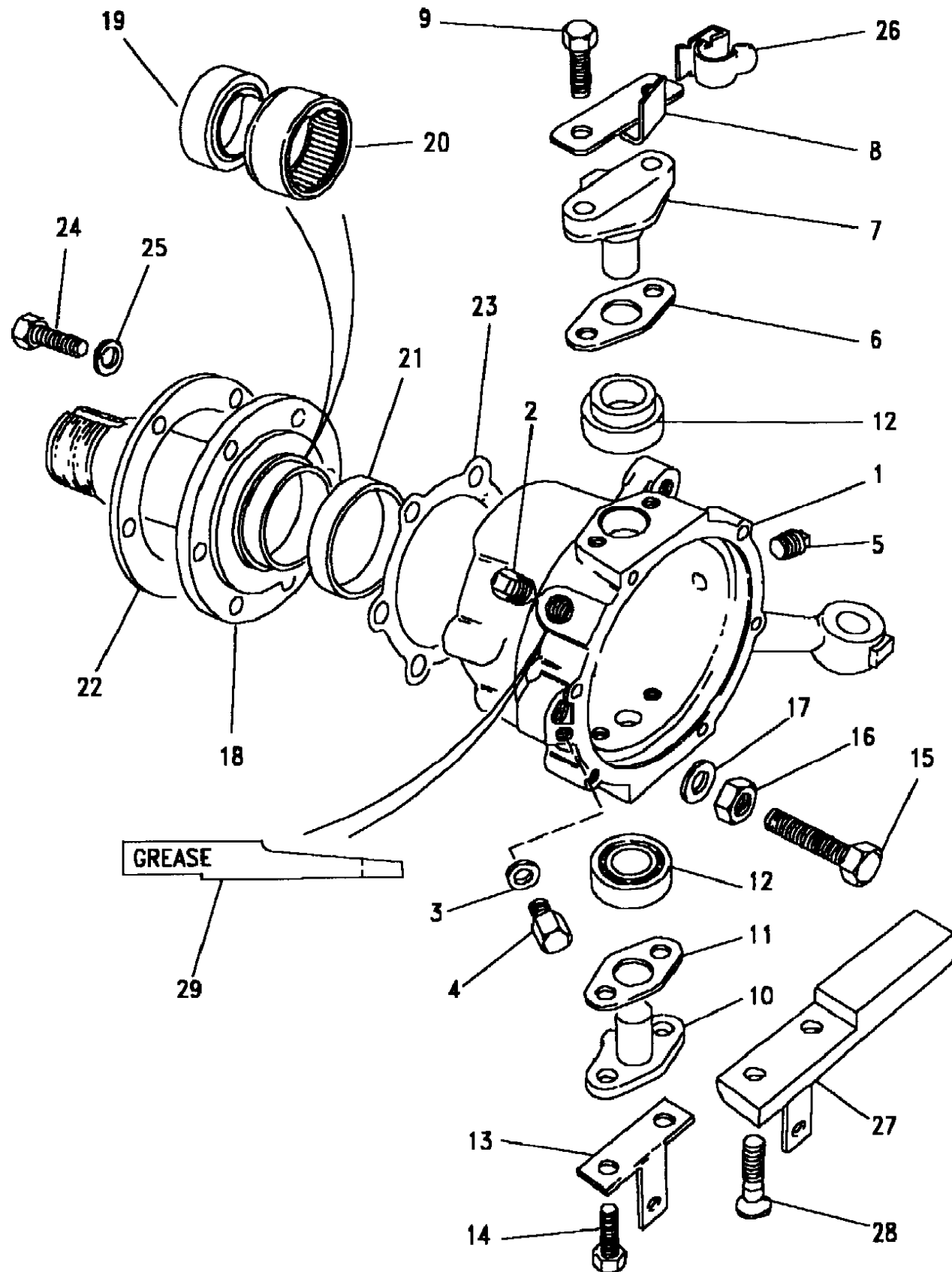
Callout	Name	Application	Remarks & Restrictions	Service No.	Qty		
1	Housing-swivel pin	Change point - VIN begin KA637568, LHD	RH	FTC3310	1		
		Change point - VIN end JA615502, RHD	RH	STC150	1		
		Change point - VIN end JA615502, RHD	LH	STC151	1		
		Change point - VIN begin JA615503, Change point - VIN end JA624516, RHD	RH	FTC2520	1		
		Change point - VIN begin JA615503, Change point - VIN end JA624516, RHD	LH	FTC2521	1		
		Change point - VIN begin JA624517, Change point - VIN end KA637567, RHD	RH	FTC2524	1		
		Change point - VIN begin JA624517, Change point - VIN end KA637567, RHD	LH	FTC2525	1		
		Change point - VIN begin KA637568, RHD	LH	FTC3309	1		
		Change point - VIN begin KA637568, RHD	RH	FTC3308	1		
		Change point - VIN end JA615502, LHD	RH	STC152	1		
		Change point - VIN end JA615502, LHD	LH	STC153	1		
		Change point - VIN begin JA615503, Change point - VIN end JA624516, LHD	RH	FTC2522	1		
		Change point - VIN begin JA615503, Change point - VIN end JA624516, LHD	LH	FTC2523	1		
		Change point - VIN begin JA624517, Change point - VIN end KA637567, LHD	RH	FTC2526	1		
		Change point - VIN begin JA624517, Change point - VIN end KA637567, LHD	LH	FTC2527	1		
		Change point - VIN begin KA637568, LHD	LH	FTC3311	1		
		2	Plug-level			3292	1
		3	Washer-sealing		steering swivel pin housing drain plug	230511	1
		4	Plug-Drain			236070	1
		5	Plug		square head	3289	1
	Hexagonal			FTC3670	1		
6	Shim	Change point - VIN end JA624516	0.003"	571743	X		
		Change point - VIN end JA624516	0.005"	571744	X		
		Change point - VIN end JA624516	0.010"	571745	X		
		Change point - VIN end JA624516	0.030"	571746	X		





Less Anti-Lock Braking System

Callout	Name	Application	Remarks & Restrictions	Service No.	Qty
6	Shim	Change point - VIN begin JA624517	0.003"	FRC2883	X
		Change point - VIN begin JA624517	0.005"	FRC2884	X
		Change point - VIN begin JA624517	0.01"	FRC2885	X
		Change point - VIN begin JA624517	0.03"	FRC2886	X
7	Pin	Change point - VIN end JA624516	Upper	571756	2
		Change point - VIN begin JA624517		FTC2882	2
8	Washer-Lock			90576928	2
9	Screw	Change point - VIN end JA624516	Shouldered, hexagonal head, M12 x 50	SH112505	2
		Change point - VIN begin JA624517	7/16", hexagonal head	SX607101	4
		Change point - VIN begin JA624517	hexagonal head, M10 x 35	BX110071M	4
10	Pin	Change point - VIN end JA624516		571819	2
		Change point - VIN begin JA624517	Lower	FRC2894	1
11	Gasket-lower swivel pin	Change point - VIN end JA624516		571815	2
		Change point - VIN begin JA624517		FRC2897	1
		Change point - VIN begin JA624517	Asbestos Free	FTC3647	1
12	Bearing-taper roller		Lower	606666	4
13	Washer-Lock			576608	2
14	Bolt-flanged head	Change point - VIN end JA624516	7/16UNF x 1 1/8	255467	4
		Change point - VIN begin JA624517	M8 X 30, Flanged Head	FB108061	4
		Change point - VIN begin JA624517	M8 X 30, Flanged Head	FS108301L	4
16	Nut-hexagonal-thin		M12	NT112041L	2
17	Washer-Plain		M12 x 22	WB112081L	4
18	Axle-stub-hub front suspension	Change point - VIN end JA624516	Also serviced as part of a kit	FTC57	2
		Change point - VIN begin JA624517, Change point - Axle begin 57L00001B, Change point - Axle end 57L00462A	Comes Without Seal, Bearing And Thrust Ring, Also serviced as part of a kit	FTC3154	2



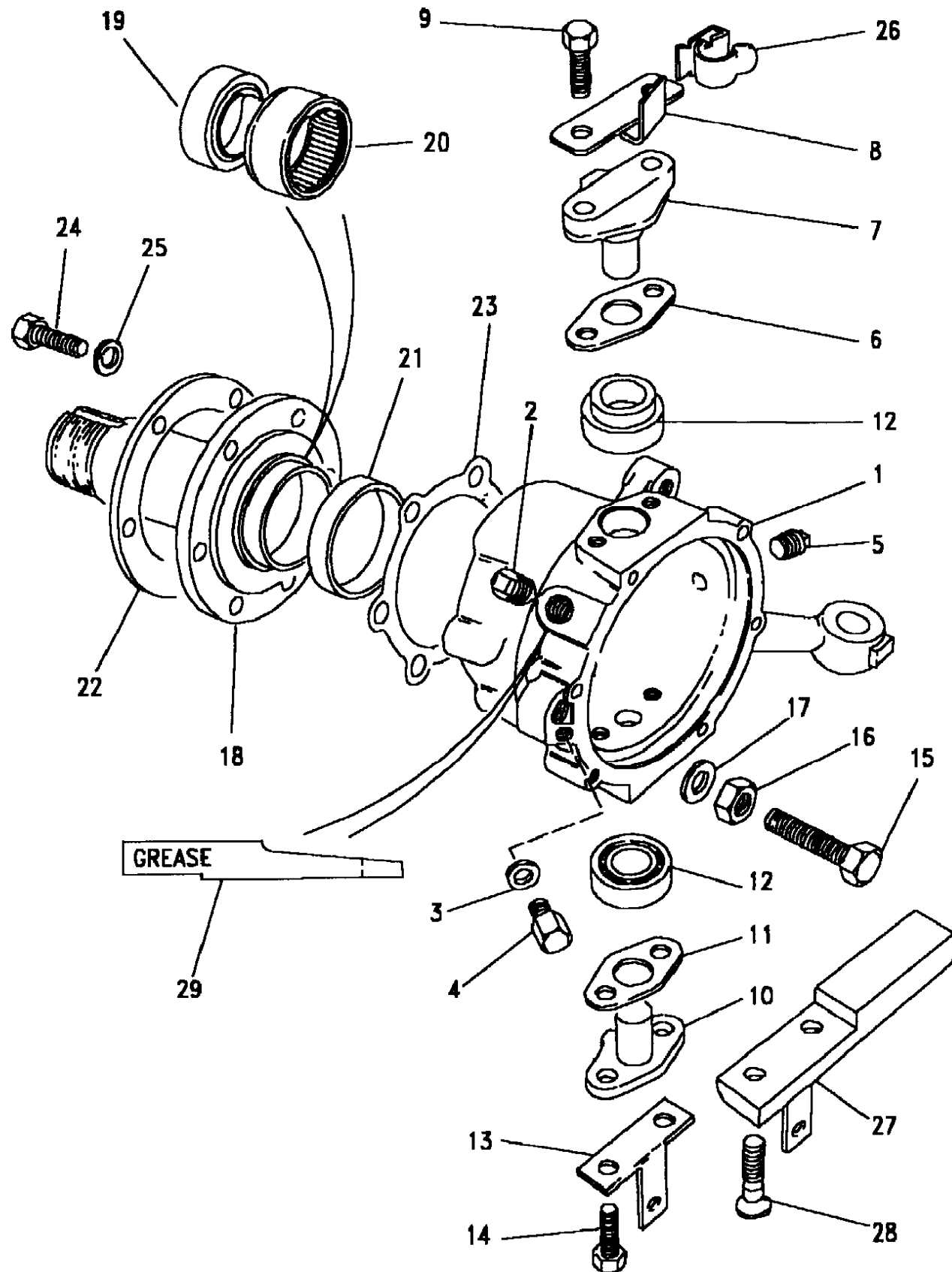
Range Rover (From JA610294)

(BDEXCK1A)

Range Rover (From JA610294)

Less Anti-Lock Braking System

Callout	Name	Application	Remarks & Restrictions	Service No.	Qty
18	Axle-stub-hub front suspension	Change point - Axle begin 57L00463A, Change point - Axle end 57L99999A Change point - Axle begin 57L00463A, Change point - Axle end 57L99999A	Comes With Seal, Bearing And Thrust Ring, Also serviced as part of a kit	FTC3183	2
19	Seal-stub axle	Change point - VIN end JA624516 Change point - Axle begin 57L00463A, Change point - Axle end 57L99999A Change point - Axle begin 57L00463A, Change point - Axle end 57L99999A	Also serviced as part of a kit, Outer Comes With Seal, Bearing And Thrust Ring, Also serviced as part of a kit Comes With Seal, Bearing And Thrust Ring, Also serviced as part of a kit, Inner	FTC3154 FTC840 FTC3145 FTC5268	1 2 2 2
20	Bearing-front/rear axle hub	Change point - VIN end JA624516 Change point - Axle begin 57L00463A, Change point - Axle end 57L99999A	swivel pin housing, Also serviced as part of a kit Comes With Seal, Bearing And Thrust Ring, swivel pin housing, Also serviced as part of a kit	FTC861 FTC861	2 1
21	Washer-front hub thrust	Change point - VIN end JA624516 Change point - Axle begin 57L00463A, Change point - Axle end 57L99999A	Also serviced as part of a kit Comes With Seal, Bearing And Thrust Ring, Also serviced as part of a kit	FTC56 FTC56	2 1
23	Gasket-stub axle		Asbestos Free	FRC3205 FTC3648	2 2
24	Screw-hexagon socket		M10 x 25	SX110251	12
25	Washer		M10	WL110001L	12
26	Clip-cable			NTC6994	2
27	Damper-swivel pin		RH LH	FTC1620 FTC1621	1 1
28	Screw-torx-countersunk			FTC1623	4
29	Grease		Can Be Used Instead Of Oil In Swivel Pin Housing, 375cc, one shot	STC3435	1
[900]	Plate-front & rear stub axle locking			FRC2310	2
[901]	Washer	Change point - VIN begin JA624517	M8, sprung	WL108001L	4

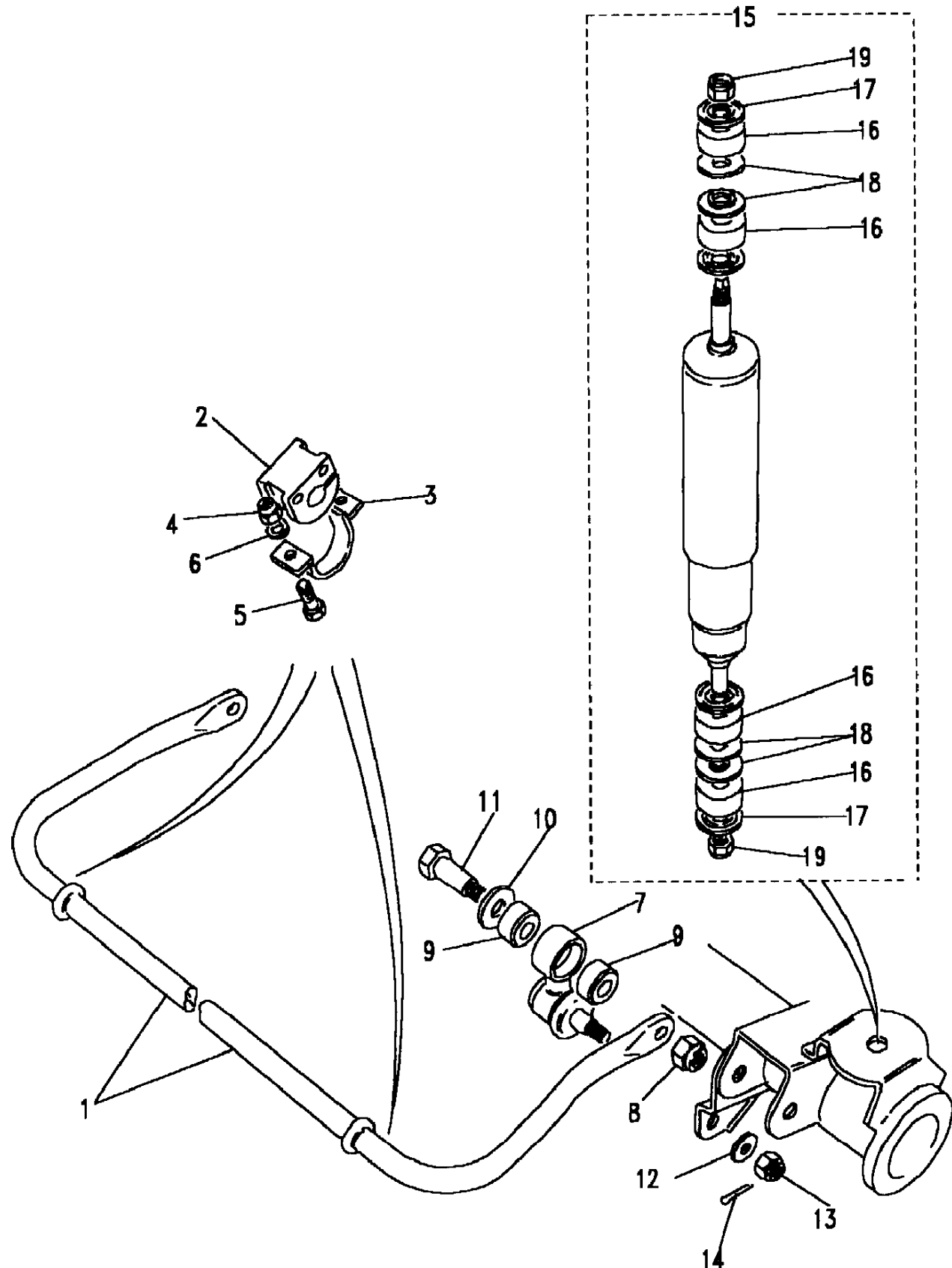


Range Rover (From JA610294)

(BDEXIE1A)

Range Rover (From JA610294)

Callout	Name	Application	Remarks & Restrictions	Service No.	Qty
1	Bar-anti-roll front suspension	Less Air Suspension With Air Suspension		NTC6836 NTC6837	1 1
2	Bush-anti-roll bar		Front	NTC6828	2
3	Bracket-clamp roll bar mounting			NTC6776	2
4	Nut - Hex.		M10, hexagonal head, nyloc	NY110041L	4
5	Screw		hexagonal head, M10 x 35	SH110351L	4
6	Washer		M10	WA110061L	4
7	Joint-ball-lower arm front/rear suspension			NTC1888	2
8	Nut - Hex.		M16	NV116041L	2
9	Bush-lower arm front/rear suspension			552819	4
10	Washer			264024	2
11	Pin			NTC8202	2
12	Washer-Plain		M12 x 28	WC112081L	2
13	Nut-castle		M12	NC112041	2
15	Damper assembly front	Change point - VIN end KA638829, Less Air Suspension Change point - VIN begin KA638830, Change point - VIN end MA666163, Less Air Suspension Change point - VIN begin MA660164, Less Air Suspension	Also serviced as part of a kit Also serviced as part of a kit Also serviced as part of a kit	STC207 STC241 STC2829	2 2 2
16	Bush-damper mounting	Change point - VIN end KA638829, Less Air Suspension Change point - VIN begin KA638830, Change point - VIN end MA666163, Less Air Suspension Change point - VIN begin MA660164, Less Air Suspension	Also serviced as part of a kit, Lower Also serviced as part of a kit, Lower Also serviced as part of a kit, Lower	552818 552818 552818	8 8 8
17	Washer	Change point - VIN end KA638829, Less Air Suspension Change point - VIN begin KA638830, Change point - VIN end MA666163, Less Air Suspension	Also serviced as part of a kit Also serviced as part of a kit	500746 500746	8 8

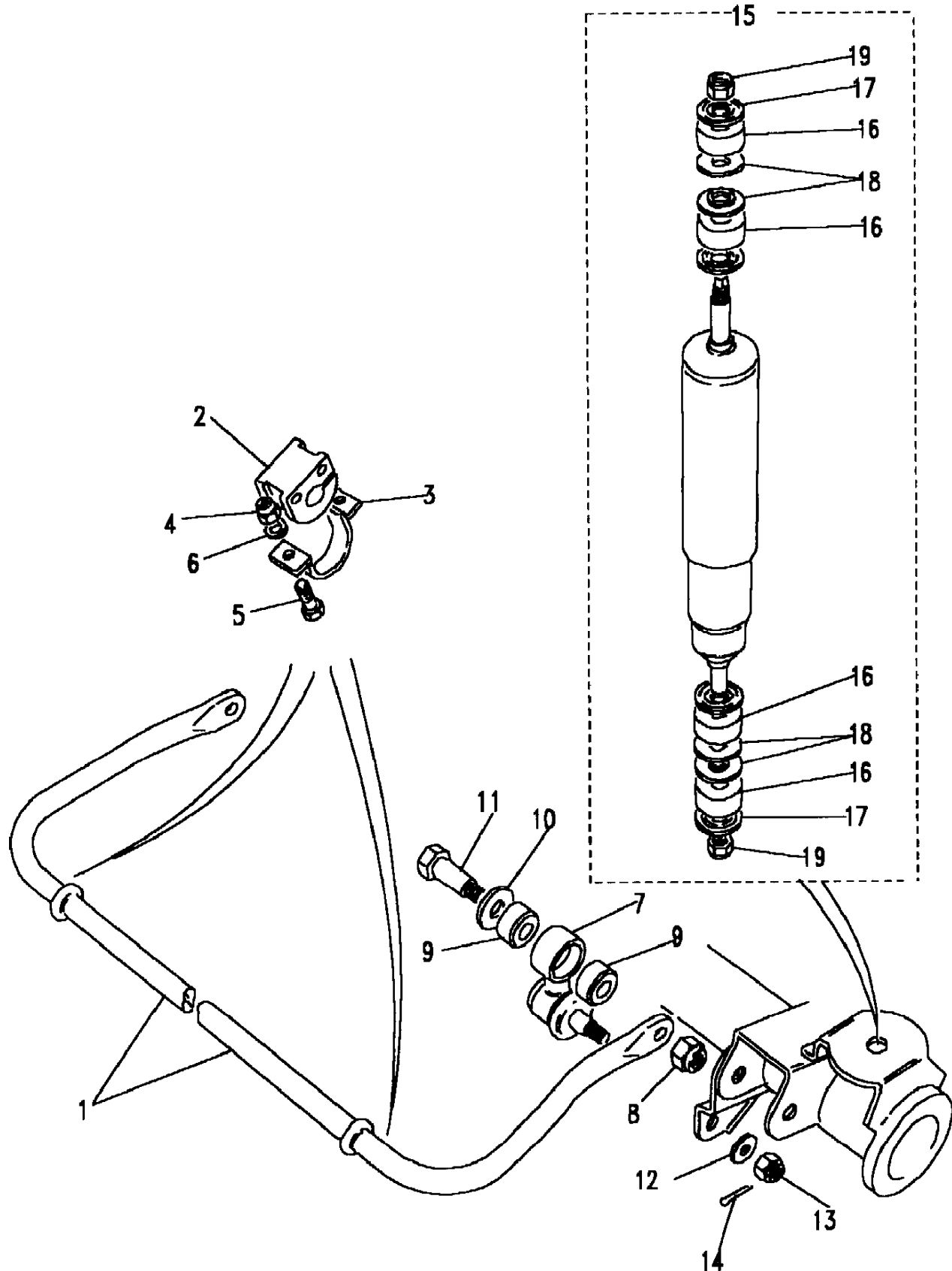


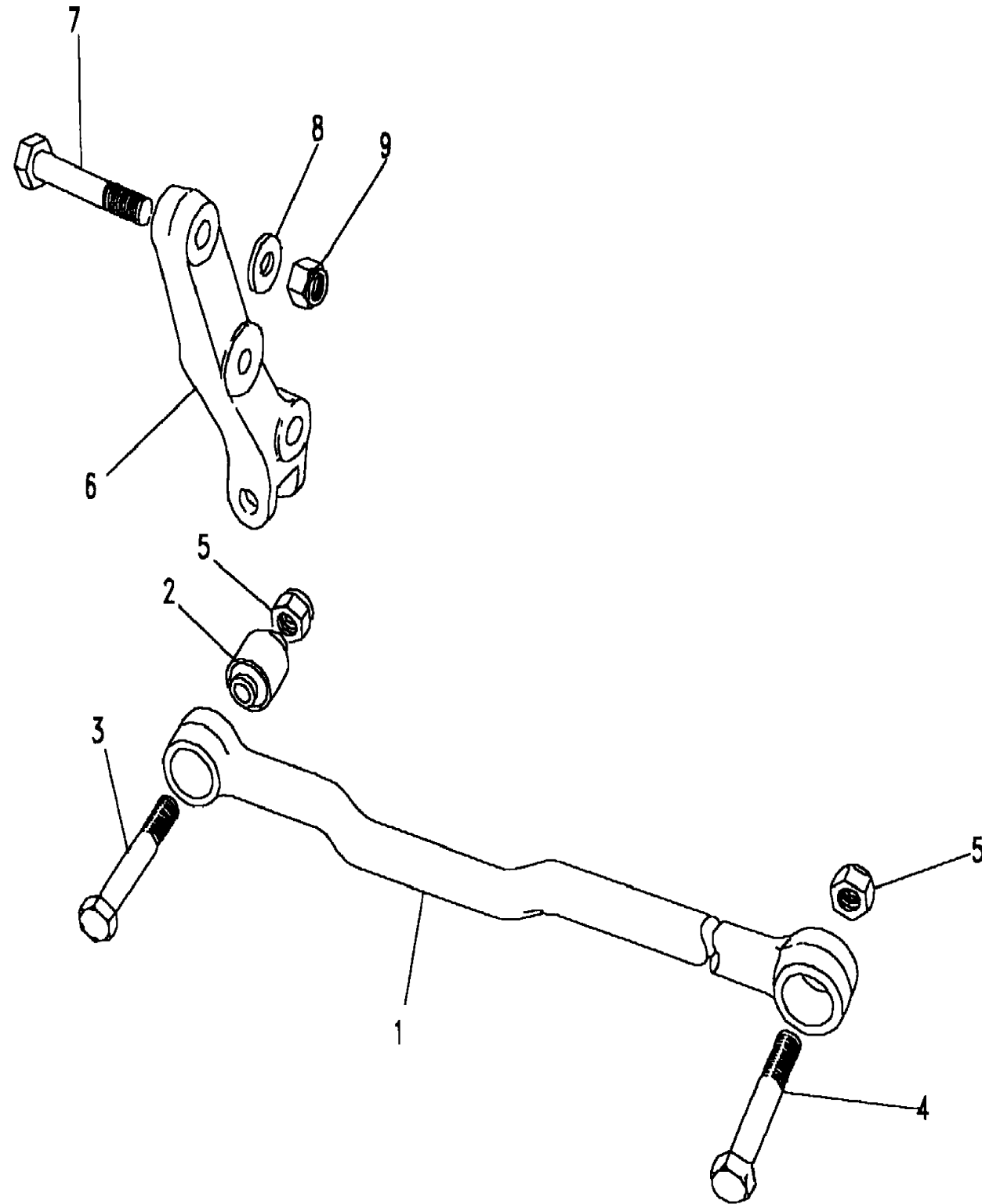
Range Rover (From JA610294)

(BDEXIE1A)

Range Rover (From JA610294)

Callout	Name	Application	Remarks & Restrictions	Service No.	Qty
17	Washer	Change point - VIN begin MA660164, Less Air Suspension	Also serviced as part of a kit	500746	8
18	Washer	Change point - VIN begin MA660164, Less Air Suspension Change point - VIN end KA638829, Less Air Suspension	Also serviced as part of a kit	NRC4365	8
		Change point - VIN begin KA638830, Change point - VIN end MA666163, Less Air Suspension	Also serviced as part of a kit	NRC4365	8
19	Nut - Hex.	Change point - VIN begin MA660164, Less Air Suspension Change point - VIN end KA638829, Less Air Suspension	Also serviced as part of a kit, M12, Hexagonal	NTC4571	4
		Change point - VIN begin KA638830, Change point - VIN end MA666163, Less Air Suspension	Also serviced as part of a kit, M12, Hexagonal	NTC4571	4
[900]	Kit-sports front/rear suspension	With Petrol Engines With Diesel Engines, RHD With Diesel Engines, LHD		STC8046 STC8046 STC8047	1 1 1





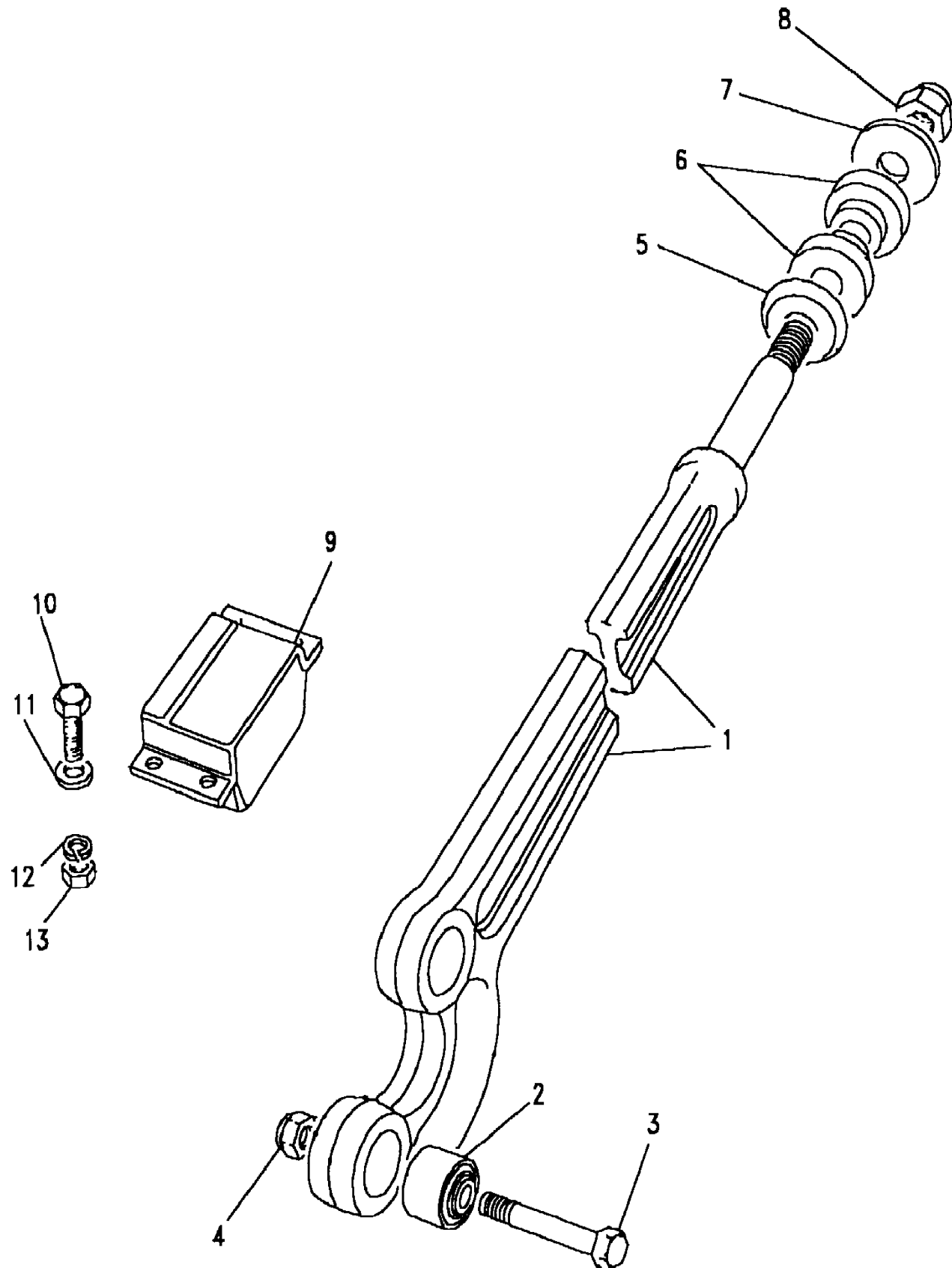
Callout	Name	Application	Remarks & Restrictions	Service No.	Qty
1	Rod-front suspension panhard		Also serviced as part of a kit	NRC9729	1
2	Rod-front suspension panhard	Change point - VIN begin MA648605	Also serviced as part of a kit	ANR3410	2
3	Bolt		M14 X 80MM M14 X 80MM	BH114161 BH114167	X 1
4	Bolt		M14 x 75	BH114151	1
5	Nut-hexagonal			NY114041L	2
6	Arm-radius front suspension	Change point - VIN end JA620956, RHD Change point - VIN begin JA620957, RHD Change point - VIN end JA620816, LHD Change point - VIN begin JA620817, LHD		NRC5764 NTC9462 NRC5765 NTC9461	1 1 1 1
7	Bolt		1/2UNF x 6 1/2	253952	2
8	Washer-Plain		M12 x 28	WC112081L	2
9	Nut - Hex.		nyloc, Hexagonal, 1/2UNF	NY608041L	2

Range Rover (From JA610294)

(BDEXIA2A)

Range Rover (From JA610294)

Callout	Name	Application	Remarks & Restrictions	Service No.	Qty
1	Arm assembly-radius front suspension	Change point - VIN begin JA610294, Less Roll Bar, Less Air Suspension	Also serviced as part of a kit	NTC2694	2
		Change point - VIN begin JA610294, With Roll Bar, Less Air Suspension	Also serviced as part of a kit	NTC7331	2
		Change point - VIN end LA645532, With Air Suspension	Also serviced as part of a kit	NTC9830	2
		Change point - VIN begin LA645533, With Air Suspension	Also serviced as part of a kit	ANR3480	2
2	Bush	Change point - VIN begin JA610294, Less Roll Bar, Less Air Suspension	Also serviced as part of a kit	NTC6860	4
		Change point - VIN begin JA610294, With Roll Bar, Less Air Suspension	Also serviced as part of a kit	NTC6781	4
		Change point - VIN begin JA610294, With Roll Bar, Less Air Suspension	Also serviced as part of a kit	NTC6860	4
		Change point - VIN end LA645532, With Air Suspension	front suspension radius arm to axle, Also serviced as part of a kit	NTC6781	4
		Change point - VIN begin LA645533, With Air Suspension	front suspension radius arm to axle, Also serviced as part of a kit	NTC6860	4
3	Bolt		Long	BX116221	2
4	Nut - Hex.		M16, nyloc, Hexagonal	NY116051L	4
5	Washer-cup			NRC4515	2
6	Bush			NRC4514	4
7	Washer-Plain			NRC4516	2
8	Nut-hexagonal-nyloc		M20	NY120041L	2
9	Stop-front suspension rebound	Change point - VIN end MA656125, 2 Door Station Wagon, With Petrol Engines		NTC6085	2
		Change point - VIN end MA656125, 4 Door Station Wagon, With Petrol Engines		575707	2
		Change point - VIN end MA656125, With Diesel Engines		575707	2
		Change point - VIN begin MA656126, With Petrol Engines		ANR2420	2
		Change point - VIN begin MA656126, With Diesel Engines		ANR2420	1
10	Screw		hexagonal head, 5/16UNF x 3/4	SH605061L	4

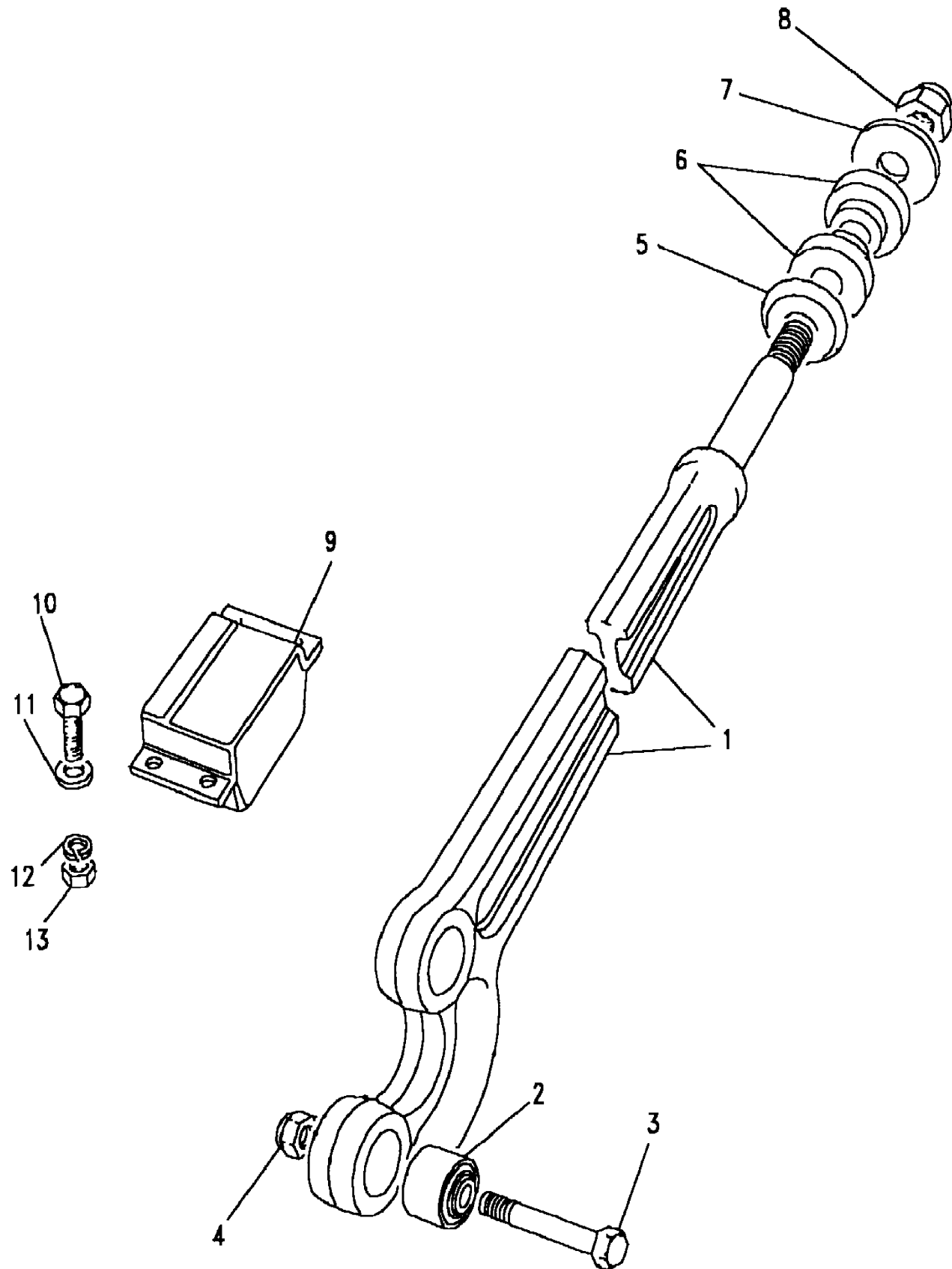


Range Rover (From JA610294)

(BDEXIA2A)

Range Rover (From JA610294)

Callout	Name	Application	Remarks & Restrictions	Service No.	Qty
11	Washer-Plain			3830L	4
12	Washer-Spring		1/4 dia, Square	WM600041L	4
13	Nut - Hex.		hexagonal head, 5/16UNF	NH605041L	4
[900]	Bolt		M16, 100MM, high tensile	BX116201L	2

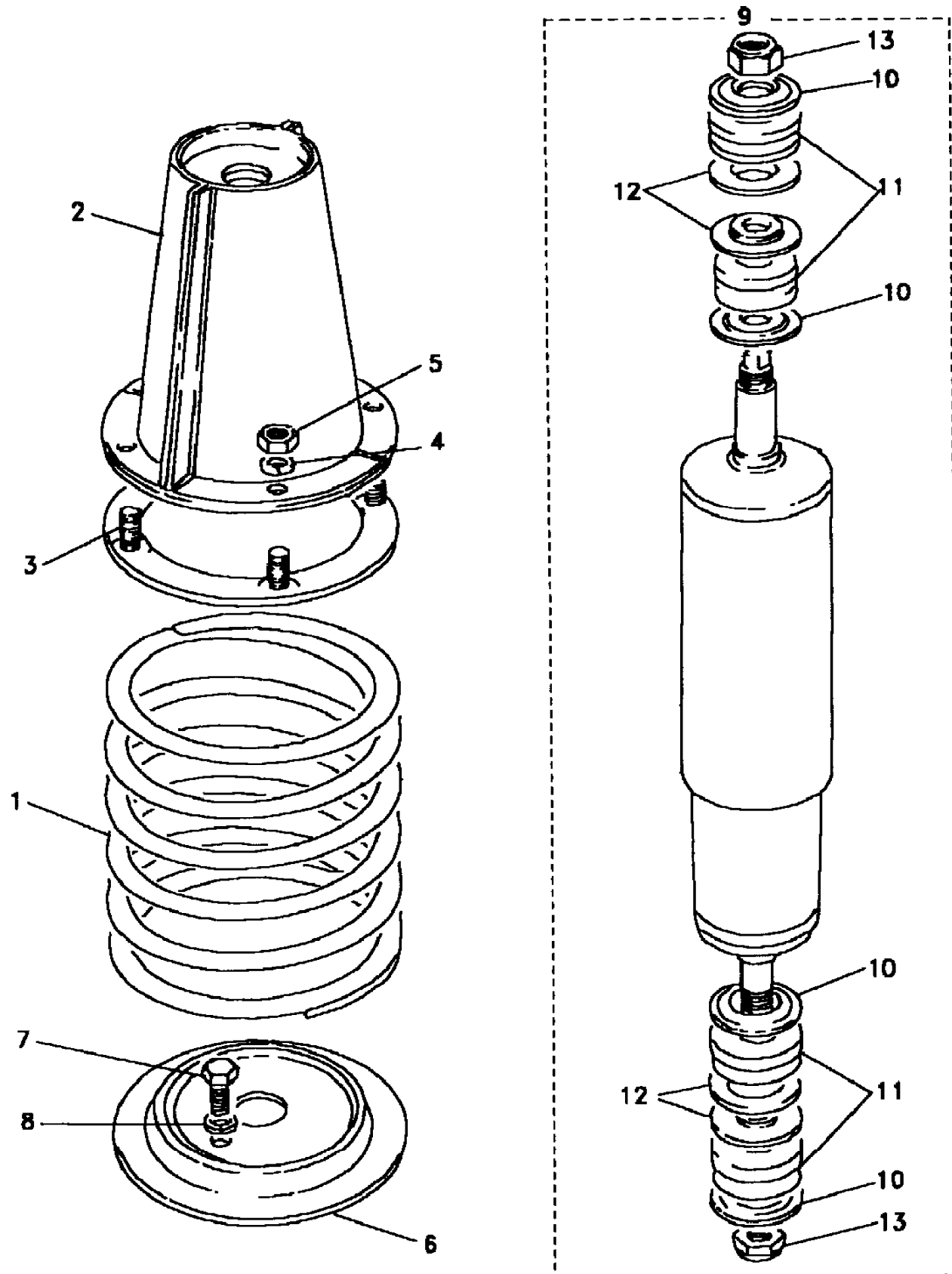


Range Rover (From JA610294)

(BDEXIC1A)

Range Rover (From JA610294)

Callout	Name	Application	Remarks & Restrictions	Service No.	Qty
1	Spring-road-coil	With Petrol Engines, RHD	Front, Blue Stripe	572315	2
		With Petrol Engines, LHD	Front, Blue Stripe, Passenger	572315	1
		With Petrol Engines, LHD	Front, Driver, Blue/White Stripe	NRC4306	1
		With Diesel Engines, RHD	Front, Blue/Green/Yellow Stripe	NTC8477	2
		With Diesel Engines, LHD	Front, Passenger, Blue/Green/Yellow Stripe	NTC8477	1
2	Bracket-front spring mounting		Upper	NRC6372	2
3	Ring-retention			572087	2
4	Washer-Spring		5/16"	WM600051L	8
5	Nut - Hex.		hexagonal head, 5/16UNF	NH605041L	8
6	Seat-suspension spring lower			NRC9700	2
7	Screw		hexagonal head, M10 x 25	SH110251L	4
8	Washer		3/8", Square	WM600061L	4
9	Damper assembly front	Change point - VIN end MA660163	Also serviced as part of a kit	STC241	2
		Change point - VIN begin MA660164, Less Air Suspension	Also serviced as part of a kit	STC2829	2
10	Washer	Change point - VIN begin MA660164, Less Air Suspension	Also serviced as part of a kit	500746	8
11	Bush-damper mounting	Change point - VIN begin MA660164, Less Air Suspension	Also serviced as part of a kit, Lower	552818	8
12	Washer	Change point - VIN begin MA660164, Less Air Suspension	Also serviced as part of a kit	NRC6235	8
13	Nut - Hex.	Change point - VIN begin MA660164, Less Air Suspension	Also serviced as part of a kit, M12, Hexagonal	NTC4571	4



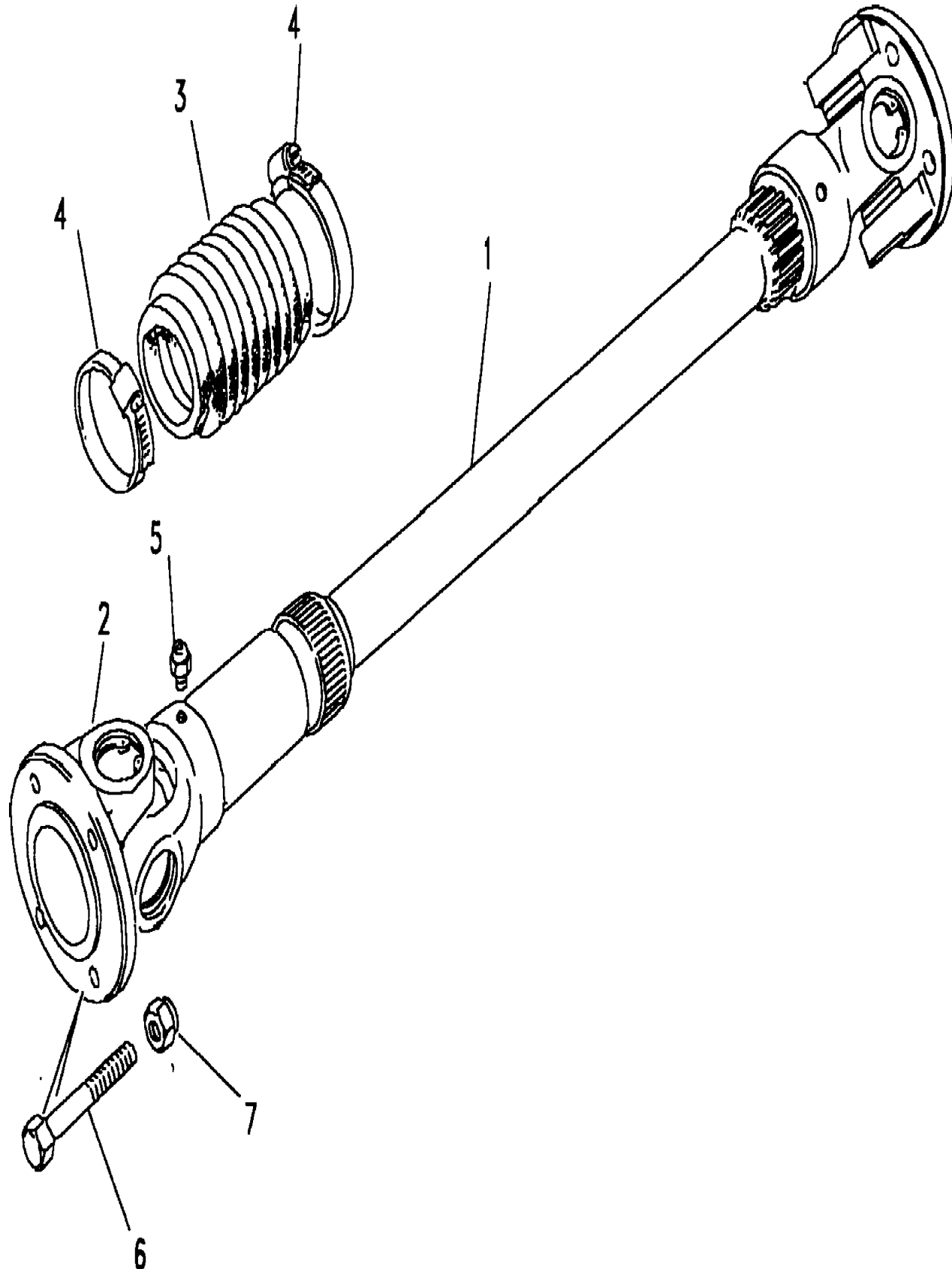


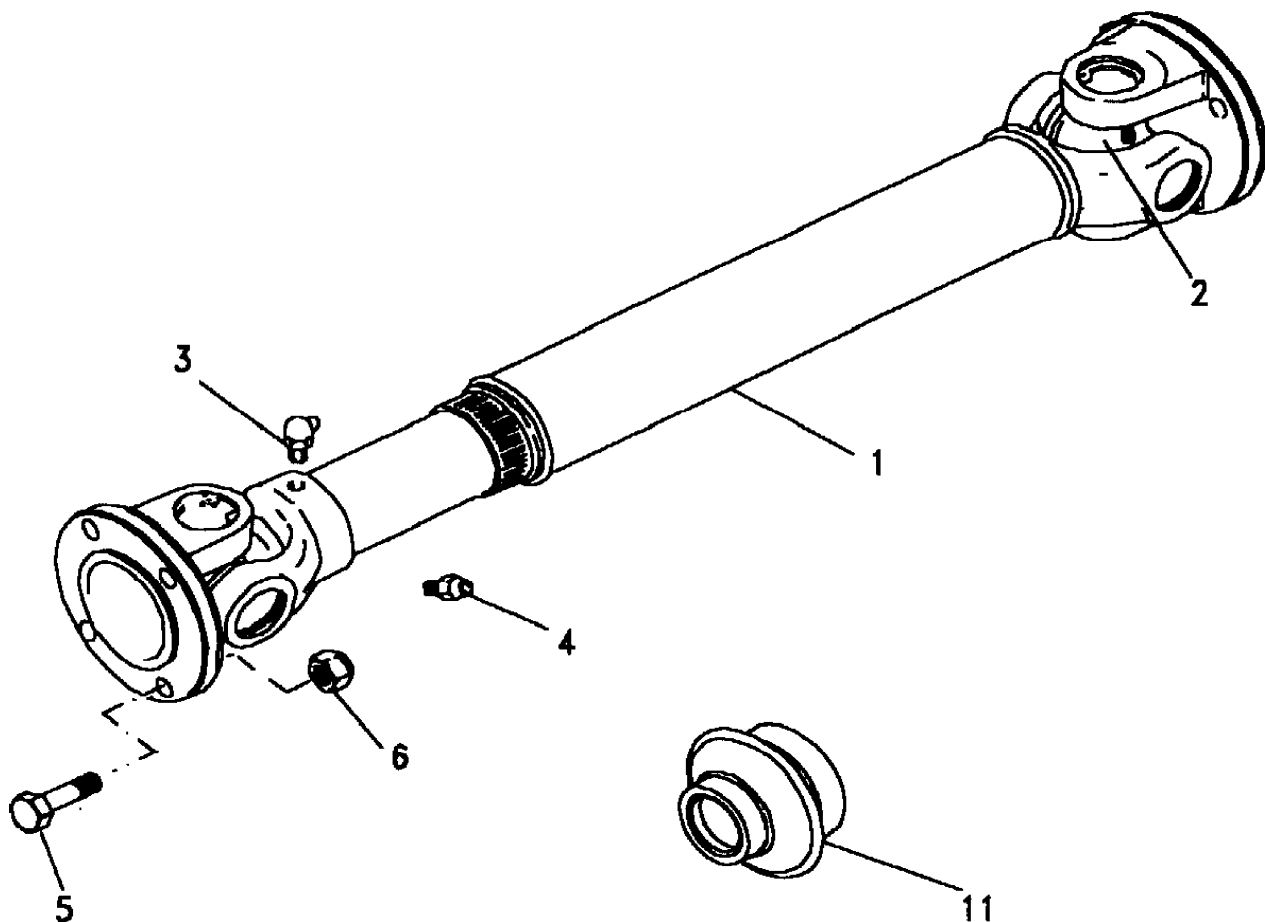
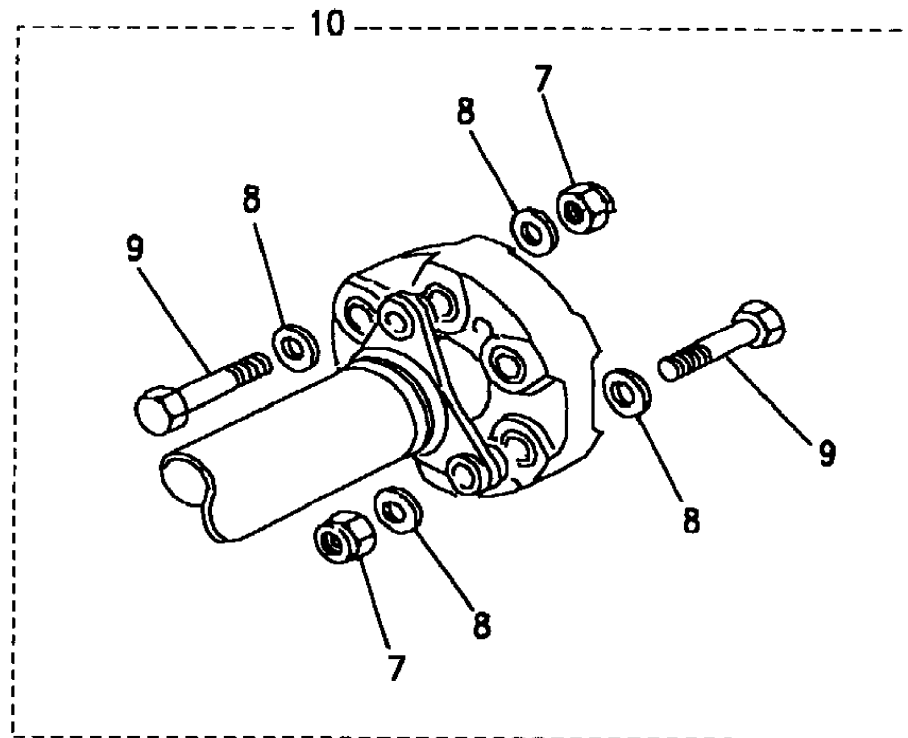
Range Rover (From JA610294)

(BDEXAA1A)

Range Rover (From JA610294)

Callout	Name	Application	Remarks & Restrictions	Service No.	Qty
1	Propellor shaft	Change point - VIN begin JA610294, With Petrol Engines, With Catalyst	Also serviced as part of a kit, Front	FRC9542	1
		Change point - VIN begin JA610294, With Diesel Engines, Less Catalyst	Also serviced as part of a kit, Front	FTC122	1
2	Joint-propshaft universal	Change point - VIN end MA647644, With Petrol Engines, With Catalyst	Also serviced as part of a kit	RTC4587	2
		Change point - VIN end MA647644, With Diesel Engines, Less Catalyst	Also serviced as part of a kit	RTC4587	2
3	Gaiter-propshaft sliding joint	Change point - VIN begin JA610294, With Petrol Engines, With Catalyst	Also serviced as part of a kit	276483	1
		Change point - VIN begin JA610294, With Diesel Engines, Less Catalyst	Also serviced as part of a kit	276483	1
4	Clip-Hose	Change point - VIN begin JA610294, With Petrol Engines, With Catalyst	Also serviced as part of a kit, 50MM, less spring assist	CN100508L	2
		Change point - VIN begin JA610294, With Diesel Engines, Less Catalyst	Also serviced as part of a kit, 50MM, less spring assist	CN100508L	2
5	Nipple-grease	Change point - VIN begin JA610294, With Petrol Engines, With Catalyst	Also serviced as part of a kit, UNF	549229	1
6	Bolt		3/8, UNF	509045P	4
7	Nut - Hex.		3/8, UNF	NZ606041L	8





Callout	Name	Application	Remarks & Restrictions	Service No.	Qty
1	Propellor shaft	Change point - VIN end MA647644, 100"	Also serviced as part of a kit, Rear	FRC8387	1
		Change point - VIN begin MA647645, 100"	Also serviced as part of a kit, Rear	FTC3705	1
		Change point - VIN end MA647644, 108" (2743mm) Wheelbase	Also serviced as part of a kit, Rear	FRC8389	1
		Change point - VIN begin MA647645, 108" (2743mm) Wheelbase	Also serviced as part of a kit, Rear	FTC3910	1
2	Joint-propshaft universal	Change point - VIN end MA647644, 100"	Also serviced as part of a kit	RTC4587	2
		Change point - VIN end MA647644, 108" (2743mm) Wheelbase	Also serviced as part of a kit	RTC3458	2
		Change point - VIN begin MA647645, 108" (2743mm) Wheelbase	Also serviced as part of a kit	RTC3458	2
3	Nipple-grease	Change point - VIN begin JA610294, 100"	Also serviced as part of a kit	234532	1
4	Nipple-grease	Change point - VIN begin JA610294, 108" (2743mm) Wheelbase	Also serviced as part of a kit, UNF	549229	2
5	Bolt		3/8, UNF	509045P	8
6	Nut - Hex.		3/8, UNF	NZ606041L	8
7	Nut - Hex.	Change point - VIN begin MA647645	Also serviced as part of a kit, M12	NV112041L	1
8	Washer-Plain	Change point - VIN begin MA647645	Also serviced as part of a kit, 12MM	FTC4044	6
9	Bolt	Change point - VIN begin MA647645	Also serviced as part of a kit, M12 x 65	FTC4043	3
10	Kit-propshaft coupling	Change point - VIN begin MA647645	Also serviced as part of a kit	STC2794	3
11	Gaiter-propshaft sliding joint	Change point - VIN begin MA647645		STC2955	1
[901]	Nipple-grease	100"	Also serviced as part of a kit, UNF	TYL100030	1
		100"	UNF	TYL100030	X
[904]	Joint-propshaft universal	100"	Also serviced as part of a kit	549229	1
		100"	Also serviced as part of a kit	242522	1
[905]	Propellor shaft		Also serviced as part of a kit	242522	1
[906]	Bush	Change point - VIN begin MA647645	Also serviced as part of a kit	STC2932	X

Axles & Suspension

Range Rover (From JA610294)

Rear Axle

Axle Assembly Rear 1/2

(BDEXEA1A)

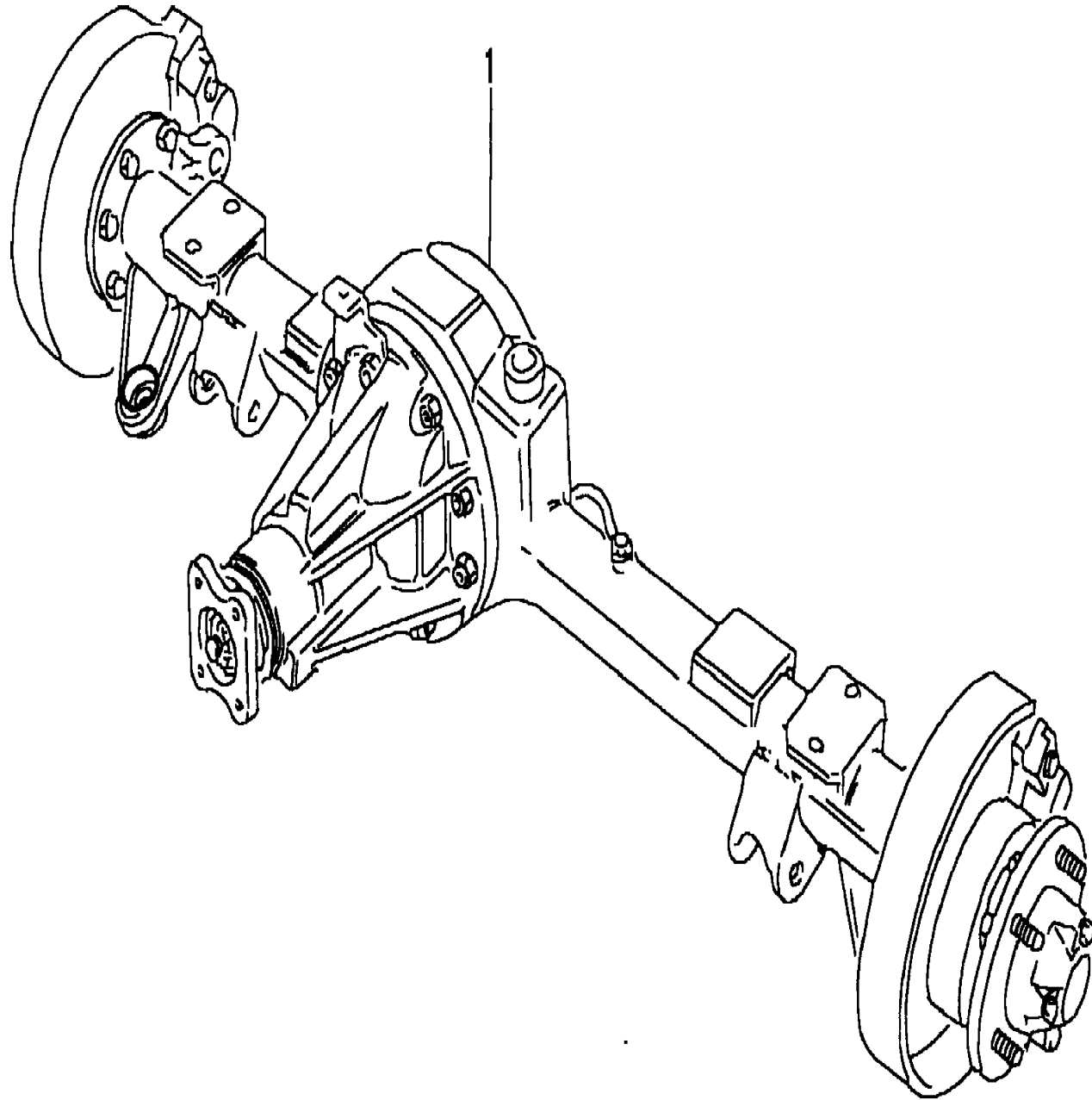
Range Rover (From JA610294)

Axles & Suspension

Rear Axle

Axle Assembly Rear

Callout	Name	Application	Remarks & Restrictions	Service No.	Qty
1	Axle/drive unit-4x4 rear	Change point - VIN end JA624754, Less Police, Less Air Suspension, Less Anti-Lock Braking System		FTC1936	1
		Change point - VIN begin KA624756, Less Police, Less Air Suspension, Less Anti-Lock Braking System		FTC3294	1
		Change point - VIN begin MA647645, Less Police, Less Air Suspension, Less Anti-Lock Braking System		FTC4024	1
		Change point - VIN end LA647644, Less Police, Less Air Suspension, All Wheel Anti-Lock Braking System		FTC1930	1
		Change point - VIN begin MA647645, Less Police, Less Air Suspension, All Wheel Anti-Lock Braking System		FTC4025	1
		Change point - VIN begin MA647645, Less Police, Less Air Suspension, All Wheel Anti-Lock Braking System		STC3436	1
		Change point - VIN end LA647644, Less Police, With Air Suspension, Less Anti-Lock Braking System		FTC3094	1
		Change point - VIN begin MA647645, Less Police, With Air Suspension, Less Anti-Lock Braking System		FTC4024	1
		Change point - VIN end LA647644, Less Police, With Air Suspension, All Wheel Anti-Lock Braking System		FTC3126	1
		Change point - VIN begin MA647645, Less Police, With Air Suspension, All Wheel Anti-Lock Braking System		FTC4025	1
		Change point - VIN begin MA647645, Less Police, With Air Suspension, All Wheel Anti-Lock Braking System		STC3436	1
		Change point - VIN end JA624754, With Police Vehicle, Less Anti-Lock Braking System		FTC1937	1
		Change point - VIN begin KA624756, With Police Vehicle, Less Anti-Lock Braking System		FTC3095	1
		Change point - VIN end JA624754, With Police Vehicle, All Wheel Anti-Lock Braking System		FTC1931	1



Axles & Suspension

Rear Axle

Axle Assembly Rear 2/2

Range Rover (From JA610294)

(BDEXEA1A)

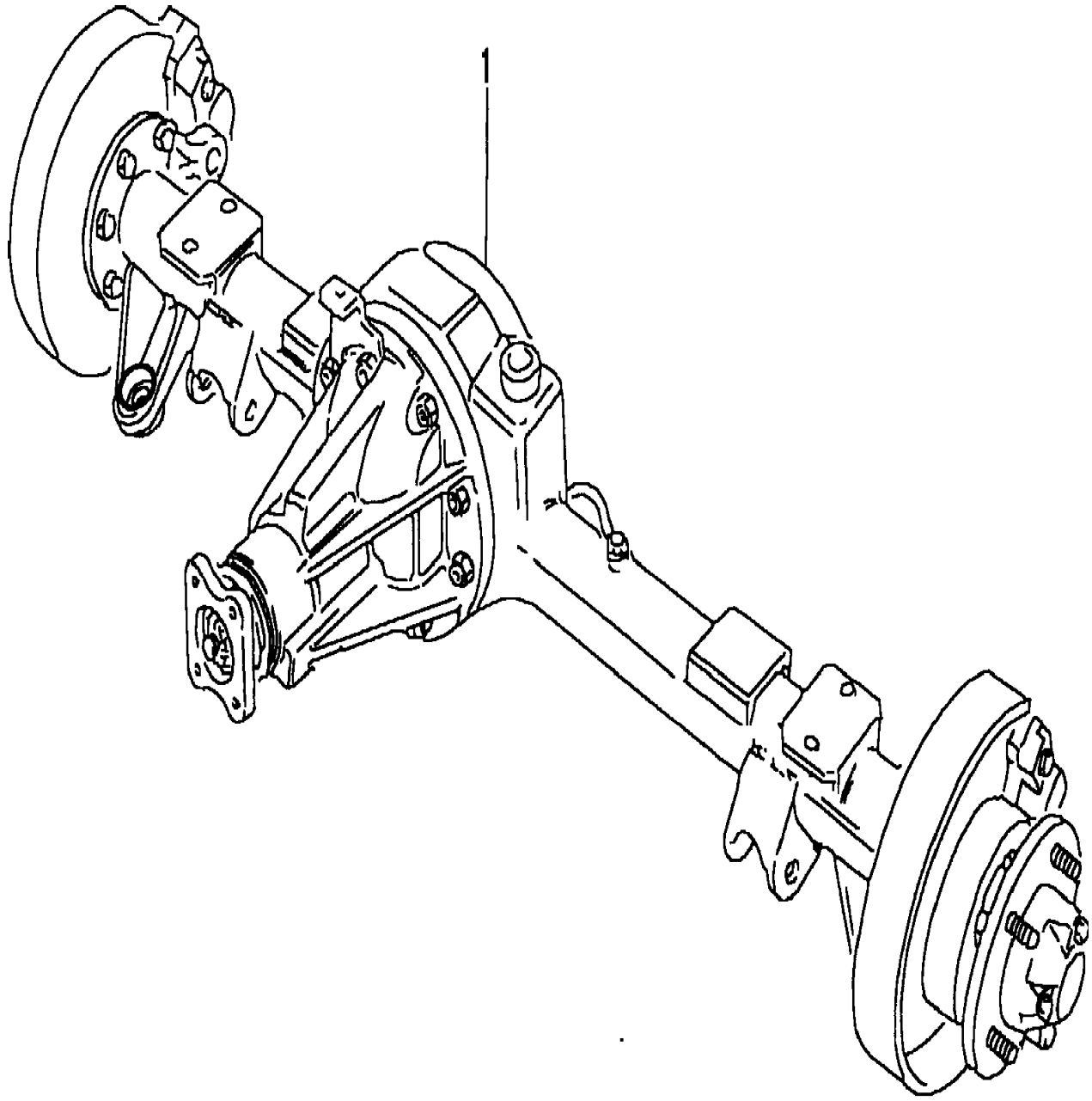
Axles & Suspension

Rear Axle

Axle Assembly Rear

Range Rover (From JA610294)

Callout	Name	Application	Remarks & Restrictions	Service No.	Qty
1	Axle/drive unit-4x4 rear	Change point - VIN begin KA624756, With Police Vehicle, All Wheel Anti-Lock Braking System		FTC3127	1

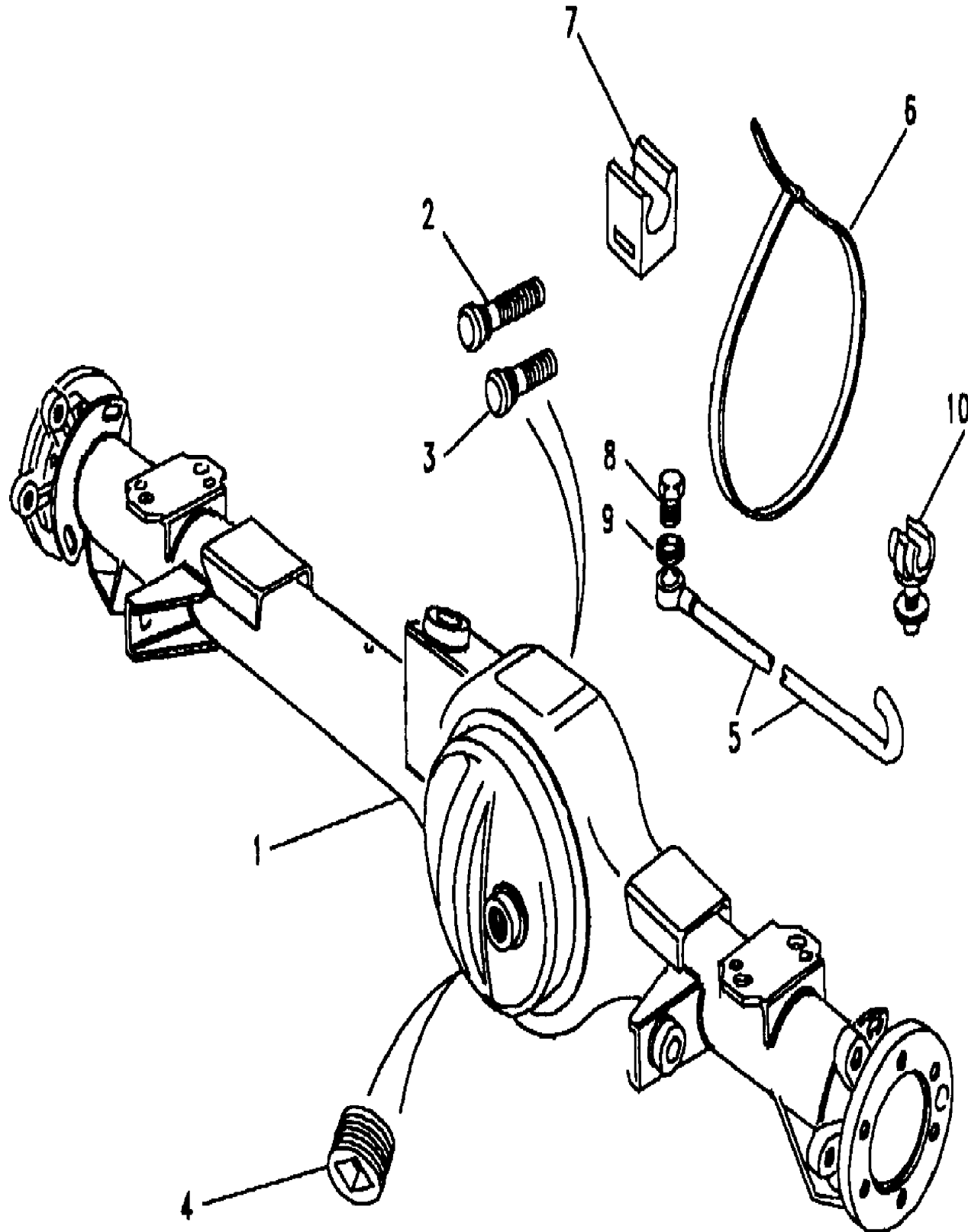


Range Rover (From JA610294)

(BDEXEC1A)

Range Rover (From JA610294)

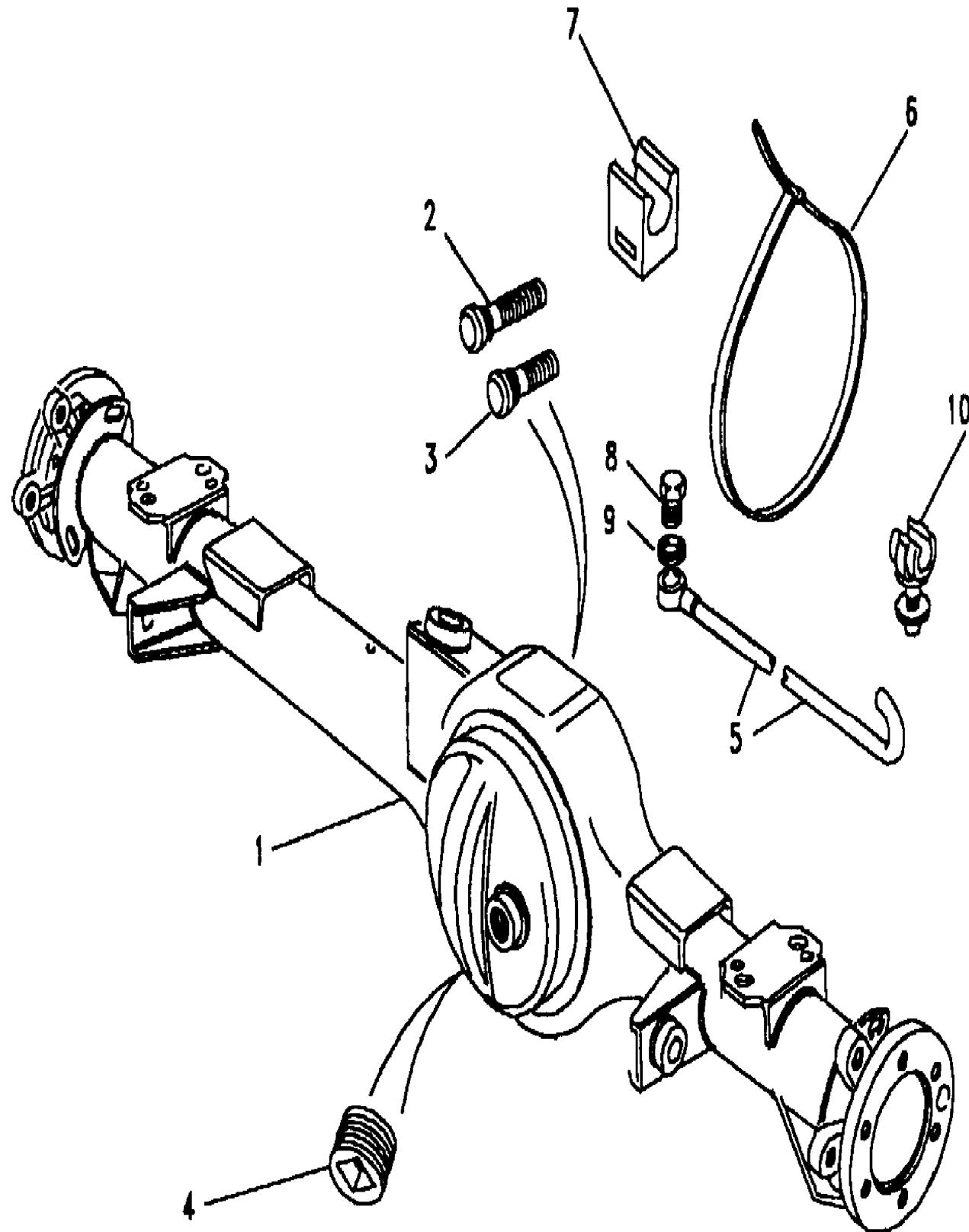
Callout	Name	Application	Remarks & Restrictions	Service No.	Qty
1	Case-rear axle	Change point - Axle begin 34S00001C, Change point - Axle end 34S16921C, Less Air Suspension, Less Anti-Lock Braking System	Also serviced as part of a kit	FTC2268	1
		Change point - Axle begin 34S00001C, Change point - Axle end 34S16921C, Less Air Suspension, Less Anti-Lock Braking System	Also serviced as part of a kit	FTC2269	1
		Change point - Axle begin 34S16922C, Change point - Axle end 34S99999C, Less Air Suspension, Less Anti-Lock Braking System	Also serviced as part of a kit	FTC3434	1
		Change point - VIN begin MA647645, Less Air Suspension, Less Anti-Lock Braking System	Also serviced as part of a kit	FTC3436	1
		Change point - VIN begin MA647645, Less Air Suspension, Less Anti-Lock Braking System	NO LONGER AVAILABLE	FTC3437	1
		Change point - Axle begin 35S00001C, Change point - Axle end 35S18188C, Less Air Suspension, All Wheel Anti-Lock Braking System	Also serviced as part of a kit	FTC2269	1
		Change point - Axle begin 35S18189C, Change point - Axle end 35S99999C, Less Air Suspension, All Wheel Anti-Lock Braking System	Also serviced as part of a kit	FTC3435	1
		Change point - VIN begin MA647645, Less Air Suspension, All Wheel Anti-Lock Braking System	NO LONGER AVAILABLE	FTC3437	1
		Change point - Axle begin 36S00001B, Change point - Axle end 36S00594B, With Air Suspension, Less Anti-Lock Braking System	Also serviced as part of a kit	FTC3128	1
		Change point - Axle begin 36S00001B, Change point - Axle end 36S00594B, With Air Suspension, Less Anti-Lock Braking System	Also serviced as part of a kit	STC3280	1
		Change point - Axle begin 36S00595B, Change point - Axle end 36S99999B, With Air Suspension, Less Anti-Lock Braking System	Also serviced as part of a kit	FTC3436	1
		Change point - Axle begin 36S00595B, Change point - Axle end 36S99999B, With Air Suspension, Less Anti-Lock Braking System	NO LONGER AVAILABLE	FTC3437	1
		Change point - Axle begin 37S00001B, Change point - Axle end 37S08650B, With Air Suspension, All Wheel Anti-Lock Braking System	Also serviced as part of a kit	FTC2269	1



Range Rover (From JA610294)

(BDEXEC1A)

Range Rover (From JA610294)



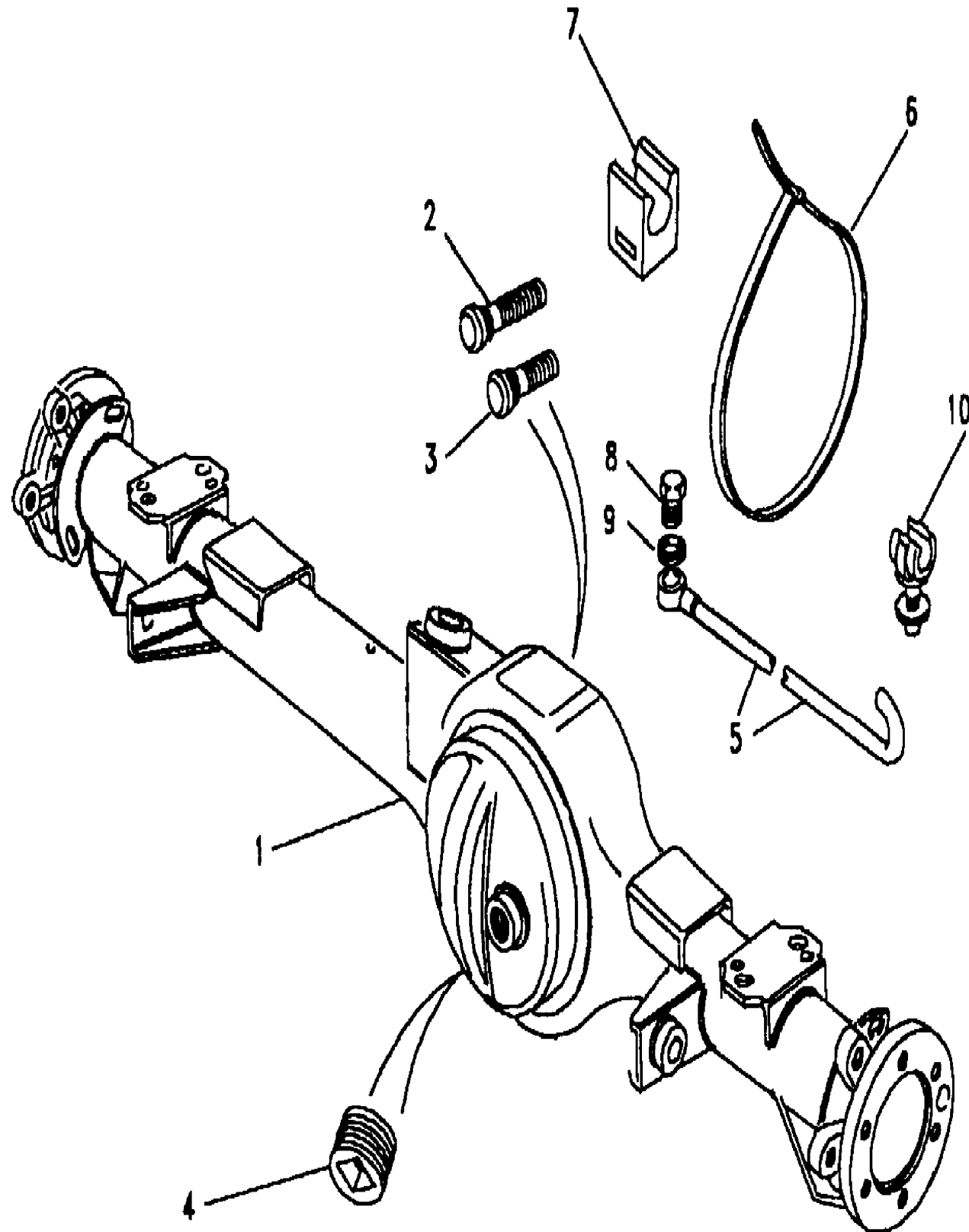
Callout	Name	Application	Remarks & Restrictions	Service No.	Qty
1	Case-rear axle	Change point - Axle begin 37S08651B, Change point - Axle end 37S99999B, With Air Suspension, All Wheel Anti-Lock Braking System	NO LONGER AVAILABLE	FTC3437	1
2	Stud	Change point - Axle begin 34S00001C, Change point - Axle end 34S16921C, Less Air Suspension, Less Anti-Lock Braking System	Also serviced as part of a kit, 3/8UNF x 1 3/4	561196	6
		Change point - Axle begin 34S16922C, Change point - Axle end 34S99999C, Less Air Suspension, Less Anti-Lock Braking System	Also serviced as part of a kit, 3/8UNF x 1 3/4	561196	6
		Change point - VIN begin MA647755, Change point - Axle end 34S99999C, Less Air Suspension, Less Anti-Lock Braking System	Also serviced as part of a kit, 3/8UNF x 1 3/4	561196	10
		Change point - VIN begin MA647645, Less Air Suspension, Less Anti-Lock Braking System	Also serviced as part of a kit, 3/8UNF x 1 3/4	561196	10
		Change point - Axle begin 35S00001C, Change point - Axle end 35S18188C, Less Air Suspension, All Wheel Anti-Lock Braking System	Also serviced as part of a kit, 3/8UNF x 1 3/4	561196	6
		Change point - Axle begin 35S18189C, Change point - Axle end 35S99999C, Less Air Suspension, All Wheel Anti-Lock Braking System	Also serviced as part of a kit, 3/8UNF x 1 3/4	561196	6
		Less Air Suspension, All Wheel Anti-Lock Braking System	Also serviced as part of a kit, 3/8UNF x 1 3/4	561196	10
		Change point - Axle begin 36S00001B, Change point - Axle end 36S00594B, With Air Suspension, Less Anti-Lock Braking System	Also serviced as part of a kit, 3/8UNF x 1 3/4	561196	6
		Change point - Axle begin 36S00595B, Change point - Axle end 36S99999B, With Air Suspension, Less Anti-Lock Braking System	Also serviced as part of a kit, 3/8UNF x 1 3/4	561196	10
		Change point - Axle begin 37S00001B, Change point - Axle end 37S08650B, With Air Suspension, All Wheel Anti-Lock Braking System	Also serviced as part of a kit, 3/8UNF x 1 3/4	561196	6
		Change point - Axle begin 37S08651B, Change point - Axle end 37S99999B, With Air Suspension, All Wheel Anti-Lock Braking System	Also serviced as part of a kit, 3/8UNF x 1 3/4	561196	10

Range Rover (From JA610294)

(BDEXEC1A)

Range Rover (From JA610294)

Callout	Name	Application	Remarks & Restrictions	Service No.	Qty
3	Stud	Change point - Axle begin 34S00001C, Change point - Axle end 34S16921C, Less Air Suspension, Less Anti-Lock Braking System	Also serviced as part of a kit, 3/8UNF x 1 1/4	561195	4
		Change point - Axle begin 34S16922C, Change point - VIN end MA647754, Less Air Suspension, Less Anti-Lock Braking System	Also serviced as part of a kit, 3/8UNF x 1 1/4	561195	4
		Change point - Axle begin 35S00001C, Change point - Axle end 35S18188C, Less Air Suspension, All Wheel Anti-Lock Braking System	Also serviced as part of a kit, 3/8UNF x 1 1/4	561195	4
		Change point - Axle begin 35S18189C, Change point - Axle end 35S99999C, Less Air Suspension, All Wheel Anti-Lock Braking System	Also serviced as part of a kit, 3/8UNF x 1 1/4	561195	4
		Change point - Axle begin 36S00001B, Change point - Axle end 36S00594B, With Air Suspension, Less Anti-Lock Braking System	Also serviced as part of a kit, 3/8UNF x 1 1/4	561195	4
		Change point - Axle begin 37S00001B, Change point - Axle end 37S08650B, With Air Suspension, All Wheel Anti-Lock Braking System	Also serviced as part of a kit, 3/8UNF x 1 1/4	561195	4
		Change point - Axle begin 34S00001C, Change point - Axle end 34S16921C, Less Air Suspension, Less Anti-Lock Braking System	Also serviced as part of a kit	608246	2
		Change point - Axle begin 34S16922C, Change point - Axle end 34S99999C, Less Air Suspension, Less Anti-Lock Braking System	Also serviced as part of a kit	608246	2
4	Plug-drain/filler level	Change point - VIN begin MA647645, Less Air Suspension, Less Anti-Lock Braking System	Also serviced as part of a kit	608246	2
		Change point - Axle begin 35S00001C, Change point - Axle end 35S18188C, Less Air Suspension, All Wheel Anti-Lock Braking System	Also serviced as part of a kit	608246	2
		Change point - Axle begin 35S18189C, Change point - Axle end 35S99999C, Less Air Suspension, All Wheel Anti-Lock Braking System	Also serviced as part of a kit	608246	2
		Change point - VIN begin MA647645, Less Air Suspension, All Wheel Anti-Lock Braking System	Also serviced as part of a kit	608246	2
		Change point - VIN begin MA647645, Less Air Suspension, All Wheel Anti-Lock Braking System	Also serviced as part of a kit	608246	2
		Change point - VIN begin MA647645, Less Air Suspension, All Wheel Anti-Lock Braking System	Also serviced as part of a kit	608246	2

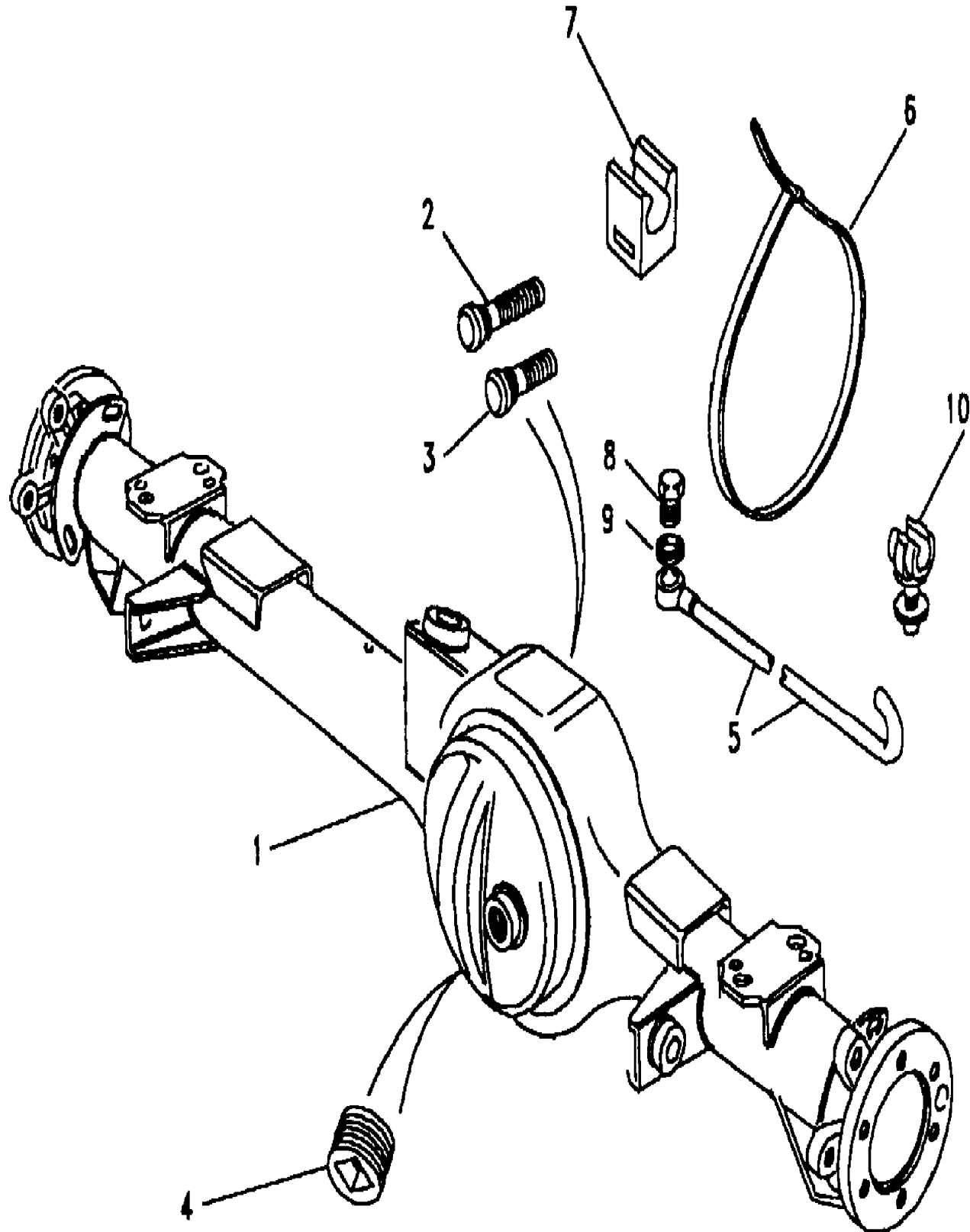


Range Rover (From JA610294)

(BDEXEC1A)

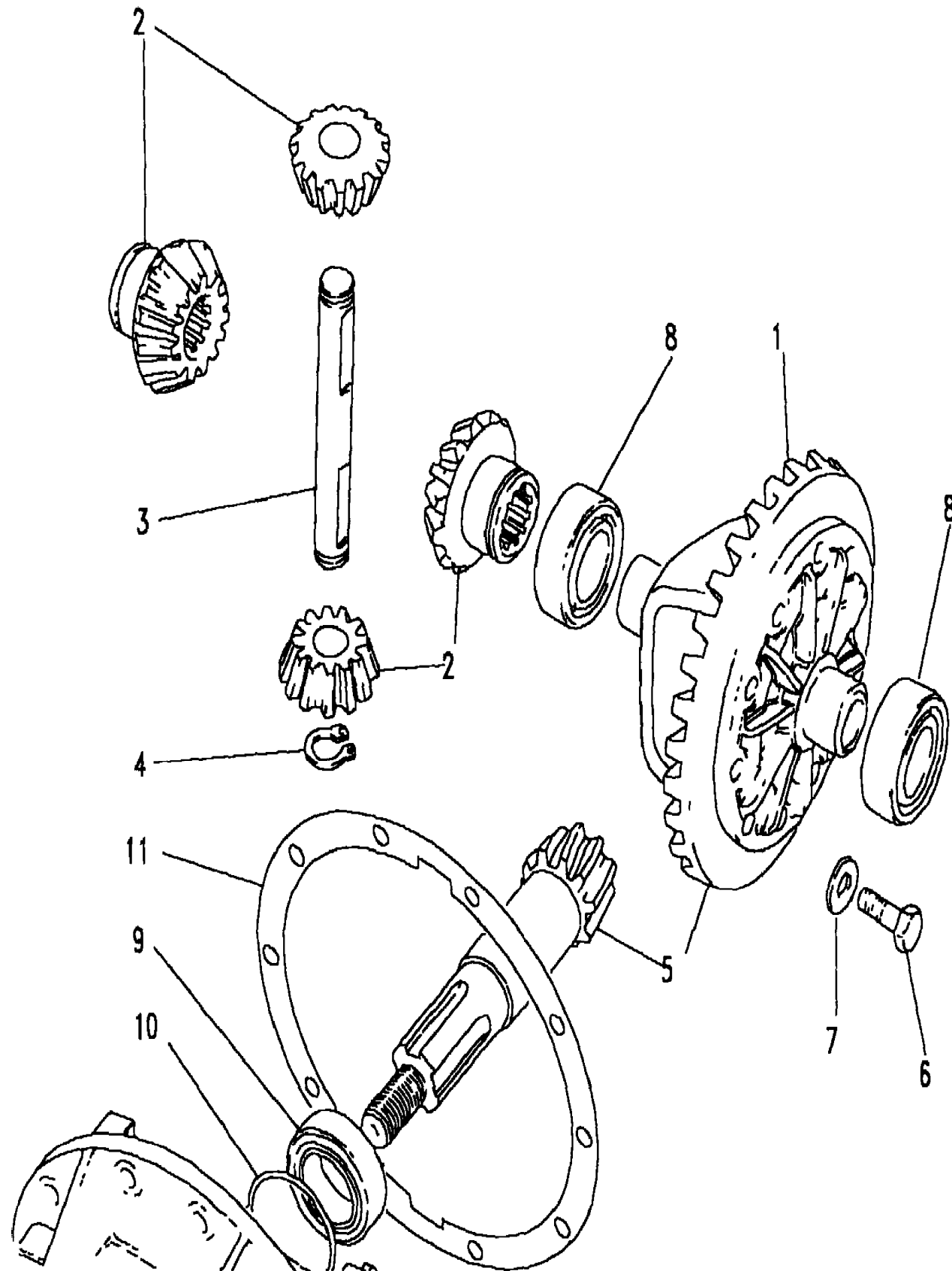
Range Rover (From JA610294)

Callout	Name	Application	Remarks & Restrictions	Service No.	Qty
4	Plug-drain/filler level	Change point - Axle begin 36S00001B, Change point - Axle end 36S00594B, With Air Suspension, Less Anti-Lock Braking System	Also serviced as part of a kit	608246	2
		Change point - Axle begin 36S00595B, Change point - Axle end 36S99999B, With Air Suspension, Less Anti-Lock Braking System	Also serviced as part of a kit	608246	2
		Change point - Axle begin 37S00001B, Change point - Axle end 37S08650B, With Air Suspension, All Wheel Anti-Lock Braking System	Also serviced as part of a kit	608246	2
		Change point - Axle begin 37S08651B, Change point - Axle end 37S99999B, With Air Suspension, All Wheel Anti-Lock Braking System	Also serviced as part of a kit	608246	2
5	Pipe-rear axle breather		Also serviced as part of a kit	FTC2176	1
6	Tie-cable		Less Alternatives, 4.8 x 270mm, inside serated	568680	4
			Less Alternatives, inside serated, 4.6 x 385mm, White.	594594	4
7	Clip-Pipe			NRC9246	6
8	Bolt-banjo			595478	1
9	Washer-sealing		axle breather hose banjo	232039	2
10	Clip		Less Alternatives, 9MM, Single	79121	1
			Less Alternatives, Single	79123	1

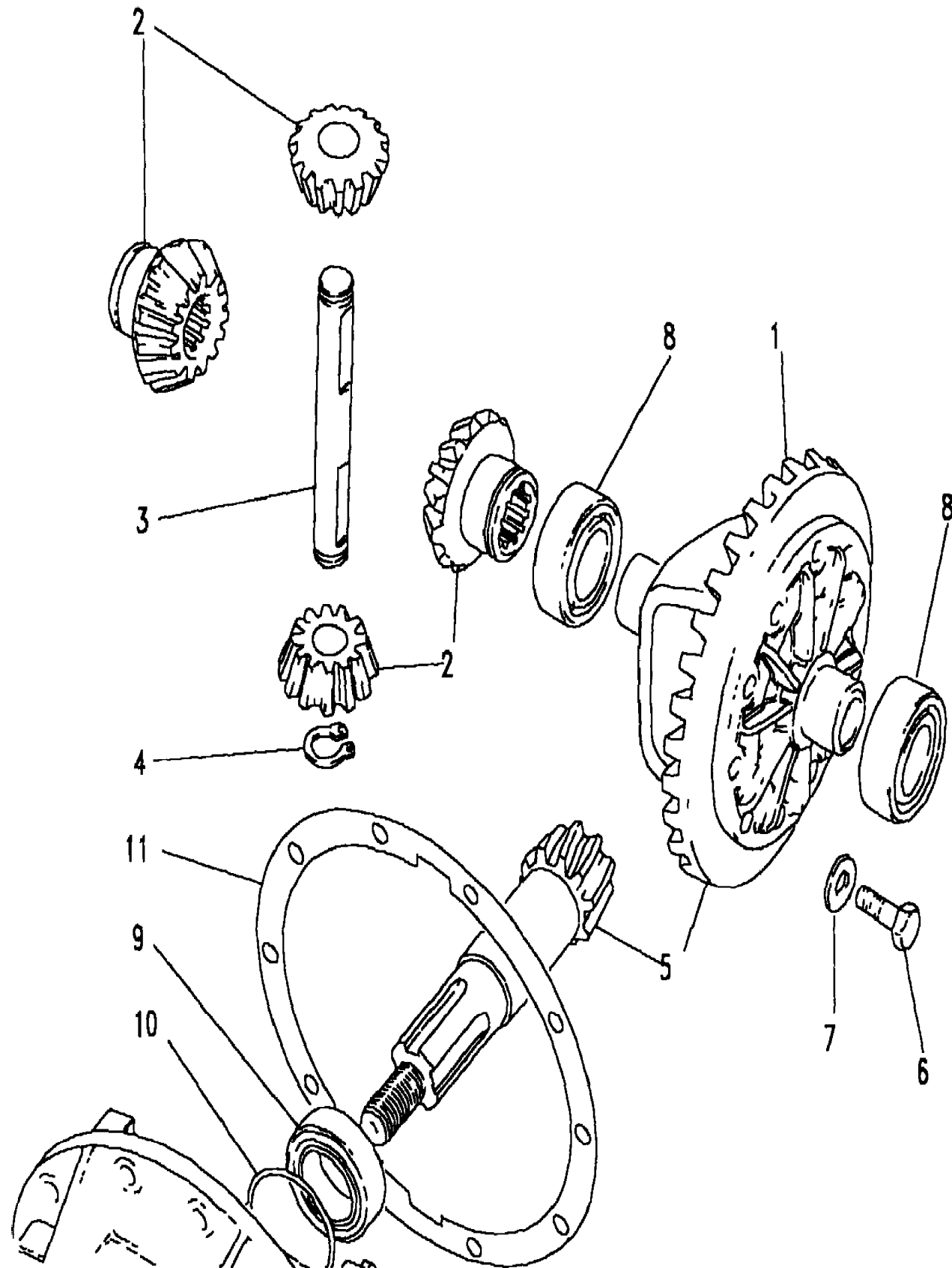




Callout	Name	Application	Remarks & Restrictions	Service No.	Qty
1	Case - Differential	Change point - VIN end KA637567	10 spline shaft	FRC2933	1
		Change point - VIN begin KA637569	24 spline shaft	FTC3269	1
2	Kit-differential gears	Change point - VIN end KA637567	10 spline shaft	STC851	1
3	Cross shaft differential	Change point - Axle begin 37S17462A	Also serviced as part of a kit	599945	1
4	Circlip	Change point - Axle begin 37S17462A	Also serviced as part of a kit	CCN110L	2
5	Crownwheel and pinion assembly	Change point - VIN end KA637567		FTC781	1
		Change point - VIN begin KA637569		FTC3620	1
6	Bolt			593692	10
7	Washer-Plain			593693	10
8	Bearing-taper roller differential	Change point - VIN end KA637567		RTC2726	2
		Change point - VIN begin KA637569		RTC3095	2
9	Bearing-taper roller			539706	1
10	Shim	Change point - Axle end 32S57317A	0.038", imperial	549230	X
		Change point - Axle end 32S57317A	imperial, 0.04"	549232	X
		Change point - Axle end 32S57317A	imperial, 0.042"	549234	X
		Change point - Axle end 32S57317A	imperial, 0.044"	549236	X
		Change point - Axle end 32S57317A	imperial, 0.046"	549238	X
		Change point - Axle end 32S57317A	imperial, 0.048"	549240	X
		Change point - Axle end 32S57317A	imperial, 0.050"	549242	X
		Change point - Axle end 32S57317A	imperial, 0.052"	549244	X
		Change point - Axle end 32S57317A	imperial, 0.054"	549246	X
		Change point - Axle end 32S57317A	imperial, 0.056"	549248	X
		Change point - Axle end 32S57317A	imperial, 0.058"	549250	X
		Change point - Axle end 32S57317A	imperial, 0.060"	549252	X
		Change point - Axle end 32S57317A	imperial, 0.062"	576236	X
		Change point - Axle end 32S57317A	imperial, 0.063"	576237	X
Change point - Axle end 32S57317A	imperial, 0.064"	576238	X		



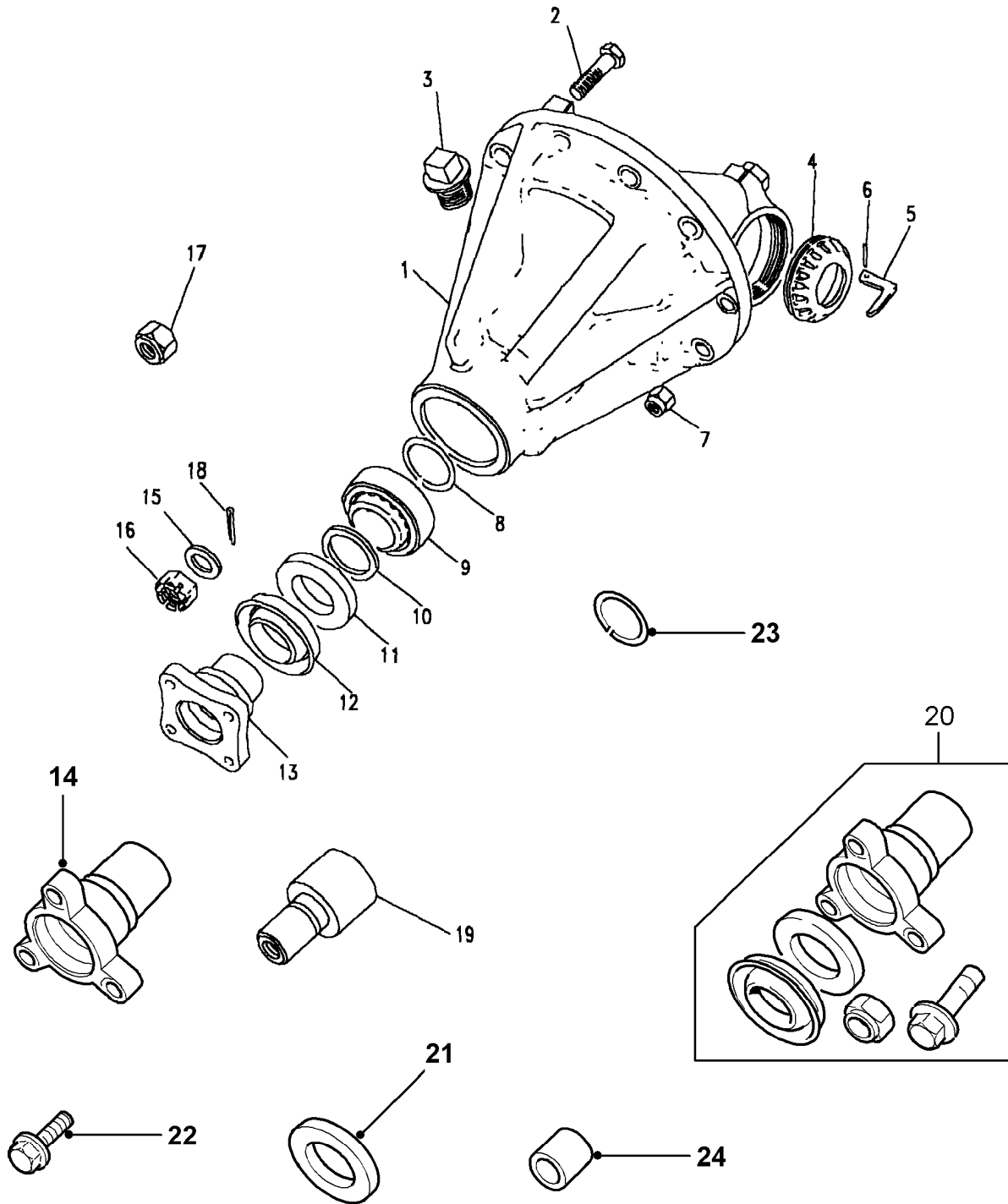
Callout	Name	Application	Remarks & Restrictions	Service No.	Qty		
10	Shim	Change point - Axle end 32S57317A	imperial, 0.065"	576239	X		
		Change point - Axle begin 32S57318A	Metric, 1.548mm	FTC3853	X		
		Change point - Axle begin 32S57318A	Metric, 1.498mm	FTC3855	X		
		Change point - Axle begin 32S57318A	Metric, 1.448mm	FTC3857	X		
		Change point - Axle begin 32S57318A	Metric, 1.398mm	FTC3859	X		
		Change point - Axle begin 32S57318A	Metric, 1.348mm	FTC3861	X		
		Change point - Axle begin 32S57318A	Metric, 1.298mm	FTC3863	X		
		Change point - Axle begin 32S57318A	Metric, 1.248mm	FTC3865	X		
		Change point - Axle begin 32S57318A	Metric, 1.198mm	FTC3867	X		
		11	Gasket-differential housing to axle case	Change point - Axle begin 32S57318A, (-)"AUS" (+)"AUS"		7316	1
						R07316A	1
[903]	Kit-differential gears	Change point - VIN begin KA637569, Change point - Axle end 37S17461A		FTC3267	1		
		Change point - VIN begin KA637569, Change point - Axle end 37S17461A		FTC3268	1		
		Change point - Axle begin 37S17462A	Also serviced as part of a kit, 24 spline shaft	STC1846	1		



Axles & Suspension  
Rear Axle  
Differential 1/4

Range Rover (From JA610294)

(BDEXEE1B)



B06.020  
07-2003  
L2  
BDEXEE1B

Range Rover (From JA610294)

Axles & Suspension  
Rear Axle  
Differential

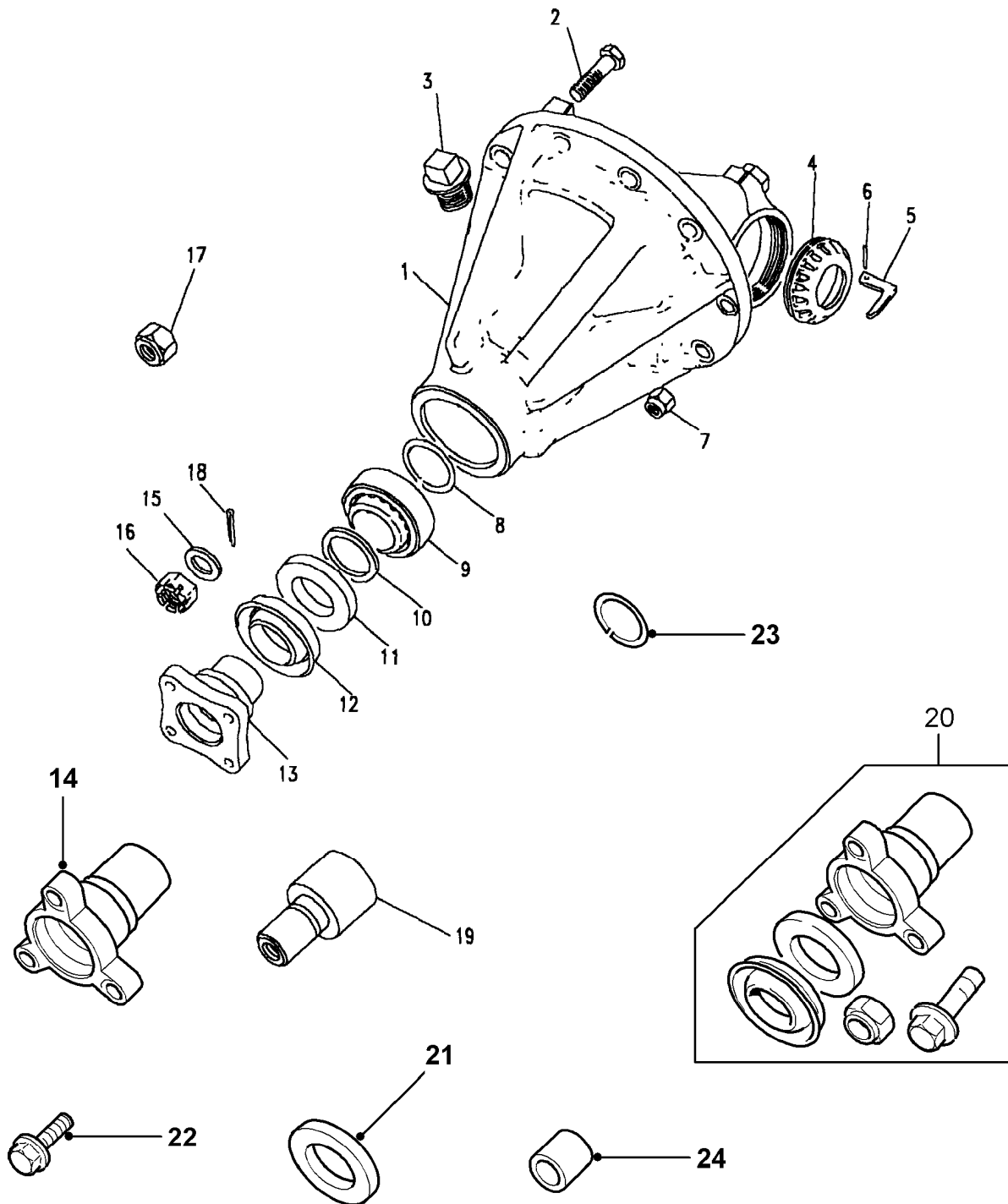
Callout	Name	Application	Remarks & Restrictions	Service No.	Qty
1	Differential assembly differential	Change point - VIN end JA623614	10 spline shaft, exchange	FTC782E	1
		Change point - VIN begin KA637568	24 spline shaft, 4 bolt flange, exchange	FTC3272E	1
			24 spline shaft, 4 bolt flange, exchange	FTC3272E	1
		Change point - VIN begin JA623615, Change point - VIN end KA637567	10 spline shaft, exchange	FTC2750E	1
			10 spline shaft, exchange	FTC2750E	1
			Also serviced as part of a kit, 24 spline shaft, 4 bolt flange, New	FTC5142	1
		Change point - VIN end JA623614	10 spline shaft, New, with filler/level plug	FTC1709N	1
		Change point - VIN end JA623614	EXCHANGE, 10 spline shaft, with filler/level plug	FTC1709E	1
		Change point - VIN end JA623614	Also serviced as part of a kit, 10 spline shaft, reconditioned	FTC782R	1
		Change point - VIN begin JA623615, Change point - VIN end KA637567	Also serviced as part of a kit, 10 spline shaft, 4 bolt flange, New	FTC2750	1
		Change point - VIN begin KA637568	Also serviced as part of a kit, 24 spline shaft, 4 bolt flange, New	FTC3272	1
			with filler/level plug	FRC5690	
			less filler/level plug	FRC4112	1
		2	Bolt	Change point - VIN begin JA623615, Change point - VIN end KA637567	10 spline shaft, 4 bolt flange, reconditioned
Change point - VIN begin MA657221	10 spline shaft, 4 bolt flange, reconditioned			FTC2750R	1
Change point - VIN begin MA657222	10 spline shaft, 4 bolt flange, reconditioned			FTC2750R	1
Change point - VIN begin MA647645	24 spline shaft, New, 3 bolt flange			FTC3723	1
Change point - VIN begin MA647645	24 spline shaft, reconditioned, 3 bolt flange			FTC3723E	1
2	Bolt		M12 x 50	BH112101L	4
3	Plug-drain/filler level			608246	1
4	Ring-differential locking	Change point - VIN end JA623614		FRC5204	2
		Change point - VIN end JA623614		FTC4210	2
5	Tab-differential locking ring			FRC5661	2
6	Pin-roll-spring tension			576159	2
7	Nut - Hex.		hexagonal head, 3/8, UNF, nyloc	NY606041L	10
8	Shim-bearing differential	Change point - Axle begin 32S00001A, Change point - Axle end 32S57317A	0.060"	FRC1193	X
		Change point - Axle begin 32S00001A, Change point - Axle end 32S57317A	0.062"	FRC1195	X

Range Rover (From JA610294)

(BDEXEE1B)

Range Rover (From JA610294)

Callout	Name	Application	Remarks & Restrictions	Service No.	Qty
8	Shim-bearing differential	Change point - Axle begin 32S00001A, Change point - Axle end 32S57317A	0.064"	FRC1197	X
		Change point - Axle begin 32S00001A, Change point - Axle end 32S57317A	0.066"	FRC1199	X
		Change point - Axle begin 32S00001A, Change point - Axle end 32S57317A	0.068"	FRC1201	X
		Change point - Axle begin 32S00001A, Change point - Axle end 32S57317A	0.070"	FRC1203	X
		Change point - Axle begin 32S00001A, Change point - Axle end 32S57317A	0.072"	539718	X
		Change point - Axle begin 32S00001A, Change point - Axle end 32S57317A	0.074"	539720	X
		Change point - Axle begin 32S00001A, Change point - Axle end 32S57317A	0.076"	539722	X
		Change point - Axle begin 32S00001A, Change point - Axle end 32S57317A	0.080"	539724	X
		Change point - Axle begin 32S57318A, Change point - Axle end 32S99999A	2.155MM	FTC3869	X
		Change point - Axle begin 32S57318A, Change point - Axle end 32S99999A	2.105mm	FTC3871	X
		Change point - Axle begin 32S57318A, Change point - Axle end 32S99999A	2.055mm	FTC3873	X
		Change point - Axle begin 32S57318A, Change point - Axle end 32S99999A	2.005mm	FTC3875	X
		Change point - Axle begin 32S57318A, Change point - Axle end 32S99999A	1.955mm	FTC3877	X
		Change point - Axle begin 32S57318A, Change point - Axle end 32S99999A	1.905mm	FTC3879	X
		Change point - Axle begin 32S57318A, Change point - Axle end 32S99999A	1.855mm	FTC3881	X
		Change point - Axle begin 32S57318A, Change point - Axle end 32S99999A	1.805mm	FTC3883	X
		Change point - Axle begin 32S57318A, Change point - Axle end 32S99999A	1.755mm	FTC3885	X
		Change point - Axle begin 32S57318A, Change point - Axle end 32S99999A	1.705mm	FTC3887	X
		Change point - Axle begin 32S57318A, Change point - Axle end 32S99999A	1.655mm	FTC3889	X
		Change point - Axle begin 32S57318A, Change point - Axle end 32S99999A	1.605mm	FTC3891	X
		Change point - Axle begin 32S57318A, Change point - Axle end 32S99999A	1.555mm	FTC3893	X



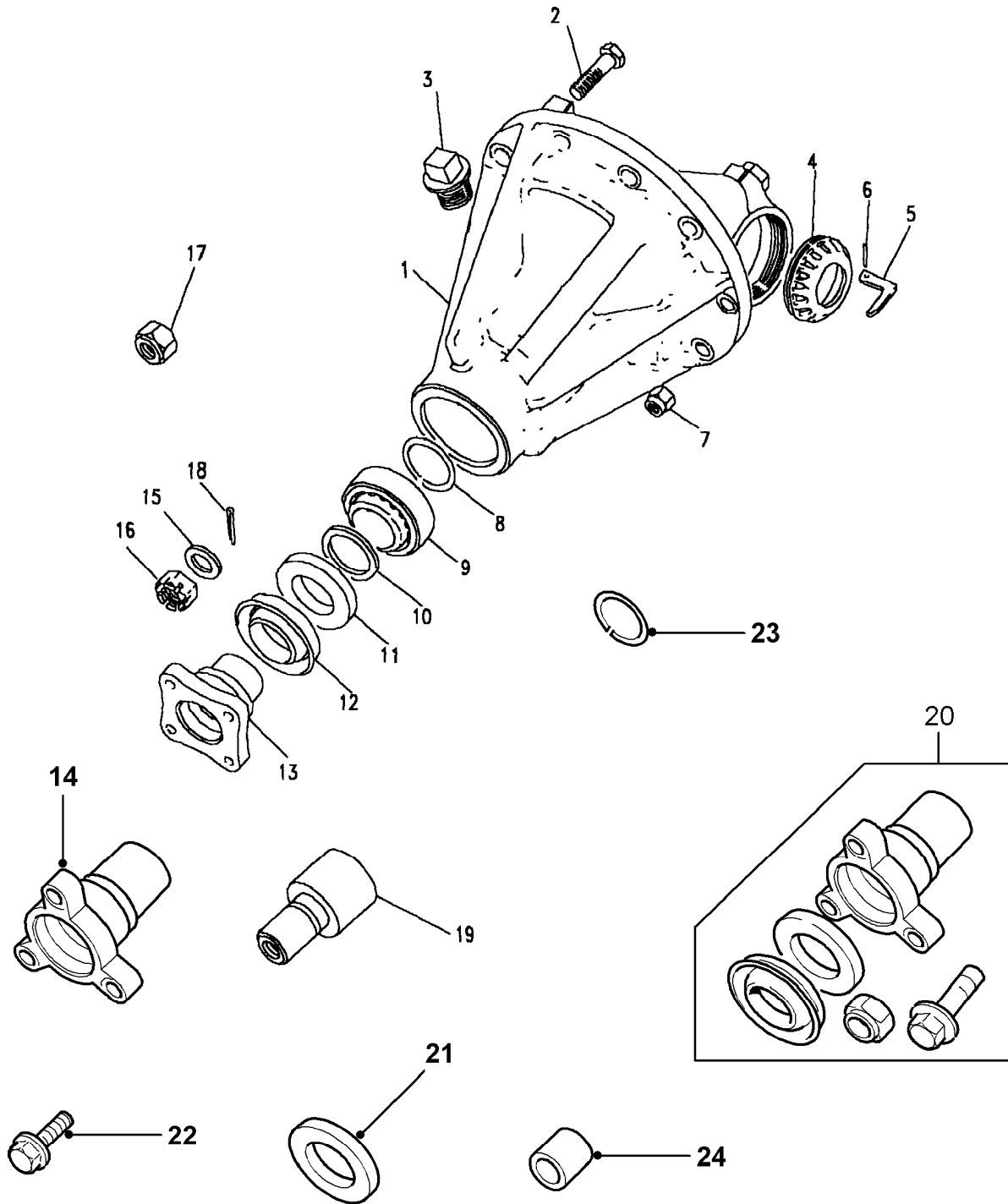
B06.020  
07-2003  
L2  
BDEXEE1B

Range Rover (From JA610294)

(BDEXEE1B)

Range Rover (From JA610294)

Callout	Name	Application	Remarks & Restrictions	Service No.	Qty
8	Shim-bearing differential	Change point - Axle begin 32S57318A, Change point - Axle end 32S99999A	1.505mm	FTC3895	X
			0.060"	549252	X
9	Bearing-taper roller			539707	1
10	Spacer-pinion bearing			539745	1
11	Seal		differential final drive pinion, front & rear	FRC8220	1
12	Mudshield-front & rear differential			FRC8154	1
13	Flange-driveshaft coupling differential		4 bolt flange	FRC3002	1
14	Flange-driveshaft coupling differential		3 bolt flange	FTC3706	X
			3 bolt flange	FTC3729	X
15	Washer-Plain			90513454	1
16	Nut-castle			3259	1
17	Nut - Hex.		M16, hexagonal head, nyloc	NY116041L	1
18	Pin-split			PS608101	1
19	Pin-rear axle drive flange centralising			FTC3707	1
20	Flange & mudshield-front & rear axle			STC3723	1
				STC3722	1
21	Seal		front & rear	FTC5258	1
				FTC5317	1
22	Screw-flanged head		M12 x 30	FS112301P	1
23	Shim-bearing differential		2.155MM	TYS101040	X
			2.105mm	TYS101060	X
			2.055mm	TYS101080	X
			2.005mm	TYS101100	X
			1.955mm	TYS101120	X
			1.905mm	TYS101140	X
			1.855mm	TYS101160	X
			1.805mm	TYS101180	X
			1.755mm	TYS101200	X
			1.705mm	TYS101220	X
			1.655mm	TYS101240	X
	1.605mm	TYS101260	X		
	1.555mm	TYS101280	X		



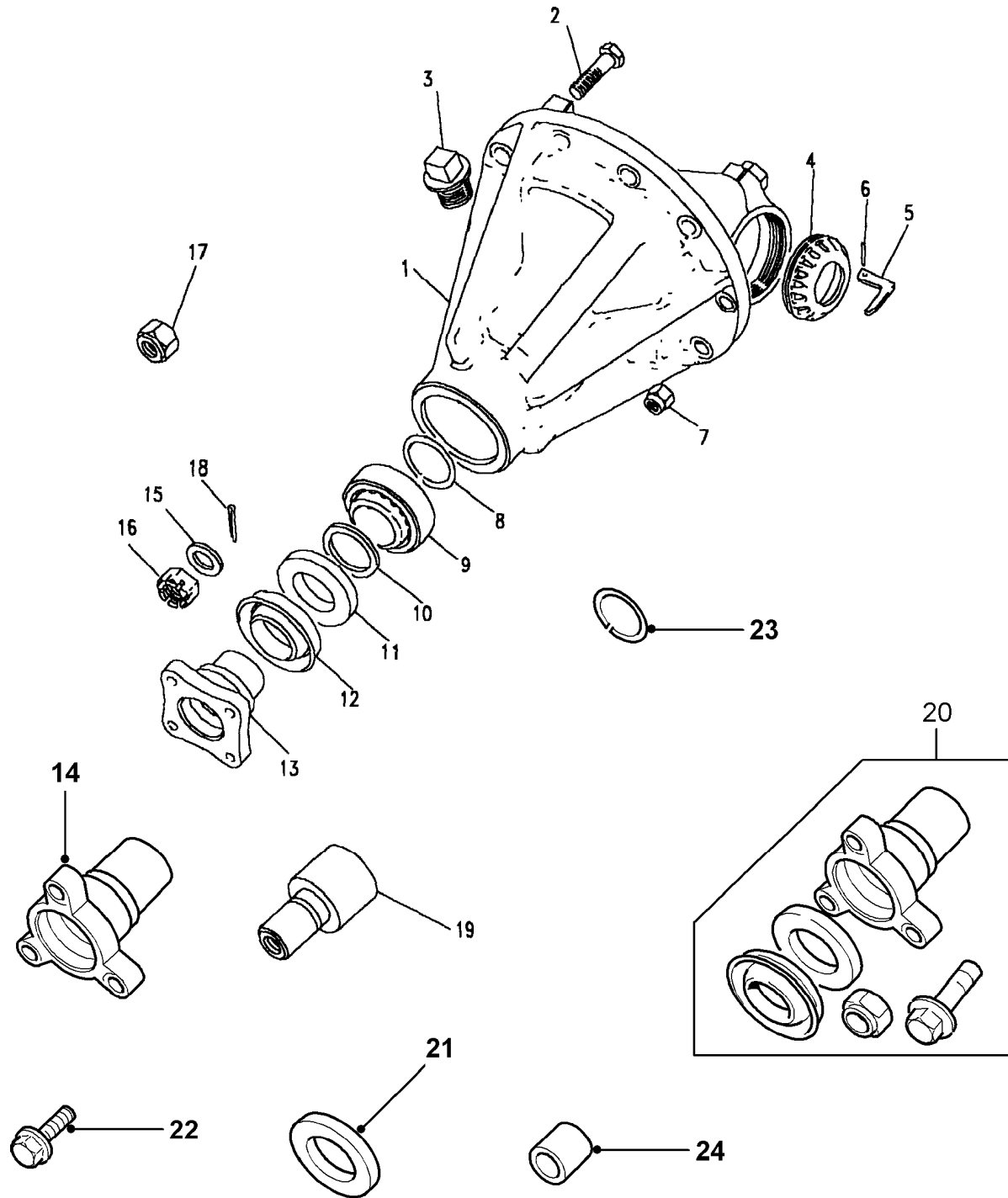
B06.020  
07-2003  
L2  
BDEXEE1B

Range Rover (From JA610294)

(BDEXEE1B)

Range Rover (From JA610294)

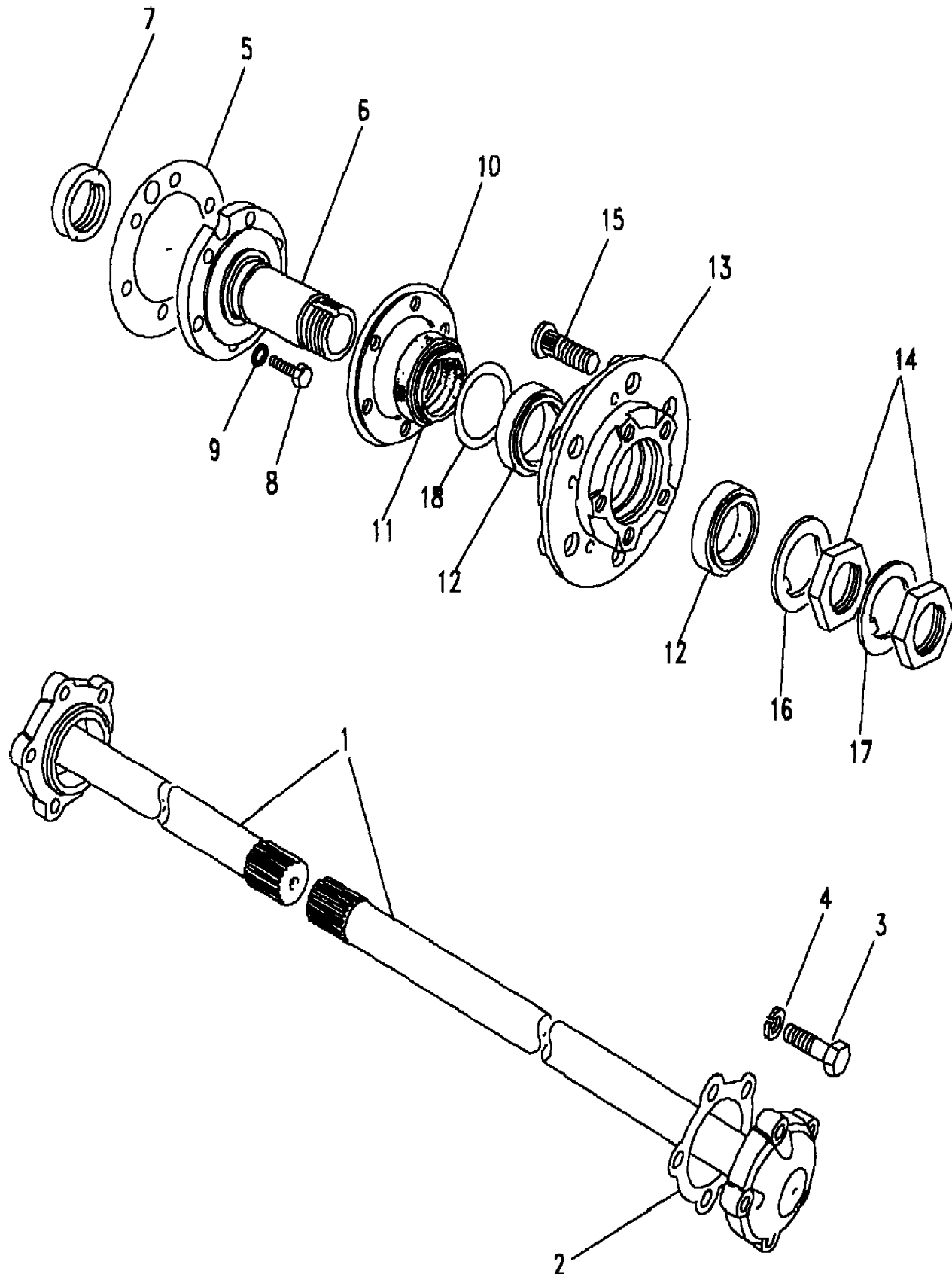
Callout	Name	Application	Remarks & Restrictions	Service No.	Qty
23	Shim-bearing differential		1.505mm	TYS101300	X
24	Spacer			TYF101160	2
[25]	Pin-rear axle drive flange centralising			TID000010	1
[26]	Flange-driveshaft coupling differential		3 bolt flange	FTC3729	1



B06.020  
07-2003  
L2  
BDEXEE1B

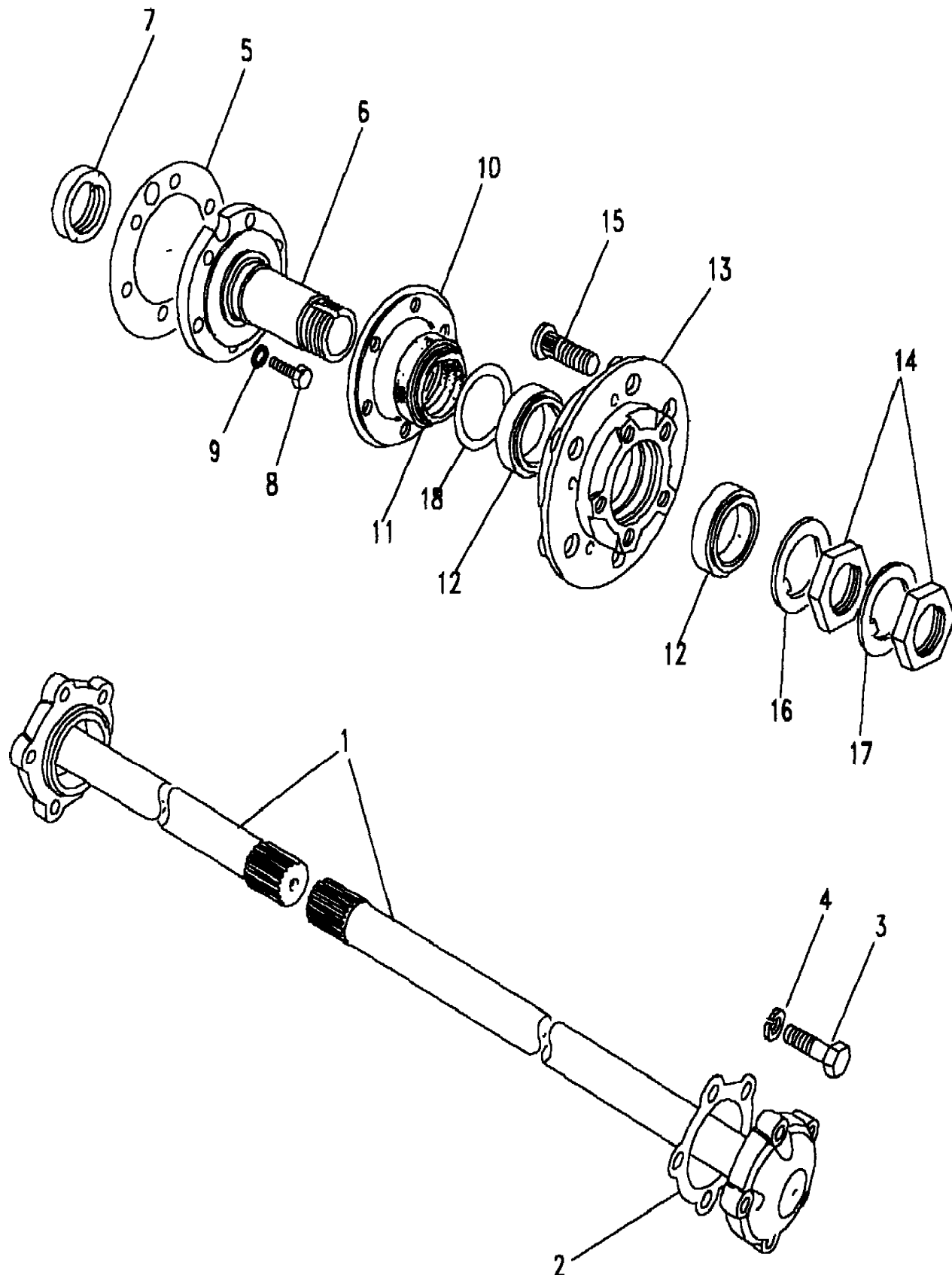
All Wheel Anti-Lock Braking System

Callout	Name	Application	Remarks & Restrictions	Service No.	Qty
1	Shaft-rear axle half	Change point - VIN end JA624754	RH, 24 spline shaft	FTC870	1
		Change point - VIN end JA624754	24 spline shaft, LH	FTC871	1
		Change point - VIN begin JA624756	RH, 10 spline shaft	FTC3186	1
		Change point - VIN begin JA624756	10 spline shaft, LH	FTC3187	1
		Change point - Axle begin 00001B	RH, 24 spline shaft	FTC3270	1
		Change point - Axle begin 00001B	24 spline shaft, LH	FTC3271	1
2	Gasket-axle shaft drive member			571752	2
3	Bolt		Pre-impregnated With Adhesive, M10 X 45	BX110095M	10
4	Washer		3/8", Square	WM600061L	10
5	Gasket-stub axle		Rear, Asbestos Free	FTC1377	X
				FTC3650	2
6	Axle-rear suspension hub stub	Change point - Axle begin 36S00001A, Change point - Axle end 36S00081A	Also serviced as part of a kit	FTC950	2
		Change point - Axle begin 36S00082A, Change point - Axle end 36S99999A	Also serviced as part of a kit	FTC3188	2
7	Seal assembly-front/rear hub	Change point - Axle begin 36S00001A, Change point - Axle end 36S00081A	Also serviced as part of a kit	FTC3145	2
		Change point - Axle begin 36S00082A, Change point - Axle end 36S99999A	Also serviced as part of a kit	FTC951	2
8	Screw		hexagonal head, M10 x 25	SX110251M	12
9	Washer		M10	WL110001L	12
10	Plate-front & rear stub axle locking			FTC1378	2
11	Seal assembly-front/rear hub		Inner	FTC2783	2
12	Bearing-front/rear axle hub			RTC3429	4
13	Hub assembly-front & rear			FTC860	2
14	Locknut			FRC8700	4
15	Stud		Also serviced as part of a kit	FRC5926	10



All Wheel Anti-Lock Braking System

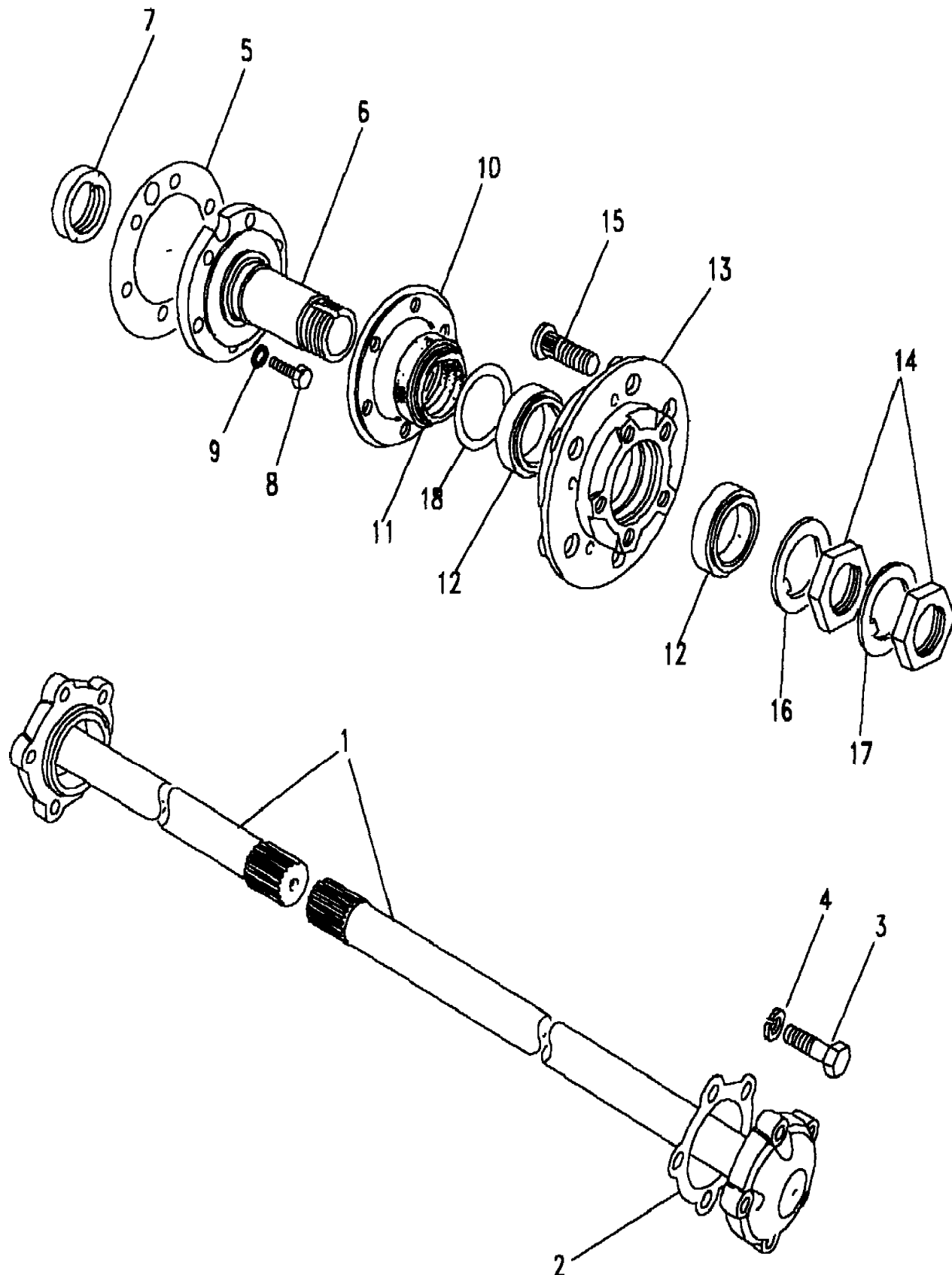
Callout	Name	Application	Remarks & Restrictions	Service No.	Qty
15	Stud			FRC5926	10
16	Washer-front & rear hub nut tab	Change point - Axle end 37S00315A		217352	2
		Change point - Axle begin 37S00316A		FTC3185	2
17	Washer-Lock	Change point - Axle end 37S00315A		217353	2
		Change point - Axle begin 37S00316A	Outer	FTC3179	2
18	Circlip	Change point - VIN end JA624754	axle shaft to hub driving member	549473	2
19	Cap-driveshaft coupling bolt locking	Change point - VIN end JA624754	Less Logo	FTC943	2
20	Flange-driving shaft joint	Change point - VIN end JA624754		FTC859	2
21	Shim-front axle half shaft		0.45MM	FRC6782	X
			0.60MM	FRC6783	X
			0.75MM	FRC6784	X
			0.90mm	FRC6785	X
			1.05MM	FRC6786	X
			1.20MM	FRC6787	X
			1.35MM	FRC6788	X
			1.50MM	FRC6789	X
	1.65MM	FRC6790	X		
[905]	Hub assembly-front & rear		Also serviced as part of a kit	FTC942	2





Change point - VIN begin JA624517, Less Anti-Lock Braking System

Callout	Name	Application	Remarks & Restrictions	Service No.	Qty
1	Shaft-rear axle half	Change point - VIN begin JA624517, Change point - Axle begin 36S00001B, Change point - Axle end 36S00594B	10 spline shaft, LH	FTC3187	1
		Change point - VIN begin JA624517, Change point - Axle begin 36S00001B, Change point - Axle end 36S00594B	RH, 10 spline shaft	FTC3186	1
		Change point - VIN begin JA624517, Change point - Axle begin 36S00595B, Change point - Axle end 36S99999B	RH, 24 spline shaft	FTC3270	1
		Change point - VIN begin JA624517, Change point - Axle begin 36S00595B, Change point - Axle end 36S99999B	24 spline shaft, LH	FTC3271	1
2	Gasket-axle shaft drive member	Change point - VIN begin JA624517		571752	2
3	Bolt	Change point - VIN begin JA624517	Pre-impregnated With Adhesive, M10 X 45	BX110095M	10
4	Washer	Change point - VIN begin JA624517	3/8", Square	WM600061L	10
5	Gasket-stub axle	Change point - VIN begin JA624517	Asbestos Free	FTC3648	2
6	Axle-rear suspension hub stub	Change point - VIN begin JA624517	Also serviced as part of a kit	FTC3188	2
7	Seal assembly-front/rear hub	Change point - VIN begin JA624517		FTC951	2
		Change point - VIN begin JA624517		FTC3145	2
8	Screw	Change point - VIN begin JA624517	hexagonal head, M10 x 25	SX110251M	12
9	Washer	Change point - VIN begin JA624517	M10	WL110001L	12
10	Plate-front & rear stub axle locking	Change point - VIN begin JA624517		FRC2310	2
11	Seal assembly-front/rear hub	Change point - VIN begin JA624517	Inner	FTC2783	2
12	Bearing-front/rear axle hub	Change point - VIN begin JA624517		RTC3429	4
13	Hub assembly-front & rear	Change point - VIN begin JA624517		FTC860	2



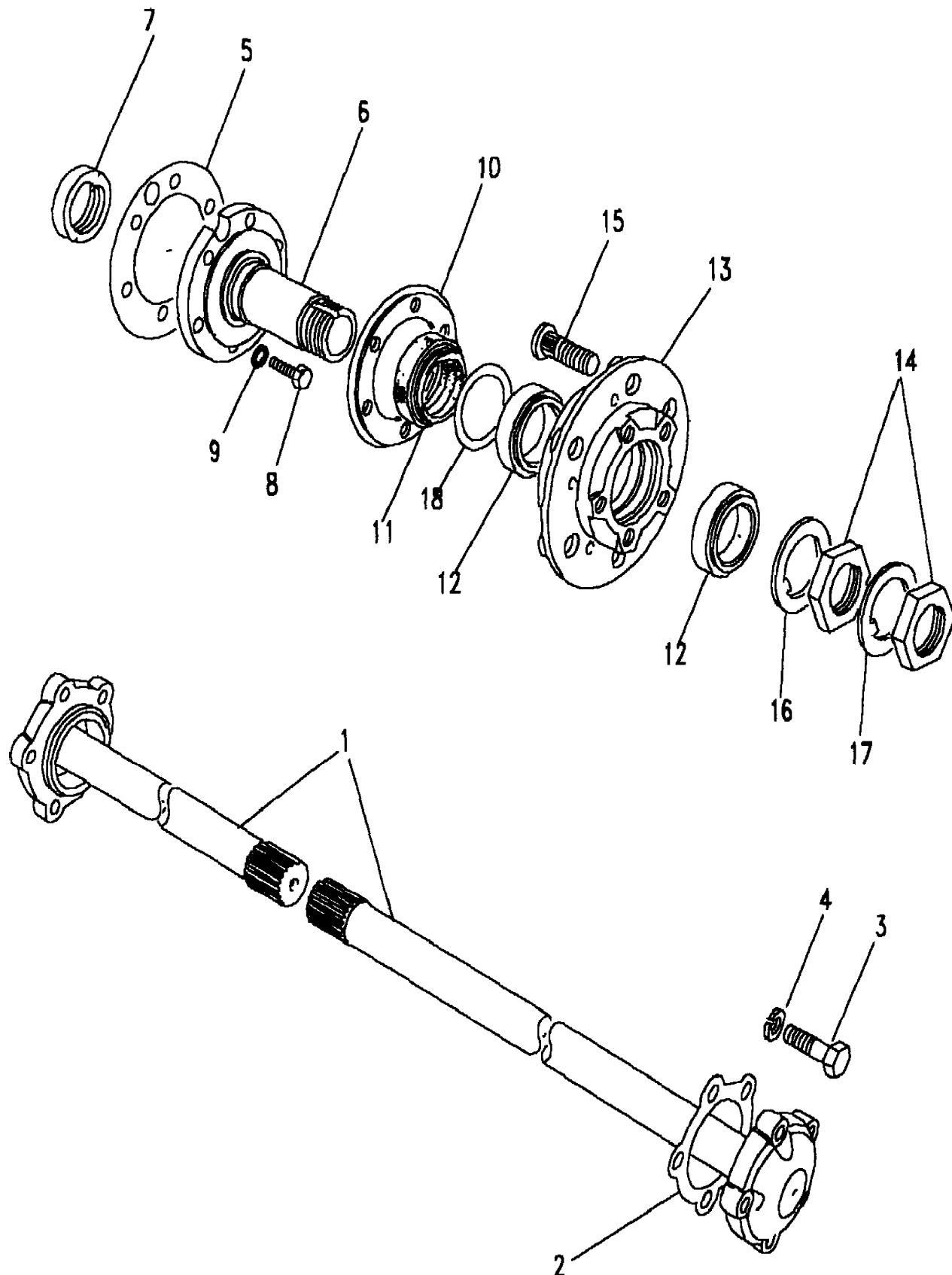
Range Rover (From JA610294)

(BDEXE13A)

Range Rover (From JA610294)

Change point - VIN begin JA624517, Less Anti-Lock Braking System

Callout	Name	Application	Remarks & Restrictions	Service No.	Qty
13	Hub assembly-front & rear	Change point - VIN begin JA624517	Also serviced as part of a kit	FTC942	2
14	Locknut	Change point - VIN begin JA624517		FRC8700	4
15	Stud	Change point - VIN begin JA624517		FRC5926	10
16	Washer-front & rear hub nut tab	Change point - VIN begin JA624517		FTC3185	2
17	Washer-Lock	Change point - VIN begin JA624517	Outer	FTC3179	2
18	Shim-front axle half shaft	Change point - VIN begin JA624517	0.45MM	FRC6782	X
		Change point - VIN begin JA624517	0.60MM	FRC6783	X
		Change point - VIN begin JA624517	0.75MM	FRC6784	X
		Change point - VIN begin JA624517	0.90mm	FRC6785	X
		Change point - VIN begin JA624517	1.05MM	FRC6786	X
		Change point - VIN begin JA624517	1.20MM	FRC6787	X
		Change point - VIN begin JA624517	1.35MM	FRC6788	X
		Change point - VIN begin JA624517	1.50MM	FRC6789	X
		Change point - VIN begin JA624517	1.65MM	FRC6790	X
		[903]	Stud	Change point - VIN begin JA624517	Also serviced as part of a kit



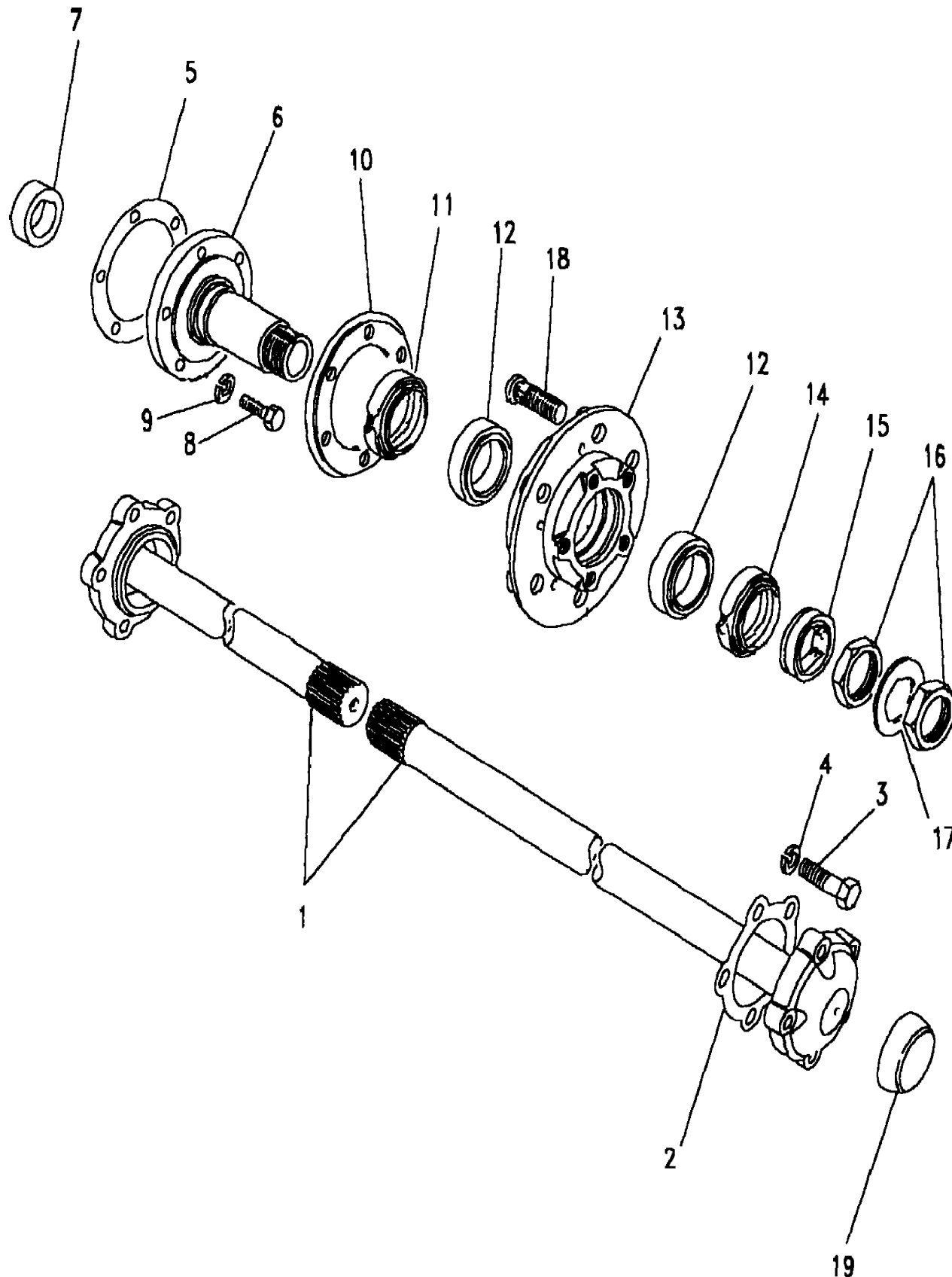
Range Rover (From JA610294)

(BDEXE11A)

Range Rover (From JA610294)

Change point - VIN end JA624516, Less Anti-Lock Braking System

Callout	Name	Application	Remarks & Restrictions	Service No.	Qty
1	Shaft-rear axle half	Change point - VIN end JA624516	RH, 10 spline shaft	571882	1
		Change point - VIN end JA624516	10 spline shaft, LH	571883	1
2	Gasket-axle shaft drive member	Change point - VIN end JA624516		571752	2
3	Bolt	Change point - VIN end JA624516	M10 X 45	BX110095M	10
4	Washer	Change point - VIN end JA624516	3/8", Square	WM600061L	10
5	Gasket-stub axle	Change point - VIN end JA624516		FRC3205	X
		Change point - VIN end JA624516	Asbestos Free	FTC3648	2
6	Shaft-stub rear	Change point - VIN end JA624516	Also serviced as part of a kit	FRC8005	2
7	Seal assembly-front/rear hub	Change point - VIN end JA624516	Also serviced as part of a kit	FTC951	2
8	Screw	Change point - VIN end JA624516	hexagonal head, M10 x 25	SX110251M	12
9	Washer	Change point - VIN end JA624516	M10	WL110001L	12
10	Plate-front & rear stub axle locking	Change point - VIN end JA624516		FRC2310	2
11	Seal assembly-front/rear hub	Change point - VIN end JA624516	Inner	FTC2783	2
12	Bearing-front/rear axle hub	Change point - VIN end JA624516		RTC3429	4
13	Hub assembly front	Change point - VIN end JA624516	Also serviced as part of a kit	FTC1457	2
14	Seal assembly-front/rear hub	Change point - VIN end JA624516	Outer	FRC8222	2
15	Spacer	Change point - VIN end JA624516		FRC8227	2
16	Locknut	Change point - VIN end JA624516		FRC8700	4
17	Washer-Lock	Change point - VIN end JA624516		FRC8002	4



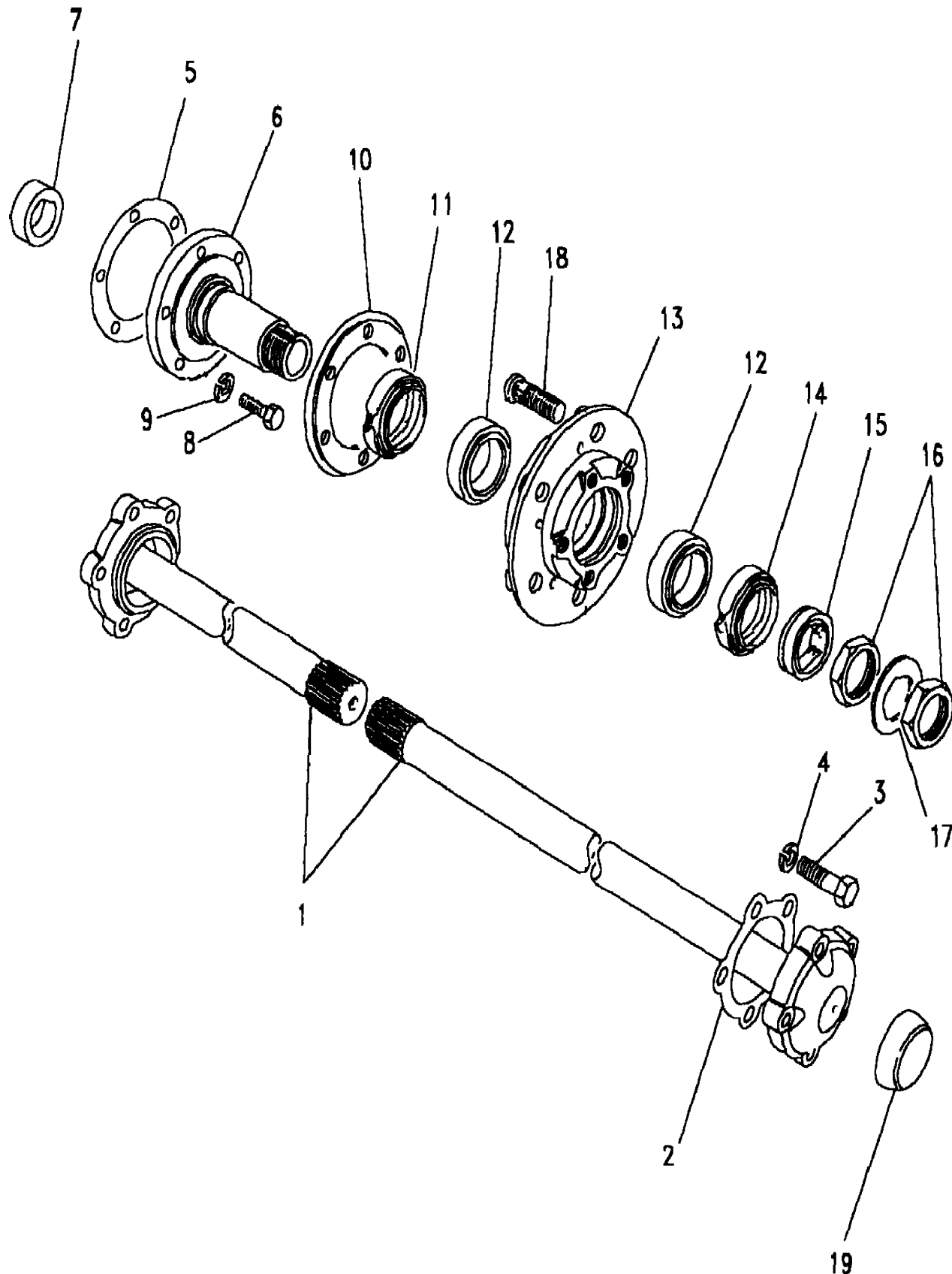
Range Rover (From JA610294)

(BDEXE11A)

Range Rover (From JA610294)

Change point - VIN end JA624516, Less Anti-Lock Braking System

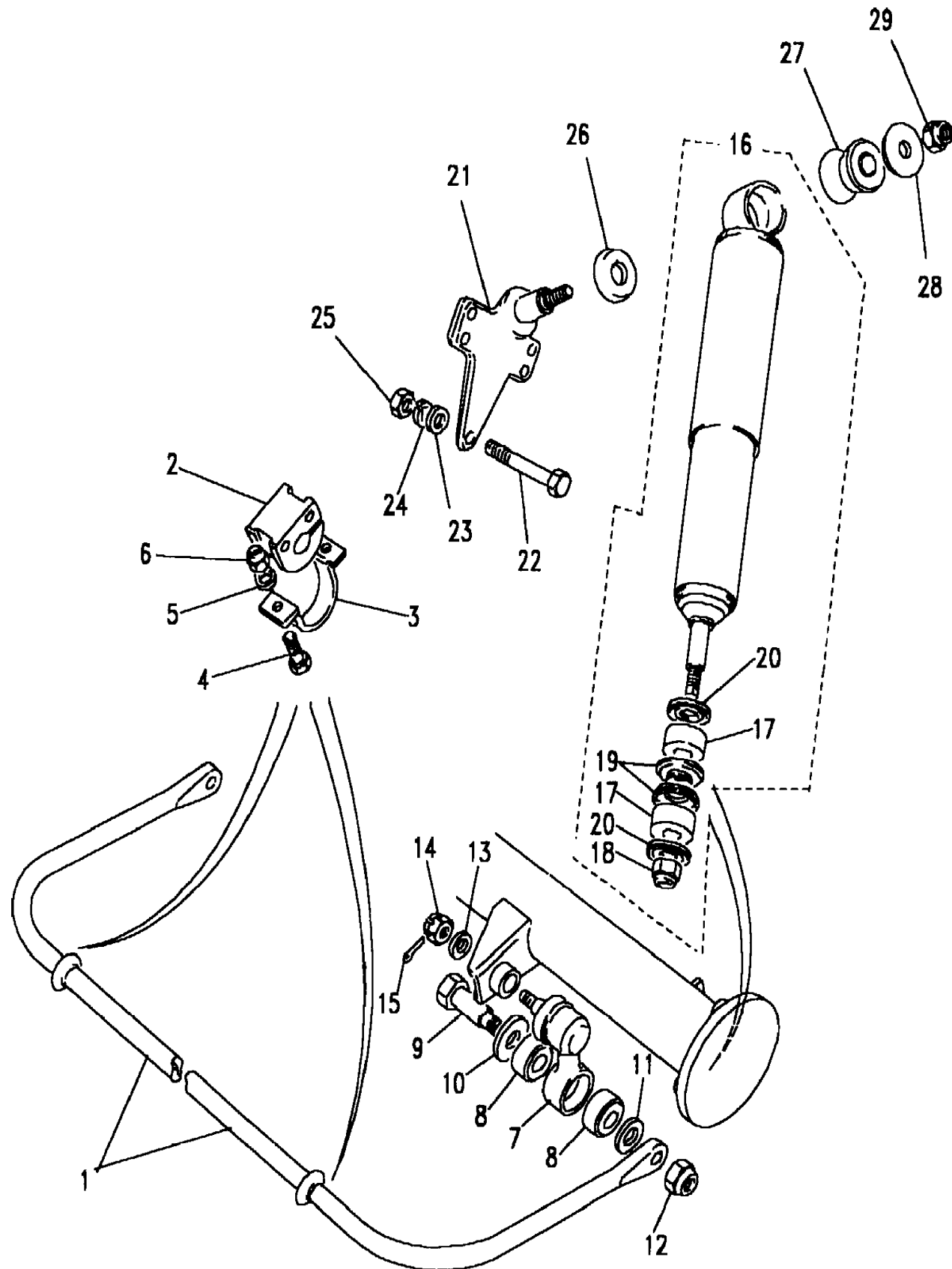
Callout	Name	Application	Remarks & Restrictions	Service No.	Qty
18	Stud	Change point - VIN end JA624516		FRC5926	10
19	Cap-driveshaft coupling bolt locking	Change point - VIN end JA624516	Less Logo	FTC943	2
[900]	Screw	Change point - VIN end JA624516	hexagonal head, M10 x 25	SX110257M	12
[901]	Bearing-front/rear axle hub	Change point - VIN end JA624516		STC4382	4
[902]	Stud	Change point - VIN end JA624516		RUF000020	10



Range Rover (From JA610294)

(BDEXKE1A)

Range Rover (From JA610294)

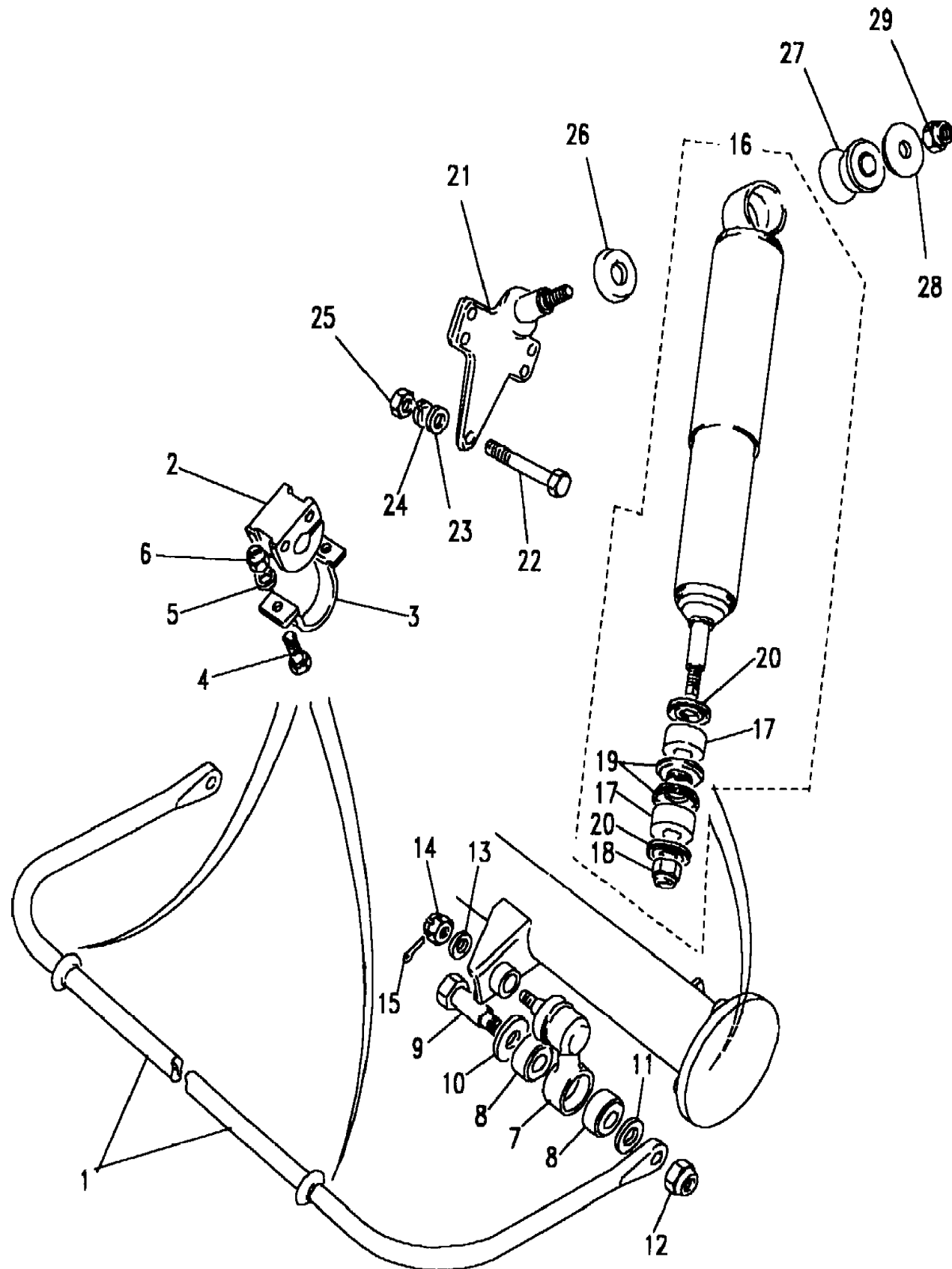


Callout	Name	Application	Remarks & Restrictions	Service No.	Qty
1	Bar assembly-anti-roll rear suspension	Change point - VIN end MA660156 Change point - VIN begin MA660157		NRC6221 ANR4344	1 1
2	Bush-anti-roll bar		Rear	NTC7394	2
3	Bracket-clamp roll bar mounting			NTC6776	2
4	Screw		hexagonal head, M10 x 35	SH110351L	4
5	Washer		M10	WA110061L	4
6	Nut - Hex.		M10, hexagonal head, nyloc	NY110041L	4
7	Joint-ball-lower arm front/rear suspension			NTC1888	2
8	Bush-lower arm front/rear suspension			552819	2
9	Pin			NTC8202	2
10	Washer			264024	2
11	Washer			WC116101	2
12	Nut - Hex.		M16	NV116041L	2
13	Washer-Plain		M12 x 28	WC112081L	2
14	Nut-castle		M12	NC112041	2
15	Pin-split		3.2 x 32	PS106321L	2
16	Kit-damper assembly	Change point - VIN end KA638829 Change point - VIN begin KA638830, Change point - VIN end LA647644 Change point - VIN begin MA647645, Change point - VIN end MA660163 Change point - VIN begin MA660164	Also serviced as part of a kit, Rear Also serviced as part of a kit, Rear Also serviced as part of a kit, Rear Also serviced as part of a kit, Rear	STC208 STC242 STC1474 STC2831	2 2 2 2
17	Bush-damper mounting	Change point - VIN end LA647644 Change point - VIN begin MA647645	Also serviced as part of a kit, Lower Also serviced as part of a kit	552818 ANR1721	4 2
18	Nut - Hex.	Change point - VIN end KA638829 Change point - VIN begin KA638830, Change point - VIN end LA647644	Also serviced as part of a kit, M12, Hexagonal Also serviced as part of a kit, M12, Hexagonal	NTC4571 NTC4571	2 2

Range Rover (From JA610294)

(BDEXKE1A)

Range Rover (From JA610294)

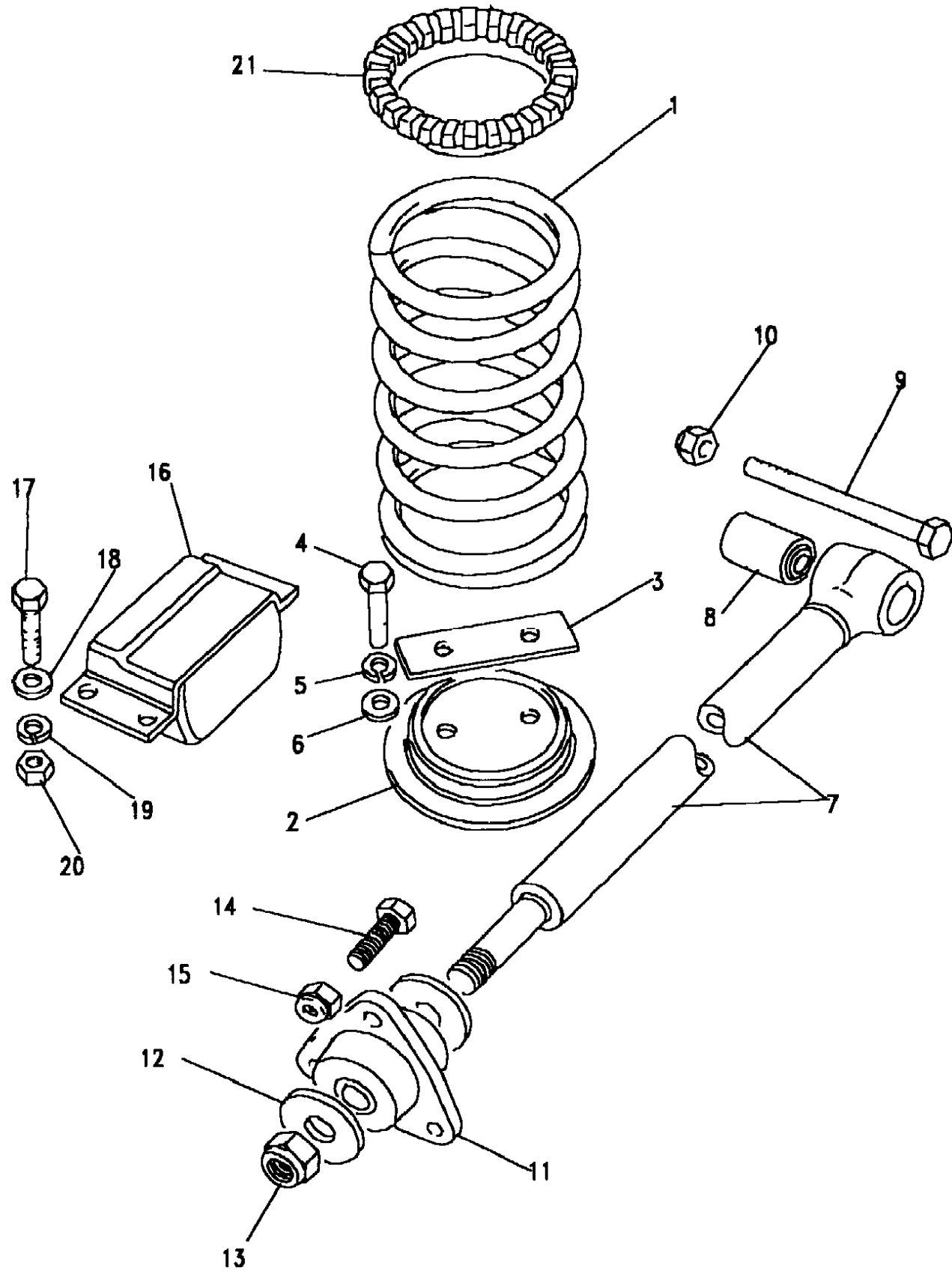


Callout	Name	Application	Remarks & Restrictions	Service No.	Qty
18	Nut - Hex.	Change point - VIN begin MA647645, Change point - VIN end MA660163	Also serviced as part of a kit, M12, Hexagonal	NTC4571	1
		Change point - VIN begin MA660164	Also serviced as part of a kit, M12, Hexagonal	NTC4571	1
19	Washer	Change point - VIN end LA647644	Also serviced as part of a kit	NRC4365	2
		Change point - VIN begin MA647645	Also serviced as part of a kit	ANR1895	2
20	Washer	Change point - VIN end KA638829	Also serviced as part of a kit	500746	4
		Change point - VIN begin KA638830, Change point - VIN end LA647644	Also serviced as part of a kit	500746	4
		Change point - VIN begin MA647645, Change point - VIN end MA660163	Also serviced as part of a kit	500746	2
		Change point - VIN begin MA660164	Also serviced as part of a kit	500746	2
21	Bracket assembly-rear damper		Upper	NRC7981	1
22	Bolt		hexagonal head, M10 x 110	BH110221L	3
23	Washer		M10, oversize, Plain	WC110061L	3
24	Washer-Spring		5/16"	WM110001L	3
25	Nut-flange		M10, flange	FN110047	3
26	Retainer		Inner	NRC5602	1
27	Bush-damper mounting		Rear, Upper	NRC5593	1
28	Retainer		Outer	NRC5603	1
29	Nut - Hex.		M12, hexagonal head, nyloc	NY112041L	1

Range Rover (From JA610294)

(BDEXKC1A)

Range Rover (From JA610294)



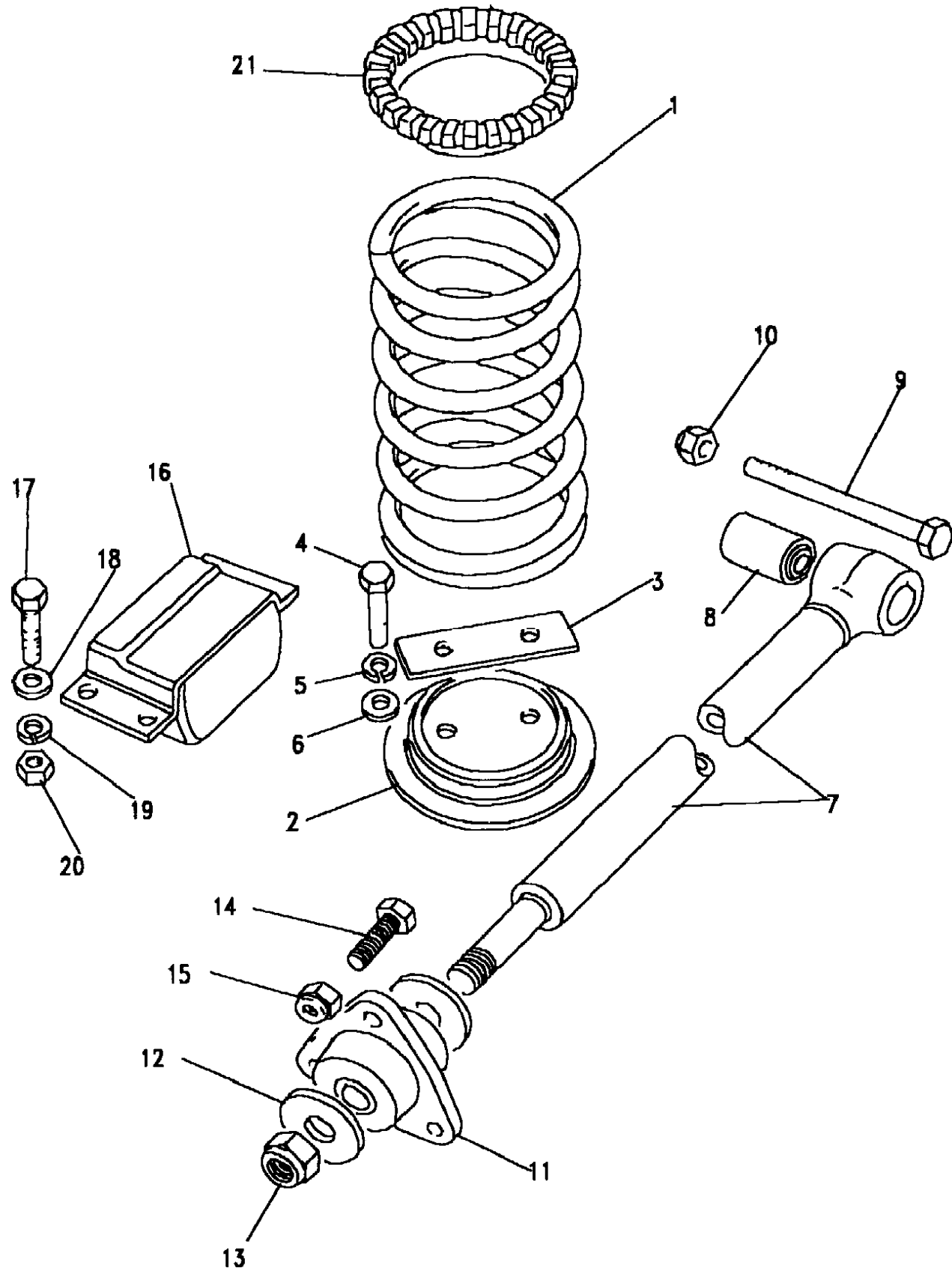
Callout	Name	Application	Remarks & Restrictions	Service No.	Qty	
1	Spring-road-coil	Change point - VIN end LA647644, RHD, Less Police	Rear, Green Stripe	NRC2119	2	
		Change point - VIN begin MA647645, RHD, Less Police	Rear	ANR3520	2	
		RHD, With Police Vehicle	Rear, Red/White Stripe	NRC4304	2	
		Change point - VIN end LA647644, LHD	Rear, Driver, Red/Yellow Stripe	NRC4305	1	
		Change point - VIN begin MA647645, LHD	Rear, Driver	ANR3519	1	
		Change point - VIN end LA647644, LHD	Rear, Passenger, Green Stripe	NRC2119	1	
		Change point - VIN begin MA647645, LHD	Rear, Passenger	ANR3520	1	
2	Seat-suspension spring lower			NRC9700	2	
3	Retainer	Change point - VIN end KA638829		90575751	2	
		Change point - VIN begin KA638830		NTC6106	2	
4	Screw		hexagonal head, 3/8UNF x 1	SH606081L	4	
5	Washer		3/8", Square	WM600061L	4	
6	Washer-Plain			4266L	4	
7	Link assembly-lower-rear suspension	Less Air Suspension	Also serviced as part of a kit	NTC8328	2	
		With Air Suspension	Also serviced as part of a kit	NTC9846	2	
8	Bush-rear-lower arm rear suspension	With Air Suspension	Also serviced as part of a kit	NTC1772	2	
9	Bolt-hexagonal socket			BH610321L	2	
10	Nut-hexagonal-nyloc			NY610041L	2	
11	Mounting-lower link flexible rubber	Change point - VIN begin JA610294		NTC9027	2	
12	Washer			WA120001	2	
13	Nut-hexagonal-nyloc		M20	NY120041L	2	
14	Screw		Flanged Head, M10 x 30	SH110301	6	
15	Nut - Hex.		M10, hexagonal head, nyloc	NY110041L	6	
16	Stop-rebound rear suspension	Change point - VIN end MA656125	2 Holes	90575789	2	
		Change point - VIN begin MA656126		NTC6086	2	

Range Rover (From JA610294)

(BDEXKC1A)

Range Rover (From JA610294)

Callout	Name	Application	Remarks & Restrictions	Service No.	Qty
17	Screw		hexagonal head, 5/16UNF x 3/4	SH605061L	4
18	Washer-Plain			3830L	4
19	Washer-Spring		5/16"	WM600051L	4
20	Nut - Hex.		hexagonal head, 5/16UNF	NH605041L	4
21	Isolator upper		Rear	ANR2938	2





Axles & Suspension  
Rear Suspension  
Self Levelling Unit 1/1

Range Rover (From JA610294)

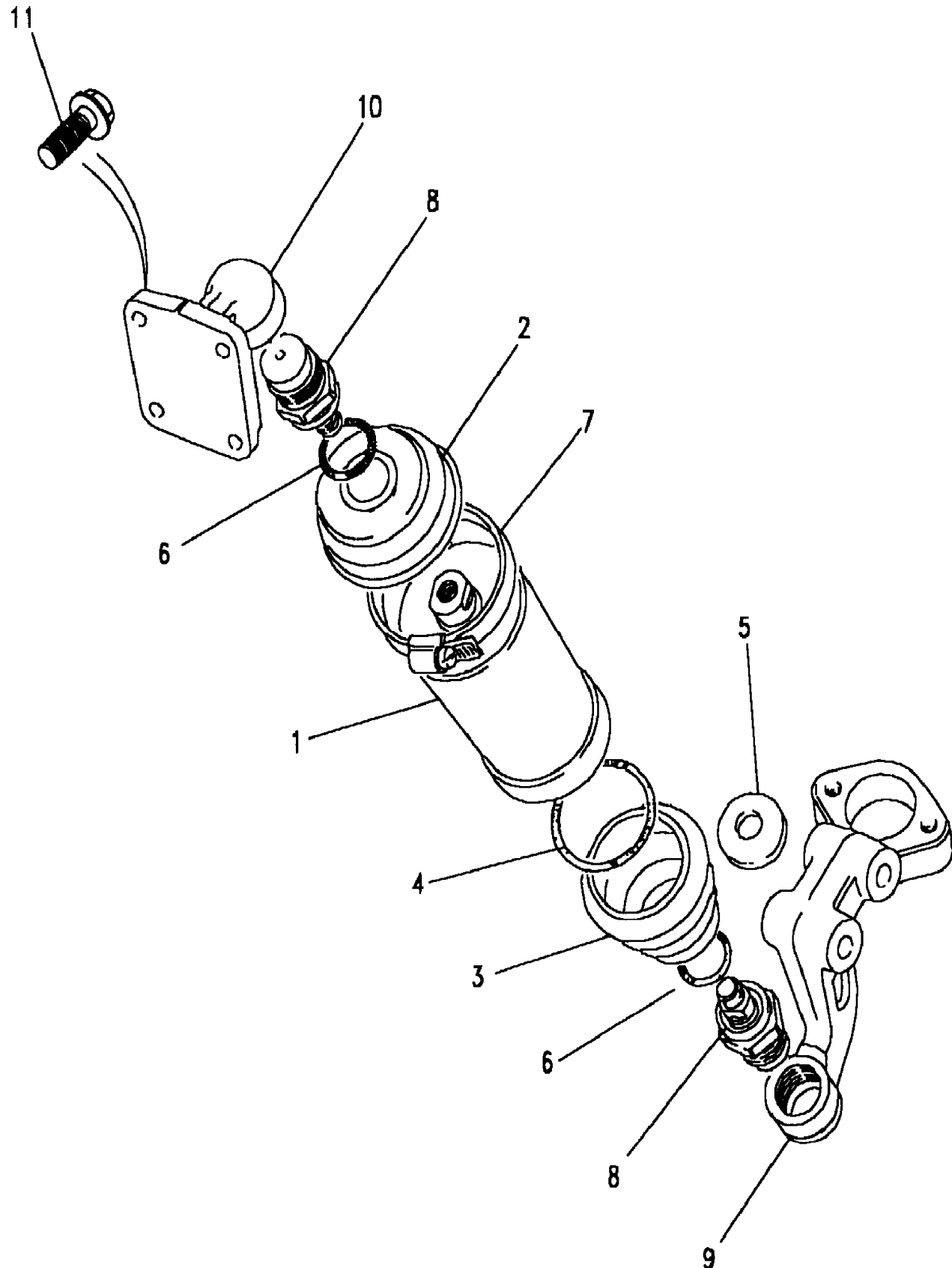
(BDEXKG1A)

Range Rover (From JA610294)

Axles & Suspension  
Rear Suspension  
Self Levelling Unit

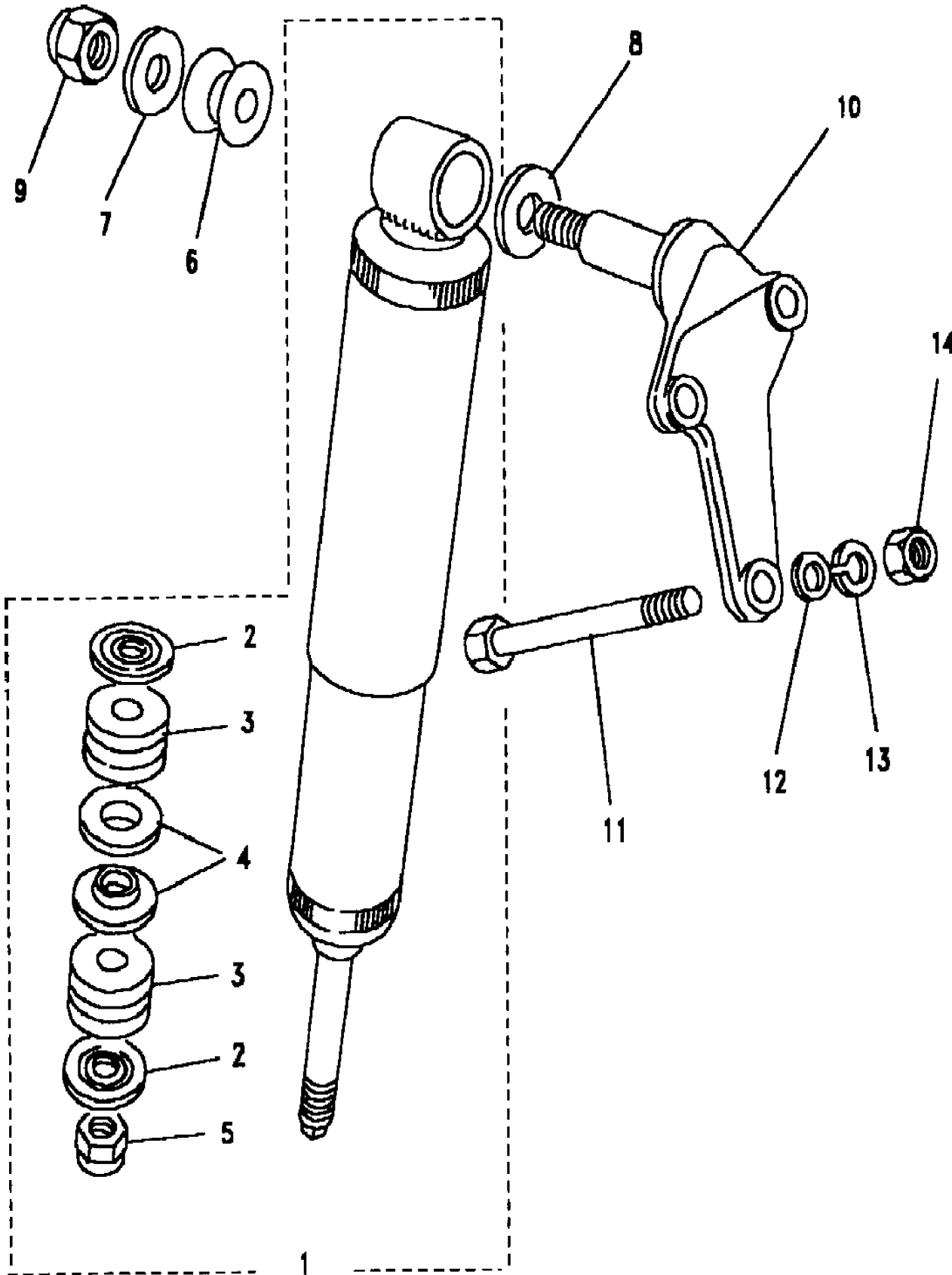
With Self Levelling Suspension

Callout	Name	Application	Remarks & Restrictions	Service No.	Qty
1	Control unit-self levelling			NRC4163	1
2	Gaiter-rubber driveshaft			90575877	1
3	Gaiter-self levelling unit ball joint		Lower	NRC6561	1
4	Spring Ring			577703	1
5	Seal			592444	1
6	Spring Ring			90577704	2
7	Clip-Hose			RTC3519	1
8	Joint-self levelling unit ball			575882	2
9	Bracket-rear axle fulcrum	Change point - VIN end KA638682 Change point - VIN begin KA638683		90575878 ANR3036	1 1
10	Mounting assembly-rear suspension			NTC7462	1
11	Screw			NTC7418	4



Range Rover (From JA610294)

(BDEXKC2A)



Range Rover (From JA610294)

Callout	Name	Application	Remarks & Restrictions	Service No.	Qty
1	Kit-damper assembly	Change point - VIN begin JA610294	Also serviced as part of a kit, Rear	STC242	2
2	Washer	Change point - VIN begin JA610294	Also serviced as part of a kit	500746	4
3	Bush-damper mounting	Change point - VIN end LA647644	Also serviced as part of a kit, Lower	552818	4
4	Washer	Change point - VIN begin JA610294	Also serviced as part of a kit	NRC4365	2
5	Nut - Hex.	Change point - VIN begin JA610294	Also serviced as part of a kit, M12, Hexagonal	NTC4571	2
6	Bush-damper mounting		Rear, Upper	NRC5593	2
7	Retainer		Outer	NRC5603	2
8	Retainer		Inner	NRC5602	2
9	Nut - Hex.		rear damper upper, M12, hexagonal head, nyloc	NY112041L	2
10	Bracket assembly-rear damper		Upper	NRC7981	2
11	Bolt		hexagonal head, M10 x 110	BH110221L	6
12	Washer		M10, oversize, Plain	WC110061L	6
13	Washer-Spring		5/16"	WM110001L	6
14	Nut-flange		M10, flange	FN110047	6
[900]	Bush-damper mounting		Also serviced as part of a kit, Rear, Upper	NRC5593	2
[902]	Bush-damper mounting lower	Change point - VIN begin MA647645	Also serviced as part of a kit	ANR1721	2
[903]	Washer	Change point - VIN begin JA610294	Also serviced as part of a kit Also serviced as part of a kit	ANR1895 NRC6235 500746	2 4 4
[904]	Nut - Hex.		Also serviced as part of a kit, M12, Hexagonal	NTC4571	2

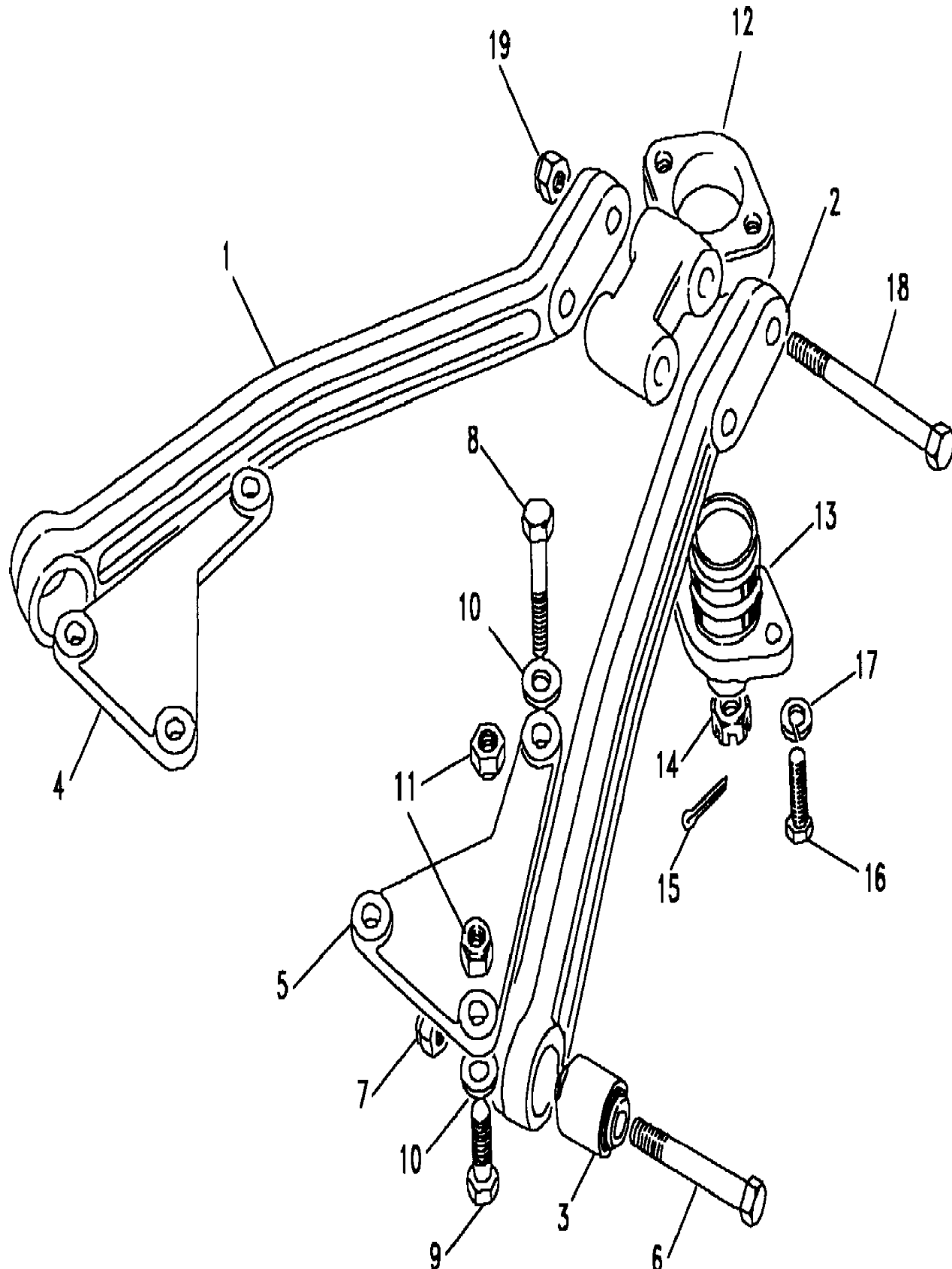
Axles & Suspension  
Rear Suspension  
Top Link, Fulcrum & Ball Joint 1/2

Range Rover (From JA610294)

(BDEXKA1A)

Range Rover (From JA610294)

Axles & Suspension  
Rear Suspension  
Top Link, Fulcrum & Ball Joint



Callout	Name	Application	Remarks & Restrictions	Service No.	Qty
1	Link assembly-rear suspension upper		Also serviced as part of a kit, RH	NTC2706	1
2	Link assembly-rear suspension upper		Also serviced as part of a kit, LH	NTC2707	1
3	Bush-rear suspension upper link		Also serviced as part of a kit	NTC1773	2
4	Bracket		RH	575615	1
5	Bracket		LH	575616	1
6	Bolt			BH612321	2
7	Locknut			NY612041	2
8	Bolt		hexagonal head, M10 x 55	BX110111L	2
9	Bolt			BX110091L	4
10	Washer		M10, oversize, Plain	WC110061L	4
11	Nut - Hex.		hexagonal head, nyloc	NY110051L	4
12	Bracket-rear axle fulcrum	Change point - VIN end KA638682 Change point - VIN begin KA638683		90575878 ANR3037	1 1
13	Joint-rear suspension upper link ball	Change point - VIN end KA638682 Change point - VIN begin KA638683	Also serviced as part of a kit	NTC9932 ANR1799	1 1
14	Nut - Hex.	Change point - VIN begin KA638683	Also serviced as part of a kit, 20MM 20MM	NTC4618 NTC4618	1 1
15	Pin-split	Change point - VIN end JA620782 Change point - VIN begin JA620783		PS608101L PS106321L	1 1
16	Screw	Change point - VIN end KA638682	hexagonal head, 5/16UNF x 1	SH605081L	2
17	Washer-Spring		Also serviced as part of a kit, 5/16"	WM600051L	2
18	Bolt		1/2UNF x 6 1/2	253952	1
19	Nut - Hex.		rear suspension upper link to chassis bracket, nyloc, Hexagonal, 1/2UNF	NY608041L	2
[900]	Screw	Change point - VIN begin KA638683	Flanged Head, M8 x 20	FS108201L	2

Axles & Suspension  
Rear Suspension  
Top Link, Fulcrum & Ball Joint 2/2

Range Rover (From JA610294)

(BDEXKA1A)

Range Rover (From JA610294)

Axles & Suspension  
Rear Suspension  
Top Link, Fulcrum & Ball Joint

Callout	Name	Application	Remarks & Restrictions	Service No.	Qty
[901]	Washer	Change point - VIN begin KA638683	Also serviced as part of a kit, 20MM	WB120001	1

