

Steering  
Steering Column Lower  
Power Steering Hoses 1/1

Range Rover (From JA610294)

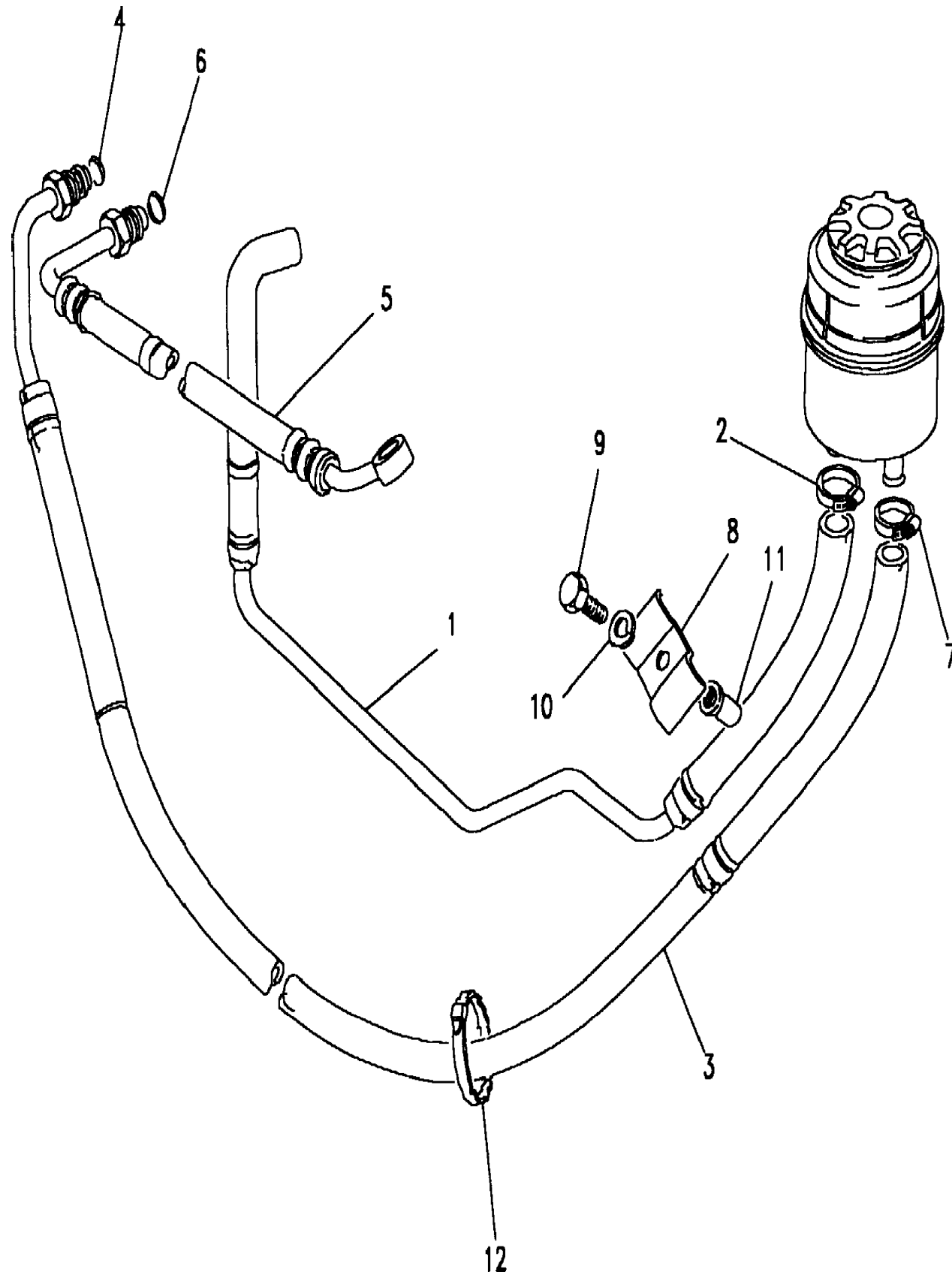
(BDFXRA2A)

Range Rover (From JA610294)

Steering  
Steering Column Lower  
Power Steering Hoses

With Diesel Engines, With Power Steering

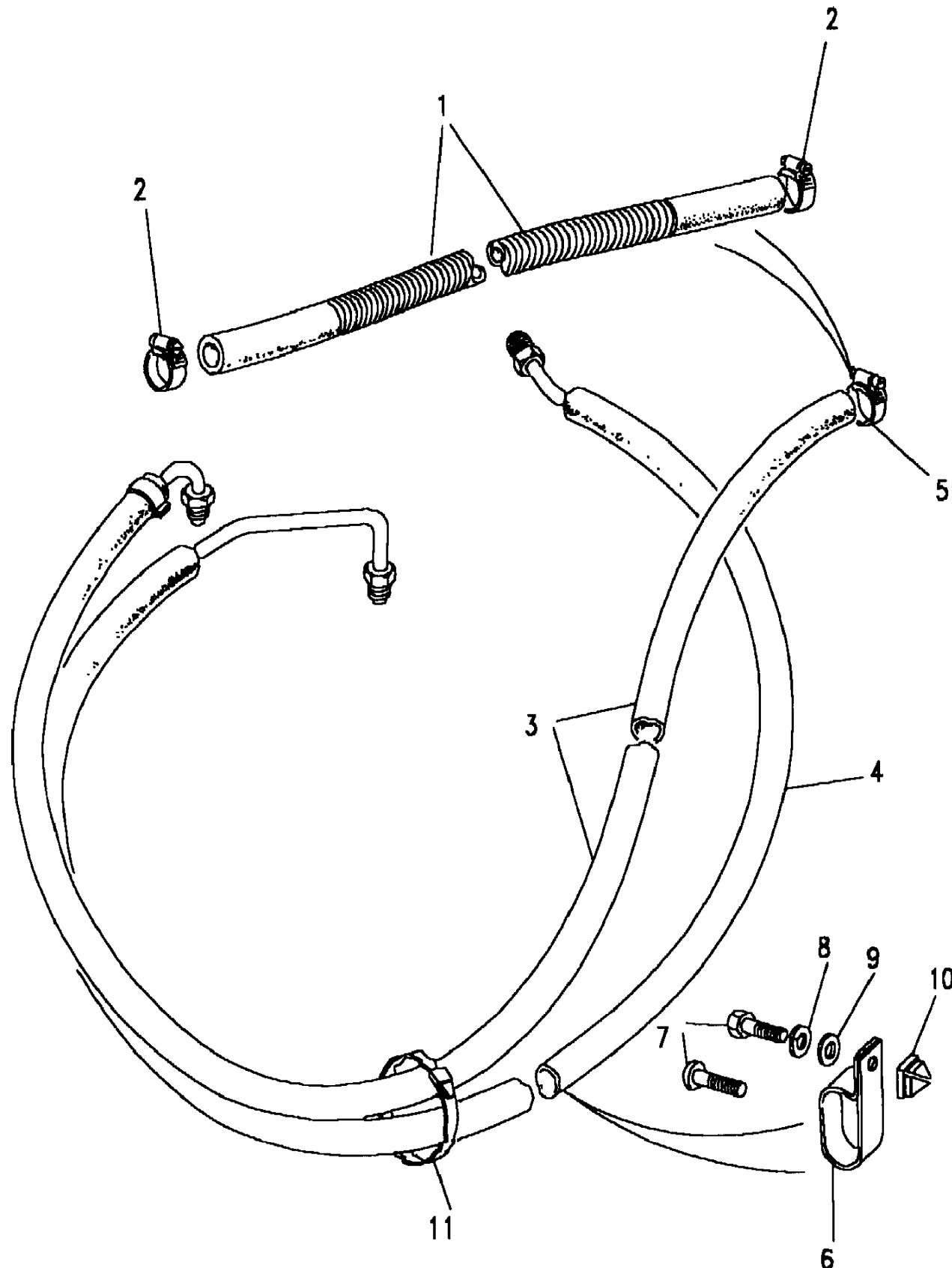
Callout	Name	Application	Remarks & Restrictions	Service No.	Qty
1	Hose-power assisted steering reservoir to pump	RHD		NTC7476	1
		LHD		NTC7477	1
		Change point - VIN end LA647644, TDi L/R	Low Pressure	NTC4245	1
		Change point - VIN begin MA647645, TDi L/R		NTC9989	1
2	Clip-Hose	Diesel VM		603890	2
		TDi L/R		603890	2
3	Pipe assembly-steering box to reservoir	RHD		NTC8865	1
		LHD		NTC8866	1
		Change point - VIN end LA647644, TDi L/R, RHD		ANR1887	1
		Change point - VIN end LA647644, TDi L/R, LHD		NTC9429	1
		Change point - VIN begin MA647645, TDi L/R, RHD		ANR2916	1
		Change point - VIN begin MA647645, TDi L/R, LHD		ANR3783	1
4	O Ring	Diesel VM	6MM	RTC4825	1
		TDi L/R	6MM	RTC4825	1
5	Pipe assembly-pump to steering box	Diesel VM, RHD		NTC6733	1
		Diesel VM, LHD		NTC6732	1
		Change point - VIN end LA647644, TDi Diesel L/R, LHD		NTC6070	1
		Change point - VIN end LA647644, TDi Diesel L/R, RHD		NTC5494	1
6	O Ring	Diesel VM	PAS box high pressure hose	RTC4826	1
7	Clip-Hose			NRC5990	1
8	Clip-Pipe			NRC6302	3
9	Screw-flanged head		M6 X 16, Flanged Head	FS106167L	3
10	Washer		M6, sprung	WL106001L	3
11	Nutsert-blind			NN106011	3
12	Tie-cable		6 1/4"	240431	2



Steering  
Steering Column Lower  
Power Steering Hoses 1/1

Range Rover (From JA610294)

(BDFXRA1A)



Range Rover (From JA610294)

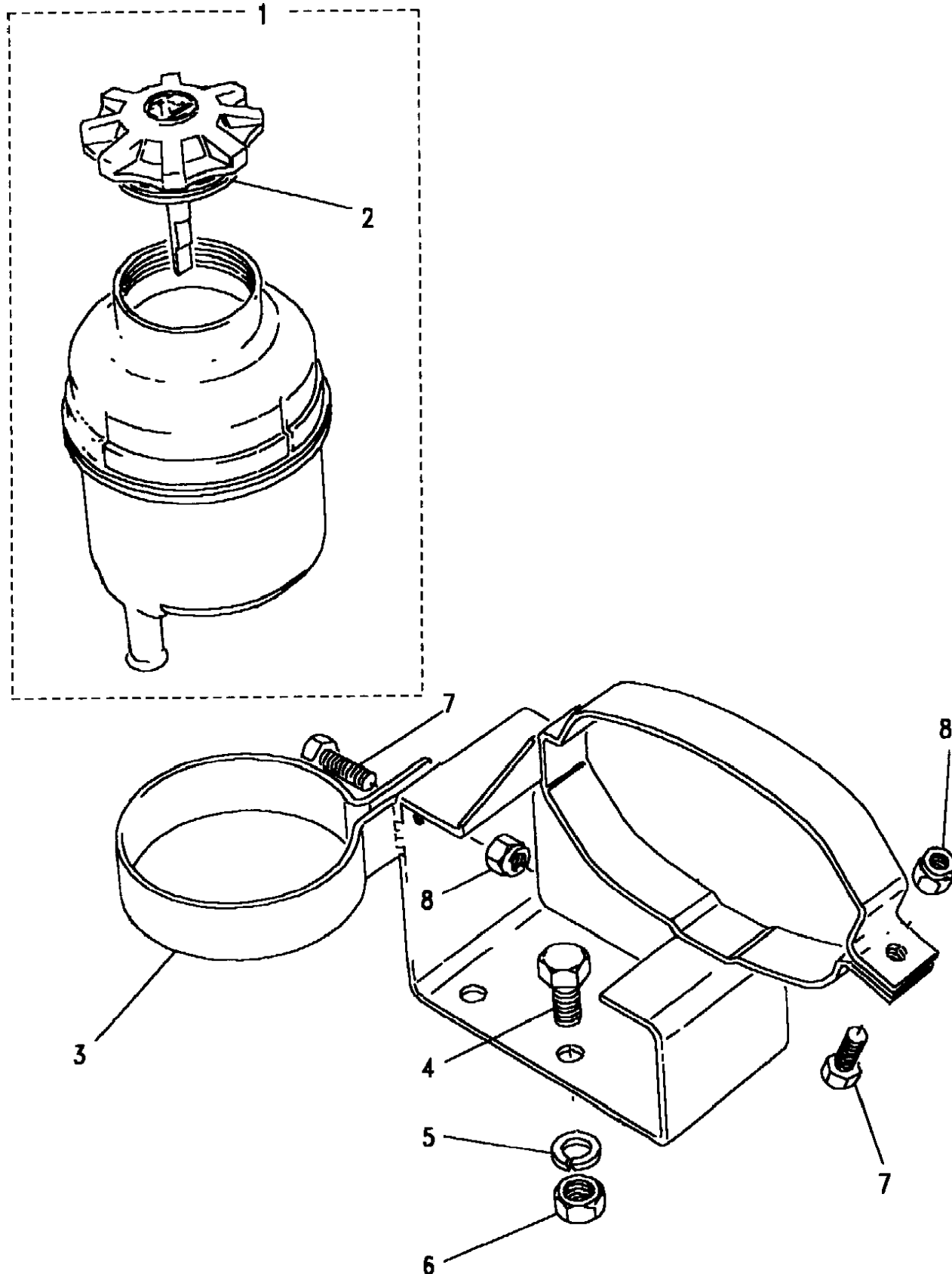
Steering  
Steering Column Lower  
Power Steering Hoses

With Petrol Engines, With Power Steering

Callout	Name	Application	Remarks & Restrictions	Service No.	Qty
1	Hose-power assisted steering reservoir to pump		Low Pressure	NTC4245	1
2	Clip-Hose			603890	2
3	Pipe assembly-steering box to reservoir	Change point - VIN end LA647644		NTC9429	1
		LHD		NTC9429	1
		Change point - VIN begin MA647645		ANR2116	1
		LHD		ANR2116	1
		Change point - VIN end KA624841		NTC9430	1
		RHD		NTC9430	1
		Change point - VIN begin KA624824, RHD		ANR1887	1
4	Pipe assembly-pump to steering box	Change point - VIN end LA647644, RHD, Less Air Suspension		NTC7952	1
		Change point - VIN begin MA647645, RHD		ANR3131	1
		LHD		NTC6790	1
		Change point - VIN end LA647644, RHD, With Air Suspension		NTC7952	1
		Change point - VIN begin MA647650, RHD, With Air Suspension		ANR3131	1
		LHD, With Air Suspension	PUMP END, High Pressure	NTC8588	1
		LHD, With Air Suspension	box end, High Pressure	NTC8590	1
5	Clip-Hose			NRC1362	1
6	Clip-p			NTC2722	3
7	Screw		10UNF x 3/4	257020	2
			10UNF x 1/2	79120	1
8	Washer-Spring		3/16 dia, Square	WM702001L	3
9	Washer-Plain			WC702101L	3
10	Nutsert-blind			79239	3
11	Tie-cable		6 1/4"	240431	2
[902]	O Ring	Less Air Suspension	PAS box high pressure hose, 6MM	RTC4825	1
		With Air Suspension	PAS box high pressure hose	RTC4826	1

Steering  
Steering Column Lower  
Power Steering Reservoir 1/1

**Range Rover (From JA610294)**  
(BDFXPA2A)



**Range Rover (From JA610294)**

Steering  
Steering Column Lower  
Power Steering Reservoir

With Diesel Engines, With Power Steering

Callout	Name	Application	Remarks & Restrictions	Service No.	Qty
1	Reservoir assembly power assisted steering fluid	Change point - VIN end KA629041	Also serviced as part of a kit	NTC1791	1
		Change point - VIN begin KA629042	Also serviced as part of a kit	ANR1998	1
2	Cap power assisted steering reservoir	Change point - VIN end KA629041	Also serviced as part of a kit	NTC2723	1
		Change point - VIN begin KA629042	Also serviced as part of a kit	NTC2723	1
3	Bracket power assisted steering reservoir			NTC3595	1
4	Screw		M8 X 16, hexagonal head	SH108161L	3
5	Washer		M8, sprung	WL108001L	3
6	Nut - Hex.		M8, flange	FN108041L	3
7	Screw		hexagonal head, 1/4UNF x 7/8	SH604071L	2
8	Nut - Hex.		1/4", nyloc, Hexagonal	NY604041L	2

Steering  
Steering Column Lower  
Power Steering Reservoir 1/1

Range Rover (From JA610294)

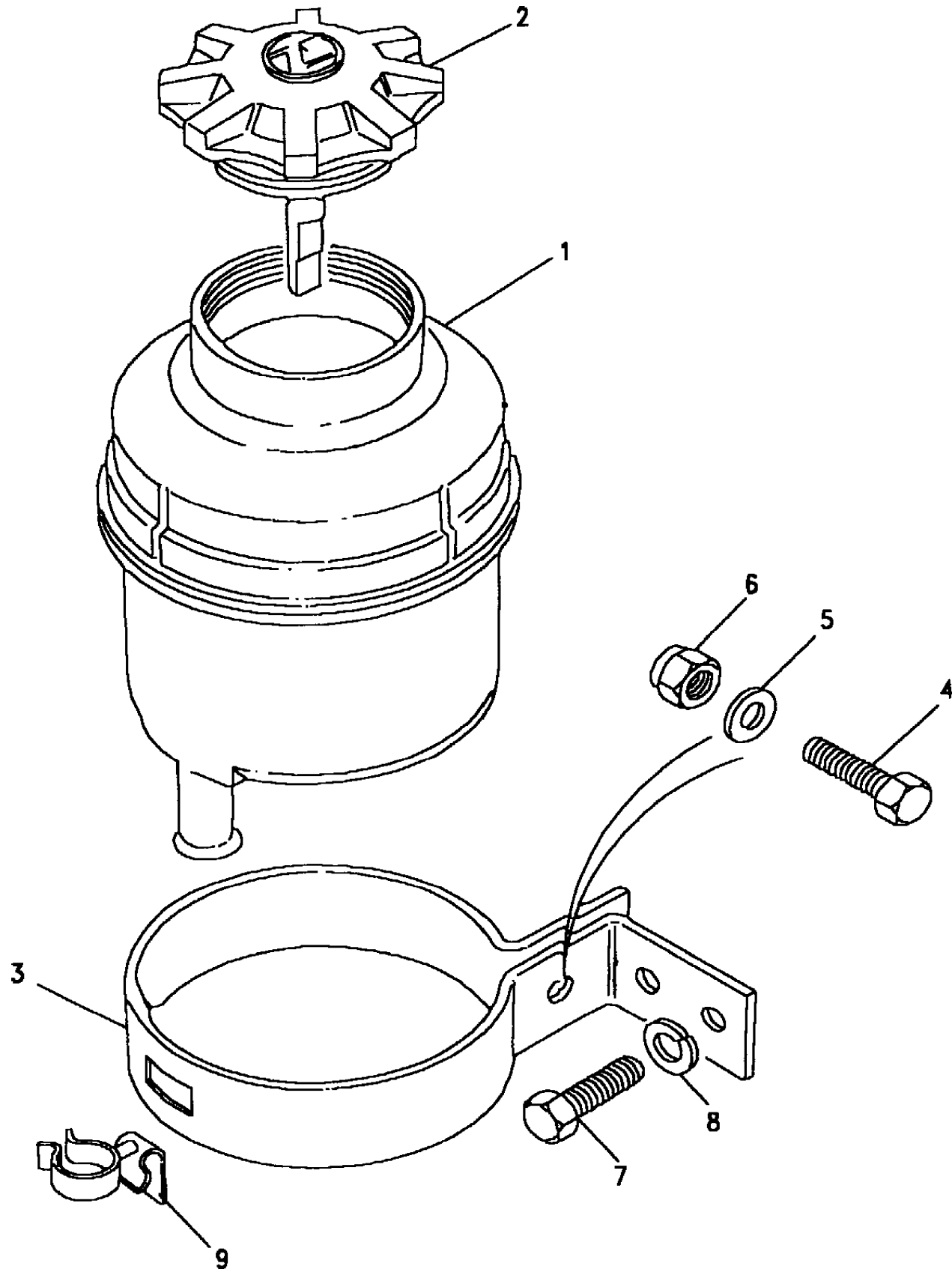
(BDFXPA1A)

Range Rover (From JA610294)

Steering  
Steering Column Lower  
Power Steering Reservoir

With Petrol Engines, With Power Steering

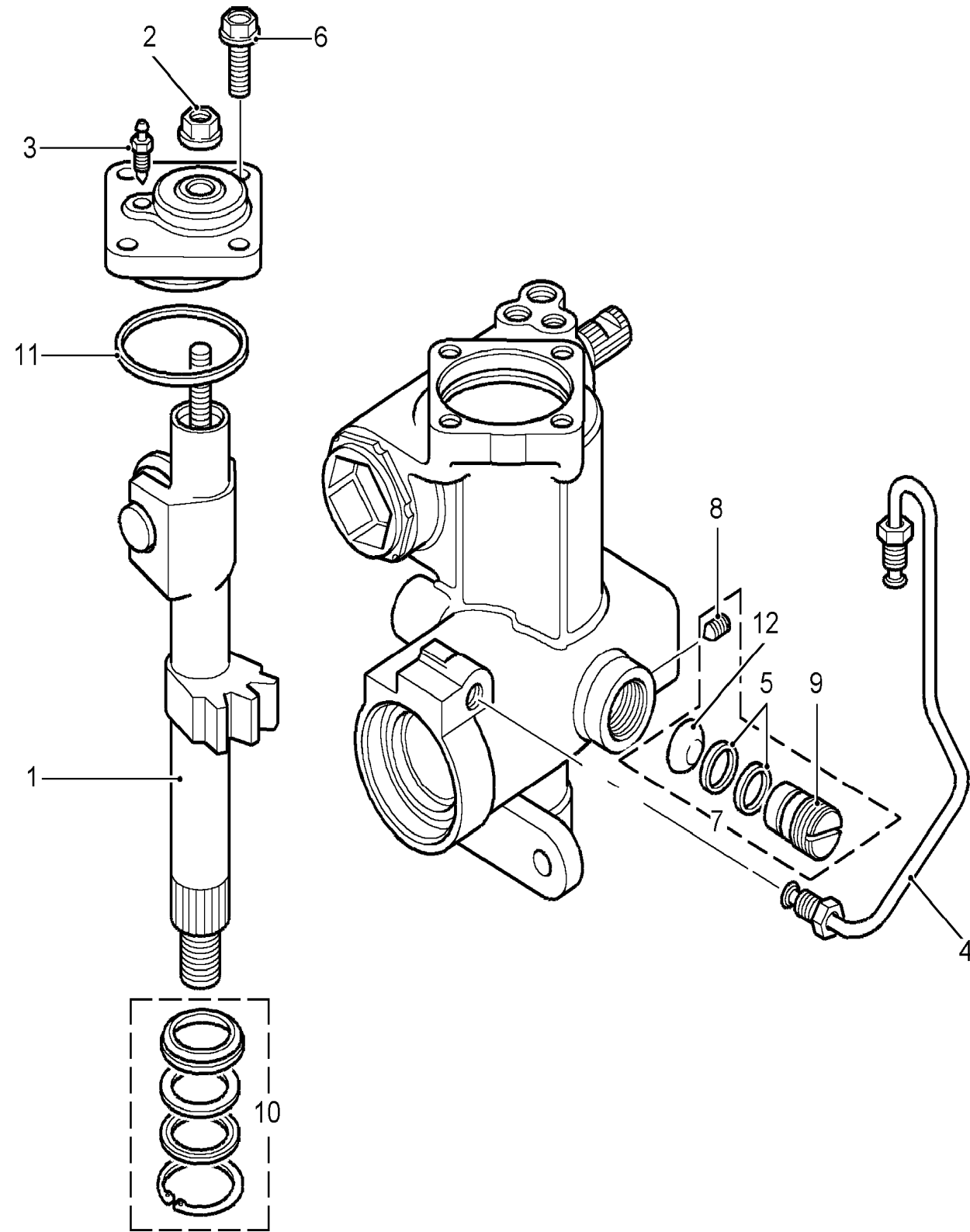
Callout	Name	Application	Remarks & Restrictions	Service No.	Qty
1	Reservoir assembly power assisted steering fluid	Change point - VIN begin KA629042	Also serviced as part of a kit	ANR1998	1
		Change point - VIN end KA629041	Also serviced as part of a kit	NTC1791	1
2	Cap power assisted steering reservoir	Change point - VIN begin KA629042	Also serviced as part of a kit	NTC2723	1
3	Bracket assembly power assisted steering pump & alternator	Change point - VIN end LA647644		NTC2721	1
		Change point - VIN begin KA647645		ANR3700	1
4	Screw		M6 X 20, Flanged Head	FS106201L	1
5	Washer		6MM	WA106041L	1
6	Nut - Hex.		M6, hexagonal head, nyloc	NY106041L	1
7	Screw-flanged head		M6 X 16, Flanged Head	FS106167L	2
8	Washer		M6, sprung	WL106001L	2
9	Clip-plastic		HT lead to bracket	PRC5681	1



Steering  
Steering Column Lower  
Sector Shaft 1/1

Range Rover (From JA610294)

(AHFXGC5A)



AHFXGC5A

Range Rover (From JA610294)

Steering  
Steering Column Lower  
Sector Shaft

With Power Steering

Callout	Name	Application	Remarks & Restrictions	Service No.	Qty
1	Shaft assembly-steering box sector	RHD		RTC4398	1
		LHD		RTC4399	1
2	Nut - Hex.	RHD		RTC4394	1
3	Screw-bleed			RTC4395	1
4	Pipe assembly power assisted steering	RHD		RTC4400	1
		LHD		RTC4401	1
5	Seal-steering rack pinion			608065	1
6	Screw			RTC4393	4
7	Kit-power assisted steering box seal			STC1040	1
8	Screw-Grub			11011L	1
9	Screw-rack guide power assisted steering			606545	1
10	Kit-steering box sector shaft seal	Change point - VIN begin MA656906		STC2848	1

Steering  
Steering Column Lower  
Shaft-From (V) MA647645 1/1

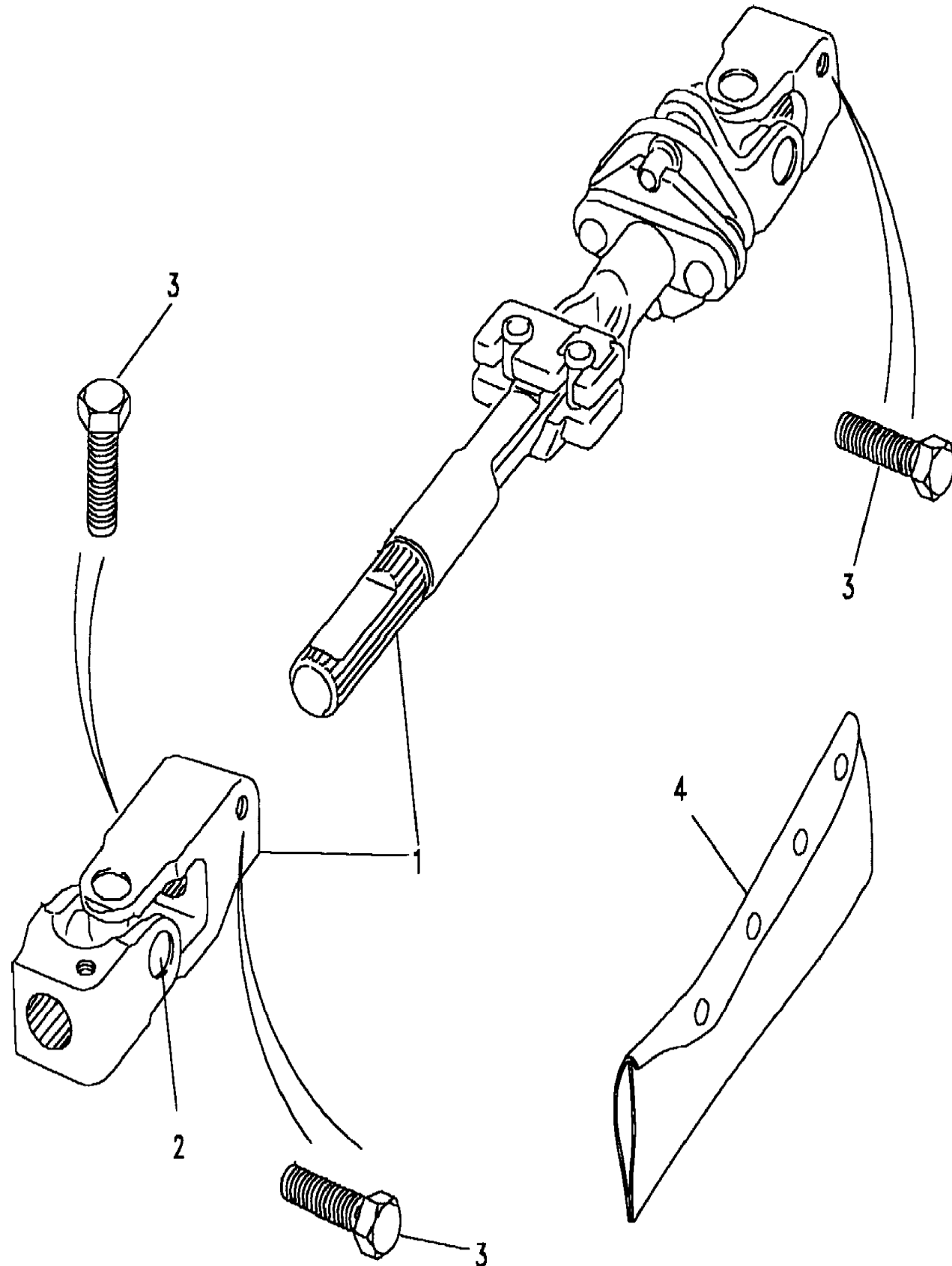
Range Rover (From JA610294)

(BDFXAA3A)

Steering  
Steering Column Lower  
Shaft-From (V) MA647645

Range Rover (From JA610294)

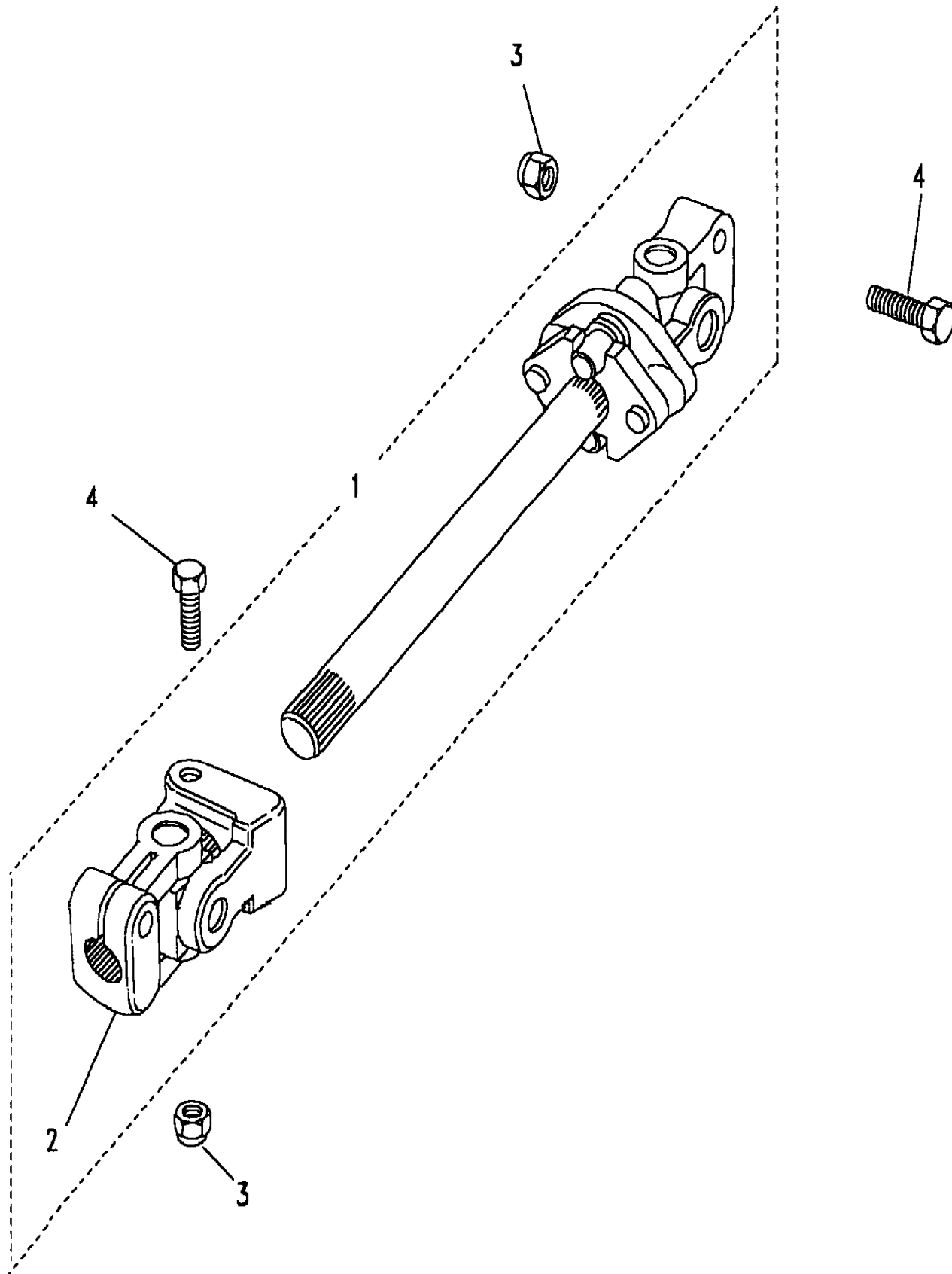
Callout	Name	Application	Remarks & Restrictions	Service No.	Qty
1	Shaft-universal joint steering	Change point - VIN begin MA647645		ANR3171	1
2	Joint-universal steering linkage	Change point - VIN begin MA647645	Also serviced as part of a kit	STC2800	1
3	Bolt	Change point - VIN begin MA647645	Also serviced as part of a kit, M8 X 35	BH108077	3
4	Heatshield steering gear	Change point - VIN begin MA647645, With Petrol Engines		ANR3518	1



Steering  
Steering Column Lower  
Shaft-To (V) LA647644 1/1

Range Rover (From JA610294)

(BDFXAA2A)



Range Rover (From JA610294)

Steering  
Steering Column Lower  
Shaft-To (V) LA647644

Callout	Name	Application	Remarks & Restrictions	Service No.	Qty
1	Shaft-universal joint steering	Change point - VIN end LA647644	Also serviced as part of a kit	NTC8478	1
2	Joint-universal steering linkage	Change point - VIN end LA647644	Also serviced as part of a kit, Upper	NRC7387	1
3	Bolt	Change point - VIN end LA647644	M8 x 45	BH108091L	3
4	Locknut	Change point - VIN end LA647644		NY605041L	3

Steering  
Steering Column Lower  
Steering Box-Power 1/2

Range Rover (From JA610294)

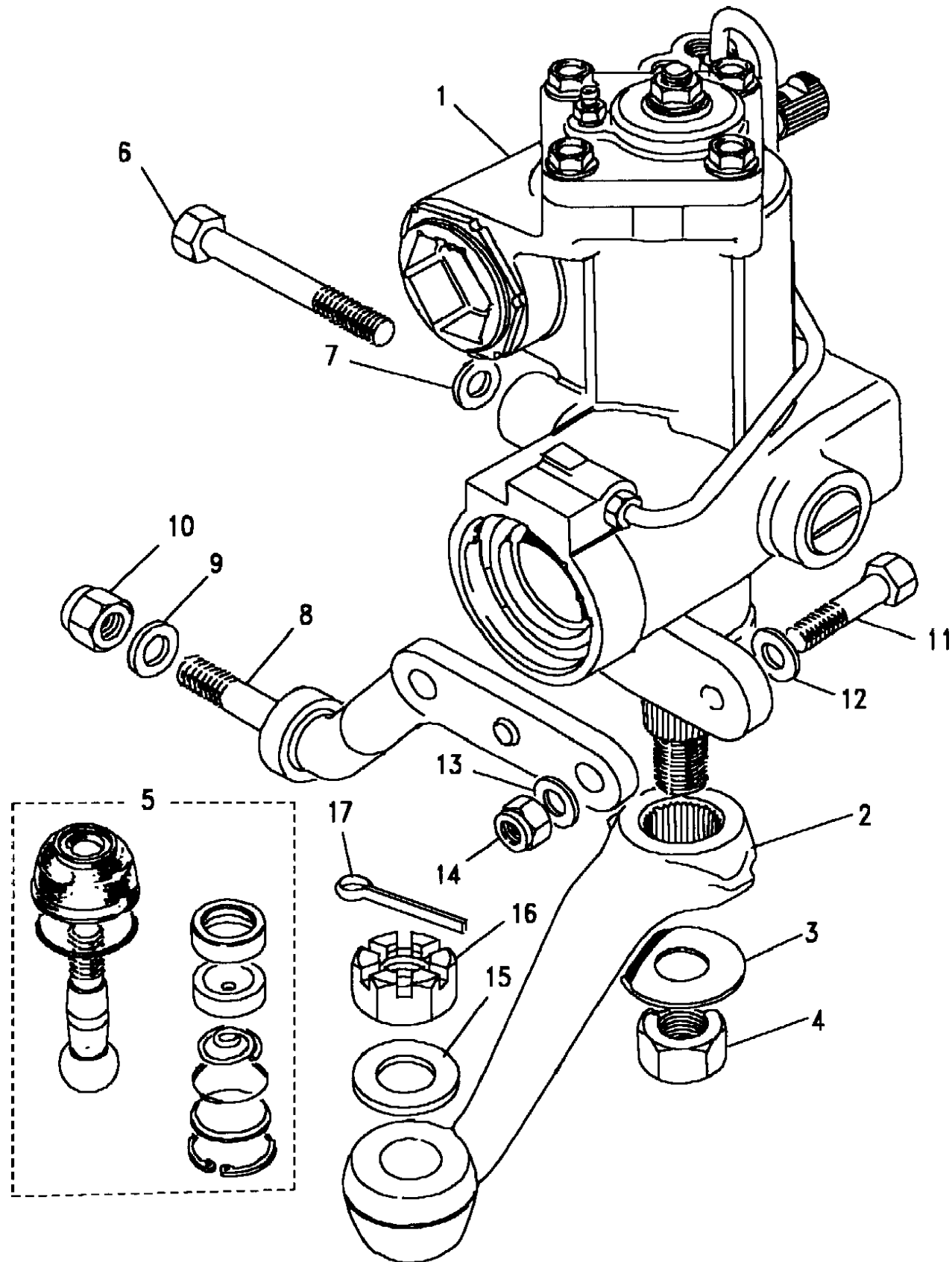
(BDFXGC1A)

Range Rover (From JA610294)

Steering  
Steering Column Lower  
Steering Box-Power

With Power Steering

Callout	Name	Application	Remarks & Restrictions	Service No.	Qty
1	Box assembly-steering	Change point - VIN begin JA610294, RHD	Adwest, exchange, lightweight	STC8384E	1
		Change point - VIN begin JA610294, RHD	Adwest, exchange, heavyweight	STC8382E	1
		Change point - VIN end JA621323, RHD	Adwest, New, lightweight	STC398	1
		Change point - VIN begin JA621324, Change point - VIN end JA624754, RHD	Adwest, New, lightweight	STC837	1
		Change point - VIN begin KA624756, Change point - VIN end MA656905, RHD	Adwest, New, lightweight	STC887	1
		Change point - VIN begin MA656906, RHD	Adwest, New, lightweight	STC2846	1
		Change point - VIN end MA656905, LHD	Adwest, New, lightweight	STC888	1
		Change point - VIN begin MA656906, LHD	Adwest, New, lightweight	STC2845	1
		LHD	Adwest, exchange, lightweight	STC8383E	1
		2	Lever-drop arm steering	Change point - VIN end JA621323, RHD	
Change point - VIN begin JA621324, RHD				NTC9236	1
Change point - VIN end JA621323, LHD				RTC6397	1
Change point - VIN begin JA621324, LHD				NTC9235	1
3	Washer-steering box drop arm nut tab	Change point - VIN end JA621323	48MM, Adwest	600265	1
		Change point - VIN begin JA621324	Adwest, 60MM	STC874	1
4	Nut - Hex.			NT614041L	1
5	Joint-drag link ball	Change point - VIN end JA621323		RTC4198	1
		Change point - VIN begin JA621324	Also serviced as part of a kit, L/H thread, LH	RTC5870	1
6	Bolt		hexagonal head, M12 x 100	BX112201	4
7	Washer		M12, Plain, Standard	WA112081L	4
8	Bar-tie-bent forging	Change point - VIN end LA647644, RHD		594947	X
		Change point - VIN end LA647644, LHD		594946	X
		Change point - VIN begin MA647645, LHD		ANR2994	1
		Change point - VIN begin MA647645, RHD		ANR2994	1
9	Washer		1/2"	4905	1
10	Nut - Hex.		steering box tie bar, nyloc, Hexagonal, 1/2UNF	NY608041L	1





Steering  
Steering Column Lower  
Steering Box-Power 2/2

Range Rover (From JA610294)

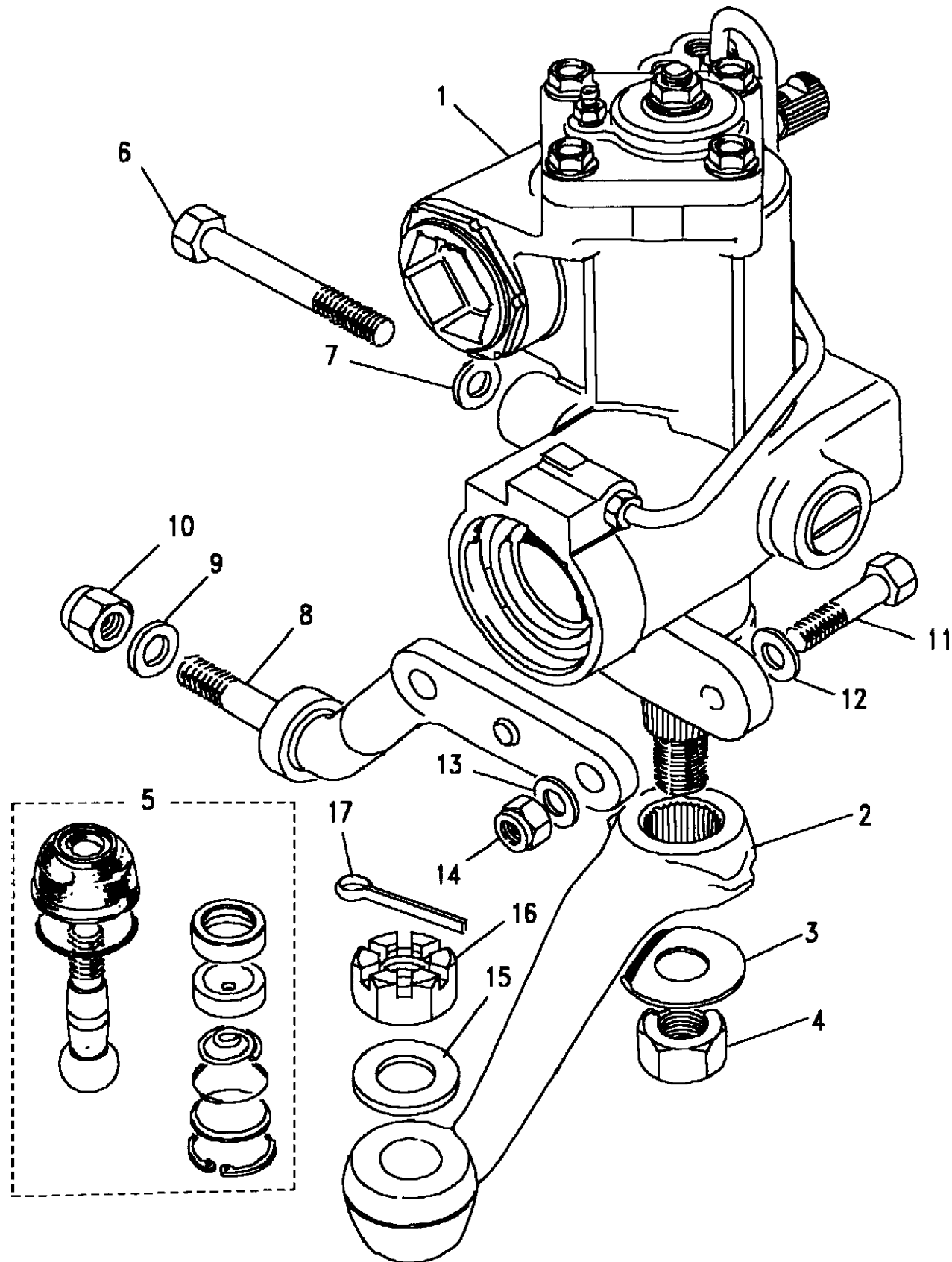
(BDFXGC1A)

Steering  
Steering Column Lower  
Steering Box-Power

Range Rover (From JA610294)

With Power Steering

Callout	Name	Application	Remarks & Restrictions	Service No.	Qty
11	Bolt	Change point - VIN end LA647644	7/16UNF x 2	BH607161L	2
		Change point - VIN begin MA647645	M12 x 60	BH112121L	2
12	Washer	Change point - VIN end LA647644	7/16", Plain	3261L	2
		Change point - VIN begin MA647645	M12, Plain, Standard	WA112081L	2
13	Washer	Change point - VIN end LA647644	No 10, Plain	217245	2
		Change point - VIN begin MA647645	M12, Plain, Standard	WA112081L	2
14	Nut - Hex.	Change point - VIN end LA647644	nyloc, 7/16UNF	NY607041L	2
		Change point - VIN begin MA647645	M12, hexagonal head, nyloc	NY112041L	2
15	Washer-Plain		M12 x 28	WC112081L	1
16	Nut-castle		M12	NC112041	1
17	Pin-split			PS105321	1



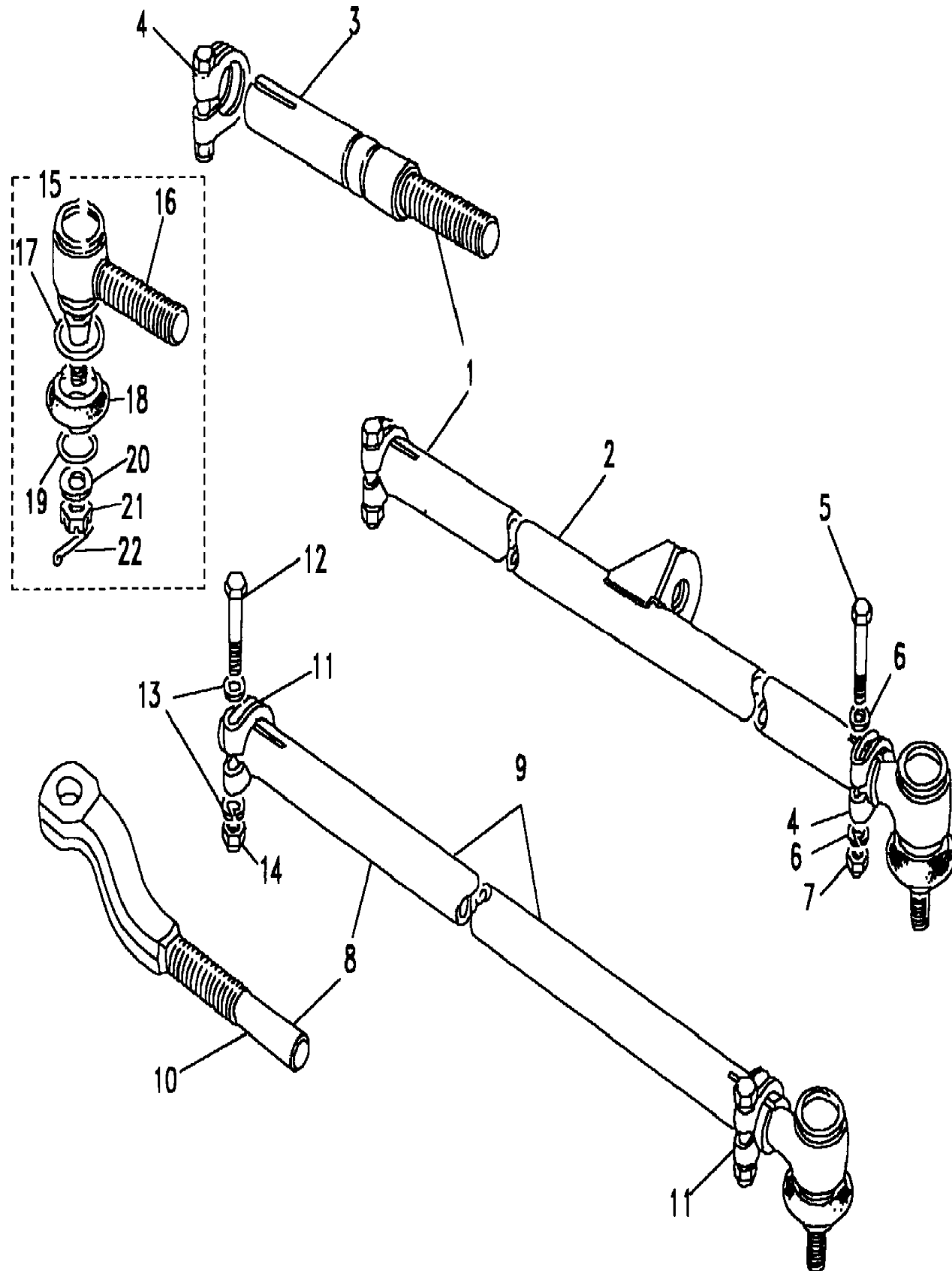
Steering  
Steering Column Lower  
Track Rods & Damper 1/2

Range Rover (From JA610294)

(BDFXKA1A)

Range Rover (From JA610294)

Steering  
Steering Column Lower  
Track Rods & Damper



Callout	Name	Application	Remarks & Restrictions	Service No.	Qty
1	Track rod power assisted steering		Also serviced as part of a kit	RTC1799	1
2	Tube		Also serviced as part of a kit	NRC145	1
3	Shaft-track rod adjusting		Also serviced as part of a kit	NRC4700	1
4	Clamp	Change point - VIN begin JA615504	Also serviced as part of a kit	577898	3
			Also serviced as part of a kit	577898	2
5	Bolt		Also serviced as part of a kit, 1/4UNF x 7/8	BH604151L	3
6	Washer		Also serviced as part of a kit, 6MM	WA106041L	6
7	Locknut	Change point - VIN begin JA615504	Also serviced as part of a kit, 1/4UNF	252210	3
			Also serviced as part of a kit, 1/4UNF	252210	2
8	Link assembly-drag	Change point - VIN end JA615503	Also serviced as part of a kit	NRC3226	1
		Change point - VIN begin JA615504	Also serviced as part of a kit	NTC9607	1
9	Tube-drag link	Change point - VIN end JA615503	Also serviced as part of a kit	NRC1824	1
		Change point - VIN begin JA615504	Also serviced as part of a kit	NTC8390	1
10	End piece-drag link	Change point - VIN end JA615503	Also serviced as part of a kit	NRC1823	1
		Change point - VIN begin JA615504	Also serviced as part of a kit	NRC1823	1
11	Clamp	Change point - VIN end JA615503	Also serviced as part of a kit	577898	2
			Also serviced as part of a kit	577898	2
12	Bolt	Change point - VIN end JA615503	Also serviced as part of a kit	256006	2
		Change point - VIN begin JA615504	Also serviced as part of a kit	256006	2
			Also serviced as part of a kit	256006	2
13	Washer	Change point - VIN end JA615503	Also serviced as part of a kit, M6	WB106041L	4
		Change point - VIN begin JA615504	Also serviced as part of a kit, M6	WB106041L	4
			Also serviced as part of a kit, M6	WB106041L	4
14	Locknut	Change point - VIN end JA615503	Also serviced as part of a kit, 1/4UNF	252210	2
			Also serviced as part of a kit, 1/4UNF	252210	2
15	Kit-ball joint	Change point - VIN end JA615503	Also serviced as part of a kit, RH, R/H thread	RTC5869	1

Steering  
Steering Column Lower  
Track Rods & Damper 2/2

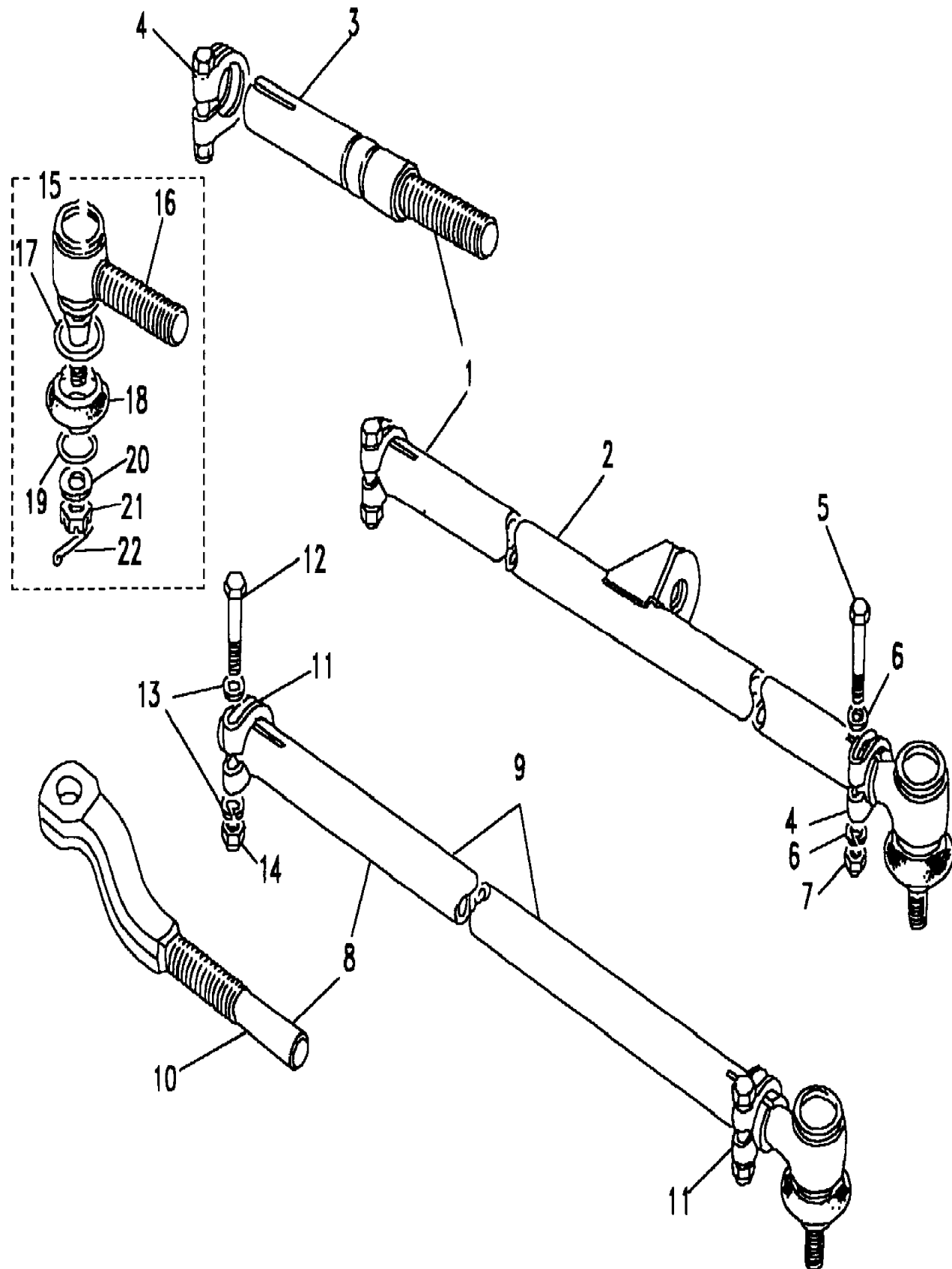
Range Rover (From JA610294)

(BDFXKA1A)

Range Rover (From JA610294)

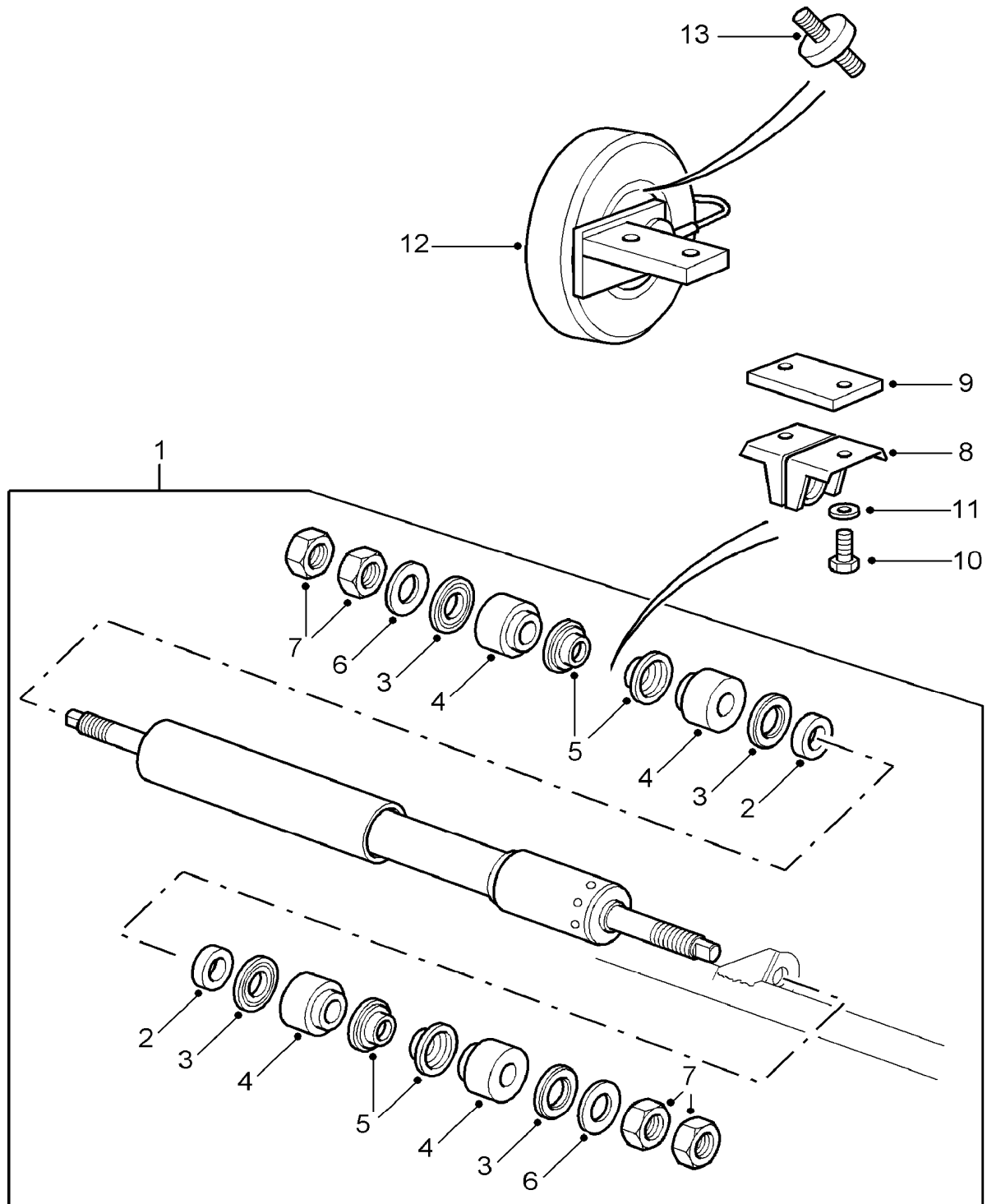
Steering  
Steering Column Lower  
Track Rods & Damper

Callout	Name	Application	Remarks & Restrictions	Service No.	Qty
15	Kit-ball joint	Change point - VIN end JA615503 Change point - VIN begin JA615504 Change point - VIN begin JA615504	Also serviced as part of a kit, L/H thread, LH Also serviced as part of a kit, RH, R/H thread Also serviced as part of a kit, L/H thread, LH	RTC5870 RTC5869 RTC5870	1 1 1
20	Washer-Plain	Change point - VIN end JA615503 Change point - VIN begin JA615504	Also serviced as part of a kit, M12 x 28 Also serviced as part of a kit, M12 x 28	WC112081L WC112081L	2 2
21	Nut-castle	Change point - VIN end JA615503 Change point - VIN begin JA615504	Also serviced as part of a kit, M12 Also serviced as part of a kit, M12	NC112041 NC112041	2 2
22	Pin-split	Change point - VIN end JA615503 Change point - VIN begin JA615504	Also serviced as part of a kit, 3.2 x 32 Also serviced as part of a kit, 3.2 x 32	PS106321L PS106321L	1 1



Range Rover (From JA610294)

(BDFXMA1B)



M01.050  
10-2003  
L2  
BDFXMA1B

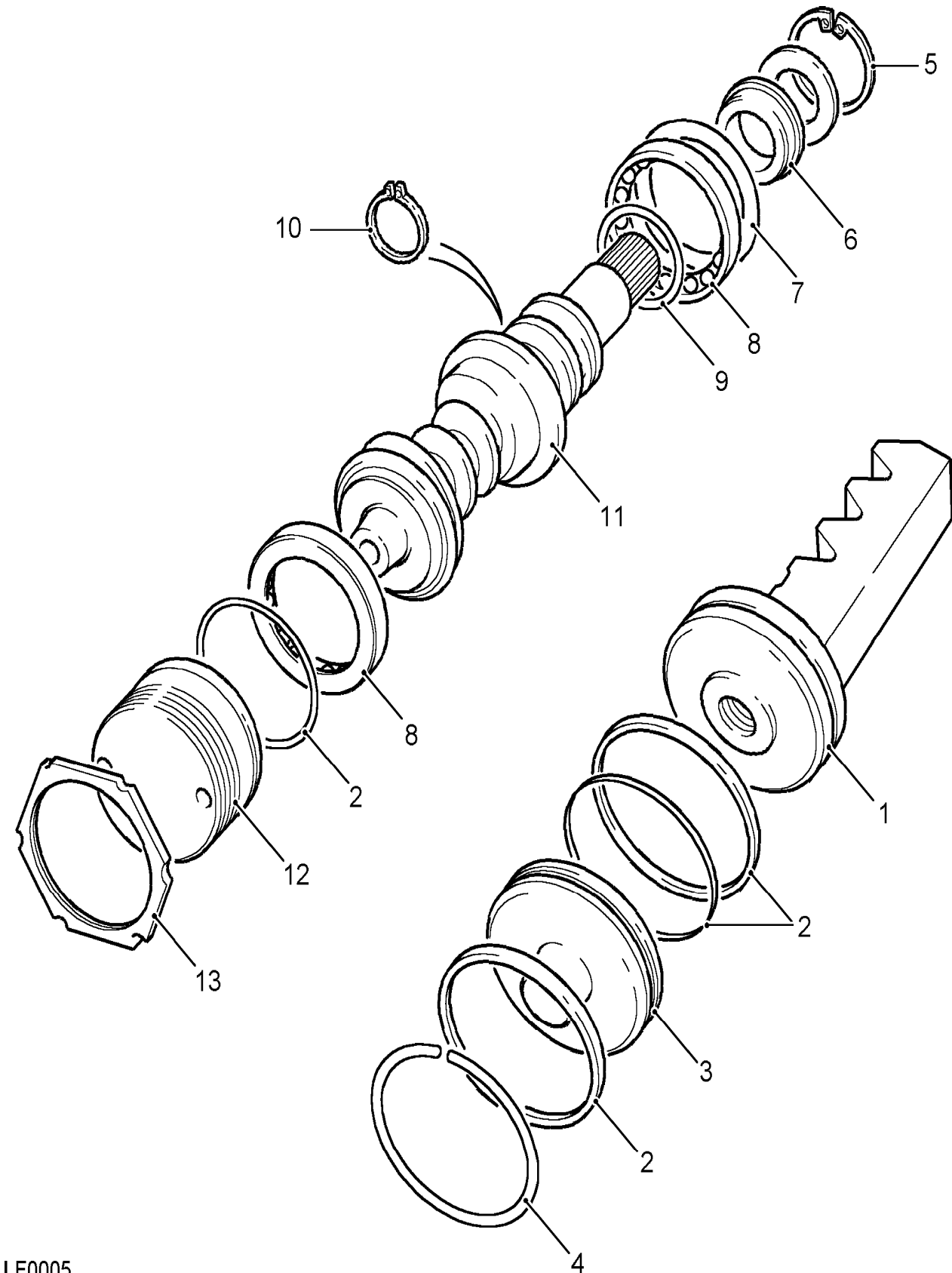
Range Rover (From JA610294)

Callout	Name	Application	Remarks & Restrictions	Service No.	Qty
1	Damper assembly-steering	Change point - VIN end JA621295 Change point - VIN begin JA621296		RTC3670 STC786	1 1
2	Washer	Change point - VIN end JA621295		595199	2
3	Washer	Change point - VIN end JA621295		90575597	4
4	Washer-rubber	Change point - VIN end JA621295		568858	4
5	Washer-cup	Change point - VIN end JA621295	Intermediate	543819	4
6	Washer-Plain	Change point - VIN end JA621295		2851L	2
7	Nut - Hex.	Change point - VIN end JA621295	Narrow	AFU4214	4
8	Bracket			90575596	1
9	Spacer	With Diesel Engines		NTC3038	1
10	Bolt		3/8UNC x 1 1/4	BH406101L	2
11	Washer		3/8", Square	WM600061L	2
12	Damper assembly-harmonic	Change point - VIN end MA652713 Change point - VIN begin MA652714, With Petrol Engines Change point - VIN begin MA652714, With Diesel Engines		RTC6825 FTC1499 FRC9693	1 1 1
13	Mounting Assy	Change point - VIN begin MA652714 Change point - VIN end MA652713	Engine, M12 Engine, M12	ANR2804 ANR2803	1 1

Steering  
Steering Column Lower  
Worm & Valve 1/1

Range Rover (From JA610294)

(LF0005)



LF0005

Range Rover (From JA610294)

Steering  
Steering Column Lower  
Worm & Valve

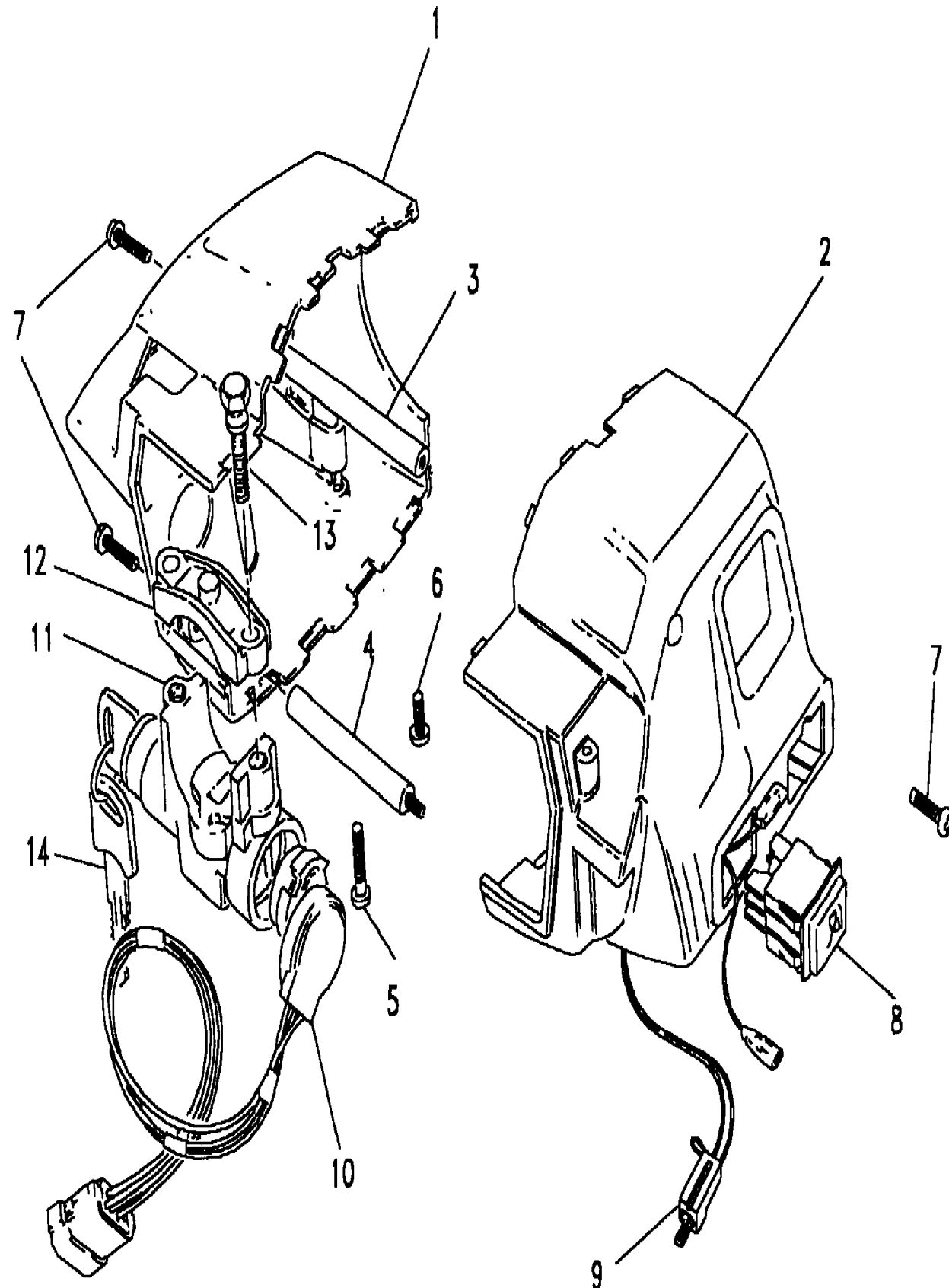
With Power Steering

Callout	Name	Application	Remarks & Restrictions	Service No.	Qty
1	Piston power assisted steering			RTC4402	1
2	Kit-power assisted steering box seal		overhaul, Also serviced as part of a kit	STC2847	1
3	Plug-blanking.			RTC4403	1
4	Ring power assisted steering			RTC4404	1
5	Kit-steering box sector shaft seal	Change point - VIN begin KA624756		STC889	1
7	Shim			RTC4410	1
8	Bearing steering gear-power assisted steering			RTC4409	2
9	Ring power assisted steering			608000	3
10	Circlip			606567	1
11	Worm & valve assembly-power assisted steering box	RHD LHD	RH LH	RTC4405 RTC4406	1 1
12	Screw			RTC4407	1
13	Nut - Hex.			RTC4408	1

Steering  
Steering Column Upper  
Steering Column Shroud 1/2

Range Rover (From JA610294)

(BDFXCA1A)



Range Rover (From JA610294)

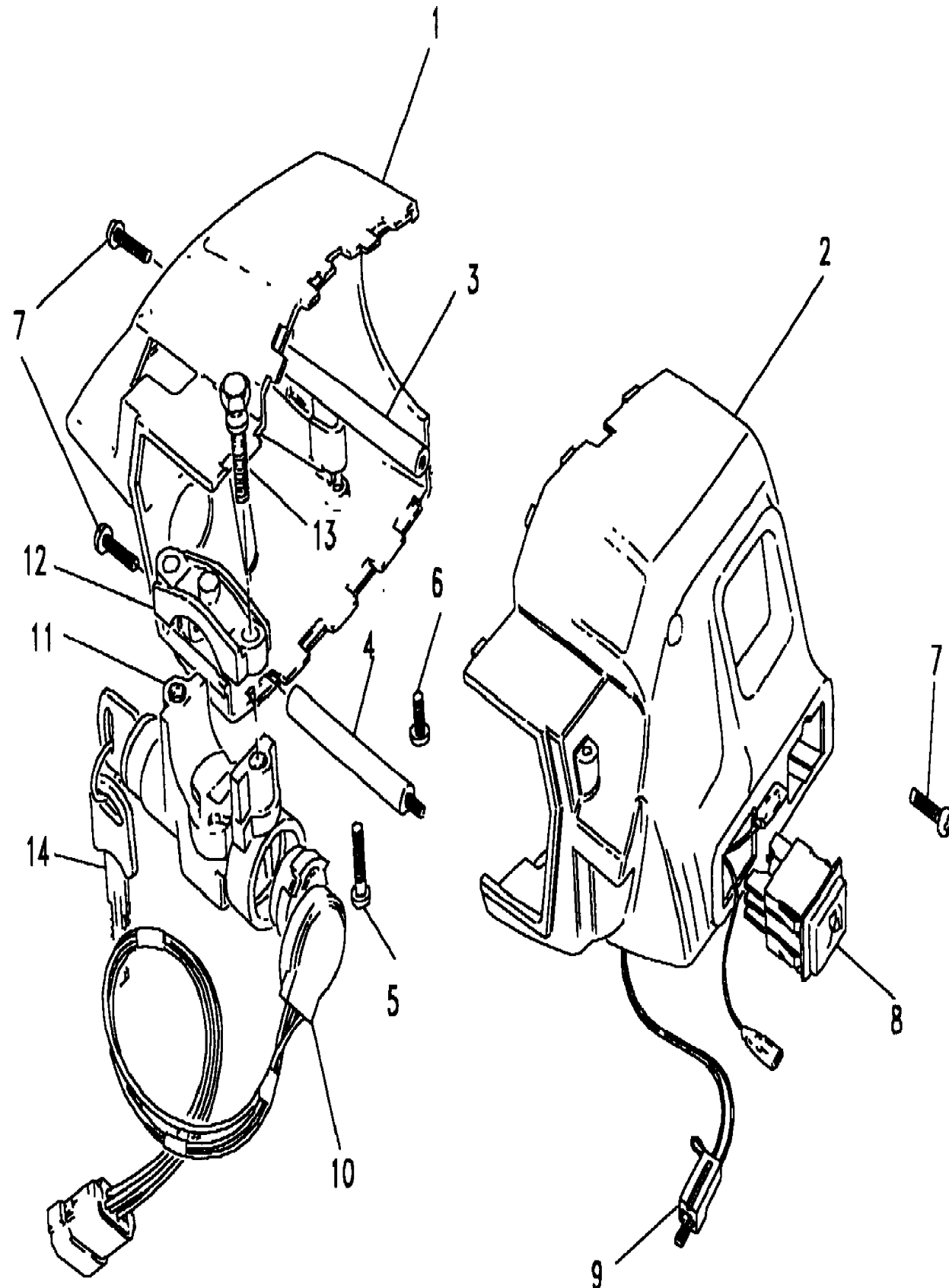
SEP 04  
Steering  
Steering Column Upper  
Steering Column Shroud

Callout	Name	Application	Remarks & Restrictions	Service No.	Qty
1	Cowl-right half right hand indicator system	Change point - VIN end LA647644	Bokhara	MWC5340RUN	1
2	Cowl-left half left hand indicator system	Change point - VIN end LA647644	Bokhara	MWC9921RUN	1
3	Spacer		Upper	MWC 1846	1
4	Spacer		Lower	MWC 1847	1
5	Screw	Change point - VIN end LA647644 Change point - VIN begin MA647645	M8 X 16	SE104161L QYP10007	1 3
6	Screw-self tapping B		No 6 x 1 3/4	AB606141L	2
7	Screw-self tapping		counter sunk	AC606081L	1
8	Switch-fuel flap release push push	Change point - VIN end LA647644 Change point - VIN begin MA647645		PRC7130 AMR2191	1 1
9	Link-fuel flap release actuator			PRC7142	1
10	Switch-ignition & harness	Change point - VIN end LA647644		STC1643	1
11	Lock assembly-steering column	Change point - VIN end LA647644, (-)"J" Change point - VIN begin MA647645, (-)"J" Change point - VIN begin MA647645, (-)"J" Change point - VIN end JA624754, (+)"J" Change point - VIN begin KA624756, Change point - VIN end LA647644, (+)"J" Change point - VIN begin MA647645, (+)"J" Change point - VIN begin MA647645, (+)"J" Manual Transmission, (+)"CDN/MEX/USA" Automatic Transmission, (+)"CDN/MEX/USA"	Less Shift Interlock, Also serviced as part of a kit Less Shift Interlock, Also serviced as part of a kit Less Shift Interlock, Also serviced as part of a kit Shift Interlock, Also serviced as part of a kit Shift Interlock, Also serviced as part of a kit Shift Interlock, Also serviced as part of a kit Shift Interlock, Also serviced as part of a kit	PRC8907 NTC9951 STC1435 NTC9440 NTC9588 NTC9952 STC1436	1 1 1 1 1 1 1 1
12	Clamp-lock steering column	Change point - VIN end LA647644, (-)"J" Change point - VIN begin MA647645, (-)"J" Change point - VIN end JA624754, (+)"J"	Less Shift Interlock, Also serviced as part of a kit Less Shift Interlock, Also serviced as part of a kit Shift Interlock, Also serviced as part of a kit	589238 STC3721 589238	1 1 1

Steering  
Steering Column Upper  
Steering Column Shroud 2/2

Range Rover (From JA610294)

(BDFXCA1A)



Range Rover (From JA610294)

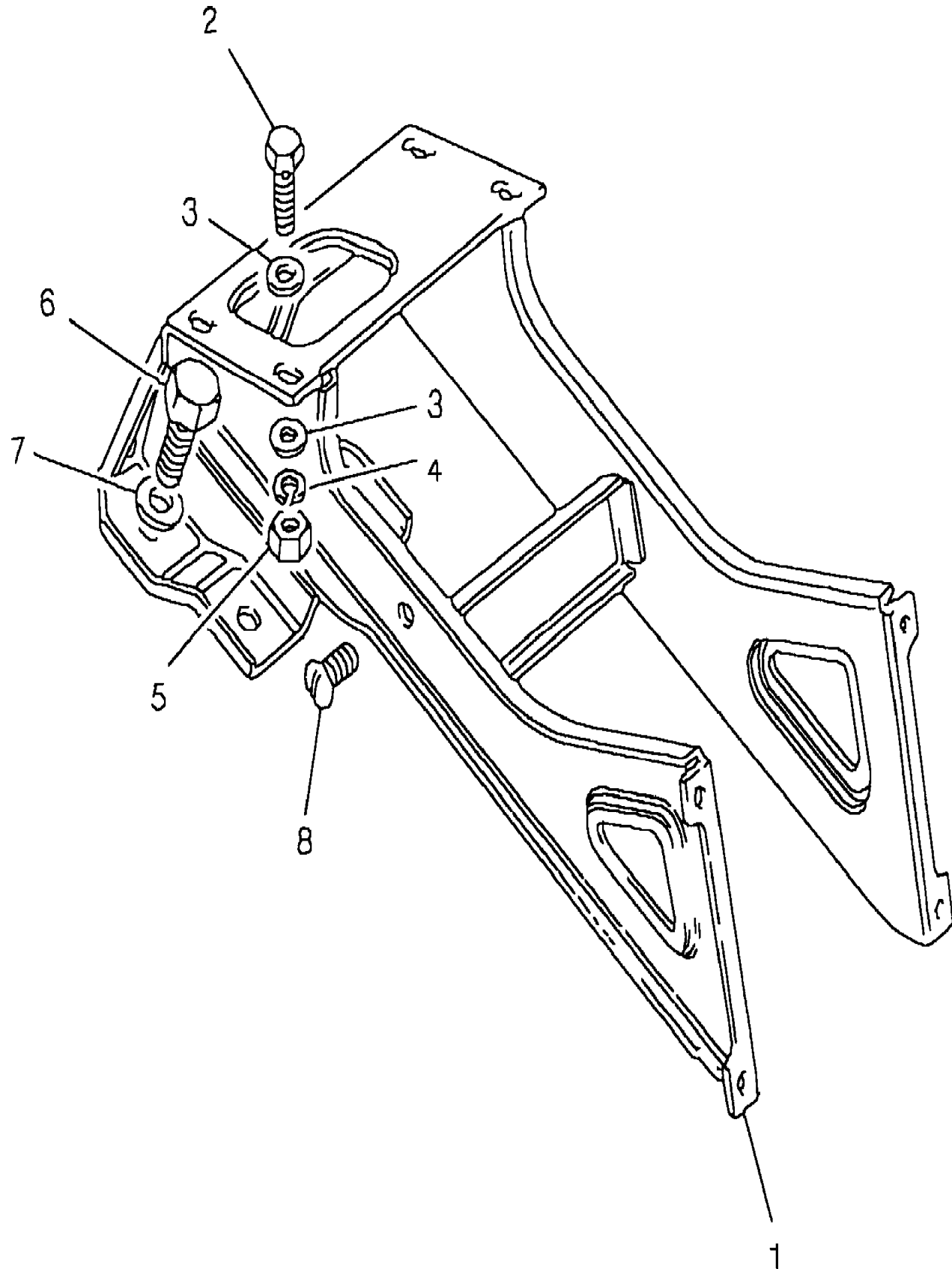
Steering  
Steering Column Upper  
Steering Column Shroud

Callout	Name	Application	Remarks & Restrictions	Service No.	Qty
12	Clamp-lock steering column	Change point - VIN begin MA647645, (+)"J"	Shift Interlock, Also serviced as part of a kit	STC3721	1
13	Bolt-shear-lock steering column	Change point - VIN end LA647644, (-)"J"	Less Shift Interlock, Also serviced as part of a kit, M8 x 20	NTC4610	2
		Change point - VIN begin MA647645, (-)"J"	Less Shift Interlock, Also serviced as part of a kit, M8 x 12	STC2867	2
		Change point - VIN end LA647644, (+)"J"	Shift Interlock, Also serviced as part of a kit, M8 x 20	NTC4610	2
		Change point - VIN begin MA647645, (+)"J"	Shift Interlock, Also serviced as part of a kit, M8 x 12	STC2867	2
14	Key-blank owner			MUC2153	1
[900]	Cowl set left hand indicator system	Change point - VIN begin MA647645	Ash Grey, upper & lower	QRB10006LNF	1
[901]	Switch-ignition	Change point - VIN end LA647644		STC932	1
		Change point - VIN begin MA647645		STC1746	1
		Change point - VIN begin MA647645, (-)"J"	Less Shift Interlock, Also serviced as part of a kit	STC1746	1
		Change point - VIN begin MA647645, (+)"J"	Shift Interlock, Also serviced as part of a kit	STC1746	1

Steering  
Steering Column Upper  
Steering Column Top Support 1/1

Range Rover (From JA610294)

(BDFXE1A)



Range Rover (From JA610294)

Steering  
Steering Column Upper  
Steering Column Top Support

Callout	Name	Application	Remarks & Restrictions	Service No.	Qty		
1	Bracket-steering column	Change point - VIN end JA624754, LHD	Upper	ALR1475	1		
		Change point - VIN begin KA624756, Change point - VIN end MA647645, LHD	Upper	ALR3723	1		
		Change point - VIN begin MA647646, LHD	Upper	ANR3003	1		
		Change point - VIN end JA624754, RHD	Upper	ALR1476	1		
		Change point - VIN begin KA624756, Change point - VIN end MA647645, RHD	Upper	ALR3722	1		
		Change point - VIN begin MA647646, RHD	Upper	ANR3002	1		
		Change point - VIN begin MA647646, RHD	Upper	ANR3004	1		
		2	Screw	Change point - VIN end MA647645	hexagonal head, 5/16UNF x 3/4	SH605061L	4
		3	Washer-Plain	Change point - VIN end MA647645		RTC613	8
4	Washer-Spring	Change point - VIN end MA647645	5/16"	WM600051L	4		
5	Nut - Hex.	Change point - VIN end MA647645	hexagonal head, 5/16UNF	NH605041L	4		
6	Screw	Change point - VIN end MA647645		255249	3		
7	Washer-Plain	Change point - VIN end MA647645		3036L	3		
8	Screw	Change point - VIN end MA647645	Self Tapping	72628	X		
		Change point - VIN end MA647645	Self Tapping, No 14 x 3/4	AB614061L	1		
[900]	Screw	Change point - VIN begin MA647646	M8 X 30, Self Tapping	GG108301L	2		
[901]	Nut-flange-nyloc	Change point - VIN begin MA647646		QYH10005L	6		
[902]	Stud	Change point - VIN begin MA647646	M8 x 20	TE108041L	6		



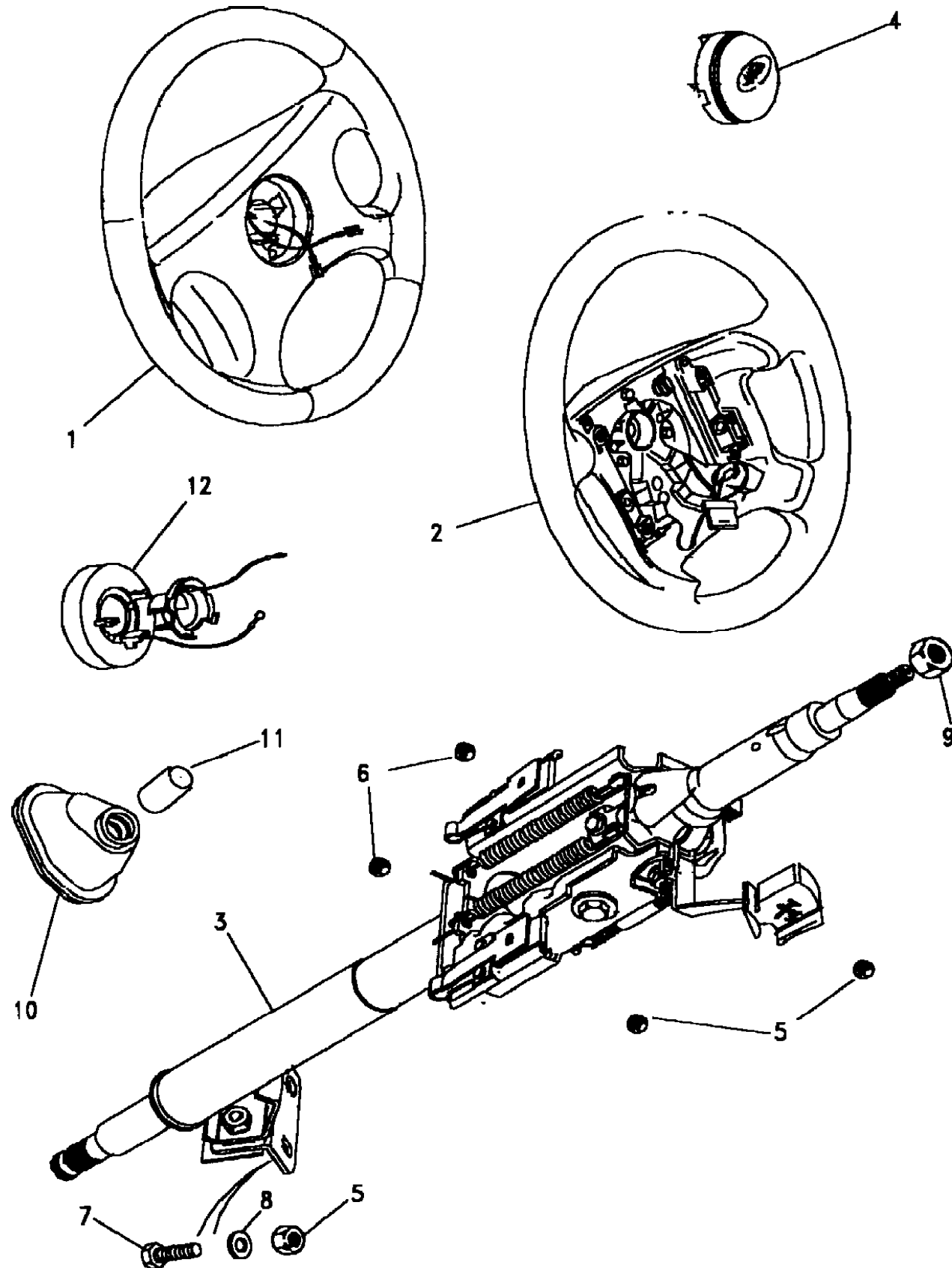
Steering  
Steering Column Upper  
Steering Wheel & Column 1/2

Range Rover (From JA610294)

(BDFXAA1B)

Range Rover (From JA610294)

Steering  
Steering Column Upper  
Steering Wheel & Column



Callout	Name	Application	Remarks & Restrictions	Service No.	Qty
1	Wheel assembly-steering	Change point - VIN begin MA647645, Passive Restraint, Less Cruise Control	Vinyl, Ash Grey	NTC9940LNF	1
		Change point - VIN begin MA647645, Passive Restraint, Less Cruise Control	Ash Grey, Leather	NTC9945LNF	1
		Change point - VIN begin MA647645, Passive Restraint, With Cruise Control	Ash Grey, leather covered	NTC9946LNF	1
2	Wheel assembly-steering	Change point - VIN begin MA647645, Passive Restraint, Less Cruise Control	Ash Grey, leather covered	NTC9948LNF	1
		Change point - VIN begin MA647645, Passive Restraint, With Cruise Control	Ash Grey, leather covered	NTC9949LNF	1
3	Column assembly-tilt steering system	Change point - VIN begin MA647645, Passive Restraint, Less Cruise Control		ANR3653	1
		Change point - VIN begin MA647645, Passive Restraint, With Cruise Control		ANR3654	1
		Change point - VIN begin MA647645, Passive Restraint, Less Cruise Control		ANR3654	1
4	Horn push assembly steering wheel	Change point - VIN begin MA647645	Ash Grey	NTC9939LNF	1
5	Nut-flange-nyloc	Change point - VIN begin MA647645		QYH10005L	2
6	Washer-Plain	Change point - VIN begin MA647645		CLP9089L	2
7	Screw	Change point - VIN begin MA647645	M8 X 16, hexagonal head	SH108161L	2
8	Washer	Change point - VIN begin MA647645	8MM	WA108051L	2
9	Nut - Hex.	Change point - VIN begin MA647645	M12	DBP3067L	1
10	Grommet-sealing	Change point - VIN begin MA647645, Change point - VIN end MA662176		ANR2933	1
		Change point - VIN begin MA662177		ANR2933	1
11	Bush	Change point - VIN begin MA662177		ANR4747	1

Steering  
Steering Column Upper  
Steering Wheel & Column 2/2

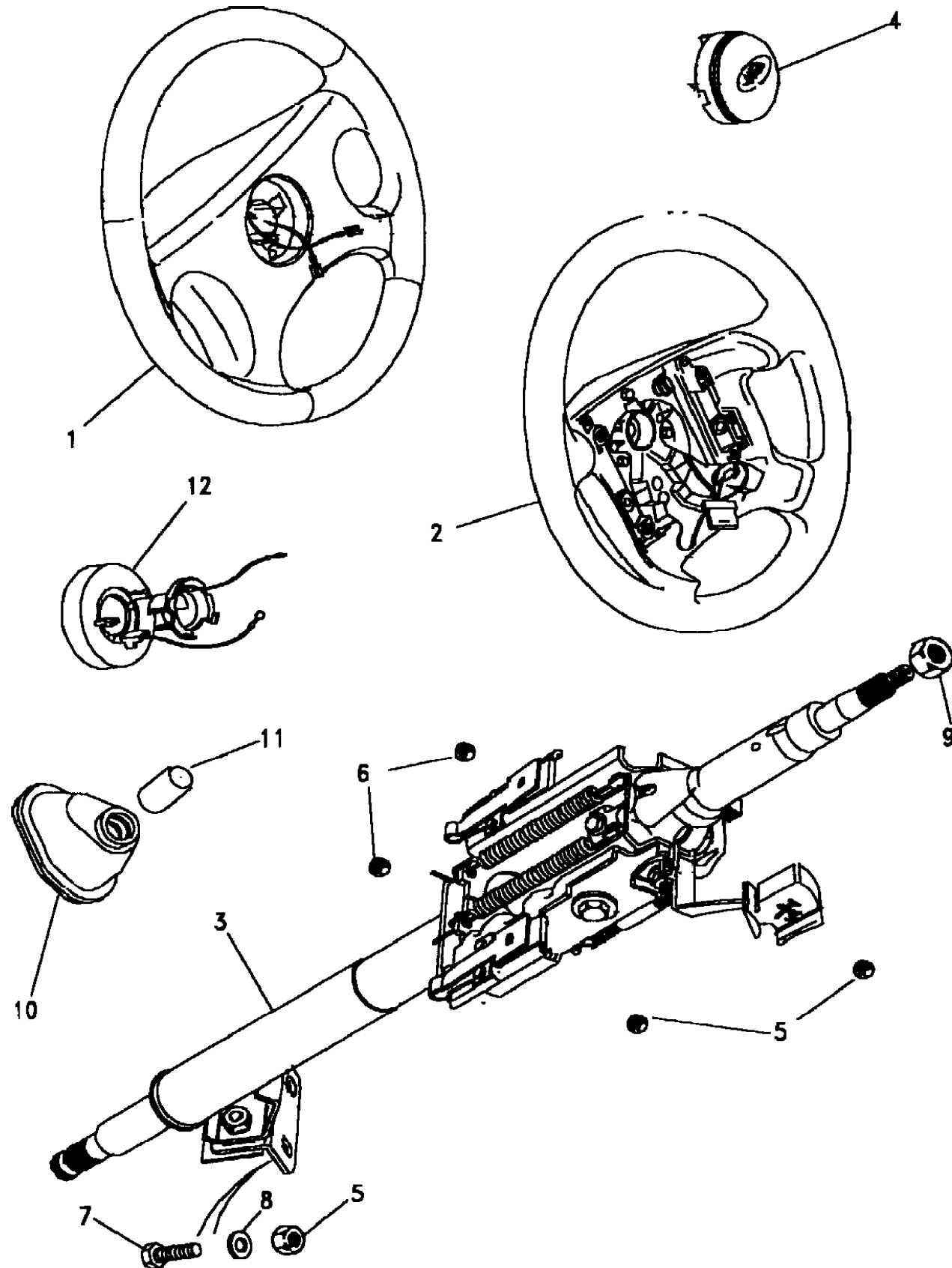
Range Rover (From JA610294)

(BDFXAA1B)

Steering  
Steering Column Upper  
Steering Wheel & Column

Range Rover (From JA610294)

Callout	Name	Application	Remarks & Restrictions	Service No.	Qty
12	Kit-indicator trip/slip ring	Change point - VIN begin MA647645		STC2910	1
[902]	Bracket Harness	Change point - VIN begin MA647645		ANR3202	1



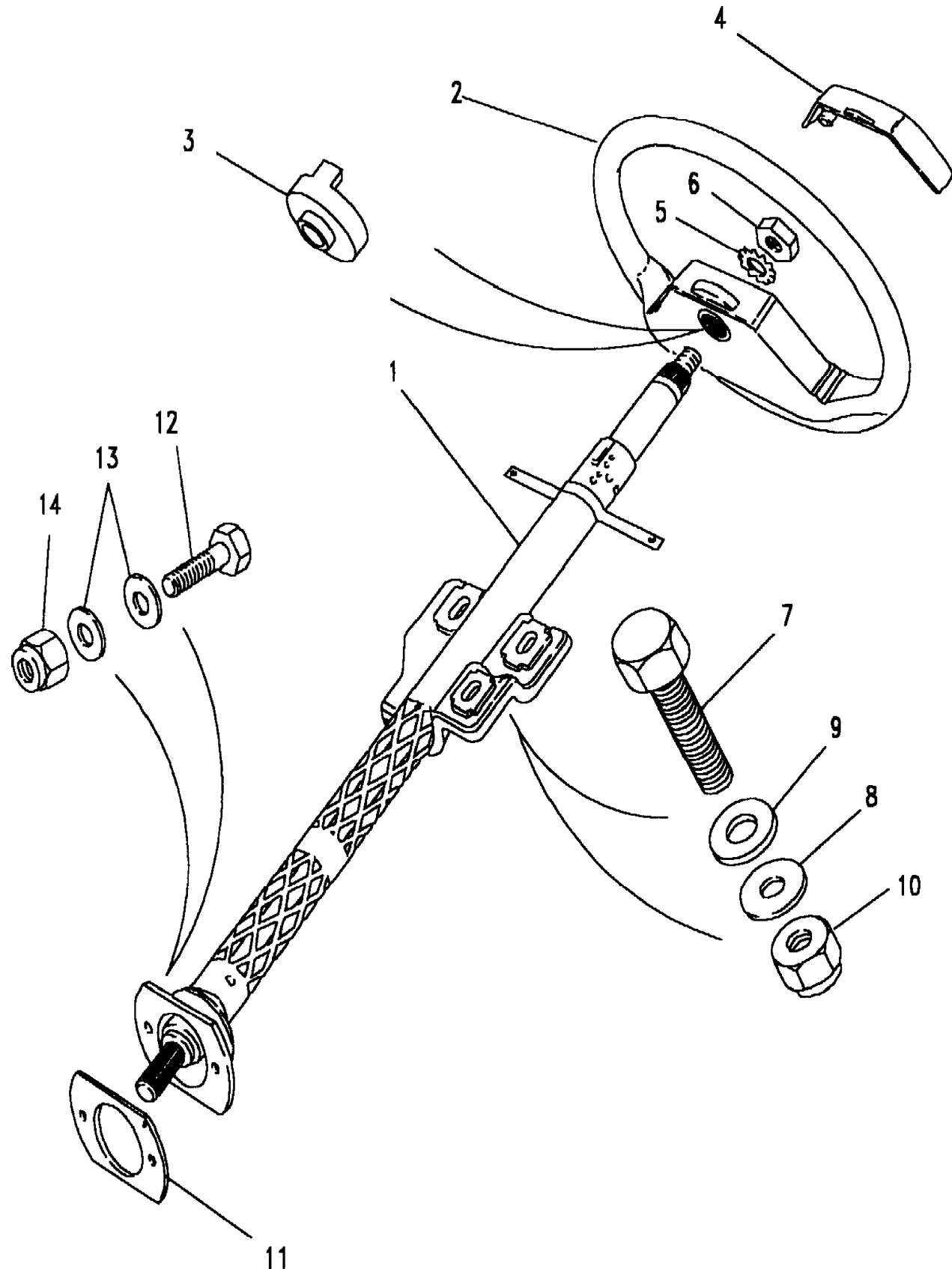
Steering  
Steering Column Upper  
Steering Wheel & Column-To (V) LA647644 1/1

Range Rover (From JA610294)

(BDFXAA1A)

Range Rover (From JA610294)

Steering  
Steering Column Upper  
Steering Wheel & Column-To (V) LA647644



Callout	Name	Application	Remarks & Restrictions	Service No.	Qty
1	Column assembly steering system	Change point - VIN end LA647644		NTC7821	1
2	Wheel assembly-steering hard feel	Change point - VIN end LA647644, With Cruise Control Change point - VIN end LA647644, With Cruise Control Change point - VIN end LA647644, Less Cruise Control	Vinyl, Bokhara Bokhara, Leather Leather	NTC5456RUN NTC5460RUN NTC6126	1 1 1
3	Ring-self cancelling	Change point - VIN end LA647644		NTC3853	1
4	Cover - Steering Wheel	Change point - VIN end LA647644	Bokhara	NTC5689RUN	1
5	Washer-starlock	Change point - VIN end LA647644		WE600091	1
6	Nut - Hex.	Change point - VIN end LA647644		577389	1
7	Screw	Change point - VIN end LA647644	to mounting, hexagonal head, 3/8UNF x 1 1/4	SH606101L	3
8	Washer-Plain	Change point - VIN end LA647644		2851L	3
9	Washer-Plain	Change point - VIN end LA647644		3036L	3
10	Nut - Hex.	Change point - VIN end LA647644	hexagonal head, 3/8, UNF, nyloc	NY606041L	3
11	Gasket-sealing	Change point - VIN end LA647644		575733	1
12	Screw	Change point - VIN end LA647644	to mounting, hexagonal head, 5/16UNF x 7/8	SH605071L	2
13	Washer-Plain	Change point - VIN end LA647644		RTC613	4
14	Locknut	Change point - VIN end LA647644		NY605041L	2