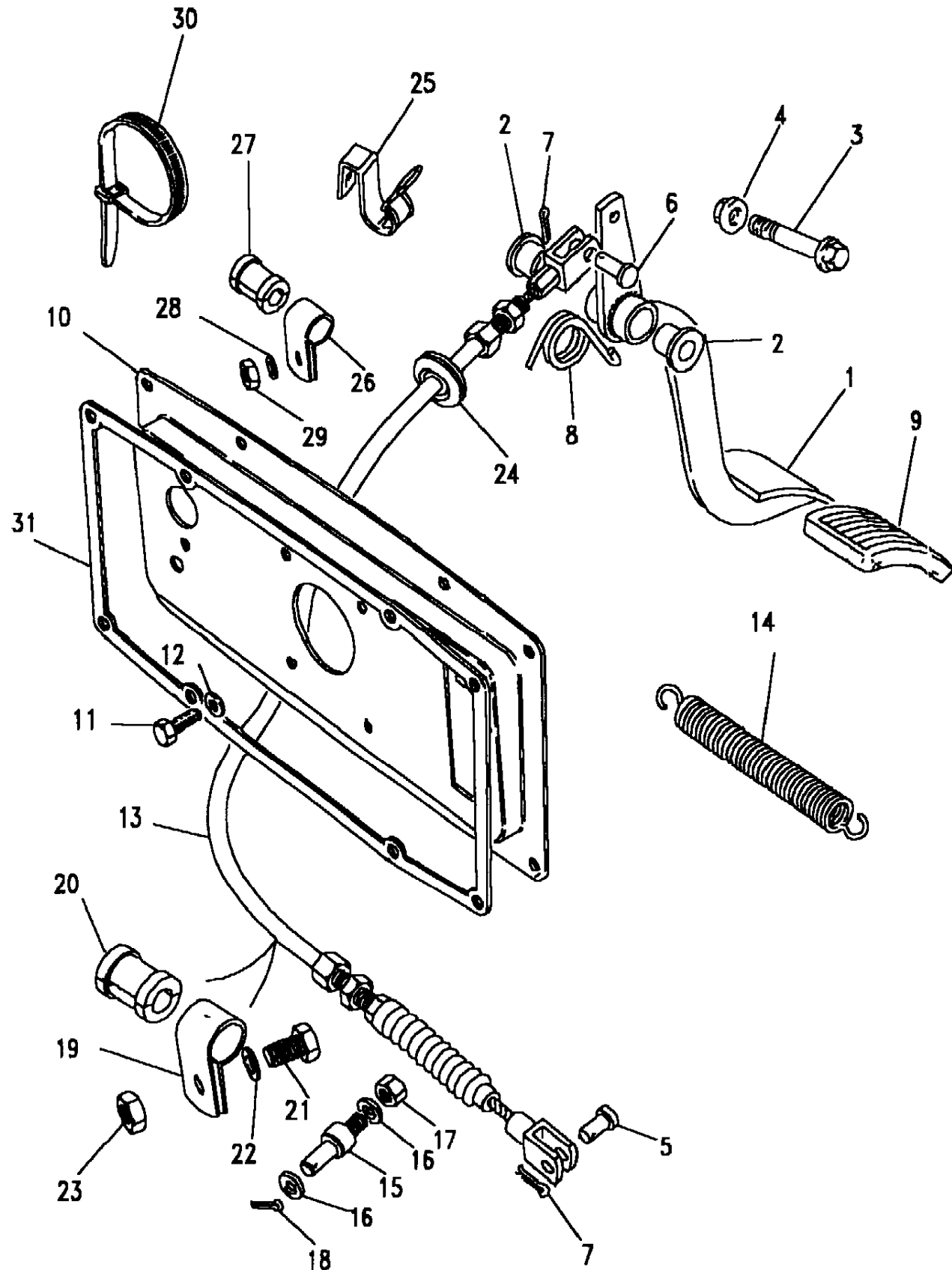


Range Rover (From JA610294)

(BDGXAA1A)



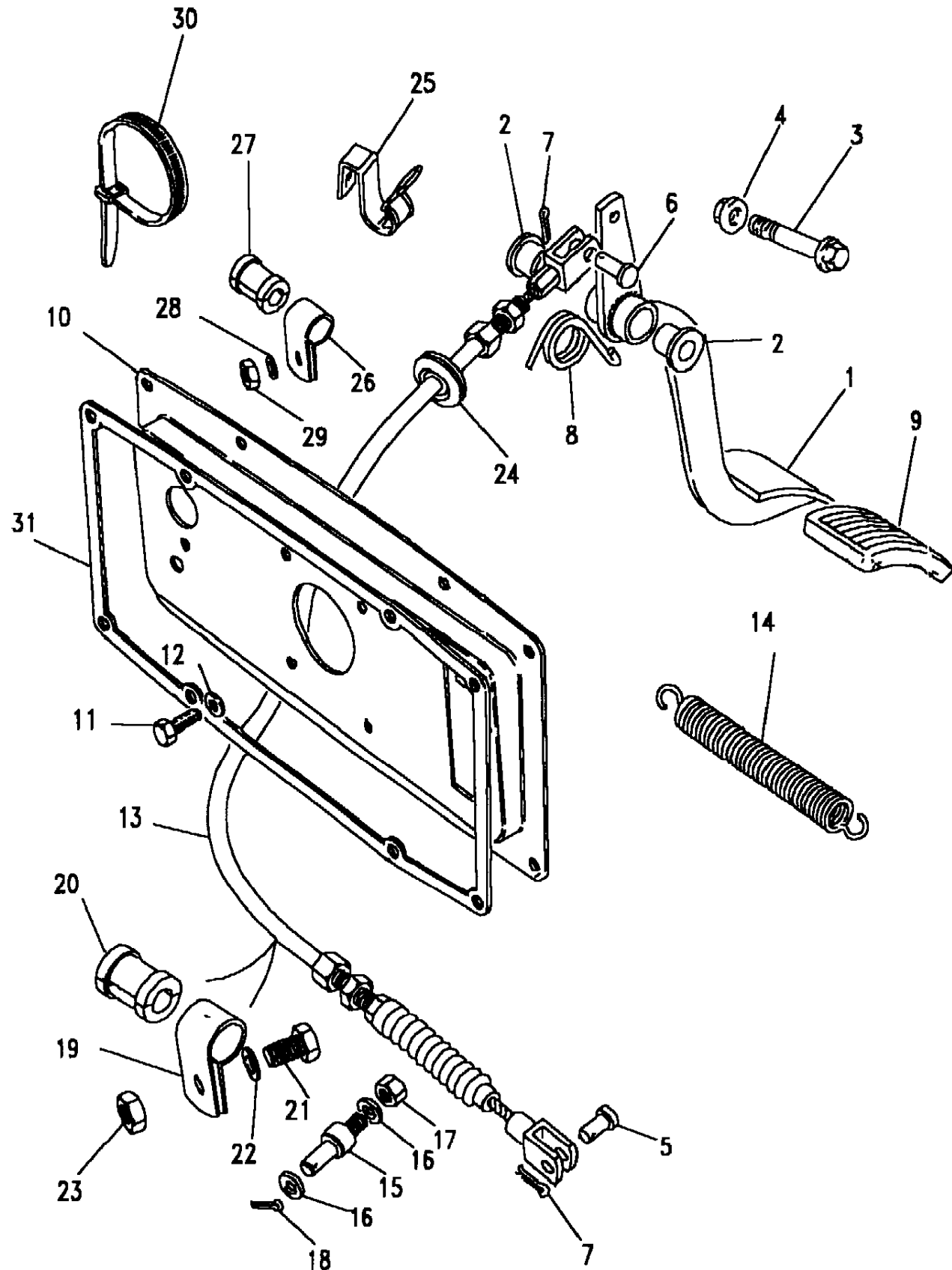
Range Rover (From JA610294)

Callout	Name	Application	Remarks & Restrictions	Service No.	Qty
1	Pedal assembly accelerator	RHD LHD		STC900 STC899	1 1
2	Bush			CAC7815	2
3	Bolt		Long, M10 x 60	BH110121L	1
4	Nut - Hex.			STC295	1
5	Pin-clevis/pivot			562481	1
6	Pin-clevis/pivot			NTC6916	1
7	Pin-split			PS603041L	1
8	Spring-return			STC297	1
9	Pad-lever-pedal			11H1781L	1
11	Screw		hexagonal head, M8 x 125	GG108251L	8
12	Washer		8MM	WA108051L	8
13	Cable assembly accelerator	Change point - VIN end LA647649, With Petrol Engines, LHD Change point - VIN begin MA647650, With Petrol Engines, LHD Change point - VIN end LA647649, With Petrol Engines, RHD Change point - VIN begin MA647650, With Petrol Engines, RHD Change point - VIN begin JA610294, RHD Change point - VIN begin GA399973, LHD Change point - VIN end KA628559, TDi Diesel, RHD Change point - VIN begin KA628560, TDi Diesel, RHD Change point - VIN begin MA647645, TDi Diesel, RHD Change point - VIN end LA647644, TDi Diesel, LHD Change point - VIN begin MA647645, TDi Diesel, LHD		NTC7484 ANR1631 NTC7366 ANR1632 DIESEL, VM NTC7830 DIESEL, VM NTC7189 (-)VM ANR1860 (-)VM ANR2137 (-)VM ANR3592 (-)VM ANR1633 (-)VM ANR3606	1 1 1 1 1 1 1 1 1 1 1 1
14	Spring-carburettor throttle return			603622	1
15	Pin	With Diesel Engines		NTC2839	1

Range Rover (From JA610294)

(BDGXAA1A)

Range Rover (From JA610294)

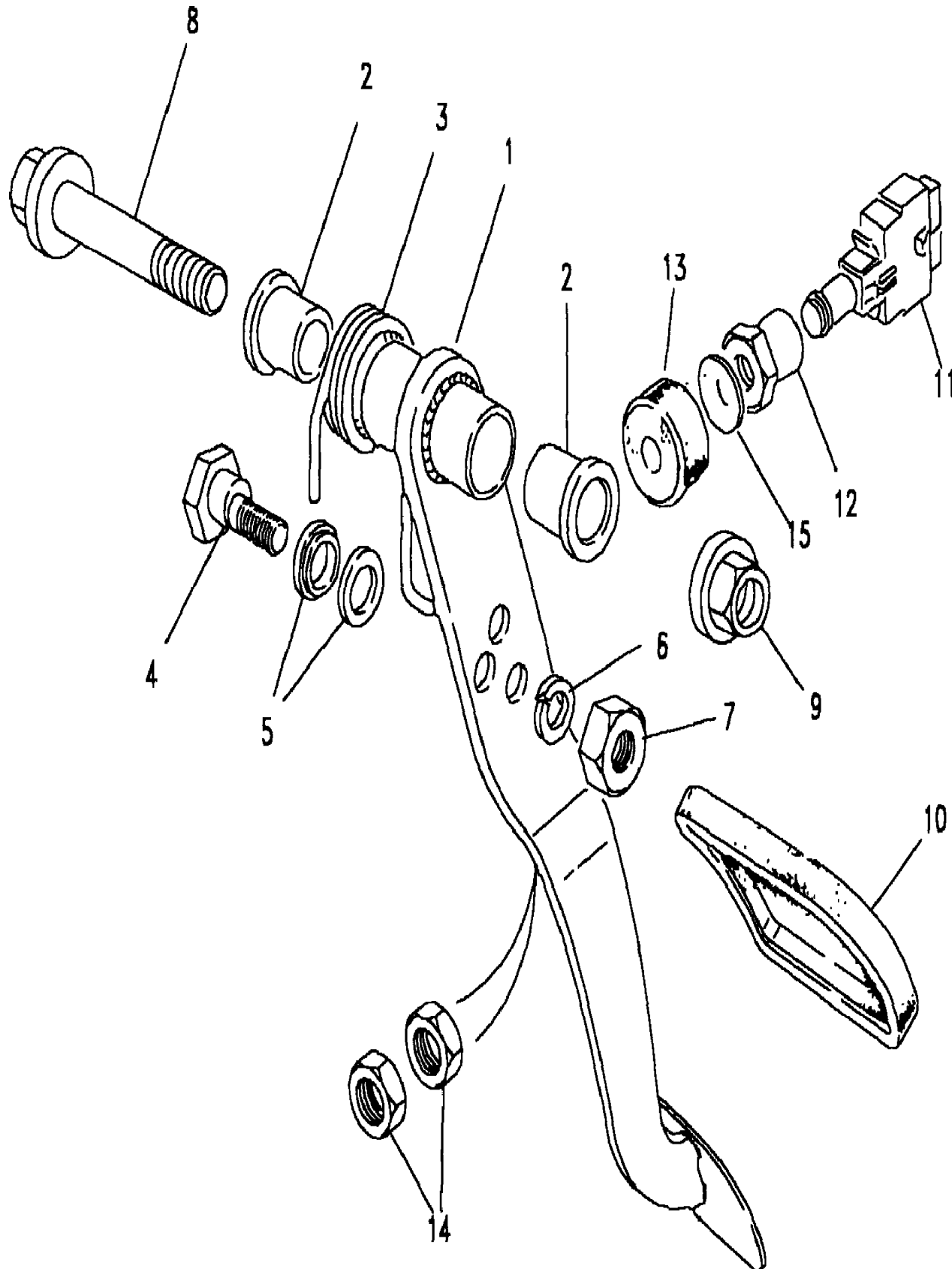


Callout	Name	Application	Remarks & Restrictions	Service No.	Qty
16	Washer	With Diesel Engines	M5, Plain, Standard	WA105001L	2
17	Nut-hexagonal	With Diesel Engines	M5	NH105041L	2
18	Pin-split	With Diesel Engines		PS603041L	1
19	Clip			CP105161L	1
20	Grommet		Rubber, 17/64" hole	6860L	1
21	Screw		hexagonal head, M5 x 20	SH105201L	1
22	Washer		M5, Plain, Standard	WA105001L	1
23	Nut-hexagonal		M5	NH105041L	1
24	Grommet			562106	1
25	Clip-edge harness			NRC219	1
26	Clip-Hose		Steel, 14.5MM, 25/64" hole	240407	1
27	Grommet		Rubber, 17/64" hole	6860L	1
28	Washer		M8, sprung	WL108001L	1
29	Nut - Hex.		M8, hexagonal head	NH108041L	1
30	Tie-cable		4.8 x 270mm, inside serated	568680	1
31	Gasket-clutch pedal box to bulkhead			NTC8113	1
[900]	Washer		8MM, sprung	WL108007	1
[901]	Clip	TDi, RHD	Double, 6 - 8MM	ESR1373	1

Vehicle & Engine Controls
 Engine Controls
 Brake Pedal & Bracket 1/1

Range Rover (From JA610294)

(BDGXCA1A)



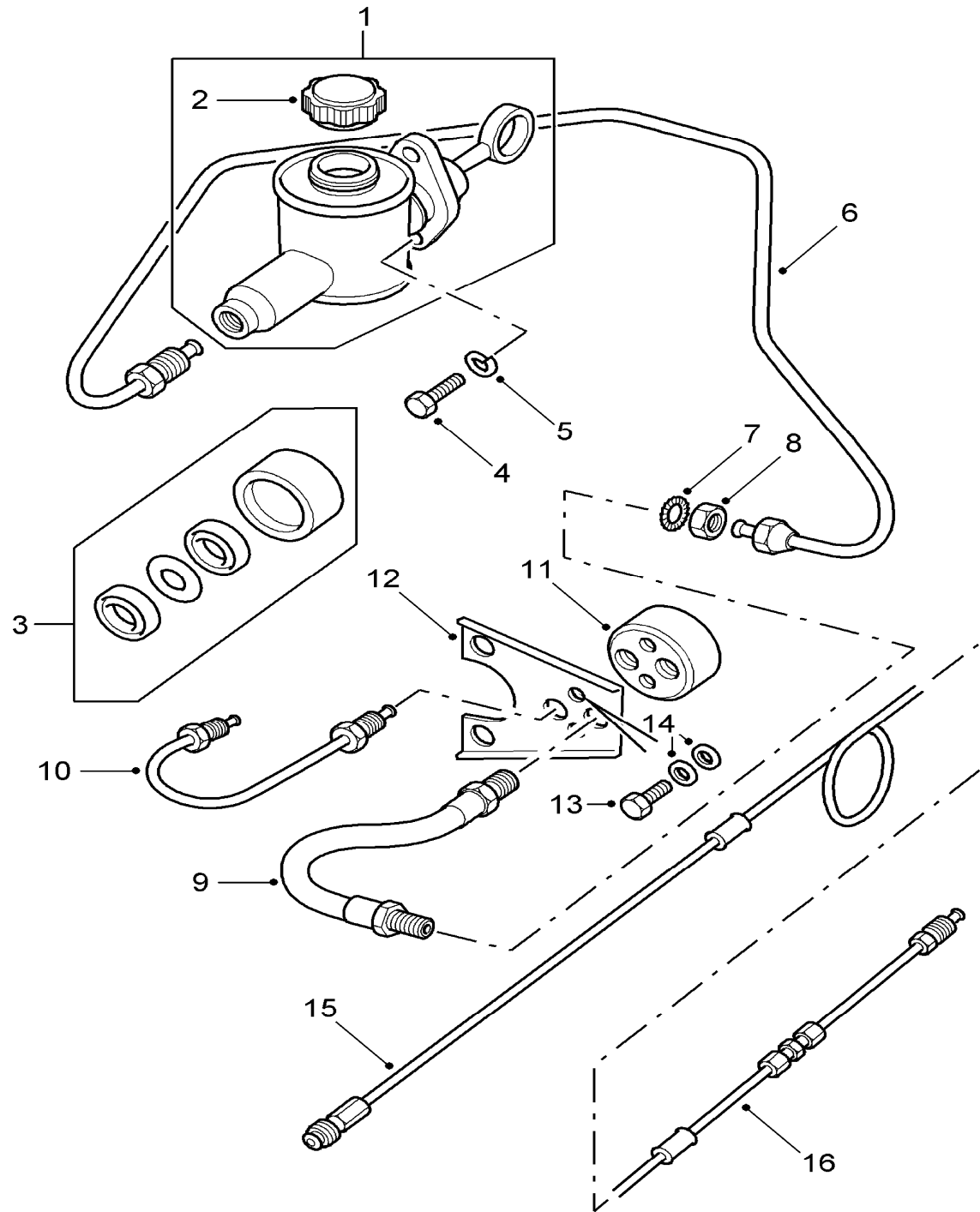
Range Rover (From JA610294)

Vehicle & Engine Controls
 Engine Controls
 Brake Pedal & Bracket

Callout	Name	Application	Remarks & Restrictions	Service No.	Qty
1	Pedal assembly	Manual Transmission, RHD Manual Transmission, LHD Automatic Transmission, RHD Automatic Transmission, LHD		STC802 NTC4173 NTC4172 STC798	1 1 1 1
2	Bush			CAC7815	2
3	Spring-return brake	Change point - VIN end KA632894 Change point - VIN begin KA632895		STC709 ANR2559	1 1
4	Bolt			90575807	1
5	Bush-pedal pivot-brake			575806	2
6	Washer		3/8", Square	WM600061L	1
7	Nut - Hex.		hexagonal head, 3/8UNF	NH606041L	1
8	Bolt		pedal brake hinge, Long, M10 x 60	BH110121L	1
9	Nut - Hex.			STC295	1
10	Pad-lever-pedal	Manual Transmission Change point - VIN end KA638528, Automatic Transmission Change point - VIN begin KA638529, Automatic Transmission		575818 CRC570 ANR2941	1 1 1
11	Switch Assy - Stop Light	Less Anti-Lock Braking System Change point - VIN end JA620456, All Wheel Anti-Lock Braking System Change point - VIN begin JA620457, All Wheel Anti-Lock Braking System		13H3735L PRC9915 AMR2010	1 1 1
12	Nut - Hex.			NTC4564	1
13	Buffer-pedal brake			567876	1
14	Nut - Hex.			NTC4207	1
15	Spacer	All Wheel Anti-Lock Braking System		NTC7280	1

Range Rover (From JA610294)

(LG0020)



P01.015
 11-2003
 L2
 LG0020

Range Rover (From JA610294)

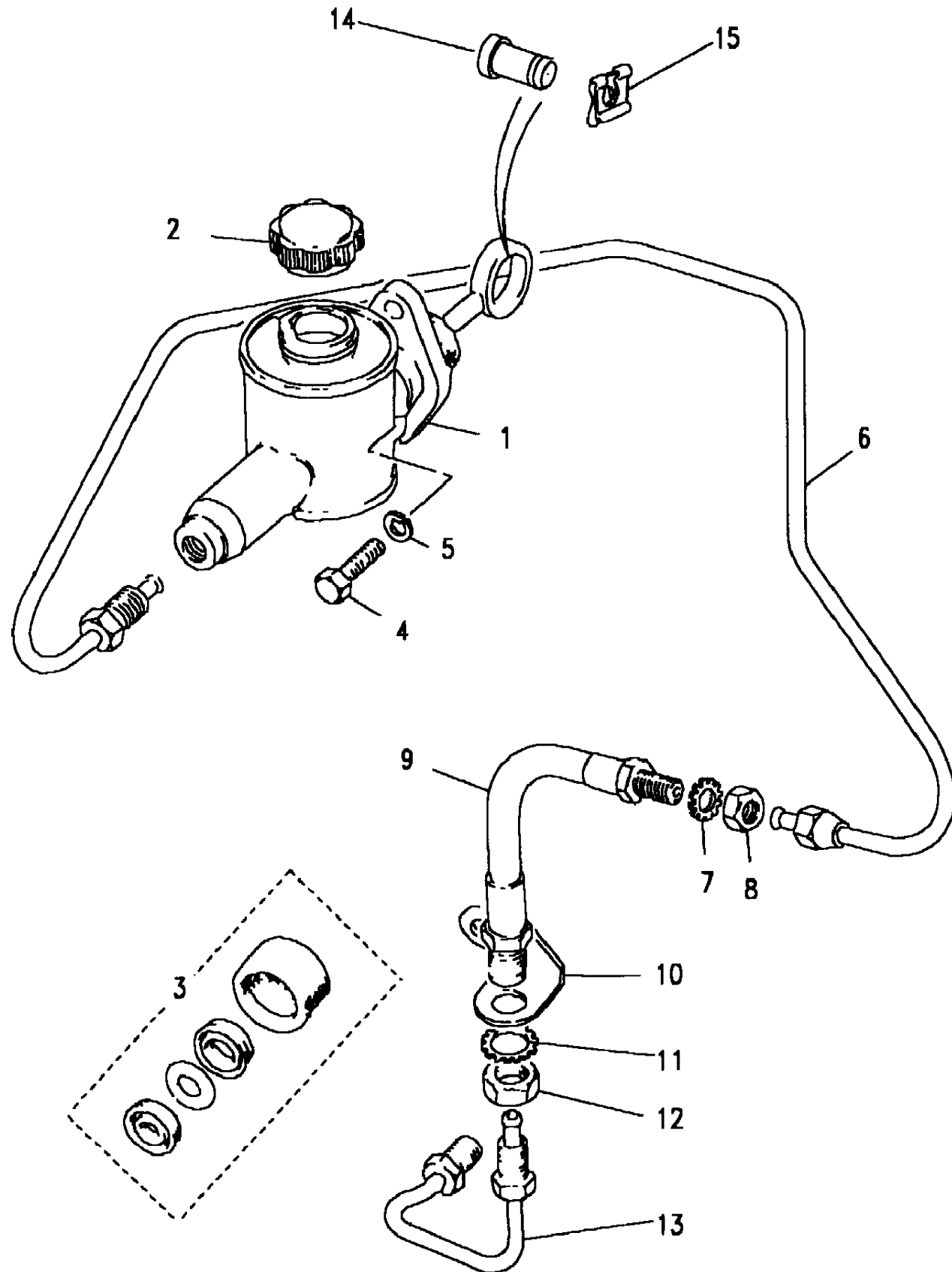
With Diesel Engines

Callout	Name	Application	Remarks & Restrictions	Service No.	Qty
1	Master cylinder clutch	Change point - VIN end MA647644 Change point - VIN begin MA647645		AEU1714 ANR2651	1 1
2	Cap assembly-tank clutch	Change point - VIN end MA647644		513123	1
3	Kit-repair clutch master cylinder			STC1126	1
4	Screw		hexagonal head, 5/16UNF x 3/4	SH605061L	2
5	Washer-Spring		5/16"	WM600051L	2
6	Pipe Clutch	Diesel VM, RHD Diesel VM, LHD TDi Diesel L/R, RHD TDi Diesel L/R, LHD		NRC9019 NTC1856 NTC7573 ANR1410	1 1 1 1
7	Washer-starlock			WE600071L	1
8	Nut-hexagonal			NH607041L	1
9	Hose clutch			NTC3400	1
10	Pipe Clutch	Change point - VIN end KA633398 Change point - VIN begin KA633399		NTC3401 ANR2004	1 1
11	Damper assembly clutch	Change point - VIN end JA610293 Change point - VIN begin JA610294		NTC9959 STD10002L	1 1
12	Bracket-damper clutch			NTC3399	1
13	Screw		hexagonal head, M6 X 14	SH106141L	2
14	Washer		6MM	WA106041L	4
15	Pipe Clutch			ANR2039	1
16	Pipe Clutch			ANR2040	1

Vehicle & Engine Controls
 Engine Controls
 Clutch Master Cylinder & Pipes 1/1

Range Rover (From JA610294)

(CAGXE1A)



Range Rover (From JA610294)

Vehicle & Engine Controls
 Engine Controls
 Clutch Master Cylinder & Pipes

With Petrol Engines

Callout	Name	Application	Remarks & Restrictions	Service No.	Qty
1	Master cylinder clutch	Change point - VIN end LA647644	Also serviced as part of a kit	AEU1714	1
		Change point - VIN begin MA647645	Also serviced as part of a kit	ANR2186	1
2	Cap assembly-tank clutch	Change point - VIN end LA647644	Also serviced as part of a kit	513123	1
3	Kit-repair clutch master cylinder			STC1126	1
4	Screw		hexagonal head, 5/16UNF x 3/4	SH605061L	2
5	Washer-Spring		5/16"	WM600051L	2
6	Pipe Clutch	RHD		NRC9019	1
		Change point - VIN end LA647644, LHD		NTC1856	1
		Change point - VIN begin MA647645, LHD		ANR3386	1
7	Washer-starlock			WE600071L	1
8	Nut-hexagonal			NH607041L	1
9	Hose clutch			NRC2211	1
10	Bracket			90577642	1
11	Washer-starlock			WE600101L	1
12	Nut - Hex.			2K8686L	1
13	Pipe Clutch	Change point - VIN end KA633398		NRC8975	1
		Change point - VIN begin KA633399		ANR2183	1

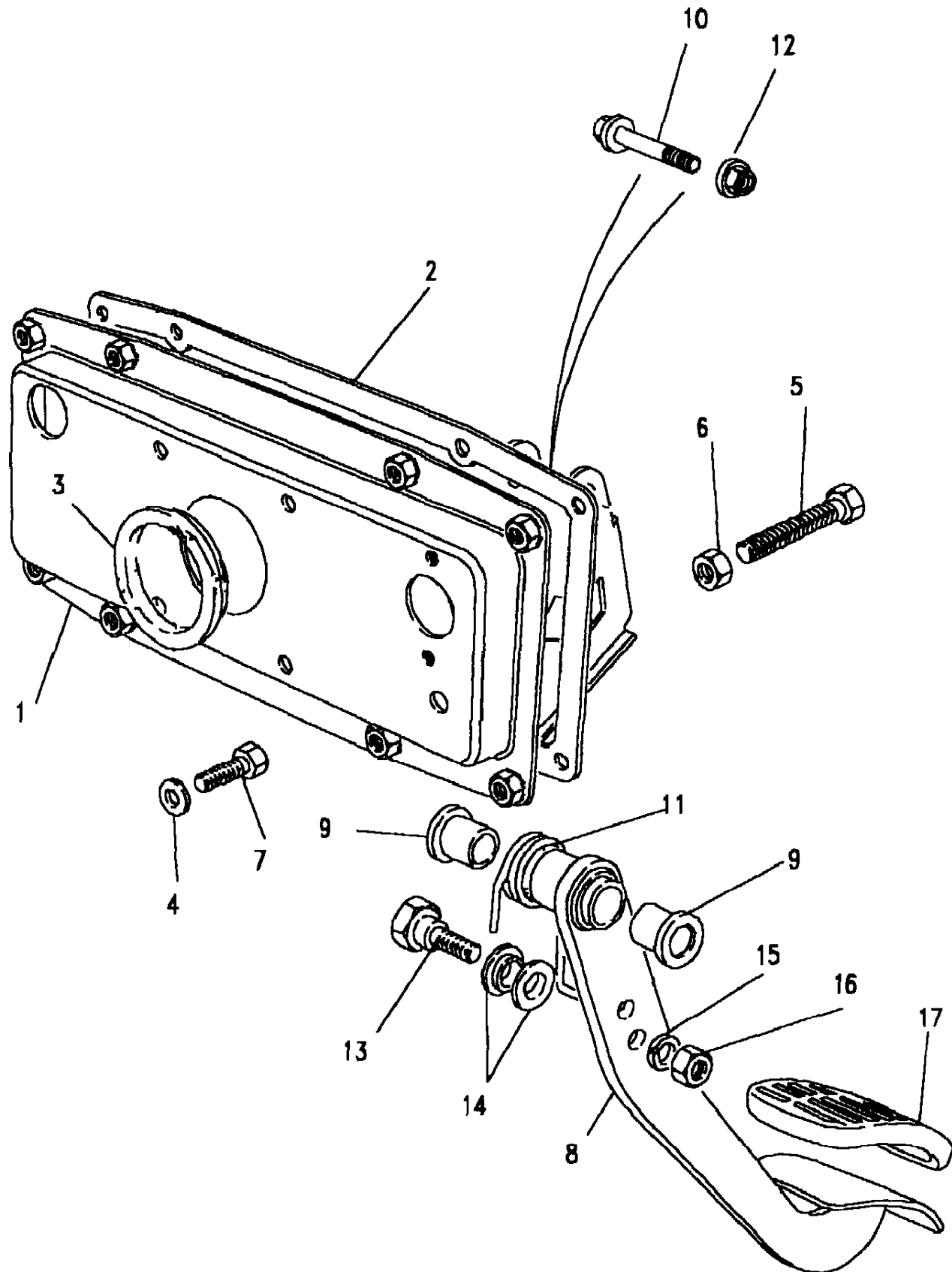
Vehicle & Engine Controls
 Engine Controls
 Clutch Pedal & Mounting Plate 1/1

Range Rover (From JA610294)
 (BDGXCA2A)

Range Rover (From JA610294)

Vehicle & Engine Controls
 Engine Controls
 Clutch Pedal & Mounting Plate

Callout	Name	Application	Remarks & Restrictions	Service No.	Qty
1	Plate-mounting pedal	Manual Transmission Automatic Transmission		STC298 STC299	1 1
2	Gasket-clutch pedal box to bulkhead			NTC8113	1
3	Washer-sealing			592199	1
4	Washer		8MM	WA108051L	8
5	Screw		hexagonal head	SH606051L	X
6	Nut - Hex.			NT606041L	1
7	Screw		hexagonal head, M8 x 125	GG108251L	8
8	Pedal assembly	RHD LHD	Also serviced as part of a kit Also serviced as part of a kit	575816 575815	1 1
9	Bush	LHD	Also serviced as part of a kit	CRC2797	2
10	Bolt		Long, M10 x 60	BH110121L	1
11	Spring-return brake			NTC4563	1
12	Nut - Hex.			STC295	1
13	Bolt			90575807	1
14	Bush-pedal pivot-brake			575806	2
15	Washer		3/8", Square	WM600061L	1
16	Nut - Hex.		hexagonal head, 3/8UNF	NH606041L	1
17	Pad-lever-pedal			575818	1



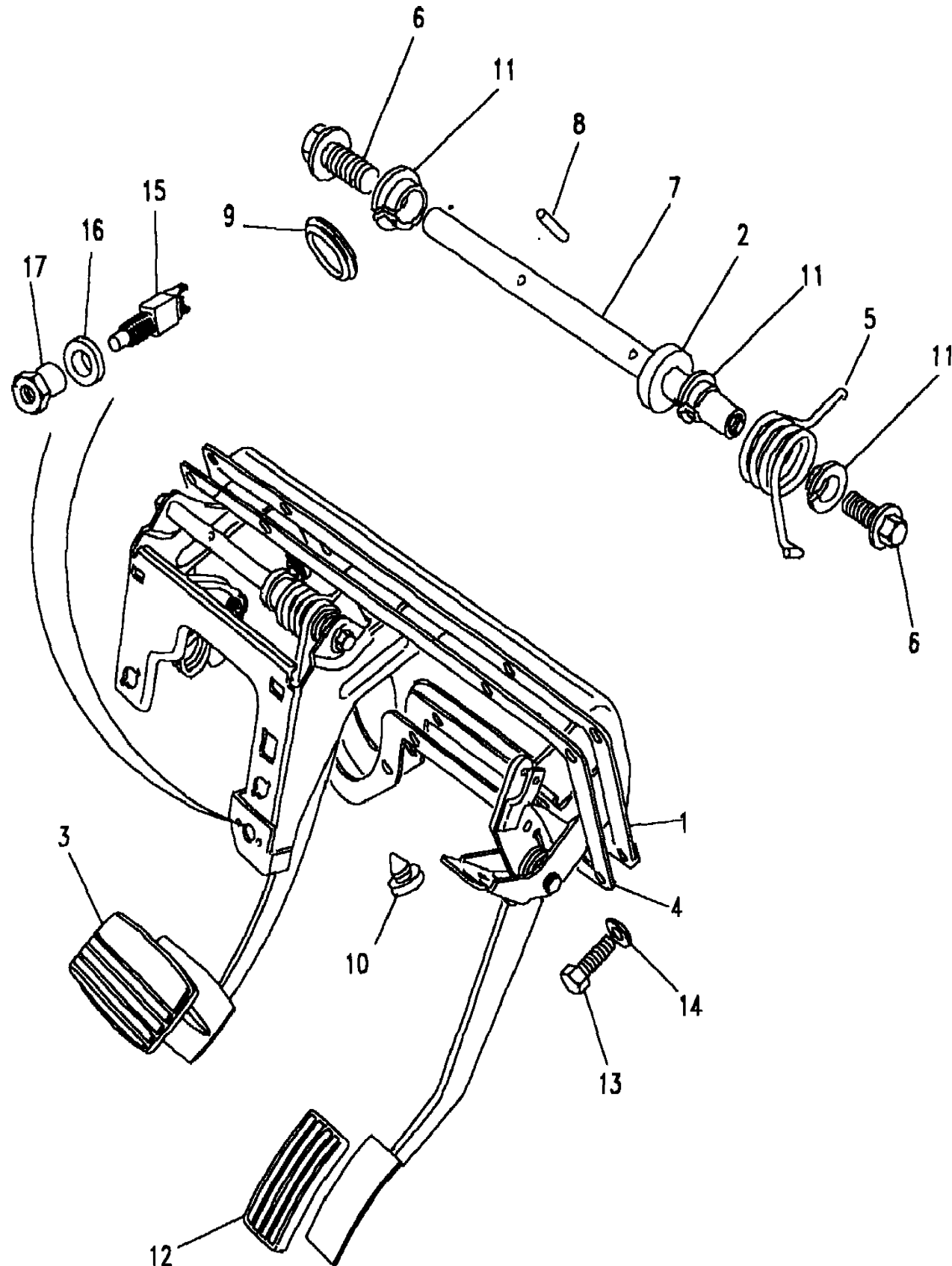
Range Rover (From JA610294)

(BDGXCA2B)

Range Rover (From JA610294)

Automatic Transmission

Callout	Name	Application	Remarks & Restrictions	Service No.	Qty
1	Pedal & bracket assembly brake/accelerator	Change point - VIN begin MA647645, RHD	without DBW	ANR3500	1
		Change point - VIN begin MA647645, LHD	without DBW	ANR3501	1
2	Bush	Change point - VIN begin MA647645		STC1710	1
3	Pad-lever-pedal	Change point - VIN begin MA647645		ANR2941	1
4	Seal-pedal box to bulkhead	Change point - VIN begin MA647645		ANR1212	1
5	Spring-return brake	Change point - VIN begin MA647645		STC1706	1
6	Bolt	Change point - VIN begin MA647645		STC1707	2
7	Pin-clevis/pivot	Change point - VIN begin MA647645		STC1708	1
8	Pin-roll	Change point - VIN begin MA647645		STC1709	X
9	Grommet	Change point - VIN begin MA647645		STC1711	1
10	Stopper pads	Change point - VIN begin MA647645		STC1712	1
11	Bush	Change point - VIN begin MA647645		STC1730	2
12	Pad-lever-pedal	Change point - VIN begin MA647645		11H1781L	1
13	Screw	Change point - VIN begin MA647645		GG108301	10
14	Washer	Change point - VIN begin MA647645	8MM	WA108051L	10
15	Switch Assy - Stop Light	Change point - VIN begin MA647645		13H3735L	1
16	Spacer	Change point - VIN begin MA647645		NTC7280	1
17	Nut - Hex.	Change point - VIN begin MA647645		NTC4564	1



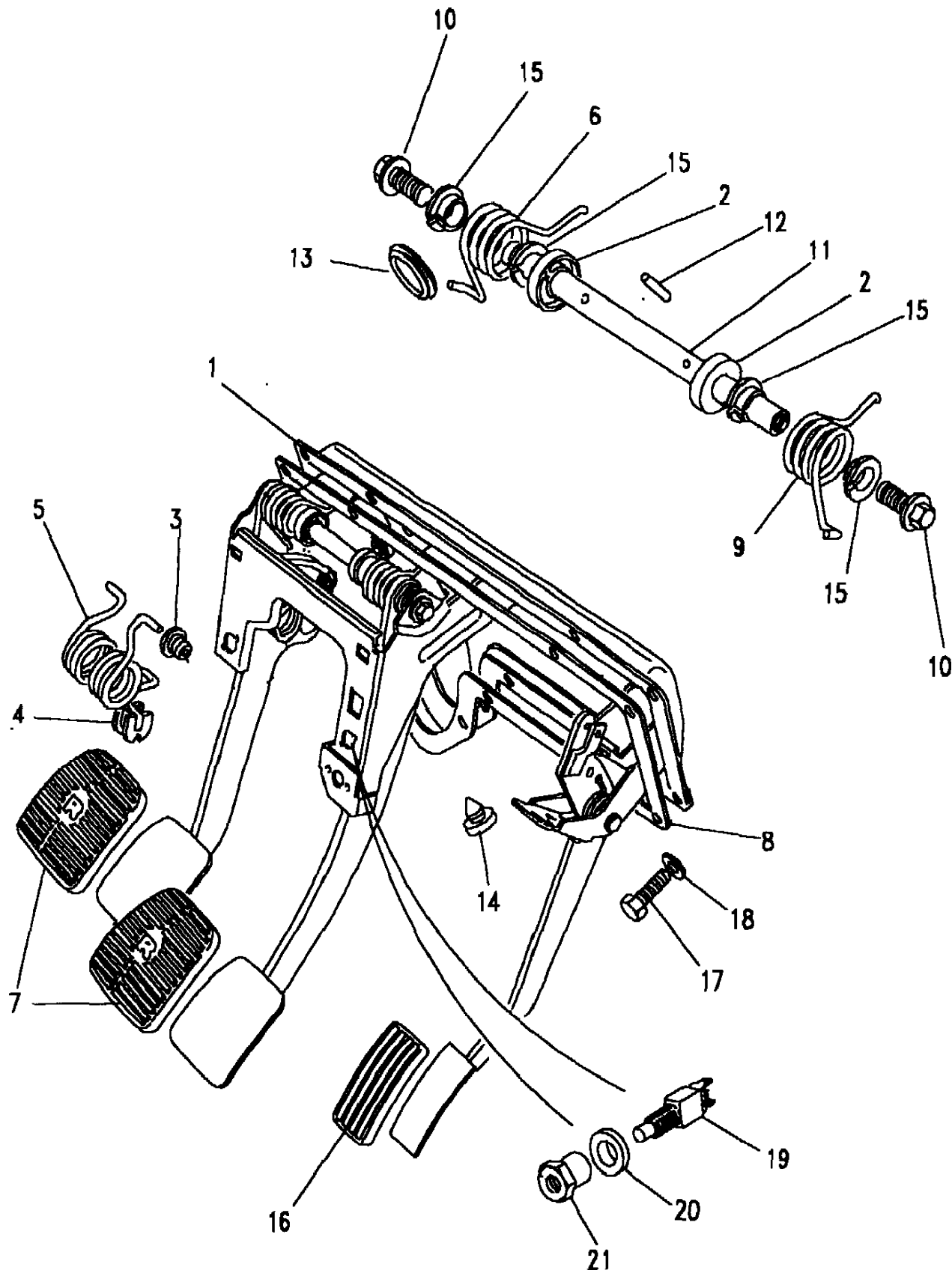
Range Rover (From JA610294)

(BDGXCA1B)

Range Rover (From JA610294)

Manual Transmission

Callout	Name	Application	Remarks & Restrictions	Service No.	Qty
1	Pedal & bracket assembly brake/clutch/accelerator	Change point - VIN begin MA647645, RHD	without DBW	ANR3502	1
		Change point - VIN begin MA647645, LHD	without DBW	ANR3503	1
2	Bush	Change point - VIN begin MA647645		STC1710	2
3	Bush	Change point - VIN begin MA647645		STC1731	2
4	Bush	Change point - VIN begin MA647645		STC1732	1
5	Spring-clutch assist	Change point - VIN begin MA647645		STC1704	1
6	Spring-return clutch	Change point - VIN begin MA647645		STC1705	1
7	Pad-lever-pedal	Change point - VIN begin MA647645		575818	1
8	Seal-pedal box to bulkhead	Change point - VIN begin MA647645		ANR1212	1
9	Spring-return brake	Change point - VIN begin MA647645		STC1706	1
10	Bolt	Change point - VIN begin MA647645		STC1707	2
11	Pin-clevis/pivot	Change point - VIN begin MA647645		STC1708	1
12	Pin-roll	Change point - VIN begin MA647645		STC1709	X
13	Grommet	Change point - VIN begin MA647645		STC1711	1
14	Stopper pads	Change point - VIN begin MA647645		STC1712	1
15	Bush	Change point - VIN begin MA647645		STC1730	2
16	Pad-lever-pedal	Change point - VIN begin MA647645		11H1781L	1
17	Screw	Change point - VIN begin MA647645		GG108301	10
18	Washer	Change point - VIN begin MA647645	8MM	WA108051L	10



Vehicle & Engine Controls
 Engine Controls
 Pedal Box Assy 2/2

Range Rover (From JA610294)

(BDGXCA1B)

Range Rover (From JA610294)

Vehicle & Engine Controls
 Engine Controls
 Pedal Box Assy

Manual Transmission

Callout	Name	Application	Remarks & Restrictions	Service No.	Qty
19	Switch Assy - Stop Light	Change point - VIN begin MA647645		13H3735L	1
20	Spacer	Change point - VIN begin MA647645		NTC7280	1
21	Nut - Hex.	Change point - VIN begin MA647645		NTC4564	1

