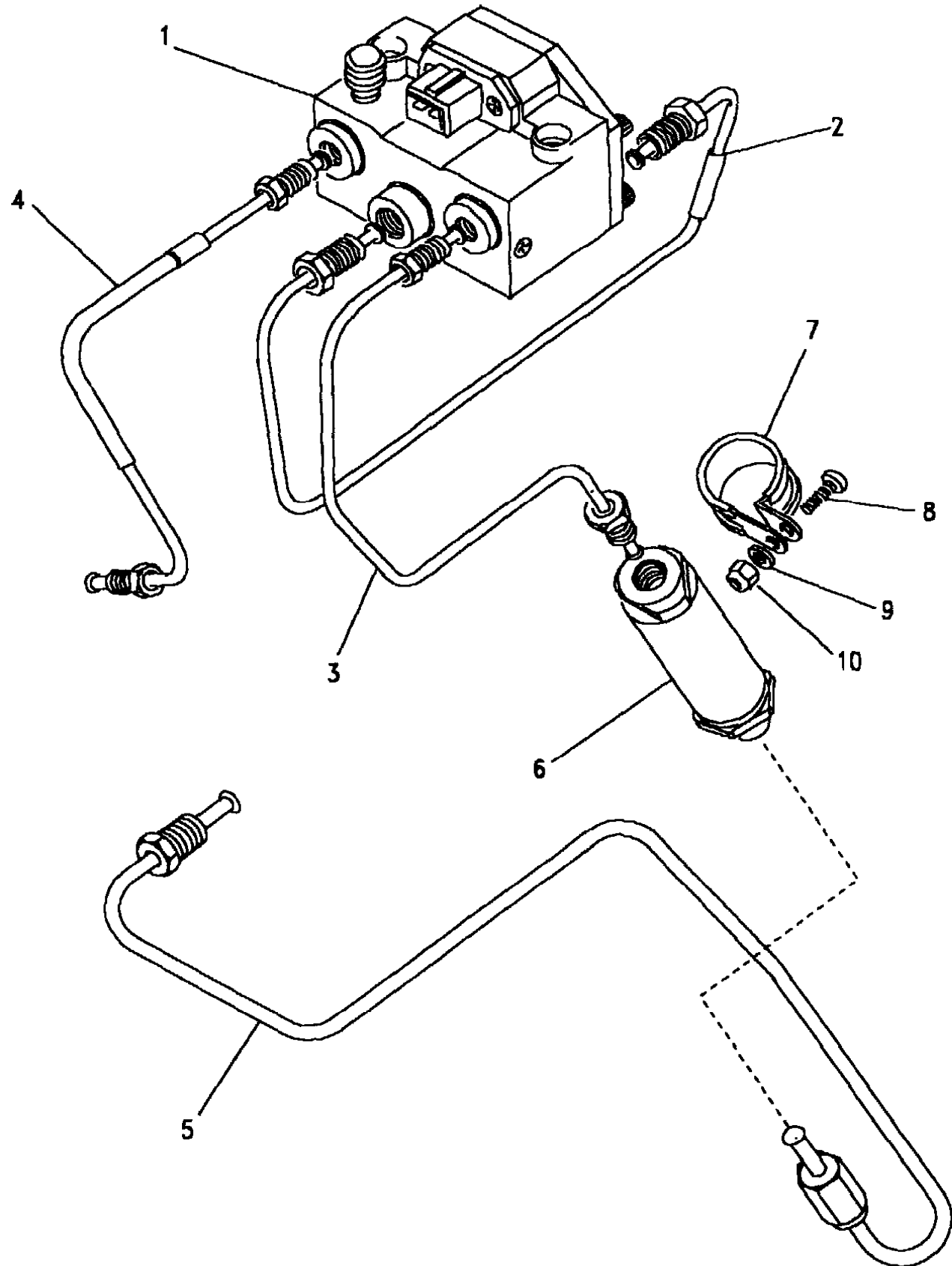


Range Rover (From JA610294)

(BDHXAE1A)



Range Rover (From JA610294)

Callout	Name	Application	Remarks & Restrictions	Service No.	Qty
1	Block-antilock brakes electronic traction control valve		Traction Control	STC845	1
2	Pipe-brake		Traction Control, valve to modulator	ANR1119	1
3	Pipe-brake	100", RHD	Traction Control, valve to PCRV	NTC9350	1
		Change point - VIN end LA647644, 100", LHD	Traction Control, valve to PCRV	NTC9349	1
		Change point - VIN begin MA647645, 100", LHD	Traction Control, valve to PCRV	ANR3211	1
		108" (2743mm) Wheelbase, RHD	Traction Control, valve to PCRV	NTC9970	1
		Change point - VIN end LA647644, 108" (2743mm) Wheelbase, LHD	Traction Control, valve to PCRV	NTC9971	1
		Change point - VIN begin MA647645, 108" (2743mm) Wheelbase, LHD	Traction Control, valve to PCRV	ANR3213	1
4	Pipe-brake	Change point - VIN end LA647644, RHD	Traction Control, valve to accumulator	NTC8614	1
		Change point - VIN begin MA647645, 100", RHD	Traction Control, valve to PCRV	ANR2702	1
		Change point - VIN end LA647644, LHD	Traction Control, valve to accumulator	NTC8613	1
		Change point - VIN begin MA647645, 100", LHD	Traction Control, valve to PCRV	ANR2703	1
5	Pipe-brake	LHD	Traction Control, port 27 to PCRV	NTC8611	1
		RHD	Traction Control, port 27 to PCRV	NTC8612	1
6	Pressure control release valve-brake	100"	Traction Control	NTC6868L	1
		108" (2743mm) Wheelbase	Traction Control	NTC9753	1
7	Clip-Pipe		Traction Control	NTC5027L	1
8	Screw		Traction Control, M6 X 16	SE106161L	1
9	Washer		Traction Control, 6MM	WA106041L	1
10	Nut - Hex.		Traction Control, M6, hexagonal head, nyloc	NY106041L	1
[900]	Nut - Hex.		Traction Control, M6, hexagonal head, nyloc	NY106047L	1

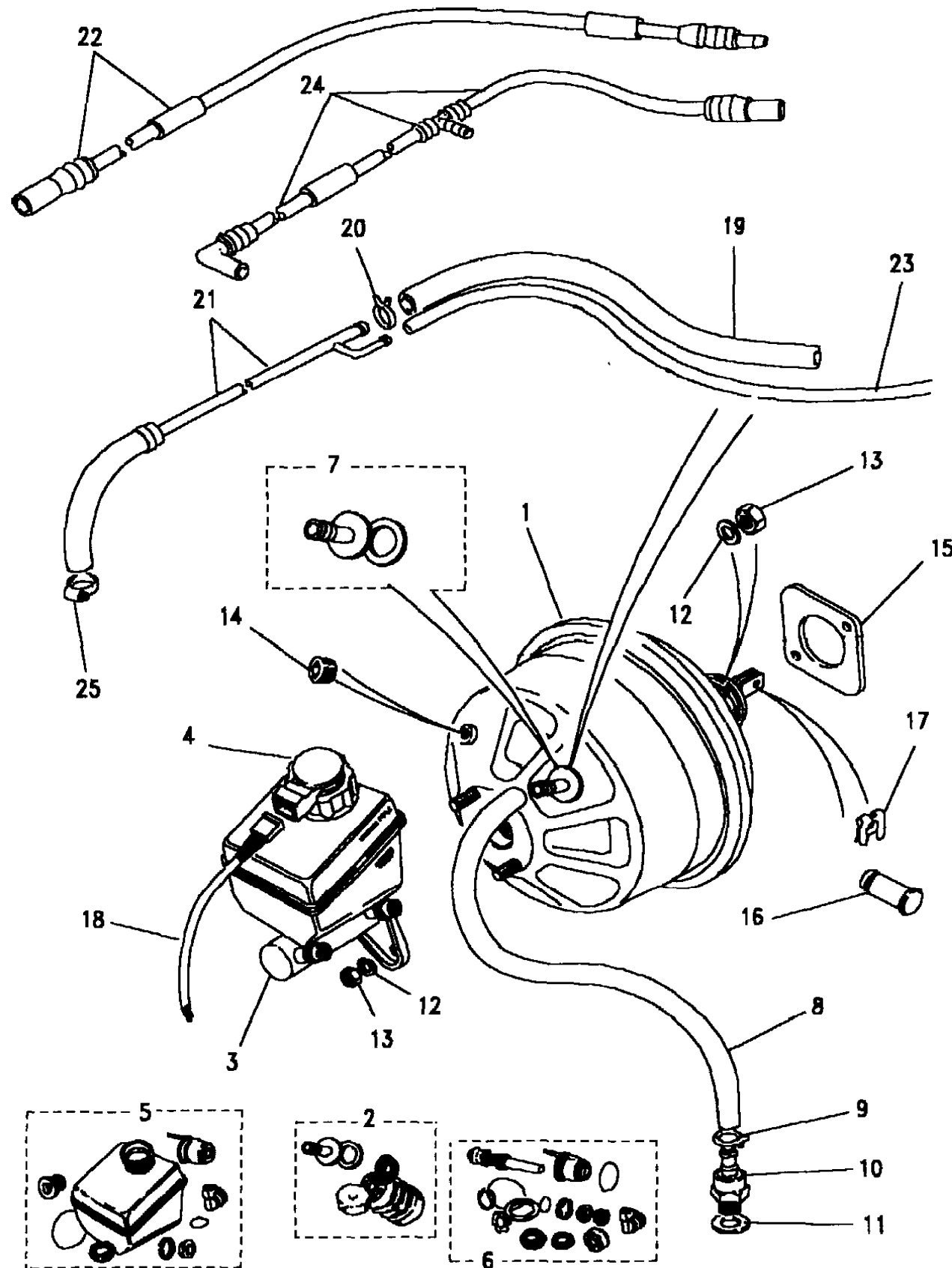
Range Rover (From JA610294)

(BDHXAA1A)

Range Rover (From JA610294)

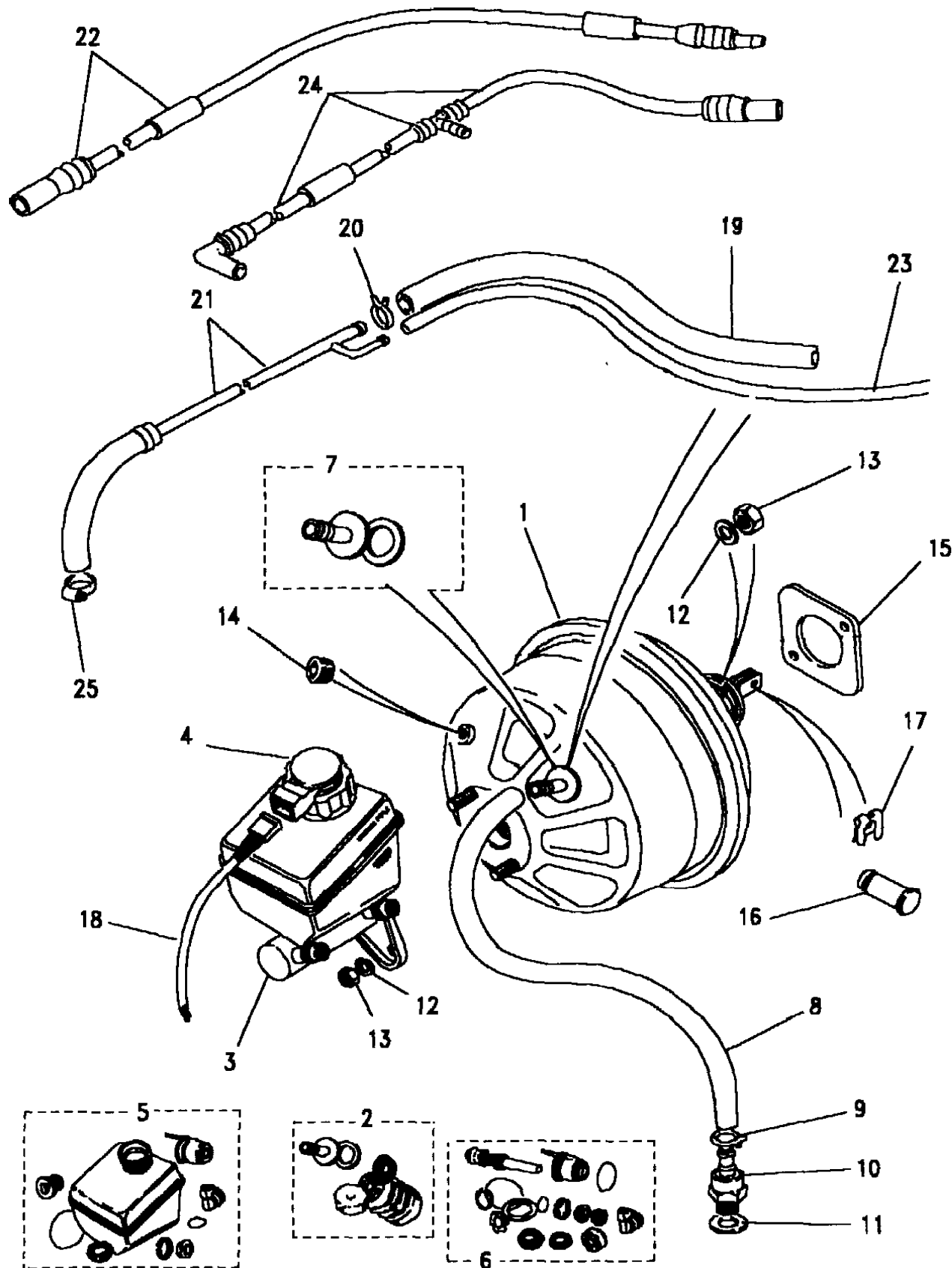
With Servo Assisted Braking System

Callout	Name	Application	Remarks & Restrictions	Service No.	Qty
1	Servo assembly brake	Change point - VIN end LA647644 Change point - VIN begin MA647645		NTC4294 STC1286	1 1
2	Kit-repair brake servo			RTC5832	1
3	Master cylinder assembly brake	Change point - VIN end LA647644 Change point - VIN begin MA647645	Also serviced as part of a kit	NTC4991 STC1763	1 1
4	Cap-fluid level warning reservoir indicator	Change point - VIN end LA647644 Change point - VIN begin MA647645	Also serviced as part of a kit	RTC5831 NTC9858	1 1
5	Kit-master cylinder/reservoir & seal brake			RTC5833	1
6	Kit-repair brake master cylinder			RTC5834	1
7	Valve-non return brake vacuum			STC780	1
8	Hose brake vacuum	EFI, RHD Change point - VIN end LA647644, EFI, LHD Change point - VIN begin MA647645, EFI, LHD		NTC4988 NTC4242 NTC7862	1 1 1
9	Clip-Hose			572548	2
10	Valve-inlet manifold non return			RTC5907	1
11	Washer-sealing	Change point - VIN end LA647644 Change point - VIN begin MA647645	Also serviced as part of a kit	232043 ANR3608	1 1
12	Washer		M8, sprung	WL108001L	4
13	Nut - Hex.		M8, hexagonal head	NH108041L	4
14	Plug	Change point - VIN end LA647644 Change point - VIN begin MA647645		90577611 MXC8709	1 1
15	Spacer			NTC4099	1
16	Pin-clevis			NTC4487	1
17	Clip			NTC4488	1



Range Rover (From JA610294)

(BDHXAA1A)



Range Rover (From JA610294)

With Servo Assisted Braking System

Callout	Name	Application	Remarks & Restrictions	Service No.	Qty
18	Harness-link			PRC6388	1
19	Hose brake vacuum	With Diesel Engines	930mm	CRC2131	1
20	Clip-Hose	With Diesel Engines		572548	3
21	Hose-engine to T piece vacuum	With Diesel Engines, All Wheel Anti-Lock Braking System		NTC8127	1
		With Diesel Engines, Less Anti-Lock Braking System		NTC7643	1
22	Hose assembly brake vacuum	With Diesel Engines, All Wheel Anti-Lock Braking System		ANR1539	1
23	Pipe-vacuum heater/air conditioning	With Diesel Engines		MWC4340	1
24	Hose brake vacuum	Change point - VIN end LA647644, With Diesel Engines, RHD, Less Anti-Lock Braking System		NTC7404	1
		Change point - VIN end LA647644, With Diesel Engines, LHD, Less Anti-Lock Braking System		NTC7403	1
		Change point - VIN begin MA647645, With Diesel Engines, RHD, Less Anti-Lock Braking System		ANR3614	1
		Change point - VIN begin MA647645, With Diesel Engines, LHD, Less Anti-Lock Braking System		ANR3613	1
25	Clip-Hose	With Diesel Engines	20MM	CN100208L	1
[900]	Valve-inlet manifold non return			LKX100440	1
[901]	Hose brake vacuum	EFI, LHD		SQG100130	1
		With Diesel Engines		ERR4849	1
[902]	Washer		8MM, sprung	WL108007	4
[903]	Clip-edge pipe swivel	With Diesel Engines		NTC7260	1

Braking Systems
 Brake Actuation
 Pump, Accumulator & Pipes ABS-LHD 1/4

Range Rover (From JA610294)

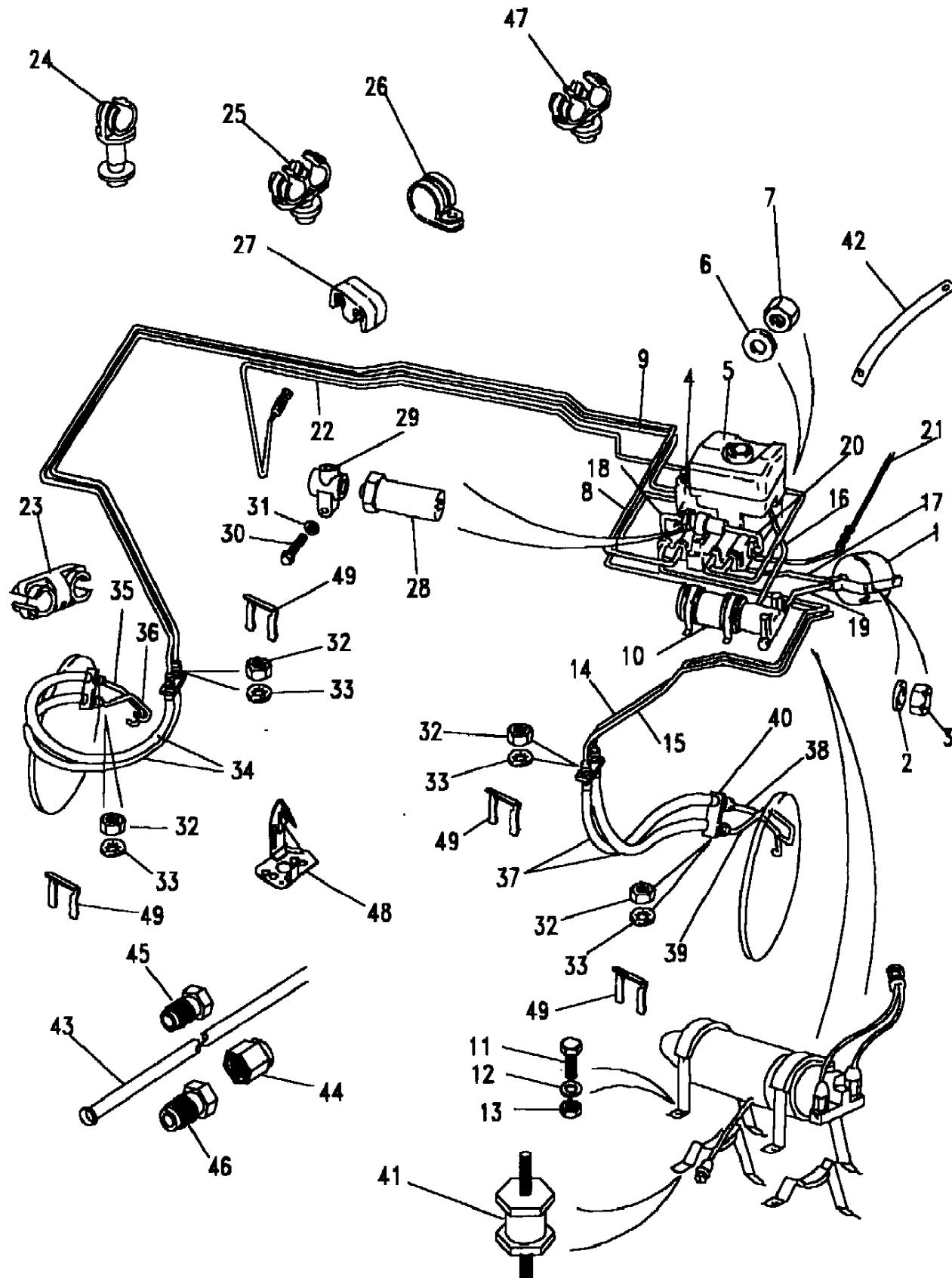
(BDHXAC2A)

Range Rover (From JA610294)

Braking Systems
 Brake Actuation
 Pump, Accumulator & Pipes ABS-LHD

LHD, All Wheel Anti-Lock Braking System

Callout	Name	Application	Remarks & Restrictions	Service No.	Qty
1	Accumulator assembly			RTC6498	1
2	Washer		6MM	WA106041L	2
3	Nut - Hex.		M6, nyloc, Hexagonal	NH106041L	2
4	Booster-antilock brake system		Also serviced as part of a kit	STC886	1
5	Reservoir assembly-brake		Also serviced as part of a kit	RTC6741	1
6	Washer		8MM	WA108051L	4
7	Nut - Hex.		M8, hexagonal head	NH108041L	4
8	Pipe assembly brake	Change point - VIN end JA624754	port 24 to jump hose	NTC9307	1
		Change point - VIN begin KA624756	port 24 to jump hose	ANR1570	1
9	Pipe assembly brake	Change point - VIN end JA624754	port 24 to jump hose	NTC9310	1
		Change point - VIN begin KA624756	port 26 to jump hose	NTC9751	1
10	Pump assembly antilock brakes	Change point - VIN end KA632718		STC885	1
		Change point - VIN begin KA632719		STC1181	1
11	Screw		hexagonal head, M6 x 10	SH106101L	4
12	Washer		6MM	WA106041L	4
13	Nut - Hex.		M6, nyloc, Hexagonal	NH106041L	4
14	Pipe assembly brake		port 25 to jump hose	NTC9309	1
15	Pipe assembly brake		port 23 to jump hose	NTC9308	1
16	Hose-brake low pressure	Change point - VIN end KA631501	PUMP TO RESERVOIR	NTC7565	1
		Change point - VIN begin KA631502	PUMP TO RESERVOIR	ANR2091	1
17	Pipe assembly brake	Change point - VIN end LA647644	port 11 to accumulator	NTC7859	1
		Change point - VIN begin MA647645	port 11 to accumulator	ANR2701	1
18	Pipe assembly brake		port 27 to PCRV	NTC7283	1
19	Hose-antilock brakes high pressure	Change point - VIN end LA647644	pump to accumulator, Also serviced as part of a kit	NTC7382	1

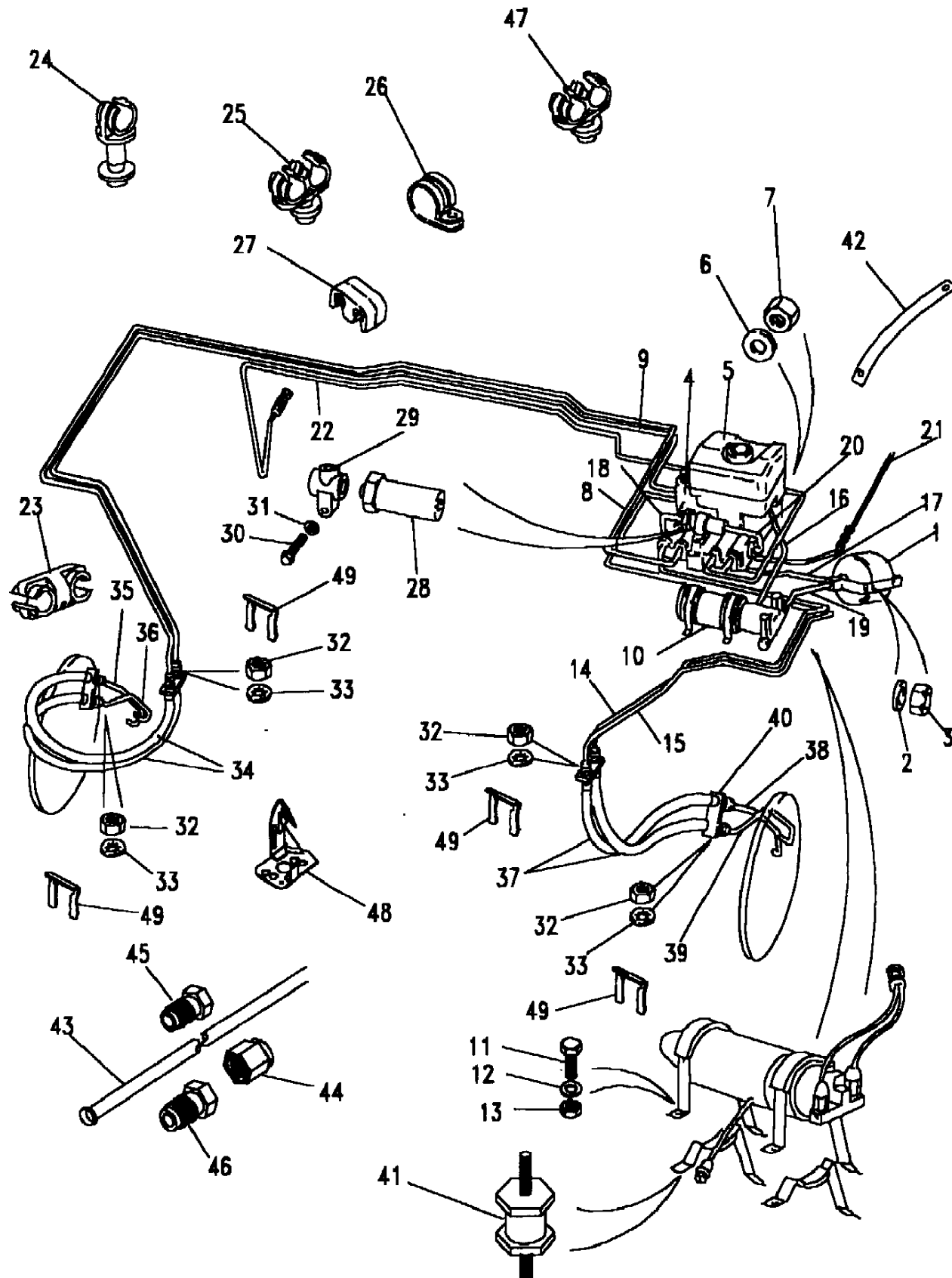


Range Rover (From JA610294)

(BDHXAC2A)

LHD, All Wheel Anti-Lock Braking System

Callout	Name	Application	Remarks & Restrictions	Service No.	Qty
19	Hose-antilock brakes high pressure	Change point - VIN begin MA647645	pump to accumulator, Also serviced as part of a kit	ANR3489	1
20	Pipe assembly brake		port 12 to PCRV	NTC7282	1
21	Pipe assembly brake	Change point - VIN end JA624754	port 21 to connector	NTC8375	1
		Change point - VIN begin KA624756, Change point - VIN end KA640177	port 21 to connector	ANR1464	1
		Change point - VIN begin KA640178	port 21 to connector	ANR2508	1
		Change point - VIN begin MA647645	port 21 to connector	ANR2953	1
22	Pipe assembly brake	Change point - VIN end JA624754	port 21 to connector	NTC8374	1
		Change point - VIN begin KA624756	port 22 to connector	ANR1465	1
		Change point - VIN begin MA647645	port 21 to connector	ANR2954	1
23	Clip-Pipe			NTC5027L	X
24	Clip - Brake Pipe			79124	5
25	Clip-brake pipe double			79125	9
26	Clip-p		1"	AEU1452	1
27	Clip-brake pipe double			AAU7803	4
28	Pressure control release valve-brake	(-) 108"		NTC6868L	1
		108" (2743mm) Wheelbase		NTC9753	1
29	T Piece	108" (2743mm) Wheelbase	Rear	NRC4251	1
30	Screw	108" (2743mm) Wheelbase	hexagonal head, M6 x 10	SH106101L	1
31	Washer	108" (2743mm) Wheelbase	6MM	WA106041L	1
32	Nut - Hex.			CRC1487	8
33	Washer-starlock			WE110001L	8
34	Hose-jump			NTC7670	2
35	Pipe assembly brake		jump hose (secondary) to caliper	NTC9545	1

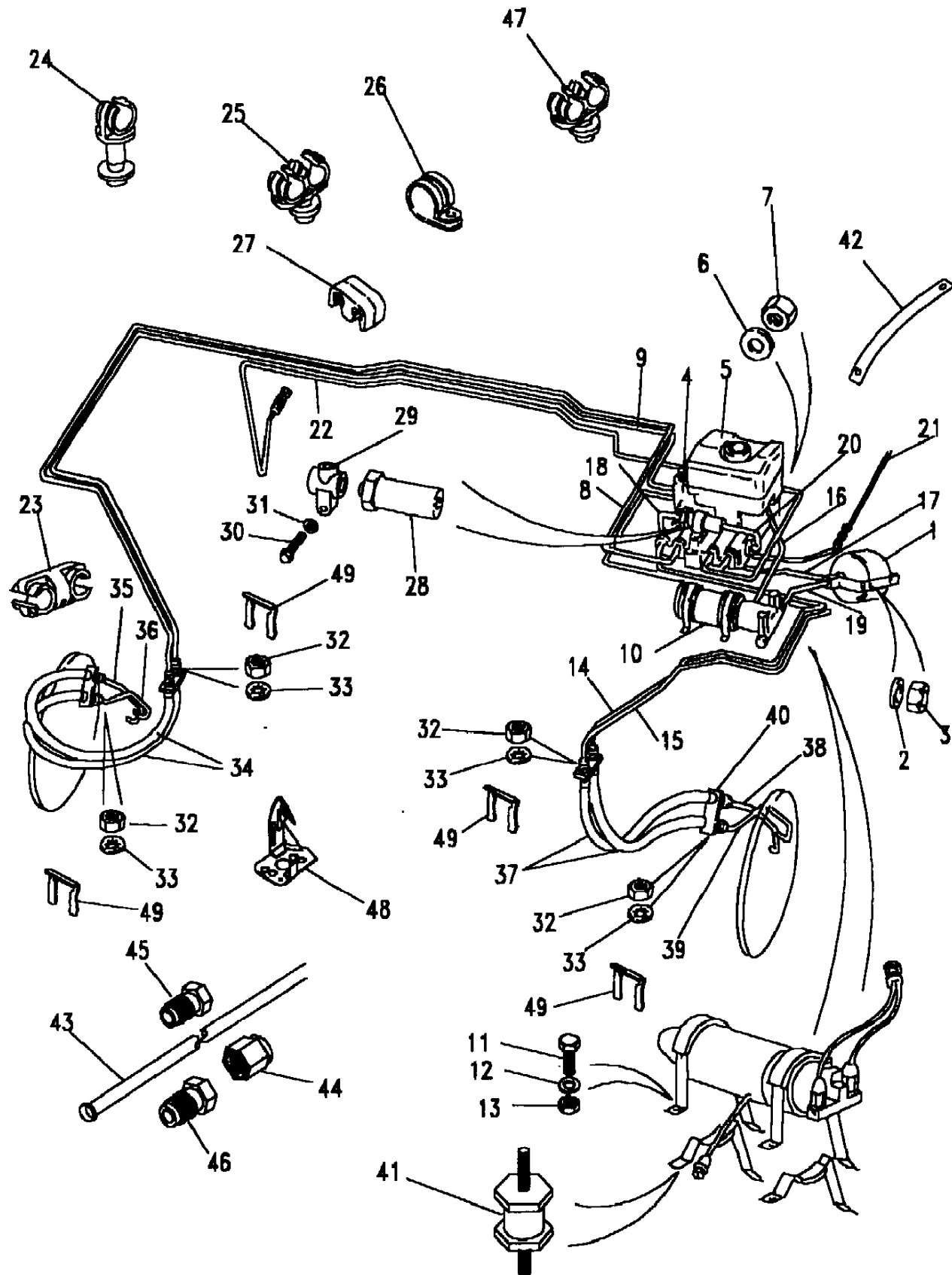


Range Rover (From JA610294)

(BDHXAC2A)

LHD, All Wheel Anti-Lock Braking System

Callout	Name	Application	Remarks & Restrictions	Service No.	Qty
36	Pipe assembly brake		jump hose (primary) to caliper	NTC9547	1
37	Hose-jump			NTC7670	2
38	Pipe assembly brake		jump hose (primary) to caliper	NTC9546	1
39	Pipe assembly brake			NTC9548	1
40	Bracket-hose support antilock brakes		RH LH	FTC1362 FTC1363	1 1
41	Mounting-rubber flexible support		Change point - VIN end JA618020 Change point - VIN begin JA618021	NRC9773 ESR1579	4 4
42	Lead-earth bonding			552632	1
43	Pipe assembly brake		8ft	STC577	X
44	Nut - Hex.			FM10	X
45	Nut - Hex.			MM10	X
46	Nut-hexagonal			TM112051L	X
47	Clip-brake pipe double			NTC9530	3
48	Plate		RH LH	FTC2214 FTC2215	1 1
49	Clip			BNP2227L	X
[900]	Cap assembly-tank antilock brakes		Change point - VIN end JA624754	Also serviced as part of a kit RTC6494	1
[901]	Cap-fluid level warning reservoir indicator		Change point - VIN begin KA624756	Also serviced as part of a kit NTC9858	1
[902]	Heatshield-exhaust manifold			Also serviced as part of a kit RTC6491	1
[903]	Seal			Also serviced as part of a kit RTC6490	2
[904]	Filter-reservoir			Also serviced as part of a kit RTC6493	1
[905]	Screw-bleed			Also serviced as part of a kit RTC6495	X
[906]	Boot-rubber			Also serviced as part of a kit RTC6496	1
[907]	Pin-clevis			NTC4487	1



Braking Systems
 Brake Actuation
 Pump, Accumulator & Pipes ABS-LHD 4/4

Range Rover (From JA610294)

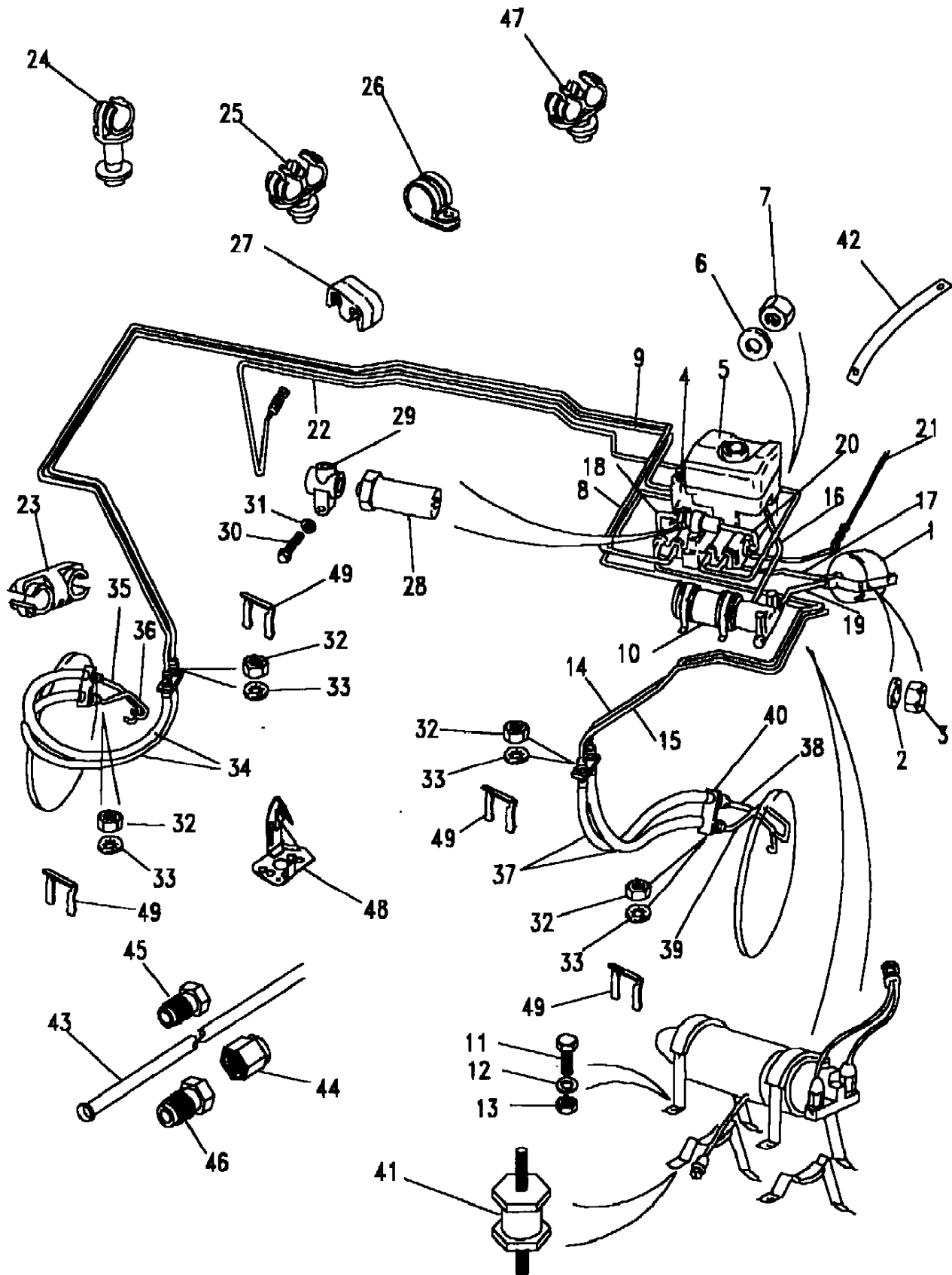
(BDHXAC2A)

Range Rover (From JA610294)

Braking Systems
 Brake Actuation
 Pump, Accumulator & Pipes ABS-LHD

LHD, All Wheel Anti-Lock Braking System

Callout	Name	Application	Remarks & Restrictions	Service No.	Qty
[908]	Screw-torx-cheese hexagonal-dog point		Also serviced as part of a kit, M6 X 12	RTC6492	X
[909]	Clip			NTC4488	1
[910]	Clip-Hose			AAU1979 PYC101150	2 2
[911]	Bolt-banjo	Change point - VIN end LA647644 Change point - VIN begin MA647645	Also serviced as part of a kit Also serviced as part of a kit Also serviced as part of a kit	STC1553 STC1553 STC1553	2 2 2
[912]	Washer-copper	Change point - VIN end LA647644 Change point - VIN begin MA647645	Also serviced as part of a kit Also serviced as part of a kit Also serviced as part of a kit	STC1554 STC1554 STC1554	2 2 2
[913]	T Piece	(-) 108"	Rear	NRC4251	1
[914]	Bracket-hose brake		RH LH	ANR1710 ANR1709	1 1
[915]	Sleeve-heat shrink			STC621	X

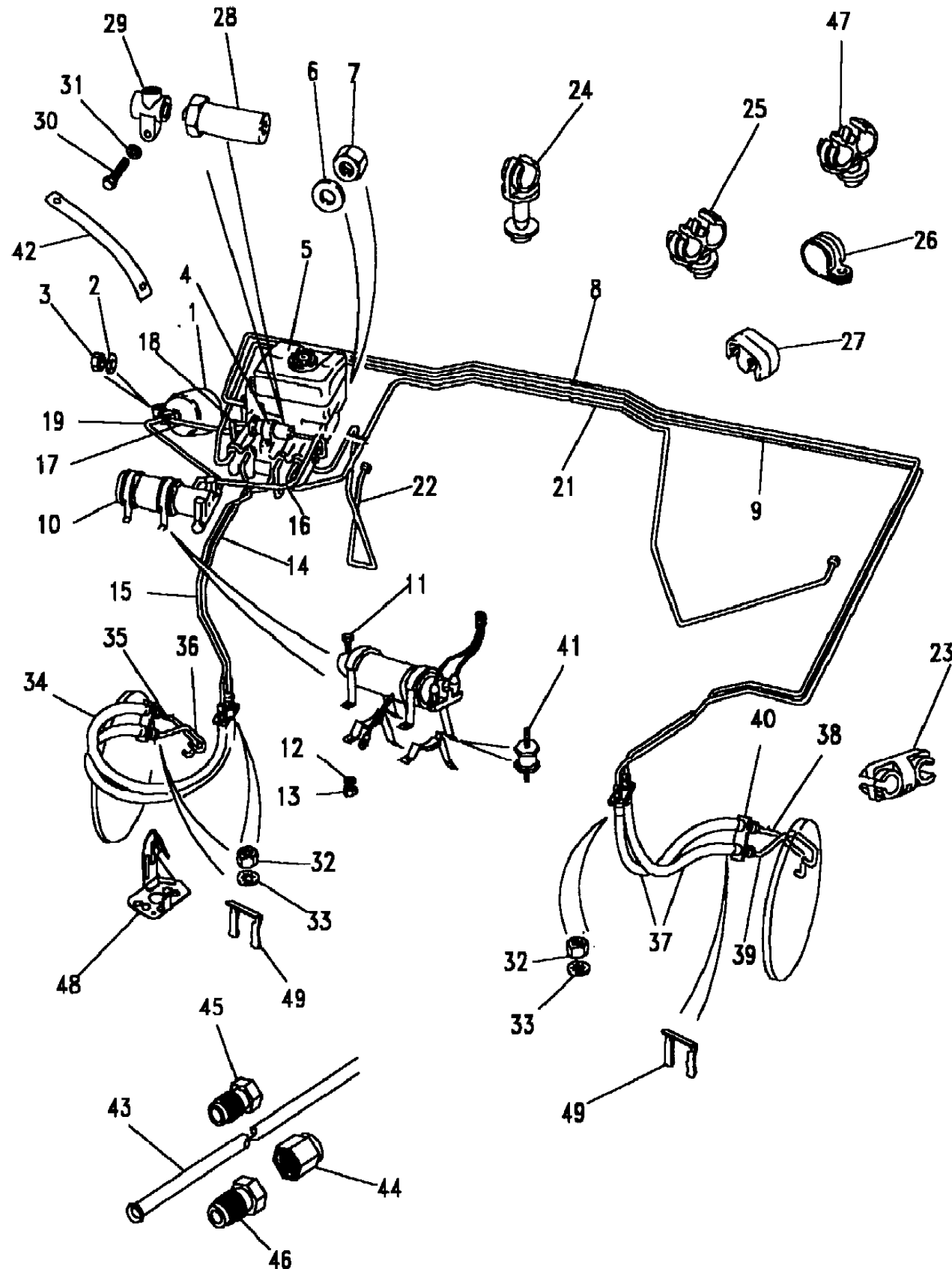


Range Rover (From JA610294)

(BDHXAC1A)

Range Rover (From JA610294)

RHD, All Wheel Anti-Lock Braking System



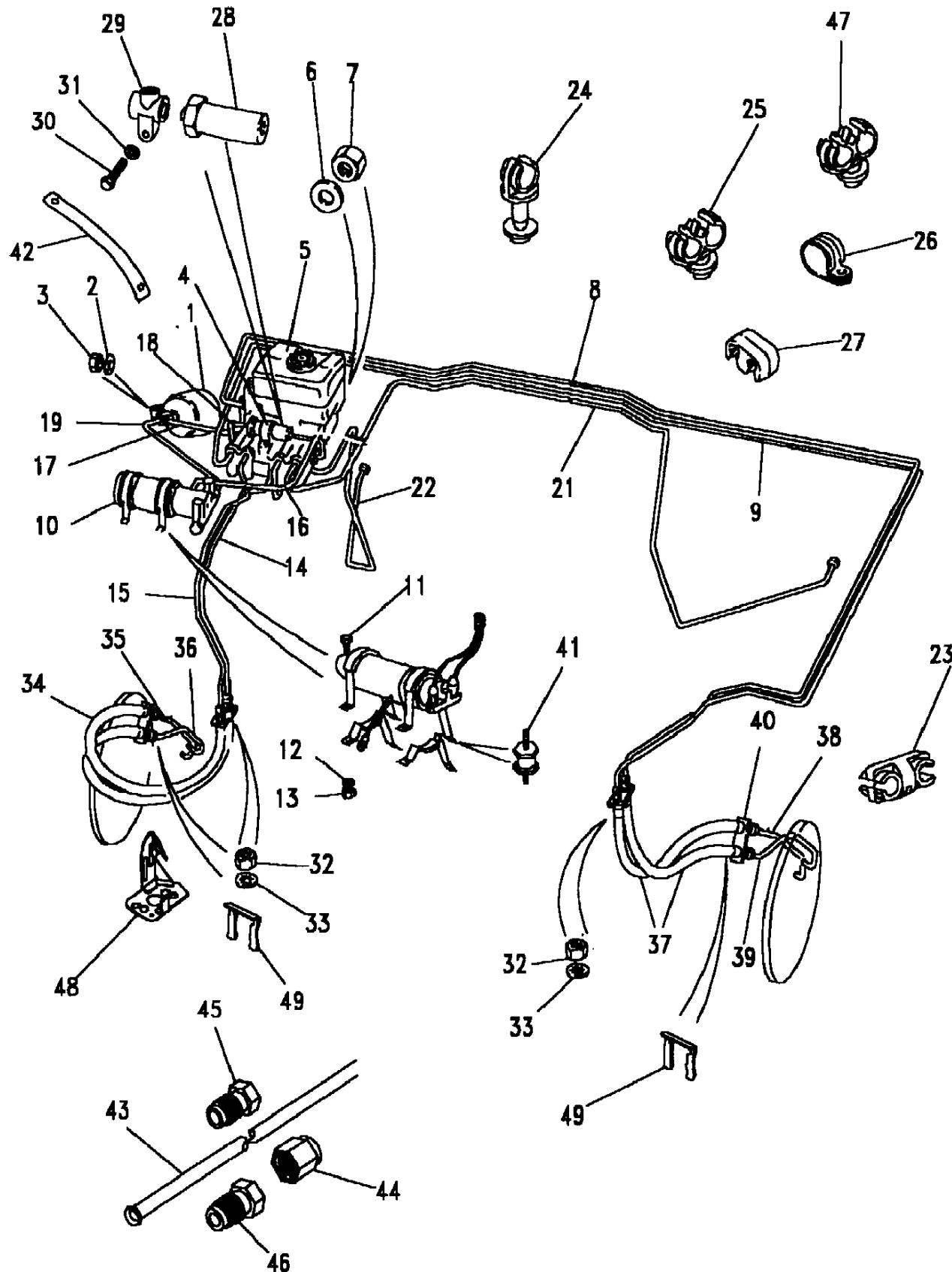
Callout	Name	Application	Remarks & Restrictions	Service No.	Qty
1	Accumulator assembly			RTC6498	1
2	Washer		6MM	WA106041L	2
3	Nut - Hex.		M6, nyloc, Hexagonal	NH106041L	2
4	Booster-antilock brake system		Also serviced as part of a kit	STC886	1
5	Reservoir assembly-brake		Also serviced as part of a kit	RTC6741	1
6	Washer		8MM	WA108051L	4
7	Nut - Hex.		M8, hexagonal head	NH108041L	4
8	Pipe assembly brake	Change point - VIN end JA624754	port 25 to jump hose	NTC9313	1
		Change point - VIN end KA624756	port 25 to jump hose	NTC9752	1
9	Pipe assembly brake		port 23 to jump hose	NTC9312	1
10	Pump assembly antilock brakes	Change point - VIN end KA632718		STC885	1
		Change point - VIN begin KA632719		STC1181	1
11	Screw		hexagonal head, M6 x 10	SH106101L	4
12	Washer		6MM	WA106041L	4
13	Nut - Hex.		M6, nyloc, Hexagonal	NH106041L	4
14	Pipe assembly brake		port 26 to jump hose	NTC9314	1
15	Pipe assembly brake		port 24 to jump hose	NTC9311	1
16	Hose-brake low pressure	Change point - VIN end KA631501	PUMP TO RESERVOIR	NTC5918	1
		Change point - VIN begin KA631502	PUMP TO RESERVOIR	ANR2092	1
17	Pipe assembly brake	Change point - VIN end JA624754	port 11 to accumulator	NTC5944	1
		Change point - VIN begin KA624756	port 11 to accumulator	ANR1678	1
		Change point - VIN begin MA647645	port 11 to accumulator	ANR2681	1
18	Pipe assembly brake		port 27 to PCR V	NTC7283	1
19	Hose-antilock brakes high pressure	Change point - VIN end LA647644	pump to accumulator, Also serviced as part of a kit	NTC5920	1
		Change point - VIN begin MA647645	port 11 to accumulator, Also serviced as part of a kit	ANR3488	1

Range Rover (From JA610294)

(BDHXAC1A)

Range Rover (From JA610294)

RHD, All Wheel Anti-Lock Braking System



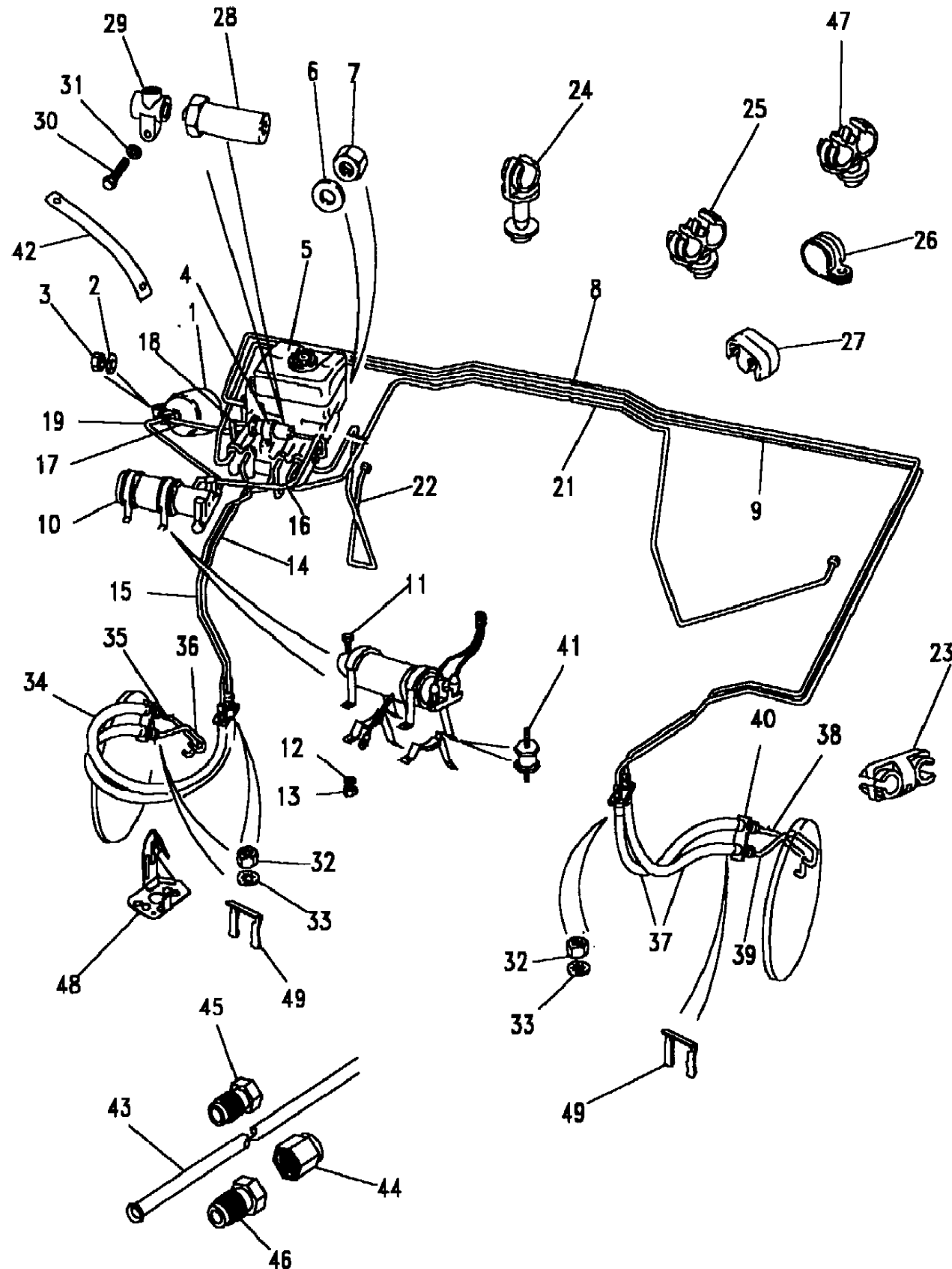
Callout	Name	Application	Remarks & Restrictions	Service No.	Qty
20	Pipe assembly brake		port 12 to PCRV	NTC7282	1
21	Pipe assembly brake	Change point - VIN end JA624754	port 11 to accumulator	NTC8870	1
		Change point - VIN begin KA624756	port 11 to accumulator	ANR1677	1
22	Pipe assembly brake	Change point - VIN end JA624754	port 11 to accumulator	NTC8871	1
		Change point - VIN begin KA624756	port 11 to accumulator	ANR1679	1
23	Clip-Pipe			NTC5027L	X
24	Clip - Brake Pipe			79124	5
25	Clip-brake pipe double			79125	9
26	Clip-p		1"	AEU1452	1
27	Clip-brake pipe double			AAU7803	4
28	Pressure control release valve-brake	(-) 108"		NTC6868L	1
		108" (2743mm) Wheelbase		NTC9753	1
29	T Piece	(-) 108"	Rear	NRC4251	1
		108" (2743mm) Wheelbase	Rear	NRC4251	1
30	Screw		hexagonal head, M6 x 10	SH106101L	1
31	Washer		6MM	WA106041L	1
32	Nut - Hex.			CRC1487	8
33	Washer-starlock			WE110001L	8
34	Hose-jump			NTC7670	2
35	Pipe assembly brake		jump hose (secondary) to caliper	NTC9545	1
36	Pipe assembly brake		jump hose (primary) to caliper	NTC9547	1
37	Hose-jump			NTC7670	2
38	Pipe assembly brake		jump hose (secondary) to caliper	NTC9548	1
39	Pipe assembly brake		jump hose (primary) to caliper	NTC9546	1

Range Rover (From JA610294)

(BDHXAC1A)

Range Rover (From JA610294)

RHD, All Wheel Anti-Lock Braking System



Callout	Name	Application	Remarks & Restrictions	Service No.	Qty
40	Bracket-hose support antilock brakes		RH	FTC1362	1
			LH	FTC1363	1
41	Mounting-rubber flexible support	Change point - VIN end JA618020 Change point - VIN begin JA618021		NRC9773	4
				ESR1579	4
42	Lead-earth bonding			552632	1
43	Pipe assembly brake		8ft	STC577	X
44	Nut - Hex.			FM10	X
45	Nut - Hex.			MM10	X
46	Nut-hexagonal			TM112051L	X
47	Clip-brake pipe double			NTC9530	3
48	Plate		RH	FTC2214	1
			LH	FTC2215	1
49	Clip		jump hose to bracket	BNP2227L	X
[900]	Bracket-hose brake		RH	ANR1710	1
			LH	ANR1709	1
[901]	Sleeve-heat shrink			STC621	X
[902]	Clip-Hose			AAU1979 PYC101150	2 2
[903]	Bolt-banjo	Change point - VIN end LA647644 Change point - VIN begin MA647645		Also serviced as part of a kit STC1553	2
				Also serviced as part of a kit STC1553	2
[904]	Washer-copper	Change point - VIN end LA647644 Change point - VIN begin MA647645		Also serviced as part of a kit STC1554	2
				Also serviced as part of a kit STC1554	2
[906]	Cap assembly-tank antilock brakes	Change point - VIN end JA624754		Also serviced as part of a kit RTC6494	1
				Also serviced as part of a kit RTC6494	1
[907]	Heatshield-exhaust manifold			Also serviced as part of a kit RTC6491	1
				Also serviced as part of a kit RTC6491	1
[908]	Cap-fluid level warning reservoir indicator	Change point - VIN begin KA624756	Also serviced as part of a kit	NTC9858	1

Braking Systems
 Brake Actuation
 Pump, Accumulator & Pipes ABS-RHD 4/4

Range Rover (From JA610294)

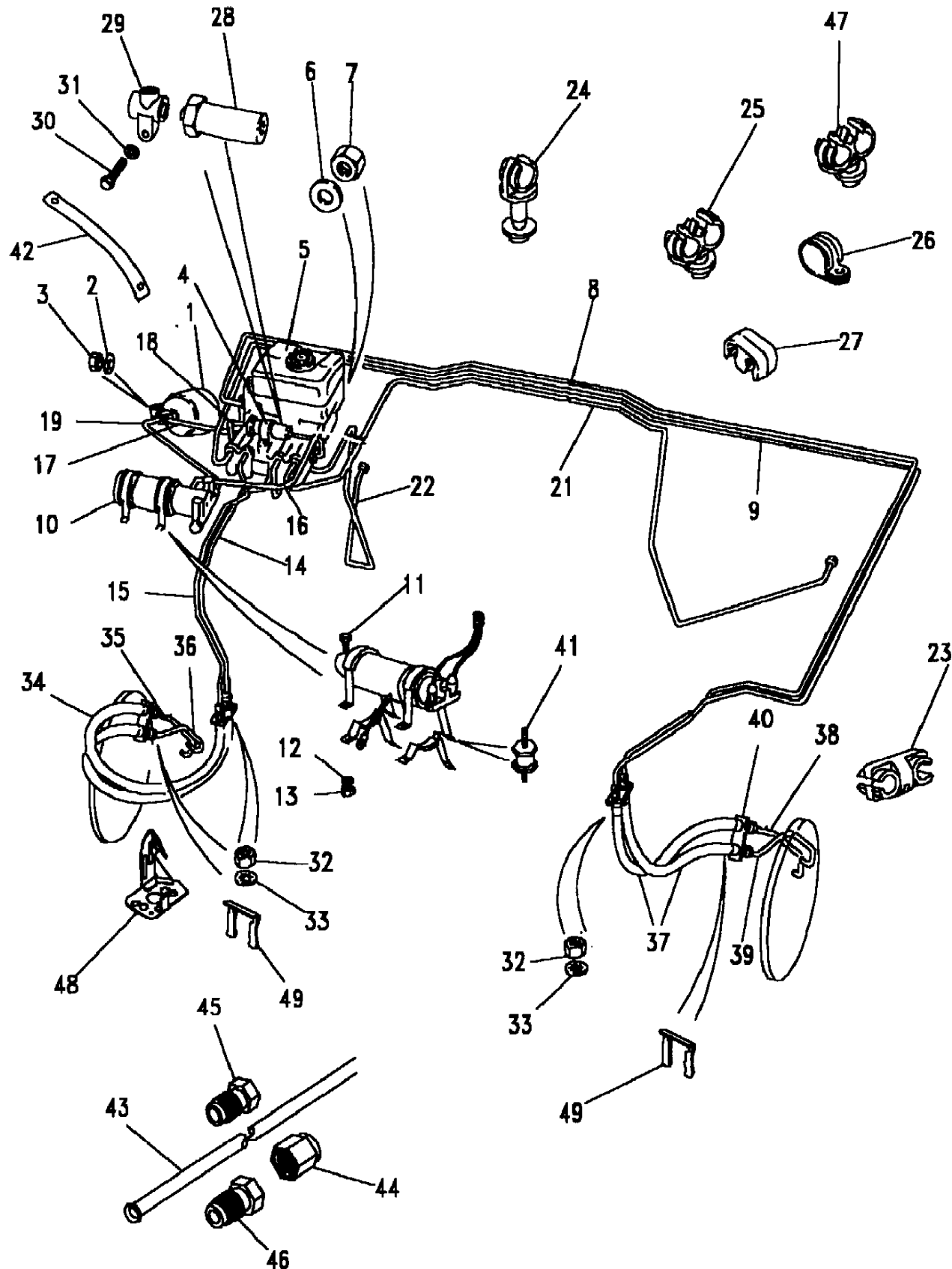
(BDHXAC1A)

Range Rover (From JA610294)

Braking Systems
 Brake Actuation
 Pump, Accumulator & Pipes ABS-RHD

RHD, All Wheel Anti-Lock Braking System

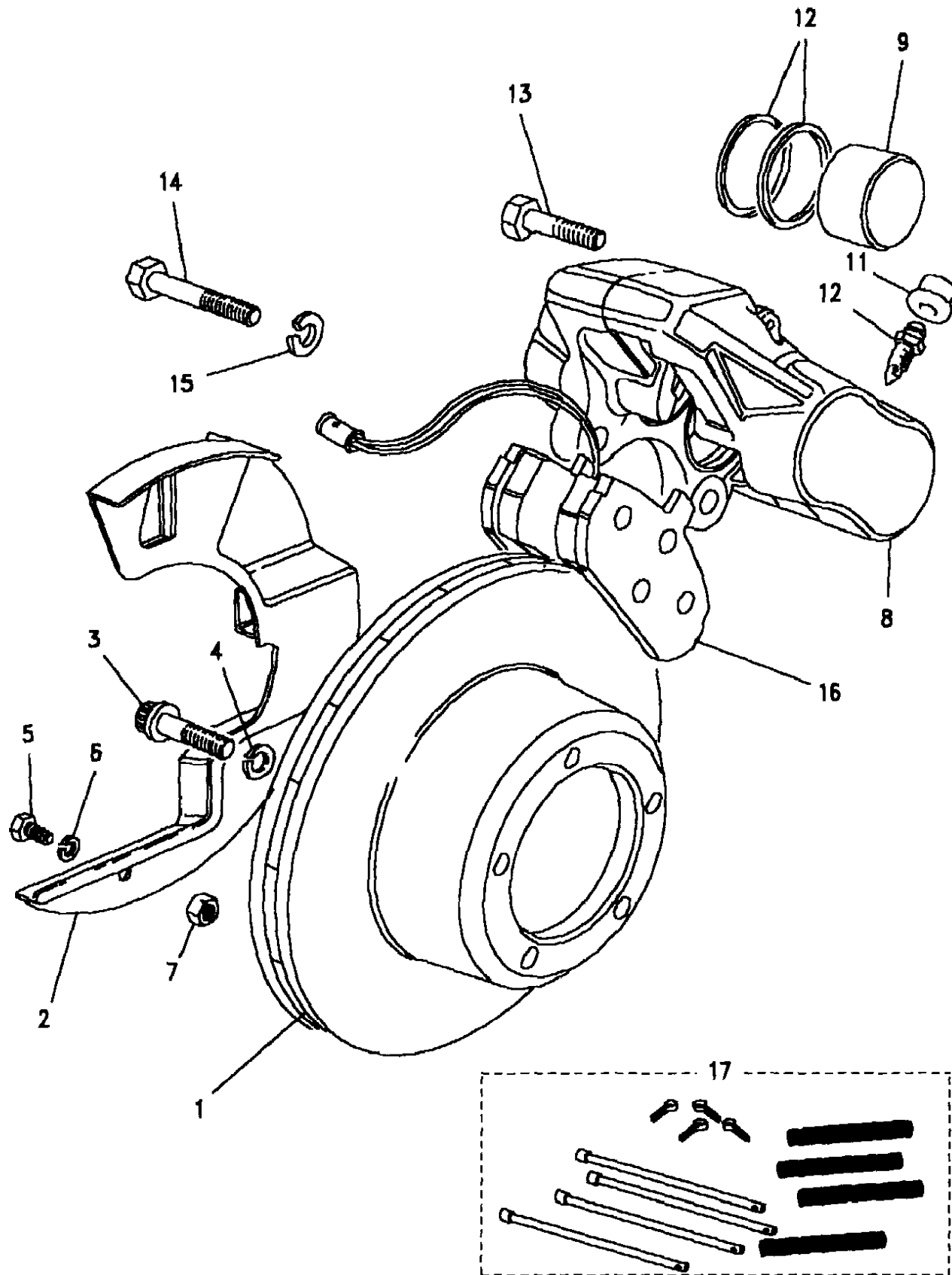
Callout	Name	Application	Remarks & Restrictions	Service No.	Qty
[909]	Seal		Also serviced as part of a kit	RTC6490	2
[910]	Filter-reservoir		Also serviced as part of a kit	RTC6493	1
[911]	Screw-bleed		Also serviced as part of a kit	RTC6495	X
[912]	Boot-rubber		Also serviced as part of a kit	RTC6496	1
[913]	Screw-torx-cheese hexagonal-dog point		Also serviced as part of a kit, M6 X 12	RTC6492	X
[914]	Pin-clevis			NTC4487	1
[915]	Clip			NTC4488	1



Range Rover (From JA610294)

(BDHXGA1A)

Range Rover (From JA610294)



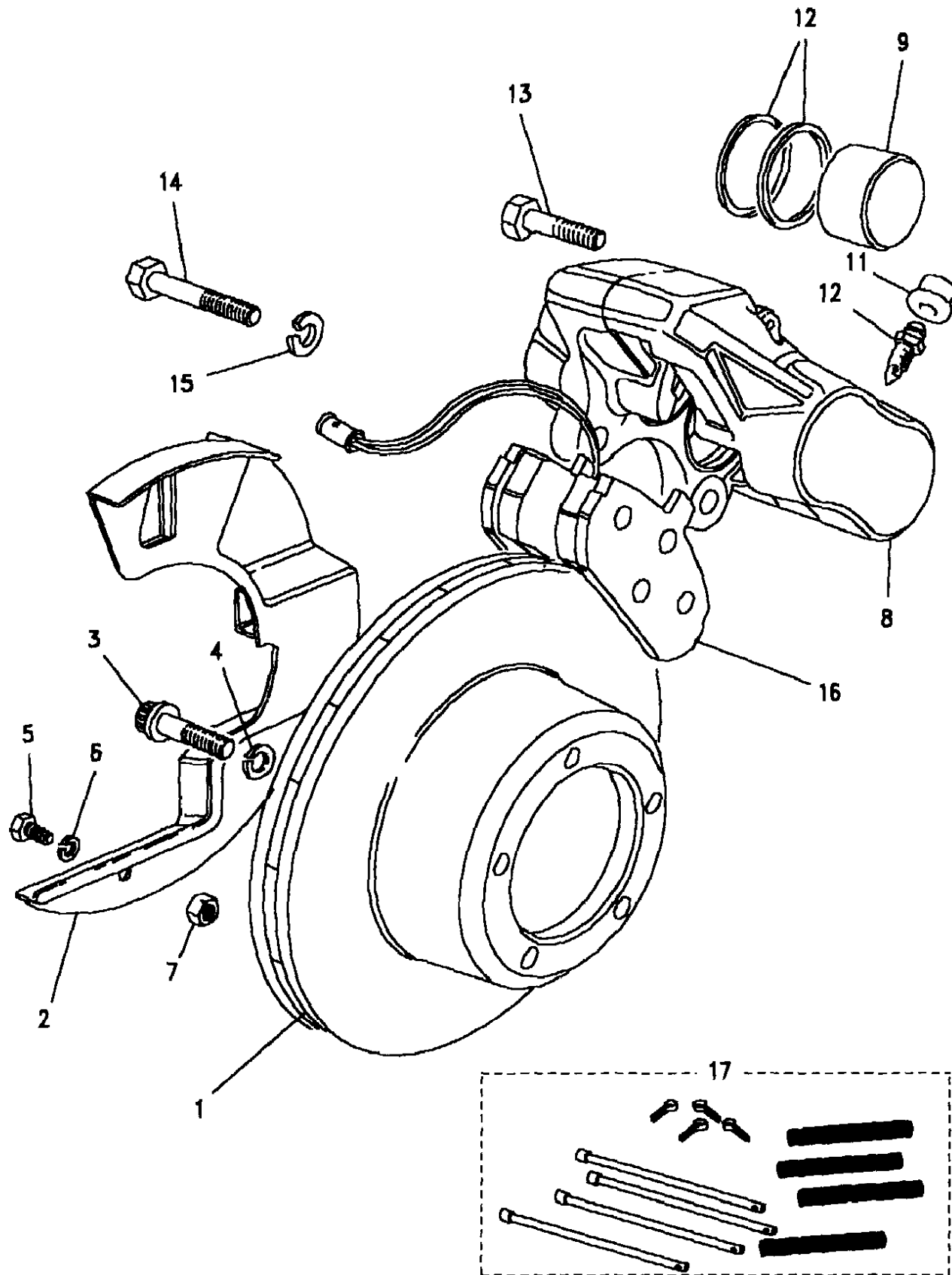
Callout	Name	Application	Remarks & Restrictions	Service No.	Qty
1	Disc-brake.		Front	FTC902	2
2	Shield-disc front brake		RH	577176	1
			LH	577177	1
3	Bolt		M10	FRC9126 FTC1368	10 10
4	Washer		M10	WL110001L	10
5	Screw-flanged head		M6 X 16, Flanged Head	FS106167L	2
6	Washer		M6, sprung	WL106001L	2
7	Nut - Hex.		M6, nyloc, Hexagonal	NH106041L	2
8	Caliper assembly-front brake	Change point - Axle end 50L00996C	Caliper Seals Are Not A Servicable Item - Replace Caliper, RH, vented	RTC6776	1
		Change point - Axle end 50L00996C	Caliper Seals Are Not A Servicable Item - Replace Caliper, vented, LH	RTC6777	1
		Change point - Axle begin 50L00997C	Caliper Seals Are Not A Servicable Item - Replace Caliper, RH	STC1283	1
		Change point - Axle begin 50L00997C	Caliper Seals Are Not A Servicable Item - Replace Caliper, LH	STC1282	1
9	Piston front caliper	Change point - Axle begin 50L00997C	Caliper Seals Are Not A Servicable Item - Replace Caliper	606683	8
10	Screw-bleed brake	Change point - Axle begin 50L00997C		RTC1526	6
11	Cap-protective	Change point - Axle begin 50L00997C		594091	6
12	Kit-brake caliper piston seal	Change point - Axle begin 50L00997C	Caliper Seals Are Not A Servicable Item - Replace Caliper	AEU1547	4
13	Bolt	Change point - Axle begin 50L00997C		RTC1136	8
14	Bolt		7/16", UNF	571910	4
15	Washer		7/16", sprung	WM600071L	4
16	Set-pad front brake system	Change point - VIN begin JA610294	Asbestos Free, vented	STC8571	1
17	Kit-brake pad retaining		Asbestos Free, Front	STC8575	1

Range Rover (From JA610294)

(BDHXGA1A)

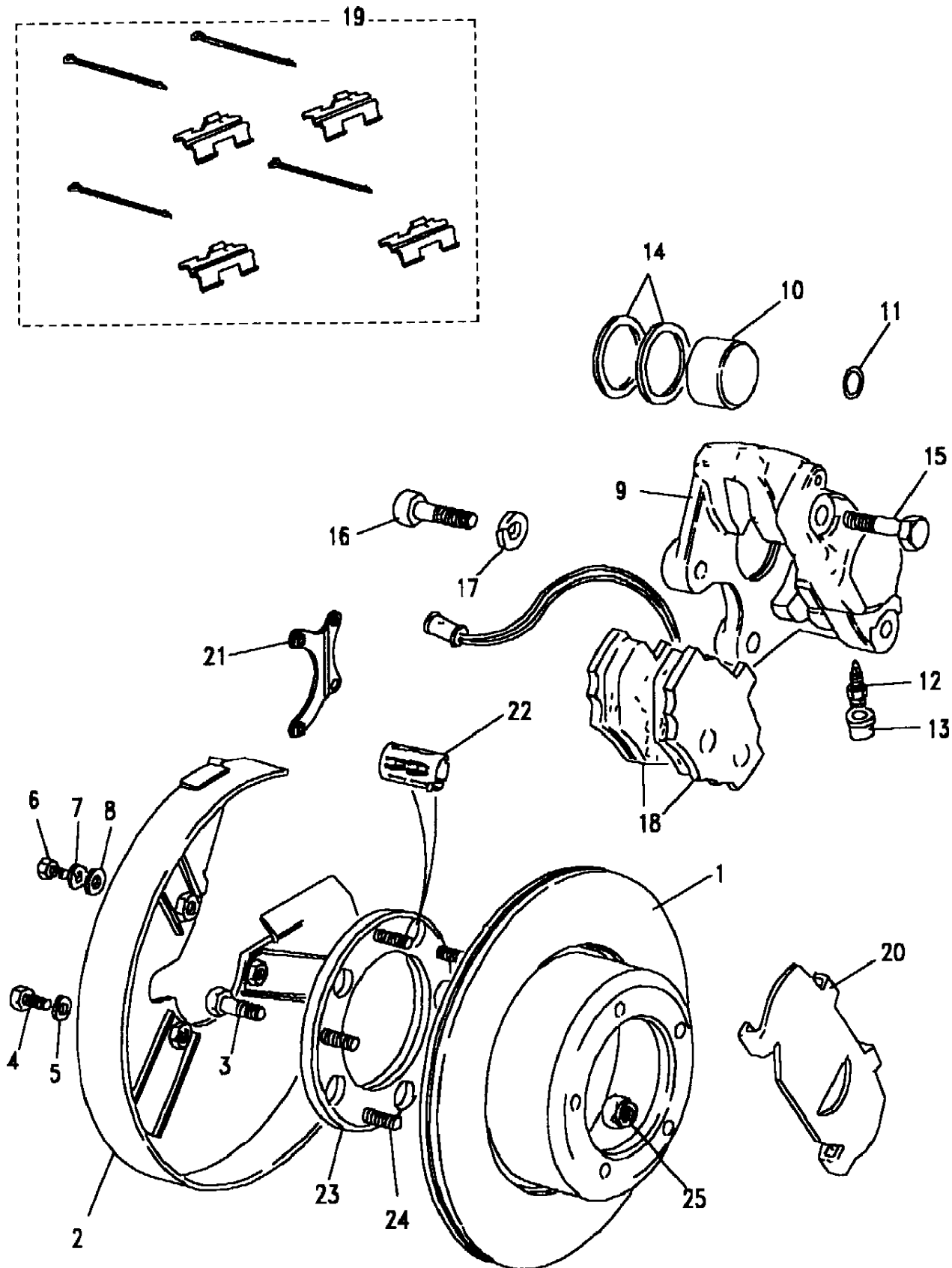
Range Rover (From JA610294)

Callout	Name	Application	Remarks & Restrictions	Service No.	Qty
[902]	Kit-brake piston seal	Change point - Axle begin 50L00997C	Caliper Seals Are Not A Servicable Item - Replace Caliper, Also serviced as part of a kit, Front	STC1278	1
[903]	Bolt		M12 x 35	FTC3375	4



Range Rover (From JA610294)

(BDHXIA2A)



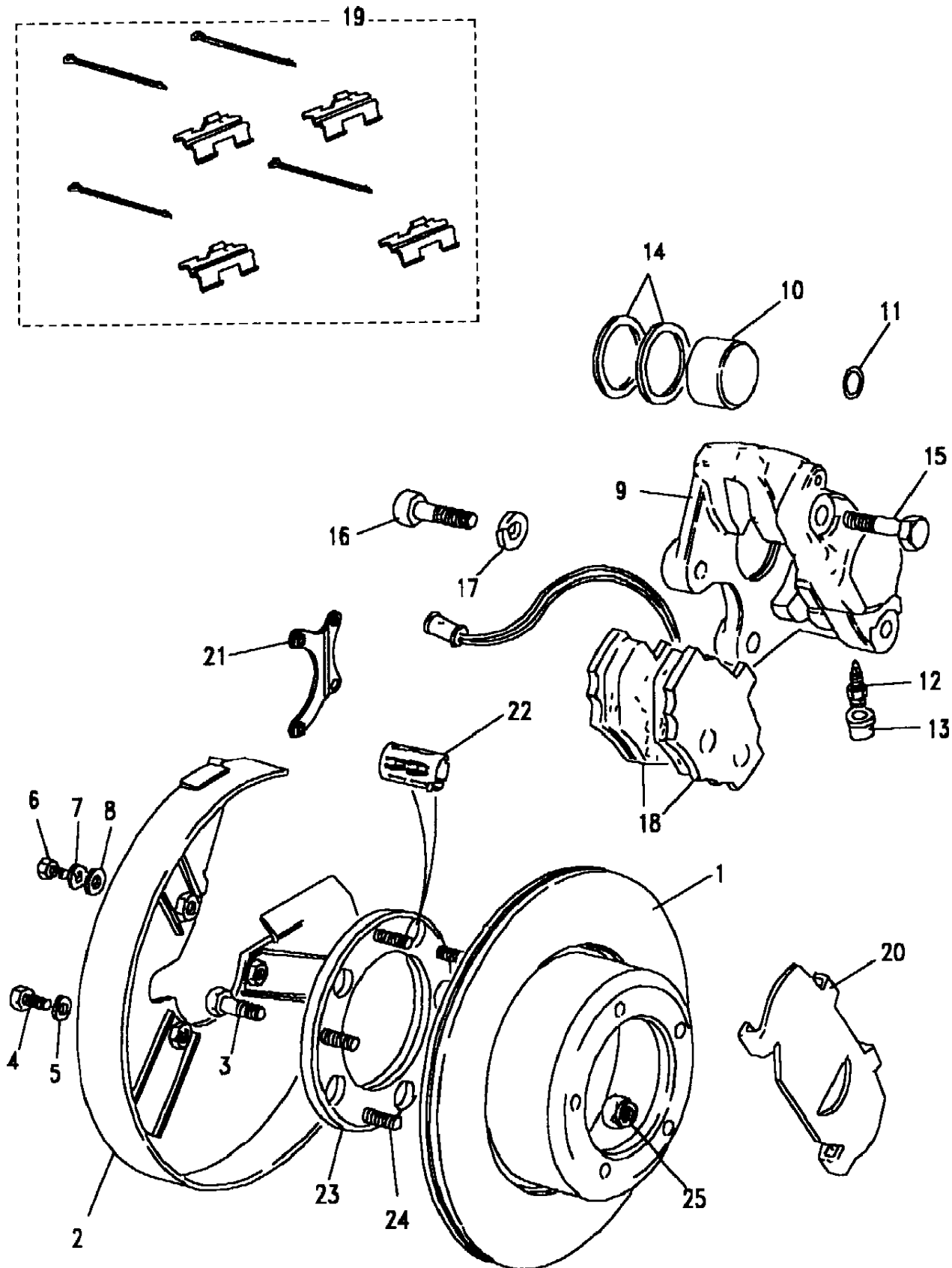
Range Rover (From JA610294)

All Wheel Anti-Lock Braking System

Callout	Name	Application	Remarks & Restrictions	Service No.	Qty
1	Disc-solid brake		Rear	FTC1381	2
2	Shield-disc rear brake	Change point - VIN end JA624754	RH	FTC1372	1
		Change point - VIN end JA624754	LH	FTC1373	1
		Change point - VIN begin KA624756, Change point - VIN end KA637567	RH	FTC2600	1
		Change point - VIN begin KA624756, Change point - VIN end KA637567	LH	FTC2601	1
		Change point - VIN begin KA637568	RH	FTC3320	1
		Change point - VIN begin KA637568	LH	FTC3321	1
		3	Bolt		M10
4	Screw		1/4UNF x 3/4	255207	2
5	Washer-Spring		1/4 dia, Square	WM600041L	2
6	Screw		hexagonal head, 1/4UNF x 7/8	SH604071L	8
7	Washer		M6, sprung	WL106001L	8
8	Washer		6MM	WA106041L	8
9	Caliper assembly-rear brake	Change point - Axle end 37S08650B	Caliper Seals Are Not A Servicable Item - Replace Caliper, Also serviced as part of a kit, RH	RTC5889	1
		Change point - Axle end 37S08650B	Caliper Seals Are Not A Servicable Item - Replace Caliper, Also serviced as part of a kit, LH	RTC5890	1
		Change point - Axle begin 37S08651B	Caliper Seals Are Not A Servicable Item - Replace Caliper, Also serviced as part of a kit, RH	STC1264	1
		Change point - Axle begin 37S08651B	Caliper Seals Are Not A Servicable Item - Replace Caliper, Also serviced as part of a kit, LH	STC1265	1
10	Piston-rear caliper brake	Change point - Axle begin 37S08651B	Caliper Seals Are Not A Servicable Item - Replace Caliper, Also serviced as part of a kit	STC1279	1
11	Seal		Also serviced as part of a kit	RTC1137	1
12	Screw-bleed brake		Also serviced as part of a kit	RTC1526	1
13	Cap-protective		Also serviced as part of a kit	594091	1

Range Rover (From JA610294)

(BDHXIA2A)



Range Rover (From JA610294)

All Wheel Anti-Lock Braking System

Callout	Name	Application	Remarks & Restrictions	Service No.	Qty
14	Kit-brake caliper piston seal		Also serviced as part of a kit	AEU1547	1
15	Bolt		Also serviced as part of a kit	27H4353L	1
16	Bolt		7/16", UNF M12 x 35	591065 FTC3375	4 4
17	Washer		7/16", sprung	WM600071L	4
18	Set-pad rear brake system		with sensor	STC8570	1
19	Kit-brake pad retaining		Rear	STC8574	1
20	Shim		inner RH, outer LH inner LH, outer RH	591628 591629	2 2
21	Bracket-shield rear brake	Change point - VIN begin KA637568		FTC3299	2
22	Bush		antilock brake system sensor	FTC1374	2
23	Ring-pulsar antilock brakes		Also serviced as part of a kit	FTC1379	2
24	Stud		Also serviced as part of a kit	TD106041	10
25	Nut - Hex.		M6, nyloc, flange	NY106041	10

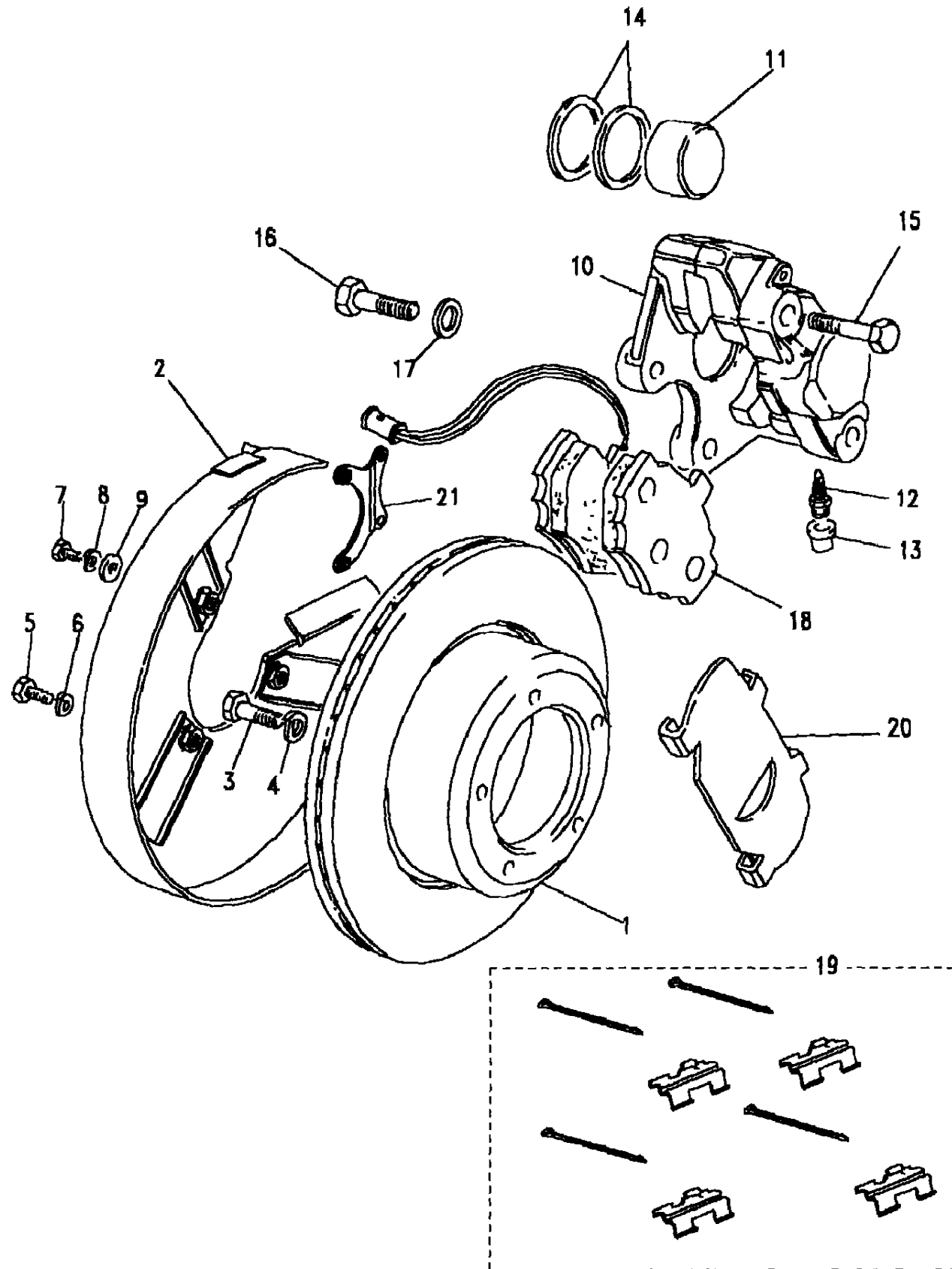
Range Rover (From JA610294)

(BDHXIA1A)

Range Rover (From JA610294)

Less Anti-Lock Braking System

Callout	Name	Application	Remarks & Restrictions	Service No.	Qty
1	Disc-solid brake		Rear	FTC1381	2
2	Shield-disc rear brake	Change point - VIN end JA624754, Less Police Change point - VIN end JA624754, Less Police Change point - VIN end JA624754, With Police Vehicle Change point - VIN end JA624754, With Police Vehicle Change point - VIN begin KA624756, Less Police Change point - VIN begin KA624756, Less Police	RH LH RH LH RH LH	FTC1372 FTC1373 FTC1322 FTC1323 FTC2600 FTC2601	1 1 1 1 1 1
3	Bolt		M10	AFU1180	10
4	Washer		3/8", Square	WM600061L	10
5	Screw		1/4UNF x 3/4	255207	2
6	Washer-Spring		1/4 dia, Square	WM600041L	2
7	Screw		hexagonal head, 1/4UNF x 7/8	SH604071L	8
8	Washer		M6, sprung	WL106001L	8
9	Washer		6MM	WA106041L	8
10	Caliper assembly-rear brake	Change point - Axle end 34S16421C Change point - Axle end 34S16421C Change point - Axle begin 34S16422C Change point - Axle begin 34S16422C	Caliper Seals Are Not A Servicable Item - Replace Caliper, Also serviced as part of a kit, RH Caliper Seals Are Not A Servicable Item - Replace Caliper, Also serviced as part of a kit, LH Caliper Seals Are Not A Servicable Item - Replace Caliper, Also serviced as part of a kit, RH Caliper Seals Are Not A Servicable Item - Replace Caliper, Also serviced as part of a kit, LH	RTC5889 RTC5890 STC1264 STC1265	1 1 1 1
11	Piston-rear caliper brake	Change point - Axle end 34S16421C	Caliper Seals Are Not A Servicable Item - Replace Caliper, Also serviced as part of a kit	606696	4
12	Screw-bleed brake	Change point - Axle end 34S16421C	Caliper Seals Are Not A Servicable Item - Replace Caliper, Also serviced as part of a kit	RTC1526	2



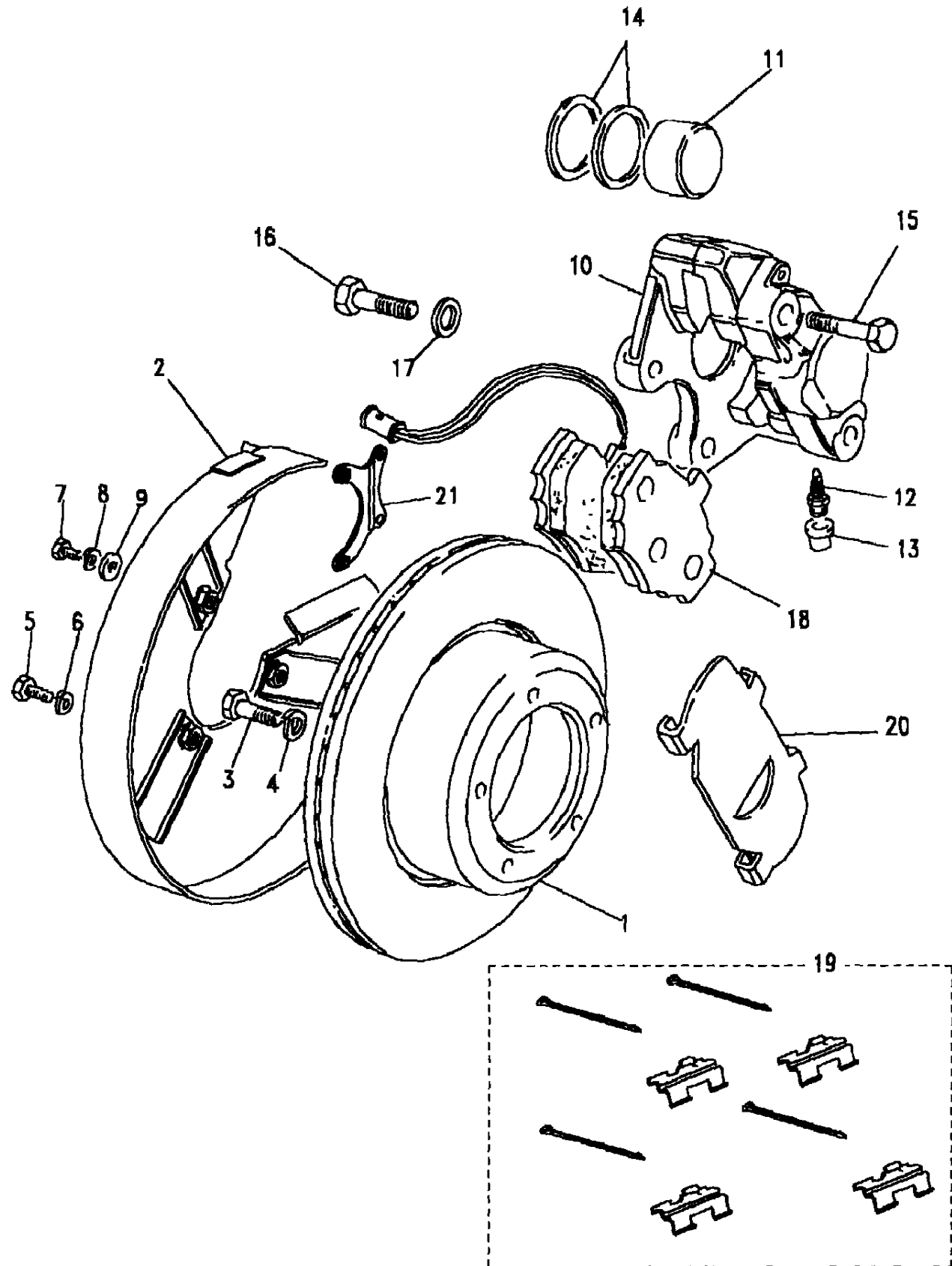
Range Rover (From JA610294)

(BDHXIA1A)

Range Rover (From JA610294)

Less Anti-Lock Braking System

Callout	Name	Application	Remarks & Restrictions	Service No.	Qty
13	Cap-protective	Change point - Axle end 34S16421C	Caliper Seals Are Not A Servicable Item - Replace Caliper, Also serviced as part of a kit	594091	2
14	Kit-brake caliper piston seal	Change point - Axle end 34S16421C	Caliper Seals Are Not A Servicable Item - Replace Caliper, Also serviced as part of a kit	AEU1547	2
15	Bolt	Change point - Axle end 34S16421C	Caliper Seals Are Not A Servicable Item - Replace Caliper, Also serviced as part of a kit	27H4353L	2
16	Bolt		7/16", UNF M12 x 35	591065 FTC3375	4 4
17	Washer		7/16", sprung	WM600071L	4
18	Set-pad rear brake system		with sensor	STC8570	1
19	Piston-rear caliper brake	Change point - Axle end 34S16421C	Caliper Seals Are Not A Servicable Item - Replace Caliper, Also serviced as part of a kit Rear	STC1279 STC8574	1 1
20	Shim		inner RH, outer LH inner LH, outer RH	591628 591629	2 2
21	Bracket-shield rear brake	Change point - VIN begin KA624756		FTC3299	2
[902]	Seal	Change point - Axle end 34S16421C	Caliper Seals Are Not A Servicable Item - Replace Caliper, Also serviced as part of a kit	RTC1137	2

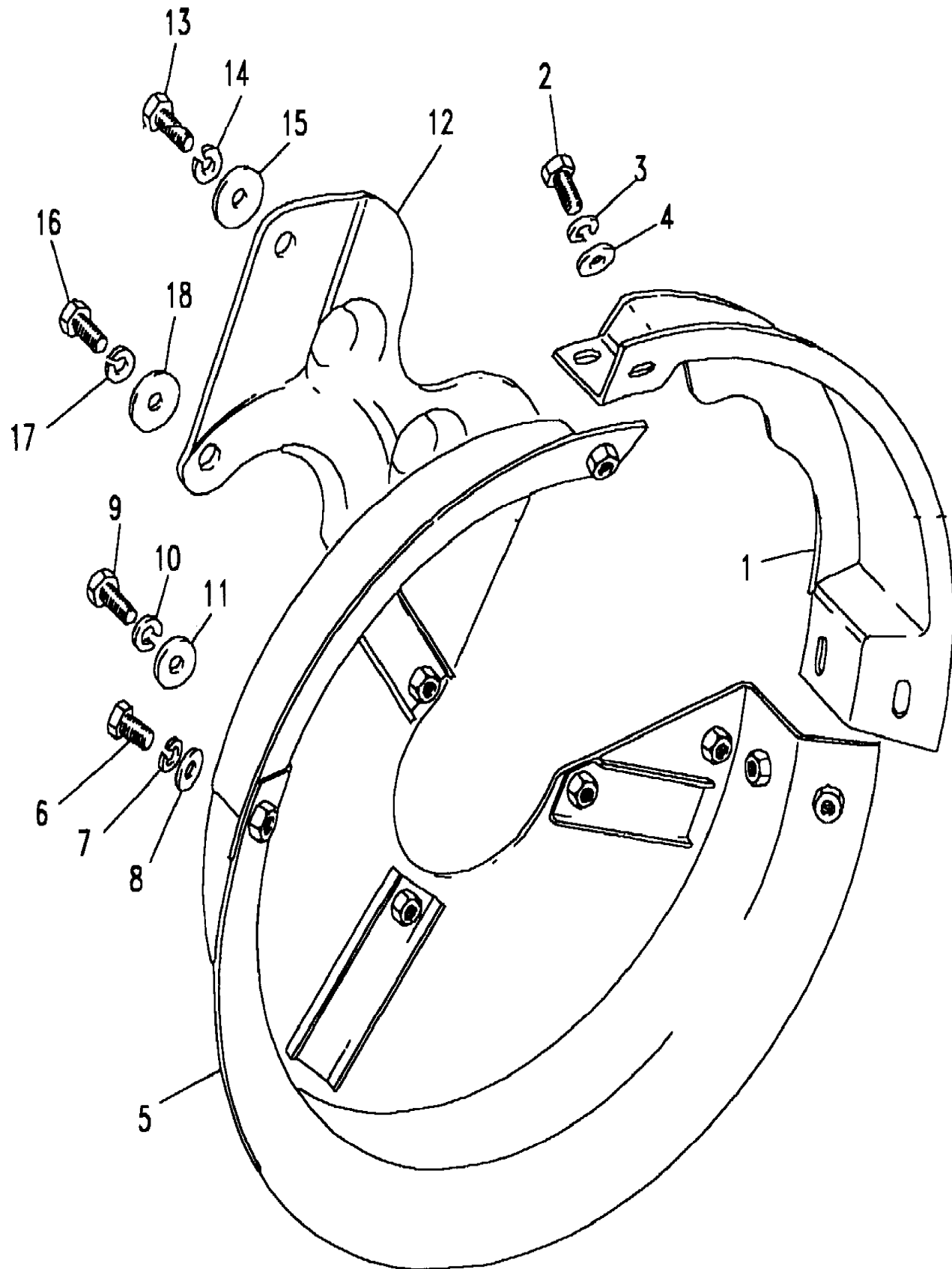


Range Rover (From JA610294)

(BDHXKA1A)

Range Rover (From JA610294)

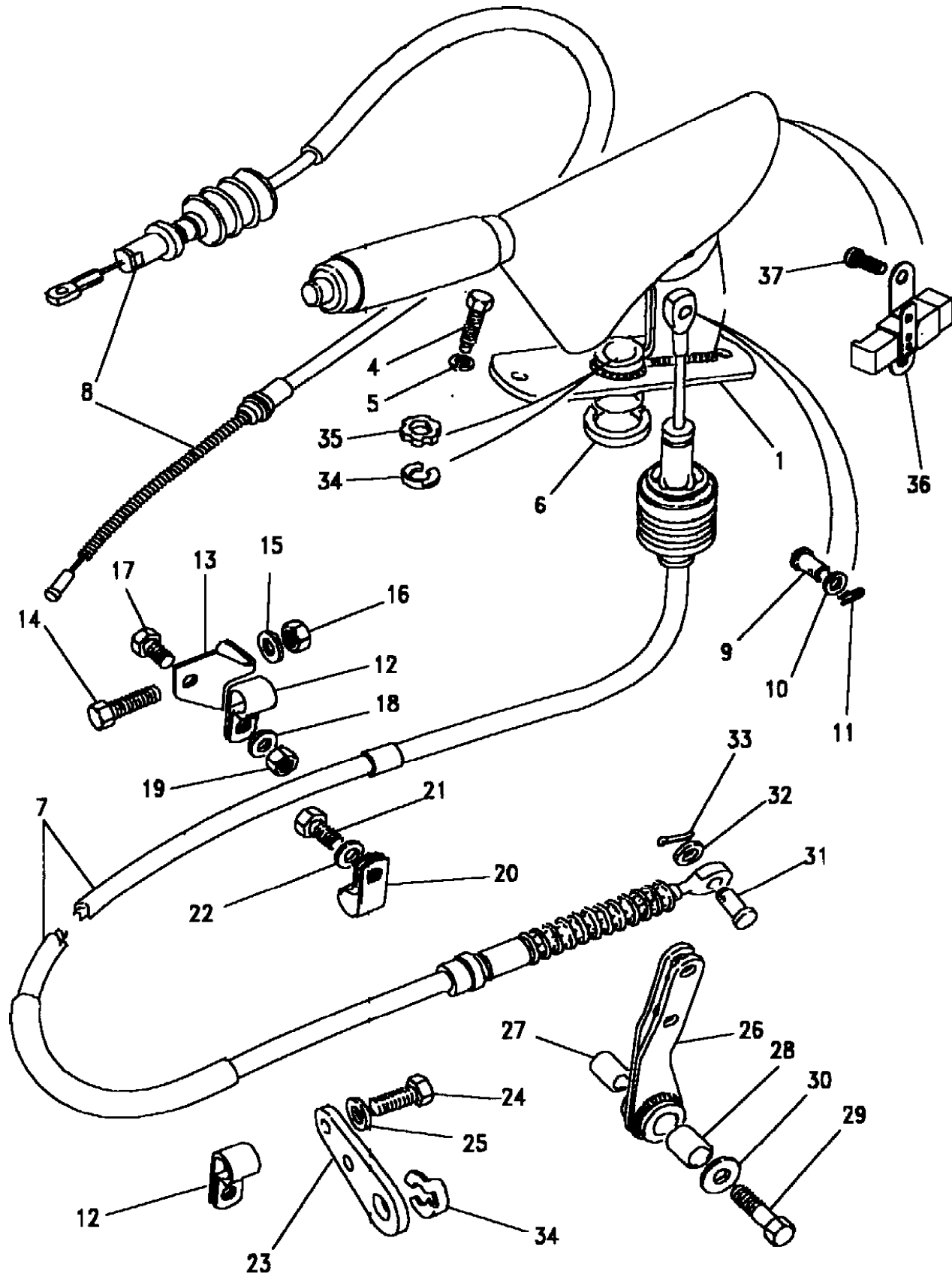
Callout	Name	Application	Remarks & Restrictions	Service No.	Qty
1	Cover-caliper brake		RH, top top, LH	NTC3360 NTC3361	1 1
2	Screw		1/4UNF x 5/8	255206	8
3	Washer-Spring		1/4 dia, Square	WM600041L	8
4	Washer			3900	8
5	Shield-disc rear brake	Change point - VIN end JA624754 Change point - VIN end JA624754 Change point - VIN begin KA624756, Change point - VIN end KA637567 Change point - VIN begin KA624756, Change point - VIN end KA637567 Change point - VIN begin KA637568 Change point - VIN begin KA637568	RH LH RH LH RH LH	624208 624209 FTC2600 FTC2601 FTC3320 FTC3321	1 1 1 1 1 1
6	Screw			255204	4
7	Washer-Spring		1/4 dia, Square	WM600041L	4
8	Washer		6MM	WA106041L	1
9	Screw		1/4UNF x 5/8	255206	2
10	Washer-Spring		1/4 dia, Square	WM600041L	2
11	Washer			3900	2
12	Cover-caliper brake		RH, Side Side, LH	NRC8416 NRC8417	X 1
13	Screw		1/4UNF x 5/8	255206	4
14	Washer-Spring		1/4 dia, Square	WM600041L	4
15	Washer		1/4", inside diameter	2215	4
16	Screw		1/4UNF x 3/4	255207	4
17	Washer-Spring		1/4 dia, Square	WM600041L	4
18	Washer		1/4", inside diameter	2215	4
[901]	Bracket-shield rear brake	Change point - VIN begin KA637568		FTC3299	1



Range Rover (From JA610294)

(BDHXMA1A)

Range Rover (From JA610294)

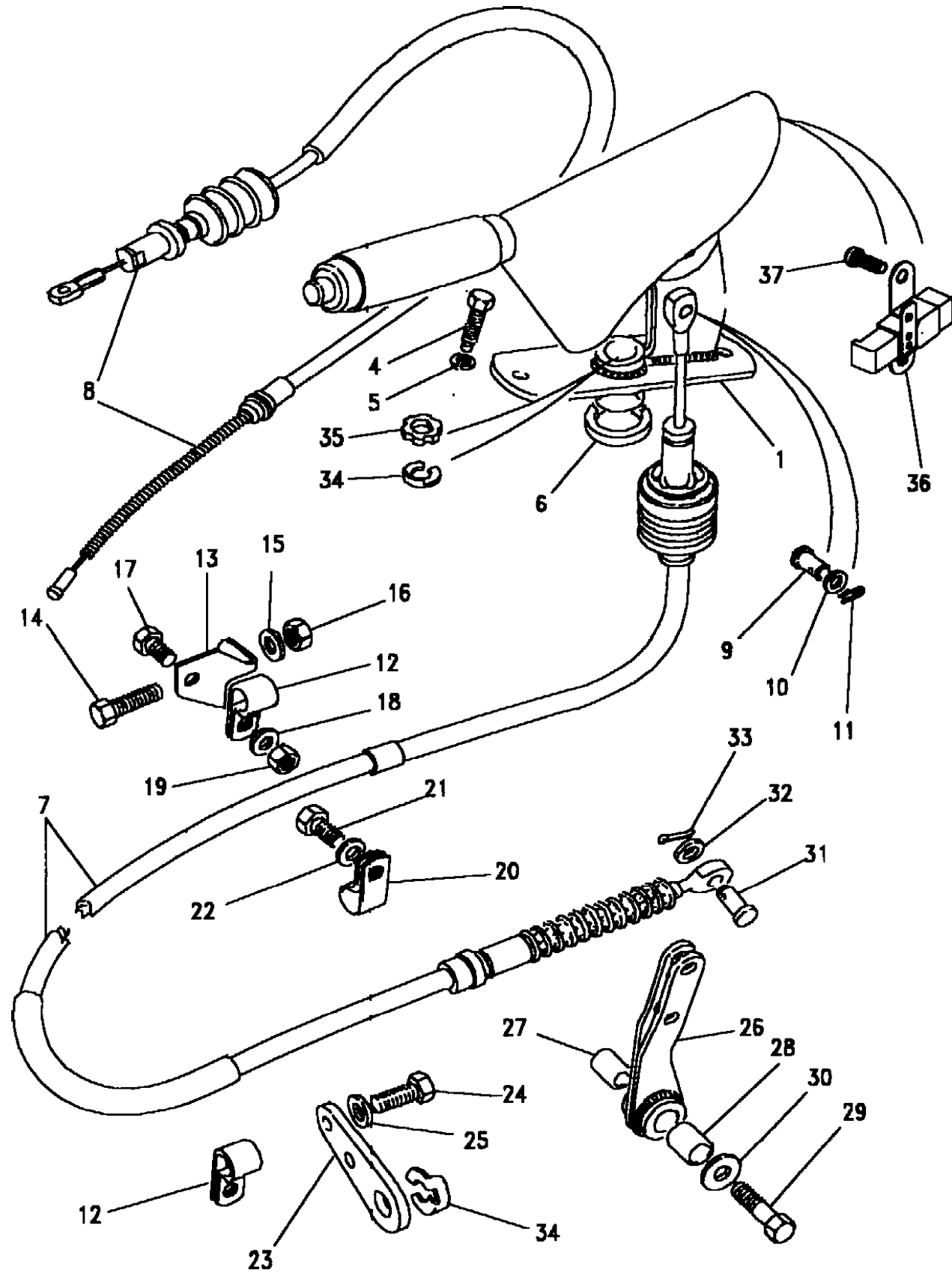


Callout	Name	Application	Remarks & Restrictions	Service No.	Qty
1	Lever assembly handbrake	Change point - VIN end KA628986	Vinyl, Bokhara	NTC7795RUN	1
		Change point - VIN begin KA628987	Vinyl, Bokhara	ANR2467RUN	1
		Change point - VIN begin MA647645	Vinyl, Ash Grey	ANR3623LNF	1
		Change point - VIN end KA628986	Bokhara, Leather	NTC7794RUN	1
		Change point - VIN begin KA628987	Bokhara, Leather	ANR2468RUN	1
		Change point - VIN begin MA647645	Ash Grey, Leather	ANR3622LNF	1
		2	Gaiter-handbrake assembly	Change point - VIN end KA628986	Also serviced as part of a kit, Bokhara, Leather
Change point - VIN begin MA647645	Also serviced as part of a kit, Vinyl, Ash Grey			BTR8839LNF	1
Change point - VIN end KA628986	Also serviced as part of a kit, Bokhara, Leather			MXC7711RUN	1
Change point - VIN begin MA647645	Also serviced as part of a kit, Ash Grey, Leather			BTR8838LNF	1
3	Grip handbrake	Change point - VIN end KA628986	Also serviced as part of a kit	NTC2243	1
4	Screw-flanged head		Long, M8 x 40 M8 X 35, Flanged Head	FS108351L	2
				FS108357	2
5	Washer		M8, sprung	WL108001L	2
6	Seal-handbrake lever/body			NTC5026	2
7	Cable assembly handbrake	Change point - VIN end KA628986		NTC6125	1
8	Cable assembly handbrake	Change point - VIN begin KA628987		STC1528	1
9	Pin-clevis/pivot	Change point - VIN end LA647644 Change point - VIN begin MA647645	8 x 22MM	PC108291L	1
				FRC8547	1
10	Washer-Plain		M8	WB108051L	1
11	Pin-split	Change point - VIN end LA647644 Change point - VIN begin MA647645		NTC6195	1
				FRC8548	1
12	Clip-Pipe		Double	CP108161L	2
13	Bracket-handbrake cable mounting clip			NTC5690	1
14	Screw		hexagonal head, M10 x 35	SH110351L	1
15	Washer		M10	WA110061L	1

Range Rover (From JA610294)

(BDHXMA1A)

Range Rover (From JA610294)



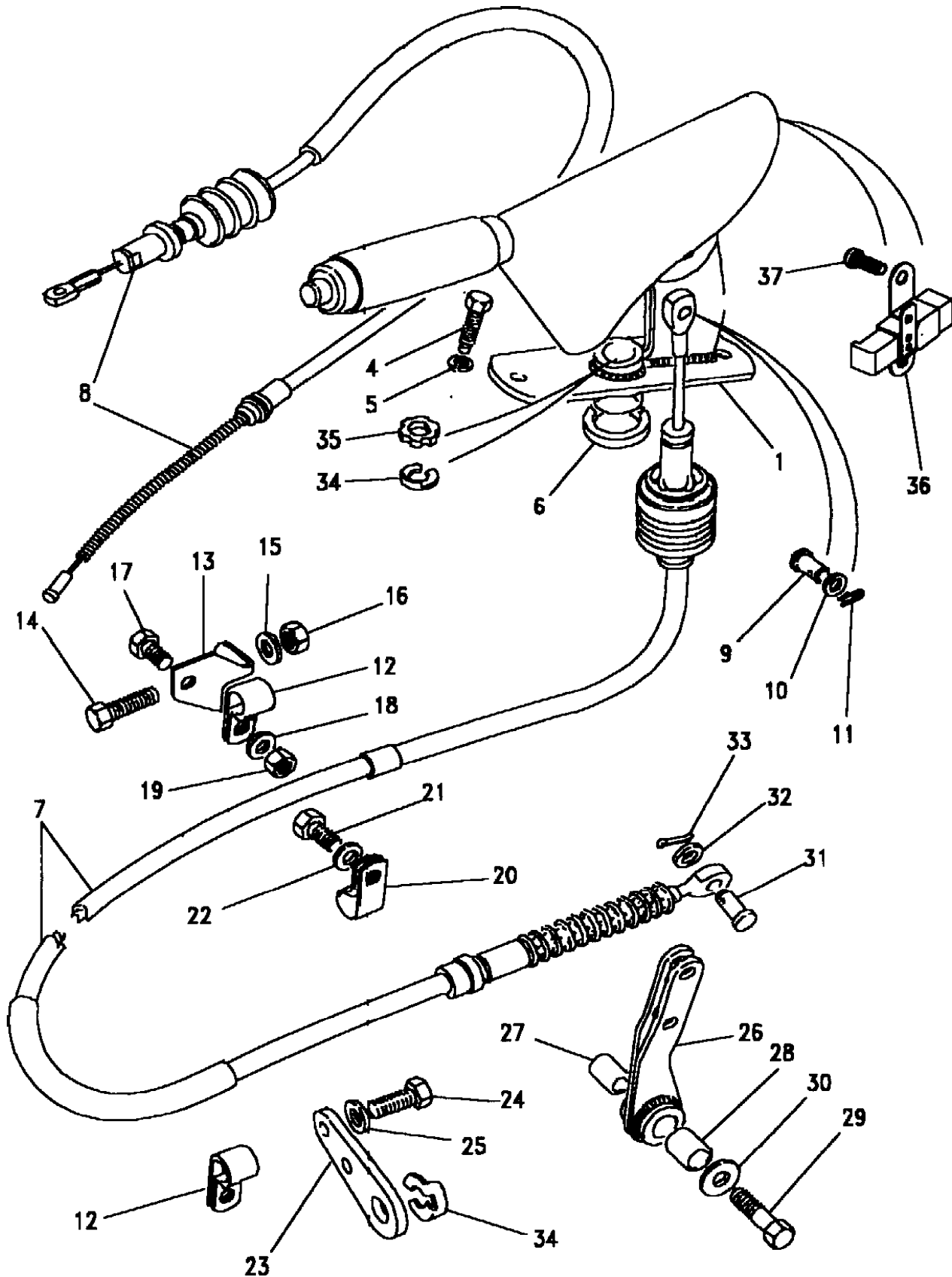
Callout	Name	Application	Remarks & Restrictions	Service No.	Qty
16	Nut-flange		M10, flange	FN110047	1
17	Screw		M8 X 16, hexagonal head	SH108161L	1
18	Washer		8MM	WA108051L	1
19	Nut - Hex.		M8, hexagonal head	NH108041L	1
20	Clip			CP110161L	1
21	Screw		hexagonal head, M10 x 20	SH110201L	1
22	Washer		M10	WA110061L	1
23	Plate-handbrake base			NTC3749	1
24	Screw		M8 x 25, Flanged Head	FS108251L	1
25	Washer		8MM	WA108051L	1
26	Lever-handbrake cable relay			NTC3747	1
27	Bush			NTC3748	1
28	Bush			NTC5148	1
29	Bolt		M10 X 45	BH110091L	1
30	Washer		M10	WA110061L	1
31	Pin-clevis/pivot			PC108321L	2
32	Washer		8MM	WA108051L	2
33	Pin-split			PS104127L	2
34	Clip			NTC5147	2
35	Knob-handbrake cable adjusting			NTC5009	1
36	Switch handbrake unit			ADU2888L	1
37	Screw-pan		M4 x 12	SE104121L	2
[901]	Washer		M8, sprung	WL108001	2
[903]	Pad-cable sealing handbrake	Change point - VIN begin MA647645		NTC1340	2
[904]	Sleeve		Rubber	STC1418	1
[905]	Grommet			MUC6384	1

Range Rover (From JA610294)

(BDHXMA1A)

Range Rover (From JA610294)

Callout	Name	Application	Remarks & Restrictions	Service No.	Qty
[906]	Plug			MXC8709	1



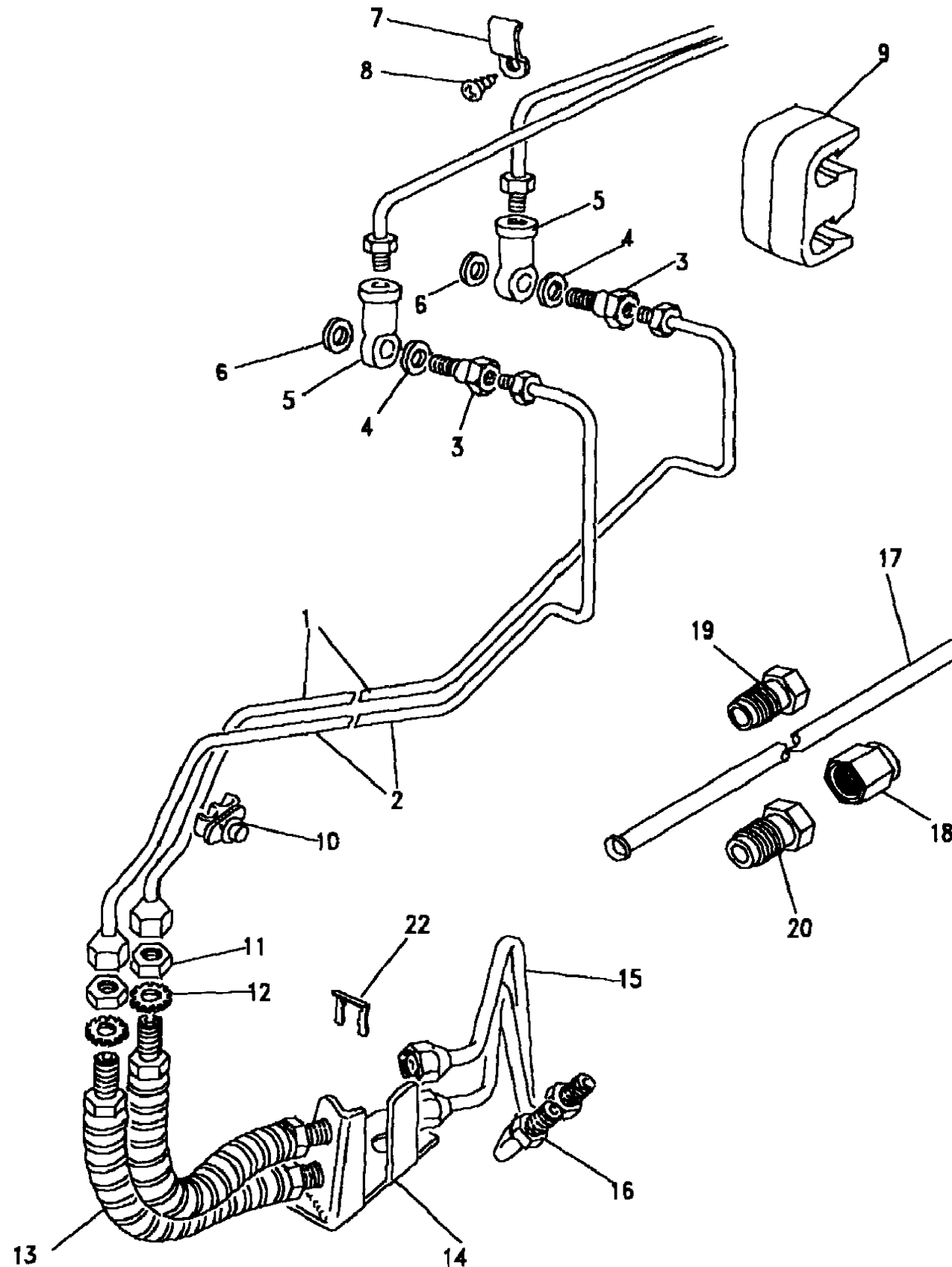
Range Rover (From JA610294)

(BDHXCA2A)

Range Rover (From JA610294)

Less Anti-Lock Braking System

Callout	Name	Application	Remarks & Restrictions	Service No.	Qty
1	Pipe assembly brake		master cylinder (secondary) to jump hose	NTC9300	1
			master cylinder (secondary) to jump hose	NTC9304	1
2	Pipe assembly brake		master cylinder (primary) to jump hose	NTC9301	1
			master cylinder (primary) to jump hose	NTC9305	1
3	Bolt-banjo			NRC5588	2
4	Washer-copper			RTC5931	2
5	Bolt-banjo			NRC5589	2
6	Washer-copper			NRC5721	2
7	Clip-Pipe			508945	5
8	Screw		Self Tapping, No 8 x 3/8	AB608031L	5
9	Clip-brake pipe double			AAU7803	1
10	Clip-brake pipe double			79127	1
11	Nut - Hex.			CRC1487	4
12	Washer-starlock			WE110001L	4
13	Hose-jump			NTC7670	2
14	Bracket-hose brake			NTC8355	2
15	Pipe assembly brake	Change point - VIN end LA647644 Change point - VIN begin MA647645	jump hose (secondary) to caliper	NTC9548	1
			jump hose (secondary) to caliper	ANR2955	1
16	Pipe assembly brake	Change point - VIN end LA647644 Change point - VIN begin MA647645	jump hose (primary) to caliper	NTC9546	1
			jump hose (primary) to caliper	ANR2957	1
17	Pipe assembly brake		8ft	STC577	X
18	Nut - Hex.			FM10	X
19	Nut - Hex.			MM10	X
20	Nut-hexagonal			TM112051L	X
21	Bracket-hose brake	Change point - VIN end LA647644	jump hose to body, Front, LH	FRC8855	1



Braking Systems
Hoses & Pipes
Front Brake Pipes Non ABS-LH 2/2

Range Rover (From JA610294)

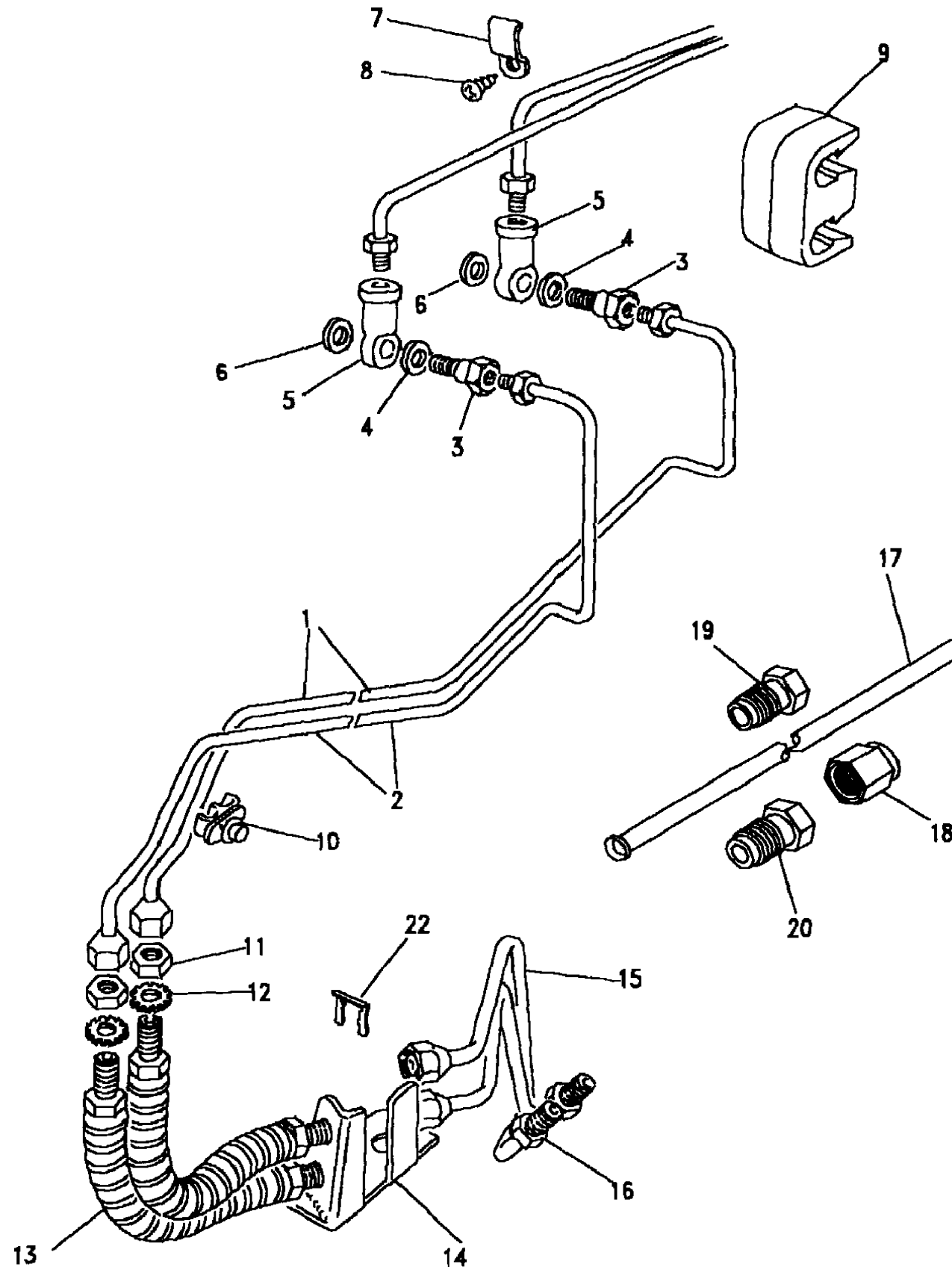
(BDHXCA2A)

Range Rover (From JA610294)

Braking Systems
Hoses & Pipes
Front Brake Pipes Non ABS-LH

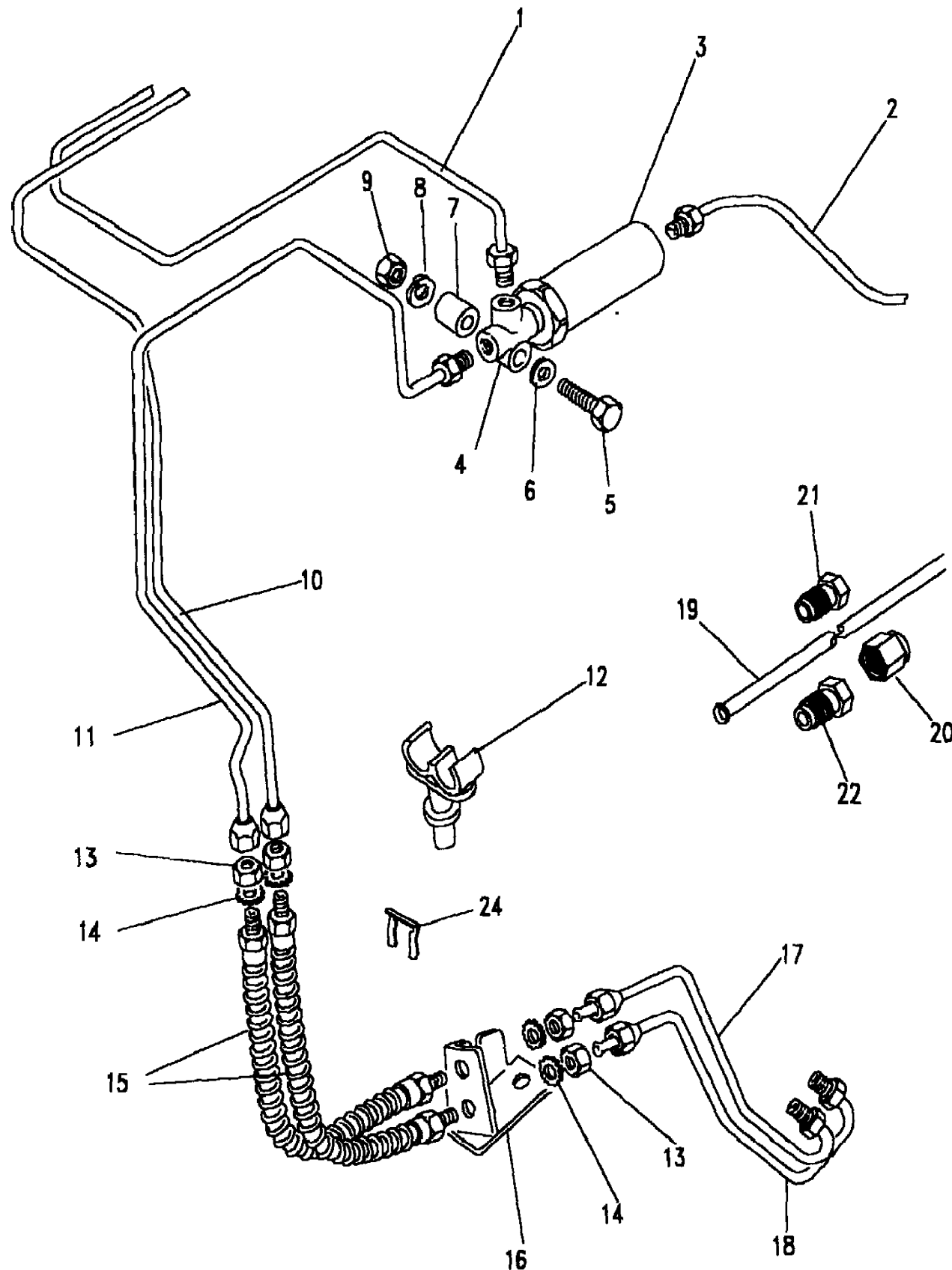
Less Anti-Lock Braking System

Callout	Name	Application	Remarks & Restrictions	Service No.	Qty
21	Bracket-hose brake	Change point - VIN begin MA647645	jump hose to body, LH	ANR1709	1
22	Clip			BNP2227L	X
[900]	Clip			BNP2227L	4
[901]	Screw-kleerlok		bracket to axle, M6	YYG10006L	1
[902]	Sleeve-heat shrink			STC621	1



Range Rover (From JA610294)

(BDHXCA1A)



Range Rover (From JA610294)

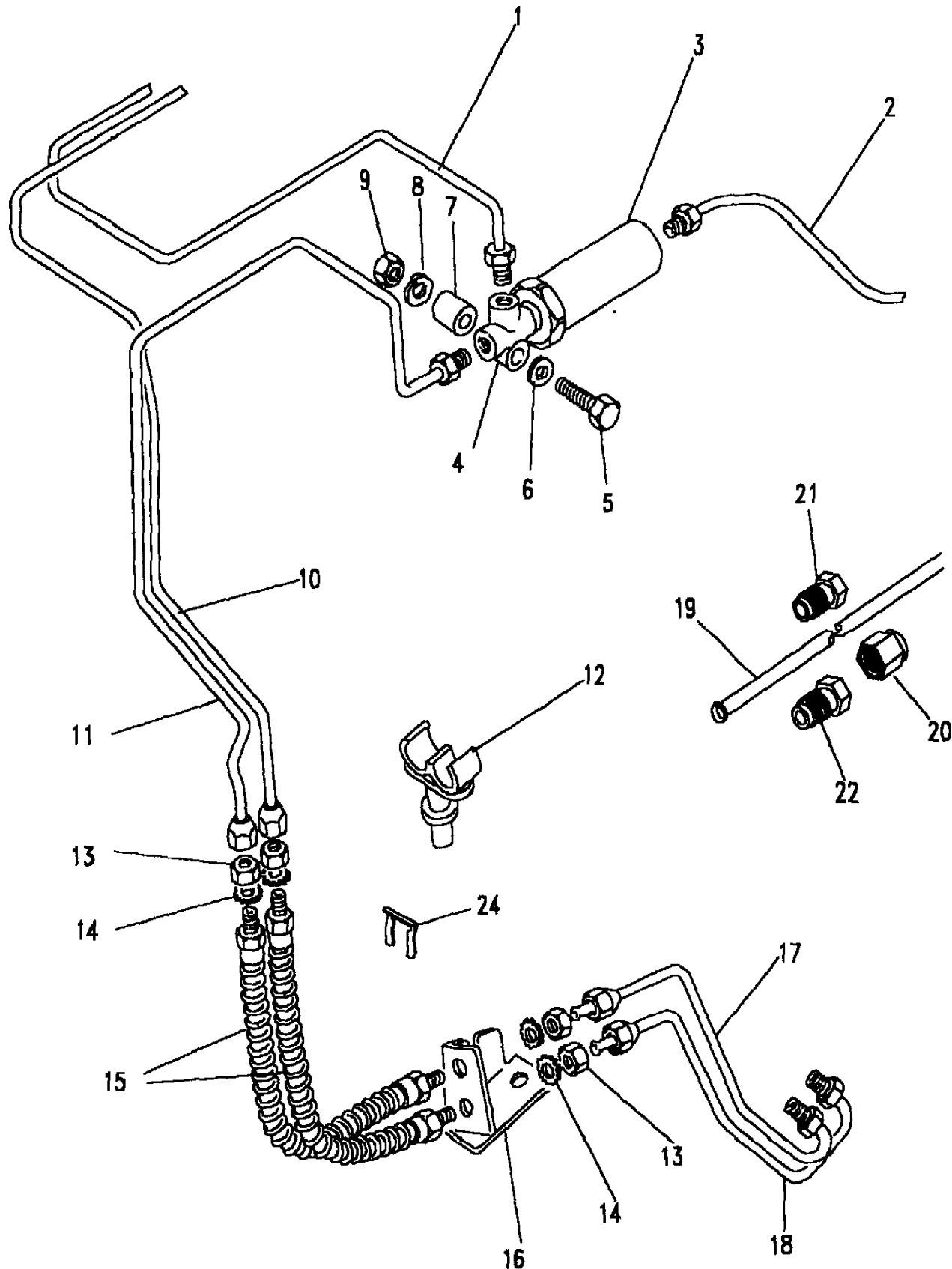
Less Anti-Lock Braking System

Callout	Name	Application	Remarks & Restrictions	Service No.	Qty
1	Pipe assembly brake	Change point - VIN end LA647644, RHD	master cylinder to PCRV	NTC8362	1
		Change point - VIN begin MA647645, RHD	master cylinder to PCRV	ANR3412	1
		LHD	master cylinder to PCRV	NTC4208	1
2	Pipe assembly brake	(-) "GCC"	PCRV to connector, Front	NTC9013	1
		(+) "GCC"	PCRV to connector, Front	ANR2935	1
3	Pressure control release valve-brake	100"		NTC6868L	1
		108" (2743mm) Wheelbase		NTC9753	1
4	T Piece		Rear	NRC4251	1
5	Bolt		M6 X 40MM, Flanged Head	FB106081L	1
6	Washer		M6, oversize	WC106041L	1
7	Bush			390939	1
8	Washer		M6, sprung	WL106001L	1
9	Nut - Hex.		M6, hexagonal head, nyloc	NY106041L	1
10	Pipe assembly brake	RHD	master cylinder to jump hose	NTC9303	1
		LHD	master cylinder to jump hose	NTC9305	1
11	Pipe assembly brake	LHD	PCRV to jump hose	NTC9304	1
		RHD	PCRV to jump hose	NTC9303	1
12	Clip-brake pipe double			79127	3
13	Nut - Hex.			CRC1487	4
14	Washer-starlock			WE110001L	4
15	Hose-jump			NTC7670	2
16	Bracket			NTC8356	1
17	Pipe assembly brake	Change point - VIN end LA647644	jump hose to caliper	NTC9545	1
		Change point - VIN begin MA647645	jump hose to caliper	ANR2958	1
18	Pipe assembly brake	Change point - VIN end LA647644	jump hose to caliper	NTC9547	1
		Change point - VIN begin MA647645	jump hose to caliper	ANR2956	1
19	Pipe assembly brake		8ft	STC577	X
20	Nut - Hex.			FM10	X

Braking Systems
Hoses & Pipes
Front Brake Pipes Non ABS-RH 2/2

Range Rover (From JA610294)

(BDHXCA1A)



Range Rover (From JA610294)

Braking Systems
Hoses & Pipes
Front Brake Pipes Non ABS-RH

Less Anti-Lock Braking System

Callout	Name	Application	Remarks & Restrictions	Service No.	Qty
21	Nut - Hex.			MM10	X
22	Nut-hexagonal			TM112051L	X
23	Bracket-hose brake	Change point - VIN end LA647644 Change point - VIN begin MA647645	jump hose to body, Front, RH jump hose to caliper, RH	FRC8854 ANR1710	1 1
24	Clip			BNP2227L	X
[901]	Clip - Brake Pipe			CRC1250L	2
[902]	Screw-kleerlok		bracket to axle, M6	YYG10006L	1
[903]	Sleeve-heat shrink			STC621	1

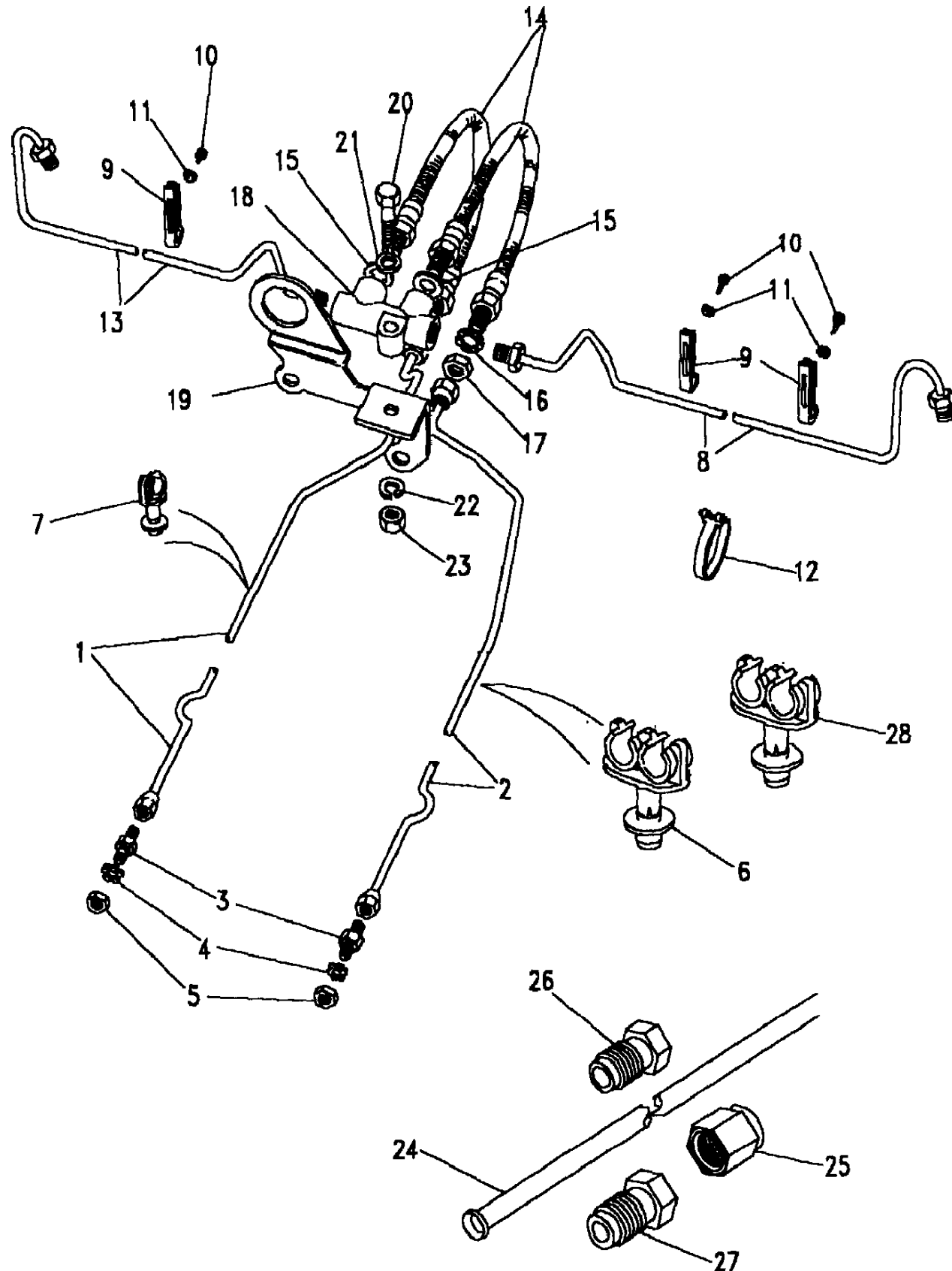
Range Rover (From JA610294)

(BDHXEA2A)

Range Rover (From JA610294)

All Wheel Anti-Lock Braking System

Callout	Name	Application	Remarks & Restrictions	Service No.	Qty
1	Pipe assembly brake	100", RHD	connector to rear jump hose, Rear	NTC9293	1
		100", LHD	connector to rear jump hose, Rear, RH	NTC8874	1
		108" (2743mm) Wheelbase, RHD	connector to rear jump hose, Rear, RH	NTC9041	1
		108" (2743mm) Wheelbase, LHD	connector to rear jump hose, Rear, RH	NTC9038	1
2	Pipe assembly brake	100", RHD	connector to rear jump hose, Rear, LH	NTC9292	1
		100", LHD	connector to rear jump hose, Rear, LH	NTC8872	1
		108" (2743mm) Wheelbase, RHD	connector to rear jump hose, Rear, LH	NTC9039	1
		108" (2743mm) Wheelbase, LHD	connector to rear jump hose, Rear, LH	NTC9040	1
3	Connector brake		Rear	NRC4403	2
4	Washer-starlock			WE110001L	2
5	Nut - Hex.			CRC1487	2
6	Clip-brake pipe double			79125	4
7	Clip - Brake Pipe			79124	5
8	Pipe assembly brake		jump hose to caliper, Rear, RH	NTC7688	1
9	Clip-brake pipe double			NTC8242	3
10	Screw			79004	3
11	Washer-Plain			WC702101L	3
12	Clip			11820L	1
13	Pipe assembly brake		jump hose to caliper, Rear, LH	NTC7689	1
14	Hose brake		Rear	NTC3458	2
15	Washer-sealing			577475	2
16	Washer-starlock			WE110001L	2
17	Nut - Hex.			CRC1487	2
18	Connector brake			NTC7291	1



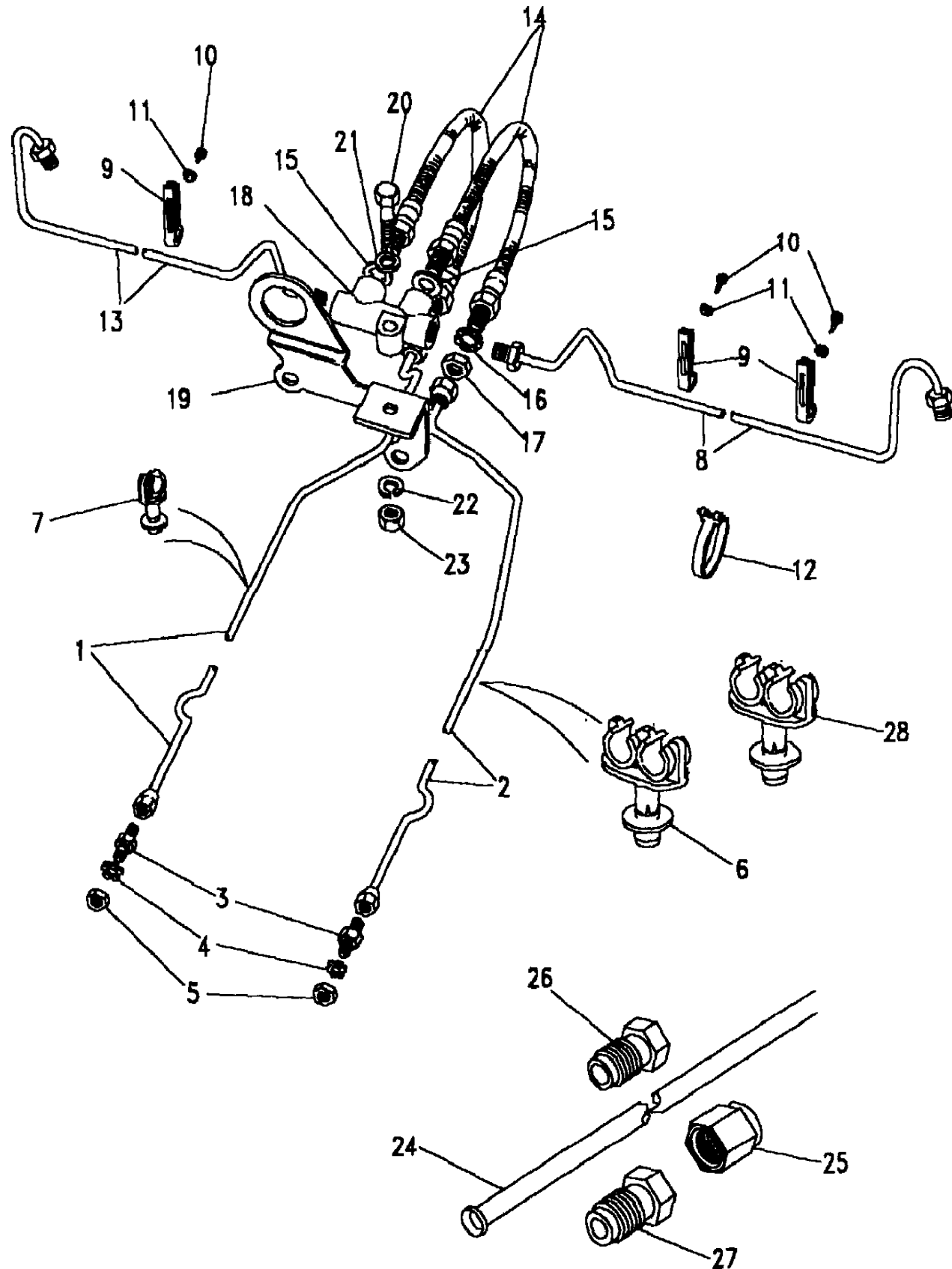
Range Rover (From JA610294)

(BDHXEA2A)

Range Rover (From JA610294)

All Wheel Anti-Lock Braking System

Callout	Name	Application	Remarks & Restrictions	Service No.	Qty
19	Bracket & weld nut assembly -antilock brake system mounting			NTC1977	1
20	Bolt		hexagonal head, M6 x 30	BH106061L	1
21	Washer		6MM	WA106041L	2
22	Washer		M6, sprung	WL106001L	1
23	Nut - Hex.		M6, nyloc, Hexagonal	NH106041L	1
24	Pipe assembly brake		8ft	STC577	X
25	Nut - Hex.			FM10	X
26	Nut - Hex.			MM10	X
27	Nut-hexagonal			TM112051L	X
28	Clip-brake pipe double			NTC9530	3
29	Clip-brake pipe double			NTC8242	3



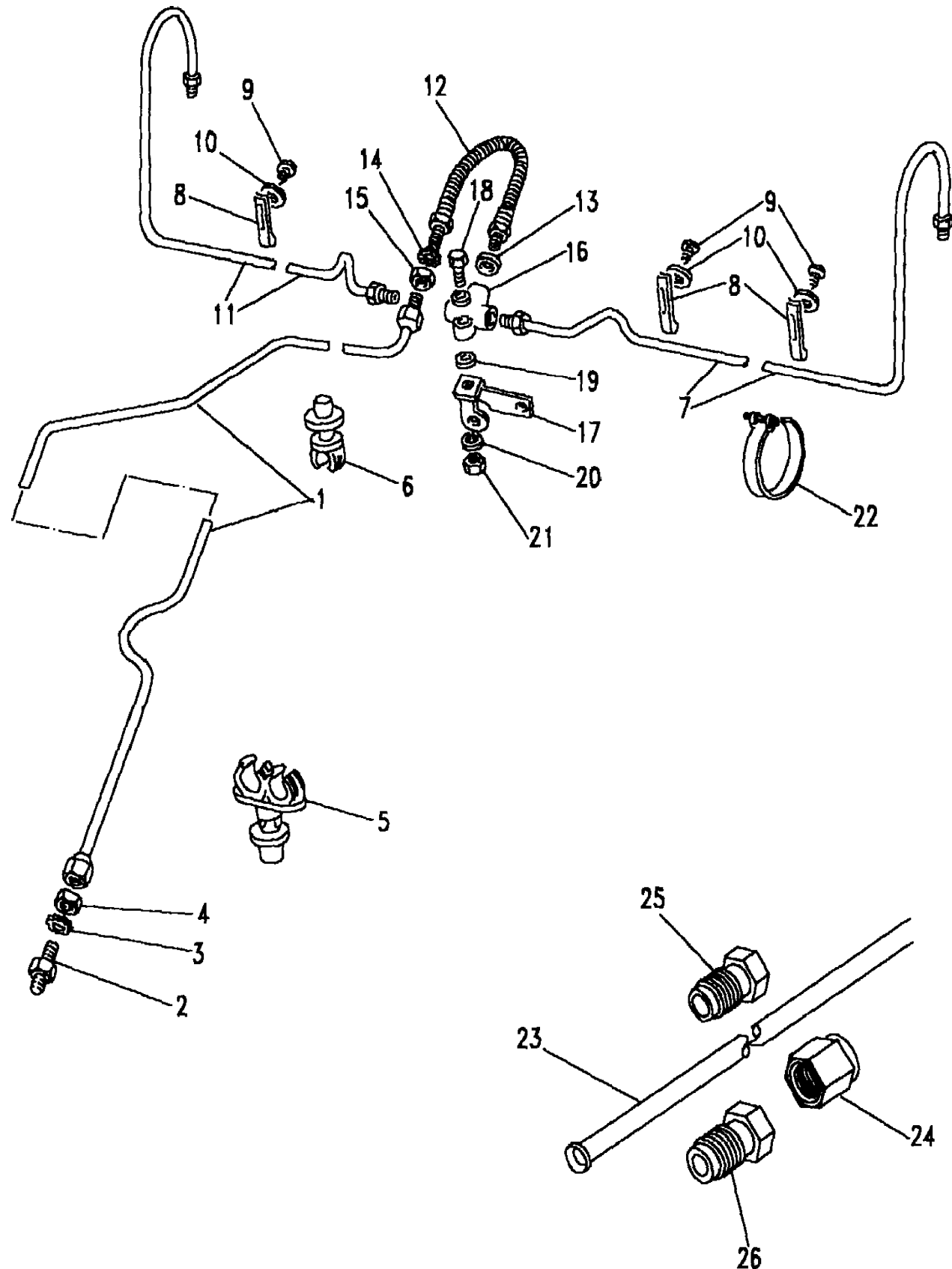
Range Rover (From JA610294)

(BDHXEA1A)

Range Rover (From JA610294)

Less Anti-Lock Braking System

Callout	Name	Application	Remarks & Restrictions	Service No.	Qty
1	Pipe assembly brake		connector to rear jump hose, Rear	NTC9273	1
2	Connector brake		Rear	NRC4403	1
3	Washer-starlock			WE110001L	1
4	Nut - Hex.			CRC1487	1
5	Clip-brake pipe double			NTC8242	4
6	Clip			CRC1250	5
7	Pipe assembly brake		jump hose to caliper, Rear, LH	NTC7689	1
8	Clip-brake pipe double			NTC8242	3
9	Screw			79004	3
10	Washer-Plain			WC702101L	3
11	Pipe assembly brake		jump hose to caliper, Rear, RH	NTC7676	1
12	Hose brake		Rear	NTC3458	1
13	Washer-sealing			577475	1
14	Washer-starlock			WE110001L	1
15	Nut - Hex.			CRC1487	1
16	T Piece		Rear	NRC4251	1
17	Bracket-brake pipe tee connector			90577489	1
18	Bolt		hexagonal head, M6 x 30	BH106061L	1
19	Washer		6MM	WA106041L	2
20	Washer		M6, sprung	WL106001L	1
21	Nut - Hex.		M6, nyloc, Hexagonal	NH106041L	1
22	Clip	With Diesel Engines		11820L	1
23	Pipe assembly brake		8ft	STC577	X
24	Nut - Hex.			FM10	X
25	Nut - Hex.			MM10	X



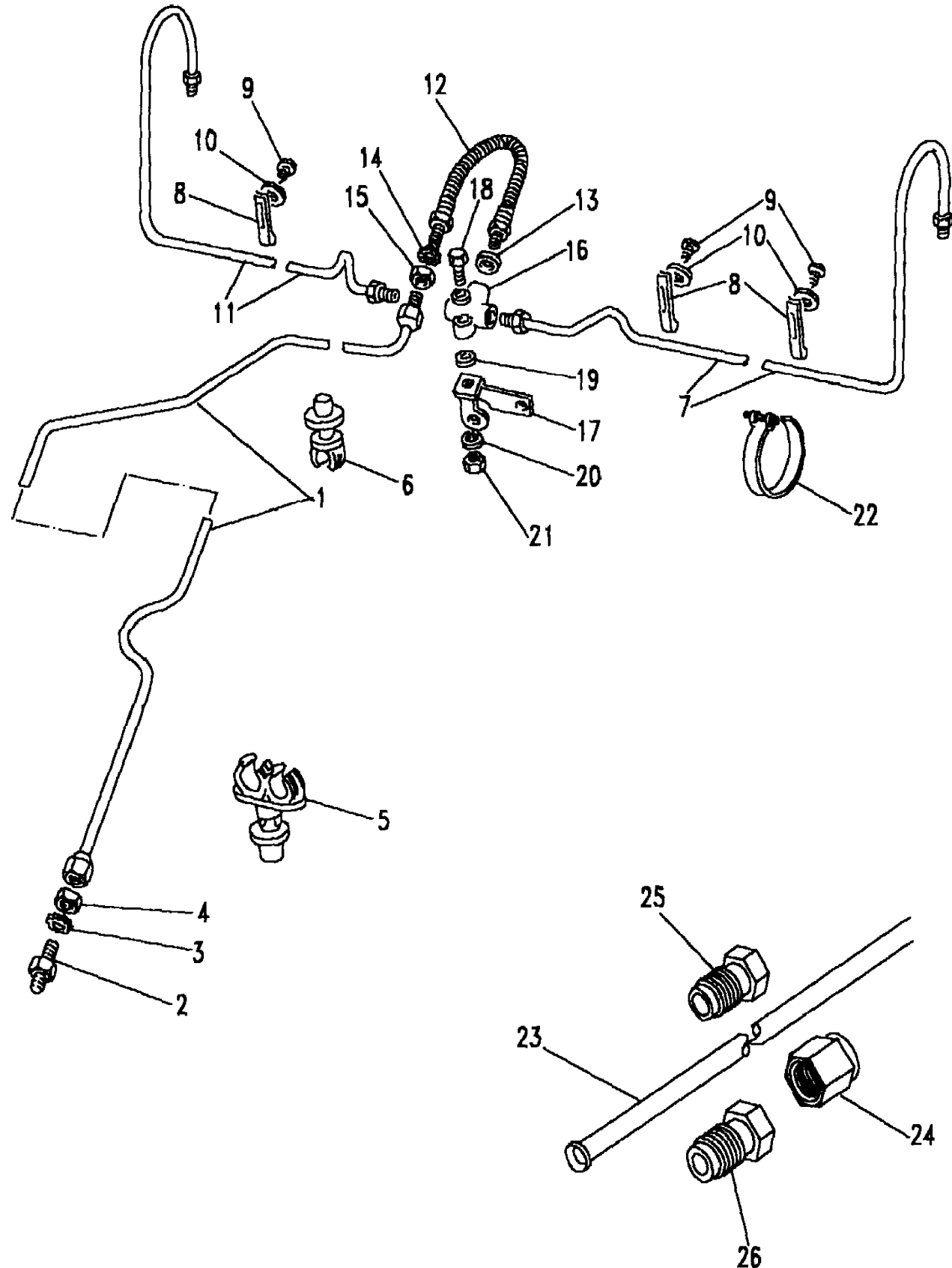
Range Rover (From JA610294)

(BDHXEA1A)

Range Rover (From JA610294)

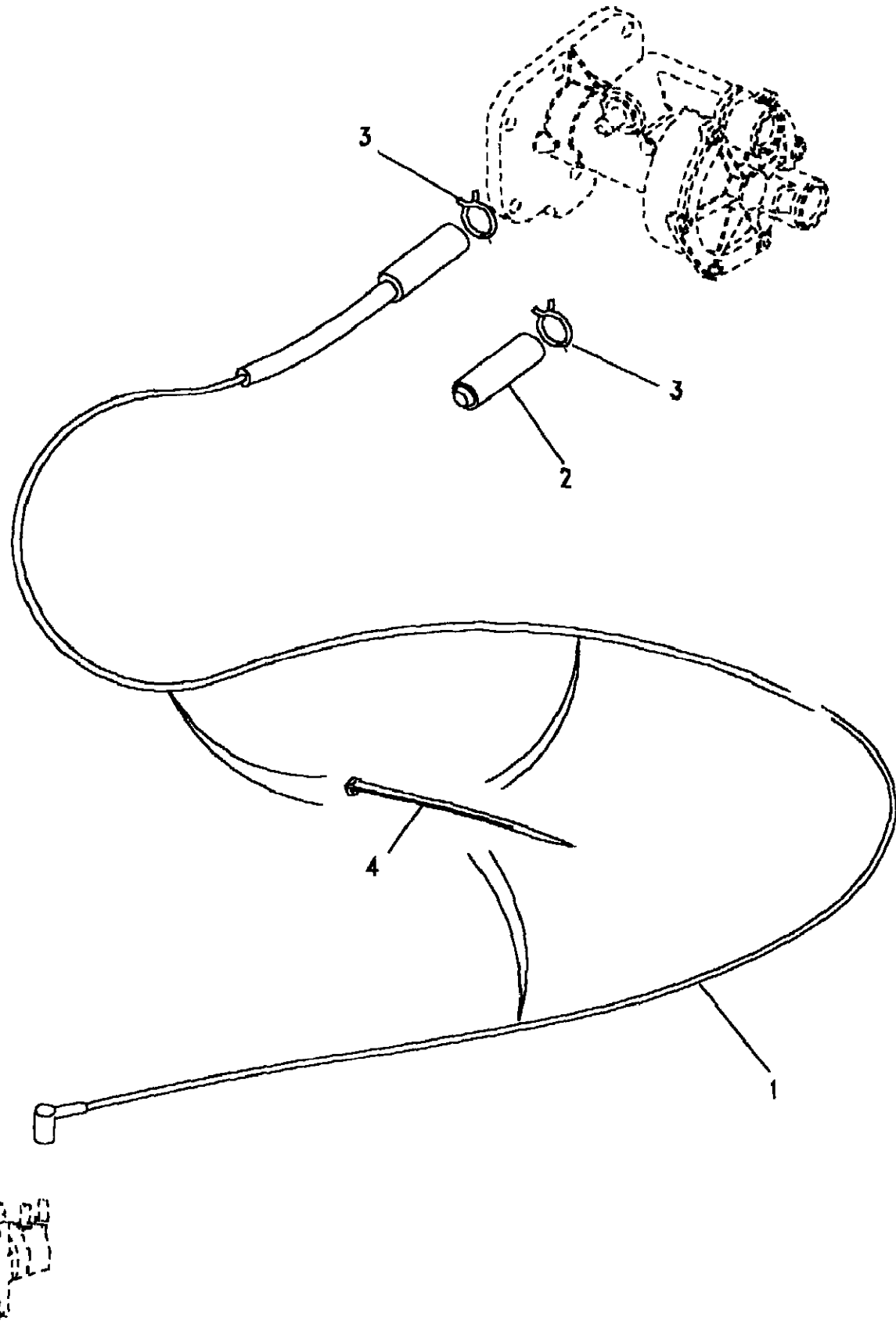
Less Anti-Lock Braking System

Callout	Name	Application	Remarks & Restrictions	Service No.	Qty
26	Nut-hexagonal			TM112051L	X



Range Rover (From JA610294)

(BDHXAC3A)



Range Rover (From JA610294)

All Wheel Anti-Lock Braking System

Callout	Name	Application	Remarks & Restrictions	Service No.	Qty
1	Hose-antilock brake system exhaust gas recirculation vacuum			ANR3636	1
2	Hose-antilock brake system non exhaust gas recirculation vacuum			ANR3637	X
3	Clip-Hose			572548	1
4	Tie-cable		inside serated, 4.6 x 385mm, White.	594594	X