

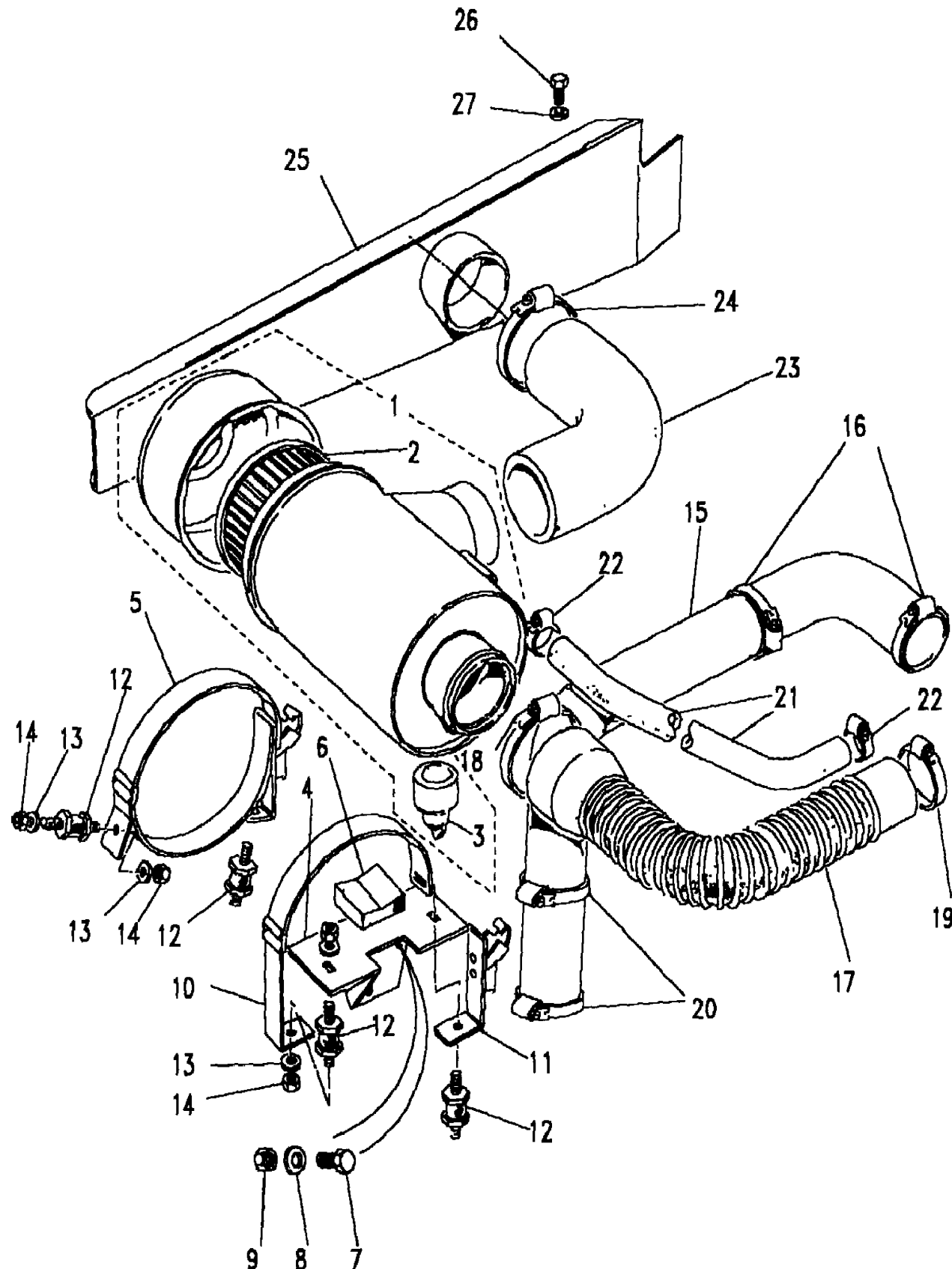
Range Rover (From JA610294)

(BDJXPC1A)

Range Rover (From JA610294)

With Diesel Engines, 4 Cyl Turbo Diesel VM

Callout	Name	Application	Remarks & Restrictions	Service No.	Qty
1	Air cleaner assembly	Change point - VIN begin JA610294	Also serviced as part of a kit	NTC1426	1
2	Element Assy - Air Cleaner	Change point - VIN begin JA610294	Also serviced as part of a kit	NTC1435	1
3	Valve assembly air intake	Change point - VIN begin JA610294	Also serviced as part of a kit	NRC8955	1
4	Bracket-mounting air cleaner			ESR1026	1
5	Clamp			NTC3016	1
6	Mounting-rubber			NTC3048	1
7	Screw		M6 X 16, hexagonal head	SH106161	2
8	Washer		6MM	WA106041L	2
9	Nut - Hex.		M6, nyloc, Hexagonal	NH106041L	2
10	Bracket-air cleaner			NTC3040	1
11	Bracket assembly-air cleaner			NTC3042	1
12	Mounting-rubber flexible support	Change point - VIN end JA618000 Change point - VIN begin JA618001		NRC9773 ESR1579	4 4
13	Washer		6MM	WA106041L	8
14	Nut - Hex.		M6, nyloc, Hexagonal	NH106041L	8
15	Pipe-intercooler-turbocharger casting		Also serviced as part of a kit	NTC5172	1
16	Clip-Hose			CN100608L	2
17	Duct-air cleaner to hose turbocharger			ESR1612	1
18	Clip-Hose			CN100908L	2
19	Clip-Hose		50MM, less spring assist	CN100508L	1
20	Clip-Hose			CN100608L	2
21	Breather fuel filler			NTC2836	1
22	Clip-Hose		25MM	CN100258L	2
23	Hose-air cleaner baffle			NTC7375	1



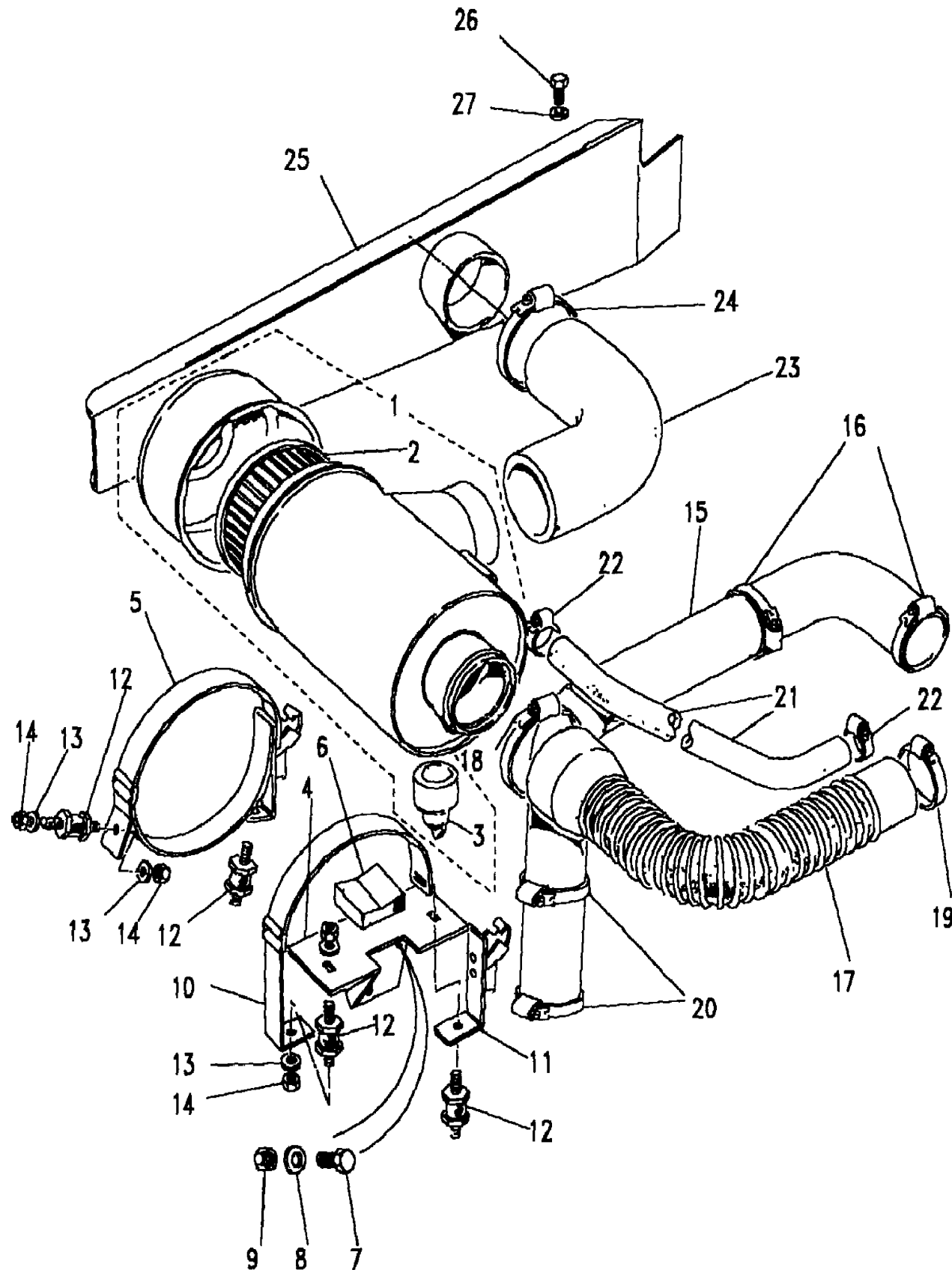
Range Rover (From JA610294)

(BDJXPC1A)

Range Rover (From JA610294)

With Diesel Engines, 4 Cyl Turbo Diesel VM

Callout	Name	Application	Remarks & Restrictions	Service No.	Qty
24	Clip-hose-worm drive			CN101108L	1
25	Plate-baffle			ESR1226	1
26	Screw-self tapping		No 12 x 5/8	AB612051L	3
27	Washer		M6	WC106047	3



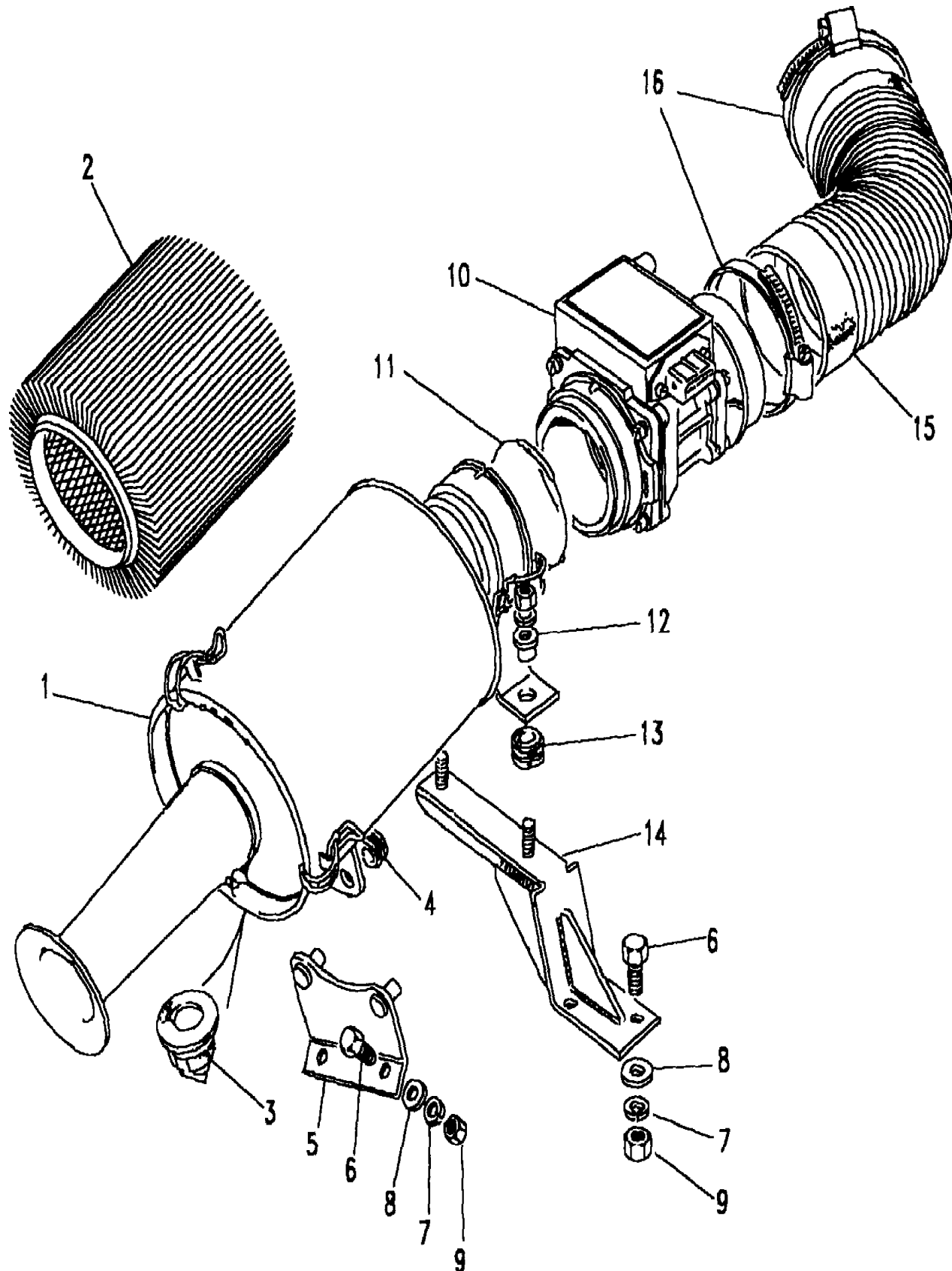
Range Rover (From JA610294)

(BDJXPA1A)

Range Rover (From JA610294)

With Petrol Engines

Callout	Name	Application	Remarks & Restrictions	Service No.	Qty
1	Air cleaner assembly	Change point - VIN end LA647644	Also serviced as part of a kit	NTC4408	1
2	Element Assy - Air Cleaner	Change point - VIN end LA647644	Also serviced as part of a kit	RTC4683	1
3	Valve assembly air intake	Change point - VIN end LA647644	Also serviced as part of a kit	NTC3751	1
4	Grommet	Change point - VIN end LA647644	Also serviced as part of a kit	RTC4819	2
5	Bracket assembly-air cleaner	Change point - VIN end LA647644		NTC4401	1
6	Screw	Change point - VIN end LA647644	M8 X 16, hexagonal head	SH108161L	5
7	Washer	Change point - VIN end LA647644	M8, sprung	WL108001L	5
8	Washer	Change point - VIN end LA647644	M8	WC108051L	2
9	Nut - Hex.	Change point - VIN end LA647644	M8, hexagonal head	NH108041L	5
10	Sensor-airflow-multi point inject	Change point - VIN end KA624755 Change point - VIN begin KA624756, Change point - VIN end LA647644		NTC2340 ESR1057L	1 1
11	O Ring	Change point - VIN end LA647644		NTC3354	1
12	Bush	Change point - VIN end LA647644		ERC5829	3
13	Grommet	Change point - VIN end LA647644		ERC5830	3
14	Bracket assembly-mounting air flow meter	Change point - VIN end LA647644		NTC3885	1
15	Hose-Flexible	Change point - VIN end JA617906 Change point - VIN begin JA617907, Change point - VIN end LA647644		NTC3338 ESR1611L	1 1
16	Clip-Hose	Change point - VIN end LA647644		CN100908L	2
[903]	Plug	Change point - VIN end LA647644	Red	RTC5770	1



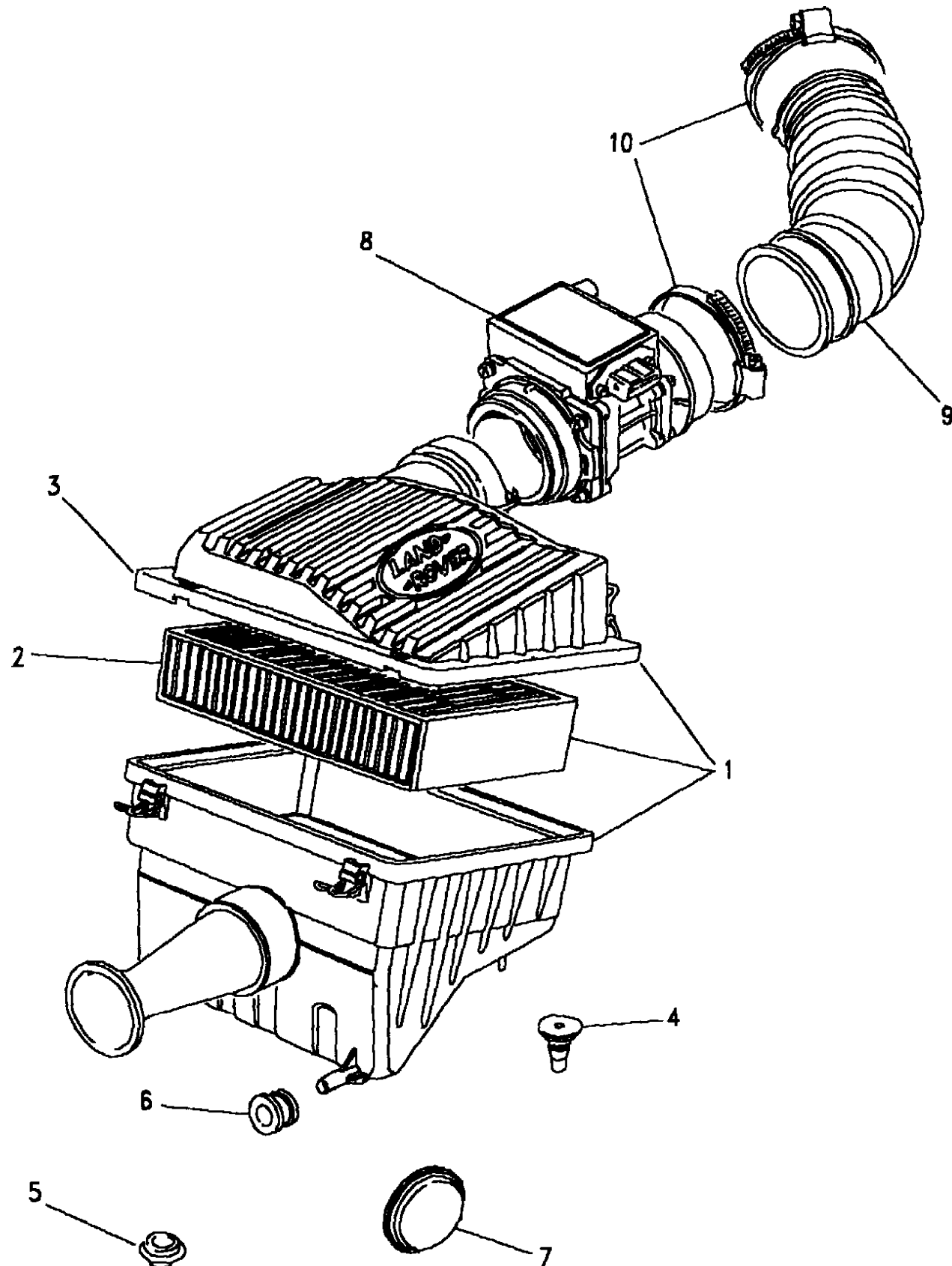
Range Rover (From JA610294)

(BDJXPA2A)

Range Rover (From JA610294)

With Petrol Engines

Callout	Name	Application	Remarks & Restrictions	Service No.	Qty
1	Air cleaner assembly	Change point - VIN begin MA647645, V8 EFI Petrol	Also serviced as part of a kit	ESR1804	1
2	Element Assy - Air Cleaner	Change point - VIN begin MA647645, V8 EFI Petrol	Also serviced as part of a kit	ESR1445	1
3	Lid-air cleaner	Change point - VIN begin MA647645, V8 EFI Petrol	Also serviced as part of a kit	ESR3248	1
4	Grommet	Change point - VIN begin MA647645, V8 EFI Petrol	Also serviced as part of a kit	ESR1803	2
5	Grommet-mounting air cleaner	Change point - VIN begin MA647645, V8 EFI Petrol	Front	ESR2067	2
6	Grommet	Change point - VIN begin MA647645, V8 EFI Petrol		NTC8960	2
7	Grommet-blind	Change point - VIN begin MA647645, V8 EFI Petrol		ESR2406	2
8	Sensor-airflow-multi point inject	Change point - VIN begin MA647645, V8 EFI Petrol Change point - VIN begin MA655827, V8 EFI Petrol		ESR1057L ERR5198	1 1
9	Hose-duct to throttle body induction system	Change point - VIN begin MA647645, V8 EFI Petrol		ESR1807	1
10	Clip-Hose	Change point - VIN begin MA647645, V8 EFI Petrol		CN100908L	2
11	O Ring	Change point - VIN begin MA647645, V8 EFI Petrol		NTC3354	1



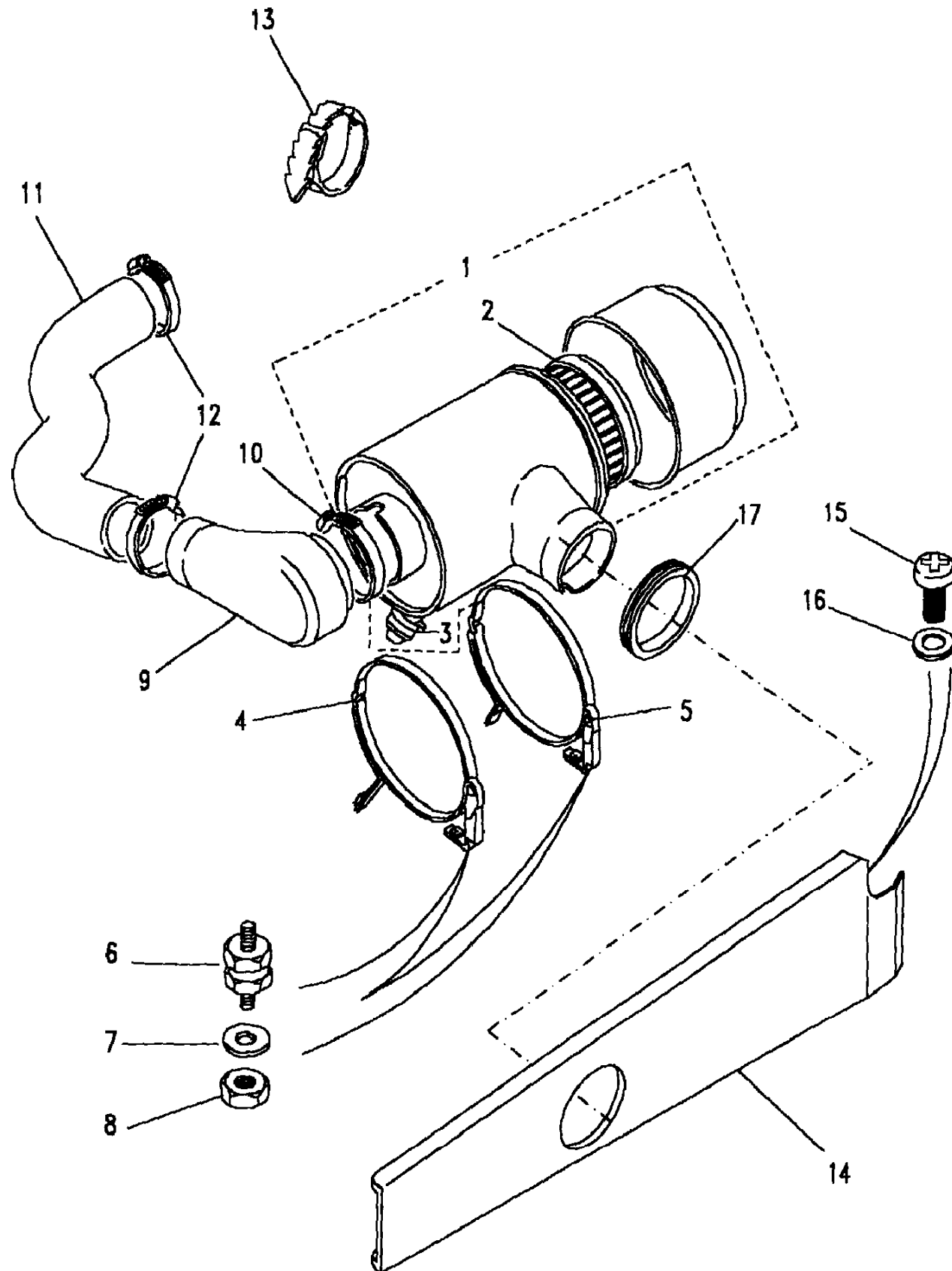
Range Rover (From JA610294)

(BDJXPC2A)

Range Rover (From JA610294)

4 Cylinder TDi L/R Turbo Diesel

Callout	Name	Application	Remarks & Restrictions	Service No.	Qty
1	Air cleaner assembly	Change point - VIN end LA647644, Change point - VIN begin JA610294, 2.5L I4 200 TDi L/R Turbo Diesel, 5 Speed Manual Transmission, Less Catalyst	Also serviced as part of a kit, Engine Code 4L 2.5 TDi Manual - 'Zircon'	ESR1860	1
2	Element Assy - Air Cleaner	Change point - VIN end LA647644, Change point - VIN begin JA610294, 2.5L I4 200 TDi L/R Turbo Diesel, 5 Speed Manual Transmission, Less Catalyst	Also serviced as part of a kit, Engine Code 4L 2.5 TDi Manual - 'Zircon'	ESR1049	1
3	Valve-air cleaner	Change point - VIN end LA647644, Change point - VIN begin JA610294, 2.5L I4 200 TDi L/R Turbo Diesel, 5 Speed Manual Transmission, Less Catalyst	Also serviced as part of a kit, Engine Code 4L 2.5 TDi Manual - 'Zircon'	NTC5657	1
4	Bracket-mounting air cleaner	Change point - VIN end LA647644, TDi	Front	ESR1862	1
5	Bracket-mounting air cleaner	Change point - VIN end LA647644, TDi	Rear	ESR1863	1
6	Mounting-rubber flexible support	Change point - VIN end LA647644, TDi		ESR1579	4
7	Washer	Change point - VIN end LA647644, TDi	6MM	WA106041L	4
8	Nut - Hex.	Change point - VIN end LA647644, TDi	M6, nyloc, Hexagonal	NH106041L	4
9	Elbow assembly-duct air cleaner/throttle body	Change point - VIN end LA647644, TDi		NTC5803	1
10	Clip-Hose	Change point - VIN end LA647644, TDi		CN100908L	1
11	Hose-cleaner to engine	Change point - VIN end LA647644, TDi		ESR1857	1
12	Clip-Hose	Change point - VIN end LA647644, TDi	25MM	CN100258L	2
13	Tie-cable	Change point - VIN end LA647644, TDi	Black, releasable, 7.5 x 145mm	13H9727L	1
14	Plate-baffle	Change point - VIN end LA647644, TDi		ESR1859	1
15	Screw-pan	Change point - VIN end LA647644, TDi		AR612051	3



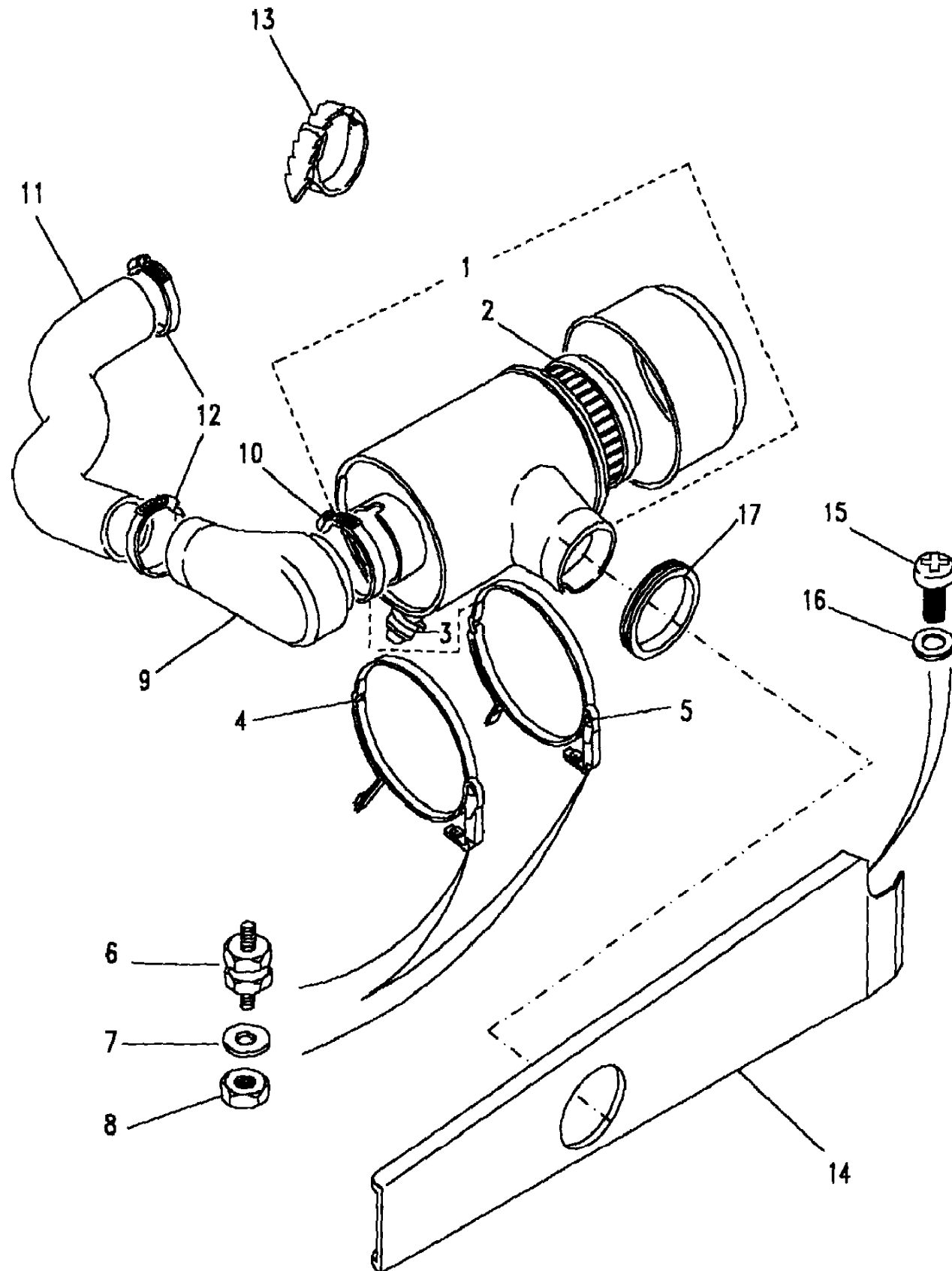
Range Rover (From JA610294)

(BDJXPC2A)

Range Rover (From JA610294)

4 Cylinder TDi L/R Turbo Diesel

Callout	Name	Application	Remarks & Restrictions	Service No.	Qty
16	Washer	Change point - VIN end LA647644, TDi	M6	WC106047	3
17	Grommet	Change point - VIN end LA647644, TDi		ESR2012	1
18	Nut-wing	Change point - VIN end LA647644, Change point - VIN begin JA610294, 2.5L I4 200 TDi L/R Turbo Diesel, 5 Speed Manual Transmission, Less Catalyst	Also serviced as part of a kit, Engine Code 4L 2.5 TDi Manual - 'Zircon'	NRC9239	X
		Change point - VIN end LA647644, TDi		NRC9239	1



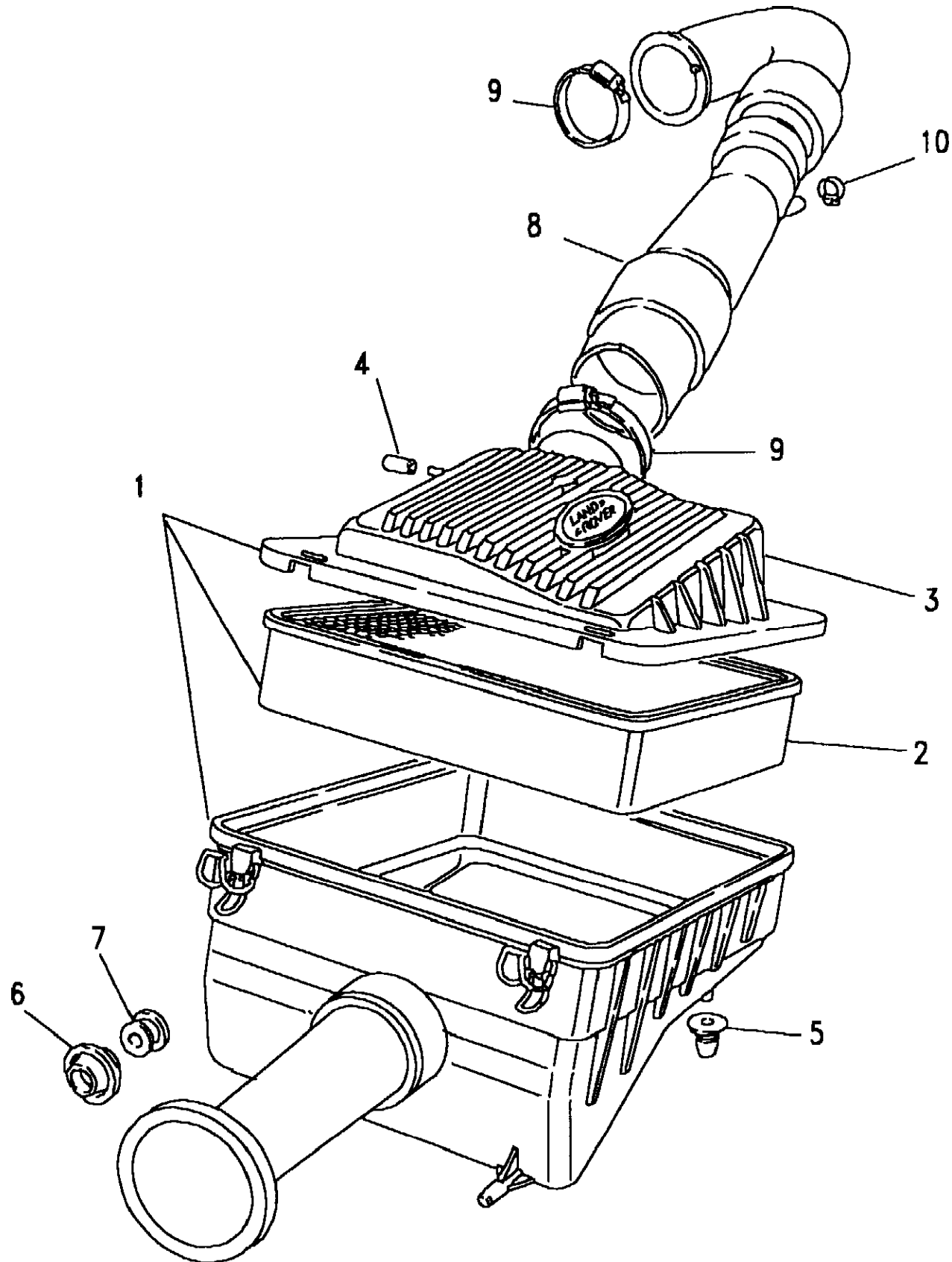
Range Rover (From JA610294)

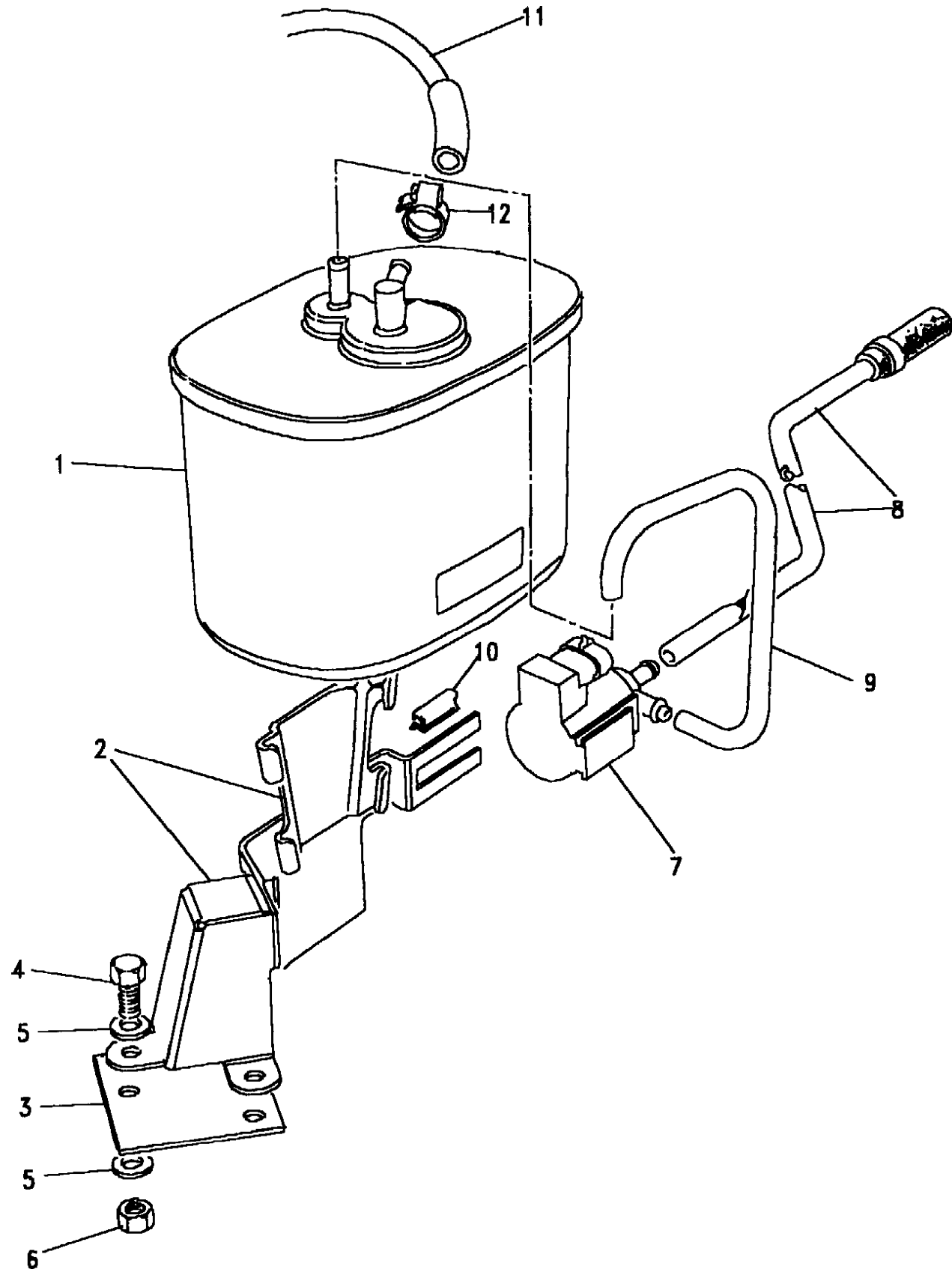
(BDJXPC3A)

Range Rover (From JA610294)

4 Cylinder TDi L/R Turbo Diesel

Callout	Name	Application	Remarks & Restrictions	Service No.	Qty
1	Air cleaner assembly	Change point - VIN begin JA610294, 2.5 4 Cy 300TDi Diesel Turbo LR	Also serviced as part of a kit, (-) 14L 2.5 TDI Manual - Zircon	ESR3150	1
2	Element Assy - Air Cleaner	Change point - VIN begin JA610294, 2.5 4 Cy 300TDi Diesel Turbo LR	Also serviced as part of a kit, (-) 14L 2.5 TDI Manual - Zircon	ESR1445	1
3	Lid-air cleaner	Change point - VIN begin JA610294, 2.5 4 Cy 300TDi Diesel Turbo LR	Also serviced as part of a kit, (-) 14L 2.5 TDI Manual - Zircon	ESR3247	1
4	Cap-air box blanking	Change point - VIN begin JA610294, 2.5 4 Cy 300TDi Diesel Turbo LR	Also serviced as part of a kit, (-) 14L 2.5 TDI Manual - Zircon	ESR2965	1
5	Grommet	Change point - VIN begin JA610294, 2.5 4 Cy 300TDi Diesel Turbo LR	Also serviced as part of a kit, (-) 14L 2.5 TDI Manual - Zircon	ESR1803	2
6	Grommet-mounting air cleaner	Change point - VIN begin MA647645, TDi	Front	ESR2067	2
7	Grommet	Change point - VIN begin MA647645, TDi		NTC8960	2
8	Hose-air outlet turbocharger	Change point - VIN begin MA647645, TDi		ESR2150	1
9	Clip-Hose	Change point - VIN begin MA647645, TDi		CN100808L	2
10	Clip-Hose	Change point - VIN begin MA647645, TDi	25MM	CN100258L	2





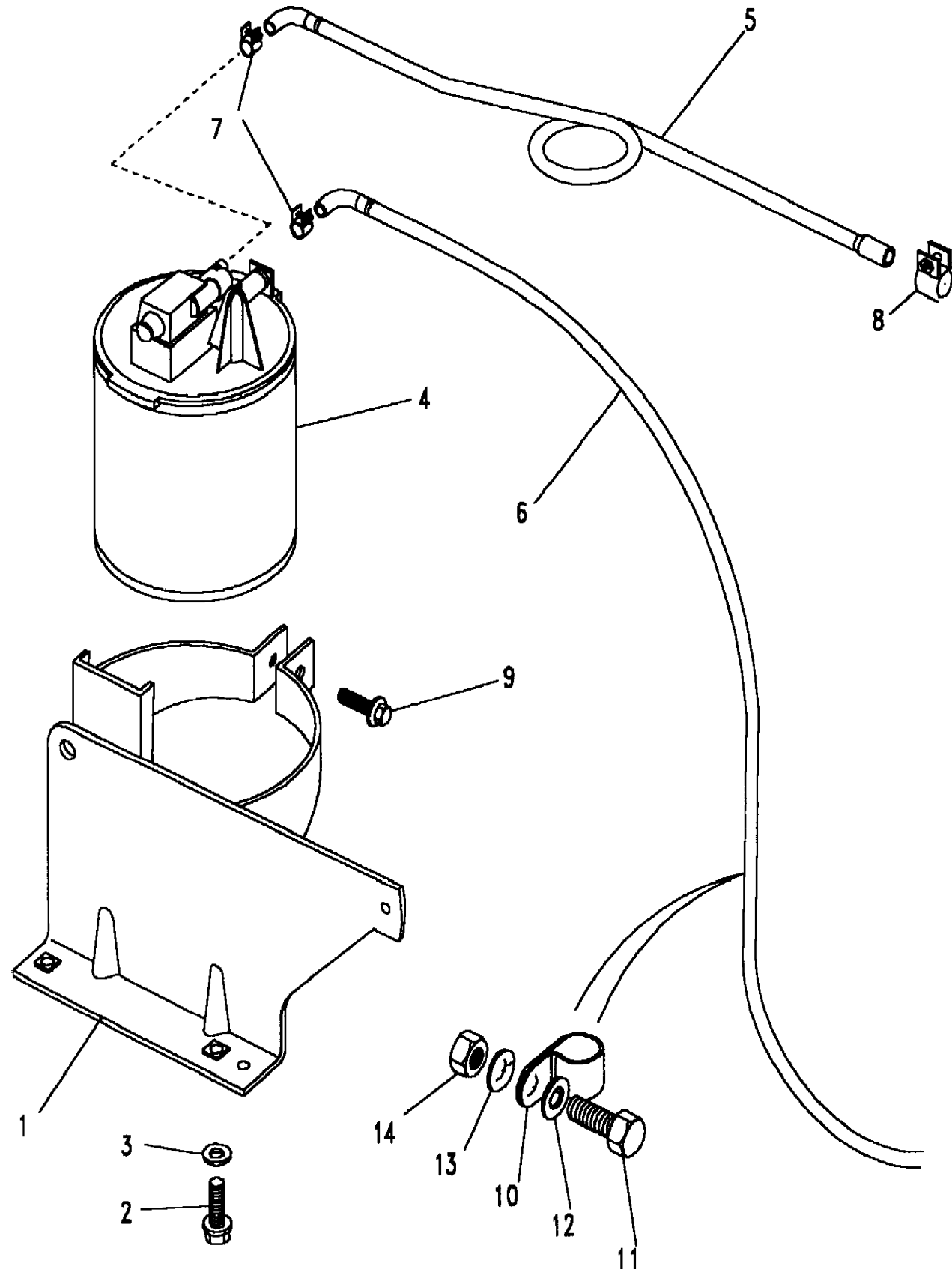
Callout	Name	Application	Remarks & Restrictions	Service No.	Qty
1	Canister charcoal	Change point - VIN end JA624754	Also serviced as part of a kit	ESR369	1
2	Bracket-charcoal canister	Change point - VIN end JA624754		ESR368	1
3	Plate-charcoal canister bracket stiffening	Change point - VIN end JA624754		NRC2268	1
4	Screw	Change point - VIN end JA624754		FH106167L	2
5	Washer	Change point - VIN end JA624754	M6	WA106051L	4
6	Nut-hexagonal	Change point - VIN end JA624754	M6	NH106141L	2
7	Soleniod-charcoal canister	Change point - VIN end JA624754		NTC5415	1
8	Pipe Fuel	Change point - VIN end JA624754		NTC5454	1
9	Pipe Fuel	Change point - VIN end JA624754		NTC5455	1
10	Clip	Change point - VIN end JA624754		NTC5562	1
11	Pipe assembly-canister to separator	Change point - VIN end JA624754		NTC7491	1
12	Clip-Hose	Change point - VIN end JA624754		CN100128L	1
[900]	Connector fuel lines	Change point - VIN end JA624754	Also serviced as part of a kit	NTC1956	1
[901]	Canister assembly charcoal	Change point - VIN end JA624754		STC2980	1



Range Rover (From JA610294)

(BDJXTA3A)

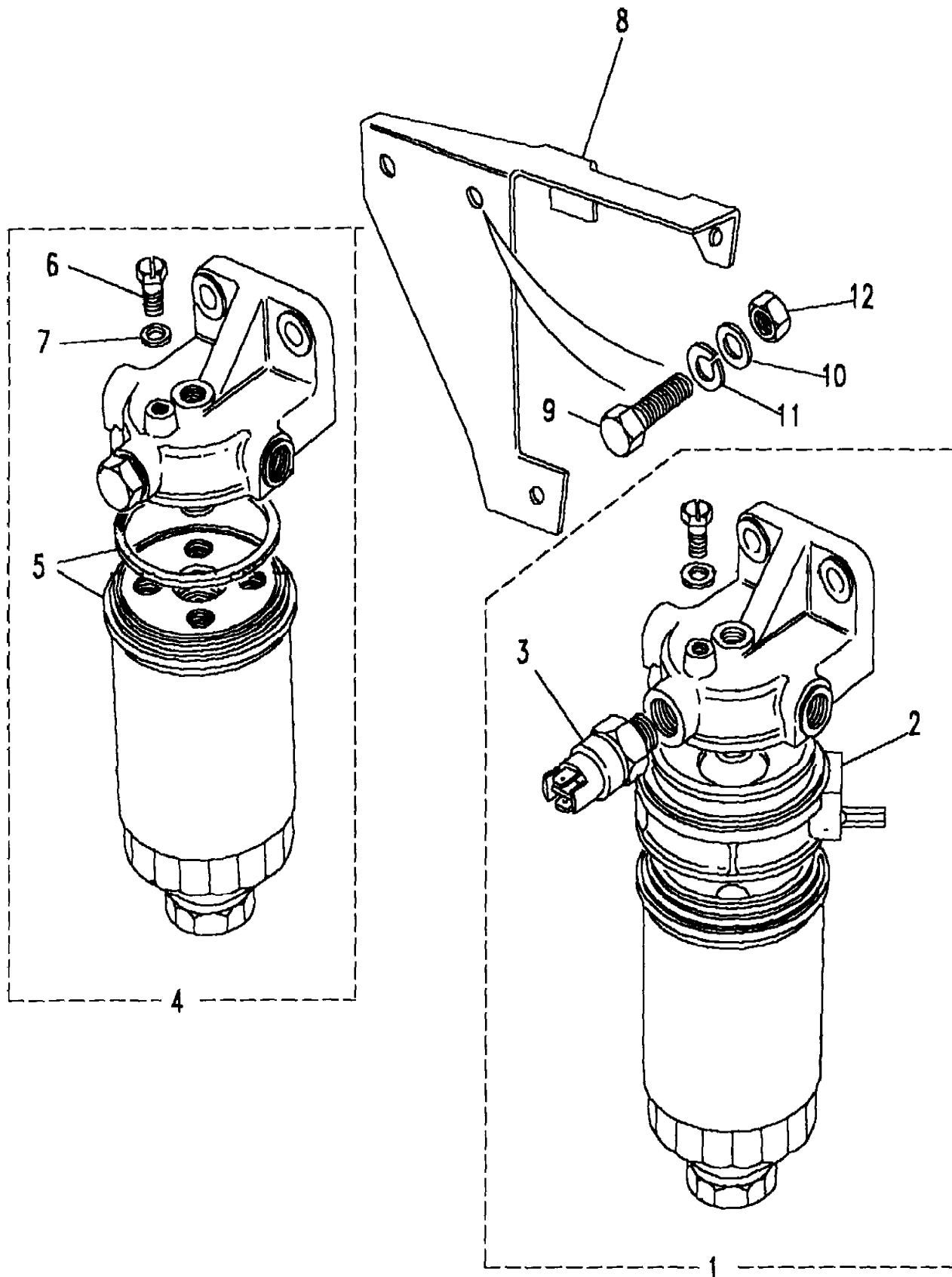
Range Rover (From JA610294)



Callout	Name	Application	Remarks & Restrictions	Service No.	Qty
1	Bracket-charcoal canister	Change point - VIN begin KA624756		ESR1697	1
2	Screw-flanged head	Change point - VIN begin KA624756	M6 X 16, Flanged Head	FS106167L	2
3	Washer	Change point - VIN begin KA624756	6MM	WA106041L	2
4	Canister charcoal	Change point - VIN begin KA624756, Change point - VIN end KA624870		ESR1190	1
		Change point - VIN begin KA624871	Also serviced as part of a kit	ESR1190	1
5	Pipe assembly-charcoal canister vacuum switch to manifold	Change point - VIN begin KA624756, Change point - VIN end KA624870		ESR1683	1
6	Pipe assembly-evap/vs to canister	Change point - VIN begin KA624756, 100"		ESR2219	1
		Change point - VIN begin KA624756, 108" (2743mm) Wheelbase		ESR2220	1
7	Clip-Hose	Change point - VIN begin KA624756		UKC3793L	2
8	Clip-Hose	Change point - VIN begin KA624756	12.7MM	UKC3795L	1
9	Screw	Change point - VIN begin KA624756	M8 x 25, Flanged Head	FS108251L	1
10	Clip-p	Change point - VIN begin KA624756		AEU1448	1
11	Screw	Change point - VIN begin KA624756	hexagonal head, M5 x 20	SH105201L	1
12	Washer	Change point - VIN begin KA624756	M5, Plain, Standard	WA105001L	1
13	Washer	Change point - VIN begin KA624756	M5, retaining	WL105001L	1
14	Nut-hexagonal	Change point - VIN begin KA624756	M5	NH105041L	1
[900]	Canister assembly charcoal	Change point - VIN begin KA624871	Also serviced as part of a kit	ESR2218	1
[901]	Clip	Change point - VIN begin KA624756		MXC1848	9
[902]	Clip-Pipe	Change point - VIN begin KA624756		ESR2052	5

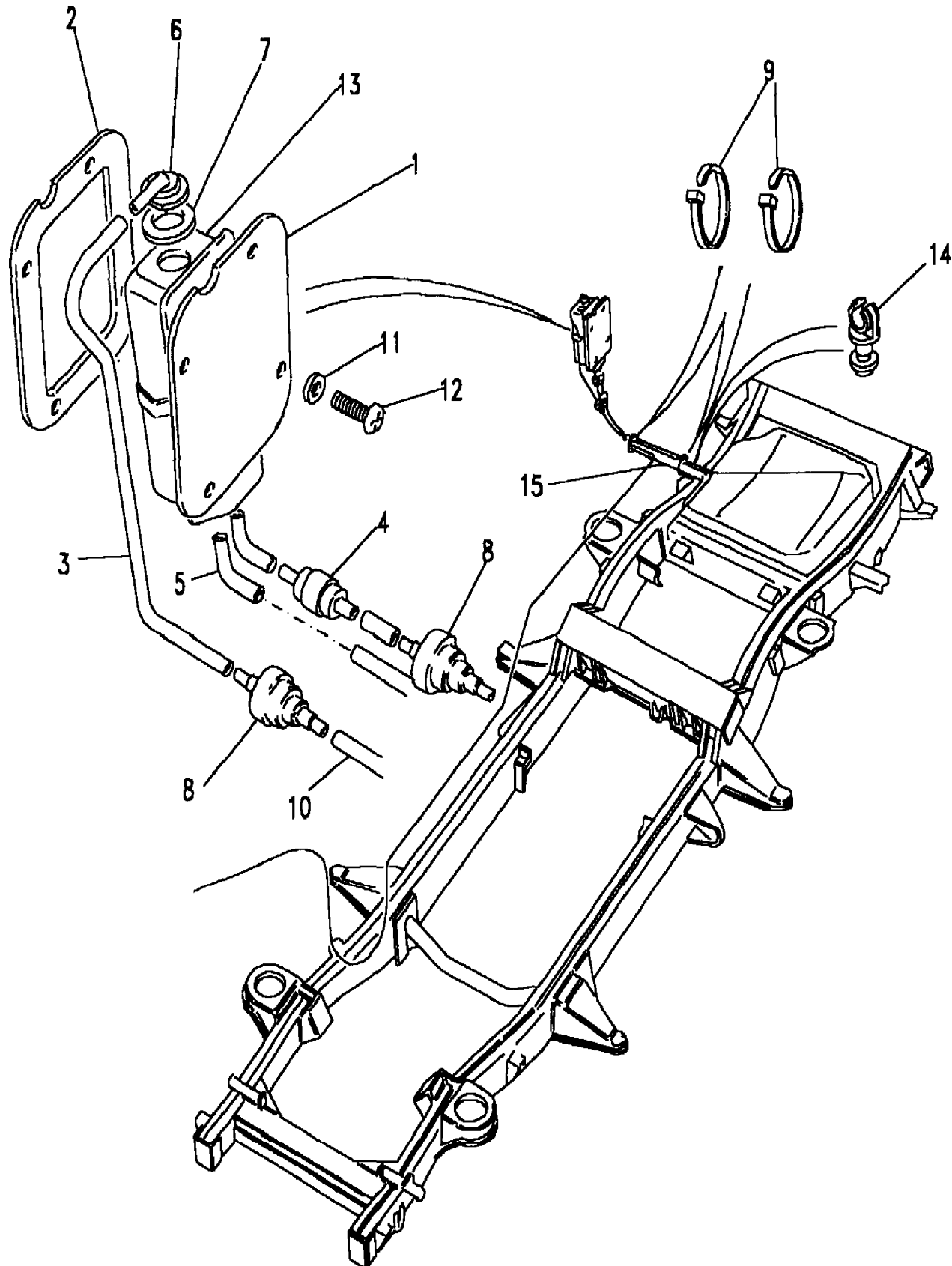
With Diesel Engines

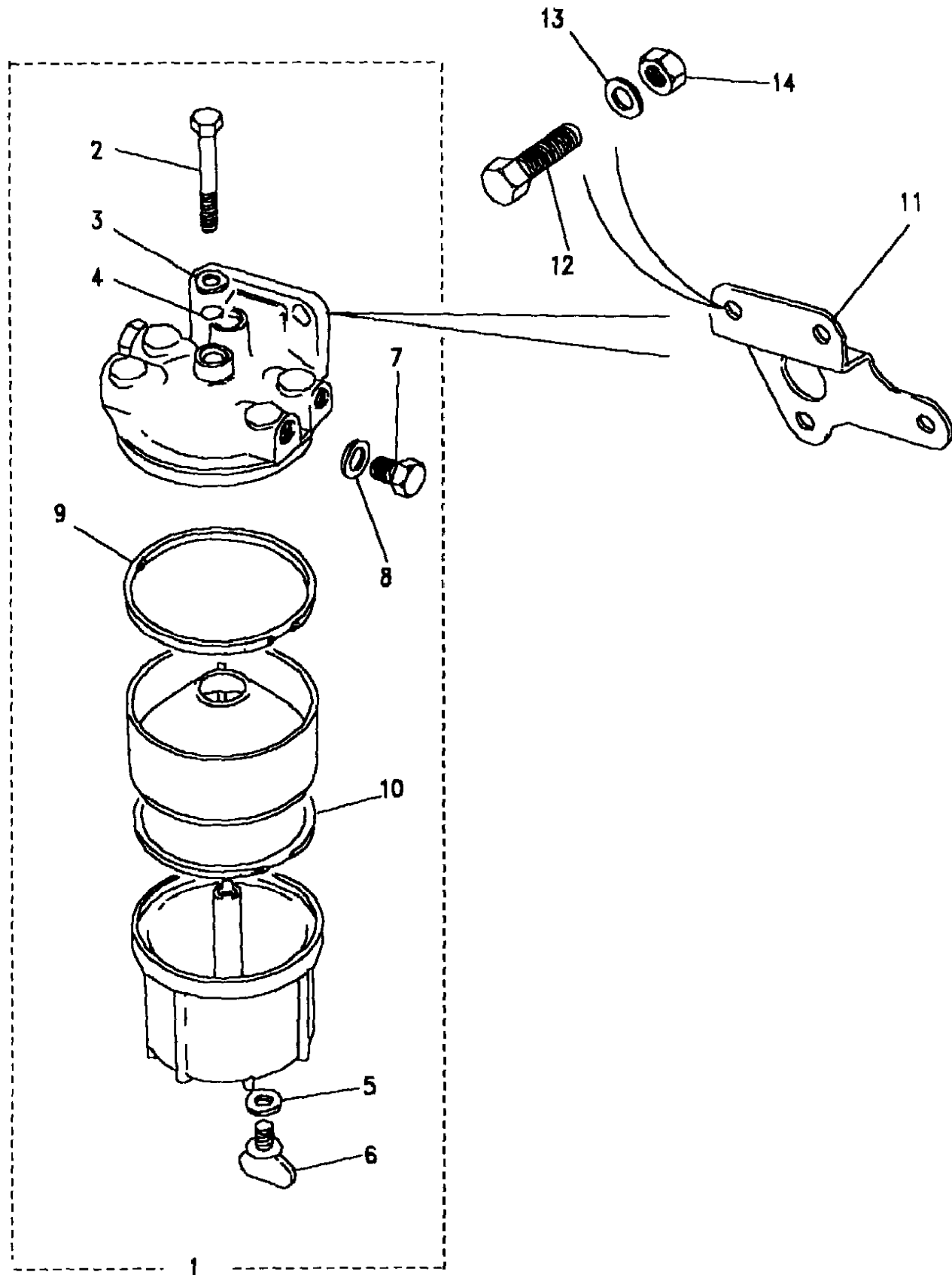
Callout	Name	Application	Remarks & Restrictions	Service No.	Qty
1	Filter assembly-in line fuel lines		Also serviced as part of a kit, Heated	RTC4939	1
2	Cartridge-diesel fuel filter		Also serviced as part of a kit, Heated	RTC5938	1
3	Switch-heater fuel filter		Also serviced as part of a kit, Heated	STC612	1
4	Filter assembly-fuel.		Also serviced as part of a kit, unheated	NTC1518	1
5	Cartridge-diesel fuel filter		Also serviced as part of a kit, unheated	AEU2147L	1
6	Screw-bleed		Also serviced as part of a kit, unheated	AEU2148L	1
7	Washer-sealing		Also serviced as part of a kit, unheated	AEU2149L	1
8	Bracket-fuel filter			NTC2873	1
9	Screw		hexagonal head, M10 x 25	SH110251L	2
10	Washer-Plain			WA110051	2
11	Washer		M10	WL110001L	2
12	Nut - Hex.		M10, flange	FN110041L	2



With Petrol Engines

Callout	Name	Application	Remarks & Restrictions	Service No.	Qty
1	Separator-vapour fuel filler	Change point - VIN end JA624754		ESR167	1
2	Seal	Change point - VIN end JA624754		ESR161	1
3	Pipe assembly-canister to separator	Change point - VIN end JA624754		NTC7491	1
4	Pipe assembly-seperator to atmosphere	Change point - VIN end JA624754		NTC7493	1
5	Pipe assembly-tank to separator	Change point - VIN end JA624754		NTC7492	1
6	Valve-fuel cut fuel tank	Change point - VIN end JA624754		NTC4517	1
7	Grommet	Change point - VIN end JA624754		NTC4627	1
8	Valve-vapour pressure relief	Change point - VIN end JA624754		NTC7567	1
9	Tie-cable	Change point - VIN end JA624754	4.8 x 270mm, inside serated	568680	2
10	Pipe Fuel	Change point - VIN end JA624754		NTC7497	1
11	Washer-Spring	Change point - VIN end JA624754	M5	WL105001	4
12	Screw	Change point - VIN end JA624754	pan head, M5 x 12	SE105121L	4
13	Seperator vapour-evaporative loss system	Change point - VIN end JA624754		NTC7413	1
14	Clip	Change point - VIN end JA624754		ESR562	5
15	Pipe-breather fuel tank	Change point - VIN end JA624754		NTC7487	1





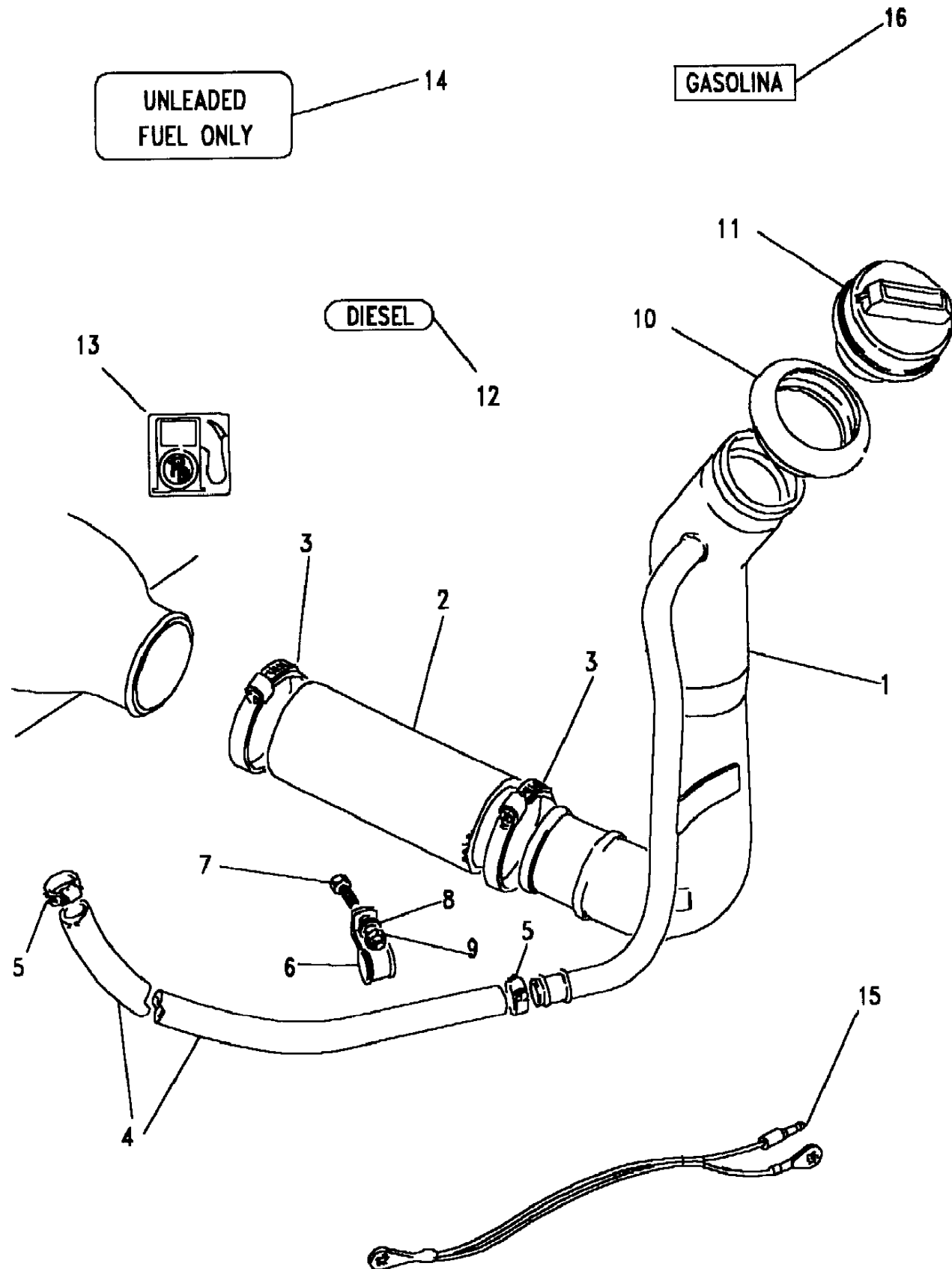
With Diesel Engines

Callout	Name	Application	Remarks & Restrictions	Service No.	Qty
1	Filter/sedimentor assembly-diesel		Also serviced as part of a kit	NRC9708	1
2	Bolt		Also serviced as part of a kit	37H8119L	1
5	Seal		Also serviced as part of a kit, Rubber	605011	1
6	Plug-Drain		Also serviced as part of a kit	37H7920	1
7	Plug-blanking		Also serviced as part of a kit	517689	2
8	Washer		Also serviced as part of a kit, Aluminium	517706	2
9	Seal		diesel fuel sedimentor upper, Also serviced as part of a kit, top	AAU9903	1
10	Seal		diesel fuel sedimentor lower, Also serviced as part of a kit, bottom	AAU9902	1
11	Bracket-fuel filter support		DIESEL, VM	NRC8381	1
		TDi Diesel L/R		NTC7646	1
12	Screw		hexagonal head, M10 x 35	SH110351L	2
13	Washer		M10	WA110061L	2
14	Nut - Hex.		M10, hexagonal head, nyloc	NY110041L	2
[901]	Washer		Also serviced as part of a kit	522940	1
[902]	O Ring		Also serviced as part of a kit	37H770	1

Range Rover (From JA610294)

(BDJXCA1A)

Range Rover (From JA610294)



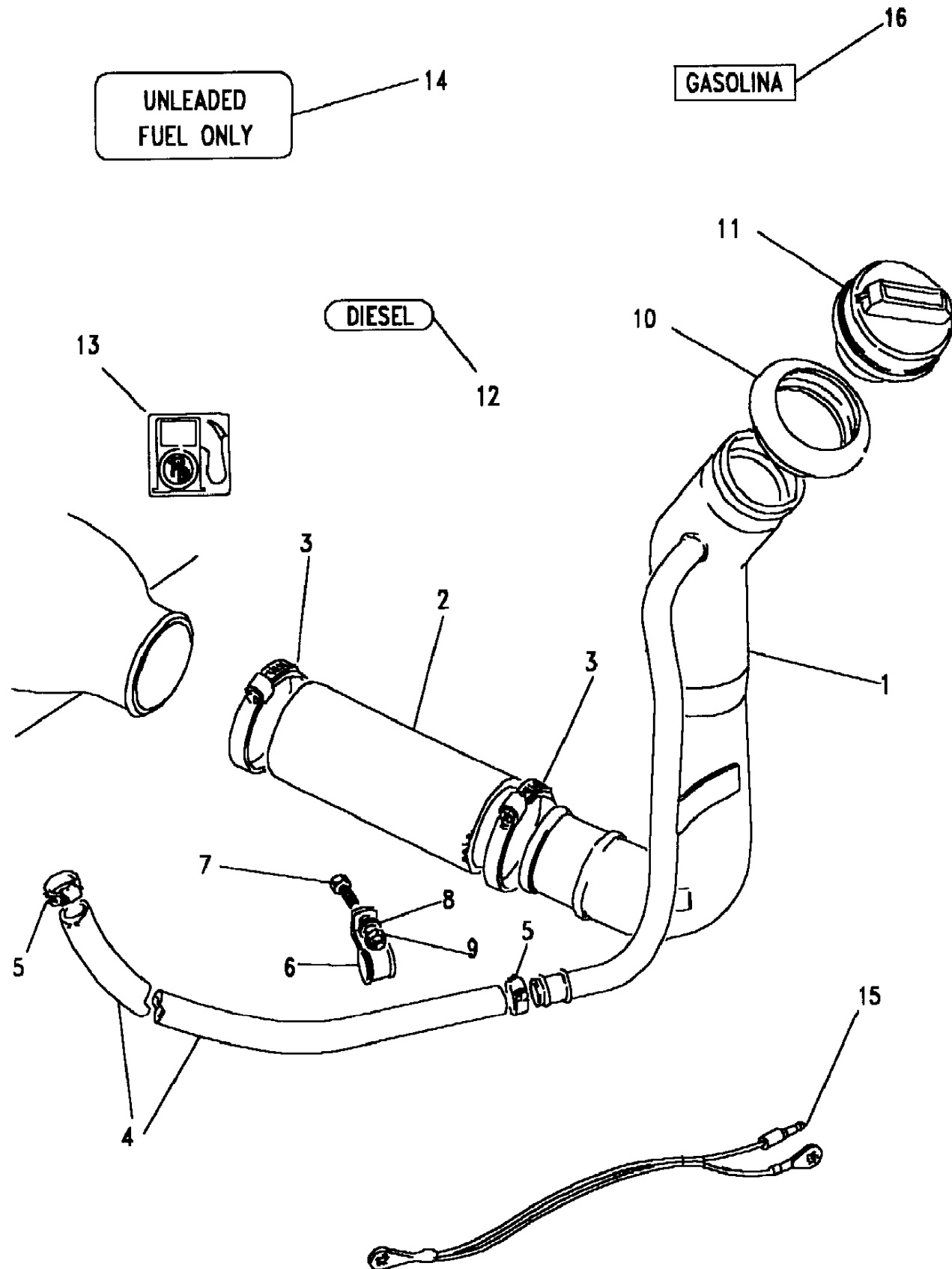
Callout	Name	Application	Remarks & Restrictions	Service No.	Qty
1	Pipe fuel filler	Change point - VIN end JA624754	leaded	NTC7311	1
		Change point - VIN end JA624754	leaded	ESR1895	1
		Change point - VIN end JA624754, For Unleaded Fuel		NTC7312	1
		Change point - VIN end JA624754, For Unleaded Fuel		ESR1896	1
		Change point - VIN end JA624754, For Unleaded Fuel			
2	Hose-filler fuel filler	Change point - VIN end JA624754, (-)"CDN/MEX/USA"		NTC5430	1
		Change point - VIN end RA646069, (+)"CDN/MEX/USA"		ESR1929	1
3	Clip-Hose	Change point - VIN end JA624754		CN100608L	2
4	Hose assembly-breather fuel	Change point - VIN end JA624754		NTC5424	1
5	Clip-Hose	Change point - VIN end JA624754	30MM	CN100308L	2
6	Clip	Change point - VIN end JA624754		NTC6891	1
7	Screw-flanged head	Change point - VIN end JA624754	M6 X 16, Flanged Head	FS106167L	1
8	Washer	Change point - VIN end JA624754	6MM	WA106041L	1
9	Nut - Hex.	Change point - VIN end JA624754	M6, hexagonal head, nyloc	NY106041L	1
10	Grommet	Change point - VIN end JA624754		NTC5916	1
11	Cap-filler fuel filler	Change point - VIN end JA624754	non-locking, English-language warning label	NTC5418	1
12	Label-caution fuel filler	Change point - VIN end JA624754		NTC7349	1
13	Label-caution fuel filler	Change point - VIN end JA624754		NTC7503	1
14	Label-unleaded fuel only warning	Change point - VIN end JA624754		ESR387	1
15	Harness earth bond	Change point - VIN end JA624754		PRC7147	1

Range Rover (From JA610294)

(BDJXCA1A)

Range Rover (From JA610294)

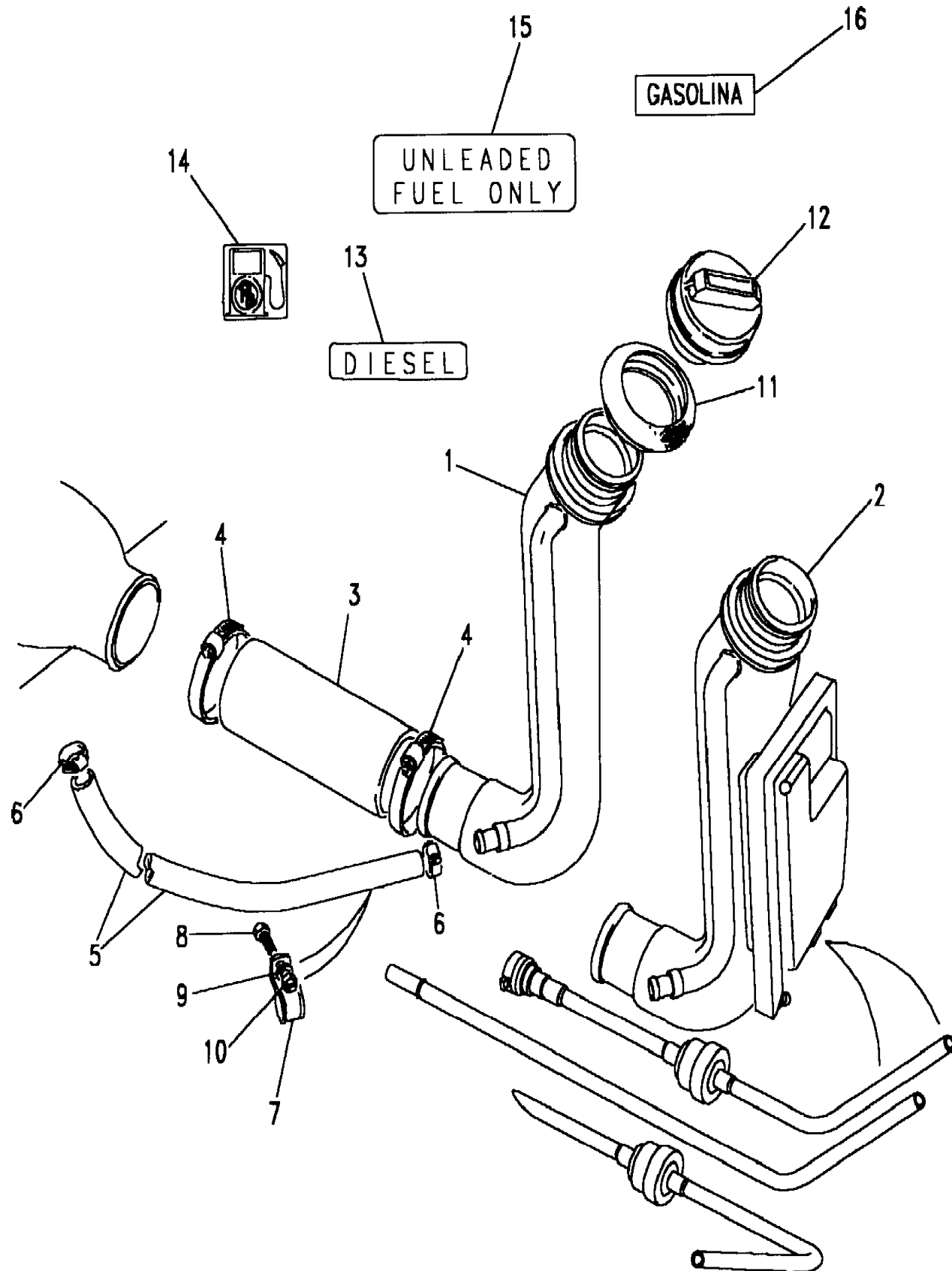
Callout	Name	Application	Remarks & Restrictions	Service No.	Qty
16	Label-fuel caution	Change point - VIN end JA624754, (+)"BR", For Unleaded Fuel		BTR4691	1



Range Rover (From JA610294)

(BDJXCA2A)

Range Rover (From JA610294)



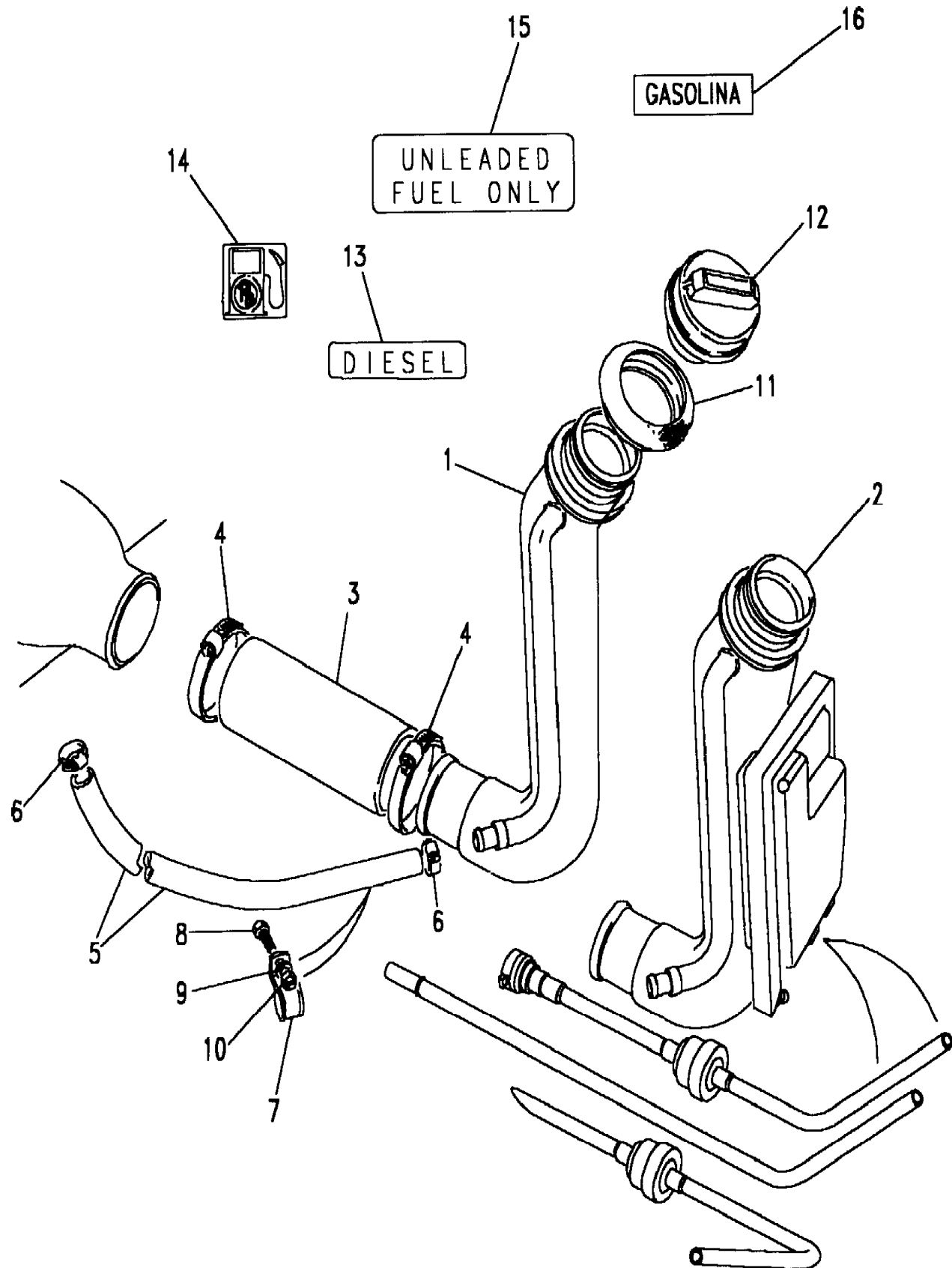
Callout	Name	Application	Remarks & Restrictions	Service No.	Qty
1	Pipe fuel filler	Change point - VIN begin KA624756 Change point - VIN begin KA624756, For Unleaded Fuel	leaded	ESR1895 ESR1896	1 1
2	Pipe fuel filler	Change point - VIN begin KA624756 Change point - VIN begin KA624756, For Unleaded Fuel	Also serviced as part of a kit, leaded Also serviced as part of a kit	ESR1899 ESR1897	1 1
3	Hose-filler fuel filler	Change point - VIN begin KA624756, Change point - VIN end KA646069 Change point - VIN begin KA646070		NTC5430 ESR2834	1 1
4	Clip-Hose	Change point - VIN begin KA624756		STC128	2
5	Hose assembly-breather fuel	Change point - VIN begin KA624756		ESR1056	1
6	Clip-Hose	Change point - VIN begin KA624756	30MM	CN100308L	2
7	Clip	Change point - VIN begin KA624756		NTC6891	1
8	Screw-flanged head	Change point - VIN begin KA624756	M6 X 16, Flanged Head	FS106167L	1
9	Washer	Change point - VIN begin KA624756	6MM	WA106041L	1
10	Nut - Hex.	Change point - VIN begin KA624756	M6, hexagonal head, nyloc	NY106041L	1
11	Grommet	Change point - VIN begin KA624756		NTC5916	1
12	Cap-filler fuel filler	Change point - VIN begin KA624756	non-locking, English-language warning label	NTC5418	1
13	Label-caution fuel filler	Change point - VIN begin KA624756		NTC7349	1
14	Label-caution fuel filler	Change point - VIN begin KA624756		NTC7503	1
15	Label-unleaded fuel only warning	Change point - VIN begin KA624756		ESR387	1
16	Label-fuel caution	Change point - VIN begin KA624756, For Unleaded Fuel		BTR4691	1

Range Rover (From JA610294)

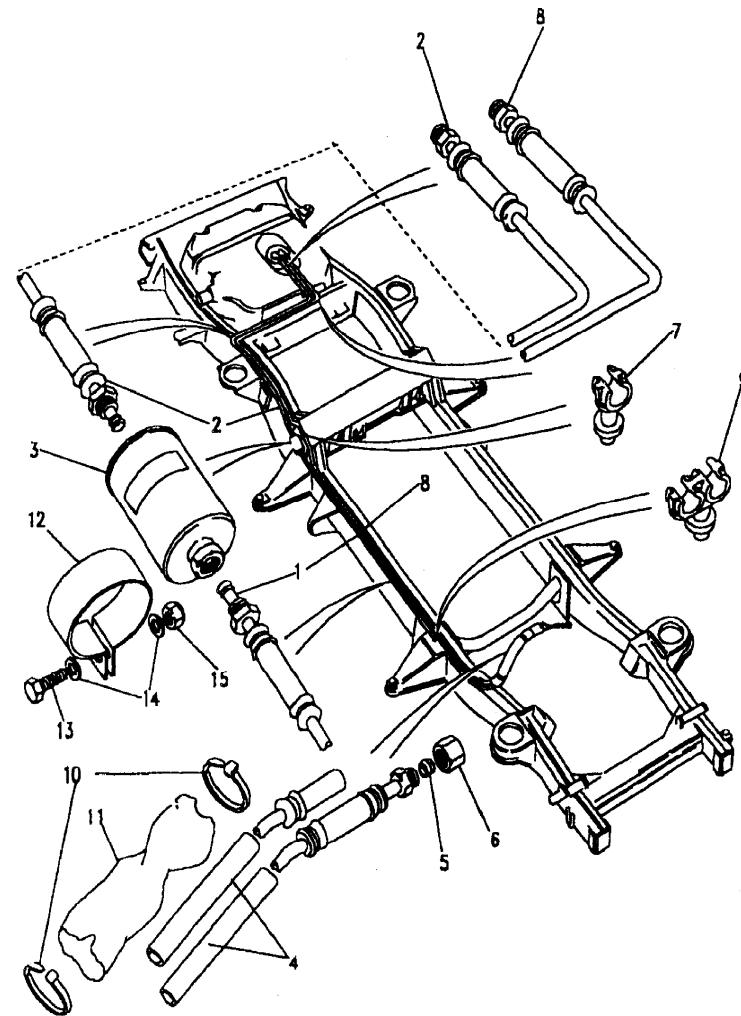
(BDJXCA2A)

Range Rover (From JA610294)

Callout	Name	Application	Remarks & Restrictions	Service No.	Qty
[904]	Valve-vapour pressure relief	Change point - VIN begin KA624756	Also serviced as part of a kit	NTC7567	1



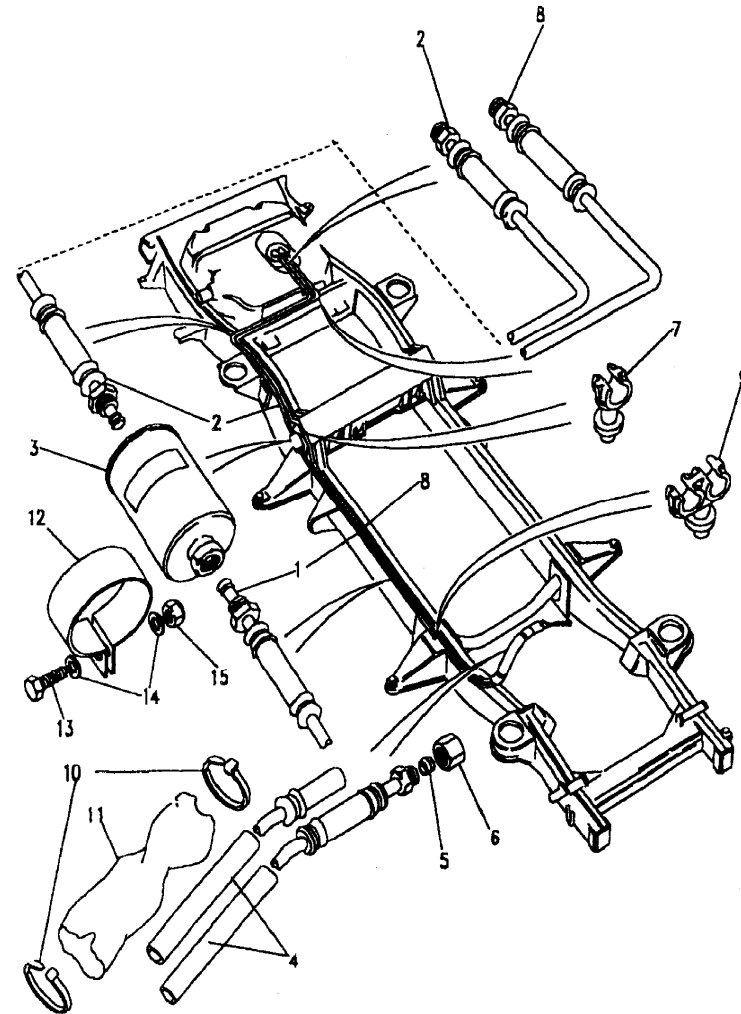




I01.065  
 11-2002  
 L2  
 BEJXE1A

With Petrol Engines

Callout	Name	Application	Remarks & Restrictions	Service No.	Qty
1	Pipe assembly-tank to filter	Change point - VIN end KA647644, V8 Petrol, (-)"BR"		ESR500	1
		Change point - VIN begin MA647645, V8 Petrol, (-)"BR"		ESR2364	1
		Change point - VIN end MA647645, V8 Petrol, (-)"BR"		ESR1821	1
2	Pipe assembly-filter to engine feed	Change point - VIN end KA647644, V8 Petrol, 100", (-)"GB"		ESR501	1
		Change point - VIN end MA091471, V8 Petrol, 100", (-)"GB"		ESR2638	1
		Change point - VIN begin MA091472, V8 Petrol, 100", (-)"GB"		ESR3250	1
		Change point - VIN begin KA624756, Change point - VIN end MA647644, V8 Petrol, 108" (2743mm) Wheelbase, (-)"GB"		ESR1217	1
		Change point - VIN end MA091471, V8 Petrol, 108" (2743mm) Wheelbase, (-)"GB"		ESR2639	1
		Change point - VIN begin MA091472, V8 Petrol, 108" (2743mm) Wheelbase, (-)"GB"		ESR3251	1
		Change point - VIN begin MA091472, V8 Petrol, 108" (2743mm) Wheelbase, (-)"GB"		ESR1796	1
		Change point - VIN end MA091472, V8 Petrol, 108" (2743mm) Wheelbase, (-)"GB"		ESR502	1
		Change point - VIN begin KA624756, Change point - VIN end LA081990, V8 Petrol, 100", (-)"GB"		ESR2188	1
		3	Pipe-return fuel lines	Change point - VIN begin LA081991, Change point - VIN end MA091471, V8 Petrol, 100", (-)"CDN/GB/MEX/USA"	
Change point - VIN begin MA091472, V8 Petrol, 100", (-)"GB"				ESR3267	1
Change point - VIN end MA091471, V8 Petrol, 108" (2743mm) Wheelbase, (-)"CDN/GB/MEX/USA"				ESR2189	1
Change point - VIN end RA647649, 108" (2743mm) Wheelbase, (+)"CDN/MEX/USA"				ESR1218	1
Change point - VIN begin MA091472, V8 Petrol, 108" (2743mm) Wheelbase, (-)"GB"				ESR3268	1
Change point - VIN end MA091472, V8 Petrol, 108" (2743mm) Wheelbase, (-)"GB"				ESR1797	1
Change point - VIN end MA091472, V8 Petrol, 108" (2743mm) Wheelbase, (-)"GB"					
Change point - VIN end MA091472, V8 Petrol, 108" (2743mm) Wheelbase, (-)"GB"					



I01.065  
 11-2002  
 L2  
 BEJXE1A

With Petrol Engines

Callout	Name	Application	Remarks & Restrictions	Service No.	Qty
4	Filter assembly-in line fuel lines	Change point - VIN begin JA610294, (-) "CDN/MEX/USA" Change point - VIN end RA647649, (+) "CDN/MEX/USA"		ESR3117	1
				ESR4065	1
				NTC6936	1
5	Bracket-fuel filter			NTC6937	1
6	Screw		Flanged Head, M8 x 20	FS108201L	1
7	Washer		8MM	WA108051L	2
8	Nut - Hex.		M8, nyloc	NY108041L	1
9	Protector-pipe fuel	Change point - VIN end MA661894 Change point - VIN begin MA661895		MUC8849	1
				ESR3298	1
10	Protector-pipe fuel			NTC4859	2
11	Clip-Hose			C435997L	2
12	Nut-tube-female		M12	NRC9770	4
13	Olive			NRC9771	4
14	Tie-cable		4.8 x 270mm, inside serated	568680	2
15	Clip		8MM	79122	X
16	Clip-double fuel lines		6 - 8MM Double, 6 - 8MM	ESR1600	9
				ESR1373	9
17	O Ring		fuel filter to pipe	ESR259	X

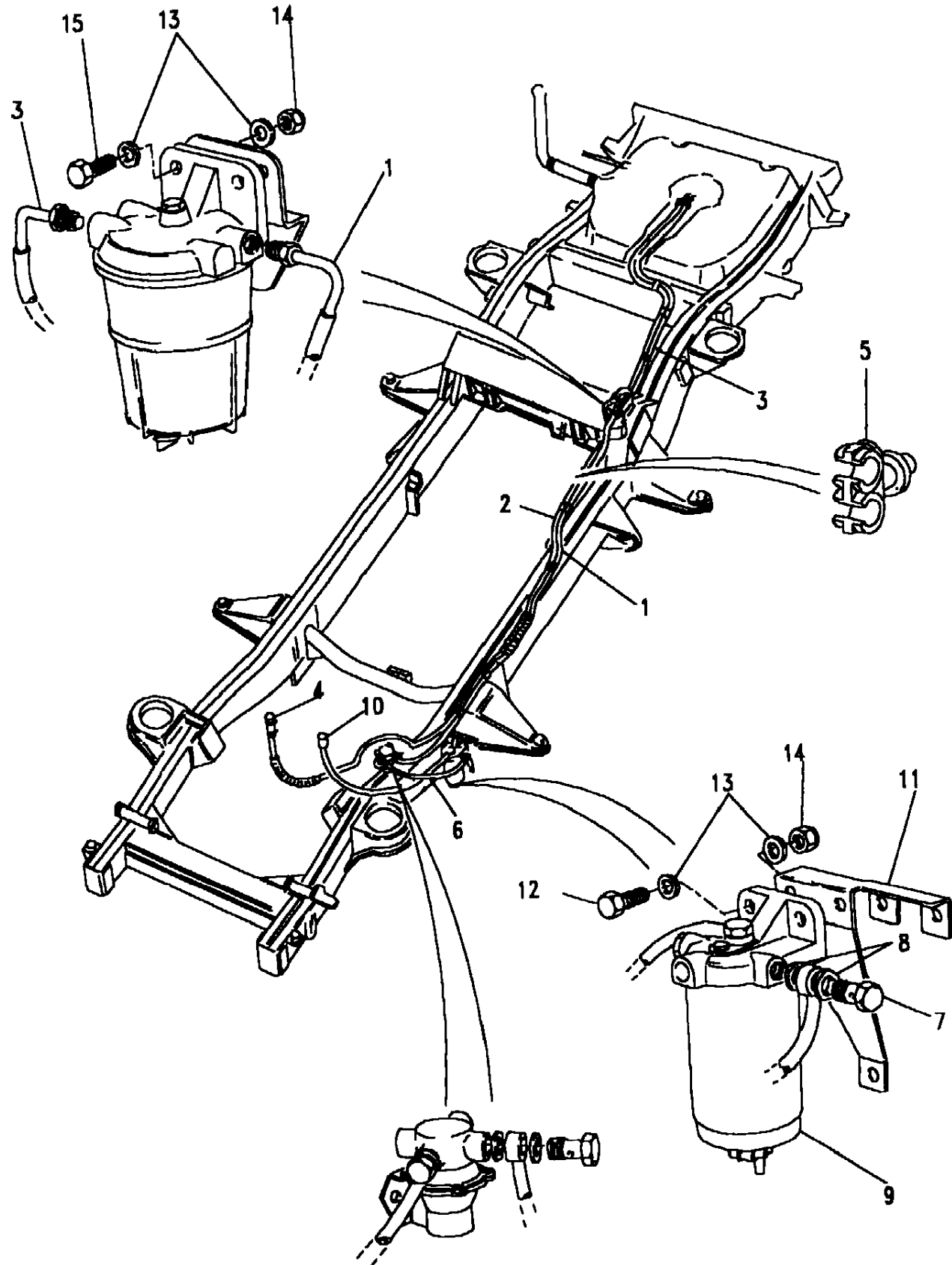
Range Rover (From JA610294)

(BDJXEC1A)

Range Rover (From JA610294)

4 Cylinder TDi Diesel, With Diesel Engines

Callout	Name	Application	Remarks & Restrictions	Service No.	Qty
1	Pipe Fuel	Change point - VIN end LA647644, 2.5L I4 TDi Turbo Diesel, 5 Speed Manual Transmission, Less Catalyst Change point - VIN begin MA647645, TDi Diesel	Engine Code 12L 2.5 TDi Manual - Gemini  (-) 12L 2.5 TDi Manual - Gemini	NTC7335  ESR2825	1  1
2	Pipe-feed-fuel lines	Change point - VIN end LA647644, 2.5L I4 TDi Turbo Diesel, 5 Speed Manual Transmission, Less Catalyst Change point - VIN begin MA647645, TDi Diesel	Engine Code 12L 2.5 TDi Manual - Gemini  (-) 12L 2.5 TDi Manual - Gemini	ESR163  ESR2994	1  1
3	Hose lift pump/filter	Change point - VIN end LA647644, 2.5L I4 TDi Turbo Diesel, 5 Speed Manual Transmission, Less Catalyst Change point - VIN begin MA647645, Change point - Engine end 22L02810A, TDi Diesel Change point - Engine begin 22L02811A, TDi Diesel	Engine Code 12L 2.5 TDi Manual - Gemini  (-) 12L 2.5 TDi Manual - Gemini  (-) 12L 2.5 TDi Manual - Gemini	ESR267  ESR2991  ESR3371	1  1  1
4	Pipe-fuel filter/fuel injection pump	Change point - VIN end LA647644, 2.5L I4 TDi Turbo Diesel, 5 Speed Manual Transmission, Less Catalyst Change point - VIN begin MA647645, TDi Diesel	Engine Code 12L 2.5 TDi Manual - Gemini  (-) 12L 2.5 TDi Manual - Gemini	ESR1326  ESR2992	1  1
5	Pipe-return fuel lines	Change point - VIN end LA647644, 2.5L I4 TDi Turbo Diesel, 5 Speed Manual Transmission, Less Catalyst Change point - VIN begin MA647645, TDi Diesel	Engine Code 12L 2.5 TDi Manual - Gemini  (-) 12L 2.5 TDi Manual - Gemini	ESR2260  ESR2995	1  1
6	Nut-tube-female	TDi Diesel	M12	NRC9770	1
7	Olive	TDi Diesel		NRC9771	1
8	Washer-copper	TDi Diesel		ESR354	4
9	Bolt-banjo	TDi Diesel		NTC3346	2
10	Clip	TDi Diesel	Double, 6 - 8MM	ESR1373	10





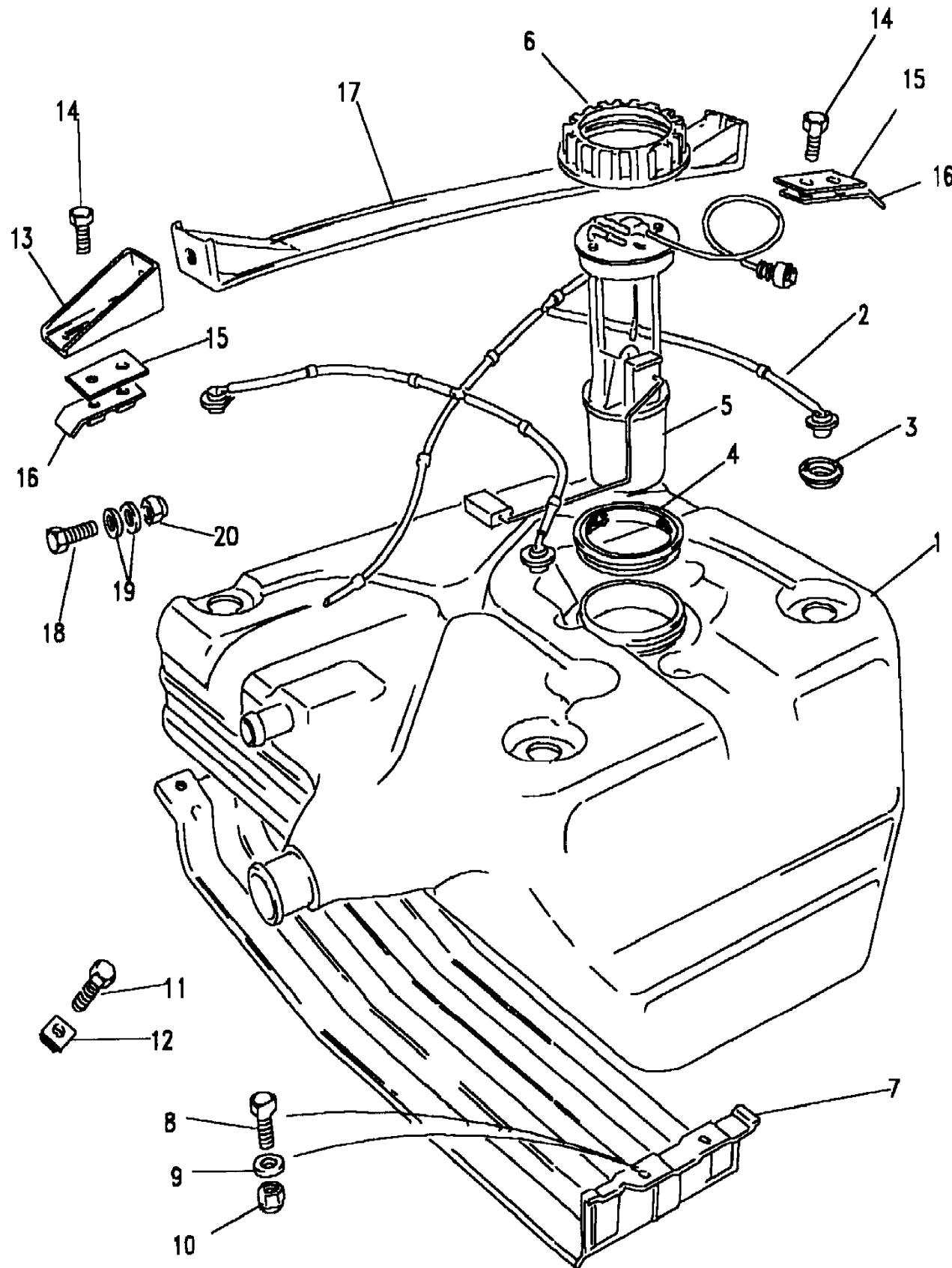
Range Rover (From JA610294)

(BDJXAA1A)

Range Rover (From JA610294)

With Petrol Engines

Callout	Name	Application	Remarks & Restrictions	Service No.	Qty
1	Tank assembly fuel	Change point - VIN end KA638156 Change point - VIN end KA638156 Change point - VIN end KA638156		NTC6741 ESR2585 WHW100000	1 1 1
2	Pipe-breather fuel tank	Change point - VIN end KA638156		ESR578	1
3	Grommet	Change point - VIN end KA638156		NTC5879	4
4	Seal-fuel pump unit tank	Change point - VIN end KA638156	fuel tank pump/sender unit	NTC5859	1
5	Pump-fuel-unit assembly fuel tank	Change point - VIN end KA638156, (+)"BR" Change point - VIN end KA638156, (-)"BR"		ESR1901 PRC9409	1 1
6	Ring-locking fuel tank	Change point - VIN end KA638156, (-)"BR"	Red	NTC5858	1
7	Cradle-fuel tank support	Change point - VIN end KA638156, (-)"BR"		NTC5787	1
8	Screw	Change point - VIN end KA638156, (-)"BR"	hexagonal head, M10 x 20	SH110201L	2
9	Washer	Change point - VIN end KA638156, (-)"BR"	M10	WA110061L	6
10	Nut - Hex.	Change point - VIN end KA638156, (-)"BR"	M10, hexagonal head, nyloc	NY110041L	2
11	Screw	Change point - VIN end KA638156, (-)"BR"	M10 x 20	SH110201M	2
12	Plate assembly-weld bolt	Change point - VIN end KA638156, (-)"BR"		NTC7267	2
13	Bracket - Fuel Tank	Change point - VIN end KA638156	Front	NTC6769	1
14	Screw	Change point - VIN end KA638156	M8 X 16, hexagonal head	SH108161L	2
15	Spacer	Change point - VIN end KA638156		NTC6771	2
16	Plate-mounting fuel tank	Change point - VIN end KA638156		NTC6770	1
17	Strap assembly fuel tank	Change point - VIN end MA645563		NTC7611	1



Fuel & Emission Systems  
 Fuel-Air Cleaner-Evaporative Loss  
 Fuel Tank Pump & Mountings Petrol 2/2

**Range Rover (From JA610294)**

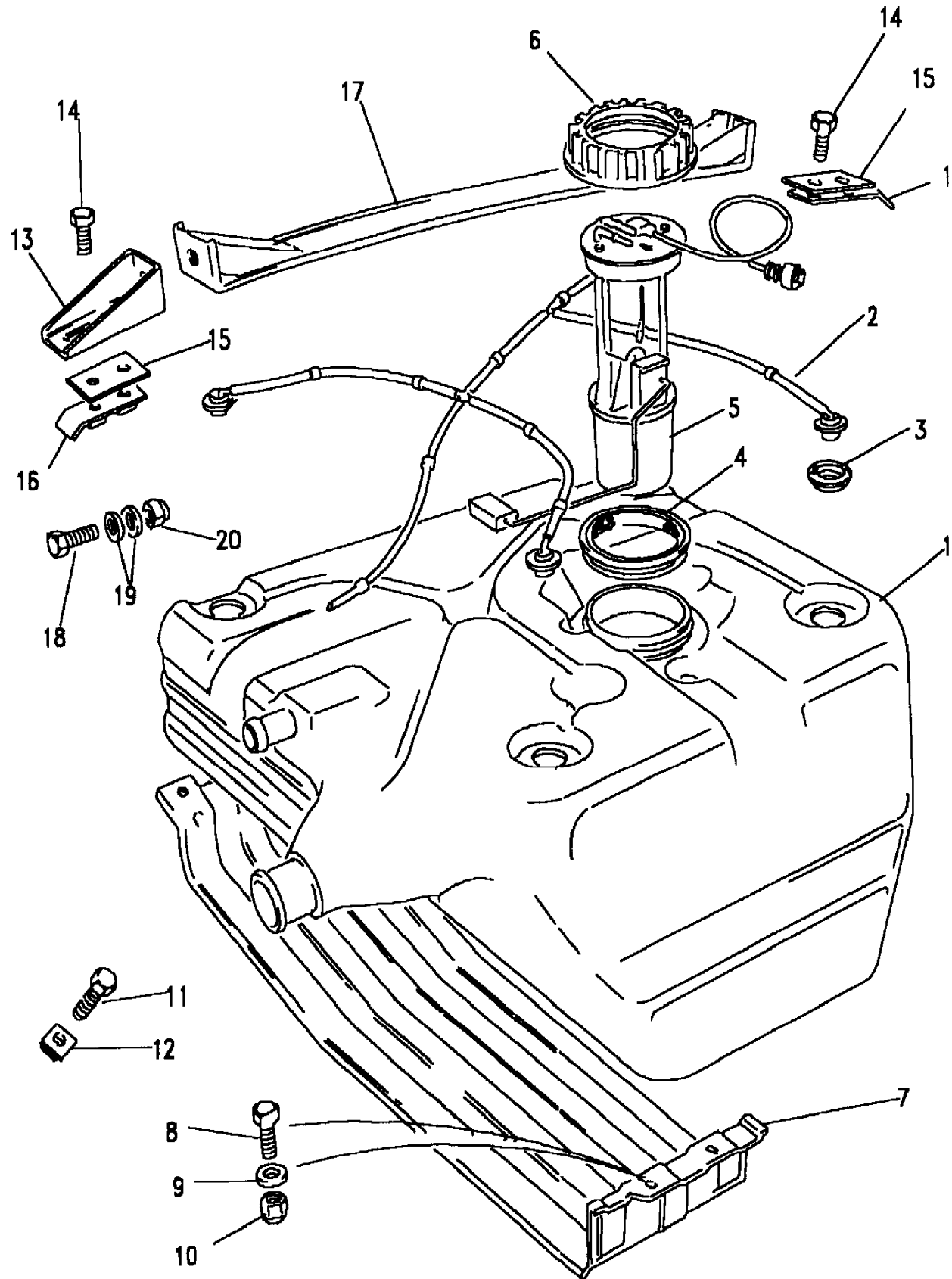
(BDJXAA1A)

**Range Rover (From JA610294)**

Fuel & Emission Systems  
 Fuel-Air Cleaner-Evaporative Loss  
 Fuel Tank Pump & Mountings Petrol

With Petrol Engines

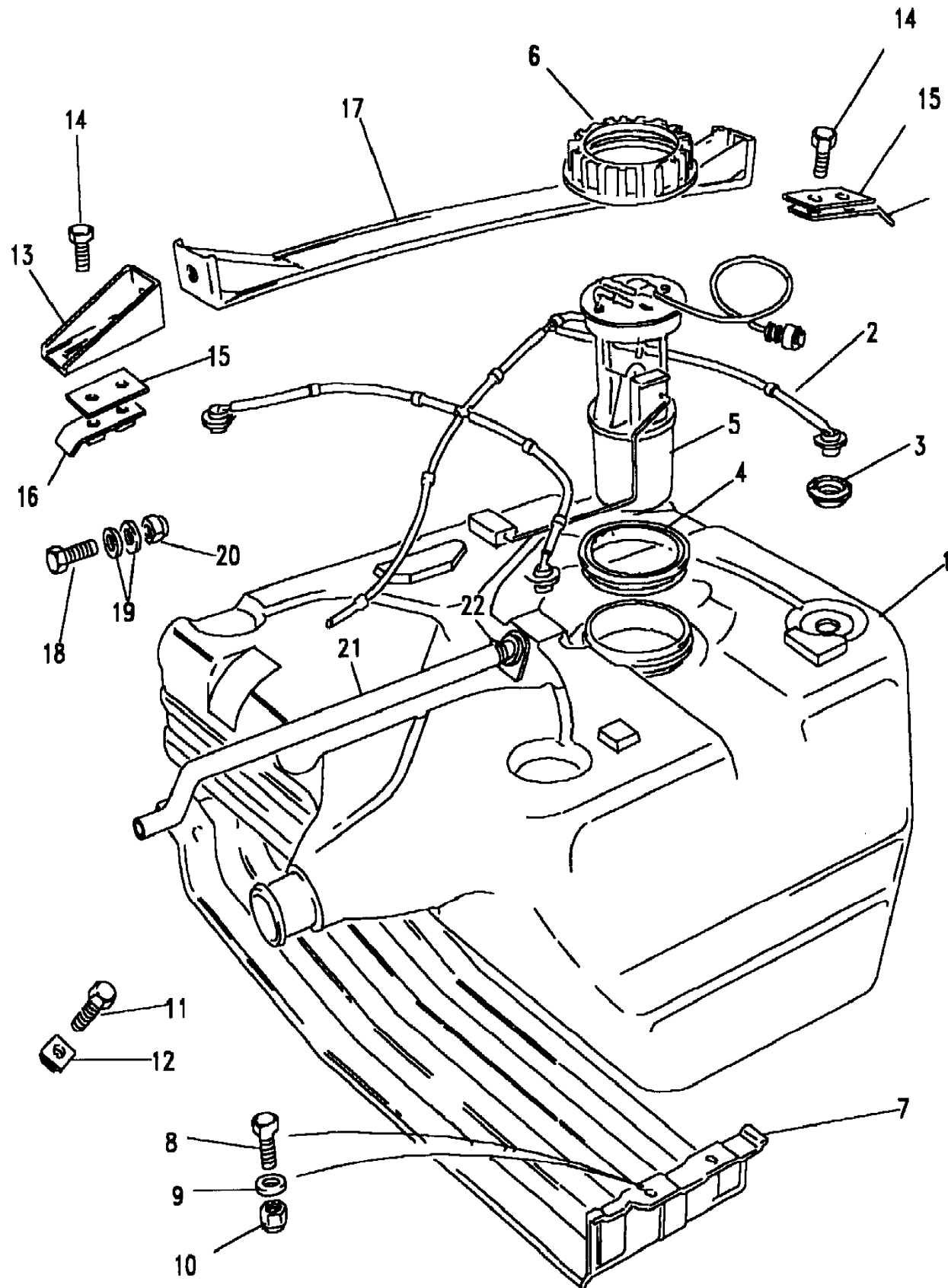
Callout	Name	Application	Remarks & Restrictions	Service No.	Qty
17	Strap assembly fuel tank	Change point - VIN end KA638156, Change point - VIN begin MA645564		ESR2327	1
18	Screw	Change point - VIN end KA638156	hexagonal head, M10 x 20	SH110201L	1
19	Washer	Change point - VIN end KA638156	M10	WA110061L	2
20	Nut - Hex.	Change point - VIN end KA638156	M10, hexagonal head, nyloc	NY110041L	1
[903]	Hose	(+)"CDN/MEX/USA"	Must Order NRC9771(X2) & NRC9770(X2) When Ordering Fuel Pump, Breather	ESR1056	1



Range Rover (From JA610294)

(BDJXAA1B)

Range Rover (From JA610294)



Callout	Name	Application	Remarks & Restrictions	Service No.	Qty
1	Tank assembly fuel	Change point - VIN begin KA638157 Change point - VIN begin KA638157		ESR2585 WHW100000	1 1
2	Pipe-breather fuel tank	Change point - VIN begin KA638157		ESR578	1
3	Grommet	Change point - VIN begin KA638157		NTC5879	4
4	Seal-fuel pump unit tank	Change point - VIN begin KA638157		NTC5859	1
5	Pump-fuel-unit assembly fuel tank	Change point - VIN end RA642682, (+)"CDN/MEX/USA" Change point - VIN begin KA638157, Change point - VIN end KA642682, (+)"GB" Change point - VIN begin KA642683, Change point - VIN end MA660250, (+)"GB" Change point - VIN begin MA660251, Change point - VIN end TA660290, (+)"GB" Change point - VIN begin TA660291, (+)"GB" Change point - VIN begin KA638157, (+)"BR"	Must Order NRC9771(X2) & NRC9770(X2) When Ordering Fuel Pump	PRC9668 PRC9409	1 1
6	Ring-locking fuel tank	Change point - VIN begin KA638157	Red	NTC5858	1
7	Cradle-fuel tank support	Change point - VIN begin KA638157		NTC5787	1
8	Screw	Change point - VIN begin KA638157	hexagonal head, M10 x 20	SH110201L	2
9	Washer	Change point - VIN begin KA638157	M10	WA110061L	6
10	Nut - Hex.	Change point - VIN begin KA638157	M10, hexagonal head, nyloc	NY110041L	2
11	Screw	Change point - VIN begin KA638157	M10 x 20	SH110201M	2
12	Plate assembly-weld bolt	Change point - VIN begin KA638157		NTC7267	2
13	Bracket - Fuel Tank	Change point - VIN begin KA638157	Front	NTC6769	1

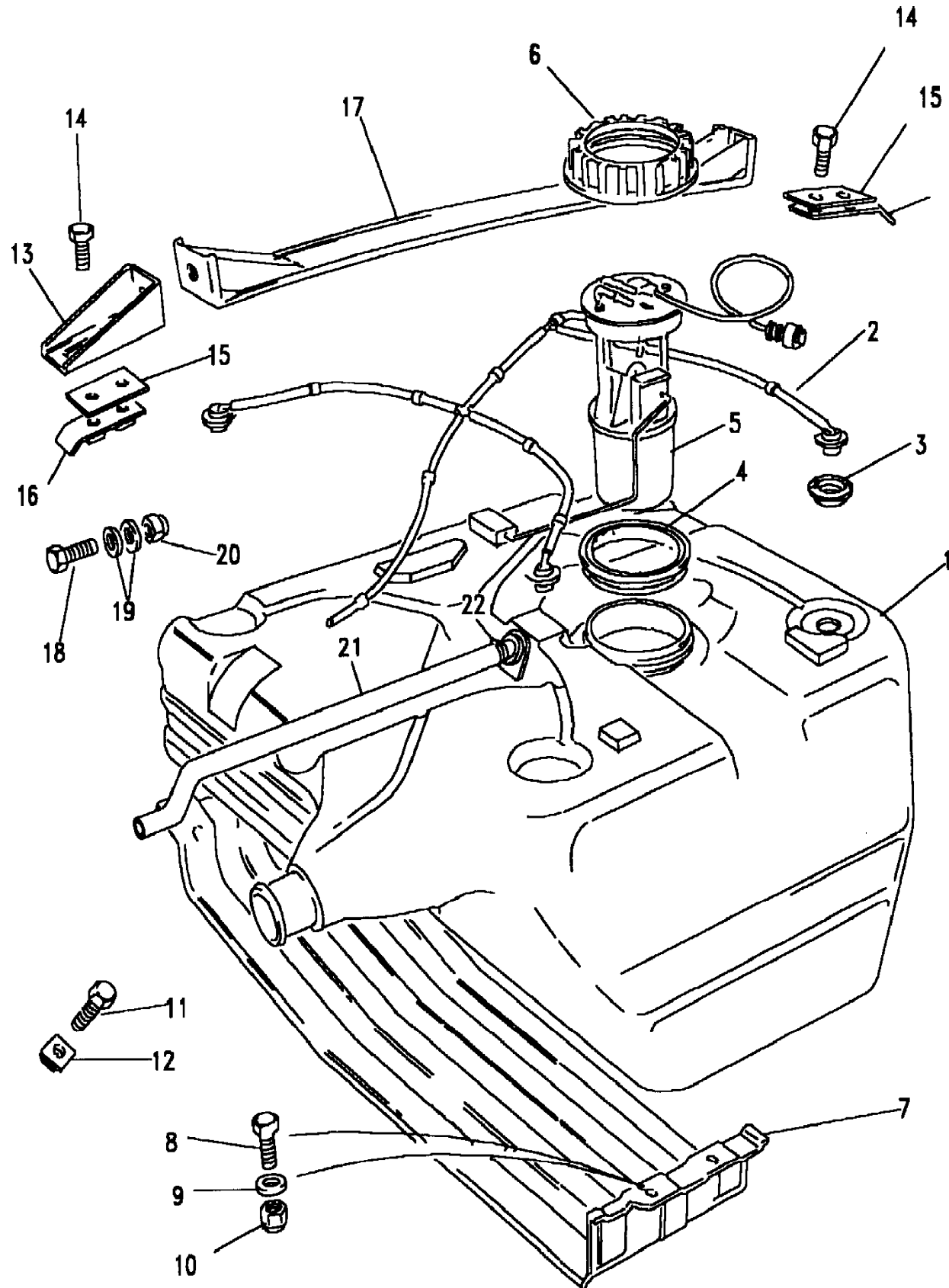
Range Rover (From JA610294)

(BDJXAA1B)

Range Rover (From JA610294)

With Petrol Engines

Callout	Name	Application	Remarks & Restrictions	Service No.	Qty
14	Screw	Change point - VIN begin KA638157	M8 X 16, hexagonal head	SH108161L	2
15	Spacer	Change point - VIN begin KA638157		NTC6771	2
16	Plate-mounting fuel tank	Change point - VIN begin KA638157		NTC6770	1
17	Strap assembly fuel tank	Change point - VIN begin KA638157, Change point - VIN end KA646260 Change point - VIN begin KA646261		NTC7611 ESR2327	1 1
18	Screw	Change point - VIN begin KA638157	Flanged Head, M10 x 30, top	FS110301L	1
19	Washer	Change point - VIN begin KA638157	M10	WA110061L	2
20	Nut - Hex.	Change point - VIN begin KA638157	M10, hexagonal head, nyloc	NY110041L	1
21	Hose assembly-breather fuel	Change point - VIN begin KA638157		ESR1056	1
22	Clip-Hose	Change point - VIN begin KA638157	30MM	CN100308L	1





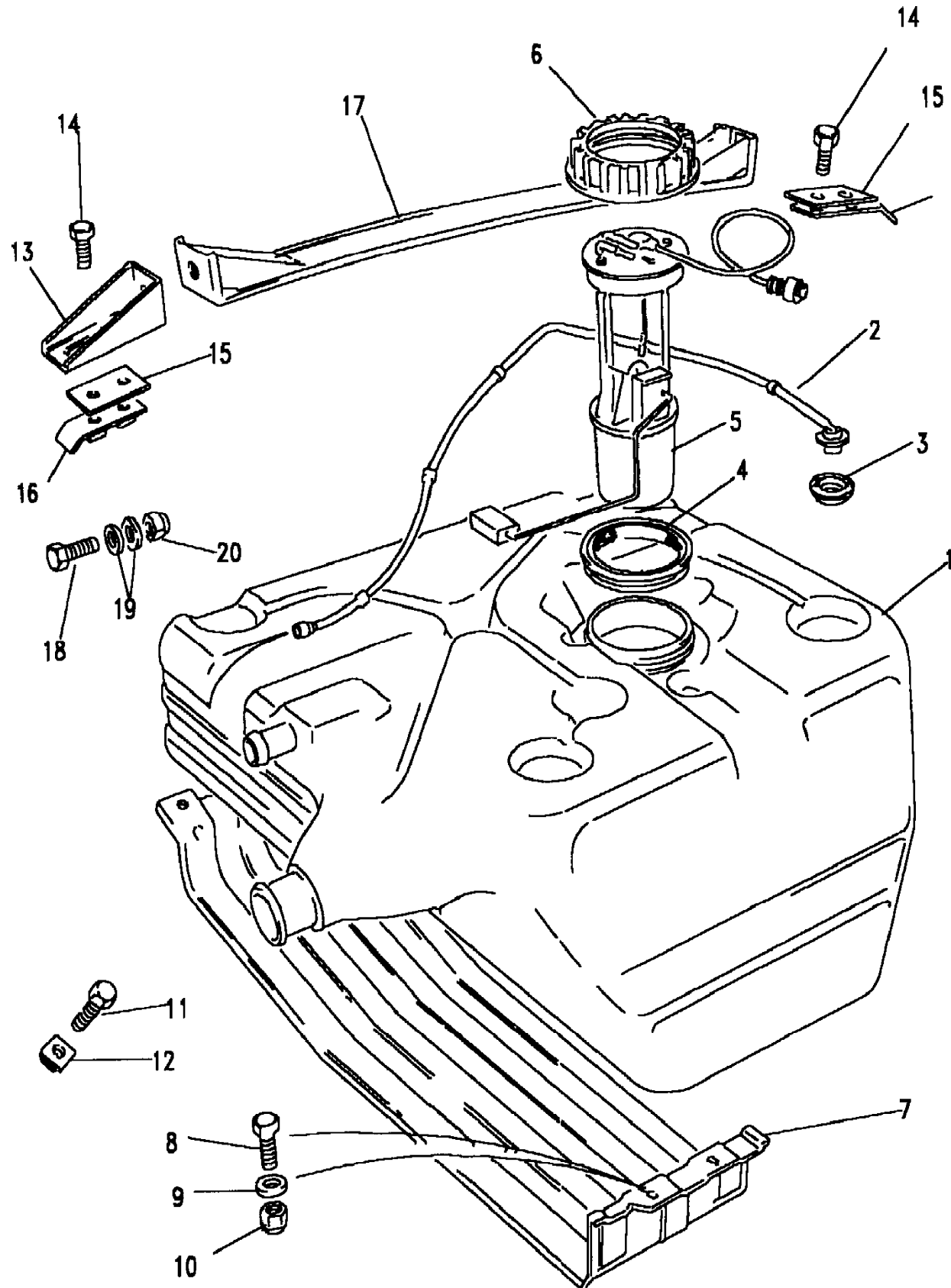
Range Rover (From JA610294)

(BDJXAA2A)

Range Rover (From JA610294)

With Diesel Engines

Callout	Name	Application	Remarks & Restrictions	Service No.	Qty
1	Tank assembly fuel	Change point - VIN end KA638350		ESR460	1
2	Pipe-breather fuel tank	Change point - VIN end KA638350	Also serviced as part of a kit	ESR461	1
3	Grommet	Change point - VIN end KA638350	Also serviced as part of a kit	NTC5879	4
4	Seal-fuel pump unit tank	Change point - VIN end KA638350		NTC5859	1
5	Pump-fuel-unit assembly fuel tank	Change point - VIN end KA638350		PRC7129	1
6	Ring-locking fuel tank	Change point - VIN end KA638350	Black	NTC6872	1
7	Cradle-fuel tank support	Change point - VIN end KA638350		NTC5787	1
8	Screw	Change point - VIN end KA638350	hexagonal head, M10 x 20	SH110201L	2
9	Washer-Plain	Change point - VIN end KA638350	M10	WA110041L	6
10	Nut - Hex.	Change point - VIN end KA638350	M10, hexagonal head, nyloc	NY110041L	2
11	Screw	Change point - VIN end KA638350	M10 x 20	SH110201M	2
12	Plate assembly-weld bolt	Change point - VIN end KA638350		NTC7267	2
13	Bracket - Fuel Tank	Change point - VIN end KA638350	Front	NTC6769	1
14	Screw	Change point - VIN end KA638350	M8 X 16, hexagonal head	SH108161L	2
15	Spacer	Change point - VIN end KA638350		NTC6771	2
16	Plate-mounting fuel tank	Change point - VIN end KA638350		NTC6770	1
17	Strap assembly fuel tank	Change point - VIN end MA645563 Change point - VIN end KA638350, Change point - VIN begin MA645564		NTC7611 ESR2327	1 1
18	Screw	Change point - VIN end KA638350	hexagonal head, M10 x 20	SH110201L	1



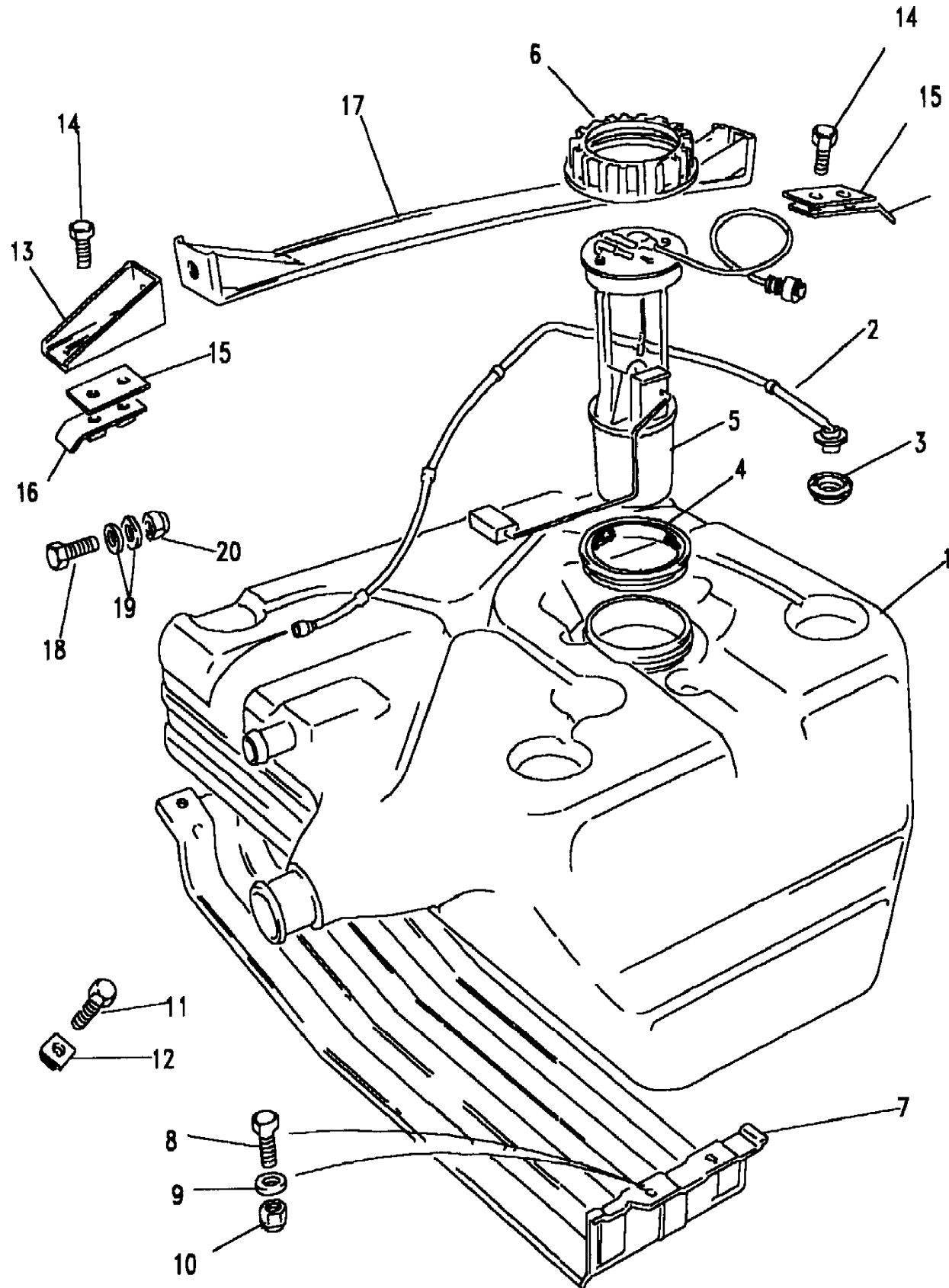
Range Rover (From JA610294)

(BDJXAA2A)

Range Rover (From JA610294)

With Diesel Engines

Callout	Name	Application	Remarks & Restrictions	Service No.	Qty
19	Washer	Change point - VIN end KA638350	M10	WA110061L	2
20	Nut - Hex.	Change point - VIN end KA638350	M10, hexagonal head, nyloc	NY110041L	1



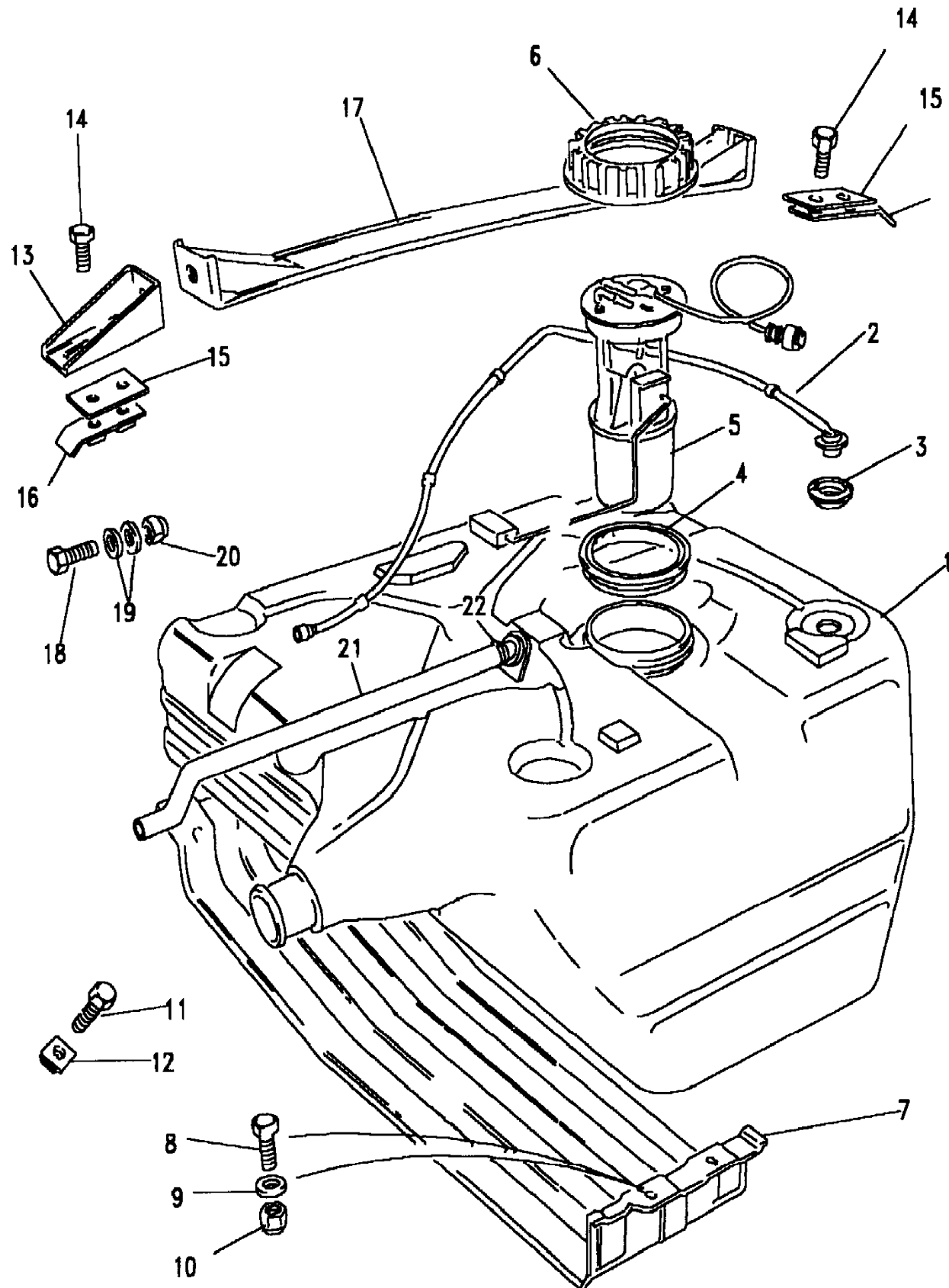
Range Rover (From JA610294)

(BDJXAA2B)

Range Rover (From JA610294)

With Diesel Engines

Callout	Name	Application	Remarks & Restrictions	Service No.	Qty
1	Tank assembly fuel	Change point - VIN begin KA638351		ESR2584	1
2	Pipe-breather fuel tank	Change point - VIN begin KA638351, Change point - VIN end KA642683 Change point - VIN begin KA642684	Also serviced as part of a kit	ESR461 ESR2643	1 1
3	Grommet	Change point - VIN begin KA638351		NTC5879	4
4	Seal-fuel pump unit tank	Change point - VIN begin KA638351		NTC5859	1
5	Pump-fuel-unit assembly fuel tank	Change point - VIN begin KA638351, Change point - VIN end KA642683 Change point - VIN begin KA642684		PRC7129 ESR1223	1 1
6	Ring-locking fuel tank	Change point - VIN begin KA638351	Black	NTC6872	1
7	Cradle-fuel tank support	Change point - VIN begin KA638351		NTC5787	1
8	Screw	Change point - VIN begin KA638351	hexagonal head, M10 x 20	SH110201L	2
9	Washer	Change point - VIN begin KA638351	M10	WA110061L	6
10	Nut - Hex.	Change point - VIN begin KA638351	M10, hexagonal head, nyloc	NY110041L	2
11	Screw	Change point - VIN begin KA638351	M10 x 20	SH110201M	2
12	Plate assembly-weld bolt	Change point - VIN begin KA638351		NTC7267	2
13	Bracket - Fuel Tank	Change point - VIN begin KA638351	Front	NTC6769	1
14	Screw	Change point - VIN begin KA638351	M8 X 16, hexagonal head	SH108161L	2
15	Spacer	Change point - VIN begin KA638351		NTC6771	2
16	Plate-mounting fuel tank	Change point - VIN begin KA638351		NTC6770	1
17	Strap assembly fuel tank	Change point - VIN begin KA638351, Change point - VIN end KA646260		NTC7611	1



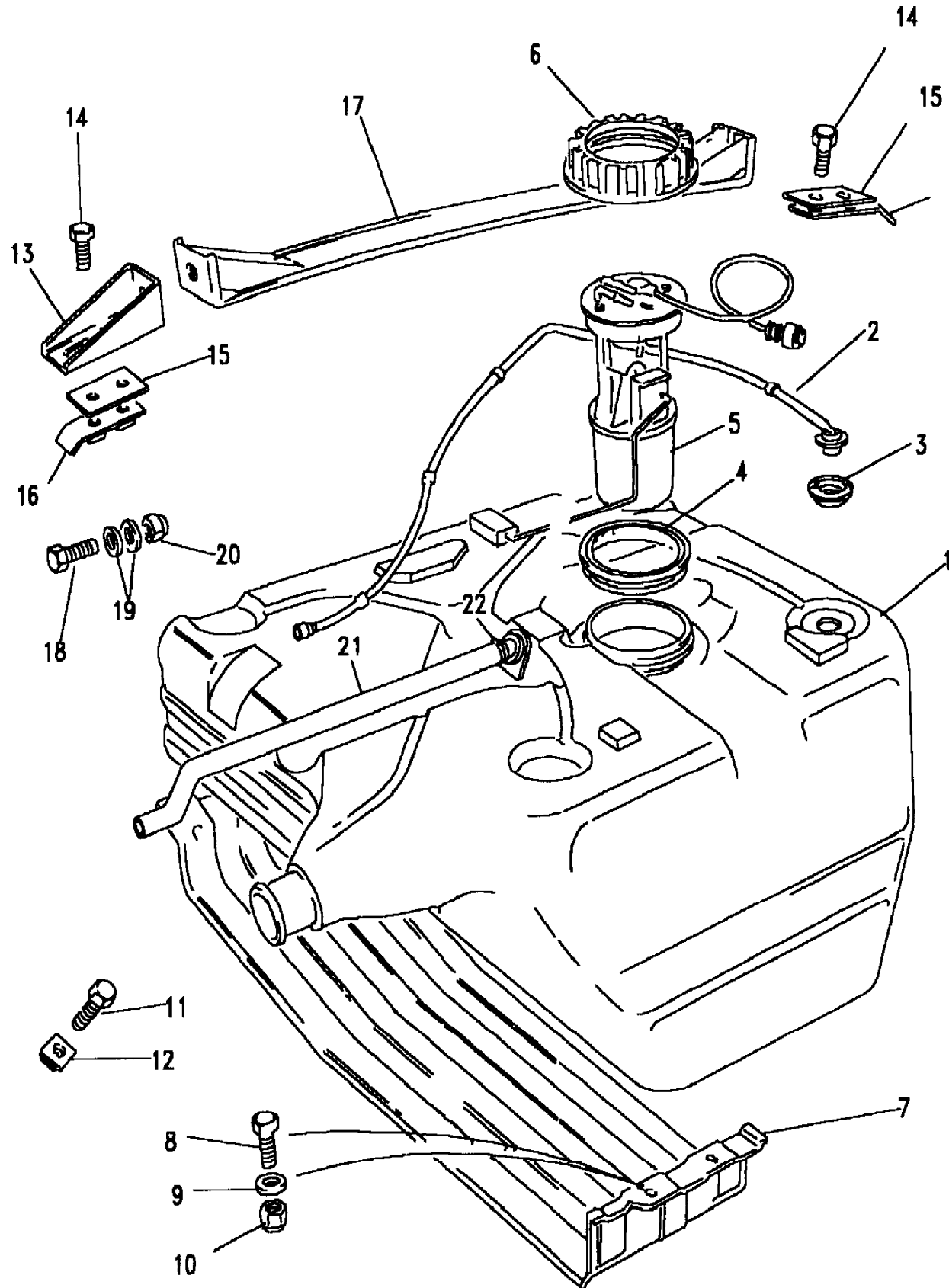
Range Rover (From JA610294)

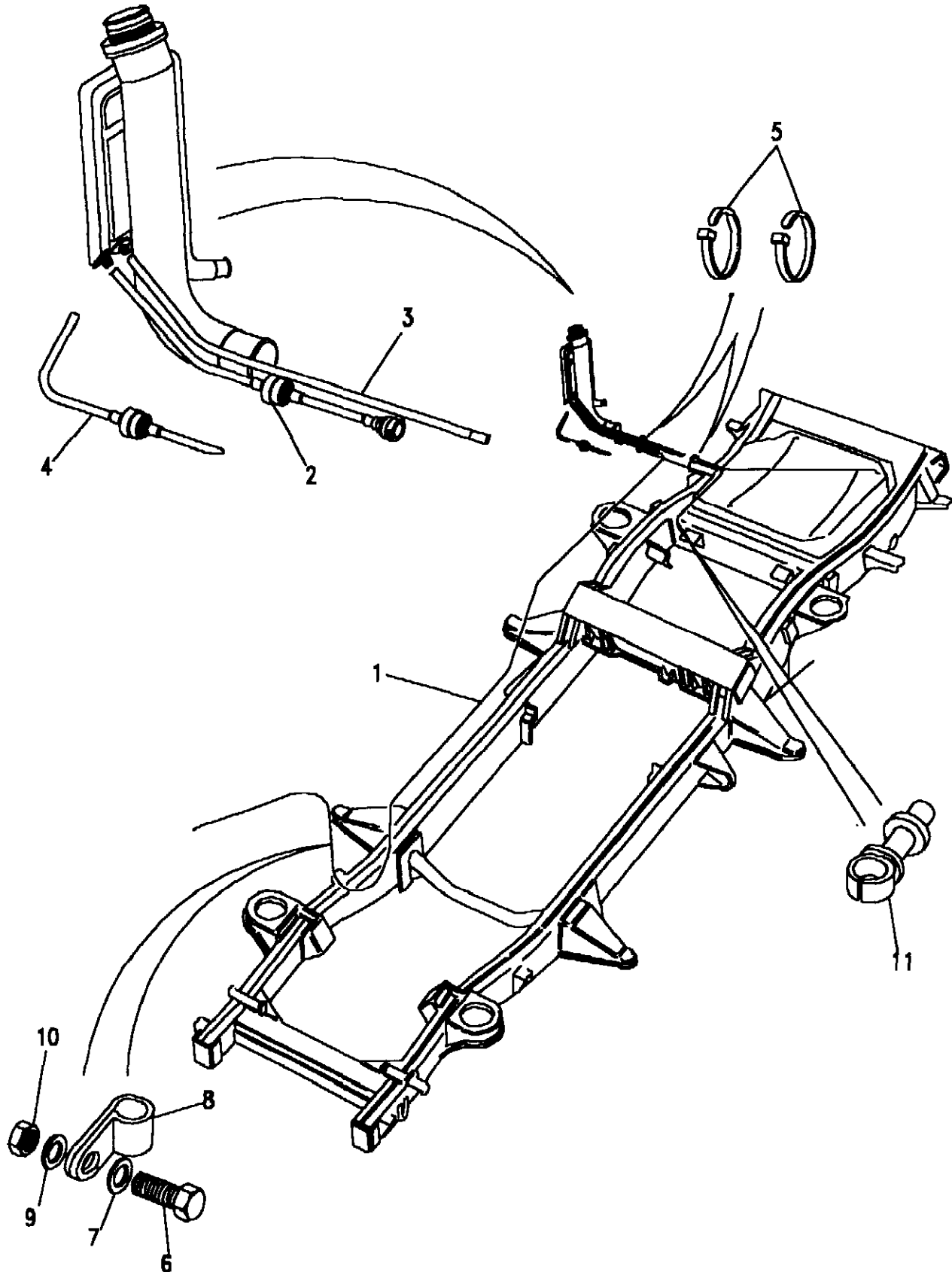
(BDJXAA2B)

Range Rover (From JA610294)

With Diesel Engines

Callout	Name	Application	Remarks & Restrictions	Service No.	Qty
17	Strap assembly fuel tank	Change point - VIN begin KA646261		ESR2327	1
18	Screw	Change point - VIN begin KA638351	Flanged Head, M10 x 30, top	FS110301L	1
19	Washer	Change point - VIN begin KA638351	M10	WA110061L	2
20	Nut - Hex.	Change point - VIN begin KA638351	M10, hexagonal head, nyloc	NY110041L	1
21	Hose assembly-breather fuel	Change point - VIN begin KA638351		ESR1056	1
22	Clip-Hose	Change point - VIN begin KA638351	30MM	CN100308L	1
23	Valve-fuel cut fuel tank	Change point - VIN begin KA638351		NTC4517	1





Callout	Name	Application	Remarks & Restrictions	Service No.	Qty
1	Pipe assembly-evap/vs to canister	Change point - VIN begin KA624756, 100"		ESR2219	1
		Change point - VIN begin KA624756, 108" (2743mm) Wheelbase		ESR2220	1
2	Valve-vapour pressure relief	Change point - VIN begin KA624756, 100"		NTC7567	1
		Change point - VIN begin KA624756, 108" (2743mm) Wheelbase		NTC7567	1
3	Pipe-tank to filter feed	Change point - VIN begin KA624756		ESR1353	1
4	Pipe assembly-filler-fuel tank	Change point - VIN begin KA624756		ESR1355	1
5	Tie-cable	Change point - VIN begin KA624756	4.8 x 270mm, inside serated	568680	2
6	Screw	Change point - VIN begin KA624756		78177	1
7	Washer-Plain	Change point - VIN begin KA624756		WC702101L	1
8	Clip-p	Change point - VIN begin KA624756		AEU1448	1
9	Washer-Spring	Change point - VIN begin KA624756	3/16 dia, Square	WM702001L	1
10	Nut - Hex.	Change point - VIN begin KA624756		RTC608	1
11	Clip	Change point - VIN begin KA624756	8MM	79122	1