

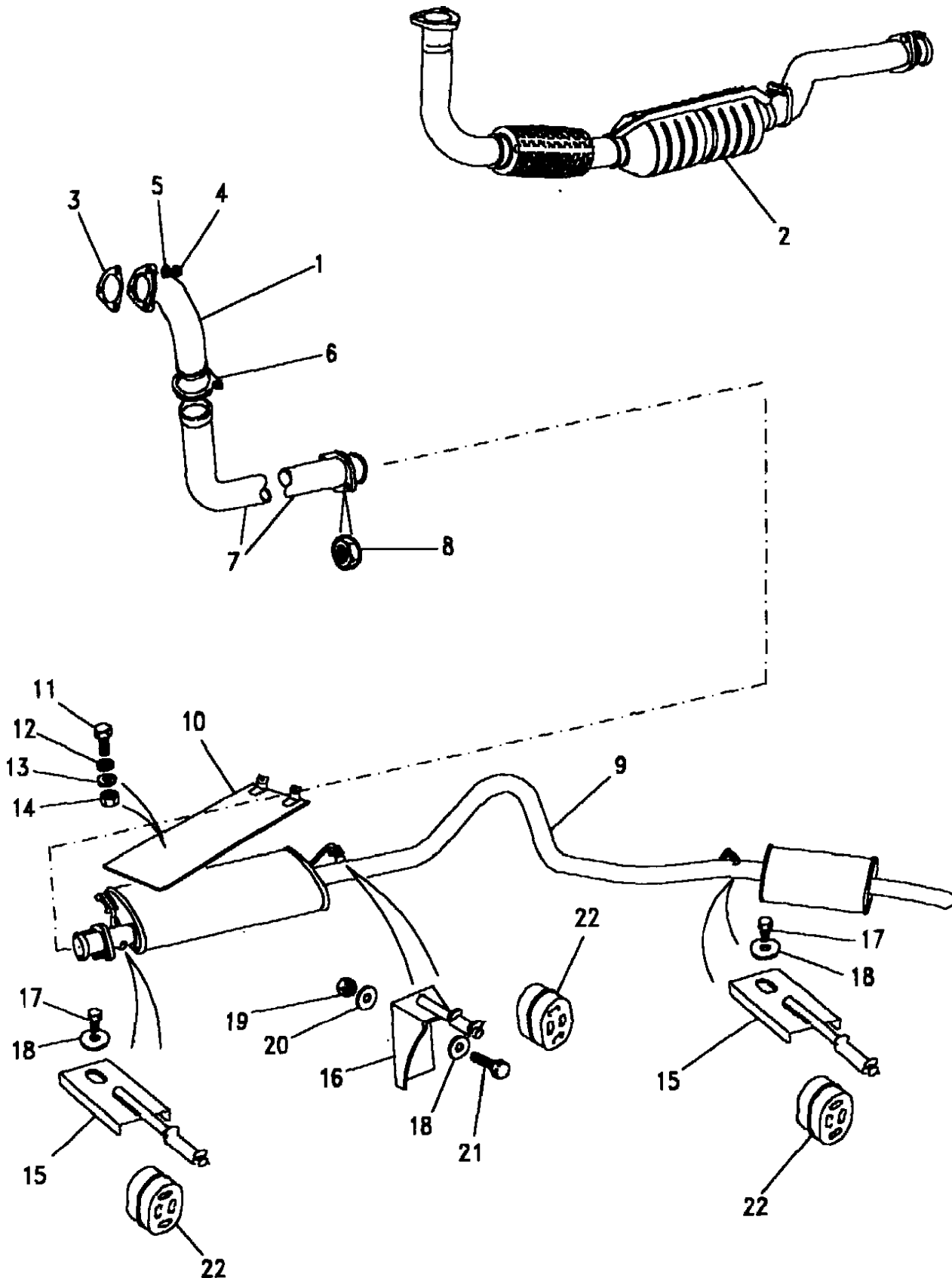
Range Rover (From JA610294)

(BDKXDE1A)

Range Rover (From JA610294)

TDi Diesel L/R

Callout	Name	Application	Remarks & Restrictions	Service No.	Qty
1	Downpipe assembly exhaust system	Change point - Engine end 14L037468a, TDi Diesel, Less Catalyst Change point - VIN begin LA643530, Change point - VIN end LA647644, TDi Diesel, Less Catalyst		ERR1295 ERR4530	1 1
2	Downpipe assembly exhaust system	Change point - VIN begin MA647645, TDi Diesel, With Catalyst Change point - VIN begin MA647645, TDi Diesel, Less Catalyst	with catalyst.	ESR2739 ESR2740	1 1
3	Gasket exhaust system	4 Cyl TDi Diesel, Less Catalyst With Catalyst	turbo outlet to exhaust downpipe turbo outlet to exhaust downpipe turbo outlet to exhaust downpipe	ETC7513 ERR4106 ESR3260	1 X 1
4	Nut-flange-nyloc	TDi Diesel, Less Catalyst TDi Diesel, With Catalyst	M10 M10	ERR597 ESR2034	3 3
5	Washer	TDi Diesel	M10	WA110061L	3
6	Clamp	TDi Diesel	exhaust downpipe to manifold	NTC4881	1
7	Pipe assembly-a exhaust	TDi Diesel		ESR1887	1
8	Nut - Hex.	TDi Diesel	M8	NV108041L	2
9	Rear assembly exhaust system	Change point - VIN end LA647644, TDi Diesel, Less EGR, Less Catalyst Change point - VIN begin MA647645, TDi Diesel, Less EGR, Less Catalyst Change point - VIN begin MA647645, TDi Diesel, EGR, With Catalyst		ESR1855 ESR2380 ESR2312	1 1 1
10	Heatshield-tunnel exhaust system	TDi Diesel		NRC7649	1
11	Screw-flanged head	TDi Diesel	M6 X 16, Flanged Head	FS106167L	2
12	Washer	TDi Diesel	M6, sprung	WL106001L	4
13	Washer	TDi Diesel	6MM	WA106041L	4
14	Nut - Hex.	TDi Diesel	M6, nyloc, Hexagonal	NH106041L	2
15	Bracket exhaust system	Change point - VIN end LA647644, TDi Diesel	Front	NTC5648	2



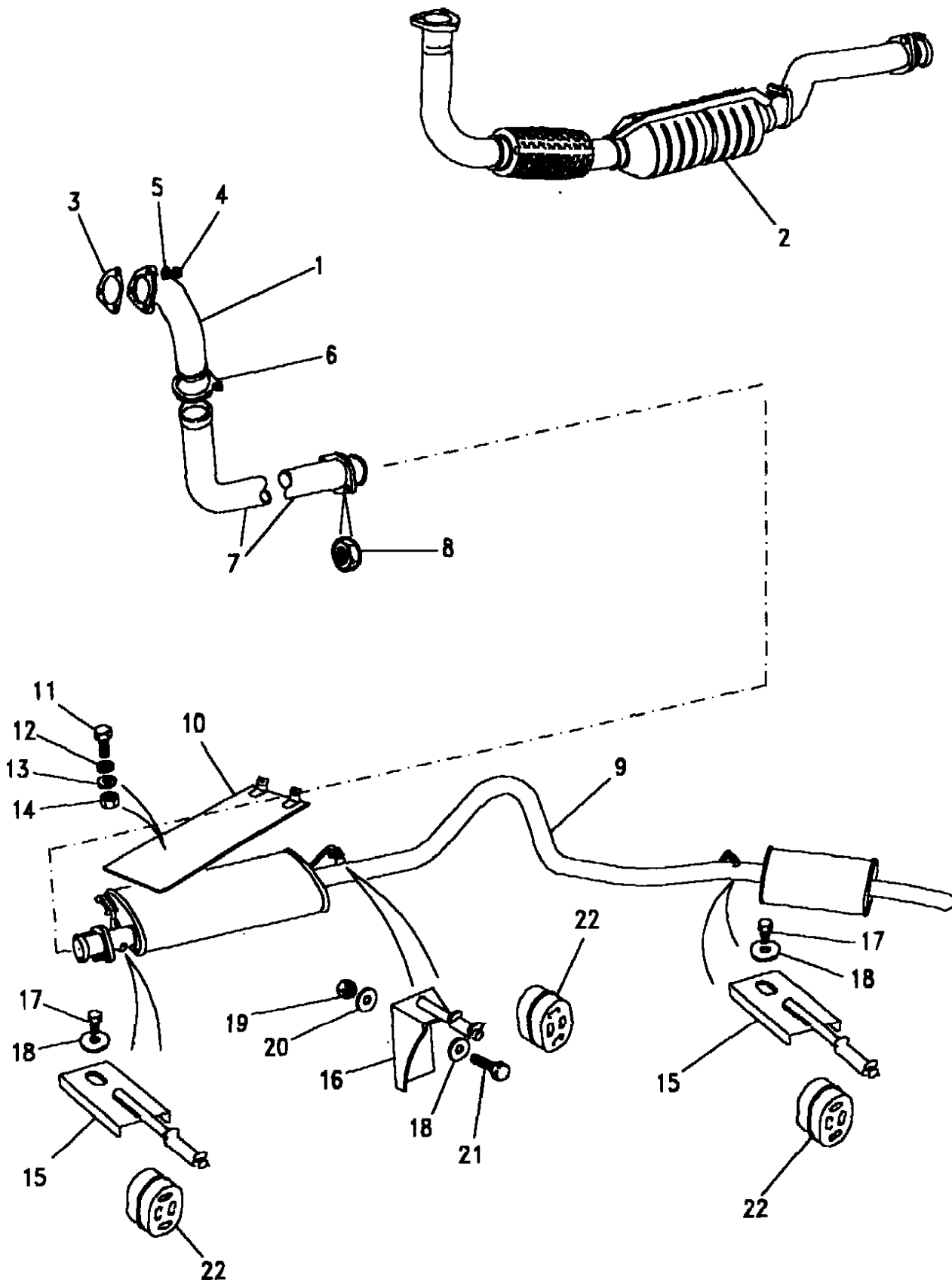
Range Rover (From JA610294)

(BDKXDE1A)

Range Rover (From JA610294)

TDi Diesel L/R

Callout	Name	Application	Remarks & Restrictions	Service No.	Qty
15	Bracket exhaust system	Change point - VIN end LA647644, TDi Diesel	Centre	NTC5634	1
		Change point - VIN begin MA647645, TDi Diesel	Front	ESR2087	1
		Change point - VIN begin MA647645, TDi Diesel	Centre	ESR2131	1
		Change point - VIN begin MA647645, TDi Diesel	Rear	ESR2366	1
16	Bracket exhaust system	TDi Diesel	Rear	ESR2945	1
17	Screw	TDi Diesel	hexagonal head, M8 x 125	GG108251L	2
18	Washer-Plain	TDi Diesel		WP105L	4
19	Nut - Hex.	TDi Diesel	M8	NV108041L	2
20	Washer-Plain	TDi Diesel		WP105L	4
21	Screw	TDi Diesel	hexagonal head, M8 x 40	SH108401L	1
22	Mounting-rubber exhaust system	Change point - VIN end LA647644, TDi Diesel	Rear	NTC5582	3
		Change point - VIN begin MA647645, TDi Diesel	front & rear	ESR3172	3



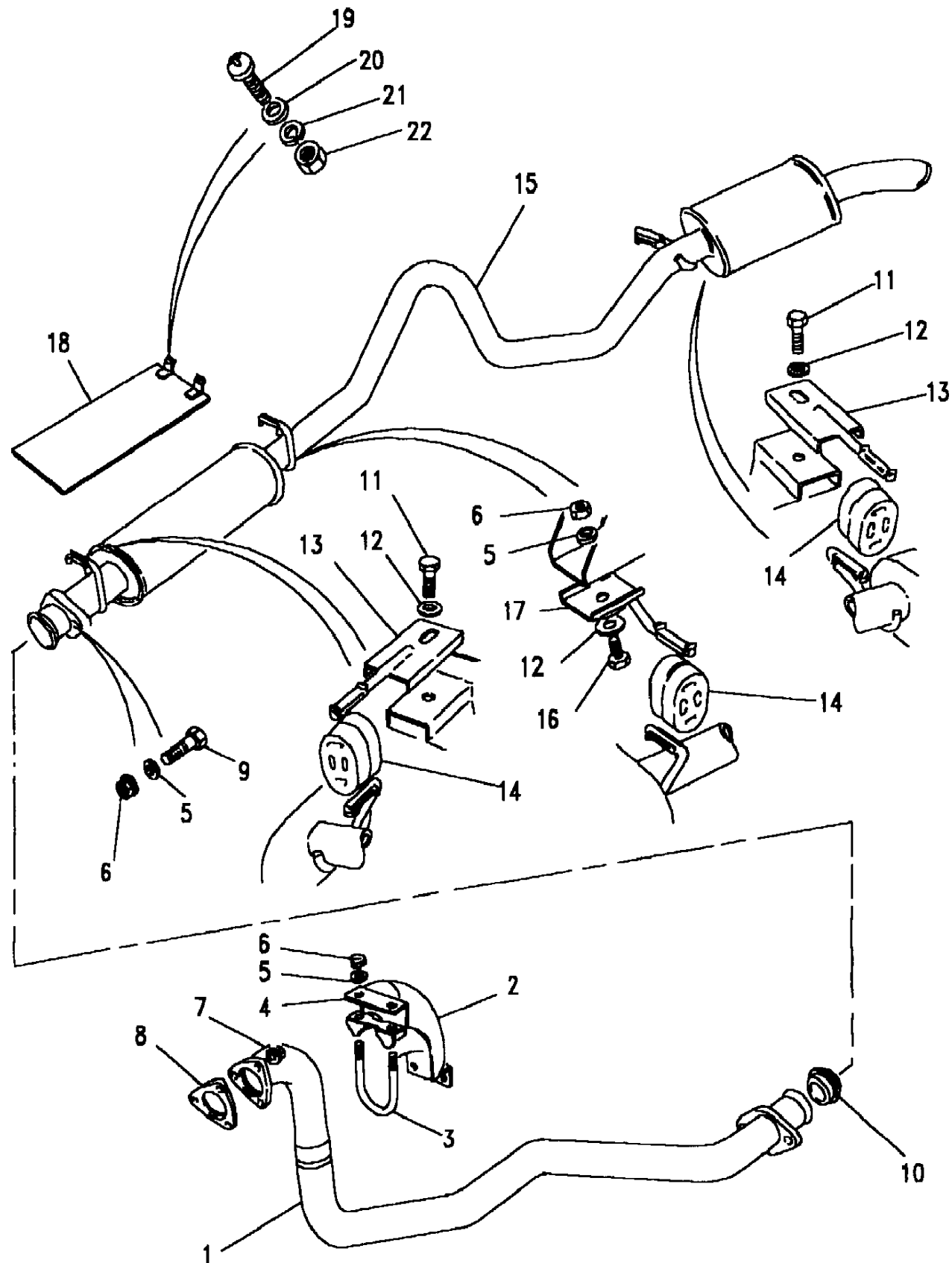
Range Rover (From JA610294)

(BDKXDG1A)

Range Rover (From JA610294)

Diesel VM

Callout	Name	Application	Remarks & Restrictions	Service No.	Qty
1	Downpipe assembly exhaust system	Change point - VIN begin JA610294	(-) TDI	NTC7395	1
2	Heatshield assembly exhaust-downpipe			NTC2237	1
3	Bolt-u			NTC2240	2
4	Clamp		exhaust downpipe to manifold	NTC2239	2
5	Washer		8MM	WA108051L	4
6	Nut - Hex.		M8	NV108041L	4
7	Nut - Hex.		M8, Self Locking	NTC1966	3
8	Gasket exhaust system		manifold to downpipe	RTC4894	1
9	Bolt		M8 x 50, Flanged Head	BH108105L	2
10	Olive		exhaust pipe joint flange	CRC4579L	1
11	Screw		hexagonal head, M8 x 125	GG108251L	2
12	Washer-Plain			WP105L	3
13	Bracket exhaust system		Front	NTC5648	3
14	Mounting-rubber exhaust system	Change point - VIN begin JA610294	Rear	NTC5582	3
15	Rear assembly exhaust system	Change point - VIN begin JA610294	(-) TDI	NTC7362	1
16	Screw		M8 X 16, Flanged Head	FS108161L	1
17	Bracket exhaust system		Centre	NTC5634	1
18	Heatshield-tunnel exhaust system			NRC7649	1
19	Screw		M6 X 16	SE106161L	2
20	Washer		6MM	WA106041L	2
21	Screw		M6 X 16	SE106161L	2
22	Nut - Hex.		M6, nyloc, Hexagonal	NH106041L	2



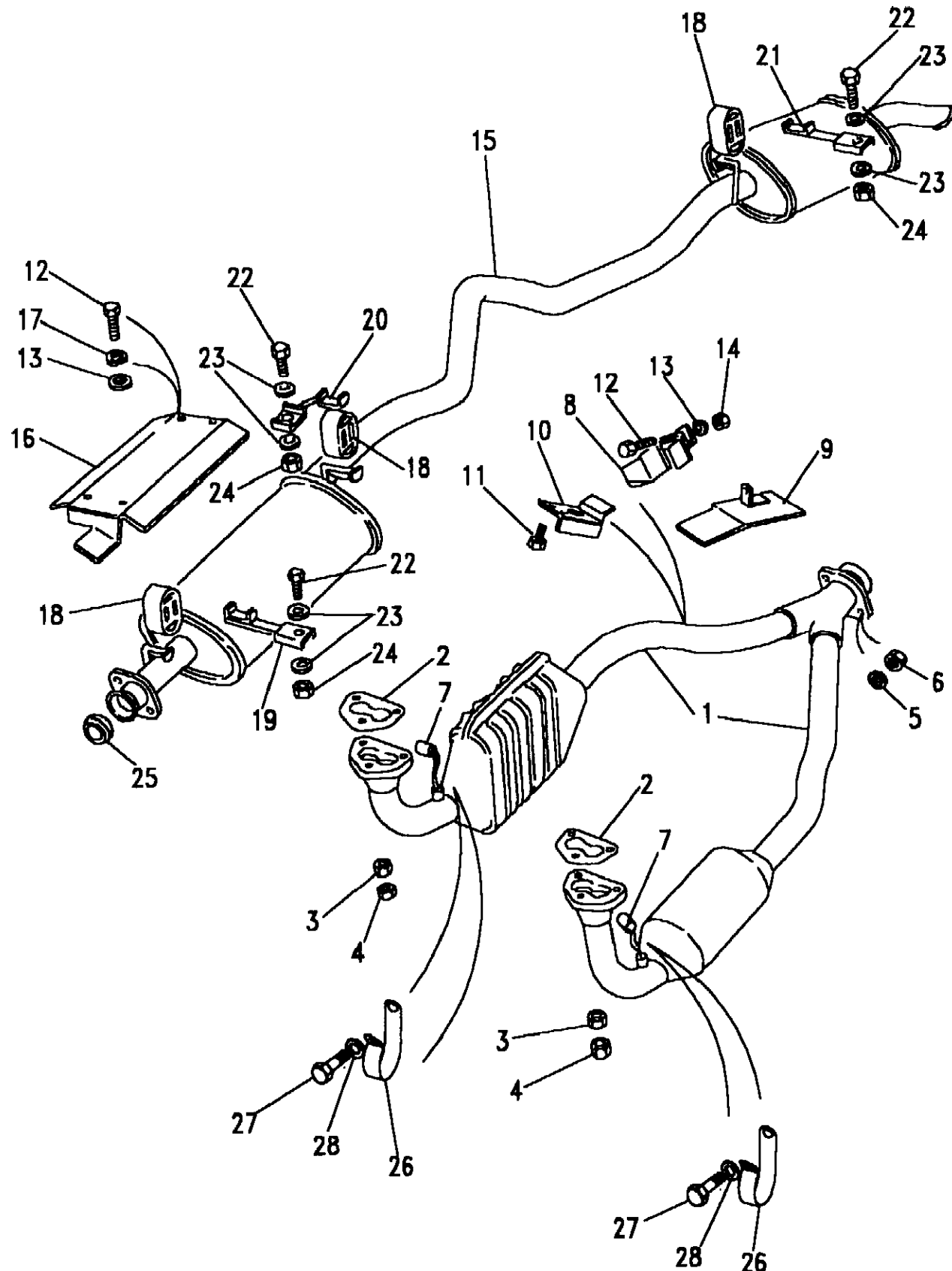
Range Rover (From JA610294)

(BDKXAE2B)

Range Rover (From JA610294)

With Petrol Engines, With Catalyst

Callout	Name	Application	Remarks & Restrictions	Service No.	Qty
1	Catalytic converter assembly engine exhaust	Change point - VIN end KA645767, 108" (2743mm) Wheelbase, (-)"J" Change point - VIN begin KA645768, 108" (2743mm) Wheelbase, (-)"J" Change point - VIN end KA645767, (-) 108", (+)"J" Change point - VIN begin KA645768, (+)"J" Change point - VIN end KA645767, Manual Transmission, (-) 108", (-)"CDN/J/MEX/USA" Change point - VIN begin KA645768, Manual Transmission, (-) 108", (-)"CDN/J/MEX/USA" Change point - VIN end KA645767, Automatic Transmission, (-) 108", (-)"J" Change point - VIN begin KA645768, Automatic Transmission, (-) 108", (-)"J" 100", With California Emission Requiremts, (+)"CDN/MEX/USA"		ESR1220 ESR3060 ESR2259 ESR3061 NTC7319 ESR3063 NTC6127 ESR3059 ESR3573	1 1 1 1 1 1 1 1 1
2	Gasket exhaust system		manifold to downpipe	ETC4524	2
3	Washer		8MM	WA108051L	6
4	Nut - Hex.		M8, Self Locking	NTC1966 ESR2033	6 6
		Change point - VIN begin PA624756, Change point - VIN end SA656754, (+)"CDN/MEX/USA" Change point - VIN begin SA656755, (+)"CDN/MEX/USA"		ERR4245	6
5	Washer		M8, sprung	WL108001L	2
6	Nut - Hex.		M10	NV110041L	2
7	Sensor-oxygen multi point injection	Change point - VIN begin JA610294		PRC7062	2
8	Heatshield assembly exhaust-downpipe			NTC4602	2
9	Heatshield-clutch slave cylinder			NTC7345	1



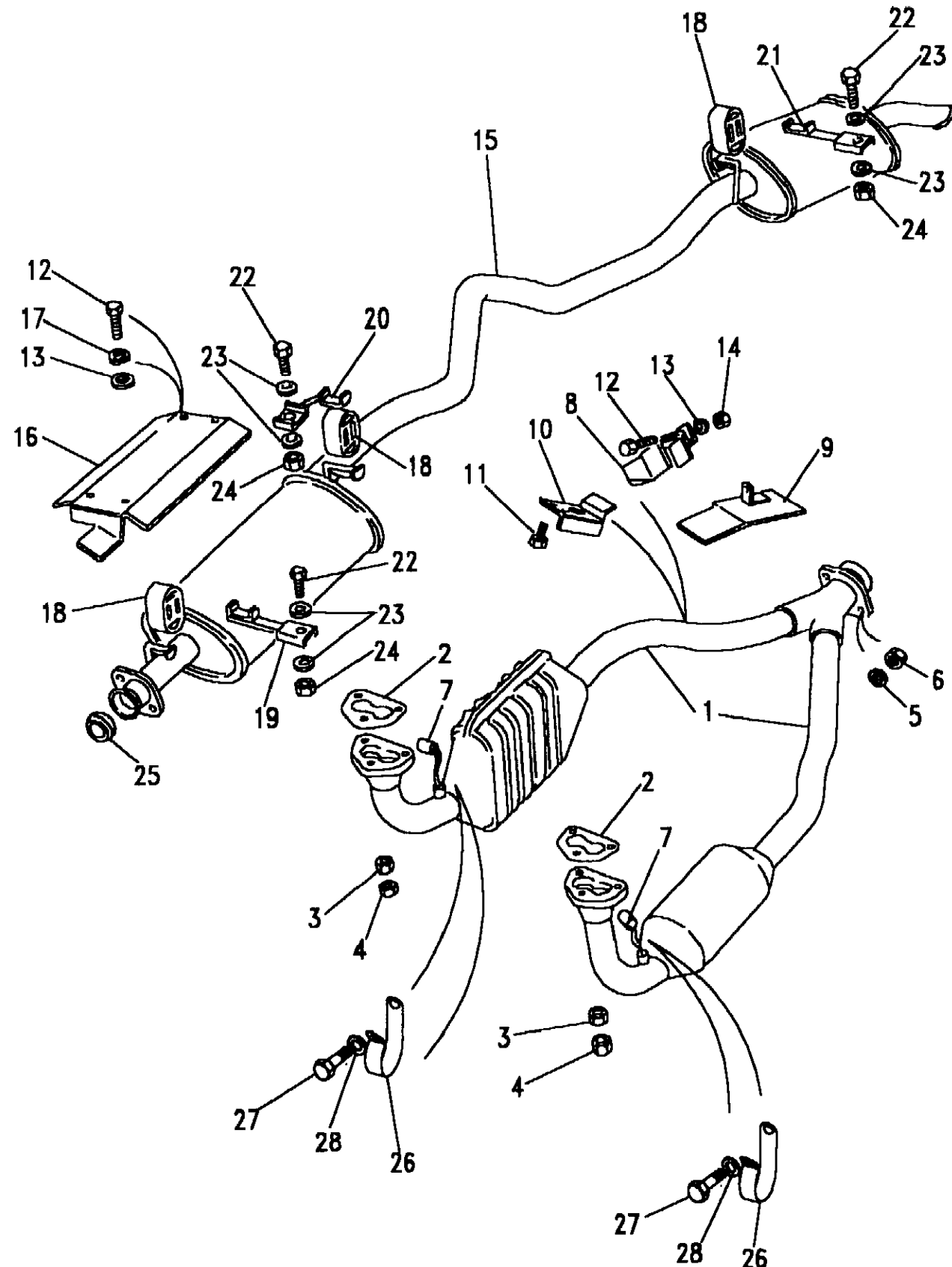
Range Rover (From JA610294)

(BDKXAE2B)

Range Rover (From JA610294)

With Petrol Engines, With Catalyst

Callout	Name	Application	Remarks & Restrictions	Service No.	Qty
10	Heatshield-catalyst bulkhead	Change point - VIN end KA632886 Change point - VIN begin KA632887		NTC5564 ERR3601	1 1
11	Screw		Flanged Head, M6 x 25	FS106255L	2
12	Screw-flanged head		M6 X 16, Flanged Head	FS106167L	4
13	Washer		6MM	WA106041L	4
14	Nut - Hex.		M6, nyloc, Hexagonal	NH106041L	4
15	Rear assembly exhaust system	Change point - VIN end MA662452, 100" Change point - VIN begin MA662453, 100" Change point - VIN begin MA662453, 100" Change point - VIN end MA662452, 108" (2743mm) Wheelbase Change point - VIN begin MA662453, 108" (2743mm) Wheelbase		ESR1053 ESR3674 ESR3971 ESR3112 ESR3477	1 1 1 1 1
16	Heatshield assembly exhaust-intermediate			NTC7196	1
17	Washer		M6, sprung	WL106001L	2
18	Mounting-rubber exhaust system	Change point - VIN begin JA610294	Rear	NTC5582	3
19	Bracket-exhaust mounting			NTC7348 ESR2421	X 1
20	Bracket exhaust system		Centre	NTC5634	1
21	Bracket exhaust system		Rear	ESR101	1
22	Screw		hexagonal head, M8 x 125 hexagonal head, M8 x 40	GG108251L SH108401L	2 1
23	Washer-Plain			WP105L	6
24	Nut - Hex.		M8	NV108041L	3
25	Olive			CRC4579L	1
26	Clip-Hose		Steel, 14.5MM, 25/64" hole	240407	1
27	Screw		hexagonal head, 3/8UNC x 7/8	SH506071L	1



Exhaust Systems
 Exhaust Petrol
 Catalyst 3/3

Range Rover (From JA610294)

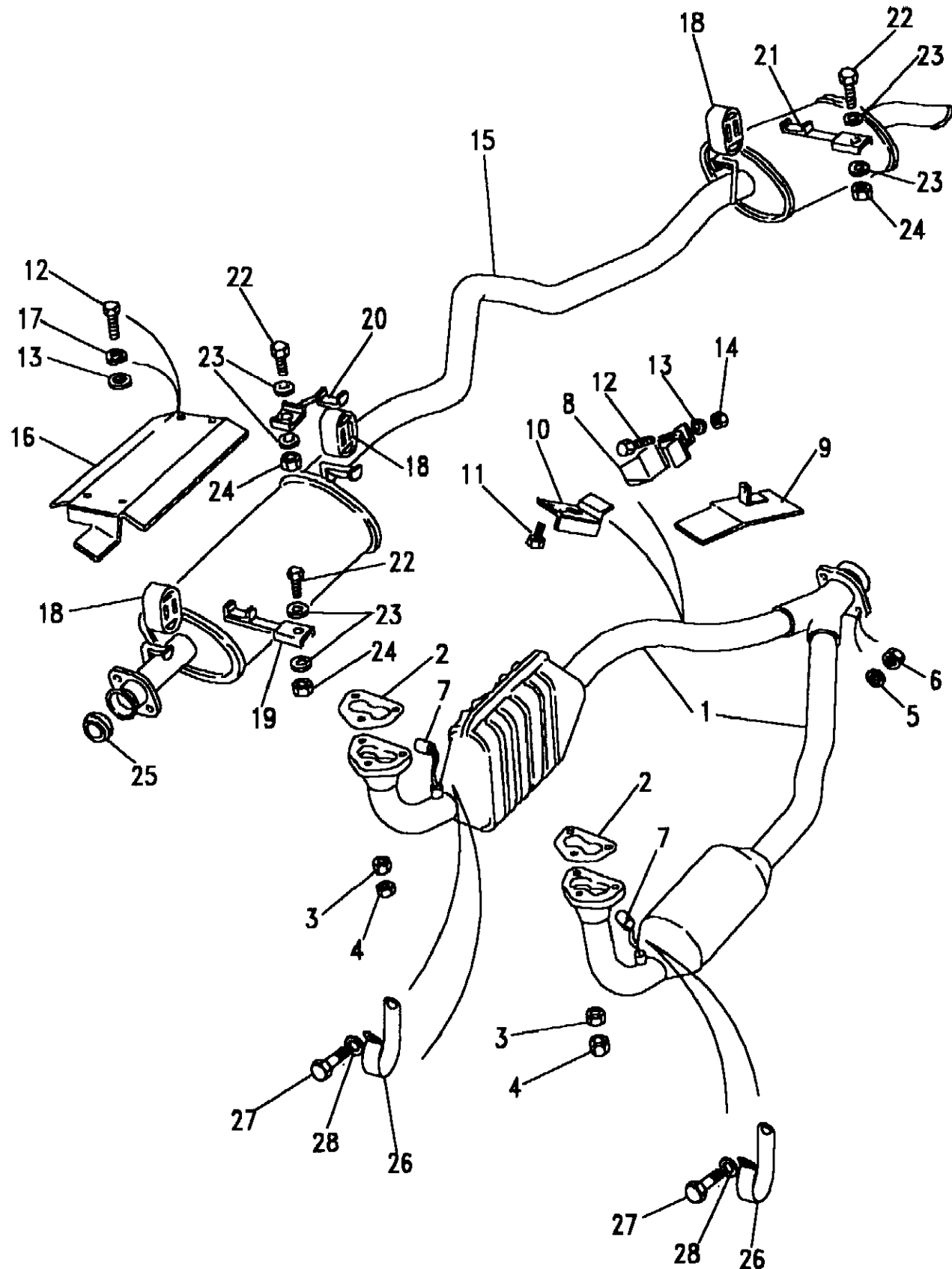
(BDKXAE2B)

Range Rover (From JA610294)

Exhaust Systems
 Exhaust Petrol
 Catalyst

With Petrol Engines, With Catalyst

Callout	Name	Application	Remarks & Restrictions	Service No.	Qty
28	Washer		M10	WA110061L	1



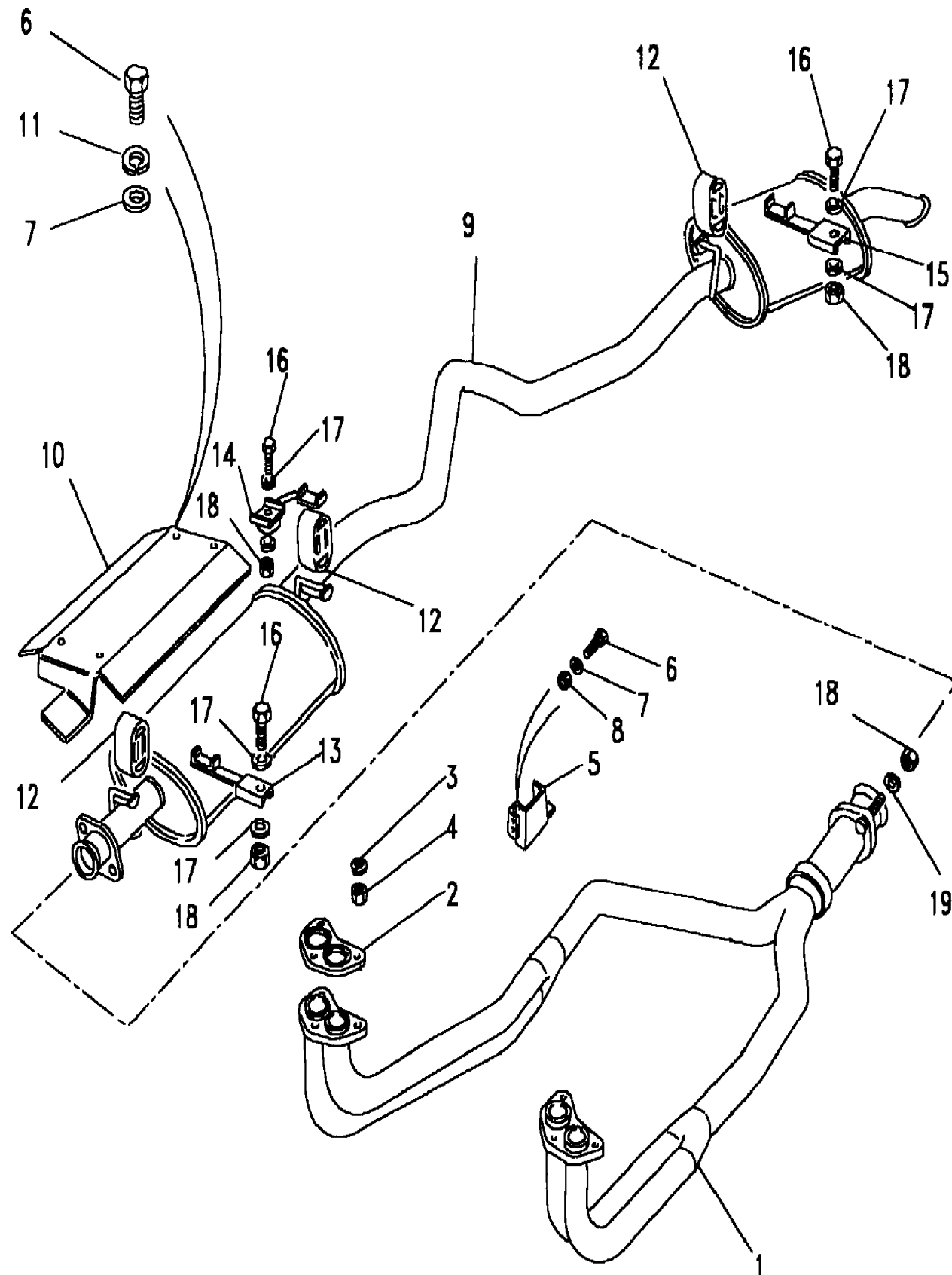
Range Rover (From JA610294)

(BDKXAE1A)

Range Rover (From JA610294)

With Petrol Engines, Less Catalyst

Callout	Name	Application	Remarks & Restrictions	Service No.	Qty
1	Downpipe assembly exhaust system	Change point - VIN begin JA610294, Manual Transmission, (-) 108"	Catalyst/Non Catalyst	NTC7321	1
		Change point - VIN begin JA610294, Manual Transmission, 100"	Catalyst/Non Catalyst	NTC7321	1
		Change point - VIN begin JA610294, Automatic Transmission, (-) 108"	Catalyst/Non Catalyst	NTC7320	1
		Change point - VIN begin JA610294, Automatic Transmission, 100"	Catalyst/Non Catalyst	NTC7320	1
		Change point - VIN begin JA610294, Automatic Transmission, 108" (2743mm) Wheelbase	Catalyst/Non Catalyst	ESR2423	1
2	Gasket exhaust system		manifold to downpipe, Catalyst/Non Catalyst	ETC4524	2
3	Washer		8MM, Catalyst/Non Catalyst	WA108051L	6
4	Nut - Hex.	Change point - VIN end JA624754	M8, Catalyst/Non Catalyst, Self Locking	NTC1966	6
		Change point - VIN begin KA624756	M8, Catalyst/Non Catalyst	ESR2033	6
5	Heatshield assembly exhaust-downpipe		Catalyst/Non Catalyst	NTC4602	1
6	Screw-flanged head		M6 X 16, Catalyst/Non Catalyst, Flanged Head	FS106167L	4
7	Washer		Catalyst/Non Catalyst, 6MM	WA106041L	4
8	Nut - Hex.		M6, Catalyst/Non Catalyst, nyloc, Hexagonal	NH106041L	4
9	Rear assembly exhaust system	Change point - VIN begin JA610294, (+)"AUS"	Catalyst/Non Catalyst	STC790	1
		Change point - VIN begin JA610294, (+)"ZA"	Catalyst/Non Catalyst	STC790	1
		Change point - VIN begin JA610294, (-)"GB"	Catalyst/Non Catalyst	ESR560	1
		Change point - VIN begin JA610294, (-)"AUS"	Catalyst/Non Catalyst	ESR560	1
		Change point - VIN begin JA610294, (-)"ZA"	Catalyst/Non Catalyst	ESR560	1
10	Heatshield assembly exhaust-intermediate	Change point - VIN end MA662453	Catalyst/Non Catalyst	NTC7196	1
		Change point - VIN begin MA662454	Catalyst/Non Catalyst	ESR3671	1
11	Washer		M6, Catalyst/Non Catalyst, sprung	WL106001L	2
12	Mounting-rubber exhaust system	Change point - VIN begin JA610294	Rear, Catalyst/Non Catalyst	NTC5582	3



Range Rover (From JA610294)

(BDKXAE1A)

Range Rover (From JA610294)

With Petrol Engines, Less Catalyst

Callout	Name	Application	Remarks & Restrictions	Service No.	Qty
13	Bracket-exhaust mounting		Catalyst/Non Catalyst	NTC7348	X
			Catalyst/Non Catalyst	ESR2421	1
14	Bracket exhaust system		Catalyst/Non Catalyst, Centre	NTC5634	1
15	Bracket exhaust system		Rear, Catalyst/Non Catalyst	ESR101	1
16	Screw		TO BODY, Catalyst/Non Catalyst, hexagonal head, M8 x 125	GG108251L	2
			TO BODY, Catalyst/Non Catalyst, hexagonal head, M8 x 40	SH108401L	1
17	Washer-Plain		Catalyst/Non Catalyst	WP105L	6
18	Nut - Hex.		M10, Catalyst/Non Catalyst	NV110041L	3
19	Washer		M8, Catalyst/Non Catalyst, sprung	WL108001L	3

