

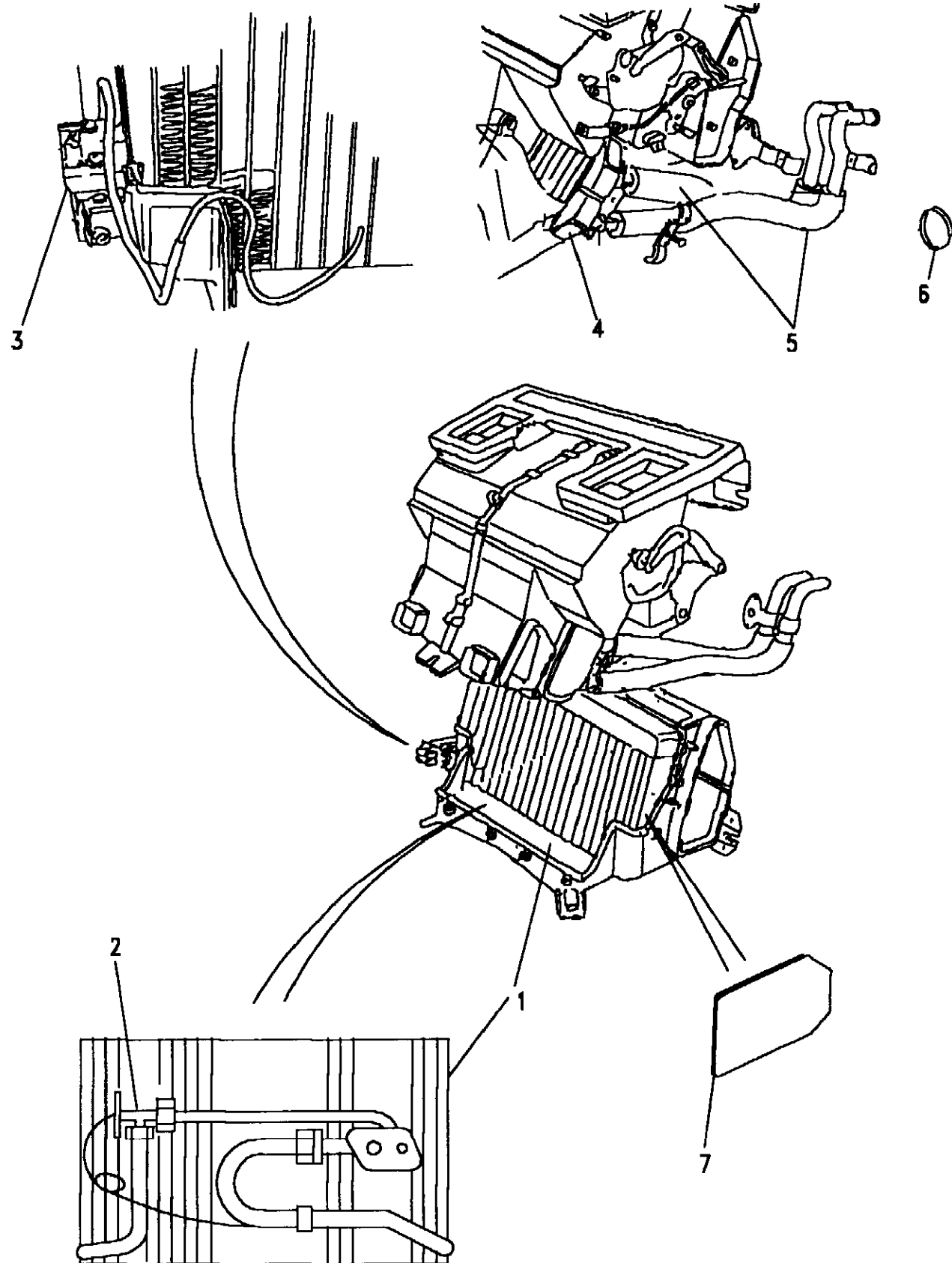
Range Rover (From JA610294)

(BDLXKA1D)

Range Rover (From JA610294)

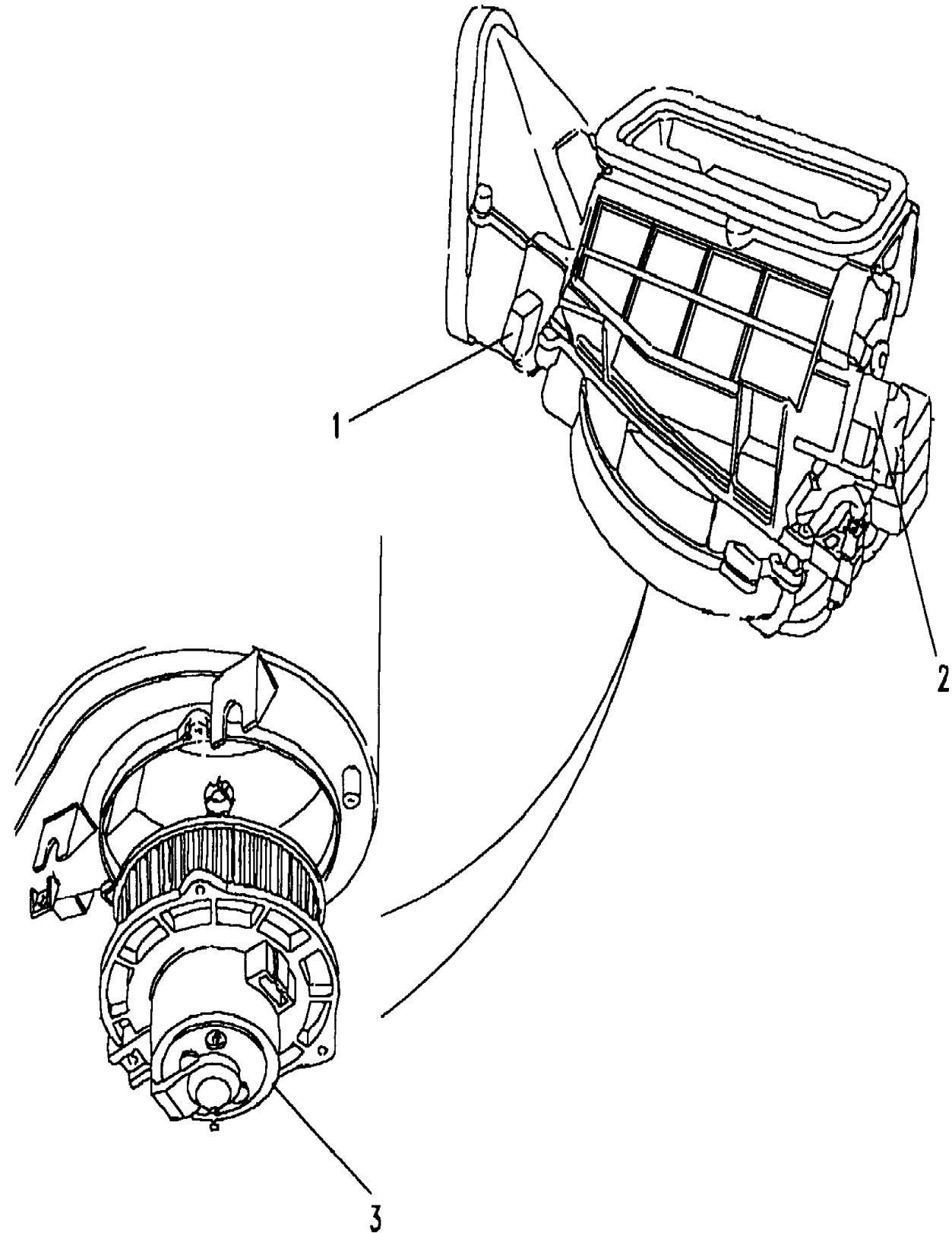
With Air Conditioning

Callout	Name	Application	Remarks & Restrictions	Service No.	Qty
1	Evaporator air conditioning	Change point - VIN begin MA647645		STC3139	1
2	Valve-expansion evaporator-air conditioning	Change point - VIN begin MA647645		STC3140	1
3	Thermostat evaporator-air conditioning	Change point - VIN begin MA647645		STC3134	1
4	Matrix-heater	Change point - VIN begin MA647645		STC3135	1
5	Pipe kit	Change point - VIN begin MA647645		STC3132	1
6	O Ring	Change point - VIN begin MA647645	17mm ID, 18.2mm OD	STC3166	2
7	Foam	Change point - VIN begin MA647645		STC3154	1
8	O Ring	Change point - VIN begin MA647645	8mm diameter	STC3149	1
9	O Ring	Change point - VIN begin MA647645	1/2" diameter	STC3150	1
10	O Ring	Change point - VIN begin MA647645	5/8" diameter	STC3151	1



Range Rover (From JA610294)

(BDLXKA1E)



Range Rover (From JA610294)

With Air Conditioning

Callout	Name	Application	Remarks & Restrictions	Service No.	Qty
1	Resistor pack-speed control-blower-heater	Change point - VIN begin MA647645		STC3133	1
2	Relay blower-heater	Change point - VIN begin MA647645		STC3141	1
3	Motor assembly blower-air conditioning	Change point - VIN begin MA647645, RHD	Nippondenso	STC3152	1
		Change point - VIN begin MA647645, LHD	Nippondenso	STC3153	1

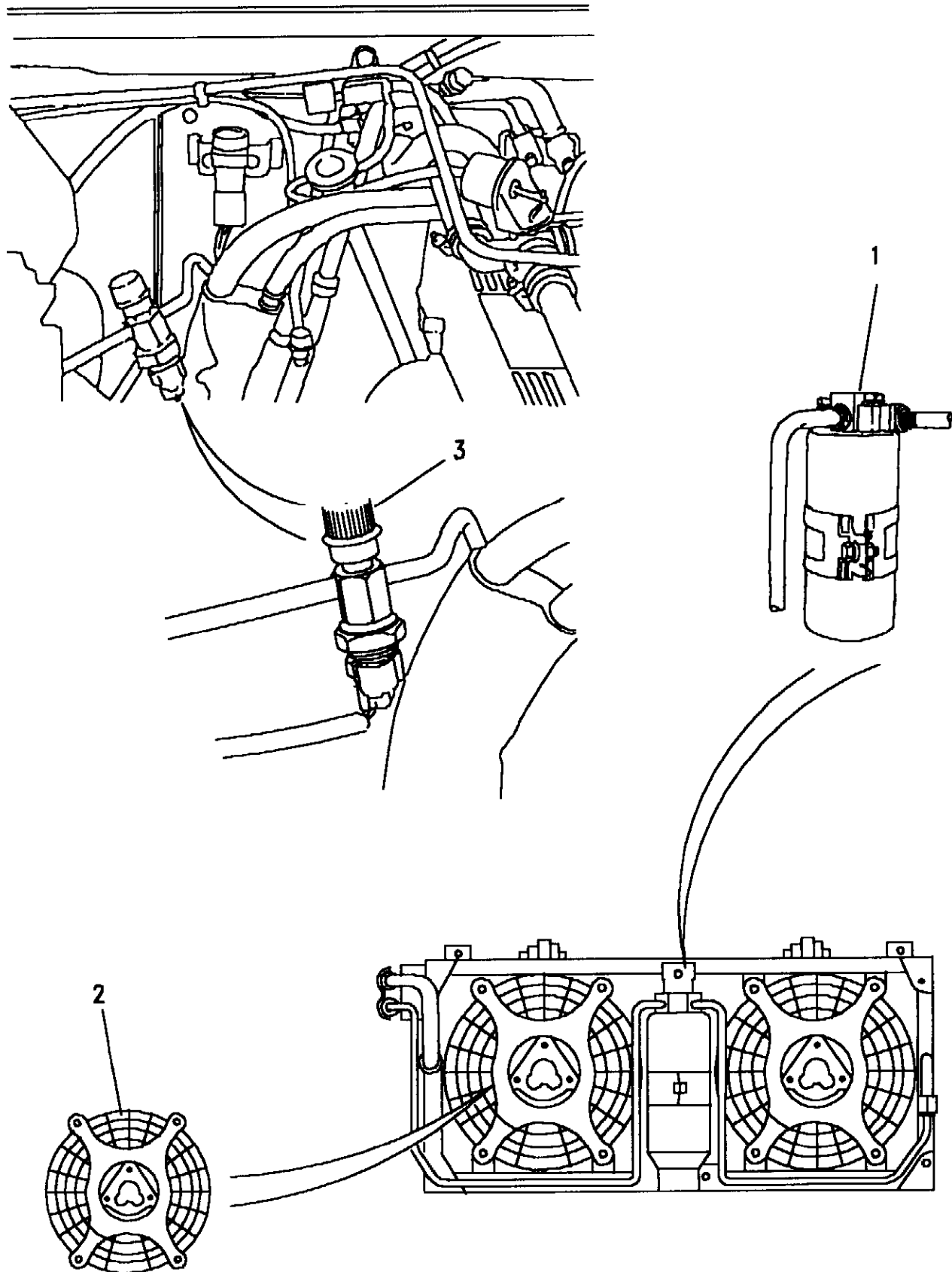
Range Rover (From JA610294)

(BDLXKA2F)

Range Rover (From JA610294)

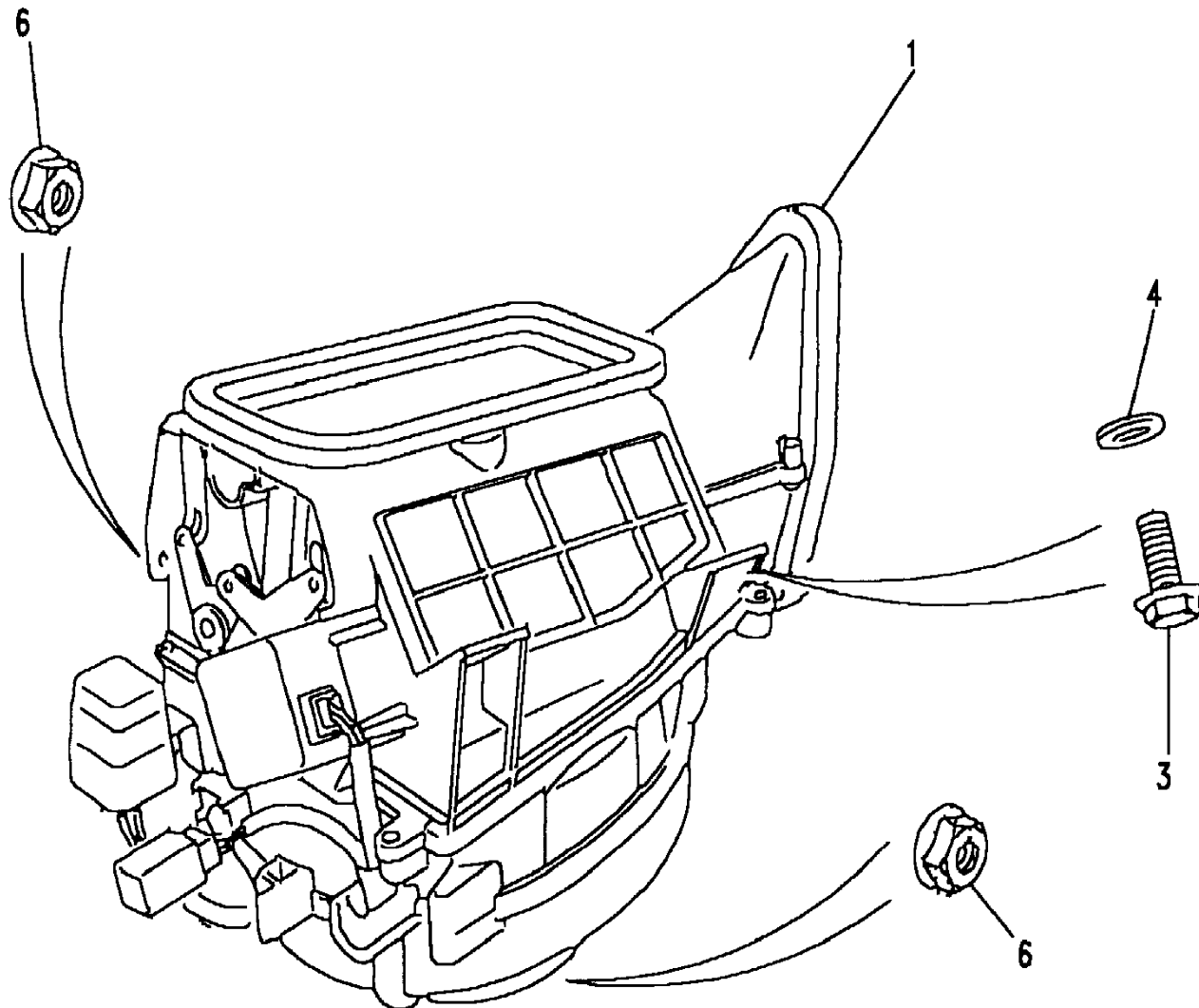
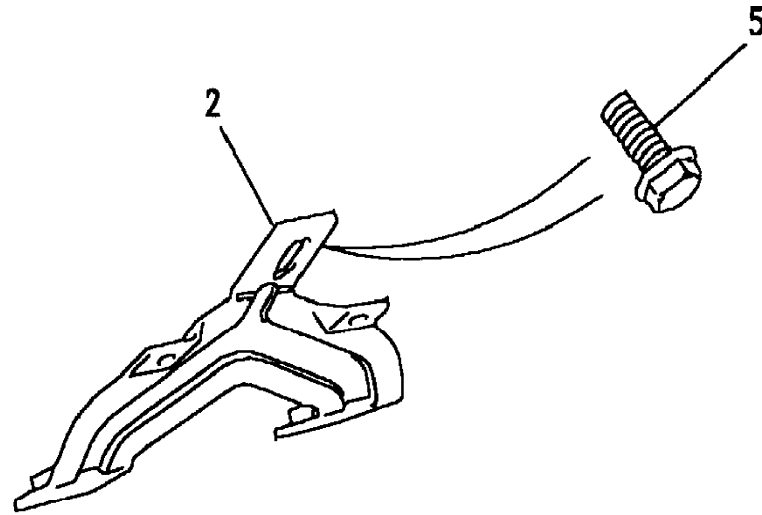
With Air Conditioning

Callout	Name	Application	Remarks & Restrictions	Service No.	Qty
1	Receiver dryer assembly air conditioning	Change point - VIN begin MA647645		STC3148	1
2	Fan-cooling/air conditioning	Change point - VIN begin MA647645		STC3147	1
3	Switch-pressure air conditioning control	Change point - VIN begin MA647645		STC3136	1



Range Rover (From JA610294)

(BDLXKA2C)



Range Rover (From JA610294)

With Air Conditioning

Callout	Name	Application	Remarks & Restrictions	Service No.	Qty
1	Blower assembly heater	Change point - VIN begin MA647645, RHD Change point - VIN begin MA647645, LHD		BTR6484 BTR6485	1 1
2	Bracket-heater blower mounting	Change point - VIN begin MA647645		BTR4884	1
3	Bolt	Change point - VIN begin MA647645	M8 x 25	DCP3970	2
4	Washer	Change point - VIN begin MA647645		WC108051	2
5	Bolt	Change point - VIN begin MA647645	M8 x 25	DCP3970	1
6	Nut-flange	Change point - VIN begin MA647645	M8	ADU7048	2

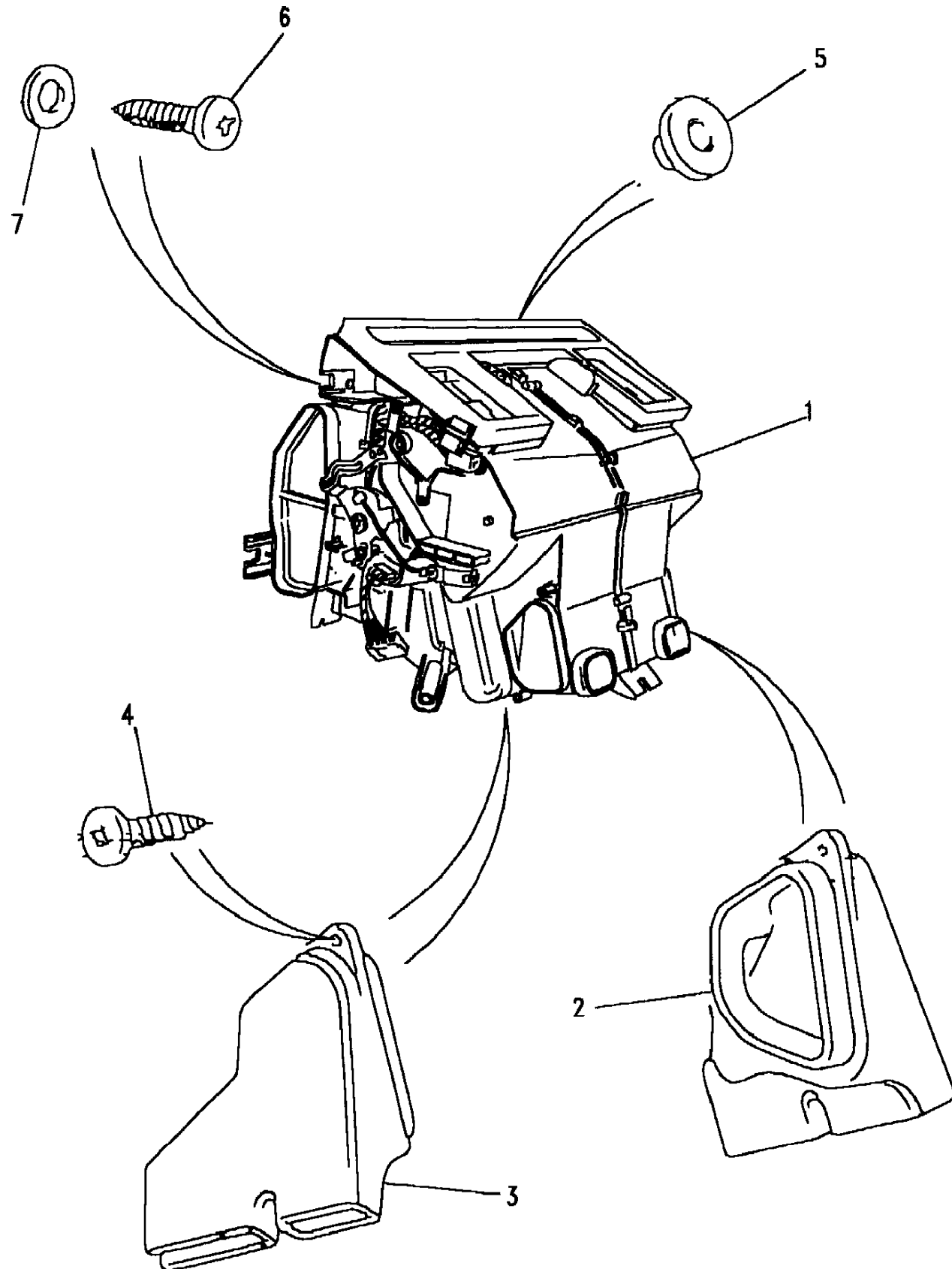
Range Rover (From JA610294)

(BDLXKA2B)

Range Rover (From JA610294)

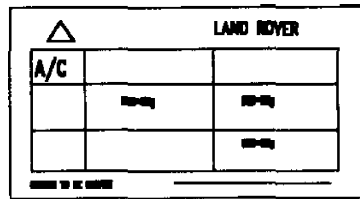
With Air Conditioning

Callout	Name	Application	Remarks & Restrictions	Service No.	Qty
1	Heater with air conditioning	Change point - VIN begin MA647645, Change point - VIN end MA661277, RHD Change point - VIN begin MA661278, RHD Change point - VIN begin MA647645, Change point - VIN end MA661277, LHD Change point - VIN begin MA661278, LHD		BTR6488	1
2	Duct-air floor	Change point - VIN begin MA647645, LHD	RH	BTR4002	1
3	Duct-air floor	Change point - VIN begin MA647645, LHD	LH	BTR4003	1
4	Screw	Change point - VIN begin MA647645, LHD		CDU3609	2
5	Grommet	Change point - VIN begin MA647645		BTR6741	1
6	Bolt	Change point - VIN begin MA647645	M8 x 25	DCP3970	5
7	Washer	Change point - VIN begin MA647645		WC108051	5

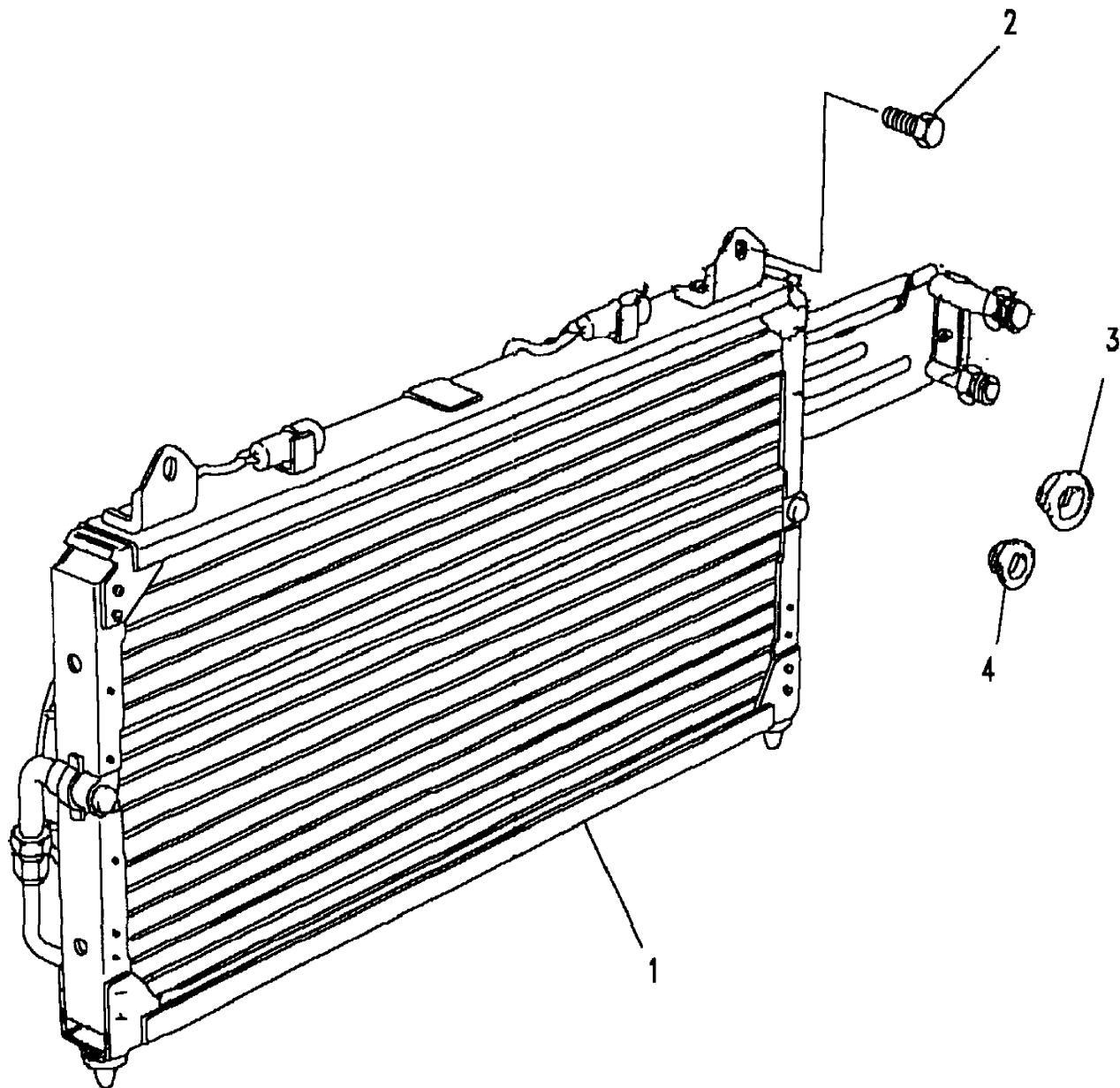


Cooling & Heating
Air Conditioning
Front Air Conditioning System 1/1

Range Rover (From JA610294)
(BDLXKA2D)



5



Range Rover (From JA610294)

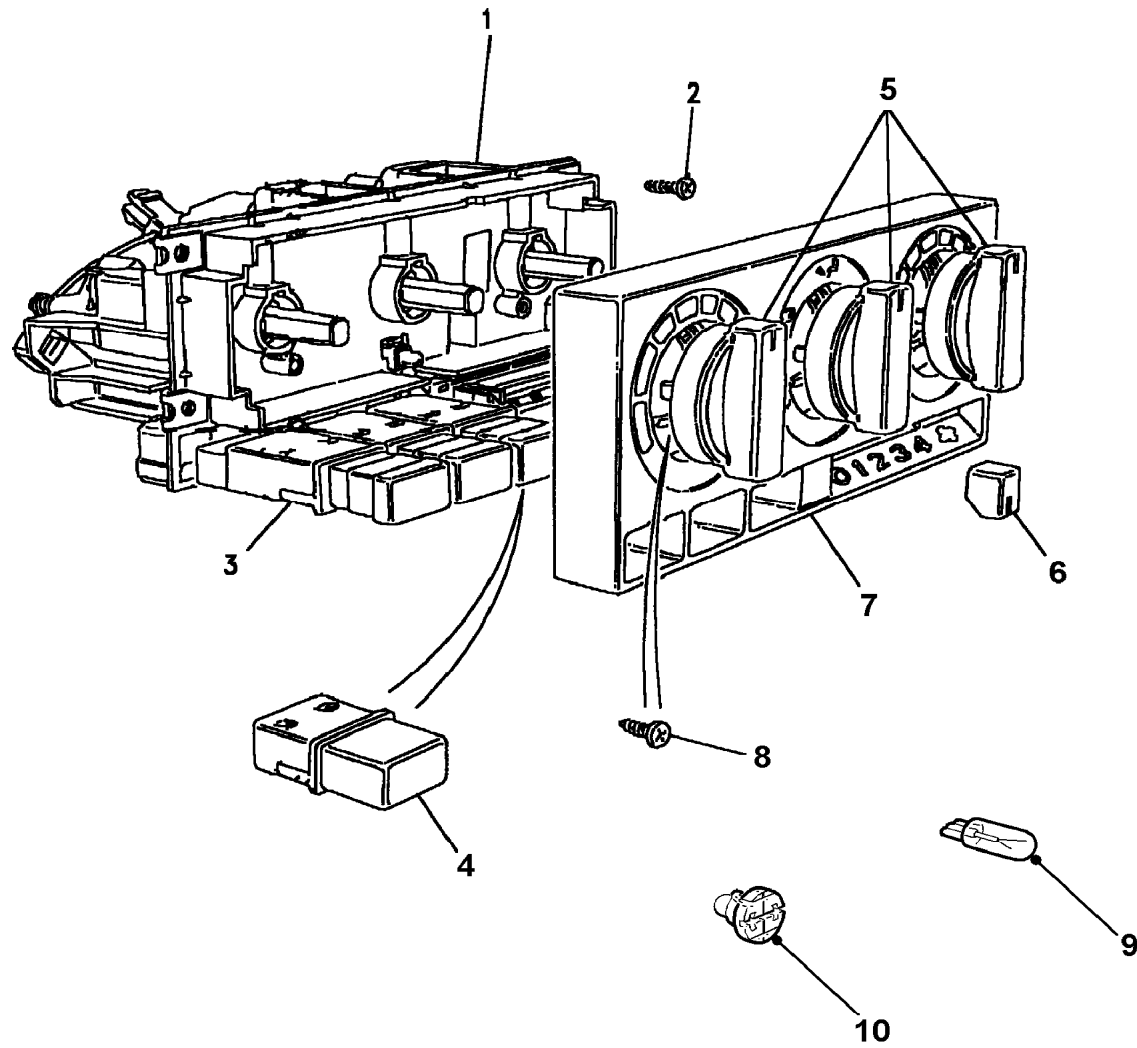
Cooling & Heating
Air Conditioning
Front Air Conditioning System

With Air Conditioning

Callout	Name	Application	Remarks & Restrictions	Service No.	Qty
1	Condenser assembly air conditioning	Change point - VIN begin MA647645	Also serviced as part of a kit	BTR6632	1
2	Bolt-flanged head	Change point - VIN begin MA647645	M8	HYG10014	2
3	Grommet-pipe evaporator-air conditioning	Change point - VIN begin MA647645		CLP6235L	1
4	Grommet	Change point - VIN begin MA647645		CLP6234L	1
5	Label-warning-CFC free	Change point - VIN begin MA647645		AWR1322	1

Range Rover (From JA610294)

(BDLXKA2G)



F01.035
06-2003
L2
BDLXKA2G

Range Rover (From JA610294)

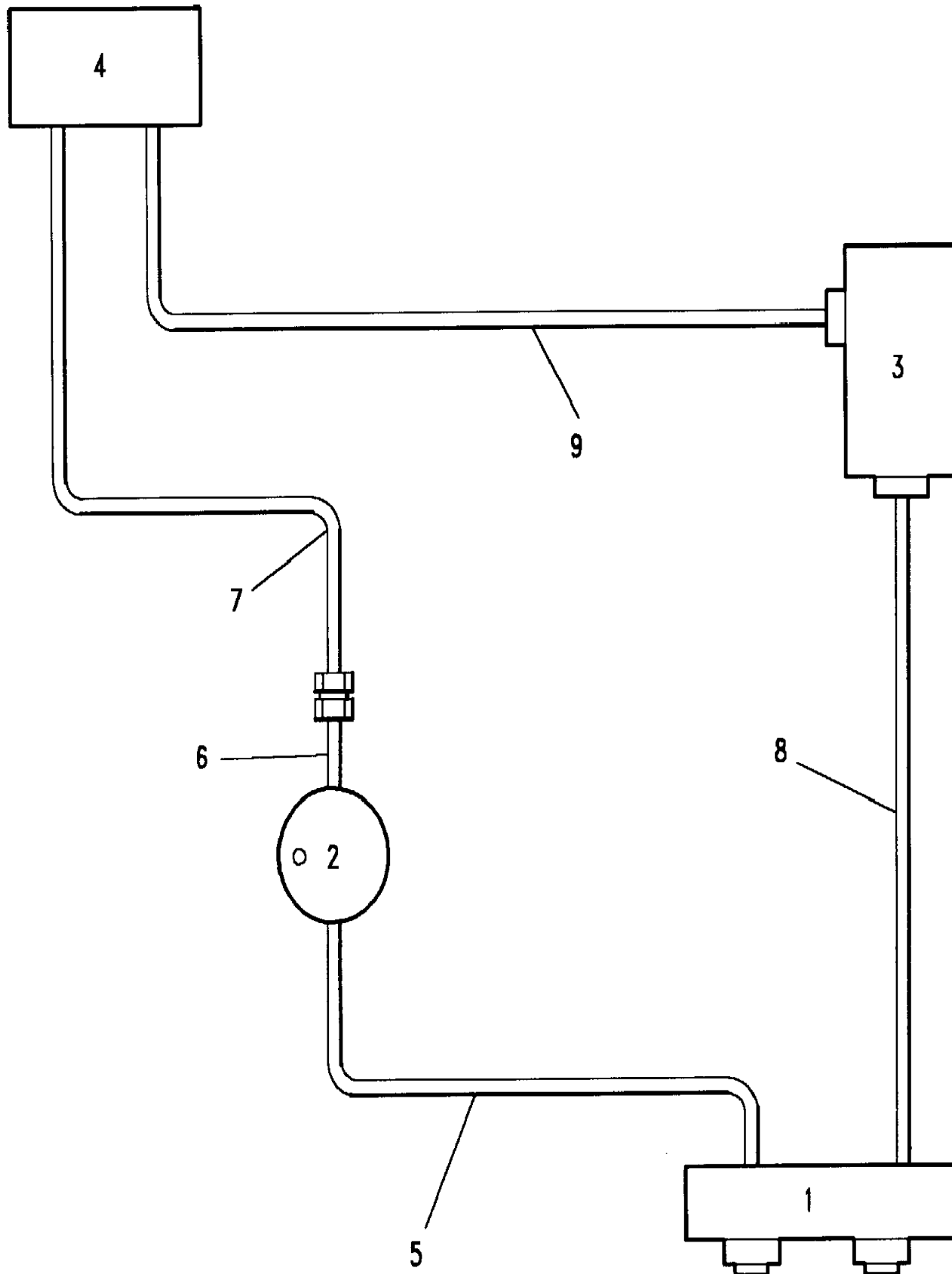
With Air Conditioning

Callout	Name	Application	Remarks & Restrictions	Service No.	Qty
1	Control assembly heater	Change point - VIN begin MA647645	Also serviced as part of a kit, with cables	AWR1379	1
		Change point - VIN begin MA647645	Also serviced as part of a kit, less cables	BTR6490	1
		Change point - VIN begin MA647645	less cables	BTR6490	1
2	Screw-self tapping	Change point - VIN begin MA647645		AB608051	4
3	Switch-push push air conditioning recirculating	Change point - VIN begin MA647645		STC1863	1
4	Plug - Switch Hole Blanking	Change point - VIN begin MA647645		BTR6492	1
5	Knob-control heater	Change point - VIN begin MA647645		BTR8930	3
6	Knob-slider control-heater	Change point - VIN begin MA647645		BTR6494	1
7	Plate-graphics control-heater	Change point - VIN begin MA647645		JFE100640	1
8	Screw	Change point - VIN begin MA647645	Self Tapping, No 6 x 3/8	AB606031L	X
9	Bulb-wedge illumination	Change point - VIN begin MA647645	1.2 WATT, 12V	RTC3635	1
10	Bulb & holder assembly	Change point - VIN begin MA647645	Orange	STC1877	X
		Change point - VIN begin MA647645	Green	STC1878	X

Cooling & Heating
Air Conditioning
Hose Layout Left Hand Side (Cont) 1/1

Range Rover (From JA610294)

(BDLXMA3A)



Range Rover (From JA610294)

Cooling & Heating
Air Conditioning
Hose Layout Left Hand Side (Cont)

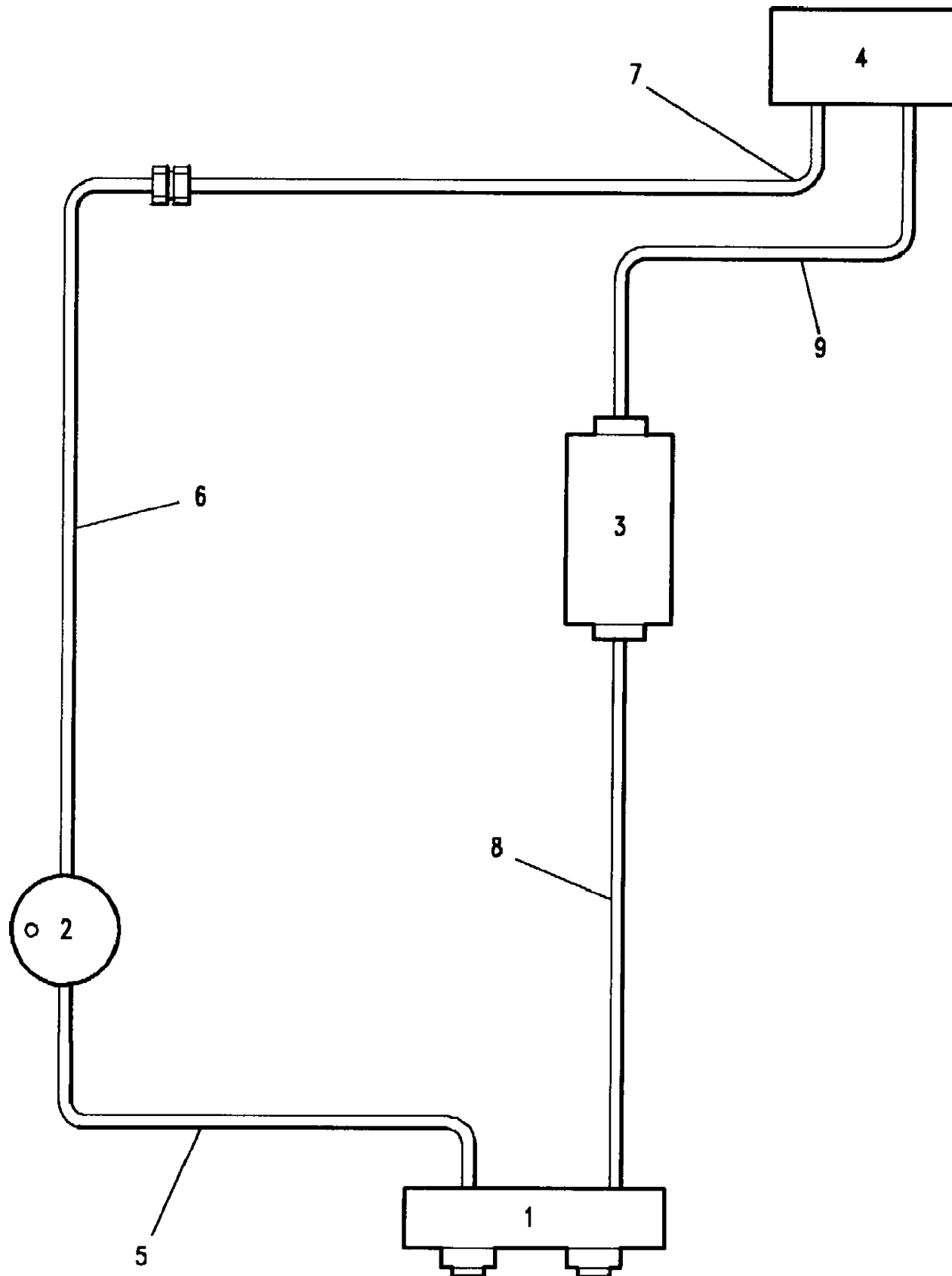
Diesel VM, With Air Conditioning

Callout	Name	Application	Remarks & Restrictions	Service No.	Qty
5	Hose-condenser/evaporator air conditioning	TDi Diesel, LHD	Also serviced as part of a kit	BTR2564	1
6	Hose-receiver dryer/evaporator air conditioning	TDi Diesel, LHD		BTR3630	1
7	Hose-receiver dryer/evaporator air conditioning	TDi Diesel, LHD		RTC6147	1
8	Hose-compressor/condenser air conditioning	TDi Diesel, LHD	Also serviced as part of a kit, without service valve	BTR3809	1
		Change point - VIN end LA647644, TDi Diesel, LHD	Also serviced as part of a kit, with service valve	BTR3710	1
9	Hose-condenser/evaporator air conditioning	TDi Diesel, LHD		BTR5031	1
[900]	Valve-charging air conditioning	Change point - VIN end LA647644, TDi Diesel, LHD	Also serviced as part of a kit	MXC6269	1
		Change point - VIN end LA647644, TDi Diesel, LHD	Also serviced as part of a kit	MXC6275	1
		TDi Diesel, LHD		MXC6275	1
		TDi Diesel, LHD	Also serviced as part of a kit	MXC6269	1
[901]	O Ring	TDi Diesel, LHD	Less CFC-Free Refrigerant, 13/32"	AEU1627	X
		Change point - VIN begin MA647645, TDi Diesel, LHD	CFC-Free Refrigerant, 11.2mm OD, 7.6mm ID, 1.8mm thick	STC3191	1
		TDi Diesel, LHD	Less CFC-Free Refrigerant, No 10, 1/2" diameter	AEU1628	1

Cooling & Heating
Air Conditioning
Hose Layout Right Hand Side (Cont) 1/1

Range Rover (From JA610294)

(BDLXMA2A)



Range Rover (From JA610294)

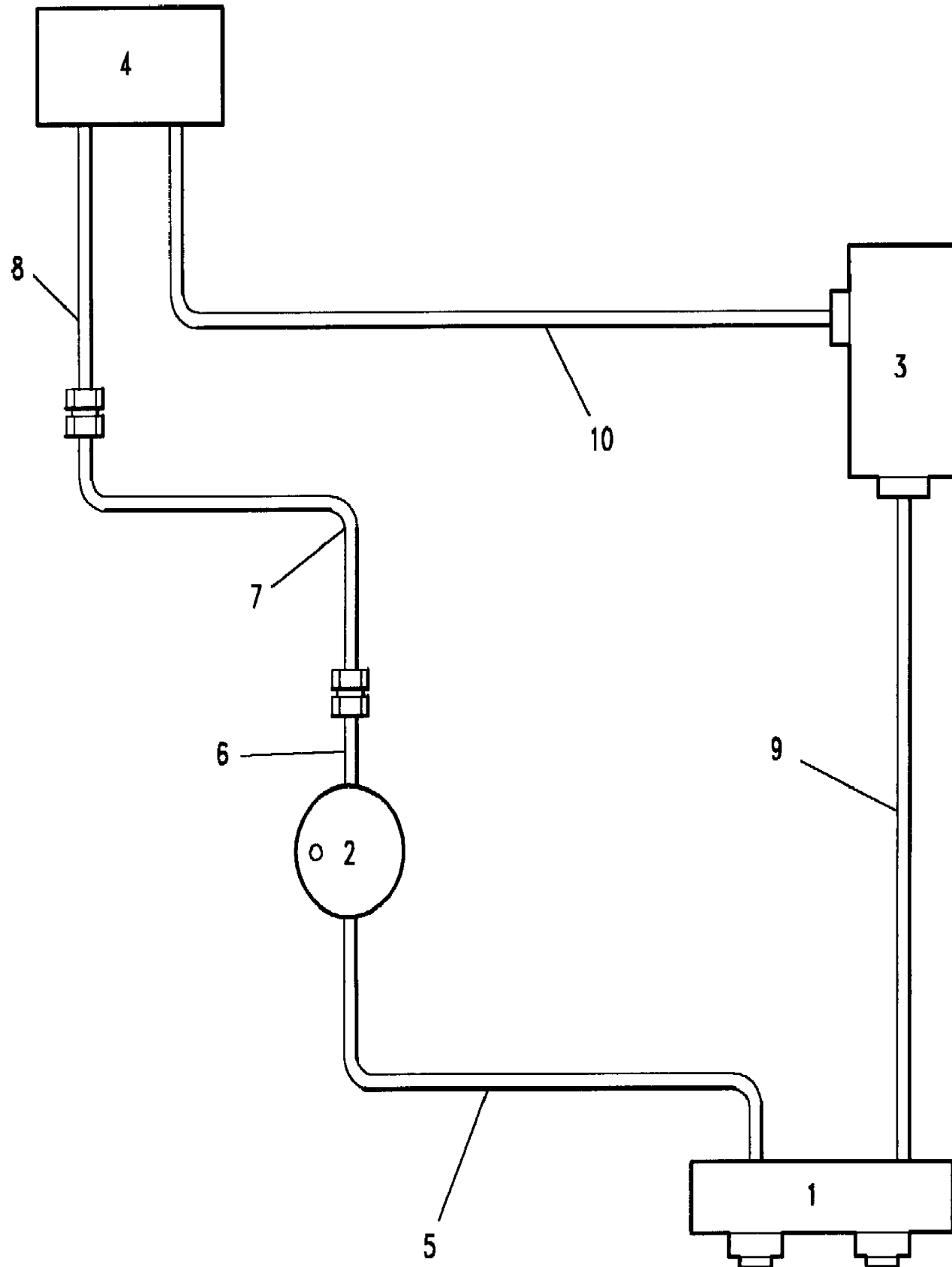
Cooling & Heating
Air Conditioning
Hose Layout Right Hand Side (Cont)

Diesel VM, With Air Conditioning

Callout	Name	Application	Remarks & Restrictions	Service No.	Qty
5	Hose-condenser/evaporator air conditioning	TDi Diesel, RHD		BTR2564	1
6	Hose-receiver dryer/evaporator air conditioning	RHD		BTR3630	1
7	Hose assembly-breather fuel	RHD		BTR5032	1
8	Hose-compressor/condenser air conditioning	RHD	without service valve	BTR3809	1
		Change point - VIN end LA647644, TDi Diesel, RHD	with service valve	BTR3710	1
9	Hose-condenser/evaporator air conditioning	RHD		BTR5031	1
[900]	Valve-charging air conditioning	Change point - VIN end LA647644, TDi Diesel, RHD		MXC6269	1
		Change point - VIN end LA647644, TDi Diesel, RHD		MXC6275	1
		TDi Diesel, RHD		MXC6275	1
		TDi Diesel, RHD		MXC6269	1
[901]	O Ring	TDi Diesel, RHD	Less CFC-Free Refrigerant, 13/32"	AEU1627	X
		Change point - VIN begin MA647645, TDi Diesel, RHD	CFC-Free Refrigerant, 11.2mm OD, 7.6mm ID, 1.8mm thick	STC3191	1
		TDi Diesel, RHD	Less CFC-Free Refrigerant, No 10, 1/2" diameter	AEU1628	1

Range Rover (From JA610294)

(BDLXMA5A)



Range Rover (From JA610294)

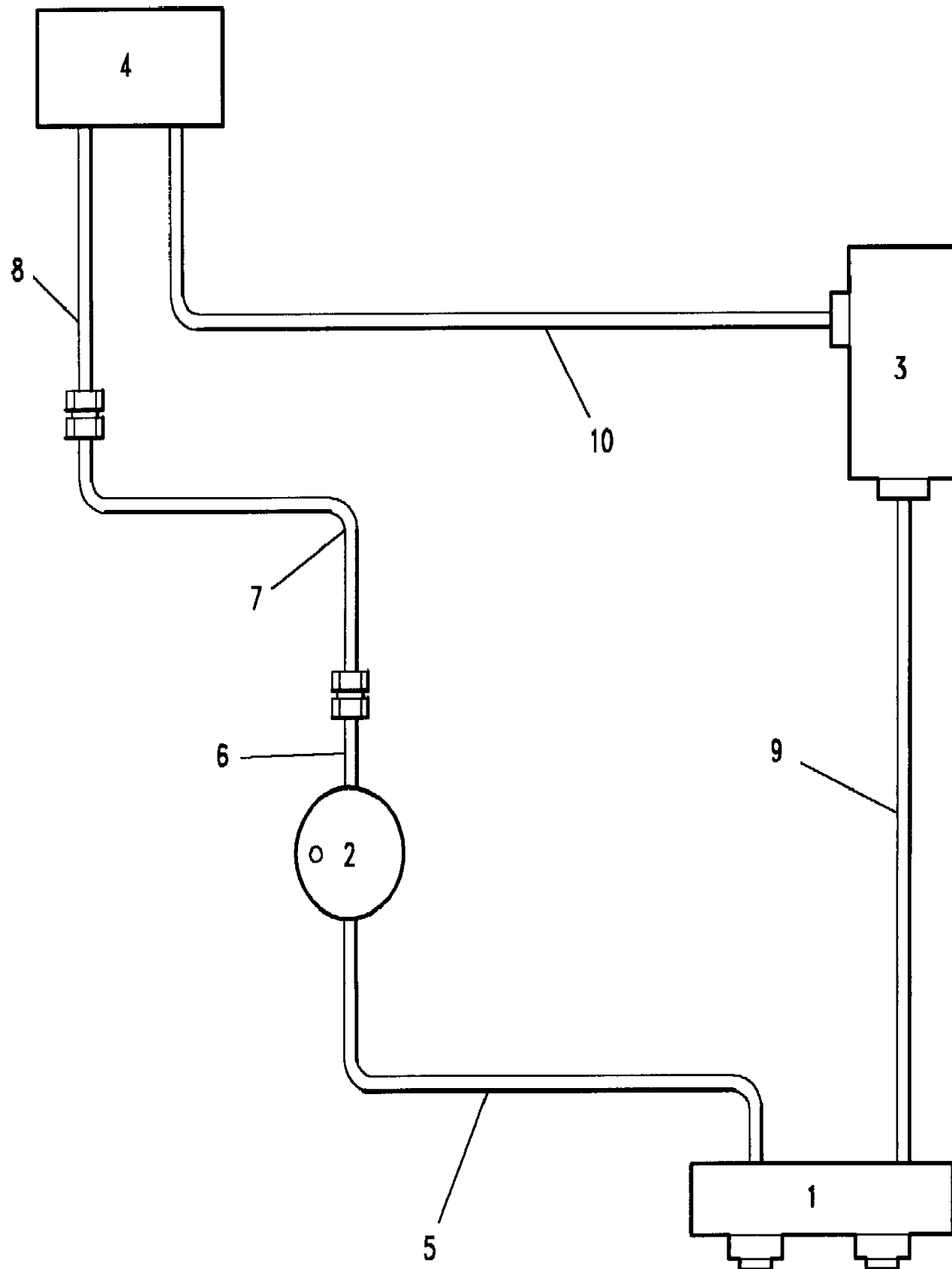
With Petrol Engines, LHD, With Air Conditioning

Callout	Name	Application	Remarks & Restrictions	Service No.	Qty
5	Hose-condenser/evaporator air conditioning	Change point - VIN end LA647644, EFI	Also serviced as part of a kit	BTR2564	1
6	Hose-receiver dryer/evaporator air conditioning	Change point - VIN end JA617613, EFI Change point - VIN begin JA617614, Change point - VIN end LA647644, EFI		MXC7257 BTR3630	1 1
7	Hose-compressor/condenser air conditioning	Change point - VIN end LA647644, EFI	Also serviced as part of a kit	MXC6270	1
8	Hose-receiver dryer/evaporator air conditioning	Change point - VIN end LA647644, EFI	Also serviced as part of a kit	MXC7241	1
9	Hose-compressor/condenser air conditioning	Change point - VIN end LA647644, EFI	Also serviced as part of a kit, with service valve	BTR3710	1
10	Hose-condenser/evaporator air conditioning	Change point - VIN end LA647644, EFI	Also serviced as part of a kit	BTR2579	1
[900]	O Ring	Change point - VIN end LA647644, EFI Change point - VIN end LA647644, EFI Change point - VIN begin MA647645, EFI	Also serviced as part of a kit Less CFC-Free Refrigerant, 13/32" CFC-Free Refrigerant, 11.2mm OD, 7.6mm ID, 1.8mm thick	RRC1463 AEU1627 STC3191	1 1 1
		Change point - VIN end LA647644, EFI Change point - VIN begin MA647645, EFI	Also serviced as part of a kit, 13/32" Also serviced as part of a kit, 11.2mm OD, 7.6mm ID, 1.8mm thick	AEU1627 STC3191	1 1
		Change point - VIN end LA647644, EFI EFI	Also serviced as part of a kit, 1.8mm thick, 14.5mm OD, 10.8mm ID Less CFC-Free Refrigerant, 13/32"	STC3192 AEU1627	1 X
		Change point - VIN end LA647644, EFI	Also serviced as part of a kit, No 10, 1/2" diameter	AEU1628	1
[901]	Valve-charging air conditioning	Change point - VIN end LA647644, EFI Change point - VIN end LA647644, EFI	Also serviced as part of a kit Also serviced as part of a kit	MXC6269 MXC6275	1 1

Cooling & Heating
Air Conditioning
Hose Layout-LHD-Diesel 1/1

Range Rover (From JA610294)

(BDLXMA5A)



Range Rover (From JA610294)

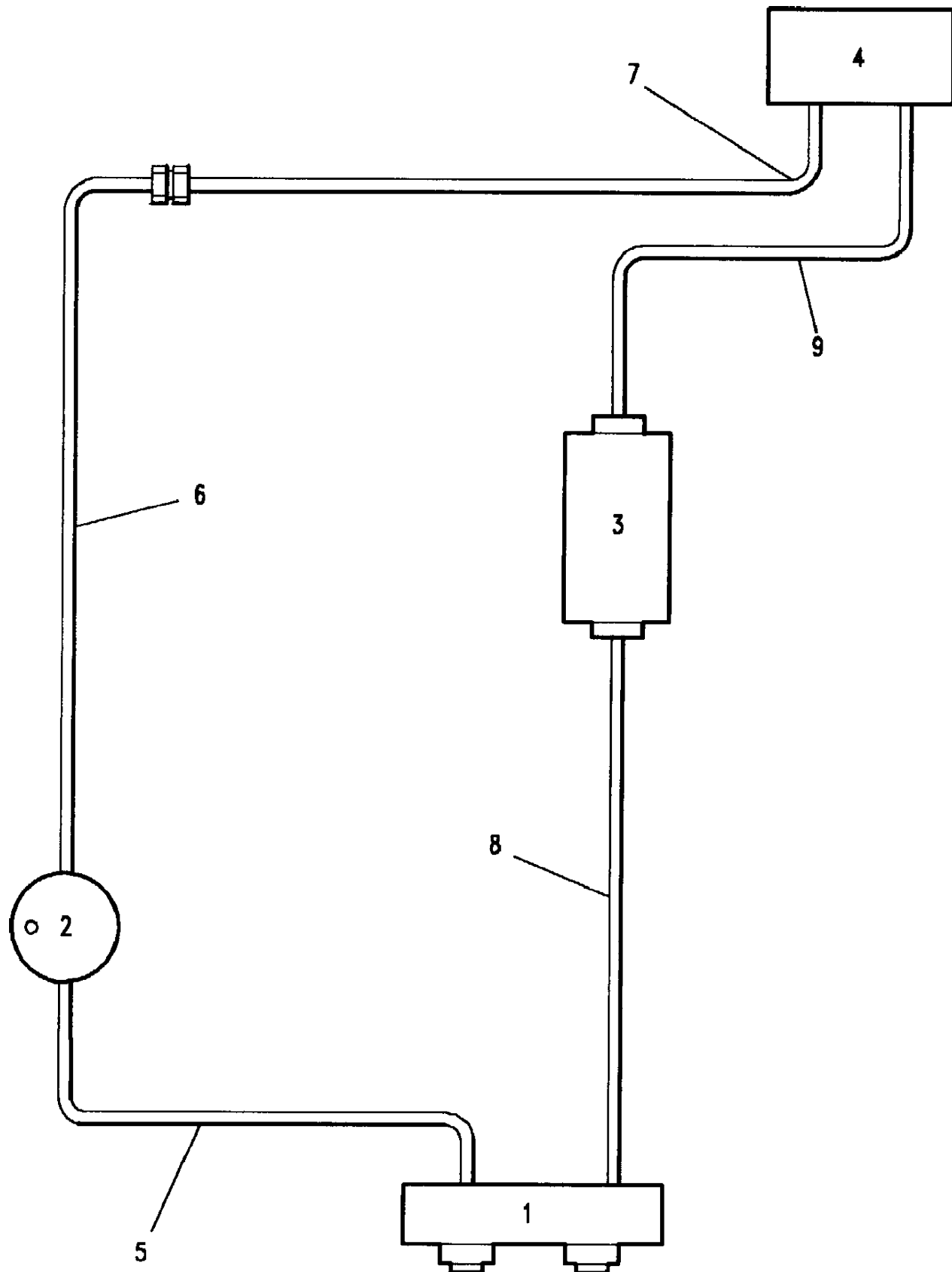
Cooling & Heating
Air Conditioning
Hose Layout-LHD-Diesel

TDi Diesel, LHD, With Air Conditioning

Callout	Name	Application	Remarks & Restrictions	Service No.	Qty
5	Hose-condenser/evaporator air conditioning		DIESEL, CONDENSER TO RECEIVER DRIER, Also serviced as part of a kit, VM	BTR2564	1
6	Hose-receiver dryer/evaporator air conditioning	Change point - VIN end JA617613	DIESEL, VM	MXC7257	1
		Change point - VIN begin JA617614	DIESEL, VM	BTR3630	1
7	Hose-condenser/evaporator air conditioning		DIESEL, VM	BTR1236	1
			DIESEL, Also serviced as part of a kit, VM	BTR2564	1
8	Hose-receiver dryer/evaporator air conditioning		DIESEL, Also serviced as part of a kit, VM	MXC7241	1
9	Hose-compressor/condenser air conditioning	Change point - VIN end JA617613	DIESEL, VM, without service valve	BTR2549	1
		Change point - VIN begin JA617614	DIESEL, Also serviced as part of a kit, VM, with service valve	BTR3710	1
10	Hose-condenser/evaporator air conditioning		DIESEL, VM	BTR2581	1
[900]	Valve-charging air conditioning	Change point - VIN begin JA617614	DIESEL, Also serviced as part of a kit, VM	MXC6269	1
		Change point - VIN begin JA617614	DIESEL, Also serviced as part of a kit, VM	MXC6275	1
			DIESEL, VM	MXC6275	1
[901]	O Ring		DIESEL, VM, Less CFC-Free Refrigerant, 13/32"	AEU1627	X
			DIESEL, VM, CFC-Free Refrigerant, 11.2mm OD, 7.6mm ID, 1.8mm thick	STC3191	1
			DIESEL, Also serviced as part of a kit, VM, 13/32"	AEU1627	1
			DIESEL, Also serviced as part of a kit, VM, 11.2mm OD, 7.6mm ID, 1.8mm thick	STC3191	1
			DIESEL, VM, 1.8mm thick, 14.5mm OD, 10.8mm ID	STC3192	1

Range Rover (From JA610294)

(BDLXMA2A)



Range Rover (From JA610294)

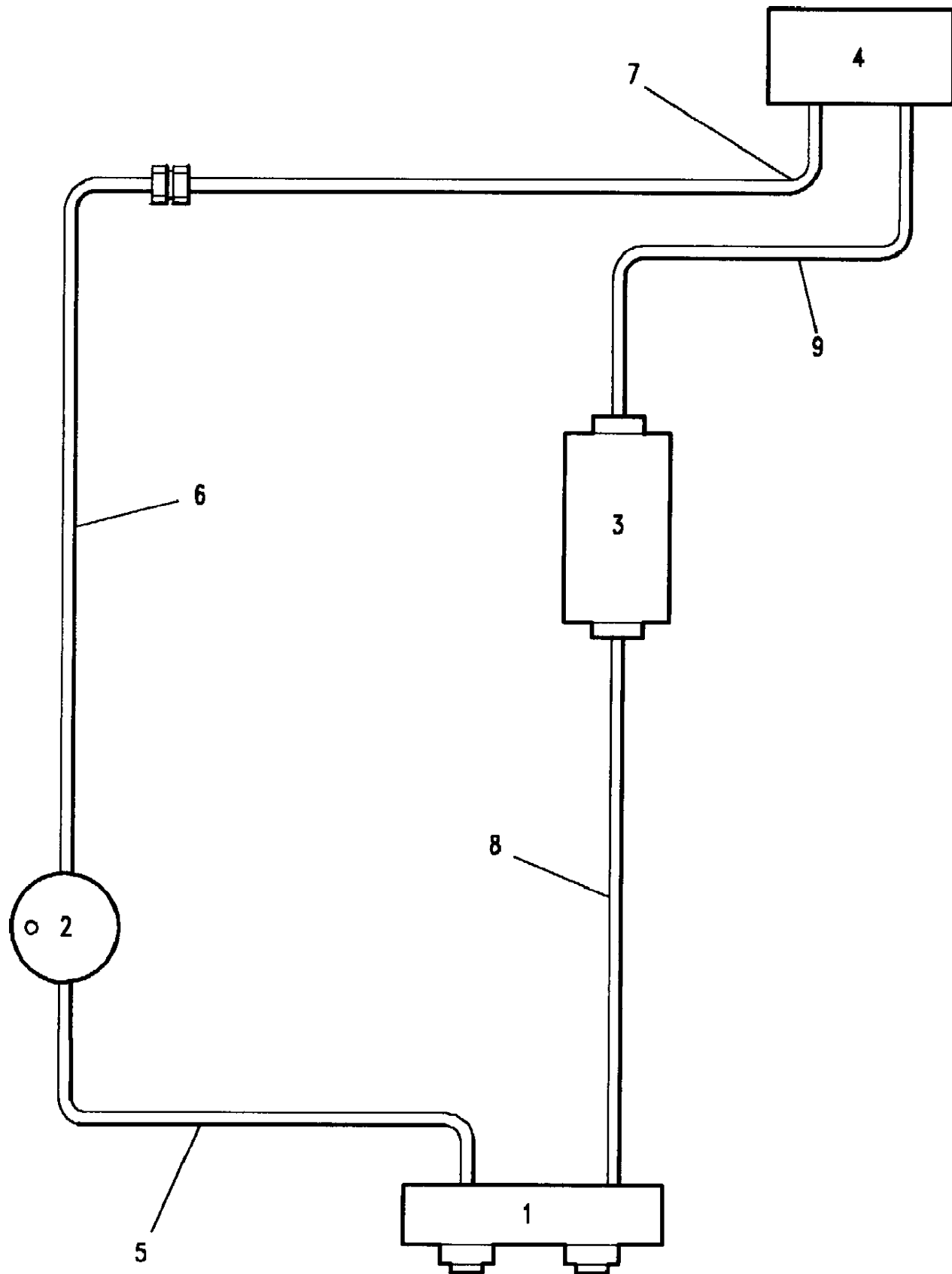
With Petrol Engines, RHD, With Air Conditioning

Callout	Name	Application	Remarks & Restrictions	Service No.	Qty
5	Hose-condenser/evaporator air conditioning	Change point - VIN end LA647644, EFI	Also serviced as part of a kit	BTR2564	1
6	Hose-receiver dryer/evaporator air conditioning	Change point - VIN end LA647644, EFI	Also serviced as part of a kit	MXC7256	1
7	Hose-receiver dryer/evaporator air conditioning	Change point - VIN end LA647644, EFI		MXC7242	1
8	Hose-compressor/condenser air conditioning	Change point - VIN end JA617613, EFI	Also serviced as part of a kit	BTR2548	1
		Change point - VIN begin JA617614, Change point - VIN end LA647664, EFI	Also serviced as part of a kit, with service valve	BTR3710	1
9	Hose-condenser/evaporator air conditioning	Change point - VIN end LA647644, EFI		BTR2580	1
[900]	O Ring	EFI	CFC-Free Refrigerant, 11.2mm OD, 7.6mm ID, 1.8mm thick	STC3191	1
		Change point - VIN end LA647644, EFI	No 10, 1/2" diameter	AEU1628	1
		Change point - VIN end JA617613, EFI	Also serviced as part of a kit	RRC 1463	1
		EFI	Less CFC-Free Refrigerant, 13/32"	AEU1627	X
		EFI	13/32"	AEU1627	X
		Change point - VIN end LA647644, EFI	Less CFC-Free Refrigerant, 13/32"	AEU1627	1
[901]	Valve-charging air conditioning	Change point - VIN end LA647644, EFI		MXC6275	1
		Change point - VIN end JA617613, EFI	Also serviced as part of a kit	MXC6269	1
		Change point - VIN begin JA617614, Change point - VIN end LA647664, EFI	Also serviced as part of a kit	MXC6269	1
		Change point - VIN begin JA617614, Change point - VIN end LA647664, EFI	Also serviced as part of a kit	MXC6275	1
		Change point - VIN end LA647644, EFI		MXC6269	1

Cooling & Heating
Air Conditioning
Hose Layout-RHD-Diesel 1/1

Range Rover (From JA610294)

(BDLXMA2A)



Range Rover (From JA610294)

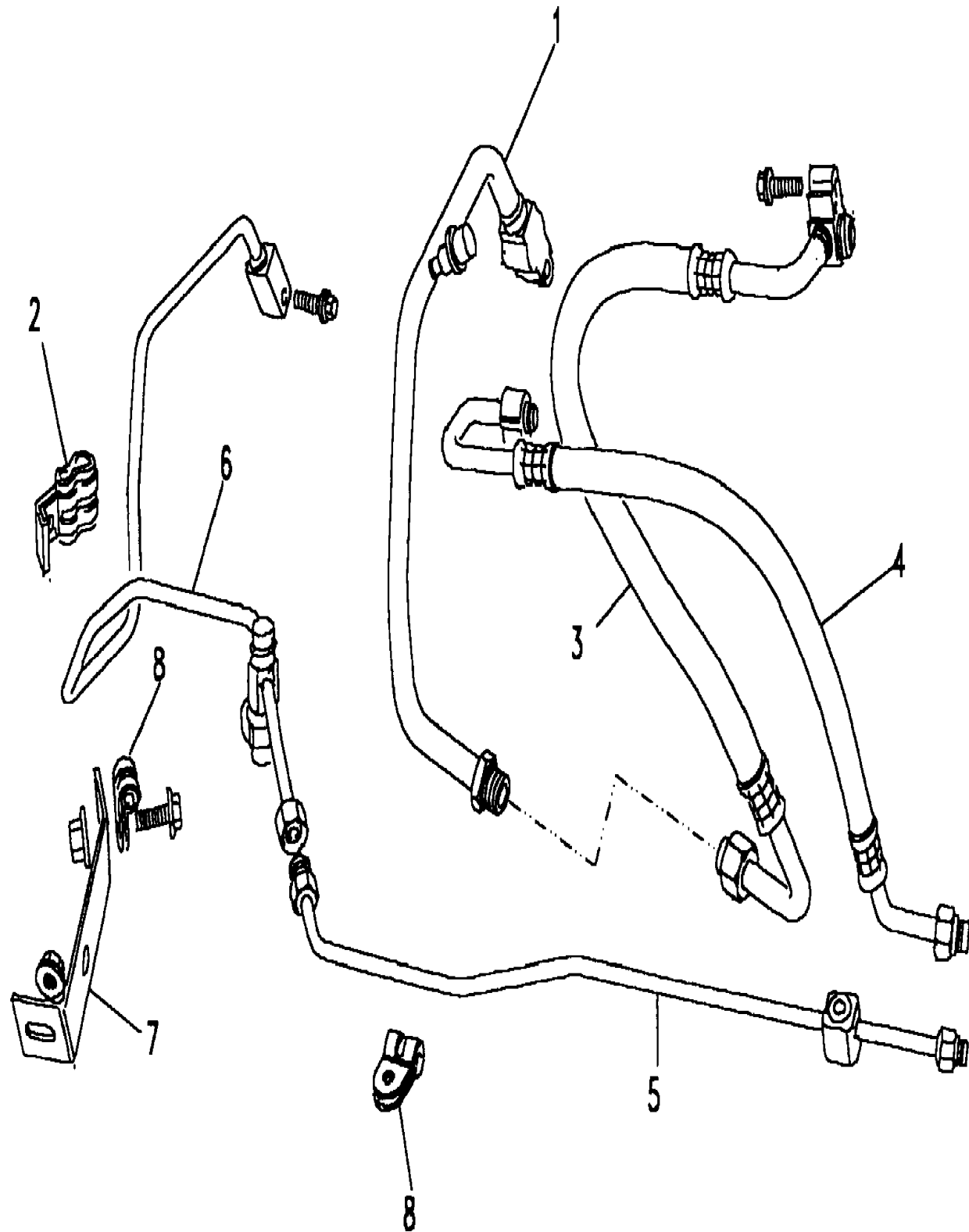
Cooling & Heating
Air Conditioning
Hose Layout-RHD-Diesel

TDi Diesel, RHD, With Air Conditioning

Callout	Name	Application	Remarks & Restrictions	Service No.	Qty
5	Hose-condenser/evaporator air conditioning		DIESEL, Also serviced as part of a kit, VM	BTR2564	1
6	Hose-condenser/evaporator air conditioning		DIESEL, VM	BTR1236	1
7	Hose-receiver dryer/evaporator air conditioning		DIESEL, VM	RTC6147	1
8	Hose-compressor/condenser air conditioning		DIESEL, Also serviced as part of a kit, VM, with service valve	BTR3710	1
		Change point - VIN end JA617613	DIESEL, VM, without service valve	BTR2549	1
9	Hose-condenser/evaporator air conditioning		DIESEL, VM	BTR2582	1
[900]	O Ring		DIESEL, VM, Less CFC-Free Refrigerant, 13/32"	AEU1627	1
			DIESEL, VM, CFC-Free Refrigerant, 11.2mm OD, 7.6mm ID, 1.8mm thick	STC3191	1
			DIESEL, VM, No 10, 1/2" diameter	AEU1628	1
			Less CFC-Free Refrigerant, 13/32"	AEU1627	X
[901]	Valve-charging air conditioning	Change point - VIN begin JA617614	DIESEL, Also serviced as part of a kit, VM	MXC6275	1

Range Rover (From JA610294)

(BDLXMA4A)



Range Rover (From JA610294)

With Air Conditioning

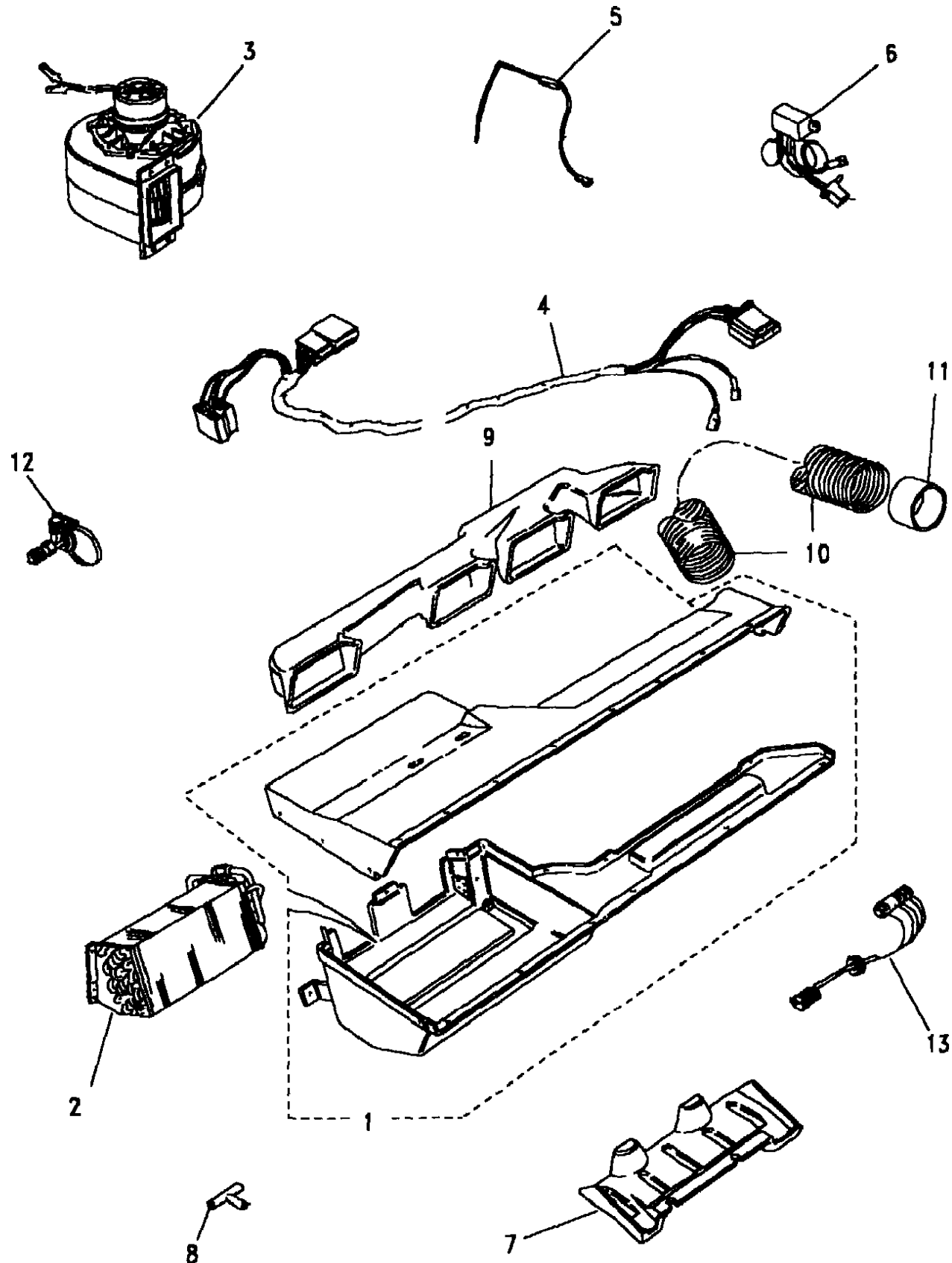
Callout	Name	Application	Remarks & Restrictions	Service No.	Qty
1	Pipe-evaporator/ compressor air conditioning	Change point - VIN begin MA647645	Also serviced as part of a kit	BTR6727	1
2	Clip-Pipe	Change point - VIN begin MA647645		BTR8921	1
3	Hose-evapr/compressor air conditioning	Change point - VIN begin MA647645, V8	Also serviced as part of a kit	BTR4041	1
		Change point - VIN begin MA647645, 4 Cyl TDi	Also serviced as part of a kit	BTR4040	1
4	Hose-compressor/ condenser air conditioning	Change point - VIN begin MA647645, V8	Also serviced as part of a kit	BTR4045	1
		Change point - VIN begin MA647645, 4 Cyl TDi	Also serviced as part of a kit	BTR4044	1
5	Pipe-evaporator air conditioning	Change point - VIN begin MA647645		BTR7231	1
6	Pipe-fluid air conditioning	Change point - VIN begin MA647645	Also serviced as part of a kit	BTR4038	1
7	Bracket-air charge/body air cooler	Change point - VIN begin MA647645		BTR9613	1
8	Clip-Pipe	Change point - VIN begin MA647645		BTR7301	2
[900]	Bolt-flanged head	Change point - VIN begin MA647645		FB106061M	2
[901]	O Ring	Change point - VIN begin MA647645	Also serviced as part of a kit, 5/8" diameter	STC3151	2
		Change point - VIN begin MA647645, V8	Also serviced as part of a kit, 5/8" diameter	STC3151	2
		Change point - VIN begin MA647645, 4 Cyl TDi	Also serviced as part of a kit, 5/8" diameter	STC3151	2
		Change point - VIN begin MA647645, V8	Also serviced as part of a kit, 1/2" diameter	STC3150	2
		Change point - VIN begin MA647645, 4 Cyl TDi	Also serviced as part of a kit, 1/2" diameter	STC3150	2
		Change point - VIN begin MA647645	Also serviced as part of a kit, 8mm diameter	STC3149	1

Range Rover (From JA610294)

(BDLXKA1A)

Range Rover (From JA610294)

With Air Conditioning



Callout	Name	Application	Remarks & Restrictions	Service No.	Qty
1	Case-evaporator	Change point - VIN end LA647644, RHD	top, bottom	MXC7234RUN	1
		Change point - VIN end LA647644, LHD	top, bottom	MXC7233RUN	1
2	Evaporator assembly-air conditioning	Change point - VIN end LA647644, RHD		RTC6138	1
		Change point - VIN end LA647644, LHD		RTC6139	1
3	Blower assembly-air conditioning	Change point - VIN end JA617613, RHD		RTC6744	2
		Change point - VIN begin JA617614, Change point - VIN end LA647644, RHD		BTR5322	2
		Change point - VIN end JA617613, LHD		RTC6745	2
		Change point - VIN begin JA617614, Change point - VIN end LA647644, LHD		BTR5321	2
4	Harness blower-air conditioning	Change point - VIN end LA647644		RTC7407	1
5	Sensor-thermostat air conditioning	Change point - VIN end JA617613		MXC5707	1
		Change point - VIN begin JA617614, Change point - VIN end LA647644		BTR3753	1
6	Thermostat evaporator-air conditioning	Change point - VIN end JA617613		MXC5706	1
		Change point - VIN begin JA617614, Change point - VIN end LA647644		STC1799	1
7	Panel closing	Change point - VIN end LA647644, RHD	RH	MXC7032	1
		Change point - VIN end LA647644, LHD	LH	MXC7159	1
8	T Piece	Change point - VIN end LA647644		AEU1403	1
9	Duct-hot air induction system	Change point - VIN end LA647644, RHD		MXC3874	1
		Change point - VIN end LA647644, LHD		MXC3875	1
10	Hose-Wireform	Change point - VIN end LA647644		MUC8842	1
11	Adaptor-air conditioning compressor hose	Change point - VIN end LA647644		AEU3057	1

Cooling & Heating
 Air Conditioning
 Principal Components 2/2

Range Rover (From JA610294)

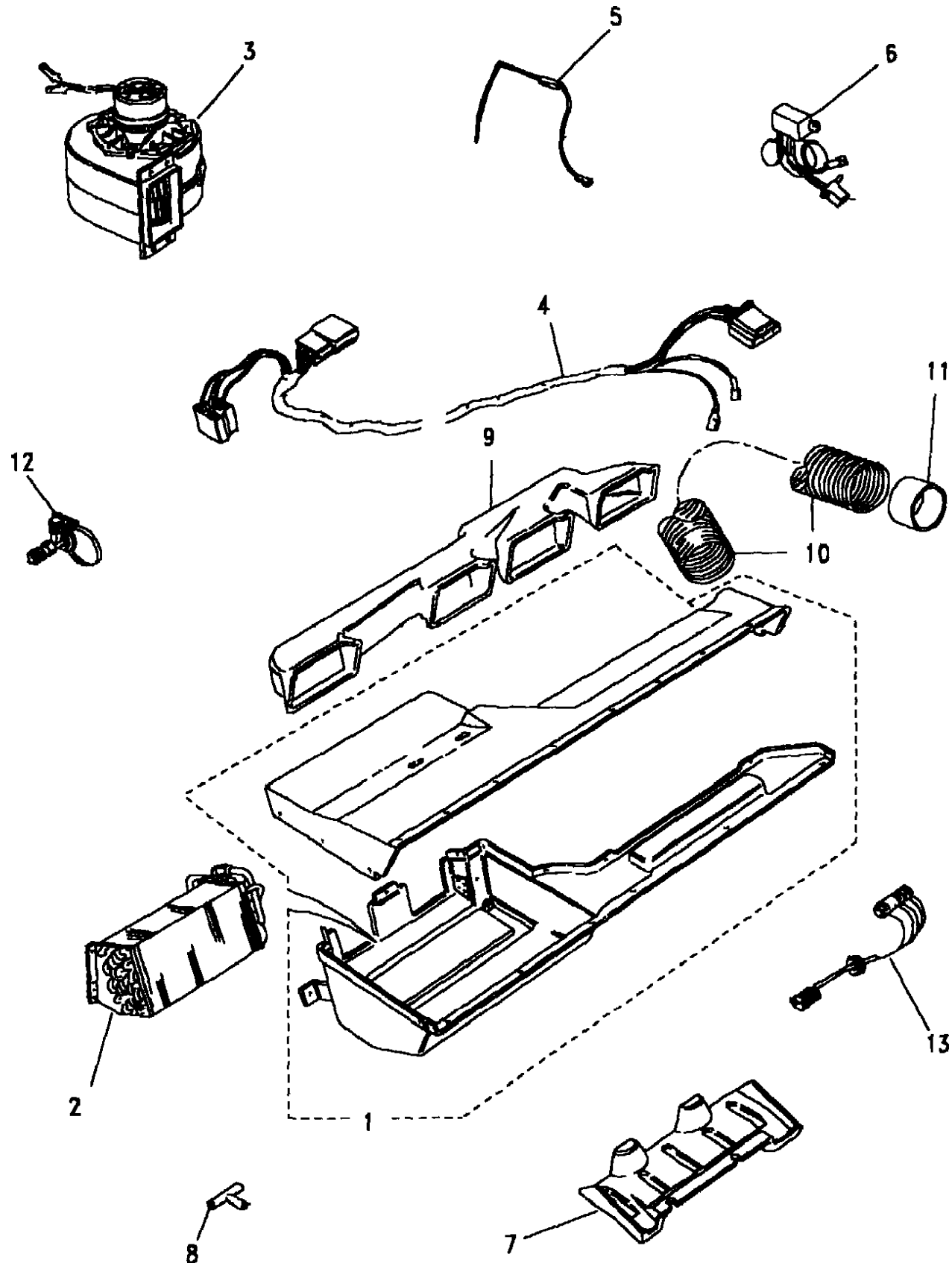
(BDLXKA1A)

Cooling & Heating
 Air Conditioning
 Principal Components

Range Rover (From JA610294)

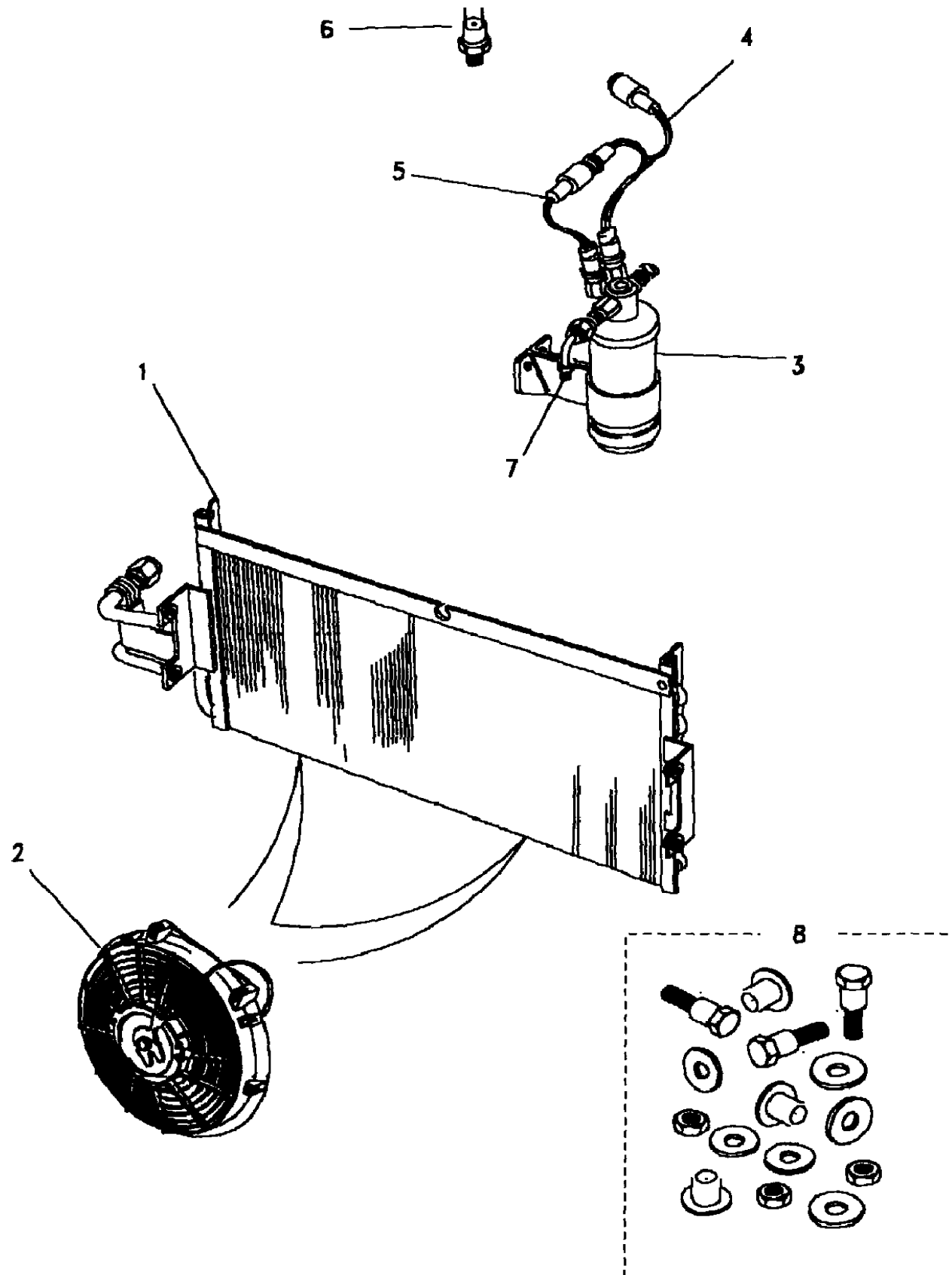
With Air Conditioning

Callout	Name	Application	Remarks & Restrictions	Service No.	Qty
12	Valve-expansion evaporator-air conditioning	Change point - VIN end LA647644		RTC6143	1
13	Resistor Assy	Change point - VIN end LA647644		PRC8010	1



Range Rover (From JA610294)

(BDLXKA2A)



Range Rover (From JA610294)

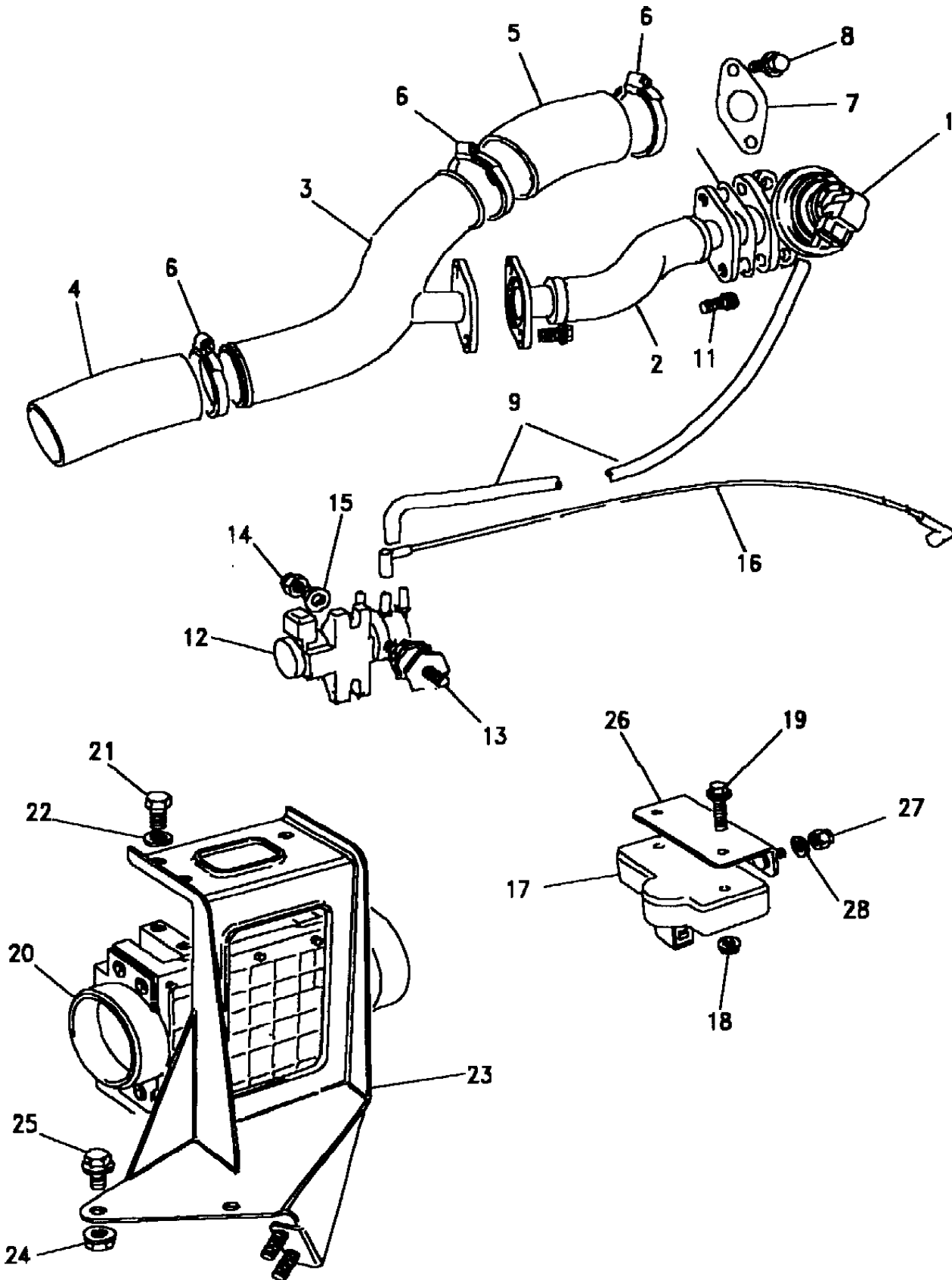
With Air Conditioning

Callout	Name	Application	Remarks & Restrictions	Service No.	Qty
1	Condenser air conditioning	Change point - VIN end JA617613, With Petrol Engines		MXC7252	1
		Change point - VIN begin JA617614, Change point - VIN end LA647644, With Petrol Engines		BTR3698	1
		Change point - VIN end JA617613	DIESEL, VM	MXC7253	1
		Change point - VIN begin JA617614, Change point - VIN end LA647644	DIESEL, VM	BTR3699	1
		Change point - VIN end LA647644, TDi	Diesel	BTR3698	1
2	Motor assembly blower-air conditioning	Change point - VIN end JA617613		MXC7269	2
		Change point - VIN begin JA617614, Change point - VIN end LA647644		BTR3700	2
3	Receiver dryer assembly R134a-air conditioning	Change point - VIN end JA617613, With Petrol Engines		MXC7258	1
		Change point - VIN begin JA617614, Change point - VIN end LA647644, With Petrol Engines		BTR3717	1
		Change point - VIN end JA617613, With Diesel Engines		MXC7259	1
		Change point - VIN begin JA617614, Change point - VIN end LA647644, With Diesel Engines		BTR3719	1
4	Switch-pressure air conditioning control	Change point - VIN end JA617613	Low Pressure	MXC7261	1
5	Switch-pressure air conditioning control	Change point - VIN end JA617613	High Pressure	MXC7260	1
6	Switch-pressure air conditioning control	Change point - VIN begin JA617614, Change point - VIN end LA647644	dual pressure	BTR3720	1
7	Hose-receiver dryer/evaporator air conditioning	Change point - VIN end JA617613		MXC7257	1
		Change point - VIN begin JA617614, Change point - VIN end LA647644		BTR3630	1
8	Kit-mounting bracket	Change point - VIN end LA647644	Also serviced as part of a kit	BTR5099	1

Cooling & Heating
Cooling System
Exhaust Gas Recirculation 1/2

Range Rover (From JA610294)

(BDLXAC5C)



Range Rover (From JA610294)

Cooling & Heating
Cooling System
Exhaust Gas Recirculation

TDi Diesel

Callout	Name	Application	Remarks & Restrictions	Service No.	Qty
1	Valve-exhaust gas recirculation engine exhaust	TDi, EGR		ERR4047	1
		TDi, Less EGR		ERR2826	1
2	Pipe-exhaust gas recirculation	TDi		ERR3583	1
3	Pipe-exhaust gas recirculation	TDi	15 G	ERR3579	1
4	Pipe-exhaust gas recirculation	TDi		ERR3581	1
5	Pipe-exhaust gas recirculation	TDi		ERR3580	1
6	Clip-Hose	TDi		CN100608L	2
7	Gasket-exhaust gas recirculation pipe-inlet manifold engine exhaust	2.5L L/R Turbo Diesel		ERR7173	1
8	Screw-hexagon socket	2.5L 4 Cyl TDi	M8 x 25	SS108251	2
9	Pipe-solenoid valve/exhaust gas recirculation diesel	TDi		ERR5055	1
		TDi	Blue.	ESR3533	1
10	Gasket-exhaust gas recirculation valve to pipe	TDi		ERR3319	1
11	Screw-hexagon socket	TDi	M8 x 20	SS108201	2
12	Valve-solenoid-exhaust gas recirculation diesel	TDi		ERR3314	1
13	Mounting-rubber	TDi		ERR2337	2
14	Nut - Hex.	TDi	M6, hexagonal head, nyloc	NY106041L	2
15	Washer	TDi	M6	WA106001L	2
16	Hose-modulator valve to air cleaner	TDi	Green, White.	ERR4862	1
17	Sensor-turbocharger boost pressure	TDi		ERR2083	1
18	Nut-hexagonal-nyloc	TDi	M5	NY105041L	2
19	Screw	TDi	M5 X 10, hexagonal head	FS105107	2

Cooling & Heating
Cooling System
Exhaust Gas Recirculation 2/2

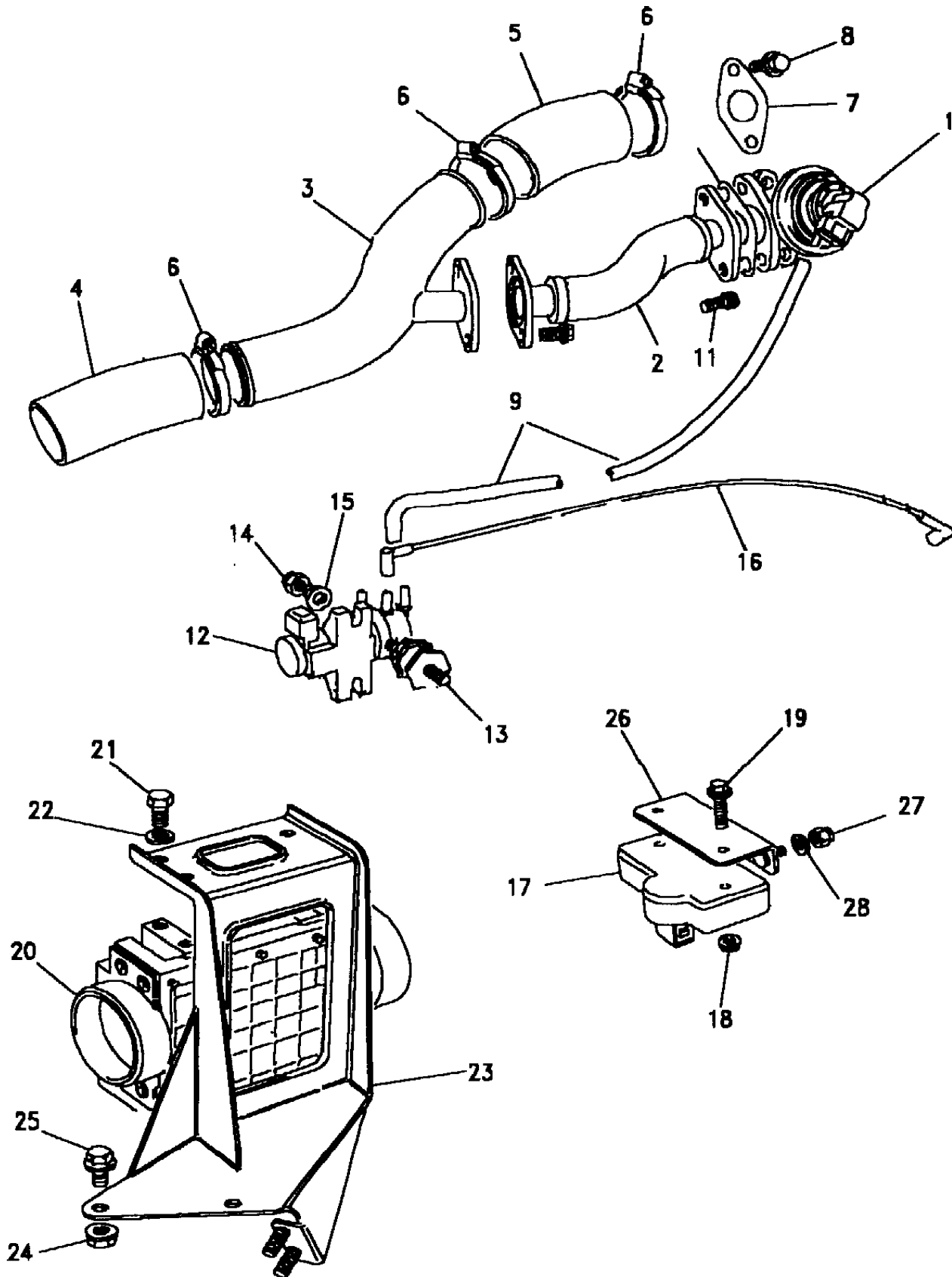
Range Rover (From JA610294)

(BDLXAC5C)

Cooling & Heating
Cooling System
Exhaust Gas Recirculation

Range Rover (From JA610294)

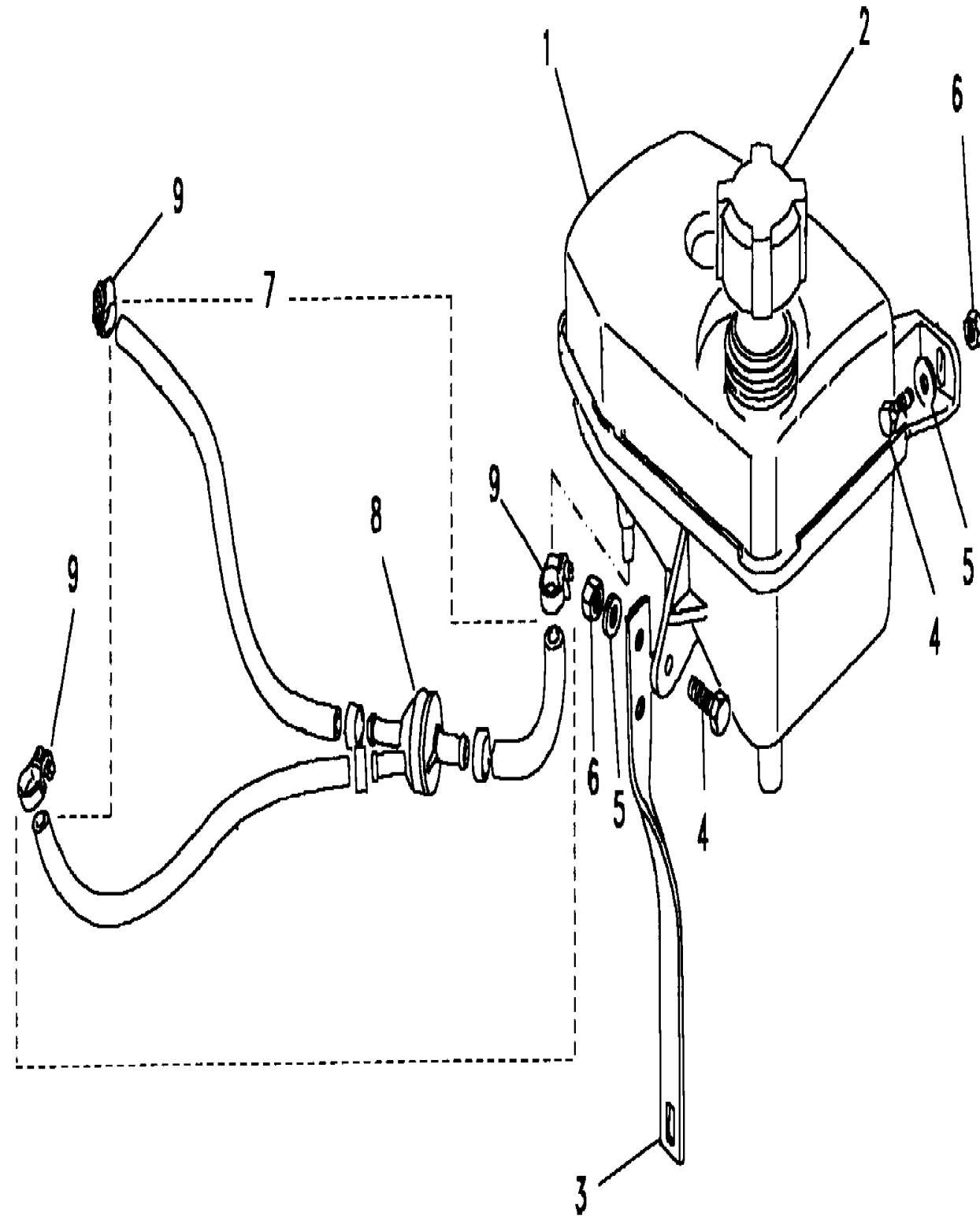
TDi Diesel



Callout	Name	Application	Remarks & Restrictions	Service No.	Qty
20	Sensor assembly-airflow multi point injection	TDi		ERR2084	1
21	Screw	TDi	M8 X 15, hexagonal head	SH108151L	3
22	Washer	TDi	M8, Large	WJ108001	3
23	Bracket assembly-mounting air flow meter	TDi		ERR2706	1
24	Nut - Hex.	TDi	M8, flange	FN108041L	4
25	Screw	TDi	M8 X 16, Flanged Head	FS108161L	2
26	Bracket assembly-sensor diesel	TDi		ERR2707	1
27	Nut - Hex.	TDi	M6, hexagonal head, nyloc	NY106041L	2
28	Washer	TDi	M6	WA106001L	2

Range Rover (From JA610294)

(BDLXCA3A)



Range Rover (From JA610294)

TDi Diesel Turbo LR

Callout	Name	Application	Remarks & Restrictions	Service No.	Qty
1	Tank-radiator expansion	TDi		ESR63	1
2	Cap-expansion tank pressure	TDi	15psi	NTC7161	1
3	Bracket-expansion tank support	TDi		ESR2143	1
4	Screw-flanged head	TDi	M6 X 16, Flanged Head	FS106161L	4
5	Washer	TDi	6MM	WA106041L	4
6	Nut - Hex.	TDi	M6, nyloc, Hexagonal	NH106041L	4
7	Hose-bleed pipe assembly	TDi	Also serviced as part of a kit	ESR2661	1
8	Pump-expansion tank ejector	TDi	Also serviced as part of a kit	ESR2348	1
9	Clip-Hose	TDi		CN100168L	3
[900]	Bracket assembly-expansion tank	TDi		ESR2574	1
		TDi	with evaporative loss system	ESR2575	1

Cooling & Heating
Cooling System
Expansion Tank 1/1

Range Rover (From JA610294)

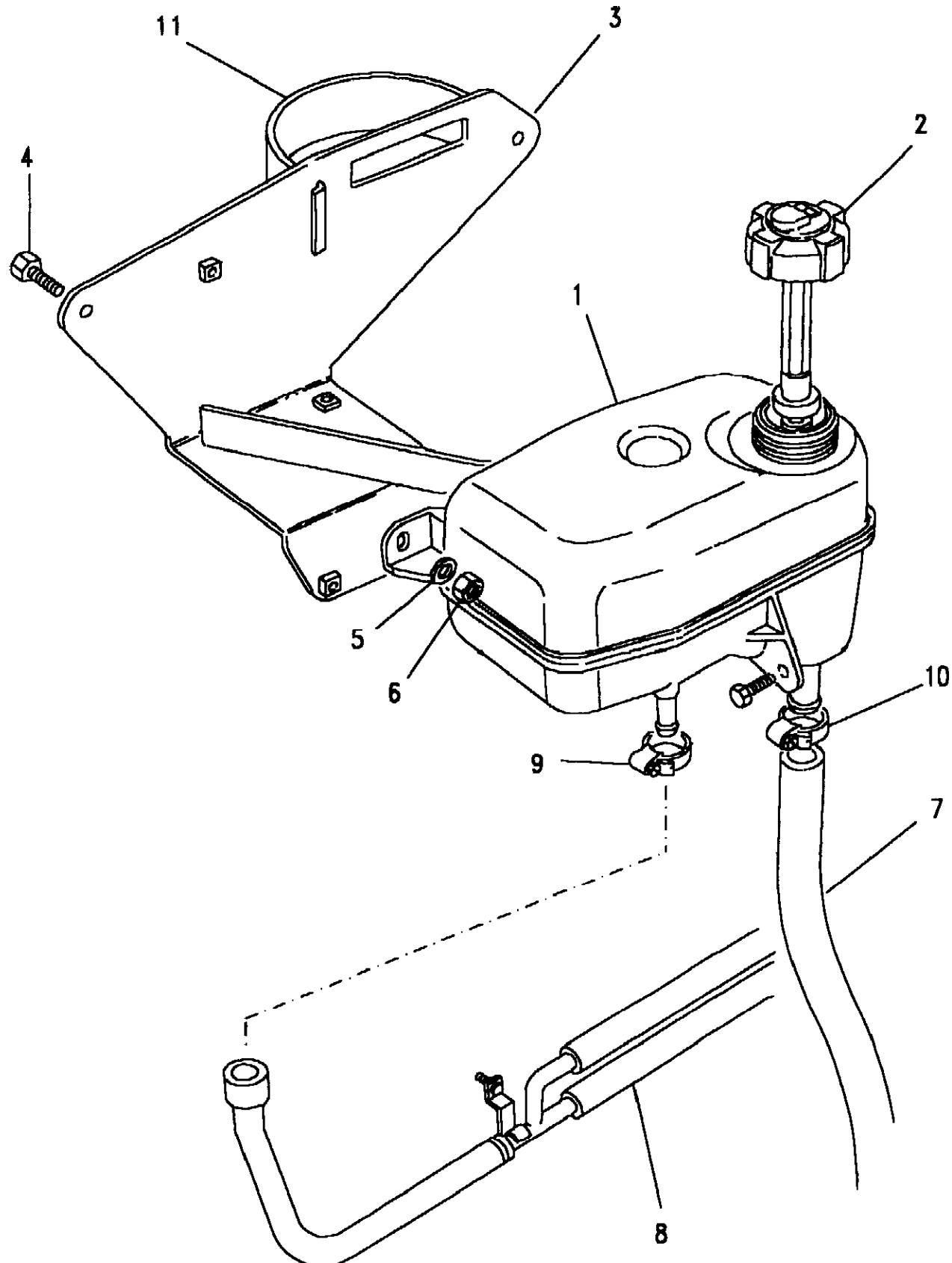
(BDLXCA2A)

Range Rover (From JA610294)

Cooling & Heating
Cooling System
Expansion Tank

2.5L I4 TDi L/R Turbo Diesel, Diesel VM, 5 Speed Manual Transmission, Less Catalyst

Callout	Name	Application	Remarks & Restrictions	Service No.	Qty
1	Tank-radiator expansion	Diesel VM	TDi, Engine Code 12L 2.5 TDI Manual - Gemini	ESR63	1
2	Sensor-level low coolant	Diesel VM	TDi, Engine Code 12L 2.5 TDI Manual - Gemini	PRC7925	1
3	Bracket-expansion tank	Diesel VM	Engine Code 12L 2.5 TDI Manual - Gemini	ESR357	1
		TDi Diesel L/R	Engine Code 12L 2.5 TDI Manual - Gemini	ESR1909	1
4	Screw-flanged head	Diesel VM	TDi, M6 X 16, Engine Code 12L 2.5 TDI Manual - Gemini, Flanged Head	FS106167L	3
5	Washer	Diesel VM	TDi, Engine Code 12L 2.5 TDI Manual - Gemini, 6MM	WA106041L	3
6	Nut - Hex.	Diesel VM	TDi, M6, Engine Code 12L 2.5 TDI Manual - Gemini, nyloc, Hexagonal	NH106041L	2
7	Hose-radiator bottom coolant	Change point - VIN begin JA610294, 2.5 VM Diesel Turbo	(-) TDi, 4 Cylinder, Engine Code 12L 2.5 TDI Manual - Gemini	ESR185	1
8	Hose-bleed pipe assembly	Diesel VM	TDi, Engine Code 12L 2.5 TDI Manual - Gemini	ESR522	1
9	Clip-Hose	Diesel VM	TDi, 20MM, Engine Code 12L 2.5 TDI Manual - Gemini	CN100208L	2
10	Clip-Hose	Diesel VM	TDi, 25MM, Engine Code 12L 2.5 TDI Manual - Gemini	CN100258L	1
11	Bracket power assisted steering reservoir	Diesel VM	TDi, Engine Code 12L 2.5 TDI Manual - Gemini	NTC7480	1



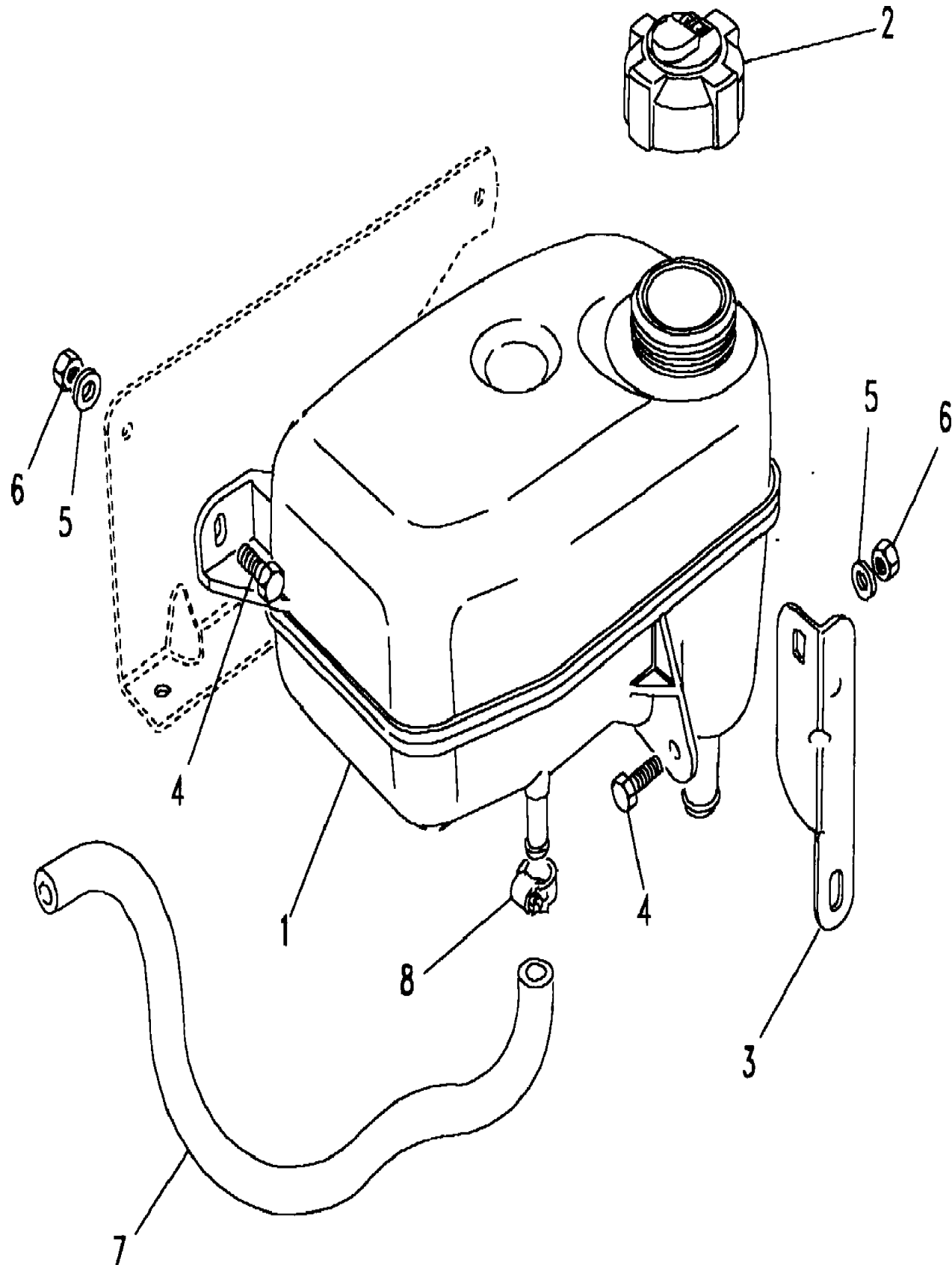
Range Rover (From JA610294)

(BDLXCA1B)

Range Rover (From JA610294)

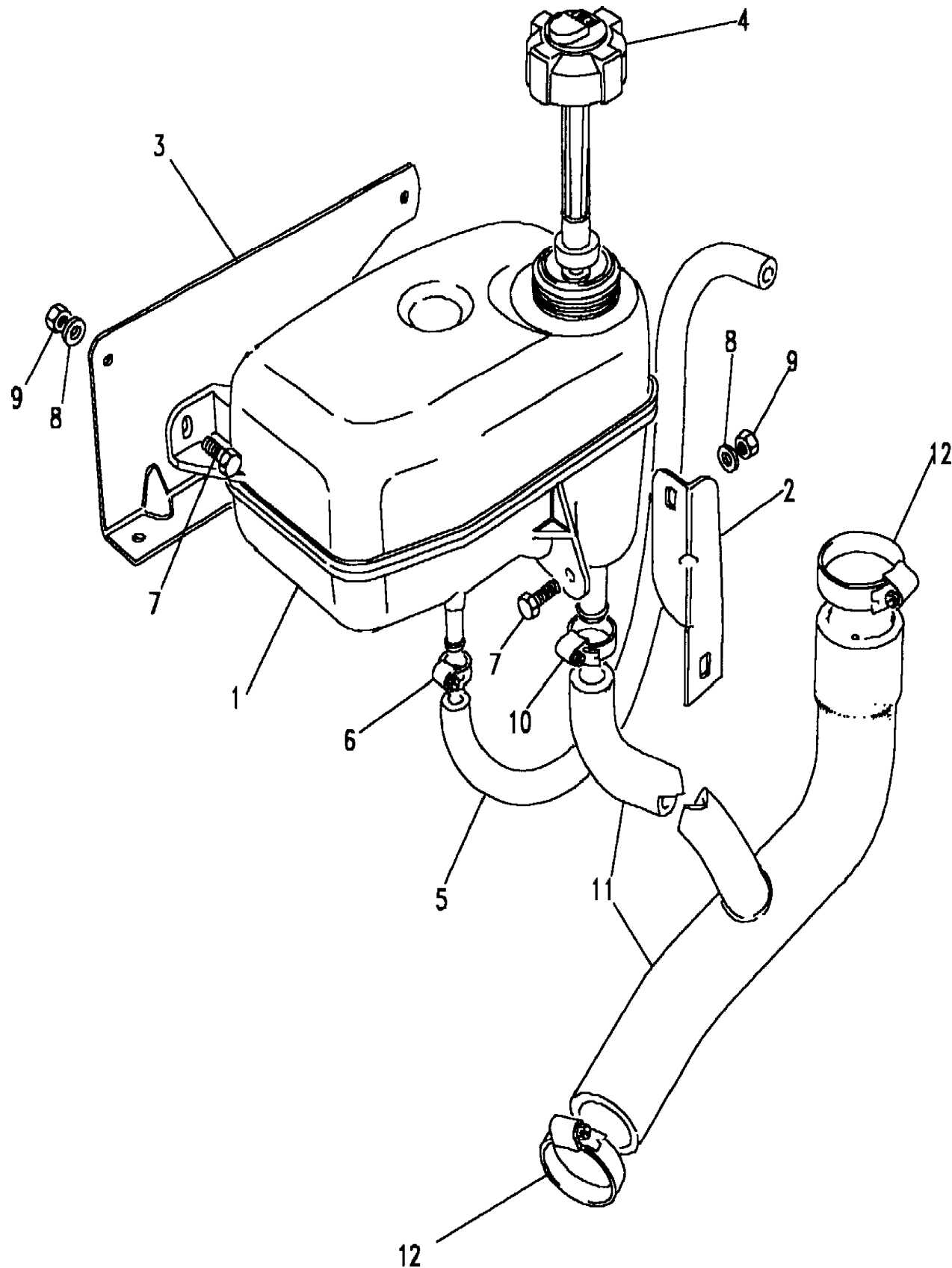
Change point - VIN begin MA647645, With Petrol Engines

Callout	Name	Application	Remarks & Restrictions	Service No.	Qty
1	Tank-radiator expansion	Change point - VIN begin MA647645, V8 EFI		ESR63	1
2	Cap-expansion tank pressure	Change point - VIN begin MA647645, V8 EFI	15psi	NTC7161	1
3	Bracket-expansion tank support	Change point - VIN begin MA647645, V8 EFI		ESR2143	1
4	Screw-flanged head	Change point - VIN begin MA647645, V8 EFI	M6 X 16, Flanged Head	FS106161L	4
5	Washer	Change point - VIN begin MA647645, V8 EFI	6MM	WA106041L	4
6	Nut - Hex.	Change point - VIN begin MA647645, V8 EFI	M6, nyloc, Hexagonal	NH106041L	4
7	Hose-bleed pipe assembly to expansion tank	Change point - VIN begin MA647645, V8 EFI		NTC7298	1
8	Clip-Hose	Change point - VIN begin MA647645, V8 EFI	20MM	CN100208L	2
[901]	Bracket assembly-expansion tank	Change point - VIN begin MA647645		ESR2574	1
		Change point - VIN begin MA647645	with evaporative loss system	ESR2575	1



Change point - VIN end LA647644, With Petrol Engines

Callout	Name	Application	Remarks & Restrictions	Service No.	Qty
1	Tank-radiator expansion	Change point - VIN end LA647644, V8 EFI		ESR63	1
2	Support-expansion tank mounting	Change point - VIN end LA647644, V8 EFI		NTC7847	1
3	Bracket-expansion tank	Change point - VIN end KA630677, V8 EFI Change point - VIN begin KA630678, Change point - VIN end LA647644, V8 EFI		NTC7848 ESR1909	1 1
4	Sensor-level low coolant	Change point - VIN end LA647644, V8 EFI		PRC7925	1
5	Hose-bleed pipe assembly to expansion tank	Change point - VIN end LA647644, V8 EFI		NTC7298	1
6	Clip-Hose	Change point - VIN end LA647644, V8 EFI	20MM	CN100208L	2
7	Screw-flanged head	Change point - VIN end LA647644, V8 EFI	M6 X 16, Flanged Head	FS106167L	6
8	Washer	Change point - VIN end LA647644, V8 EFI	6MM	WA106041L	6
9	Nut - Hex.	Change point - VIN end LA647644, V8 EFI	M6	NV106041L	6
10	Clip-Hose	Change point - VIN end LA647644, V8 EFI	25MM	CN100258L	1
11	Hose-radiator bottom coolant	Change point - VIN end LA647644, V8 EFI Petrol		NTC7297	1
12	Clip-Hose	Change point - VIN end LA647644, V8 EFI	50MM, less spring assist	CN100508L	2



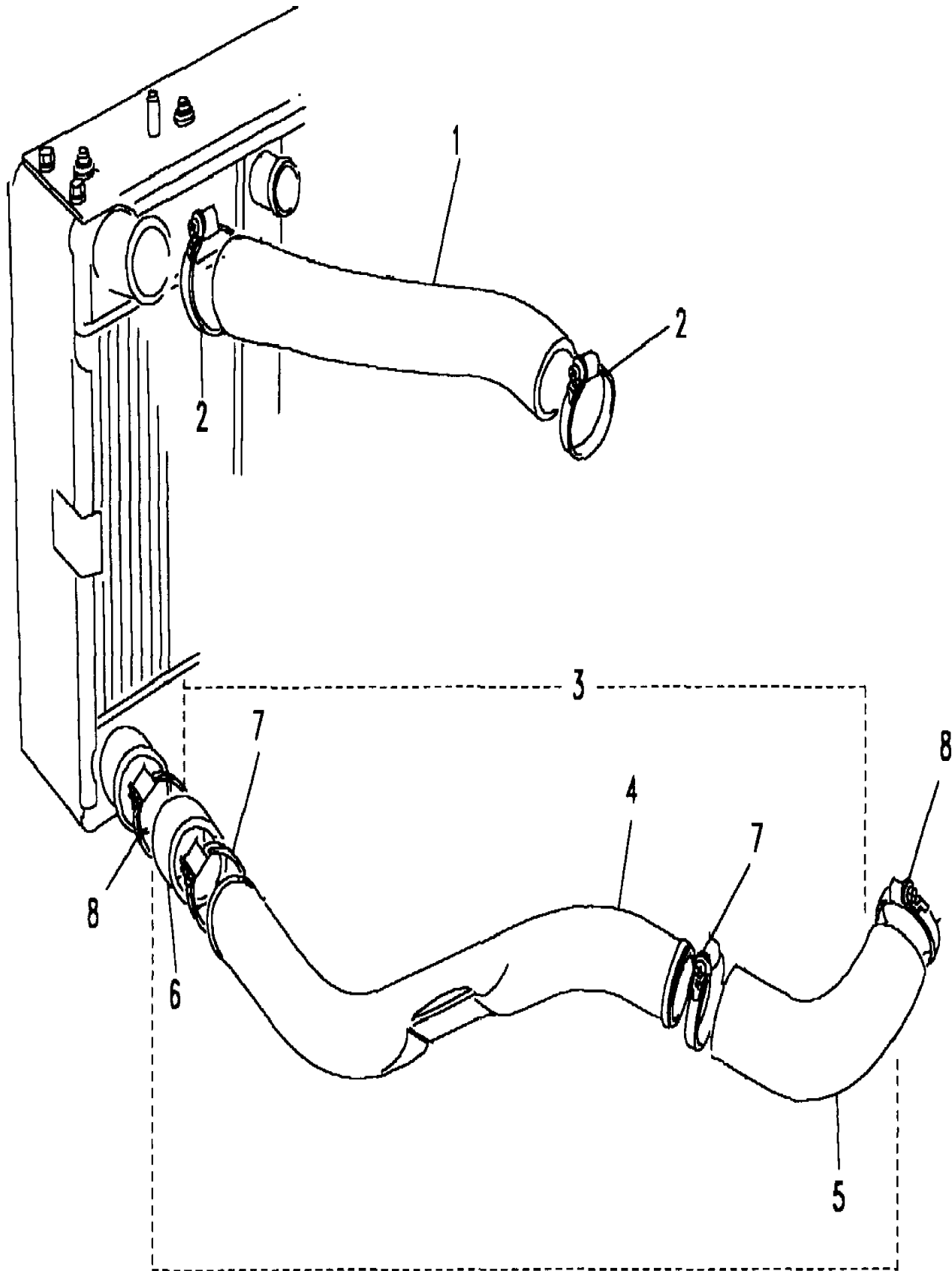
Range Rover (From JA610294)

(BDLXAC4C)

Range Rover (From JA610294)

2.5L 4 Cyl TDi Diesel, With Diesel Engines

Callout	Name	Application	Remarks & Restrictions	Service No.	Qty
1	Hose-intercooler to inlet manifold air	TDi		ESR3025	1
2	Clip-Hose	TDi		CN100708	2
3	Hose assembly-intercooler turbocharger	TDi, Less Air Suspension	Also serviced as part of a kit	ESR2910	1
		TDi, With Air Suspension	Also serviced as part of a kit	ESR2455	1
4	Pipe assembly-intercooler turbocharger	TDi, Less Air Suspension	Also serviced as part of a kit	ESR2911	1
		TDi, With Air Suspension	Also serviced as part of a kit	ESR2493	1
5	Hose-turbocharger to pipe	TDi, Less Air Suspension	Also serviced as part of a kit	ESR2912	1
		TDi, With Air Suspension	Also serviced as part of a kit	ESR2896	1
6	Hose-Intercooler	TDi, Less Air Suspension	Also serviced as part of a kit	ESR2913	1
		TDi, With Air Suspension	Also serviced as part of a kit	ESR2457	1
7	Clip-Hose	TDi, Less Air Suspension	Also serviced as part of a kit	CN100608	2
8	Clip-Hose	TDi, With Air Suspension	Also serviced as part of a kit	CN100608	2



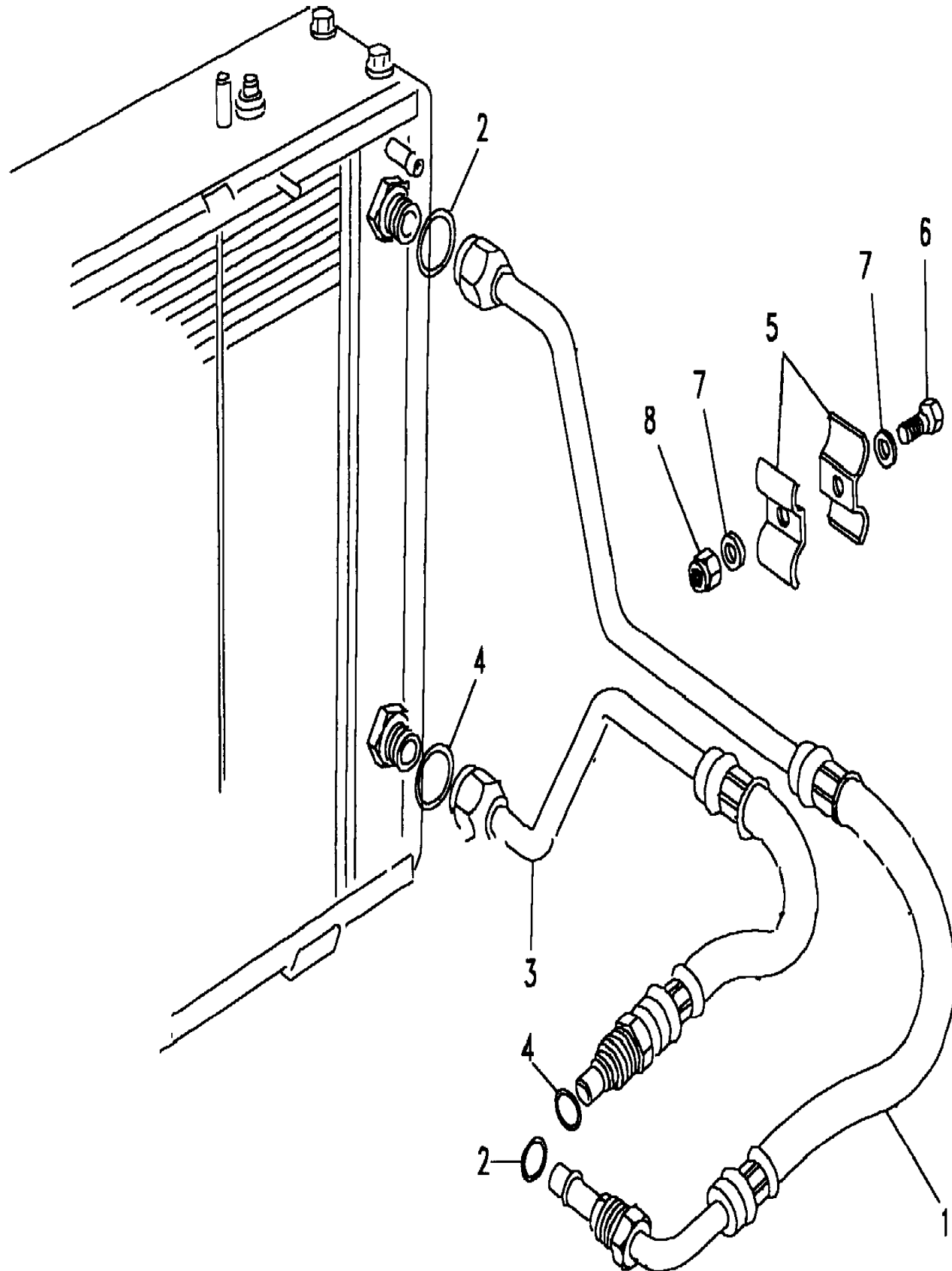
Range Rover (From JA610294)

(BDLXAA4B)

Range Rover (From JA610294)

With Petrol Engines

Callout	Name	Application	Remarks & Restrictions	Service No.	Qty
1	Pipe-engine to oil cooler	Change point - Engine end 36D52437C, V8 EFI		ESR2814	1
		Change point - Engine begin 36D52438C, V8 EFI		ESR3693	1
2	O Ring	V8 EFI	Small	ESR1594L	2
		V8 EFI		ESR3098	1
3	Pipe-oil cooler to engine	Change point - Engine end 36D52437C, V8 EFI		ESR2813	1
		Change point - Engine begin 36D52438C, V8 EFI		ESR3692	1
4	O Ring	V8 EFI		ESR1594L	2
5	Clamp	V8 EFI		NTC6847	2
6	Screw	V8 EFI	M6 X 16, hexagonal head	SH106161	1
7	Washer-Plain	V8 EFI	M6	WA106001	1
8	Nut - Hex.	V8 EFI	M6, nyloc, flange	NY106041	1



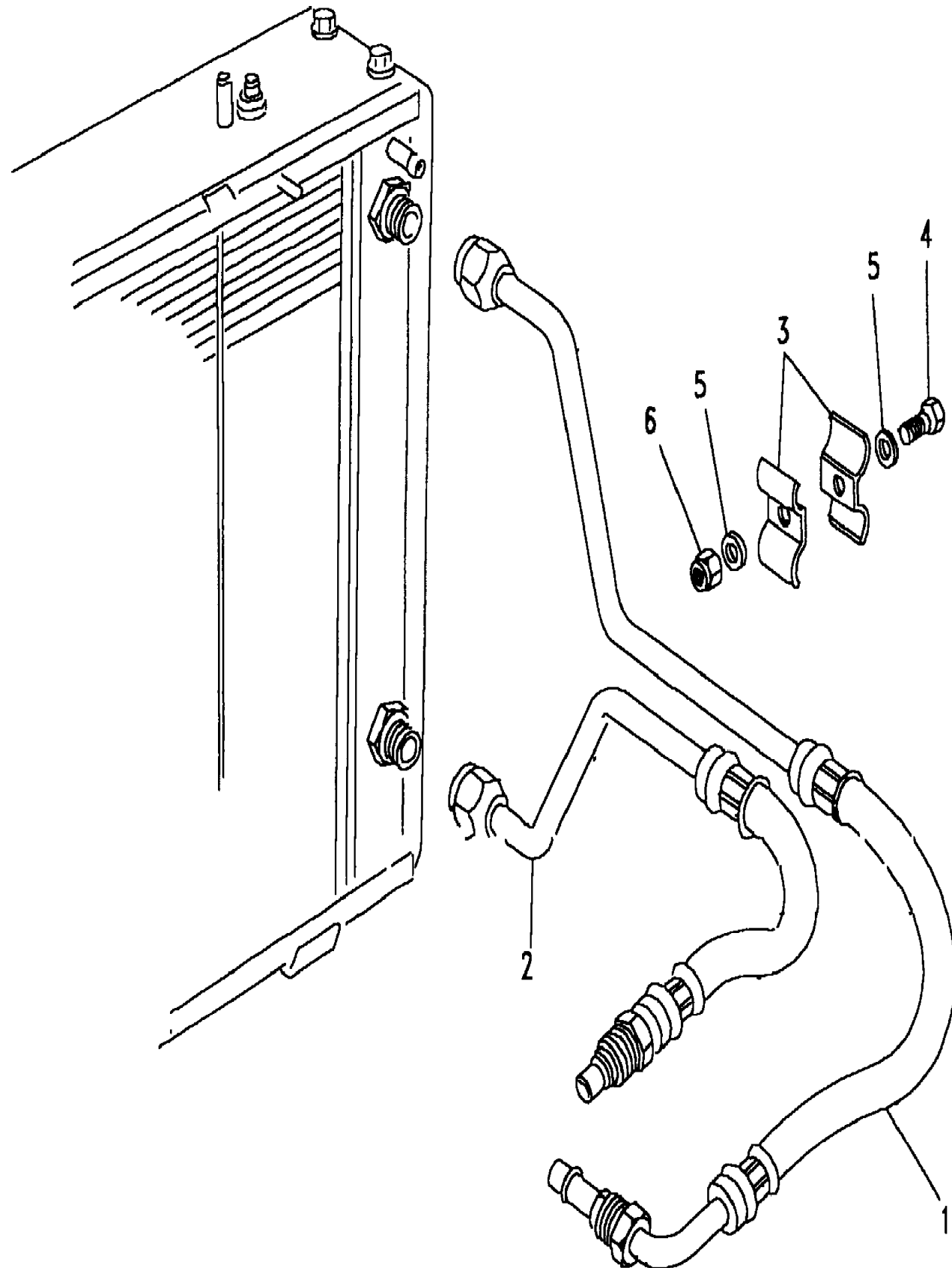
Range Rover (From JA610294)

(BDLXAC4D)

Range Rover (From JA610294)

2.5L TDi Turbo Diesel, TDi Diesel Turbo LR

Callout	Name	Application	Remarks & Restrictions	Service No.	Qty
1	Pipe-oil cooler to engine	TDi		ESR3690	1
		TDi	Also serviced as part of a kit	ESR1931	1
2	Pipe-engine to oil cooler	TDi	Also serviced as part of a kit	ESR2844	1
		TDi	Also serviced as part of a kit	ESR3691	1
3	Clamp	TDi		NTC6847	2
4	Screw	TDi	M6 X 16, hexagonal head	SH106161	1
5	Washer	TDi	6MM	WA106041L	2
6	Nut - Hex.	TDi	M6, nyloc, flange	NY106041	1
[901]	O Ring	TDi		ESR1594L	4
		TDi	Also serviced as part of a kit	ESR1594L	4



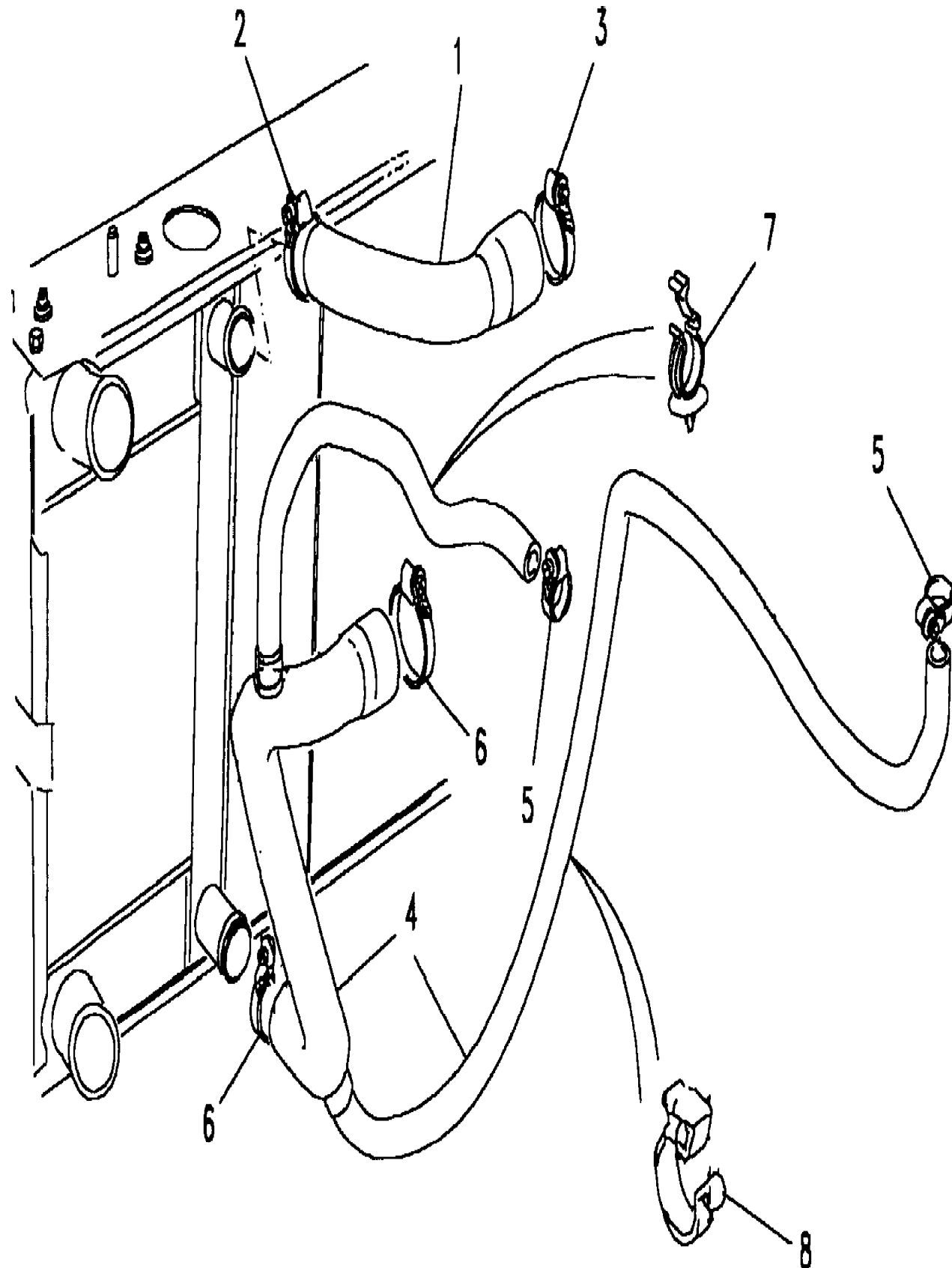
Range Rover (From JA610294)

(BDLXAC4B)

Range Rover (From JA610294)

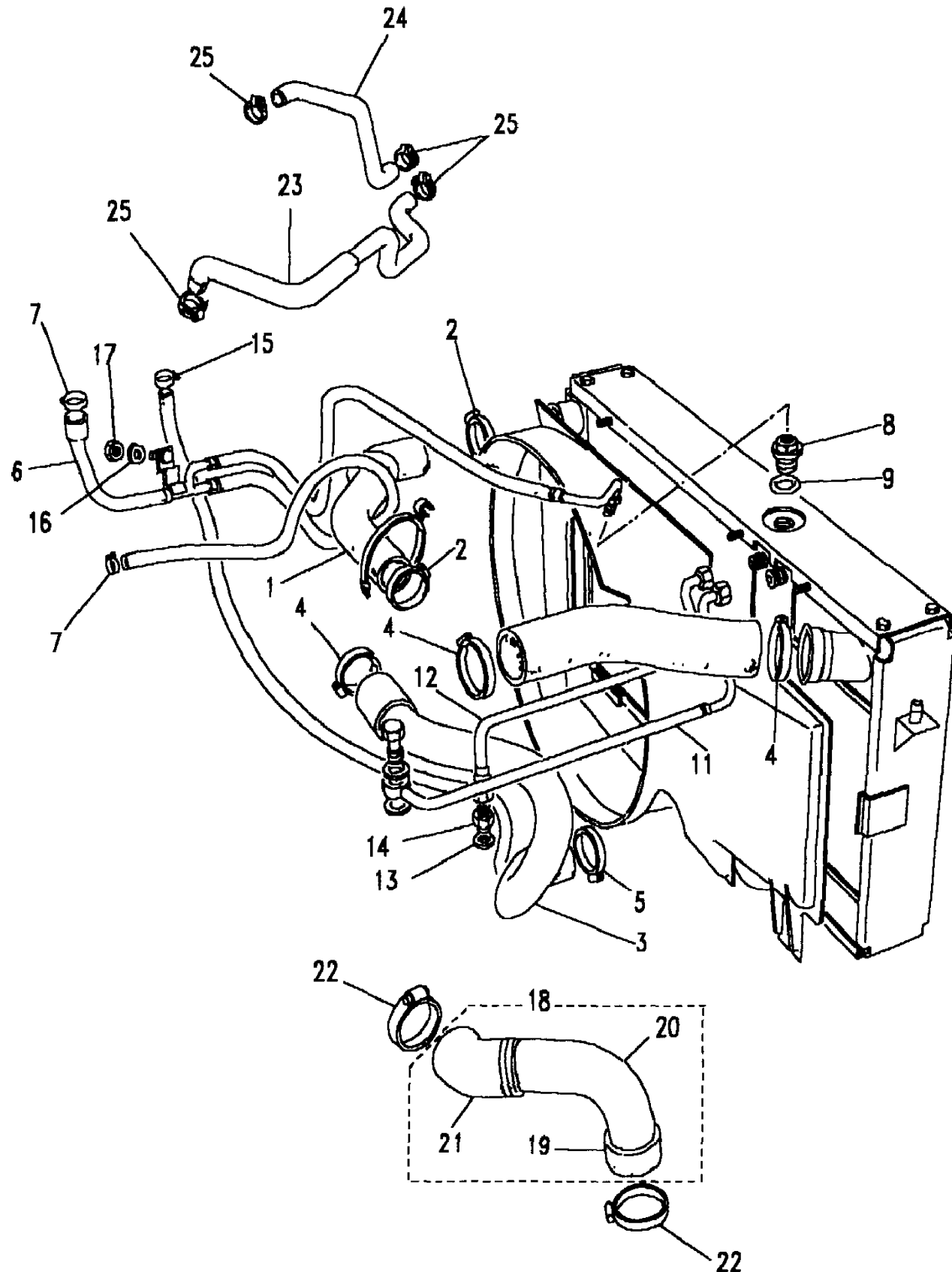
TDi Diesel L/R

Callout	Name	Application	Remarks & Restrictions	Service No.	Qty
1	Hose-radiator top coolant	2.5 4 Cy 300TDi Diesel Turbo LR	(-) 12L 2.5 TDI Manual - Gemini, (-) 14L 2.5 TDI Manual - Zircon	ESR2491	1
2	Clip-Hose	TDi	50MM, (-) 12L 2.5 TDI Manual - Gemini, less spring assist	CN100508L	1
3	Clip-Hose	TDi	(-) 12L 2.5 TDI Manual - Gemini	CN100608	1
4	Hose-radiator bottom coolant	Change point - VIN end MA652456, 2.5 4 Cy 300TDi Diesel Turbo LR Change point - VIN end MA652457, 2.5 4 Cy 300TDi Diesel Turbo LR	(-) 12L 2.5 TDI Manual - Gemini, (-) 14L 2.5 TDI Manual - Zircon (-) 12L 2.5 TDI Manual - Gemini, (-) 14L 2.5 TDI Manual - Zircon	ESR3147 ESR3296	1 1
5	Clip-Hose	TDi	30MM, (-) 12L 2.5 TDI Manual - Gemini	CN100308L	2
6	Clip-Hose	TDi	50MM, (-) 12L 2.5 TDI Manual - Gemini, less spring assist	CN100508L	2
7	Clip-Hose	TDi	(-) 12L 2.5 TDI Manual - Gemini	ESR2662	1
8	Clip-Hose	TDi	(-) 12L 2.5 TDI Manual - Gemini	ESR1800	2



Range Rover (From JA610294)

(BDLXAC2A)



Range Rover (From JA610294)

Diesel VM

Callout	Name	Application	Remarks & Restrictions	Service No.	Qty
1	Bracket-coolant top hose			NTC6734	1
2	Clip-Hose		50MM, less spring assist	CN100508L	2
3	Hose-radiator bottom coolant	Change point - VIN begin JA610294	(-) TDI, 4 Cylinder, 2500 cc, Turbo	ESR185	1
4	Clip-Hose			STC128	1
5	Clip-Hose		50MM, less spring assist	CN100508L	1
6	Hose-bleed pipe assembly			ESR522	1
7	Clip-Hose		20MM	CN100208L	2
8	Connector-inlet manifold adaptor			ESR115	1
9	O Ring			NTC5171	1
10	Hose-outlet to pipe coolant			NTC2316	1
11	Hose-engine coolant valve			NTC6785	1
12	Hose-engine coolant valve			NTC7849	1
13	Washer-sealing			ETC9065	1
14	Adaptor-oil cooler			ETC9064	1
15	Clip-Hose		25MM	CN100258L	1
16	Washer		6MM	WA106041L	1
17	Nut - Hex.		M6, nyloc, Hexagonal	NH106041L	1
18	Pipe-intercooler-turbocharger casting		Also serviced as part of a kit	NTC5172	1
19	Hose-Intercooler		Also serviced as part of a kit, Front	NTC5175	1
20	Pipe assembly-coolant feed turbocharger		Also serviced as part of a kit	NTC5173	1
21	Pipe assembly-coolant feed turbocharger		Also serviced as part of a kit	NTC5174	1
22	Clip-Hose			CN100608L	4

Cooling & Heating
Cooling System
Radiator Hoses 2/2

Range Rover (From JA610294)

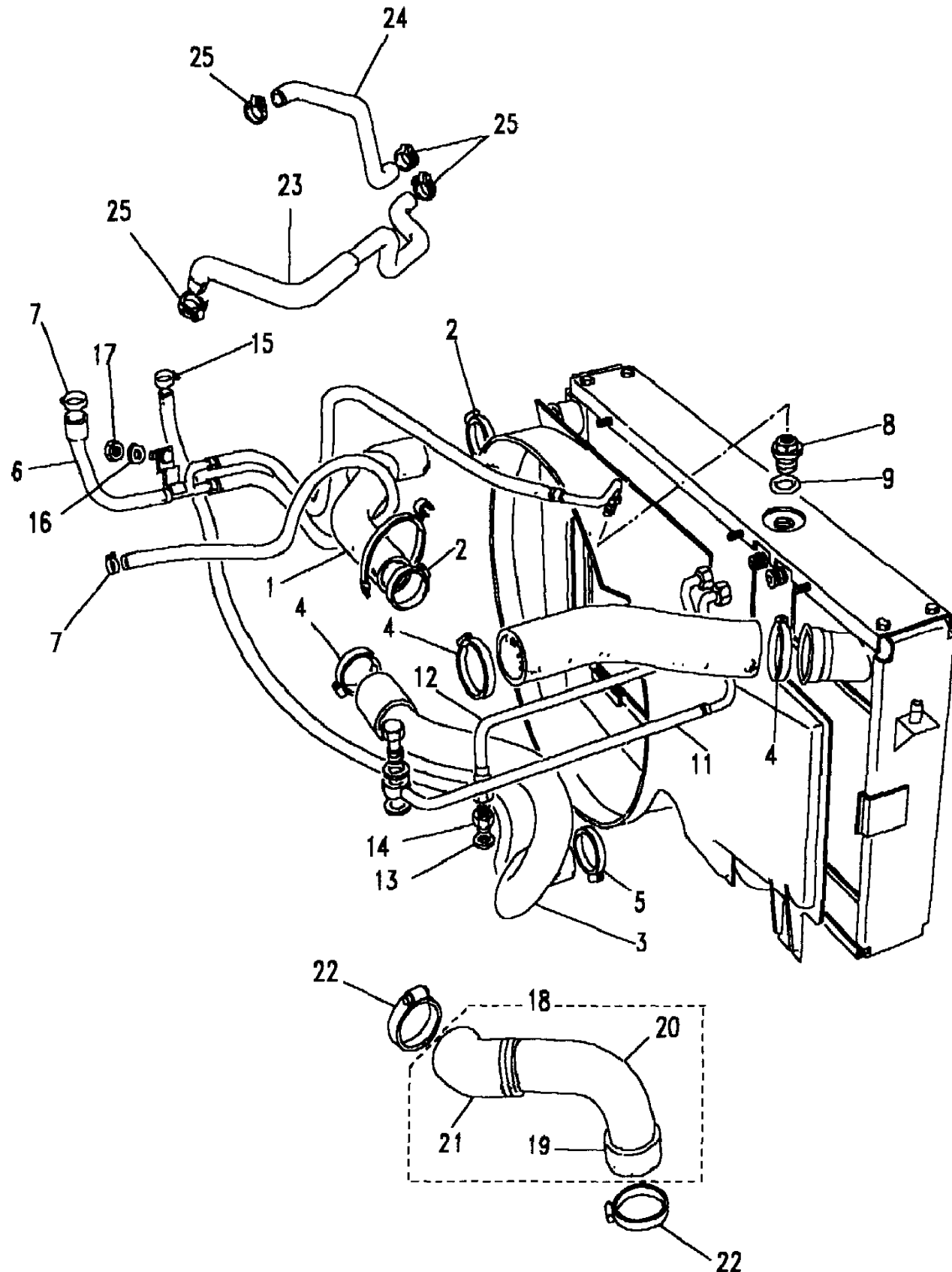
(BDLXAC2A)

Range Rover (From JA610294)

Cooling & Heating
Cooling System
Radiator Hoses

Diesel VM

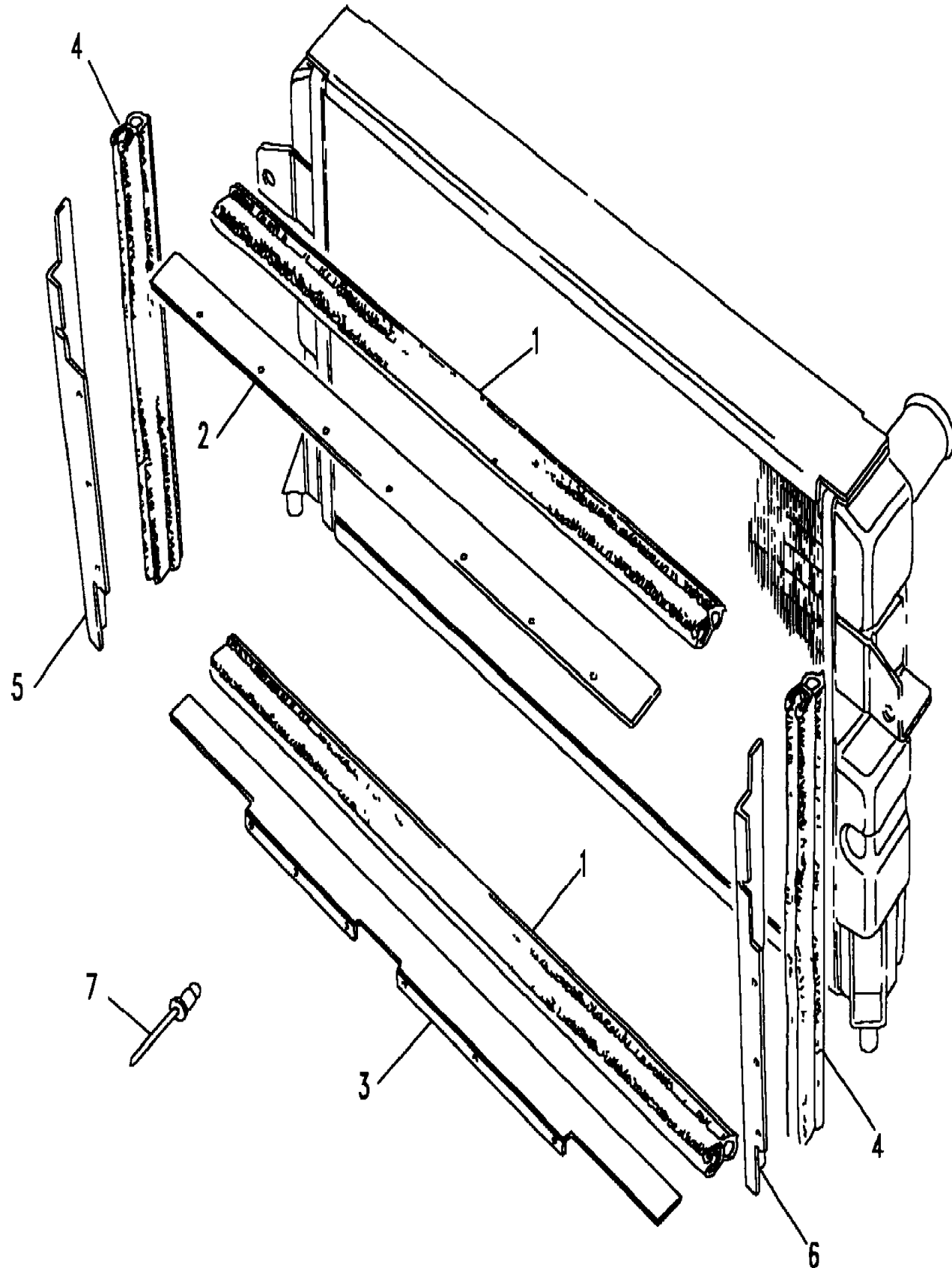
Callout	Name	Application	Remarks & Restrictions	Service No.	Qty
23	Hose-heater-inlet			NTC2826	1
24	Hose-heater return coolant			NTC2834	1
25	Clip-Hose		25MM	CN100258L	4



Range Rover (From JA610294)

(BDLXAE1A)

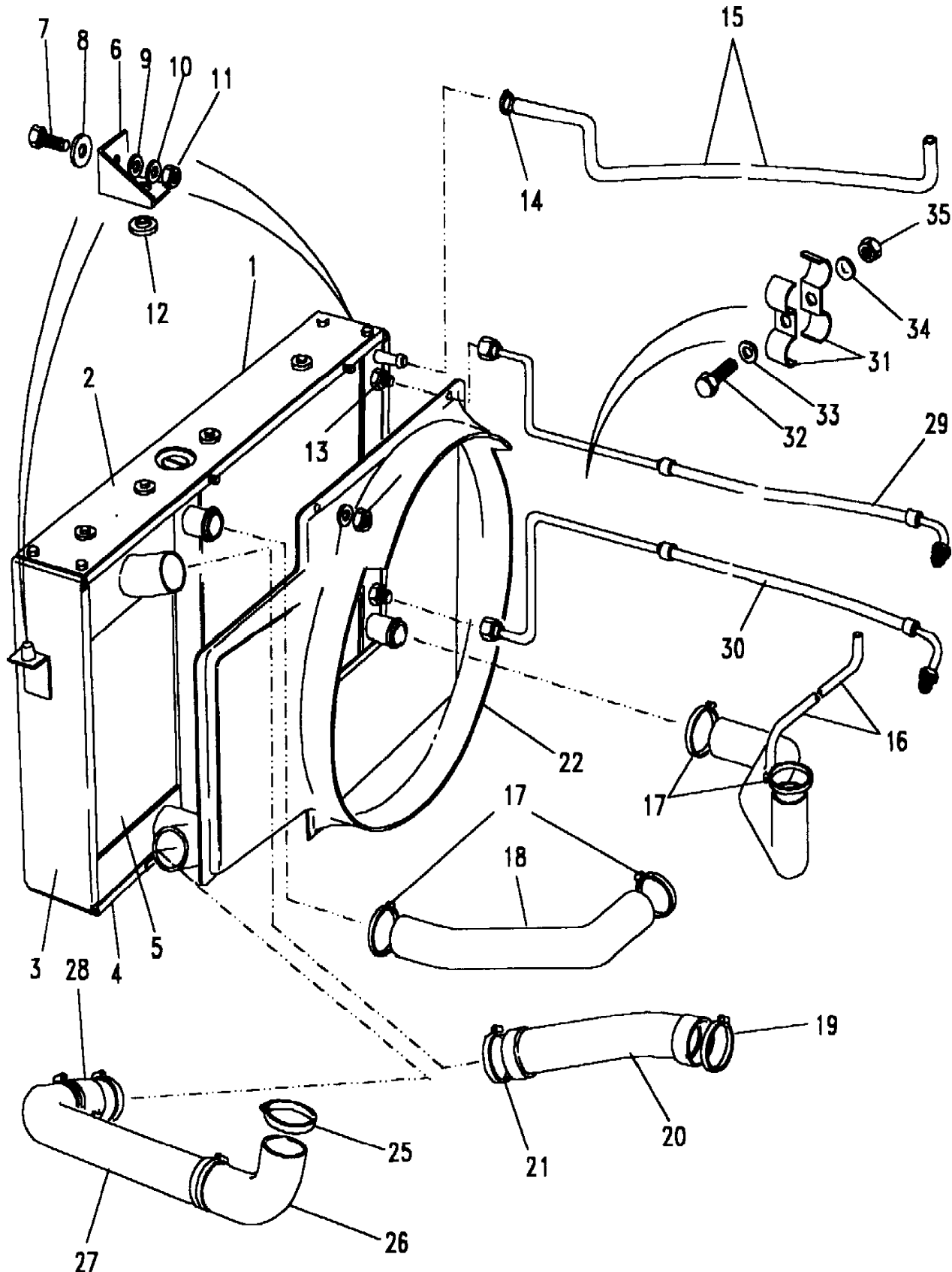
Range Rover (From JA610294)



Callout	Name	Application	Remarks & Restrictions	Service No.	Qty
1	Seal-body to cooling pack air		top, bottom	MUC6324	2
2	Bracket-radiator upper mounting			MRC218	1
3	Plate-radiator bottom			MRC206	1
4	Seal-body to cooling pack air		Side	MUC4177	2
5	Bracket-radiator mounting	Less Air Conditioning	RH	MUC6320	1
		Change point - VIN end KA641871, With Air Conditioning	RH	MUC6382	1
		Change point - VIN begin KA641872, With Air Conditioning	RH	BTR8266	1
6	Bracket-radiator mounting	Less Air Conditioning	LH	MUC6383	1
		With Air Conditioning	LH	MUC6319	1
7	Rivet-pop-steel	With Air Conditioning		RA608126L	19

Range Rover (From JA610294)

(BDLXAC3A)



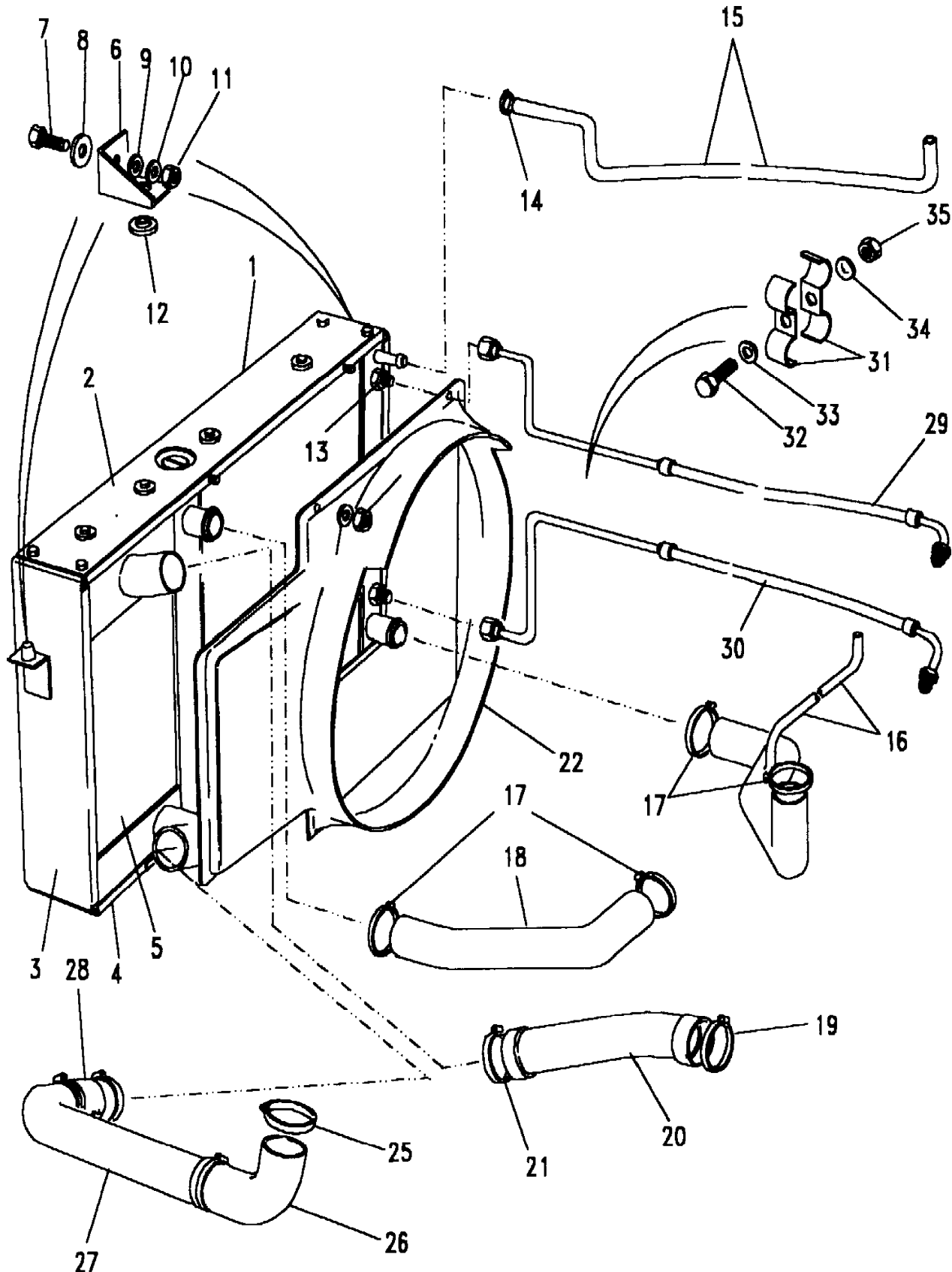
Range Rover (From JA610294)

TDi Diesel Turbo LR

Callout	Name	Application	Remarks & Restrictions	Service No.	Qty
1	Radiator assembly	Change point - VIN end LA647644, 2.5L I4 200 TDi L/R Turbo Diesel, 5 Speed Manual Transmission, Less Catalyst Change point - VIN end LA647644, 2.5L I4 200 TDi L/R Turbo Diesel, 5 Speed Manual Transmission, Less Catalyst	Engine Code 4L 2.5 TDi Manual - 'Zircon' Engine Code 4L 2.5 TDi Manual - 'Zircon'	BTP1823 BTP1823S	1 1
2	Frame-radiator	Change point - VIN end LA647644, TDi	top	BTP1809	1
3	Frame-radiator	Change point - VIN end LA647644, TDi	RH, Side	BTP1811	1
		Change point - VIN end LA647644, TDi	Side, LH	BTP1812	1
4	Frame-radiator	Change point - VIN end LA647644, TDi	bottom	BTP1781	1
5	Intercooler assembly-coolant	Change point - VIN end LA647644, TDi		FTP8015	1
6	Bracket-radiator mounting	Change point - VIN end LA647644, TDi	top	NTC1873	2
7	Screw	Change point - VIN end LA647644, TDi	Flanged Head, M8 x 20	FS108201L	2
8	Washer	Change point - VIN end LA647644, TDi	M8, Large	WJ108001	2
9	Washer	Change point - VIN end LA647644, TDi	8MM	WA108051L	2
10	Washer	Change point - VIN end LA647644, TDi	M8, sprung	WL108001	2
11	Nut - Hex.	Change point - VIN end LA647644, TDi	M8, flange	FN108041L	2
12	Bush-radiator mounting	Change point - VIN end LA647644, TDi		572312	2
13	Adaptor-pipe coolant	Change point - VIN end LA647644, TDi		ESR1262	1
14	Clip-Hose	Change point - VIN end LA647644, TDi	20MM	CN100208L	2
15	Hose-bleed pipe assembly to expansion tank	Change point - VIN end LA647644, TDi		NTC7298	1

Range Rover (From JA610294)

(BDLXAC3A)



Range Rover (From JA610294)

TDi Diesel Turbo LR

Callout	Name	Application	Remarks & Restrictions	Service No.	Qty
16	Hose-radiator bottom coolant	Change point - VIN end LA647644, Change point - VIN begin JA610294, 2.5L I4 200 TDi L/R Turbo Diesel, 5 Speed Manual Transmission, Less Catalyst	Engine Code 4L 2.5 TDi Manual - 'Zircon'	NTC7223	1
17	Clip-Hose	Change point - VIN end LA647644, TDi	50MM, less spring assist	CN100508L	2
18	Hose-radiator top coolant	Change point - VIN end LA647644, 2.5L I4 200 TDi L/R Turbo Diesel, 5 Speed Manual Transmission, Less Catalyst	Engine Code 4L 2.5 TDi Manual - 'Zircon'	NTC4329	1
19	Clip-Hose	Change point - VIN end LA647644, TDi		STC128	1
20	Hose-intercooler to inlet manifold air	Change point - VIN end LA647644, TDi		ESR2263	1
21	Clip-Hose	Change point - VIN end LA647644, TDi		CN100608L	1
22	Cowl-cooling system fan	Change point - VIN end LA647644, TDi		NTC4336	1
23	Washer	Change point - VIN end LA647644, TDi	M5, Plain, Standard	WA105001L	2
24	Nut-hexagonal-nyloc	Change point - VIN end LA647644, TDi	M5	NY105041L	2
25	Clip-Hose	Change point - VIN end LA647644, TDi		CN100608L	2
26	Hose-intercooler turbocharger	Change point - VIN end KA642521, TDi Change point - VIN end LA647644, Change point - VIN begin KA642522, TDi	Rear Rear	ESR1905 ESR2932	1 1
27	Hose-intercooler turbocharger	Change point - VIN end LA647644, TDi	Centre	NTC5655	1
28	Hose-Intercooler	Change point - VIN end KA642521, TDi Change point - VIN end LA647644, Change point - VIN begin KA642522, TDi	Front	NTC5175 ESR2943	1 1
29	Pipe-pump to cooler oil	Change point - VIN end LA647644, TDi		ESR1257	1
30	Pipe-cooler to pump oil	Change point - VIN end LA647644, TDi		ESR1258	1

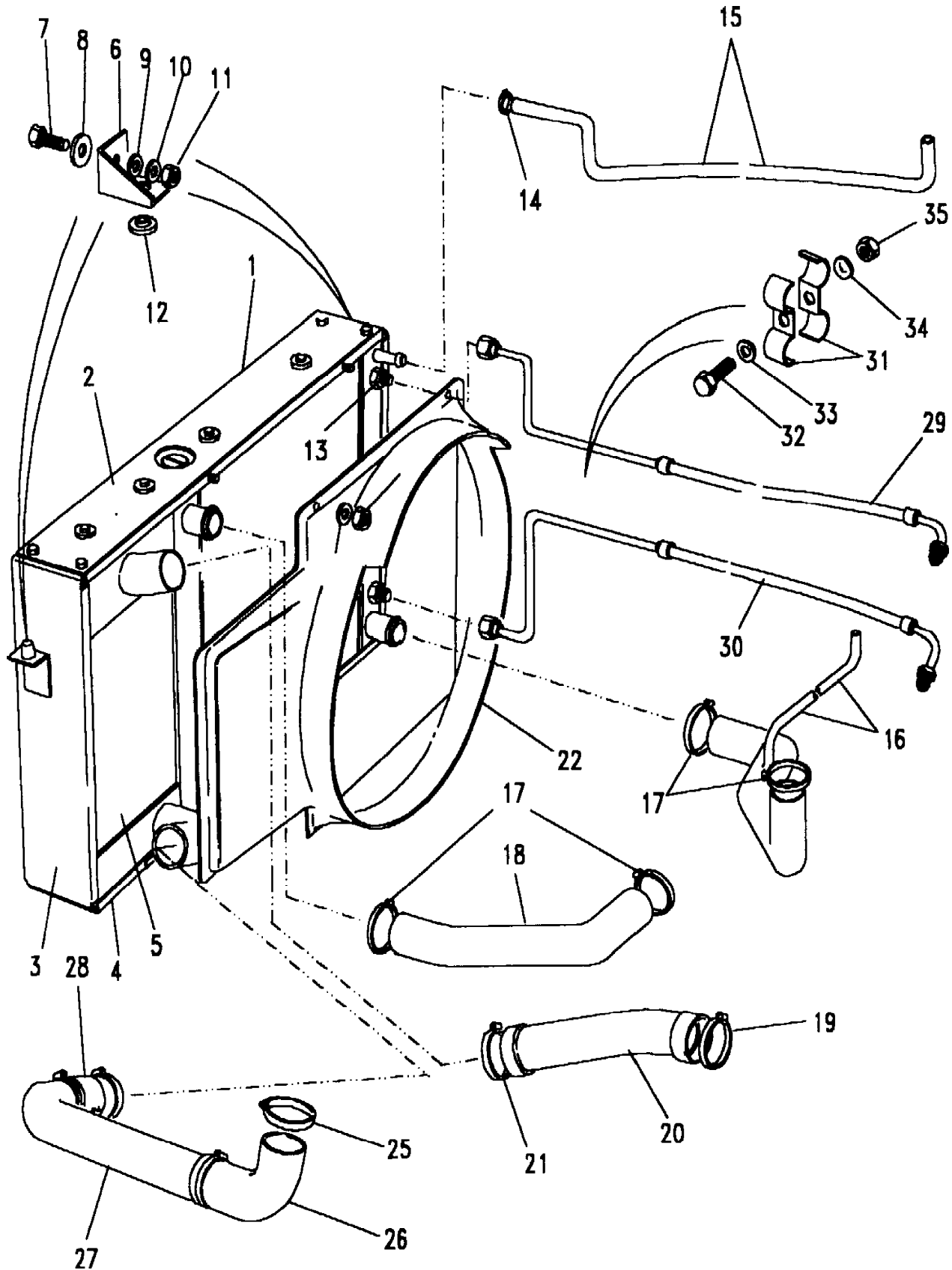
Range Rover (From JA610294)

(BDLXAC3A)

Range Rover (From JA610294)

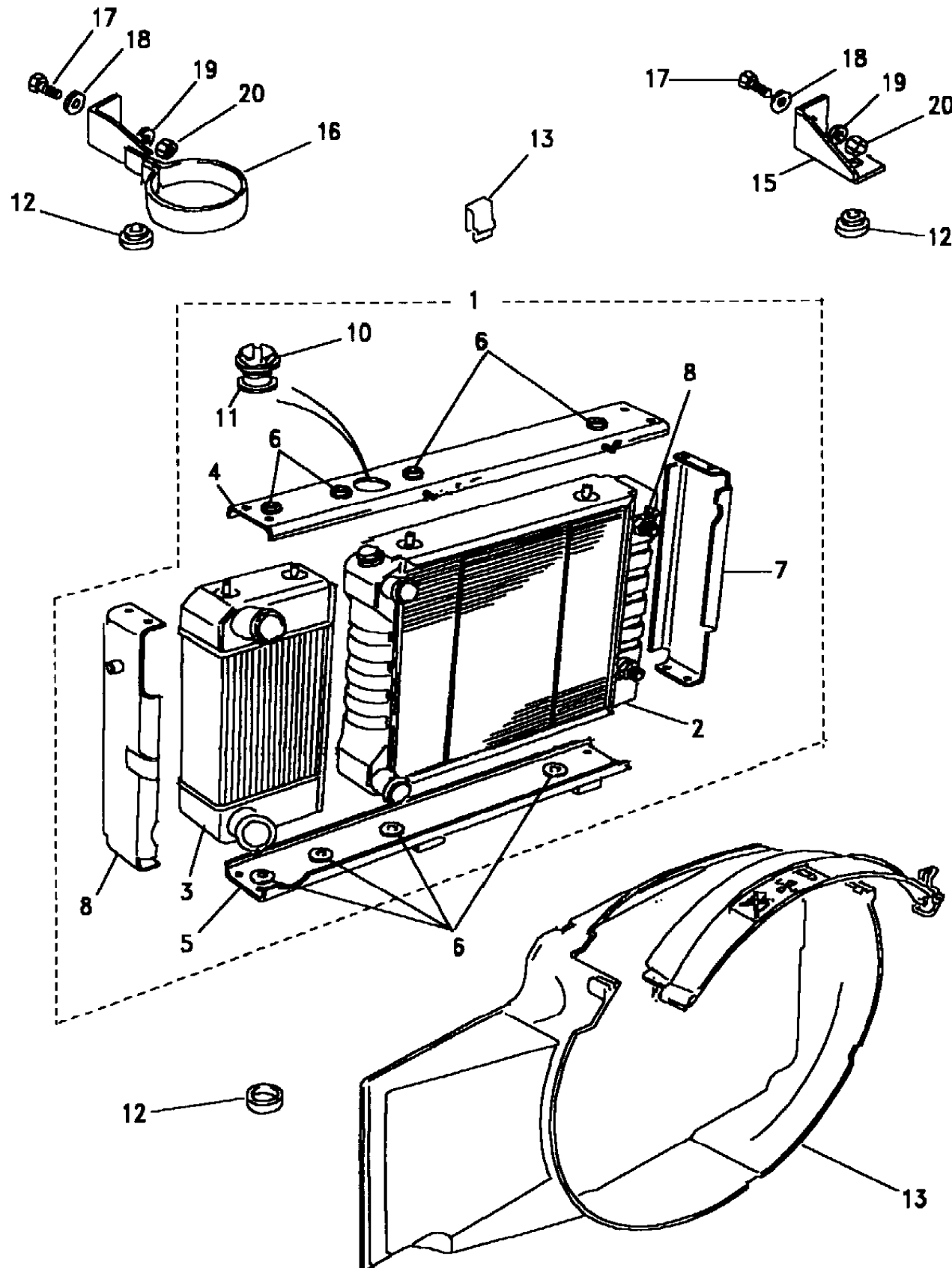
TDi Diesel Turbo LR

Callout	Name	Application	Remarks & Restrictions	Service No.	Qty
31	Clamp	Change point - VIN end LA647644, TDi		NTC6847	2
32	Screw-flanged head	Change point - VIN end LA647644, TDi	M6 X 16, Flanged Head	FS106167L	1
33	Washer	Change point - VIN end LA647644, TDi	M6, sprung	WL106001L	1
34	Washer	Change point - VIN end LA647644, TDi	6MM	WA106041L	1
35	Nut - Hex.	Change point - VIN end LA647644, TDi	M6, hexagonal head, nyloc	NY106041L	1



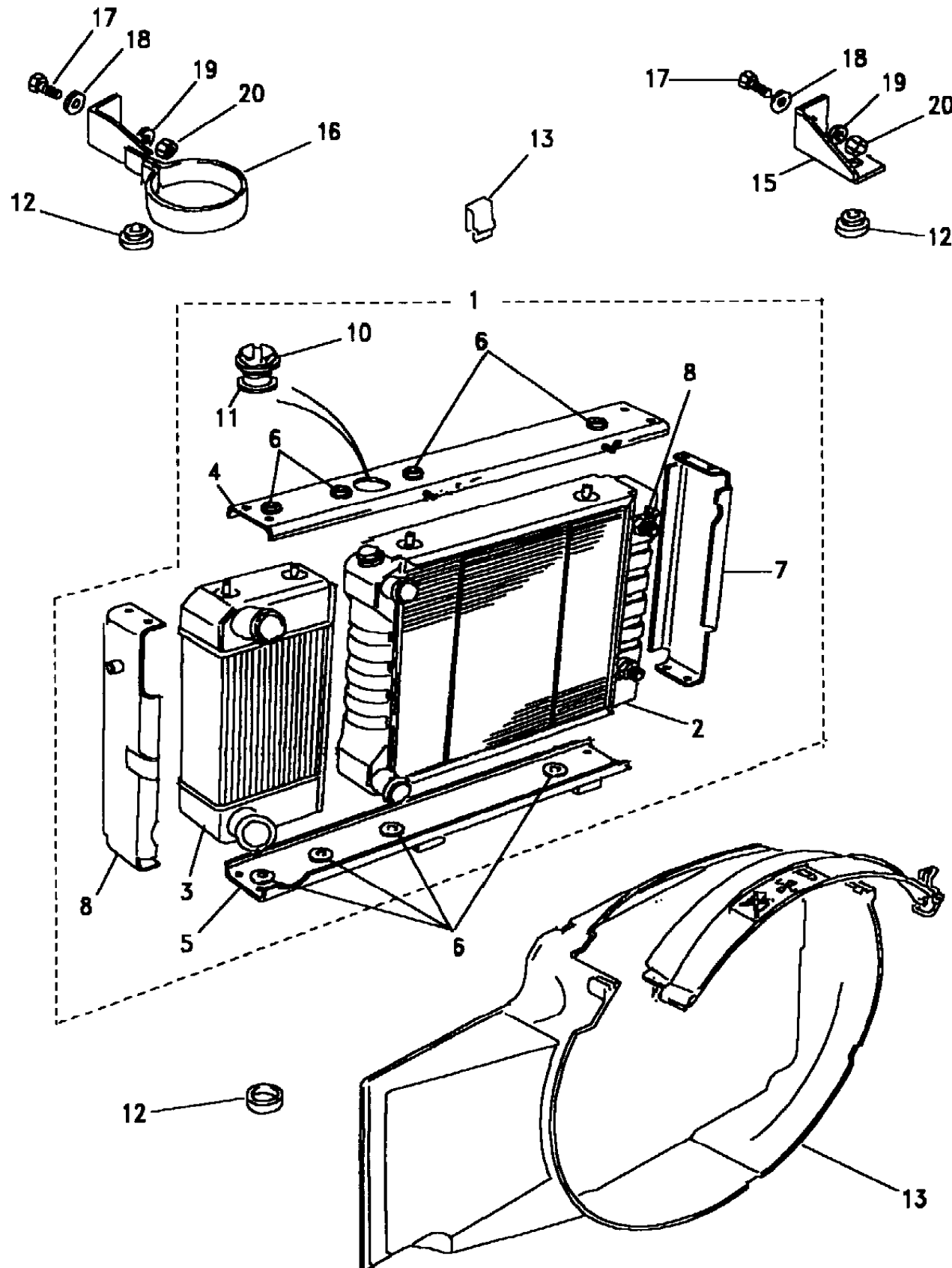
TDi Diesel Turbo LR

Callout	Name	Application	Remarks & Restrictions	Service No.	Qty
1	Radiator & intercooler assembly-cooling system	Change point - VIN begin MA647645, Change point - VIN end MA659988, 2.5 4 Cy 300TDi Diesel Turbo LR	Also serviced as part of a kit, (-) 14L 2.5 TDI Manual - Zircon	ESR2592	1
		Change point - VIN begin MA659989, 2.5 4 Cy 300TDi Diesel Turbo LR	Also serviced as part of a kit, (-) 14L 2.5 TDI Manual - Zircon	ESR3275	1
2	Radiator assembly	Change point - VIN begin MA647645, Change point - VIN end MA659988, 2.5 4 Cy 300TDi Diesel Turbo LR	Also serviced as part of a kit, (-) 14L 2.5 TDI Manual - Zircon	BTP2275	1
3	Intercooler assembly-coolant	Change point - VIN begin MA647645, Change point - VIN end MA659988, 2.5 4 Cy 300TDi Diesel Turbo LR	Also serviced as part of a kit, (-) 14L 2.5 TDI Manual - Zircon	FTP8030	1
4	Frame-radiator	Change point - VIN begin MA647645, Change point - VIN end MA659988, 2.5 4 Cy 300TDi Diesel Turbo LR	Also serviced as part of a kit, (-) 14L 2.5 TDI Manual - Zircon, top	BTP2414	1
		Change point - VIN begin MA647645, TDi	Also serviced as part of a kit, top	BTP2414	1
5	Frame-radiator	Change point - VIN begin MA647645, Change point - VIN end MA659988, 2.5 4 Cy 300TDi Diesel Turbo LR	Also serviced as part of a kit, (-) 14L 2.5 TDI Manual - Zircon	BTP2278	1
		Change point - VIN begin MA647645, TDi	Also serviced as part of a kit	BTP2278	1
6	Grommet	Change point - VIN begin MA647645, Change point - VIN end MA659988, 2.5 4 Cy 300TDi Diesel Turbo LR	Also serviced as part of a kit, (-) 14L 2.5 TDI Manual - Zircon	PCG10017L	8
		Change point - VIN begin MA647645, Change point - VIN end MA659988, 2.5 4 Cy 300TDi Diesel Turbo LR	Also serviced as part of a kit, (-) 14L 2.5 TDI Manual - Zircon	PCG10017L	8
		Change point - VIN begin MA647645, TDi	Also serviced as part of a kit	PCG10017L	8
7	Frame-radiator	Change point - VIN begin MA647645, Change point - VIN end MA659988, 2.5 4 Cy 300TDi Diesel Turbo LR	Also serviced as part of a kit, RH, (-) 14L 2.5 TDI Manual - Zircon, Side	BTP1811	1
		Change point - VIN begin MA647645, Change point - VIN end MA659988, 2.5 4 Cy 300TDi Diesel Turbo LR	Also serviced as part of a kit, RH, (-) 14L 2.5 TDI Manual - Zircon, Side	BTP1811	1

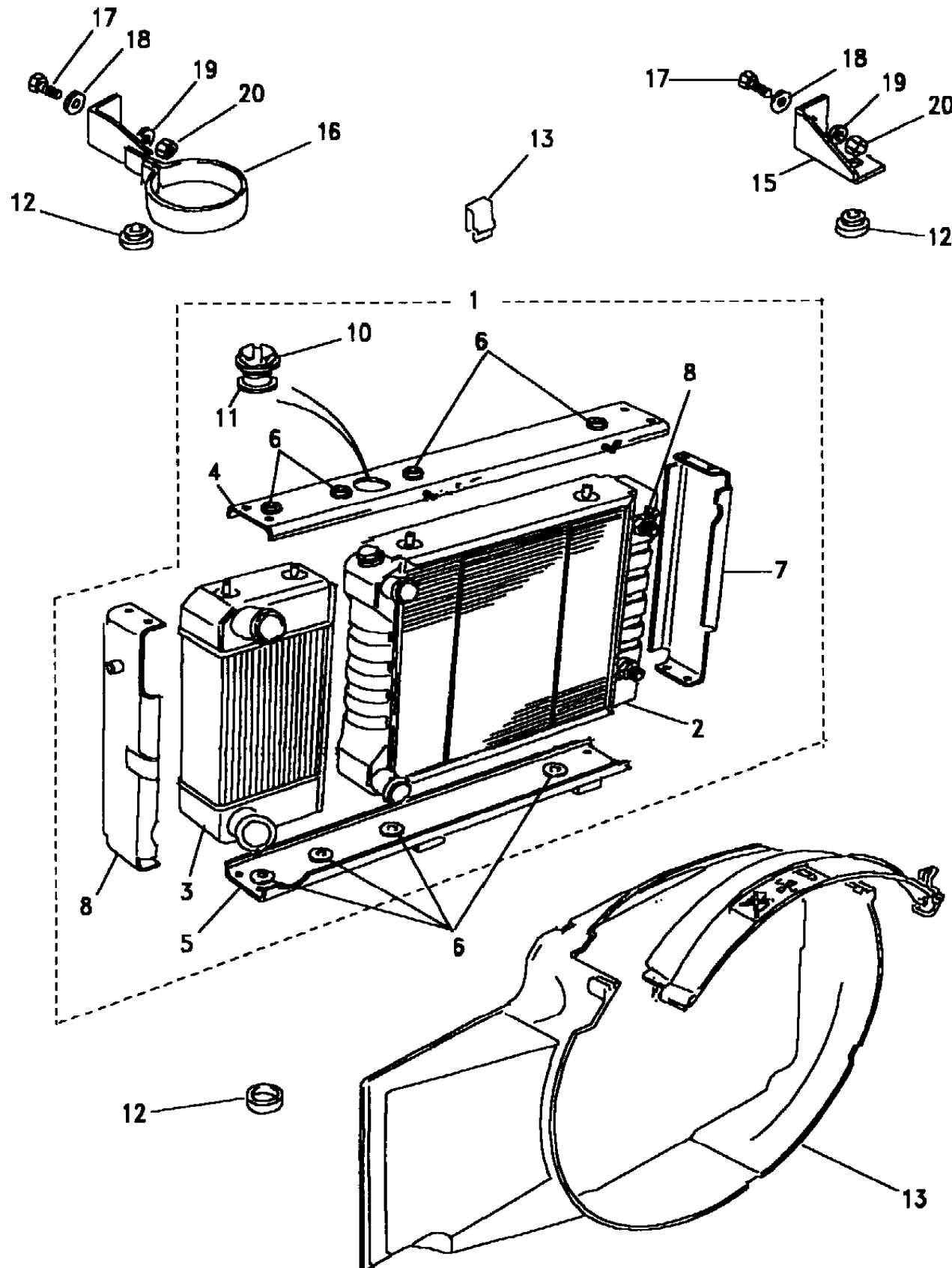


TDi Diesel Turbo LR

Callout	Name	Application	Remarks & Restrictions	Service No.	Qty
7	Frame-radiator	Change point - VIN begin MA647645, TDi	Also serviced as part of a kit, RH, Side	BTP1811	1
8	Frame-radiator	Change point - VIN begin MA647645, Change point - VIN end MA659988, 2.5 4 Cy 300TDi Diesel Turbo LR	Also serviced as part of a kit, (-) 14L 2.5 TDI Manual - Zircon, Side, LH	BTP1812	1
		Change point - VIN begin MA647645, Change point - VIN end MA659988, 2.5 4 Cy 300TDi Diesel Turbo LR	Also serviced as part of a kit, (-) 14L 2.5 TDI Manual - Zircon, Side, LH	BTP1812	1
		Change point - VIN begin MA647645, TDi	Also serviced as part of a kit, Side, LH	BTP1812	1
9	Adaptor-pipe coolant	Change point - VIN begin MA647645, Change point - VIN end MA659988, 2.5 4 Cy 300TDi Diesel Turbo LR	Also serviced as part of a kit, (-) 14L 2.5 TDI Manual - Zircon	ESR1262	2
		Change point - VIN begin MA647645, Change point - VIN end MA659988, 2.5 4 Cy 300TDi Diesel Turbo LR	Also serviced as part of a kit, (-) 14L 2.5 TDI Manual - Zircon	ESR1262	2
		Change point - VIN begin MA647645, TDi	Also serviced as part of a kit	ESR1262	2
10	Plug-drain/filler level	Change point - VIN begin MA647645, Change point - VIN end MA659988, 2.5 4 Cy 300TDi Diesel Turbo LR	Also serviced as part of a kit, (-) 14L 2.5 TDI Manual - Zircon	NTC4609	1
		Change point - VIN begin MA647645, TDi		NTC4609	1
11	O Ring	Change point - VIN begin MA647645, Change point - VIN end MA659988, 2.5 4 Cy 300TDi Diesel Turbo LR	Also serviced as part of a kit, (-) 14L 2.5 TDI Manual - Zircon	NTC5171	1
		Change point - VIN begin MA647645, TDi	radiator filler plug	NTC5171	1
12	Bush-radiator mounting	Change point - VIN begin MA647645, TDi		572312	4
13	Cowl-cooling system fan	Change point - VIN begin MA647645, TDi	Upper	ESR2848	1
		Change point - VIN begin MA647645, TDi	Lower	ESR2849	1
		Change point - VIN begin MA651989, TDi	Lower	ESR3276	1
14	Clip	Change point - VIN begin MA647645, TDi		ESR2593	2
15	Bracket-radiator mounting	Change point - VIN begin MA647645, TDi	top	NTC1873	1

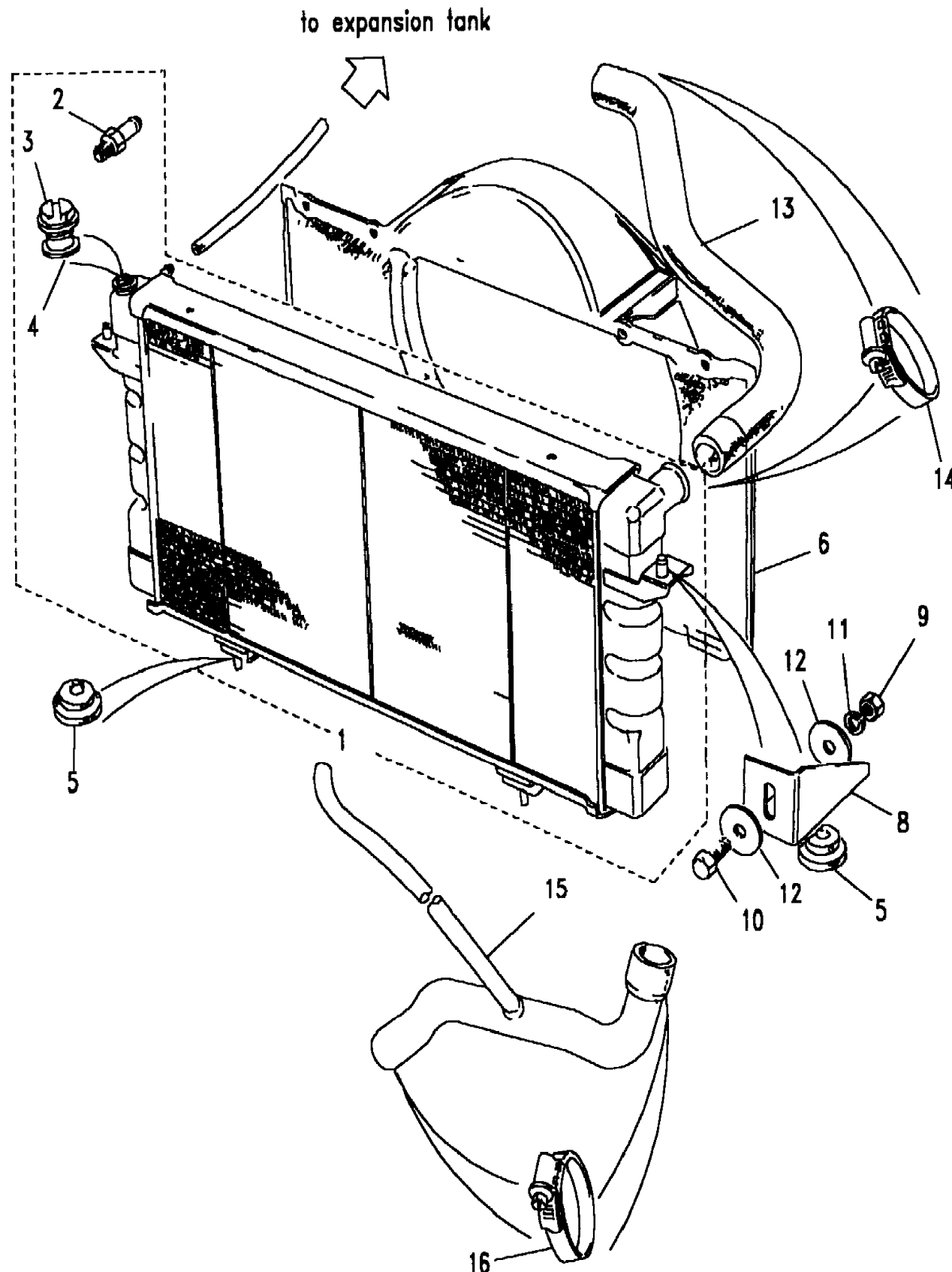


Callout	Name	Application	Remarks & Restrictions	Service No.	Qty
16	Bracket assembly power assisted steering pump & alternator	Change point - VIN begin MA647645, TDi		NTC6890	1
17	Screw	Change point - VIN begin MA647645, TDi	Flanged Head, M8 x 20	FS108201L	2
18	Washer	Change point - VIN begin MA647645, TDi	M8, Large	WJ108001	2
19	Washer	Change point - VIN begin MA647645, TDi	8MM	WA108051L	2
20	Nut - Hex.	Change point - VIN begin MA647645, TDi	M8, hexagonal head	NH108041L	2



Change point - VIN begin MA647645, With Petrol Engines

Callout	Name	Application	Remarks & Restrictions	Service No.	Qty
1	Radiator assembly	Change point - VIN begin MA647645, V8 EFI, Manual Transmission Change point - VIN begin MA647645, V8 EFI, Automatic Transmission	Also serviced as part of a kit Also serviced as part of a kit	ESR2634 ESR2630	1 1
2	Adaptor-pipe coolant	Change point - VIN begin MA647645, V8 EFI, Manual Transmission Change point - VIN begin MA647645, V8 EFI, Automatic Transmission	Also serviced as part of a kit Also serviced as part of a kit	ESR1262 ESR1262	2 2
3	Plug-drain/filler level	Change point - VIN begin MA647645, V8 EFI, Manual Transmission Change point - VIN begin MA647645, V8 EFI, Automatic Transmission	Also serviced as part of a kit Also serviced as part of a kit	NTC4609 NTC4609	1 1
4	O Ring	Change point - VIN begin MA647645, V8 EFI, Manual Transmission Change point - VIN begin MA647645, V8 EFI, Automatic Transmission	radiator filler plug, Also serviced as part of a kit radiator filler plug, Also serviced as part of a kit	NTC5171 NTC5171	1 1
5	Bush-radiator mounting	Change point - VIN begin MA647645		572312	4
6	Cowl-cooling system fan	Change point - VIN begin MA647645 Change point - VIN begin MA647645	Upper Lower	ESR3226 ESR2847	1 1
7	Clip	Change point - VIN begin MA647645		ESR2593	2
8	Bracket-radiator mounting	Change point - VIN begin MA647645	top	NTC1873	1
9	Nut - Hex.	Change point - VIN begin MA647645	M8, hexagonal head	NH108041L	2
10	Screw	Change point - VIN begin MA647645	hexagonal head, M8 x 20	SH108201L	2
11	Washer	Change point - VIN begin MA647645	8MM	WA108051L	2
12	Washer	Change point - VIN begin MA647645	M8, Large	WJ108001	2
13	Hose-radiator top coolant	Change point - VIN begin MA647645, Petrol V8 L/R Change point - VIN begin MA652457, Petrol V8 L/R		ESR1052 ESR3297	1 1



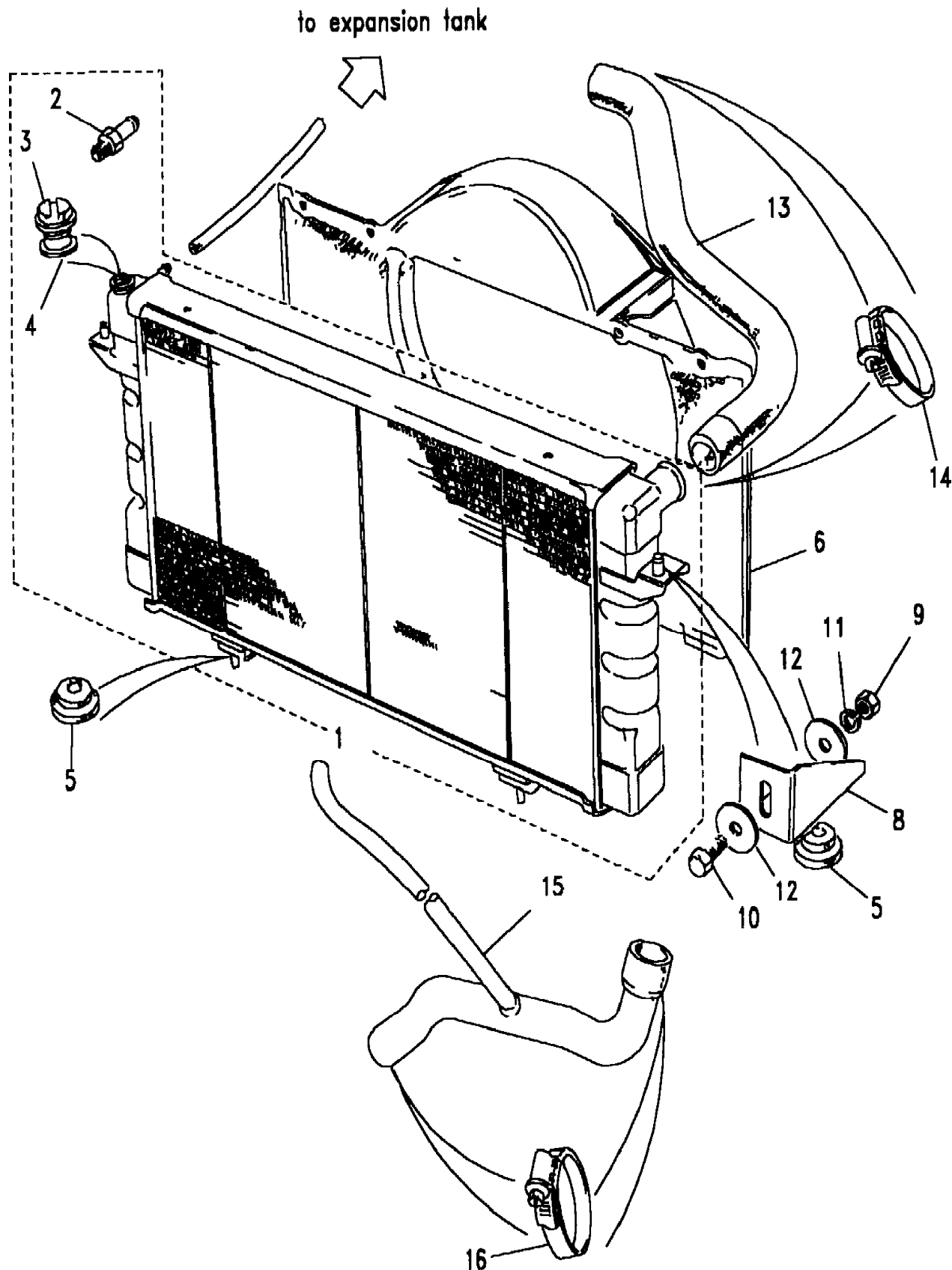
Range Rover (From JA610294)

(BDLXAA2B)

Range Rover (From JA610294)

Change point - VIN begin MA647645, With Petrol Engines

Callout	Name	Application	Remarks & Restrictions	Service No.	Qty
14	Clip-Hose	Change point - VIN begin MA647645	50MM, less spring assist	CN100508L	2
15	Hose-radiator bottom coolant	Change point - VIN begin MA647645, Petrol V8 L/R		ESR1818	1
16	Clip-Hose	Change point - VIN begin MA647645		CN100308	1
17	Clip-Hose	Change point - VIN begin MA647645	50MM, less spring assist	CN100508L	1
[902]	Bracket assembly power assisted steering pump & alternator	Change point - VIN begin MA647645		ANR3700	1



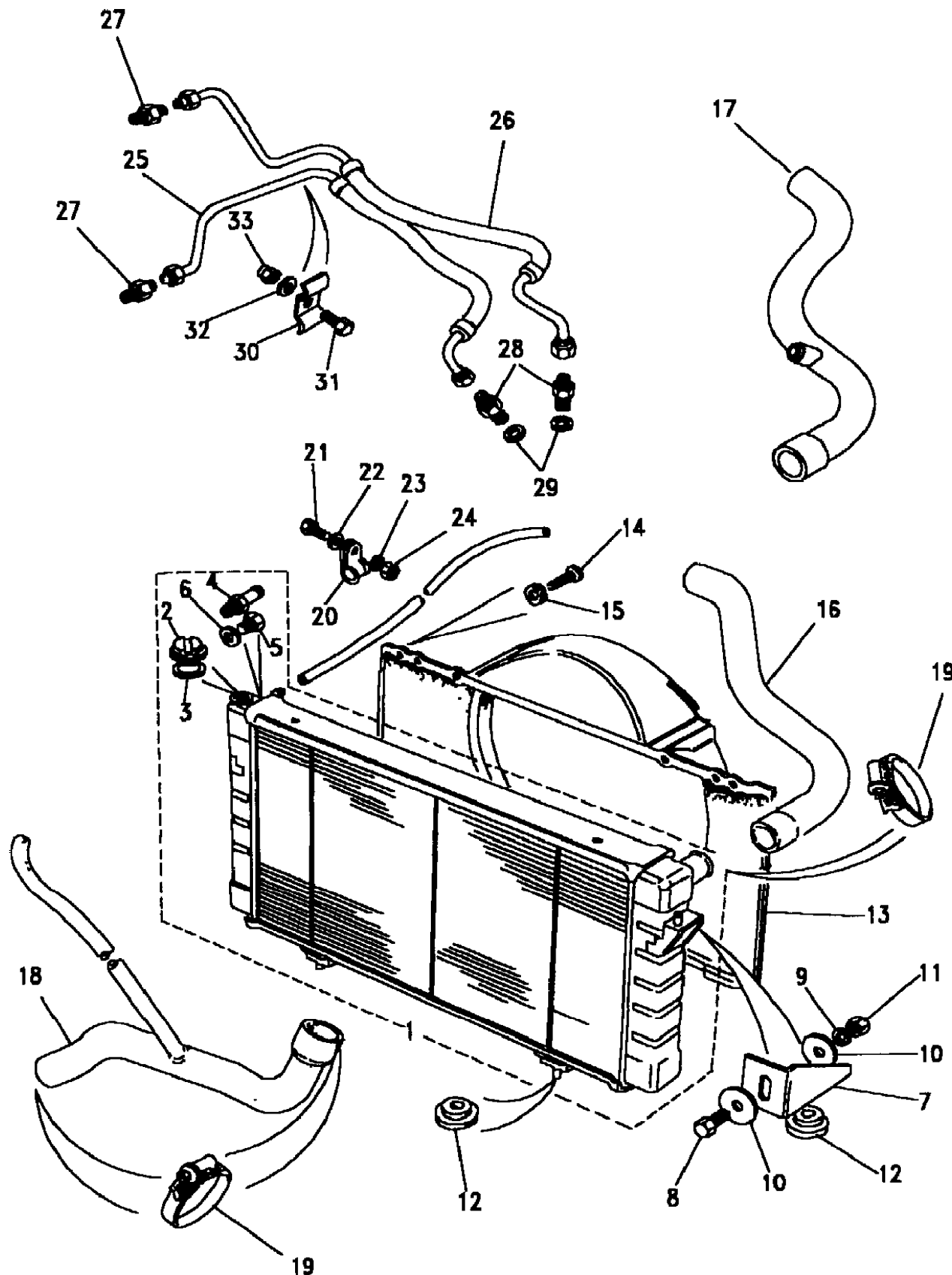
Range Rover (From JA610294)

(BDLXAA1A)

Range Rover (From JA610294)

With Petrol Engines

Callout	Name	Application	Remarks & Restrictions	Service No.	Qty
1	Radiator assembly	Change point - VIN end JA624754, Automatic Transmission	Also serviced as part of a kit	ESR74	1
		Change point - VIN begin KA624756, Change point - VIN end LA647664, Automatic Transmission	Also serviced as part of a kit	ESR1250	1
		Change point - VIN begin KA624756, Change point - VIN end LA647664, Automatic Transmission	Also serviced as part of a kit	NTC6725	1
		Change point - VIN begin LA081991, Change point - VIN end LA647664, Automatic Transmission	Also serviced as part of a kit	ESR2630	1
		Change point - VIN end LA647644, Manual Transmission	Also serviced as part of a kit	ESR75	1
		Change point - VIN end JA624754, Automatic Transmission	Also serviced as part of a kit	NTC4609	1
		Change point - VIN begin KA624756, Change point - VIN end LA647664, Automatic Transmission	Also serviced as part of a kit	NTC4609	1
2	Plug-drain/filler level	Change point - VIN begin LA081991, Change point - VIN end LA647664, Automatic Transmission	Also serviced as part of a kit	NTC4609	1
		Change point - VIN end LA647644, Manual Transmission	Also serviced as part of a kit	NTC4609	1
		Change point - VIN end JA624754, Automatic Transmission	radiator filler plug, Also serviced as part of a kit	NTC5171	1
		Change point - VIN begin KA624756, Change point - VIN end LA647664, Automatic Transmission	radiator filler plug, Also serviced as part of a kit	NTC5171	1
3	O Ring	Change point - VIN begin LA081991, Change point - VIN end LA647664, Automatic Transmission	radiator filler plug, Also serviced as part of a kit	NTC5171	1
		Change point - VIN end LA647644, Manual Transmission	radiator filler plug, Also serviced as part of a kit	NTC5171	1
		Change point - VIN end JA624754, Automatic Transmission	radiator filler plug, Also serviced as part of a kit	NTC5171	1
		Change point - VIN end LA647644, Manual Transmission	radiator filler plug, Also serviced as part of a kit	NTC5171	1
4	Pipe assembly-coolant	Change point - VIN begin KA624756, Change point - VIN end LA647664, Automatic Transmission	Also serviced as part of a kit	NTC6706	1
5	Plug-drain/filler level	Change point - VIN begin KA624756, Change point - VIN end LA647664, Automatic Transmission	Also serviced as part of a kit	RRO2126L	1
		Change point - VIN end LA647644, Manual Transmission	Also serviced as part of a kit	RRO2126L	1



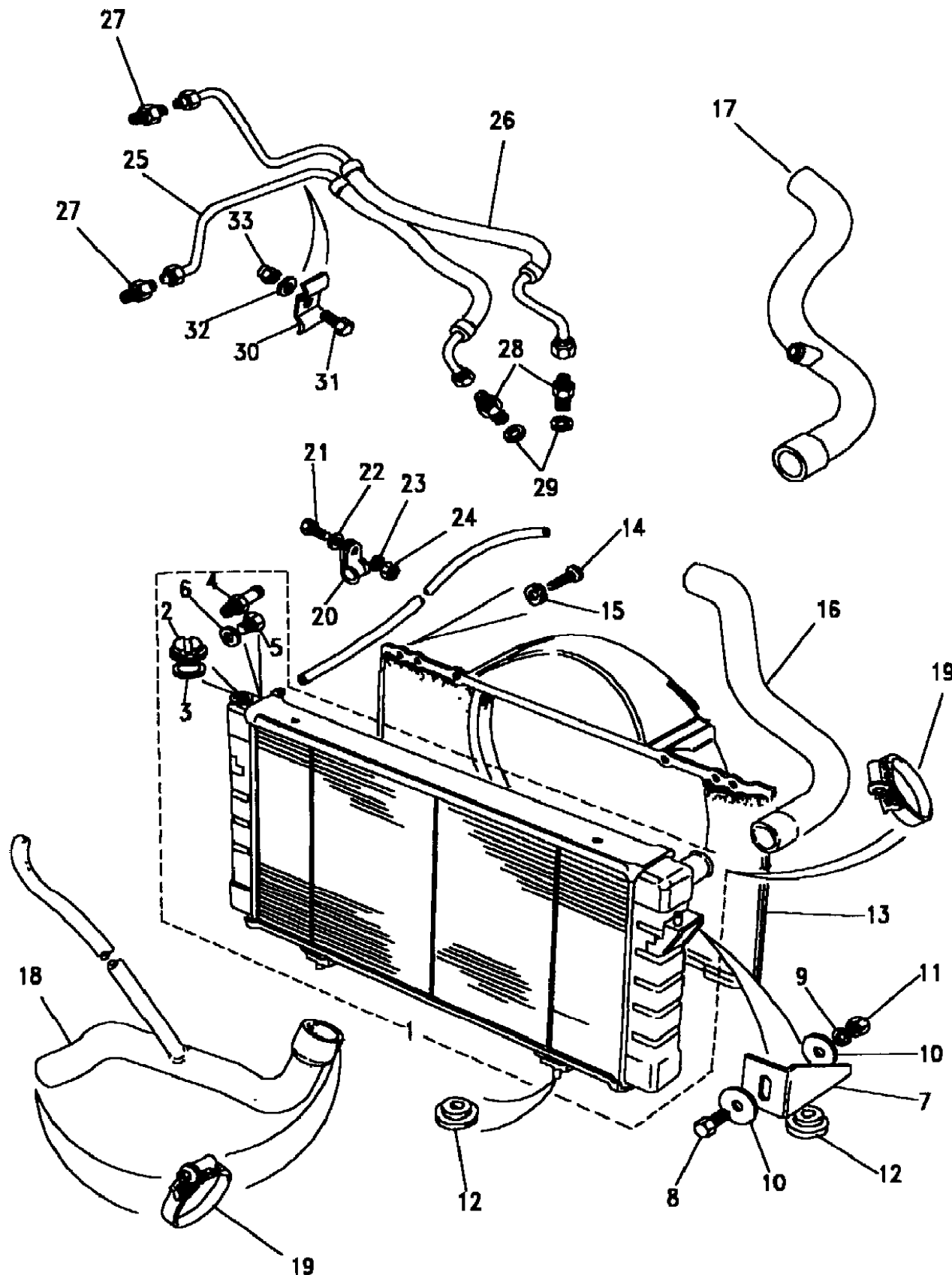
Range Rover (From JA610294)

(BDLXAA1A)

Range Rover (From JA610294)

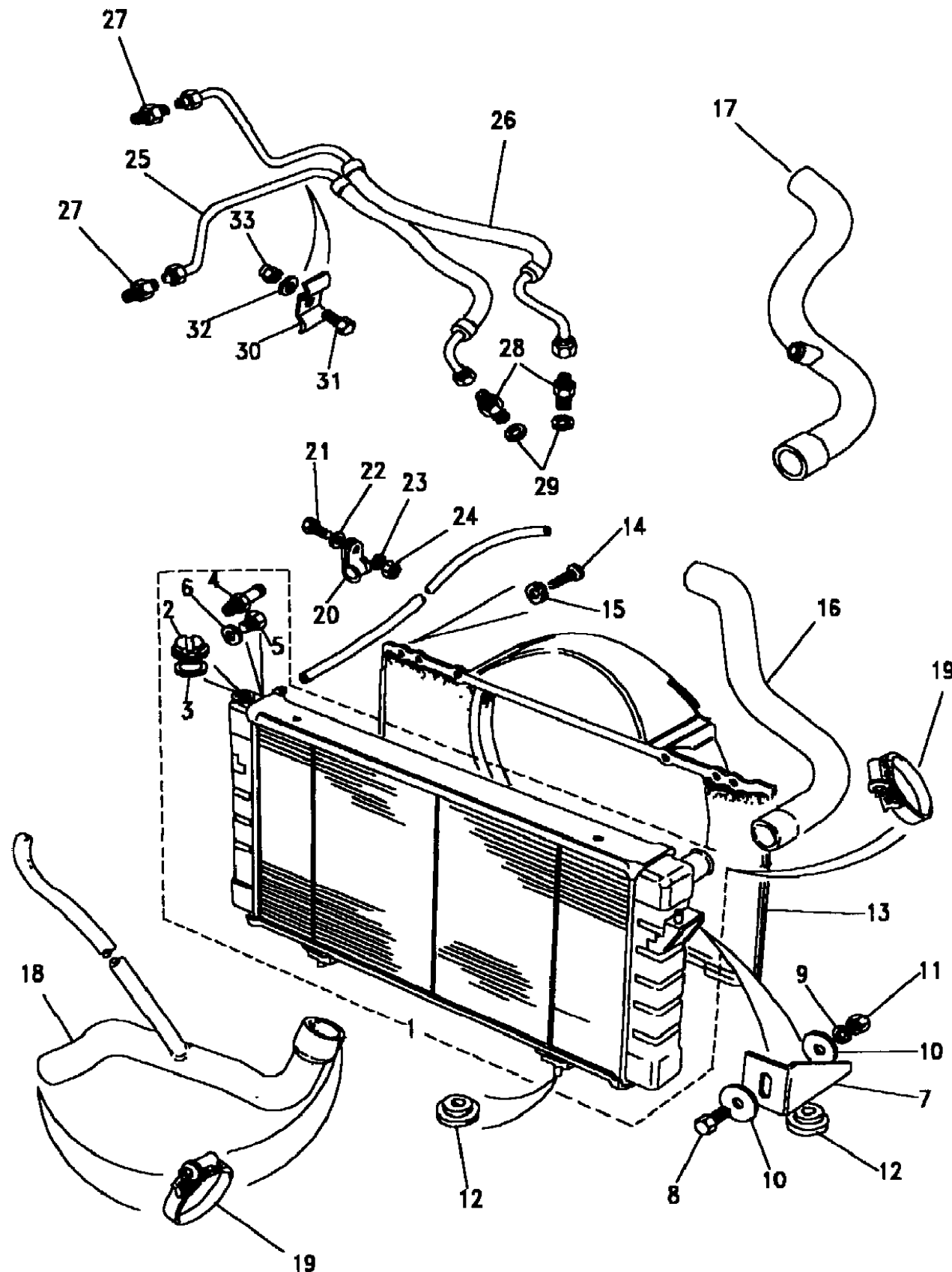
With Petrol Engines

Callout	Name	Application	Remarks & Restrictions	Service No.	Qty
6	Washer	Change point - VIN begin KA624756, Change point - VIN end LA647664, Automatic Transmission	Also serviced as part of a kit	RRO2125L	1
		Change point - VIN end LA647644, Manual Transmission	Also serviced as part of a kit	RRO2125L	1
7	Bracket-radiator mounting	Change point - VIN end LA647644, Manual Transmission	top	NTC1873	1
8	Screw	Change point - VIN end LA647644, Manual Transmission	M8 X 16, hexagonal head	SH108161L	2
9	Washer	Change point - VIN end LA647644, Manual Transmission	M8, sprung	WL108001L	2
10	Washer	Change point - VIN end LA647644, Manual Transmission	8MM	WA108051L	2
11	Nut - Hex.	Change point - VIN end LA647644, Manual Transmission	M8, hexagonal head	NH108041L	2
12	Bush-radiator mounting	Change point - VIN end LA647644, Manual Transmission		572312	4
13	Cowl-cooling system fan	Change point - VIN end LA647644, Manual Transmission		ESR1027	1
14	Screw	Change point - VIN end LA647644, Manual Transmission	Self Tapping, No 6 x 1/2	AB606041L	4
15	Washer-Spring	Change point - VIN end LA647644, Manual Transmission	1/4", imperial, double coil	WS600047L	4
16	Hose-radiator top coolant	Change point - VIN end LA647644, 3.9L V8 L/R Petrol, Manual Transmission, RHD		ESR1052	1
17	Hose-radiator top coolant	Change point - VIN end LA647644, 4.2L V8 L/R Petrol		ESR2167	1
		Change point - VIN end LA647644, 3.9L Petrol, LHD, (+)"J"		ESR2167	1
18	Hose-radiator bottom coolant	Change point - VIN end LA647644, V8 EFI Petrol		NTC7297	1



With Petrol Engines

Callout	Name	Application	Remarks & Restrictions	Service No.	Qty
19	Clip-Hose	Change point - VIN end LA647644	50MM, less spring assist	CN100508L	1
20	Clip-Hose	Change point - VIN end LA647644		NRC2383	1
21	Screw	Change point - VIN end LA647644	1/4UNF x 3/4	255207	1
22	Washer	Change point - VIN end LA647644	6MM	WA106041L	1
23	Washer-Spring	Change point - VIN end LA647644	1/4 dia, Square	WM600041L	1
24	Nut - Hex.	Change point - VIN end LA647644	hexagonal head, Coarse Thread, 1/4UNF	NH604041L	1
25	Pipe-oil cooler to engine	Change point - VIN end JA624754 Change point - VIN begin KA624756, Change point - VIN end LA647644	Also serviced as part of a kit Also serviced as part of a kit	ESR356 ESR1672	1 1
26	Pipe-engine to oil cooler	Change point - VIN end JA624754 Change point - VIN begin KA624756, Change point - VIN end LA647644	Also serviced as part of a kit Also serviced as part of a kit	ESR355 ESR1671	1 1
27	Adaptor-pipe coolant	Change point - VIN begin KA624756, Change point - VIN end LA647664, Automatic Transmission Change point - VIN end JA624754 Change point - VIN begin KA624756, Change point - VIN end LA647644	Also serviced as part of a kit	ESR1262 NTC3858 ESR1262	2 2 2
28	Adaptor-oil cooler	Change point - VIN end JA624754 Change point - VIN begin KA624756, Change point - VIN end LA647644		ETC9064 ESR1239	2 2
29	Washer-sealing	Change point - VIN end LA647644	engine oil cooler hose	ETC9065	2
30	Clamp	Change point - VIN end LA647644		NTC6847	2
31	Screw	Change point - VIN end LA647644	M6 X 16, hexagonal head	SH106167L	1
32	Washer	Change point - VIN end LA647644	6MM	WA106041L	1



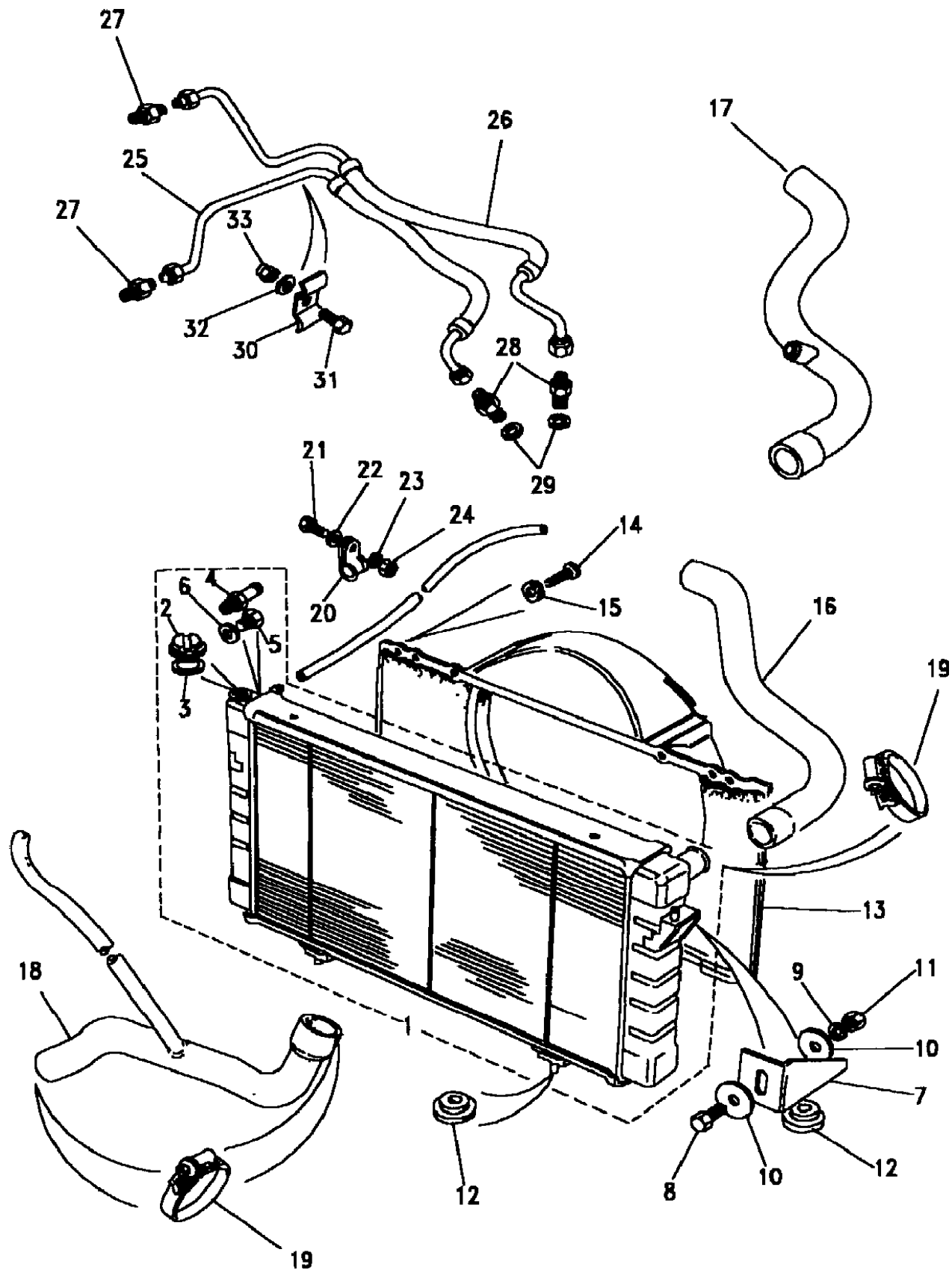
Range Rover (From JA610294)

(BDLXAA1A)

Range Rover (From JA610294)

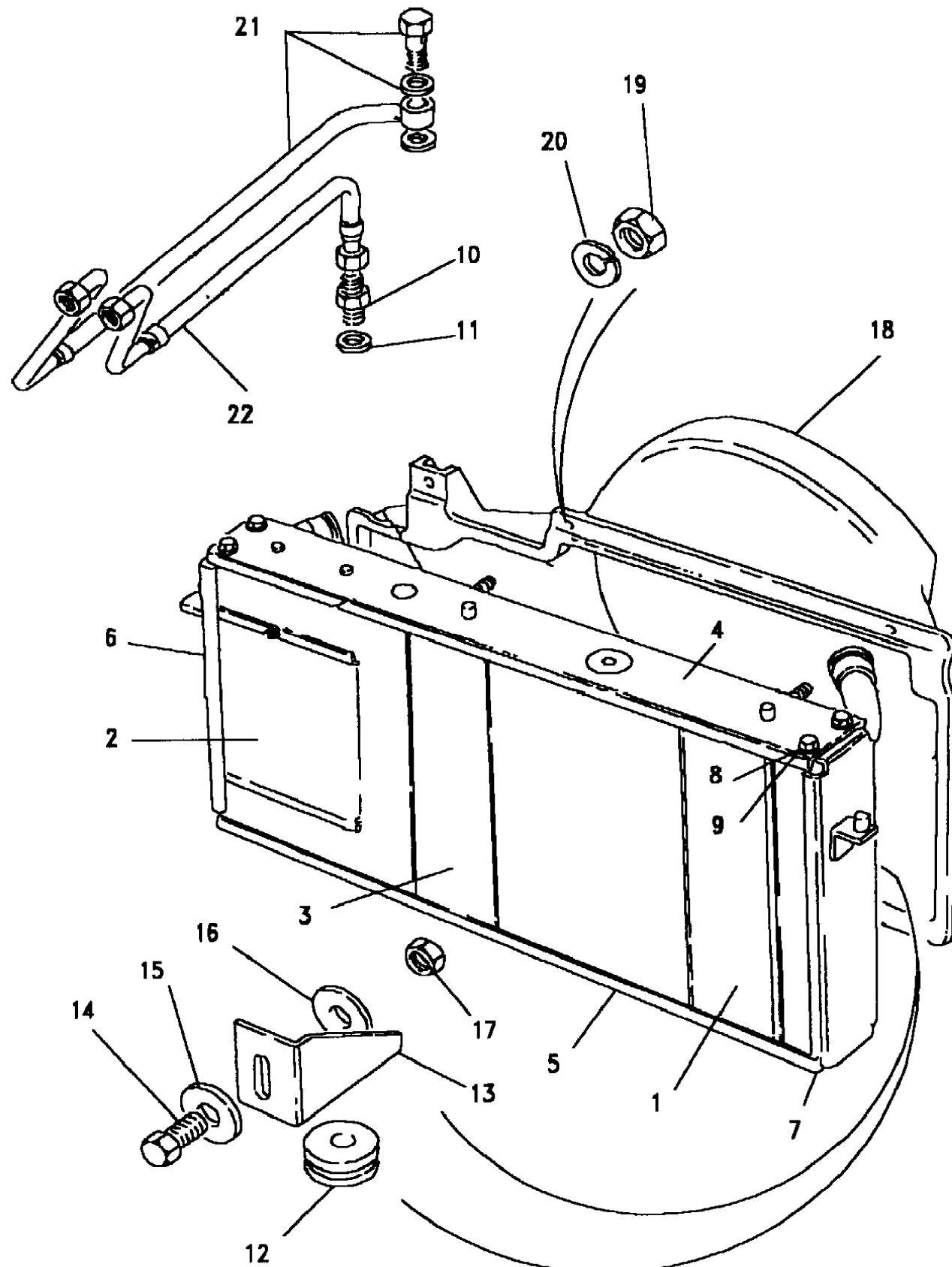
With Petrol Engines

Callout	Name	Application	Remarks & Restrictions	Service No.	Qty
33	Nut - Hex.	Change point - VIN end LA647644	M6, hexagonal head, nyloc	NY106041L	1
[905]	O Ring	Change point - VIN end JA624754	Also serviced as part of a kit	ESR1594L	1
		Change point - VIN begin KA624756, Change point - VIN end LA647644	Also serviced as part of a kit	ESR1594L	1



Change point - VIN end LA647644, Diesel VM

Callout	Name	Application	Remarks & Restrictions	Service No.	Qty
1	Radiator assembly	Change point - VIN begin JA610294, Change point - VIN end MA660163	(-) TDI, 2500 cc, Turbo	BTP1831	1
2	Intercooler-charge air cooler		(-) TDI	FTP8020	1
3	Oil cooler-engine		(-) TDI	KTP9687	1
4	Frame-radiator		(-) TDI, 4 Cylinder, 2500 cc, Turbo, top	BTP1839	1
5	Frame-radiator		(-) TDI, bottom	BTP1841	1
6	Radiator & frame assembly-cooling system		(-) TDI, RH	BTP1842	1
7	Radiator & frame assembly-cooling system		(-) TDI, LH	BTP1843	1
8	Screw		(-) TDI, hexagonal head, M8 x 12	SH108121L	8
9	Washer		(-) TDI, M8, sprung	WL108001L	8
10	Adaptor-oil cooler		(-) TDI	ETC9064	1
11	Washer-sealing		(-) TDI, engine oil cooler hose	ETC9065	1
12	Bush-radiator mounting		(-) TDI	572312	4
13	Bracket-radiator mounting		(-) TDI, top	NTC1873	2
14	Screw		(-) TDI, Flanged Head, M8 x 20	FS108201L	4
15	Washer		(-) TDI, M8, Large	WJ108001	4
16	Washer		(-) TDI, 8MM (-) TDI, M5, Plain, Standard	WA108051L WA105001L	4 2
17	Nut - Hex.		(-) TDI, M8, hexagonal head	NH108041L	4
18	Cowl-cooling system fan		(-) TDI	ESR157	1
19	Nut-hexagonal		(-) TDI, M5	NH105041L	2
20	Washer-Spring		(-) TDI, M5, Metric, double coil	WS105001	2



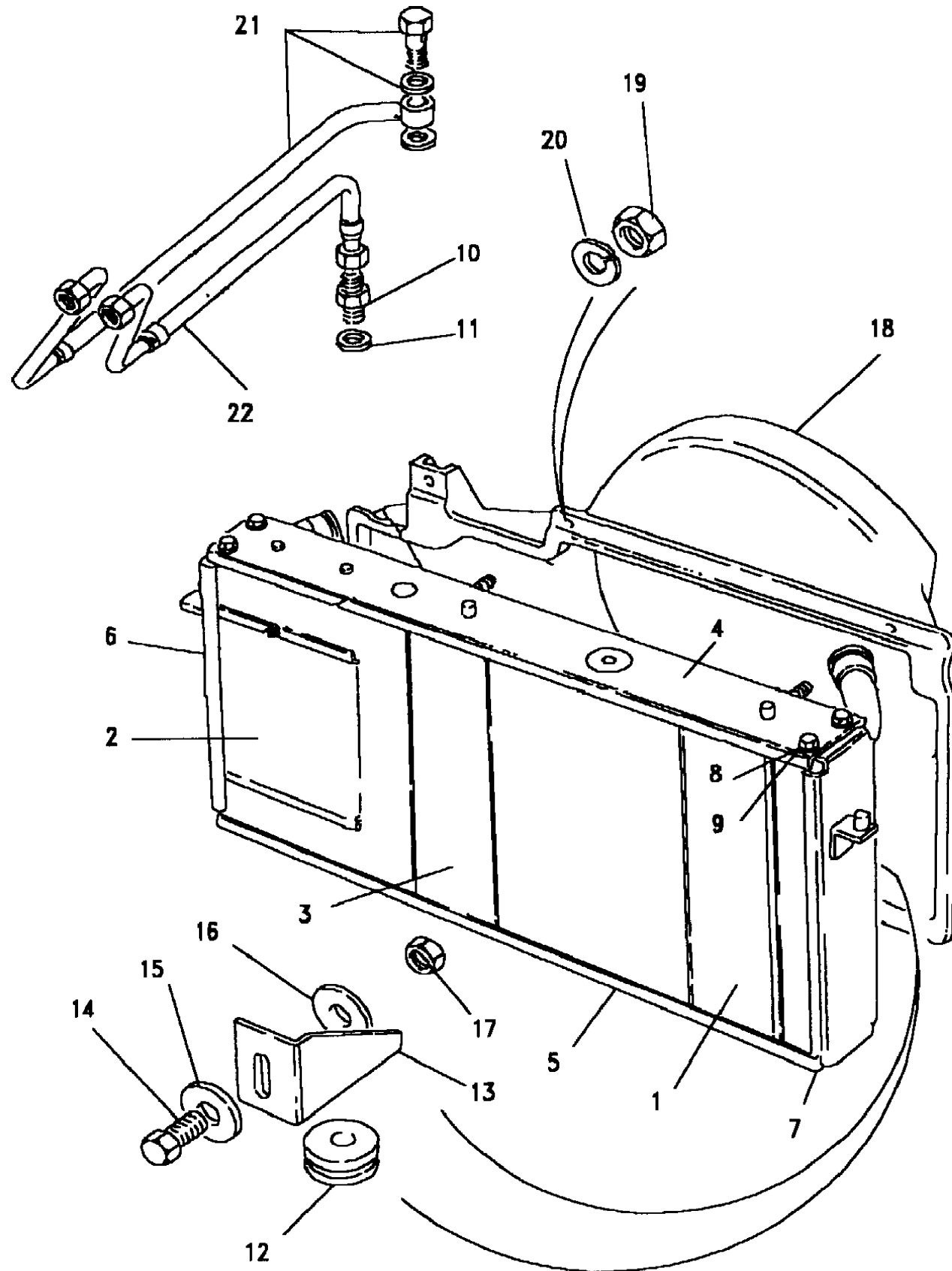
Range Rover (From JA610294)

(BDLXAC1A)

Range Rover (From JA610294)

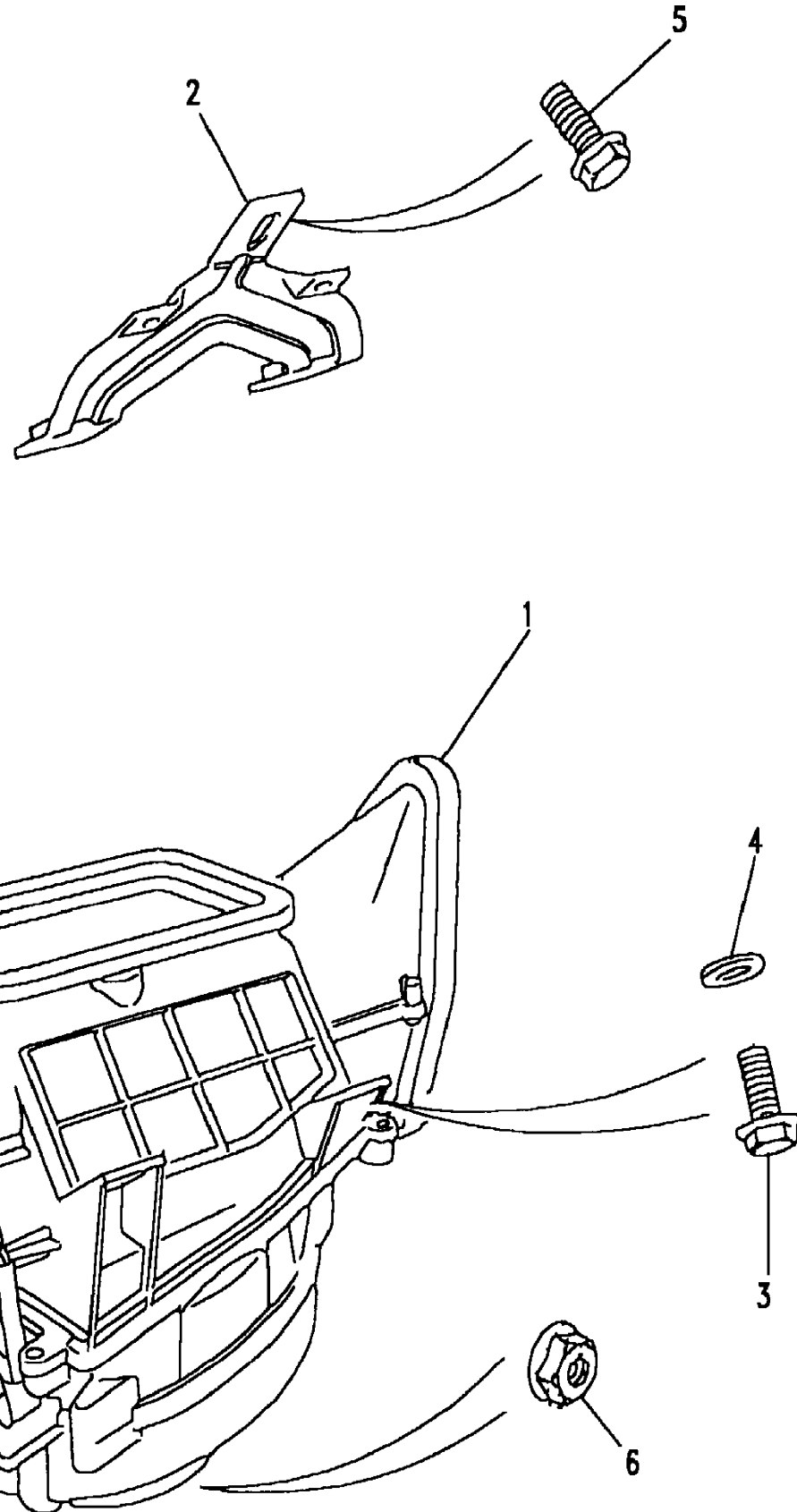
Change point - VIN end LA647644, Diesel VM

Callout	Name	Application	Remarks & Restrictions	Service No.	Qty
21	Hose-engine coolant valve		(-) TDI	NTC6785	1
22	Hose assembly-engine coolant valve		(-) TDI	NTC7718	1



Range Rover (From JA610294)

(BDLXGA1C)

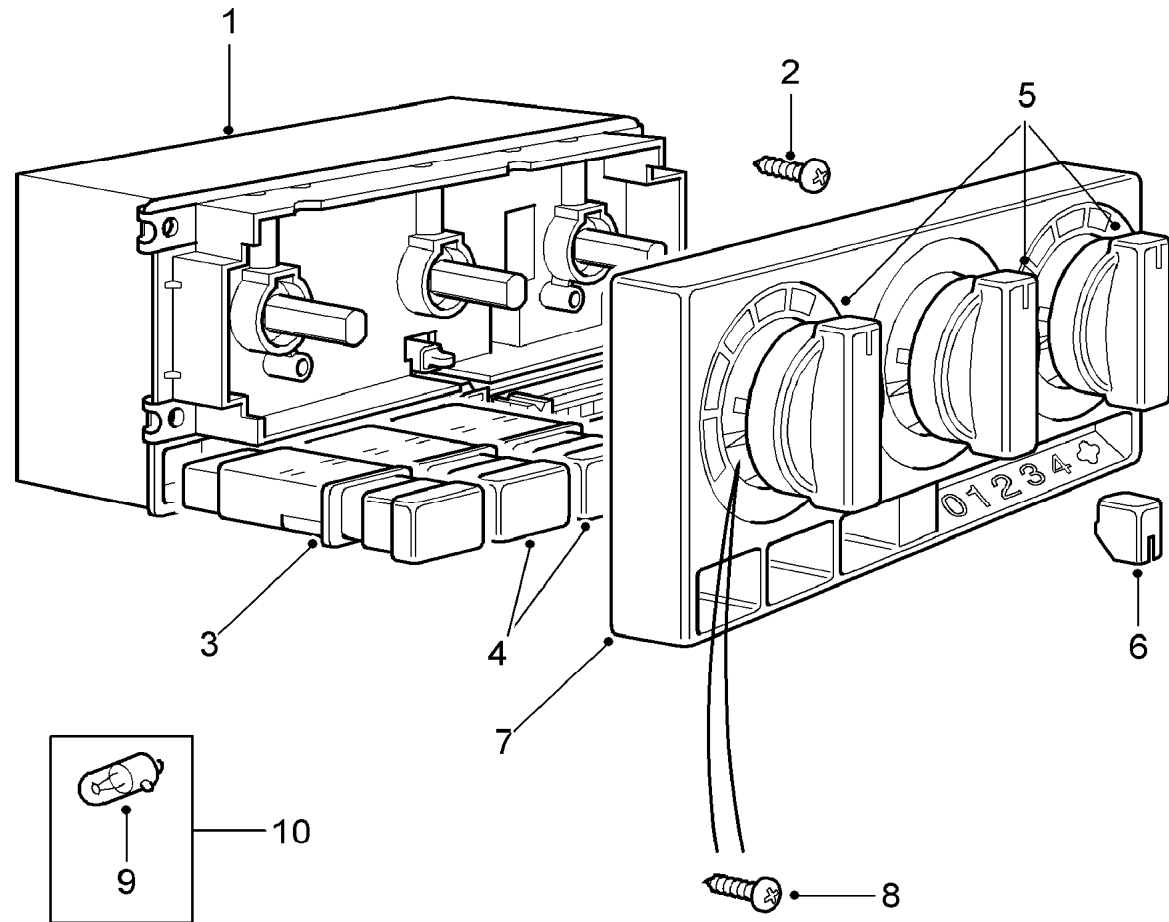


Range Rover (From JA610294)

Callout	Name	Application	Remarks & Restrictions	Service No.	Qty
1	Blower assembly heater	Change point - VIN begin MA647645, RHD Change point - VIN begin MA647645, LHD		BTR6484 BTR6485	1 1
2	Bracket-heater blower mounting	Change point - VIN begin MA647645		BTR4884	1
3	Bolt	Change point - VIN begin MA647645	M8 x 25	DCP3970	2
4	Washer	Change point - VIN begin MA647645		WC108051	2
5	Bolt	Change point - VIN begin MA647645	M8 x 25	DCP3970	1
6	Nut-flange	Change point - VIN begin MA647645	M8	ADU7048	2

Range Rover (From JA610294)

(LL0103)



F03.010
01-2004
L2
LL0103

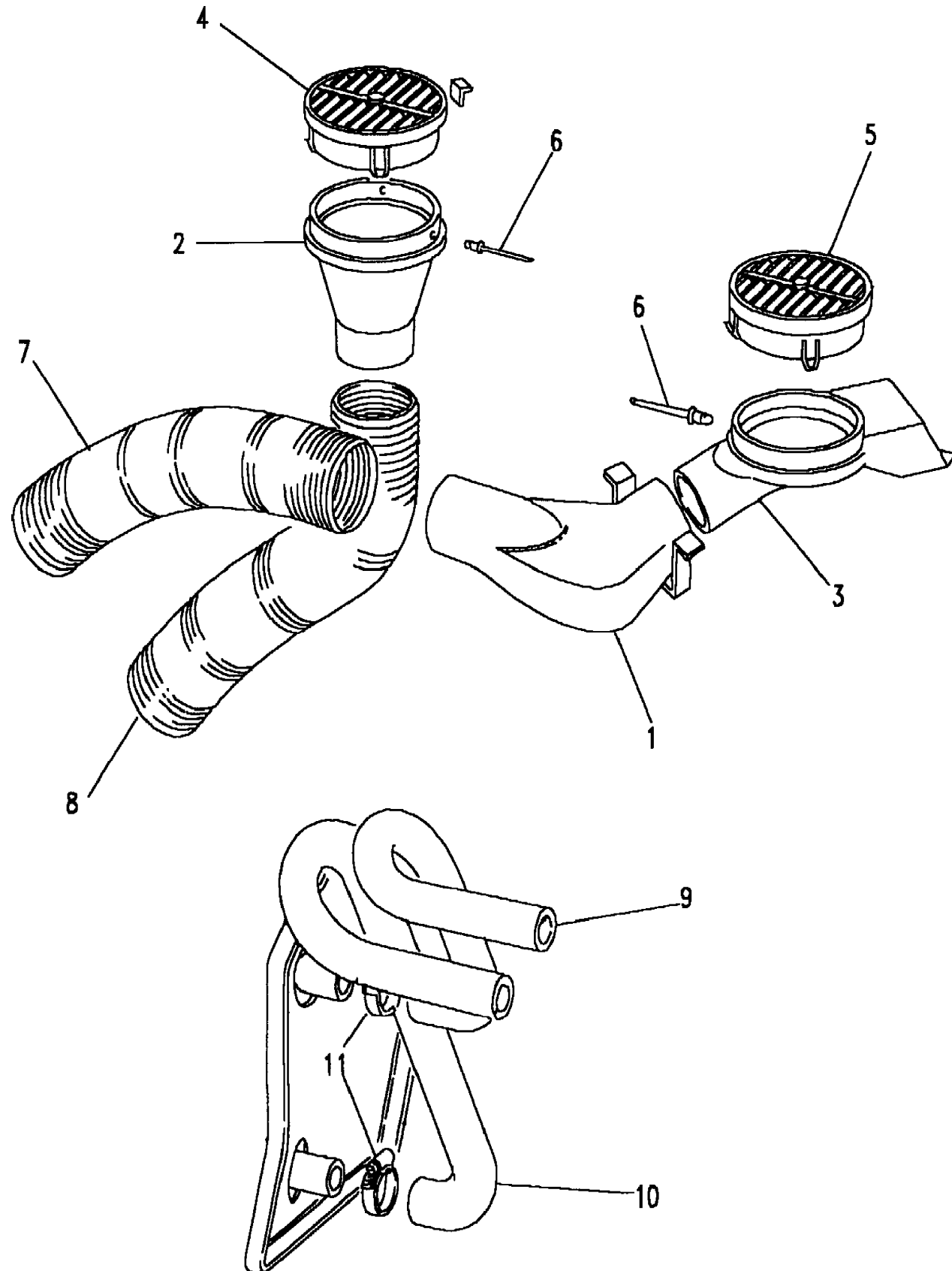
Range Rover (From JA610294)

Change point - VIN begin JA610294

Callout	Name	Application	Remarks & Restrictions	Service No.	Qty
1	Control assembly heater		with cables	AWR1378	1
			less cables	BTR6490	1
2	Screw-self tapping			AB608051	4
3	Switch-push push air conditioning recirculating			STC1863	1
4	Plate-blanking air conditioning switch			BTR6492	2
5	Knob-control heater			BTR8930	3
6	Knob-slider control-heater			BTR6494	1
7	Plate-graphics control-heater			BTR6495	1
8	Screw		Self Tapping, No 6 x 3/8	AB606031	2
9	Bulb-wedge illumination		1.2 WATT, 12V	RTC3635	1
[10]	Bulb & holder assembly		Orange	STC1877	X
			Green	STC1878	X

Range Rover (From JA610294)

(BDLXIA2A)



Range Rover (From JA610294)

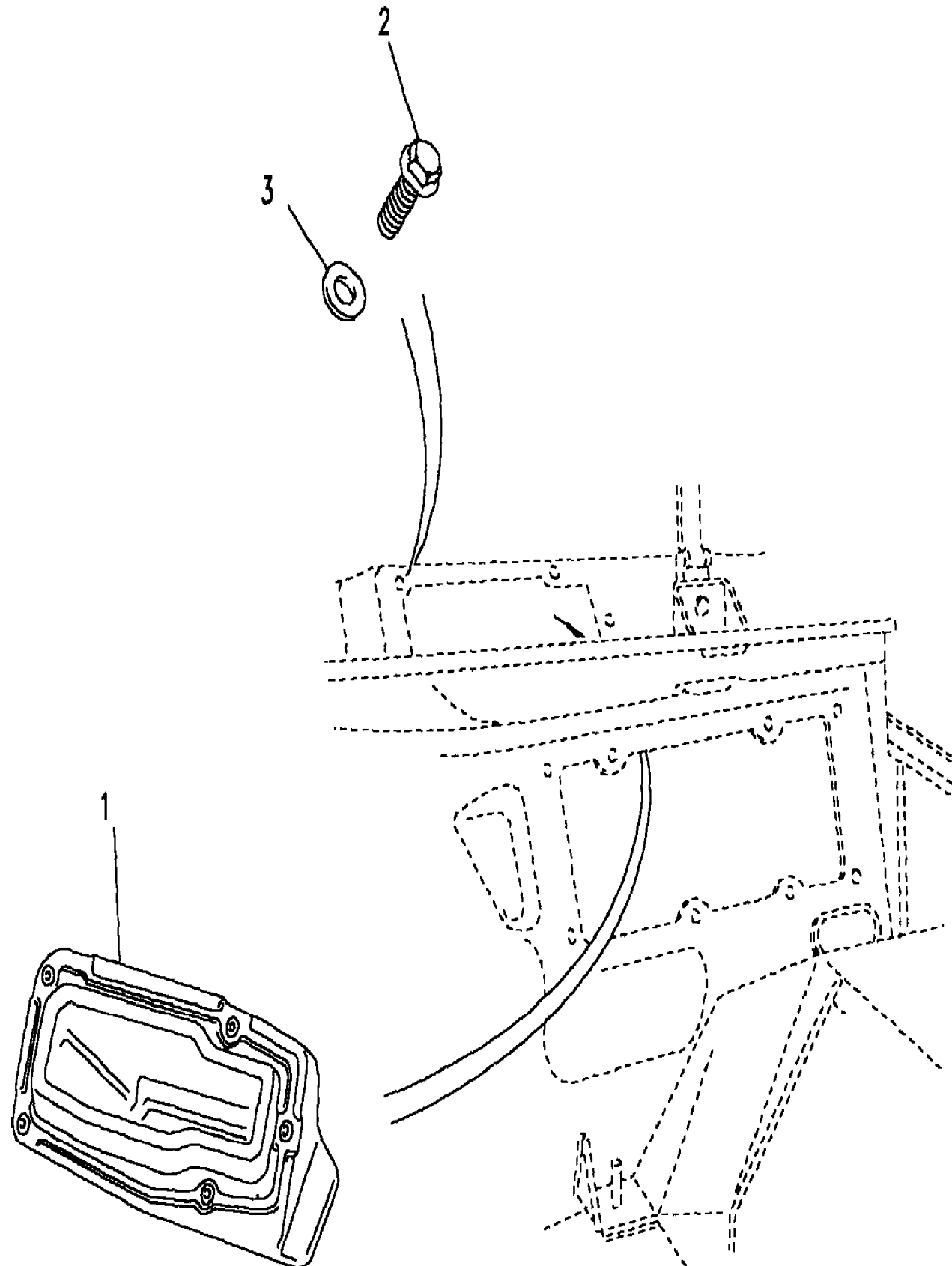
Callout	Name	Application	Remarks & Restrictions	Service No.	Qty
1	Elbow		RH	390851	1
			LH	390852	1
2	Connector fit		Inner	390695	2
3	Connector fit		Outer, RH	BTR456	1
			Outer, LH	BTR455	1
4	Finisher-demist vent windscreen		Bokhara	MXC2043RUN	2
5	Finisher-demist vent windscreen		Outer, Bokhara, LH	MTC9969RUN	1
			Outer, RH, Bokhara	MTC9970RUN	1
6	Rivet-pop-aluminium			78788	8
7	Hose demister-heating system			MWC2600	1
8	Hose demist-inner			390829	2
9	Hose-heater-outlet			BTR217	1
10	Hose-heater-inlet			BTR216	1
11	Clip-Hose		30MM	CN100308L	4

Range Rover (From JA610294)

(BDLXIA2B)

Range Rover (From JA610294)

Callout	Name	Application	Remarks & Restrictions	Service No.	Qty
1	Duct-air inlet heater	Change point - VIN begin MA647645, RHD Change point - VIN begin MA647645, LHD Change point - VIN begin MA647645, LHD		BTR3998 BTR3999 AWR4126	1 X 1
2	Screw	Change point - VIN begin MA647645	air duct, M6	GL106251	5
3	Washer-Plain	Change point - VIN begin MA647645	air duct, M6	WJ106001L	5

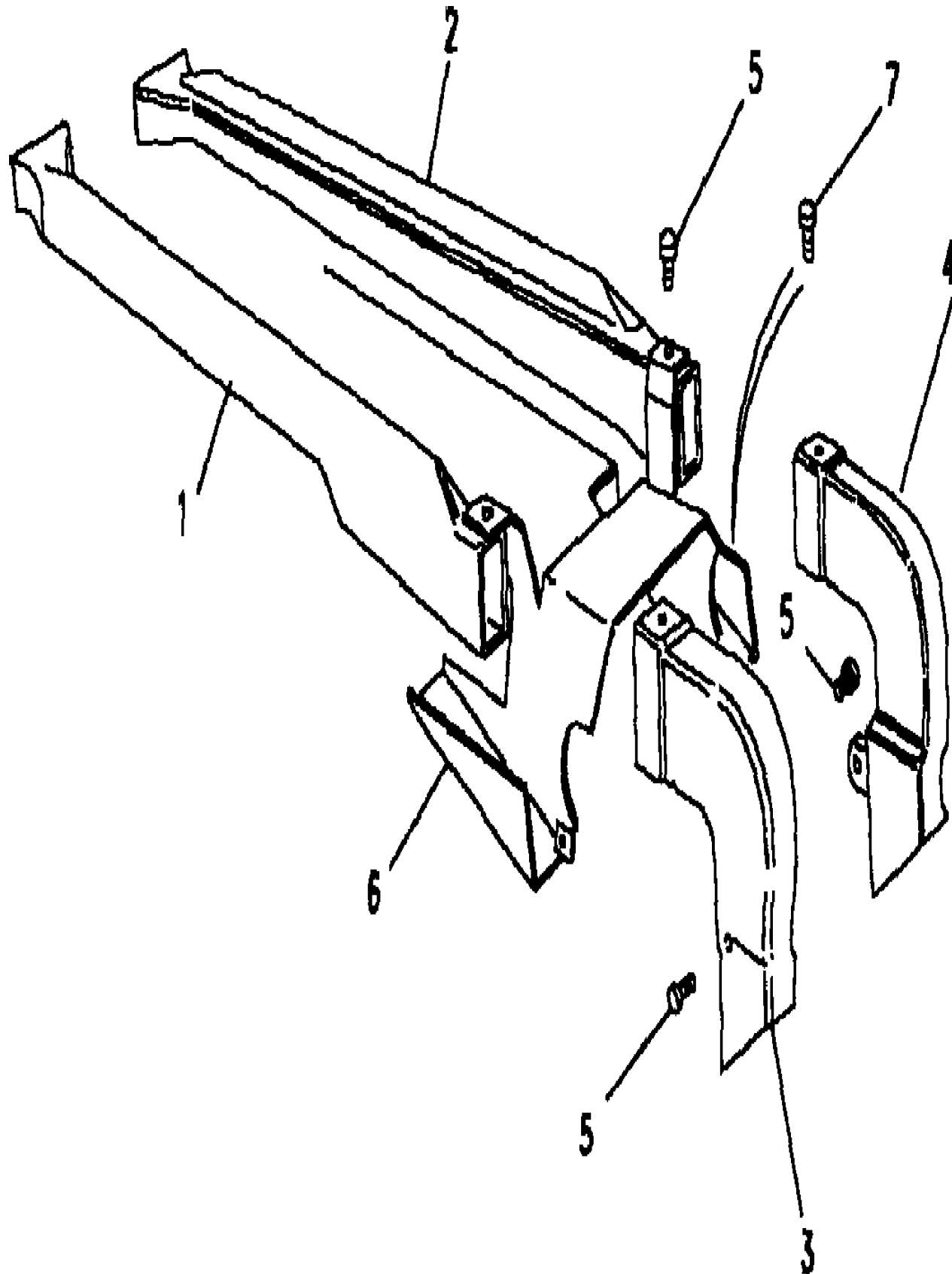


Cooling & Heating
 Heating System
 Ducting Rear-From (V) MA647645 1/1

Range Rover (From JA610294)
 (BDLXIC2A)

Range Rover (From JA610294)

Cooling & Heating
 Heating System
 Ducting Rear-From (V) MA647645

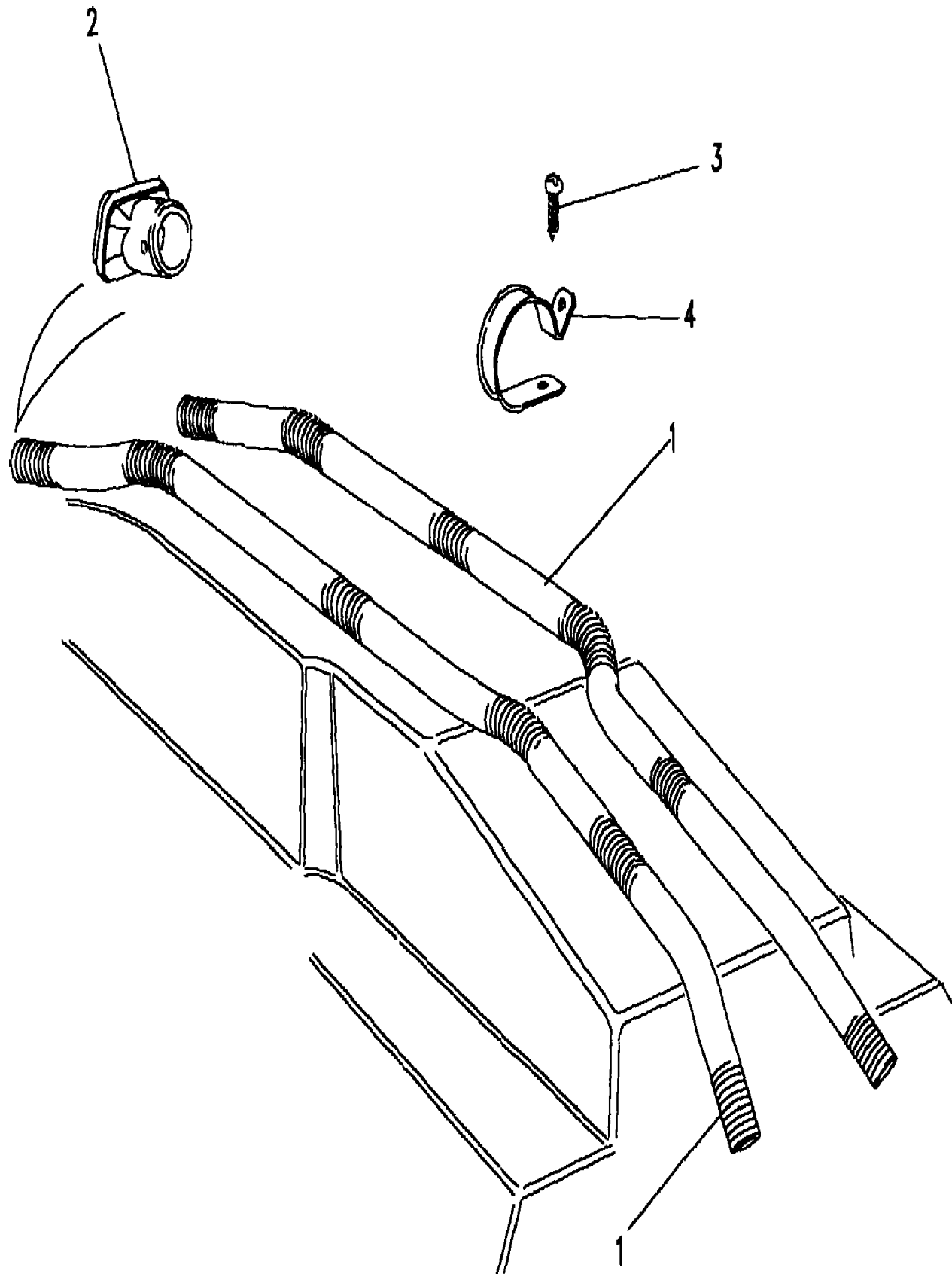


Callout	Name	Application	Remarks & Restrictions	Service No.	Qty
1	Duct-air floor	Change point - VIN begin MA647645	RH	BTR4430	1
2	Duct-air floor	Change point - VIN begin MA647645	LH	BTR4431	1
3	Duct-air outlet foot	Change point - VIN begin MA647645	RH	BTR4494	1
4	Duct-air outlet foot	Change point - VIN begin MA647645	LH	BTR4495	1
5	Screw	Change point - VIN begin MA647645	Flanged Head, No 10 x 1/2	DA610044	4
6	Bracket-tunnel console mounting	Change point - VIN begin MA647645		BTR4649	1
7	Bracket-tunnel console mounting	Change point - VIN begin MA647645		BTR4649	4

Cooling & Heating
 Heating System
 Ducting Rear-To (V) LA647644 1/1

Range Rover (From JA610294)

(BDLXIC1A)



Range Rover (From JA610294)

Cooling & Heating
 Heating System
 Ducting Rear-To (V) LA647644

Callout	Name	Application	Remarks & Restrictions	Service No.	Qty
1	Pipe assembly-coolant to heater	Change point - VIN end LA647644		MUC2481	2
2	Joint-air duct floor	Change point - VIN end LA647644		BTR276	2
3	Screw	Change point - VIN end LA647644		AW608101	8
4	Clip	Change point - VIN end LA647644		MUC6310	8

Cooling & Heating
Heating System
Fresh Air System 1/1

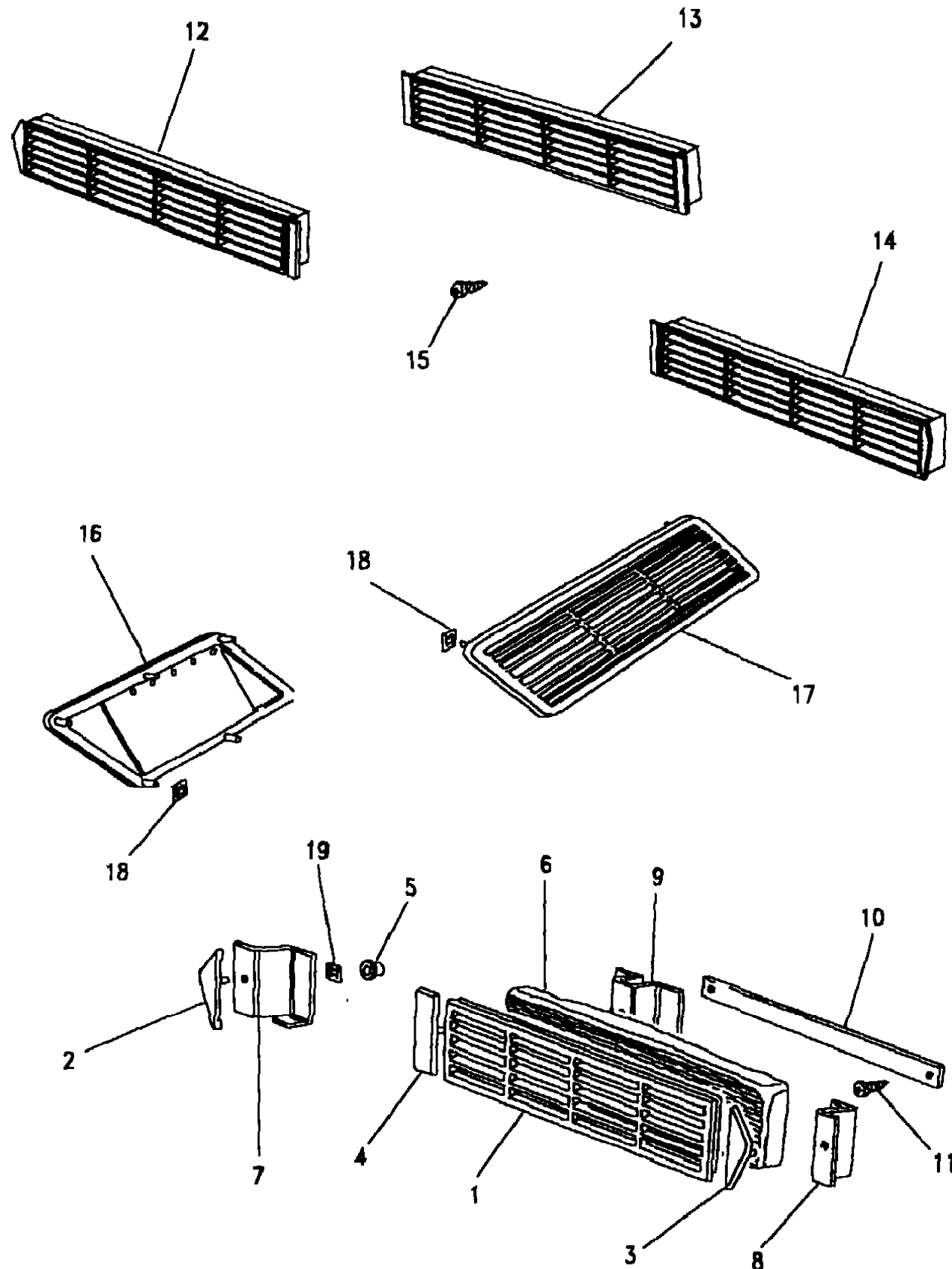
Range Rover (From JA610294)

(BDLXIA3A)

Range Rover (From JA610294)

Cooling & Heating
Heating System
Fresh Air System

Callout	Name	Application	Remarks & Restrictions	Service No.	Qty
1	Grille assembly-front	Change point - VIN end KA631353		390607	3
2	Capping	Change point - VIN end KA631353	RH	390608	1
3	Capping	Change point - VIN end KA631353	LH	390609	1
4	Capping	Change point - VIN end KA631353	RH	390610	2
5	Stud	Change point - VIN end KA631353		AFU3075	4
6	Padding	Change point - VIN end KA631353		MXC3910	3
7	Bracket-fuel filter support	Change point - VIN end KA631353	RH	391236	1
8	Bracket assembly-air cleaner	Change point - VIN end KA631353	LH	391237	1
9	Bracket-fuel filter support	Change point - VIN end KA631353		391235	3
10	Strip-sealing	Change point - VIN end KA631353		392202	3
11	Screw	Change point - VIN end KA631353	Self Tapping, No 8 x 3/8	AB608031L	6
12	Vent assy-facia	Change point - VIN begin KA631354	LH	BTR4442	1
13	Vent assembly-centre upper facia	Change point - VIN begin KA631354		BTR5382	1
14	Vent assy-facia	Change point - VIN begin KA631354	RH	BTR5383	1
15	Screw	Change point - VIN begin KA631354		DA608061	2
16	Vent-air extractor		RH, Inner Inner, LH	MUC2180 MUC2181	1 1
17	Vent-air extractor		RH, Gloss Gloss, LH Matt, LH RH, Matt	390515 390516 RTC6699 RTC6698	1 1 1 1
18	Retainer			AN604041L	30



Cooling & Heating
Heating System
Heater Assembly-From (V) MA647645 1/1

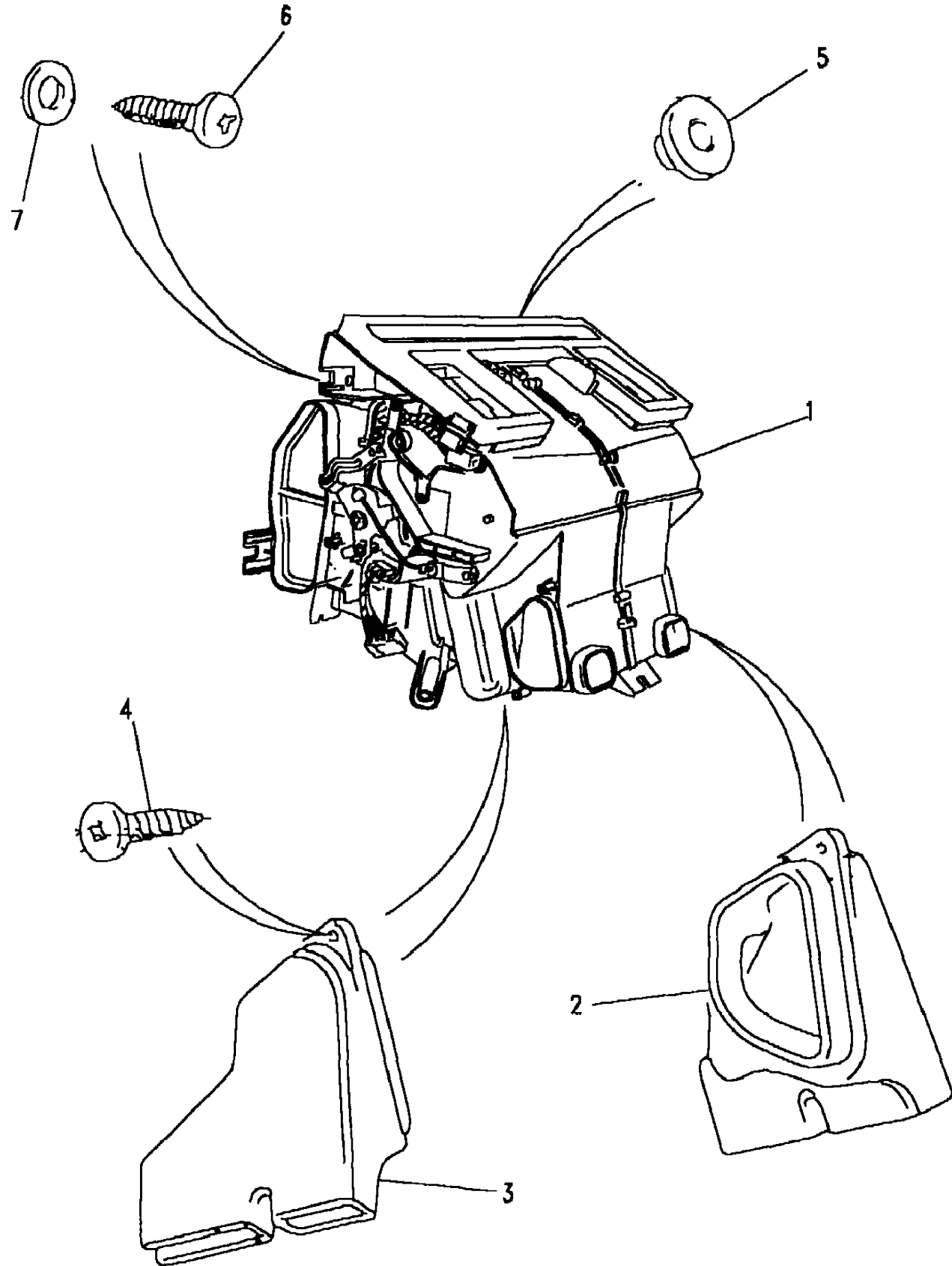
Range Rover (From JA610294)

(BDLXGA1B)

Range Rover (From JA610294)

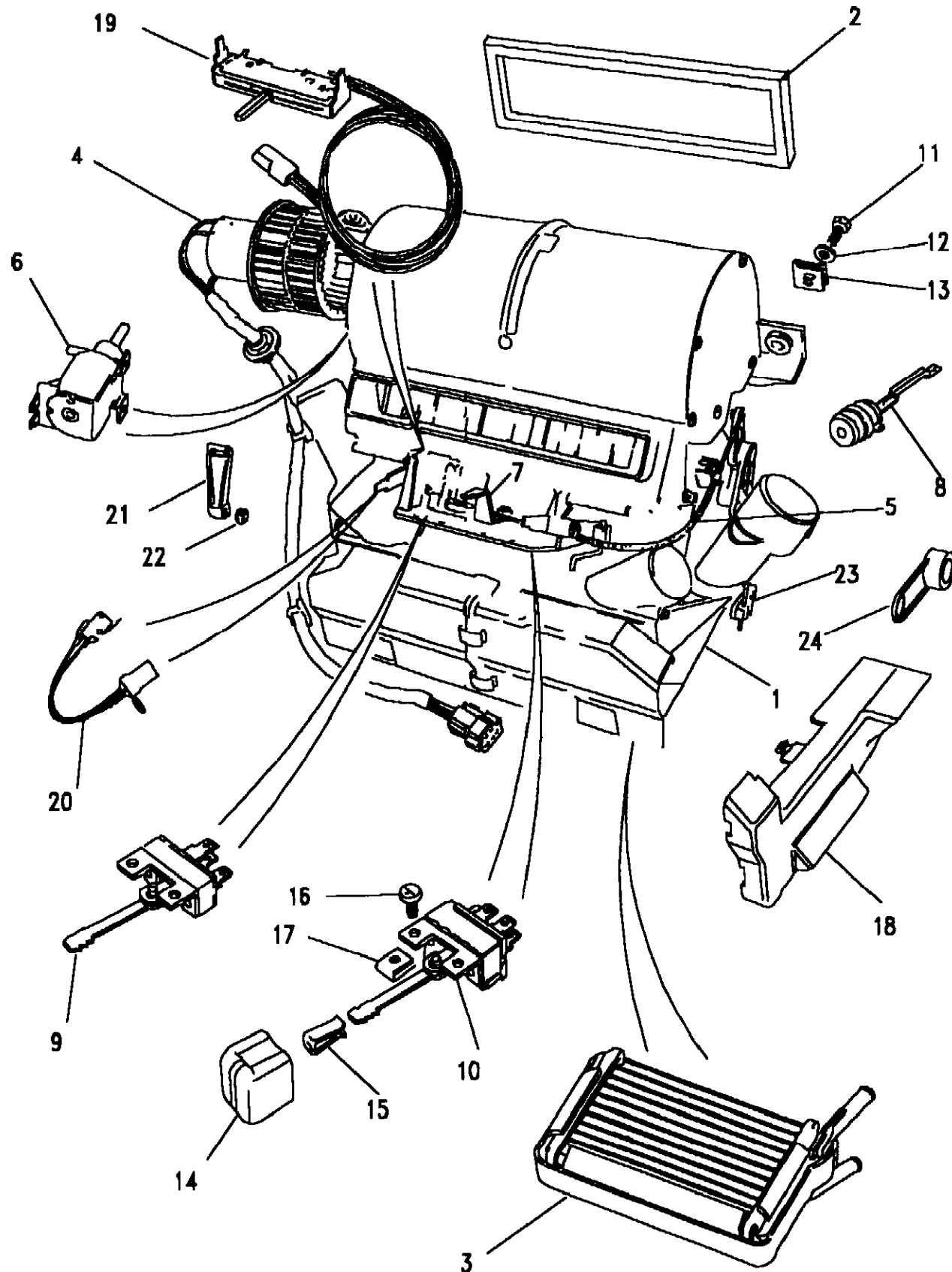
Cooling & Heating
Heating System
Heater Assembly-From (V) MA647645

Callout	Name	Application	Remarks & Restrictions	Service No.	Qty
1	Heater assembly non air conditioning	Change point - VIN begin MA647645, Change point - VIN end MA661277, RHD, Less Air Conditioning Change point - VIN begin MA661278, RHD, Less Air Conditioning Change point - VIN begin MA647645, Change point - VIN end MA661277, LHD, Less Air Conditioning Change point - VIN begin MA661278, LHD, Less Air Conditioning		BTR6486 AWR3011 BTR6487 AWR3012	1 1 1
2	Duct-air floor	Change point - VIN begin MA647645	RH	BTR4002	1
3	Duct-air floor	Change point - VIN begin MA647645	LH	BTR4003	1
4	Screw	Change point - VIN begin MA647645		CDU3609	2
5	Grommet	Change point - VIN begin MA647645		BTR6741	1
6	Bolt	Change point - VIN begin MA647645	M8 x 25	DCP3970	5
7	Washer	Change point - VIN begin MA647645		WC108051	5



Range Rover (From JA610294)

(BDLXGA1A)



Range Rover (From JA610294)

Change point - VIN end LA647644, TDi Diesel L/R

Callout	Name	Application	Remarks & Restrictions	Service No.	Qty
1	Heater non air conditioning	Change point - VIN end LA647644, TDi	Also serviced as part of a kit	STC864	1
2	Seal air intake	Change point - VIN end LA647644, TDi	Also serviced as part of a kit	BTR3761	1
3	Matrix-heater	Change point - VIN end LA647644, TDi	Also serviced as part of a kit	STC770	1
4	Motor & fan balance assembly blower-heater	Change point - VIN end LA647644, TDi	Also serviced as part of a kit, with resistor	RTC6693	1
5	Cable-control mode control-heater	Change point - VIN end LA647644, TDi	Also serviced as part of a kit	RTC6695	1
6	Solenoid-vacuum blower-heater	Change point - VIN end LA647644, TDi	Also serviced as part of a kit	RTC6697	1
7	Control assembly heater	Change point - VIN end LA647644, TDi	Also serviced as part of a kit	RTC6694	1
8	Actuator-vacuum blower-heater	Change point - VIN end LA647644, TDi	Also serviced as part of a kit	RTC6696	1
9	Switch-slide heat/fan control	Change point - VIN end LA647644, TDi, With Air Conditioning Change point - VIN end LA647644, TDi, Less Air Conditioning	4 position 4 position	PRC5436 PRC5436	2 1
10	Switch-rotary heat/fan control	Change point - VIN end LA647644, TDi, Less Air Conditioning	2 position	PRC6314	1
11	Screw	Change point - VIN end LA647644, TDi	M8	MXC6676	4
12	Washer	Change point - VIN end LA647644, TDi	M8	WC108051L	4
13	Nut-spring-u type	Change point - VIN end LA647644, TDi		AK616011	4
14	Knob-control heater	Change point - VIN end LA647644, TDi		MUC6347	5
15	Clip	Change point - VIN end LA647644, TDi		MUC6529	5
16	Screw	Change point - VIN end LA647644, TDi	Self Tapping, No 6 x 1/2	AB606041	6
17	Nut-spring-u type	Change point - VIN end LA647644, TDi		AK616011	6

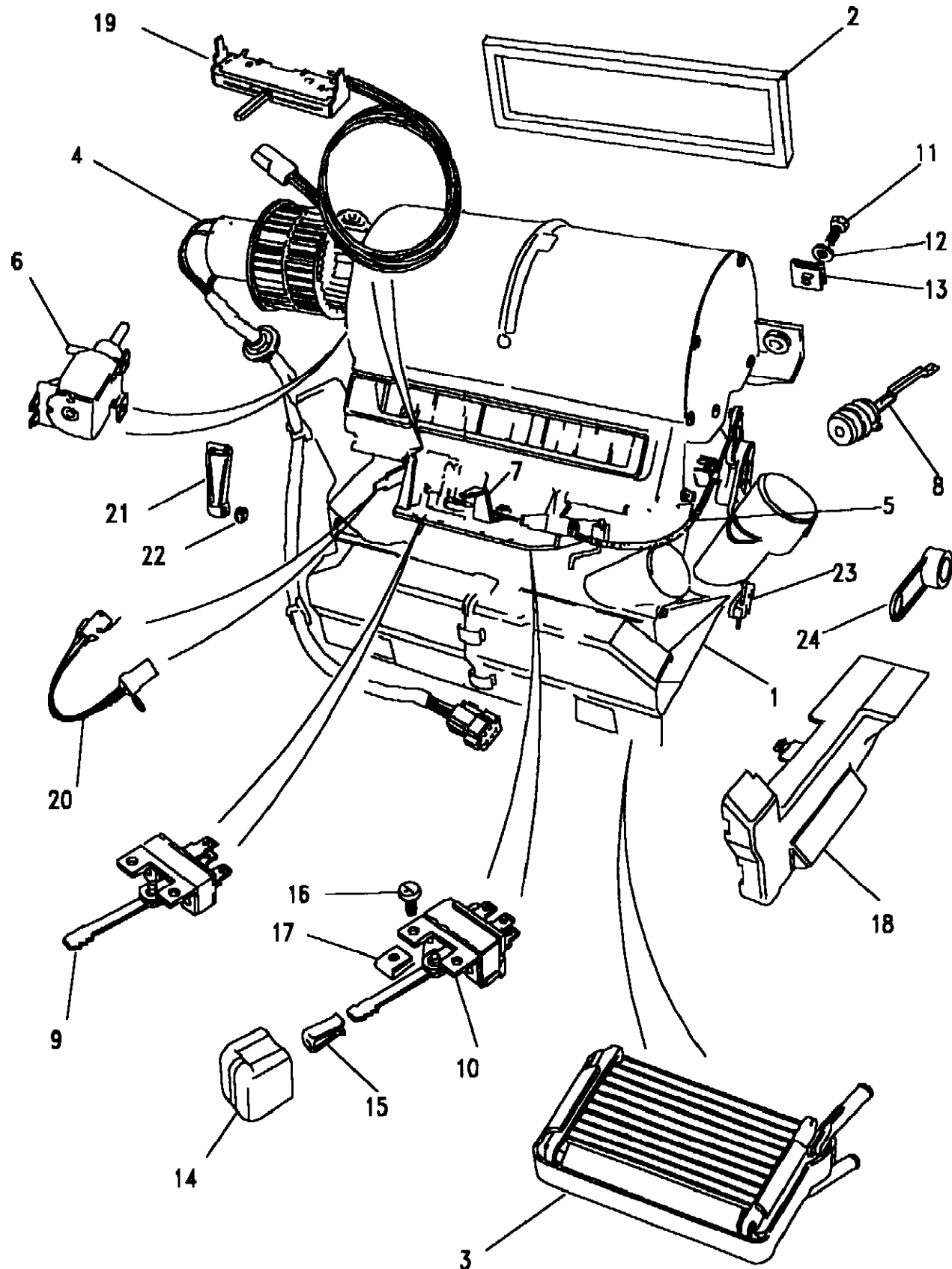
Range Rover (From JA610294)

(BDLXGA1A)

Range Rover (From JA610294)

Change point - VIN end LA647644, TDi Diesel L/R

Callout	Name	Application	Remarks & Restrictions	Service No.	Qty
18	Duct-air outlet foot	Change point - VIN end LA647644, TDi	RH	BTR3780	1
		Change point - VIN end LA647644, TDi	LH	BTR3781	1
19	Potentiometer-air con	Change point - VIN end LA647644, TDi		BTR3721	1
20	Switch Assy - Control	Change point - VIN end LA647644, TDi		PRC8155	1
21	Harness-link	Change point - VIN end LA647644, TDi		MXC5683	1
22	Clip	Change point - VIN end LA647644, TDi		MXC7656	1
23	Clip-case-heater heater	Change point - VIN end LA647644, TDi		STC490	1
24	Lever driver vent	Change point - VIN end LA647644, TDi		UTP1519	1



Cooling & Heating
 Heating System
 Heater Assembly 1/3

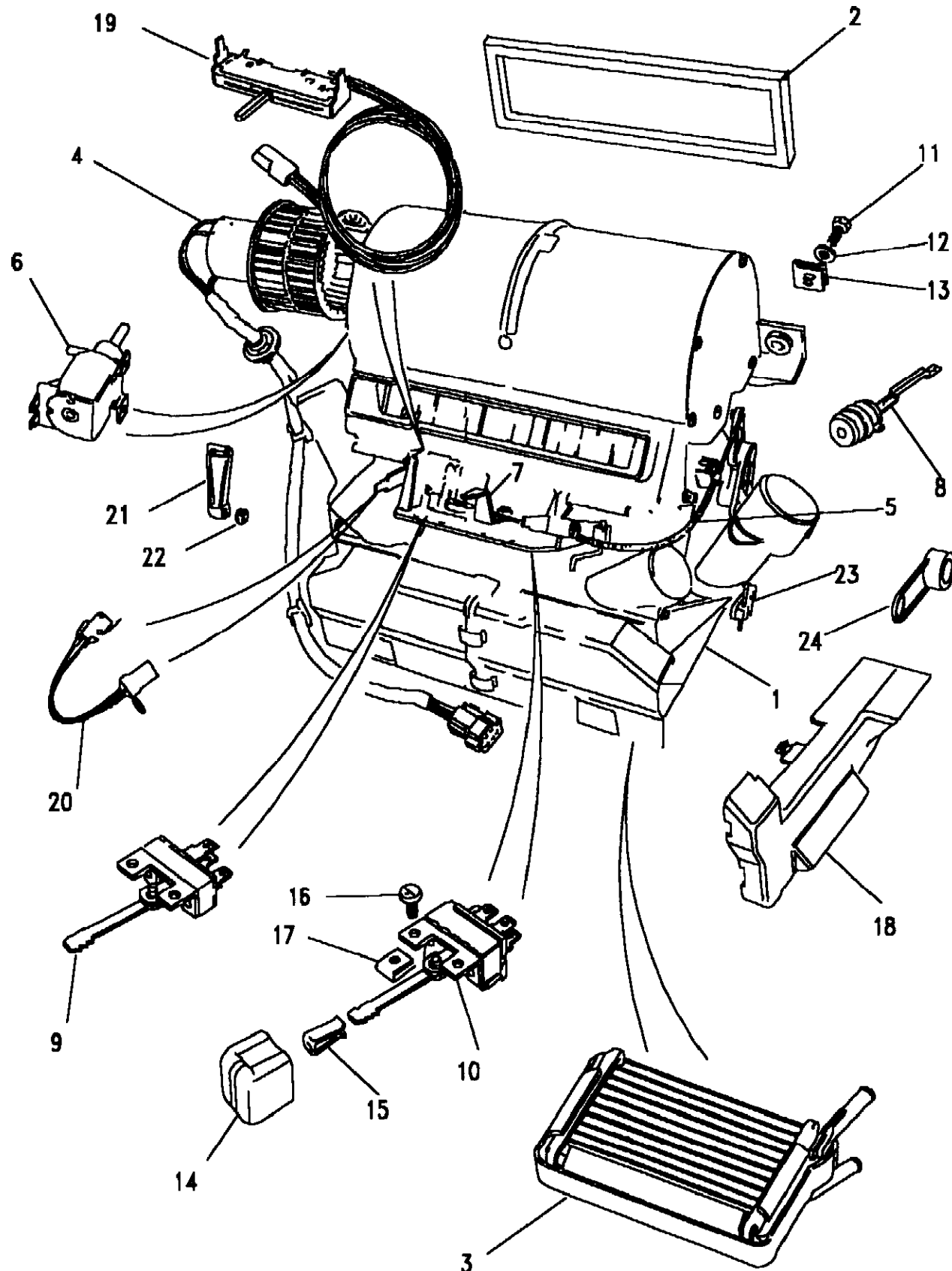
Range Rover (From JA610294)

(BDLXGA1A)

Range Rover (From JA610294)

Cooling & Heating
 Heating System
 Heater Assembly

Change point - VIN end LA647644, Change point - VIN end LA647644, V8 Petrol, 4 Cyl Diesel VM

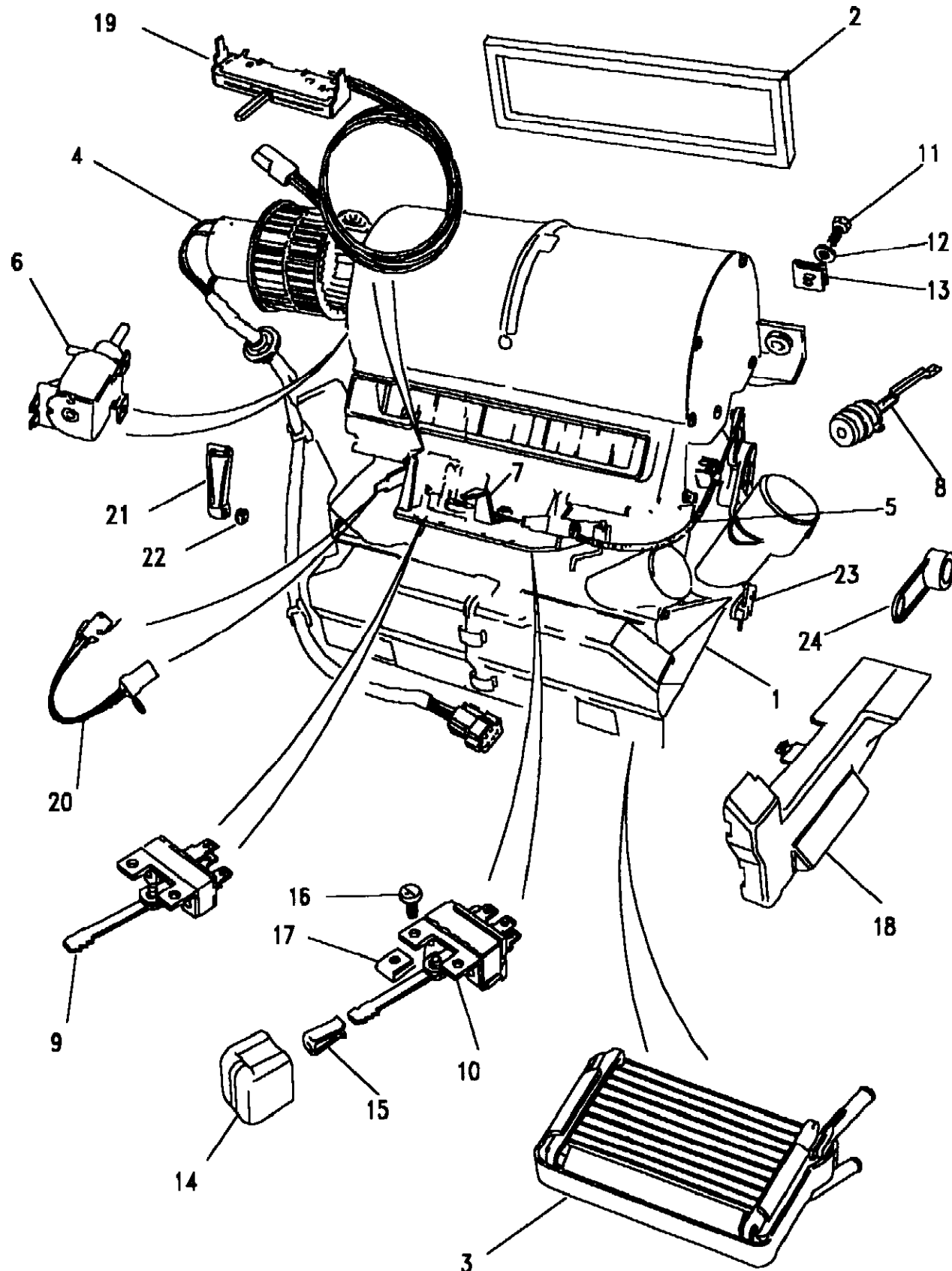


Callout	Name	Application	Remarks & Restrictions	Service No.	Qty
1	Heater assembly	Change point - VIN begin KA633031, Change point - VIN end LA647644, V8 EFI Petrol	Also serviced as part of a kit	BTR6373	1
		Change point - VIN begin KA633031, Change point - VIN end LA647644	Also serviced as part of a kit	BTR6373	1
		Change point - VIN end KA633030, V8 EFI Petrol	Also serviced as part of a kit	BTR4220	1
		Change point - VIN end KA633030	Also serviced as part of a kit	BTR4220	1
2	Seal air intake	Change point - VIN begin KA633031, Change point - VIN end LA647644, V8 EFI Petrol	Also serviced as part of a kit	MXC6889	1
		Change point - VIN begin JA616111, Change point - VIN end LA647644, V8 EFI Petrol	Also serviced as part of a kit	BTR3761	1
		Change point - VIN end JA616110	Also serviced as part of a kit	MXC6889	1
		Change point - VIN begin JA616111, Change point - VIN end LA647644	Also serviced as part of a kit	BTR3761	1
		Change point - VIN end JA616110, V8 EFI Petrol	Also serviced as part of a kit	MXC6889	1
3	Matrix-heater	Change point - VIN begin JA616111, Change point - VIN end LA647644	Also serviced as part of a kit	STC770	1
		Change point - VIN begin KA633031, Change point - VIN end LA647644, V8 EFI Petrol	Also serviced as part of a kit	RTC6593	1
		Change point - VIN begin JA616111, Change point - VIN end LA647644, V8 EFI Petrol	Also serviced as part of a kit	STC770	1
		Change point - VIN end JA616110	Also serviced as part of a kit	RTC6593	1
		Change point - VIN end JA616110, V8 EFI Petrol	Also serviced as part of a kit	RTC6593	1
4	Motor & fan balance assembly blower-heater	Change point - VIN end KA633030	Also serviced as part of a kit, with resistor	RTC6693	1
		Change point - VIN begin KA633031, Change point - VIN end LA647644, V8 EFI Petrol	Also serviced as part of a kit, with resistor	RTC6693	1
		Change point - VIN begin KA633031, Change point - VIN end LA647644	Also serviced as part of a kit, with resistor	RTC6693	1
		Change point - VIN end KA633030, V8 EFI Petrol	Also serviced as part of a kit, with resistor	RTC6693	1
5	Cable-control mode control-heater	Change point - VIN end KA633030	Also serviced as part of a kit	RTC6695	1

Cooling & Heating
 Heating System
 Heater Assembly 2/3

Range Rover (From JA610294)

(BDLXGA1A)



Range Rover (From JA610294)

Cooling & Heating
 Heating System
 Heater Assembly

Change point - VIN end LA647644, Change point - VIN end LA647644, V8 Petrol, 4 Cyl Diesel VM

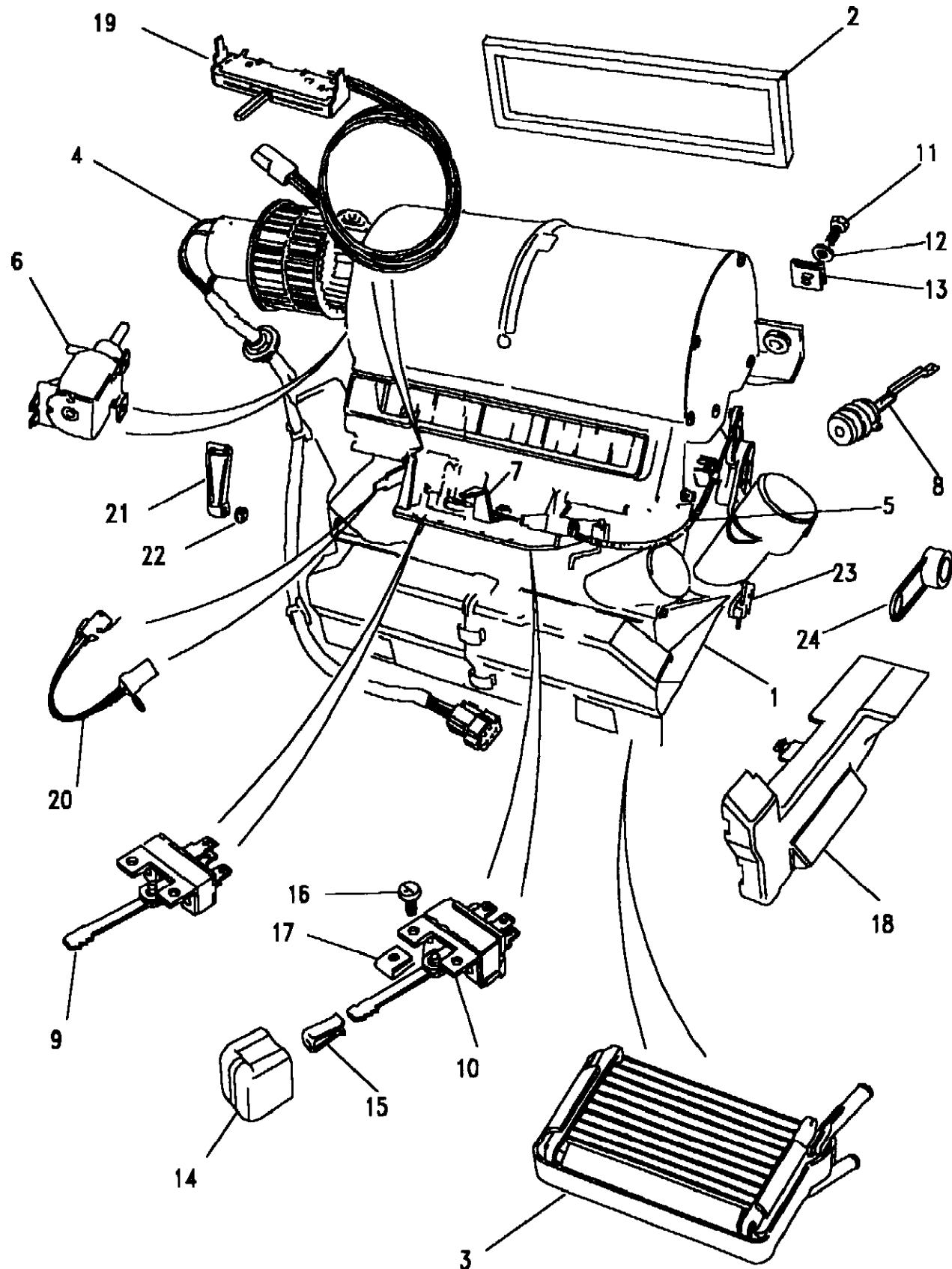
Callout	Name	Application	Remarks & Restrictions	Service No.	Qty
5	Cable-control mode control-heater	Change point - VIN begin KA633031, Change point - VIN end LA647644, V8 EFI Petrol	Also serviced as part of a kit	RTC6695	1
		Change point - VIN begin KA633031, Change point - VIN end LA647644	Also serviced as part of a kit	RTC6695	1
		Change point - VIN end KA633030, V8 EFI Petrol	Also serviced as part of a kit	RTC6695	1
6	Solenoid-vacuum blower-heater	Change point - VIN end KA633030	Also serviced as part of a kit	RTC6697	1
		Change point - VIN begin KA633031, Change point - VIN end LA647644, V8 EFI Petrol	Also serviced as part of a kit	RTC6697	1
		Change point - VIN begin KA633031, Change point - VIN end LA647644	Also serviced as part of a kit	RTC6697	1
		Change point - VIN end KA633030, V8 EFI Petrol	Also serviced as part of a kit	RTC6697	1
7	Lever assembly blower-heater	Change point - VIN end KA633030	Also serviced as part of a kit	STC550	1
		Change point - VIN begin KA633031, Change point - VIN end LA647644, V8 EFI Petrol	Also serviced as part of a kit	STC550	1
		Change point - VIN begin KA633031, Change point - VIN end LA647644	Also serviced as part of a kit	STC550	1
		Change point - VIN end KA633030, V8 EFI Petrol	Also serviced as part of a kit	STC550	1
		Change point - VIN end KA633030, V8 EFI Petrol	Also serviced as part of a kit	STC550	1
8	Actuator-vacuum blower-heater	Change point - VIN end KA633030	Also serviced as part of a kit	RTC6696	1
		Change point - VIN begin KA633031, Change point - VIN end LA647644, V8 EFI Petrol	Also serviced as part of a kit	RTC6696	1
		Change point - VIN begin KA633031, Change point - VIN end LA647644	Also serviced as part of a kit	RTC6696	1
9	Switch-slide heat/fan control	Change point - VIN end LA647644, V8 EFI, Less Air Conditioning	4 position	PRC5436	1
		Change point - VIN end LA647644, V8 EFI, With Air Conditioning	4 position	PRC5436	2
10	Switch-rotary heat/fan control	Change point - VIN end LA647644, V8 EFI, Less Air Conditioning	2 position	PRC6314	1
11	Screw	Change point - VIN end LA647644, V8 EFI	M8	MXC6676	4

Range Rover (From JA610294)

(BDLXGA1A)

Range Rover (From JA610294)

Change point - VIN end LA647644, Change point - VIN end LA647644, V8 Petrol, 4 Cyl Diesel VM



Callout	Name	Application	Remarks & Restrictions	Service No.	Qty
12	Washer	Change point - VIN end LA647644, V8 EFI	M8	WC108051L	4
13	Nut-spring-u type	Change point - VIN end LA647644, V8 EFI		AK616011	4
14	Knob-control heater	Change point - VIN end LA647644, V8 EFI		MUC6347	5
15	Clip	Change point - VIN end LA647644, V8 EFI		MUC6529	5
16	Screw	Change point - VIN end LA647644, V8 EFI	Self Tapping, No 6 x 3/8	AB606031L	6
17	Nut-spring-J type	Change point - VIN end LA647644, V8 EFI		79039	6
18	Duct-air outlet foot	Change point - VIN end LA647644, V8 EFI	RH	BTR458	1
		Change point - VIN end LA647644, V8 EFI	LH	BTR457	1
19	Potentiometer-air con	Change point - VIN end JA617613, V8 EFI		MXC5705	1
		Change point - VIN begin JA617614, Change point - VIN end LA647644, V8 EFI		BTR3721	1
20	Harness-link	Change point - VIN end LA647644, V8 EFI		MXC5683	1
21	Switch assembly-vacuum control-heater	Change point - VIN end LA647644, V8 EFI		PRC8155	1
22	Clip	Change point - VIN end LA647644, V8 EFI		MXC7656	1
23	Clip-case-heater heater	Change point - VIN end LA647644, V8 EFI		STC490	1
24	Lever driver vent	Change point - VIN end LA647644, V8 EFI		UTP1519	1

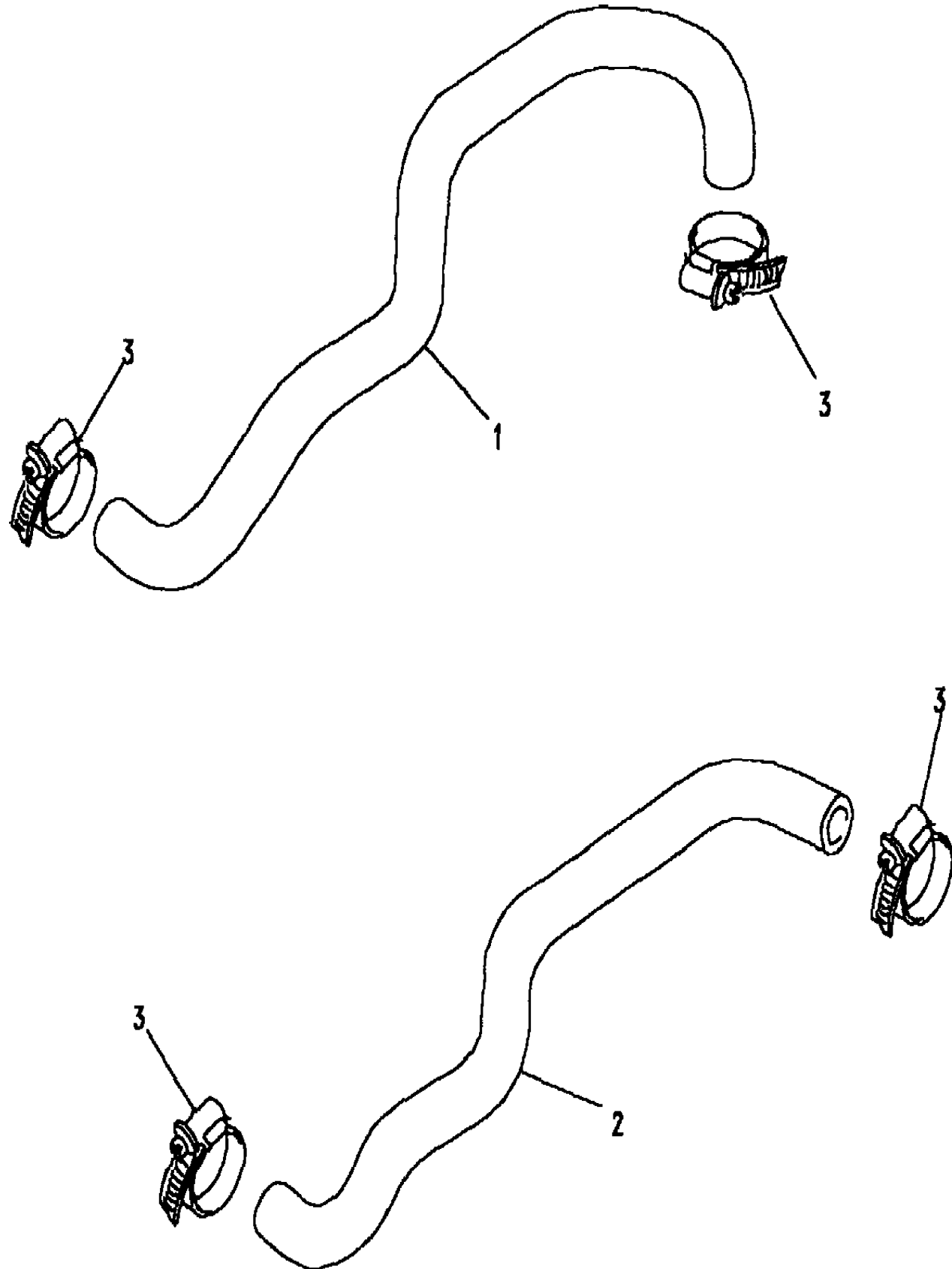
Range Rover (From JA610294)

(BDLXIA1D)

Range Rover (From JA610294)

Change point - VIN begin MA647645, 4 Cylinder TDi L/R Turbo Diesel

Callout	Name	Application	Remarks & Restrictions	Service No.	Qty
1	Hose-heater-inlet	Change point - VIN begin MA647645, TDi		BTR9616	1
2	Hose-heater-outlet	Change point - VIN begin MA647645, TDi		BTR9617	1
3	Clip-Hose	Change point - VIN begin MA647645, TDi	30MM	CN100308L	X



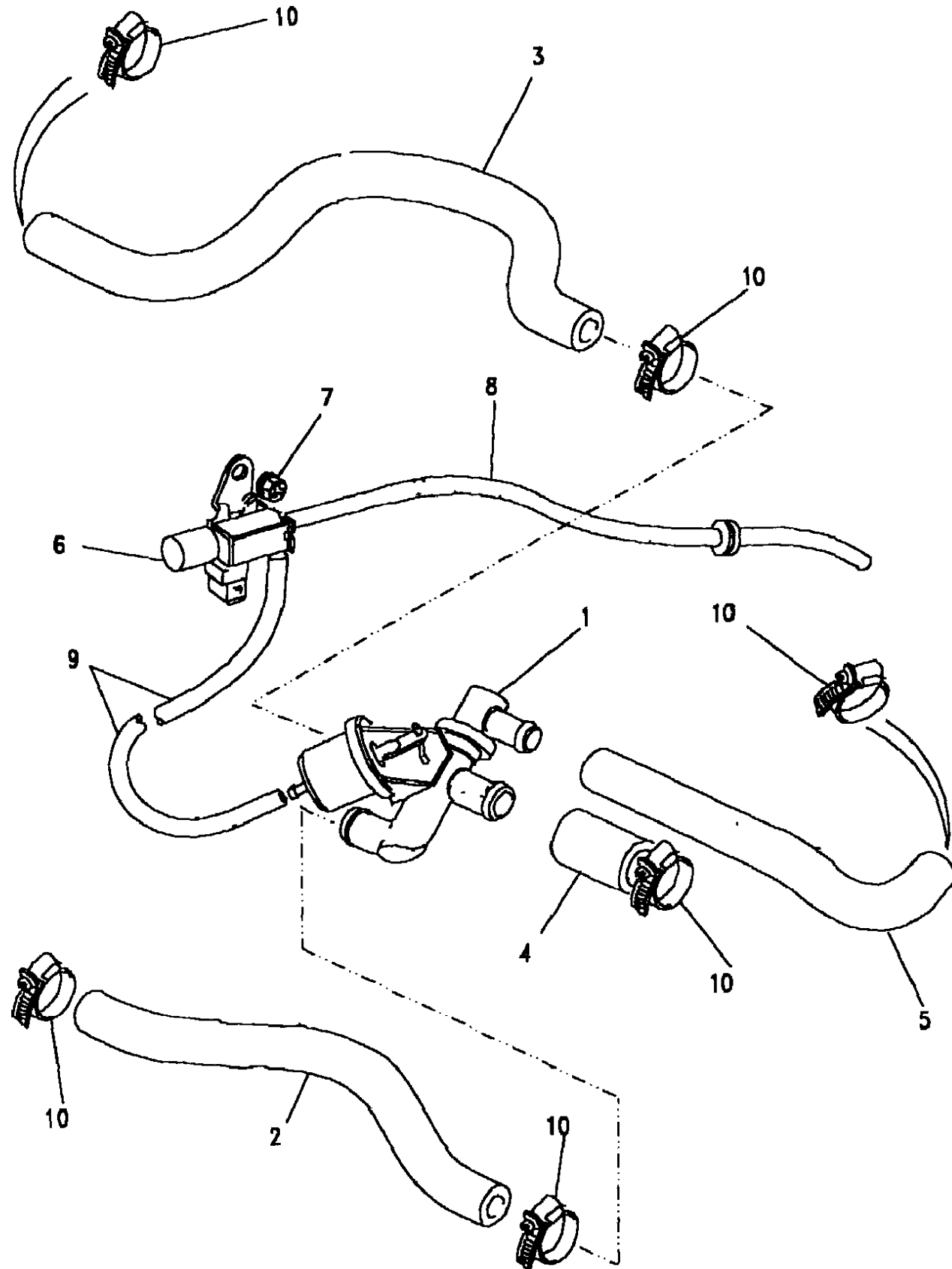
Range Rover (From JA610294)

(BDLXIA1B)

Range Rover (From JA610294)

Change point - VIN begin MA647645, Petrol V8 L/R

Callout	Name	Application	Remarks & Restrictions	Service No.	Qty
1	Valve-coolant by passive heater	Change point - VIN begin MA647645, V8		BTR4022	1
2	Hose heater/coolant valve	Change point - VIN begin MA647645, V8		BTR8726	1
3	Hose coolant valve/heater	Change point - VIN begin MA647645, V8		BTR8727	1
4	Hose assembly-engine coolant valve	Change point - VIN begin MA647645, V8		BTR4006	1
5	Hose-engine coolant valve	Change point - VIN begin MA647645, V8		BTR8725	1
6	Solenoid-vacuum blower-heater	Change point - VIN begin MA647645, V8		BTR4190	1
7	Nut - Hex.	Change point - VIN begin MA647645, V8	M8, flange	FN108041L	1
8	Valve & pipe assembly-coolant heater	Change point - VIN begin MA647645, V8		BTR4025	1
9	Pipe assembly-vacuum switch/water valve	Change point - VIN begin MA647645, V8		BTR4026	1
10	Clip-Hose	Change point - VIN begin MA647645, V8	30MM	CN100308L	X



Range Rover (From JA610294)

(BDLXIA1A)

Range Rover (From JA610294)

Callout	Name	Application	Remarks & Restrictions	Service No.	Qty
1	Vacuum tank			MUC1679	1
2	Pipe assembly-vacuum engine to heater			BTR1237	1
3	Hose vacuum..			BTR1286	1
4	Screw		M6 X 16	SE106161L	2
5	Washer		6MM	WA106041L	4
6	Washer-Spring		6MM	WL106041	2
7	Nut - Hex.		M6, nyloc, Hexagonal	NH106041L	2
8	Grommet-vacuum hose			MWC9947	1

