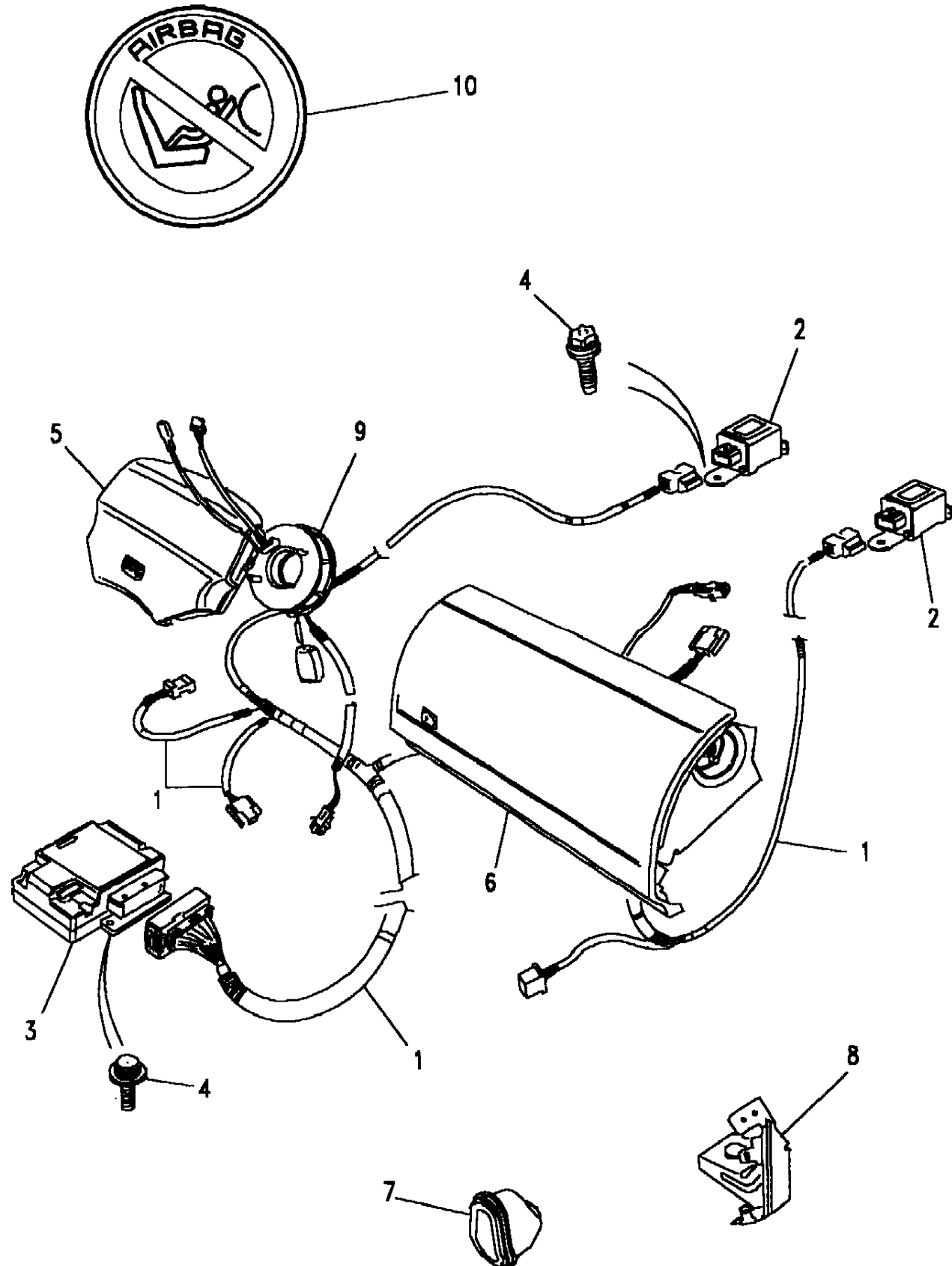


Range Rover (From JA610294)

(BDMXCK1A)

Range Rover (From JA610294)

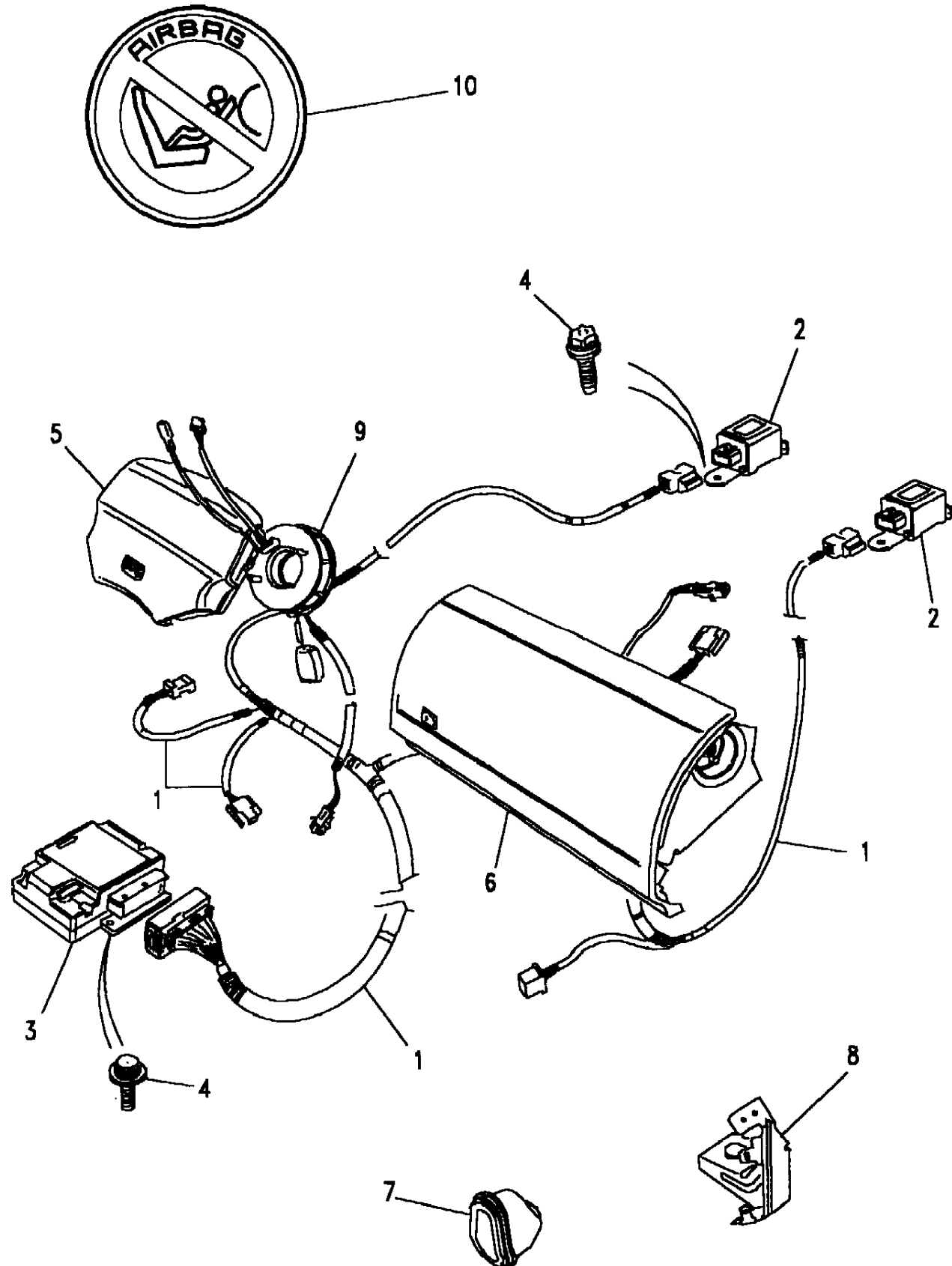
Callout	Name	Application	Remarks & Restrictions	Service No.	Qty		
1	Harness air bag	Change point - VIN end MA653977, RHD, With Driver Air Bag	Rover Airbag System	AMR3668	1		
		Change point - VIN begin MA653978, RHD, With Driver Air Bag	Rover Airbag System	AMR3994	1		
		Change point - VIN end MA653977, LHD, With Driver Air Bag	Rover Airbag System	AMR3669	1		
		Change point - VIN begin MA653978, LHD, With Driver Air Bag	Rover Airbag System	AMR3995	1		
		Change point - VIN end MA653977, RHD, With Driver Air Bag, With Passenger Air Bag	Rover Airbag System	AMR3666	1		
		Change point - VIN begin MA653978, RHD, With Driver Air Bag, With Passenger Air Bag	Rover Airbag System	AMR3992	1		
		Change point - VIN end MA653977, LHD, With Driver Air Bag, With Passenger Air Bag	Rover Airbag System	AMR3667	1		
		Change point - VIN begin MA653978, LHD, With Driver Air Bag, With Passenger Air Bag	Rover Airbag System	AMR3993	1		
		2	Switch-crash sensor air bag		Rover Airbag System	AMR2705	2
3	Control & diagnostic unit air bag	Change point - VIN end MA659392	Rover Airbag System	YWC10151	1		
		Change point - VIN begin MA659393	Rover Airbag System	AMR4905	1		
4	Screw-powerlok		Rover Airbag System	BTR6656	6		
5	Module & cover assembly-driver air bag	Change point - VIN end MA661086	Rover Airbag System, Ash Grey	BTR7692LNF	1		
		Change point - VIN begin MA661087	Rover Airbag System, Ash Grey	AWR3498LNF	1		
6	Module & cover assembly-passenger air bag		Rover Airbag System, Ash Grey	BTR7693LNF	1		
7	Grommet-sealing		Rover Airbag System	ANR2933	1		
8	Bracket-air bag mounting		Rover Airbag System	AMR3304	1		
9	Coupler-rotary steering column	Change point - VIN end MA656792	Rover Airbag System	AMR3647	1		
		Change point - VIN begin MA656793	Rover Airbag System	AMR4726	1		
			Rover Airbag System	AMR5631	1		
10	Label-air bag warning		Rover Airbag System, RH	BAC102900	1		



Range Rover (From JA610294)
(BDMXCK1A)

Range Rover (From JA610294)

Callout	Name	Application	Remarks & Restrictions	Service No.	Qty
10	Label-air bag warning		Rover Airbag System, LH	BAC102910	1



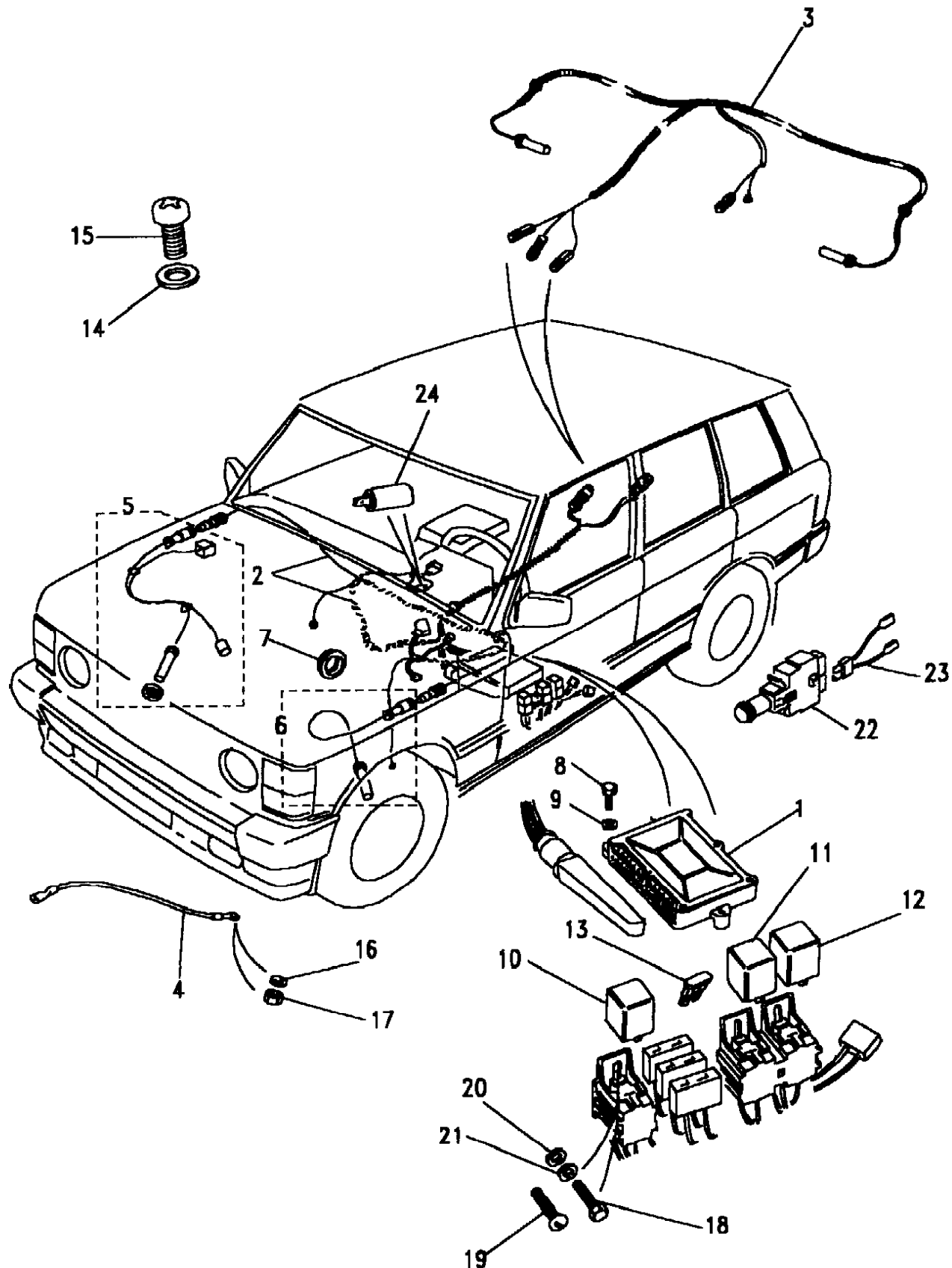
Range Rover (From JA610294)

(BDMXHA1A)

Range Rover (From JA610294)

All Wheel Anti-Lock Braking System

Callout	Name	Application	Remarks & Restrictions	Service No.	Qty
1	Electric control unit antilock brakes	Change point - VIN end JA624754 Change point - VIN begin KA624756		RTC6497 NTC8474	1 1
3	Cable Assy		WITH BRAKE WEAR INDICATOR, ABS Sensors - Rear	AMR3314	1
4	Earth lead			PRC9758	1
5	Sensor assembly antilock brakes		Also serviced as part of a kit, RH	AMR3312	1
6	Sensor assembly antilock brakes		Also serviced as part of a kit, LH	AMR3313	1
7	Grommet-harness doors			BMK1714	1
8	Screw		pan head, recessed, M5 x 30	SE105301L	3
9	Washer		M5, Plain, Standard	WA105001L	3
10	Relay		12V change over, Blue.	PRC8531	1
11	Relay		Black	PRC9603	1
12	Relay		Black	PRC9603	1
13	Fuse		5 AMP, AUTO, Standard 25 AMP, AUTO, standard.	RTC4497 RTC4506	2 1
14	Washer-Plain			WC702101L	1
15	Screw		Self Tapping, No 8 x 3/8	AB608031L	1
16	Washer		6MM	WA106041L	1
17	Nut - Hex.		M6, nyloc, Hexagonal	NH106041L	1
18	Screw		M5 X 10, hexagonal head M6 X 12, hexagonal head	FS105107 SH106121L	1 1
19	Screw			AV608081	1
20	Washer		M5, Plain, Standard	WA105001L	1
21	Washer		6MM	WA106041L	2
22	Switch Assy - Stop Light	Change point - VIN end JA620456 Change point - VIN begin JA620457		PRC9915 AMR2010	1 1



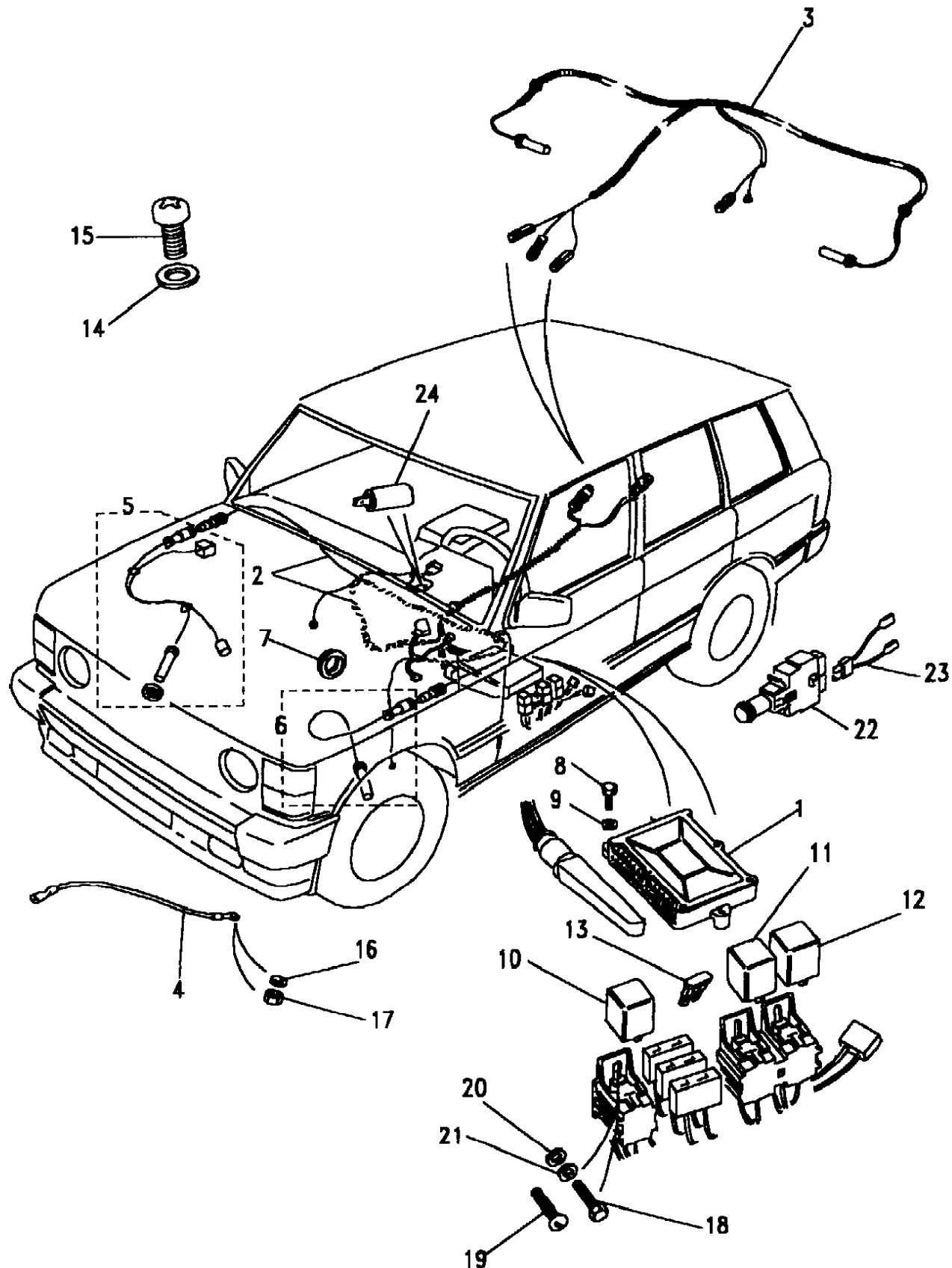
Range Rover (From JA610294)

(BDMXHA1A)

Range Rover (From JA610294)

All Wheel Anti-Lock Braking System

Callout	Name	Application	Remarks & Restrictions	Service No.	Qty
23	Harness-link			PRC7929	1
24	Diode Assy		Pektron	AAU5034	1
[900]	Screw		M5 X 10, Flanged Head	FS105107L	1
[901]	Kit-antilock brake system sensor		Rear	STC1866	1
			Front, RH	STC1864	1
			Front, LH	STC1865	1
[902]	Washer		M6, sprung	WL106001L	2



Body Electrics
Ancillaries
Alarm / Remote Locking System 1/3

Range Rover (From JA610294)

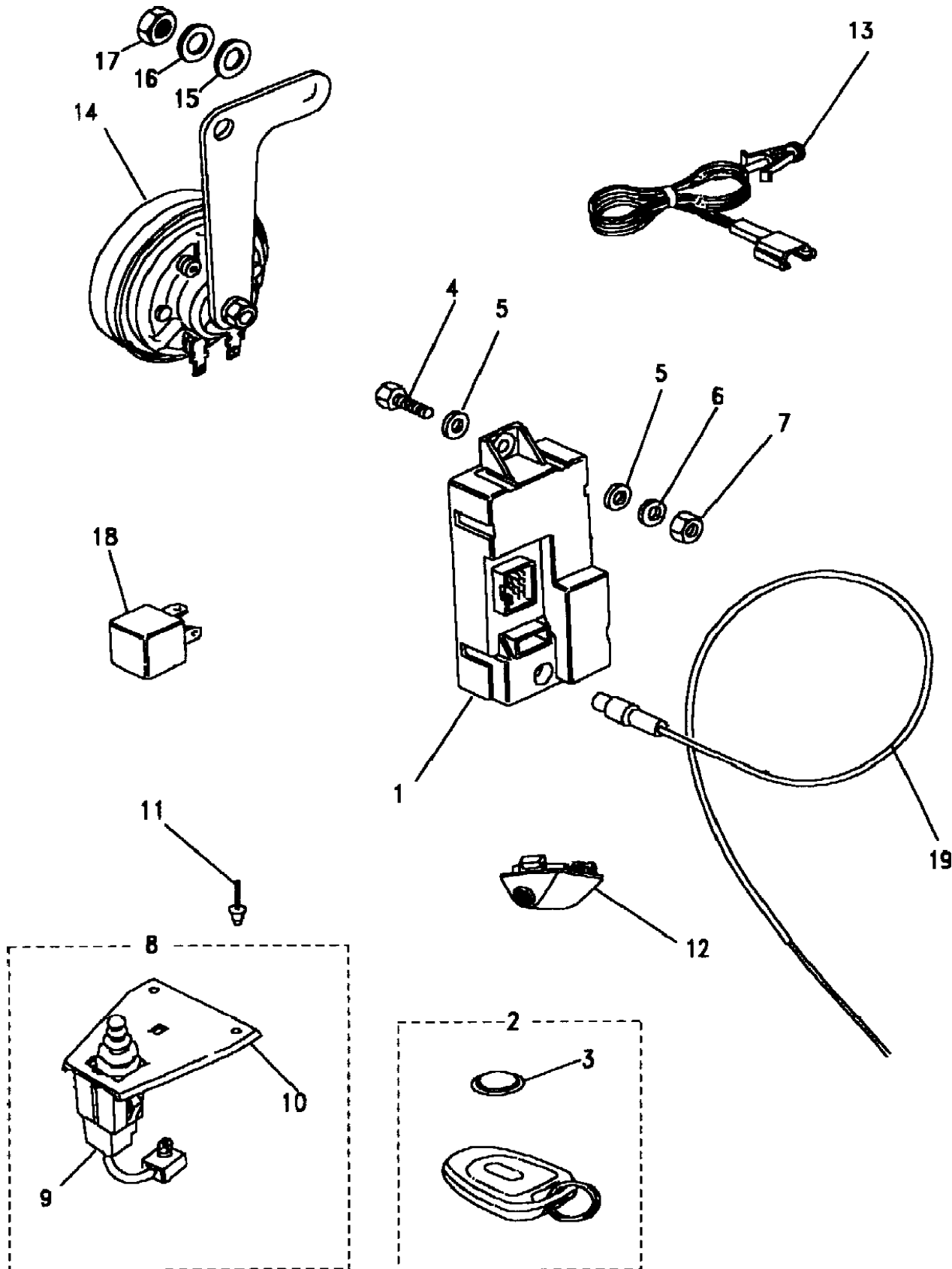
(BDMXGK1A)

Range Rover (From JA610294)

Body Electrics
Ancillaries
Alarm / Remote Locking System

With Central Locking System, With Anti-Theft Alarm, Less Immobilisation

Callout	Name	Application	Remarks & Restrictions	Service No.	Qty		
1	Control unit-remote locking	(-)"GB"	433 MHz	AMR2109	1		
		(-)"GB"	315 MHz	AMR2108	1		
		(+)"Europe"	433 MHz	AMR2109	1		
		(+)"Europe"	433 MHz	AMR2591	1		
		(+)"AUS"	315 MHz	AMR2108	1		
		Change point - VIN end KA625689, (+)"ZA"	With East Africa, 315 MHz	AMR2108	1		
		Change point - VIN end KA625689, (+)"GCC"	315 MHz	AMR2108	1		
		Change point - VIN begin KA625690, (+)"GCC"	315 MHz	AMR2469	1		
		(+)"GB"	418 MHz	AMR2106	1		
		(+)"F"	224 MHz	AMR2107	1		
		(+)"I"	315 MHz	AMR2108	1		
		Change point - VIN end LA647644, (+)"CH"	433 MHz	AMR2110	1		
		Change point - VIN end LA647644, (+)"DK"	433 MHz	AMR2591	1		
		Change point - VIN begin MA647645, (+)"CH"	433 MHz	AMR2591	1		
		Change point - VIN begin MA647645, (+)"DK"	433 MHz	AMR2591	1		
		2	Remote unit-locking system	(-)"GB"	NO LONGER AVAILABLE, Key Activated-Not Replaced, Also serviced as part of a kit, 433 MHz	AMR3723	1
				Change point - VIN end LA647644, (-)"GB"	Also serviced as part of a kit, 315 MHz	AMR2026	1
				Change point - VIN begin MA647645, (-)"GB"	Also serviced as part of a kit, 315 MHz	AMR3722	1
				Change point - VIN begin MA647645, (+)"CH"	NO LONGER AVAILABLE, Key Activated-Not Replaced, Also serviced as part of a kit, 433 MHz	AMR3723	1
				Change point - VIN begin MA647645, (+)"DK"	NO LONGER AVAILABLE, Key Activated-Not Replaced, Also serviced as part of a kit, 433 MHz	AMR3723	1
Change point - VIN begin MA647645, (+)"Europe"	NO LONGER AVAILABLE, Key Activated-Not Replaced, Also serviced as part of a kit, 433 MHz			AMR3723	1		
Change point - VIN begin MA647645, (+)"Europe"	NO LONGER AVAILABLE, Key Activated-Not Replaced, Also serviced as part of a kit, 433 MHz			AMR3723	1		
Change point - VIN end LA647644, (+)"AUS"	Also serviced as part of a kit, 315 MHz			AMR2026	1		
Change point - VIN begin MA647645, (+)"AUS"	Also serviced as part of a kit, 315 MHz			AMR3722	1		
Change point - VIN end KA625689, (+)"ZA"	With East Africa, Also serviced as part of a kit, 315 MHz			AMR3722	1		
Change point - VIN begin MA647645, (+)"GCC"	Also serviced as part of a kit, 315 MHz	AMR3722	1				



Body Electrics
Ancillaries
Alarm / Remote Locking System 2/3

Range Rover (From JA610294)

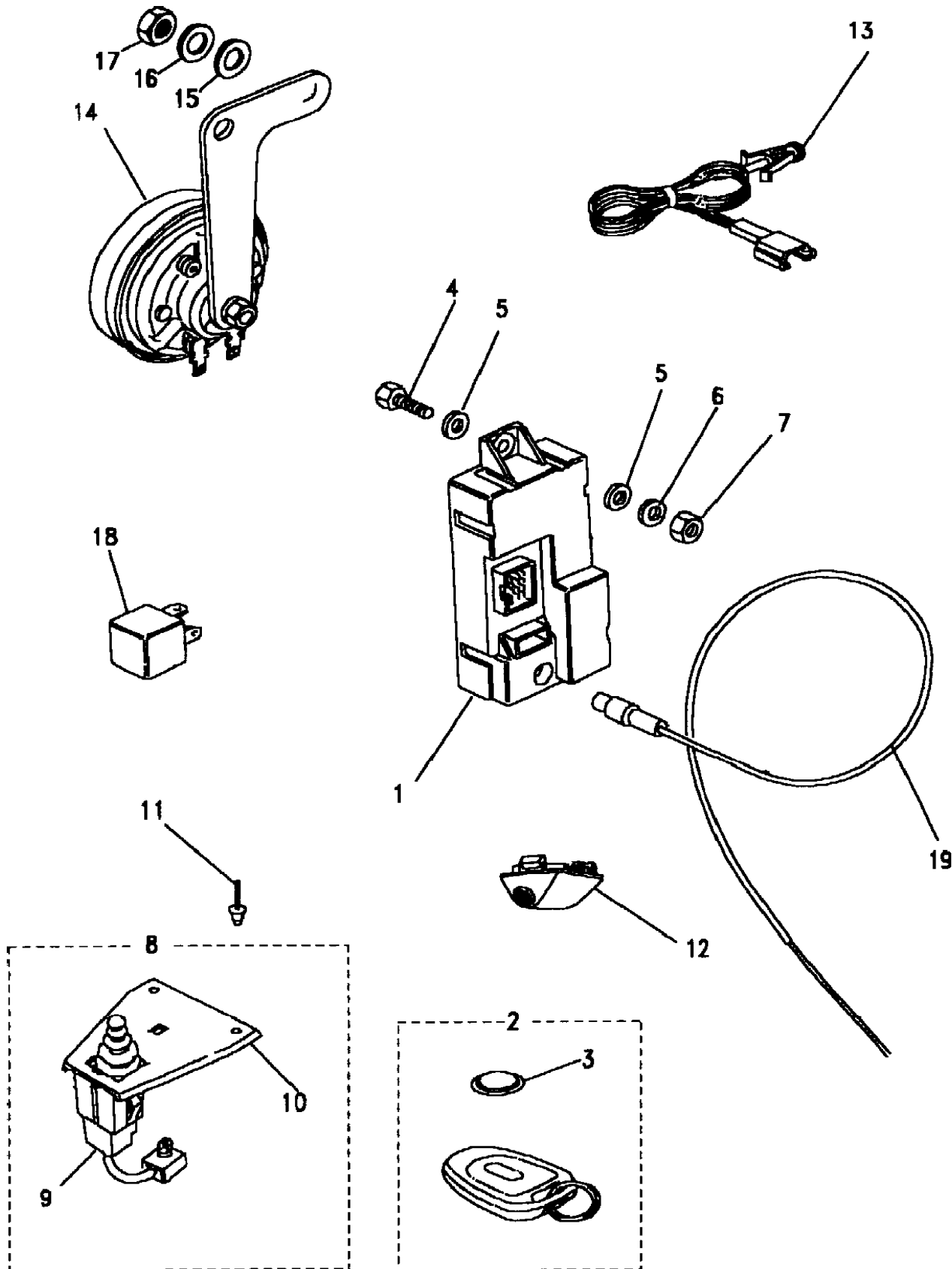
(BDMXGK1A)

Body Electrics
Ancillaries
Alarm / Remote Locking System

Range Rover (From JA610294)

With Central Locking System, With Anti-Theft Alarm, Less Immobilisation

Callout	Name	Application	Remarks & Restrictions	Service No.	Qty
2	Remote unit-locking system	Change point - VIN begin MA647645, (+)"GB"	NO LONGER AVAILABLE, Key Activated-Not Replaced, Also serviced as part of a kit, 418 MHz	AMR3720	1
		Change point - VIN end LA647644, (+)"F"	Also serviced as part of a kit, 224 MHz	AMR2025	1
		Change point - VIN begin MA647645, (+)"F"	NO LONGER AVAILABLE, Key Activated-Not Replaced, Also serviced as part of a kit, 224 MHz	AMR3721	1
		Change point - VIN end LA647644, (+)"D"	NO LONGER AVAILABLE, Key Activated-Not Replaced, Also serviced as part of a kit, 433 MHz	AMR3723	1
		Change point - VIN begin MA647645, (+)"D"	NO LONGER AVAILABLE, Key Activated-Not Replaced, Also serviced as part of a kit, 433 MHz	AMR3725	1
		Change point - VIN end LA647644, (+)"I"	Also serviced as part of a kit, 315 MHz	AMR2026	1
		Change point - VIN begin MA647645, (+)"I"	Also serviced as part of a kit, 315 MHz	AMR3722	1
3	Battery		remote locking unit	STC961	2
4	Screw	Change point - VIN end LA647644	hexagonal head, M5 x 20	SH105201L	2
5	Washer	Change point - VIN end LA647644	M5, Plain, Standard	WA105001L	4
6	Washer	Change point - VIN end LA647644	M5, retaining	WL105001L	2
7	Nut-hexagonal	Change point - VIN end LA647644	M5	NH105041L	2
8	Bracket-contact switch-bonnet burglar alarm		Also serviced as part of a kit	AMR2594	1
9	Switch-contact-bonnet burglar alarm		Also serviced as part of a kit	AMR2022	1
10	Bracket Mounting		Also serviced as part of a kit	AMR2593	1
11	Rivet			RA612156	2
12	Sensor ultrasonic	Change point - VIN end KA645766	Mink Grey	YWC10226LUM	1
		Change point - VIN begin KA645767, Change point - VIN end MA652107	Mink Grey	YWC102890LUM	1
		Change point - VIN begin MA652108	Mink Grey	YWC103640LUM	1
13	Indicator-light emitting diode burglar alarm			AMR1836	1



Body Electrics
Ancillaries
Alarm / Remote Locking System 3/3

Range Rover (From JA610294)

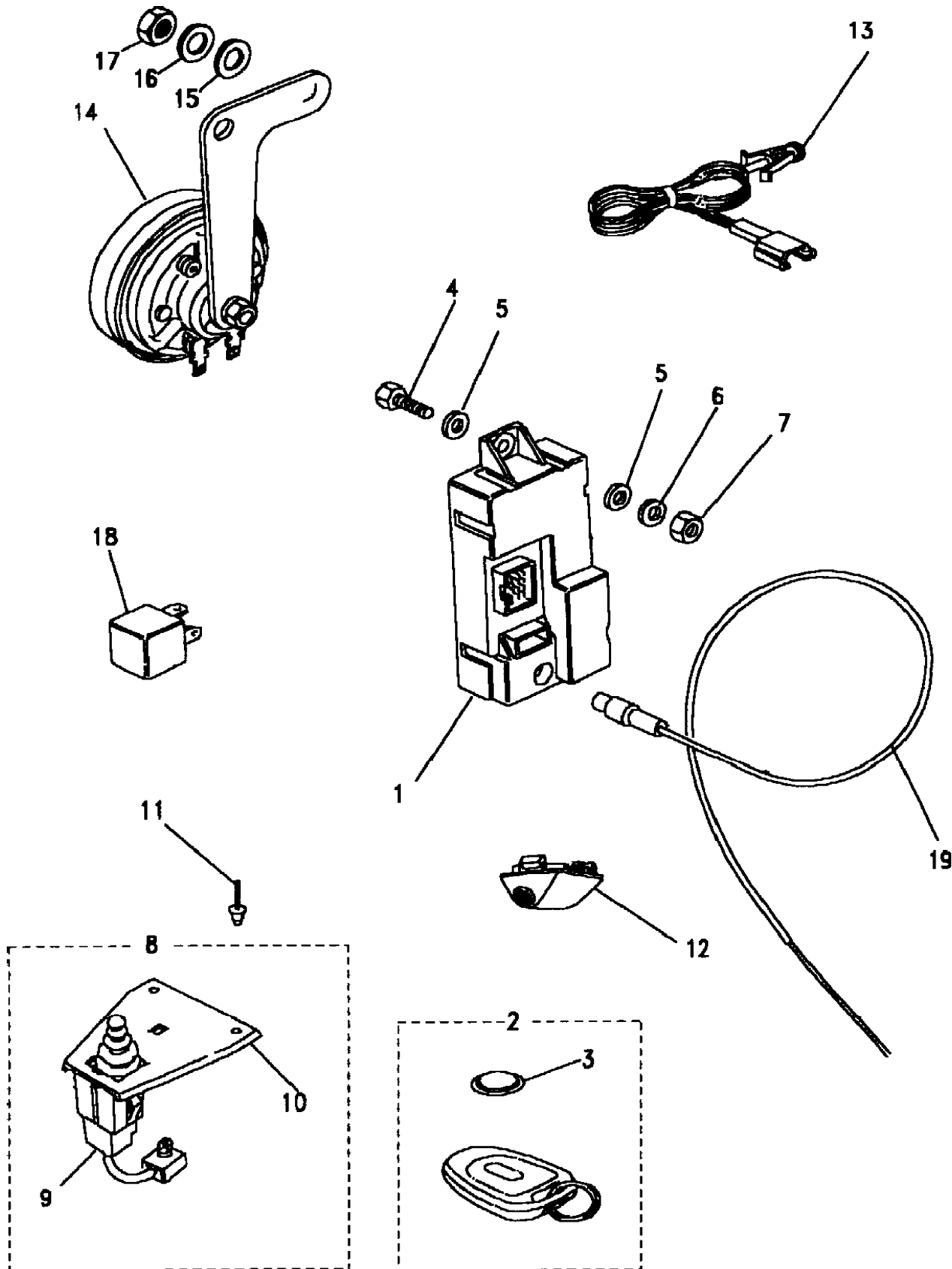
(BDMXGK1A)

Body Electrics
Ancillaries
Alarm / Remote Locking System

Range Rover (From JA610294)

With Central Locking System, With Anti-Theft Alarm, Less Immobilisation

Callout	Name	Application	Remarks & Restrictions	Service No.	Qty
14	Sounder unit burglar alarm	Change point - VIN end LA647644		AMR1415	1
15	Washer	Change point - VIN end LA647644	8MM	WA108051L	2
16	Washer	Change point - VIN end LA647644	M8, sprung	WL108001L	2
17	Nut - Hex.	Change point - VIN end LA647644	M8, flange	FN108041L	2
18	Relay		Brown, twin make	YWB10027L AMR1088	1 1
19	Aerial-receiver central door locking & alarm			AMR2034	1
[901]	Remote unit-locking system	(+)"F"	NO LONGER AVAILABLE, Key Activated-Not Replaced, Also serviced as part of a kit, 433 MHz	AMR3723	2
		(+)"GB"	NO LONGER AVAILABLE, Key Activated-Not Replaced, Also serviced as part of a kit, 433 MHz	AMR3723	2
[902]	Relay		changeover, Yellow	YWB000150	1
[903]	Washer		8MM, sprung	WL108007	2
[904]	Kit transmitter & control unit	(+)"GB"	NO LONGER AVAILABLE, Key Activated-Not Replaced, Also serviced as part of a kit	STC4640	1
		(+)"F"	NO LONGER AVAILABLE, Key Activated-Not Replaced, Also serviced as part of a kit	STC4640	1



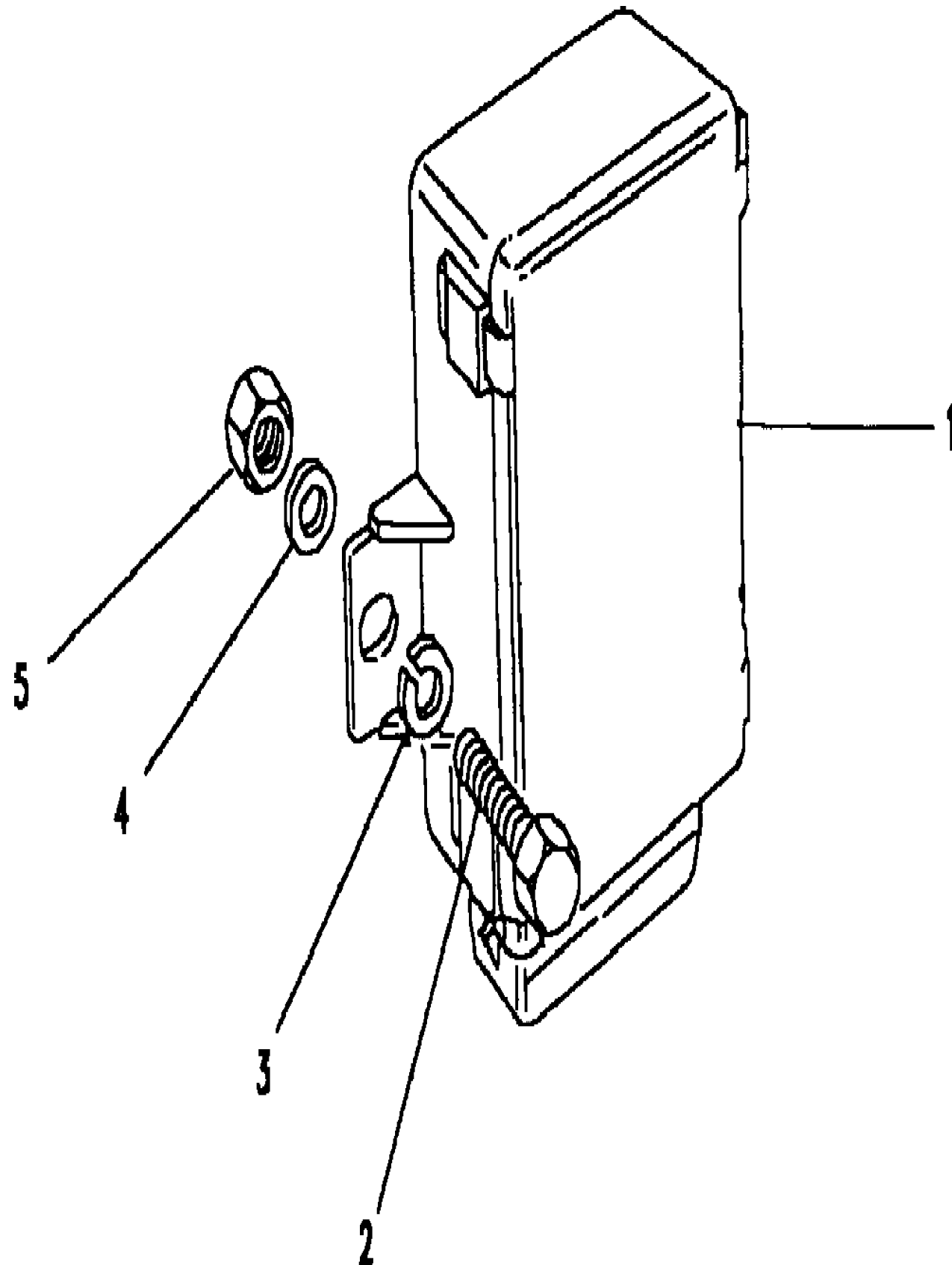
Range Rover (From JA610294)

(BDMXGK1B)

Range Rover (From JA610294)

With Central Locking System, With Immobilisation, With Anti-Theft Alarm

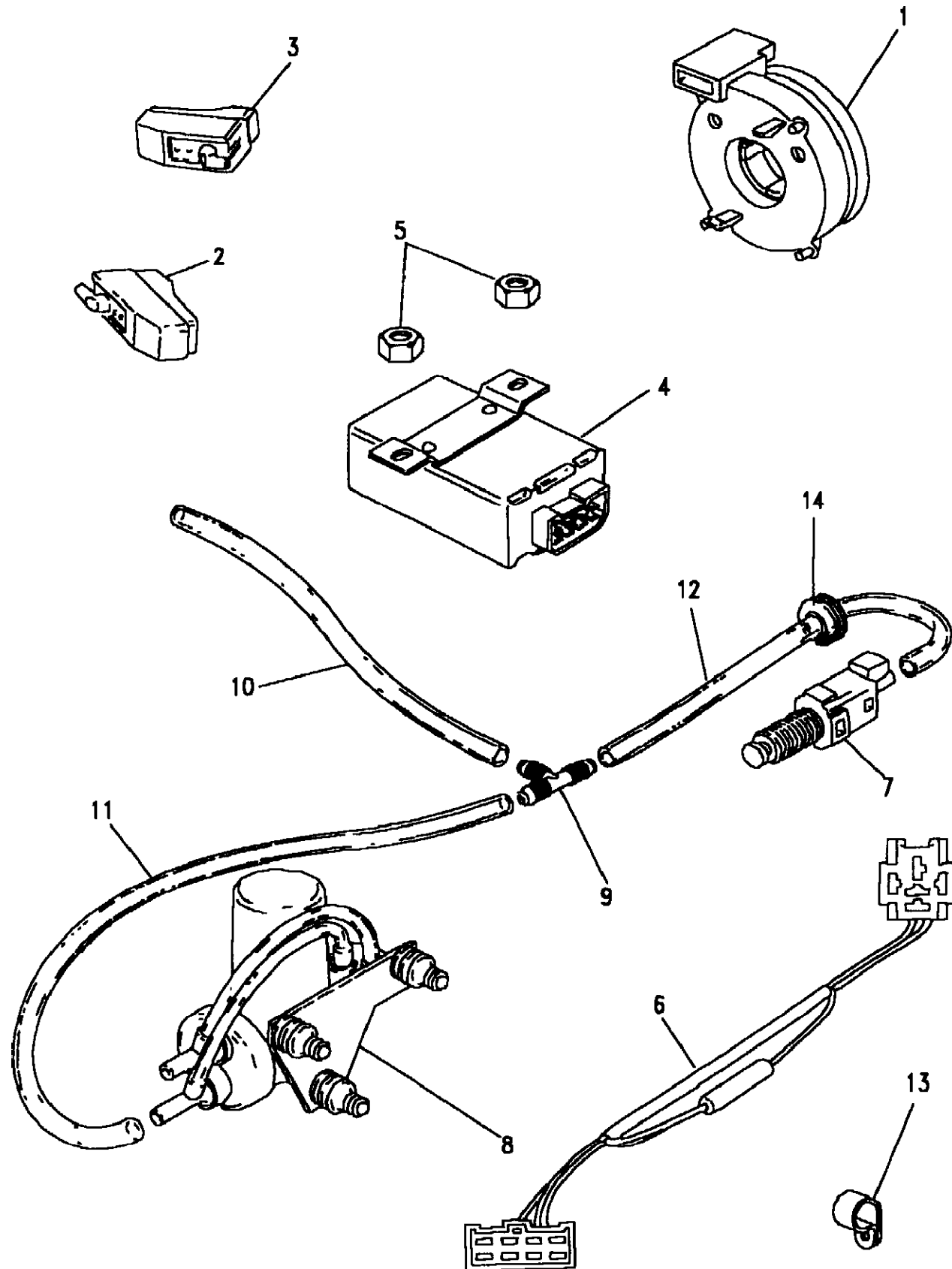
Callout	Name	Application	Remarks & Restrictions	Service No.	Qty
1	Control unit-central door locking			PRC7921	1
2	Screw		10UNF x 3/4	257020	2
3	Washer-Plain			WC702101L	4
4	Washer-Spring		3/16 dia, Square	WM702001L	2
5	Nut - Hex.		UNF, No10	257011	2



Body Electrics
Ancillaries
Cruise Control-From (V) MA647645 1/1

Range Rover (From JA610294)

(BDMXVE2A)



Range Rover (From JA610294)

Body Electrics
Ancillaries
Cruise Control-From (V) MA647645

Callout	Name	Application	Remarks & Restrictions	Service No.	Qty
1	Coupler-rotary steering column	Change point - VIN begin MA647645, Change point - VIN end MA656792	Less Rover Airbag System	AMR3649	1
		Change point - VIN begin MA656793	Less Rover Airbag System	AMR4727	1
		Change point - VIN begin MA647645, Change point - VIN end MA656792	Rover Airbag System	AMR3647	1
		Change point - VIN begin MA656793	Rover Airbag System	AMR4726	1
		Change point - VIN begin MA647645	Rover Airbag System	AMR5631	1
		Change point - VIN begin MA647645	Less Rover Airbag System	PRC5797	1
2	Switch-cruise control set/resume	Change point - VIN begin MA647645	Rover Airbag System	AMR3361	1
		Change point - VIN begin MA647645	Less Rover Airbag System	PRC6590	1
3	Switch-cruise control-resume/cancel	Change point - VIN begin MA647645	Less Rover Airbag System	PRC6590	1
4	Electric control unit cruise control	Change point - VIN begin MA647645		AMR1173	1
5	Nut - Hex.	Change point - VIN begin MA647645	M4	NH104041	2
6	Cable assembly cruise control	Change point - VIN begin MA647645, Manual Transmission		AMR1835	1
		Change point - VIN begin MA647645, Automatic Transmission		PRC9991	1
7	Switch-cruise control pedal vent	Change point - VIN begin MA647645		ERR2622	2
8	Pump-cruise control vacuum	Change point - VIN begin MA647645		PRC6260	1
9	T Piece	Change point - VIN begin MA647645		AMR1114	1
10	Hose-vacuum cruise control	Change point - VIN begin MA647645	T-piece	AMR1886	1
11	Hose-vacuum cruise control	Change point - VIN begin MA647645	T-piece to actuator	NTC8232	1
12	Hose-vacuum cruise control	Change point - VIN begin MA647645	T-piece to vent valve	AMR1888	1
13	Clip-p	Change point - VIN begin MA647645	12MM	CP105121	2
14	Grommet	Change point - VIN begin MA647645	Black, 11 x 19mm	NTC4238	1
[900]	Plug-blanking	Change point - VIN begin MA647645, Less Cruise Control	14MM, Plastic	338017	1

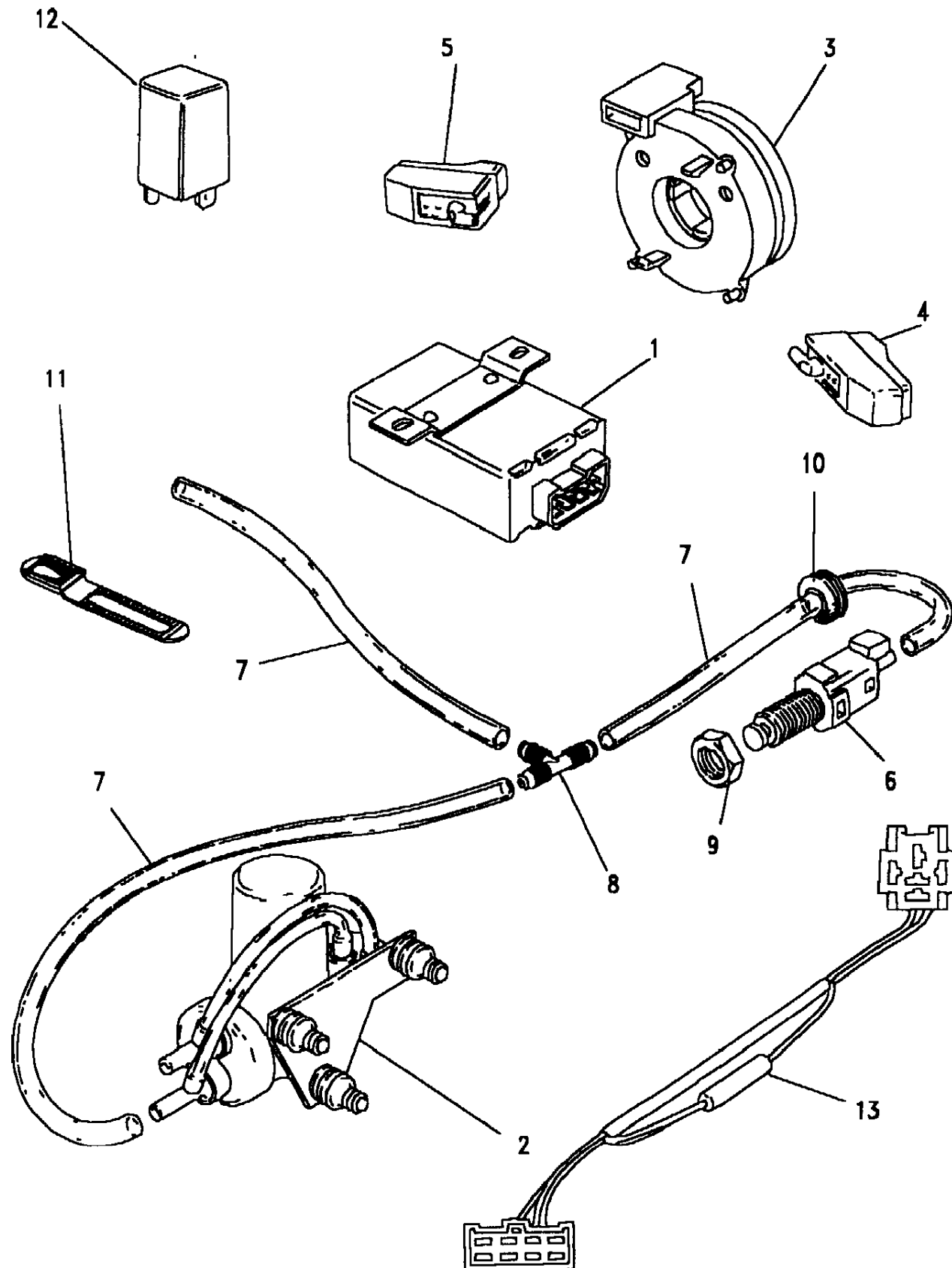
Body Electrics
Ancillaries
Cruise Control-To (V) LA647644 1/1

Range Rover (From JA610294)

(BDMXVE1A)

Body Electrics
Ancillaries
Cruise Control-To (V) LA647644

Range Rover (From JA610294)



Callout	Name	Application	Remarks & Restrictions	Service No.	Qty
1	Electric control unit cruise control	Change point - VIN end JA624754		PRC5060	1
		Change point - VIN begin KA624756, Change point - VIN end LA647644		AMR2524	1
2	Pump-cruise control vacuum	Change point - VIN end LA647644		PRC6260	1
3	Coupler-rotary steering column	Change point - VIN end LA647644		PRC8746	1
4	Switch-cruise control set/resume	Change point - VIN end LA647644		PRC5797	1
5	Switch-cruise control-resume/cancel	Change point - VIN end LA647644		PRC6590	1
6	Switch & vent valve	Change point - VIN end LA647644		PRC6259	1
7	Hose-vacuum cruise control	Change point - VIN end LA647644		NTC8232	1
8	Y-piece	Change point - VIN end JA624754		NTC5266	1
9	Nut - Hex.	Change point - VIN end LA647644		NTC4207	1
10	Grommet	Change point - VIN begin KA624756, Change point - VIN end LA647644		AMR1027	1
		Change point - VIN end JA624754	Black, 11 x 19mm	NTC4238	1
11	Clip-p	Change point - VIN end LA647644	Plastic, Adjustable, White., 4.0/12.0mm	C39377L	2
12	Switch-volt sensitive	Change point - VIN end LA647644	Black	PRC9666	1
13	Cable assembly cruise control	Change point - VIN end LA647644, Manual Transmission		AMR1835	1
		Change point - VIN end LA647644, Automatic Transmission		PRC9991	1
[900]	T Piece	Change point - VIN begin KA624756, Change point - VIN end LA647644		AMR1114	1

Body Electrics
Ancillaries
Heated Fuel Filter-Cables, Fuse & Relay 1/1

Range Rover (From JA610294)

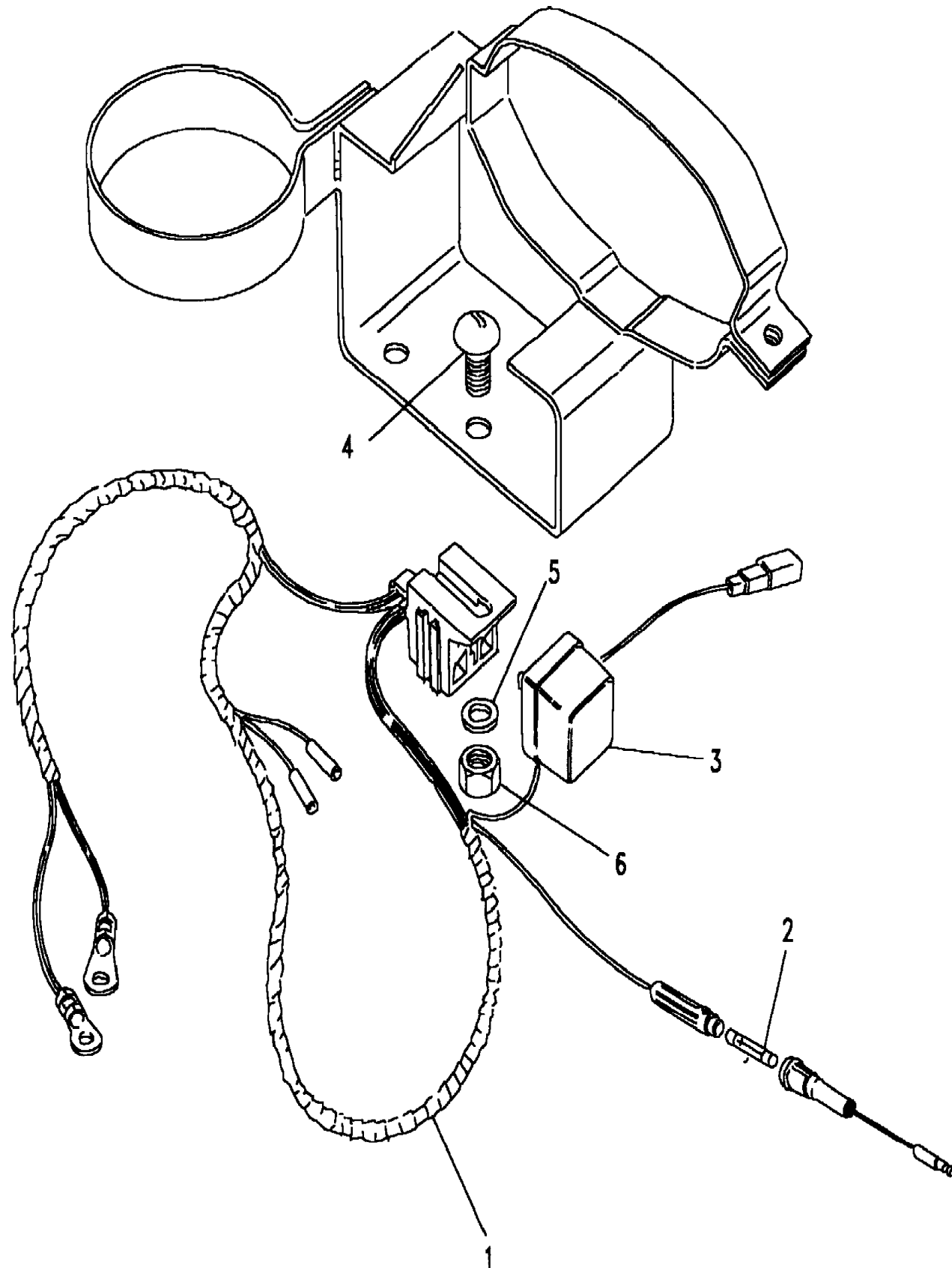
(BDMXVC1A)

Body Electrics
Ancillaries

Range Rover (From JA610294)

Heated Fuel Filter-Cables, Fuse & Relay

Callout	Name	Application	Remarks & Restrictions	Service No.	Qty
1	Harness fuel filter			PRC6721	1
2	Fuse		heated filter, 25 AMP	RTC4505	1
3	Relay		28RA	PRC6791	1
4	Screw		pan head, M5 x 12	SE105121L	1
5	Washer		M5, Plain, Standard	WA105001L	1
6	Nut-hexagonal		M5	NH105041L	1



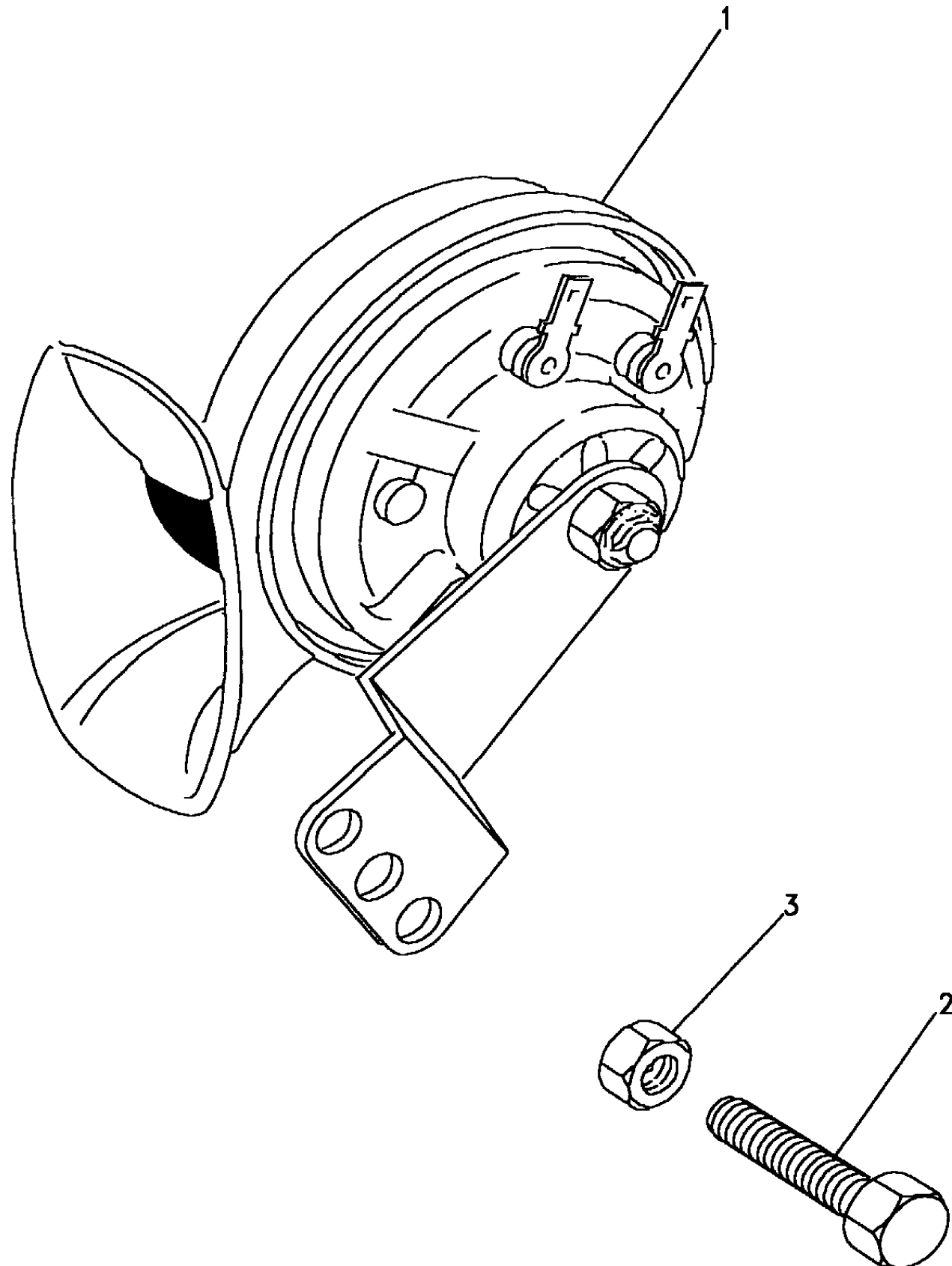
Body Electrics
Ancillaries
Horn 1/1

Range Rover (From JA610294)
(BDMXGE1A)

Body Electrics
Ancillaries
Horn

Range Rover (From JA610294)

Callout	Name	Application	Remarks & Restrictions	Service No.	Qty
1	Horn assembly	Change point - VIN end LA647644 Change point - VIN begin MA647645 Change point - VIN end LA647644 Change point - VIN begin MA647645		YEB10026 AMR3337 YEB10027 AMR3338	1 1 1 1
2	Screw		M6 X 12, hexagonal head	SH106121L	2
3	Nut-flange		M6	FN106047L	2



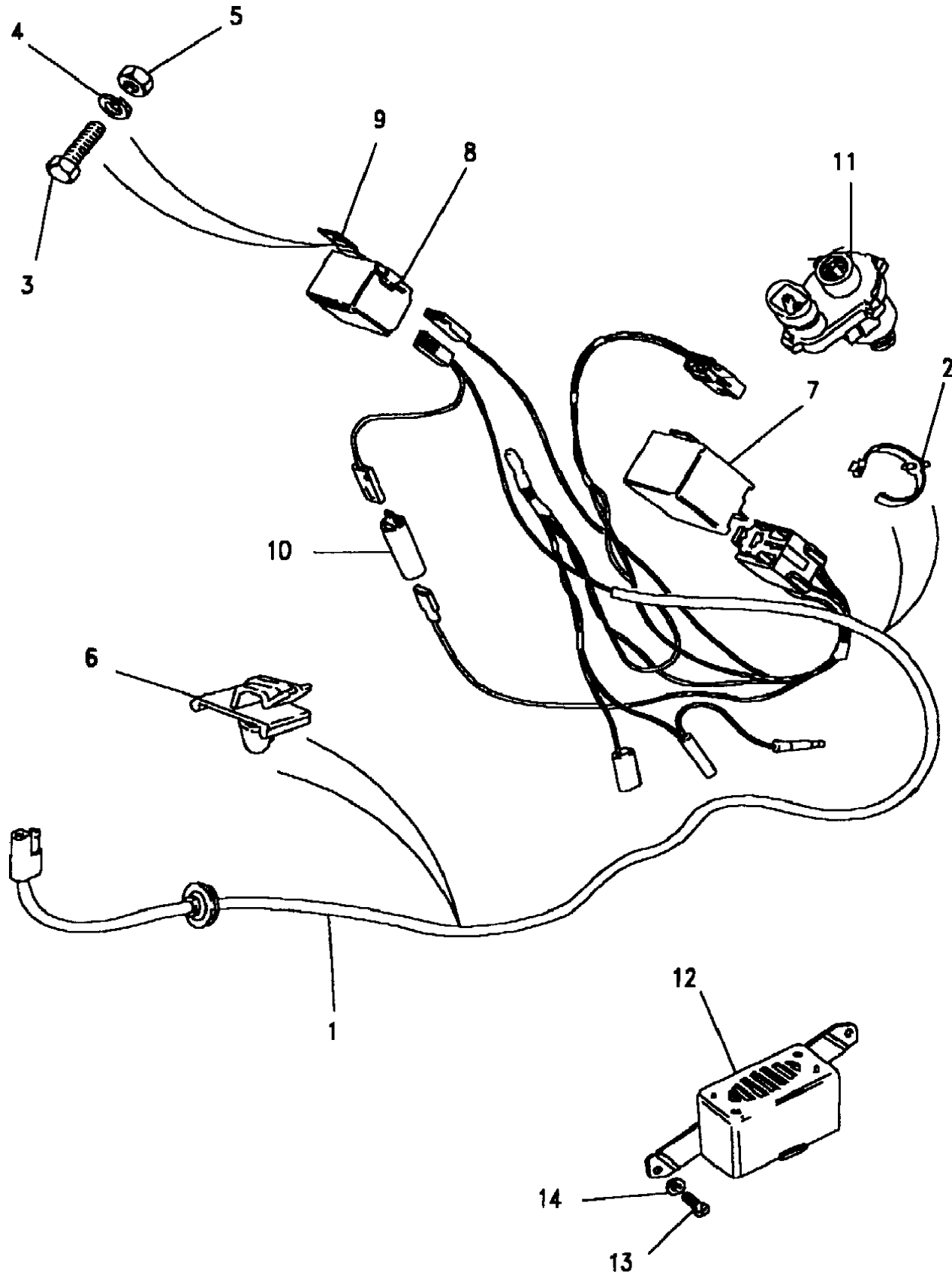
Body Electrics
 Ancillaries
 Overspeed Audible Warning 1/1

Range Rover (From JA610294)
 (BDMXVA1A)

Range Rover (From JA610294)

Body Electrics
 Ancillaries
 Overspeed Audible Warning

Callout	Name	Application	Remarks & Restrictions	Service No.	Qty
1	Cable overspeed warning			AMR1044	1
2	Tie-cable		Black, releasable, 7.5 x 145mm	13H9727L	2
3	Screw		M5 x 16	257017	2
4	Washer-Spring		3/16 dia, Square	WM702001L	2
5	Nut - Hex.		UNF	HN2005L	2
6	Clip-harness			AFU2881	1
7	Monitor unit-overspeed		overspeed monitor, Black	PRC4268	1
8	Buzzer passive restraint			PRC4299	1
9	Clip-Retaining			PRC4304	1
10	Diode Assy		Pektron	AAU5034	1
11	Sensor-speed			PRC4497	1
12	Indicator-seat belt warning			PRC6726	1
13	Screw		No 8 x 1/2, Self Tapping No 8 x 1/2, Self Tapping	78322 AB608047L	2 2
14	Washer-Plain			WA104001	2



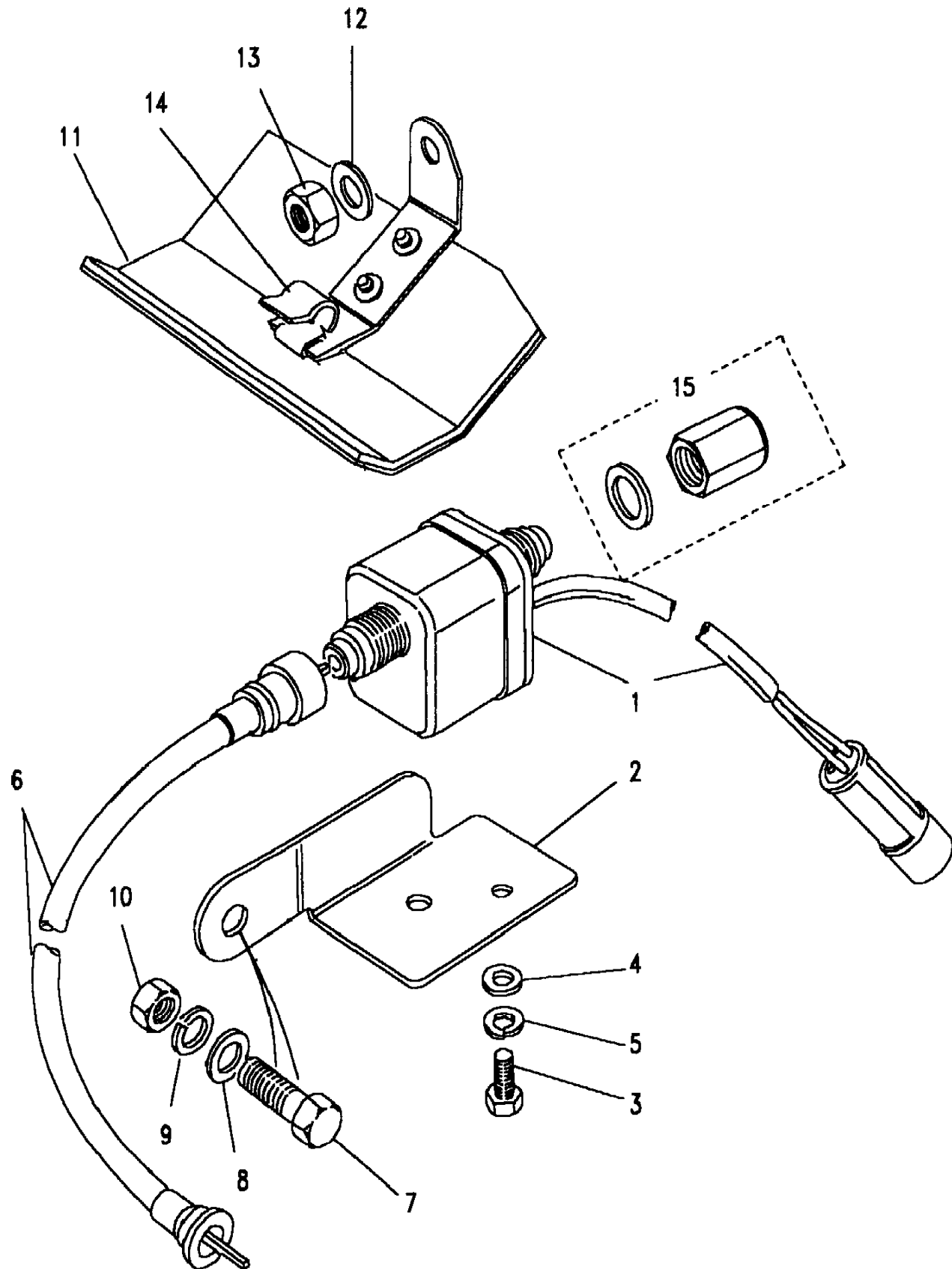
Body Electrics
Ancillaries
Speedo Cable 1/2

Range Rover (From JA610294)

(BDMXIA4A)

Range Rover (From JA610294)

Body Electrics
Ancillaries
Speedo Cable



Callout	Name	Application	Remarks & Restrictions	Service No.	Qty
1	Transducer speed	Change point - VIN end LA647644, With Coil Spring Suspension Change point - VIN end LA647644, With Air Suspension		PRC5956 AMR3386	1 1
2	Bracket speed transducer	Change point - VIN end LA647644		PRC6617	1
3	Screw	Change point - VIN end LA647644	M5	SE105101L	1
4	Washer	Change point - VIN end LA647644	M5, retaining	WL105001L	1
5	Washer	Change point - VIN end LA647644	M5, starlock	WF105001L	1
6	Cable Assy - Speedometer Drive	Change point - VIN end LA647644, With Petrol Engines, Less Police Change point - VIN end LA647644, With Diesel Engines, RHD, Less Police Change point - VIN end LA647644, With Diesel Engines, LHD, Less Police	One Piece	PRC7949 PRC7949 PRC6018	1 1 1
7	Bolt	Change point - VIN end LA647644	hexagonal head, M8 x 100	BH108201L	1
8	Washer	Change point - VIN end LA647644	8MM	WA108051L	1
9	Washer	Change point - VIN end LA647644	M8, sprung	WL108001L	1
10	Nut - Hex.	Change point - VIN end LA647644	M8, hexagonal head	NH108041L	1
11	Bracket assembly-heatshield	Change point - VIN end LA647644		NTC6115	1
12	Washer	Change point - VIN end LA647644	M10	WA110061L	1
13	Nut - Hex.	Change point - VIN end LA647644 Change point - VIN end LA647644	M10, flange M10, flange	FN110041L FN110047	1 1
14	Clip-cable	Change point - VIN end LA647644		NTC6994	1
15	Kit-transducer speed	Change point - VIN end LA647644		STC699	1

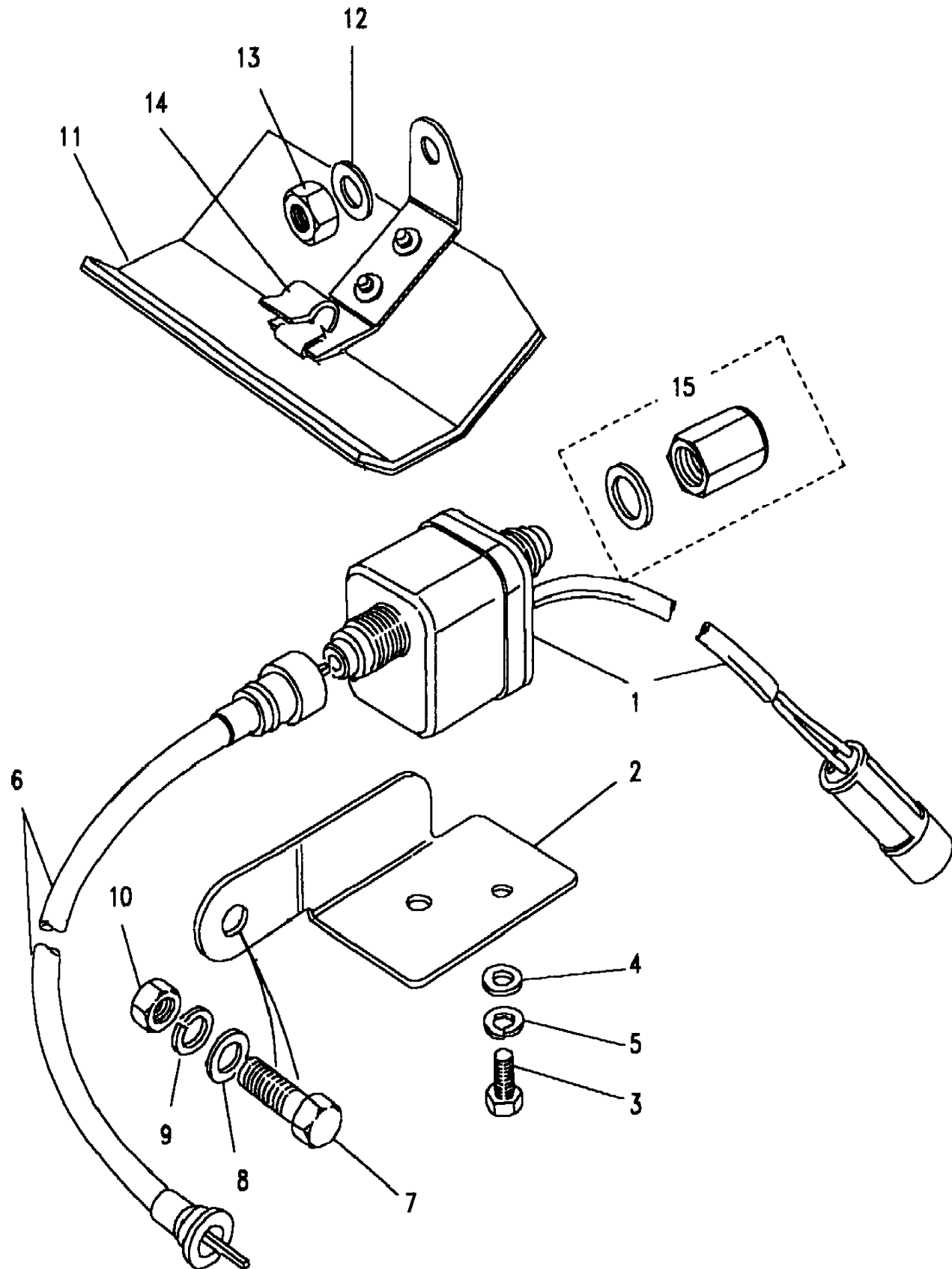
Body Electrics
 Ancillaries
 Speedo Cable 2/2

Range Rover (From JA610294)
 (BDMXIA4A)

Range Rover (From JA610294)

Body Electrics
 Ancillaries
 Speedo Cable

Callout	Name	Application	Remarks & Restrictions	Service No.	Qty
[900]	Washer	Change point - VIN end LA647644	8MM, sprung	WL108007	1



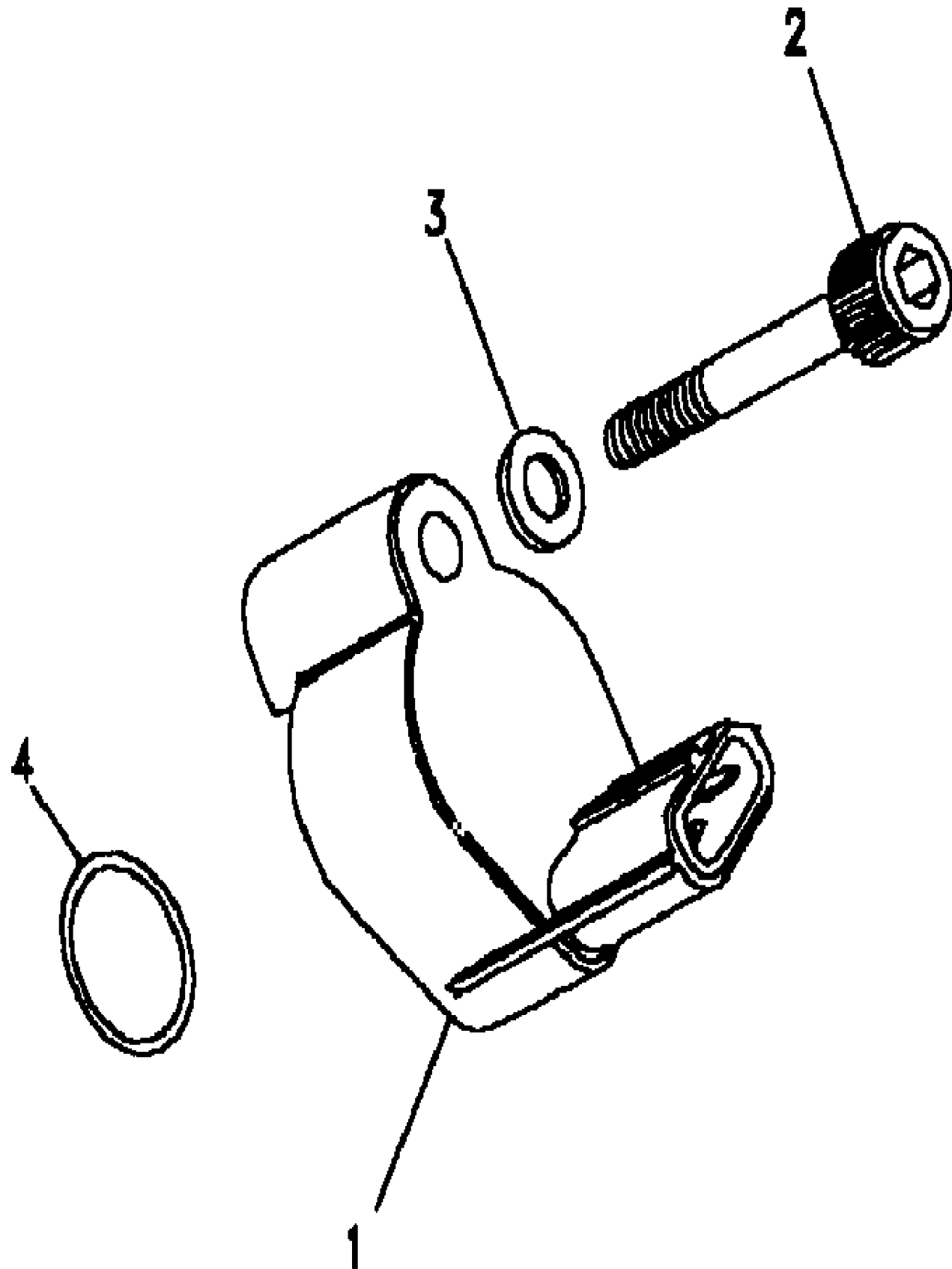
Body Electrics
 Ancillaries
 Speedo Transducer 1/1

Range Rover (From JA610294)
 (BDMXIA4B)

Range Rover (From JA610294)

Body Electrics
 Ancillaries
 Speedo Transducer

Callout	Name	Application	Remarks & Restrictions	Service No.	Qty
1	Transducer speed	Change point - VIN begin MA647645		AMR1253	1
2	Screw-hexagon socket	Change point - VIN begin MA647645		SS106201	1
3	Washer	Change point - VIN begin MA647645	6MM	WA106041L	1
4	O Ring	Change point - VIN begin MA647645		571665	1



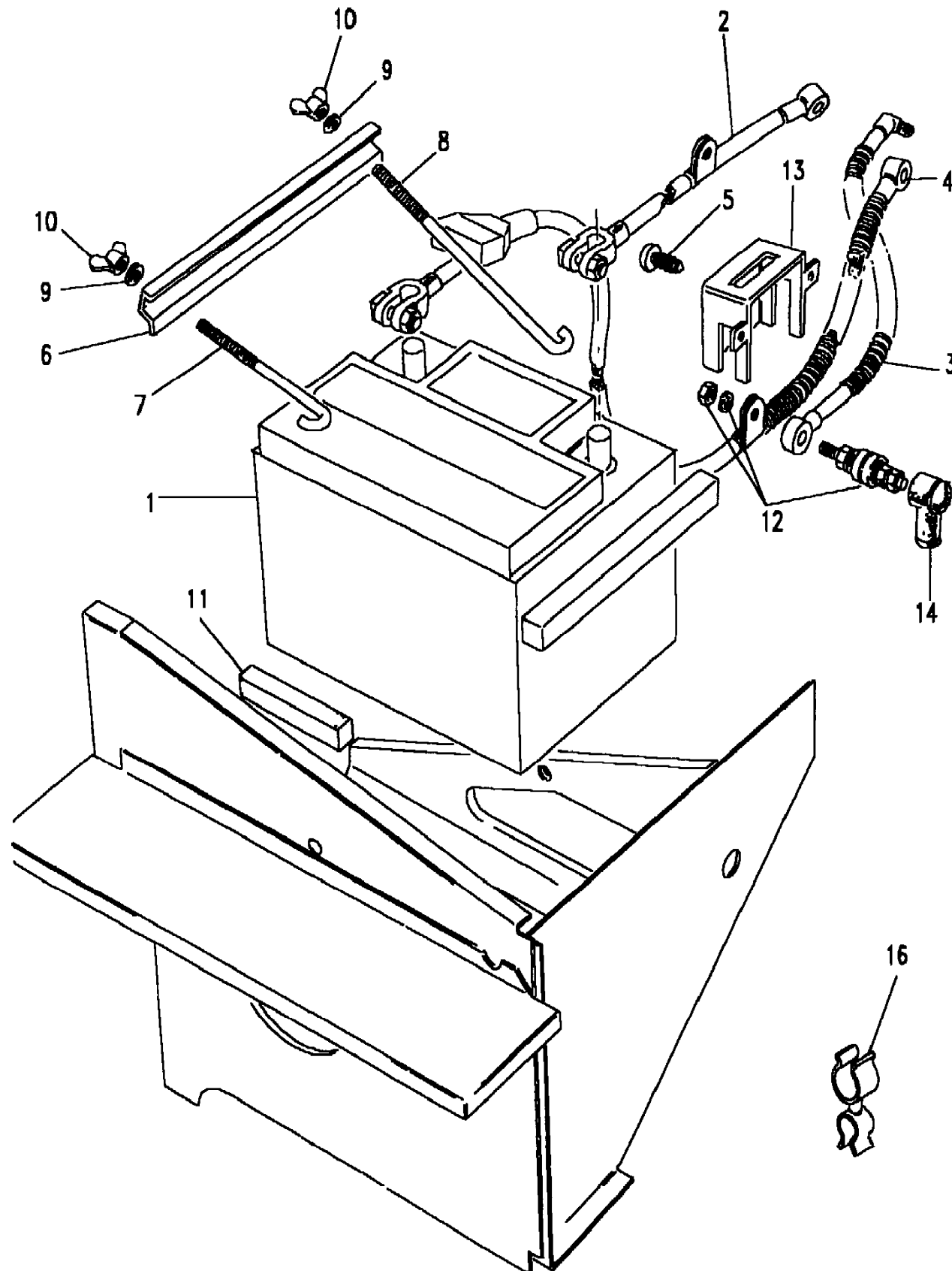
Range Rover (From JA610294)

(BDMXCA1A)

Range Rover (From JA610294)

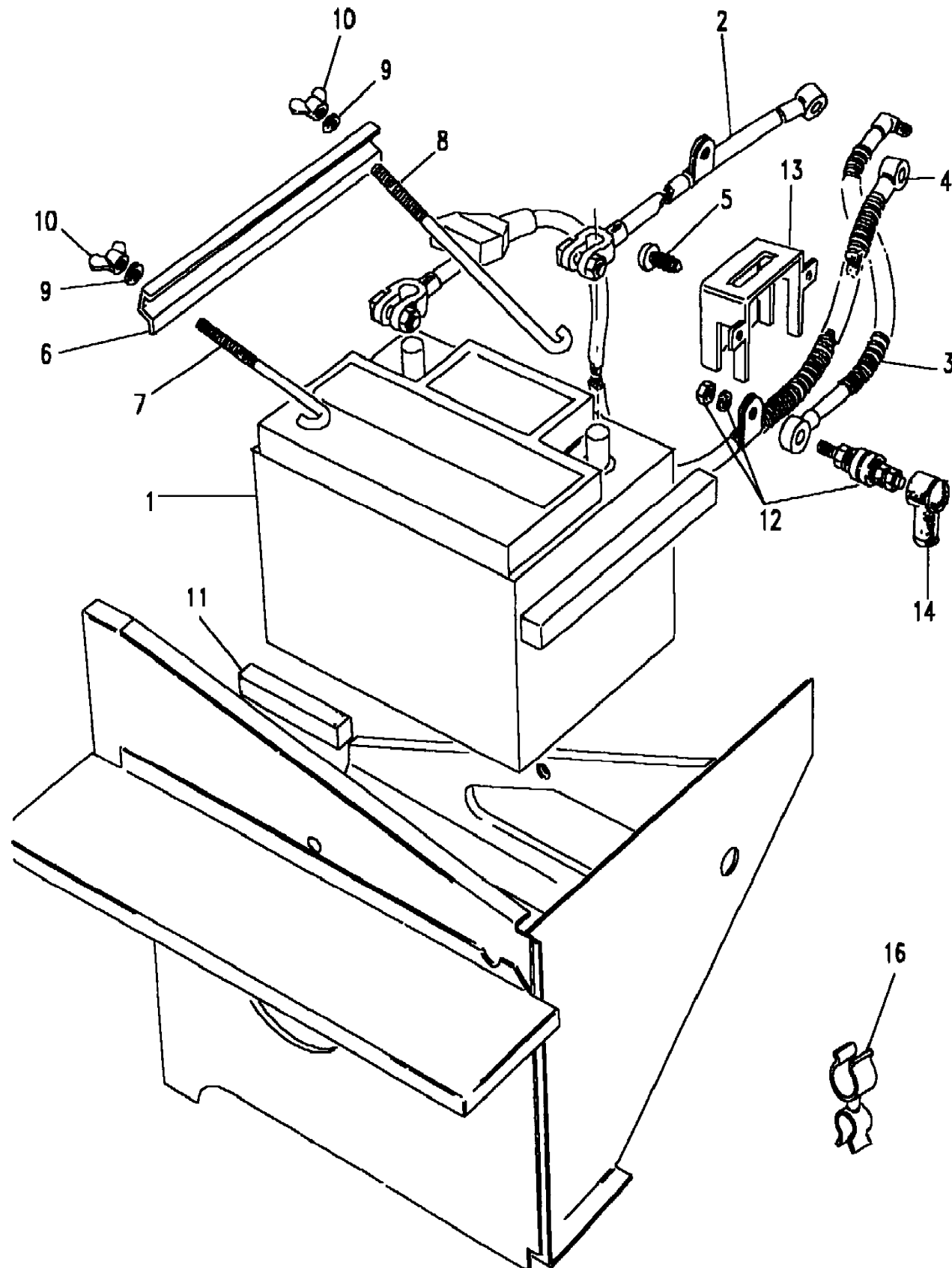
With Petrol Engines

Callout	Name	Application	Remarks & Restrictions	Service No.	Qty
1	Battery		072-bbms, wet 072-bbms, dry	STC8267 STC8269	1 1
2	Cable-battery negative		Also serviced as part of a kit	PRC4138	1
3	Cable.			PRC6580	1
4	Cable-battery positive	Change point - VIN end MA661972 Change point - VIN begin MA661973	Also serviced as part of a kit Also serviced as part of a kit	PRC9637 AMR4803	1 1
5	Clip			YXX5098	2
6	Clamp-fixing battery	Change point - VIN end LA647644 Change point - VIN begin MA647645		MUC6514 AMR3679	1 1
7	J bolt-fixing battery	Change point - VIN end LA647644 Change point - VIN begin MA647645	Short Short	MUC6513 AMR3680	1 1
8	J bolt-fixing battery	Change point - VIN end LA647644 Change point - VIN begin MA647645	Long Long	MRC7133 AMR3681	1 1
9	Washer-Plain			AFU1262	2
10	Nut-wing	Change point - VIN end LA647644	M6	AFU1272	2
11	Buffer-stop			MTC7451	1
12	Post-terminal			PRC7100	1
13	Cover-terminal post			PRC5003	1
14	Cover-terminal post			PRC7093	1
15	Panel battery mounting		LH RH	ALR4467 ALR4468	1 1
16	Clip-swivel		15 x 10mm	ADU7739L	1
[900]	Battery		072-bbms, dry	STC4766	1
[901]	Bolt-terminal cable-battery	Change point - VIN end MA661972 Change point - VIN begin MA661973	Also serviced as part of a kit Also serviced as part of a kit Also serviced as part of a kit	STC3305 STC3305 STC3305	1 1 1



With Petrol Engines

Callout	Name	Application	Remarks & Restrictions	Service No.	Qty
[902]	Nut - Hex.	Change point - VIN begin MA647645	M6, nyloc, Hexagonal	NH106041L	4



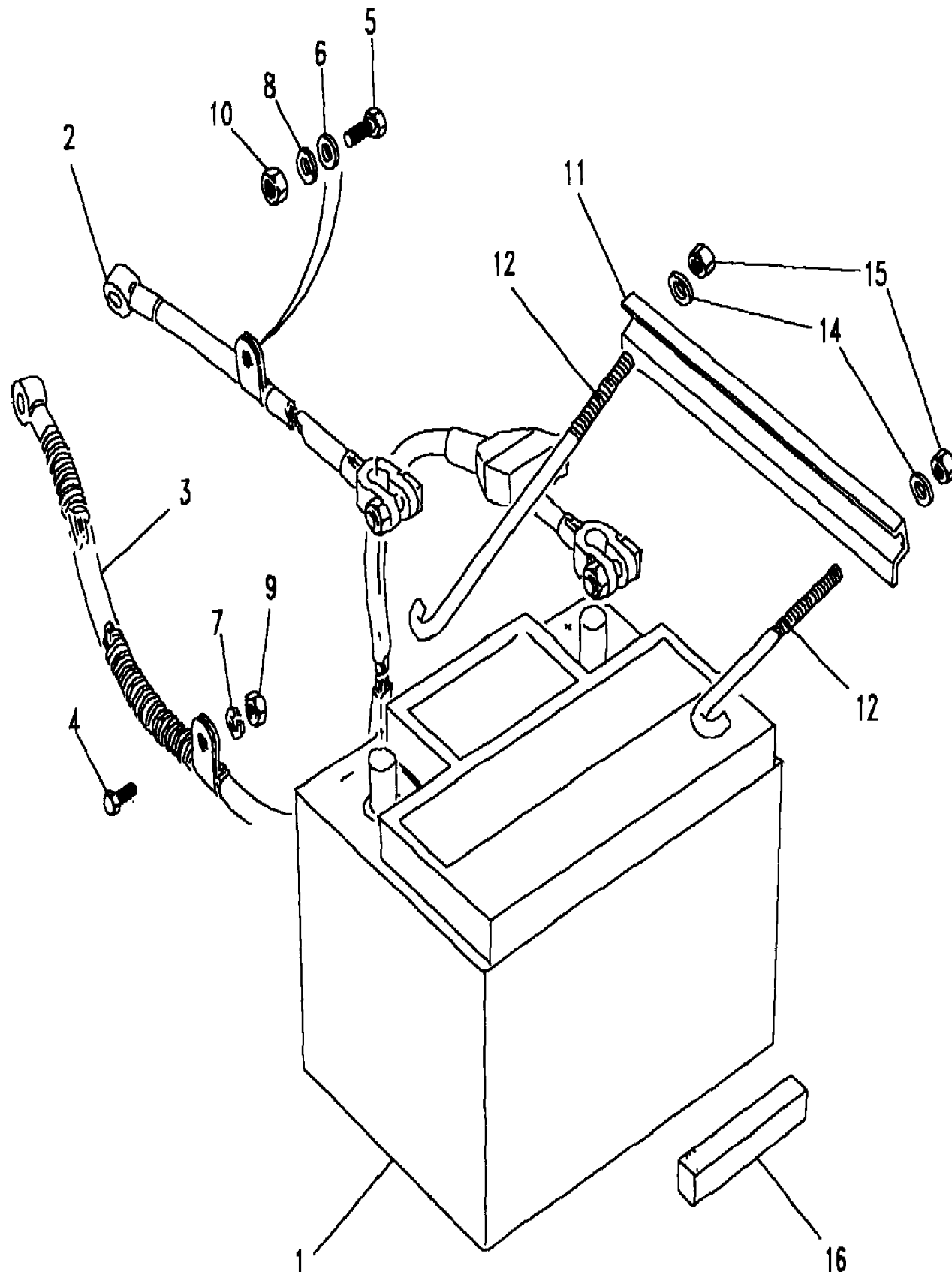
Range Rover (From JA610294)

(BDMXCA3A)

Range Rover (From JA610294)

TDi Diesel L/R

Callout	Name	Application	Remarks & Restrictions	Service No.	Qty
1	Battery	TDi Diesel TDi Diesel	072-bbms, wet 072-bbms, dry	STC8267 STC8269	1 1
2	Cable-battery positive	Change point - VIN end LA647644, TDi Diesel Change point - VIN begin MA647645, TDi Diesel	Also serviced as part of a kit	AMR1721 AMR3141	1 1
3	Cable-battery negative	TDi Diesel	Also serviced as part of a kit	PRC5235	1
4	Screw-flanged head	TDi Diesel	M6 X 16, Flanged Head	FS106167L	1
5	Screw	TDi Diesel TDi Diesel	M8 x 25, hexagonal head M8 x 25, Flanged Head	SH108251L FS108251L	1 1
6	Washer	TDi Diesel	8MM	WA108051L	1
7	Washer	TDi Diesel	M6, sprung	WL106001L	1
8	Washer	TDi Diesel	M8, sprung	WL108001L	1
9	Nut - Hex.	TDi Diesel	M6, nyloc, Hexagonal	NH106041L	1
10	Nut - Hex.	TDi Diesel	M8, flange	FN108041L	1
11	Clamp-fixing battery	Change point - VIN end LA647644, TDi Diesel Change point - VIN begin MA647645, TDi Diesel		MUC6514 AMR3679	1 1
12	J bolt-fixing battery	Change point - VIN end LA647644, TDi Diesel Change point - VIN begin MA647645, TDi Diesel	Short Short	MUC6513 AMR3680	1 1
13	J bolt-fixing battery	Change point - VIN end LA647644, TDi Diesel Change point - VIN begin MA647645, TDi Diesel	Long Long	MRC7133 AMR3681	1 1
14	Washer-Plain	TDi Diesel		AFU1262	2
15	Nut - Hex.	TDi Diesel	M6, nyloc, Hexagonal	NH106041L	4
16	Buffer-stop	Change point - VIN end LA647644, TDi Diesel		MTC7451	1
[900]	Screw	TDi Diesel	M8 x 25, hexagonal head	SH108257	1
[901]	Battery	TDi Diesel	072-bbms, dry	STC4766	1
[902]	Washer	TDi Diesel	8MM, sprung	WL108007	1
[903]	Bolt-terminal cable-battery	Change point - VIN end LA647644, TDi Diesel	Also serviced as part of a kit	STC3305	1



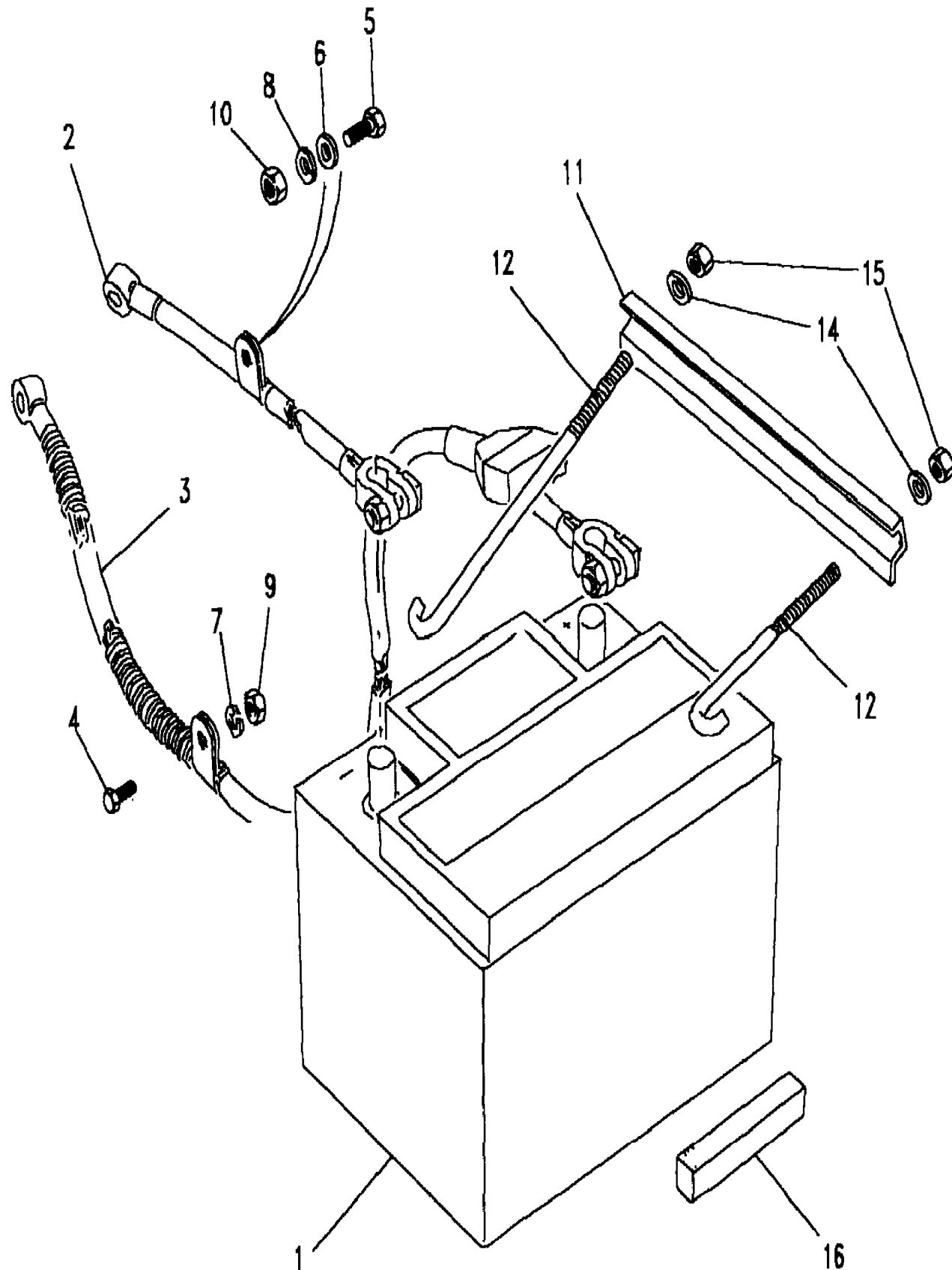
Range Rover (From JA610294)

(BDMXCA3A)

Range Rover (From JA610294)

TDi Diesel L/R

Callout	Name	Application	Remarks & Restrictions	Service No.	Qty
[903]	Bolt-terminal cable-battery	Change point - VIN begin MA647645, TDi Diesel TDi Diesel	Also serviced as part of a kit Also serviced as part of a kit	STC3305 STC3305	1 1



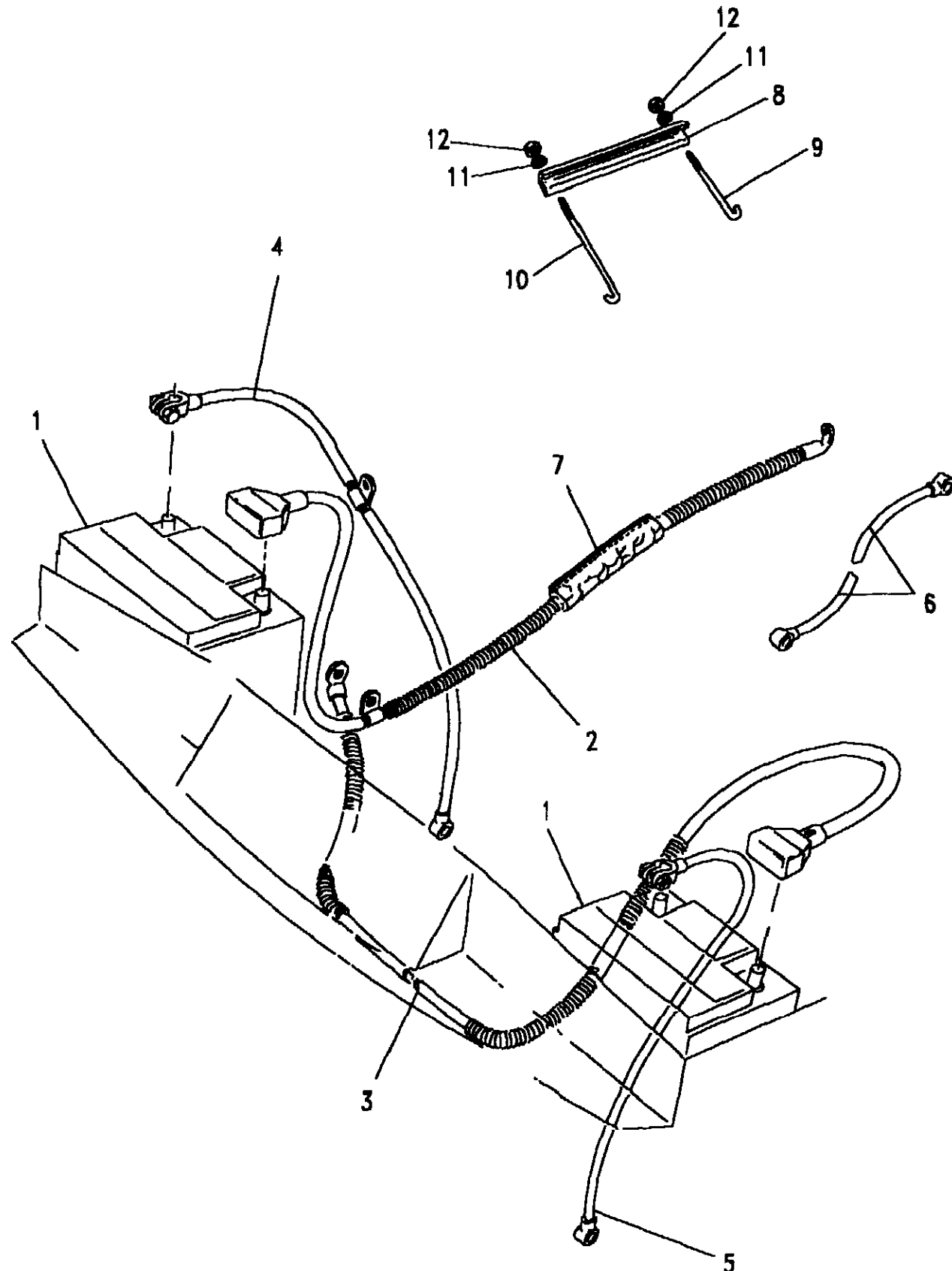
Range Rover (From JA610294)

(BDMXCA2A)

Range Rover (From JA610294)

Diesel VM

Callout	Name	Application	Remarks & Restrictions	Service No.	Qty
1	Battery		072-bbms, wet 072-bbms, dry	STC8267 STC8269	1 1
2	Cable-battery positive		Engine, Also serviced as part of a kit	PRC9500	1
3	Cable-battery positive		Body, Also serviced as part of a kit	PRC9501	1
4	Cable-battery negative		Body, Also serviced as part of a kit	PRC5235	1
5	Cable-battery negative		Chassis, Also serviced as part of a kit	PRC5236	1
6	Cable assembly starter & earth	Change point - VIN end JA618476 Change point - VIN begin JA618477		PRC5237 AMR1057	1 1
7	Sleeve			PRC6188	1
8	Clamp-fixing battery			MUC6514	2
9	J bolt-fixing battery		Short	MUC6513	2
10	J bolt-fixing battery		Long	MRC7133	2
11	Washer-Plain			AFU1262	4
12	Nut-wing		M6	AFU1272	4
[900]	Battery		072-bbms, dry	STC4766	1
[901]	Bolt-terminal cable-battery		Also serviced as part of a kit	STC3305	1



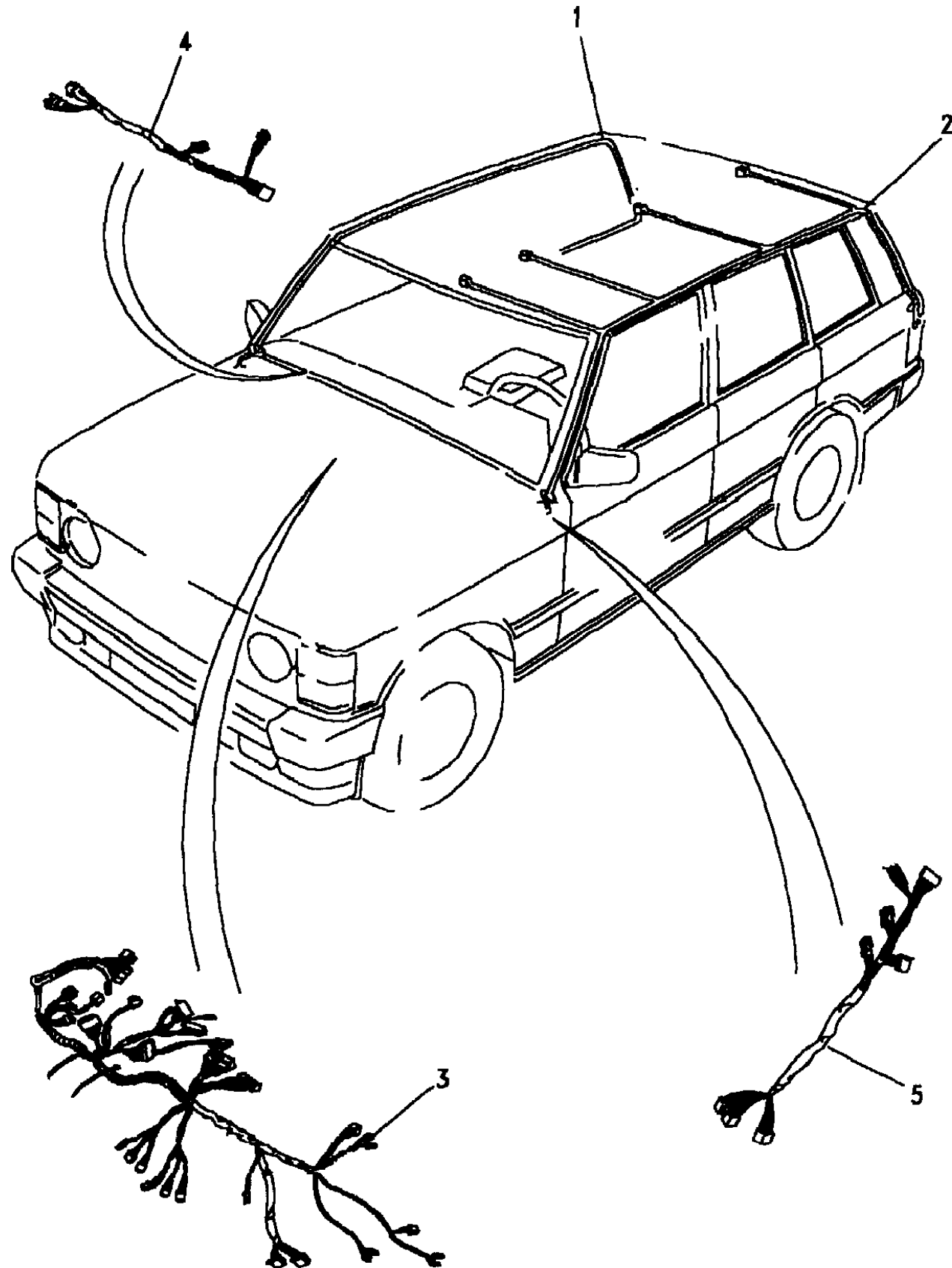
Body Electrics
Batteries & Harnesses
Harness-Body-From (V) MA647645 1/2

Range Rover (From JA610294)

(BDMXCE5A)

Range Rover (From JA610294)

Body Electrics
Batteries & Harnesses
Harness-Body-From (V) MA647645



Callout	Name	Application	Remarks & Restrictions	Service No.	Qty		
1	Harness body	Change point - VIN begin MA647645, Change point - VIN end MA659926, 100", (-)"J", With Radio	RH	AMR3524	1		
		Change point - VIN begin MA659927, 100", (-)"J", With Radio	RH	AMR4795	1		
		Change point - VIN begin MA647645, Change point - VIN end MA659352, 108" (2743mm) Wheelbase, (-)"J"	RH	AMR3526	1		
		Change point - VIN begin MA647645, Change point - VIN end MA659926, 100", (+)"J"	RH	AMR3525	1		
		Change point - VIN begin MA659927, 100", (+)"J"	RH	AMR4796	1		
		Change point - VIN begin MA647645, Change point - VIN end MA659352, 108" (2743mm) Wheelbase, (+)"J"	RH	AMR3527	1		
		Change point - VIN begin MA647645, Change point - VIN end MA659926, 100", (-)"J", Less Radio	RH	AMR3523	1		
		Change point - VIN begin MA659927, 100", (-)"J", Less Radio	RH	AMR4947	1		
		2	Harness body	Change point - VIN begin MA647645, Change point - VIN end MA659926, 100", (-)"J", Less Radio	LH	AMR3531	1
				Change point - VIN begin MA659927, 100", (-)"J", Less Radio	LH	AMR4799	1
Change point - VIN begin MA647645, Change point - VIN end MA659926, 100", (-)"J", With Radio	LH			AMR3531	1		
Change point - VIN begin MA659927, 100", (-)"J", With Radio	LH			AMR4799	1		
Change point - VIN begin MA647645, Change point - VIN end MA659352, 108" (2743mm) Wheelbase, (-)"J"	LH			AMR3528	1		
Change point - VIN begin MA647645, Change point - VIN end MA659926, 100", (+)"J"	LH			AMR3529	1		
Change point - VIN begin MA659927, 100", (+)"J"	LH			AMR4800	1		
Change point - VIN begin MA647645, Change point - VIN end MA659352, 108" (2743mm) Wheelbase, (+)"J"	LH			AMR3530	1		

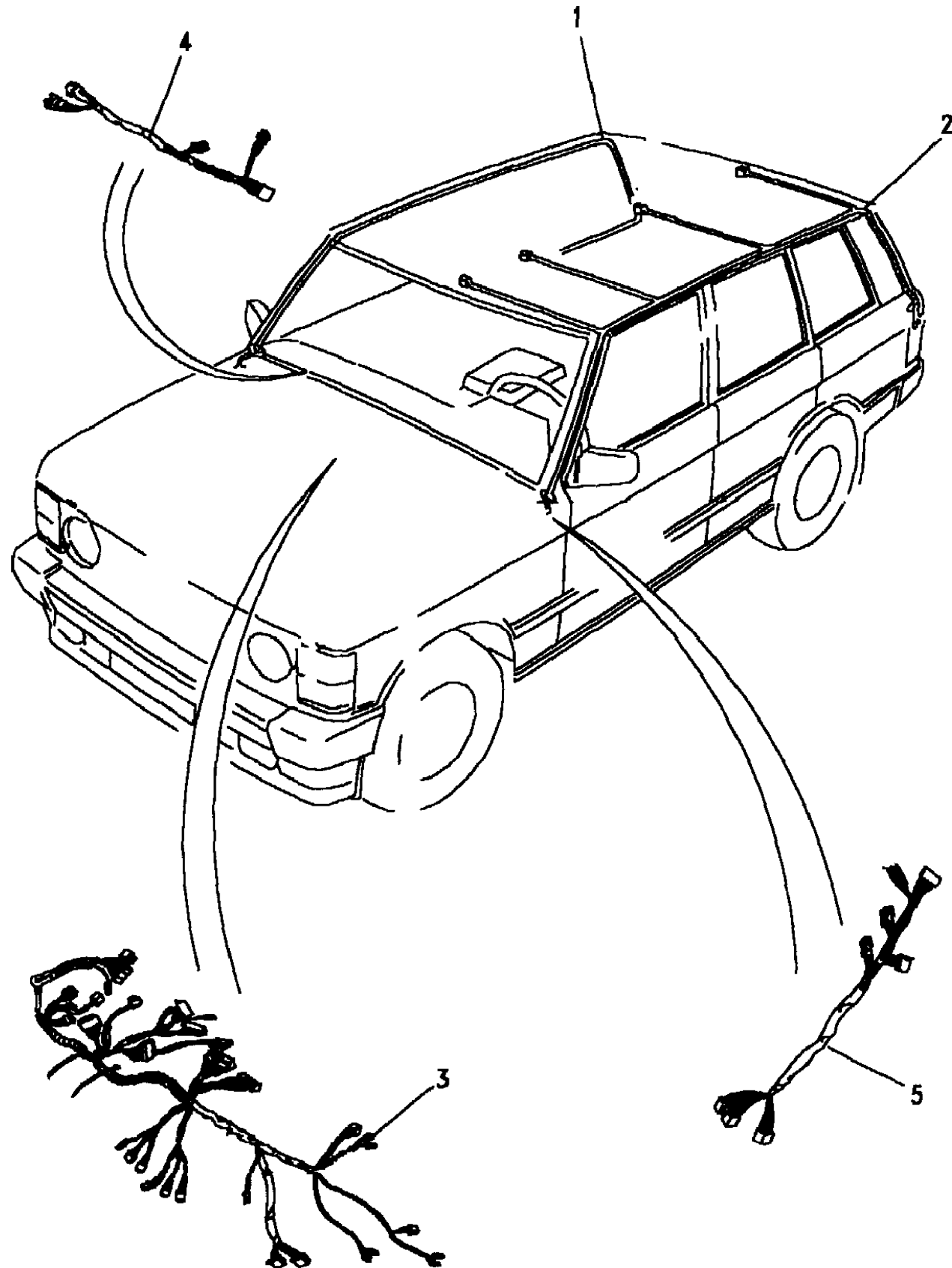
Body Electrics
Batteries & Harnesses
Harness-Body-From (V) MA647645 2/2

Range Rover (From JA610294)

(BDMXCE5A)

Range Rover (From JA610294)

Body Electrics
Batteries & Harnesses
Harness-Body-From (V) MA647645

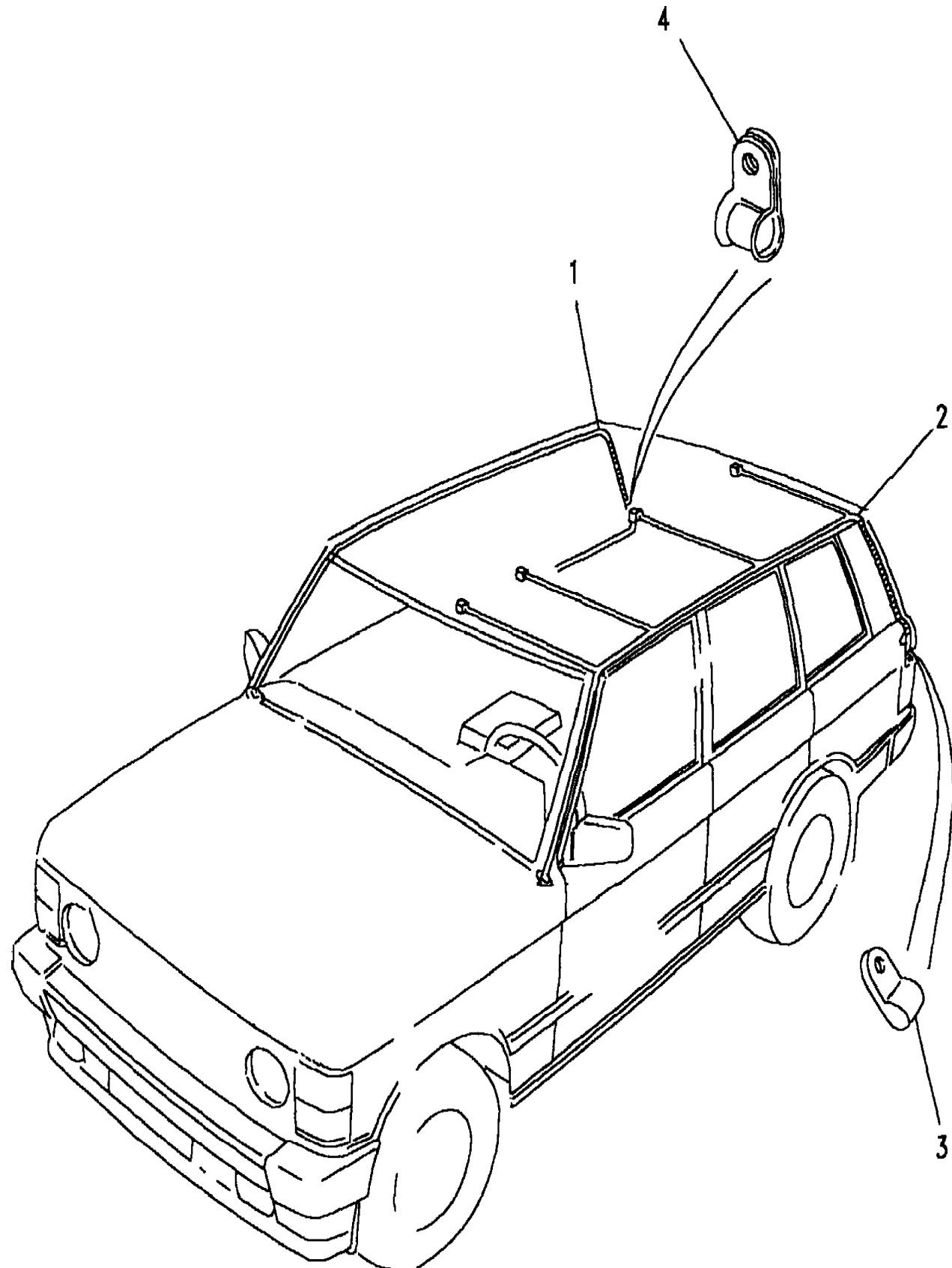


Callout	Name	Application	Remarks & Restrictions	Service No.	Qty
3	Harness facia	Change point - VIN begin MA647645, Change point - VIN end MA661972, RHD, (-)"J", With Coil Spring Suspension	RH	AMR3537	1
		Change point - VIN begin MA661973, RHD, (-)"J", With Coil Spring Suspension		AMR4995	1
		Change point - VIN begin MA647645, Change point - VIN end MA661972, LHD, (-)"J", With Coil Spring Suspension		AMR3536	1
		Change point - VIN begin MA661973, LHD, (-)"J", With Coil Spring Suspension		AMR4994	1
		Change point - VIN begin MA647645, Change point - VIN end MA661972, RHD, (-)"J", With Air Suspension		AMR3539	1
		Change point - VIN begin MA661973, RHD, (-)"J", With Air Suspension		AMR4997	1
		Change point - VIN begin MA647645, Change point - VIN end MA661972, LHD, (-)"J", With Air Suspension		AMR3538	1
		Change point - VIN begin MA661973, LHD, (-)"J", With Air Suspension		AMR4996	1
		Change point - VIN begin MA647645, Change point - VIN end MA661973, (+)"J"		AMR3540	1
		4	Harness blower-heater	Change point - VIN begin MA647645	
Change point - VIN begin MA647645	Front			AMR3614	1
5	Harness steering column	Change point - VIN begin MA647645, (-)"J", Less Cruise Control	Less Rover Airbag System, Less Shift Interlock	AMR3579	1
		Change point - VIN begin MA647645, (-)"J", With Cruise Control	Rover Airbag System, Less Shift Interlock	AMR3580	1
		Change point - VIN begin MA647645, (-)"J", Less Cruise Control	Less Rover Airbag System, Shift Interlock	AMR3581	1
		Change point - VIN begin MA647645, (-)"J", With Cruise Control	Rover Airbag System, Shift Interlock	AMR3582	1
		Change point - VIN begin MA647645, (+)"J"	Less Rover Airbag System	AMR3374	1

Body Electrics
Batteries & Harnesses
Harness-Body-To (V) LA647644 1/3

Range Rover (From JA610294)

(BDMXCE1A)



Range Rover (From JA610294)

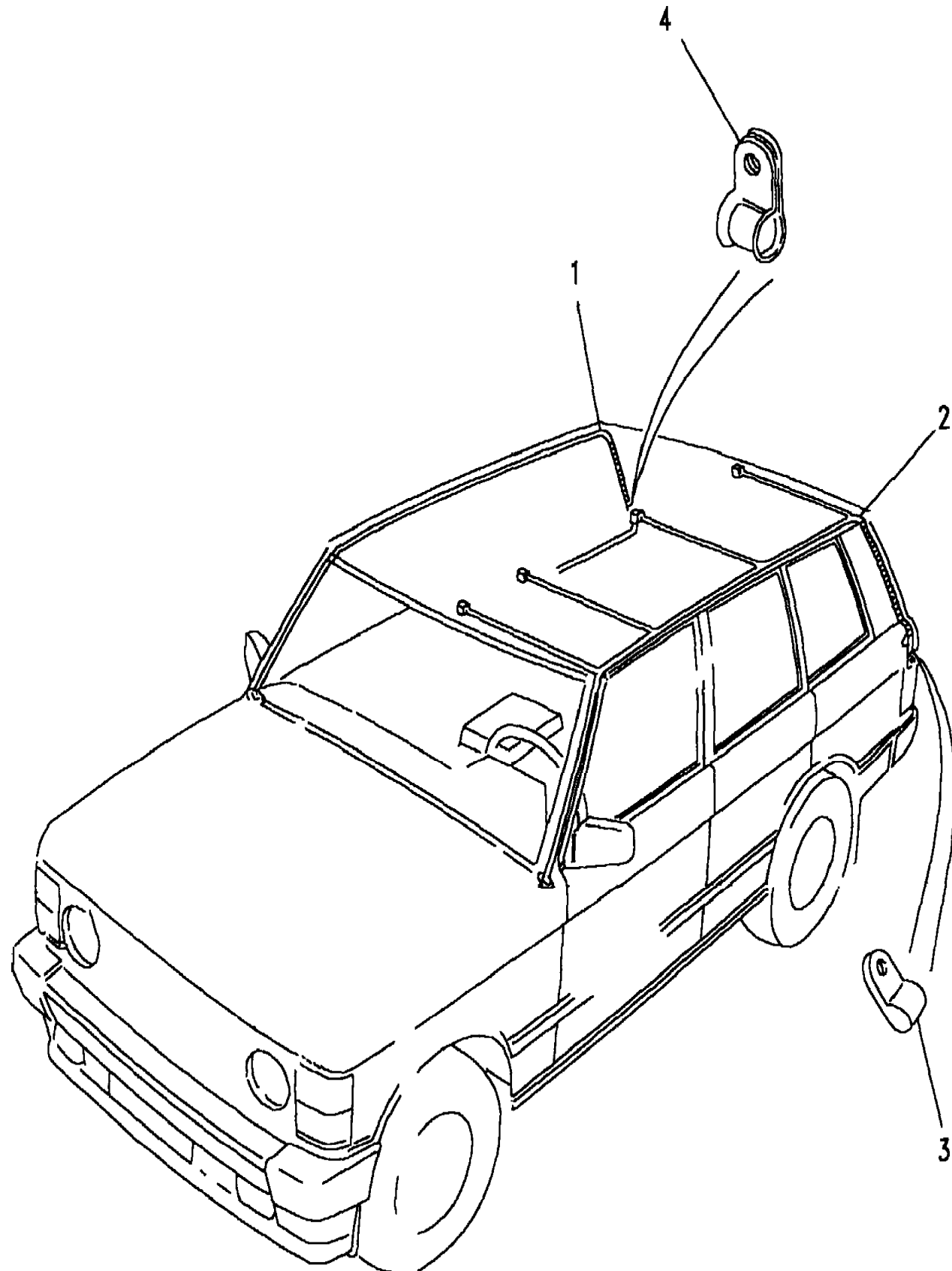
Body Electrics
Batteries & Harnesses
Harness-Body-To (V) LA647644

Callout	Name	Application	Remarks & Restrictions	Service No.	Qty
1	Harness body	Change point - VIN begin JA610294, Change point - VIN end JA624780, (-)"J", Less Heated Windscreen, Less Electrically Operated Sunroof, Less CD Player	Less Illuminated Interior Mirror, RH	PRC9639	1
		Change point - VIN begin JA610294, Change point - VIN end JA624780, (-)"J", Less Heated Rear Window, Less Electrically Operated Sunroof, With CD Player	Less Illuminated Interior Mirror, RH, Clarion	PRC9641	1
		Change point - VIN begin JA610294, Change point - VIN end JA624780, (-)"J", Less Heated Windscreen, Less Electrically Operated Sunroof, With CD Player	Less Illuminated Interior Mirror, RH, Pioneer	PRC9640	1
		Change point - VIN begin KA624781, Change point - VIN end LA647644, 2 Door Station Wagon, (-) 108", (-)"J", (-) Vogue	RH	AMR1949	1
		Change point - VIN begin KA624781, Change point - VIN end LA647644, 2 Door Station Wagon, (-) 108", (-)"J", (-) Vogue LSE	RH	AMR1949	1
		Change point - VIN begin KA624781, Change point - VIN end LA647644, 2 Door Station Wagon, (-) 108", (-)"J", (-) Vogue SE	RH	AMR1949	1
		Change point - VIN begin KA624781, Change point - VIN end LA647644, 4 Door Station Wagon, (-) 108", (-)"J", (-) Vogue	RH	AMR1950	1
		Change point - VIN begin KA624781, Change point - VIN end LA647644, 4 Door Station Wagon, (-) 108", (-)"J", (-) Vogue LSE	RH	AMR1950	1
		Change point - VIN begin KA624781, Change point - VIN end LA647644, 4 Door Station Wagon, (-) 108", (-)"J", (-) Vogue SE	RH	AMR1950	1
		Change point - VIN begin KA624781, Change point - VIN end LA647644, 4 Door Station Wagon, (-) 108", (+)"GB", Vogue	RH	AMR1951	1
		Change point - VIN begin KA624781, Change point - VIN end LA647644, 4 Door Station Wagon, (-) 108", (-)"J", Vogue	RH	AMR1951	1
		Change point - VIN begin KA624781, Change point - VIN end LA647644, 4 Door Station Wagon, (-) 108", (-)"GB", Vogue	RH	AMR1950	1

Body Electrics
Batteries & Harnesses
Harness-Body-To (V) LA647644 2/3

Range Rover (From JA610294)

(BDMXCE1A)



Range Rover (From JA610294)

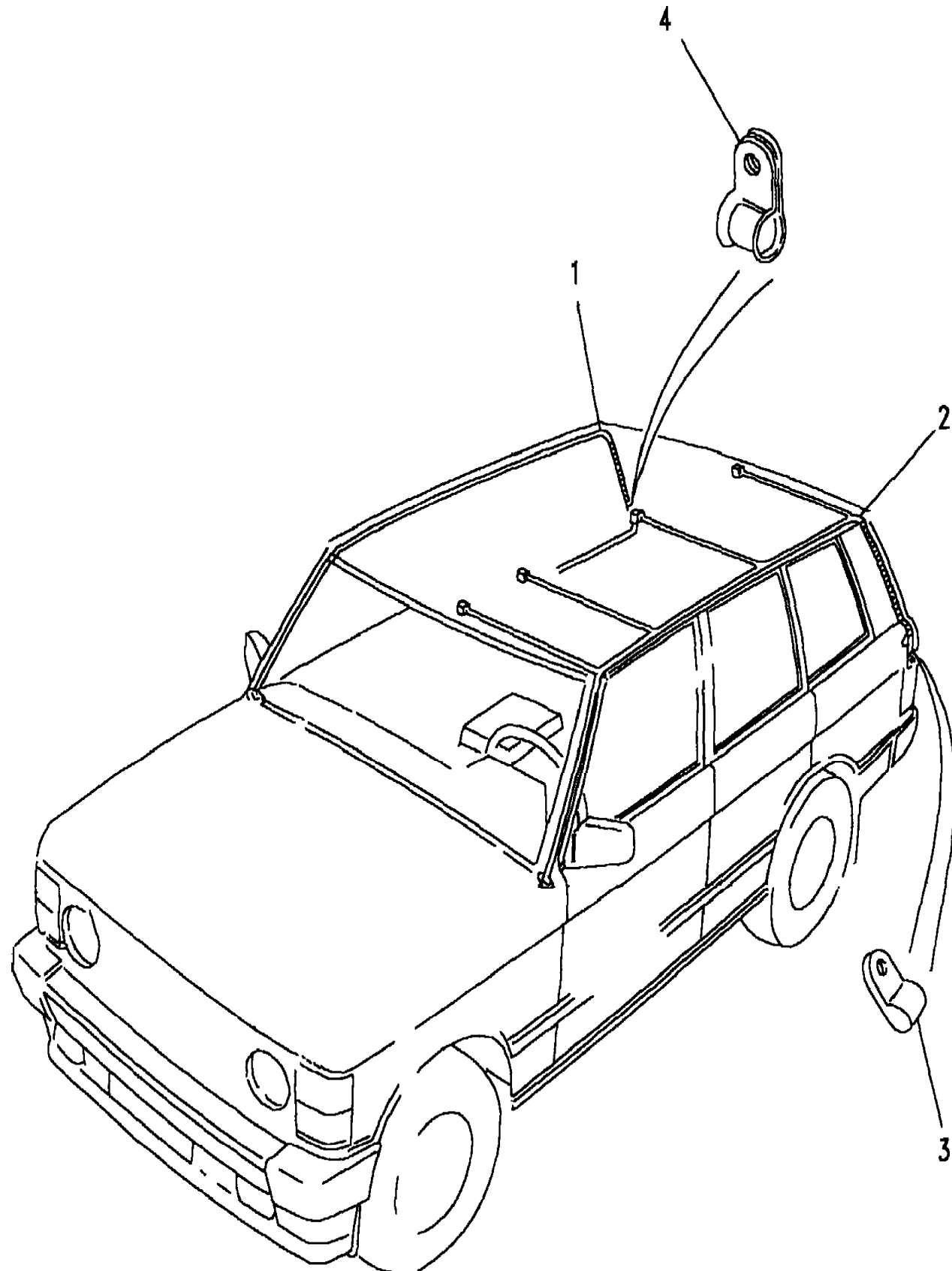
Body Electrics
Batteries & Harnesses
Harness-Body-To (V) LA647644

Callout	Name	Application	Remarks & Restrictions	Service No.	Qty
1	Harness body	Change point - VIN begin KA624781, Change point - VIN end LA647644, 4 Door Station Wagon, (-) 108", (+)"GB", Vogue SE	RH	AMR2375	1
		Change point - VIN begin KA624781, Change point - VIN end LA647644, 4 Door Station Wagon, (-) 108", (+)"J", Vogue SE	RH	AMR2375	1
		Change point - VIN begin KA624781, Change point - VIN end LA647644, 4 Door Station Wagon, (-) 108", (-)"GB", Vogue SE	RH	AMR1951	1
		Change point - VIN begin KA624781, Change point - VIN end LA647644, 4 Door Station Wagon, 108" (2743mm) Wheelbase, (+)"GB", Vogue LSE	RH	AMR2321	1
		Change point - VIN begin KA624781, Change point - VIN end LA647644, 4 Door Station Wagon, 108" (2743mm) Wheelbase, (+)"J", Vogue LSE	RH	AMR2321	1
		Change point - VIN begin KA624781, Change point - VIN end LA647644, 4 Door Station Wagon, 108" (2743mm) Wheelbase, (-)"GB", Vogue LSE	RH	AMR2320	1
		Change point - VIN begin JA610294, Change point - VIN end JA624780, (-)"J", Less Heated Windscreen, Less Electrically Operated Sunroof, Less CD Player		PRC9633	1
		Change point - VIN begin JA610294, Change point - VIN end JA624780, (-)"J", With Heated Windscreen, With Electric Slide Sunroof, With CD Player	illuminated interior mirror, LH	PRC9634	1
2	Harness body	Change point - VIN begin KA624781, Change point - VIN end LA647644, 2 Door Station Wagon, (-) 108", (-)"J", (-) Vogue	LH	AMR1957	1
		Change point - VIN begin KA624781, Change point - VIN end LA647644, 2 Door Station Wagon, (-) 108", (-)"J", (-) Vogue LSE	LH	AMR1957	1
		Change point - VIN begin KA624781, Change point - VIN end LA647644, 2 Door Station Wagon, (-) 108", (-)"J", (-) Vogue SE	LH	AMR1957	1

Body Electrics
Batteries & Harnesses
Harness-Body-To (V) LA647644 3/3

Range Rover (From JA610294)

(BDMXCE1A)



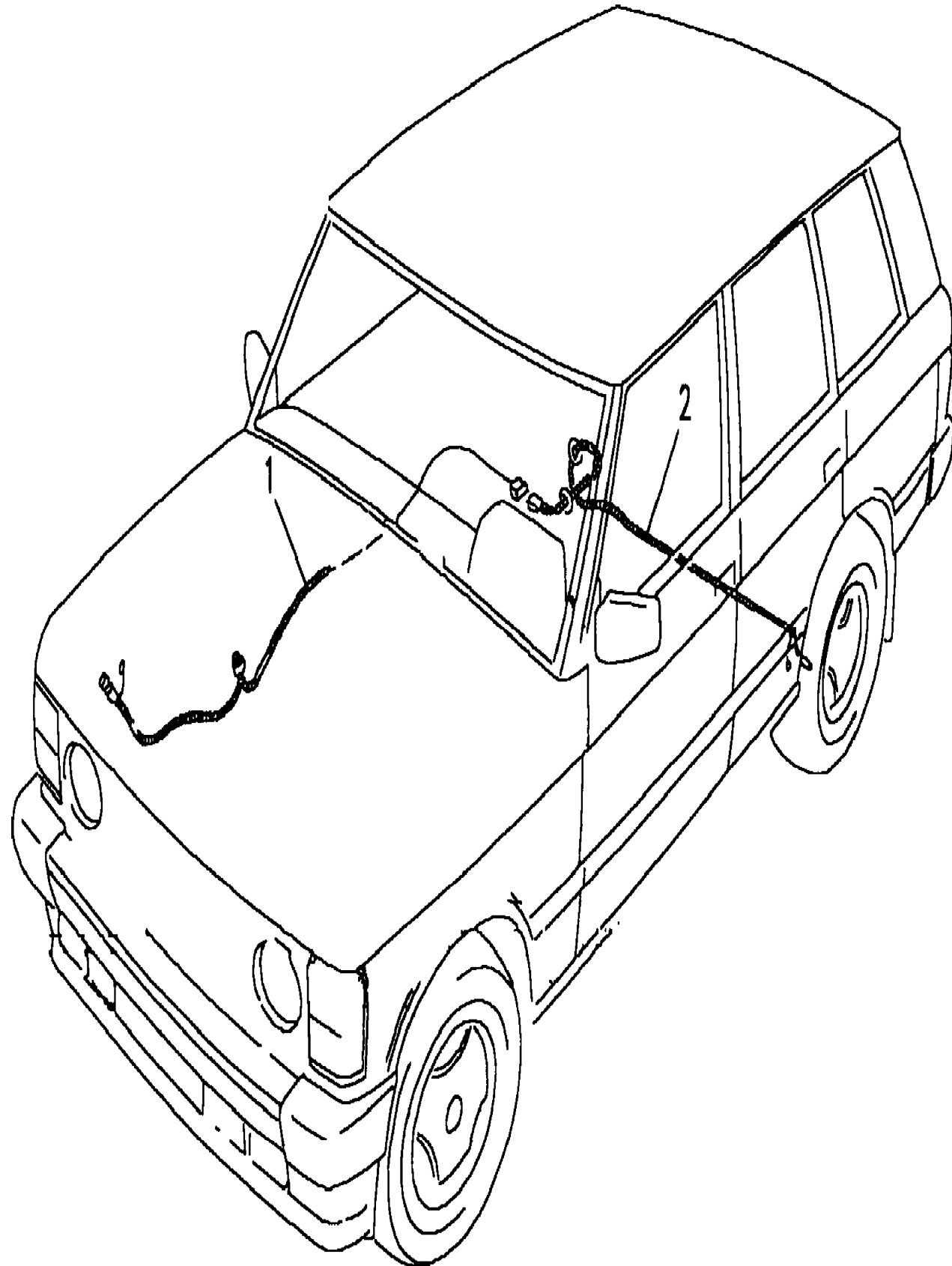
Range Rover (From JA610294)

Body Electrics
Batteries & Harnesses
Harness-Body-To (V) LA647644

Callout	Name	Application	Remarks & Restrictions	Service No.	Qty
2	Harness body	Change point - VIN begin KA624781, Change point - VIN end LA647644, 4 Door Station Wagon, (-) 108", (-)"J", (-) Vogue	LH	AMR2308	1
		Change point - VIN begin KA624781, Change point - VIN end LA647644, 4 Door Station Wagon, (-) 108", (-)"J", (-) Vogue LSE	LH	AMR2308	1
		Change point - VIN begin KA624781, Change point - VIN end LA647644, 4 Door Station Wagon, (-) 108", (-)"J", (-) Vogue SE	LH	AMR2308	1
		Change point - VIN begin KA624781, Change point - VIN end LA647644, 4 Door Station Wagon, (-) 108", (-)"J", Vogue	LH	AMR2308	1
		Change point - VIN begin KA624781, Change point - VIN end LA647644, 4 Door Station Wagon, (-) 108", (+)"GB", Vogue SE	LH	AMR1960	1
		Change point - VIN begin KA624781, Change point - VIN end LA647644, 4 Door Station Wagon, (-) 108", (+)"J", Vogue SE	LH	AMR1960	1
		Change point - VIN begin KA624781, Change point - VIN end LA647644, 4 Door Station Wagon, (-) 108", (-)"GB", Vogue SE	LH	AMR2308	1
		Change point - VIN begin KA624781, Change point - VIN end LA647644, 4 Door Station Wagon, 108" (2743mm) Wheelbase, (+)"GB", Vogue LSE	LH	AMR2319	1
		Change point - VIN begin KA624781, Change point - VIN end LA647644, 4 Door Station Wagon, 108" (2743mm) Wheelbase, (+)"J", Vogue LSE	LH	AMR2319	1
		Change point - VIN begin KA624781, Change point - VIN end LA647644, 4 Door Station Wagon, 108" (2743mm) Wheelbase, (-)"GB", Vogue LSE	LH	AMR2318	1
3	Clip-p	Change point - VIN end LA647644	Black, Plastic, 17.4/20.0mm	PRC4543	2
4	Clip-p	Change point - VIN end LA647644	7/16", 13/64" hole	56666	2

Body Electrics
 Batteries & Harnesses
 Harness-Brake Pad Wear 1/1

Range Rover (From JA610294)
 (BDMXCF5A)



Range Rover (From JA610294)

Body Electrics
 Batteries & Harnesses
 Harness-Brake Pad Wear

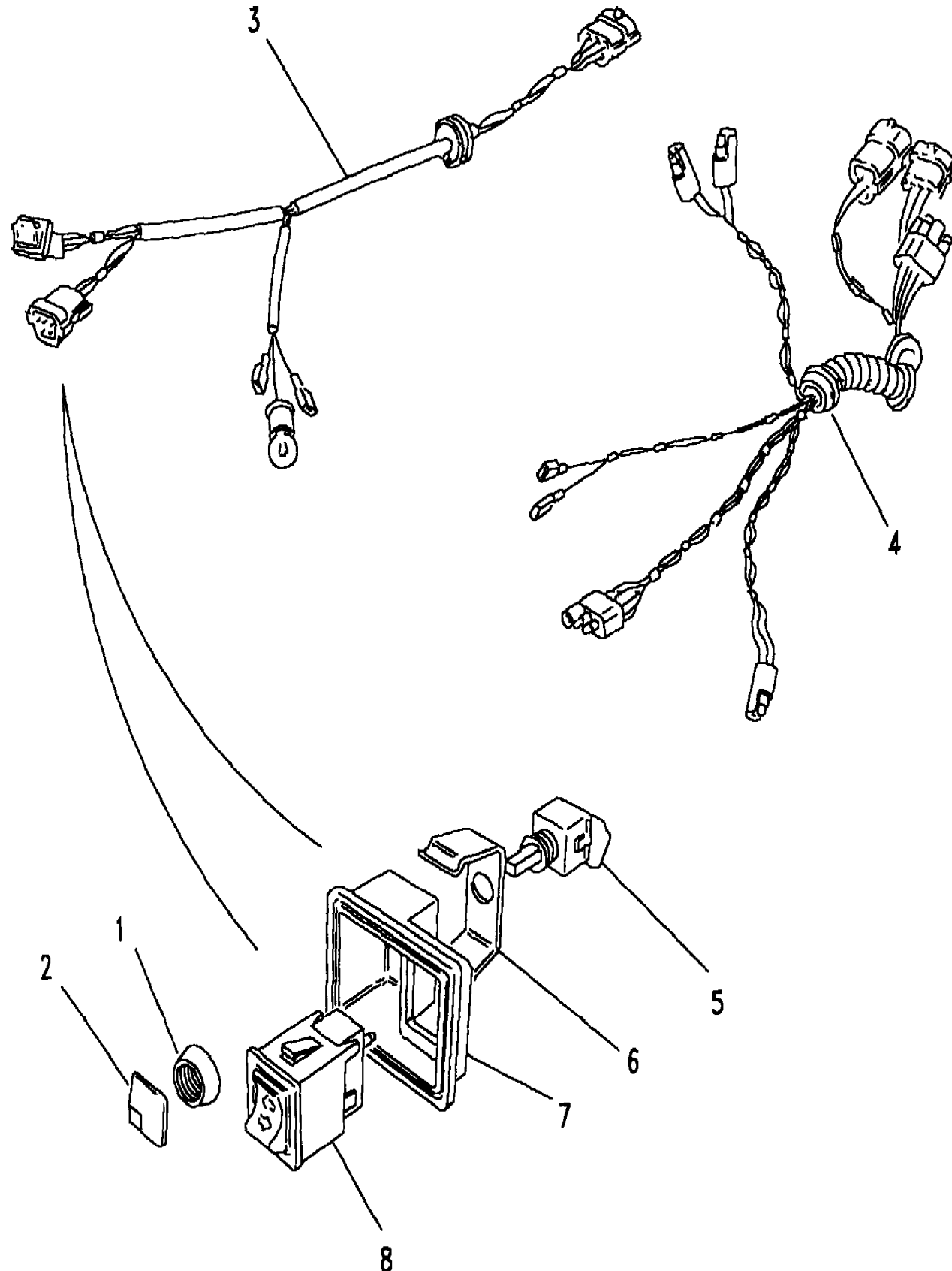
Callout	Name	Application	Remarks & Restrictions	Service No.	Qty
1	Harness-pad wear		Front	PRC9267	1
2	Harness-pad wear	Change point - VIN end JA624755, 100"	Rear	PRC9265	1
		Change point - VIN begin KA624756, Change point - VIN end LA647644, 100"	Rear	AMR2380	1
		Change point - VIN begin MA647645, 100"	Rear	AMR3532	1
		Change point - VIN end LA647644, 108" (2743mm) Wheelbase	Rear	AMR2381	1
		Change point - VIN begin MA647645, 108" (2743mm) Wheelbase	Rear	AMR3534	1

Body Electrics
Batteries & Harnesses
Harness-Door-2 Door-To (V) LA647644 1/1

Range Rover (From JA610294)
(BDMXCE2A)

Range Rover (From JA610294)

Body Electrics
Batteries & Harnesses
Harness-Door-2 Door-To (V) LA647644
2 Door Station Wagon



Callout	Name	Application	Remarks & Restrictions	Service No.	Qty
1	Nut-locking	Change point - VIN end LA647644		PRC4273	1
2	Knob-exterior mirror control	Change point - VIN end LA647644		DRC2495	1
3	Harness front door	Change point - VIN end LA647644	Driver	PRC7248	1
		Change point - VIN end LA647644	Passenger	PRC7249	1
4	Harness front door	Change point - VIN end JA614005	Driver	PRC9293	1
		Change point - VIN begin JA614006, Change point - VIN end JA624754	Driver	AMR1049	1
		Change point - VIN begin KA624756, Change point - VIN end LA647644	Driver	AMR1968	1
		Change point - VIN end LA647644, With Anti-Theft Alarm	Burglar Alarm	AMR1969	1
		Change point - VIN end JA613569	Passenger	PRC9292	1
		Change point - VIN begin JA613570, Change point - VIN end JA624754	Passenger	AMR1048	1
		Change point - VIN begin KA624756, Change point - VIN end LA647644	Passenger	AMR1967	1
5	Switch-electric mirror	Change point - VIN end LA647644		DRC2481	1
6	Spring-exterior mirror assembly tension	Change point - VIN end LA647644		MWC2379	1
7	Finisher-front door electric control mirror inner	Change point - VIN end LA647644		MWC1577	1
8	Switch-rocker mirror adjust	Change point - VIN end LA647644		PRC5751	1

Body Electrics
Batteries & Harnesses
Harness-Door-4 Door-Front-To (V) LA647644 1/1

Range Rover (From JA610294)

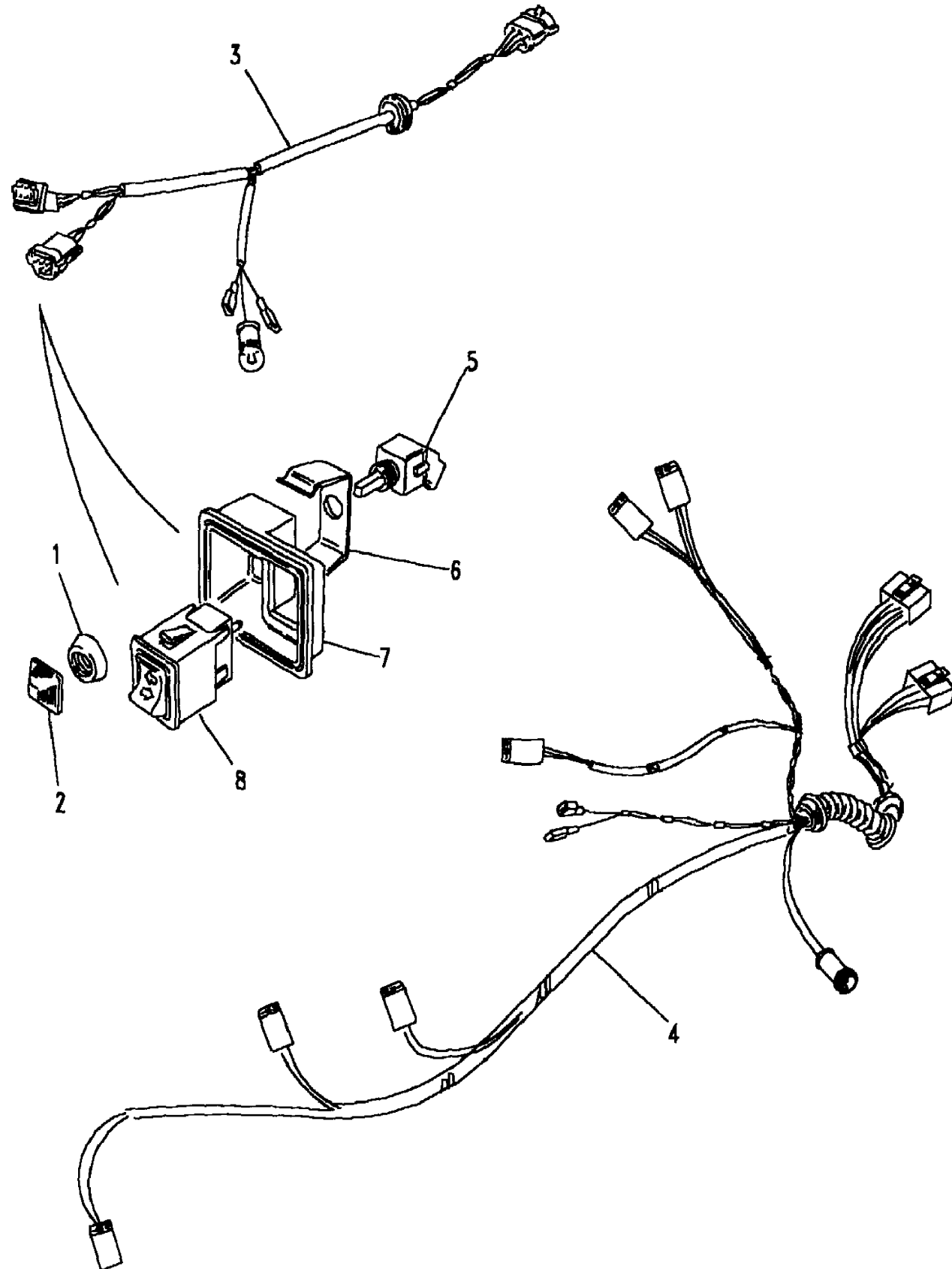
(BDMXCE3A)

Range Rover (From JA610294)

Body Electrics
Batteries & Harnesses
Harness-Door-4 Door-Front-To (V) LA647644

Change point - VIN end LA647644, 4 Door Station Wagon

Callout	Name	Application	Remarks & Restrictions	Service No.	Qty
1	Nut-locking	Change point - VIN end LA647644		PRC4273	1
2	Knob-exterior mirror control	Change point - VIN end LA647644		DRC2495	1
3	Cable assembly-exterior mirror assembly control	Change point - VIN end LA647644		PRC8800	1
4	Harness front door	Change point - VIN end JA614047	Memory	PRC9290	2
		Change point - VIN begin JA614048, Change point - VIN end JA624754	Memory	AMR1046	2
		Change point - VIN begin KA624756, Change point - VIN end LA647644	Memory	AMR1965	2
		Change point - VIN end JA613693	Less Memory	PRC9291	2
		Change point - VIN begin JA613694, Change point - VIN end JA624754	Less Memory	AMR1047	2
		Change point - VIN begin KA624756, Change point - VIN end LA647644	Less Memory	AMR1966	2
		Change point - VIN end LA647644	6 pin, Less Memory	DRC2481	1
		Change point - VIN end LA647644	5 pin, Memory	PRC5752	1
5	Switch-electric mirror	Change point - VIN end LA647644	6 pin, Less Memory	DRC2481	1
		Change point - VIN end LA647644	5 pin, Memory	PRC5752	1
6	Spring-exterior mirror assembly tension	Change point - VIN end LA647644		MWC2379	1
7	Finisher-front door electric control mirror inner	Change point - VIN end LA647644		MWC1577	1
8	Switch-rocker mirror adjust	Change point - VIN end LA647644		PRC5751	1



Body Electrics
 Batteries & Harnesses
 Harness-Door-4 Door-Rear-To (V) LA647644 1/1

Range Rover (From JA610294)

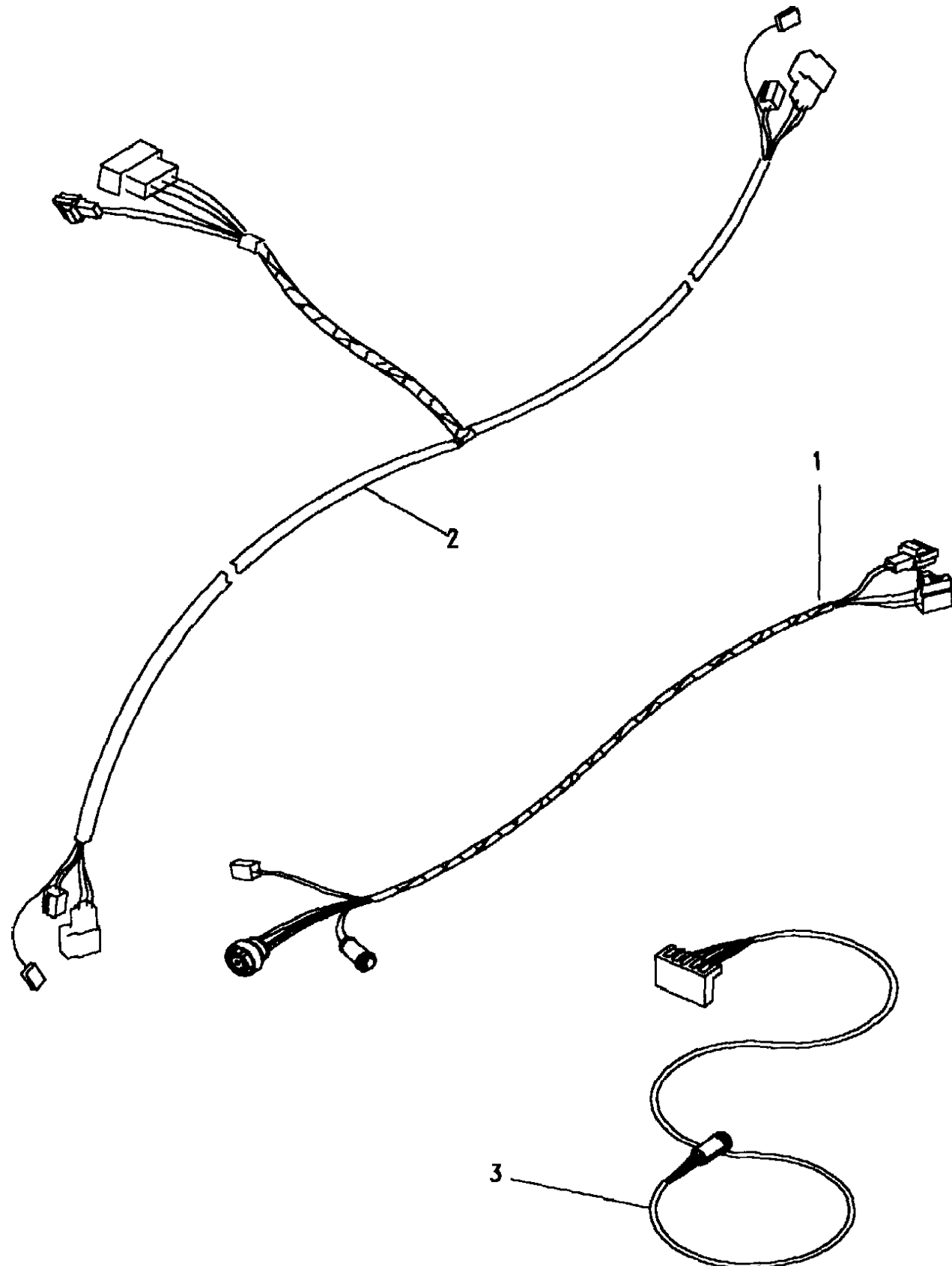
(BDMXCE4B)

Range Rover (From JA610294)

Body Electrics
 Batteries & Harnesses
 Harness-Door-4 Door-Rear-To (V) LA647644

Change point - VIN end LA647644, 4 Door Station Wagon

Callout	Name	Application	Remarks & Restrictions	Service No.	Qty
1	Harness rear door	Change point - VIN end LA644138, 100"		PRC9294	2
		Change point - VIN begin LA644139, Change point - VIN end LA647644, 100"		AMR3855	2
		Change point - VIN end LA647644, 108" (2743mm) Wheelbase		AMR2065	2
2	Harness rear door	Change point - VIN end LA644138, 100"		PRC9295	1
		Change point - VIN begin LA644139, Change point - VIN end LA647644, 100"		AMR3856	1
		Change point - VIN end KA624755, 108" (2743mm) Wheelbase		PRC9532	1
		Change point - VIN begin KA624756, Change point - VIN end LA647644, 108" (2743mm) Wheelbase		AMR1716	1
3	Harness rear door	Change point - VIN end LA647644, 100"	RH	PRC7169	1
		Change point - VIN end LA647644, 100"	LH	PRC7170	1
		Change point - VIN end LA647644, 108" (2743mm) Wheelbase	RH	AMR1090	1
		Change point - VIN end LA647644, 108" (2743mm) Wheelbase	LH	AMR1091	1



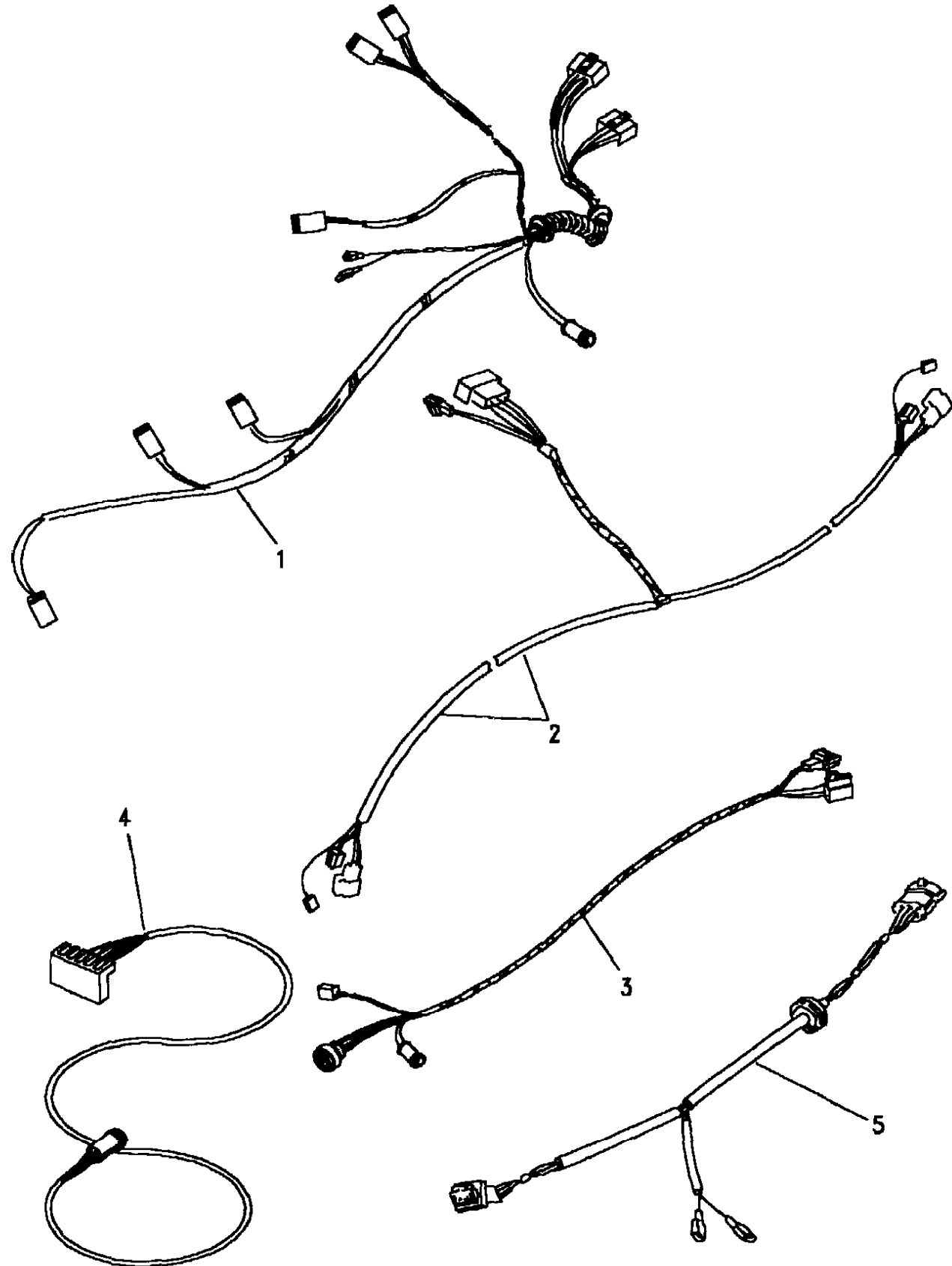
Body Electrics
 Batteries & Harnesses
 Harness-Door-From (V) MA647645 1/1

Range Rover (From JA610294)

(BDMXCE6A)

Range Rover (From JA610294)

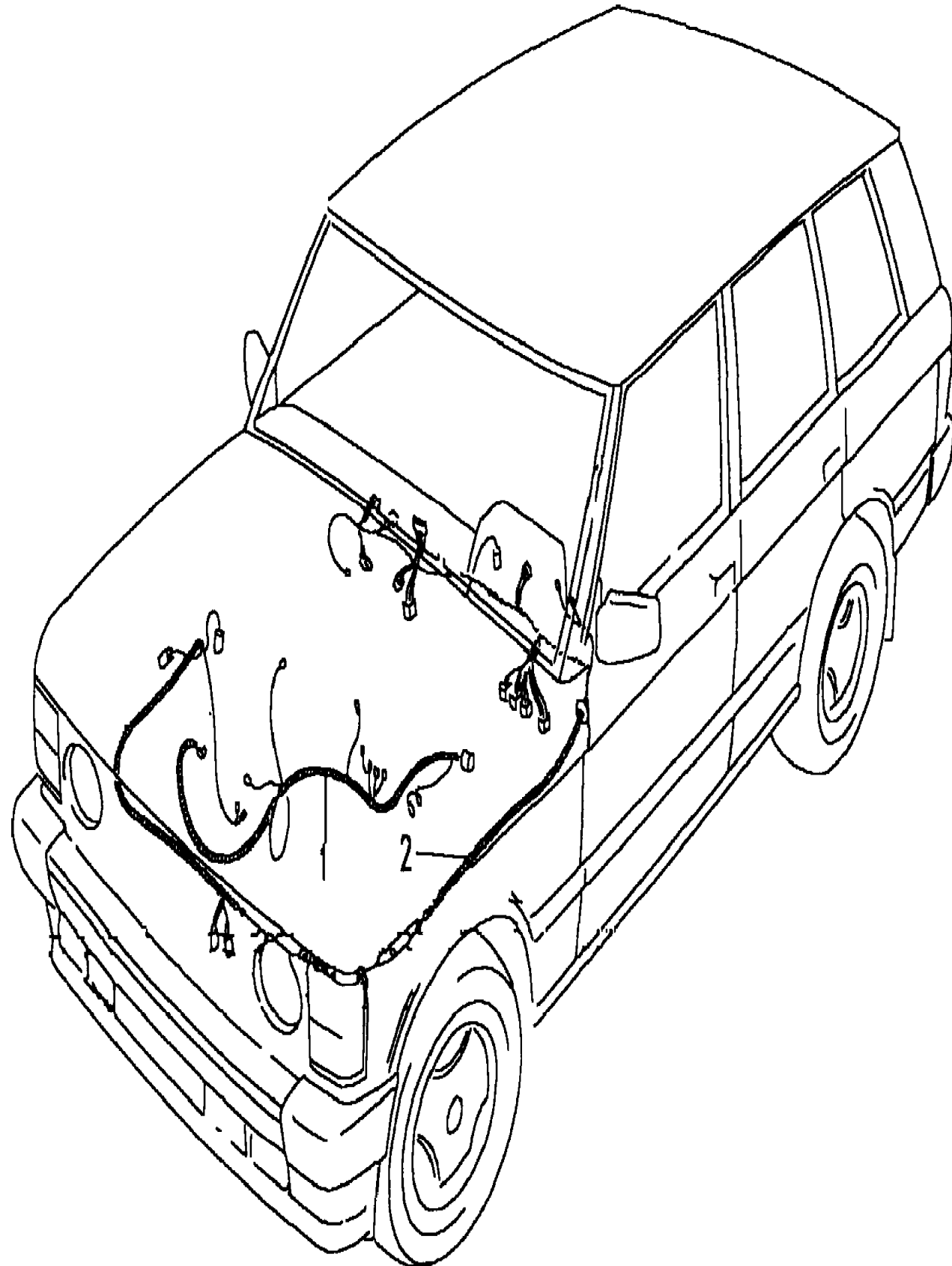
Body Electrics
 Batteries & Harnesses
 Harness-Door-From (V) MA647645



Callout	Name	Application	Remarks & Restrictions	Service No.	Qty
1	Harness front door	Change point - VIN begin MA647645, Change point - VIN end MA659910	Less Memory	AMR3541	2
		Change point - VIN begin MA659911	Less Memory	AMR4244	2
		Change point - VIN begin MA647645, Change point - VIN end MA659910	Memory	AMR3542	2
		Change point - VIN begin MA659911	Memory	AMR4245	2
2	Harness rear door	Change point - VIN begin MA647645, 100"		PRC9295	1
		Change point - VIN begin MA647645, 108" (2743mm) Wheelbase		AMR3210	1
3	Harness rear door	Change point - VIN begin MA647645, Change point - VIN end MA659910, 100"		AMR3208	2
		Change point - VIN begin MA659911, 100"		AMR4246	2
		Change point - VIN begin MA647645, 108" (2743mm) Wheelbase		AMR3209	2
4	Harness rear door	Change point - VIN begin MA647645, 100"	RH	PRC7169	1
		Change point - VIN begin MA647645, 100"	LH	PRC7170	1
		Change point - VIN begin MA647645, 108" (2743mm) Wheelbase	RH	AMR1090	1
		Change point - VIN begin MA647645, 108" (2743mm) Wheelbase	LH	AMR1091	1
5	Harness tailgate	Change point - VIN begin MA647645, 100"		AMR3289	1

Body Electrics
 Batteries & Harnesses
 Harness-Engine-200TDi 1/1

Range Rover (From JA610294)
 (BDMXCF1B)



Range Rover (From JA610294)

Body Electrics
 Batteries & Harnesses
 Harness-Engine-200TDi

2.5L I4 TDi L/R Turbo Diesel, 5 Speed Manual Transmission, Less Catalyst

Callout	Name	Application	Remarks & Restrictions	Service No.	Qty
1	Harness Engine	Change point - VIN end LA647644, Diesel L/R, LHD	Engine Code 12L 2.5 TDI Manual - Gemini	AMR1710	1
		Change point - VIN end LA647644, Diesel L/R, RHD	Engine Code 12L 2.5 TDI Manual - Gemini	AMR1710	1
2	Harness air conditioning	Change point - VIN end LA647644, Diesel L/R, RHD	Engine Code 12L 2.5 TDI Manual - Gemini	AMR2213	1
		Change point - VIN end LA647644, Diesel L/R, LHD	Engine Code 12L 2.5 TDI Manual - Gemini	AMR2212	1

Body Electrics
 Batteries & Harnesses
 Harness-Engine-300TDi 1/1

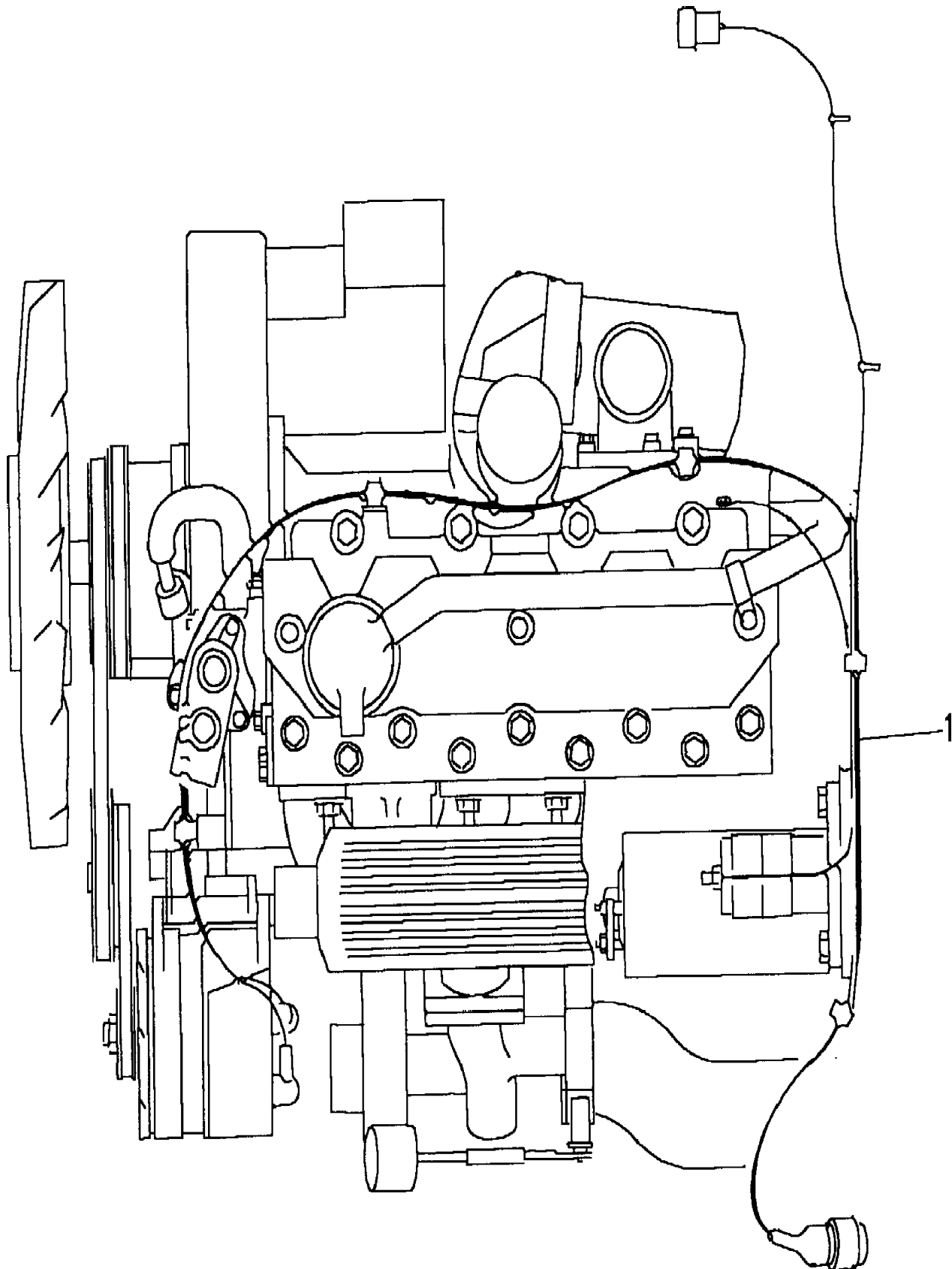
Range Rover (From JA610294)
 (BDMXCF3A)

Range Rover (From JA610294)

Body Electrics
 Batteries & Harnesses
 Harness-Engine-300TDi

2.5L 4 Cyl TDi L/R Turbo Diesel

Callout	Name	Application	Remarks & Restrictions	Service No.	Qty
1	Harness Engine	Change point - VIN begin MA647645, Change point - VIN end MA661972, TDi Diesel, Less EGR, Less Air Conditioning Change point - VIN begin MA661973, TDi Diesel, Less EGR, Less Air Conditioning Change point - VIN begin MA647645, Change point - VIN end MA661972, TDi Diesel, Less EGR, With Air Conditioning Change point - VIN begin MA661973, TDi Diesel, Less EGR, With Air Conditioning Change point - VIN begin MA647645, Change point - VIN end MA661972, TDi Diesel, EGR, Less Air Conditioning Change point - VIN begin MA661973, TDi Diesel, EGR, Less Air Conditioning Change point - VIN begin MA647645, Change point - VIN end MA661972, TDi Diesel, EGR, With Air Conditioning Change point - VIN begin MA661973, TDi Diesel, EGR, With Air Conditioning		AMR3631 AMR4719 AMR3632 AMR4720 AMR3633 AMR4721 AMR3634 AMR4722	1 1 1 1 1 1 1



Body Electrics
 Batteries & Harnesses
 Harness-Engine-V8-From (V) MA647645 1/2

Range Rover (From JA610294)

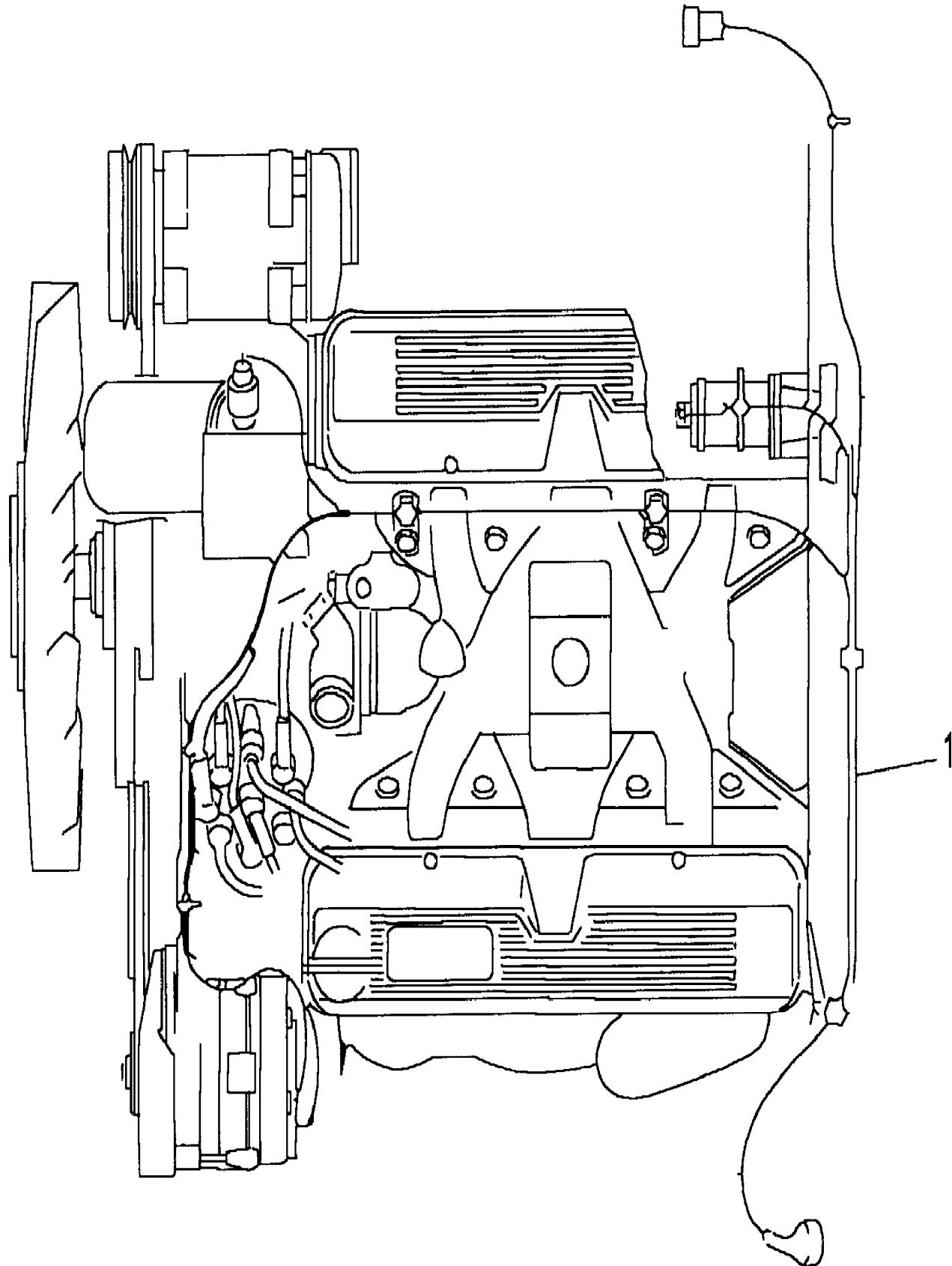
(BDMXCF2A)

Range Rover (From JA610294)

Body Electrics
 Batteries & Harnesses
 Harness-Engine-V8-From (V) MA647645

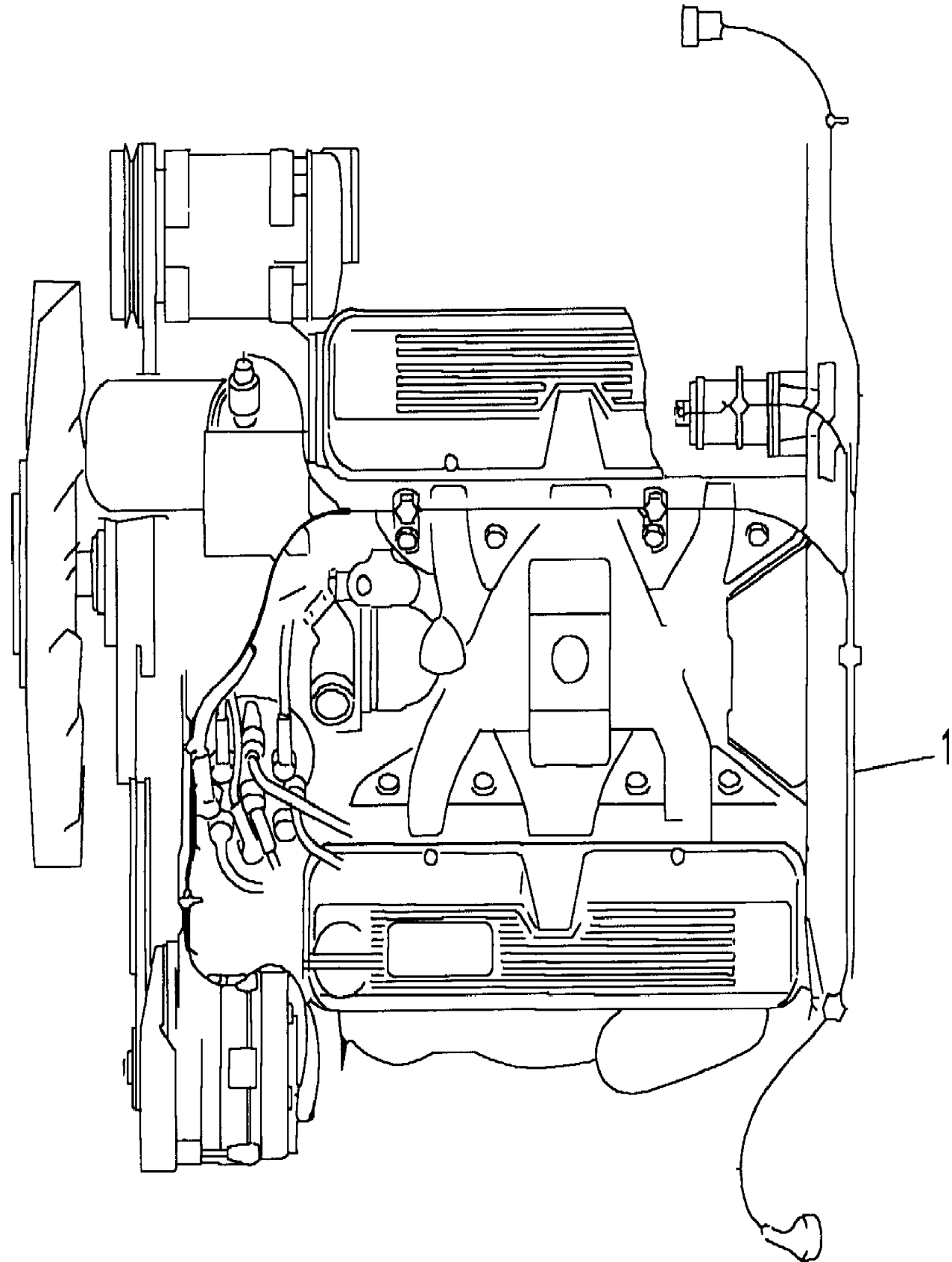
Change point - VIN begin MA647645, V8 Petrol

Callout	Name	Application	Remarks & Restrictions	Service No.	Qty
1	Harness Engine	Change point - VIN begin MA647645, Change point - VIN end MA651072, V8 EFI Petrol, Less Air Conditioning, Less Catalyst		AMR3623	1
		Change point - VIN begin MA651073, Change point - VIN end MA656101, V8 EFI Petrol, Less Air Conditioning, Less Catalyst		AMR3950	1
		Change point - VIN begin MA656102, Change point - VIN end MA661972, V8 EFI Petrol, Less Air Conditioning, Less Catalyst		AMR4254	1
		Change point - VIN begin MA661973, V8 EFI Petrol, Less Air Conditioning, Less Catalyst		AMR4712	1
		Change point - VIN begin MA647645, Change point - VIN end MA651072, V8 EFI Petrol, Less Air Conditioning, With Catalyst		AMR3622	1
		Change point - VIN begin MA651073, Change point - VIN end MA656101, V8 EFI Petrol, Less Air Conditioning, With Catalyst		AMR3949	1
		Change point - VIN begin MA656102, Change point - VIN end MA661972, V8 EFI Petrol, Less Air Conditioning, With Catalyst		AMR4253	1
		Change point - VIN begin MA661973, V8 EFI Petrol, Less Air Conditioning, With Catalyst		AMR4711	1
		Change point - VIN begin MA647645, Change point - VIN end MA651072, V8 EFI Petrol, With Air Conditioning, Less Catalyst		AMR3625	1
		Change point - VIN begin MA651073, Change point - VIN end MA656101, V8 EFI Petrol, With Air Conditioning, Less Catalyst		AMR3952	1
		Change point - VIN begin MA656102, Change point - VIN end MA661972, V8 EFI Petrol, With Air Conditioning, Less Catalyst		AMR4256	1



Body Electrics
Batteries & Harnesses
Harness-Engine-V8-From (V) MA647645 2/2

Range Rover (From JA610294)
(BDMXCF2A)



Range Rover (From JA610294)

Body Electrics
Batteries & Harnesses
Harness-Engine-V8-From (V) MA647645

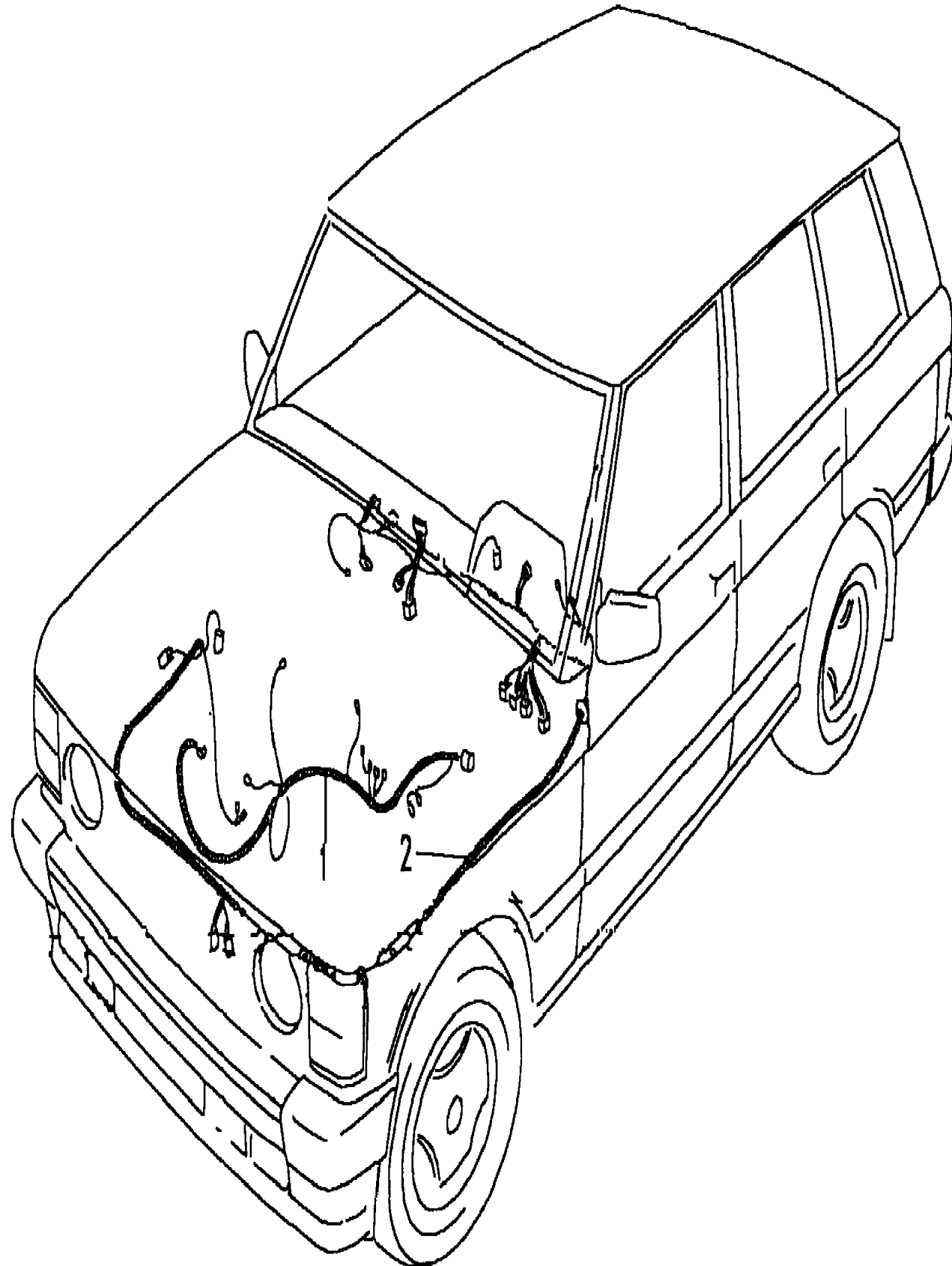
Change point - VIN begin MA647645, V8 Petrol

Callout	Name	Application	Remarks & Restrictions	Service No.	Qty
1	Harness Engine	Change point - VIN begin MA661973, V8 EFI Petrol, With Air Conditioning, Less Catalyst		AMR4714	1
		Change point - VIN begin MA647645, Change point - VIN end MA651072, V8 EFI Petrol, With Air Conditioning, With Catalyst		AMR3624	1
		Change point - VIN begin MA651073, Change point - VIN end MA656101, V8 EFI Petrol, With Air Conditioning, With Catalyst		AMR3951	1
		Change point - VIN begin MA656102, Change point - VIN end MA661972, V8 EFI Petrol, With Air Conditioning, With Catalyst		AMR4255	1
		Change point - VIN begin MA661973, V8 EFI Petrol, With Air Conditioning, With Catalyst		AMR4713	1
2	Tie-cable	Change point - VIN begin MA647645	8mm hole, 4.6 x 215mm	YYD10003	1
3	Resistor Assy	Change point - VIN begin MA647645	Blue., 1K8 Ohm	AMR2016	1

Body Electrics
Batteries & Harnesses
Harness-Engine-V8-To (V) LA647644 1/1

Range Rover (From JA610294)

(BDMXCF1B)



Range Rover (From JA610294)

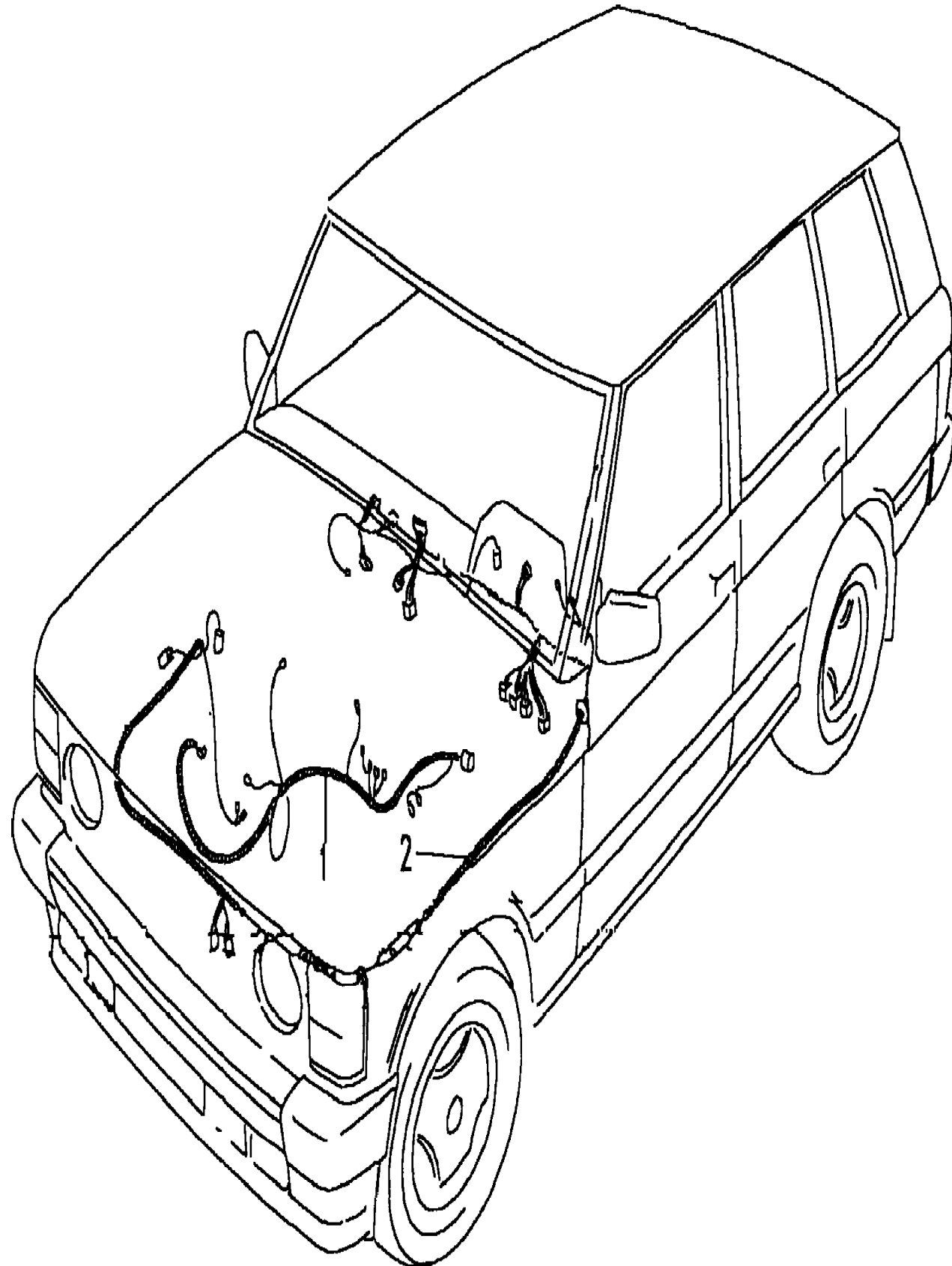
Body Electrics
Batteries & Harnesses
Harness-Engine-V8-To (V) LA647644

Change point - VIN end LA647644, V8 Petrol

Callout	Name	Application	Remarks & Restrictions	Service No.	Qty		
1	Harness Engine	Change point - VIN end JA624754, V8 EFI Petrol, LHD		PRC9296	1		
		Change point - VIN end JA624754, V8 EFI Petrol, RHD		PRC9296	1		
		Change point - VIN begin KA624756, Change point - VIN end KA630644, V8 EFI Petrol, LHD		AMR1947	1		
		Change point - VIN begin KA624756, Change point - VIN end KA630644, V8 EFI Petrol, RHD		AMR1947	1		
		Change point - VIN begin KA630645, Change point - VIN end LA647644, V8 EFI Petrol, LHD		AMR2617	1		
		Change point - VIN begin KA630645, Change point - VIN end LA647644, V8 EFI Petrol, RHD		AMR2617	1		
		2	Harness air conditioning	Change point - VIN end JA617613, V8 EFI Petrol, RHD		PRC9256	1
				Change point - VIN begin JA617614, Change point - VIN end JA624754, V8 EFI Petrol, RHD		AMR1122	1
Change point - VIN begin KA624756, Change point - VIN end LA647644, V8 EFI Petrol, RHD				AMR2208	1		
Change point - VIN end JA617649, V8 EFI Petrol, LHD				PRC9638	1		
Change point - VIN begin JA617650, Change point - VIN end JA624754, V8 EFI Petrol, LHD				AMR1125	1		
Change point - VIN begin KA624756, Change point - VIN end LA647644, V8 EFI Petrol, LHD				AMR2211	1		

Body Electrics
 Batteries & Harnesses
 Harness-Engine-VM Diesel 1/1

Range Rover (From JA610294)
 (BDMXCF1B)



Range Rover (From JA610294)

Body Electrics
 Batteries & Harnesses
 Harness-Engine-VM Diesel

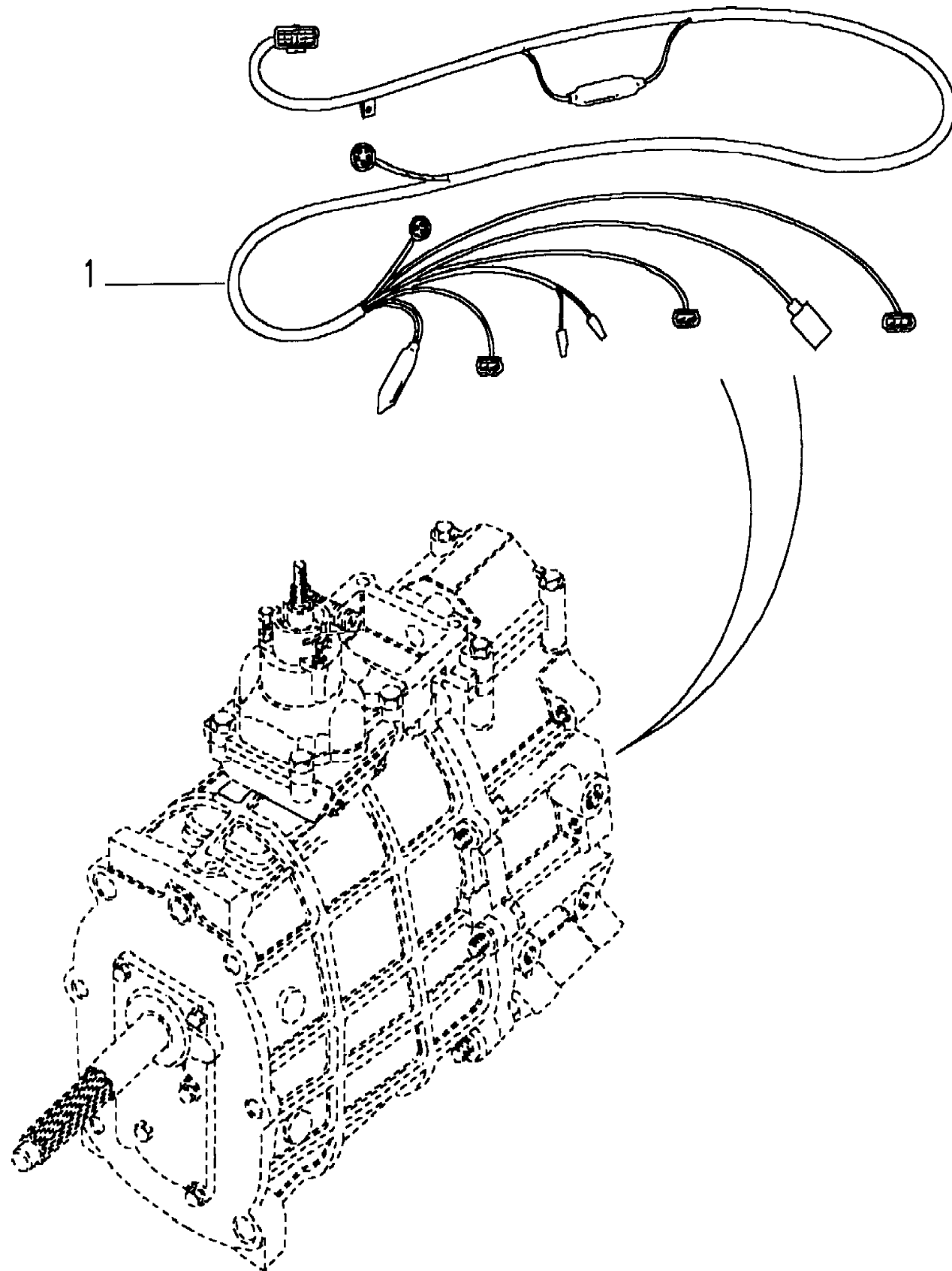
Diesel VM

Callout	Name	Application	Remarks & Restrictions	Service No.	Qty
1	Harness Engine	Change point - VIN end JA614832, RHD		PRC9468	1
		Change point - VIN begin JA614833, Change point - VIN end LA647644, RHD		AMR1045	1
		Change point - VIN end LA647644, LHD		PRC9467	1
2	Harness air conditioning	Change point - VIN end JA617990, RHD		PRC9258	1
		Change point - VIN begin JA617991, Change point - VIN end LA647644, RHD		AMR1123	1
		Change point - VIN end JA617897, LHD		PRC9259	1
		Change point - VIN begin JA617898, Change point - VIN end LA647644, LHD		AMR1124	1

Body Electrics
Batteries & Harnesses
Harness-Gearbox-From (V) MA647645 1/1

Range Rover (From JA610294)

(BDMXCF4A)



Range Rover (From JA610294)

Body Electrics
Batteries & Harnesses
Harness-Gearbox-From (V) MA647645

Callout	Name	Application	Remarks & Restrictions	Service No.	Qty
1	Harness-transmission	Change point - VIN begin MA661973, Diesel 2.5, Automatic Transmission, (+)"J"	Shift Interlock	AMR5142	1
		Change point - VIN begin MA647645, 2.5L TDi Diesel, Manual Transmission, (-)"J"	Less Shift Interlock	AMR3561	1
		Change point - VIN begin MA649875, Change point - VIN end MA661972, 2.5L TDi Diesel, Manual Transmission, (-)"J"	Less Shift Interlock	AMR4090	1
		Change point - VIN begin MA661973, 2.5L TDi Diesel, Manual Transmission, (-)"J"	Less Shift Interlock	AMR5139	1
		Change point - VIN begin MA647645, V8 EFI Petrol, Manual Transmission, (-)"J"	Less Shift Interlock	AMR4091	1
		Change point - VIN begin MA647645, Change point - VIN end MA649874, V8 EFI Petrol, Manual Transmission, (-)"J"	Less Shift Interlock	AMR3562	1
		Change point - VIN begin MA661973, V8 EFI Petrol, Manual Transmission, (-)"J"	Less Shift Interlock	AMR5140	1
		Change point - VIN begin MA647645, Change point - VIN end MA661972, V8 EFI Petrol, Automatic Transmission, (-)"J"	Less Shift Interlock	AMR3563	1
		Change point - VIN begin MA647645, Change point - VIN end MA661972, 2.5L TDi Diesel, Automatic Transmission, (-)"J"	Less Shift Interlock	AMR3563	1
		Change point - VIN begin MA661973, V8 EFI Petrol, Automatic Transmission, (-)"J"	Less Shift Interlock	AMR5141	1
		Change point - VIN begin MA647645, Change point - VIN end MA661972, V8 EFI Petrol, Automatic Transmission	Shift Interlock	AMR3564	1
		Change point - VIN begin MA661973, 2.5L TDi Diesel, Automatic Transmission, (-)"J"	Less Shift Interlock	AMR5141	1
		Change point - VIN begin MA647645, Change point - VIN end MA661972, TDi Diesel, Automatic Transmission, (+)"J"	Shift Interlock	AMR3564	1
		Change point - VIN begin MA661973, V8 EFI Petrol, Automatic Transmission	Shift Interlock	AMR5142	1

SEP 04

559

Body Electrics
Batteries & Harnesses
Harness-Gearbox-To (V) LA647644 1/1

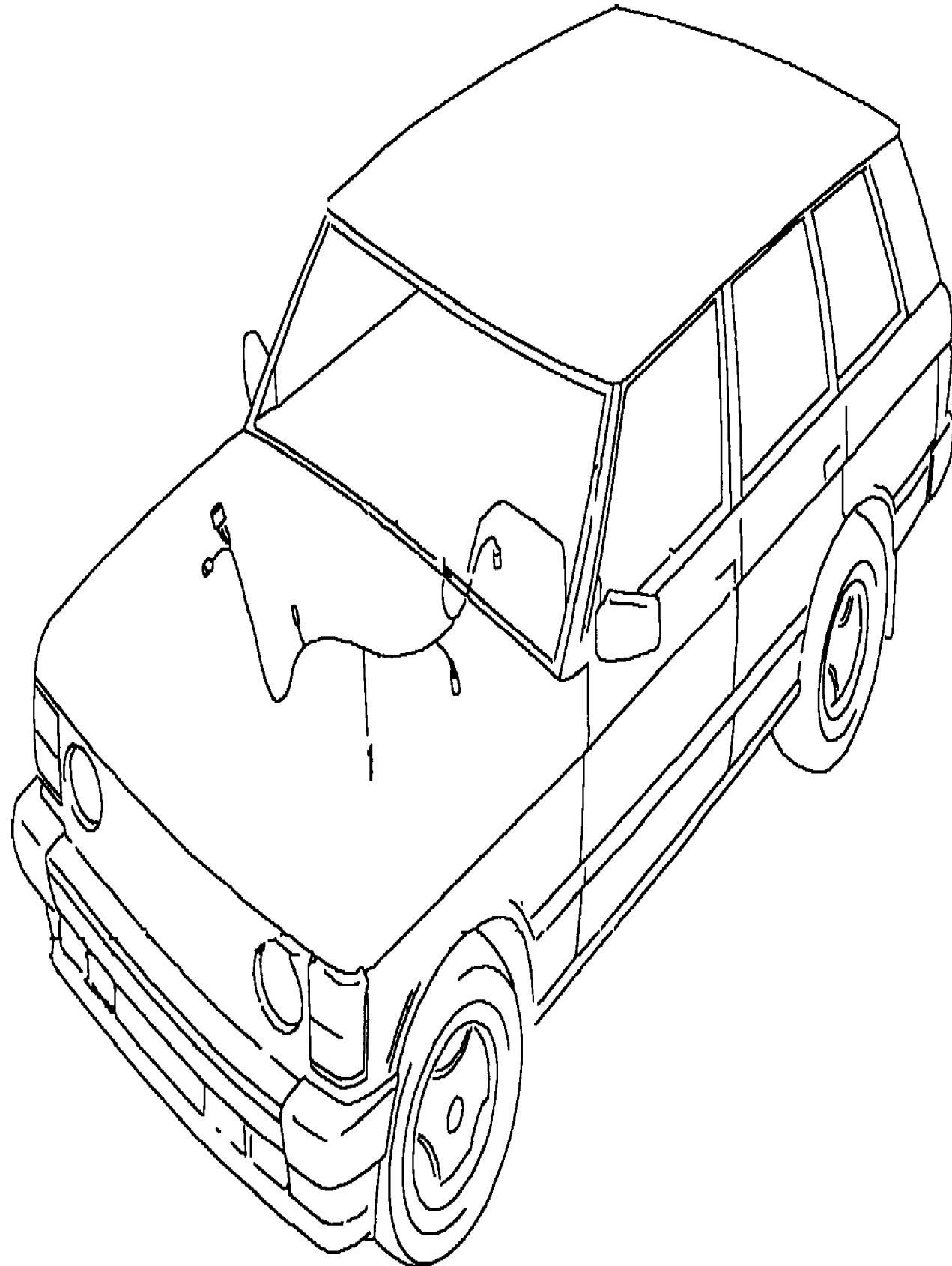
Range Rover (From JA610294)
(BDMXCF1C)

559

SEP 04

Range Rover (From JA610294)

Body Electrics
Batteries & Harnesses
Harness-Gearbox-To (V) LA647644

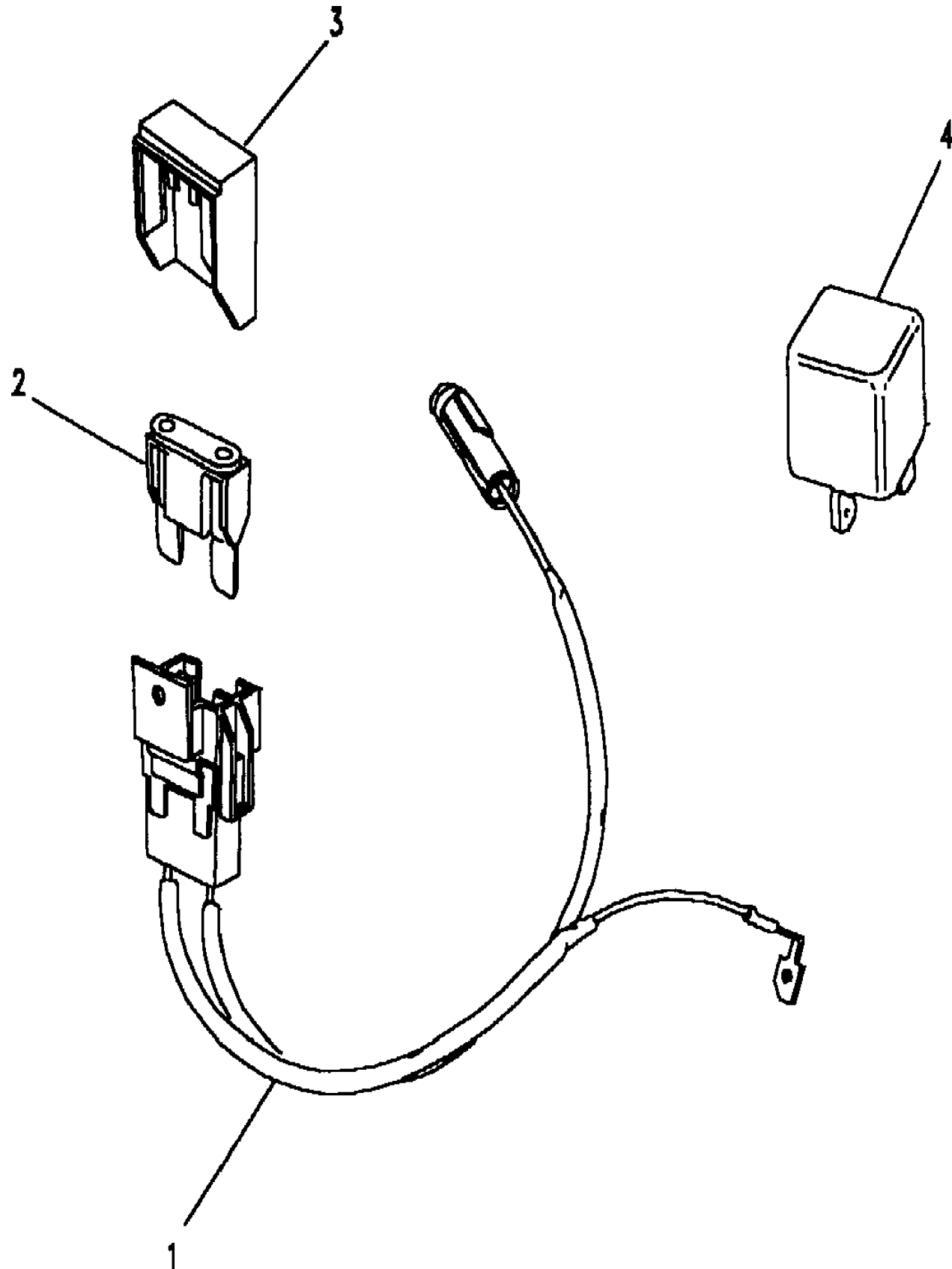


Callout	Name	Application	Remarks & Restrictions	Service No.	Qty
1	Harness-transmission	Change point - VIN end JA624754, Manual Transmission Change point - VIN begin KA624756, Change point - VIN end LA647644, Manual Transmission Change point - VIN end JA624754, Automatic Transmission Change point - VIN begin KA624756, Change point - VIN end LA647644, Automatic Transmission Change point - VIN end KA631647, (+)"J" Change point - VIN begin KA631648, Change point - VIN end LA647644, (+)"J"		PRC9300 AMR1596 PRC9299 AMR1595 AMR1594 AMR3027	1 1 1 1 1 1

Body Electrics
Batteries & Harnesses
Harness-Heated Windscreen-From (V) MA647645 1/1

Range Rover (From JA610294)

(BDMXMK2A)



Range Rover (From JA610294)

Body Electrics
Batteries & Harnesses
Harness-Heated Windscreen-From (V) MA647645

Callout	Name	Application	Remarks & Restrictions	Service No.	Qty
1	Harness-heated screen	Change point - VIN begin MA647645	60 AMP, Blue.	AMR3545	1
2	Fuse	Change point - VIN begin MA647645	60 AMP, Blue., maxi, Large	YQG10011L	1
3	Cover-fuse	Change point - VIN begin MA647645		AMR3464L	1
4	Relay	Change point - VIN begin MA647645	Black, 70 AMP	PRC7303	1

Body Electrics
Batteries & Harnesses
Harness-Heated Winscreen-To (V) LA647644 1/1

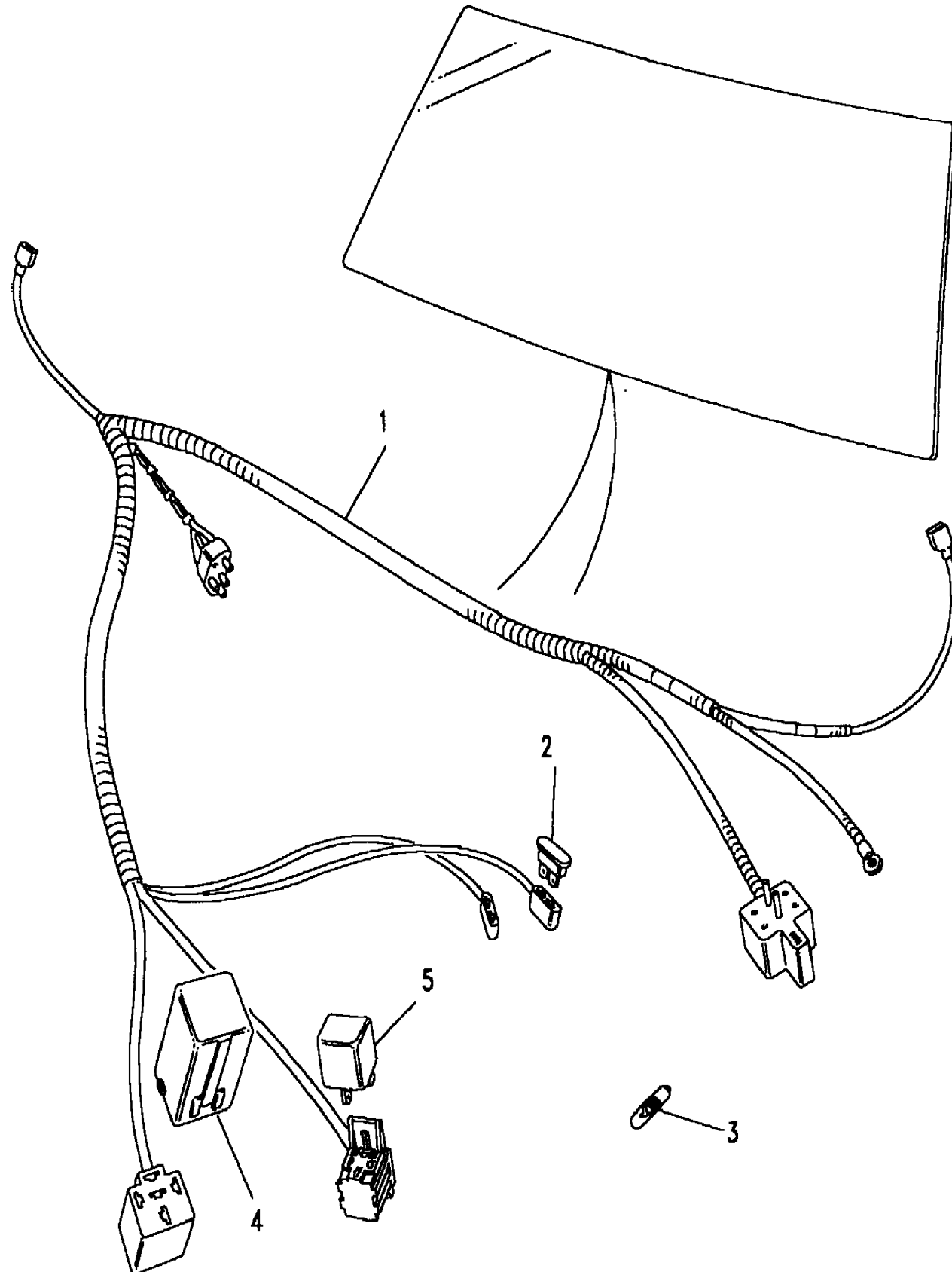
Range Rover (From JA610294)

(BDMXMK1A)

Body Electrics
Batteries & Harnesses
Harness-Heated Winscreen-To (V) LA647644

Range Rover (From JA610294)

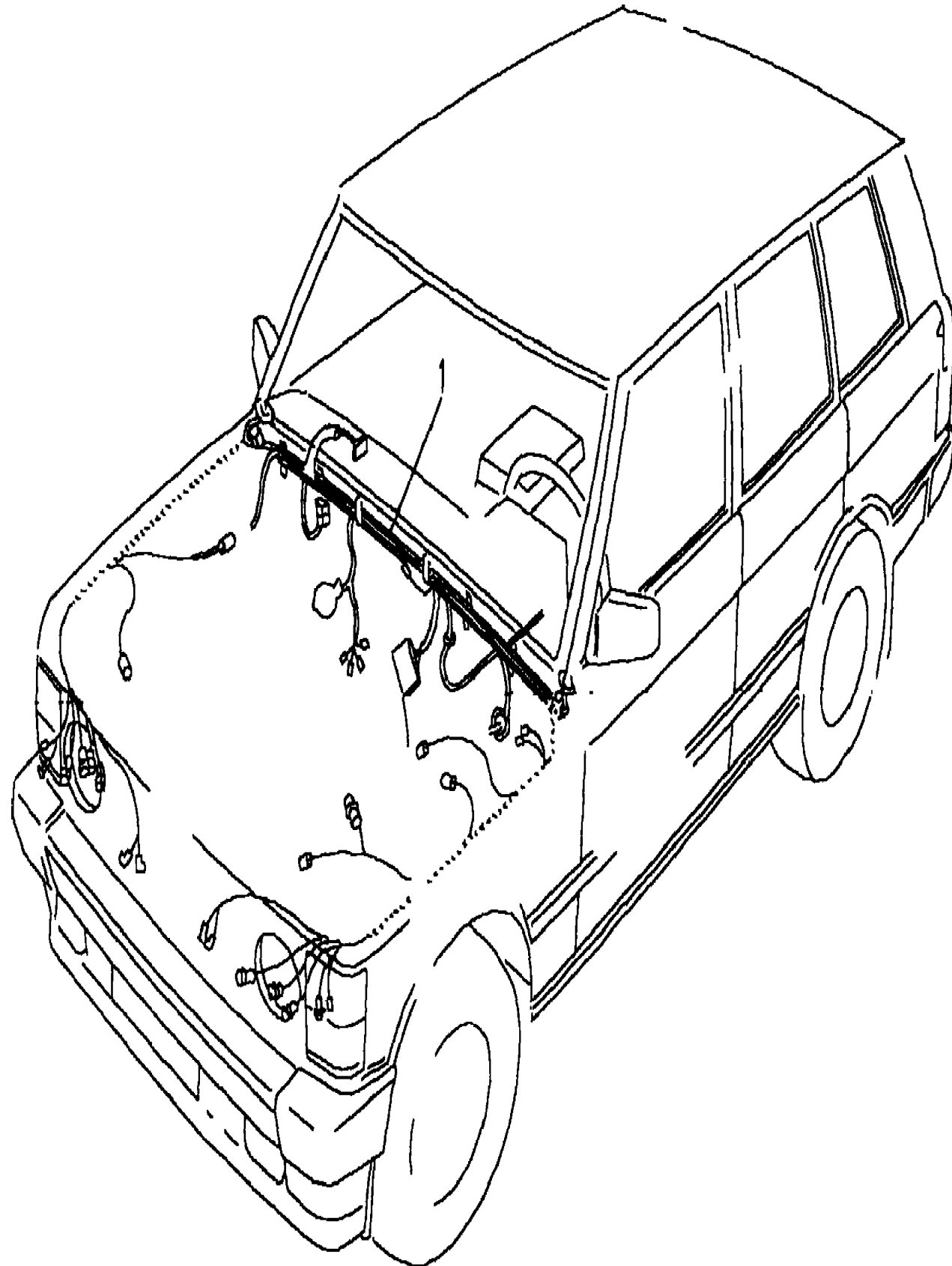
Callout	Name	Application	Remarks & Restrictions	Service No.	Qty
1	Harness-heated screen	Change point - VIN end LA647644		PRC7288	1
2	Fuse	Change point - VIN end LA647644	25 AMP, AUTO, standard.	RTC4506	2
3	Bulb Switch	Change point - VIN end LA647644	Yellow..	RTC5605	1
4	Relay	Change point - VIN end LA647644	front screen-timer, Grey	PRC6796	1
5	Relay	Change point - VIN end LA647644	Black, 70 AMP	PRC7303	1



Body Electrics
Batteries & Harnesses
Harness-Main-From (V) MA647645 1/3

Range Rover (From JA610294)

(BDMXCC4A)



Range Rover (From JA610294)

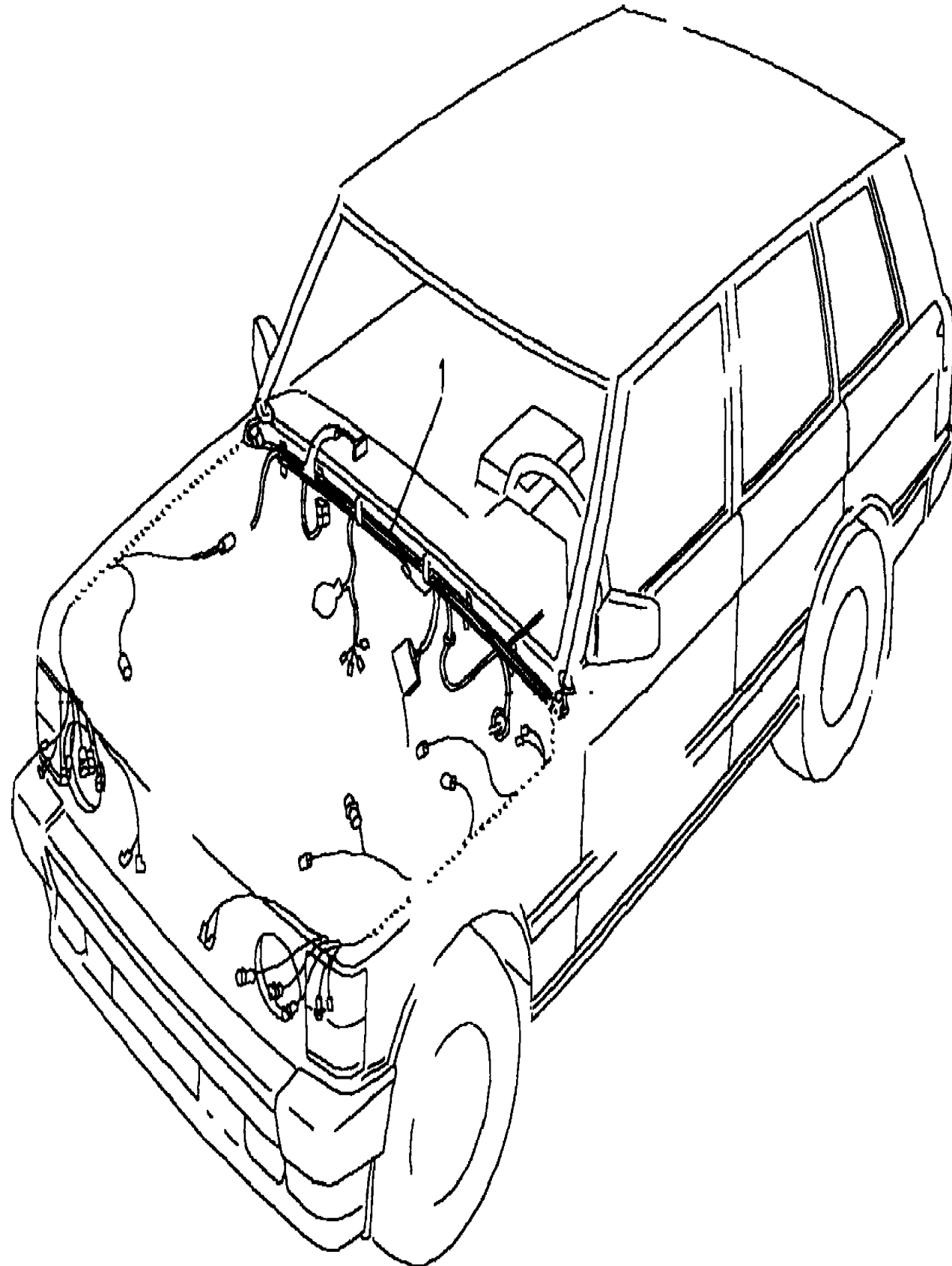
Body Electrics
Batteries & Harnesses
Harness-Main-From (V) MA647645

Callout	Name	Application	Remarks & Restrictions	Service No.	Qty
1	Harness Main	Change point - VIN begin MA647645, Change point - VIN end MA659445, RHD, (-)"J", Less Anti-Lock Braking System, Less Cruise Control	Less Memory Seats	AMR3509	1
		Change point - VIN begin MA661973, RHD, (-)"J", Less Anti-Lock Braking System, Less Cruise Control	Less Memory Seats	AMR5526	1
		Change point - VIN begin MA659446, Change point - VIN end MA661972, RHD, (-)"J", Less Anti-Lock Braking System, Less Cruise Control	Less Memory Seats	AMR4193	1
		Change point - VIN begin MA647645, Change point - VIN end MA659445, RHD, (-)"J", All Wheel Anti-Lock Braking System, Less Cruise Control	Less Memory Seats	AMR3511	1
		Change point - VIN begin MA659446, Change point - VIN end MA661972, RHD, (-)"J", All Wheel Anti-Lock Braking System, Less Cruise Control	Less Memory Seats	AMR4195	1
		Change point - VIN begin MA661973, RHD, (-)"J", All Wheel Anti-Lock Braking System, Less Cruise Control	Less Memory Seats	AMR5527	1
		Change point - VIN begin MA647645, Change point - VIN end MA659445, RHD, (-)"J", Less Anti-Lock Braking System, With Cruise Control	Less Memory Seats	AMR3513	1
		Change point - VIN begin MA659446, Change point - VIN end MA661973, RHD, (-)"J", Less Anti-Lock Braking System, With Cruise Control	Less Memory Seats	AMR4197	1
		Change point - VIN begin MA647645, Change point - VIN end MA659445, RHD, (-)"J", All Wheel Anti-Lock Braking System, With Cruise Control	Less Memory Seats	AMR3515	1
		Change point - VIN begin MA647645, Change point - VIN end MA659445, RHD, (-)"J", All Wheel Anti-Lock Braking System, With Cruise Control	Memory Seats	AMR3520	1
		Change point - VIN begin MA659446, Change point - VIN end MA661973, RHD, (-)"J", All Wheel Anti-Lock Braking System, With Cruise Control	Less Memory Seats	AMR4194	1

Body Electrics
Batteries & Harnesses
Harness-Main-From (V) MA647645 2/3

Range Rover (From JA610294)

(BDMXCC4A)



Range Rover (From JA610294)

Body Electrics
Batteries & Harnesses
Harness-Main-From (V) MA647645

Callout	Name	Application	Remarks & Restrictions	Service No.	Qty
1	Harness Main	Change point - VIN begin MA649446, Change point - VIN end MA661972, RHD, (-)"J", All Wheel Anti-Lock Braking System, With Cruise Control	Memory Seats	AMR4201	1
		Change point - VIN begin MA661973, RHD, (-)"J", All Wheel Anti-Lock Braking System, With Cruise Control	Memory Seats	AMR5528	1
		Change point - VIN begin MA647645, Change point - VIN end MA659445, RHD, (+)"J"		AMR3521	1
		Change point - VIN begin MA649446, Change point - VIN end MA661973, RHD, (+)"J"		AMR4196	1
		Change point - VIN begin MA647645, Change point - VIN end MA649445, LHD, Less Anti-Lock Braking System, Less Cruise Control	Less Memory Seats	AMR3510	1
		Change point - VIN begin MA661973, LHD, Less Anti-Lock Braking System, Less Cruise Control	Less Memory Seats	AMR5519	1
		Change point - VIN begin MA647645, Change point - VIN end MA649445, LHD, All Wheel Anti-Lock Braking System, Less Cruise Control	Less Memory Seats	AMR3512	1
		Change point - VIN begin MA649446, Change point - VIN end MA661972, LHD, Less Anti-Lock Braking System, Less Cruise Control	Less Memory Seats	AMR4189	1
		Change point - VIN begin MA661973, LHD, All Wheel Anti-Lock Braking System, Less Cruise Control	Less Memory Seats	AMR5521	1
		Change point - VIN begin MA647645, Change point - VIN end MA649445, LHD, Less Anti-Lock Braking System, With Cruise Control	Less Memory Seats	AMR3514	1
		Change point - VIN begin MA649446, Change point - VIN end MA661972, LHD, All Wheel Anti-Lock Braking System, Less Cruise Control	Less Memory Seats	AMR4191	1
		Change point - VIN begin MA661973, LHD, Less Anti-Lock Braking System, With Cruise Control	Less Memory Seats	AMR5520	1

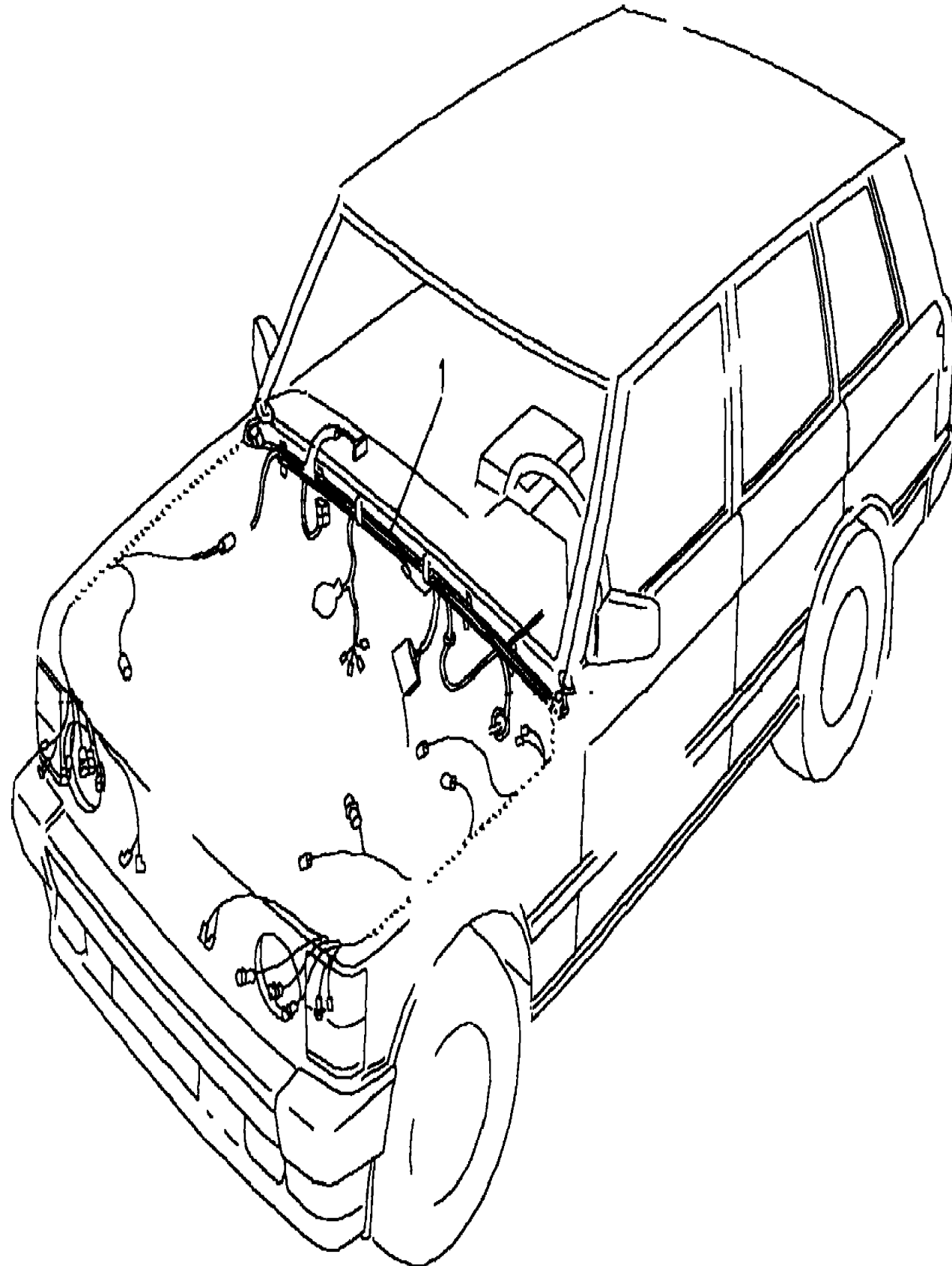
Body Electrics
Batteries & Harnesses
Harness-Main-From (V) MA647645 3/3

Range Rover (From JA610294)

(BDMXCC4A)

Range Rover (From JA610294)

Body Electrics
Batteries & Harnesses
Harness-Main-From (V) MA647645



Callout	Name	Application	Remarks & Restrictions	Service No.	Qty		
1	Harness Main	Change point - VIN begin MA649446, Change point - VIN end MA661972, LHD, Less Anti-Lock Braking System, With Cruise Control	Less Memory Seats	AMR4198	1		
		Change point - VIN begin MA647645, Change point - VIN end MA649445, LHD, All Wheel Anti-Lock Braking System, With Cruise Control	Less Memory Seats	AMR3516	1		
		Change point - VIN begin MA649446, Change point - VIN end MA661972, LHD, All Wheel Anti-Lock Braking System, With Cruise Control	Less Memory Seats	AMR4190	1		
		Change point - VIN begin MA661973, LHD, All Wheel Anti-Lock Braking System, With Cruise Control	Less Memory Seats	AMR5522	1		
		Change point - VIN begin MA647645, Change point - VIN end MA649445, LHD, Less Anti-Lock Braking System, With Cruise Control	Memory Seats	AMR3522	1		
		Change point - VIN begin MA649446, Change point - VIN end MA661973, LHD, Less Anti-Lock Braking System, With Cruise Control	Memory Seats	AMR4202	1		
		Change point - VIN begin MA647645, Change point - VIN end MA649445, LHD, All Wheel Anti-Lock Braking System, With Cruise Control	Memory Seats	AMR3519	1		
		Change point - VIN begin MA649446, Change point - VIN end MA661973, LHD, All Wheel Anti-Lock Braking System, With Cruise Control	Memory Seats	AMR4200	1		
		[900]	Harness Main	Change point - VIN begin MA647645, LHD, Less Anti-Lock Braking System, With Cruise Control	Less Memory Seats	AMR5520	1

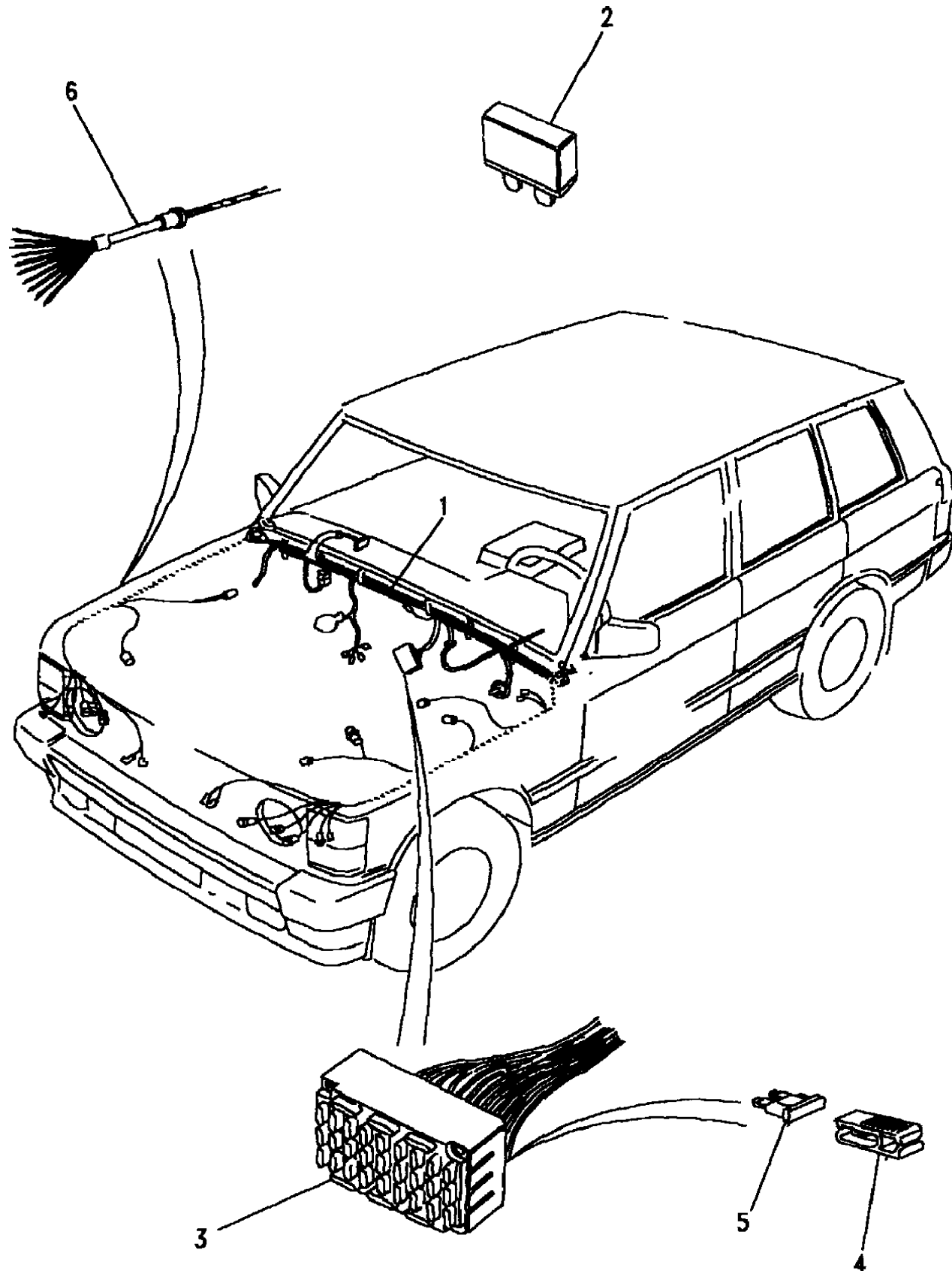
Body Electrics
Batteries & Harnesses
Harness-Main-To (V) LA647644 1/8

Range Rover (From JA610294)

(BDMXCC1A)

Range Rover (From JA610294)

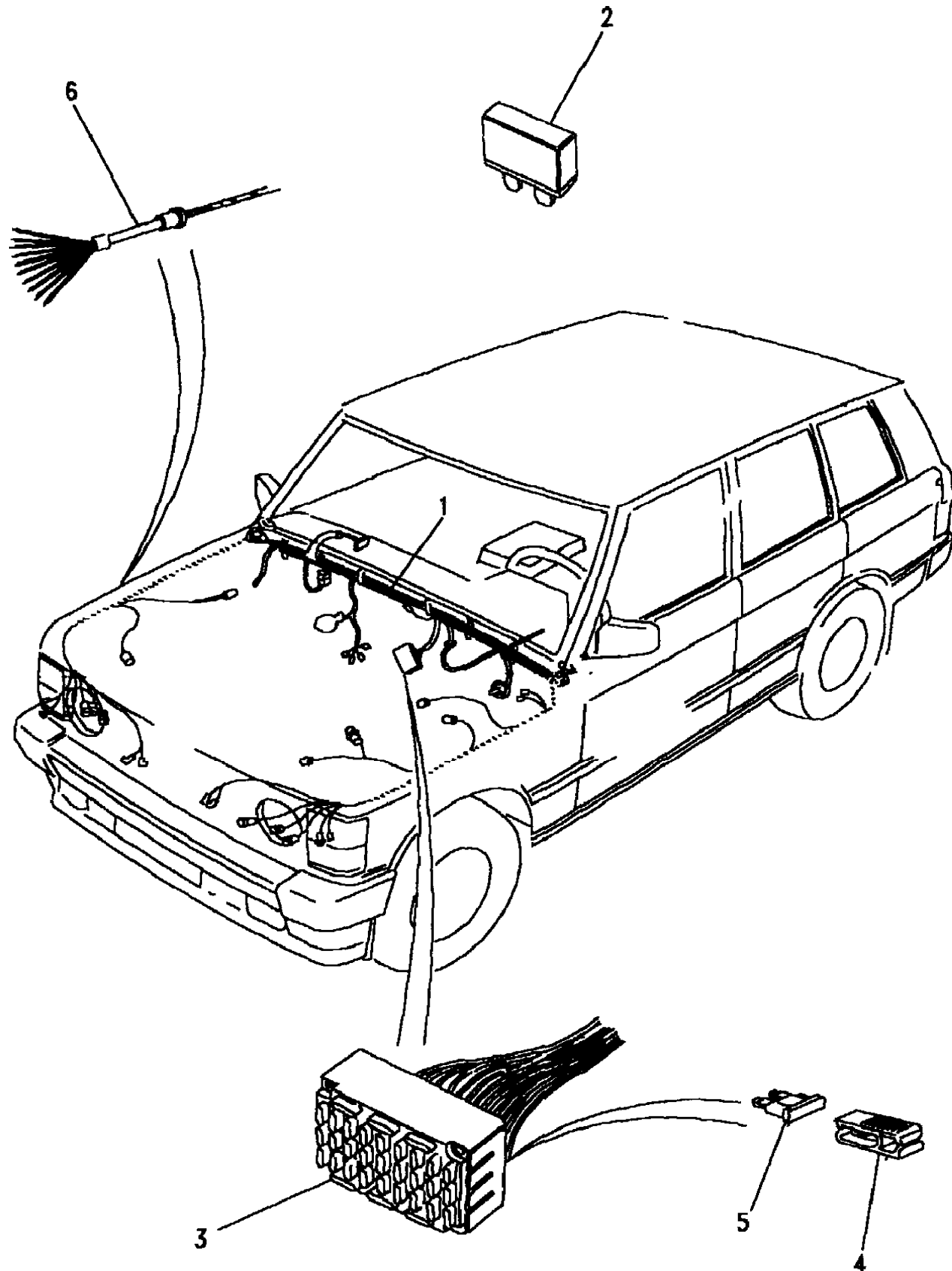
Body Electrics
Batteries & Harnesses
Harness-Main-To (V) LA647644



Callout	Name	Application	Remarks & Restrictions	Service No.	Qty
1	Harness Main	Change point - VIN begin JA610294, Change point - VIN end JA615854, With Petrol Engines, RHD, (-)"J", (-) Vogue SE, Less Anti-Lock Braking System	Less Memory Seats	PRC9617	1
		Change point - VIN begin JA615855, Change point - VIN end JA624780, With Petrol Engines, RHD, (-)"J", (-) Vogue SE, Less Anti-Lock Braking System	Less Memory Seats	PRC9922	1
		Change point - VIN begin JA610294, Change point - VIN end JA616998, With Petrol Engines, LHD, (-)"J", (-) Vogue SE, Less Anti-Lock Braking System	Less Memory Seats	PRC9618	1
		Change point - VIN begin JA616999, Change point - VIN end JA624780, With Petrol Engines, LHD, (-)"J", (-) Vogue SE, Less Anti-Lock Braking System	Less Memory Seats	PRC9923	1
		Change point - VIN begin JA610294, Change point - VIN end JA617001, With Petrol Engines, RHD, (-)"J", (-) Vogue SE, All Wheel Anti-Lock Braking System	Less Memory Seats	PRC9619	1
		Change point - VIN begin JA617002, Change point - VIN end JA624780, With Petrol Engines, RHD, (-)"J", (-) Vogue SE, All Wheel Anti-Lock Braking System	Less Memory Seats	PRC9924	1
		Change point - VIN begin JA610294, Change point - VIN end JA624780, With Petrol Engines, LHD, (-)"J", (-) Vogue SE, All Wheel Anti-Lock Braking System	Less Memory Seats	PRC9925	1
		Change point - VIN begin JA610294, Change point - VIN end JA624780, With Petrol Engines, LHD, (-)"J", Vogue SE, Less Anti-Lock Braking System	Less Memory Seats	AMR1092	1
		Change point - VIN begin JA610294, Change point - VIN end JA624780, With Petrol Engines, RHD, (-)"J", Vogue SE, Less Anti-Lock Braking System	Less Memory Seats	AMR1093	1
		Change point - VIN begin JA610294, Change point - VIN end JA624780, With Petrol Engines, LHD, (-)"J", Vogue SE, Less Anti-Lock Braking System	Memory Seats	AMR1096	1

Range Rover (From JA610294)

(BDMXCC1A)



Range Rover (From JA610294)

Callout	Name	Application	Remarks & Restrictions	Service No.	Qty
1	Harness Main	Change point - VIN begin JA610294, Change point - VIN end JA624780, LHD, (+)"J"		AMR1118	1
		Change point - VIN begin JA610294, Change point - VIN end JA624780, RHD, (+)"J"		AMR1119	1
		Change point - VIN begin JA610294, Change point - VIN end JA616043, RHD, Less Anti-Lock Braking System	DIESEL, VM	PRC9613	1
		Change point - VIN begin JA616044, Change point - VIN end JA624780, RHD, Less Anti-Lock Braking System	DIESEL, VM	PRC9918	1
		Change point - VIN begin JA610294, Change point - VIN end JA616935, LHD, Less Anti-Lock Braking System	DIESEL, VM	PRC9614	1
		Change point - VIN begin JA616939, Change point - VIN end JA624780, LHD, Less Anti-Lock Braking System	DIESEL, VM	PRC9919	1
		Change point - VIN begin JA610294, Change point - VIN end JA616900, RHD, All Wheel Anti-Lock Braking System	DIESEL, VM	PRC9615	1
		Change point - VIN begin JA616901, Change point - VIN end JA624780, RHD, All Wheel Anti-Lock Braking System	DIESEL, VM	PRC9920	1
		Change point - VIN begin JA610294, Change point - VIN end JA616271, LHD, All Wheel Anti-Lock Braking System	DIESEL, VM	PRC9616	1
		Change point - VIN begin JA616272, Change point - VIN end JA624780, LHD, All Wheel Anti-Lock Braking System	DIESEL, VM	PRC9921	1
		Change point - VIN begin KA624781, Change point - VIN end LA647644, With Petrol Engines, RHD, (-)"J", Less Air Suspension, Less Anti-Lock Braking System	Less Memory Seats	AMR1976	1
		Change point - VIN begin KA624781, Change point - VIN end KA628839, With Petrol Engines, LHD, (-)"J", Less Air Suspension, Less Anti-Lock Braking System	Less Memory Seats	AMR1977	1

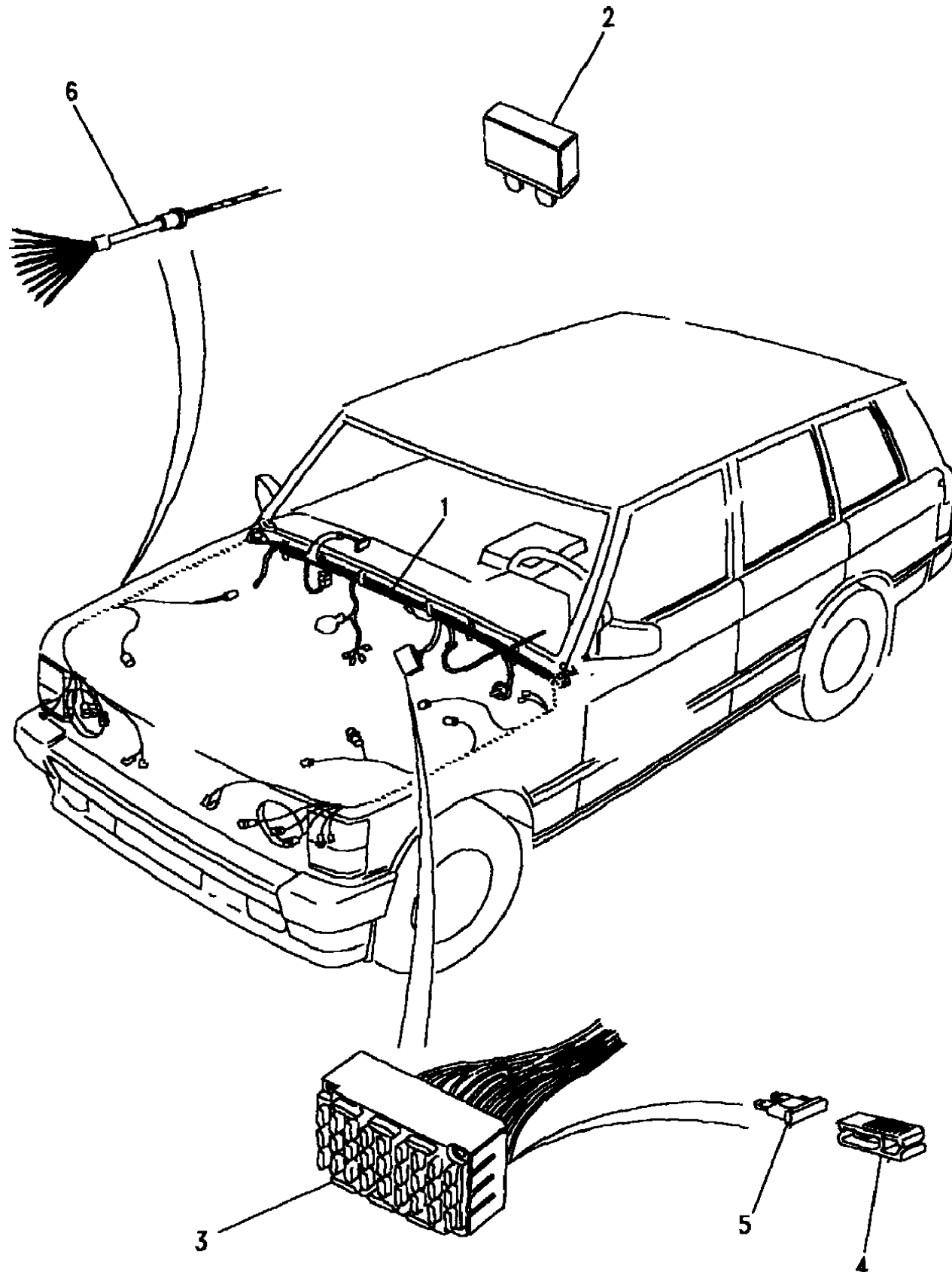
Body Electrics
Batteries & Harnesses
Harness-Main-To (V) LA647644 3/8

Range Rover (From JA610294)

(BDMXCC1A)

Range Rover (From JA610294)

Body Electrics
Batteries & Harnesses
Harness-Main-To (V) LA647644



Callout	Name	Application	Remarks & Restrictions	Service No.	Qty
1	Harness Main	Change point - VIN begin KA628840, Change point - VIN end KA640177, With Petrol Engines, LHD, (-)"J", Less Air Suspension, Less Anti-Lock Braking System	Less Memory Seats	AMR2721	1
		Change point - VIN begin KA640178, Change point - VIN end LA647644, With Petrol Engines, LHD, (-)"J", Less Air Suspension, Less Anti-Lock Braking System	Less Memory Seats	AMR3187	1
		Change point - VIN begin KA624781, Change point - VIN end KA632718, With Petrol Engines, RHD, (-)"J", Less Air Suspension, All Wheel Anti-Lock Braking System	Less Memory Seats	AMR2722	1
		Change point - VIN begin KA632719, Change point - VIN end KA640177, With Petrol Engines, RHD, (-)"J", Less Air Suspension, All Wheel Anti-Lock Braking System	Less Memory Seats	AMR2926	1
		Change point - VIN begin KA640178, Change point - VIN end LA647644, With Petrol Engines, RHD, (-)"J", Less Air Suspension, All Wheel Anti-Lock Braking System	Less Memory Seats	AMR3190	1
		Change point - VIN begin KA624781, Change point - VIN end KA628713, With Petrol Engines, LHD, (-)"J", Less Air Suspension, All Wheel Anti-Lock Braking System	Less Memory Seats	AMR1979	1
		Change point - VIN begin KA628714, Change point - VIN end KA633035, With Petrol Engines, LHD, (-)"J", Less Air Suspension, All Wheel Anti-Lock Braking System	Less Memory Seats	AMR2723	1
		Change point - VIN begin KA633036, Change point - VIN end KA640177, With Petrol Engines, LHD, (-)"J", Less Air Suspension, All Wheel Anti-Lock Braking System	Less Memory Seats	AMR2921	1
		Change point - VIN begin KA640178, Change point - VIN end LA647644, With Petrol Engines, LHD, (-)"J", Less Air Suspension, All Wheel Anti-Lock Braking System	Less Memory Seats	AMR3189	1

Body Electrics
Batteries & Harnesses
Harness-Main-To (V) LA647644 4/8

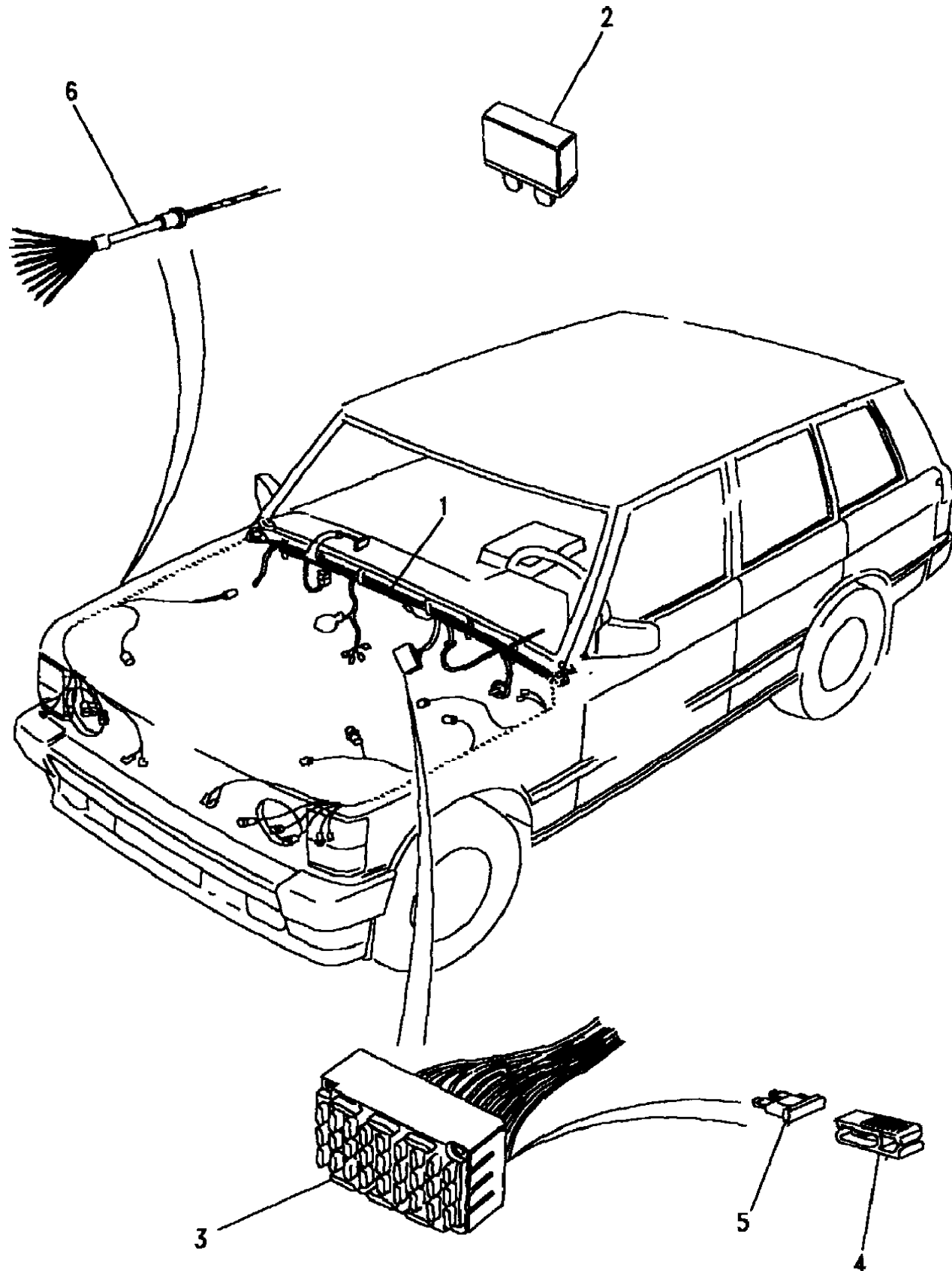
Range Rover (From JA610294)

(BDMXCC1A)

Range Rover (From JA610294)

Body Electrics
Batteries & Harnesses
Harness-Main-To (V) LA647644

Callout	Name	Application	Remarks & Restrictions	Service No.	Qty
1	Harness Main	Change point - VIN begin KA624781, Change point - VIN end KA628503, With Petrol Engines, RHD, (-)"J", With Air Suspension, Less Anti-Lock Braking System Change point - VIN begin KA628504, Change point - VIN end KA640177, With Petrol Engines, RHD, (-)"J", With Air Suspension, Less Anti-Lock Braking System Change point - VIN begin KA640178, Change point - VIN end LA647644, With Petrol Engines, RHD, (-)"J", With Air Suspension, Less Anti-Lock Braking System Change point - VIN begin KA624781, Change point - VIN end KA628556, With Petrol Engines, LHD, (-)"J", With Air Suspension, Less Anti-Lock Braking System Change point - VIN begin KA628557, Change point - VIN end KA640177, With Petrol Engines, LHD, (-)"J", With Air Suspension, Less Anti-Lock Braking System Change point - VIN begin KA640178, Change point - VIN end LA647644, With Petrol Engines, LHD, (-)"J", With Air Suspension, Less Anti-Lock Braking System Change point - VIN begin KA624781, Change point - VIN end KA628299, With Petrol Engines, RHD, (-)"J", With Air Suspension, All Wheel Anti-Lock Braking System Change point - VIN begin KA628300, Change point - VIN end KA632991, With Petrol Engines, RHD, (-)"J", With Air Suspension, All Wheel Anti-Lock Braking System Change point - VIN begin KA632992, Change point - VIN end KA640177, With Petrol Engines, RHD, (-)"J", With Air Suspension, All Wheel Anti-Lock Braking System	Memory Seats Memory Seats Memory Seats Memory Seats Memory Seats	AMR1976 AMR2720 AMR3188 AMR1986 AMR2727 AMR3193 AMR1980 AMR2724 AMR2927	1 1 1 1 1 1 1 1 1



Body Electrics
Batteries & Harnesses
Harness-Main-To (V) LA647644 5/8

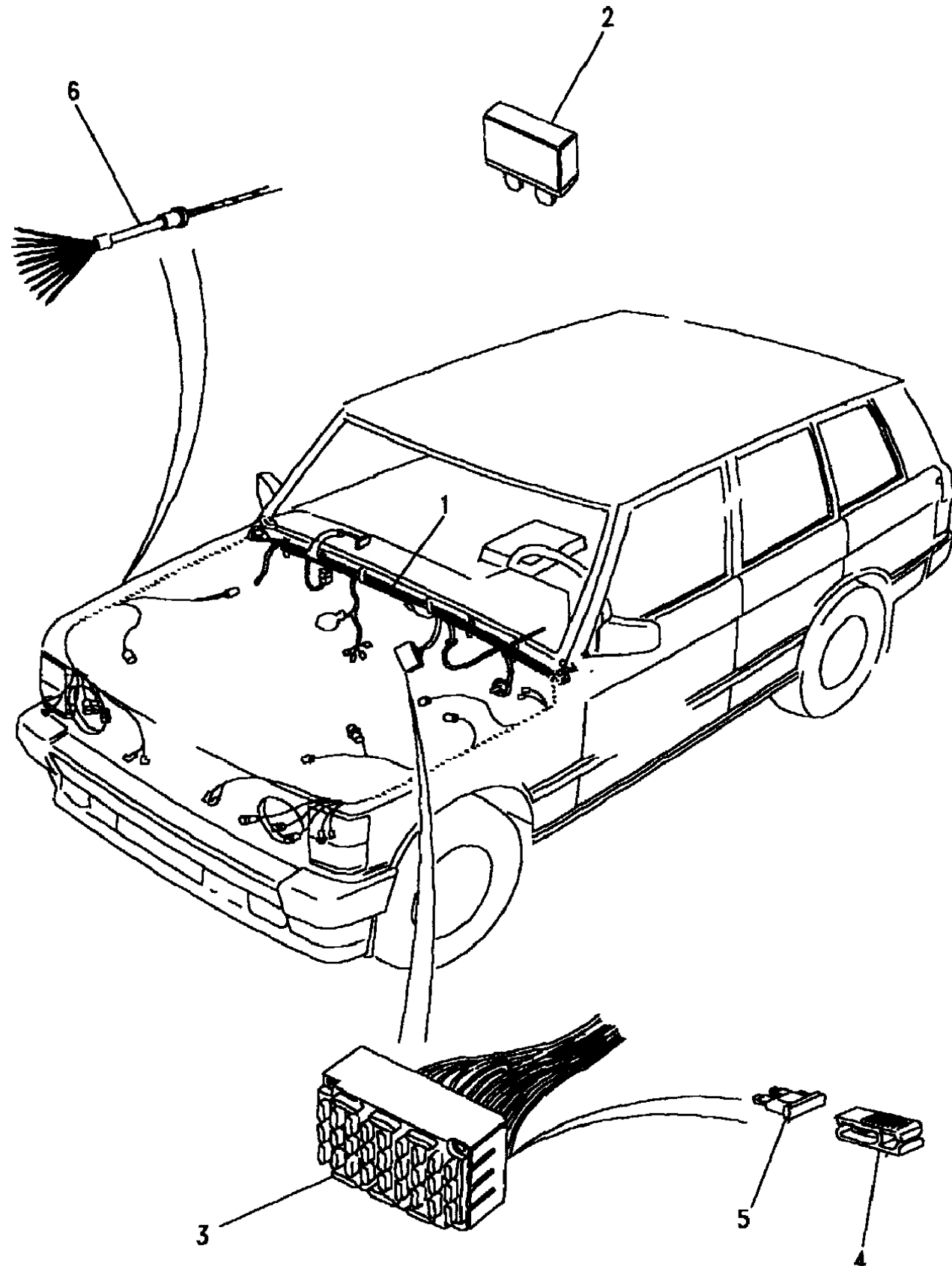
Range Rover (From JA610294)

(BDMXCC1A)

Range Rover (From JA610294)

Body Electrics
Batteries & Harnesses
Harness-Main-To (V) LA647644

Callout	Name	Application	Remarks & Restrictions	Service No.	Qty
1	Harness Main	Change point - VIN begin KA640178, Change point - VIN end LA647644, With Petrol Engines, LHD, (-)"J", With Air Suspension, All Wheel Anti-Lock Braking System Change point - VIN begin KA624781, Change point - VIN end KA629050, RHD, (+)"J", With Air Suspension Change point - VIN begin KA629051, Change point - VIN end KA632937, RHD, (+)"J", With Air Suspension Change point - VIN begin KA632938, Change point - VIN end KA640177, RHD, (+)"J", With Air Suspension Change point - VIN begin KA640178, Change point - VIN end LA647644, RHD, (+)"J", With Air Suspension Change point - VIN begin KA624781, Change point - VIN end KA628417, TDi Diesel, RHD, (-)"Belgium", Less Anti-Lock Braking System Change point - VIN begin KA628418, Change point - VIN end KA640177, TDi Diesel, RHD, (-)"Belgium", Less Anti-Lock Braking System Change point - VIN begin KA640178, Change point - VIN end LA647644, TDi Diesel, RHD, (-)"Belgium", Less Anti-Lock Braking System Change point - VIN begin KA624781, Change point - VIN end KA628299, TDi Diesel, LHD, (-)"Belgium", Less Anti-Lock Braking System Change point - VIN begin KA628700, Change point - VIN end KA640177, TDi Diesel, LHD, (-)"Belgium", Less Anti-Lock Braking System Change point - VIN begin KA640178, Change point - VIN end LA647644, TDi Diesel, LHD, (-)"Belgium", Less Anti-Lock Braking System	Memory Seats	AMR3191 AMR1982 AMR2726 AMR2928 AMR3194 AMR1988 AMR2728 AMR3184 AMR1987 AMR2729 AMR3183	1 1 1 1 1 1 1 1 1 1



Body Electrics
Batteries & Harnesses
Harness-Main-To (V) LA647644 6/8

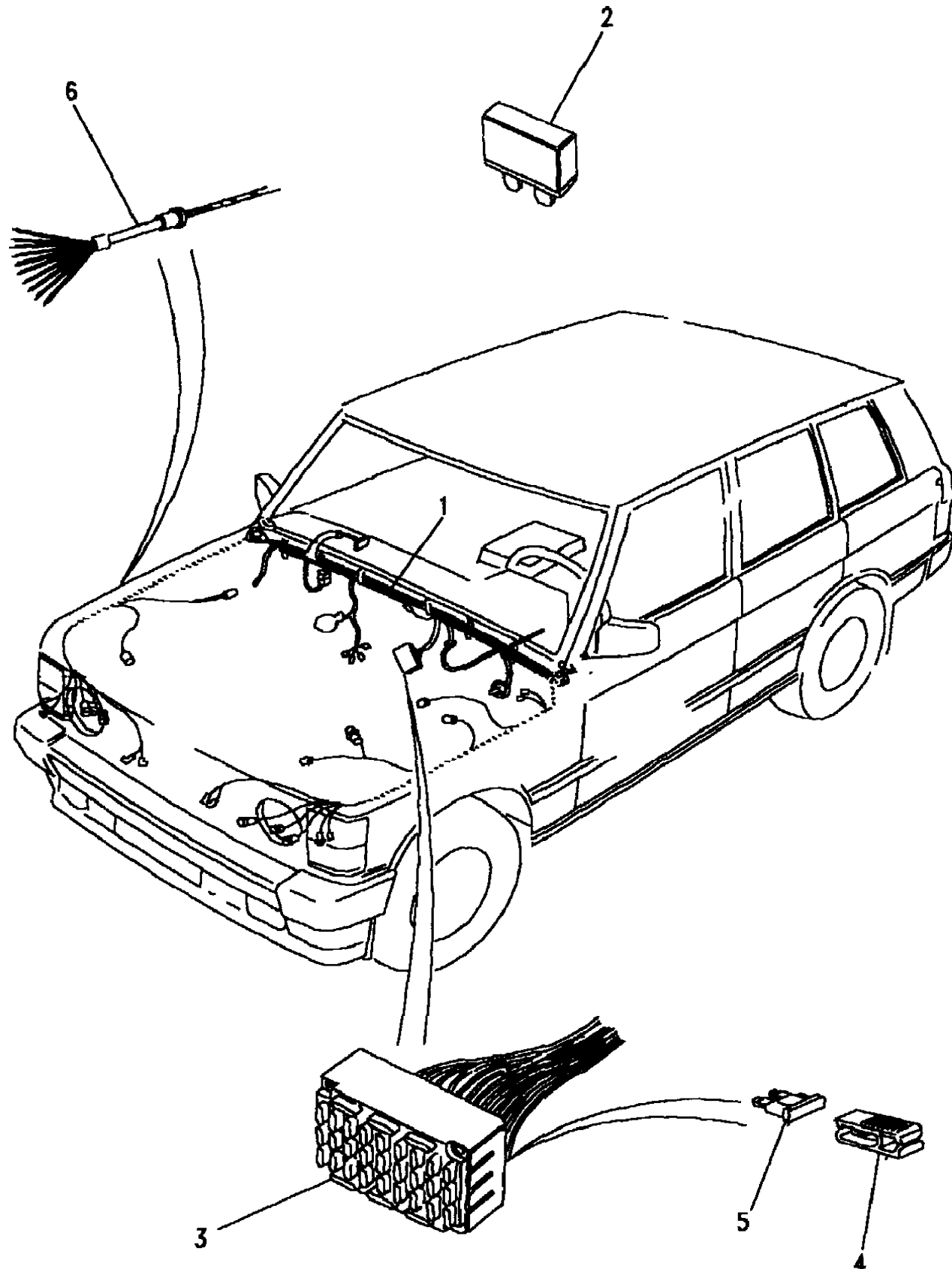
Range Rover (From JA610294)

(BDMXCC1A)

Body Electrics
Batteries & Harnesses
Harness-Main-To (V) LA647644

Range Rover (From JA610294)

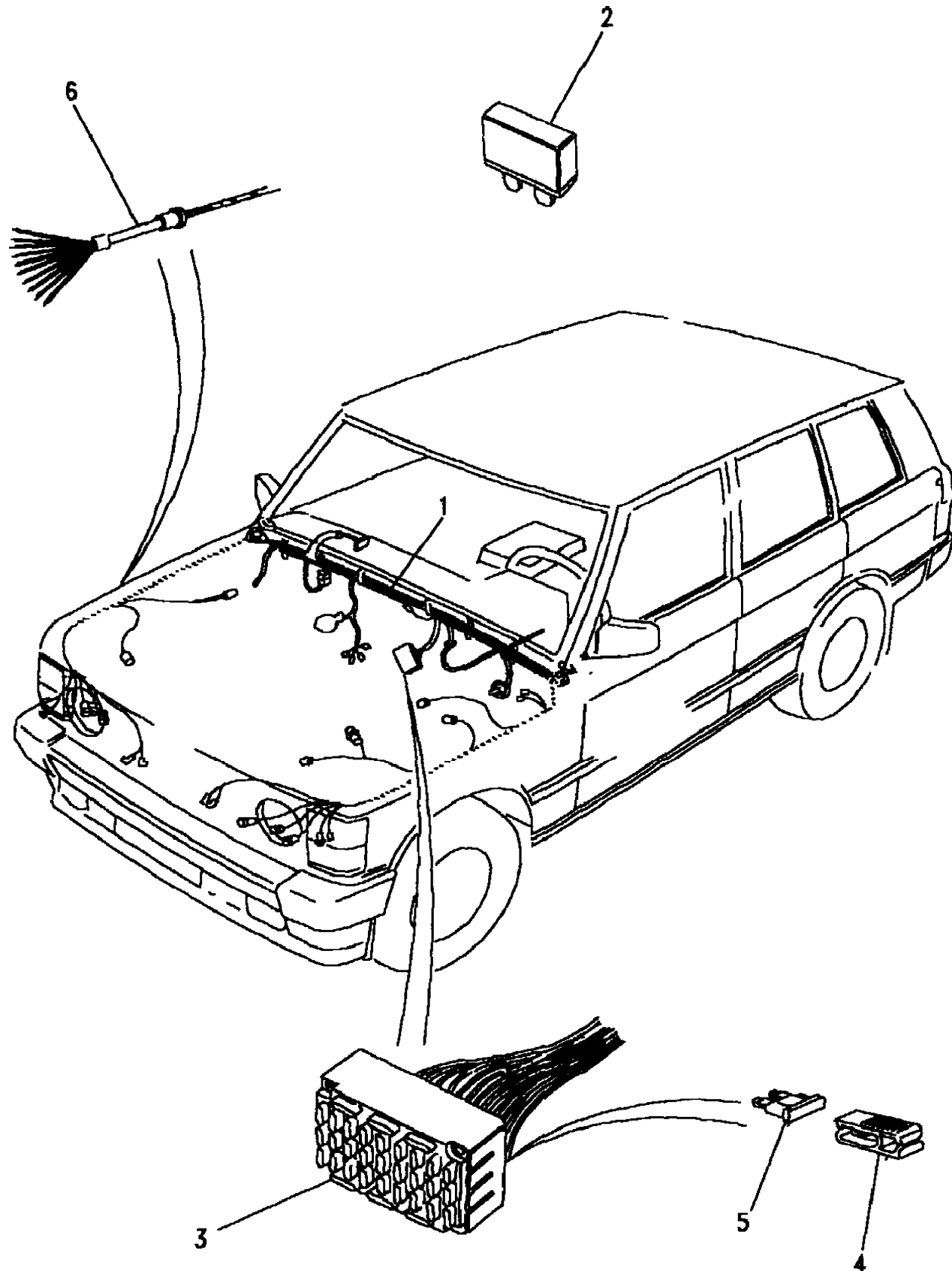
Callout	Name	Application	Remarks & Restrictions	Service No.	Qty
1	Harness Main	Change point - VIN begin KA624781, Change point - VIN end KA628706, TDi Diesel, RHD, (-)"Belgium", All Wheel Anti-Lock Braking System Change point - VIN begin KA628707, Change point - VIN end KA632978, TDi Diesel, RHD, (-)"Belgium", All Wheel Anti-Lock Braking System Change point - VIN begin KA632979, Change point - VIN end KA640177, TDi Diesel, RHD, (-)"Belgium", All Wheel Anti-Lock Braking System Change point - VIN begin KA640178, Change point - VIN end LA647644, TDi Diesel, RHD, (-)"Belgium", All Wheel Anti-Lock Braking System Change point - VIN begin KA624781, Change point - VIN end KA628864, TDi Diesel, LHD, (-)"Belgium", All Wheel Anti-Lock Braking System Change point - VIN begin KA628865, Change point - VIN end KA632604, TDi Diesel, LHD, (-)"Belgium", All Wheel Anti-Lock Braking System Change point - VIN begin KA632605, Change point - VIN end KA640177, TDi Diesel, LHD, (-)"Belgium", All Wheel Anti-Lock Braking System Change point - VIN begin KA640178, Change point - VIN end LA647644, TDi Diesel, LHD, (-)"Belgium", All Wheel Anti-Lock Braking System Change point - VIN begin KA632362, Change point - VIN end LA647644, TDi Diesel, (+)"B", All Wheel Anti-Lock Braking System, With Manual Headlamp Levelling Change point - VIN begin KA632362, Change point - VIN end LA647644, TDi Diesel, (+)"B", Less Anti-Lock Braking System		AMR1990 AMR2730 AMR2929 AMR3186 AMR1989 AMR2731 AMR2925 AMR3185 AMR2915 AMR2914	1 1 1 1 1 1 1 1 1 1
2	Circuit Breaker	Change point - VIN begin KA624781, Change point - VIN end LA647644		RTC6345	1



Body Electrics
Batteries & Harnesses
Harness-Main-To (V) LA647644 7/8

Range Rover (From JA610294)

(BDMXCC1A)



Range Rover (From JA610294)

Body Electrics
Batteries & Harnesses
Harness-Main-To (V) LA647644

Callout	Name	Application	Remarks & Restrictions	Service No.	Qty		
3	Fusebox assembly engine compartment	Change point - VIN begin KA624781, Change point - VIN end LA647644		STC659	1		
4	Extractor blade fuse	Change point - VIN begin KA624781, Change point - VIN end LA647644		PRC4412	1		
5	Fuse	Change point - VIN begin KA624781, Change point - VIN end LA647644	3 AMP, AUTO, standard.	RTC4481	X		
		Change point - VIN begin KA624781, Change point - VIN end LA647644	5 AMP, AUTO, Standard	RTC4497	X		
		Change point - VIN begin KA624781, Change point - VIN end LA647644	7.5 AMP, AUTO, standard.	RTC4498	X		
		Change point - VIN begin KA624781, Change point - VIN end LA647644	10 AMP, AUTO, Standard	RTC4501	X		
		Change point - VIN begin KA624781, Change point - VIN end LA647644	15 AMP, AUTO, standard.	RTC4503	X		
		Change point - VIN begin KA624781, Change point - VIN end LA647644	20 AMP, AUTO, standard.	RTC4504	X		
		Change point - VIN begin KA624781, Change point - VIN end LA647644	25 AMP, AUTO, standard.	RTC4506	X		
		Change point - VIN begin KA624781, Change point - VIN end LA647644	AUTO, 30 AMP, Standard	RTC4507	X		
		6	Kit-fusible link	Change point - VIN begin KA624781, Change point - VIN end LA647644		AMR3928	1
		[900]	Harness Main	Change point - VIN begin KA640178, Change point - VIN end LA647644, With Petrol Engines, RHD, (-)"J", With Air Suspension, All Wheel Anti-Lock Braking System	Memory Seats	AMR3192	1
	Change point - VIN begin KA624781, Change point - VIN end KA628838, With Petrol Engines, LHD, (-)"J", With Air Suspension, All Wheel Anti-Lock Braking System	Memory Seats		AMR1981	1		
	Change point - VIN begin KA628839, Change point - VIN end KA632876, With Petrol Engines, LHD, (-)"J", With Air Suspension, All Wheel Anti-Lock Braking System	Memory Seats		AMR2725	1		

Body Electrics
 Batteries & Harnesses
 Harness-Main-To (V) LA647644 8/8

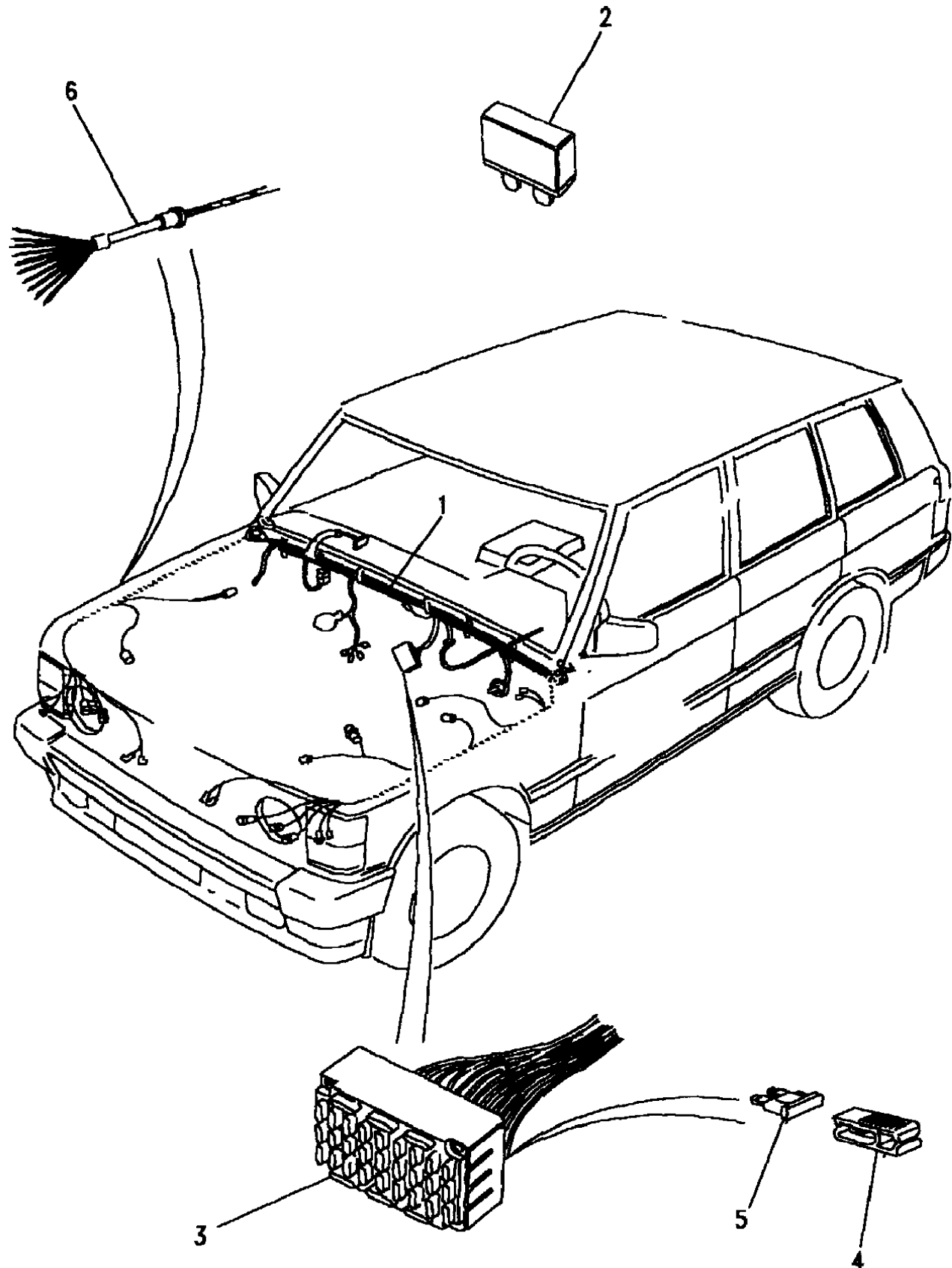
Range Rover (From JA610294)

(BDMXCC1A)

Body Electrics
 Batteries & Harnesses
 Harness-Main-To (V) LA647644

Range Rover (From JA610294)

Callout	Name	Application	Remarks & Restrictions	Service No.	Qty
[900]	Harness Main	Change point - VIN begin KA632877, Change point - VIN end KA640177, With Petrol Engines, LHD, (-)"J", With Air Suspension, All Wheel Anti-Lock Braking System	Memory Seats	AMR2922	1



Body Electrics
Batteries & Harnesses
Harness-Window Lift-2 Door-To (V) LA647644 1/1

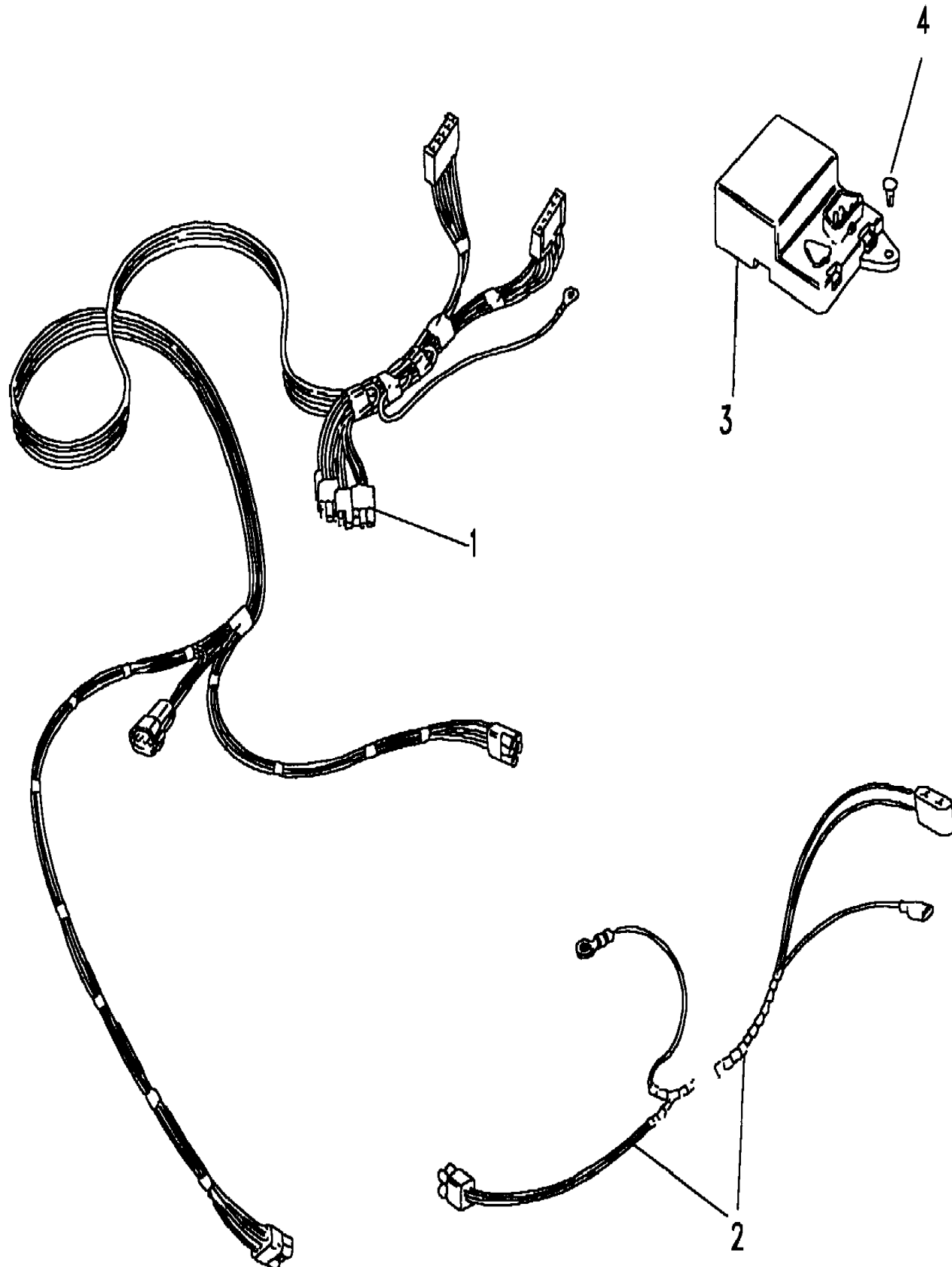
Range Rover (From JA610294)
(BDMXPA1A)

Range Rover (From JA610294)

Body Electrics
Batteries & Harnesses
Harness-Window Lift-2 Door-To (V) LA647644

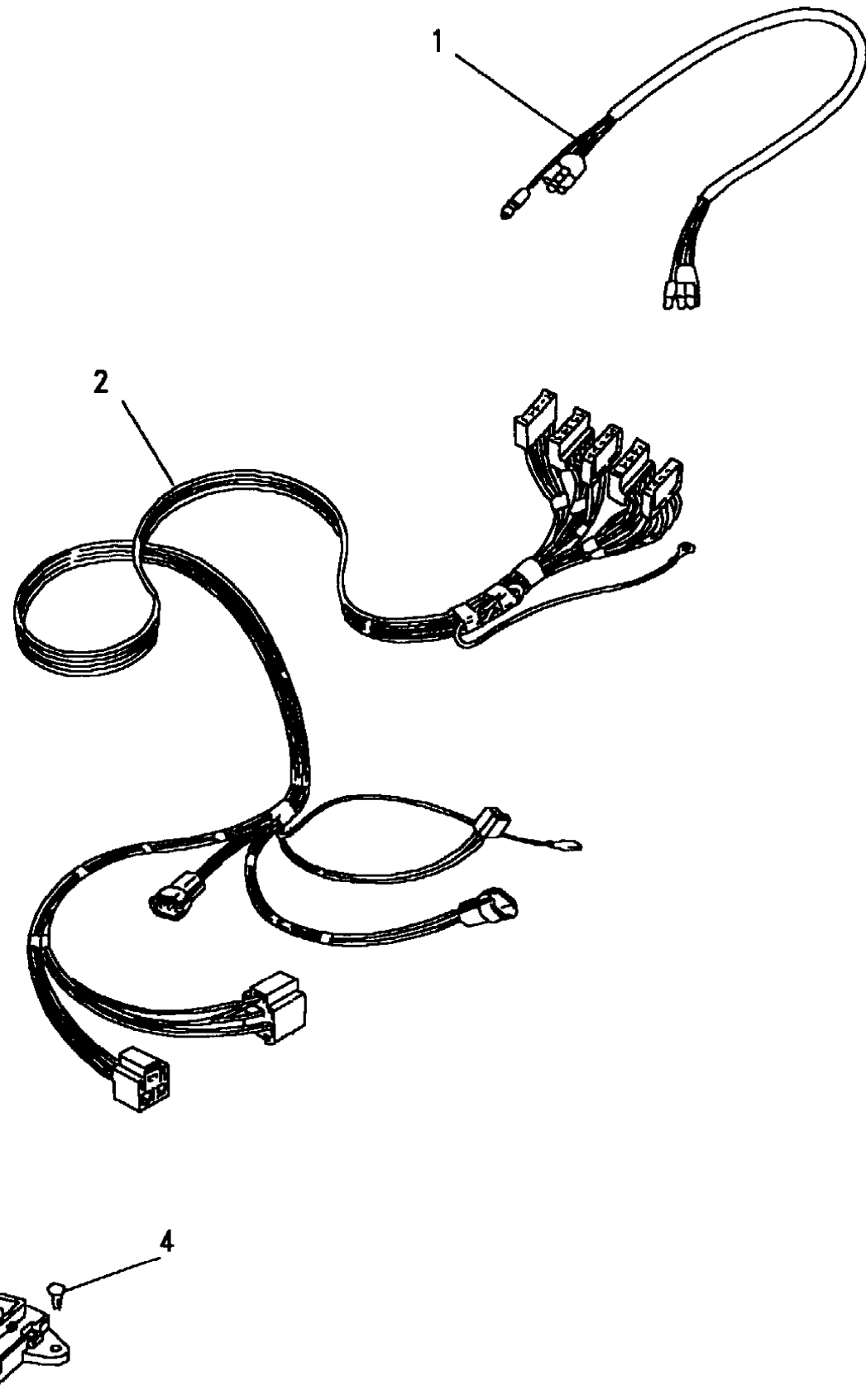
Change point - VIN end LA647644, 2 Door Station Wagon

Callout	Name	Application	Remarks & Restrictions	Service No.	Qty
1	Harness-window lift	Change point - VIN end LA647644		PRC8843	1
2	Harness-window lift	Change point - VIN end JA624754 Change point - VIN begin KA624756, Change point - VIN end LA647644	extension to cubby box extension to cubby box	PRC9131 PRC9984	1 1
3	Control unit electric window lift-one touch	Change point - VIN end LA647644		PRC6859	1
4	Plug	Change point - VIN end LA647644		MXC8709	2



Body Electrics
Batteries & Harnesses
Harness-Window Lift-4 Door-To (V) LA647644 1/1

Range Rover (From JA610294)
(BDMXPA2A)

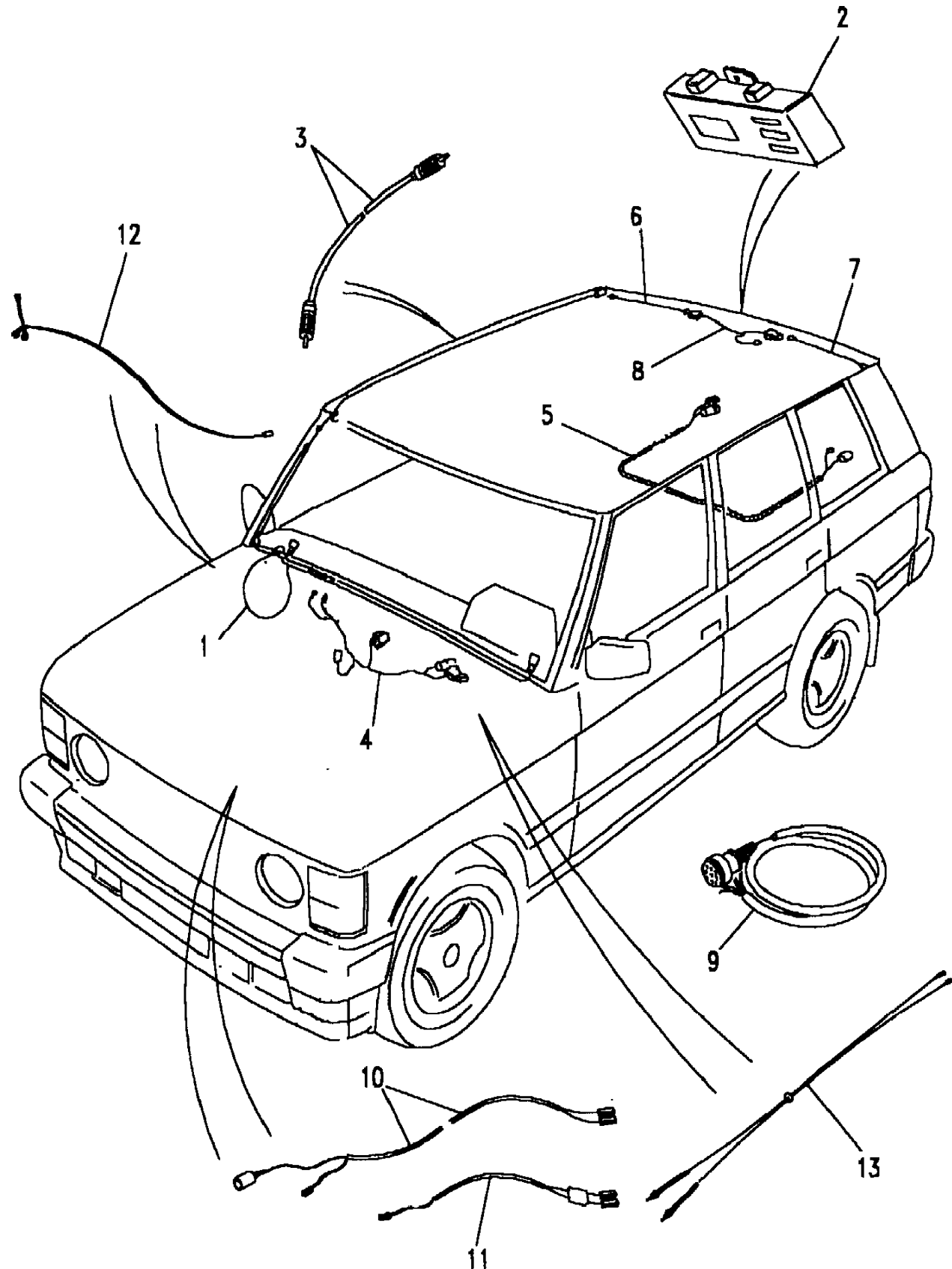


Range Rover (From JA610294)

Body Electrics
Batteries & Harnesses
Harness-Window Lift-4 Door-To (V) LA647644

Change point - VIN end LA647644, 4 Door Station Wagon

Callout	Name	Application	Remarks & Restrictions	Service No.	Qty
1	Harness-central door locking	Change point - VIN end LA647644	Driver	PRC4719	1
		Change point - VIN end LA647644	Passenger	PRC4721	1
2	Harness-window lift	Change point - VIN end JA624754		PRC9263	1
		Change point - VIN begin KA624756, Change point - VIN end LA647644		PRC9983	1
3	Control unit electric window lift-one touch	Change point - VIN end LA647644		PRC6859	1
4	Plug	Change point - VIN end LA647644		MXC8709	2



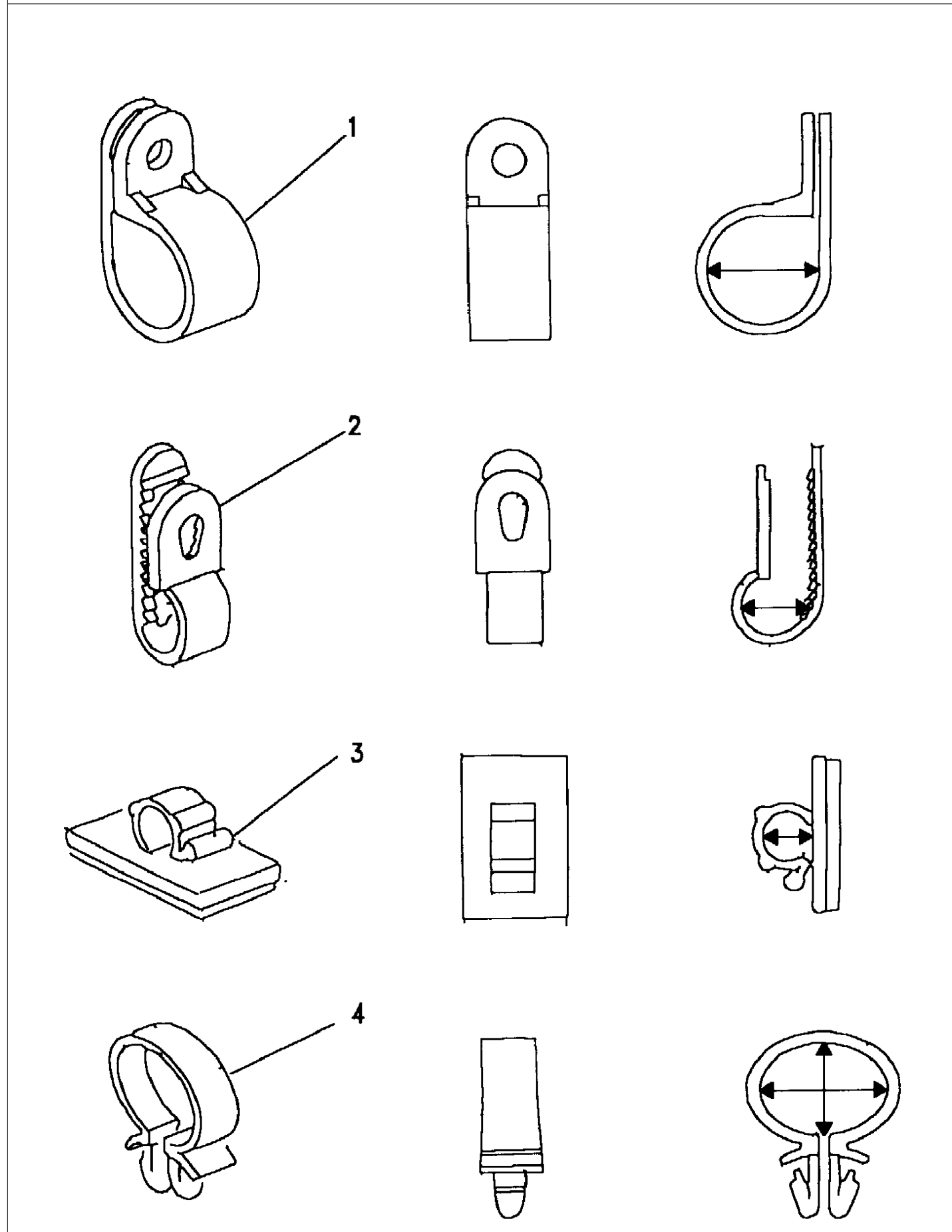
Callout	Name	Application	Remarks & Restrictions	Service No.	Qty
1	Harness-link	Change point - VIN end JA624754	heated jets	PRC8881	1
		Change point - VIN begin KA624756	heated jets	PRC9087	1
2	Amplifier-audio antenna			PRC8739	1
3	Lead-isolator assembly aerial			PRC8740	1
4	Cable assembly	Change point - VIN end LA647644	Heater	PRC8860	1
5	Harness-link	Change point - VIN end JA624754	FUEL TANK	PRC8910	1
		Change point - VIN begin KA624756, Change point - VIN end KA642682	FUEL TANK	AMR2207	1
		Change point - VIN begin KA642683	FUEL TANK	AMR2587	1
6	Harness-link	Change point - VIN end JA624754	HRS to amp, RH	PRC7913	1
		Change point - VIN begin KA624756	HRS to amp	PRC9867	1
7	Harness-link	Change point - VIN end JA624754	HRS to amp, LH	PRC7914	1
		Change point - VIN begin KA624756	HRS to amp	PRC9866	1
8	Suppressor assembly-noise distributor			PRC9548	1
9	Harness-link		trailer socket	PRC4143	1
10	Harness-link	4.2L Petrol	WATER TEMPERATURE	AMR2269	1
11	Harness-link	4.2L Petrol	WATER TEMPERATURE	AMR2270	1
12	Lead-link	(+)"J", With Catalyst	amplifier	AMR2462	1
13	Thermocouple assembly	(+)"J", With Catalyst	Local Supply	AMR2463	1

Body Electrics
Cable Clips, Ties & Grommets
Cable Clips 1/1

Range Rover (From JA610294)
(BDMXWA2A)

Body Electrics
Cable Clips, Ties & Grommets
Cable Clips

Range Rover (From JA610294)



Callout	Name	Application	Remarks & Restrictions	Service No.	Qty
1	Clip-p		Black, Plastic, 13.6mm Black, Plastic, 17.4/20.0mm	AAU3715L PRC4543	X X
2	Clip-p		Plastic, Adjustable, White., 4.0/12.0mm Black, Plastic, Adjustable, 11.0/20.0mm	C39377L C393771L	X X
3	Clip-self adhesive		6MM 8MM	AFU3081L DRC5017L	X X
4	Clip-omega		Grey, 6.5mm hole, 10.5 x 8mm 6.5mm hole, White., 14 x 10mm Blue., 6.5mm hole, 17 x 13mm	PRC5273 PRC5274 PRC5275	X X X

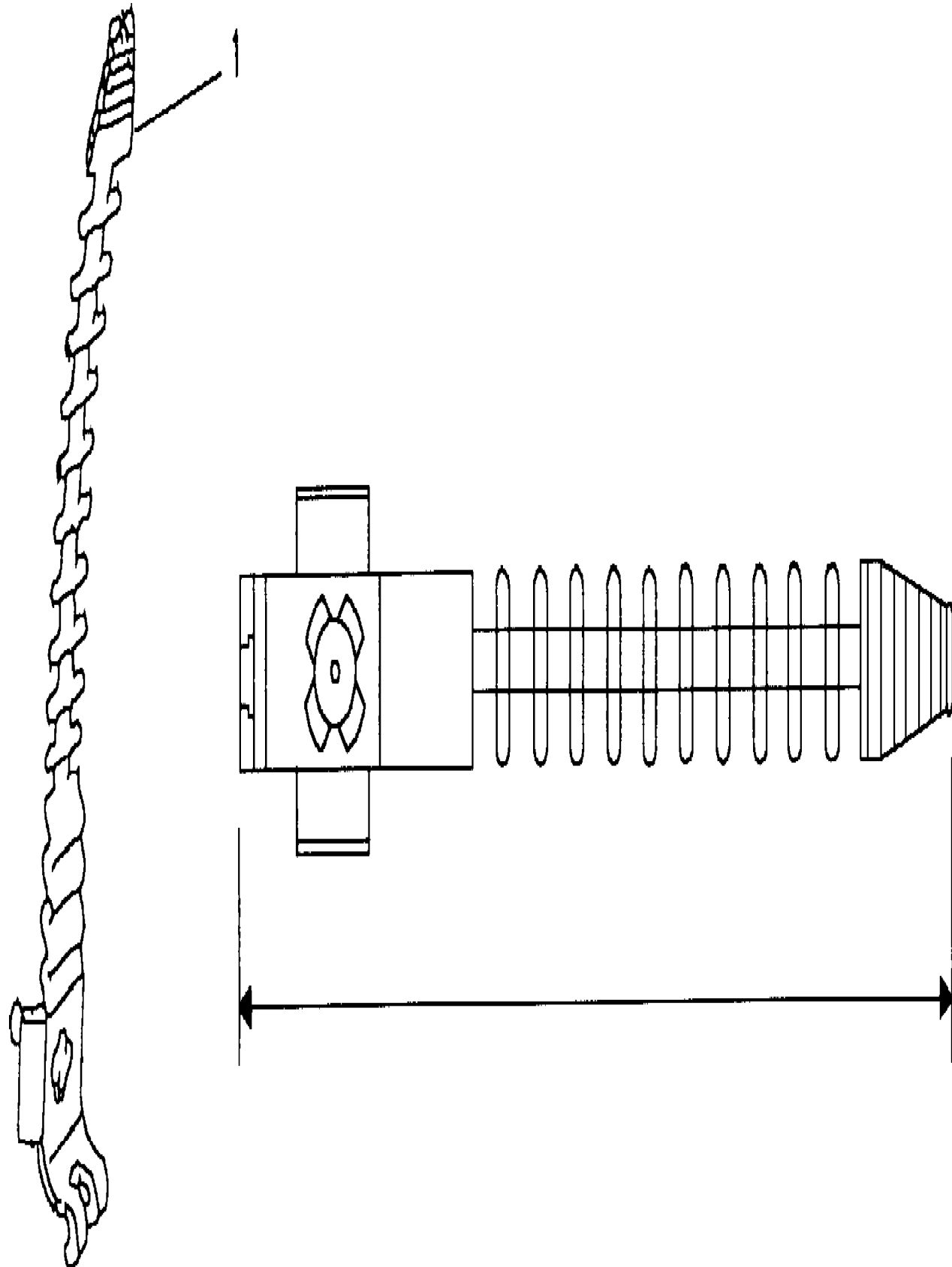
Body Electrics
 Cable Clips, Ties & Grommets
 Cable Tie-Stud Type 1/1

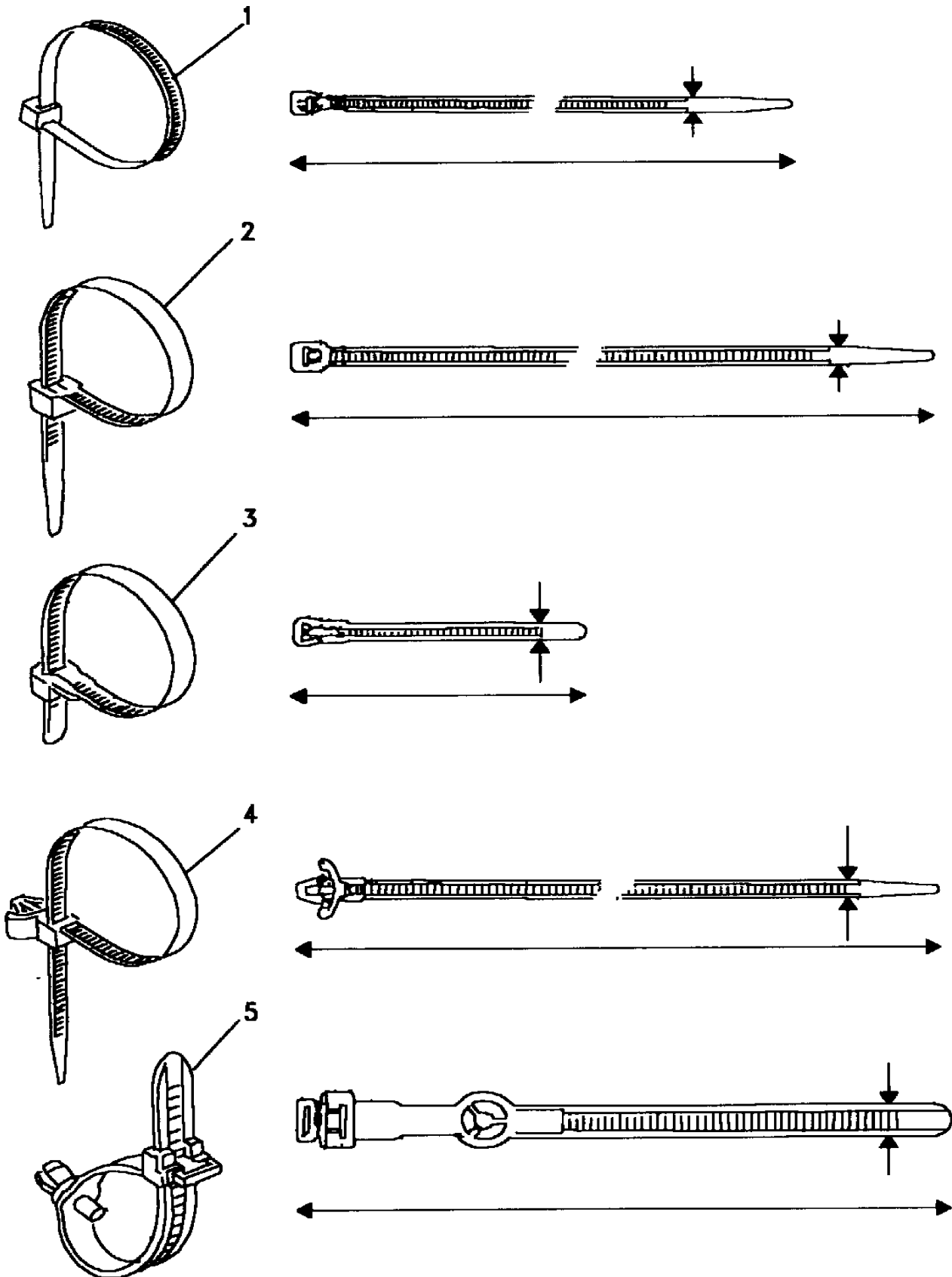
Range Rover (From JA610294)
 (BDMXWA1B)

Range Rover (From JA610294)

Body Electrics
 Cable Clips, Ties & Grommets
 Cable Tie-Stud Type

Callout	Name	Application	Remarks & Restrictions	Service No.	Qty
1	Tie-cable		97MM, Plastic, Adjustable, 24mm diameter, 6.4mm hole 122MM, Plastic, Adjustable, 6.4mm hole, 32mm diameter stud fixing, Clear., fixed contact	ADU7981L ADU8981 YVC10294L	X X X





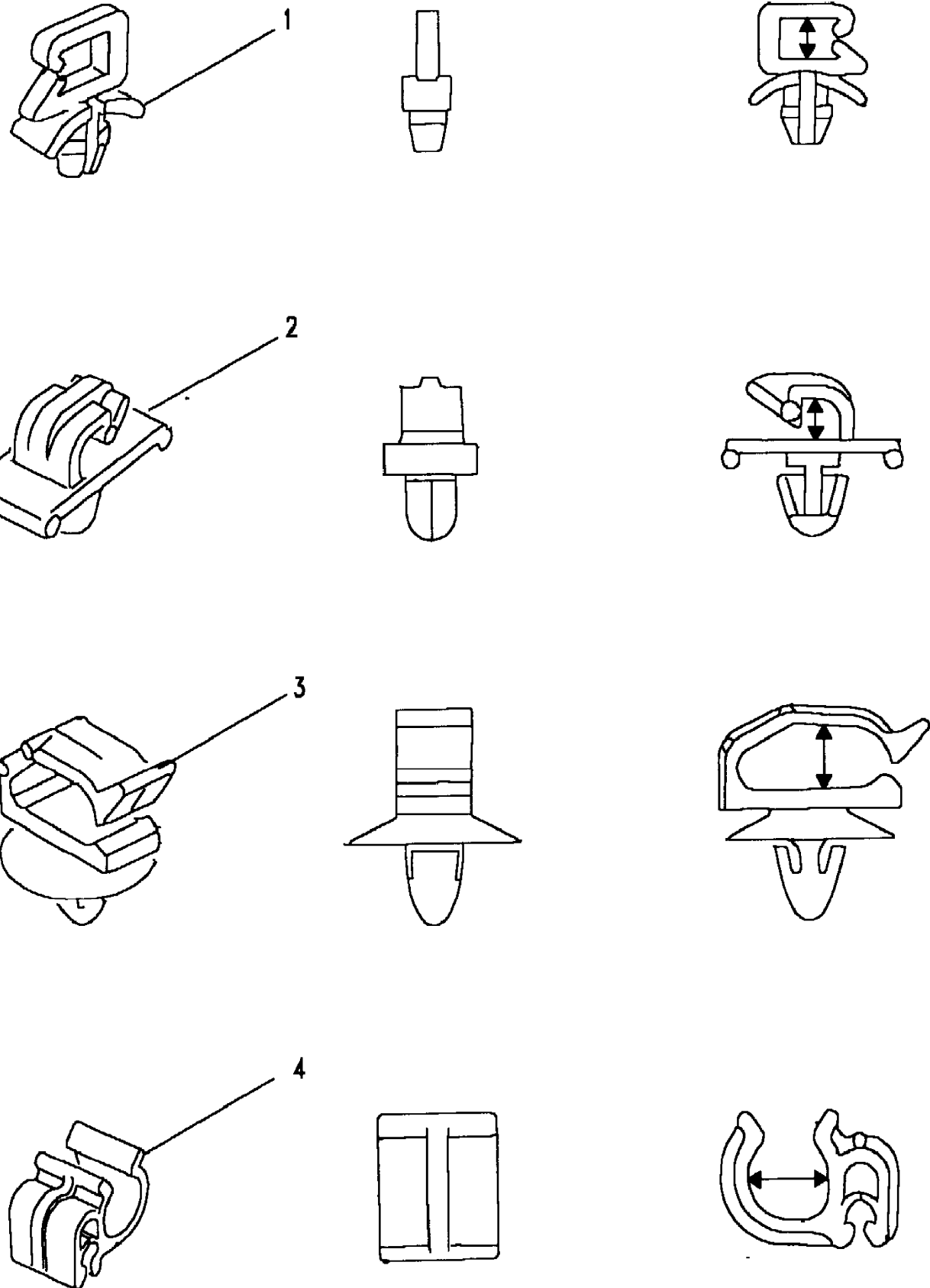
Callout	Name	Application	Remarks & Restrictions	Service No.	Qty
1	Tie-cable		Black, 2.5 x 100mm, outside serated	C43640	X
2	Tie-cable		Black, inside serated, 2.5 x 100mm Black, 2.5 x 100mm, outside serated Also serviced as part of a kit, Black, inside serated, 3.5 x 150mm inside serated, 3.5 x 300mm inside serated, 4.6 x 385mm, White. Black, inside serated, 4.8 x 115mm Black, inside serated, 4.8 x 135mm 4.8 x 270mm, inside serated	DRC1538 C43640 UKC6684L NTC1154 594594 573246 RTC3772 568680	X X X X X X X X
3	Tie-cable		Black, 6.5 x 100mm, releasable Black, releasable, 7.5 x 145mm Black, releasable, 8.8 x 770mm	13H9704L 13H9727L AFU4173	X X X
4	Tie-cable		4.50MM, 7mm hole, 4.6 x 165mm Grey, 4.6 x 165mm 8mm hole, 4.6 x 215mm	YQR10016L YQR10075 YYD10003	X X X
5	Tie-cable		6.5mm hole, 8.0 x 155mm	AAU3686	X

Body Electrics
Cable Clips, Ties & Grommets
Clips-Panel & Edge 1/1

Range Rover (From JA610294)
(BDMXWA3A)

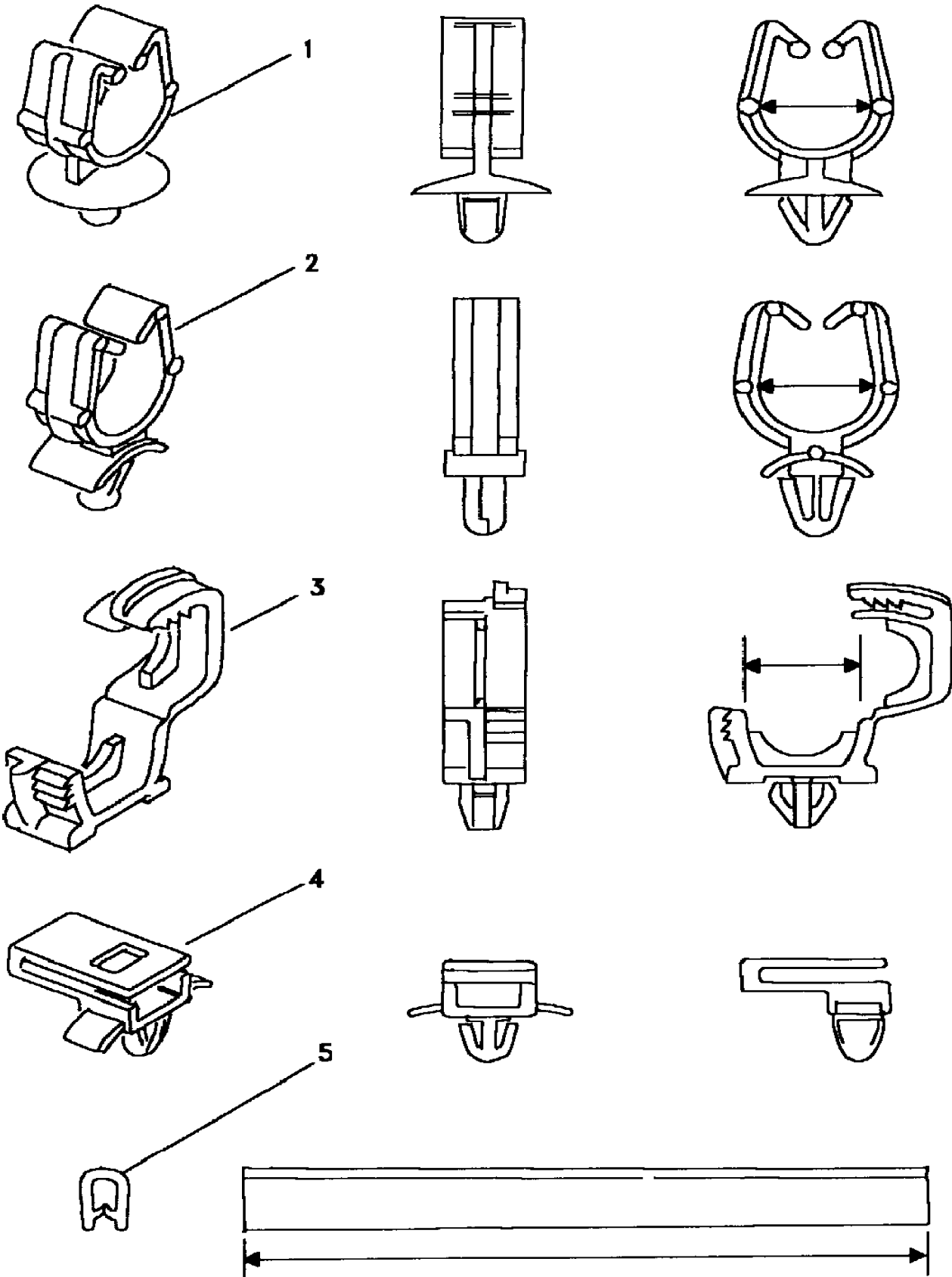
Body Electrics
Cable Clips, Ties & Grommets
Clips-Panel & Edge

Callout	Name	Application	Remarks & Restrictions	Service No.	Qty
1	Clip-panel fixing		4.8mm hole, 5MM	PRC3702	X
2	Clip		6.5mm hole, 5MM	AFU2879	X
3	Clip-cable		8mm hole	AFU1090L	X
4	Clip-edge harness		12MM, Clear.	AFU1296	X



Body Electrics
Cable Clips, Ties & Grommets
Clips-Panel & Edge (Cont') 1/1

Range Rover (From JA610294)
(BDMXWA3B)



Body Electrics
Cable Clips, Ties & Grommets
Clips-Panel & Edge (Cont')

Range Rover (From JA610294)

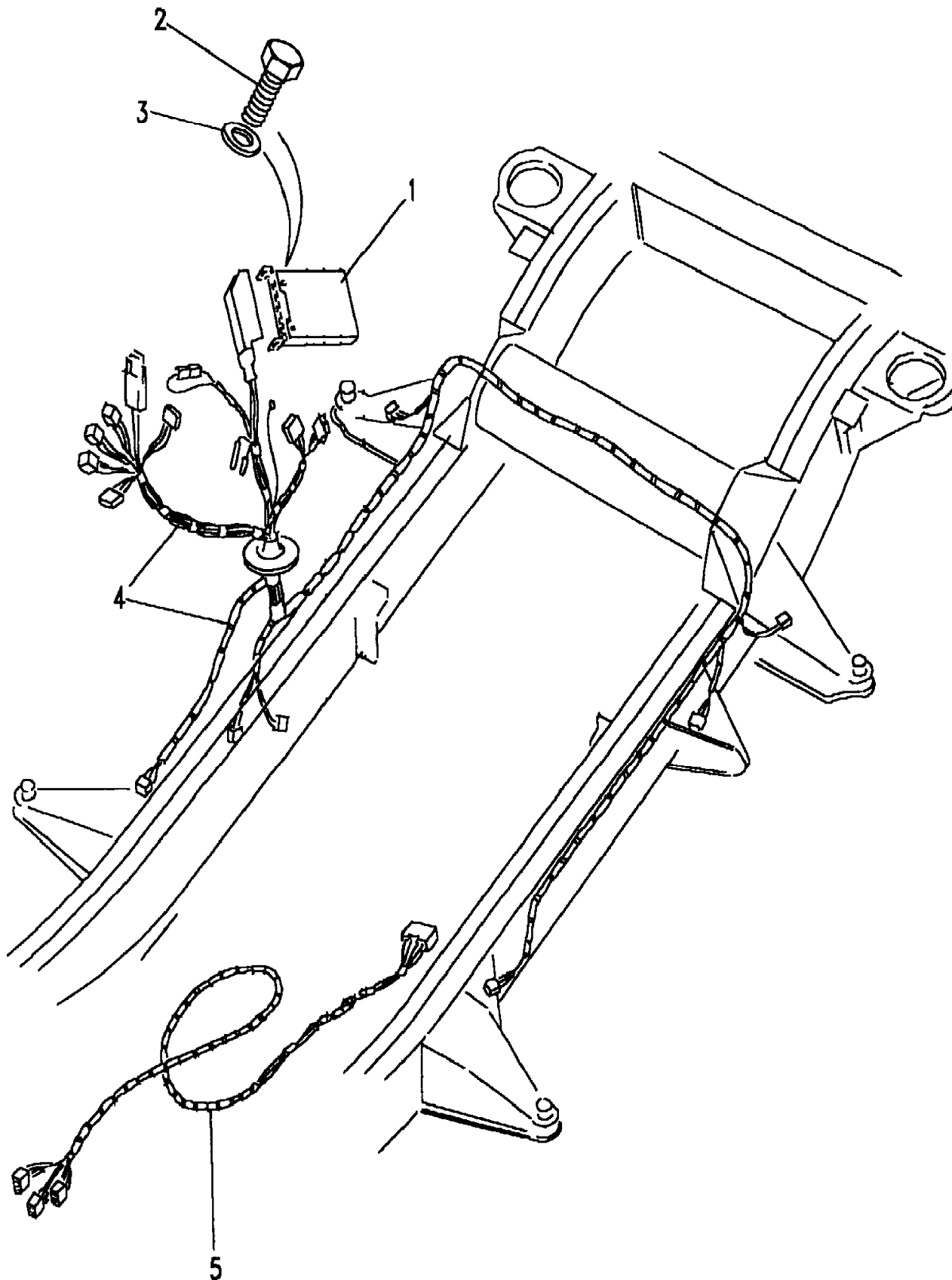
Callout	Name	Application	Remarks & Restrictions	Service No.	Qty
1	Clip-harness		14MM, 6mm hole	ADU8267	X
2	Clip-harness		14.5MM, 6.5mm hole	ADU8363L	X
3	Clip-pivot-snap		Grey, 13-17mm, 7mm hole	DBP8169L	X
4	Clip-harness		6.5mm hole, adaptor	YYC10030L	X
5	Strip-edge protection		89mm 89mm	JRC7549 YQJ100200	X X

Range Rover (From JA610294)

(BDMXGG1A)

Range Rover (From JA610294)

With Air Suspension



Callout	Name	Application	Remarks & Restrictions	Service No.	Qty
1	ECU-Air Suspension	Change point - VIN end KA640177	located below cubby box	AMR2289	1
		Change point - VIN begin KA640178	located below cubby box	AMR3234	1
2	Screw		M6 X 12, hexagonal head	SH106121L	2
3	Washer		6MM	WA106041L	2
4	Harness-chassis	Change point - VIN end LA647644, 100"	Also serviced as part of a kit	AMR2279	1
		Change point - VIN begin MA647645, Change point - VIN end MA654292, 100"	Also serviced as part of a kit	AMR3544	1
		Change point - VIN begin MA654293, 100"	Also serviced as part of a kit	AMR3866	1
		Change point - VIN end LA647644, 108" (2743mm) Wheelbase	Also serviced as part of a kit	AMR2280	1
		Change point - VIN begin MA647645, Change point - VIN end MA654292, 108" (2743mm) Wheelbase	Also serviced as part of a kit	AMR3543	1
		Change point - VIN begin MA654293, 108" (2743mm) Wheelbase	Also serviced as part of a kit	AMR3867	1
5	Harness-air suspension	RHD		AMR1406	1
		LHD		AMR1405	1
[900]	Fuse	Change point - VIN end LA647644, 100"	Also serviced as part of a kit, Green, 30 AMP, maxi, Large	YQG10008	1
		Change point - VIN end LA647644, 108" (2743mm) Wheelbase	Also serviced as part of a kit, Green, 30 AMP, maxi, Large	YQG10008	1

Body Electrics
Electronic Control Units
ECU-EGR 1/1

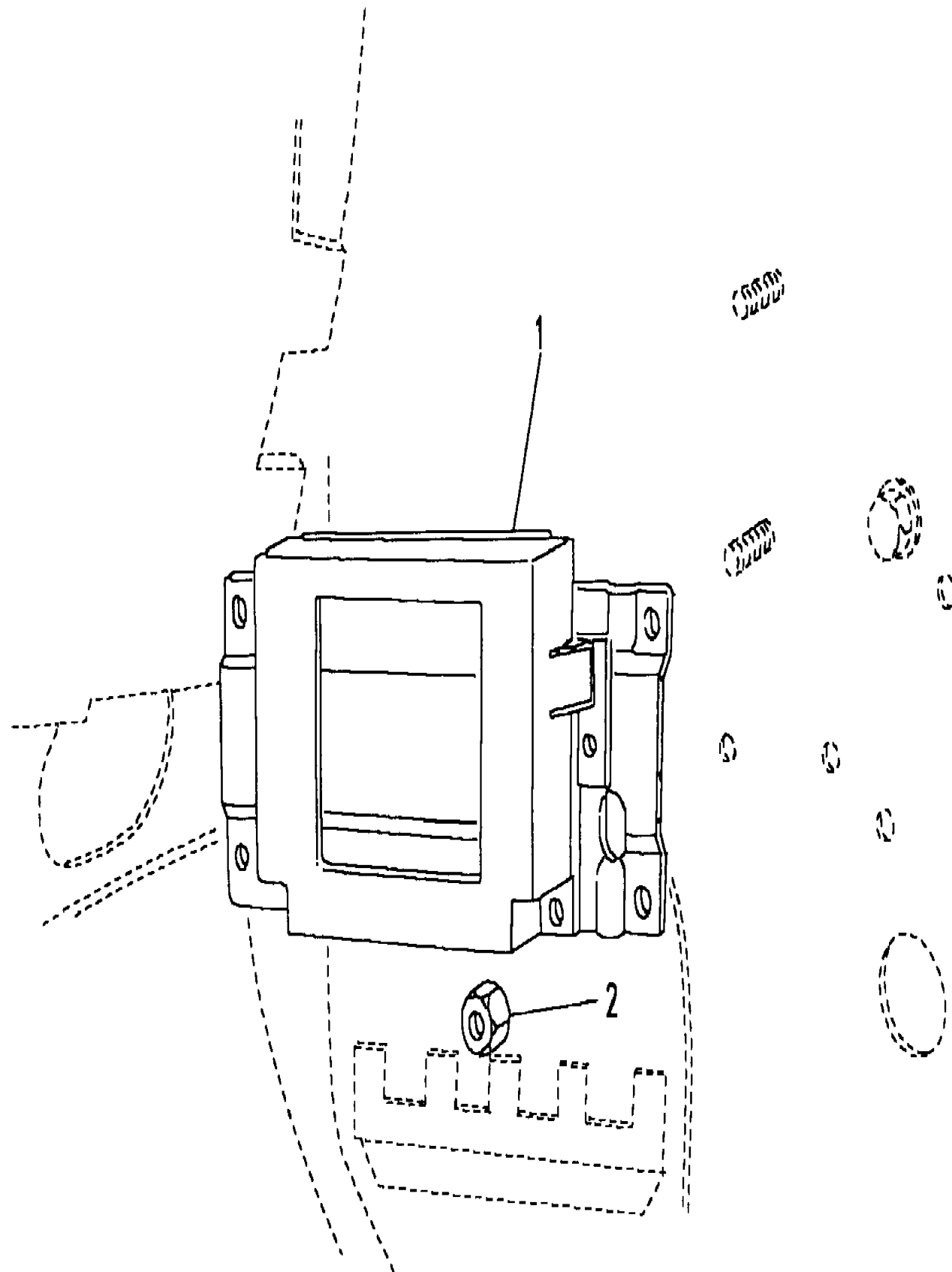
Range Rover (From JA610294)
(BDMXGC2A)

Body Electrics
Electronic Control Units
ECU-EGR

Range Rover (From JA610294)

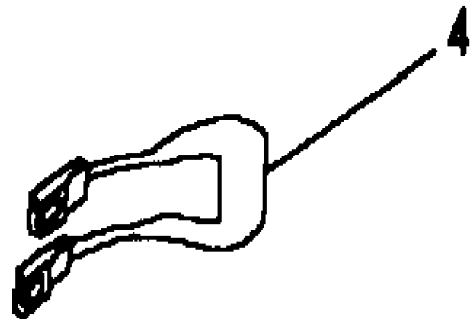
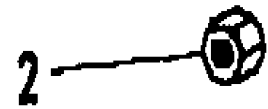
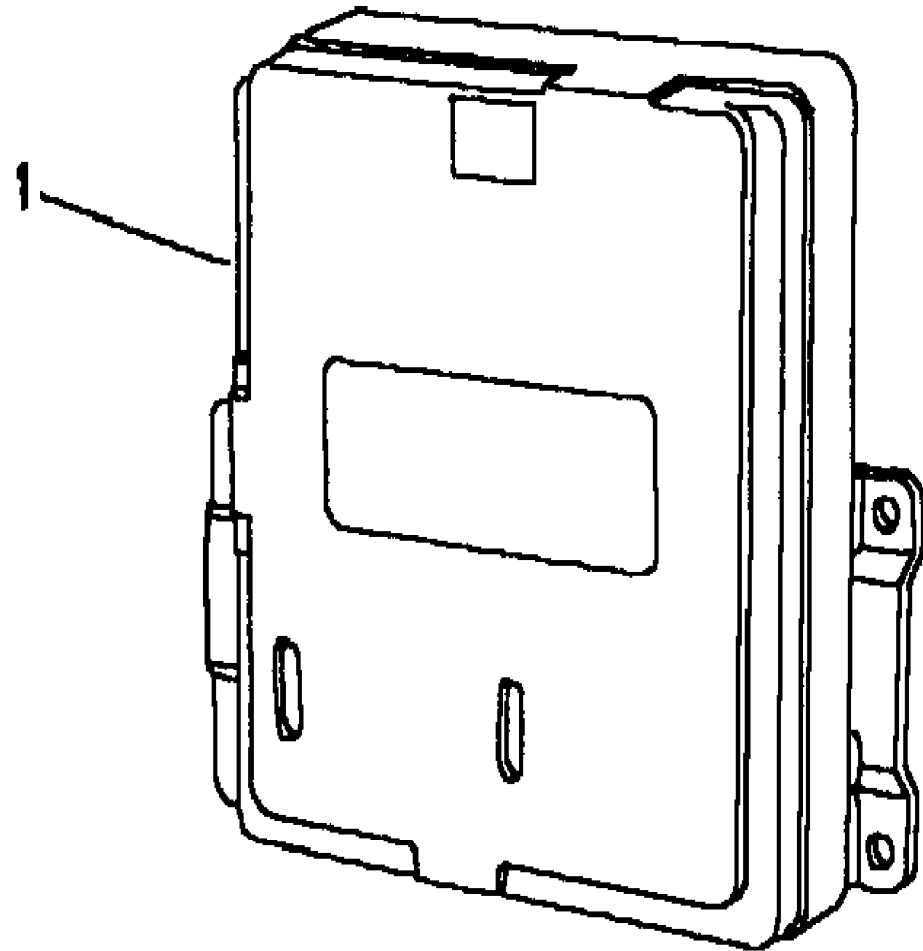
With Diesel Engines, TDi Diesel, EGR

Callout	Name	Application	Remarks & Restrictions	Service No.	Qty
1	Electronic control unit-exhaust gas recirculation diesel	Change point - VIN end MA661972, 2.5L TDi Diesel Change point - VIN begin MA661973, 2.5L TDi Diesel		ERR4196 ERR6234	1 1
2	Nut-plastic	2.5L TDi Diesel 2.5L TDi Diesel	M5 M5	CYH10001 CYH10001L	2 2



Body Electrics
 Electronic Control Units
 ECU-Fuel-From (V) MA647645 1/1

Range Rover (From JA610294)
 (BDMXGC1B)



Range Rover (From JA610294)

Body Electrics
 Electronic Control Units
 ECU-Fuel-From (V) MA647645

Callout	Name	Application	Remarks & Restrictions	Service No.	Qty
1	Electric control unit-fuel control	Change point - VIN begin MA647645, 3.9L Petrol Change point - VIN begin MA647645, 4.2L Petrol		AMR3242 AMR3243	1 1
2	Nut-plastic	Change point - VIN begin MA647645 Change point - VIN begin MA647645	M5 M5	CYH10001 CYH10001L	2 2
3	Resistor Assy	Change point - VIN begin MA647645		DRC1752L	1
4	Resistor Assy	Change point - VIN begin MA647645, 3.9L Petrol, Less Catalyst Change point - VIN begin MA647645, 3.9L Petrol, With Catalyst Change point - VIN begin MA647645, 4.2L Petrol, With Catalyst Change point - VIN begin MA647645, (+)"AUS" Change point - VIN begin MA647645, (+)"GCC"	470 OHM, Green White., 3k9 ohm White., 3k9 ohm 180 ohm, Red Yellow, 910 ohm	PRC8172 PRC8009 PRC8009 PRC8005 PRC8007	1 1 1 1 1

Body Electrics

Electronic Control Units

ECU-Fuel-To (V) LA647644 1/2

Range Rover (From JA610294)

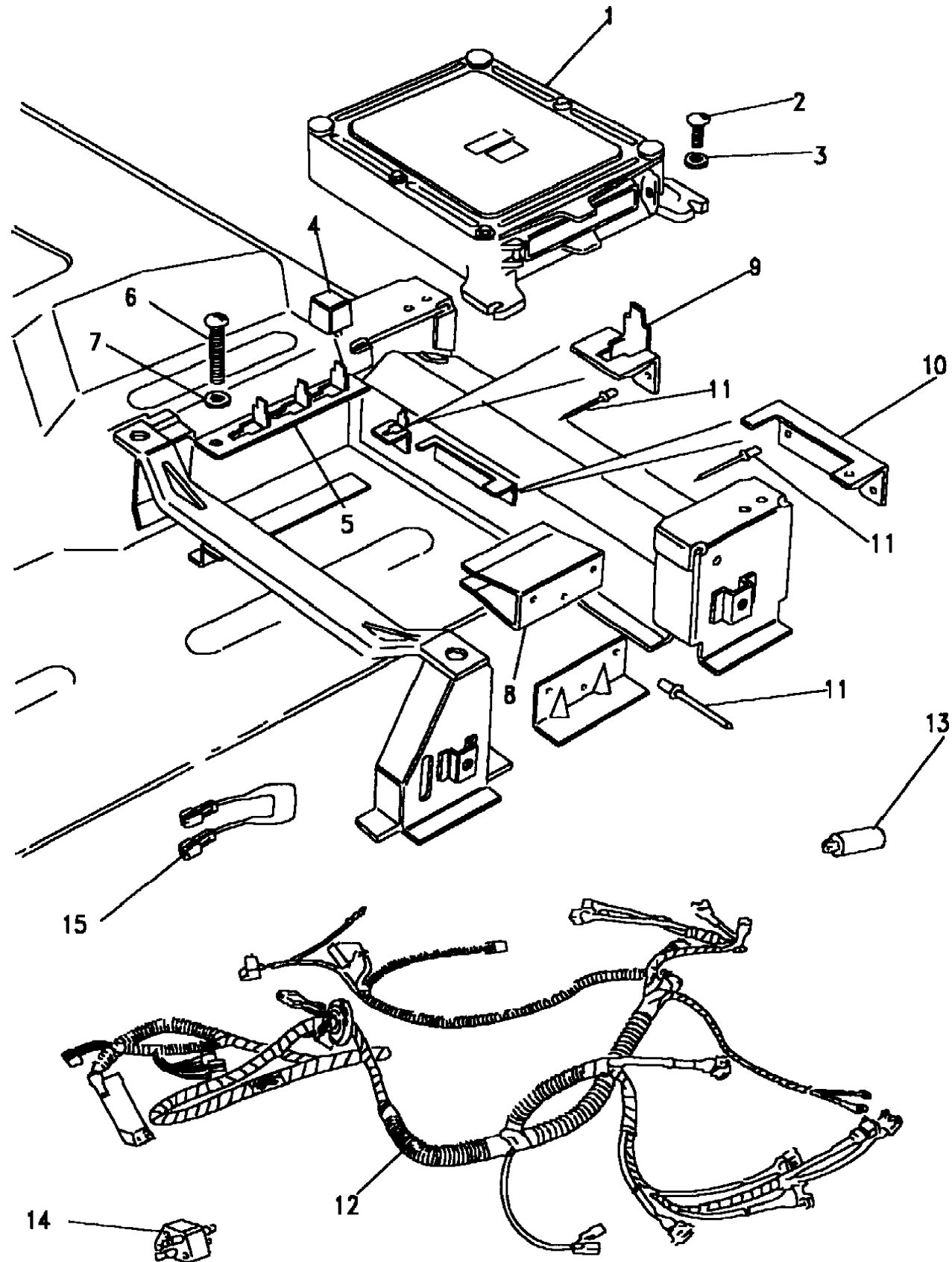
(BDMXGC1A)

Body Electrics

Electronic Control Units

ECU-Fuel-To (V) LA647644

Range Rover (From JA610294)



Callout	Name	Application	Remarks & Restrictions	Service No.	Qty		
1	ECU-fuel injection	Change point - VIN end JA615688, 3.9L Petrol	New	PRC9515	1		
		Change point - VIN begin JA615689, Change point - VIN end JA624754, 3.9L Petrol	New	PRC9611	1		
		Change point - VIN begin KA624756, Change point - VIN end KA632715, 3.9L Petrol	New	AMR1424	1		
		Change point - VIN begin JA615689, Change point - VIN end JA624754, 3.9L Petrol	exchange	PRC9611E	1		
		Change point - VIN begin KA624756, Change point - VIN end KA632715, 3.9L Petrol	exchange	AMR1424E	1		
		Change point - VIN end LA647644, Change point - VIN begin KA632716, 3.9L Petrol	New	AMR2942	1		
		Change point - VIN end LA647644, Change point - VIN begin KA632716, 3.9L Petrol	exchange	AMR2942E	1		
		Change point - VIN end KA632715, 4.2L Petrol	New	AMR1424	1		
		Change point - VIN end KA632715, 4.2L Petrol	exchange	AMR1424E	1		
		Change point - VIN end LA647644, Change point - VIN begin KA632716, 4.2L Petrol	New	AMR2944	1		
		Change point - VIN end LA647644, Change point - VIN begin KA632716, 4.2L Petrol	exchange	AMR2944E	1		
		2	Screw-pan	Change point - VIN end LA647644	M6 X 12, pan head	SE106121L	2
				3	Washer	Change point - VIN end LA647644	Plain
4	Relay	Change point - VIN end LA647644, Less Catalyst	E.F.I., Aluminium			AGU1068L	2
		Change point - VIN end LA647644, With Catalyst	E.F.I., Aluminium	AFU2913L	2		
5	Bracket-control unit/relay	Change point - VIN end LA647644		MWC3209	1		
6	Screw	Change point - VIN end LA647644	M6 X 16	SE106161L	2		
7	Washer	Change point - VIN end LA647644	Standard	3900L	2		
8	Clip	Change point - VIN end LA647644		MXC4664	1		

Body Electrics

Electronic Control Units

ECU-Fuel-To (V) LA647644 2/2

Range Rover (From JA610294)

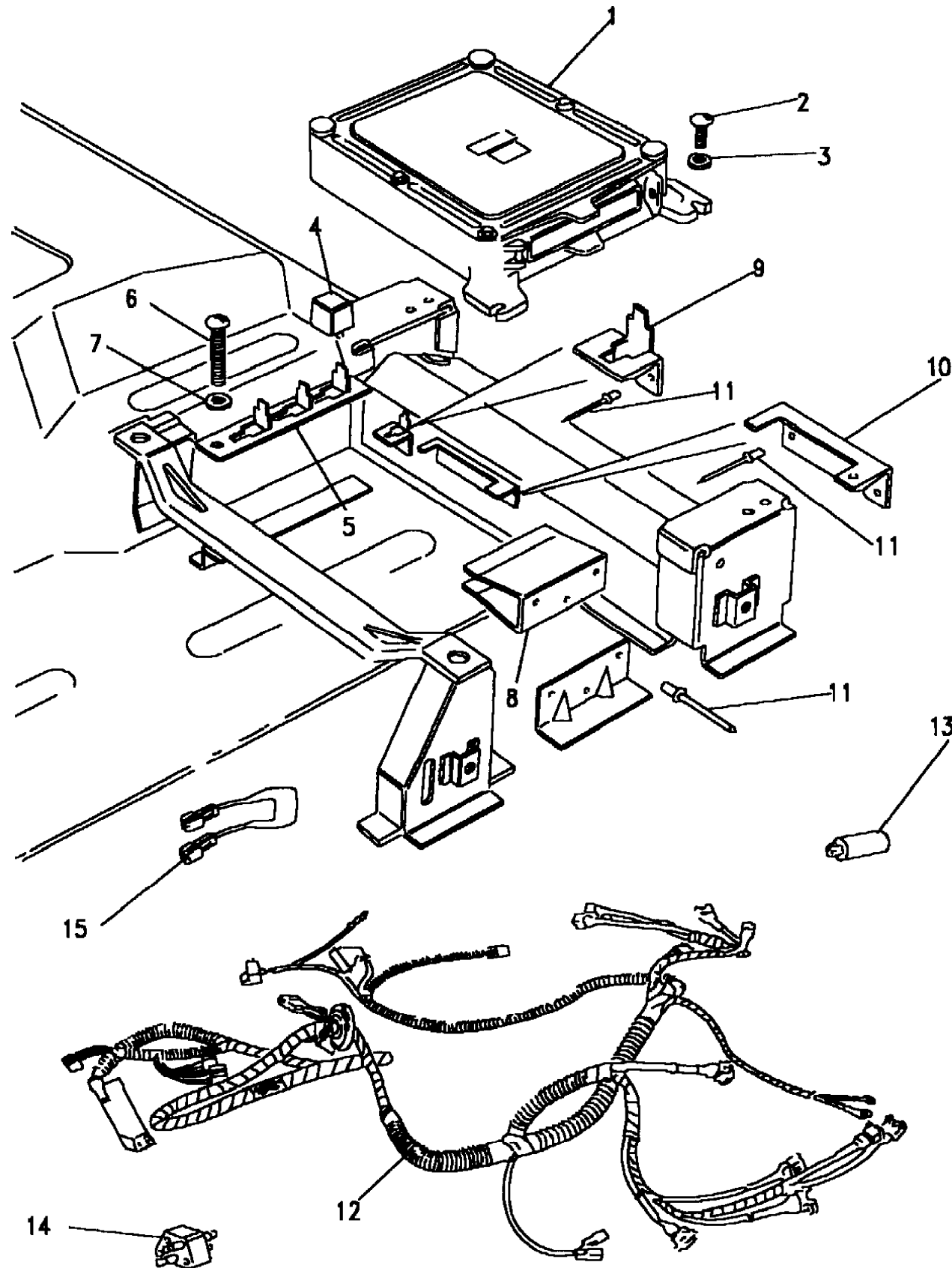
(BDMXGC1A)

Body Electrics

Electronic Control Units

ECU-Fuel-To (V) LA647644

Range Rover (From JA610294)



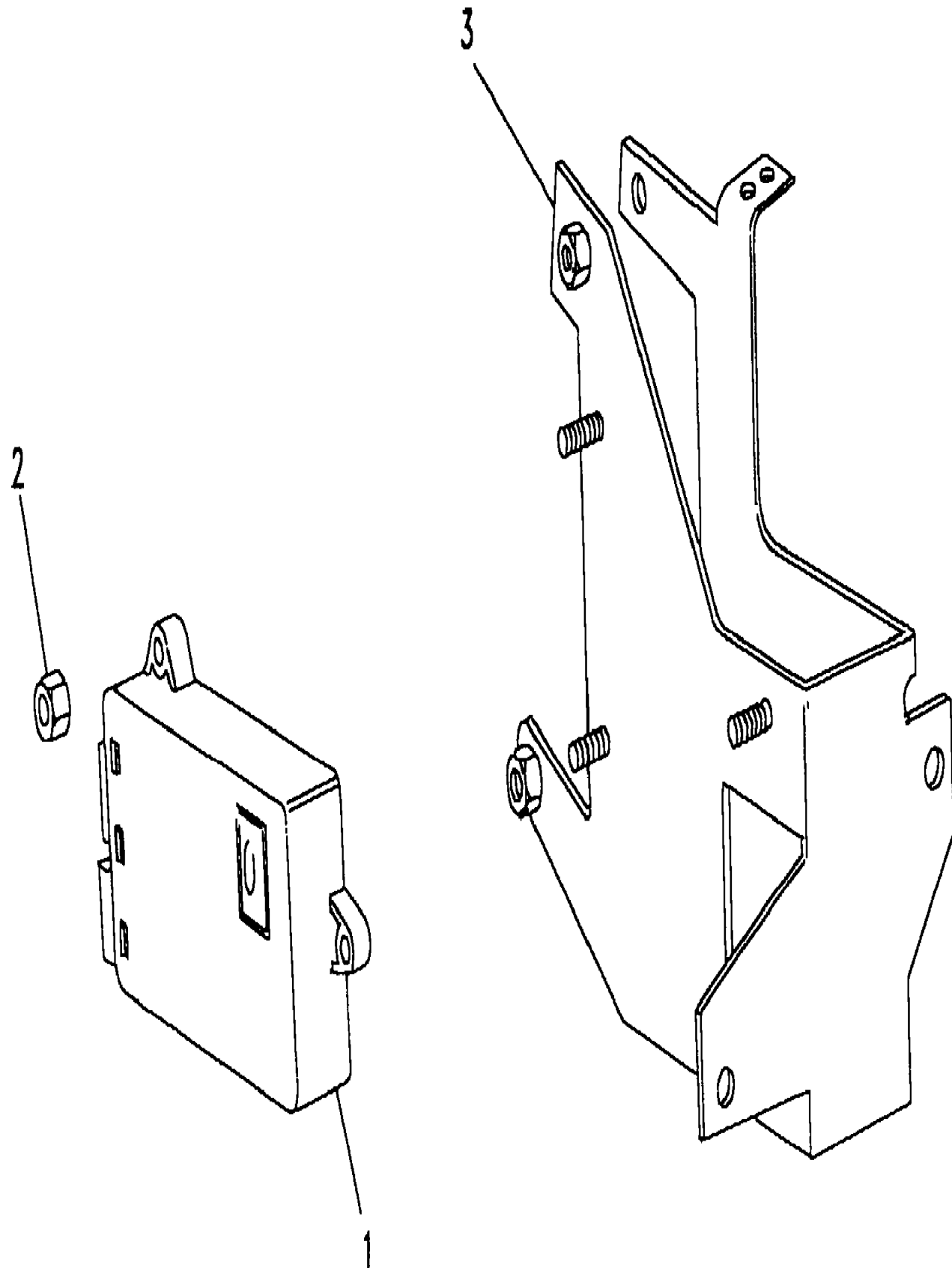
Callout	Name	Application	Remarks & Restrictions	Service No.	Qty		
9	Bracket-relay mounting	Change point - VIN end LA647644		MWC3235	2		
10	Bracket Mounting	Change point - VIN end LA647644		MWC3234	2		
11	Rivet-pop-steel	Change point - VIN end LA647644		RA608127	6		
12	Harness EFI	Change point - VIN end JA624754, With Catalyst		PRC9635	1		
		Change point - VIN begin KA624756, Change point - VIN end KA642747, With Catalyst		AMR1943	1		
		Change point - VIN begin KA642748, Change point - VIN end LA647644, With Catalyst		AMR3446	1		
		Change point - VIN end JA624754, Less Catalyst		PRC9636	1		
		Change point - VIN begin KA624756, Change point - VIN end KA642943, Less Catalyst		AMR1944	1		
		Change point - VIN begin KA642944, Change point - VIN end LA647644, Less Catalyst		AMR3447	1		
		Change point - VIN end LA647644		DRC1752L	1		
		Change point - VIN end LA647644		PRC5092	1		
		15	Resistor Assy	Change point - VIN end LA647644, 3.9L Petrol, Less Catalyst	470 OHM, Green	PRC8172	1
				Change point - VIN end LA647644, 3.9L Petrol, With Catalyst	White., 3k9 ohm	PRC8009	1
Change point - VIN end LA647644, 4.2L Petrol, With Catalyst	White., 3k9 ohm			PRC8009	1		
Change point - VIN end LA647644, 4.2L	Blue., 1K8 Ohm			AMR2016	1		
Change point - VIN end LA647644, (+)"AUS"	180 ohm, Red			PRC8005	1		
Change point - VIN end LA647644, (+)"GCC"	Yellow, 910 ohm			PRC8007	1		

Range Rover (From JA610294)

(BDMXPA3A)

Range Rover (From JA610294)

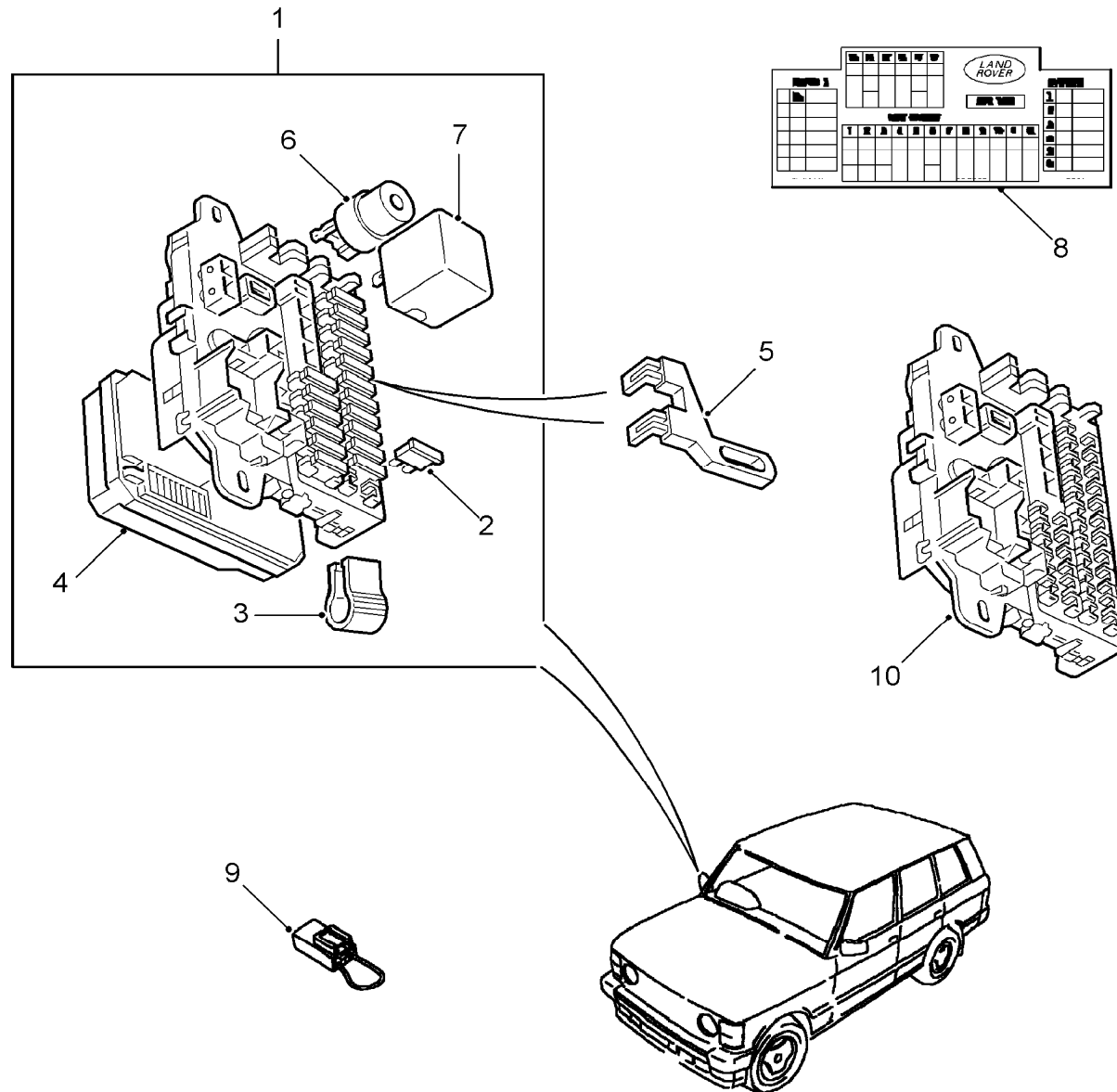
Callout	Name	Application	Remarks & Restrictions	Service No.	Qty
1	ECU-electric windows	Change point - VIN begin MA647645	Electric Windows	AMR1282	1
2	Nut - Hex.	Change point - VIN begin MA647645	Electric Windows, M4	NH104041	3
3	Bracket assembly-electric control unit mounting	Change point - VIN begin MA647645, RHD	Electric Windows	AMR2741	1
		Change point - VIN begin MA647645, LHD	Electric Windows	AMR2742	1



Body Electrics
Fuse Box
Interior Main 1/1

Range Rover (From JA610294)

(BDMXCC5C)



D06.005
07-2003
L2
BDMXCC5C

Range Rover (From JA610294)

Body Electrics
Fuse Box
Interior Main

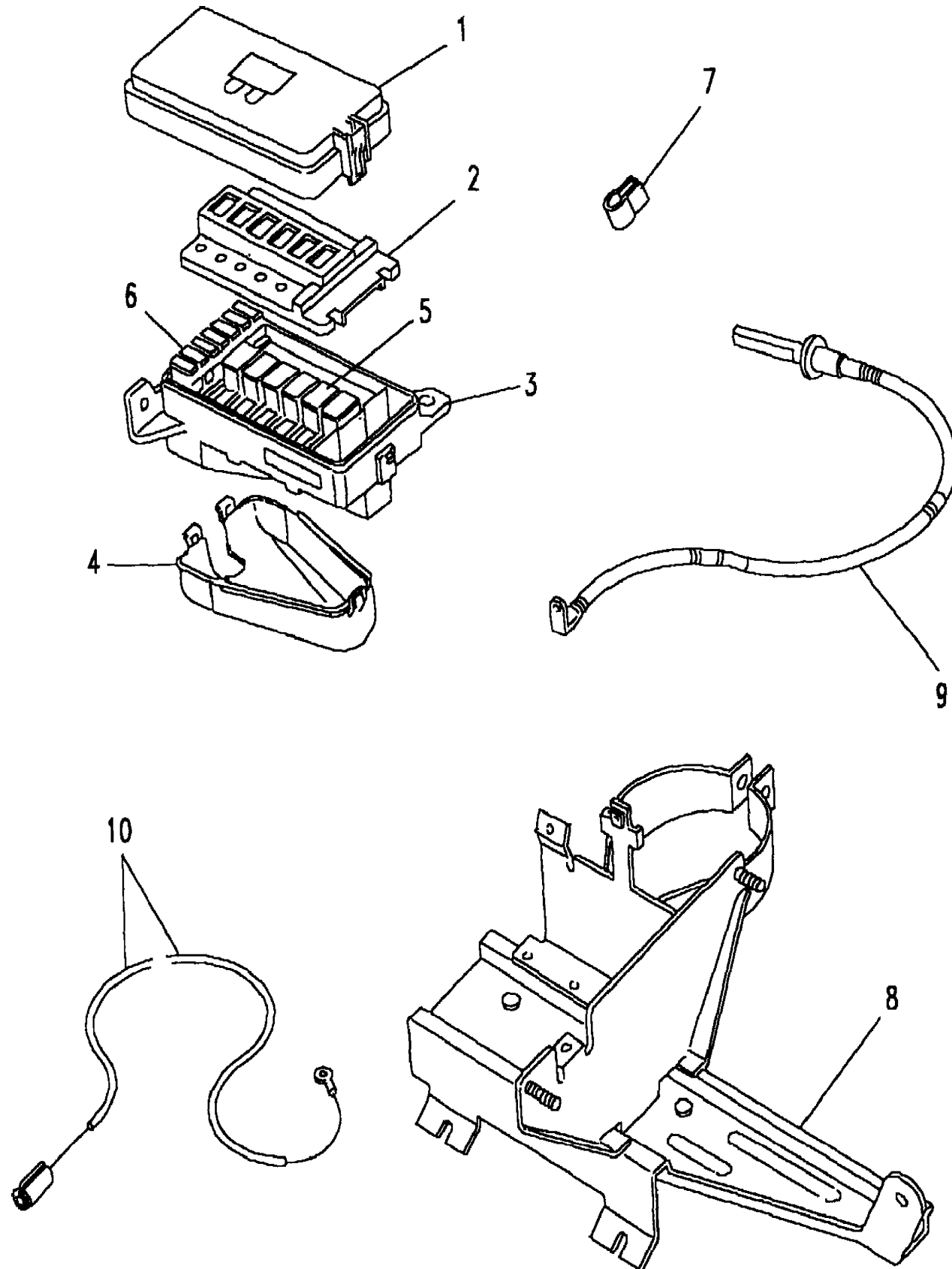
Callout	Name	Application	Remarks & Restrictions	Service No.	Qty
1	Fusebox assembly passenger compartment	Change point - VIN end LA647644	Also serviced as part of a kit	AMR1552	1
2	Fuse	Change point - VIN end LA647644	Also serviced as part of a kit, 20 AMP, AUTO, standard.	RTC4504	3
		Change point - VIN end LA647644	Also serviced as part of a kit, 15 AMP, AUTO, standard.	RTC4503	2
		Change point - VIN end LA647644	Also serviced as part of a kit, 10 AMP, AUTO, Standard	RTC4501	18
3	Extractor blade fuse	Change point - VIN end LA647644	Also serviced as part of a kit	AFU3017L	1
4	Control unit multi function	Change point - VIN end LA647644	Also serviced as part of a kit	AMR1280	1
5	Inhibitor connector	Change point - VIN end LA647644		AMR3434	1
6	Relay	Change point - VIN end LA647644	Also serviced as part of a kit	DJP8473L	1
7	Flasher unit electronic	Change point - VIN end LA647644	Also serviced as part of a kit, for towing	YWT10002L	1
		Change point - VIN end LA647644	Also serviced as part of a kit, without trailer socket, 3 Pin	YWT10003	1
		Change point - VIN end LA647644	Also serviced as part of a kit, 89W	AMR4873	1
8	Label-fusebox	Change point - VIN end LA647644		AMR3468	1
9	Harness-link	Change point - VIN end LA647644, (+)"GCC"		AMR3140	1
10	Mounting Assy	Change point - VIN end LA647644	Fuses	YPP100290L	1

Range Rover (From JA610294)

(BDMXCC4B)

Range Rover (From JA610294)

Callout	Name	Application	Remarks & Restrictions	Service No.	Qty
1	Cover fusebox	Change point - VIN begin MA647645	top	AMR3032	1
2	Cover fusebox	Change point - VIN begin MA647645	Inner	YQH10004L	1
3	Fusebox-body	Change point - VIN begin MA647645 Change point - VIN begin MA647645		AMR3031 YPP100310L	1 1
4	Cover fusebox	Change point - VIN begin MA647645	bottom	YQH10002L	1
5	Link-fusible	Change point - VIN begin MA647645 Change point - VIN begin MA647645 Change point - VIN begin MA647645	100 AMP, Blue. 60 AMP, Yellow 30 AMP, Pink.	STC1757 STC1758 STC1760	1 3 2
6	Fuse	Change point - VIN begin MA647645 Change point - VIN begin MA647645 Change point - VIN begin MA647645	AUTO, 30 AMP, Standard 20 AMP, AUTO, standard. 15 AMP, AUTO, standard.	RTC4507 RTC4504 RTC4503	3 3 1
7	Extractor blade fuse	Change point - VIN begin MA647645		AFU3017L	1
8	Bracket fusebox	Change point - VIN begin MA647645, C hange point - VIN end MA661972 Change point - VIN begin MA661973		ESR2958 ESR3860	1 1
9	Cable-battery positive	Change point - VIN begin MA647645	to fusebox	AMR3546	1
10	Harness-heated screen	Change point - VIN begin MA647645	60 AMP, Blue.	AMR3545	1
[900]	Fusebox	Change point - VIN begin MA647645		YQE000180	1
[901]	Screw-flanged head	Change point - VIN begin MA647645	M6 x 10	FS106101L	2
[902]	Nut-flange	Change point - VIN begin MA647645	M6	FN106047L	2
[903]	Screw	Change point - VIN begin MA647645	hexagonal head, M4 x 10	SH104101L	2



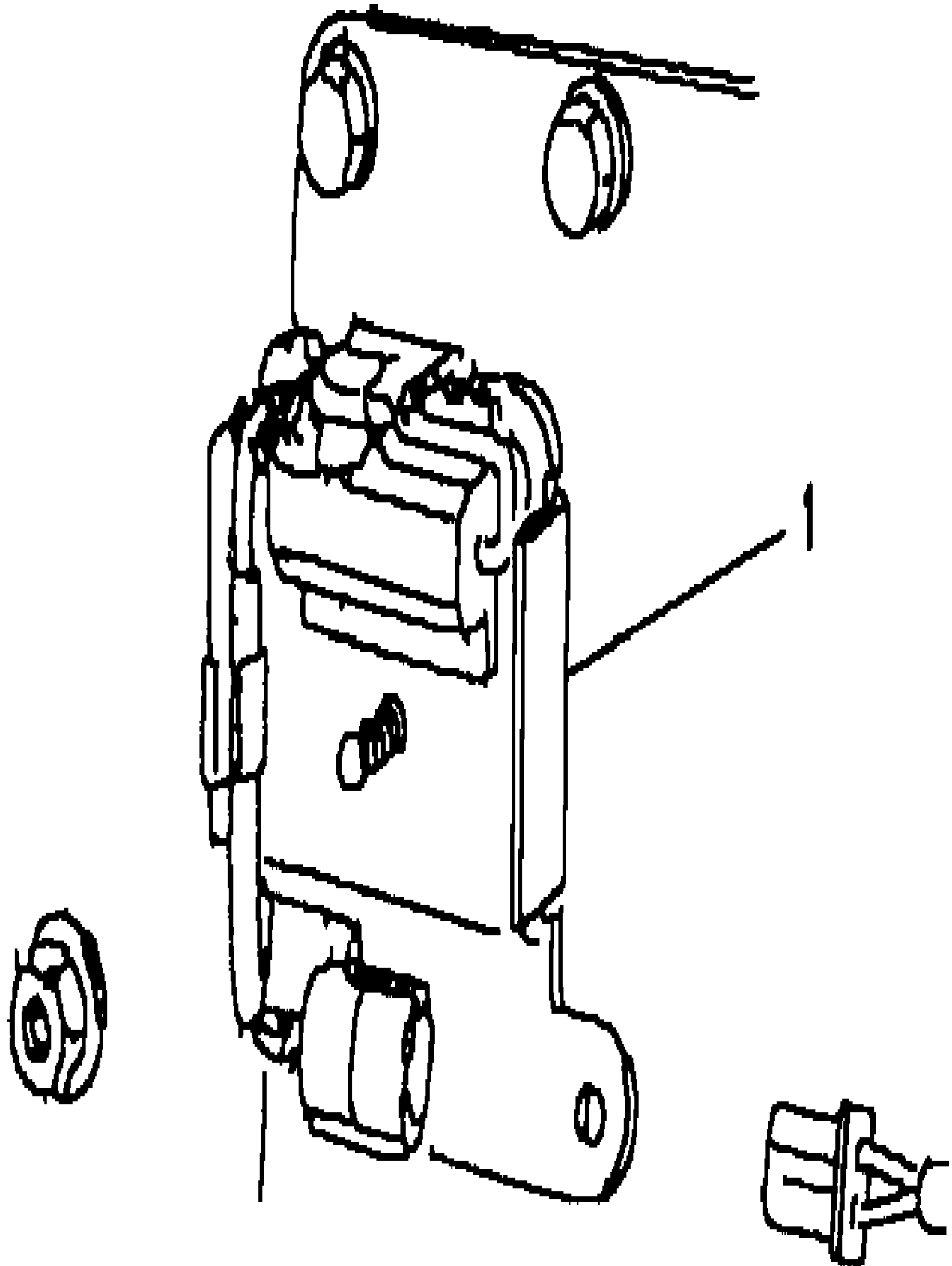
Body Electrics
Fuse Box & Relays
Dim Dip Resistor 1/1

Range Rover (From JA610294)
(BDMXGA8F)

Range Rover (From JA610294)

Body Electrics
Fuse Box & Relays
Dim Dip Resistor

Callout	Name	Application	Remarks & Restrictions	Service No.	Qty
1	Resistor-dim dip	Change point - VIN begin MA647645	located on bulkhead	XBL10004L	1



Body Electrics
 Fuse Box & Relays
 Dim Dip Unit, Glow Plug Timer 1/1

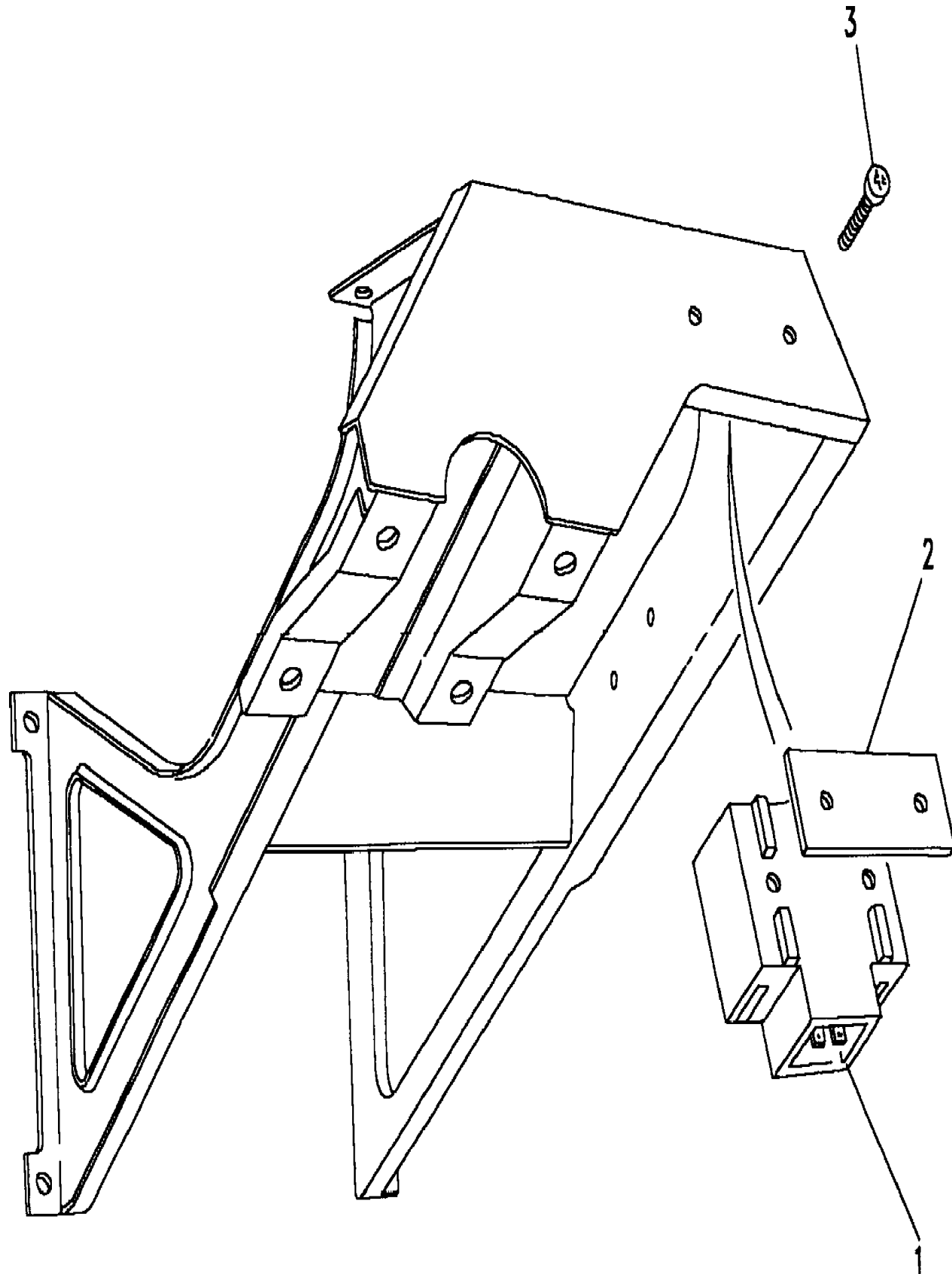
Range Rover (From JA610294)

(BDMXC15A)

Range Rover (From JA610294)

Body Electrics
 Fuse Box & Relays
 Dim Dip Unit, Glow Plug Timer

Callout	Name	Application	Remarks & Restrictions	Service No.	Qty
1	Control unit dim dip	Change point - VIN end LA647644	Quartz Halogen	PRC8123	1
2	Spacer	Change point - VIN end LA647644		MWC2736	1
3	Screw-flanged head	Change point - VIN end LA647644	Flanged Head, No10	DA610051L	2



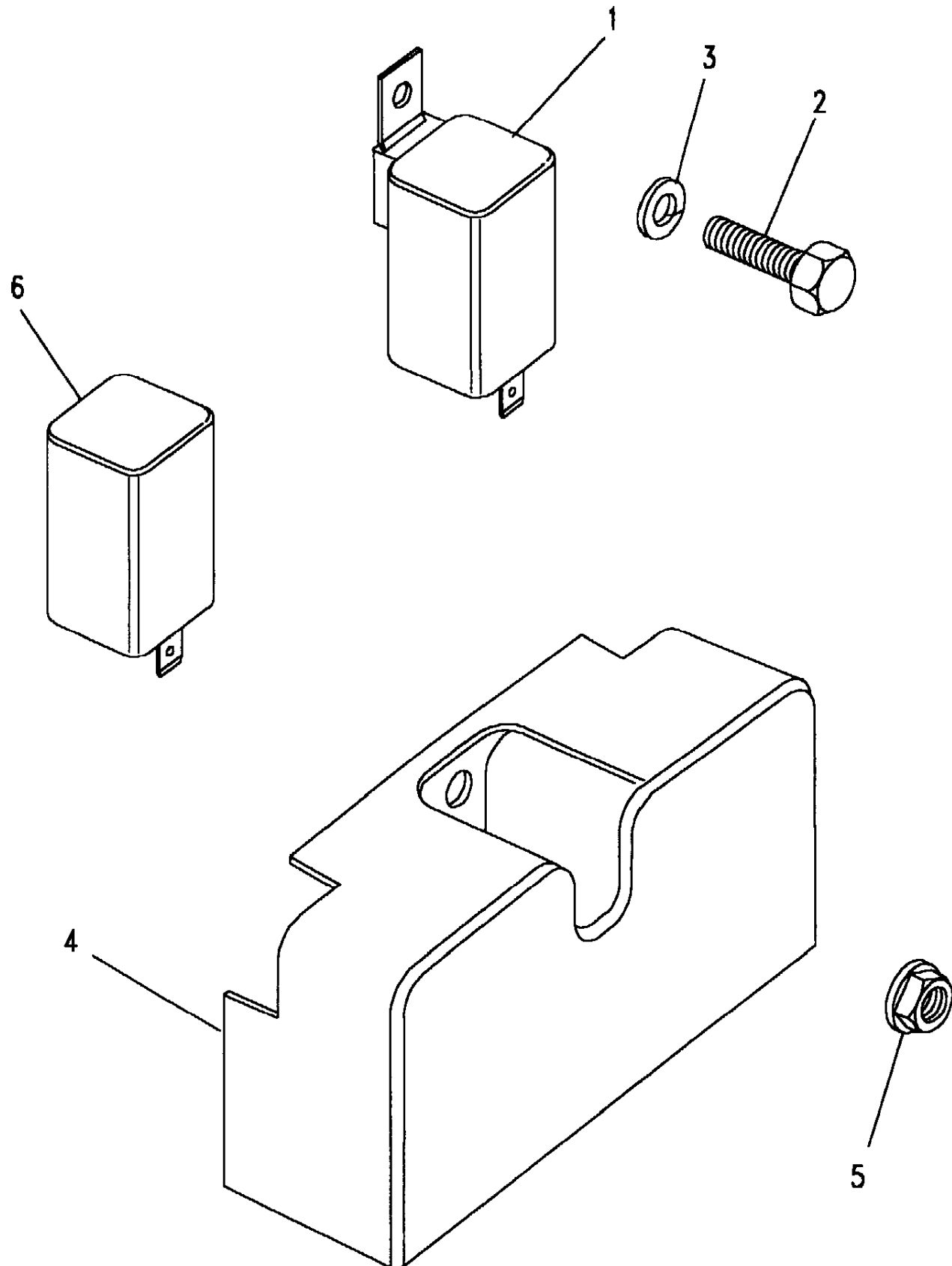
Body Electrics
Fuse Box & Relays
Glow Plug Timer 1/1

Range Rover (From JA610294)
(BDMXGA9A)

Range Rover (From JA610294)

Body Electrics
Fuse Box & Relays
Glow Plug Timer

Callout	Name	Application	Remarks & Restrictions	Service No.	Qty
1	Relay-ignition heater plug	Change point - VIN end LA647644	Black	PRC7862	1
2	Screw	Change point - VIN end LA647644	M6 X 12, hexagonal head	SH106121L	1
3	Washer	Change point - VIN end LA647644	M6, starlock	WF106001L	1
4	Cover-relay	Change point - VIN end LA647644		PRC7484	1
5	Nut - Hex.	Change point - VIN end LA647644 Change point - VIN end LA647644	M8, Self Locking M8	NTC1966 ESR2033	1 1
6	Timer headlamp wash	Change point - VIN end LA647644		ADU1784L	1



Body Electrics
 Fuse Box & Relays
 Glow Plug Timer (Cont') 1/1

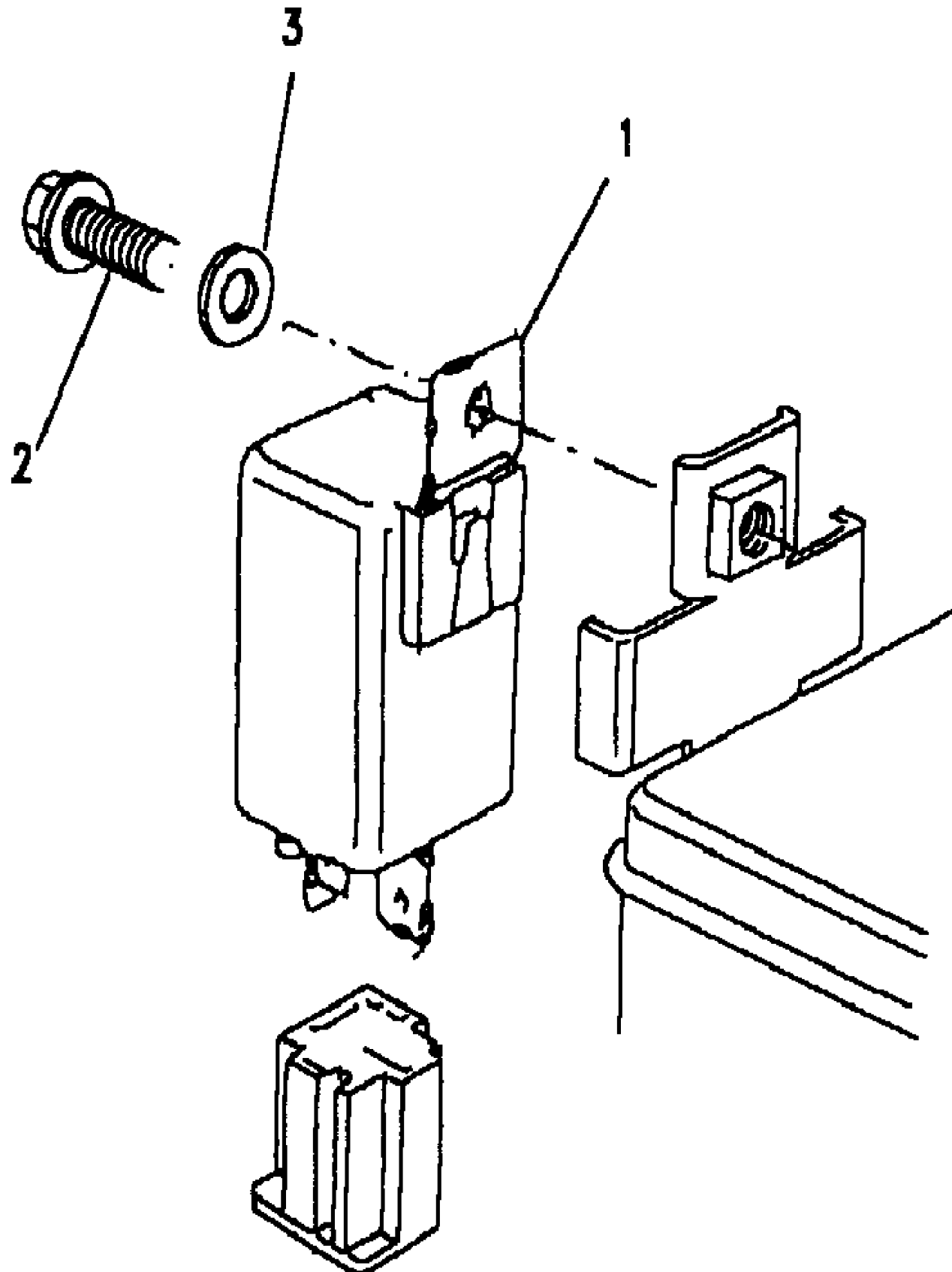
Range Rover (From JA610294)
 (BDMXGA9B)

Body Electrics
 Fuse Box & Relays
 Glow Plug Timer (Cont')

Range Rover (From JA610294)

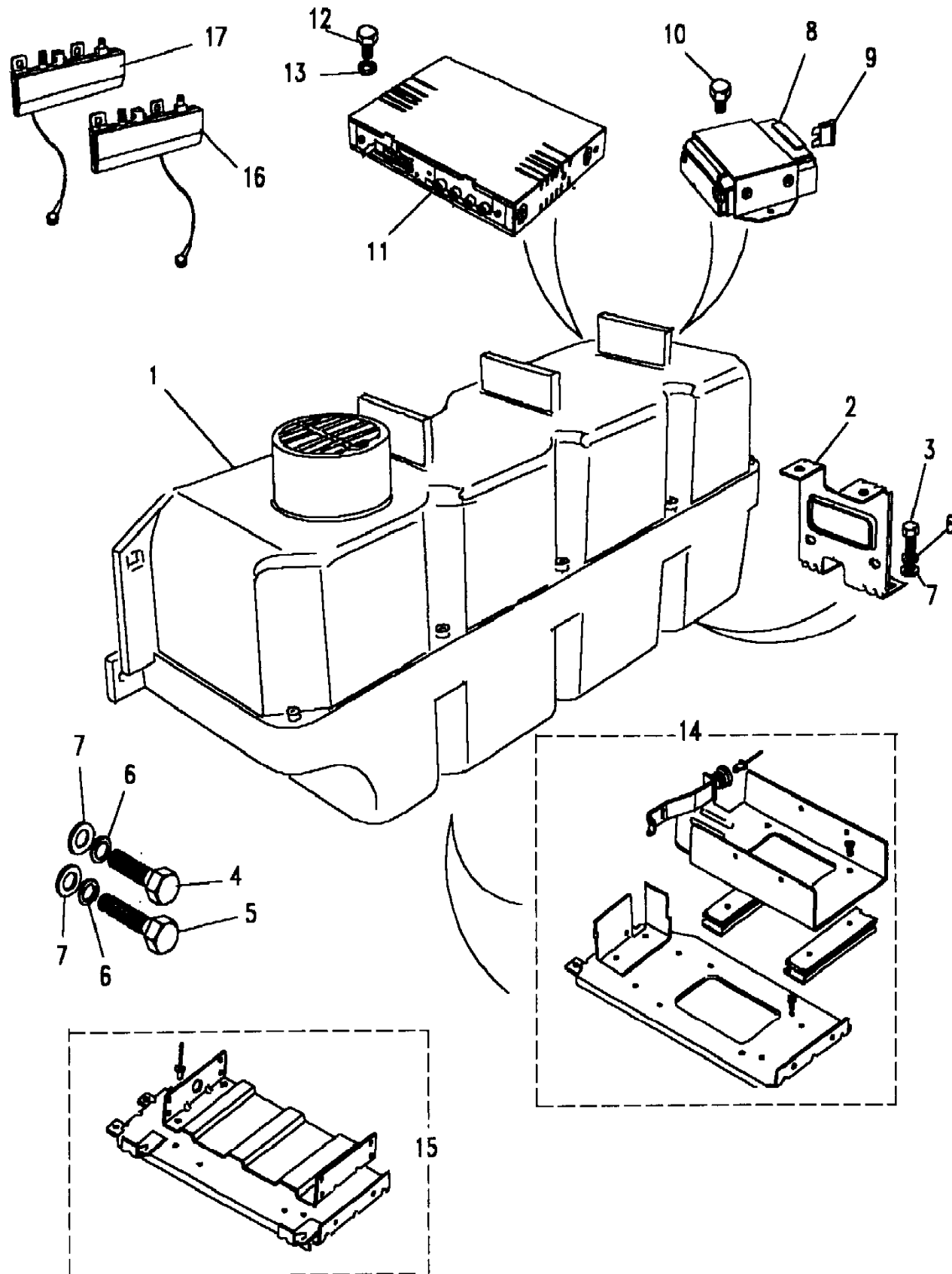
2.5L TDi Diesel

Callout	Name	Application	Remarks & Restrictions	Service No.	Qty
1	Relay-ignition heater plug	Change point - VIN begin MA647645	12V	PRC6913	1
2	Screw	Change point - VIN begin MA647645	hexagonal head, 10UNF x 3/4	SH910241L	1
3	Washer-Lock	Change point - VIN begin MA647645		WE105001L	1



Range Rover (From JA610294)

(BDMXKA4B)



Range Rover (From JA610294)

Callout	Name	Application	Remarks & Restrictions	Service No.	Qty
1	Sub woofer assembly	Change point - VIN begin MA647645		AMR3455	1
2	Bracket Support	Change point - VIN begin MA647645		AMR1071	2
3	Screw	Change point - VIN begin MA647645	fixing subwoofer support bracket, M8 X 16, Flanged Head	FS108161L	4
4	Screw	Change point - VIN begin MA647645	fixing subwoofer, hexagonal head, M8 x 40	SH108401L	2
		Change point - VIN begin MA647645	hexagonal head, M8 x 125	GG108251L	4
5	Screw	Change point - VIN begin MA647645	fixing subwoofer, M8 x 50, Flanged Head	SH108501	2
6	Washer	Change point - VIN begin MA647645	fixing subwoofer, M8, sprung	WL108001L	8
7	Washer	Change point - VIN begin MA647645	fixing subwoofer, M8	WC108051L	8
8	Amplifier	Change point - VIN begin MA647645, (-)"J"	Also serviced as part of a kit, subwoofer	AMR2002	1
9	Fuse	Change point - VIN begin MA647645, (-)"J"	Also serviced as part of a kit, 7.5 AMP, AUTO, standard.	RTC4498	1
10	Screw	Change point - VIN begin MA647645	hexagonal head, M4 x 12	SH104121L	2
11	Amplifier audio power	Change point - VIN begin MA647645, (+)"J"		AMR2872	1
12	Screw	Change point - VIN begin MA647645	hexagonal head, M4 x 8	SH104081L	2
13	Washer-Plain	Change point - VIN begin MA647645	M4	WA104001L	2
14	Bracket-compact disc automatic changer	Change point - VIN begin MA647645, (+)"J"	Pioneer	AMR3028	1
15	Bracket-compact disc automatic changer	Change point - VIN begin MA647645	Clarion	AMR3045	1
16	Amplifier-audio antenna	Change point - VIN begin MA647645	(FM)	PRC9034	1
17	Amplifier-audio antenna	Change point - VIN begin MA647645	AM/FM	PRC9035	1
[900]	Washer	Change point - VIN begin MA647645	fixing subwoofer, 8MM, sprung	WL108007	8

Body Electrics
 In-Car Entertainment
 Antenna-Wing Mounted 1/1

Range Rover (From JA610294)

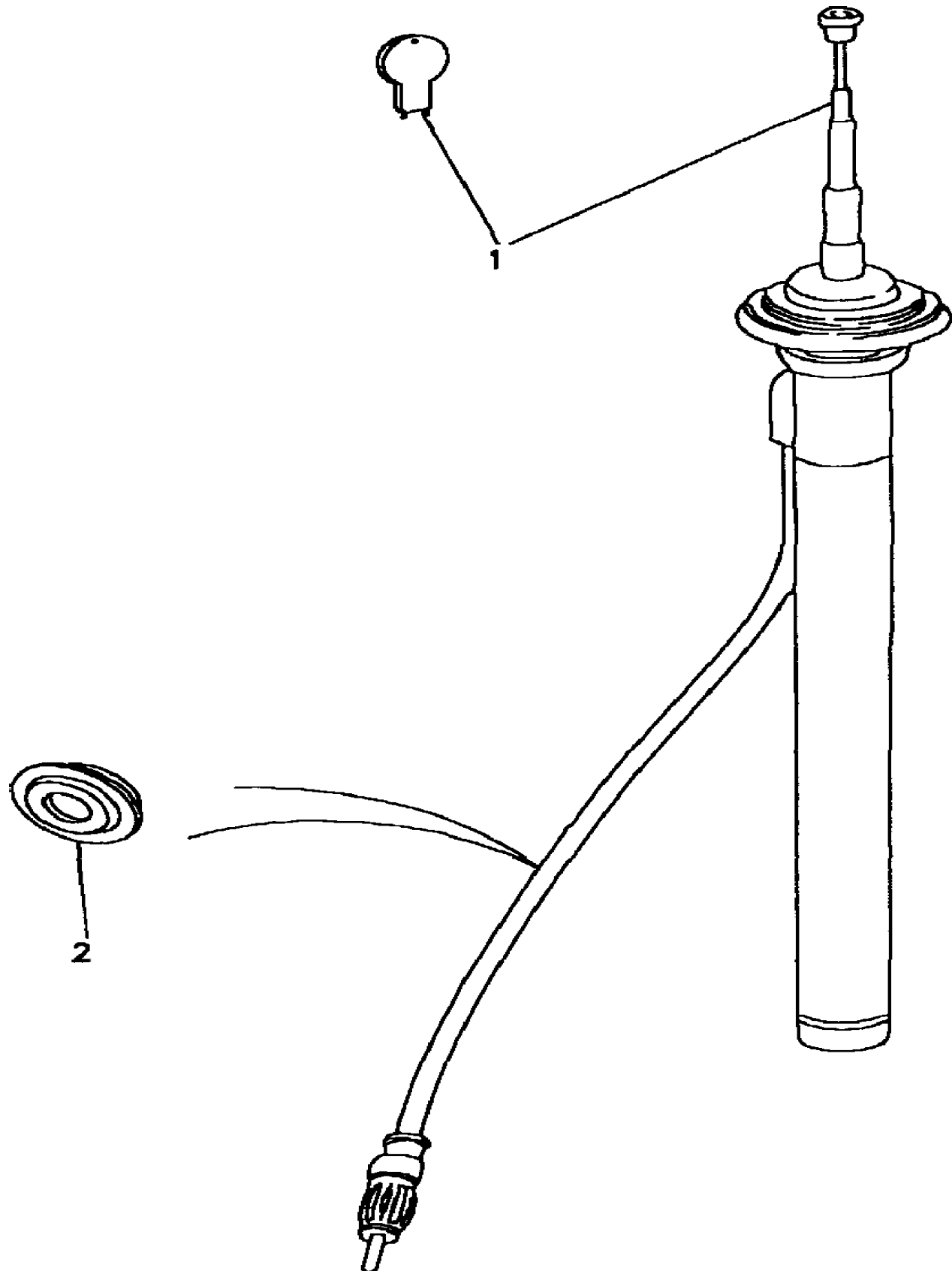
(BDMXKA6A)

Range Rover (From JA610294)

Body Electrics
 In-Car Entertainment
 Antenna-Wing Mounted

2 Door Station Wagon

Callout	Name	Application	Remarks & Restrictions	Service No.	Qty
1	Aerial front fender	Change point - VIN begin KA642703	Metal	AMR3418	1
2	Grommet	Change point - VIN begin KA642703	Black, cable, 3 x 25.5mm	233243	1



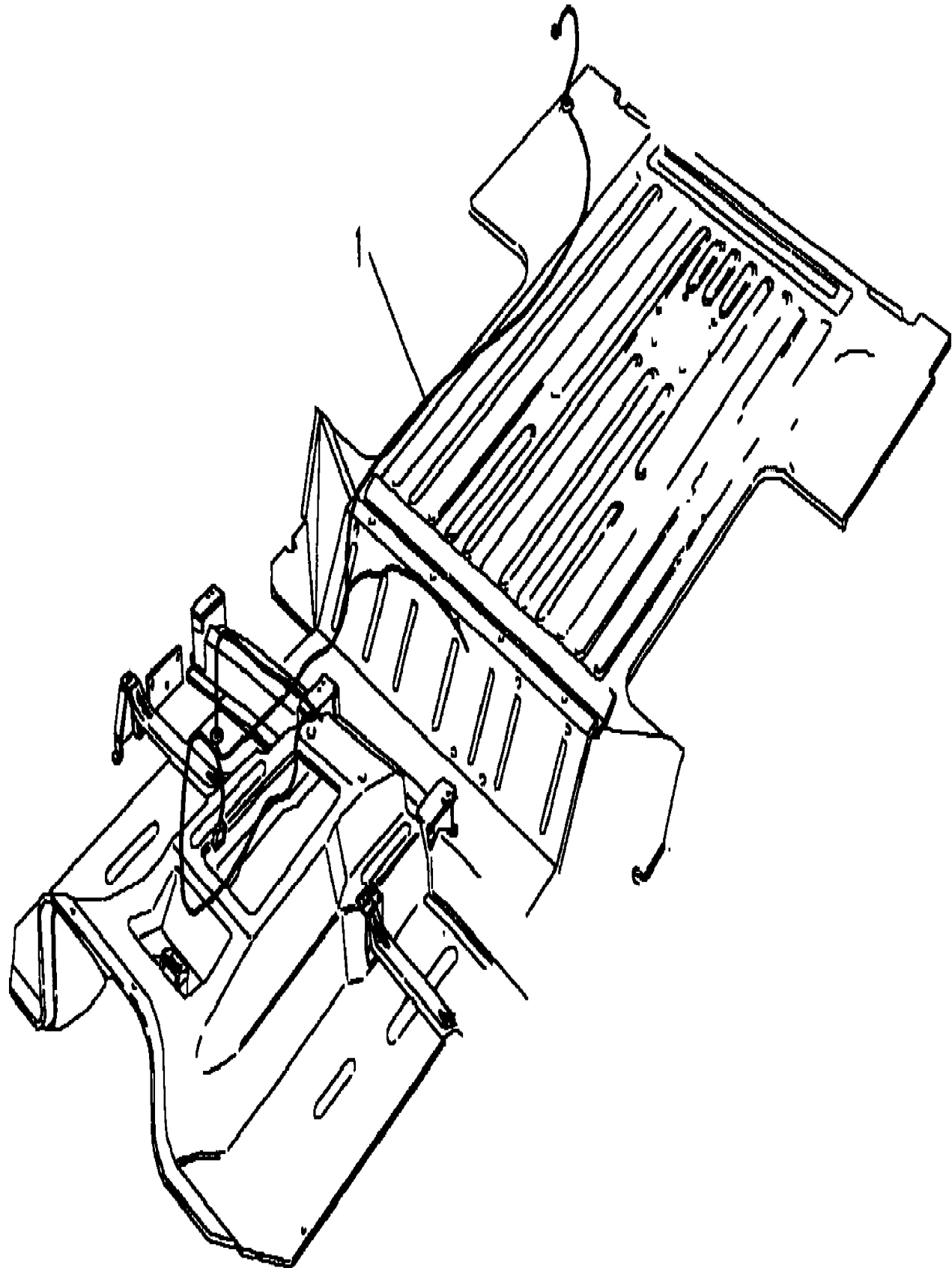
Body Electrics
In-Car Entertainment
Harness-Radio To Amplifier 1/1

Range Rover (From JA610294)
(BDMXKA5A)

Range Rover (From JA610294)

Body Electrics
In-Car Entertainment
Harness-Radio To Amplifier

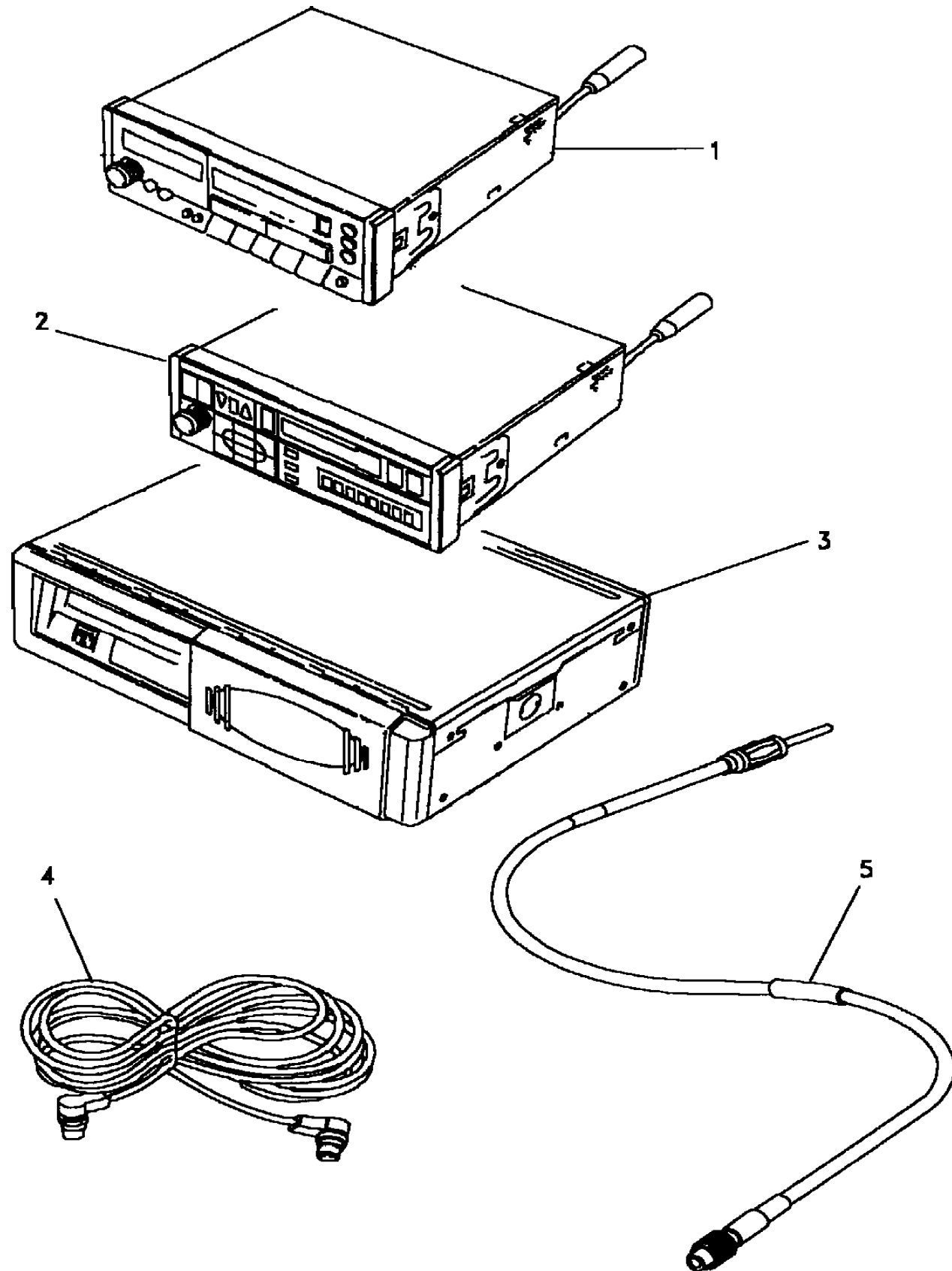
Callout	Name	Application	Remarks & Restrictions	Service No.	Qty
1	Harness-under floor	Change point - VIN end LA647644, 100" Change point - VIN end LA647644, 108" (2743mm) Wheelbase Change point - VIN end KA633635, 100", (+)"J" Change point - VIN begin KA633636, Change point - VIN end LA647644, 100", (+)"J" Change point - VIN begin MA647645, 100", (+)"J" Change point - VIN end KA632912, 108" (2743mm) Wheelbase, (+)"J" Change point - VIN begin KA632913, Change point - VIN end LA647644, 108" (2743mm) Wheelbase, (+)"J" Change point - VIN begin MA647645, 108" (2743mm) Wheelbase, (+)"J"		AMR2371 AMR2374 AMR2370 AMR2752 AMR3533 AMR2373 AMR2753 AMR3535	1 1 1 1 1 1 1 1



Body Electrics
In-Car Entertainment
Radio Cassette & CD System-From (V) KA624756 To (V) LA647644 1/1

Range Rover (From JA610294)

(BDMXKA3A)



Range Rover (From JA610294)

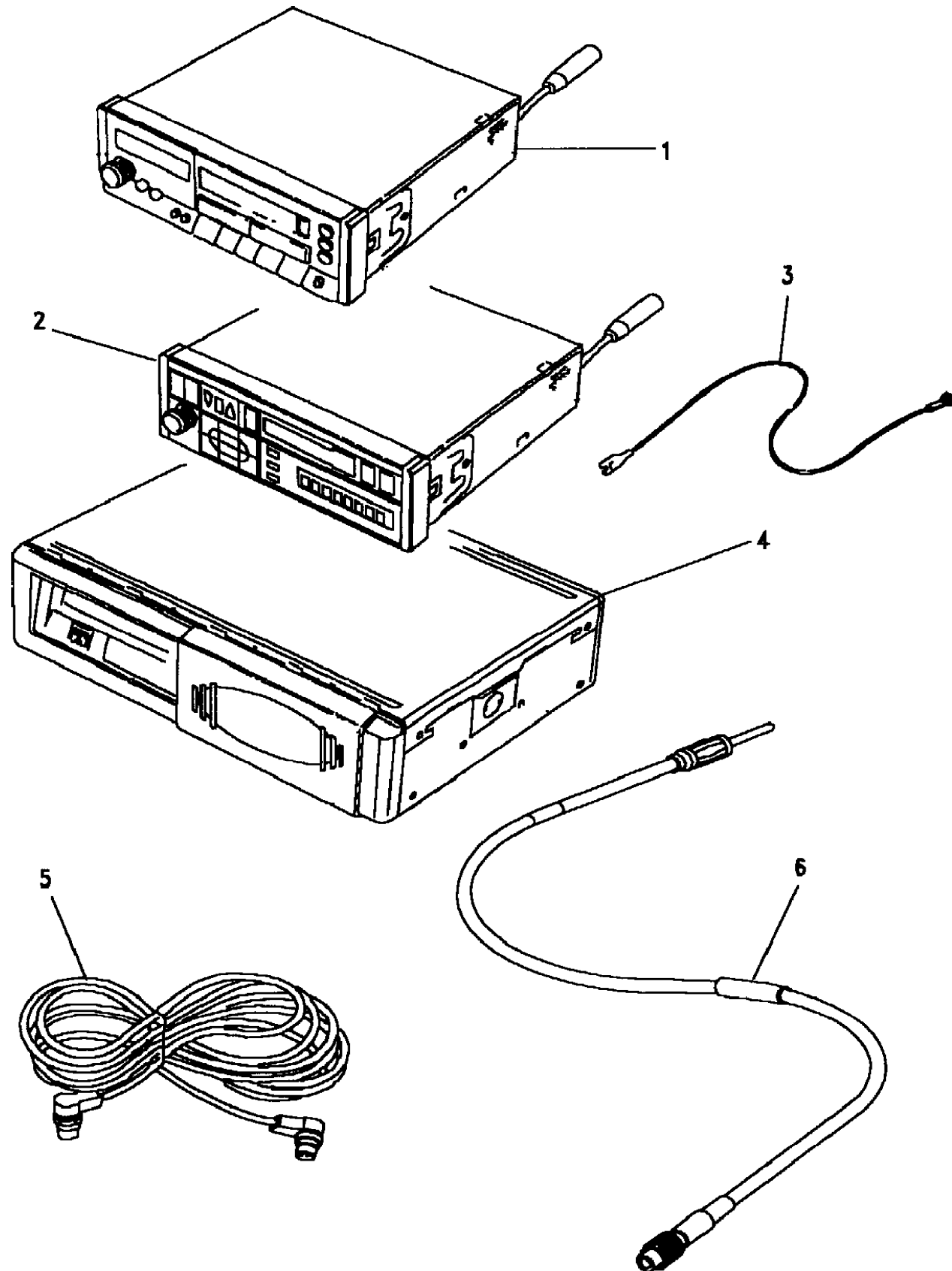
Body Electrics
In-Car Entertainment
Radio Cassette & CD System-From (V) KA624756 To (V) LA647644

Callout	Name	Application	Remarks & Restrictions	Service No.	Qty
1	Radio-cassette	Change point - VIN begin KA624756, Change point - VIN end LA647644, Vogue SE, With CD Player		PRC8920	1
		Change point - VIN begin KA624756, Change point - VIN end LA647644, Vogue LSE, With CD Player		PRC8920	1
2	Radio-cassette	Change point - VIN begin KA624756, Change point - VIN end LA647644, Vogue, Less CD Player		PRC9581	1
3	Changer-automatic compact disc	Change point - VIN begin KA624756, Change point - VIN end LA647644	Also serviced as part of a kit	PRC9033	1
4	Link-compact disc automatic changer	Change point - VIN begin KA624756, Change point - VIN end LA647644	Clarion	AMR2062	1
		Change point - VIN begin KA624756, Change point - VIN end LA647644, (+)"J"	Pioneer	AMR2063	1
5	Lead Antenna	Change point - VIN begin KA624756, Change point - VIN end LA647644	(FM)	AMR1844	1
		Change point - VIN begin KA624756, Change point - VIN end LA647644	AM/FM	AMR1843	1
[900]	Magazine-automatic changer compact disc player	Change point - VIN begin KA624756, Change point - VIN end LA647644	Also serviced as part of a kit	STC1625	1

Body Electrics
In-Car Entertainment
Radio Cassette & CD System-From (V) KA624756 To (V) LA647644 1/1

Range Rover (From JA610294)

(BDMXKA3B)



Range Rover (From JA610294)

Body Electrics
In-Car Entertainment
Radio Cassette & CD System-From (V) KA624756 To (V) LA647644

Callout	Name	Application	Remarks & Restrictions	Service No.	Qty
1	Radio-cassette	Change point - VIN begin MA647645, Vogue, Less CD Player, (+)RDS, With EON	Clarion	AMR2385	1
2	Radio-cassette	Change point - VIN begin MA647645, Vogue LSE, With CD Player, (+)RDS, With EON	Clarion	AMR2384	1
		Change point - VIN begin MA647645, Vogue SE, With CD Player, (+)RDS, With EON	Clarion	AMR2384	1
		Change point - VIN begin MA647645, (+)"J", With CD Player	Pioneer	AMR3043	1
3	Earth lead	Change point - VIN begin MA647645		AMR3463	1
4	Changer-automatic compact disc	Change point - VIN begin MA647645	Also serviced as part of a kit	PRC9033	1
5	Link-compact disc automatic changer	Change point - VIN begin MA647645, (-)"J"	Clarion	AMR2062	1
		Change point - VIN begin MA647645, (+)"J"		AMR3097	1
6	Lead Antenna	Change point - VIN begin MA647645	RH Side, RH, AM/FM	PRC9464	1
		Change point - VIN begin MA647645	LH side, LH, (FM)	AMR2652	1
		Change point - VIN begin MA647645		AMR3493	1
[900]	Finisher-facia console radio	Change point - VIN begin MA647645	Ash Grey	FBV10065LNF	X
[901]	Magazine-automatic changer compact disc player	Change point - VIN begin MA647645	Also serviced as part of a kit	STC1625	1
		Change point - VIN begin MA647645, (+)"J"		STC1644	1
[902]	Bolt-washer	Change point - VIN begin MA647645	M5 X 10	SE105101	4
[903]	Screw-pan	Change point - VIN begin MA647645	M4	SE104081	4

Body Electrics
In-Car Entertainment
Radio Cassette & CD System-To (V) JA624755 1/2

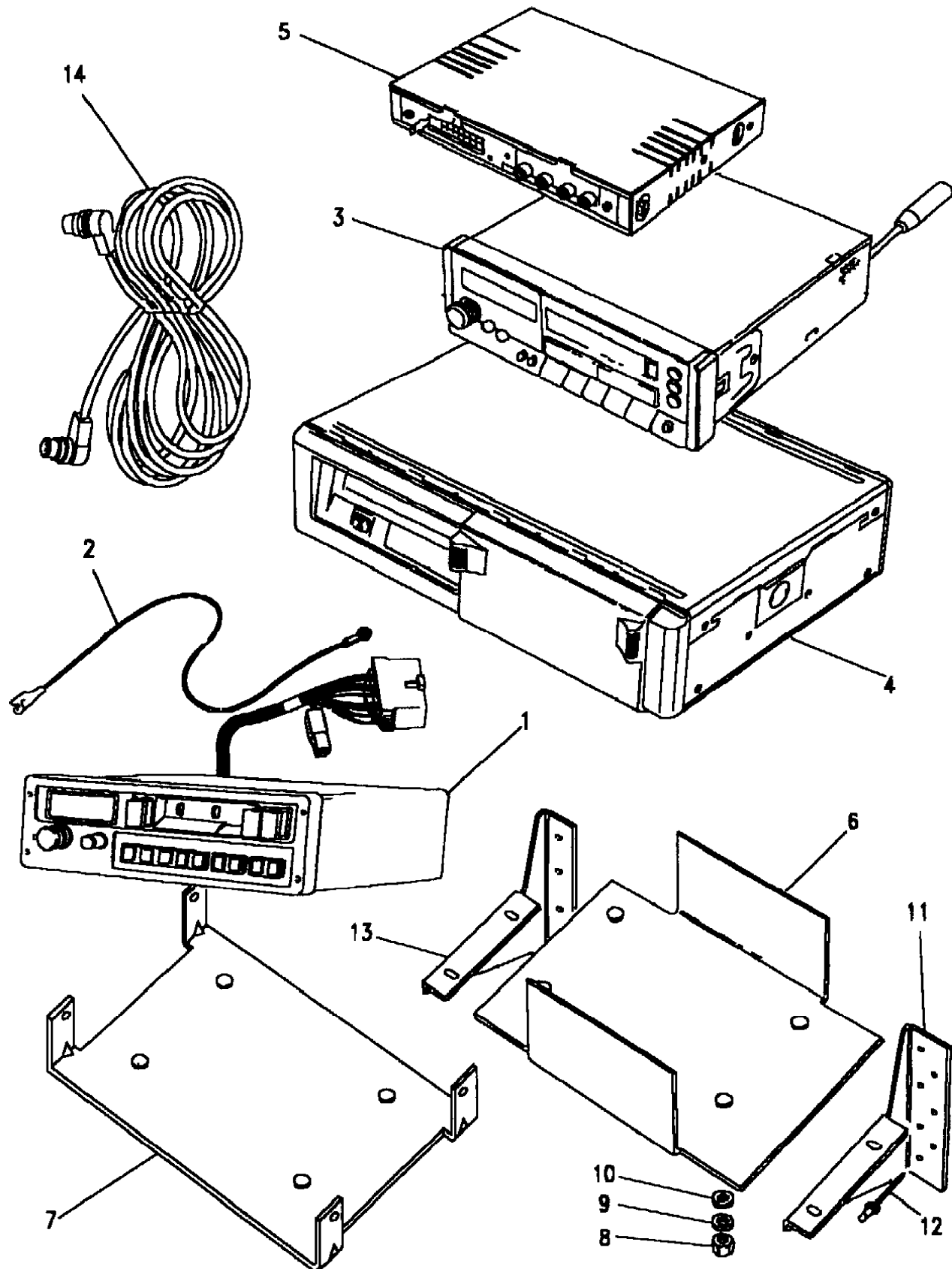
Range Rover (From JA610294)

(BDMXKA1A)

Range Rover (From JA610294)

Radio Cassette & CD System-To (V) JA624755

Body Electrics
In-Car Entertainment



Callout	Name	Application	Remarks & Restrictions	Service No.	Qty
1	Radio cassette electronic-auto/reversal	Change point - VIN end JA624754, With Radio Cassette, Less CD Player Change point - VIN end JA624755, With Radio Cassette, Less CD Player		PRC8732 STC2840	1 1
2	Earth lead	Change point - VIN end JA624754, With Radio Cassette, Less CD Player Change point - VIN end JA624754, With CD Player	amplifier	PRC9234 PRC9461	1 1
3	Radio-cassette	Change point - VIN end JA624754, With CD Player	amplifier	STC2984	1
4	Changer-automatic compact disc	Change point - VIN end JA624754, With CD Player	amplifier, Also serviced as part of a kit	PRC9033	1
5	Amplifier assembly-audio power	Change point - VIN end JA624754, With CD Player	amplifier	PRC8738	1
6	Plate-mounting-CD	Change point - VIN end JA624754, (+)"J", With CD Player		MXC9119	1
7	Plate-mounting-CD	Change point - VIN end JA624754, (-)"GB", With CD Player		MXC9616	1
8	Nut - Hex.	Change point - VIN end JA624754, With CD Player	M6, nyloc, Hexagonal	NH106041L	4
9	Washer	Change point - VIN end JA624754, With CD Player	6MM	WA106041L	4
10	Washer	Change point - VIN end JA624754, With CD Player	M6, sprung	WL106001L	4
11	Bracket-compact disc automatic changer	Change point - VIN end JA624754, With CD Player		MXC9614	1
12	Rivet	Change point - VIN end JA624754, With CD Player	3/16" x 0.45"lng, pop	78248	X
13	Bracket-compact disc automatic changer	Change point - VIN end JA624754, With CD Player		MXC9615	1
14	Lead-link	Change point - VIN end JA624754, With CD Player		PRC9533	1

Body Electrics
In-Car Entertainment
Radio Cassette & CD System-To (V) JA624755 2/2

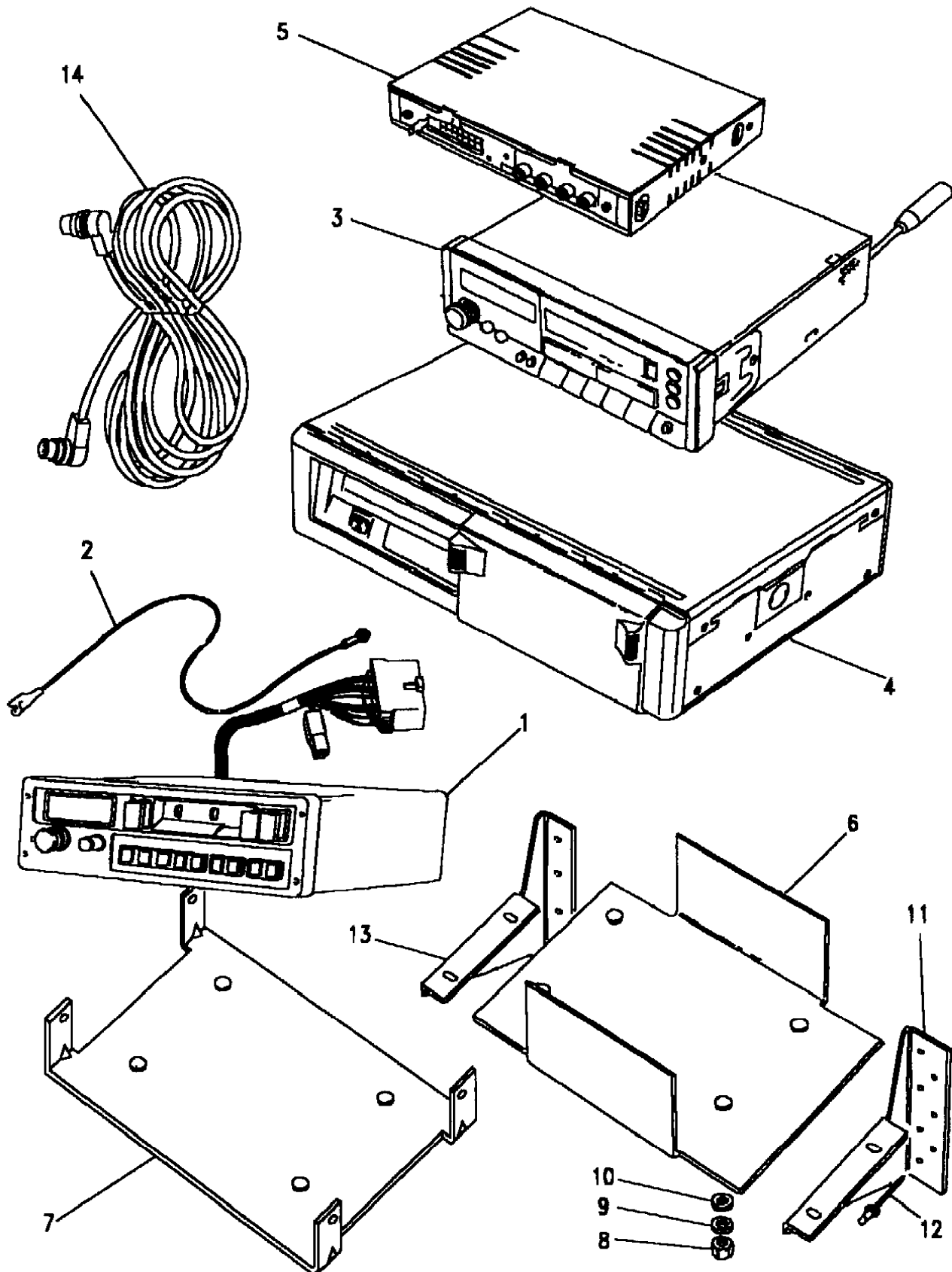
Range Rover (From JA610294)

(BDMXKA1A)

Range Rover (From JA610294)

Body Electrics
In-Car Entertainment
Radio Cassette & CD System-To (V) JA624755

Callout	Name	Application	Remarks & Restrictions	Service No.	Qty
[900]	Magazine-automatic changer compact disc player	Change point - VIN end JA624754, With CD Player	Also serviced as part of a kit	STC1625	1



SEP 04

601

Body Electrics

Range Rover (From JA610294)

In-Car Entertainment

Speakers & Amps-From KA (V) KA624756 To (V) LA647644 1/3

(LM0189)

601

SEP 04

Body Electrics

Range Rover (From JA610294)

In-Car Entertainment

Speakers & Amps-From KA (V) KA624756 To (V) LA647644

Callout	Name	Application	Remarks & Restrictions	Service No.	Qty
1	Sub woofer assembly	Change point - VIN begin KA624756, Change point - VIN end KA644878		AMR2001	1
		Change point - VIN begin KA644879		AMR3455	1
2	Bracket Support	Change point - VIN begin KA624756		AMR1071	2
3	Screw	Change point - VIN begin KA624756	M8 X 16, Flanged Head	FS108161L	4
4	Screw	Change point - VIN begin KA624756	hexagonal head, M8 x 40	SH108401L	2
5	Screw	Change point - VIN begin KA624756	M8 x 50, Flanged Head	SH108501	2
6	Washer	Change point - VIN begin KA624756	M8, sprung	WL108001L	8
7	Washer	Change point - VIN begin KA624756	M8	WC108051L	8
8	Amplifier	Change point - VIN begin KA624756, (-)"J"	subwoofer	AMR2002	1
		Change point - VIN begin KA624756, (+)"J"	subwoofer	AMR2244	1
9	Fuse		7.5 AMP, AUTO, standard.	RTC4498	1
10	Screw	Change point - VIN begin KA624756	hexagonal head, M4 x 12	SH104121L	2
11	Amplifier assembly-audio power	Change point - VIN begin KA624756, Change point - VIN end LA647644		PRC8738	1
		Change point - VIN begin MA647645, (+)"J"		AMR2872	1
12	Screw	Change point - VIN begin KA624756	hexagonal head, M4 x 8	SH104081L	2
13	Washer-Plain	Change point - VIN begin KA624756	M4	WA104001L	2
14	Bracket - Support	Change point - VIN begin KA624756, Change point - VIN end LA647644, (+)"J"	CD AUTOCHANGER, Pioneer	AMR2100	1
		Change point - VIN begin MA647645, (+)"J"	CD AUTOCHANGER, Pioneer	AMR3028	1
15	Bracket - Support	Change point - VIN begin KA624756, Change point - VIN end LA647644	CD AUTOCHANGER, Clarion	AMR2099	1
		Change point - VIN begin MA647645	CD AUTOCHANGER, Clarion	AMR3045	1
16	Amplifier-audio antenna	Change point - VIN begin KA624756	AM/FM	PRC9035	1

Body Electrics
In-Car Entertainment
Speakers & Amps-From KA (V) KA624756 To (V) LA647644 2/3

Range Rover (From JA610294)

(LM0189)

Range Rover (From JA610294)

Body Electrics
In-Car Entertainment
Speakers & Amps-From KA (V) KA624756 To (V) LA647644

Callout	Name	Application	Remarks & Restrictions	Service No.	Qty
17	Amplifier-audio antenna	Change point - VIN begin KA624756, Change point - VIN end LA647644, (+)"J"	(FM)	PRC9034	1
18	Speaker-front door	Change point - VIN begin KA624756, Change point - VIN end LA647644, 2 Door Station Wagon, Less CD Player	4", Bokhara	PRC9145RUN	2
		Change point - VIN begin KA624756, Change point - VIN end LA647644, Vogue SE, With CD Player	4", Bokhara	PRC9345RUN	2
		Change point - VIN begin KA624756, Change point - VIN end LA647644, Vogue, With CD Player	4", Bokhara	PRC9345RUN	2
		Change point - VIN begin KA624756, Change point - VIN end LA647644, Vogue LSE, With CD Player	4", Bokhara	PRC9345RUN	2
		Change point - VIN begin KA624756, Change point - VIN end LA647644, Vogue, With CD Player	Bass, 5.5"	AMR2119	2
		Change point - VIN begin KA624756, Change point - VIN end LA647644, Vogue LSE, With CD Player	Bass, 5.5"	AMR2119	2
		Change point - VIN begin KA624756, Change point - VIN end LA647644, Vogue SE, With CD Player	Bass, 5.5"	AMR2119	2
19	Screw	Change point - VIN begin KA624756, Change point - VIN end LA647644		MTC9424	4
20	Nut-spring-self thread	Change point - VIN begin KA624756, Change point - VIN end LA647644		AAU8111	4
21	Speaker-headlining	Change point - VIN begin KA624756, Change point - VIN end LA647644	Bokhara	PRC9143RUN	2
22	Screw	Change point - VIN begin KA624756, Change point - VIN end LA647644	Self Tapping, No8 x 5/8	AB608054L	4
23	Nut-spring-self thread	Change point - VIN begin KA624756, Change point - VIN end LA647644		AK608045	4
24	Earth lead	Change point - VIN begin KA624756, Change point - VIN end LA647644		AMR2204	1

SEP 04**603**

Body Electrics

In-Car Entertainment

Speakers & Amps-From KA (V) KA624756 To (V) LA647644 3/3

Range Rover (From JA610294)

(LM0189)

603**SEP 04**

Body Electrics

In-Car Entertainment

Speakers & Amps-From KA (V) KA624756 To (V) LA647644

Range Rover (From JA610294)

Callout	Name	Application	Remarks & Restrictions	Service No.	Qty
25	Crossover unit	Change point - VIN begin KA624756, Change point - VIN end LA647644	front door	AMR2120	2
26	Speaker-cover	Change point - VIN begin KA624756, Change point - VIN end LA647644	Bass	STC1609	2
27	Washer		8MM, sprung	WL108007	8

Body Electrics
 In-Car Entertainment
 Speakers-From (V) MA647645 1/2

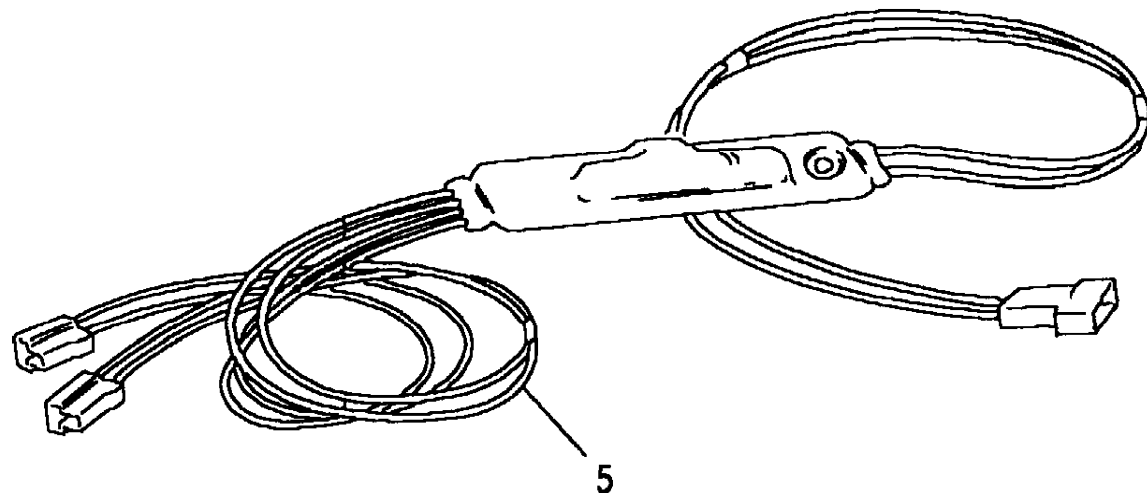
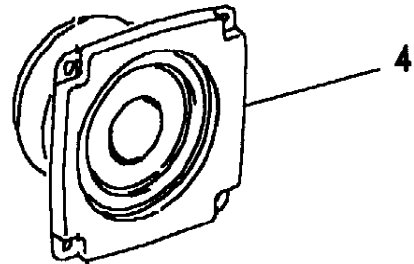
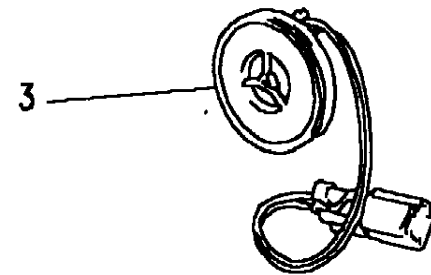
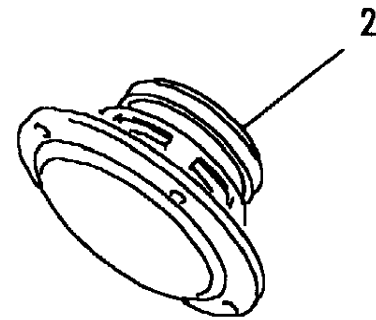
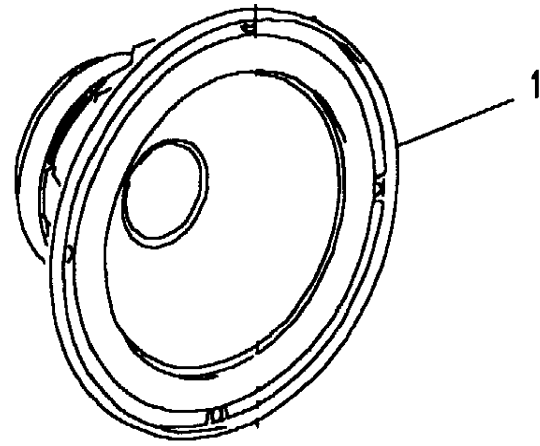
Range Rover (From JA610294)

(BDMXKA4C)

Range Rover (From JA610294)

Body Electrics
 In-Car Entertainment
 Speakers-From (V) MA647645

Callout	Name	Application	Remarks & Restrictions	Service No.	Qty
1	Speaker-front door	Change point - VIN begin MA647645, (-) Vogue, Less CD Player, Less RDS, Less EON	6"	AMR2134	2
		Change point - VIN begin MA647645, (-) Vogue LSE, Less CD Player, Less RDS, Less EON	6"	AMR2134	2
		Change point - VIN begin MA647645, (-) Vogue SE, Less CD Player, Less RDS, Less EON	6"	AMR2134	2
		Change point - VIN begin MA647645, Vogue, Less CD Player, (+)RDS, With EON	6"	AMR2134	2
		Change point - VIN begin MA647645, Vogue LSE, With CD Player, (+)RDS, With EON	6"	AMR2134	2
		Change point - VIN begin MA647645, Vogue SE, With CD Player, (+)RDS, With EON	6"	AMR2134	2
		Change point - VIN begin MA647645, (-) Vogue, Less CD Player, Less RDS, Less EON	Ash Grey, twin cone	AMR2159LNF	2
2	Speaker-front door	Change point - VIN begin MA647645, (-) Vogue LSE, Less CD Player, Less RDS, Less EON	Ash Grey, twin cone	AMR2159LNF	2
		Change point - VIN begin MA647645, (-) Vogue SE, Less CD Player, Less RDS, Less EON	Ash Grey, twin cone	AMR2159LNF	2
		Change point - VIN begin MA647645, Vogue, Less CD Player, (+)RDS, With EON	Ash Grey, Coaxial	PRC9143LNF	2
		Change point - VIN begin MA647645, Vogue LSE, With CD Player, (+)RDS, With EON	Ash Grey, Coaxial	PRC9143LNF	2
		Change point - VIN begin MA647645, Vogue SE, With CD Player, (+)RDS, With EON	Ash Grey, Coaxial	PRC9143LNF	2
		Change point - VIN begin MA647645, Vogue, Less CD Player, (+)RDS, With EON		AMR2876	2
3	Tweeter assembly-A post audio	Change point - VIN begin MA647645, Vogue SE, With CD Player, (+)RDS, With EON		AMR2876	2
		Change point - VIN begin MA647645, Vogue, Less CD Player, (+)RDS, With EON		AMR2876	1



Body Electrics

In-Car Entertainment

Speakers-From (V) MA647645 2/2

Range Rover (From JA610294)

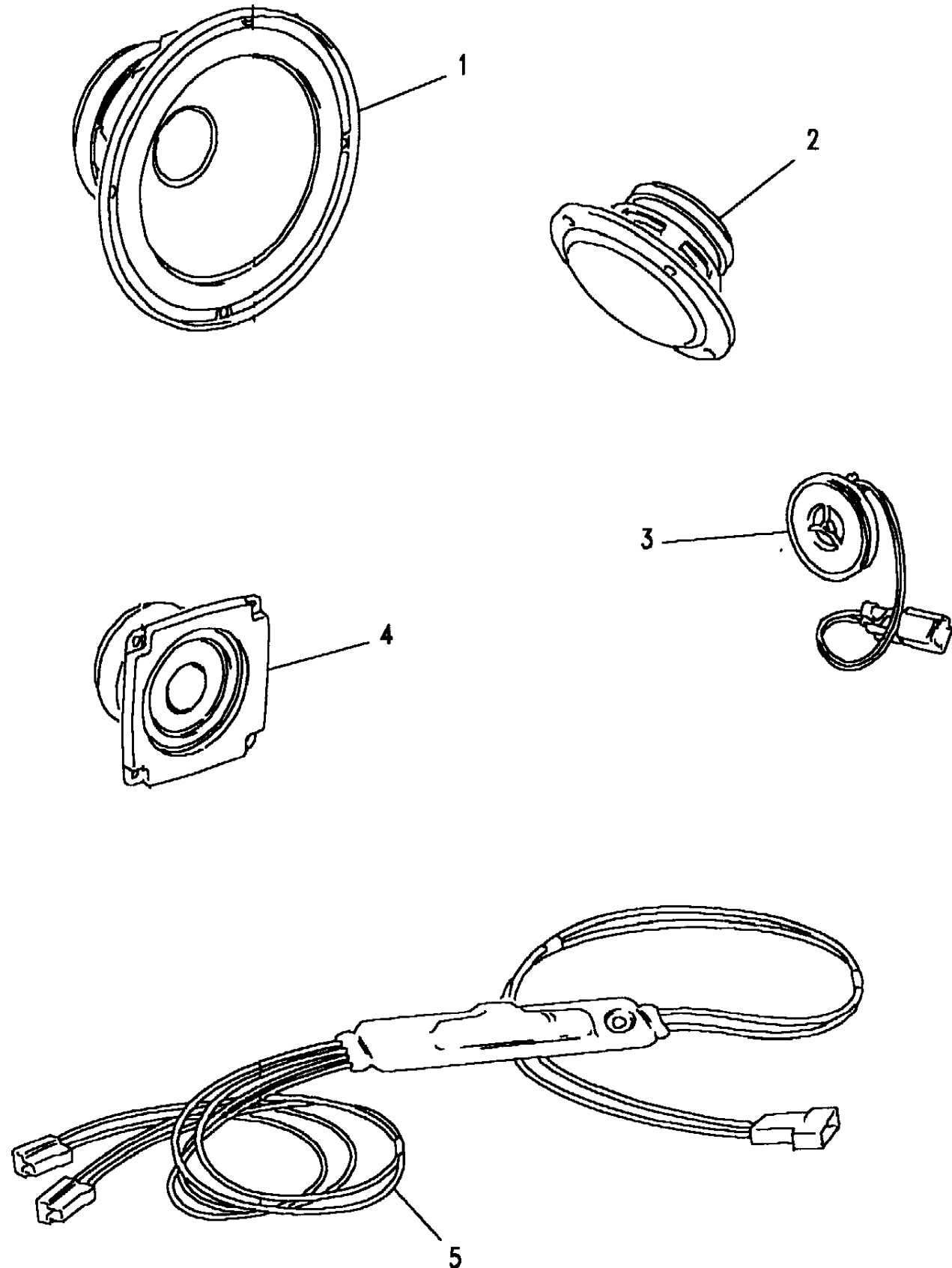
(BDMXKA4C)

Body Electrics

In-Car Entertainment

Speakers-From (V) MA647645

Range Rover (From JA610294)



Callout	Name	Application	Remarks & Restrictions	Service No.	Qty
4	Speaker assembly-front active	Change point - VIN begin MA647645, Vogue LSE, With CD Player, (+)RDS, With EON	3"	PRC8045	2
		Change point - VIN begin MA647645, Vogue SE, With CD Player, (+)RDS, With EON	3"	PRC8045	2
5	Crossover unit	Change point - VIN begin MA647645, Vogue LSE, With CD Player, (+)RDS, With EON	front door	AMR2120	1
		Change point - VIN begin MA647645, Vogue SE, With CD Player, (+)RDS, With EON	front door	AMR2120	1

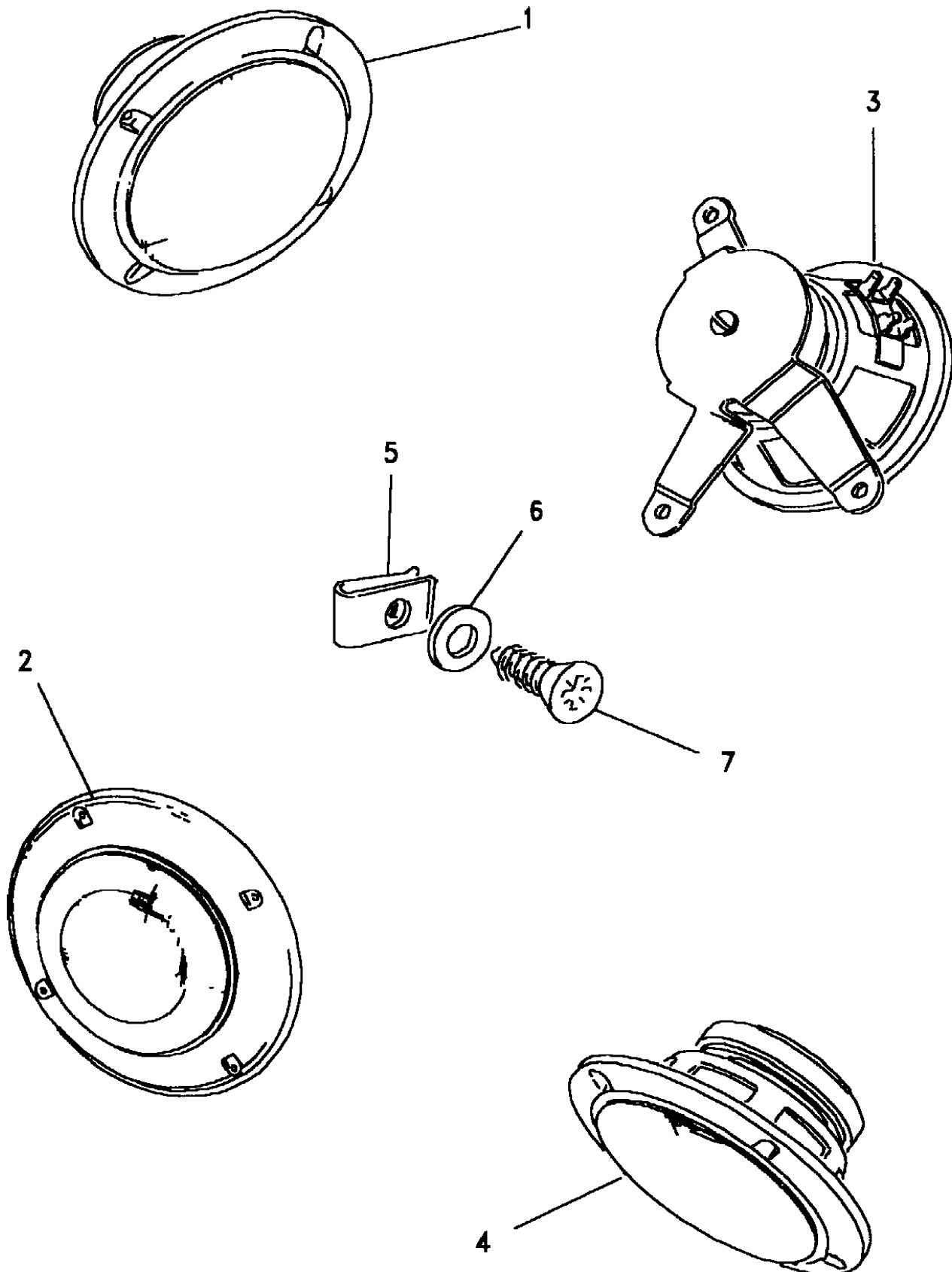
Body Electrics
 In-Car Entertainment
 Speakers-To (V) JA624755 1/1

Range Rover (From JA610294)
 (BDMXKA2A)

Range Rover (From JA610294)

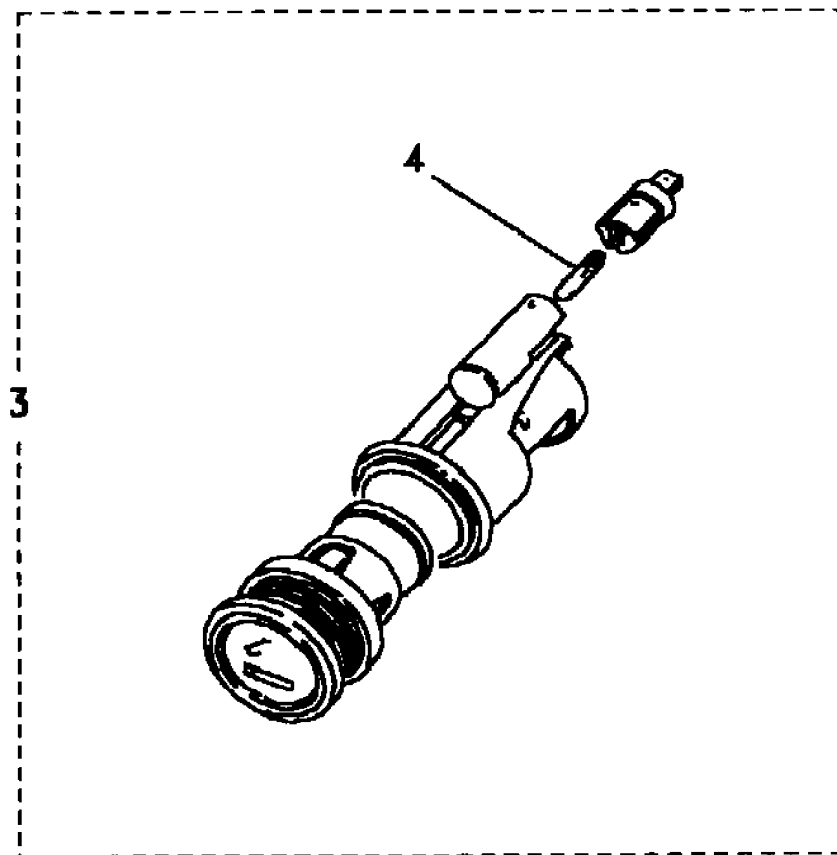
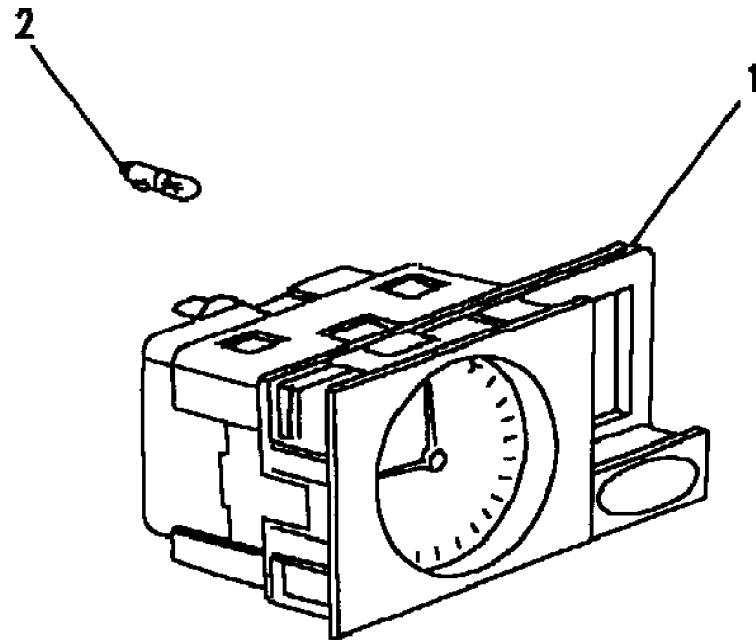
Body Electrics
 In-Car Entertainment
 Speakers-To (V) JA624755

Callout	Name	Application	Remarks & Restrictions	Service No.	Qty
1	Speaker assembly-front single cone	Change point - VIN end JA624754, Vogue SE	Bokhara, high range	PRC8552RUN	2
		Change point - VIN end JA624754	Bokhara, Full Range	PRC8550RUN	2
2	Fret-front/rear door speaker	Change point - VIN end JA624754, Vogue SE	Bokhara	MXC3352RUN	2
3	Speaker & bracket assembly front	Change point - VIN end JA624754, Vogue SE	Bokhara, Low Range	PRC8551RUN	2
4	Speaker-headlining	Change point - VIN end JA624754	Bokhara	PRC8549RUN	2
5	Nut-spring-self thread	Change point - VIN end JA624754	door speakers, M6	AK606061L	X
		Change point - VIN end JA624754	roof speakers, M8	AK608191	X
6	Washer	Change point - VIN end JA624754	M5, Plain, Standard	WA105001L	X
7	Screw	Change point - VIN end JA624754	door speakers, Self Tapping, No8 x 7/8	AB608074	X
		Change point - VIN end JA624754	roof speakers, Self Tapping, No 8 x 1	AB608084	X



Body Electrics
Instruments & Clock
Clock & Cigar Lighter-From (V) MA647645 1/1

Range Rover (From JA610294)
(BDMXIA3D)



Range Rover (From JA610294)

Body Electrics
Instruments & Clock
Clock & Cigar Lighter-From (V) MA647645

Callout	Name	Application	Remarks & Restrictions	Service No.	Qty
1	Clock analogue	Change point - VIN begin MA647645	without hazard switch, Also serviced as part of a kit	STC1802	1
2	Holder & bulb assembly clock	Change point - VIN begin MA647645 Change point - VIN begin MA647645	Also serviced as part of a kit	STC1984 STC4300	1 X
3	Cigar lighter facia	Change point - VIN begin MA647645	without hazard switch, Also serviced as part of a kit	YUJ10037L	1
4	Bulb-wedge illumination	Change point - VIN begin MA647645	Also serviced as part of a kit, 1.2 WATT, 12V	RTC3635	1
[900]	Bulb	Change point - VIN begin MA647645 Change point - VIN begin MA647645 Change point - VIN begin MA647645		STC4302 STC4300 STC4301	X X X

Body Electrics
Instruments & Clock
Clock & Cigar Lighter-To (V) LA647644 1/1

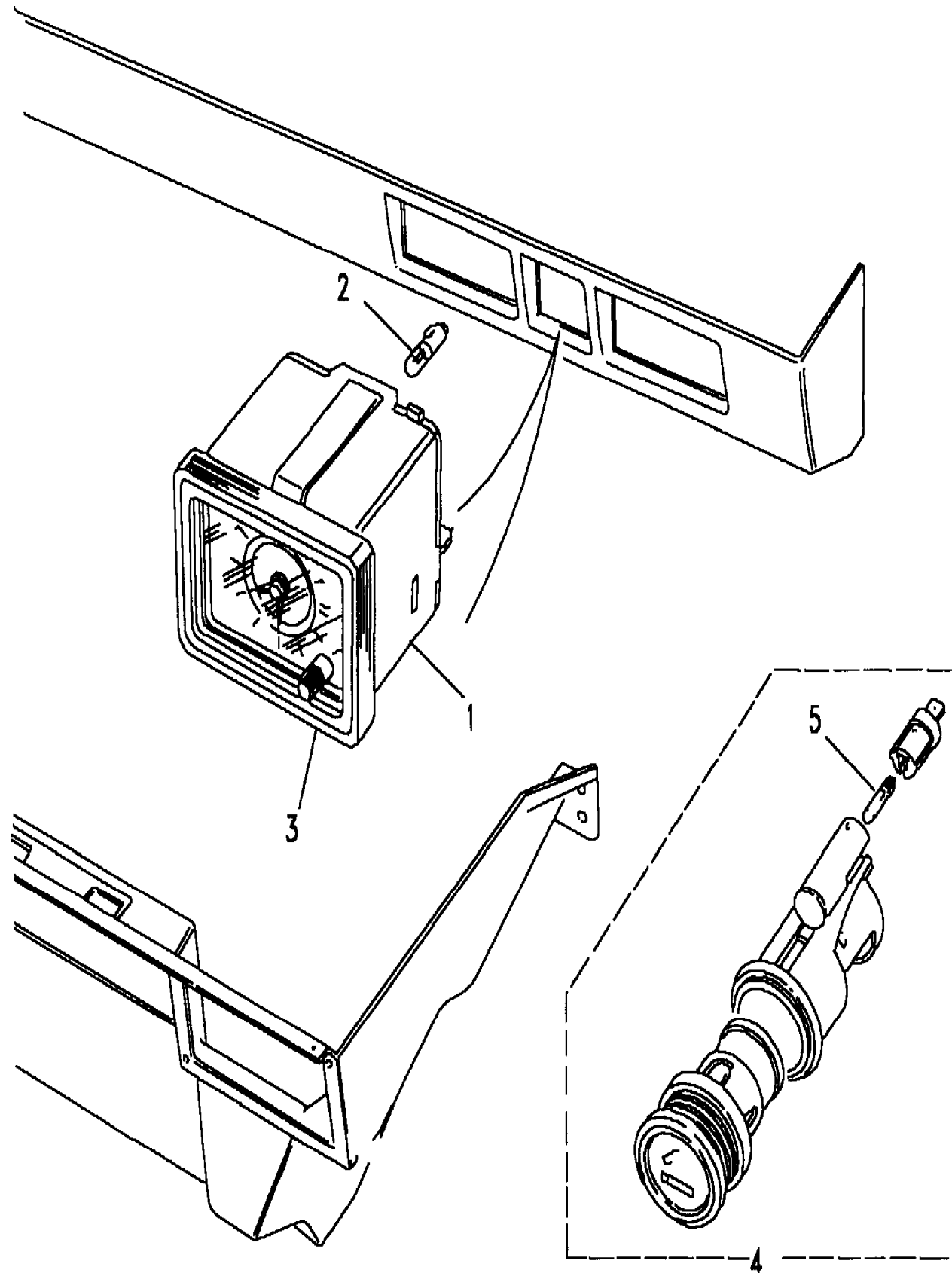
Range Rover (From JA610294)

(BDMXIA3A)

Range Rover (From JA610294)

Body Electrics
Instruments & Clock
Clock & Cigar Lighter-To (V) LA647644

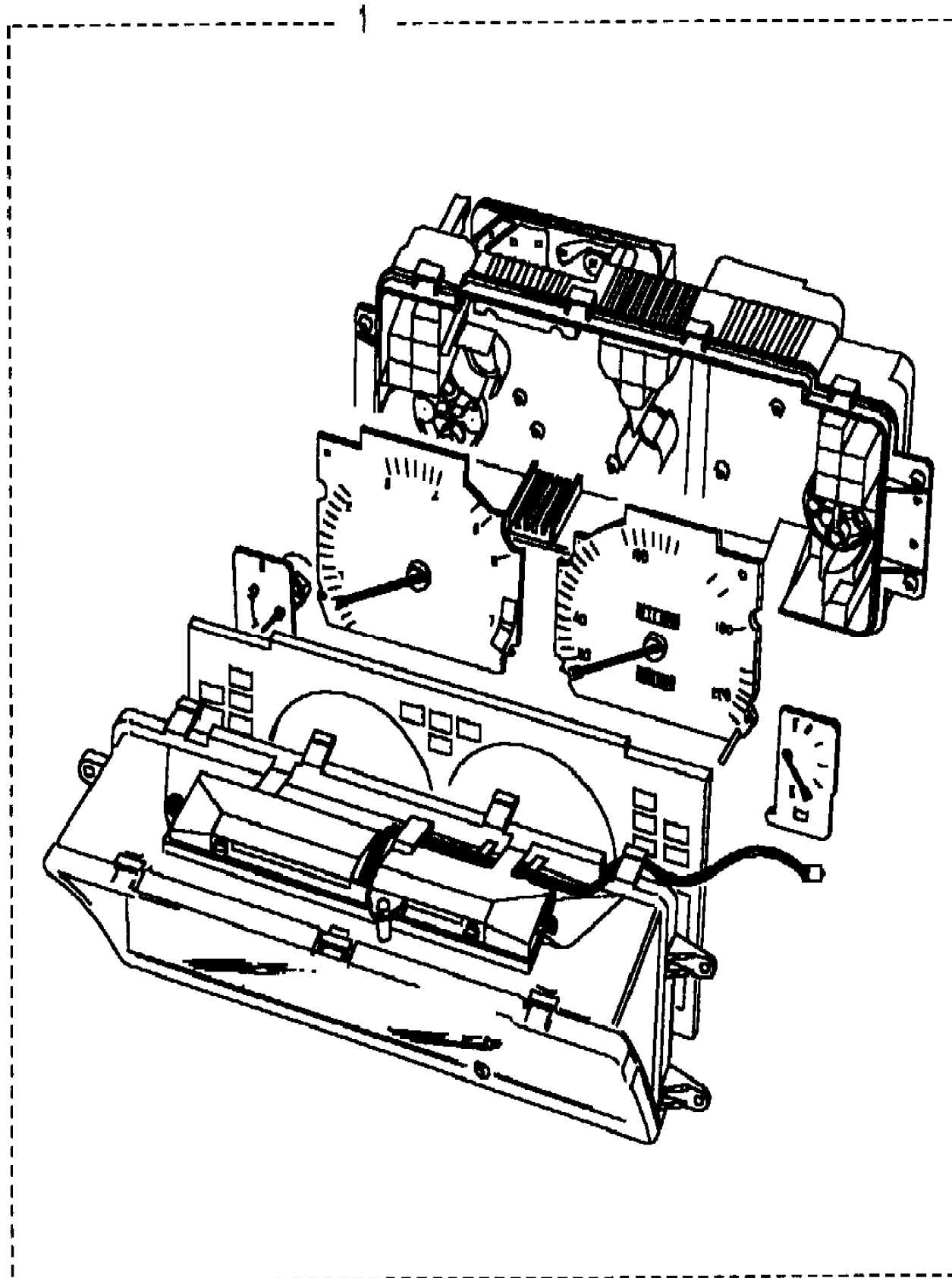
Callout	Name	Application	Remarks & Restrictions	Service No.	Qty
1	Clock analogue	Change point - VIN end LA647644	Also serviced as part of a kit, rectangular	PRC4370	1
2	Bulb-281-ba7s-2 Watt	Change point - VIN end LA647644		503352	1
3	Bezel-Clock	Change point - VIN end LA647644	Also serviced as part of a kit	PRC4324	1
4	Cigar lighter facia	Change point - VIN end JA624754 Change point - VIN begin KA624756, Change point - VIN end LA647644	Also serviced as part of a kit Also serviced as part of a kit	DRC8584 PRC9410	2 2
5	Bulb-wedge illumination	Change point - VIN end JA624754 Change point - VIN begin KA624756, Change point - VIN end LA647644	Also serviced as part of a kit, 1.2 WATT, 12V Also serviced as part of a kit, 1.2 WATT, 12V	RTC3635 RTC3635	1 1
[900]	Pop out unit cigar lighter	Change point - VIN end JA624754 Change point - VIN begin KA624756, Change point - VIN end LA647644	Also serviced as part of a kit Also serviced as part of a kit	DRC8398 STC733	1 1



Body Electrics
Instruments & Clock
Instrument Pack Complete 1/1

Range Rover (From JA610294)

(BDMXIA5B)



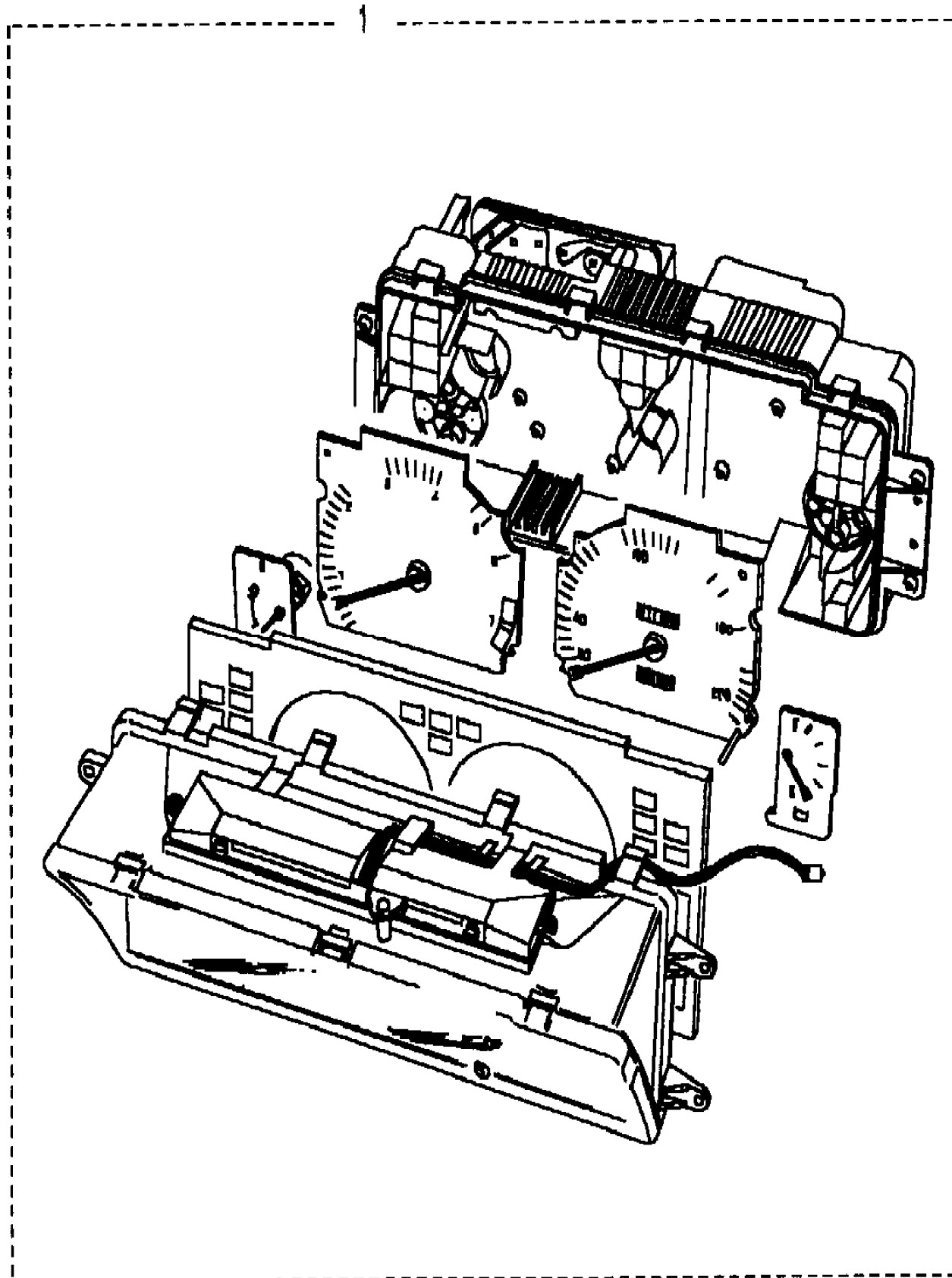
Range Rover (From JA610294)

Body Electrics
Instruments & Clock
Instrument Pack Complete

Callout	Name	Application	Remarks & Restrictions	Service No.	Qty
1	Instrument pack	Change point - VIN begin MA647645, Change point - VIN end MA661972, (+)"GB"	Rover Airbag System	AMR1339	1
		Change point - VIN begin MA647645, Change point - VIN end MA661972, (+)"AUS"	Rover Airbag System	AMR1345	1
		Change point - VIN begin MA647645, Change point - VIN end MA661972, (+)"J"	Rover Airbag System	AMR1349	1
		Change point - VIN begin MA647645, Change point - VIN end MA661972, (+)"GCC"	Rover Airbag System	AMR1340	1
		Change point - VIN begin MA647645, Change point - VIN end MA661972, (+)"GB"	Less Rover Airbag System	AMR1233	1
		Change point - VIN begin MA647645, Change point - VIN end MA661972, (+)"AUS"	Less Rover Airbag System	AMR1237	1
		Change point - VIN begin MA647645, Change point - VIN end MA661972, (+)"J"	Less Rover Airbag System	AMR1262	1
		Change point - VIN begin MA647645, Change point - VIN end MA661972, (+)"GCC"	Less Rover Airbag System	AMR1234	1

Body Electrics
 Instruments & Clock
 Instrument Pack Complete 1/1

Range Rover (From JA610294)
 (BDMXIA5B)



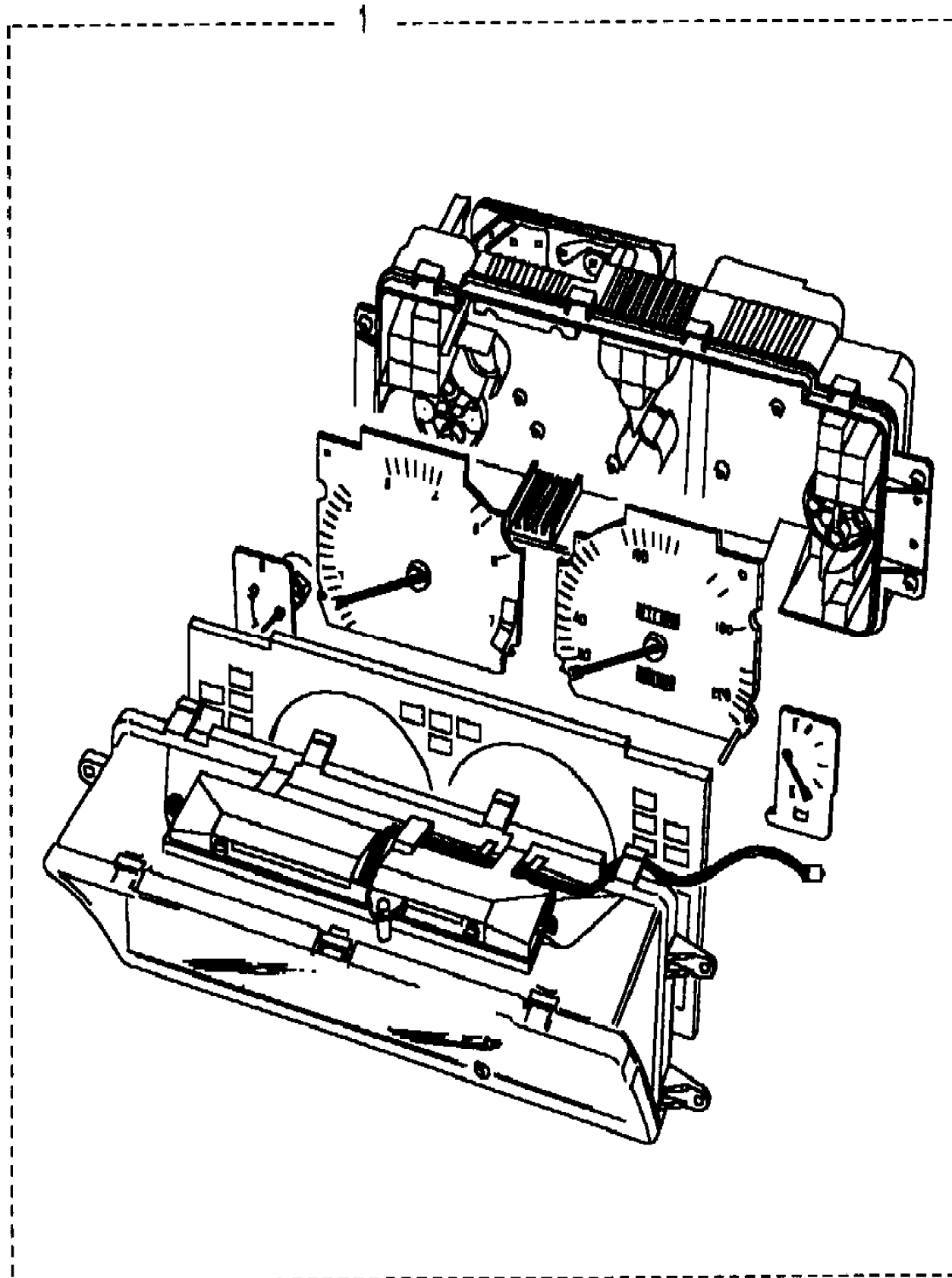
Range Rover (From JA610294)

Body Electrics
 Instruments & Clock
 Instrument Pack Complete

Callout	Name	Application	Remarks & Restrictions	Service No.	Qty
1	Instrument pack	Change point - VIN begin MA661973, (+)"Europe"	Less Rover Airbag System	AMR4836	1
		Change point - VIN begin MA661973, (+)"GB"	Rover Airbag System	AMR4835	1
		Change point - VIN begin MA661973, (+)"Europe"	Rover Airbag System	AMR4837	1

Body Electrics
 Instruments & Clock
 Instrument Pack Complete 1/1

Range Rover (From JA610294)
 (BDMXIA5B)



Range Rover (From JA610294)

Body Electrics
 Instruments & Clock
 Instrument Pack Complete

Change point - VIN begin MA647645, (+)"GB", With Police Vehicle

Callout	Name	Application	Remarks & Restrictions	Service No.	Qty
1	Instrument pack	Change point - VIN begin MA647645, Change point - VIN end MA661972	Less Rover Airbag System	AMR3929	1
		Change point - VIN begin MA647645, Change point - VIN end MA661972	Rover Airbag System	AMR3930	1
		Change point - VIN begin MA661973	Less Rover Airbag System	AMR4843	1
		Change point - VIN begin MA661973	Rover Airbag System	AMR4844	1

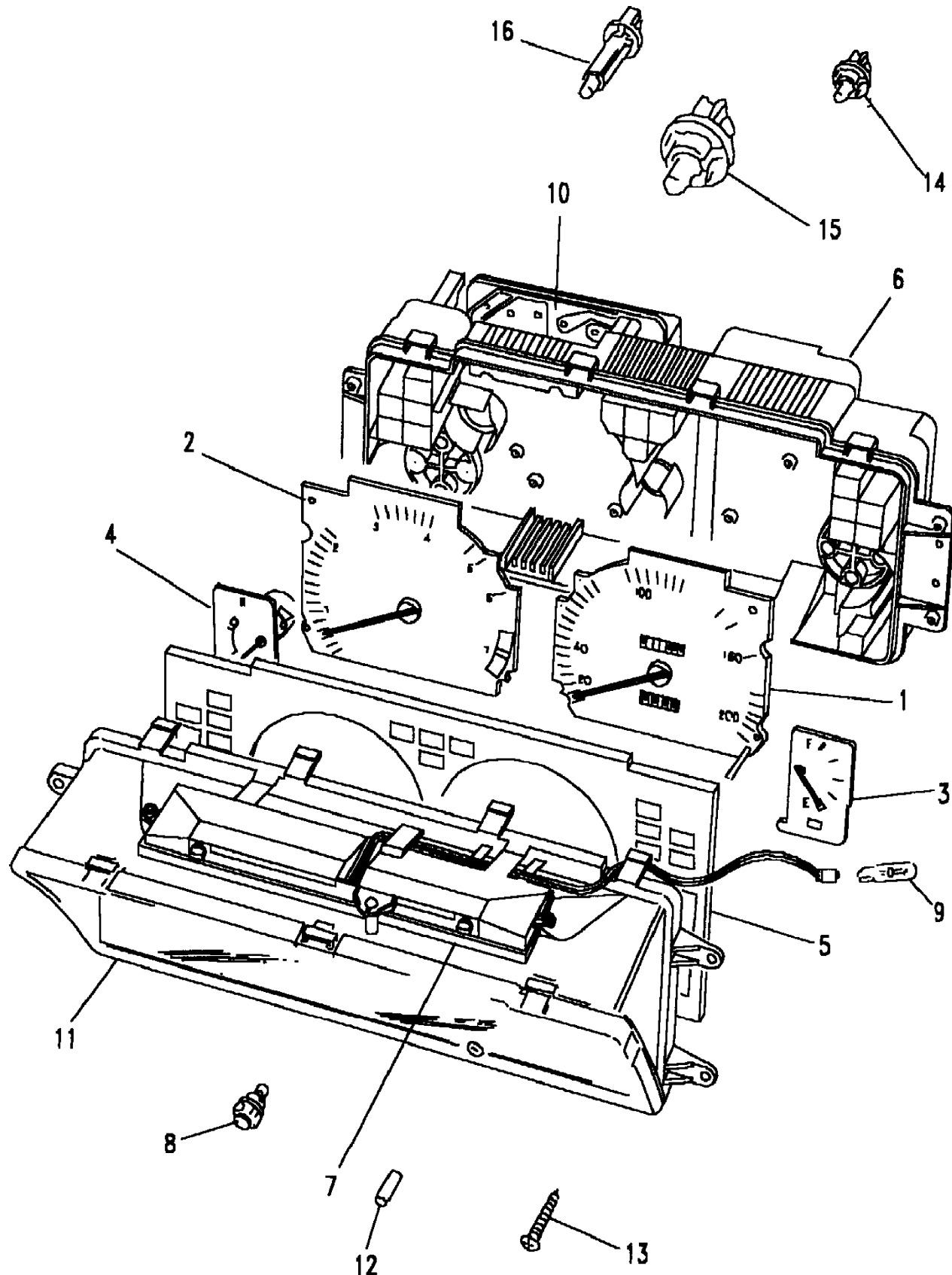
Body Electrics
Instruments & Clock
Instrument Pack Components 1/3

Range Rover (From JA610294)

(BDMXIA3B)

Range Rover (From JA610294)

Body Electrics
Instruments & Clock
Instrument Pack Components



Callout	Name	Application	Remarks & Restrictions	Service No.	Qty
1	Speedometer	Change point - VIN begin MA647645, Change point - VIN end MA661972	135mph	STC1310	1
		Change point - VIN begin MA647645, Change point - VIN end MA661972	210km/h	STC1311	1
2	Tachometer Assy	Change point - VIN begin MA647645, Change point - VIN end MA661972	Rover Airbag System	STC1316	1
		Change point - VIN begin MA647645, Change point - VIN end MA661972	Less Rover Airbag System	STC1314	1
3	Gauge-fuel	Change point - VIN begin MA647645, Change point - VIN end MA661972		STC1318	1
4	Gauge-temperature	Change point - VIN begin MA647645, Change point - VIN end MA661972		STC1319	1
5	Mask assembly instrument pack	Change point - VIN begin MA647645, Change point - VIN end MA661972, (+)"GB"		STC1321	1
		Change point - VIN begin MA647645, Change point - VIN end MA661972, (+)"AUS"		STC1323	1
		Change point - VIN begin MA647645, Change point - VIN end MA661972, (+)"GCC"		STC1322	1
		Change point - VIN begin MA647645, Change point - VIN end MA661972, (+)"J"		STC1327	1
6	Case assembly instrument pack	Change point - VIN begin MA647645, Change point - VIN end MA661972	Rover Airbag System	STC1440	1
		Change point - VIN begin MA647645, Change point - VIN end MA661972	Less Rover Airbag System	STC1437	1
7	Illumination assembly-instrument pack	Change point - VIN begin MA647645, Change point - VIN end MA661972	Also serviced as part of a kit	STC1443	1
8	Bulb & holder assembly	Change point - VIN begin MA647645, Change point - VIN end MA661972	Also serviced as part of a kit, Clear., black base	RTC6607	2
9	Bulb instrument pack	Change point - VIN begin MA647645, Change point - VIN end MA661972		STC1442	1
10	Printed circuit board instrument pack	Change point - VIN begin MA647645, Change point - VIN end MA661972, (+)"Europe"	Rover Airbag System	STC1335	1

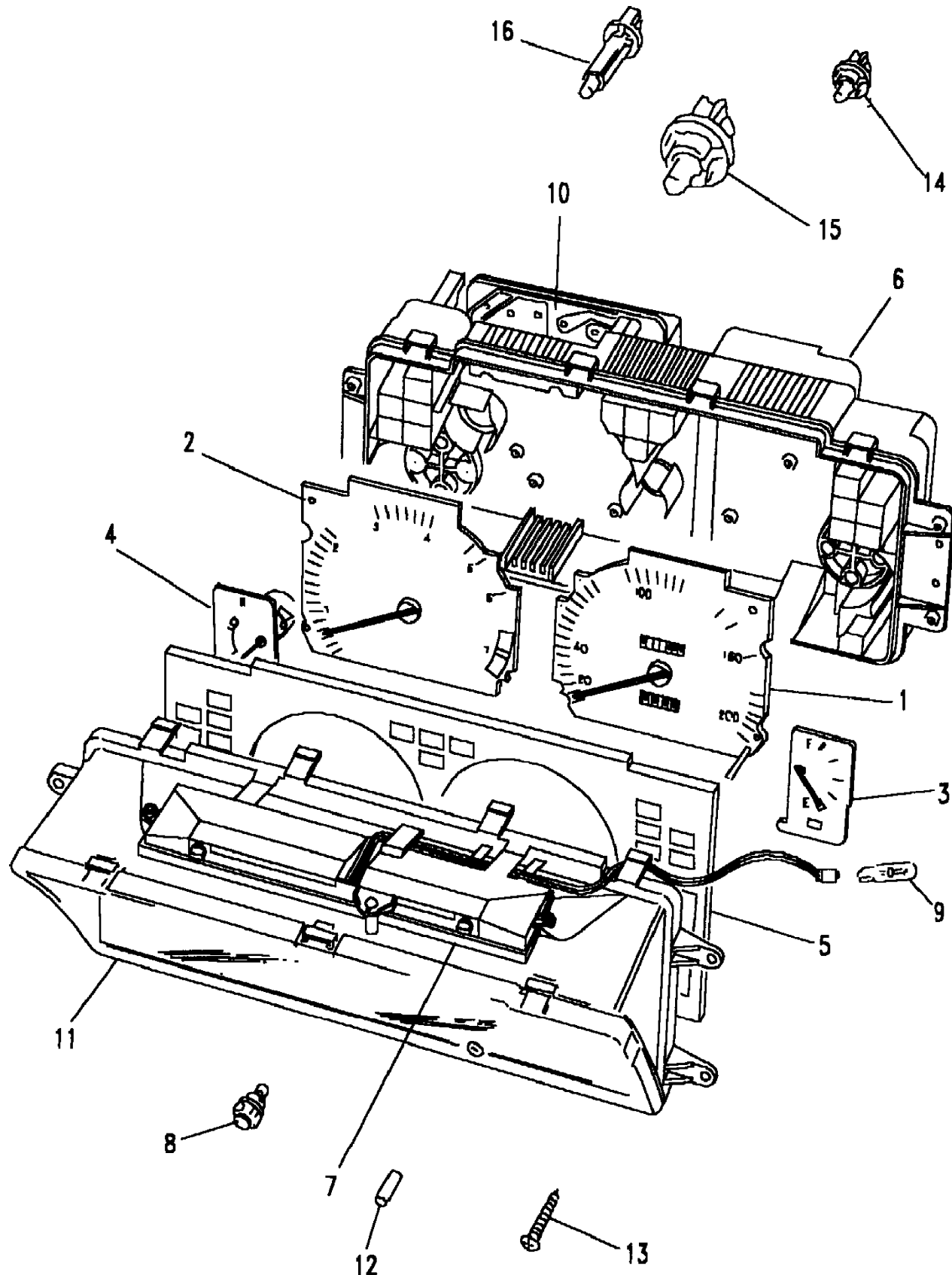
Body Electrics
Instruments & Clock
Instrument Pack Components 2/3

Range Rover (From JA610294)

(BDMXIA3B)

Range Rover (From JA610294)

Body Electrics
Instruments & Clock
Instrument Pack Components



Callout	Name	Application	Remarks & Restrictions	Service No.	Qty		
10	Printed circuit board instrument pack	Change point - VIN begin MA647645, Change point - VIN end MA661972, (-)"GB"	Rover Airbag System	STC1335	1		
		Change point - VIN begin MA647645, Change point - VIN end MA661972, (+)"AUS"	Rover Airbag System	STC1336	1		
		Change point - VIN begin MA647645, Change point - VIN end MA661972, (+)"Europe"	Less Rover Airbag System	STC1332	1		
		Change point - VIN begin MA647645, Change point - VIN end MA661972, (-)"GB"	Less Rover Airbag System	STC1332	1		
		Change point - VIN begin MA647645, Change point - VIN end MA661972, (+)"AUS"	Less Rover Airbag System	STC1333	1		
		Change point - VIN begin MA647645, Change point - VIN end MA661972, (+)"J"	Rover Airbag System	STC1338	1		
		Change point - VIN begin MA647645, Change point - VIN end MA661972, (+)"J"	Less Rover Airbag System	STC1337	1		
		Change point - VIN begin MA647645, Change point - VIN end MA661972, (+)"GCC"	without bulb check, Low fuel warning	STC1344	1		
		Change point - VIN begin MA647645, Change point - VIN end MA661972, (+)"AUS"	with bulb check, Low fuel warning	STC1345	1		
		Change point - VIN begin MA647645, Change point - VIN end MA661972, (+)"J"	with bulb check, Low fuel warning	STC1345	1		
		11	Cowl assembly instrument pack	Change point - VIN begin MA647645, Change point - VIN end MA661972		STC1320	1
		12	Knob trip reset	Change point - VIN begin MA647645, Change point - VIN end MA661972		YAL10001L	1
		13	Screw	Change point - VIN begin MA647645, Change point - VIN end MA661972		YYP10011L	4
14	Bulb & holder assembly	Change point - VIN begin MA647645, Change point - VIN end MA661972	Clear., black base	RTC6607	X		
		Change point - VIN begin MA647645, Change point - VIN end MA661972	Clear., blue base	STC1339	1		
		Change point - VIN begin MA647645, Change point - VIN end MA661972	Green, black base	STC1341	2		

Body Electrics
Instruments & Clock
Instrument Pack Components 3/3

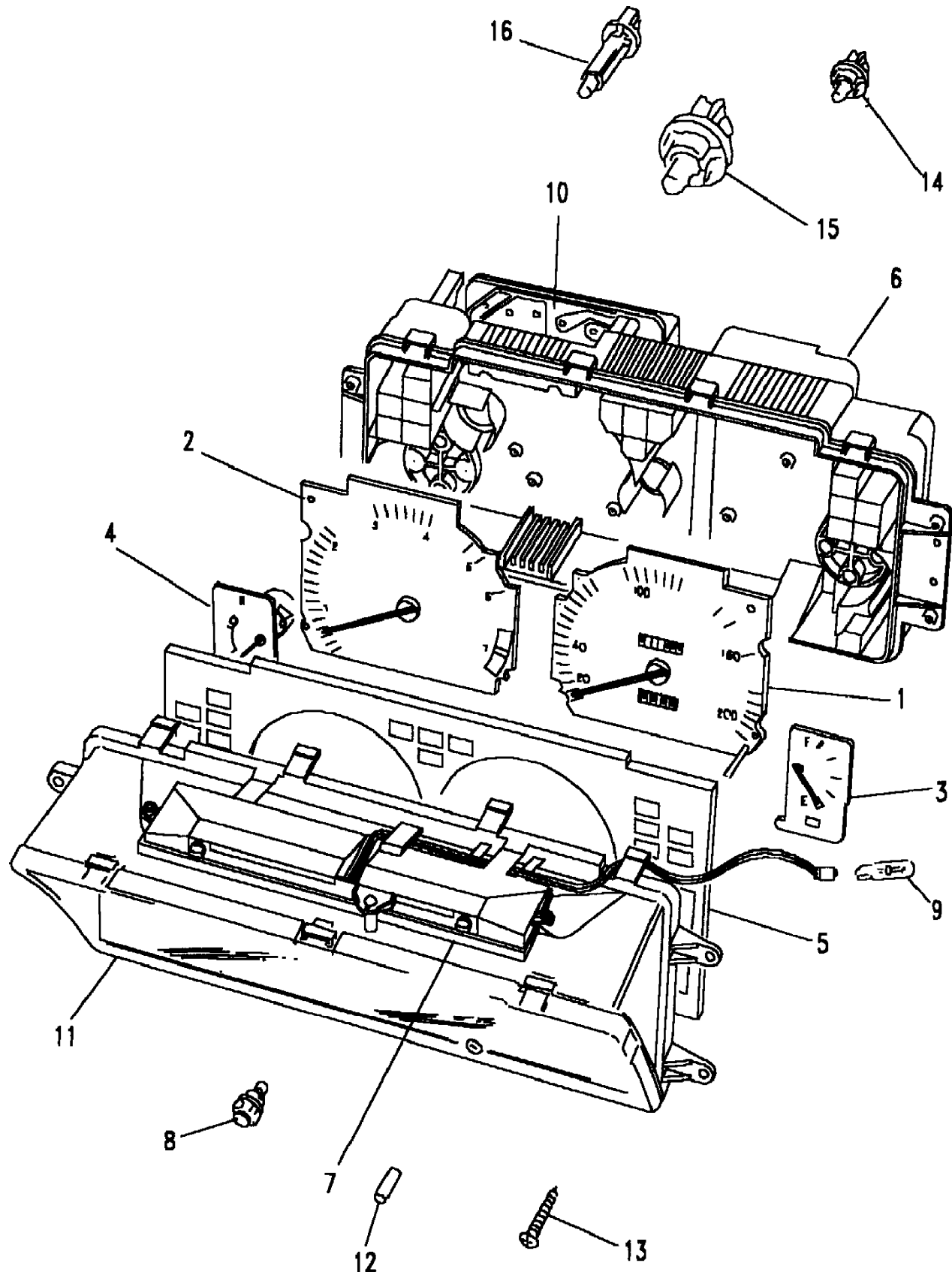
Range Rover (From JA610294)

(BDMXIA3B)

Range Rover (From JA610294)

Body Electrics
Instruments & Clock
Instrument Pack Components

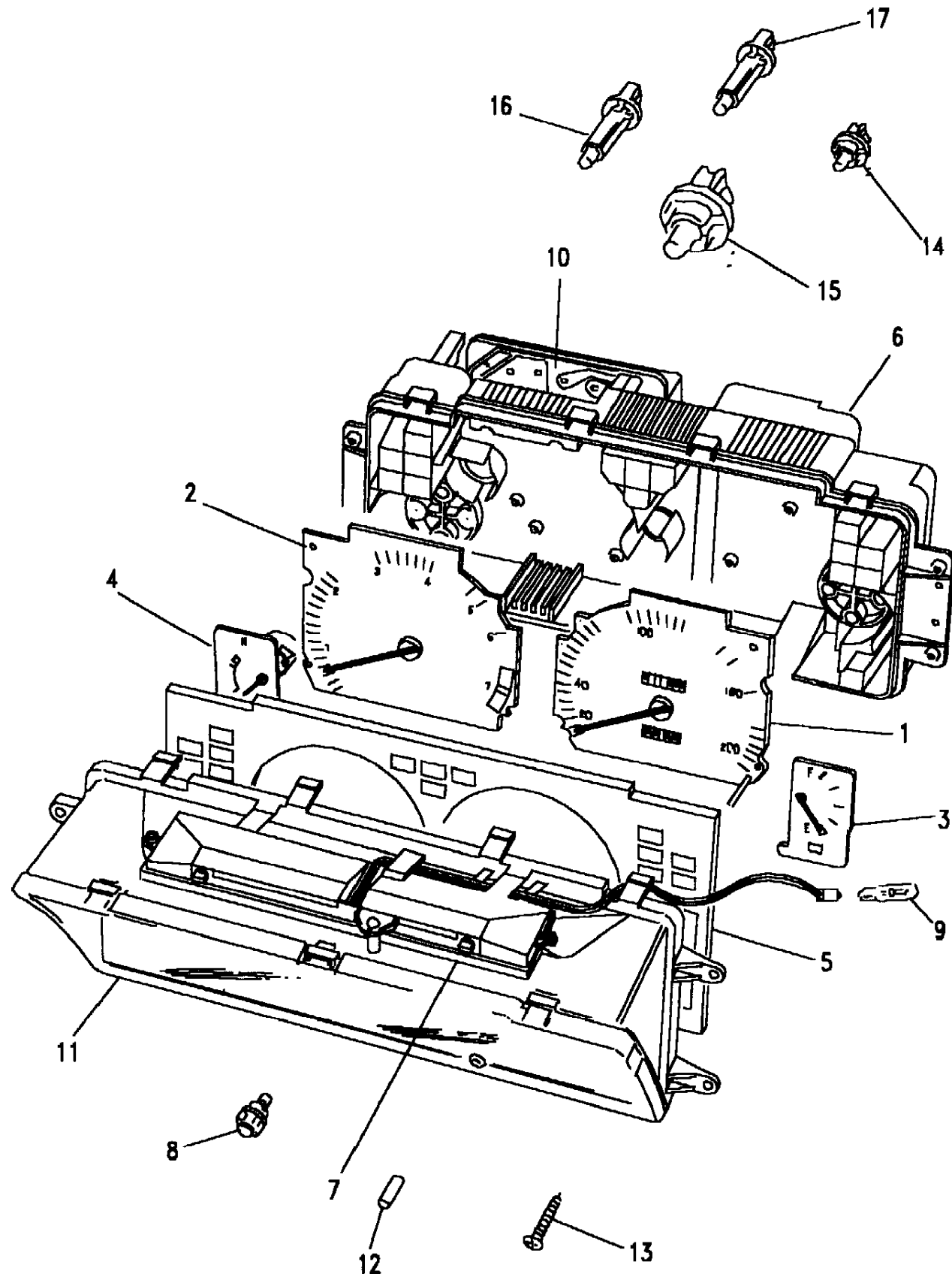
Callout	Name	Application	Remarks & Restrictions	Service No.	Qty
15	Bulb & holder assembly	Change point - VIN begin MA647645, Change point - VIN end MA661972	Green, black base	STC1340	1
16	Bulb & holder assembly	Change point - VIN begin MA647645, Change point - VIN end MA661972	Green, grey base	STC1342	1
[900]	Kit-foam gasket	Change point - VIN begin MA647645, Change point - VIN end MA661972		STC2895	1



Body Electrics
Instruments & Clock
Instrument Pack Components 1/2

Range Rover (From JA610294)

(BDMXIA3C)



Range Rover (From JA610294)

Body Electrics
Instruments & Clock
Instrument Pack Components

Callout	Name	Application	Remarks & Restrictions	Service No.	Qty
1	Speedometer	Change point - VIN begin MA661973	135mph	STC2965	1
		Change point - VIN begin MA661973	210km/h	STC2966	1
2	Tachometer Assy	Change point - VIN begin MA661973	Rover Airbag System	STC2969	1
		Change point - VIN begin MA661973	Less Rover Airbag System	STC2968	1
3	Gauge-fuel	Change point - VIN begin MA661973		STC1318	1
4	Gauge-temperature	Change point - VIN begin MA661973		STC1319	1
6	Case assembly instrument pack	Change point - VIN begin MA661973	Rover Airbag System	STC2971	1
		Change point - VIN begin MA661973	Less Rover Airbag System	STC2970	1
7	Illumination assembly-instrument pack	Change point - VIN begin MA661973	Also serviced as part of a kit	STC1443	1
8	Bulb & holder assembly	Change point - VIN begin MA661973	Also serviced as part of a kit, Clear., black base	RTC6607	2
9	Bulb instrument pack	Change point - VIN begin MA661973		STC1442	1
10	Printed circuit board instrument pack	Change point - VIN begin MA661973		STC2974	1
		Change point - VIN begin MA661973	Low fuel warning	STC1344	1
11	Cowl assembly instrument pack	Change point - VIN begin MA661973		STC1320	1
12	Knob trip reset	Change point - VIN begin MA661973		YAL10001L	1
13	Screw	Change point - VIN begin MA661973		YYP10011L	4
14	Bulb & holder assembly	Change point - VIN begin MA661973	Clear., black base	RTC6607	X
		Change point - VIN begin MA661973	Clear., blue base	STC1339	1
		Change point - VIN begin MA661973	Green, black base	STC1341	2
15	Bulb & holder assembly	Change point - VIN begin MA661973	Green, black base	STC1340	1
16	Bulb & holder assembly	Change point - VIN begin MA661973	Green, grey base	STC1342	1

Body Electrics
 Instruments & Clock
 Instrument Pack Components 2/2

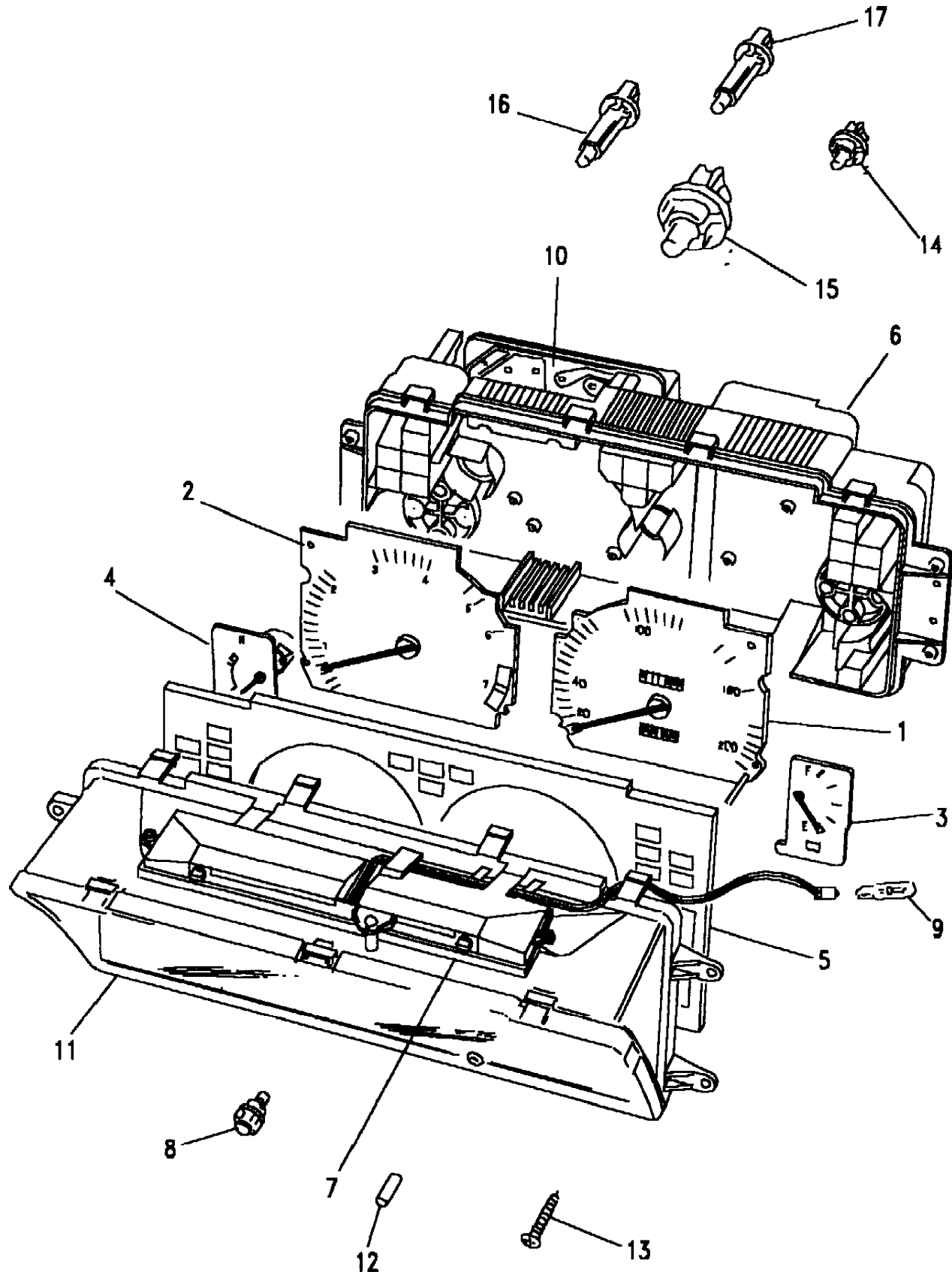
Range Rover (From JA610294)

(BDMXIA3C)

Body Electrics
 Instruments & Clock
 Instrument Pack Components

Range Rover (From JA610294)

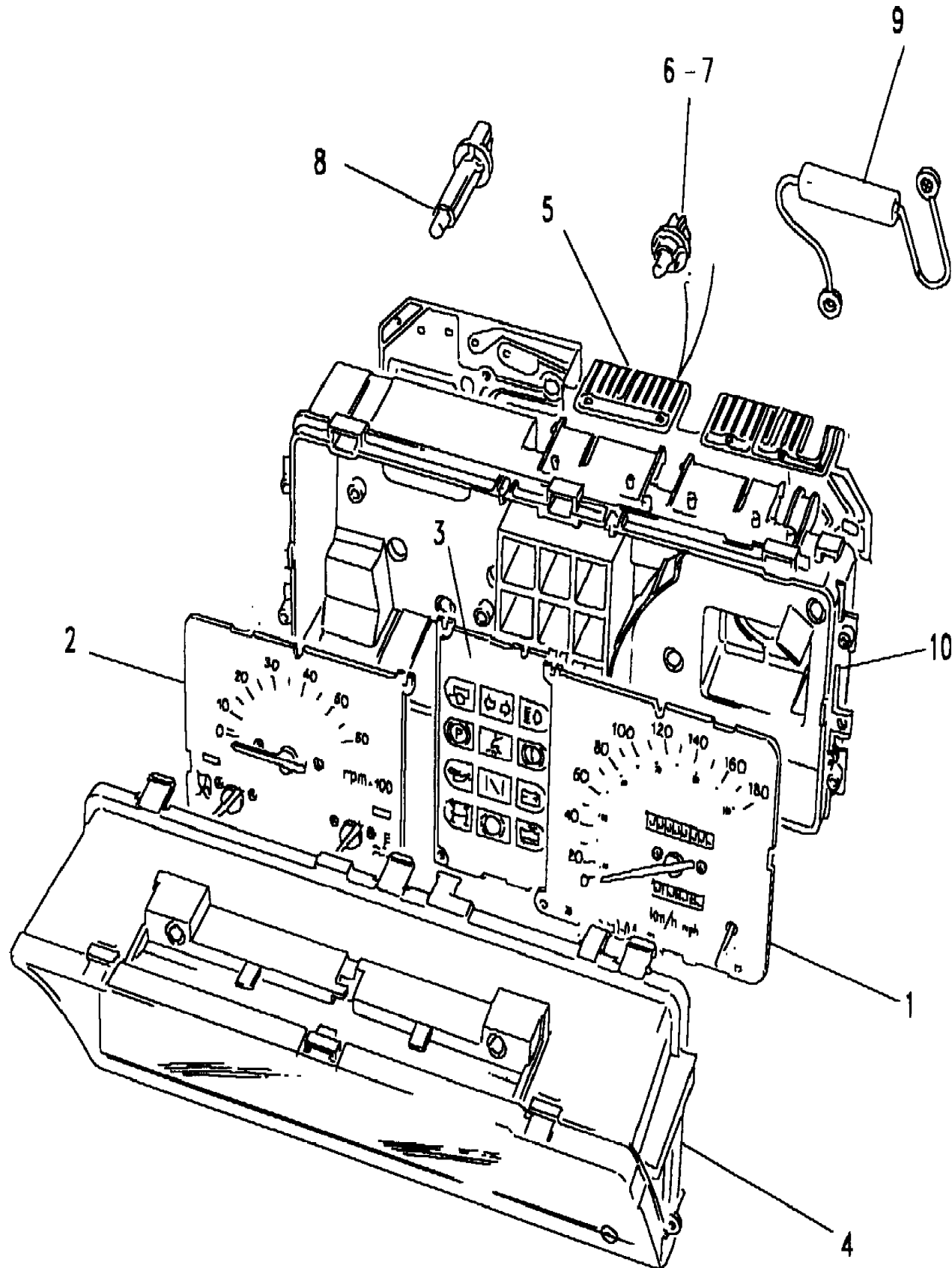
Callout	Name	Application	Remarks & Restrictions	Service No.	Qty
17	Indicator-light emitting diode burglar alarm	Change point - VIN begin MA661973	black base	YAJ100320L	1



Body Electrics
Instruments & Clock
Instrument Pack Components-To (V) LA647644 1/1

Range Rover (From JA610294)

(BDMXIA2A)



Range Rover (From JA610294)

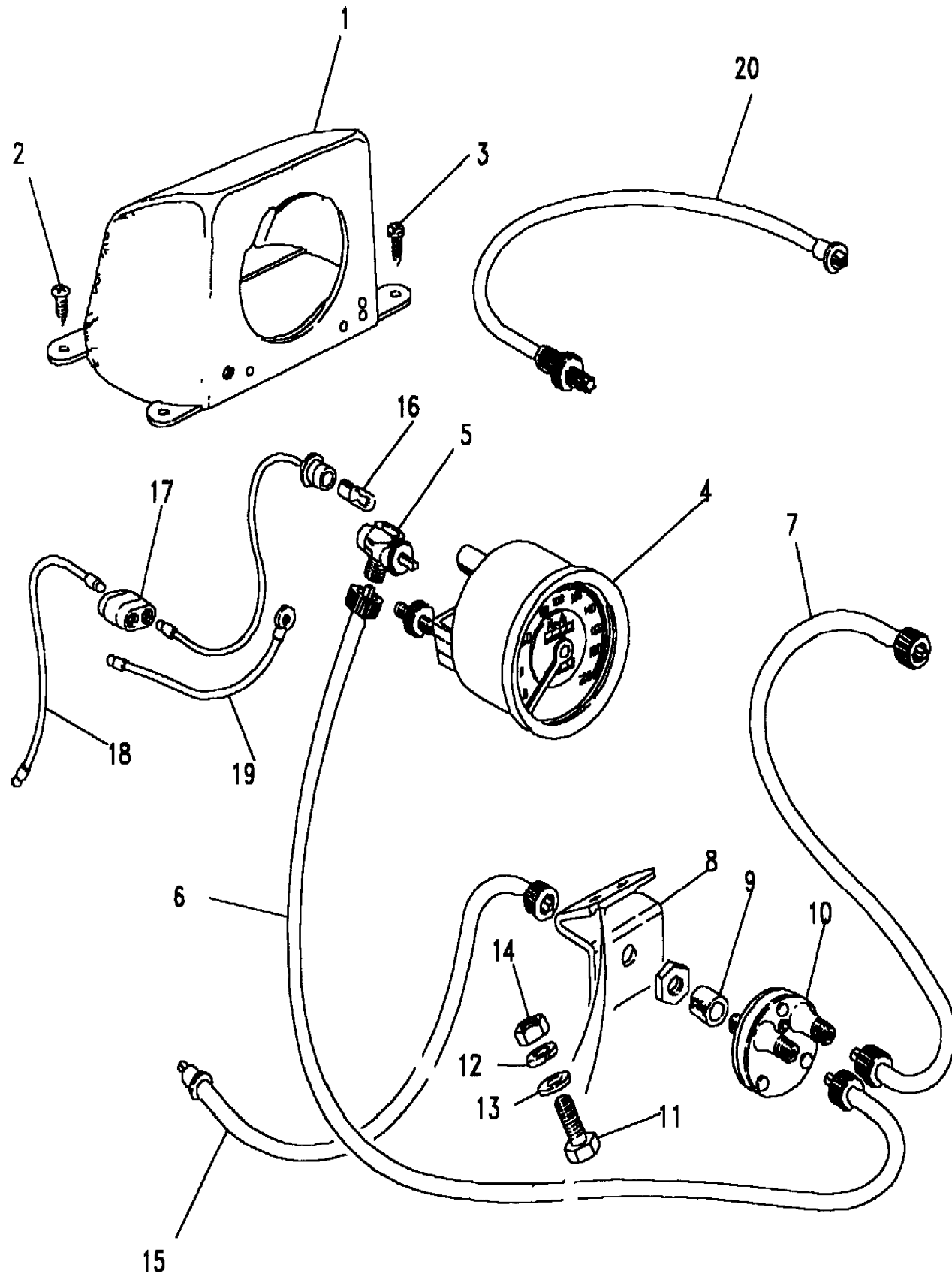
Body Electrics
Instruments & Clock
Instrument Pack Components-To (V) LA647644

Callout	Name	Application	Remarks & Restrictions	Service No.	Qty
1	Speedometer assembly	Change point - VIN end LA647644	130mph	RTC6597	1
		Change point - VIN end LA647644	KMH	RTC6598	1
2	Gauge-tachometer/ fuel/ temperature	Change point - VIN end LA647644, (-)"GB"		RTC6600	1
		Change point - VIN end LA647644, (+)"J"		RTC6601	1
3	Lens-warning instrument pack	Change point - VIN end JA624754, (-)"GB"		RTC6602	1
		Change point - VIN end LA647644, Change point - VIN begin KA624756, (-)"GB"		STC623	1
		Change point - VIN end JA624754, (+)"J"		STC255	1
		Change point - VIN end LA647644, Change point - VIN begin KA624756, (+)"J"		STC625	1
4	Cowl assembly instrument pack	Change point - VIN end LA647644		RTC6604	1
5	Printed circuit board instrument pack	Change point - VIN end JA624754, (+)"J"		STC88	1
		Change point - VIN end LA647644, Change point - VIN begin KA624756, (+)"J"		STC627	1
		Change point - VIN end JA624754, (-)"GB"		RTC6605	1
		Change point - VIN end LA647644, Change point - VIN begin KA624756, (-)"GB"		STC626	1
6	Bulb & holder assembly	Change point - VIN end LA647644	Clear., black base	RTC6607	14
7	Bulb & holder assembly	Change point - VIN end LA647644	Blue.	RTC6580	1
8	Bulb & holder assembly	Change point - VIN end LA647644	long holder	RTC6608	4
9	Kit-resistor	Change point - VIN end LA647644		STC87	1
10	Case assembly instrument pack	Change point - VIN end LA647644		STC1231	1

Body Electrics
Instruments & Clock
Speedometer Components-UK Police-To (V) LA647644 1/2

Range Rover (From JA610294)

(BDMXIA5A)



Range Rover (From JA610294)

Body Electrics
Instruments & Clock
Speedometer Components-UK Police-To (V) LA647644

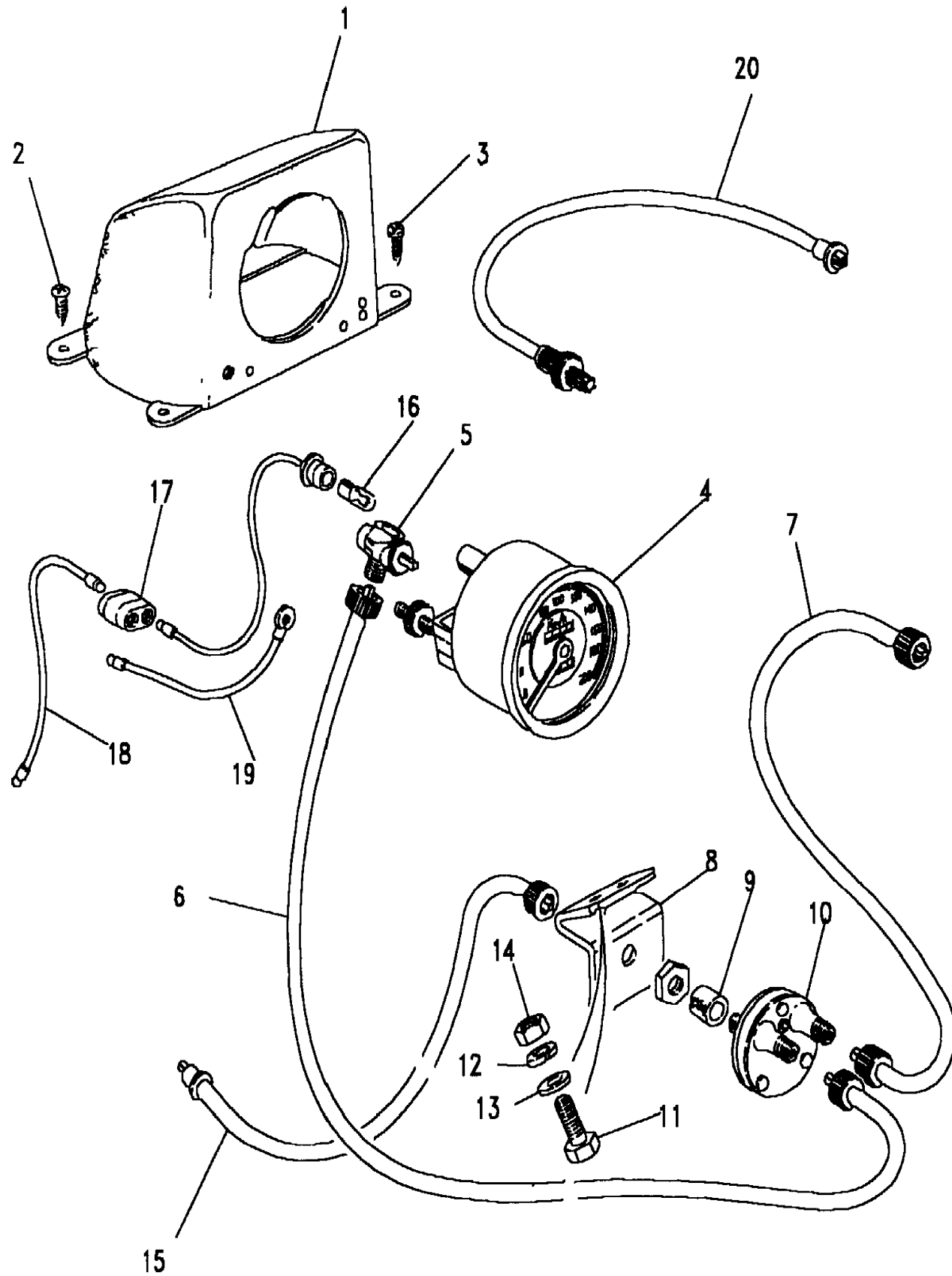
Change point - VIN end LA647644, (+)"GB", With Police Vehicle

Callout	Name	Application	Remarks & Restrictions	Service No.	Qty
2	Screw	Change point - VIN end LA647644	Self Tapping, No 6 x 5/8	AB606051L	2
3	Screw	Change point - VIN end LA647644	No 8	79231	2
4	Speedometer	Change point - VIN end LA647644 Change point - VIN end LA647644	MPH KMH	589281 ZXC1055	1 1
5	Speedometer-drive angle	Change point - VIN end LA647644		ZXC9168	1
6	Cable Assy - Speedometer Drive	Change point - VIN end LA647644, RHD	36" long, Upper	589274	1
7	Cable Assy - Speedometer Drive	Change point - VIN end LA647644, RHD Change point - VIN end LA647644, LHD	29" long, Upper 16"long, Upper	ZXC9173 ZXC9199	1 1
8	Bracket	Change point - VIN end LA647644		589286	1
9	Mounting-rubber	Change point - VIN end LA647644		90508545	1
10	Junction unit-speedo cable	Change point - VIN end LA647644		ZXC9328	1
11	Screw	Change point - VIN end LA647644	M5 x 16	257017	2
12	Washer-Spring	Change point - VIN end LA647644	3/16 dia, Square	WM702001L	2
13	Washer-Plain	Change point - VIN end LA647644		WC702101L	2
14	Nut - Hex.	Change point - VIN end LA647644	UNF	HN2005L	2
15	Cable Assy - Speedometer Drive	Change point - VIN end LA647644, RHD	One Piece, Lower	PRC6017	1
16	Bulb-illumination	Change point - VIN end LA647644		232590	1
17	Connector fit	Change point - VIN end LA647644		RTC603	1
18	Harness-link	Change point - VIN end LA647644		PRC2415	1
19	Earth lead	Change point - VIN end LA647644		PRC2416	1

Body Electrics
Instruments & Clock
Speedometer Components-UK Police-To (V) LA647644 2/2

Range Rover (From JA610294)

(BDMXIA5A)



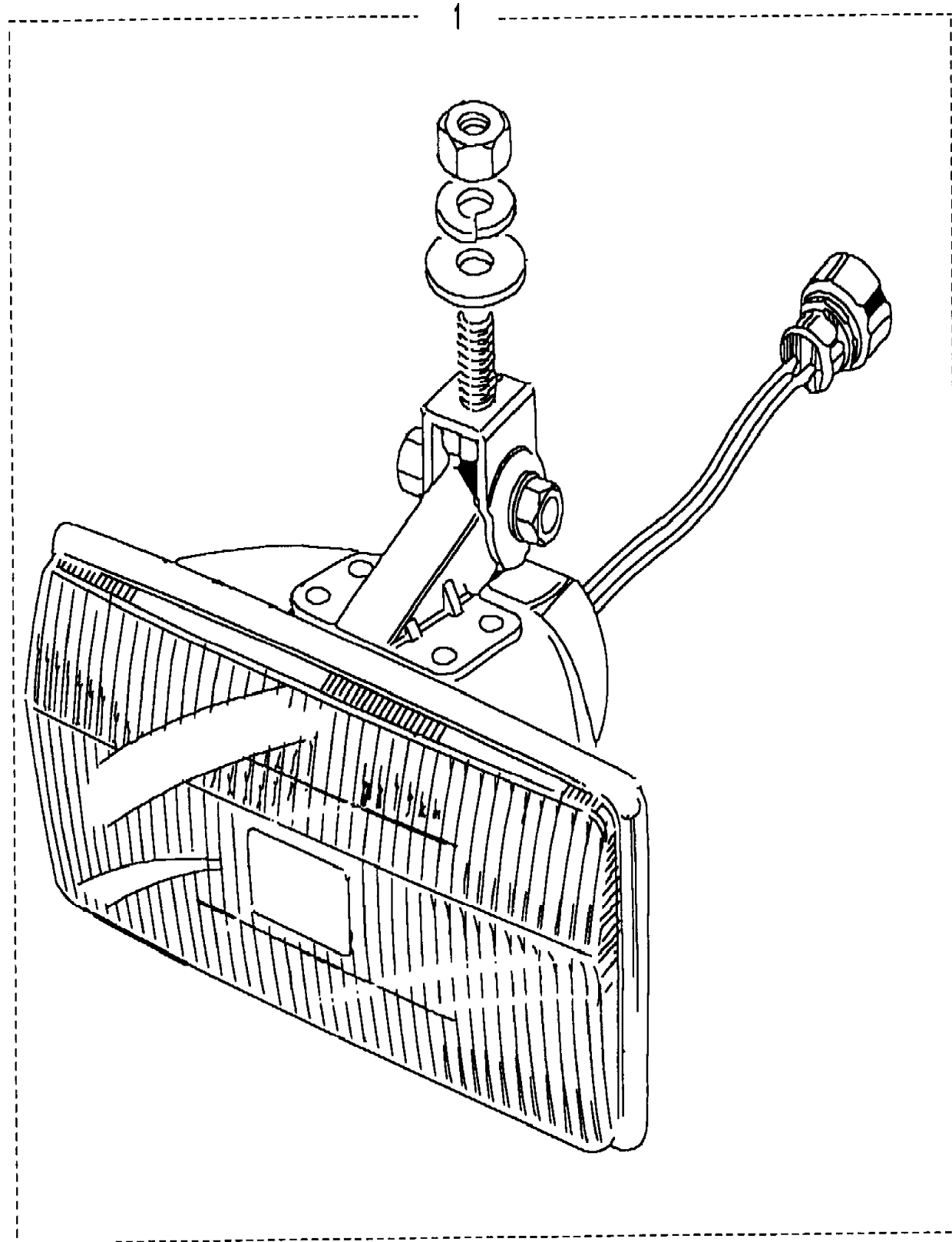
Range Rover (From JA610294)

Body Electrics
Instruments & Clock
Speedometer Components-UK Police-To (V) LA647644

Change point - VIN end LA647644, (+)"GB", With Police Vehicle

Callout	Name	Application	Remarks & Restrictions	Service No.	Qty
20	Cable-trip reset	Change point - VIN end LA647644		90575323	1

Range Rover (From JA610294)
(BDMXAA3A)



Range Rover (From JA610294)

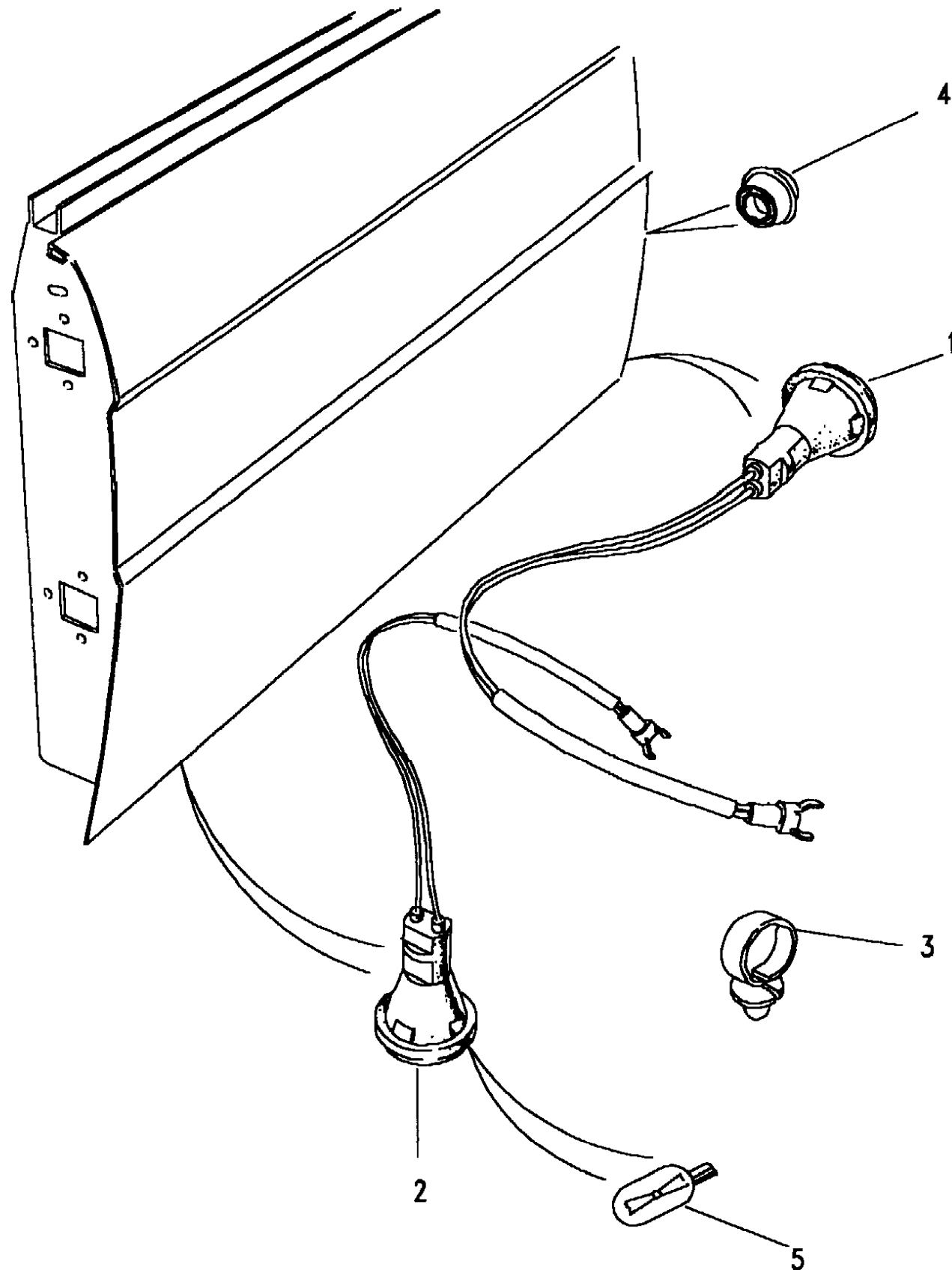
Callout	Name	Application	Remarks & Restrictions	Service No.	Qty
1	Lamp-auxiliary front lighting	Change point - VIN begin JA610294, Change point - VIN end JA624754, (-)"J" Change point - VIN begin KA624755, (-)"J" Change point - VIN begin JA610294, Change point - VIN end KA643753, (+)"J" Change point - VIN begin KA643754, (+)"J"	Also serviced as part of a kit, Yellow.. Also serviced as part of a kit, Yellow.. Also serviced as part of a kit Also serviced as part of a kit	PRC8960 AMR2006 AMR2007 AMR3396	2 2 2 2
[900]	Bulb-headlamp-h3-55 Watt	Change point - VIN begin JA610294, Change point - VIN end JA624754, (-)"J" Change point - VIN begin KA643754, (+)"J"	Also serviced as part of a kit, Clear. Also serviced as part of a kit, Clear. Also serviced as part of a kit, type H3 Also serviced as part of a kit, type H3	PRC8959 AMR2005 606178 606178	2 2 2 2

Range Rover (From JA610294)

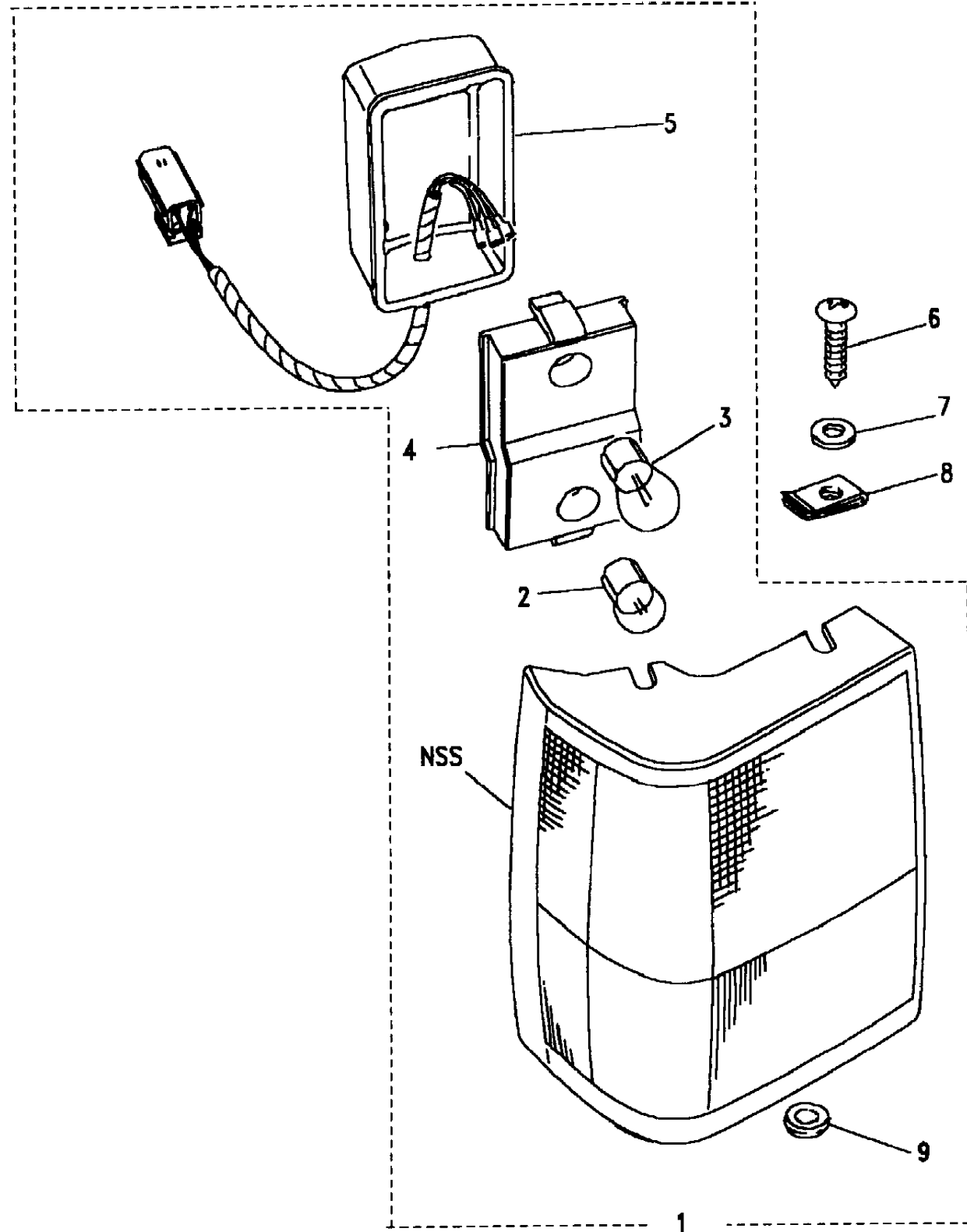
(BDMXAE2A)

Range Rover (From JA610294)

Callout	Name	Application	Remarks & Restrictions	Service No.	Qty
1	Lamp-stand alone warning		Front Door, Red	PRC8077	2
2	Lamp-door ground illumination		White.	PRC8076	2
3	Clip-omega		Grey, 6.5mm hole, 10.5 x 8mm 6.5mm hole, White., 14 x 10mm	PRC5273 PRC5274	10 4
4	Plug-blanking		25.5MM, Plastic	338023	4
5	Bulb-501-w10/5-5 Watt		12V 12V	570829 AFU4481	4 4



Range Rover (From JA610294)
(BDMXAC1A)



Range Rover (From JA610294)

Callout	Name	Application	Remarks & Restrictions	Service No.	Qty
1	Lamp-front direction indicator		Also serviced as part of a kit, RH Also serviced as part of a kit, LH	PRC8949 PRC8950	1 1
2	Bulb		sidelamp, Also serviced as part of a kit	10211	2
3	Bulb-382-p25/1-21 Watt		Indicator, Also serviced as part of a kit, 12V	264591	2
4	Holder-front lighting bulb		Also serviced as part of a kit	RTC5244	2
5	Harness-link		Also serviced as part of a kit, With cover	STC1648	2
6	Screw-self tapping AB		M8 x 12	AB610041L	4
7	Washer		M5, oversize, Plain	WJ105001L	4
8	Nut-spring-self thread			PFS410L	4
9	Grommet			607129	4

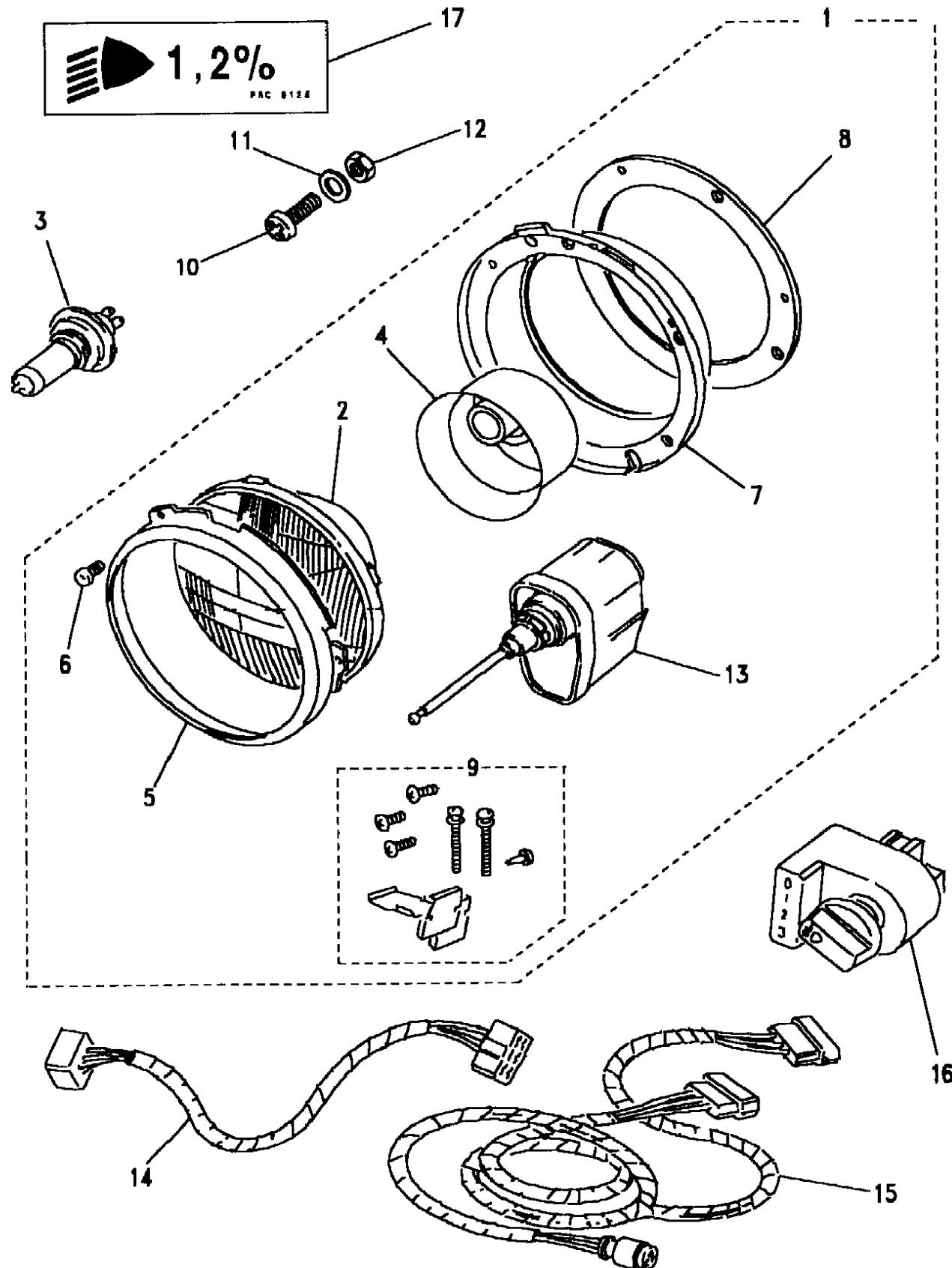
Range Rover (From JA610294)

(BDMXAA2B)

Range Rover (From JA610294)

Change point - VIN begin KA624755, LHD, With Manual Headlamp Levelling

Callout	Name	Application	Remarks & Restrictions	Service No.	Qty
1	Headlamp assembly-front lighting	Change point - VIN begin KA624755, Change point - VIN end KA638150 Change point - VIN begin KA638151	Also serviced as part of a kit, Wipac, Chrome Also serviced as part of a kit, Black, Wipac	AMR2089 AMR3247	2 2
2	Light unit	Change point - VIN begin KA624755, Change point - VIN end KA638150 Change point - VIN begin KA638151	Also serviced as part of a kit, Quartz Halogen, Wipac Also serviced as part of a kit, Quartz Halogen, Wipac	STC1210 STC1210	2 2
3	Bulb-headlamp-h4-60/65 Watt	Change point - VIN begin KA624755, Change point - VIN end KA638150	Also serviced as part of a kit, Quartz Halogen, Clear.	589783	2
4	Cover-headlamp bulb insulation	Change point - VIN begin KA624755, Change point - VIN end KA638150 Change point - VIN begin KA638151	Also serviced as part of a kit Also serviced as part of a kit	STC951 STC951	2 2
5	Bezel-headlamp	Change point - VIN begin KA624755, Change point - VIN end KA638150 Change point - VIN begin KA638151	Also serviced as part of a kit, Black Also serviced as part of a kit, Black	STC1485 STC1485	2 2
6	Screw	Change point - VIN begin KA624755, Change point - VIN end KA638150 Change point - VIN begin KA638151	Also serviced as part of a kit, Black Also serviced as part of a kit, Black	STC1486 STC1486	2 2
7	Body-headlamp	Change point - VIN begin KA624755, Change point - VIN end KA638150 Change point - VIN begin KA638151	Also serviced as part of a kit Also serviced as part of a kit	STC1613 STC4029	2 2
8	Gasket-headlamp lens	Change point - VIN begin KA624755, Change point - VIN end KA638150 Change point - VIN begin KA638151	Also serviced as part of a kit Also serviced as part of a kit	STC1612 STC1612	2 2
9	Kit-headlamp fittings	Change point - VIN begin KA638151	Also serviced as part of a kit	STC1614	2
10	Screw-self tapping AB	Change point - VIN begin KA624755	M8 x 12	AB610041L	8
11	Washer-Plain	Change point - VIN begin KA624755		WC702101L	8
12	Nut-lokut	Change point - VIN begin KA624755		RTC3743	8



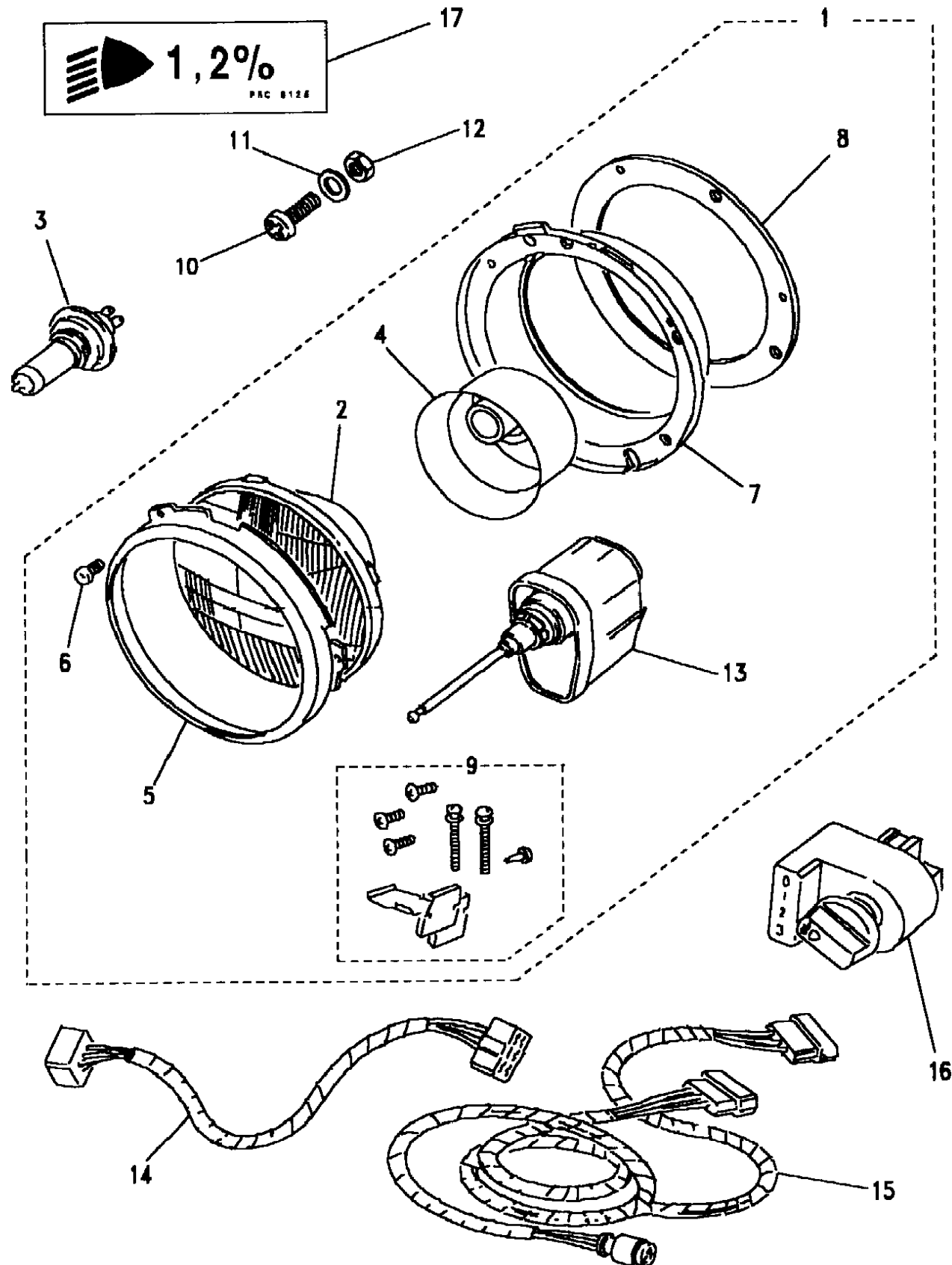
Range Rover (From JA610294)

(BDMXAA2B)

Range Rover (From JA610294)

Change point - VIN begin KA624755, LHD, With Manual Headlamp Levelling

Callout	Name	Application	Remarks & Restrictions	Service No.	Qty
13	Adjuster unit-headlamp	Change point - VIN begin KA638151 Change point - VIN begin KA624755	Also serviced as part of a kit	AMR2090	2
14	Harness-link	Change point - VIN begin KA624755	headlamp levelling	PRC9993	1
15	Harness-link	Change point - VIN begin KA624755	headlamp levelling	PRC8816	1
16	Switch-rotary headlamp leveling	Change point - VIN begin KA624755, Change point - VIN end LA647644 Change point - VIN begin MA647645		PRC7989 AMR2744	1 1
17	Label-warning	Change point - VIN begin KA624755		PRC8125	1
[900]	Bezel-headlamp	Change point - VIN begin KA624755		STC3018	X
[901]	Clip-bulb	Change point - VIN begin KA624755, Change point - VIN end KA638150	Also serviced as part of a kit	STC1851	2



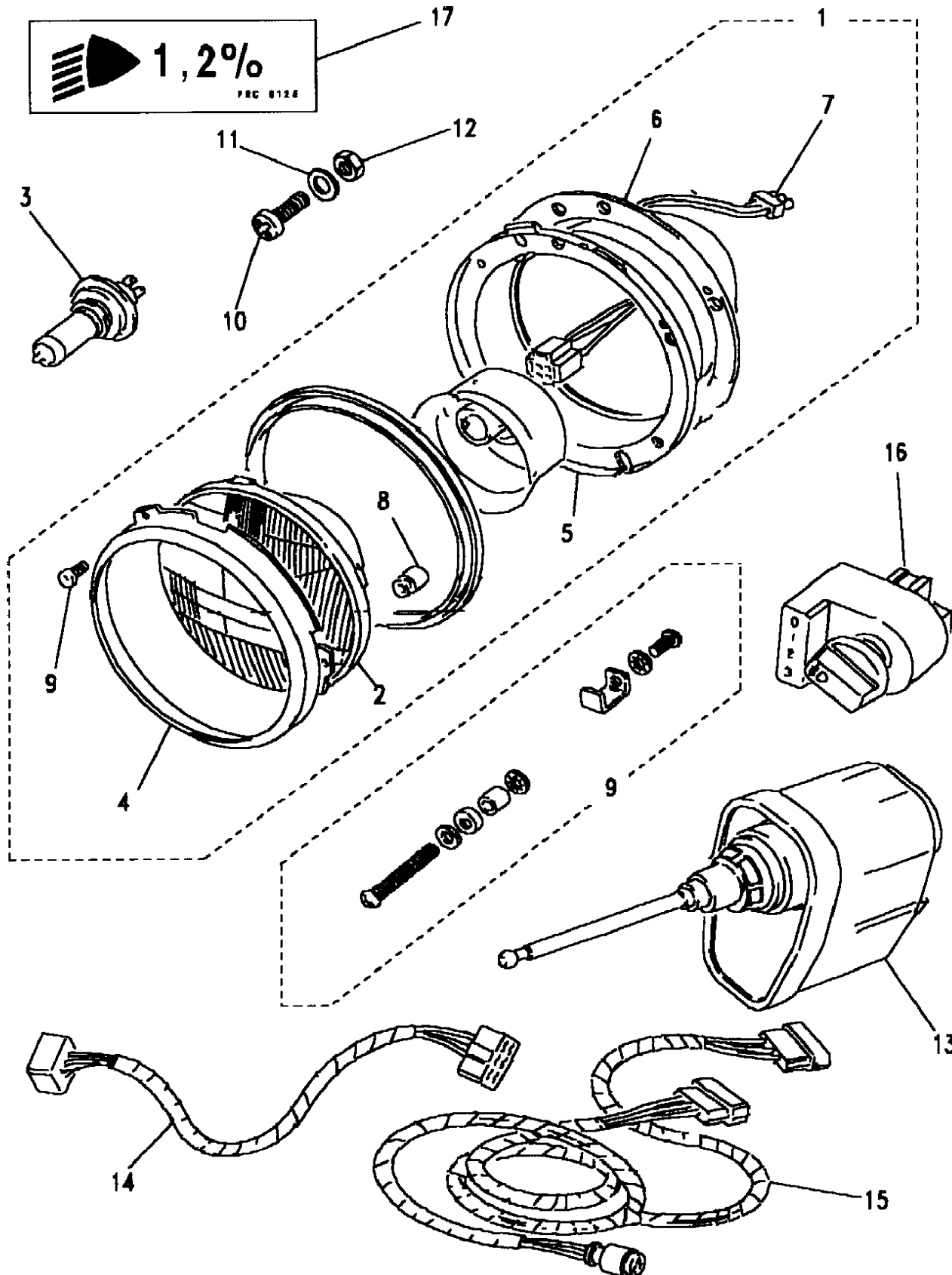
Range Rover (From JA610294)

(BDMXAA2A)

Range Rover (From JA610294)

Change point - VIN end JA624754, LHD, With Manual Headlamp Levelling

Callout	Name	Application	Remarks & Restrictions	Service No.	Qty
1	Headlamp assembly-front lighting	Change point - VIN end JA624754	Also serviced as part of a kit, Lucas	PRC8945	2
2	Light unit-headlamp	Change point - VIN end JA624754	Also serviced as part of a kit	PRC7994	2
3	Bulb-headlamp-h4-60/65 Watt	Change point - VIN end JA624754	Also serviced as part of a kit, Quartz Halogen, Clear.	589783	2
4	Bezel-headlamp	Change point - VIN end JA624754	Also serviced as part of a kit, Chrome	PRC7992	2
5	Body-headlamp	Change point - VIN end JA624754	Also serviced as part of a kit	PRC7997	2
6	Gasket-headlamp lens	Change point - VIN end JA624754	Also serviced as part of a kit	PRC7991	2
8	Connector-inlet manifold adaptor	Change point - VIN end JA624754	Also serviced as part of a kit	PRC7998	2
9	Kit-screw	Change point - VIN end JA624754	Also serviced as part of a kit	BHM7058L	4
10	Screw-self tapping AB	Change point - VIN end JA624754	M8 x 12	AB610041L	8
11	Washer-Plain	Change point - VIN end JA624754		WC702101L	8
12	Nut-lokut	Change point - VIN end JA624754		RTC3743	8
13	Adjuster unit-headlamp	Change point - VIN end JA624754		PRC7963	2
14	Harness-link	Change point - VIN end JA624754		PRC7934	1
15	Harness-link	Change point - VIN end JA624754		PRC8816	2
16	Switch-rotary headlamp leveling	Change point - VIN end JA624754		PRC7989	1
17	Label-warning	Change point - VIN end JA624754		PRC8125	1



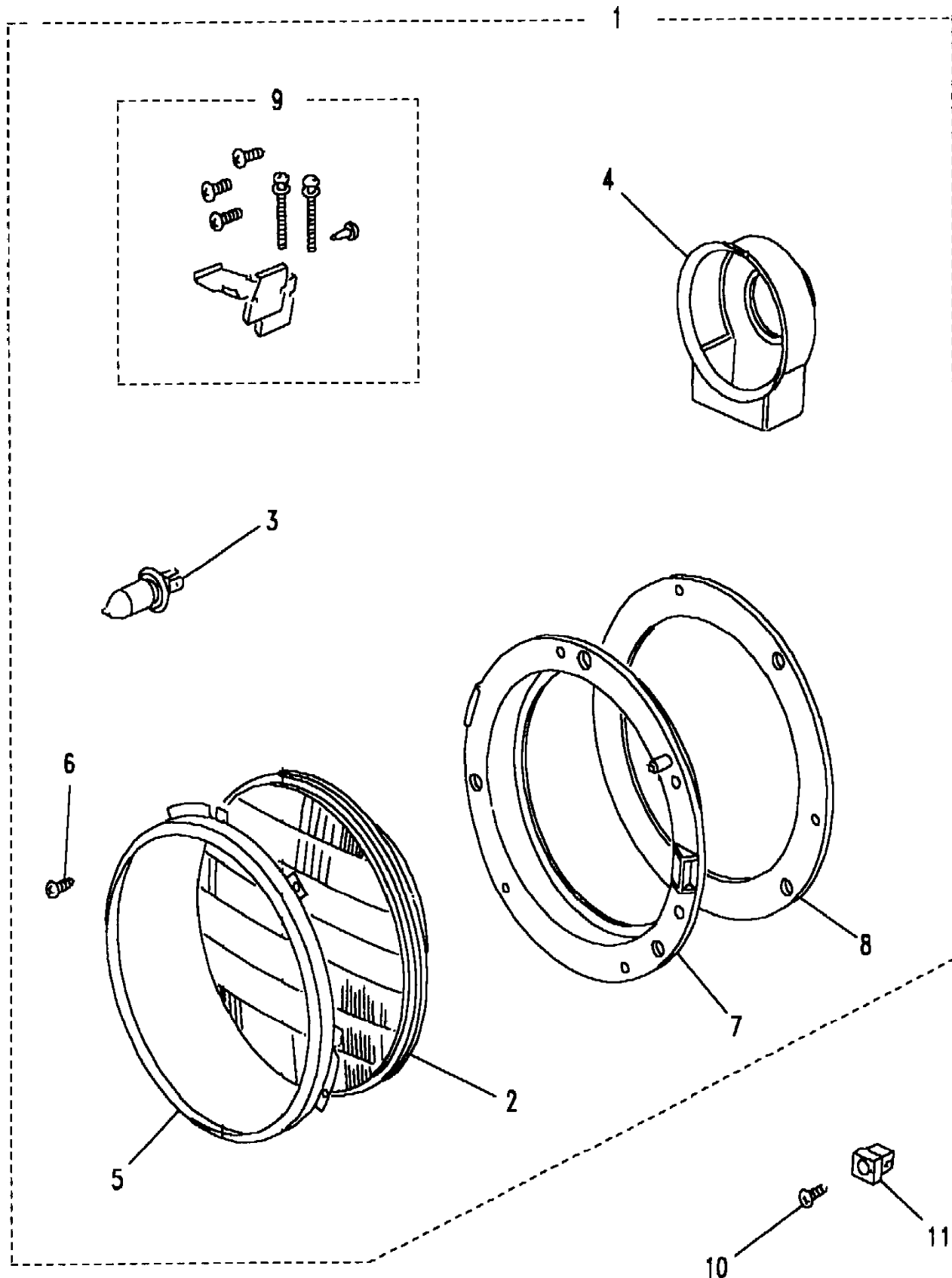
Range Rover (From JA610294)

(BDMXAA1B)

Range Rover (From JA610294)

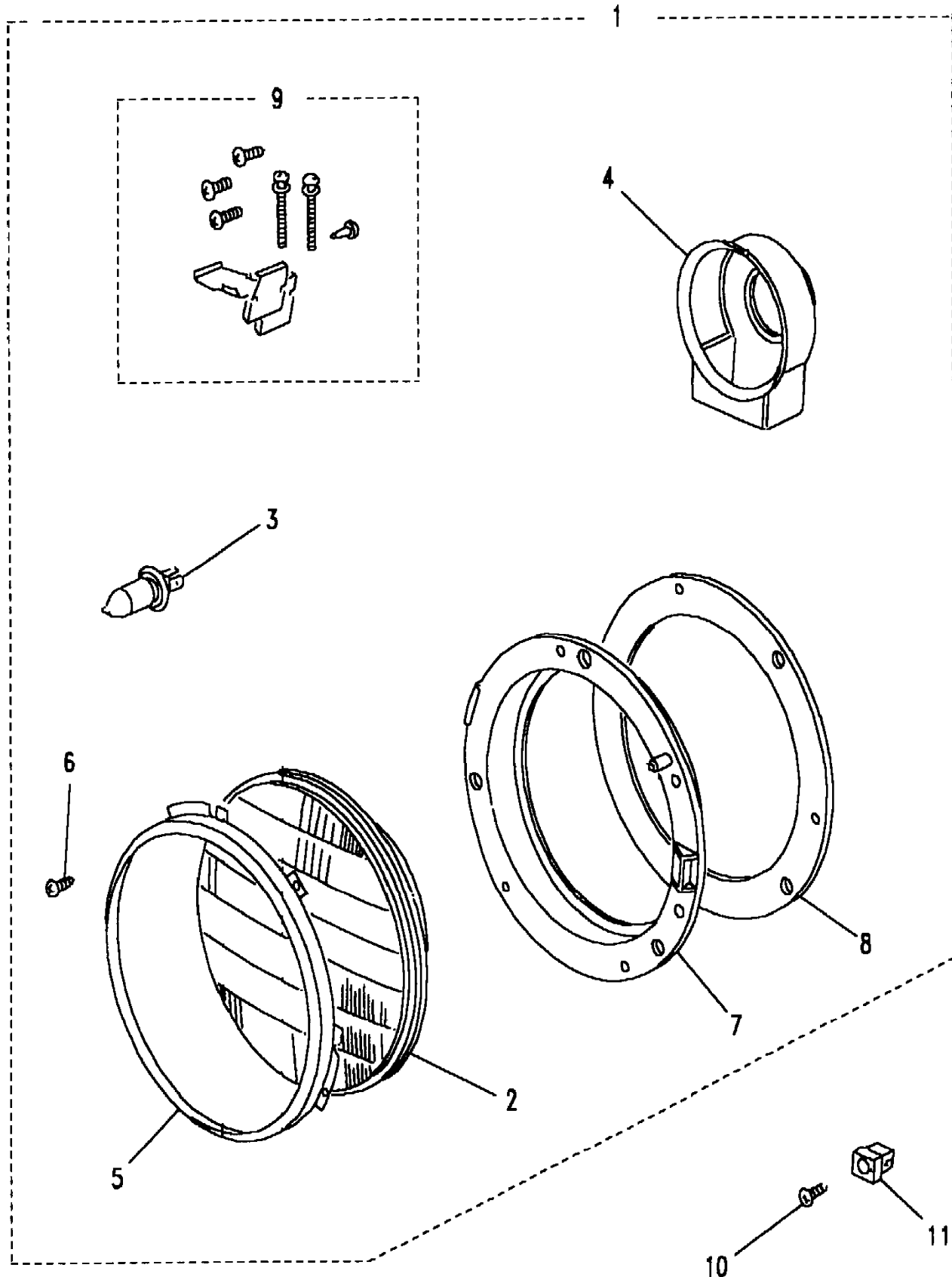
Less Headlamp Levelling

Callout	Name	Application	Remarks & Restrictions	Service No.	Qty
1	Headlamp assembly-front lighting	Change point - VIN begin KA624755, Change point - VIN end KA638150, RHD	Also serviced as part of a kit, Wipac, Chrome	AMR2066	2
		Change point - VIN begin KA624755, Change point - VIN end KA638150, LHD, (-)"F"	Also serviced as part of a kit, Wipac, Chrome	AMR2067	2
		Change point - VIN begin KA624755, Change point - VIN end KA638150, LHD, (+)"F"	Also serviced as part of a kit, Wipac, Chrome	AMR2068	2
		Change point - VIN begin KA638151, RHD	Also serviced as part of a kit, Black, Quartz Halogen, Wipac	AMR2344	2
		Change point - VIN begin KA638151, LHD	Also serviced as part of a kit, Black, Quartz Halogen, Wipac	AMR2345	2
		Change point - VIN begin KA624755, Change point - VIN end KA638150, RHD	Also serviced as part of a kit, Quartz Halogen, Wipac	STC1209	2
2	Light unit	Change point - VIN begin KA624755, Change point - VIN end KA638150, LHD, (-)"F"	Also serviced as part of a kit, Quartz Halogen, Wipac	STC1210	2
		Change point - VIN begin KA624755, Change point - VIN end KA638150, LHD, (+)"F"	Also serviced as part of a kit, Quartz Halogen, Wipac	STC1210	2
		Change point - VIN begin KA638151, RHD	Also serviced as part of a kit, Quartz Halogen, Wipac	STC1209	2
		Change point - VIN begin KA638151, LHD	Also serviced as part of a kit, Quartz Halogen, Wipac	STC1210	2
		Change point - VIN begin KA624755, Change point - VIN end KA638150, RHD	Also serviced as part of a kit, Quartz Halogen, Clear.	589783	2
		Change point - VIN begin KA624755, Change point - VIN end KA638150, LHD, (-)"F"	Also serviced as part of a kit, Quartz Halogen, Clear.	589783	2
3	Bulb-headlamp-h4-60/65 Watt	Change point - VIN begin KA624755, Change point - VIN end KA638150, LHD, (+)"F"	Also serviced as part of a kit, Quartz Halogen, Yellow	PRC2167	2
		Change point - VIN begin KA624755, Change point - VIN end KA638150, RHD	Also serviced as part of a kit	STC951	2
		Change point - VIN begin KA624755, Change point - VIN end KA638150, LHD, (-)"F"	Also serviced as part of a kit	STC951	2
4	Cover-headlamp bulb insulation	Change point - VIN begin KA624755, Change point - VIN end KA638150, LHD, (+)"F"	Also serviced as part of a kit	STC951	2
		Change point - VIN begin KA624755, Change point - VIN end KA638150, LHD, (-)"F"	Also serviced as part of a kit	STC951	2
		Change point - VIN begin KA638151, RHD	Also serviced as part of a kit	STC951	2
		Change point - VIN begin KA638151, LHD	Also serviced as part of a kit	STC951	2
		Change point - VIN begin KA624755, Change point - VIN end KA638150, RHD	Also serviced as part of a kit	STC951	2
		Change point - VIN begin KA624755, Change point - VIN end KA638150, LHD, (-)"F"	Also serviced as part of a kit	STC951	2



Range Rover (From JA610294)

(BDMXAA1B)



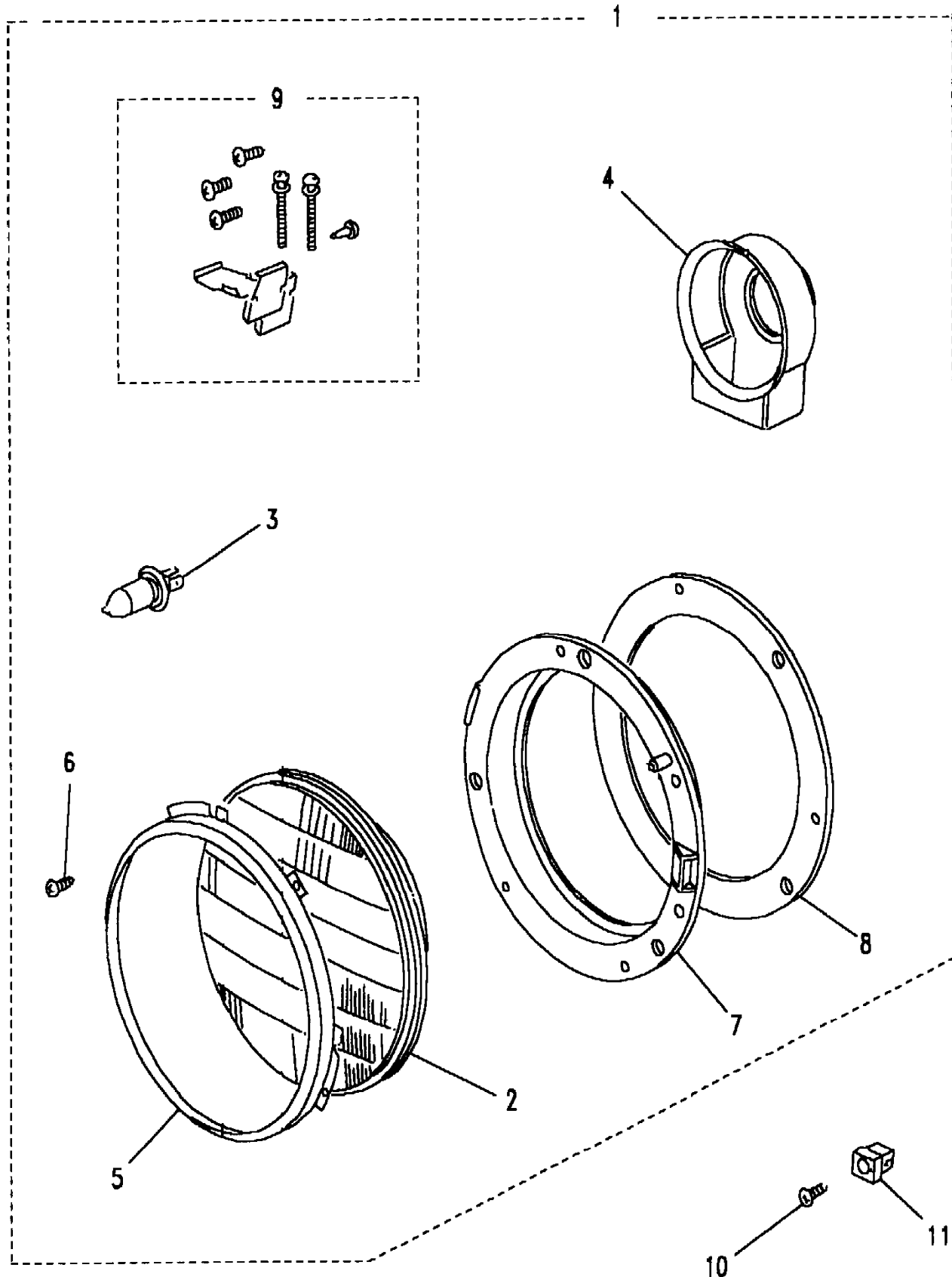
Range Rover (From JA610294)

Less Headlamp Levelling

Callout	Name	Application	Remarks & Restrictions	Service No.	Qty		
5	Bezel-headlamp	Change point - VIN begin KA624755, Change point - VIN end KA638150, RHD	Also serviced as part of a kit, Black	STC1485	2		
		Change point - VIN begin KA624755, Change point - VIN end KA638150, LHD, (-)"F"	Also serviced as part of a kit, Black	STC1485	2		
		Change point - VIN begin KA624755, Change point - VIN end KA638150, LHD, (+)"F"	Also serviced as part of a kit, Black	STC1485	2		
		Change point - VIN begin KA638151, RHD	Also serviced as part of a kit, Black	STC1485	2		
		Change point - VIN begin KA638151, LHD	Also serviced as part of a kit, Black	STC1485	2		
		6	Screw	Change point - VIN begin KA624755, Change point - VIN end KA638150, RHD	Also serviced as part of a kit, Black	STC1486	2
6	Screw	Change point - VIN begin KA624755, Change point - VIN end KA638150, LHD, (-)"F"	Also serviced as part of a kit, Black	STC1486	2		
		Change point - VIN begin KA624755, Change point - VIN end KA638150, LHD, (+)"F"	Also serviced as part of a kit, Black	STC1486	2		
		Change point - VIN begin KA638151, RHD	Also serviced as part of a kit, Black	STC1486	6		
		Change point - VIN begin KA638151, LHD	Also serviced as part of a kit, Black	STC1486	6		
		7	Body-headlamp	Change point - VIN begin KA624755, Change point - VIN end KA638150, RHD	Also serviced as part of a kit	STC1613	2
		7	Body-headlamp	Change point - VIN begin KA624755, Change point - VIN end KA638150, LHD, (-)"F"	Also serviced as part of a kit	STC1613	2
Change point - VIN begin KA624755, Change point - VIN end KA638150, LHD, (+)"F"	Also serviced as part of a kit			STC1613	2		
Change point - VIN begin KA638151, RHD	Also serviced as part of a kit			STC1613	2		
Change point - VIN begin KA638151, LHD	Also serviced as part of a kit			STC1613	2		
8	Gasket-headlamp lens			Change point - VIN begin KA624755, Change point - VIN end KA638150, RHD	Also serviced as part of a kit	STC1612	2
8	Gasket-headlamp lens			Change point - VIN begin KA624755, Change point - VIN end KA638150, LHD, (-)"F"	Also serviced as part of a kit	STC1612	2
		Change point - VIN begin KA624755, Change point - VIN end KA638150, LHD, (+)"F"	Also serviced as part of a kit	STC1612	2		
		Change point - VIN begin KA638151, RHD	Also serviced as part of a kit	STC1612	2		
		Change point - VIN begin KA638151, LHD	Also serviced as part of a kit	STC1612	2		

Range Rover (From JA610294)

(BDMXAA1B)



Range Rover (From JA610294)

Less Headlamp Levelling

Callout	Name	Application	Remarks & Restrictions	Service No.	Qty
8	Gasket-headlamp lens	Change point - VIN begin KA638151, LHD	Also serviced as part of a kit	STC1612	2
9	Kit-headlamp fittings	Change point - VIN begin KA624755, Change point - VIN end KA638150, RHD	Also serviced as part of a kit	STC1614	2
		Change point - VIN begin KA624755, Change point - VIN end KA638150, LHD, (-)"F"	Also serviced as part of a kit	STC1614	2
		Change point - VIN begin KA624755, Change point - VIN end KA638150, LHD, (+)"F"	Also serviced as part of a kit	STC1614	2
		Change point - VIN begin KA638151, RHD	Also serviced as part of a kit	STC1614	2
		Change point - VIN begin KA638151, LHD	Also serviced as part of a kit	STC1614	2
10	Screw	Change point - VIN begin KA624755, Change point - VIN end JA624754	No 8 x 1/2, Self Tapping	78322	8
		Change point - VIN begin KA624755, Change point - VIN end JA624754	No 8 x 1/2, Self Tapping	AB608047L	8
11	Nut-lokut	Change point - VIN begin KA624755, Change point - VIN end JA624754		79051	8
[900]	Bezel-headlamp	Change point - VIN begin KA624755, RHD		STC3018	X
		Change point - VIN begin KA624755, LHD, (-)"F"		STC3018	X
		Change point - VIN begin KA624755, LHD, (+)"F"		STC3018	X
		Change point - VIN begin KA624755, LHD		STC3018	X
[901]	Clip-bulb	Change point - VIN begin KA624755, Change point - VIN end KA638150, RHD	Also serviced as part of a kit	STC1851	2
		Change point - VIN begin KA624755, Change point - VIN end KA638150, LHD, (-)"F"	Also serviced as part of a kit	STC1851	2
		Change point - VIN begin KA624755, Change point - VIN end KA638150, LHD, (+)"F"	Also serviced as part of a kit	STC1851	2
		Change point - VIN begin KA638151, RHD	Also serviced as part of a kit	STC1851	2
		Change point - VIN begin KA638151, LHD	Also serviced as part of a kit	STC1851	2

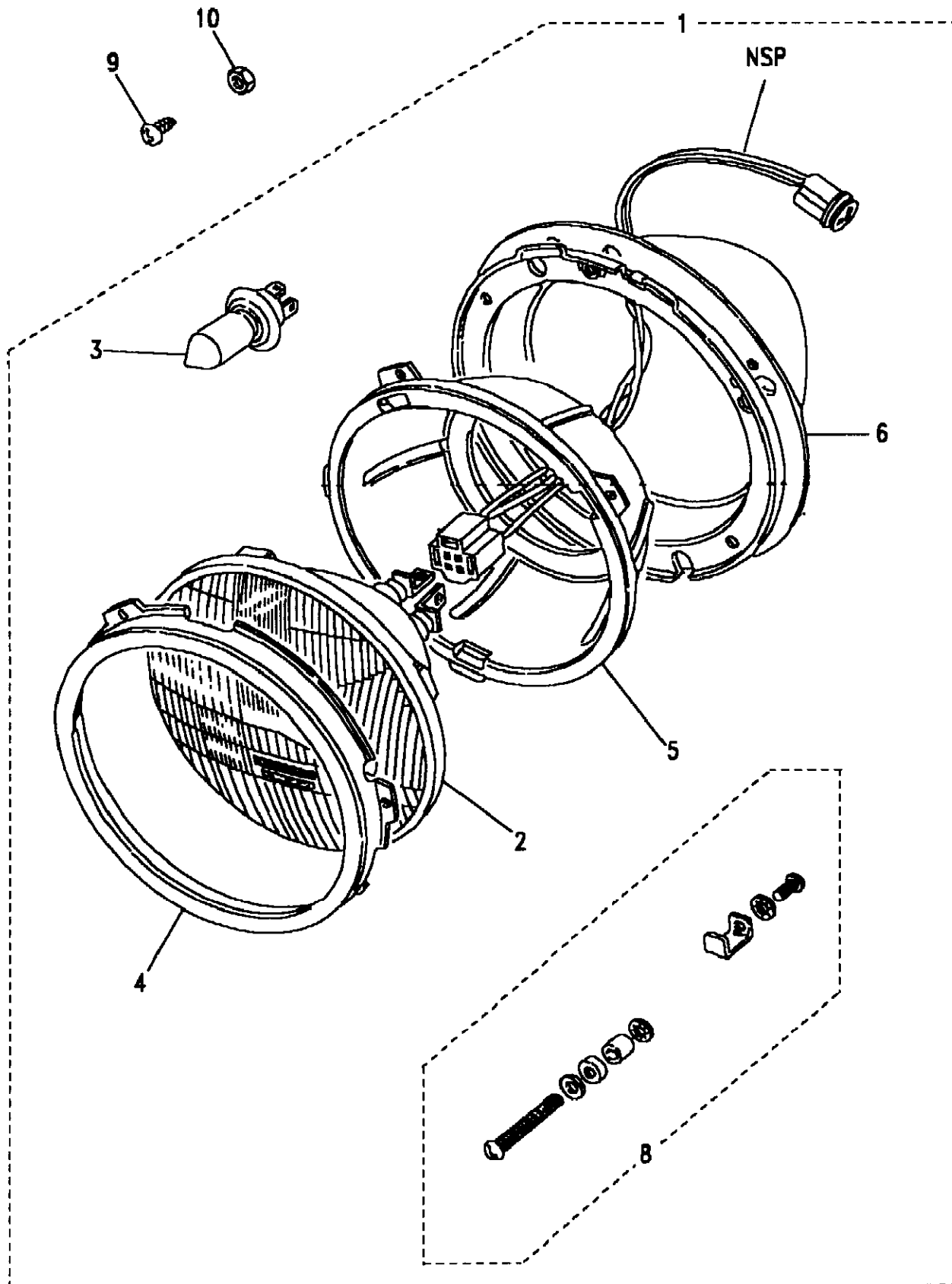
Range Rover (From JA610294)

(BDMXAA1A)

Range Rover (From JA610294)

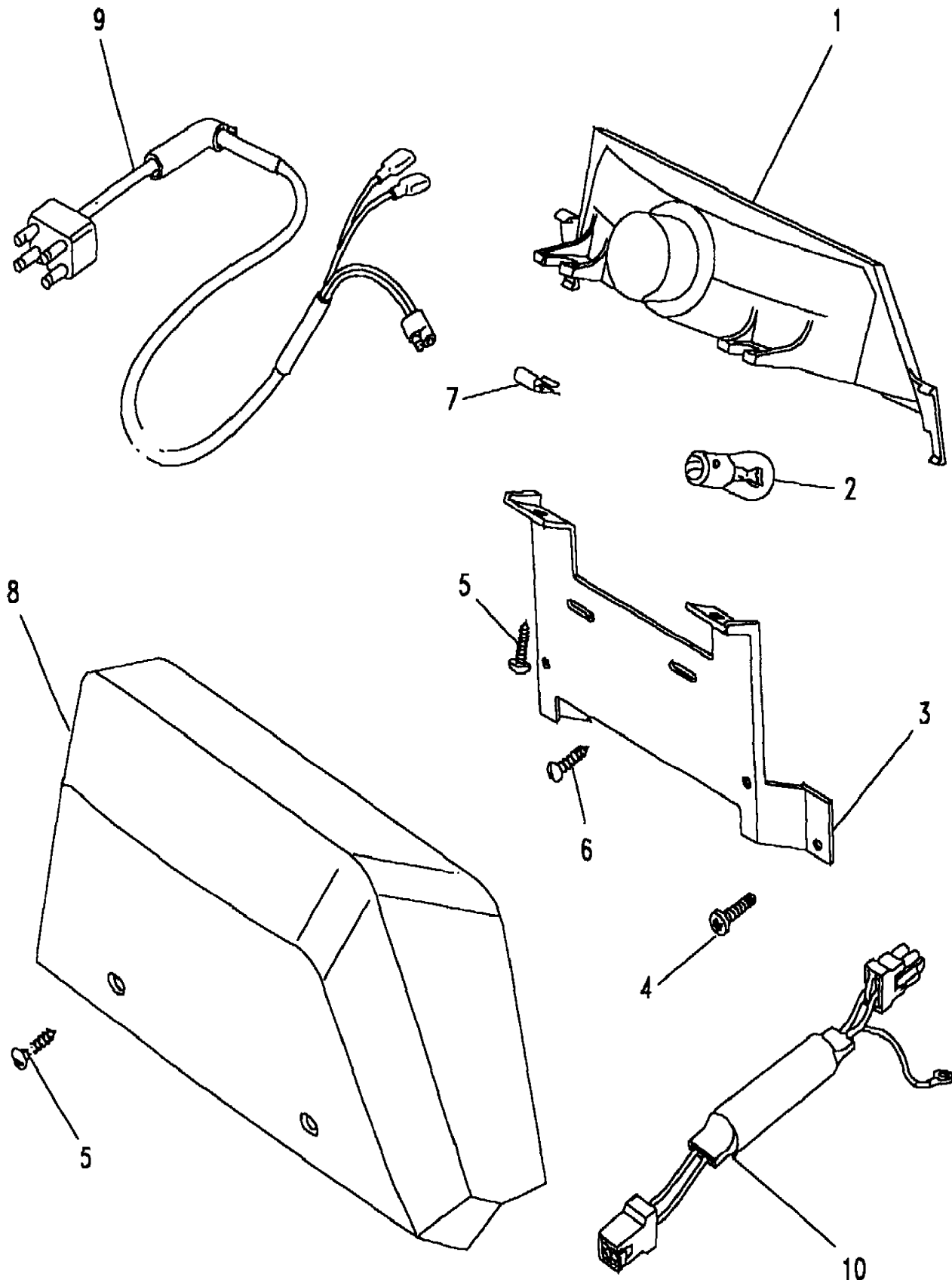
Change point - VIN end JA624754, Less Headlamp Levelling

Callout	Name	Application	Remarks & Restrictions	Service No.	Qty
1	Headlamp assembly-front lighting	Change point - VIN end JA624754, LHD, (-)"F"	Also serviced as part of a kit, Lucas	PRC8942	2
		Change point - VIN end JA624754, LHD, (+)"F"	Also serviced as part of a kit, Lucas	PRC8943	2
		Change point - VIN end JA624754, RHD	Also serviced as part of a kit, Lucas	PRC8941	2
2	Light unit-headlamp	Change point - VIN end JA624754, LHD, (-)"F"	Also serviced as part of a kit	PRC7994	2
		Change point - VIN end JA624754, LHD, (+)"F"	Also serviced as part of a kit	PRC7994	2
		Change point - VIN end JA624754, RHD	Also serviced as part of a kit	RTC4615	2
3	Bulb-headlamp-h4-60/65 Watt	Change point - VIN end JA624754, LHD, (-)"F"	Also serviced as part of a kit, Quartz Halogen, Clear.	589783	2
		Change point - VIN end JA624754, LHD, (+)"F"	Also serviced as part of a kit, Quartz Halogen, Yellow	PRC2167	2
		Change point - VIN end JA624754, RHD	Also serviced as part of a kit, Quartz Halogen, Clear.	589783	2
4	Bezel-headlamp	Change point - VIN end JA624754, LHD, (-)"F"	Also serviced as part of a kit, Chrome	PRC7992	2
		Change point - VIN end JA624754, LHD, (+)"F"	Also serviced as part of a kit, Chrome	PRC7992	2
		Change point - VIN end JA624754, RHD	Also serviced as part of a kit, Chrome	PRC7992	2
5	Body-headlamp	Change point - VIN end JA624754, RHD	Also serviced as part of a kit	STC643	2
		Change point - VIN end JA624754, LHD, (-)"F"	Also serviced as part of a kit	STC643	2
		Change point - VIN end JA624754, LHD, (+)"F"	Also serviced as part of a kit	STC643	2
6	Gasket-headlamp lens	Change point - VIN end JA624754, RHD	Also serviced as part of a kit	531586	2
		Change point - VIN end JA624754, LHD, (-)"F"	Also serviced as part of a kit	531586	2
		Change point - VIN end JA624754, LHD, (+)"F"	Also serviced as part of a kit	531586	2
8	Kit-screw	Change point - VIN end JA624754, RHD	trim adjusting, Also serviced as part of a kit	BHM7058L	6
		Change point - VIN end JA624754, LHD, (-)"F"	Also serviced as part of a kit	BHM7058L	6
		Change point - VIN end JA624754, LHD, (+)"F"	Also serviced as part of a kit	BHM7058L	6
9	Screw	Change point - VIN end JA624754	No 8 x 1/2, Self Tapping	78322	8
		Change point - VIN end JA624754	No 8 x 1/2, Self Tapping	AB608047L	8
10	Nut-lokut	Change point - VIN end JA624754		79051	8



With High Mounted Stop Lamp

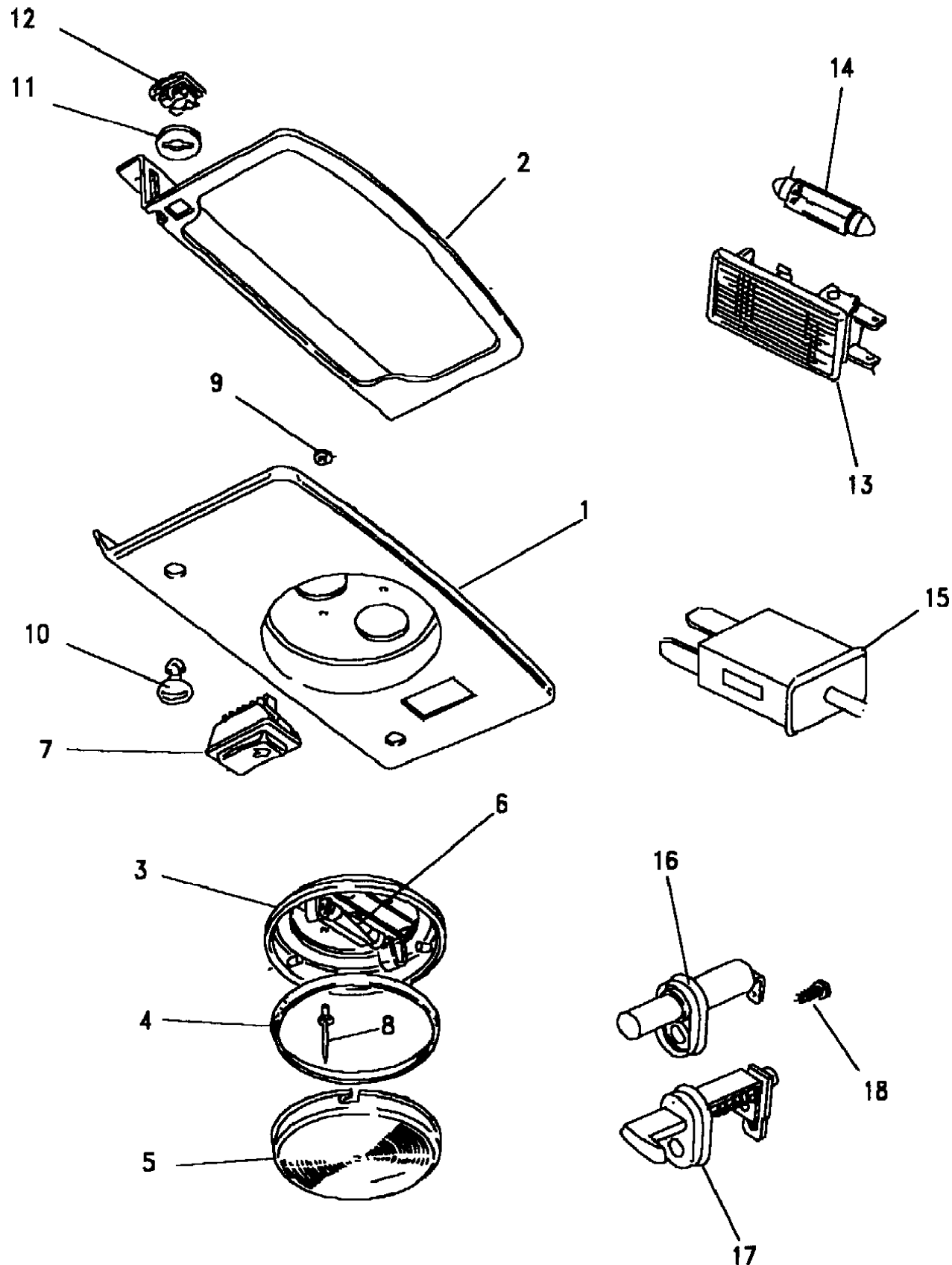
Callout	Name	Application	Remarks & Restrictions	Service No.	Qty
1	Lamp-rear high mounted stop		Also serviced as part of a kit	PRC9093	1
2	Bulb-382-p25/1-21 Watt		Also serviced as part of a kit, 12V	264591	1
3	Bracket-rear high mounted stop lamp mounting			MXC8860	1
4	Screw		fixing bracket, M8 X 16 fixing suppressor tailgate	SE104161L SA910121	2 1
5	Screw		fixing bracket, Self Tapping, No8 x 5/8	AB608054L	4
6	Screw-self tapping		fixing bracket, Self Tapping, M8 x 13	DA608044L	2
7	Clip-edge harness			BTR6682	2
8	Cover-high mounted stop lamp			MXC5788	1
9	Harness-high mounted stop lamp protected			PRC7987	1
10	Suppressor		Tailgate	PRC9549	1
[900]	Nut - Hex.		fixing suppressor tailgate	STC8050	2



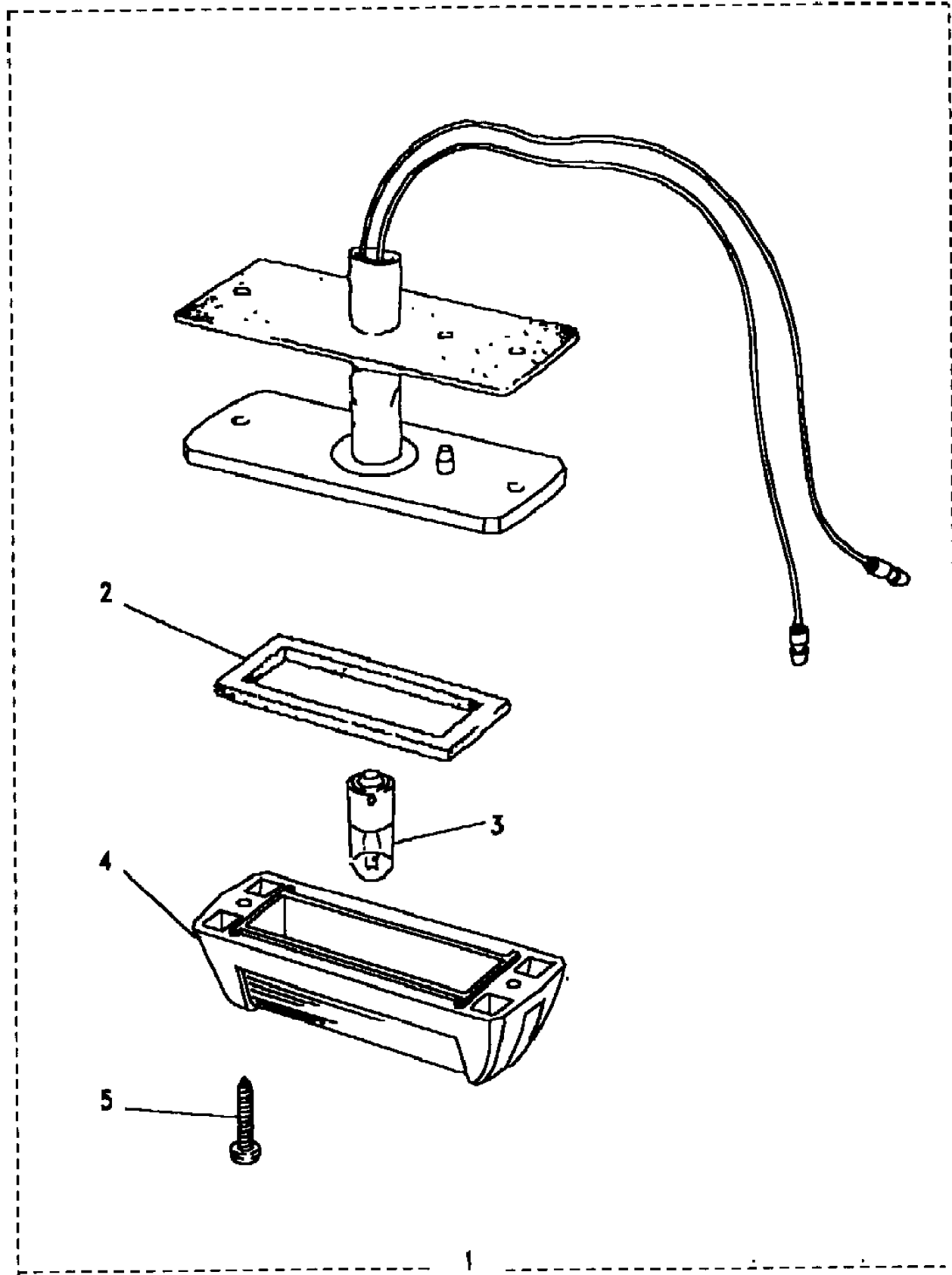
Range Rover (From JA610294)

(BDMXAE3A)

Range Rover (From JA610294)



Callout	Name	Application	Remarks & Restrictions	Service No.	Qty
1	Cover Plate	Change point - VIN end JA618465 Change point - VIN begin JA618466	Mist Grey Mist Grey	BTR1214LUM BTR4436LUM	1 1
2	Bracket			MWC8563	1
3	Base-map lamp roof trim cantrail	Change point - VIN end JA615798 Change point - VIN begin JA615799	Also serviced as part of a kit, Mist Grey Also serviced as part of a kit	PRC7198LUM PRC9903	1 1
4	Seal	Change point - VIN begin JA615799	Also serviced as part of a kit	567905	1
5	Lens-centre headlining interior lamp			PRC1634	1
6	Bulb-272-10 Watt	Change point - VIN end JA615798 Change point - VIN begin JA615799	41x10.5mm festoon, 36x10.5mm	559186 586438	1 1
7	Switch-rocker electric window lift		SUNROOF	PRC5255	1
8	Rivet			RA610167	2
9	Washer-Plain		M4	WA104001L	2
10	Stud-plastic		Mist Grey	MWC5995LUM	2
11	Washer			MUC6523	2
12	Retainer			MUC6522	2
13	Lamp-glove box illumination	Change point - VIN begin MA647645	Also serviced as part of a kit	ADU2066L	1
14	Bulb-239-c11-5 Watt	Change point - VIN begin MA647645	Also serviced as part of a kit, festoon	RTC3633	1
15	Switch-contact glovebox lamp	Change point - VIN begin MA647645		YUE10005L	1
16	Switch-contact courtesy light		door open rear end door	PRC8548	4
17	Switch-contact courtesy light	Change point - VIN end KA633784 Change point - VIN begin KA633785	tailgate open tailgate open	PRC7065 AFU4241L	1 1
18	Screw			PRC6518L	8
[900]	Plate switch mounting	Change point - VIN begin MA647645		BTR8307	1



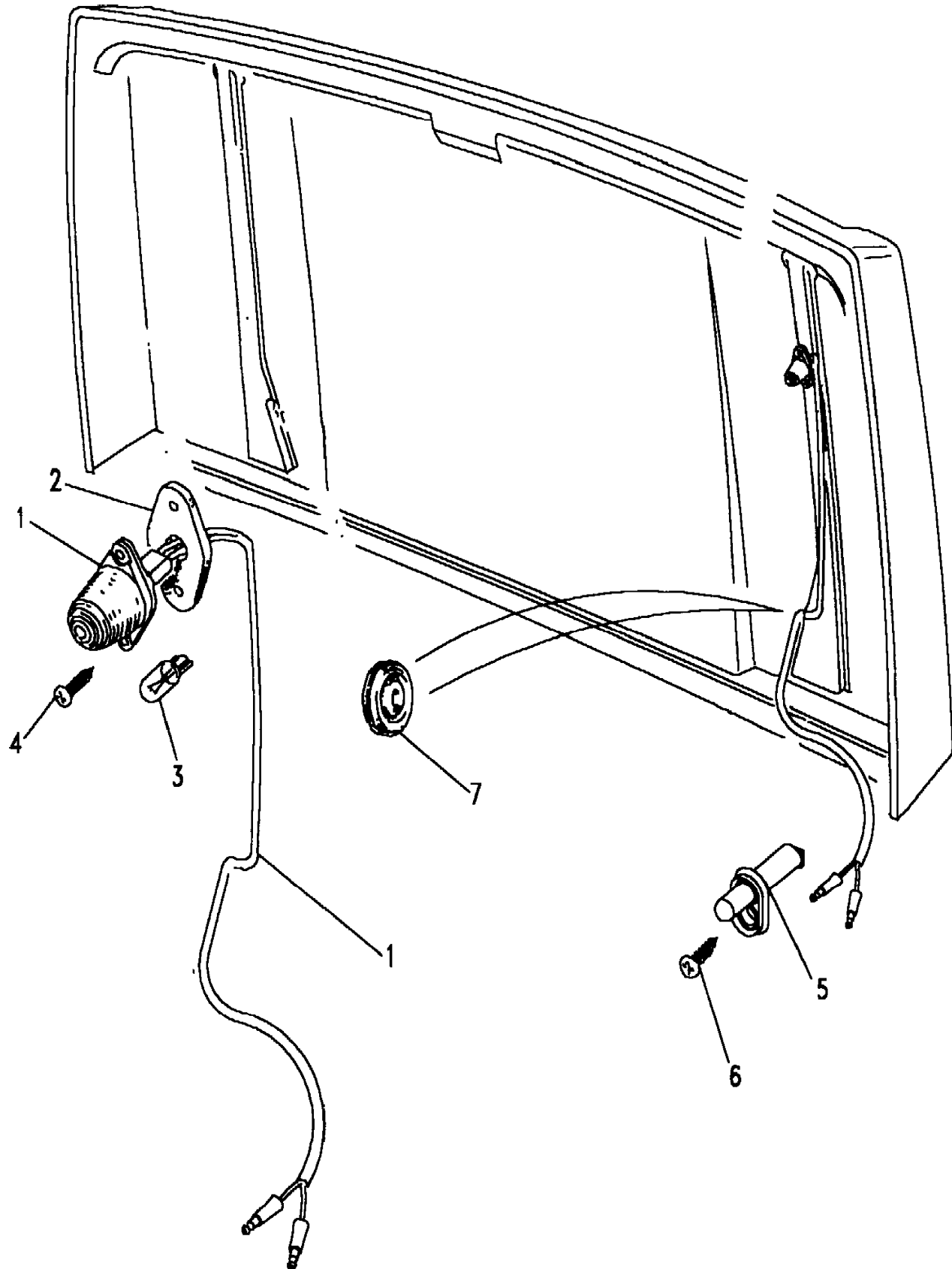
Callout	Name	Application	Remarks & Restrictions	Service No.	Qty
1	Lamp-rear licence plate		Also serviced as part of a kit	PRC6066	2
2	Gasket-rear licence plate lamp lens		Also serviced as part of a kit	RTC3830	2
3	Bulb-501-w10/5-5 Watt		Also serviced as part of a kit, 12V	570829	2
4	Lens-rear licence plate lamp		Also serviced as part of a kit	RTC3831	2
5	Screw		Also serviced as part of a kit	RTC3832	8

Range Rover (From JA610294)

(BDMXAE1A)

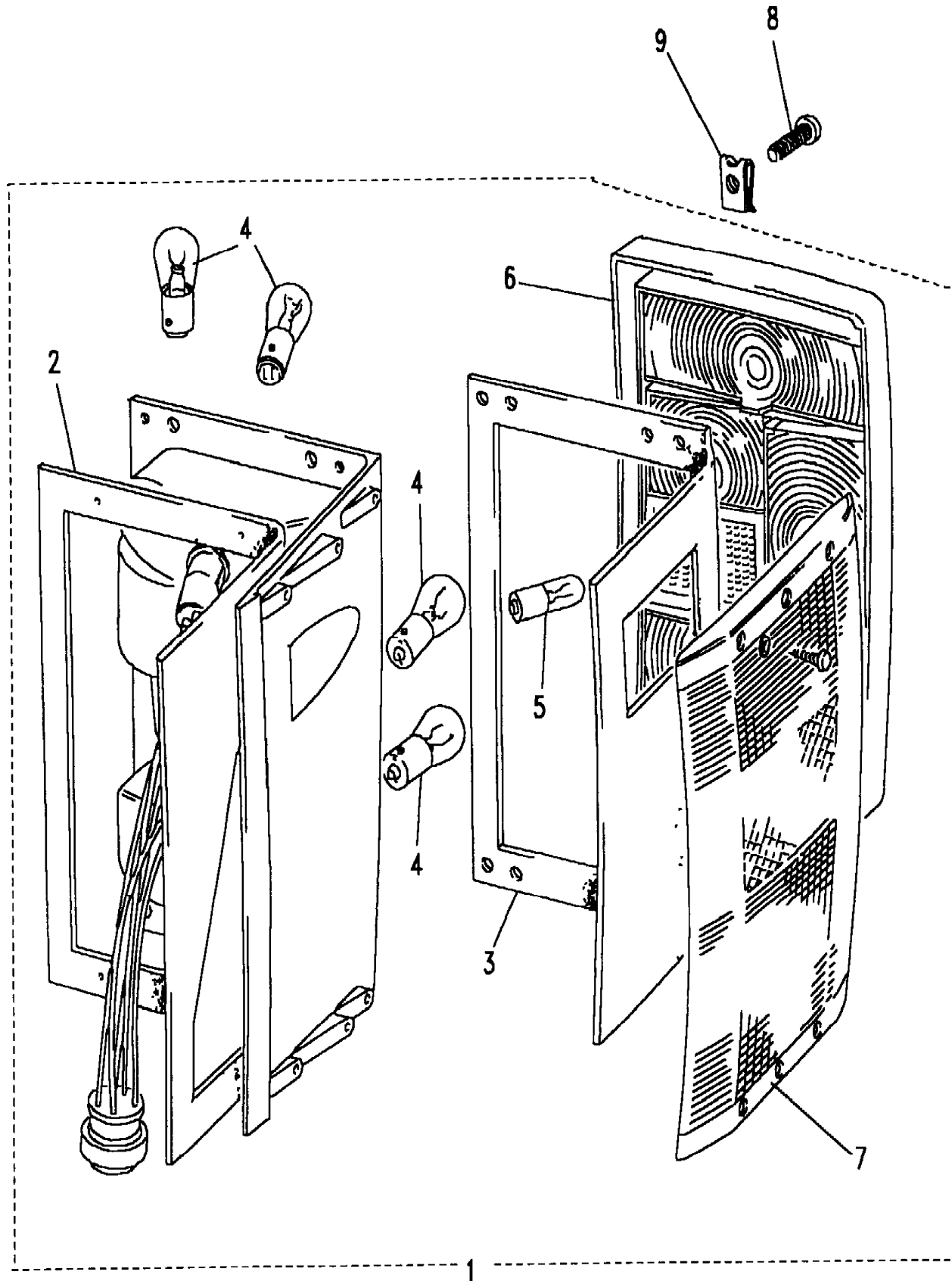
Range Rover (From JA610294)

Callout	Name	Application	Remarks & Restrictions	Service No.	Qty
1	Lamp-under bonnet		Also serviced as part of a kit	PRC2924	2
2	Plinth-lamp		Also serviced as part of a kit	PRC2949	2
3	Bulb-501-w10/5-5 Watt		Also serviced as part of a kit, 12V	570829	2
4	Screw		Also serviced as part of a kit, Self Tapping, No 6 x 3/8	AB606031L	4
5	Switch-contact courtesy light			PRC8548	1
6	Screw			PRC6518L	1
7	Grommet			235113	2



Range Rover (From JA610294)

(BDMXAC4A)

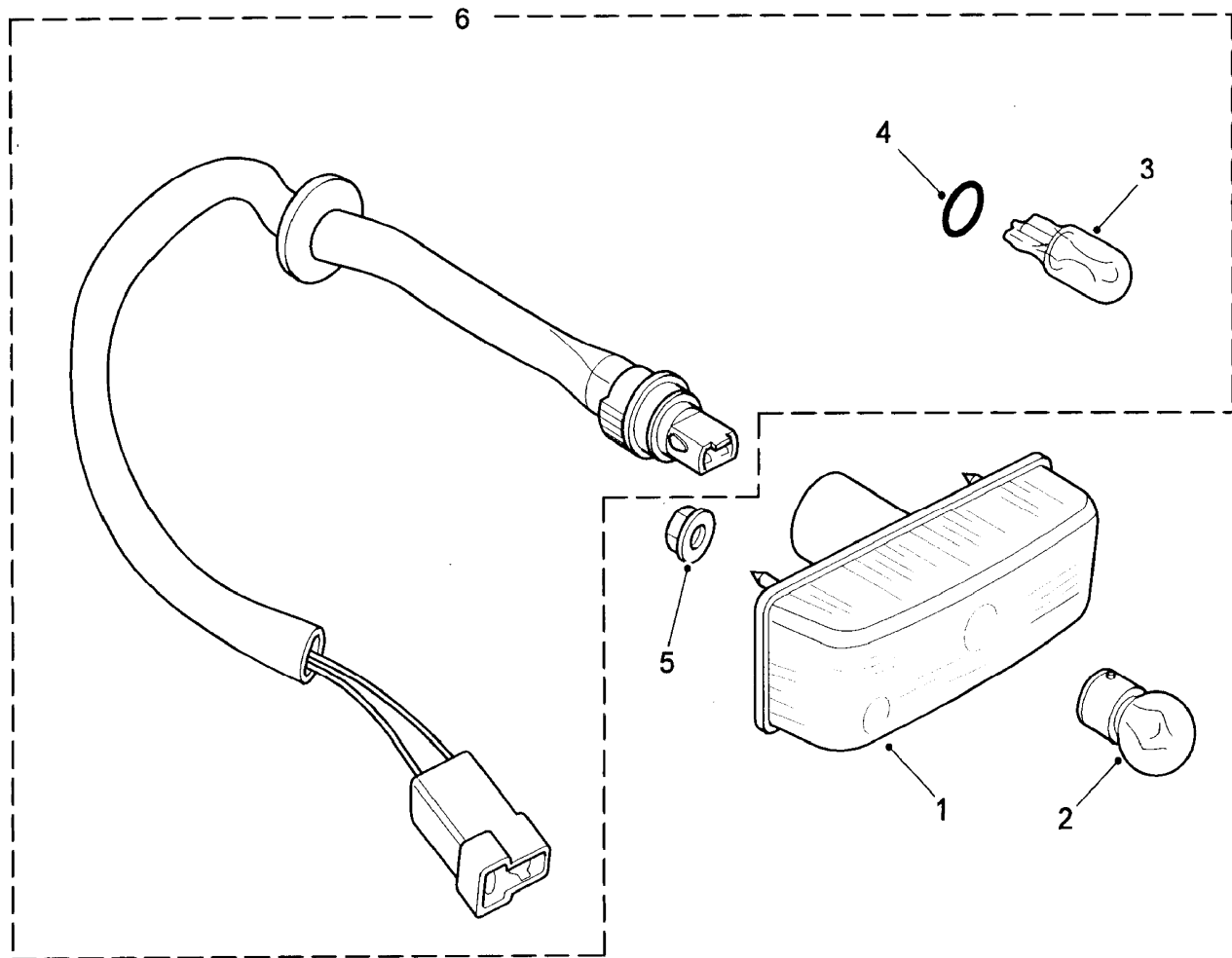


Range Rover (From JA610294)

Callout	Name	Application	Remarks & Restrictions	Service No.	Qty
1	Lamp assembly-rear	Change point - VIN begin JA610294	RH	PRC8952	1
		Change point - VIN begin JA610294	LH	PRC8953	1
		Change point - VIN begin NA610294, (+)"CDN/MEX/USA"	RH	PRC8954	1
		Change point - VIN begin NA610294, (+)"CDN/MEX/USA"	LH	PRC8955	1
2	Gasket-rear lamp assembly	Change point - VIN begin JA610294	Also serviced as part of a kit	AEU1525	2
3	Gasket-rear lamp assembly	Change point - VIN begin JA610294	Also serviced as part of a kit	AEU1523	2
		Change point - VIN begin JA610294	Also serviced as part of a kit	STC962	2
4	Bulb-382-p25/1-21 Watt	Change point - VIN begin JA610294	Also serviced as part of a kit, 12V	264591	6
5	Bulb-380-p25/2-21/5 Watt	Change point - VIN begin JA610294	Also serviced as part of a kit, 12V	264590	2
6	Lens assembly-rear lamp	Change point - VIN begin JA610294	RH	RTC5989	1
		Change point - VIN begin JA610294	LH	RTC5990	1
		(+)"CDN/MEX/USA"	RH	RTC5551	1
		(+)"CDN/MEX/USA"	LH	RTC5552	1
7	Lens-lamp-side	Change point - VIN begin JA610294	RH	RTC5294	1
		Change point - VIN begin JA610294	LH	RTC5295	1
		(+)"CDN/MEX/USA"	RH	RTC5553	1
		(+)"CDN/MEX/USA"	LH	RTC5554	1
8	Screw		M8 X 16	SE104161L	8
9	Nut-spring-J type			79039	12

Body Electrics
Lighting
Side Repeaters 1/1

Range Rover (From JA610294)
(BDMXAC2A)



BDMXAC2A

Range Rover (From JA610294)

Body Electrics
Lighting
Side Repeaters

Callout	Name	Application	Remarks & Restrictions	Service No.	Qty
1	Lamp-auxiliary lighting side repeater		Also serviced as part of a kit	AFU3341L	2
2	Bulb-illumination	Change point - VIN end KA635915		RTC5929	1
3	Bulb-501-w10/5-5 Watt	Change point - VIN begin KA635916	12V	AFU4481	1
4	O Ring	Change point - VIN begin KA635916		AFU3112L	2
5	Nut-flange			MWC2109	4
6	Kit-side repeater harness	Change point - VIN begin KA635916		STC966	1

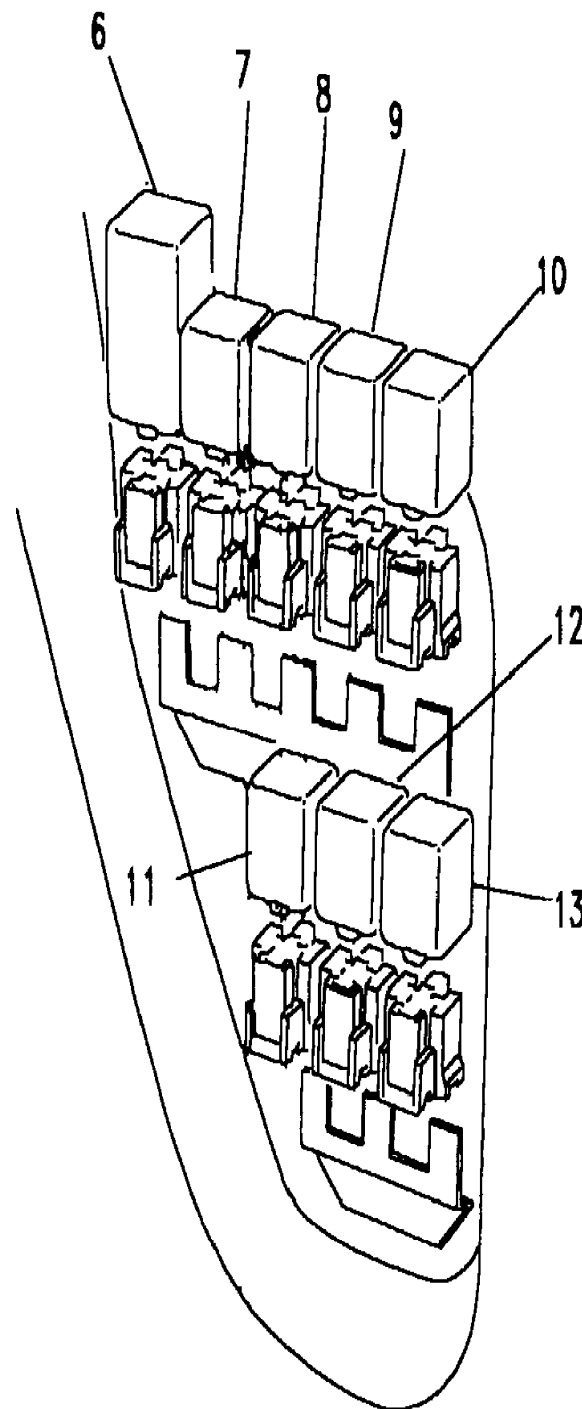
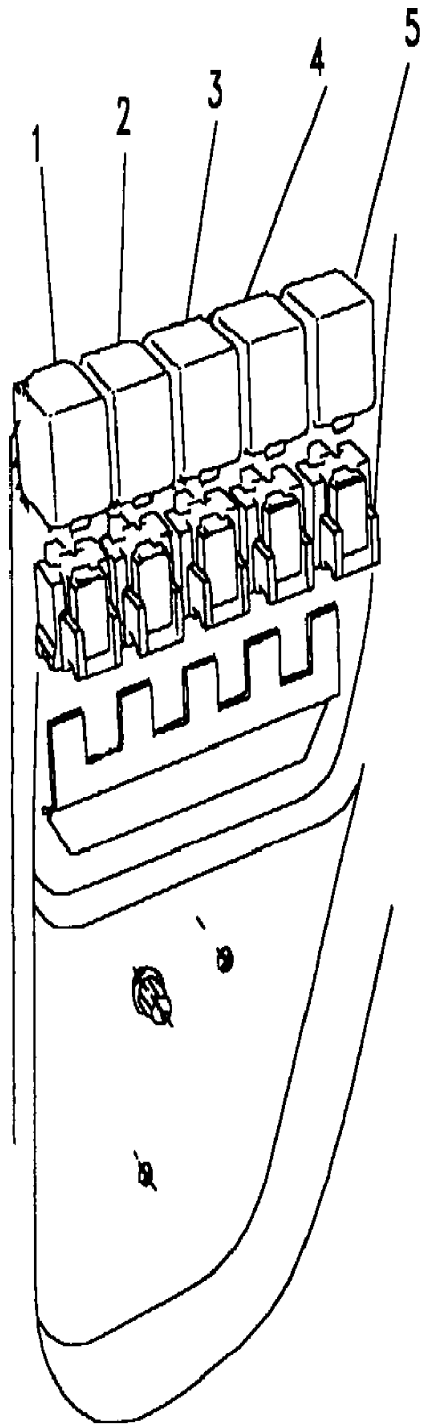
Body Electrics

Relays

Relays-Footwell-From (V) MA647645 1/1

Range Rover (From JA610294)

(BDMXGA8B)



Body Electrics

Relays

Relays-Footwell-From (V) MA647645

Range Rover (From JA610294)

Callout	Name	Application	Remarks & Restrictions	Service No.	Qty
1	Relay	Change point - VIN begin MA647645	Horn	YWB10027L	1
2	Relay	Change point - VIN begin MA647645	aux. key position	YWB10027L	1
3	Relay	Change point - VIN begin MA647645	REAR WIPER, Green, changeover	YWB10032L	1
4	Relay	Change point - VIN begin MA647645	alarm sound	YWB10027L	1
5	Relay	Change point - VIN begin MA647645	HAZARD WARNING, Brown, twin make	AMR1088	1
6	Control Unit	Change point - VIN begin MA647645, Change point - VIN end MA662725 Change point - VIN begin MA662726	fan timer, Green fan timer, Green	AMR3678 AMR3076	1 1
7	Relay	Change point - VIN begin MA647645	PI main injection, Aluminium	AFU2913L	1
8	Relay	Change point - VIN begin MA647645	PI fuel pump, Aluminium	AFU2913L	1
9	Relay	Change point - VIN begin MA647645, With Air Conditioning		YWB10027L	1
10	Relay	Change point - VIN begin MA647645, With Air Conditioning		YWB10027L	1
11	Relay	Change point - VIN begin MA647645	Starter	YWB10027L	1
12	Relay	Change point - VIN begin MA647645	Ignition Load, Green, changeover	YWB10032L	1
13	Relay	Change point - VIN begin MA647645	Front Wiper, Green, changeover	YWB10032L	1
[900]	Relay	Change point - VIN begin MA647645	Horn, changeover, Yellow	YWB000150	1
		Change point - VIN begin MA647645	aux. key position, changeover, Yellow	YWB000150	1
		Change point - VIN begin MA647645	alarm sound, changeover, Yellow	YWB000150	1
		Change point - VIN begin MA647645, With Air Conditioning	changeover, Yellow	YWB000150	1
		Change point - VIN begin MA647645	Starter, changeover, Yellow	YWB000150	1
		Change point - VIN begin MA647645	REAR WIPER, Green, changeover	YWB000160	1
		Change point - VIN begin MA647645	Ignition Load, Green, changeover	YWB000160	1
		Change point - VIN begin MA647645	Front Wiper, Green, changeover	YWB000160	1

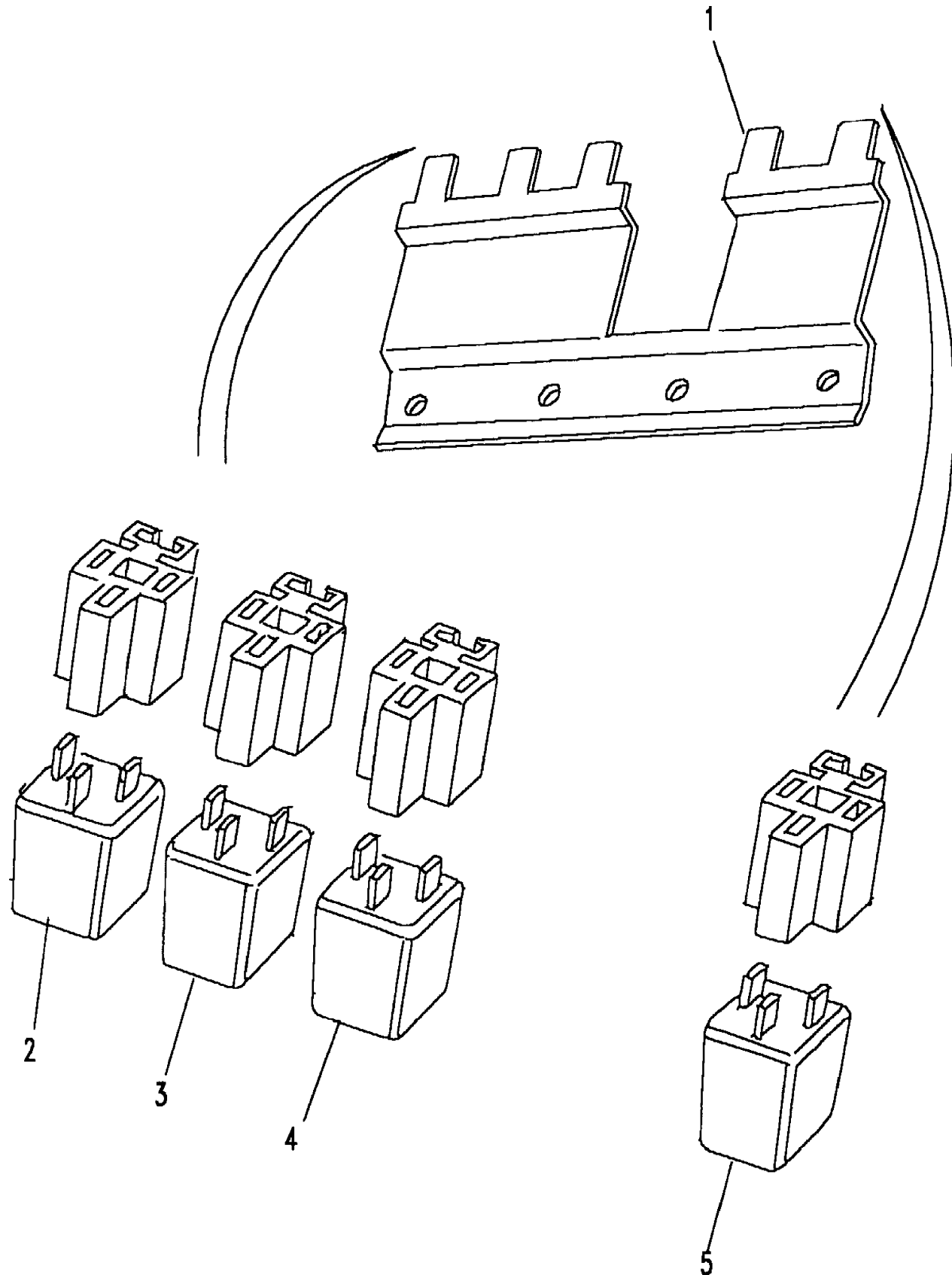
Range Rover (From JA610294)

(BDMXGA8E)

Range Rover (From JA610294)

Change point - VIN begin MA647645, (+)"J"

Callout	Name	Application	Remarks & Restrictions	Service No.	Qty
1	Bracket-relay mounting	Change point - VIN begin MA647645		AMR3134	1
2	Relay	Change point - VIN begin MA647645	Shift Interlock, Green, changeover	YWB10032L	1
3	Relay	Change point - VIN begin MA647645	Shift Interlock	YWB10027L	1
4	Relay	Change point - VIN begin MA647645	catalyst warning	YWB10027L	1
5	Relay	Change point - VIN begin MA647645	power amplifier	YWB10027L	1
[900]	Relay	Change point - VIN begin MA647645	Shift Interlock, changeover, Yellow	YWB000150	1
		Change point - VIN begin MA647645	catalyst warning, changeover, Yellow	YWB000150	1
		Change point - VIN begin MA647645	power amplifier, changeover, Yellow	YWB000150	1
		Change point - VIN begin MA647645	Shift Interlock, Green, changeover	YWB000160	1



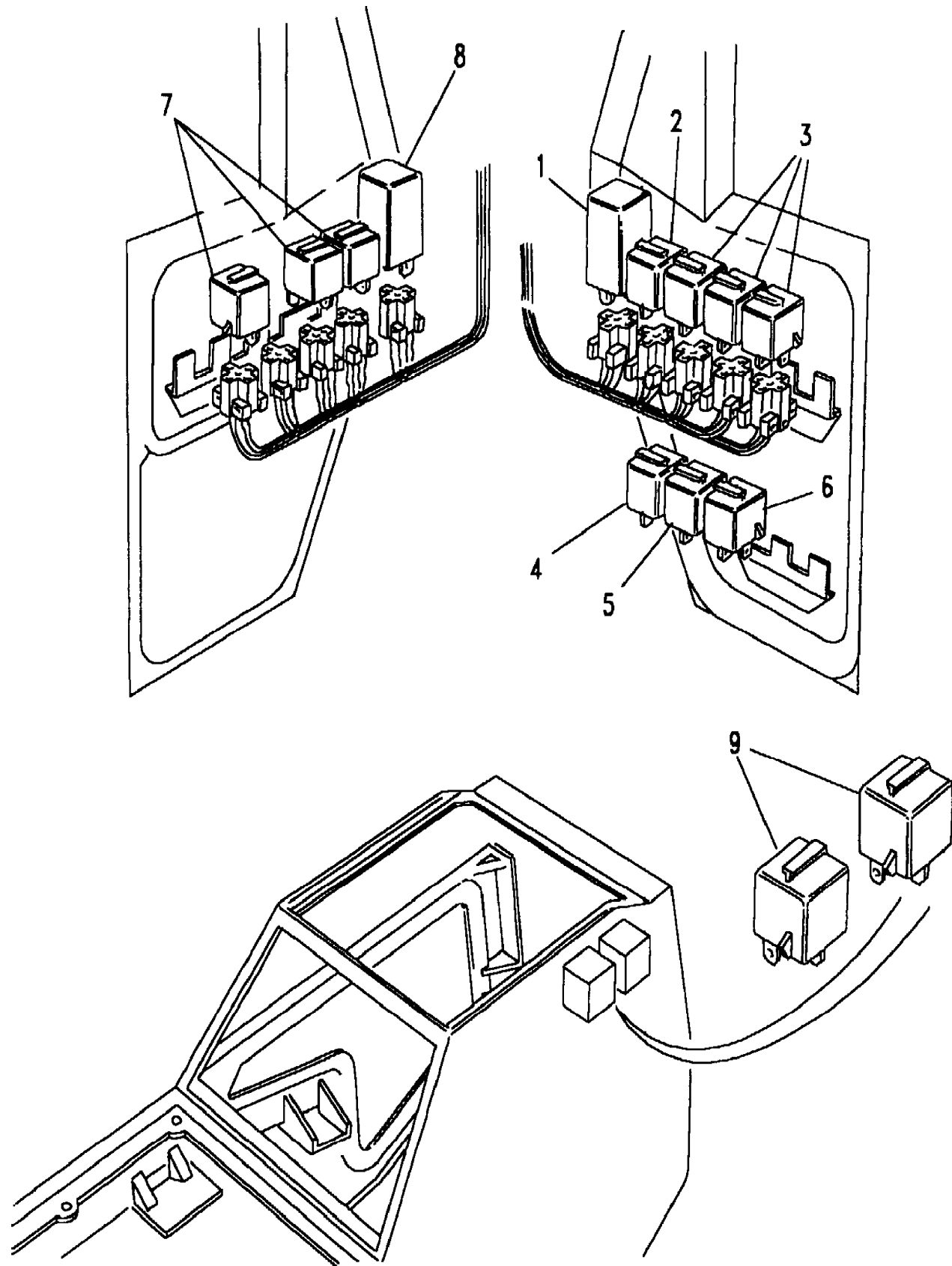
Body Electrics

Range Rover (From JA610294)

Relays

Relays-LHD-Footwell-From (V) JA610294 To (V) JA624780 1/2

(BDMXGA4A)



Range Rover (From JA610294)

Body Electrics

Relays

Relays-LHD-Footwell-From (V) JA610294 To (V) JA624780
Change point - VIN begin JA610294, Change point - VIN end JA624780, LHD

Callout	Name	Application	Remarks & Restrictions	Service No.	Qty
1	Relay	Change point - VIN begin JA610294, Change point - VIN end JA624780	air diode, Orange	PRC7872	1
2	Relay	Change point - VIN begin JA610294, Change point - VIN end JA624780	heater A/C, Green, changeover	YWB10032L	1
3	Relay	Change point - VIN begin JA610294, Change point - VIN end JA624780	A/C clutch	YWB10027L	1
		Change point - VIN begin JA610294, Change point - VIN end JA624780	A/C fan	YWB10027L	1
		Change point - VIN begin JA610294, Change point - VIN end JA624780	heater A/C	YWB10027L	1
4	Relay	Change point - VIN begin JA610294, Change point - VIN end JA624780	For Speed Control, Green, changeover	YWB10032L	1
5	Relay	Change point - VIN begin JA610294, Change point - VIN end JA624780	load shed	YWB10027L	1
6	Relay	Change point - VIN begin JA610294, Change point - VIN end JA624780	front screen-timer, Grey	PRC6796	1
7	Relay	Change point - VIN begin JA610294, Change point - VIN end JA624780	auxiliary lamps	YWB10027L	1
		Change point - VIN begin JA610294, Change point - VIN end JA624780	SUNROOF	YWB10027L	1
		Change point - VIN begin JA610294, Change point - VIN end JA624780	DIESEL	YWB10027L	1
8	Sensor-speed engine	Change point - VIN begin JA610294, Change point - VIN end JA624780	White.	PRC8882	1
9	Relay	Change point - VIN begin JA610294, Change point - VIN end JA624780	window lift	YWB10027L	2
		Change point - VIN begin JA610294, Change point - VIN end JA624780	Heated Seat	YWB10027L	2
[900]	Relay	Change point - VIN begin JA610294, Change point - VIN end JA624780	A/C clutch, changeover, Yellow	YWB000150	1
		Change point - VIN begin JA610294, Change point - VIN end JA624780	A/C fan, changeover, Yellow	YWB000150	1
		Change point - VIN begin JA610294, Change point - VIN end JA624780	heater A/C, changeover, Yellow	YWB000150	1

Body Electrics

Range Rover (From JA610294)

Relays

Relays-LHD-Footwell-From (V) JA610294 To (V) JA624780 2/2

(BDMXGA4A)

Body Electrics

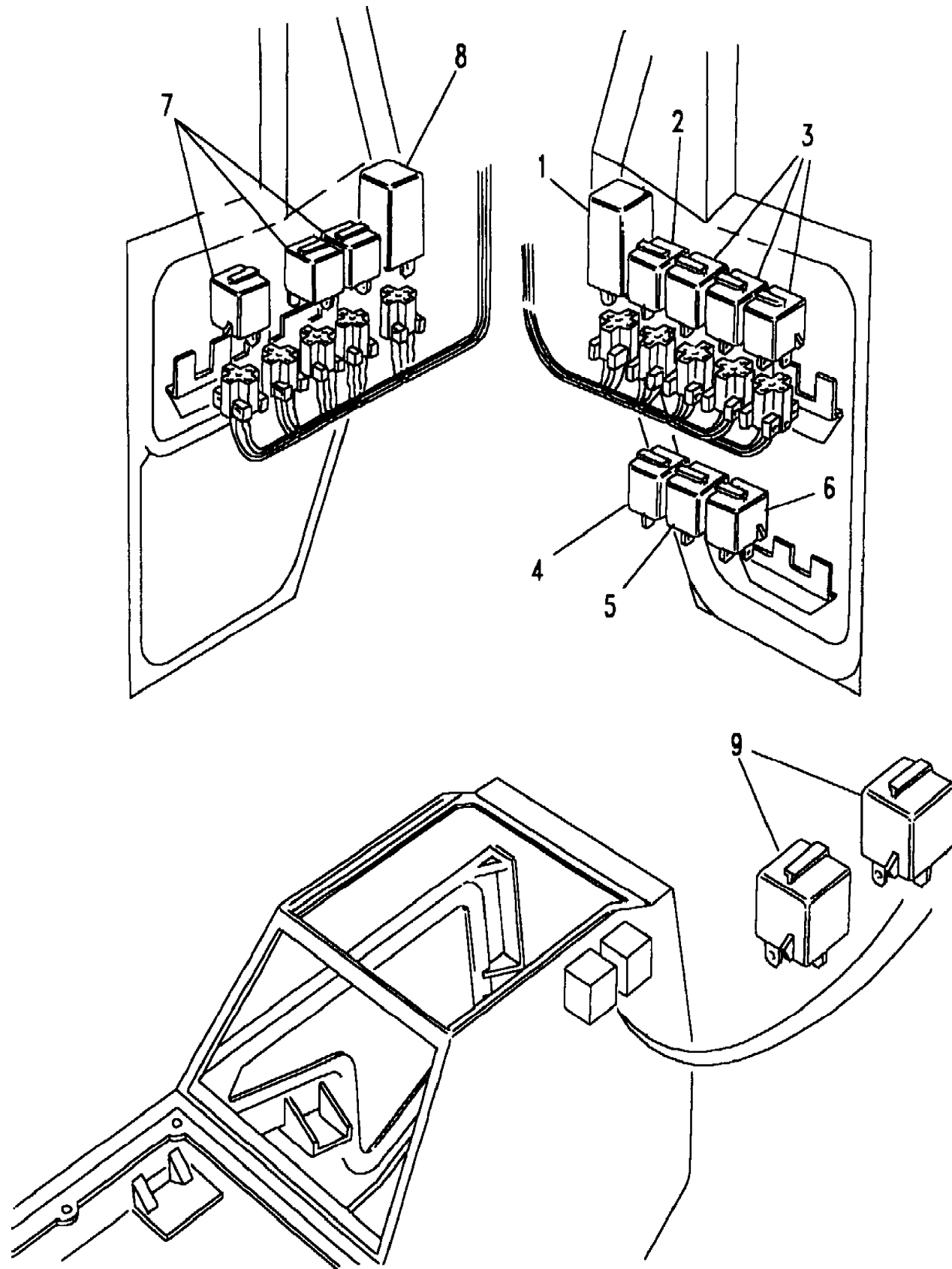
Range Rover (From JA610294)

Relays

Relays-LHD-Footwell-From (V) JA610294 To (V) JA624780

Change point - VIN begin JA610294, Change point - VIN end JA624780, LHD

Callout	Name	Application	Remarks & Restrictions	Service No.	Qty
[900]	Relay	Change point - VIN begin JA610294, Change point - VIN end JA624780	load shed, changeover, Yellow	YWB000150	1
		Change point - VIN begin JA610294, Change point - VIN end JA624780	auxiliary lamps, changeover, Yellow	YWB000150	1
		Change point - VIN begin JA610294, Change point - VIN end JA624780	SUNROOF, changeover, Yellow	YWB000150	1
		Change point - VIN begin JA610294, Change point - VIN end JA624780	DIESEL, changeover, Yellow	YWB000150	1
		Change point - VIN begin JA610294, Change point - VIN end JA624780	window lift, changeover, Yellow	YWB000150	2
		Change point - VIN begin JA610294, Change point - VIN end JA624780	Heated Seat, changeover, Yellow	YWB000150	2
		Change point - VIN begin JA610294, Change point - VIN end JA624780	heater A/C, Green, changeover	YWB000160	1
		Change point - VIN begin JA610294, Change point - VIN end JA624780	For Speed Control, Green, changeover	YWB000160	1

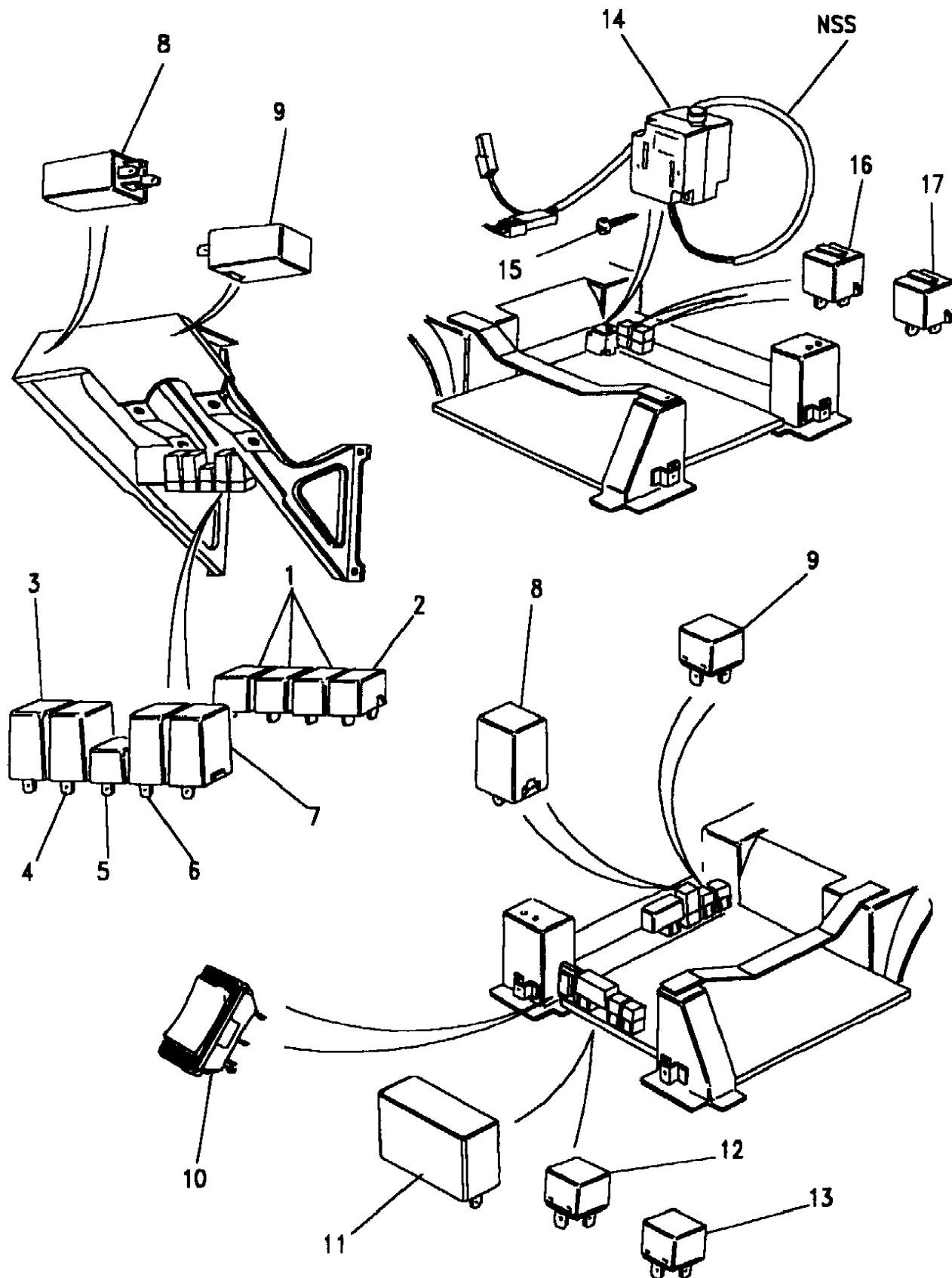


Range Rover (From JA610294)

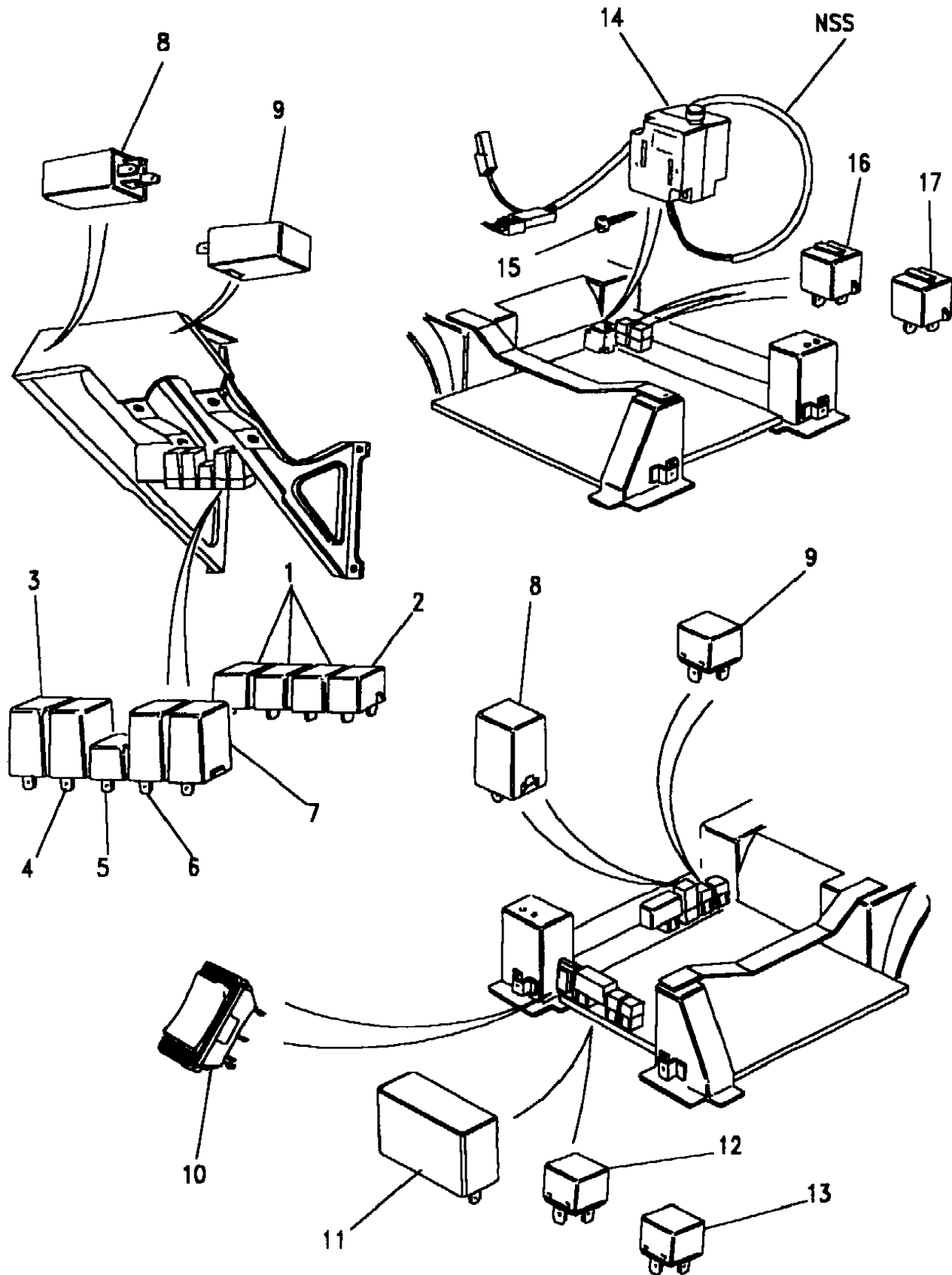
Range Rover (From JA610294)

Change point - VIN begin KA624781, Change point - VIN end LA624644, LHD

Callout	Name	Application	Remarks & Restrictions	Service No.	Qty
1	Relay	Change point - VIN begin KA624781, Change point - VIN end LA647644 Change point - VIN begin KA624781, Change point - VIN end LA647644	Starter Heated Rear Window	YWB10027L YWB10027L	1 1
2	Relay-delay unit	Change point - VIN begin KA624781, Change point - VIN end LA647644	REAR WIPER, Blue.	PRC9957	1
3	Relay	Change point - VIN begin KA624781, Change point - VIN end LA647644	Front Wiper, 12V, delay unit, Red	AMR2341	1
4	Relay	Change point - VIN begin KA624781, Change point - VIN end LA647644	Heated Front Screen, Black, 70 AMP	PRC7303	1
5	Relay	Change point - VIN begin KA624781, Change point - VIN end LA647644	COURTESY LAMPS, Black	PRC9948	1
6	Switch-volt sensitive	Change point - VIN begin KA624781, Change point - VIN end LA647644	Black	PRC9666	1
7	Flasher unit electronic	Change point - VIN begin KA624781, Change point - VIN end LA647644	12V, with trailer socket, 4 Pin	PRC8876	1
8	Monitor unit-overspeed	Change point - VIN begin KA624781, Change point - VIN end LA647644, (+)"GCC"	overspeed warning, Black	PRC4268	1
9	Control Unit	Change point - VIN begin KA624781, Change point - VIN end LA647644	fan timer, Green	AMR3678	1
10	Relay	Change point - VIN begin KA624781, Change point - VIN end LA647644 Change point - VIN begin KA624781, Change point - VIN end LA647644	PI main injection, Aluminium PI fuel pump, Aluminium	AFU2913L AFU2913L	1 1
11	Switch-disable	Change point - VIN begin KA624781, Change point - VIN end LA647644		AMR2169	1
12	Relay	Change point - VIN begin KA624781, Change point - VIN end LA647644	delayed turn off, Clear.	AMR1111	1
13	Relay	Change point - VIN begin KA624781, Change point - VIN end LA647644	Compressor	YWB10027L	1



Range Rover (From JA610294)



Range Rover (From JA610294)

Change point - VIN begin KA624781, Change point - VIN end LA624644, LHD

Callout	Name	Application	Remarks & Restrictions	Service No.	Qty
14	Relay	Change point - VIN begin KA624781, Change point - VIN end LA647644	air suspension warning, Green, changeover	YWB10032L	1
15	Switch-inertia	Change point - VIN begin KA624781, Change point - VIN end LA647644		DBC2022L	1
16	Screw	Change point - VIN begin KA624781, Change point - VIN end LA647644	Self Tapping, No10	AB610121L	2
17	Relay	Change point - VIN begin KA624781, Change point - VIN end LA647644	Driver Seat, Green, changeover	YWB10032L	1
18	Relay	Change point - VIN begin KA624781, Change point - VIN end LA647644	PASSENGERS SEAT	YWB10027L	1
[900]	Relay	Change point - VIN begin KA624781, Change point - VIN end LA647644	Starter, changeover, Yellow	YWB000150	1
		Change point - VIN begin KA624781, Change point - VIN end LA647644	Heated Rear Window, changeover, Yellow	YWB000150	1
		Change point - VIN begin KA624781, Change point - VIN end LA647644	Compressor, changeover, Yellow	YWB000150	1
		Change point - VIN begin KA624781, Change point - VIN end LA647644	PASSENGERS SEAT, changeover, Yellow	YWB000150	1
		Change point - VIN begin KA624781, Change point - VIN end LA647644	air suspension warning, Green, changeover	YWB000160	1
		Change point - VIN begin KA624781, Change point - VIN end LA647644	Driver Seat, Green, changeover	YWB000160	1

Body Electrics
Relays
Relays 1/2

Range Rover (From JA610294)

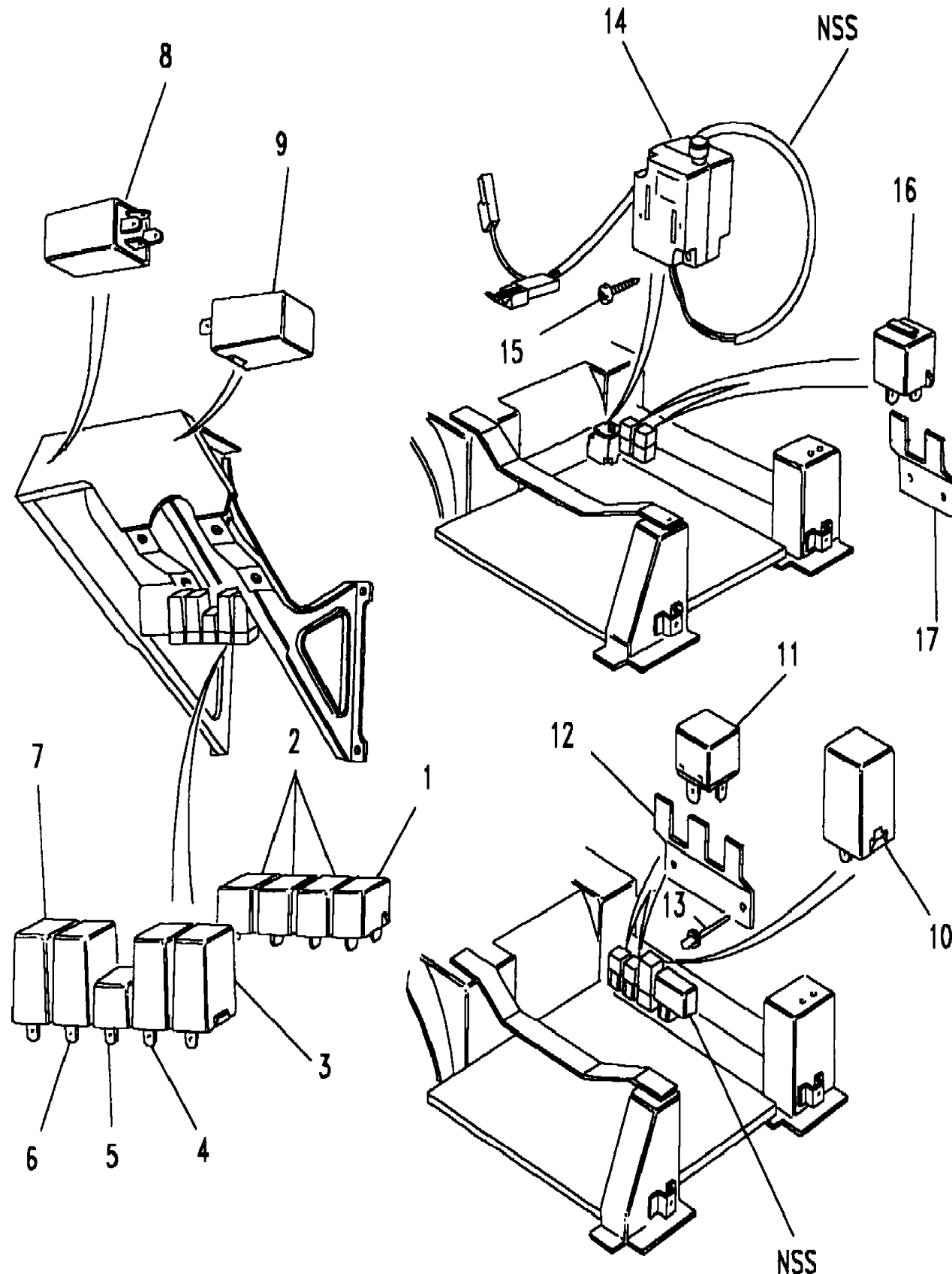
(BDMXGA3A)

Body Electrics
Relays
Relays

Range Rover (From JA610294)

Change point - VIN begin JA610294, Change point - VIN end JA624780, LHD

Callout	Name	Application	Remarks & Restrictions	Service No.	Qty
1	Relay	Change point - VIN begin JA610294, Change point - VIN end JA624780	Starter	YWB10027L	1
2	Relay	Change point - VIN begin JA610294, Change point - VIN end JA624780	Heated Rear Window	YWB10027L	1
		Change point - VIN begin JA610294, Change point - VIN end JA624780	Headlamp	YWB10027L	1
		Change point - VIN begin JA610294, Change point - VIN end JA624780	Ignition Load, Green, changeover	YWB10032L	1
3	Relay-delay unit	Change point - VIN begin JA610294, Change point - VIN end JA624780	REAR WIPER, Blue.	PRC7404	1
4	Relay	Change point - VIN begin JA610294, Change point - VIN end JA624780	Front Wiper, 12V, delay unit, Red	PRC6864	1
5	Relay	Change point - VIN begin JA610294, Change point - VIN end JA624780	Heated Front Screen, Black, 70 AMP	PRC7303	1
6	Relay	Change point - VIN begin JA610294, Change point - VIN end JA624780	COURTESY LAMPS, Black	PRC8700	1
7	Switch-volt sensitive	Change point - VIN begin JA610294, Change point - VIN end JA624780	voltage sensitive switch, 45 AMP	PRC4427	1
		Change point - VIN begin JA610294, Change point - VIN end JA624780	cruise speed trip, Black	PRC9666	1
8	Flasher unit electronic	Change point - VIN begin JA610294, Change point - VIN end JA624780	12V, with trailer socket, 4 Pin	PRC8876	1
9	Monitor unit-overspeed	Change point - VIN begin JA610294, Change point - VIN end JA624780, (+)"GCC"	overspeed warning, Black	PRC4268	1
10	Control Unit	Change point - VIN begin JA610294, Change point - VIN end JA624780	fan timer, Green	AMR3678	1
11	Relay	Change point - VIN begin JA610294, Change point - VIN end JA624780	PI main injection, Aluminium	AFU2913L	1
		Change point - VIN begin JA610294, Change point - VIN end JA624780	PI fuel pump, Aluminium	AFU2913L	1
12	Bracket assembly-relay	Change point - VIN begin JA610294, Change point - VIN end JA624780		PRC7140	1



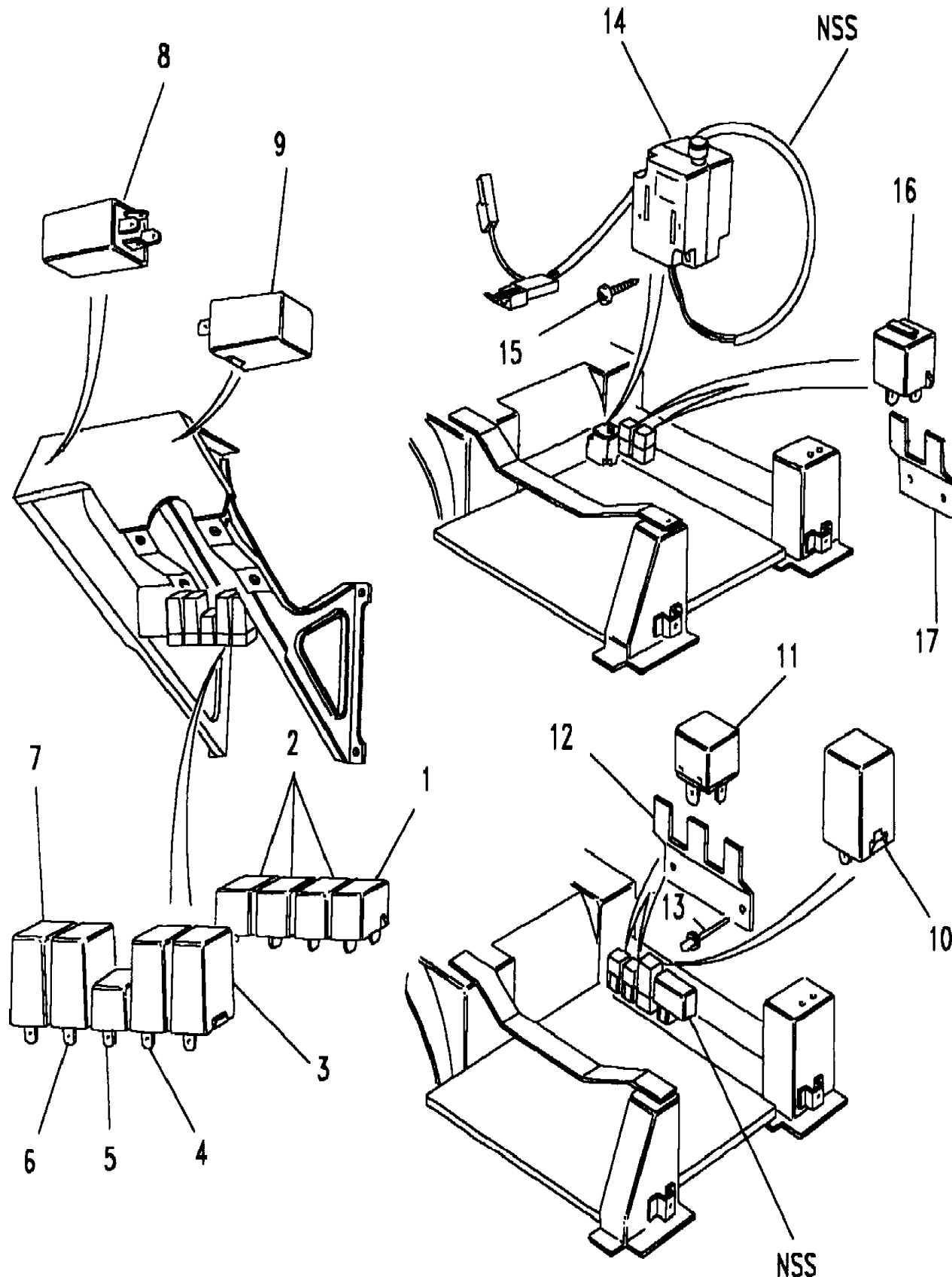
Range Rover (From JA610294)

(BDMXGA3A)

Range Rover (From JA610294)

Change point - VIN begin JA610294, Change point - VIN end JA624780, LHD

Callout	Name	Application	Remarks & Restrictions	Service No.	Qty
13	Rivet-pop-aluminium	Change point - VIN begin JA610294, Change point - VIN end JA624780		RA612183	2
14	Switch-inertia	Change point - VIN begin JA610294, Change point - VIN end JA624780		DBC2022L	1
15	Screw	Change point - VIN begin JA610294, Change point - VIN end JA624780	Self Tapping, No10	AB610121L	2
16	Relay	Change point - VIN begin JA610294, Change point - VIN end JA624780	Driver Seat, Green, changeover	YWB10032L	1
		Change point - VIN begin JA610294, Change point - VIN end JA624780	PASSENGERS SEAT, Green, changeover	YWB10032L	1
17	Bracket assembly-relay mounting	Change point - VIN begin JA610294, Change point - VIN end JA624780		PRC7054	1
[900]	Relay	Change point - VIN begin JA610294, Change point - VIN end JA624780	Starter, changeover, Yellow	YWB000150	1
		Change point - VIN begin JA610294, Change point - VIN end JA624780	Heated Rear Window, changeover, Yellow	YWB000150	1
		Change point - VIN begin JA610294, Change point - VIN end JA624780	Headlamp, changeover, Yellow	YWB000150	1
		Change point - VIN begin JA610294, Change point - VIN end JA624780	Ignition Load, Green, changeover	YWB000160	1
		Change point - VIN begin JA610294, Change point - VIN end JA624780	Driver Seat, Green, changeover	YWB000160	1
		Change point - VIN begin JA610294, Change point - VIN end JA624780	PASSENGERS SEAT, Green, changeover	YWB000160	1



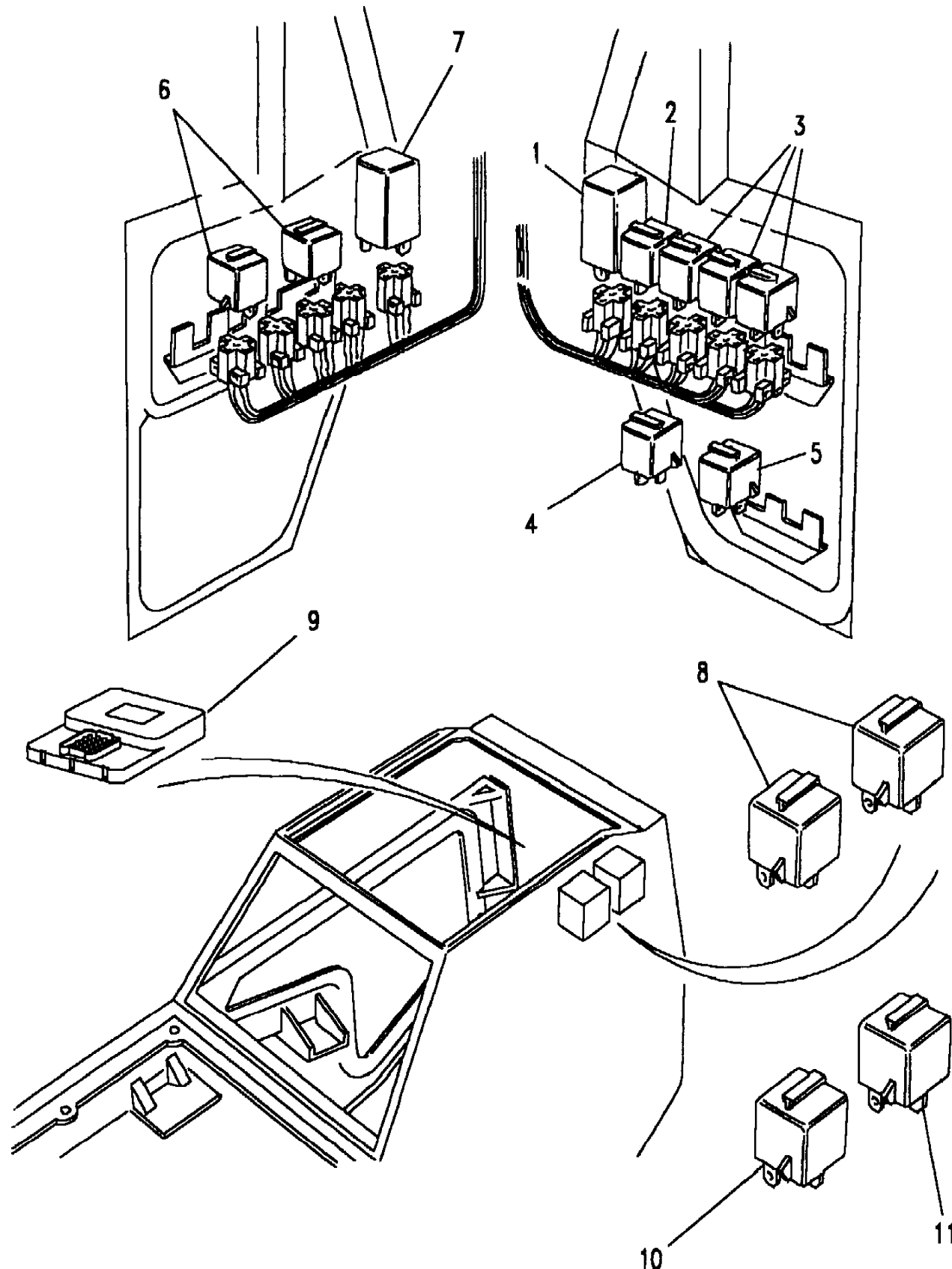
Range Rover (From JA610294)

(BDMXGA8A)

Range Rover (From JA610294)

Change point - VIN begin KA624781, Change point - VIN end LA647644, LHD

Callout	Name	Application	Remarks & Restrictions	Service No.	Qty
1	Relay	Change point - VIN begin KA624781, Change point - VIN end LA647644	A/C diode, Orange	PRC7872	1
2	Relay	Change point - VIN begin KA624781, Change point - VIN end LA647644, With Air Conditioning Change point - VIN begin KA624781, Change point - VIN end LA647644 Change point - VIN begin KA624781, Change point - VIN end LA647644	Green, changeover auxiliary lamps REAR WIPER	YWB10032L YWB10027L YWB10027L	1 1 1
3	Relay	Change point - VIN begin KA624781, Change point - VIN end LA647644 Change point - VIN begin KA624781, Change point - VIN end LA647644 Change point - VIN begin KA624781, Change point - VIN end LA647644	A/C clutch A/C fan Heater	YWB10027L YWB10027L YWB10027L	1 1 1
4	Relay	Change point - VIN begin KA624781, Change point - VIN end LA647644	front screen-timer, Grey	PRC6796	1
5	Relay	Change point - VIN begin KA624781, Change point - VIN end LA647644	For Speed Control, Green, changeover	YWB10032L	1
7	Sensor-speed engine	Change point - VIN begin KA624781, Change point - VIN end LA647644	White.	PRC8882	1
8	Relay	Change point - VIN begin KA624781, Change point - VIN end LA647644	Heated Seat	YWB10027L	2
9	Electronic control unit	Change point - VIN begin KA624781, Change point - VIN end LA647644	window lift	PRC9949	1
11	Relay	Change point - VIN begin KA624781, Change point - VIN end LA647644, Manual Transmission	speed trip, Green, changeover	YWB10032L	1
[900]	Relay	Change point - VIN begin KA624871, Change point - VIN end LA647644 Change point - VIN begin KA624871, Change point - VIN end LA647644 Change point - VIN begin KA624871, Change point - VIN end LA647644	A/C clutch, changeover, Yellow A/C fan, changeover, Yellow Heater, changeover, Yellow	YWB000150 YWB000150 YWB000150	1 1 1



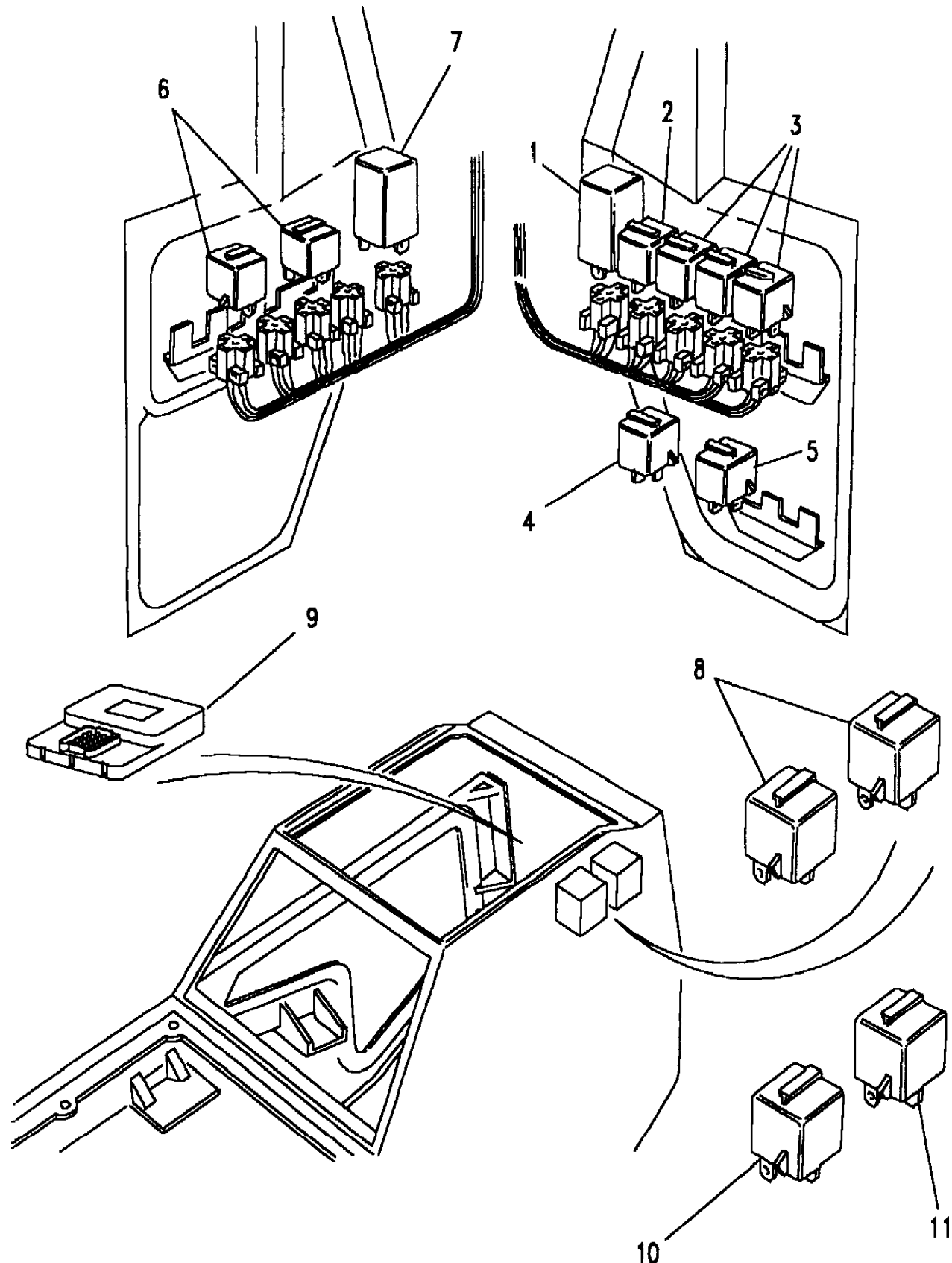
Range Rover (From JA610294)

(BDMXGA8A)

Range Rover (From JA610294)

Change point - VIN begin KA624781, Change point - VIN end LA647644, LHD

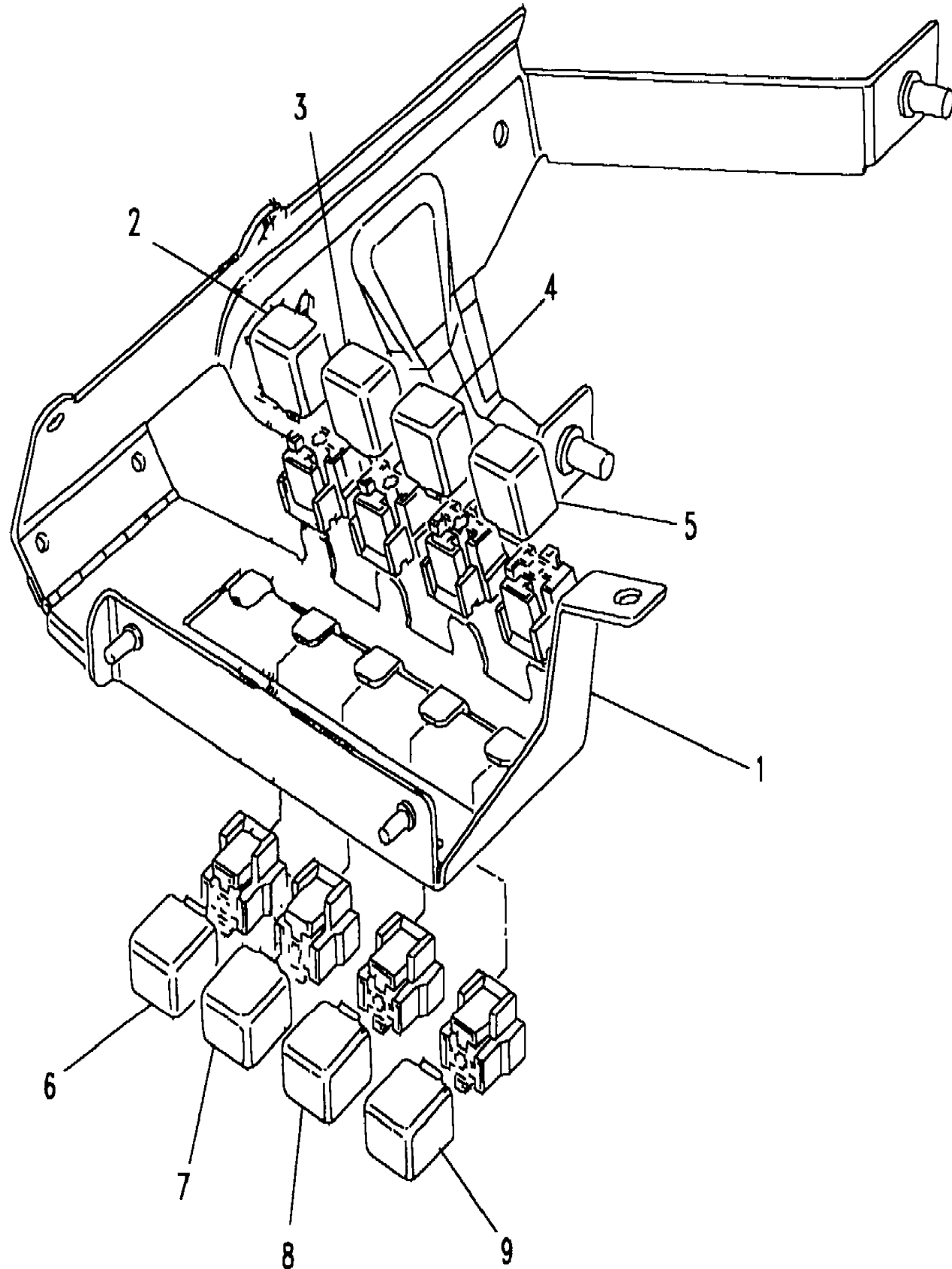
Callout	Name	Application	Remarks & Restrictions	Service No.	Qty
[900]	Relay	Change point - VIN begin KA624871, Change point - VIN end LA647644	auxiliary lamps, changeover, Yellow	YWB000150	1
		Change point - VIN begin KA624871, Change point - VIN end LA647644	REAR WIPER, changeover, Yellow	YWB000150	1
		Change point - VIN begin KA624871, Change point - VIN end LA647644	Heated Seat, changeover, Yellow	YWB000150	2
		Change point - VIN begin KA624871, Change point - VIN end LA647644, With Air Conditioning	Green, changeover	YWB000160	1
		Change point - VIN begin KA624871, Change point - VIN end LA647644	For Speed Control, Green, changeover	YWB000160	1
		Change point - VIN begin KA624871, Change point - VIN end LA647644, Manual Transmission	speed trip, Green, changeover	YWB000160	1



Body Electrics
Relays
Relays-Passenger Footwell-From (V) MA647645 1/1

Range Rover (From JA610294)

(BDMXGA8D)



Range Rover (From JA610294)

Body Electrics
Relays
Relays-Passenger Footwell-From (V) MA647645

Callout	Name	Application	Remarks & Restrictions	Service No.	Qty
1	Bracket-relay	Change point - VIN begin MA647645, RHD Change point - VIN begin MA647645, LHD		AMR4139 AMR4140	1 1
2	Relay	Change point - VIN begin MA647645	bulb check	YWB10027L	1
3	Relay	Change point - VIN begin MA647645	A/C fan	YWB10027L	1
4	Switch-volt sensitive	Change point - VIN begin MA647645, Manual Transmission Change point - VIN begin MA647645, Automatic Transmission	cruise speed trip, Black For Speed Control, Green, changeover	PRC9666 YWB10032L	1 1
5	Relay	Change point - VIN begin MA647645	Heated Front Screen, Black, 70 AMP	PRC7303	1
6	Relay	Change point - VIN begin MA647645	auxiliary lamps	YWB10027L	1
7	Relay	Change point - VIN begin MA647645	power wash	YWB10027L	1
8	Relay	Change point - VIN begin MA647645, RHD	dim dip	YWB10027L	1
9	Relay	Change point - VIN begin MA647645	SUNROOF	YWB10027L	1
[900]	Relay	Change point - VIN begin MA647645 Change point - VIN begin MA647645 Change point - VIN begin MA647645 Change point - VIN begin MA647645 Change point - VIN begin MA647645, RHD Change point - VIN begin MA647645 Change point - VIN begin MA647645, Automatic Transmission	bulb check, changeover, Yellow A/C fan, changeover, Yellow auxiliary lamps, changeover, Yellow power wash, changeover, Yellow dim dip, changeover, Yellow SUNROOF, changeover, Yellow For Speed Control, Green, changeover	YWB000150 YWB000150 YWB000150 YWB000150 YWB000150 YWB000150 YWB000150 YWB000160	1 1 1 1 1 1 1 1

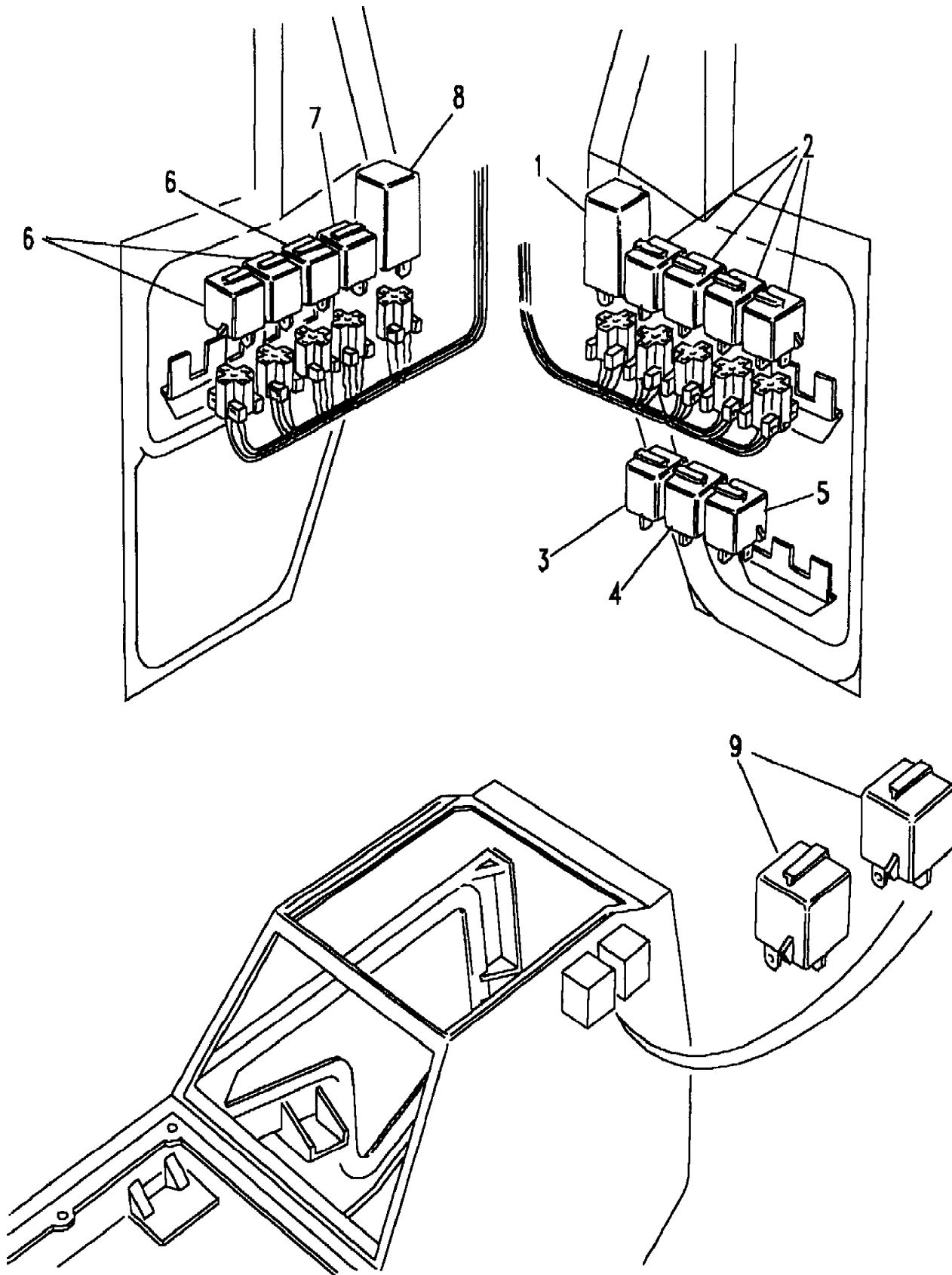
Body Electrics

Range Rover (From JA610294)

Relays

Relays-RHD-Footwell-From (V) JA610294 To (V) JA624780 1/2

(BDMXGA2A)



Range Rover (From JA610294)

Body Electrics

Relays

Relays-RHD-Footwell-From (V) JA610294 To (V) JA624780

Change point - VIN begin JA610294, Change point - VIN end JA624780, RHD

Callout	Name	Application	Remarks & Restrictions	Service No.	Qty
1	Sensor-speed engine	Change point - VIN begin JA610294, Change point - VIN end JA624780	White.	PRC8882	1
2	Relay	Change point - VIN begin JA610294, Change point - VIN end JA624780	DIESEL	YWB10027L	1
		Change point - VIN begin JA610294, Change point - VIN end JA624780	SUNROOF	YWB10027L	1
		Change point - VIN begin JA610294, Change point - VIN end JA624780	brake check	YWB10027L	1
		Change point - VIN begin JA610294, Change point - VIN end JA624780	auxiliary lamps	YWB10027L	1
		Change point - VIN begin JA610294, Change point - VIN end JA624780			
3	Relay	Change point - VIN begin JA610294, Change point - VIN end JA624780	For Speed Control, Green, changeover	YWB10032L	1
4	Relay	Change point - VIN begin JA610294, Change point - VIN end JA624780	load shed	YWB10027L	1
5	Relay	Change point - VIN begin JA610294, Change point - VIN end JA624780	front screen-timer, Grey	PRC6796	1
6	Relay	Change point - VIN begin JA610294, Change point - VIN end JA624780	heater A/C	YWB10027L	1
		Change point - VIN begin JA610294, Change point - VIN end JA624780	A/C fan	YWB10027L	1
		Change point - VIN begin JA610294, Change point - VIN end JA624780	A/C clutch	YWB10027L	1
7	Relay	Change point - VIN begin JA610294, Change point - VIN end JA624780	heater A/C, Green, changeover	YWB10032L	1
8	Relay	Change point - VIN begin JA610294, Change point - VIN end JA624780	air diode, Orange	PRC7872	1
9	Relay	Change point - VIN begin JA610294, Change point - VIN end JA624780	window lift	YWB10027L	2
		Change point - VIN begin JA610294, Change point - VIN end JA624780	Heated Seat	YWB10027L	2
[900]	Relay	Change point - VIN begin JA610294, Change point - VIN end JA624780	DIESEL, changeover, Yellow	YWB000150	1
		Change point - VIN begin JA610294, Change point - VIN end JA624780	SUNROOF, changeover, Yellow	YWB000150	1

Body Electrics

Range Rover (From JA610294)

Relays

Relays-RHD-Footwell-From (V) JA610294 To (V) JA624780 2/2

(BDMXGA2A)

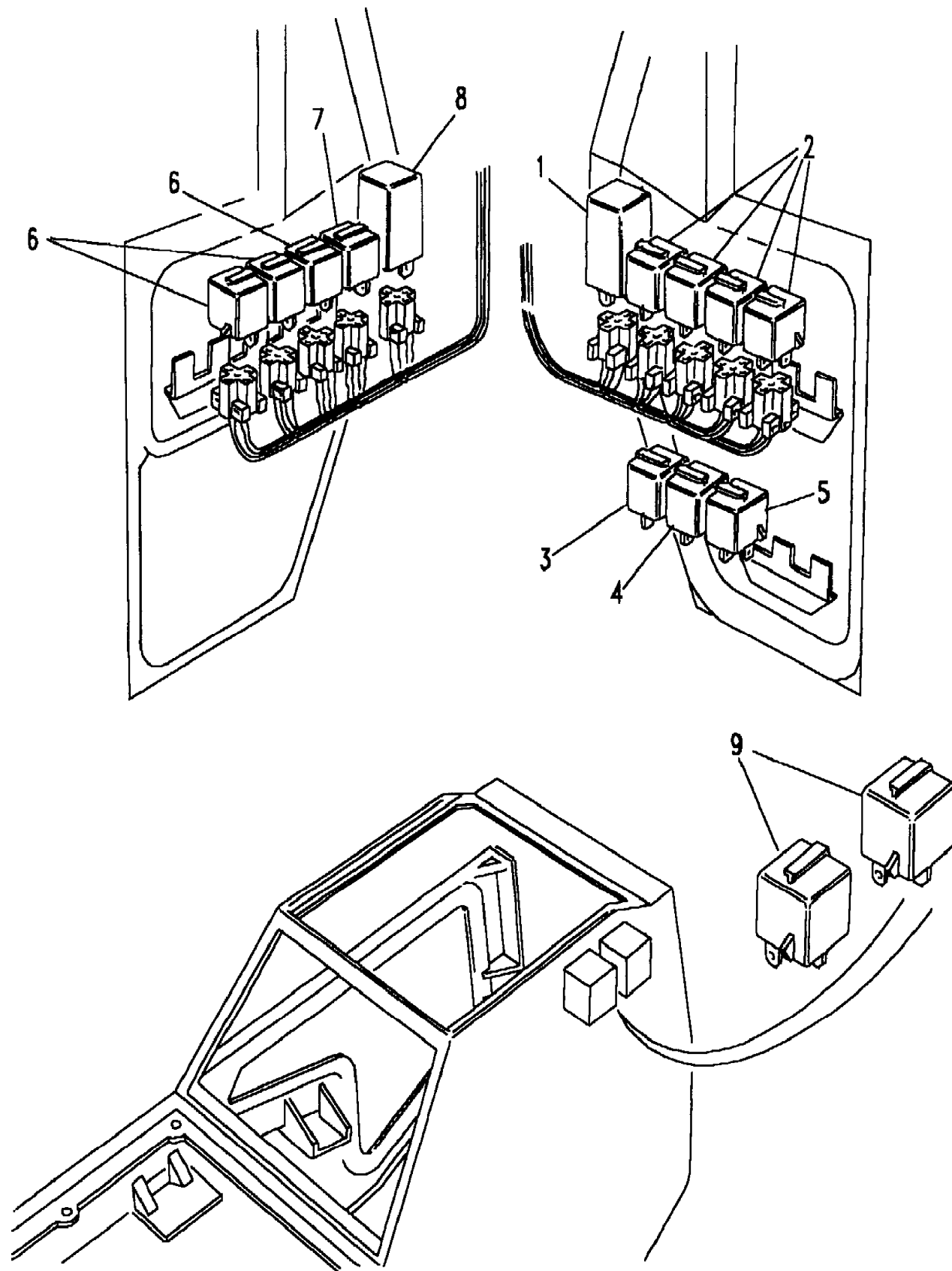
Body Electrics

Range Rover (From JA610294)

Relays

Relays-RHD-Footwell-From (V) JA610294 To (V) JA624780

Change point - VIN begin JA610294, Change point - VIN end JA624780, RHD



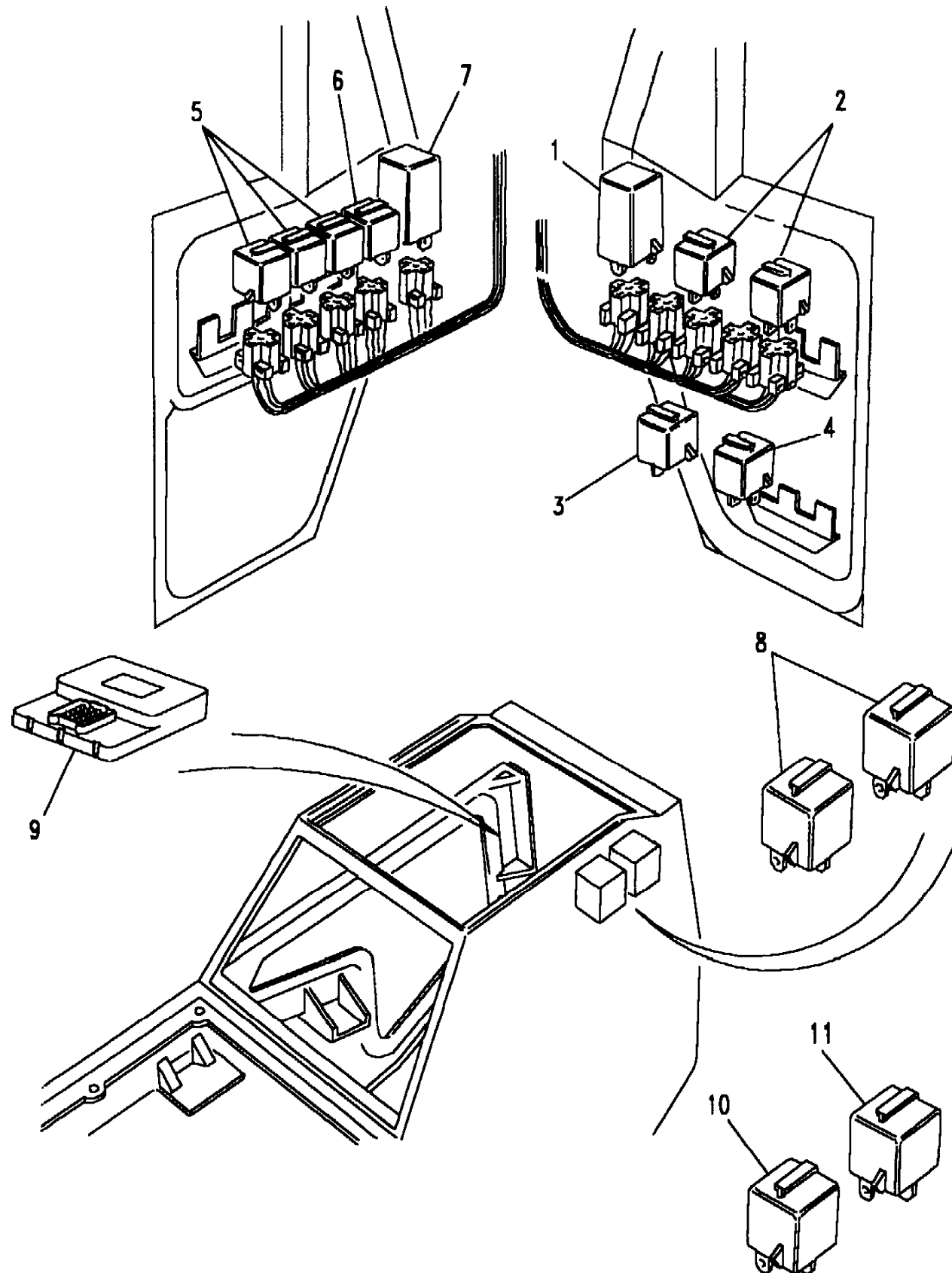
Callout	Name	Application	Remarks & Restrictions	Service No.	Qty
[900]	Relay	Change point - VIN begin JA610294, Change point - VIN end JA624780	brake check, changeover, Yellow	YWB000150	1
		Change point - VIN begin JA610294, Change point - VIN end JA624780	auxiliary lamps, changeover, Yellow	YWB000150	1
		Change point - VIN begin JA610294, Change point - VIN end JA624780	load shed, changeover, Yellow	YWB000150	1
		Change point - VIN begin JA610294, Change point - VIN end JA624780	heater A/C, changeover, Yellow	YWB000150	1
		Change point - VIN begin JA610294, Change point - VIN end JA624780	A/C fan, changeover, Yellow	YWB000150	1
		Change point - VIN begin JA610294, Change point - VIN end JA624780	A/C clutch, changeover, Yellow	YWB000150	1
		Change point - VIN begin JA610294, Change point - VIN end JA624780	window lift, changeover, Yellow	YWB000150	2
		Change point - VIN begin JA610294, Change point - VIN end JA624780	Heated Seat, changeover, Yellow	YWB000150	2
		Change point - VIN begin JA610294, Change point - VIN end JA624780	For Speed Control, Green, changeover	YWB000160	1
		Change point - VIN begin JA610294, Change point - VIN end JA624780	heater A/C, Green, changeover	YWB000160	1

Range Rover (From JA610294)

Range Rover (From JA610294)

Change point - VIN begin KA624781, Change point - VIN end LA647644, RHD

Callout	Name	Application	Remarks & Restrictions	Service No.	Qty
1	Sensor-speed engine	Change point - VIN begin KA624781, Change point - VIN end LA647644	White.	PRC8882	1
2	Relay	Change point - VIN begin KA624781, Change point - VIN end LA647644	REAR WIPER	YWB10027L	1
		Change point - VIN begin KA624781, Change point - VIN end LA647644	auxiliary lamps	YWB10027L	1
3	Relay	Change point - VIN begin KA624781, Change point - VIN end LA647644	front screen-timer, Grey	PRC6796	1
4	Relay	Change point - VIN begin KA624781, Change point - VIN end LA647644	For Speed Control, Green, changeover	YWB10032L	1
5	Relay	Change point - VIN begin KA624781, Change point - VIN end LA647644	Heater	YWB10027L	1
		Change point - VIN begin KA624781, Change point - VIN end LA647644	A/C fan	YWB10027L	1
		Change point - VIN begin KA624781, Change point - VIN end LA647644	A/C clutch	YWB10027L	1
6	Relay	Change point - VIN begin KA624781, Change point - VIN end LA647644, With Air Conditioning	Green, changeover	YWB10032L	1
7	Relay	Change point - VIN begin KA624781, Change point - VIN end LA647644	A/C diode, Orange	PRC7872	1
8	Relay	Change point - VIN begin KA624781, Change point - VIN end LA647644	Heated Seat	YWB10027L	2
9	Electronic control unit	Change point - VIN begin KA624781, Change point - VIN end LA647644	window lift	PRC9949	1
10	Relay	Change point - VIN begin KA624781, Change point - VIN end LA647644	Shift Interlock	YWB10027L	1
11	Relay	Change point - VIN begin KA624781, Change point - VIN end LA647644	speed trip, Green, changeover	YWB10032L	1
[900]	Relay	Change point - VIN begin KA624781, Change point - VIN end LA647644	REAR WIPER, changeover, Yellow	YWB000150	1
		Change point - VIN begin KA624781, Change point - VIN end LA647644	auxiliary lamps, changeover, Yellow	YWB000150	1



Body Electrics

Range Rover (From JA610294)

Relays

Relays-RHD-Footwell-From (V) KA624781 To (V) LA647644 2/2

(BDMXGA6A)

Range Rover (From JA610294)

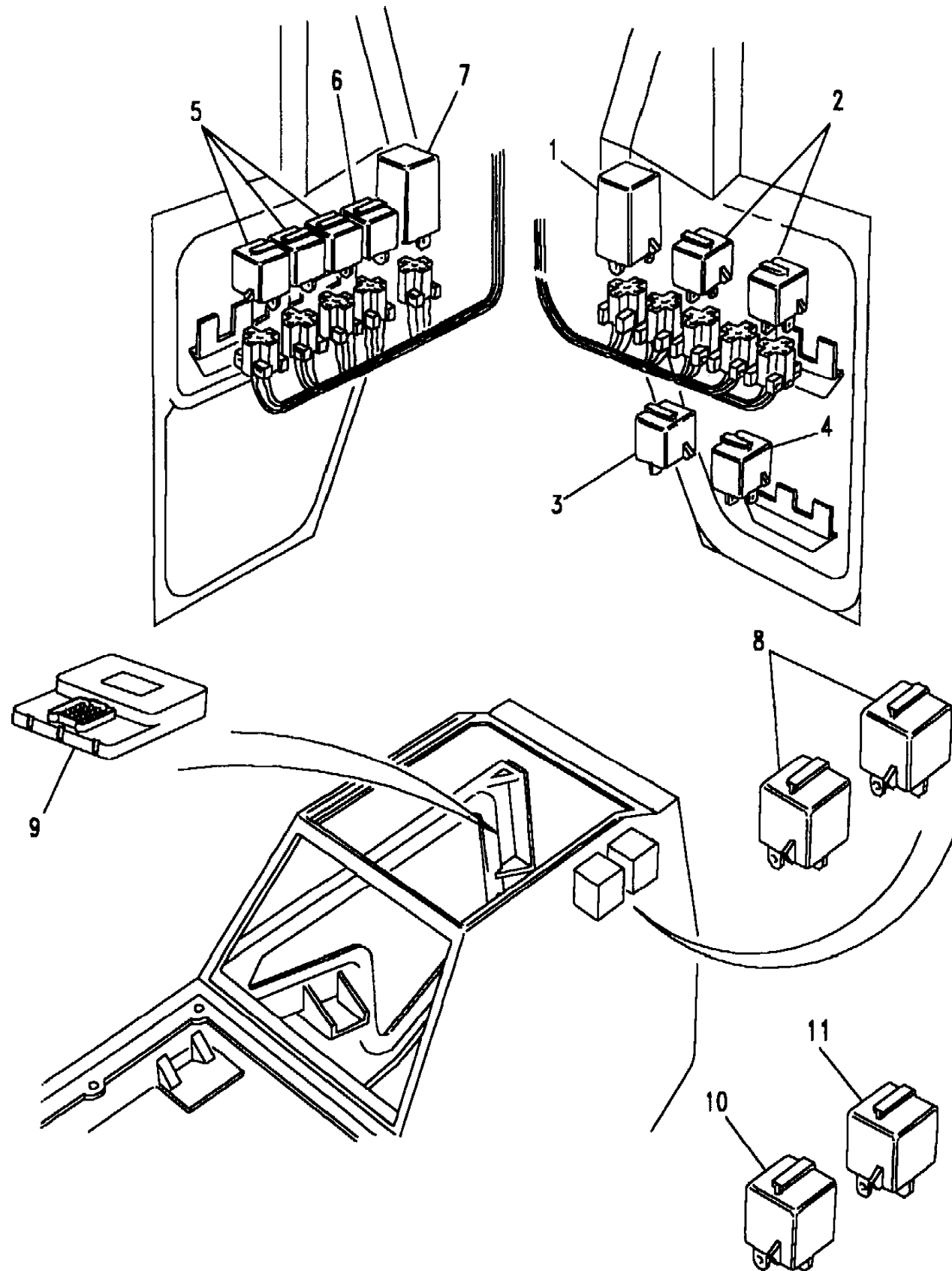
Body Electrics

Relays

Relays-RHD-Footwell-From (V) KA624781 To (V) LA647644

Change point - VIN begin KA624781, Change point - VIN end LA647644, RHD

Callout	Name	Application	Remarks & Restrictions	Service No.	Qty
[900]	Relay	Change point - VIN begin KA624781, Change point - VIN end LA647644	Heater, changeover, Yellow	YWB000150	1
		Change point - VIN begin KA624781, Change point - VIN end LA647644	A/C fan, changeover, Yellow	YWB000150	1
		Change point - VIN begin KA624781, Change point - VIN end LA647644	A/C clutch, changeover, Yellow	YWB000150	1
		Change point - VIN begin KA624781, Change point - VIN end LA647644	Heated Seat, changeover, Yellow	YWB000150	2
		Change point - VIN begin KA624781, Change point - VIN end LA647644	Shift Interlock, changeover, Yellow	YWB000150	1
		Change point - VIN begin KA624781, Change point - VIN end LA647644	For Speed Control, Green, changeover	YWB000160	1
		Change point - VIN begin KA624781, Change point - VIN end LA647644	Green, changeover	YWB000160	1
		Change point - VIN begin KA624781, Change point - VIN end LA647644	speed trip, Green, changeover	YWB000160	1



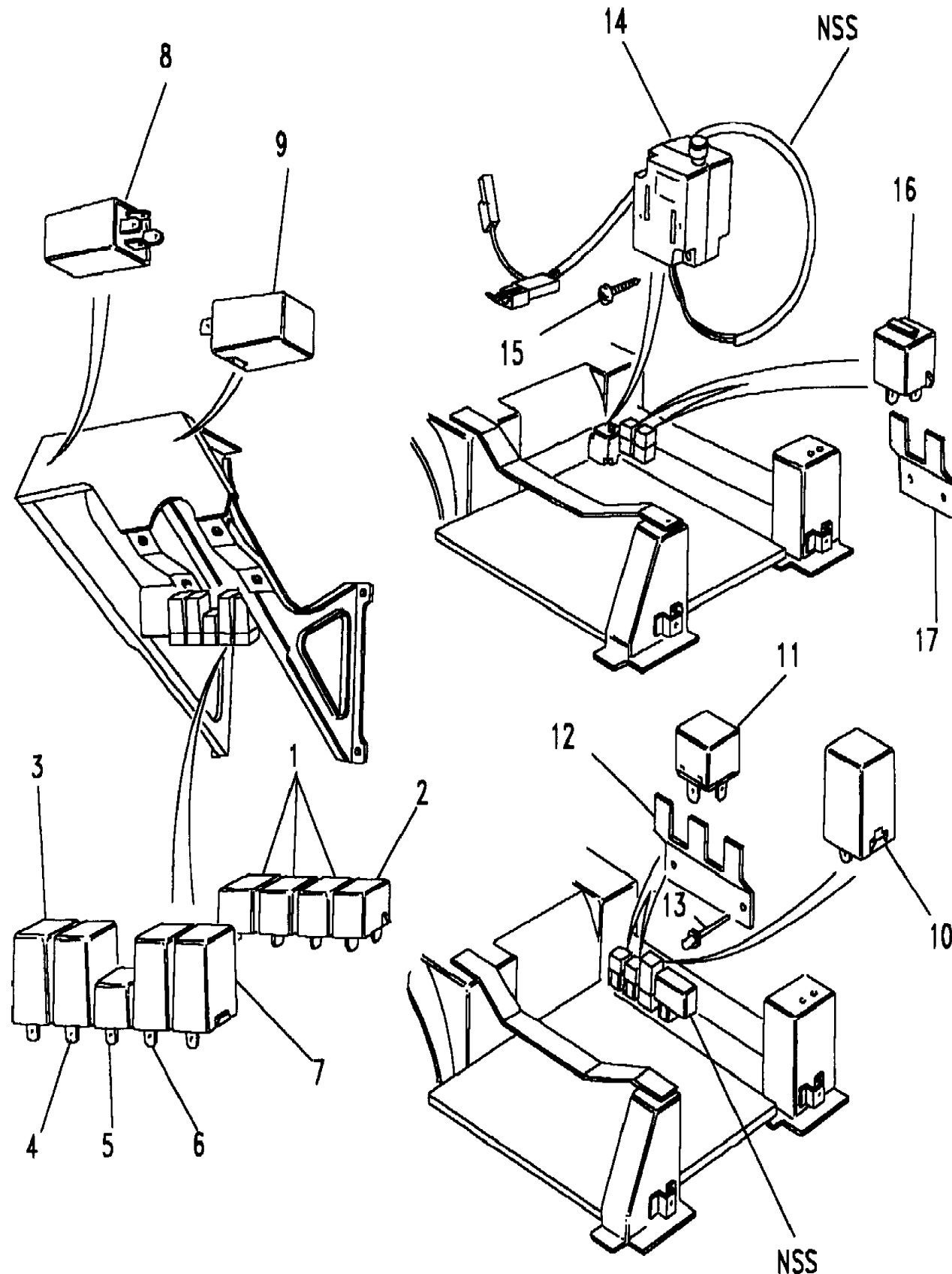
Range Rover (From JA610294)

(BDMXGA1A)

Range Rover (From JA610294)

Change point - VIN begin JA610294, Change point - VIN end JA624780, RHD

Callout	Name	Application	Remarks & Restrictions	Service No.	Qty
1	Relay	Change point - VIN begin JA610294, Change point - VIN end JA624780 Change point - VIN begin JA610294, Change point - VIN end JA624780 Change point - VIN begin JA610294, Change point - VIN end JA624780	Starter Heated Rear Window Headlamp	YWB10027L YWB10027L YWB10027L	1 1 1
2	Relay	Change point - VIN begin JA610294, Change point - VIN end JA624780	Ignition Load, Green, changeover	YWB10032L	1
3	Relay-delay unit	Change point - VIN begin JA610294, Change point - VIN end JA624780	REAR WIPER, Blue.	PRC7404	1
4	Relay	Change point - VIN begin JA610294, Change point - VIN end JA624780	Front Wiper, 12V, delay unit, Red	PRC6864	1
5	Relay	Change point - VIN begin JA610294, Change point - VIN end JA624780	Heated Front Screen, Black, 70 AMP	PRC7303	1
6	Relay	Change point - VIN begin JA610294, Change point - VIN end JA624780	COURTESY LAMPS, Black	PRC8700	1
7	Switch-volt sensitive	Change point - VIN begin JA610294, Change point - VIN end JA624780 Change point - VIN begin JA610294, Change point - VIN end JA624780	voltage sensitive switch, 45 AMP cruise speed trip, Black	PRC4427 PRC9666	1 1
8	Flasher unit electronic	Change point - VIN begin JA610294, Change point - VIN end JA624780	12V, with trailer socket, 4 Pin	PRC8876	1
9	Monitor unit-overspeed	Change point - VIN begin JA610294, Change point - VIN end JA624780	overspeed warning, Black	PRC4268	1
10	Control Unit	Change point - VIN begin JA610294, Change point - VIN end JA624780	fan timer, Green	AMR3678	1
11	Relay	Change point - VIN begin JA610294, Change point - VIN end JA624780 Change point - VIN begin JA610294, Change point - VIN end JA624780	PI main injection, Aluminium PI fuel pump, Aluminium	AFU2913L AFU2913L	1 1
12	Bracket assembly-relay	Change point - VIN begin JA610294, Change point - VIN end JA624780		PRC7140	1



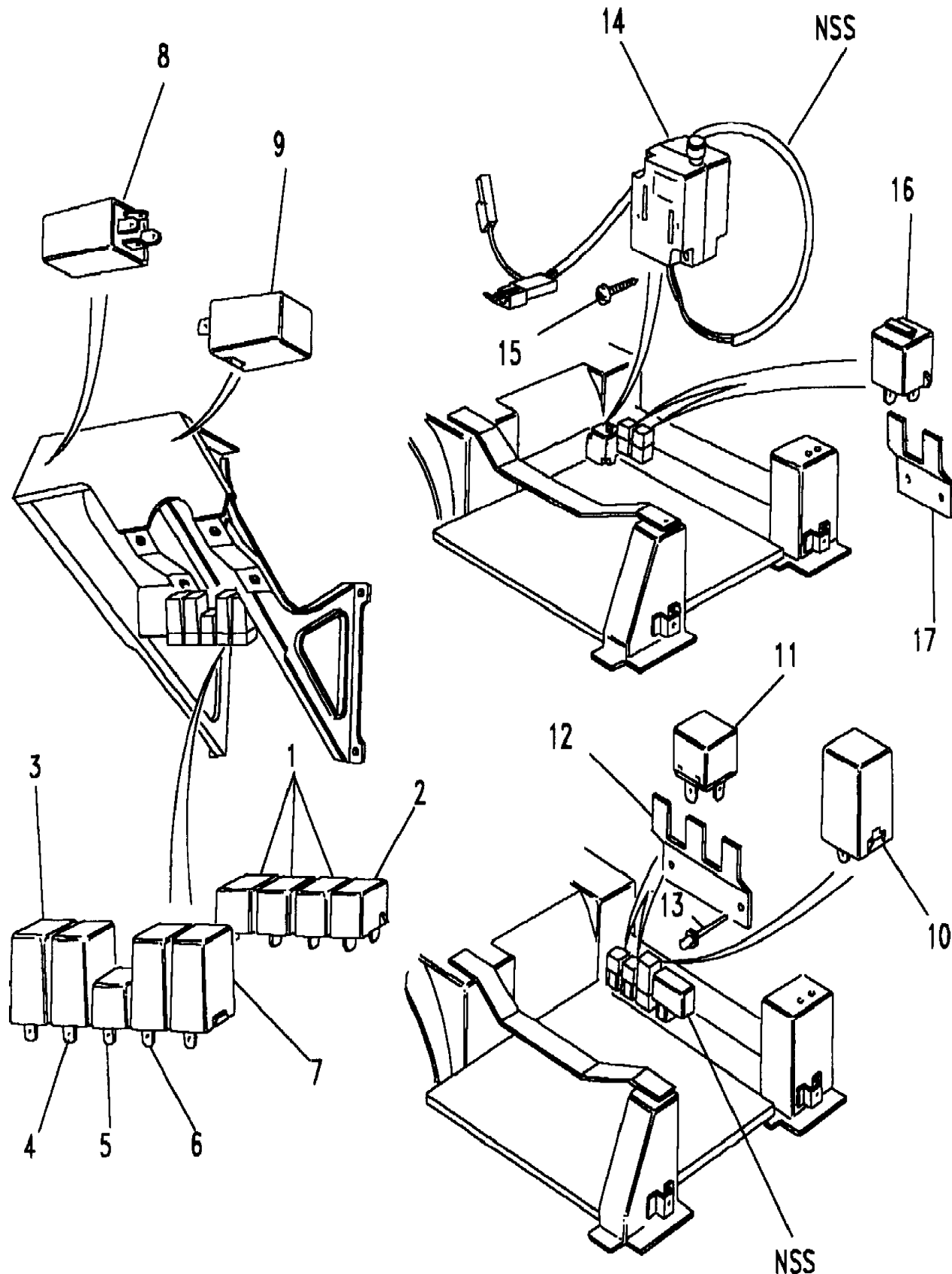
Range Rover (From JA610294)

(BDMXGA1A)

Range Rover (From JA610294)

Change point - VIN begin JA610294, Change point - VIN end JA624780, RHD

Callout	Name	Application	Remarks & Restrictions	Service No.	Qty
13	Rivet-pop-aluminium	Change point - VIN begin JA610294, Change point - VIN end JA624780		RA612183	2
14	Switch-inertia	Change point - VIN begin JA610294, Change point - VIN end JA624780		DBC2022L	1
15	Screw	Change point - VIN begin JA610294, Change point - VIN end JA624780	Self Tapping, No10	AB610121L	2
16	Relay	Change point - VIN begin JA610294, Change point - VIN end JA624780	Driver Seat, Green, changeover	YWB10032L	1
		Change point - VIN begin JA610294, Change point - VIN end JA624780	PASSENGERS SEAT, Green, changeover	YWB10032L	1
17	Bracket assembly-relay mounting	Change point - VIN begin JA610294, Change point - VIN end JA624780		PRC7054	1
[900]	Relay	Change point - VIN begin JA610294, Change point - VIN end JA624780	Starter, changeover, Yellow	YWB000150	1
		Change point - VIN begin JA610294, Change point - VIN end JA624780	Heated Rear Window, changeover, Yellow	YWB000150	1
		Change point - VIN begin JA610294, Change point - VIN end JA624780	Headlamp, changeover, Yellow	YWB000150	1
		Change point - VIN begin JA610294, Change point - VIN end JA624780	Ignition Load, Green, changeover	YWB000160	1
		Change point - VIN begin JA610294, Change point - VIN end JA624780	Driver Seat, Green, changeover	YWB000160	1
		Change point - VIN begin JA610294, Change point - VIN end JA624780	PASSENGERS SEAT, Green, changeover	YWB000160	1



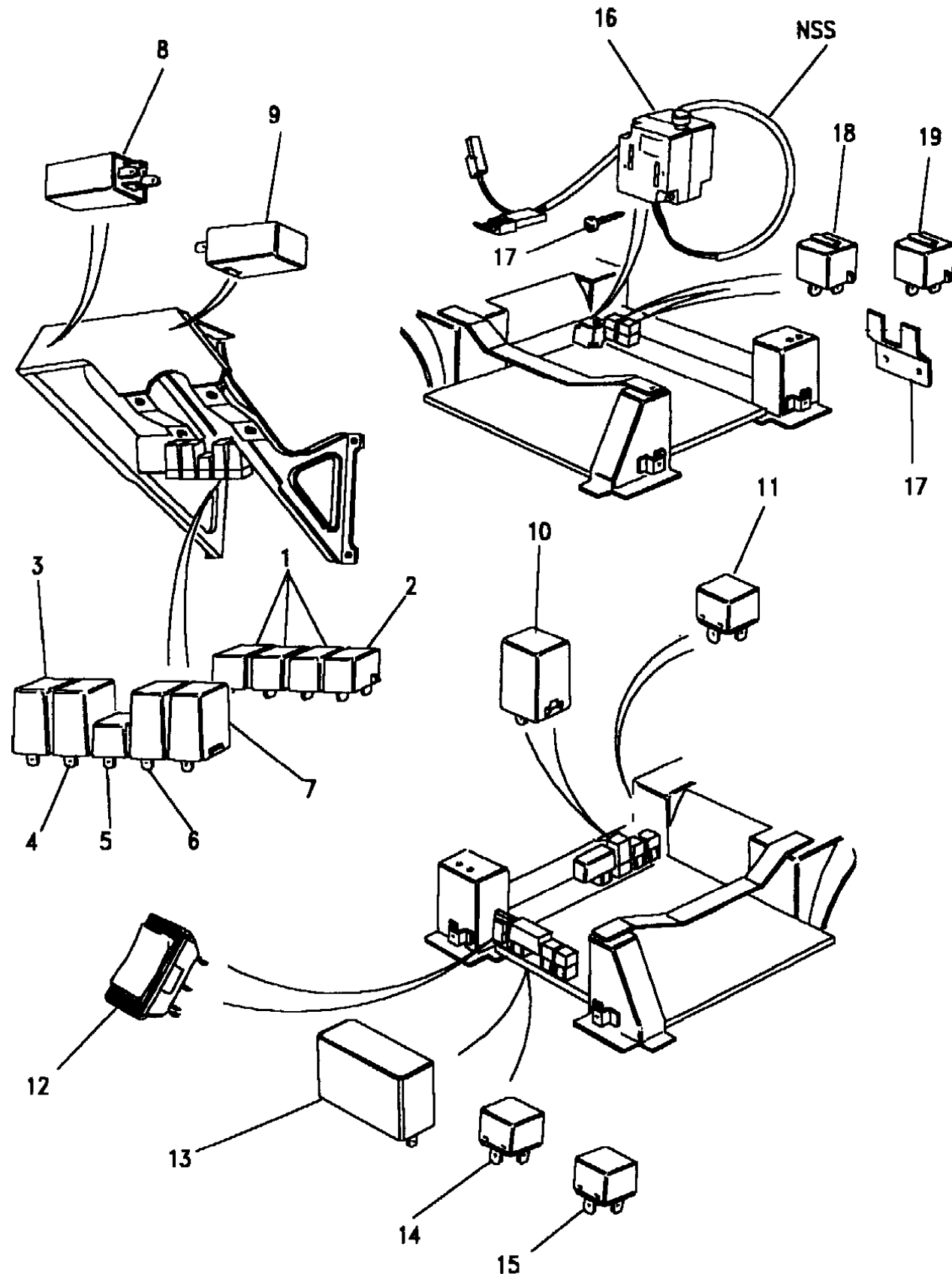
Range Rover (From JA610294)

(BDMXGA5A)

Range Rover (From JA610294)

Change point - VIN begin KA624781, Change point - VIN end LA647644, RHD

Callout	Name	Application	Remarks & Restrictions	Service No.	Qty
1	Relay	Change point - VIN begin KA624781, Change point - VIN end LA647644 Change point - VIN begin KA624781, Change point - VIN end LA647644 Change point - VIN begin KA624781, Change point - VIN end LA647644	Starter Heated Rear Window Headlamp	YWB10027L YWB10027L YWB10027L	1 1 1
2	Relay	Change point - VIN begin KA624781, Change point - VIN end LA647644	Ignition Load, Green, changeover	YWB10032L	1
3	Relay-delay unit	Change point - VIN begin KA624781, Change point - VIN end LA647644	REAR WIPER, Blue.	PRC9957	1
4	Relay	Change point - VIN begin KA624781, Change point - VIN end LA647644	Front Wiper, 12V, delay unit, Red	AMR2341	1
5	Relay	Change point - VIN begin KA624781, Change point - VIN end LA647644	Heated Front Screen, Black, 70 AMP	PRC7303	1
6	Relay	Change point - VIN begin KA624781, Change point - VIN end LA647644	COURTESY LAMPS, Black	PRC9948	1
7	Switch-volt sensitive	Change point - VIN begin KA624781, Change point - VIN end LA647644 Change point - VIN begin KA624781, Change point - VIN end LA647644, (+)"AUS"	cruise speed trip, Black brake check	PRC9666 YWB10027L	1 1
8	Flasher unit electronic	Change point - VIN begin KA624781, Change point - VIN end LA647644	12V, with trailer socket, 4 Pin	PRC8876	1
9	Monitor unit-overspeed	Change point - VIN begin KA624781, Change point - VIN end LA647644, (+)"GCC"	overspeed warning, Black	PRC4268	1
10	Control Unit	Change point - VIN begin KA624781, Change point - VIN end LA647644	fan timer, Green	AMR3678	1
11	Relay	Change point - VIN begin KA624781, Change point - VIN end LA647644 Change point - VIN begin KA624781, Change point - VIN end LA647644	PI main injection, Aluminium PI fuel pump, Aluminium	AFU2913L AFU2913L	1 1



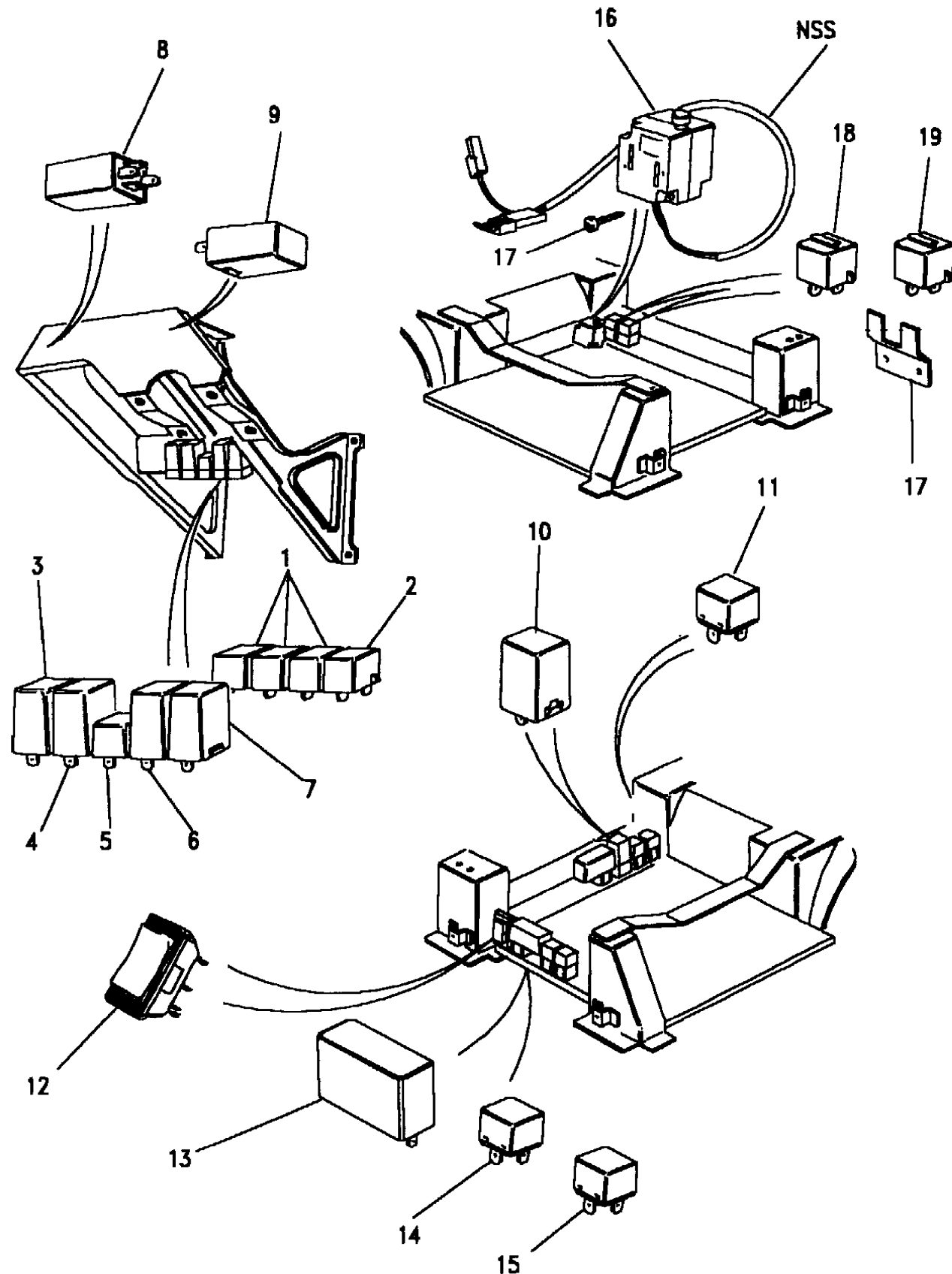
Range Rover (From JA610294)

(BDMXGA5A)

Range Rover (From JA610294)

Change point - VIN begin KA624781, Change point - VIN end LA647644, RHD

Callout	Name	Application	Remarks & Restrictions	Service No.	Qty
12	Switch-disable	Change point - VIN begin KA624781, Change point - VIN end LA647644		AMR2169	1
13	Relay	Change point - VIN begin KA624781, Change point - VIN end LA647644	delayed turn off, Clear.	AMR1111	1
14	Relay	Change point - VIN begin KA624781, Change point - VIN end LA647644	Compressor	YWB10027L	1
15	Relay	Change point - VIN begin KA624781, Change point - VIN end LA647644	air suspension warning, Green, changeover	YWB10032L	1
16	Switch-inertia	Change point - VIN begin KA624781, Change point - VIN end LA647644		DBC2022L	1
17	Screw	Change point - VIN begin KA624781, Change point - VIN end LA647644	Self Tapping, No10	AB610121L	2
18	Relay	Change point - VIN begin KA624781, Change point - VIN end LA647644	Driver Seat, Green, changeover	YWB10032L	1
19	Relay	Change point - VIN begin KA624781, Change point - VIN end LA647644	PASSENGERS SEAT	YWB10027L	1
[900]	Relay	Change point - VIN begin KA624781, Change point - VIN end LA647644	Starter, changeover, Yellow	YWB000150	1
		Change point - VIN begin KA624781, Change point - VIN end LA647644	Heated Rear Window, changeover, Yellow	YWB000150	1
		Change point - VIN begin KA624781, Change point - VIN end LA647644	Headlamp, changeover, Yellow	YWB000150	1
		Change point - VIN begin KA624781, Change point - VIN end LA647644, (+)"AUS"	brake check, changeover, Yellow	YWB000150	1
		Change point - VIN begin KA624781, Change point - VIN end LA647644	Compressor, changeover, Yellow	YWB000150	1
		Change point - VIN begin KA624781, Change point - VIN end LA647644	PASSENGERS SEAT, changeover, Yellow	YWB000150	1
		Change point - VIN begin KA624781, Change point - VIN end LA647644	Ignition Load, Green, changeover	YWB000160	1
		Change point - VIN begin KA624781, Change point - VIN end LA647644	air suspension warning, Green, changeover	YWB000160	1
		Change point - VIN begin KA624781, Change point - VIN end LA647644	Driver Seat, Green, changeover	YWB000160	1



Body Electrics

Relays

Relays-Under Seat-From (V) MA647645 1/1

Range Rover (From JA610294)

(BDMXGA8C)

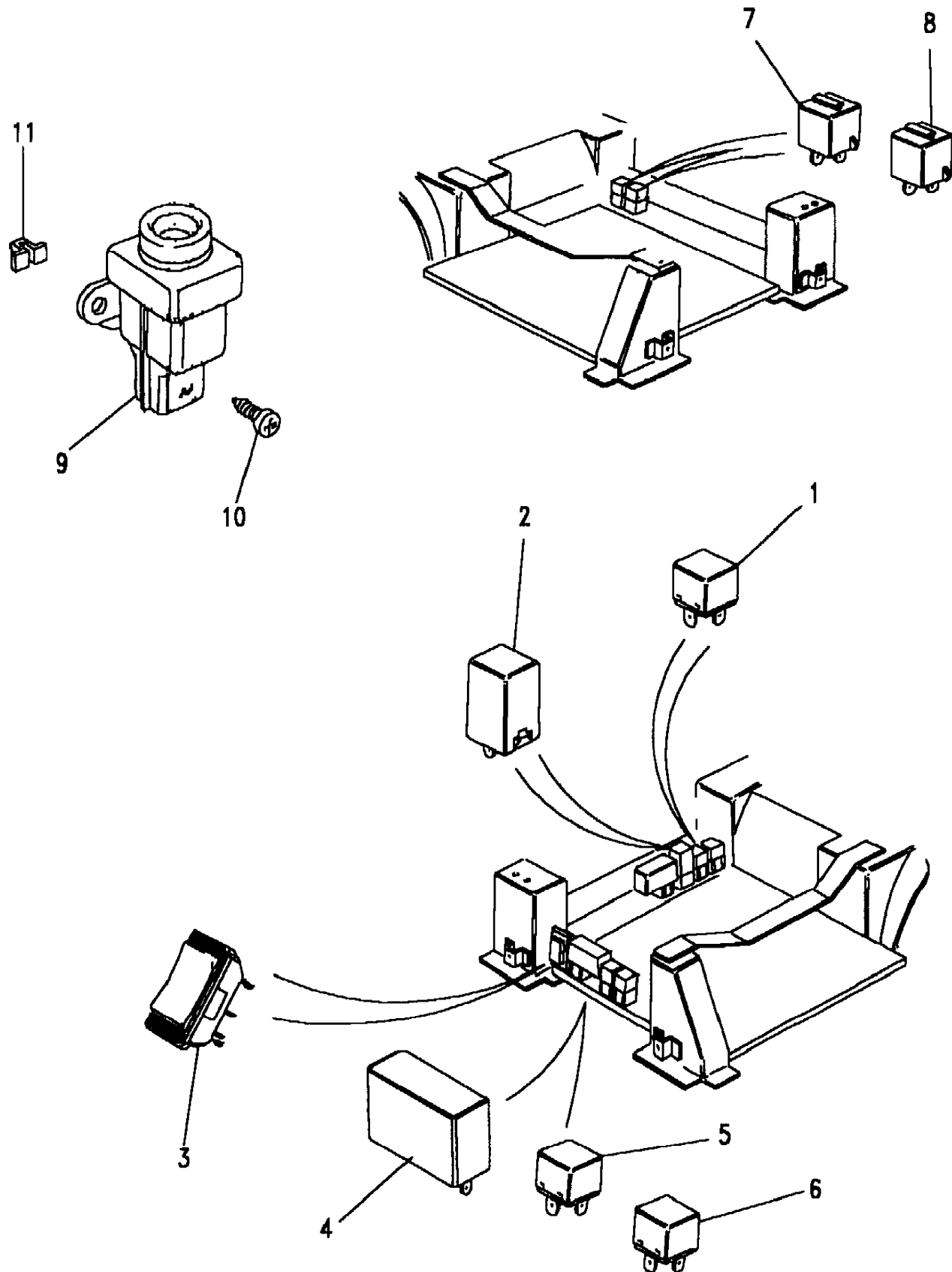
Body Electrics

Relays

Relays-Under Seat-From (V) MA647645

Range Rover (From JA610294)

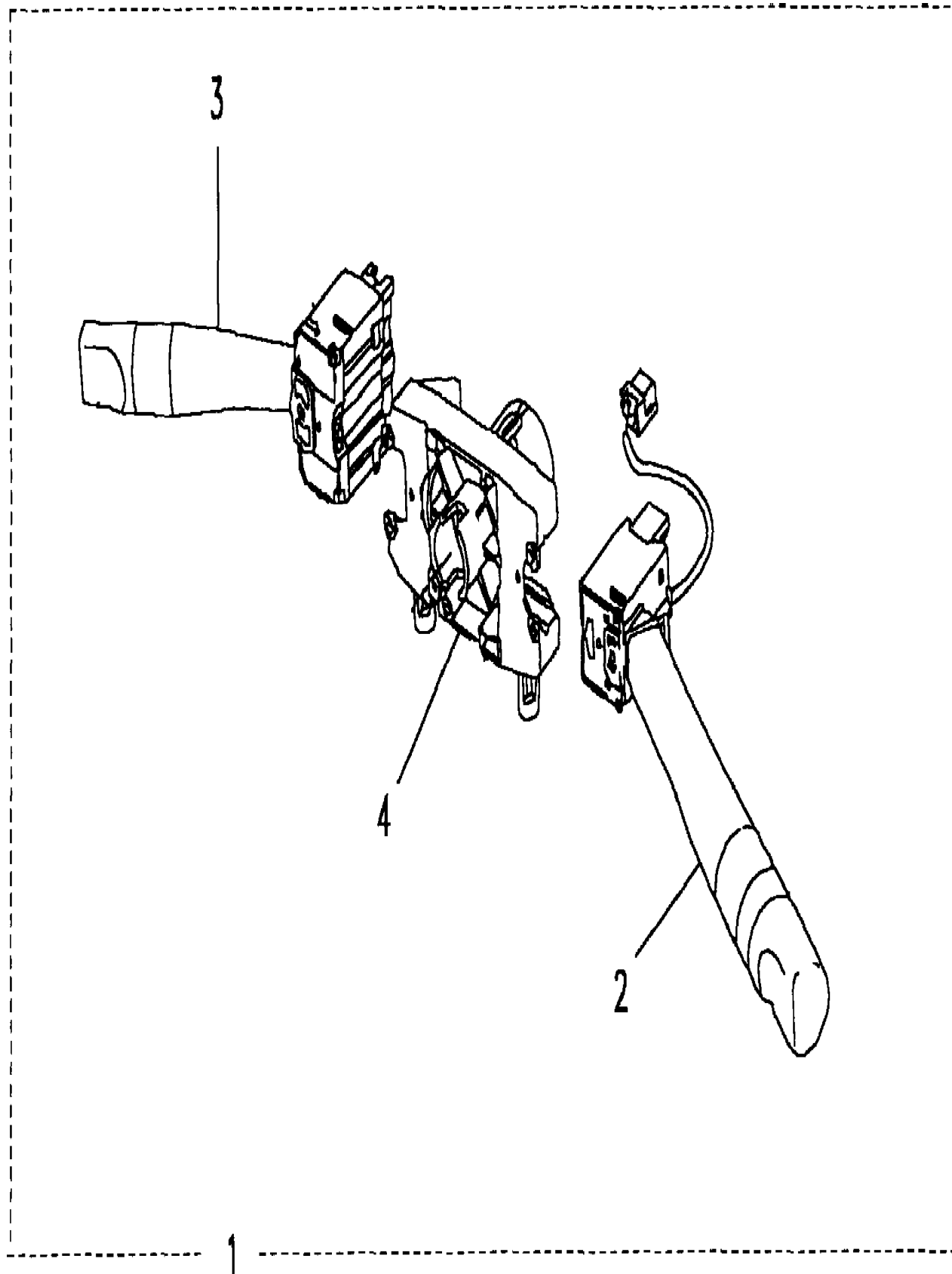
Callout	Name	Application	Remarks & Restrictions	Service No.	Qty
1	Relay	Change point - VIN begin MA647645	Heated Seat	YWB10027L	1
2	Relay	Change point - VIN begin MA647645	Power Seat	YWB10027L	1
3	Switch-disable	Change point - VIN begin MA647645, With Air Suspension		AMR2169	1
4	Relay	Change point - VIN begin MA647645	air suspension delay, Clear.	AMR1111	1
5	Relay	Change point - VIN begin MA647645	air suspension compressor	YWB10027L	1
6	Relay	Change point - VIN begin MA647645	air suspension warning, Green, changeover	YWB10032L	1
7	Relay	Change point - VIN begin MA647645	Heated Seat	YWB10027L	1
8	Relay	Change point - VIN begin MA647645	Power Seat	YWB10027L	1
10	Screw-self tapping AB	Change point - VIN begin MA647645	M8 x 12	AB610041L	2
11	Locknut	Change point - VIN begin MA647645		CZG1946	2
[900]	Relay	Change point - VIN begin MA647645	Heated Seat, changeover, Yellow	YWB000150	1
		Change point - VIN begin MA647645	Power Seat, changeover, Yellow	YWB000150	1
		Change point - VIN begin MA647645	air suspension compressor, changeover, Yellow	YWB000150	1
		Change point - VIN begin MA647645	air suspension warning, Green, changeover	YWB000160	1
[901]	Switch-inertia remote fuel pump	Change point - VIN begin MA647645, Change point - VIN end MA660525		WQT10001L	1
		Change point - VIN begin MA660526		WQT100030L	1



Body Electrics
Switches
Column-From (V) MA647645 1/1

Range Rover (From JA610294)

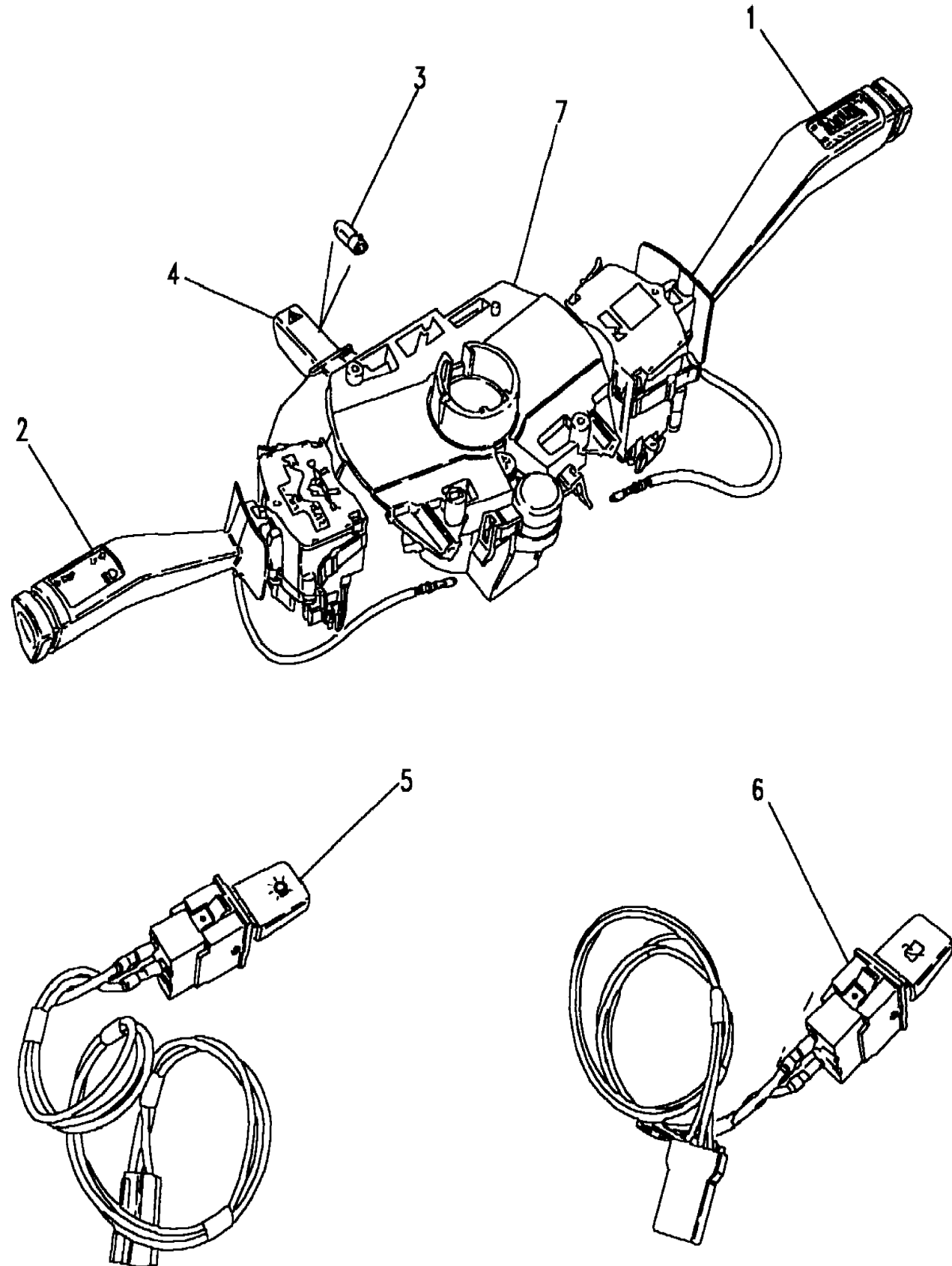
(BDMXE1B)



Range Rover (From JA610294)

Body Electrics
Switches
Column-From (V) MA647645

Callout	Name	Application	Remarks & Restrictions	Service No.	Qty
1	Switch assembly steering column	Change point - VIN begin MA647645, Less Cruise Control	Less Rover Airbag System	AMR3842	1
		Change point - VIN begin MA647645, With Cruise Control	Rover Airbag System, Also serviced as part of a kit	AMR3841	1
2	Switch-wash/wipe windscreen	Change point - VIN begin MA647645, Less Cruise Control	Less Rover Airbag System, Also serviced as part of a kit	STC1790	1
		Change point - VIN begin MA647645, With Cruise Control	Rover Airbag System, Also serviced as part of a kit	STC1790	1
3	Switch-master lighting /indicator/headlamp dip	Change point - VIN begin MA647645, Less Cruise Control	Less Rover Airbag System, Also serviced as part of a kit	STC1791	1
		Change point - VIN begin MA647645, With Cruise Control	Rover Airbag System, Also serviced as part of a kit	STC1791	1
4	Housing-centre column switches	Change point - VIN begin MA647645, With Cruise Control	Rover Airbag System, Also serviced as part of a kit	STC2835	1
		Change point - VIN begin MA647645, Less Cruise Control	Less Rover Airbag System, Also serviced as part of a kit	STC2834	1

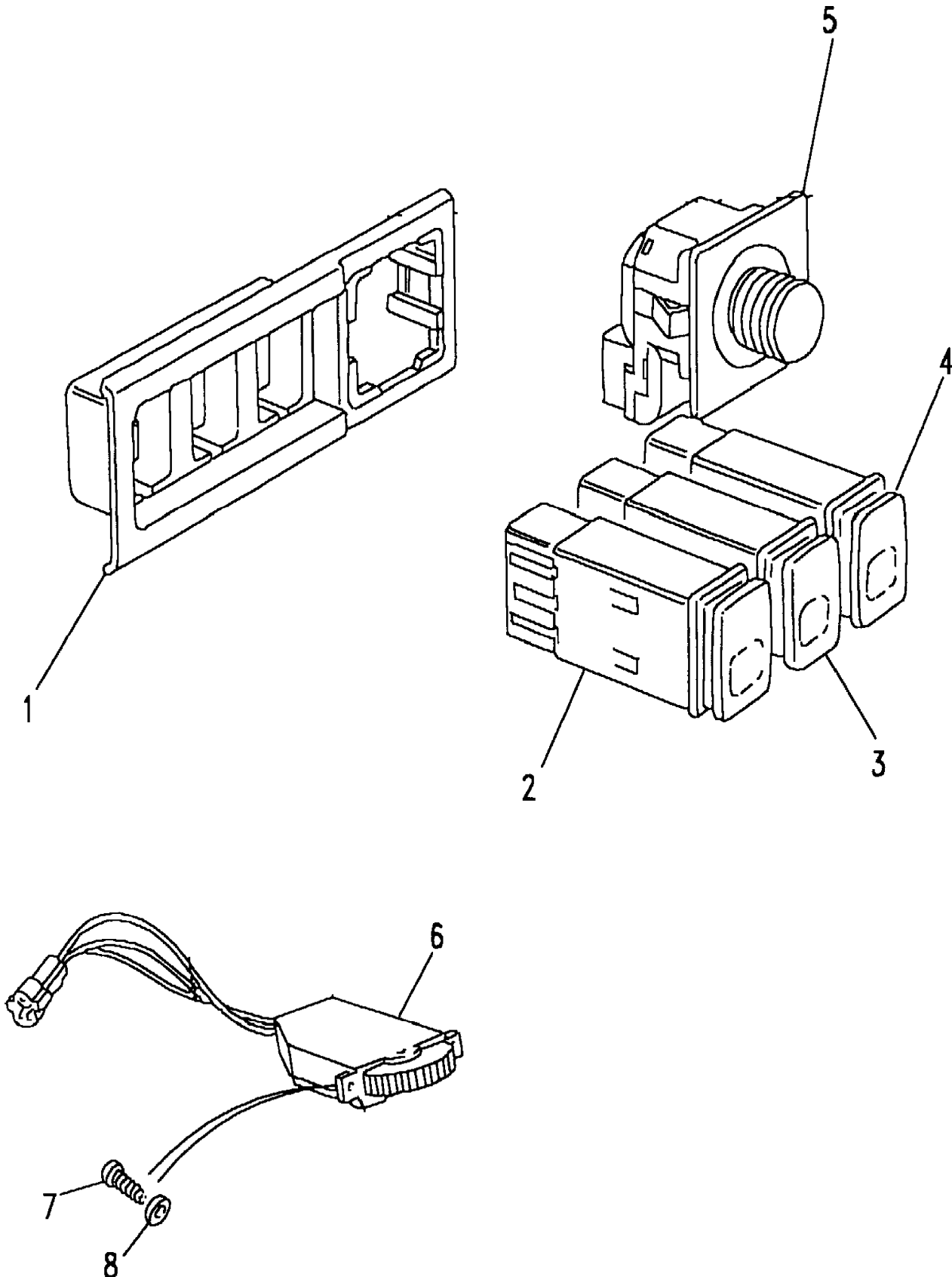


Callout	Name	Application	Remarks & Restrictions	Service No.	Qty
1	Switch-wash/wipe windscreen	Change point - VIN end LA647644		PRC8724	1
2	Switch-indicator/horn/headlamp dip	Change point - VIN end LA647644		PRC5072	1
3	Bulb-wedge illumination	Change point - VIN end LA647644	1.2 WATT, 12V	RTC3635	1
4	Knob-switch	Change point - VIN end LA647644		RTC5691	1
5	Switch master lighting	Change point - VIN end LA647644		PRC5425	1
6	Switch-contact wash/wipe-rear	Change point - VIN end JA624754 Change point - VIN begin KA624756, Change point - VIN end LA647644		PRC6881 PRC9956	1 1
7	Housing-centre column switches	Change point - VIN end LA647644		PRC5438	1

Body Electrics
Switches
Facia-Lower-From (V) MA647645 1/1

Range Rover (From JA610294)

(BDMXEC5A)



Range Rover (From JA610294)

Body Electrics
Switches
Facia-Lower-From (V) MA647645

Callout	Name	Application	Remarks & Restrictions	Service No.	Qty
1	Switch-push push hazard	Change point - VIN begin MA647645 Change point - VIN begin MA647645	Also serviced as part of a kit	YUG10067 YUG10067L	1 1
2	Switch carrier	Change point - VIN begin MA647645, Change point - VIN end 2A999999 Change point - VIN begin 3A000000	Ash Grey Black	AWR1159LNF AWR1159PUY	1 1
3	Switch-push push fog-rear	Change point - VIN begin MA647645	Also serviced as part of a kit	AMR3598	1
4	Switch-accessory push push	Change point - VIN begin MA647645	Also serviced as part of a kit	AMR3597	1
5	Switch-cruise control enable/disable	Change point - VIN begin MA647645	Also serviced as part of a kit	AMR3599	1
6	Switch-contact courtesy light	Change point - VIN begin MA647645	Also serviced as part of a kit	AMR3600	1
7	Switch-heated rear window momentary	Change point - VIN begin MA647645	Also serviced as part of a kit	AMR3604	1
8	Switch-push push heated windscreen	Change point - VIN begin MA647645	Also serviced as part of a kit	AMR3603	1
9	Plate	Change point - VIN begin MA647645	Also serviced as part of a kit	AMR3605	1
10	Switch carrier	Change point - VIN begin MA647645	Ash Grey	AWR1197LNF	1
11	Switch raise suspension	Change point - VIN begin MA647645	Also serviced as part of a kit	AMR1777	1
12	Switch inhibit suspension	Change point - VIN begin MA647645	Also serviced as part of a kit	AMR1776	1
13	Switch lower suspension	Change point - VIN begin MA647645	Also serviced as part of a kit	AMR1778	1
14	Bezel-headlamp	Change point - VIN begin MA647645		BTR9340LNF	1
15	Switch-rotary headlamp leveling	Change point - VIN begin MA647645		PRC7989	1
[900]	Bulb & holder assembly	Change point - VIN begin MA647645	Also serviced as part of a kit, Orange	STC1877	X

Body Electrics
Switches
Facia-Lower-To (V) LA647644 1/1

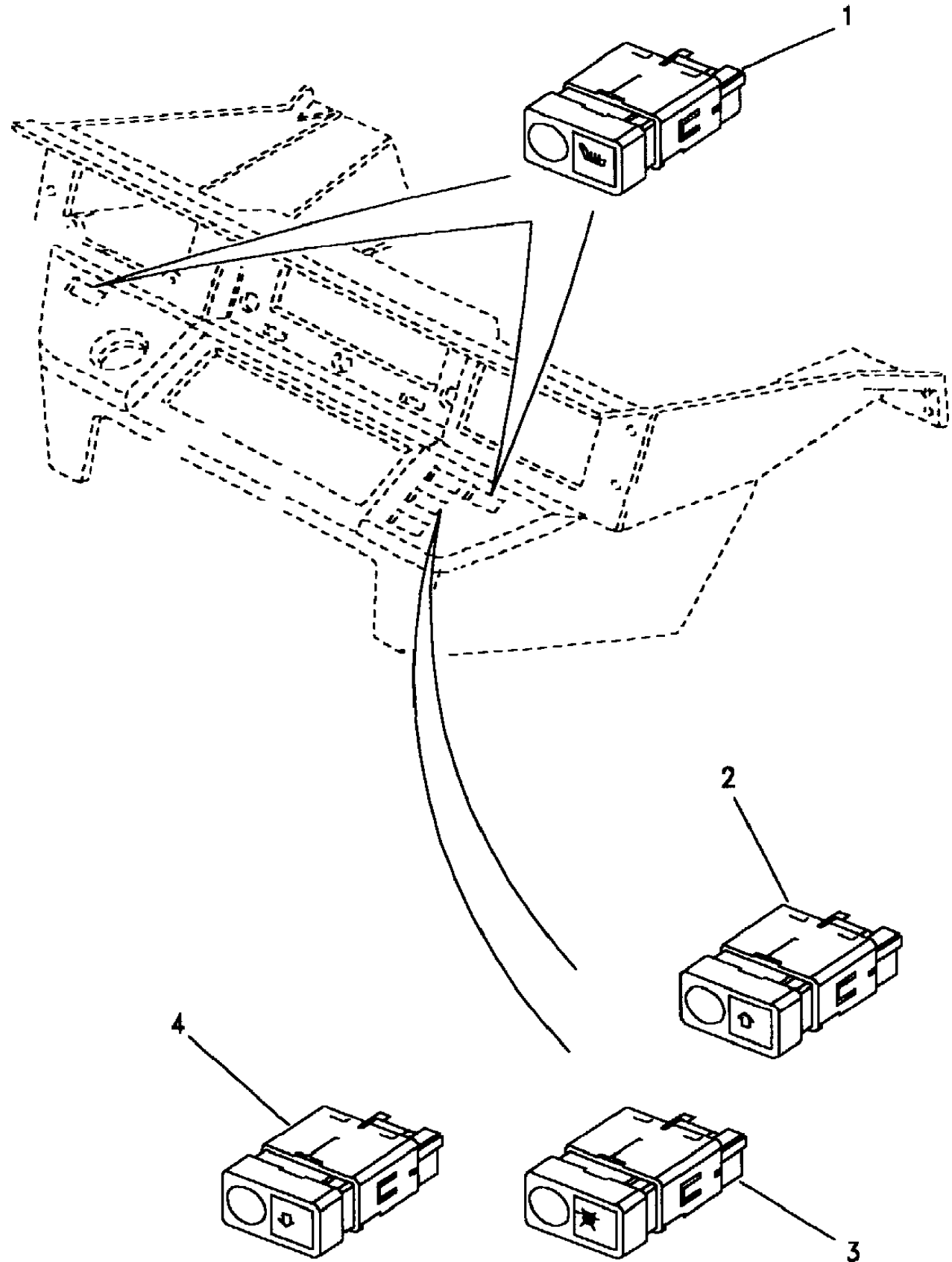
Range Rover (From JA610294)

(BDMXEC1B)

Range Rover (From JA610294)

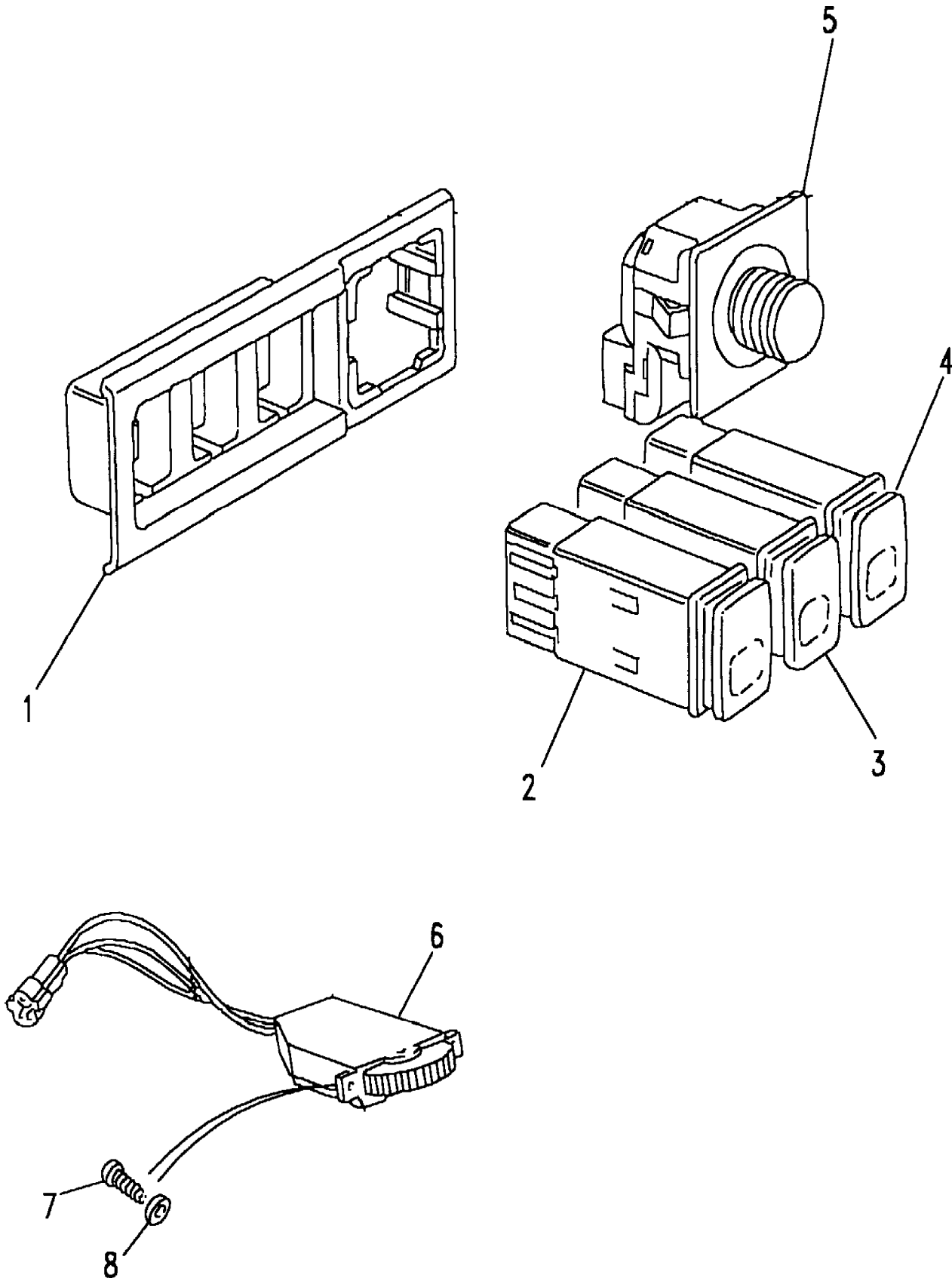
Body Electrics
Switches
Facia-Lower-To (V) LA647644

Callout	Name	Application	Remarks & Restrictions	Service No.	Qty
1	Switch Heated Seats	Change point - VIN end KA640177	Also serviced as part of a kit	PRC8539	2
		Change point - VIN begin KA640178, Change point - VIN end LA647644	Also serviced as part of a kit	AMR3293	2
2	Switch raise suspension	Change point - VIN end KA640177	Also serviced as part of a kit	PRC8536	1
		Change point - VIN begin KA640178, Change point - VIN end LA647644	Also serviced as part of a kit	AMR3290	1
3	Switch inhibit suspension	Change point - VIN end KA640177	Also serviced as part of a kit	PRC8537	1
		Change point - VIN begin KA640178, Change point - VIN end LA647644	Also serviced as part of a kit	AMR3291	1
4	Switch lower suspension	Change point - VIN end KA640177	Also serviced as part of a kit	PRC8538	1
		Change point - VIN begin KA640178, Change point - VIN end LA647644	Also serviced as part of a kit	AMR3292	1
5	Bulb & holder assembly	Change point - VIN begin KA640178, Change point - VIN end LA647644	Also serviced as part of a kit, Clear.	STC1205	2
		Change point - VIN end KA640177	Also serviced as part of a kit, Clear.	STC1205	6



Body Electrics
Switches
Facia-Upper-From (V) MA647645 1/1

Range Rover (From JA610294)
(BDMXEC5A)



Range Rover (From JA610294)

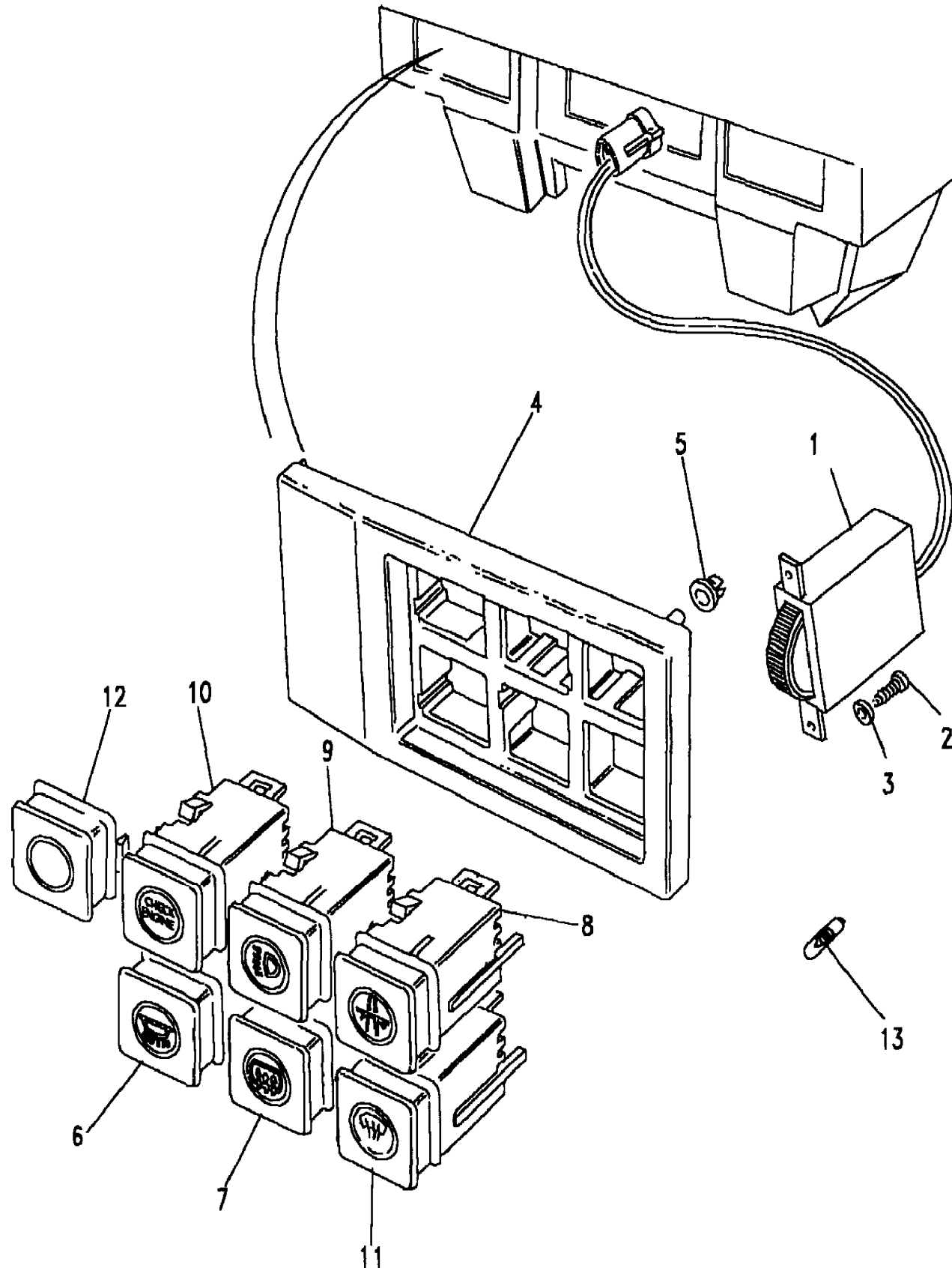
Body Electrics
Switches
Facia-Upper-From (V) MA647645

Callout	Name	Application	Remarks & Restrictions	Service No.	Qty
1	Bezel-mirror switch	Change point - VIN begin MA647645	Ash Grey	AMR2779LNF	1
2	Switch-fuel flap release push push	Change point - VIN begin MA647645	Also serviced as part of a kit	AMR3747	1
3	Switch-push push-rear wash	Change point - VIN begin MA647645	Also serviced as part of a kit	AMR3745	1
4	Switch-rear wipe push push	Change point - VIN begin MA647645	Also serviced as part of a kit	AMR3746	1
5	Switch-mirror	Change point - VIN begin MA647645 Change point - VIN begin MA647645	Also serviced as part of a kit, Less Memory Also serviced as part of a kit, Memory	AMR3458 AMR3261	1 1
6	Switch-thumbwheel illumination control	Change point - VIN begin MA647645		AMR3024	1
7	Screw-self tapping B	Change point - VIN begin MA647645	No 4 x 3/8	AB604031L	2
8	Washer-Plain	Change point - VIN begin MA647645	M4	WA104001L	2
[900]	Bulb & holder assembly	Change point - VIN begin MA647645 Change point - VIN begin MA647645 Change point - VIN begin MA647645	Also serviced as part of a kit, Green Also serviced as part of a kit, Green, Less Memory Also serviced as part of a kit, Green, Memory	STC1878 STC1878 STC1878	X X X

Body Electrics
Switches
Facia-Upper-To (V) LA647644 1/1

Range Rover (From JA610294)

(BDMXEC1A)



Range Rover (From JA610294)

Body Electrics
Switches
Facia-Upper-To (V) LA647644

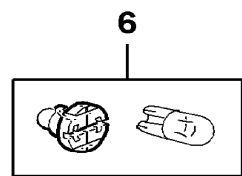
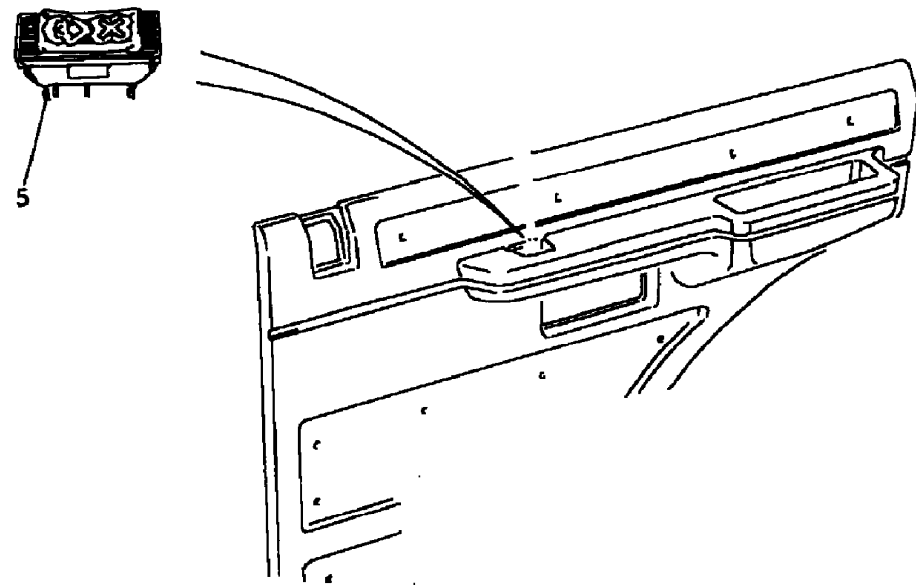
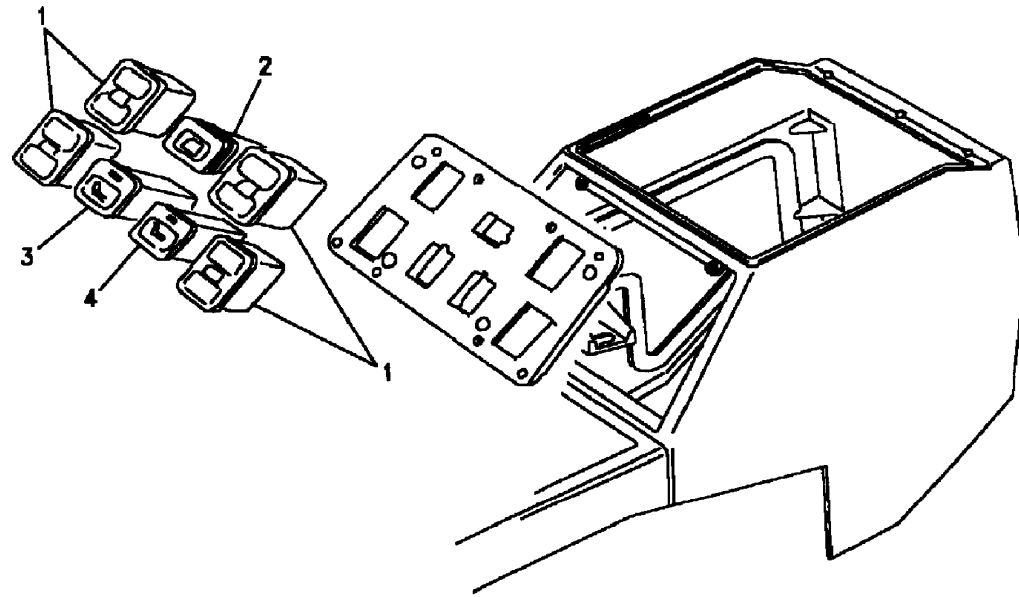
Callout	Name	Application	Remarks & Restrictions	Service No.	Qty
1	Switch-thumbwheel illumination control	Change point - VIN end KA632613		PRC8330	1
		Change point - VIN begin KA632614, Change point - VIN end LA647644		AMR3024	1
2	Screw-self tapping B	Change point - VIN end LA647644	No 4 x 3/8	AB604031L	2
3	Washer-Plain	Change point - VIN end LA647644	M4	WA104001L	2
4	Panel-switches mounting	Change point - VIN end LA647644, RHD	Bokhara	BTR3484RUN	1
		Change point - VIN end LA647644, LHD	Bokhara	BTR3485RUN	1
5	Stud	Change point - VIN end LA647644		AFU3075	4
6	Switch-push push-courtesy	Change point - VIN end LA647644		ATU1020L	1
7	Switch-push push heated rear window	Change point - VIN end LA647644		ATU1021L	1
8	Switch-push push fog-rear	Change point - VIN end LA647644		ATU1022L	1
9	Switch auxillary-lamp	Change point - VIN end LA647644		ATU1027L	1
10	Switch-cruise control enable/disable	Change point - VIN end LA647644		ATU1023L	1
11	Switch-push push heated windscreen	Change point - VIN end LA647644		PRC6797	1
12	Plug-blanking-switch-push push single	Change point - VIN end LA647644		AFU2819L	1
13	Bulb Switch	Change point - VIN end LA647644	Green	RTC5604	1
		Change point - VIN end LA647644	Yellow..	RTC5605	1
		Change point - VIN end LA647644	Red	RTC5759	1

Body Electrics
Switches
Front Console-From (V) MA647645 1/1

Range Rover (From JA610294)
(BDMXEC4B)

Range Rover (From JA610294)

Body Electrics
Switches
Front Console-From (V) MA647645



D12.035
09-2003
L2
BDMXEC4B

Callout	Name	Application	Remarks & Restrictions	Service No.	Qty
1	Switch-rocker electric window lift	Change point - VIN begin MA647645		AMR2496	4
2	Switch-push push isolator-electric window lift	Change point - VIN begin MA647645		AMR2497	1
3	Switch Heated Seats	Change point - VIN begin MA647645	RH	AMR3602	1
4	Switch Heated Seats	Change point - VIN begin MA647645	LH	AMR3601	1
5	Switch-rocker electric window lift	Change point - VIN begin MA647645	TYPE A, RH	PRC5254	1
		Change point - VIN begin MA647645	TYPE B, LH	PRC5255	1
6	Bulb And Socket Assy	Change point - VIN begin MA647645	Orange	STC1877	X
		Change point - VIN begin MA647645	Green	STC1878	X

Body Electrics
Switches
Front Console-To (V) LA647644 1/1

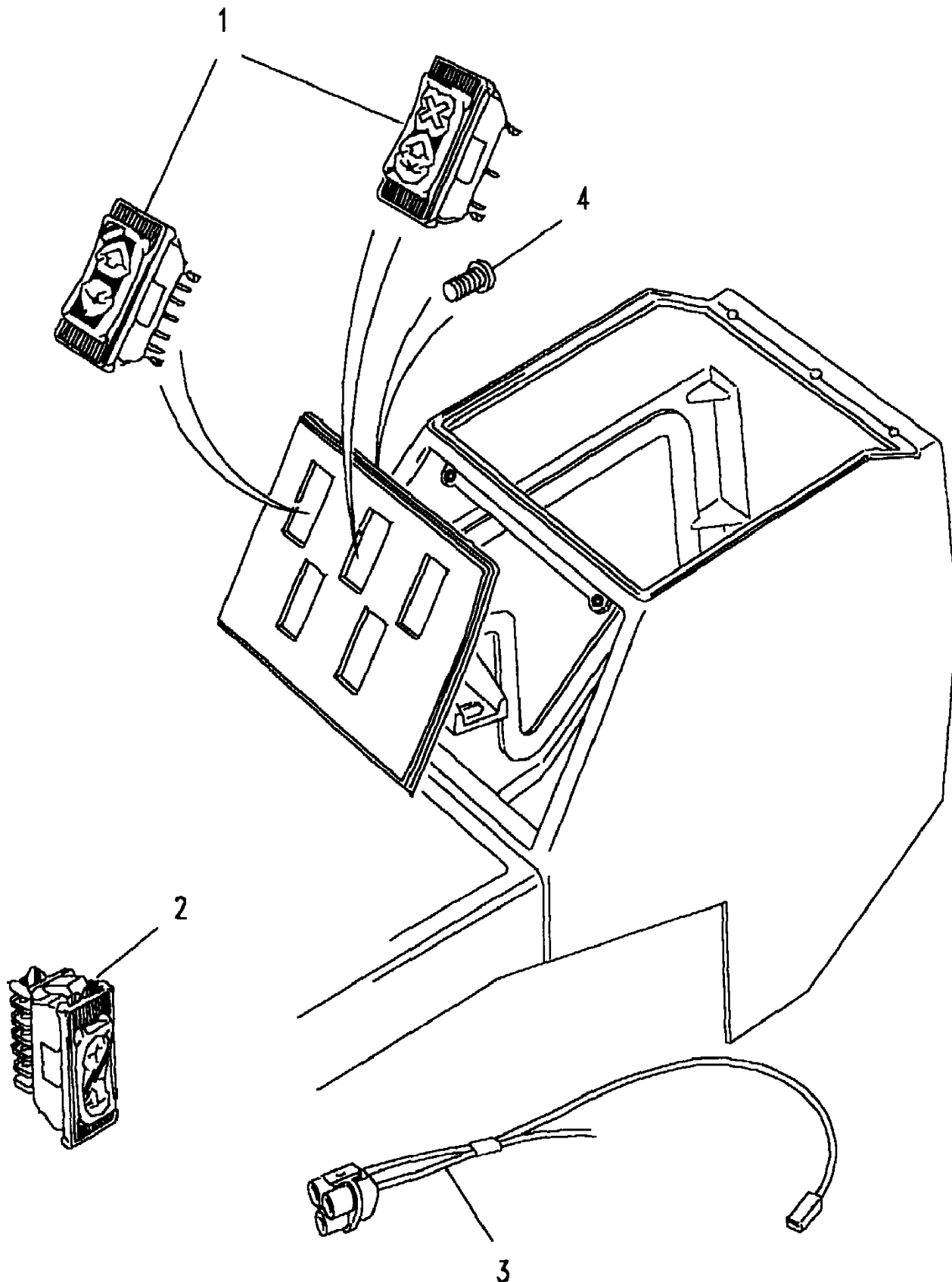
Range Rover (From JA610294)

(BDMXEC2A)

Body Electrics
Switches
Front Console-To (V) LA647644

Range Rover (From JA610294)

Callout	Name	Application	Remarks & Restrictions	Service No.	Qty
1	Switch-rocker electric window lift	Change point - VIN end LA647644	TYPE B	PRC5255	5
		Change point - VIN end LA647644	TYPE A	PRC5254	1
2	Switch-push push isolator-electric window lift	Change point - VIN end LA647644		PRC4754	1
3	Harness-window lift	Change point - VIN end LA647644, 2 Door Station Wagon		PRC8843	1
		Change point - VIN end LA647644, 4 Door Station Wagon		PRC9263	1
4	Screw-self tapping B	Change point - VIN end LA647644	No 4 x 1/4	AB604022L	2

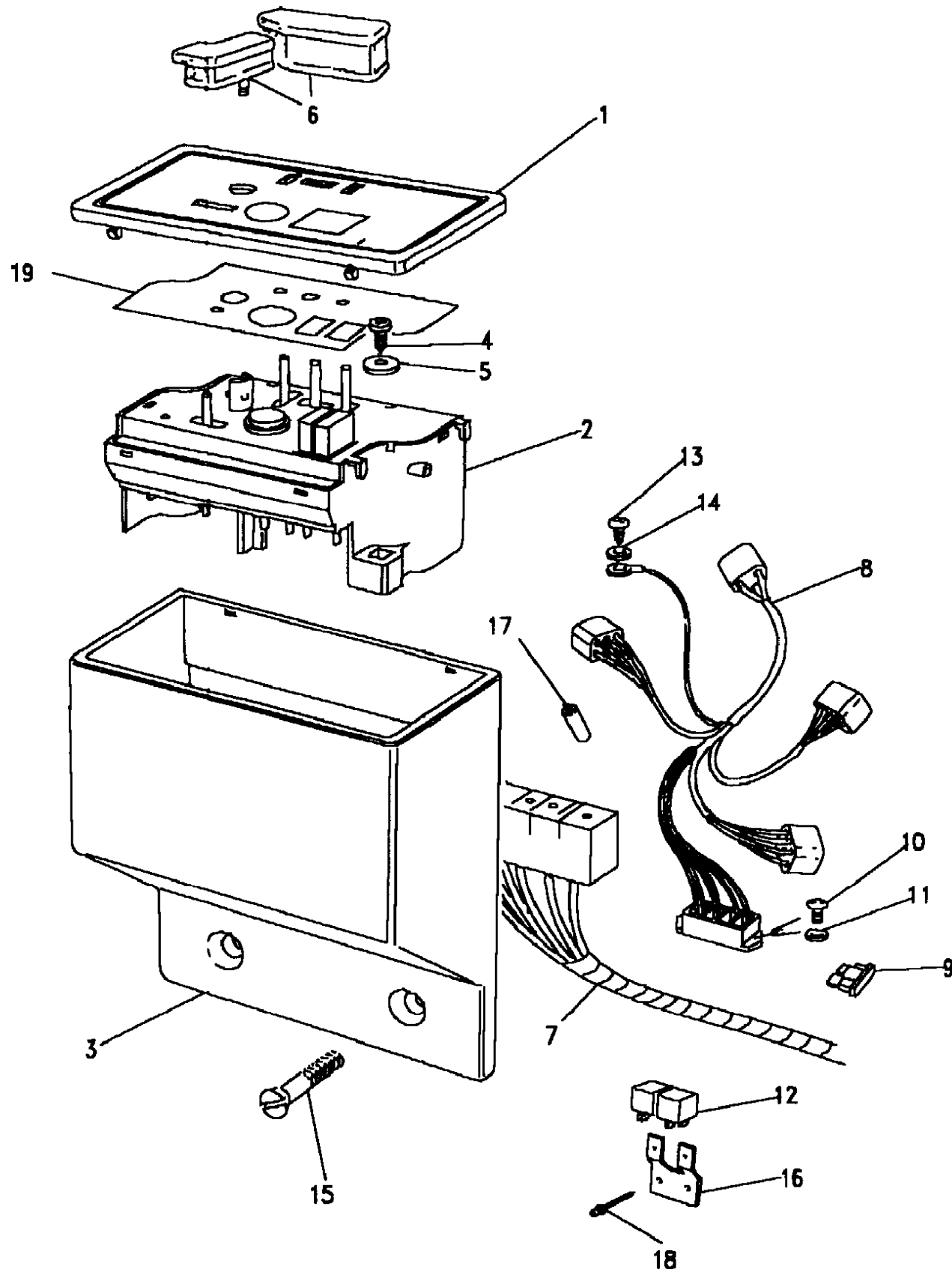


Range Rover (From JA610294)

(BDMXRA2B)

Range Rover (From JA610294)

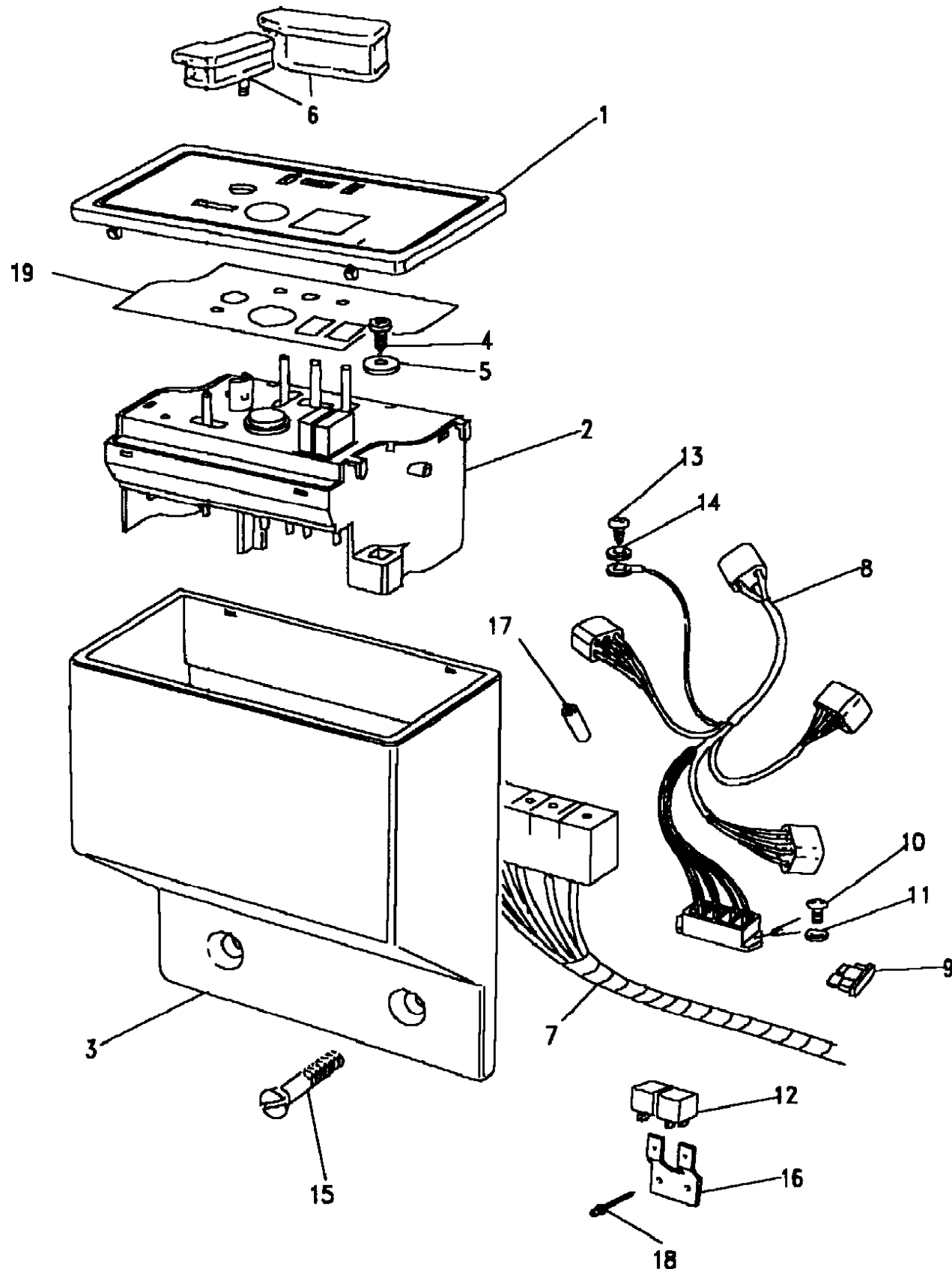
Callout	Name	Application	Remarks & Restrictions	Service No.	Qty
1	Housing cover	Change point - VIN end JA624754	Memory Seats, RH, Bokhara	BTR1564RUN	1
		Change point - VIN end JA624754	Memory Seats, Bokhara, LH	BTR1565RUN	1
		Change point - VIN begin KA624756, Change point - VIN end LA647664	Memory Seats, RH, Bokhara	BTR5380RUN	1
		Change point - VIN begin KA624756, Change point - VIN end LA647664	Memory Seats, Bokhara, LH	BTR5381RUN	1
		Change point - VIN begin MA647645	Memory Seats, Ash Grey, RH	BTR7312LNF	1
		Change point - VIN begin MA647645	Memory Seats, Ash Grey, LH	BTR7313LNF	1
		2	Switch pack assembly seat & memory	RHD	Memory Seats, RH, driver's seat
LHD	Memory Seats, driver's seat, LH			PRC7153	1
3	Panel-switch box	Memory Seats, outer housing, Bokhara, LH	BTR1335RUN	1	
		Memory Seats, outer housing, RH, Bokhara	BTR1336RUN	1	
4	Screw-plastic	Memory Seats	MUC5848	4	
5	Washer-nylon	Memory Seats	MUC5845	4	
6	Switch	Memory Seats, RH, squab	PRC6030	1	
		Memory Seats, squab, LH	PRC6029	1	
		Memory Seats, RH, Cushion	PRC6032	1	
		Memory Seats, LH, Cushion	PRC6031	1	
7	Cable assembly	Memory Seats, LH	PRC9261	1	
		Memory Seats, RH	PRC9260	1	
8	Harness-link	Memory Seats	PRC8483	1	
9	Fuse	Memory Seats, AUTO, 30 AMP, Standard	RTC4507	4	
10	Screw-pan	Memory Seats	SP105101L	2	
11	Washer	Memory Seats, M5, Plain, Standard	WA105001L	2	
12	Relay	Memory Seats	YWB10027L	2	
13	Screw	Memory Seats, Self Tapping, No 8 x 3/8	AB608031L	2	
14	Washer-Plain	Memory Seats	WC702101L	2	
15	Screw	Memory Seats	SA106251	4	



Range Rover (From JA610294)
(BDMXRA2B)

Range Rover (From JA610294)

Callout	Name	Application	Remarks & Restrictions	Service No.	Qty
16	Bracket assembly-relay mounting		Memory Seats	PRC7054	1
17	Diode Assy		Memory Seats, Pektron	AAU5034	2
18	Rivet-pop-aluminium		Memory Seats	RA612183	2
19	Diaphragm-front seat-switches		Memory Seats	BTR3061	1
[900]	Relay		Memory Seats, changeover, Yellow	YWB000150	2



Body Electrics
Switches
Seat-Motors & Cables (Memory) 1/2

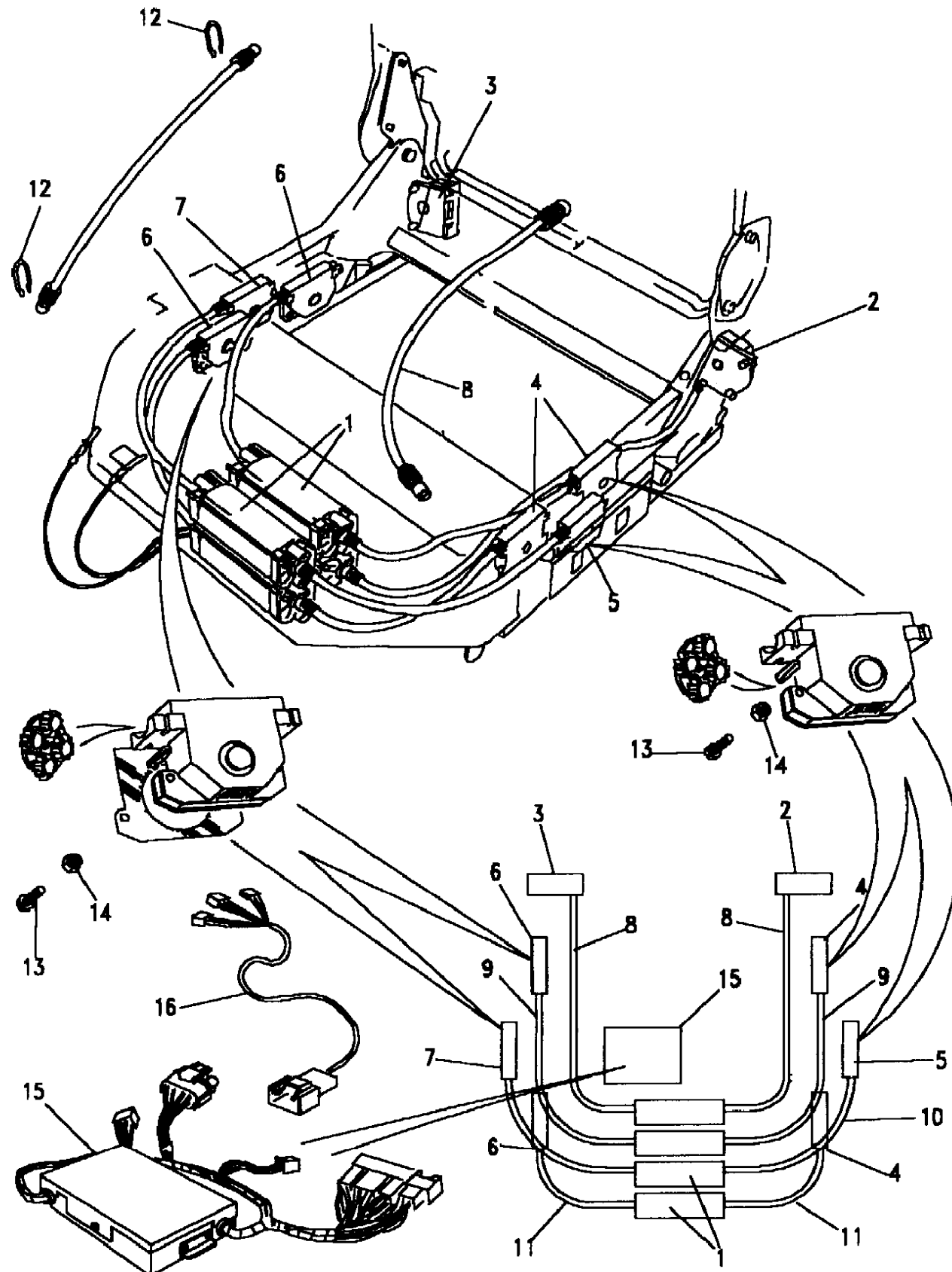
Range Rover (From JA610294)

(BDMXRA1B)

Range Rover (From JA610294)

Body Electrics
Switches
Seat-Motors & Cables (Memory)

Callout	Name	Application	Remarks & Restrictions	Service No.	Qty
1	Motor-front seat	Change point - VIN end LA647644	Memory Seats	RTC5281	4
		Change point - VIN begin MA647645	Memory Seats	STC2936	4
2	Gearbox assembly-recline		Memory Seats	STC607	1
3	Gearbox assembly-recline		Memory Seats	STC608	1
4	Gearbox-lift		Memory Seats	STC609	2
5	Gearbox assembly-front seat fore & aft mechanism		Memory Seats	STC610	1
6	Gearbox assembly-front seat fore & aft mechanism		Memory Seats, inner RH	RTC5786	2
7	Gearbox assembly-front seat fore & aft mechanism		Memory Seats, outer RH	RTC6411	1
8	Cable-slide assembly flexible drive		Memory Seats, Outer, 524mm	RTC6407	4
			Memory Seats, 524mm	STC4230	4
		Change point - VIN end LA647644	Memory Seats, 565mm, Inner	RTC6408	4
		Change point - VIN begin MA647645	Memory Seats, 565mm, Inner	RTC6408	4
9	Cable-slide assembly flexible drive		Memory Seats, Outer, 255.5mm	RTC5273	4
			Memory Seats, 255.5mm	STC4229	4
		Change point - VIN end LA647644	Memory Seats, 292mm, Inner	RTC6409	4
		Change point - VIN begin MA647645	Memory Seats, 301mm, Inner	STC2938	4
10	Cable-slide assembly flexible drive		Memory Seats, Outer, 281mm	RTC5271	4
			Memory Seats, 281mm	STC4227	4
		Change point - VIN end LA647644	Memory Seats, 317.5mm, Inner	RTC5275	4
		Change point - VIN begin MA647645	Memory Seats, 326.5mm, Inner	STC2937	4
11	Cable-slide assembly flexible drive		Memory Seats, Outer, 230MM	RTC5272	4
			Memory Seats, 230MM	STC4228	4
		Change point - VIN end LA647644	Memory Seats, 266.5mm, Inner	RTC6410	4
		Change point - VIN begin MA647645	Memory Seats, 275mm, Inner	STC2939	4
12	Clip-spring steel		Memory Seats	RTC5796	16
			Memory Seats	STC1888	16



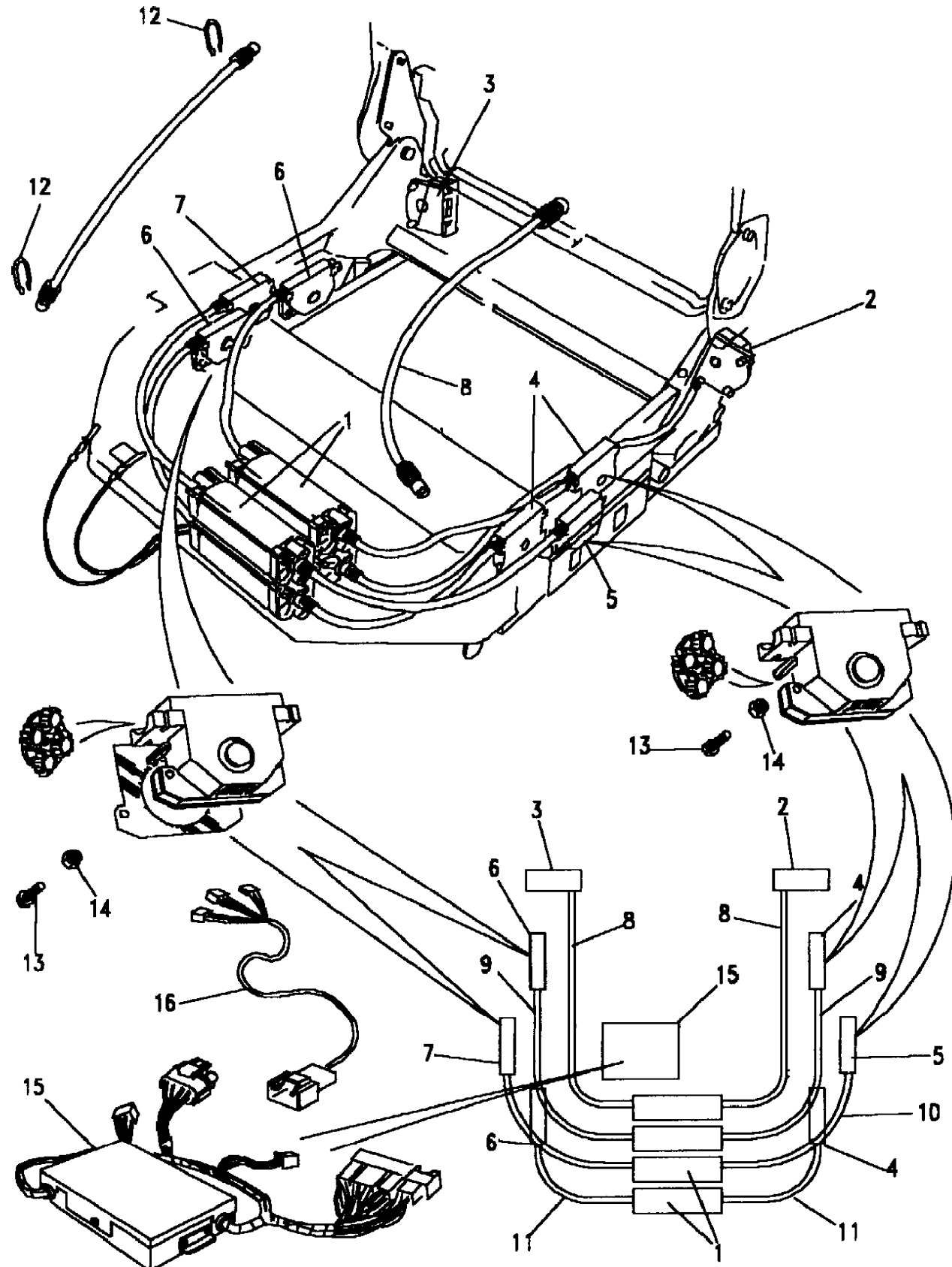
Body Electrics
Switches
Seat-Motors & Cables (Memory) 2/2

Range Rover (From JA610294)
(BDMXRA1B)

Range Rover (From JA610294)

Body Electrics
Switches
Seat-Motors & Cables (Memory)

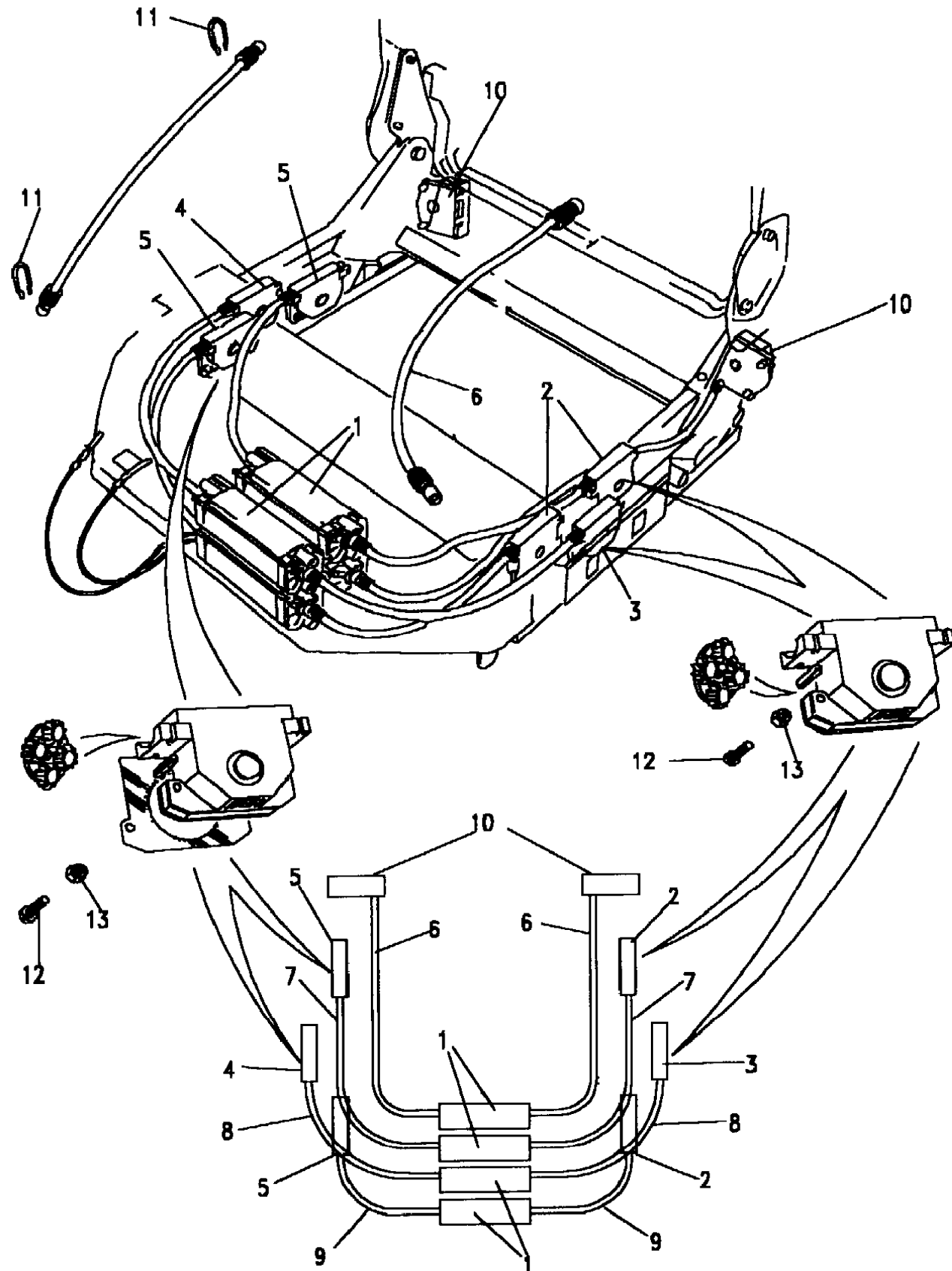
Callout	Name	Application	Remarks & Restrictions	Service No.	Qty
13	Screw		Memory Seats, 40mm long Memory Seats, 30mm long	RTC5797 RTC5798	8 16
14	Nut-hexagonal		Memory Seats, M4	NH104041L	24
15	ECU-seat memory		Memory Seats	PRC9864	2
16	Cable assembly		Memory Seats, RH Memory Seats, LH	PRC9260 PRC9261	1 1



Range Rover (From JA610294)

(BDMXRA1A)

Range Rover (From JA610294)



Callout	Name	Application	Remarks & Restrictions	Service No.	Qty
1	Motor-front seat	Change point - VIN end LA647644	Less Memory Seats	RTC5281	8
		Change point - VIN begin MA647645	Less Memory Seats	STC2936	8
2	Gearbox assembly-front seat fore & aft mechanism		Less Memory Seats, inner LH	RTC5623	4
3	Gearbox assembly-front seat fore & aft mechanism		Less Memory Seats, outer LH	RTC6412	2
4	Gearbox assembly-front seat fore & aft mechanism		Less Memory Seats, outer RH	RTC6411	2
5	Gearbox assembly-front seat fore & aft mechanism		Less Memory Seats, inner RH	RTC5786	4
6	Cable-slide assembly flexible drive		Less Memory Seats, Outer, 524mm	RTC6407	4
			Less Memory Seats, 524mm	STC4230	4
		Change point - VIN end LA647644	Less Memory Seats, 565mm, Inner	RTC6408	4
		Change point - VIN begin MA647645	Less Memory Seats, 565mm, Inner	RTC6408	4
7	Cable-slide assembly flexible drive		Less Memory Seats, Outer, 281mm	RTC5271	4
			Less Memory Seats, 281mm	STC4227	4
		Change point - VIN end LA647644	Less Memory Seats, 317.5mm, Inner	RTC5275	4
		Change point - VIN begin MA647645	Less Memory Seats, 326.5mm, Inner	STC2937	4
8	Cable-slide assembly flexible drive	Change point - VIN begin MA647645	Less Memory Seats, 275mm, Inner	STC2939	4
			Less Memory Seats, Outer, 230MM	RTC5272	4
			Less Memory Seats, 230MM	STC4228	4
		Change point - VIN end LA647644	Less Memory Seats, 266.5mm, Inner	RTC6410	4
9	Cable-slide assembly flexible drive	Change point - VIN begin MA647645	Less Memory Seats, 301mm, Inner	STC2938	4
			Less Memory Seats, Outer, 255.5mm	RTC5273	4
			Less Memory Seats, 255.5mm	STC4229	4
		Change point - VIN end LA647644	Less Memory Seats, 292mm, Inner	RTC6409	4
10	Gearbox assembly-recline		Less Memory Seats, RH	RTC5789	1
			Less Memory Seats, LH	RTC5790	1
11	Clip-spring steel		Less Memory Seats	RTC5796	16
			Less Memory Seats	STC1888	16

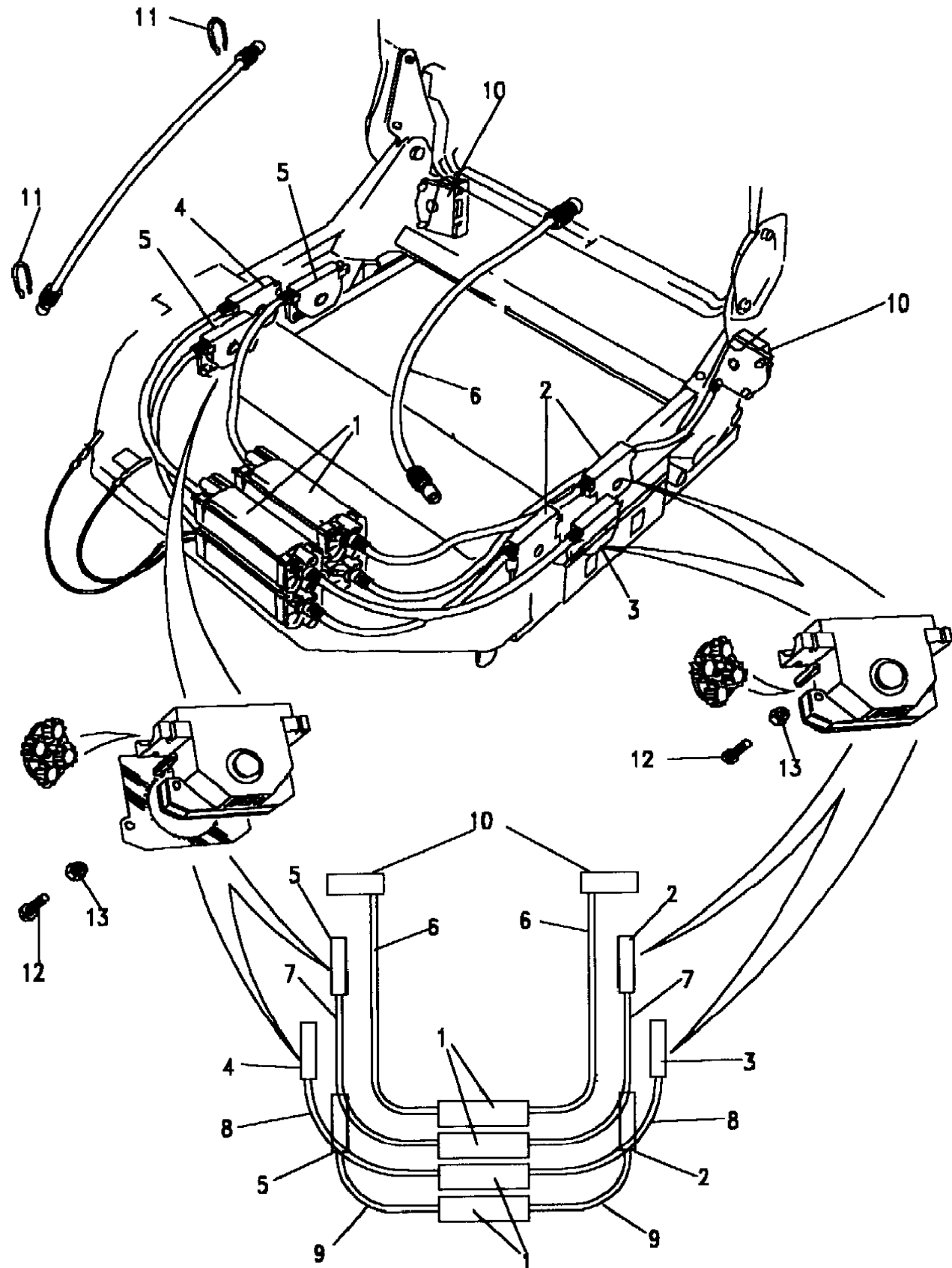
Body Electrics
Switches
Seat-Motors & Cables (Non Memory) 2/2

Range Rover (From JA610294)
(BDMXRA1A)

Range Rover (From JA610294)

Body Electrics
Switches
Seat-Motors & Cables (Non Memory)

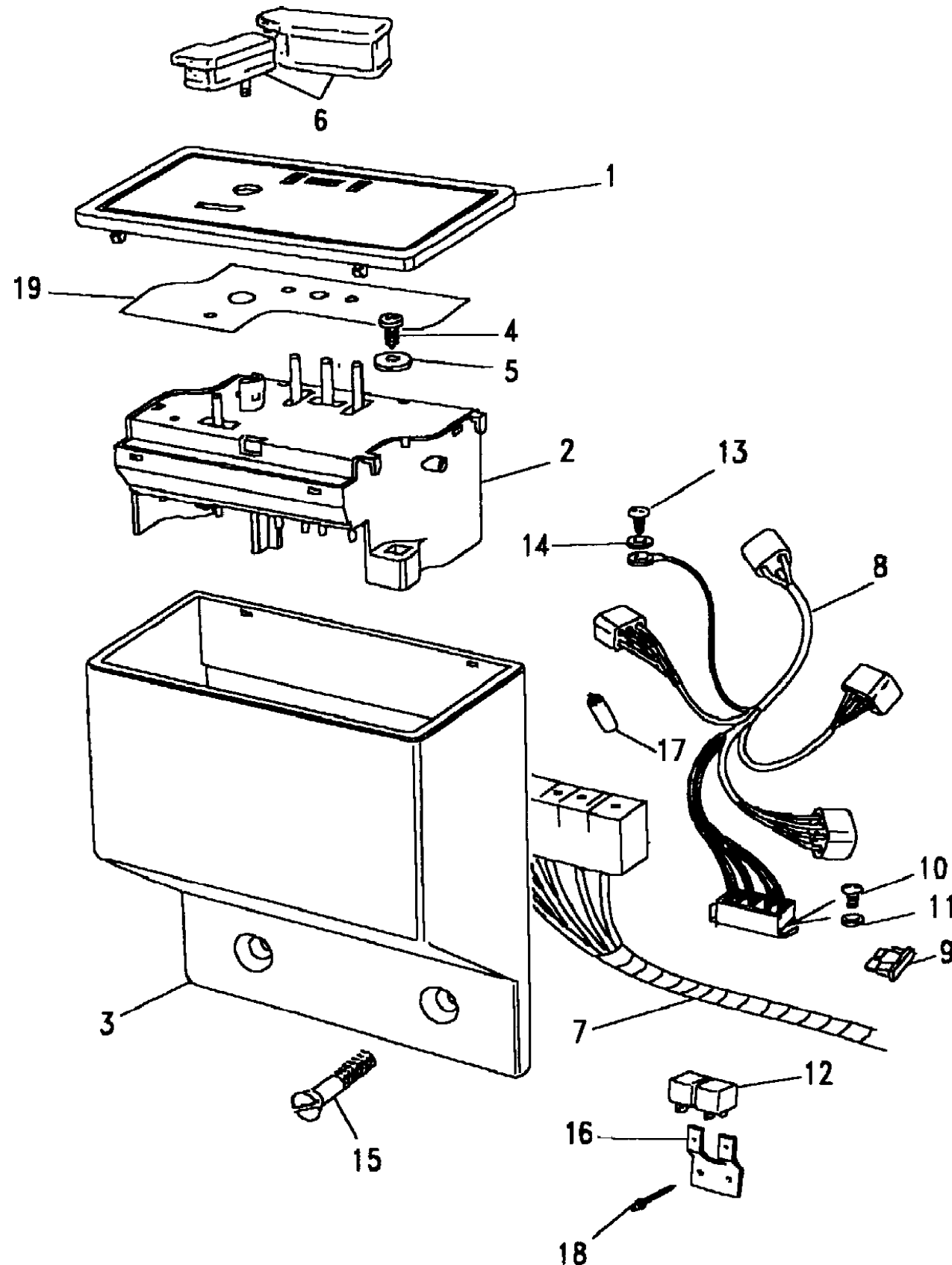
Callout	Name	Application	Remarks & Restrictions	Service No.	Qty
12	Screw		Less Memory Seats, 40mm long Less Memory Seats, 30mm long	RTC5797 RTC5798	8 16
13	Nut-hexagonal		Less Memory Seats, M4	NH104041L	24



Range Rover (From JA610294)

(BDMXRA2A)

Range Rover (From JA610294)



Callout	Name	Application	Remarks & Restrictions	Service No.	Qty
1	Cover-switch box	Change point - VIN begin MA647645	Less Memory Seats, Ash Grey, LH	BTR7311LNF	1
		Change point - VIN end LA647644	Less Memory Seats, RH, Bokhara	BTR1334RUN	1
		Change point - VIN end LA647644	Less Memory Seats, Bokhara, LH	BTR1333RUN	1
		Change point - VIN begin MA647645	Less Memory Seats, Ash Grey, RH	BTR7310LNF	1
2	Switch pack assembly seat		Less Memory Seats, RH, non memory	PRC8095	1
			Less Memory Seats, non memory, LH	PRC8096	1
3	Panel-switch box	Change point - VIN end LA647644	HOUSING, Less Memory Seats, Bokhara, LH	BTR1335RUN	1
		Change point - VIN end LA647644	HOUSING, Less Memory Seats, RH, Bokhara	BTR1336RUN	1
		Change point - VIN begin MA647645	Less Memory Seats, Ash Grey, RH	BTR7314LNF	1
		Change point - VIN begin MA647645	Less Memory Seats, Ash Grey, LH	BTR7315LNF	1
4	Screw-plastic		Less Memory Seats	MUC5848	4
5	Washer-nylon		Less Memory Seats	MUC5845	4
6	Switch		Less Memory Seats, RH, squab	PRC6030	1
			Less Memory Seats, squab, LH	PRC6029	1
			Less Memory Seats, RH, Cushion	PRC6032	1
			Less Memory Seats, LH, Cushion	PRC6031	1
7	Cable-front seat tip lever		Less Memory Seats, LH	PRC8838	1
			Less Memory Seats, RH	PRC9262	1
8	Harness-link		Less Memory Seats	PRC8483	1
9	Fuse		Less Memory Seats, AUTO, 30 AMP, Standard	RTC4507	4
10	Screw-pan		Less Memory Seats	SP105101L	2
11	Washer		Less Memory Seats, M5, Plain, Standard	WA105001L	2
12	Relay		Less Memory Seats	YWB10027L	2
13	Screw		Less Memory Seats, Self Tapping, No 8 x 3/8	AB608031L	2
14	Washer-Plain		Less Memory Seats	WC702101L	2
15	Screw		Less Memory Seats	SA106251	4

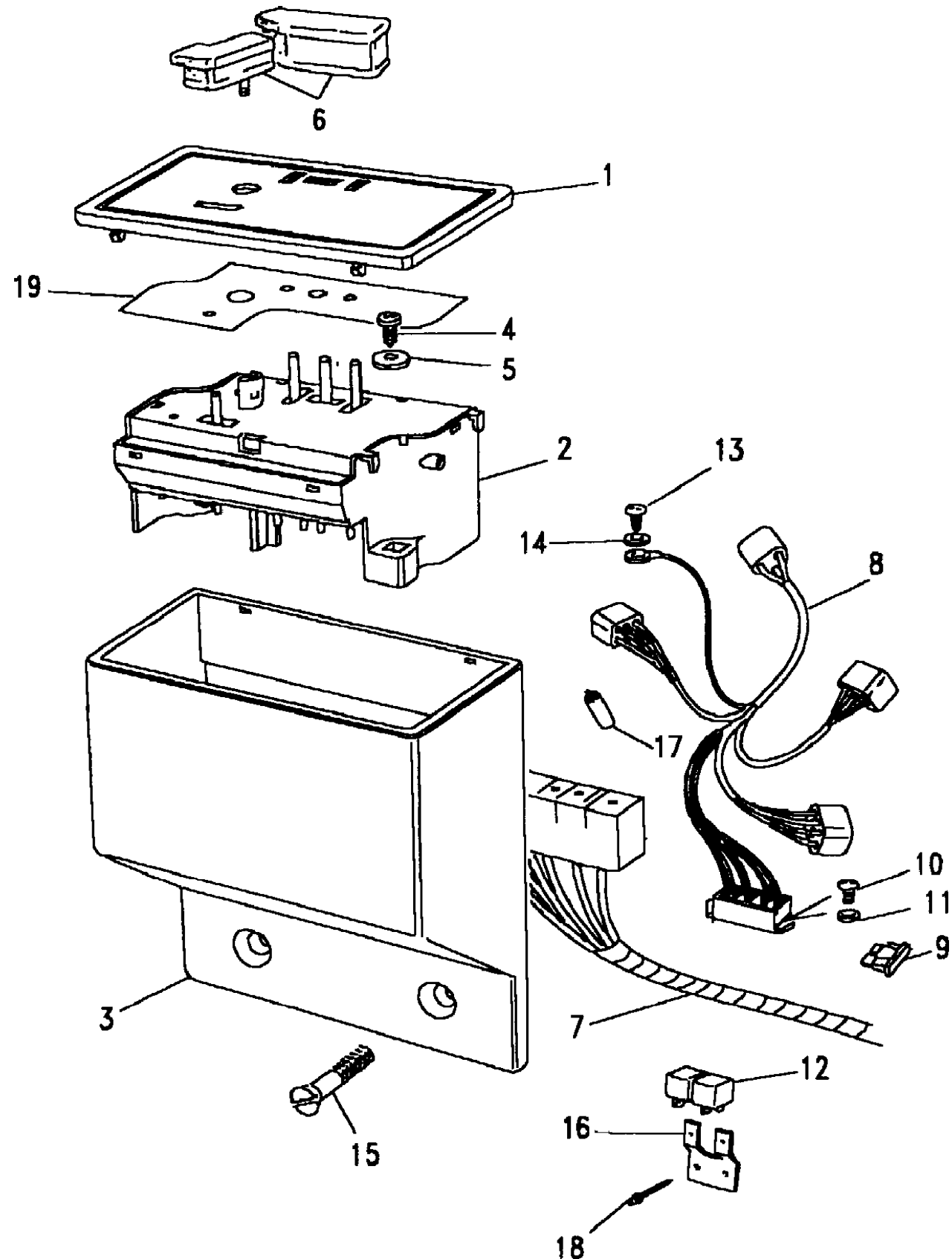
Body Electrics
Switches
Seat-Non Memory 2/2

Range Rover (From JA610294)
(BDMXRA2A)

Range Rover (From JA610294)

Body Electrics
Switches
Seat-Non Memory

Callout	Name	Application	Remarks & Restrictions	Service No.	Qty
16	Bracket assembly-relay mounting		Less Memory Seats	PRC7054	1
17	Diode Assy		Less Memory Seats, Pektron	AAU5034	2
18	Rivet-pop-aluminium		Less Memory Seats	RA612183	2
19	Diaphragm-front seat-switches		Less Memory Seats	BTR3061	1
[900]	Housing cover	Change point - VIN end LA647644	Less Memory Seats, RH, Bokhara	MWC6170RUN	1
[901]	Relay		Less Memory Seats, changeover, Yellow	YWB000150	2



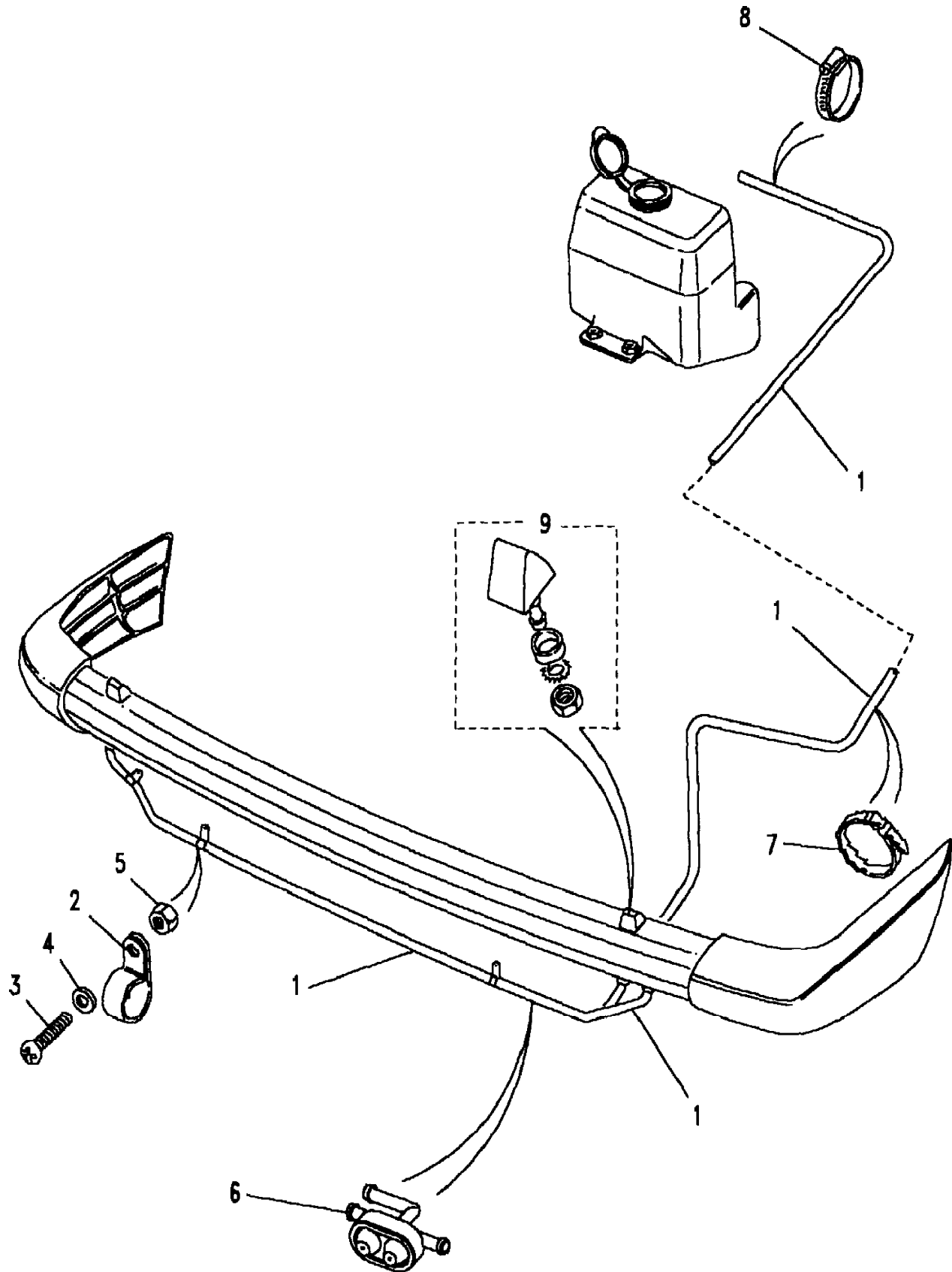
Range Rover (From JA610294)

(BDMXMG1A)

Range Rover (From JA610294)

With Headlamp Washer

Callout	Name	Application	Remarks & Restrictions	Service No.	Qty
1	Hose-headlamp wash		10mm ID x 5M	RTC4848	1
2	Clip-p		Black, Plastic, Adjustable, 11.0/20.0mm	C393771L	1
3	Screw		Black, M5 x 16	SE105165L	1
4	Washer		M5, Plain, Standard	WA105001L	1
5	Nut-hexagonal		M5	NH105041L	1
6	T Piece			DCP6656	1
7	Tie-cable			UKC6684	2
8	Clip			CJ600144	6
9	Jet assembly-headlamp wash single	Change point - VIN end LA647644		PRC4615	2
		Change point - VIN begin MA647645		AMR3503	2



Body Electrics
Wash Wipe Systems
Rear Screen Wiper/Wash 2/2

Range Rover (From JA610294)

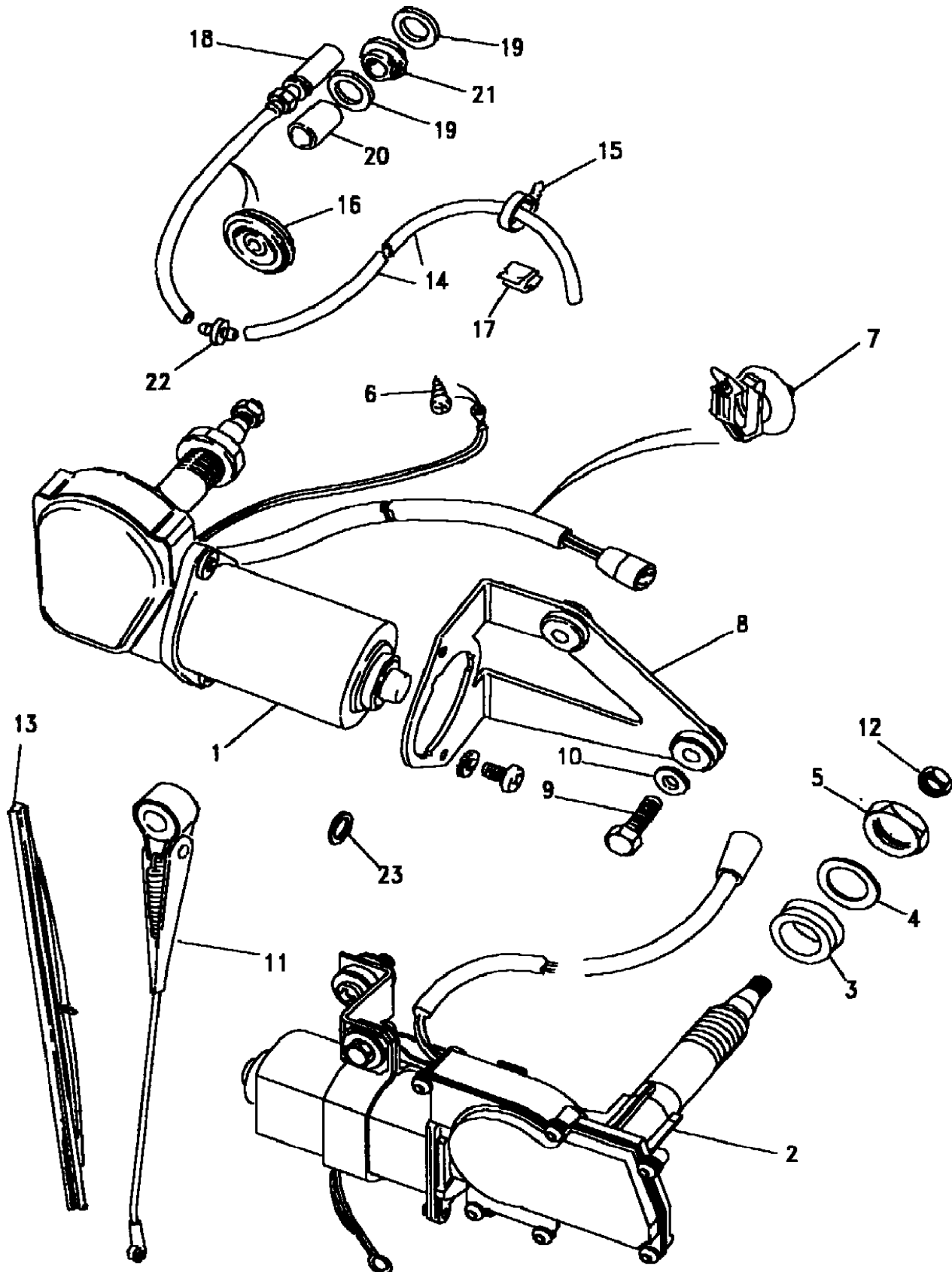
(BDMXM11A)

Range Rover (From JA610294)

Body Electrics
Wash Wipe Systems
Rear Screen Wiper/Wash

With Rear Window Wiper/Washer

Callout	Name	Application	Remarks & Restrictions	Service No.	Qty
16	Grommet	Change point - VIN begin JA618151		AMR1027	1
17	Clip-Pipe	Change point - VIN end KA624999	Rear	369092	2
18	Jet assembly-backlight wash single nozzle			PRC2438	1
19	Washer			4878	2
20	Bush-spacer			500446	1
21	Washer-rubber			393400	1
22	Connector fit			RTC1698	1
23	Grommet-windscreen wiper motor bracket			PRC9904	1
[900]	Blade-windscreen and backlight wiper	(+)"D"	315mm	DKC100980	1
		(+)"D"	315mm	DKC000110PMD	1
[901]	Motor wiper kit	RHD LHD		STC3389 STC3390	1 1
[902]	Screw		M6 X 20, Flanged Head	FS106207L	2



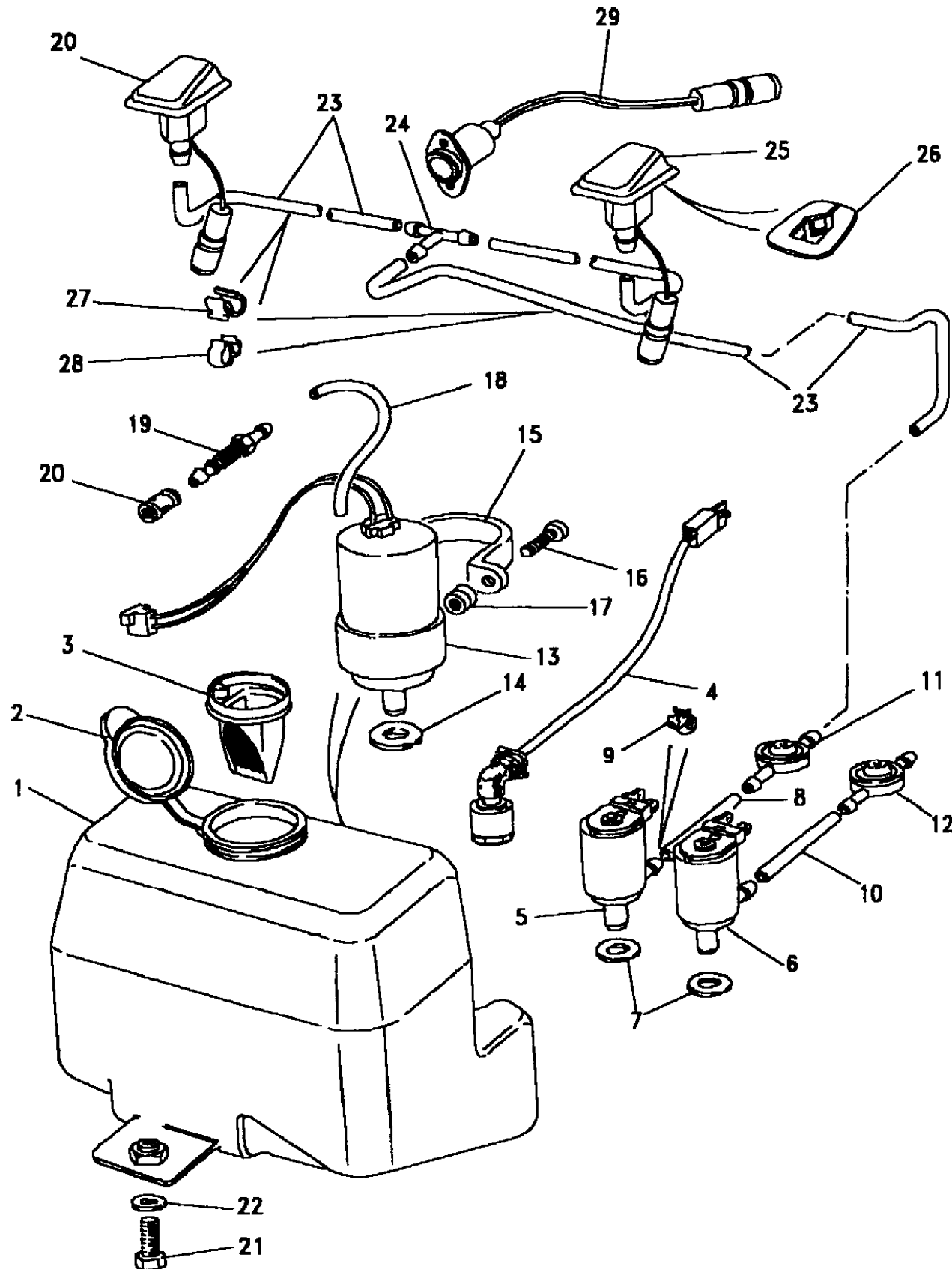
Body Electrics
Wash Wipe Systems
Windscreen & Headlamp Wash 1/4

Range Rover (From JA610294)

(BDMXMC1A)

Range Rover (From JA610294)

Body Electrics
Wash Wipe Systems
Windscreen & Headlamp Wash



Callout	Name	Application	Remarks & Restrictions	Service No.	Qty
1	Container assembly-windscreen wash	Change point - VIN end KA640177, Less Headlamp Wash/Wipe	Also serviced as part of a kit	AMR1941	1
		Change point - VIN begin KA640178, Change point - VIN end LA647644, Less Headlamp Wash/Wipe	Also serviced as part of a kit	AMR3283	1
		Change point - VIN begin MA647645, Less Headlamp Wash/Wipe	Also serviced as part of a kit	AMR3090	1
		Change point - VIN end KA640177, With Headlamp Washer	Also serviced as part of a kit	AMR1940	1
		Change point - VIN begin KA640178, Change point - VIN end LA647644, With Headlamp Washer	Also serviced as part of a kit	AMR3252	1
		Change point - VIN begin MA647645, With Headlamp Washer	Also serviced as part of a kit	AMR3089	1
2	Cap-washer system	Change point - VIN begin KA640178, Change point - VIN end LA647644, Less Headlamp Wash/Wipe	Also serviced as part of a kit	RTC3961	1
		Change point - VIN begin KA640178, Change point - VIN end LA647644, With Headlamp Washer	Also serviced as part of a kit	RTC3961	1
3	Filter-container assembly filler neck	Change point - VIN begin KA640178, Change point - VIN end LA647644, Less Headlamp Wash/Wipe	Also serviced as part of a kit	STC206	1
		Change point - VIN begin KA640178, Change point - VIN end LA647644, With Headlamp Washer	Also serviced as part of a kit	STC206	1
4	Sensor-windscreen wash container low level	Change point - VIN begin KA640178, Change point - VIN end LA647644, Less Headlamp Wash/Wipe	Also serviced as part of a kit	PRC5440	1
		Change point - VIN begin KA640178, Change point - VIN end LA647644, With Headlamp Washer	Also serviced as part of a kit	PRC5440	1
5	Pump assembly-windscreen wash	Change point - VIN begin KA640178, Change point - VIN end LA647644, Less Headlamp Wash/Wipe	Also serviced as part of a kit	STC1454	1
		Change point - VIN begin KA640178, Change point - VIN end LA647644, With Headlamp Washer	Also serviced as part of a kit	STC1454	1
6	Pump assembly-backlight wash	Change point - VIN begin KA640178, Change point - VIN end LA647644, With Headlamp Washer	Also serviced as part of a kit	STC1453	1

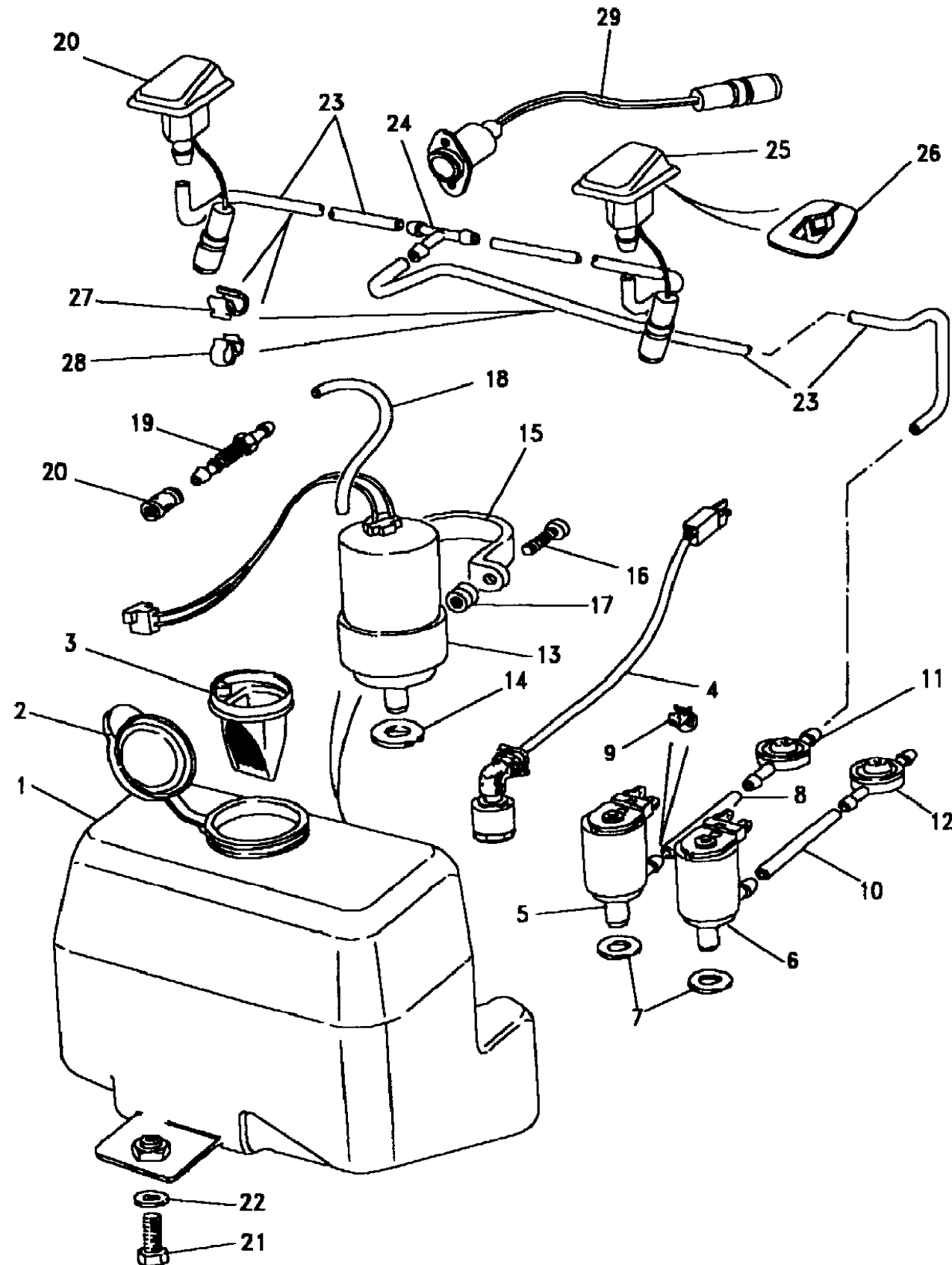
Body Electrics
Wash Wipe Systems
Windscreen & Headlamp Wash 2/4

Range Rover (From JA610294)

(BDMXMC1A)

Range Rover (From JA610294)

Body Electrics
Wash Wipe Systems
Windscreen & Headlamp Wash



Callout	Name	Application	Remarks & Restrictions	Service No.	Qty
6	Pump assembly-backlight wash	Change point - VIN begin KA640178, Change point - VIN end LA647644, Less Headlamp Wash/Wipe	Also serviced as part of a kit	STC1453	1
7	Grommet-container assembly pump	Change point - VIN begin KA640178, Change point - VIN end LA647644, With Headlamp Washer Change point - VIN begin KA640178, Change point - VIN end LA647644, Less Headlamp Wash/Wipe	Also serviced as part of a kit Also serviced as part of a kit	RTC3959 RTC3959	2 2
8	Hose-wash system pump to non return valve	Change point - VIN begin KA640178, Change point - VIN end LA647644, With Headlamp Washer Change point - VIN begin KA640178, Change point - VIN end LA647644, Less Headlamp Wash/Wipe	Also serviced as part of a kit, 5MM Also serviced as part of a kit, 5MM	AMR3658 AMR3658	1 1
9	Clip-Hose	Change point - VIN begin KA640178, Change point - VIN end LA647644, With Headlamp Washer Change point - VIN begin KA640178, Change point - VIN end LA647644, Less Headlamp Wash/Wipe	Also serviced as part of a kit, 5mm/ID Also serviced as part of a kit, 5mm/ID	AMR4060 AMR4060	1 1
10	Hose-wash system pump to non return valve	Change point - VIN begin KA640178, Change point - VIN end LA647644, With Headlamp Washer Change point - VIN begin KA640178, Change point - VIN end LA647644, Less Headlamp Wash/Wipe	Also serviced as part of a kit, 4MM Also serviced as part of a kit, 4MM	AMR3659 AMR3659	1 1
11	Valve-wash system non return	Change point - VIN begin KA640178, Change point - VIN end LA647644, With Headlamp Washer Change point - VIN begin KA640178, Change point - VIN end LA647644, Less Headlamp Wash/Wipe	Also serviced as part of a kit, Front, 5MM Also serviced as part of a kit, Front, 5MM	PRC6857 PRC6857	1 1
12	Valve-wash system non return	Change point - VIN begin KA640178, Change point - VIN end LA647644, With Headlamp Washer Change point - VIN begin KA640178, Change point - VIN end LA647644, Less Headlamp Wash/Wipe	Also serviced as part of a kit, 4MM Also serviced as part of a kit, 4MM	ACU5037 ACU5037	1 1
13	Pump assembly-headlamp wash	Change point - VIN begin KA640178, Change point - VIN end LA647644, With Headlamp Washer	Also serviced as part of a kit	AFU4146	1

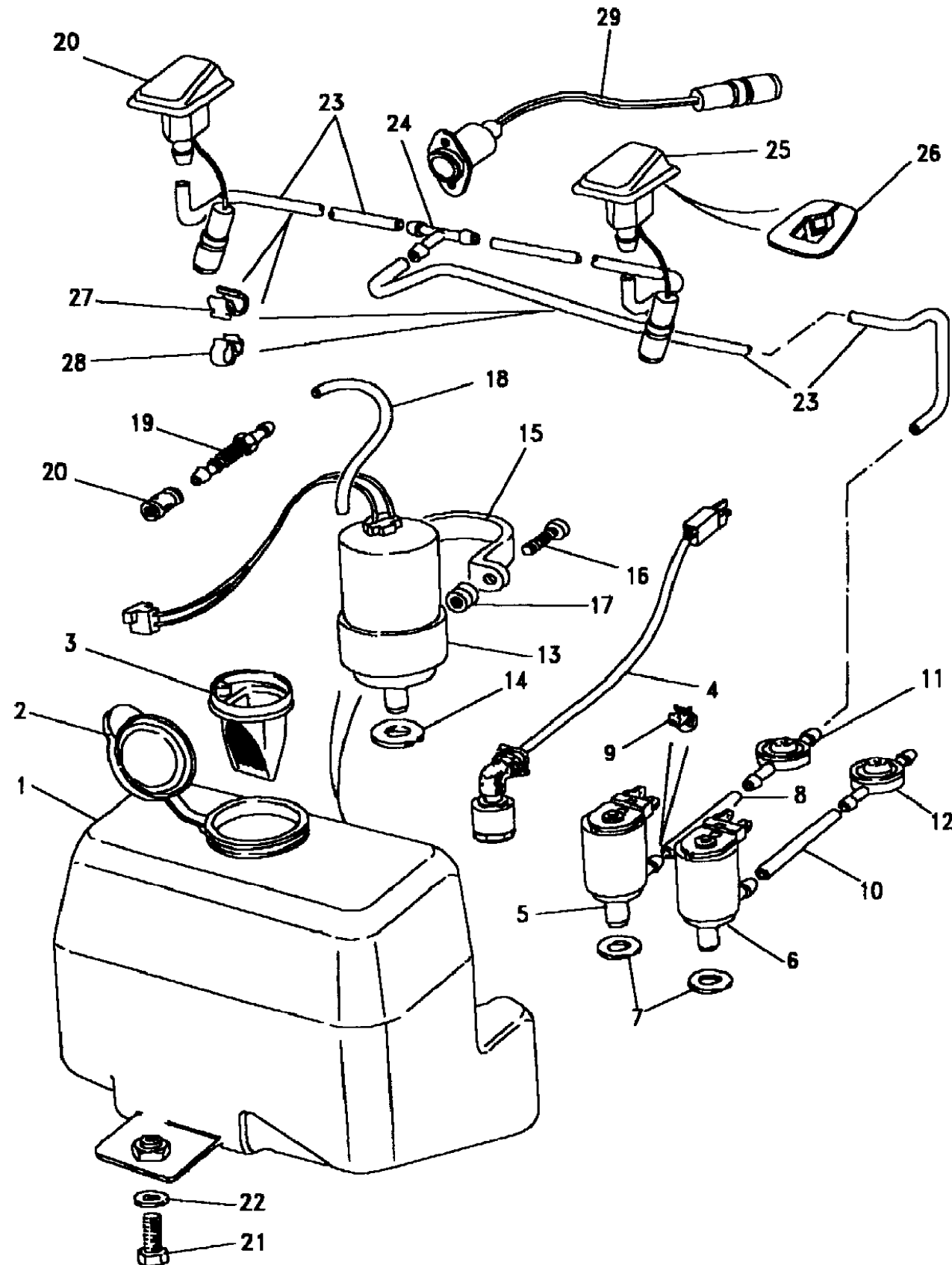
Body Electrics
Wash Wipe Systems
Windscreen & Headlamp Wash 3/4

Range Rover (From JA610294)

(BDMXMC1A)

Range Rover (From JA610294)

Body Electrics
Wash Wipe Systems
Windscreen & Headlamp Wash

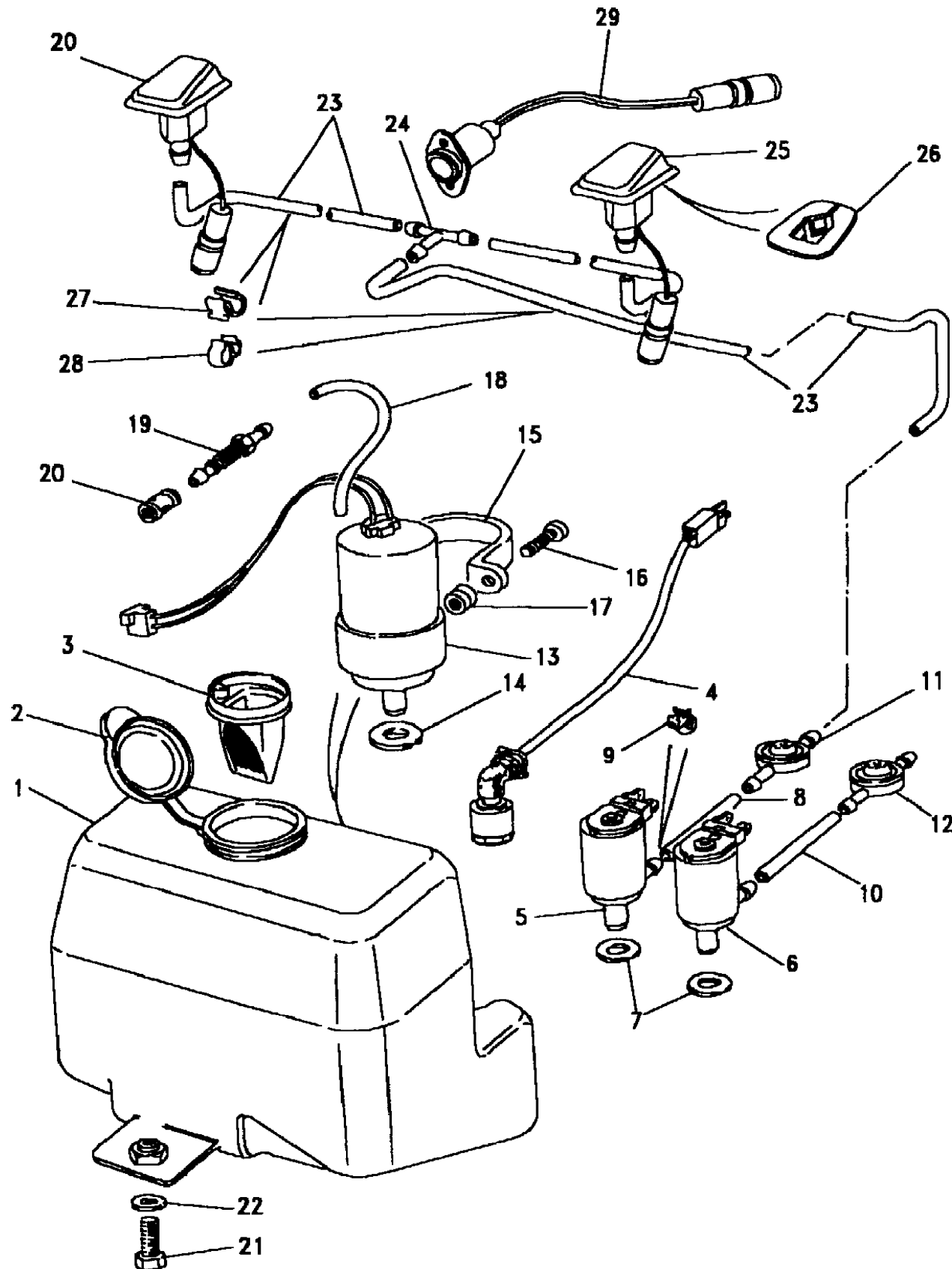


Callout	Name	Application	Remarks & Restrictions	Service No.	Qty
13	Pump assembly-headlamp wash	Change point - VIN begin MA647645, With Headlamp Washer	Also serviced as part of a kit	STC3079	1
14	Grommet-container assembly pump	Change point - VIN begin KA640178, Change point - VIN end LA647644, With Headlamp Washer	Also serviced as part of a kit	ADU6418L	1
15	Clamp	Change point - VIN begin KA640178, Change point - VIN end LA647644, With Headlamp Washer	Also serviced as part of a kit	STC1657	1
16	Screw	Change point - VIN begin KA640178, Change point - VIN end LA647644, With Headlamp Washer	Also serviced as part of a kit	RTC3957	1
17	Nut-plastic	Change point - VIN begin KA640178, Change point - VIN end LA647644, With Headlamp Washer	Also serviced as part of a kit	RTC3958	2
18	Hose-wash system	Change point - VIN begin KA640178, Change point - VIN end LA647644, With Headlamp Washer	Also serviced as part of a kit	RTC3650	X
19	Connector-wash system straight	Change point - VIN begin KA640178, Change point - VIN end LA647644, With Headlamp Washer	Also serviced as part of a kit	RTC4614	1
20	Nut-plastic	Change point - VIN begin KA640178, Change point - VIN end LA647644, With Headlamp Washer	Also serviced as part of a kit	RTC4779	1
21	Screw	hexagonal head, 1/4UNF x 3/4		SH604061L	3
22	Washer-Lock			WF600041L	3
23	Hose-wash system		720mm/long	PRC6852	X
24	T Piece		5MM	PRC6855	1
25	Jet assembly-nozzle wash system	Change point - VIN end JA624754 Change point - VIN begin KA624756	Heated Heated unheated	PRC6799 AMR2400 RTC6367	2 2 2
26	Clip-Retaining			PRC7331	2
27	Clip			MWC2552	X
28	Clip		Double	PRC6969	5

Range Rover (From JA610294)

(BDMXMC1A)

Range Rover (From JA610294)

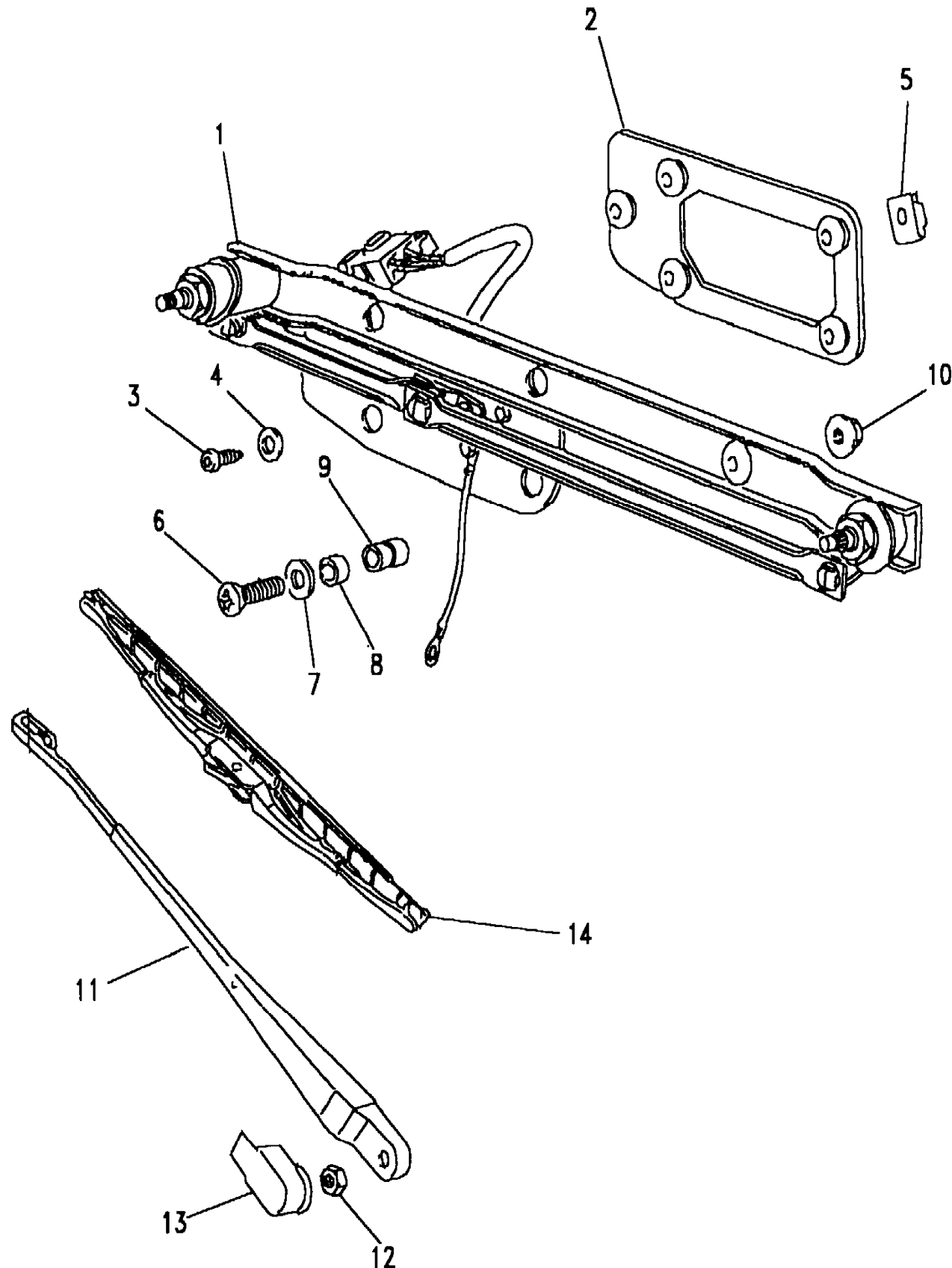


Callout	Name	Application	Remarks & Restrictions	Service No.	Qty
29	Thermostat-headlamp wash		fitted in headlamp panel	PRC6895	1
[900]	Container-dual wash & headlamp wash	Change point - VIN begin MA647645, With Headlamp Washer	Also serviced as part of a kit	PRC7459	1
[901]	Pump assembly-headlamp wash	With Headlamp Washer		STC3079	1
[902]	Container-windscreen wash	Change point - VIN begin KA640178, Change point - VIN end LA647644, Less Headlamp Wash/Wipe	Also serviced as part of a kit	AMR2021	1
		Change point - VIN begin MA647645, Less Headlamp Wash/Wipe	Also serviced as part of a kit	PRC7460	1
		Change point - VIN begin KA640178, Change point - VIN end LA647644, With Headlamp Washer	Also serviced as part of a kit	AMR2020	1

Body Electrics
Wash Wipe Systems
Windscreen Wiper-From (V) MA647645 1/1

Range Rover (From JA610294)

(BDMXMA1B)



Range Rover (From JA610294)

Body Electrics
Wash Wipe Systems
Windscreen Wiper-From (V) MA647645

Callout	Name	Application	Remarks & Restrictions	Service No.	Qty
1	Rod unit-windscreen wiper	Change point - VIN begin MA647645, RHD Change point - VIN begin MA647645, LHD		AMR3870 AMR1517	1 1
2	Seal-wiper linkage joint	Change point - VIN begin MA647645		AMR1882	1
3	Screw	Change point - VIN begin MA647645		79131	5
4	Washer-Plain	Change point - VIN begin MA647645		WJ106001	5
5	Nut - Hex.	Change point - VIN begin MA647645		AK612011L	5
6	Screw-pan	Change point - VIN begin MA647645		SE604101	1
7	Washer	Change point - VIN begin MA647645		4598	1
8	Spacer	Change point - VIN begin MA647645		PRC1352	1
9	Nutsert-blind	Change point - VIN begin MA647645		79240	1
10	Nut - Hex.	Change point - VIN begin MA647645	M8, flange	FN108041	1
11	Arm-windscreen wiper	Change point - VIN begin MA647645, RHD Change point - VIN begin MA647645, LHD		PRC6826 PRC6839	2 2
12	Nut - Hex.	Change point - VIN begin MA647645	M8, flange	FN108041L	2
13	Cap-windscreen wiper spindle	Change point - VIN begin MA647645		STC2866	2
14	Blade-windscreen wiper	Change point - VIN begin MA647645	455mm	PRC9841	2

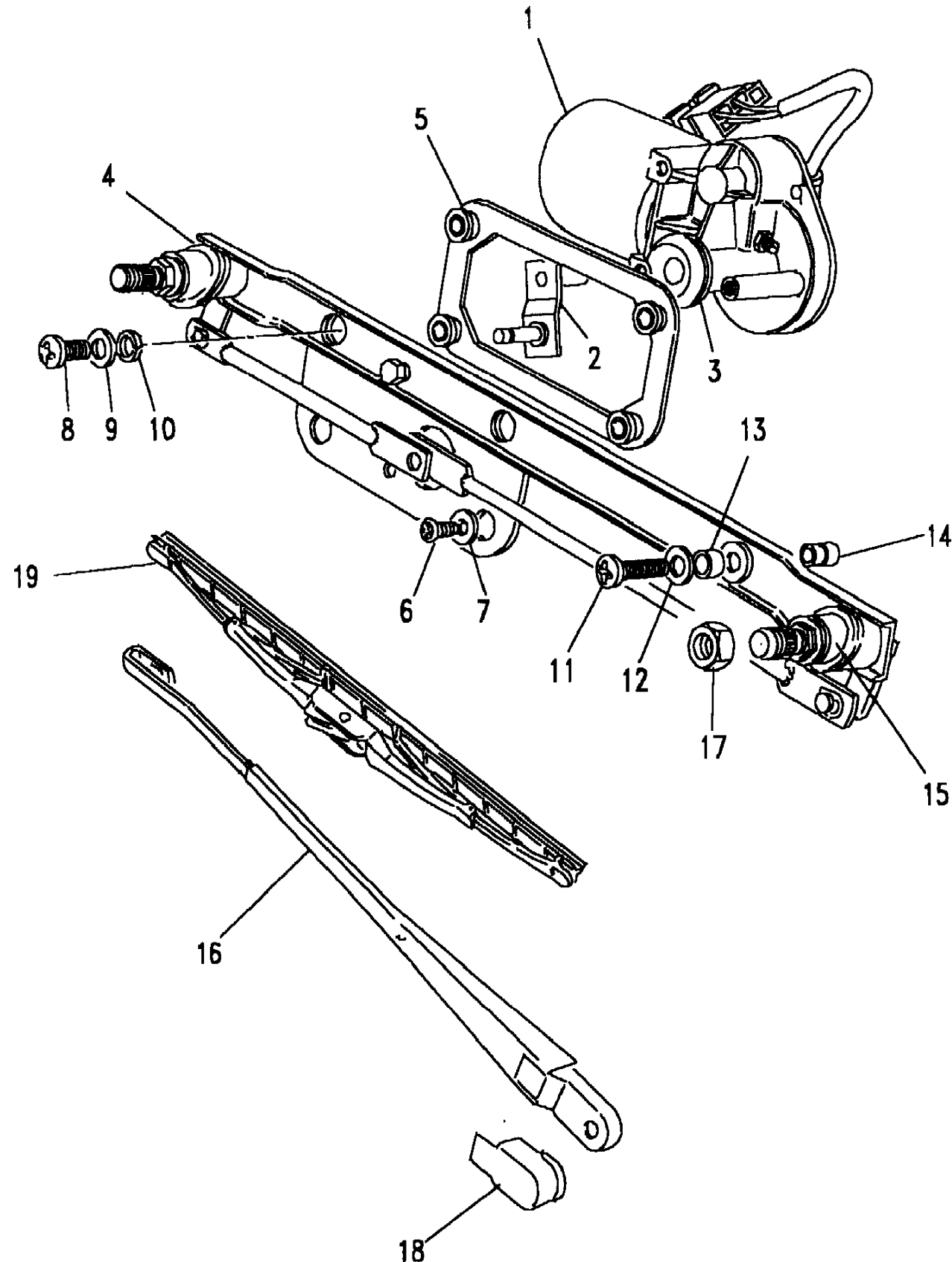
Body Electrics
Wash Wipe Systems
Windscreen Wiper-To (V) LA647644 1/1

Range Rover (From JA610294)

(BDMXMA1A)

Range Rover (From JA610294)

Body Electrics
Wash Wipe Systems
Windscreen Wiper-To (V) LA647644



Callout	Name	Application	Remarks & Restrictions	Service No.	Qty
1	Motor-windscreen wiper	Change point - VIN end LA647644		STC495	1
3	Seal-wiper linkage joint	Change point - VIN end LA647644		STC1308	1
4	Link set-wiper	Change point - VIN end LA647644, RHD Change point - VIN end LA647644, LHD		STC1304 STC1305	1 1
5	Seal-windscreen wiper motor mounting bracket	Change point - VIN end LA647644		PRC7781	1
6	Screw-self tapping B	Change point - VIN end LA647644	No 12 x 1"	AB612081L	4
7	Washer-Plain	Change point - VIN end LA647644	M6	WJ106001L	4
8	Screw-flanged head	Change point - VIN end LA647644	M6 X 16, Flanged Head	FS106167L	1
9	Washer	Change point - VIN end LA647644	6MM	WA106041L	1
10	Washer	Change point - VIN end LA647644	M6, sprung	WL106001L	1
11	Screw-pan	Change point - VIN end LA647644	1/4UNF x 1 1/4	SE604101L	1
12	Washer	Change point - VIN end LA647644		3821	1
13	Spacer	Change point - VIN end LA647644		PRC1352	1
14	Nutsert-blind	Change point - VIN end LA647644		79240	1
15	Bush	Change point - VIN end LA647644		607107	2
16	Arm-windscreen wiper	Change point - VIN end LA647644, RHD Change point - VIN end LA647644, LHD		PRC6826 PRC6839	2 2
17	Nut - Hex.	Change point - VIN end LA647644	M8, flange	FN108041L	2
18	Cap-windscreen wiper spindle	Change point - VIN end LA647644		STC2866	2
19	Blade-windscreen wiper	Change point - VIN end LA647644	455mm	PRC9841	2