

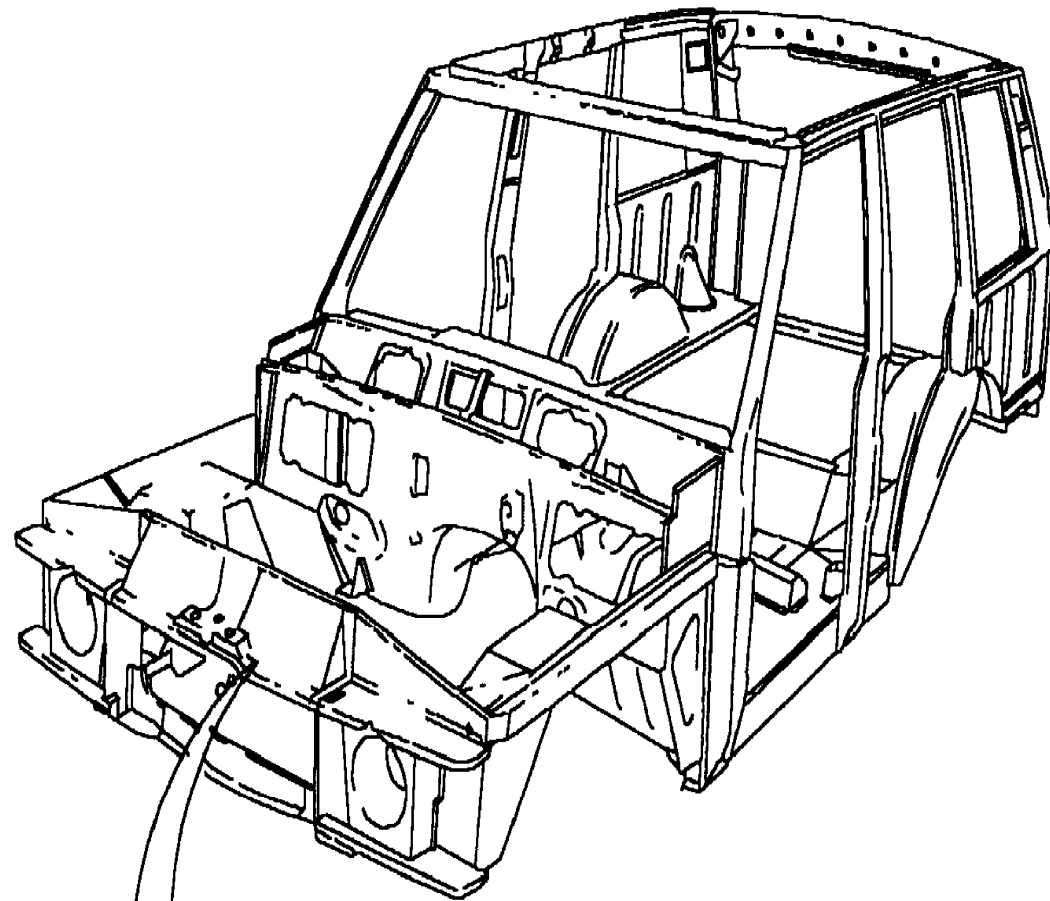
Body & Chassis

Range Rover (From JA610294)

Body

Body Colour Labels 1/1

(BDNXBV2A)



MUC 6628

BODY COLOUR IDENTIFICATION	
TASMAN	RTC4049A AEROSOL
BLUE	RTC4049T TOUCH-UP
RANGE ROVER	

Range Rover (From JA610294)

Body & Chassis

Body

Body Colour Labels

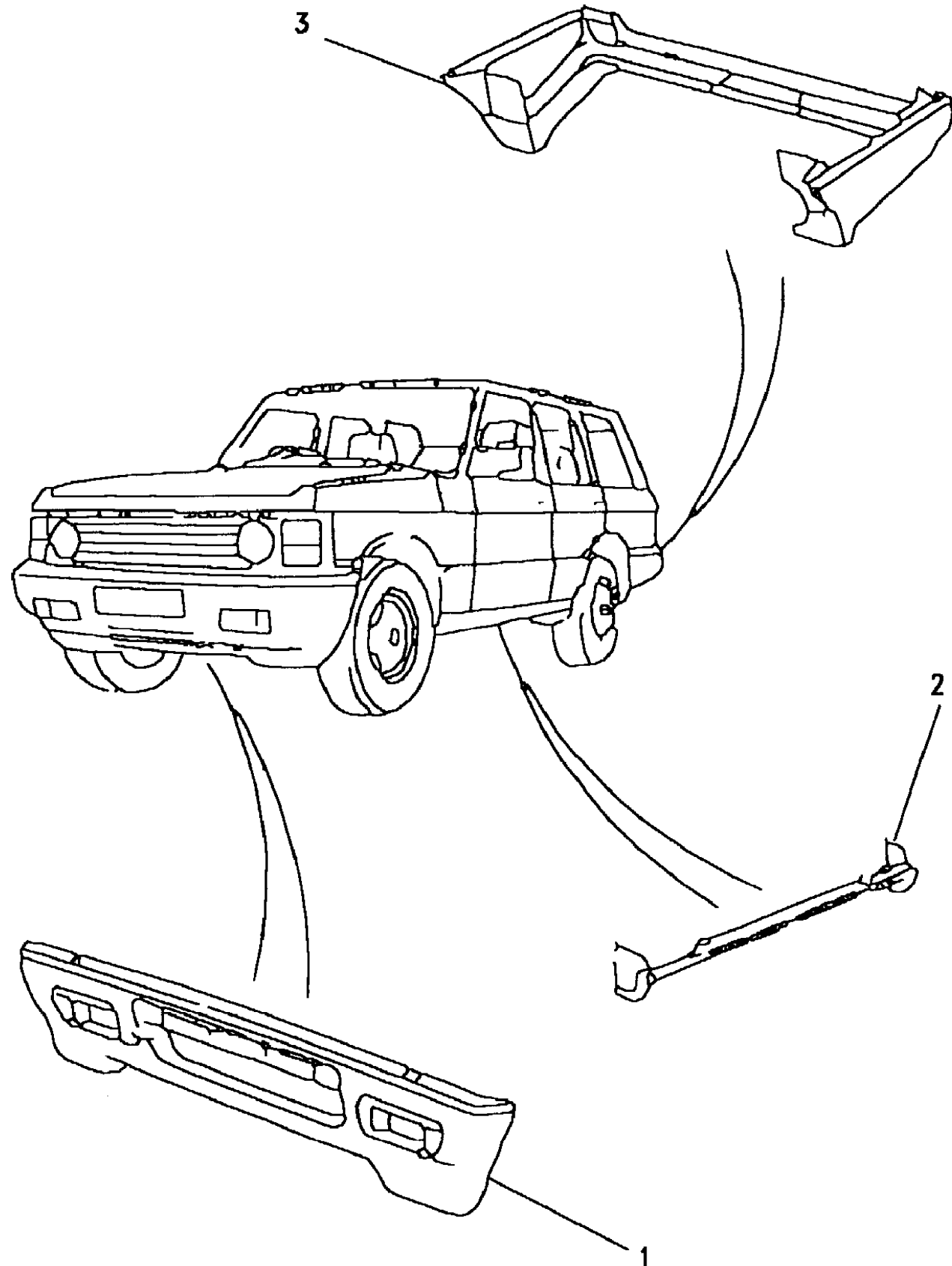
Callout	Name	Application	Remarks & Restrictions	Service No.	Qty
1	Label-body colour adhesive		Slate Grey	ALR6104	1
			Niagara Grey	ALR6103	1
			Avalon Blue	ALR6102	1
			Biaritz Blue	ALR8715	1
			Epsom Green	ALR8716	1
			Willow Green	ALR6101	1
			Portofino Red	MWC5362	1
			Trocadero Red	MWC6218	1
			Eastnor Green	MWC6221	1
			Beluga Black	MXC1399	1
			Plymouth Blue	MXC5506	1
			Westminster Grey	MXC5957	1
			Ardennes Green	MXC6069	1
			Roman Bronze	MXC2823	1
			Aegean Blue/Bright	MXC9223	1
			Sonoran Brown	ALR3262	1
			Mosswood	ALR3264	1
			Coniston Green	ALR5903	1
			Montpellier Red	ALR5904	1
			Carmen Pearl	ALR5905	1
			British Racing Green	ALR5906	1
			Brooklands Green	ALR5907	1
			Cornish Cream	ALR5908	1
			Caprice Turquoise	ALR6105	1

Range Rover (From JA610294)

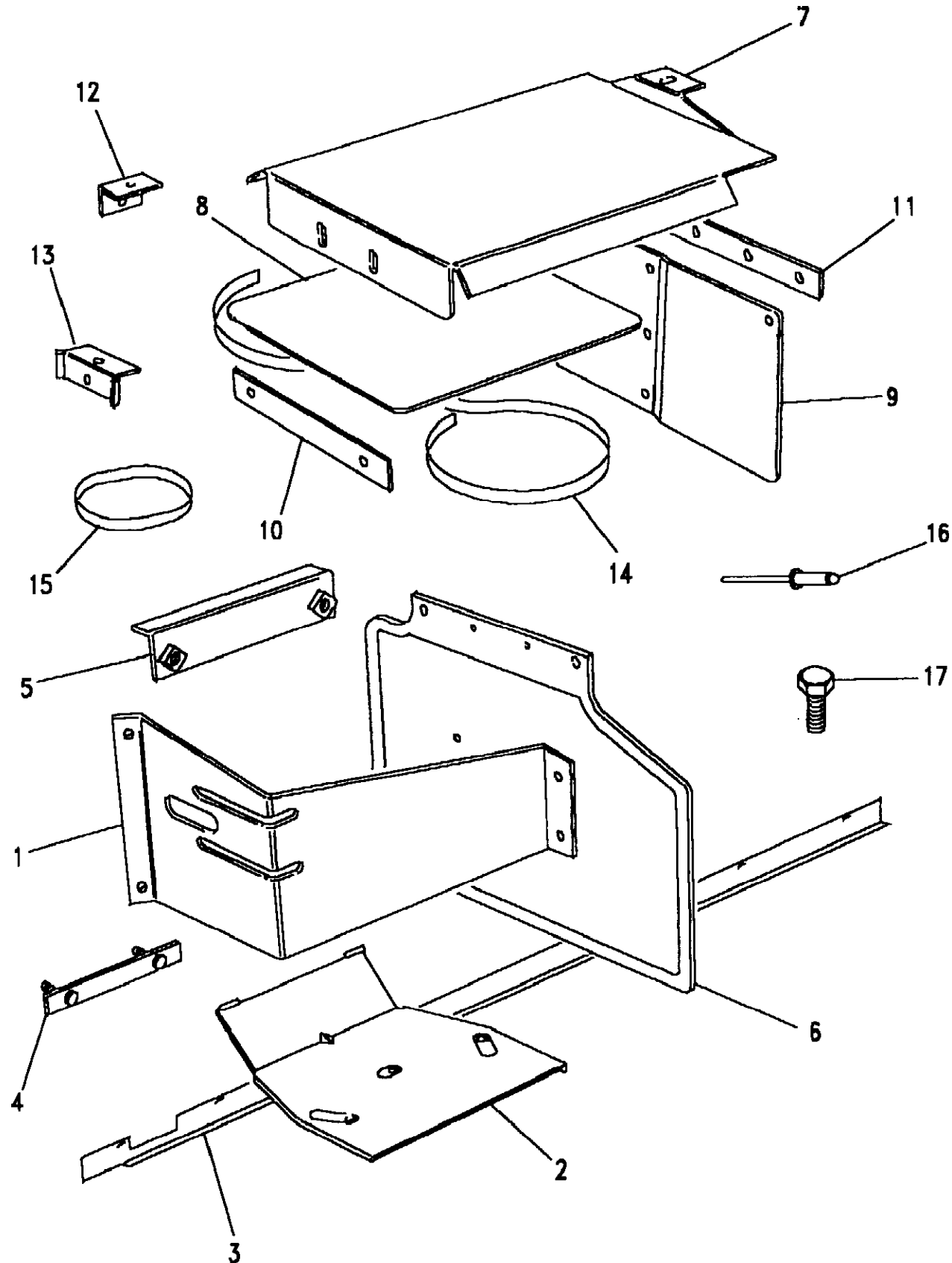
(BDNXQA5A)

Range Rover (From JA610294)

Callout	Name	Application	Remarks & Restrictions	Service No.	Qty
1	Valance front-lower		Also serviced as part of a kit, without chrome inserts Also serviced as part of a kit, with chrome inserts	STC8416P STC8473P	1 1
2	Body side-sill	(-) Vogue LSE (-) Vogue LSE Vogue LSE Vogue LSE	LH RH LH RH	STC8418P STC8419P STC8404P STC8405P	1 1 1 1
3	Valance rear-lower		Also serviced as part of a kit, without chrome inserts Also serviced as part of a kit, with chrome inserts	STC8417P STC8474P	1 1
[900]	Chrome infill strip		Also serviced as part of a kit Also serviced as part of a kit	BTR9242 BTR9243	2 2



Callout	Name	Application	Remarks & Restrictions	Service No.	Qty
1	Bracket f/lamp support		RH	BTR5188	1
			LH	BTR5187	1
2	Standard plate sill mounting			BTR7712	2
3	Bracket sill support		RH	BTR7764	1
			LH	BTR7763	1
4	Plate assembly			BTR7713	2
5	Bracket-towing			STC8167	1
6	Mudflaps			BTR5950	2
7	Heatshield engine exhaust			BTR6370	1
8	Heatshield engine exhaust			BTR7709	1
9	Plate			BTR6369	1
10	Bracket-rear mudflap retention		Lower	BTR5189	2
11	Bracket-rear mudflap retention		Upper	BTR4966	2
12	Bracket-rear bumper-support		Lower	BTR7730	2
13	Bracket-rear bumper-support		Upper	BTR7729	2
14	Tape - anti fret			BTR7710	1
15	Tape - dualock			BTR7711	1
16	Rivet			RY612533	4
17	Screw		TO BODY, M6 X 20, hexagonal head	SH106205L	2
[900]	Mudflaps-front			MXC5587	2



Body & Chassis

Range Rover (From JA610294)

Body

Body Tapes & Rubbing Strips-To (V) JA624755 1/1

(BDNXQA1A)

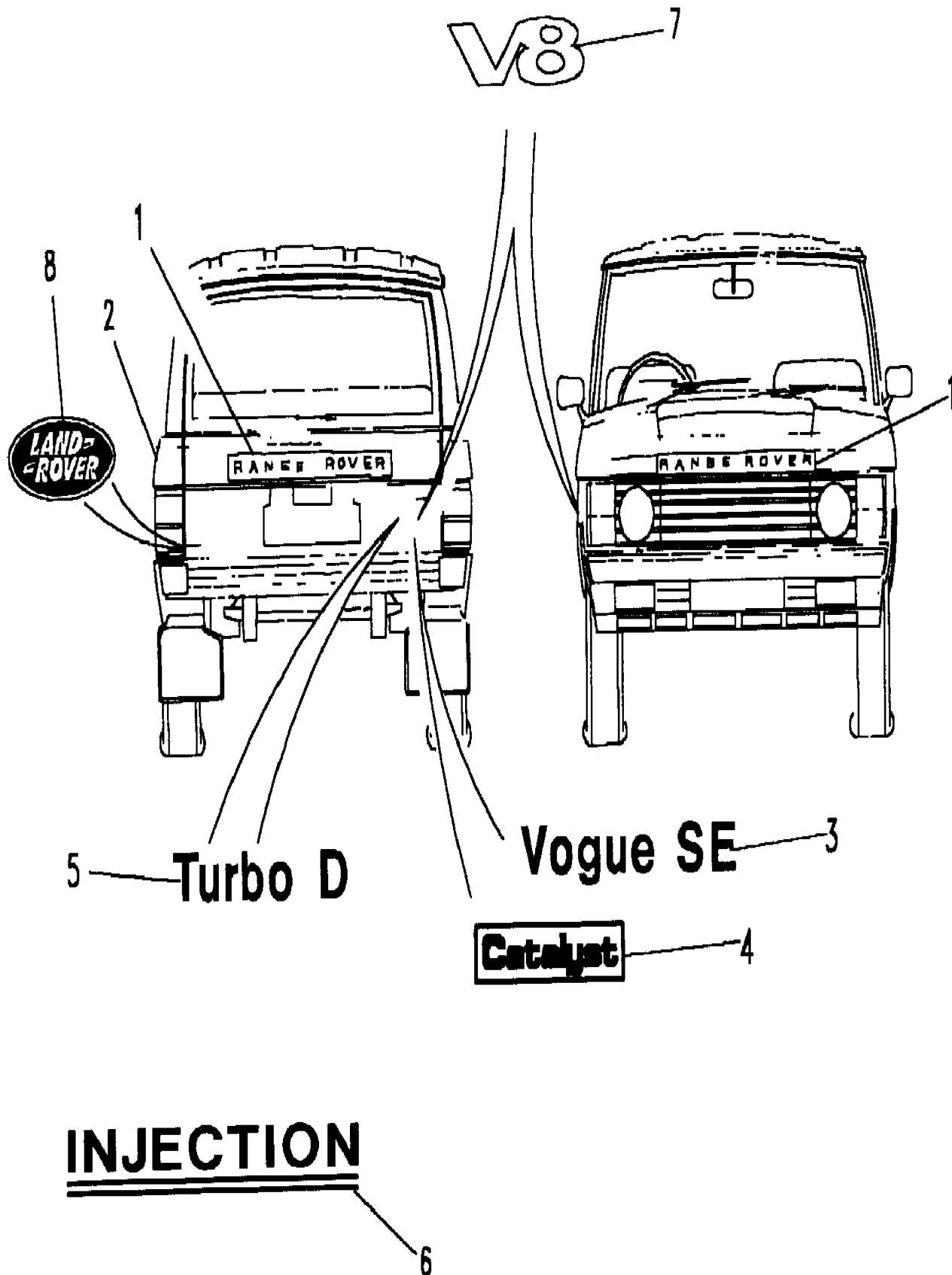
Body & Chassis

Range Rover (From JA610294)

Body

Body Tapes & Rubbing Strips-To (V) JA624755

Callout	Name	Application	Remarks & Restrictions	Service No.	Qty
1	Decal-Range Rover	Change point - VIN end JA624754	Silver, bonnet/tailgate	RTC6465	1
		Change point - VIN end JA624754	Front, Nimbus	MUC2955LMP	1
2	Decal sidestripe	Change point - VIN end JA624754	Silver, 10M	MXC1172MCF	2
		Change point - VIN end JA624754	Nimbus, 10M	MXC1172LMP	1
3	Decal vogue SE	Change point - VIN end JA624754	Silver	BTR3257MCF	1
		Change point - VIN end JA624754	Nimbus	BTR3257LMP	1
4	Decal catalyst	Change point - VIN end JA624754	Silver	MXC8938MCF	2
		Change point - VIN end JA624754	Nimbus	MXC8938LMP	1
5	Decal-turbocharger	Change point - VIN end JA624754	Silver	BTR3256MCF	1
		Change point - VIN end JA624754	Nimbus	BTR3256LMP	1
6	Decal injection	Change point - VIN end JA624754, (-)"D"	Black	RTC4930	1
		Change point - VIN end JA624754, (+)"D"	Silver	RTC4931	1
7	Badge	Change point - VIN end JA624754, V8, (+)"J"	V8	BRC6484	3
8	Badge-Land Rover	Change point - VIN end JA624754	Rear, Gold on Green background	BTR1047	1
[900]	Decal-Range Rover	Change point - VIN end JA624754	Rear, Nimbus	MUC2956LMP	1
[901]	Decal	Change point - VIN end JA624755, (+)"AUS"	Silver	GAA474	1
[902]	Decal	Change point - VIN end JA624755, (+)"AUS"	Grey	GAA475	1
[903]	Decal	Change point - VIN end JA624755, (+)"AUS"		GAA463	1



Body & Chassis

Range Rover (From JA610294)

Body

Body Tapes-From (V) KA624756 1/2

(BDNXQA2C)

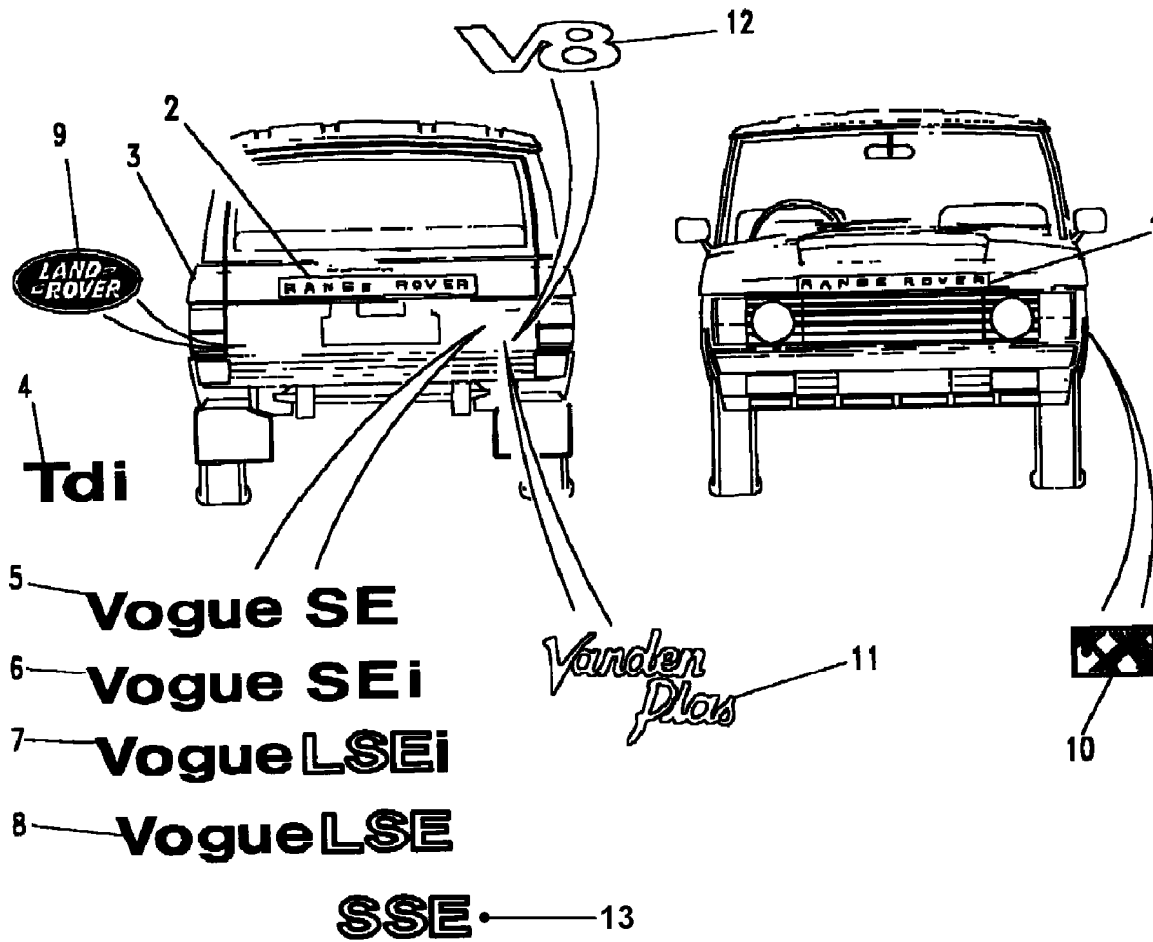
Range Rover (From JA610294)

Body & Chassis

Body

Body Tapes-From (V) KA624756

Callout	Name	Application	Remarks & Restrictions	Service No.	Qty
1	Decal-bonnet	Change point - VIN begin KA624756, Change point - VIN end KA631126	Dark Grey	BTR5653LVC	1
		Change point - VIN begin KA624756, Change point - VIN end KA631126	Mid Silver	BTR5653MUK	1
		Change point - VIN begin KA624756	Black	BTR7033PME	1
2	Decal-tailgate	Change point - VIN begin KA624756, Change point - VIN end KA631126	Dark Grey	BTR5652LVC	1
		Change point - VIN begin KA624756, Change point - VIN end KA631126	Mid Silver	BTR5652MUK	1
		Change point - VIN begin KA624756	Black	BTR7032PME	1
3	Tape sidestripe	Change point - VIN begin KA624756, Change point - VIN end KA631126	Dark Grey, 10M	MXC1172LVC	2
		Change point - VIN begin KA624756, Change point - VIN end KA631126	Mid Silver, 10M	MXC1172MUK	2
		Change point - VIN begin KA624756	Black, 10M	MXC1172PME	1
		Change point - VIN begin KA624756	Silver, 10M	MXC1172MMG	1
4	Decal TDI	Change point - VIN begin KA624756, Change point - VIN end KA631126	Dark Grey	BTR5654LVC	1
		Change point - VIN begin KA624756, Change point - VIN end KA631126	Mid Silver	BTR5654MUK	1
		Change point - VIN begin KA624756	Black	BTR7034PME	1
5	Decal vogue SE	Change point - VIN begin KA624756, Change point - VIN end KA631126	Dark Grey	BTR5655LVC	1
		Change point - VIN begin KA624756, Change point - VIN end KA631126	Mid Silver	BTR5655MUK	1
		Change point - VIN begin KA624756	Black	BTR7035PME	1
6	Decal vogue SEI	Change point - VIN begin KA624756, Change point - VIN end KA631126	Dark Grey	BTR5657LVC	1
		Change point - VIN begin KA624756, Change point - VIN end KA631126	Mid Silver	BTR5657MUK	1
		Change point - VIN begin KA624756	Black	BTR7037PME	1
7	Decal vogue LSEI	Change point - VIN begin KA624756, Change point - VIN end KA631126, (+)"D"	Dark Grey	BTR5658LVC	1
		Change point - VIN begin KA624756, Change point - VIN end KA631126, (+)"D"	Mid Silver	BTR5658MUK	1



C01.025
03-2003
L2
BDNXQA2C

Body & Chassis

Range Rover (From JA610294)

Body

Body Tapes-From (V) KA624756 2/2

(BDNXQA2C)

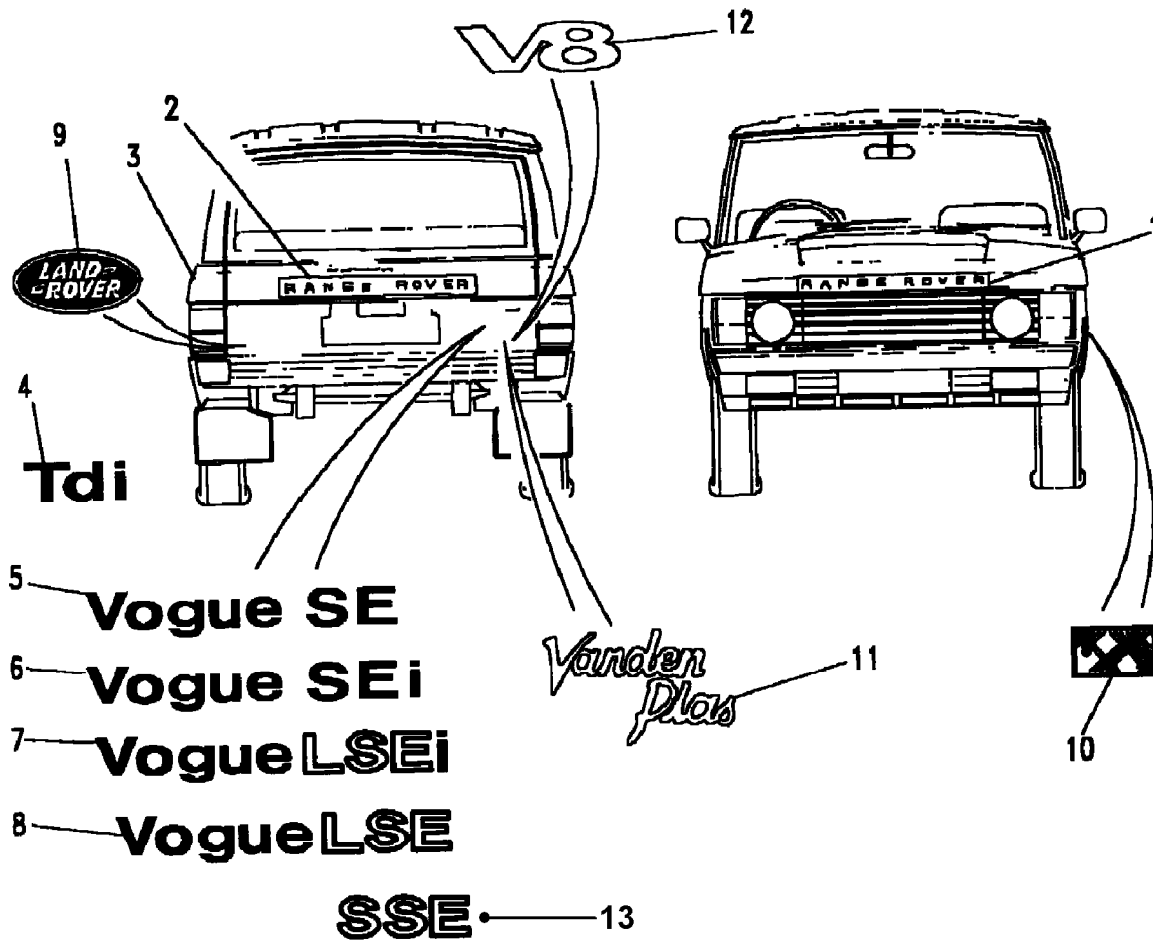
Body & Chassis

Range Rover (From JA610294)

Body

Body Tapes-From (V) KA624756

Callout	Name	Application	Remarks & Restrictions	Service No.	Qty
7	Decal vogue LSEi	Change point - VIN begin KA624756, (+)"D"	Black	BTR7038PME	1
8	Decal vogue LSE	Change point - VIN begin KA624756, Change point - VIN end KA631126	Dark Grey	BTR5659LVC	1
		Change point - VIN begin KA624756, Change point - VIN end KA631126	Mid Silver	BTR5659MUK	1
		Change point - VIN begin KA624756	Black	BTR7039PME	1
9	Badge-Land Rover	Change point - VIN begin KA624756, Change point - VIN end KA631126	Rear, Gold on Green background	BTR1047	1
		Change point - VIN begin KA624756	Rear, Gold on Green background	BTR1047	1
10	Reflector	Change point - VIN begin KA640178		AMR3159	2
11	Decal-Vanden Plas	Change point - VIN begin KA624756, (+)"J"	Chrome/Black	JRC6792RHT	1
12	Badge	Change point - VIN begin KA624756, V8, (+)"J"	V8	BRC6484	3
13	Decal	Change point - VIN begin KA640178, (+)"AUS"		RAA018	1
[900]	Decal-Vanden Plas	Change point - VIN begin KA624756, (+)"J"	Silver	JRC6792L	1



SEP 04

687

Body & Chassis
Body
Bodyshell 1/1

Range Rover (From JA610294)
(BDNXBA1A)

687

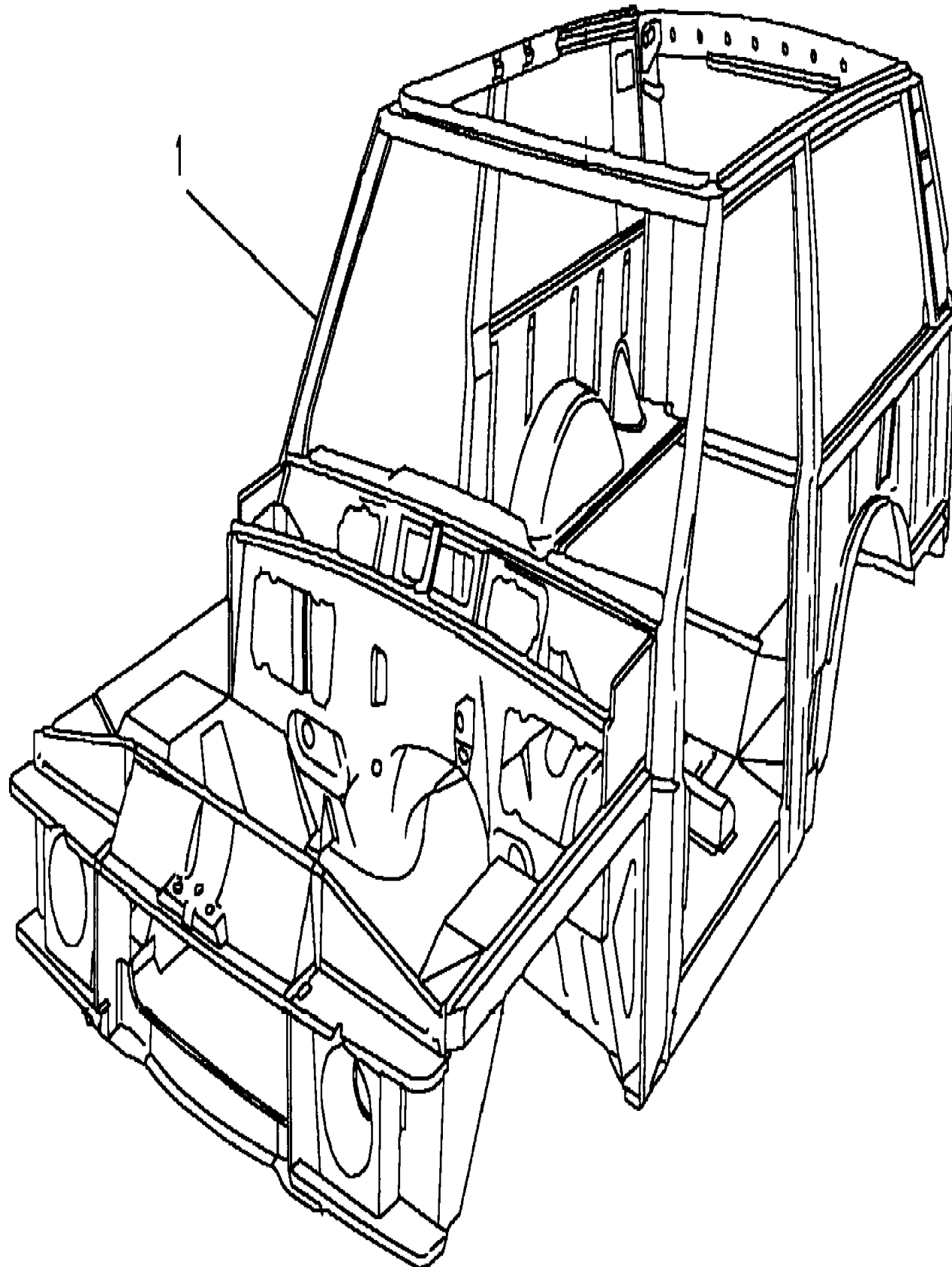
SEP 04

Range Rover (From JA610294)

Body & Chassis
Body
Bodyshell

2 Door Station Wagon

Callout	Name	Application	Remarks & Restrictions	Service No.	Qty
1	Body Shell			MXC9769	1



SEP 04

688

Body & Chassis
Body
Bodyshell 1/1

Range Rover (From JA610294)
(BDNXBA2A)

688

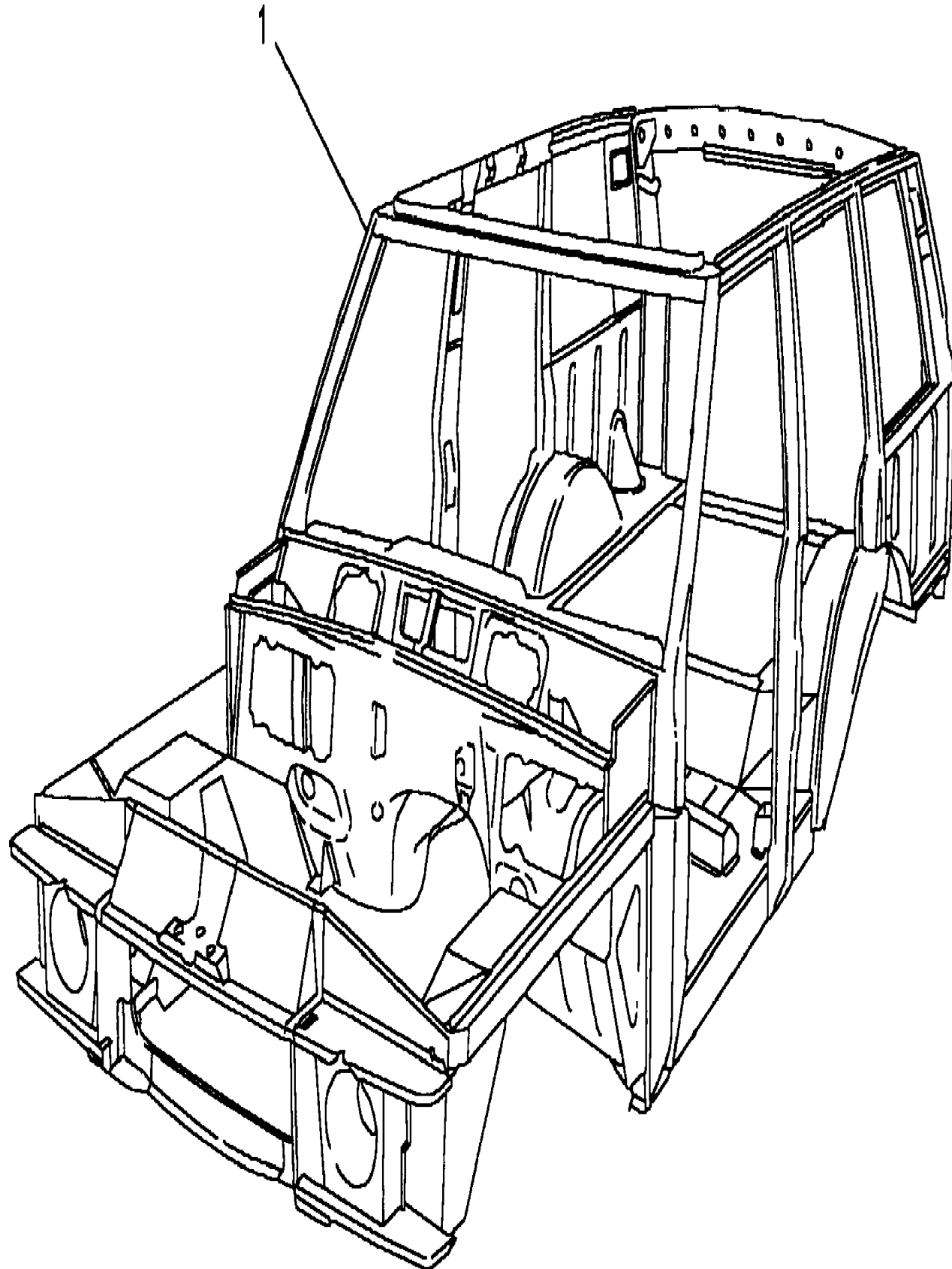
SEP 04

Range Rover (From JA610294)

Body & Chassis
Body
Bodyshell

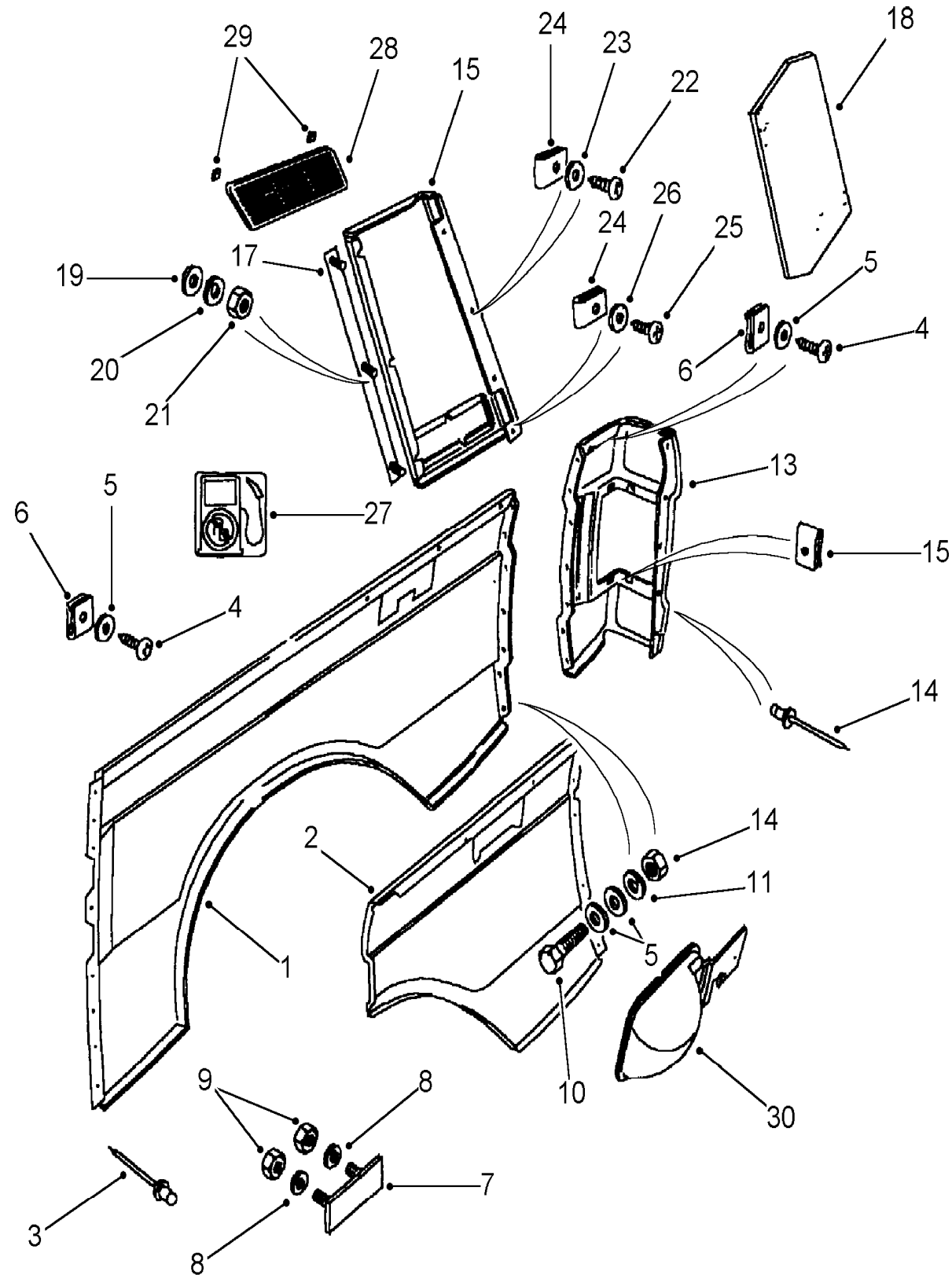
4 Door Station Wagon

Callout	Name	Application	Remarks & Restrictions	Service No.	Qty
1	Body Shell	Change point - VIN end KA647644, 100" Change point - VIN begin MA647645, 100" Change point - VIN end KA647644, 108" (2743mm) Wheelbase Change point - VIN begin MA647645, 108" (2743mm) Wheelbase		STC1922 ALR4194 STC1940 ALR4193	1 1 1 1



Range Rover (From JA610294)

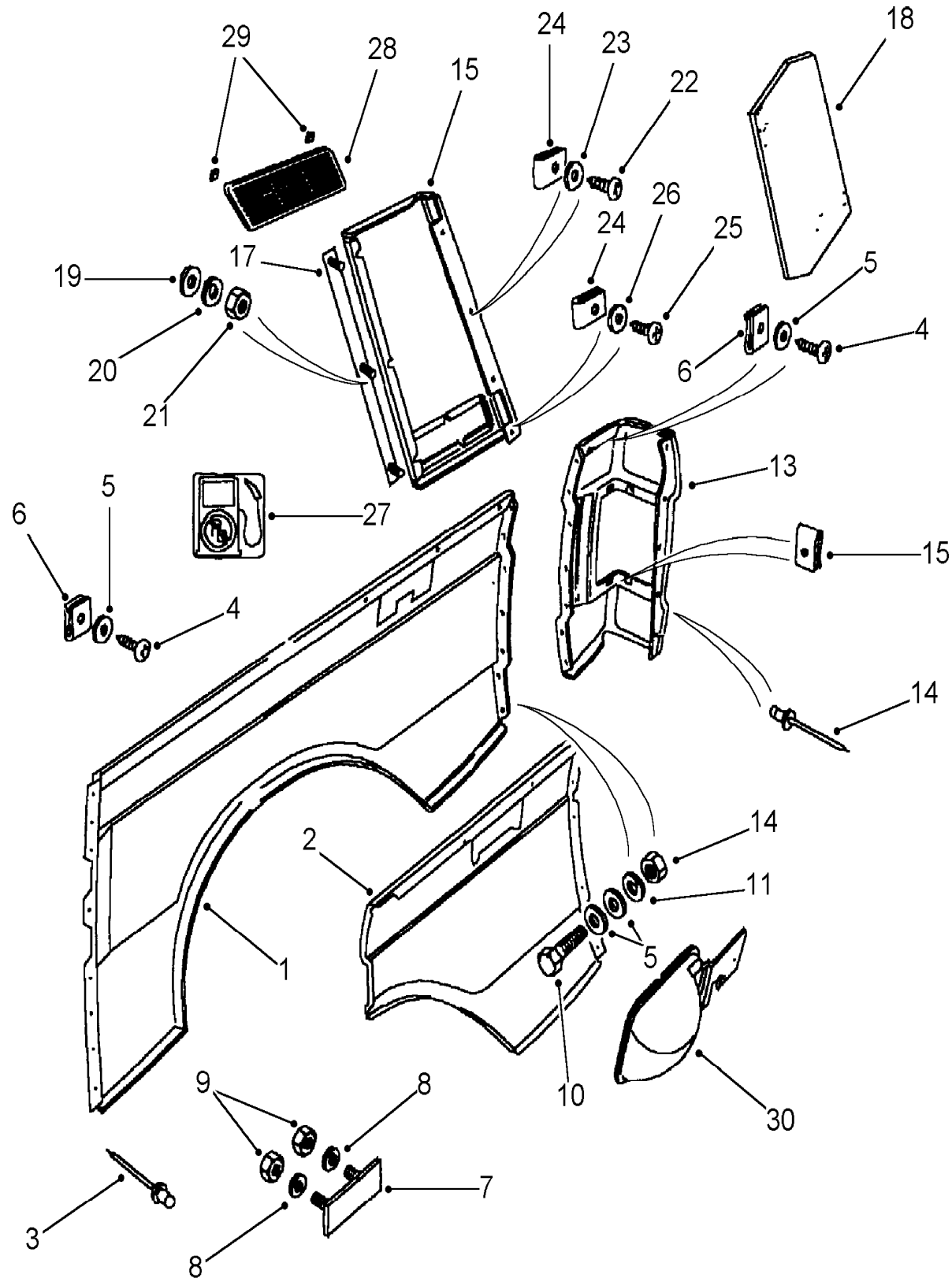
(LN0116)



LN0116

Range Rover (From JA610294)

Callout	Name	Application	Remarks & Restrictions	Service No.	Qty
1	Panel-bodyside trim	2 Door Station Wagon 2 Door Station Wagon	RH LH	ALR1592 390372	1 1
2	Panel-bodyside trim	4 Door Station Wagon 4 Door Station Wagon 4 Door Station Wagon 4 Door Station Wagon	Less Body Styling Kit, RH Less Body Styling Kit, LH Body Styling Kit, RH Body Styling Kit, LH	STC1394 STC1395 STC1468 STC1469	1 1 1 1
3	Rivet-pop-aluminium			RA608183	12
4	Screw-self tapping		to panel corner, pan head, No 12 x 1/2, pointed	AB612041L	X
5	Washer-Plain		M6	3831L	X
6	Nut - Hex.		to panel corner	AK612011L	8
7	Plate assembly			MTC5501	2
8	Washer		M6, sprung	WL106001L	4
9	Nut - Hex.		to cowl fuel filler, M6, nyloc, Hexagonal	NH106041L	4
10	Screw		panel bodyside to panel corner, 1/4UNF x 3/4	255207	14
11	Washer-Spring		1/4 dia, Square	WM600041L	14
12	Nut - Hex.		hexagonal head, Coarse Thread, 1/4UNF	NH604041L	14
13	Panel Corner		RH LH	RTC6203 RTC6204	1 1
14	Rivet			78257	14
15	Nut-spring-J type		to panel corner	79039	12
16	Panel rear quarter		RH LH	AWR1368 AWR1369	1 1
17	Plate-trim retention			390055	2
18	Pad-insulation			MTC3151	2
19	Washer			3902L	6
20	Washer-Spring		3/16 dia, Square	WM702001L	6
21	Nut - Hex.		plate to panel rear quarter, UNF	257023	6
22	Screw-self tapping AB		to panel rear quarter, M8 x 12	AB610041L	6
23	Washer-Plain			WC702101L	6



Callout	Name	Application	Remarks & Restrictions	Service No.	Qty
24	Nut-spire		to panel rear quarter	78947	6
25	Screw		to panel rear quarter, Self Tapping, No 6 x 1/2	AB606041L	2
26	Washer-Plain			WC702101L	2
27	Label-caution fuel filler			NTC7503	1
28	Vent-air extractor		RH, Gloss Gloss, LH RH, Matt Matt, LH	390515 390516 RTC6698 RTC6699	1 1 1 1
29	Clip			PFS104L	6
30	Cowl-fuel filler			MXC9623	1

Body & Chassis
 Body
 Bodyshell 1/2

Range Rover (From JA610294)

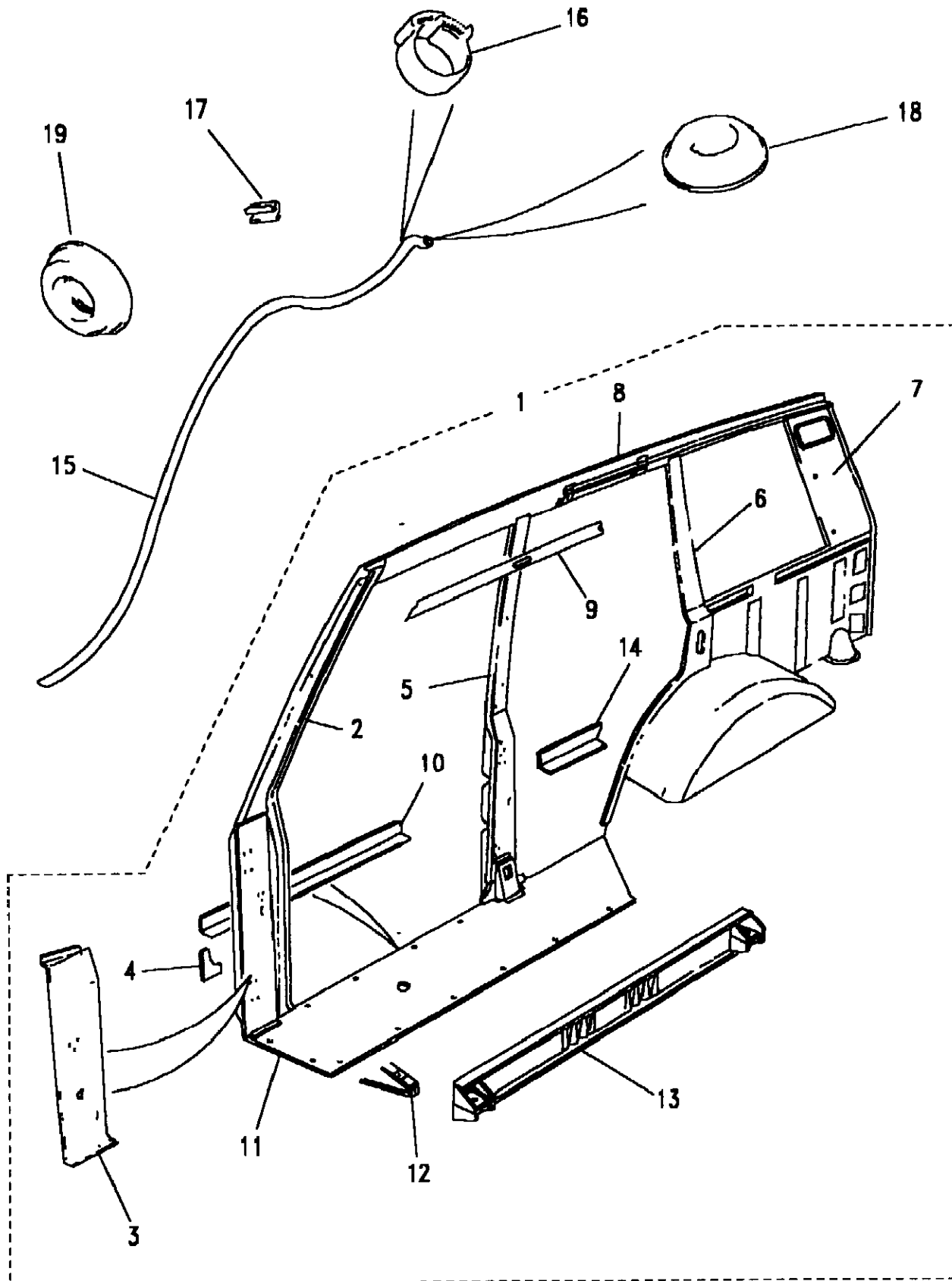
(BDNXBM2A)

Range Rover (From JA610294)

Body & Chassis
 Body
 Bodyshell

108" (2743mm) Wheelbase

Callout	Name	Application	Remarks & Restrictions	Service No.	Qty
1	Body side assembly	Change point - VIN end KA647644	Also serviced as part of a kit, RH	STC1942	1
		Change point - VIN end KA647644	Also serviced as part of a kit, LH	STC1941	1
		Change point - VIN begin MA647645	Also serviced as part of a kit, RH	ALR4204	1
		Change point - VIN begin MA647645	Also serviced as part of a kit, LH	ALR4203	1
2	A post	Change point - VIN end KA647644	Also serviced as part of a kit, RH	STC1939	1
		Change point - VIN end KA647644	Also serviced as part of a kit, LH	STC1936	1
		Change point - VIN begin MA647645	Also serviced as part of a kit, RH	ALR6996	1
		Change point - VIN begin MA647645	Also serviced as part of a kit, LH	ALR6995	1
3	Closing-A post	Change point - VIN end KA647644	Also serviced as part of a kit, RH	MXC8054	1
		Change point - VIN end KA647644	Also serviced as part of a kit, LH	MXC8053	1
		Change point - VIN begin MA647645	Also serviced as part of a kit, RH	MXC8054	1
		Change point - VIN begin MA647645	Also serviced as part of a kit, LH	MXC8053	1
4	Gusset-a post lower	Change point - VIN end KA647644	Also serviced as part of a kit	MWC9966	2
5	BC post	Change point - VIN end KA647644	Also serviced as part of a kit, RH	ALR4458	1
		Change point - VIN end KA647644	Also serviced as part of a kit, LH	ALR4457	1
6	D post assembly	Change point - VIN end KA647644	Also serviced as part of a kit, RH	MXC9544	1
		Change point - VIN end KA647644	Also serviced as part of a kit, LH	MXC9545	1
7	Panel-rear inner quarter	Change point - VIN end KA647644	Also serviced as part of a kit, RH	ALR4462	1
		Change point - VIN end KA647644	Also serviced as part of a kit, LH	ALR4461	1
8	Cantrail assembly	Change point - VIN end KA647644	Also serviced as part of a kit, RH	ALR1486	1
		Change point - VIN end KA647644	Also serviced as part of a kit, LH	ALR1487	1
9	Panel closing	Change point - VIN end KA647644	Also serviced as part of a kit, RH	MXC8940	1
		Change point - VIN end KA647644	Also serviced as part of a kit, LH	MXC8939	1
10	Flange-sill	Change point - VIN end KA647644	Also serviced as part of a kit	MTC9217	1



Body & Chassis
 Body
 Bodyshell 2/2

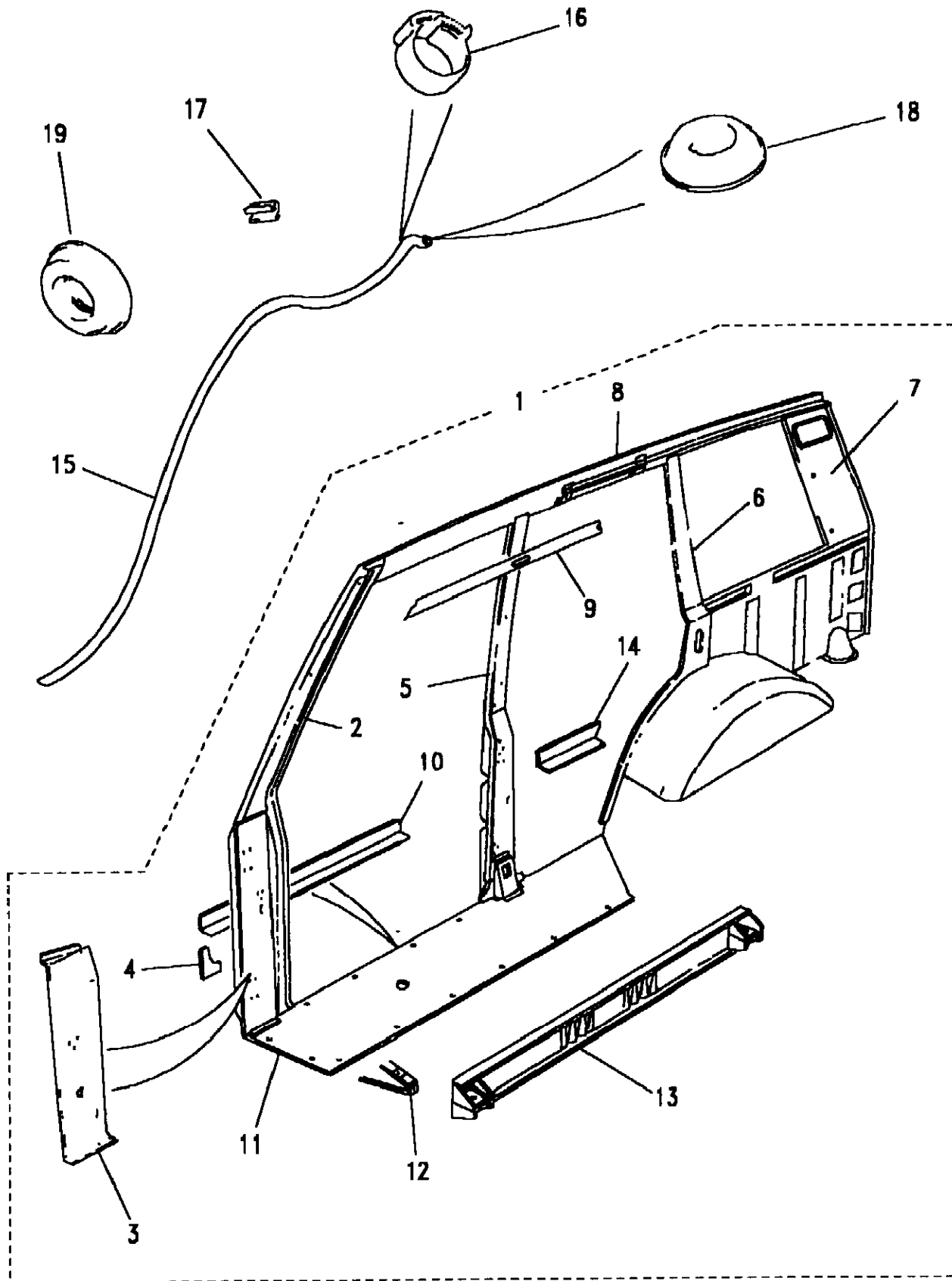
Range Rover (From JA610294)
 (BDNXBM2A)

Body & Chassis
 Body
 Bodyshell

Range Rover (From JA610294)

108" (2743mm) Wheelbase

Callout	Name	Application	Remarks & Restrictions	Service No.	Qty
11	Sill	Change point - VIN end KA647644	Also serviced as part of a kit	ALR3414	1
12	Panel closing	Change point - VIN end KA647644	Also serviced as part of a kit, Front, RH	390045	1
		Change point - VIN end KA647644	Also serviced as part of a kit, Front, LH	390046	1
13	Sill	Change point - VIN end KA647644	Also serviced as part of a kit, RH	STC1095	1
		Change point - VIN end KA647644	Also serviced as part of a kit, LH	STC1094	1
14	Flange-sill	Change point - VIN end KA647644	Also serviced as part of a kit	ALR1603	2
15	Tube-sunroof drain		Front Rear	MWC5964 ALR1518	1 1
16	Clip-Hose			MWC5734	2
17	Clip			ADU8460L	X
18	Grommet			DRC1170L	2
19	Grommet			ATU1040	2



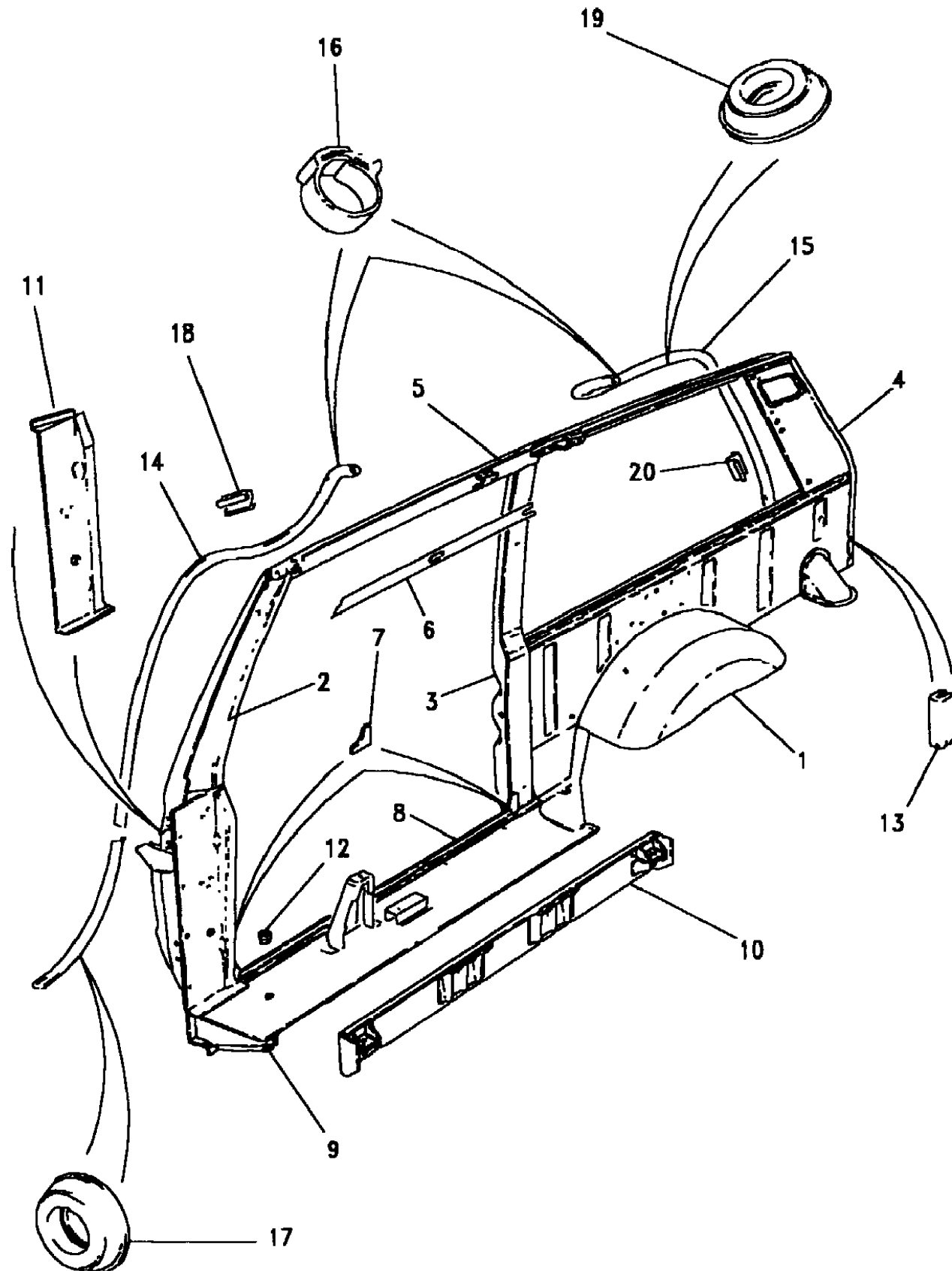
Range Rover (From JA610294)

(BDNXBK1A)

Range Rover (From JA610294)

2 Door Station Wagon

Callout	Name	Application	Remarks & Restrictions	Service No.	Qty	
1	Body side assembly		Also serviced as part of a kit, LH	ALR3495	1	
			Also serviced as part of a kit, RH	ALR3496	1	
2	A post assembly		Also serviced as part of a kit, LH	MXC9567	1	
			Also serviced as part of a kit, RH	MXC9566	1	
3	BC post assembly		Also serviced as part of a kit, LH	MWC6351	1	
			Also serviced as part of a kit, RH	MWC6350	1	
4	Panel-rear inner quarter	Change point - VIN end JA624754	Also serviced as part of a kit, LH	MXC5461	1	
			Change point - VIN begin KA624756	Also serviced as part of a kit, LH	ALR4461	1
			Change point - VIN end JA624754	Also serviced as part of a kit, RH	MXC5462	1
			Change point - VIN begin KA624756	Also serviced as part of a kit, RH	ALR4462	1
5	Cantrail		Also serviced as part of a kit, LH	MXC9531	1	
			Also serviced as part of a kit, RH	MXC9532	1	
6	Panel closing		Also serviced as part of a kit, LH	MXC8939	1	
			Also serviced as part of a kit, RH	MXC8940	1	
7	Gusset-a post lower		Also serviced as part of a kit	MWC9966	2	
8	Sill		Also serviced as part of a kit, Inner, LH	MXC3919	1	
			Also serviced as part of a kit, RH, Inner	MXC3918	1	
9	Panel closing		Also serviced as part of a kit, Front, LH	390046	1	
			Also serviced as part of a kit, Front, RH	390045	1	
10	Sill outer assembly		Also serviced as part of a kit, LH	STC1135	1	
			Also serviced as part of a kit, RH	STC1136	1	
11	Closing-A post		Also serviced as part of a kit, Lower, LH	MXC7926	1	
			Also serviced as part of a kit, RH, Lower	MXC7927	1	
12	Plug-blanking		Also serviced as part of a kit, 25.5MM, Plastic	338023	2	



Body & Chassis
 Body
 Bodyside 2/2

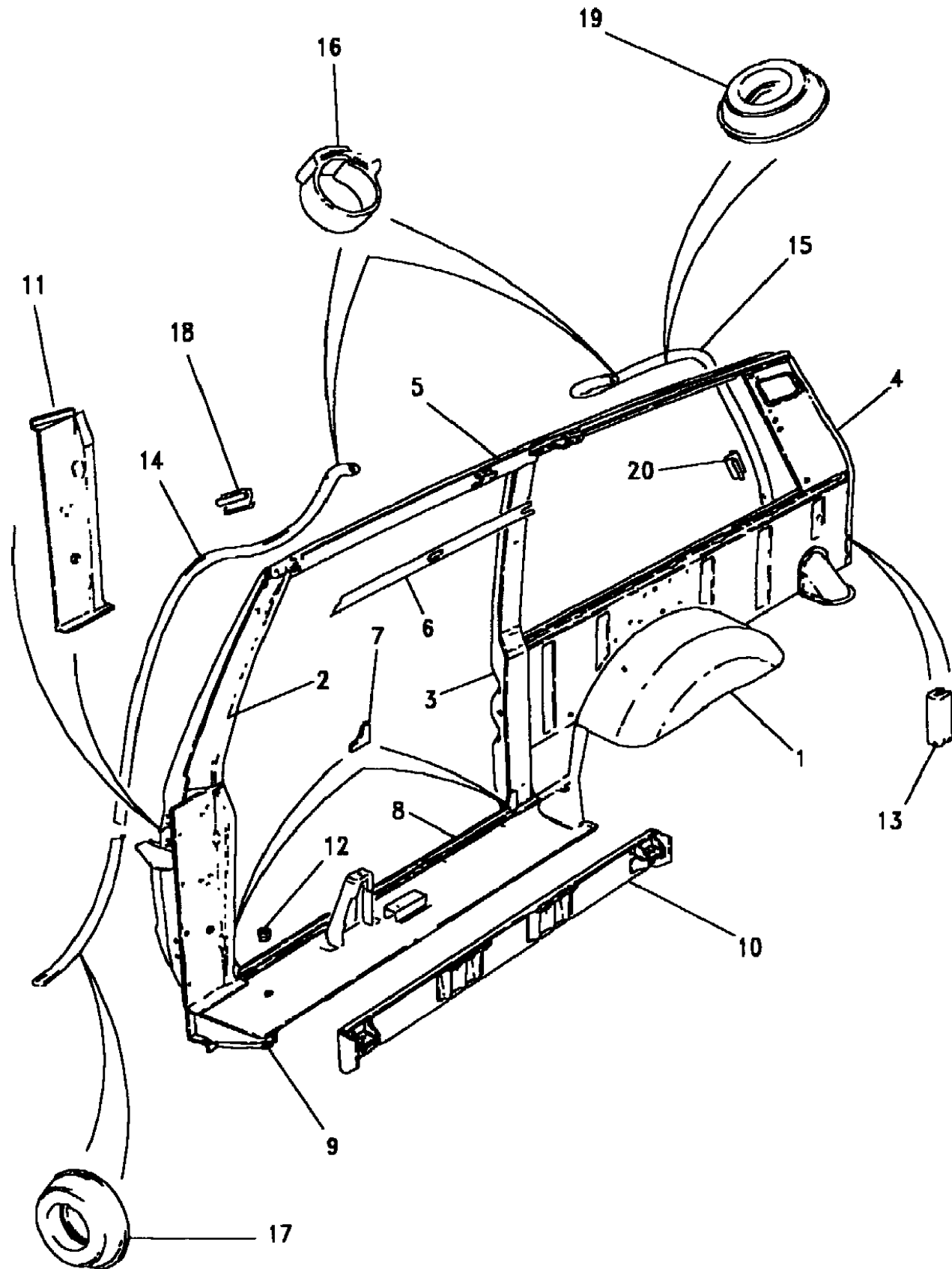
Range Rover (From JA610294)
 (BDNXBK1A)

Body & Chassis
 Body
 Bodyside

Range Rover (From JA610294)

2 Door Station Wagon

Callout	Name	Application	Remarks & Restrictions	Service No.	Qty
13	Protector-edge		Bodyside, Also serviced as part of a kit	DRC1530	2
14	Tube-sunroof drain		Also serviced as part of a kit, Front	MWC5964	2
15	Tube-rear sunroof drain		Also serviced as part of a kit	MWC5966	2
16	Clip-Hose		Also serviced as part of a kit	MWC5734	4
17	Grommet		Also serviced as part of a kit	ATU1040	4
18	Clip		Also serviced as part of a kit	ADU8460L	10
19	Grommet		Also serviced as part of a kit	DRC1170L	6



Body & Chassis
 Body
 Bodyshell 1/2

Range Rover (From JA610294)

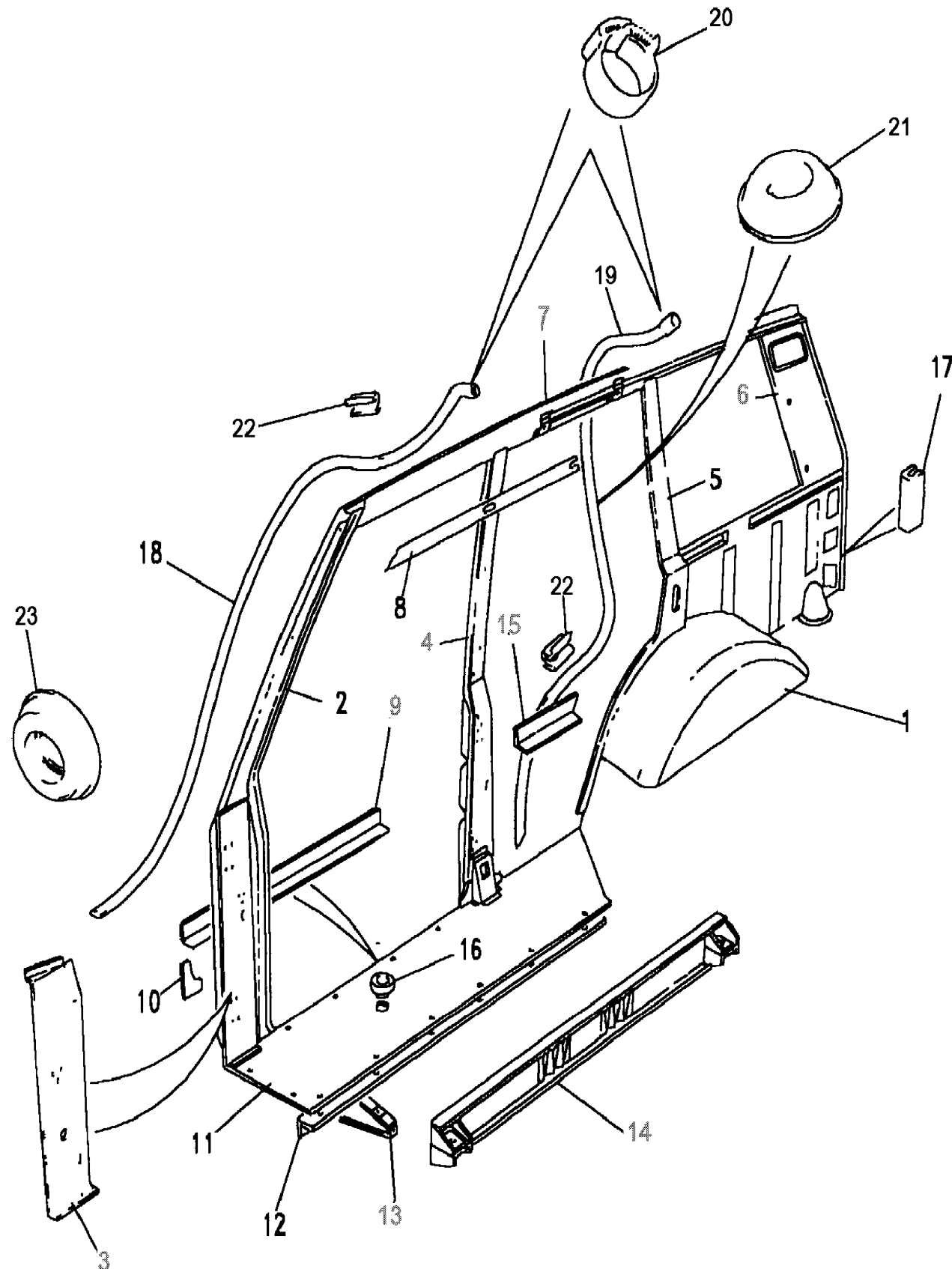
(BDNXBM1A)

Range Rover (From JA610294)

Body & Chassis
 Body
 Bodyshell

4 Door Station Wagon

Callout	Name	Application	Remarks & Restrictions	Service No.	Qty
1	Body side assembly	Change point - VIN end JA624754	Also serviced as part of a kit, RH	ALR2046	1
		Change point - VIN begin KA624756, Change point - VIN end KA647644	Also serviced as part of a kit, RH	STC1938	1
		Change point - VIN begin KA647645	Also serviced as part of a kit, RH	ALR4190	1
		Change point - VIN end KA647644	Also serviced as part of a kit, LH	STC1935	1
		Change point - VIN begin KA647645	Also serviced as part of a kit, LH	ALR4189	1
		2	A post	Change point - VIN end KA647644	Also serviced as part of a kit, RH
3	BC post	Change point - VIN begin MA647645	Also serviced as part of a kit, RH	ALR6996	1
		Change point - VIN end KA647644	Also serviced as part of a kit, LH	STC1936	1
		Change point - VIN begin MA647645	Also serviced as part of a kit, LH	ALR6995	1
		Change point - VIN end JA624754	Also serviced as part of a kit, RH	ALR4458	1
4	D post assembly	Change point - VIN end KA647644	Also serviced as part of a kit, LH	ALR4457	1
		Change point - VIN end JA624754	Also serviced as part of a kit, RH	MXC9544	1
5	Cantrail	Change point - VIN end KA647644	Also serviced as part of a kit, LH	MXC9527	1
		Change point - VIN end JA624754	Also serviced as part of a kit, RH	MXC9528	1
6	Panel-rear inner quarter	Change point - VIN end KA647644	Also serviced as part of a kit, LH	ALR4461	1
		Change point - VIN end JA624754	Also serviced as part of a kit, RH	ALR4462	1
7	Panel closing	Change point - VIN end KA647644	Also serviced as part of a kit, LH	MXC8939	1
		Change point - VIN end JA624754	Also serviced as part of a kit, RH	MXC8940	1
8	Flange-sill	Change point - VIN end KA647644	Also serviced as part of a kit	MTC9217	2
		Change point - VIN end JA624754	Also serviced as part of a kit	MTC9217	2
9	Sill	Change point - VIN end KA647644	Also serviced as part of a kit	MWC9966	2
		Change point - VIN end JA624754	Also serviced as part of a kit, Inner	ALR3402	1
10	Gusset-a post lower	Change point - VIN end JA624754	Also serviced as part of a kit	MWC9966	2



Body & Chassis
Body
Bodyshell 2/2

Range Rover (From JA610294)

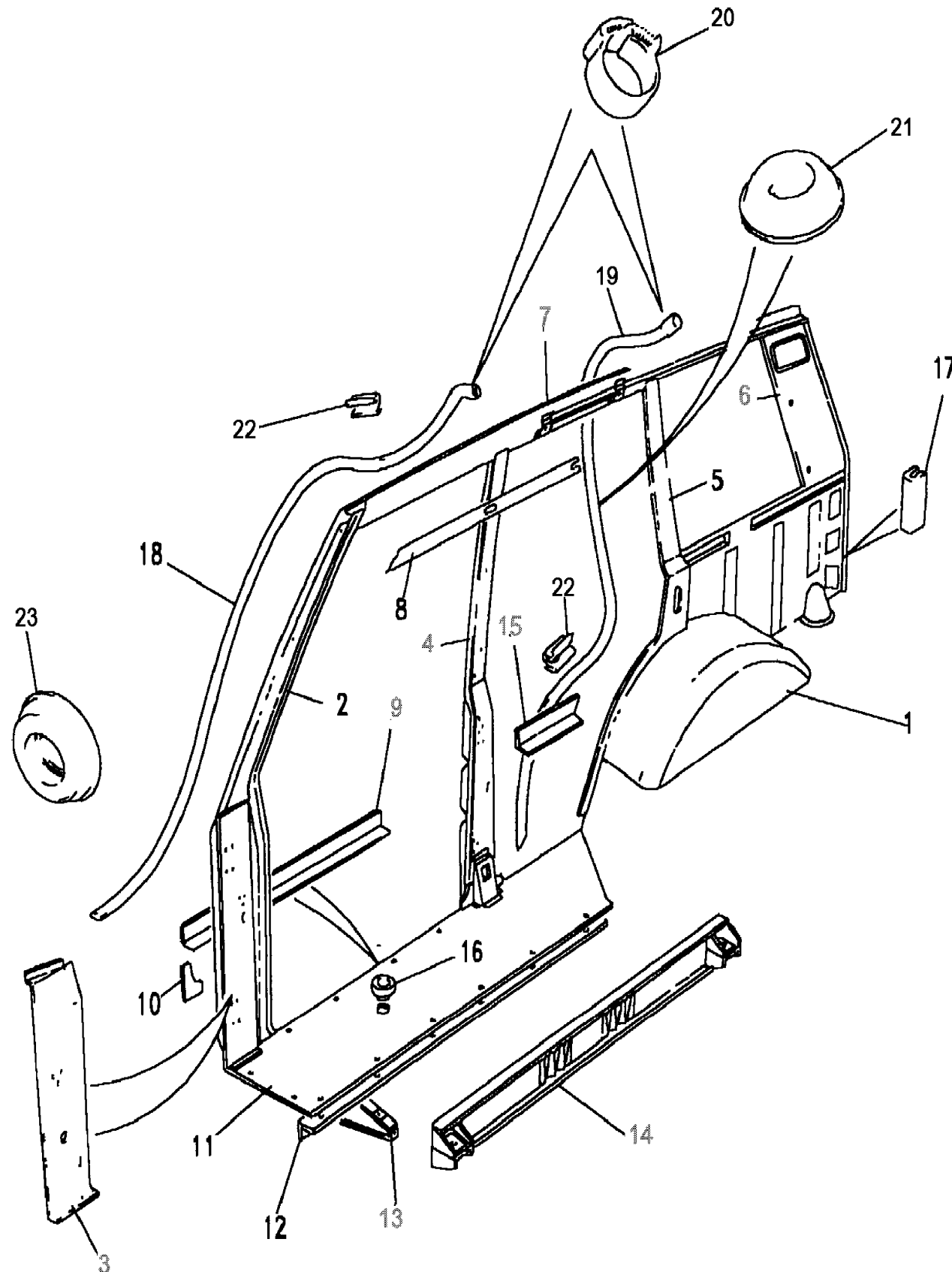
(BDNXBM1A)

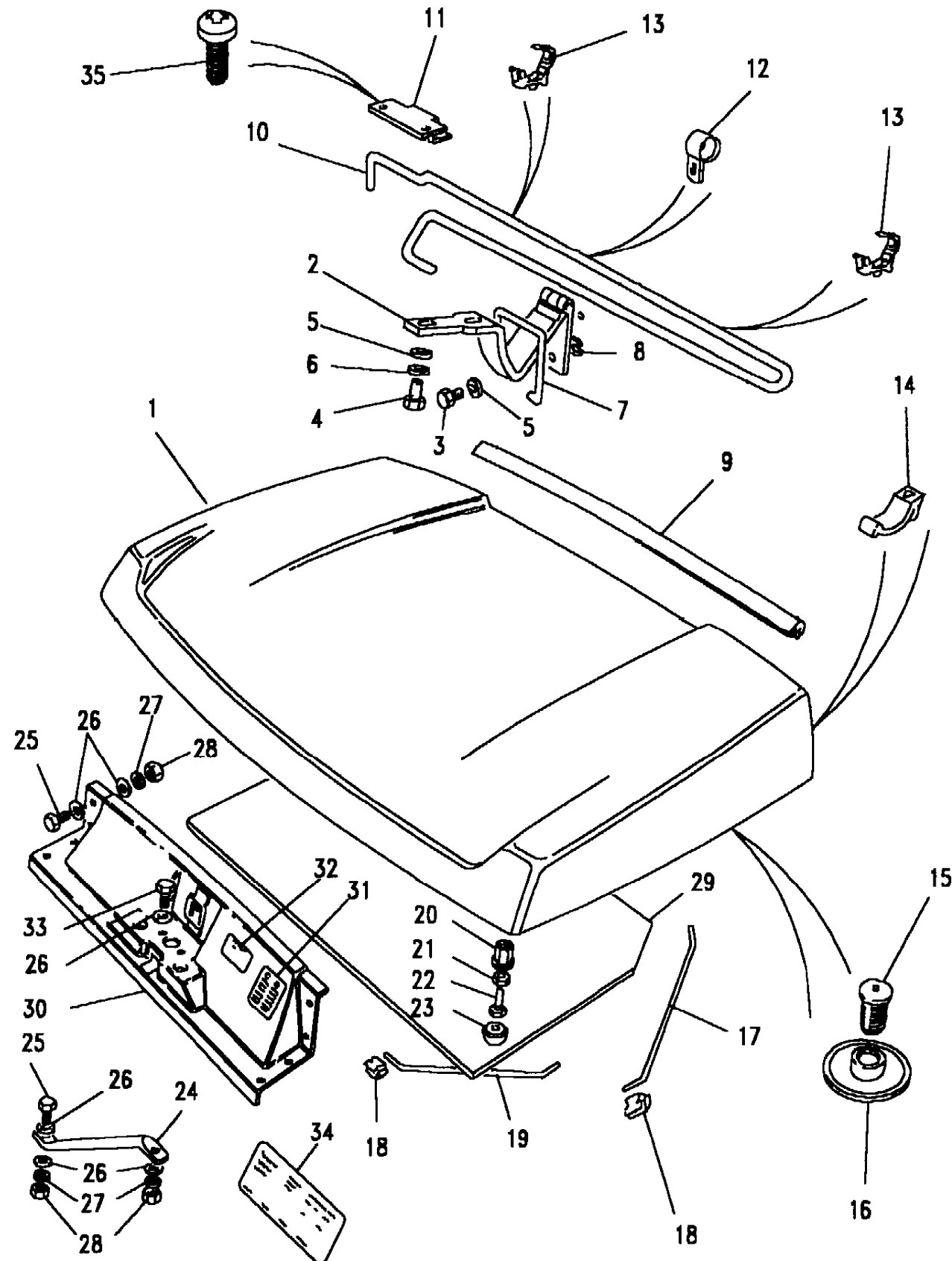
Body & Chassis
Body
Bodyshell

Range Rover (From JA610294)

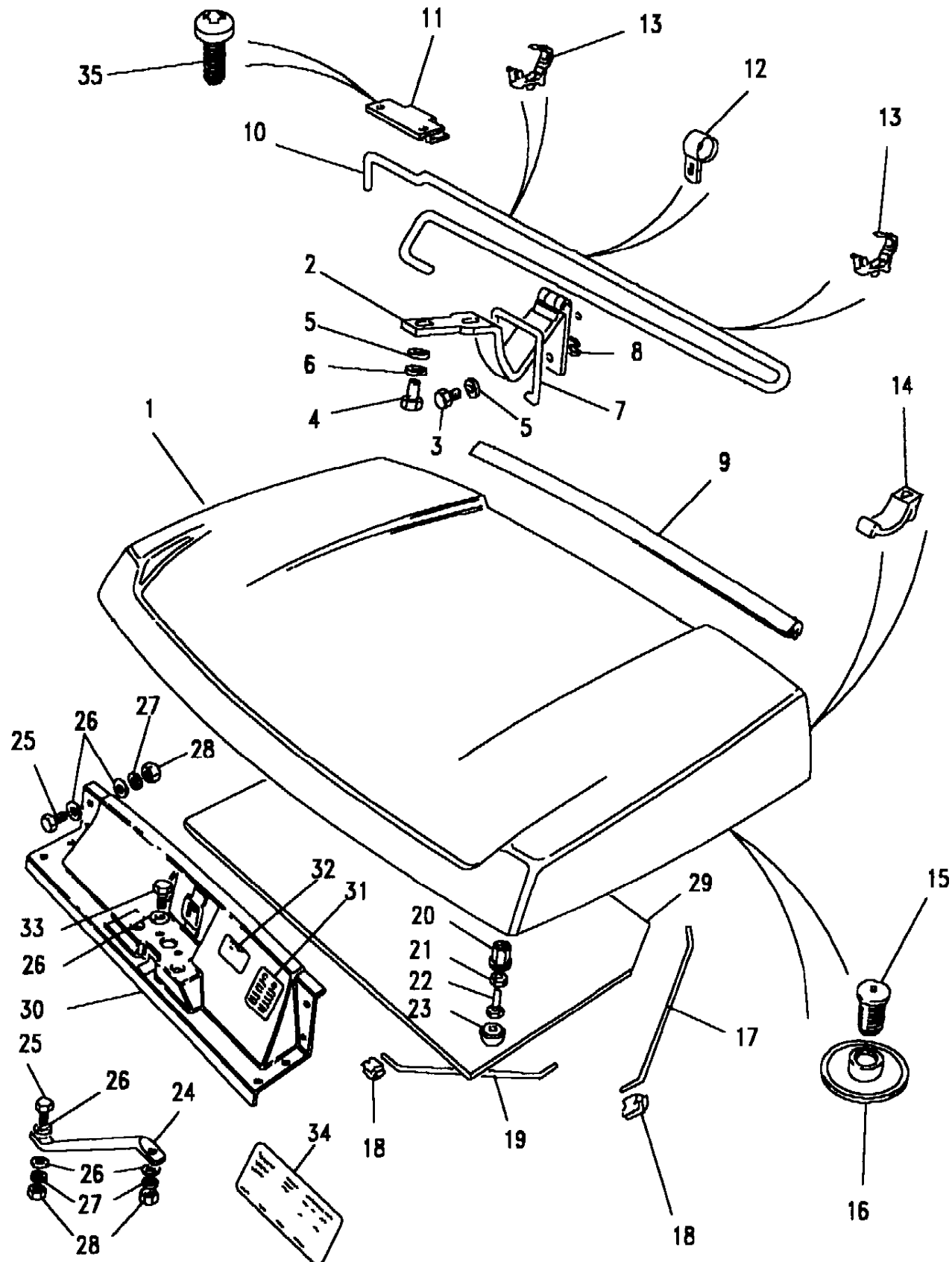
4 Door Station Wagon

Callout	Name	Application	Remarks & Restrictions	Service No.	Qty
10	Gusset-a post lower	Change point - VIN end KA647644	Also serviced as part of a kit, Inner	ALR3402	1
11	Stiffener	Change point - VIN end JA624754	Also serviced as part of a kit, RH	390049	1
		Change point - VIN end JA624754	Also serviced as part of a kit, LH	390050	1
		Change point - VIN end KA647644	Also serviced as part of a kit, RH	390049	1
		Change point - VIN end KA647644	Also serviced as part of a kit, LH	390050	1
12	Panel closing	Change point - VIN end JA624754	Also serviced as part of a kit, Front, RH	390045	1
		Change point - VIN end KA647644	Also serviced as part of a kit, Front, LH	390046	1
13	Sill	Change point - VIN end JA624754	Also serviced as part of a kit, RH	STC1134	1
		Change point - VIN end KA647644	Also serviced as part of a kit, LH	STC1133	1
14	Flange-sill	Change point - VIN end JA624754	Also serviced as part of a kit, RH	MTC9208	1
		Change point - VIN end KA647644	Also serviced as part of a kit, LH	MTC9207	1
15	Closing-A post	Change point - VIN end KA647644	Also serviced as part of a kit, RH	MXC8054	1
		Change point - VIN begin MA647645	Also serviced as part of a kit, RH	MXC8054	1
		Change point - VIN end KA647644	Also serviced as part of a kit, LH	MXC8053	1
		Change point - VIN begin MA647645	Also serviced as part of a kit, LH	MXC8053	1
16	Plug-blanking		25.5MM, Plastic	338023	2
17	Protector-edge		Bodyside	DRC1530	2
18	Tube-sunroof drain		Front	MWC5964	2
19	Tube-rear sunroof drain			MWC5966	2
20	Clip-Hose			MWC5734	4
21	Clip			ADU8460L	10
22	Grommet			DRC1170L	6
23	Grommet			ATU1040	4





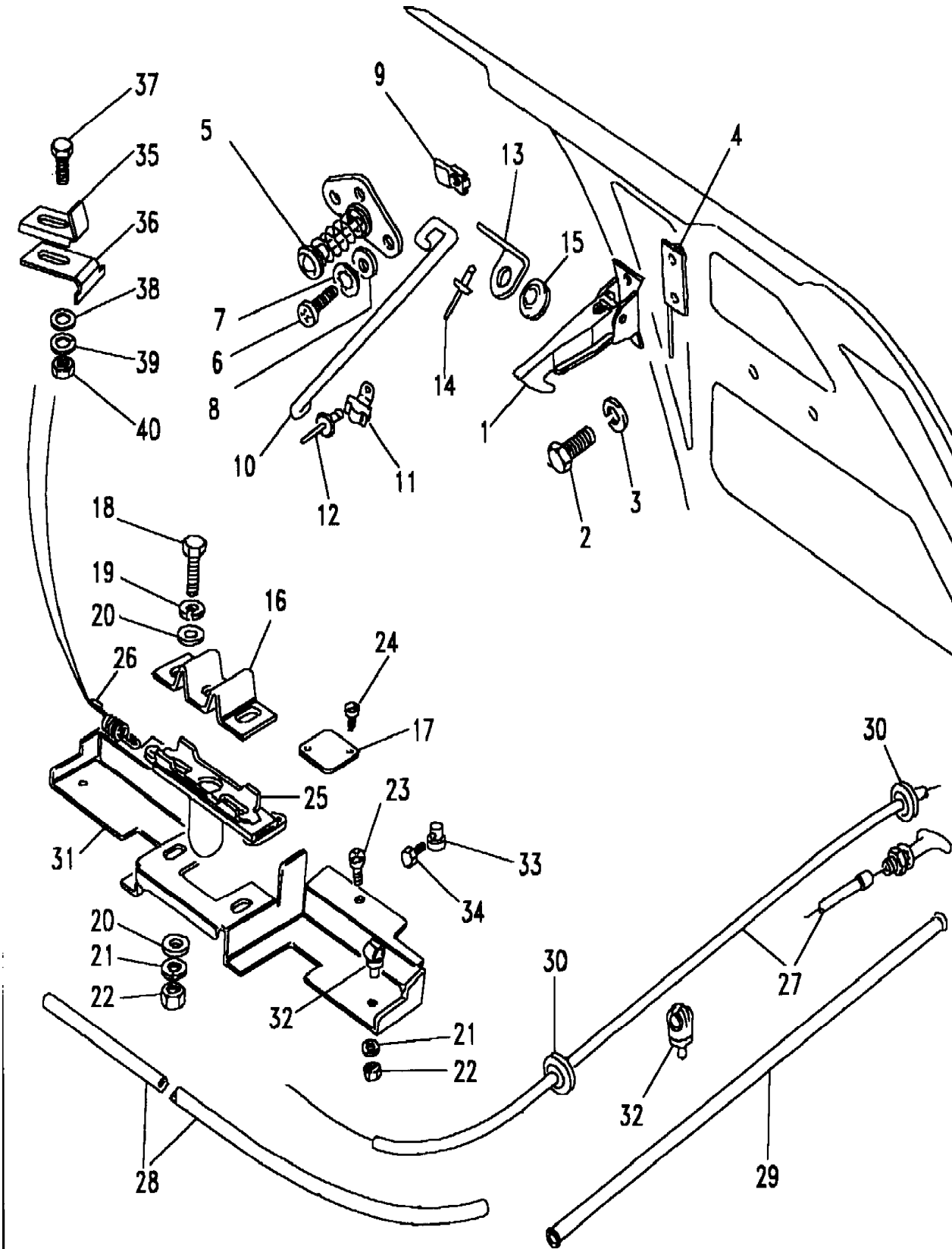
Callout	Name	Application	Remarks & Restrictions	Service No.	Qty
1	Bonnet assembly	Change point - VIN end JA624754 Change point - VIN begin KA624756, Change point - VIN end KA647644 Change point - VIN begin MA647645		RTC6368 ALR3503 STC1653	1 1 1
2	Hinge assembly-bonnet	Change point - VIN end MA646330 Change point - VIN begin MA646331, Change point - VIN end MA656839 Change point - VIN begin MA656840		MWC2680 ALR5644 ALR8375	2 2 2
3	Screw		fixing bonnet hinge, M8 X 15, hexagonal head	SH108151L	2
4	Screw		M8 x 25, hexagonal head	SH108251L	4
5	Washer-Plain		8MM	WA108251L	6
6	Washer-Spring		5/16"	WM600051L	4
7	Check strap			MWC2486	2
8	Spacer			MWC4560	6
9	Seal			MUC3717	1
10	Torsion Bar			MUC5482	2
11	Bracket			MXC5230	2
12	Clip			13H8702L	2
13	Clip			MXC3426	2
14	Clip			MTC6928	X
15	Clip		fir tree, Aluminium	MTC7171	X
16	Clip-button			MTC6927	X
17	Retaining rod		Rear	MWC4875	2
18	Clip-Pipe		Rear	369092	2
19	Retaining rod		Front	392147	2
20	Retainer			ATU1029	2
21	Nut - Hex.		M8, nyloc	NY108041L	2
22	Screw		M8 x 25, hexagonal head	SH108251L	2
23	Buffer-bonnet			391287	2



Callout	Name	Application	Remarks & Restrictions	Service No.	Qty
24	Crossbrace			MXC5603	2
25	Screw		platform to body, 1/4UNF x 5/8	255206	5
26	Washer-Plain		M6	3831L	16
27	Washer-Spring		1/4 dia, Square	WM600041L	8
28	Nut - Hex.		platform to body, hexagonal head, Coarse Thread, 1/4UNF	NH604041L	8
29	Pad-insulation bonnet	Change point - VIN end KA647644 Change point - VIN begin MA647645		MXC5027 BTR8770	1 1
30	Platform-bonnet locking	Change point - VIN end KA647644 Change point - VIN begin MA647645		MXC6500 ALR4195	1 1
31	Label-E mark		suppression	MRC168	1
32	Label-underbonnet data			BTR358	1
33	Screw		hexagonal head, 1/4UNF x 1 1/4	SH604101L	1
34	Label-underbonnet emissions	Change point - VIN begin JA610294, 3.9L Change point - VIN begin KA624781, 3.9L Change point - VIN begin KA624781, 4.2L Change point - VIN begin MA647645, 3.9L		BTR752 BTR8083 BTR8084 BTR8244	1 1 1 1
35	Screw-pan		1/4UNF x 1 1/4	SE604101L	4
[900]	Screw		M8 x 25, hexagonal head	SH108257	4

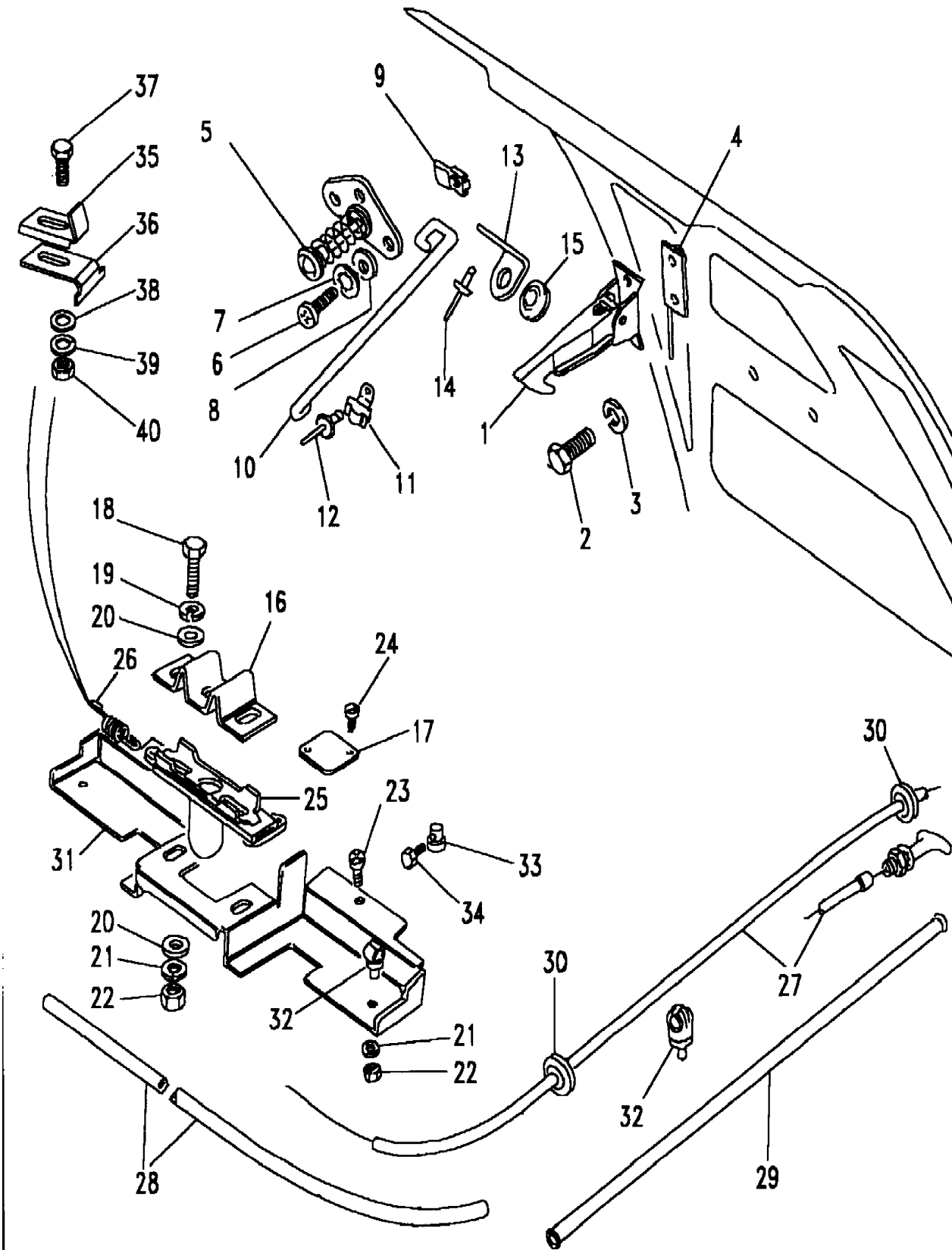
Range Rover (From JA610294)

(BDNXDC1A)



Range Rover (From JA610294)

Callout	Name	Application	Remarks & Restrictions	Service No.	Qty
1	Catch assembly-bonnet safety			MWC4332	1
2	Screw		catch to bonnet, pan head, M5 x 16, recessed	SE105161L	2
3	Washer-Spring		3/16 dia, Square	WM702001L	2
4	Nut-plate		catch to bonnet	MWC3389	1
5	Striker-bonnet			MWC6193	1
6	Screw		striker to bonnet, 1/4UNF x 3/4	255207	3
7	Washer-Lock			WF600041L	3
8	Washer			RTC618	3
9	Nut - Hex.		1/4UNF	346073	3
10	Prop-bonnet-solid			393202	1
11	Clip			MXC8710	1
12	Rivet			RTC3687	1
13	Bracket-bonnet stay pivot			391184	1
14	Rivet			78257	4
15	Grommet			369746	1
16	Plate-striker			350343	1
17	Plate			MXC2775	1
18	Screw		hexagonal head, M6 x 30	SH106301L	2
19	Washer		M6, rectangular	WL106007L	2
20	Washer		M6, oversize	WC106041L	4
21	Washer-Spring		1/4 dia, Square	WM600041L	2
22	Nut - Hex.		hexagonal head, Coarse Thread, 1/4UNF	NH604041L	2
23	Screw		plate to body, M6 X 16	SE106167	2
24	Screw		plate to body, Self Tapping, No 6 x 3/8	AR606031L	4
25	Catch assembly-bonnet safety	Change point - VIN begin JA618021, Change point - VIN end KA637569	LH	ALR2385	1



Callout	Name	Application	Remarks & Restrictions	Service No.	Qty
25	Catch assembly-bonnet safety	Change point - VIN end JA618020	RH	368011	1
		Change point - VIN end JA618020	LH	368012	1
		Change point - VIN begin JA618021, Change point - VIN end KA637569	RH	ALR2384	1
		Change point - VIN begin KA637570, RHD		STC924	1
		Change point - VIN begin KA637570, LHD		STC925	1
26	Spring-return			351991	1
27	Cable assembly-bonnet release assembly	Change point - VIN end KA647644		MWC2287	1
		Change point - VIN begin MA647645		MXC6324	1
28	Pipe-bonnet release cable			MXC2776	1
29	Tube	LHD	RH	MXC2784	1
		RHD	LH	MXC2777	1
30	Grommet		Black, 3 x 19mm, cable	233244	2
31	Cover plate-bonnet lock			MXC5604	1
32	Clip		8MM	79122	4
33	Retainer			356225	1
34	Screw			257194	1
35	Plate-catch assembly base			MWC3339	1
36	Plate-adjusting-hook			393218	1
37	Screw		M6 X 20, Flanged Head	FS106201L	1
38	Washer		6MM	WA106041L	1
39	Washer		M6	WL106001	2
40	Nut - Hex.		M6, nyloc, Hexagonal	NH106041L	1
[900]	Kit-bonnet locking			STC926	1
[901]	Washer		M6, sprung	WL106001L	2
[902]	Plate-adjusting-hook			FPN000010	1

Body & Chassis
 Body
 Dash Assembly 1/2

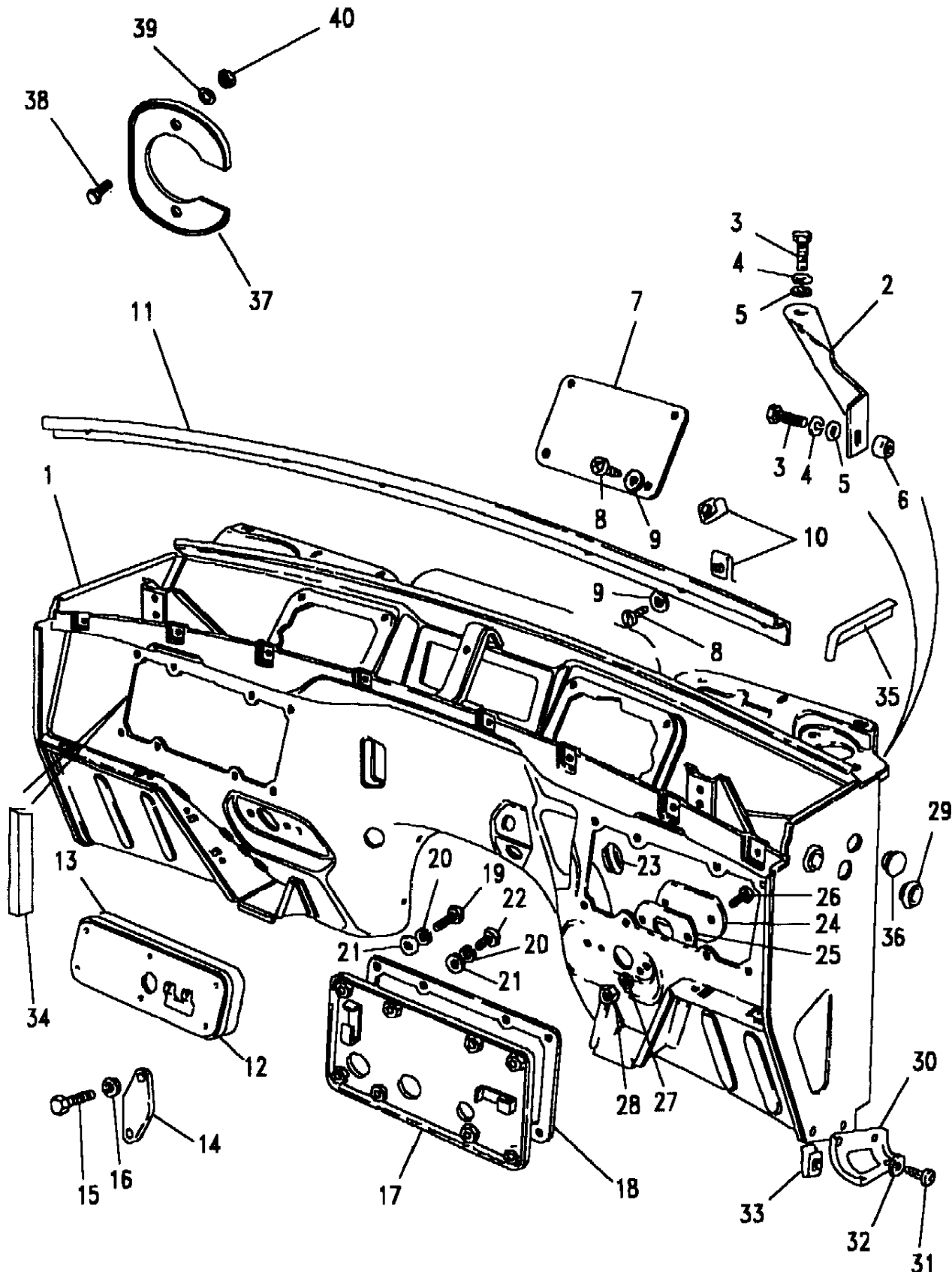
Range Rover (From JA610294)

(BDNXBG1A)

Range Rover (From JA610294)

Body & Chassis
 Body
 Dash Assembly

Callout	Name	Application	Remarks & Restrictions	Service No.	Qty
1	Dash assembly	Change point - VIN end JA624754, 2 Door Station Wagon Change point - VIN begin KA624756, Change point - VIN end KA647644, 2 Door Station Wagon Change point - VIN end JA624754, 4 Door Station Wagon Change point - VIN begin KA624756, Change point - VIN end KA647644, 4 Door Station Wagon Change point - VIN begin MA647645, 4 Door Station Wagon		ALR1660 ALR3518 ALR1657 MXC9771 ALR4226	1 1 1 1 1
2	Bracket		RH, Side Side, LH	391462 391461	1 1
3	Screw		Bracket to dash assembly	257015	2
4	Washer-Spring		3/16 dia, Square	WM702001L	2
5	Washer			WA702101L	2
6	Nutsert-blind			79239	1
7	Cover Plate			STC323	1
8	Screw-self tapping		To plate cover, pan head, No 12 x 1/2, pointed	AB612041L	12
9	Washer-Plain		M6	3831L	12
10	Nut - Hex.			AK612011L	12
11	Angle mounting	Change point - VIN end LA647644 Change point - VIN begin MA647645		MUC5945 ALR6898	1 1
12	Plate-relay mounting			MUC1723	1
13	Gasket-relay plate			MUC1722	1
14	Cover-plate.			NRC6655	1
15	Screw		plate to dash, hexagonal head, 5/16UNF x 3/4	SH605061L	2
16	Washer-Spring		5/16"	WM600051L	2
17	Closing panel		RH LH	PRC7865 PRC7863	1 1
18	Gasket-pedal box			572498	1



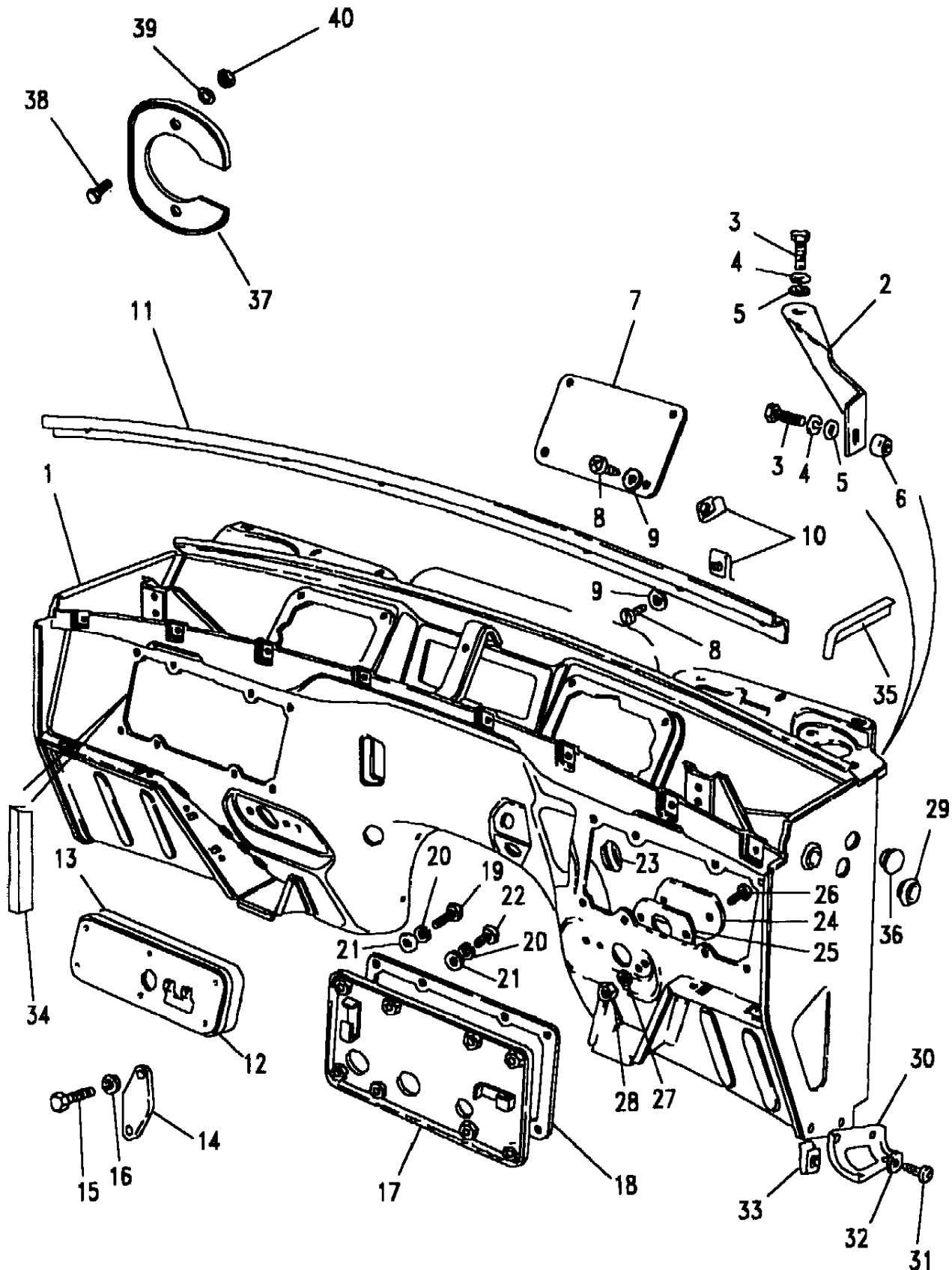
Body & Chassis
Body
Dash Assembly 2/2

Range Rover (From JA610294)
(BDNXBG1A)

Range Rover (From JA610294)

Body & Chassis
Body
Dash Assembly

Callout	Name	Application	Remarks & Restrictions	Service No.	Qty
19	Screw		closing panel to dash, hexagonal head, 5/16UNF x 1	SH605081L	2
20	Washer-Spring		5/16"	WM600051L	8
21	Washer-Plain		M12 x 28	WC112081L	8
22	Screw		hexagonal head, 5/16UNF x 5/8	SH605051L	6
23	Plug-blanking		25.5MM, Plastic	338023	1
24	Gasket-sealing			575733	1
25	Cover Plate			575862	1
26	Screw		cover to dash, hexagonal head, 5/16UNF x 5/8	SH605051L	2
27	Washer-Spring		5/16"	WM600051L	2
28	Nut - Hex.		closing panel to dash, hexagonal head, 5/16UNF	NH605041L	2
29	Plug-blanking		Plastic, 19MM	338020	2
30	Bracket		RH LH	390384 390385	1 1
31	Screw-self tapping		bracket to dash, pan head, No 12 x 1/2, pointed	AB612041L	4
32	Washer-Plain		M6	3831L	4
33	Nut - Hex.			AK612011L	4
34	Strip-beading-dash assembly			399518	1
35	Seal			391424	2
36	Plug-blanking			PRC7490	1
37	Plate		sealing	BTR2458	1
38	Screw		hexagonal head, M8 x 45	SH108451	2
39	Washer		M8, sprung	WL108001L	2
40	Nut - Hex.		plate to dash, M8, flange	FN108041L	2
[900]	Washer		8MM, sprung	WL108007	2



Body & Chassis

Range Rover (From JA610294)

Body

Decals & Rubbing Strips-From (V) KA640178 1/1

(BDNXQA3A)

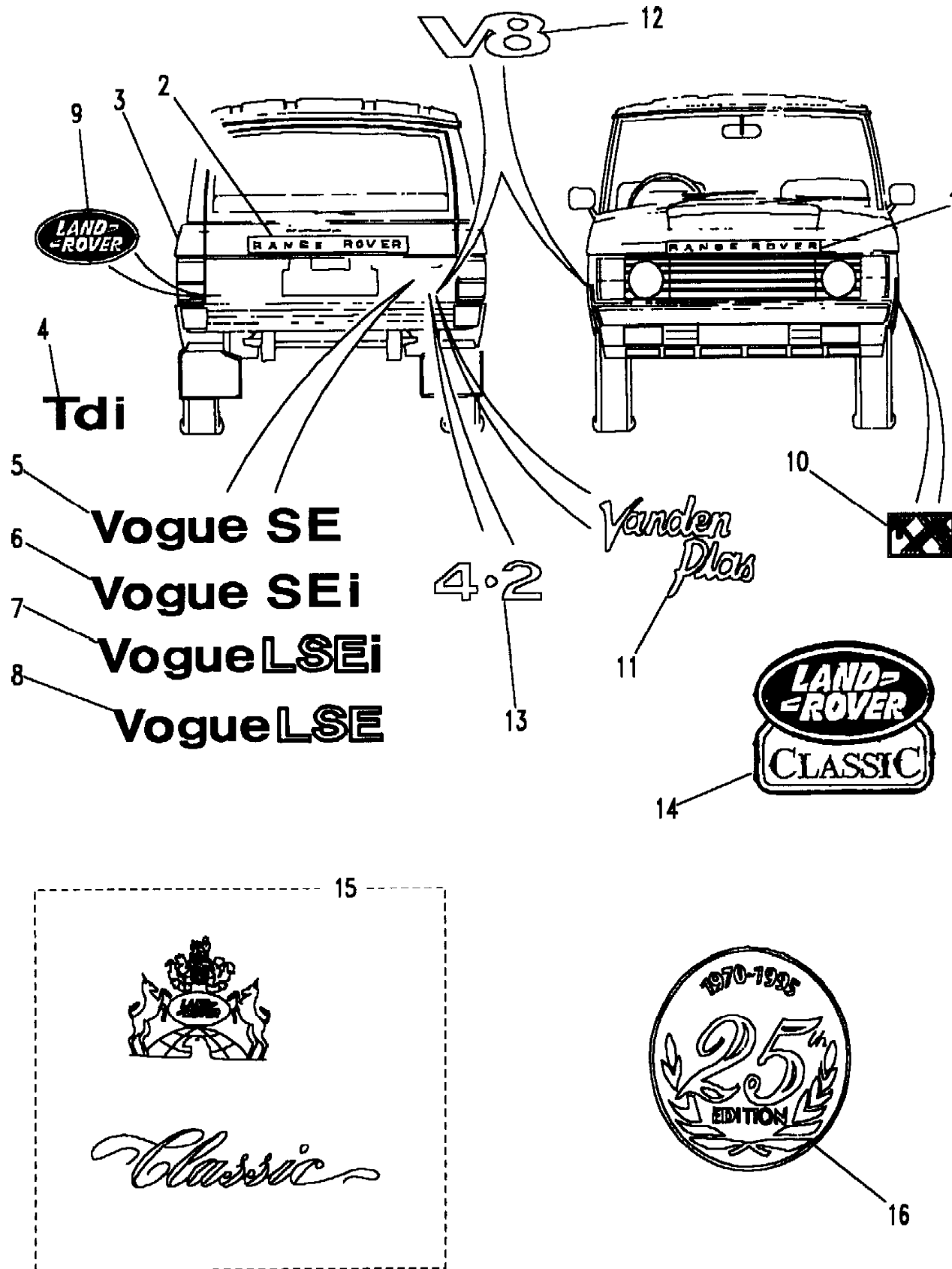
Body & Chassis

Range Rover (From JA610294)

Body

Decals & Rubbing Strips-From (V) KA640178

Callout	Name	Application	Remarks & Restrictions	Service No.	Qty
1	Decal-bonnet	Change point - VIN begin KA640178	Silver	BTR7033MUL	1
		Change point - VIN begin KA646294	Sorrel Brown	BTR8571SUA	1
2	Decal-tailgate	Change point - VIN begin KA640178	Silver	BTR7032MUL	1
		Change point - VIN begin KA646294	Sorrel Brown	BTR8570SUA	1
3	Tape sidestripe	Change point - VIN begin KA640178	Silver, 10M	MXC1172MMG	1
4	Decal TDI	Change point - VIN begin KA640178	Silver	BTR7034MUL	1
5	Decal vogue SE	Change point - VIN begin KA640178	Silver	BTR7035MUL	1
		Change point - VIN begin KA646294	Sorrel Brown	BTR7035SUA	1
6	Decal vogue SEI	Change point - VIN begin KA640178	Silver	BTR7037MUL	1
7	Decal vogue LSEI	Change point - VIN begin KA640178	Silver	BTR7038MUL	1
8	Decal vogue LSE	Change point - VIN begin KA640178	Silver	BTR7039MUL	1
9	Badge-Land Rover	Change point - VIN begin KA640178	Rear, Gold on Green background	BTR1047	1
10	Reflector	Change point - VIN begin KA640178		AMR3159	2
11	Decal-Vanden Plas	Change point - VIN begin KA640178, (+)"J"	Chrome/Black	JRC6792RHT	1
12	Badge	Change point - VIN begin KA640178, (+)"J"	V8	BRC6484	3
13	Decal 4.2	Change point - VIN begin KA640178, 4.2L, (+)"GCC"	Black	BTR9692PME	1
14	Badge	Change point - VIN begin MA656388, (+)"J"	Classic	AWR2617	1
15	Kit decal Classic	Change point - VIN begin KA640178, (+)"GCC"		STC2964	1
16	Decal 25th Anniversary	Change point - VIN begin KA640178, (+)"J"		AWR2017	1
[900]	Decal-Vanden Plas	Change point - VIN begin KA640178, (+)"J"	Silver	JRC6792L	1



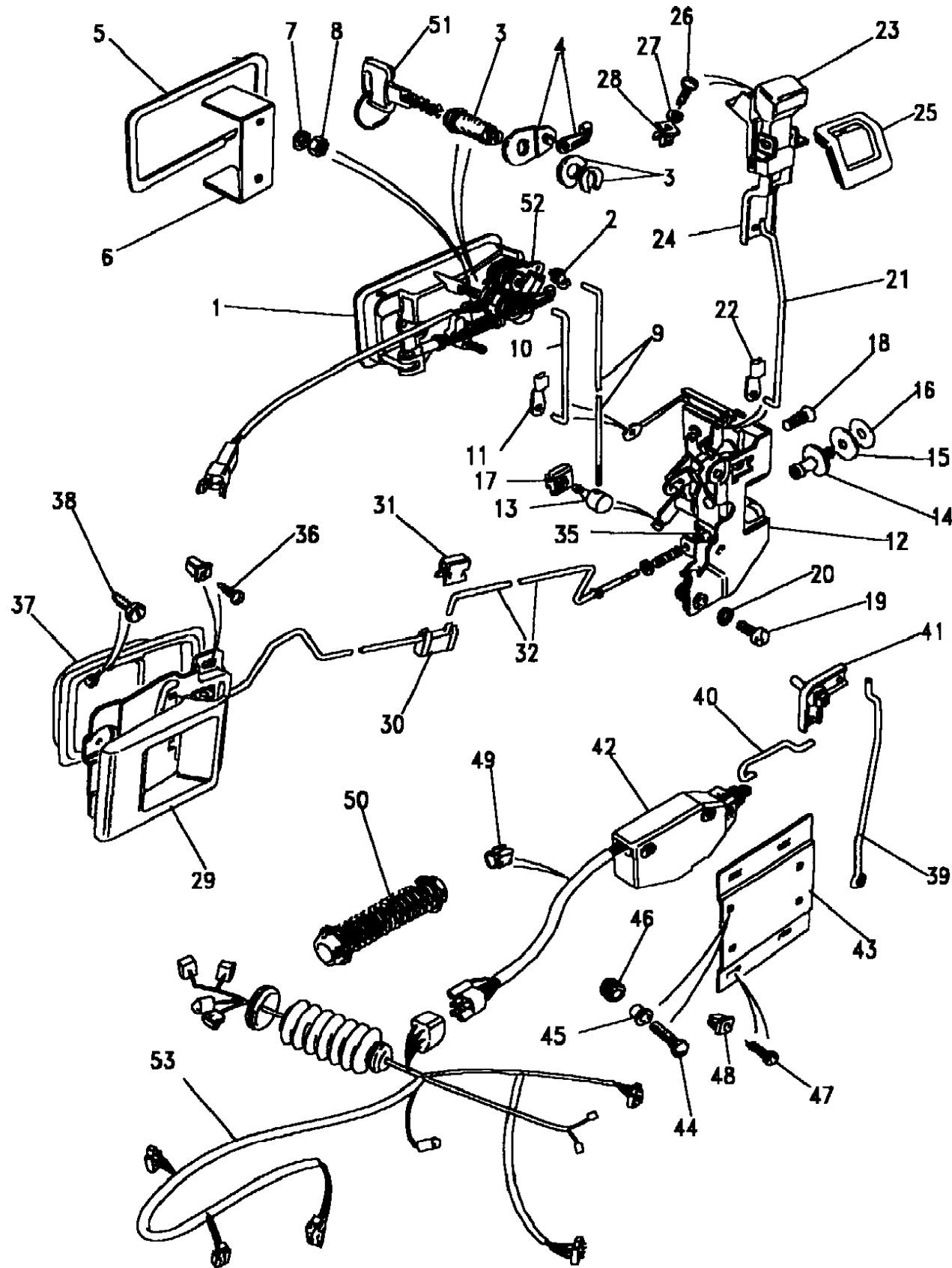
Body & Chassis
 Body
 Door Locks Front-Heated-4 Door 1/3

Range Rover (From JA610294)

(BDNXHE3A)

Range Rover (From JA610294)

Body & Chassis
 Body
 Door Locks Front-Heated-4 Door
 4 Door Station Wagon



Callout	Name	Application	Remarks & Restrictions	Service No.	Qty
1	Handle assembly-door	Less Anti-Theft Alarm	Less Burglar Alarm, Outer, RH	MXC8924	1
		Less Anti-Theft Alarm	Less Burglar Alarm, Outer, LH	MXC8925	1
		With Anti-Theft Alarm	Burglar Alarm, Outer, RH	ALR2114	1
		With Anti-Theft Alarm	Burglar Alarm, Outer, LH	ALR2115	1
2	Clip-linkage			BFP1265L	2
3	Lock assembly-door		RH, red cam	RTC5024	1
			blue cam, LH	RTC5025	1
4	Link-door handle	Less Anti-Theft Alarm	Less Burglar Alarm, RH, Red	RTC5555	1
		With Anti-Theft Alarm	Burglar Alarm, Black, RH	STC1219	1
		Less Anti-Theft Alarm	Less Burglar Alarm, Blue., LH	RTC5556	1
		With Anti-Theft Alarm	Burglar Alarm, Black, LH	STC1220	1
5	Seal			MXC3178	2
6	Bracket			CZK8207	2
7	Washer-Spring		rectangular, No 10, single coil	WL700101L	4
8	Locknut		to handle door, 10x32UNF	NH910011L	4
9	Link-handle			MTC9145	2
10	Link - locks		Change point - VIN end JA624754	MTC7029	2
			Change point - VIN begin KA624756	ALR3361	2
11	Clip			MTC9623	2
12	Latch assembly-front door		RH	MTC7593	1
			LH	MTC7592	1
13	Link adjusting			MTC9289	2
14	Striker-Door Lock			390448	2
15	Seal-door lock striker			MWC7677	2
16	Shim			391591	2
17	Clip-retainer pin			MTC9290	2
18	Screw		to door latch, No 6 x 12	SF106121L	4
19	Screw-pan		to door latch, M6 X 12, pan head	SE106121L	2

Body & Chassis

Range Rover (From JA610294)

Body

Door Locks Front-Heated-4 Door 2/3

(BDNXHE3A)

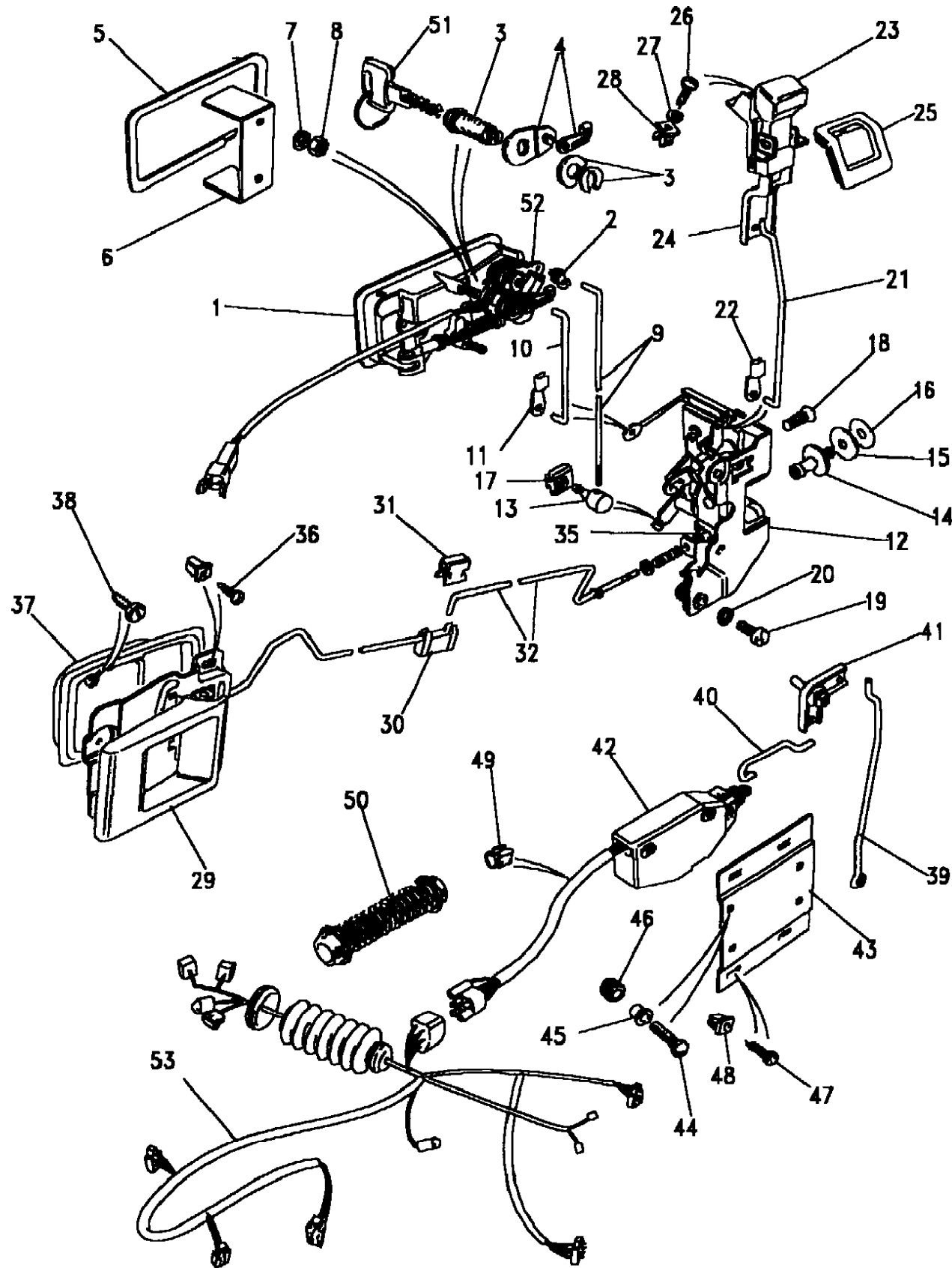
Body & Chassis

Range Rover (From JA610294)

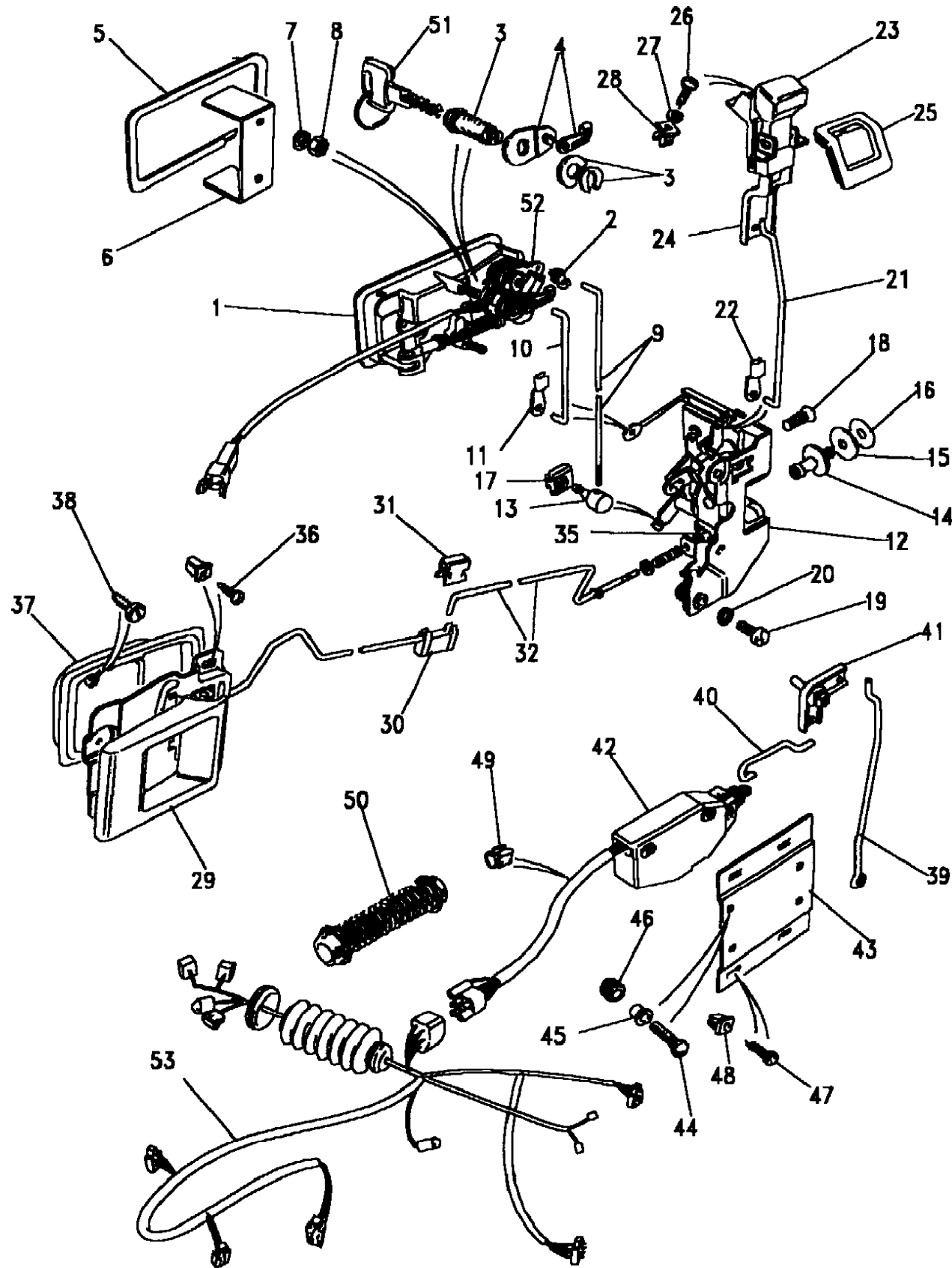
Body

Door Locks Front-Heated-4 Door

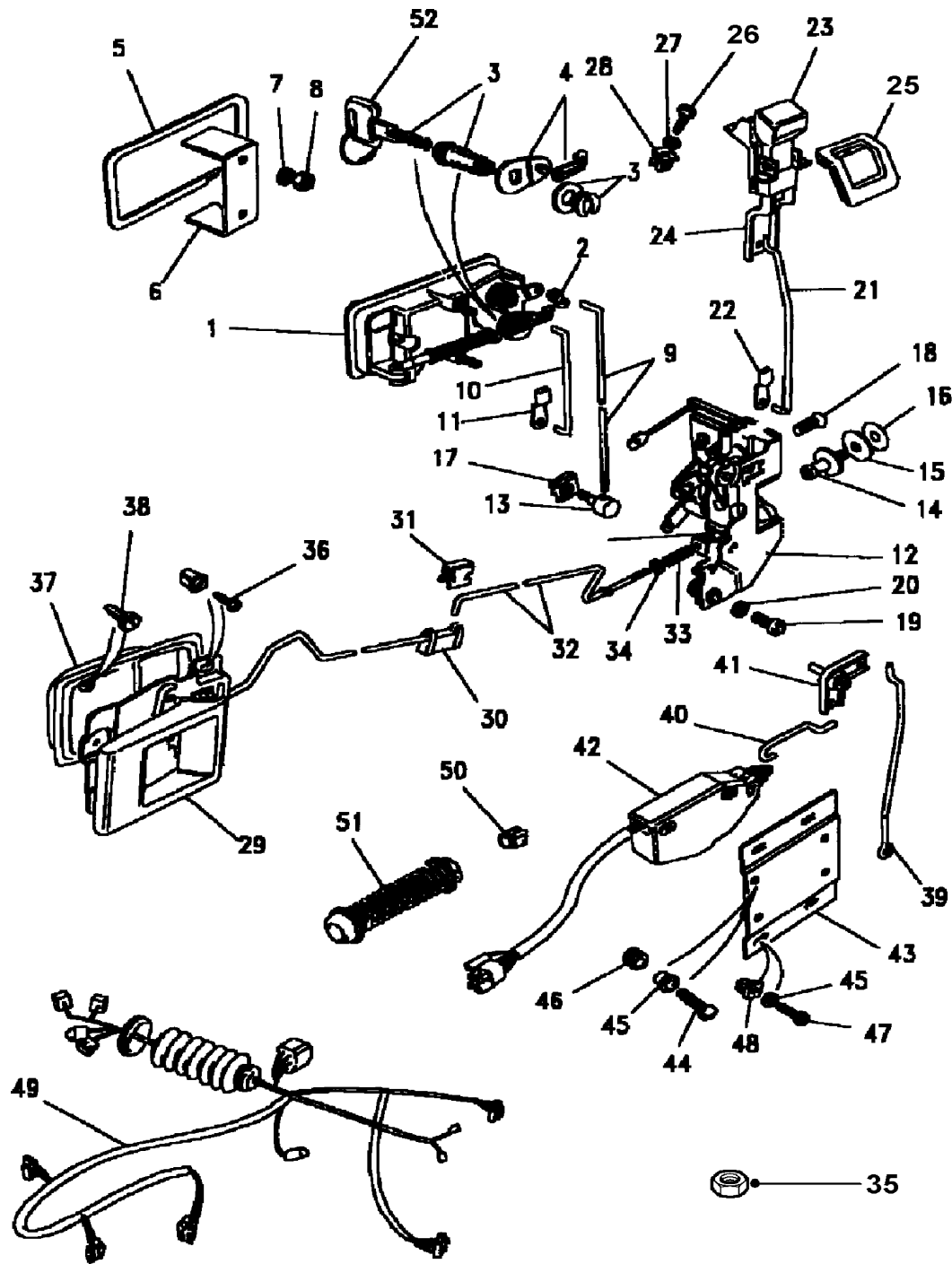
4 Door Station Wagon



Callout	Name	Application	Remarks & Restrictions	Service No.	Qty
20	Washer-Lock			WF702101L	2
21	Button/link assembly-front door sill lock			MWC5124	2
22	Clip-linkage			BRC1393	2
23	Button sill	Change point - VIN end KA647644	Bokhara	JRC1775RUN	2
		Change point - VIN begin MA647645	Ash Grey	JRC1775LNF	2
24	Housing-door lock		Black	BRC8965PMA	2
25	Escutcheon-door-lock	Change point - VIN end KA647644	Bokhara	MXC4738RUN	2
		Change point - VIN begin MA647645	Ash Grey	MXC4738LNF	2
26	Screw		to button sill, Self Tapping, No 6 x 1/2	AB606041L	4
27	Washer-Plain		M4	WA104001L	4
28	Nut-lokut		to button sill	MWC 1950	4
29	Handle assembly-door	Change point - VIN end KA647644	RH, Bokhara	MXC2722RUN	1
		Change point - VIN end KA647644	Bokhara, LH	MXC2723RUN	1
		Change point - VIN begin MA647645	Ash Grey, RH, Inner	MXC2722LNF	1
		Change point - VIN begin MA647645	Ash Grey, Inner, LH	MXC2723LNF	1
30	Connector fit			AFU3019	2
31	Clip-edge harness			MTC6264	2
32	Link-front door lock/latch			MWC6621	2
33	Spring			MTC9505	2
34	Washer			WA704061	2
35	Nut-hexagonal		to door latch, M4	NH104041L	2
36	Rivet		to bezel	AS604044	4
37	Housing-inner panel door release assembly		RH, Bokhara	DBP6532RUN	1
			Bokhara, LH	DBP6533RUN	1
			Ash Grey, RH	DBP6532LNF	1
			Ash Grey, LH	DBP6533LNF	1

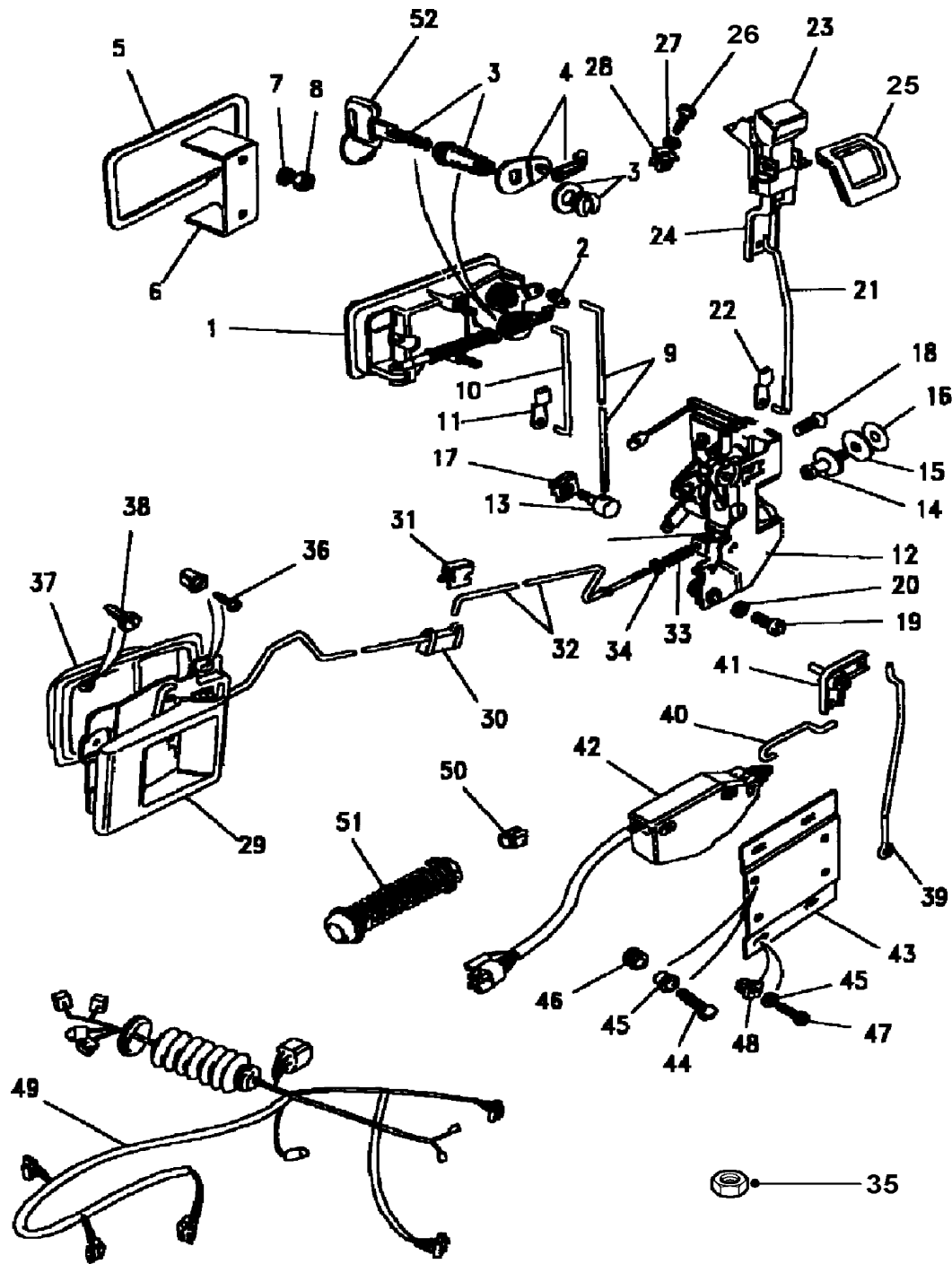


Callout	Name	Application	Remarks & Restrictions	Service No.	Qty
38	Screw-self tapping		to bezel, Self Tapping, M8 x 13	DA608044L	2
39	Link - locks		RH LH	MTC6864 MTC7032	1 1
40	Link - locks			MXC8701	2
41	Bellcrank-door	Change point - VIN end MA662088 Change point - VIN end MA662088 Change point - VIN begin MA662089 Change point - VIN begin MA662089	RH LH RH LH	MXC7336 MXC7337 ALR8704 ALR8705	1 1 1 1
42	Actuator-central door locking	Change point - VIN end KA647644 Change point - VIN begin MA647645	Driver Driver	PRC8098 AMR3384	2 2
43	Plate-door actuator mounting			MWC5126	2
44	Screw		plate mounting to actuator, Black, Self Tapping, No8 x 5/8	AB608051L	8
45	Bush			EAM9067L	8
46	Grommet			EAM9066L	4
47	Screw		to plate mounting, plastite	ADU6780	8
48	Nut-lokut		to plate mounting	RTC3743	8
49	Tie-cable		Black, inside serated, 3.5 x 150mm	UKC6684L	2
50	Grommet-convolute			MUC6521	2
51	Key-blank owner			MUC2153	1
52	Switch-micro		Front, RH Front, LH	STC382 STC383	1 1
53	Harness-central door locking		Driver Passenger	PRC4719 PRC4721	1 1
[900]	Washer-fibre		Self Adhesive	FYF100150	2
[901]	Housing-door lock		Black	EJS000010PMA	2



C01.085
09-2003
L2
BDNXHE2B

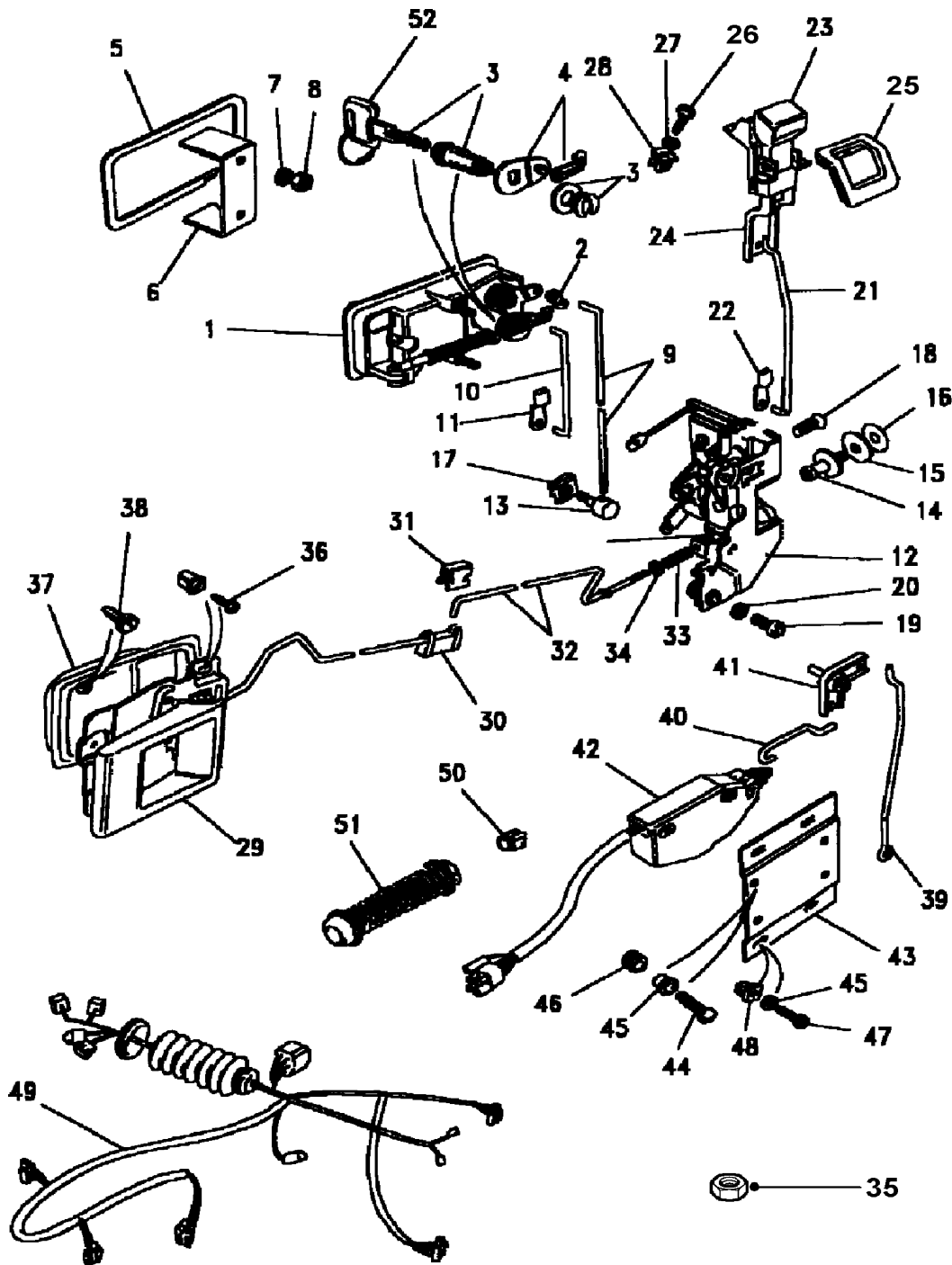
Callout	Name	Application	Remarks & Restrictions	Service No.	Qty
1	Handle assembly-door		Outer, RH	MTC6738	1
			Outer, LH	MTC6742	1
2	Clip-linkage			BFP1265L	2
3	Lock assembly-door		RH, red cam	RTC5024	1
			blue cam, LH	RTC5025	1
4	Link-door handle		RH, Red	RTC5555	1
			Blue., LH	RTC5556	1
5	Seal			MXC3178	2
6	Bracket			CZK8207	2
7	Washer-Spring		rectangular, No 10, single coil	WL700101L	4
8	Locknut		bracket to seal, 10x32UNF	NH910011L	4
9	Link-handle			MTC9145	2
10	Link - locks		Change point - VIN end JA624754	MTC7029	2
			Change point - VIN begin KA624756	ALR3361	2
11	Clip			MTC9623	2
12	Latch assembly-front door		RH	MTC7593	1
			LH	MTC7592	1
13	Link adjusting			MTC9289	2
14	Striker-Door Lock			390448	2
15	Seal-door lock striker			MWC7677	2
16	Shim			391591	2
17	Clip-retainer pin			MTC9290	2
18	Screw		to latch door, No 6 x 12	SF106121L	4
19	Screw-pan		to latch door, M6 X 12, pan head	SE106121L	2
20	Washer-Lock			WF702101L	2
21	Button/link assembly-front door sill lock			MWC5124	2
22	Clip-linkage			BRC1393	2



C01.085
09-2003
L2
BDNXHE2B

Callout	Name	Application	Remarks & Restrictions	Service No.	Qty
23	Button sill	Change point - VIN end KA647644	Bokhara	JRC1775RUN	2
		Change point - VIN begin MA647645	Ash Grey	JRC1775LNF	2
24	Housing-door lock		Black	BRC8965PMA	2
25	Escutcheon-door-lock	Change point - VIN end KA647644	Bokhara	MXC4738RUN	2
		Change point - VIN begin MA647645	Ash Grey	MXC4738LNF	2
26	Screw		Self Tapping, No 6 x 1/2	AB606041L	4
27	Washer-Plain		M4	WA104001L	4
28	Nut-lokut			MWC 1950	4
29	Handle assembly-door	Change point - VIN end KA647644	RH, Bokhara	MXC2722RUN	1
		Change point - VIN end KA647644	Bokhara, LH	MXC2723RUN	1
		Change point - VIN begin MA647645	Ash Grey, RH, Inner	MXC2722LNF	1
		Change point - VIN begin MA647645	Ash Grey, Inner, LH	MXC2723LNF	1
30	Connector fit			AFU3019	2
31	Clip-edge harness			MTC6264	2
32	Link-front door lock/latch			MWC6621	2
33	Spring			MTC9505	2
34	Washer			WA704061	2
35	Nut-hexagonal		to handle assembly, M4	NH104041L	2
36	Rivet		to bezel	AS604044	4
37	Housing-inner panel door release assembly	Change point - VIN end KA647644	RH, Bokhara	DBP6532RUN	1
		Change point - VIN end KA647644	Bokhara, LH	DBP6533RUN	1
		Change point - VIN begin MA647645	Ash Grey, RH	DBP6532LNF	1
		Change point - VIN begin MA647645	Ash Grey, LH	DBP6533LNF	1
38	Screw-self tapping		to bezel, Self Tapping, M8 x 13	DA608044L	2
39	Link - locks		RH	MTC6864	1
			LH	MTC7032	1

Callout	Name	Application	Remarks & Restrictions	Service No.	Qty
40	Link - locks			MXC8701	2
41	Bellcrank-door	Change point - VIN end MA662088	RH	MXC7336	1
		Change point - VIN end MA662088	LH	MXC7337	1
		Change point - VIN begin MA662089	RH	ALR8704	1
		Change point - VIN begin MA662089	LH	ALR8705	1
42	Actuator-central door locking	Change point - VIN end MA647644	Driver	PRC8098	2
		Change point - VIN begin MA647645	Driver	AMR3384	2
43	Plate-door actuator mounting			MWC5126	2
44	Screw		to plate mounting, Black, Self Tapping, No8 x 5/8	AB608051L	8
45	Bush			EAM9067L	8
46	Grommet			EAM9066L	4
47	Screw		to plate mounting, plastite	ADU6780	8
48	Nut-lokut		to plate mounting	RTC3743	8
49	Harness-central door locking		Driver	PRC4719	1
			Passenger	PRC4721	1
50	Tie-cable		Black, inside serated, 3.5 x 150mm	UKC6684L	2
51	Grommet-convolute			MUC6521	2
52	Key-blank owner			MUC2153	1
[900]	Washer-fibre		Self Adhesive	FYF100150	2
[901]	Housing-door lock		Black	EJS000010PMA	2



C01.085
09-2003
L2
BDNXHE2B

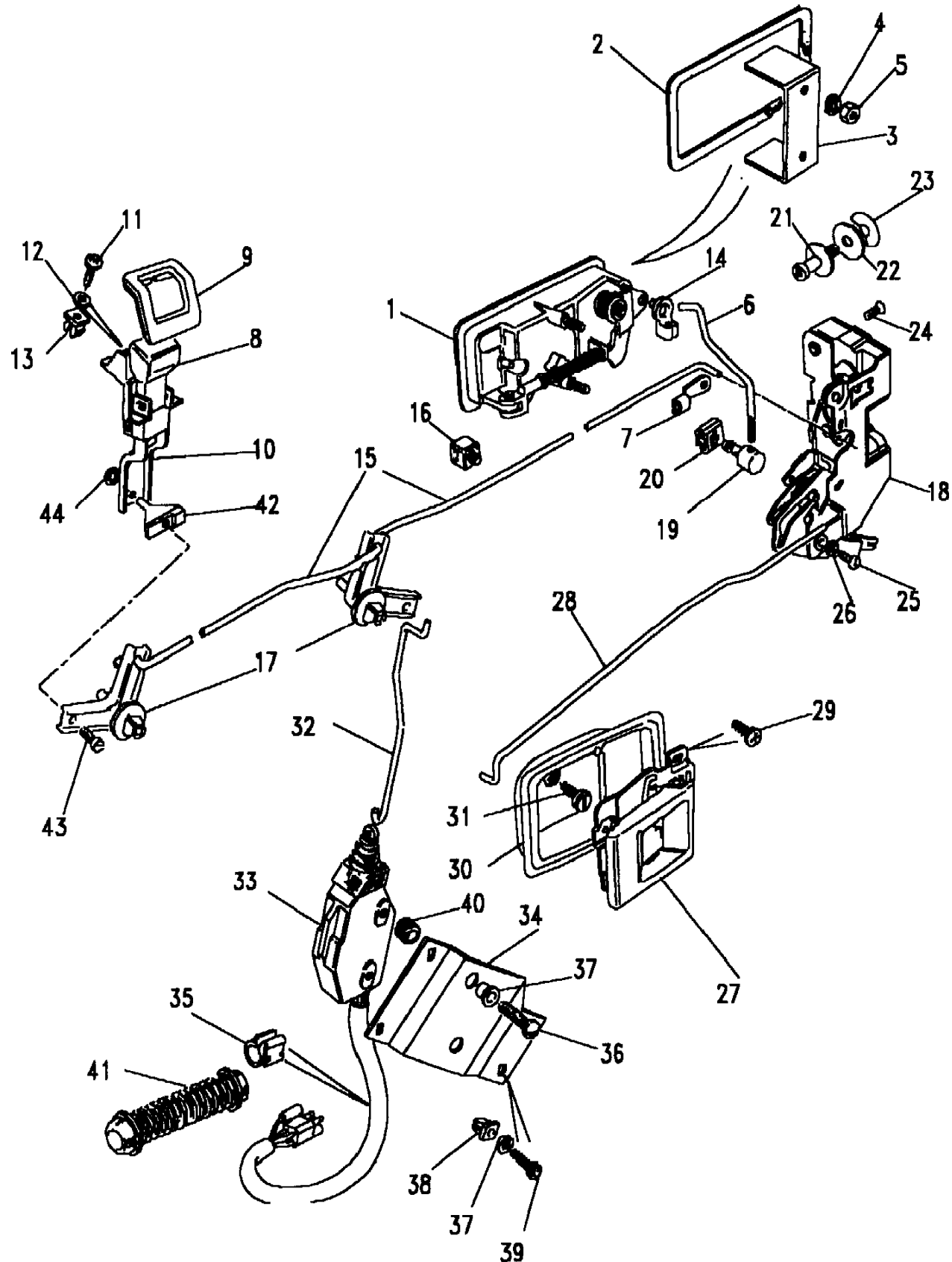
Body & Chassis
 Body
 Door Locks Rear 1/3

Range Rover (From JA610294)

(BDNXH11A)

Range Rover (From JA610294)

Body & Chassis
 Body
 Door Locks Rear



Callout	Name	Application	Remarks & Restrictions	Service No.	Qty
1	Handle assembly-rear door		Outer, RH Outer, LH	MTC9114 MTC9113	1 1
2	Seal			MXC3178	2
3	Bracket		Rear	MTC7188	2
4	Washer-Spring		rectangular, No 10, single coil	WL700101L	4
5	Locknut		bracket to seal	NY910041L	4
6	Link-rear door handle			MXC4605	2
7	Clip-linkage			BFP1265L	2
8	Button sill	Change point - VIN end KA647644 Change point - VIN begin MA647645	Bokhara Ash Grey	JRC1775RUN JRC1775LNF	2 2
9	Escutcheon-door-lock	Change point - VIN end KA647644 Change point - VIN begin MA647645	Bokhara Bokhara	MXC4738RUN MXC4738RUN	2 2
10	Housing-door lock			BRC8965RUN	2
11	Screw		to washer plain, Self Tapping, No 6 x 1/2	AB606041L	4
12	Washer-Plain		M4	WA104001L	4
13	Nut-lokut		to washer plain	MWC1950	4
14	Clip-linkage			BRC1393	2
15	Link-rear door crank/latch	(-) 108" (-) 108" 108" (2743mm) Wheelbase 108" (2743mm) Wheelbase	RH LH RH LH	MWC5150 MWC5151 ALR1502 ALR1503	1 1 1 1
16	Clip		Rear	MTC9625	2
17	Lever assembly bell crank	Change point - VIN end KA633482 Change point - VIN begin KA633483		MWC5360 AFU1896L	4 4
18	Latch assembly-rear door		RH LH	MTC9204 MTC9203	1 1
19	Link adjusting			MTC9289	2

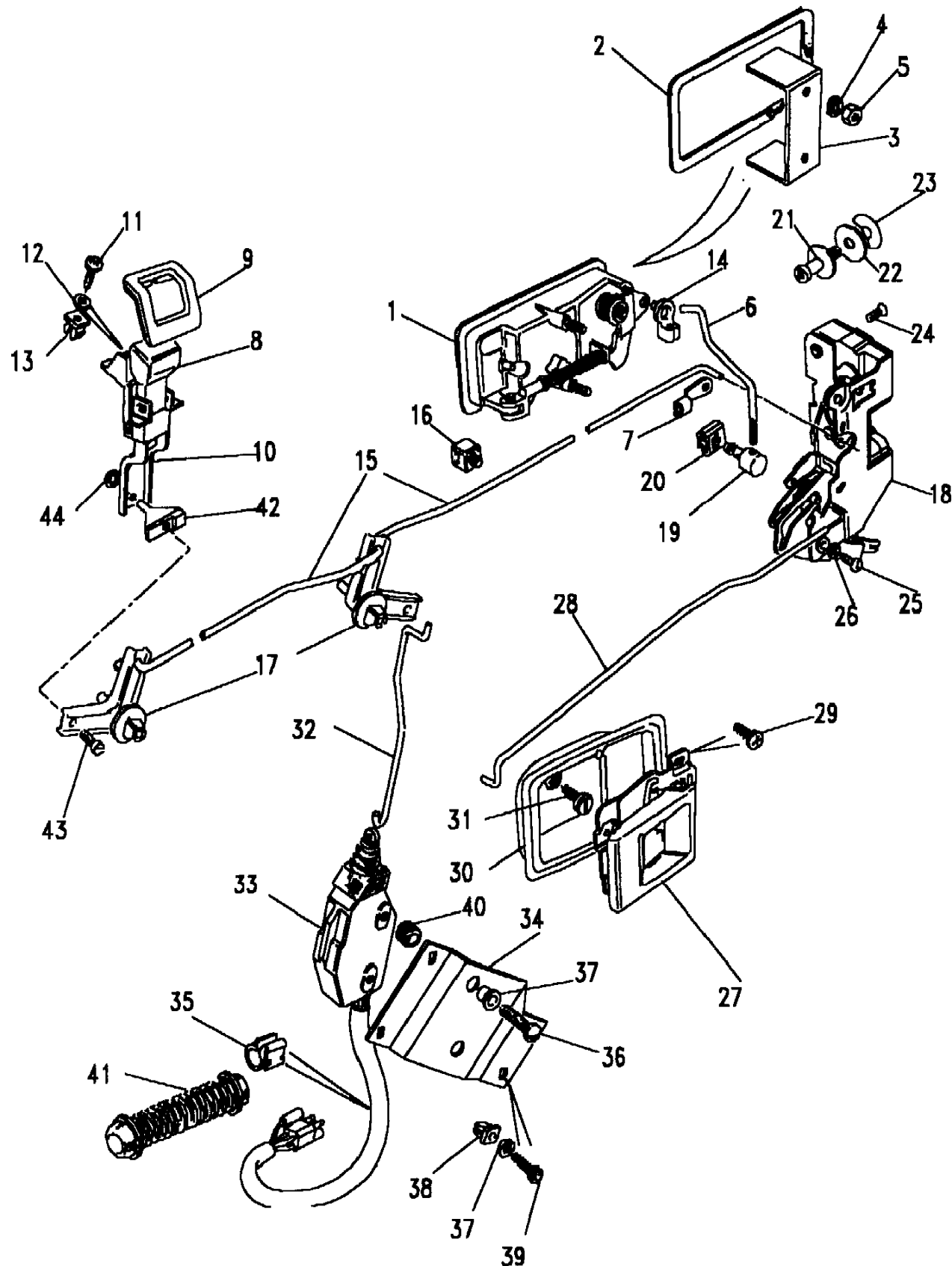
Body & Chassis
 Body
 Door Locks Rear 2/3

Range Rover (From JA610294)

(BDNXH11A)

Range Rover (From JA610294)

Body & Chassis
 Body
 Door Locks Rear



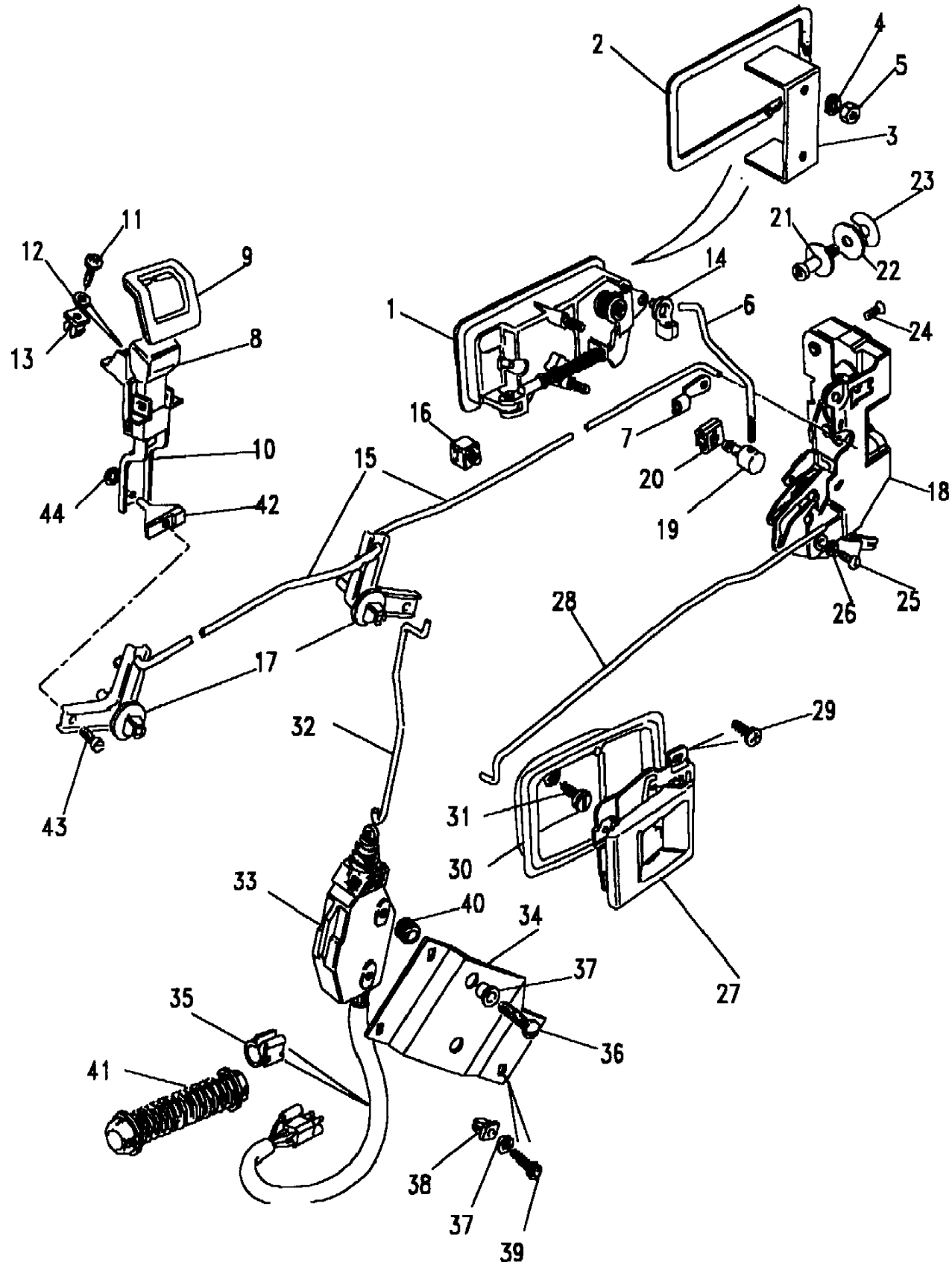
Callout	Name	Application	Remarks & Restrictions	Service No.	Qty
20	Clip-retainer pin			MTC9290	2
21	Striker-Door Lock			390448	2
22	Seal-door lock striker			MWC7677	2
23	Shim			391591	2
24	Screw		to latch door, No 6 x 12	SF106121L	4
25	Screw-pan		link to latch, M6 X 12, pan head	SE106121L	2
26	Washer-Lock			WF702101L	2
27	Handle assembly-door	Change point - VIN end KA647644	RH, Bokhara	MXC2722RUN	1
		Change point - VIN end KA647644	Bokhara, LH	MXC2723RUN	1
		Change point - VIN begin MA647645	Ash Grey, RH, Inner	MXC2722LNF	1
		Change point - VIN begin MA647645	Ash Grey, Inner, LH	MXC2723LNF	1
28	Link-rear door handle		RH	MWC5144	1
			LH	MWC5145	1
29	Rivet			AS604044	4
30	Housing-inner panel door release assembly	Change point - VIN end KA647644	RH, Bokhara	DBP6532RUN	1
		Change point - VIN end KA647644	Bokhara, LH	DBP6533RUN	1
		Change point - VIN begin MA647645	Ash Grey, RH	DBP6532LNF	1
		Change point - VIN begin MA647645	Ash Grey, LH	DBP6533LNF	1
31	Screw-self tapping		bracket abutment to actuator, Self Tapping, M8 x 13	DA608044L	2
32	Link - locks		RH	MWC5148	1
			LH	MWC5149	1
33	Actuator-central door locking	Change point - VIN end KA647644	Passenger	PRC8099	2
		Change point - VIN begin MA647645	Passenger	AMR3382	2
34	Bracket		RH	MXC1480	1
			LH	MXC1481	1
35	Clip-cable		Rear	345662	X
36	Screw		bracket abutment to actuator, Black, Self Tapping, No8 x 5/8	AB608051L	8

Body & Chassis
 Body
 Door Locks Rear 3/3

Range Rover (From JA610294)
 (BDNXH11A)

Range Rover (From JA610294)

Body & Chassis
 Body
 Door Locks Rear



Callout	Name	Application	Remarks & Restrictions	Service No.	Qty
37	Bush			EAM9067L	8
38	Nut-lokut-seal		to bracket abutment	CZK3264	8
39	Screw		to bracket abutment, plastite	ADU6780	8
40	Grommet			EAM9066L	4
41	Grommet-convolute			DRC5377	2
42	Bellcrank peg		Rear	MUC5783	2
43	Screw		bellcrank to bellcrank peg, Self Tapping, No 6 x 3/8	AB606031L	2
44	Retainer			AN104041L	2
[900]	Nut-lokut		to bracket abutment	CZK3264L	8
[901]	Washer-fibre		Self Adhesive	FYF100150	2

Body & Chassis
Body
Door Locks 1/3

Range Rover (From JA610294)

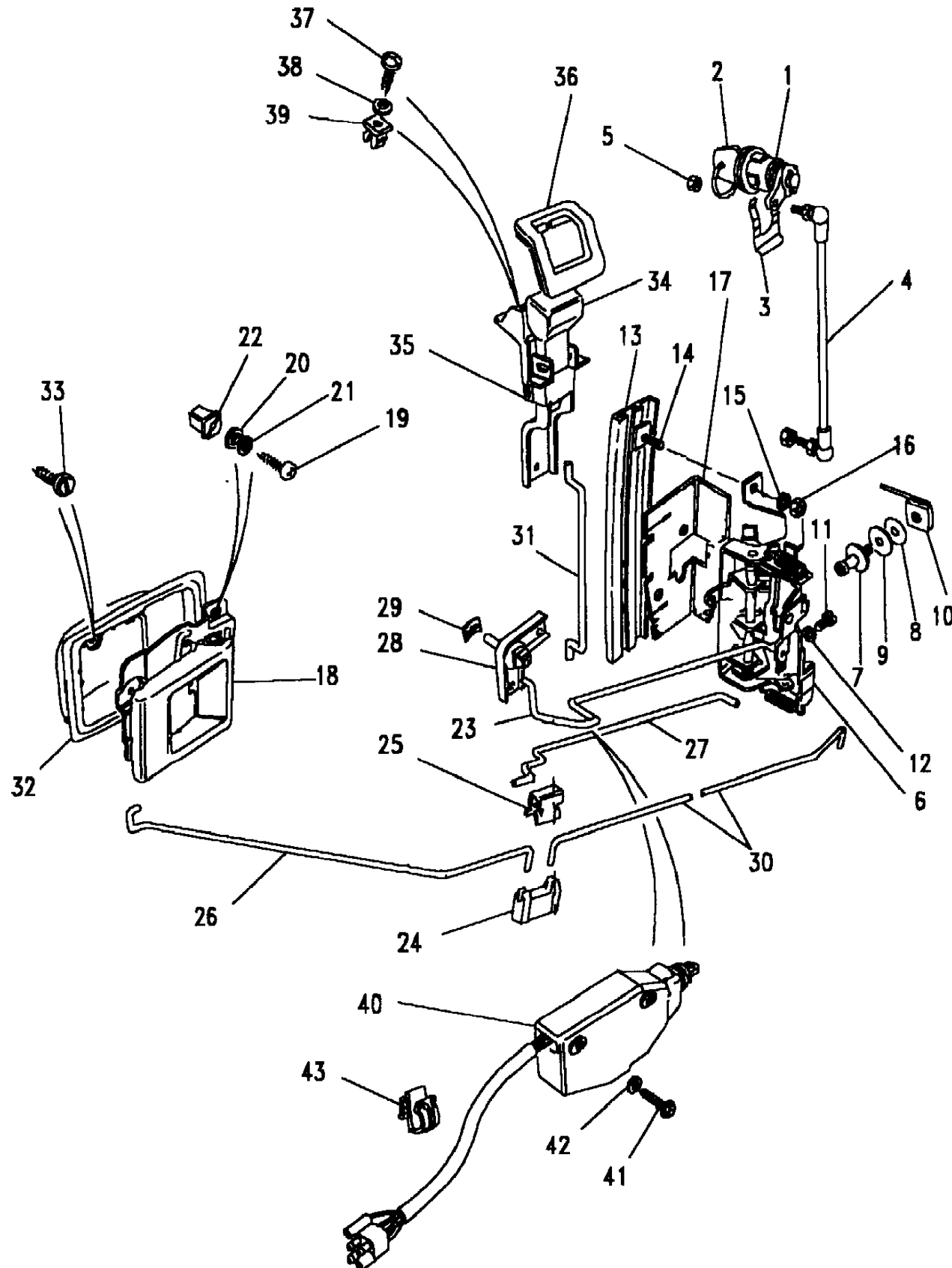
(BDNXHE1A)

Range Rover (From JA610294)

Body & Chassis
Body
Door Locks

2 Door Station Wagon

Callout	Name	Application	Remarks & Restrictions	Service No.	Qty
1	Lock assembly-door		RH LH	391148 391149	1 1
2	Key-blank owner			MUC2153	1
3	Retainer			723290	2
4	Control Rod			392226	2
5	Nut - Hex.		Door Lock	251335	2
6	Latch assembly-front door		RH LH	MXC1738 MXC1737	1 1
7	Striker-Door Lock			390448	2
8	Shim			391591	2
9	Seal-door lock striker			MWC7677	2
10	Plate-Retaining			390816	2
11	Screw			79154	6
12	Washer-Lock			WF600041L	6
13	Handle-door grab			390506	2
14	Plate-stud			390507	4
15	Washer-Lock			WF600041L	4
16	Nut - Hex.		fixing door handle, hexagonal head, Coarse Thread, 1/4UNF	NH604041L	4
17	Seal			MRC7166	2
18	Handle-door grab	Change point - VIN end KA647644 Change point - VIN end KA647644 Change point - VIN begin MA647645 Change point - VIN begin MA647645	RH, Bokhara, Inner Bokhara, Inner, LH RH, Ash Grey/Granite, Inner Ash Grey/Granite, Inner, LH	DBP5840RUN DBP5841RUN DBP5840LNF DBP5841LNF	1 1 1 1
19	Screw		fixing door handle, hexagonal head, M6 X 14	SH106141L	4
20	Washer-Plain		M4	WA104001L	4
21	Washer-Spring			WL104001L	4
22	Nut-lokut			ADU3775	4



Body & Chassis
 Body
 Door Locks 2/3

Range Rover (From JA610294)

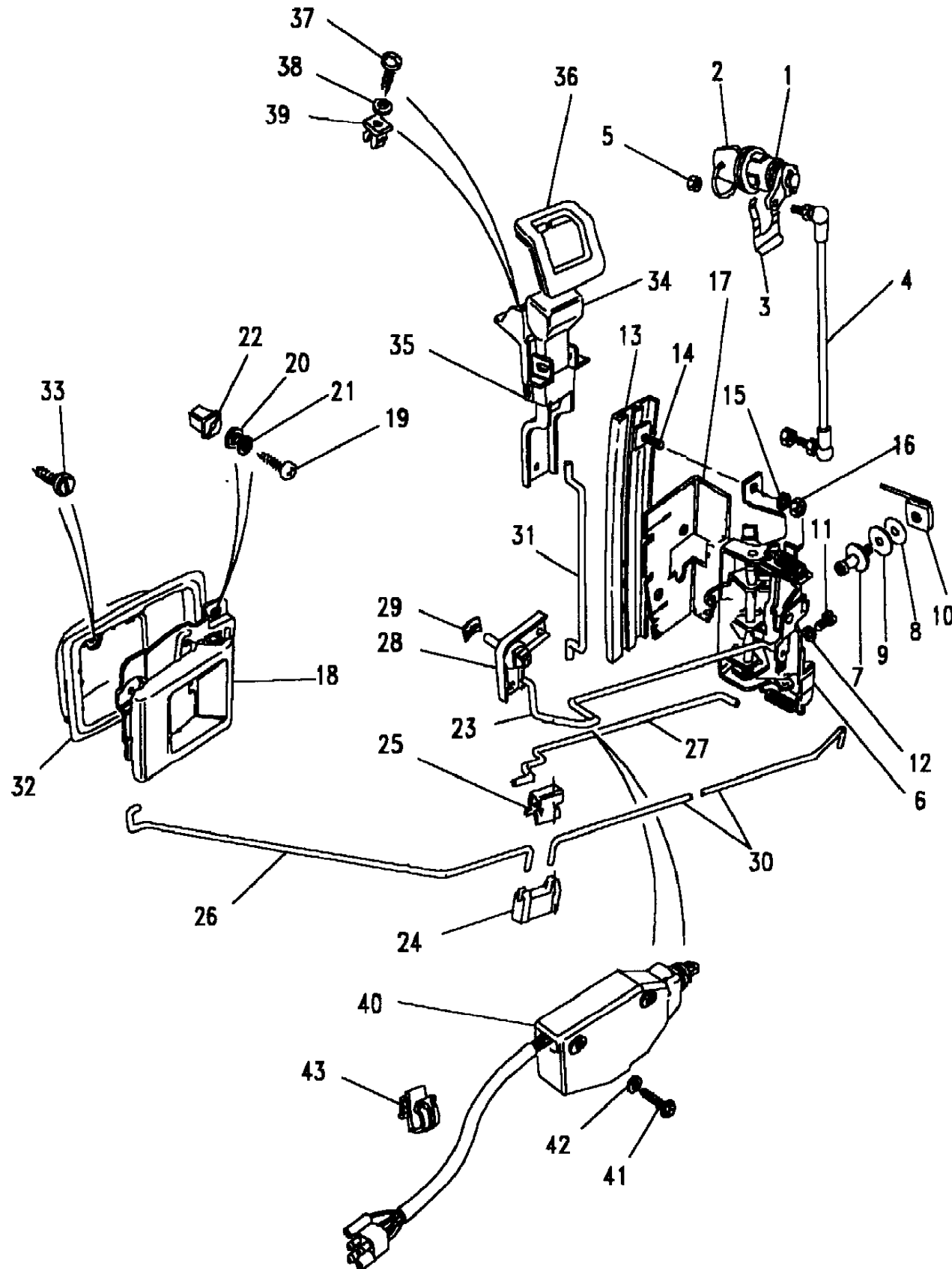
(BDNXHE1A)

Range Rover (From JA610294)

Body & Chassis
 Body
 Door Locks

2 Door Station Wagon

Callout	Name	Application	Remarks & Restrictions	Service No.	Qty
23	Link rod		RH LH	MXC4622 MXC4621	1 1
24	Connector fit			AFU3019	2
25	Clip-edge harness			MTC6264	2
26	Link rod		RH LH	MXC3025 MXC3026	1 1
27	Link rod			MXC1947	2
28	Lever assembly bell crank			AFU1896L	2
29	Retainer			AN104041L	2
30	Link rod		RH LH	MXC1650 MXC1651	1 1
31	Link rod			MXC1657	2
32	Bezel-door handle		Black, RH Black, LH	DBP6532PMA DBP6533PMA	1 1
33	Screw-self tapping		fixing bezel, Self Tapping, M8 x 13	DA608044L	2
34	Button sill	Change point - VIN end KA647644 Change point - VIN begin MA647645	Black Ash Grey	JRC1775PMA JRC1775LNF	2 2
35	Housing-door lock		Black	BRC8965PMA	2
36	Escutcheon-door-lock	Change point - VIN end KA647644 Change point - VIN begin MA647645	Black Ash Grey	MXC4738PMA MXC4738LNF	2 2
37	Screw		fixing escutcheon, Self Tapping, No 6 x 1/2	AB606041L	4
38	Washer-Plain		M4	WA104001L	4
39	Nut-lokut			MWC 1950	4
40	Actuator-central door locking		Driver Passenger	PRC4831 PRC3916	1 1
41	Screw		Actuator, plastite	ADU6780	4
42	Washer-Plain		M4	WA104001L	4



Body & Chassis
 Body
 Door Locks 3/3

Range Rover (From JA610294)

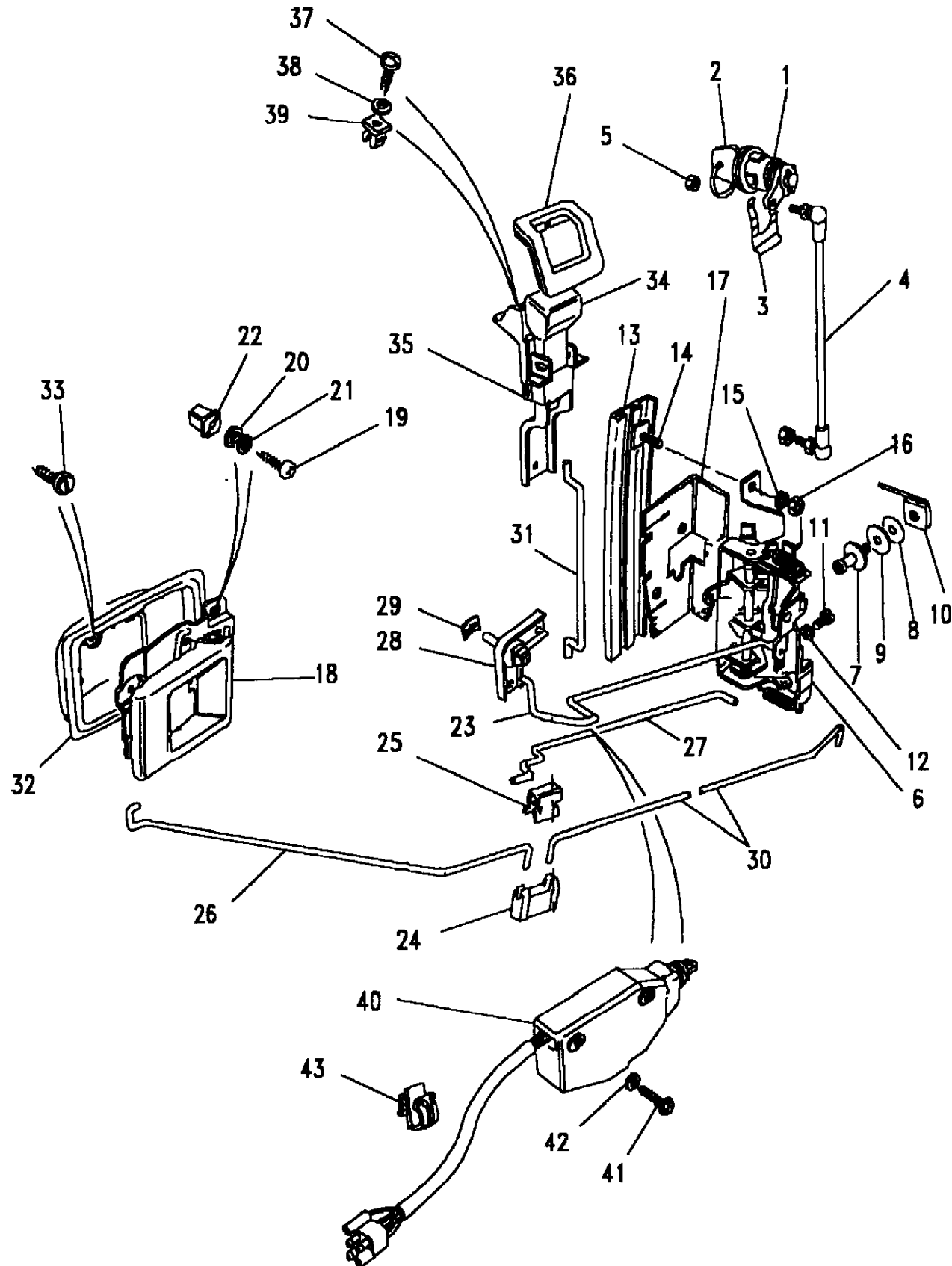
(BDNXHE1A)

Body & Chassis
 Body
 Door Locks

Range Rover (From JA610294)

2 Door Station Wagon

Callout	Name	Application	Remarks & Restrictions	Service No.	Qty
43	Tie-cable		Black, inside serated, 3.5 x 150mm	UKC6684L	2
[900]	Washer-fibre		Self Adhesive	FYF100150	2
[901]	Housing-door lock		Black	EJS000010PMA	2



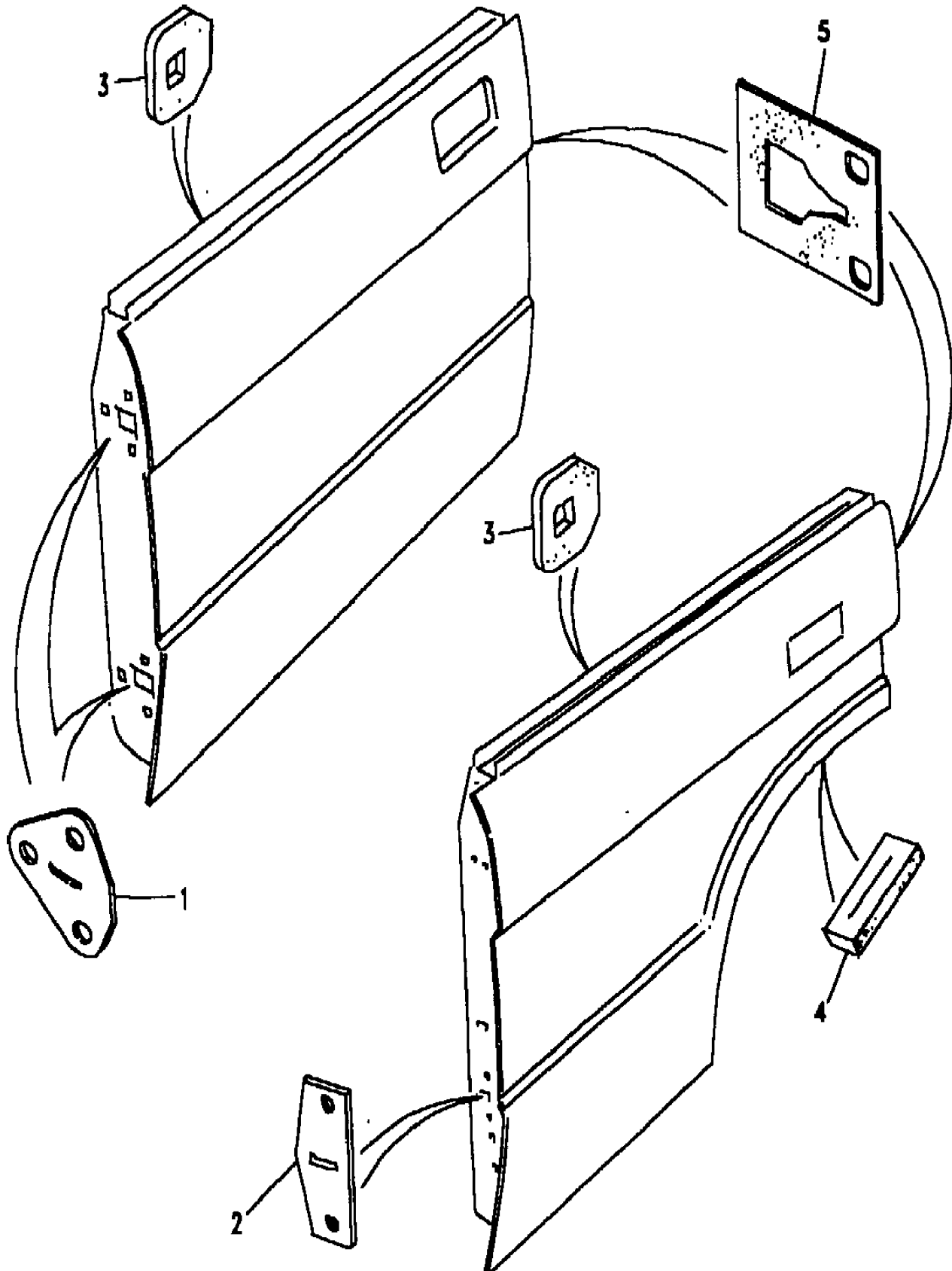
Body & Chassis
 Body
 Dust Proofing Seals 1/1

Range Rover (From JA610294)
 (BDNXBM3A)

Range Rover (From JA610294)

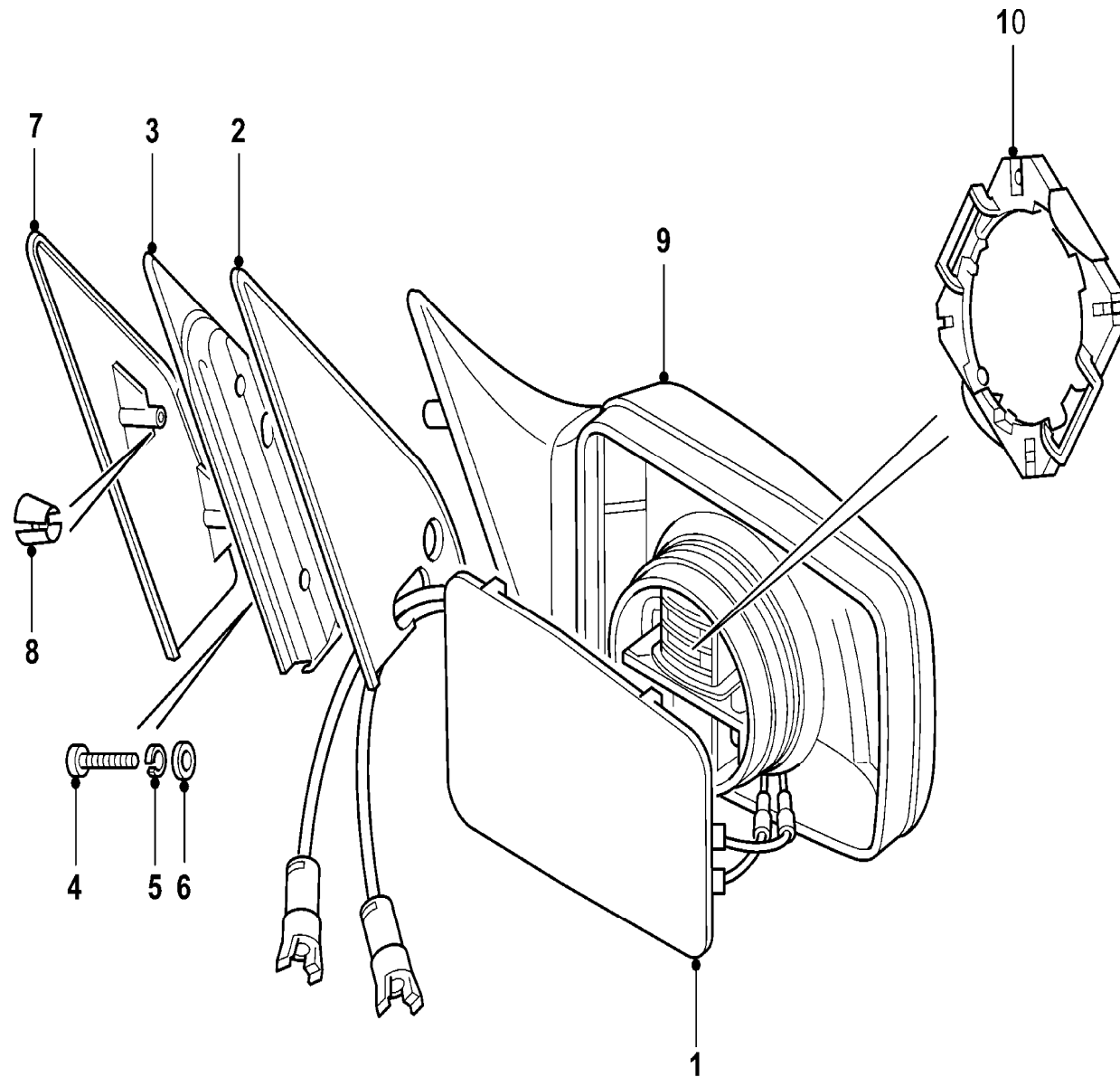
Body & Chassis
 Body
 Dust Proofing Seals

Callout	Name	Application	Remarks & Restrictions	Service No.	Qty
1	Seal		Check strap, Front	MUC1818	4
2	Seal		Check strap, Rear	MUC1819	2
3	Seal		remote handle	MUC1839	4
4	Seal		child proof lock	MUC1820	2
5	Seal		seal door latch	MUC1822	4



With Drivers Power Mirror, With Passenger Power Mirror

Callout	Name	Application	Remarks & Restrictions	Service No.	Qty
1	Glass assembly-mirror	Change point - VIN end JA624754	Also serviced as part of a kit, Heated, Flat, RH, Less Memory	MUC1606	1
		Change point - VIN end JA624754	Also serviced as part of a kit, Heated, Flat, Less Memory, LH	MUC1607	1
		Change point - VIN begin KA624756	Also serviced as part of a kit, Heated, Flat, RH, Less Memory	MUC1606	1
		Change point - VIN begin KA624756	Also serviced as part of a kit, Heated, Flat, Less Memory, LH	MUC1607	1
		Change point - VIN end RA642793, (+)"CDN/MEX/USA"	Heated, Flat, Less Memory, LH	STC931	1
		Change point - VIN begin RA642794, (+)"CDN/MEX/USA"	Heated, Flat, Less Memory, LH	STC1634	1
		Change point - VIN end JA624754	Also serviced as part of a kit, Heated, Flat, RH, Memory	MUC1606	1
		Change point - VIN end JA624754	Also serviced as part of a kit, Heated, Flat, Memory, LH	MUC1607	1
		Change point - VIN begin KA624756	Also serviced as part of a kit, Heated, Flat, RH, Memory	MUC1606	1
		Change point - VIN begin KA624756	Also serviced as part of a kit, Heated, Flat, Memory, LH	MUC1607	1
		Change point - VIN end JA624754	Also serviced as part of a kit, Heated, RH, convex, Less Memory	MTC6538	1
		Change point - VIN end JA624754	Also serviced as part of a kit, Heated, convex, Less Memory, LH	MUC1609	1
		Change point - VIN begin KA624756	Also serviced as part of a kit, Heated, RH, convex, Less Memory	MTC6538	1
		Change point - VIN begin KA624756	Also serviced as part of a kit, Heated, convex, Less Memory, LH	MUC1609	1
		(+)"CDN/MEX/USA"	Heated, RH, convex, Less Latch Spring, Less Memory	RTC5893	1
		(+)"CDN/MEX/USA"	Heated, RH, With Latch Spring, convex, Less Memory	RTC5799	1
		Change point - VIN end JA624754	Also serviced as part of a kit, Heated, RH, Memory, convex	MTC6538	1
		Change point - VIN end JA624754	Also serviced as part of a kit, Heated, Memory, convex, LH	MUC1609	1
		Change point - VIN begin KA624756	Also serviced as part of a kit, Heated, RH, Memory, convex	MTC6538	1
		Change point - VIN begin KA624756	Also serviced as part of a kit, Heated, Memory, convex, LH	MUC1609	1
(+)"CDN/MEX/USA"	Heated, RH, Memory, convex, Less Latch Spring	RTC5893	1		
(+)"CDN/MEX/USA"	Heated, RH, With Latch Spring, Memory, convex	RTC5799	1		
2	Gasket-exterior mirror			MUC1792	2



C01.105

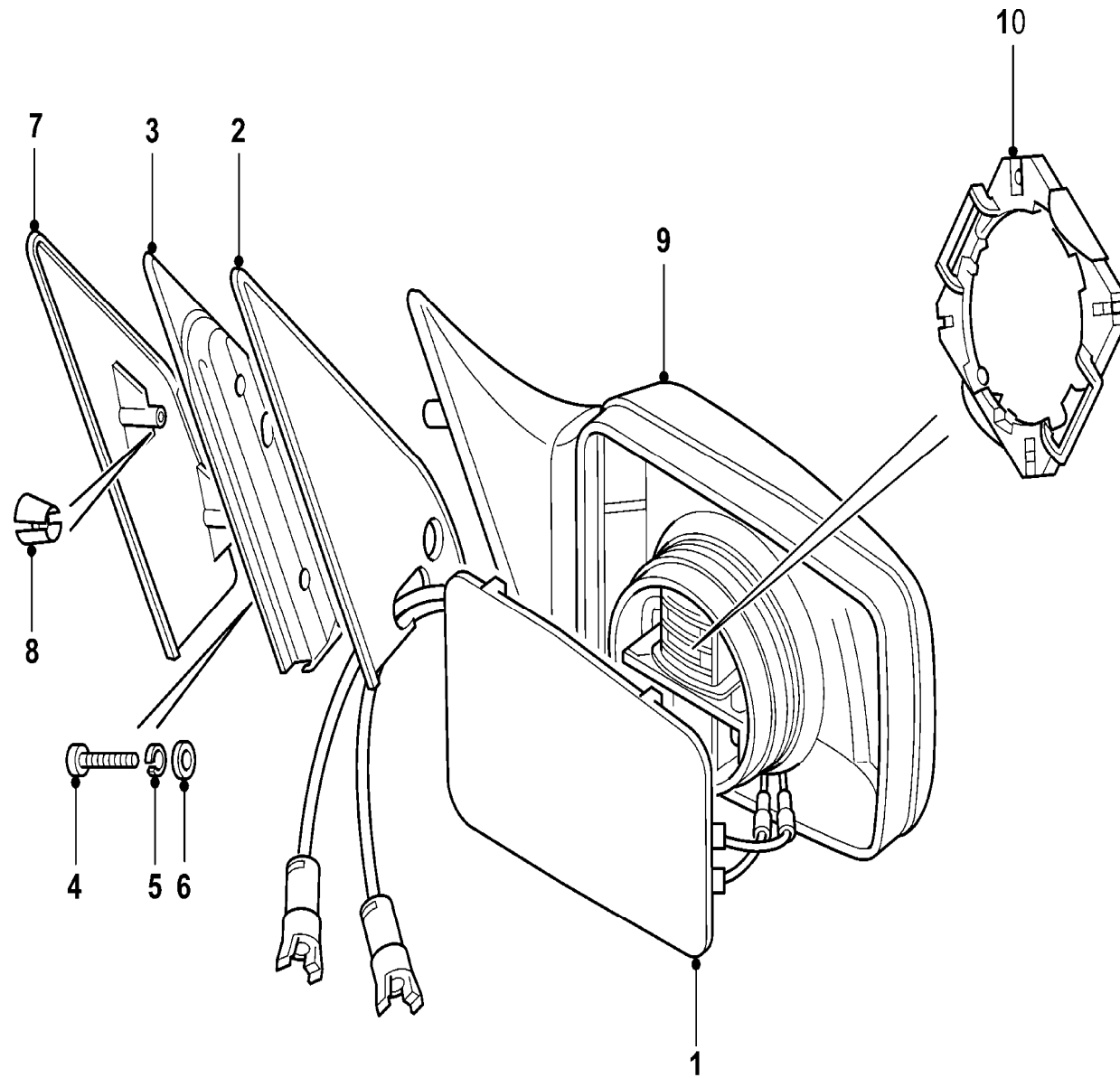
04-2002

L2

BDNXRC1B

With Drivers Power Mirror, With Passenger Power Mirror

Callout	Name	Application	Remarks & Restrictions	Service No.	Qty
3	Plate		RH LH	MXC8714 MXC8715	1 1
4	Screw		plate to gasket, Self Tapping, No10 x 3/4	AB610061L	6
5	Washer		M5, retaining	WL105001L	6
6	Washer		M5, Plain, Standard	WA105001L	6
7	Cheater-exterior mirror	Change point - VIN end KA647644	Bokhara, Inner, LH	MXC5292RUN	1
		Change point - VIN end KA647644	RH, Bokhara, Inner	MXC5291RUN	1
		Change point - VIN begin MA647645	Black, Inner, LH	MXC5292PMA	1
		Change point - VIN begin MA647645	Black, RH, Inner	MXC5291PMA	1
8	Clip		plate to finisher	AFU3009	4
9	Mirror assembly-electric control exterior	Change point - VIN end JA624754	Also serviced as part of a kit, Flat, RH, Less Memory	BTR383	1
		Change point - VIN end JA624754	Also serviced as part of a kit, Flat, Less Memory, LH	BTR384	1
		Change point - VIN begin KA624756	Also serviced as part of a kit, Flat, RH, Less Memory	BTR4820	1
		Change point - VIN begin KA624756	Also serviced as part of a kit, Flat, Less Memory, LH	BTR4821	1
		(+)"CDN/MEX/USA"	Flat, Less Memory, LH	BTR5816	1
		Change point - VIN end JA624754	Also serviced as part of a kit, Flat, RH, Memory	BTR134	1
		Change point - VIN end JA624754	Also serviced as part of a kit, Flat, Memory, LH	BTR135	1
		Change point - VIN begin KA624756	Also serviced as part of a kit, Flat, RH, Memory	BTR4817	1
		Change point - VIN begin KA624756	Also serviced as part of a kit, Flat, Memory, LH	BTR4818	1
		(+)"CDN/MEX/USA"	Flat, Memory, LH	BTR5817	1
		Change point - VIN end JA624754	Also serviced as part of a kit, RH, convex, Less Memory	BTR385	1
		Change point - VIN end JA624754	Also serviced as part of a kit, convex, Less Memory, LH	BTR386	1
		Change point - VIN begin KA624756	Also serviced as part of a kit, RH, convex, Less Memory	BTR4822	1
		Change point - VIN begin KA624756	Also serviced as part of a kit, convex, Less Memory, LH	BTR4823	1
		(+)"CDN/MEX/USA"	RH, convex, Less Memory	BTR4824	1
		Change point - VIN end JA624754	Also serviced as part of a kit, RH, Memory, convex	BTR132	1
		Change point - VIN end JA624754	Also serviced as part of a kit, Memory, convex, LH	BTR133	1
		Change point - VIN begin KA624756	Also serviced as part of a kit, RH, Memory, convex	BTR4815	1
		Change point - VIN begin KA624756	Also serviced as part of a kit, Memory, convex, LH	BTR4816	1
		(+)"CDN/MEX/USA"	RH, Memory, convex	BTR4819	1



C01.105

04-2002

L2

BDNXRC1B

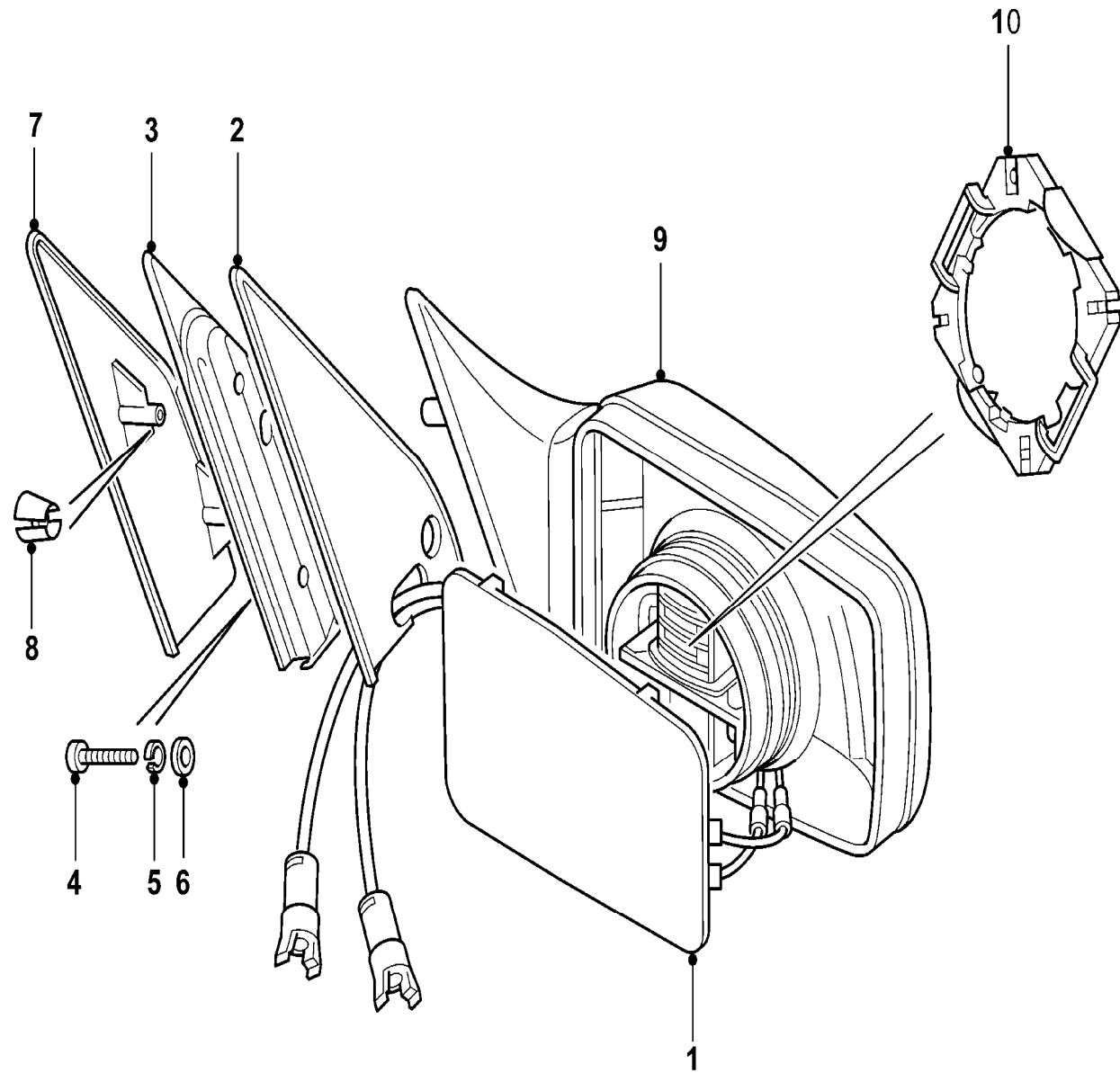
Range Rover (From JA610294)

(BDNXRC1B)

Range Rover (From JA610294)

With Drivers Power Mirror, With Passenger Power Mirror

Callout	Name	Application	Remarks & Restrictions	Service No.	Qty
10	Motor assembly-exterior mirror assembly electric	Change point - VIN end JA624754	Also serviced as part of a kit, Less Memory	RTC3263	2



C01.105

04-2002

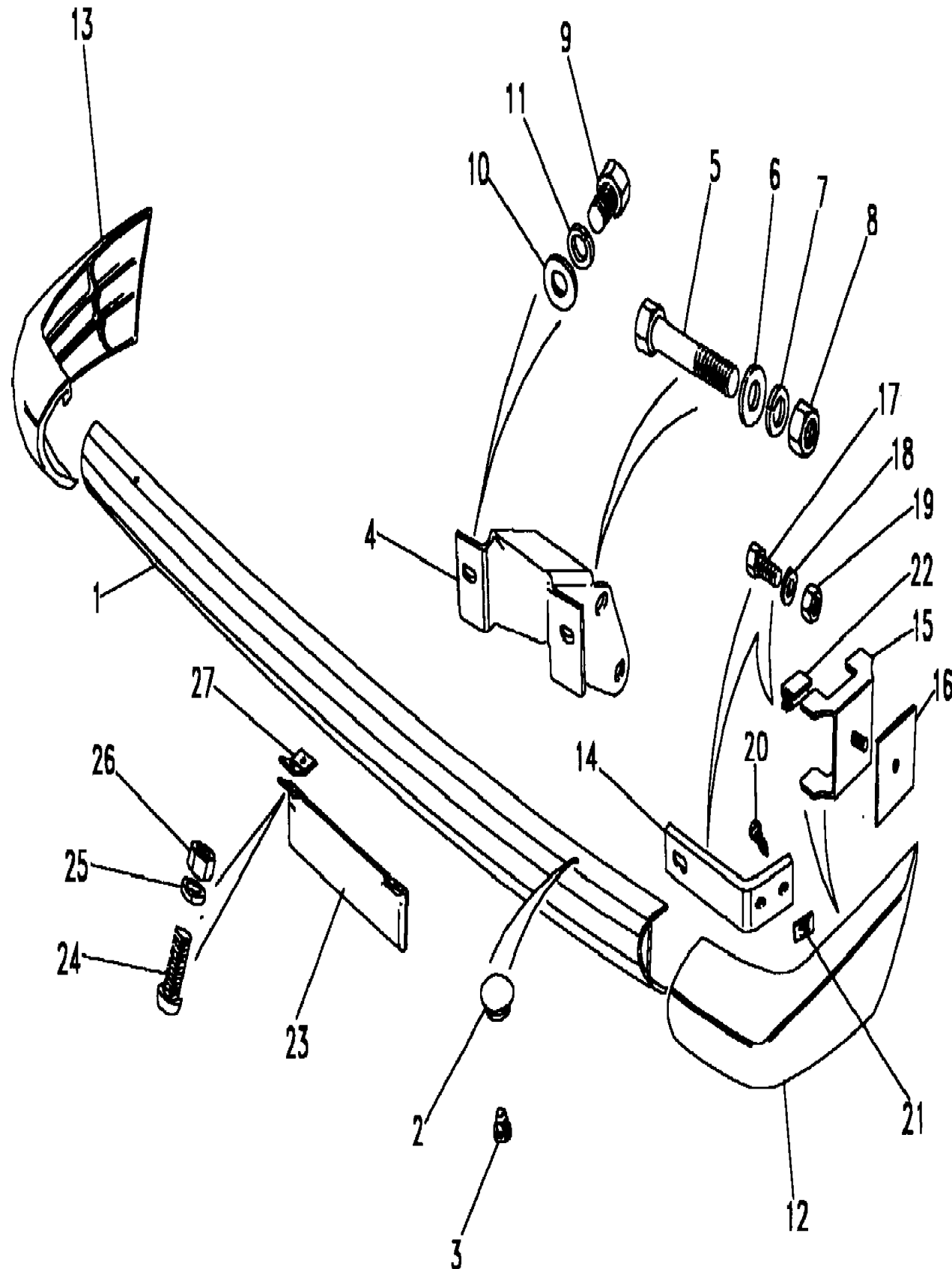
L2

BDNXRC1B

Range Rover (From JA610294)

(BDNXAC1A)

Range Rover (From JA610294)



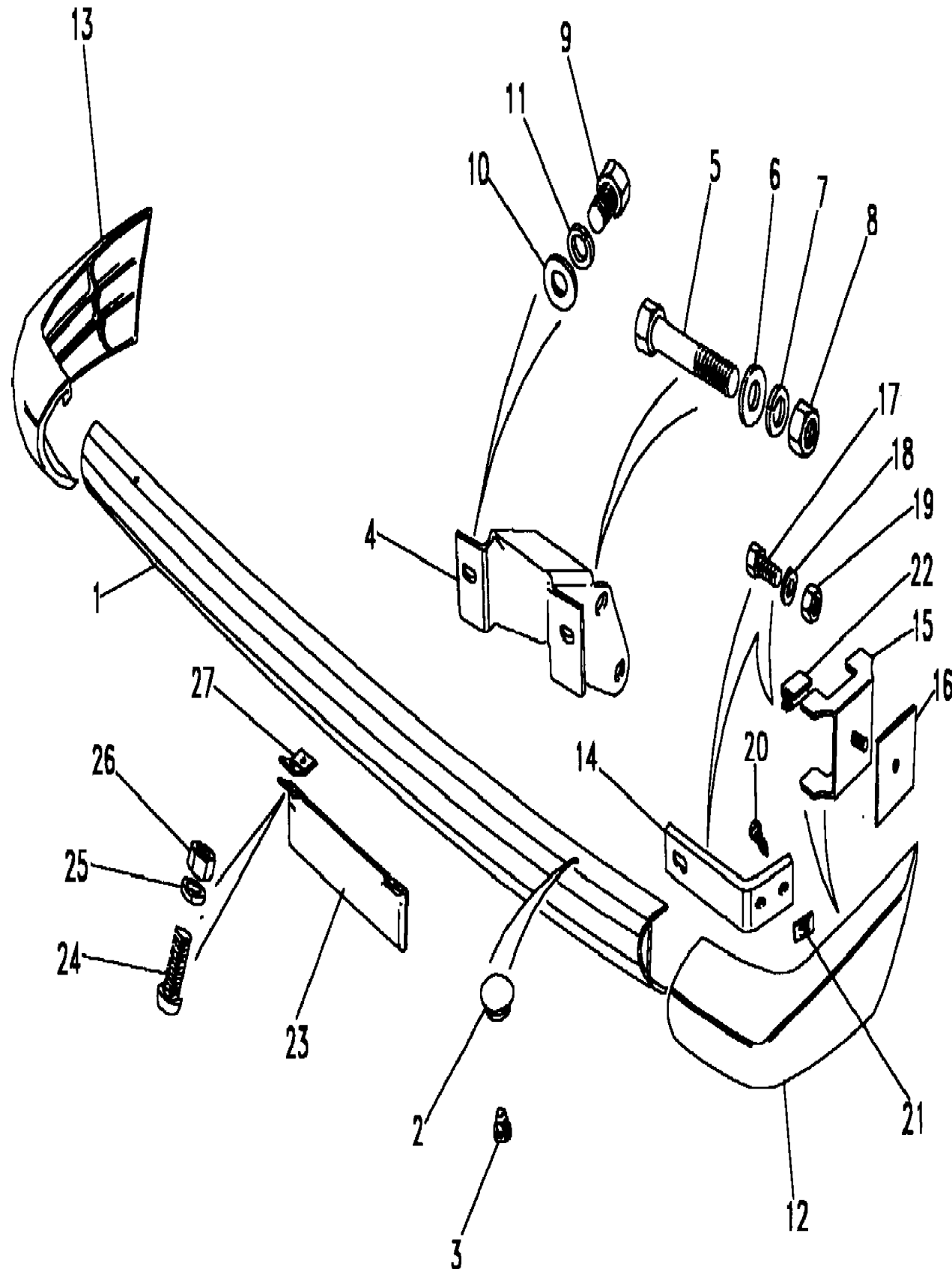
Callout	Name	Application	Remarks & Restrictions	Service No.	Qty
1	Bumper assembly	Change point - VIN end KA647644	Less Body Styling Kit, Black, Front	NTC4281	1
		Change point - VIN end KA647644	Less Body Styling Kit	NTC7041	1
		Change point - VIN end KA647644	Body Styling Kit, Front	ANR1555	1
		Change point - VIN begin MA647644	Body Styling Kit, Front, complete with crush cans	ANR3465	1
		Change point - VIN begin MA647645	Less Body Styling Kit, Black, Front, complete with crush cans	ANR2033	1
		Change point - VIN begin MA647645	Less Body Styling Kit, Front, complete with crush cans, Chrome	ANR2445	1
2	Grommet			NTC2804	2
3	Plug-blanking			MUC8478	2
4	Bracket-bumper mounting		Front, RH	NTC3297	1
			Front, LH	NTC3298	1
5	Bolt		to bracket mounting, 3/8UNF	BH606361L	2
6	Washer-Plain			3036L	4
7	Washer		3/8", Square	WM600061L	4
8	Nut - Hex.		to bracket mounting, hexagonal head, 3/8UNF	NH606041L	4
9	Screw		Bracket mounting to bumper front, hexagonal head, 3/8UNF x 1	SH606081L	4
10	Washer-Plain			3036L	4
11	Washer		3/8", Square	WM600061L	4
12	Capping		LH	RTC5696	1
13	Capping		RH	RTC5695	1
14	Bracket Mounting		RH	NTC2780	1
			LH	NTC2781	1
15	Bracket		fitting end cap, Metal	NTC5683	2
16	Pad-buffer			NTC4718	2
17	Screw-flanged head		bracket mounting to capping, M6 X 16, Flanged Head	FS106167L	4
18	Washer		M6, oversize	WC106041L	8
19	Nut - Hex.		mounting to capping, M6, hexagonal head, nyloc	NY106041L	4

Range Rover (From JA610294)

(BDNXAC1A)

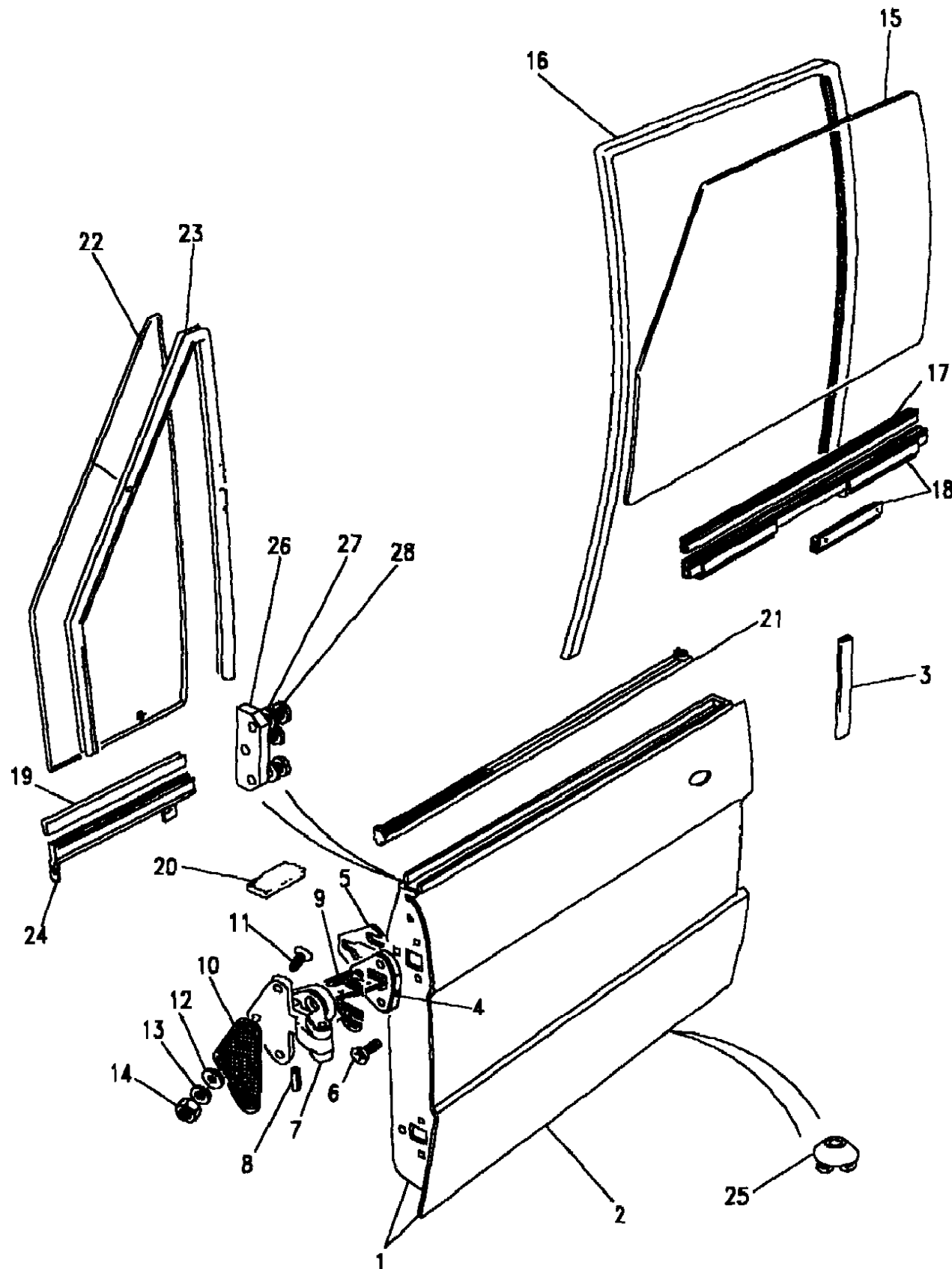
Range Rover (From JA610294)

Callout	Name	Application	Remarks & Restrictions	Service No.	Qty
20	Screw		mounting to capping	AW608125L	2
21	Nut-spring-flat		bracket mounting to capping, No10	AH610011	2
22	Clip			ADU7954	8
23	Panel-licence plate support		Less Spoiler	90577143	1
24	Screw-pan		fixing no plate support	MXC4684	4
25	Washer		fixing no plate support, 8MM	WA108051L	4
26	Nut - Hex.		fixing no plate support, M8, hexagonal head	NH108041L	4
27	Bracket Mounting		Less Spoiler	592023	2
[900]	Bolt		to bracket mounting	NRC2384	2
[901]	Nut - Hex.		mounting to capping, M6, hexagonal head, nyloc	NY106047L	4
			fixing no plate support, M8, hexagonal head	NH108041L	4
[902]	Panel-licence plate support		With Spoiler	NTC1718	1
[903]	Screw-pan		fixing no plate support	MXC4684	2
[904]	Washer		fixing no plate support, 8MM	WA108051L	4



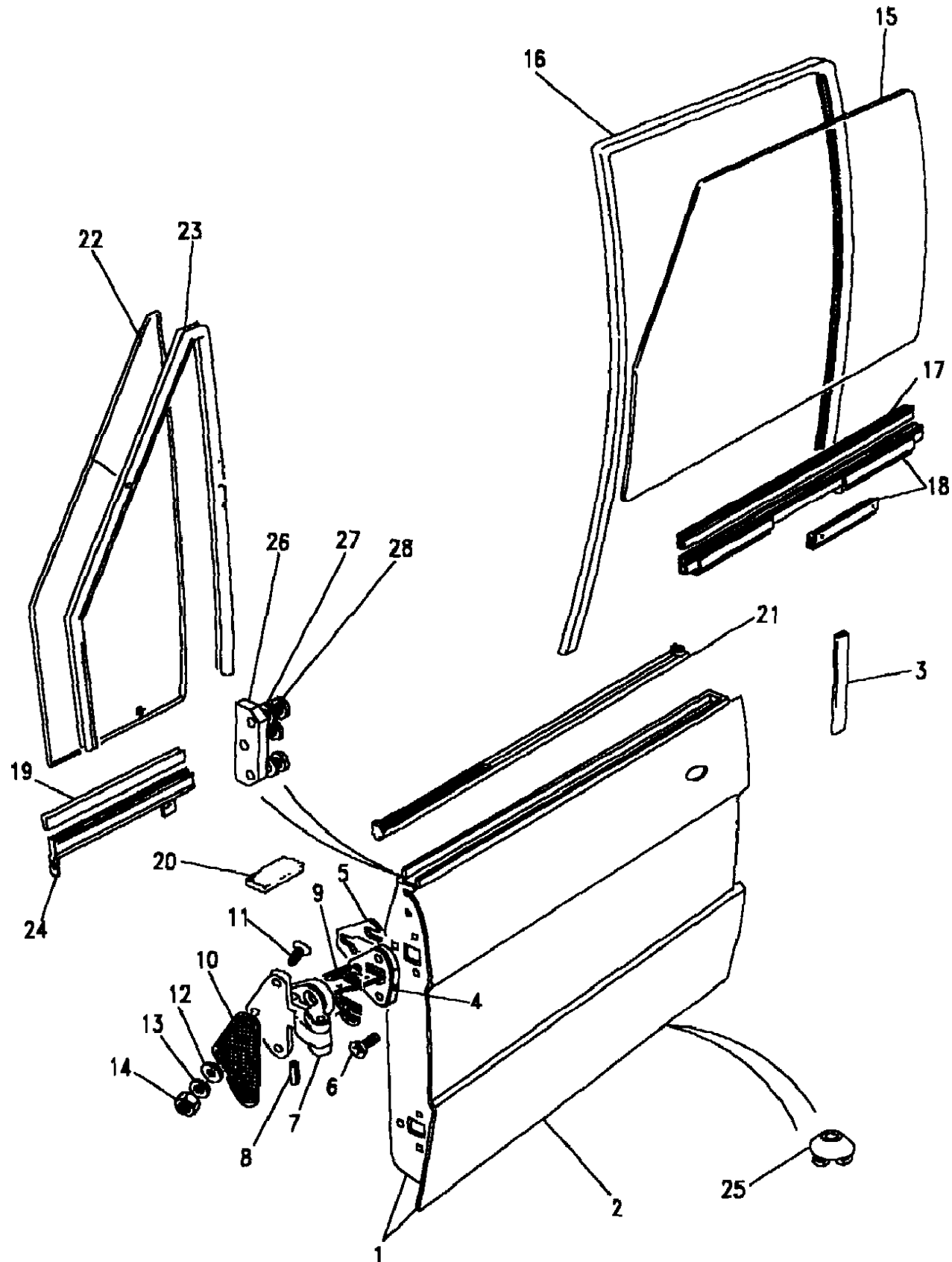
2 Door Station Wagon

Callout	Name	Application	Remarks & Restrictions	Service No.	Qty
1	Door assembly-front		Also serviced as part of a kit, RH Also serviced as part of a kit, LH	MXC4886 MXC4887	1 1
2	Panel outer		Also serviced as part of a kit, RH Also serviced as part of a kit, LH	RTC6297 RTC6298	1 1
3	Protector-edge	Door		DZA6330	2
4	Check strap	Change point - VIN end KA635927		391280	2
5	Check strap	Change point - VIN begin KA63592		ALR4786	2
6	Screw		HINGE TO DOOR	392920	12
7	Hinge assembly-front door			390415	4
8	Pin-roll			391439	4
9	Shim		textured	392876	4
10	Shim			391592	4
11	Screw		HINGE TO DOOR	391043	12
12	Washer-Plain			RTC613	12
13	Washer-Spring		5/16"	WM600051L	12
14	Nut - Hex.		hexagonal head, 5/16UNF	NH605041L	12
15	Glass-front door clear		RH LH	MWC8430 MWC8431	1 1
16	Glass channel			MXC1949	2
17	Channel-rear door glass run		Rubber	ALR6541	2
18	Channel-rear door glass lift			ALR6540	2
19	Strip-glazing			RTC6455	2
20	Pad-anti rattle			MUC2177	2
21	Seal waist outer		RH LH	MXC5355 MXC5356	1 1
22	Glass-front door clear		RH, Fixed	MWC6328	1



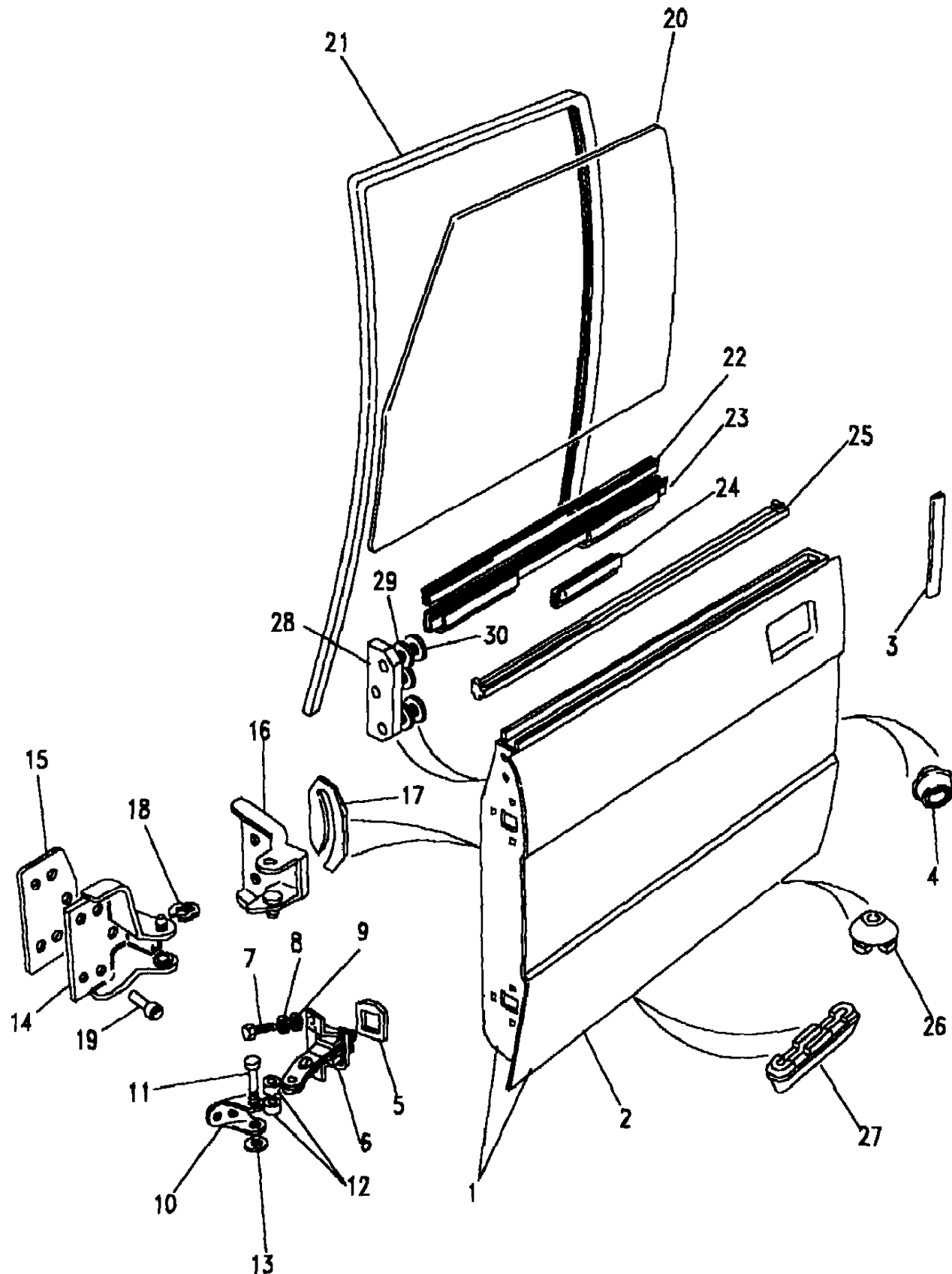
2 Door Station Wagon

Callout	Name	Application	Remarks & Restrictions	Service No.	Qty
22	Glass-front door clear		LH, Fixed	MWC6329	1
23	Weatherstrip-quarterlight			MWC6305	2
24	Channel-front door guide		RH	MWC6308	1
			LH	MWC6309	1
25	Grommet			MXC1956	2
26	Plate-Retaining			MXC1867	2
27	Washer-Plain			RTC613	6
28	Screw		plate to door	MXC1638	6
[900]	Shim		10.SWG	392865	X
			6.SWG	392866	X



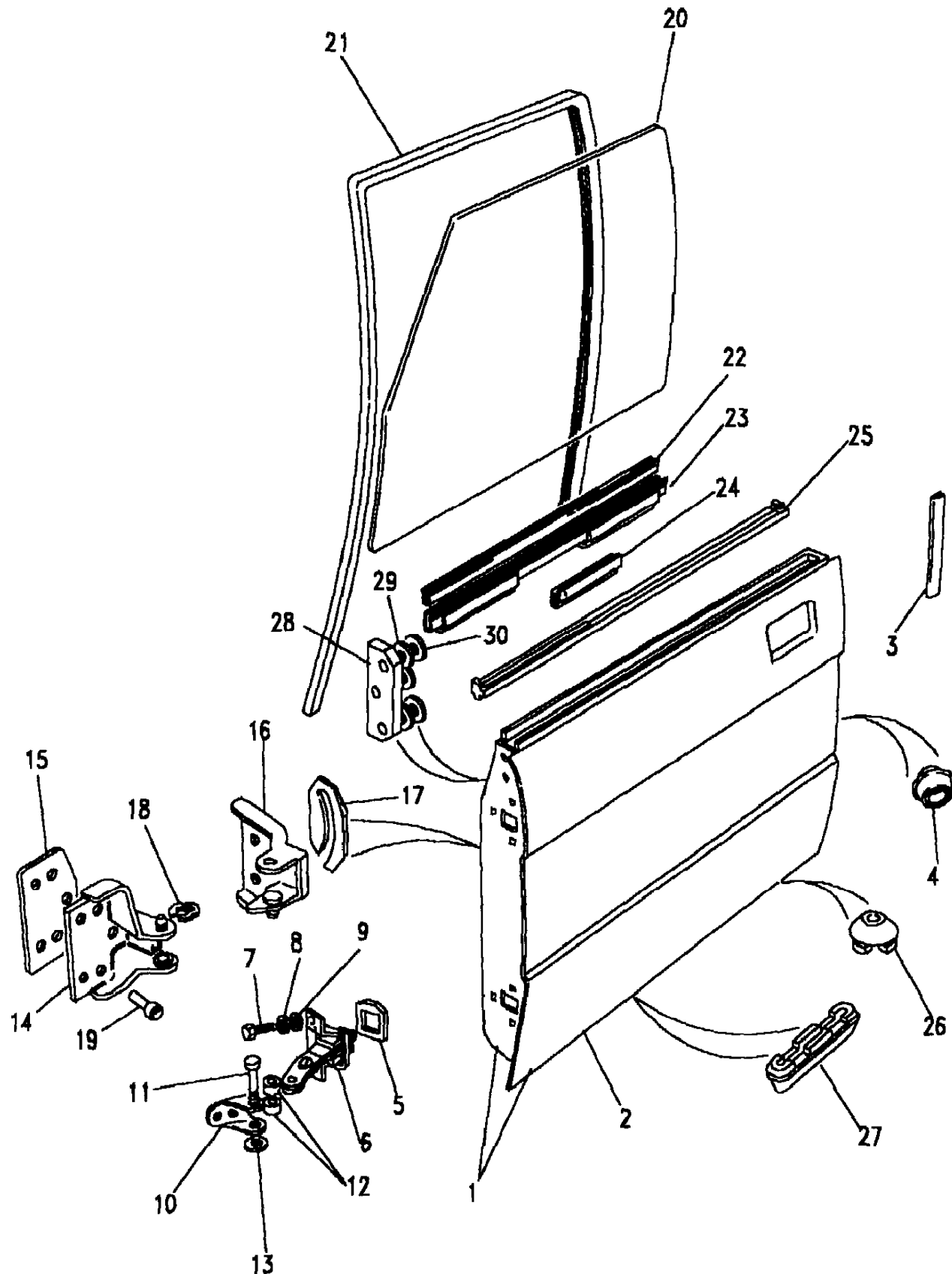
4 Door Station Wagon

Callout	Name	Application	Remarks & Restrictions	Service No.	Qty	
1	Door assembly-front		Also serviced as part of a kit, RH	ALR5596	1	
			Also serviced as part of a kit, LH	ALR5595	1	
2	Door assembly-outer front		Also serviced as part of a kit, RH	MXC2064	1	
			Also serviced as part of a kit, LH	MXC2063	1	
3	Protector-edge		Door	DZA6330	2	
4	Plug-blanking		9.5MM, Plastic	338013	X	
			25.5MM, Plastic	338023	X	
5	Gasket			MXC8335	2	
6	Check strap		Change point - VIN end KA635927	RH	MXC1966	1
			Change point - VIN end KA635927	LH	MXC1967	1
			Change point - VIN begin KA635928	RH	ALR4726	1
			Change point - VIN begin KA635928	LH	ALR4727	1
7	Screw-flanged head		M6 X 16, Flanged Head	FS106167L	8	
8	Washer		M6, sprung	WL106001L	8	
9	Washer		6MM	WA106041L	8	
10	Bracket			MTC9066	2	
11	Pin-door check arm		Change point - VIN end MA658854		CLP6552L	2
			Change point - VIN begin MA658855		BDM10001L	2
12	Spacer			MTC9631	4	
13	Circlip			MTC9632	2	
14	Hinge A post		RH, Upper		MXC2164	1
			Upper, LH		MXC2165	1
			RH, Lower		MXC5770	1
			Lower, LH		MXC5771	1
15	Shim-door hinge		Change point - VIN end KA634749		MWC8680	4
			Change point - VIN begin KA634750		ALR4722	2
16	Hinge assembly-front door		RH		MXC2166	2
			LH		MXC2167	2



4 Door Station Wagon

Callout	Name	Application	Remarks & Restrictions	Service No.	Qty
17	Shim-door hinge		1.30MM	ALR1976	2
18	Circlip			MXC5267	4
19	Screw-pan			MXC4918	16
20	Glass door front		RH, 4.0MM 4.0MM, LH	MWC8436 MWC8437	1 1
21	Channel-front door glass run		4.0MM	MWC9602	2
22	Glazing rubber	Change point - VIN end MA659910 Change point - VIN begin MA659911	5.0MM	MUC2325 ALR8990	2 2
23	Channel-front door glass lift	Change point - VIN end MA659910 Change point - VIN begin MA659911		MUC2322 ALR8022	2 2
24	Channel locating			MWC2941	2
25	Seal-front door waist inner		RH LH	MXC8014 MXC8015	1 1
26	Grommet			MXC1956	2
27	Grommet			MUC1733	2
28	Plate-Retaining			MXC1867	2
29	Washer-Plain			RTC613	6
30	Screw		plate to door	MXC1638	6
[900]	Pin-door check arm			BDM100050	2



Body & Chassis
 Body
 Front Door Frame & Seals-2 Door 1/1

Range Rover (From JA610294)

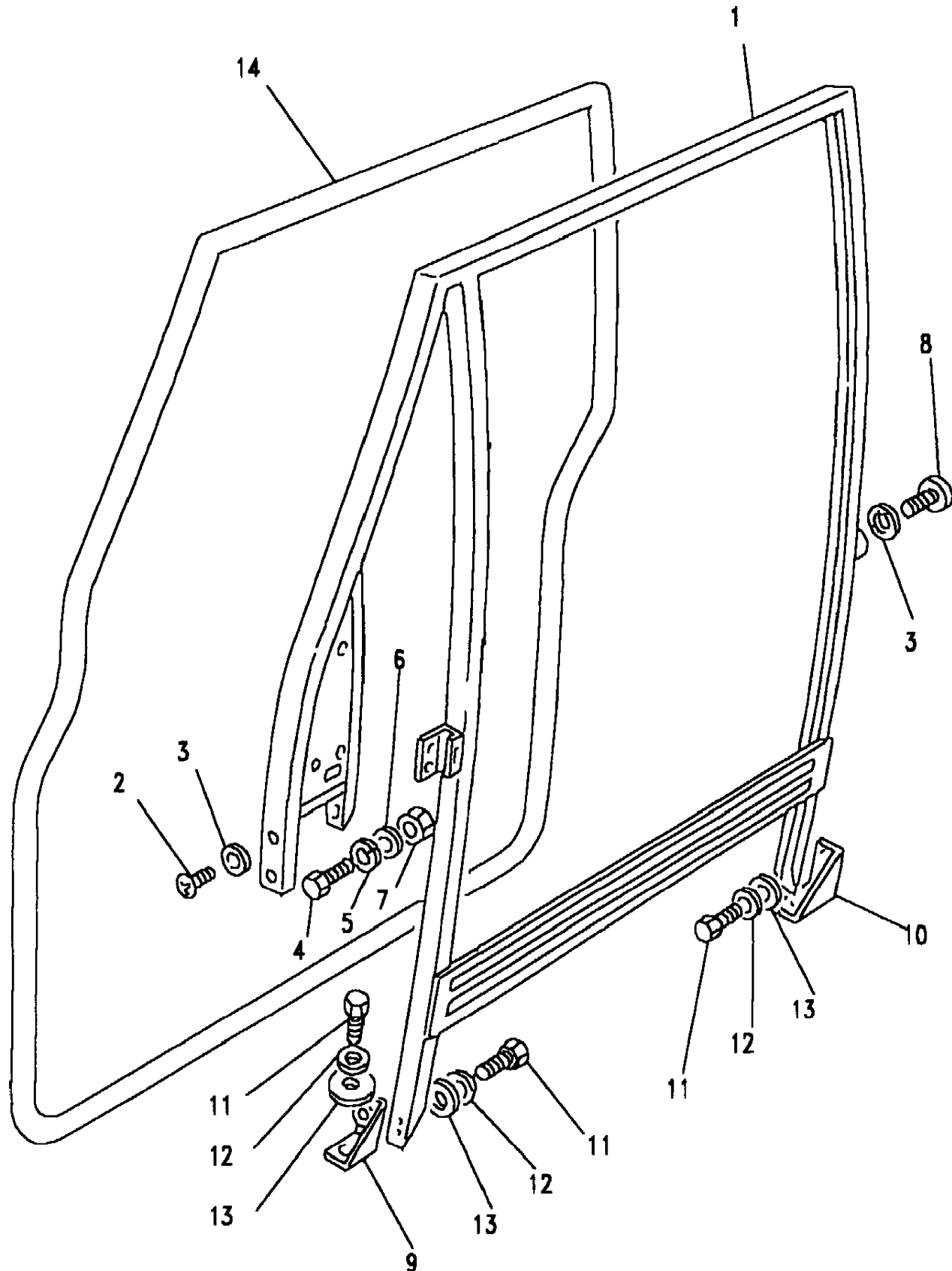
(BDNXGC1A)

Body & Chassis
 Body
 Front Door Frame & Seals-2 Door

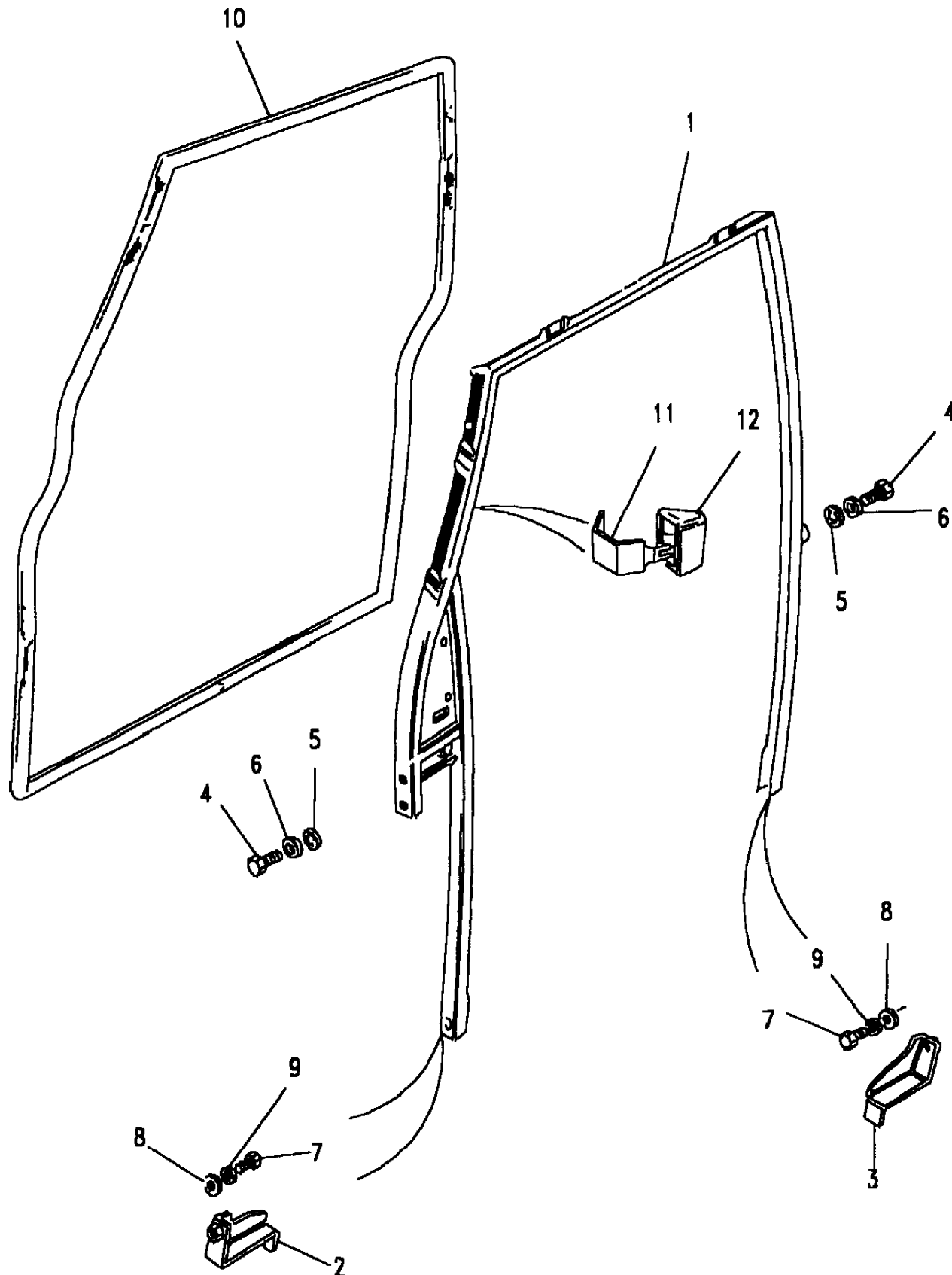
Range Rover (From JA610294)

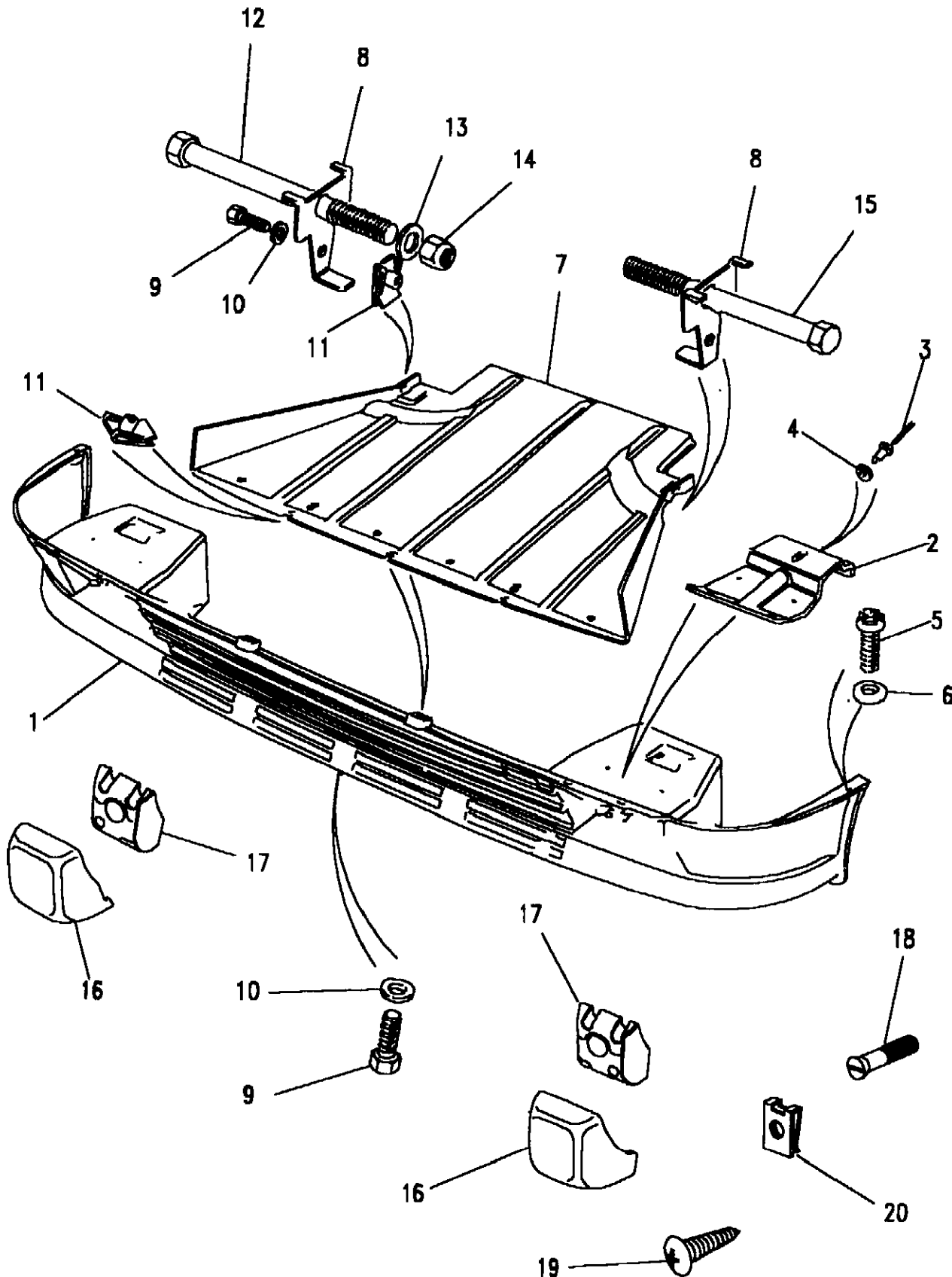
2 Door Station Wagon

Callout	Name	Application	Remarks & Restrictions	Service No.	Qty
1	Frame-front door		RH LH	MWC6338 MWC6339	1 1
2	Screw		1/4UNF x 1/2	SE604041L	2
3	Washer-Lock			WF600041L	X
4	Screw-flanged head		door frame, M6 X 16, Flanged Head	FS106167L	4
5	Washer		6MM	WA106041L	4
6	Washer		M6, sprung	WL106001L	4
7	Nut - Hex.		M6, nyloc, Hexagonal	NH106041L	4
8	Screw		door frame, 1/4UNF x 3/8	78616	2
9	Bracket Mounting		Front, RH Front, LH	390614 390615	1 1
10	Bracket Mounting		Rear, RH Rear, LH	390616 390617	1 1
11	Screw		1/4UNF x 5/8	255206	10
12	Washer-Spring		1/4 dia, Square	WM600041L	6
13	Washer-Plain		M6	3831L	10
14	Seal-front door		RH, Sorrel Brown Sorrel Brown, LH	ALR1614SUA ALR1615SUA	1 1

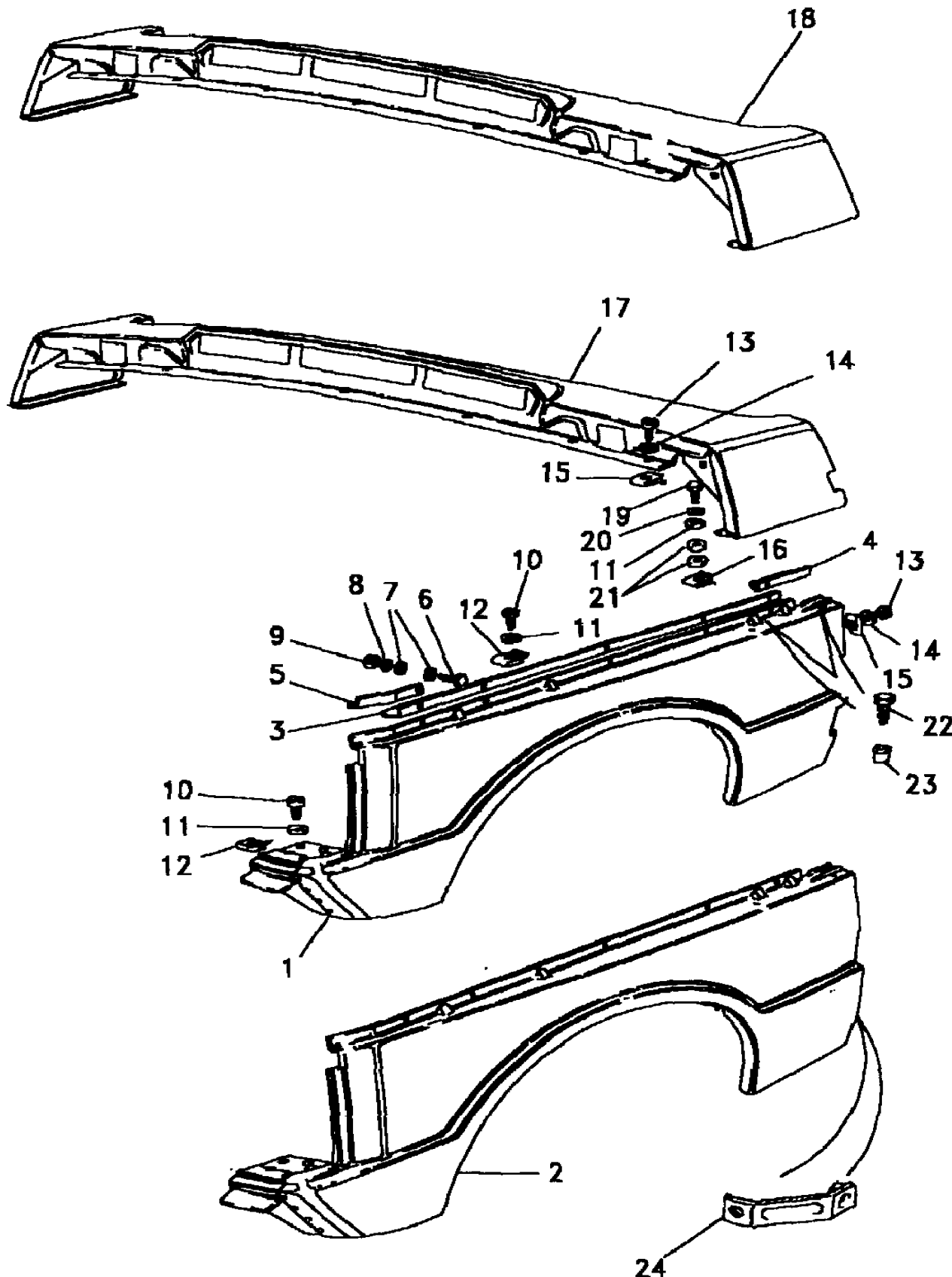


Callout	Name	Application	Remarks & Restrictions	Service No.	Qty
1	Frame-front door		RH LH	MXC8922 MXC8923	1 1
2	Bracket Mounting		Front, RH Front, LH	MUC1750 MUC1751	1 1
3	Bracket Mounting		Rear, RH Rear, LH	MUC1746 MUC1747	1 1
4	Screw		door frame, M8 X 16, hexagonal head	SH108161L	2
5	Washer		M8, sprung	WL108001L	4
6	Washer		8MM	WA108051L	4
7	Screw		door frame	GG106301L	4
8	Washer		M6	WA106001L	4
9	Washer		M6, sprung	WL106001L	4
10	Seal-front door		Plastic, RH, Sorrel Brown Plastic, RH, Winchester Grey RH, Saddle RH, Sable RH, Dark Granite Change point - VIN begin MA647645 Change point - VIN begin MA647645 Ash Grey, RH Plastic, Sorrel Brown, LH Plastic, Winchester Grey, LH Saddle, LH LH, Sable Dark Granite, LH Change point - VIN begin MA647645 Change point - VIN begin MA647645 Ash Grey, LH	ALR1062SUA ALR1062LUL ALR1062AUK ALR1062RWD ALR1062LOY ALR1062LNF ALR1063SUA ALR1063LUL ALR1063AUK ALR1063RWD ALR1063LOY ALR1063LNF	1 1 1 1 1 1 1 1 1 1 1 1 1
11	Clip			MXC8602	2
12	Button window guide			MXC8603	2
[900]	Guide-front door glass			ALR6498 CUC100140	2 2
[901]	Screw		door frame, M8 X 16, Flanged Head	FS108161L	2
[902]	Washer		8MM, sprung	WL108007	4





Callout	Name	Application	Remarks & Restrictions	Service No.	Qty
1	Spoiler-front bumper	Change point - VIN end KA647644, (+)"Europe" Change point - VIN end KA647644, (-)"GB" Change point - VIN end KA647644, (+)"GCC" Change point - VIN begin MA647645		MXC6829 MXC6829 MXC6828 BTR7929	1 1 1 1
2	Bracket Mounting		RH LH	MUC9286 MUC9285	1 1
3	Rivet		bracket to spoiler	MXC1849	4
4	Washer-Plain		M4	WA104001L	4
5	Screw		spoiler to body	SE108201L	6
6	Washer		8MM	WA108051L	2
7	Tray engine	Change point - VIN end JA615502 Change point - VIN begin JA615503	Less Body Styling Kit Less Body Styling Kit Body Styling Kit	MXC5469 BTR3510 BTR5948	1 1 1
8	Bracket			MWC6938	2
9	Screw		bracket to tray, M6 X 20, Flanged Head	FS106201L	5
10	Washer		M6	WA106001L	5
11	Nut - Hex.		To tray engine	MWC8501	5
12	Bolt		Bracket mounting to tray engine	BH608481L	1
13	Washer-Plain		M12 x 28	WC112081L	2
14	Nut - Hex.		To tray engine, nyloc, Hexagonal, 1/2UNF	NY608041L	2
15	Bolt		Bracket mounting to tray engine	BH608321L	1
16	Cover-crush can		Black, LH Black, RH	BTR935PMD BTR9356PMD	1 1
17	Foam		LH RH	BTR9859 BTR9860	1 1
18	Screw-flanged head		Flanged Head, No10	DA610051L	2
19	Screw		5MM	BTR8267	2
20	Nut - Hex.			BTR8781	2



Callout	Name	Application	Remarks & Restrictions	Service No.	Qty
1	Fender-front	2 Door Station Wagon	RH	STC729	1
		2 Door Station Wagon	LH	STC730	1
2	Fender-front	4 Door Station Wagon	RH	MXC1408	1
		4 Door Station Wagon	LH	MXC1409	1
3	Angle mounting		RH	390123	1
			LH	390124	1
4	Extension			391317	2
5	Angle mounting		RH	391139	1
			LH	391140	1
6	Screw		angle to fender, hexagonal head, 5/16UNF x 5/8	SH605051L	10
7	Washer-Plain			RTC613	20
8	Washer-Spring		5/16"	WM600051L	10
9	Nut - Hex.		hexagonal head, 5/16UNF	NH605041L	10
10	Screw-self tapping		angle to fender, No 12 x 5/8	AB612051L	14
11	Washer-Plain		M6	3831L	X
12	Nut-spire			79019	14
13	Screw-self tapping		angle to fender, pan head, No 12 x 1/2, pointed	AB612041L	13
14	Washer-Plain		M6	3831L	4
15	Nut-spire			RTC3725	13
16	Nut-spire		M6	NK106067L	4
17	Panel-deck	Change point - VIN end JA624754, 2 Door Station Wagon	LH	MXC8061	1
		Change point - VIN begin KA624756, Change point - VIN end KA642702, 2 Door Station Wagon		ALR2215	1
		Change point - VIN begin KA642703, 2 Door Station Wagon	LH	ALR6138	1
18	Panel-deck	Change point - VIN end JA624754, 4 Door Station Wagon, RHD		MXC8058	1
		Change point - VIN begin KA624756, 4 Door Station Wagon, RHD		ALR2210	1
		Change point - VIN end JA624754, 4 Door Station Wagon, LHD		MXC8057	1

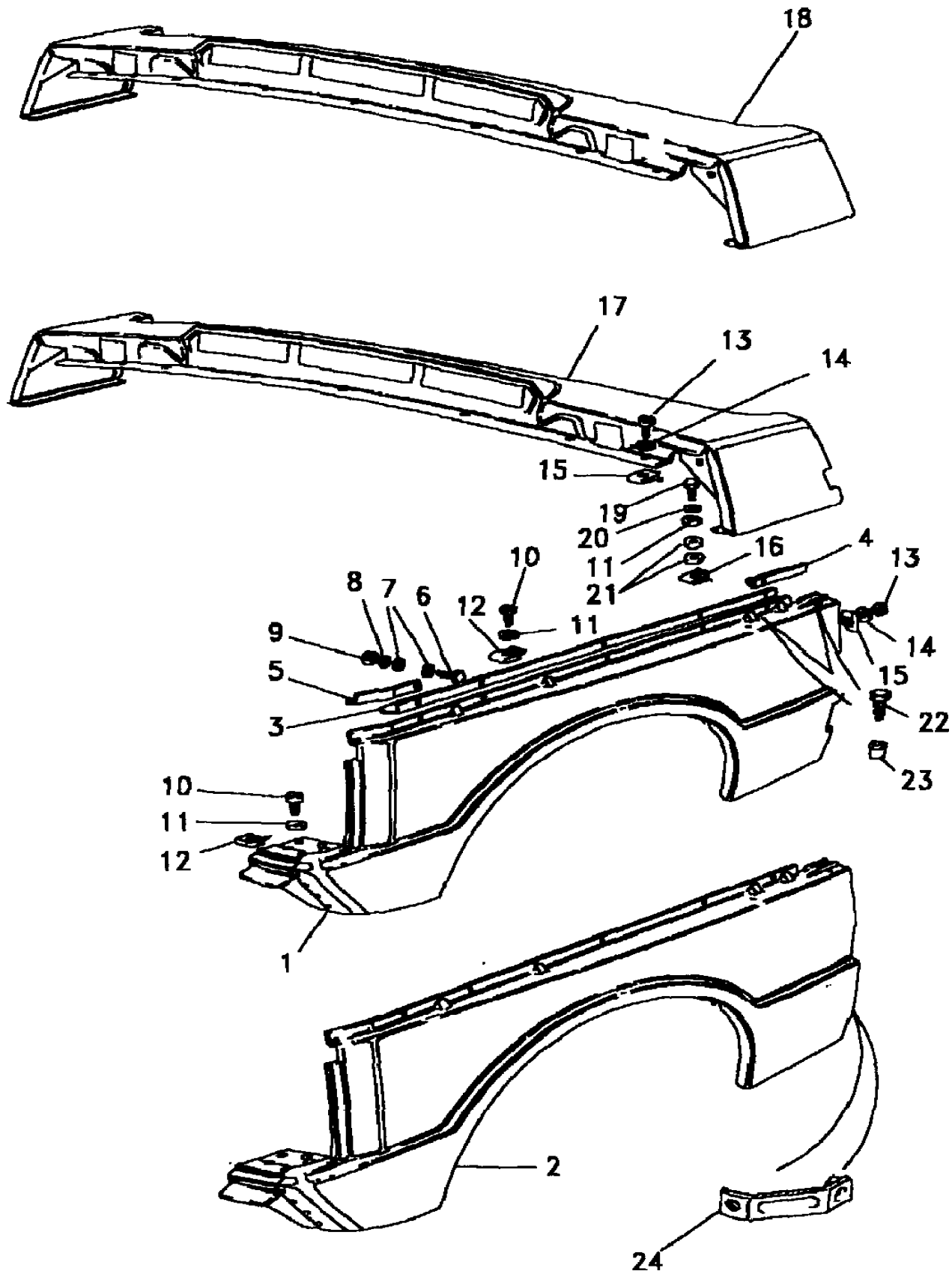
Body & Chassis
Body
Front Wings & Deck Panel 2/2

Range Rover (From JA610294)

(BDNXEA1A)

Body & Chassis
Body
Front Wings & Deck Panel

Range Rover (From JA610294)



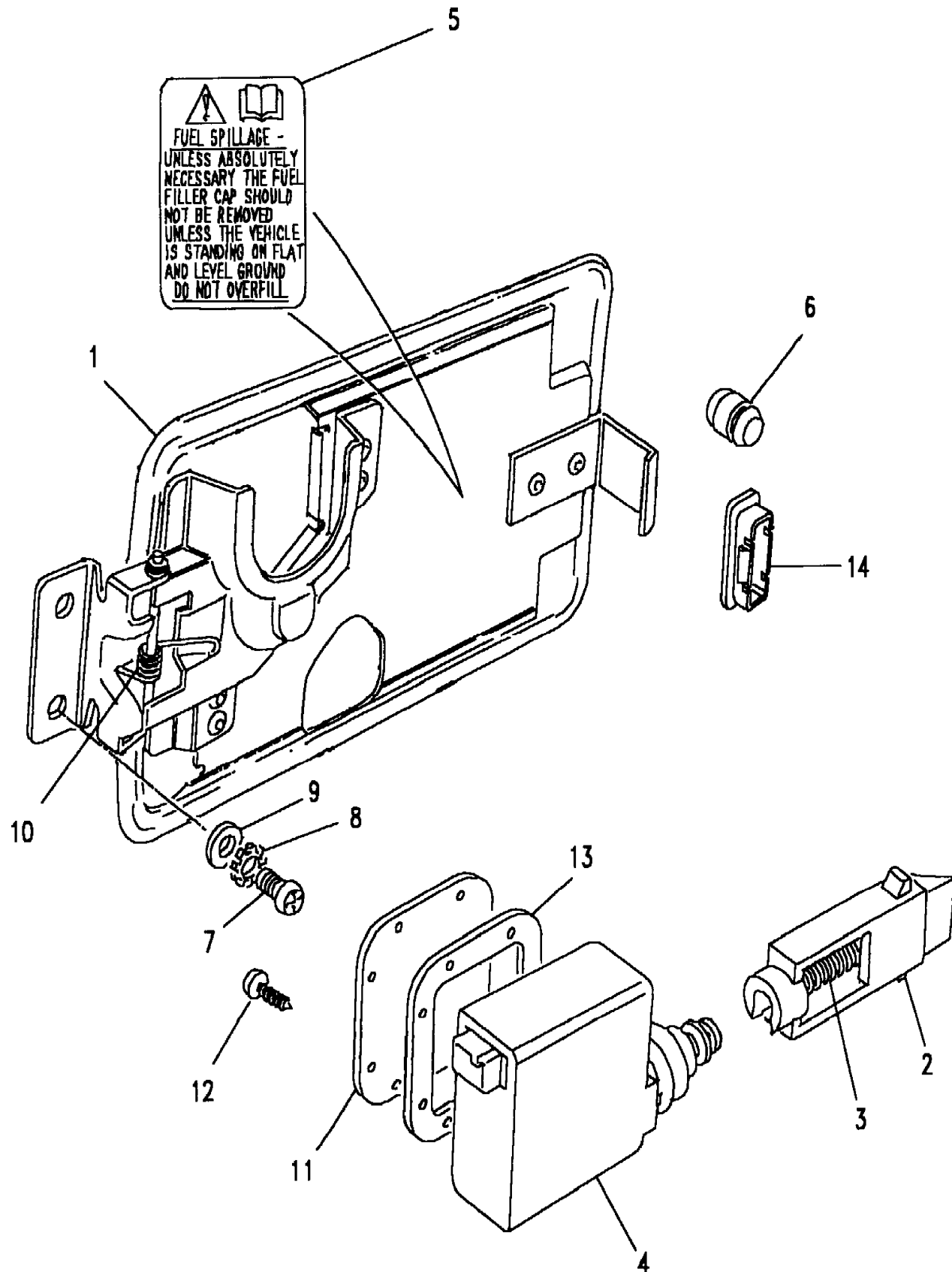
Callout	Name	Application	Remarks & Restrictions	Service No.	Qty
18	Panel-deck	Change point - VIN begin KA624756, 4 Door Station Wagon, LHD		ALR2211	1
19	Screw		angle to fender, M5, 6MM	BH105067L	4
20	Washer-Spring		1/4 dia, Square	WM600041L	4
21	Washer-fibre			MXC8304	8
22	Screw-paint clearing		angle to fender, M6 x 25	GG106251L	4
23	Nutsert-blind		M6	NN106021	4
24	Stay			MXC1097	2

Range Rover (From JA610294)

(BDNXKA2A)

Range Rover (From JA610294)

Callout	Name	Application	Remarks & Restrictions	Service No.	Qty
1	Fuel filler door	Change point - VIN end JA624754 Change point - VIN begin KA624756		MXC9640	1
2	Latch-fuel filler latch		Also serviced as part of a kit	ALR1703	1
3	Spring-fuel fill door		Also serviced as part of a kit	ALR1661	1
4	Actuator-fuel flap release	Change point - VIN end JA624754 Change point - VIN begin KA624756		MXC1670	1
5	Label-fuel caution			PRC7131	1
6	Buffer filler flap			PRC9681	1
7	Screw		to fuel flap, M5	ESR436	1
8	Washer-starlock			MWC9919	2
9	Washer		M5, oversize, Plain	SE105101L	2
10	Spring-fuel fill door			WE702101L	2
11	Panel access			WJ105001L	2
12	Screw-self tapping AB		panel to actuator, M8 x 12	MXC8732	1
13	Seal	Change point - VIN end JA624754 Change point - VIN begin KA624756		ANR1859	1
14	Guide-tongue-fuel flap			AB610041L	2
				MWC9932	1
				ALR3186	1
				ALR3133	1

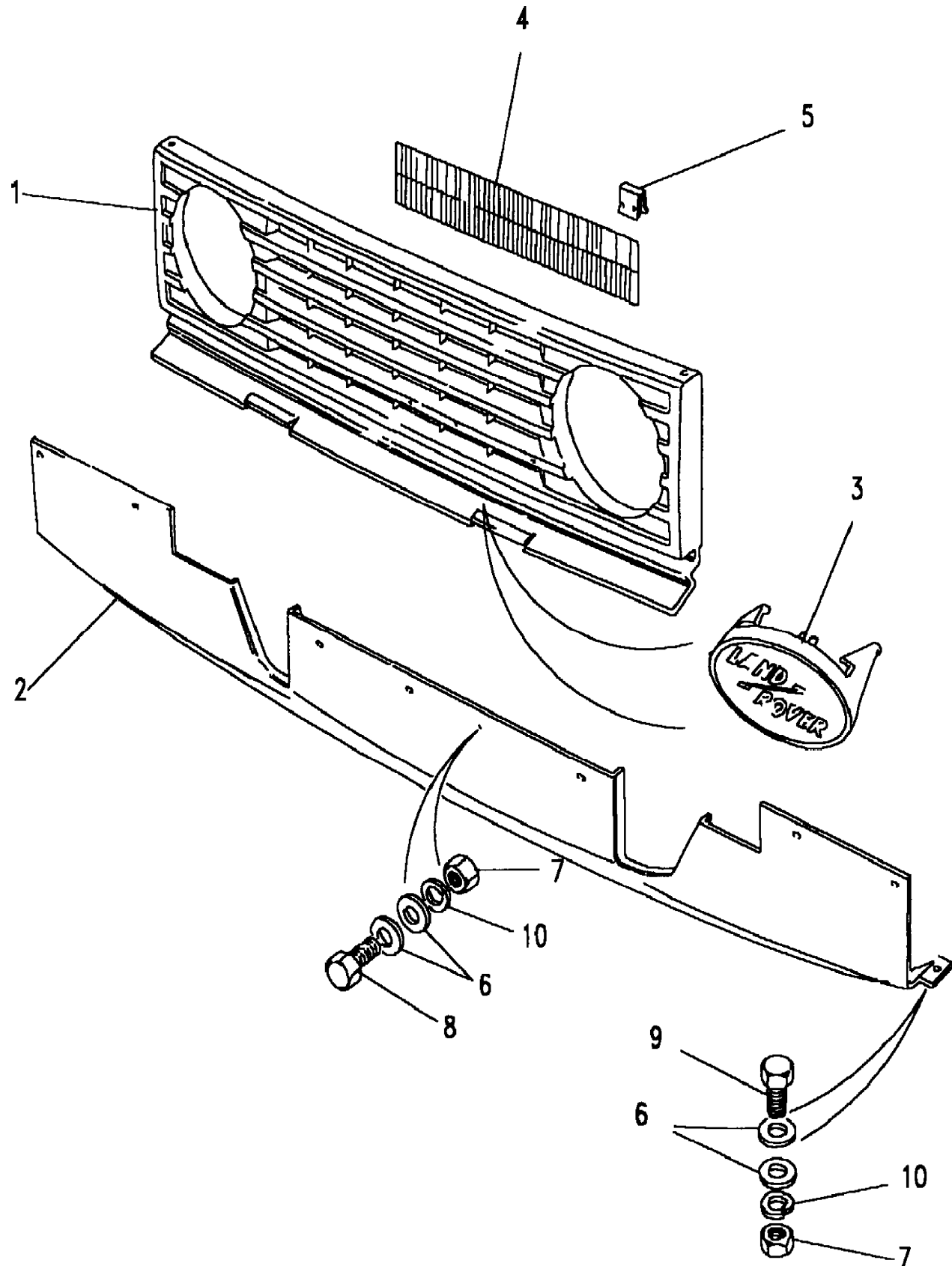


Body & Chassis
 Body
 Grille & Headlamp Surround 1/1

Range Rover (From JA610294)
 (BDNXDA1A)

Range Rover (From JA610294)

Body & Chassis
 Body
 Grille & Headlamp Surround



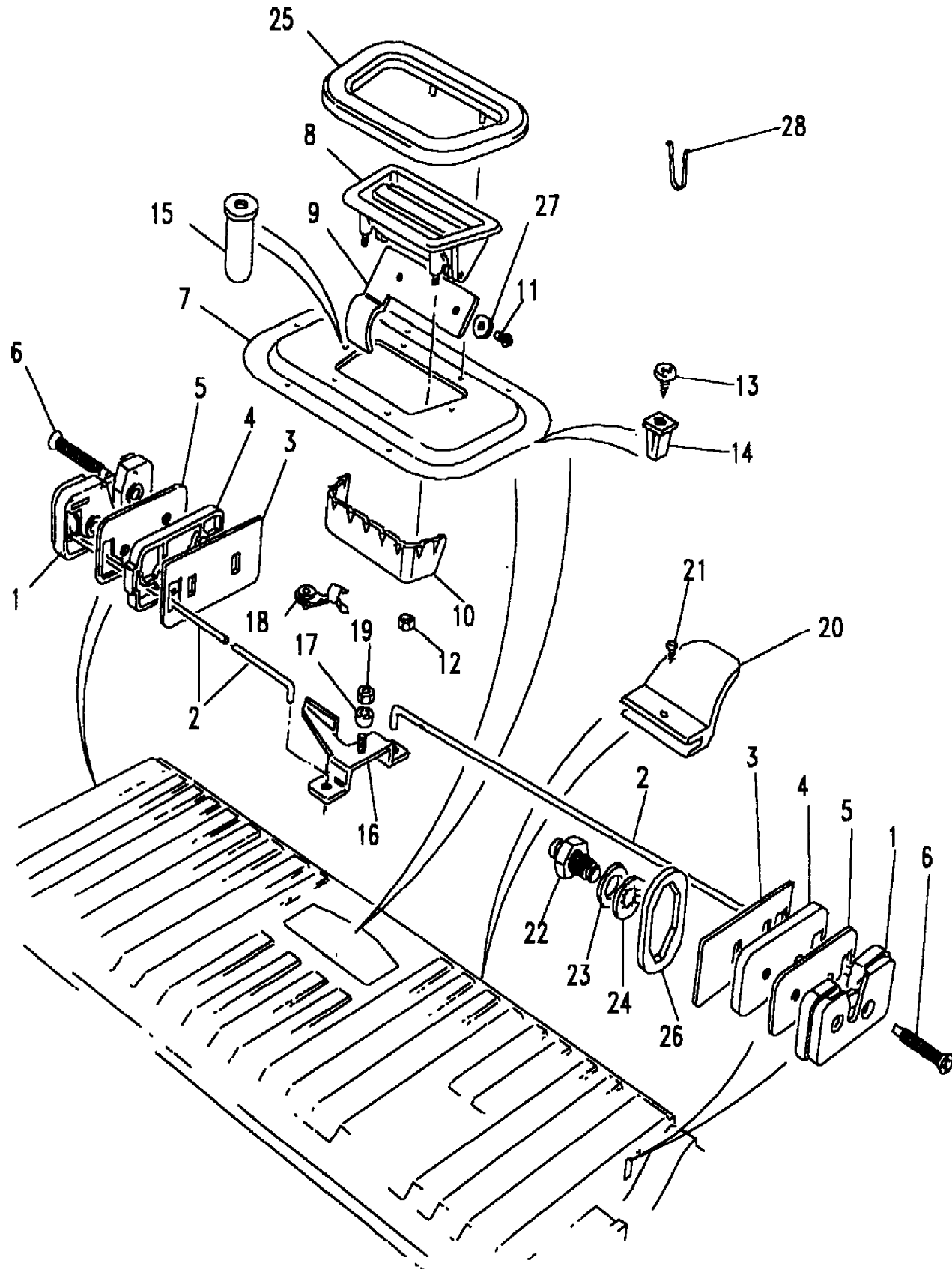
Callout	Name	Application	Remarks & Restrictions	Service No.	Qty
1	Grille-front		horizontal	BTR451	1
2	Panel Lower		Front	MXC1959	1
3	Badge-Land Rover	Change point - VIN end KA629455 Change point - VIN begin KA629456		MXC3374 BTR8068	1 1
4	Guard-radiator grille	Change point - VIN begin KA629456		MXC3070	1
5	Clip	Change point - VIN begin KA629456		MXC3133	6
6	Washer		Plain	MRC5528	16
7	Nut - Hex.		panel to body, hexagonal head, Coarse Thread, 1/4UNF	NH604041L	8
8	Screw		panel to body, hexagonal head, 1/4UNF x 3/4	SH604061L	6
9	Screw		panel to body, M5, hexagonal head, 6MM	SH604081L	2
10	Washer-Spring		1/4 dia, Square	WM600041L	8

Body & Chassis
 Body
 Lock Lower Tailgate 1/2

Range Rover (From JA610294)
 (BDNXIC2A)

Body & Chassis
 Body
 Lock Lower Tailgate

Range Rover (From JA610294)



Callout	Name	Application	Remarks & Restrictions	Service No.	Qty
1	Latch assembly-tailgate			MWC2638	2
2	Link-tailgate lock to latch			MWC 1394	2
3	Gasket-tailgate spoiler			MWC2485	2
4	Spacer			MWC4814	2
5	Gasket-sealing			MWC 1399	2
6	Screw		latch to gasket	GU108501L	2
7	Cover Plate			MWC2262	1
8	Handle assembly-inner panel door release			MWC2260	1
9	Lever assembly-tailgate release			MWC 1384	1
10	Clamp			BRC1482L	1
11	Screw		to lever	SL103121L	2
12	Nut-hexagonal		M4	NH104041L	2
13	Screw		cover plate to tailgate, No 8 x 1/2, Self Tapping	AB608047L	1
14	Nut-lokut		cover plate to tailgate	RTC3743	6
15	Bush			MWC2707	6
16	Camshaft-tailgate release lever			MWC4818	1
17	Bush-tailgate hinge			MWC4406	1
18	Clip-linkage			BFP1265L	2
19	Locknut		cam to tailgate	NY910041L	1
20	Tab-lock lower tailgate			MWC 1654	2
21	Screw-self tapping		tab to tailgate, counter sunk, No 6 x 3/8	AD606035L	2
22	Striker-tailgate			MWC2750	2
23	Gasket-tail door hinge			MWC7678	2

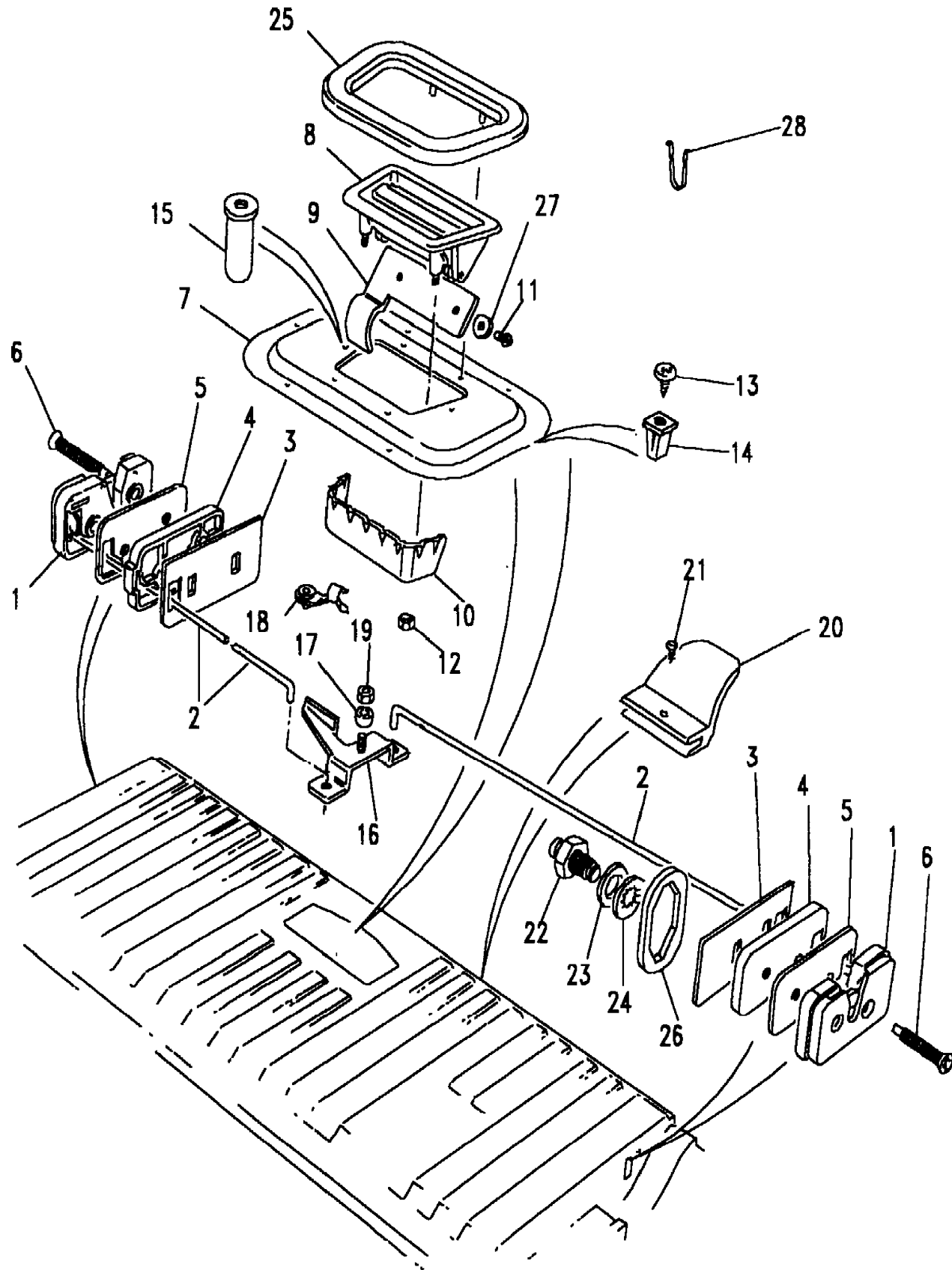
Body & Chassis
 Body
 Lock Lower Tailgate 2/2

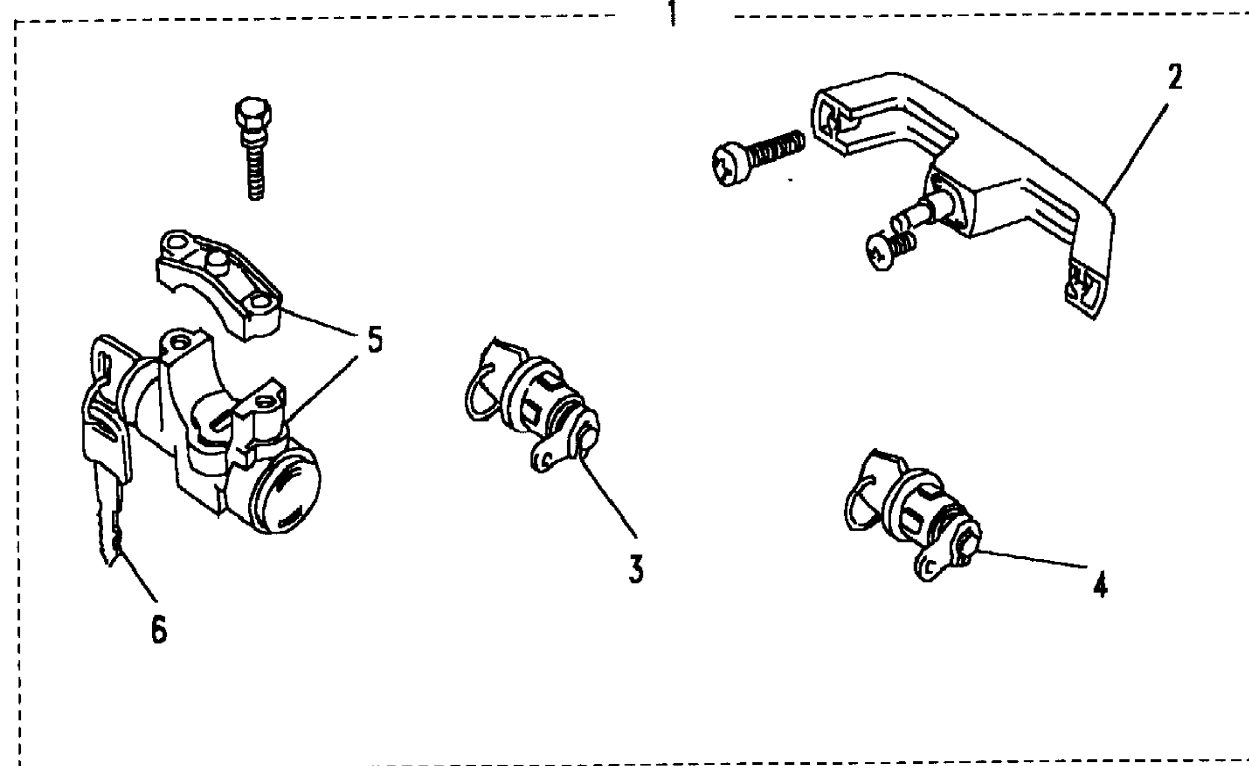
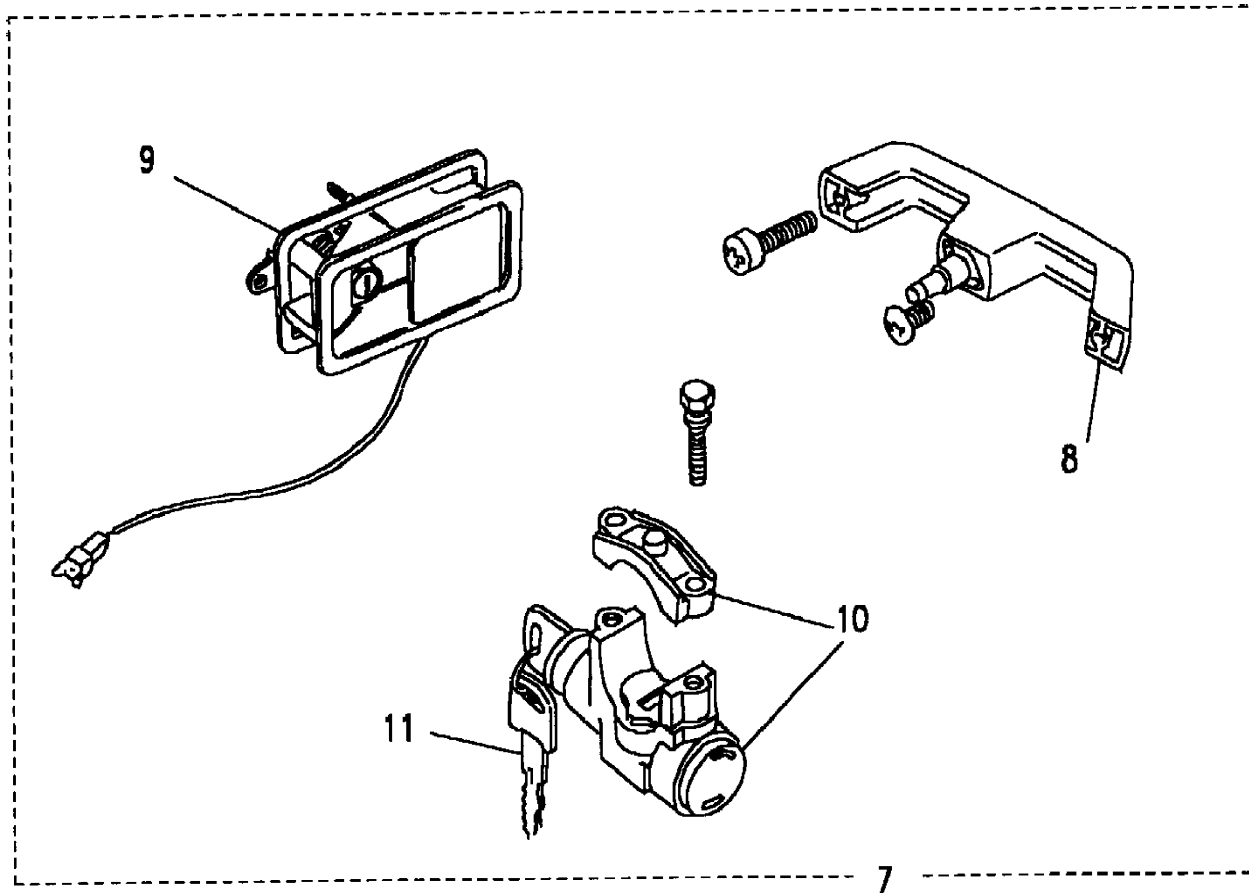
Range Rover (From JA610294)
 (BDNXIC2A)

Body & Chassis
 Body
 Lock Lower Tailgate

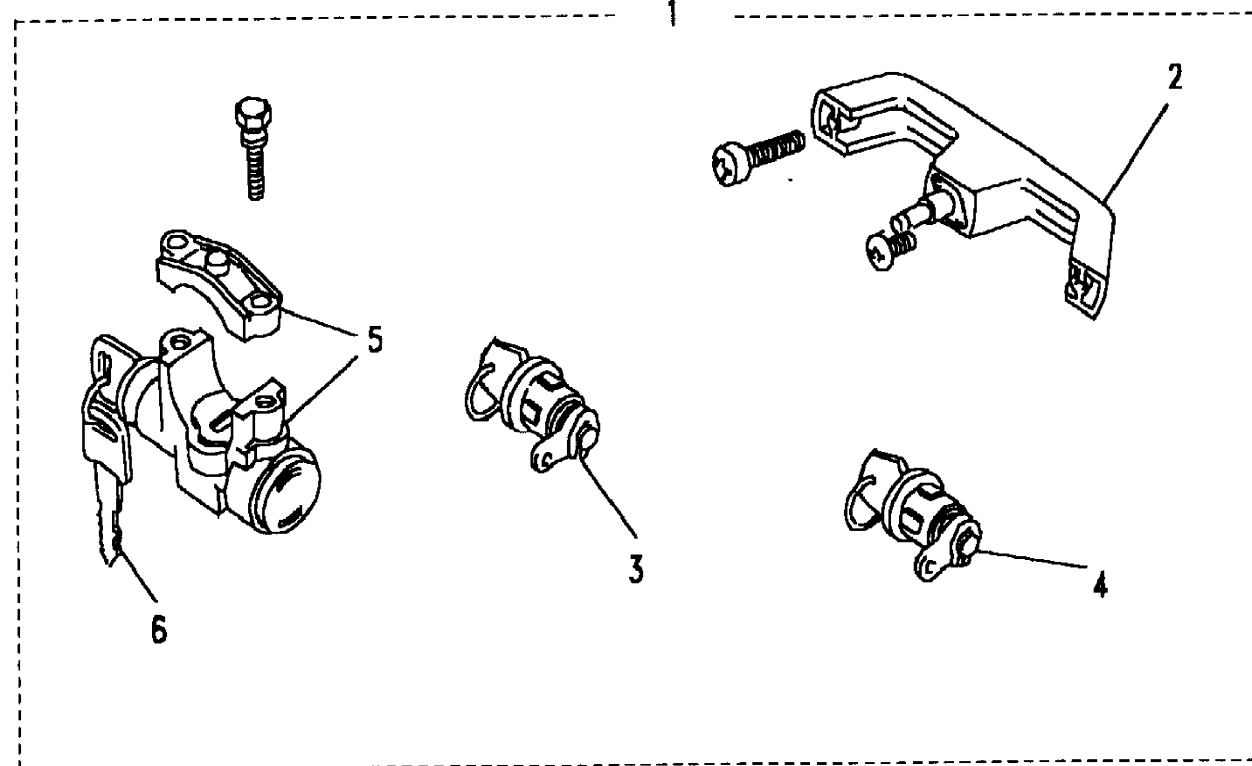
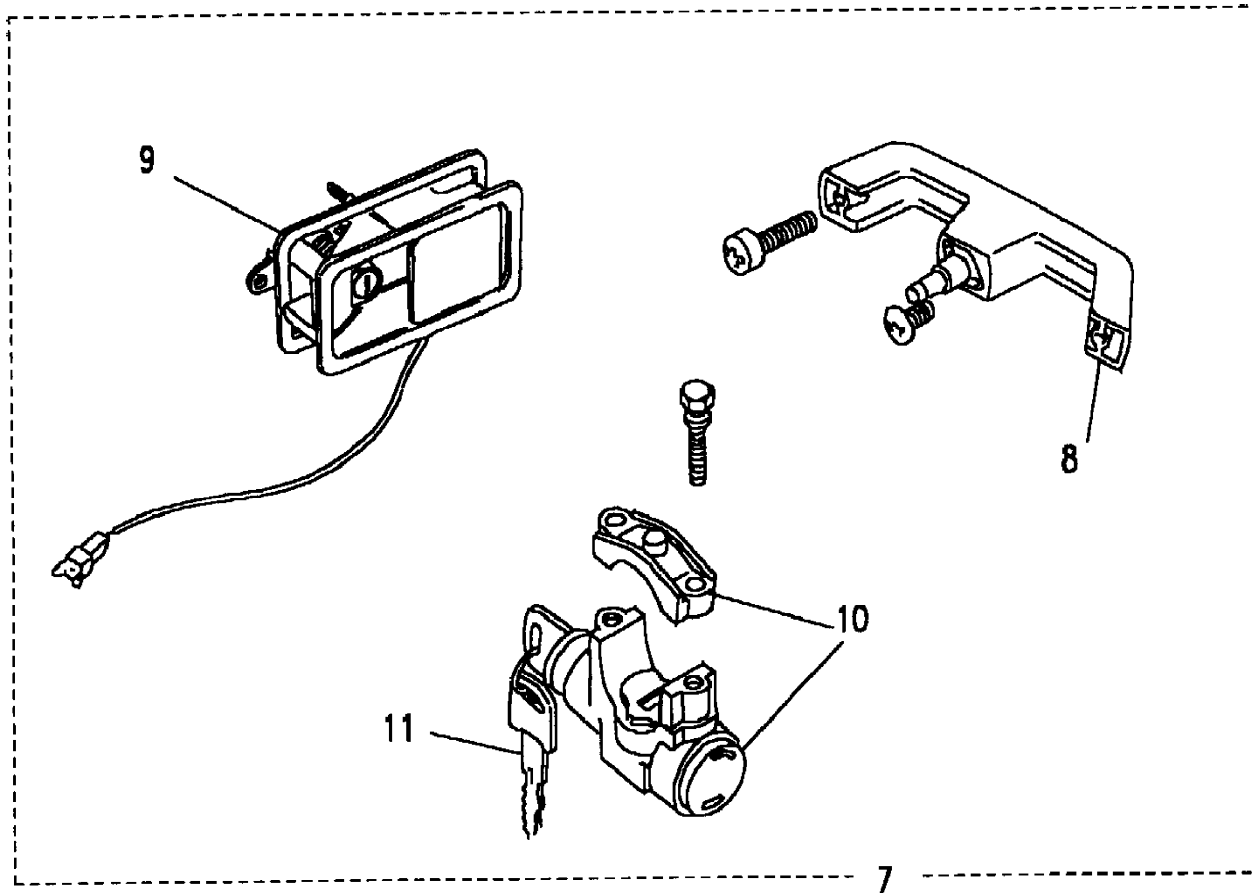
Range Rover (From JA610294)

Callout	Name	Application	Remarks & Restrictions	Service No.	Qty
24	Washer-starlock			WF600121L	2
25	Finisher-tailgate			MWC2480	1
26	Pad-tailgate insulation			MWC3085	2
27	Washer-Plain		M4	WA104001L	4
28	Clip			MXC3177L	6
[900]	Screw		cover plate to tailgate, No 8 x 1/2, Self Tapping	78322	1

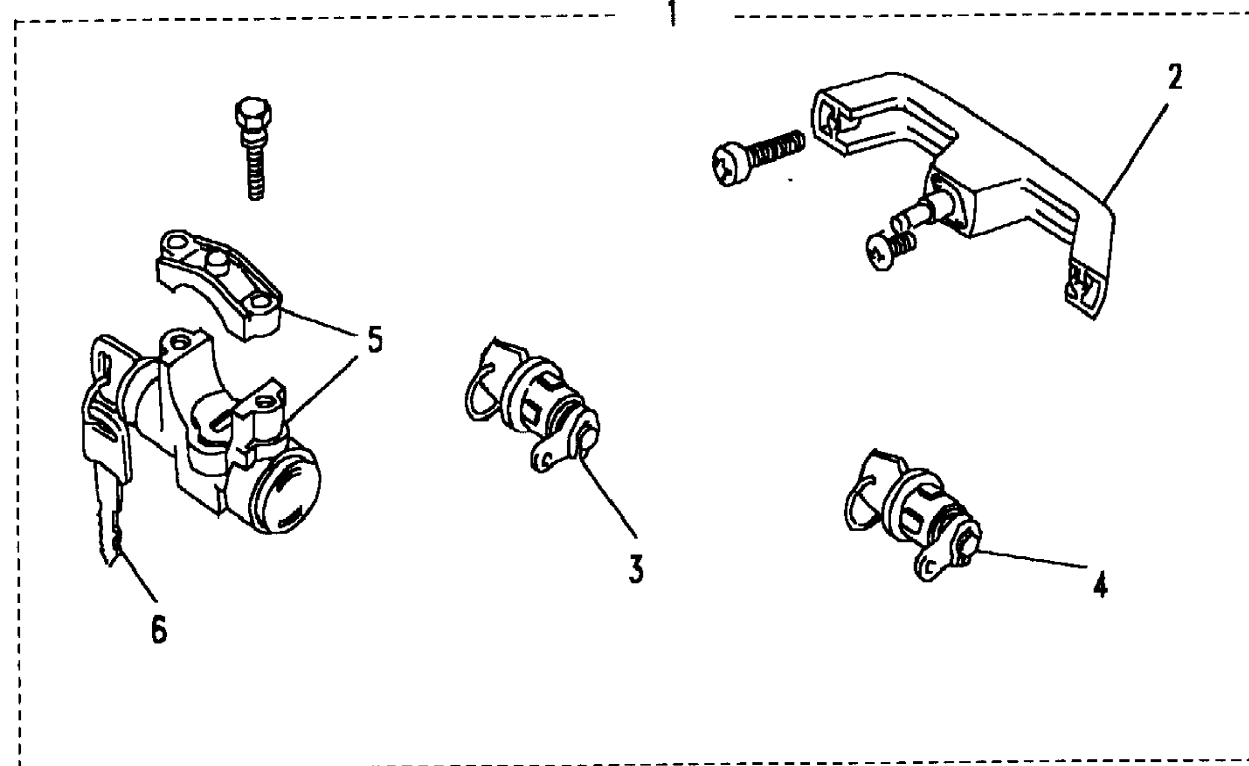
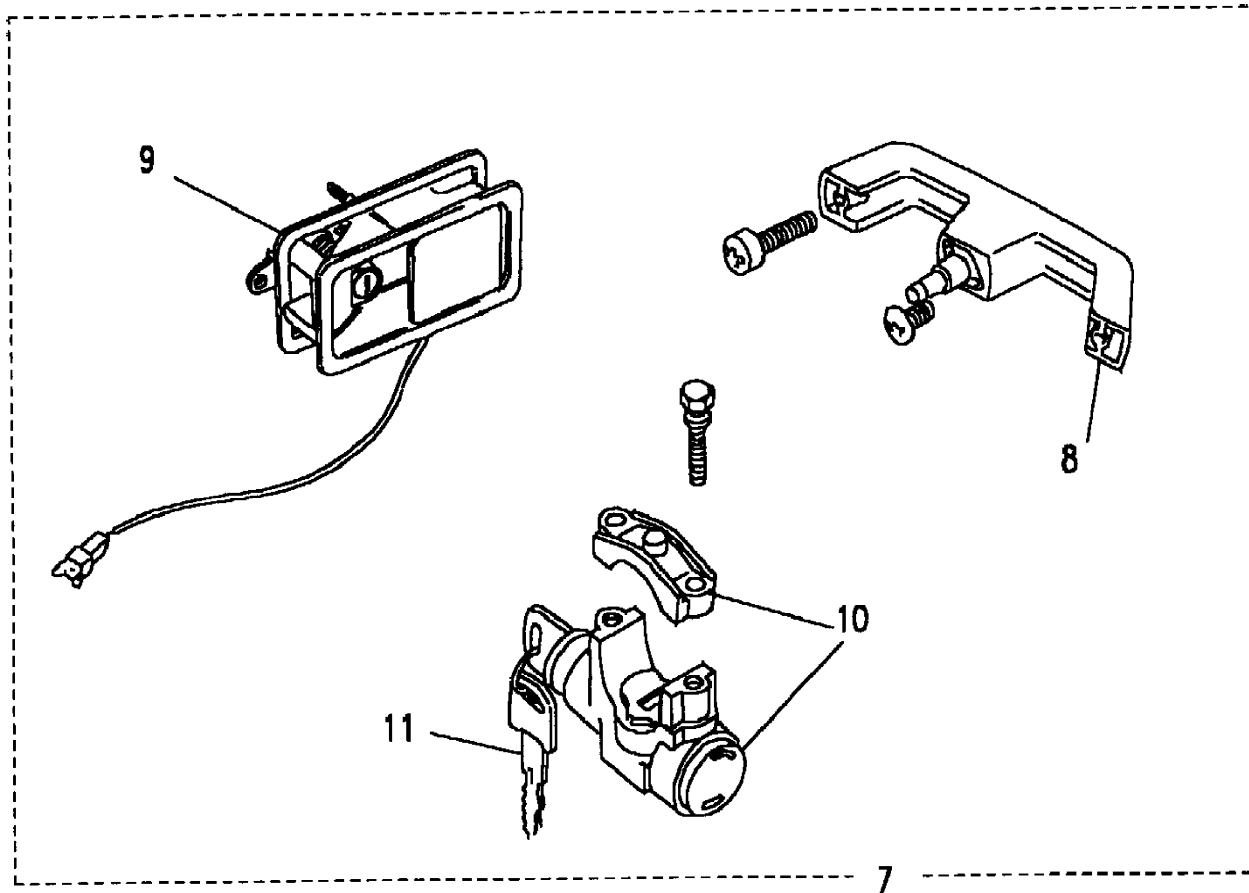




Callout	Name	Application	Remarks & Restrictions	Service No.	Qty
1	Lock Set	Change point - VIN begin KA624756, Change point - VIN end KA647644, 2 Door Station Wagon Change point - VIN begin JA610294, Change point - VIN end JA624754, 2 Door Station Wagon, (-) "J"	Also serviced as part of a kit	MXC9783	1
2	Handle assembly-tailgate	Change point - VIN begin KA624756, Change point - VIN end KA647644, 2 Door Station Wagon Change point - VIN begin JA610294, Change point - VIN end JA624754, 2 Door Station Wagon, (-) "J"	Also serviced as part of a kit	MXC9783	1
3	Lock assembly-door	Change point - VIN begin KA624756, Change point - VIN end KA647644, 2 Door Station Wagon Change point - VIN begin JA610294, Change point - VIN end JA624754, 2 Door Station Wagon, (-) "J"	Also serviced as part of a kit, RH	MWC8656	1
4	Lock assembly-door	Change point - VIN begin KA624756, Change point - VIN end KA647644, 2 Door Station Wagon Change point - VIN begin JA610294, Change point - VIN end JA624754, 2 Door Station Wagon, (-) "J"	Also serviced as part of a kit, RH	MWC8656	1
5	Lock assembly-steering column	Change point - VIN begin KA624756, Change point - VIN end KA647644, 2 Door Station Wagon Change point - VIN begin JA610294, Change point - VIN end JA624754, 2 Door Station Wagon, (-) "J"	Also serviced as part of a kit, LH	391148	1
6	Key-blank owner	Change point - VIN begin KA624756, Change point - VIN end KA647644, 2 Door Station Wagon Change point - VIN begin JA610294, Change point - VIN end JA624754, 2 Door Station Wagon, (-) "J"	Also serviced as part of a kit, LH	391148	1
7	Lock Set	Change point - VIN begin KA624756, Change point - VIN end KA635927, 4 Door Station Wagon, With Anti-Theft Alarm Change point - VIN begin KA635928, 4 Door Station Wagon, With Anti-Theft Alarm	Also serviced as part of a kit, PRC8907	391149	1
			Also serviced as part of a kit, PRC8907	391149	1
			Also serviced as part of a kit, MUC2153	391149	1
			Also serviced as part of a kit, MUC2153	391149	1
			Burglar Alarm, Less Shift Interlock, Also serviced as part of a kit, Heated	PRC8907	1
			Burglar Alarm, Less Shift Interlock, Also serviced as part of a kit, unheated	PRC8907	1
				MUC2153	1
				MUC2153	1
				ALR2117	1
				ALR2116	1



Callout	Name	Application	Remarks & Restrictions	Service No.	Qty		
7	Lock Set	Change point - VIN begin KA624756, Change point - VIN end KA635927, 4 Door Station Wagon, With Anti-Theft Alarm	Burglar Alarm, Shift Interlock, Also serviced as part of a kit, Heated	ALR2122	1		
		Change point - VIN begin KA635928, 4 Door Station Wagon, With Anti-Theft Alarm	Burglar Alarm, Shift Interlock, Also serviced as part of a kit, unheated	ALR4950	1		
		Change point - VIN begin MA647645, 4 Door Station Wagon, Less Anti-Theft Alarm	Less Burglar Alarm, Less Shift Interlock, Also serviced as part of a kit, unheated	ALR5213	1		
		Change point - VIN begin MA647645, 4 Door Station Wagon, Less Anti-Theft Alarm	Less Burglar Alarm, Less Shift Interlock, Also serviced as part of a kit, Heated	ALR5223	1		
		Change point - VIN begin MA647645, 4 Door Station Wagon, With Anti-Theft Alarm	Burglar Alarm, Less Shift Interlock, Also serviced as part of a kit, unheated	ALR5216	1		
		Change point - VIN begin MA647645, 4 Door Station Wagon, With Anti-Theft Alarm	Burglar Alarm, Shift Interlock, Also serviced as part of a kit, Heated	ALR5215	1		
		Change point - VIN begin KA624756, Change point - VIN end KA647644, 4 Door Station Wagon, Less Anti-Theft Alarm	Less Burglar Alarm, Less Shift Interlock, Also serviced as part of a kit, Heated	ALR3726	1		
		Change point - VIN begin KA624756, Change point - VIN end KA647644, 4 Door Station Wagon, Less Anti-Theft Alarm	Less Burglar Alarm, Shift Interlock, Also serviced as part of a kit, Heated	ALR2324	1		
		Change point - VIN begin KA624756, Change point - VIN end KA647644, 4 Door Station Wagon, With Anti-Theft Alarm	Burglar Alarm, Less Shift Interlock, Also serviced as part of a kit, unheated	ALR2116	1		
		Change point - VIN begin JA610294, Change point - VIN end JA624754, 4 Door Station Wagon, (+)"J"	Shift Interlock, Also serviced as part of a kit, Heated	ALR2241	1		
		Change point - VIN begin KA624756, Change point - VIN end KA647644, 4 Door Station Wagon, Less Anti-Theft Alarm	Less Burglar Alarm, Less Shift Interlock, Also serviced as part of a kit, unheated	ALR2326	1		
		Change point - VIN begin JA610294, Change point - VIN end JA624754, 4 Door Station Wagon, (-)"J"	Less Shift Interlock, Also serviced as part of a kit, unheated	ALR2326	1		
		Change point - VIN begin JA610294, Change point - VIN end JA624754, 4 Door Station Wagon, (-)"J"	Less Shift Interlock, Also serviced as part of a kit, Heated	MXC9762	1		
		8	Handle assembly-tailgate	4 Door Station Wagon		MWC8656	1



Callout	Name	Application	Remarks & Restrictions	Service No.	Qty
9	Handle assembly-door	Change point - VIN begin KA624756, Change point - VIN end KA635927, 4 Door Station Wagon, With Anti-Theft Alarm	Burglar Alarm, Less Shift Interlock, Also serviced as part of a kit, Outer, RH	ALR2114	1
		Change point - VIN begin KA624756, Change point - VIN end KA635927, 4 Door Station Wagon, With Anti-Theft Alarm	Burglar Alarm, Less Shift Interlock, Also serviced as part of a kit, Outer, LH	ALR2115	1
		Change point - VIN begin KA635928, 4 Door Station Wagon, With Anti-Theft Alarm	Burglar Alarm, Less Shift Interlock, Also serviced as part of a kit, Outer, RH	ALR2114	1
		Change point - VIN begin KA635928, 4 Door Station Wagon, With Anti-Theft Alarm	Burglar Alarm, Less Shift Interlock, Also serviced as part of a kit, Outer, LH	ALR2115	1
		Change point - VIN begin KA624756, Change point - VIN end KA635927, 4 Door Station Wagon, With Anti-Theft Alarm	Burglar Alarm, Shift Interlock, Also serviced as part of a kit, Outer, RH	ALR2114	1
		Change point - VIN begin KA624756, Change point - VIN end KA635927, 4 Door Station Wagon, With Anti-Theft Alarm	Burglar Alarm, Shift Interlock, Also serviced as part of a kit, Outer, LH	ALR2115	1
		Change point - VIN begin KA635928, 4 Door Station Wagon, With Anti-Theft Alarm	Burglar Alarm, Shift Interlock, Also serviced as part of a kit, Outer, RH	ALR2114	1
		Change point - VIN begin KA635928, 4 Door Station Wagon, With Anti-Theft Alarm	Burglar Alarm, Shift Interlock, Also serviced as part of a kit, Outer, LH	ALR2115	1
		Change point - VIN begin MA647645, 4 Door Station Wagon, Less Anti-Theft Alarm	Less Burglar Alarm, Less Shift Interlock, Also serviced as part of a kit, Outer, RH	MTC6738	1
		Change point - VIN begin MA647645, 4 Door Station Wagon, Less Anti-Theft Alarm	Less Burglar Alarm, Less Shift Interlock, Also serviced as part of a kit, Outer, LH	MTC6742	1
		Change point - VIN begin MA647645, 4 Door Station Wagon, Less Anti-Theft Alarm	Less Burglar Alarm, Less Shift Interlock, Also serviced as part of a kit, Outer, RH	ALR3724	1
		Change point - VIN begin MA647645, 4 Door Station Wagon, Less Anti-Theft Alarm	Less Burglar Alarm, Less Shift Interlock, Also serviced as part of a kit, Outer, LH	ALR3725	1
		Change point - VIN begin MA647645, 4 Door Station Wagon, With Anti-Theft Alarm	Burglar Alarm, Less Shift Interlock, Also serviced as part of a kit, Outer, RH	ALR2112	1
		Change point - VIN begin MA647645, 4 Door Station Wagon, With Anti-Theft Alarm	Burglar Alarm, Less Shift Interlock, Also serviced as part of a kit, Outer, LH	ALR2113	1
		Change point - VIN begin MA647645, 4 Door Station Wagon, With Anti-Theft Alarm	Burglar Alarm, Shift Interlock, Also serviced as part of a kit, Outer, RH	ALR2112	1

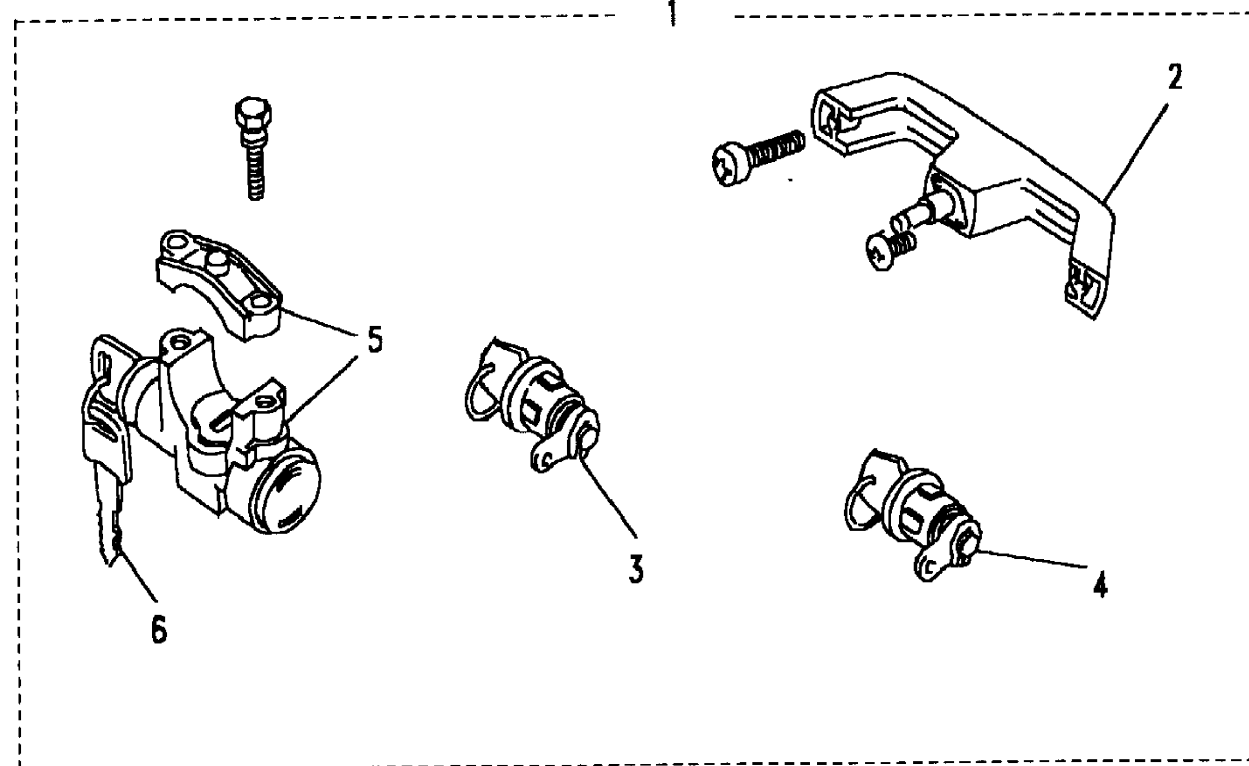
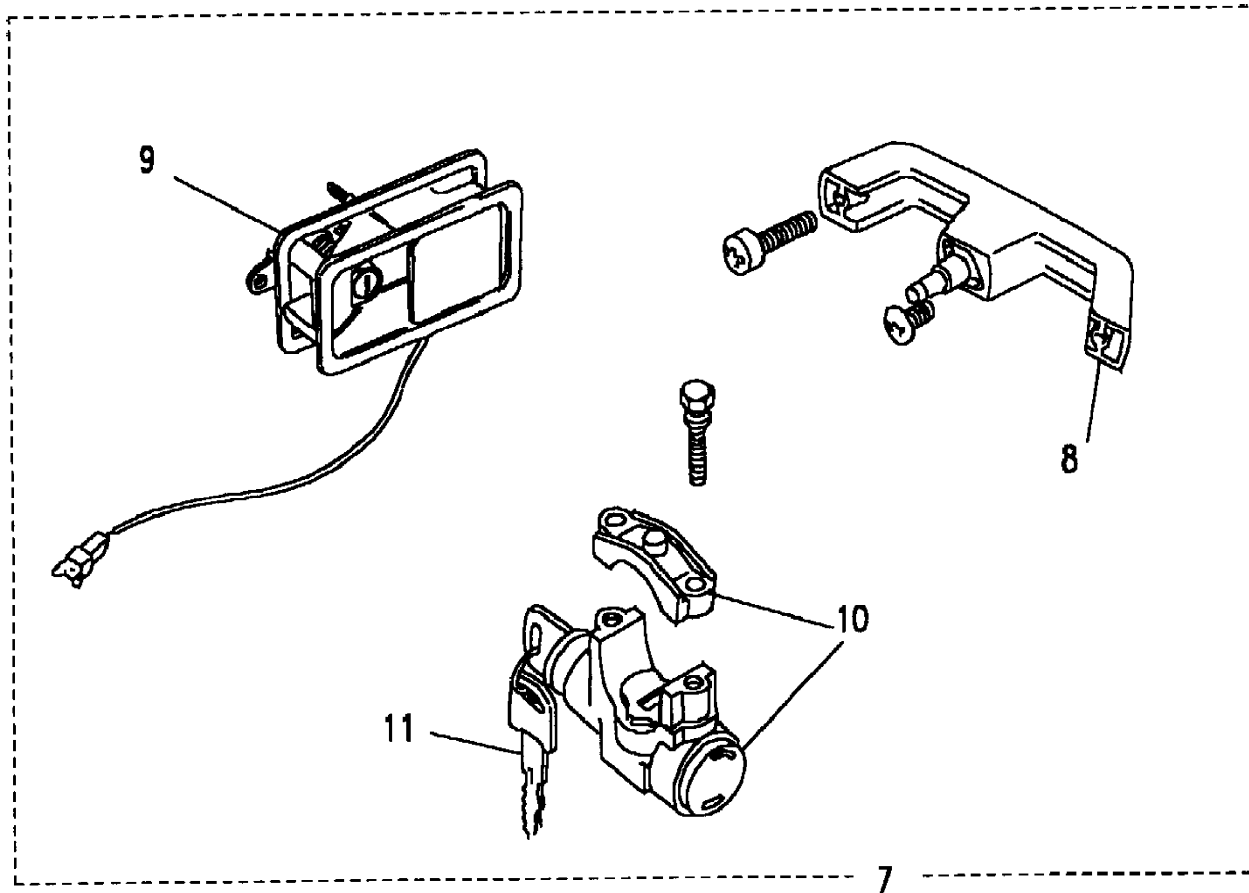
Body & Chassis

Range Rover (From JA610294)

Body

Locksets-1992/93/95MY (JA,KA,MA) 4/9

(BDNXHK1A)



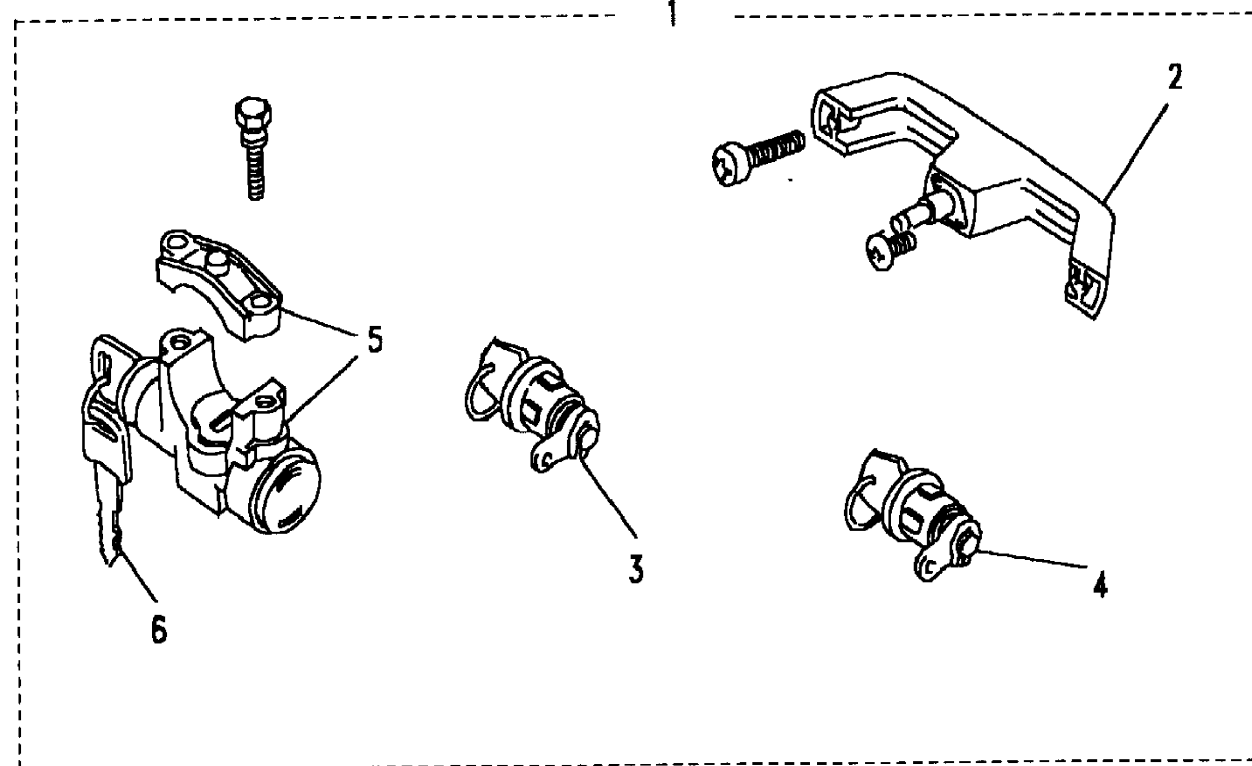
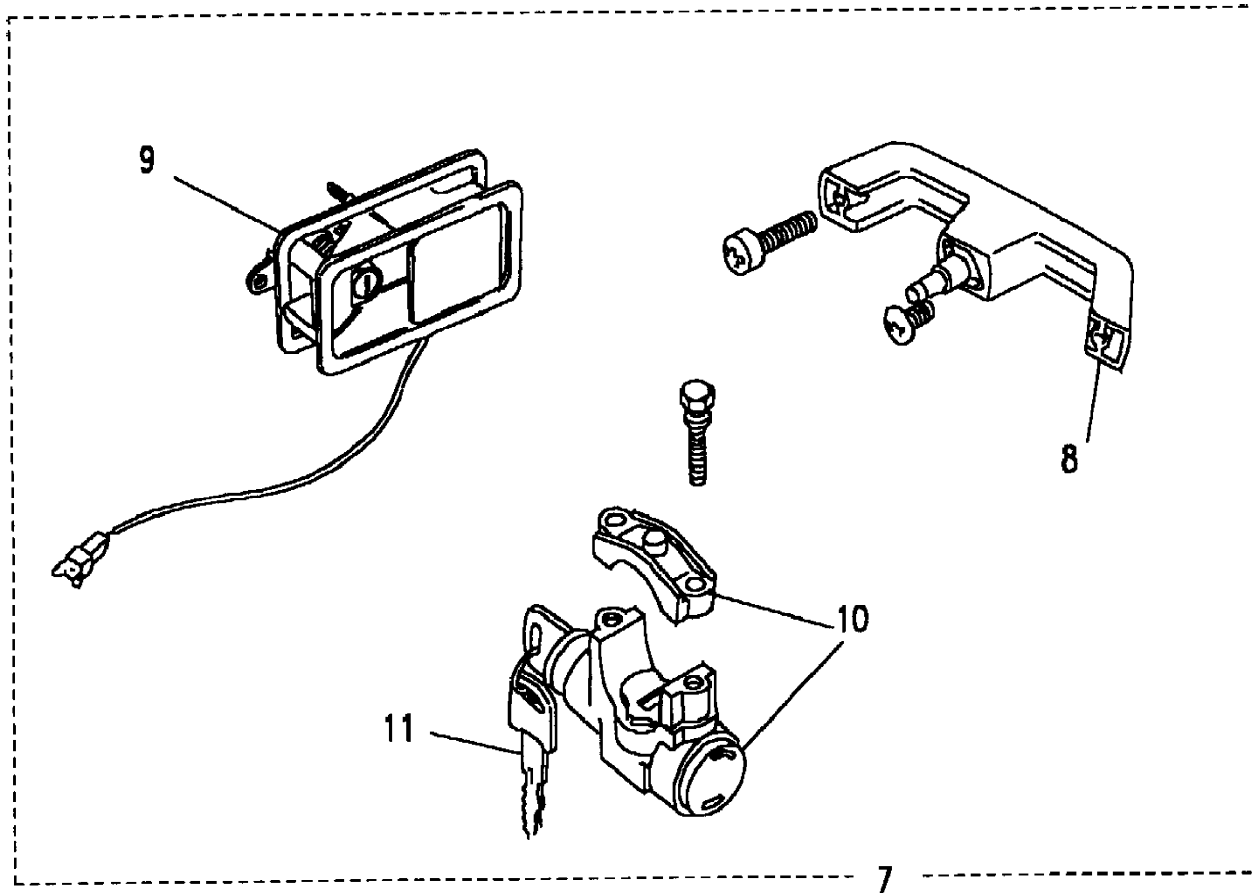
Range Rover (From JA610294)

Body & Chassis

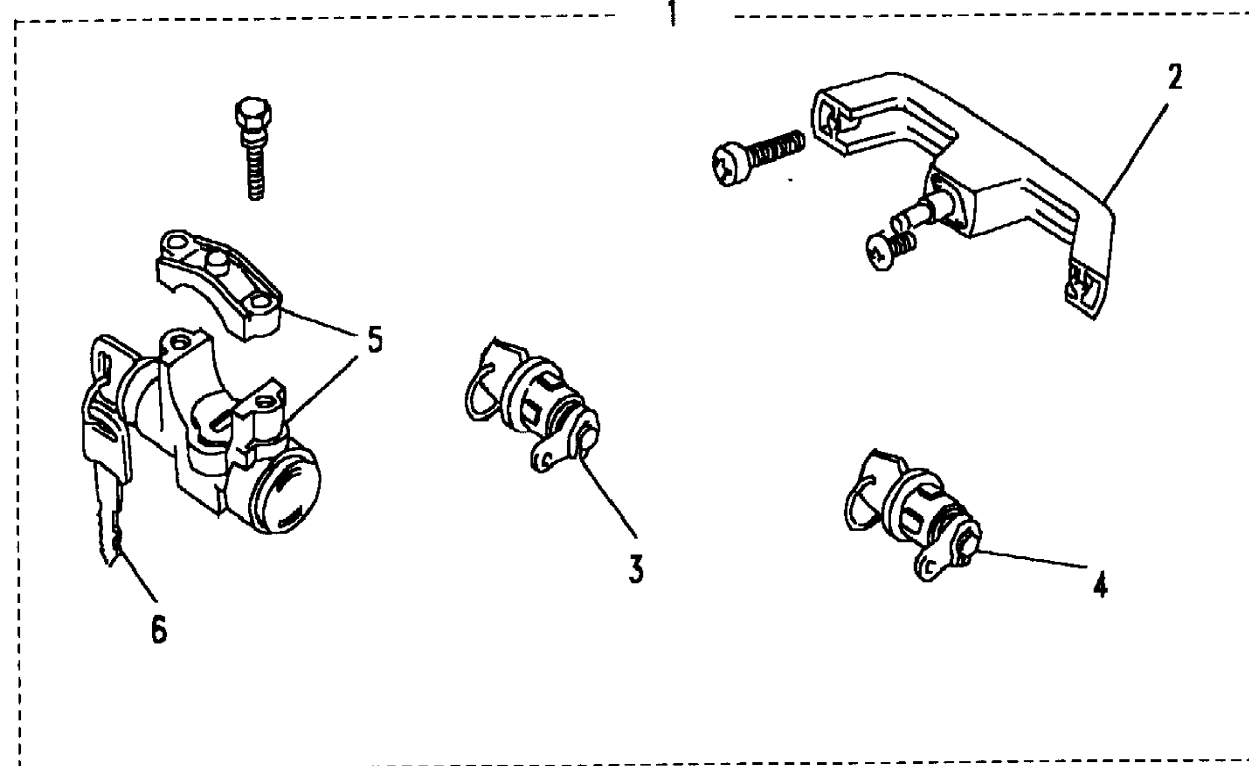
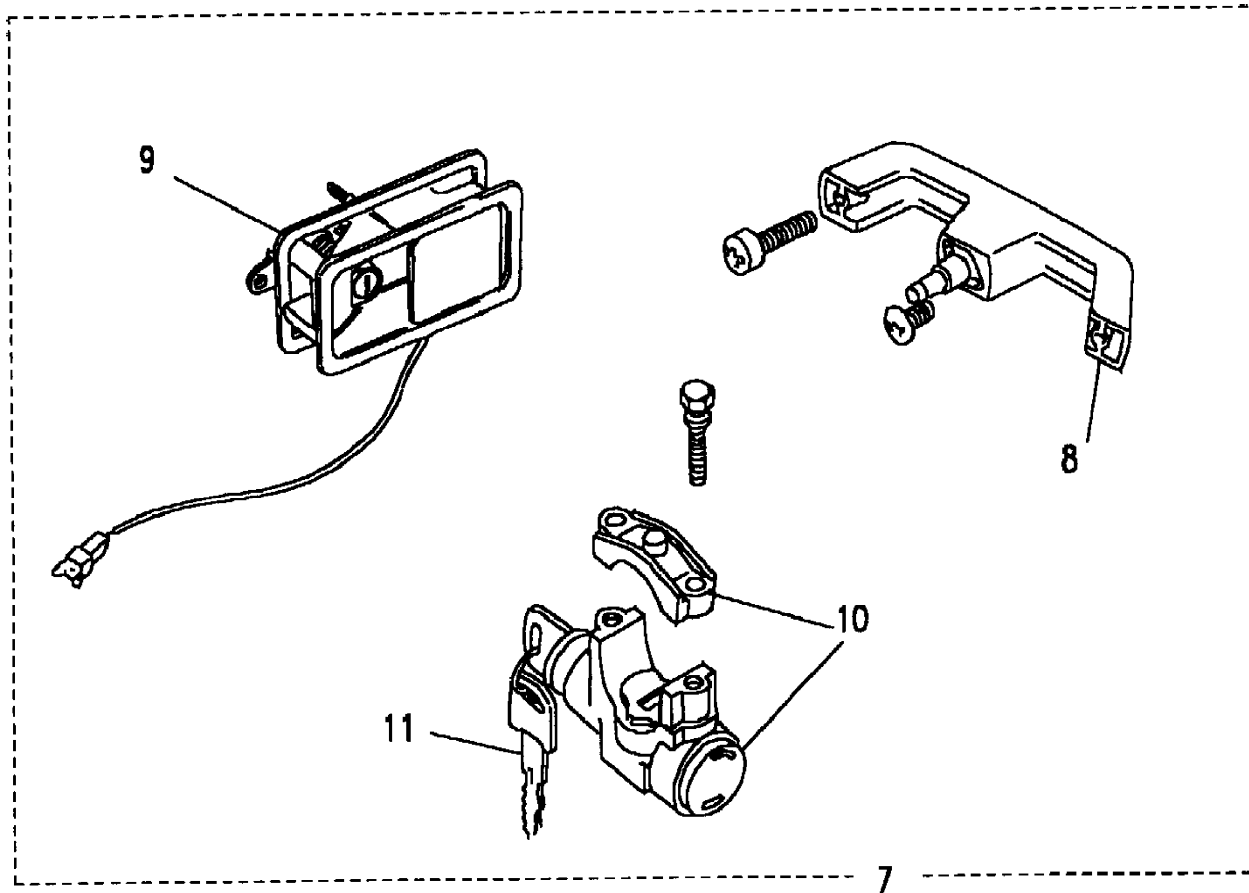
Body

Locksets-1992/93/95MY (JA,KA,MA)

Callout	Name	Application	Remarks & Restrictions	Service No.	Qty
9	Handle assembly-door	Change point - VIN begin MA647645, 4 Door Station Wagon, With Anti-Theft Alarm	Burglar Alarm, Shift Interlock, Also serviced as part of a kit, Outer, LH	ALR2113	1
		Change point - VIN begin KA624756, Change point - VIN end KA647644, 4 Door Station Wagon, Less Anti-Theft Alarm	Less Burglar Alarm, Less Shift Interlock, Also serviced as part of a kit, Outer, RH	ALR3724	1
		Change point - VIN begin KA624756, Change point - VIN end KA647644, 4 Door Station Wagon, Less Anti-Theft Alarm	Less Burglar Alarm, Less Shift Interlock, Also serviced as part of a kit, Outer, LH	ALR3725	1
		Change point - VIN begin KA624756, Change point - VIN end KA647644, 4 Door Station Wagon, Less Anti-Theft Alarm	Less Burglar Alarm, Shift Interlock, Also serviced as part of a kit, Outer, RH	ALR3724	1
		Change point - VIN begin KA624756, Change point - VIN end KA647644, 4 Door Station Wagon, Less Anti-Theft Alarm	Less Burglar Alarm, Shift Interlock, Also serviced as part of a kit, Outer, LH	ALR3725	1
		Change point - VIN begin KA624756, Change point - VIN end KA647644, 4 Door Station Wagon, With Anti-Theft Alarm	Burglar Alarm, Less Shift Interlock, Also serviced as part of a kit, Outer, RH	ALR2112	1
		Change point - VIN begin KA624756, Change point - VIN end KA647644, 4 Door Station Wagon, With Anti-Theft Alarm	Burglar Alarm, Less Shift Interlock, Also serviced as part of a kit, Outer, LH	ALR2113	1
		Change point - VIN begin JA610294, Change point - VIN end JA624754, 4 Door Station Wagon, (+)"J"	Shift Interlock, Also serviced as part of a kit, Outer, RH	MXC8924	1
		Change point - VIN begin JA610294, Change point - VIN end JA624754, 4 Door Station Wagon, (+)"J"	Shift Interlock, Also serviced as part of a kit, Outer, LH	MXC8925	1
		Change point - VIN begin KA624756, Change point - VIN end KA647644, 4 Door Station Wagon, Less Anti-Theft Alarm	Less Burglar Alarm, Less Shift Interlock, Also serviced as part of a kit, Outer, RH	MTC6738	1
		Change point - VIN begin KA624756, Change point - VIN end KA647644, 4 Door Station Wagon, Less Anti-Theft Alarm	Less Burglar Alarm, Less Shift Interlock, Also serviced as part of a kit, Outer, LH	MTC6742	1
		Change point - VIN begin JA610294, Change point - VIN end JA624754, 4 Door Station Wagon, (-)"J"	Less Shift Interlock, Also serviced as part of a kit, Outer, RH	MTC6738	1
		Change point - VIN begin JA610294, Change point - VIN end JA624754, 4 Door Station Wagon, (-)"J"	Less Shift Interlock, Also serviced as part of a kit, Outer, LH	MTC6742	1



Callout	Name	Application	Remarks & Restrictions	Service No.	Qty
9	Handle assembly-door	Change point - VIN begin JA610294, Change point - VIN end JA624754, 4 Door Station Wagon, (-)"J"	Less Shift Interlock, Also serviced as part of a kit, Outer, RH	MXC8924	1
		Change point - VIN begin JA610294, Change point - VIN end JA624754, 4 Door Station Wagon, (-)"J"	Less Shift Interlock, Also serviced as part of a kit, Outer, LH	MXC8925	1
10	Lock assembly-steering column	Change point - VIN begin KA624756, Change point - VIN end KA635927, 4 Door Station Wagon, With Anti-Theft Alarm	Burglar Alarm, Less Shift Interlock, Also serviced as part of a kit	PRC8907	1
		Change point - VIN begin KA635928, 4 Door Station Wagon, With Anti-Theft Alarm	Burglar Alarm, Less Shift Interlock, Also serviced as part of a kit	PRC8907	1
		Change point - VIN begin KA624756, Change point - VIN end KA635927, 4 Door Station Wagon, With Anti-Theft Alarm	Burglar Alarm, Shift Interlock, Also serviced as part of a kit	NTC9588	1
		Change point - VIN begin KA635928, 4 Door Station Wagon, With Anti-Theft Alarm	Burglar Alarm, Shift Interlock, Also serviced as part of a kit	NTC9588	1
		Change point - VIN begin MA647645, 4 Door Station Wagon, Less Anti-Theft Alarm	Less Burglar Alarm, Less Shift Interlock	STC1435	1
		Change point - VIN begin MA647645, 4 Door Station Wagon, Less Anti-Theft Alarm	Less Burglar Alarm, Less Shift Interlock, Also serviced as part of a kit	NTC9951	1
		Change point - VIN begin MA647645, 4 Door Station Wagon, With Anti-Theft Alarm	Burglar Alarm, Less Shift Interlock, Also serviced as part of a kit	NTC9951	1
		Change point - VIN begin MA647645, 4 Door Station Wagon, With Anti-Theft Alarm	Burglar Alarm, Shift Interlock, Also serviced as part of a kit	NTC9952	1
		Change point - VIN begin KA624756, Change point - VIN end KA647644, 4 Door Station Wagon, Less Anti-Theft Alarm	Less Burglar Alarm, Less Shift Interlock, Also serviced as part of a kit	PRC8907	1
		Change point - VIN begin KA624756, Change point - VIN end KA647644, 4 Door Station Wagon, Less Anti-Theft Alarm	Less Burglar Alarm, Shift Interlock, Also serviced as part of a kit	NTC9588	1
10	Lock assembly-steering column	Change point - VIN begin KA624756, Change point - VIN end KA647644, 4 Door Station Wagon, With Anti-Theft Alarm	Burglar Alarm, Less Shift Interlock, Also serviced as part of a kit	PRC8907	1
		Change point - VIN begin JA610294, Change point - VIN end JA624754, 4 Door Station Wagon, (+)"J"	Shift Interlock, Also serviced as part of a kit	NTC9440	1



Callout	Name	Application	Remarks & Restrictions	Service No.	Qty
10	Lock assembly-steering column	Change point - VIN begin JA610294, Change point - VIN end JA624754, 4 Door Station Wagon, (-)"J" Manual Transmission, (+)"CDN/MEX/USA" Automatic Transmission, (+)"CDN/MEX/USA"	Less Shift Interlock, Also serviced as part of a kit	PRC8907	1
				STC1435	1
				STC1436	1
11	Key-blank owner	Change point - VIN begin KA624756, Change point - VIN end KA635927, 4 Door Station Wagon, With Anti-Theft Alarm	Burglar Alarm, Less Shift Interlock, Also serviced as part of a kit	MUC2153	1
		Change point - VIN begin KA635928, 4 Door Station Wagon, With Anti-Theft Alarm	Burglar Alarm, Less Shift Interlock, Also serviced as part of a kit	MUC2153	1
		Change point - VIN begin KA624756, Change point - VIN end KA635927, 4 Door Station Wagon, With Anti-Theft Alarm	Burglar Alarm, Shift Interlock, Also serviced as part of a kit	MUC2153	1
		Change point - VIN begin KA635928, 4 Door Station Wagon, With Anti-Theft Alarm	Burglar Alarm, Shift Interlock, Also serviced as part of a kit	MUC2153	1
		Change point - VIN begin MA647645, 4 Door Station Wagon, Less Anti-Theft Alarm	Less Burglar Alarm, Less Shift Interlock, Also serviced as part of a kit	CWE10032	1
		Change point - VIN begin MA647645, 4 Door Station Wagon, With Anti-Theft Alarm	Burglar Alarm, Less Shift Interlock, Also serviced as part of a kit	CWE10032	1
		Change point - VIN begin MA647645, 4 Door Station Wagon, With Anti-Theft Alarm	Burglar Alarm, Shift Interlock, Also serviced as part of a kit	CWE10032	1
		Change point - VIN begin KA624756, Change point - VIN end KA647644, 4 Door Station Wagon, Less Anti-Theft Alarm	Less Burglar Alarm, Less Shift Interlock, Also serviced as part of a kit	MUC2153	1
		Change point - VIN begin KA624756, Change point - VIN end KA647644, 4 Door Station Wagon, Less Anti-Theft Alarm	Less Burglar Alarm, Shift Interlock, Also serviced as part of a kit	MUC2153	1
		Change point - VIN begin KA624756, Change point - VIN end KA647644, 4 Door Station Wagon, With Anti-Theft Alarm	Burglar Alarm, Less Shift Interlock, Also serviced as part of a kit	MUC2153	1
		Change point - VIN begin JA610294, Change point - VIN end JA624754, 4 Door Station Wagon, (-)"J"	Less Shift Interlock, Also serviced as part of a kit	MUC2153	1
		Change point - VIN begin JA610294, Change point - VIN end JA624754, 4 Door Station Wagon, (+)"J"	Shift Interlock, Also serviced as part of a kit	MUC2153	1

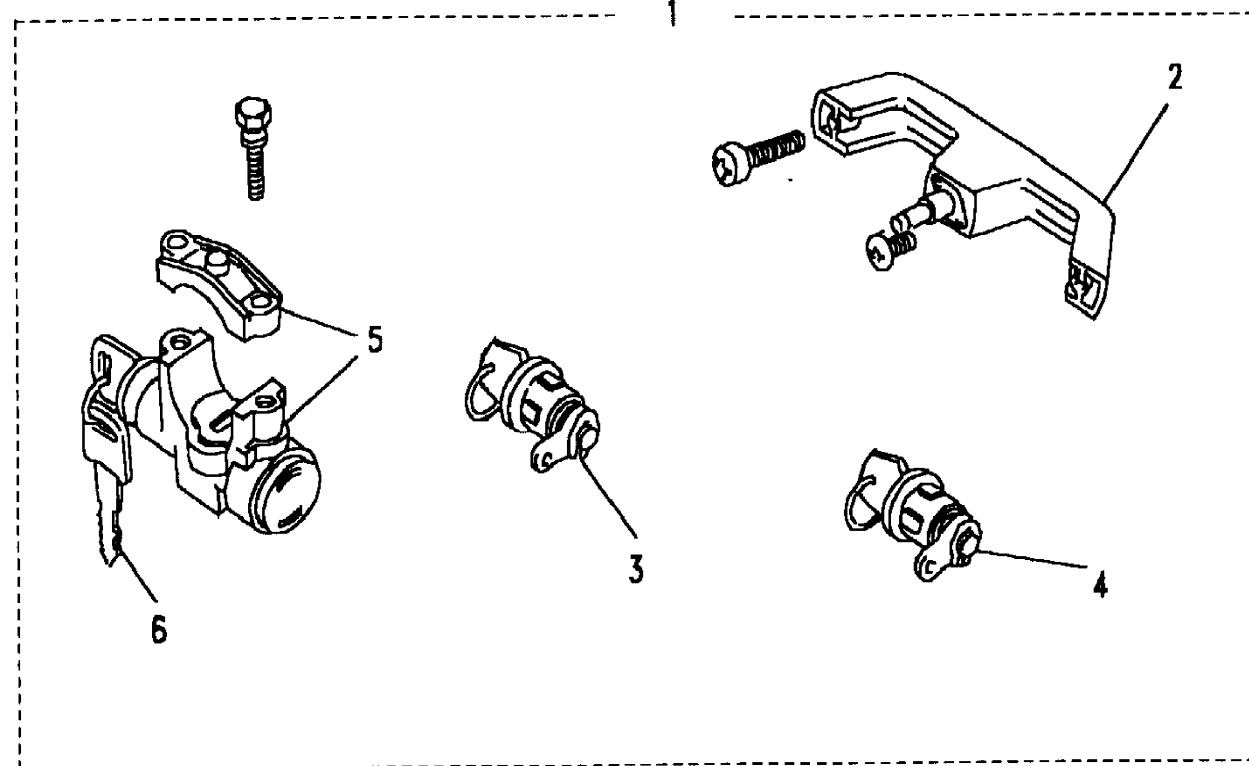
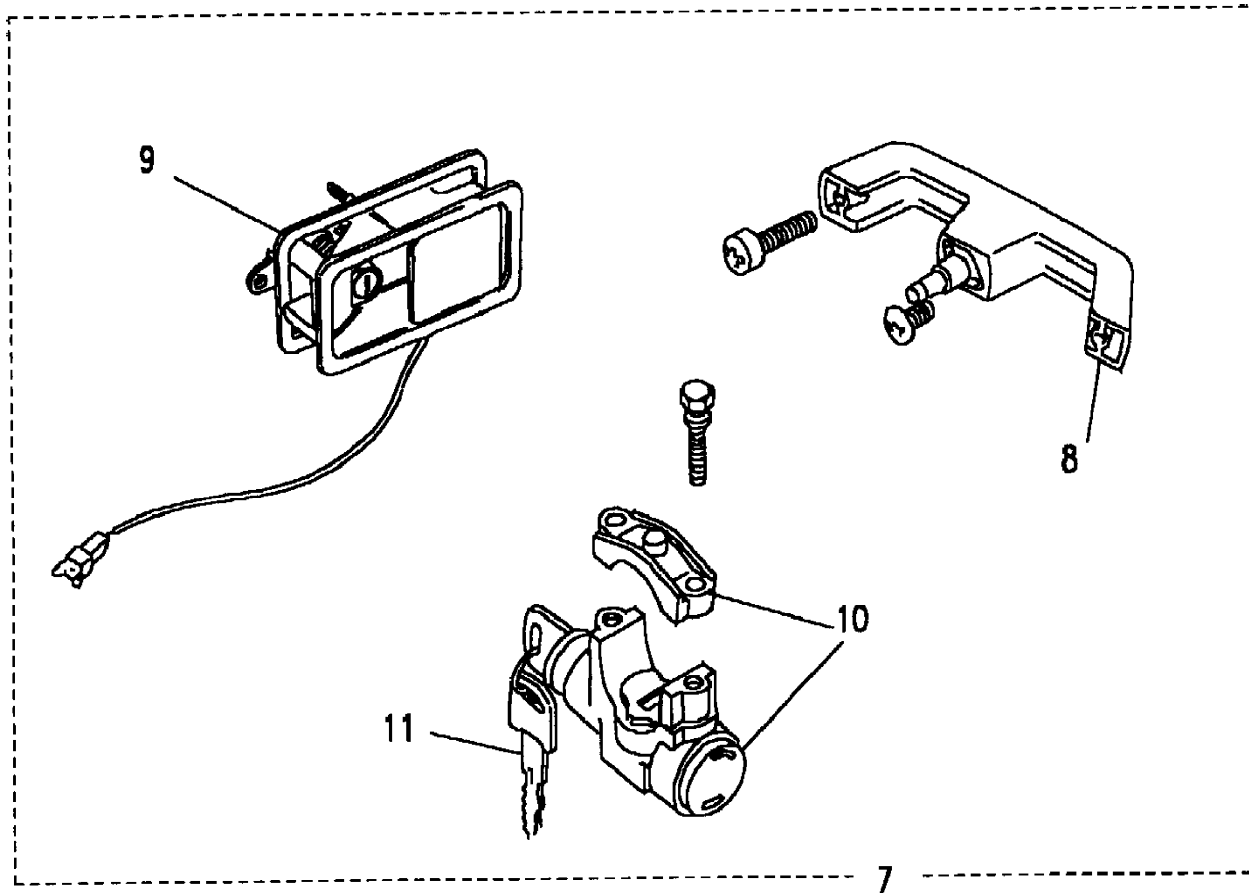
Body & Chassis

Body

Locksets-1992/93/95MY (JA,KA,MA) 7/9

Range Rover (From JA610294)

(BDNXHK1A)



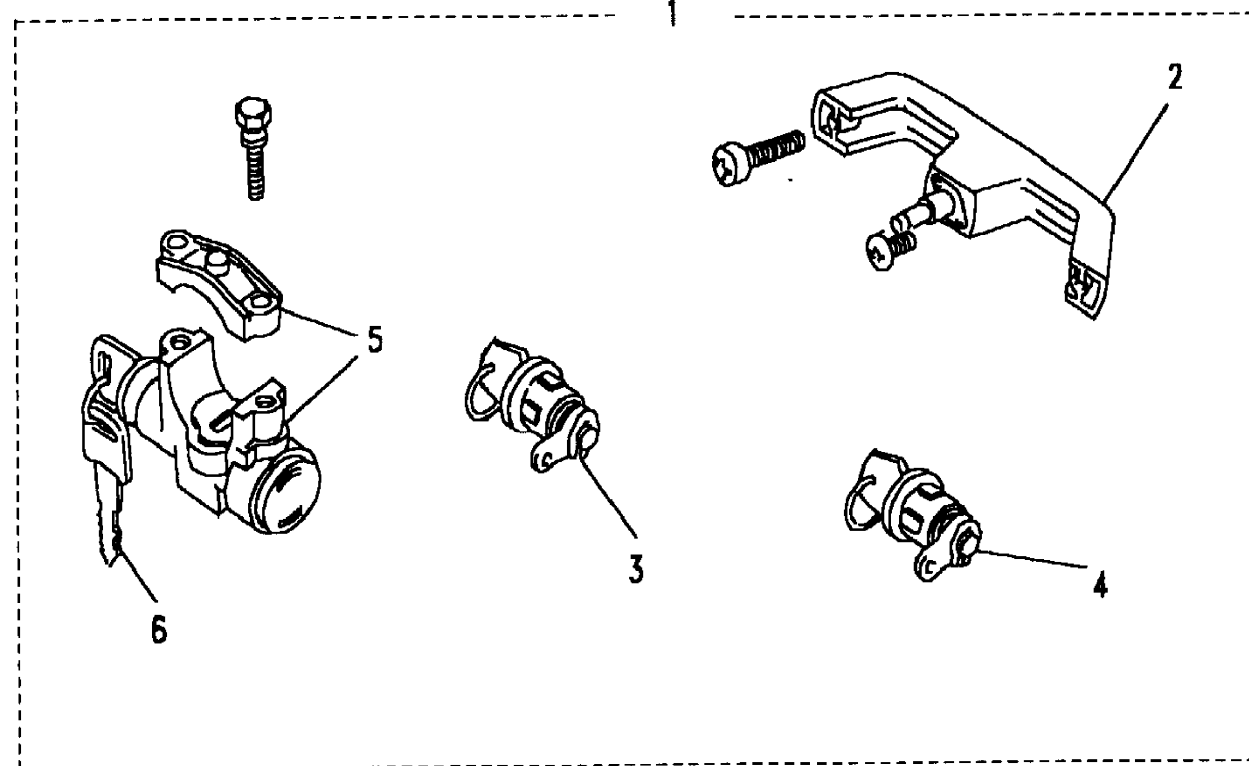
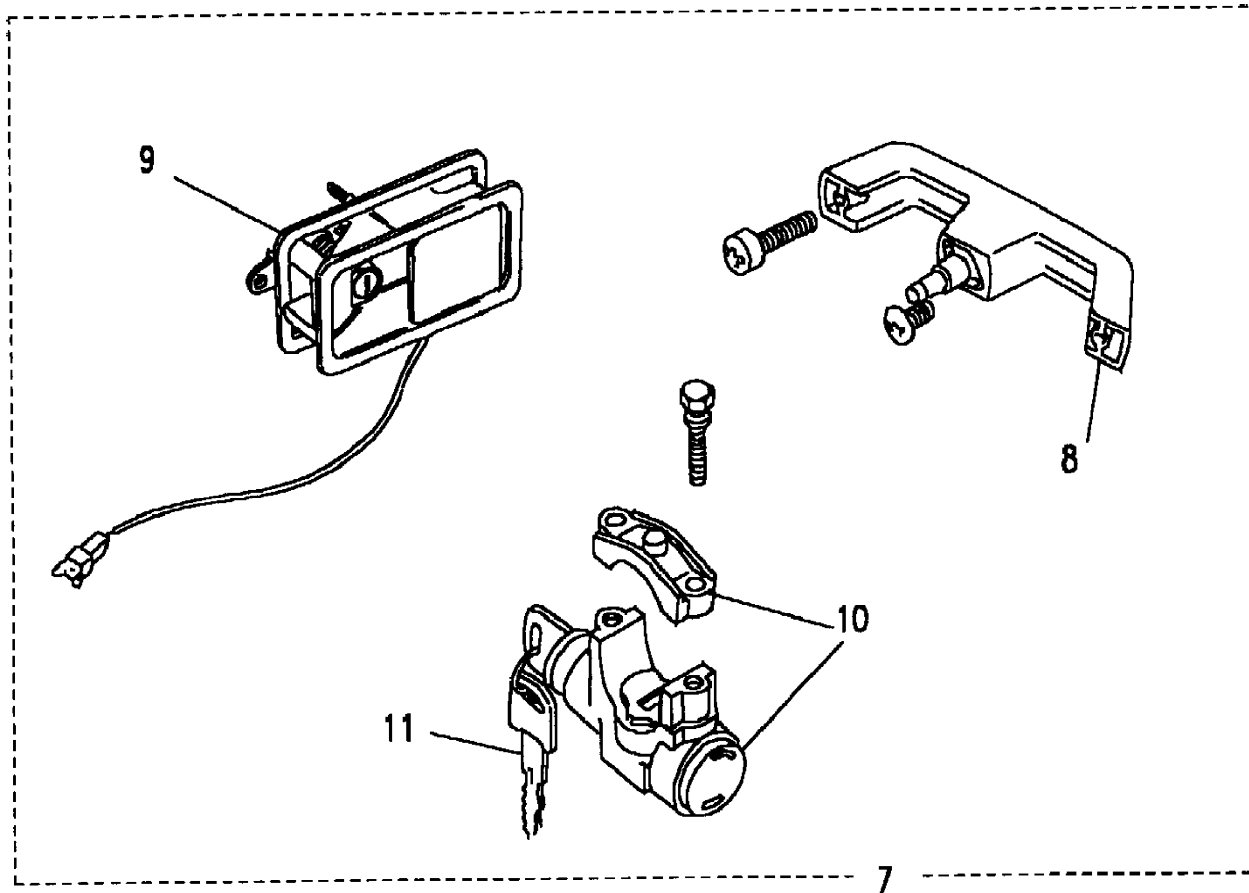
Range Rover (From JA610294)

Body & Chassis

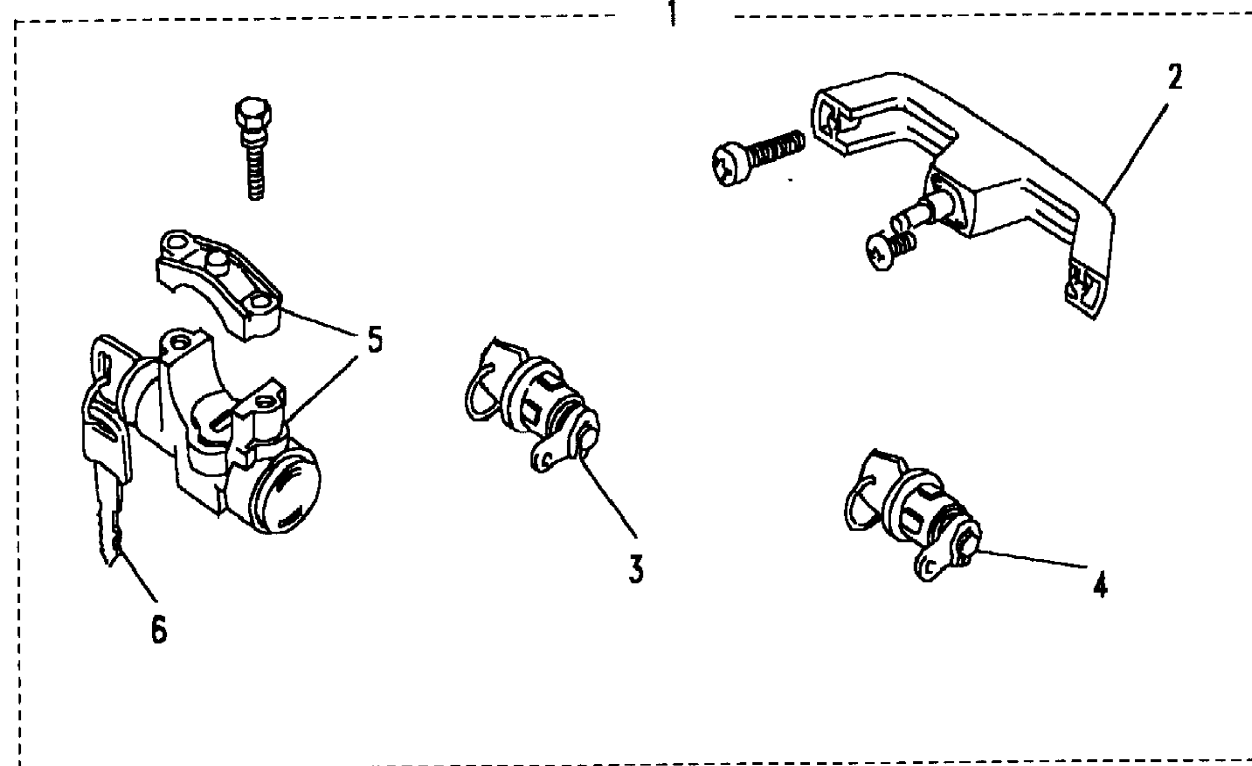
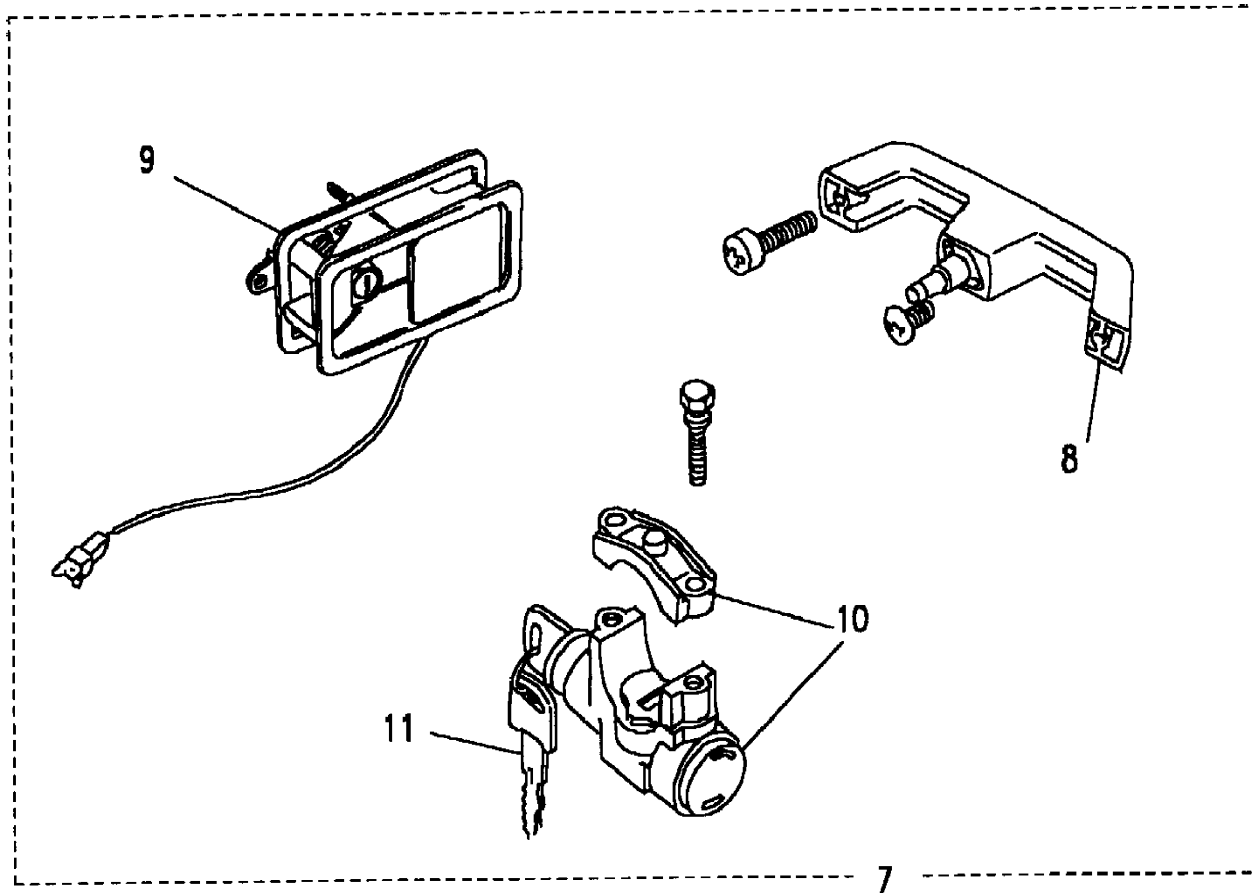
Body

Locksets-1992/93/95MY (JA,KA,MA)

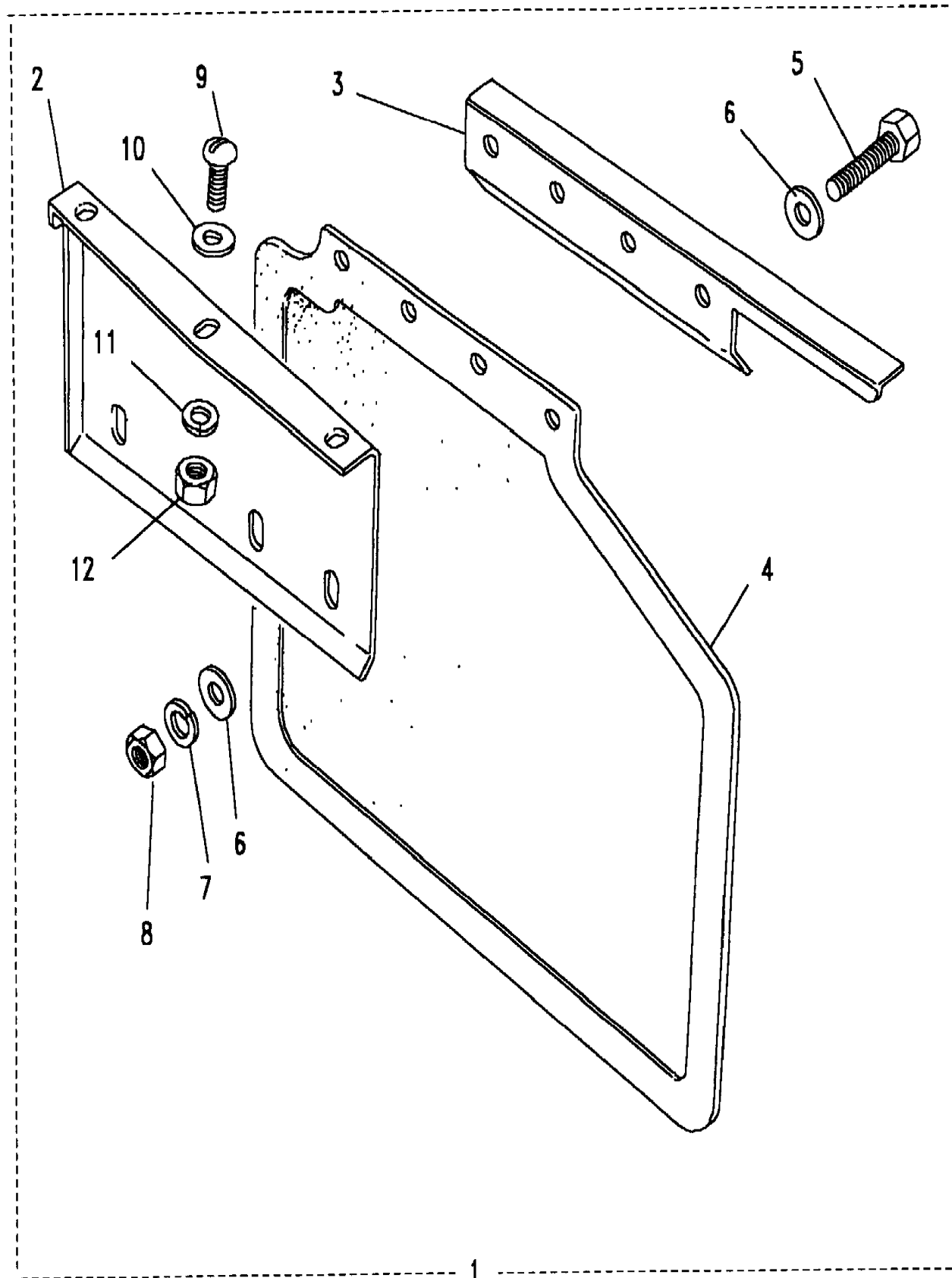
Callout	Name	Application	Remarks & Restrictions	Service No.	Qty		
[900]	Operating probe	Change point - VIN begin KA624756, Change point - VIN end KA635927, 4 Door Station Wagon, With Anti-Theft Alarm	Burglar Alarm, Less Shift Interlock, Also serviced as part of a kit	MWC9472	1		
		Change point - VIN begin KA635928, 4 Door Station Wagon, With Anti-Theft Alarm	Burglar Alarm, Less Shift Interlock, Also serviced as part of a kit	MWC9472	1		
		Change point - VIN begin KA624756, Change point - VIN end KA635927, 4 Door Station Wagon, With Anti-Theft Alarm	Burglar Alarm, Shift Interlock, Also serviced as part of a kit	MWC9472	1		
		Change point - VIN begin KA635928, 4 Door Station Wagon, With Anti-Theft Alarm	Burglar Alarm, Shift Interlock, Also serviced as part of a kit	MWC9472	1		
		Change point - VIN begin MA647645, 4 Door Station Wagon, Less Anti-Theft Alarm	Less Burglar Alarm, Less Shift Interlock, Also serviced as part of a kit	MWC9472	1		
		Change point - VIN begin KA624756, Change point - VIN end KA647644, 4 Door Station Wagon, Less Anti-Theft Alarm	Less Burglar Alarm, Less Shift Interlock, Also serviced as part of a kit	MWC9472	1		
		Change point - VIN begin JA610294, Change point - VIN end JA624754, 4 Door Station Wagon, (-)"J"	Less Shift Interlock, Also serviced as part of a kit	MWC9472	1		
		[901]	Clamp-lock steering column	Change point - VIN begin KA624756, Change point - VIN end KA635927, 4 Door Station Wagon, With Anti-Theft Alarm	Burglar Alarm, Less Shift Interlock, Also serviced as part of a kit	589238	1
				Change point - VIN begin KA635928, 4 Door Station Wagon, With Anti-Theft Alarm	Burglar Alarm, Less Shift Interlock, Also serviced as part of a kit	589238	1
				Change point - VIN begin KA624756, Change point - VIN end KA635927, 4 Door Station Wagon, With Anti-Theft Alarm	Burglar Alarm, Shift Interlock, Also serviced as part of a kit	589238	1
Change point - VIN begin KA635928, 4 Door Station Wagon, With Anti-Theft Alarm	Burglar Alarm, Shift Interlock, Also serviced as part of a kit			589238	1		
Change point - VIN begin MA647645, 4 Door Station Wagon, Less Anti-Theft Alarm	Less Burglar Alarm, Less Shift Interlock, Also serviced as part of a kit			STC3721	1		
Change point - VIN begin MA647645, 4 Door Station Wagon, Less Anti-Theft Alarm	Less Burglar Alarm, Less Shift Interlock, Also serviced as part of a kit			589238	1		
		Change point - VIN begin MA647645, 4 Door Station Wagon, With Anti-Theft Alarm	Burglar Alarm, Less Shift Interlock, Also serviced as part of a kit	589238	1		



Callout	Name	Application	Remarks & Restrictions	Service No.	Qty		
[901]	Clamp-lock steering column	Change point - VIN begin MA647645, 4 Door Station Wagon, With Anti-Theft Alarm	Burglar Alarm, Shift Interlock, Also serviced as part of a kit	589238	1		
		Change point - VIN begin KA624756, Change point - VIN end KA647644, 4 Door Station Wagon, Less Anti-Theft Alarm	Less Burglar Alarm, Less Shift Interlock, Also serviced as part of a kit	589238	1		
		Change point - VIN begin KA624756, Change point - VIN end KA647644, 4 Door Station Wagon, Less Anti-Theft Alarm	Less Burglar Alarm, Shift Interlock, Also serviced as part of a kit	589238	1		
		Change point - VIN begin KA624756, Change point - VIN end KA647644, 4 Door Station Wagon, With Anti-Theft Alarm	Burglar Alarm, Less Shift Interlock, Also serviced as part of a kit	589238	1		
		Change point - VIN begin JA610294, Change point - VIN end JA624754, 4 Door Station Wagon, (+)"J"	Shift Interlock, Also serviced as part of a kit	589238	1		
		Change point - VIN begin KA624756, Change point - VIN end KA647644, 2 Door Station Wagon	Also serviced as part of a kit	589238	1		
		Change point - VIN begin JA610294, Change point - VIN end JA624754, 2 Door Station Wagon, (-)"J"	Also serviced as part of a kit	589238	1		
		Change point - VIN begin JA610294, Change point - VIN end JA624754, 4 Door Station Wagon, (-)"J"	Less Shift Interlock, Also serviced as part of a kit	589238	1		
		[902]	Bolt-shear-lock steering column	Change point - VIN begin KA624756, Change point - VIN end KA635927, 4 Door Station Wagon, With Anti-Theft Alarm	Burglar Alarm, Less Shift Interlock, Also serviced as part of a kit, M8 x 20	NTC4610	2
				Change point - VIN begin KA635928, 4 Door Station Wagon, With Anti-Theft Alarm	Burglar Alarm, Less Shift Interlock, Also serviced as part of a kit, M8 x 20	NTC4610	2
Change point - VIN begin KA624756, Change point - VIN end KA635927, 4 Door Station Wagon, With Anti-Theft Alarm	Burglar Alarm, Shift Interlock, Also serviced as part of a kit, M8 x 20			NTC4610	2		
Change point - VIN begin KA635928, 4 Door Station Wagon, With Anti-Theft Alarm	Burglar Alarm, Shift Interlock, Also serviced as part of a kit, M8 x 20			NTC4610	2		
Change point - VIN begin MA647645, 4 Door Station Wagon, Less Anti-Theft Alarm	Less Burglar Alarm, Less Shift Interlock, Also serviced as part of a kit, M8 x 12			STC2867	2		
Change point - VIN begin MA647645, 4 Door Station Wagon, With Anti-Theft Alarm	Burglar Alarm, Less Shift Interlock, Also serviced as part of a kit, M8 x 12			STC2867	2		



Callout	Name	Application	Remarks & Restrictions	Service No.	Qty		
[902]	Bolt-shear-lock steering column	Change point - VIN begin MA647645, 4 Door Station Wagon, With Anti-Theft Alarm	Burglar Alarm, Shift Interlock, Also serviced as part of a kit, M8 x 12	STC2867	2		
		Change point - VIN begin KA624756, Change point - VIN end KA647644, 4 Door Station Wagon, Less Anti-Theft Alarm	Less Burglar Alarm, Less Shift Interlock, Also serviced as part of a kit, M8 x 20	NTC4610	2		
		Change point - VIN begin KA624756, Change point - VIN end KA647644, 4 Door Station Wagon, Less Anti-Theft Alarm	Less Burglar Alarm, Shift Interlock, Also serviced as part of a kit, M8 x 20	NTC4610	2		
		Change point - VIN begin KA624756, Change point - VIN end KA647644, 4 Door Station Wagon, With Anti-Theft Alarm	Burglar Alarm, Less Shift Interlock, Also serviced as part of a kit, M8 x 20	NTC4610	2		
		Change point - VIN begin JA610294, Change point - VIN end JA624754, 4 Door Station Wagon, (-)"J"	Less Shift Interlock, Also serviced as part of a kit, M8 x 20	NTC4610	2		
		Change point - VIN begin JA610294, Change point - VIN end JA624754, 4 Door Station Wagon, (+)"J"	Shift Interlock, Also serviced as part of a kit, M8 x 20	NTC4610	2		
		Change point - VIN begin KA624756, Change point - VIN end KA647644, 2 Door Station Wagon	Also serviced as part of a kit, M8 x 20	NTC4610	2		
		Change point - VIN begin JA610294, Change point - VIN end JA624754, 2 Door Station Wagon, (-)"J"	Also serviced as part of a kit, M8 x 20	NTC4610	2		
		[903]	Switch-ignition	Change point - VIN begin MA647645, 4 Door Station Wagon, Less Anti-Theft Alarm	Less Burglar Alarm, Less Shift Interlock, Also serviced as part of a kit	STC1746	1



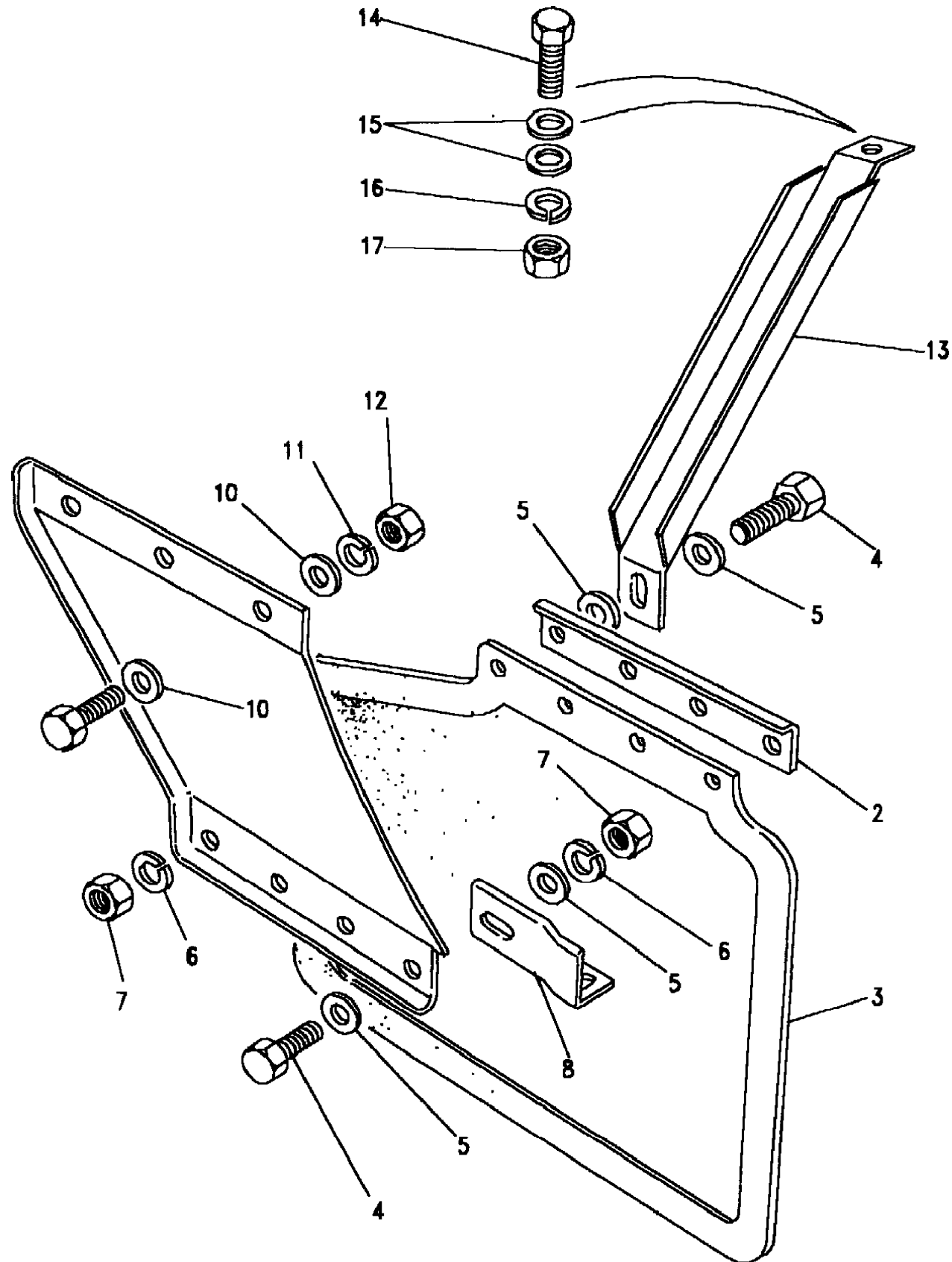
Callout	Name	Application	Remarks & Restrictions	Service No.	Qty
1	Mudflaps-kit front		Also serviced as part of a kit	RTC9562	1
2	Bracket		Also serviced as part of a kit, Front, RH	392678	1
			Also serviced as part of a kit, Front, LH	392679	1
3	Angle mounting		Also serviced as part of a kit	MXC6743	2
4	Not Serviced Separately		Also serviced as part of a kit	NSS	1
5	Screw		angle to mudflap, Also serviced as part of a kit, hexagonal head, 1/4UNF x 7/8	SH604071L	8
6	Washer-Plain		Also serviced as part of a kit, M6	3831L	4
7	Nut - Hex.		plate to mudflap, Also serviced as part of a kit, M6, nyloc, Hexagonal	NH106041L	8
8	Screw		plate to mudflap, Also serviced as part of a kit, M6 X 16	SE106161L	6
9	Washer		Also serviced as part of a kit, 6MM	WA106041L	6
10	Washer		Also serviced as part of a kit, M6, sprung	WL106001L	6
[900]	Washer-Spring		Also serviced as part of a kit, 1/4 dia, Square	WM600041L	8
[901]	Nut - Hex.		Also serviced as part of a kit, hexagonal head, Coarse Thread, 1/4UNF	NH604041L	6

Body & Chassis
Body
Mudflaps Rear 1/1

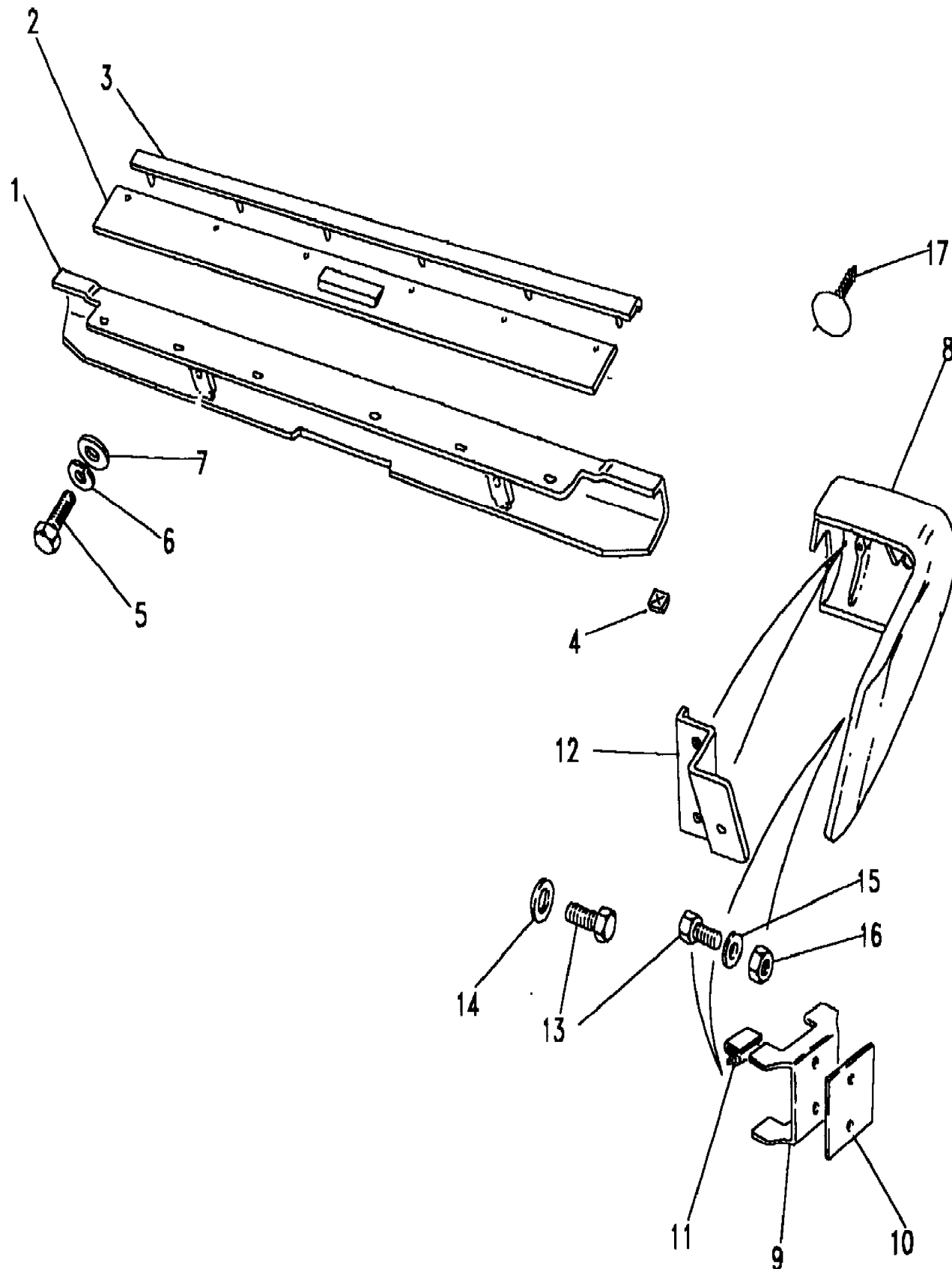
Range Rover (From JA610294)
(BDNXSA2A)

Range Rover (From JA610294)

Body & Chassis
Body
Mudflaps Rear



Callout	Name	Application	Remarks & Restrictions	Service No.	Qty
1	Panel-mudflap mounting		RH	BTR432	1
			LH	BTR433	1
2	Angle mounting			390998	2
3	Mudflap-rear			MUC3719	2
4	Bolt	bracket to mudflap		255208	8
5	Washer-Plain	M6		3831L	16
6	Washer-Spring	1/4 dia, Square		WM600041L	8
7	Nut - Hex.	bracket to mudflap, hexagonal head, Coarse Thread, 1/4UNF		NH604041L	8
8	Angle mounting		RH	MXC5546	1
			LH	MXC5545	1
9	Screw	bracket to mudflap, 1/4UNF x 5/8		255206	8
10	Washer-Plain	M6		3831L	16
11	Washer-Spring	1/4 dia, Square		WM600041L	8
12	Nut - Hex.	bracket to mudflap, hexagonal head, Coarse Thread, 1/4UNF		NH604041L	8
13	Stay-rear mudflap	Change point - VIN end JA624754 Change point - VIN begin KA624756 Change point - VIN end JA624754	RH	MXC5548	1
				BTR6172	1
			LH	MXC5547	1
14	Screw	stay to body, 1/4UNF x 5/8		255206	2
15	Washer-Plain	M6		3831L	4
16	Washer-Spring	1/4 dia, Square		WM600041L	2
17	Nut - Hex.	stay to body, hexagonal head, Coarse Thread, 1/4UNF		NH604041L	2

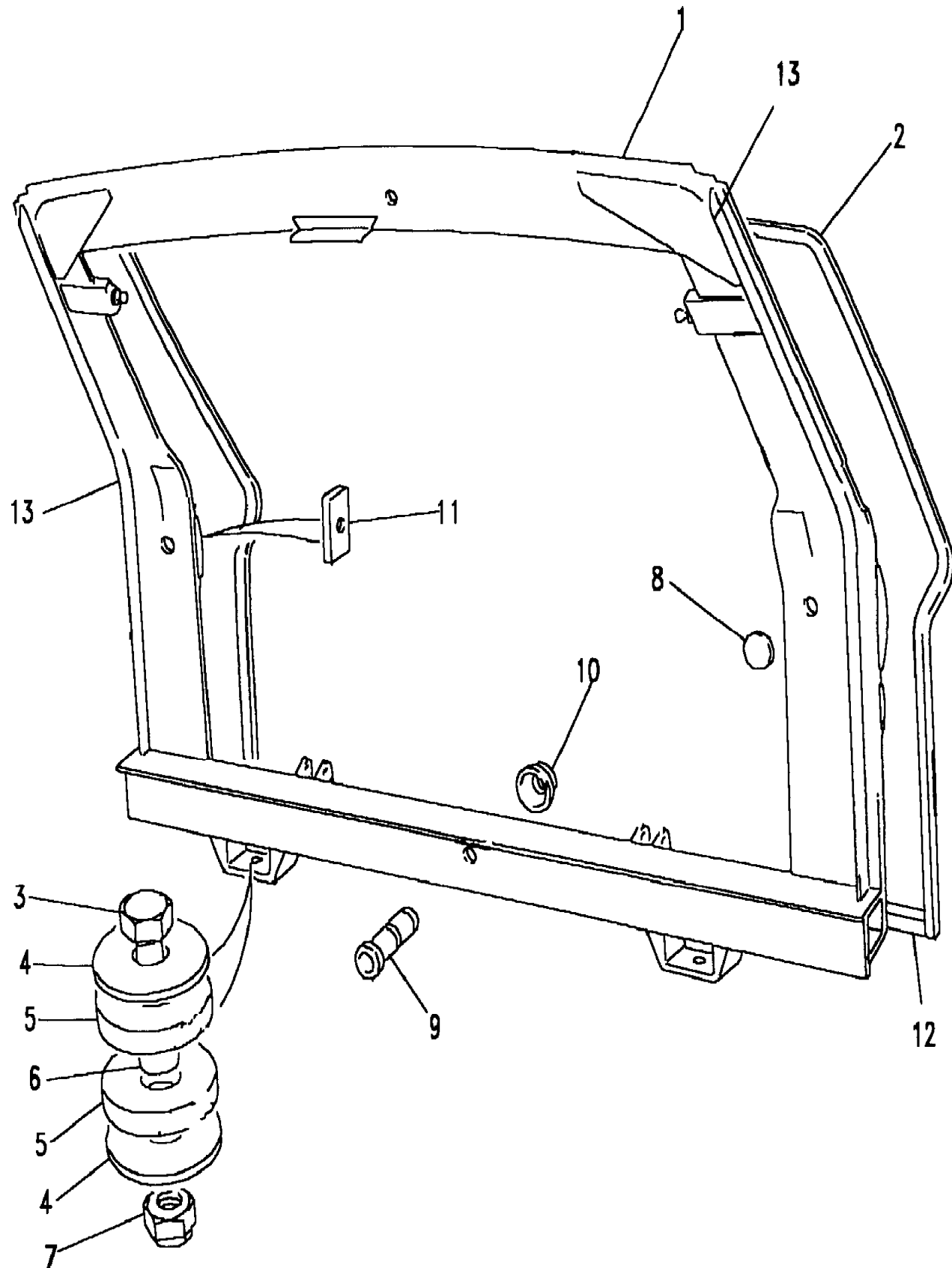


Callout	Name	Application	Remarks & Restrictions	Service No.	Qty
1	Bumper		Less Body Styling Kit, Black, Rear	NTC3065	1
		Change point - VIN begin JA610294	Less Body Styling Kit, Rear, Chrome	NTC7042	1
		Change point - VIN begin JA610294	Body Styling Kit, Rear	ANR1557	1
2	Seal			NTC7833	1
3	Strip retaining-dust seal-rear bumper		Black	NRC5214	1
			Chrome	NTC7263	1
4	Retainer			AN604041L	6
5	Screw		Bumper rear to seal dust, hexagonal head, 3/8UNF x 1	SH606081L	2
6	Washer		3/8", Square	WM600061L	2
7	Washer			3822	2
8	Capping		RH	NTC5232	1
			LH	NTC5233	1
9	Bracket		fitting end cap, Metal	NTC5683	2
10	Pad-buffer			NTC4718	2
11	Clip			ADU7954	8
12	Bracket Mounting		LH	NTC1949	1
			RH	NTC1950	1
13	Screw-flanged head		clip to bracket mounting, M6 X 16, Flanged Head	FS106167L	4
			clip to bracket mounting, M6 X 12, hexagonal head	SH106121L	2
14	Washer		6MM	WA106041L	2
15	Washer		M6, oversize	WC106041L	8
16	Nut - Hex.		to clip, M6, hexagonal head, nyloc	NY106041L	4
17	Fastener-drive			MUC8600	2
[900]	Nut - Hex.		to clip, M6, hexagonal head, nyloc	NY106047L	4

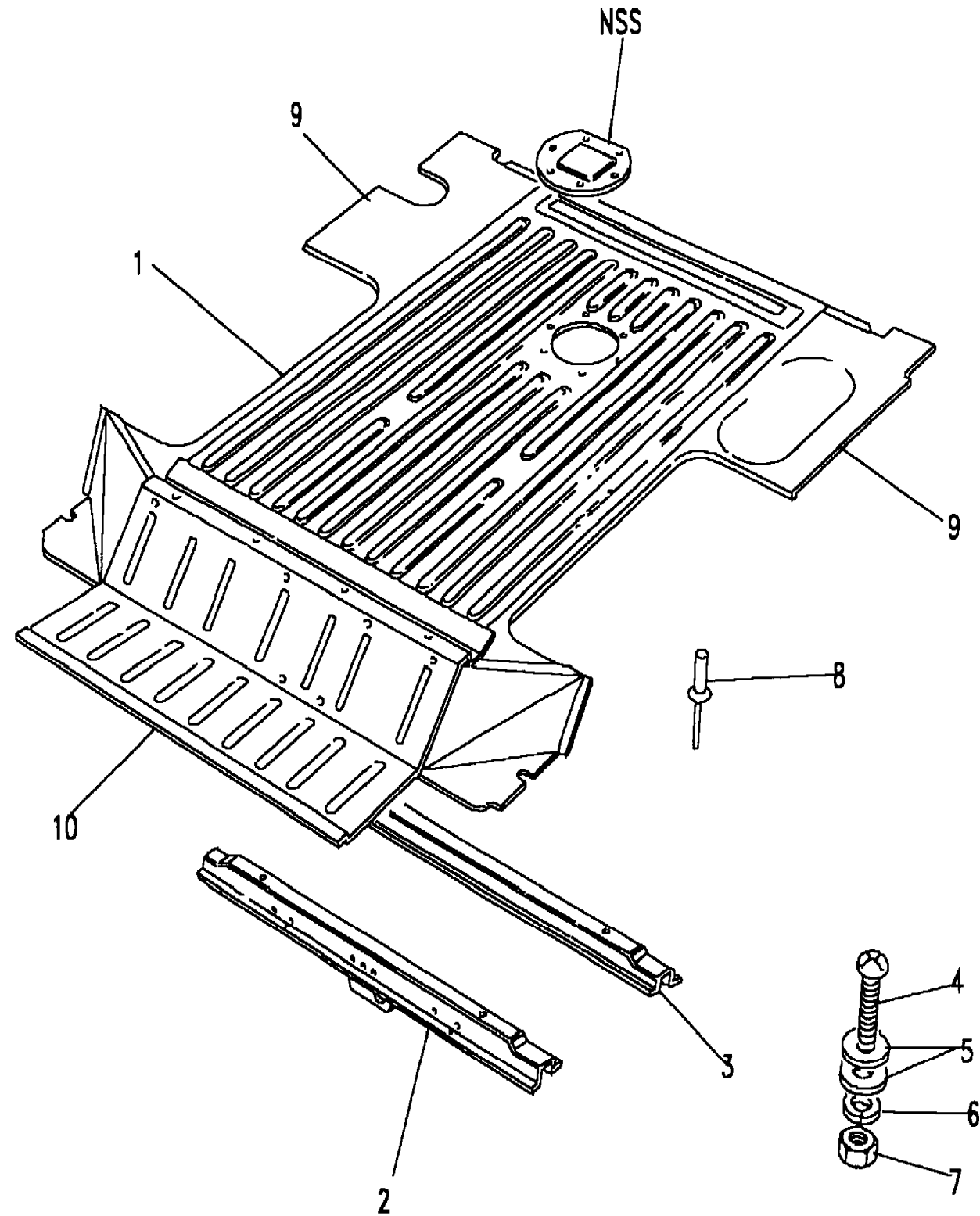
Range Rover (From JA610294)

(BDNXBR1A)

Range Rover (From JA610294)



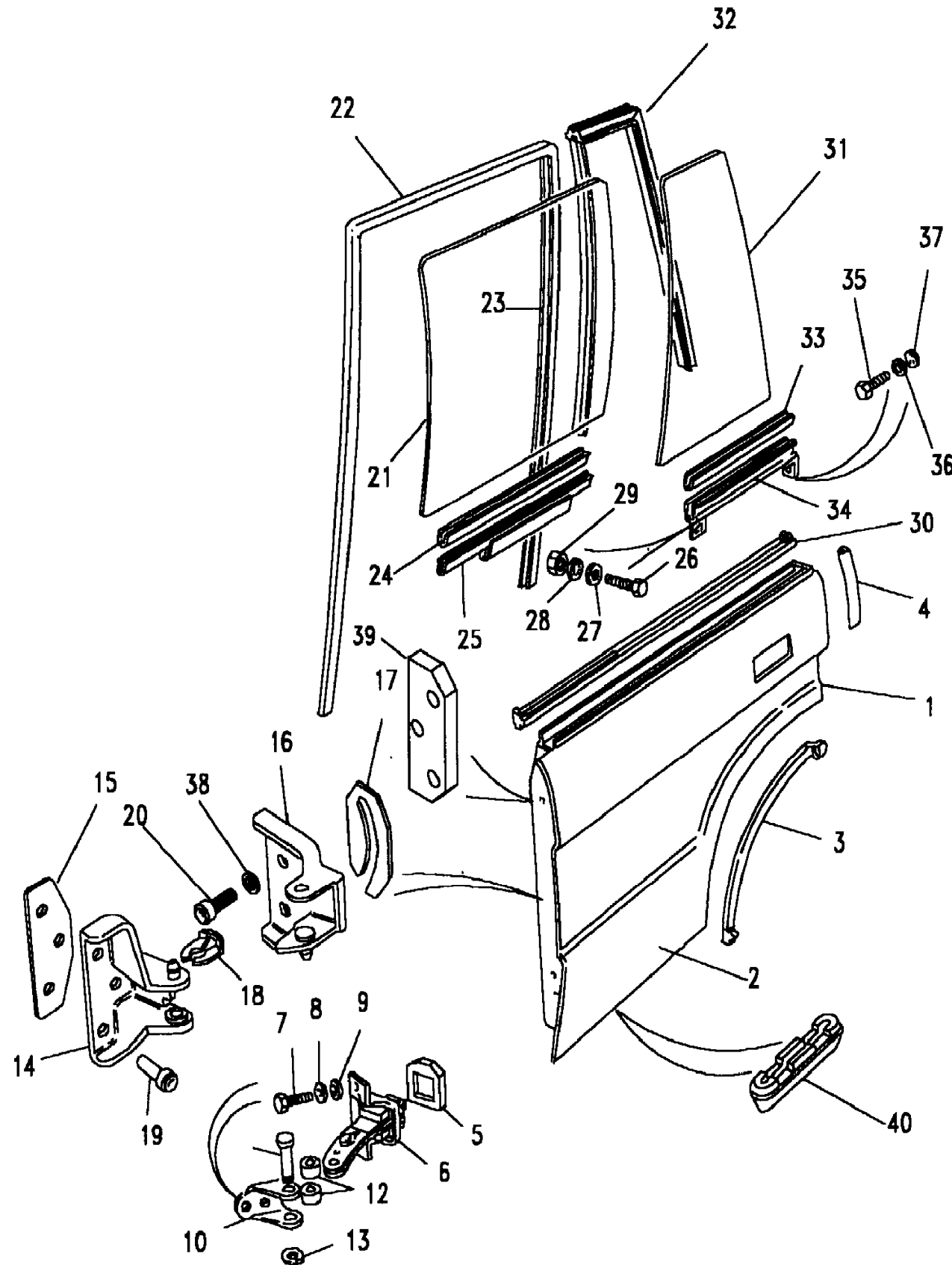
Callout	Name	Application	Remarks & Restrictions	Service No.	Qty
1	Rear end assembly			ALR3185	1
2	Seal-tailgate	Change point - VIN end JA624754 Change point - VIN begin KA624756		MTC2398	1
				ALR3213	1
3	Bolt	Change point - VIN end MA659496 Change point - VIN begin MA659497	3/8UNF x 3 1/2	595098	10
				ANR4519	10
4	Washer-Plain		10mm ID	566580	20
5	Washer-rubber	Change point - VIN end JA624754 Change point - VIN begin KA624756		572295	20
				ANR1504	20
6	Spacer			566581	10
7	Nut - Hex.		hexagonal head, 3/8, UNF, nyloc	NY606041L	10
8	Plug			392687	4
9	Bush			391129	1
10	Retainer			391130	1
11	Plate			MWC2692	2
12	Seal	Change point - VIN end KA624756	Lower	MXC9584	1
13	Angle mounting		RH LH	MUC6260 MUC6261	1 1



Callout	Name	Application	Remarks & Restrictions	Service No.	Qty
1	Rear floor assembly	100" 108" (2743mm) Wheelbase		ALR1635 ALR1967	1 1
2	Crossmember Floor	Change point - VIN end MA658401 Change point - VIN begin MA658402	Front Front	MXC7154 ALR8519	1 1
3	Crossmember Rear	Change point - VIN end MA658401 Change point - VIN begin MA658402		MXC7155 ALR8520	1 1
4	Screw		floor to body	79042	4
5	Washer-Plain		M6	3831L	8
6	Washer-Spring		1/4 dia, Square	WM600041L	4
7	Nut - Hex.		hexagonal head, Coarse Thread, 1/4UNF	NH604041L	4
8	Rivet		3/16" x 0.45"lng, pop	78248	X
9	Panel outer	Change point - VIN end JA624754 Change point - VIN end JA624754 Change point - VIN begin KA624756 Change point - VIN begin KA624756	RH LH RH LH	MXC6058 MXC6059 ALR4019 ALR1639	1 1 1 1
10	Heelboard-rear underframe			ALR2056	1

4 Door Station Wagon

Callout	Name	Application	Remarks & Restrictions	Service No.	Qty
1	Door assembly-rear	Change point - VIN end MA656228, (-) 108" Change point - VIN end MA656228, (-) 108" Change point - VIN begin MA656229, (-) 108" Change point - VIN begin MA656229, (-) 108" 108" (2743mm) Wheelbase 108" (2743mm) Wheelbase	Also serviced as part of a kit, RH Also serviced as part of a kit, LH Also serviced as part of a kit, RH Also serviced as part of a kit, LH Also serviced as part of a kit, RH Also serviced as part of a kit, LH	ALR3906 ALR3905 ALR8218 ALR8217 ALR6556 ALR6555	1 1 1 1 1 1
2	Panel outer	Change point - VIN end MA656228, (-) 108" Change point - VIN end MA656228, (-) 108" Change point - VIN begin MA656229, (-) 108" Change point - VIN begin MA656229, (-) 108" 108" (2743mm) Wheelbase 108" (2743mm) Wheelbase	Also serviced as part of a kit, RH, rear door Also serviced as part of a kit, LH Also serviced as part of a kit, RH, rear door Also serviced as part of a kit, LH Also serviced as part of a kit, RH Also serviced as part of a kit, LH	RTC6188 RTC6187 RTC6188 RTC6187 ALR1878 ALR1879	1 1 1 1 1 1
3	Seal	Change point - VIN end JA617684 Change point - VIN begin JA617685		MXC4655 ALR2371	2 2
4	Protector-edge		Door	DZA6330	2
5	Gasket			MXC8335	2
6	Check strap	Change point - VIN end KA635927, (-) 108" Change point - VIN begin KA635928, (-) 108" Change point - VIN end KA635927, 108" (2743mm) Wheelbase Change point - VIN begin KA635928, 108" (2743mm) Wheelbase		MXC1965 ALR4725 ALR1767 ALR4787	2 2 2 2
7	Screw-flanged head		check strap to door, M6 X 16, Flanged Head	FS106167L	8
8	Washer		M6, sprung	WL106001L	8
9	Washer		6MM	WA106041L	8
10	Bracket			MTC9066	2
11	Pin-door check arm			CLP6552L	2
12	Spacer			MTC9631	4



Body & Chassis
 Body
 Rear Side Door Assembly 2/3

Range Rover (From JA610294)

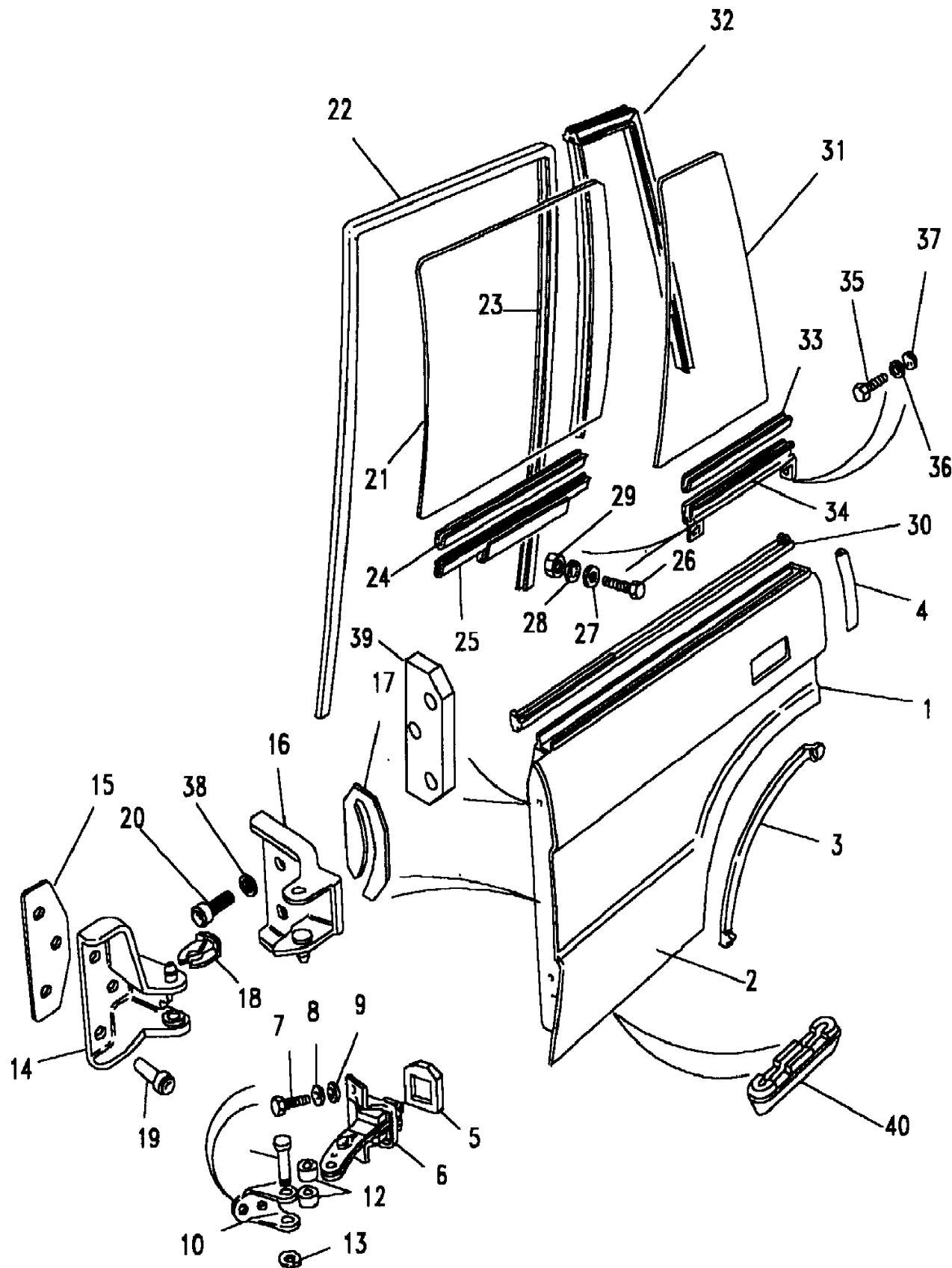
(BDNXG11A)

Range Rover (From JA610294)

Body & Chassis
 Body
 Rear Side Door Assembly

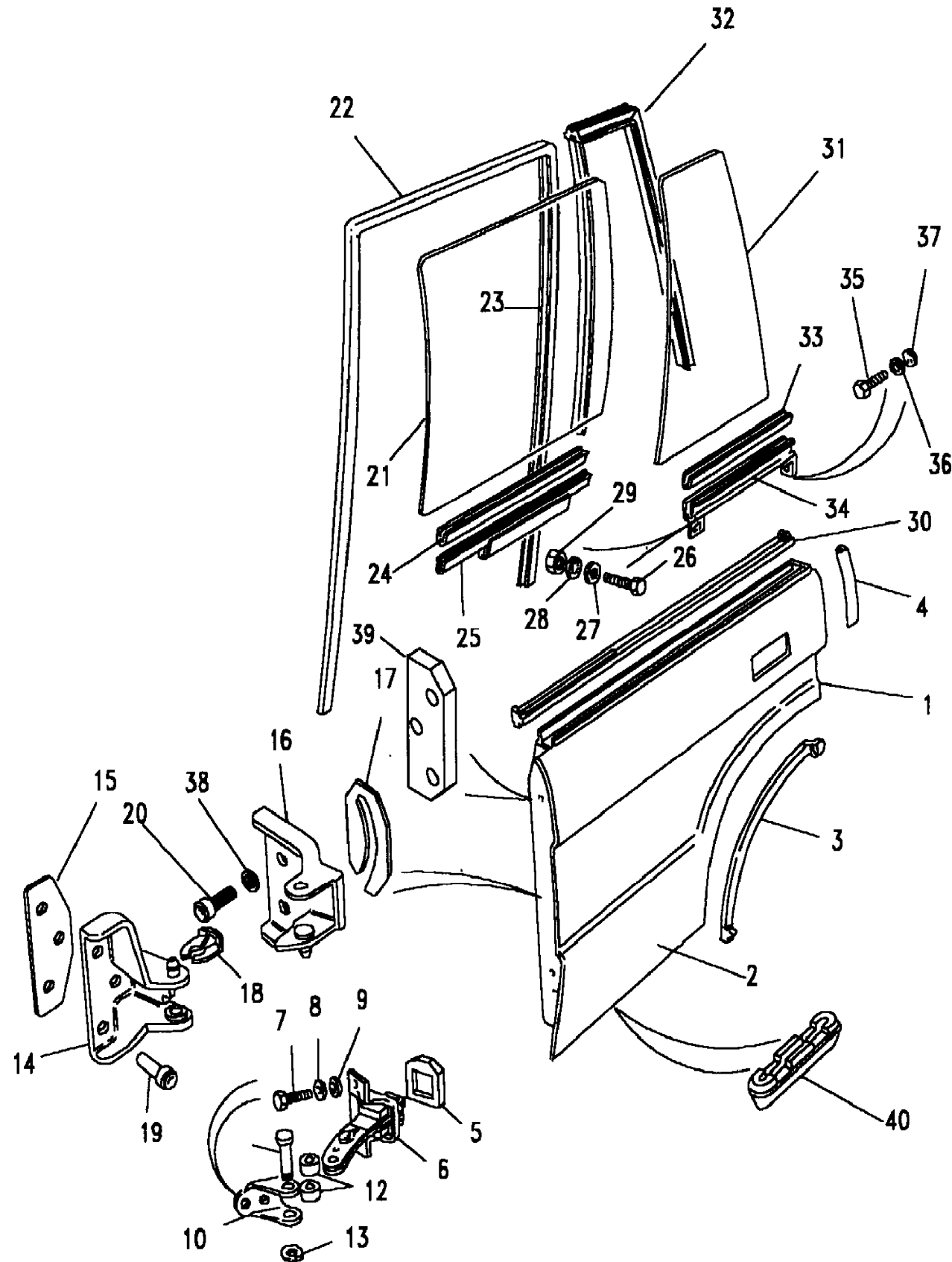
4 Door Station Wagon

Callout	Name	Application	Remarks & Restrictions	Service No.	Qty
13	Circlip			MTC9632	2
14	Hinge B post		RH, Upper Upper, LH RH, Lower Lower, LH	MXC2162 MXC2163 MXC5768 MXC5769	1 1 1 1
15	Shim-door hinge	Change point - VIN end KA634749 Change point - VIN begin KA634750	Lower Lower	MXC1361 ALR4723	4 1
16	Hinge assembly-front door		RH LH	MXC2166 MXC2167	2 2
17	Shim-door hinge		1.30MM	ALR1976	2
18	Circlip			MXC5267	4
19	Screw-pan		hinge to B post	MXC4918	12
20	Screw		HINGE TO DOOR	MXC1638	12
21	Glass-rear-door	100" 100" 108" (2743mm) Wheelbase 108" (2743mm) Wheelbase	RH, 4.0MM 4.0MM, LH RH LH	MWC8438 MWC8439 ALR4454 ALR4453	1 1 1 1
22	Channel-rear door glass run	100" 108" (2743mm) Wheelbase	Front, top, 4.0MM	MWC9603 ALR1512	2 2
23	Channel-rear door glass run			MTC9177	2
24	Channel-rear door glass run	Change point - VIN end MA649145 Change point - VIN begin MA649146, Change point - VIN end MA659910 Change point - VIN begin MA659911	Rubber Rubber Rubber	MTC7290 ALR6541 ALR8991	2 2 2
25	Channel-rear door glass lift	Change point - VIN end MA649145 Change point - VIN end MA649145 Change point - VIN begin MA649146, Change point - VIN end MA659910 Change point - VIN begin MA659911	RH LH	MUC1218 MUC1219 ALR6540 ALR8024	1 1 1 1



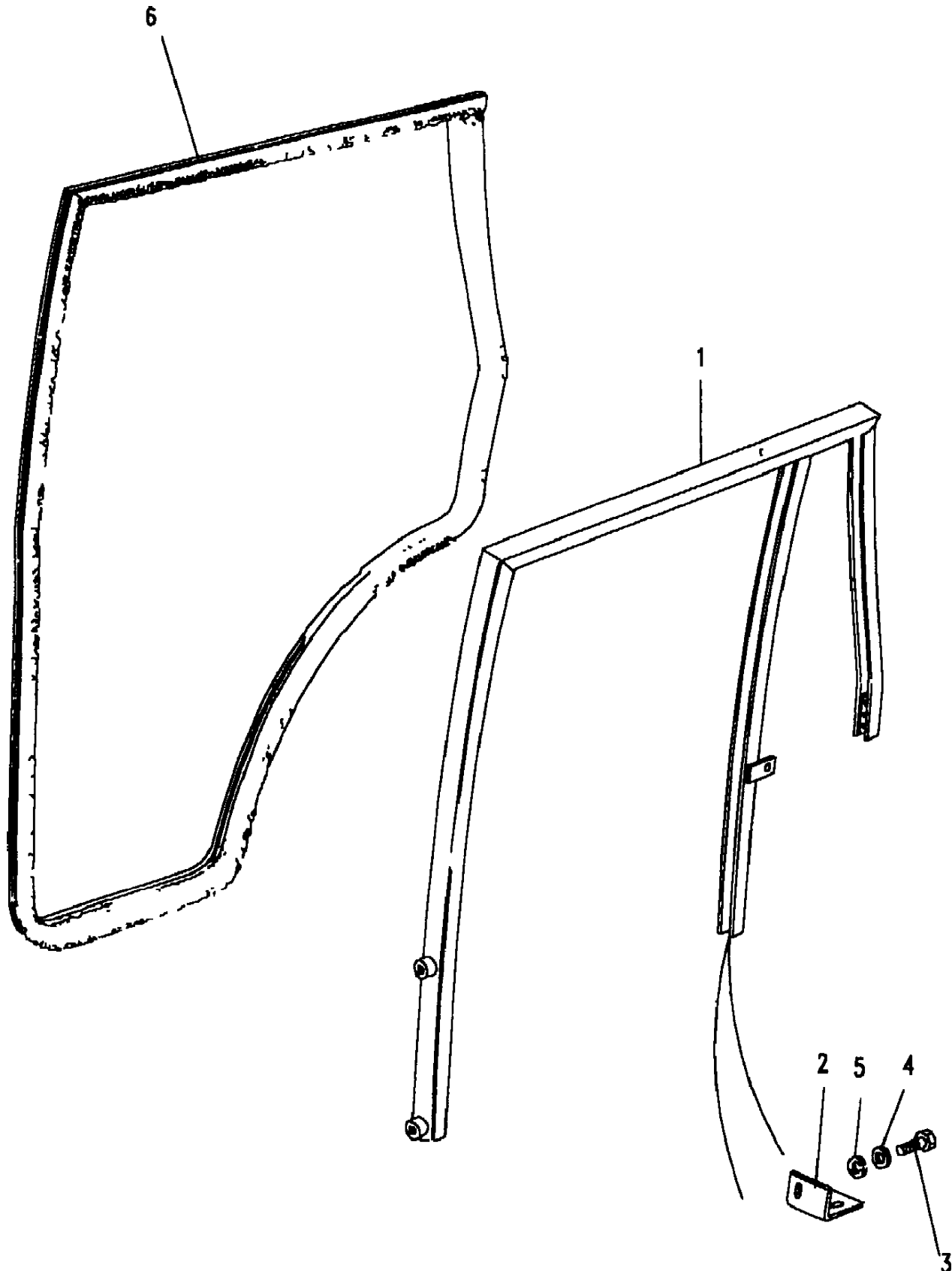
4 Door Station Wagon

Callout	Name	Application	Remarks & Restrictions	Service No.	Qty
26	Screw		fixing channel, hexagonal head, 1/4UNF x 1/2	SH604041L	2
27	Washer		6MM	WA106041L	2
28	Washer-Lock			WF600041L	2
29	Nut - Hex.		hexagonal head, Coarse Thread, 1/4UNF	NH604041L	2
30	Seal-rear door inner waist	100" 100" 108" (2743mm) Wheelbase 108" (2743mm) Wheelbase	RH LH LH RH	MXC8016 MXC8017 ALR4463 ALR4464	1 1 1 1
31	Glass-rear quarter	(-) 108" (-) 108" 108" (2743mm) Wheelbase 108" (2743mm) Wheelbase	RH LH RH LH	MTC5956 MTC5955 ALR1508 ALR1509	1 1 1 1
32	Seal-rear quarter glass	(-) 108" 108" (2743mm) Wheelbase		MTC9131 ALR1510	2 2
33	Seal			MTC4501	X
34	Channel locating	(-) 108" (-) 108" 108" (2743mm) Wheelbase 108" (2743mm) Wheelbase	RH LH RH LH	MTC9274 MTC9273 ALR1770 ALR1771	1 1 1 1
35	Screw		fixing channel, hexagonal head	SH604031L	2
36	Washer		6MM	WA106041L	2
37	Washer-Lock			WF600041L	2
38	Washer-Plain			RTC613	12
39	Plate-Retaining			MXC1867	4
40	Grommet			MUC1733	1
[900]	Plate-Retaining			MXC1867	4



4 Door Station Wagon

Callout	Name	Application	Remarks & Restrictions	Service No.	Qty		
1	Frame-rear door upper	(-) 108"	RH	MXC8706	1		
		(-) 108"	LH	MXC8707	1		
		Change point - VIN end KA644620, 108" (2743mm) Wheelbase	RH	ALR1504	1		
		Change point - VIN end KA644620, 108" (2743mm) Wheelbase	LH	ALR1505	1		
		Change point - VIN begin KA644621, 108" (2743mm) Wheelbase	RH	ALR6254	1		
		Change point - VIN begin KA644621, 108" (2743mm) Wheelbase	LH	ALR6255	1		
		2	Bracket Mounting		RH	MTC9164	1
					LH	MTC9163	1
		3	Screw		bracket to frame, hexagonal head	SH604031L	4
		4	Washer		Standard	3900L	4
5	Washer		M6, sprung	WL106001L	4		
6	Seal-Rear Door	(-) 108"	RH, Sorrel Brown	ALR1064SUA	1		
		(-) 108"	RH, Winchester Grey	ALR1064LUL	1		
		(-) 108"	RH, Sable	ALR1064RWD	1		
		(-) 108"	RH, Dark Granite	ALR1064LOY	1		
		(-) 108"	Ash Grey, RH	ALR1064LNF	1		
		(-) 108"	Winchester Grey, LH	ALR1065LUL	1		
		(-) 108"	Sorrel Brown, LH	ALR1065SUA	1		
		(-) 108"	LH, Sable	ALR1065RWD	1		
		(-) 108"	Dark Granite, LH	ALR1065LOY	1		
		(-) 108"	Ash Grey, LH	ALR1065LNF	1		
		108" (2743mm) Wheelbase	RH, Tan	ALR1516AUK	1		
		108" (2743mm) Wheelbase	RH, Sable	ALR1516RWD	1		
		108" (2743mm) Wheelbase	RH, Sorrel Brown	ALR1516SUA	1		
		Change point - VIN begin MA647645, 108" (2743mm) Wheelbase	RH, Dark Granite	ALR1516LOY	1		
		Change point - VIN begin MA647645, 108" (2743mm) Wheelbase	Ash Grey, RH	ALR1516LNF	1		
		108" (2743mm) Wheelbase	LH, Tan	ALR1517AUK	1		
		108" (2743mm) Wheelbase	LH, Sable	ALR1517RWD	1		
		108" (2743mm) Wheelbase	Sorrel Brown, LH	ALR1517SUA	1		
		Change point - VIN begin MA647645, 108" (2743mm) Wheelbase	Dark Granite, LH	ALR1517LOY	1		



Body & Chassis

Range Rover (From JA610294)

Body

Rear Side Door Frame 2/2

(BDNXGK1A)

Range Rover (From JA610294)

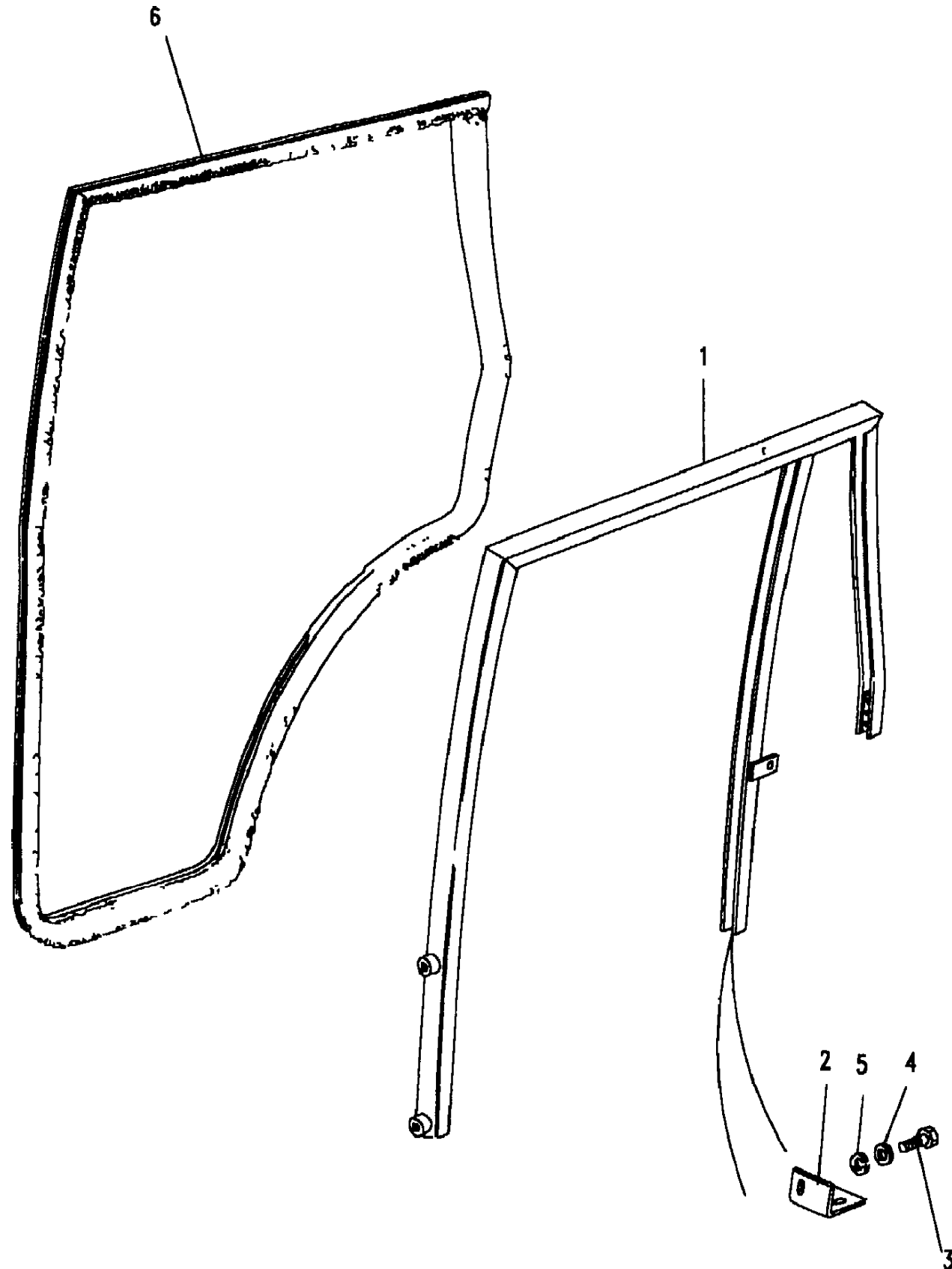
Body & Chassis

Body

Rear Side Door Frame

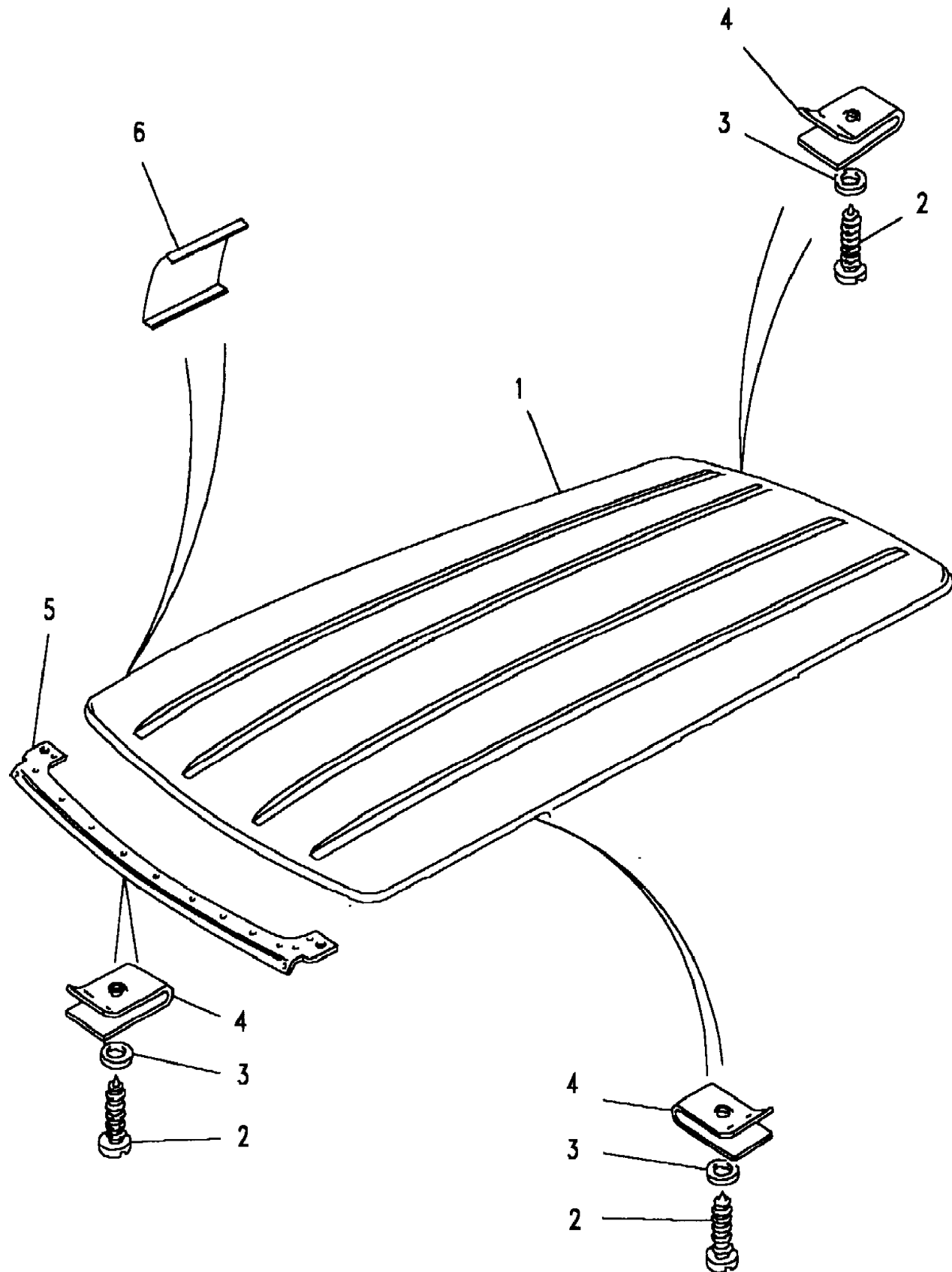
4 Door Station Wagon

Callout	Name	Application	Remarks & Restrictions	Service No.	Qty
6	Seal-Rear Door	Change point - VIN begin MA647645, 108" (2743mm) Wheelbase	Ash Grey, LH	ALR1517LNF	1



Less Sun Roof

Callout	Name	Application	Remarks & Restrictions	Service No.	Qty
1	Roof assembly			RTC6341	1
2	Screw-self tapping	Change point - VIN end JA624754	roof to body, No 12 x 3/4	AB612061L	50
		Change point - VIN begin KA624756	roof to body, No 12 x 5/8	AB612051L	50
3	Washer-Plain	Change point - VIN end JA624754	M6	3831L	50
		Change point - VIN begin KA624756	6MM	WA106041L	50
4	Nut - Hex.			AFU1016	50
5	Panel header roof	Change point - VIN end KA647644		MXC8920	1
		Change point - VIN begin MA647645		ALR5732	1
6	Clip			390159	4
7	Sealant		Prestik P41	13296	X



Body & Chassis

Range Rover (From JA610294)

Body

Roof Assembly-Sunroof 1/1

(BDNXP2A)

Body & Chassis

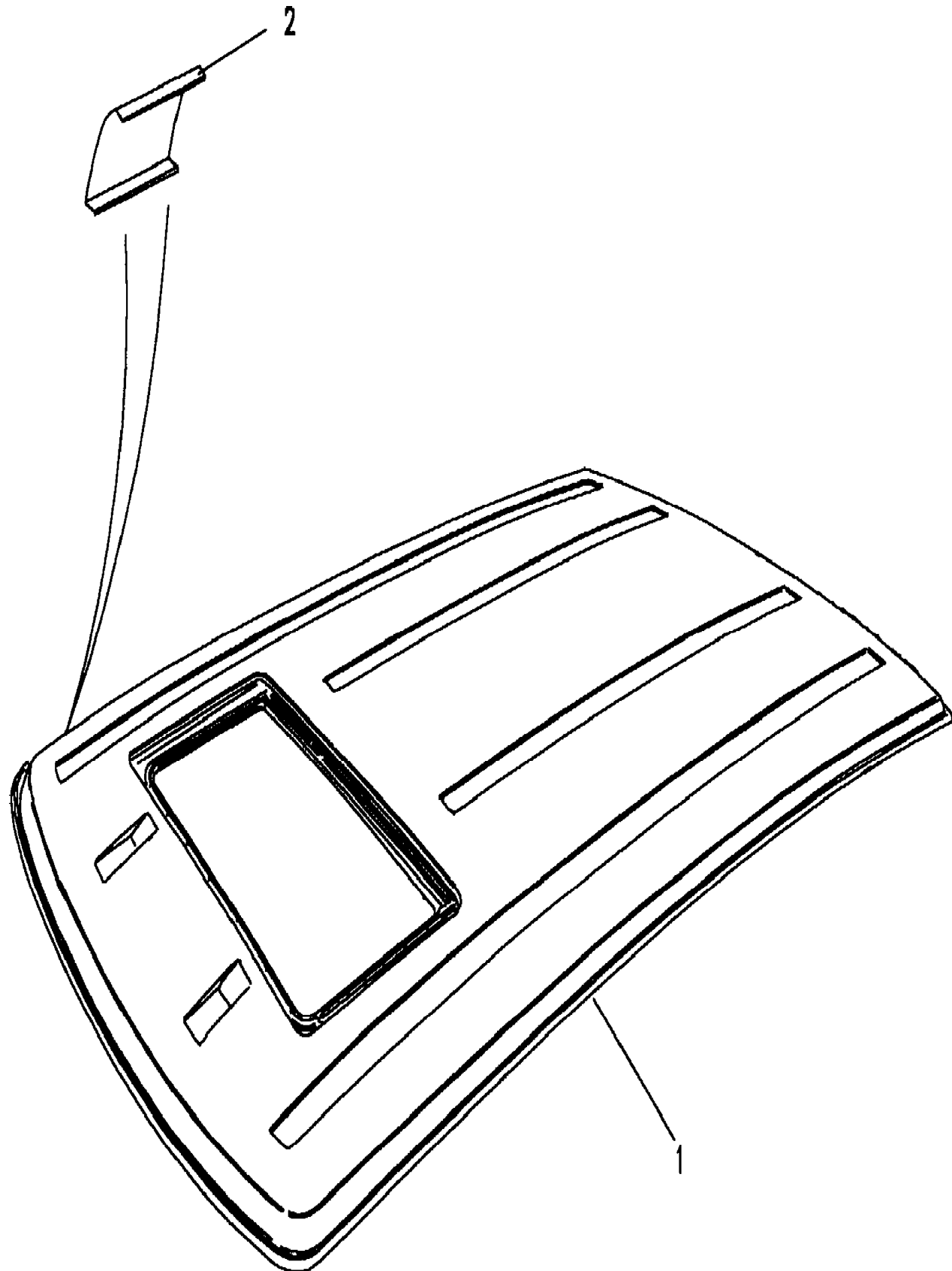
Range Rover (From JA610294)

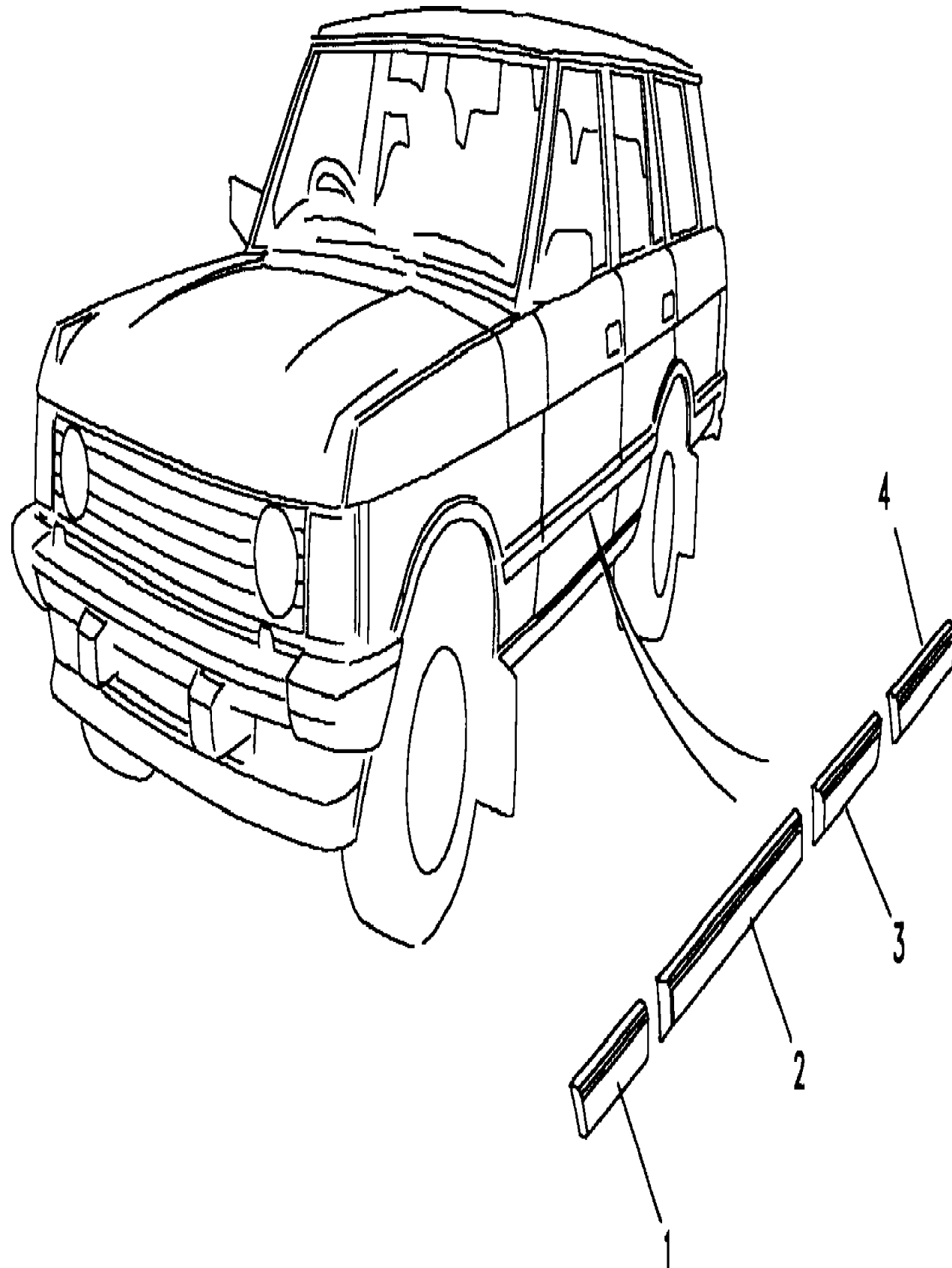
Body

Roof Assembly-Sunroof

With Sunroof

Callout	Name	Application	Remarks & Restrictions	Service No.	Qty
1	Roof assembly	(-) 108" 108" (2743mm) Wheelbase		ALR4848 ALR4850	1 1
2	Clip			390159	4
3	Sealant		Prestik P41	13296	X





Callout	Name	Application	Remarks & Restrictions	Service No.	Qty
1	Strip front wing	Less 2 Door Station Wagon	Less Body Styling Kit, RH	MWC8692	1
		Less 2 Door Station Wagon	Less Body Styling Kit, LH	MWC8693	1
		2 Door Station Wagon	Less Body Styling Kit, RH	MUC3484	1
		2 Door Station Wagon	Less Body Styling Kit, LH	MUC3485	1
			Body Styling Kit, RH	BTR9374	1
		Body Styling Kit, LH	BTR9375	1	
2	Strip-front door edge	Less 2 Door Station Wagon	Less Body Styling Kit	MWC8688	2
		2 Door Station Wagon	Less Body Styling Kit	BTR1033	2
			Body Styling Kit	BTR9378	2
3	Strip rear door	(-) 108"	Less Body Styling Kit, RH	MUC3488	1
		(-) 108"	Less Body Styling Kit, LH	MUC3489	1
		108" (2743mm) Wheelbase	Less Body Styling Kit, RH	BTR2003	1
		108" (2743mm) Wheelbase	Less Body Styling Kit, LH	BTR2004	1
		(-) 108"	Body Styling Kit, RH	BTR9370	1
		(-) 108"	Body Styling Kit, LH	BTR9371	1
		108" (2743mm) Wheelbase	Body Styling Kit, RH	BTR9376	1
		108" (2743mm) Wheelbase	Body Styling Kit, LH	BTR9377	1
4	Strip rear wing	4 Door Station Wagon	Less Body Styling Kit, RH	MUC3490	1
		4 Door Station Wagon	Less Body Styling Kit, LH	MUC3491	1
		2 Door Station Wagon	Less Body Styling Kit, RH	MUC3490	1
		2 Door Station Wagon	Less Body Styling Kit, LH	MUC3491	1
			Body Styling Kit, RH	BTR9372	1
		Body Styling Kit, LH	BTR9373	1	
[900]	Strip rear door	2 Door Station Wagon	Less Body Styling Kit, RH	BTR1032	1
		2 Door Station Wagon	Less Body Styling Kit, LH	BTR1031	1

Body & Chassis
Body
Side Window Rear-2 Door 1/1

Range Rover (From JA610294)

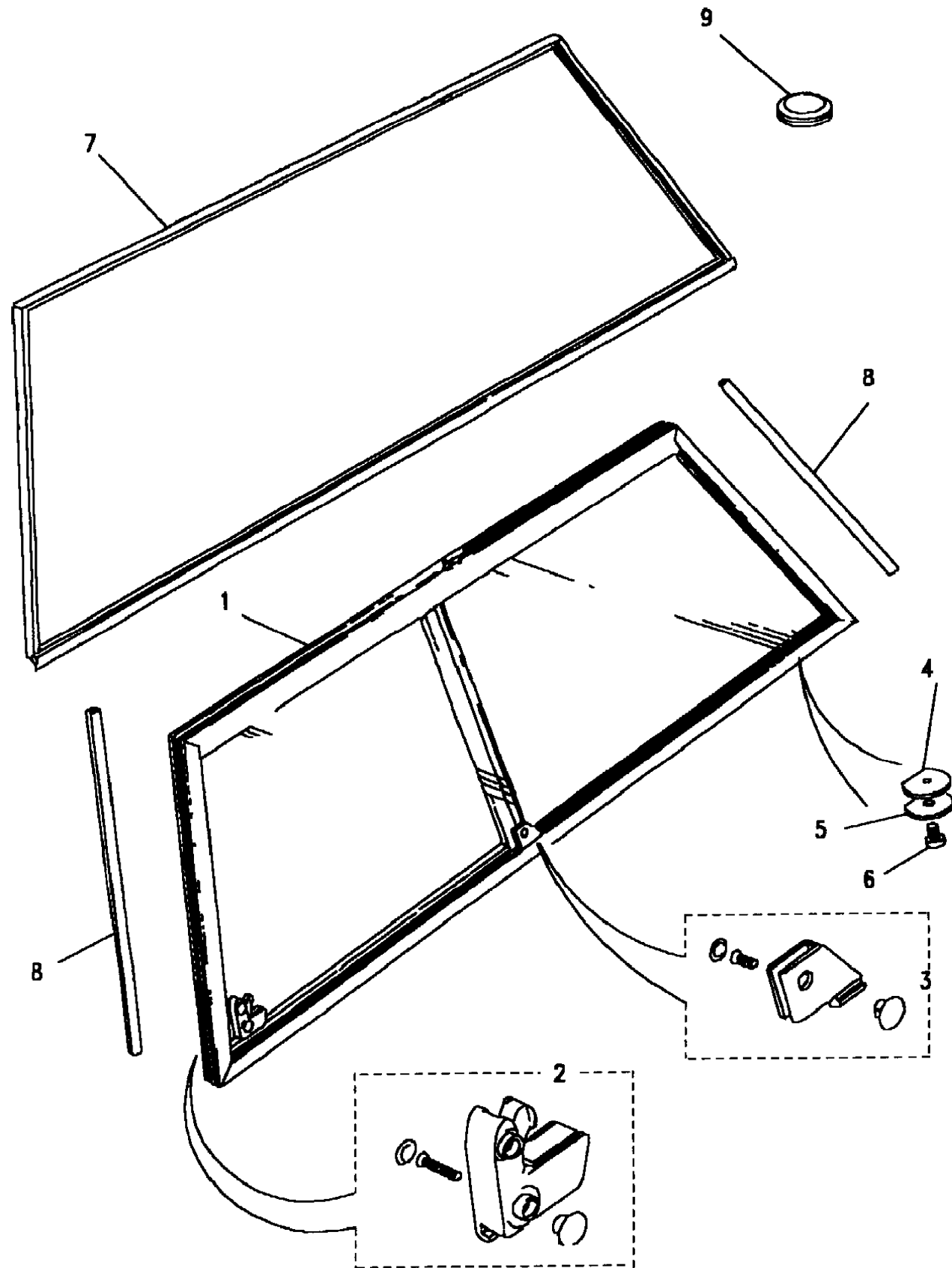
(BDNXLA1A)

Body & Chassis
Body
Side Window Rear-2 Door

Range Rover (From JA610294)

2 Door Station Wagon

Callout	Name	Application	Remarks & Restrictions	Service No.	Qty
1	Glass & seal assembly-rear quarter		Also serviced as part of a kit, 4MM, RH	MXC1494	1
			Also serviced as part of a kit, 4MM, LH	MXC1495	1
2	Catch assembly-side opening window		Also serviced as part of a kit, RH	MTC1738	1
			Also serviced as part of a kit, LH	MTC1739	1
3	Follower slide		Also serviced as part of a kit, RH	MTC1742	1
			Also serviced as part of a kit, LH	MTC1743	1
4	Washer		Also serviced as part of a kit	AFU1398	6
5	Washer		Also serviced as part of a kit	AFU1397	6
6	Screw		Also serviced as part of a kit, hexagonal head, M5 x 12	SH105121L	6
7	Seal		Also serviced as part of a kit, RH	MTC3054	1
			Also serviced as part of a kit, LH	MTC3055	1
8	Finisher-D post		Also serviced as part of a kit	MRC8167	2
9	Grommet			312856	2



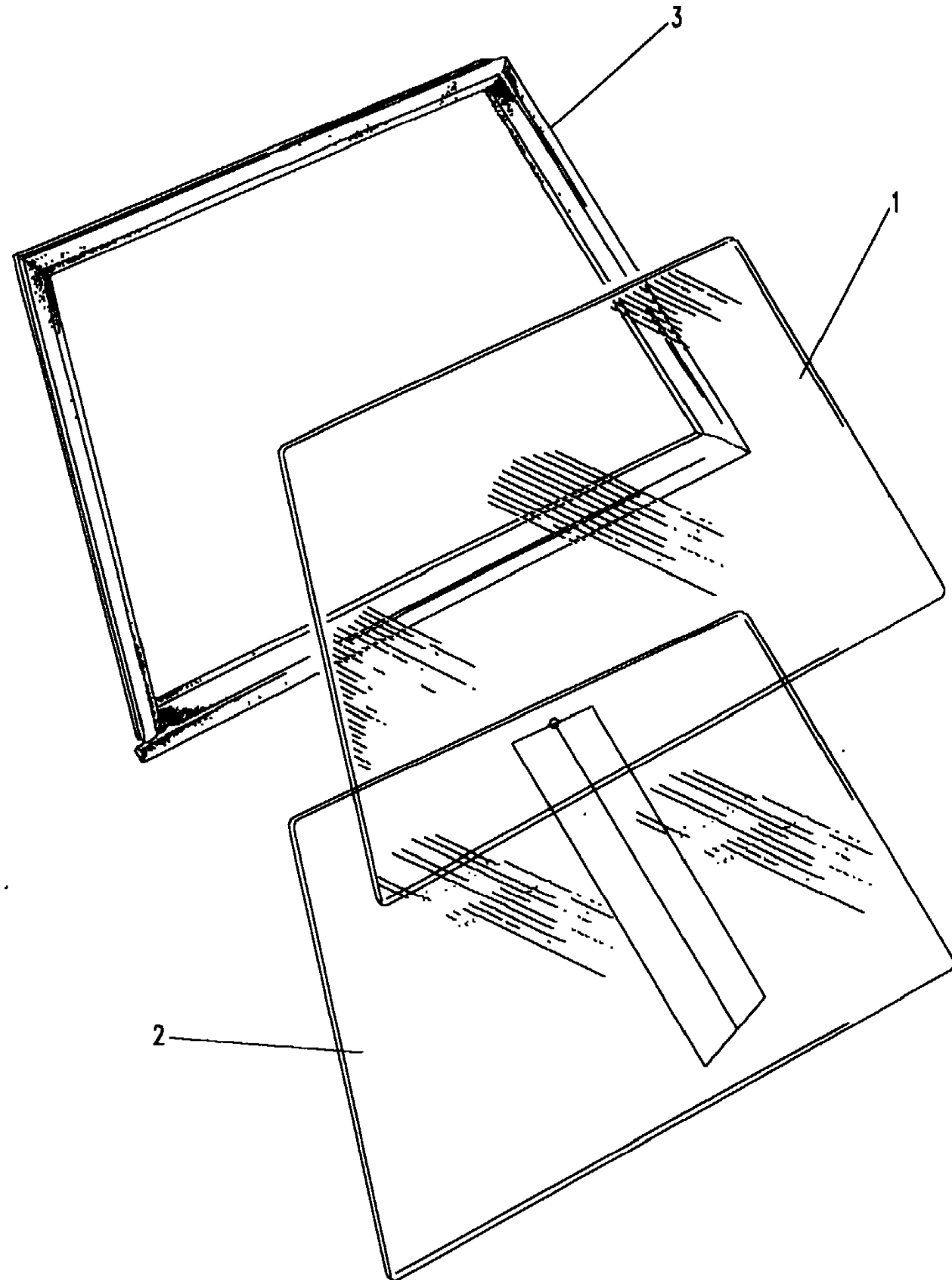
Body & Chassis

Range Rover (From JA610294)

Body

Side Window Rear-4 Door 1/1

(BDNXLA2A)



Range Rover (From JA610294)

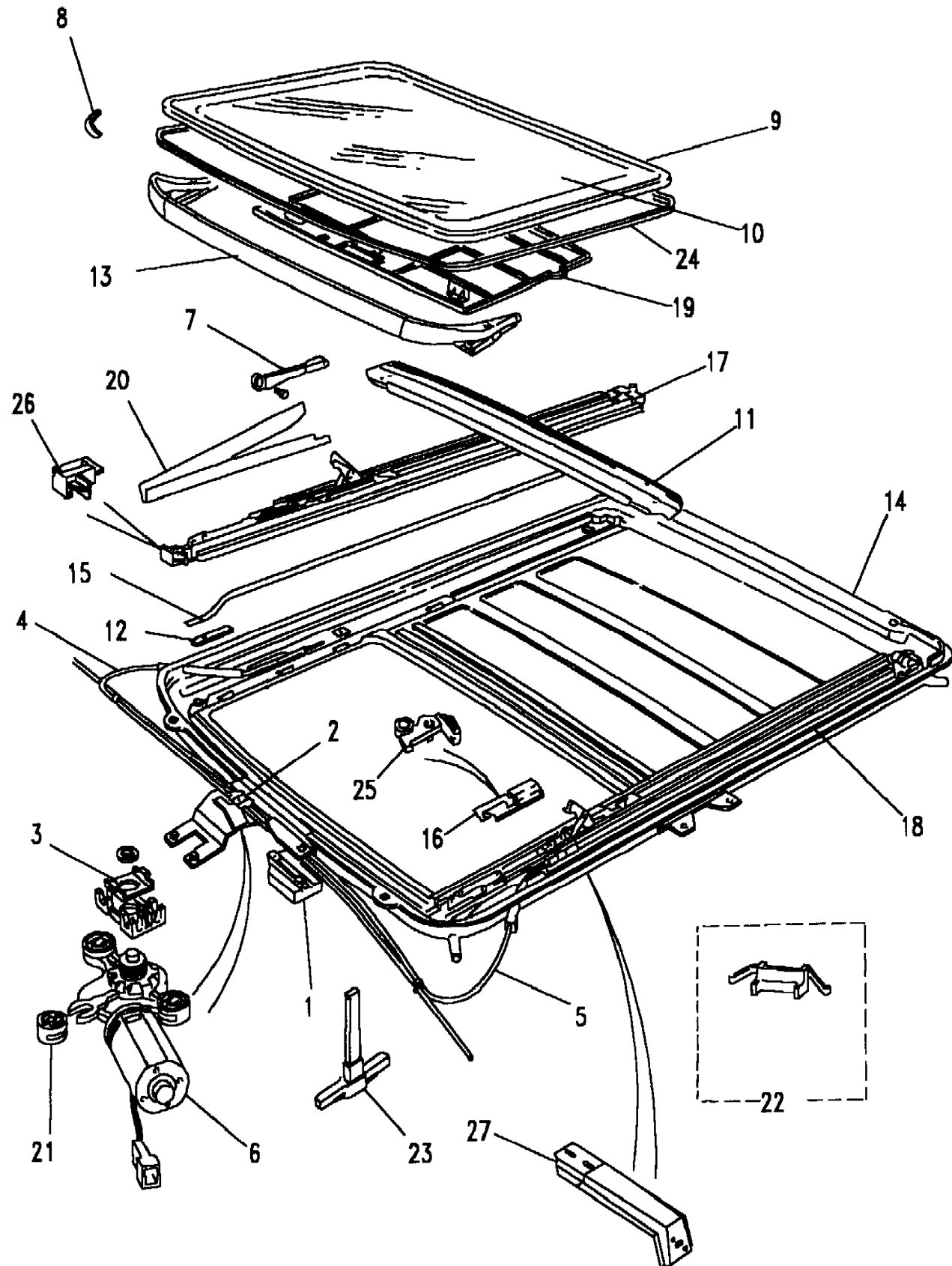
Body & Chassis

Body

Side Window Rear-4 Door

4 Door Station Wagon

Callout	Name	Application	Remarks & Restrictions	Service No.	Qty
1	Glass Bodyside		RH	MWC8442	1
			LH	MWC8443	1
2	Glass Bodyside		With aerial, RH	ALR2416	1
			With aerial, LH	ALR2417	1
3	Weatherstrip-rear quarter		RH	MUC6414	1
			LH	MUC6415	1



Callout	Name	Application	Remarks & Restrictions	Service No.	Qty
1	Control unit sunroof			MXC9575	1
2	Bracket-sunshine roof			STC188	1
3	Insert-sunroof			STC187	1
4	Cable assembly-sunroof drive		RH	STC167	1
5	Cable assembly-sunroof drive		LH	STC168	1
6	Motor assembly-sunroof			MXC9574	1
7	Guide assembly-sunroof		RH	STC186	1
			LH	STC185	1
8	Pad-anti rattle			STC170	2
9	Seal-glass			STC171	1
10	Glass panel-sunroof			MXC9573	1
11	Drain channel			STC173	1
12	Gasket-sunroof spacer hinge block			STC174	2
13	Deflector assembly-sunroof wind			STC175	1
14	Tray sunroof			STC176	1
15	Seal-sunroof frame		Side	STC177	2
16	Locator-sunroof drive cable		RH	STC1672	1
			LH	STC1671	1
17	Guide assembly-sunroof		RH	STC180	1
18	Guide assembly-sunroof		LH	STC181	1
19	Sunshade assembly-sunroof sliding	Change point - VIN end JA616249		STC182	1
		Change point - VIN begin JA616250		STC1206	1
20	Cover-sunroof mechanism		RH	MXC9570	1

Body & Chassis
Body
Door Glass/Mouldings/Door Mirror 2/3

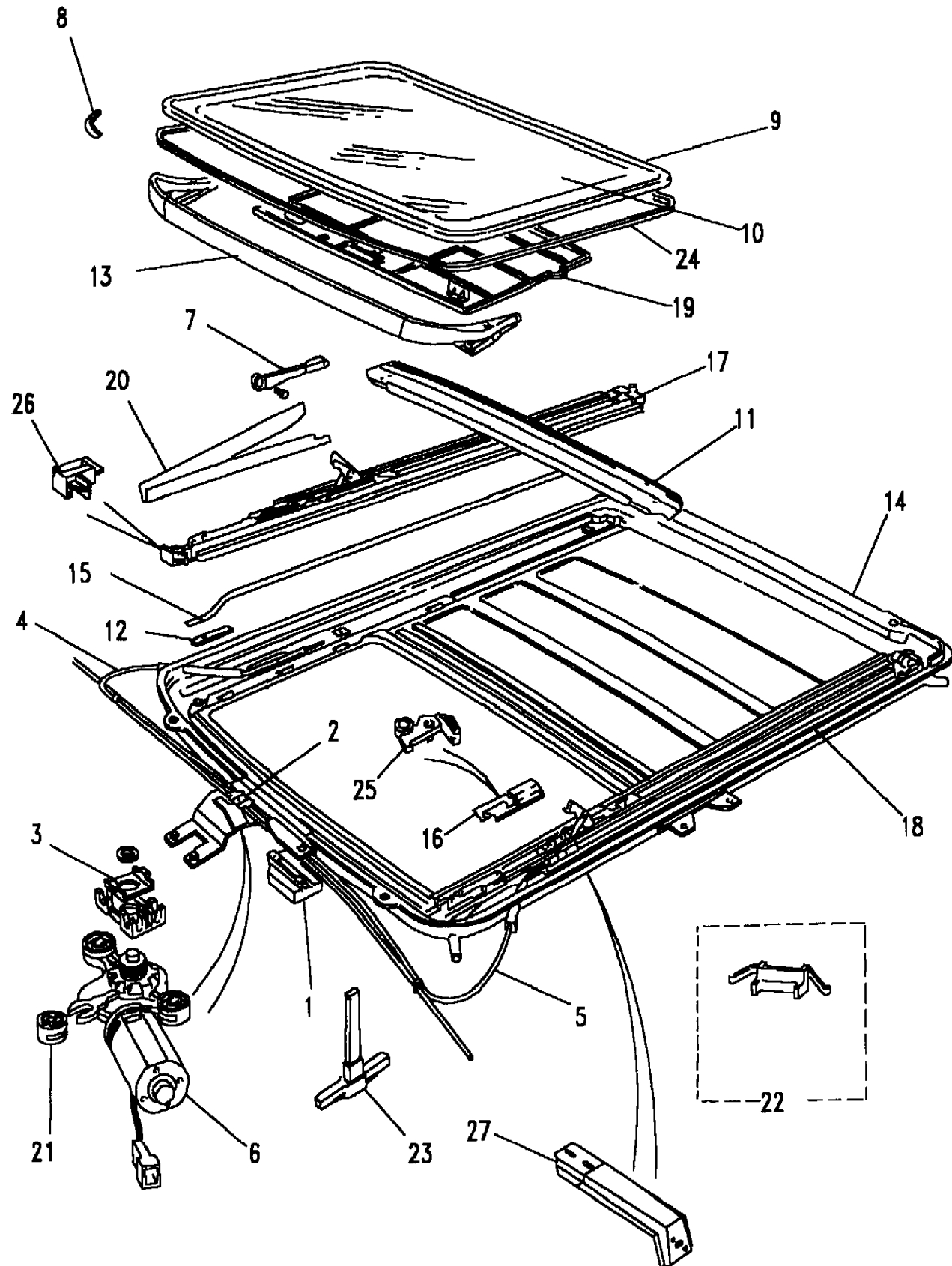
Range Rover (From JA610294)

(BDNXNA1A)

Body & Chassis
Body
Door Glass/Mouldings/Door Mirror

Range Rover (From JA610294)

Callout	Name	Application	Remarks & Restrictions	Service No.	Qty
20	Cover-sunroof mechanism		LH	MXC9571	1
21	Spacer			STC261	3
22	Tensioner-sunroof drive cable		Also serviced as part of a kit	STC266	4
23	Key-sunroof motor			MXC9502	1
24	Finisher-sunroof		Mist Grey	BTR2697LUM	1
25	Locator-sunroof drive cable		LH	STC451	1
			RH	STC452	1
26	Block-sunroof pivot		RH	STC445	1
			LH	STC446	1
27	Bracket-sunroof mounting		LH	MXC8889	3
			RH	MXC8890	3
[900]	Bracket-sunshine roof			EDZ100160	1
[901]	Insert-sunroof			EEU100030	1
[902]	Guide assembly-sunroof		RH	EXM100360	1
			LH	EXM100370	1
			RH	EHD100140	1
			LH	EHD100150	1
[903]	Pad-anti rattle			EEZ100080	2
[904]	Seal-glass			EEQ100400	1
[905]	Drain channel			EXM100340	1
[906]	Gasket-sunroof spacer hinge block			EFS100050	2
[907]	Deflector assembly-sunroof wind			EFJ100250	1
[908]	Seal-sunroof frame		Side	EEQ100420	2
[909]	Locator-sunroof drive cable		RH	EHD100120	1
			LH	EHD100130	1
			RH	EEK100190	1
			LH	EEK100180	1
[910]	Sunshade assembly-sunroof sliding			EFT100480	1



Body & Chassis
 Body
 Door Glass/Mouldings/Door Mirror 3/3

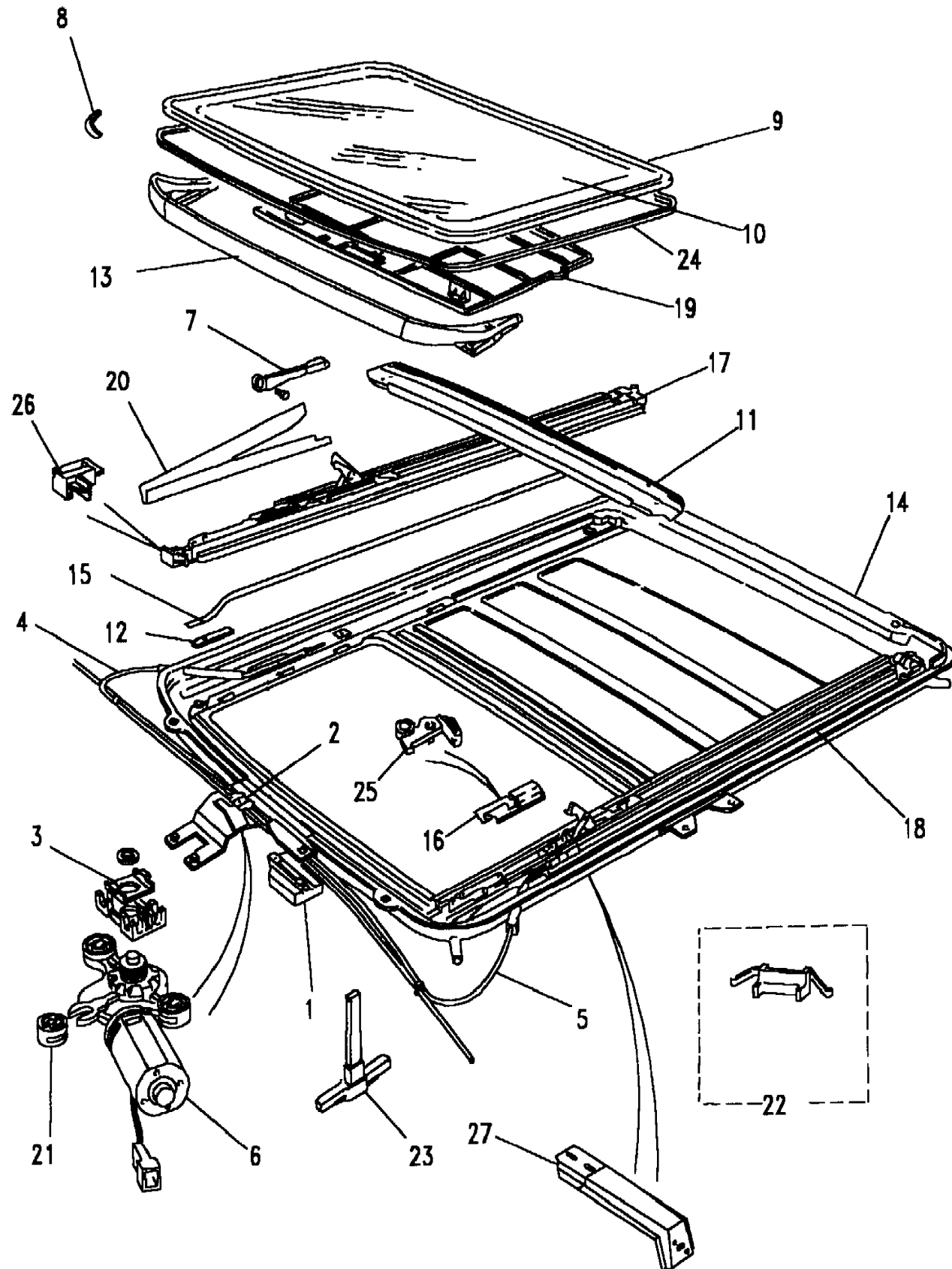
Range Rover (From JA610294)

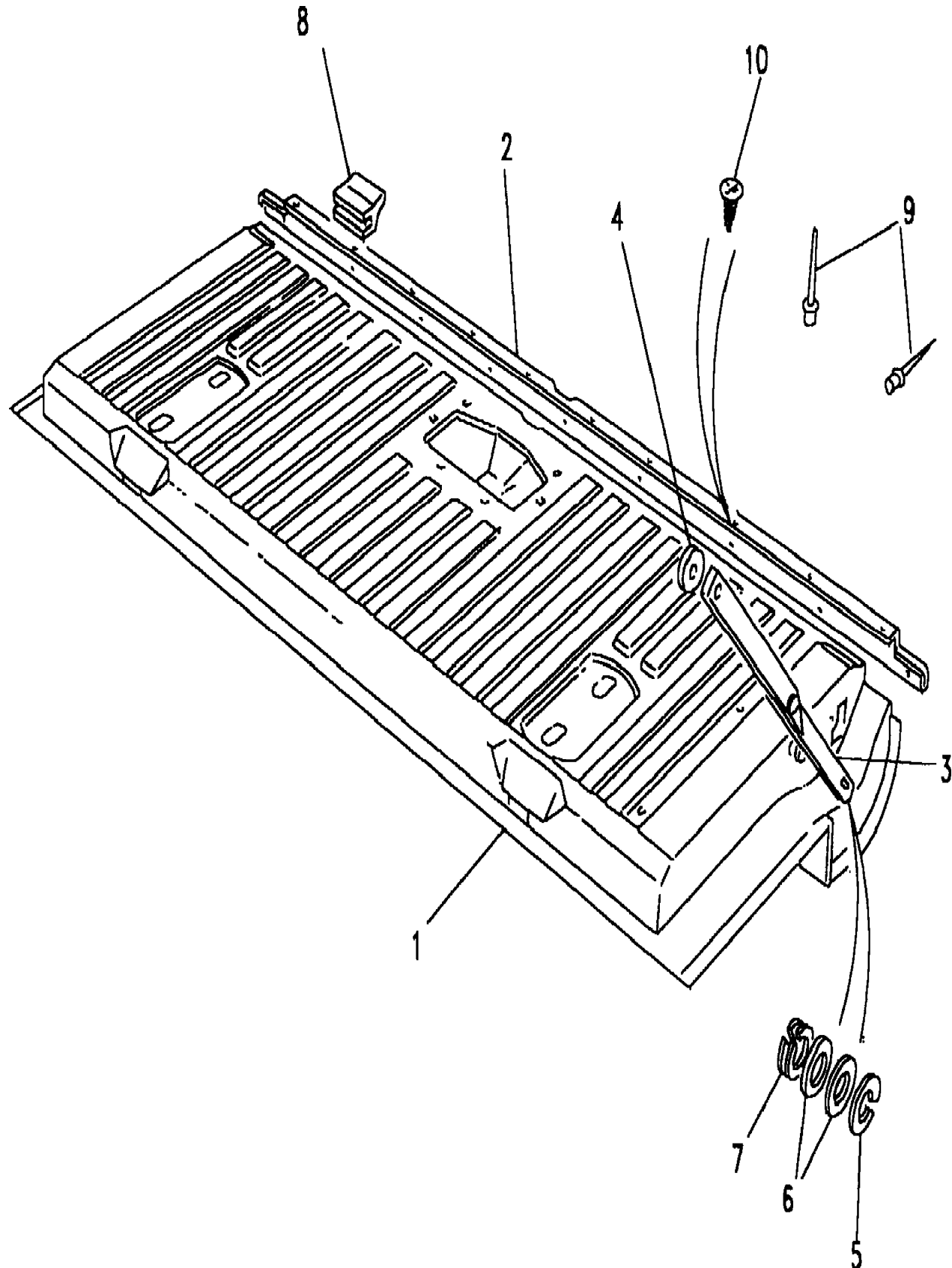
(BDNXNA1A)

Body & Chassis
 Body
 Door Glass/Mouldings/Door Mirror

Range Rover (From JA610294)

Callout	Name	Application	Remarks & Restrictions	Service No.	Qty
[911]	Spacer			EFD100030	3
[912]	Tensioner-sunroof drive cable			EGI100010	4
[913]	Block-sunroof pivot		RH LH	EGZ100100 EGZ100110	1 1
[914]	Cable assembly-sunroof drive			EGY100200	1
[915]	Finisher-sunroof		Mist Grey	AWR2191LUM	1
[916]	Sunroof assembly-electric operating glass			ALR1686	1



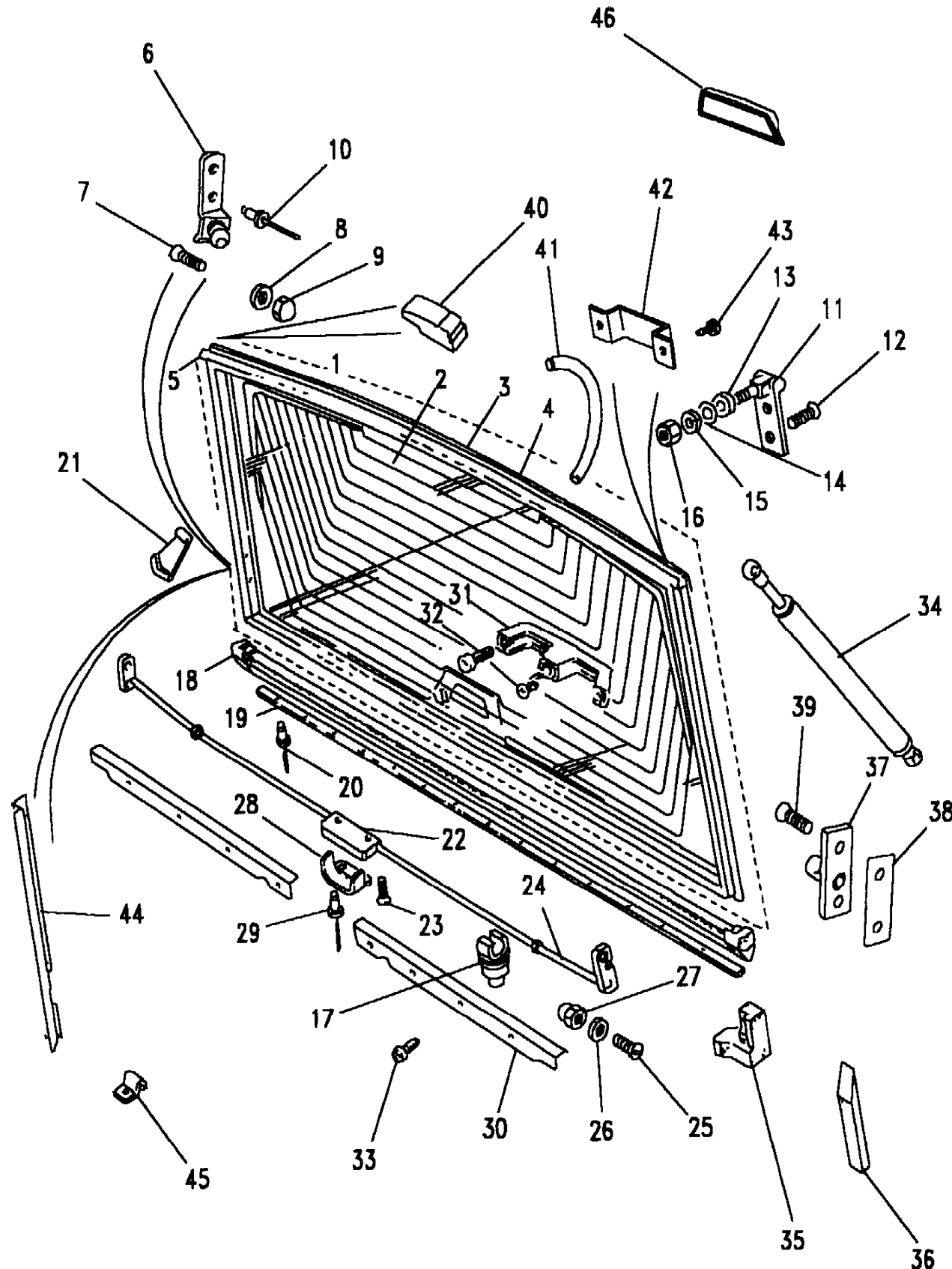


Callout	Name	Application	Remarks & Restrictions	Service No.	Qty
1	Tailgate assembly			MXC9489	1
2	Retainer	Change point - VIN end KA629455, (+)"F" Change point - VIN begin KA629456, (+)"F" Change point - VIN end KA629455, (-)"F" Change point - VIN begin KA629456, (-)"F"		MWC2278	1
				ALR4756	1
				MWC6137	1
				ALR4757	1
3	Stay		RH LH	MXC9472	1
				MXC9473	1
4	Spacer			393388	2
5	Circlip			391023	2
6	Washer			RTC606	8
7	Washer-Spring			4909	4
8	Pin assembly-rear parcel shelf attachment			MRC4705	2
9	Rivet			MTC5762	17
10	Screw		retainer to tailgate	AY606105	X

Range Rover (From JA610294)

(BDNXIE1A)

Range Rover (From JA610294)



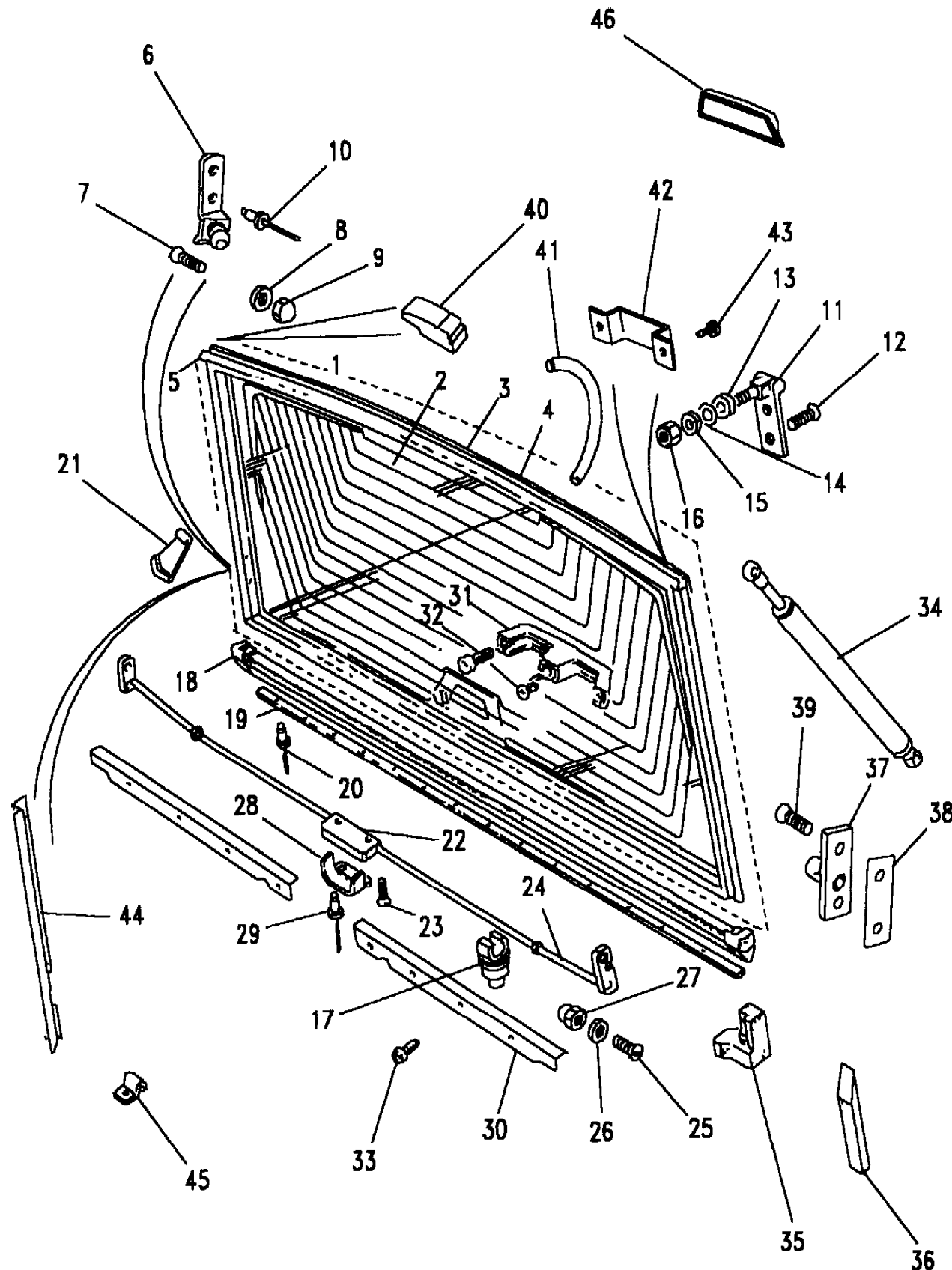
Callout	Name	Application	Remarks & Restrictions	Service No.	Qty
1	Tailgate assembly	Change point - VIN end KA647644, With Central Locking System, Less High Mounted Stop Lamp	Also serviced as part of a kit	ALR4637	1
		Change point - VIN begin MA647645, With Central Locking System, Less High Mounted Stop Lamp	Also serviced as part of a kit	ALR6229	1
		Change point - VIN end KA647644, Less Central Door Locking, With High Mounted Stop Lamp	Also serviced as part of a kit	ALR4852	1
		Change point - VIN begin MA647645, Less Central Door Locking, With High Mounted Stop Lamp	Also serviced as part of a kit	ALR6230	1
2	Glass-Green backlight	Change point - VIN end KA647644, With Central Locking System, Less High Mounted Stop Lamp	Also serviced as part of a kit	MXC1377	1
		Change point - VIN end KA647644, Less Central Door Locking, With High Mounted Stop Lamp	Also serviced as part of a kit	MXC5791	1
3	Tailgate frame	Change point - VIN end KA647644, With Central Locking System, Less High Mounted Stop Lamp	Also serviced as part of a kit	NLS	1
		Change point - VIN end KA647644, Less Central Door Locking, With High Mounted Stop Lamp	Also serviced as part of a kit	NLS	1
4	Seal-tailgate	Change point - VIN end KA647644, With Central Locking System, Less High Mounted Stop Lamp	Also serviced as part of a kit	RTC4264	X
		Change point - VIN end KA647644, Less Central Door Locking, With High Mounted Stop Lamp	Also serviced as part of a kit	RTC4264	X
5	Drain channel	Change point - VIN end KA647644, With Central Locking System, Less High Mounted Stop Lamp	Also serviced as part of a kit	MWC9493	1
		Change point - VIN end KA647644, Less Central Door Locking, With High Mounted Stop Lamp	Also serviced as part of a kit	MWC9493	1
6	Bracket	Change point - VIN end KA647644, With Central Locking System, Less High Mounted Stop Lamp	Also serviced as part of a kit, RH	MXC1382	1
		Change point - VIN end KA647644, With Central Locking System, Less High Mounted Stop Lamp	Also serviced as part of a kit, LH	MXC1383	1

Range Rover (From JA610294)

(BDNXIE1A)

Range Rover (From JA610294)

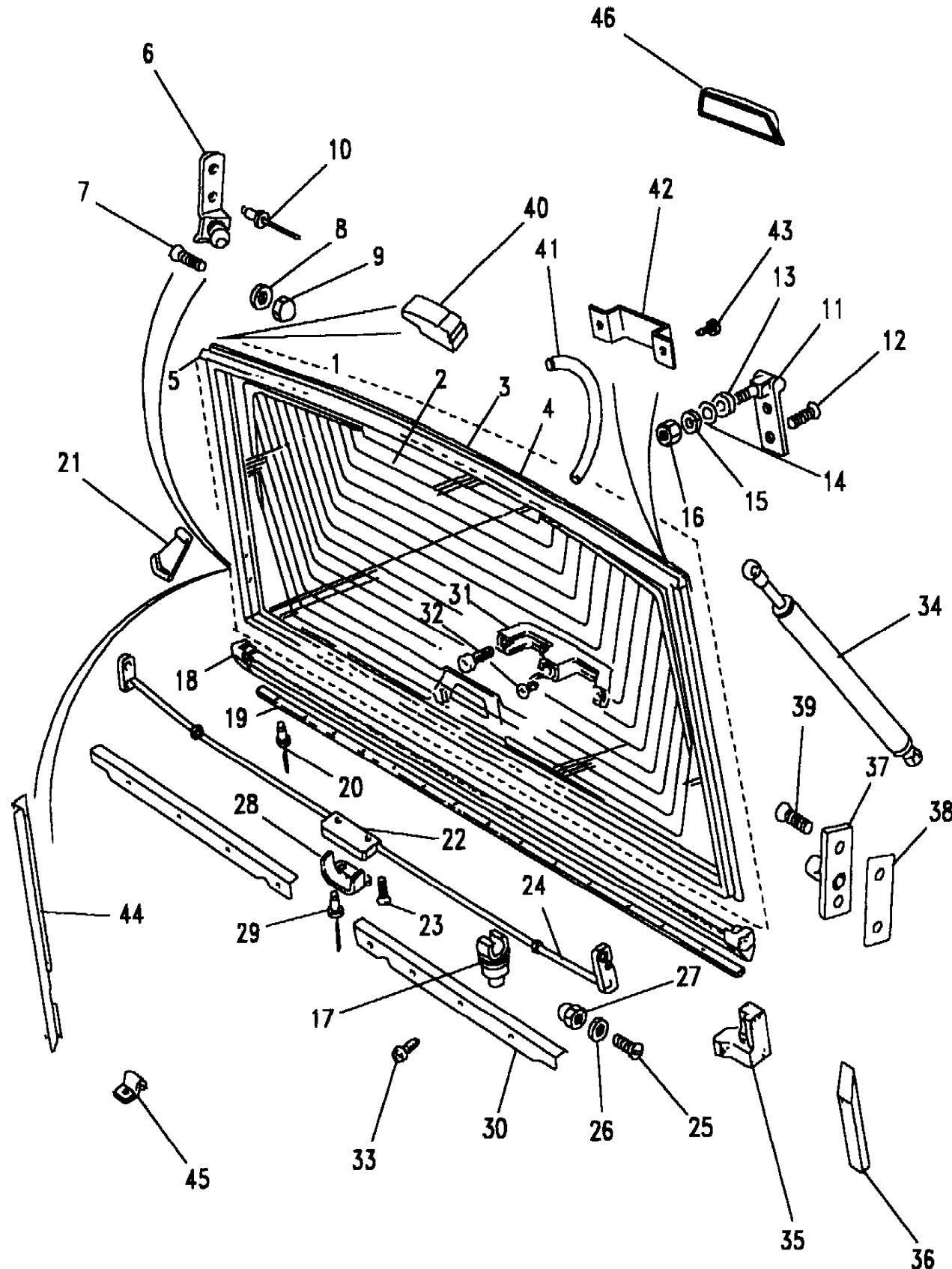
Callout	Name	Application	Remarks & Restrictions	Service No.	Qty
6	Bracket	Change point - VIN end KA647644, Less Central Door Locking, With High Mounted Stop Lamp	Also serviced as part of a kit, RH	MXC1382	1
		Change point - VIN end KA647644, Less Central Door Locking, With High Mounted Stop Lamp	Also serviced as part of a kit, LH	MXC1383	1
7	Screw	Change point - VIN end KA647644, With Central Locking System, Less High Mounted Stop Lamp	Also serviced as part of a kit	SF604127	4
		Change point - VIN end KA647644, Less Central Door Locking, With High Mounted Stop Lamp	Also serviced as part of a kit	SF604127	4
8	Washer-Plain	Change point - VIN end KA647644, With Central Locking System, Less High Mounted Stop Lamp	Also serviced as part of a kit	WC702101L	2
		Change point - VIN end KA647644, Less Central Door Locking, With High Mounted Stop Lamp	Also serviced as part of a kit	WC702101L	2
9	Nut - Hex.	Change point - VIN end KA647644, With Central Locking System, Less High Mounted Stop Lamp	Also serviced as part of a kit	RTC3953	2
		Change point - VIN end KA647644, Less Central Door Locking, With High Mounted Stop Lamp	Also serviced as part of a kit	RTC3953	2
10	Rivet	Change point - VIN end KA647644, With Central Locking System, Less High Mounted Stop Lamp	Also serviced as part of a kit	RTC3954	2
		Change point - VIN end KA647644, Less Central Door Locking, With High Mounted Stop Lamp	Also serviced as part of a kit	RTC3954	2
11	Hinge assembly-tailgate	Change point - VIN end KA629455, With Central Locking System, Less High Mounted Stop Lamp	Also serviced as part of a kit, RH, Upper	390084	1
		Change point - VIN end KA629455, With Central Locking System, Less High Mounted Stop Lamp	Also serviced as part of a kit, Upper, LH	390085	1
		Change point - VIN begin KA629456, With Central Locking System, Less High Mounted Stop Lamp	Also serviced as part of a kit, RH, Upper	ALR4638	1
		Change point - VIN begin KA629456, With Central Locking System, Less High Mounted Stop Lamp	Also serviced as part of a kit, Upper, LH	ALR4639	1



Range Rover (From JA610294)

(BDNXIE1A)

Range Rover (From JA610294)



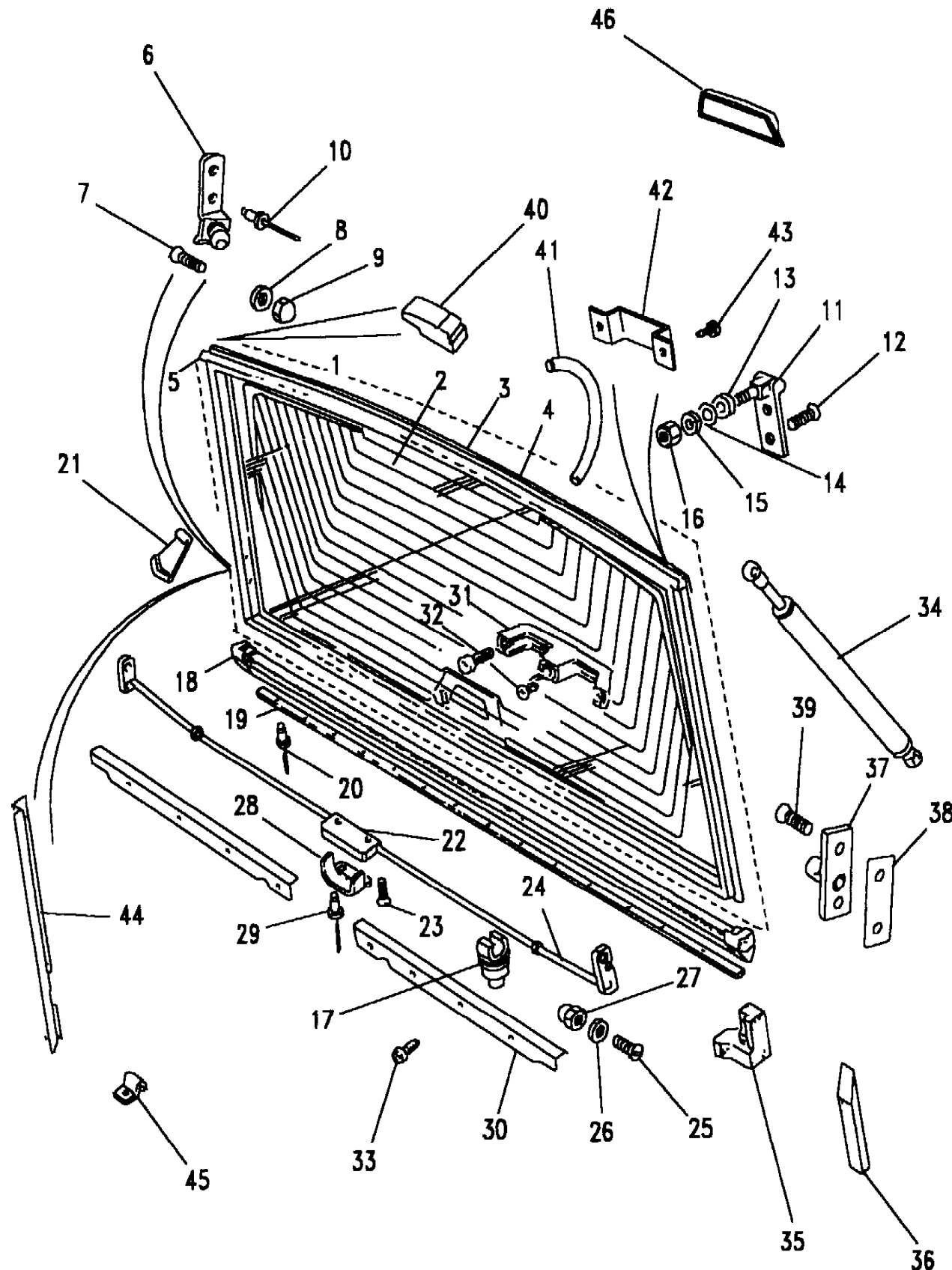
Callout	Name	Application	Remarks & Restrictions	Service No.	Qty
11	Hinge assembly-tailgate	Change point - VIN end KA629455, Less Central Door Locking, With High Mounted Stop Lamp	Also serviced as part of a kit, RH, Upper	390084	1
		Change point - VIN end KA629455, Less Central Door Locking, With High Mounted Stop Lamp	Also serviced as part of a kit, Upper, LH	390085	1
		Change point - VIN begin KA629456, Less Central Door Locking, With High Mounted Stop Lamp	Also serviced as part of a kit, RH, Upper	ALR4638	1
		Change point - VIN begin KA629456, Less Central Door Locking, With High Mounted Stop Lamp	Also serviced as part of a kit, Upper, LH	ALR4639	1
12	Screw-torx-countersunk	Change point - VIN end KA647644, With Central Locking System, Less High Mounted Stop Lamp	Also serviced as part of a kit	MWC9605	4
		Change point - VIN end KA647644, Less Central Door Locking, With High Mounted Stop Lamp	Also serviced as part of a kit	MWC9605	4
13	Washer-copper	Change point - VIN end KA647644, With Central Locking System, Less High Mounted Stop Lamp	Also serviced as part of a kit	MUC3905	2
		Change point - VIN end KA647644, Less Central Door Locking, With High Mounted Stop Lamp	Also serviced as part of a kit	MUC3905	2
14	Washer	Change point - VIN end KA647644, With Central Locking System, Less High Mounted Stop Lamp	Also serviced as part of a kit	3982L	2
		Change point - VIN end KA647644, Less Central Door Locking, With High Mounted Stop Lamp	Also serviced as part of a kit	3982L	2
15	Washer-Spring	Change point - VIN end KA647644, With Central Locking System, Less High Mounted Stop Lamp	Also serviced as part of a kit, 5/16"	WM600051L	2
		Change point - VIN end KA647644, Less Central Door Locking, With High Mounted Stop Lamp	Also serviced as part of a kit, 5/16"	WM600051L	2
16	Nut - Hex.	Change point - VIN end KA647644, With Central Locking System, Less High Mounted Stop Lamp	Also serviced as part of a kit, 1/4", nyloc, Hexagonal	NY604041L	2
		Change point - VIN end KA647644, Less Central Door Locking, With High Mounted Stop Lamp	Also serviced as part of a kit, 1/4", nyloc, Hexagonal	NY604041L	2

Range Rover (From JA610294)

(BDNXIE1A)

Range Rover (From JA610294)

Callout	Name	Application	Remarks & Restrictions	Service No.	Qty
17	Clip - Brake Pipe	Change point - VIN end KA647644, With Central Locking System, Less High Mounted Stop Lamp	Also serviced as part of a kit	79124	2
		Change point - VIN end KA647644, Less Central Door Locking, With High Mounted Stop Lamp	Also serviced as part of a kit	79124	2
18	Seal-tailgate	Change point - VIN end KA647644, With Central Locking System, Less High Mounted Stop Lamp	Also serviced as part of a kit	MXC8422	1
		Change point - VIN end KA647644, Less Central Door Locking, With High Mounted Stop Lamp	Also serviced as part of a kit	MXC8422	1
19	Retainer	Change point - VIN end KA647644, With Central Locking System, Less High Mounted Stop Lamp	Also serviced as part of a kit	MTC7553	1
		Change point - VIN end KA647644, Less Central Door Locking, With High Mounted Stop Lamp	Also serviced as part of a kit	MTC7553	1
20	Rivet	Change point - VIN end KA647644, With Central Locking System, Less High Mounted Stop Lamp	Also serviced as part of a kit, Aluminium, pop, 0.125"	RU608123L	8
		Change point - VIN end KA647644, Less Central Door Locking, With High Mounted Stop Lamp	Also serviced as part of a kit, Aluminium, pop, 0.125"	RU608123L	8
21	Clip	Change point - VIN end KA647644, With Central Locking System, Less High Mounted Stop Lamp	Also serviced as part of a kit	MRC7257	2
		Change point - VIN end KA647644, Less Central Door Locking, With High Mounted Stop Lamp	Also serviced as part of a kit	MRC7257	2
22	Lock-tailgate	Change point - VIN end KA647644, With Central Locking System, Less High Mounted Stop Lamp	Also serviced as part of a kit	MUC6938	1
		Change point - VIN end KA647644, Less Central Door Locking, With High Mounted Stop Lamp	Also serviced as part of a kit	MUC6938	1
23	Screw	Change point - VIN end KA647644, With Central Locking System, Less High Mounted Stop Lamp	Also serviced as part of a kit	SA105201	2
		Change point - VIN end KA647644, Less Central Door Locking, With High Mounted Stop Lamp	Also serviced as part of a kit	SA105201	2



Body & Chassis
Body
Tailgate Assembly-Upper 5/7

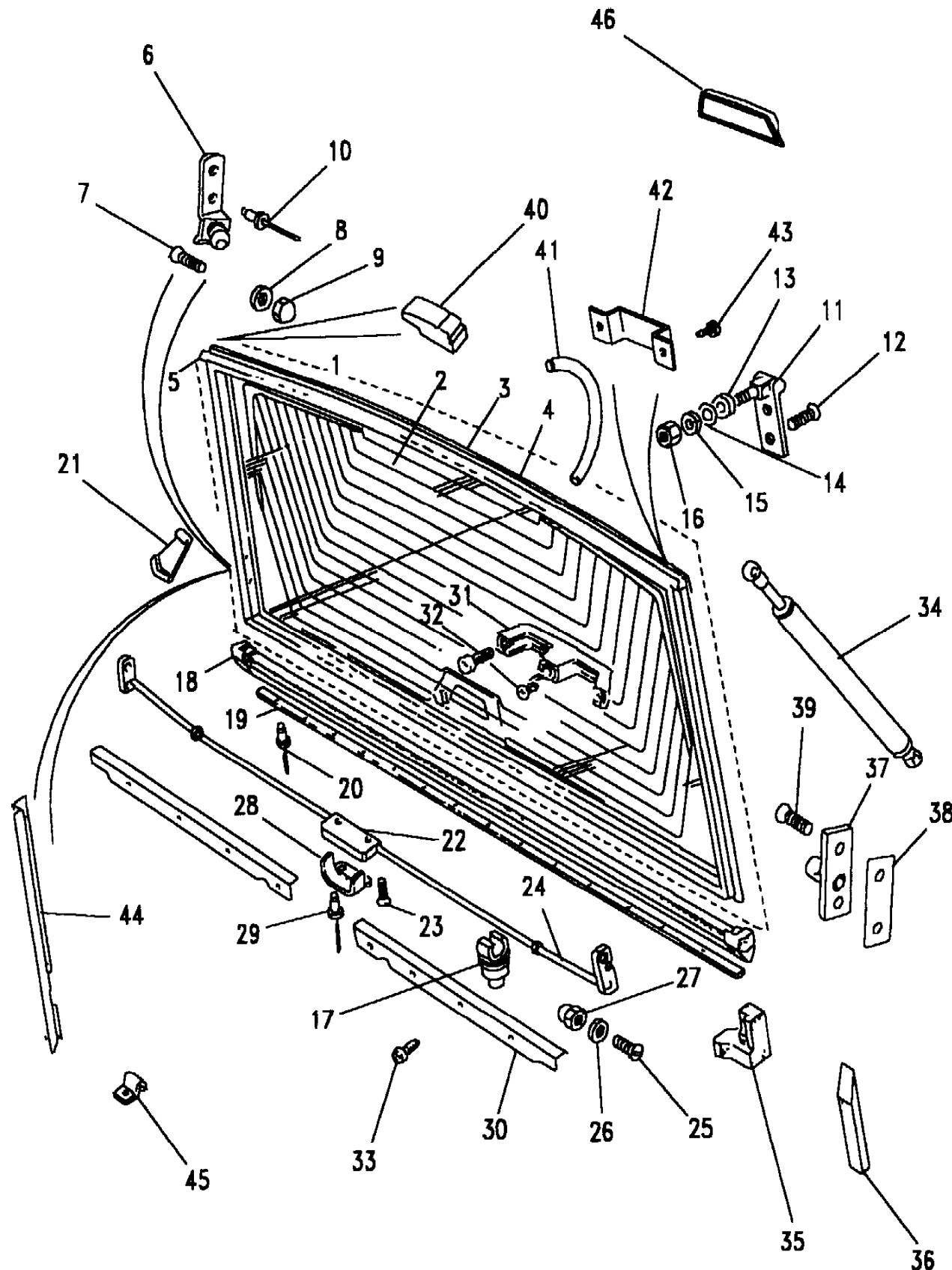
Range Rover (From JA610294)

(BDNXIE1A)

Body & Chassis
Body
Tailgate Assembly-Upper

Range Rover (From JA610294)

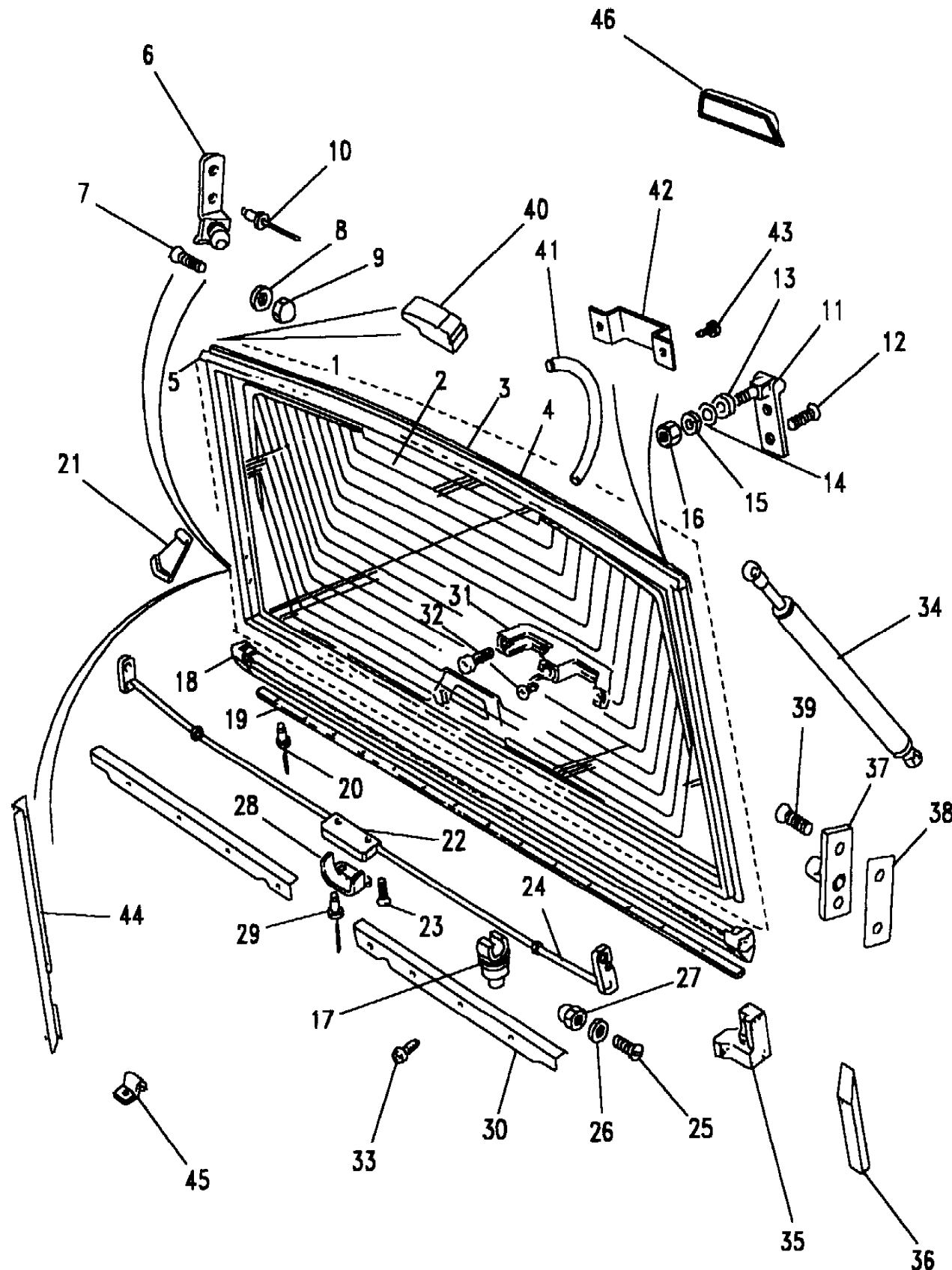
Callout	Name	Application	Remarks & Restrictions	Service No.	Qty
24	Lock extension	Change point - VIN end KA647644, With Central Locking System, Less High Mounted Stop Lamp	Also serviced as part of a kit, RH	MXC8420	1
		Change point - VIN end KA647644, With Central Locking System, Less High Mounted Stop Lamp	Also serviced as part of a kit, LH	MXC8421	1
		Change point - VIN end KA647644, Less Central Door Locking, With High Mounted Stop Lamp	Also serviced as part of a kit, RH	MXC8420	1
		Change point - VIN end KA647644, Less Central Door Locking, With High Mounted Stop Lamp	Also serviced as part of a kit, LH	MXC8421	1
		Change point - VIN end KA647644, Less Central Door Locking, With High Mounted Stop Lamp	Also serviced as part of a kit, LH	MXC8421	1
25	Screw	Change point - VIN end KA647644, With Central Locking System, Less High Mounted Stop Lamp	Also serviced as part of a kit, 1/4UNF x 1	SF604087	4
		Change point - VIN end KA647644, Less Central Door Locking, With High Mounted Stop Lamp	Also serviced as part of a kit, 1/4UNF x 1	SF604087	4
26	Washer	Change point - VIN end KA647644, With Central Locking System, Less High Mounted Stop Lamp	Also serviced as part of a kit, 6MM	WA106041L	2
		Change point - VIN end KA647644, Less Central Door Locking, With High Mounted Stop Lamp	Also serviced as part of a kit, 6MM	WA106041L	2
27	Nut-domed	Change point - VIN end KA647644, With Central Locking System, Less High Mounted Stop Lamp	Also serviced as part of a kit	RTC1146	2
		Change point - VIN end KA647644, Less Central Door Locking, With High Mounted Stop Lamp	Also serviced as part of a kit	RTC1146	2
28	Shield-lock	Change point - VIN end KA647644, With Central Locking System, Less High Mounted Stop Lamp	Also serviced as part of a kit	MUC1987	2
		Change point - VIN end KA647644, Less Central Door Locking, With High Mounted Stop Lamp	Also serviced as part of a kit	MUC1987	2
29	Rivet-pop-steel	Change point - VIN end KA647644, With Central Locking System, Less High Mounted Stop Lamp	Also serviced as part of a kit	RA608127	2
		Change point - VIN end KA647644, Less Central Door Locking, With High Mounted Stop Lamp	Also serviced as part of a kit	RA608127	2



Range Rover (From JA610294)

(BDNXIE1A)

Range Rover (From JA610294)

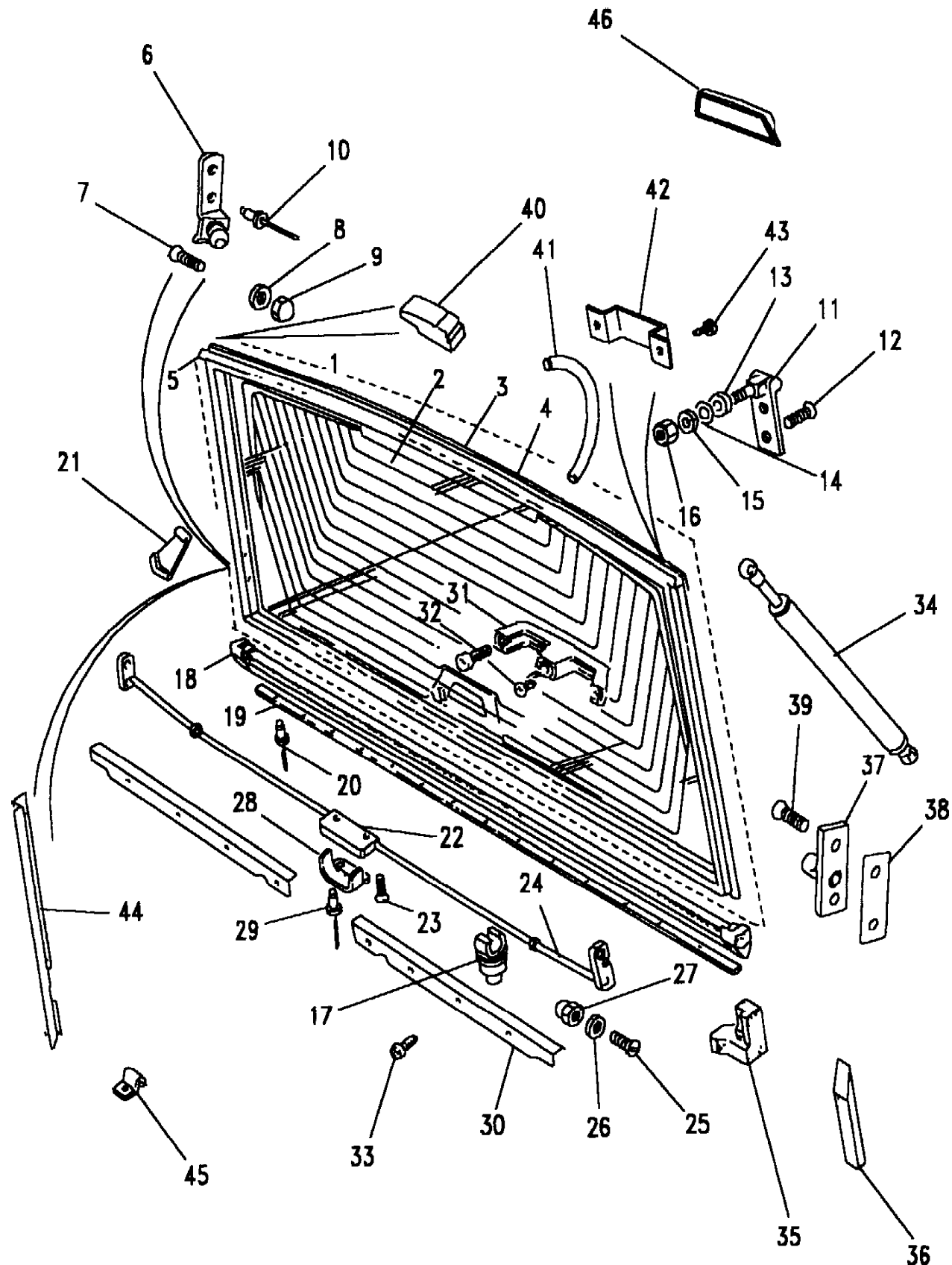


Callout	Name	Application	Remarks & Restrictions	Service No.	Qty
30	Lock Lid	Change point - VIN end KA647644, With Central Locking System, Less High Mounted Stop Lamp Change point - VIN end KA647644, With Central Locking System, Less High Mounted Stop Lamp Change point - VIN end KA647644, Less Central Door Locking, With High Mounted Stop Lamp Change point - VIN end KA647644, Less Central Door Locking, With High Mounted Stop Lamp	Also serviced as part of a kit, RH Also serviced as part of a kit, LH Also serviced as part of a kit, RH Also serviced as part of a kit, LH	MXC1389 MUC6937 MXC1389 MUC6937	1 1 1 1
31	Handle assembly-tailgate		Also serviced as part of a kit	MWC8656	1
32	Screw-pan		handle to seal	SE910441	2
33	Screw-self tapping		lock cover to seal tailgate, No 6 x 3/8	AR606034	11
34	Strut-tailgate gas			MXC7833	2
35	Seal-tailgate		LH RH	391482 391483	1 1
36	Seal-upper tailgate waist			MUC6429	2
37	Striker assembly-tailgate			MUC4135	2
38	Shim			391373	2
39	Screw		striker to shim, 1/4UNF x 1	SF604087	2
40	Seal		LH RH	MWC3347 MWC3348	1 1
41	Sleeve			589818	1
42	Bracket			589130	1
43	Screw		bracket to seal, Self Tapping, No 8 x 3/8	AB608031L	2
44	Cover harness			MXC1379	1
45	Clip			MXC1378	2
46	Handle assembly-tailgate		Black	BTR6740PUB	1
47	Label-warning			MWC6223	1

Range Rover (From JA610294)

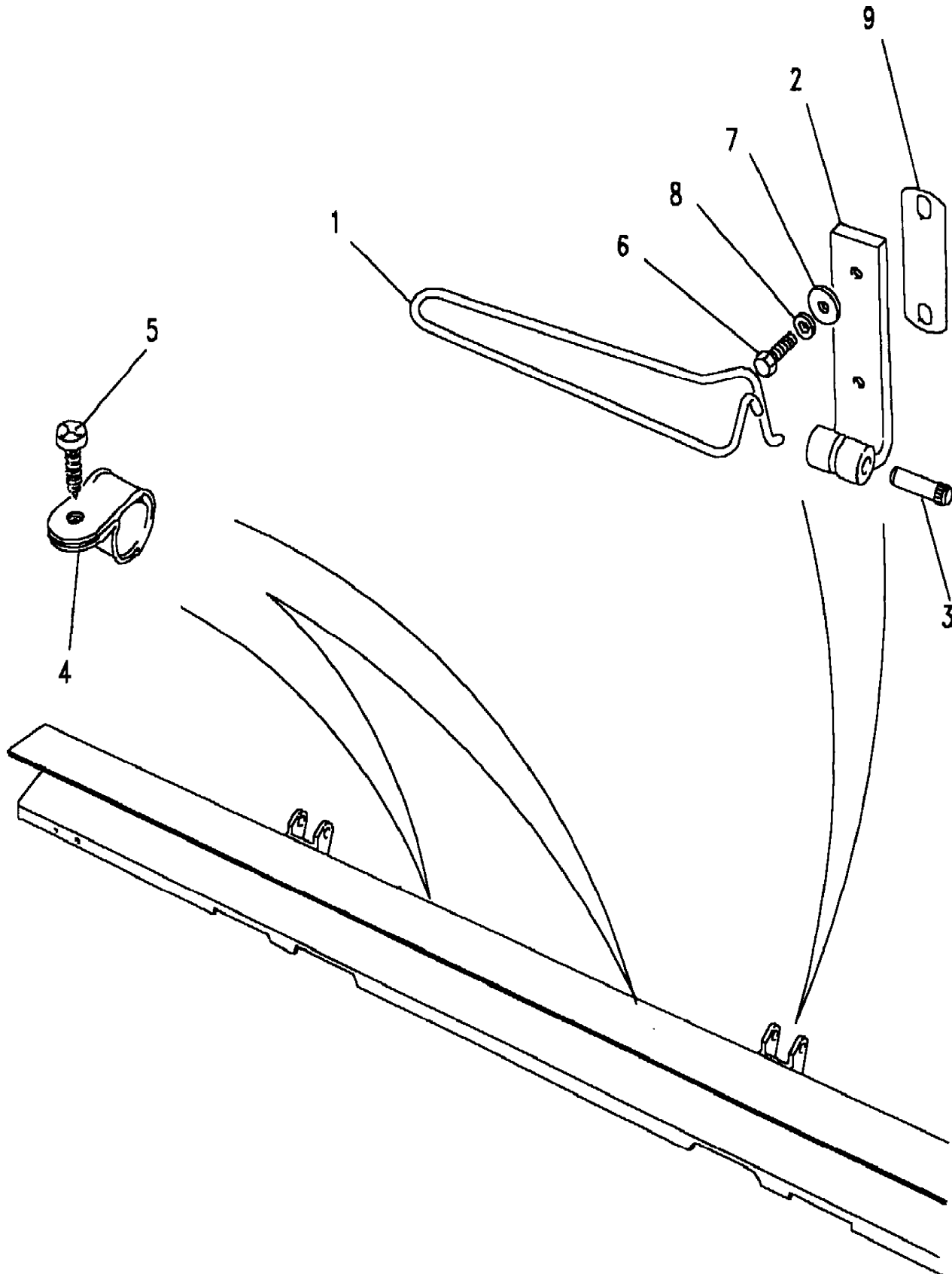
(BDNXIE1A)

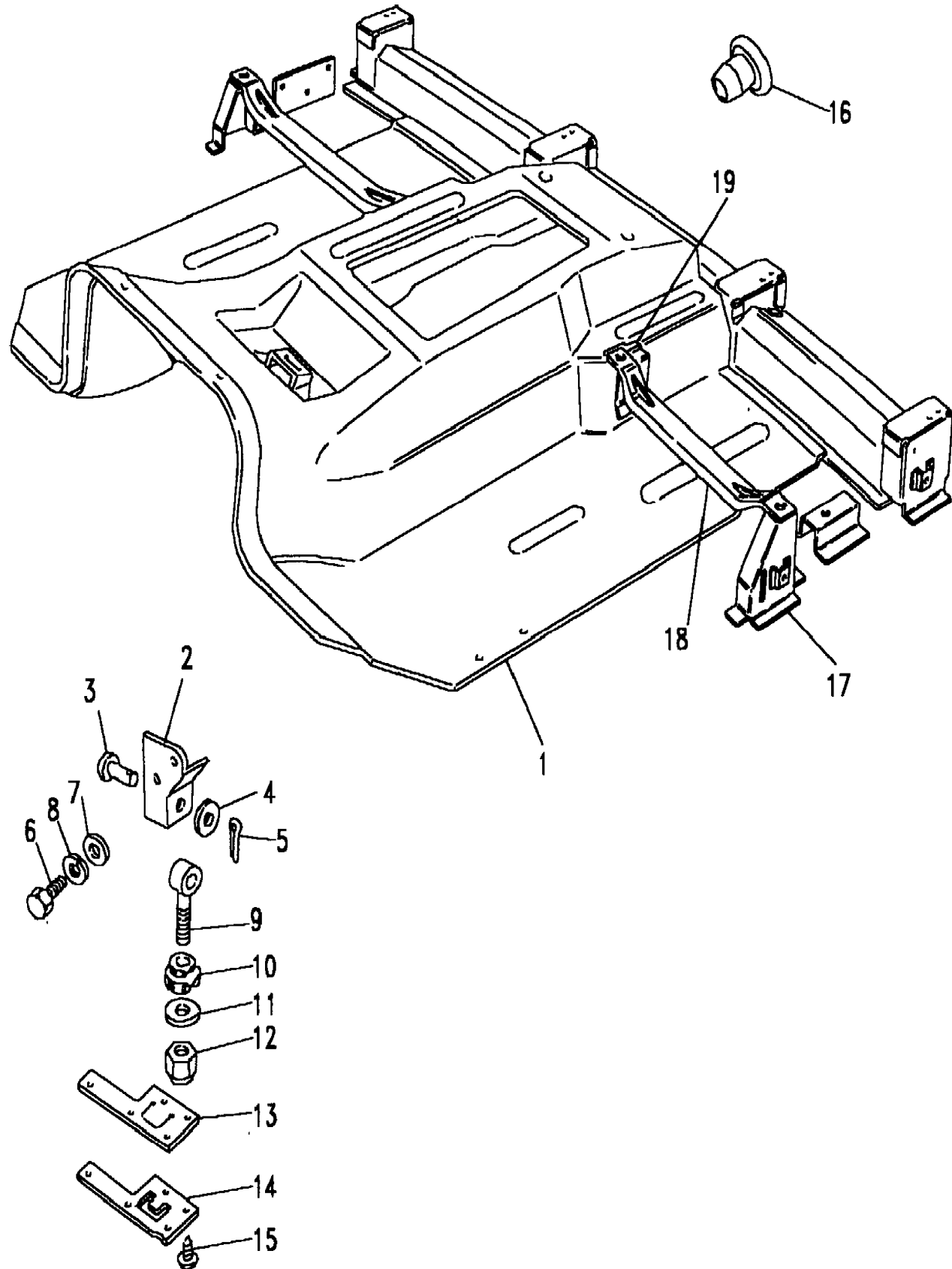
Range Rover (From JA610294)



Callout	Name	Application	Remarks & Restrictions	Service No.	Qty
[900]	Hinge assembly-tailgate	With Central Locking System, Less High Mounted Stop Lamp	RH, Upper	ALR4638	1
		Less Central Door Locking, With High Mounted Stop Lamp	RH, Upper	ALR4638	1
[901]	Operating probe		Also serviced as part of a kit	MWC9472	1

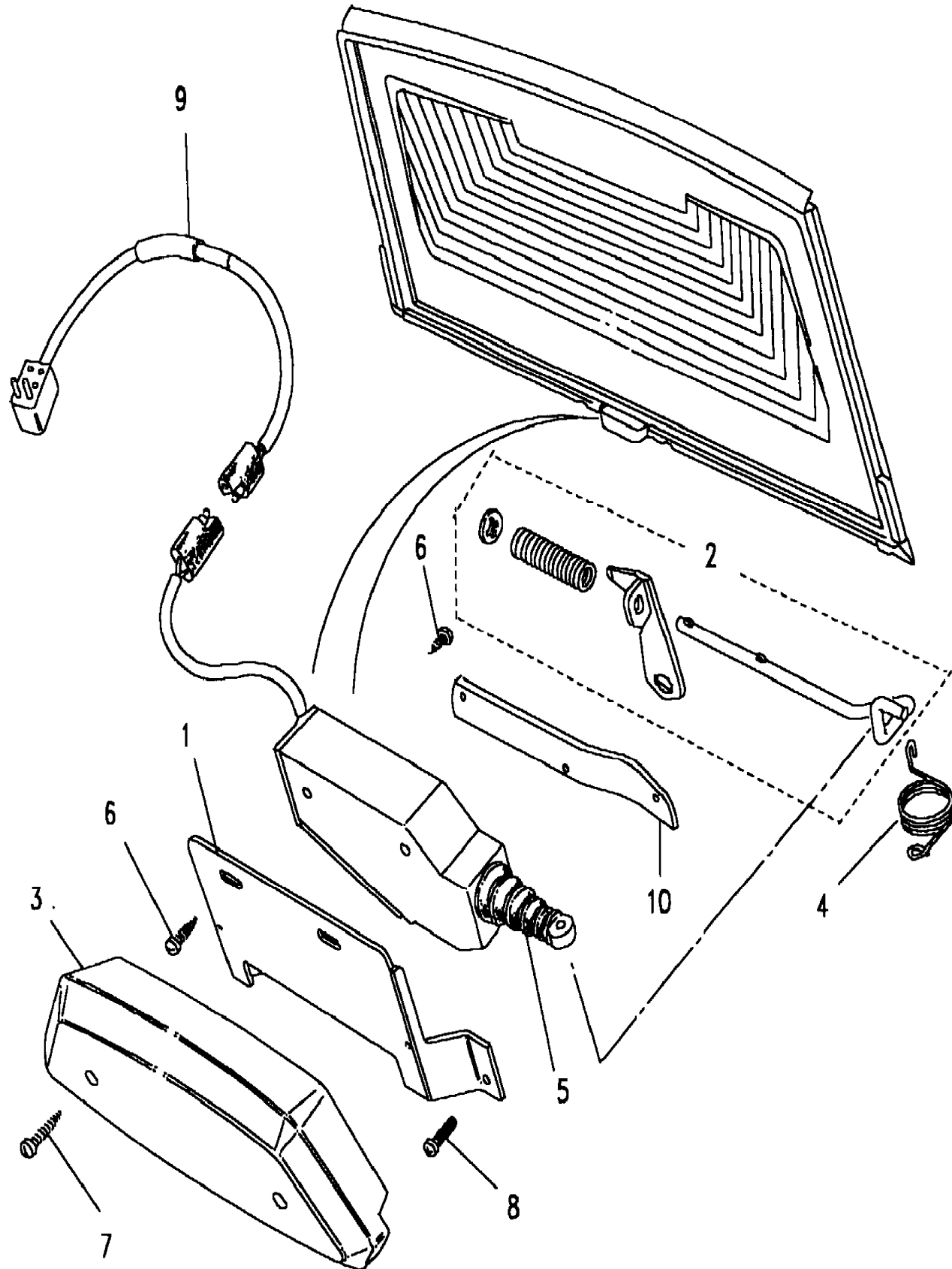
Callout	Name	Application	Remarks & Restrictions	Service No.	Qty
1	Spring-torsion		RH LH	MTC5604 MTC5605	1 1
2	Hinge assembly-tailgate	Change point - VIN end MA648600 Change point - VIN begin MA648601		MXC8391 ALR6915	2 2
3	Pin-tailgate hinge			MTC6677	2
4	Clip-p			ATU1017L	2
5	Screw		clip to lower tailgate, No 8 x 3/4	AFU3002	2
6	Bolt		hinge to gasket	256223	4
7	Washer-Plain			4594L	4
8	Washer-Spring		5/16"	WM600051L	4
9	Gasket-tail door hinge			MXC8454	2





Callout	Name	Application	Remarks & Restrictions	Service No.	Qty
1	Tunnel assembly-main floor	Change point - VIN end JA624754 Change point - VIN begin KA624756, Change point - VIN end KA647644 Change point - VIN begin MA647645		ALR1622 ALR3394 ALR4231	1 1 1
2	Support Bracket		RH LH	577786 577787	1 1
3	Pin-clevis			577259	2
4	Washer-Plain			RTC611	2
5	Pin-split			RTC601	2
6	Screw		bracket to tunnel, 1/4UNF x 3/4	255207	4
7	Washer-Plain		M6	3831L	4
8	Washer-Spring		1/4 dia, Square	WM600041L	4
9	Rod-rear seat belt tie			BTR8341	2
10	Grommet			577255	2
11	Washer			577254	2
12	Nut - Hex.		tunnel assy, nyloc, 7/16UNF	NY607041L	2
13	Seal			577775	2
14	Plate Cover		RH LH	577776 577777	1 1
15	Screw		fixing plate, Self Tapping, No 6 x 3/8	AB606031L	10
16	Plug			MXC8709	X
17	Bracket		seat plinth, RH seat plinth, LH	MWC2404 MWC2405	1 1
18	Bracket		Crossmember, RH Crossmember, LH	MUC9536 MUC9537	1 1
19	Bracket		RH LH	ALR1804 ALR1803	1 1
[900]	Kit-eye bolts & bushes			STC1393	2

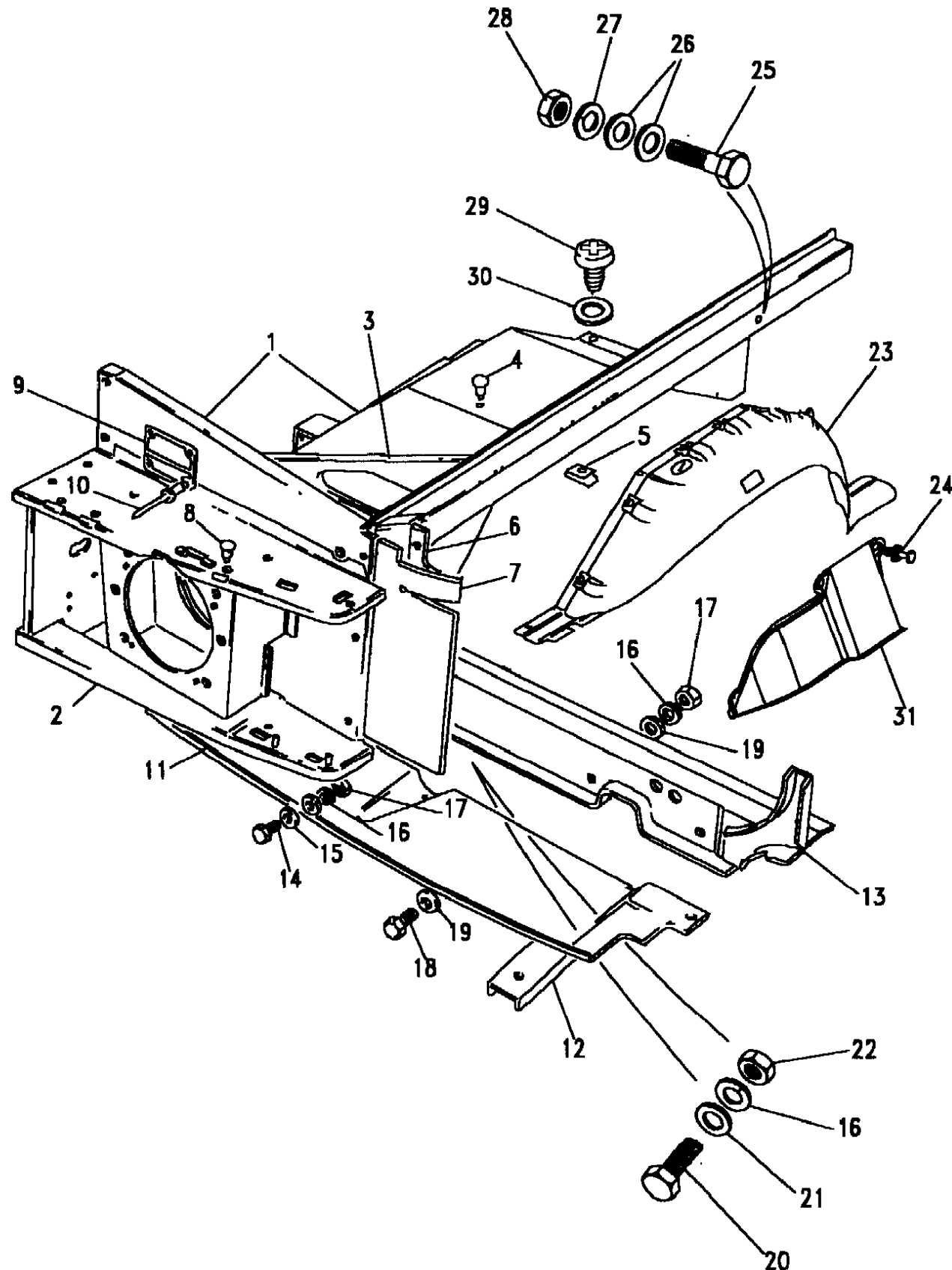
Callout	Name	Application	Remarks & Restrictions	Service No.	Qty
1	Bracket			MWC8552	1
2	Link-tailgate lock to latch			MXC1391	1
3	Cover-tailgate latch			MWC8557	1
4	Spring			MXC4892	1
5	Actuator-central door locking	Change point - VIN end KA647644	Passenger	PRC3916	1
		Change point - VIN begin KA647645	Passenger	AMR3382	1
6	Screw-self tapping		bracket mounting to actuator, Self Tapping, M8 x 13	DA608044L	4
7	Screw		cover to bracket mounting, Self Tapping, No8 x 5/8	AB608054L	2
8	Screw		to bracket mounting	SC104141L	2
9	Lead link			PRC6939	1
10	Bracket			ALR1978	1



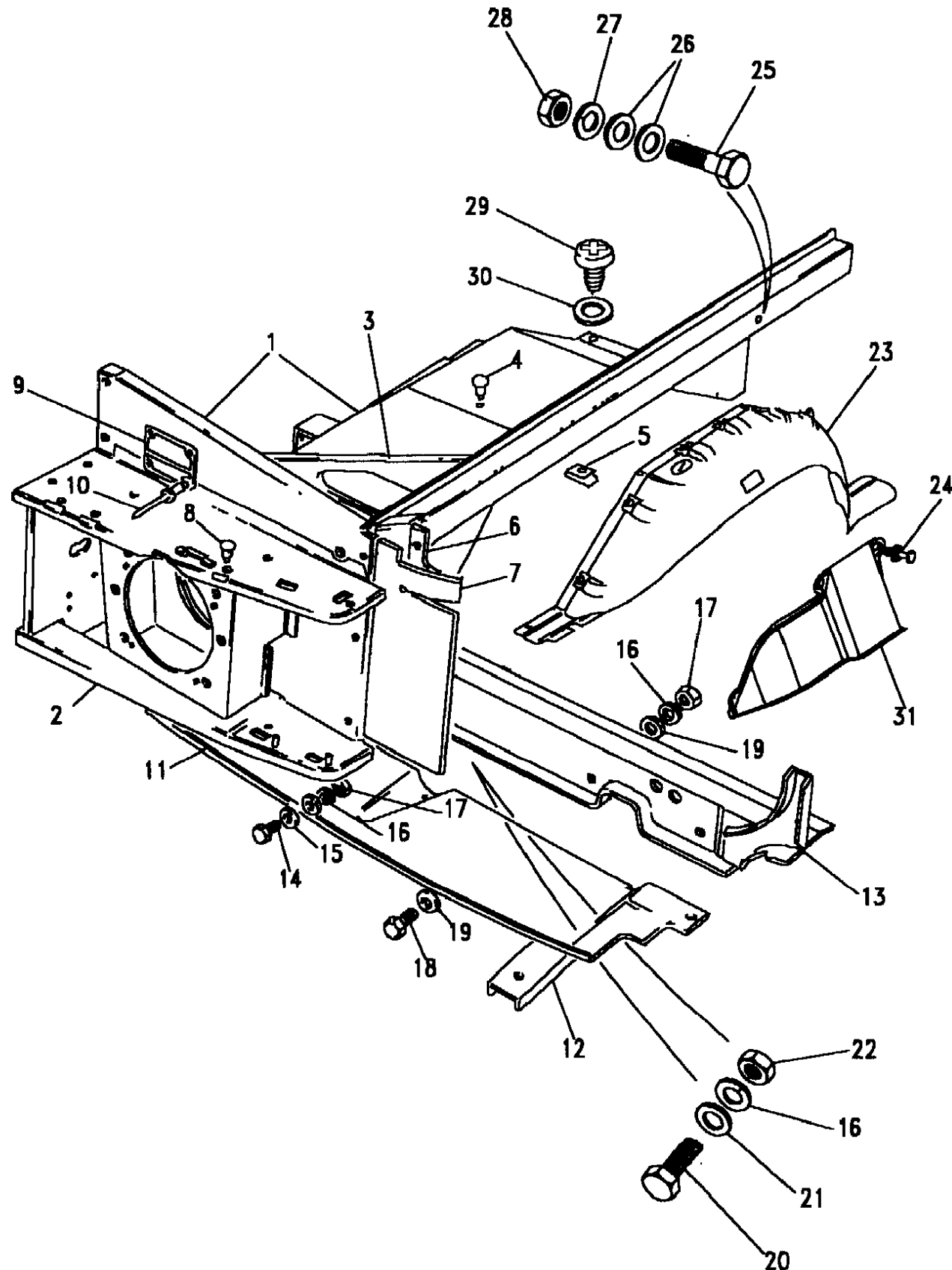
Range Rover (From JA610294)

(BDNXBE1A)

Range Rover (From JA610294)



Callout	Name	Application	Remarks & Restrictions	Service No.	Qty		
1	Valance-front wheelarch front lower	Change point - VIN end JA624754, 2 Door Station Wagon	Also serviced as part of a kit, RH	MXC9792	1		
		Change point - VIN begin MA647645, 2 Door Station Wagon	Also serviced as part of a kit, RH	ALR3490	1		
		Change point - VIN end JA624754, 2 Door Station Wagon	Also serviced as part of a kit, LH	MXC9791	1		
		Change point - VIN begin MA647645, 2 Door Station Wagon	Also serviced as part of a kit, LH	ALR3489	1		
		Change point - VIN end JA624754, 4 Door Station Wagon	Also serviced as part of a kit, RH	MXC9296	1		
		Change point - VIN end JA624754, 4 Door Station Wagon	Also serviced as part of a kit, LH	MXC9295	1		
		Change point - VIN begin KA624756, Change point - VIN end KA647644, 4 Door Station Wagon	Also serviced as part of a kit, RH	STC1926	1		
		Change point - VIN begin KA624756, Change point - VIN end KA647644, 4 Door Station Wagon	Also serviced as part of a kit, LH	STC1923	1		
		Change point - VIN begin MA647645, 4 Door Station Wagon	Also serviced as part of a kit, RH	ALR4188	1		
		Change point - VIN begin MA647645, 4 Door Station Wagon	Also serviced as part of a kit, LH	ALR4187	1		
		2	Panel-headlamp mounting	Change point - VIN begin MA647645, 4 Door Station Wagon	Also serviced as part of a kit, LH	ALR3501	1
				Change point - VIN end JA624754, 2 Door Station Wagon	Also serviced as part of a kit, RH	MXC9786	1
				Change point - VIN begin MA647645, 2 Door Station Wagon	Also serviced as part of a kit, RH	ALR3502	1
				Change point - VIN end JA624754, 2 Door Station Wagon	Also serviced as part of a kit, LH	MXC9785	1
Change point - VIN begin MA647645, 2 Door Station Wagon	Also serviced as part of a kit, LH			ALR3501	1		
Change point - VIN end JA624754, 4 Door Station Wagon	Also serviced as part of a kit, RH			MXC9786	1		
Change point - VIN end JA624754, 4 Door Station Wagon	Also serviced as part of a kit, LH			MXC9785	1		
Change point - VIN begin KA624756, Change point - VIN end KA647644, 4 Door Station Wagon	Also serviced as part of a kit, RH			MXC9786	1		
Change point - VIN begin KA624756, Change point - VIN end KA647644, 4 Door Station Wagon	Also serviced as part of a kit, LH			MXC9785	1		



Callout	Name	Application	Remarks & Restrictions	Service No.	Qty
2	Panel-headlamp mounting	Change point - VIN begin MA647645, 4 Door Station Wagon	Also serviced as part of a kit, RH	ALR3502	1
3	Panel battery mounting	Change point - VIN begin MA647645, 4 Door Station Wagon	Also serviced as part of a kit, LH	ALR6113	1
		Change point - VIN end JA624754, 2 Door Station Wagon	Also serviced as part of a kit, RH	ALR4468	1
		Change point - VIN begin MA647645, 2 Door Station Wagon	Also serviced as part of a kit, RH	ALR6114	1
		Change point - VIN end JA624754, 2 Door Station Wagon	Also serviced as part of a kit, LH	ALR4467	1
		Change point - VIN begin MA647645, 2 Door Station Wagon	Also serviced as part of a kit, LH	ALR6113	1
		Change point - VIN end JA624754, 4 Door Station Wagon	Also serviced as part of a kit, RH	ALR4468	1
		Change point - VIN end JA624754, 4 Door Station Wagon	Also serviced as part of a kit, LH	ALR4467	1
		Change point - VIN begin KA624756, Change point - VIN end KA647644, 4 Door Station Wagon	Also serviced as part of a kit, RH	ALR4468	1
		Change point - VIN begin KA624756, Change point - VIN end KA647644, 4 Door Station Wagon	Also serviced as part of a kit, LH	ALR4467	1
		Change point - VIN begin MA647645, 4 Door Station Wagon	Also serviced as part of a kit, RH	ALR6114	1
4	Buffer rubber-valance			312322	1
5	Nut-spire			RTC3725	8
6	Retainer			391277	2
7	Retainer			NSP	2
8	Plug		3/8"	307220	2
9	Label-warning-battery cable negative			396116	1
10	Rivet			78257	4
11	Closing panel			MXC1944	1
12	Washer Plate			MTC5865	4
13	Crossmember-front	Change point - VIN end KA647644		MXC5070	1
		Change point - VIN end MA647645		ALR3769	1

Body & Chassis

Range Rover (From JA610294)

Body

Wheelarch & Valance 3/3

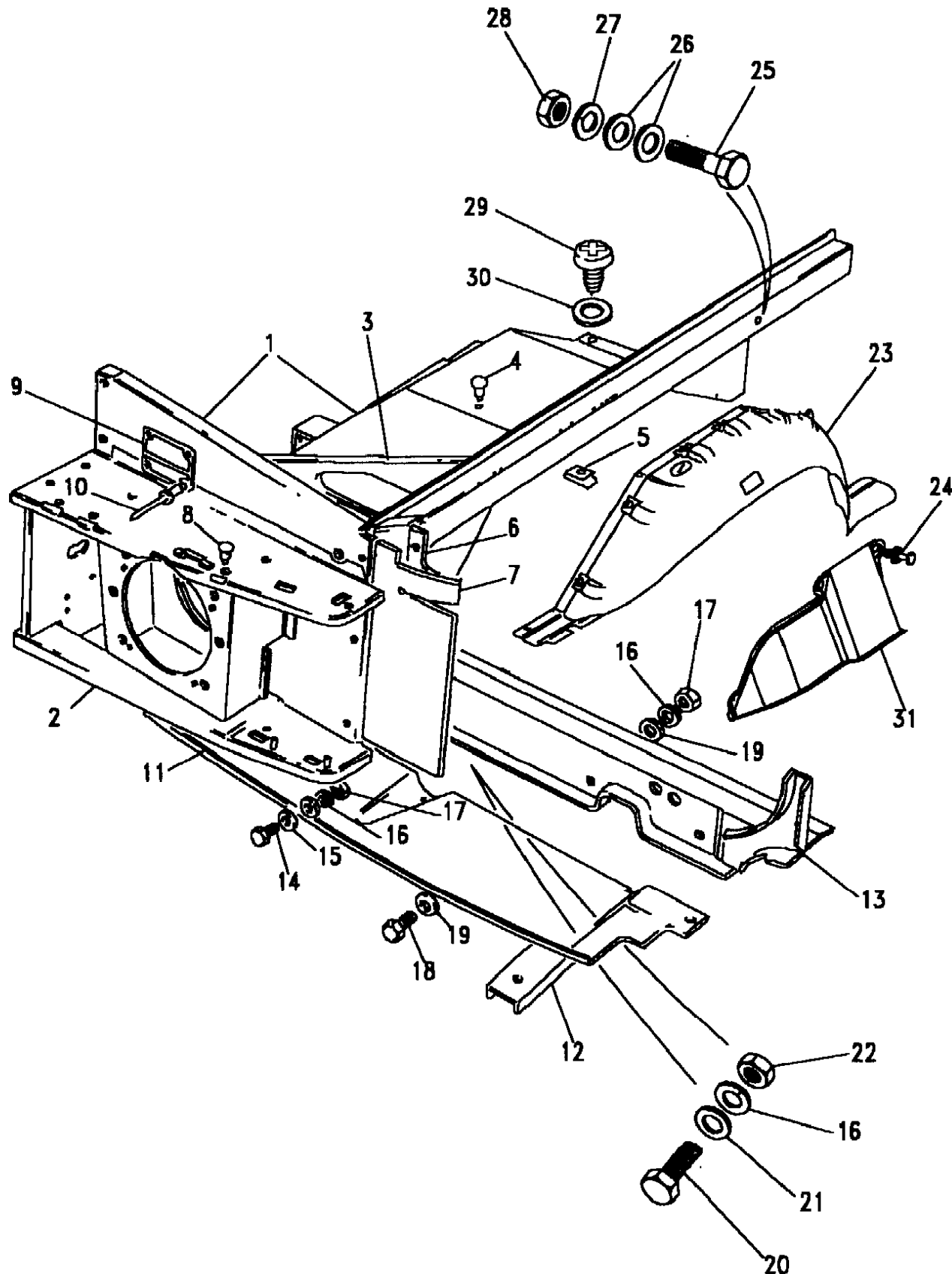
(BDNXBE1A)

Body & Chassis

Range Rover (From JA610294)

Body

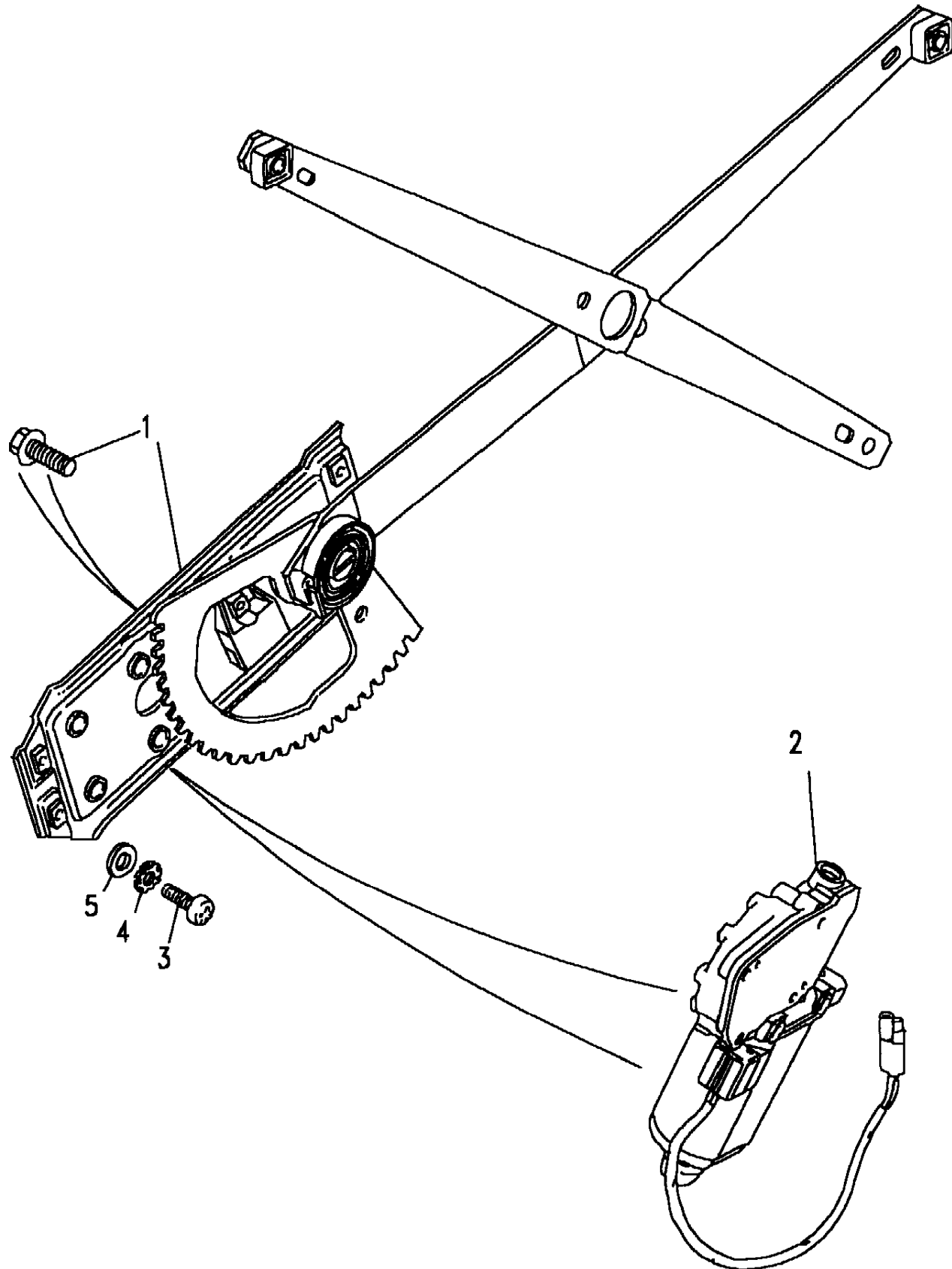
Wheelarch & Valance



Callout	Name	Application	Remarks & Restrictions	Service No.	Qty
14	Screw		TO BODY, 1/4UNF x 5/8 TO BODY, 1/4UNF x 3/4	255206 255207	12 4
15	Washer-Plain		M6	3831L	32
16	Washer-Spring		1/4 dia, Square	WM600041L	14
17	Nut - Hex.		hexagonal head, Coarse Thread, 1/4UNF	NH604041L	16
18	Screw		hexagonal head, 1/4UNF x 5/8	SH604051L	4
19	Washer		6MM	WA106041L	4
20	Screw		TO BODY, M5 x 16	257017	2
21	Washer			4030L	2
22	Nut - Hex.		UNF	257023	2
23	Liner-front wheelarch		LH RH	ALR2366 ALR2367	1 1
24	Rivet			MXC3119	12
25	Screw		TO BODY, hexagonal head	SH605161L	4
26	Washer-Plain			RTC613	8
27	Washer-Spring		Also serviced as part of a kit, 5/16"	WM600051L	4
28	Nut - Hex.		hexagonal head, 5/16UNF	NH605041L	4
29	Screw-self tapping		TO BODY, pan head, No 12 x 1/2, pointed	AB612041L	8
30	Washer-Plain		M6	3831L	8
31	Liner-front wheelarch		RH LH	MXC9034 MXC9035	1 1
[900]	Tape		Black, 25MM, Thin Black, 25mm diameter	18123 19089	X X

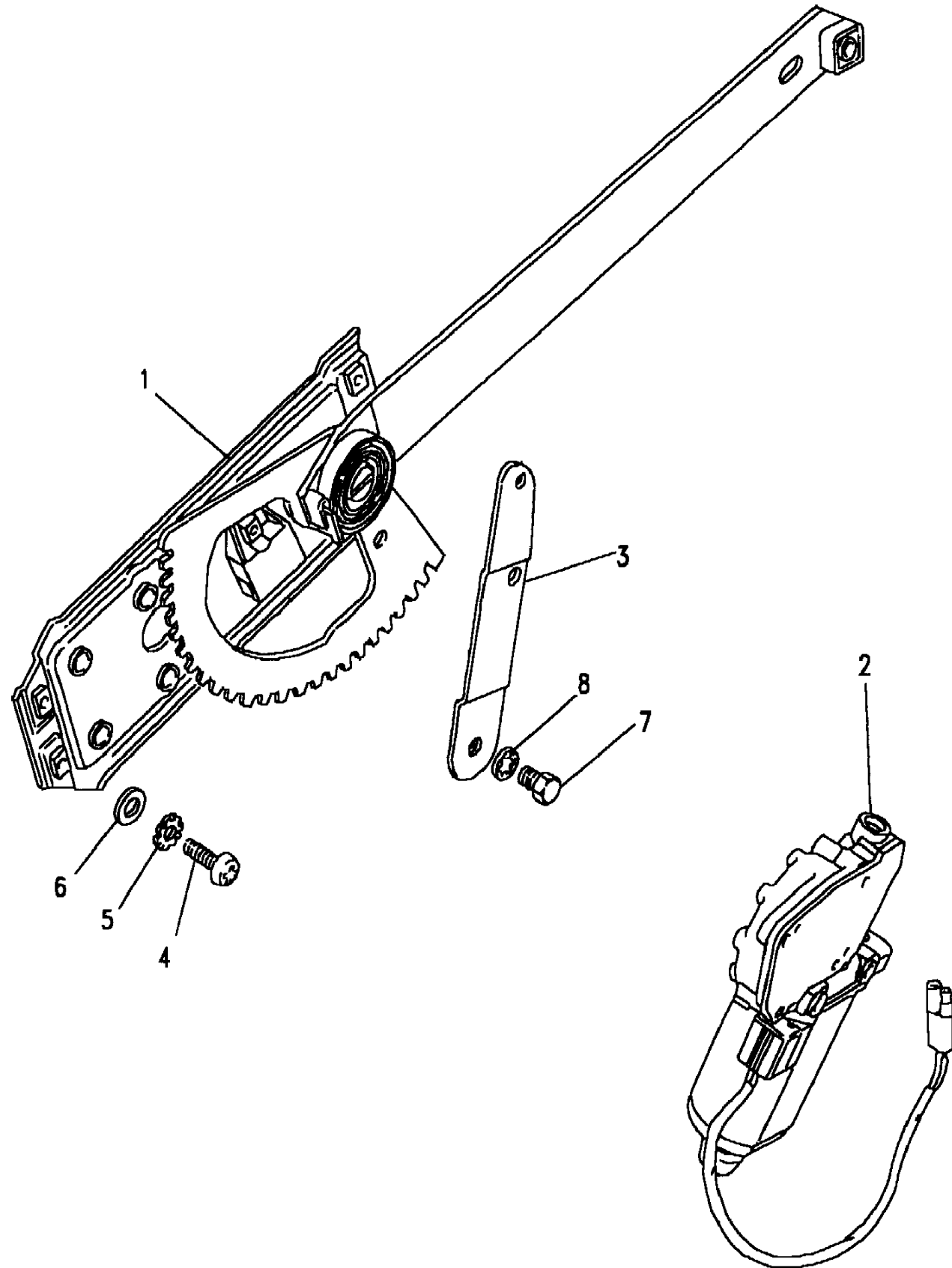
Change point - VIN end MA659910, 4 Door Station Wagon

Callout	Name	Application	Remarks & Restrictions	Service No.	Qty
1	Regulator-front door glass	Change point - VIN end MA659910	RH	RTC3814	1
		Change point - VIN end MA659910	LH	RTC3815	1
2	Motor-front door window regulator	Change point - VIN end MA659910	RH	RTC6641	1
		Change point - VIN end MA659910	LH	RTC6640	1
3	Screw-pan	Change point - VIN end MA659910	fixing to door, M6 X 12, pan head	SE106121L	4
4	Washer-Lock	Change point - VIN end MA659910		WE106001L	4
5	Washer	Change point - VIN end MA659910	6MM	WA106041L	4



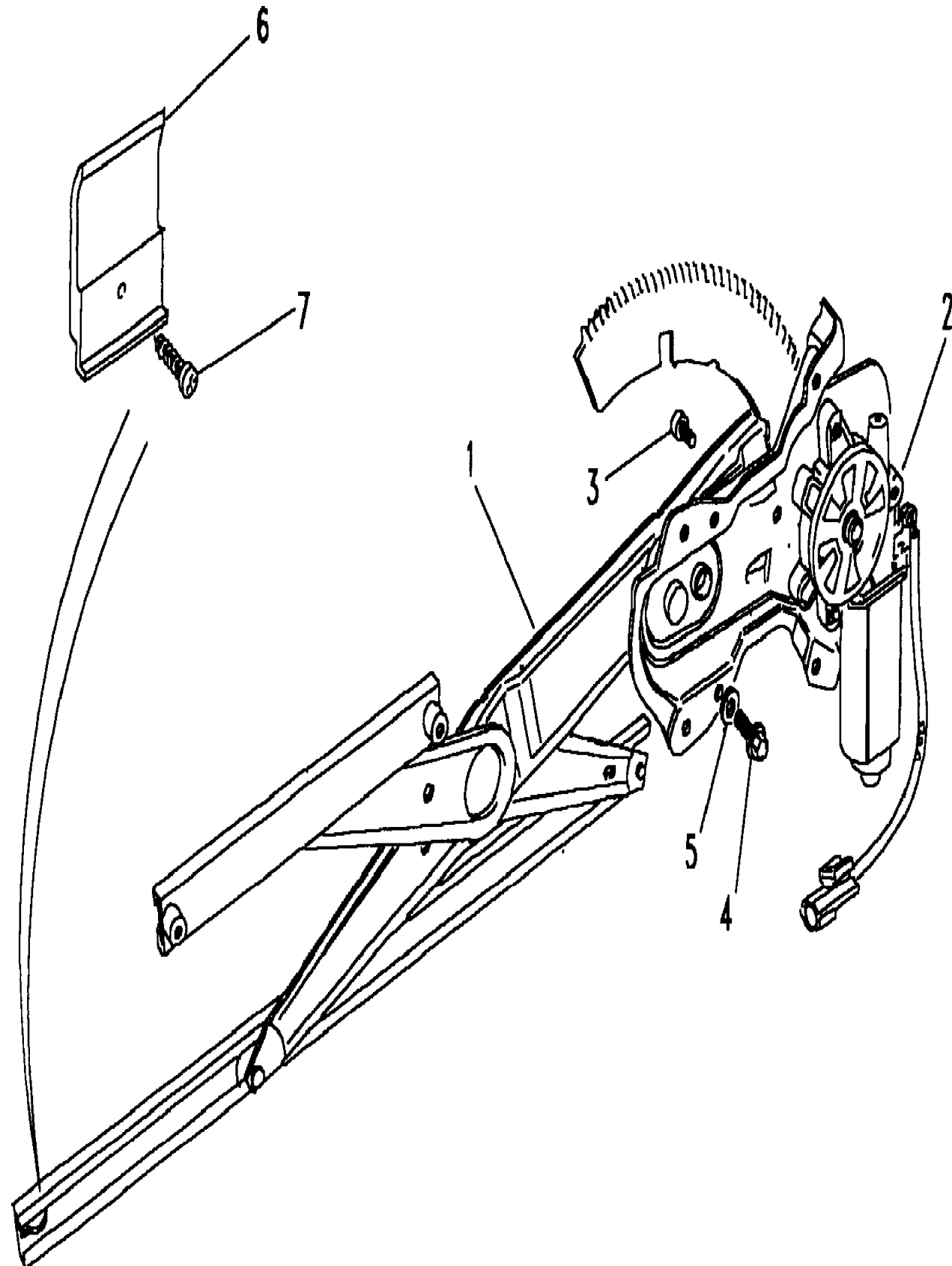
2 Door Station Wagon

Callout	Name	Application	Remarks & Restrictions	Service No.	Qty
1	Regulator-front door glass	Change point - VIN begin JA610294	RH	RTC6387	1
		Change point - VIN begin JA610294	LH	RTC6388	1
2	Motor-front door window regulator	Change point - VIN begin GA399973	RH	RTC6641	1
		Change point - VIN begin GA399973	LH	RTC6640	1
3	Mounting Plate		LH	MXC3022	1
			RH	MXC3021	2
4	Screw-pan		fixing to door, M6 X 12, pan head	SE106121L	4
5	Washer-Lock			WE106001L	4
6	Washer		6MM	WA106041L	4
7	Screw		fixing plate, M5 X 10, hexagonal head	FS105107	2
8	Washer		M5, starlock	WF105001L	2
[900]	Gasket-cylinder block coolant pump		Also serviced as part of a kit	612326	1
				ERR2428	1
[901]	Screw		fixing plate, M5 X 10, Flanged Head	FS105107L	2

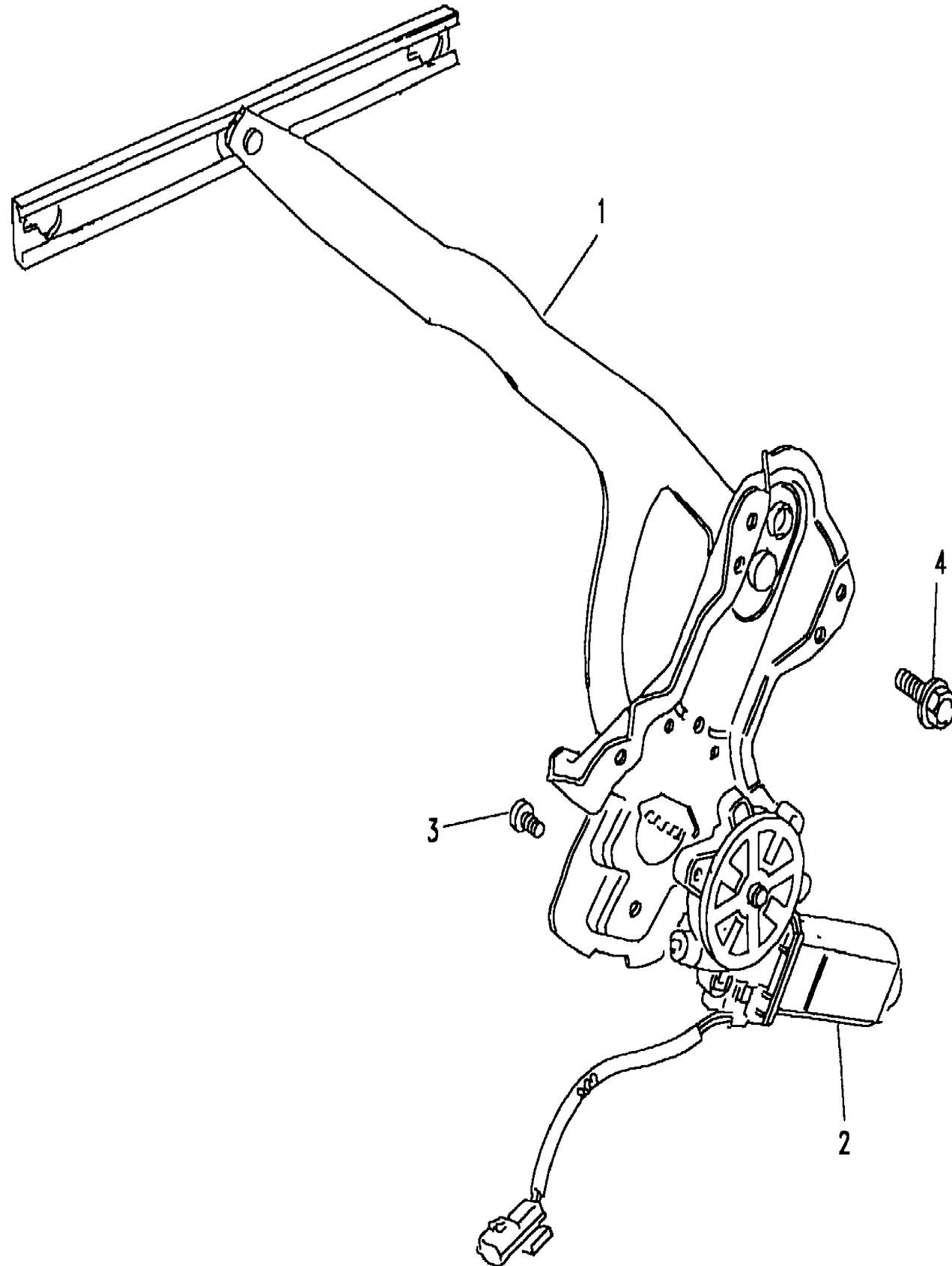


Change point - VIN begin MA659911, 4 Door Station Wagon

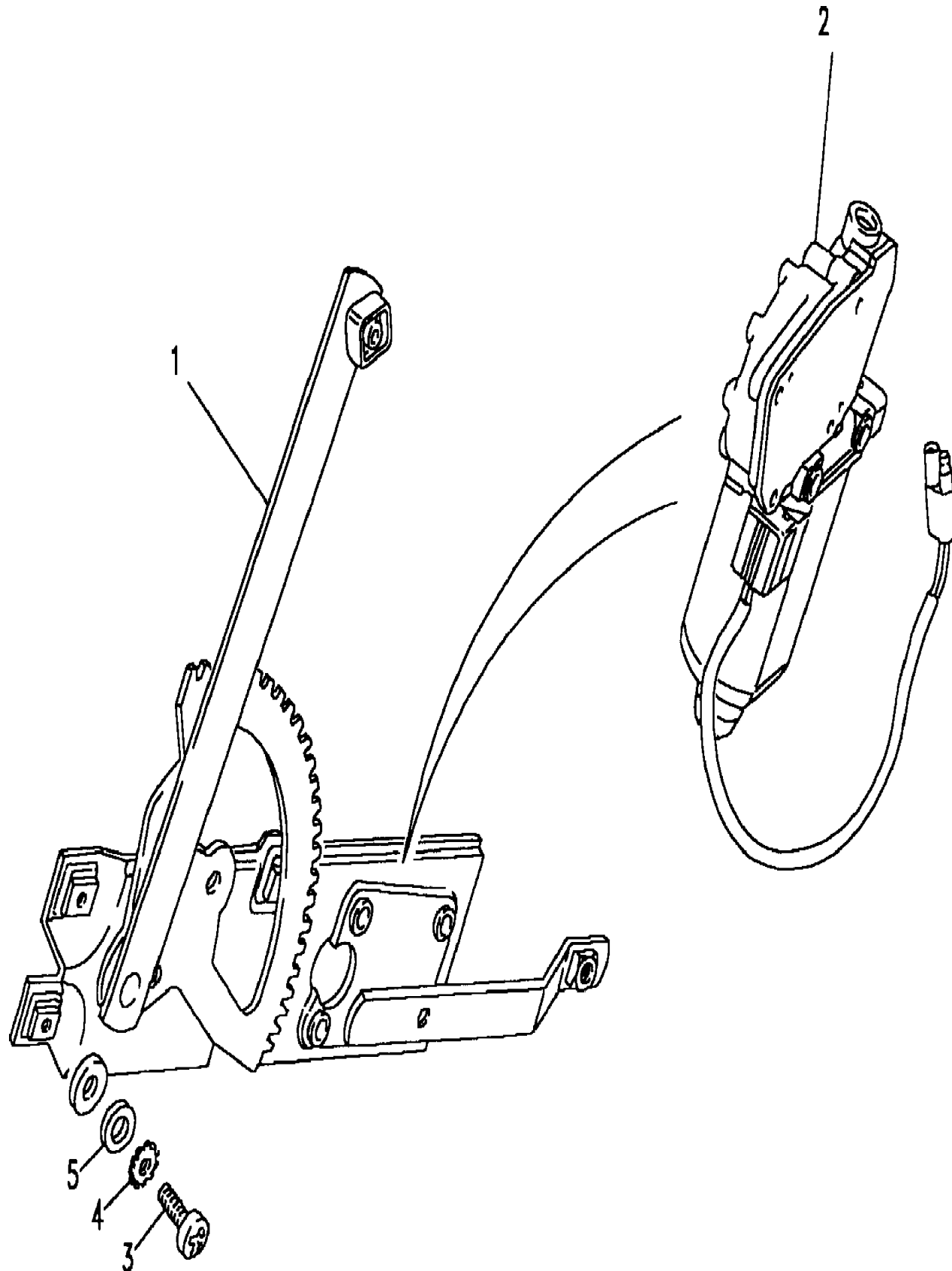
Callout	Name	Application	Remarks & Restrictions	Service No.	Qty
1	Regulator-front door glass	Change point - VIN begin MA659911	Electric Windows, RH	STC2882	1
		Change point - VIN begin MA659911	Electric Windows, LH	STC2881	1
2	Motor-window regulator	Change point - VIN begin MA659911	Front RH	STC2886	1
		Change point - VIN begin MA659911	Front LH	STC2885	1
3	Screw	Change point - VIN begin MA659911	fixing regulator	STC2909	2
4	Screw-flanged head	Change point - VIN begin MA659911	M6 x 10	FS106101L	4
5	Washer	Change point - VIN begin MA659911		MRC5529	1
6	Guide-front door glass	Change point - VIN begin MA659911		ALR9214	1
7	Screw	Change point - VIN begin MA659911	fixing guide, Black, Self Tapping, No8 x 5/8	AB608051L	1
[900]	Motor-window regulator	Change point - VIN begin MA659911	Front RH, LH	CVR100170	1
		Change point - VIN begin MA659911	Front LH, RH	CVR100160	1
		Change point - VIN begin MA659911	Front RH, RH, front & rear	CUR100440	1
[901]	Regulator-front door electric glass	Change point - VIN begin MA659911	RH	CUH102300	1
		Change point - VIN begin MA659911	LH	CUH102310	1

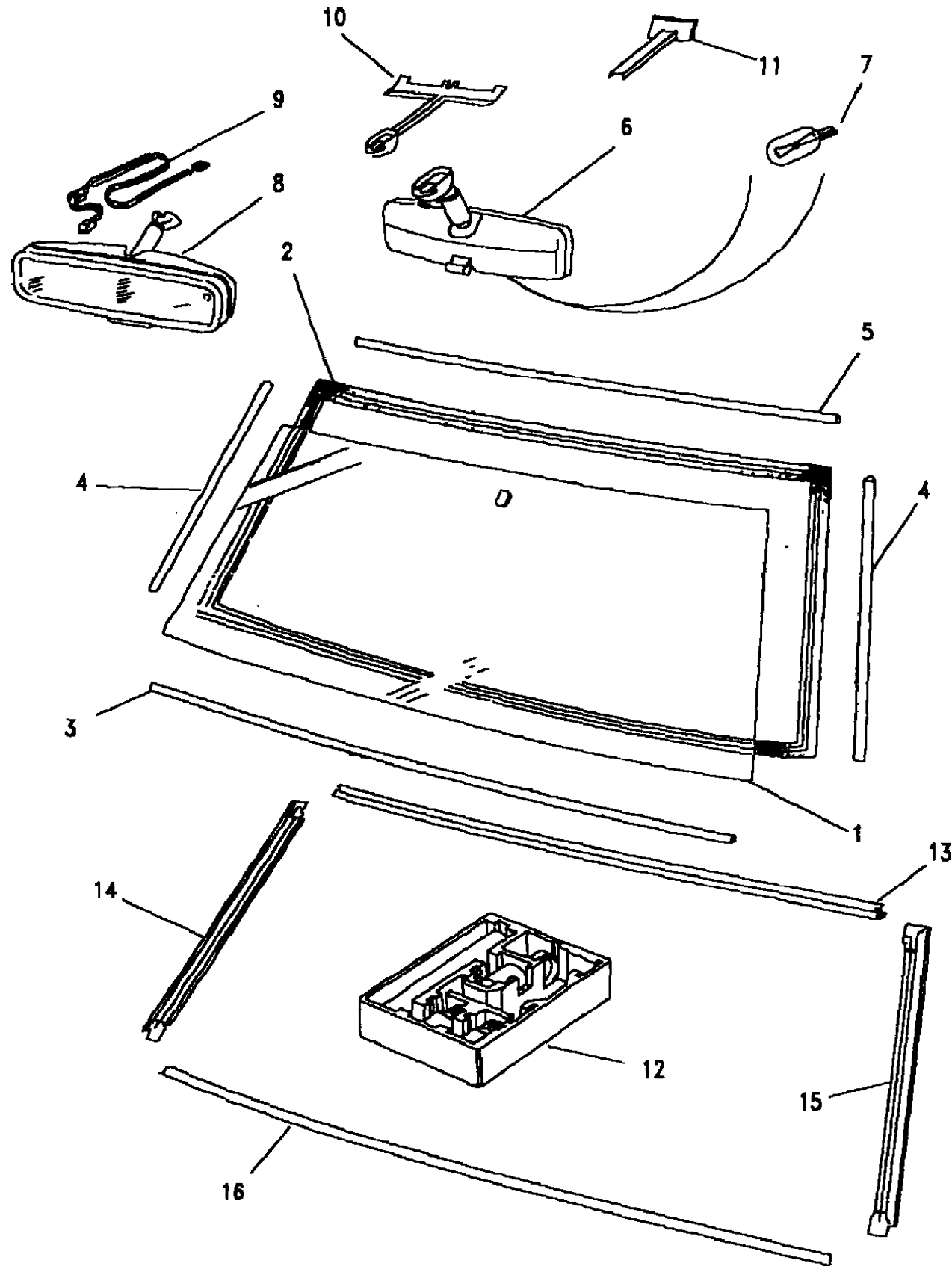


Callout	Name	Application	Remarks & Restrictions	Service No.	Qty
1	Regulator-rear door glass	Change point - VIN begin MA659911	RH	STC2884	1
		Change point - VIN begin MA659911	LH	STC2883	1
2	Motor-window regulator	Change point - VIN begin MA659911	Rear RH	STC2885	1
		Change point - VIN begin MA659911	Rear LH	STC2886	1
3	Screw	Change point - VIN begin MA659911	fixing regulator	STC2909	2
4	Screw-flanged head	Change point - VIN begin MA659911	fixing regulator, M6 X 16, Flanged Head	FS106161L	2
[900]	Screw-flanged head	Change point - VIN begin MA659911	fixing regulator, M6 X 16, Flanged Head	FS106167L	2
[901]	Motor-window regulator	Change point - VIN begin MA659911	Rear LH, LH	CVR100170	1
		Change point - VIN begin MA659911	Rear RH, RH	CVR100160	1
		Change point - VIN begin MA659911	Rear LH, RH, front & rear	CUR100440	1



Callout	Name	Application	Remarks & Restrictions	Service No.	Qty
1	Regulator assembly-rear door electric glass	Change point - VIN end MA659910, 100"	RH	RTC3816	1
		Change point - VIN end MA659910, 100"	LH	RTC3817	1
		Change point - VIN end KA647644, 108" (2743mm) Wheelbase	RH	STC944	1
		Change point - VIN end KA647644, 108" (2743mm) Wheelbase	LH	STC945	1
		Change point - VIN begin MA647645, Change point - VIN end MA659910, 108" (2743mm) Wheelbase	RH	ALR6544	1
		Change point - VIN begin MA647645, Change point - VIN end MA659910, 108" (2743mm) Wheelbase	LH	ALR6543	1
		Change point - VIN begin MA647645, Change point - VIN end MA659910, 108" (2743mm) Wheelbase	LH	ALR6543	1
2	Motor-rear door window regulator	Change point - VIN end KA647644	RH	RTC6643	1
		Change point - VIN end KA647644	LH	RTC6642	1
		Change point - VIN begin MA647645, Change point - VIN end MA659910	RH	STC1627	1
		Change point - VIN begin MA647645, Change point - VIN end MA659910	LH	STC1626	1
3	Screw-pan	Change point - VIN end MA659910	regulator to door, M6 X 12, pan head	SE106121L	4
4	Washer-Lock	Change point - VIN end MA659910		WE106001L	4
5	Washer	Change point - VIN end MA659910	6MM	WA106041L	4





Callout	Name	Application	Remarks & Restrictions	Service No.	Qty
1	Windscreen assembly	Change point - VIN begin JA610294	Clear.	MXC3343	1
		Change point - VIN end KA647644	unheated, Sundym	MXC3342	1
		Change point - VIN begin MA647645	unheated, Sundym	BTR9640	1
		Change point - VIN end KA647644	Heated, Sundym	MXC5648	1
		Change point - VIN begin MA647645	Heated, Sundym	BTR9641	1
2	Seal-windscreen glazing	Change point - VIN begin JA610294		MXC7405	1
3	Filler strip		bottom	391476	1
4	Filler strip		Side	391474	2
5	Filler strip		top	391475	1
6	Mirror-interior dipping	Change point - VIN end JA624754, LHD	maplamp	BTR3463	1
		Change point - VIN begin KA624756, Change point - VIN end KA647644, LHD	maplamp	BTR5020	1
		Change point - VIN begin MA647645, LHD	maplamp	BTR8763	1
		Change point - VIN end JA624754, RHD	maplamp	BTR3462	1
		Change point - VIN begin KA624756, Change point - VIN end KA647644, RHD	maplamp	BTR5019	1
		Change point - VIN begin MA647645, RHD	maplamp	BTR8764	1
7	Bulb-501-w10/5-5 Watt		12V	570829	2
8	Mirror-interior dipping	Change point - VIN end JA624754, LHD	maplamp	BTR3465	1
		Change point - VIN begin KA624756, Change point - VIN end KA647644, LHD	maplamp	BTR5022	1
		Change point - VIN begin MA647645, LHD	maplamp	BTR8765	1
		Change point - VIN end JA624754, RHD	maplamp	BTR3464	1
		Change point - VIN begin KA624756, Change point - VIN end KA647644, RHD	maplamp	BTR5021	1
		Change point - VIN begin MA647645, RHD	maplamp	BTR8766	1
9	Harness-link		Sundym	PRC8560	1
10	Cover-interior mirror	Change point - VIN end JA624754		BTR3466	1
		Change point - VIN begin KA624756, Change point - VIN end KA647644		BTR5023	1

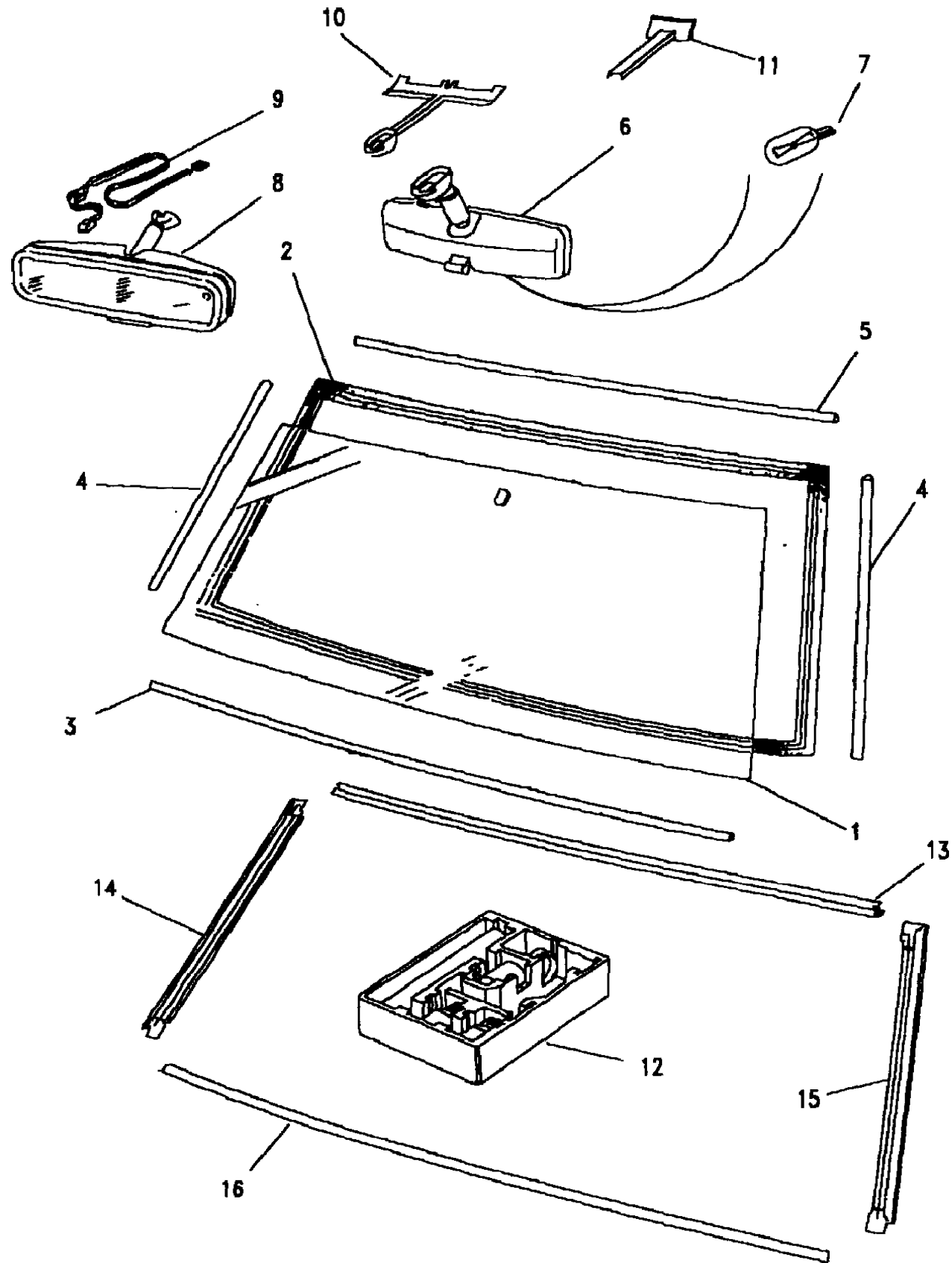
Body & Chassis
Body
Windscreen & Interior Mirror 2/2

Range Rover (From JA610294)

(BDNXFA1A)

Body & Chassis
Body
Windscreen & Interior Mirror

Range Rover (From JA610294)

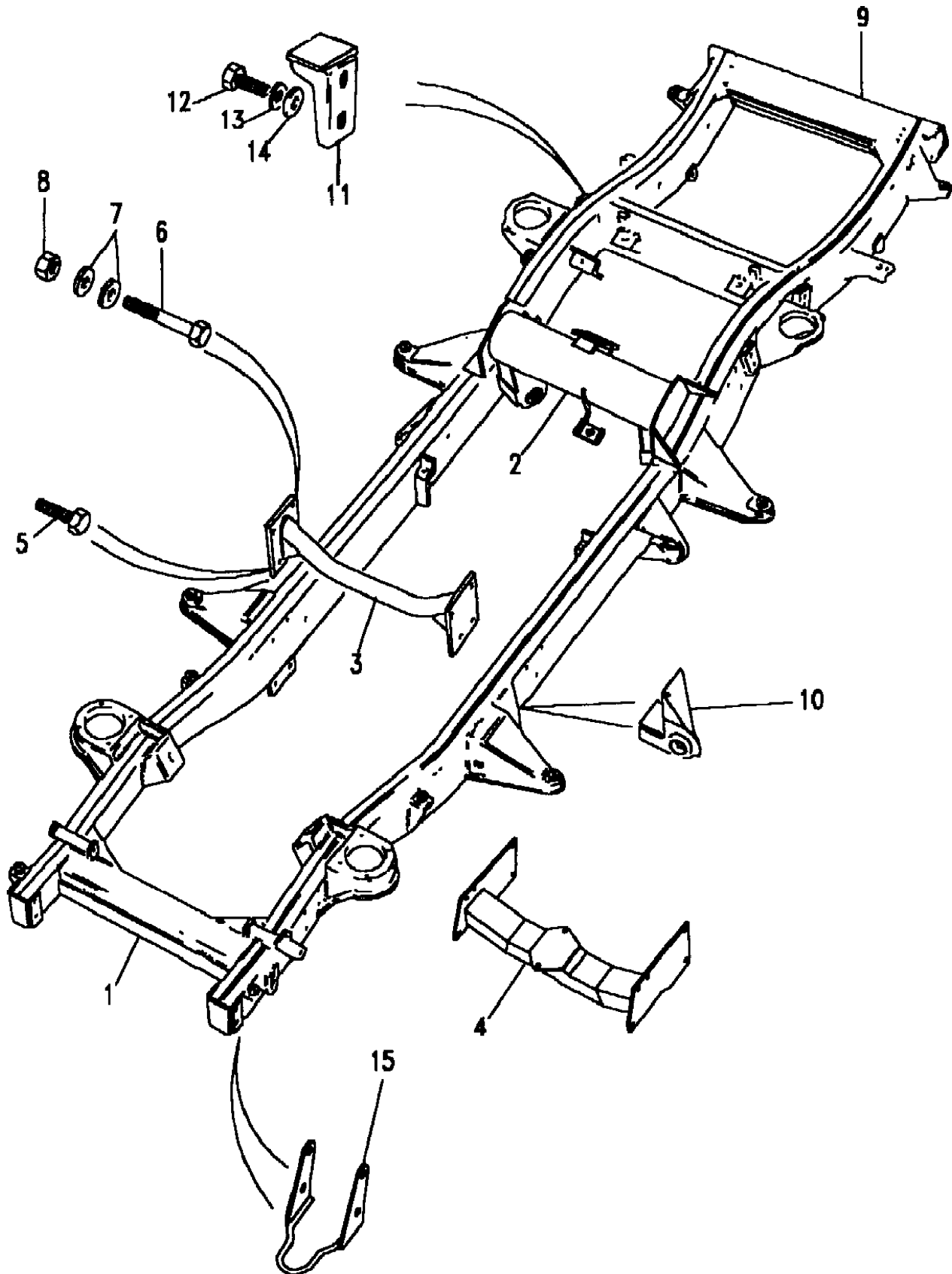


Callout	Name	Application	Remarks & Restrictions	Service No.	Qty
11	Cover-interior mirror	Change point - VIN begin MA647645		BTR8767	1
12	Sealant-pack			BHM705L	1
13	Finisher-windscreen upper			BTR9662	1
14	Finisher-windscreen A post		RH	BTR9663	1
15	Finisher-windscreen A post		LH	BTR9664	1
16	Finisher-lower screen		Heated unheated	AWR1511 AWR1512	1 1
17	Support-windscreen glazing			BTR8213	2
18	Cap-finisher lower screen			BTR9651	2
19	Foam			BTR6506	2
[900]	Bulb-501-w10/5-5 Watt		12V	AFU4481	2

Body & Chassis
Chassis
Frame Assembly 1/2

Range Rover (From JA610294)

(BDNXAA2A)



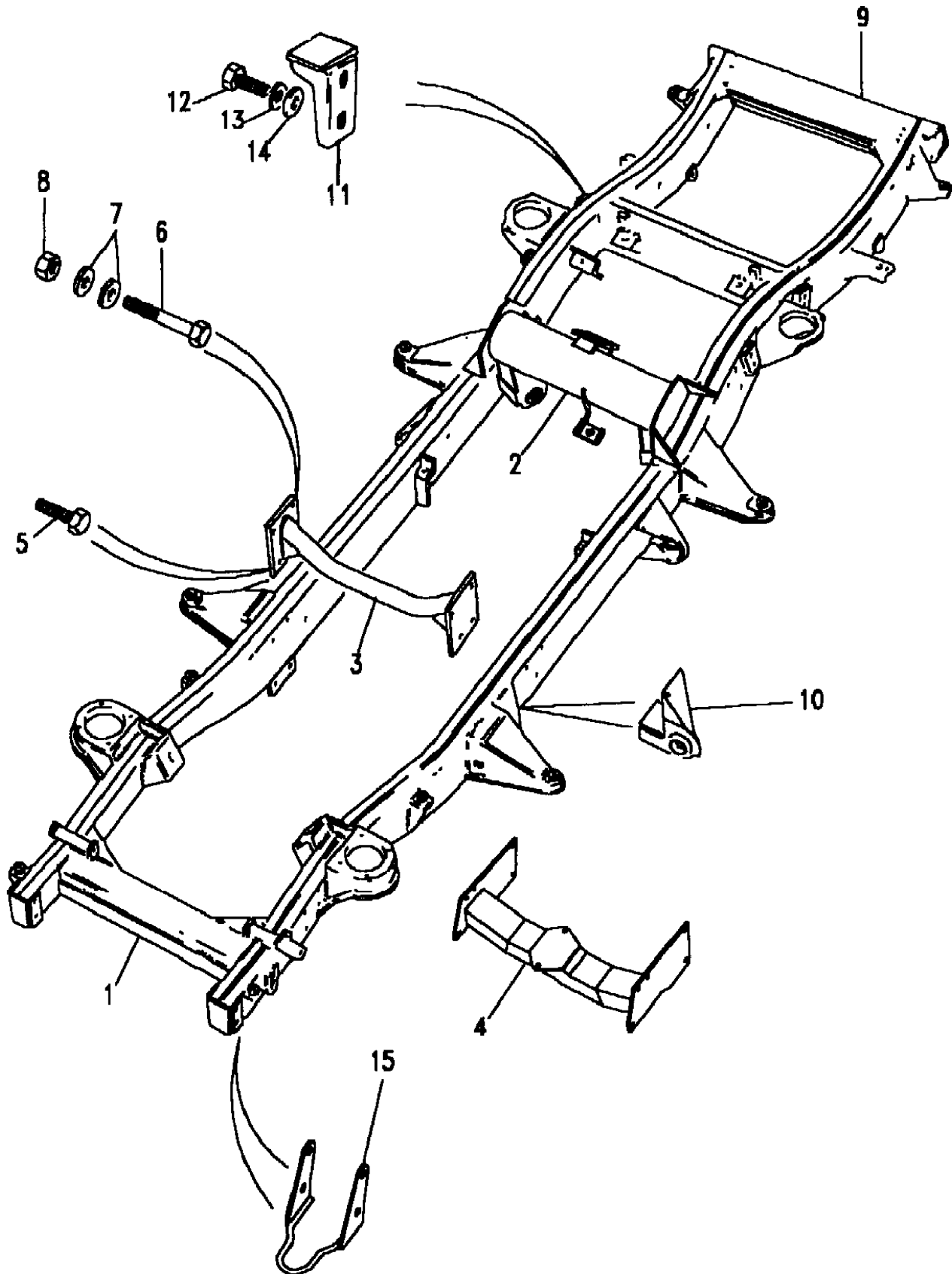
Range Rover (From JA610294)

Body & Chassis
Chassis
Frame Assembly

Callout	Name	Application	Remarks & Restrictions	Service No.	Qty		
1	Frame assembly-chassis	Change point - VIN end KA647644, With Petrol Engines, (-) 108", Less Air Suspension	Also serviced as part of a kit	NTC8282	1		
		Change point - VIN begin MA647645, With Petrol Engines, (-) 108", Less Air Suspension	Also serviced as part of a kit	ANR1584	1		
		Change point - VIN end KA647644, With Petrol Engines, (-) 108", With Air Suspension	Also serviced as part of a kit	ANR1564	1		
		Change point - VIN begin MA647645, With Petrol Engines, (-) 108", With Air Suspension	Also serviced as part of a kit	ANR1585	1		
		Change point - VIN end KA647644, 2.5L TDi Diesel, (-) 108", Less Air Suspension	Also serviced as part of a kit	ANR1222	1		
		Change point - VIN begin MA647645, 2.5L TDi Diesel, (-) 108", Less Air Suspension	Also serviced as part of a kit	ANR1587	1		
		Change point - VIN begin MA647645, 2.5L TDi Diesel, (-) 108", With Air Suspension	Also serviced as part of a kit	ANR2226	1		
		Change point - VIN end KA647645, With Petrol Engines, 108" (2743mm) Wheelbase, With Air Suspension	Also serviced as part of a kit	ANR1566	1		
		Change point - VIN begin KA647645, With Petrol Engines, 108" (2743mm) Wheelbase, With Air Suspension	Also serviced as part of a kit	ANR1586	1		
		2	Crossmember assembly-chassis frame	Change point - VIN end JA624755, With Petrol Engines, (-) 108", Less Air Suspension	Also serviced as part of a kit	NTC7128	1
				Change point - VIN begin JA624756, With Petrol Engines, (-) 108", Less Air Suspension	Also serviced as part of a kit	ANR1292	1
		3	Crossmember assembly-chassis frame	Change point - VIN end KA647644, With Petrol Engines, (-) 108", Less Air Suspension	Also serviced as part of a kit	NTC5031	1
4	Bracket-body/chassis mounting	Change point - VIN end KA647644, With Petrol Engines, (-) 108", Less Air Suspension	Also serviced as part of a kit, RH	ANR3428	1		
		Change point - VIN end KA647644, With Petrol Engines, (-) 108", Less Air Suspension	Also serviced as part of a kit, LH	ANR3429	1		

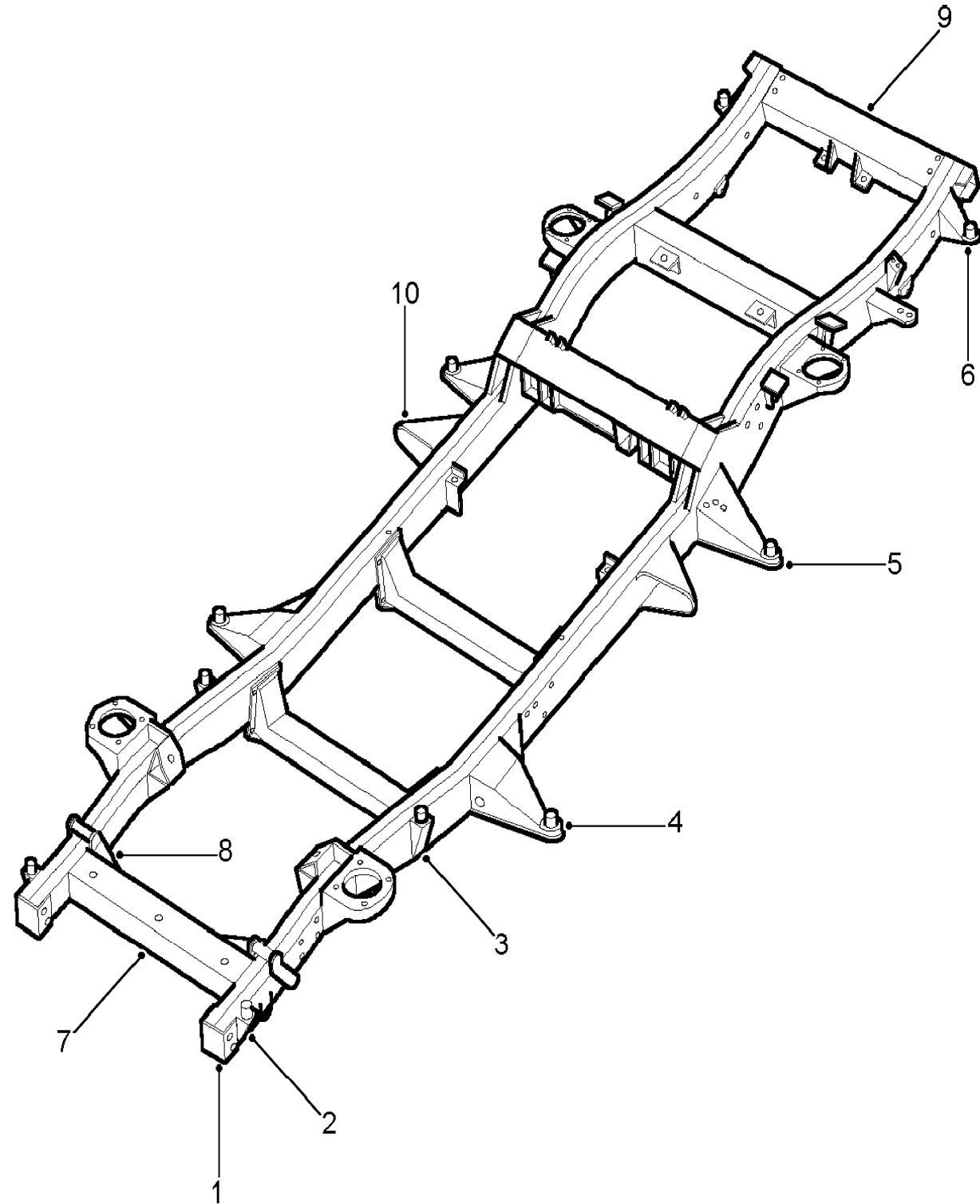
Range Rover (From JA610294)

(BDNXAA2A)



Range Rover (From JA610294)

Callout	Name	Application	Remarks & Restrictions	Service No.	Qty
4	Bracket-body/chassis mounting	Change point - VIN end KA647644, 2.5L TDi Diesel, (-) 108", Less Air Suspension Change point - VIN begin MA647645, 2.5L TDi Diesel, (-) 108", Less Air Suspension	Also serviced as part of a kit	ANR1223	1
			Also serviced as part of a kit	ANR2278	1
5	Screw	Change point - VIN end KA647644, With Petrol Engines, (-) 108", Less Air Suspension	Also serviced as part of a kit, hexagonal head, M10 x 25	SH110251L	4
6	Bolt	Change point - VIN end KA647644, With Petrol Engines, (-) 108", Less Air Suspension	Also serviced as part of a kit, hexagonal head, M10 x 100	BH110201L	4
7	Washer	Change point - VIN end KA647644, With Petrol Engines, (-) 108", Less Air Suspension	Also serviced as part of a kit, M10	WA110061L	16
8	Nut - Hex.	Change point - VIN end KA647644, With Petrol Engines, (-) 108", Less Air Suspension	Also serviced as part of a kit, M10, hexagonal head, Coarse Thread	NH110041L	8
9	Crossmember-rear lower	Change point - VIN end KA647644, With Petrol Engines, (-) 108", Less Air Suspension	Also serviced as part of a kit	ANR3432	1
11	Bracket-reinforcement main floor			575571	4
12	Screw		Bracket floor support to crossmember rear, hexagonal head, 5/16UNF x 3/4	SH605061L	8
13	Washer-Spring		5/16"	WM600051L	8
14	Washer-Plain			RTC610	8
15	Bracket-towing		With Spoiler, Front	NTC3519	1
[900]	Pad-buffer	Change point - VIN begin MA660255		ALR8268	4



Callout	Name	Application	Remarks & Restrictions	Service No.	Qty
1	Chassis-front end		LH	STC9125	1
			RH	STC9126	1
2	Chassis-fnt body mtg			STC9127	1
3	Chassis-no2 body mtg			STC9128	2
4	Chassis-no3 b/mtg		LH	STC9129	1
			RH	STC9130	1
5	Chassis-no4 b/mtg		LH	STC9131	1
			RH	STC9132	1
6	Chassis-no5 b/mtg		LH	STC9133	1
			RH	STC9134	1
7	Crossmember assembly-chassis frame		Front	STC9135	1
8	Chassis-guss f/c/mem			STC9137	1
9	Crossmember			STC9136	1
10	Chassis-btm l/brk		LH	STC9138	1
			RH	STC9139	1
11	Chassis-b/mtg	Change point - VIN end KA647645	Short	STC9140	8
			Change point - VIN begin MA647645	Long	STC9141
[900]	Chassis-no3 b/mtg		LH	STC4409	1
			RH	STC4410	1
[901]	Crossmember-rear lower			ANR3432	1

Callout	Name	Application	Remarks & Restrictions	Service No.	Qty
1	Bar-underride protection			NTC8239	1
2	Plug-blanking			NRC5886	2
3	Bolt		to spacer, 1/2UNF x 6 1/4	253948	2
4	Washer-Plain		M12 x 28	WC112081L	4
5	Spacer			NRC5627	1
6	Nut - Hex.		nyloc, Hexagonal, 1/2UNF	NY608041L	1
7	Bolt		To bar protection underride	BH110241	2
8	Washer		M10	WA110061L	8
9	Nut - Hex.		To bar protection underride, M10, flange	FN110041L	2
[900]	Nut-flange		To bar protection underride, M10, flange	FN110047	2

