

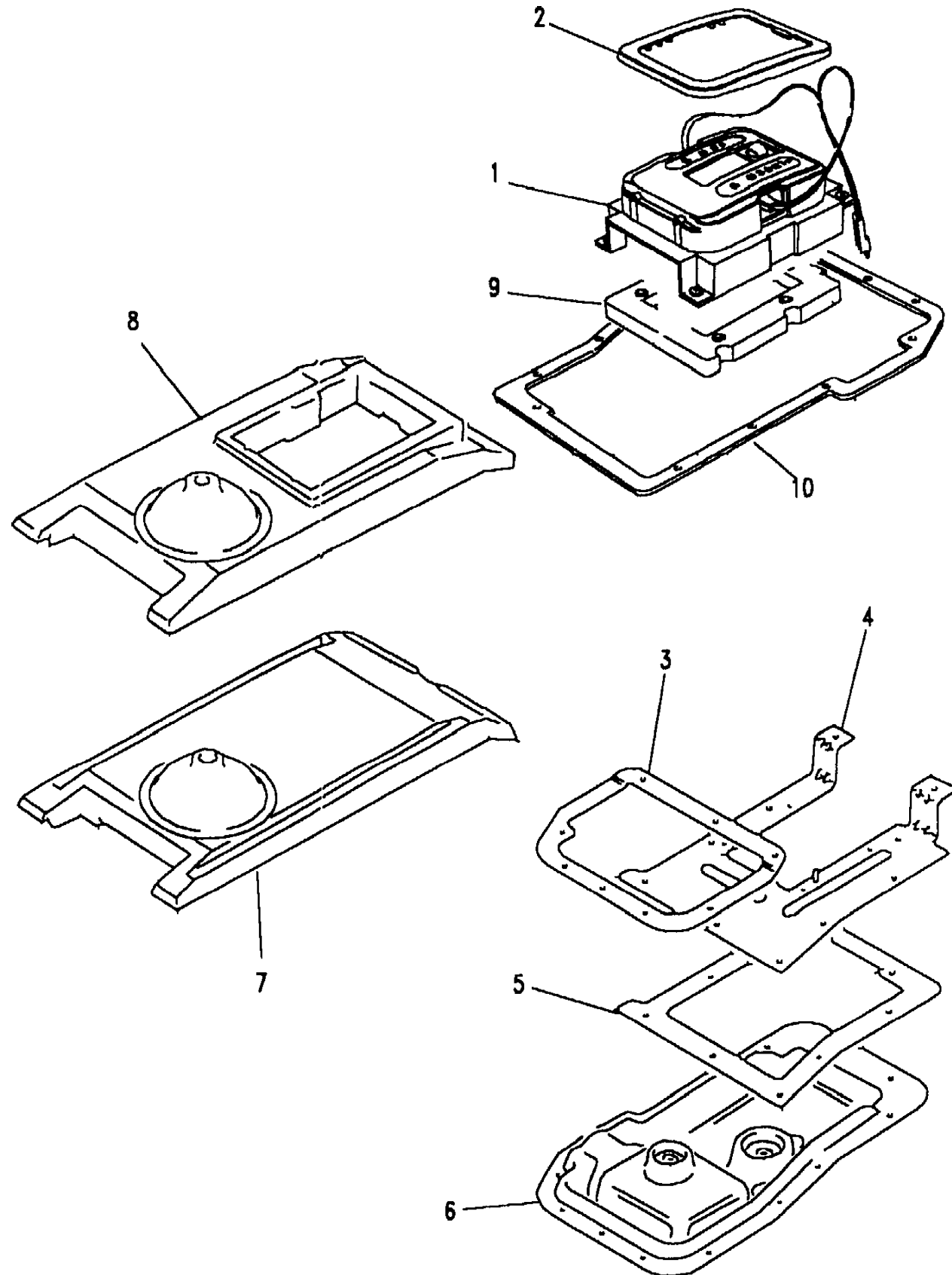
Interior Trim
Trim
Auto & Manual Selector Mounting Assembly 1/1

Range Rover (From JA610294)

(BDPXCA1B)

Range Rover (From JA610294)

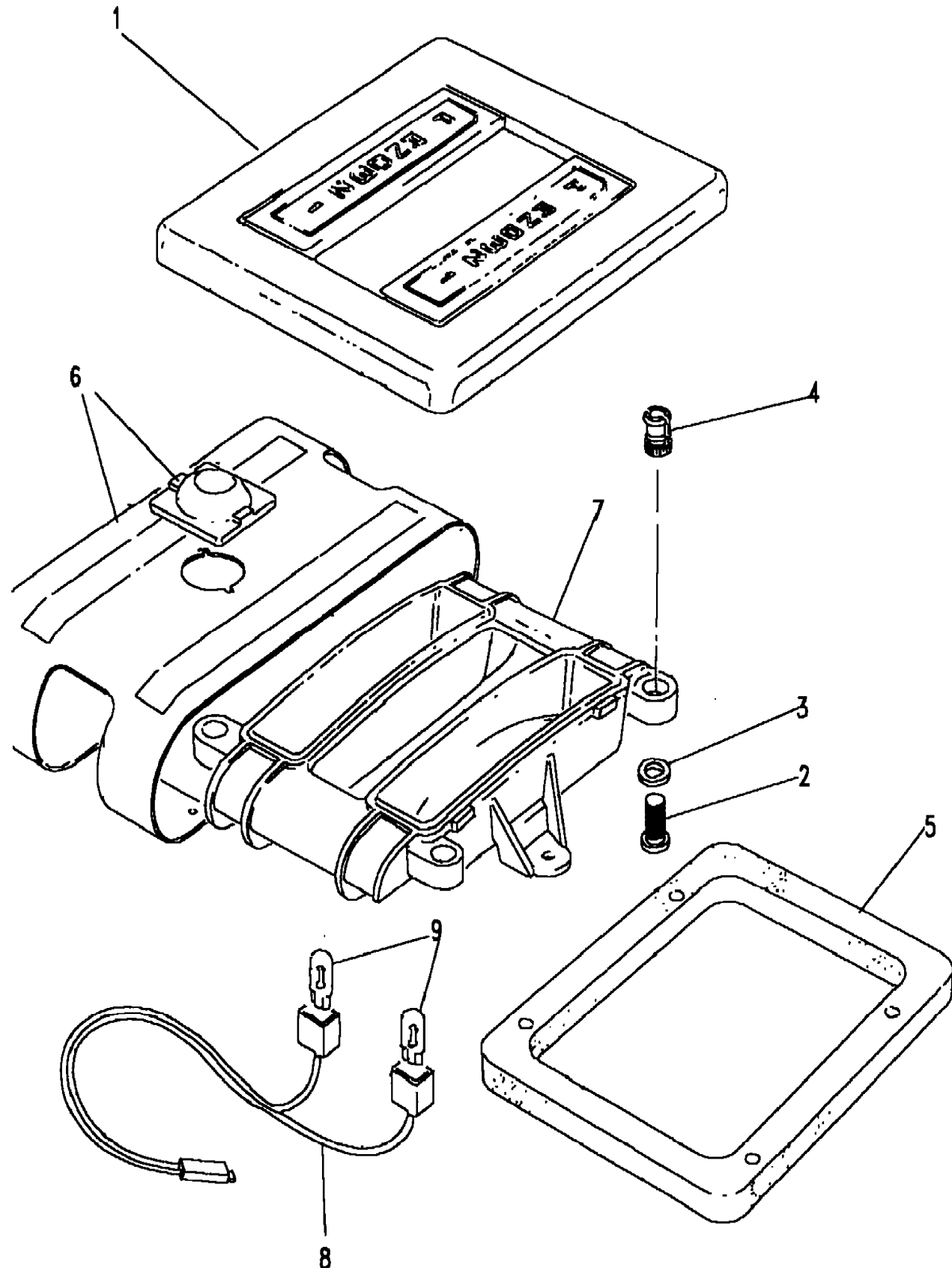
Interior Trim
Trim
Auto & Manual Selector Mounting Assembly



Callout	Name	Application	Remarks & Restrictions	Service No.	Qty
1	Illumination assembly selector mechanism	Change point - VIN begin MA647645, Automatic Transmission	Ash Grey	BTR9924LNF	1
2	Finisher-front console automatic selector	Change point - VIN begin MA647645	Ash Grey	BTR3100LNF	1
		Change point - VIN begin MA647645	Wood Capping, Ash Grey	BTR9691LNF	1
3	Retainer-gear lever assembly gaiter	Change point - VIN begin MA647645		BTR9814	1
4	Panel assembly-tunnel console centre	Change point - VIN begin MA647645		BTR9812	1
5	Seal-tunnel console automatic rubber	Change point - VIN begin MA647645		BTR9816	1
6	Gaiter-gear lever assembly inner	Change point - VIN begin MA647645, Manual Transmission		BTR9858	1
7	Gaiter-gear lever assembly inner	Change point - VIN begin MA647645, Manual Transmission		BTR9218	1
8	Pad-tunnel insulation	Change point - VIN begin MA647645		BTR9815	1
9	Seal	Change point - VIN begin MA647645		BTR9717	1
10	Pad-tunnel insulation	Change point - VIN begin MA647645		BTR8330	1
[900]	Illumination assembly selector mechanism	Change point - VIN begin MA647645, Automatic Transmission	Ash Grey	BTR9926LNF	1
[901]	Harness-link-selector illumination selection mechanism	Change point - VIN begin MA647645, Automatic Transmission	Also serviced as part of a kit	AMR1192	1
[902]	Bulb-wedge illumination	Change point - VIN begin MA647645, Automatic Transmission	Also serviced as part of a kit	STC881	2

Automatic Transmission

Callout	Name	Application	Remarks & Restrictions	Service No.	Qty
1	Plate assembly-gear change mounting	Change point - VIN end LA647644		BTR1955	1
2	Screw	Change point - VIN end LA647644	M8 X 16	SE104161L	4
3	Washer-Plain	Change point - VIN end LA647644	M4	WA104001L	4
4	Retainer	Change point - VIN end LA647644		ATU1008L	4
5	Gasket-guide box-auto	Change point - VIN end LA647644		MUC4129	1
6	Illumination assembly selector mechanism	Change point - VIN end LA647644		RTC6683	1
7	Guide automatic transmission	Change point - VIN end LA647644		MUC8989	1
8	Cable-selector automatic transmission	Change point - VIN end LA647644		PRC6180	1
9	Bulb-504-w10/3-3 Watt	Change point - VIN end LA647644		573289	2



Interior Trim
Trim
Bodyside Trim-2 Door 1/1

Range Rover (From JA610294)

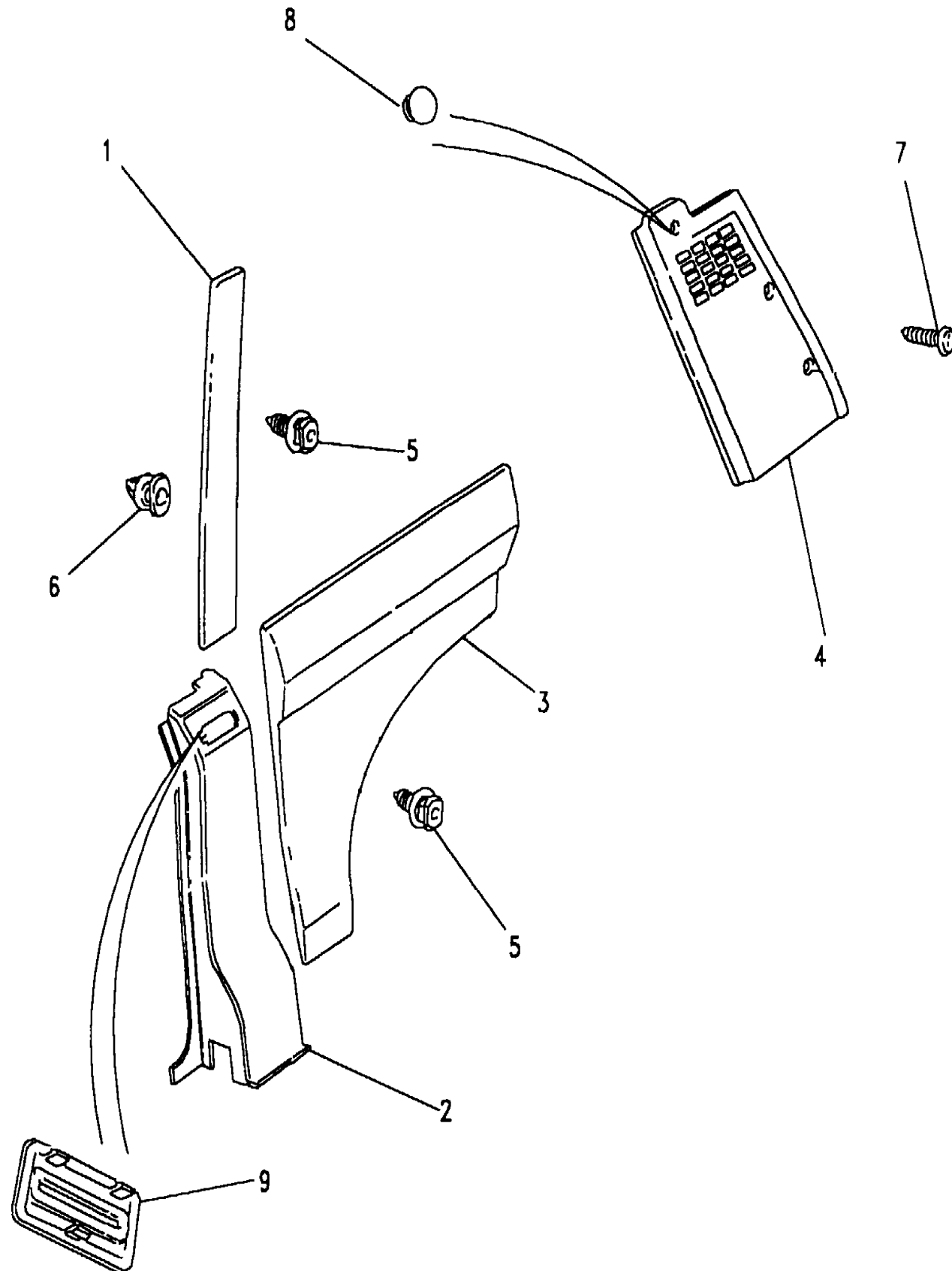
(BDPXGA1A)

Range Rover (From JA610294)

Interior Trim
Trim
Bodyside Trim-2 Door

2 Door Station Wagon

Callout	Name	Application	Remarks & Restrictions	Service No.	Qty	
1	Covering-BC post upper material		RH, Sorrel Brown	MWC7244SUA	1	
			Sorrel Brown, LH	MWC7245SUA	1	
2	Covering-BC post lower material	Change point - VIN end KA639891	RH, Sorrel Brown	MXC4672SUA	1	
			Sorrel Brown, LH	MXC4671SUA	1	
			Change point - VIN begin KA639892	RH, Sorrel Brown	BTR8564SUA	1
			Change point - VIN begin KA639892	Sorrel Brown, LH	BTR8563SUA	1
3	Panel-rear inner quarter		RH, Sorrel Brown	MXC2245SUA	1	
			Sorrel Brown, LH	MXC2246SUA	1	
4	Finisher assembly-quarter trim	Change point - VIN end JA624754	RH, Sorrel Brown	MXC5449SUA	1	
			Sorrel Brown, LH	MXC5450SUA	1	
			Change point - VIN begin KA624756	Black, LH	MXC5450PUB	1
			Change point - VIN begin KA624756	Black, RH	BTR5624PUB	1
5	Clip			MTC9665	20	
6	Clip			MRC7399	X	
7	Screw		No 8 x 1/2, Self Tapping	AB608047L	4	
8	Plug		Sorrel Brown	393096SUA	2	
9	Escutcheon- BC post lower		Sorrel Brown	MXC4644SUA	2	
[900]	Finisher assembly-quarter trim		Black, RH	BTR9893PUB	1	
[901]	Screw		No 8 x 1/2, Self Tapping	78322	4	



Interior Trim
Trim
Carpets Wheelarch & Spare Wheel 1/2

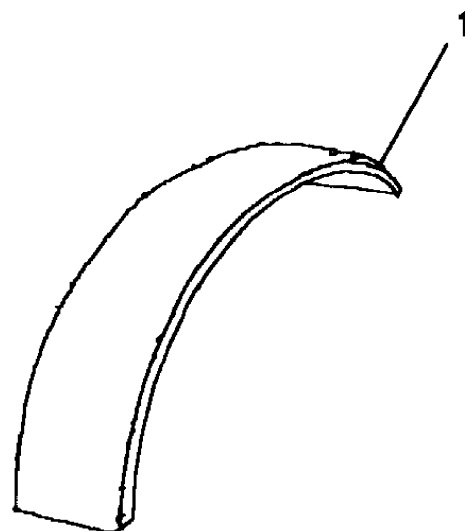
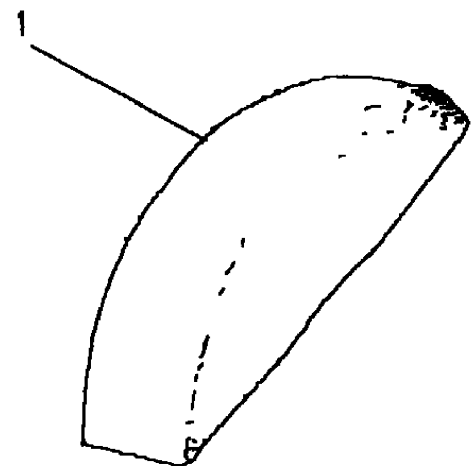
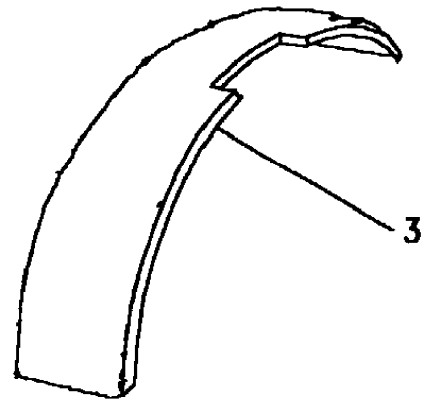
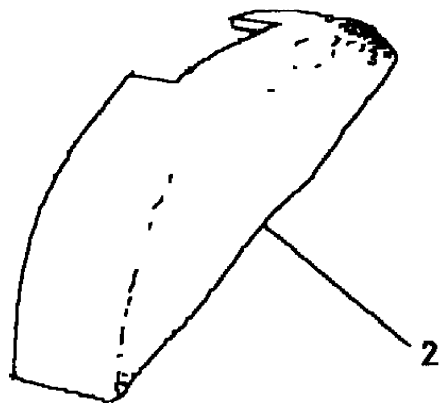
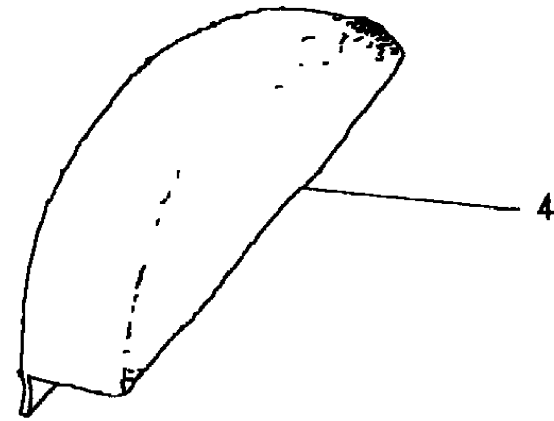
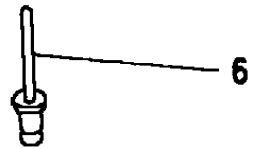
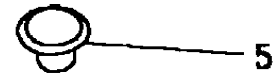
Range Rover (From JA610294)

(BDPXMA7A)

Range Rover (From JA610294)

Interior Trim
Trim
Carpets Wheelarch & Spare Wheel

Callout	Name	Application	Remarks & Restrictions	Service No.	Qty
1	Carpet-centre floor wheelarch	Change point - VIN end JA624754, 2 Door Station Wagon	Brogue	MTC6916AUE	2
		Change point - VIN begin KA624756, Change point - VIN end LA647644, 2 Door Station Wagon	RH, Brogue	BTR5888AUE	1
		Change point - VIN begin KA624756, Change point - VIN end LA647644, 2 Door Station Wagon	Brogue, LH	BTR5889AUE	1
2	Carpet-centre floor wheelarch	Change point - VIN end JA624754, 4 Door Station Wagon	RH, Brogue	MTC9320AUE	1
		Change point - VIN end JA624754, 4 Door Station Wagon	RH, Winchester Grey	MTC9320LUL	1
		Change point - VIN begin KA624756, Change point - VIN end LA647644, 4 Door Station Wagon	RH, Brogue	BTR5886AUE	1
		Change point - VIN begin KA624756, Change point - VIN end LA647644, 4 Door Station Wagon	RH, Winchester Grey	BTR5886LUL	1
		Change point - VIN end LA647644, 4 Door Station Wagon	RH, Sable	BTR5886RWD	1
		Change point - VIN end LA647644, 4 Door Station Wagon	RH, Tan	BTR5886AUK	1
3	Carpet-centre floor wheelarch	Change point - VIN end JA624754, 4 Door Station Wagon	Brogue, LH	MTC9319AUE	1
		Change point - VIN end JA624754, 4 Door Station Wagon	Winchester Grey, LH	MTC9319LUL	1
		Change point - VIN begin KA624756, Change point - VIN end LA647644, 4 Door Station Wagon	Brogue, LH	BTR5887AUE	1
		Change point - VIN begin KA624756, Change point - VIN end LA647644, 4 Door Station Wagon	Winchester Grey, LH	BTR5887LUL	1
		Change point - VIN end LA647644, 4 Door Station Wagon	LH, Sable	BTR5887RWD	1
		Change point - VIN end LA647644, 4 Door Station Wagon	LH, Tan	BTR5887AUK	1
4	Cover assembly-spare wheel	Change point - VIN end LA647644	Brogue	BTR1312AUE	1
		Change point - VIN end LA647644	Winchester Grey	BTR1312LUL	1
		Change point - VIN end LA647644	Sable	BTR1312RWD	1
		Change point - VIN end LA647644	Tan	BTR1312AUK	1



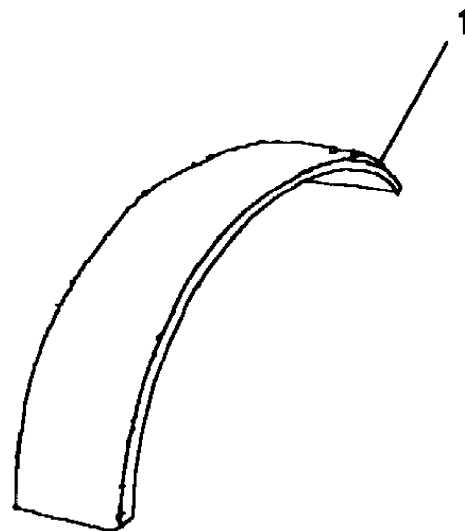
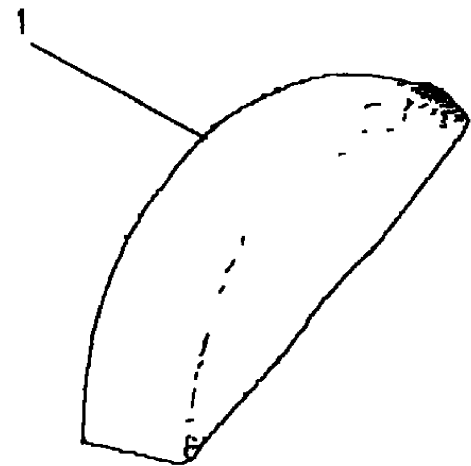
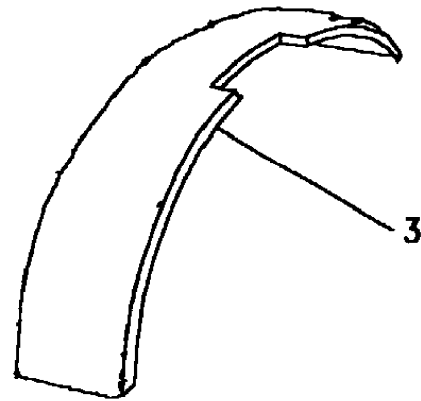
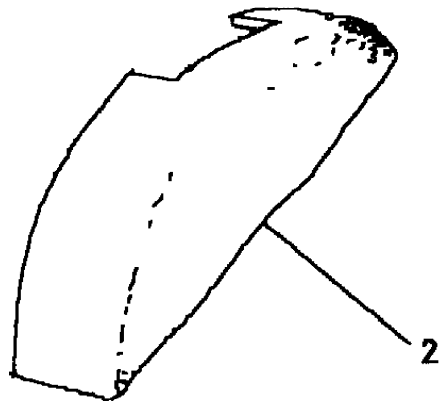
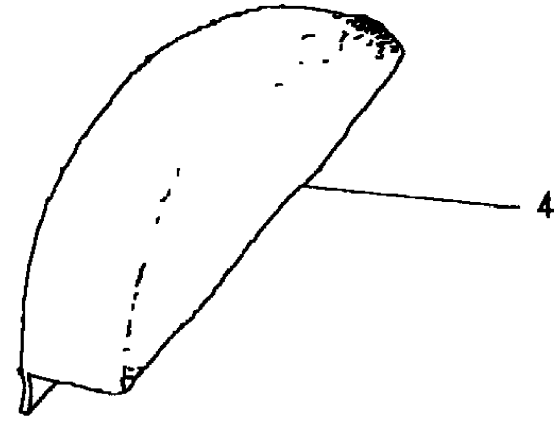
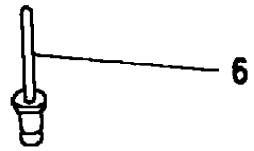
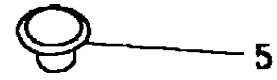
Interior Trim
Trim
Carpets Wheelarch & Spare Wheel 2/2

Range Rover (From JA610294)
(BDPXMA7A)

Range Rover (From JA610294)

Interior Trim
Trim
Carpets Wheelarch & Spare Wheel

Callout	Name	Application	Remarks & Restrictions	Service No.	Qty
5	Finisher-trim retention	Change point - VIN end LA647644	Sorrel Brown	MXC5616SUA	17
		Change point - VIN end LA647644	Winchester Grey	MXC5616LUL	17
		Change point - VIN end LA647644	Sable	MXC5616RWD	17
6	Rivet	Change point - VIN end LA647644		AFU4155L	17
[900]	Carpet-spare wheel cover	Change point - VIN end LA647644	Brogue	BTR8638AUE	1



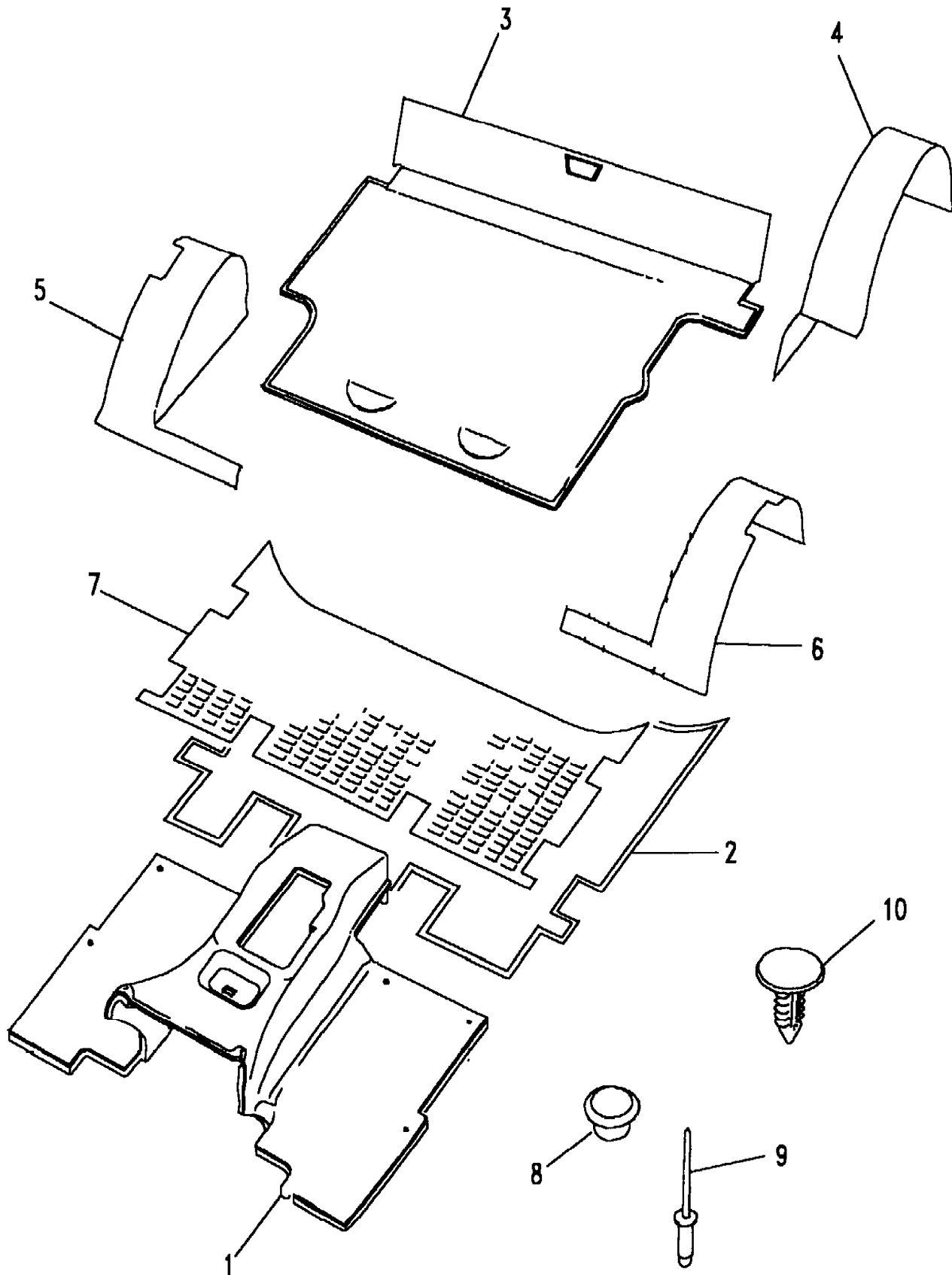
Interior Trim
Trim
Carpets-From (V) MA647645 1/2

Range Rover (From JA610294)

(BDPXMA8A)

Range Rover (From JA610294)

Interior Trim
Trim
Carpets-From (V) MA647645



Callout	Name	Application	Remarks & Restrictions	Service No.	Qty
1	Carpet-tunnel	Change point - VIN begin MA647645, RHD	Brogue	BTR8772AUE	1
		Change point - VIN begin MA647645, RHD	Ash Grey	BTR8772LNF	1
		Change point - VIN begin MA647645, RHD	Dark Granite	BTR8772LOY	1
		Change point - VIN begin MA647645, LHD	Brogue	BTR8773AUE	1
		Change point - VIN begin MA647645, LHD	Ash Grey	BTR8773LNF	1
		Change point - VIN begin MA647645, LHD	Dark Granite	BTR8773LOY	1
		2	Carpet-centre floor heelboard	Change point - VIN begin MA647645, 100"	Brogue
Change point - VIN begin MA647645, 100"	Ash Grey			AWR1997LNF	1
Change point - VIN begin MA647645, 100"	Dark Granite			AWR1997LOY	1
Change point - VIN begin MA647645, 108" (2743mm) Wheelbase	Brogue			AWR1998AUE	1
Change point - VIN begin MA647645, 108" (2743mm) Wheelbase	Ash Grey			AWR1998LNF	1
Change point - VIN begin MA647645, 108" (2743mm) Wheelbase	Dark Granite			AWR1998LOY	1
3	Carpet assembly-loadspace			Change point - VIN begin MA647645	Brogue
		Change point - VIN begin MA647645	Ash Grey	BTR5375LNF	1
		Change point - VIN begin MA647645	Dark Granite	BTR5375LOY	1
4	Carpet-spare wheel cover	Change point - VIN begin MA647645	Brogue	BTR8638AUE	1
		Change point - VIN begin MA647645	Ash Grey	BTR8638LNF	1
		Change point - VIN begin MA647645	Dark Granite	BTR8638LOY	1
5	Carpet-centre floor wheelarch	Change point - VIN begin MA647645	RH, Brogue	BTR5886AUE	1
		Change point - VIN begin MA647645	Ash Grey, RH	BTR5886LNF	1
		Change point - VIN begin MA647645	RH, Dark Granite	BTR5886LOY	1
6	Carpet-centre floor wheelarch	Change point - VIN begin MA647645	Brogue, LH	BTR5887AUE	1
		Change point - VIN begin MA647645	Ash Grey, LH	BTR5887LNF	1
		Change point - VIN begin MA647645	Dark Granite, LH	BTR5887LOY	1
7	Mat-rubber	Change point - VIN begin MA647645		BTR4874	1

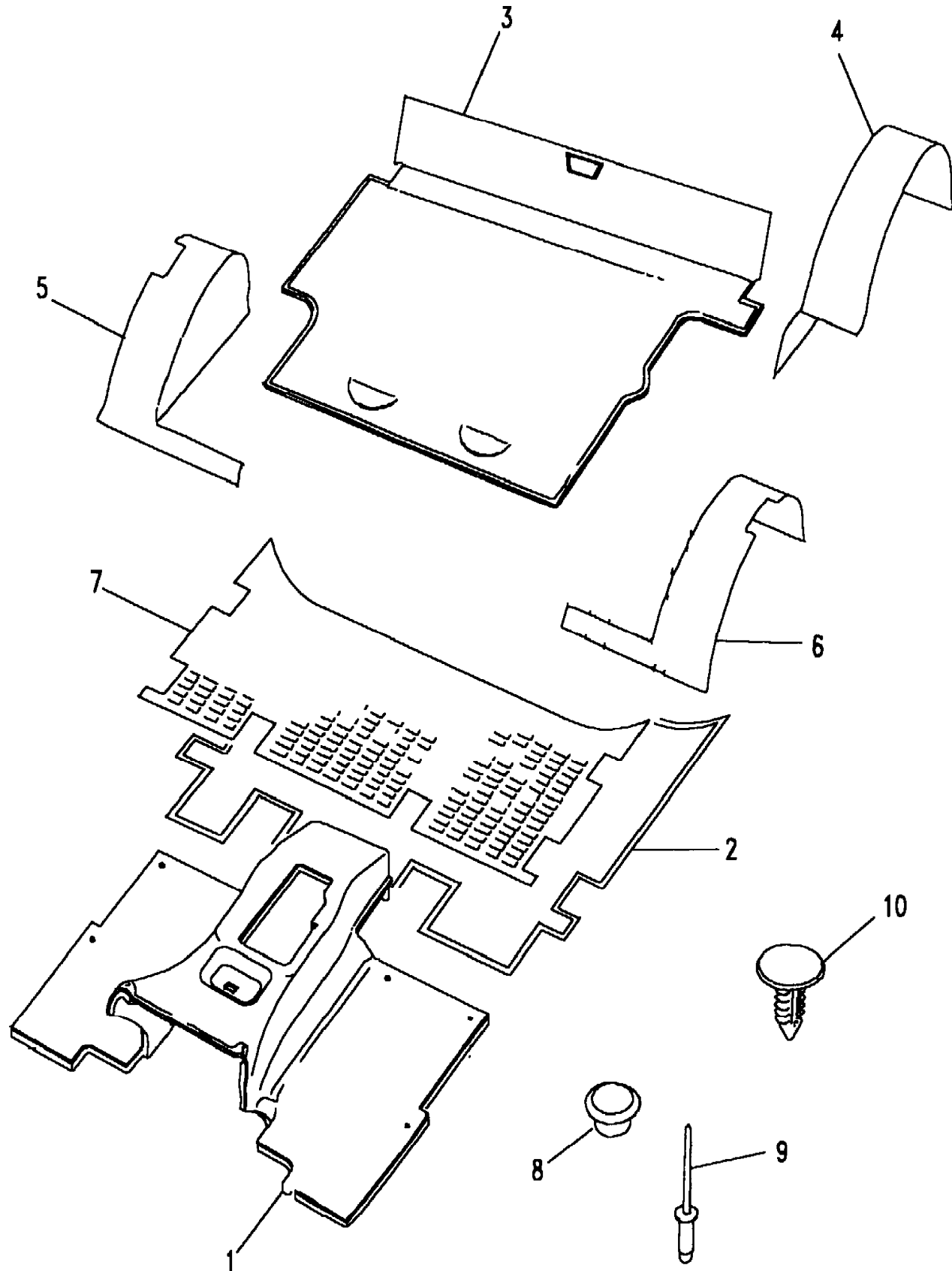
Interior Trim
Trim
Carpets-From (V) MA647645 2/2

Range Rover (From JA610294)
(BDPXMA8A)

Range Rover (From JA610294)

Interior Trim
Trim
Carpets-From (V) MA647645

Callout	Name	Application	Remarks & Restrictions	Service No.	Qty
8	Retainer-front/rear carpet	Change point - VIN begin MA647645	Ash Grey	MXC5616LNF	17
		Change point - VIN begin MA647645	Dark Granite	MXC5616LOY	17
9	Rivet	Change point - VIN begin MA647645		AFU4155L	17
10	Clip-trim retention	Change point - VIN begin MA647645	Black	YOO4633PMP	4



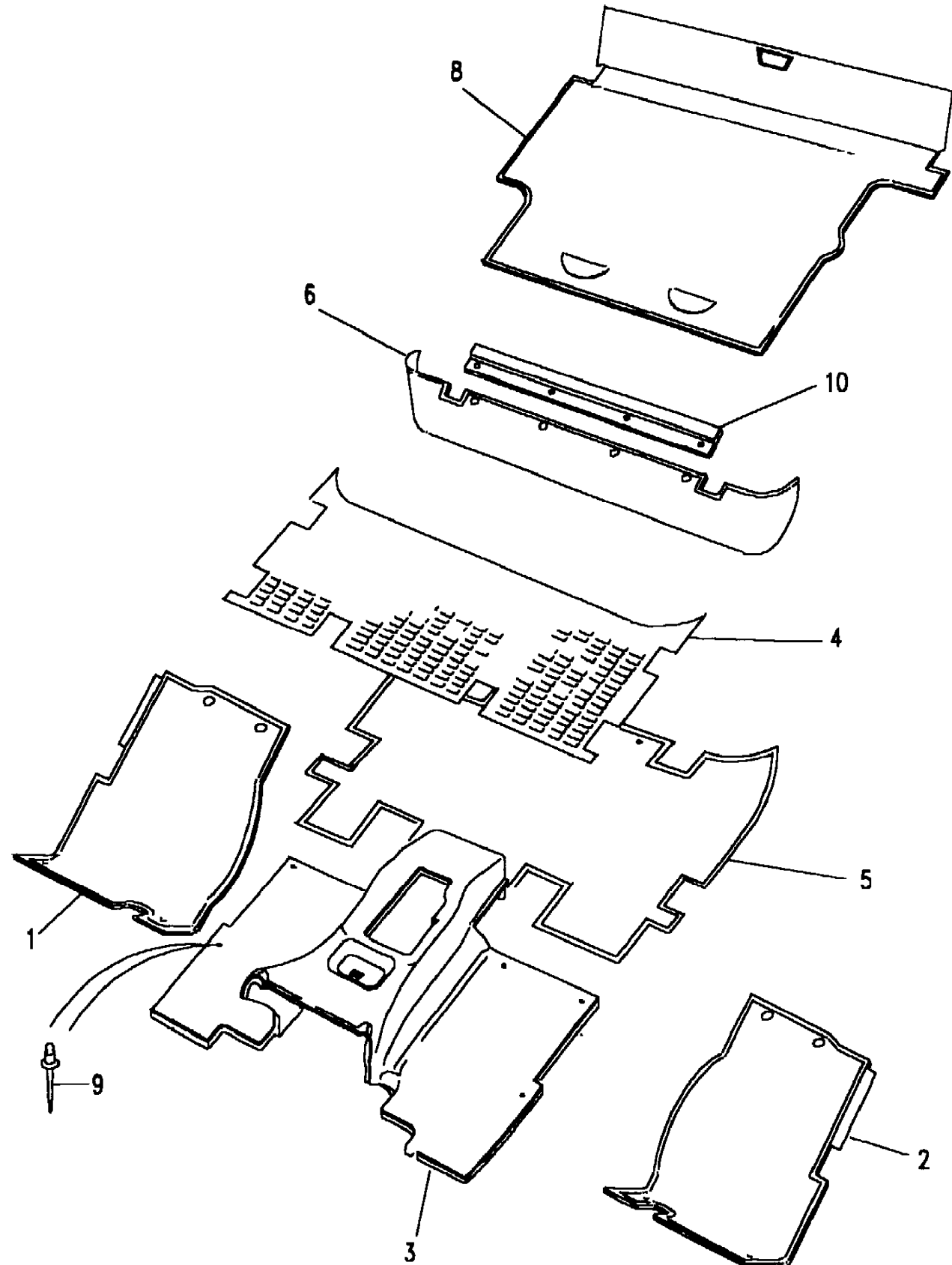
Interior Trim
Trim
Carpets-Front & Intermediate Floor 1/3

Range Rover (From JA610294)

(BDPXMA6A)

Range Rover (From JA610294)

Interior Trim
Trim
Carpets-Front & Intermediate Floor



Callout	Name	Application	Remarks & Restrictions	Service No.	Qty
1	Carpet assembly-front floor	Change point - VIN end MA647644	RH, Brogue	MXC7564AUE	1
		Change point - VIN end MA647644	RH, Winchester Grey	MXC7564LUL	1
2	Carpet assembly-front floor	Change point - VIN end MA647644	Brogue, LH	MXC7563AUE	1
		Change point - VIN end MA647644	Winchester Grey, LH	MXC7563LUL	1
3	Carpet-tunnel	Change point - VIN end JA624754	Brogue	BTR1793AUE	1
		Change point - VIN end JA624754	Winchester Grey	BTR1793LUL	1
		Change point - VIN begin KA624756, Change point - VIN end KA628503	Brogue	BTR4930AUE	1
		Change point - VIN begin KA624756, Change point - VIN end KA628503	Winchester Grey	BTR4930LUL	1
		Change point - VIN begin KA624756, Change point - VIN end KA628503	Sable	BTR4930RWD	1
		Change point - VIN begin KA624756, Change point - VIN end KA628503	Tan	BTR4930AUK	1
		Change point - VIN begin KA628503, Change point - VIN end KA647644, RHD	Brogue	BTR6968AUE	1
		Change point - VIN begin KA628503, Change point - VIN end KA647644, RHD	Winchester Grey	BTR6968LUL	1
		Change point - VIN begin KA628503, Change point - VIN end KA647644, RHD	Sable	BTR6968RWD	1
		Change point - VIN begin KA628503, Change point - VIN end KA647644, RHD	Tan	BTR6968AUK	1
		Change point - VIN end LA647644, Change point - VIN begin KA639892, RHD	Brogue	BTR8568AUE	1
		Change point - VIN end LA647644, Change point - VIN begin KA639892, RHD	Winchester Grey	BTR8568LUL	1
		Change point - VIN end LA647644, Change point - VIN begin KA639892, RHD	Sable	BTR8568RWD	1
		Change point - VIN begin KA628503, Change point - VIN end KA639891, LHD	Brogue	BTR6969AUE	1
		Change point - VIN begin KA628503, Change point - VIN end KA639891, LHD	Winchester Grey	BTR6969LUL	1
		Change point - VIN begin KA628503, Change point - VIN end KA639891, LHD	Sable	BTR6969RWD	1
Change point - VIN begin KA628503, Change point - VIN end KA639891, LHD	Tan	BTR6969AUK	1		

Interior Trim
Trim
Carpets-Front & Intermediate Floor 2/3

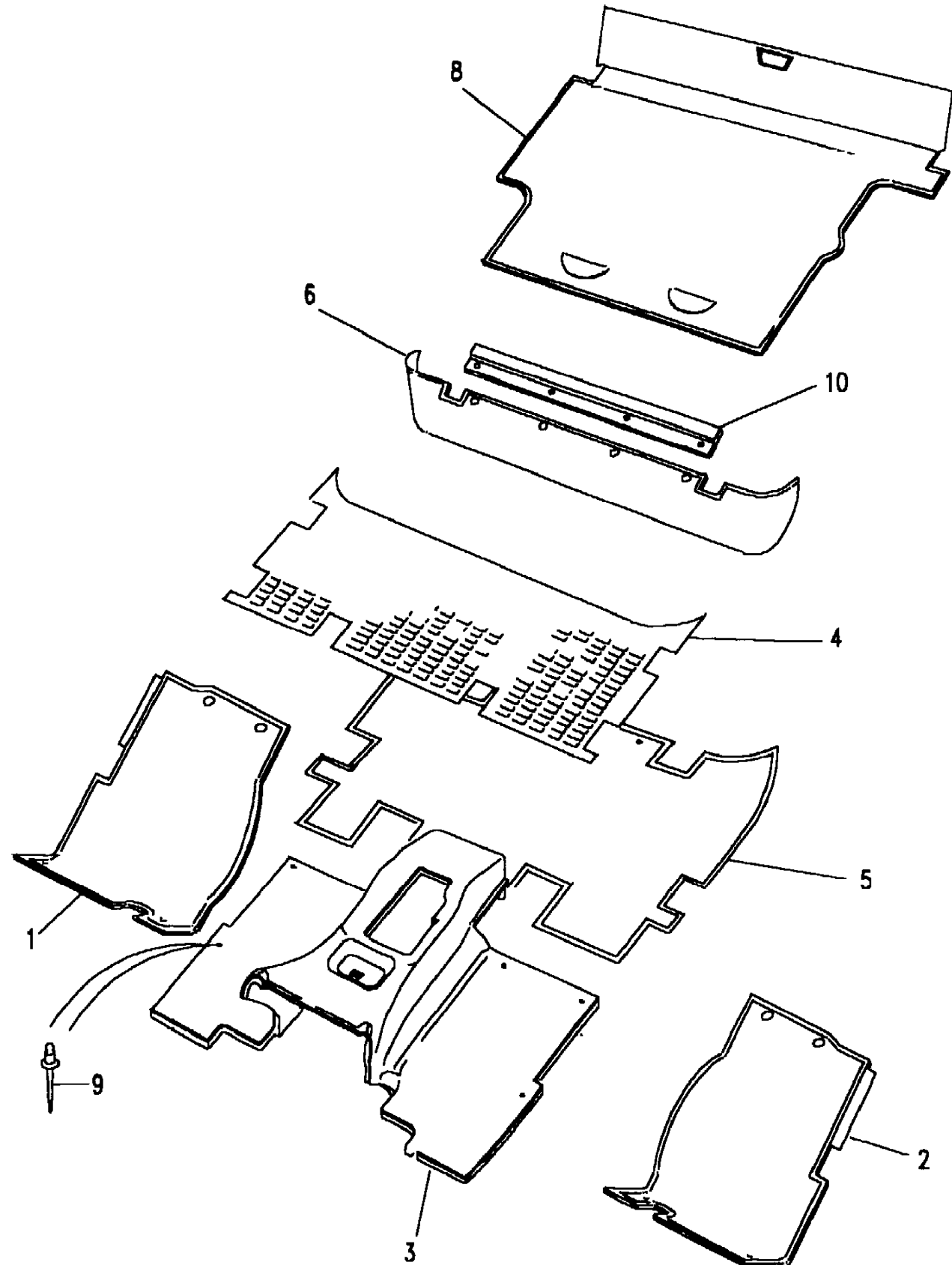
Range Rover (From JA610294)

(BDPXMA6A)

Range Rover (From JA610294)

Interior Trim
Trim
Carpets-Front & Intermediate Floor

Callout	Name	Application	Remarks & Restrictions	Service No.	Qty
3	Carpet-tunnel	Change point - VIN end LA647644, Change point - VIN begin KA639892, LHD	Brogue	BTR8567AUE	1
		Change point - VIN end LA647644, Change point - VIN begin KA639892, LHD	Winchester Grey	BTR8567LUL	1
		Change point - VIN end LA647644, Change point - VIN begin KA639892, LHD	Sable	BTR8567RWD	1
4	Mat-rubber	Change point - VIN end MA647644, 2 Door Station Wagon		BTR656	1
		Change point - VIN begin KA624756, Change point - VIN end MA647644, 4 Door Station Wagon		BTR655	1
5	Carpet assembly-rear floor	Change point - VIN end JA624754, 2 Door Station Wagon	Brogue	MXC7560AUE	1
		Change point - VIN end MA647644	Brogue	MXC7643AUE	1
		Change point - VIN end MA647644	Winchester Grey	MXC7643LUL	1
		Change point - VIN end MA647644	Sable	MXC7643RWD	1
6	Carpet-centre floor heelboard	Change point - VIN begin KA624756, Change point - VIN end MA647644, 2 Door Station Wagon	Brogue	BTR4933AUE	1
		Change point - VIN end MA647644	Tan	BTR4934AUK	1
		Change point - VIN begin KA624756, Change point - VIN end MA647644, 4 Door Station Wagon	Brogue	MXC7641AUE	1
		Change point - VIN begin KA624756, Change point - VIN end MA647644, 4 Door Station Wagon	Winchester Grey	MXC7641LUL	1
		Change point - VIN end MA647644, 4 Door Station Wagon	Brogue	BTR4933AUE	1
		Change point - VIN end KA639891, 2 Door Station Wagon	Brogue	BTR8555AUE	1
		Change point - VIN begin KA639892, Change point - VIN end MA647644, 2 Door Station Wagon	Brogue	BTR8651AUE	1
		Change point - VIN end MA647644, 2 Door Station Wagon, (+)"P"	Brogue	BTR4932AUE	1
		Change point - VIN end KA639891, 4 Door Station Wagon	Brogue	BTR4932AUE	1
		Change point - VIN end KA639891, 4 Door Station Wagon	Winchester Grey	BTR4932LUL	1



Interior Trim
Trim
Carpets-Front & Intermediate Floor 3/3

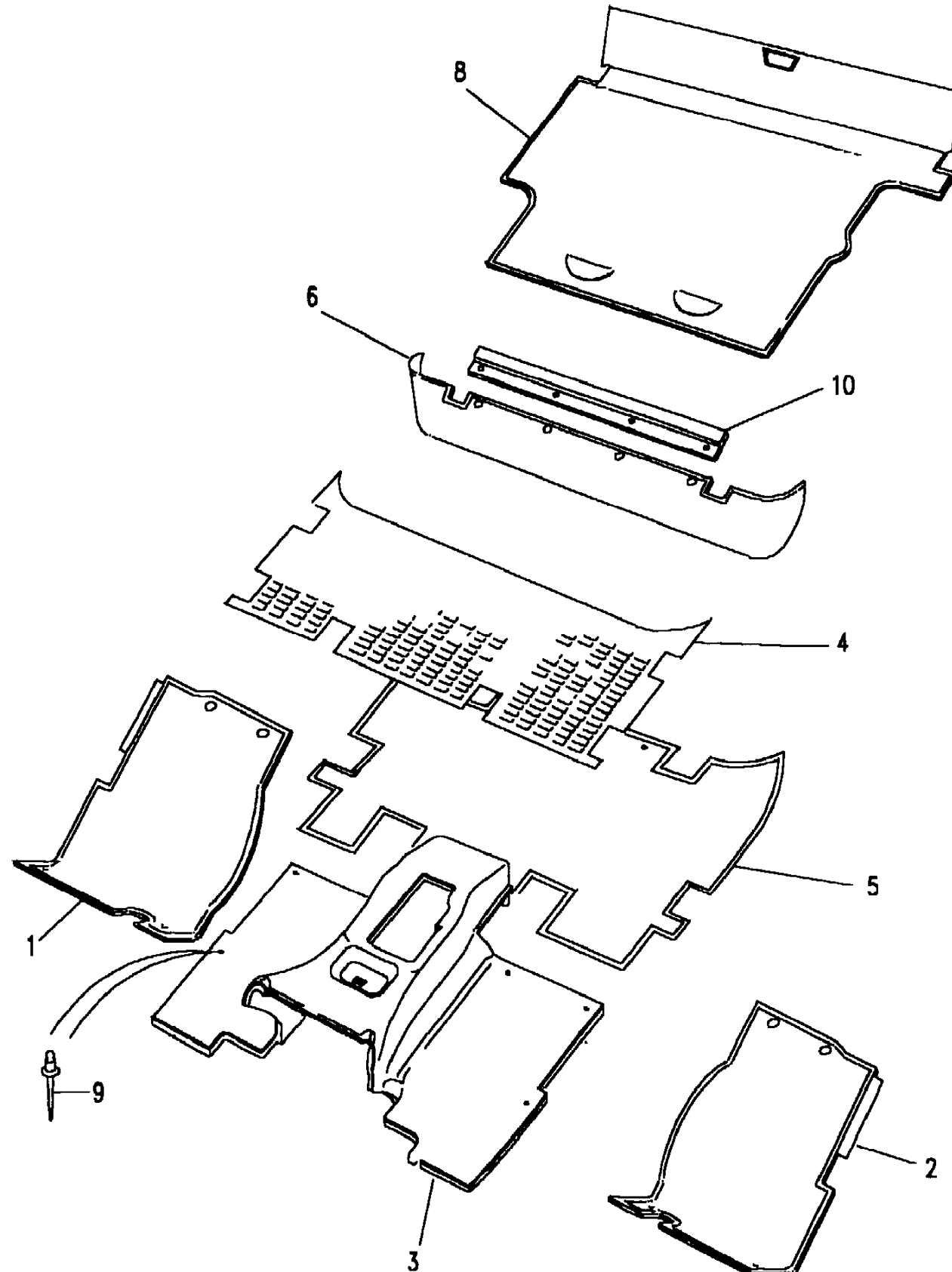
Range Rover (From JA610294)

(BDPXMA6A)

Range Rover (From JA610294)

Interior Trim
Trim
Carpets-Front & Intermediate Floor

Callout	Name	Application	Remarks & Restrictions	Service No.	Qty		
6	Carpet-centre floor heelboard	Change point - VIN end KA639891, 4 Door Station Wagon, (-) 108"	Sable	BTR4932RWD	1		
		Change point - VIN begin KA639892, Change point - VIN end MA647644, 4 Door Station Wagon	Brogue	BTR8554AUE	1		
		Change point - VIN begin KA639892, Change point - VIN end MA647644, 4 Door Station Wagon	Winchester Grey	BTR8554LUL	1		
		Change point - VIN begin KA639892, Change point - VIN end MA647644, 4 Door Station Wagon	Sable	BTR8554RWD	1		
		Change point - VIN end KA639891, 108" (2743mm) Wheelbase	Tan	BTR4934AUK	1		
		Change point - VIN end KA639891, 4 Door Station Wagon, 108" (2743mm) Wheelbase	Sable	BTR4934RWD	1		
		Change point - VIN begin KA639892, Change point - VIN end LA647644, 108" (2743mm) Wheelbase	Brogue	BTR8556AUE	1		
		Change point - VIN begin KA639892, Change point - VIN end LA647644, 108" (2743mm) Wheelbase	Sable	BTR8556RWD	1		
		7	Clip	Change point - VIN end LA647644		MWC6911	2
				8	Carpet assembly-loadspace	Change point - VIN end JA624754	Brogue
Change point - VIN end JA624754	Winchester Grey	BTR877LUL	1				
Change point - VIN begin KA624756, Change point - VIN end LA647644	Brogue	BTR5375AUE	1				
Change point - VIN begin KA624756, Change point - VIN end LA647644	Winchester Grey	BTR5375LUL	1				
Change point - VIN end LA647644	Sable	BTR5375RWD	1				
Change point - VIN end LA647644	Tan	BTR5375AUK	1				
9	Rivet	Change point - VIN end LA647644				AFU4155L	X
		10	Finisher-floor cover carpet/crossbar			Change point - VIN end LA647644	Primer
[900]	Pad-heelboard insulation			Change point - VIN end LA647644		BTR4875	1



Interior Trim
Trim
Carpets-Sill Finishers & Tread Plates 1/2

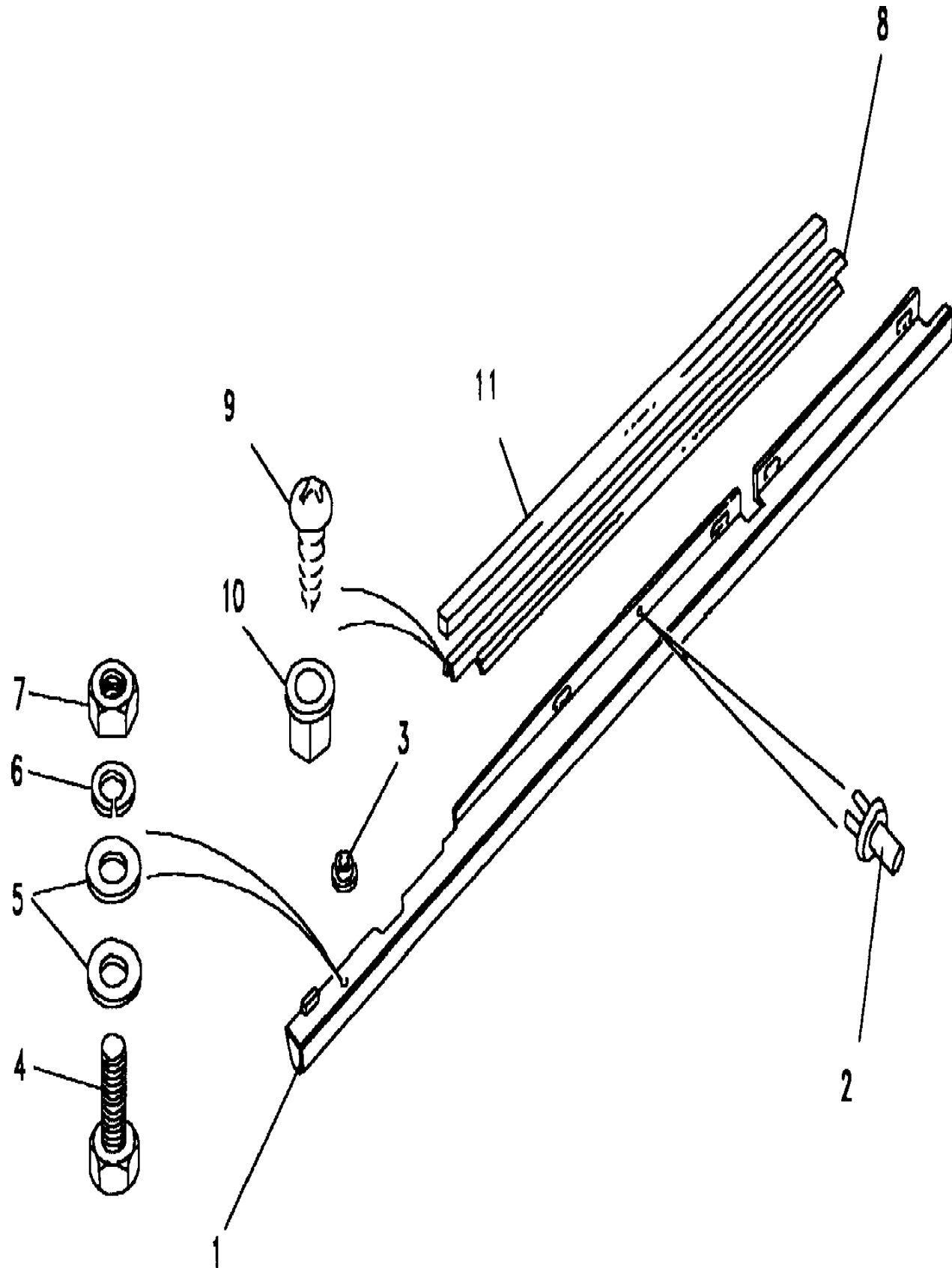
Range Rover (From JA610294)

(BDPXRA1A)

Range Rover (From JA610294)

Interior Trim
Trim
Carpets-Sill Finishers & Tread Plates

Callout	Name	Application	Remarks & Restrictions	Service No.	Qty
1	Finisher-body side sill	Change point - VIN end JA623520, 4 Door Station Wagon, (-) 108"	Black, RH	BTR1686PUB	1
		Change point - VIN end JA623520, 4 Door Station Wagon, (-) 108"	Black, LH	BTR1687PUB	1
		Change point - VIN begin JA623521, 4 Door Station Wagon, (-) 108"	Black, RH	BTR5704PUB	1
		Change point - VIN begin JA623521, 4 Door Station Wagon, (-) 108"	Black, LH	BTR5703PUB	1
		4 Door Station Wagon, 108" (2743mm) Wheelbase	Black, LH	BTR2045PUB	1
		4 Door Station Wagon, 108" (2743mm) Wheelbase	Black, RH	BTR2046PUB	1
2	Rivet-plastic-drive			79086	12
				79086L	12
3	Spacer		Front	390585	2
4	Screw		TO BODY, hexagonal head, 1/4UNF x 5/8	SH604051L	2
5	Washer		Standard	3900L	4
6	Washer-Spring		1/4 dia, Square	WM600041L	2
7	Nut - Hex.		hexagonal head, Coarse Thread, 1/4UNF	NH604041L	2
8	Treadstrip	Change point - VIN end KA639891	Black, Front, LH	MTC3877	1
		Change point - VIN end KA639891	Black, Front, RH	MTC3878	1
		Change point - VIN begin KA639892	Black, Front, LH	BTR8220PUB	2
		Change point - VIN begin MA647645, Vogue LSE	Black, Front, RH	BTR8229PUB	2
		Change point - VIN end KA639891, (-) 108"	Black, Rear, LH	MTC3879	1
		Change point - VIN end KA639891, (-) 108"	Black, Rear, RH	MTC3880	1
		Change point - VIN begin KA639892, Change point - VIN end MA647645, (-) 108"	Rear, Gloss Black, LH	BTR8221PUB	1
		Change point - VIN begin KA639892, Change point - VIN end MA647645, (-) 108"	Rear, RH, Gloss Black	BTR8222PUB	1
		Change point - VIN end KA639891, 108" (2743mm) Wheelbase	Black, Rear, LH	BTR1987	1
		Change point - VIN end KA639891, 108" (2743mm) Wheelbase	Black, Rear, RH	BTR1988	1



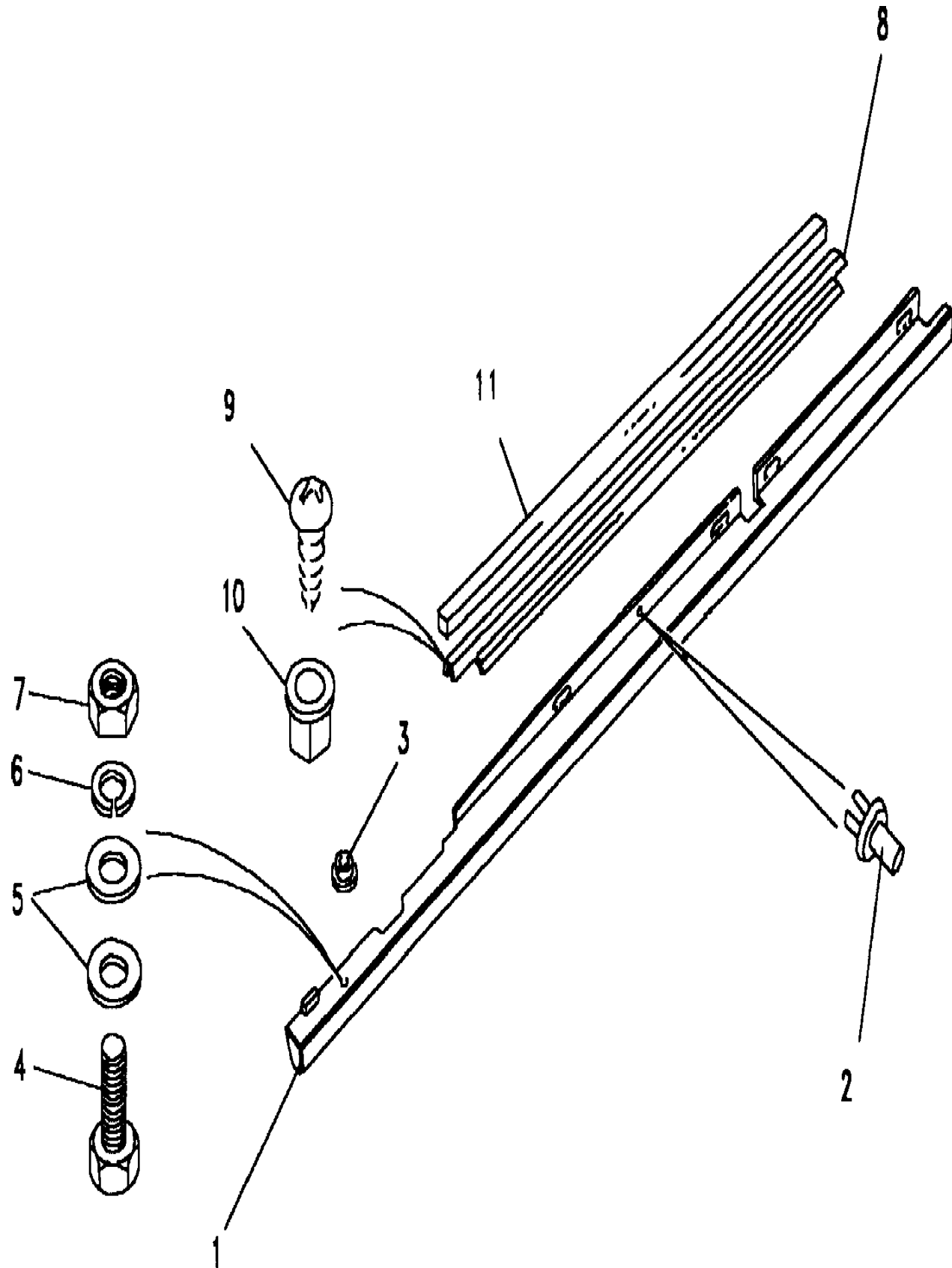
Interior Trim
Trim
Carpets-Sill Finishers & Tread Plates 2/2

Range Rover (From JA610294)
(BDPXRA1A)

Range Rover (From JA610294)

Interior Trim
Trim
Carpets-Sill Finishers & Tread Plates

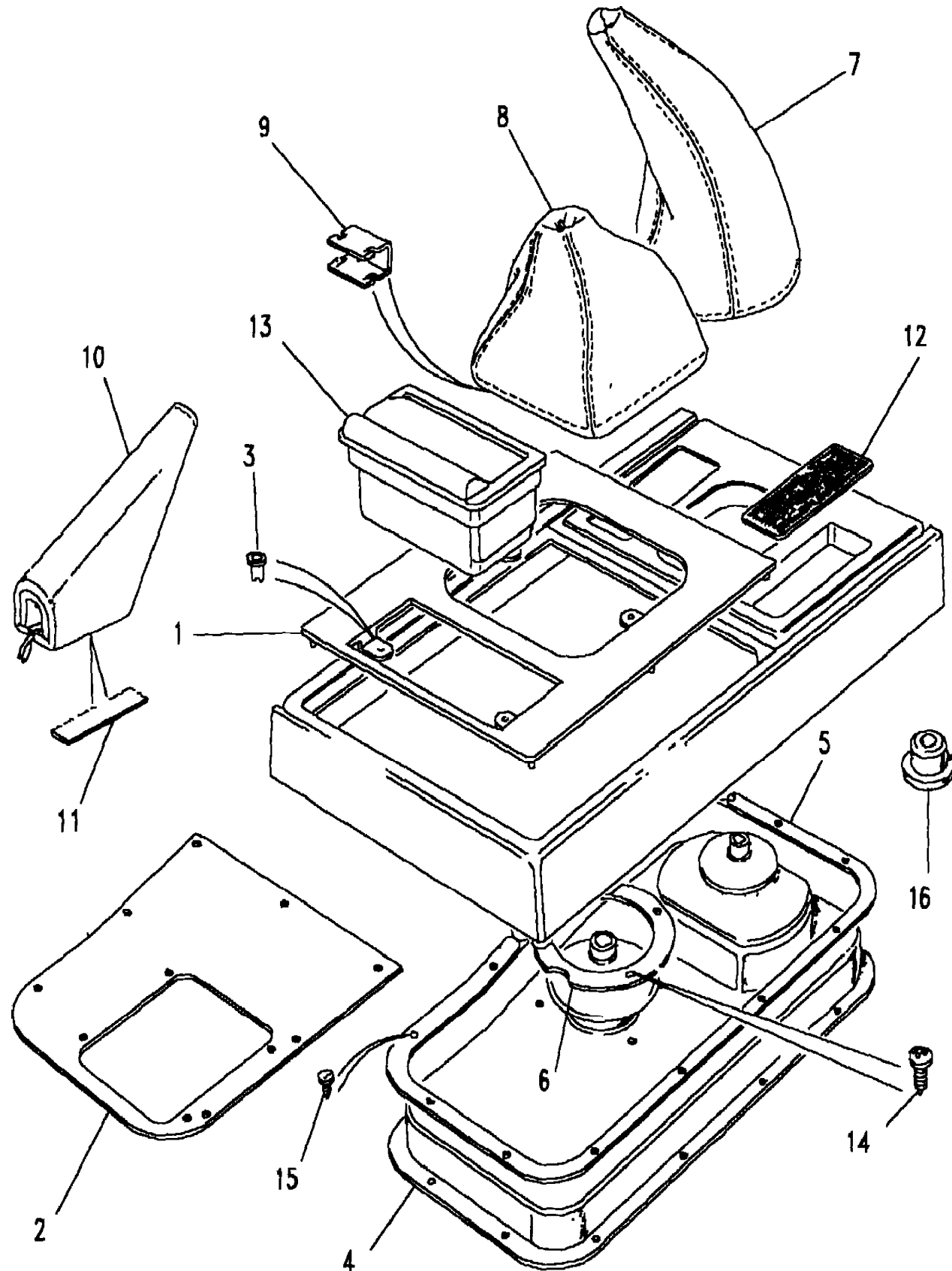
Callout	Name	Application	Remarks & Restrictions	Service No.	Qty
8	Treadstrip	Change point - VIN begin KA639892, Change point - VIN end MA647645, 108" (2743mm) Wheelbase	Black, Rear, LH	BTR7479PUB	1
		Change point - VIN begin KA639892, Change point - VIN end MA647645, 108" (2743mm) Wheelbase	Black, Rear, RH	BTR7480PUB	1
		Change point - VIN begin MA647645, 108" (2743mm) Wheelbase	Black, Rear, LH	BTR8231PUB	1
		Change point - VIN begin MA647645, 108" (2743mm) Wheelbase	Black, Rear, RH	BTR8230PUB	1
9	Screw-self tapping		Front & Rear Treadstrips, counter sunk, No 10 x 1"	AC610081L	14
10	Nut - Hex.		Front & Rear Treadstrips	RTC3746	14
11	Seal		Front & Rear Treadstrips	MTC2342	4
[900]	Treadstrip	Change point - VIN begin KA639892, Change point - VIN end MA647645, (-) 108"	Rear, Black/Stainless, LH	EAP100770PDG	1



Range Rover (From JA610294)

(BDPXCA2A)

Range Rover (From JA610294)



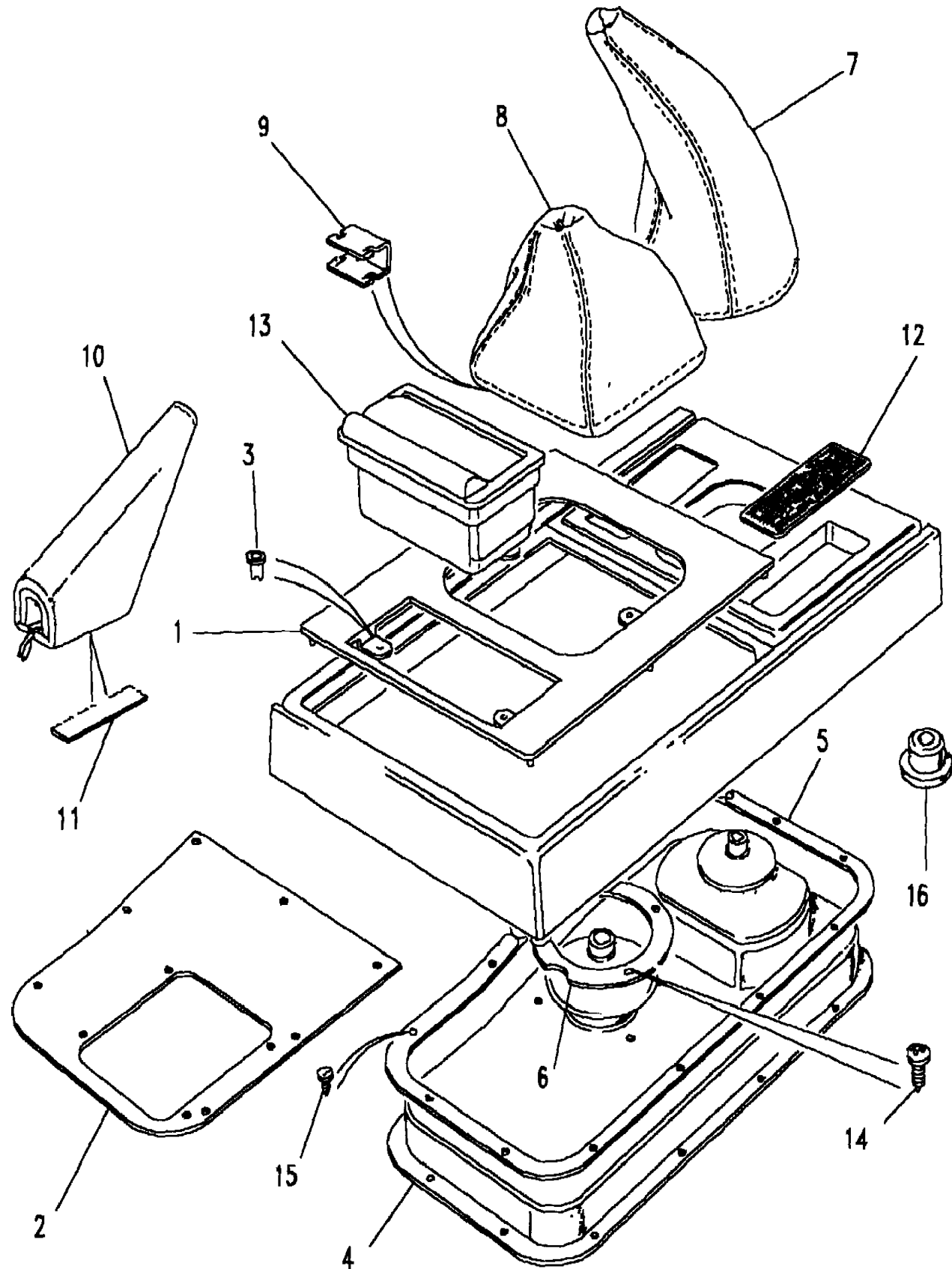
Callout	Name	Application	Remarks & Restrictions	Service No.	Qty
1	Panel assembly-tunnel console centre	Change point - VIN end MA647645, Manual Transmission	Bokhara	MUC8984RUN	1
		Change point - VIN end MA647645, Automatic Transmission	Bokhara	MUC8985RUN	1
2	Panel closing	Change point - VIN end MA647645		MWC2961	1
3	Stud	Change point - VIN end MA647645		AFU3075	16
4	Gaiter-gear lever assembly inner	Change point - VIN end MA647645, Manual Transmission		MUC6806	1
		Change point - VIN end MA647645, Automatic Transmission		MWC5396	1
5	Retainer-gear lever assembly gaiter	Change point - VIN end MA647645, Manual Transmission		MUC9281	1
		Change point - VIN end MA647645, Automatic Transmission		MUC9284	1
6	Retainer-gear lever assembly gaiter	Change point - VIN end MA647645		MUC3664	1
7	Gaiter-gear lever assembly	Change point - VIN end MA647645, Manual Transmission	Vinyl, Bokhara	MXC2070RUN	1
		Change point - VIN end MA647645, Manual Transmission	Bokhara, Leather	MXC1889RUN	1
8	Gaiter-hi/low lever	Change point - VIN end MA647645	Vinyl, Bokhara	MXC2067RUN	1
		Change point - VIN end MA647645	Bokhara, Leather	MXC1639RUN	1
9	Clip-edge harness	Change point - VIN end MA647645		MTC6264	4
10	Gaiter-handbrake assembly	Change point - VIN end MA647645	Bokhara, Leather	MXC7711RUN	1
		Change point - VIN end MA647645	Bokhara, Leather	MXC7712RUN	1
11	Retaining-strip	Change point - VIN end MA647645		MWC3360	2
12	Mat-coin tray	Change point - VIN end MA647645	Bokhara	MUC2498RUN	2
13	Ashtray assembly-tunnel console	Change point - VIN end MA647645		MUC8987	1

Range Rover (From JA610294)

(BDPXCA2A)

Range Rover (From JA610294)

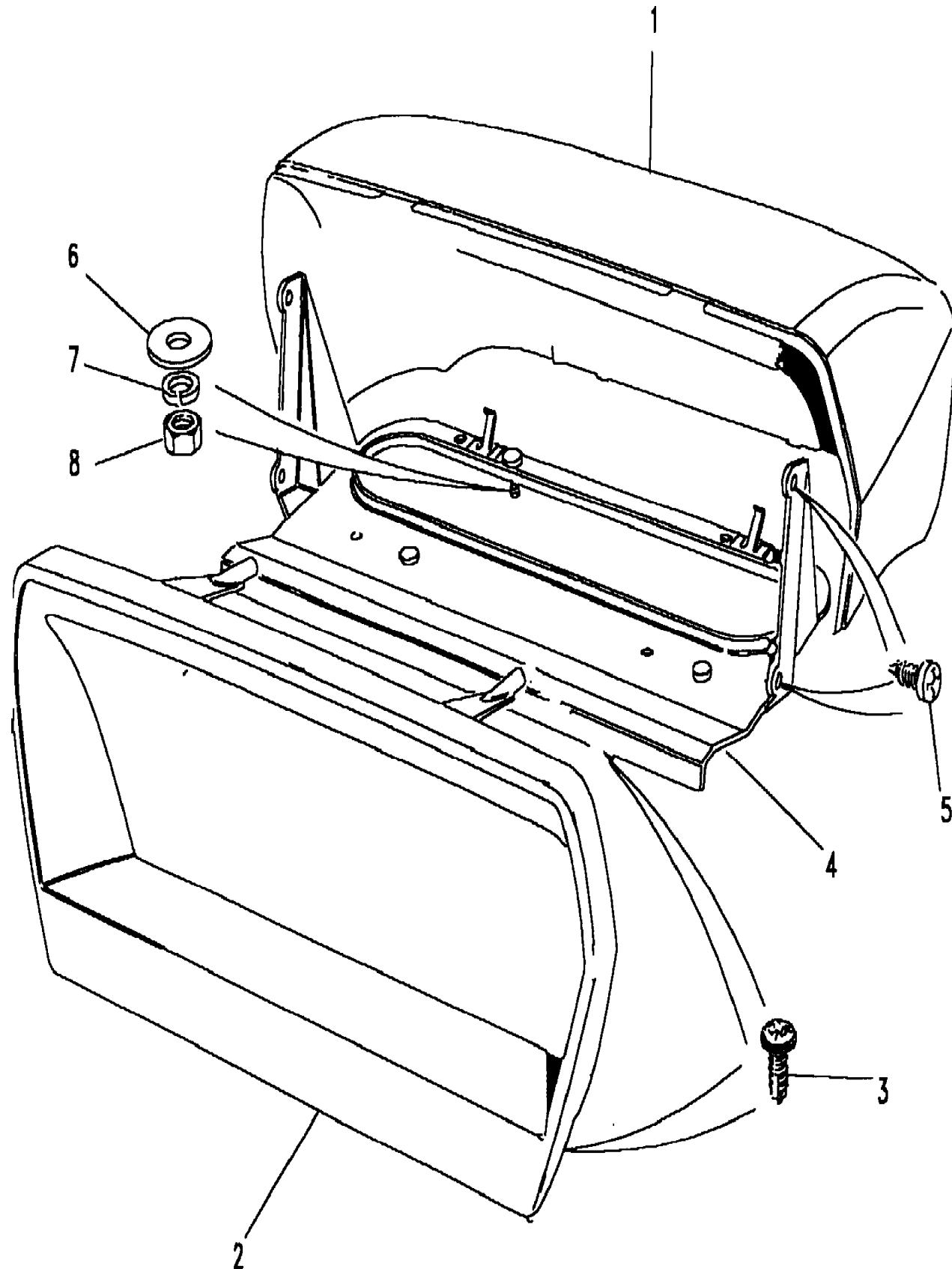
Callout	Name	Application	Remarks & Restrictions	Service No.	Qty
14	Screw-self tapping AB	Change point - VIN end MA647645	M8 x 12	AB610041L	4
15	Screw	Change point - VIN end MA647645	M6 X 20, pan head	SE106201L	14
16	Bush	Change point - VIN end MA647645		MUC4856	1



Range Rover (From JA610294)

(BDPXAA2A)

Range Rover (From JA610294)



Callout	Name	Application	Remarks & Restrictions	Service No.	Qty
1	Cowl-instrument pack	Change point - VIN end MA647645	Bokhara	MWC6420RUN	1
2	Bezel-facia instrument	Change point - VIN end MA647645	Bokhara	BTR1458RUN	1
3	Screw	Change point - VIN end MA647645		AFU2945	4
4	Bracket-facia instrument mounting	Change point - VIN end KA624780	RH, Bokhara	MWC5728	1
		Change point - VIN end KA624780	Bokhara, LH	MWC5729	1
		Change point - VIN begin KA624781, Change point - VIN end MA647645	RH, Bokhara	BTR408	1
		Change point - VIN begin KA624781, Change point - VIN end MA647645	Bokhara, LH	BTR409	1
5	Screw	Change point - VIN end MA647645	Self Tapping, No 8 x 3/8	AB608031L	4
6	Washer	Change point - VIN end MA647645	M5, oversize, Plain	WJ105001L	2
7	Washer	Change point - VIN end MA647645	M5, retaining	WL105001L	2
8	Nut-hexagonal	Change point - VIN end MA647645	M5	NH105041L	2

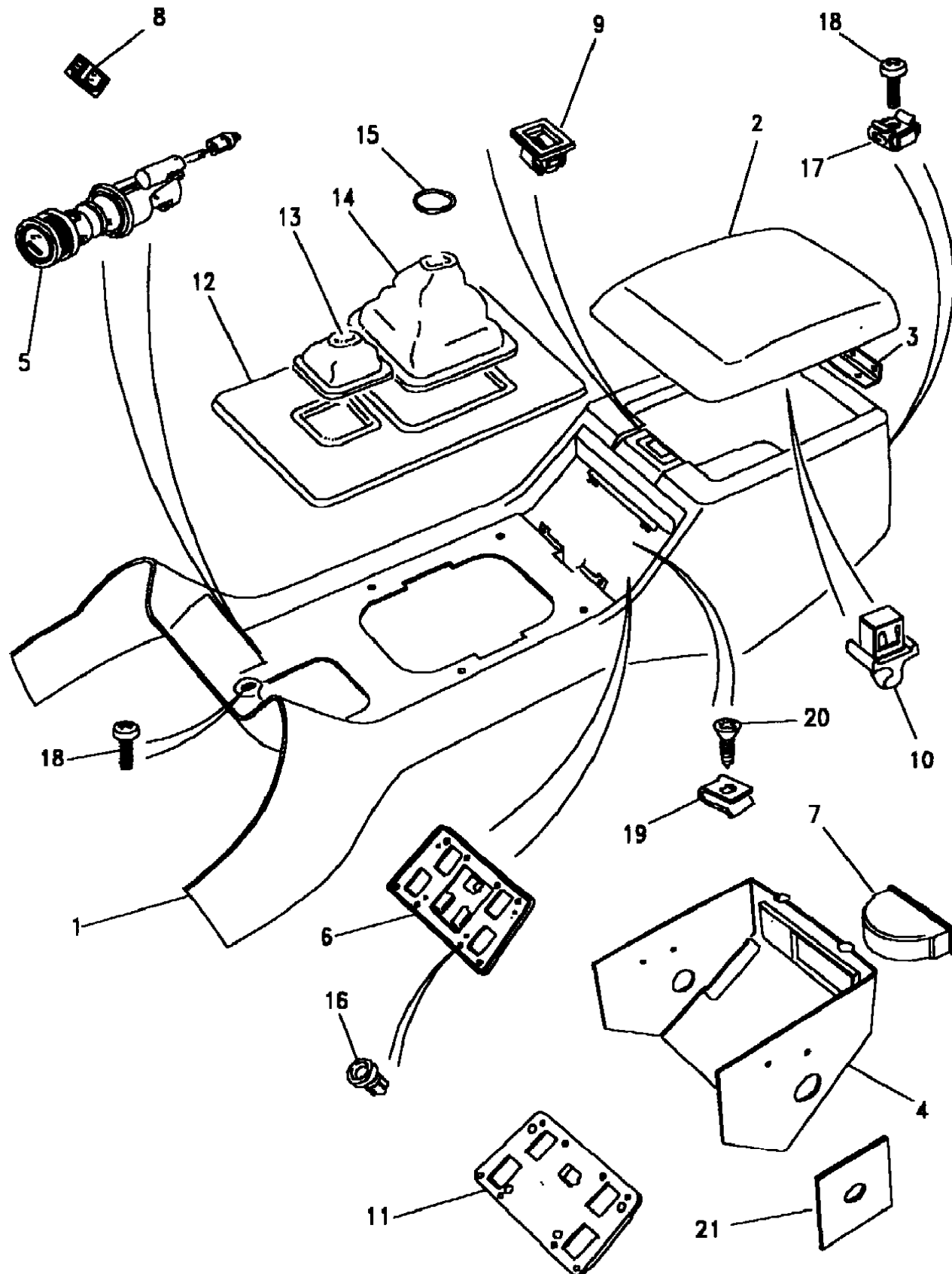
Interior Trim
Trim
Cubby Box-From (V) MA647645 1/2

Range Rover (From JA610294)

(BDPXCC2A)

Range Rover (From JA610294)

Interior Trim
Trim
Cubby Box-From (V) MA647645



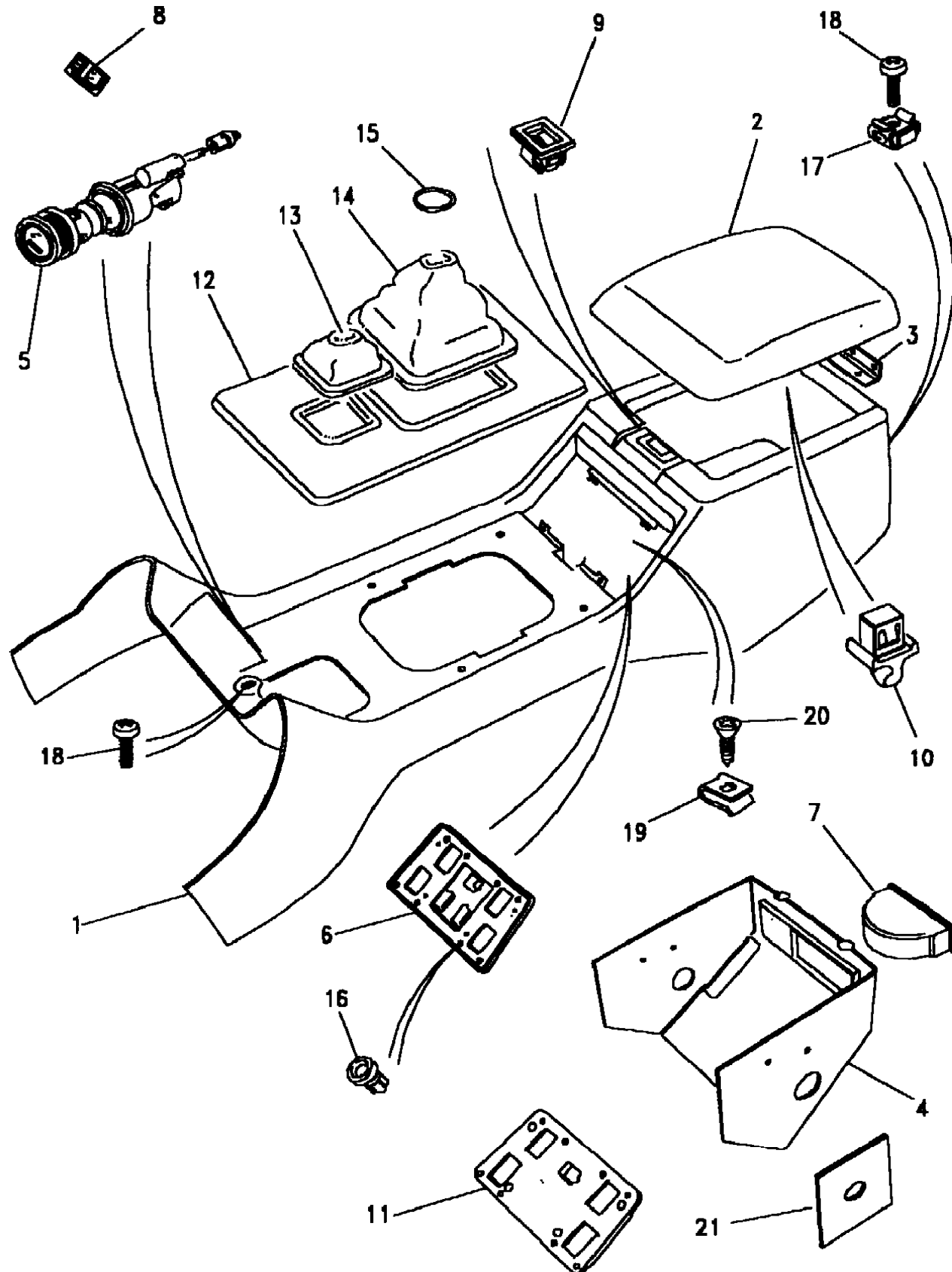
Callout	Name	Application	Remarks & Restrictions	Service No.	Qty
1	Console assembly-tunnel	Change point - VIN begin MA647645, Manual Transmission	Ash Grey	BTR4292LNF	1
		Change point - VIN begin MA647645, Manual Transmission	Also serviced as part of a kit, Sorrel Brown	BTR4292SUA	1
		Change point - VIN begin MA647645, Automatic Transmission	Ash Grey	BTR4293LNF	1
		Change point - VIN begin MA647645, Automatic Transmission	Sorrel Brown	BTR4293SUA	1
		Change point - VIN begin MA647645, Automatic Transmission			
2	Lid assembly-tunnel console	Change point - VIN begin MA647645	Sorrel Brown	STC1805SUA	1
		Change point - VIN begin MA647645	Ash Grey	STC1804LNF	1
3	Hinge assembly-tunnel console lid	Change point - VIN begin MA647645	Ash Grey	BTR9910LNF	1
4	Finisher-tunnel console centre	Change point - VIN begin MA647645	Ash Grey	BTR8409LNF	1
		Change point - VIN begin MA647645	Sorrel Brown	BTR8409SUA	1
6	Housing-tunnel console switch	Change point - VIN begin MA647645		AWR1439	1
7	Ashtray assembly-tunnel console	Change point - VIN begin MA647645		AWR1399	1
8	Label-warning	Change point - VIN begin MA647645, Manual Transmission		AWR1183	1
		Change point - VIN begin MA647645, Automatic Transmission		BTR9547	1
9	Latch assembly-tunnel console lid	Change point - VIN begin MA647645	Ash Grey	BTR9128LNF	1
10	Striker-centre console stowage box lid	Change point - VIN begin MA647645	Ash Grey	BTR8902LNF	1
11	Housing-tunnel console switch	Change point - VIN begin MA647645	Heated Seats, Ash Grey	BTR3655LNF	1
		Change point - VIN begin MA647645	Less Heated Seats, Ash Grey	BTR3644LNF	1
		Change point - VIN end 2A999999	Less Heated Seats, Ash Grey	BTR3644LNF	1
		Change point - VIN begin 3A000000	Less Heated Seats, Black	BTR3644PUY	1
12	Mat-centre console	Change point - VIN begin MA647645, Manual Transmission	Black, Plastic	BTR3087PMA	1

Interior Trim
Trim
Cubby Box-From (V) MA647645 2/2

Range Rover (From JA610294)
(BDPXCC2A)

Range Rover (From JA610294)

Interior Trim
Trim
Cubby Box-From (V) MA647645



Callout	Name	Application	Remarks & Restrictions	Service No.	Qty
12	Mat-centre console	Change point - VIN begin MA647645, Automatic Transmission	Black	BTR3088PMA	1
13	Gaiter-gear lever assembly	Change point - VIN begin MA647645	Vinyl, Ash Grey	BTR8841LNF	1
		Change point - VIN begin MA647645	Ash Grey, Leather	BTR9528LNF	1
14	Gaiter-gear lever assembly	Change point - VIN begin MA647645	Vinyl, Ash Grey	BTR9929LNF	1
		Change point - VIN begin MA647645	Ash Grey, Leather	BTR9529LNF	1
15	Retainer-gear lever assembly gaiter	Change point - VIN begin MA647645	Upper	BTR7958	1
16	Fastener-expanding	Change point - VIN begin MA647645		BTR8842	4
17	Nut - Hex.	Change point - VIN begin MA647645		NK105061	2
18	Screw	Change point - VIN begin MA647645	M5 x 16	SE105164L	4
19	Nut-spring-u type	Change point - VIN begin MA647645		ADU1670	4
20	Screw-self tapping	Change point - VIN begin MA647645		AC606044	4
[900]	Housing-tunnel console switch	Change point - VIN begin MA647645	Black	FHR100500PMA	1
		Change point - VIN begin MA647645		FHR100502	1
[901]	Mat-centre console	Change point - VIN begin MA647645, Manual Transmission	Black, Plastic	FIF100150PMA	1

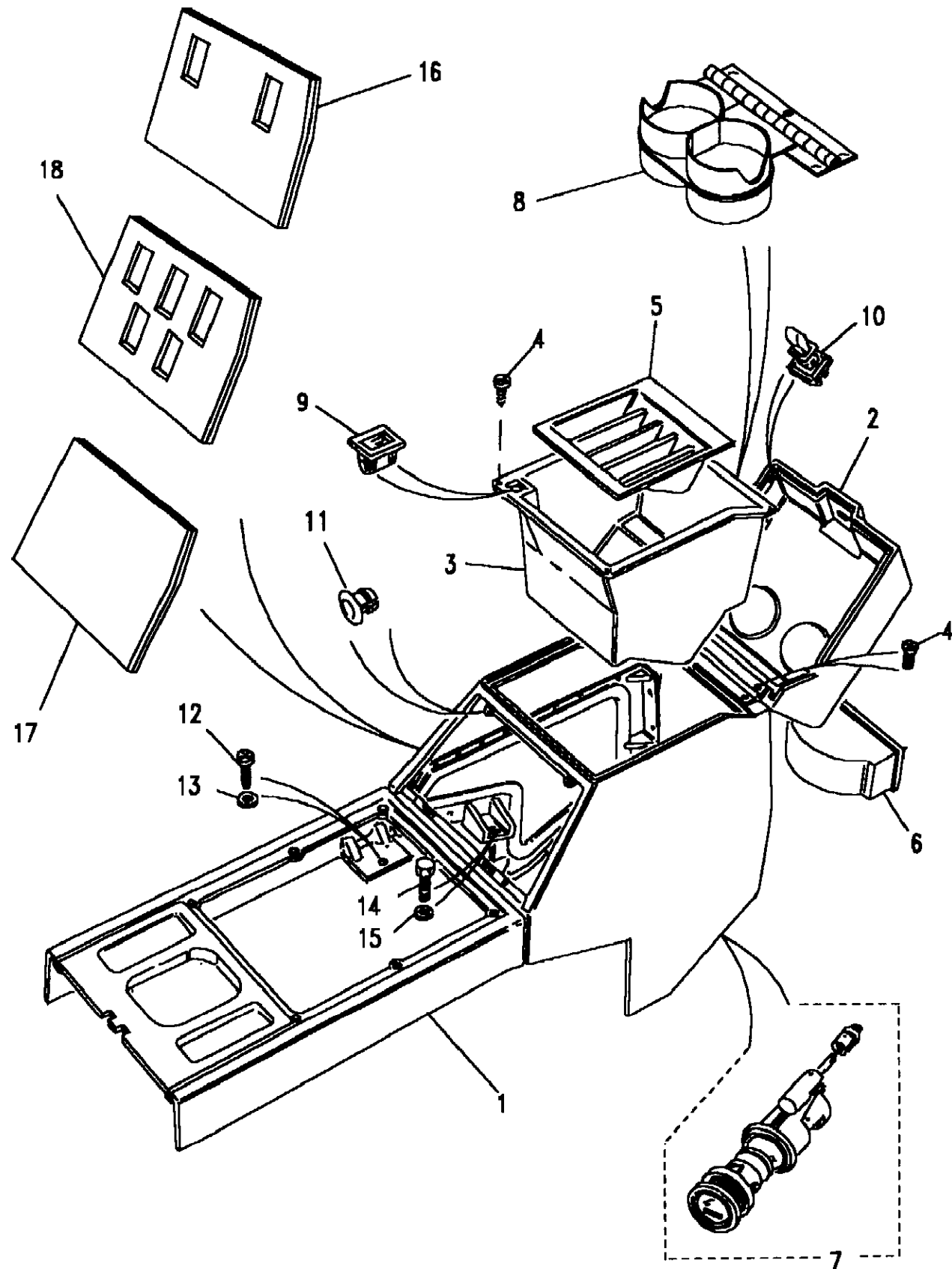
Interior Trim
Trim
Cubby Box-To (V) LA647644 1/2

Range Rover (From JA610294)

(BDPXCC1A)

Range Rover (From JA610294)

Interior Trim
Trim
Cubby Box-To (V) LA647644



Callout	Name	Application	Remarks & Restrictions	Service No.	Qty
1	Cassette box-facia console	Change point - VIN end MA647645	auxiliary cigar lighter, Also serviced as part of a kit, Bokhara	BTR2317RUN	1
		Change point - VIN end MA647645	Bokhara	BTR8807RUN	1
2	Lid assembly-tunnel console	Change point - VIN end MA647645	Also serviced as part of a kit, Bokhara	MUC9897RUN	1
3	Moulding-cubby box insert	Change point - VIN end MA647645	Black	BTR1018PMA	1
4	Screw	Change point - VIN end MA647645	M4	SF104084L	12
5	Tray-cassette box	Change point - VIN end MA647645		MUC3672	1
6	Ashtray assembly-facia console	Change point - VIN end MA647645		MXC6930	1
8	Holder-cup	Change point - VIN end MA647645		STC8162	1
9	Latch assembly-tunnel console lid	Change point - VIN end MA647645		MUC9336	1
10	Striker-centre console stowage box lid	Change point - VIN end MA647645		MUC9335	1
11	Stud	Change point - VIN end MA647645		AFU3075	4
12	Screw	Change point - VIN end MA647645	Self Tapping	AB614081L	2
13	Washer	Change point - VIN end MA647645	Plain	MRC5528	2
14	Screw	Change point - VIN end MA647645	hexagonal head, M8 x 45	SH108451	2
15	Washer	Change point - VIN end MA647645	M8	AFU1079	2
16	Panel-switches mounting	Change point - VIN end MA647645, 2 Door Station Wagon	Electric Windows, Bokhara	MXC7781RUN	1
17	Blank-electric window lift switch-tunnel console	Change point - VIN end MA647645, LHD	Less Electric Windows, Bokhara, LH	MXC1795RUN	1
		Change point - VIN end MA647645, RHD	Less Electric Windows, RH, Bokhara	MXC1794RUN	1
18	Panel-electric window lift switch mounting	Change point - VIN end MA647645, 4 Door Station Wagon, LHD	Electric Windows, Bokhara, LH	MXC7783RUN	1

Interior Trim
Trim
Cubby Box-To (V) LA647644 2/2

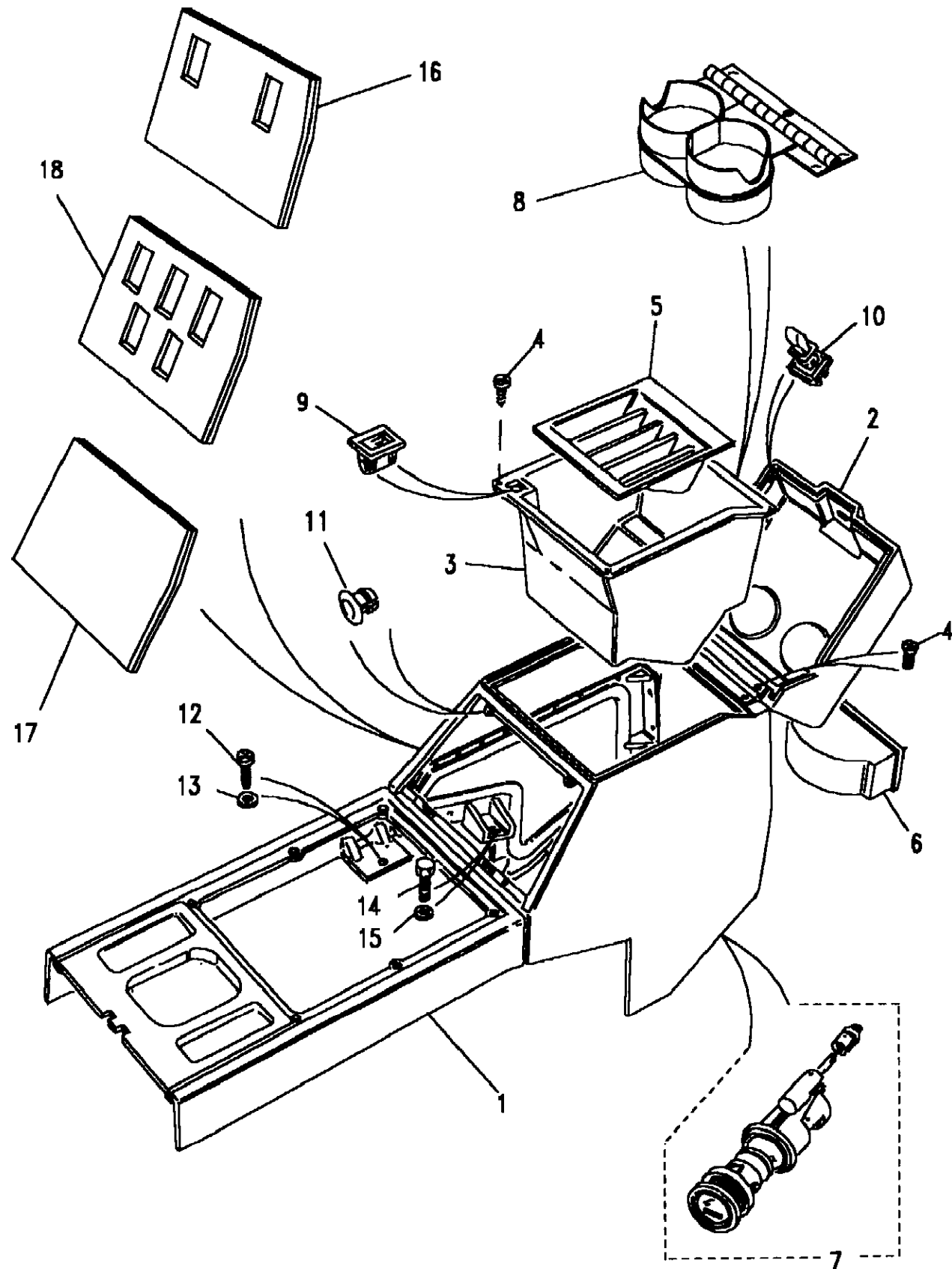
Range Rover (From JA610294)

(BDPXCC1A)

Range Rover (From JA610294)

Interior Trim
Trim
Cubby Box-To (V) LA647644

Callout	Name	Application	Remarks & Restrictions	Service No.	Qty
18	Panel-electric window lift switch mounting	Change point - VIN end MA647645, 4 Door Station Wagon, RHD	Electric Windows, RH, Bokhara	MXC7782RUN	1
[900]	Lid assembly-tunnel console	Change point - VIN end MA647645	Bokhara	RTC8091RUN	1



Interior Trim
Trim
Facia Assembly 1/3

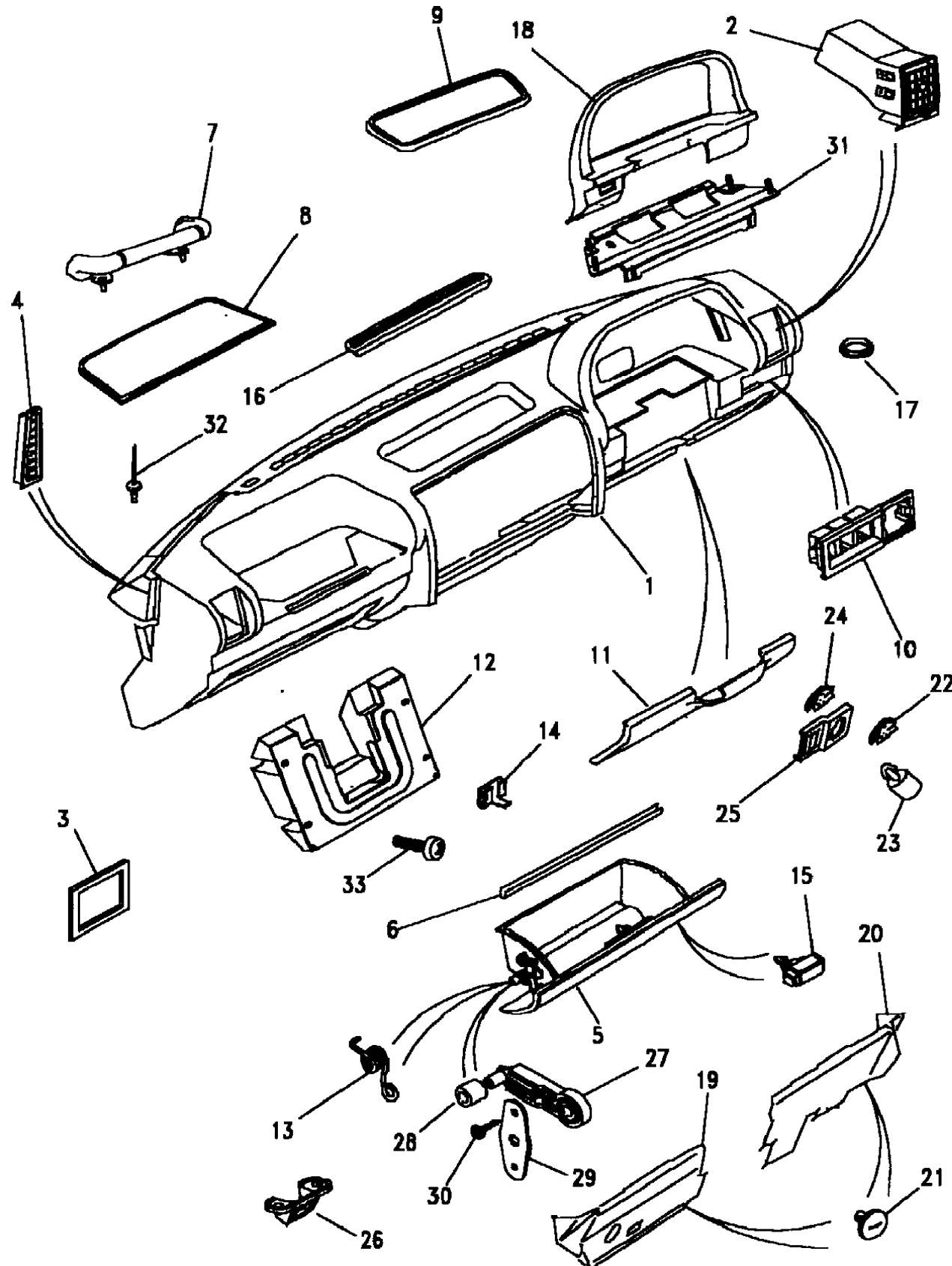
Range Rover (From JA610294)

(BDPXAA3A)

Range Rover (From JA610294)

Interior Trim
Trim
Facia Assembly

Callout	Name	Application	Remarks & Restrictions	Service No.	Qty
1	Facia assembly-front end	Change point - VIN begin MA647645, RHD, With Driver Air Bag	Ash Grey, with wood inserts	STC1299LNF	1
		Change point - VIN begin MA647645, RHD, Less Driver Air Bag	Ash Grey, with wood inserts	STC1295LNF	1
		Change point - VIN begin MA647645, LHD, With Driver Air Bag	Ash Grey, with wood inserts	STC1300LNF	1
		Change point - VIN begin MA647645, LHD, With Driver Air Bag	Ash Grey, without wood inserts	STC1298LNF	1
		Change point - VIN begin MA647645, LHD, Less Driver Air Bag	Ash Grey, with wood inserts	STC1296LNF	1
		Change point - VIN begin MA647645, LHD, Less Driver Air Bag	Ash Grey, without wood inserts	STC1294LNF	1
		Change point - VIN begin MA647645, LHD, Less Driver Air Bag	Ash Grey, without wood inserts	STC1294LNF	1
2	Finisher facia vent	Change point - VIN begin MA647645	Ash Grey	AWR1187LNF	2
3	Seal-duct driver/passenger	Change point - VIN begin MA647645	Outer	BTR7174	2
4	Bezel-side window demist facia	Change point - VIN begin MA647645, Change point - VIN end 2A999999	Ash Grey, RH	BTR3312LNF	1
		Change point - VIN begin 3A000000	Black, RH	BTR3312PUY	1
		Change point - VIN begin MA647645, Change point - VIN end 2A999999	Ash Grey, LH	BTR3313LNF	1
		Change point - VIN begin 3A000000	Black, LH	BTR3313PUY	1
		Change point - VIN begin 3A000000	Black, LH	BTR3313PUY	1
5	Glovebox assembly-facia	Change point - VIN begin MA647645	Ash Grey	BTR3353LNF	1
		Change point - VIN begin MA647645	Dark Granite	BTR3353LOY	1
		Change point - VIN begin MA647645	Sorrel Brown	BTR3353SUA	1
6	Finisher-glovebox	Change point - VIN begin MA647645	Ash Grey	BTR3730LNF	1
7	Handle assembly-grab	Change point - VIN begin MA647645	Vinyl, Ash Grey	BTR3897LNF	1
		Change point - VIN begin MA647645	Ash Grey, Leather	AWR1167LNF	1
8	Mat-facia	Change point - VIN begin MA647645	Rubber	BTR4307PMA	1
9	Mat-facia	Change point - VIN begin MA647645, Change point - VIN end 2A999999	Black, middle	BTR9334PMA	1
		Change point - VIN begin 3A000000	Black, middle	BTR9334PUY	1



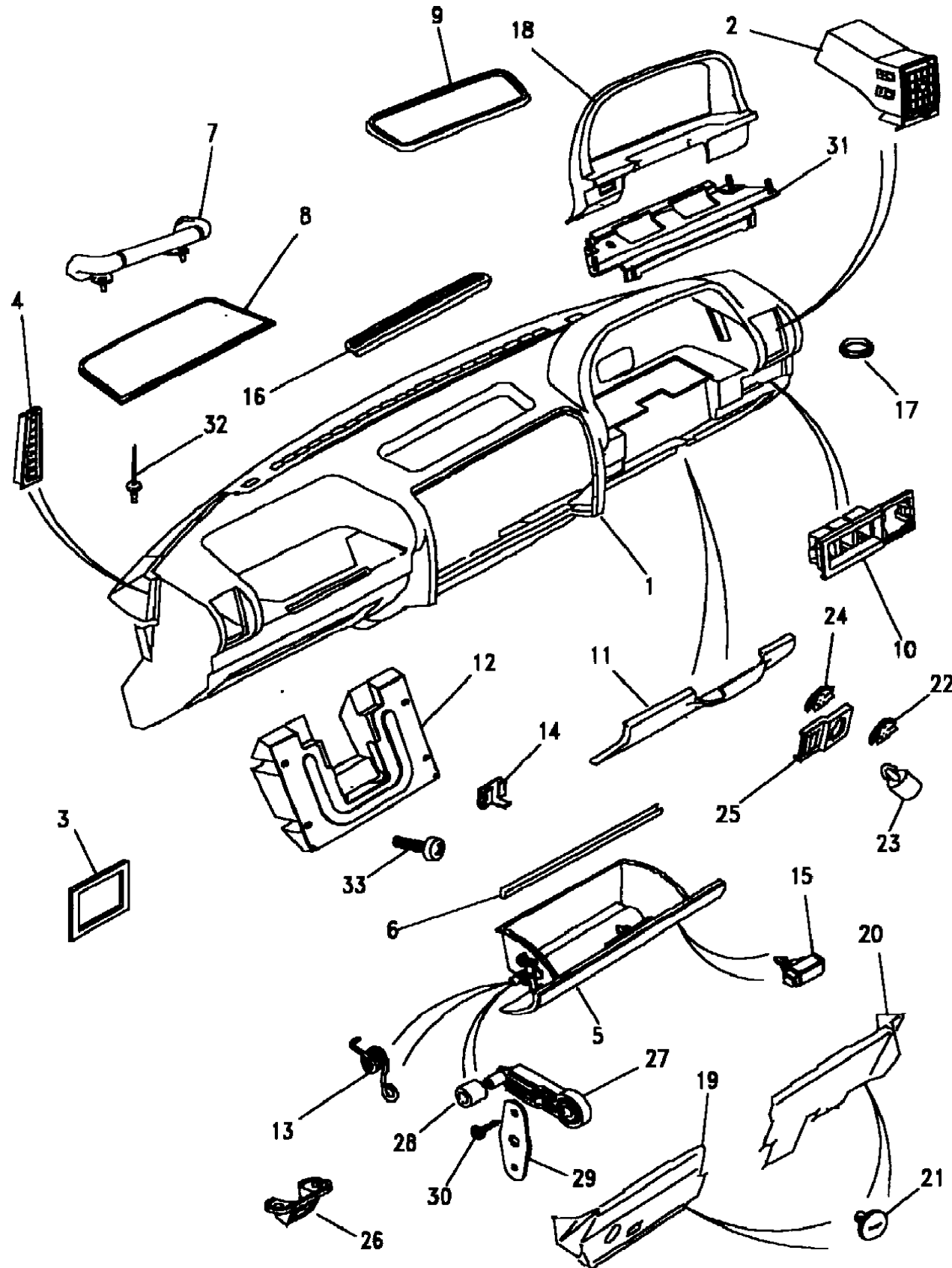
Interior Trim
Trim
Facia Assembly 2/3

Range Rover (From JA610294)

(BDPXAA3A)

Range Rover (From JA610294)

Interior Trim
Trim
Facia Assembly



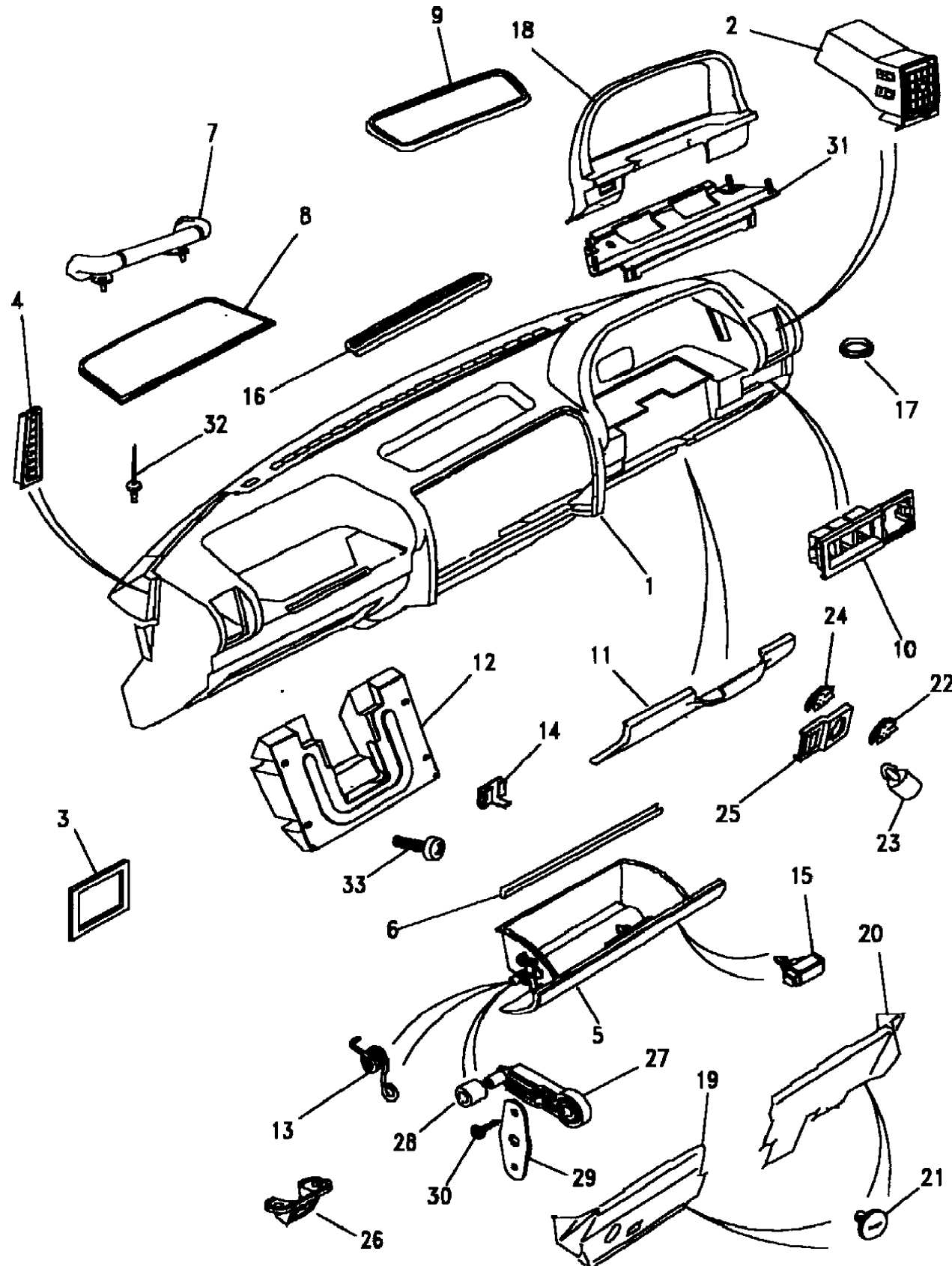
Callout	Name	Application	Remarks & Restrictions	Service No.	Qty
11	Lid assembly-facia fuse box	Change point - VIN begin MA647645, RHD	Ash Grey	BTR3724LNF	1
		Change point - VIN begin MA647645, RHD	Dark Granite	BTR3724LOY	1
		Change point - VIN begin MA647645, RHD	Sorrel Brown	BTR3724SUA	1
		Change point - VIN begin MA647645, LHD	Also serviced as part of a kit, Ash Grey	BTR3725LNF	1
		Change point - VIN begin MA647645, LHD	Dark Granite	BTR3725LOY	1
		Change point - VIN begin MA647645, LHD	Also serviced as part of a kit, Sorrel Brown	BTR3725SUA	1
		12	Foam-facia finisher assembly	Change point - VIN begin MA647645, LHD	
13	Spring-glovebox return	Change point - VIN begin MA647645, LHD	RH	BTR9908	1
		Change point - VIN begin MA647645, LHD	LH	BTR9909	1
14	Clip	Change point - VIN begin MA647645, LHD		BTR9515	8
15	Latch-glovebox	Change point - VIN begin MA647645		BTR3367	1
16	Bezel assembly windscreen demist	Change point - VIN begin MA647645, Change point - VIN end 2A999999	Ash Grey	BTR9333LNF	1
		Change point - VIN begin 3A000000	Black	BTR9333PUY	1
17	Plug-facia blanking	Change point - VIN begin MA647645		BTR7175	2
18	Cover-instrument pack	Change point - VIN begin MA647645	Ash Grey	AWR1166LNF	1
19	Panel-passenger closure	Change point - VIN begin MA647645, RHD		BTR9888	1
		Change point - VIN begin MA647645, LHD		BTR9890	1
20	Panel-driver closing	Change point - VIN begin MA647645, RHD		BTR9889	1
		Change point - VIN begin MA647645, LHD		BTR9891	1
		Change point - VIN end MA647645, RHD		STC2911	1
		Change point - VIN end MA647645, LHD		STC2912	1
21	Fastener-fir tree	Change point - VIN begin MA647645		BTR9437	3
22	Washer	Change point - VIN begin MA647645		MUC6523	2

Interior Trim
Trim
Facia Assembly 3/3

Range Rover (From JA610294)
(BDPXAA3A)

Range Rover (From JA610294)

Interior Trim
Trim
Facia Assembly



Callout	Name	Application	Remarks & Restrictions	Service No.	Qty
23	Turnbuckle-fuse box lid	Change point - VIN begin MA647645	Dark Granite	FBR10001LOY	2
			Sorrel Brown	FBR10001SUA	2
24	Receiver-turnbuckle	Change point - VIN begin MA647645		AFU4131	2
25	Bracket	Change point - VIN begin MA647645	Turnbuckle-fuse box lid	BTR4264	2
26	Striker-facia glovebox	Change point - VIN begin MA647645		BTR3731	1
27	Arm-glovebox stay	Change point - VIN begin MA647645		FFV10002	1
28	Roller	Change point - VIN begin MA647645		FXB10002	1
29	Plate-glovebox stay retaining	Change point - VIN begin MA647645		FFU10004	2
30	Screw-thread forming	Change point - VIN begin MA647645		FYP10003	4
31	Bracket-facia instrument mounting	Change point - VIN begin MA647645	Also serviced as part of a kit	BTR6837	1
32	Rivet	Change point - VIN begin MA647645	facia	BTR9284	2
[900]	Latch-glovebox	Change point - VIN begin MA647645		FNC100080L	1
				FNC100080L	1
[901]	Fastener-fir tree			EYC101330PMA	3
[903]	Plate-glovebox stay retaining	Change point - VIN begin MA647645		FFU10004L	2
				FFU10004L	2

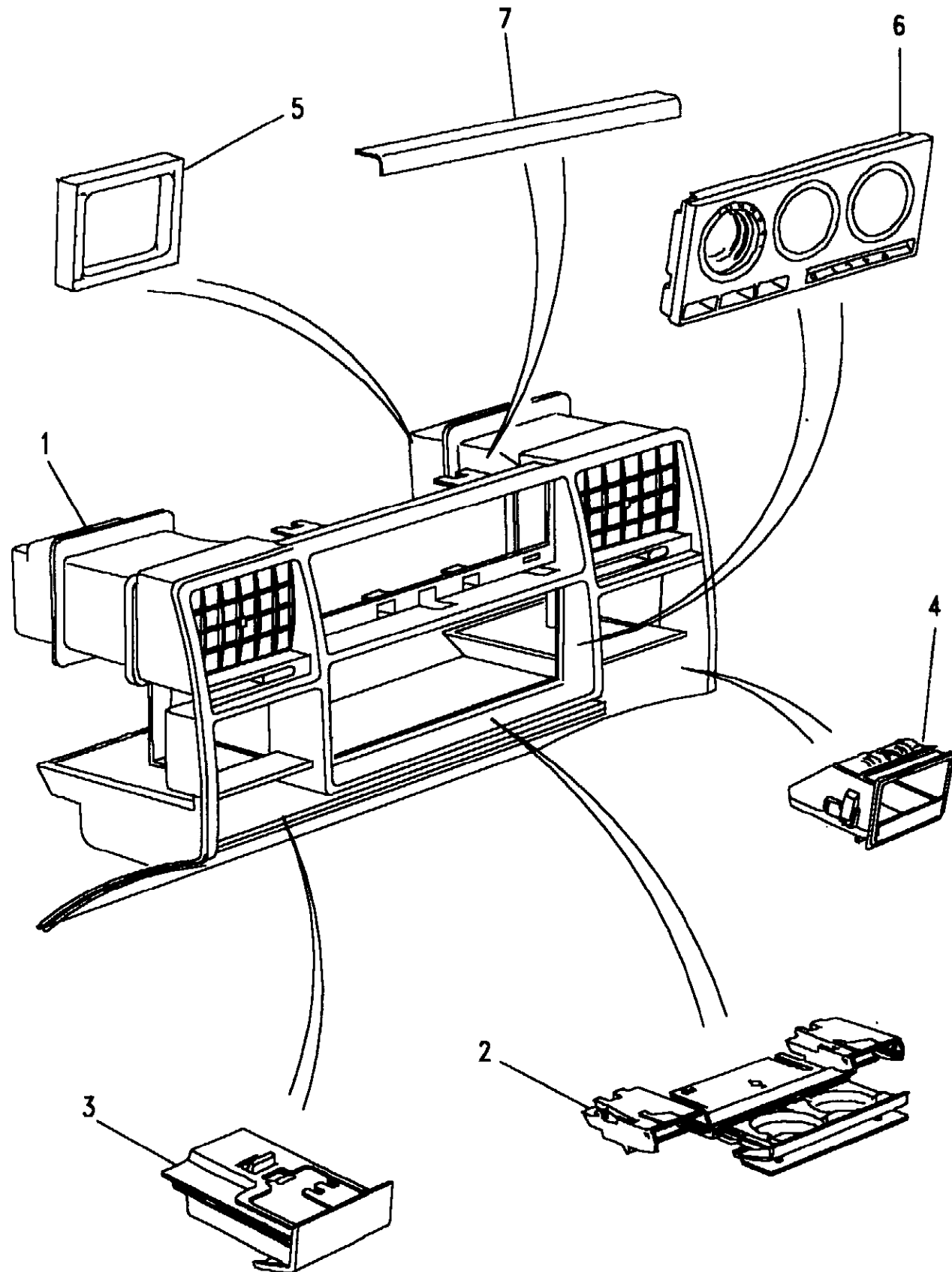
Interior Trim
Trim
Facia Centre Console 1/1

Range Rover (From JA610294)

(BDPXAC4A)

Range Rover (From JA610294)

Interior Trim
Trim
Facia Centre Console



Callout	Name	Application	Remarks & Restrictions	Service No.	Qty
1	Console assembly-facia	Change point - VIN begin MA647645	Ash Grey	BTR9903LNF	1
2	Tray-console picnic	Change point - VIN begin MA647645	Ash Grey, with wood inserts	AWR1156LNF	1
		Change point - VIN begin MA647645	Ash Grey, without cupholder	AWR1199LNF	1
		Change point - VIN begin MA647645	Ash Grey, with cupholder	AWR1200LNF	1
3	Ashtray assembly-facia	Change point - VIN begin MA647645, Change point - VIN end 2A999999	Ash Grey	AWR1195LNF	1
		Change point - VIN begin 3A000000	Black	AWR1195PUY	1
4	Cointray-facia console	Change point - VIN begin MA647645	Ash Grey	AWR1196LNF	1
5	Seal-duct central facia	Change point - VIN begin MA647645		BTR7173	2
6	Plate-graphics control-heater	Change point - VIN begin MA647645		BTR6495	1
		Change point - VIN begin MA647645	Burr Walnut	BTR9506	1
7	Finisher-facia console radio	With Anti-Theft Alarm	Burglar Alarm, alarm LED aperture, Ash Grey	BTR7714LNF	1
		Change point - VIN begin MA647645, Less Anti-Theft Alarm	Less Burglar Alarm, Ash Grey	BTR8281LNF	1
[900]	Finisher-facia console radio		Ash Grey	FHY100290LNF	1
[901]	Tray-console picnic		Ash Grey, with cupholder	FJI100170LNF	1
[902]	Cointray-facia console	Change point - VIN end 2A999999	Ash Grey	FHQ100010LNF	1
		Change point - VIN begin 3A000000	Black	FHQ100010PUY	1
[903]	Plate-graphics control-heater			JFE100640	1

Interior Trim
Trim
Footrest & Toebox Trim-From (V) MA647645 1/3

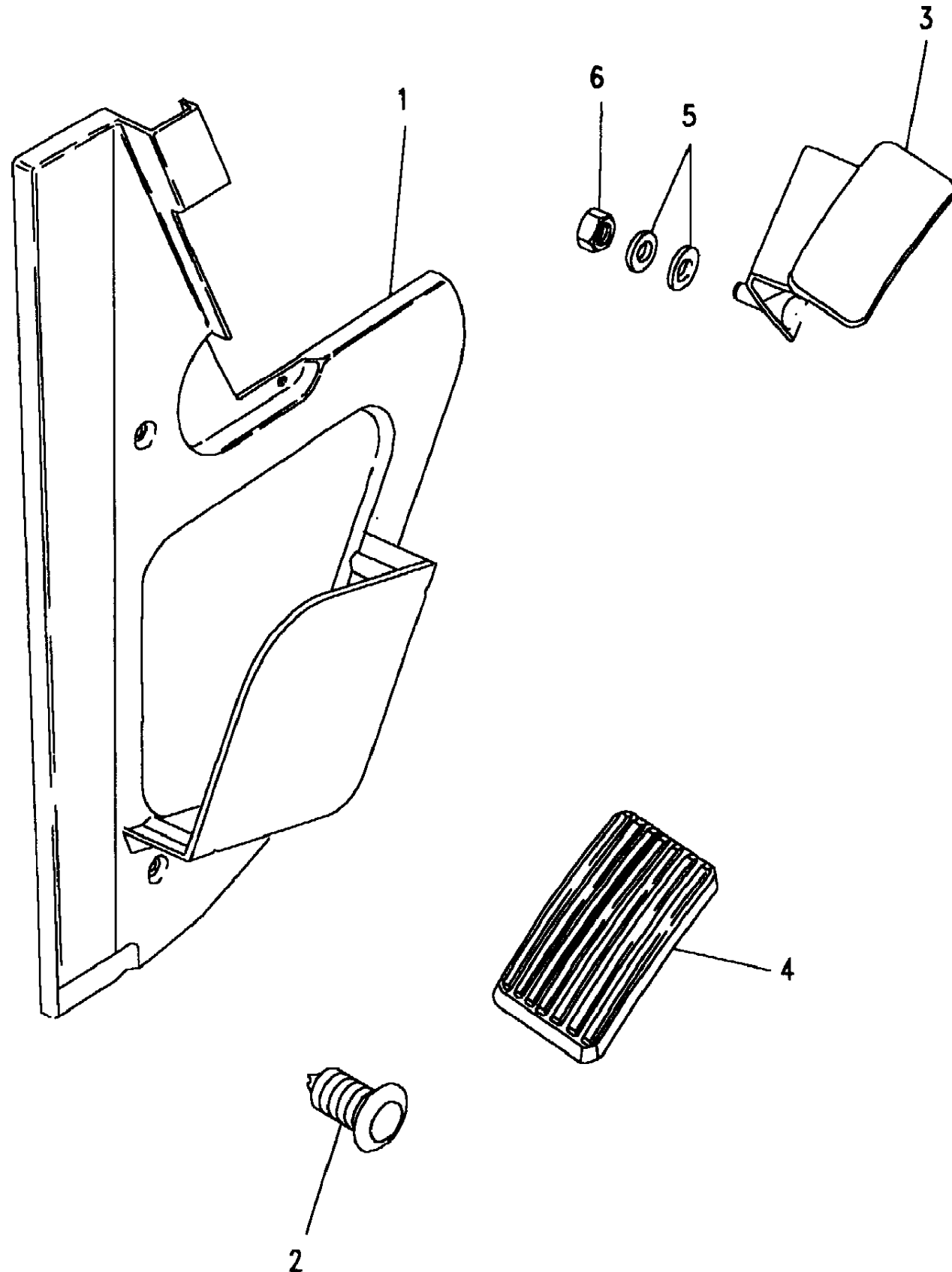
Range Rover (From JA610294)

(BDPXIA1B)

Range Rover (From JA610294)

Interior Trim
Trim

Footrest & Toebox Trim-From (V) MA647645



Callout	Name	Application	Remarks & Restrictions	Service No.	Qty
1	Finisher-A post lower	Change point - VIN begin MA647645, Change point - VIN end MA660199, RHD	Ash Grey, RH	BTR9298LNF	1
		Change point - VIN begin MA647645, Change point - VIN end MA660199, RHD	RH, Dark Granite	BTR9298LOY	1
		Change point - VIN begin MA647645, Change point - VIN end MA660199, RHD	RH, Sorrel Brown	BTR9298SUA	1
		Change point - VIN begin MA647645, Change point - VIN end MA660199, RHD	Ash Grey, LH	BTR9299LNF	1
		Change point - VIN begin MA647645, Change point - VIN end MA660199, RHD	Dark Granite, LH	BTR9299LOY	1
		Change point - VIN begin MA647645, Change point - VIN end MA660199, RHD	Sorrel Brown, LH	BTR9299SUA	1
		Change point - VIN begin MA647645, Change point - VIN end MA660199, LHD	with pockets, Ash Grey, RH	BTR9708LNF	1
		Change point - VIN begin MA647645, Change point - VIN end MA660199, LHD	with pockets, RH, Dark Granite	BTR9708LOY	1
		Change point - VIN begin MA647645, Change point - VIN end MA660199, LHD	with pockets, RH, Sorrel Brown	BTR9708SUA	1
		Change point - VIN begin MA647645, Change point - VIN end MA660199, LHD	With Footrest, Ash Grey, LH	BTR9521LNF	1
		Change point - VIN begin MA647645, Change point - VIN end MA660199, LHD	With Footrest, Dark Granite, LH	BTR9521LOY	1
		Change point - VIN begin MA647645, Change point - VIN end MA660199, LHD	With Footrest, Sorrel Brown, LH	BTR9521SUA	1
		Change point - VIN end MA660199, Change point - VIN begin MA660200	Ash Grey, With Pocket, RH	AWR3092LNF	1
		Change point - VIN end MA660199, Change point - VIN begin MA660200	With Pocket, RH, Dark Granite	AWR3092LOY	1
		Change point - VIN end MA660199, Change point - VIN begin MA660200	With Pocket, RH, Sorrel Brown	AWR3092SUA	1
		Change point - VIN end MA660199, Change point - VIN begin MA660200	Ash Grey, RH, without pocket	AWR3086LNF	1
		Change point - VIN end MA660199, Change point - VIN begin MA660200	RH, Dark Granite, without pocket	AWR3086LOY	1

Interior Trim
Trim
Footrest & Toebox Trim-From (V) MA647645 2/3

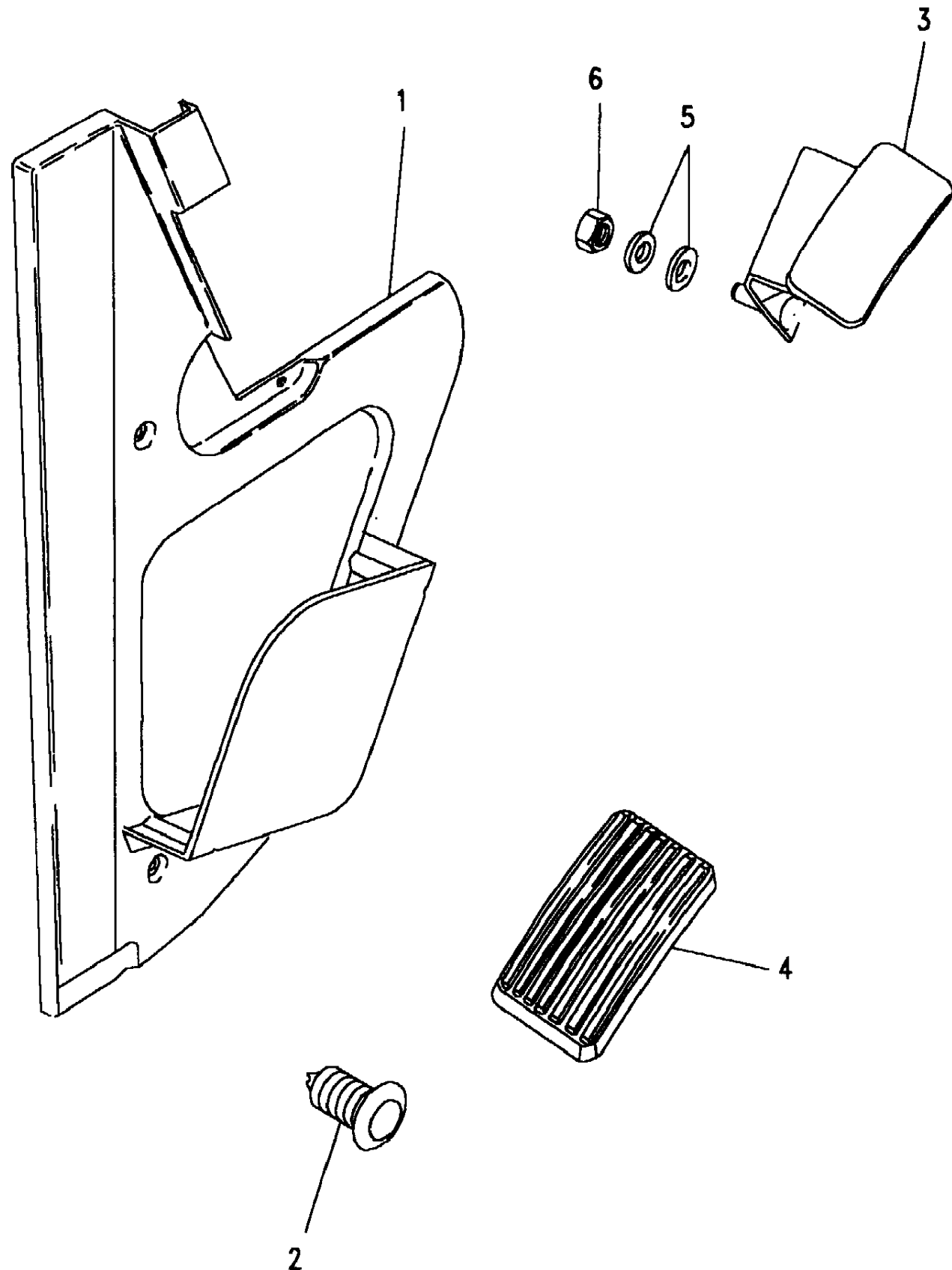
Range Rover (From JA610294)

(BDPXIA1B)

Range Rover (From JA610294)

Interior Trim
Trim

Footrest & Toebox Trim-From (V) MA647645



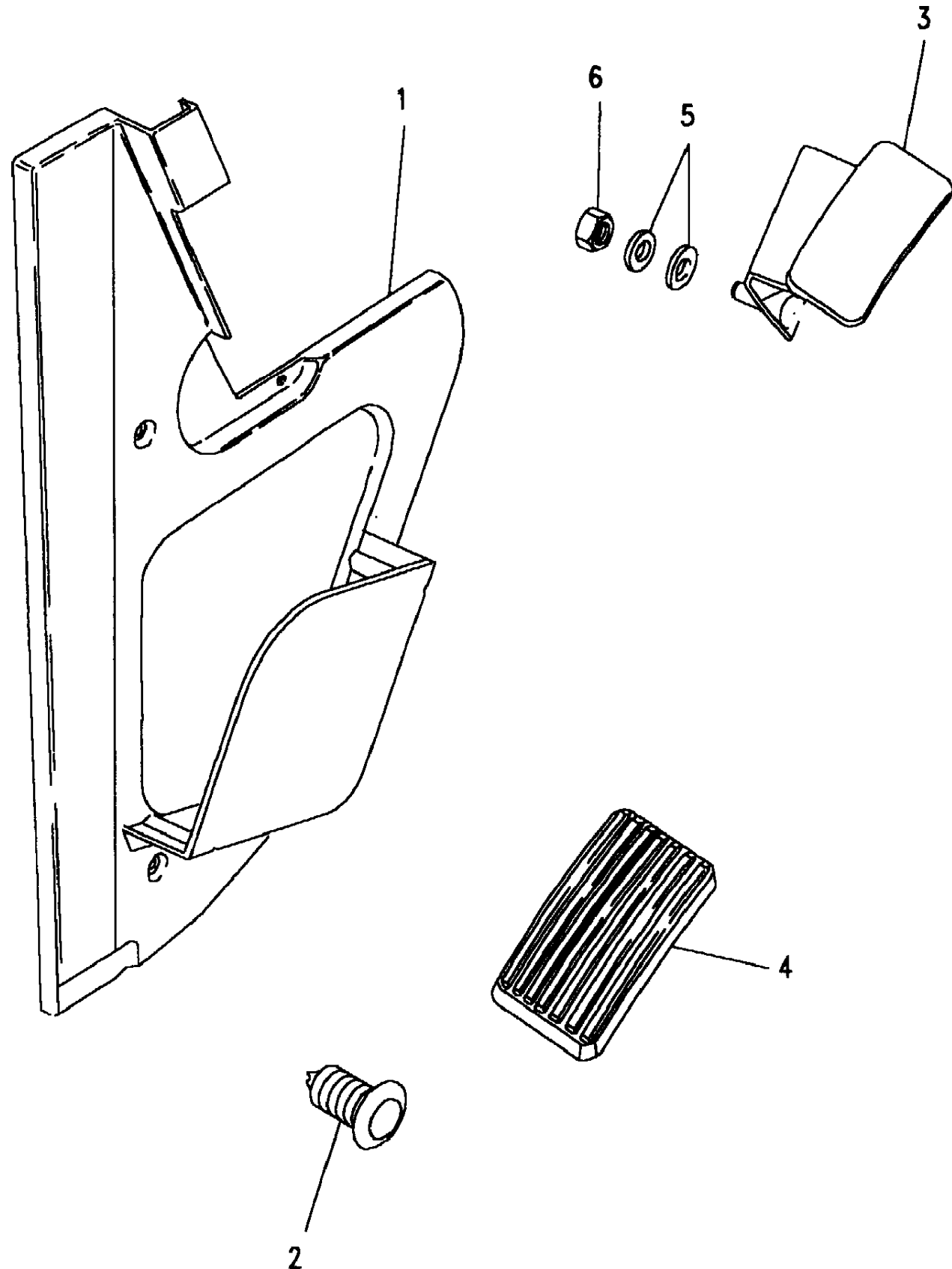
Callout	Name	Application	Remarks & Restrictions	Service No.	Qty
1	Finisher-A post lower	Change point - VIN end MA660199, Change point - VIN begin MA660200	RH, without pocket, Sorrel Brown	AWR3086SUA	1
		Change point - VIN end MA660199, Change point - VIN begin MA660200	Ash Grey, without pocket, LH	AWR3085LNF	1
		Change point - VIN end MA660199, Change point - VIN begin MA660200	Dark Granite, without pocket, LH	AWR3085LOY	1
		Change point - VIN end MA660199, Change point - VIN begin MA660200	without pocket, Sorrel Brown, LH	AWR3085SUA	1
		Change point - VIN end MA660199, Change point - VIN begin MA660200, LHD	With Footrest, Ash Grey, LH	AWR3087LNF	1
		Change point - VIN end MA660199, Change point - VIN begin MA660200, LHD	With Footrest, Dark Granite, LH	AWR3087LOY	1
		Change point - VIN end MA660199, Change point - VIN begin MA660200, LHD	With Footrest, Sorrel Brown, LH	AWR3087SUA	1
		Change point - VIN begin MA647645, Change point - VIN end MA660199, LHD	Ash Grey	BTR9297LNF	2
		Change point - VIN begin MA647645, Change point - VIN end MA660199, LHD	Dark Granite	BTR9297LOY	2
		Change point - VIN begin MA647645, Change point - VIN end MA660199, LHD	Sorrel Brown	BTR9297SUA	2
2	Fastener-drive	Change point - VIN end MA660199, Change point - VIN begin MA660200	Ash Grey	BTR9297LNF	2
		Change point - VIN end MA660199, Change point - VIN begin MA660200	Dark Granite	BTR9297LOY	2
		Change point - VIN end MA660199, Change point - VIN begin MA660200	Sorrel Brown	BTR9297SUA	2
		Change point - VIN end MA660199, Change point - VIN begin MA660200	Ash Grey	BTR9297LNF	2
		Change point - VIN end MA660199, Change point - VIN begin MA660200	Dark Granite	BTR9297LOY	2
		Change point - VIN end MA660199, Change point - VIN begin MA660200	Sorrel Brown	BTR9297SUA	2
		Change point - VIN end MA660199, Change point - VIN begin MA660200, LHD	Sorrel Brown	BTR9297SUA	1
		Change point - VIN begin MA647645, Change point - VIN end MA660199, LHD	Ash Grey	BTR9297LNF	2
		Change point - VIN begin MA647645, Change point - VIN end MA660199, LHD	Dark Granite	BTR9297LOY	2
		Change point - VIN begin MA647645, Change point - VIN end MA660199, LHD	Sorrel Brown	BTR9297SUA	2
3	Footrest assembly-front floor	Change point - VIN begin MA647645, Change point - VIN end MA660199, LHD	With Footrest, Also serviced as part of a kit	AWR1371	1
		Change point - VIN end MA660199, Change point - VIN begin MA660200, RHD	Also serviced as part of a kit	AWR1371	1
4	Pad-pedal lever accelerator	Change point - VIN begin MA647645, Change point - VIN end MA660199, LHD	With Footrest	592840	1

Interior Trim
Trim
Footrest & Toebox Trim-From (V) MA647645 3/3

Range Rover (From JA610294)
(BDPXIA1B)

Range Rover (From JA610294)

Interior Trim
Trim
Footrest & Toebox Trim-From (V) MA647645



Callout	Name	Application	Remarks & Restrictions	Service No.	Qty
4	Pad-pedal lever accelerator	Change point - VIN end MA660199, Change point - VIN begin MA660200		592840	1
5	Washer	Change point - VIN begin MA647645, Change point - VIN end MA660199, LHD Change point - VIN end MA660199, Change point - VIN begin MA660200	With Footrest, 6MM 6MM	WA106041L WA106041L	4 4
6	Nut - Hex.	Change point - VIN begin MA647645, Change point - VIN end MA660199, LHD Change point - VIN end MA660199, Change point - VIN begin MA660200	With Footrest, M6, nyloc, Hexagonal M6, nyloc, Hexagonal	NH106041L NH106041L	2 2
[900]	Finisher-A post lower	Change point - VIN begin MA647645, Change point - VIN end MA660199, RHD	RH, without pocket, Sorrel Brown	AWR3086SUA	1
[901]	Stud	Change point - VIN end MA660199, Change point - VIN begin MA660200 Change point - VIN end MA660199, Change point - VIN begin MA660200 Change point - VIN end MA660199, Change point - VIN begin MA660200, LHD Change point - VIN end MA660199, Change point - VIN begin MA660200, LHD	Black Sorrel Brown With Footrest, Black With Footrest, Sorrel Brown	MXC5451PUB MXC5451SUA MXC5451PUB MXC5451SUA	1 1 1 1

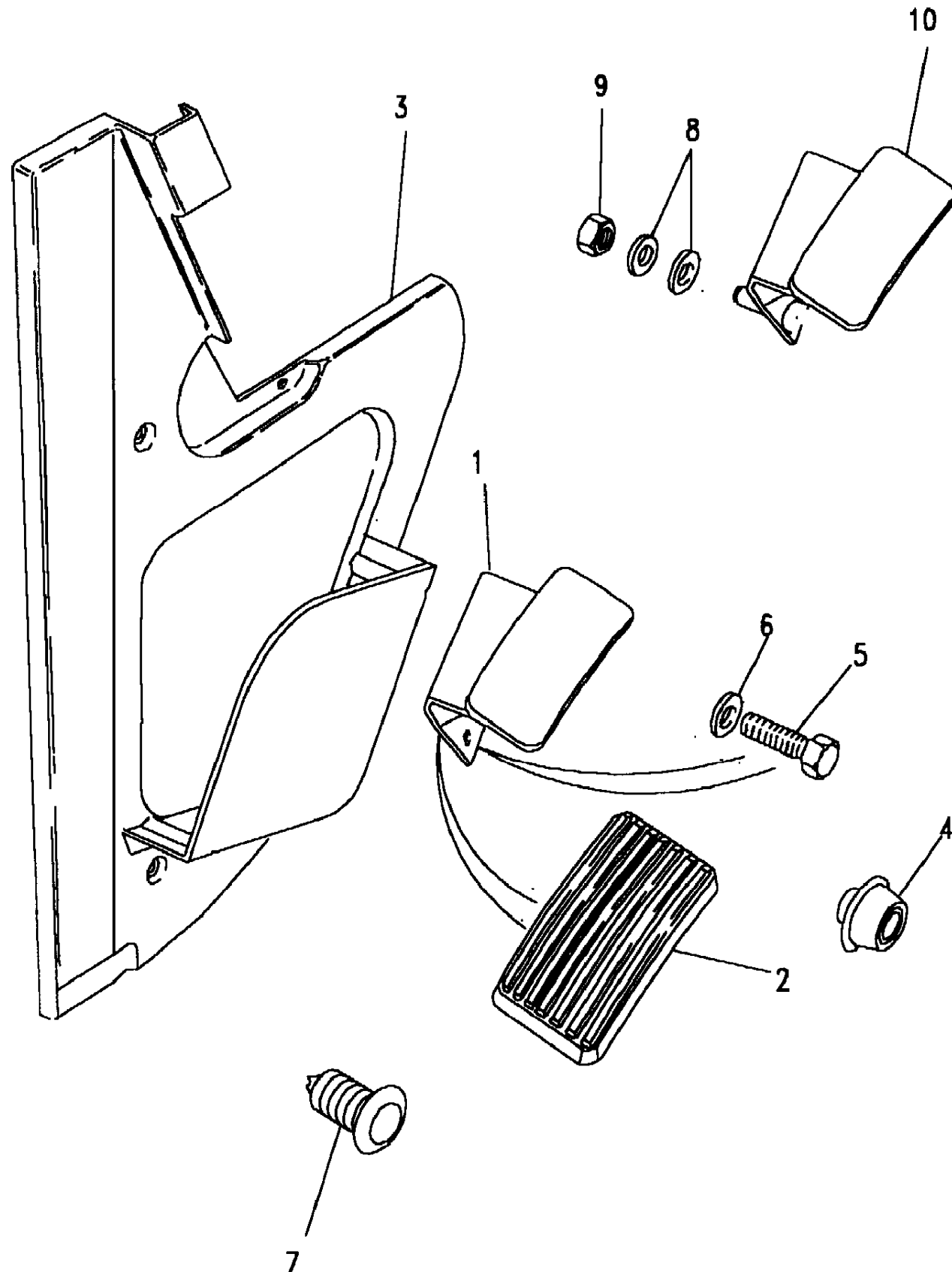
Interior Trim
Trim
Footrest & Toebox Trim-To (V) LA647644 1/2

Range Rover (From JA610294)

(BDPXIA1A)

Range Rover (From JA610294)

Interior Trim
Trim
Footrest & Toebox Trim-To (V) LA647644



Callout	Name	Application	Remarks & Restrictions	Service No.	Qty
1	Footrest assembly-front floor	Change point - VIN end KA647644	RH, Rubber pad	MUC9472	1
		Change point - VIN end KA647644	LH	MXC2531	1
2	Pad-pedal lever accelerator	Change point - VIN end KA647644		592840	1
3	Panel toebox trim	Change point - VIN end JA622963	RH, Winchester Grey, without pocket	MUC9478LUL	1
		Change point - VIN end JA622963	RH, without pocket, Sorrel Brown	MUC9478SUA	1
		Change point - VIN begin JA622964, Change point - VIN end KA647644	RH, Winchester Grey, without pocket	BTR5384LUL	1
		Change point - VIN begin JA622964, Change point - VIN end KA647644	RH, without pocket, Sorrel Brown	BTR5384SUA	1
		Change point - VIN end KA647644	RH, without pocket, Tan	BTR5384AUK	1
		Change point - VIN end KA647644	RH, without pocket, Sable	BTR5384RWD	1
		Change point - VIN end KA647644	With Pocket, RH, Tan	BTR5388AUK	1
		Change point - VIN end KA647644	With Pocket, RH, Winchester Grey	BTR5388LUL	1
		Change point - VIN end KA647644	With Pocket, RH, Sable	BTR5388RWD	1
		Change point - VIN end KA647644	RH, Sorrel Brown	BTR5388SUA	1
		Change point - VIN end KA647644, RHD	Winchester Grey, without pocket, LH	MUC9479LUL	1
		Change point - VIN end KA647644, RHD	without pocket, Sorrel Brown, LH	MUC9479SUA	1
		Change point - VIN end KA647644, RHD	with pockets, LH, Tan	BTR5389AUK	1
		Change point - VIN end KA647644, RHD	with pockets, Winchester Grey, LH	BTR5389LUL	1
		Change point - VIN end KA647644, RHD	with pockets, LH, Sable	BTR5389RWD	1
		Change point - VIN end KA647644, RHD	with pockets, Sorrel Brown, LH	BTR5389SUA	1
		Change point - VIN end KA647644, LHD	Winchester Grey, without pocket, LH	MUC9477LUL	1
		Change point - VIN end KA647644, LHD	without pocket, Sorrel Brown, LH	MUC9477SUA	1
		Change point - VIN end JA622963, LHD	Winchester Grey, without pocket, LH	BTR5385LUL	1
		Change point - VIN end JA622963, LHD	without pocket, Sorrel Brown, LH	BTR5385SUA	1
Change point - VIN end KA647644, LHD	without pocket, LH, Tan	BTR5385AUK	1		
Change point - VIN end KA647644, LHD	without pocket, LH, Sable	BTR5385RWD	1		
4	Plug	Change point - VIN end KA647644		MUC9210	2
5	Screw	Change point - VIN end KA647644	M6 X 12, hexagonal head	SH106121L	2

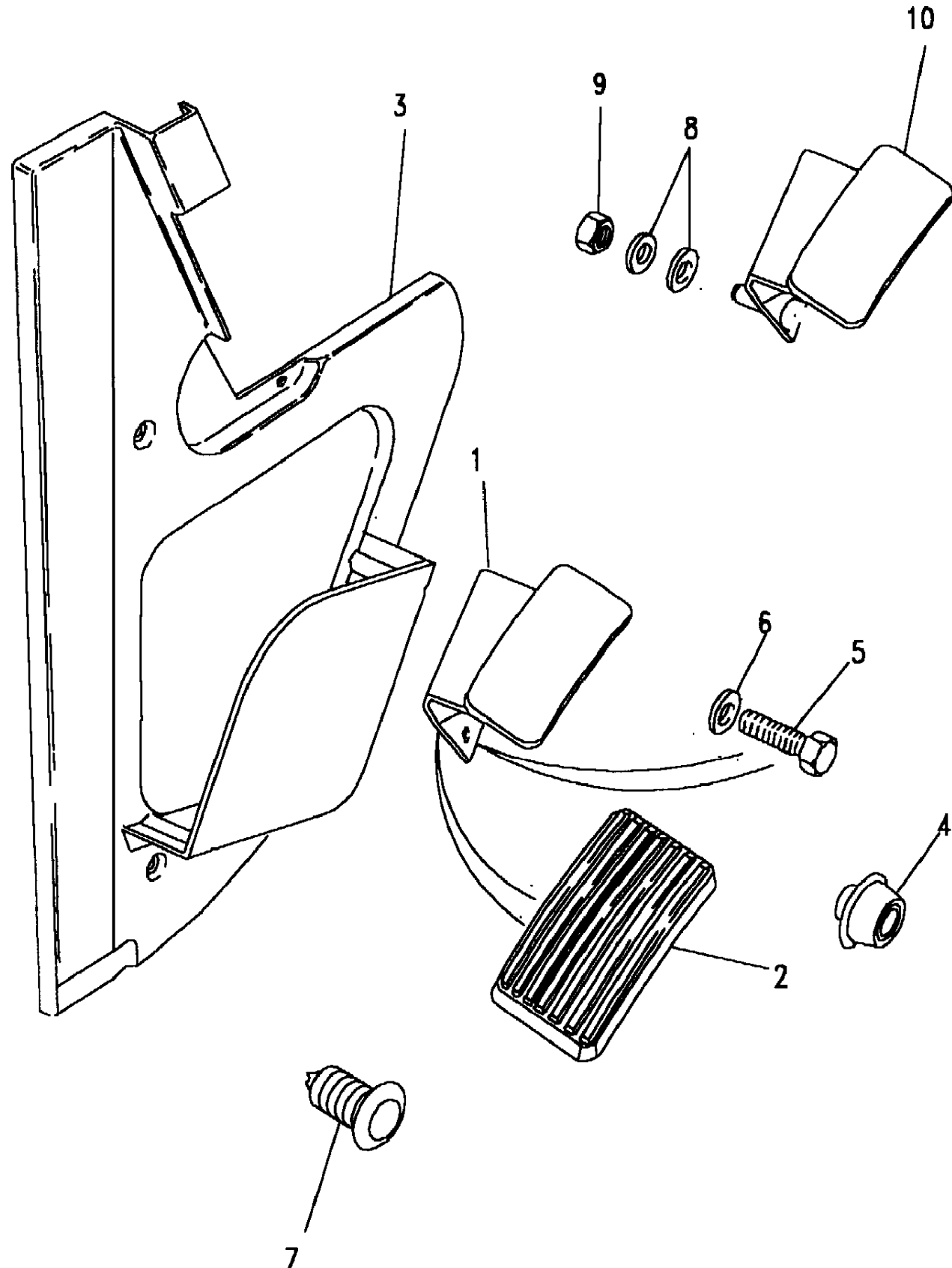
Interior Trim
Trim
Footrest & Toebox Trim-To (V) LA647644 2/2

Range Rover (From JA610294)
(BDPXIA1A)

Range Rover (From JA610294)

Interior Trim
Trim
Footrest & Toebox Trim-To (V) LA647644

Callout	Name	Application	Remarks & Restrictions	Service No.	Qty
6	Washer	Change point - VIN end KA647644	6MM	WA106041L	2
7	Fastener-drive	Change point - VIN end KA647644	Sorrel Brown	MUC9219SUA	2
		Change point - VIN end KA647644	Winchester Grey	MUC9219LUL	2
		Change point - VIN end KA647644	Sable	MUC9219RWD	2
		Change point - VIN end KA647644	Tan	MUC9219AUK	2



Interior Trim

Range Rover (From JA610294)

Trim

Front Door Casing 1/1

(BDPXE1A)

Range Rover (From JA610294)

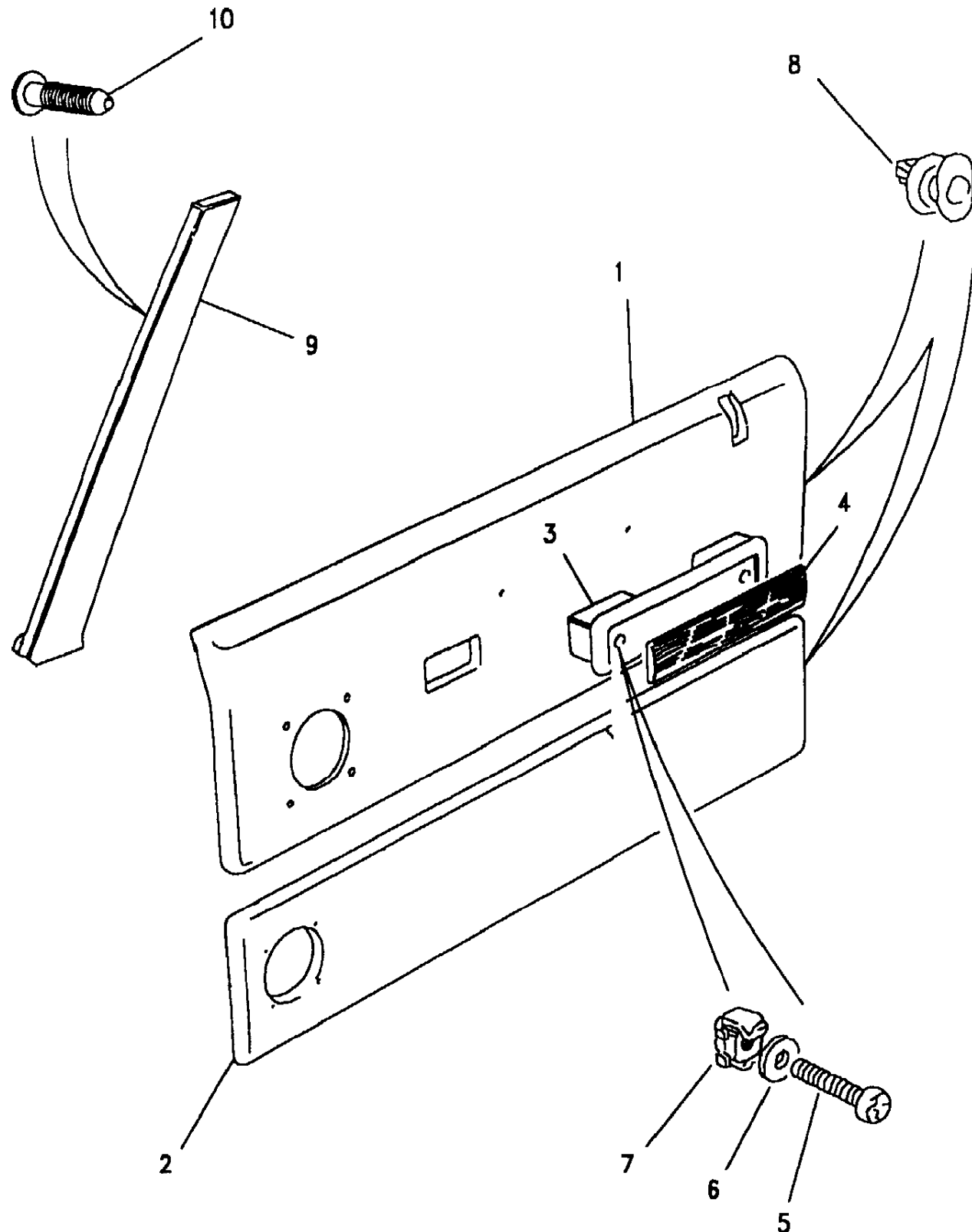
Interior Trim

Trim

Front Door Casing

2 Door Station Wagon

Callout	Name	Application	Remarks & Restrictions	Service No.	Qty
1	Casing-front door		RH, Sorrel Brown, Upper Sorrel Brown, Upper, LH	MXC2958SUA MXC2959SUA	1 1
2	Casing-front door		RH, Sorrel Brown, Lower Sorrel Brown, Lower, LH	MXC2050SUA MXC2051SUA	1 1
3	Armrest/door pull-front/rear door		Sorrel Brown	MUC2208SUA	2
4	Insert-front door grab handle		Sorrel Brown	MTC7268SUA	2
5	Screw		armrest to casing, pan head, recessed, M5 x 30	SE105301L	4
6	Washer		M5, Plain, Large	WC105001L	4
7	Nut-spire		M6	NK106067L	2
8	Clip			MRC7399	X
9	Finisher-a post		Bokhara, LH RH, Bokhara	BTR399RUN BTR400RUN	1 1
10	Clip			MUC3186	6



Interior Trim

Trim

Front Door Casing 1/16

Range Rover (From JA610294)

(BDPXE2A)

Interior Trim

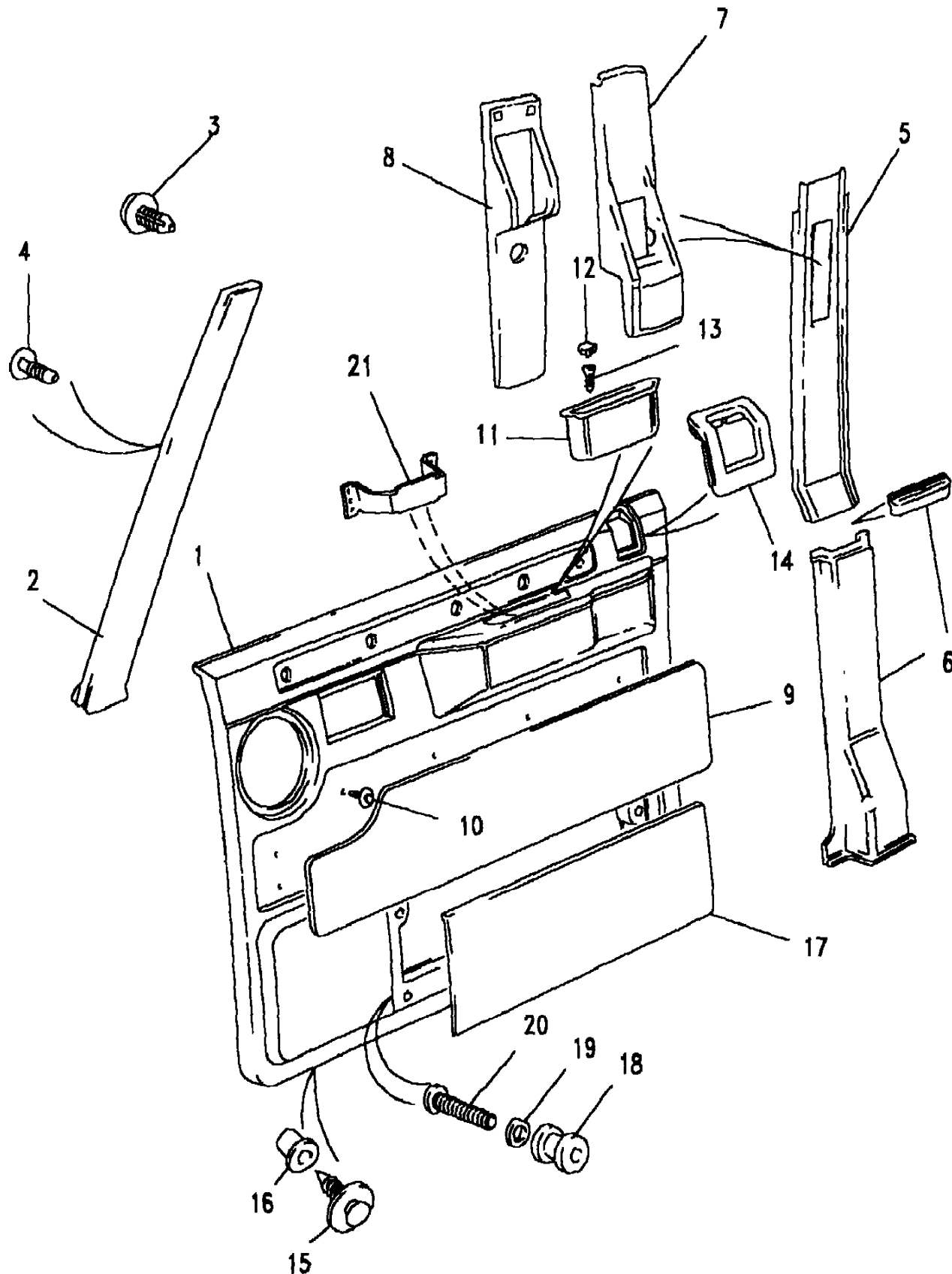
Trim

Front Door Casing

Range Rover (From JA610294)

4 Door Station Wagon

Callout	Name	Application	Remarks & Restrictions	Service No.	Qty
1	Casing-front door	Change point - VIN end MA647644, (-) Vogue	Winchester Grey, 1 speaker aperture, without wood trim, LH	MXC3037LUL	1
		Change point - VIN end MA647644, (-) Vogue LSE	Winchester Grey, 1 speaker aperture, without wood trim, LH	MXC3037LUL	1
		Change point - VIN end MA647644, (-) Vogue SE	Winchester Grey, 1 speaker aperture, without wood trim, LH	MXC3037LUL	1
		Change point - VIN end MA647644, (-) Vogue	1 speaker aperture, Sorrel Brown, without wood trim, LH	MXC3037SUA	1
		Change point - VIN end MA647644, (-) Vogue LSE	1 speaker aperture, Sorrel Brown, without wood trim, LH	MXC3037SUA	1
		Change point - VIN end MA647644, (-) Vogue SE	1 speaker aperture, Sorrel Brown, without wood trim, LH	MXC3037SUA	1
		Change point - VIN end MA647644, (-) Vogue	RH, Winchester Grey, 1 speaker aperture, without wood trim	MXC3038LUL	1
		Change point - VIN end MA647644, (-) Vogue LSE	RH, Winchester Grey, 1 speaker aperture, without wood trim	MXC3038LUL	1
		Change point - VIN end MA647644, (-) Vogue SE	RH, Winchester Grey, 1 speaker aperture, without wood trim	MXC3038LUL	1
		Change point - VIN end MA647644, (-) Vogue	RH, 1 speaker aperture, Sorrel Brown, without wood trim	MXC3038SUA	1
		Change point - VIN end JA624754, Vogue	Winchester Grey, 1 speaker aperture, With Wood Trim, LH	MXC3035LUL	1
		Change point - VIN end JA624754, (-) Vogue SE	Winchester Grey, 1 speaker aperture, With Wood Trim, LH	MXC3035LUL	1
		Change point - VIN end JA624754, Vogue	1 speaker aperture, Sorrel Brown, With Wood Trim, LH	MXC3035SUA	1
		Change point - VIN end JA624754, (-) Vogue SE	1 speaker aperture, Sorrel Brown, With Wood Trim, LH	MXC3035SUA	1
		Change point - VIN end JA624754, Vogue	RH, Winchester Grey, 1 speaker aperture, With Wood Trim	MXC3036LUL	1
		Change point - VIN end JA624754, (-) Vogue SE	RH, Winchester Grey, 1 speaker aperture, With Wood Trim	MXC3036LUL	1
		Change point - VIN end JA624754, Vogue	RH, 1 speaker aperture, Sorrel Brown, With Wood Trim	MXC3036SUA	1
		Change point - VIN end JA624754, (-) Vogue SE	RH, 1 speaker aperture, Sorrel Brown, With Wood Trim	MXC3036SUA	1
		Change point - VIN begin KA624756, Change point - VIN end MA647644, Vogue	Winchester Grey, 1 speaker aperture, With Wood Trim, LH	BTR5417LUL	1
		Change point - VIN begin KA624756, Change point - VIN end MA647644, (-) Vogue SE	Winchester Grey, 1 speaker aperture, With Wood Trim, LH	BTR5417LUL	1



Interior Trim

Trim

Front Door Casing 2/16

Range Rover (From JA610294)

(BDPXE2A)

Interior Trim

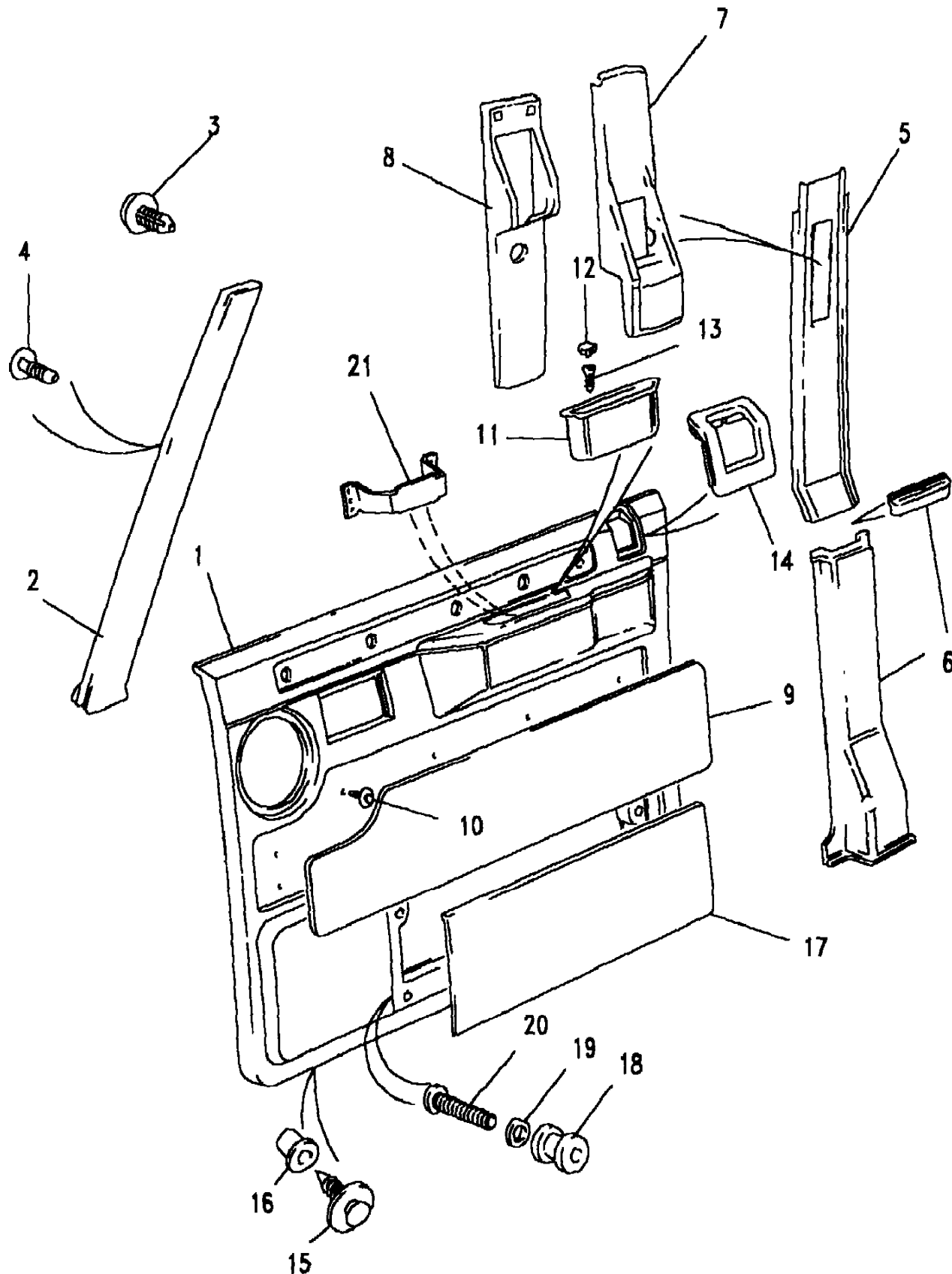
Trim

Front Door Casing

Range Rover (From JA610294)

4 Door Station Wagon

Callout	Name	Application	Remarks & Restrictions	Service No.	Qty
1	Casing-front door	Change point - VIN begin KA624756, Change point - VIN end MA647644, (-) Vogue LSE	Winchester Grey, 1 speaker aperture, With Wood Trim, LH	BTR5417LUL	1
		Change point - VIN begin KA624756, Change point - VIN end MA647644, Vogue	1 speaker aperture, With Wood Trim, LH, Sable	BTR5417RWD	1
		Change point - VIN begin KA624756, Change point - VIN end MA647644, (-) Vogue LSE	1 speaker aperture, With Wood Trim, LH, Sable	BTR5417RWD	1
		Change point - VIN begin KA624756, Change point - VIN end MA647644, (-) Vogue SE	1 speaker aperture, With Wood Trim, LH, Sable	BTR5417RWD	1
		Change point - VIN begin KA624756, Change point - VIN end MA647644, Vogue	1 speaker aperture, Sorrel Brown, With Wood Trim, LH	BTR5417SUA	1
		Change point - VIN begin KA624756, Change point - VIN end MA647644, (-) Vogue LSE	1 speaker aperture, Sorrel Brown, With Wood Trim, LH	BTR5417SUA	1
		Change point - VIN begin KA624756, Change point - VIN end MA647644, (-) Vogue SE	1 speaker aperture, Sorrel Brown, With Wood Trim, LH	BTR5417SUA	1
		Change point - VIN begin KA624756, Change point - VIN end MA647644, Vogue	RH, Winchester Grey, 1 speaker aperture, With Wood Trim	BTR5416LUL	1
		Change point - VIN begin KA624756, Change point - VIN end MA647644, (-) Vogue LSE	RH, Winchester Grey, 1 speaker aperture, With Wood Trim	BTR5416LUL	1
		Change point - VIN begin KA624756, Change point - VIN end MA647644, (-) Vogue SE	RH, Winchester Grey, 1 speaker aperture, With Wood Trim	BTR5416LUL	1
		Change point - VIN begin KA624756, Change point - VIN end MA647644, Vogue	RH, 1 speaker aperture, With Wood Trim, Sable	BTR5416RWD	1
		Change point - VIN begin KA624756, Change point - VIN end MA647644, (-) Vogue LSE	RH, 1 speaker aperture, With Wood Trim, Sable	BTR5416RWD	1
		Change point - VIN begin KA624756, Change point - VIN end MA647644, (-) Vogue SE	RH, 1 speaker aperture, With Wood Trim, Sable	BTR5416RWD	1
		Change point - VIN begin KA624756, Change point - VIN end MA647644, Vogue	RH, 1 speaker aperture, Sorrel Brown, With Wood Trim	BTR5416SUA	1
		Change point - VIN begin KA624756, Change point - VIN end MA647644, (-) Vogue LSE	RH, 1 speaker aperture, Sorrel Brown, With Wood Trim	BTR5416SUA	1



Interior Trim

Trim

Front Door Casing 3/16

Range Rover (From JA610294)

(BDPXE2A)

Interior Trim

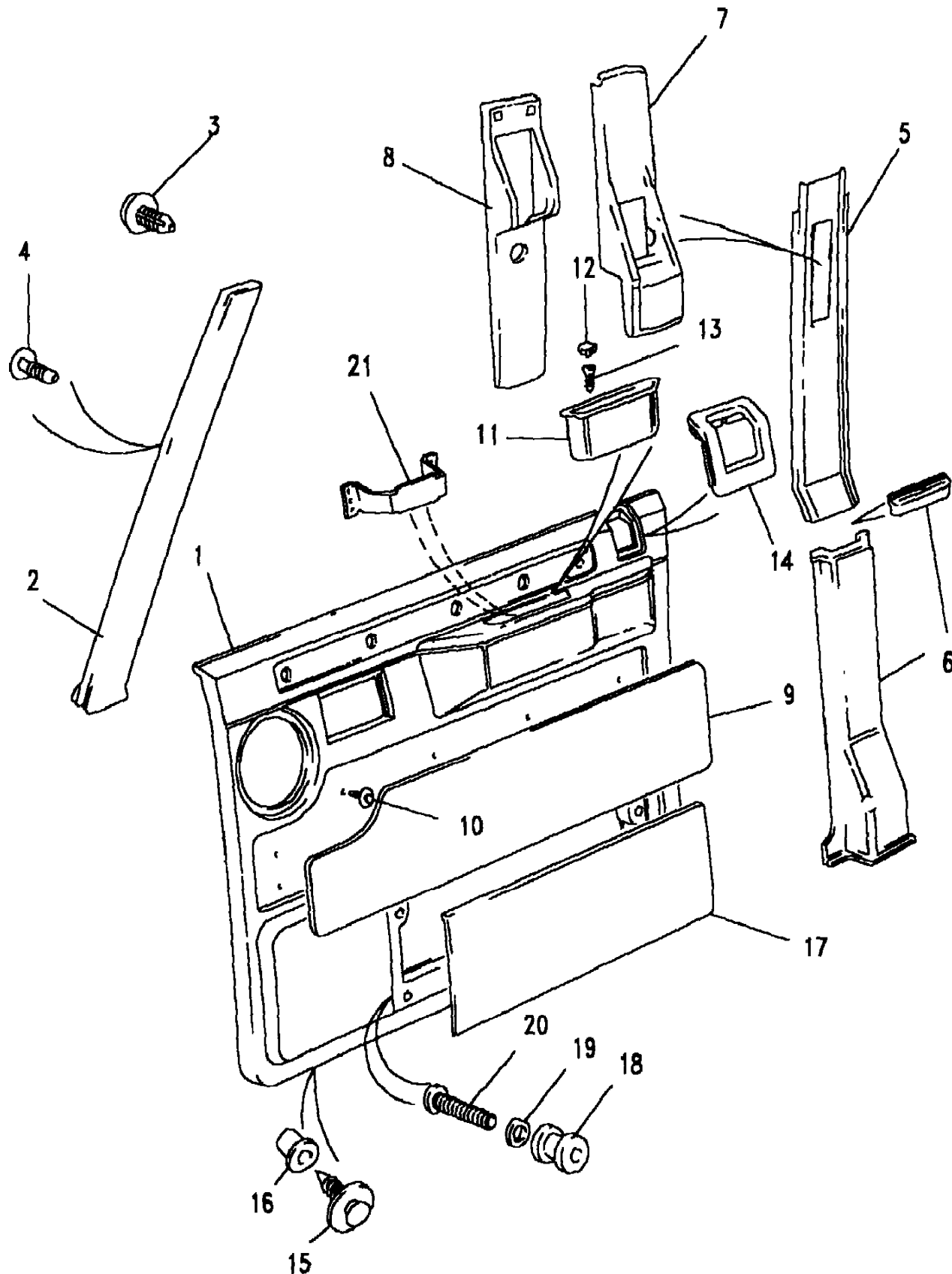
Trim

Front Door Casing

Range Rover (From JA610294)

4 Door Station Wagon

Callout	Name	Application	Remarks & Restrictions	Service No.	Qty
1	Casing-front door	Change point - VIN begin KA624756, Change point - VIN end MA647644, (-) Vogue SE	RH, 1 speaker aperture, Sorrel Brown, With Wood Trim	BTR5416SUA	1
		Change point - VIN end JA624754, Vogue SE	Winchester Grey, 1 speaker aperture, With Wood Trim, LH	MXC3377LUL	1
		Change point - VIN end JA624754, (-) Vogue	Winchester Grey, 1 speaker aperture, With Wood Trim, LH	MXC3377LUL	1
		Change point - VIN end JA624754, Vogue SE	1 speaker aperture, Sorrel Brown, With Wood Trim, LH	MXC3377SUA	1
		Change point - VIN end JA624754, (-) Vogue	1 speaker aperture, Sorrel Brown, With Wood Trim, LH	MXC3377SUA	1
		Change point - VIN end JA624754, Vogue SE	RH, Winchester Grey, 1 speaker aperture, With Wood Trim	MXC3378LUL	1
		Change point - VIN end JA624754, (-) Vogue	RH, Winchester Grey, 1 speaker aperture, With Wood Trim	MXC3378LUL	1
		Change point - VIN end JA624754, Vogue SE	RH, 1 speaker aperture, Sorrel Brown, With Wood Trim	MXC3378SUA	1
		Change point - VIN end JA624754, (-) Vogue	RH, 1 speaker aperture, Sorrel Brown, With Wood Trim	MXC3378SUA	1
		Change point - VIN begin KA624756, Change point - VIN end MA647644, Vogue SE	Winchester Grey, 1 speaker aperture, With Wood Trim, LH	BTR5417LUL	1
		Change point - VIN begin KA624756, Change point - VIN end MA647644, (-) Vogue LSE	Winchester Grey, 1 speaker aperture, With Wood Trim, LH	BTR5417LUL	1
		Change point - VIN begin KA624756, Change point - VIN end MA647644, (-) Vogue	Winchester Grey, 1 speaker aperture, With Wood Trim, LH	BTR5417LUL	1
		Change point - VIN begin KA624756, Change point - VIN end MA647644, Vogue SE	1 speaker aperture, With Wood Trim, LH, Sable	BTR5417RWD	1
		Change point - VIN begin KA624756, Change point - VIN end MA647644, (-) Vogue	1 speaker aperture, With Wood Trim, LH, Sable	BTR5417RWD	1
		Change point - VIN begin KA624756, Change point - VIN end MA647644, (-) Vogue LSE	1 speaker aperture, With Wood Trim, LH, Sable	BTR5417RWD	1
		Change point - VIN begin KA624756, Change point - VIN end MA647644, Vogue SE	1 speaker aperture, Sorrel Brown, With Wood Trim, LH	BTR5417SUA	1
		Change point - VIN begin KA624756, Change point - VIN end MA647644, (-) Vogue	1 speaker aperture, Sorrel Brown, With Wood Trim, LH	BTR5417SUA	1
		Change point - VIN begin KA624756, Change point - VIN end MA647644, (-) Vogue LSE	1 speaker aperture, Sorrel Brown, With Wood Trim, LH	BTR5417SUA	1



Interior Trim

Trim

Front Door Casing 4/16

Range Rover (From JA610294)

(BDPXE2A)

Interior Trim

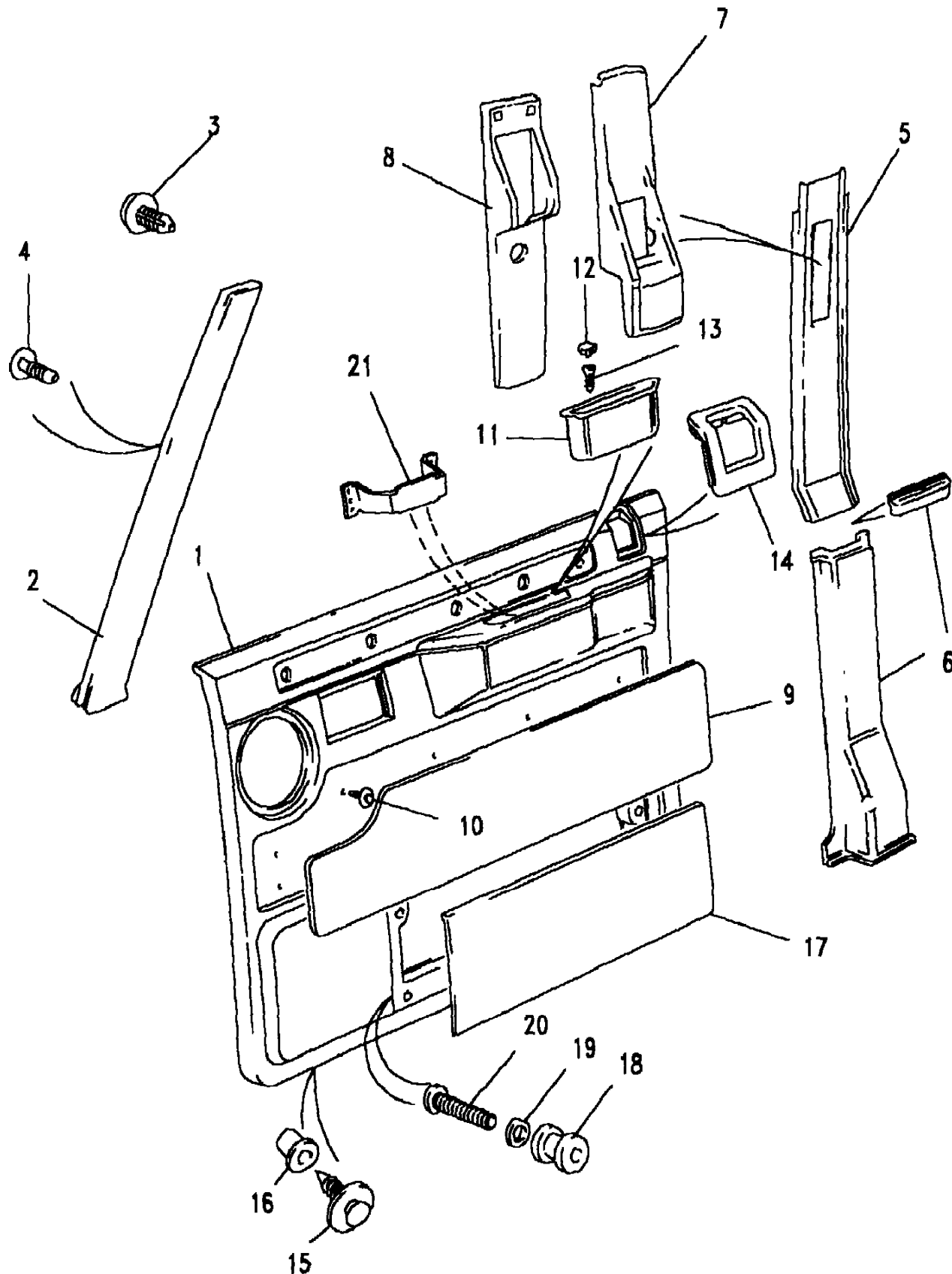
Trim

Front Door Casing

Range Rover (From JA610294)

4 Door Station Wagon

Callout	Name	Application	Remarks & Restrictions	Service No.	Qty
1	Casing-front door	Change point - VIN begin KA624756, Change point - VIN end MA647644, Vogue SE	RH, Winchester Grey, 1 speaker aperture, With Wood Trim	BTR5416LUL	1
		Change point - VIN begin KA624756, Change point - VIN end MA647644, (-) Vogue	RH, Winchester Grey, 1 speaker aperture, With Wood Trim	BTR5416LUL	1
		Change point - VIN begin KA624756, Change point - VIN end MA647644, (-) Vogue LSE	RH, Winchester Grey, 1 speaker aperture, With Wood Trim	BTR5416LUL	1
		Change point - VIN begin KA624756, Change point - VIN end MA647644, Vogue SE	RH, 1 speaker aperture, With Wood Trim, Sable	BTR5416RWD	1
		Change point - VIN begin KA624756, Change point - VIN end MA647644, (-) Vogue LSE	RH, 1 speaker aperture, With Wood Trim, Sable	BTR5416RWD	1
		Change point - VIN begin KA624756, Change point - VIN end MA647644, (-) Vogue	RH, 1 speaker aperture, With Wood Trim, Sable	BTR5416RWD	1
		Change point - VIN begin KA624756, Change point - VIN end MA647644, Vogue SE	RH, 1 speaker aperture, Sorrel Brown, With Wood Trim	BTR5416SUA	1
		Change point - VIN begin KA624756, Change point - VIN end MA647644, (-) Vogue	RH, 1 speaker aperture, Sorrel Brown, With Wood Trim	BTR5416SUA	1
		Change point - VIN begin KA624756, Change point - VIN end MA647644, (-) Vogue LSE	RH, 1 speaker aperture, Sorrel Brown, With Wood Trim	BTR5416SUA	1
		Change point - VIN begin KA624756, Change point - VIN end MA647644, Vogue SE	Winchester Grey, 2 speaker aperture, With Wood Trim, LH	BTR5603LUL	1
		Change point - VIN begin KA624756, Change point - VIN end MA647644, (-) Vogue	Winchester Grey, 2 speaker aperture, With Wood Trim, LH	BTR5603LUL	1
		Change point - VIN begin KA624756, Change point - VIN end MA647644, (-) Vogue LSE	Winchester Grey, 2 speaker aperture, With Wood Trim, LH	BTR5603LUL	1
		Change point - VIN begin KA624756, Change point - VIN end MA647644, Vogue SE	2 speaker aperture, Sorrel Brown, With Wood Trim, LH	BTR5603SUA	1
		Change point - VIN begin KA624756, Change point - VIN end MA647644, (-) Vogue	2 speaker aperture, Sorrel Brown, With Wood Trim, LH	BTR5603SUA	1
		Change point - VIN begin KA624756, Change point - VIN end MA647644, (-) Vogue LSE	2 speaker aperture, Sorrel Brown, With Wood Trim, LH	BTR5603SUA	1



Interior Trim

Trim

Front Door Casing 5/16

Range Rover (From JA610294)

(BDPXE2A)

Interior Trim

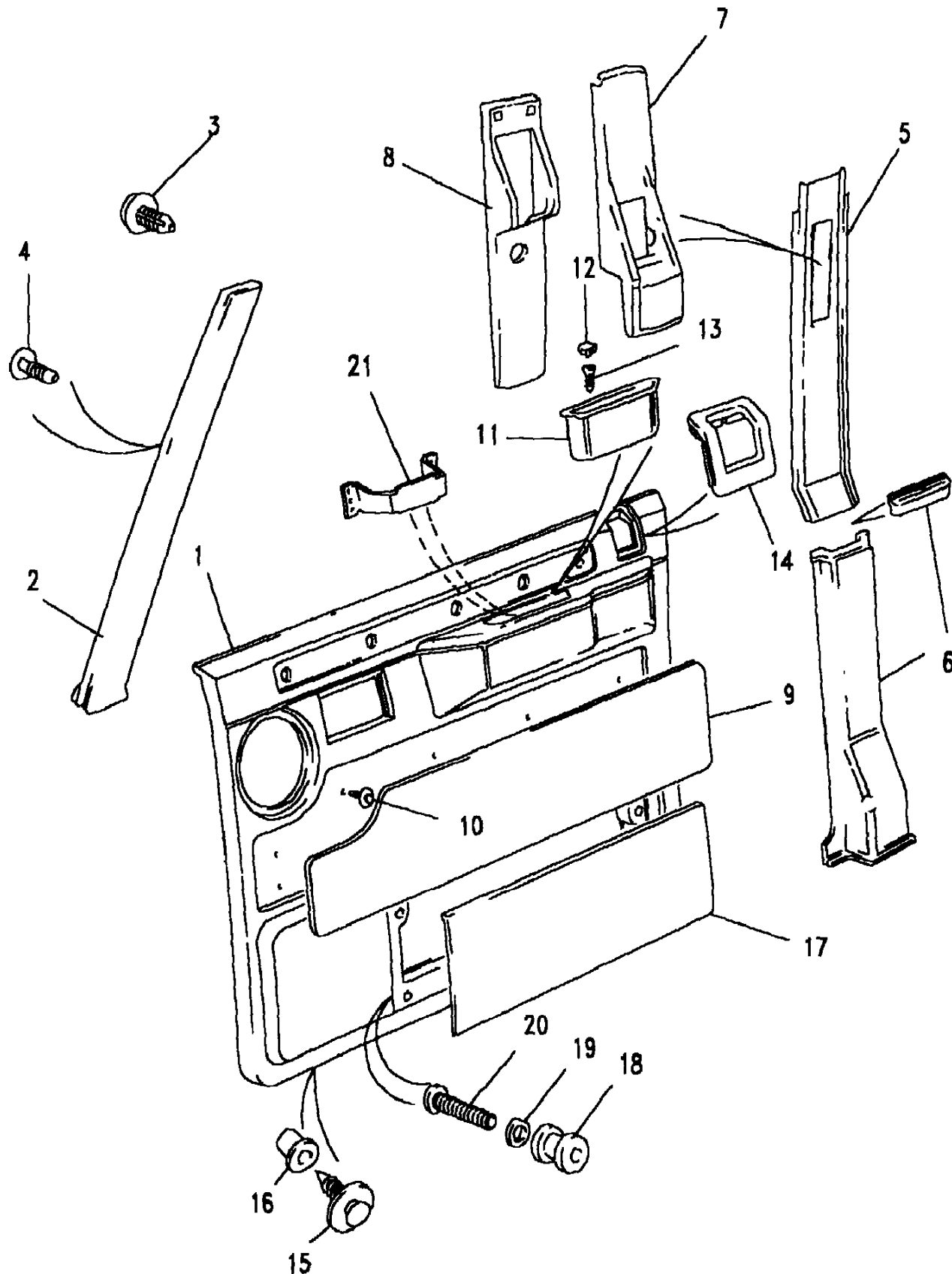
Trim

Front Door Casing

Range Rover (From JA610294)

4 Door Station Wagon

Callout	Name	Application	Remarks & Restrictions	Service No.	Qty
1	Casing-front door	Change point - VIN begin KA624756, Change point - VIN end MA647644, Vogue SE	2 speaker aperture, With Wood Trim, LH, Sable	BTR5603RWD	1
		Change point - VIN begin KA624756, Change point - VIN end MA647644, (-) Vogue	2 speaker aperture, With Wood Trim, LH, Sable	BTR5603RWD	1
		Change point - VIN begin KA624756, Change point - VIN end MA647644, (-) Vogue LSE	2 speaker aperture, With Wood Trim, LH, Sable	BTR5603RWD	1
		Change point - VIN begin KA624756, Change point - VIN end MA647644, Vogue SE	RH, Winchester Grey, 2 speaker aperture, With Wood Trim	BTR5604LUL	1
		Change point - VIN begin KA624756, Change point - VIN end MA647644, (-) Vogue	RH, Winchester Grey, 2 speaker aperture, With Wood Trim	BTR5604LUL	1
		Change point - VIN begin KA624756, Change point - VIN end MA647644, (-) Vogue LSE	RH, Winchester Grey, 2 speaker aperture, With Wood Trim	BTR5604LUL	1
		Change point - VIN begin KA624756, Change point - VIN end MA647644, Vogue SE	RH, 2 speaker aperture, Sorrel Brown, With Wood Trim	BTR5604SUA	1
		Change point - VIN begin KA624756, Change point - VIN end MA647644, (-) Vogue	RH, 2 speaker aperture, Sorrel Brown, With Wood Trim	BTR5604SUA	1
		Change point - VIN begin KA624756, Change point - VIN end MA647644, (-) Vogue LSE	RH, 2 speaker aperture, Sorrel Brown, With Wood Trim	BTR5604SUA	1
		Change point - VIN begin KA624756, Change point - VIN end MA647644, Vogue SE	RH, 2 speaker aperture, With Wood Trim, Sable	BTR5604RWD	1
		Change point - VIN begin KA624756, Change point - VIN end MA647644, (-) Vogue LSE	RH, 2 speaker aperture, With Wood Trim, Sable	BTR5604RWD	1
		Change point - VIN begin KA624756, Change point - VIN end MA647644, (-) Vogue	RH, 2 speaker aperture, With Wood Trim, Sable	BTR5604RWD	1
		Change point - VIN end MA647644, Vogue LSE	Winchester Grey, 1 speaker aperture, With Wood Trim, LH	BTR5417LUL	1
		Change point - VIN end MA647644, (-) Vogue	Winchester Grey, 1 speaker aperture, With Wood Trim, LH	BTR5417LUL	1
		Change point - VIN end MA647644, (-) Vogue SE	Winchester Grey, 1 speaker aperture, With Wood Trim, LH	BTR5417LUL	1
		Change point - VIN end MA647644, Vogue LSE	1 speaker aperture, With Wood Trim, LH, Sable	BTR5417RWD	1
		Change point - VIN end MA647644, (-) Vogue	1 speaker aperture, With Wood Trim, LH, Sable	BTR5417RWD	1



Interior Trim

Trim

Front Door Casing 6/16

Range Rover (From JA610294)

(BDPXE2A)

Interior Trim

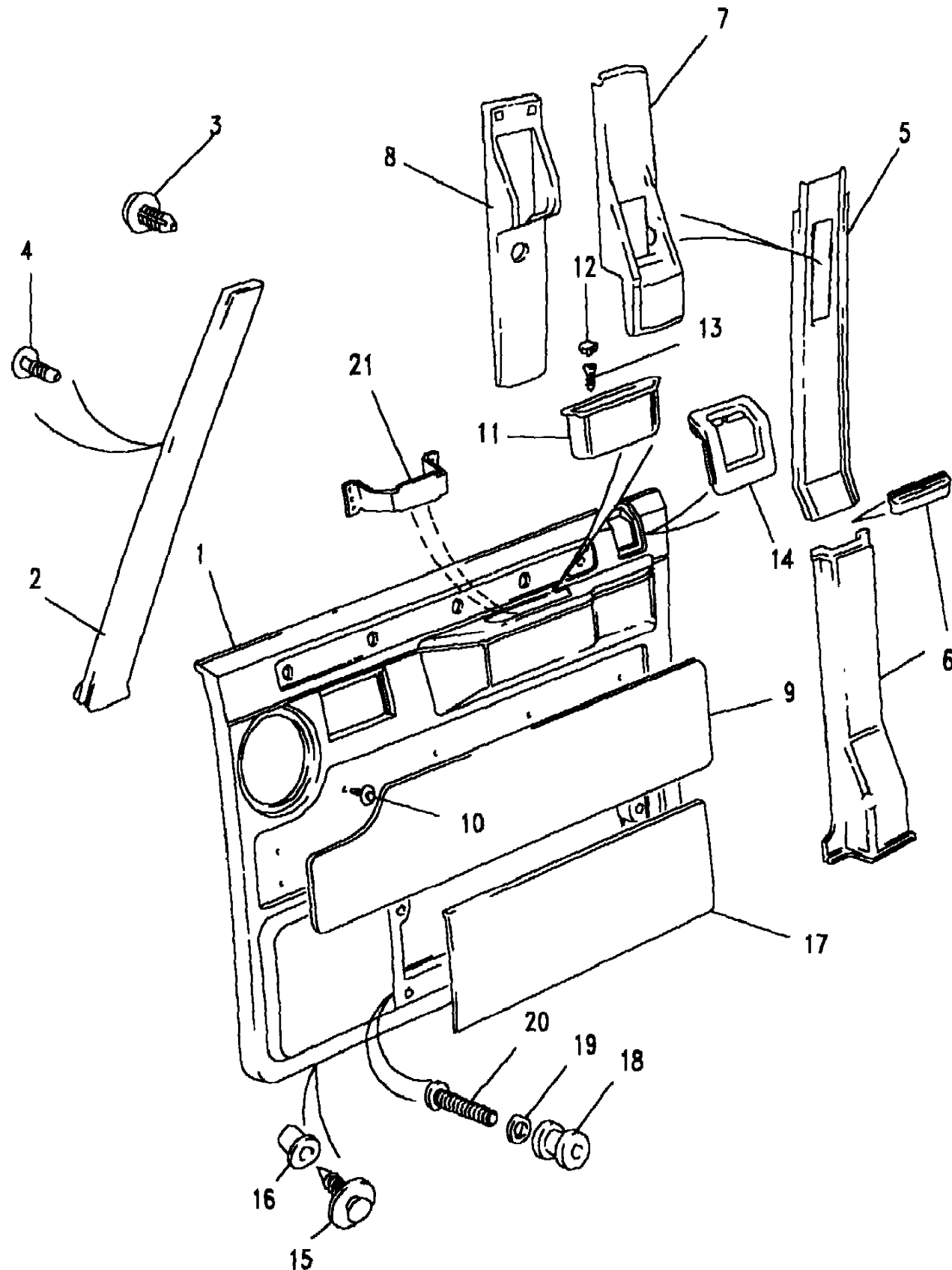
Trim

Front Door Casing

Range Rover (From JA610294)

4 Door Station Wagon

Callout	Name	Application	Remarks & Restrictions	Service No.	Qty
1	Casing-front door	Change point - VIN end MA647644, (-) Vogue SE	1 speaker aperture, With Wood Trim, LH, Sable	BTR5417RWD	1
		Change point - VIN end MA647644, Vogue LSE	1 speaker aperture, Sorrel Brown, With Wood Trim, LH	BTR5417SUA	1
		Change point - VIN end MA647644, (-) Vogue	1 speaker aperture, Sorrel Brown, With Wood Trim, LH	BTR5417SUA	1
		Change point - VIN end MA647644, (-) Vogue SE	1 speaker aperture, Sorrel Brown, With Wood Trim, LH	BTR5417SUA	1
		Change point - VIN end MA647644, Vogue LSE	RH, Winchester Grey, 1 speaker aperture, With Wood Trim	BTR5416LUL	1
		Change point - VIN end MA647644, (-) Vogue	RH, Winchester Grey, 1 speaker aperture, With Wood Trim	BTR5416LUL	1
		Change point - VIN end MA647644, (-) Vogue SE	RH, Winchester Grey, 1 speaker aperture, With Wood Trim	BTR5416LUL	1
		Change point - VIN end MA647644, Vogue LSE	RH, 1 speaker aperture, With Wood Trim, Sable	BTR5416RWD	1
		Change point - VIN end MA647644, (-) Vogue	RH, 1 speaker aperture, With Wood Trim, Sable	BTR5416RWD	1
		Change point - VIN end MA647644, (-) Vogue SE	RH, 1 speaker aperture, With Wood Trim, Sable	BTR5416RWD	1
		Change point - VIN end MA647644, Vogue LSE	RH, 1 speaker aperture, Sorrel Brown, With Wood Trim	BTR5416SUA	1
		Change point - VIN end MA647644, (-) Vogue	RH, 1 speaker aperture, Sorrel Brown, With Wood Trim	BTR5416SUA	1
		Change point - VIN end MA647644, (-) Vogue SE	RH, 1 speaker aperture, Sorrel Brown, With Wood Trim	BTR5416SUA	1
		Change point - VIN end MA647644, Vogue LSE	RH, 2 speaker aperture, With Wood Trim, Tan	BTR5604AUK	1
		Change point - VIN end MA647644, (-) Vogue	RH, 2 speaker aperture, With Wood Trim, Tan	BTR5604AUK	1
		Change point - VIN end MA647644, (-) Vogue SE	RH, 2 speaker aperture, With Wood Trim, Tan	BTR5604AUK	1
		Change point - VIN end MA647644, Vogue LSE	RH, 2 speaker aperture, With Wood Trim, Sable	BTR5604RWD	1
		Change point - VIN end MA647644, (-) Vogue	RH, 2 speaker aperture, With Wood Trim, Sable	BTR5604RWD	1
		Change point - VIN end MA647644, (-) Vogue SE	RH, 2 speaker aperture, With Wood Trim, Sable	BTR5604RWD	1
		Change point - VIN end MA647644, Vogue LSE	RH, 2 speaker aperture, Sorrel Brown, With Wood Trim	BTR5604SUA	1
		Change point - VIN end MA647644, (-) Vogue	RH, 2 speaker aperture, Sorrel Brown, With Wood Trim	BTR5604SUA	1
Change point - VIN end MA647644, (-) Vogue SE	RH, 2 speaker aperture, Sorrel Brown, With Wood Trim	BTR5604SUA	1		
Change point - VIN end MA647644, Vogue LSE	2 speaker aperture, With Wood Trim, LH, Tan	BTR5603AUK	1		
Change point - VIN end MA647644, (-) Vogue	2 speaker aperture, With Wood Trim, LH, Tan	BTR5603AUK	1		
Change point - VIN end MA647644, (-) Vogue SE	2 speaker aperture, With Wood Trim, LH, Tan	BTR5603AUK	1		



Interior Trim

Trim

Front Door Casing 7/16

Range Rover (From JA610294)

(BDPXE2A)

Interior Trim

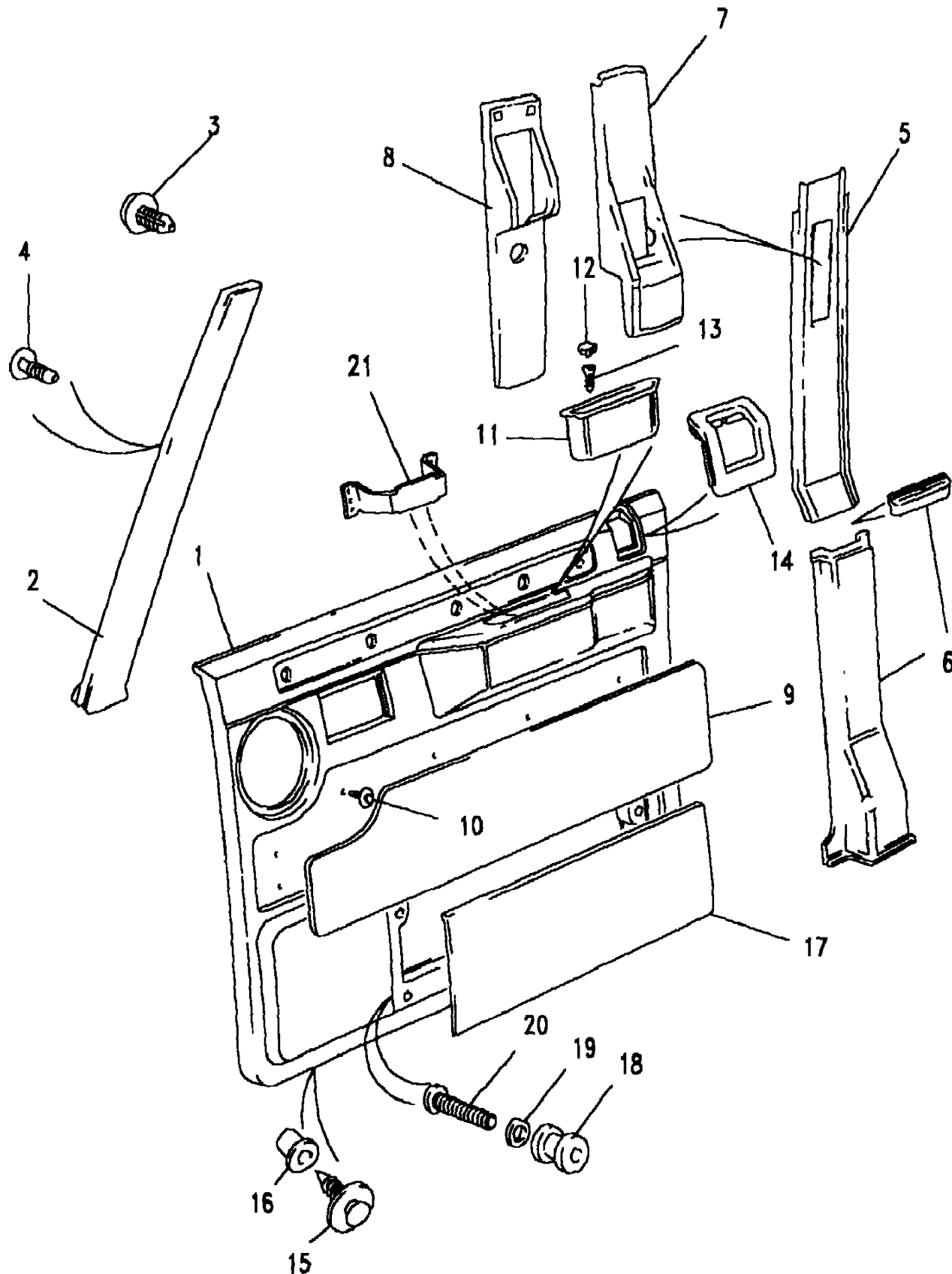
Trim

Front Door Casing

Range Rover (From JA610294)

4 Door Station Wagon

Callout	Name	Application	Remarks & Restrictions	Service No.	Qty		
1	Casing-front door	Change point - VIN end MA647644, Vogue LSE	2 speaker aperture, With Wood Trim, LH, Sable	BTR5603RWD	1		
		Change point - VIN end MA647644, (-) Vogue	2 speaker aperture, With Wood Trim, LH, Sable	BTR5603RWD	1		
		Change point - VIN end MA647644, (-) Vogue SE	2 speaker aperture, With Wood Trim, LH, Sable	BTR5603RWD	1		
		Change point - VIN end MA647644, Vogue LSE	2 speaker aperture, Sorrel Brown, With Wood Trim, LH	BTR5603SUA	1		
		Change point - VIN end MA647644, (-) Vogue	2 speaker aperture, Sorrel Brown, With Wood Trim, LH	BTR5603SUA	1		
		Change point - VIN end MA647644, (-) Vogue SE	2 speaker aperture, Sorrel Brown, With Wood Trim, LH	BTR5603SUA	1		
		Change point - VIN end MA647645, With Heated Windscreen, Less Sun Roof	Bokhara, LH	BTR397RUN	1		
		Change point - VIN end MA647645, With Heated Windscreen, Less Sun Roof	RH, Bokhara	BTR398RUN	1		
2	Finisher-a post	Change point - VIN end MA647645, With Heated Windscreen, With Sunroof	Bokhara, LH	BTR5285RUN	1		
		Change point - VIN end MA647645, With Heated Windscreen, With Sunroof	RH, Bokhara	BTR5286RUN	1		
		Change point - VIN end MA647645, Less Heated Windscreen, Less Sun Roof	Bokhara, LH	BTR399RUN	1		
		Change point - VIN end MA647645, Less Heated Windscreen, Less Sun Roof	RH, Bokhara	BTR400RUN	1		
		Change point - VIN end MA647645, Less Heated Windscreen, With Sunroof	Bokhara, LH	BTR5287RUN	1		
		Change point - VIN end MA647645, Less Heated Windscreen, With Sunroof	RH, Bokhara	BTR5288RUN	1		
		Change point - VIN end MA647645		MUC3186	6		
		4	Fastener-drive	Change point - VIN end MA647645	Plastic, Winchester Grey	MRC4283LUL	4
				Change point - VIN end MA647645	Plastic, Sorrel Brown	MRC4283SUA	4
				Change point - VIN end MA647645	Sable	MRC4283RWD	4
				Change point - VIN end MA647645	Tan	MRC4283AUK	4
		5	Covering-BC post upper material	Change point - VIN end JA624754, Vogue	RH, Sorrel Brown	MWC8418SUA	1
Change point - VIN end JA624754, Vogue SE	RH, Sorrel Brown			MWC8418SUA	1		
Change point - VIN end JA624754, Vogue LSE	RH, Sorrel Brown			MWC8418SUA	1		



Interior Trim

Trim

Front Door Casing 8/16

Range Rover (From JA610294)

(BDPXE2A)

Range Rover (From JA610294)

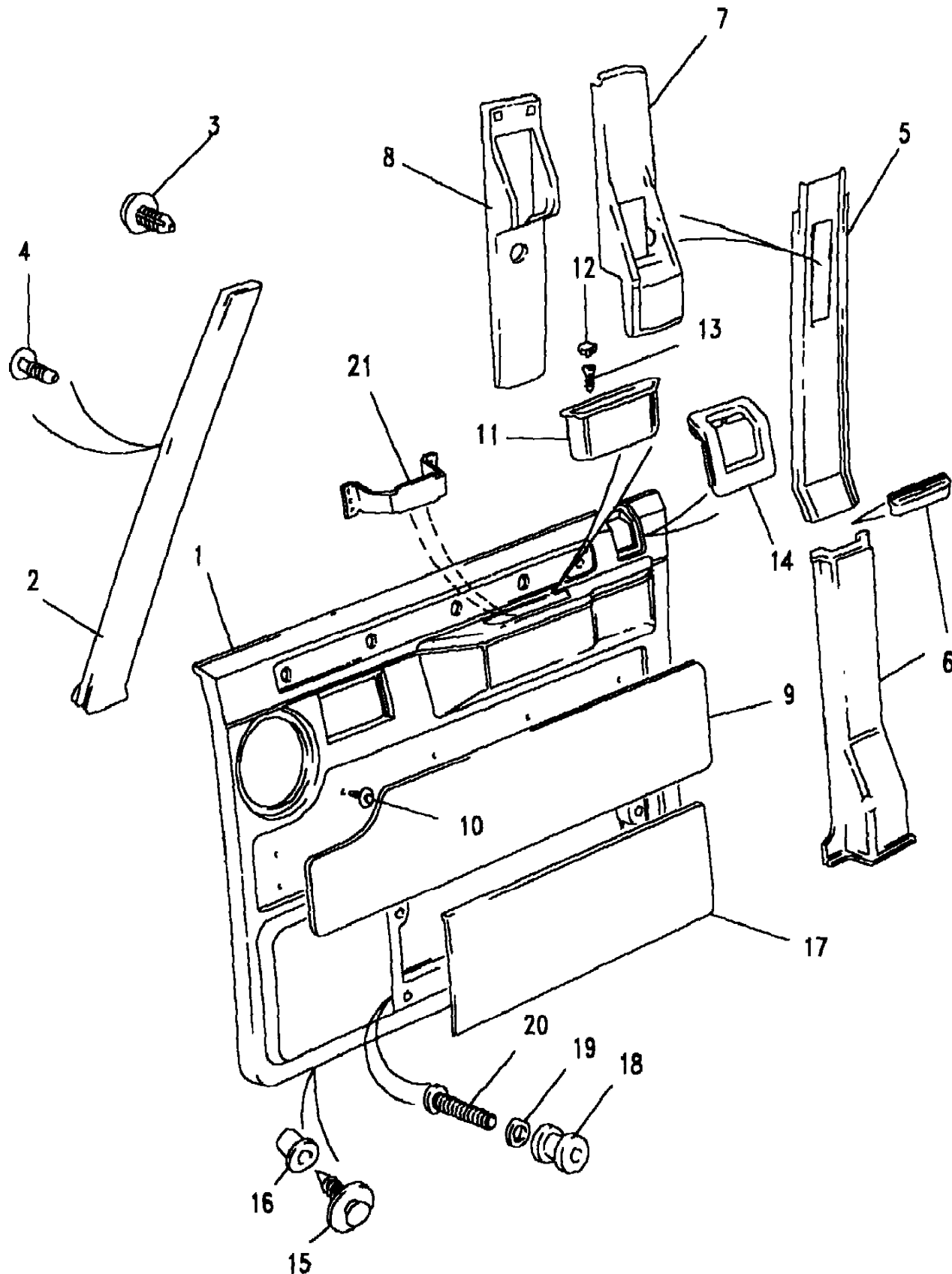
Interior Trim

Trim

Front Door Casing

4 Door Station Wagon

Callout	Name	Application	Remarks & Restrictions	Service No.	Qty
5	Covering-BC post upper material	Change point - VIN end JA624754, Vogue	RH, Winchester Grey	MWC8418LUL	1
		Change point - VIN end JA624754, Vogue SE	RH, Winchester Grey	MWC8418LUL	1
		Change point - VIN end JA624754, (-) Vogue LSE	RH, Winchester Grey	MWC8418LUL	1
		Change point - VIN end JA624754, Vogue	Sorrel Brown, LH	MWC8419SUA	1
		Change point - VIN end JA624754, Vogue SE	Sorrel Brown, LH	MWC8419SUA	1
		Change point - VIN end JA624754, (-) Vogue LSE	Sorrel Brown, LH	MWC8419SUA	1
		Change point - VIN end JA624754, Vogue	Winchester Grey, LH	MWC8419LUL	1
		Change point - VIN end JA624754, Vogue SE	Winchester Grey, LH	MWC8419LUL	1
		Change point - VIN end JA624754, (-) Vogue LSE	Winchester Grey, LH	MWC8419LUL	1
		Change point - VIN end LA647644, Change point - VIN begin KA624756, Vogue	RH, Sable	BTR4926RWD	1
		Change point - VIN end LA647644, Change point - VIN begin KA624756, Vogue SE	RH, Sable	BTR4926RWD	1
		Change point - VIN end LA647644, Change point - VIN begin KA624756, (-) Vogue LSE	RH, Sable	BTR4926RWD	1
		Change point - VIN end LA647644, Change point - VIN begin KA624756, Vogue	RH, Winchester Grey	BTR4926LUL	1
		Change point - VIN end LA647644, Change point - VIN begin KA624756, Vogue SE	RH, Winchester Grey	BTR4926LUL	1
		Change point - VIN end LA647644, Change point - VIN begin KA624756, (-) Vogue LSE	RH, Winchester Grey	BTR4926LUL	1
		Change point - VIN end LA647644, Change point - VIN begin KA624756, Vogue	RH, Sorrel Brown	BTR4926SUA	1
		Change point - VIN end LA647644, Change point - VIN begin KA624756, Vogue SE	RH, Sorrel Brown	BTR4926SUA	1
		Change point - VIN end LA647644, Change point - VIN begin KA624756, (-) Vogue LSE	RH, Sorrel Brown	BTR4926SUA	1
		Change point - VIN end LA647644, Change point - VIN begin KA624756, Vogue	RH, Tan	BTR4926AUK	1



Interior Trim

Trim

Front Door Casing 9/16

Range Rover (From JA610294)

(BDPXE2A)

Interior Trim

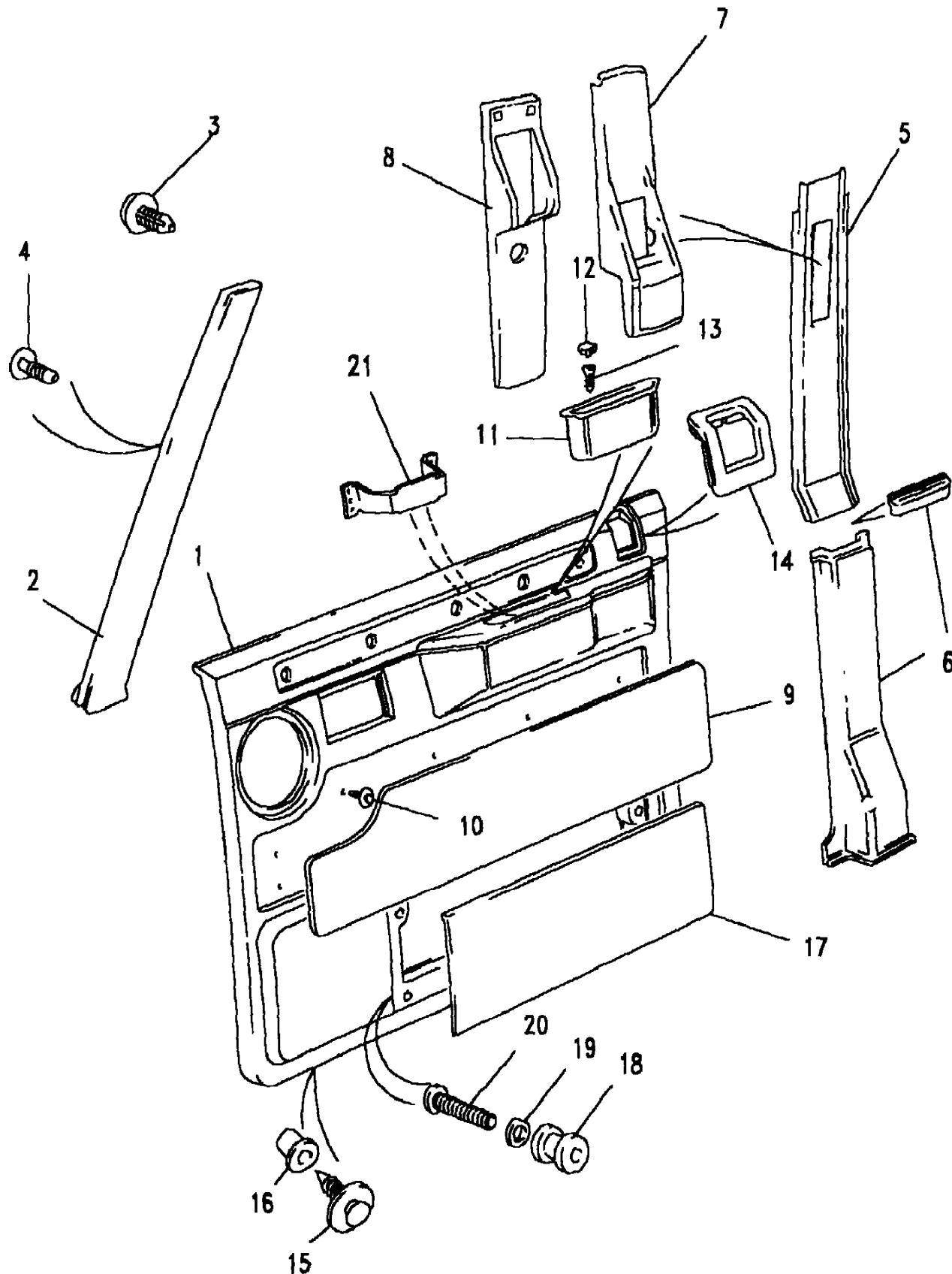
Trim

Front Door Casing

Range Rover (From JA610294)

4 Door Station Wagon

Callout	Name	Application	Remarks & Restrictions	Service No.	Qty
5	Covering-BC post upper material	Change point - VIN end LA647644, Change point - VIN begin KA624756, Vogue SE	RH, Tan	BTR4926AUK	1
		Change point - VIN end LA647644, Change point - VIN begin KA624756, (-) Vogue LSE	RH, Tan	BTR4926AUK	1
		Change point - VIN end LA647644, Change point - VIN begin KA624756, Vogue	LH, Sable	BTR4927RWD	1
		Change point - VIN end LA647644, Change point - VIN begin KA624756, Vogue SE	LH, Sable	BTR4927RWD	1
		Change point - VIN end LA647644, Change point - VIN begin KA624756, (-) Vogue LSE	LH, Sable	BTR4927RWD	1
		Change point - VIN end LA647644, Change point - VIN begin KA624756, Vogue	Winchester Grey, LH	BTR4927LUL	1
		Change point - VIN end LA647644, Change point - VIN begin KA624756, Vogue SE	Winchester Grey, LH	BTR4927LUL	1
		Change point - VIN end LA647644, Change point - VIN begin KA624756, (-) Vogue LSE	Winchester Grey, LH	BTR4927LUL	1
		Change point - VIN end LA647644, Change point - VIN begin KA624756, Vogue	Sorrel Brown, LH	BTR4927SUA	1
		Change point - VIN end LA647644, Change point - VIN begin KA624756, Vogue SE	Sorrel Brown, LH	BTR4927SUA	1
		Change point - VIN end LA647644, Change point - VIN begin KA624756, (-) Vogue LSE	Sorrel Brown, LH	BTR4927SUA	1
		Change point - VIN end LA647644, Change point - VIN begin KA624756, Vogue	LH, Tan	BTR4927AUK	1
		Change point - VIN end LA647644, Change point - VIN begin KA624756, Vogue SE	LH, Tan	BTR4927AUK	1
		Change point - VIN end LA647644, Change point - VIN begin KA624756, (-) Vogue LSE	LH, Tan	BTR4927AUK	1
		Change point - VIN end LA647644, Vogue LSE	LH, Tan	BTR4927AUK	1
		Change point - VIN end LA647644, (-) Vogue	LH, Tan	BTR4927AUK	1
		Change point - VIN end LA647644, (-) Vogue SE	LH, Tan	BTR4927AUK	1



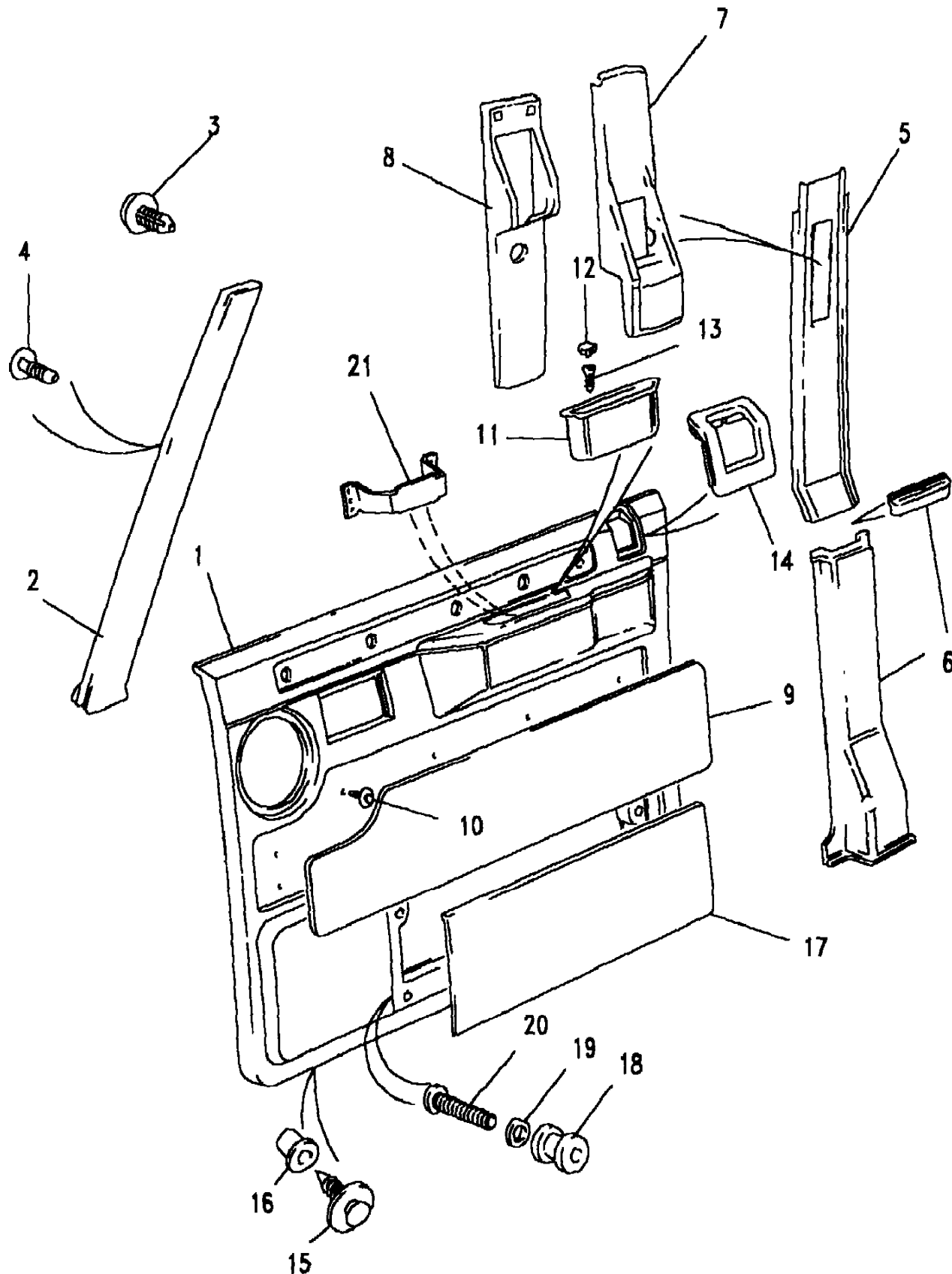
Range Rover (From JA610294)

(BDPXE2A)

Range Rover (From JA610294)

4 Door Station Wagon

Callout	Name	Application	Remarks & Restrictions	Service No.	Qty		
5	Covering-BC post upper material	Change point - VIN end LA647644, Vogue LSE	LH, Sable	BTR4927RWD	1		
		Change point - VIN end LA647644, (-) Vogue	LH, Sable	BTR4927RWD	1		
		Change point - VIN end LA647644, (-) Vogue SE	LH, Sable	BTR4927RWD	1		
		Change point - VIN end LA647644, Vogue LSE	RH, Tan	BTR4926AUK	1		
		Change point - VIN end LA647644, (-) Vogue	RH, Tan	BTR4926AUK	1		
		Change point - VIN end LA647644, (-) Vogue SE	RH, Tan	BTR4926AUK	1		
		Change point - VIN end LA647644, Vogue LSE	RH, Sable	BTR4926RWD	1		
		Change point - VIN end LA647644, (-) Vogue	RH, Sable	BTR4926RWD	1		
		Change point - VIN end LA647644, (-) Vogue SE	RH, Sable	BTR4926RWD	1		
		6	Covering-BC post lower material	Change point - VIN end KA639891, Vogue	Winchester Grey, LH	BTR137LUL	1
				Change point - VIN end KA639891, Vogue SE	Winchester Grey, LH	BTR137LUL	1
				Change point - VIN end KA639891, (-) Vogue LSE	Winchester Grey, LH	BTR137LUL	1
Change point - VIN end KA639891, Vogue	Sorrel Brown, LH			BTR137SUA	1		
Change point - VIN end KA639891, Vogue SE	Sorrel Brown, LH			BTR137SUA	1		
Change point - VIN end KA639891, (-) Vogue LSE	Sorrel Brown, LH			BTR137SUA	1		
Change point - VIN end KA639891, Vogue	LH, Sable			BTR137RWD	1		
Change point - VIN end KA639891, Vogue SE	LH, Sable			BTR137RWD	1		
Change point - VIN end KA639891, (-) Vogue LSE	LH, Sable			BTR137RWD	1		
Change point - VIN begin KA639892, Change point - VIN end MA647644, Vogue	Winchester Grey, LH			BTR8561LUL	1		
Change point - VIN begin KA639892, Change point - VIN end MA647644, Vogue SE	Winchester Grey, LH			BTR8561LUL	1		
Change point - VIN begin KA639892, Change point - VIN end MA647644, (-) Vogue LSE	Winchester Grey, LH			BTR8561LUL	1		
Change point - VIN begin KA639892, Change point - VIN end MA647644, Vogue	Sorrel Brown, LH	BTR8561SUA	X				
Change point - VIN begin KA639892, Change point - VIN end MA647644, Vogue SE	Sorrel Brown, LH	BTR8561SUA	X				



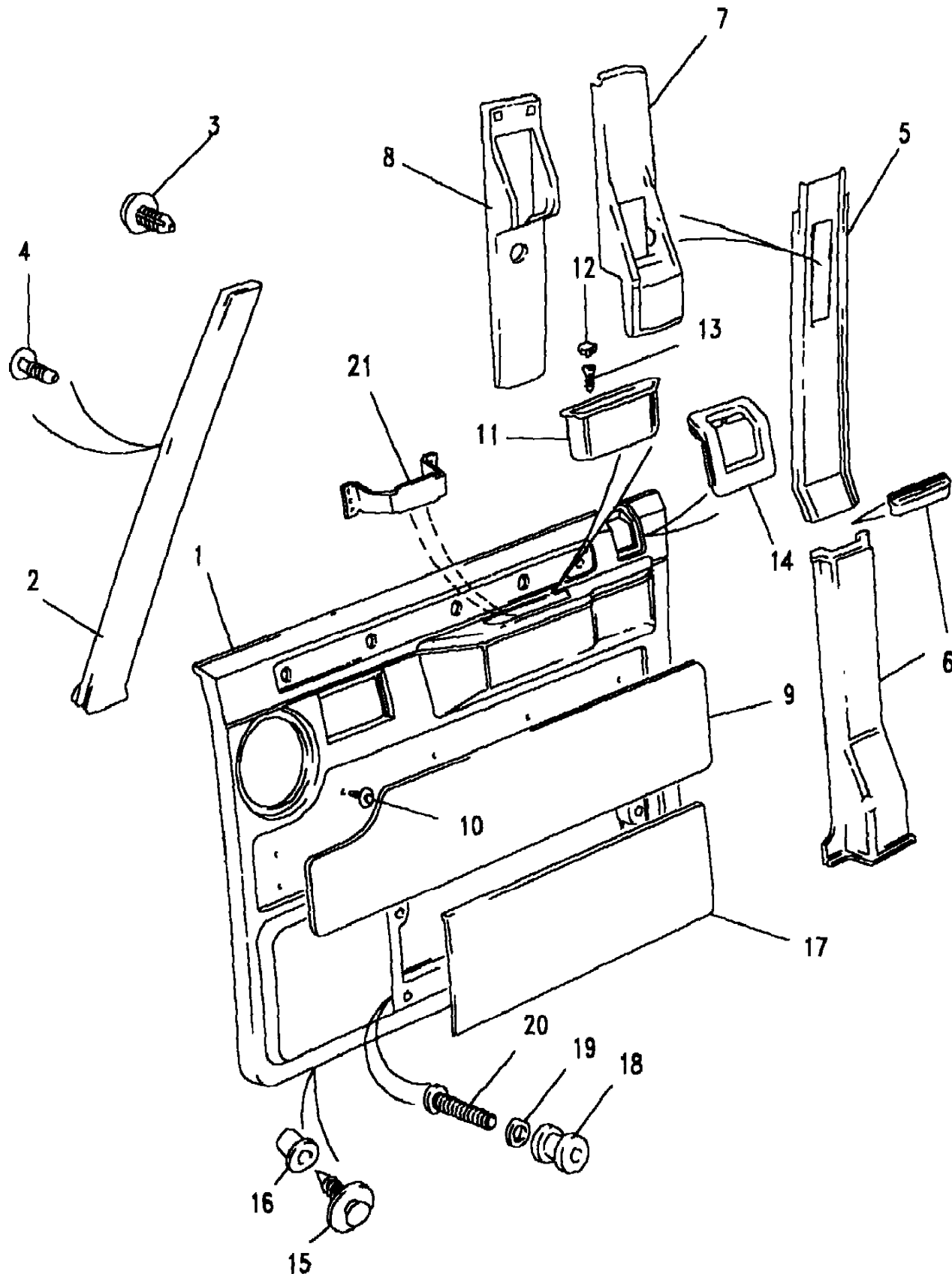
Range Rover (From JA610294)

(BDPXE2A)

Range Rover (From JA610294)

4 Door Station Wagon

Callout	Name	Application	Remarks & Restrictions	Service No.	Qty
6	Covering-BC post lower material	Change point - VIN begin KA639892, Change point - VIN end MA647644, (-) Vogue LSE	Sorrel Brown, LH	BTR8561SUA	X
		Change point - VIN begin KA639892, Change point - VIN end MA647644, Vogue	LH, Sable	BTR8561RWD	1
		Change point - VIN begin KA639892, Change point - VIN end MA647644, Vogue SE	LH, Sable	BTR8561RWD	1
		Change point - VIN begin KA639892, Change point - VIN end MA647644, (-) Vogue LSE	LH, Sable	BTR8561RWD	1
		Change point - VIN end KA639891, Vogue LSE	LH, Tan	BTR137AUK	1
		Change point - VIN end KA639891, (-) Vogue	LH, Tan	BTR137AUK	1
		Change point - VIN end KA639891, (-) Vogue SE	LH, Tan	BTR137AUK	1
		Change point - VIN end KA639891, Vogue LSE	LH, Sable	BTR137RWD	1
		Change point - VIN end KA639891, (-) Vogue	LH, Sable	BTR137RWD	1
		Change point - VIN end KA639891, (-) Vogue SE	LH, Sable	BTR137RWD	1
		Change point - VIN end KA639891, Vogue LSE	Sorrel Brown, LH	BTR137SUA	1
		Change point - VIN end KA639891, (-) Vogue	Sorrel Brown, LH	BTR137SUA	1
		Change point - VIN end KA639891, (-) Vogue SE	Sorrel Brown, LH	BTR137SUA	1
		Change point - VIN begin KA639892, Change point - VIN end MA647644, Vogue LSE	LH, Sable	BTR8561RWD	1
		Change point - VIN begin KA639892, Change point - VIN end MA647644, (-) Vogue	LH, Sable	BTR8561RWD	1
		Change point - VIN begin KA639892, Change point - VIN end MA647644, (-) Vogue SE	LH, Tan	BTR8561AUK	1
		Change point - VIN begin KA639892, Change point - VIN end MA647644, (-) Vogue	LH, Tan	BTR8561AUK	1
		Change point - VIN begin KA639892, Change point - VIN end MA647644, (-) Vogue SE	LH, Tan	BTR8561AUK	1



Interior Trim

Trim

Front Door Casing 12/16

Range Rover (From JA610294)

(BDPXE2A)

Interior Trim

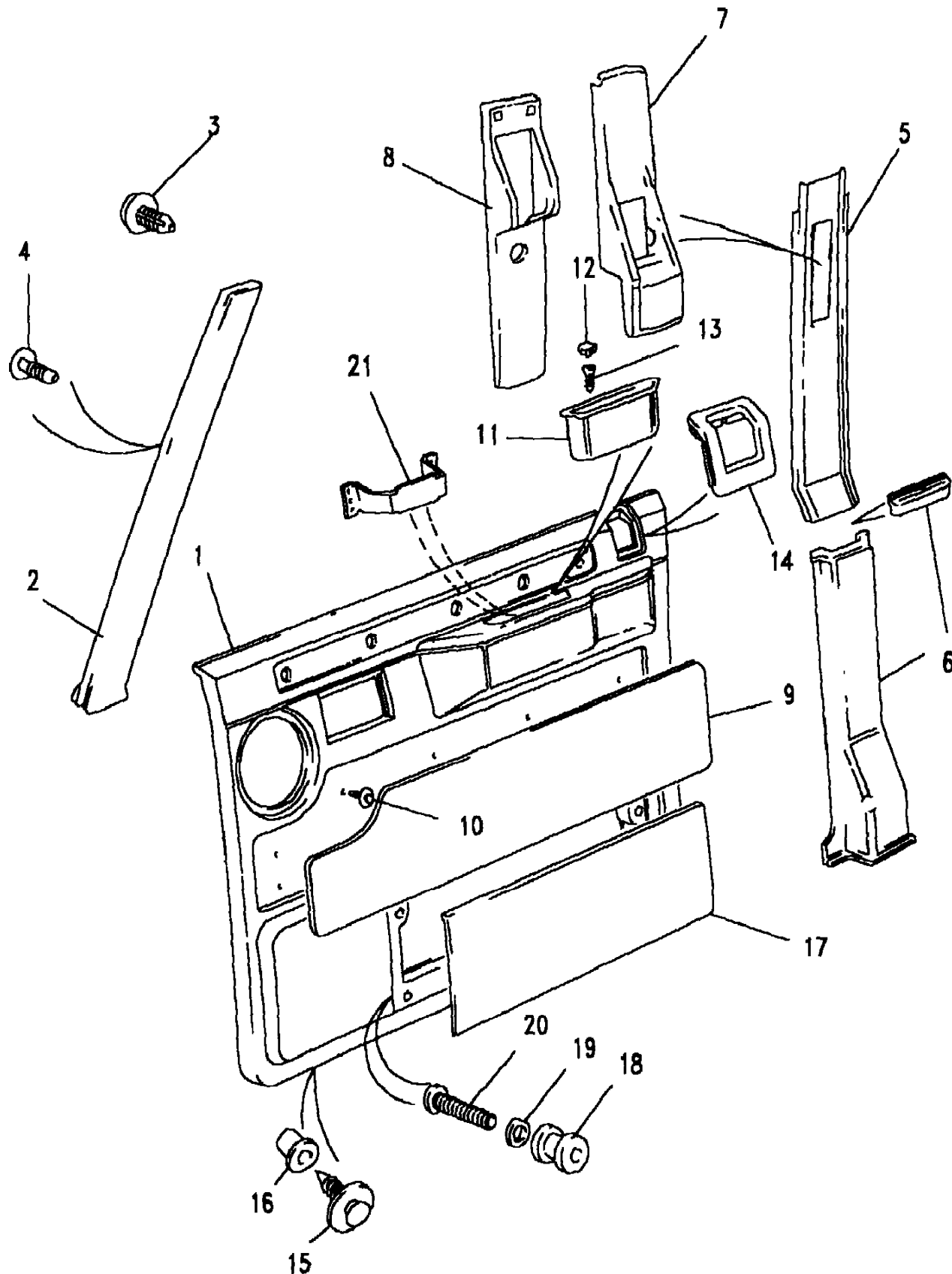
Trim

Front Door Casing

Range Rover (From JA610294)

4 Door Station Wagon

Callout	Name	Application	Remarks & Restrictions	Service No.	Qty
6	Covering-BC post lower material	Change point - VIN begin KA639892, Change point - VIN end MA647644, Vogue LSE	Sorrel Brown, LH	BTR8561SUA	X
		Change point - VIN begin KA639892, Change point - VIN end MA647644, (-) Vogue	Sorrel Brown, LH	BTR8561SUA	X
		Change point - VIN begin KA639892, Change point - VIN end MA647644, (-) Vogue SE	Sorrel Brown, LH	BTR8561SUA	X
		Change point - VIN end KA639891, Vogue	RH, Winchester Grey	BTR138LUL	1
		Change point - VIN end KA639891, (-) Vogue LSE	RH, Winchester Grey	BTR138LUL	1
		Change point - VIN end KA639891, Vogue SE	RH, Winchester Grey	BTR138LUL	1
		Change point - VIN end KA639891, Vogue	RH, Sorrel Brown	BTR138SUA	1
		Change point - VIN end KA639891, (-) Vogue LSE	RH, Sorrel Brown	BTR138SUA	1
		Change point - VIN end KA639891, Vogue SE	RH, Sorrel Brown	BTR138SUA	1
		Change point - VIN end KA639891, Vogue	RH, Sable	BTR138RWD	1
		Change point - VIN end KA639891, (-) Vogue LSE	RH, Sable	BTR138RWD	1
		Change point - VIN end KA639891, Vogue SE	RH, Sable	BTR138RWD	1
		Change point - VIN begin KA639892, Change point - VIN end MA647644, Vogue	RH, Sorrel Brown	BTR8562SUA	X
		Change point - VIN begin KA639892, Change point - VIN end MA647644, (-) Vogue LSE	RH, Sorrel Brown	BTR8562SUA	X
		Change point - VIN begin KA639892, Change point - VIN end MA647644, Vogue SE	RH, Winchester Grey	BTR8562LUL	1
		Change point - VIN begin KA639892, Change point - VIN end MA647644, (-) Vogue LSE	RH, Winchester Grey	BTR8562LUL	1
		Change point - VIN begin KA639892, Change point - VIN end MA647644, Vogue SE	RH, Winchester Grey	BTR8562LUL	1
		Change point - VIN begin KA639892, Change point - VIN end MA647644, Vogue	RH, Sable	BTR8562RWD	1



Interior Trim

Trim

Front Door Casing 13/16

Range Rover (From JA610294)

(BDPXE2A)

Interior Trim

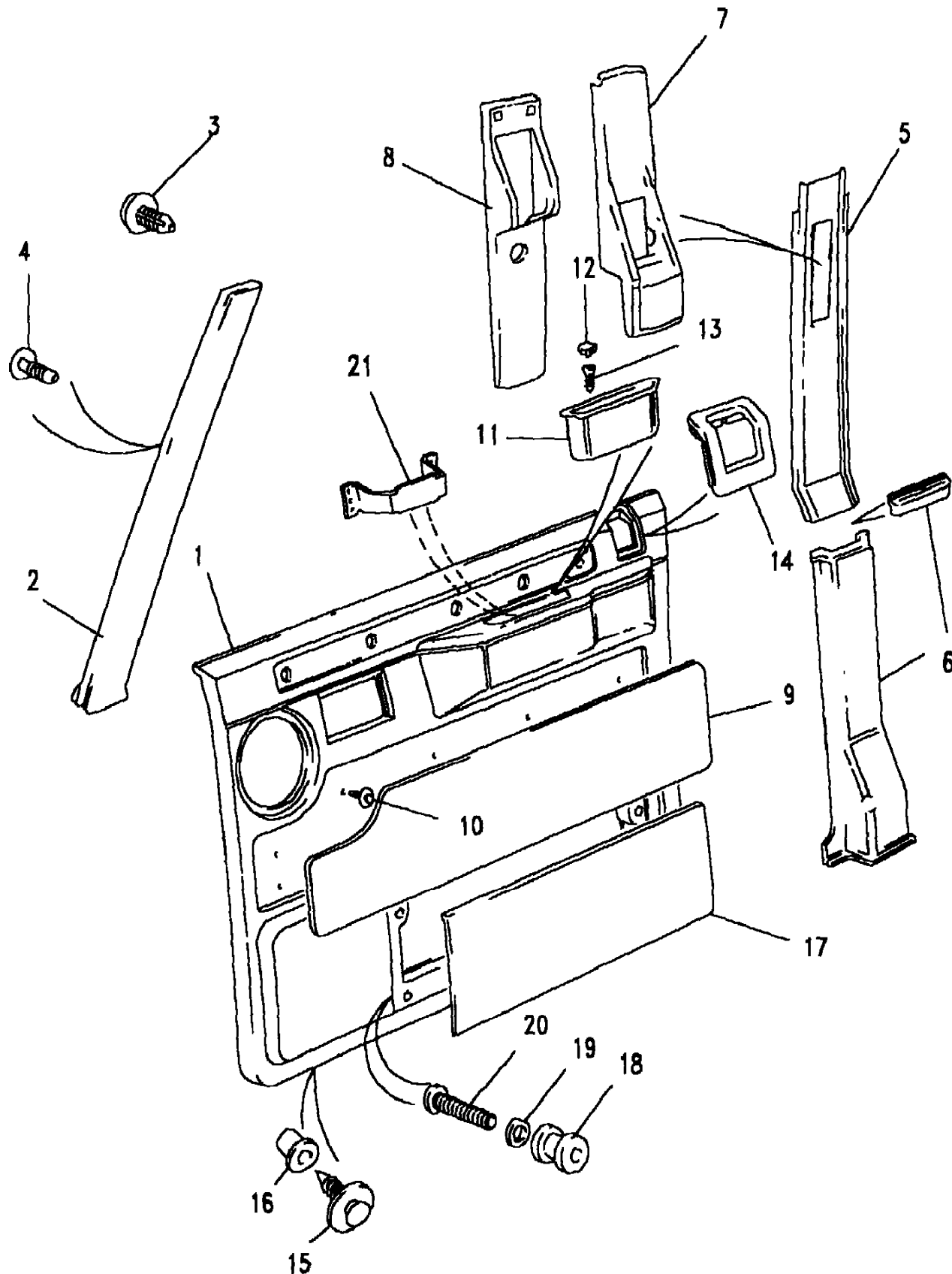
Trim

Front Door Casing

Range Rover (From JA610294)

4 Door Station Wagon

Callout	Name	Application	Remarks & Restrictions	Service No.	Qty
6	Covering-BC post lower material	Change point - VIN begin KA639892, Change point - VIN end MA647644, (-) Vogue LSE	RH, Sable	BTR8562RWD	1
		Change point - VIN begin KA639892, Change point - VIN end MA647644, Vogue SE	RH, Sable	BTR8562RWD	1
		Change point - VIN end KA639891, Vogue LSE	RH, Tan	BTR138AUK	1
		Change point - VIN end KA639891, (-) Vogue	RH, Tan	BTR138AUK	1
		Change point - VIN end KA639891, (-) Vogue SE	RH, Tan	BTR138AUK	1
		Change point - VIN end KA639891, Vogue LSE	RH, Sable	BTR138RWD	1
		Change point - VIN end KA639891, (-) Vogue	RH, Sable	BTR138RWD	1
		Change point - VIN end KA639891, (-) Vogue SE	RH, Sable	BTR138RWD	1
		Change point - VIN end KA639891, Vogue LSE	RH, Sorrel Brown	BTR138SUA	1
		Change point - VIN end KA639891, (-) Vogue	RH, Sorrel Brown	BTR138SUA	1
		Change point - VIN end KA639891, (-) Vogue SE	RH, Sorrel Brown	BTR138SUA	1
		Change point - VIN begin KA639892, Change point - VIN end MA647644, Vogue LSE	RH, Sorrel Brown	BTR8562SUA	X
		Change point - VIN begin KA639892, Change point - VIN end MA647644, (-) Vogue	RH, Sorrel Brown	BTR8562SUA	X
		Change point - VIN begin KA639892, Change point - VIN end MA647644, (-) Vogue SE	RH, Sorrel Brown	BTR8562SUA	X
		Change point - VIN begin KA639892, Change point - VIN end MA647644, Vogue LSE	RH, Sable	BTR8562RWD	1
		Change point - VIN begin KA639892, Change point - VIN end MA647644, (-) Vogue	RH, Sable	BTR8562RWD	1
		Change point - VIN begin KA639892, Change point - VIN end MA647644, (-) Vogue SE	RH, Sable	BTR8562RWD	1
		Change point - VIN begin KA639892, Change point - VIN end MA647644, Vogue LSE	RH, Tan	BTR8562AUK	1
		Change point - VIN begin KA639892, Change point - VIN end MA647644, (-) Vogue	RH, Tan	BTR8562AUK	1



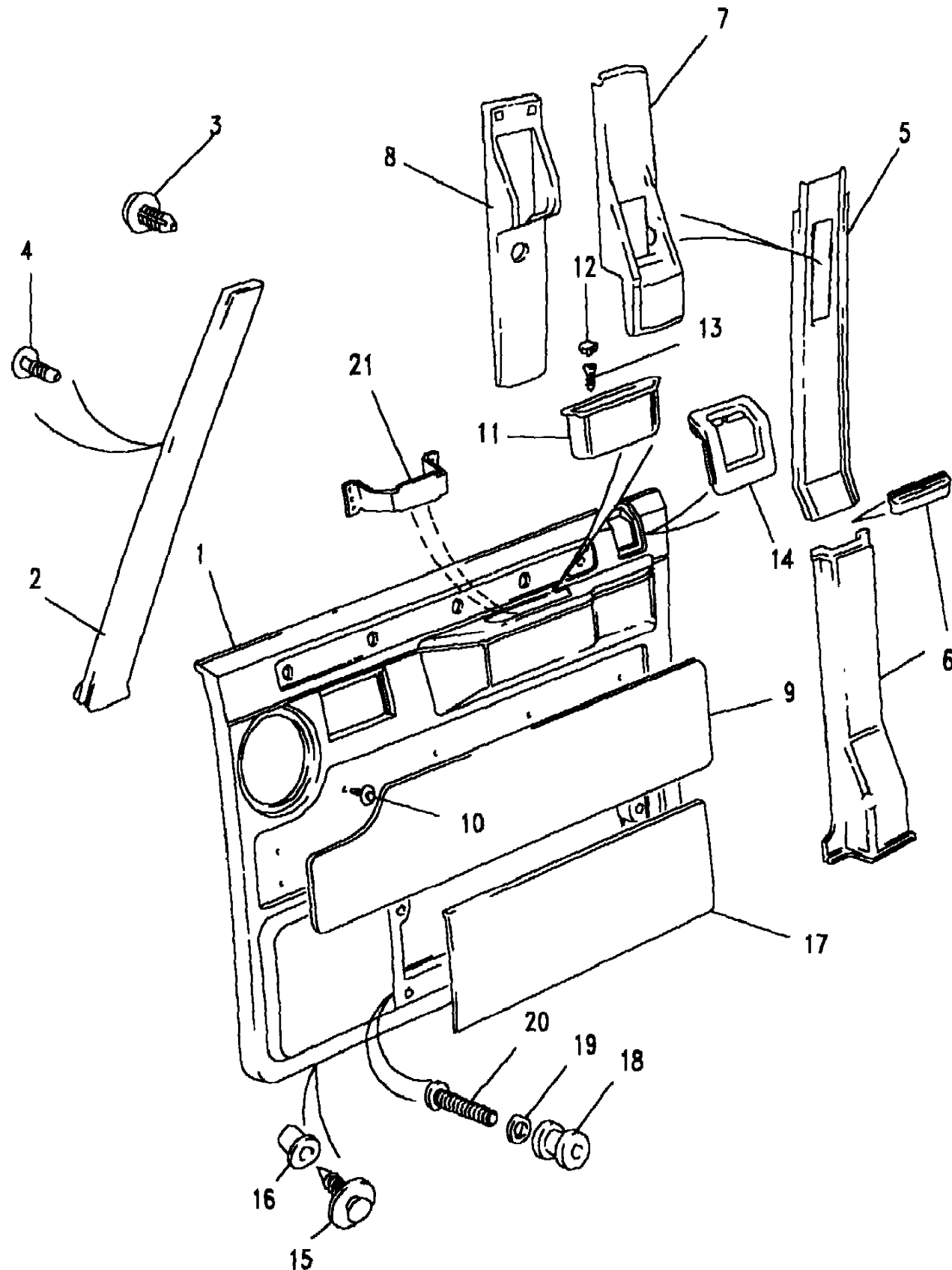
Range Rover (From JA610294)

(BDPXE2A)

Range Rover (From JA610294)

4 Door Station Wagon

Callout	Name	Application	Remarks & Restrictions	Service No.	Qty
6	Covering-BC post lower material	Change point - VIN begin KA639892, Change point - VIN end MA647644, (-) Vogue SE	RH, Tan	BTR8562AUK	1
7	Moulding-seat belt	Change point - VIN end JA624754	Sorrel Brown, Upper	MUC1612SUA	2
		Change point - VIN end JA624754	Winchester Grey, Upper	MUC1612LUL	2
		Change point - VIN begin KA624756, Change point - VIN end MA647645	Winchester Grey	BTR2121LUL	2
		Change point - VIN begin KA624756, Change point - VIN end MA647645	Sable	BTR2121RWD	2
		Change point - VIN end MA647645, Vogue LSE	Upper, Tan	BTR2121AUK	2
		Change point - VIN end MA647645, Vogue LSE	Sable	BTR2121RWD	2
		Change point - VIN end MA647645, Vogue LSE	Sorrel Brown, Upper	BTR2121SUA	2
		Change point - VIN end MA647645	Sorrel Brown, Lower	MUC1613SUA	2
8	Moulding-seat belt	Change point - VIN end MA647645	Winchester Grey, Lower	MUC1613LUL	2
		Change point - VIN end MA647645			
9	Insert-front door casing	Change point - VIN end MA647645	Cloth, RH, Brogue	MXC1330AUE	1
		Change point - VIN end MA647645	Cloth, RH, Winchester Grey	MXC1330LUL	1
		Change point - VIN end MA647645	Cloth, RH, Sable	MXC1330RWD	1
		Change point - VIN end MA647645	Cloth, RH, Tan	MXC1330AUK	1
		Change point - VIN end MA647645	Brogue, LH	MXC1331AUE	1
		Change point - VIN end MA647645	Winchester Grey, LH	MXC1331LUL	1
		Change point - VIN end MA647645	Cloth, LH, Sable	MXC1331RWD	1
		Change point - VIN end MA647645	Cloth, LH, Tan	MXC1331AUK	1
		Change point - VIN end MA647645			
10	Fastener-drive	Change point - VIN end MA647645	Plastic, Winchester Grey	MRC4283LUL	2
		Change point - VIN end MA647645	Plastic, Sorrel Brown	MRC4283SUA	2
		Change point - VIN end MA647645	Sable	MRC4283RWD	2
		Change point - VIN end MA647645	Tan	MRC4283AUK	2
		Change point - VIN end MA647645			
11	Pull-front/rear door	Change point - VIN end MA647645	Sorrel Brown	MXC1306SUA	2
		Change point - VIN end MA647645	Winchester Grey	MXC1306LUL	2
		Change point - VIN end MA647645	Sable	MXC1306RWD	2



Interior Trim
Trim
Front Door Casing 15/16

Range Rover (From JA610294)

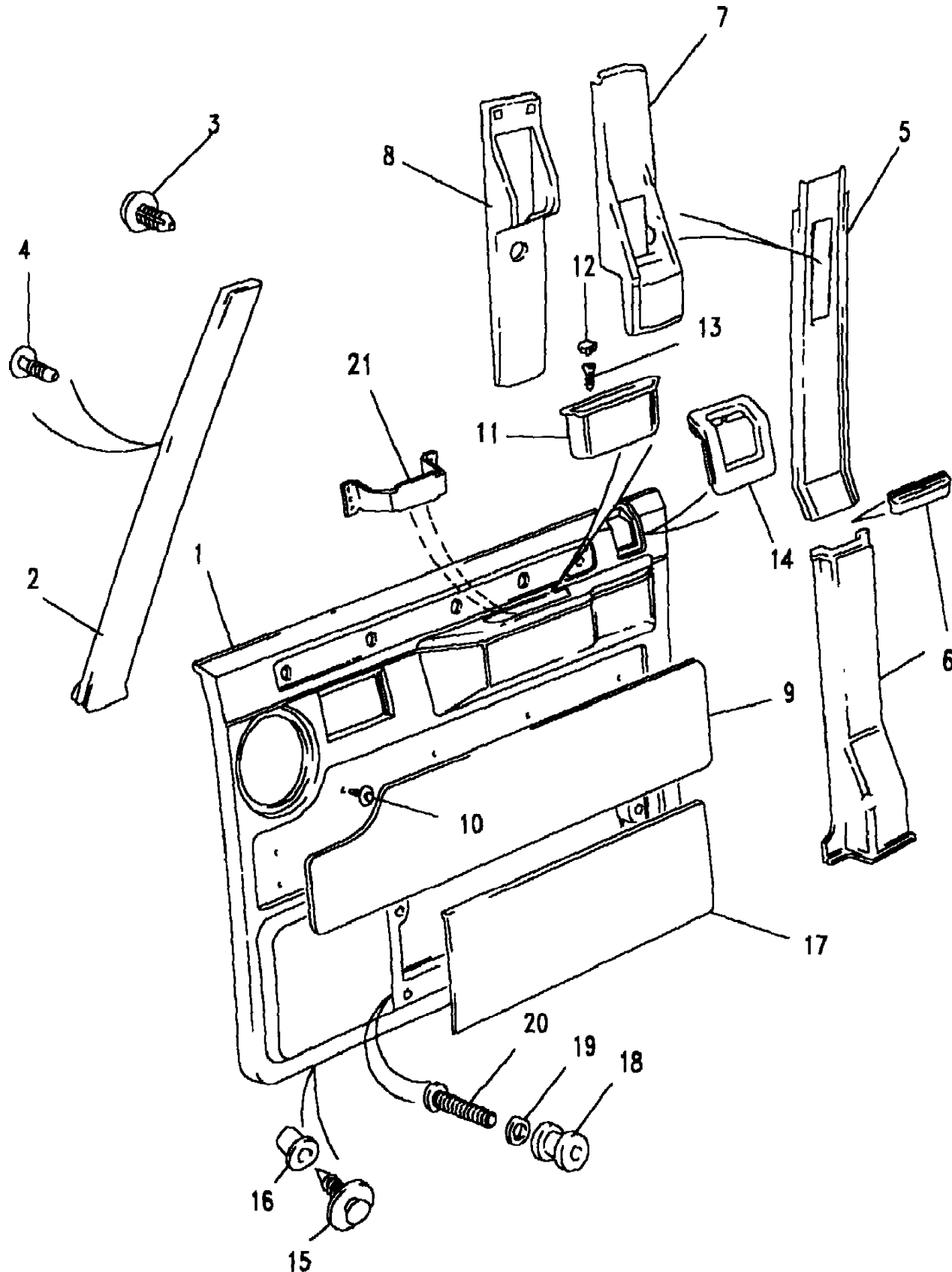
(BDPXE2A)

Range Rover (From JA610294)

Interior Trim
Trim
Front Door Casing

4 Door Station Wagon

Callout	Name	Application	Remarks & Restrictions	Service No.	Qty
11	Pull-front/rear door	Change point - VIN end MA647645	Tan	MXC1306AUK	2
12	Cover-screw	Change point - VIN end MA647645	Sorrel Brown	MXC1309SUA	4
		Change point - VIN end MA647645	Winchester Grey	MXC1309LUL	4
		Change point - VIN end MA647645	Sable	MXC1309RWD	4
		Change point - VIN end MA647645	Tan	MXC1309AUK	4
		Change point - VIN end MA647645			
13	Screw	Change point - VIN end MA647645	Self Tapping	AC610061L	4
14	Escutcheon-door-lock	Change point - VIN end MA647645	Bokhara	MXC4738RUN	2
15	Fastener-fir tree	Change point - VIN end MA647645		MWC3129	22
16	Insert-plain	Change point - VIN end MA647645		AJU1136L	22
17	Pocket-bodyside trim	Change point - VIN end MA647645	Sorrel Brown	MXC1324SUA	2
		Change point - VIN end MA647645	Winchester Grey	MXC1324LUL	2
		Change point - VIN end MA647645	Sable	MXC1324RWD	2
		Change point - VIN end MA647645	Tan	MXC1324AUK	2
		Change point - VIN end MA647645			
18	Spacer	Change point - VIN end MA647645		MXC1325	12
19	Washer	Change point - VIN end MA647645	M5, Plain, Standard	WA105001L	12
20	Screw	Change point - VIN end MA647645	plastite	ADU6780	12
21	Bracket assembly-bonnet release assembly	Change point - VIN end MA647645		MXC8311	2
[900]	Covering-BC post lower material	Change point - VIN end LA647644, Vogue	Sorrel Brown, LH	BTR137SUA	1
		Change point - VIN end LA647644, Vogue SE	Sorrel Brown, LH	BTR137SUA	1
		Change point - VIN end LA647644, (-) Vogue LSE	Sorrel Brown, LH	BTR137SUA	1
		Change point - VIN end LA647644, Vogue LSE	Sorrel Brown, LH	BTR137SUA	1
		Change point - VIN end LA647644, (-) Vogue	Sorrel Brown, LH	BTR137SUA	1
		Change point - VIN end LA647644, (-) Vogue SE	Sorrel Brown, LH	BTR137SUA	1



Interior Trim

Trim

Front Door Casing 16/16

Range Rover (From JA610294)

(BDPXE2A)

Interior Trim

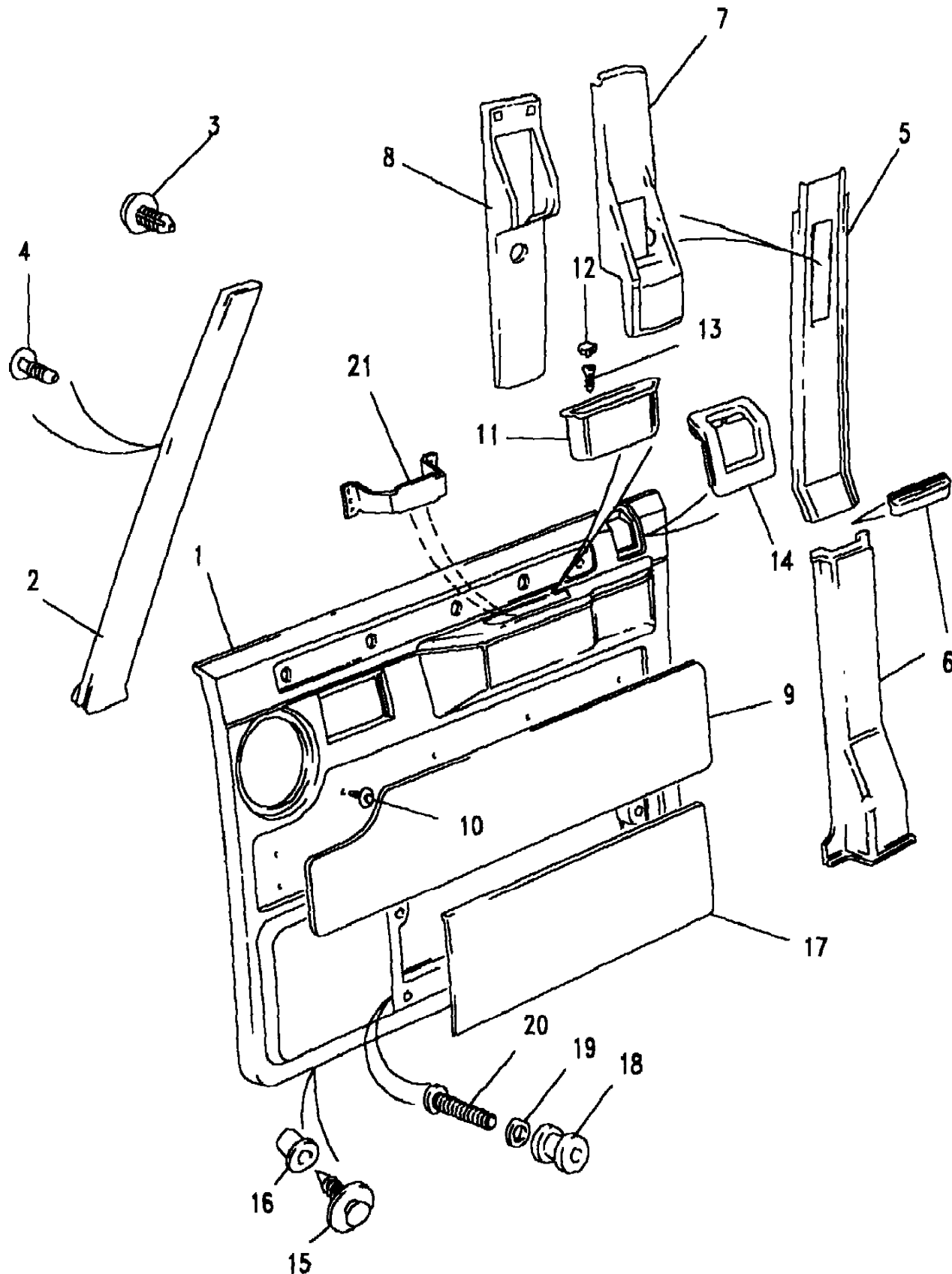
Trim

Front Door Casing

Range Rover (From JA610294)

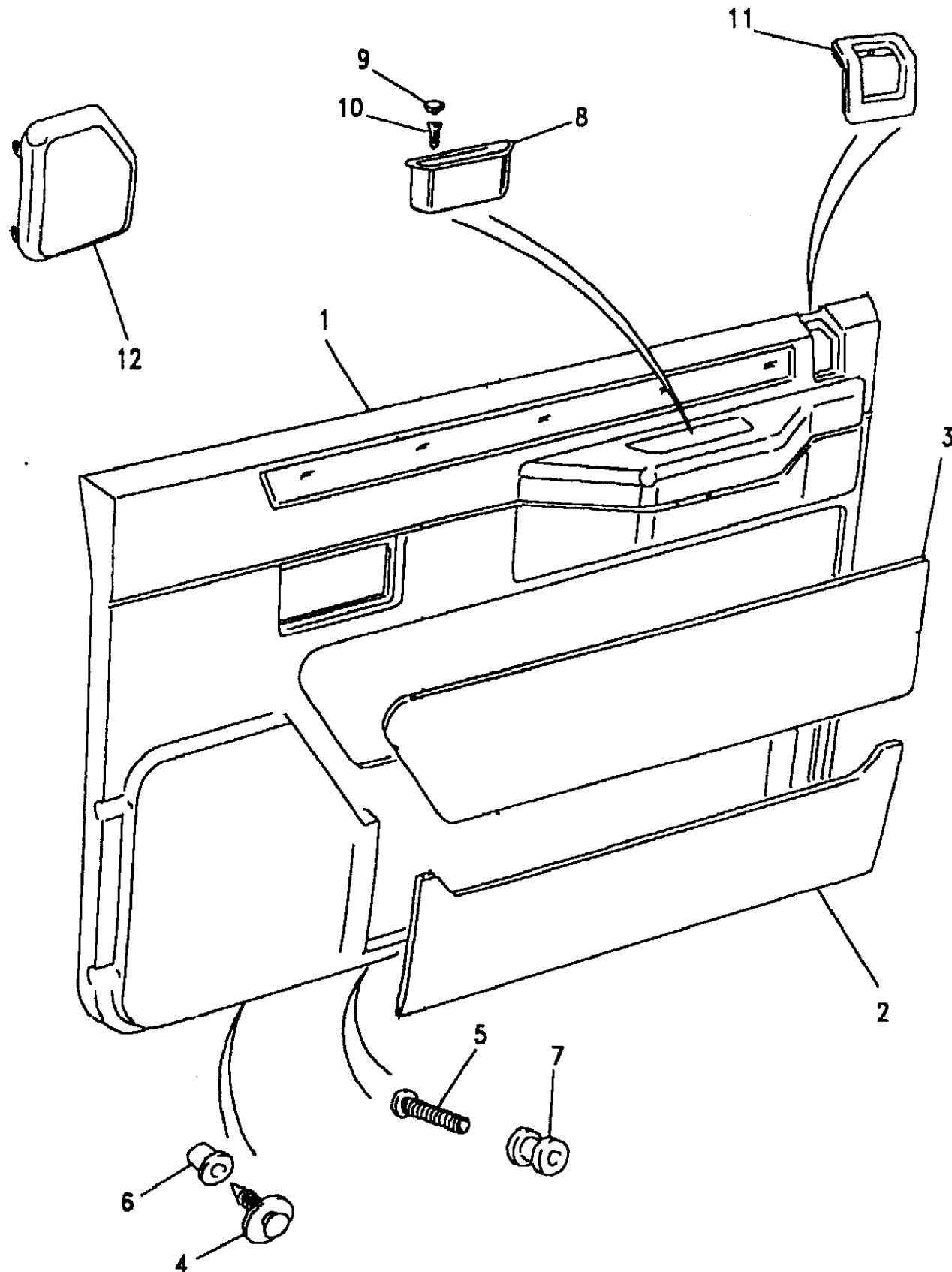
4 Door Station Wagon

Callout	Name	Application	Remarks & Restrictions	Service No.	Qty
[900]	Covering-BC post lower material	Change point - VIN end LA647644, Vogue	RH, Sorrel Brown	BTR138SUA	1
		Change point - VIN end LA647644, (-) Vogue LSE	RH, Sorrel Brown	BTR138SUA	1
		Change point - VIN end LA647644, Vogue SE	RH, Sorrel Brown	BTR138SUA	1
		Change point - VIN end LA647644, Vogue LSE	RH, Sorrel Brown	BTR138SUA	1
		Change point - VIN end LA647644, (-) Vogue	RH, Sorrel Brown	BTR138SUA	1
		Change point - VIN end LA647644, (-) Vogue SE	RH, Sorrel Brown	BTR138SUA	1
[901]	Clip	Change point - VIN end MA647645		RTC3764	4



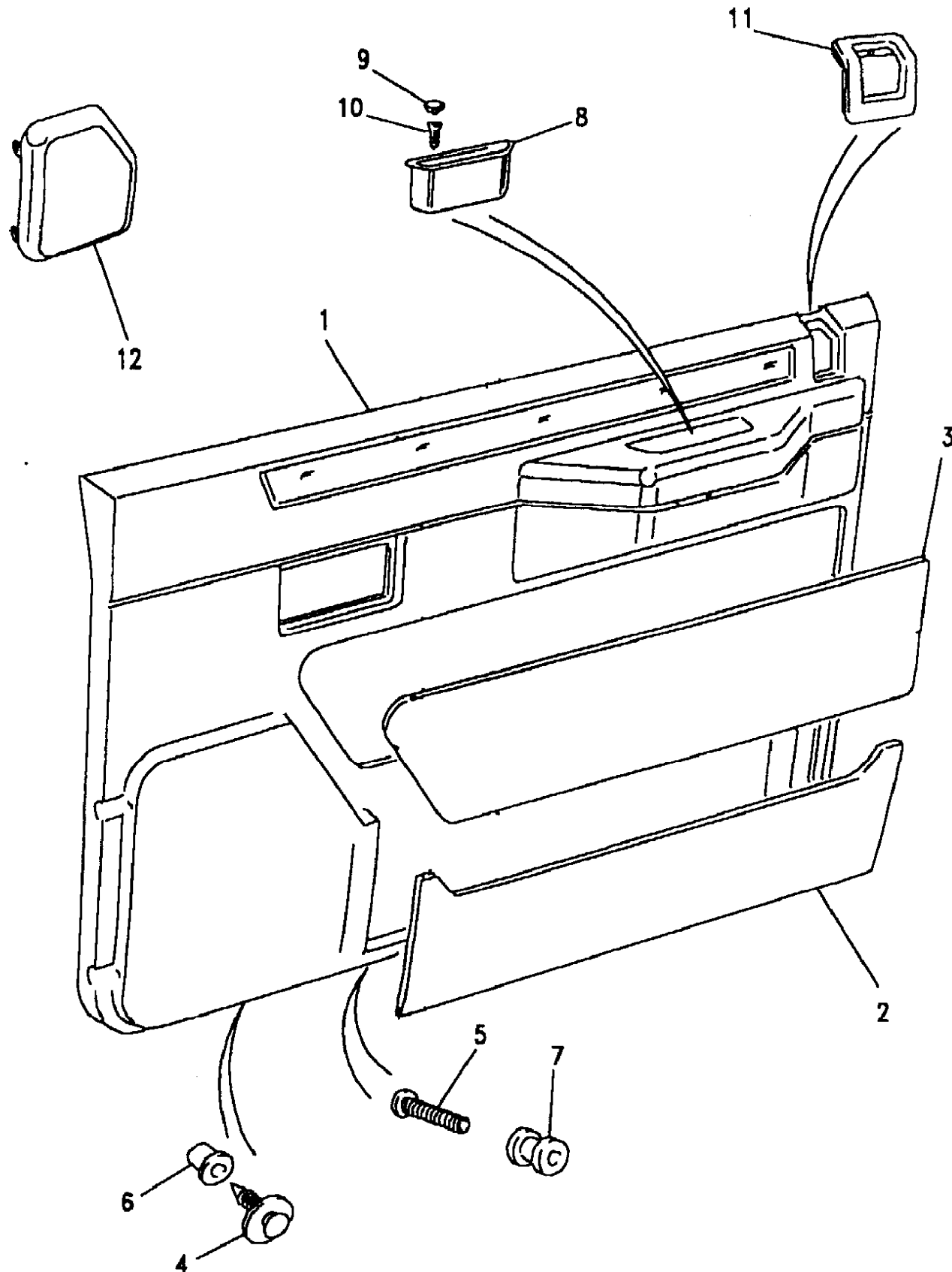
Change point - VIN begin MA647646, 4 Door Station Wagon

Callout	Name	Application	Remarks & Restrictions	Service No.	Qty		
1	Casing-front door	Change point - VIN begin MA647645	RH, Dark Granite, without cloth insert	BTR7742LOY	1		
		Change point - VIN begin MA647645	RH, Sorrel Brown, without cloth insert	BTR7742SUA	1		
		Change point - VIN begin MA647645	Dark Granite, without cloth insert, LH	BTR7743LOY	1		
		Change point - VIN begin MA647645	Sorrel Brown, without cloth insert, LH	BTR7743SUA	1		
		Change point - VIN begin MA647645	Ash Grey, RH, with cloth insert	BTR7740LNF	1		
		Change point - VIN begin MA647645	RH, Dark Granite, with cloth insert	BTR7740LOY	1		
		Change point - VIN begin MA647645	RH, Sorrel Brown, with cloth insert	BTR7740SUA	1		
		Change point - VIN begin MA647645	Ash Grey, with cloth insert, LH	BTR7741LNF	1		
		Change point - VIN begin MA647645	Dark Granite, with cloth insert, LH	BTR7741LOY	1		
		Change point - VIN begin MA647645	Sorrel Brown, with cloth insert, LH	BTR7741SUA	1		
		2	Pocket-door casing	Change point - VIN begin MA647645	Ash Grey	BTR4213LNF	2
				Change point - VIN begin MA647645	Dark Granite	BTR4213LOY	2
Change point - VIN begin MA647645	Sorrel Brown			BTR4213SUA	2		
3	Insert-front door casing	Change point - VIN begin MA647645	Ash Grey, RH	BTR6156LNF	1		
		Change point - VIN begin MA647645	RH, Dark Granite	BTR6156LOY	1		
		Change point - VIN begin MA647645	RH, Sorrel Brown	BTR6156SUA	1		
		Change point - VIN begin MA647645	Sorrel Brown, LH	BTR6157SUA	1		
		Change point - VIN begin MA647645	Dark Granite, LH	BTR6157LOY	1		
		Change point - VIN begin MA647645	Ash Grey, LH	BTR6157LNF	1		
		Change point - VIN begin MA647645					
4	Fastener-fir tree	Change point - VIN begin MA647645		MWC3129	22		
5	Screw	Change point - VIN begin MA647645	plastite	ADU6780	6		
6	Insert-plain	Change point - VIN begin MA647645		AJU1136L	22		
7	Spacer	Change point - VIN begin MA647645		MXC1325	6		
8	Pull-front/rear door	Change point - VIN begin MA647645	Ash Grey	MXC1306LNF	2		
		Change point - VIN begin MA647645	Dark Granite	MXC1306LOY	2		
		Change point - VIN begin MA647645	Sorrel Brown	MXC1306SUA	2		



Change point - VIN begin MA647646, 4 Door Station Wagon

Callout	Name	Application	Remarks & Restrictions	Service No.	Qty
9	Cover-screw	Change point - VIN begin MA647645	Ash Grey	MXC1309LNF	4
		Change point - VIN begin MA647645	Dark Granite	MXC1309LOY	4
		Change point - VIN begin MA647645	Sorrel Brown	MXC1309SUA	4
10	Screw	Change point - VIN begin MA647645	Self Tapping	AC610061L	4
11	Escutcheon-door-lock	Change point - VIN begin MA647645	Ash Grey	MXC4738LNF	2
12	Cover-front door speaker	Change point - VIN begin MA647645, Change point - VIN end MA655394, (-)"J"	RH, Dark Granite	BTR4216LOY	1
		Change point - VIN begin MA647645, Change point - VIN end MA655394, (-)"J"	RH, Sorrel Brown	BTR4216SUA	1
		Change point - VIN begin MA647645, Change point - VIN end MA655394, (-)"J"	Dark Granite, LH	BTR4217LOY	1
		Change point - VIN begin MA647645, Change point - VIN end MA655394, (-)"J"	Sorrel Brown, LH	BTR4217SUA	1
		Change point - VIN begin MA655395, (-)"J"	RH, Sorrel Brown	AWR2072SUA	1
		Change point - VIN begin MA655395, (-)"J"	RH, Dark Granite	AWR2072LOY	1
		Change point - VIN begin MA655395, (-)"J"	Dark Granite, LH	AWR2073LOY	1
		Change point - VIN begin MA655395, (-)"J"	Sorrel Brown, LH	AWR2073SUA	1
		Change point - VIN begin MA647645, Change point - VIN end MA655394, (+)"J"	Ash Grey, RH	BTR9638LNF	1
		Change point - VIN begin MA647645, Change point - VIN end MA655394, (+)"J"	RH, Dark Granite	BTR9638LOY	1
		Change point - VIN begin MA647645, Change point - VIN end MA655394, (+)"J"	RH, Sorrel Brown	BTR9638SUA	1
		Change point - VIN begin MA647645, Change point - VIN end MA655394, (+)"J"	Ash Grey, LH	BTR9639LNF	1
		Change point - VIN begin MA647645, Change point - VIN end MA655394, (+)"J"	Dark Granite, LH	BTR9639LOY	1
		Change point - VIN begin MA647645, Change point - VIN end MA655394, (+)"J"	Sorrel Brown, LH	BTR9639SUA	1



Interior Trim

Range Rover (From JA610294)

Trim

Front Door Casing 3/3

(BDPXE2B)

Range Rover (From JA610294)

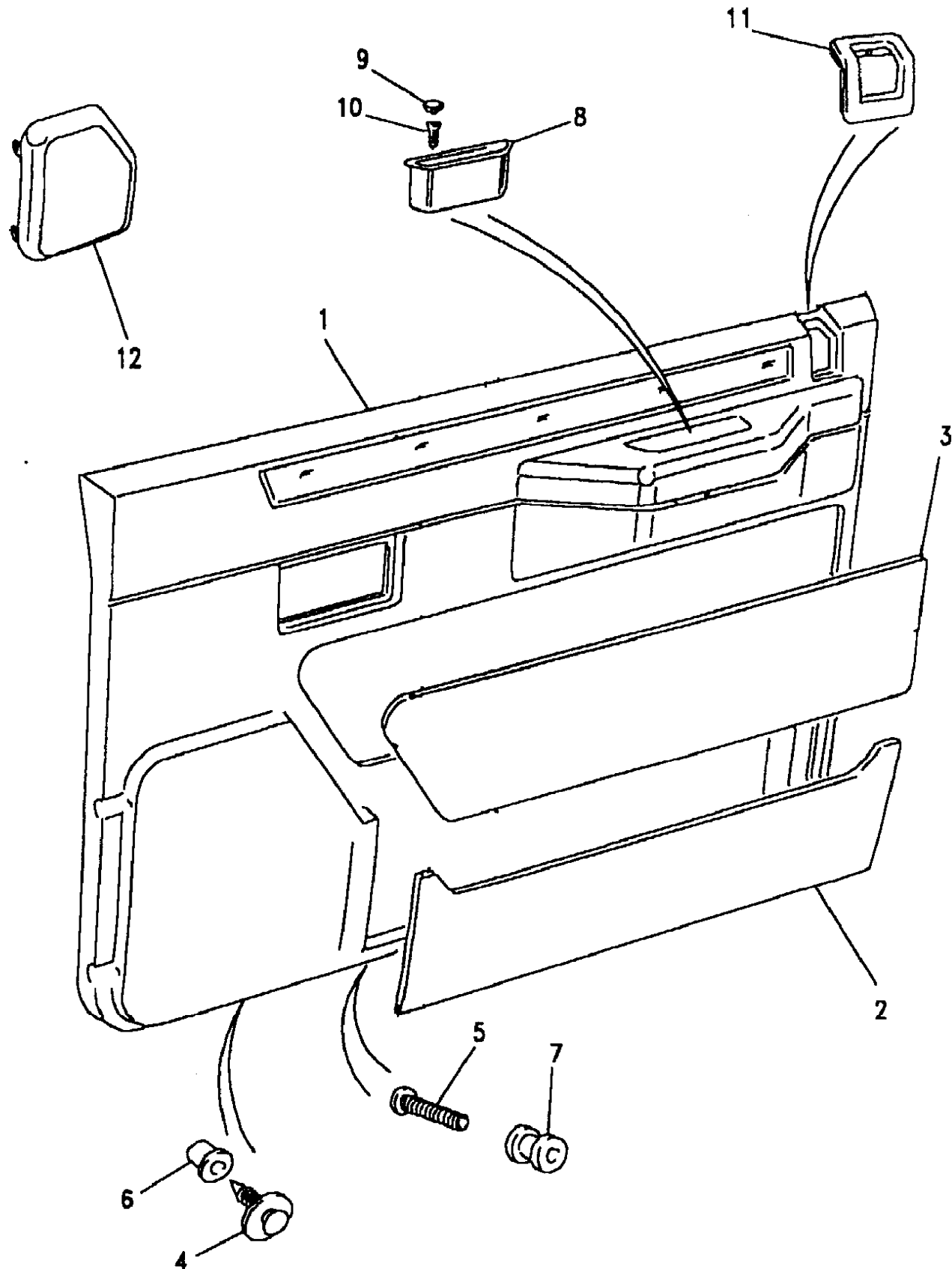
Interior Trim

Trim

Front Door Casing

Change point - VIN begin MA647646, 4 Door Station Wagon

Callout	Name	Application	Remarks & Restrictions	Service No.	Qty
12	Cover-front door speaker	Change point - VIN begin MA655395, (+)"J"	Ash Grey, RH	AWR2074LNF	1
		Change point - VIN begin MA655395, (+)"J"	RH, Dark Granite	AWR2074LOY	1
		Change point - VIN begin MA655395, (+)"J"	RH, Sorrel Brown	AWR2074SUA	1
		Change point - VIN begin MA655395, (+)"J"	Ash Grey, LH	AWR2075LNF	1
		Change point - VIN begin MA655395, (+)"J"	Dark Granite, LH	AWR2075LOY	1
		Change point - VIN begin MA655395, (+)"J"	Sorrel Brown, LH	AWR2075SUA	1



Interior Trim
Trim
Headlining 1/1

Range Rover (From JA610294)

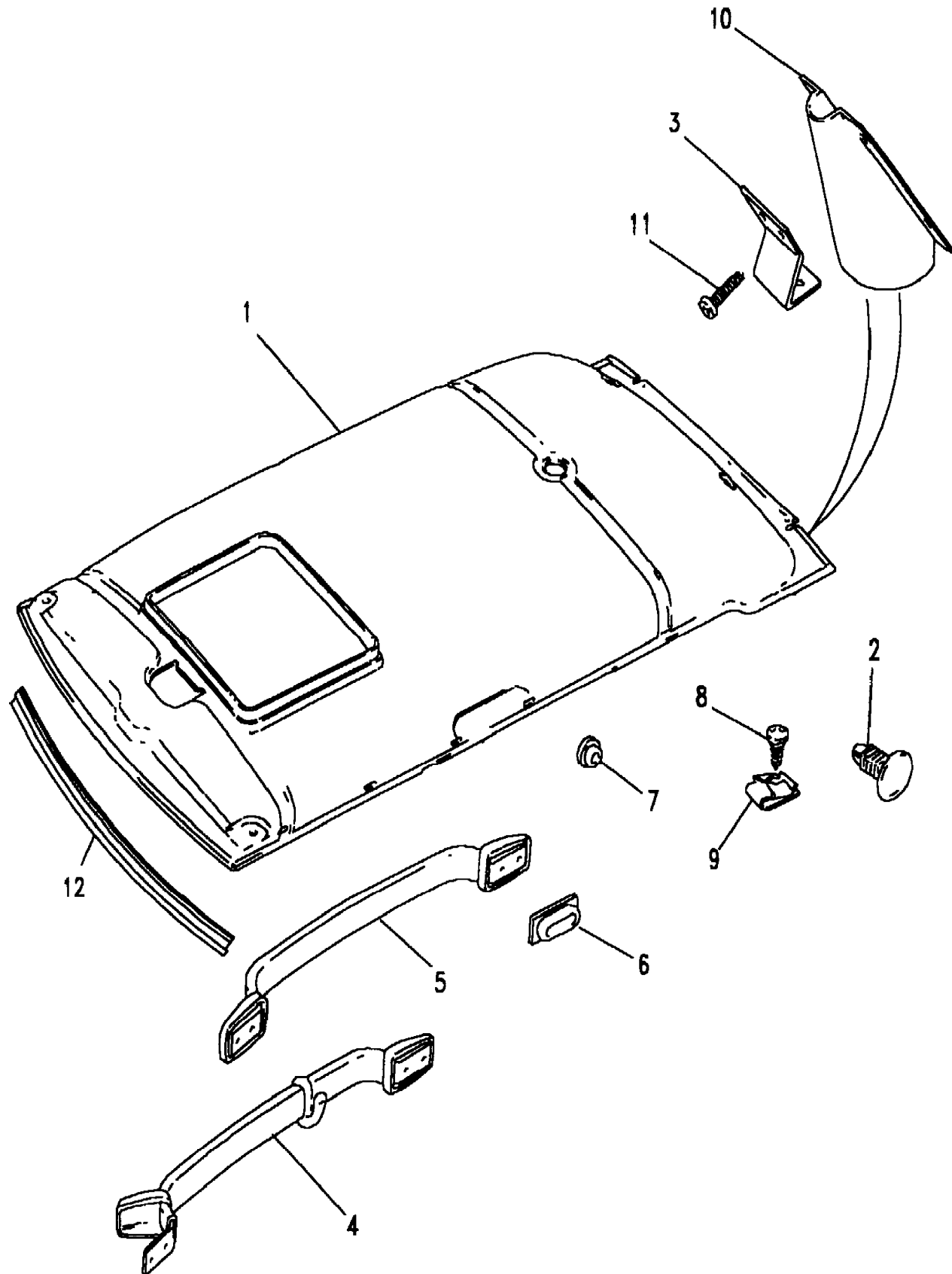
(BDPXKA2A)

Range Rover (From JA610294)

Interior Trim
Trim
Headlining

Less Sun Roof

Callout	Name	Application	Remarks & Restrictions	Service No.	Qty
1	Headlining assembly-roof trim	Change point - VIN begin KA624756, 2 Door Station Wagon, With Anti-Theft Alarm	Burglar Alarm, Mist Grey	BTR6253LUM	1
		Change point - VIN begin KA624756, 4 Door Station Wagon, Less Anti-Theft Alarm	Less Burglar Alarm, Mist Grey	BTR6256LUM	1
		Change point - VIN begin KA624756, 4 Door Station Wagon, With Anti-Theft Alarm	Burglar Alarm, Mist Grey	BTR6257LUM	1
		Change point - VIN end JA624754, 2 Door Station Wagon	Mist Grey, without speaker aperture	MWC5975LUM	1
		Change point - VIN end JA624754, 4 Door Station Wagon	Mist Grey, with speaker aperture	MWC5481LUM	1
		Change point - VIN begin KA624756, 2 Door Station Wagon, Less Anti-Theft Alarm	Less Burglar Alarm, Mist Grey	BTR6252LUM	1
		2	Fastener-drive		Mist Grey, flock coated
3	Bracket-headlining support			MWC8447	2
4	Handle-roof trim grab		With Coat Hook, Rear, Mist Grey	MUC5088LUM	2
5	Handle-roof trim grab		Front, Mist Grey	MUC5486LUM	2
6	Insert-front headrest grab handle			MWC9640	8
7	Insert receptacle			MWC9822	2
8	Screw-self tapping		TO BODY, counter sunk, No 10 x 1"	AD610084	8
9	Nut-spring-special		No10	AL610011L	8
10	Retainer		RH, Mist Grey	392267LUM	1
			Mist Grey, LH	393182LUM	1
11	Screw		BRACKET TO BODY, Self Tapping, No 8 x 3/8	AB608031L	8
12	Finisher-headlining	Change point - VIN begin MA647645, Less Anti-Theft Alarm	Less Burglar Alarm, Mist Grey	BTR8668LUM	1
		Change point - VIN begin MA647645, With Anti-Theft Alarm	Burglar Alarm, Mist Grey	BTR8669LUM	1



Interior Trim
Trim
Headlining 1/2

Range Rover (From JA610294)

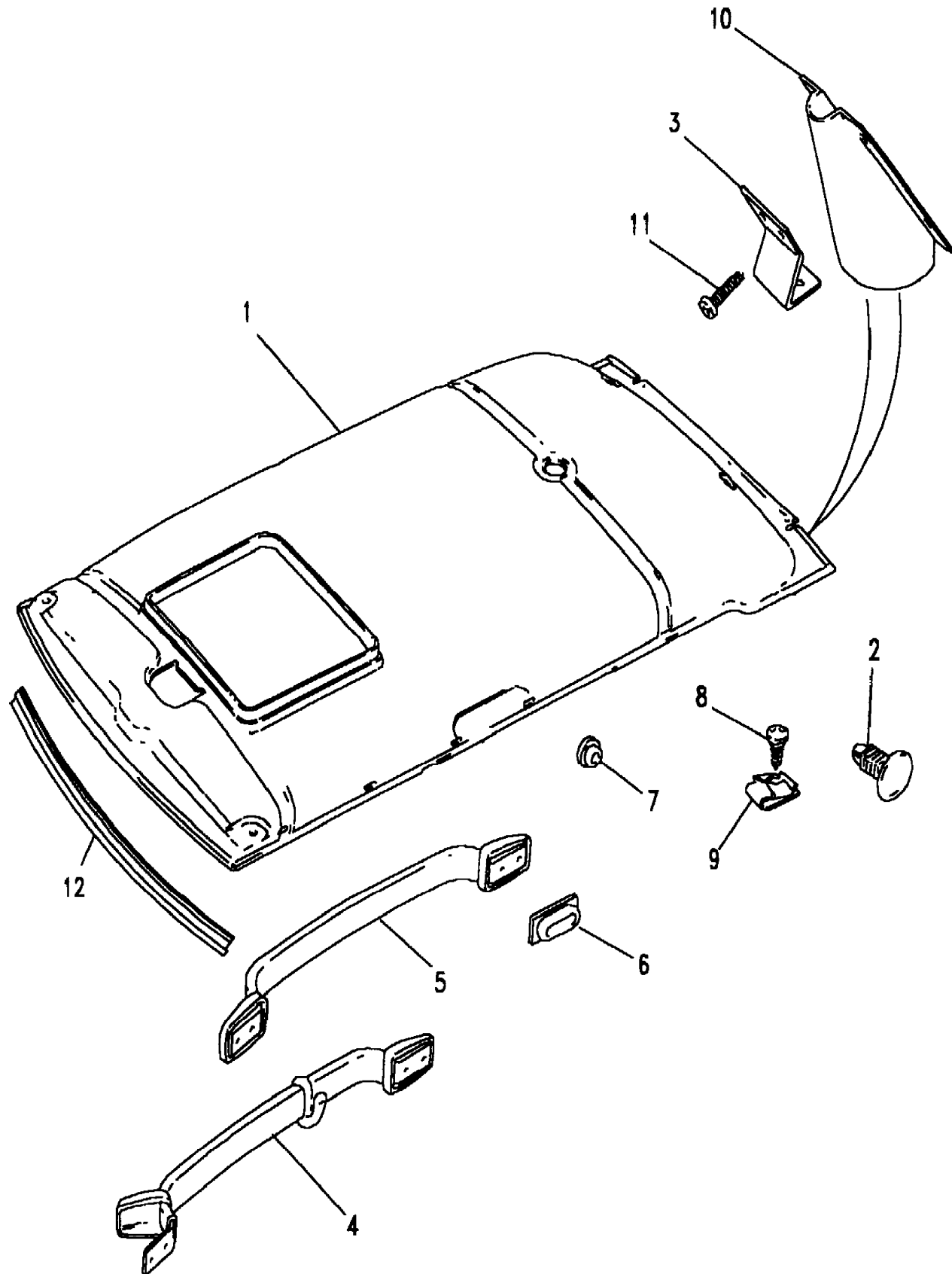
(BDPXKA2A)

Range Rover (From JA610294)

Interior Trim
Trim
Headlining

With Sunroof

Callout	Name	Application	Remarks & Restrictions	Service No.	Qty	
1	Headlining assembly-sunroof	Change point - VIN end JA624754, 2 Door Station Wagon, (-) 108", Less Anti-Theft Alarm	Less Burglar Alarm, Mist Grey	BTR443LUM	1	
		Change point - VIN end JA624754, 4 Door Station Wagon, (-) 108", Less Anti-Theft Alarm	Less Burglar Alarm, Mist Grey	BTR444LUM	1	
		Change point - VIN begin KA624756, 2 Door Station Wagon, (-) 108", Less Anti-Theft Alarm	Less Burglar Alarm, Mist Grey	BTR6254LUM	1	
		Change point - VIN begin KA624756, 2 Door Station Wagon, (-) 108", With Anti-Theft Alarm	Burglar Alarm, Mist Grey	BTR6255LUM	1	
		Change point - VIN begin KA624756, 4 Door Station Wagon, (-) 108", Less Anti-Theft Alarm	Less Burglar Alarm, Mist Grey	BTR6258LUM	1	
		Change point - VIN begin KA624756, 4 Door Station Wagon, (-) 108", With Anti-Theft Alarm	Burglar Alarm, Mist Grey	BTR6259LUM	1	
		108" (2743mm) Wheelbase, Less Anti-Theft Alarm	Less Burglar Alarm, Mist Grey	BTR6250LUM	1	
		108" (2743mm) Wheelbase, With Anti-Theft Alarm	Burglar Alarm, Mist Grey	BTR6251LUM	1	
		2	Fastener-drive	Mist Grey, flock coated	MWC8228LUM	4
		3	Bracket-headlining support		MWC8447	2
		4	Handle-roof trim grab	With Coat Hook, Rear, Mist Grey	MUC5088LUM	2
5	Handle-roof trim grab	Front, Mist Grey	MUC5486LUM	2		
6	Insert-front headrest grab handle		MWC9640	8		
7	Insert receptacle		MWC9822	2		
8	Screw-self tapping	TO BODY, counter sunk, No 10 x 1"	AD610084	8		
9	Nut-spring-special	No10	AL610011L	8		
10	Retainer	RH, Mist Grey Mist Grey, LH	392267LUM 393182LUM	1 1		
11	Screw	BRACKET TO BODY, Self Tapping, No 8 x 3/8	AB608031L	8		



SEP 04

837

Interior Trim
Trim
Headlining 2/2

Range Rover (From JA610294)

(BDPXKA2A)

837

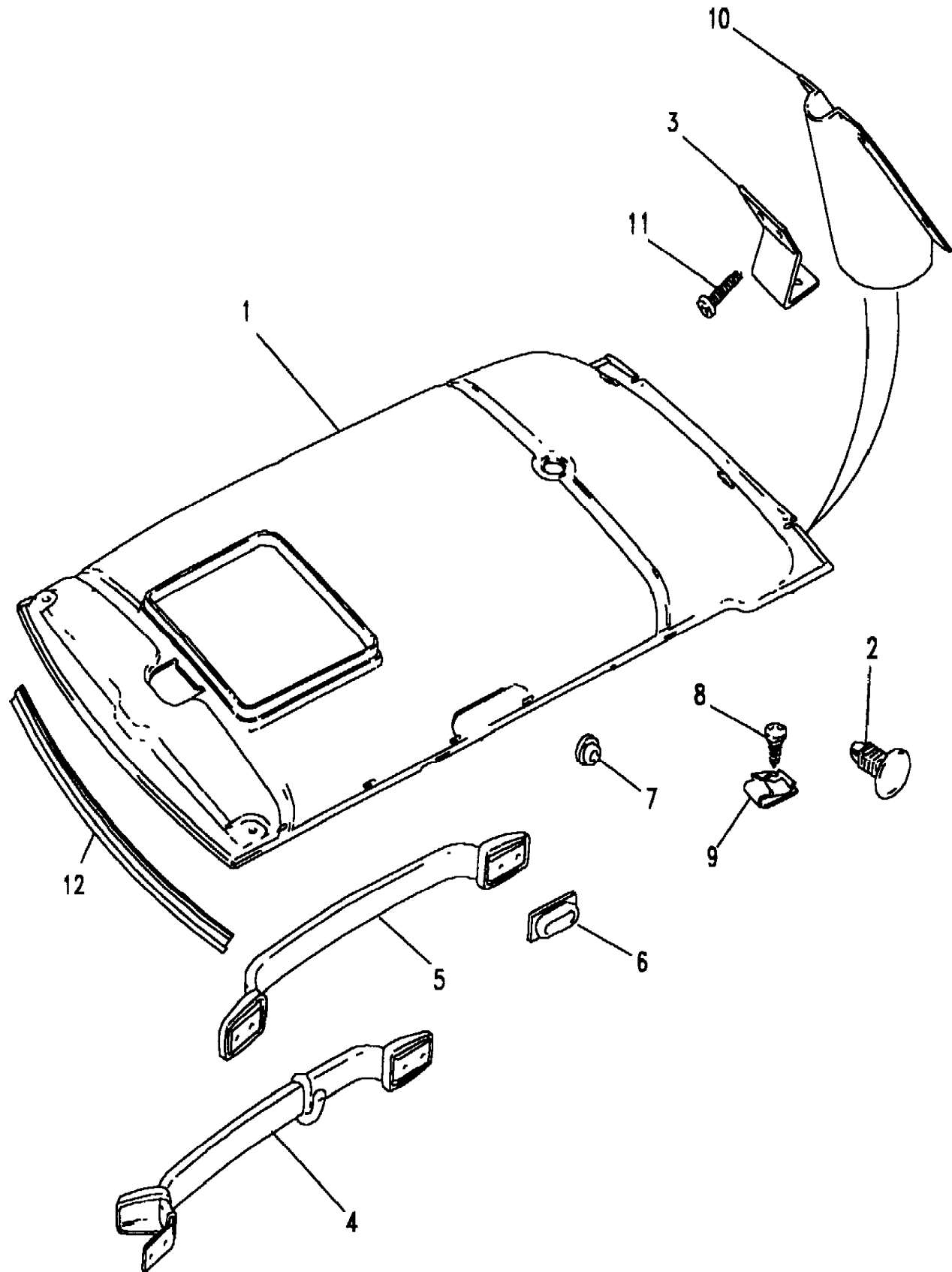
SEP 04

Interior Trim
Trim
Headlining

Range Rover (From JA610294)

With Sunroof

Callout	Name	Application	Remarks & Restrictions	Service No.	Qty
12	Finisher-headlining	Change point - VIN begin MA647645, Less Anti-Theft Alarm	Less Burglar Alarm, Mist Grey	BTR8668LUM	1
		Change point - VIN begin MA647645, With Anti-Theft Alarm	Burglar Alarm, Mist Grey	BTR8669LUM	1



Interior Trim
Trim
Insulation & Carpets-Sill Finishers & Tread Plates 1/1

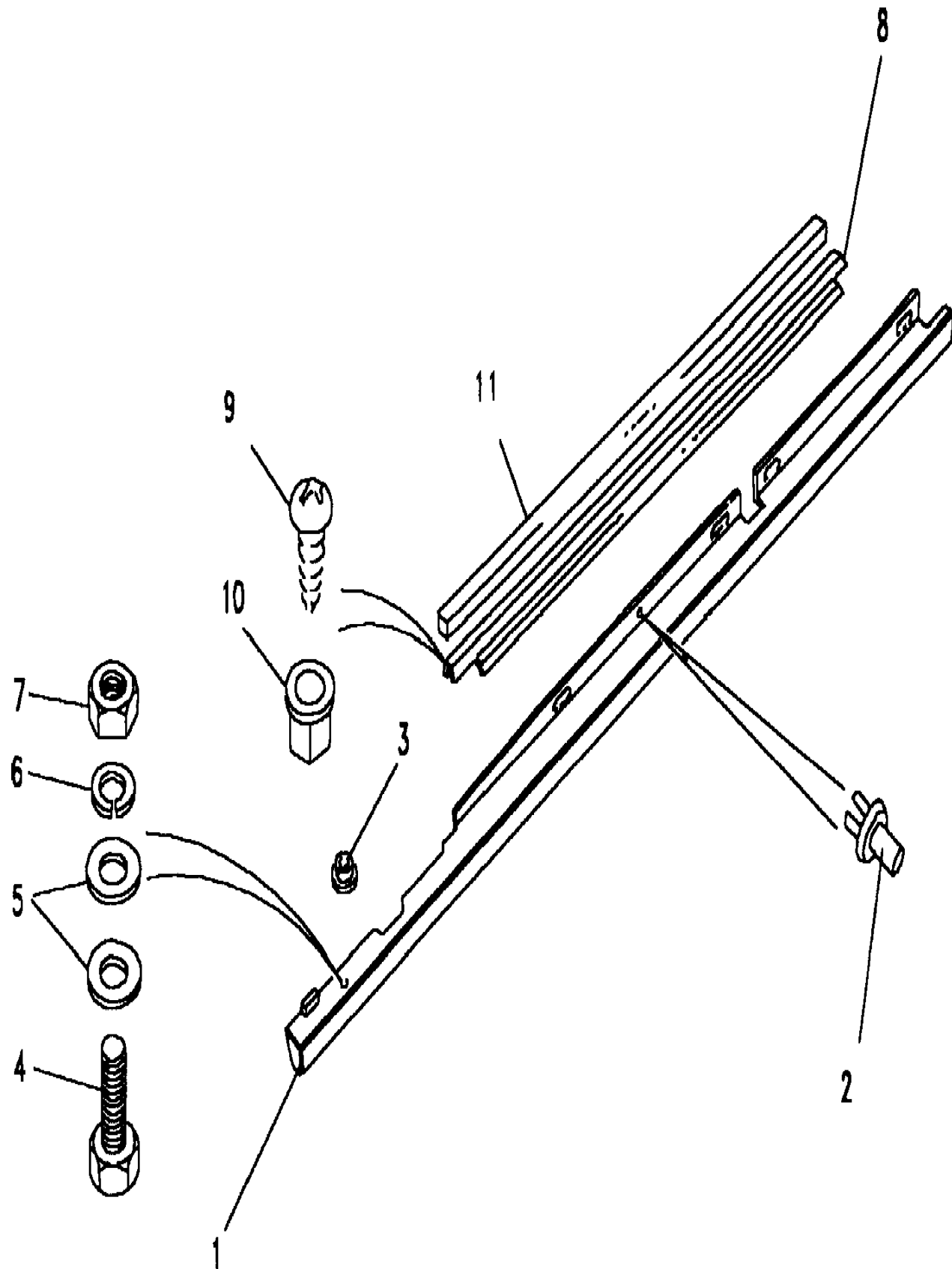
Range Rover (From JA610294)

(BDPXRA1A)

Range Rover (From JA610294)

Interior Trim
Trim
Insulation & Carpets-Sill Finishers & Tread Plates
2 Door Station Wagon

Callout	Name	Application	Remarks & Restrictions	Service No.	Qty
1	Finisher-body side sill		RH LH	STC1828 STC1829	1 1
2	Rivet-plastic-drive			79086 79086L	10 10
3	Spacer		Rear Front	390586 390585	2 2
4	Screw		TO BODY, M5, hexagonal head, 6MM	SH604081L	4
5	Washer			RTC618	8
6	Washer-Spring		1/4 dia, Square	WM600041L	4
7	Nut - Hex.		hexagonal head, Coarse Thread, 1/4UNF	NH604041L	4
8	Treadstrip	Change point - VIN end KA639891 Change point - VIN end KA639891	RH LH	MXC1706 MXC1707	1 1
9	Screw-self tapping		TO BODY, counter sunk, No 10 x 1"	AC610081L	10
10	Nut - Hex.			RTC3746	20
11	Seal			MTC2342	2

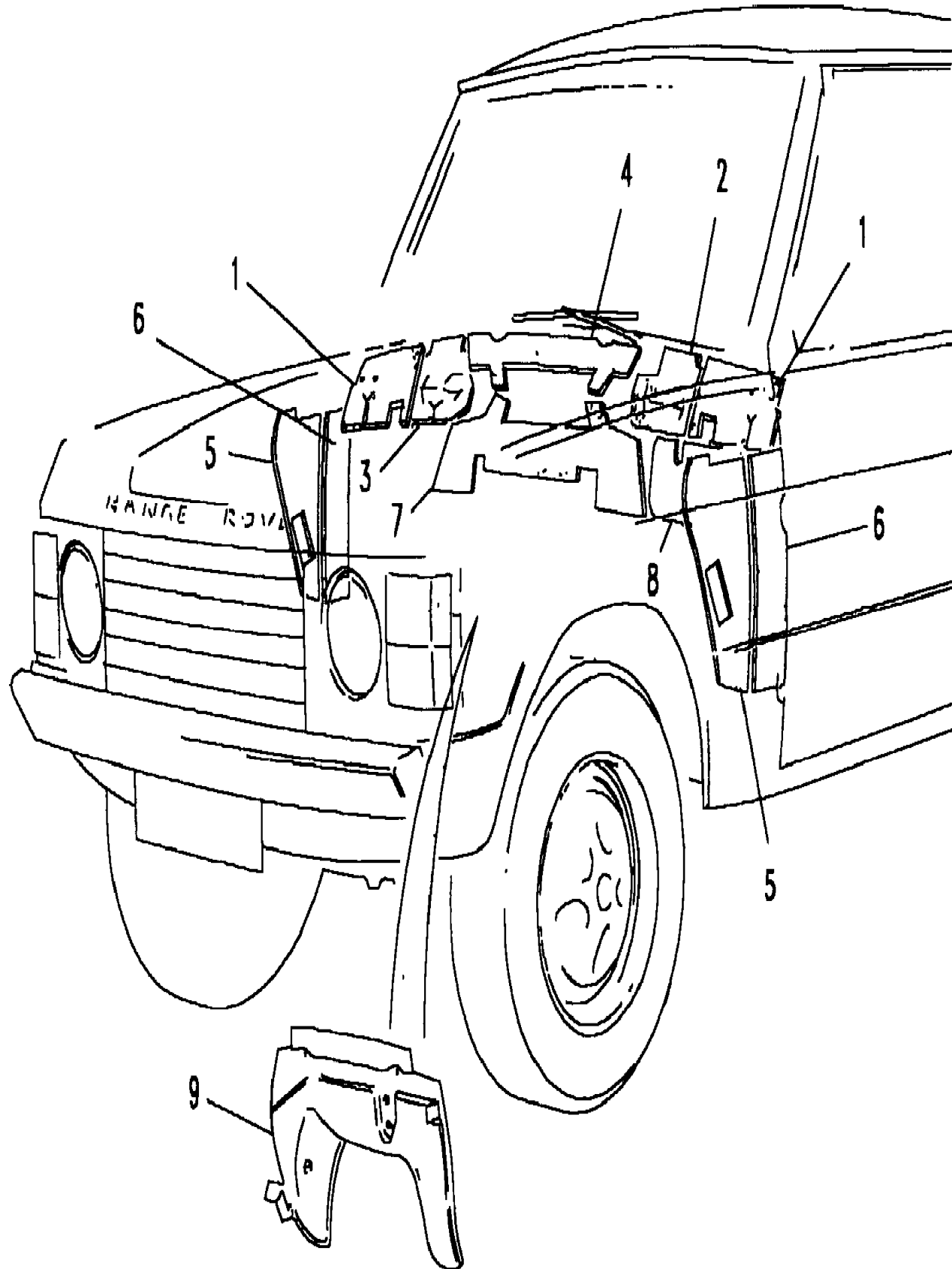


Interior Trim
Trim
Insulation & Sound Deadening Pads 1/1

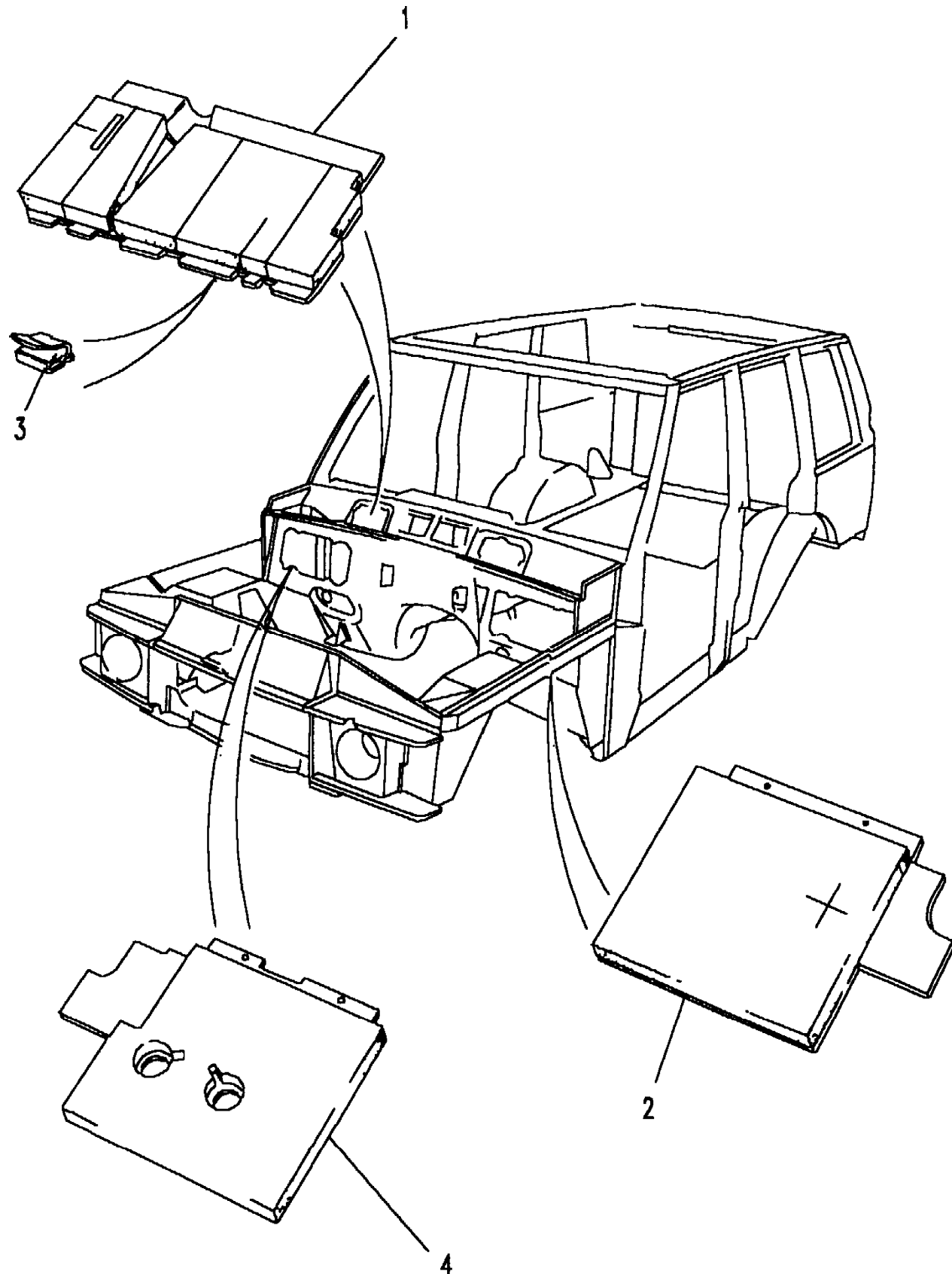
Range Rover (From JA610294)
(BDPXA1A)

Range Rover (From JA610294)

Interior Trim
Trim
Insulation & Sound Deadening Pads



Callout	Name	Application	Remarks & Restrictions	Service No.	Qty
1	Pad-front bulkhead insulation	Change point - VIN end MA647644	Outer, RH	MWC2640	1
			Outer, LH	MWC2641	1
2	Pad-front bulkhead insulation	Change point - VIN end MA647644	RH, Inner	MUC2902	1
3	Pad-front bulkhead insulation	Change point - VIN end MA647644	Inner, LH	MUC2901	1
4	Pad-front bulkhead insulation	Change point - VIN end MA647644	Centre	393031	1
5	Pad-insulation	Change point - VIN end MA647644	Front, Side	MUC9489	2
6	Pad-insulation	Change point - VIN end MA647644	Rear, Side	MWC4803	2
7	Pad-rear bulkhead insulation	Change point - VIN end MA647644		MWC2645	1
8	Pad-facia insulation	Change point - VIN end MA647644		MWC2693	1
9	Pad-insulation	Change point - VIN end MA647644		MWC4567	1



Callout	Name	Application	Remarks & Restrictions	Service No.	Qty
1	Pad-insulation	Change point - VIN end MA647644, With Petrol Engines		MWC6401	1
		Change point - VIN end MA647644, With Diesel Engines		MUC4230	1
2	Pad-insulation	Change point - VIN end MA647644, With Petrol Engines		MUC8977	1
		Change point - VIN end MA647644, With Diesel Engines, LHD		MWC7681	1
		Change point - VIN end MA647644, With Diesel Engines, RHD		MWC7682	1
3	Fastener-fir tree	Change point - VIN end MA647644, With Petrol Engines		BTR9437	4
		Change point - VIN end MA647644, With Diesel Engines		BTR9437	4
4	Pad-insulation	Change point - VIN end MA647644, With Petrol Engines, LHD		BTR2473	1
		Change point - VIN end MA647644, With Petrol Engines, RHD		BTR2474	1
		Change point - VIN end MA647644, With Diesel Engines, RHD		MUC8976	1
		Change point - VIN end MA647644, With Diesel Engines, LHD		MUC8977	1
[900]	Fastener-fir tree	Change point - VIN end LA647644, With Petrol Engines		EYC101330PMA	4
		Change point - VIN end LA647644, With Diesel Engines		EYC101330PMA	4

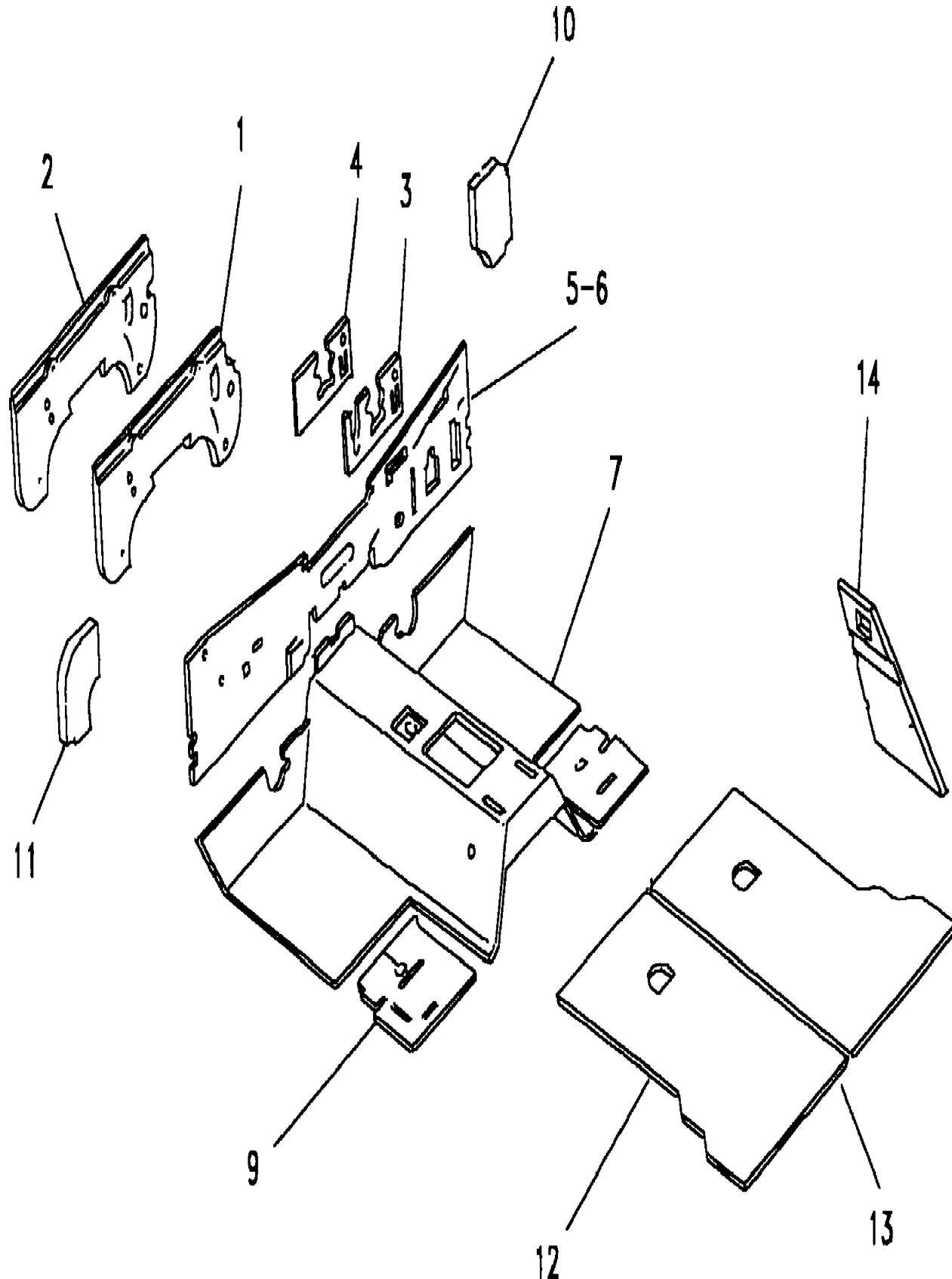
Interior Trim
Trim
Insulation-From (V) MA647645 1/1

Range Rover (From JA610294)

(BDPXMA5B)

Range Rover (From JA610294)

Interior Trim
Trim
Insulation-From (V) MA647645



Callout	Name	Application	Remarks & Restrictions	Service No.	Qty
1	Pad-front bulkhead insulation	Change point - VIN begin MA647645, RHD		BTR9369	1
2	Pad-front bulkhead insulation	Change point - VIN begin MA647645, LHD		BTR9368	1
3	Pad assembly-front bulkhead pedal box insulation	Change point - VIN begin MA647645, Manual Transmission		BTR8400	1
4	Pad assembly-front bulkhead pedal box insulation	Change point - VIN begin MA647645, Automatic Transmission		BTR8402	1
5	Pad-front bulkhead insulation	Change point - VIN begin MA647645, With Petrol Engines		BTR4871	1
6	Pad-front bulkhead insulation	Change point - VIN begin MA647645, With Diesel Engines		BTR4872	1
7	Pad-tunnel insulation	Change point - VIN begin MA647645		BTR9380	1
8	Pad-front floor insulation	Change point - VIN begin MA647645	RH	BTR4866	1
9	Pad-front floor insulation	Change point - VIN begin MA647645	LH	BTR4867	1
10	Pad-front bulkhead insulation	Change point - VIN begin MA647645	LH	BTR4857	1
11	Pad-front bulkhead insulation	Change point - VIN begin MA647645	RH	BTR4858	1
12	Pad-front floor insulation	Change point - VIN begin MA647645	LH	BTR5430	1
13	Pad-front floor insulation	Change point - VIN begin MA647645	RH	BTR5890	1
14	Pad-E post insulation	Change point - VIN begin MA647645	RH	BTR4862	1

Interior Trim
Trim
Insulation-Tunnel Front & Rear Floor 1/1

Range Rover (From JA610294)

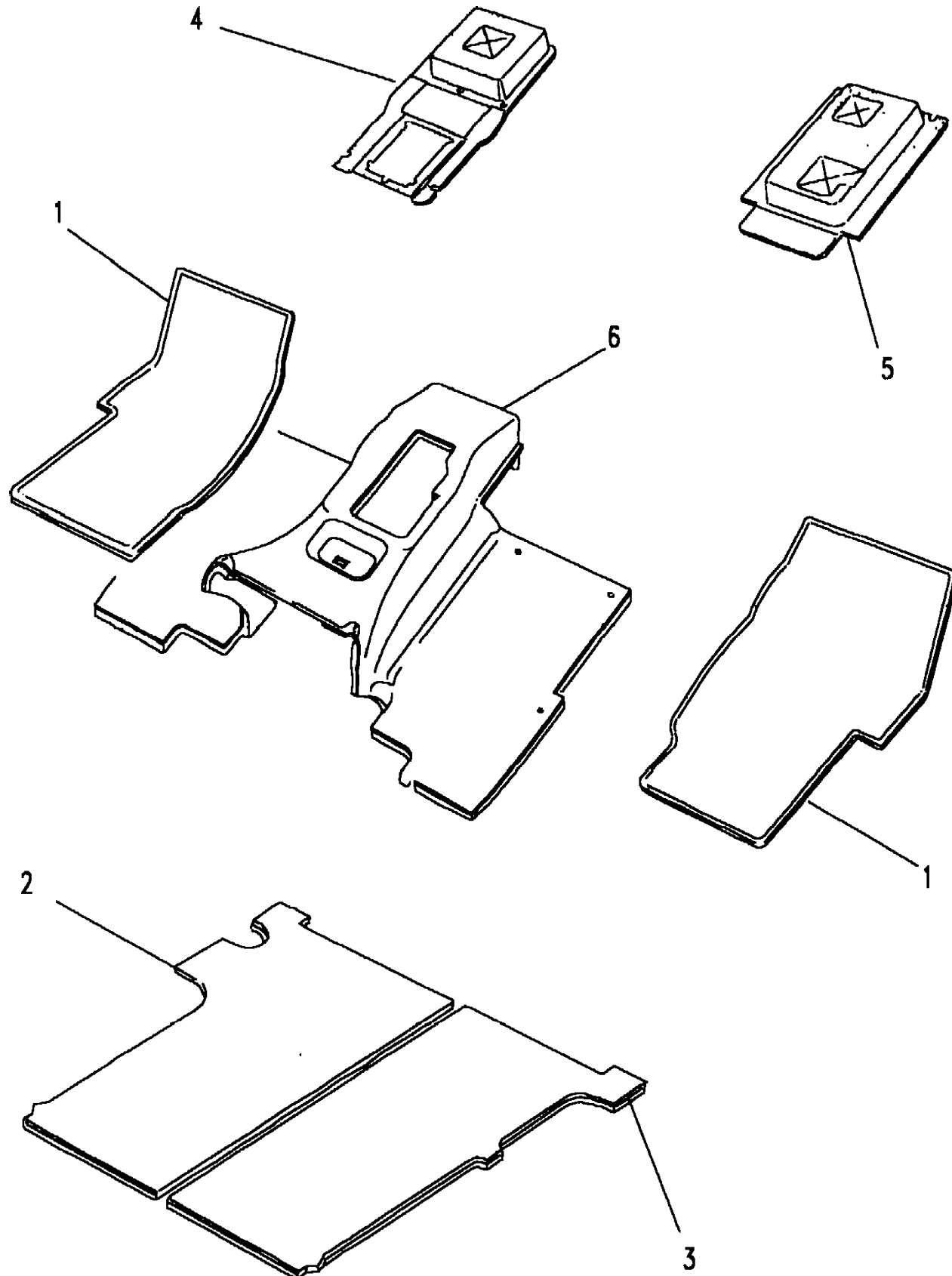
(BDPXA5A)

Range Rover (From JA610294)

Interior Trim
Trim

Insulation-Tunnel Front & Rear Floor

Callout	Name	Application	Remarks & Restrictions	Service No.	Qty
1	Pad-front floor insulation	Change point - VIN end MA647644, With Diesel Engines	Black, RH	MXC7576PCH	1
		Change point - VIN end MA647644, With Diesel Engines	Black, LH	MXC7575PCH	1
		Change point - VIN end MA647644, With Petrol Engines	Black, RH	MXC7578PCH	1
		Change point - VIN end MA647644, With Petrol Engines	Black, LH	MXC7577PCH	1
2	Pad-front floor insulation	Change point - VIN end JA624754	RH	BTR319	1
		Change point - VIN begin KA624756, Change point - VIN end MA647644	RH	BTR5890	1
3	Pad-front floor insulation	Change point - VIN end JA624754	LH	BTR318	1
		Change point - VIN begin KA624756, Change point - VIN end MA647644	LH	BTR5430	1
4	Pad-insulation	Change point - VIN end MA647644, Automatic Transmission		BTR375	1
5	Pad-insulation	Change point - VIN end MA647644, Manual Transmission		BTR374	1
6	Pad-tunnel insulation	Change point - VIN end MA647644		BTR8559	1
[900]	Pad-front floor insulation	Change point - VIN end LA647644, With Diesel Engines	Black, RH	MXC7578PCH	1



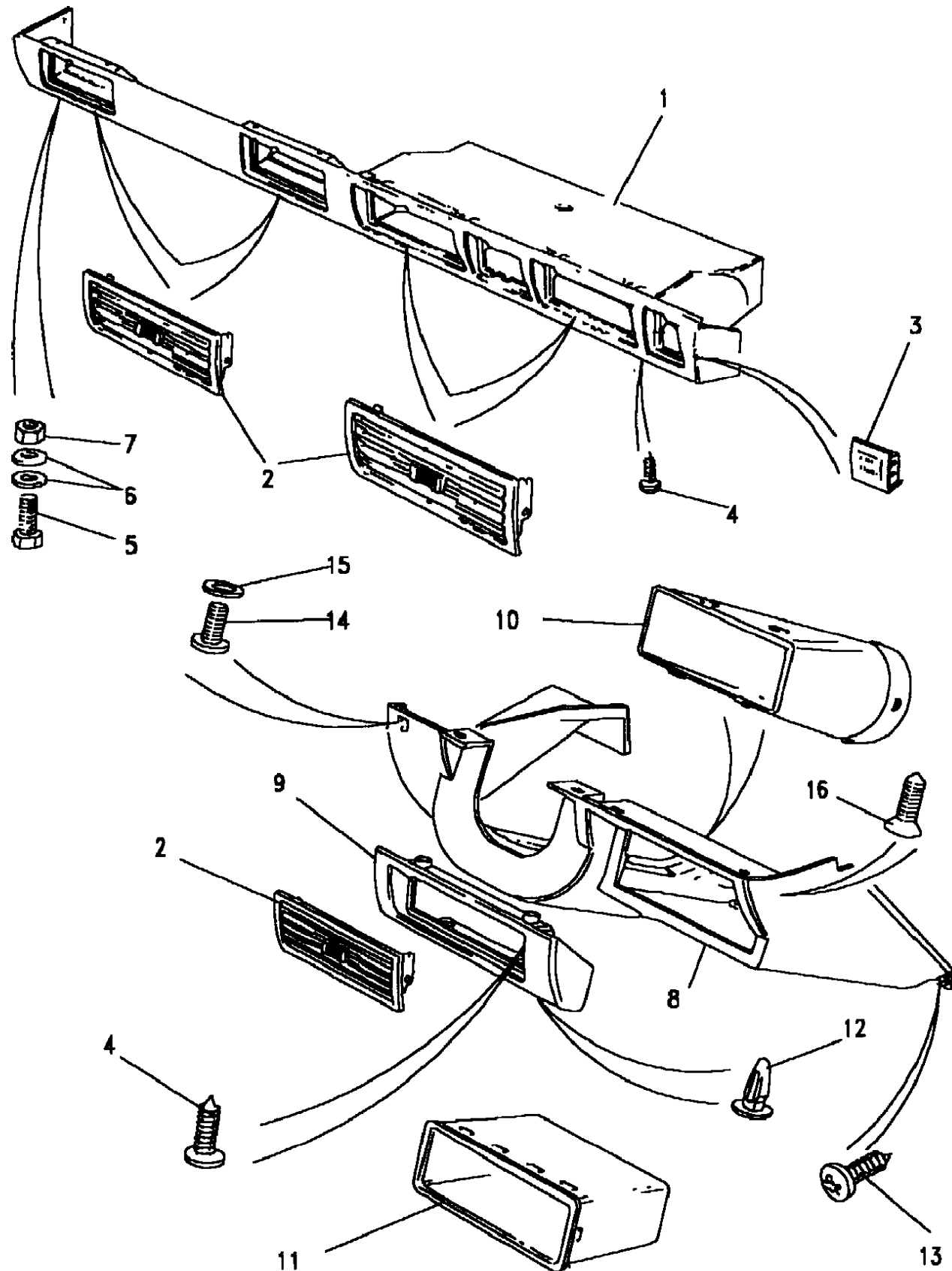
Interior Trim
Trim
Lower Facia Assembly 1/2

Range Rover (From JA610294)

(BDPXAC1A)

Range Rover (From JA610294)

Interior Trim
Trim
Lower Facia Assembly



Callout	Name	Application	Remarks & Restrictions	Service No.	Qty		
1	Bezel facia-rail	Change point - VIN end JA624754, RHD, Less Air Conditioning	Bokhara, Lower	MXC6963RUN	1		
		Change point - VIN begin KA624756, Change point - VIN end MA647645, RHD, Less Air Conditioning	Bokhara	BTR5363RUN	1		
		Change point - VIN end JA624754, LHD, Less Air Conditioning	Bokhara, Lower	MXC6962RUN	1		
		Change point - VIN begin KA624756, Change point - VIN end MA647645, LHD, Less Air Conditioning	Bokhara	BTR5362RUN	1		
		Change point - VIN end MA647645, RHD, With Air Conditioning	Bokhara	MXC7158RUN	1		
		Change point - VIN end MA647645, LHD, With Air Conditioning	Bokhara	MXC7157RUN	1		
		2	Housing-facia vent louvre	Change point - VIN end KA632956	with wood inserts	BTR1191	4
				Change point - VIN begin KA632957, Change point - VIN end MA647645		BTR7072	4
				Change point - VIN end KA634214		MXC5572	4
				Change point - VIN begin KA634215, Change point - VIN end MA647645		BTR7071	4
3	Finisher-facia	Change point - VIN end MA647645	With Logo	MWC1293	1		
4	Screw	Change point - VIN end MA647645	Self Tapping, No10 x 3/4	AB610061L	4		
5	Screw	Change point - VIN end MA647645	hexagonal head, M4 x 20	SH104201	5		
6	Washer-Plain	Change point - VIN end MA647645	M4	WA104001L	10		
7	Nut-hexagonal	Change point - VIN end MA647645	M4	NH104041L	5		
8	Lower facia panel	Change point - VIN end MA647645, RHD	Bokhara	BTR430RUN	1		
		Change point - VIN end MA647645, LHD	Bokhara	BTR431RUN	1		
9	Armature-facia bezel	Change point - VIN end MA647645, LHD, With Air Conditioning	Bokhara	MUC6559RUN	1		
		Change point - VIN end MA647645, RHD, With Air Conditioning	Bokhara	MWC3250RUN	1		
10	Duct assembly-fresh air	Change point - VIN end MA647645, Less Air Conditioning		MUC6342	1		

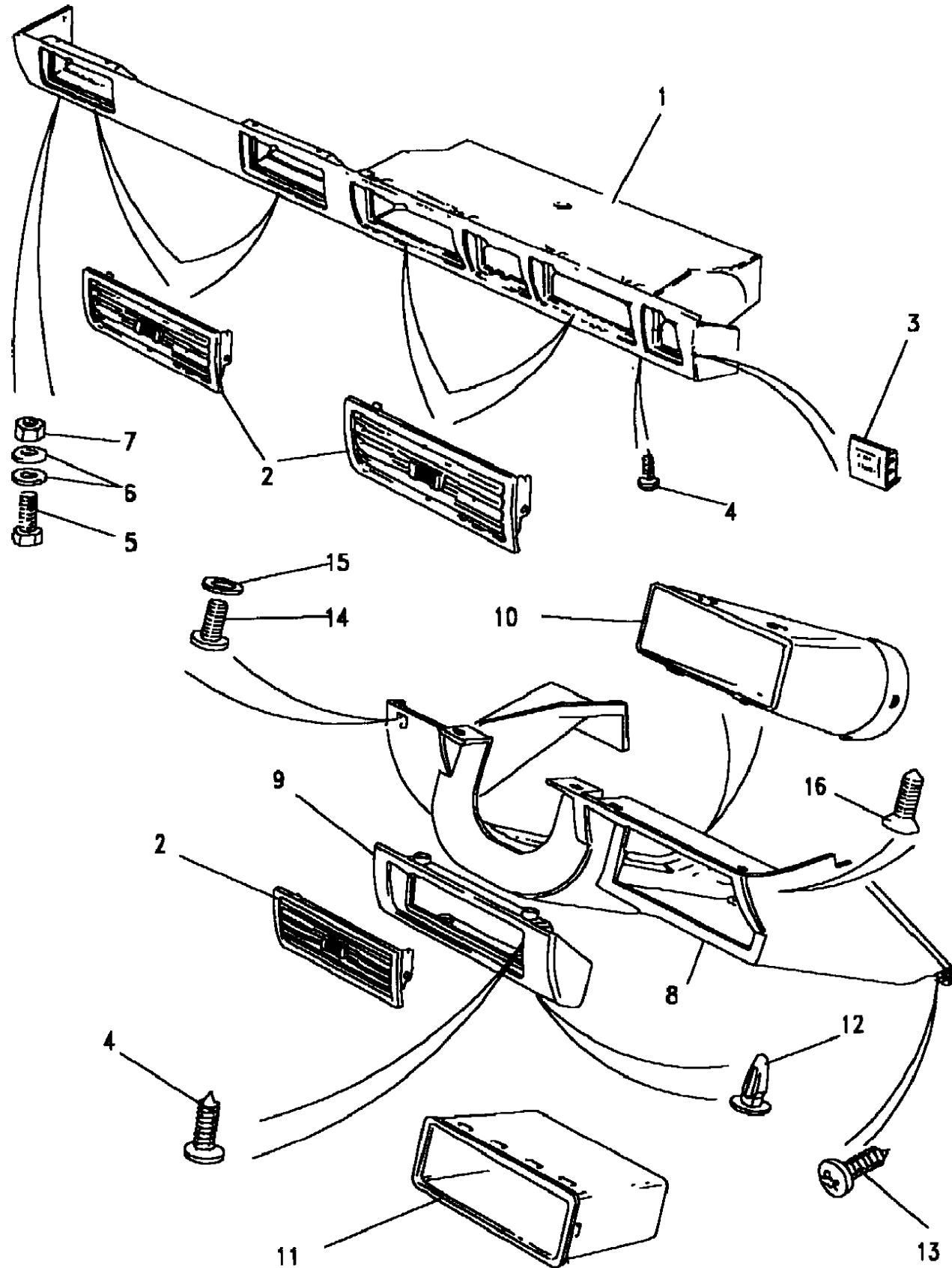
Interior Trim
Trim
Lower Facia Assembly 2/2

Range Rover (From JA610294)

(BDPXAC1A)

Range Rover (From JA610294)

Interior Trim
Trim
Lower Facia Assembly



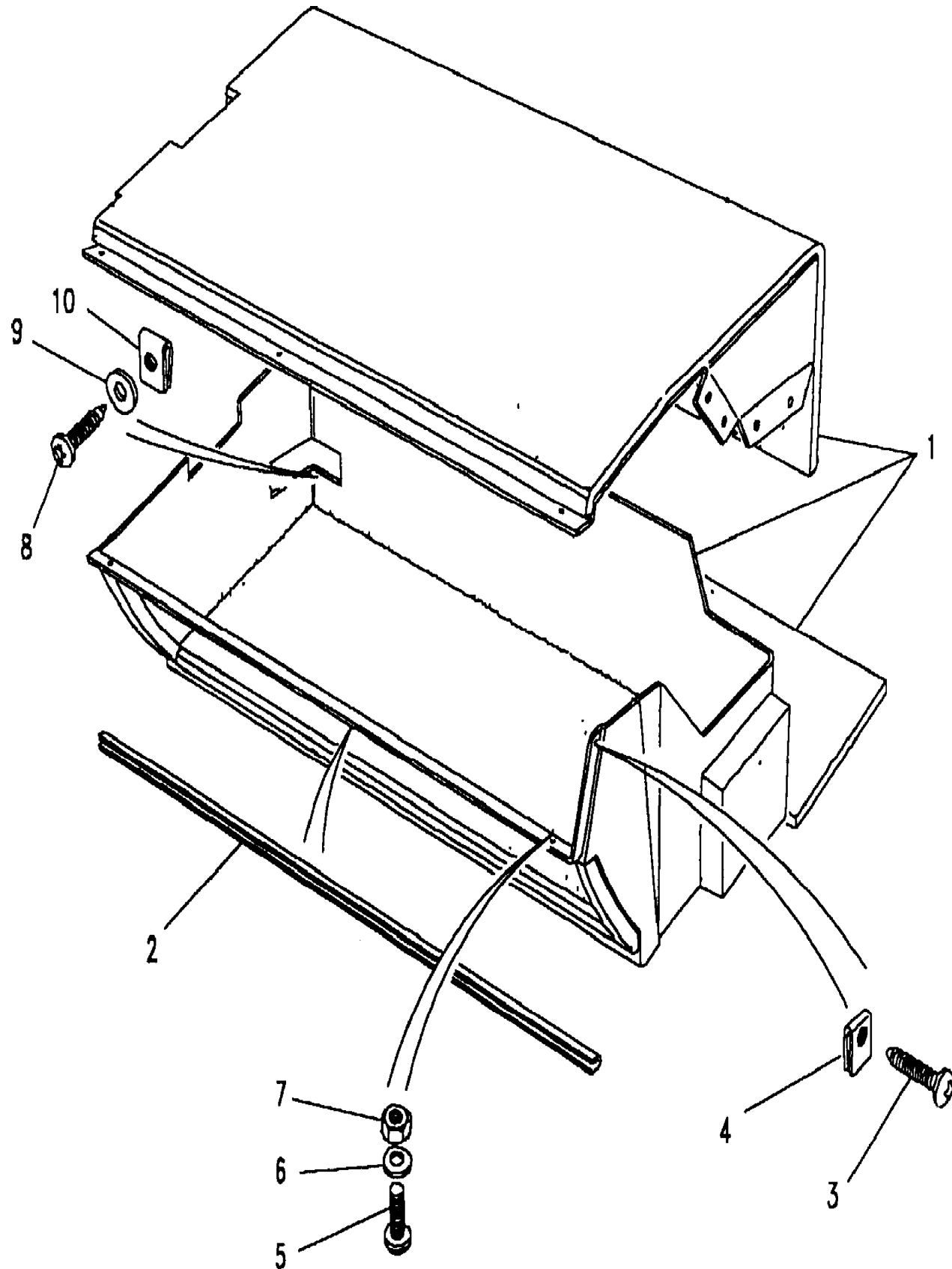
Callout	Name	Application	Remarks & Restrictions	Service No.	Qty
11	Pocket assembly-driver facia	Change point - VIN end MA647645, Less Air Conditioning		MUC3870	1
12	Fastener-drive	Change point - VIN end MA647645	Plastic, Sorrel Brown	MRC4283SUA	2
		Change point - VIN end MA647645	Sable	MRC4283RWD	2
		Change point - VIN end MA647645	Tan	MRC4283AUK	2
13	Screw-self tapping	Change point - VIN end MA647645	pan head, No 12 x 1/2, pointed	AB612041L	4
14	Screw	Change point - VIN end MA647645	Self Tapping, No10 x 3/4	AB610061L	3
15	Washer	Change point - VIN end MA647645		4030L	3
16	Screw-self tapping B	Change point - VIN end MA647645	No 8 x 1 1/4	AB608101L	1
[900]	Fastener-fir tree	Change point - VIN end MA647645		EYC101330PMA	2
				BTR9437	2

Interior Trim
Trim
Parcel Shelf 1/1

Range Rover (From JA610294)
(BDPXCE2A)

Range Rover (From JA610294)

Interior Trim
Trim
Parcel Shelf



Callout	Name	Application	Remarks & Restrictions	Service No.	Qty
1	Parcel shelf-rear	RHD LHD	Bokhara Also serviced as part of a kit, Bokhara	MUC8958RUN MUC8959RUN	1 1
2	Finisher-parcel shelf		Bokhara	MUC4138RUN	1
3	Screw		shelf assembly, No 8 x 3/4	AFU3002	1
4	Nut-spring-u type			AK608141L	1
5	Screw		shelf assembly, Black, M5 x 16	SE105165L	3
6	Washer		M5, Plain, Standard	WA105001L	3
7	Nut-hexagonal			NM105011	3
8	Screw-self tapping B		shelf assembly, No 12 x 1/2	AB612044	3
9	Washer-Plain			WC701124	3
10	Nut - Hex.			AK612014L	3

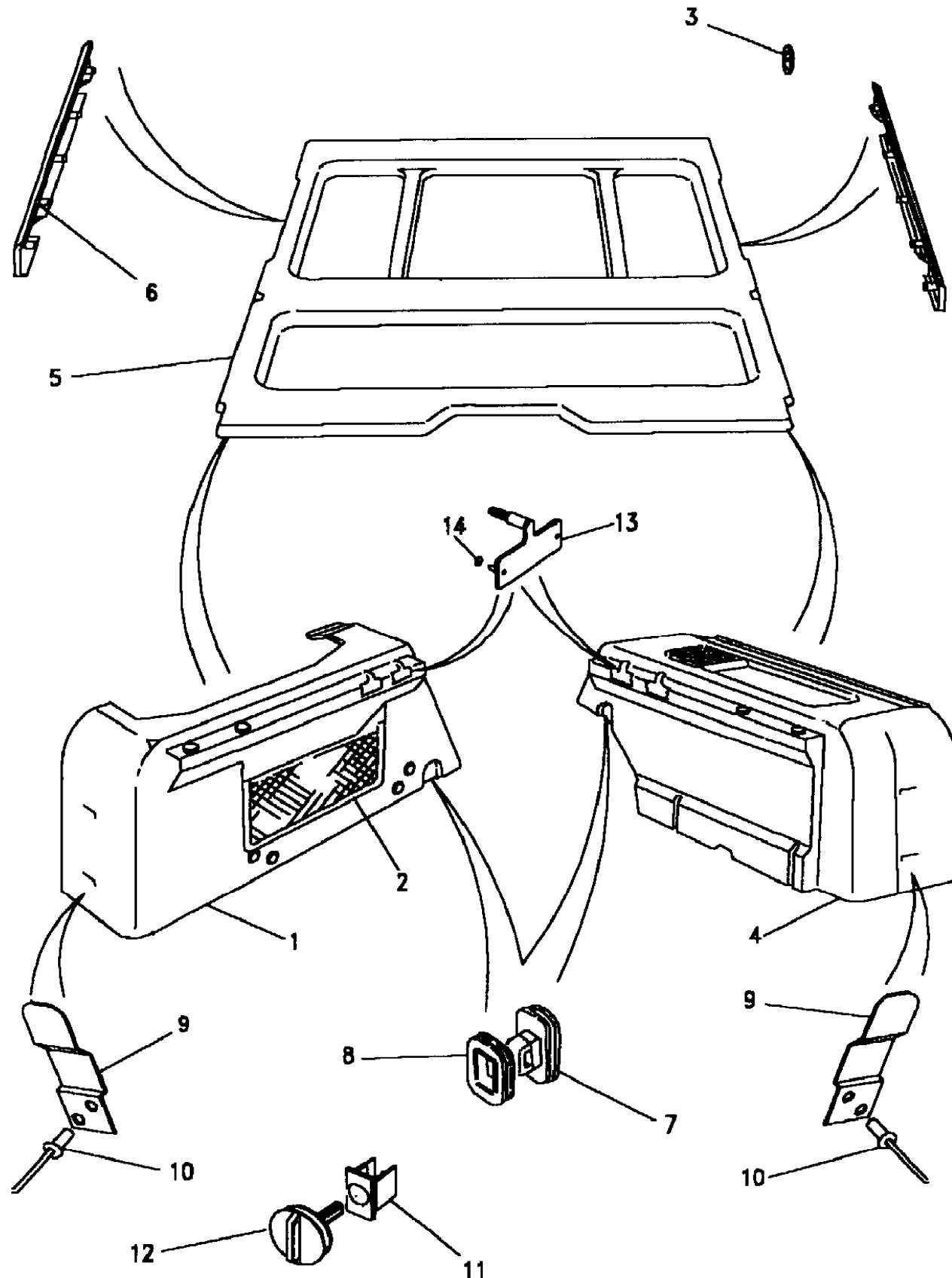
Interior Trim
Trim
Parcel Tray-From (V) KA624756 1/4

Range Rover (From JA610294)

(BDPXCE3A)

Range Rover (From JA610294)

Interior Trim
Trim
Parcel Tray-From (V) KA624756



Callout	Name	Application	Remarks & Restrictions	Service No.	Qty		
1	Support assembly-rear parcel shelf side	Change point - VIN begin KA624756, Change point - VIN end KA637311, 4 Door Station Wagon	Also serviced as part of a kit, Brogue, LH	BTR5789AUE	1		
		Change point - VIN begin KA624756, Change point - VIN end KA637311, 4 Door Station Wagon	Also serviced as part of a kit, Winchester Grey, LH	BTR5789LUL	1		
		Change point - VIN begin KA624756, Change point - VIN end KA637311, 4 Door Station Wagon	Also serviced as part of a kit, LH, Sable	BTR5789RWD	1		
		Change point - VIN begin KA637312, Change point - VIN end MA647645, 4 Door Station Wagon	Also serviced as part of a kit, LH, Tan	BTR8119AUK	1		
		Change point - VIN begin KA637312, Change point - VIN end MA647645, 4 Door Station Wagon	Also serviced as part of a kit, Brogue, LH	BTR8119AUE	1		
		Change point - VIN begin KA637312, Change point - VIN end MA647645, 4 Door Station Wagon	Also serviced as part of a kit, Winchester Grey, LH	BTR8119LUL	1		
		Change point - VIN begin KA637312, Change point - VIN end MA647645, 4 Door Station Wagon	Also serviced as part of a kit, LH, Sable	BTR8119RWD	1		
		Change point - VIN begin MA647645, 4 Door Station Wagon	Also serviced as part of a kit, Brogue, LH	BTR8099AUE	1		
		Change point - VIN begin MA647645, 4 Door Station Wagon	Also serviced as part of a kit, Ash Grey, LH	BTR8099LNF	1		
		Change point - VIN begin MA647645, 4 Door Station Wagon	Also serviced as part of a kit, Dark Granite, LH	BTR8099LOY	1		
		Change point - VIN begin KA624756, Change point - VIN end KA637311, 2 Door Station Wagon	Also serviced as part of a kit, Brogue, LH	BTR5791AUE	1		
		Change point - VIN begin KA637312, Change point - VIN end MA647645, 2 Door Station Wagon	Also serviced as part of a kit, Brogue, LH	BTR8121AUE	1		
		Change point - VIN begin KA624756, Change point - VIN end KA637311, 4 Door Station Wagon	Also serviced as part of a kit, LH, Tan	BTR5789AUK	1		
		2	Net-stowage	Change point - VIN begin KA624756, Change point - VIN end KA637311, 4 Door Station Wagon	Also serviced as part of a kit, Bokhara	BTR3617RUN	1
				Change point - VIN begin MA647645, 4 Door Station Wagon	Also serviced as part of a kit, Ash Grey	BTR3617LNF	1
				Change point - VIN begin MA647645, 4 Door Station Wagon	Also serviced as part of a kit, Grey	BTR3735	1
		3	Clip	Change point - VIN begin MA647645, 4 Door Station Wagon	Also serviced as part of a kit	AN605011L	13

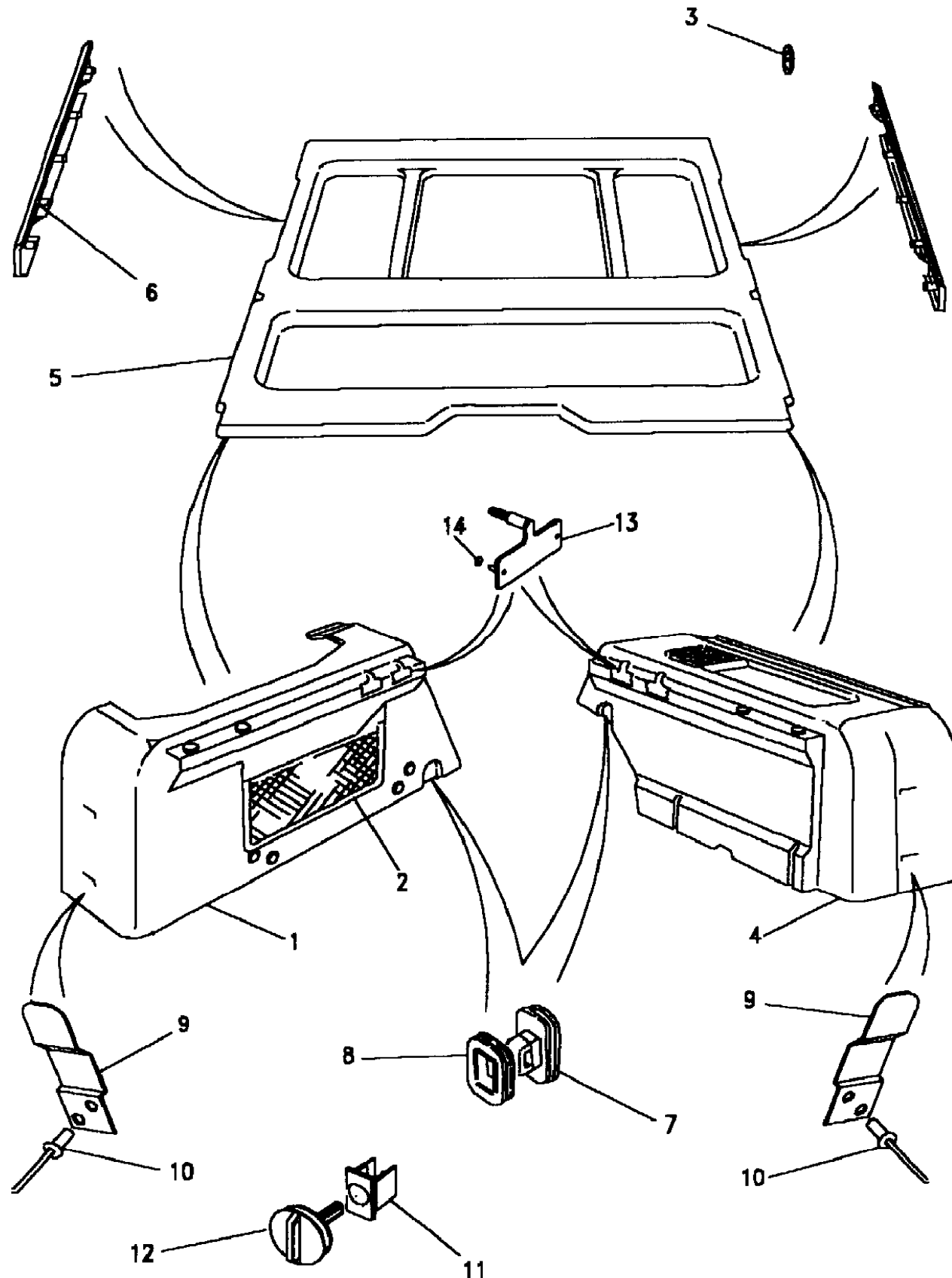
Interior Trim
Trim
Parcel Tray-From (V) KA624756 2/4

Range Rover (From JA610294)

(BDPXCE3A)

Range Rover (From JA610294)

Interior Trim
Trim
Parcel Tray-From (V) KA624756



Callout	Name	Application	Remarks & Restrictions	Service No.	Qty
4	Support assembly-rear parcel shelf side	Change point - VIN begin KA624756, Change point - VIN end KA637311, 4 Door Station Wagon, With CD Player	RH, Brogue	BTR5788AUE	1
		Change point - VIN begin KA624756, Change point - VIN end KA637311, 4 Door Station Wagon, With CD Player	RH, Winchester Grey	BTR5788LUL	1
		Change point - VIN begin KA624756, Change point - VIN end KA637311, 4 Door Station Wagon, With CD Player	RH, Sable	BTR5788RWD	1
		Change point - VIN begin KA637312, Change point - VIN end MA647645, 4 Door Station Wagon, With CD Player	RH, Tan	BTR8118AUK	1
		Change point - VIN begin KA637312, Change point - VIN end MA647645, 4 Door Station Wagon, With CD Player	RH, Brogue	BTR8118AUE	1
		Change point - VIN begin KA637312, Change point - VIN end MA647645, 4 Door Station Wagon, With CD Player	RH, Winchester Grey	BTR8118LUL	1
		Change point - VIN begin KA637312, Change point - VIN end MA647645, 4 Door Station Wagon, With CD Player	RH, Sable	BTR8118RWD	1
		Change point - VIN begin MA647645, 4 Door Station Wagon, With CD Player	RH, Brogue	BTR8098AUE	1
		Change point - VIN begin MA647645, 4 Door Station Wagon, With CD Player	Ash Grey, RH	BTR8098LNF	1
		Change point - VIN begin MA647645, 4 Door Station Wagon, With CD Player	Also serviced as part of a kit, RH, Dark Granite	BTR8098LOY	1
		Change point - VIN begin KA624756, Change point - VIN end KA637311, 2 Door Station Wagon	RH, Brogue	BTR5790AUE	1
		Change point - VIN begin KA637312, Change point - VIN end MA647645, 2 Door Station Wagon	RH, Brogue	BTR8122AUE	1
		Change point - VIN begin KA624756, Change point - VIN end KA637311, 4 Door Station Wagon, Less CD Player	RH, Brogue	BTR5792AUE	1
		Change point - VIN begin KA624756, Change point - VIN end KA637311, 4 Door Station Wagon, Less CD Player	RH, Winchester Grey	BTR5792LUL	1

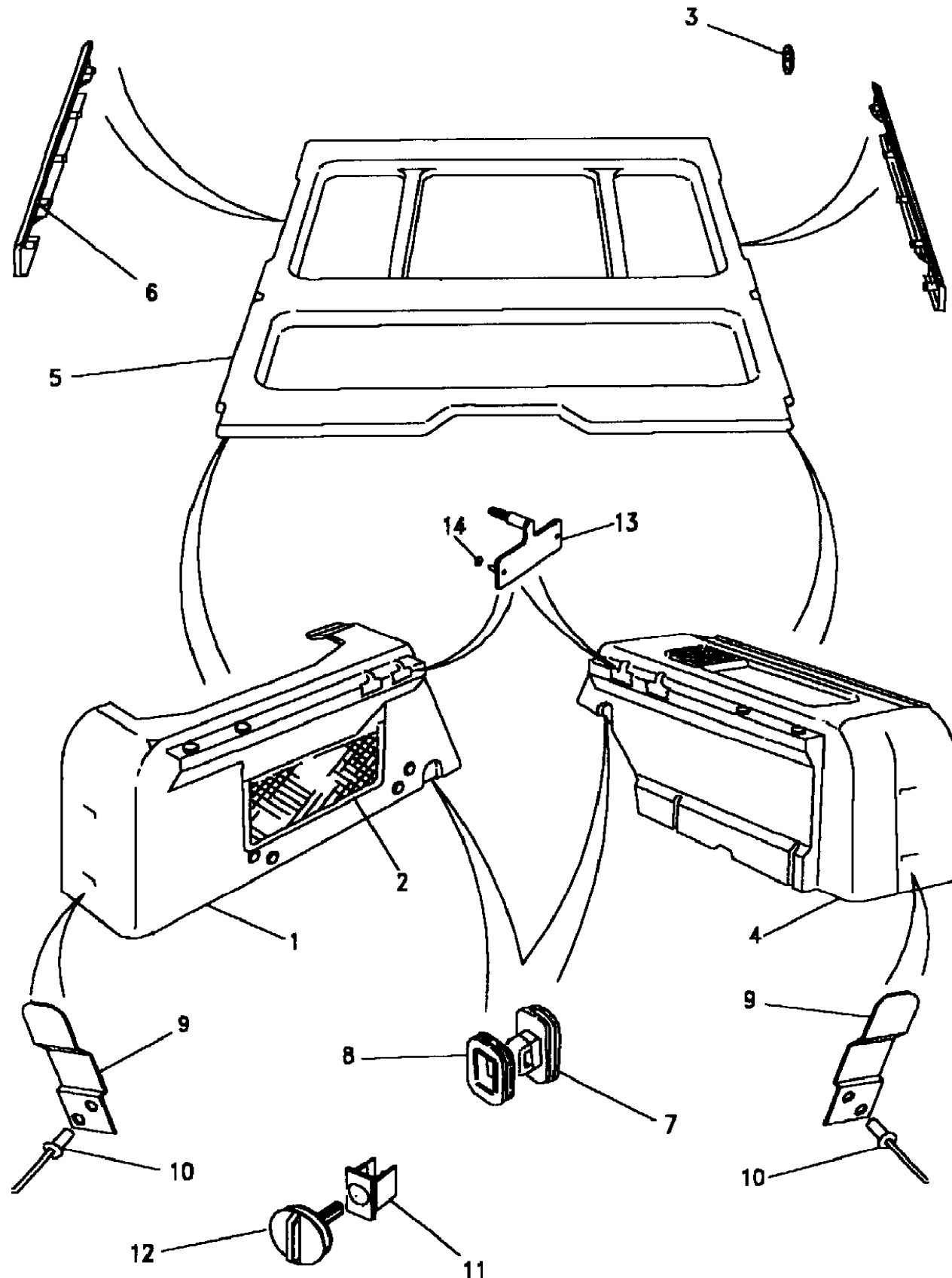
Interior Trim
Trim
Parcel Tray-From (V) KA624756 3/4

Range Rover (From JA610294)

(BDPXCE3A)

Range Rover (From JA610294)

Interior Trim
Trim
Parcel Tray-From (V) KA624756



Callout	Name	Application	Remarks & Restrictions	Service No.	Qty
4	Support assembly-rear parcel shelf side	Change point - VIN begin KA637312, Change point - VIN end MA647645, 4 Door Station Wagon, Less CD Player	RH, Brogue	BTR8120AUE	1
		Change point - VIN begin KA637312, Change point - VIN end MA647645, 4 Door Station Wagon, Less CD Player	RH, Winchester Grey	BTR8120LUL	1
		Change point - VIN begin MA647645, 4 Door Station Wagon, Less CD Player	Ash Grey, RH	BTR8102LNF	1
		Change point - VIN begin MA647645, 4 Door Station Wagon, Less CD Player	RH, Dark Granite	BTR8102LOY	1
		Change point - VIN begin MA647645, 4 Door Station Wagon, Less CD Player	RH, Brogue	BTR8102AUE	1
		Change point - VIN begin KA624756, Change point - VIN end KA637311, 4 Door Station Wagon, With CD Player	RH, Tan	BTR5788AUK	1
		Change point - VIN begin KA624756	Tan	BTR5793AUK	1
		Change point - VIN begin KA624756	Brogue	BTR5793AUE	1
		Change point - VIN begin KA624756	Winchester Grey	BTR5793LUL	1
5	Cover-loadspace squab	Change point - VIN begin KA624756	Also serviced as part of a kit, Sable	BTR5793RWD	1
		Change point - VIN begin MA647645	Brogue	BTR8097AUE	1
		Change point - VIN begin MA647645	Ash Grey	BTR8097LNF	1
		Change point - VIN begin MA647645	Also serviced as part of a kit, Dark Granite	BTR8097LOY	1
		Change point - VIN begin KA624756	RH, Bokhara	EPE10006RUN	1
		Change point - VIN begin KA624756	Bokhara, LH	EPE10007RUN	1
		Change point - VIN begin MA647645	Ash Grey, RH	EPE10006LNF	1
		Change point - VIN begin MA647645	Ash Grey, LH	EPE10007LNF	1
6	Bracket-rear parcel shelf attachment	Change point - VIN begin KA624756			
7	Catch	Change point - VIN begin KA624756, Change point - VIN end KA637311		BTR5787	2
8	Finisher-parcel shelf	Change point - VIN begin KA624756, Change point - VIN end KA637311		STC1456	2
9	Clip-Retaining	Change point - VIN begin KA624756	RH	BTR5894	2
		Change point - VIN begin KA624756	LH	BTR5895	2

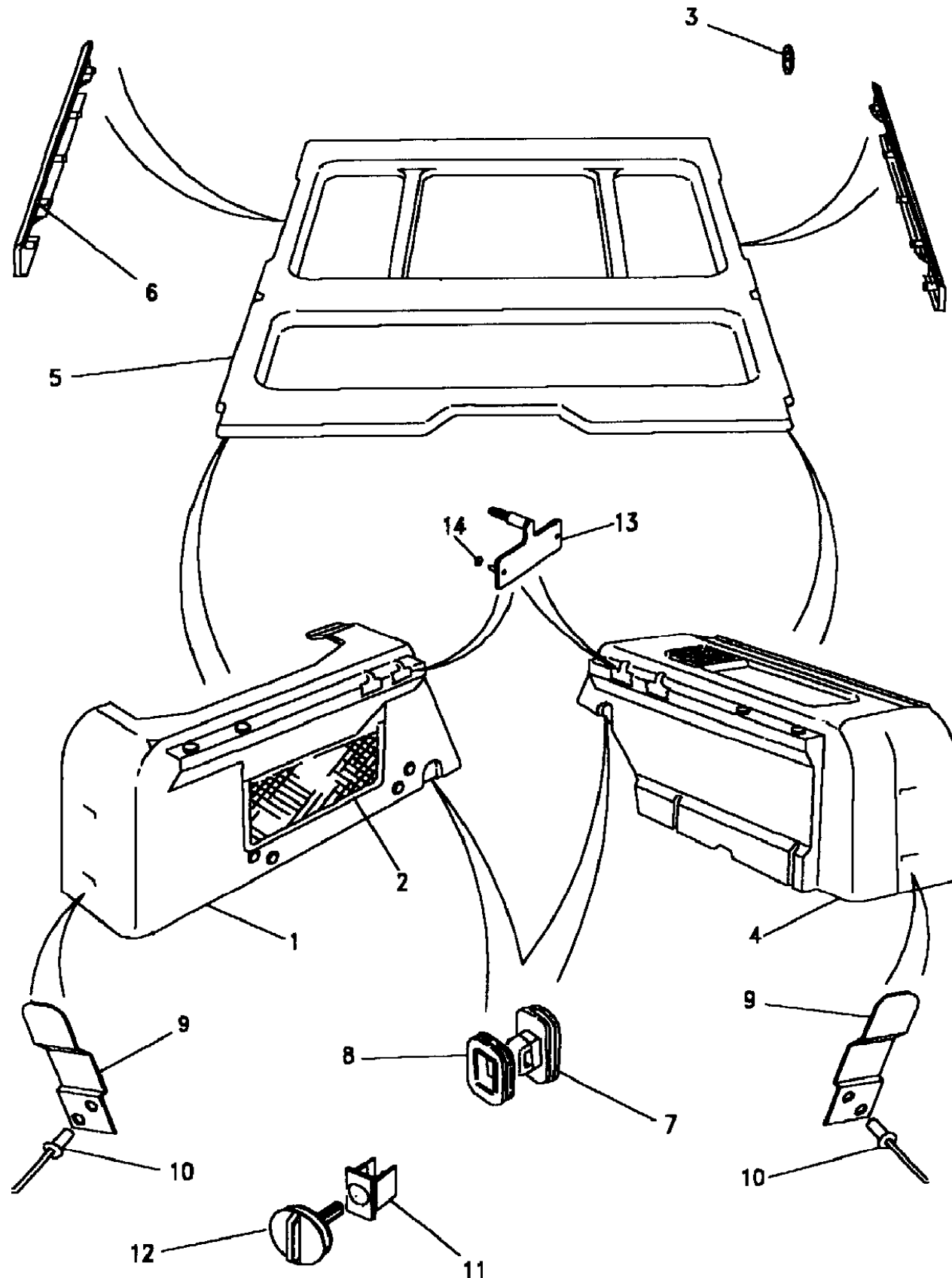
Interior Trim
Trim
Parcel Tray-From (V) KA624756 4/4

Range Rover (From JA610294)

(BDPXCE3A)

Range Rover (From JA610294)

Interior Trim
Trim
Parcel Tray-From (V) KA624756

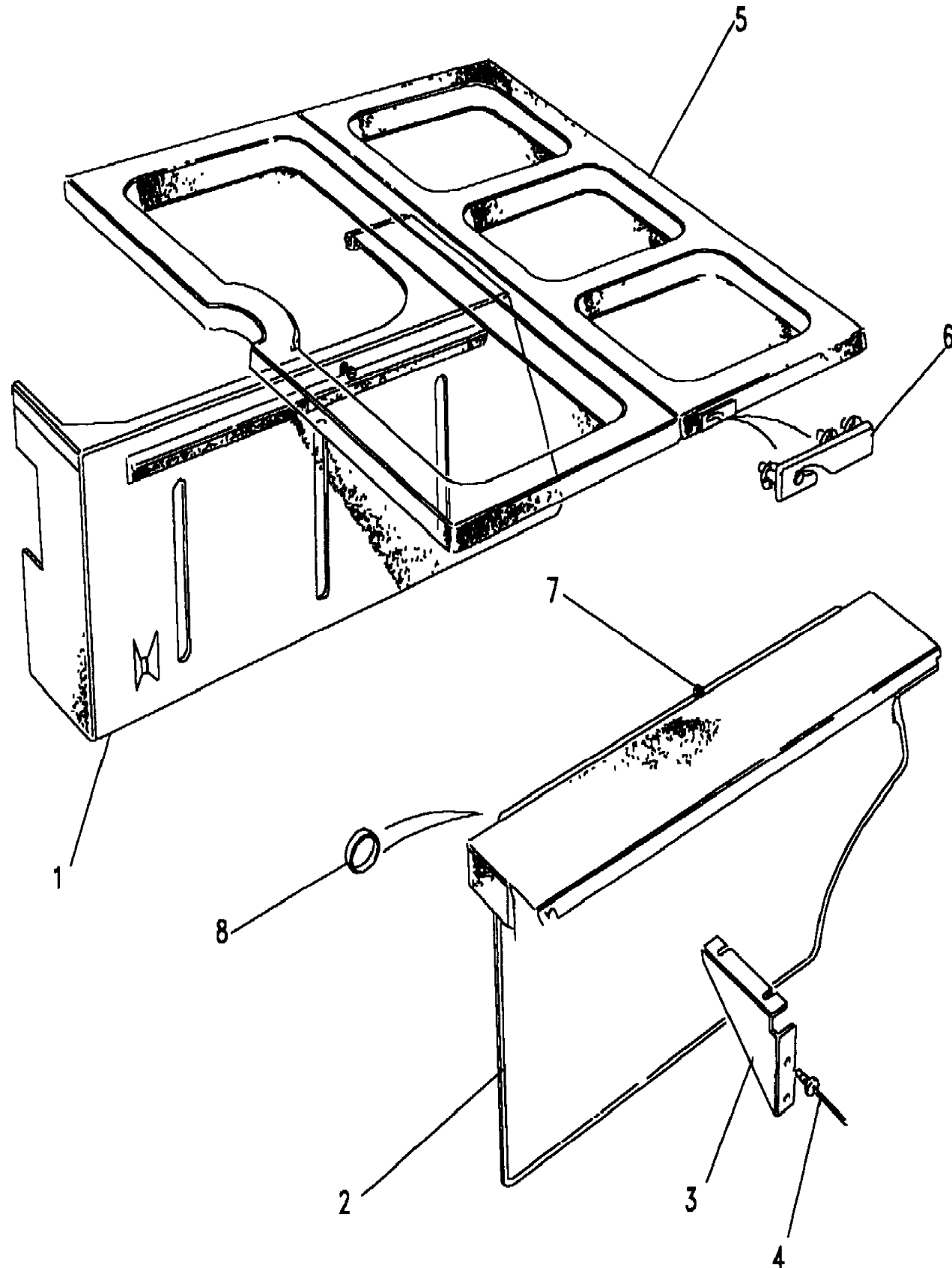


Callout	Name	Application	Remarks & Restrictions	Service No.	Qty
10	Rivet-pop-aluminium	Change point - VIN begin KA624756 Change point - VIN begin MA647645, 4 Door Station Wagon	Also serviced as part of a kit	RU612183 RU612183	4 4
11	Clip-trim retention	Change point - VIN begin KA637312		BTR8123	2
12	Catch assy-side support	Change point - VIN begin KA637312		STC1455	2
13	Pin assembly-rear parcel shelf attachment	Change point - VIN begin MA647645 Change point - VIN begin MA647645, 4 Door Station Wagon	Ash Grey Also serviced as part of a kit, Ash Grey	BTR1477LNF BTR1477LNF	2 2
14	Clip	Change point - VIN begin MA647645		AN605011L	4
[900]	Clip	Change point - VIN begin MA647645, 4 Door Station Wagon	Also serviced as part of a kit	508035	4
[901]	Bracket-rear parcel shelf support	Change point - VIN begin KA624756 Change point - VIN begin KA624756	Ash Grey, LH Ash Grey, RH	EPE100410LNF EPE100400LNF	1 1
[902]	Bracket-rear parcel shelf attachment	Change point - VIN begin KA624756 Change point - VIN begin KA624756	RH, Bokhara Bokhara, LH	EPE100400RUN EPE100410RUN	1 1

Interior Trim
Trim
Parcel Tray-To (V) JA624755 1/1

Range Rover (From JA610294)

(BDPXCE1A)



Range Rover (From JA610294)

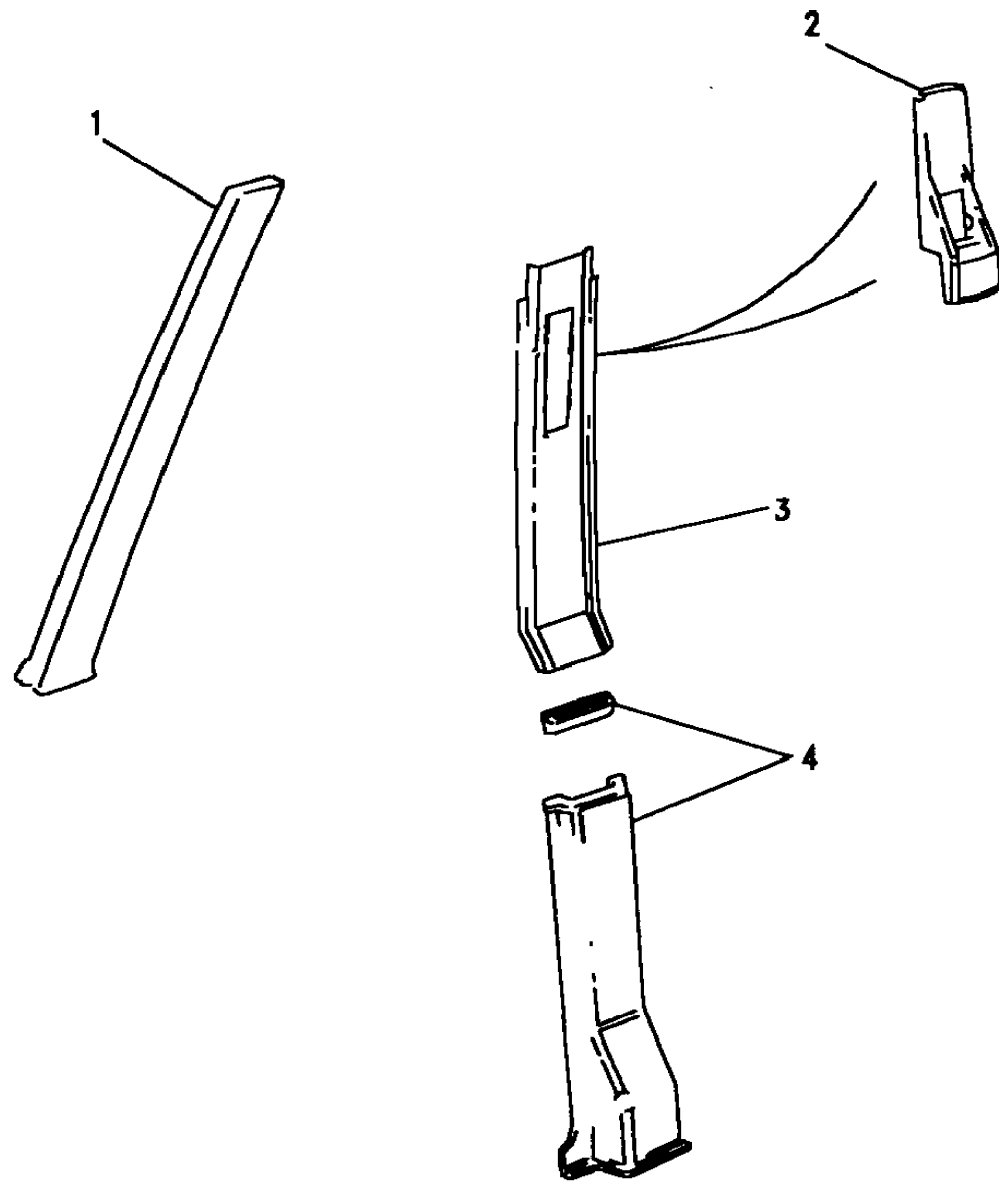
Interior Trim
Trim
Parcel Tray-To (V) JA624755

Callout	Name	Application	Remarks & Restrictions	Service No.	Qty
1	Support-side-parcel shelf	Change point - VIN end JA624754, 2 Door Station Wagon	Brogue, LH	BTR332AUE	1
		Change point - VIN end JA624754, 4 Door Station Wagon	Brogue, LH	BTR332AUE	1
		Change point - VIN end JA624754, 4 Door Station Wagon	Also serviced as part of a kit, Winchester Grey, LH	BTR332LUL	1
2	Support assembly-rear parcel shelf side	Change point - VIN end JA624754, 2 Door Station Wagon	RH, Brogue, less autochanger	BTR1492AUE	1
		Change point - VIN end JA624754, 4 Door Station Wagon	RH, Brogue, less autochanger	BTR1491AUE	1
		Change point - VIN end JA624754, 4 Door Station Wagon	RH, Winchester Grey, less autochanger	BTR1491LUL	1
		Change point - VIN end JA624754, 4 Door Station Wagon	RH, Brogue, autochanger	BTR1487AUE	1
		Change point - VIN end JA624754, 4 Door Station Wagon	RH, Winchester Grey, autochanger	BTR1487LUL	1
3	Bracket-load space cover retaining block	Change point - VIN end JA624754		MXC5222	1
4	Rivet-pop-aluminium	Change point - VIN end JA624754		RU612183	6
5	Parcel shelf assembly-rear	Change point - VIN end JA624754	Also serviced as part of a kit, Brogue	MXC5650AUE	1
		Change point - VIN end JA624754	Also serviced as part of a kit, Winchester Grey	MXC5650LUL	1
6	Bracket-rear parcel shelf attachment	Change point - VIN end JA624754	Also serviced as part of a kit, Winchester Grey	RTC6111LUL	X
		Change point - VIN end JA624754	Also serviced as part of a kit, Sorrel Brown	RTC6112SUA	X
7	Peg-parcel tray	Change point - VIN end JA624754		STC335	2
8	Finisher-trim retention	Change point - VIN end JA624754	Winchester Grey	STC743LUL	X
		Change point - VIN end JA624754	Sorrel Brown	STC743SUA	X

Interior Trim
Trim
Post Finishers 1/2

Range Rover (From JA610294)

(BDPXEA2C)



Range Rover (From JA610294)

Interior Trim
Trim
Post Finishers

4 Door Station Wagon

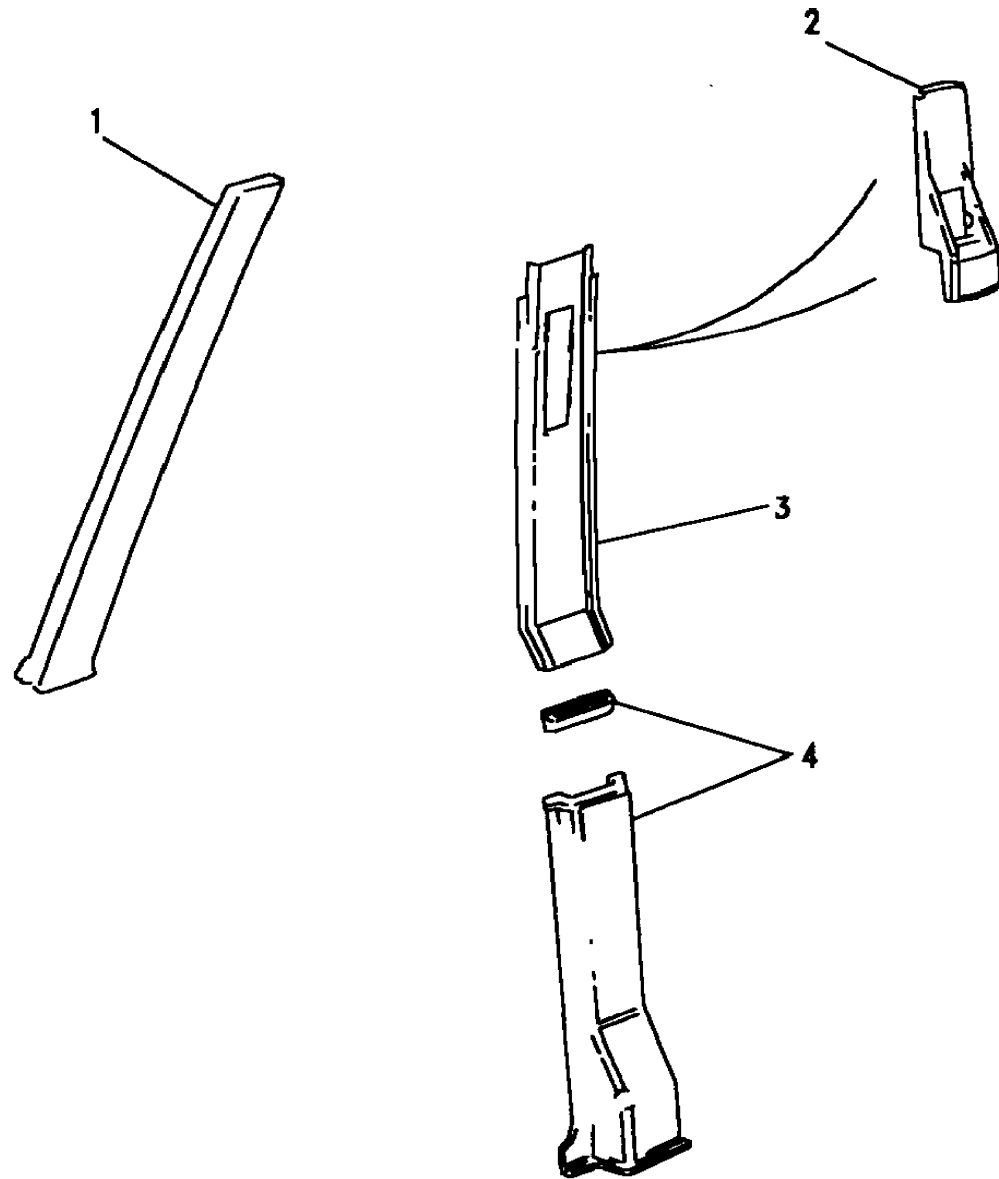
Callout	Name	Application	Remarks & Restrictions	Service No.	Qty		
1	Finisher-A post upper	Change point - VIN begin MA647645, With Speaker	RH, Mist Grey, without speaker	AWR1442LUM	1		
		Change point - VIN begin MA647645, With Speaker	Mist Grey, without speaker, LH	AWR1443LUM	1		
		Change point - VIN begin MA647645, With Speaker	Also serviced as part of a kit, RH, Mist Grey	AWR1450LUM	1		
		Change point - VIN begin MA647645, With Speaker	Also serviced as part of a kit, Mist Grey, LH	AWR1449LUM	1		
2	Moulding-seat belt	Change point - VIN begin MA647645	Upper, Tan	BTR2121AUK	2		
		Change point - VIN begin MA647645	Ash Grey, Upper	BTR2121LNF	2		
		Change point - VIN begin MA647645	Dark Granite, Upper	BTR2121LOY	2		
		Change point - VIN begin MA647645	Sorrel Brown, Upper	BTR2121SUA	2		
3	Covering-BC post upper material	Change point - VIN begin MA647645	RH, Tan	BTR4926AUK	1		
		Change point - VIN begin MA647645	Ash Grey, RH	BTR4926LNF	1		
		Change point - VIN begin MA647645	RH, Dark Granite	BTR4926LOY	1		
		Change point - VIN begin MA647645	RH, Sorrel Brown	BTR4926SUA	1		
		Change point - VIN begin MA647645	LH, Tan	BTR4927AUK	1		
		Change point - VIN begin MA647645	Ash Grey, LH	BTR4927LNF	1		
		Change point - VIN begin MA647645	Dark Granite, LH	BTR4927LOY	1		
		Change point - VIN begin MA647645	Sorrel Brown, LH	BTR4927SUA	1		
		4	Covering-BC post lower material	Change point - VIN begin MA647645	RH, Tan	BTR8562AUK	1
				Change point - VIN begin MA647645	Ash Grey, RH	BTR8562LNF	1
Change point - VIN begin MA647645	RH, Dark Granite			BTR8562LOY	1		
Change point - VIN begin MA647645	RH, Sorrel Brown			BTR8562SUA	X		
Change point - VIN begin MA647645	RH, Sorrel Brown			BTR138SUA	1		
Change point - VIN begin MA647645	LH, Tan			BTR8561AUK	1		
Change point - VIN begin MA647645	Ash Grey, LH			BTR8561LNF	1		
Change point - VIN begin MA647645	Dark Granite, LH			BTR8561LOY	1		
Change point - VIN begin MA647645	Sorrel Brown, LH			BTR8561SUA	X		
Change point - VIN begin MA647645	Sorrel Brown, LH			BTR137SUA	1		
[900]	Finisher-A post upper	Change point - VIN begin MA647645, Less Speaker	Also serviced as part of a kit, RH	AWR1444LUM	1		

SEP 04

852

Interior Trim
Trim
Post Finishers 2/2

Range Rover (From JA610294)
(BDPXE2C)



852

SEP 04

Range Rover (From JA610294)

Interior Trim
Trim
Post Finishers

4 Door Station Wagon

Callout	Name	Application	Remarks & Restrictions	Service No.	Qty
[900]	Finisher-A post upper	Change point - VIN begin MA647645, Less Speaker	Also serviced as part of a kit, LH	AWR1445LUM	1
[901]	Clip-trim retention	Change point - VIN begin MA647645, Less Speaker	Also serviced as part of a kit	EYC10008L	3

Interior Trim
Trim
Radio Housing Assembly 1/4

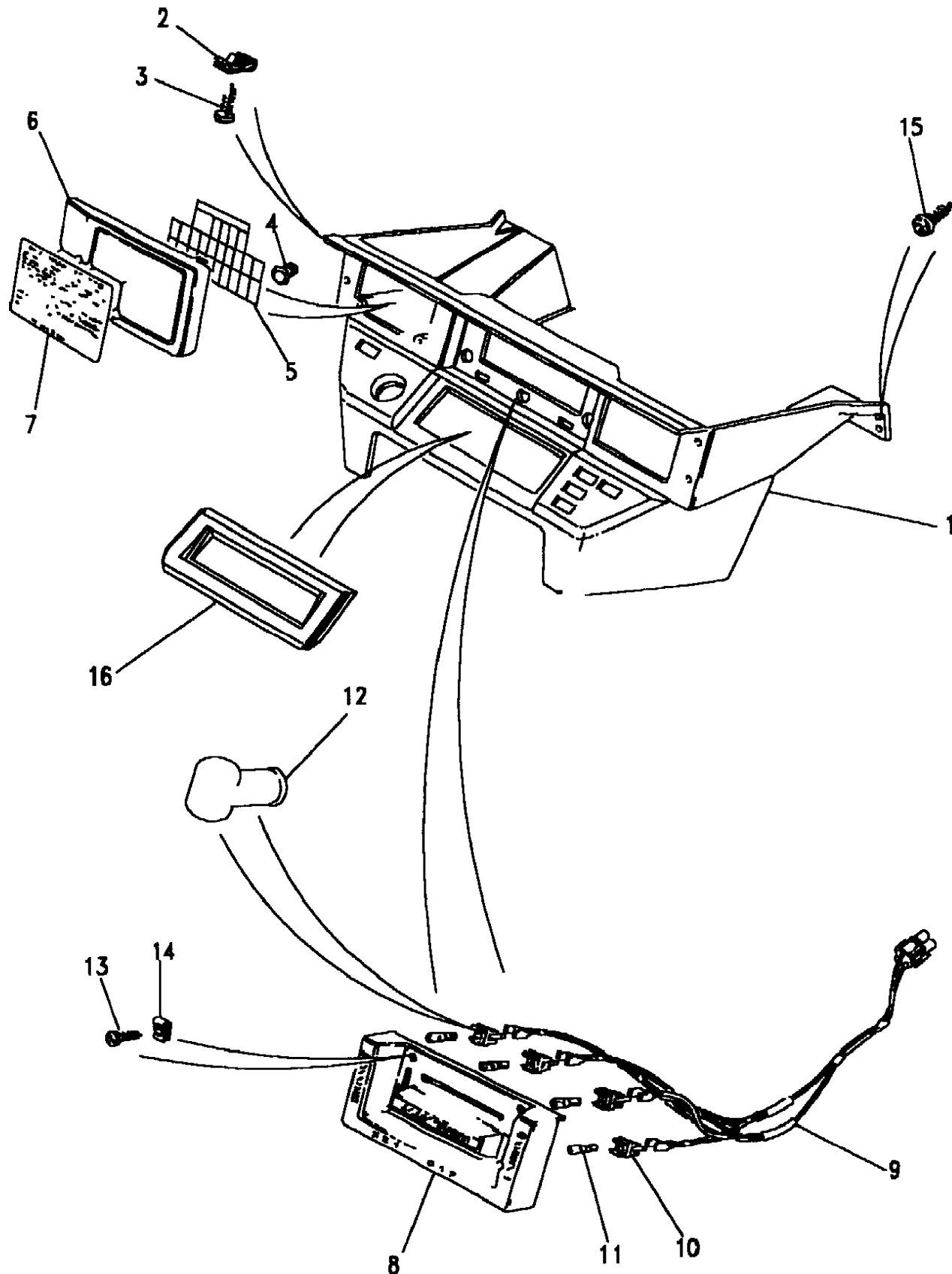
Range Rover (From JA610294)

(BDPXAC3A)

Range Rover (From JA610294)

Interior Trim
Trim
Radio Housing Assembly

Callout	Name	Application	Remarks & Restrictions	Service No.	Qty
1	Console assembly-facia	Change point - VIN end KA628966, LHD, (+)"D", (-) Vogue, Less Air Suspension	Less Heated Seats, Bokhara	BTR3409RUN	1
		Change point - VIN end KA628966, LHD, (+)"D", (-) Vogue SE, Less Air Suspension	Less Heated Seats, Bokhara	BTR3409RUN	1
		Change point - VIN begin KA628967, Change point - VIN end MA647645, LHD, (+)"D", (-) Vogue SE, Less Air Suspension	Less Heated Seats, Bokhara	BTR6697RUN	1
		Change point - VIN begin KA628967, Change point - VIN end MA647645, LHD, (+)"D", (-) Vogue, Less Air Suspension	Less Heated Seats, Bokhara	BTR6697RUN	1
		Change point - VIN end MA647645, LHD, (-)"GCC", (-) Vogue, Less Air Suspension	Heated Seats, Bokhara	BTR6696RUN	1
		Change point - VIN end MA647645, LHD, (-)"GCC", (-) Vogue SE, Less Air Suspension	Heated Seats, Bokhara	BTR6696RUN	1
		Change point - VIN end KA628966, RHD, (-)"GCC", (-) Vogue SE, Less Air Suspension	Less Heated Seats, Bokhara	BTR2612RUN	1
		Change point - VIN end KA628966, RHD, (-)"GCC", (-) Vogue, Less Air Suspension	Less Heated Seats, Bokhara	BTR2612RUN	1
		Change point - VIN begin KA628967, Change point - VIN end MA647645, RHD, (-)"GCC", (-) Vogue SE, Less Air Suspension	Less Heated Seats, Bokhara	BTR6688RUN	1
		Change point - VIN begin KA628967, Change point - VIN end MA647645, RHD, (-)"GCC", (-) Vogue, Less Air Suspension	Less Heated Seats, Bokhara	BTR6688RUN	1
		Change point - VIN end KA628966, LHD, (-)"D", (-) Vogue SE, Less Air Suspension	Less Heated Seats, Bokhara	BTR2613RUN	1
		Change point - VIN end KA628966, LHD, (-)"D", (-) Vogue, Less Air Suspension	Less Heated Seats, Bokhara	BTR2613RUN	1
		Change point - VIN begin KA628967, Change point - VIN end MA647645, LHD, (-)"D", (-) Vogue SE, Less Air Suspension	Less Heated Seats, Bokhara	BTR6689RUN	1
		Change point - VIN begin KA628967, Change point - VIN end MA647645, LHD, (-)"D", (-) Vogue, Less Air Suspension	Less Heated Seats, Bokhara	BTR6689RUN	1



Interior Trim
Trim
Radio Housing Assembly 2/4

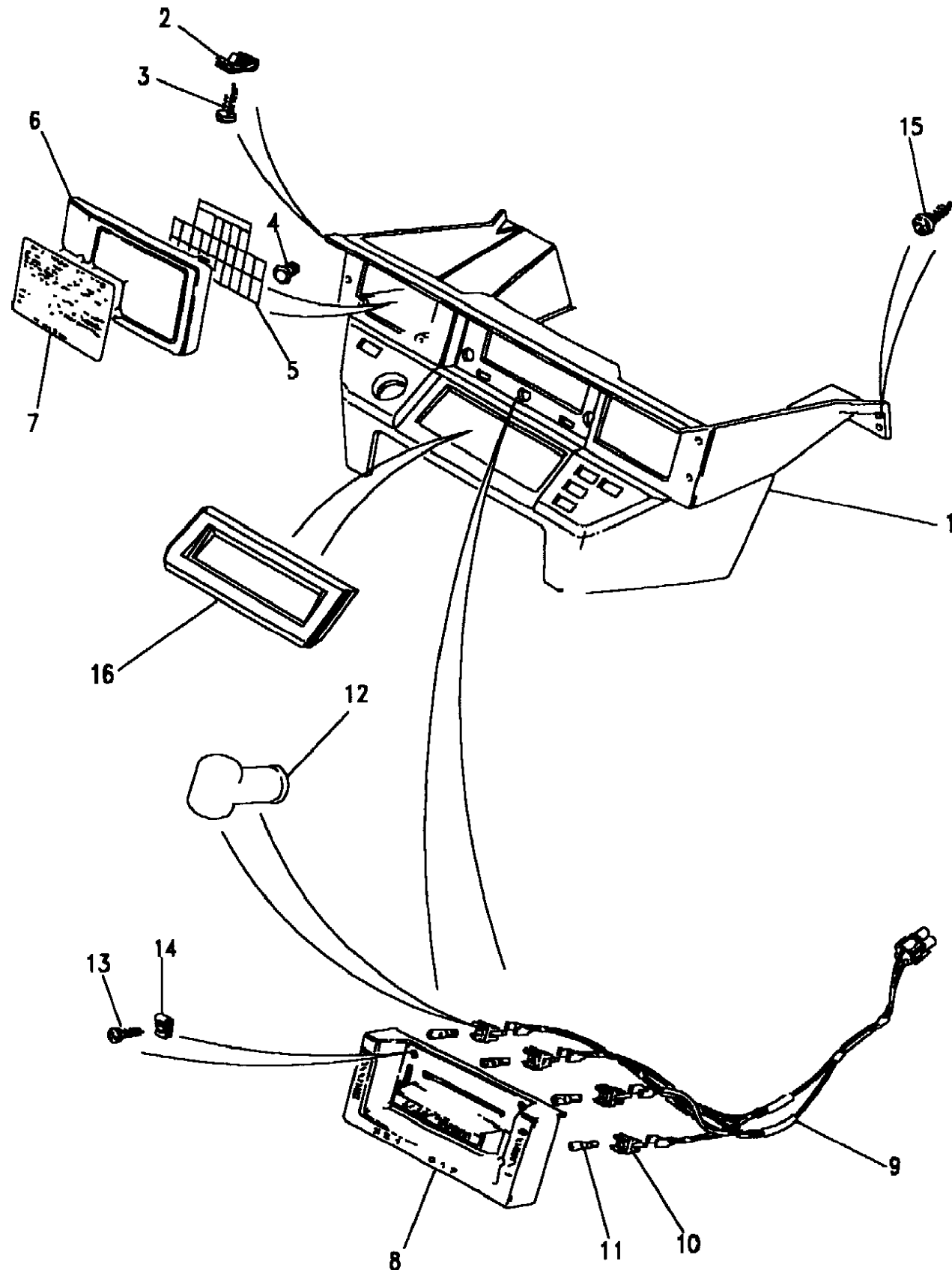
Range Rover (From JA610294)

(BDPXAC3A)

Range Rover (From JA610294)

Interior Trim
Trim
Radio Housing Assembly

Callout	Name	Application	Remarks & Restrictions	Service No.	Qty
1	Console assembly-facia	Change point - VIN end KA628966, RHD, (-)"GCC", Vogue SE, Less Air Suspension	Heated Seats, Bokhara	BTR2608RUN	1
		Change point - VIN end KA628966, RHD, (-)"GCC", Vogue, Less Air Suspension	Heated Seats, Bokhara	BTR2608RUN	1
		Change point - VIN end KA628966, LHD, (-)"GCC", Vogue SE, Less Air Suspension	Heated Seats, Bokhara	BTR2609RUN	1
		Change point - VIN end KA628966, LHD, (-)"GCC", Vogue, Less Air Suspension	Heated Seats, Bokhara	BTR2609RUN	1
		Change point - VIN begin KA628967, Change point - VIN end MA647645, RHD, (-)"GCC", Vogue SE, Less Air Suspension	Heated Seats, Bokhara	BTR6690RUN	1
		Change point - VIN begin KA628967, Change point - VIN end MA647645, RHD, (-)"GCC", Vogue, Less Air Suspension	Heated Seats, Bokhara	BTR6690RUN	1
		Change point - VIN begin KA628967, Change point - VIN end MA647645, LHD, (-)"GCC", Vogue SE, Less Air Suspension	Heated Seats, Bokhara	BTR6691RUN	1
		Change point - VIN begin KA628967, Change point - VIN end MA647645, LHD, (-)"GCC", Vogue, Less Air Suspension	Heated Seats, Bokhara	BTR6691RUN	1
		Change point - VIN end KA628966, RHD, (-)"GCC", Vogue SE, With Air Suspension	Heated Seats, Bokhara	BTR2610RUN	1
		Change point - VIN end KA628966, LHD, (-)"GCC", Vogue SE, With Air Suspension	Heated Seats, Bokhara	BTR2611RUN	1
		Change point - VIN begin KA628967, Change point - VIN end MA647645, RHD, (-)"GCC", Vogue SE, With Air Suspension	Heated Seats, Bokhara	BTR6694RUN	1
		Change point - VIN begin KA628967, Change point - VIN end MA647645, LHD, (-)"GCC", Vogue SE, With Air Suspension	Heated Seats, Bokhara	BTR6695RUN	1
		Change point - VIN end KA628966, RHD, (-)"GCC", (-) Vogue SE, With Air Suspension	Less Heated Seats, Bokhara	BTR2606RUN	1
		Change point - VIN begin KA628967, Change point - VIN end MA647645, RHD, (-)"GCC", (-) Vogue SE, With Air Suspension	Heated Seats, Bokhara	BTR6692RUN	1



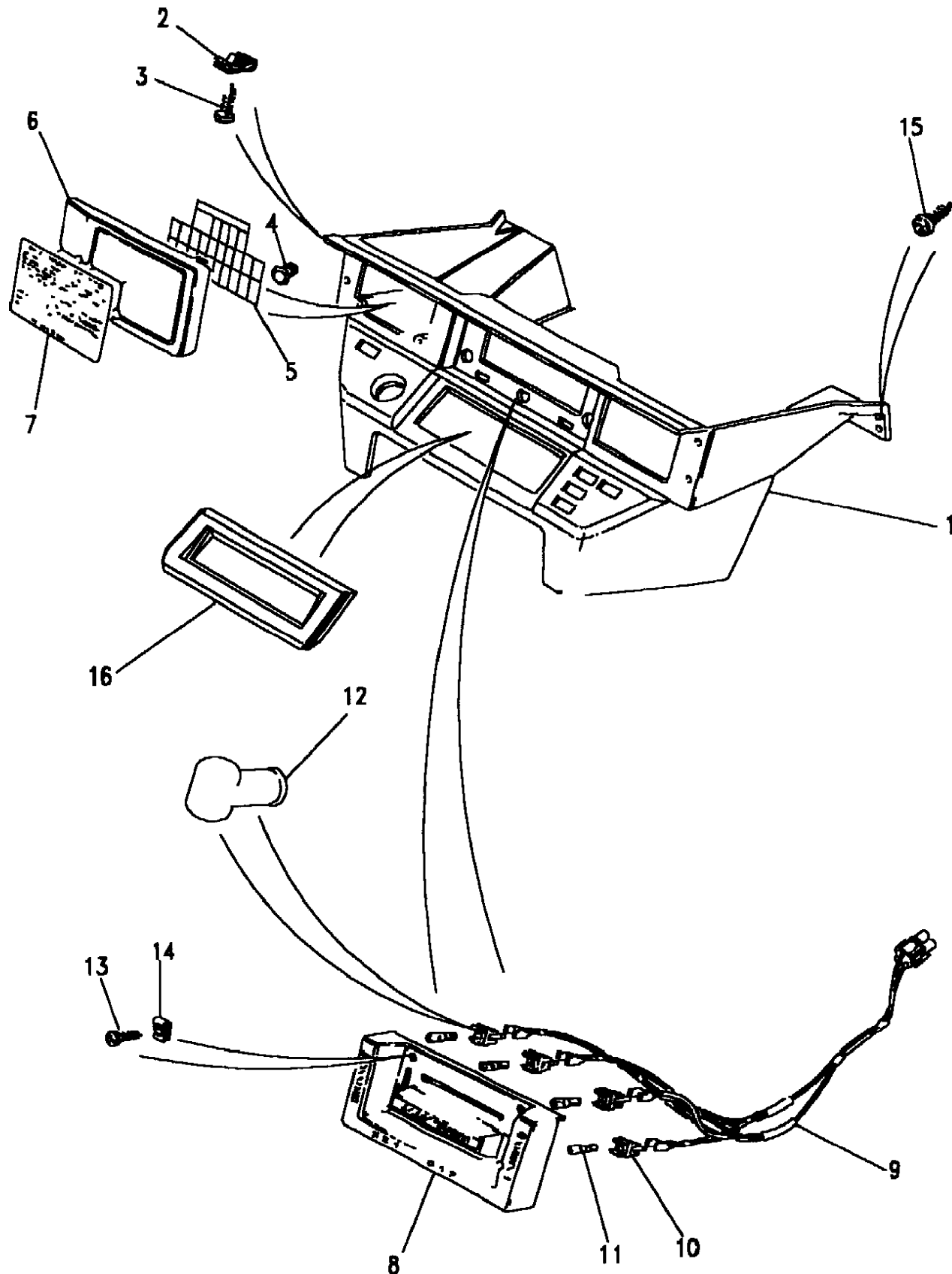
Interior Trim
Trim
Radio Housing Assembly 3/4

Range Rover (From JA610294)

(BDPXAC3A)

Range Rover (From JA610294)

Interior Trim
Trim
Radio Housing Assembly



Callout	Name	Application	Remarks & Restrictions	Service No.	Qty
1	Console assembly-facia	Change point - VIN end KA628966, LHD, (+)"GCC", (-) Vogue SE, With Air Suspension	Heated Seats, Bokhara	BTR2607RUN	1
		Change point - VIN begin KA628967, Change point - VIN end MA647645, LHD, (+)"GCC", (-) Vogue SE, With Air Suspension	Less Heated Seats, Bokhara	BTR6693RUN	1
2	Nut-spiralok	Change point - VIN end MA647645		AK608041	4
3	Screw	Change point - VIN end MA647645	No 8 x 3/4	AFU3002	4
4	Stud	Change point - VIN end MA647645		AFU3075	4
5	Label-body	Change point - VIN end MA647645, Less Air Conditioning		PRC8720	1
		Change point - VIN end MA647645, With Air Conditioning		PRC8719	1
6	Cover fusebox	Change point - VIN end MA647645	Bokhara	BTR3486RUN	1
7	Plate-instruction	Change point - VIN end KA642704, Automatic Transmission		BTR1314	1
		Change point - VIN begin KA642705, Change point - VIN end MA647645, Automatic Transmission		BTR8626	1
		Change point - VIN end KA642700, Manual Transmission		BTR1315	1
		Change point - VIN begin KA642701, Change point - VIN end MA647645, Manual Transmission		BTR8627	1
8	Heater surround	Change point - VIN end MA647645, Less Air Conditioning		MXC5550	1
		Change point - VIN end MA647645, With Air Conditioning		MXC5551	1
9	Harness-heater	Change point - VIN end MA647645		PRC5620	1
10	Bulbholder	Change point - VIN end MA647645		ADU4903L	4
11	Bulb-wedge illumination	Change point - VIN end MA647645	1.2 WATT, 12V	RTC3635	4
12	Cover-terminal post	Change point - VIN end MA647645		ATU1024	4

Interior Trim
Trim
Radio Housing Assembly 4/4

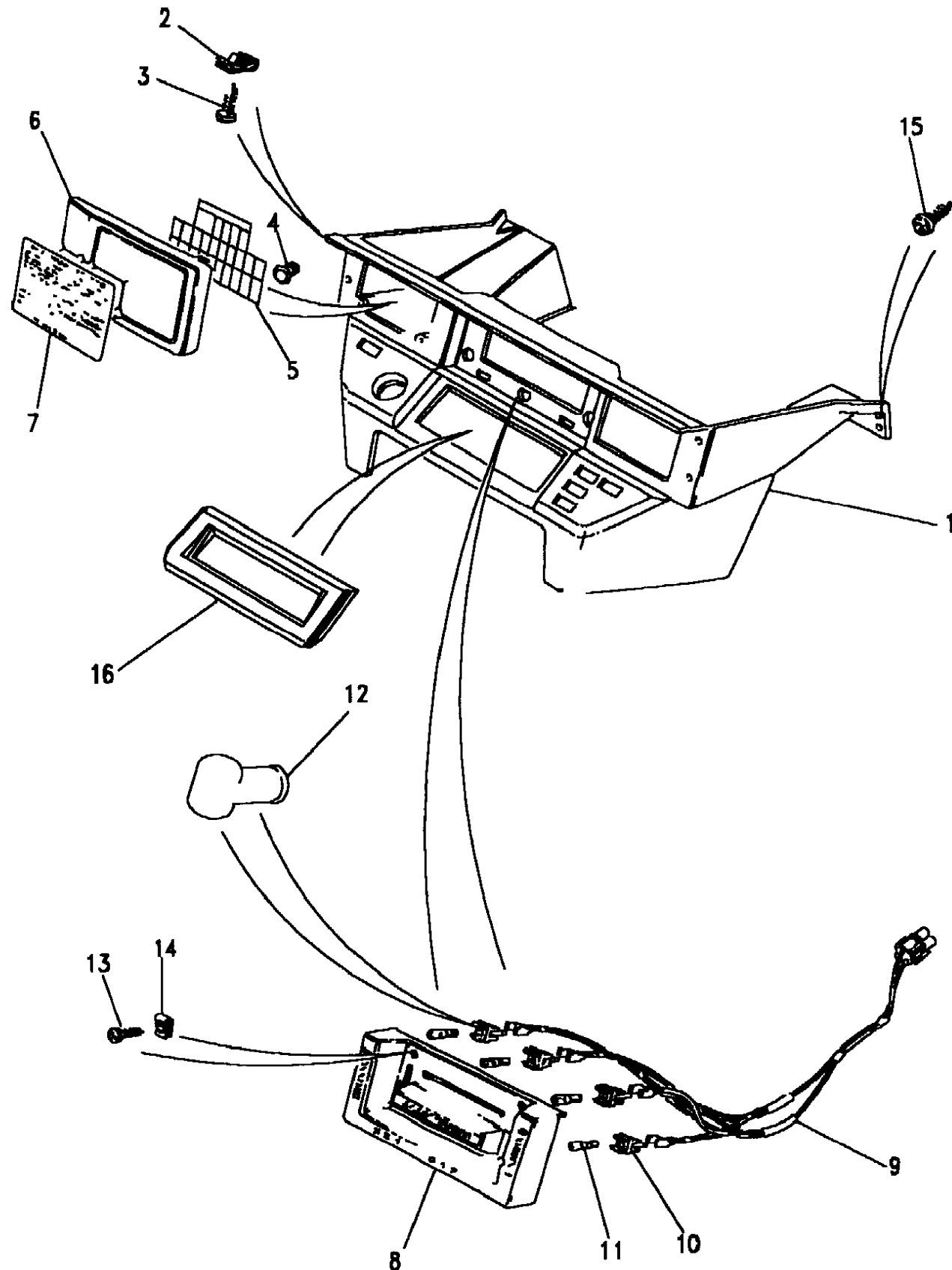
Range Rover (From JA610294)

(BDPXAC3A)

Range Rover (From JA610294)

Interior Trim
Trim
Radio Housing Assembly

Callout	Name	Application	Remarks & Restrictions	Service No.	Qty
13	Screw-self tapping	Change point - VIN end MA647645	counter sunk, No 8 x 3/4	AS608064	2
14	Nut-spring-self thread	Change point - VIN end MA647645		AK608045	2
15	Screw-self tapping	Change point - VIN end MA647645	pan head, No 12 x 1/2, pointed	AB612041L	4
16	Finisher-facia console radio	Change point - VIN end MA647645	Bokhara	BTR2602RUN	1
[900]	Nut-spiralok			AK608041L	4



Interior Trim

Trim

Rear Door Casing 1/13

Range Rover (From JA610294)

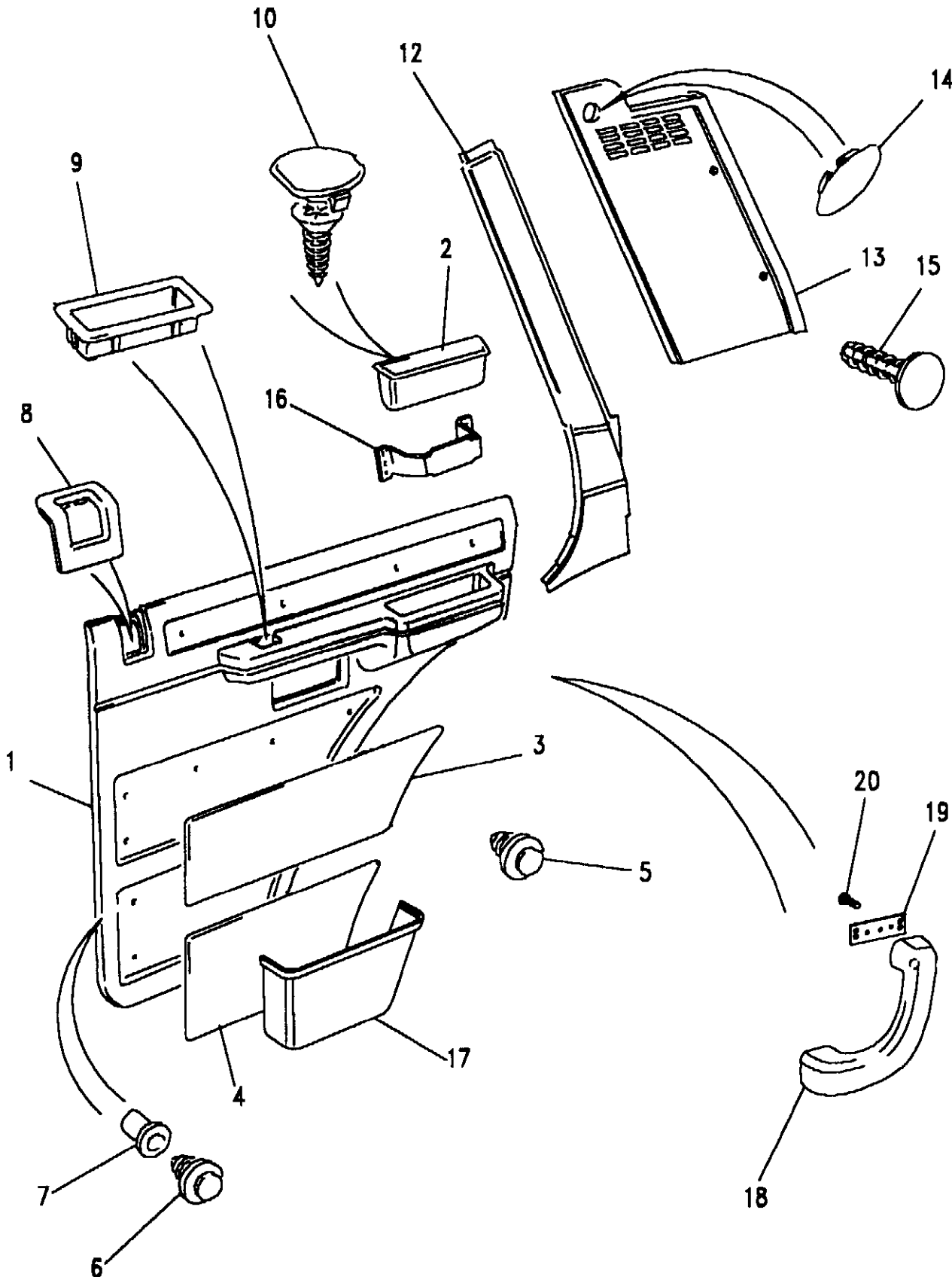
(BDPXEE2A)

Range Rover (From JA610294)

Interior Trim

Trim

Rear Door Casing



Callout	Name	Application	Remarks & Restrictions	Service No.	Qty
1	Casing rear door	Change point - VIN end MA647644, (-) 108", (-) Vogue LSE	RH, Sorrel Brown, without wood trim, without grab handle	BTR625SUA	1
		Change point - VIN end MA647644, (-) 108", (-) Vogue SE	RH, Sorrel Brown, without wood trim, without grab handle	BTR625SUA	1
		Change point - VIN end MA647644, (-) 108", (-) Vogue	RH, Sorrel Brown, without wood trim, without grab handle	BTR625SUA	1
		Change point - VIN end MA647644, (-) 108", (-) Vogue LSE	RH, Winchester Grey, without wood trim, without grab handle	BTR625LUL	1
		Change point - VIN end MA647644, (-) 108", (-) Vogue SE	RH, Winchester Grey, without wood trim, without grab handle	BTR625LUL	1
		Change point - VIN end MA647644, (-) 108", (-) Vogue	RH, Winchester Grey, without wood trim, without grab handle	BTR625LUL	1
		Change point - VIN end MA647644, (-) 108", (-) Vogue LSE	Sorrel Brown, without wood trim, without grab handle, LH	BTR626SUA	1
		Change point - VIN end MA647644, (-) 108", (-) Vogue SE	Sorrel Brown, without wood trim, without grab handle, LH	BTR626SUA	1
		Change point - VIN end MA647644, (-) 108", (-) Vogue	Sorrel Brown, without wood trim, without grab handle, LH	BTR626SUA	1
		Change point - VIN end MA647644, (-) 108", (-) Vogue LSE	Winchester Grey, without wood trim, without grab handle, LH	BTR626LUL	1
		Change point - VIN end MA647644, (-) 108", (-) Vogue SE	Winchester Grey, without wood trim, without grab handle, LH	BTR626LUL	1
		Change point - VIN end MA647644, (-) 108", (-) Vogue	Winchester Grey, without wood trim, without grab handle, LH	BTR626LUL	1
		Change point - VIN end JA624754, (-) 108", Vogue	RH, Sorrel Brown, With Wood Trim, without grab handle	BTR623SUA	1
		Change point - VIN end JA624754, (-) 108", Vogue SE	RH, Sorrel Brown, With Wood Trim, without grab handle	BTR623SUA	1
		Change point - VIN end JA624754, (-) 108", (-) Vogue LSE	RH, Sorrel Brown, With Wood Trim, without grab handle	BTR623SUA	1
		Change point - VIN end JA624754, (-) 108", Vogue	RH, Winchester Grey, With Wood Trim, without grab handle	BTR623LUL	1
		Change point - VIN end JA624754, (-) 108", Vogue SE	RH, Winchester Grey, With Wood Trim, without grab handle	BTR623LUL	1
		Change point - VIN end JA624754, (-) 108", (-) Vogue LSE	RH, Winchester Grey, With Wood Trim, without grab handle	BTR623LUL	1
		Change point - VIN end JA624754, (-) 108", Vogue	RH, With Wood Trim, without grab handle, Sable	BTR623RWD	1
		Change point - VIN end JA624754, (-) 108", Vogue SE	RH, With Wood Trim, without grab handle, Sable	BTR623RWD	1
Change point - VIN end JA624754, (-) 108", (-) Vogue LSE	RH, With Wood Trim, without grab handle, Sable	BTR623RWD	1		

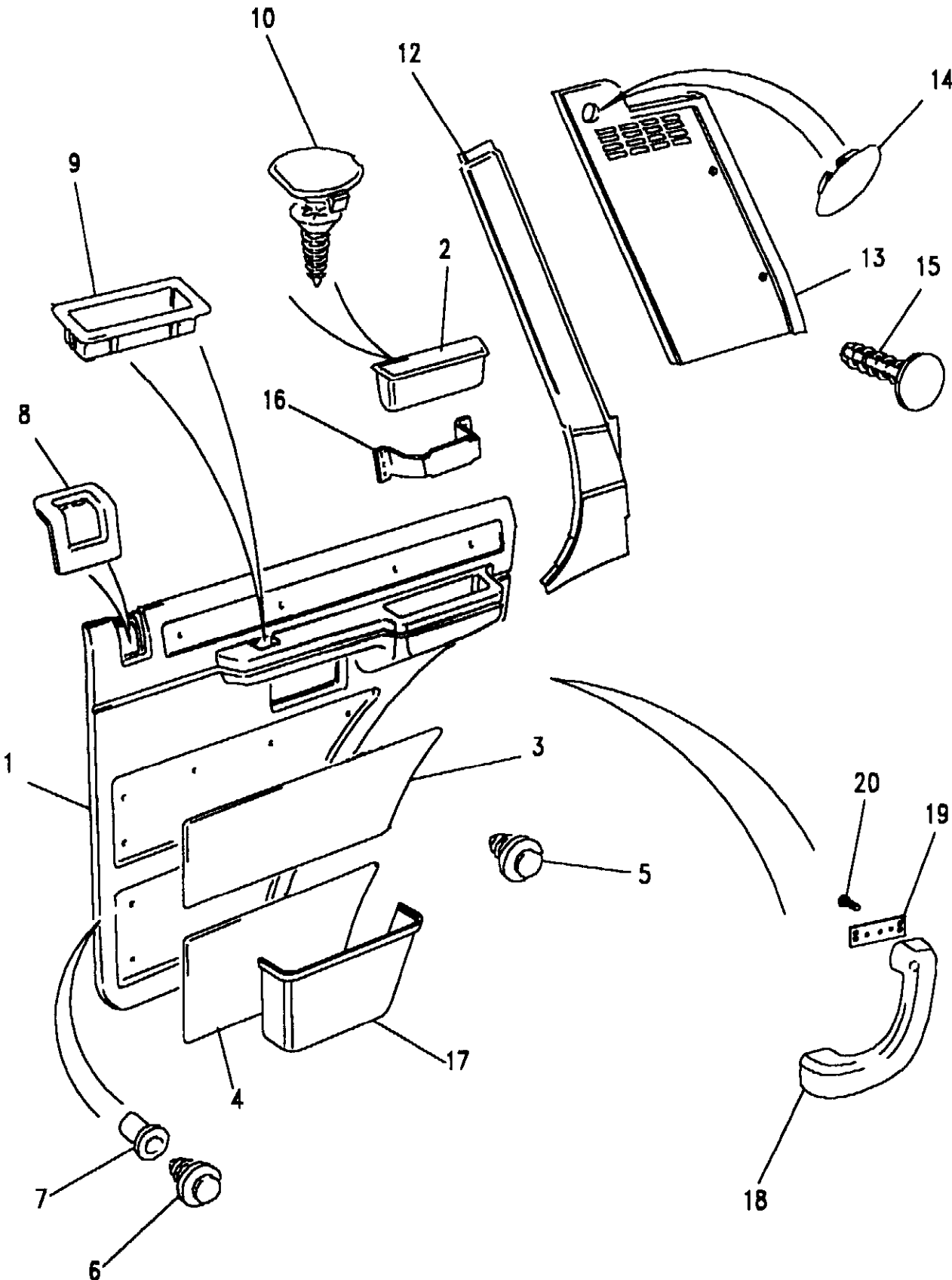
Interior Trim

Trim

Rear Door Casing 2/13

Range Rover (From JA610294)

(BDPXEE2A)



Range Rover (From JA610294)

Interior Trim

Trim

Rear Door Casing

Callout	Name	Application	Remarks & Restrictions	Service No.	Qty
1	Casing rear door	Change point - VIN end JA624754, (-) 108", Vogue	Sorrel Brown, With Wood Trim, without grab handle, LH	BTR624SUA	1
		Change point - VIN end JA624754, (-) 108", Vogue SE	Sorrel Brown, With Wood Trim, without grab handle, LH	BTR624SUA	1
		Change point - VIN end JA624754, (-) 108", (-) Vogue LSE	Sorrel Brown, With Wood Trim, without grab handle, LH	BTR624SUA	1
		Change point - VIN end JA624754, (-) 108", Vogue	Winchester Grey, With Wood Trim, without grab handle, LH	BTR624LUL	1
		Change point - VIN end JA624754, (-) 108", Vogue SE	Winchester Grey, With Wood Trim, without grab handle, LH	BTR624LUL	1
		Change point - VIN end JA624754, (-) 108", (-) Vogue LSE	Winchester Grey, With Wood Trim, without grab handle, LH	BTR624LUL	1
		Change point - VIN end JA624754, (-) 108", Vogue	With Wood Trim, without grab handle, LH, Sable	BTR624RWD	1
		Change point - VIN end JA624754, (-) 108", Vogue SE	With Wood Trim, without grab handle, LH, Sable	BTR624RWD	1
		Change point - VIN end JA624754, (-) 108", (-) Vogue LSE	With Wood Trim, without grab handle, LH, Sable	BTR624RWD	1
		Change point - VIN begin KA624756, Change point - VIN end MA647644, (-) 108", Vogue	RH, Sorrel Brown, with cloth insert, without grab handle	BTR5406SUA	1
		Change point - VIN begin KA624756, Change point - VIN end MA647644, (-) 108", Vogue SE	RH, Sorrel Brown, with cloth insert, without grab handle	BTR5406SUA	1
		Change point - VIN begin KA624756, Change point - VIN end MA647644, (-) 108", (-) Vogue LSE	RH, Sorrel Brown, with cloth insert, without grab handle	BTR5406SUA	1
		Change point - VIN begin KA624756, Change point - VIN end MA647644, (-) 108", Vogue	RH, Winchester Grey, With Wood Trim, without grab handle	BTR5406LUL	1
		Change point - VIN begin KA624756, Change point - VIN end MA647644, (-) 108", Vogue SE	RH, Winchester Grey, With Wood Trim, without grab handle	BTR5406LUL	1
		Change point - VIN begin KA624756, Change point - VIN end MA647644, (-) 108", (-) Vogue LSE	RH, Winchester Grey, With Wood Trim, without grab handle	BTR5406LUL	1
		Change point - VIN begin KA624756, Change point - VIN end MA647644, (-) 108", Vogue	RH, With Wood Trim, without grab handle, Sable	BTR5406RWD	1
		Change point - VIN begin KA624756, Change point - VIN end MA647644, (-) 108", Vogue SE	RH, With Wood Trim, without grab handle, Sable	BTR5406RWD	1
		Change point - VIN begin KA624756, Change point - VIN end MA647644, (-) 108", (-) Vogue LSE	RH, With Wood Trim, without grab handle, Sable	BTR5406RWD	1

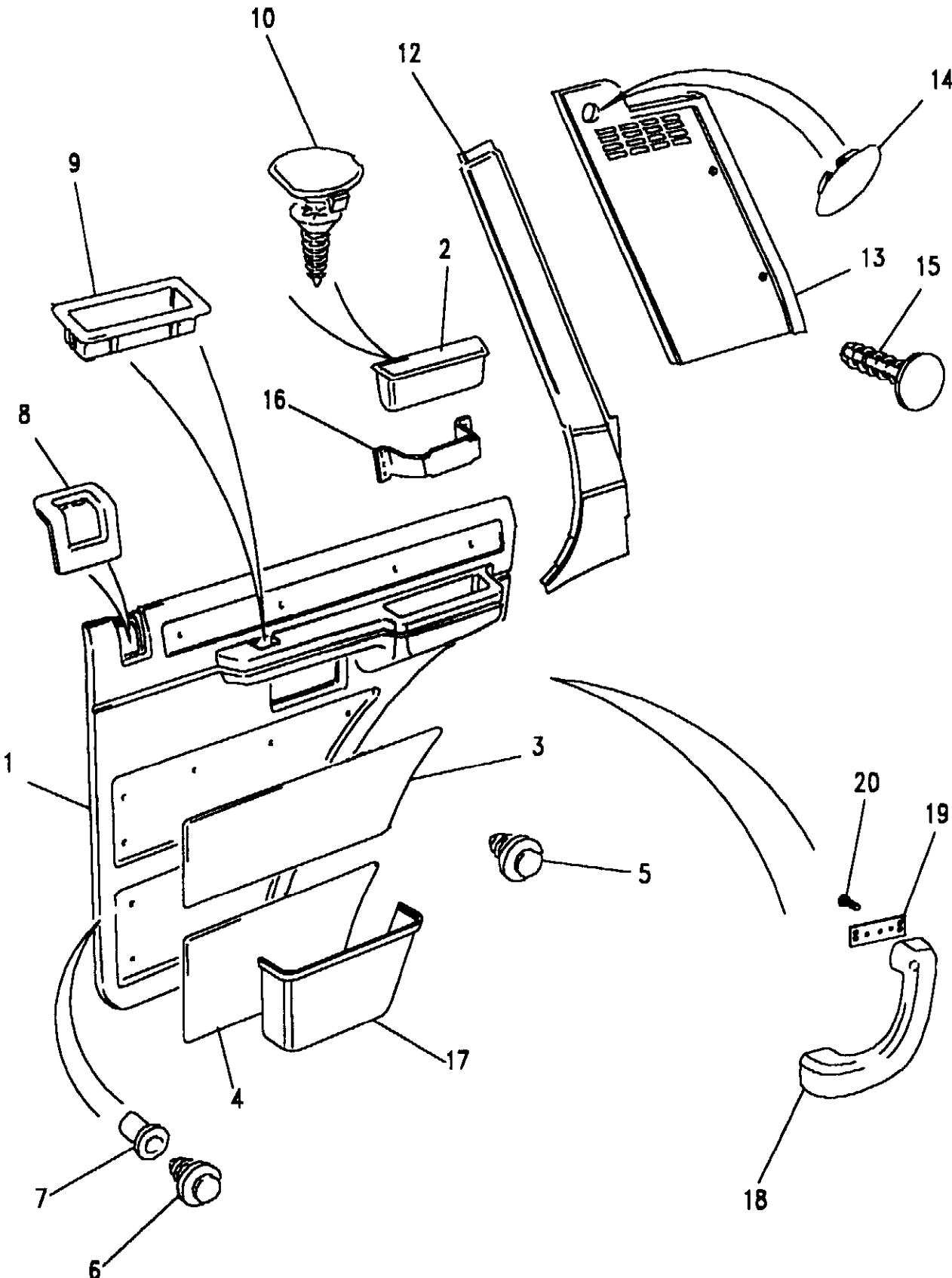
Interior Trim

Trim

Rear Door Casing 3/13

Range Rover (From JA610294)

(BDPXEE2A)



Range Rover (From JA610294)

Interior Trim

Trim

Rear Door Casing

Callout	Name	Application	Remarks & Restrictions	Service No.	Qty
1	Casing rear door	Change point - VIN begin KA624756, Change point - VIN end MA647644, (-) 108", Vogue	Sorrel Brown, with cloth insert, without grab handle, LH	BTR5407SUA	1
		Change point - VIN begin KA624756, Change point - VIN end MA647644, (-) 108", Vogue SE	Sorrel Brown, with cloth insert, without grab handle, LH	BTR5407SUA	1
		Change point - VIN begin KA624756, Change point - VIN end MA647644, (-) 108", (-) Vogue LSE	Sorrel Brown, with cloth insert, without grab handle, LH	BTR5407SUA	1
		Change point - VIN begin KA624756, Change point - VIN end MA647644, (-) 108", Vogue	Winchester Grey, With Wood Trim, without grab handle, LH	BTR5407LUL	1
		Change point - VIN begin KA624756, Change point - VIN end MA647644, (-) 108", Vogue SE	Winchester Grey, With Wood Trim, without grab handle, LH	BTR5407LUL	1
		Change point - VIN begin KA624756, Change point - VIN end MA647644, (-) 108", (-) Vogue LSE	Winchester Grey, With Wood Trim, without grab handle, LH	BTR5407LUL	1
		Change point - VIN begin KA624756, Change point - VIN end MA647644, (-) 108", Vogue	With Wood Trim, without grab handle, LH, Sable	BTR5407RWD	1
		Change point - VIN begin KA624756, Change point - VIN end MA647644, (-) 108", Vogue SE	With Wood Trim, without grab handle, LH, Sable	BTR5407RWD	1
		Change point - VIN begin KA624756, Change point - VIN end MA647644, (-) 108", (-) Vogue LSE	With Wood Trim, without grab handle, LH, Sable	BTR5407RWD	1
		Change point - VIN end MA647644, (-) 108", Vogue LSE	RH, With Wood Trim, without grab handle, Tan	BTR5408AUK	1
		Change point - VIN end MA647644, (-) 108", (-) Vogue	RH, With Wood Trim, without grab handle, Tan	BTR5408AUK	1
		Change point - VIN end MA647644, (-) 108", (-) Vogue SE	RH, With Wood Trim, without grab handle, Tan	BTR5408AUK	1
		Change point - VIN end MA647644, (-) 108", Vogue LSE	RH, With Wood Trim, without grab handle, Sable	BTR5408RWD	1
		Change point - VIN end MA647644, (-) 108", (-) Vogue	RH, With Wood Trim, without grab handle, Sable	BTR5408RWD	1
		Change point - VIN end MA647644, (-) 108", (-) Vogue SE	RH, With Wood Trim, without grab handle, Sable	BTR5408RWD	1
		Change point - VIN end MA647644, (-) 108", Vogue LSE	With Wood Trim, without grab handle, LH, Tan	BTR5409AUK	1
		Change point - VIN end MA647644, (-) 108", (-) Vogue	With Wood Trim, without grab handle, LH, Tan	BTR5409AUK	1
		Change point - VIN end MA647644, (-) 108", (-) Vogue SE	With Wood Trim, without grab handle, LH, Tan	BTR5409AUK	1

Interior Trim

Trim

Rear Door Casing 4/13

Range Rover (From JA610294)

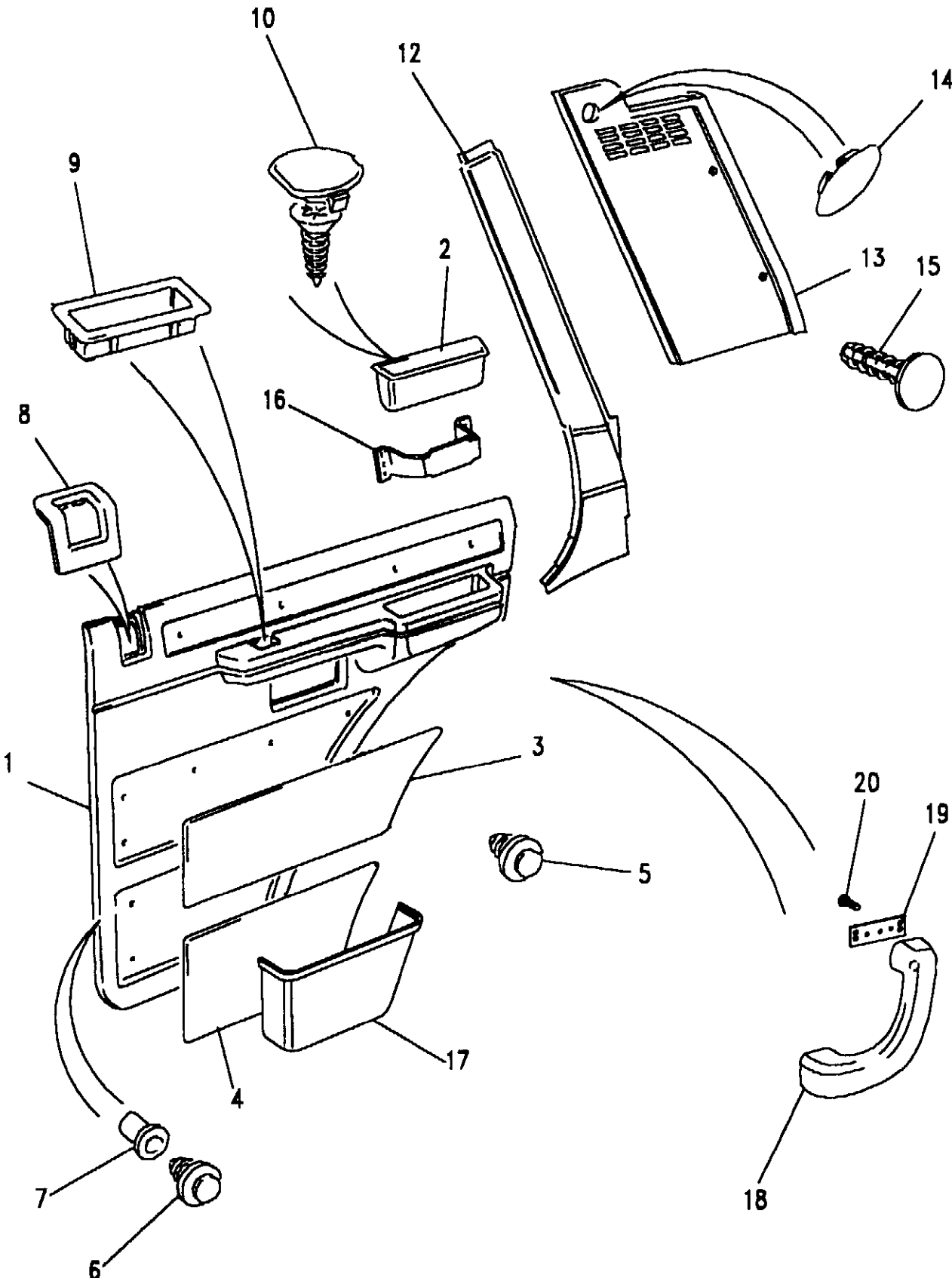
(BDPXEE2A)

Range Rover (From JA610294)

Interior Trim

Trim

Rear Door Casing

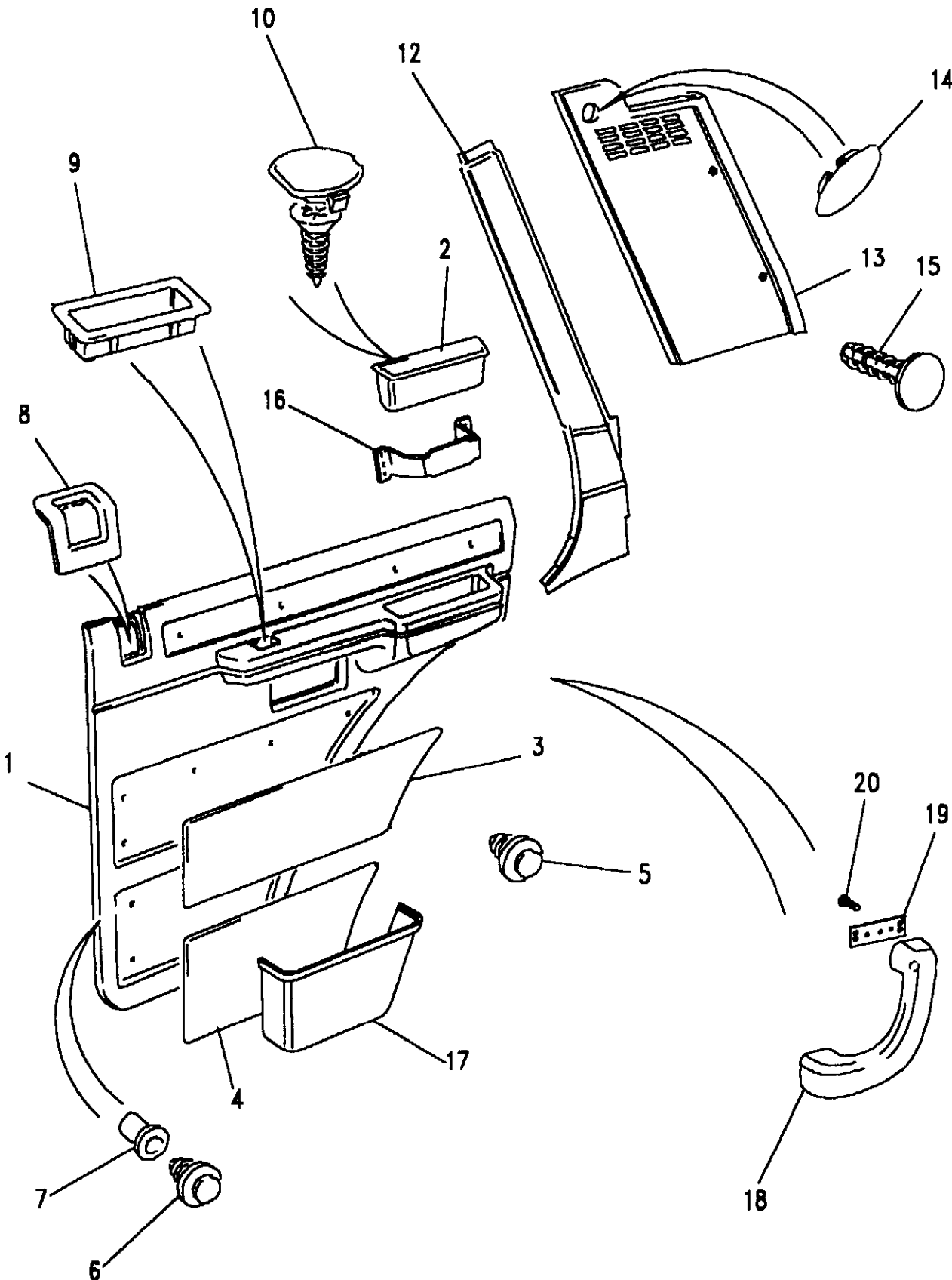


Callout	Name	Application	Remarks & Restrictions	Service No.	Qty
1	Casing rear door	Change point - VIN end MA647644, (-) 108", Vogue LSE	With Wood Trim, without grab handle, LH, Sable	BTR5409RWD	1
		Change point - VIN end MA647644, (-) 108", (-) Vogue	With Wood Trim, without grab handle, LH, Sable	BTR5409RWD	1
		Change point - VIN end MA647644, (-) 108", (-) Vogue SE	With Wood Trim, without grab handle, LH, Sable	BTR5409RWD	1
		Change point - VIN end MA647644, 108" (2743mm) Wheelbase, Vogue LSE	RH, Sorrel Brown, With Wood Trim, With Grab Handle	BTR7004SUA	1
		Change point - VIN end MA647644, 108" (2743mm) Wheelbase, (-) Vogue	RH, Sorrel Brown, With Wood Trim, With Grab Handle	BTR7004SUA	1
		Change point - VIN end MA647644, 108" (2743mm) Wheelbase, (-) Vogue SE	RH, Sorrel Brown, With Wood Trim, With Grab Handle	BTR7004SUA	1
		Change point - VIN end MA647644, 108" (2743mm) Wheelbase, Vogue LSE	RH, With Wood Trim, With Grab Handle, Sable	BTR7004RWD	1
		Change point - VIN end MA647644, 108" (2743mm) Wheelbase, (-) Vogue	RH, With Wood Trim, With Grab Handle, Sable	BTR7004RWD	1
		Change point - VIN end MA647644, 108" (2743mm) Wheelbase, (-) Vogue SE	RH, With Wood Trim, With Grab Handle, Sable	BTR7004RWD	1
		Change point - VIN end MA647644, 108" (2743mm) Wheelbase, Vogue LSE	With Wood Trim, With Grab Handle, LH, Sable	BTR7005RWD	1
		Change point - VIN end MA647644, 108" (2743mm) Wheelbase, (-) Vogue	With Wood Trim, With Grab Handle, LH, Sable	BTR7005RWD	1
		Change point - VIN end MA647644, 108" (2743mm) Wheelbase, (-) Vogue SE	With Wood Trim, With Grab Handle, LH, Sable	BTR7005RWD	1
		Change point - VIN end MA647644, 108" (2743mm) Wheelbase, Vogue LSE	Sorrel Brown, With Wood Trim, With Grab Handle, LH	BTR7005SUA	1
		Change point - VIN end MA647644, 108" (2743mm) Wheelbase, (-) Vogue	Sorrel Brown, With Wood Trim, With Grab Handle, LH	BTR7005SUA	1
		Change point - VIN end MA647644, 108" (2743mm) Wheelbase, (-) Vogue SE	Sorrel Brown, With Wood Trim, With Grab Handle, LH	BTR7005SUA	1
		Change point - VIN begin MA647645, (-) 108", (-) Vogue	RH, Dark Granite, without cloth insert, without grab handle	BTR625LOY	1
		Change point - VIN begin MA647645, (-) 108", (-) Vogue SE	RH, Dark Granite, without cloth insert, without grab handle	BTR625LOY	1

Range Rover (From JA610294)

(BDPXEE2A)

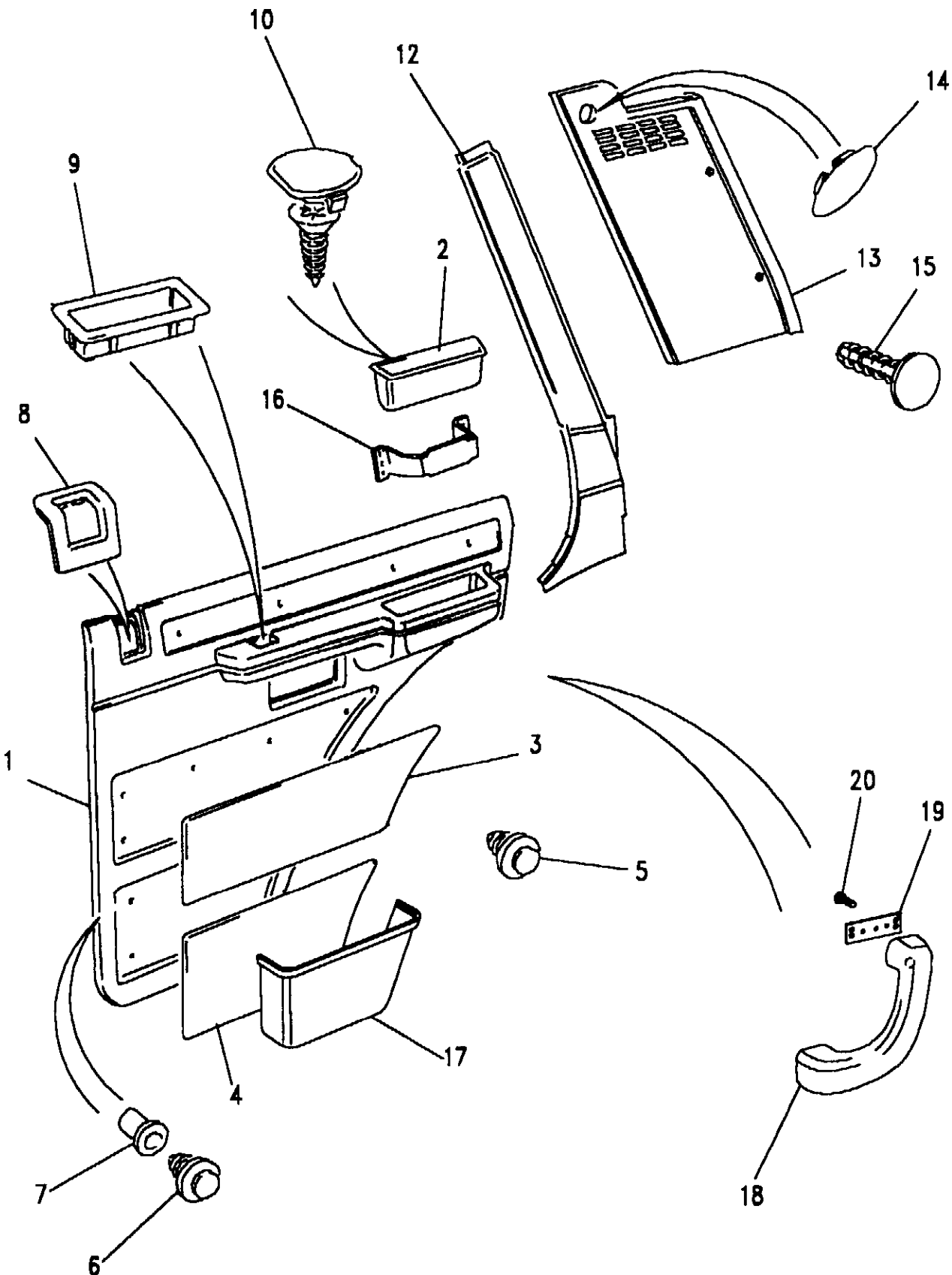
Range Rover (From JA610294)



Callout	Name	Application	Remarks & Restrictions	Service No.	Qty
1	Casing rear door	Change point - VIN begin MA647645, (-) 108", (-) Vogue LSE	RH, Dark Granite, without cloth insert, without grab handle	BTR625LOY	1
		Change point - VIN begin MA647645, (-) 108", (-) Vogue	RH, Sorrel Brown, without wood trim, without grab handle	BTR625SUA	1
		Change point - VIN begin MA647645, (-) 108", (-) Vogue LSE	RH, Sorrel Brown, without wood trim, without grab handle	BTR625SUA	1
		Change point - VIN begin MA647645, (-) 108", (-) Vogue SE	RH, Sorrel Brown, without wood trim, without grab handle	BTR625SUA	1
		Change point - VIN begin MA647645, (-) 108", (-) Vogue	Dark Granite, without cloth insert, without grab handle, LH	BTR626LOY	1
		Change point - VIN begin MA647645, (-) 108", (-) Vogue LSE	Dark Granite, without cloth insert, without grab handle, LH	BTR626LOY	1
		Change point - VIN begin MA647645, (-) 108", (-) Vogue SE	Dark Granite, without cloth insert, without grab handle, LH	BTR626LOY	1
		Change point - VIN begin MA647645, (-) 108", (-) Vogue	Sorrel Brown, without wood trim, without grab handle, LH	BTR626SUA	1
		Change point - VIN begin MA647645, (-) 108", (-) Vogue LSE	Sorrel Brown, without wood trim, without grab handle, LH	BTR626SUA	1
		Change point - VIN begin MA647645, (-) 108", (-) Vogue SE	Sorrel Brown, without wood trim, without grab handle, LH	BTR626SUA	1
		Change point - VIN begin MA647645, (-) 108", (-) Vogue LSE	Ash Grey, RH, with cloth insert, without grab handle	BTR5406LNF	1
		Change point - VIN begin MA647645, (-) 108", (-) Vogue SE	Ash Grey, RH, with cloth insert, without grab handle	BTR5406LNF	1
		Change point - VIN begin MA647645, (-) 108", (-) Vogue	Ash Grey, RH, with cloth insert, without grab handle	BTR5406LNF	1
		Change point - VIN begin MA647645, (-) 108", (-) Vogue LSE	RH, Dark Granite, with cloth insert, without grab handle	BTR5406LOY	1
		Change point - VIN begin MA647645, (-) 108", (-) Vogue SE	RH, Dark Granite, with cloth insert, without grab handle	BTR5406LOY	1
		Change point - VIN begin MA647645, (-) 108", (-) Vogue	RH, Dark Granite, with cloth insert, without grab handle	BTR5406LOY	1
		Change point - VIN begin MA647645, (-) 108", (-) Vogue LSE	RH, Sorrel Brown, With Wood Trim, without grab handle	BTR623SUA	1
		Change point - VIN begin MA647645, (-) 108", (-) Vogue SE	RH, Sorrel Brown, With Wood Trim, without grab handle	BTR623SUA	1
		Change point - VIN begin MA647645, (-) 108", (-) Vogue	RH, Sorrel Brown, With Wood Trim, without grab handle	BTR623SUA	1
		Change point - VIN begin MA647645, (-) 108", (-) Vogue LSE	Ash Grey, with cloth insert, without grab handle, LH	BTR5407LNF	1
Change point - VIN begin MA647645, (-) 108", (-) Vogue SE	Ash Grey, with cloth insert, without grab handle, LH	BTR5407LNF	1		

Range Rover (From JA610294)

(BDPXEE2A)



Range Rover (From JA610294)

Callout	Name	Application	Remarks & Restrictions	Service No.	Qty
1	Casing rear door	Change point - VIN begin MA647645, (-) 108", (-) Vogue	Ash Grey, with cloth insert, without grab handle, LH	BTR5407LNF	1
		Change point - VIN begin MA647645, (-) 108", (-) Vogue LSE	Dark Granite, with cloth insert, without grab handle, LH	BTR5407LOY	1
		Change point - VIN begin MA647645, (-) 108", (-) Vogue SE	Dark Granite, with cloth insert, without grab handle, LH	BTR5407LOY	1
		Change point - VIN begin MA647645, (-) 108", (-) Vogue	Dark Granite, with cloth insert, without grab handle, LH	BTR5407LOY	1
		Change point - VIN begin MA647645, (-) 108", (-) Vogue LSE	Sorrel Brown, With Wood Trim, without grab handle, LH	BTR624SUA	1
		Change point - VIN begin MA647645, (-) 108", (-) Vogue SE	Sorrel Brown, With Wood Trim, without grab handle, LH	BTR624SUA	1
		Change point - VIN begin MA647645, (-) 108", (-) Vogue	Sorrel Brown, With Wood Trim, without grab handle, LH	BTR624SUA	1
		Change point - VIN begin MA647645, 108" (2743mm) Wheelbase, (-) Vogue LSE	Ash Grey, RH, with cloth insert, without grab handle	BTR7004LNF	1
		Change point - VIN begin MA647645, 108" (2743mm) Wheelbase, (-) Vogue SE	Ash Grey, RH, with cloth insert, without grab handle	BTR7004LNF	1
		Change point - VIN begin MA647645, 108" (2743mm) Wheelbase, (-) Vogue	Ash Grey, RH, with cloth insert, without grab handle	BTR7004LNF	1
		Change point - VIN begin MA647645, 108" (2743mm) Wheelbase, (-) Vogue LSE	RH, Dark Granite, with cloth insert, without grab handle	BTR7004LOY	1
		Change point - VIN begin MA647645, 108" (2743mm) Wheelbase, (-) Vogue SE	RH, Dark Granite, with cloth insert, without grab handle	BTR7004LOY	1
		Change point - VIN begin MA647645, 108" (2743mm) Wheelbase, (-) Vogue	RH, Dark Granite, with cloth insert, without grab handle	BTR7004LOY	1
		Change point - VIN begin MA647645, 108" (2743mm) Wheelbase, (-) Vogue LSE	RH, Sorrel Brown, With Wood Trim, With Grab Handle	BTR7004SUA	1
		Change point - VIN begin MA647645, 108" (2743mm) Wheelbase, (-) Vogue SE	RH, Sorrel Brown, With Wood Trim, With Grab Handle	BTR7004SUA	1
		Change point - VIN begin MA647645, 108" (2743mm) Wheelbase, (-) Vogue	RH, Sorrel Brown, With Wood Trim, With Grab Handle	BTR7004SUA	1
		Change point - VIN begin MA647645, 108" (2743mm) Wheelbase, (-) Vogue LSE	Ash Grey, with cloth insert, without grab handle, LH	BTR7005LNF	1

Interior Trim
Trim
Rear Door Casing 7/13

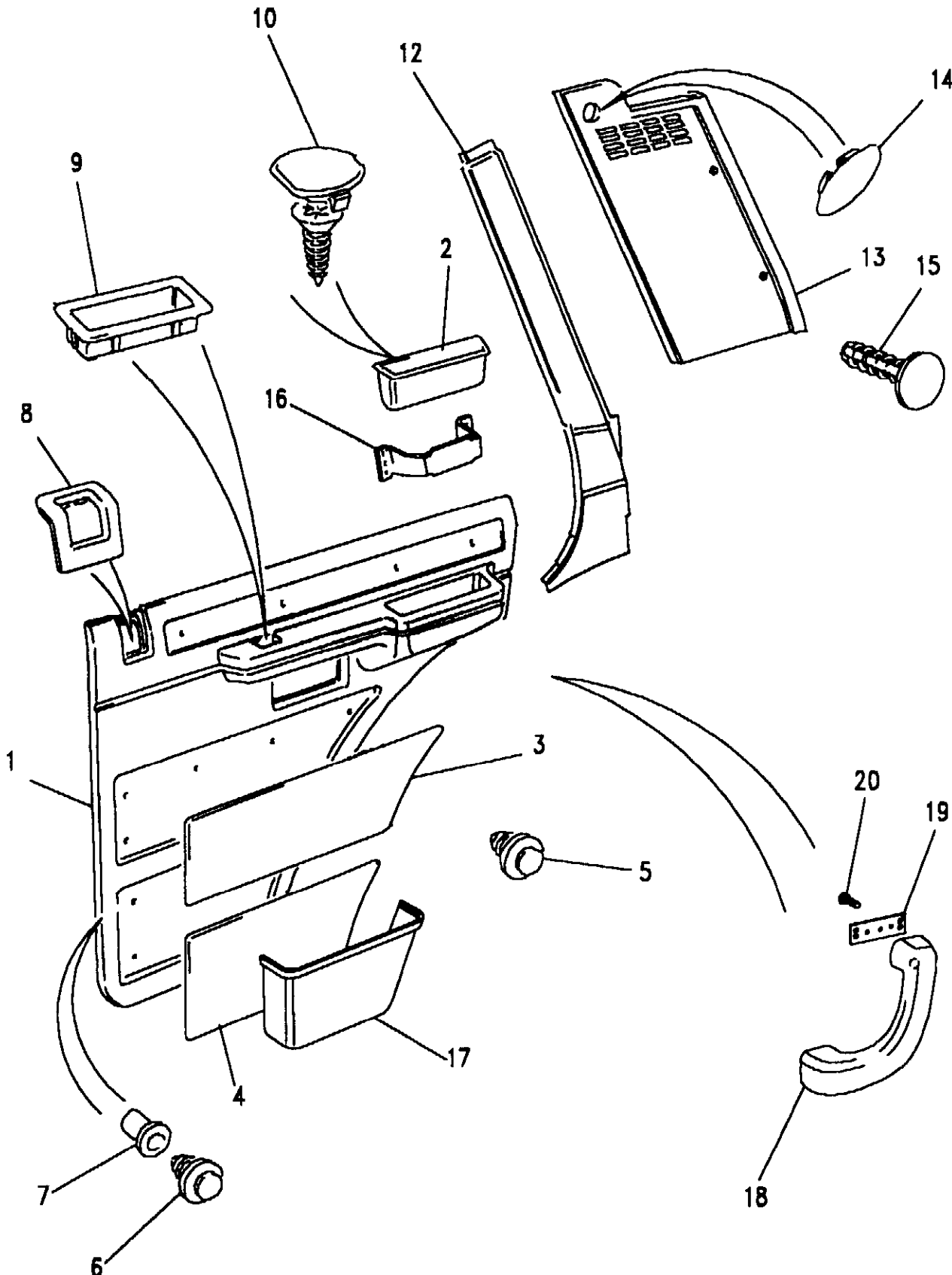
Range Rover (From JA610294)

(BDPXEE2A)

Range Rover (From JA610294)

Interior Trim
Trim
Rear Door Casing

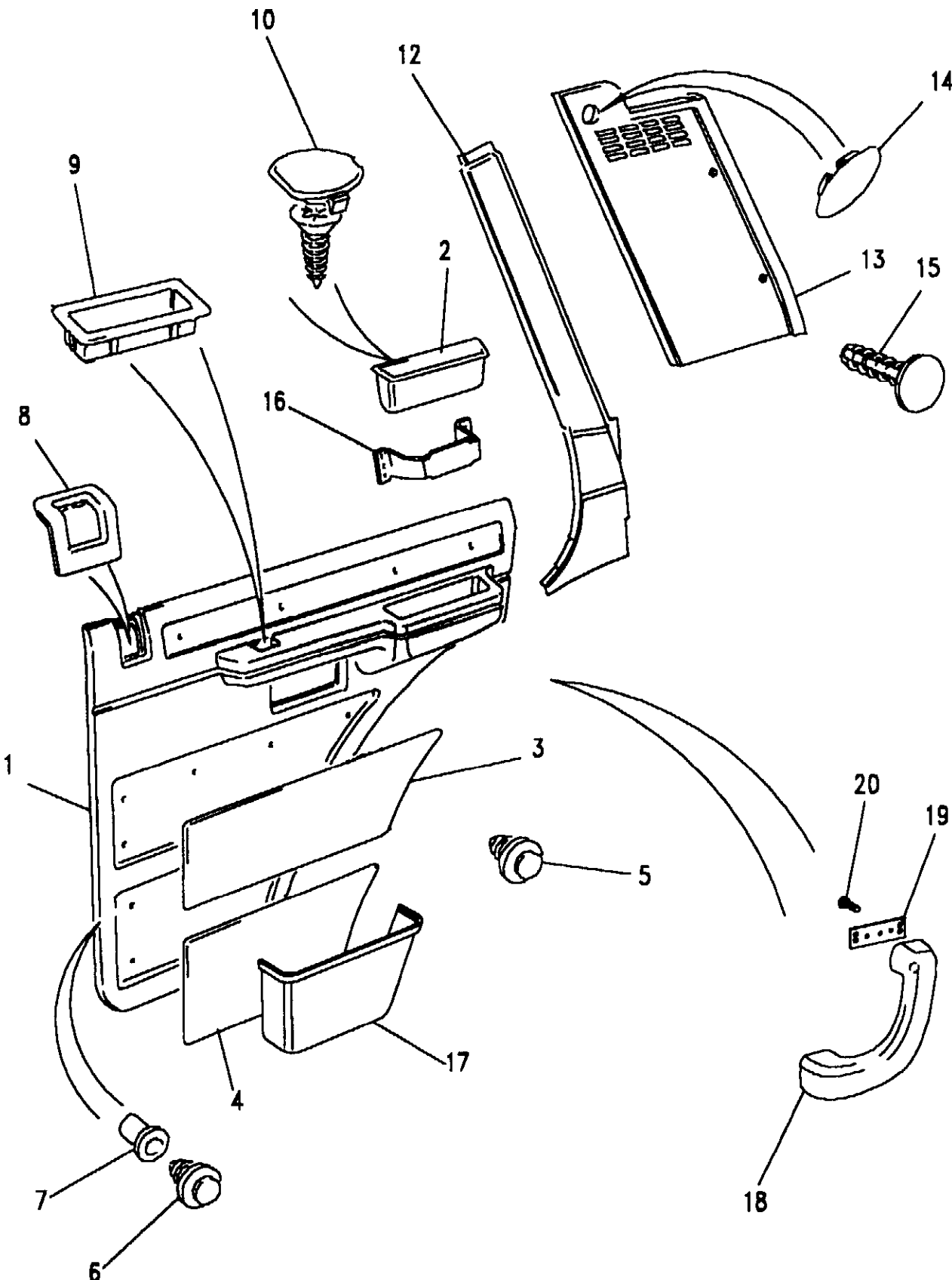
Callout	Name	Application	Remarks & Restrictions	Service No.	Qty		
1	Casing rear door	Change point - VIN begin MA647645, 108" (2743mm) Wheelbase, (-) Vogue SE	Ash Grey, with cloth insert, without grab handle, LH	BTR7005LNF	1		
		Change point - VIN begin MA647645, 108" (2743mm) Wheelbase, (-) Vogue	Ash Grey, with cloth insert, without grab handle, LH	BTR7005LNF	1		
		Change point - VIN begin MA647645, 108" (2743mm) Wheelbase, (-) Vogue LSE	Dark Granite, with cloth insert, without grab handle, LH	BTR7005LOY	1		
		Change point - VIN begin MA647645, 108" (2743mm) Wheelbase, (-) Vogue SE	Dark Granite, with cloth insert, without grab handle, LH	BTR7005LOY	1		
		Change point - VIN begin MA647645, 108" (2743mm) Wheelbase, (-) Vogue	Dark Granite, with cloth insert, without grab handle, LH	BTR7005LOY	1		
		Change point - VIN begin MA647645, 108" (2743mm) Wheelbase, (-) Vogue LSE	Sorrel Brown, With Wood Trim, With Grab Handle, LH	BTR7005SUA	1		
		Change point - VIN begin MA647645, 108" (2743mm) Wheelbase, (-) Vogue SE	Sorrel Brown, With Wood Trim, With Grab Handle, LH	BTR7005SUA	1		
		Change point - VIN begin MA647645, 108" (2743mm) Wheelbase, (-) Vogue	Sorrel Brown, With Wood Trim, With Grab Handle, LH	BTR7005SUA	1		
		2	Pull-front/rear door	Change point - VIN end MA647644	Sorrel Brown	MXC1306SUA	2
				Change point - VIN end MA647644	Winchester Grey	MXC1306LUL	2
Change point - VIN end MA647644	Sable			MXC1306RWD	2		
Change point - VIN end MA647644	Tan			MXC1306AUK	2		
Change point - VIN begin MA647645	Ash Grey			MXC1306LNF	1		
Change point - VIN begin MA647645	Dark Granite			MXC1306LOY	1		
Change point - VIN begin MA647645	Sorrel Brown			MXC1306SUA	1		
3	Insert-rear door casing			Change point - VIN end MA647644	RH, Brogue, Upper	MXC1340AUE	1
		Change point - VIN end MA647644	RH, Winchester Grey, Upper	MXC1340LUL	1		
		Change point - VIN end MA647644, (-) 108"	RH, Upper, Sable	MXC1340RWD	1		
		Change point - VIN end MA647644	Brogue, Upper, LH	MXC1341AUE	1		
		Change point - VIN end MA647644	Winchester Grey, Upper, LH	MXC1341LUL	1		
		Change point - VIN end MA647644, (-) 108"	Upper, LH, Sable	MXC1341RWD	1		
		Change point - VIN end MA647644, 108" (2743mm) Wheelbase	RH, Upper, Tan	BTR3122AUK	1		



Range Rover (From JA610294)

(BDPXEE2A)

Range Rover (From JA610294)



Callout	Name	Application	Remarks & Restrictions	Service No.	Qty		
3	Insert-rear door casing	Change point - VIN end MA647644, 108" (2743mm) Wheelbase	RH, Upper, Sable	BTR3122RWD	1		
		Change point - VIN end MA647644, 108" (2743mm) Wheelbase	RH, Sorrel Brown, Upper	BTR3122SUA	1		
		Change point - VIN end MA647644, 108" (2743mm) Wheelbase	Upper, LH, Tan	BTR3123AUK	1		
		Change point - VIN end MA647644, 108" (2743mm) Wheelbase	Upper, LH, Sable	BTR3123RWD	1		
		Change point - VIN end MA647644, 108" (2743mm) Wheelbase	Sorrel Brown, Upper, LH	BTR3123SUA	1		
		Change point - VIN begin MA647645, 100"	Ash Grey, RH, Upper	MXC1340LNF	1		
		Change point - VIN begin MA647645, 100"	RH, Dark Granite, Upper	MXC1340LOY	1		
		Change point - VIN begin MA647645, 100"	Ash Grey, Upper, LH	MXC1341LNF	1		
		Change point - VIN begin MA647645, 100"	Dark Granite, Upper, LH	MXC1341LOY	1		
		Change point - VIN begin MA647645, 108" (2743mm) Wheelbase	Ash Grey, RH, Upper	BTR3122LNF	1		
		Change point - VIN begin MA647645, 108" (2743mm) Wheelbase	RH, Dark Granite, Upper	BTR3122LOY	1		
		Change point - VIN begin MA647645, 108" (2743mm) Wheelbase	RH, Sorrel Brown, Upper	BTR3122SUA	1		
		Change point - VIN begin MA647645, 108" (2743mm) Wheelbase	Ash Grey, Upper, LH	BTR3123LNF	1		
		Change point - VIN begin MA647645, 108" (2743mm) Wheelbase	Dark Granite, Upper, LH	BTR3123LOY	1		
		Change point - VIN begin MA647645, 108" (2743mm) Wheelbase	Sorrel Brown, Upper, LH	BTR3123SUA	1		
		4	Insert-rear door casing	Change point - VIN end MA647644, 108" (2743mm) Wheelbase	RH, Brogue, Lower	MXC1342AUE	1
				Change point - VIN end MA647644, 108" (2743mm) Wheelbase	RH, Winchester Grey, Lower	MXC1342LUL	1
				Change point - VIN end MA647644, 108" (2743mm) Wheelbase, (-) Vogue LSE	RH, Lower, Sable	MXC1342RWD	1
				Change point - VIN end MA647644, 108" (2743mm) Wheelbase	Brogue, Lower, LH	MXC1343AUE	1
				Change point - VIN end MA647644, 108" (2743mm) Wheelbase	Winchester Grey, Lower, LH	MXC1343LUL	1
Change point - VIN end MA647644, 108" (2743mm) Wheelbase, (-) Vogue LSE	Lower, LH, Sable			MXC1343RWD	1		

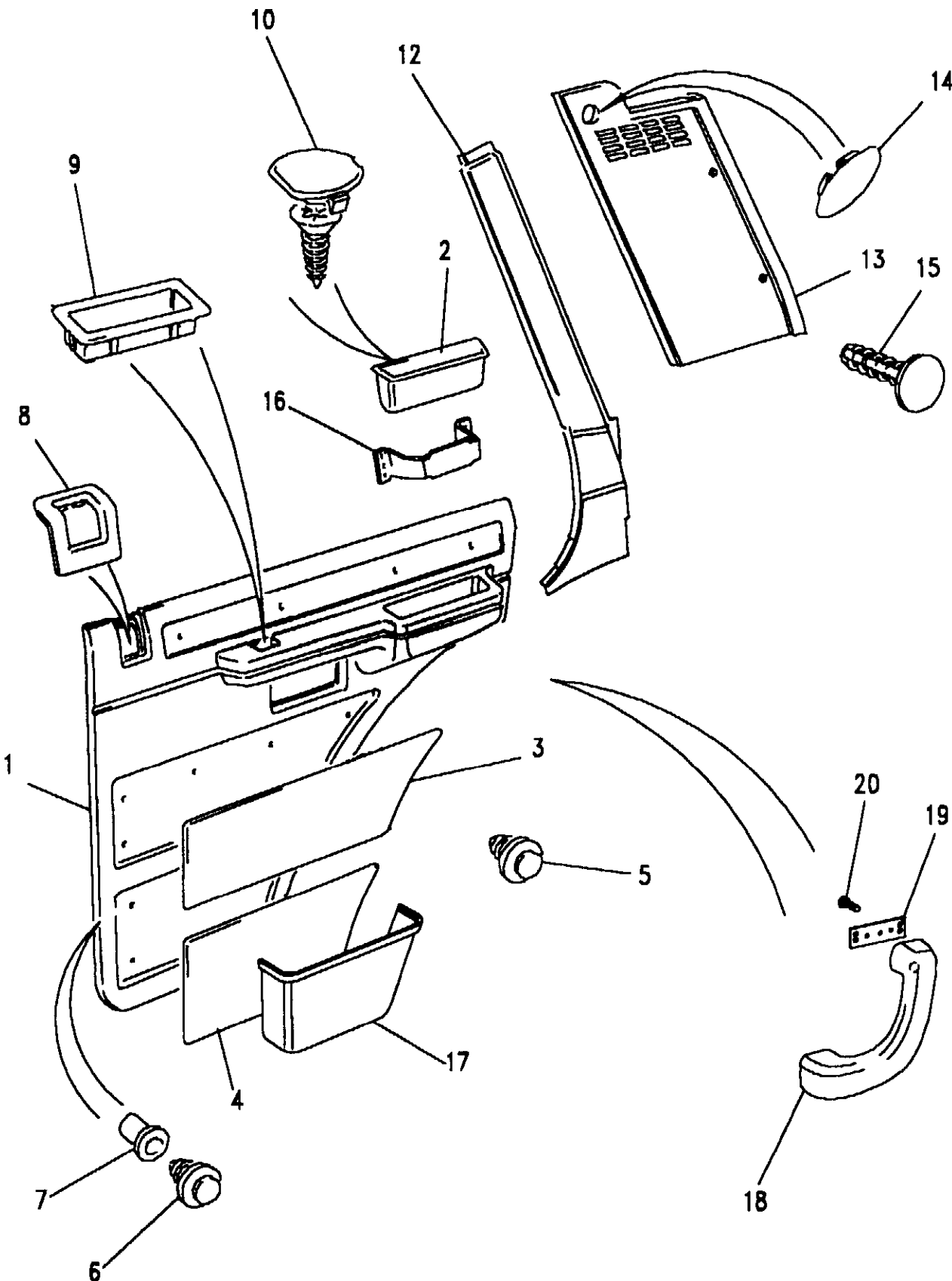
Interior Trim
Trim
Rear Door Casing 9/13

Range Rover (From JA610294)

(BDPXEE2A)

Range Rover (From JA610294)

Interior Trim
Trim
Rear Door Casing



Callout	Name	Application	Remarks & Restrictions	Service No.	Qty		
4	Insert-rear door casing	Change point - VIN end MA647644, Vogue LSE	RH, Lower, Tan	BTR5448AUK	1		
		Change point - VIN end MA647644, (-) 108", Vogue LSE	RH, Lower, Sable	BTR5448RWD	1		
		Change point - VIN end MA647644, Vogue LSE	RH, Sorrel Brown, Lower	BTR5448SUA	1		
		Change point - VIN end MA647644, Vogue LSE	Lower, LH, Tan	BTR5447AUK	1		
		Change point - VIN end MA647644, (-) 108", Vogue LSE	Lower, LH, Sable	BTR5447RWD	1		
		Change point - VIN end MA647644, Vogue LSE	Sorrel Brown, Lower, LH	BTR5447SUA	1		
		Change point - VIN begin MA647645, 100"	Ash Grey, RH, Lower	MXC1342LNF	1		
		Change point - VIN begin MA647645, 100"	RH, Dark Granite, Lower	MXC1342LOY	1		
		Change point - VIN begin MA647645, 100"	Ash Grey, Lower, LH	MXC1343LNF	1		
		Change point - VIN begin MA647645, 100"	Dark Granite, Lower, LH	MXC1343LOY	1		
		Change point - VIN begin MA647645, 108" (2743mm) Wheelbase	Ash Grey, RH, Lower	BTR5448LNF	1		
		Change point - VIN begin MA647645, 108" (2743mm) Wheelbase	RH, Dark Granite, Lower	BTR5448LOY	1		
		Change point - VIN begin MA647645, 108" (2743mm) Wheelbase	RH, Sorrel Brown, Lower	BTR5448SUA	1		
		Change point - VIN begin MA647645, 108" (2743mm) Wheelbase	Ash Grey, Lower, LH	BTR5447LNF	1		
		Change point - VIN begin MA647645, 108" (2743mm) Wheelbase	Dark Granite, Lower, LH	BTR5447LOY	1		
		Change point - VIN begin MA647645, 108" (2743mm) Wheelbase	Sorrel Brown, Lower, LH	BTR5447SUA	1		
		5	Clip	Change point - VIN end MA647644		AFU2989	12
				Change point - VIN begin MA647645		AFU2989	12
		6	Fastener-fir tree	Change point - VIN end MA647644		MWC3129	22
				Change point - VIN begin MA647645		MWC3129	22
7	Insert-plain	Change point - VIN end MA647644		AJU1136L	22		
		Change point - VIN begin MA647645		AJU1136L	22		
8	Escutcheon-door-lock	Change point - VIN end MA647644	Bokhara	MXC4738RUN	2		
		Change point - VIN begin MA647645	Bokhara	MXC4738RUN	2		

Interior Trim

Trim

Rear Door Casing 10/13

Range Rover (From JA610294)

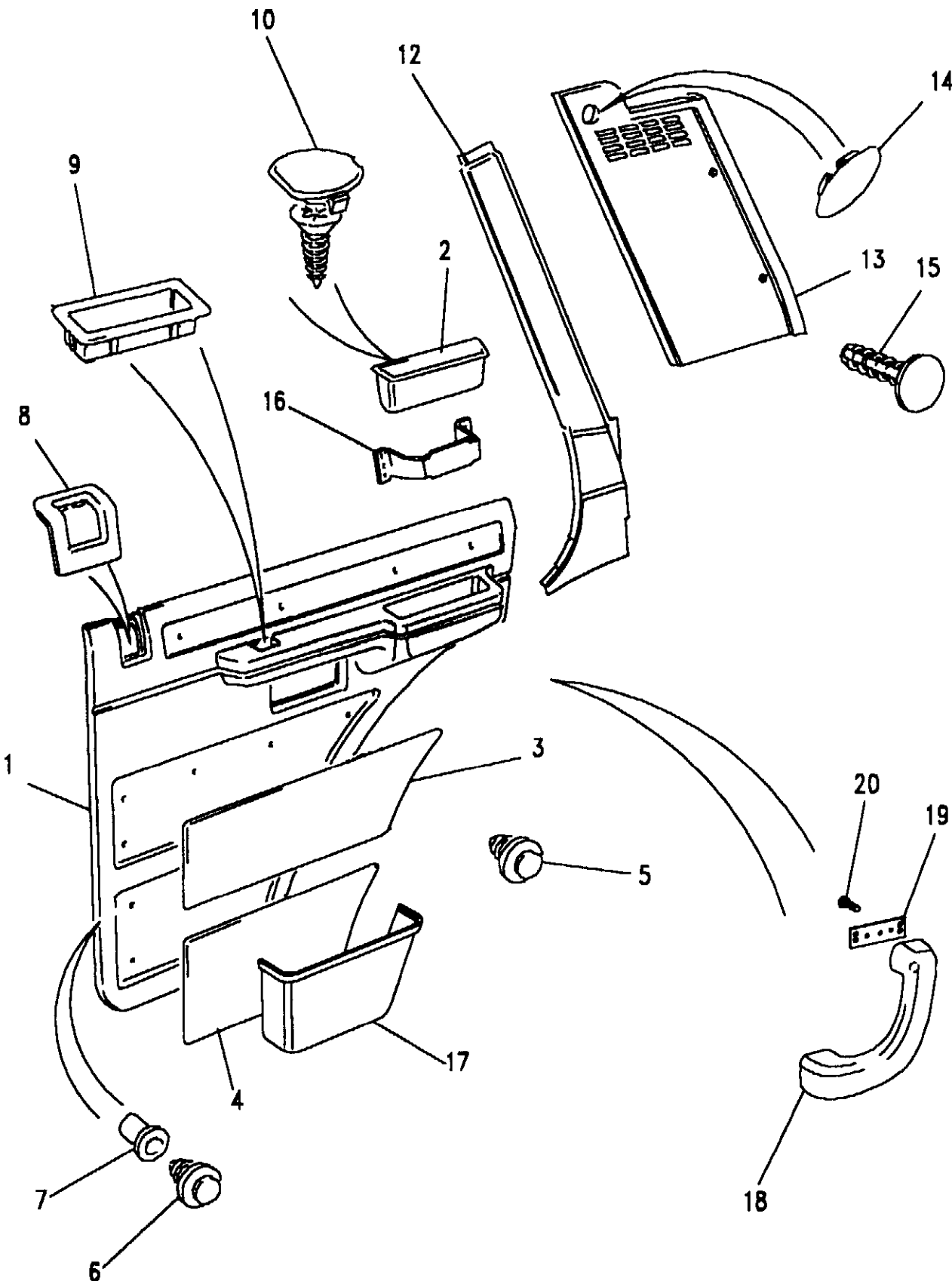
(BDPXEE2A)

Range Rover (From JA610294)

Interior Trim

Trim

Rear Door Casing



Callout	Name	Application	Remarks & Restrictions	Service No.	Qty
9	Escutcheon-armrest	Change point - VIN end MA647644		MXC1173	2
		Change point - VIN begin MA647645		MXC1173	2
10	Cover-screw	Change point - VIN end MA647644	Sorrel Brown	MXC1309SUA	4
		Change point - VIN end MA647644	Winchester Grey	MXC1309LUL	4
		Change point - VIN end MA647644	Sable	MXC1309RWD	4
		Change point - VIN end MA647644	Tan	MXC1309AUK	4
		Change point - VIN begin MA647645	Ash Grey	MXC1309LNF	4
		Change point - VIN begin MA647645	Dark Granite	MXC1309LOY	4
		Change point - VIN begin MA647645	Sorrel Brown	MXC1309SUA	4
		Change point - VIN begin MA647645			
11	Screw	Change point - VIN end MA647644	Self Tapping	AC610061L	4
		Change point - VIN begin MA647645	Self Tapping	AC610061L	4
12	Finisher-D post	Change point - VIN end MA647644	RH, Sorrel Brown	MWC2626SUA	1
		Change point - VIN end MA647644	RH, Winchester Grey	MWC2626LUL	1
		Change point - VIN end MA647644	RH, Sable	MWC2626RWD	1
		Change point - VIN end MA647644	RH, Tan	MWC2626AUK	1
		Change point - VIN end MA647644	Sorrel Brown, LH	MWC2627SUA	1
		Change point - VIN end MA647644	Winchester Grey, LH	MWC2627LUL	1
		Change point - VIN end MA647644	LH, Sable	MWC2627RWD	1
		Change point - VIN end MA647644	LH, Tan	MWC2627AUK	1
		Change point - VIN begin MA647645	RH, Tan	MWC2626AUK	1
		Change point - VIN begin MA647645	Ash Grey, RH	MWC2626LNF	1
		Change point - VIN begin MA647645	RH, Dark Granite	MWC2626LOY	1
		Change point - VIN begin MA647645	RH, Sorrel Brown	MWC2626SUA	1
		Change point - VIN begin MA647645	LH, Tan	MWC2627AUK	1
		Change point - VIN begin MA647645	Ash Grey, LH	MWC2627LNF	1
		Change point - VIN begin MA647645	Dark Granite, LH	MWC2627LOY	1
		Change point - VIN begin MA647645	Sorrel Brown, LH	MWC2627SUA	1
13	Finisher assembly-quarter trim	Change point - VIN end JA624754	RH, Winchester Grey	MXC5449LUL	1

Interior Trim

Trim

Rear Door Casing 11/13

Range Rover (From JA610294)

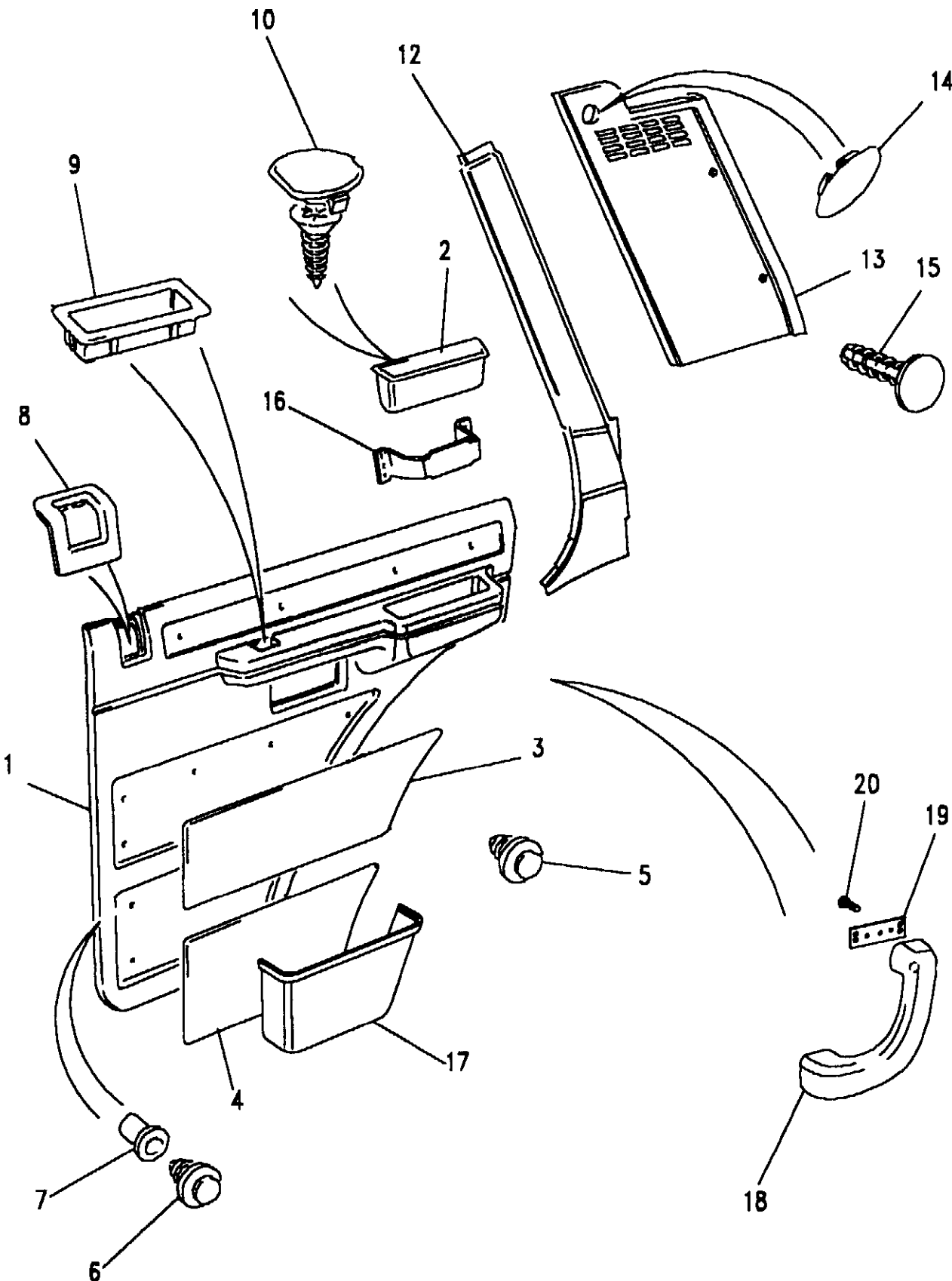
(BDPXEE2A)

Range Rover (From JA610294)

Interior Trim

Trim

Rear Door Casing

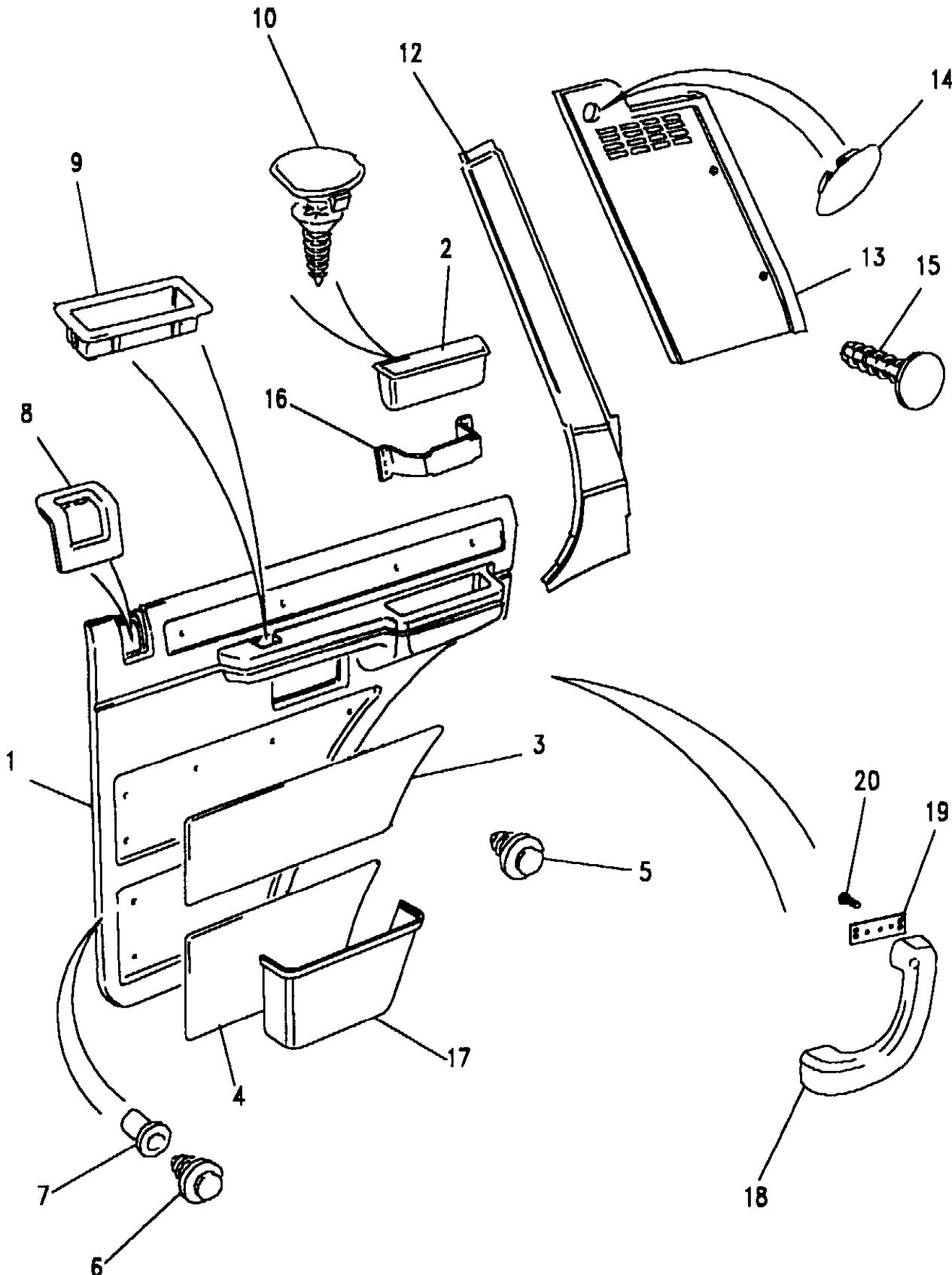


Callout	Name	Application	Remarks & Restrictions	Service No.	Qty
13	Finisher assembly-quarter trim	Change point - VIN end JA624754	RH, Sorrel Brown	MXC5449SUA	1
		Change point - VIN end JA624754	Winchester Grey, LH	MXC5450LUL	1
		Change point - VIN end JA624754	Sorrel Brown, LH	MXC5450SUA	1
		Change point - VIN begin KA624756, Change point - VIN end KA644141	Black, RH	MXC5449PUB	1
		Change point - VIN begin KA624756, Change point - VIN end KA644141	Black, LH	MXC5450PUB	1
		Change point - VIN begin KA644142, Change point - VIN end MA647644	Black, RH	BTR5624PUB	1
		Change point - VIN begin KA644142, Change point - VIN end MA647644	Black, RH	BTR9893PUB	1
		Change point - VIN begin MA647645	Black, RH	BTR9893PUB	1
		Change point - VIN begin MA647645	Black, LH	BTR9894PUB	1
		14	Plug	Change point - VIN end MA647644	Sorrel Brown
Change point - VIN end MA647644	Winchester Grey			393096LUL	2
Change point - VIN end MA647644	Tan			393096AUK	2
Change point - VIN begin MA647645	Black			393096PUB	2
15	Stud	Change point - VIN end MA647644	Sorrel Brown	MXC5451SUA	6
		Change point - VIN end MA647644	Winchester Grey	MXC5451LUL	6
		Change point - VIN end MA647644	Black	MXC5451PUB	6
		Change point - VIN begin MA647645	Black	MXC5451PUB	6
16	Bracket assembly-bonnet release assembly	Change point - VIN end MA647644		MXC8311	2
		Change point - VIN begin MA647645		MXC8311	2
17	Pocket-rear door	Change point - VIN end MA647644, 108" (2743mm) Wheelbase	RH, Tan	BTR5420AUK	1
		Change point - VIN end MA647644, 108" (2743mm) Wheelbase	RH, Sable	BTR5420RWD	1
		Change point - VIN end MA647644, 108" (2743mm) Wheelbase	RH, Sorrel Brown	BTR5420SUA	1
		Change point - VIN end MA647644, 108" (2743mm) Wheelbase	LH, Tan	BTR5419AUK	1
		Change point - VIN end MA647644, 108" (2743mm) Wheelbase	LH, Sable	BTR5419RWD	1

Range Rover (From JA610294)

(BDPXEE2A)

Range Rover (From JA610294)



Callout	Name	Application	Remarks & Restrictions	Service No.	Qty		
17	Pocket-rear door	Change point - VIN end MA647644, 108" (2743mm) Wheelbase	Sorrel Brown, LH	BTR5419SUA	1		
		Change point - VIN begin MA647645, 108" (2743mm) Wheelbase	Ash Grey, RH	BTR5420LNF	1		
		Change point - VIN begin MA647645, 108" (2743mm) Wheelbase	RH, Dark Granite	BTR5420LOY	1		
		Change point - VIN begin MA647645, 108" (2743mm) Wheelbase	RH, Sorrel Brown	BTR5420SUA	1		
		Change point - VIN begin MA647645, 108" (2743mm) Wheelbase	Ash Grey, LH	BTR5419LNF	1		
		Change point - VIN begin MA647645, 108" (2743mm) Wheelbase	Dark Granite, LH	BTR5419LOY	1		
		Change point - VIN begin MA647645, 108" (2743mm) Wheelbase	Sorrel Brown, LH	BTR5419SUA	1		
		18	Handle-door grab	Change point - VIN end MA647644, 108" (2743mm) Wheelbase	Inner, LH, Tan	BTR6713AUK	1
				Change point - VIN end MA647644, 108" (2743mm) Wheelbase	Inner, LH, Sable	BTR6713RWD	1
				Change point - VIN end MA647644, 108" (2743mm) Wheelbase	Sorrel Brown, Inner, LH	BTR6713SUA	1
				Change point - VIN end MA647644, 108" (2743mm) Wheelbase	RH, Inner, Tan	BTR6712AUK	1
				Change point - VIN end MA647644, 108" (2743mm) Wheelbase	RH, Inner, Sable	BTR6712RWD	1
Change point - VIN end MA647644, 108" (2743mm) Wheelbase	RH, Sorrel Brown, Inner			BTR6712SUA	1		
Change point - VIN begin MA647645, 108" (2743mm) Wheelbase	Ash Grey, RH, Inner			BTR6712LNF	1		
Change point - VIN begin MA647645, 108" (2743mm) Wheelbase	RH, Dark Granite, Inner			BTR6712LOY	1		
Change point - VIN begin MA647645, 108" (2743mm) Wheelbase	RH, Sorrel Brown, Inner			BTR6712SUA	1		
Change point - VIN begin MA647645, 108" (2743mm) Wheelbase	Ash Grey, Inner, LH			BTR6713LNF	1		
19	Reinforcement	Change point - VIN begin MA647645, 108" (2743mm) Wheelbase	Dark Granite, Inner, LH	BTR6713LOY	1		
		Change point - VIN begin MA647645, 108" (2743mm) Wheelbase	Sorrel Brown, Inner, LH	BTR6713SUA	1		
		Change point - VIN end MA647644, 108" (2743mm) Wheelbase		BTR6710	2		

Interior Trim

Trim

Rear Door Casing 13/13

Range Rover (From JA610294)

(BDPXEE2A)

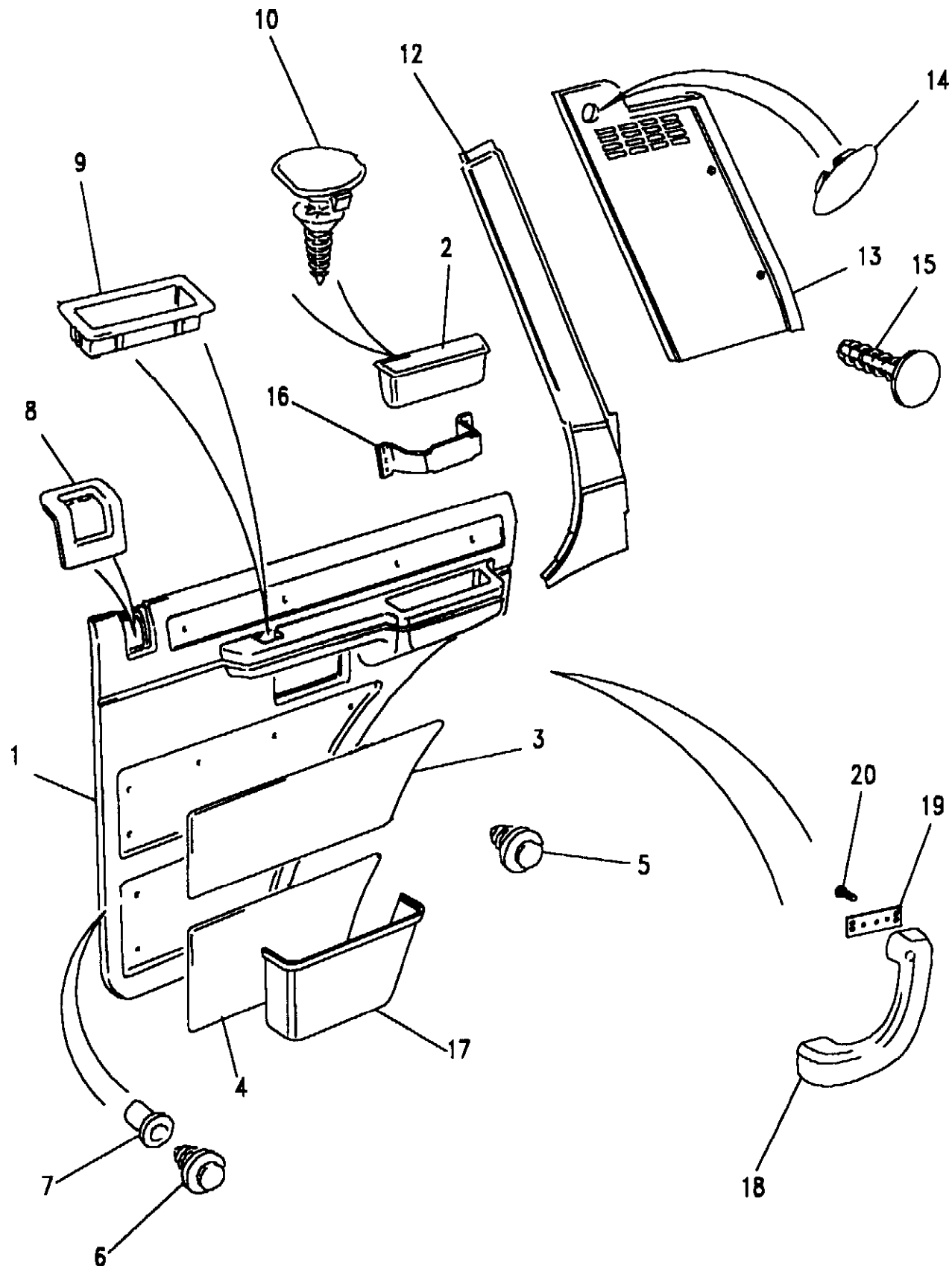
Interior Trim

Trim

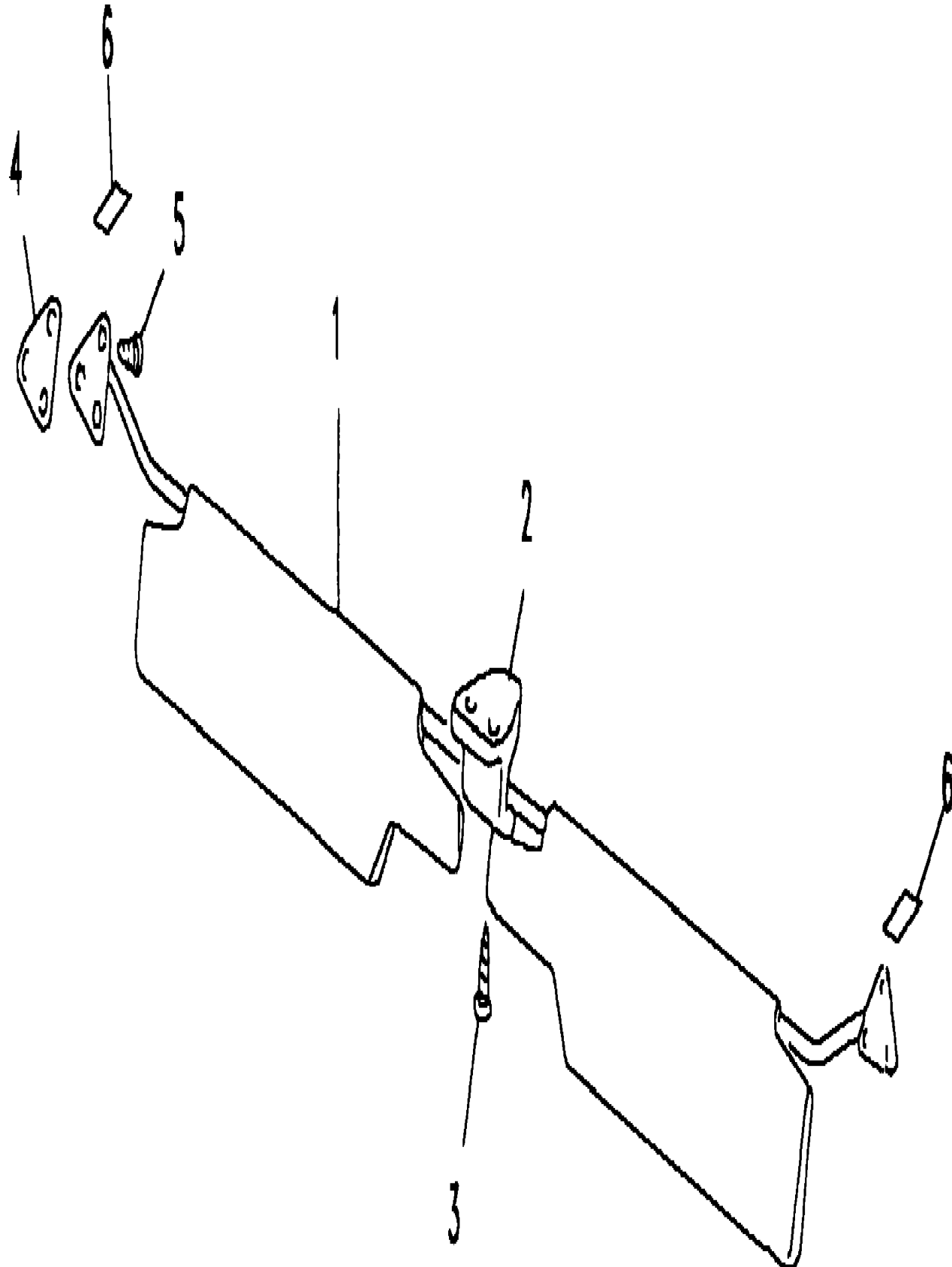
Rear Door Casing

Range Rover (From JA610294)

Callout	Name	Application	Remarks & Restrictions	Service No.	Qty
19	Reinforcement	Change point - VIN begin MA647645, 108" (2743mm) Wheelbase		BTR6710	2
20	Screw	Change point - VIN end MA647644, 108" (2743mm) Wheelbase		BTR6711	6
		Change point - VIN begin MA647645, 108" (2743mm) Wheelbase		BTR6711	6
[900]	Finisher assembly-quarter trim		Black, RH	BTR9893PUB	1



Callout	Name	Application	Remarks & Restrictions	Service No.	Qty
1	Sunvisor assembly-front header	Change point - VIN end MA647645, LHD	RH, Mist Grey, with vanity mirror	MWC4386LUM	1
		Change point - VIN begin MA647645, LHD	RH, Mist Grey	AWR2952LUM	1
		Change point - VIN end MA647645, RHD	Mist Grey, with vanity mirror, LH	MWC4387LUM	1
		Change point - VIN begin MA647645, RHD	Mist Grey, LH	AWR2953LUM	1
		Change point - VIN end MA647645, RHD	with ticket pocket, RH, Mist Grey, with ticket pocket	MWC4388LUM	1
		Change point - VIN begin MA647645, RHD	with ticket pocket, RH, Mist Grey	AWR2954LUM	1
		Change point - VIN end MA647645, LHD	Mist Grey, with ticket pocket, LH	MWC4389LUM	1
		Change point - VIN begin MA647645, LHD	with ticket pocket, Mist Grey, LH	AWR2955LUM	1
		2	Clip-sunvisor retainer		Mist Grey
3	Screw		TO BODY, Self Tapping, No 8 x 3/4	AB608061L	2
4	Plate		Mist Grey	391537LUM	2
5	Screw-self tapping		TO BODY, counter sunk, No 10 x 1", chrome plated.	AD610083	6
6	Pad floor support-rubber			NTC7294	X
[900]	Sunvisor assembly-front header	LHD	Mist Grey, with vanity mirror, LH	MWC4387LUM	1



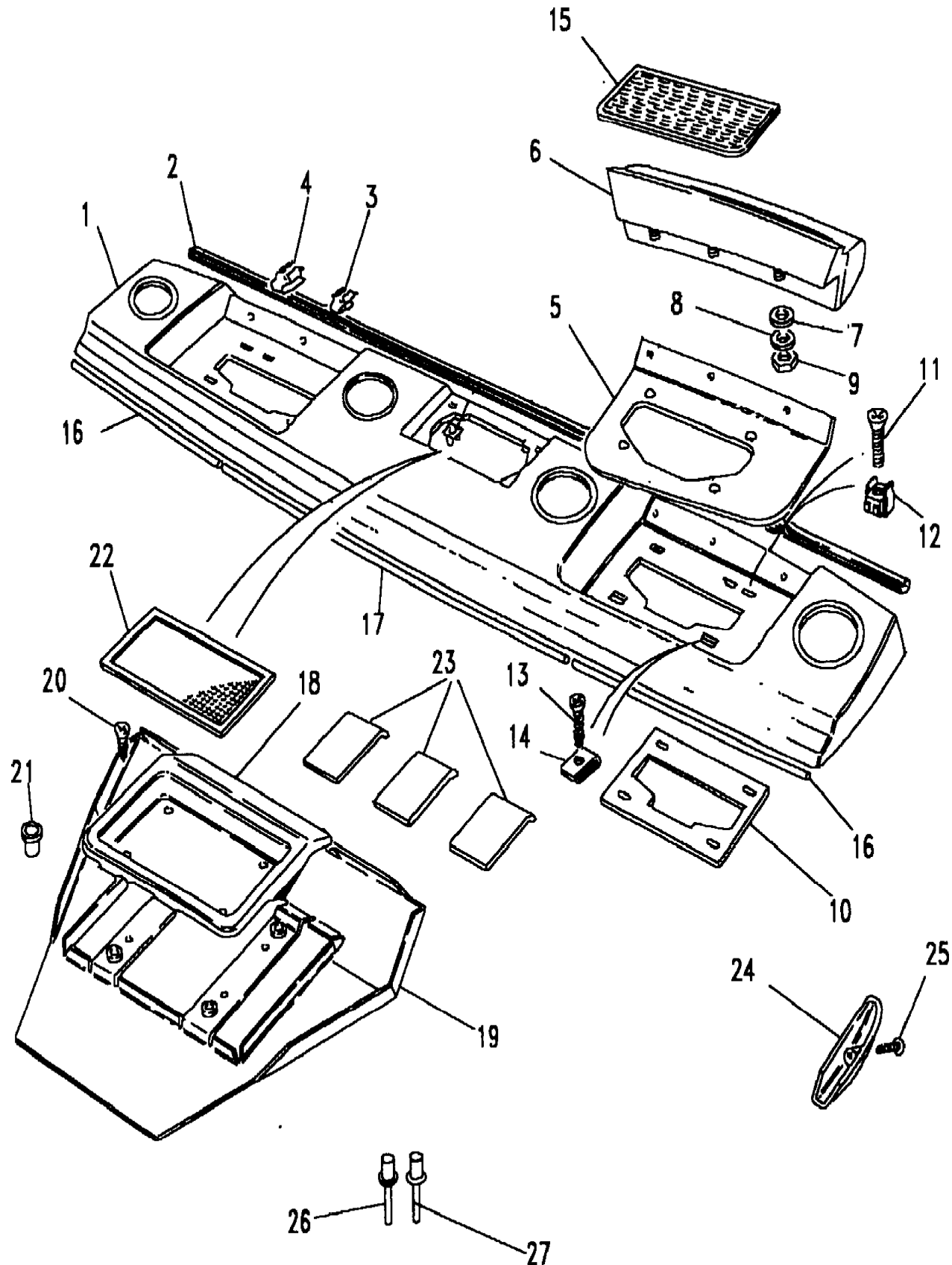
Interior Trim
Trim
Upper Facia 1/2

Range Rover (From JA610294)

(BDPXAA1A)

Range Rover (From JA610294)

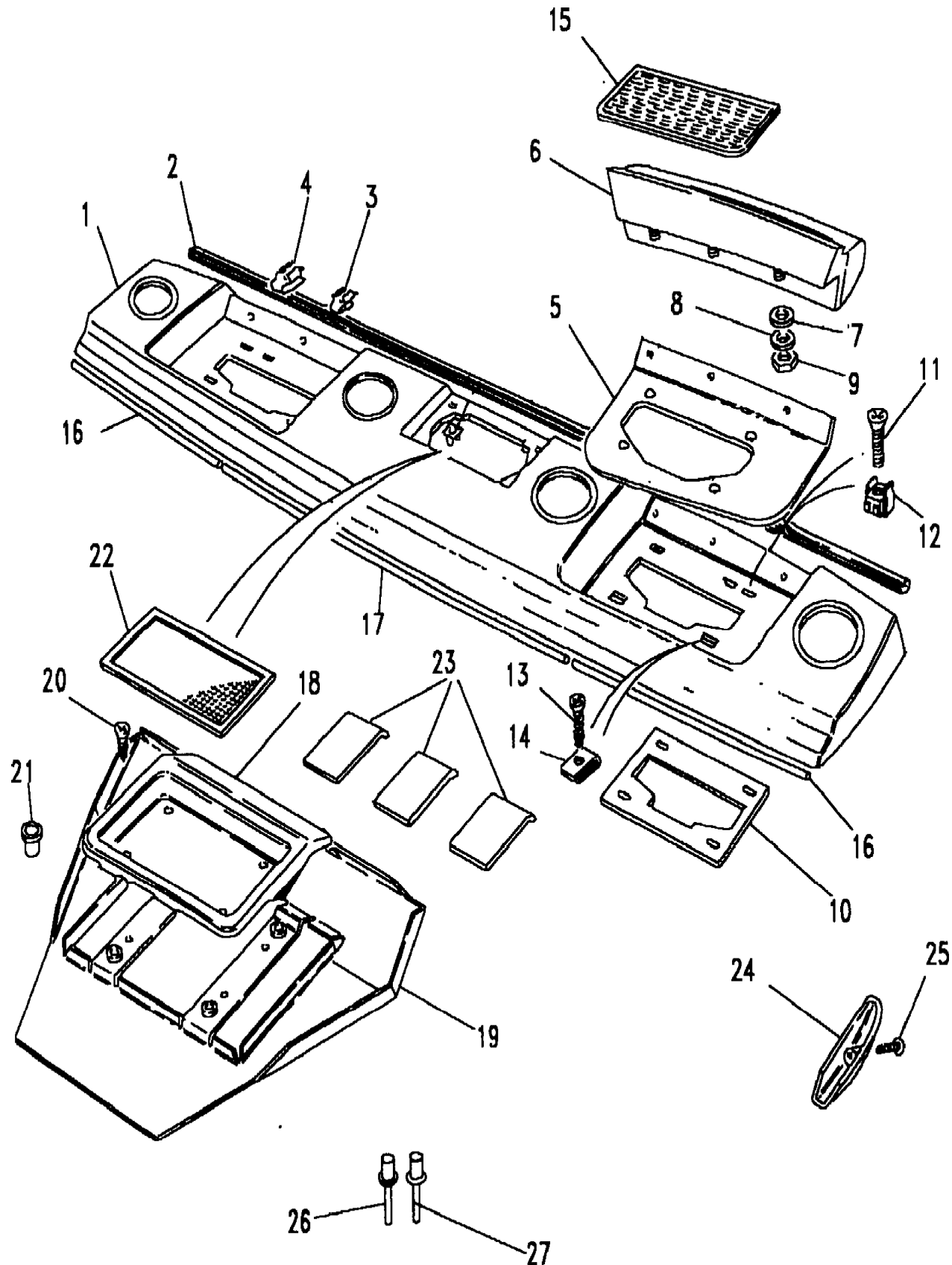
Interior Trim
Trim
Upper Facia



Callout	Name	Application	Remarks & Restrictions	Service No.	Qty
1	Facia rail-upper	Change point - VIN end MA647645	Bokhara	BTR429RUN	1
2	Reinforcement	Change point - VIN end MA647645, RHD Change point - VIN end MA647645, LHD		MUC1208 MUC1207	1 1
3	Clip	Change point - VIN end MA647645		RTC3724	2
4	Nut-spire	Change point - VIN end MA647645		RTC3725	12
5	Stiffener	Change point - VIN end MA647645 Change point - VIN end MA647645	RH LH	MWC7672 MWC7671	1 1
6	Handle assembly-grab	Change point - VIN end MA647645, RHD Change point - VIN end MA647645, RHD Change point - VIN end MA647645, LHD Change point - VIN end MA647645, LHD	Vinyl, Bokhara Bokhara, Leather Vinyl, Bokhara Bokhara, Leather	MWC2366RUN MXC1699RUN MWC2367RUN MXC1700RUN	1 1 1 1
7	Washer	Change point - VIN end MA647645		3852L	3
8	Washer	Change point - VIN end MA647645	M5, retaining	WL105001L	3
9	Nut-hexagonal	Change point - VIN end MA647645	M5	NH105041L	3
10	Pad-facia top & fixings	Change point - VIN end MA647645		MWC8583	3
11	Screw-self tapping	Change point - VIN end MA647645	counter sunk, No 10 x 1"	AC610081L	2
12	Nut-spring-special	Change point - VIN end MA647645	No10	AL610011L	2
13	Screw	Change point - VIN end MA647645	plate to dash, M5 x 25	SF105251L	2
14	Nut - Hex.	Change point - VIN end MA647645	plate to dash	NK105061	2
15	Mat-facia	Change point - VIN end MA647645 Change point - VIN end MA647645	plate to dash, Bokhara, LH plate to dash, RH, Bokhara	390574RUN 390573RUN	1 1
16	Reinforcement	Change point - VIN end JA624754		393001	2

Range Rover (From JA610294)
(BDPXAA1A)

Range Rover (From JA610294)



Callout	Name	Application	Remarks & Restrictions	Service No.	Qty
16	Reinforcement	Change point - VIN begin KA624756		BTR5395	2
17	Reinforcement-channel-facia rail	Change point - VIN end MA647645	plate to dash	392162	1
18	Tray Trinket	Change point - VIN end MA647645	Bokhara	MTC5520RUN	1
		Change point - VIN end MA647645	with hole for alarm, Bokhara, alternative	BTR3126RUN	1
19	Bracket	Change point - VIN end MA647645	plate to dash	MWC 1267	1
20	Screw	Change point - VIN end MA647645	plate to dash, counter sunk, Self Tapping, 6 x 1/2	AC606041L	4
21	Nut-lokut	Change point - VIN end MA647645	plate to dash	RTC3745	4
22	Mat-facia	Change point - VIN end MA647645	plate to dash, Bokhara, Centre	MTC6019RUN	1
23	Panel-facia	Change point - VIN end MA647645	plate to dash	391332	3
24	Finisher	Change point - VIN end MA647645	plate to dash, Bokhara, LH	MUC9559RUN	1
		Change point - VIN end MA647645	plate to dash, RH, Bokhara	MUC9558RUN	1
25	Screw	Change point - VIN end MA647645	plate to dash, Self Tapping, No 8 x 1 1/4	AB608107	2
26	Rivet-pop	Change point - VIN end MA647645	plate to dash	RN608223	3
27	Rivet-pop-aluminium	Change point - VIN end MA647645	plate to dash	RN608343	6

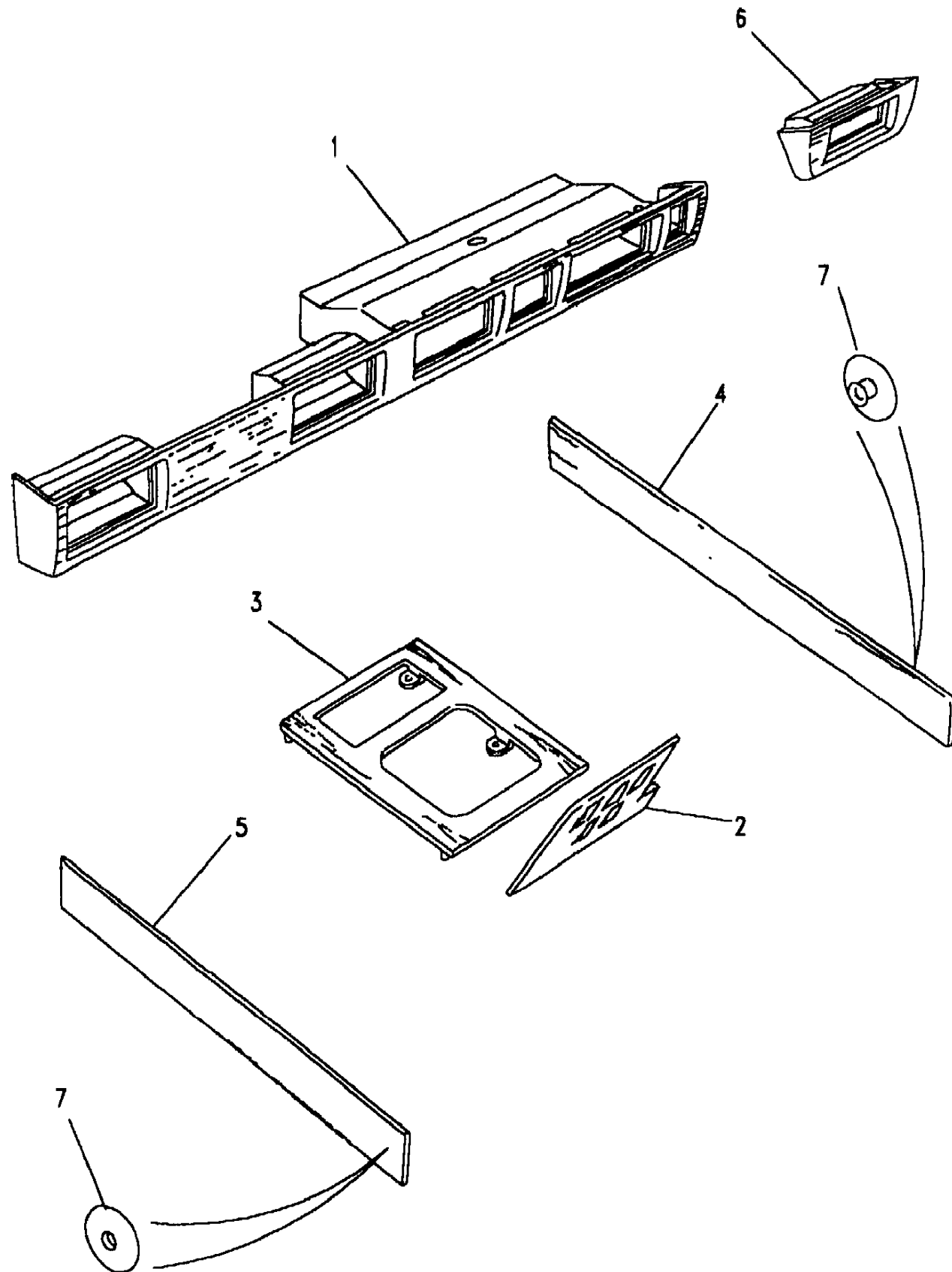
Interior Trim
Trim
Wood Trim-American Walnut 1/2

Range Rover (From JA610294)

(BDPXCG1A)

Range Rover (From JA610294)

Interior Trim
Trim
Wood Trim-American Walnut



Callout	Name	Application	Remarks & Restrictions	Service No.	Qty		
1	Facia rail assembly	LHD	American Walnut	BTR3478	1		
		RHD		BTR5593	1		
2	Panel assembly-switch mounting	LHD	American Walnut	BTR620	1		
		RHD		BTR5591	1		
3	Panel-tunnel console centre	Automatic Transmission, LHD		BTR2291	1		
		Manual Transmission, LHD		BTR2481	1		
		Automatic Transmission, RHD		BTR2291	1		
		Manual Transmission, RHD		BTR2481	1		
4	Wood capping	Change point - VIN end JA624754, LHD	RH, front door, American Walnut	MXC4848	1		
		Change point - VIN end JA624754, LHD	front door, American Walnut, LH	MXC4849	1		
		Change point - VIN begin KA624756, LHD	Front, RH	BTR5465	1		
		Change point - VIN begin KA624756, LHD	Front, LH	BTR5466	1		
		Change point - VIN end JA624754, RHD	RH, front door, American Walnut	MXC4848	1		
		Change point - VIN end JA624754, RHD	front door, American Walnut, LH	MXC4849	1		
		Change point - VIN begin KA624756, RHD	Front, RH	BTR5465	1		
		Change point - VIN begin KA624756, RHD	Front, LH	BTR5466	1		
		5	Wood capping-rear door	Change point - VIN end JA624754, LHD	RH, American Walnut	MXC4850	1
				Change point - VIN end JA624754, LHD	rear door, American Walnut, LH	MXC4851	1
Change point - VIN begin KA624756, LHD	RH, rear door			BTR5467	1		
Change point - VIN begin KA624756, LHD	rear door, LH			BTR5468	1		
Change point - VIN end JA624754, RHD	RH, American Walnut			MXC4850	1		
Change point - VIN end JA624754, RHD	rear door, American Walnut, LH			MXC4851	1		
Change point - VIN begin KA624756, RHD	RH, rear door			BTR5467	1		
Change point - VIN begin KA624756, RHD	rear door, LH			BTR5468	1		
Change point - VIN begin MA647645, RHD	RH, rear door			BTR9466	1		
Change point - VIN begin MA647645, RHD	rear door, LH			BTR9465	1		
6	Bezel-side window demist facia	LHD	American Walnut	BTR1201	1		
		RHD		BTR5592	1		
7	Retainer	Change point - VIN end JA624754, LHD		RTC6798	6		

Interior Trim
Trim
Wood Trim-American Walnut 2/2

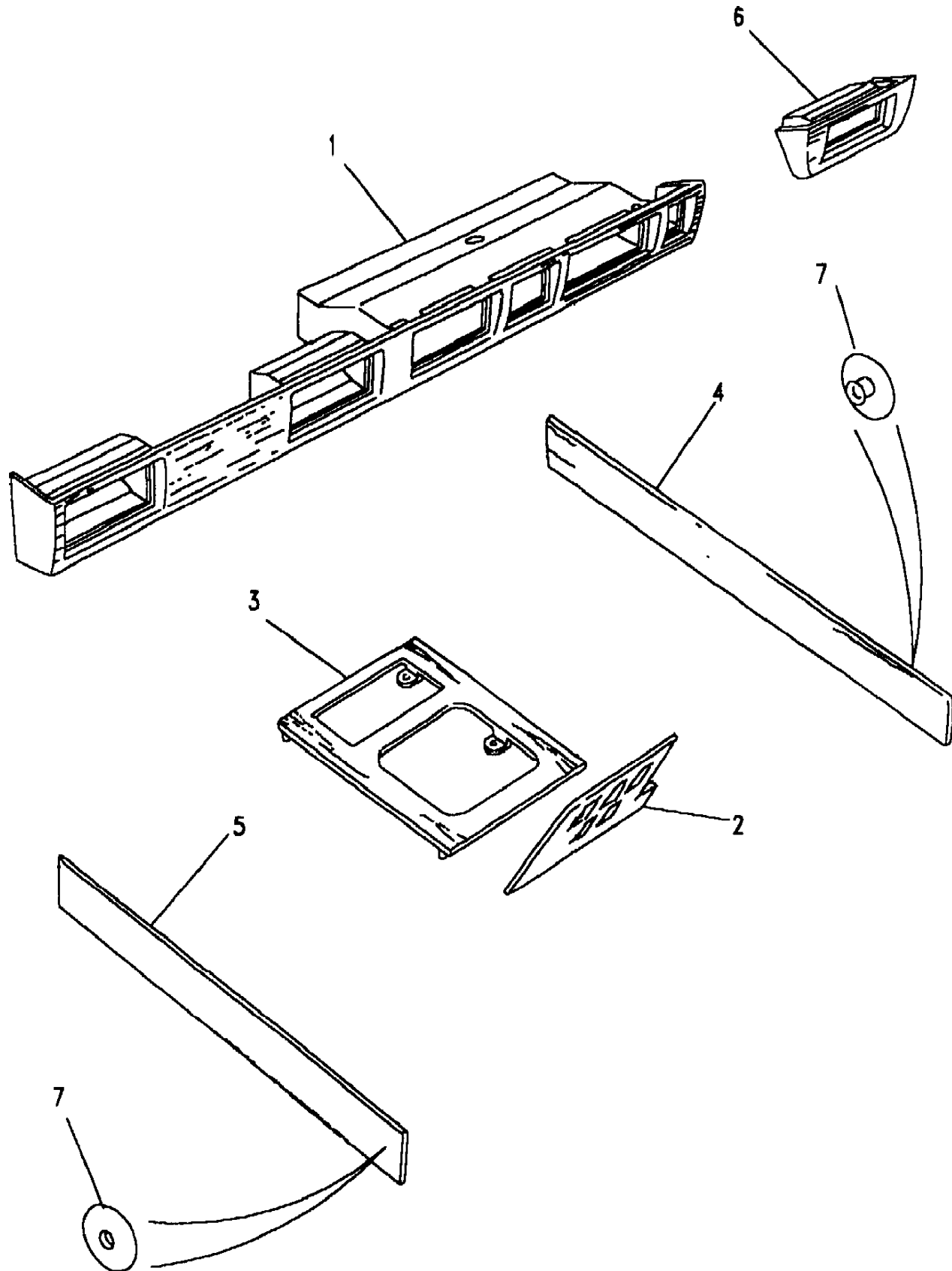
Range Rover (From JA610294)

(BDPXC1A)

Range Rover (From JA610294)

Interior Trim
Trim
Wood Trim-American Walnut

Callout	Name	Application	Remarks & Restrictions	Service No.	Qty
7	Retainer	Change point - VIN end JA624754, RHD		RTC6798	6
[900]	Clip	LHD RHD		BTR2292 BTR2292	5 5



Interior Trim

Range Rover (From JA610294)

Trim

Wood Trim-Burr Walnut-108" LWB To (V) MA647645 1/1

(BDPXC2A)

Range Rover (From JA610294)

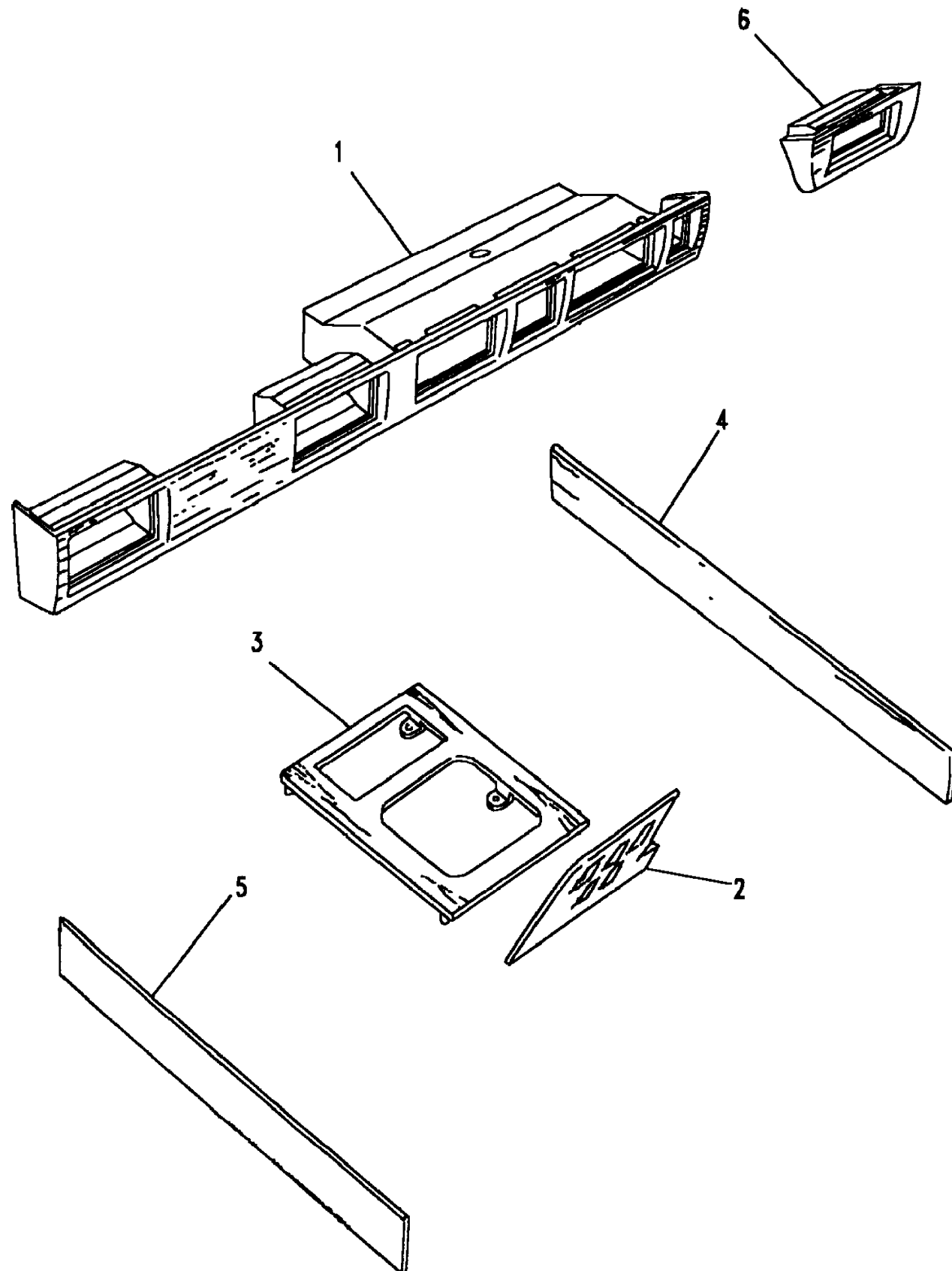
Interior Trim

Trim

Wood Trim-Burr Walnut-108" LWB To (V) MA647645

Change point - VIN end MA647645, 108" (2743mm) Wheelbase

Callout	Name	Application	Remarks & Restrictions	Service No.	Qty
1	Facia rail	Change point - VIN end MA647645, LHD Change point - VIN end MA647645, RHD		BTR3476 BTR3477	1 1
2	Panel-electric window lift switch mounting	Change point - VIN end MA647645, RHD Change point - VIN end MA647645, LHD	Burr Walnut Burr Walnut	MXC7784 MXC7785	1 1
3	Console assembly-facia	Change point - VIN end MA647645	Also serviced as part of a kit	BTR2290	1
4	Wood capping	Change point - VIN end MA647645 Change point - VIN end MA647645	Front, RH Front, LH	BTR5456 BTR5457	1 1
5	Wood capping	Change point - VIN end MA647645 Change point - VIN end MA647645	Rear, RH Rear, LH	BTR8532 BTR8531	1 1
6	Bezel-side window demist facia	Change point - VIN end MA647645, LHD Change point - VIN end MA647645, RHD	Burr Walnut Also serviced as part of a kit, Burr Walnut	BTR1187 BTR1188	1 1
[900]	Clip	Change point - VIN end MA647645 Change point - VIN end MA647645	Also serviced as part of a kit	BTR2292 BTR2292	5 2



Interior Trim
Trim
Wood Trim-Burr Walnut-To (V) MA647645 1/1

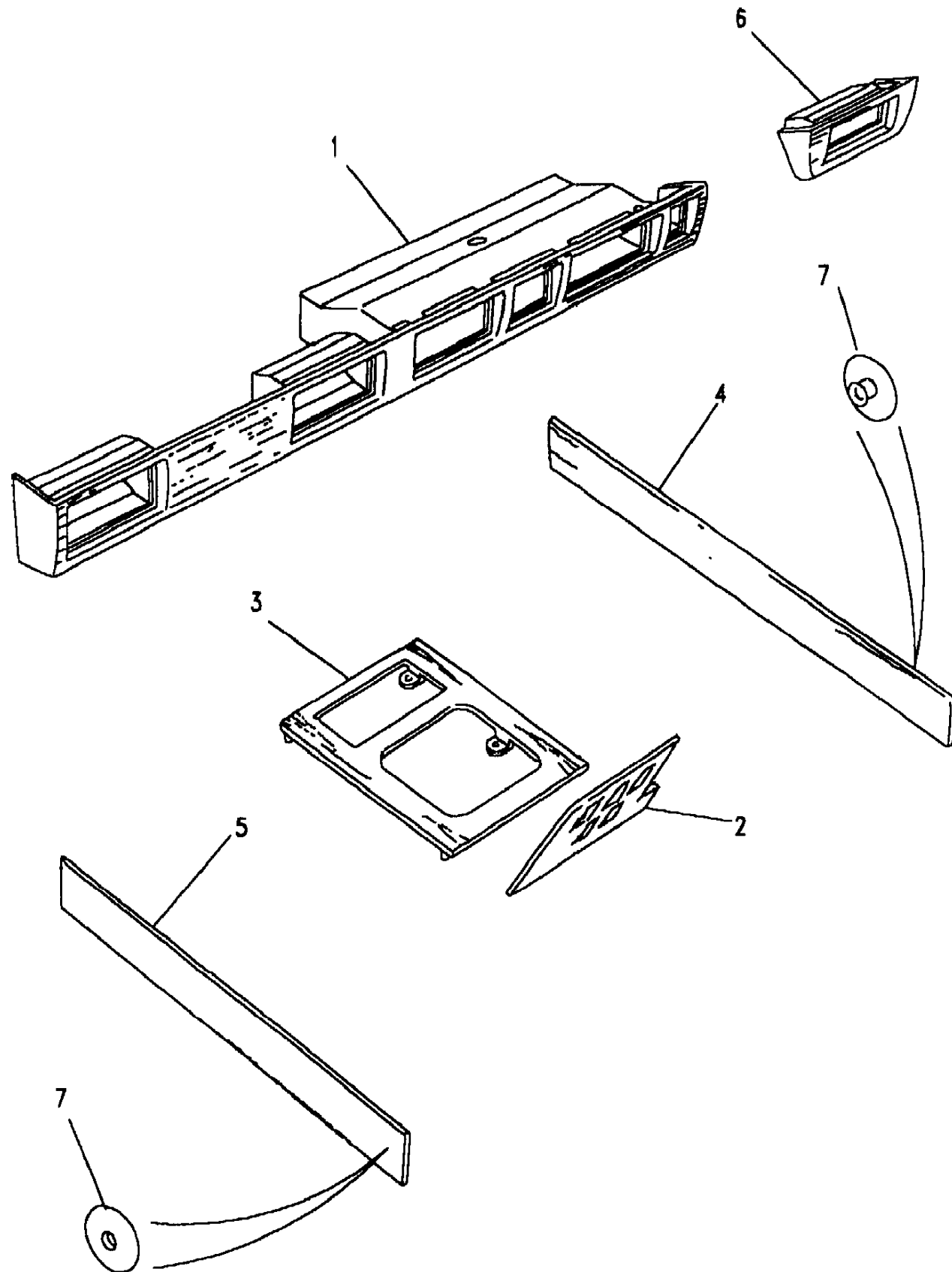
Range Rover (From JA610294)

(BDPXCG1A)

Range Rover (From JA610294)

Interior Trim
Trim

Wood Trim-Burr Walnut-To (V) MA647645

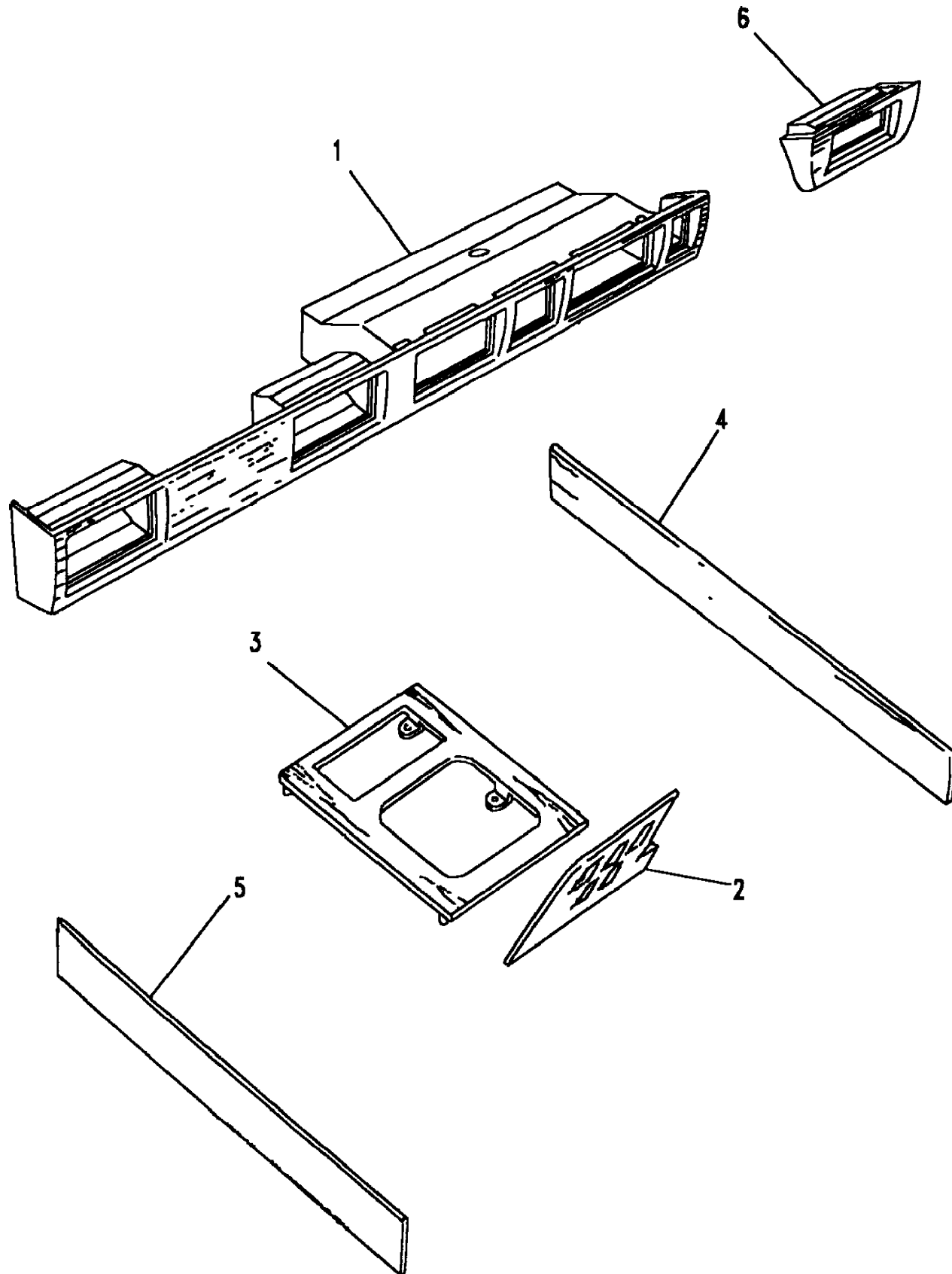


Callout	Name	Application	Remarks & Restrictions	Service No.	Qty
1	Facia rail	Change point - VIN end MA647645, LHD		BTR3476	1
		Change point - VIN end MA647645, RHD		BTR3477	1
2	Panel-electric window lift switch mounting	Change point - VIN end MA647645, RHD	Burr Walnut	MXC7784	1
		Change point - VIN end MA647645, LHD	Burr Walnut	MXC7785	1
3	Console assembly-facia	Change point - VIN end MA647645, Automatic Transmission	Also serviced as part of a kit	BTR2290	1
		Change point - VIN end MA647645, Manual Transmission		BTR2289	1
4	Wood capping	Change point - VIN end JA624754	RH, front door, Burr Walnut	MXC4843	1
		Change point - VIN end JA624754	front door, Burr Walnut, LH	MXC4844	1
		Change point - VIN begin KA624756, Change point - VIN end MA647645	Front, RH	BTR5456	1
		Change point - VIN begin KA624756, Change point - VIN end MA647645	Front, LH	BTR5457	1
5	Wood capping-rear door	Change point - VIN end JA624754	RH, Burr Walnut	MXC4845	1
		Change point - VIN end JA624754	Burr Walnut, LH	MXC4846	1
		Change point - VIN begin KA624756, Change point - VIN end MA647645	Rear, RH	BTR5458	1
		Change point - VIN begin KA624756, Change point - VIN end MA647645	Rear, LH	BTR5459	1
6	Bezel-side window demist facia	Change point - VIN end MA647645, LHD	Burr Walnut	BTR1187	1
		Change point - VIN end MA647645, RHD	Also serviced as part of a kit, Burr Walnut	BTR1188	1
7	Retainer	Change point - VIN end JA624754		RTC6798	12
[900]	Clip	Change point - VIN end MA647645	Also serviced as part of a kit	BTR2292	5
		Change point - VIN end MA647645		BTR2292	5

Interior Trim
Trim
Wood Trim-Italian Poplar-LSE To (V) MA647645 1/1

Range Rover (From JA610294)

(BDPXCG2A)



Range Rover (From JA610294)

Interior Trim
Trim

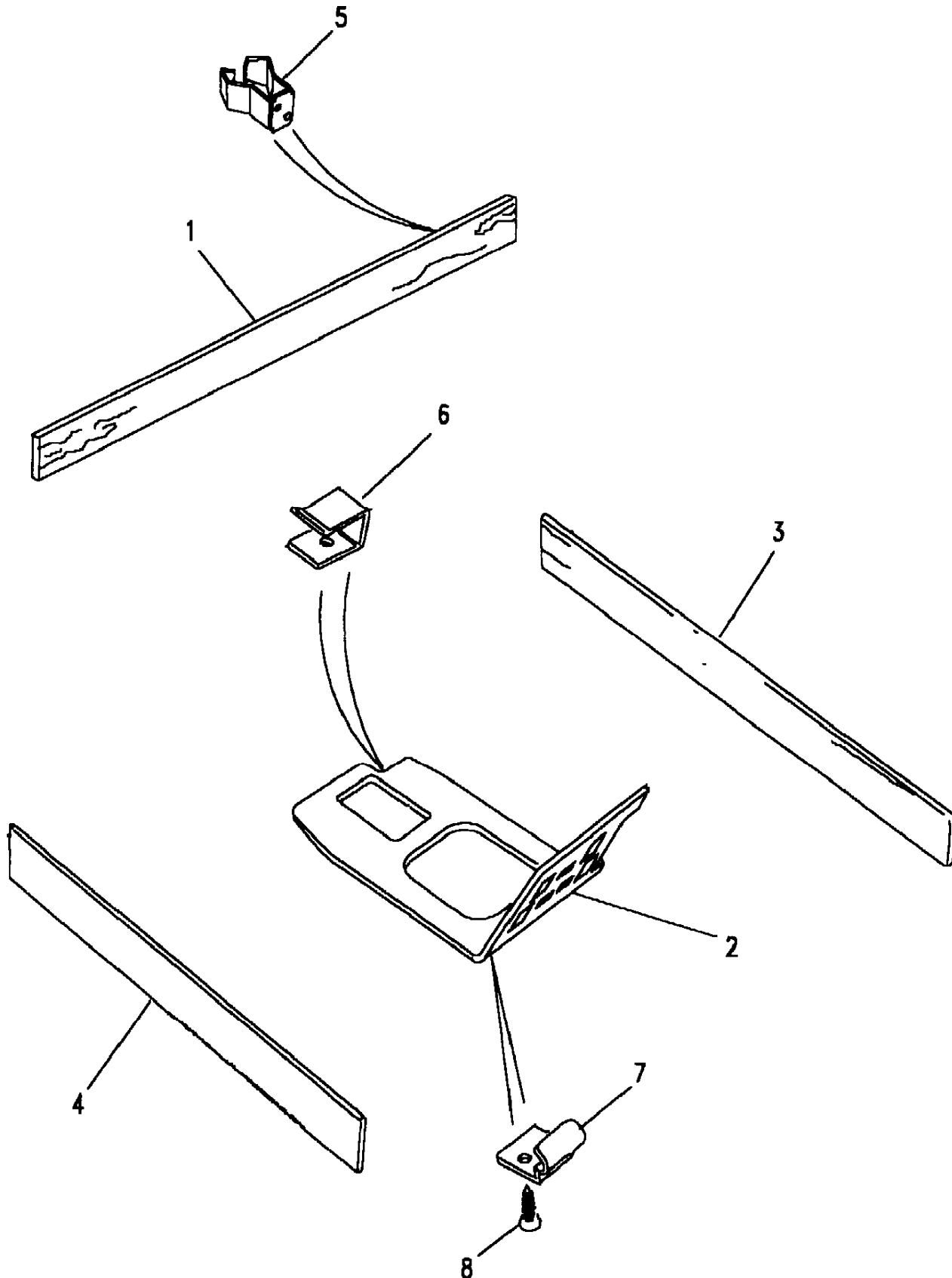
Wood Trim-Italian Poplar-LSE To (V) MA647645
Change point - VIN end MA647645, (+)"I"

Callout	Name	Application	Remarks & Restrictions	Service No.	Qty
1	Facia rail assembly	Change point - VIN end MA647645, RHD, Vogue LSE		BTR6342	1
		Change point - VIN end MA647645, LHD, Vogue LSE		BTR6341	1
2	Panel assembly-switch mounting	Change point - VIN end MA647645, RHD, Vogue LSE		BTR1900	1
		Change point - VIN end MA647645, LHD, Vogue LSE		BTR1901	1
3	Panel-facia	Change point - VIN end MA647645, RHD, Vogue LSE		BTR1906	1
		Change point - VIN end MA647645, LHD, Vogue LSE		BTR1906	1
4	Capping	Change point - VIN end MA647645, RHD, Vogue LSE	RH	BTR5472	1
		Change point - VIN end MA647645, RHD, Vogue LSE	LH	BTR5473	1
		Change point - VIN end MA647645, LHD, Vogue LSE	RH	BTR5472	1
		Change point - VIN end MA647645, LHD, Vogue LSE	LH	BTR5473	1
5	Capping	Change point - VIN end MA647645, RHD, Vogue LSE	RH	BTR6344	1
		Change point - VIN end MA647645, RHD, Vogue LSE	LH	BTR6343	1
		Change point - VIN end MA647645, LHD, Vogue LSE	RH	BTR6344	1
		Change point - VIN end MA647645, LHD, Vogue LSE	LH	BTR6343	1
6	Bezel-side window demist facia	Change point - VIN end MA647645, RHD, Vogue LSE		BTR1898	1
		Change point - VIN end MA647645, LHD, Vogue LSE		BTR1899	1
[900]	Clip	Change point - VIN end MA647645, RHD, Vogue LSE		BTR2292	5
		Change point - VIN end MA647645, LHD, Vogue LSE		BTR2292	5

Interior Trim
Trim
Wood Trim-Walnut-From (V) MA647646 1/4

Range Rover (From JA610294)

(BDPXCG3A)



Range Rover (From JA610294)

Interior Trim
Trim
Wood Trim-Walnut-From (V) MA647646

Callout	Name	Application	Remarks & Restrictions	Service No.	Qty
1	Capping	Change point - VIN begin MA647645, 108" (2743mm) Wheelbase	Also serviced as part of a kit, wooden	BTR4349	1
		Change point - VIN begin MA647645, Automatic Transmission, 108" (2743mm) Wheelbase, RHD	Also serviced as part of a kit, wooden	BTR4349	1
		Change point - VIN begin MA647645, 100"	Also serviced as part of a kit, wooden	BTR9467	1
2	Finisher-tunnel console centre	Change point - VIN begin MA647645, Automatic Transmission, 108" (2743mm) Wheelbase, RHD, (-)"GB"		BTR9536	1
		Change point - VIN begin MA647645, Automatic Transmission, 108" (2743mm) Wheelbase, LHD, (-)"GB"	Also serviced as part of a kit	BTR9537	1
		Change point - VIN begin MA647645, Automatic Transmission, 108" (2743mm) Wheelbase, RHD, (+)"AUS"	Also serviced as part of a kit	AWR1222	1
		Change point - VIN begin MA647645, Automatic Transmission, 108" (2743mm) Wheelbase, RHD, (+)"NZ"	Also serviced as part of a kit	AWR1222	1
		Change point - VIN begin MA647645, Automatic Transmission, 108" (2743mm) Wheelbase, LHD, (+)"GCC"	Also serviced as part of a kit	AWR1223	1
		Change point - VIN begin MA647645, Automatic Transmission, 108" (2743mm) Wheelbase, RHD	Also serviced as part of a kit	BTR9536	1
		Change point - VIN begin MA647645, Automatic Transmission, 100", RHD, (-)"GB"		BTR9532	1
		Change point - VIN begin MA647645, Automatic Transmission, 100", LHD, (-)"GB"		BTR9533	1
		Change point - VIN begin MA647645, Manual Transmission, 100", RHD, (-)"GB"		BTR9534	1
		Change point - VIN begin MA647645, Manual Transmission, 100", LHD, (-)"GB"	Also serviced as part of a kit	BTR9535	1
		Change point - VIN begin MA647645, Automatic Transmission, 100", LHD, (+)"GCC"		AWR1225	1

Interior Trim
Trim
Wood Trim-Walnut-From (V) MA647646 2/4

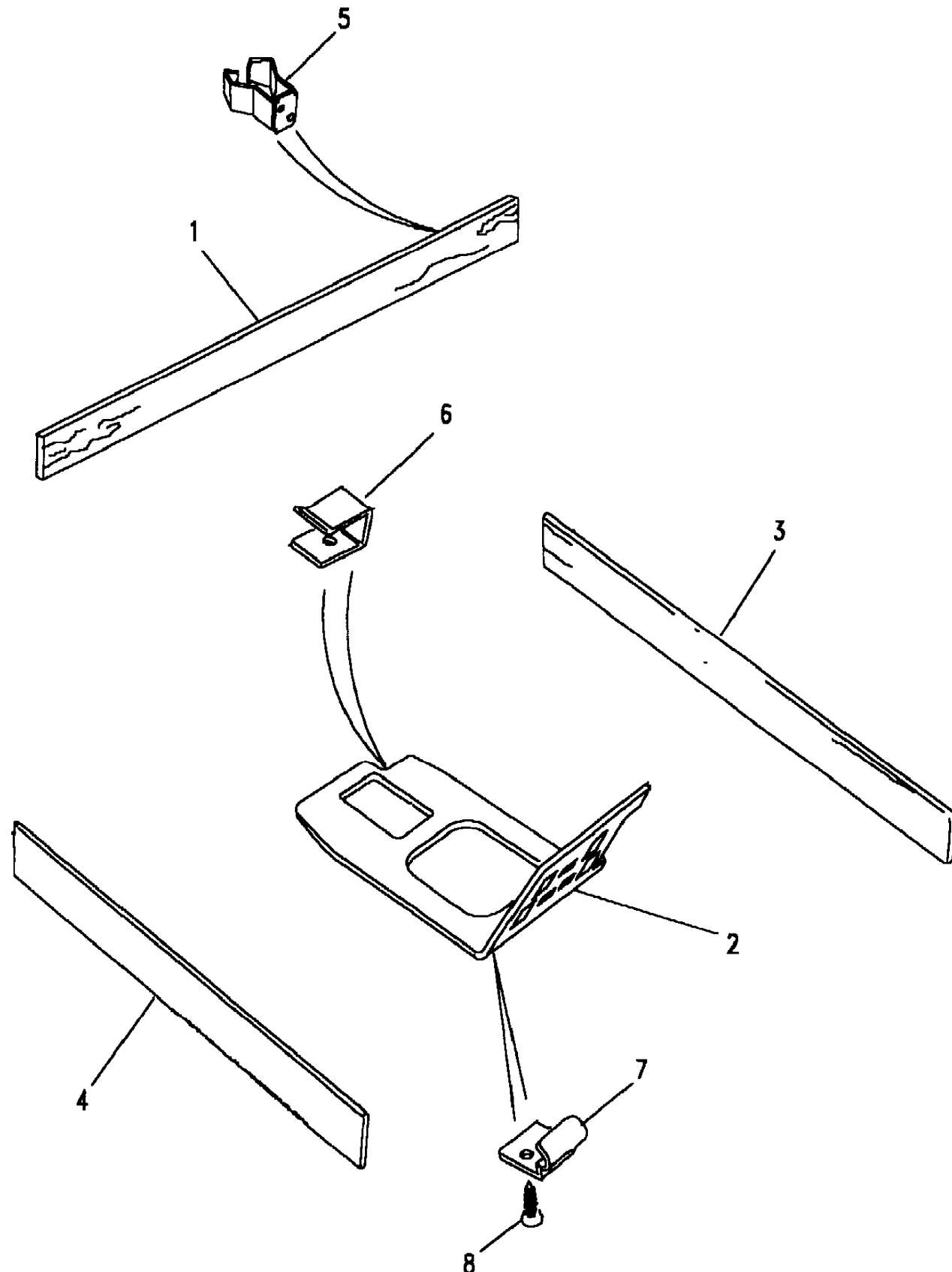
Range Rover (From JA610294)

(BDPXC3A)

Range Rover (From JA610294)

Interior Trim
Trim
Wood Trim-Walnut-From (V) MA647646

Callout	Name	Application	Remarks & Restrictions	Service No.	Qty
2	Finisher-tunnel console centre	Change point - VIN begin MA647645, Automatic Transmission, 100", RHD, (+)"AUS"		AWR1224	1
		Change point - VIN begin MA647645, Automatic Transmission, 100", RHD, (+)"NZ"		AWR1224	1
3	Capping	Change point - VIN begin MA647645, 108" (2743mm) Wheelbase	RH, wooden	BTR9474	1
		Change point - VIN begin MA647645, 108" (2743mm) Wheelbase	wooden, LH	BTR9475	1
		Change point - VIN begin MA647645, Automatic Transmission, 108" (2743mm) Wheelbase, RHD	Also serviced as part of a kit, RH, wooden	BTR9474	1
		Change point - VIN begin MA647645, Automatic Transmission, 108" (2743mm) Wheelbase, RHD	Also serviced as part of a kit, wooden, LH	BTR9475	1
		Change point - VIN begin MA647645, 100"	RH, wooden	BTR9464	1
		Change point - VIN begin MA647645, 100"	wooden, LH	BTR9463	1
4	Capping	Change point - VIN begin MA647645, 108" (2743mm) Wheelbase	RH, wooden	BTR9472	1
		Change point - VIN begin MA647645, 108" (2743mm) Wheelbase	wooden, LH	BTR9473	1
		Change point - VIN begin MA647645, Automatic Transmission, 108" (2743mm) Wheelbase, RHD	Also serviced as part of a kit, RH, wooden	BTR9472	1
		Change point - VIN begin MA647645, Automatic Transmission, 108" (2743mm) Wheelbase, RHD	Also serviced as part of a kit, wooden, LH	BTR9473	1
		Change point - VIN begin MA647645, 100"	RH, rear door	BTR9466	1
		Change point - VIN begin MA647645, 100"	rear door, LH	BTR9465	1
5	Clip	Change point - VIN begin MA647645, 108" (2743mm) Wheelbase		BTR9527	4
		Change point - VIN begin MA647645, Automatic Transmission, 108" (2743mm) Wheelbase, RHD	Also serviced as part of a kit	BTR9527	4
		Change point - VIN begin MA647645	Also serviced as part of a kit	BTR9527	4
		Change point - VIN begin MA647645, 100"		BTR9527	4



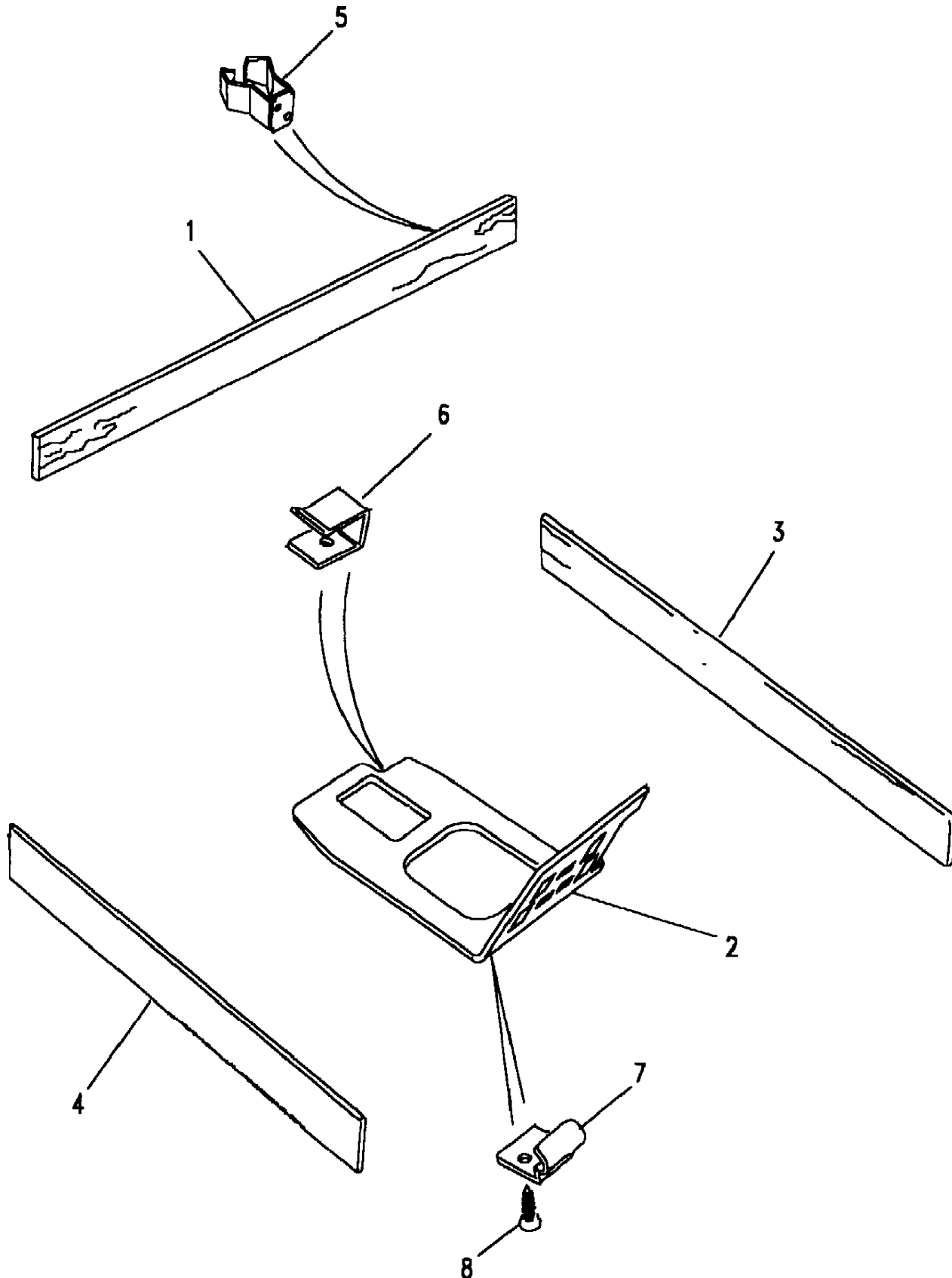
Interior Trim
Trim
Wood Trim-Walnut-From (V) MA647646 4/4

Range Rover (From JA610294)

(BDPXCG3A)

Range Rover (From JA610294)

Interior Trim
Trim
Wood Trim-Walnut-From (V) MA647646



Callout	Name	Application	Remarks & Restrictions	Service No.	Qty
[901]	Clip	Change point - VIN begin MA647645, 108" (2743mm) Wheelbase	Also serviced as part of a kit	BTR9527	4
		Change point - VIN begin MA647645, Automatic Transmission, 108" (2743mm) Wheelbase, RHD	Also serviced as part of a kit	BTR9527	4
[902]	Kit-facia & door finisher veneers & clips	Change point - VIN begin MA647645, Automatic Transmission, LHD, (-)"GCC"		BTR8757	1
		Change point - VIN begin MA647645, Automatic Transmission, 108" (2743mm) Wheelbase, RHD	Also serviced as part of a kit	BTR8756	1
		Change point - VIN begin MA647645, Change point - VIN end MA647645, Automatic Transmission, 108" (2743mm) Wheelbase, RHD, (+)"AUS"		AWR1220	1
		Change point - VIN begin MA647645, Change point - VIN end MA647645, Automatic Transmission, 108" (2743mm) Wheelbase, RHD, (+)"NZ"		AWR1220	1
		Change point - VIN begin MA647645, Automatic Transmission, 108" (2743mm) Wheelbase, LHD, (+)"GCC"		AWR1221	1
[903]	Gaiter-gear lever assembly	Change point - VIN begin MA647645, Automatic Transmission, 108" (2743mm) Wheelbase, RHD	Also serviced as part of a kit, Ash Grey, Leather	BTR9528LNF	1