

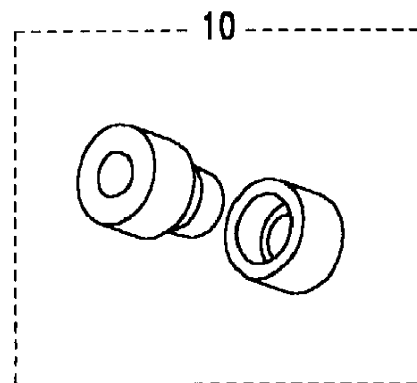
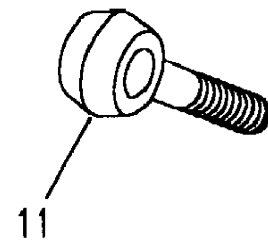
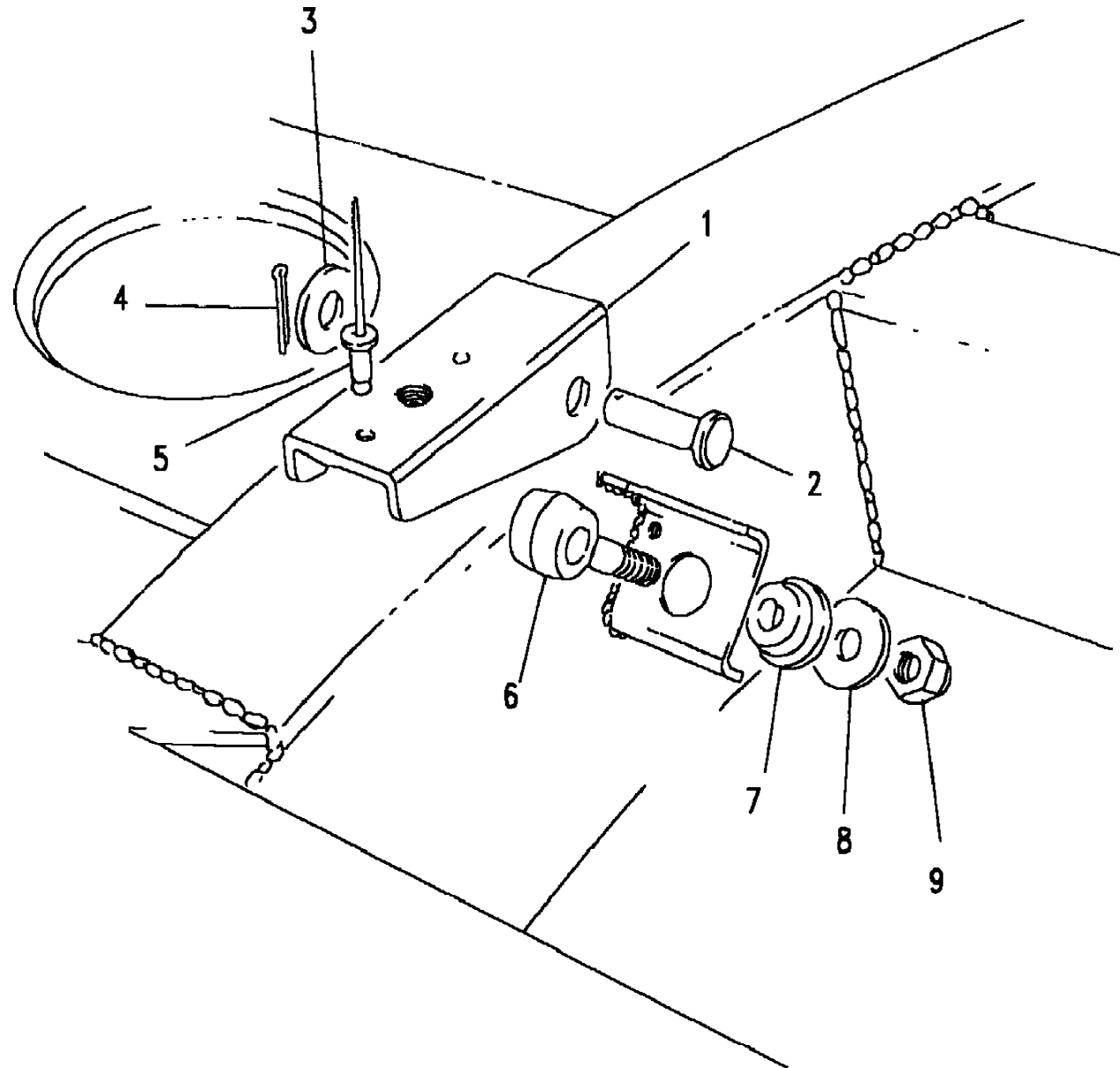
Seats
 Seat Belts
 Safety Harness-Rear Anchorage 1/1

Range Rover (From JA610294)

(BDRXRC1A)

Range Rover (From JA610294)

Seats
 Seat Belts
 Safety Harness-Rear Anchorage

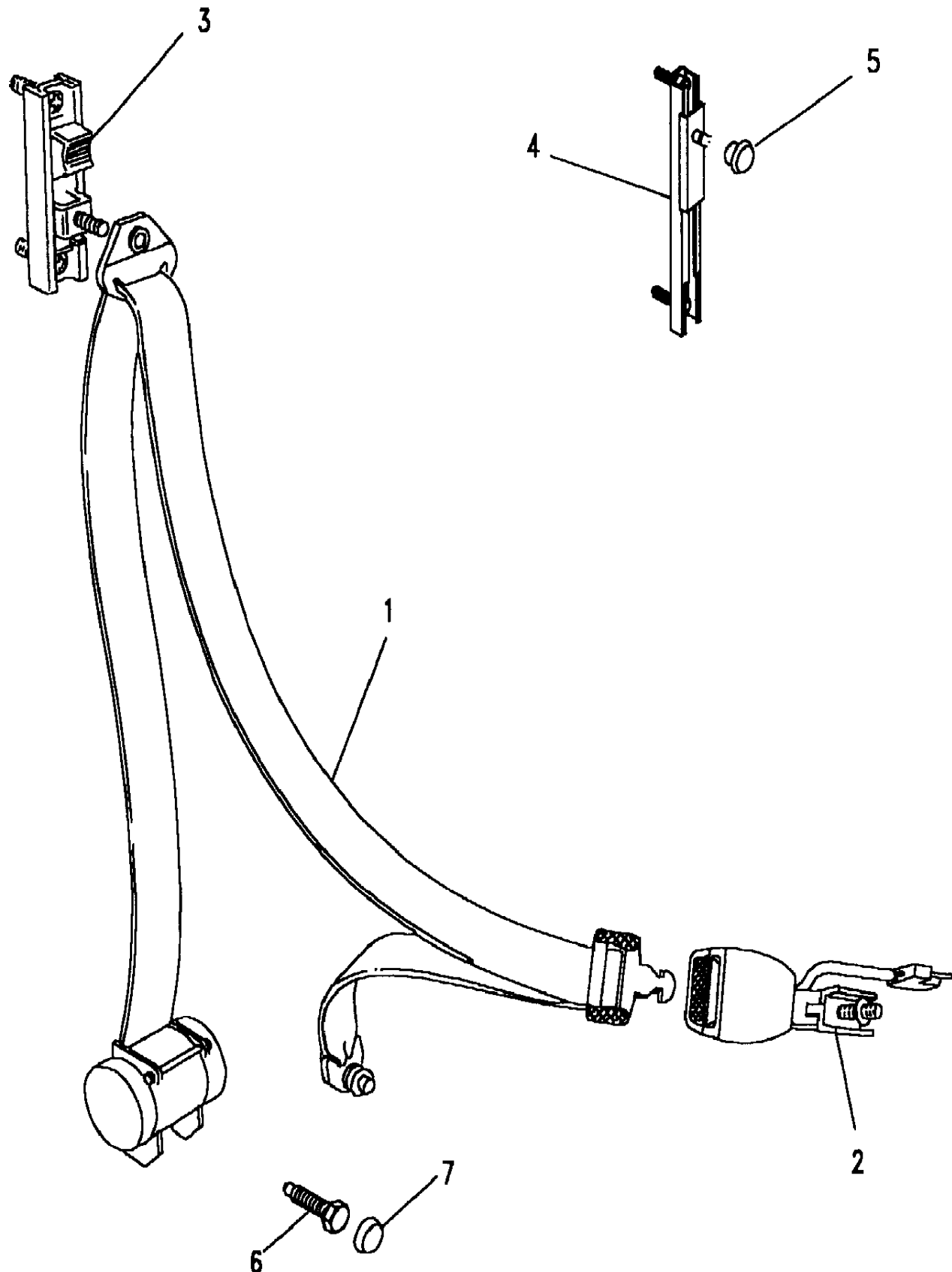


Callout	Name	Application	Remarks & Restrictions	Service No.	Qty
1	Bracket-rear seat belt lower anchorage			390774	2
2	Pin-clevis			577259	2
3	Washer-Plain			RTC611	2
4	Pin-split			RTC601	2
5	Rivet		3/16" x 0.575"Ing	RU612373L	4
6	Tie rod	Change point - VIN end KA644424		595099	2
7	Grommet	Change point - VIN end KA644424		577255	2
8	Washer			577254	2
9	Nut - Hex.		nyloc, 7/16UNF	NY607041L	2
10	Kit-eye bolts & bushes			STC1393	2
11	Rod-rear seat belt tie	Change point - VIN begin KA644425, Change point - VIN end MA148157 Change point - VIN begin MA148158		BTR8341 AWR2977	2 2

Seats
 Seat Belts
 Seat Belt Assembly-Front 1/2

Range Rover (From JA610294)

(BDRXPA1A)



Range Rover (From JA610294)

Seats
 Seat Belts
 Seat Belt Assembly-Front

Callout	Name	Application	Remarks & Restrictions	Service No.	Qty
1	Reel assembly	Change point - VIN begin KA624756, 2 Door Station Wagon	Bokhara	BTR5883RUN	2
		Change point - VIN end JA624754, 4 Door Station Wagon	Bokhara	BTR3041RUN	2
		Change point - VIN begin KA624756, 4 Door Station Wagon	Bokhara	BTR5347RUN	2
		Change point - VIN begin MA647645, 4 Door Station Wagon	Ash Grey	BTR8740LNF	2
		Change point - VIN end JA624754, 2 Door Station Wagon	Bokhara	MXC5499RUN	2
		2	Seat belt assembly-short end	Less Seat Belt Warning Device	Bokhara, non audible
		Change point - VIN begin MA647645, Less Seat Belt Warning Device	Ash Grey	BTR8742LNF	2
		With Seat Belt Warning Device	Bokhara, audible	BTR144RUN	2
		Change point - VIN begin MA647645, With Seat Belt Warning Device	Ash Grey, audible	BTR8743LNF	2
3	Adjuster seatbelt height	Change point - VIN end JA624754		MUC2564	2
4	Adjuster seatbelt height	Change point - VIN begin KA624756		BTR2125	2
5	Knob-front seat belt adjuster mechanism	Change point - VIN begin KA624756	Winchester Grey	BTR5811LUL	2
		Change point - VIN begin KA624756	Sorrel Brown	BTR5811SUA	2
		Change point - VIN begin KA624756	Tan	BTR5811AUK	2
		Change point - VIN begin KA624756	Sable	BTR5811RWD	2
		Change point - VIN begin MA647645	Dark Granite	BTR5811LOY	2
		Change point - VIN begin MA647645	Ash Grey	BTR5811LNF	2
		6	Bolt	Change point - VIN end MA647644	seat belt lower anchorage, 7/16UNF
		Change point - VIN begin MA647645	seat belt lower anchorage	BTR9323	2
7	Cap-seat belt bolt head	Change point - VIN end JA624754	Bokhara	BTR1884RUN	2
		Change point - VIN begin KA624756	Black	BTR1884PMA	2
		Change point - VIN begin MA647645	Bokhara	BTR8356RUN	2
		Change point - VIN begin MA647645	Ash Grey	BTR8356LNF	2
[900]	Spacer	Change point - VIN begin MA647645		BTR9322	2

Seats
Seat Belts
Seat Belt Assembly-Front 2/2

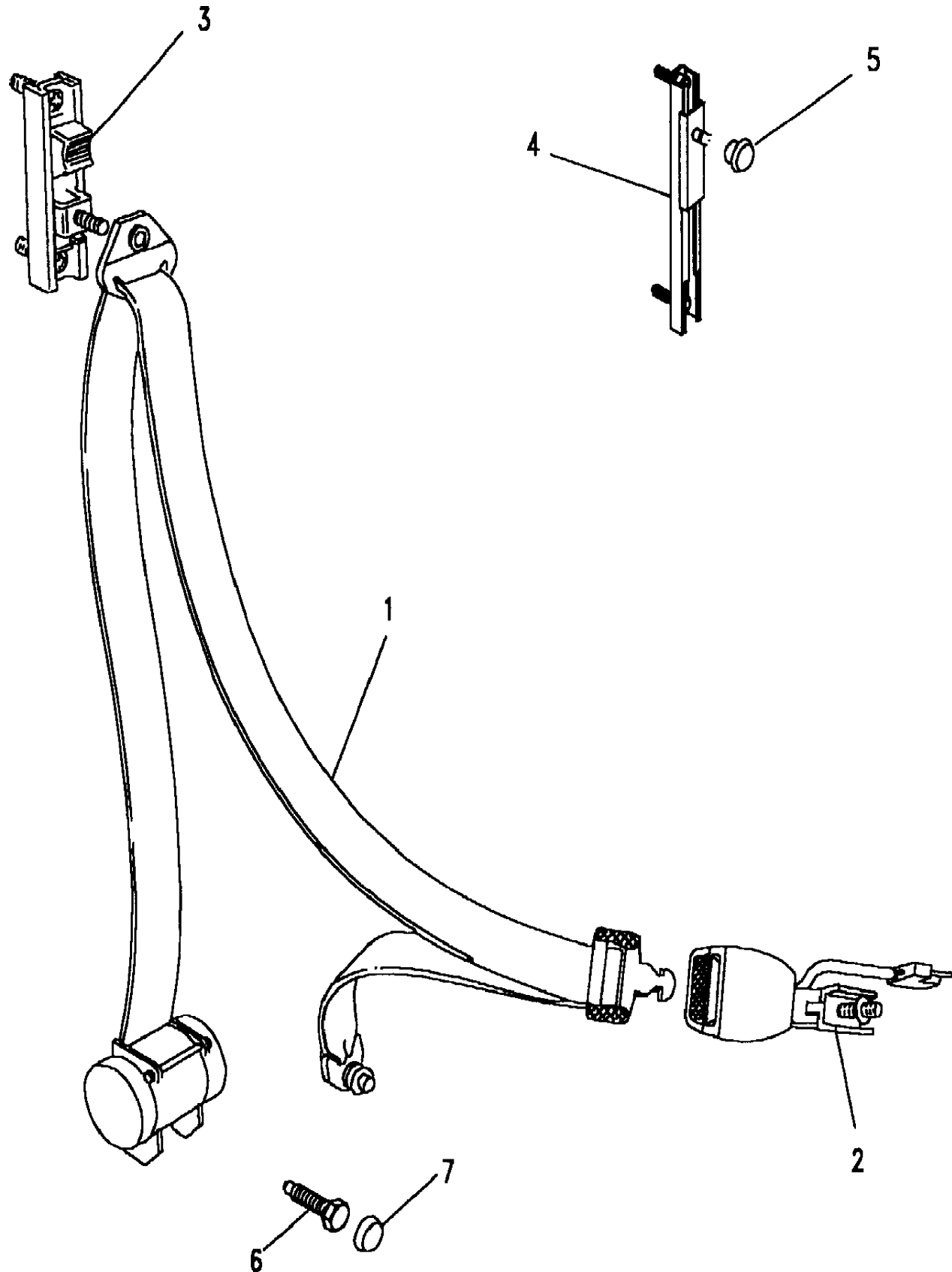
Range Rover (From JA610294)

(BDRXPA1A)

Range Rover (From JA610294)

Seats
Seat Belts
Seat Belt Assembly-Front

Callout	Name	Application	Remarks & Restrictions	Service No.	Qty
[901]	Kit-seat belt fixing			STC1180	1



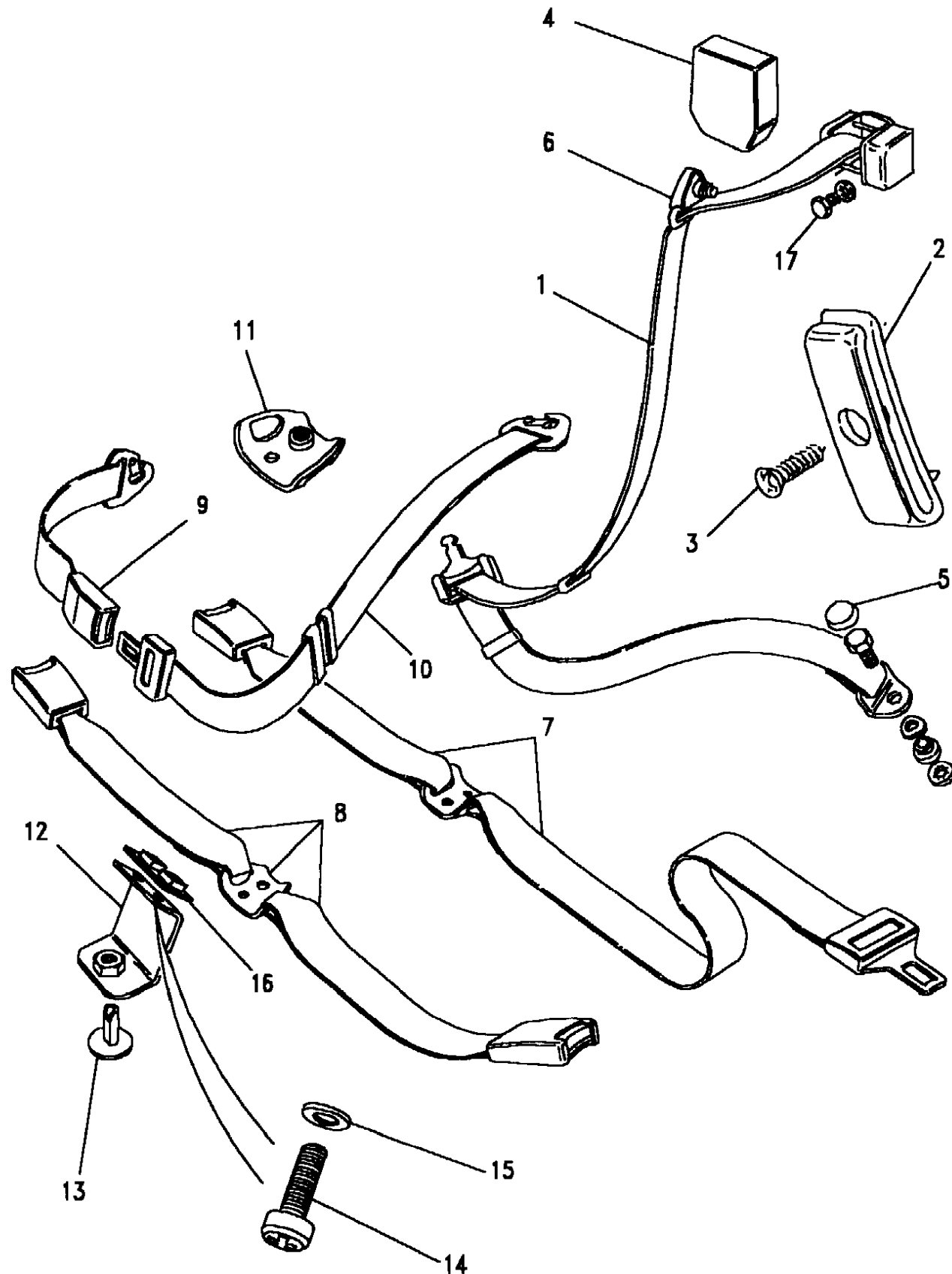
Seats
Seat Belts
Seat Belt Assembly-Rear 1/2

Range Rover (From JA610294)

(BDRXPC1A)

Range Rover (From JA610294)

Seats
Seat Belts
Seat Belt Assembly-Rear



Callout	Name	Application	Remarks & Restrictions	Service No.	Qty
1	Reel assembly	Change point - VIN end JA624754	RH, Bokhara	BTR3042RUN	1
		Change point - VIN end JA624754	Bokhara, LH	BTR3043RUN	1
		Change point - VIN begin KA624756	RH, Bokhara	BTR5884RUN	1
		Change point - VIN begin KA624756	Bokhara, LH	BTR5885RUN	1
		Change point - VIN begin MA647645	Ash Grey, RH	BTR5884LNF	1
		Change point - VIN begin MA647645	Ash Grey, LH	BTR5885LNF	1
		2	Clip-rear seat belt stowage		Bokhara
Change point - VIN begin MA647645	Ash Grey			MWC 1055LNF	2
3	Screw-self tapping		counter sunk, No 10 x 1"	AD610084	2
4	Cover-pillar trim seat belt reel		Bokhara	MWC4592RUN	2
		Change point - VIN begin MA647645	Ash Grey	MWC4592LNF	2
5	Cap-seat belt bolt head			MTC2610	2
6	Cover-rear seat belt pillar anchorage			RTC5917	2
7	Housing-rear seat squab seat belt one buckle	Change point - VIN end MA647644	Bokhara	BTR545RUN	1
		Change point - VIN begin MA647645	Ash Grey	BTR545LNF	1
8	Housing-rear seat squab seat belt two buckle		Bokhara	BTR339RUN	1
		Change point - VIN begin MA647645	Ash Grey	BTR339LNF	1
9	Seat belt assembly-short end		Bokhara	BTR479RUN	2
10	Tongue assembly-seat belt		Bokhara	BTR512RUN	3
11	Plate-rear seat belt male anchor		Twin	MXC7264	1
12	Plate assembly-child restraint rear floor mounting	(+)"AUS"		BTR453	3
13	Plug	(+)"AUS"		BTR380LUM	3
		Change point - VIN begin MA647645, (+)"AUS"	Mink Grey Mist Grey	BTR8096LUM	3

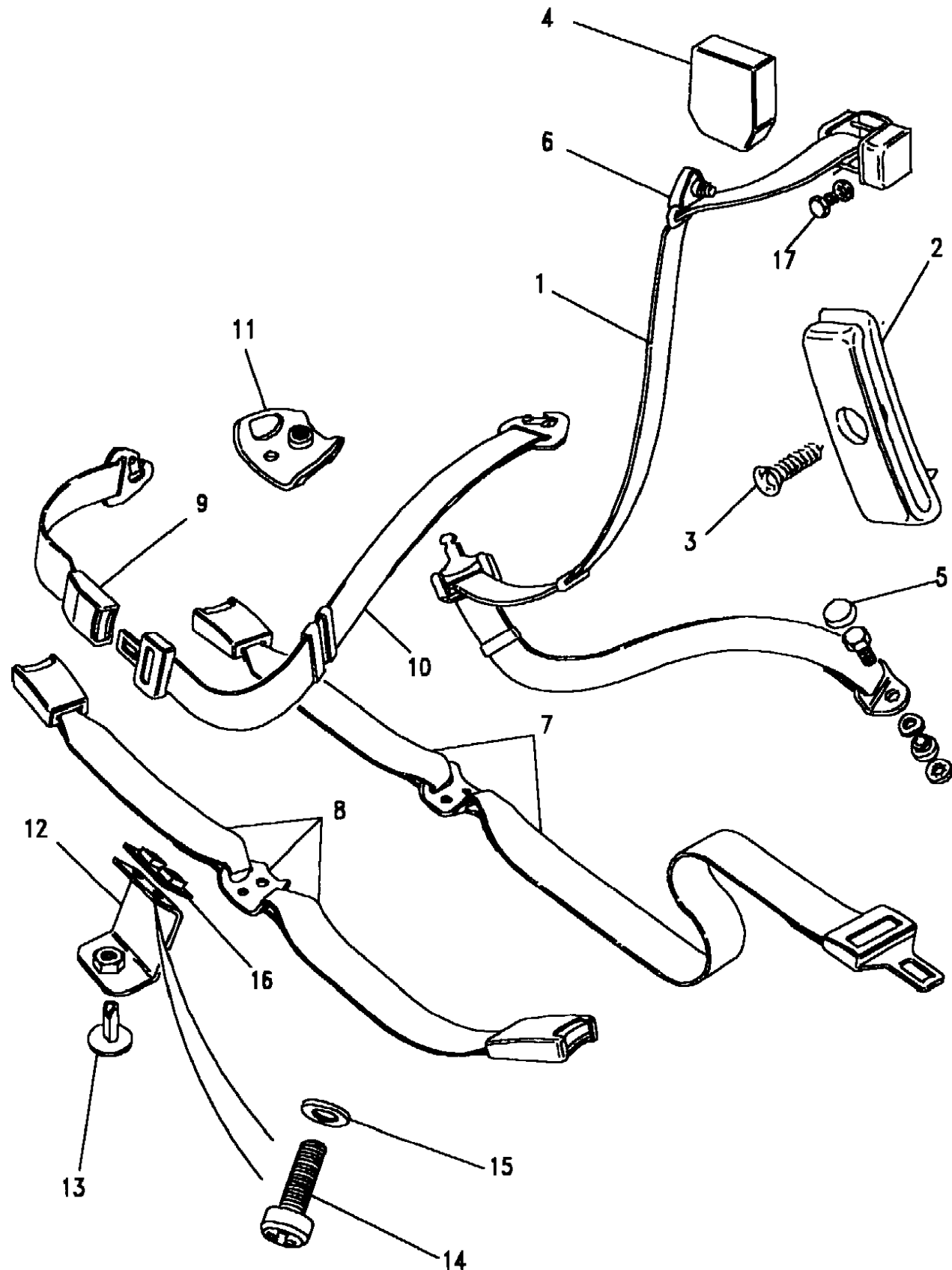
Seats
 Seat Belts
 Seat Belt Assembly-Rear 2/2

Range Rover (From JA610294)

(BDRXPC1A)

Range Rover (From JA610294)

Seats
 Seat Belts
 Seat Belt Assembly-Rear



Callout	Name	Application	Remarks & Restrictions	Service No.	Qty
14	Screw	(+)"AUS"	bracket to buckle, pan head, M5 x 12	SE105121L	6
15	Washer	(+)"AUS"	M5, retaining	WL105001L	6
16	Nut Plate	(+)"AUS"		BTR3932	3
17	Bolt		seat belt upper anchorage	BTR9332	2
[900]	Kit-seat belt fixing			STC1180	1
[901]	Cover-pillar trim seat belt reel		Black	MWC4592PMA	2

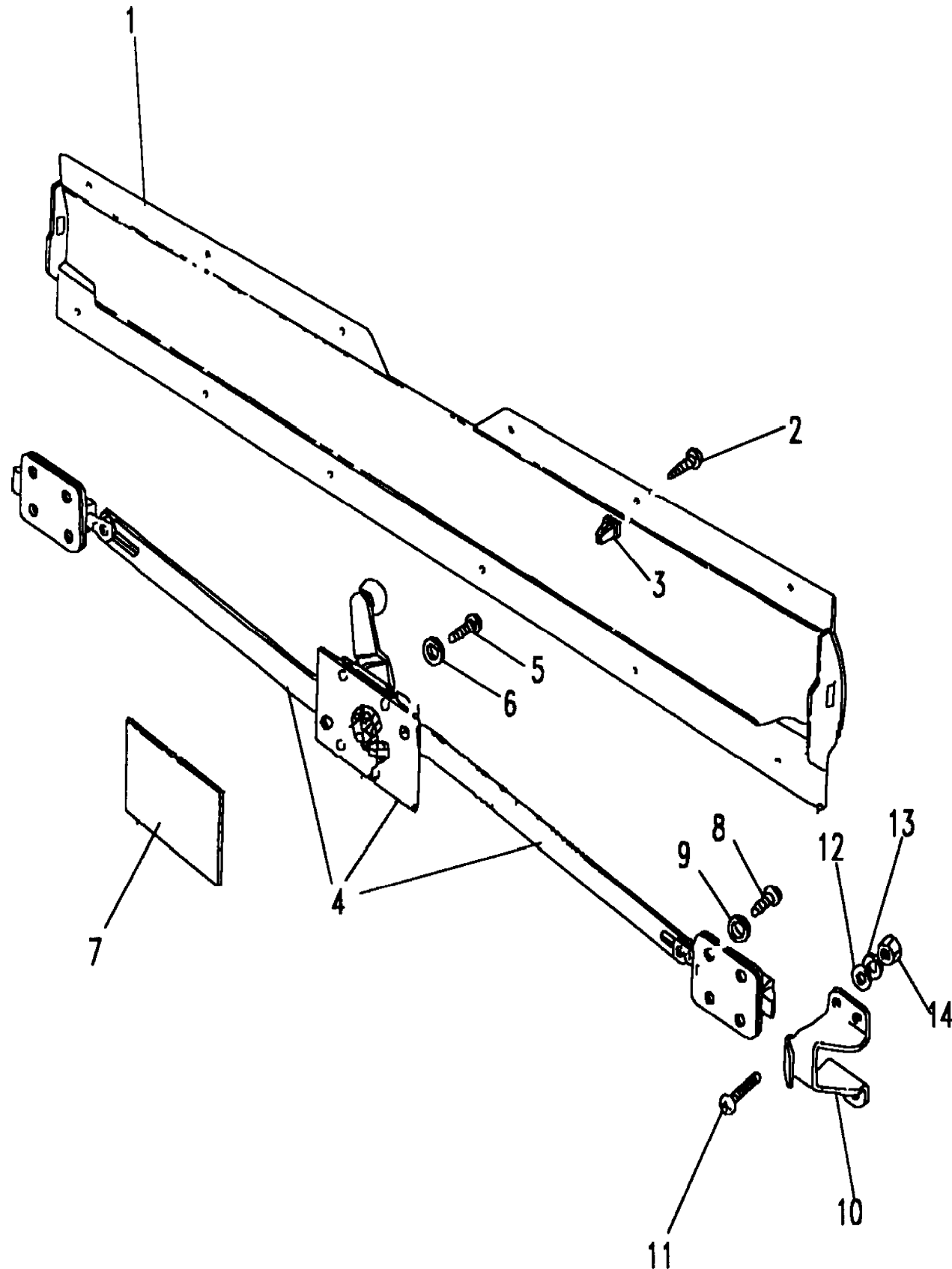
Seats
Seating
Cover Panel & Lock-Bench 1/1

Range Rover (From JA610294)

(BDRXIA2A)

Range Rover (From JA610294)

Seats
Seating
Cover Panel & Lock-Bench

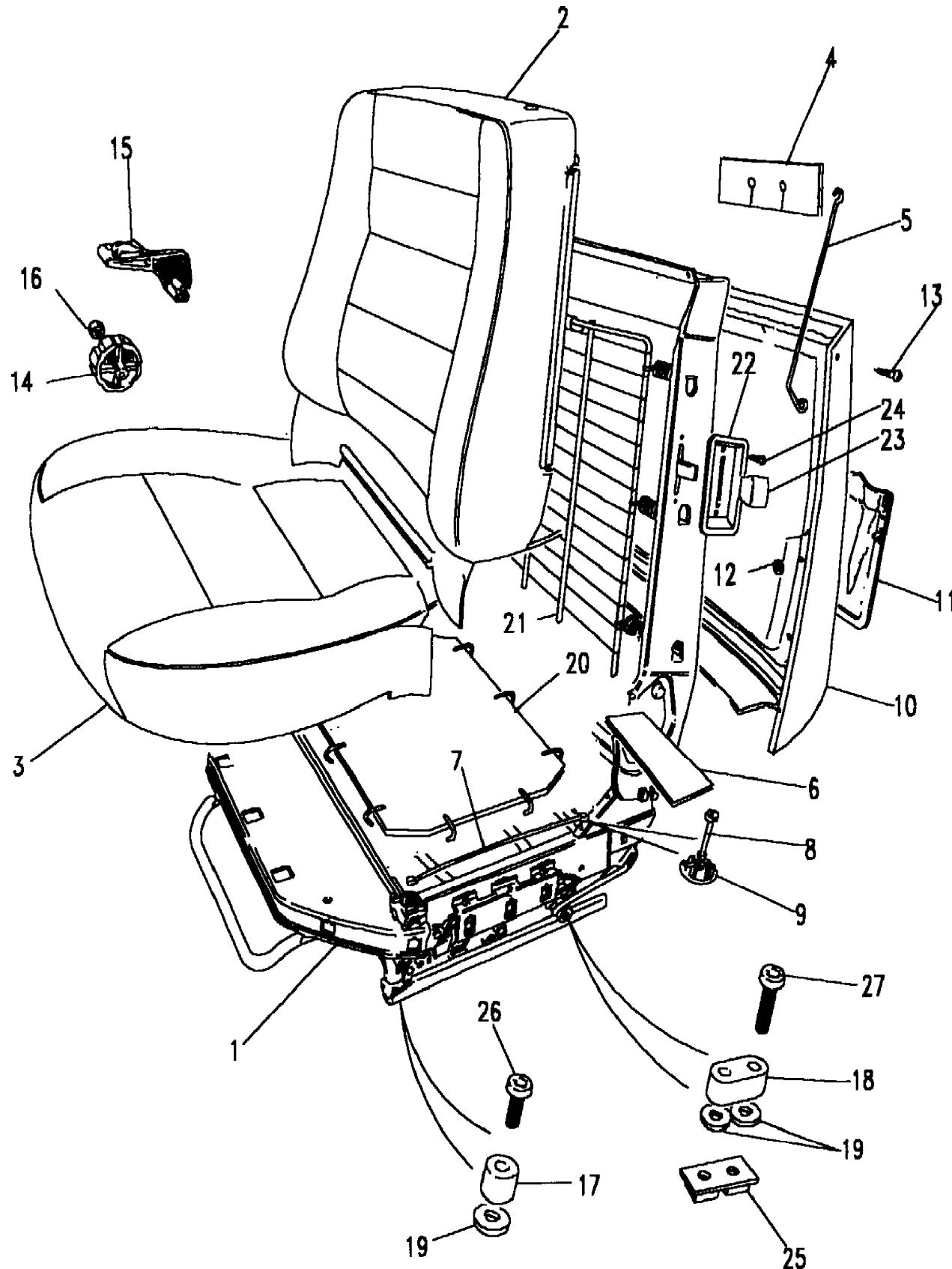


Callout	Name	Application	Remarks & Restrictions	Service No.	Qty
1	Cover Panel		Bokhara	390795RUN	1
2	Screw		panel seat squab, No 8 x 1/2, Self Tapping	AB608041L	12
3	Nut-lokut			570779	12
4	Lock assembly-door			390747	1
5	Screw		panel seat squab	78898	2
6	Washer-Spring		1/4 dia, Square	WM600041L	2
7	Pad-anti rattle			392581	1
8	Screw		panel seat squab	AFU1153	8
9	Washer-Spring		3/16 dia, Square	WM702001L	8
10	Bracket		RH LH	MRC1390 MRC1391	1 1
11	Screw		BRACKET TO BODY	AFU1153	8
12	Washer-Plain			WC702101L	8
13	Washer-Spring		3/16 dia, Square	WM702001L	8
14	Nut - Hex.		UNF	HN2005L	8
[900]	Screw		panel seat squab, No 8 x 1/2, Self Tapping panel seat squab, No 8 x 1/2, Self Tapping	78322 AB608047L	12 12

Seats
Seating
Front Seats 1/3

Range Rover (From JA610294)

(BDRXE1A)



Range Rover (From JA610294)

Seats
Seating
Front Seats

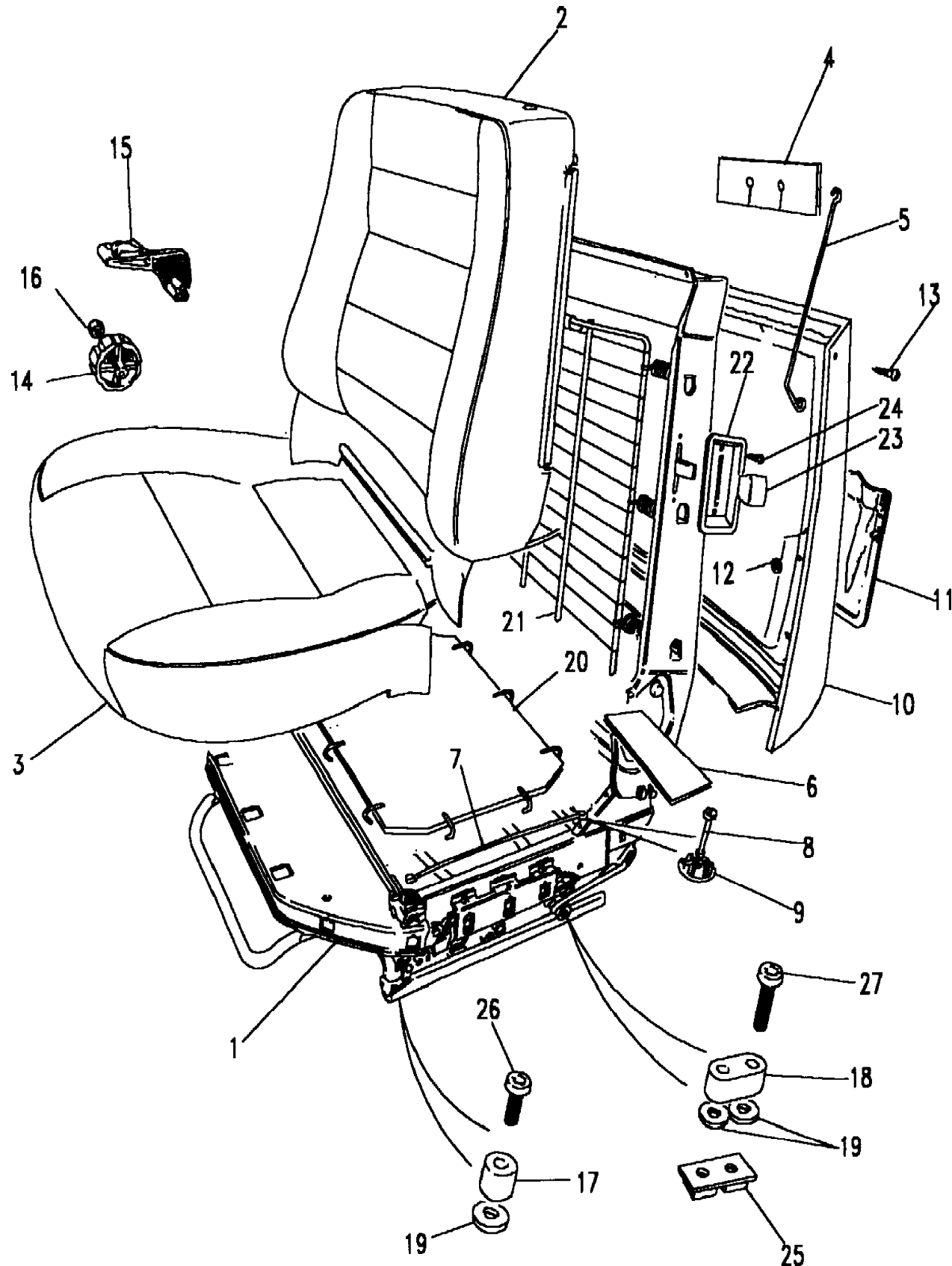
2 Door Station Wagon

Callout	Name	Application	Remarks & Restrictions	Service No.	Qty
1	Frame assembly-manual front seat	Less Electric Driver Seat Adjuster, Less Electric Pass.Seat Adjuster	Less Heated Seats, Black, RH	MXC5798PMA	1
		Less Electric Driver Seat Adjuster, Less Electric Pass.Seat Adjuster	Less Heated Seats, Black, LH	MXC5799PMA	1
2	Cover assembly-front seat squab	Less Electric Driver Seat Adjuster, Less Electric Pass.Seat Adjuster	Less Heated Seats, Cloth, Velour, Brogue, With Armrest	MXC4797AUE	1
3	Cover assembly-front seat cushion	Less Electric Driver Seat Adjuster, Less Electric Pass.Seat Adjuster	Less Heated Seats, Cloth, Velour, Brogue	MXC4787AUE	1
4	Plate-rear seat squab retention	Less Electric Driver Seat Adjuster, Less Electric Pass.Seat Adjuster	Less Heated Seats, Upper	MUC1561	1
5	Wire-trim retention	Less Electric Driver Seat Adjuster, Less Electric Pass.Seat Adjuster	Less Heated Seats	MXC6474	1
6	Plate	Less Electric Driver Seat Adjuster, Less Electric Pass.Seat Adjuster	Less Heated Seats	BTR344	1
7	Wire-trim retention	Less Electric Driver Seat Adjuster, Less Electric Pass.Seat Adjuster	Less Heated Seats	MXC6473	1
8	Clip-trim retention	Less Electric Driver Seat Adjuster, Less Electric Pass.Seat Adjuster	Less Heated Seats	AFU4056	1
9	Washer	Less Electric Driver Seat Adjuster, Less Electric Pass.Seat Adjuster	Less Heated Seats	BRC5803	1
10	Backboard-front seat	Less Electric Driver Seat Adjuster, Less Electric Pass.Seat Adjuster	Less Heated Seats, Cloth, Velour, Brogue	MWC8592AUE	2
11	Pocket-seat back	Less Electric Driver Seat Adjuster, Less Electric Pass.Seat Adjuster	Less Heated Seats, Cloth, Velour, Brogue	MWC8652AUE	2
12	Retainer	Less Electric Driver Seat Adjuster, Less Electric Pass.Seat Adjuster	Less Heated Seats	AN104041L	12
13	Screw	Less Electric Driver Seat Adjuster, Less Electric Pass.Seat Adjuster	Less Heated Seats, back plate to seat frame	DA606061L	4
14	Recline mechanism-manual front seat squab	Less Electric Driver Seat Adjuster, Less Electric Pass.Seat Adjuster	Less Heated Seats, Bokhara	MWC2955RUN	2

Seats
Seating
Front Seats 2/3

Range Rover (From JA610294)

(BDRXE1A)



Range Rover (From JA610294)

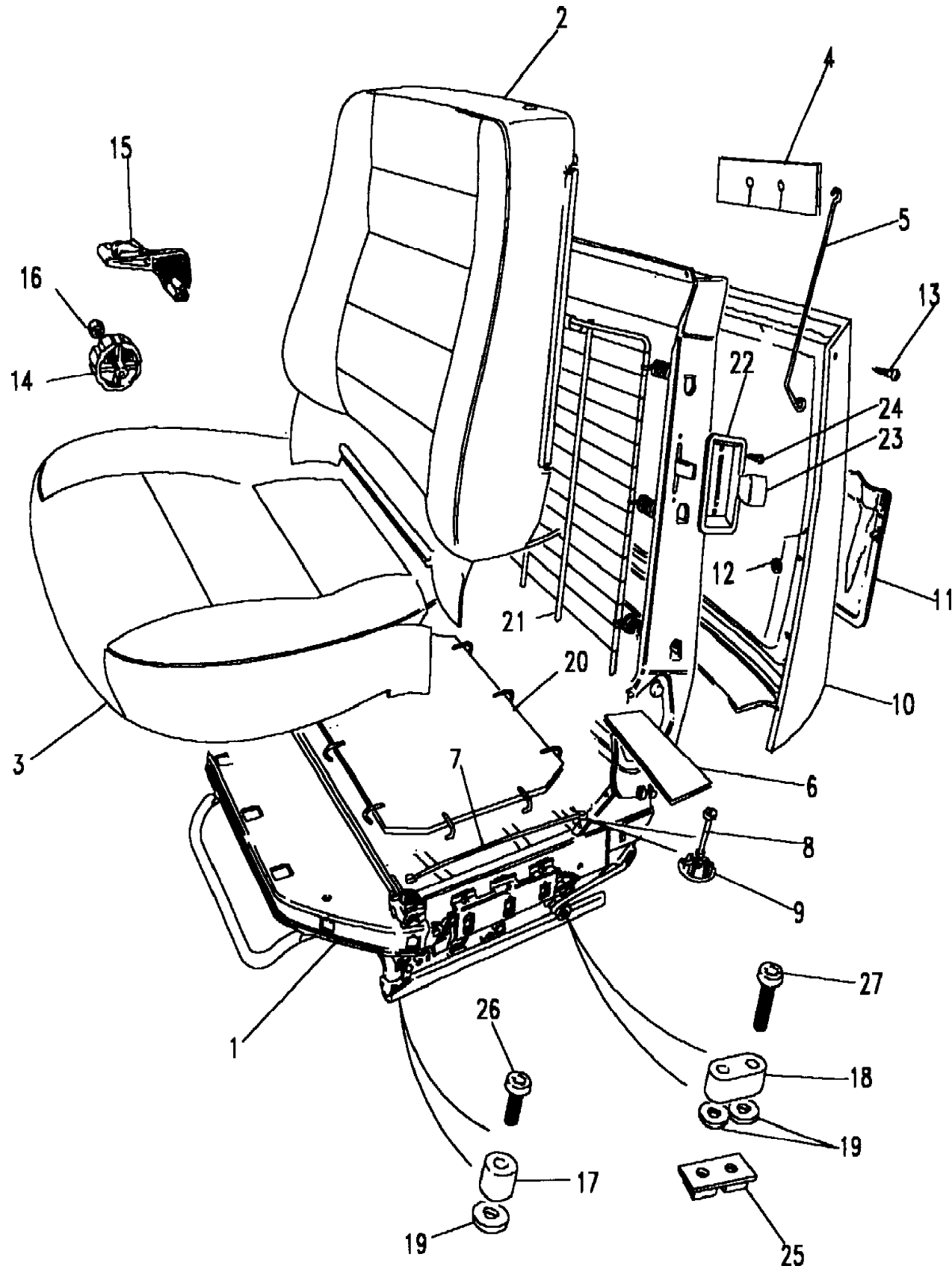
Seats
Seating
Front Seats

2 Door Station Wagon

Callout	Name	Application	Remarks & Restrictions	Service No.	Qty
15	Lever-front seat height adjust	Less Electric Driver Seat Adjuster, Less Electric Pass.Seat Adjuster	Less Heated Seats, RH	STC219	1
		Less Electric Driver Seat Adjuster, Less Electric Pass.Seat Adjuster	Less Heated Seats, LH	STC220	1
16	Nut - Hex.	Less Electric Driver Seat Adjuster, Less Electric Pass.Seat Adjuster	Less Heated Seats, M10, hexagonal head, nyloc	NY110041L	2
17	Spacer	Less Electric Driver Seat Adjuster, Less Electric Pass.Seat Adjuster	Less Heated Seats, Front	MWC 1388	2
18	Spacer	Less Electric Driver Seat Adjuster, Less Electric Pass.Seat Adjuster	Less Heated Seats, Rear	MWC 1389	2
19	Washer-fibre	Less Electric Driver Seat Adjuster, Less Electric Pass.Seat Adjuster	Less Heated Seats	MWC4804	6
20	Diaphragm-rear outer front seat	Less Electric Driver Seat Adjuster, Less Electric Pass.Seat Adjuster	Less Heated Seats	MTC9931	1
21	Diaphragm-rear outer front seat	Less Electric Driver Seat Adjuster, Less Electric Pass.Seat Adjuster	Less Heated Seats	MTC9943	1
22	Escutcheon-front seat tip lever	Less Electric Driver Seat Adjuster, Less Electric Pass.Seat Adjuster	Less Heated Seats, Sorrel Brown	MWC9619SUA	2
23	Knob-front seat armrest adjuster	Less Electric Driver Seat Adjuster, Less Electric Pass.Seat Adjuster	Less Heated Seats, Sorrel Brown	MWC9618SUA	2
24	Screw	Less Electric Driver Seat Adjuster, Less Electric Pass.Seat Adjuster	Less Heated Seats, escutcheon to seat frame	MTC9428	2
25	Nut - Hex.	Less Electric Driver Seat Adjuster, Less Electric Pass.Seat Adjuster	Less Heated Seats	MWC2422	2
26	Screw-hexagon socket	Less Electric Driver Seat Adjuster, Less Electric Pass.Seat Adjuster	Less Heated Seats, seat slide to floor, Front	SB108201L	12
27	Screw	Less Electric Driver Seat Adjuster, Less Electric Pass.Seat Adjuster	Less Heated Seats, seat slide to floor, Rear	SB108401	12
[900]	Frame assembly-manual front seat	Less Electric Driver Seat Adjuster, Less Electric Pass.Seat Adjuster	Less Heated Seats, Black, RH	MXC5798PMA	1

Range Rover (From JA610294)

(BDRXE1A)



Range Rover (From JA610294)

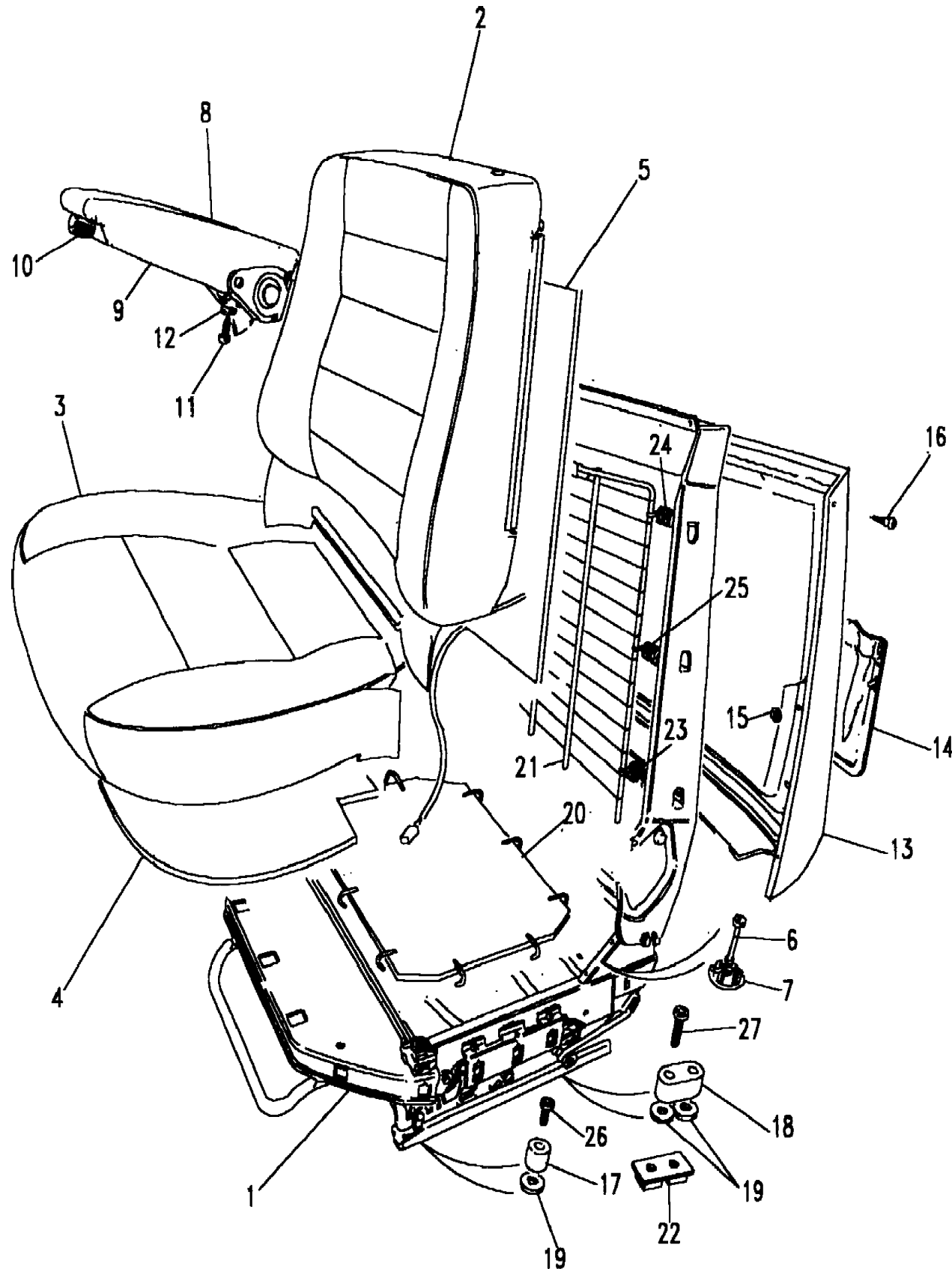
2 Door Station Wagon

Callout	Name	Application	Remarks & Restrictions	Service No.	Qty
[901]	Nut - Hex.	Less Electric Driver Seat Adjuster, Less Electric Pass.Seat Adjuster	Less Heated Seats, M10, nyloc, flange	NY110047L	2
[902]	Recline mechanism-manual front seat squab	Less Electric Driver Seat Adjuster, Less Electric Pass.Seat Adjuster	Less Heated Seats	RTC6390	2
[903]	Seat-manual front	Change point - VIN end KA640177, Less Electric Driver Seat Adjuster, Less Electric Pass.Seat Adjuster	Less Heated Seats, Also serviced as part of a kit, RH, Brogue	MXC5128AUE	1
		Change point - VIN end KA640177, Less Electric Driver Seat Adjuster, Less Electric Pass.Seat Adjuster	Less Heated Seats, Also serviced as part of a kit, Brogue, LH	MXC5129AUE	1
		Change point - VIN begin KA640178, Less Electric Driver Seat Adjuster, Less Electric Pass.Seat Adjuster	Less Heated Seats, Also serviced as part of a kit, RH, Brogue	BTR8452AUE	1
		Change point - VIN begin KA640178, Less Electric Driver Seat Adjuster, Less Electric Pass.Seat Adjuster	Less Heated Seats, Also serviced as part of a kit, Brogue, LH	BTR8453AUE	1
[904]	Cable-rear seat squab release	Less Electric Driver Seat Adjuster, Less Electric Pass.Seat Adjuster	Less Heated Seats	RTC6736	1

Seats
Seating
Front-Electric 1/6

Range Rover (From JA610294)

(BDRXEE1A)



Range Rover (From JA610294)

Seats
Seating
Front-Electric

4 Door Station Wagon

Callout	Name	Application	Remarks & Restrictions	Service No.	Qty
1	Frame assembly-seat front		Electric seats, Heated Seats, Black, non memory Electric seats, Heated Seats, Black, Memory	BTR2671PMA BTR2670PMA	2 2
2	Cover assembly-front seat squab	Change point - VIN end MA647644 Change point - VIN end JA624754	Electric seats, Cloth, Velour, Brogue, With Armrest Electric seats, Cloth, Winchester Grey, Velour, With Armrest Electric seats, Winchester Grey, Leather Electric seats, Light Winchester, Leather Electric seats, Sorrel Brown, Leather Electric seats, Sable, Leather	MXC4797AUE MXC4797LUL BTR726LUL BTR726LUV BTR726SUA BTR726RWD	2 2 2 2 2 2
3	Cover assembly-front seat cushion	Change point - VIN end MA647644 Change point - VIN end JA624754	Electric seats, Cloth, Velour, Brogue Electric seats, Cloth, Winchester Grey, Velour Electric seats, Winchester Grey, Leather Electric seats, Light Winchester, Leather Electric seats, Sorrel Brown, Leather Electric seats, Sable, Leather	MXC4787AUE MXC4787LUL BTR724LUL BTR724LUV BTR724SUA BTR724RWD	2 2 2 2 2 2
4	Pad heated seat		Electric seats, RH Electric seats, LH	STC514 STC420	1 1
5	Pad heated seat		Electric seats	STC422	2
6	Clip-trim retention		Electric seats	AFU4056	4
7	Washer		Electric seats	BRC5803	8
8	Armrest assembly-front seat	Change point - VIN begin KA624756, Change point - VIN end KA636296 Change point - VIN begin KA636297, Change point - VIN end LA647644 Change point - VIN begin KA636297, Change point - VIN end LA647644	Electric seats, Also serviced as part of a kit, LH, Sable, Leather Electric seats, Also serviced as part of a kit, LH, Sable, Leather Electric seats, Also serviced as part of a kit, RH, Sable, Leather	MWC5091RWD BTR8173RWD BTR8174RWD	1 1 1
		Change point - VIN end LA647644	Electric seats, Also serviced as part of a kit, Cloth, Velour, Brogue, LH Electric seats, Also serviced as part of a kit, Cloth, RH, Winchester Grey, Velour	RTC6507 RTC6508	1 1
		Change point - VIN end LA647644	Electric seats, Also serviced as part of a kit, Cloth, Winchester Grey, Velour, LH	RTC6509	1

Seats
Seating
Front-Electric 2/6

Range Rover (From JA610294)

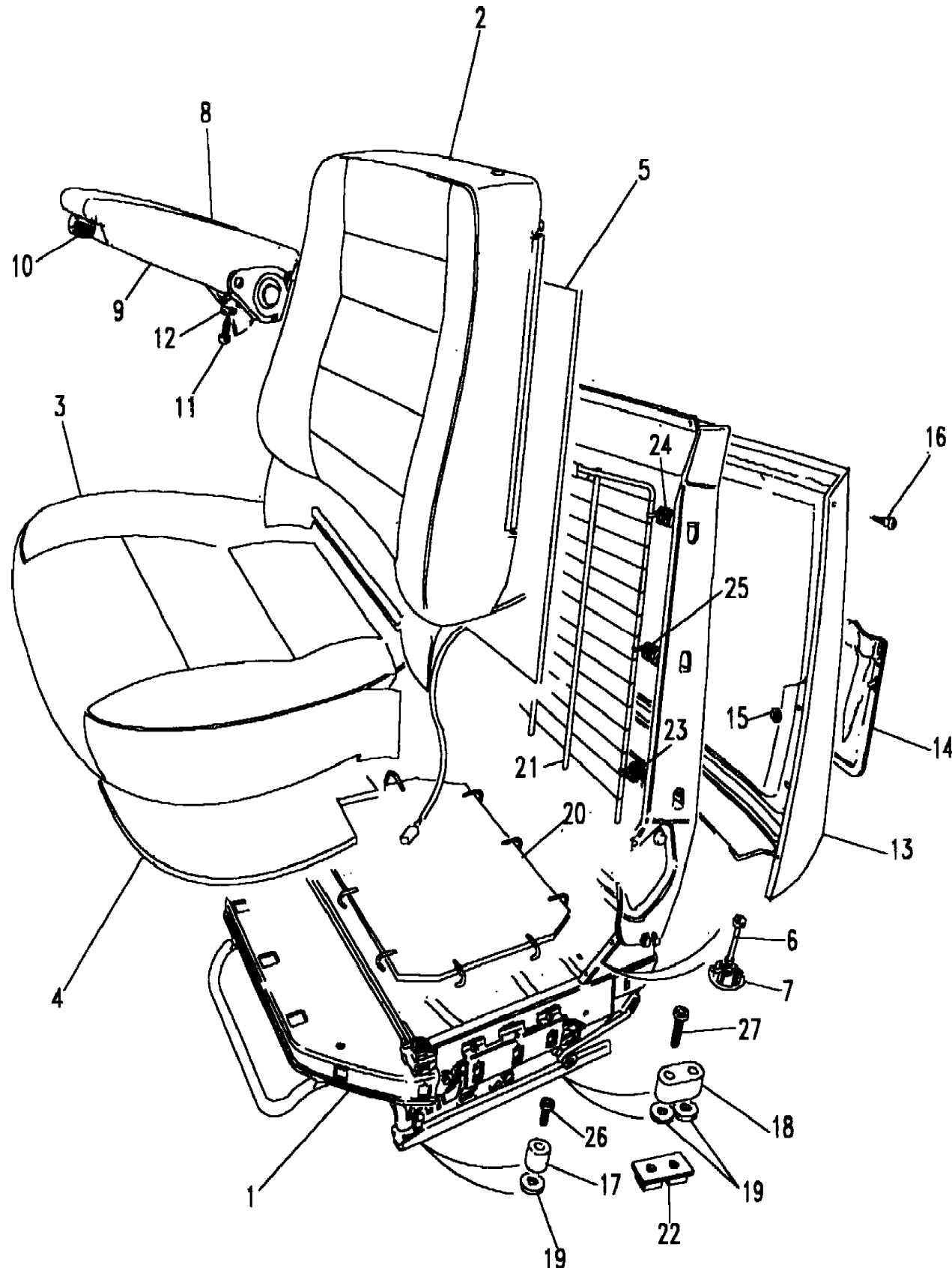
(BDRXEE1A)

Range Rover (From JA610294)

Seats
Seating
Front-Electric

4 Door Station Wagon

Callout	Name	Application	Remarks & Restrictions	Service No.	Qty		
8	Armrest assembly-front seat	Change point - VIN end KA636296	Electric seats, Also serviced as part of a kit, RH, Sorrel Brown, Leather	RTC6512	1		
		Change point - VIN end KA636296	Electric seats, Also serviced as part of a kit, Sorrel Brown, LH, Leather	RTC6513	1		
		Change point - VIN begin KA636297, Change point - VIN end LA647644	Electric seats, Also serviced as part of a kit, Sorrel Brown, LH, Leather	BTR8173SUA	1		
		Change point - VIN begin KA636297, Change point - VIN end LA647644	Electric seats, Also serviced as part of a kit, RH, Sorrel Brown, Leather	BTR8174SUA	1		
		Change point - VIN end JA624754	Electric seats, Also serviced as part of a kit, RH, Winchester Grey, Leather	RTC6514	1		
		Change point - VIN end JA624754	Electric seats, Also serviced as part of a kit, Winchester Grey, LH, Leather	RTC6515	1		
		Change point - VIN begin KA624756, Change point - VIN end KA636296	Electric seats, Also serviced as part of a kit, RH, Light Winchester, Leather	MWC5090LUV	1		
		Change point - VIN begin KA624756, Change point - VIN end KA636296	Electric seats, Also serviced as part of a kit, Light Winchester, LH, Leather	MWC5091LUV	1		
		Change point - VIN begin KA636297, Change point - VIN end LA647644	Electric seats, Also serviced as part of a kit, Light Winchester, LH, Leather	BTR8173LUV	1		
		Change point - VIN begin KA636297, Change point - VIN end LA647644	Electric seats, Also serviced as part of a kit, RH, Light Winchester, Leather	BTR8174LUV	1		
		Change point - VIN begin KA624756, Change point - VIN end KA636296	Electric seats, Also serviced as part of a kit, RH, Sable, Leather	MWC5090RWD	1		
			Electric seats, Also serviced as part of a kit, Cloth, RH, Velour, Brogue	RTC6506	1		
		9	Cover-armrest-front seat	Change point - VIN begin KA624756, Change point - VIN end KA636296	Electric seats, Also serviced as part of a kit, RH, Sable, Leather	MWC5088RWD	1
				Change point - VIN begin KA624756, Change point - VIN end KA636296	Electric seats, Also serviced as part of a kit, LH, Sable, Leather	MWC5089RWD	1
				Change point - VIN begin KA636297, Change point - VIN end LA647644	Electric seats, Also serviced as part of a kit, LH, Sable, Leather	BTR8175RWD	1
				Change point - VIN begin KA636297, Change point - VIN end LA647644	Electric seats, Also serviced as part of a kit, RH, Sable, Leather	BTR8176RWD	1
	Electric seats, Also serviced as part of a kit, Cloth, Velour, Brogue, LH			RTC6523	1		
Change point - VIN end LA647644	Electric seats, Also serviced as part of a kit, Cloth, RH, Winchester Grey, Velour			RTC6524	1		
Change point - VIN end LA647644	Electric seats, Also serviced as part of a kit, Cloth, Winchester Grey, Velour, LH			RTC6525	1		
Change point - VIN end KA636296	Electric seats, Also serviced as part of a kit, RH, Sorrel Brown, Leather			RTC6528	1		



Seats
Seating
Front-Electric 3/6

Range Rover (From JA610294)

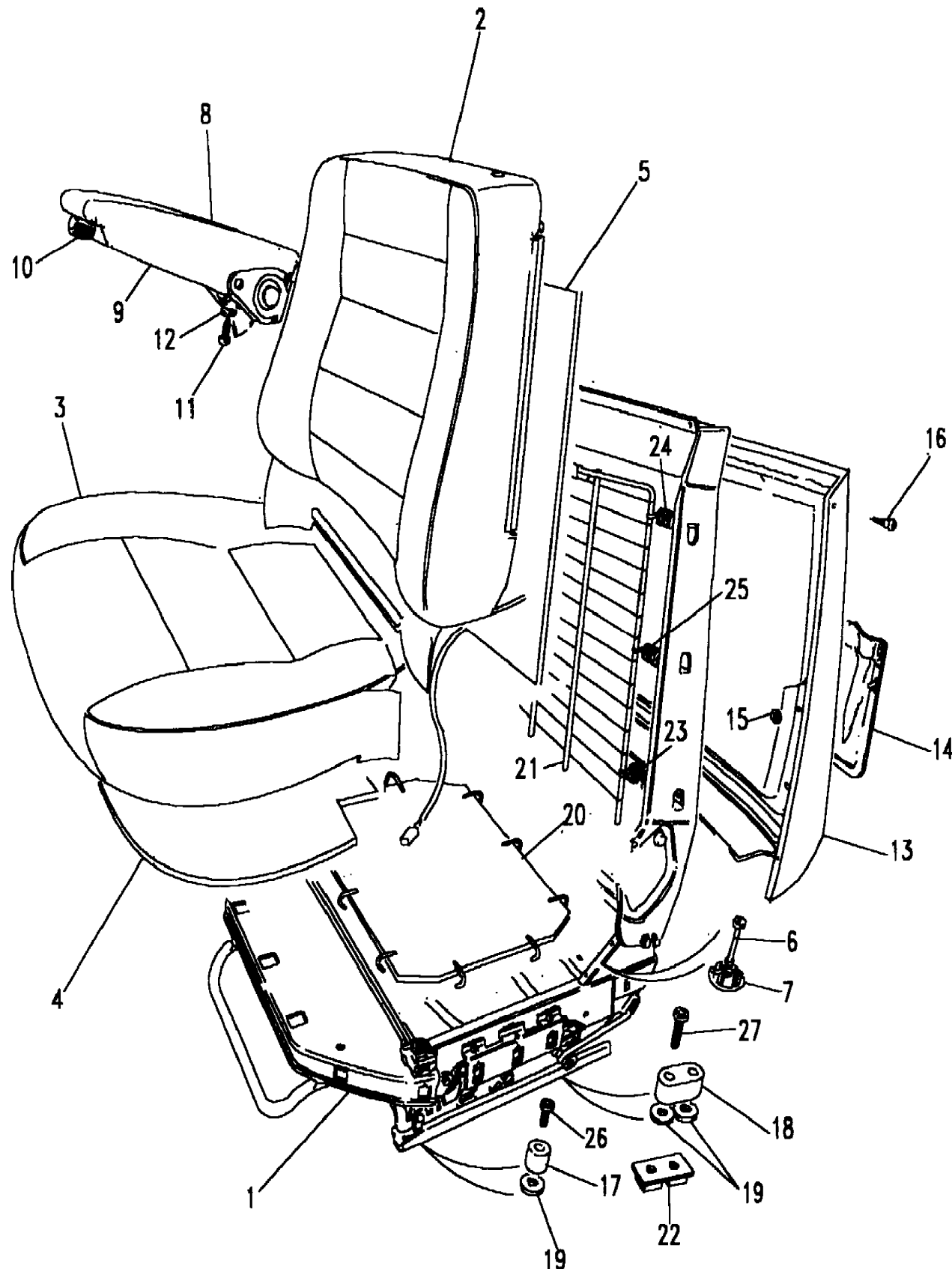
(BDRXEE1A)

Range Rover (From JA610294)

Seats
Seating
Front-Electric

4 Door Station Wagon

Callout	Name	Application	Remarks & Restrictions	Service No.	Qty		
9	Cover-armrest-front seat	Change point - VIN end KA636296	Electric seats, Also serviced as part of a kit, Sorrel Brown, LH, Leather	RTC6529	1		
		Change point - VIN begin KA636297, Change point - VIN end LA647644	Electric seats, Also serviced as part of a kit, Sorrel Brown, LH, Leather	BTR8175SUA	1		
		Change point - VIN begin KA636297, Change point - VIN end LA647644	Electric seats, Also serviced as part of a kit, RH, Sorrel Brown, Leather	BTR8176SUA	1		
		Change point - VIN end JA624754	Electric seats, Also serviced as part of a kit, RH, Winchester Grey, Leather	RTC6530	1		
		Change point - VIN end JA624754	Electric seats, Also serviced as part of a kit, Winchester Grey, LH, Leather	RTC6531	1		
		Change point - VIN begin KA624756, Change point - VIN end KA636296	Electric seats, Also serviced as part of a kit, RH, Light Winchester, Leather	MWC5088LUV	1		
		Change point - VIN begin KA624756, Change point - VIN end KA636296	Electric seats, Also serviced as part of a kit, Light Winchester, LH, Leather	MWC5089LUV	1		
		Change point - VIN begin KA636297, Change point - VIN end LA647644	Electric seats, Also serviced as part of a kit, Light Winchester, LH, Leather	BTR8175LUV	1		
		Change point - VIN begin KA636297, Change point - VIN end LA647644	Electric seats, Also serviced as part of a kit, RH, Light Winchester, Leather	BTR8176LUV	1		
			Electric seats, Also serviced as part of a kit, Cloth, RH, Velour, Brogue	RTC6522	1		
		10	Knob-front seat armrest adjuster	Change point - VIN begin KA624756, Change point - VIN end KA636296	Electric seats, Also serviced as part of a kit, Sable	MUC1121RWD	2
				Change point - VIN begin KA636297, Change point - VIN end LA647644	Electric seats, Also serviced as part of a kit, Sable	MUC1121RWD	2
					Electric seats, Sorrel Brown Electric seats, Winchester Grey	MUC1121SUA MUC1121LUL	2 2
		Electric seats, Sable	MUC1121RWD	2			
11	Screw		Electric seats, armrest hinge, hexagonal head, 5/16UNF x 3/4	SH605061L	4		
12	Washer-Spring		Electric seats, 5/16"	WM600051L	4		
13	Backboard-front seat		Electric seats, Also serviced as part of a kit, Cloth, Velour, Brogue	MWC8593AUE	2		
			Electric seats, Also serviced as part of a kit, Cloth, Winchester Grey, Velour	MWC8593LUL	2		
			Electric seats, Also serviced as part of a kit, Sorrel Brown, Leather	MWC8594SUA	2		
			Electric seats, Also serviced as part of a kit, Winchester Grey, Leather	MWC8594LUL	2		



Seats
Seating
Front-Electric 4/6

Range Rover (From JA610294)

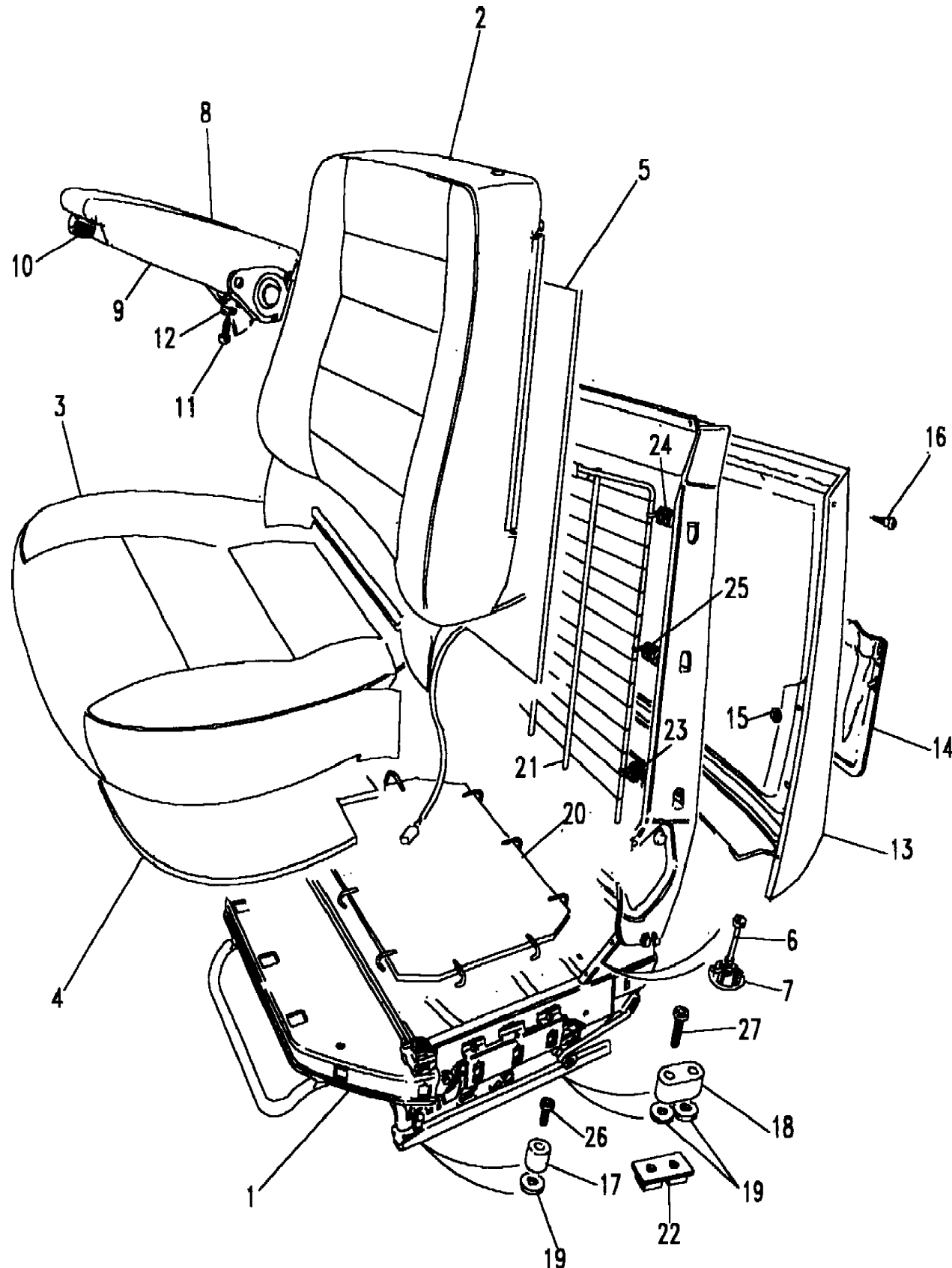
(BDRXEE1A)

Range Rover (From JA610294)

Seats
Seating
Front-Electric

4 Door Station Wagon

Callout	Name	Application	Remarks & Restrictions	Service No.	Qty
13	Backboard-front seat		Electric seats, Also serviced as part of a kit, Sable, Leather	MWC8594RWD	2
14	Pocket-seat back		Electric seats, Also serviced as part of a kit, Cloth, Velour, Brogue Electric seats, Also serviced as part of a kit, Cloth, Winchester Grey, Velour Electric seats, Also serviced as part of a kit, Sable, Leather	MWC8652AUE MWC8652LUL MWC8653RWD	2 2 2
15	Retainer		Electric seats	AN104041L	12
16	Screw		Electric seats, seat back to seat frame	DA606061L	4
17	Spacer		Electric seats, Front	MWC 1388	4
18	Spacer		Electric seats, Rear	MWC 1389	4
19	Washer-fibre		Electric seats	MWC4804	6
20	Diaphragm-rear outer front seat		Electric seats	MTC9931	1
21	Diaphragm-rear outer front seat		Electric seats	MTC9943	1
22	Nut - Hex.		Electric seats, seat slide to floor	MWC2422	2
23	Spring-front seat squab suspension		Electric seats, bottom	MUC 1514	2
24	Spring-front seat squab suspension		Electric seats, top	MUC 1515	2
25	Spring-front seat squab suspension		Electric seats, middle, Upper	MUC 1516	2
26	Screw-hexagon socket		Electric seats, seat slide to floor, Front	SB108201L	12
27	Screw		Electric seats, seat slide to floor, Rear	SB108401	12
[900]	Seat-manual front	Change point - VIN begin KA640178, Change point - VIN end LA647644	Electric seats, Heated Seats, RH, Memory, Light Winchester, Leather	BTR8420LUV	1
[901]	Seat-electric front	Change point - VIN end JA624754	Electric seats, Heated Seats, Memory, Winchester Grey, LH, Leather	BTR2879LUL	1



Seats
Seating
Front-Electric 5/6

Range Rover (From JA610294)

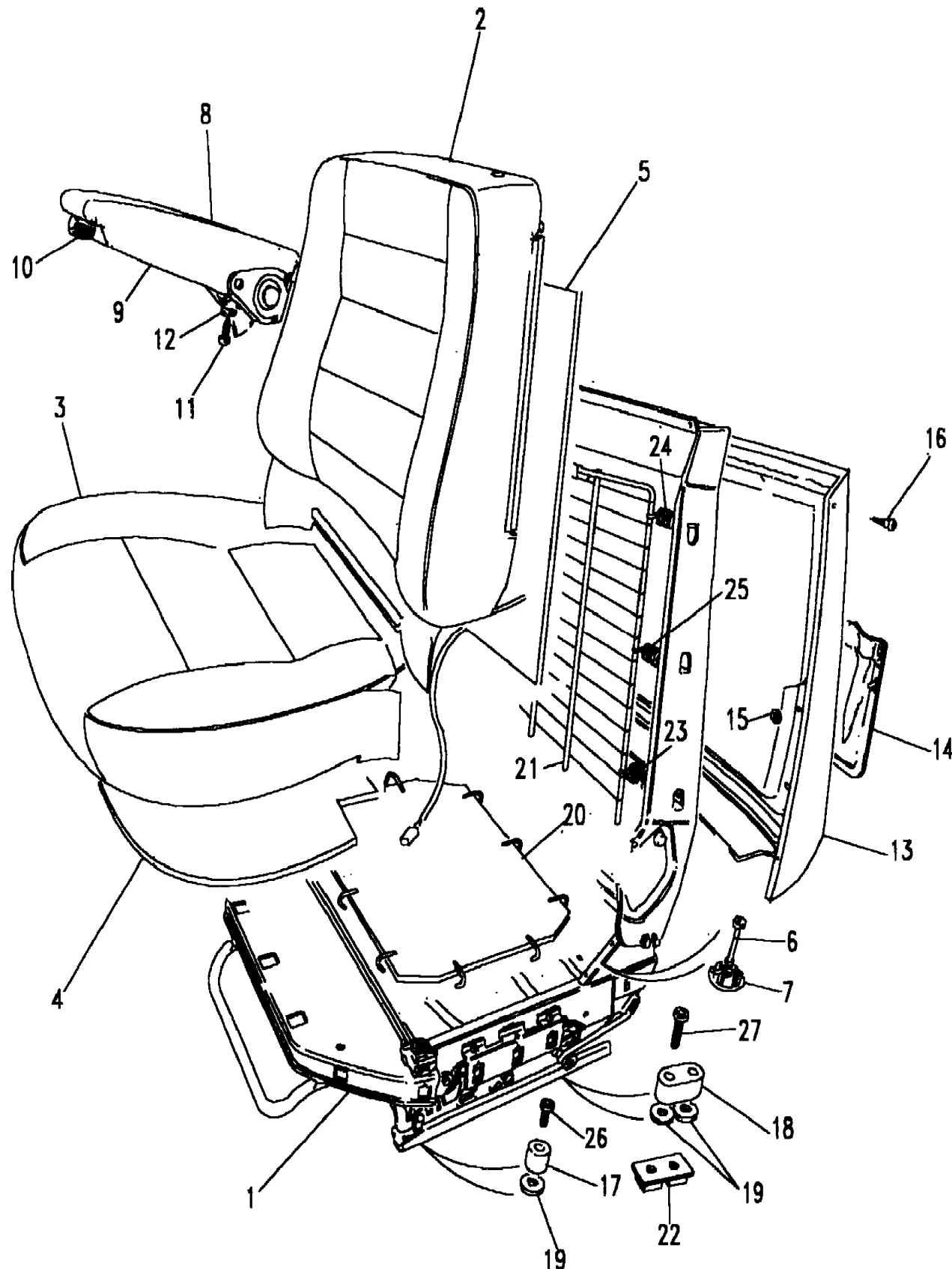
(BDRXEE1A)

Range Rover (From JA610294)

Seats
Seating
Front-Electric

4 Door Station Wagon

Callout	Name	Application	Remarks & Restrictions	Service No.	Qty
[901]	Seat-electric front	Change point - VIN end KA640177	Electric seats, Heated Seats, Memory, Light Winchester, LH, Leather	BTR2879LUV	1
		Change point - VIN end KA640177	Electric seats, Heated Seats, Memory, Sorrel Brown, LH, Leather	BTR2879SUA	1
		Change point - VIN end KA640177	Electric seats, Heated Seats, Memory, LH, Sable, Leather	BTR2879RWD	1
		Change point - VIN begin KA640178, Change point - VIN end LA647644	Electric seats, Heated Seats, Memory, Sorrel Brown, LH, Leather	BTR8421SUA	1
		Change point - VIN begin KA640178, Change point - VIN end LA647644	Electric seats, Heated Seats, Memory, LH, Sable, Leather	BTR8421RWD	1
		Change point - VIN begin KA640178, Change point - VIN end LA647644	Electric seats, Heated Seats, Memory, Light Winchester, LH, Leather	BTR8421LUV	1
		Change point - VIN end KA640177	Electric seats, Heated Seats, Cloth, RH, Winchester Grey, Velour	BTR2874LUL	1
		Change point - VIN begin KA640178	Electric seats, Heated Seats, Cloth, RH, Velour, Brogue	BTR8434AUE	1
		Change point - VIN begin KA640178	Electric seats, Heated Seats, Cloth, RH, Winchester Grey, Velour	BTR8434LUL	1
		Change point - VIN end KA640177	Electric seats, Heated Seats, Cloth, Velour, Brogue, LH	BTR2873AUE	1
		Change point - VIN end KA640177	Electric seats, Heated Seats, Cloth, Winchester Grey, Velour, LH	BTR2873LUL	1
		Change point - VIN begin KA640178	Electric seats, Heated Seats, Cloth, Velour, Brogue, LH	BTR8435AUE	1
		Change point - VIN begin KA640178	Electric seats, Heated Seats, Cloth, Winchester Grey, Velour, LH	BTR8435LUL	1
		Change point - VIN end JA624754	Electric seats, Heated Seats, RH, non memory, Winchester Grey, Leather	BTR2872LUL	1
		Change point - VIN end KA640177	Electric seats, Heated Seats, RH, Light Winchester, Leather	BTR2872LUV	1
		Change point - VIN end KA640177	Electric seats, Heated Seats, RH, Sorrel Brown, Leather	BTR2872SUA	1
		Change point - VIN end KA640177	Electric seats, Heated Seats, RH, non memory, Sable, Leather	BTR2872RWD	1
		Change point - VIN begin KA640178, Change point - VIN end LA647644	Electric seats, Heated Seats, RH, non memory, Sorrel Brown, Leather	BTR8430SUA	1
		Change point - VIN begin KA640178, Change point - VIN end LA647644	Electric seats, Heated Seats, RH, non memory, Sable, Leather	BTR8430RWD	1
		Change point - VIN begin KA640178, Change point - VIN end LA647644	Electric seats, Heated Seats, RH, Light Winchester, Leather	BTR8430LUV	1



Seats
Seating
Front-Electric 6/6

Range Rover (From JA610294)

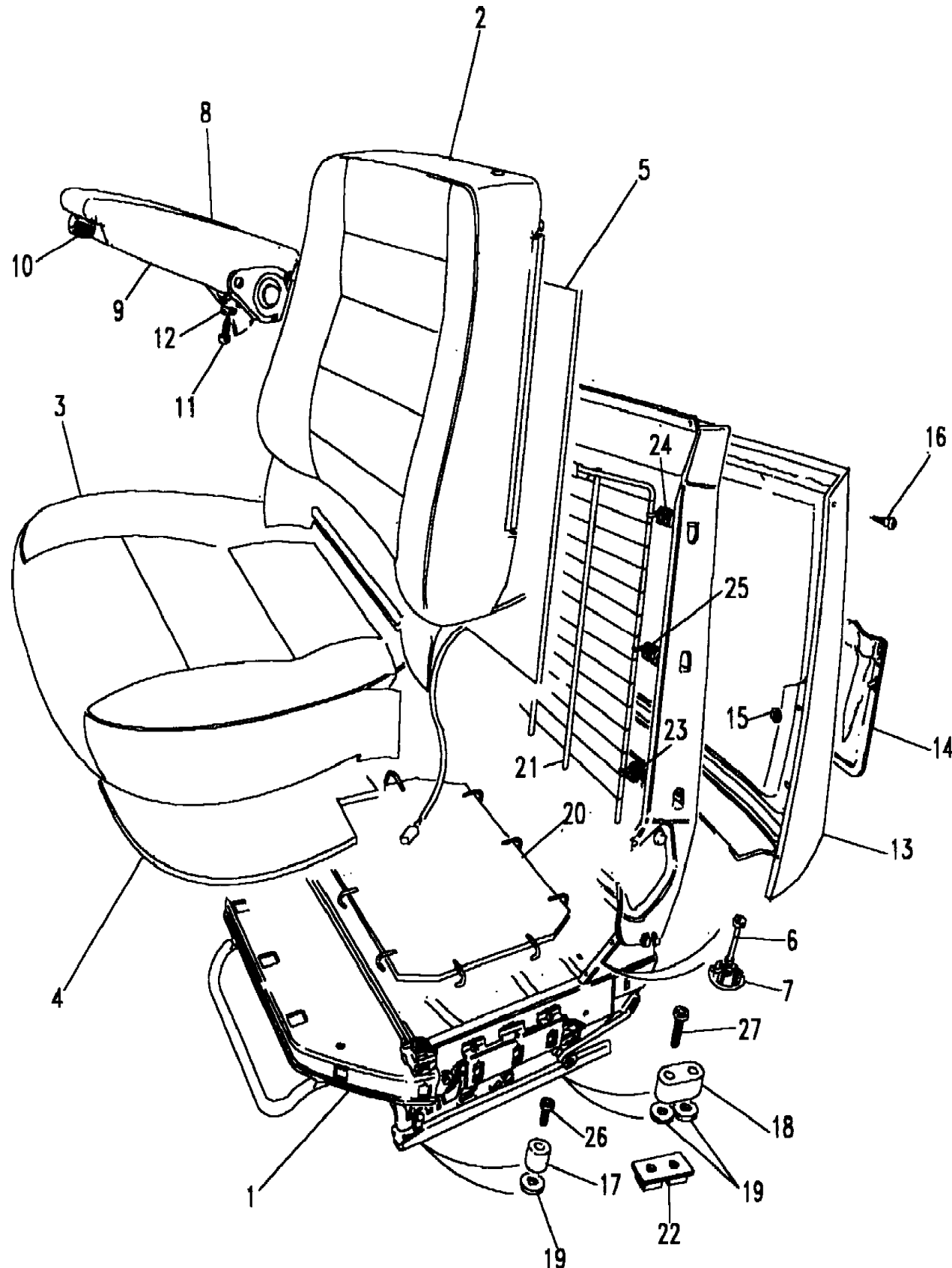
(BDRXEE1A)

Range Rover (From JA610294)

Seats
Seating
Front-Electric

4 Door Station Wagon

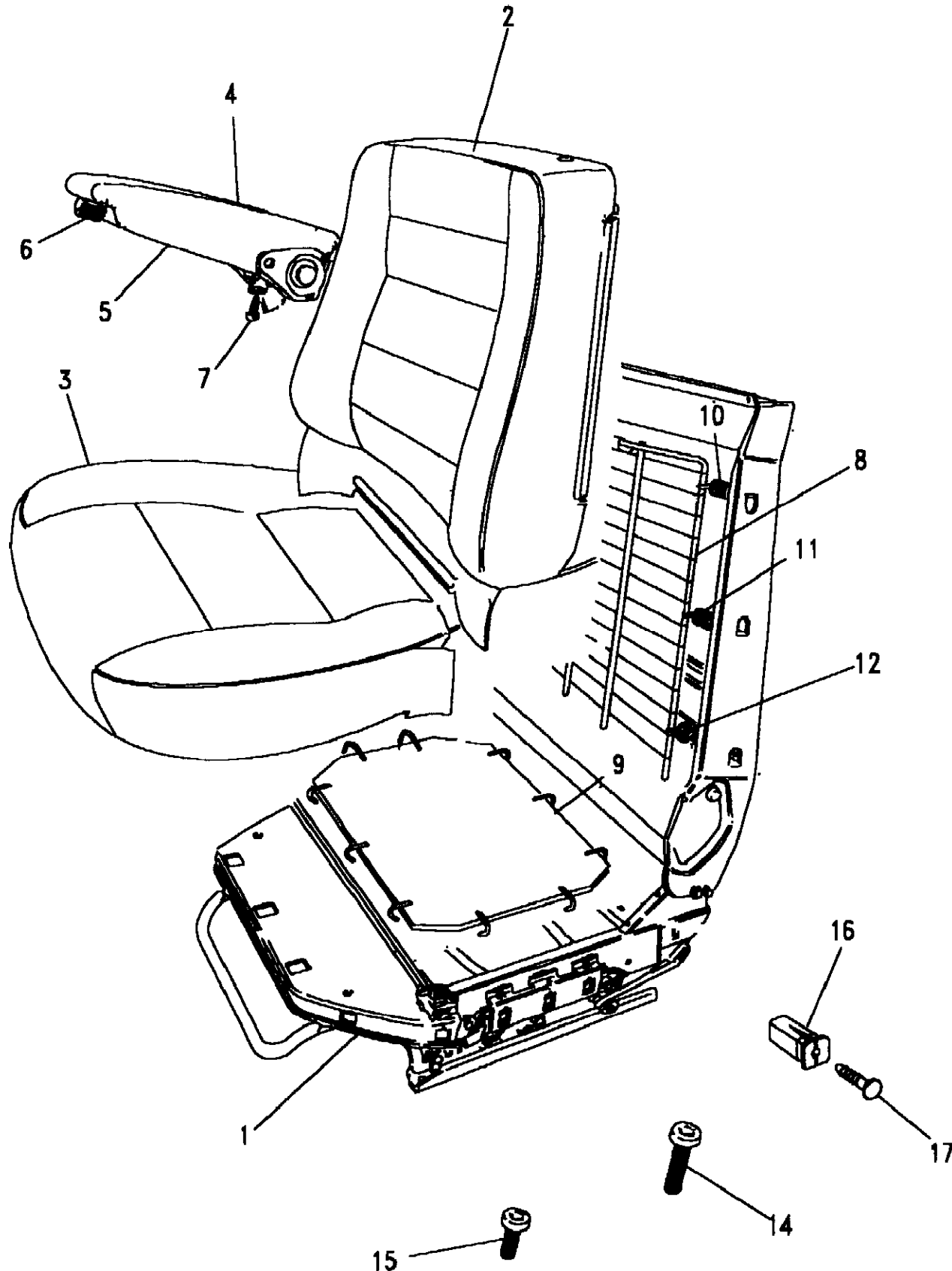
Callout	Name	Application	Remarks & Restrictions	Service No.	Qty
[901]	Seat-electric front	Change point - VIN end JA624754	Electric seats, Heated Seats, non memory, Winchester Grey, LH, Leather	BTR2871LUL	1
		Change point - VIN end KA640177	Electric seats, Heated Seats, non memory, Light Winchester, LH, Leather	BTR2871LUV	1
		Change point - VIN end KA640177	Electric seats, Heated Seats, non memory, Sorrel Brown, LH, Leather	BTR2871SUA	1
		Change point - VIN end KA640177	Electric seats, Heated Seats, non memory, LH, Sable, Leather	BTR2871RWD	1
		Change point - VIN begin KA640178, Change point - VIN end LA647644	Electric seats, Heated Seats, non memory, Sorrel Brown, LH, Leather	BTR8431SUA	1
		Change point - VIN begin KA640178, Change point - VIN end LA647644	Electric seats, Heated Seats, non memory, LH, Sable, Leather	BTR8431RWD	1
		Change point - VIN begin KA640178, Change point - VIN end LA647644	Electric seats, Heated Seats, non memory, Light Winchester, LH, Leather	BTR8431LUV	1
		Change point - VIN end JA624754	Electric seats, Heated Seats, RH, Memory, Winchester Grey, Leather	BTR2880LUL	1
		Change point - VIN end KA640177	Electric seats, Height Adjust, RH, Memory, Light Winchester, Leather	BTR2880LUV	1
		Change point - VIN end KA640177	Electric seats, Height Adjust, RH, Memory, Sorrel Brown, Leather	BTR2880SUA	1
		Change point - VIN end KA640177	Electric seats, Height Adjust, RH, Memory, Sable, Leather	BTR2880RWD	1
		Change point - VIN begin KA640178, Change point - VIN end LA647644	Electric seats, Heated Seats, RH, Memory, Sorrel Brown, Leather	BTR8420SUA	1
		Change point - VIN begin KA640178, Change point - VIN end LA647644	Electric seats, Heated Seats, RH, Memory, Sable, Leather	BTR8420RWD	1
		Change point - VIN end KA640177	Electric seats, Heated Seats, Cloth, RH, Velour, Brogue	BTR2874AUE	1



Seats
Seating
Front-Electrical-From (V) MA647645 1/4

Range Rover (From JA610294)

(BDRXEE5A)



Range Rover (From JA610294)

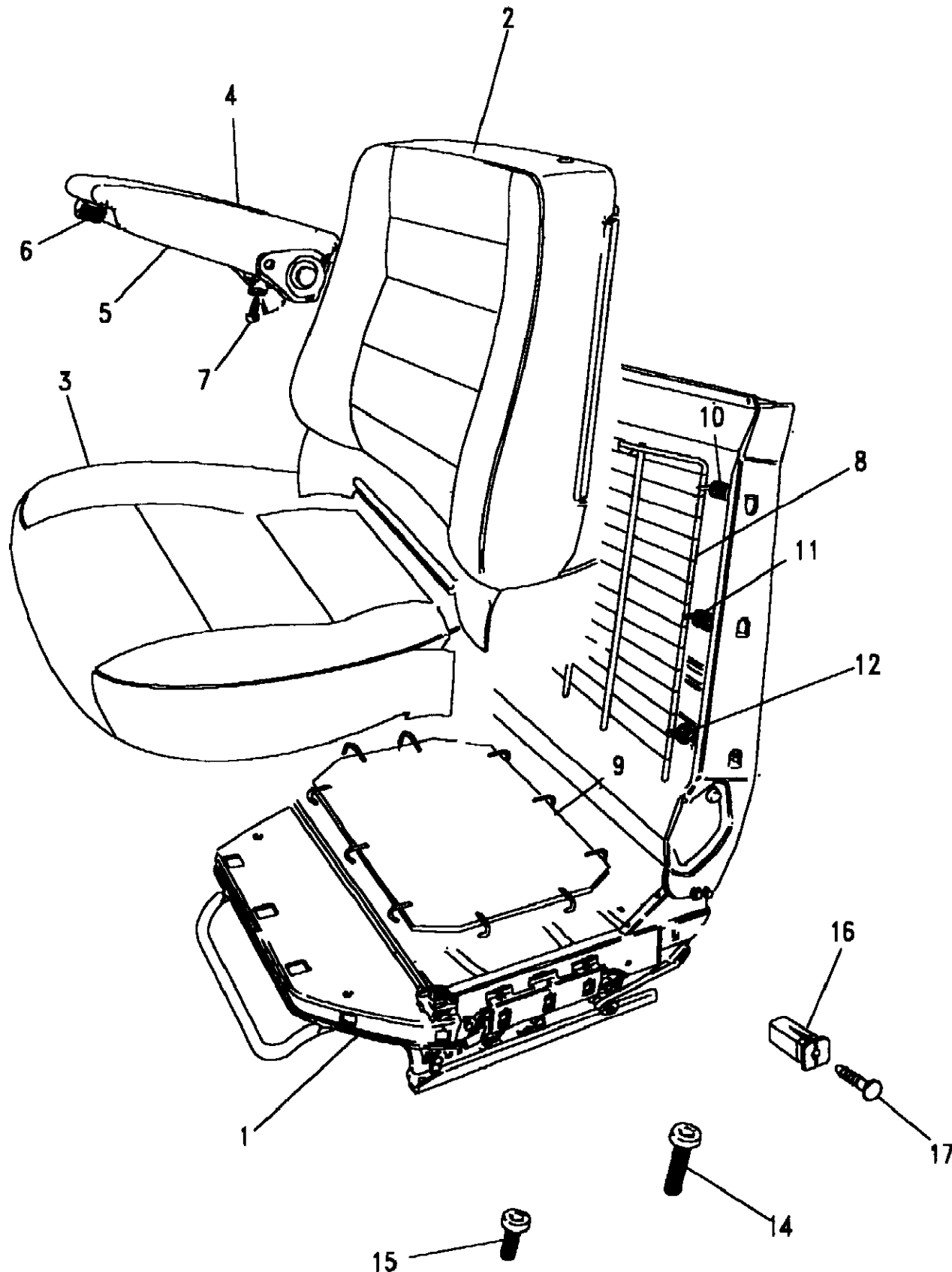
Seats
Seating
Front-Electrical-From (V) MA647645

Callout	Name	Application	Remarks & Restrictions	Service No.	Qty		
1	Frame assembly-seat front	Change point - VIN begin MA647645, (+)"GCC"	Heated Seats, Black, non memory	BTR8507PMA	1		
		Change point - VIN begin MA647645, (+)"GCC"	Heated Seats, Black, RH, Memory	BTR8506PMA	1		
		Change point - VIN begin MA647645, (+)"GCC"	Less Heated Seats, Black, Memory	BTR8483PMA	1		
		Change point - VIN begin MA647645, (+)"GCC"	Less Heated Seats, Black, RH, Memory	BTR8506PMA	1		
2	Cover assembly-front seat squab	Change point - VIN begin MA647645, (+)"GCC"	Electric seats, Ash Grey, RH, Leather	BTR8608LNF	1		
		Change point - VIN begin MA647645, (+)"GCC"	Electric seats, RH, Dark Granite, Leather	BTR8608LOY	1		
		Change point - VIN begin MA647645, (+)"GCC"	Electric seats, RH, Sorrel Brown, Leather	BTR8608SUA	1		
		Change point - VIN begin MA647645, (+)"GCC"	Electric seats, Ash Grey, LH, Leather	BTR8607LNF	1		
		Change point - VIN begin MA647645, (+)"GCC"	Electric seats, Dark Granite, LH, Leather	BTR8607LOY	1		
		Change point - VIN begin MA647645, (+)"GCC"	Electric seats, Sorrel Brown, LH, Leather	BTR8607SUA	1		
		Change point - VIN begin MA647645, (+)"GCC"	Light Stone Beige, LH	BTR8607SMK	2		
		Change point - VIN begin MA647645, (+)"GCC"	RH, Light Stone Beige	BTR8608SMK	2		
		Change point - VIN begin MA647645, (+)"GCC"	Electric seats, Cloth, RH, Brogue, With Armrest	BTR8601AUE	1		
		Change point - VIN begin MA647645, (+)"GCC"	Electric seats, Cloth, RH, Dark Granite, With Armrest	BTR8601LOY	1		
		Change point - VIN begin MA647645, (+)"GCC"	Electric seats, Cloth, Brogue, With Armrest, LH	BTR8602AUE	1		
		Change point - VIN begin MA647645, (+)"GCC"	Electric seats, Cloth, Dark Granite, With Armrest, LH	BTR8602LOY	1		
		3	Cover assembly-front seat cushion	Change point - VIN begin MA647645, (+)"GCC"	Electric seats, Ash Grey, Leather	BTR7429LNF	2
				Change point - VIN begin MA647645, (+)"GCC"	Electric seats, Dark Granite, Leather	BTR7429LOY	2
Change point - VIN begin MA647645, (+)"GCC"	Electric seats, Sorrel Brown, Leather			BTR7429SUA	2		
Change point - VIN begin MA647645, (+)"GCC"	Light Stone Beige			BTR7429SMK	2		
Change point - VIN begin MA647645, (+)"GCC"	Electric seats, Cloth, Velour, Brogue			MXC4787AUE	2		
Change point - VIN begin MA647645, (+)"GCC"	Electric seats, Cloth, Dark Granite			MXC4787LOY	2		
4	Armrest assembly-front seat			Change point - VIN begin MA647645, (+)"GCC"	Electric seats, RH, Sorrel Brown, Leather	BTR7278SUA	1
				Change point - VIN begin MA647645, (+)"GCC"	Electric seats, Ash Grey, LH, Leather	BTR7277LNF	1
		Change point - VIN begin MA647645, (+)"GCC"	Electric seats, Dark Granite, LH, Leather	BTR7277LOY	1		
		Change point - VIN begin MA647645, (+)"GCC"	Electric seats, Sorrel Brown, LH, Leather	BTR7277SUA	1		
		Change point - VIN begin MA647645, (+)"GCC"	Electric seats, Grey, RH, Leather	BTR7278LNF	1		
		Change point - VIN begin MA647645, (+)"GCC"	Electric seats, Ash Grey, RH, Leather	BTR7278LOY	1		
		Change point - VIN begin MA647645, (+)"GCC"	Also serviced as part of a kit, RH, Light Stone Beige	BTR7278SMK	1		

Seats
Seating
Front-Electrical-From (V) MA647645 2/4

Range Rover (From JA610294)

(BDRXEE5A)



Range Rover (From JA610294)

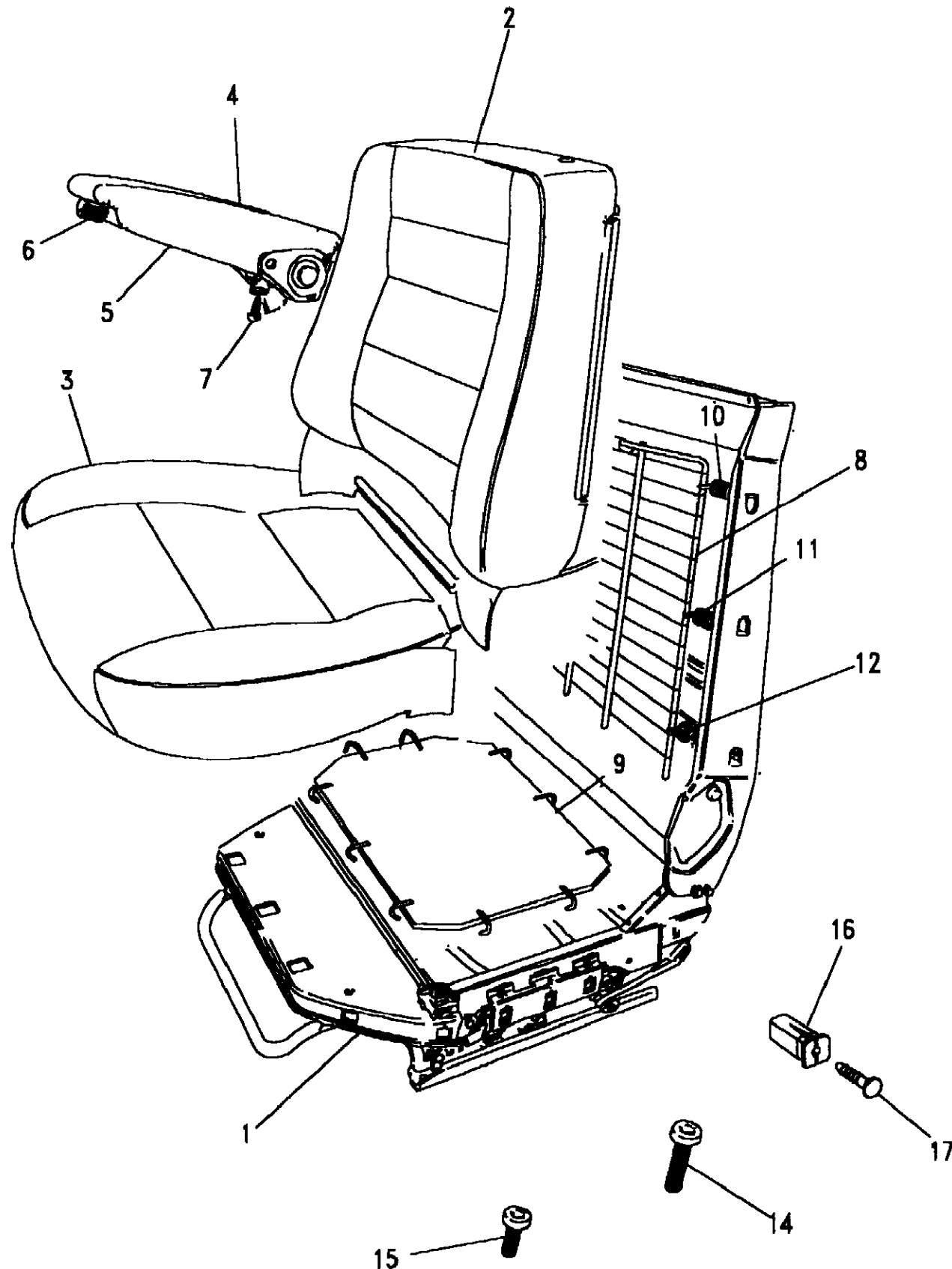
Seats
Seating
Front-Electrical-From (V) MA647645

Callout	Name	Application	Remarks & Restrictions	Service No.	Qty		
4	Armrest assembly-front seat	Change point - VIN begin MA647645, (+)"GCC"	Also serviced as part of a kit, Light Stone Beige, LH	BTR7277SMK	1		
		Change point - VIN begin MA647645, (+)"GCC"	Electric seats, Cloth, RH, Brogue	BTR7280AUE	1		
		Change point - VIN begin MA647645, (+)"GCC"	Electric seats, Cloth, RH, Dark Granite	BTR7280LOY	1		
		Change point - VIN begin MA647645, (+)"GCC"	Electric seats, Cloth, Brogue, LH	BTR7279AUE	1		
		Change point - VIN begin MA647645, (+)"GCC"	Electric seats, Cloth, Dark Granite, LH	BTR7279LOY	1		
		5	Cover-armrest-front seat	Change point - VIN begin MA647645, (+)"GCC"	Electric seats, Ash Grey, RH, Leather	BTR7284LNF	1
Change point - VIN begin MA647645, (+)"GCC"	Electric seats, RH, Dark Granite, Leather			BTR7284LOY	1		
Change point - VIN begin MA647645, (+)"GCC"	Electric seats, RH, Sorrel Brown, Leather			BTR7284SUA	1		
Change point - VIN begin MA647645, (+)"GCC"	Electric seats, Ash Grey, LH, Leather			BTR7285LNF	1		
Change point - VIN begin MA647645, (+)"GCC"	Electric seats, Dark Granite, LH, Leather			BTR7285LOY	1		
Change point - VIN begin MA647645, (+)"GCC"	Electric seats, Sorrel Brown, LH, Leather			BTR7285SUA	1		
Change point - VIN begin MA647645, (+)"GCC"	Also serviced as part of a kit, RH, Light Stone Beige			BTR7284SMK	1		
Change point - VIN begin MA647645, (+)"GCC"	Also serviced as part of a kit, Light Stone Beige, LH			BTR7285SMK	1		
Change point - VIN begin MA647645, (+)"GCC"	Cloth, RH, Brogue			BTR7286AUE	1		
Change point - VIN begin MA647645, (+)"GCC"	Cloth, RH, Dark Granite			BTR7286LOY	1		
Change point - VIN begin MA647645, (+)"GCC"	Cloth, Brogue, LH			BTR7287AUE	1		
Change point - VIN begin MA647645, (+)"GCC"	Cloth, Dark Granite, LH			BTR7287LOY	1		
6	Knob-front seat armrest adjuster			Change point - VIN begin MA647645, (+)"GCC"	Ash Grey	MUC1121LNF	2
				Change point - VIN begin MA647645, (+)"GCC"	Sorrel Brown	MUC1121SUA	2
		Change point - VIN begin MA647645, (+)"GCC"	Also serviced as part of a kit, Sorrel Brown	MUC1121SUA	2		
7	Screw	Change point - VIN begin MA647645, (+)"GCC"	armrest hinge	AB610061	2		
		Change point - VIN begin MA647645, (+)"GCC"	armrest to squab	AB610061	3		
8	Diaphragm-rear outer front seat	Change point - VIN begin MA647645, (+)"GCC"		MTC9943	2		
9	Diaphragm-rear outer front seat	Change point - VIN begin MA647645, (+)"GCC"		MTC9931	2		
10	Spring-front seat squab suspension	Change point - VIN begin MA647645, (+)"GCC"	top	MUC1515	2		
11	Spring-front seat squab suspension	Change point - VIN begin MA647645, (+)"GCC"	middle, Upper	MUC1516	2		

Seats
Seating
Front-Electrical-From (V) MA647645 3/4

Range Rover (From JA610294)

(BDRXEE5A)



Range Rover (From JA610294)

Seats
Seating
Front-Electrical-From (V) MA647645

Callout	Name	Application	Remarks & Restrictions	Service No.	Qty
12	Spring-front seat squab suspension	Change point - VIN begin MA647645, (+)"GCC"	middle, Lower	MUC3098	2
13	Spring-front seat squab suspension	Change point - VIN begin MA647645, (+)"GCC"	bottom	MUC1514	2
14	Screw	Change point - VIN begin MA647645, (+)"GCC"	seat slide to floor	AB610061	8
15	Screw	Change point - VIN begin MA647645, (+)"GCC"	seat slide to floor, Self Tapping, No 6 x 1/2	AB606044L	4
16	Nut-lokut-seal	Change point - VIN begin MA647645, (+)"GCC"		CZK3264	4
17	Fastener-drive	Change point - VIN begin MA647645, (+)"GCC"	Ash Grey	MRC4283LNF	4
		Change point - VIN begin MA647645, (+)"GCC"	Dark Granite	MRC4283LOY	4
		Change point - VIN begin MA647645, (+)"GCC"	Plastic, Sorrel Brown	MRC4283SUA	4
[900]	Seat-electric front	Change point - VIN begin MA647645, (+)"GCC"	Heated Seats, Ash Grey, RH, non memory, Leather	BTR7382LNF	1
		Change point - VIN begin MA647645, (+)"GCC"	Heated Seats, RH, Dark Granite, non memory, Leather	BTR7382LOY	1
		Change point - VIN begin MA647645, (+)"GCC"	Heated Seats, RH, non memory, Sorrel Brown, Leather	BTR7382SUA	1
		Change point - VIN begin MA647645, (+)"GCC"	Heated Seats, Ash Grey, non memory, LH, Leather	BTR7383LNF	1
		Change point - VIN begin MA647645, (+)"GCC"	Heated Seats, Dark Granite, non memory, LH, Leather	BTR7383LOY	1
		Change point - VIN begin MA647645, (+)"GCC"	Heated Seats, non memory, Sorrel Brown, LH, Leather	BTR7383SUA	1
		Change point - VIN begin MA647645, (+)"GCC"	Heated Seats, Ash Grey, RH, Memory, Leather	BTR7378LNF	1
		Change point - VIN begin MA647645, (+)"GCC"	Heated Seats, RH, Memory, Dark Granite, Leather	BTR7378LOY	1
		Change point - VIN begin MA647645, (+)"GCC"	Heated Seats, RH, Memory, Sorrel Brown, Leather	BTR7378SUA	1
		Change point - VIN begin MA647645, (+)"GCC"	Heated Seats, Grey, Memory, LH, Leather	BTR7379LNF	1
		Change point - VIN begin MA647645, (+)"GCC"	Heated Seats, Memory, Dark Granite, LH, Leather	BTR7379LOY	1
		Change point - VIN begin MA647645, (+)"GCC"	Heated Seats, Memory, Sorrel Brown, LH, Leather	BTR7379SUA	1
		Change point - VIN begin MA647645, (+)"GCC"	Memory, Light Stone Beige, Leather	BTR7381SMK	1
		Change point - VIN begin MA647645, (+)"GCC"	RH, non memory, Light Stone Beige, Leather	BTR7384SMK	1
		Change point - VIN begin MA647645, (+)"GCC"	Less Heated Seats, Cloth, RH, non memory, Brogue	BTR7328AUE	1
		Change point - VIN begin MA647645, (+)"GCC"	Less Heated Seats, Cloth, RH, Dark Granite, non memory	BTR7328LOY	1
		Change point - VIN begin MA647645, (+)"GCC"	Less Heated Seats, Cloth, non memory, Brogue, LH	BTR7329AUE	1

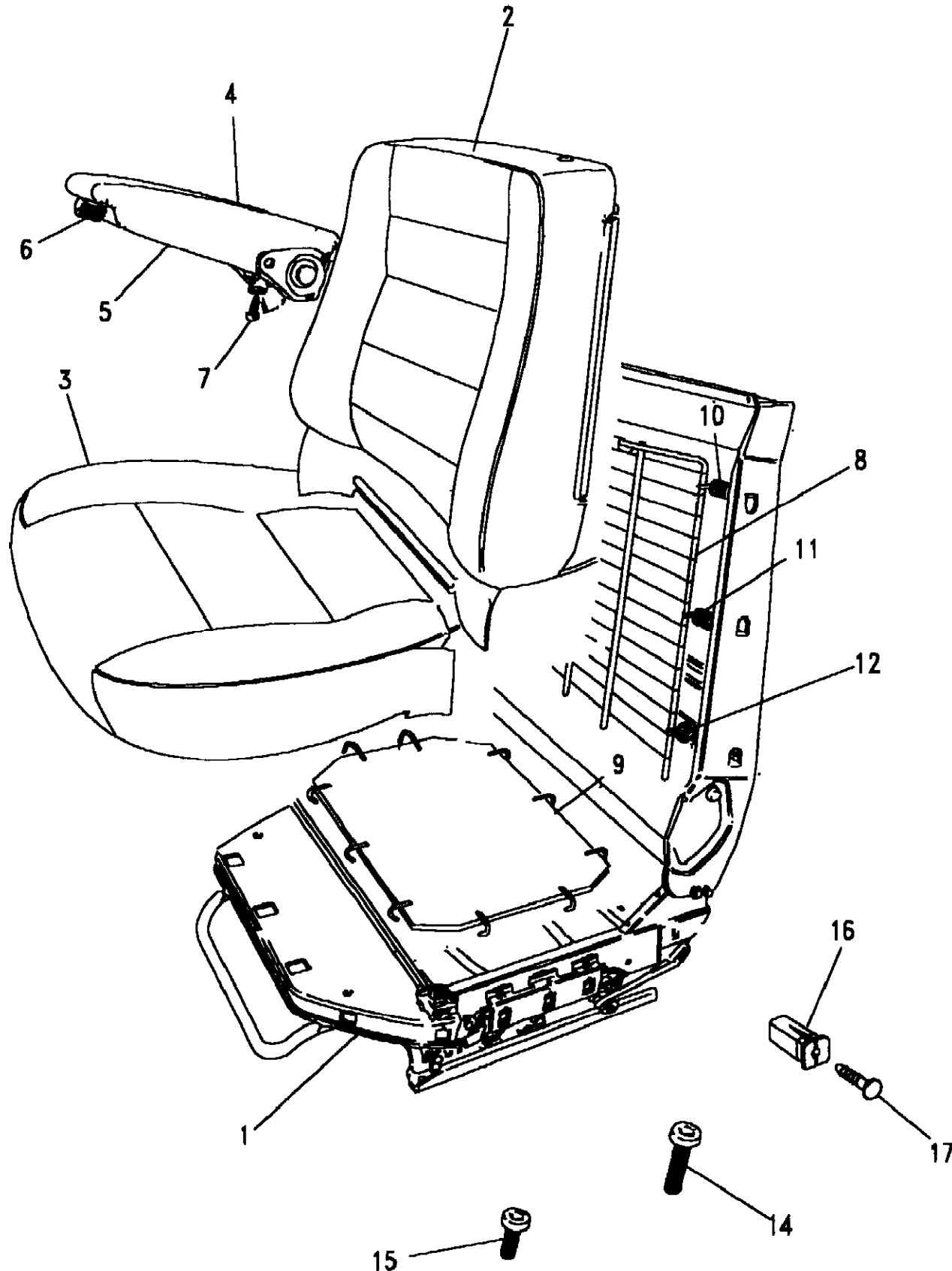
Seats
Seating
Front-Electrical-From (V) MA647645 4/4

Range Rover (From JA610294)

(BDRXEE5A)

Range Rover (From JA610294)

Seats
Seating
Front-Electrical-From (V) MA647645



Callout	Name	Application	Remarks & Restrictions	Service No.	Qty		
[900]	Seat-electric front	Change point - VIN begin MA647645, (+)"GCC"	Less Heated Seats, Cloth, Dark Granite, non memory, LH	BTR7329LOY	1		
		Change point - VIN begin MA647645, (+)"GCC"	Heated Seats, Cloth, RH, non memory, Brogue	BTR7326AUE	1		
		Change point - VIN begin MA647645, (+)"GCC"	Heated Seats, Cloth, RH, Dark Granite, non memory	BTR7326LOY	1		
		Change point - VIN begin MA647645, (+)"GCC"	Heated Seats, Cloth, non memory, Brogue, LH	BTR7327AUE	1		
		Change point - VIN begin MA647645, (+)"GCC"	Heated Seats, Cloth, Dark Granite, non memory, LH	BTR7327LOY	1		
		Change point - VIN begin MA647645, (+)"GCC"	Less Heated Seats, Cloth, RH, Memory, Brogue	BTR7332AUE	1		
		Change point - VIN begin MA647645, (+)"GCC"	Less Heated Seats, Cloth, RH, Memory, Dark Granite	BTR7332LOY	1		
		Change point - VIN begin MA647645, (+)"GCC"	Less Heated Seats, Cloth, Memory, Brogue, LH	BTR7333AUE	1		
		Change point - VIN begin MA647645, (+)"GCC"	Less Heated Seats, Cloth, Memory, Dark Granite, LH	BTR7333LOY	1		
		Change point - VIN begin MA647645, (+)"GCC"	Heated Seats, Cloth, RH, Memory, Brogue	BTR7330AUE	1		
		Change point - VIN begin MA647645, (+)"GCC"	Heated Seats, Cloth, RH, Memory, Dark Granite	BTR7330LOY	1		
		Change point - VIN begin MA647645, (+)"GCC"	Heated Seats, Cloth, Memory, Brogue, LH	BTR7331AUE	1		
		Change point - VIN begin MA647645, (+)"GCC"	Heated Seats, Cloth, Memory, Dark Granite, LH	BTR7331LOY	1		
		[901]	Nut-lokut	Change point - VIN begin MA647645, (+)"GCC"		CZK3264L	3

Seats
Seating
Front-Electrical-Overlay-From (V) MA647644 1/1

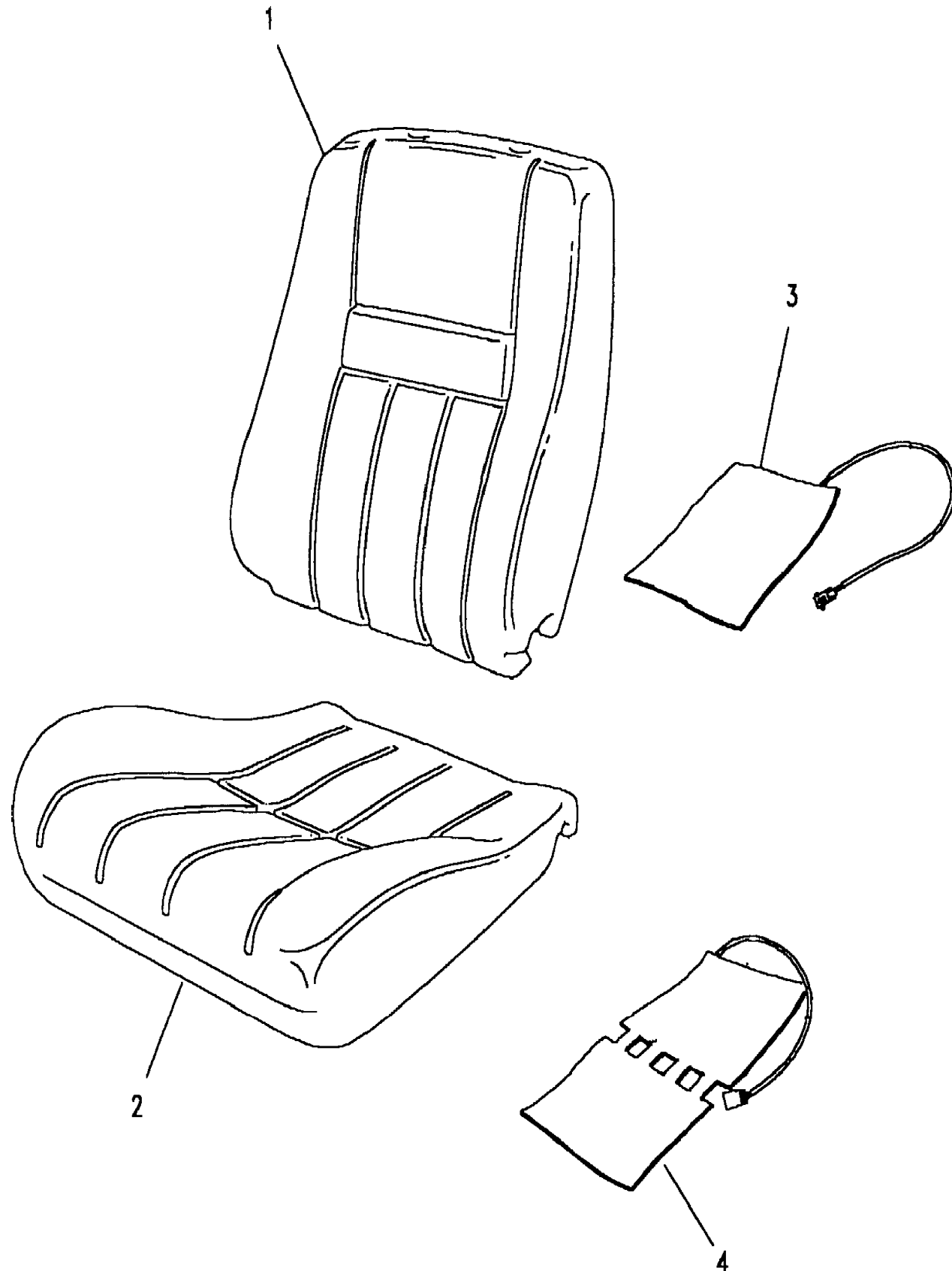
Range Rover (From JA610294)

(BDRXEE5B)

Range Rover (From JA610294)

Seats
Seating
Front-Electrical-Overlay-From (V) MA647644

Callout	Name	Application	Remarks & Restrictions	Service No.	Qty
1	Foam-squab	Change point - VIN begin MA647645	Electric seats	BTR8494	1
2	Foam cushion	Change point - VIN begin MA647645	Electric seats	MXC3332	1
3	Pad-heated seat	Change point - VIN begin MA647645	Electric seats	MXC5228	1
4	Pad heated seat	Change point - VIN begin MA647645 Change point - VIN begin MA647645	Electric seats, LH	BTR1216	1
			Electric seats, RH	BTR1561	1



Seats
Seating
Front-Electrical-Overlay-To (V) LA647644 1/1

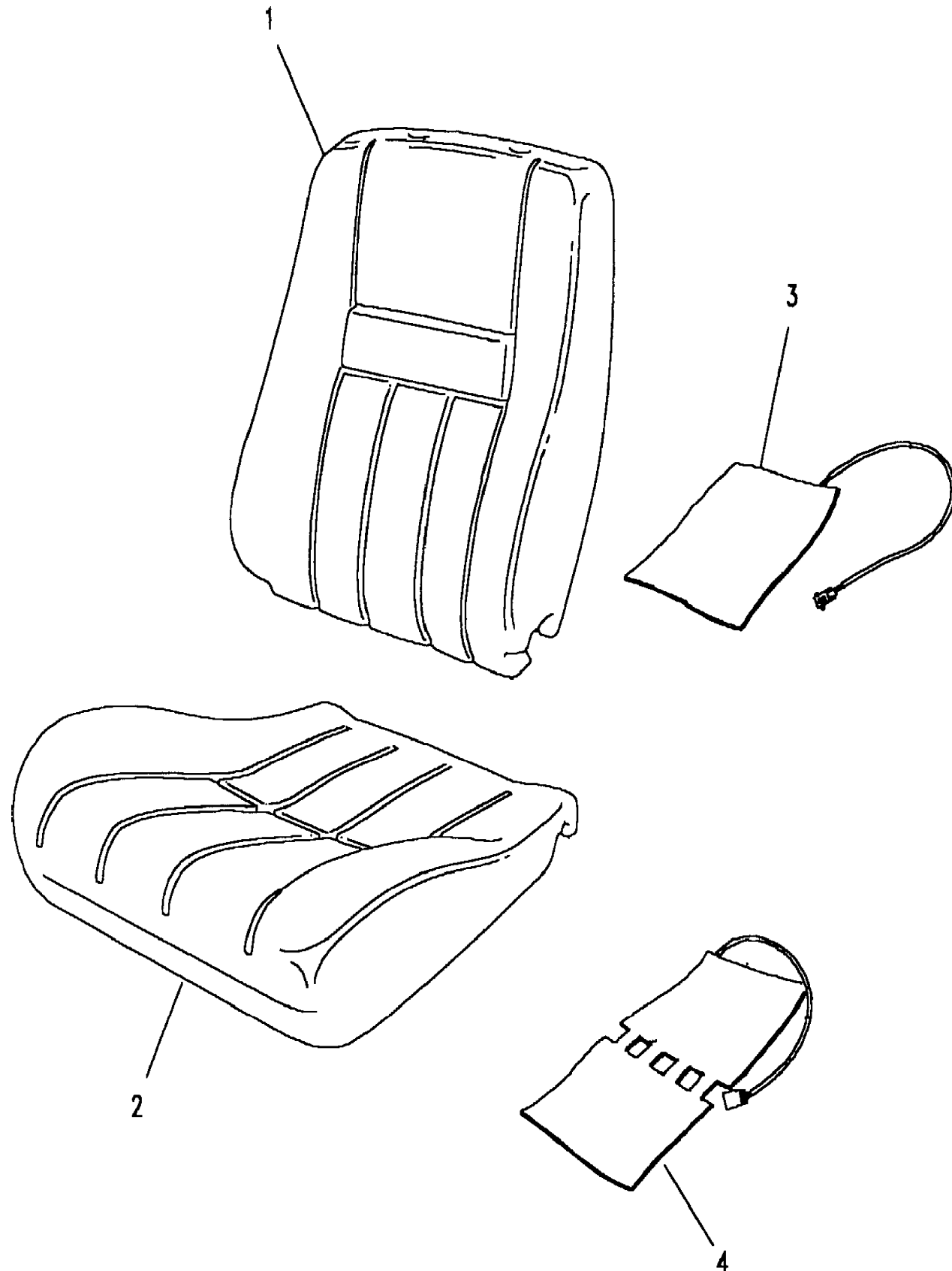
Range Rover (From JA610294)

(BDRXEE5B)

Range Rover (From JA610294)

Seats
Seating
Front-Electrical-Overlay-To (V) LA647644

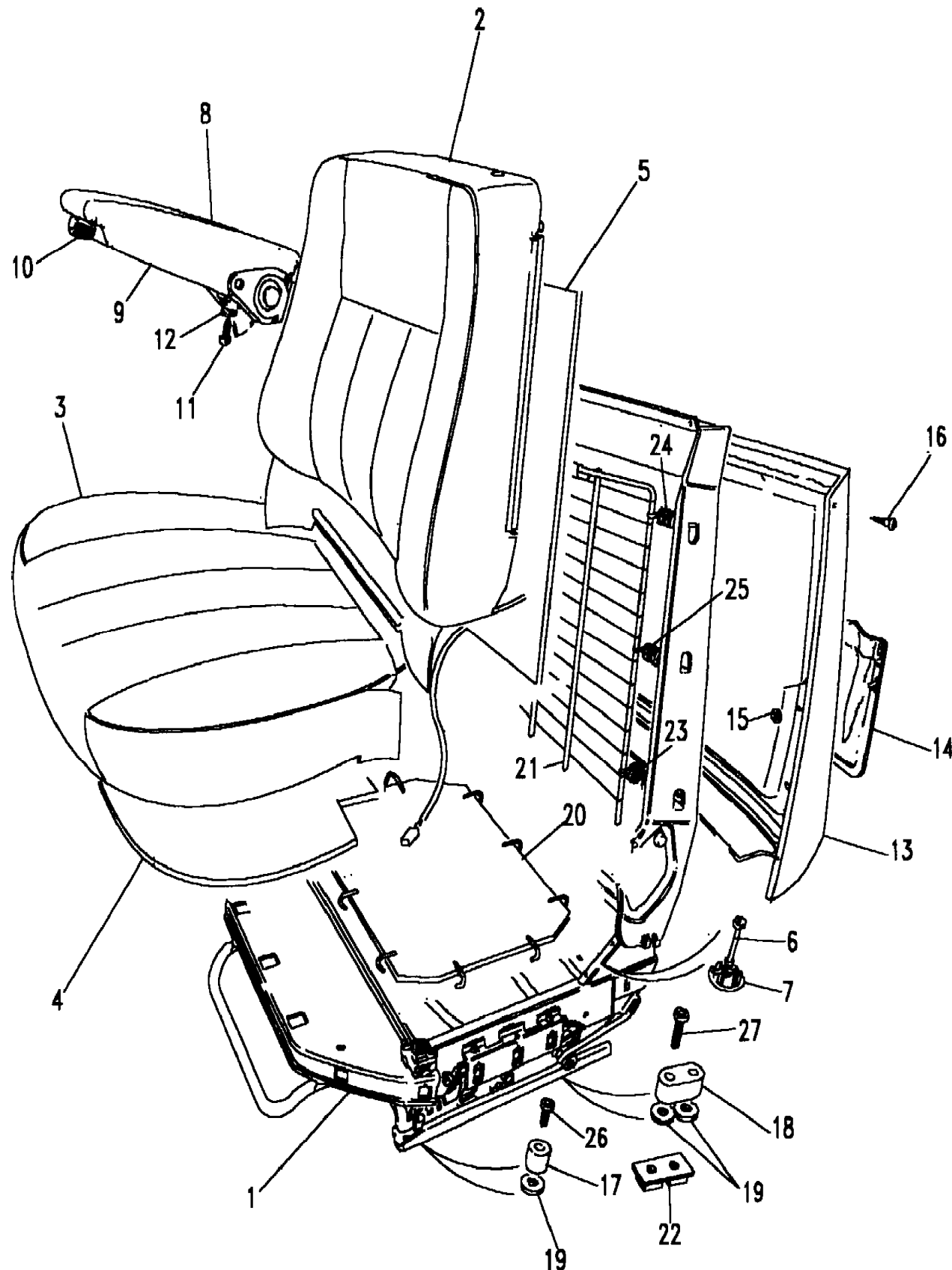
Callout	Name	Application	Remarks & Restrictions	Service No.	Qty
1	Foam-squab	Change point - VIN end LA647644	Electric seats	MXC6462	1
2	Foam cushion	Change point - VIN end LA647644	Electric seats	MXC3333	1
3	Pad-heated seat	Change point - VIN end LA647644	Electric seats	MXC5228	1
4	Pad heated seat	Change point - VIN end LA647644 Change point - VIN end LA647644	Electric seats, LH	BTR1216	1
			Electric seats, RH	BTR1561	1



Seats
Seating
Front-Heated-Memory 1/4

Range Rover (From JA610294)

(BDRXEE2A)



Range Rover (From JA610294)

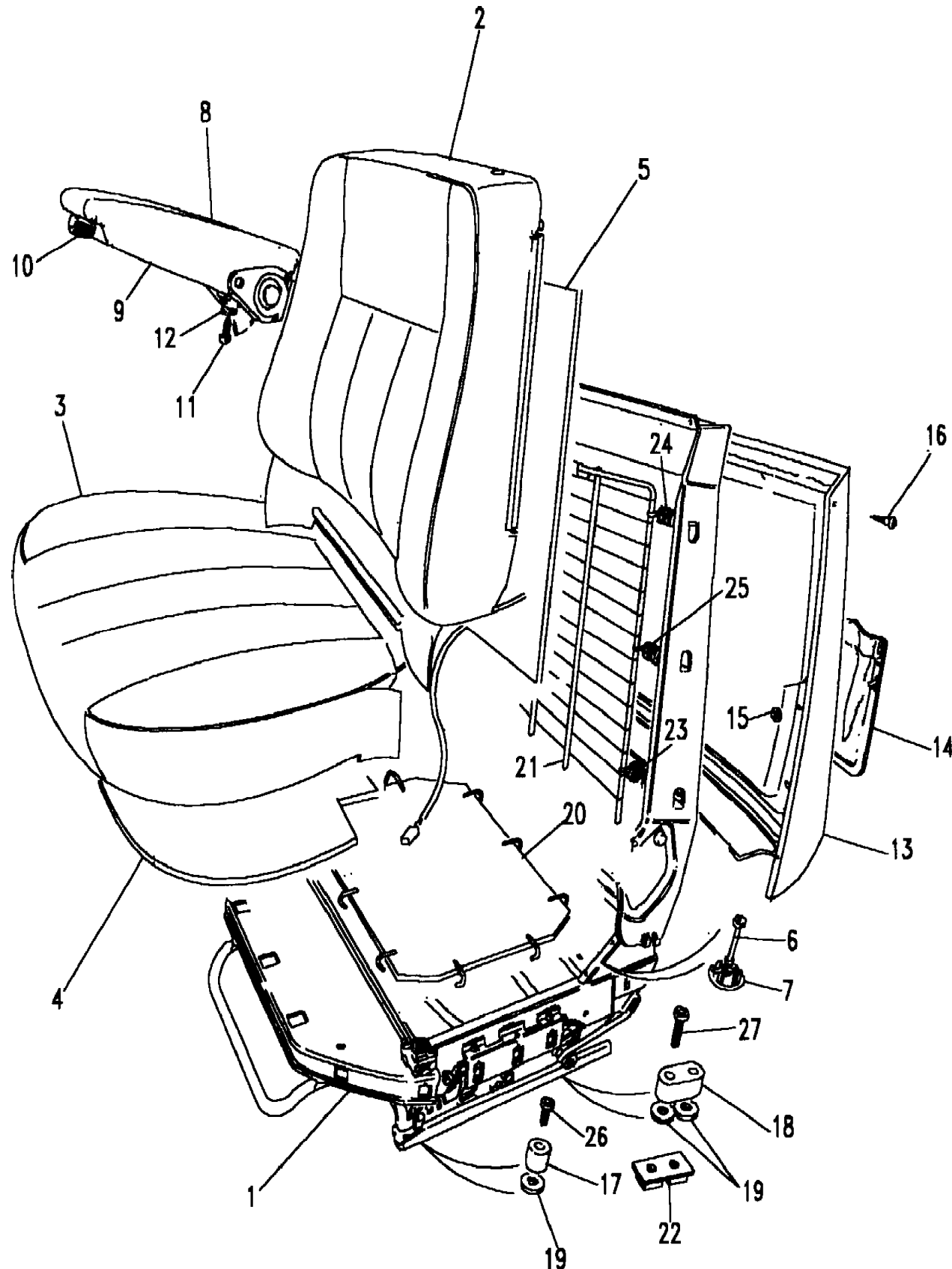
Seats
Seating
Front-Heated-Memory

Callout	Name	Application	Remarks & Restrictions	Service No.	Qty
1	Frame assembly-seat front	Change point - VIN end MA647644	Heated Seats, Memory Seats, Black, non memory	BTR2671PMA	2
		Change point - VIN begin MA647645	Heated Seats, Memory Seats, Black, non memory	BTR8507PMA	2
		Change point - VIN end MA647644	Heated Seats, Memory Seats, Black, Memory	BTR2670PMA	2
		Change point - VIN begin MA647645	Heated Seats, Memory Seats, Black, RH, Memory	BTR8506PMA	2
		Change point - VIN end LA647644	Heated Seats, Memory Seats, Black, non memory	BTR2671PMA	2
		Change point - VIN end LA647644	Heated Seats, Memory Seats, Black, Memory	BTR2670PMA	2
		2	Cover assembly-front seat squab	Change point - VIN end MA647644	Heated Seats, Memory Seats, Light Stone Beige
Change point - VIN begin MA647645	Heated Seats, Memory Seats, RH, Light Stone Beige			BTR8608SMK	2
Change point - VIN begin MA647645	Heated Seats, Memory Seats, Light Stone Beige, LH			BTR8607SMK	2
108" (2743mm) Wheelbase	Heated Seats, Memory Seats, Tan			BTR1940AUK	2
3	Cover assembly-front seat cushion			Change point - VIN end MA647644	Heated Seats, Memory Seats, Light Stone Beige
		Change point - VIN begin MA647645	Heated Seats, Memory Seats, Light Stone Beige	BTR7429SMK	2
		108" (2743mm) Wheelbase	Heated Seats, Memory Seats, Tan	BTR1939AUK	2
4	Pad heated seat		Heated Seats, Memory Seats, RH	STC514	1
			Heated Seats, Memory Seats, LH	STC420	1
5	Pad heated seat		Heated Seats, Memory Seats	STC422	1
6	Clip-trim retention		Heated Seats, Memory Seats	AFU4056	4
7	Washer		Heated Seats, Memory Seats	BRC5803	8
8	Armrest assembly-front seat	Change point - VIN end MA647644	Heated Seats, Memory Seats, Also serviced as part of a kit, RH, Light Stone Beige	BTR8174SMK	1
		Change point - VIN begin MA647645	Heated Seats, Memory Seats, Also serviced as part of a kit, RH, Light Stone Beige	BTR7278SMK	1
		Change point - VIN end MA647644	Heated Seats, Memory Seats, Also serviced as part of a kit, Light Stone Beige, LH	BTR8173SMK	1
		Change point - VIN begin MA647645	Heated Seats, Memory Seats, Also serviced as part of a kit, Light Stone Beige, LH	BTR7277SMK	1

Seats
Seating
Front-Heated-Memory 2/4

Range Rover (From JA610294)

(BDRXEE2A)



Range Rover (From JA610294)

Seats
Seating
Front-Heated-Memory

Callout	Name	Application	Remarks & Restrictions	Service No.	Qty
8	Armrest assembly-front seat	Change point - VIN end LA647644	Heated Seats, Memory Seats, Also serviced as part of a kit, RH, Tan	BTR8184AUK	1
		Change point - VIN end LA647644	Heated Seats, Memory Seats, Also serviced as part of a kit, LH, Tan	BTR8183AUK	1
9	Cover-armrest-front seat	Change point - VIN end MA647644	Heated Seats, Memory Seats, Also serviced as part of a kit, RH, Light Stone Beige	BTR8176SMK	1
		Change point - VIN begin MA647645	Heated Seats, Memory Seats, Also serviced as part of a kit, RH, Light Stone Beige	BTR7284SMK	1
		Change point - VIN end MA647644	Heated Seats, Memory Seats, Also serviced as part of a kit, Light Stone Beige, LH	BTR8175SMK	1
		Change point - VIN begin MA647645	Heated Seats, Memory Seats, Also serviced as part of a kit, Light Stone Beige, LH	BTR7285SMK	1
		Change point - VIN end KA636296	Heated Seats, Memory Seats, Also serviced as part of a kit, RH, Tan	BTR2770AUK	1
		Change point - VIN begin KA636297	Heated Seats, Memory Seats, Also serviced as part of a kit, RH, Tan	BTR8186AUK	1
		Change point - VIN end KA636296	Heated Seats, Memory Seats, Also serviced as part of a kit, LH, Tan	BTR2769AUK	1
		Change point - VIN begin KA636297	Heated Seats, Memory Seats, Also serviced as part of a kit, LH, Tan	BTR8185AUK	1
		10	Knob-front seat armrest adjuster	Change point - VIN end MA647644	Heated Seats, Memory Seats, Also serviced as part of a kit, Sorrel Brown
Change point - VIN end LA647644	Heated Seats, Memory Seats, Also serviced as part of a kit, Tan			MUC1121AUK	2
11	Screw		Heated Seats, Memory Seats, armrest to squab, hexagonal head, 5/16UNF x 3/4	SH605061L	4
		Change point - VIN end LA647644	Heated Seats, Memory Seats, hexagonal head, 5/16UNF x 3/4	SH605061L	4
12	Washer-Spring		Heated Seats, Memory Seats, 5/16"	WM600051L	4
13	Backboard-front seat		Heated Seats, Memory Seats, Also serviced as part of a kit, Sorrel Brown, Leather	MWC8594SUA	2
		Change point - VIN end LA647644	Heated Seats, Memory Seats, Also serviced as part of a kit, Tan	MWC8594AUK	2

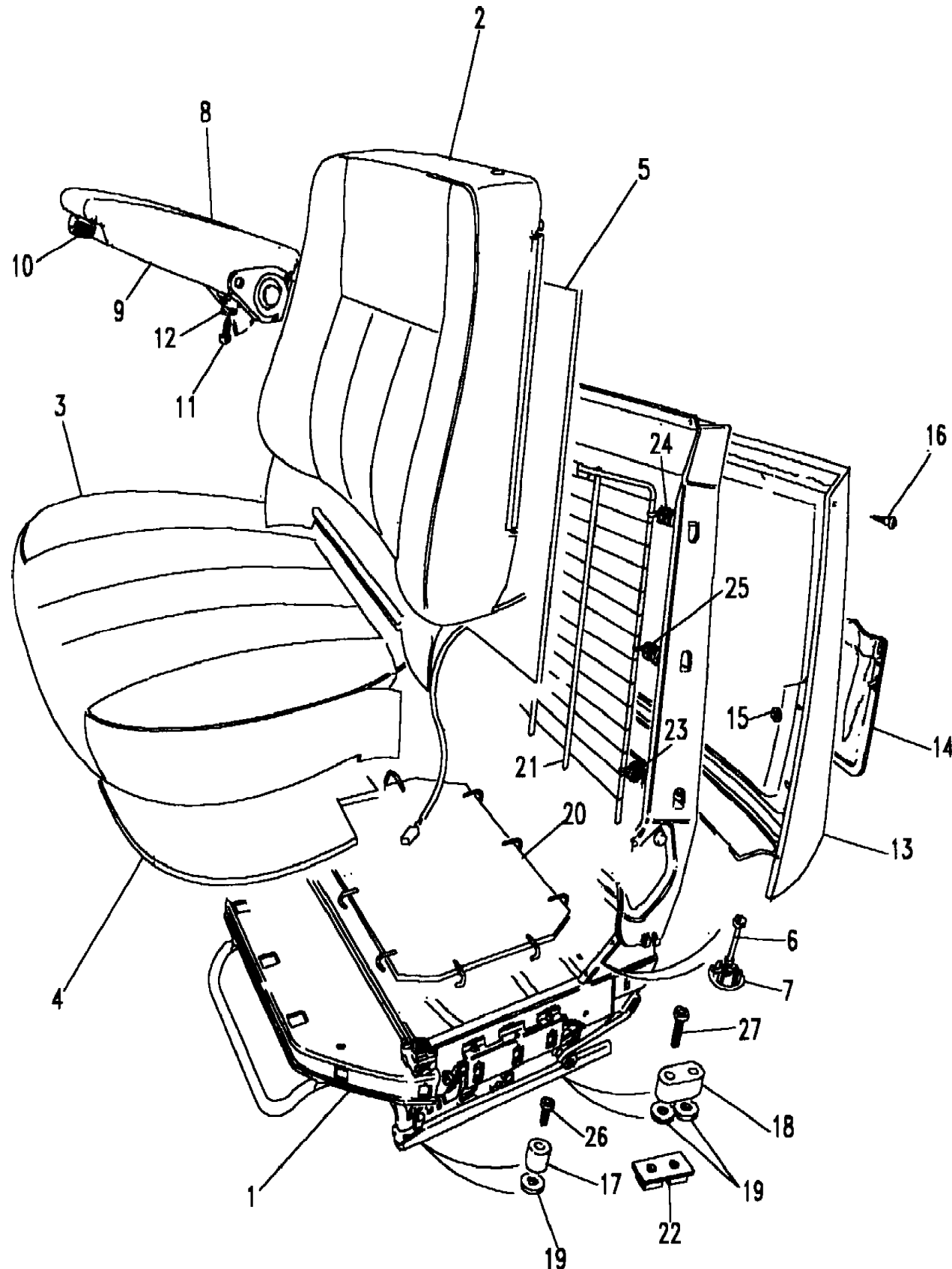
Seats
Seating
Front-Heated-Memory 3/4

Range Rover (From JA610294)

(BDRXEE2A)

Range Rover (From JA610294)

Seats
Seating
Front-Heated-Memory



Callout	Name	Application	Remarks & Restrictions	Service No.	Qty
14	Lining-front seat squab pocket	Change point - VIN end LA647644	Heated Seats, Memory Seats, Also serviced as part of a kit, Tan	MWC8653AUK	2
15	Retainer		Heated Seats, Memory Seats	AN104041L	12
16	Screw	Change point - VIN end LA647644	Heated Seats, Memory Seats, seat back to seat frame	DA606061L	4
			Heated Seats, Memory Seats	DA606061L	4
17	Spacer		Heated Seats, Memory Seats, Front	MWC 1388	4
18	Spacer		Heated Seats, Memory Seats, Rear	MWC 1389	4
19	Washer-fibre		Heated Seats, Memory Seats	MWC4804	6
20	Diaphragm-rear outer front seat		Heated Seats, Memory Seats	MTC9931	1
21	Diaphragm-rear outer front seat		Heated Seats, Memory Seats	MTC9943	1
22	Nut - Hex.		Heated Seats, Memory Seats	MWC2422	2
23	Spring-front seat squab suspension		Heated Seats, Memory Seats, bottom	MUC1514	2
24	Spring-front seat squab suspension		Heated Seats, Memory Seats, top	MUC1515	2
25	Spring-front seat squab suspension		Heated Seats, Memory Seats, middle, Upper	MUC1516	2
26	Screw-hexagon socket		Heated Seats, Memory Seats, seat slide to floor, Front	SB108201L	12
27	Screw		Heated Seats, Memory Seats, seat slide to floor, Rear	SB108401	12
[900]	Cover-armrest-front seat		Heated Seats, Memory Seats, LH, Tan	BTR8185AUK	1
[901]	Seat-electric front	Change point - VIN end MA647644	Heated Seats, Memory Seats, RH, non memory, Light Stone Beige, Leather	BTR8372SMK	1
		Change point - VIN begin MA647645	Heated Seats, Memory Seats, RH, non memory, Light Stone Beige, Leather	BTR7382SMK	1
		Change point - VIN end MA647644	Heated Seats, Memory Seats, non memory, Light Stone Beige, LH, Leather	BTR8373SMK	1

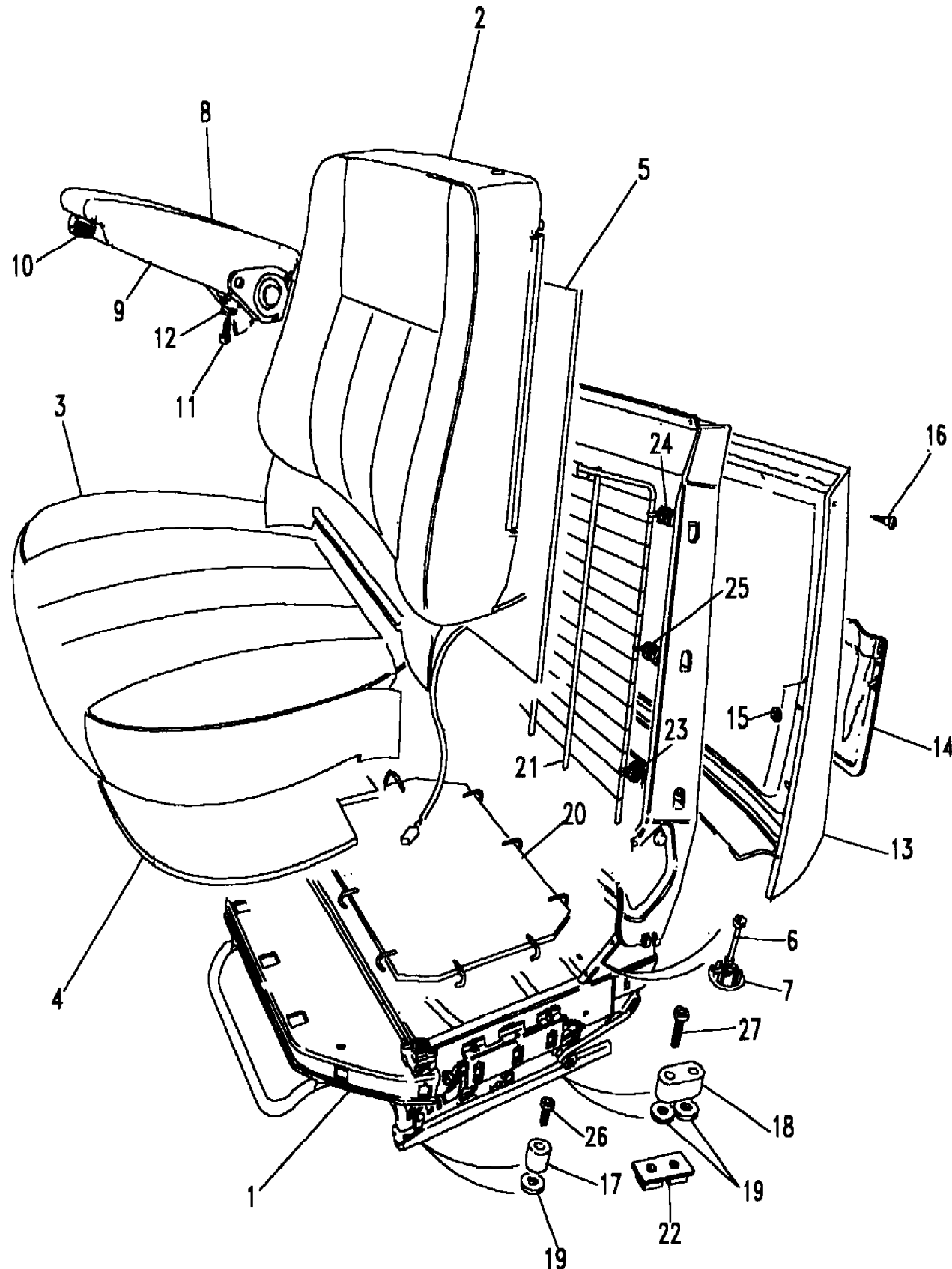
Seats
Seating
Front-Heated-Memory 4/4

Range Rover (From JA610294)

(BDRXEE2A)

Range Rover (From JA610294)

Seats
Seating
Front-Heated-Memory



Callout	Name	Application	Remarks & Restrictions	Service No.	Qty
[901]	Seat-electric front	Change point - VIN begin MA647645	Heated Seats, Memory Seats, non memory, Light Stone Beige, LH, Leather	BTR7383SMK	1
		Change point - VIN end MA647644	Heated Seats, Memory Seats, RH, Memory, Light Stone Beige, Leather	BTR8376SMK	1
		Change point - VIN begin MA647645	Heated Seats, Memory Seats, RH, Memory, Light Stone Beige, Leather	BTR7378SMK	1
		Change point - VIN end MA647644	Heated Seats, Memory Seats, Memory, Light Stone Beige, LH, Leather	BTR8377SMK	1
		Change point - VIN begin MA647645	Heated Seats, Memory Seats, Memory, Light Stone Beige, LH, Leather	BTR7379SMK	1
		Change point - VIN end KA640177, 108" (2743mm) Wheelbase	Heated Seats, Memory Seats, RH, non memory, Tan	BTR1936AUK	1
		Change point - VIN end KA640177, 108" (2743mm) Wheelbase	Heated Seats, Memory Seats, non memory, LH, Tan	BTR1935AUK	1
		Change point - VIN begin KA640178, Change point - VIN end LA647644, 108" (2743mm) Wheelbase	Heated Seats, Memory Seats, RH, non memory, Tan	BTR8428AUK	1
		Change point - VIN begin KA640178, Change point - VIN end LA647644, 108" (2743mm) Wheelbase	Heated Seats, Memory Seats, non memory, LH, Tan	BTR8429AUK	1
		Change point - VIN end KA640177, 108" (2743mm) Wheelbase	Heated Seats, Memory Seats, RH, Memory, Tan	BTR1938AUK	1
		Change point - VIN end KA640177, 108" (2743mm) Wheelbase	Heated Seats, Memory Seats, Memory, LH, Tan	BTR1937AUK	1
		Change point - VIN begin KA640178, Change point - VIN end LA647644, 108" (2743mm) Wheelbase	Heated Seats, Memory Seats, RH, Memory, Tan	BTR8418AUK	1
		Change point - VIN begin KA640178, Change point - VIN end LA647644, 108" (2743mm) Wheelbase	Heated Seats, Memory Seats, Memory, LH, Tan	BTR8419AUK	1

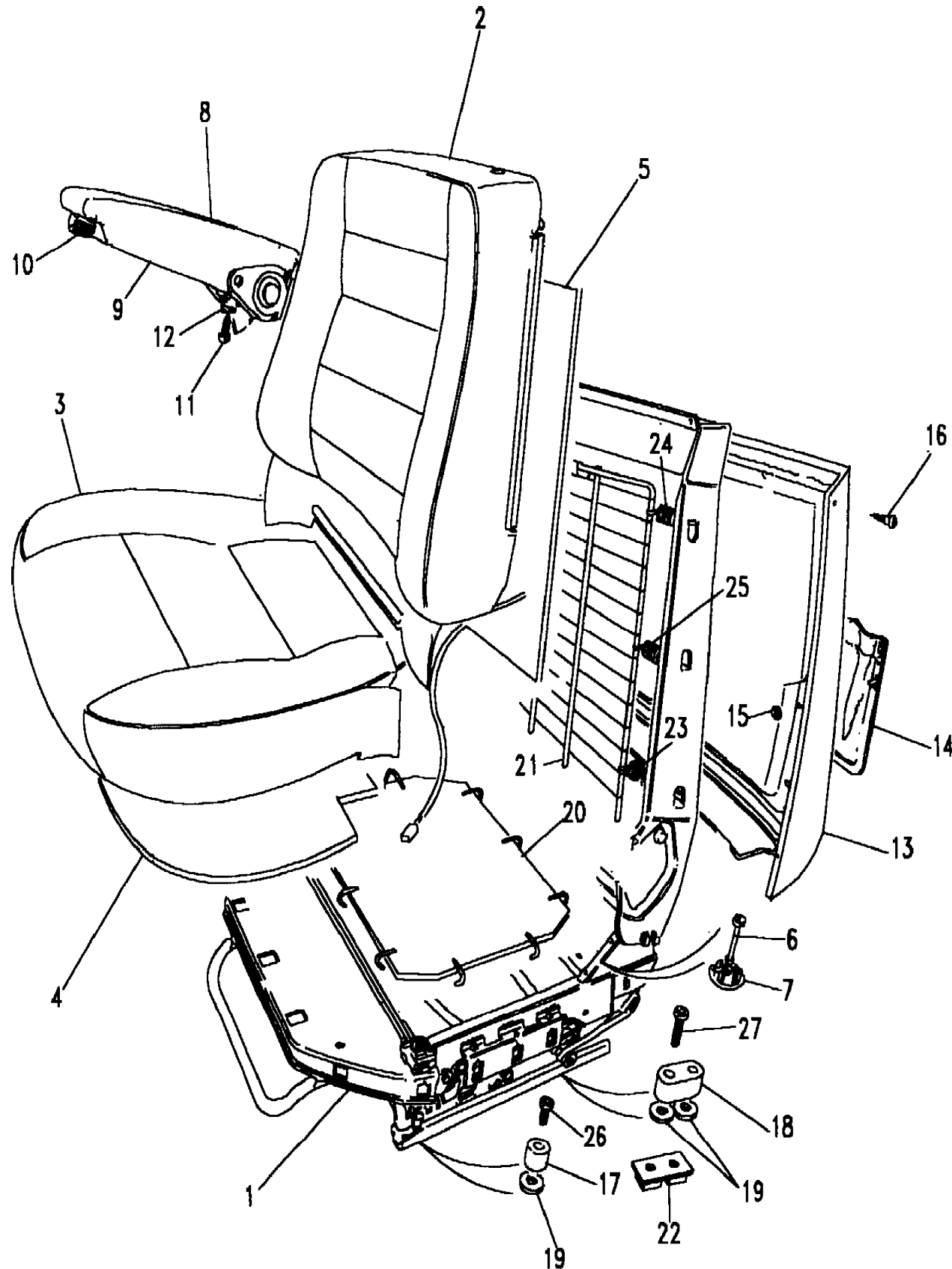
Seats
Seating
Front-Heated-Memory (Cont.) 1/3

Range Rover (From JA610294)

(BDRXEE3A)

Range Rover (From JA610294)

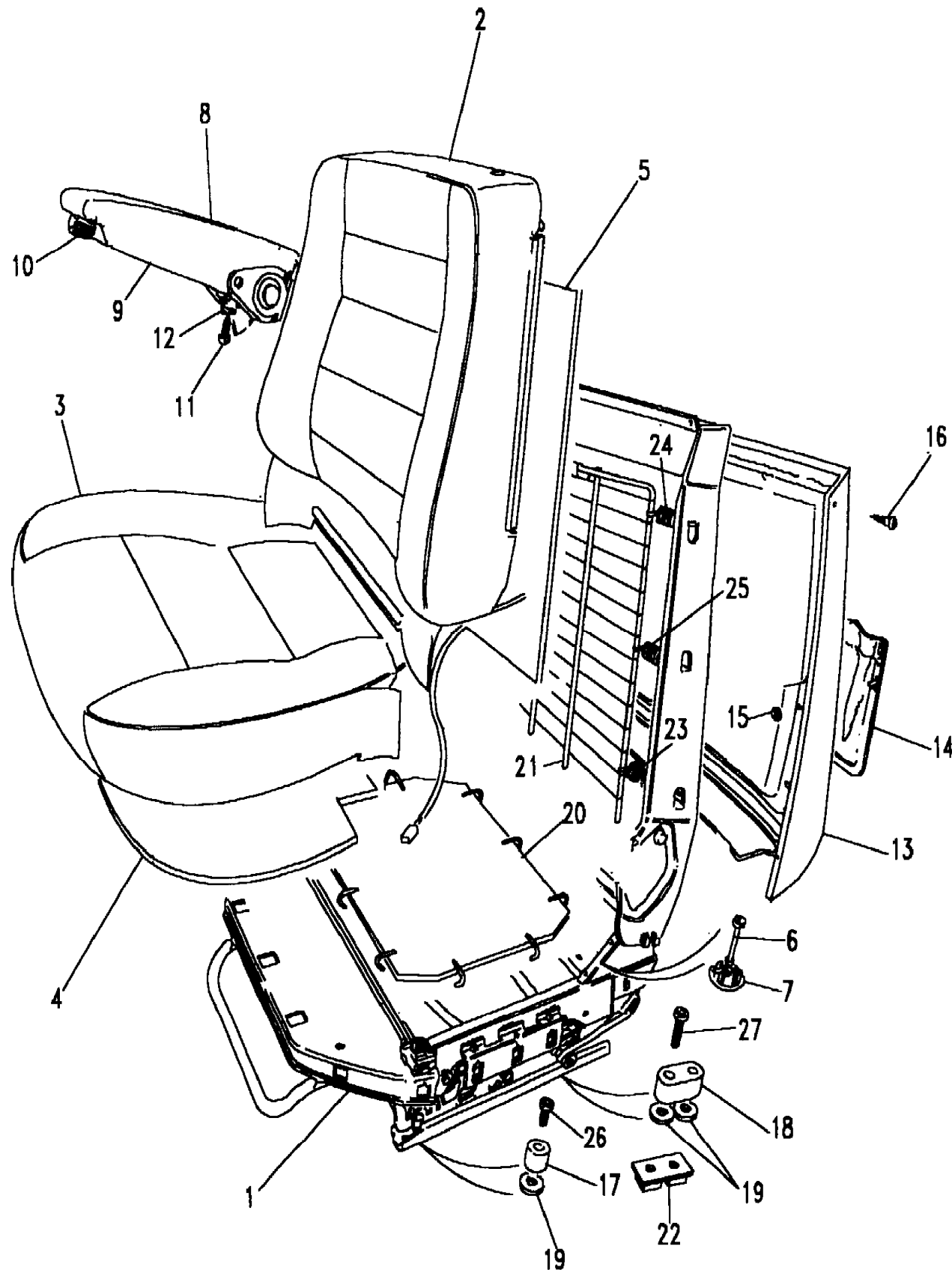
Seats
Seating
Front-Heated-Memory (Cont.)



Callout	Name	Application	Remarks & Restrictions	Service No.	Qty
1	Frame assembly-seat front	Change point - VIN end LA647644, 108" (2743mm) Wheelbase	Heated Seats, Memory Seats, Black, non memory	BTR2671PMA	2
		Change point - VIN end LA647644, 108" (2743mm) Wheelbase	Heated Seats, Memory Seats, Black, Memory	BTR2670PMA	2
2	Cover assembly-front seat squab	108" (2743mm) Wheelbase	Heated Seats, Memory Seats, Sable, Leather	BTR726RWD	2
3	Cover assembly-front seat cushion	108" (2743mm) Wheelbase	Heated Seats, Memory Seats, Sable, Leather	BTR724RWD	2
4	Pad heated seat	108" (2743mm) Wheelbase	Heated Seats, Memory Seats, RH	STC514	1
		108" (2743mm) Wheelbase	Heated Seats, Memory Seats, LH	STC420	1
5	Pad heated seat	Change point - VIN end KA647644	Heated Seats, Memory Seats	STC422	1
6	Clip-trim retention	Change point - VIN end KA647644	Heated Seats, Memory Seats	AFU4056	4
7	Washer	Change point - VIN end KA647644	Heated Seats, Memory Seats	BRC5803	8
8	Armrest assembly-front seat	Change point - VIN end KA636296	Heated Seats, Memory Seats, Also serviced as part of a kit, RH, Sable, Leather	MWC5090RWD	1
		Change point - VIN end KA636296	Heated Seats, Memory Seats, Also serviced as part of a kit, LH, Sable, Leather	MWC5091RWD	1
		Change point - VIN begin KA636297, Change point - VIN end LA647644	Heated Seats, Memory Seats, Also serviced as part of a kit, RH, Sable, Leather	BTR8174RWD	1
		Change point - VIN begin KA636297, Change point - VIN end LA647644	Heated Seats, Memory Seats, Also serviced as part of a kit, LH, Sable, Leather	BTR8173RWD	1
		Change point - VIN begin KA636297	Heated Seats, Memory Seats, Also serviced as part of a kit, LH, Sable, Leather	BTR8175RWD	1
9	Cover-armrest-front seat	Change point - VIN end KA636296	Heated Seats, Memory Seats, Also serviced as part of a kit, RH, Sable, Leather	MWC5088RWD	1
		Change point - VIN end KA636296	Heated Seats, Memory Seats, Also serviced as part of a kit, LH, Sable, Leather	MWC5089RWD	1
		Change point - VIN begin KA636297	Heated Seats, Memory Seats, Also serviced as part of a kit, RH, Sable, Leather	BTR8176RWD	1
		Change point - VIN begin KA636297	Heated Seats, Memory Seats, Also serviced as part of a kit, LH, Sable, Leather	BTR8175RWD	1
10	Knob-front seat armrest adjuster		Heated Seats, Memory Seats, Also serviced as part of a kit, Sable	MUC1121RWD	2
11	Screw		Heated Seats, Memory Seats, armrest hinge, hexagonal head, 5/16UNF x 3/4	SH605061L	4

Range Rover (From JA610294)

(BDRXEE3A)



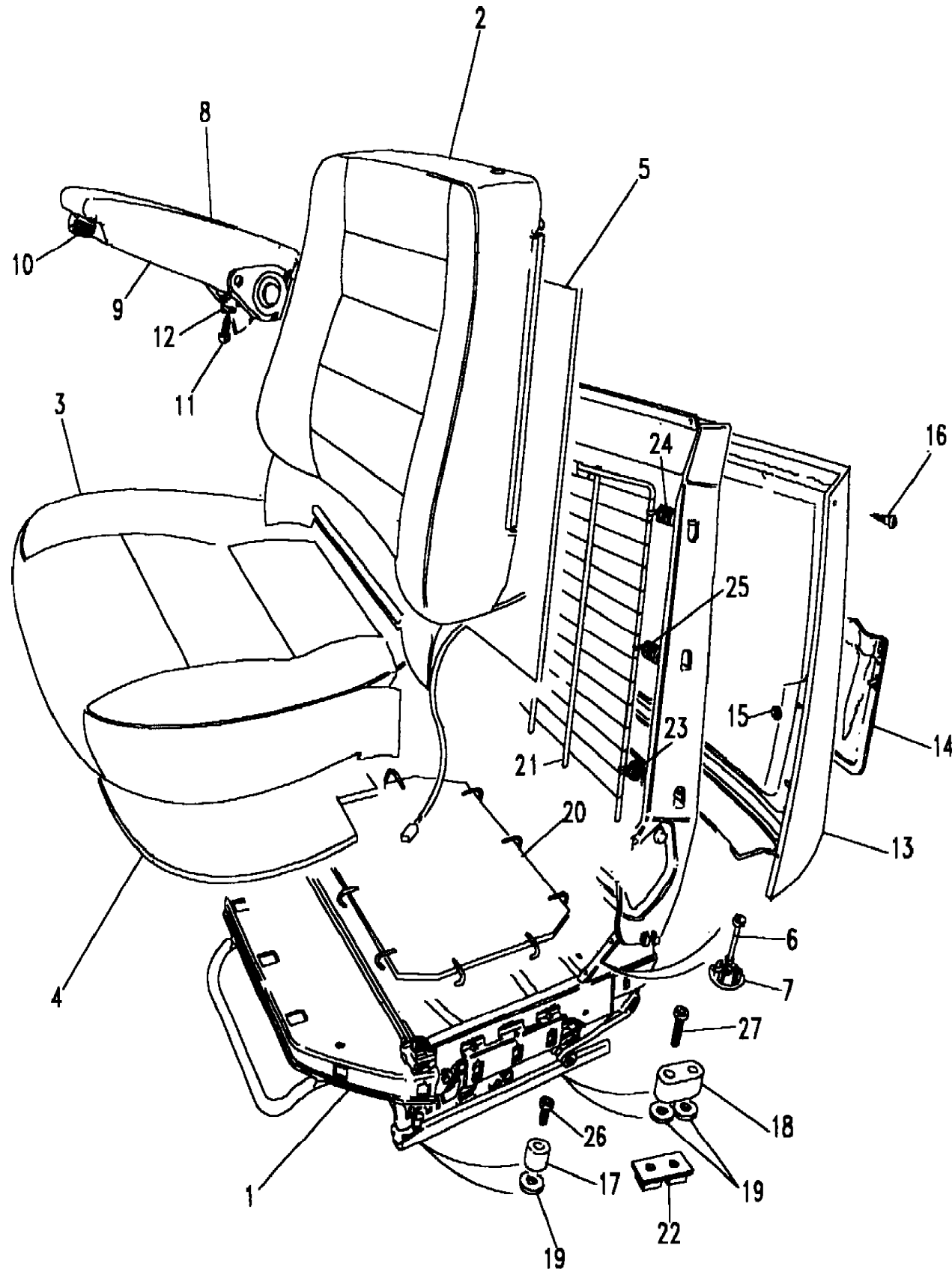
Range Rover (From JA610294)

Callout	Name	Application	Remarks & Restrictions	Service No.	Qty
12	Washer-Spring		Heated Seats, Memory Seats, 5/16"	WM600051L	4
13	Backboard-front seat		Heated Seats, Memory Seats, Also serviced as part of a kit, Sable, Leather	MWC8594RWD	2
14	Pocket-seat back		Heated Seats, Memory Seats, Also serviced as part of a kit, Sable, Leather	MWC8653RWD	2
15	Retainer		Heated Seats, Memory Seats	AN104041L	12
16	Screw		Heated Seats, Memory Seats, seat back to seat frame	DA606061L	4
17	Spacer		Heated Seats, Memory Seats, Front	MWC 1388	4
18	Spacer		Heated Seats, Memory Seats, Rear	MWC 1389	4
19	Washer-fibre	Change point - VIN end LA647644	Heated Seats, Memory Seats	MWC4804	6
20	Diaphragm-rear outer front seat	Change point - VIN end LA647644	Heated Seats, Memory Seats	MTC9931	1
21	Diaphragm-rear outer front seat	Change point - VIN end LA647644	Heated Seats, Memory Seats	MTC9943	1
22	Nut - Hex.	Change point - VIN end LA647644	Heated Seats, Memory Seats	MWC2422	2
23	Spring-front seat squab suspension	Change point - VIN end LA647644	Heated Seats, Memory Seats, bottom	MUC1514	2
24	Spring-front seat squab suspension	Change point - VIN end LA647644	Heated Seats, Memory Seats, top	MUC1515	2
25	Spring-front seat squab suspension	Change point - VIN end LA647644	Heated Seats, Memory Seats, middle, Upper	MUC1516	2
26	Screw-hexagon socket	Change point - VIN end LA647644	Heated Seats, Memory Seats, seat slide to floor, Front	SB108201L	12
27	Screw	Change point - VIN end LA647644	Heated Seats, Memory Seats, seat slide to floor, Rear	SB108401	12
[900]	Seat-electric front	Change point - VIN end KA640177, 108" (2743mm) Wheelbase	Heated Seats, Memory Seats, RH, non memory, Sable, Leather	BTR2872RWD	1
		Change point - VIN end KA640177, 108" (2743mm) Wheelbase	Heated Seats, Memory Seats, non memory, LH, Sable, Leather	BTR2871RWD	1

Range Rover (From JA610294)

(BDRXEE3A)

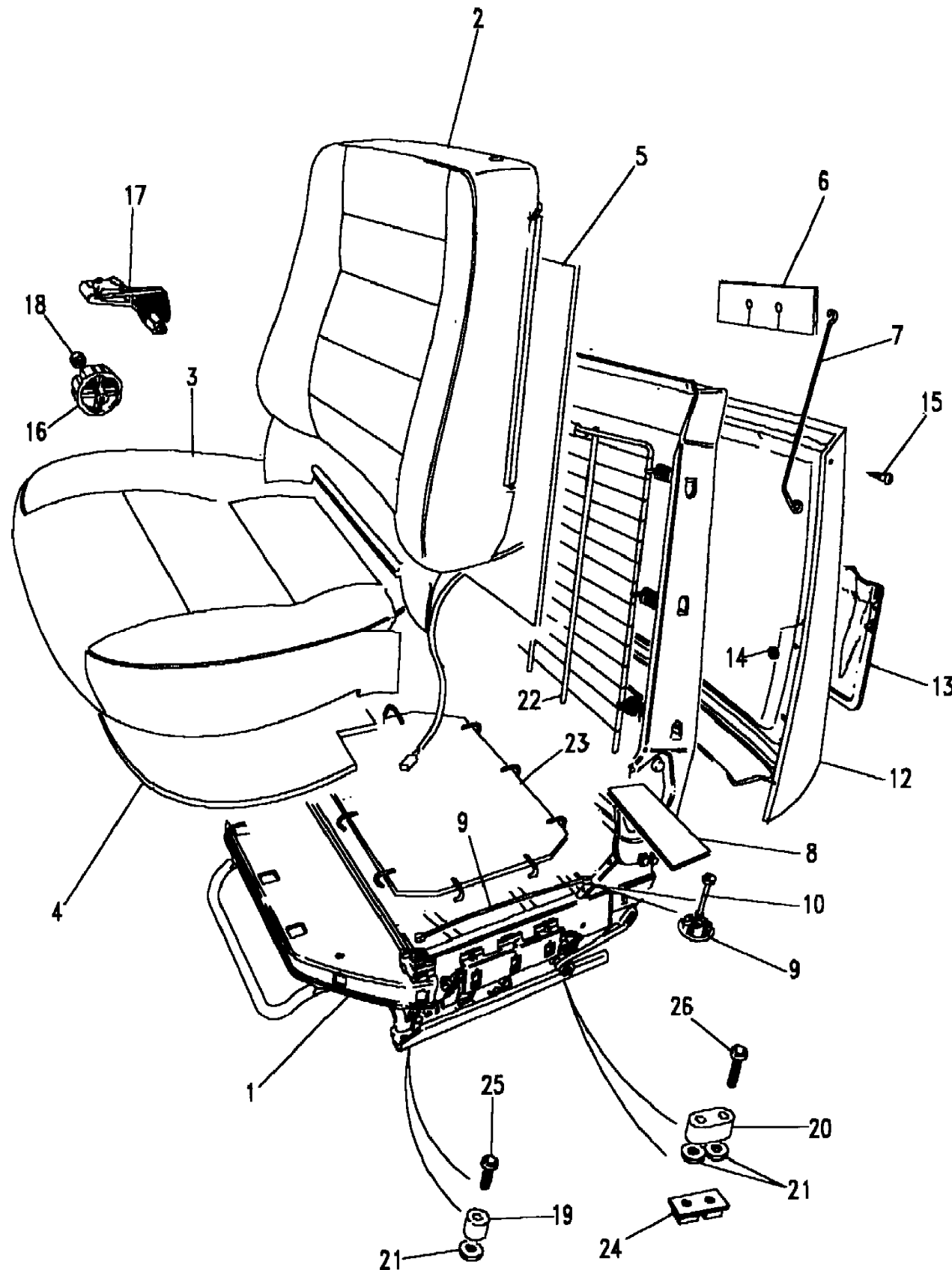
Range Rover (From JA610294)



Callout	Name	Application	Remarks & Restrictions	Service No.	Qty
[900]	Seat-electric front	Change point - VIN begin KA640178, Change point - VIN end LA647644, 108" (2743mm) Wheelbase	Heated Seats, Memory Seats, RH, non memory, Sable, Leather	BTR8430RWD	1
		Change point - VIN begin KA640178, Change point - VIN end LA647644, 108" (2743mm) Wheelbase	Heated Seats, Memory Seats, non memory, LH, Sable, Leather	BTR8431RWD	1
		Change point - VIN end KA640177, 108" (2743mm) Wheelbase	Heated Seats, Memory Seats, Memory, LH, Sable, Leather	BTR2879RWD	1
		Change point - VIN end KA640177, 108" (2743mm) Wheelbase	Heated Seats, Memory Seats, RH, Memory, Sable, Leather	BTR2880RWD	1
		Change point - VIN begin KA640178, Change point - VIN end LA647644, 108" (2743mm) Wheelbase	Heated Seats, Memory Seats, Memory, LH, Sable, Leather	BTR8421RWD	1
		Change point - VIN begin KA640178, Change point - VIN end LA647644, 108" (2743mm) Wheelbase	Heated Seats, Memory Seats, RH, Memory, Sable, Leather	BTR8420RWD	1

Range Rover (From JA610294)

(BDRXEA2A)



Range Rover (From JA610294)

Change point - VIN end LA647644, 4 Door Station Wagon

Callout	Name	Application	Remarks & Restrictions	Service No.	Qty
1	Frame assembly-manual front seat	Change point - VIN end LA647644, Less Electric Driver Seat Adjuster, Less Electric Pass.Seat Adjuster	RH, Bokhara	MXC5802RUN	1
		Change point - VIN end LA647644, Less Electric Driver Seat Adjuster, Less Electric Pass.Seat Adjuster	Black, LH	MXC5801PMA	1
		Change point - VIN end LA647644, Less Electric Driver Seat Adjuster, Less Electric Pass.Seat Adjuster	Black, RH	MXC5802PMA	1
		Change point - VIN end LA647644, Less Electric Driver Seat Adjuster, Less Electric Pass.Seat Adjuster			
2	Cover assembly-front seat squab	Change point - VIN end LA647644, Less Electric Driver Seat Adjuster, Less Electric Pass.Seat Adjuster	Cloth, Velour, Brogue, With Armrest	MXC4797AUE	2
		Change point - VIN end LA647644, Less Electric Driver Seat Adjuster, Less Electric Pass.Seat Adjuster	Cloth, Winchester Grey, Velour, With Armrest	MXC4797LUL	2
		Change point - VIN end JA624754, Less Electric Driver Seat Adjuster, Less Electric Pass.Seat Adjuster	Winchester Grey, Leather	BTR726LUL	2
		Change point - VIN end LA647644, Less Electric Driver Seat Adjuster, Less Electric Pass.Seat Adjuster	Light Winchester, Leather	BTR726LUV	2
		Change point - VIN end LA647644, Less Electric Driver Seat Adjuster, Less Electric Pass.Seat Adjuster	Sorrel Brown, Leather	BTR726SUA	2
		Change point - VIN end LA647644, Less Electric Driver Seat Adjuster, Less Electric Pass.Seat Adjuster			
		Change point - VIN end LA647644, Less Electric Driver Seat Adjuster, Less Electric Pass.Seat Adjuster			
3	Cover assembly-front seat cushion	Change point - VIN end LA647644, Less Electric Driver Seat Adjuster, Less Electric Pass.Seat Adjuster	Cloth, Velour, Brogue	MXC4787AUE	2
		Change point - VIN end LA647644, Less Electric Driver Seat Adjuster, Less Electric Pass.Seat Adjuster	Cloth, Winchester Grey, Velour	MXC4787LUL	2
		Change point - VIN end LA647644, Less Electric Driver Seat Adjuster, Less Electric Pass.Seat Adjuster	RH, Winchester Grey, Leather	BTR2340LUL	1
		Change point - VIN end LA647644, Less Electric Driver Seat Adjuster, Less Electric Pass.Seat Adjuster	RH, Light Winchester, Leather	BTR2340LUV	1
		Change point - VIN end LA647644, Less Electric Driver Seat Adjuster, Less Electric Pass.Seat Adjuster			

Seats
Seating
Front Seats 2/6

Range Rover (From JA610294)

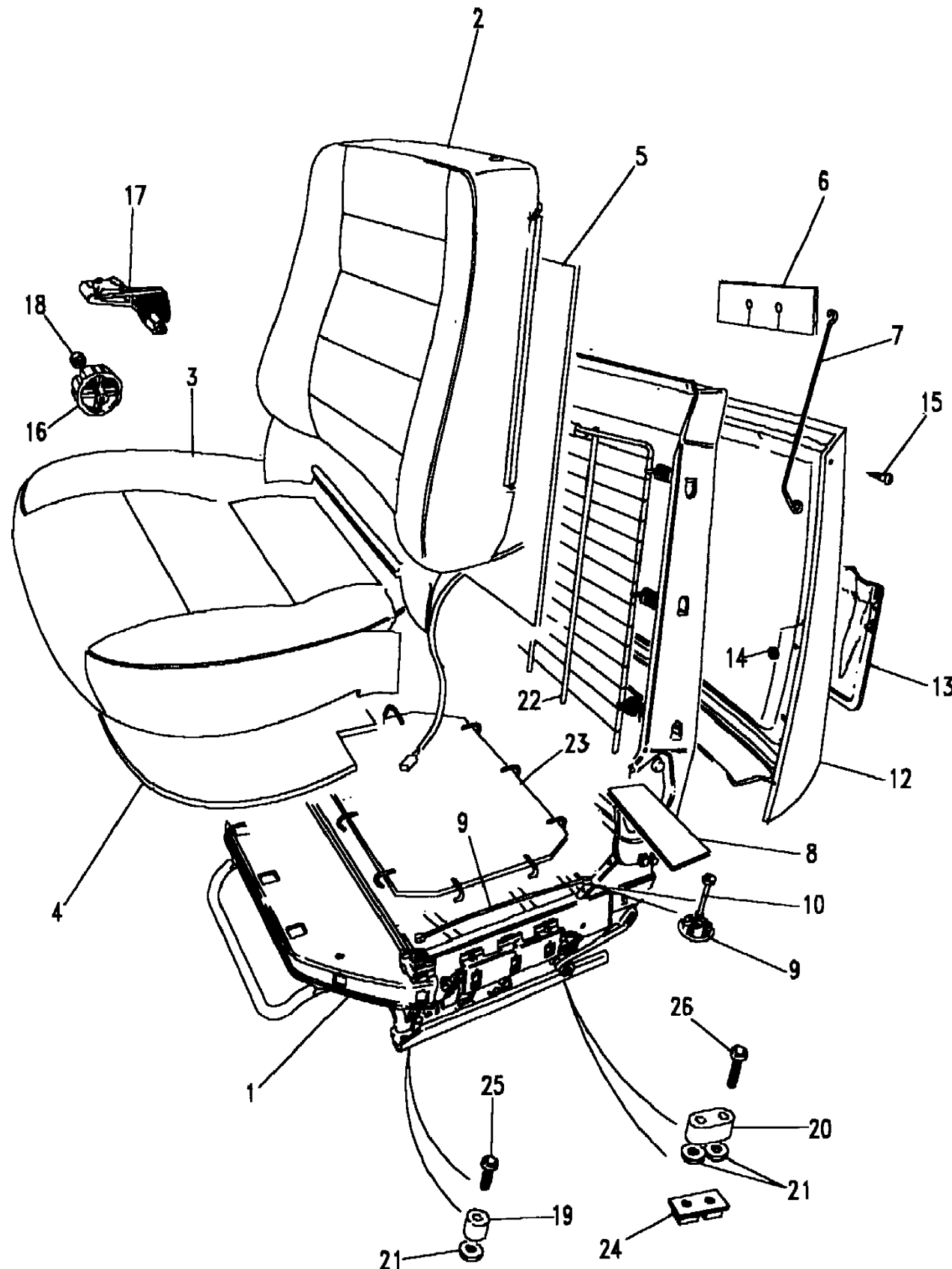
(BDRXE2A)

Range Rover (From JA610294)

Seats
Seating
Front Seats

Change point - VIN end LA647644, 4 Door Station Wagon

Callout	Name	Application	Remarks & Restrictions	Service No.	Qty
3	Cover assembly-front seat cushion	Change point - VIN end LA647644, Less Electric Driver Seat Adjuster, Less Electric Pass.Seat Adjuster	RH, Sorrel Brown, Leather	BTR2340SUA	1
		Change point - VIN end LA647644, Less Electric Driver Seat Adjuster, Less Electric Pass.Seat Adjuster	Winchester Grey, LH, Leather	BTR2339LUL	1
		Change point - VIN end LA647644, Less Electric Driver Seat Adjuster, Less Electric Pass.Seat Adjuster	Light Winchester, LH, Leather	BTR2339LUV	1
		Change point - VIN end LA647644, Less Electric Driver Seat Adjuster, Less Electric Pass.Seat Adjuster	Sorrel Brown, LH, Leather	BTR2339SUA	1
		Change point - VIN end LA647644, Less Electric Driver Seat Adjuster, Less Electric Pass.Seat Adjuster			
4	Pad heated seat	Change point - VIN end LA647644, Less Electric Driver Seat Adjuster, Less Electric Pass.Seat Adjuster	RH	STC515	1
		Change point - VIN end LA647644, Less Electric Driver Seat Adjuster, Less Electric Pass.Seat Adjuster	LH	STC421	1
5	Pad heated seat	Change point - VIN end LA647644, Less Electric Driver Seat Adjuster, Less Electric Pass.Seat Adjuster		STC422	1
6	Plate-rear seat squab retention	Change point - VIN end LA647644, Less Electric Driver Seat Adjuster, Less Electric Pass.Seat Adjuster	Upper	MUC1561	2
7	Wire-trim retention	Change point - VIN end LA647644, Less Electric Driver Seat Adjuster, Less Electric Pass.Seat Adjuster		MXC6474	4
8	Plate	Change point - VIN end LA647644, Less Electric Driver Seat Adjuster, Less Electric Pass.Seat Adjuster		BTR344	2
9	Wire-trim retention	Change point - VIN end LA647644, Less Electric Driver Seat Adjuster, Less Electric Pass.Seat Adjuster		MXC6473	4



Seats
Seating
Front Seats 3/6

Range Rover (From JA610294)

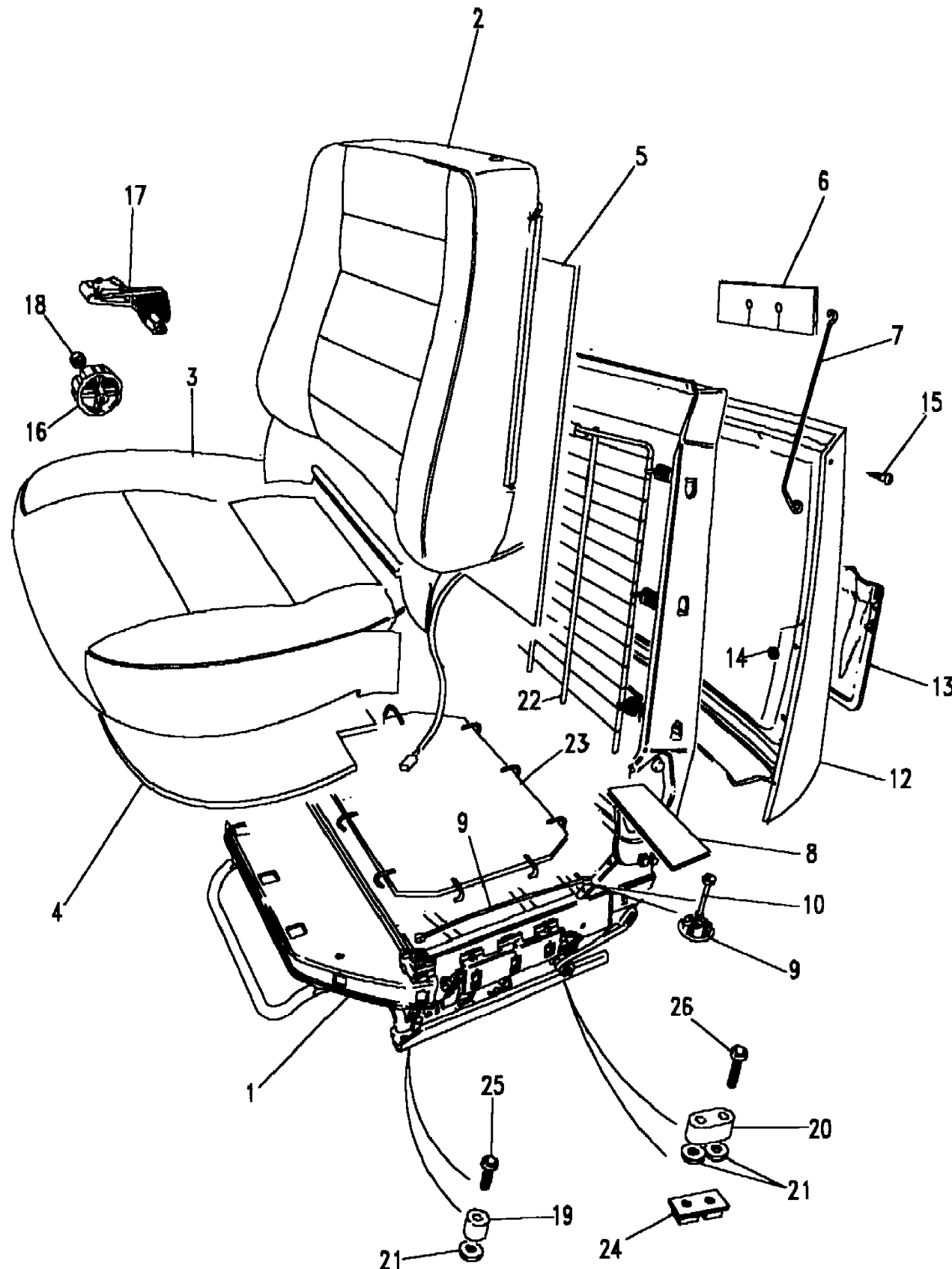
(BDRXE2A)

Range Rover (From JA610294)

Seats
Seating
Front Seats

Change point - VIN end LA647644, 4 Door Station Wagon

Callout	Name	Application	Remarks & Restrictions	Service No.	Qty
10	Clip-trim retention	Change point - VIN end LA647644, Less Electric Driver Seat Adjuster, Less Electric Pass.Seat Adjuster		AFU4056	2
11	Washer	Change point - VIN end LA647644, Less Electric Driver Seat Adjuster, Less Electric Pass.Seat Adjuster		BRC5803	2
12	Backboard-front seat	Change point - VIN end LA647644, Less Electric Driver Seat Adjuster, Less Electric Pass.Seat Adjuster	Cloth, Velour, Brogue	MWC8592AUE	1
		Change point - VIN end LA647644, Less Electric Driver Seat Adjuster, Less Electric Pass.Seat Adjuster	Cloth, Winchester Grey, Velour	MWC8592LUL	1
		Change point - VIN end LA647644, Less Electric Driver Seat Adjuster, Less Electric Pass.Seat Adjuster	Also serviced as part of a kit, Winchester Grey, Leather	MWC8594LUL	2
		Change point - VIN end LA647644, Less Electric Driver Seat Adjuster, Less Electric Pass.Seat Adjuster	Also serviced as part of a kit, Sorrel Brown, Leather	MWC8594SUA	2
		Change point - VIN end LA647644, Less Electric Driver Seat Adjuster, Less Electric Pass.Seat Adjuster			
13	Pocket-seat back	Change point - VIN end LA647644, Less Electric Driver Seat Adjuster, Less Electric Pass.Seat Adjuster	Cloth, Velour, Brogue	MWC8652AUE	2
		Change point - VIN end LA647644, Less Electric Driver Seat Adjuster, Less Electric Pass.Seat Adjuster	Cloth, Winchester Grey, Velour	MWC8652LUL	2
14	Retainer	Change point - VIN end LA647644, Less Electric Driver Seat Adjuster, Less Electric Pass.Seat Adjuster		AN104041L	12
15	Screw	Change point - VIN end LA647644, Less Electric Driver Seat Adjuster, Less Electric Pass.Seat Adjuster		DA606061L	4
16	Recline mechanism-manual front seat squab	Change point - VIN end LA647644, Less Electric Driver Seat Adjuster, Less Electric Pass.Seat Adjuster	Bokhara	MWC2955RUN	2



Seats
Seating
Front Seats 4/6

Range Rover (From JA610294)

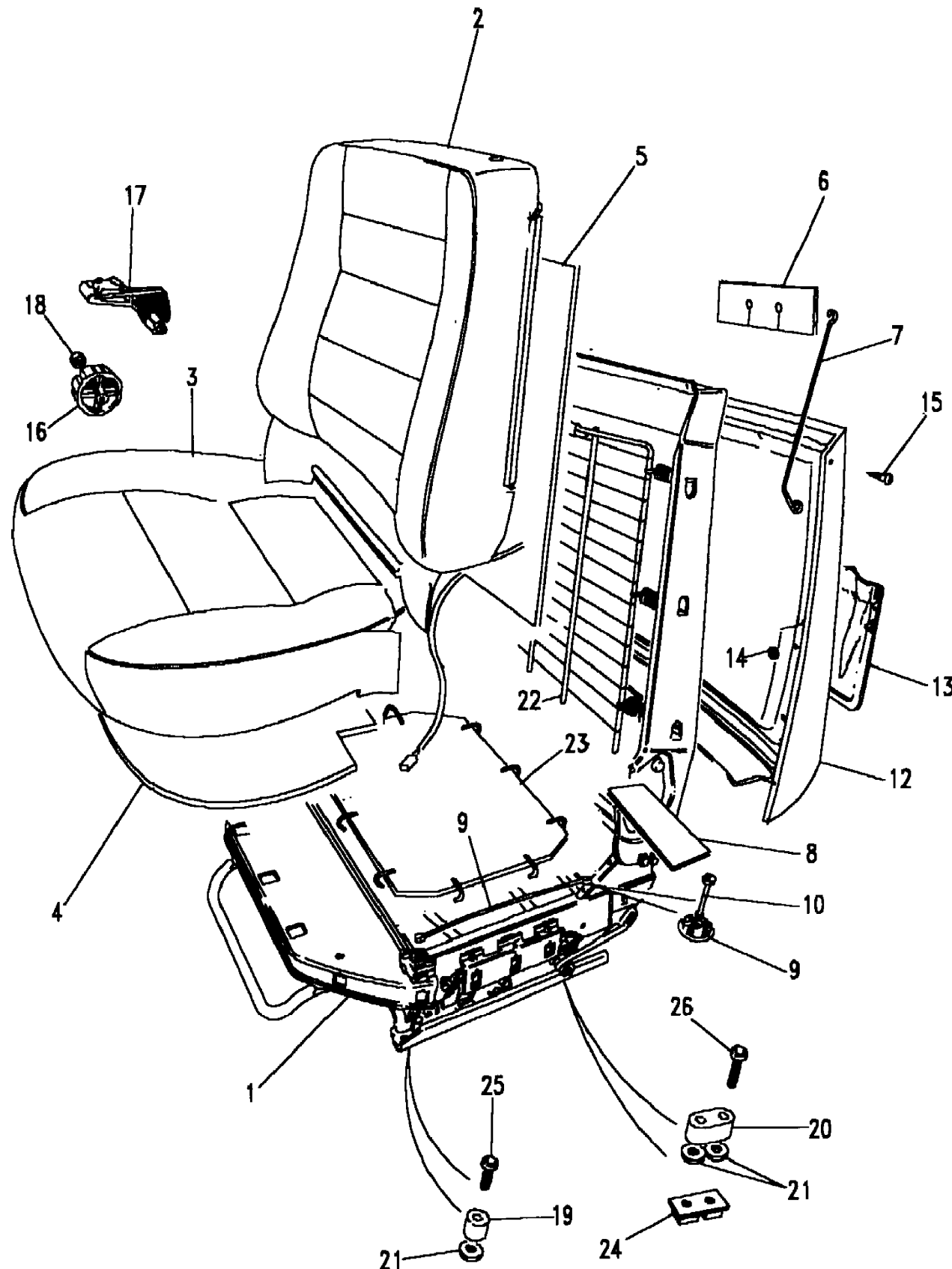
(BDRXE2A)

Range Rover (From JA610294)

Seats
Seating
Front Seats

Change point - VIN end LA647644, 4 Door Station Wagon

Callout	Name	Application	Remarks & Restrictions	Service No.	Qty
17	Lever-front seat height adjust	Change point - VIN end LA647644, Less Electric Driver Seat Adjuster, Less Electric Pass.Seat Adjuster	RH	STC219	1
		Change point - VIN end LA647644, Less Electric Driver Seat Adjuster, Less Electric Pass.Seat Adjuster	LH	STC220	1
18	Nut - Hex.	Change point - VIN end LA647644, Less Electric Driver Seat Adjuster, Less Electric Pass.Seat Adjuster	M10, hexagonal head, nyloc	NY110041L	2
19	Spacer	Change point - VIN end LA647644, Less Electric Driver Seat Adjuster, Less Electric Pass.Seat Adjuster	Front	MWC 1388	4
20	Spacer	Change point - VIN end LA647644, Less Electric Driver Seat Adjuster, Less Electric Pass.Seat Adjuster	Rear	MWC 1389	4
21	Washer-fibre	Change point - VIN end LA647644, Less Electric Driver Seat Adjuster, Less Electric Pass.Seat Adjuster		MWC4804	12
22	Diaphragm-rear outer front seat	Change point - VIN end LA647644, Less Electric Driver Seat Adjuster, Less Electric Pass.Seat Adjuster		MTC9943	1
23	Diaphragm-rear outer front seat	Change point - VIN end LA647644, Less Electric Driver Seat Adjuster, Less Electric Pass.Seat Adjuster		MTC9931	1
24	Nut - Hex.	Change point - VIN end LA647644, Less Electric Driver Seat Adjuster, Less Electric Pass.Seat Adjuster		MWC2422	2
25	Screw-hexagon socket	Change point - VIN end LA647644, Less Electric Driver Seat Adjuster, Less Electric Pass.Seat Adjuster	seat slide to floor, Front	SB108201L	12



Seats
Seating
Front Seats 5/6

Range Rover (From JA610294)

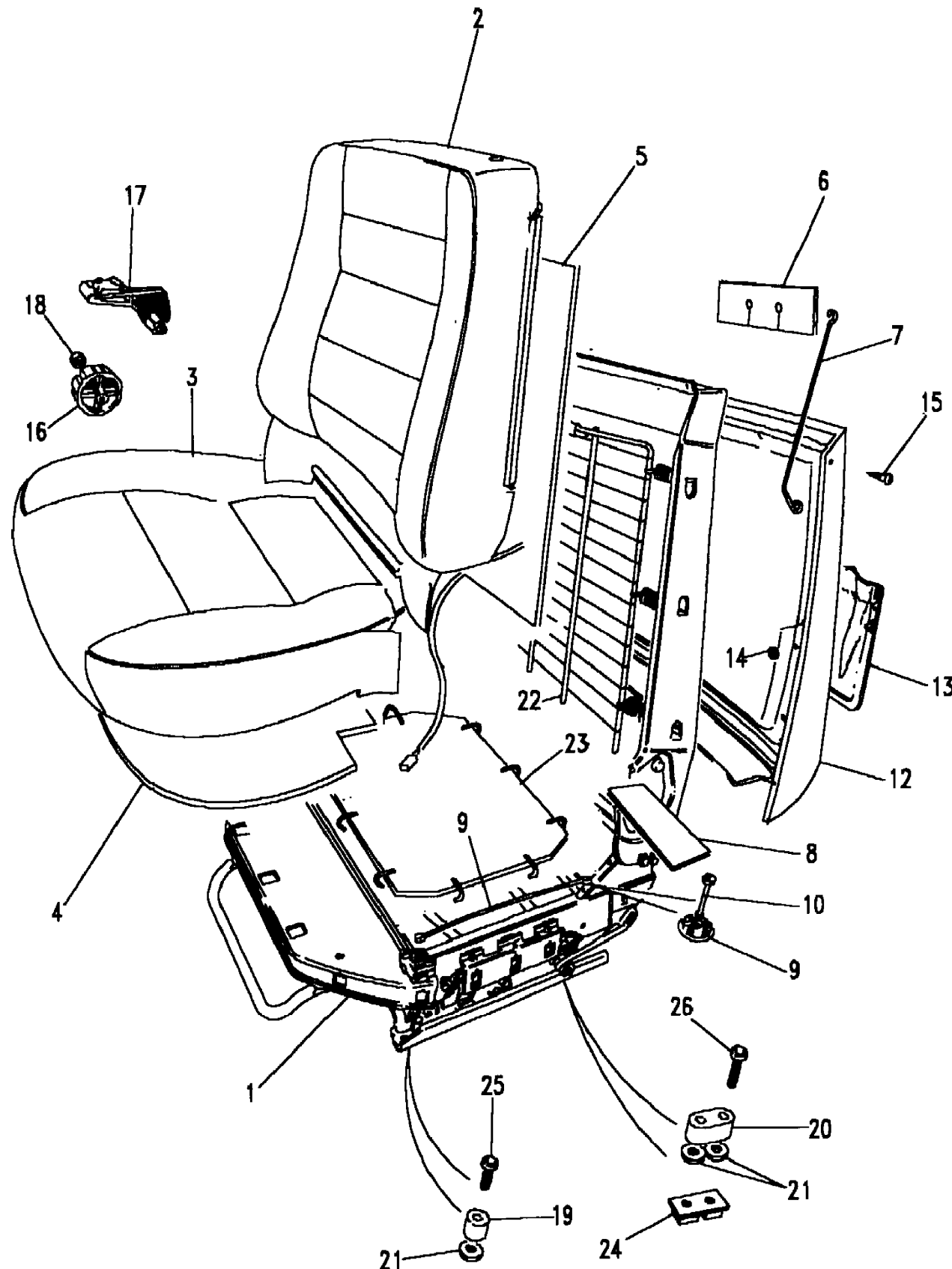
(BDRXE2A)

Range Rover (From JA610294)

Seats
Seating
Front Seats

Change point - VIN end LA647644, 4 Door Station Wagon

Callout	Name	Application	Remarks & Restrictions	Service No.	Qty
26	Screw	Change point - VIN end LA647644, Less Electric Driver Seat Adjuster, Less Electric Pass.Seat Adjuster	seat slide to floor, Rear	SB108401	12
[900]	Nut - Hex.	Change point - VIN end LA647644, Less Electric Driver Seat Adjuster, Less Electric Pass.Seat Adjuster	M10, nyloc, flange	NY110047L	2
[901]	Recline mechanism-manual front seat squab	Change point - VIN end LA647644, Less Electric Driver Seat Adjuster, Less Electric Pass.Seat Adjuster		RTC6390	2
[902]	Seat-manual front	Change point - VIN end KA640177, Less Electric Driver Seat Adjuster, Less Electric Pass.Seat Adjuster	RH, Velour, Brogue	BTR650AUE	1
		Change point - VIN end KA640177, Less Electric Driver Seat Adjuster, Less Electric Pass.Seat Adjuster	RH, Winchester Grey, Velour	BTR650LUL	1
		Change point - VIN begin KA640178, Change point - VIN end LA647664, Less Electric Driver Seat Adjuster, Less Electric Pass.Seat Adjuster	RH, Velour, Brogue	BTR8448AUE	1
		Change point - VIN end KA640177, Less Electric Driver Seat Adjuster, Less Electric Pass.Seat Adjuster	Velour, Brogue, LH	BTR649AUE	1
		Change point - VIN end KA640177, Less Electric Driver Seat Adjuster, Less Electric Pass.Seat Adjuster	Winchester Grey, Velour, LH	BTR649LUL	1
		Change point - VIN begin KA640178, Change point - VIN end LA647664, Less Electric Driver Seat Adjuster, Less Electric Pass.Seat Adjuster	Winchester Grey, Velour, LH	BTR8449LUL	1
		Change point - VIN begin KA640178, Change point - VIN end LA647664, Less Electric Driver Seat Adjuster, Less Electric Pass.Seat Adjuster	Velour, Brogue, LH	BTR8449AUE	1
		Change point - VIN end JA624754, Less Electric Driver Seat Adjuster, Less Electric Pass.Seat Adjuster	RH, Winchester Grey, Leather	BTR2302LUL	1



Seats
Seating
Front Seats 6/6

Range Rover (From JA610294)

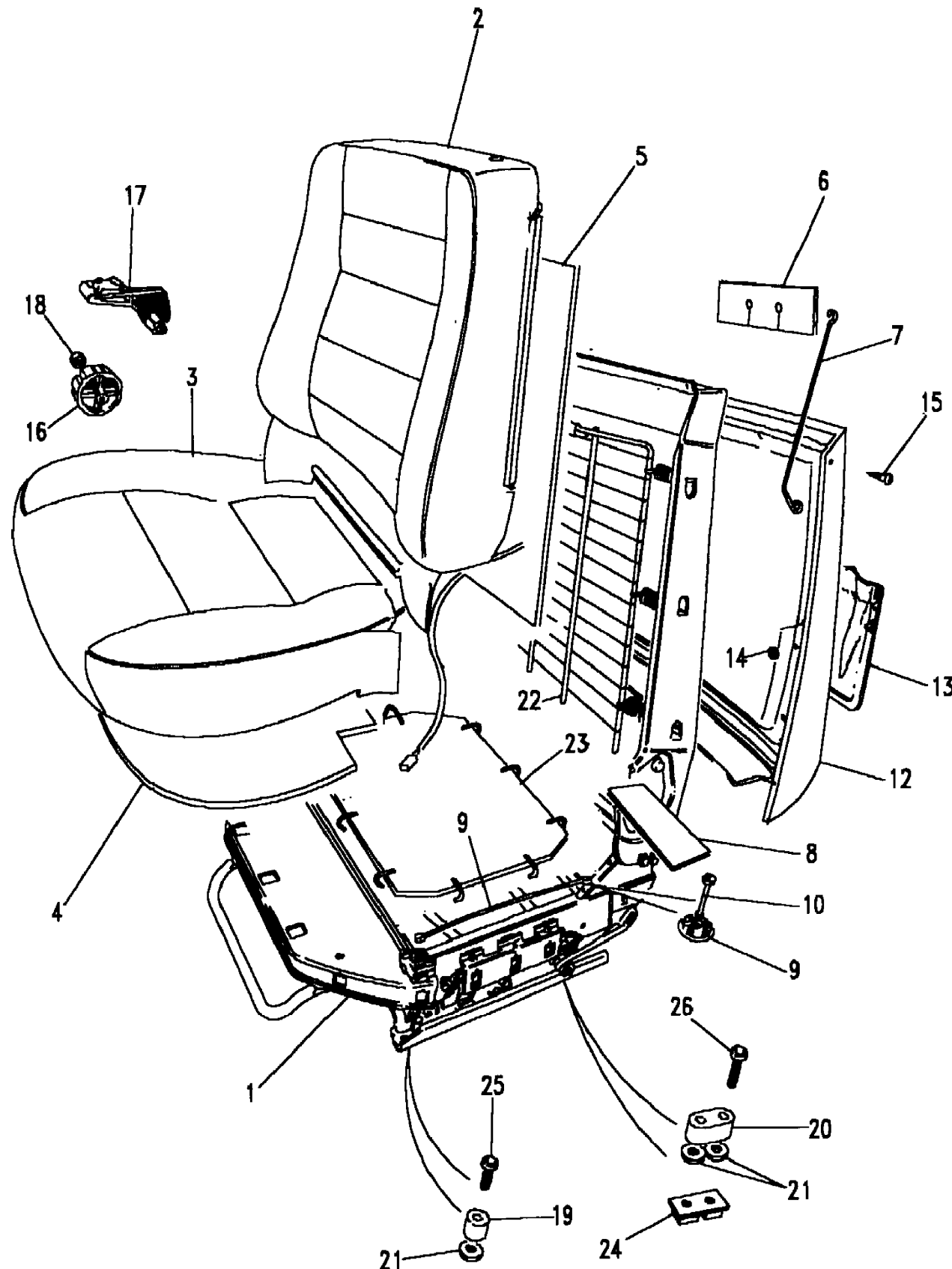
(BDRXE2A)

Range Rover (From JA610294)

Seats
Seating
Front Seats

Change point - VIN end LA647644, 4 Door Station Wagon

Callout	Name	Application	Remarks & Restrictions	Service No.	Qty		
[902]	Seat-manual front	Change point - VIN end KA640177, Less Electric Driver Seat Adjuster, Less Electric Pass.Seat Adjuster	RH, Light Winchester, Leather	BTR2302LUV	1		
		Change point - VIN end KA640177, Less Electric Driver Seat Adjuster, Less Electric Pass.Seat Adjuster	RH, Sorrel Brown, Leather	BTR2302SUA	1		
		Change point - VIN begin KA640178, Change point - VIN end LA647644, Less Electric Driver Seat Adjuster, Less Electric Pass.Seat Adjuster	RH, Light Winchester, Leather	BTR8440LUV	1		
		Change point - VIN begin KA640178, Change point - VIN end LA647644, Less Electric Driver Seat Adjuster, Less Electric Pass.Seat Adjuster	RH, Sorrel Brown, Leather	BTR8440SUA	1		
		Change point - VIN end JA624754, Less Electric Driver Seat Adjuster, Less Electric Pass.Seat Adjuster	Winchester Grey, LH, Leather	BTR2301LUL	1		
		Change point - VIN end KA640177, Less Electric Driver Seat Adjuster, Less Electric Pass.Seat Adjuster	Light Winchester, LH, Leather	BTR2301LUV	1		
		Change point - VIN end KA640177, Less Electric Driver Seat Adjuster, Less Electric Pass.Seat Adjuster	Sorrel Brown, LH, Leather	BTR2301SUA	1		
		Change point - VIN begin KA640178, Change point - VIN end LA647644, Less Electric Driver Seat Adjuster, Less Electric Pass.Seat Adjuster	Light Winchester, LH, Leather	BTR8441LUV	1		
		Change point - VIN begin KA640178, Change point - VIN end LA647644, Less Electric Driver Seat Adjuster, Less Electric Pass.Seat Adjuster	Sorrel Brown, LH, Leather	BTR8441SUA	1		
		[903]	Seat-passenger electric front	Change point - VIN begin KA640178, Change point - VIN end LA647664, Less Electric Driver Seat Adjuster, Less Electric Pass.Seat Adjuster	RH, Winchester Grey, Velour	BTR8448LUL	1

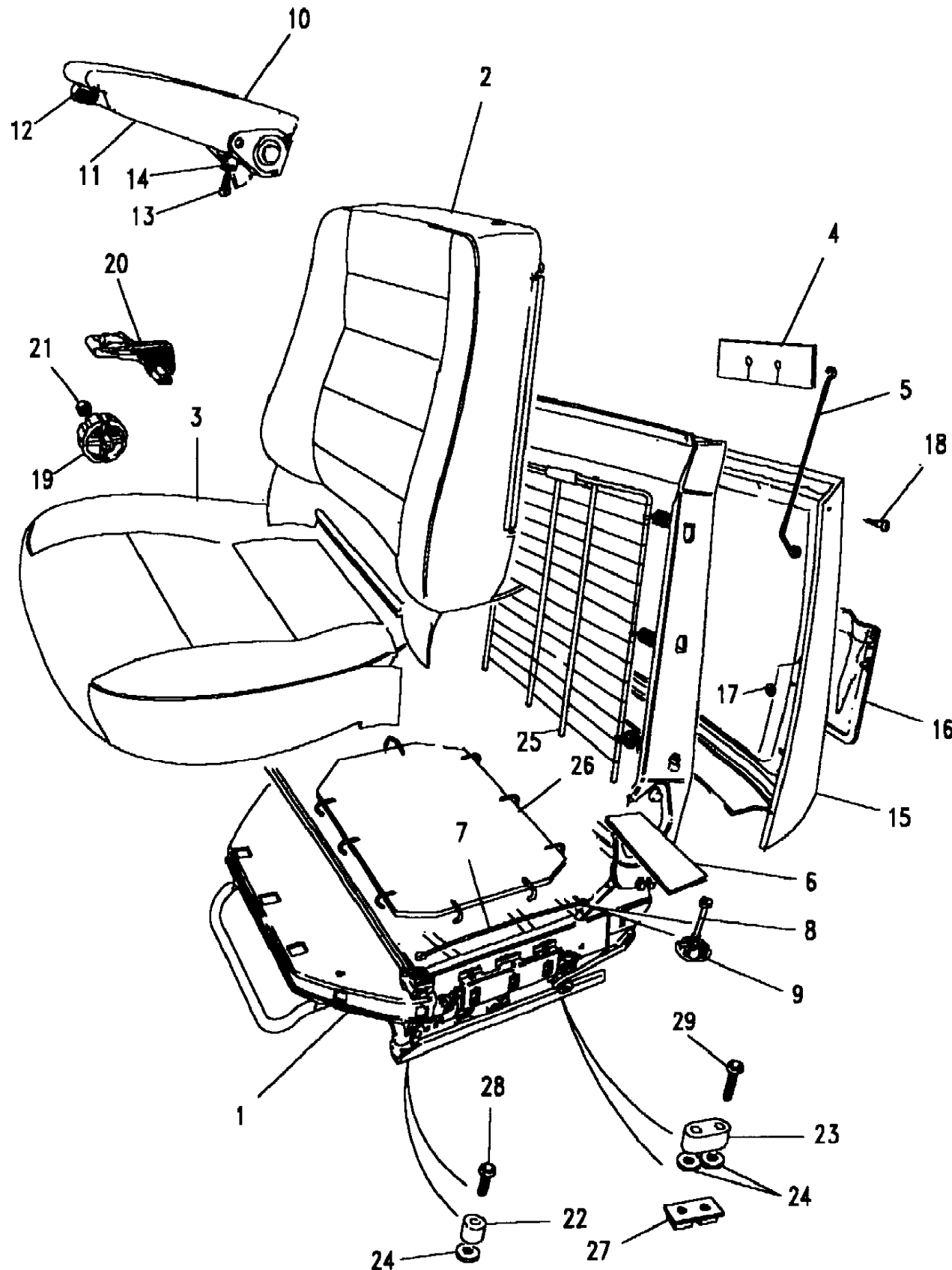


Range Rover (From JA610294)

(BDRXEA2B)

Range Rover (From JA610294)

(+)"AUS", Less Electric Driver Seat Adjuster, Less Electric Pass.Seat Adjuster



Callout	Name	Application	Remarks & Restrictions	Service No.	Qty
1	Frame assembly-manual front seat		Also serviced as part of a kit, Black, RH	MXC5802PMA	1
			Also serviced as part of a kit, Black, LH	MXC5801PMA	1
2	Cover-seat-cover-seat		Also serviced as part of a kit, Light Stone Beige	BTR4655SMK	2
3	Cover assembly-front seat cushion		Also serviced as part of a kit, RH, Light Stone Beige	BTR5586SMK	1
			Also serviced as part of a kit, Light Stone Beige, LH	BTR5587SMK	1
4	Plate-rear seat squab retention		Also serviced as part of a kit, Upper	MUC1561	2
5	Wire-trim retention		Also serviced as part of a kit	MXC6474	4
6	Plate		Also serviced as part of a kit	BTR344	2
7	Wire-trim retention		Also serviced as part of a kit	MXC6473	4
8	Clip-trim retention		Also serviced as part of a kit	AFU4056	2
9	Washer		Also serviced as part of a kit	BRC5803	2
10	Armrest assembly-front seat		Also serviced as part of a kit, RH, Light Stone Beige	MWC5090SMK	1
			Also serviced as part of a kit, Light Stone Beige, LH	MWC5091SMK	1
11	Fabric-rear seat armrest trim		Also serviced as part of a kit, RH, Light Stone Beige	MWC5088SMK	1
			Also serviced as part of a kit, Light Stone Beige, LH	MWC5089SMK	1
12	Knob-front seat armrest adjuster		Also serviced as part of a kit, Sorrel Brown	MUC1121SUA	1
13	Screw		armrest hinge, hexagonal head, 5/16UNF x 3/4	SH605061L	4
14	Washer-Spring		5/16"	WM600051L	4
15	Backboard-front seat		Also serviced as part of a kit, Sorrel Brown, Leather	MWC8594SUA	2
18	Screw		seat back to seat frame	DA606061L	4
19	Recline mechanism-manual front seat squab		Bokhara	MWC2955RUN	2
20	Lever-front seat height adjust		RH	STC219	1
			LH	STC220	1

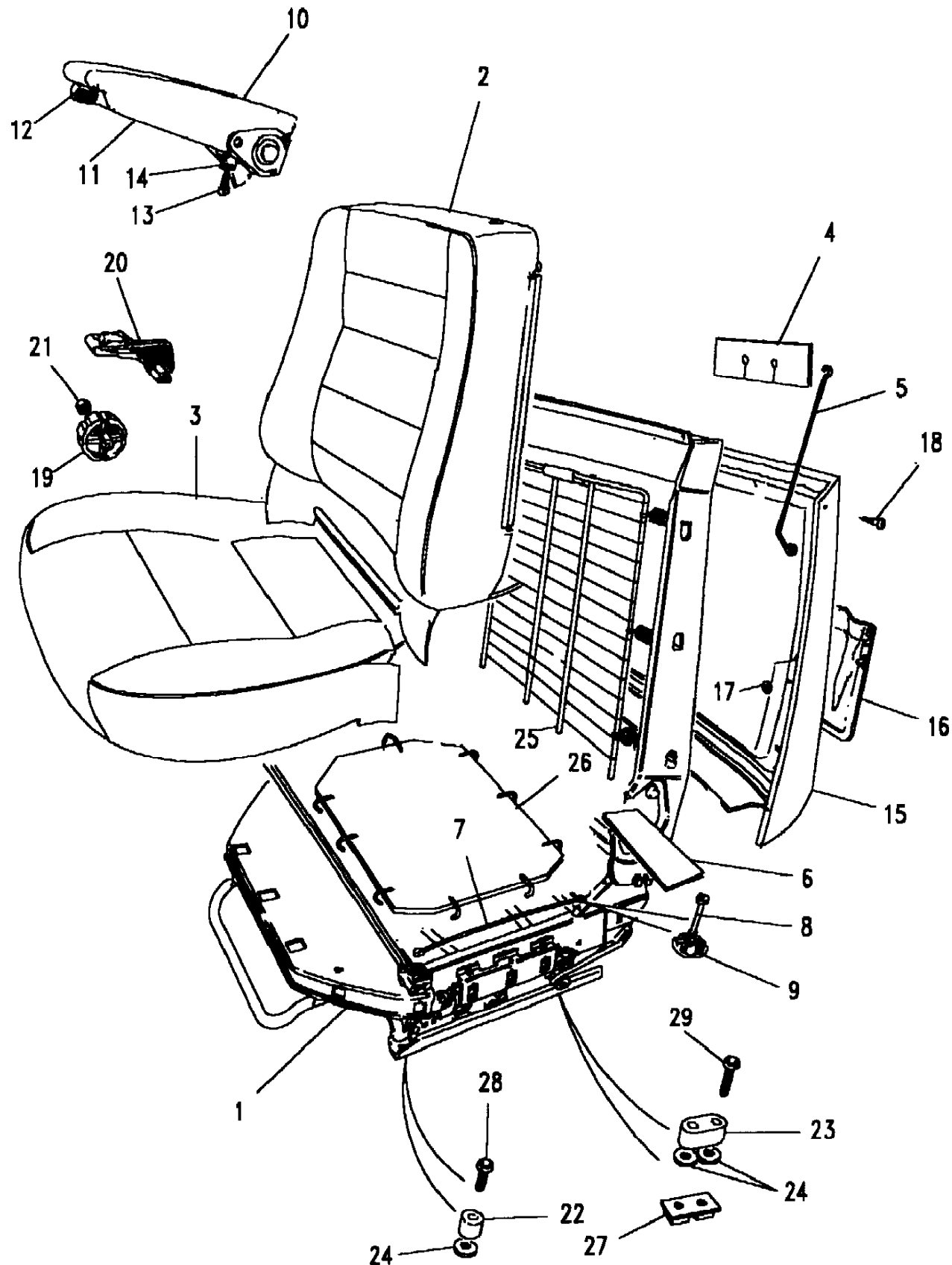
Range Rover (From JA610294)

(BDRXEA2B)

Range Rover (From JA610294)

(+)"AUS", Less Electric Driver Seat Adjuster, Less Electric Pass.Seat Adjuster

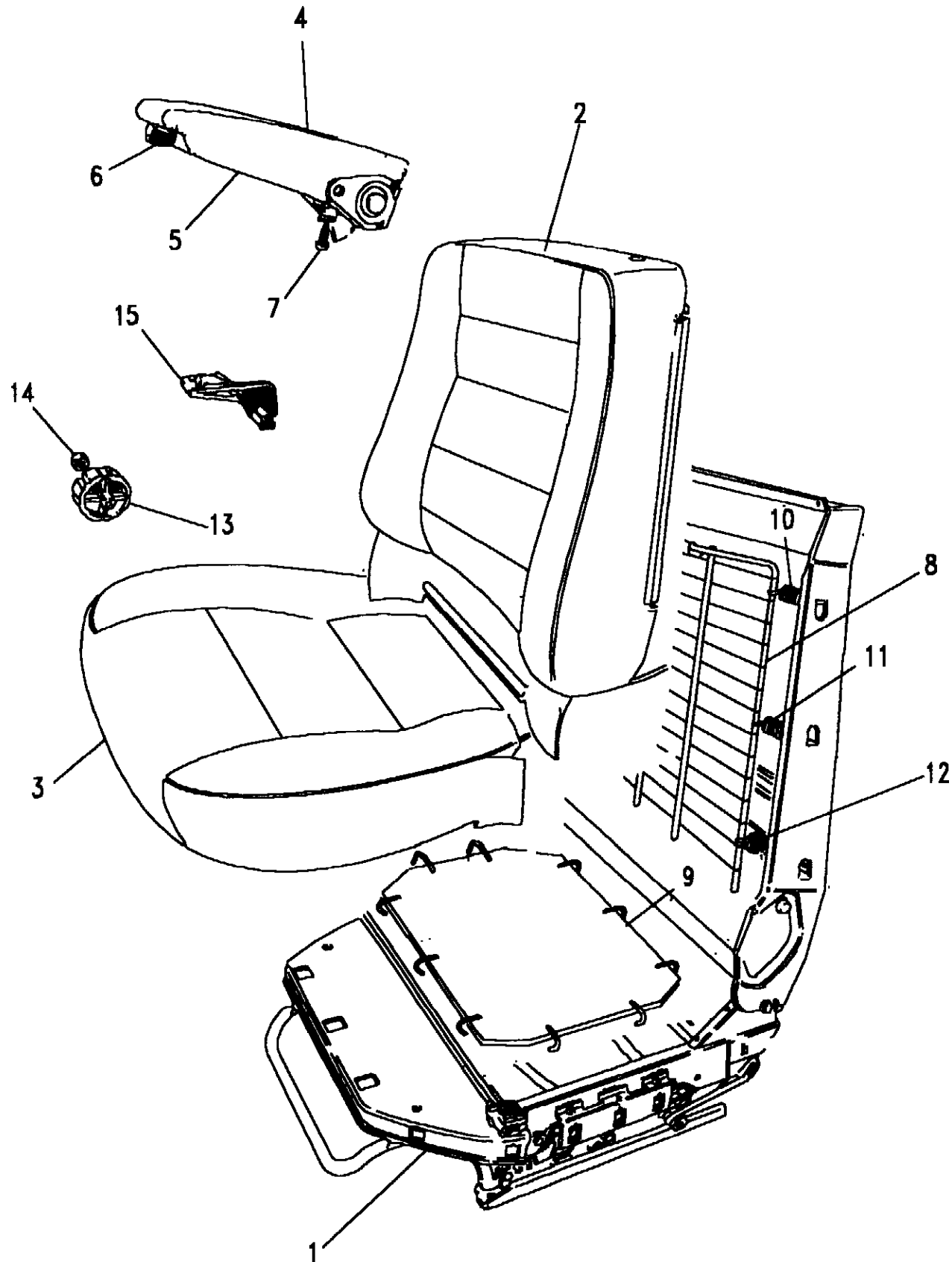
Callout	Name	Application	Remarks & Restrictions	Service No.	Qty
21	Nut - Hex.		M10, hexagonal head, nyloc	NY110041L	2
22	Spacer		Front	MWC 1388	4
23	Spacer		Rear	MWC 1389	4
24	Washer-fibre			MWC4804	12
25	Diaphragm-rear outer front seat			MTC9943	1
26	Diaphragm-rear outer front seat			MTC9931	1
27	Nut - Hex.		seat slide to floor	MWC2422	2
28	Screw-hexagon socket		seat slide to floor, Front	SB108201L	12
29	Screw		seat slide to floor, Rear	SB108401	12
[900]	Nut - Hex.		M10, nyloc, flange	NY110047L	2
[901]	Recline mechanism-manual front seat squab			RTC6390	2
[902]	Seat-manual front		Also serviced as part of a kit, RH, Light Stone Beige Also serviced as part of a kit, Light Stone Beige, LH	BTR5584SMK BTR5585SMK	1 1



Seats
Seating
Front-Manual-From (V) MA647645 1/7

Range Rover (From JA610294)

(BDRXEA2C)



Range Rover (From JA610294)

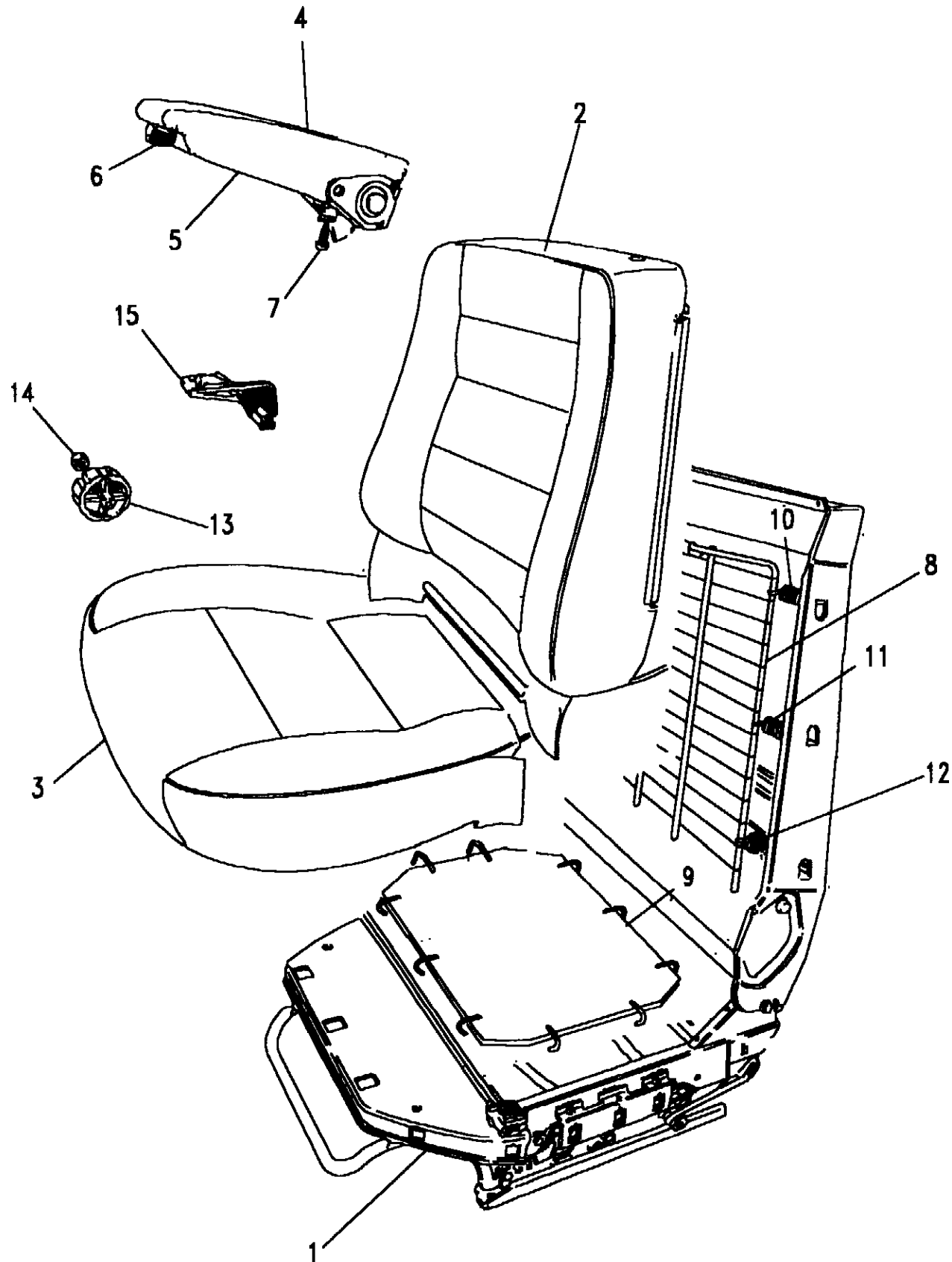
Seats
Seating
Front-Manual-From (V) MA647645

Callout	Name	Application	Remarks & Restrictions	Service No.	Qty
1	Frame assembly-manual front seat	Change point - VIN begin MA647645, Less Electric Driver Seat Adjuster, Less Electric Pass.Seat Adjuster	Black, RH	BTR8508PMA	1
		Change point - VIN begin MA647645, Less Electric Driver Seat Adjuster, Less Electric Pass.Seat Adjuster	Black, LH	BTR8509PMA	1
2	Cover assembly-front seat squab	Change point - VIN begin MA647645, Less Electric Driver Seat Adjuster, Less Electric Pass.Seat Adjuster	Cloth, Brogue, Less Armrest	BTR9446AUE	2
		Change point - VIN begin MA647645, Less Electric Driver Seat Adjuster, Less Electric Pass.Seat Adjuster	Cloth, Dark Granite, Less Armrest	BTR9446LOY	2
		Change point - VIN begin MA647645, Less Electric Driver Seat Adjuster, Less Electric Pass.Seat Adjuster	Cloth, RH, Brogue, With Armrest	BTR8601AUE	1
		Change point - VIN begin MA647645, Less Electric Driver Seat Adjuster, Less Electric Pass.Seat Adjuster	Cloth, RH, Dark Granite, With Armrest	BTR8601LOY	1
		Change point - VIN begin MA647645, Less Electric Driver Seat Adjuster, Less Electric Pass.Seat Adjuster	Cloth, Brogue, With Armrest, LH	BTR8602AUE	1
		Change point - VIN begin MA647645, Less Electric Driver Seat Adjuster, Less Electric Pass.Seat Adjuster	Cloth, Dark Granite, With Armrest, LH	BTR8602LOY	1
		Change point - VIN begin MA647645, Less Electric Driver Seat Adjuster, Less Electric Pass.Seat Adjuster	RH, Dark Granite, Leather	BTR8608LOY	1
		Change point - VIN begin MA647645, Less Electric Driver Seat Adjuster, Less Electric Pass.Seat Adjuster	RH, Sorrel Brown, Leather	BTR8608SUA	1
		Change point - VIN begin MA647645, Less Electric Driver Seat Adjuster, Less Electric Pass.Seat Adjuster	Dark Granite, LH, Leather	BTR8607LOY	1
		Change point - VIN begin MA647645, Less Electric Driver Seat Adjuster, Less Electric Pass.Seat Adjuster	Sorrel Brown, LH, Leather	BTR8607SUA	1

Seats
Seating
Front-Manual-From (V) MA647645 2/7

Range Rover (From JA610294)

(BDRXE2C)



Range Rover (From JA610294)

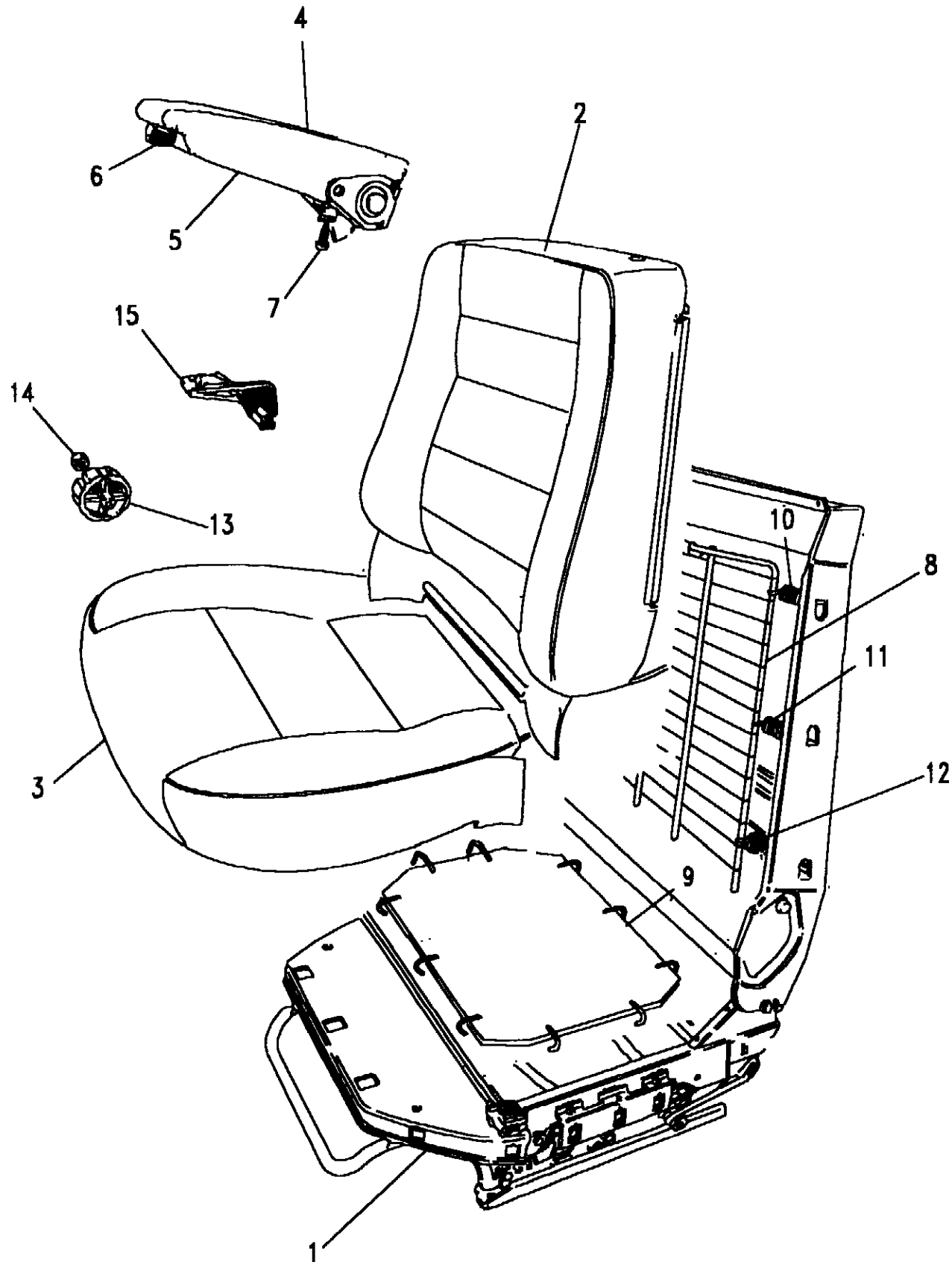
Seats
Seating
Front-Manual-From (V) MA647645

Callout	Name	Application	Remarks & Restrictions	Service No.	Qty		
3	Cover assembly-front seat cushion	Change point - VIN begin MA647645, Less Electric Driver Seat Adjuster, Less Electric Pass.Seat Adjuster	Cloth, Velour, Brogue	MXC4787AUE	1		
		Change point - VIN begin MA647645, Less Electric Driver Seat Adjuster, Less Electric Pass.Seat Adjuster	Cloth, Dark Granite	MXC4787LOY	1		
		Change point - VIN begin MA647645, Less Electric Driver Seat Adjuster, Less Electric Pass.Seat Adjuster	RH, Dark Granite, Leather	BTR7430LOY	1		
		Change point - VIN begin MA647645, Less Electric Driver Seat Adjuster, Less Electric Pass.Seat Adjuster	RH, Sorrel Brown, Leather	BTR7430SUA	1		
		Change point - VIN begin MA647645, Less Electric Driver Seat Adjuster, Less Electric Pass.Seat Adjuster	Dark Granite, LH, Leather	BTR7431LOY	1		
		Change point - VIN begin MA647645, Less Electric Driver Seat Adjuster, Less Electric Pass.Seat Adjuster	Sorrel Brown, LH, Leather	BTR7431SUA	1		
		4	Armrest assembly-front seat	Change point - VIN begin MA647645, Less Electric Driver Seat Adjuster, Less Electric Pass.Seat Adjuster	Cloth, RH, Brogue	BTR7280AUE	1
				Change point - VIN begin MA647645, Less Electric Driver Seat Adjuster, Less Electric Pass.Seat Adjuster	Cloth, RH, Dark Granite	BTR7280LOY	1
Change point - VIN begin MA647645, Less Electric Driver Seat Adjuster, Less Electric Pass.Seat Adjuster	Cloth, Brogue, LH			BTR7279AUE	1		
Change point - VIN begin MA647645, Less Electric Driver Seat Adjuster, Less Electric Pass.Seat Adjuster	Cloth, Dark Granite, LH			BTR7279LOY	1		
Change point - VIN begin MA647645, Less Electric Driver Seat Adjuster, Less Electric Pass.Seat Adjuster	Ash Grey, RH, Leather			BTR7278LOY	1		
Change point - VIN begin MA647645, Less Electric Driver Seat Adjuster, Less Electric Pass.Seat Adjuster	RH, Sorrel Brown, Leather			BTR7278SUA	1		

Seats
Seating
Front-Manual-From (V) MA647645 3/7

Range Rover (From JA610294)

(BDRXEA2C)



Range Rover (From JA610294)

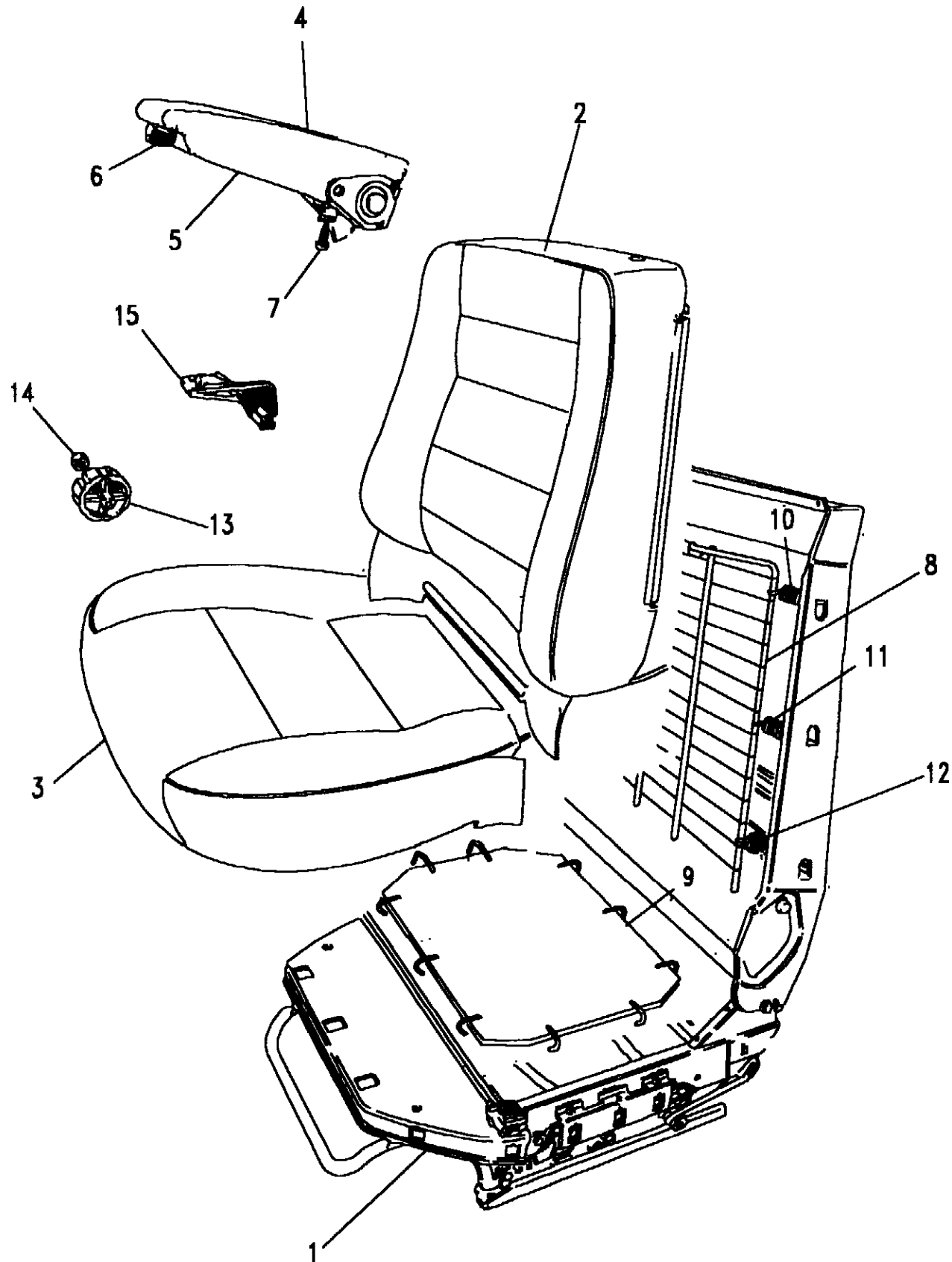
Seats
Seating
Front-Manual-From (V) MA647645

Callout	Name	Application	Remarks & Restrictions	Service No.	Qty		
4	Armrest assembly-front seat	Change point - VIN begin MA647645, Less Electric Driver Seat Adjuster, Less Electric Pass.Seat Adjuster	Dark Granite, LH, Leather	BTR7277LOY	1		
		Change point - VIN begin MA647645, Less Electric Driver Seat Adjuster, Less Electric Pass.Seat Adjuster	Sorrel Brown, LH, Leather	BTR7277SUA	1		
5	Cover-armrest-front seat	Change point - VIN begin MA647645, Less Electric Driver Seat Adjuster, Less Electric Pass.Seat Adjuster	Cloth, RH, Brogue	BTR7286AUE	1		
		Change point - VIN begin MA647645, Less Electric Driver Seat Adjuster, Less Electric Pass.Seat Adjuster	Cloth, RH, Dark Granite	BTR7286LOY	1		
		Change point - VIN begin MA647645, Less Electric Driver Seat Adjuster, Less Electric Pass.Seat Adjuster	Cloth, Brogue, LH	BTR7287AUE	1		
		Change point - VIN begin MA647645, Less Electric Driver Seat Adjuster, Less Electric Pass.Seat Adjuster	Cloth, Dark Granite, LH	BTR7287LOY	1		
		Change point - VIN begin MA647645, Less Electric Driver Seat Adjuster, Less Electric Pass.Seat Adjuster	RH, Dark Granite, Leather	BTR7284LOY	1		
		Change point - VIN begin MA647645, Less Electric Driver Seat Adjuster, Less Electric Pass.Seat Adjuster	RH, Sorrel Brown, Leather	BTR7284SUA	1		
		Change point - VIN begin MA647645, Less Electric Driver Seat Adjuster, Less Electric Pass.Seat Adjuster	Dark Granite, LH, Leather	BTR7285LOY	1		
		Change point - VIN begin MA647645, Less Electric Driver Seat Adjuster, Less Electric Pass.Seat Adjuster	Sorrel Brown, LH, Leather	BTR7285SUA	1		
		6	Knob-front seat armrest adjuster	Change point - VIN begin MA647645, Less Electric Driver Seat Adjuster, Less Electric Pass.Seat Adjuster	Sorrel Brown	MUC1121SUA	1
				Change point - VIN begin MA647645, Less Electric Driver Seat Adjuster, Less Electric Pass.Seat Adjuster	armrest hinge	AB610061	3

Seats
Seating
Front-Manual-From (V) MA647645 4/7

Range Rover (From JA610294)

(BDRXEA2C)



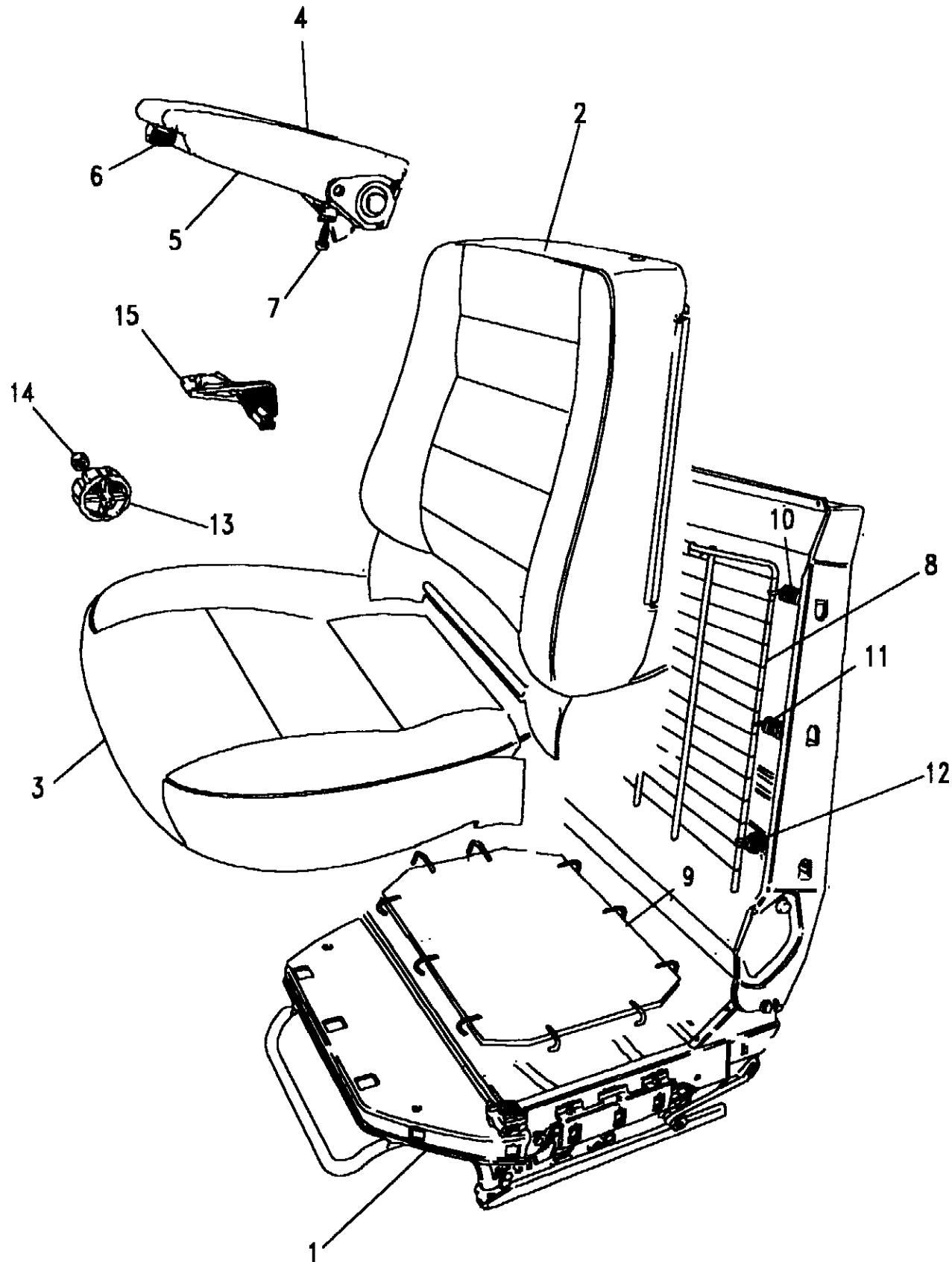
Range Rover (From JA610294)

Seats
Seating
Front-Manual-From (V) MA647645

Callout	Name	Application	Remarks & Restrictions	Service No.	Qty
8	Diaphragm-rear outer front seat	Change point - VIN begin MA647645, Less Electric Driver Seat Adjuster, Less Electric Pass.Seat Adjuster		MTC9943	1
9	Diaphragm-rear outer front seat	Change point - VIN begin MA647645, Less Electric Driver Seat Adjuster, Less Electric Pass.Seat Adjuster		MTC9931	1
10	Spring-front seat squab suspension	Change point - VIN begin MA647645, Less Electric Driver Seat Adjuster, Less Electric Pass.Seat Adjuster	top	MUC1515	2
11	Spring-front seat squab suspension	Change point - VIN begin MA647645, Less Electric Driver Seat Adjuster, Less Electric Pass.Seat Adjuster	middle, Upper	MUC1516	2
			middle, Lower	MUC3098	2
12	Spring-front seat squab suspension	Change point - VIN begin MA647645, Less Electric Driver Seat Adjuster, Less Electric Pass.Seat Adjuster	bottom	MUC1514	2
13	Handwheel-front seat squab manual recline mechanism	Change point - VIN begin MA647645, Less Electric Driver Seat Adjuster, Less Electric Pass.Seat Adjuster	Dark Granite	MWC2955LNF	2
14	Nut - Hex.	Change point - VIN begin MA647645, Less Electric Driver Seat Adjuster, Less Electric Pass.Seat Adjuster	M10, hexagonal head, nyloc	NY110041L	2
15	Lever-front seat height adjust	Change point - VIN begin MA647645, Less Electric Driver Seat Adjuster, Less Electric Pass.Seat Adjuster	RH	STC219	1
			LH	STC220	1
[900]	Knob-front seat armrest adjuster	Change point - VIN begin MA647645, Less Electric Driver Seat Adjuster, Less Electric Pass.Seat Adjuster	Sorrel Brown	MUC1121SUA	1

Range Rover (From JA610294)

(BDRXEA2C)



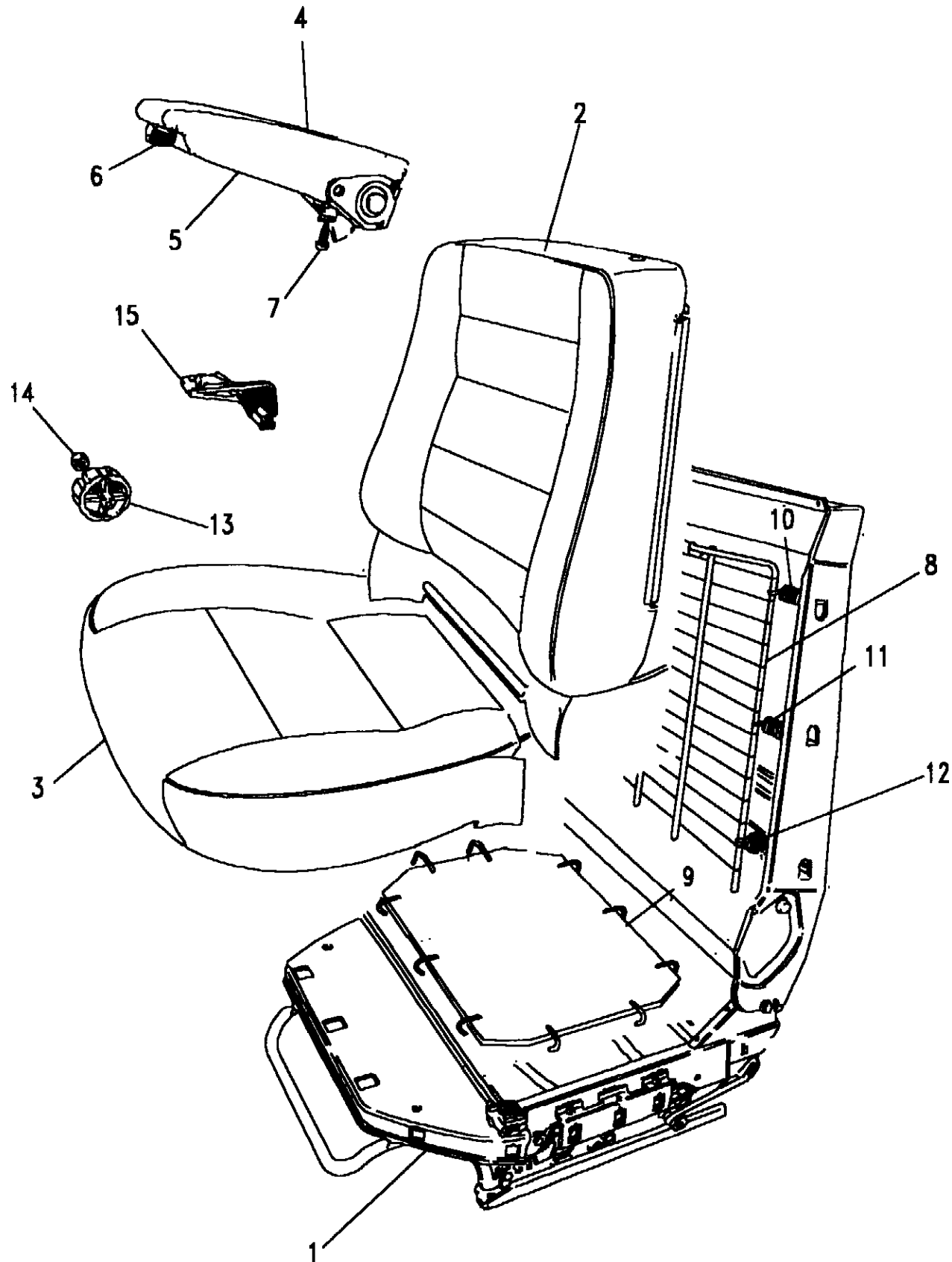
Range Rover (From JA610294)

Callout	Name	Application	Remarks & Restrictions	Service No.	Qty
[901]	Screw	Change point - VIN begin MA647645, Less Electric Driver Seat Adjuster, Less Electric Pass.Seat Adjuster		AB610061	3
[902]	Diaphragm-rear outer front seat	Change point - VIN begin MA647645, Less Electric Driver Seat Adjuster, Less Electric Pass.Seat Adjuster Change point - VIN begin MA647645, Less Electric Driver Seat Adjuster, Less Electric Pass.Seat Adjuster		MTC9943 MTC9931	2 2
[903]	Spring-front seat squab suspension	Change point - VIN begin MA647645, Less Electric Driver Seat Adjuster, Less Electric Pass.Seat Adjuster Change point - VIN begin MA647645, Less Electric Driver Seat Adjuster, Less Electric Pass.Seat Adjuster Change point - VIN begin MA647645, Less Electric Driver Seat Adjuster, Less Electric Pass.Seat Adjuster Change point - VIN begin MA647645, Less Electric Driver Seat Adjuster, Less Electric Pass.Seat Adjuster	top middle, Upper middle, Lower bottom	MUC1515 MUC1516 MUC3098 MUC1514	2 2 2 2
[904]	Handwheel-front seat squab manual recline mechanism	Change point - VIN begin MA647645, Less Electric Driver Seat Adjuster, Less Electric Pass.Seat Adjuster	Dark Granite	MWC2955LNF	2
[905]	Nut - Hex.	Change point - VIN begin MA647645, Less Electric Driver Seat Adjuster, Less Electric Pass.Seat Adjuster Change point - VIN begin MA647645, Less Electric Driver Seat Adjuster, Less Electric Pass.Seat Adjuster	M10, hexagonal head, nyloc M10, nyloc, flange	NY110041L NY110047L	2 2
[906]	Lever-front seat height adjust	Change point - VIN begin MA647645, Less Electric Driver Seat Adjuster, Less Electric Pass.Seat Adjuster	RH	STC219	1

Seats
Seating
Front-Manual-From (V) MA647645 6/7

Range Rover (From JA610294)

(BDRXEA2C)



Range Rover (From JA610294)

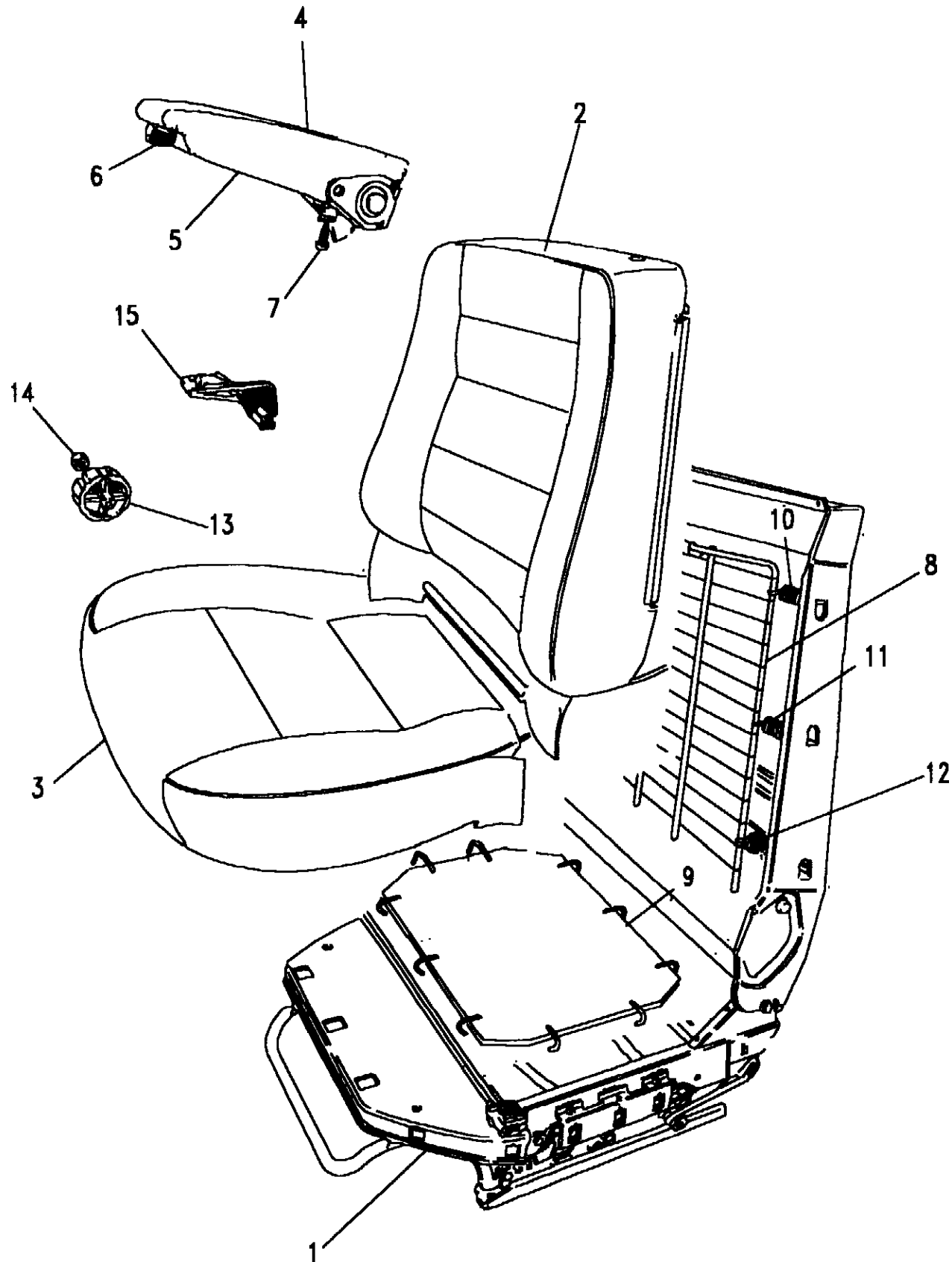
Seats
Seating
Front-Manual-From (V) MA647645

Callout	Name	Application	Remarks & Restrictions	Service No.	Qty
[907]	Kit-alternator	Change point - VIN begin MA647645, Less Electric Driver Seat Adjuster, Less Electric Pass.Seat Adjuster	LH	STC229	1
[908]	Frame assembly-manual front seat	Change point - VIN begin MA647645, Less Electric Driver Seat Adjuster, Less Electric Pass.Seat Adjuster	Black, RH	BTR8508PMA	1
		Change point - VIN begin MA647645, Less Electric Driver Seat Adjuster, Less Electric Pass.Seat Adjuster	Black, LH	BTR8509PMA	1
[909]	Recline mechanism-manual front seat squab	Change point - VIN begin MA647645, Less Electric Driver Seat Adjuster, Less Electric Pass.Seat Adjuster		RTC6390	2
[910]	Seat-manual front	Change point - VIN begin MA647645, Less Electric Driver Seat Adjuster, Less Electric Pass.Seat Adjuster	Less Heated Seats, Cloth, RH, Brogue	BTR7324AUE	1
		Change point - VIN begin MA647645, Less Electric Driver Seat Adjuster, Less Electric Pass.Seat Adjuster	Less Heated Seats, Cloth, RH, Dark Granite	BTR7324LOY	1
		Change point - VIN begin MA647645, Less Electric Driver Seat Adjuster, Less Electric Pass.Seat Adjuster	Less Heated Seats, Cloth, Brogue, LH	BTR7325AUE	1
		Change point - VIN begin MA647645, Less Electric Driver Seat Adjuster, Less Electric Pass.Seat Adjuster	Less Heated Seats, Cloth, Dark Granite, LH	BTR7325LOY	1
		Change point - VIN begin MA647645, Less Electric Driver Seat Adjuster, Less Electric Pass.Seat Adjuster	Heated Seats, Cloth, RH, Brogue	BTR7322AUE	1
		Change point - VIN begin MA647645, Less Electric Driver Seat Adjuster, Less Electric Pass.Seat Adjuster	Heated Seats, Cloth, RH, Dark Granite	BTR7322LOY	1
		Change point - VIN begin MA647645, Less Electric Driver Seat Adjuster, Less Electric Pass.Seat Adjuster	Heated Seats, Brogue, LH, Leather	BTR7323AUE	1
		Change point - VIN begin MA647645, Less Electric Driver Seat Adjuster, Less Electric Pass.Seat Adjuster	Heated Seats, Cloth, Dark Granite, LH	BTR7323LOY	1

Seats
Seating
Front-Manual-From (V) MA647645 717

Range Rover (From JA610294)

(BDRXEA2C)



Range Rover (From JA610294)

Seats
Seating
Front-Manual-From (V) MA647645

Callout	Name	Application	Remarks & Restrictions	Service No.	Qty
[910]	Seat-manual front	Change point - VIN begin MA647645, Less Electric Driver Seat Adjuster, Less Electric Pass.Seat Adjuster	Less Heated Seats, RH, Dark Granite, Leather	BTR7386LOY	1
		Change point - VIN begin MA647645, Less Electric Driver Seat Adjuster, Less Electric Pass.Seat Adjuster	Less Heated Seats, RH, Sorrel Brown, Leather	BTR7386SUA	1
		Change point - VIN begin MA647645, Less Electric Driver Seat Adjuster, Less Electric Pass.Seat Adjuster	Less Heated Seats, Dark Granite, LH, Leather	BTR7387LOY	1
		Change point - VIN begin MA647645, Less Electric Driver Seat Adjuster, Less Electric Pass.Seat Adjuster	Less Heated Seats, Sorrel Brown, LH, Leather	BTR7387SUA	1

Seats
Seating
Front-Manual-Overlay-From (V) MA647645 1/1

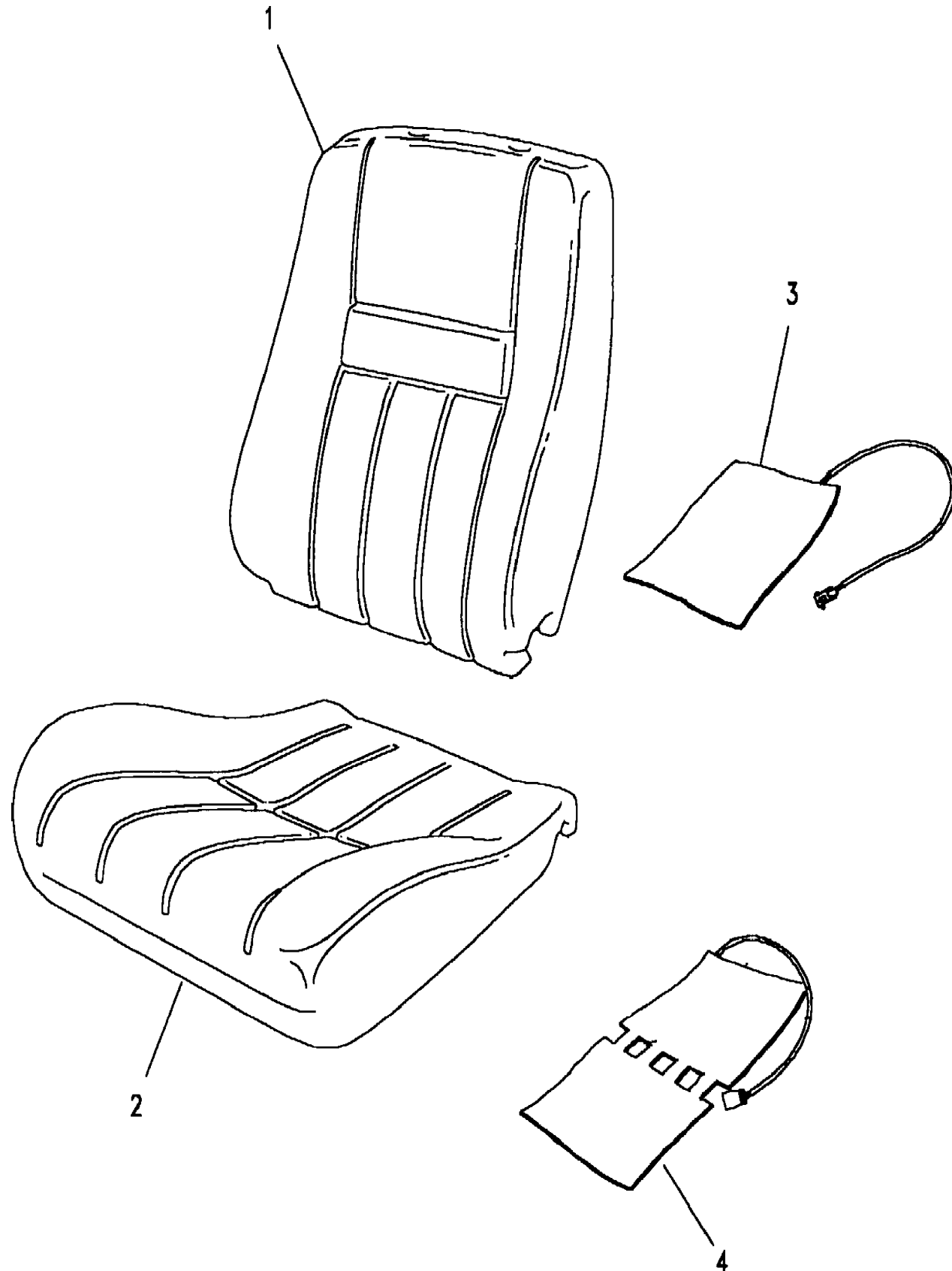
Range Rover (From JA610294)

(BDRXEA2D)

Range Rover (From JA610294)

Seats
Seating
Front-Manual-Overlay-From (V) MA647645
Change point - VIN begin MA647645, Less Electric Driver Seat Adjuster, Less Electric Pass.Seat Adjuster

Callout	Name	Application	Remarks & Restrictions	Service No.	Qty
1	Foam-squab	Change point - VIN begin MA647645		BTR8494	1
2	Foam cushion	Change point - VIN begin MA647645		MXC3333	1
3	Pad-heated seat	Change point - VIN begin MA647645	Heated Seats	MXC5228	1
4	Pad heated seat	Change point - VIN begin MA647645	Heated Seats, RH	BTR1561	1

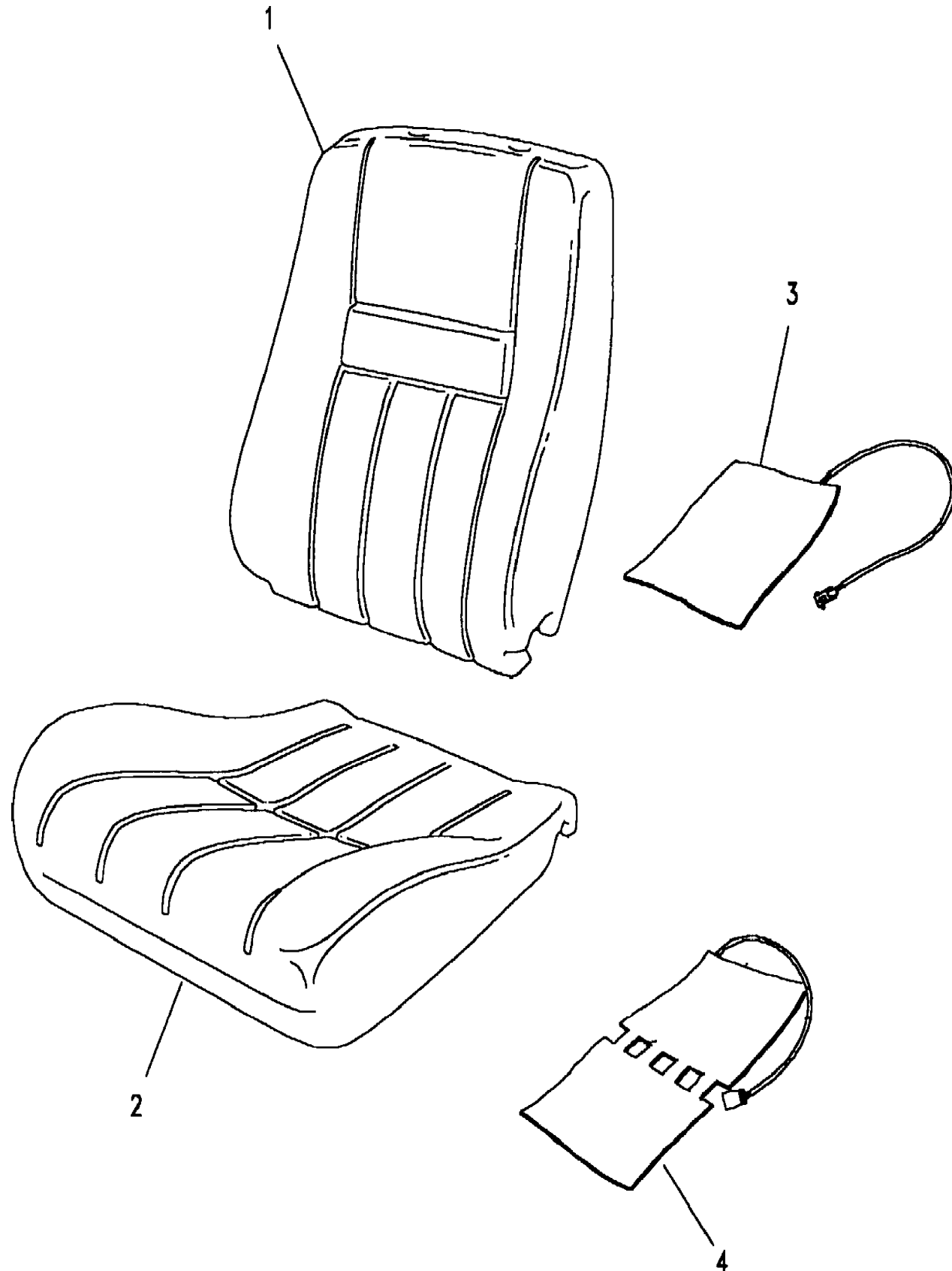


Range Rover (From JA610294)

(BDRXEA2D)

Range Rover (From JA610294)

Callout	Name	Application	Remarks & Restrictions	Service No.	Qty
1	Foam-squab	Change point - VIN end LA647644, Less Electric Driver Seat Adjuster, Less Electric Pass.Seat Adjuster		MXC6462	1
2	Foam cushion	Change point - VIN end LA647644, Less Electric Driver Seat Adjuster, Less Electric Pass.Seat Adjuster		MXC3333	1
3	Pad-heated seat	Change point - VIN end LA647644, Less Electric Driver Seat Adjuster, Less Electric Pass.Seat Adjuster		MXC5228	1
4	Pad heated seat	Change point - VIN end LA647644, Less Electric Driver Seat Adjuster, Less Electric Pass.Seat Adjuster	RH	BTR1561	1
			LH	BTR1216	1



Seats
Seating
Headrests 1/2

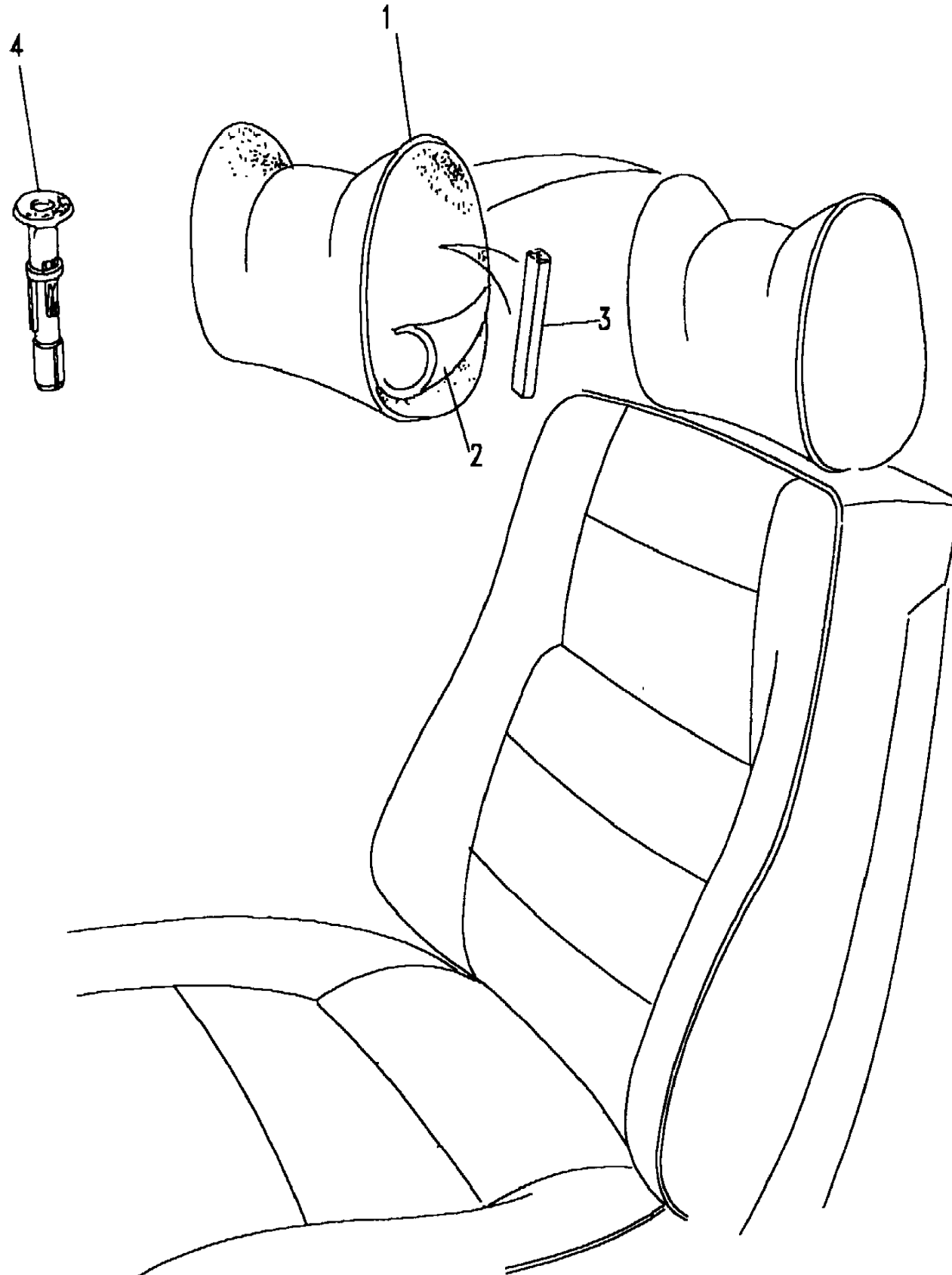
Range Rover (From JA610294)

(BDRXMA1A)

Range Rover (From JA610294)

Seats
Seating
Headrests

Callout	Name	Application	Remarks & Restrictions	Service No.	Qty		
1	Headrest assembly	(+)"AUS"	Also serviced as part of a kit, Light Stone Beige, Leather	BTR4656SMK	2		
		Change point - VIN end LA647644, (-)"GCC"	Also serviced as part of a kit, Light Stone Beige, Leather	BTR8380SMK	2		
		Change point - VIN begin MA647645, (-)"GCC"	Also serviced as part of a kit, Light Stone Beige, Leather	BTR7436SMK	2		
		(+)"GCC"	Also serviced as part of a kit, Light Stone Beige, Leather	BTR8380SMK	2		
		Change point - VIN end MA647644	Also serviced as part of a kit, Cloth, Winchester Grey, Velour	MWC4666LUL	2		
			Also serviced as part of a kit, Cloth, Front, Velour, Brogue	MWC4666AUE	2		
		Change point - VIN begin MA647645	Also serviced as part of a kit, Cloth, Dark Granite, Velour	MWC4666LOY	2		
		Change point - VIN end LA647644, (-)"GCC"	Front, Sorrel Brown, Leather	MWC5976SUA	2		
		Change point - VIN end JA624754	Front, Winchester Grey, Leather	MWC5976LUL	2		
		Change point - VIN begin KA624756	Light Winchester, Leather	MWC5976LUV	2		
			Sable, Leather	MWC5976RWD	2		
			Tan, Leather	BTR2828AUK	2		
			Ash Grey, Leather	BTR7436LNF	2		
			Dark Granite, Leather	BTR7436LOY	2		
			Sorrel Brown, Leather	BTR7436SUA	2		
		2	Cover assembly-seat- front-headrest		Sable, Leather	MWC5977RWD	2
					Tan, Leather	BTR2830AUK	2
	Ash Grey, Leather			BTR7448LNF	2		
Change point - VIN begin MA647645	Dark Granite, Leather			BTR7448LOY	2		
Change point - VIN begin MA647645	Sorrel Brown, Leather			BTR7448SUA	2		
Change point - VIN begin MA647645 (+)"AUS"	Also serviced as part of a kit, Light Stone Beige, Leather			BTR4657SMK	2		
Change point - VIN begin MA647645, (-)"GCC"	Also serviced as part of a kit, Light Stone Beige, Leather			BTR7448SMK	2		
	Cloth, Velour, Brogue			MWC4667AUE	2		
Change point - VIN end MA647644	Cloth, Winchester Grey, Velour			MWC4667LUL	2		
Change point - VIN begin MA647645	Cloth, Dark Granite, Velour			MWC4667LOY	2		
Change point - VIN end MA647644	Sorrel Brown, Leather			MWC5977SUA	2		
Change point - VIN end JA624754	Winchester Grey, Leather			MWC5977LUL	2		
Change point - VIN begin KA624756	Light Winchester, Leather			MWC5977LUV	2		
3	Strip-edge protection	(-)"GCC"	89mm	JRC7549	2		
		Change point - VIN end LA647644, (-)"GCC"	Also serviced as part of a kit, 89mm	JRC7549	2		
		Change point - VIN begin MA647645, (-)"GCC"	Also serviced as part of a kit, 89mm	JRC7549	2		



Seats
Seating
Headrests 2/2

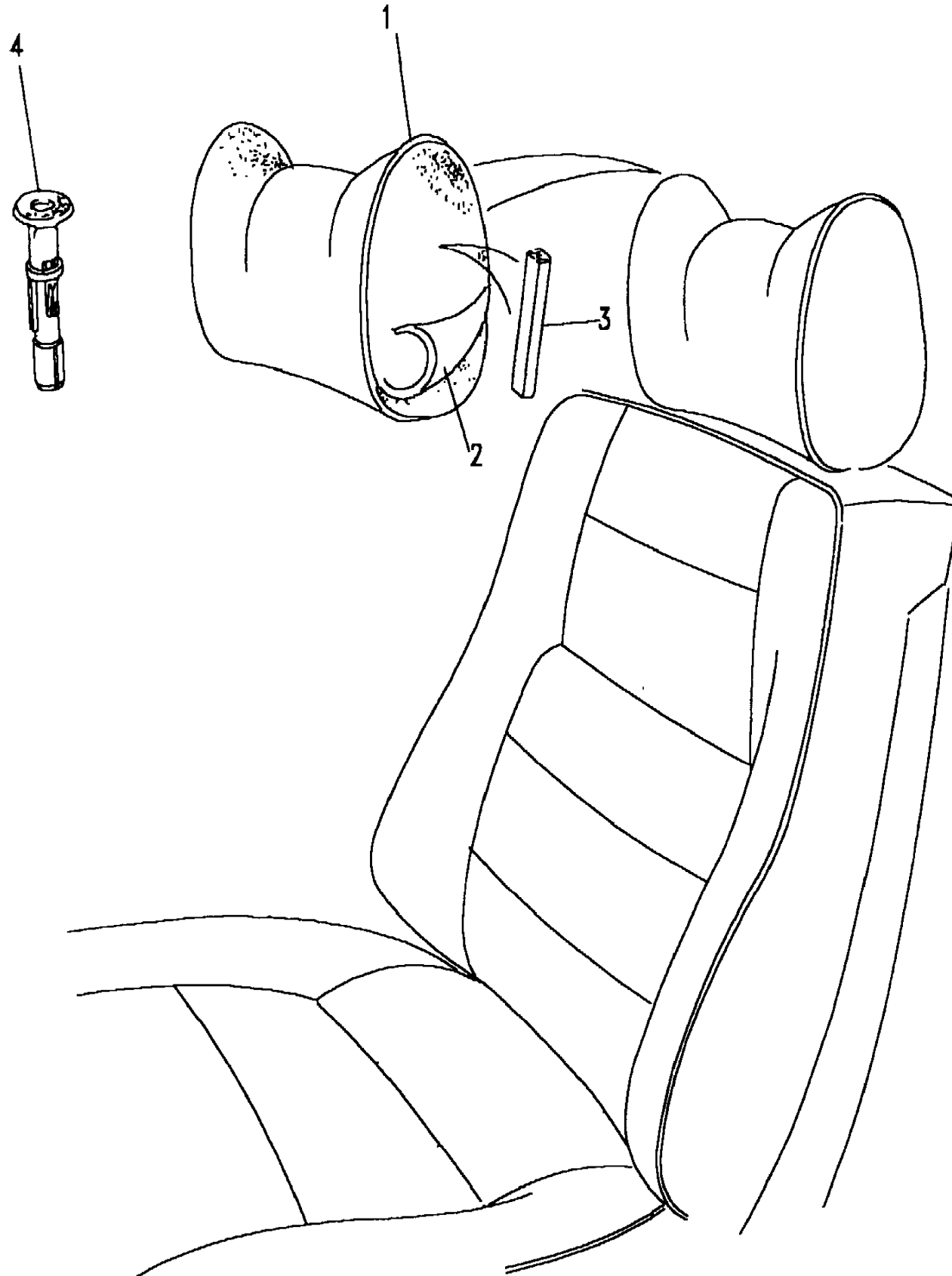
Range Rover (From JA610294)

(BDRXMA1A)

Range Rover (From JA610294)

Seats
Seating
Headrests

Callout	Name	Application	Remarks & Restrictions	Service No.	Qty
4	Escutcheon-headrest	Change point - VIN end KA632912	Rear, Winchester Grey	YXX2777LUL	2
		Change point - VIN end KA632912	Front, Sorrel Brown	YXX2777SUA	2
		Change point - VIN begin KA632913	Winchester Grey	BTR3636LUL	2
		Change point - VIN begin KA632913	Sorrel Brown	BTR3636SUA	2
			Sable	BTR3636RWD	2
			Tan	BTR3636AUK	2
			Ash Grey	BTR3636LNF	2
		Change point - VIN begin MA647645	Sorrel Brown	BTR3636SUA	2
		Change point - VIN begin MA647645, (-)"GCC"	Sorrel Brown	BTR3636SUA	2
		Change point - VIN end MA647644, (-)"GCC"			
		(+)"GCC"	Also serviced as part of a kit, 89mm	JRC7549	2
		Change point - VIN begin MA647645, (+)"GCC"	Sorrel Brown	BTR3636SUA	2
		[900]	Cover assembly-seat-fr/rr-headrest	Change point - VIN end LA647644, (-)"GCC"	Also serviced as part of a kit, Light Stone Beige, Leather
	(+)"GCC"	Also serviced as part of a kit, Light Stone Beige, Leather		BTR8371SMK	2
	(+)"GCC"	Also serviced as part of a kit, Light Stone Beige, Leather		BTR8371SMK	2
[901]	Cover assembly-seat-front-headrest		Cloth, Velour, Brogue	MWC4667AUE	2
[902]	Strip-edge protection	(-)"GCC"	89mm	YQJ100200	2
		(+)"GCC"	89mm	YQJ100200	X



Seats
Seating
Plinth & Finishers 1/4

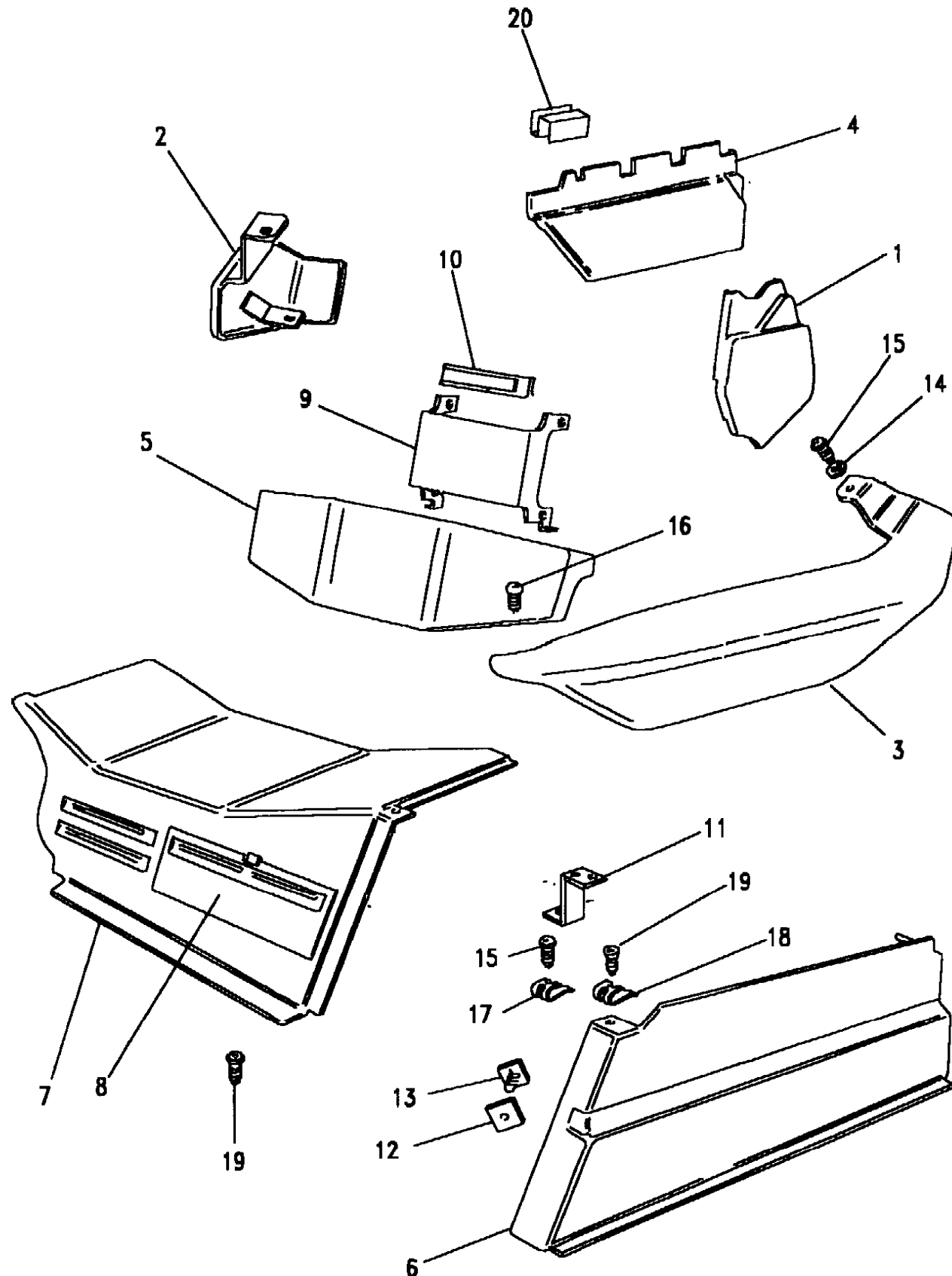
Range Rover (From JA610294)

(BDRXAC1A)

Range Rover (From JA610294)

Seats
Seating
Plinth & Finishers

Callout	Name	Application	Remarks & Restrictions	Service No.	Qty		
1	Finisher-recline mechanism	Change point - VIN end MA647645, 4 Door Station Wagon	RH, Winchester Grey	BTR880LUL	1		
		4 Door Station Wagon	RH, Sorrel Brown	BTR880SUA	1		
		4 Door Station Wagon	RH, Dark Granite	BTR880LOY	1		
		Change point - VIN end MA647645, 4 Door Station Wagon	Winchester Grey, LH	BTR881LUL	1		
		4 Door Station Wagon	Sorrel Brown, LH	BTR881SUA	1		
		4 Door Station Wagon	Dark Granite, LH	BTR881LOY	1		
		2 Door Station Wagon	RH, Sorrel Brown	MXC5202SUA	1		
		2 Door Station Wagon	Sorrel Brown, LH	MXC5203SUA	1		
		2 Door Station Wagon	RH, Sorrel Brown, Inner	MXC5198SUA	1		
		2 Door Station Wagon	Sorrel Brown, Inner, LH	MXC5199SUA	1		
		2	Finisher-seat plinth	Less Electric Driver Seat Adjuster, Less Electric Pass.Seat Adjuster	Sorrel Brown, Inner, LH	MWC3169SUA	1
				Less Electric Driver Seat Adjuster, Less Electric Pass.Seat Adjuster	Winchester Grey, Inner, LH	MWC3169LUL	1
				Less Electric Driver Seat Adjuster, Less Electric Pass.Seat Adjuster	Inner, LH, Sable	MWC3169RWD	1
				Less Electric Driver Seat Adjuster, Less Electric Pass.Seat Adjuster	Inner, LH, Tan	MWC3169AUK	1
Change point - VIN begin MA647646	Electric seats, Ash Grey, Inner, LH			BTR9621LNF	1		
Change point - VIN begin MA647646	Electric seats, Dark Granite, Inner, LH			BTR9621LOY	1		
Change point - VIN begin MA647646	Electric seats, Sorrel Brown, Inner, LH			BTR9621SUA	1		
Less Electric Driver Seat Adjuster, Less Electric Pass.Seat Adjuster	RH, Sorrel Brown, Inner			MWC3170SUA	1		
Less Electric Driver Seat Adjuster, Less Electric Pass.Seat Adjuster	RH, Winchester Grey, Inner			MWC3170LUL	1		
Less Electric Driver Seat Adjuster, Less Electric Pass.Seat Adjuster	RH, Inner, Sable			MWC3170RWD	1		
Less Electric Driver Seat Adjuster, Less Electric Pass.Seat Adjuster	RH, Inner, Tan			MWC3170AUK	1		
Change point - VIN begin MA647646	Electric seats, Ash Grey, RH, Inner			BTR9620LNF	1		
Change point - VIN begin MA647646	Electric seats, RH, Dark Granite, Inner			BTR9620LOY	1		
Change point - VIN begin MA647646	Electric seats, RH, Sorrel Brown, Inner			BTR9620SUA	1		
3	Finisher-seat plinth	Less Electric Driver Seat Adjuster, Less Electric Pass.Seat Adjuster	Outer, Winchester Grey, LH	BTR391LUL	1		
		Less Electric Driver Seat Adjuster, Less Electric Pass.Seat Adjuster	Outer, LH, Sable	BTR391RWD	1		
		Less Electric Driver Seat Adjuster, Less Electric Pass.Seat Adjuster	Outer, LH, Tan	BTR391AUK	1		

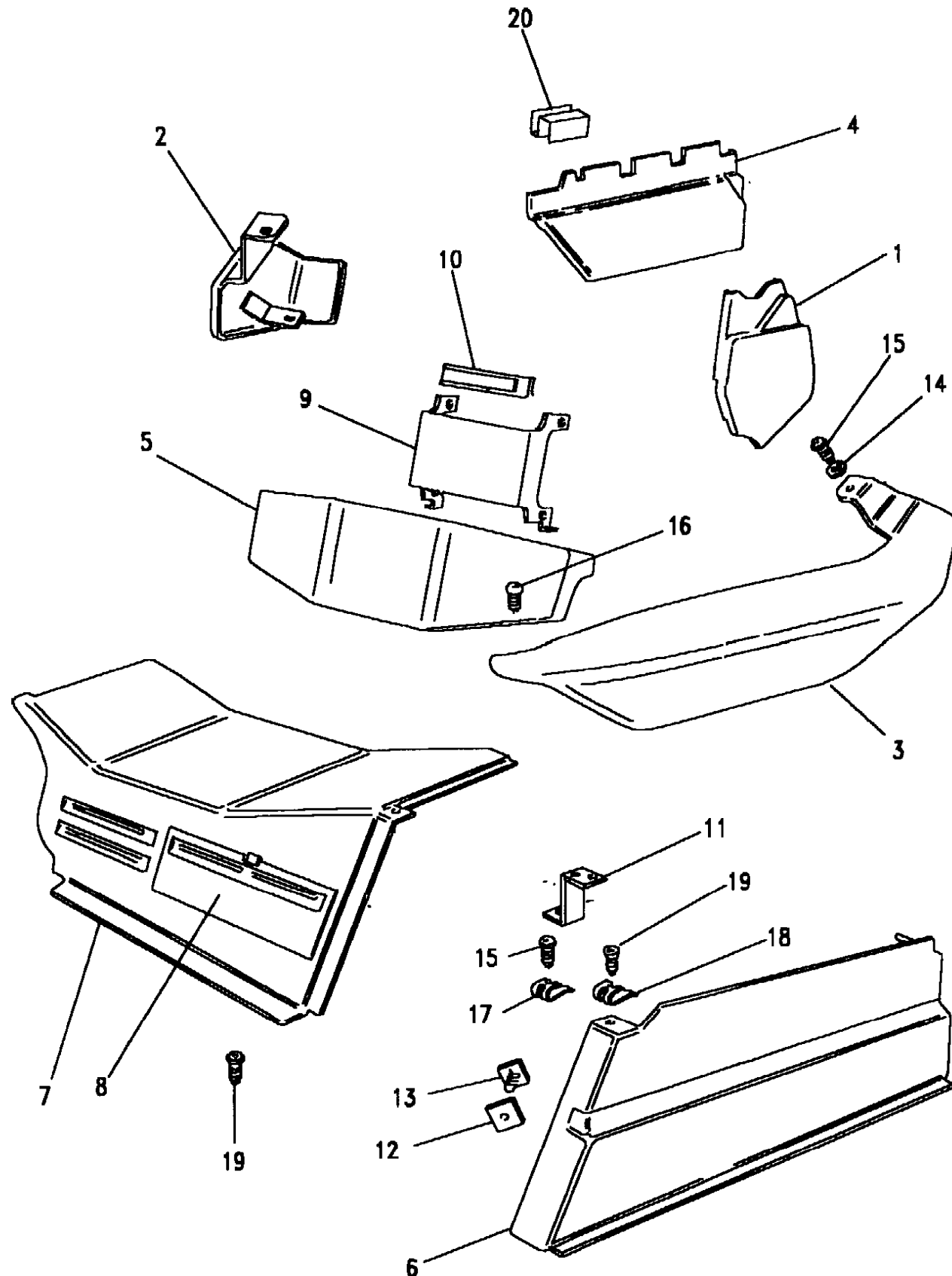


Range Rover (From JA610294)

(BDRXAC1A)

Range Rover (From JA610294)

Callout	Name	Application	Remarks & Restrictions	Service No.	Qty		
3	Finisher-seat plinth	Change point - VIN begin MA647646	Electric seats, Outer, Ash Grey, LH	BTR9619LNF	1		
		Change point - VIN begin MA647646	Electric seats, Outer, Dark Granite, LH	BTR9619LOY	1		
		Change point - VIN begin MA647646	Electric seats, Outer, Sorrel Brown, LH	BTR9619SUA	1		
		Less Electric Driver Seat Adjuster, Less Electric Pass.Seat Adjuster	Outer, RH, Sorrel Brown	BTR390SUA	1		
		Less Electric Driver Seat Adjuster, Less Electric Pass.Seat Adjuster	Outer, RH, Winchester Grey	BTR390LUL	1		
		Less Electric Driver Seat Adjuster, Less Electric Pass.Seat Adjuster	Outer, RH, Sable	BTR390RWD	1		
		Less Electric Driver Seat Adjuster, Less Electric Pass.Seat Adjuster	Outer, RH, Tan	BTR390AUK	1		
		Change point - VIN begin MA647646	Electric seats, Outer, Ash Grey, RH	BTR9618LNF	1		
		Change point - VIN begin MA647646	Electric seats, Outer, RH, Dark Granite	BTR9618LOY	1		
		Change point - VIN begin MA647646	Electric seats, Outer, RH, Sorrel Brown	BTR9618SUA	1		
		Less Electric Driver Seat Adjuster, Less Electric Pass.Seat Adjuster	Outer, Sorrel Brown, LH	BTR391SUA	1		
		4	Finisher-height adjust mechanism	2 Door Station Wagon	RH, Sorrel Brown	MWC9622SUA	1
				2 Door Station Wagon	Sorrel Brown, LH	MWC9621SUA	1
				4 Door Station Wagon	RH, Sorrel Brown	MWC5004SUA	1
4 Door Station Wagon	RH, Dark Granite			MWC5004LOY	1		
4 Door Station Wagon	RH, Winchester Grey			MWC5004LUL	1		
4 Door Station Wagon	Sorrel Brown, LH			MWC5003SUA	1		
4 Door Station Wagon	Dark Granite, LH			MWC5003LOY	1		
5	Cover Plate		Sorrel Brown	MWC5605SUA	2		
			Sable	MWC5605RWD	2		
			Tan	MWC5605AUK	2		
		Change point - VIN begin MA647646	Ash Grey	BTR9093LNF	2		
		Change point - VIN begin MA647646	Winchester Grey	BTR9093LUL	2		
		Change point - VIN begin MA647646	Sable	BTR9093RWD	2		
		Change point - VIN begin MA647646	Sorrel Brown	BTR9093SUA	2		
			Winchester Grey	MWC5605LUL	2		
		6	Finisher-seat plinth	2 Door Station Wagon	RH, Sorrel Brown, Side	MWC5774SUA	1
				2 Door Station Wagon	Sorrel Brown, Side, LH	MWC5775SUA	1
Change point - VIN end MA501919, 4 Door Station Wagon	Winchester Grey, Side, LH			BTR309LUL	1		
Change point - VIN end MA501919, 4 Door Station Wagon	Sorrel Brown, Side, LH			BTR309SUA	1		



Seats
Seating
Plinth & Finishers 3/4

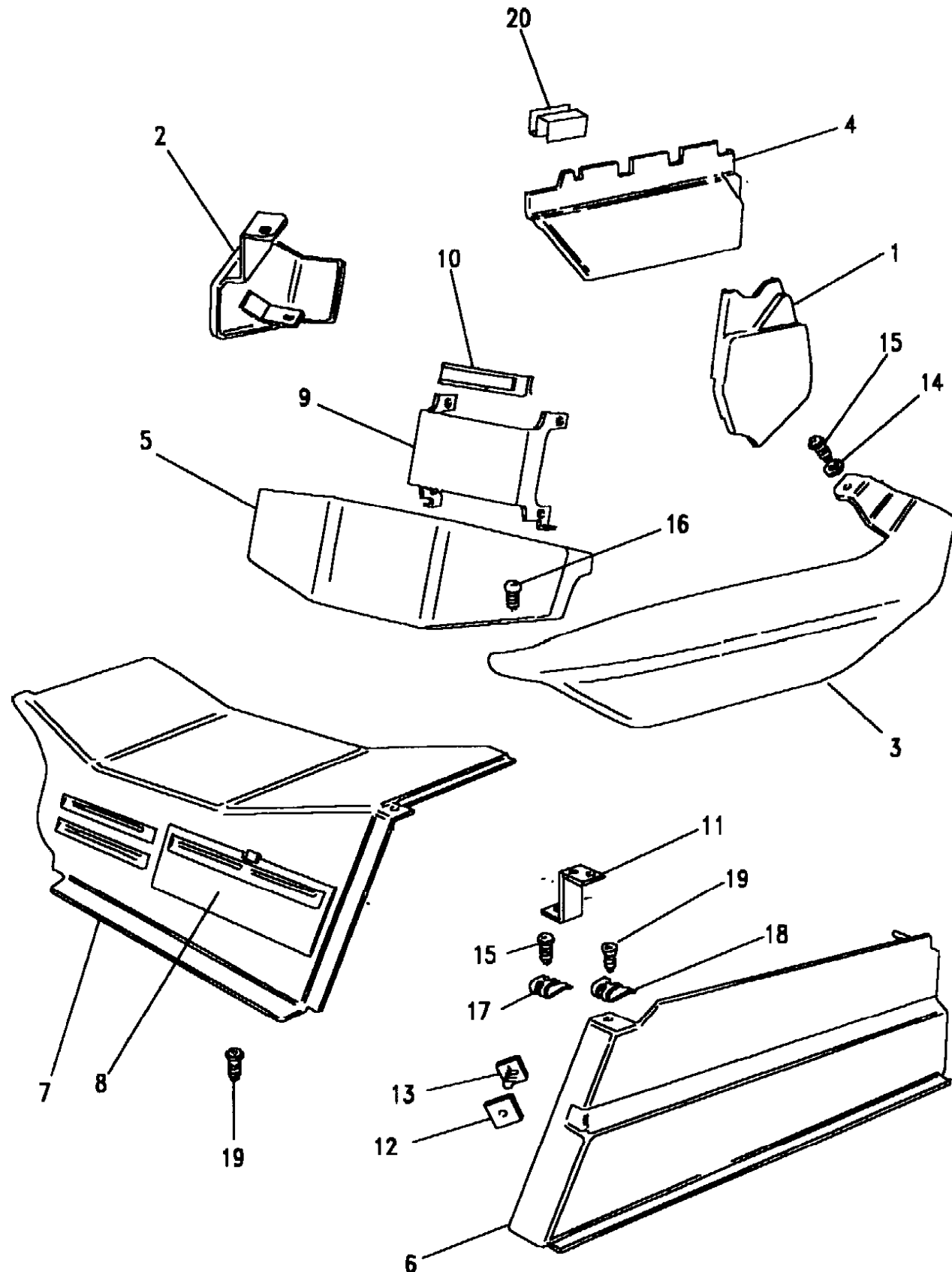
Range Rover (From JA610294)

(BDRXAC1A)

Range Rover (From JA610294)

Seats
Seating
Plinth & Finishers

Callout	Name	Application	Remarks & Restrictions	Service No.	Qty		
6	Finisher-seat plinth	Change point - VIN end MA501919, 4 Door Station Wagon	LH, Sable	BTR309RWD	1		
		Change point - VIN end MA501919, 4 Door Station Wagon	LH, Tan	BTR309AUK	1		
		Change point - VIN begin MA647646, 4 Door Station Wagon	Ash Grey, LH	BTR9307LNF	1		
		Change point - VIN begin MA647646, 4 Door Station Wagon	Dark Granite, LH	BTR9307LOY	1		
		Change point - VIN begin MA647646, 4 Door Station Wagon	Sorrel Brown, LH	BTR9307SUA	1		
		Change point - VIN end MA501919, 4 Door Station Wagon	RH, Winchester Grey, Side	BTR310LUL	1		
		Change point - VIN end MA501919, 4 Door Station Wagon	RH, Sorrel Brown, Side	BTR310SUA	1		
		Change point - VIN end MA501919, 4 Door Station Wagon	RH, Sable	BTR310RWD	1		
		Change point - VIN end MA501919, 4 Door Station Wagon	RH, Tan	BTR310AUK	1		
		Change point - VIN end MA501919, 4 Door Station Wagon	Ash Grey, RH	BTR9308LNF	1		
		Change point - VIN begin MA647646, 4 Door Station Wagon	RH, Dark Granite	BTR9308LOY	1		
		Change point - VIN begin MA647646, 4 Door Station Wagon	RH, Sorrel Brown	BTR9308SUA	1		
		7	Finisher-seat plinth	Change point - VIN end MA501919	Front, Winchester Grey, LH	BTR313LUL	1
				Change point - VIN end MA501919	Front, Sorrel Brown, LH	BTR313SUA	1
				Change point - VIN end MA501919	LH, Sable	BTR313RWD	1
				Change point - VIN end MA501919	LH, Tan	BTR313AUK	1
Change point - VIN begin MA647646	Ash Grey, LH			BTR313LNF	1		
Change point - VIN end MA501919	Front, RH, Winchester Grey			BTR314LUL	1		
Change point - VIN end MA501919	Front, RH, Sorrel Brown			BTR314SUA	1		
Change point - VIN end MA501919	RH, Sable			BTR314RWD	1		
Change point - VIN end MA501919	RH, Tan			BTR314AUK	1		
Change point - VIN begin MA647646	Ash Grey, RH			BTR314LNF	1		
8	Inspection hatch-seat plinth	Change point - VIN end MA501919	Sorrel Brown	BTR3SUA	1		
		Change point - VIN end MA501919	Winchester Grey	BTR3LUL	1		



Seats
Seating
Plinth & Finishers 4/4

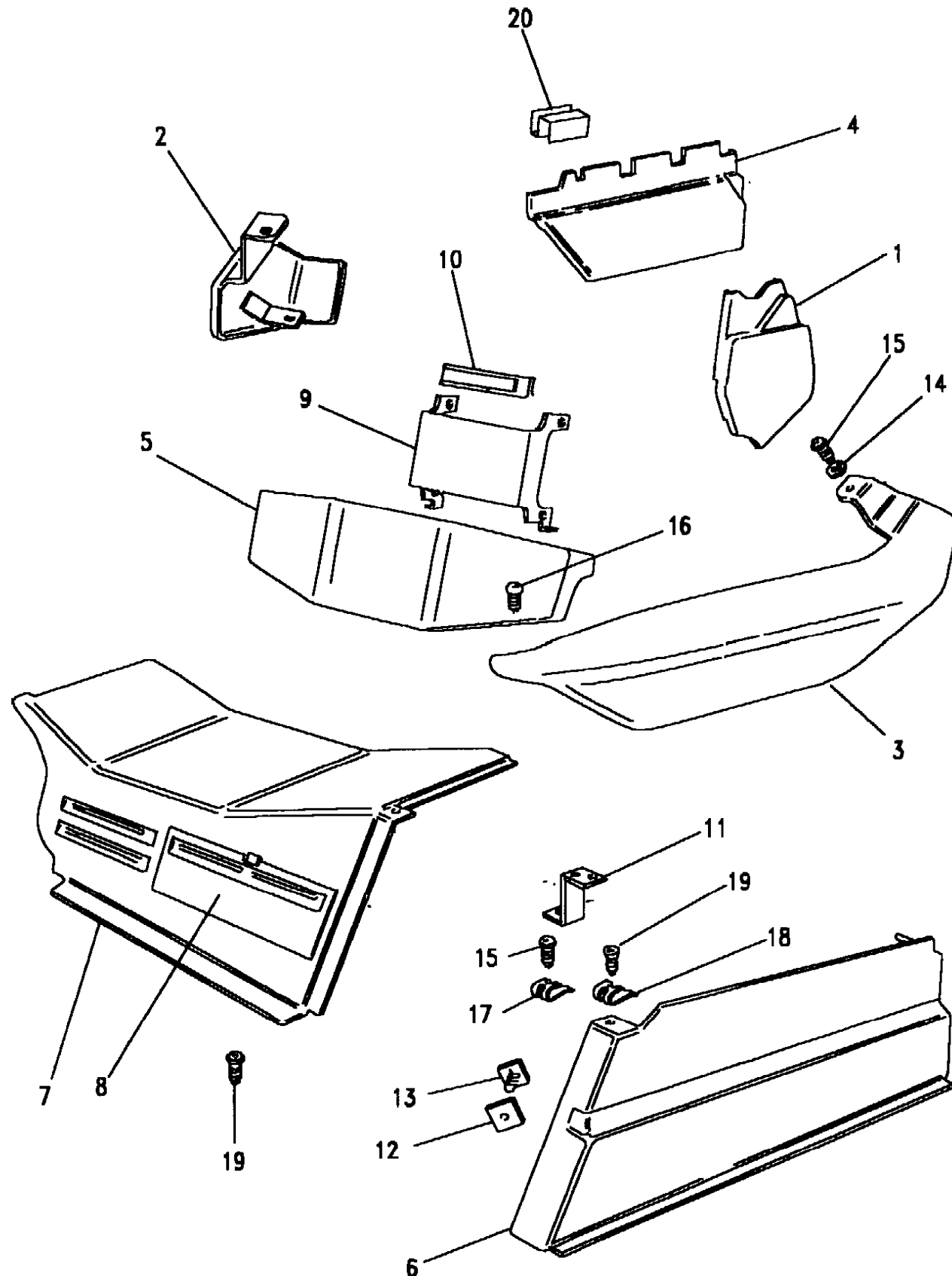
Range Rover (From JA610294)

(BDRXAC1A)

Range Rover (From JA610294)

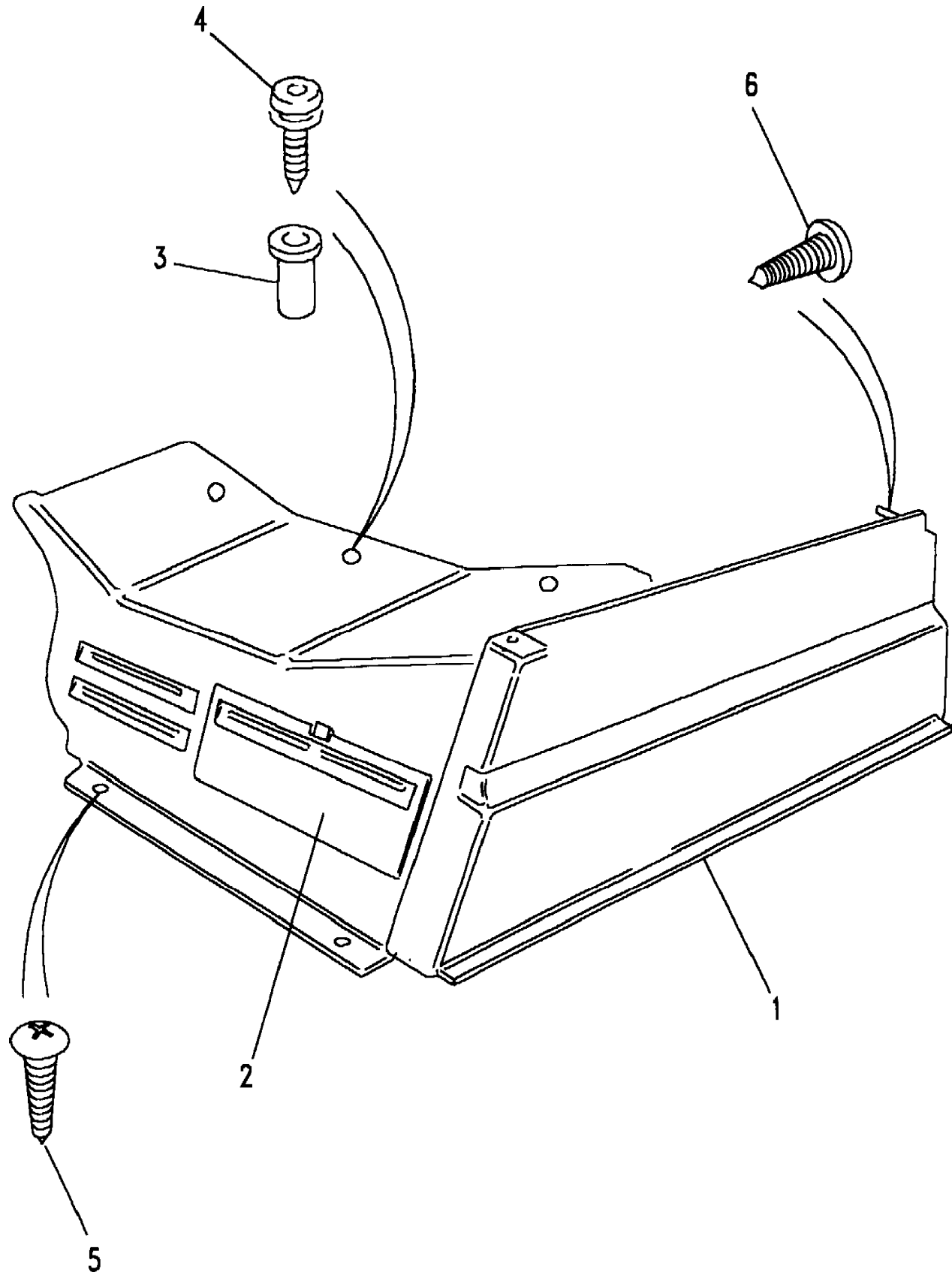
Seats
Seating
Plinth & Finishers

Callout	Name	Application	Remarks & Restrictions	Service No.	Qty
8	Inspection hatch-seat plinth	Change point - VIN end MA501919	Sable	BTR3RWD	1
		Change point - VIN end MA501919	Tan	BTR3AUK	1
		Change point - VIN begin MA647646	Ash Grey	BTR3LNF	1
9	Bracket-front seat rise & fall motor	Change point - VIN end MA501919		MWC2450	8
10	Clip-edge harness			MWC2754	2
11	Bracket		Also serviced as part of a kit	MWC3226	2
12	Seal	Change point - VIN end JA624754	Velcro	MUC8996	4
13	Fastener-carpet	Change point - VIN end JA624754		MUC8995	4
14	Washer		6MM	WA106041L	2
15	Screw		plinth to plinth	AV608081L	X
16	Screw		plinth to plinth, Self Tapping, No 8 x 3/8	AB608031L	3
17	Nut-spring-self thread		Also serviced as part of a kit	AK608045	2
18	Nut - Hex.		plinth to plinth, M6	AJ606011L	2
19	Screw		plinth to plinth	AY606105	2
20	Clip			ATU1015L	4



Seats
Seating
Plinths & Access Panel-From (V) TA on 1/1

Range Rover (From JA610294)
(BDRXAC2A)



Range Rover (From JA610294)

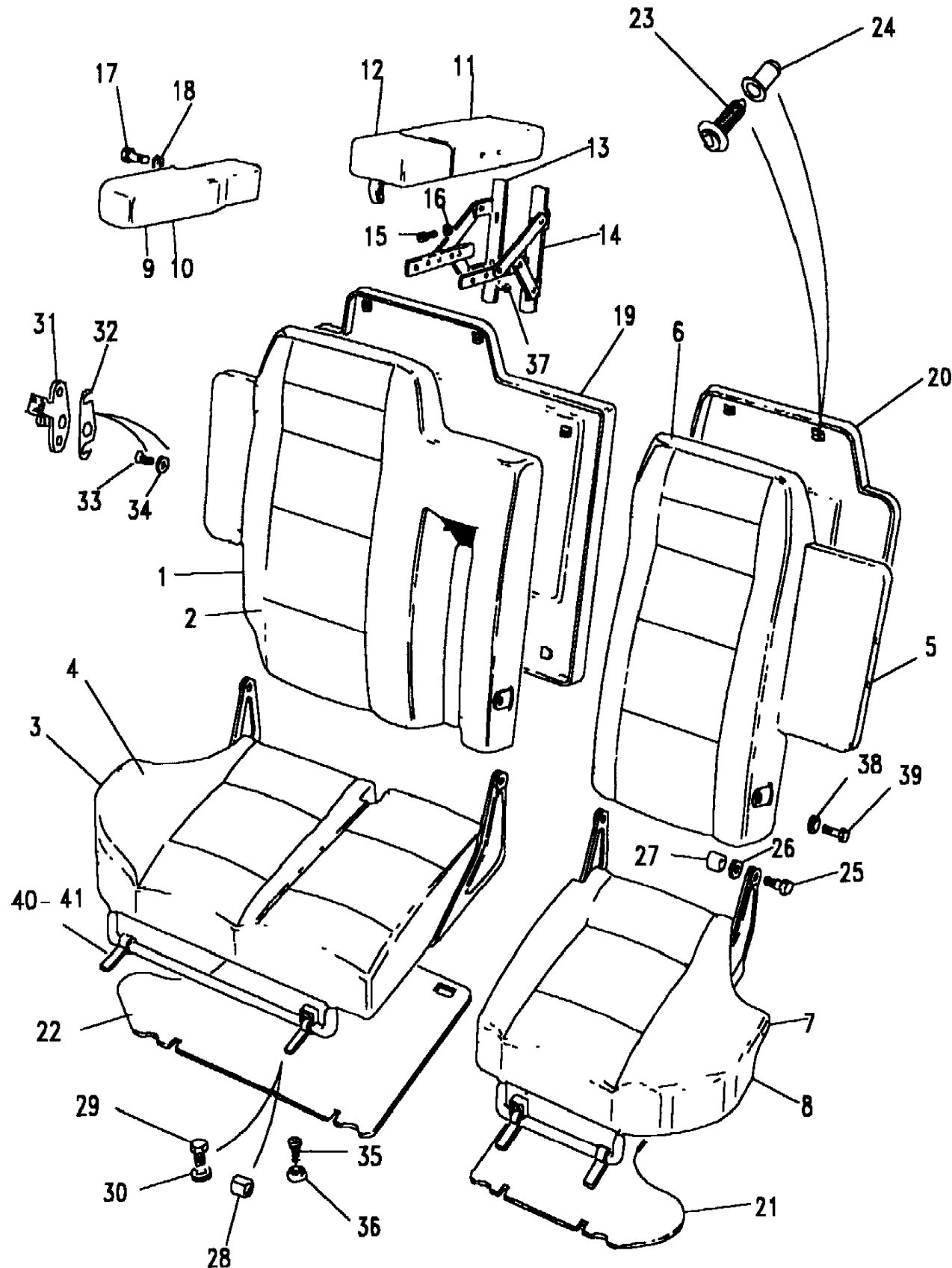
Seats
Seating
Plinths & Access Panel-From (V) TA on

Callout	Name	Application	Remarks & Restrictions	Service No.	Qty
1	Plinth assembly-seat	Change point - VIN end MA501919	LH, Tan	STC3007AUK	1
		Change point - VIN end MA501919	Ash Grey, LH	AWR2995LNF	1
		Change point - VIN end MA501919	Winchester Grey, LH	STC3007LUL	1
		Change point - VIN end MA501919	LH, Sable	STC3007RWD	1
		Change point - VIN end MA501919	Sorrel Brown, LH	AWR2995SUA	1
		Change point - VIN end MA501919	RH, Tan	STC3006AUK	1
		Change point - VIN end MA501919	Ash Grey, RH	AWR2996LNF	1
		Change point - VIN end MA501919	RH, Winchester Grey	STC3006LUL	1
		Change point - VIN end MA501919	RH, Sable	STC3006RWD	1
		Change point - VIN end MA501919	RH, Sorrel Brown	AWR2996SUA	1
		2	Inspection hatch-seat plinth	Change point - VIN end MA501919	Tan
Change point - VIN end MA501919	Ash Grey			AWR4027LNF	2
Change point - VIN end MA501919	Winchester Grey			BTR3LUL	2
Change point - VIN end MA501919	Sable			BTR3RWD	2
Change point - VIN end MA501919	Sorrel Brown			AWR4027SUA	2
3	Clip-snap-sack			Change point - VIN end MA501919	
4	Fastener-drive	Change point - VIN end MA501919	Ash Grey	MRC4283LNF	3
		Change point - VIN end MA501919	Plastic, Sorrel Brown	MRC4283SUA	3
5	Screw-self tapping	Change point - VIN end MA501919	plinth to floor	AB608041	2
6	Screw-self tapping	Change point - VIN end MA501919	18MM	DA608064L	1
[900]	Clip-snap-sack			EYC101460	3

Range Rover (From JA610294)

(BDRXGC2A)

Range Rover (From JA610294)

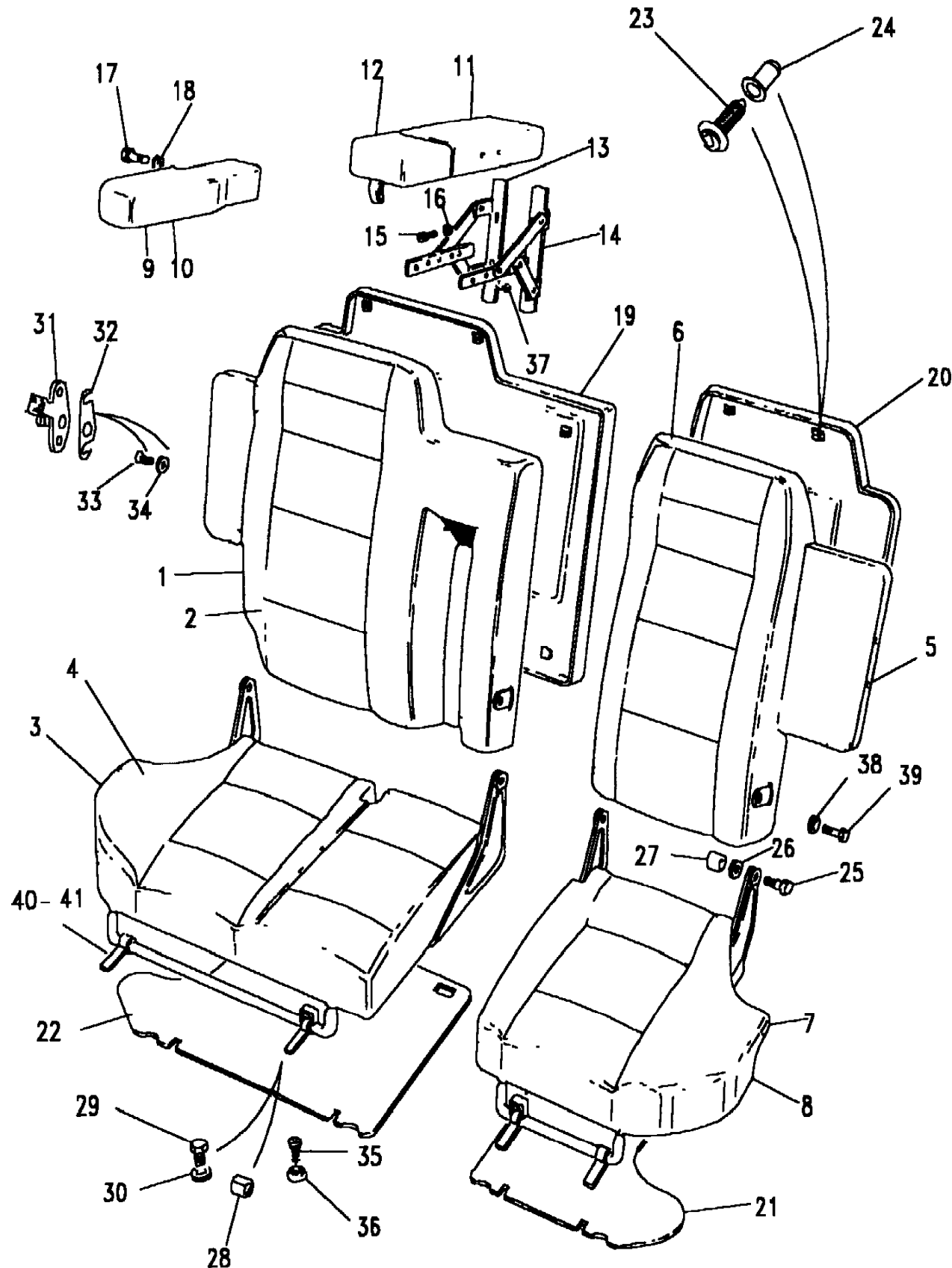


Callout	Name	Application	Remarks & Restrictions	Service No.	Qty
1	Squab-large split rear seat	Change point - VIN end KA640177, (-)"GB", Vogue LSE	Also serviced as part of a kit, Sable, Leather	BTR6432RWD	1
		Change point - VIN begin KA640178, (-)"GB", Vogue LSE	Also serviced as part of a kit, Sable, Leather	BTR8463RWD	1
		(-)"GB", (-) Vogue LSE	Also serviced as part of a kit, Light Stone Beige, Leather	BTR8382SMK	1
		(+)"AUS"	Also serviced as part of a kit, Light Stone Beige, Leather	BTR4660SMK	1
		(+)"GCC"	Also serviced as part of a kit, Light Stone Beige, Leather	BTR7395SMK	1
2	Cover assembly-rear seat large split cushion	Change point - VIN end KA640177, (-)"GB", Vogue LSE	Also serviced as part of a kit, Sable, Leather	BTR6381RWD	1
		(-)"GB", (-) Vogue LSE	Also serviced as part of a kit, Light Stone Beige, Leather	BTR8368SMK	1
		(+)"AUS"	Also serviced as part of a kit, Light Stone Beige, Leather	BTR4661SMK	1
		(+)"GCC"	Also serviced as part of a kit, Light Stone Beige, Leather	BTR7433SMK	1
		3	Cushion-large split rear seat	Change point - VIN end KA640177, (-)"GB", Vogue LSE	Also serviced as part of a kit, Sable, Leather
Change point - VIN begin KA640178, (-)"GB", Vogue LSE	Also serviced as part of a kit, Sable, Leather			BTR8465RWD	1
(-)"GB", (-) Vogue LSE	Also serviced as part of a kit, Light Stone Beige, Leather			BTR8384SMK	1
(+)"AUS"	Also serviced as part of a kit, Light Stone Beige, Leather			BTR4664SMK	1
(+)"GCC"	Also serviced as part of a kit, Light Stone Beige, Leather			BTR7393SMK	1
4	Cover assembly-rear seat large split cushion	Change point - VIN end KA640177, (-)"GB", Vogue LSE	Also serviced as part of a kit, Sable, Leather	BTR6379RWD	1
		(-)"GB", (-) Vogue LSE	Also serviced as part of a kit, Light Stone Beige, Leather	BTR8370SMK	1
		(+)"AUS"	Also serviced as part of a kit, Rear, Light Stone Beige, Leather	BTR4665SMK	1
		(+)"GCC"	Also serviced as part of a kit, Light Stone Beige, Leather	BTR7435SMK	1
5	Squab-small split rear seat	Change point - VIN end KA640177, (-)"GB", Vogue LSE	Also serviced as part of a kit, Sable, Leather	BTR6431RWD	1
		Change point - VIN begin KA640178, (-)"GB", Vogue LSE	Also serviced as part of a kit, Sable, Leather	BTR8462RWD	1
		(-)"GB", (-) Vogue LSE	Also serviced as part of a kit, Light Stone Beige, Leather	BTR8381SMK	1
		(+)"AUS"	Also serviced as part of a kit, Light Stone Beige, Leather	BTR4658SMK	1
		(+)"GCC"	Also serviced as part of a kit, Light Stone Beige, Leather	BTR7394SMK	1

Range Rover (From JA610294)

(BDRXGC2A)

Range Rover (From JA610294)

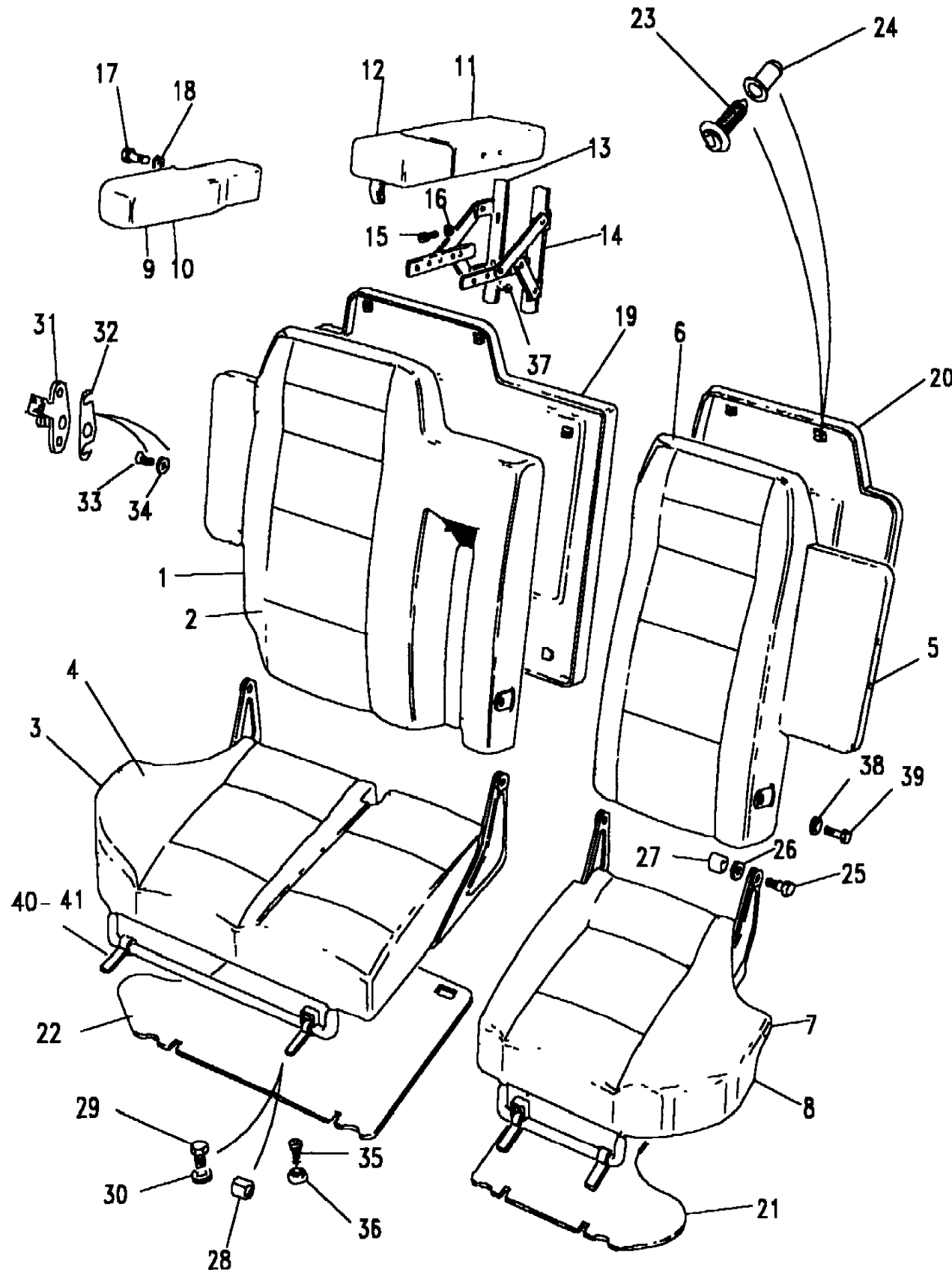


Callout	Name	Application	Remarks & Restrictions	Service No.	Qty
6	Cover assembly-rear seat small split squab	Change point - VIN end KA640177, (-)"GB", Vogue LSE	Also serviced as part of a kit, Sable, Leather	BTR6380RWD	1
		(-)"GB", (-) Vogue LSE	Also serviced as part of a kit, Light Stone Beige, Leather	BTR8367SMK	1
		(+)"AUS"	Also serviced as part of a kit, Cloth, Light Stone Beige	BTR4659SMK	1
		(+)"GCC"	Also serviced as part of a kit, Light Stone Beige, Leather	BTR7432SMK	1
7	Cushion-small split rear seat	Change point - VIN end KA640177, 108" (2743mm) Wheelbase, (-)"GCC"	Also serviced as part of a kit, Sable, Leather	BTR6429RWD	1
		Change point - VIN begin KA640178, (-)"GB"	Also serviced as part of a kit, Sable, Leather	BTR8464RWD	1
		(-)"GB"	Also serviced as part of a kit, Light Stone Beige, Leather	BTR8383SMK	1
		(+)"AUS"	Also serviced as part of a kit, Light Stone Beige, Leather	BTR4662SMK	1
		(+)"GCC"	Also serviced as part of a kit, Light Stone Beige, Leather	BTR7392SMK	1
8	Cover assembly-rear seat small split squab	Change point - VIN end KA640177, 108" (2743mm) Wheelbase, (-)"GCC"	Also serviced as part of a kit, Sable, Leather	BTR6378RWD	1
		(-)"GB"	Also serviced as part of a kit, Light Stone Beige, Leather	BTR8369SMK	1
		(+)"AUS"	Also serviced as part of a kit, Rear, Light Stone Beige, Leather	BTR4663SMK	1
		(+)"GCC"	Also serviced as part of a kit, Light Stone Beige, Leather	BTR7434SMK	1
9	Armrest-split rear seat	Change point - VIN begin KA640178, (-)"GB", (-) Vogue LSE	Also serviced as part of a kit, 1/3, Sable, Leather	MXC6997RWD	1
		(-)"GB", Vogue LSE	Also serviced as part of a kit, Light Stone Beige, 1/3	MXC6997SMK	1
		(+)"AUS"	Also serviced as part of a kit, Light Stone Beige, 1/3	MXC6997SMK	1
		(+)"GCC"	Also serviced as part of a kit, Light Stone Beige, 1/3	BTR7653SMK	1
		(-)"GB", (-) Vogue LSE	Also serviced as part of a kit, Light Stone Beige, 2/3	MXC6996SMK	1
		(-)"GB", Vogue LSE	Also serviced as part of a kit, 2/3, Sable, Leather	MXC6996RWD	1
		(+)"AUS"	Also serviced as part of a kit, Light Stone Beige, 2/3	MXC6996SMK	1
		(+)"GCC"	Also serviced as part of a kit, Light Stone Beige, 2/3	BTR7652SMK	1
10	Cover assembly-rear seat armrest	Change point - VIN begin KA640178, (-)"GB", (-) Vogue LSE	Also serviced as part of a kit, 1/3, Sable, Leather	MXC6999RWD	1
		(-)"GB", Vogue LSE	Also serviced as part of a kit, Light Stone Beige, 1/3	MXC6999SMK	1
		(+)"GCC"	Also serviced as part of a kit, Light Stone Beige, 1/3	BTR7631SMK	1
		(-)"GB", (-) Vogue LSE	Also serviced as part of a kit, Light Stone Beige, 2/3	MXC7000SMK	1

Range Rover (From JA610294)

(BDRXGC2A)

Range Rover (From JA610294)

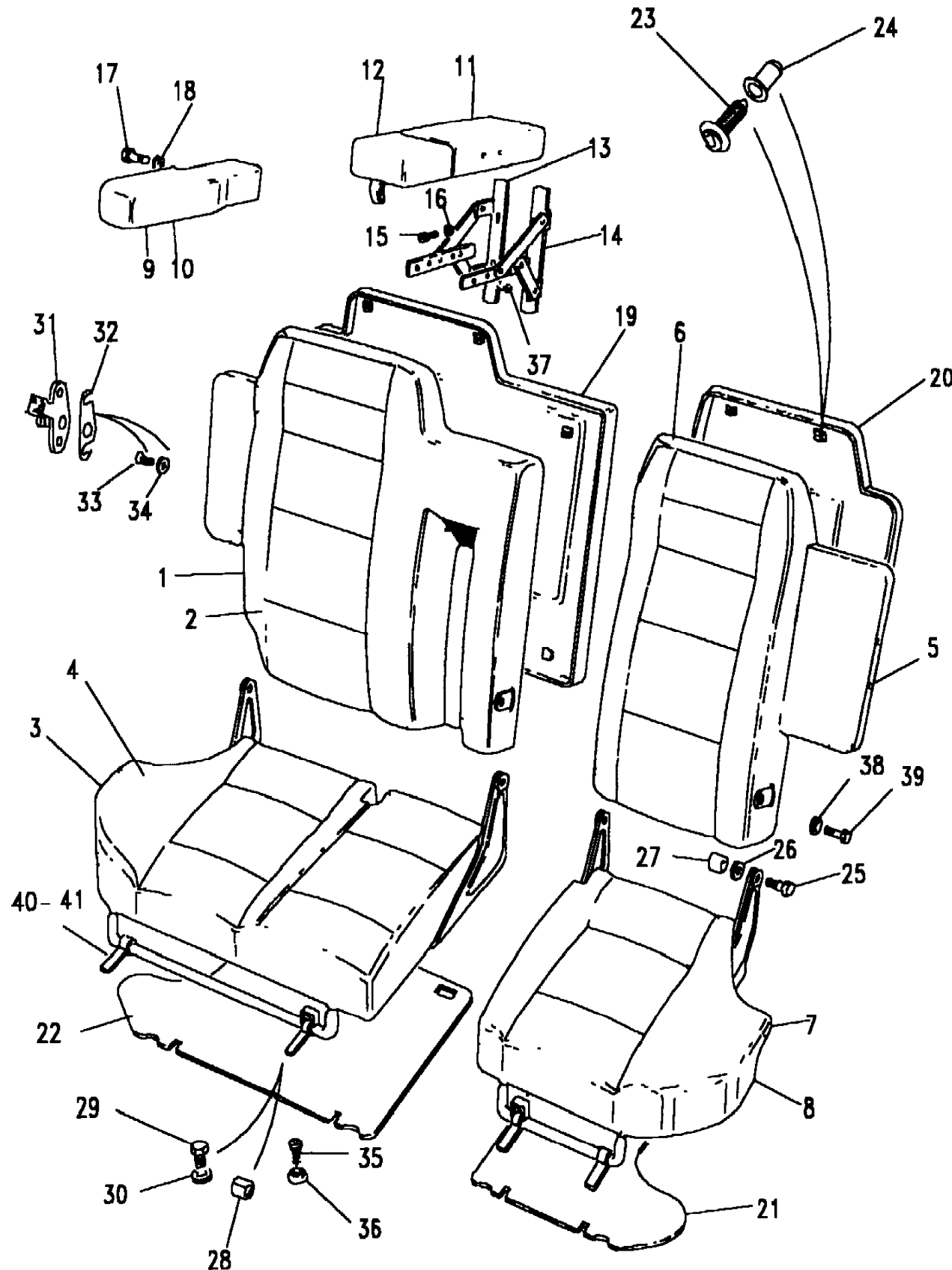


Callout	Name	Application	Remarks & Restrictions	Service No.	Qty
10	Cover assembly-rear seat armrest	(+)"GCC"	Also serviced as part of a kit, 2/3, Sable, Leather Also serviced as part of a kit, Light Stone Beige, 2/3	MXC7000RWD BTR7630SMK	1 1
11	Armrest-individual rear seat	(-)"GB", (-) Vogue LSE (-)"GB", Vogue LSE (+)"AUS" (+)"GCC"	Also serviced as part of a kit, Light Stone Beige Also serviced as part of a kit, Sable, Leather Also serviced as part of a kit, Light Stone Beige Also serviced as part of a kit, Light Stone Beige	MXC6466SMK MXC6466RWD MXC6466SMK BTR7651SMK	1 1 1 1
12	Cover assembly-rear seat armrest	(-)"GB", (-) Vogue LSE (-)"GB", Vogue LSE (+)"GCC"	Also serviced as part of a kit, Light Stone Beige Also serviced as part of a kit, Sable, Leather Also serviced as part of a kit, Light Stone Beige	MXC5992SMK MXC5992RWD BTR7629SMK	1 1 1
13	Hinge-rear seat armrest	(-)"GB", (-) Vogue LSE (-)"GB", (-) Vogue LSE Change point - VIN end KA640177, (-)"GB", Vogue LSE Change point - VIN begin KA640178, (-)"GB", Vogue LSE (+)"AUS" (+)"GCC"	RH LH RH RH RH RH	BTR8348 BTR8349 MWC2720 BTR8348 MWC2720 BTR8348	1 1 1 1 1 1
14	Hinge-rear seat armrest	Change point - VIN end KA640177, (-)"GB", Vogue LSE Change point - VIN begin KA640178, (-)"GB", Vogue LSE (+)"AUS" (+)"GCC"	LH LH LH LH	MWC2721 BTR8349 MWC2721 BTR8349	1 1 1 1
15	Screw	(-)"GB" (+)"GCC"	bracket to panel, M6 X 16 bracket to panel, counter sunk, No8 x 5/8	SE106161L AC608052L	4 6
16	Washer	(-)"GB" (+)"AUS"	6MM	WA106041L WW106041L	2 4
17	Bolt	(+)"AUS" (-)"GB"	armrest to squab, hexagonal head, M8 x 90 armrest to squab, hexagonal head, M8 x 100	BH108181L BH108201L	2 2
18	Washer		M8, starlock	WF108001L	1
19	Panel-rear seat 2/3	(-)"GB", (-) Vogue LSE (-)"GB", Vogue LSE (+)"GCC" (+)"AUS"	Sorrel Brown, back back, Sable, Leather Ash Grey, back, Leather Sorrel Brown, back	BTR194SUA BTR194RWD BTR194LNF BTR194SUA	1 1 1 1

Range Rover (From JA610294)

(BDRXGC2A)

Range Rover (From JA610294)

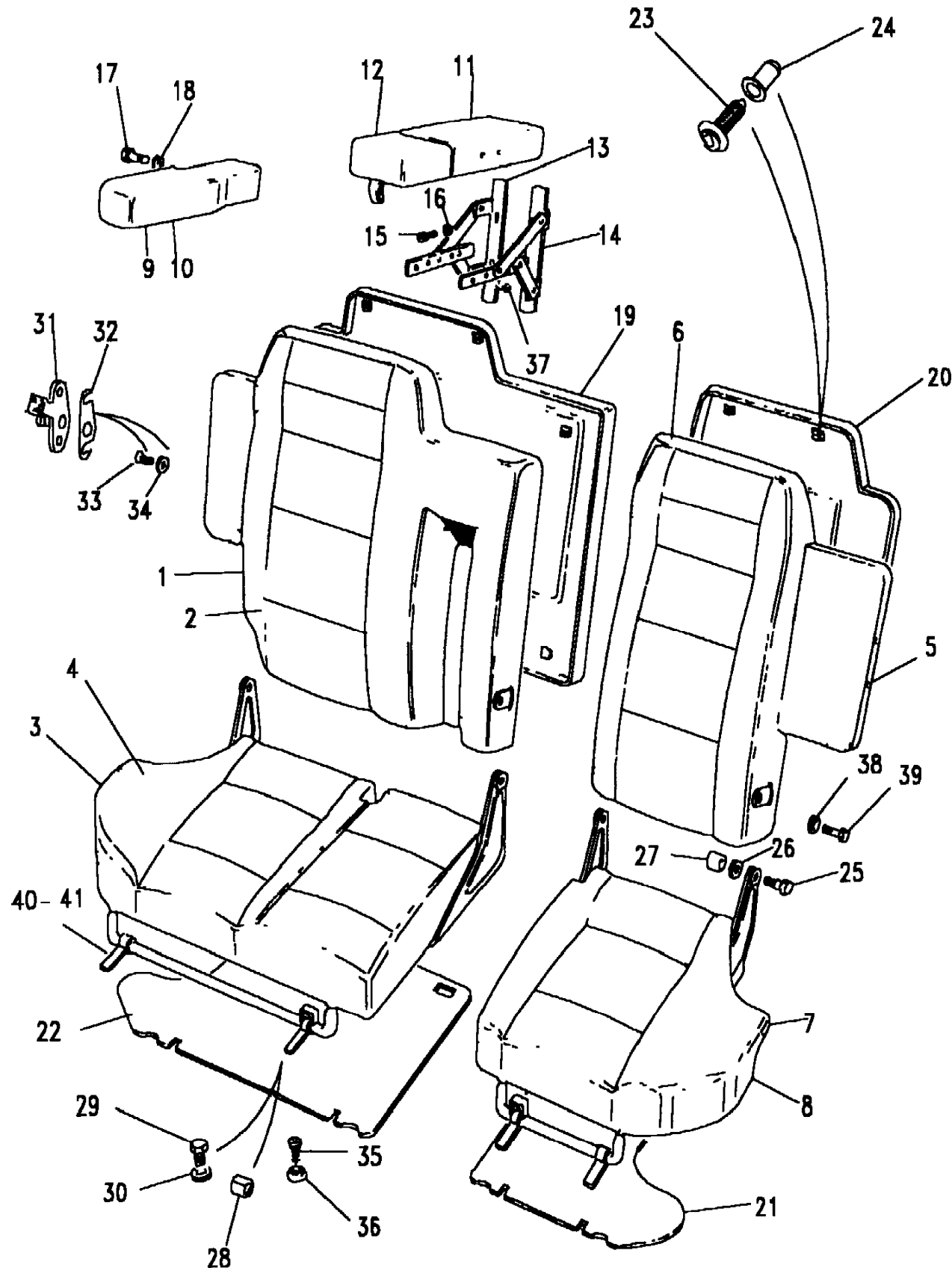


Callout	Name	Application	Remarks & Restrictions	Service No.	Qty
20	Panel-rear seat 1/3	(-)"GB", (-) Vogue LSE (-)"GB", Vogue LSE (+)"GCC" (+)"AUS"	Sorrel Brown, back back, Sable, Leather Ash Grey, back, Leather Sorrel Brown, back	BTR193SUA BTR193RWD BTR193LNF BTR193SUA	1 1 1 1
21	Panel-rear seat base	(-)"GB", (-) Vogue LSE (-)"GB", Vogue LSE (+)"GCC" (+)"AUS"	Ash Grey, 1/3 Ash Grey, 1/3 Ash Grey, 1/3 Bokhara, 1/3	MXC7811LNF MXC7811LNF MXC7811LNF MXC7811RUN	1 1 1 1
22	Panel-rear seat 2/3	(-)"GB", (-) Vogue LSE (-)"GB", Vogue LSE (+)"GCC" (+)"AUS"	Ash Grey, bottom Ash Grey, bottom Ash Grey, bottom Bokhara	MXC7812LNF MXC7812LNF MXC7812LNF MXC7812RUN	1 1 1 1
23	Fastener-fir tree			AGU1425	11
24	Insert-plain			AJU1136L	11
25	Screw		hinge to squab	SB106121L	2
26	Washer		6MM	WA106041L	2
27	Spacer			MWC5053	2
28	Bush			MWC4816	4
29	Screw-flanged head		BRACKET TO BODY, M6 X 16, Flanged Head	FS106167L	4
30	Washer		6MM	WA106041L	4
31	Striker-rear seat squab	(+)"AUS" (+)"GCC" (+)"GCC" (-)"GB", (-) Vogue LSE (-)"GB", (-) Vogue LSE (-)"GB", Vogue LSE (-)"GB", Vogue LSE (+)"AUS"	LH RH LH RH LH RH LH RH	MXC3077 BTR4892 BTR4893 MXC3076 MXC3077 BTR4892 BTR4893 MXC3076	1 1 1 1 1 1 1 1
32	Shim			MXC3187	1
33	Screw		striker to rear squab	BTR3576	4
34	Washer		M6, sprung	WL106001L	4
35	Screw		BRACKET TO BODY	MTC9428	4
36	Washer-cup			MTC9429	4
37	Screw-self tapping		bracket to panel, counter sunk, No8 x 5/8	AC608052L	6
38	Washer		M8, starlock	WF108001L	1

Range Rover (From JA610294)

(BDRXGC2A)

Range Rover (From JA610294)



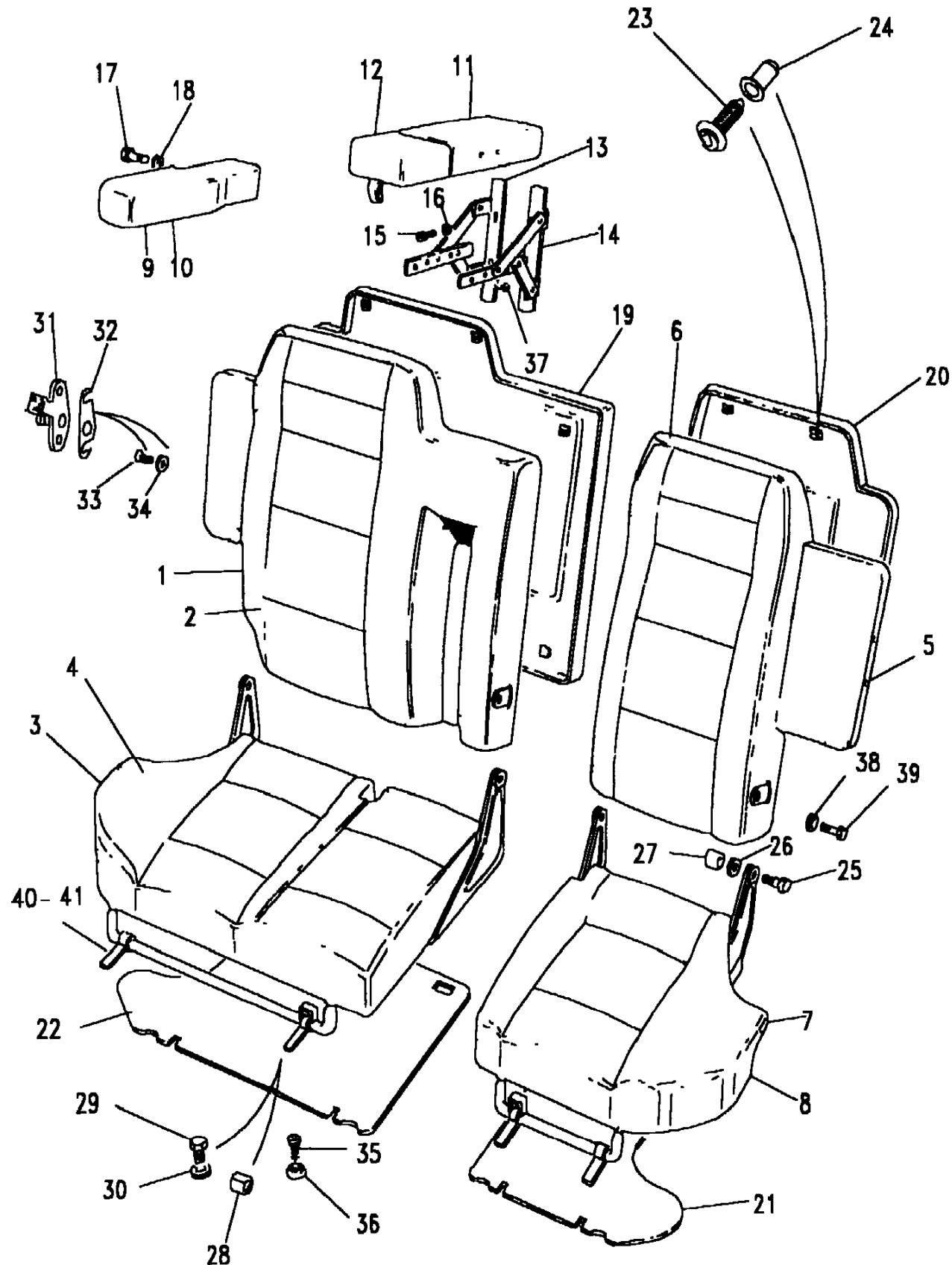
Callout	Name	Application	Remarks & Restrictions	Service No.	Qty
39	Bolt		M8 x 90	FB108181	1
40	Bracket-rear seat pivot		Upper	MWC6060	4
41	Bracket-rear seat pivot		Lower, Primer	MWC6061	4
[900]	Screw		bracket to panel, M6 X 16 M6 X 16 M6, cap head	SE106161L SE106161L SB106121 MTC9428 BTR3576 SB106121	4 4 2 X 4 2
			hinge to squab, M6, cap head BRACKET TO BODY, M6 X 16, hexagonal head bracket to panel hinge to squab striker to rear squab	SH106167 SJ106200 SB106121L BTR3576 AC608053	4 4 2 2 4
[901]	Washer		6MM M8, starlock M6 armrest to squab, M8, starlock M6, sprung	WA106041L WF108001L WL106001 WF108001L WL106001L	4 2 4 2 4
[902]	Bolt		armrest to squab, hexagonal head, M8 x 100 hexagonal head, M8 x 100 M8 x 90 hexagonal head, M8 x 90 M8 x 90	BH108201L BH108201L FB108181 BH108181L FB108181L	2 2 1 1 1
[903]	Screw-self tapping		armrest to squab, counter sunk, No8 x 5/8 bracket to panel, counter sunk, No8 x 5/8	AC608052L AC608052L	4 6
[904]	Fastener-fir tree			AGU1425	11
[905]	Insert-plain			AJU1136L	11
[906]	Spacer			MWC5053	4
[907]	Bush			MWC4816	4
[908]	Bracket-rear seat pivot		Upper Lower, Primer	MWC6060 MWC6061	4 4
[909]	Screw-flanged head		M6 X 16, Flanged Head BRACKET TO BODY, M6 X 16, Flanged Head	FS106167L FS106167L	4 2
[910]	Washer-cup			MTC9429	X

Range Rover (From JA610294)

(BDRXGC2A)

Range Rover (From JA610294)

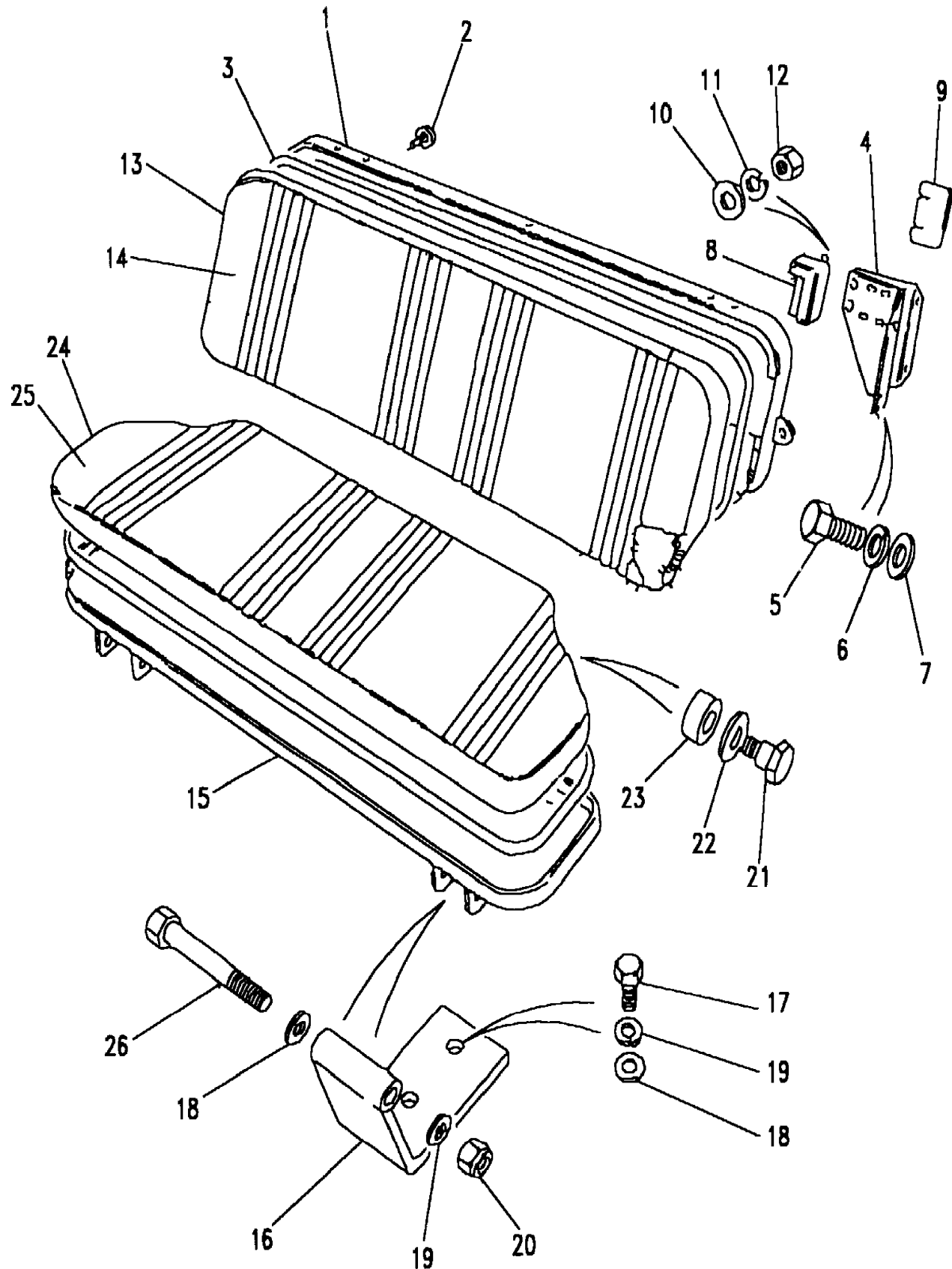
Callout	Name	Application	Remarks & Restrictions	Service No.	Qty
[911]	Shim			MXC3187	2
[912]	Striker-rear seat squab	(-) "GB", Vogue LSE	LH	HWK100550	1
		(+) "GCC"	LH	HWK100550	1
		(-) "GB", Vogue LSE	RH	HWK100560	1
		(+) "GCC"	RH	HWK100560	1
		(-) "GB", Vogue LSE	RH	BTR4892	1
		(+) "GCC"	RH	BTR4892	1
		(-) "GB", Vogue LSE	LH	BTR4893	1
		(+) "GCC"	LH	BTR4893	1
		(+) "AUS"	RH	MXC1166	1
		(-) "GB", (-) Vogue LSE	RH	MXC1166	1
		(+) "AUS"	RH	BTR4892	1
		(-) "GB", (-) Vogue LSE	RH	BTR4892	1



Seats
Seating
Rear Assembly-Bench Type 1/2

Range Rover (From JA610294)

(BDRXGA1A)



Range Rover (From JA610294)

Seats
Seating
Rear Assembly-Bench Type

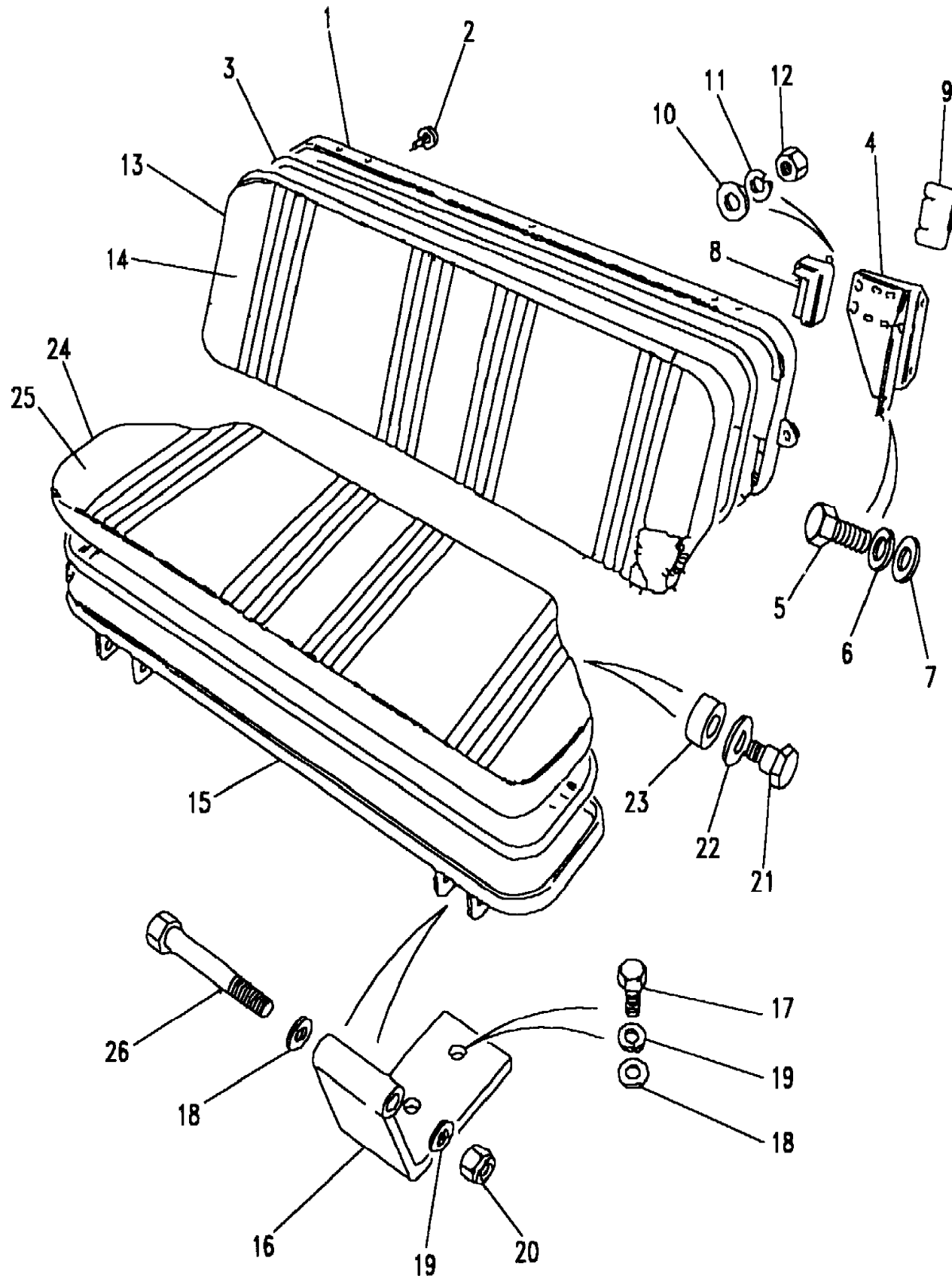
Callout	Name	Application	Remarks & Restrictions	Service No.	Qty
1	Squab-rear seat individual			MRC1530RUN	1
2	Screw-self tapping AB		squab to frame, M8 x 12	AB610041L	16
3	Beading		Bokhara	391133RUN	1
4	Bracket-rear seat retention		RH	MRC3661	1
			LH	MRC3662	1
5	Screw		BRACKET TO BODY, 1/4UNF x 5/8	255206	8
6	Washer-Spring		1/4 dia, Square	WM600041L	8
7	Washer			RTC618	8
8	Buffer-stop		RH	MRC1785	1
			LH	MRC1786	1
9	Shim			MRC2371	2
10	Washer-Plain			4034L	4
11	Washer-Spring		3/16 dia, Square	WM702001L	4
12	Nut - Hex.		UNF	HN2005L	4
13	Squab assembly-rear		Also serviced as part of a kit, Brogue	MXC6822AUE	1
14	Cover-squab-rear seat		Also serviced as part of a kit, Brogue	MXC4838AUE	1
15	Frame assembly-rear seat bench cushion		Bokhara	MTC9333RUN	1
16	Pivot bracket		Bokhara	MTC9334RUN	2
17	Screw		BRACKET TO BODY, hexagonal head, 5/16UNF x 7/8	SH605071L	4
18	Washer		8MM	WA108051L	4
19	Washer		M8, sprung	WL108001L	4
20	Nut - Hex.		M8, nyloc	NY108041L	4
21	Bolt-shouldered		seat base to frame	390413	2
22	Washer			4889	2
23	Spacer			390414	2

Seats
Seating
Rear Assembly-Bench Type 2/2

Range Rover (From JA610294)
(BDRXGA1A)

Range Rover (From JA610294)

Seats
Seating
Rear Assembly-Bench Type

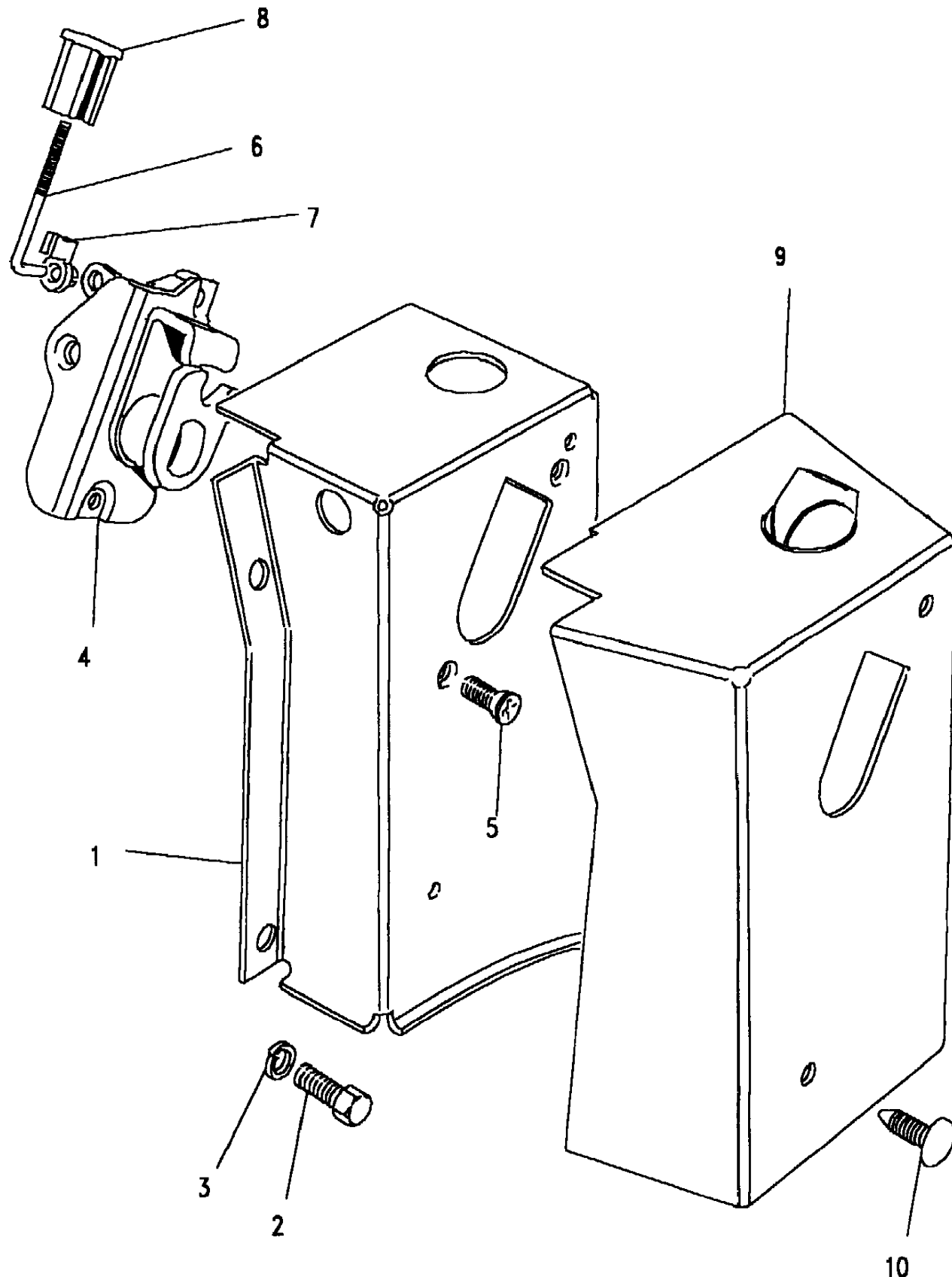


Callout	Name	Application	Remarks & Restrictions	Service No.	Qty
24	Cushion-rear seat folding bench		Also serviced as part of a kit, Brogue	MXC6823AUE	1
25	Cover assembly-rear seat fixed bench cushion		Also serviced as part of a kit	MXC4835AUE	1
26	Bolt		hinge to squab, Flanged Head, M8 x 60	FB108121L	2
[900]	Washer		8MM, sprung	WL108007	4

Seats
Seating
Rear Assembly-Release Mechanism 1/1

Range Rover (From JA610294)

(BDRXIA1A)



Range Rover (From JA610294)

Seats
Seating
Rear Assembly-Release Mechanism

Callout	Name	Application	Remarks & Restrictions	Service No.	Qty	
1	Side support-squab release		RH	MWC8292	1	
			LH	MWC8293	1	
2	Screw		BRACKET TO BODY, hexagonal head, 1/4UNF x 5/8	SH604051L	8	
3	Washer-Spring		1/4 dia, Square	WM600041L	8	
4	Latch assembly-rear seat squab		LH	MWC8299	1	
			RH	MWC8300	1	
5	Screw		M6 X 20, counter sunk, recessed	SF106201L	6	
6	Rod-rear seat squab latch link			MXC3909	2	
7	Clip			MXC1198	2	
8	Button-rear seat squab release		Sorrel Brown	MXC3073SUA	2	
			Winchester Grey	MXC3073LUL	2	
			Sable	MXC3073RWD	2	
			Tan	MXC3073AUK	2	
			Dark Granite	MXC3073LOY	2	
			Change point - VIN begin MA647645			
			Change point - VIN begin MA647645	Ash Grey	MXC3073LNF	2
9	Cover-side support-seat		RH, Sorrel Brown	MWC8294SUA	1	
			RH, Winchester Grey	MWC8294LUL	1	
			RH, Sable	MWC8294RWD	1	
			RH, Tan	MWC8294AUK	1	
			RH, Dark Granite	MWC8294LOY	1	
			Change point - VIN begin MA647645			
			Change point - VIN begin MA647645	Ash Grey, RH	MWC8294LNF	1
			Sorrel Brown, LH	MWC8295SUA	1	
			Winchester Grey, LH	MWC8295LUL	1	
			LH, Sable	MWC8295RWD	1	
LH, Tan	MWC8295AUK	1				
LH, Dark Granite, LH	MWC8295LOY	1				
Change point - VIN begin MA647645						
Change point - VIN begin MA647645	Ash Grey, LH	MWC8295LNF	1			
10	Fastener-drive		Change point - VIN begin MA647645	Ash Grey	MRC4283LNF	4
			Plastic, Sorrel Brown	MRC4283SUA	4	
			Plastic, Winchester Grey	MRC4283LUL	4	
			Sable	MRC4283RWD	4	
			Tan	MRC4283AUK	4	
			Dark Granite	MRC4283LOY	4	
			Change point - VIN begin MA647645			

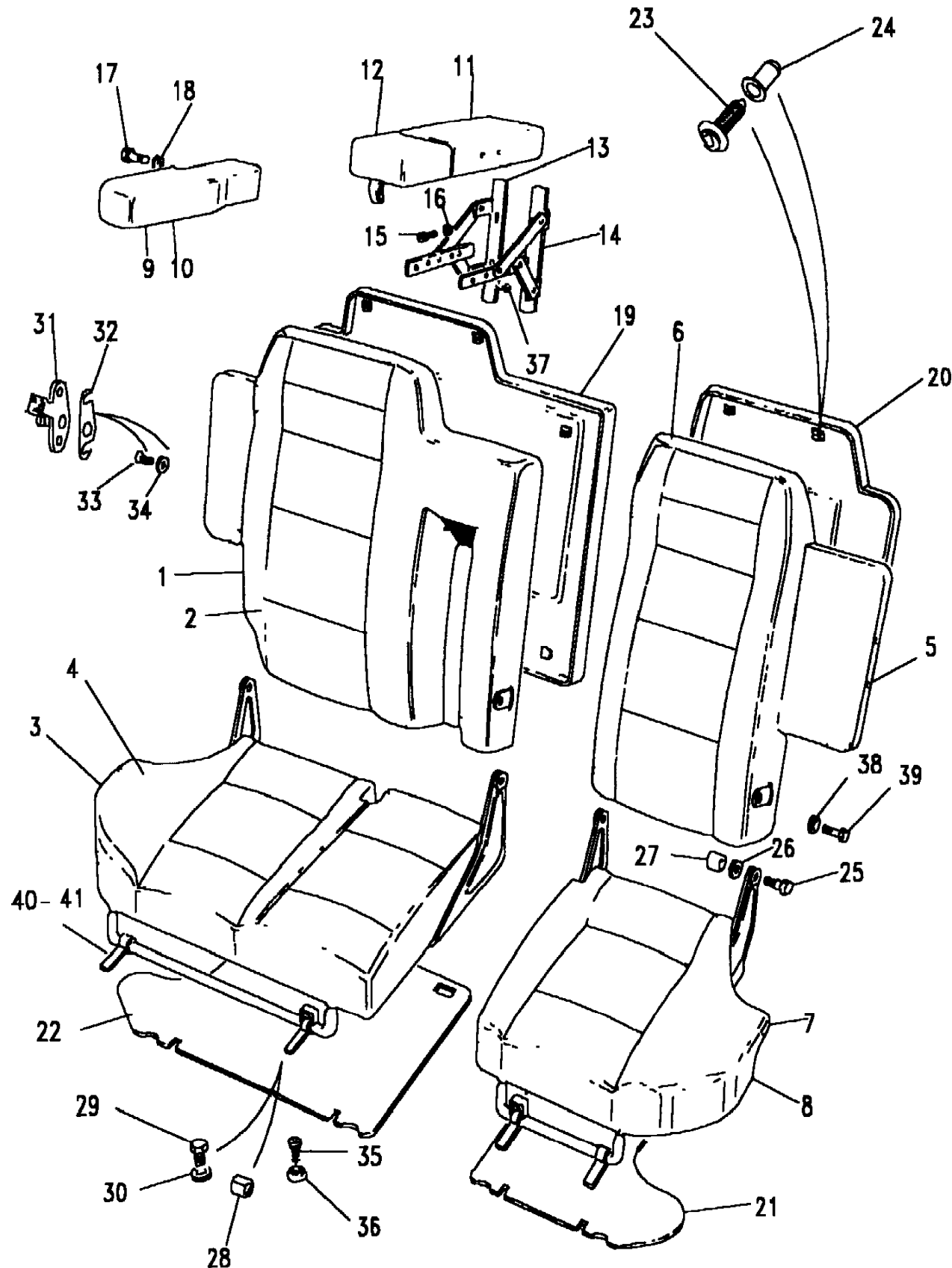
Seats
Seating
Rear-Leather 1/7

Range Rover (From JA610294)

(BDRXGC2A)

Range Rover (From JA610294)

Seats
Seating
Rear-Leather



Callout	Name	Application	Remarks & Restrictions	Service No.	Qty		
1	Squab-large split rear seat	Change point - Engine end JA624755	Sorrel Brown, Leather	MXC6985SUA	1		
		Change point - Engine end JA624755	Winchester Grey, Leather	MXC6985LUL	1		
		Change point - VIN begin KA624756	Light Winchester, Leather	BTR6432LUV	1		
		Change point - VIN begin KA624756	Sorrel Brown, Leather	BTR6432SUA	1		
		Change point - VIN begin KA624756	Also serviced as part of a kit, Sable, Leather	BTR6432RWD	1		
		Change point - VIN begin KA640178	Sorrel Brown, Leather	BTR8463SUA	1		
		Change point - VIN begin KA640178	Also serviced as part of a kit, Sable, Leather	BTR8463RWD	1		
		Change point - VIN begin MA647645	Grey, Leather	BTR7395LNF	1		
		Change point - VIN begin MA647645	Light Granite, Leather	BTR7395LOY	1		
		Change point - VIN begin MA647645	Sorrel Brown, Leather	BTR7395SUA	1		
		2	Cover assembly-rear seat large split cushion	Change point - VIN begin MA647645	Dark Granite, Leather	BTR7433LOY	1
				Change point - VIN begin MA647645	Sorrel Brown, Leather	BTR7433SUA	1
Change point - Engine end JA624755	Sorrel Brown, Leather			MXC4810SUA	1		
Change point - Engine end JA624755	Winchester Grey, Leather			MXC4810LUL	1		
Change point - VIN begin KA624756	Light Winchester, Leather			BTR6381LUV	1		
Change point - VIN begin KA624756	Sorrel Brown, Leather			BTR6381SUA	1		
Change point - VIN begin MA647645	Sable, Leather			BTR6381RWD	1		
Change point - VIN begin MA647645	Grey, Leather			BTR7433LNF	1		
3	Cushion-large split rear seat	Change point - Engine end JA624755	Sorrel Brown, Leather	MWC9806SUA	1		
		Change point - Engine end JA624755	Winchester Grey, Leather	MWC9806LUL	1		
		Change point - VIN begin KA624756, Change point - VIN end KA640177	Light Winchester, Leather	BTR6430LUV	1		
		Change point - VIN begin KA624756, Change point - VIN end KA640177	Sorrel Brown, Leather	BTR6430SUA	1		
		Change point - VIN begin KA624756, Change point - VIN end KA640177	Also serviced as part of a kit, Sable, Leather	BTR6430RWD	1		
		Change point - VIN begin KA640178	Sorrel Brown, Leather	BTR8465SUA	1		
		Change point - VIN begin KA640178	Also serviced as part of a kit, Sable, Leather	BTR8465RWD	1		
		Change point - VIN begin KA640178	Light Winchester, Leather	BTR8465LUV	1		
		Change point - VIN end MA647645	Light Winchester, Leather	BTR7393LNF	1		
		Change point - VIN end MA647645	Dark Granite, Leather	BTR7393LOY	1		

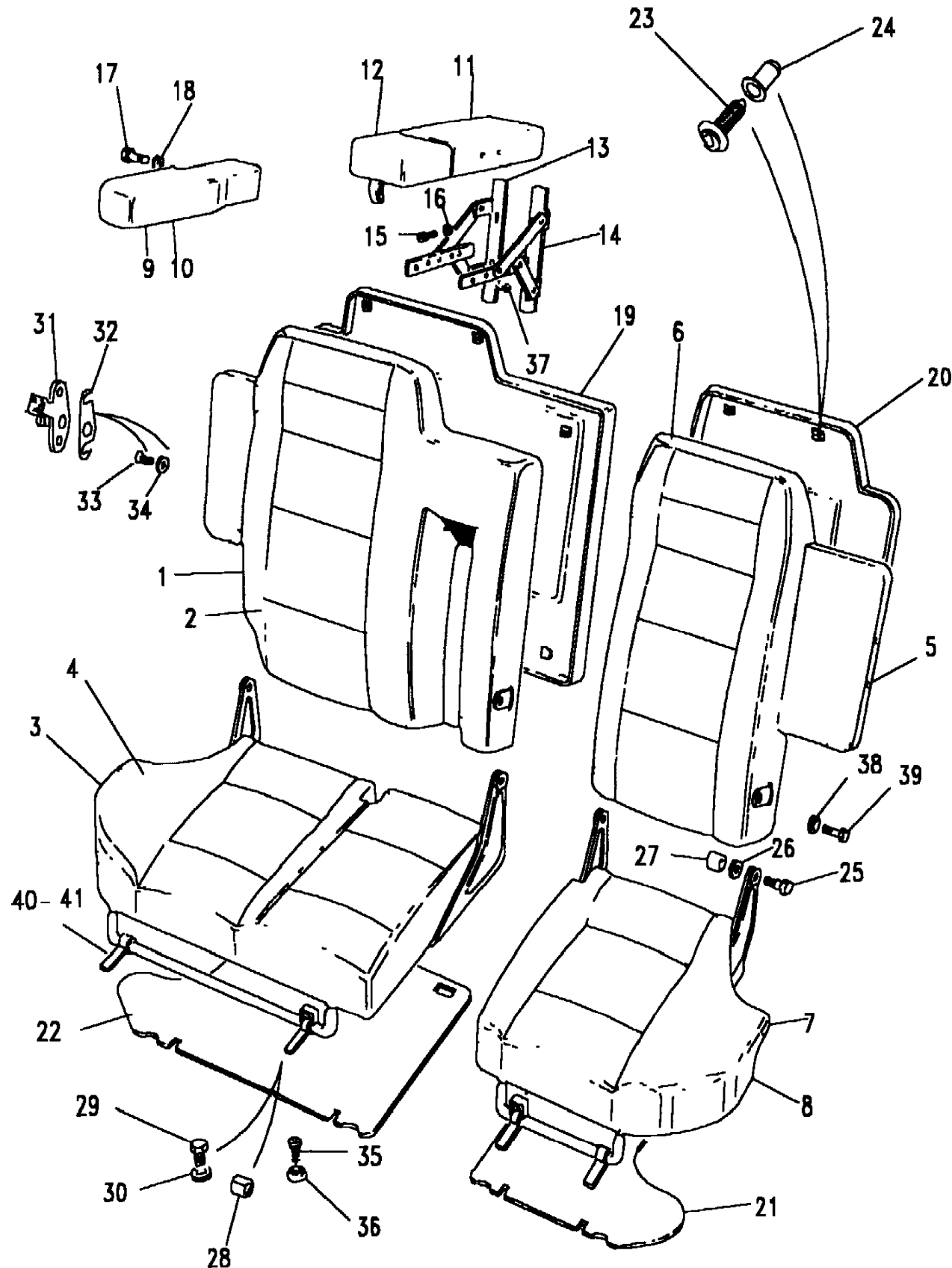
Seats
Seating
Rear-Leather 2/7

Range Rover (From JA610294)

(BDRXGC2A)

Range Rover (From JA610294)

Seats
Seating
Rear-Leather



Callout	Name	Application	Remarks & Restrictions	Service No.	Qty		
3	Cushion-large split rear seat	Change point - VIN end MA647645	Sorrel Brown, Leather	BTR7393SUA	1		
4	Cover assembly-rear seat large split cushion	Change point - VIN end JA624754	Sorrel Brown, Leather	MXC4807SUA	1		
		Change point - VIN end JA624754	Winchester Grey, Leather	MXC4807LUL	1		
		Change point - VIN end JA624754	Light Winchester, Leather	BTR6379LUV	1		
		Change point - VIN begin KA624756	Sorrel Brown, Leather	BTR6379SUA	1		
		Change point - VIN begin KA624756	Sable, Leather	BTR6379RWD	1		
		Change point - VIN begin MA647645	Grey, Leather	BTR7435LNF	1		
		Change point - VIN begin MA647645	Dark Granite, Leather	BTR7435LOY	1		
		Change point - VIN begin MA647645	Sable, Leather	BTR7435SUA	1		
		5	Squab-small split rear seat	Change point - VIN begin KA640178	Sorrel Brown, Leather	BTR8462SUA	1
Change point - VIN begin KA640178	Also serviced as part of a kit, Sable, Leather			BTR8462RWD	1		
Change point - VIN begin KA640178	Light Winchester, Leather			BTR8462LUV	1		
Change point - VIN begin MA647645	Dark Granite, Leather			BTR7394LOY	1		
Change point - VIN begin MA647645	Ash Grey, Leather			BTR7394LNF	1		
Change point - VIN begin MA647645	Sorrel Brown, Leather			BTR7394SUA	1		
Change point - VIN end JA624754	Sorrel Brown, Leather			MXC6986SUA	1		
Change point - VIN end JA624754	Winchester Grey, Leather			MXC6986LUL	1		
Change point - VIN begin KA624756, Change point - VIN end KA640177	Light Winchester, Leather			BTR6431LUV	1		
Change point - VIN begin KA624756, Change point - VIN end KA640177	Sorrel Brown, Leather			BTR6431SUA	1		
Change point - VIN begin KA624756, Change point - VIN end KA640177	Also serviced as part of a kit, Sable, Leather			BTR6431RWD	1		
6	Cover assembly-rear seat small split squab			Change point - VIN end JA624754	Sorrel Brown, Leather	MXC4816SUA	1
				Change point - VIN end JA624754	Winchester Grey, Leather	MXC4816LUL	1
		Change point - VIN begin KA624756, Change point - VIN end KA640177	Light Winchester, Leather	BTR6380LUV	1		
		Change point - VIN begin KA624756, Change point - VIN end KA640177	Sorrel Brown, Leather	BTR6380SUA	1		
		Change point - VIN begin KA624756, Change point - VIN end KA640177	Sable, Leather	BTR6380RWD	1		
		Change point - VIN begin MA647645	Ash Grey, Leather	BTR7432LNF	1		
		Change point - VIN begin MA647645	Dark Granite, Leather	BTR7432LOY	1		

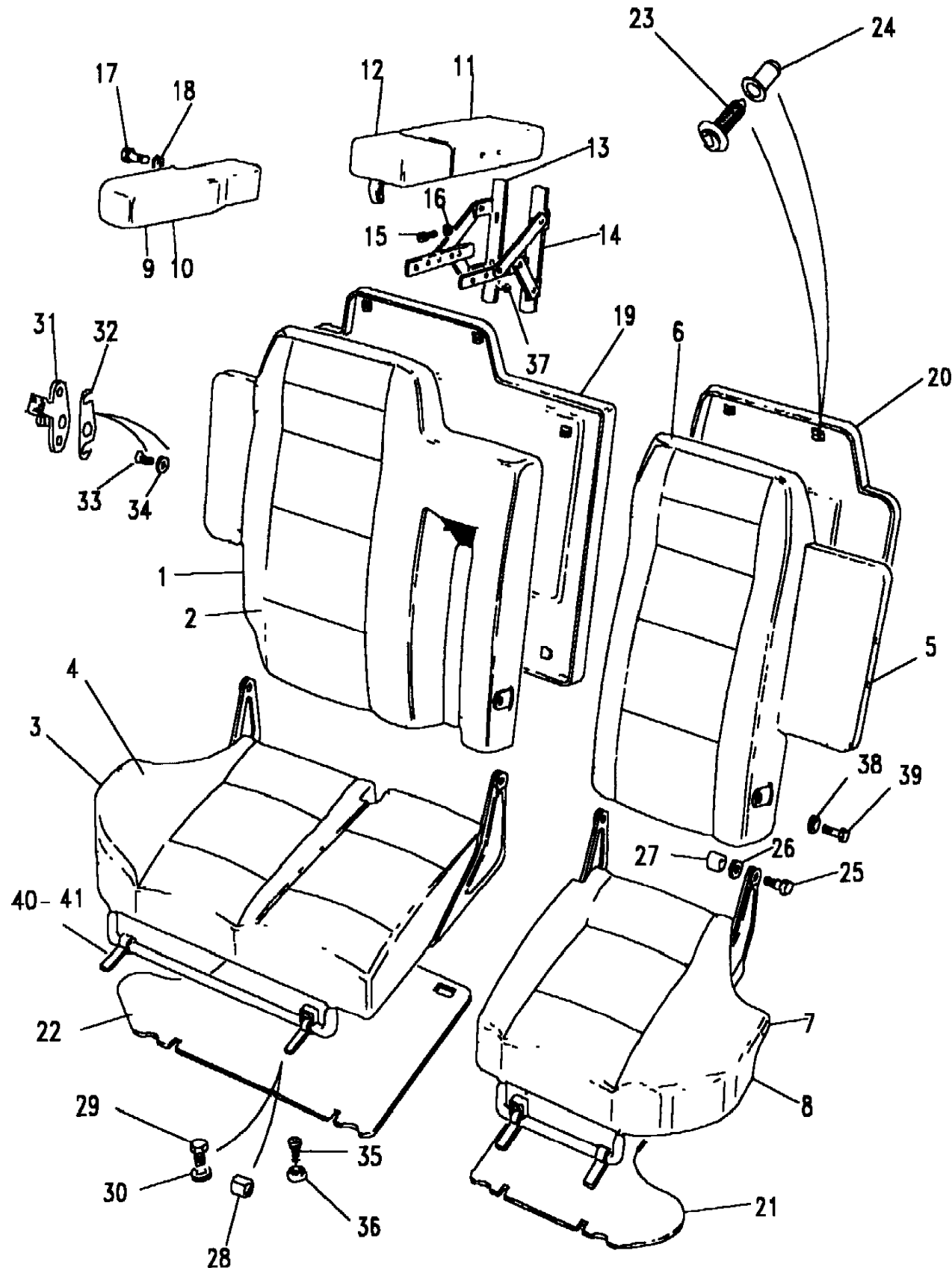
Seats
Seating
Rear-Leather 3/7

Range Rover (From JA610294)

(BDRXGC2A)

Range Rover (From JA610294)

Seats
Seating
Rear-Leather



Callout	Name	Application	Remarks & Restrictions	Service No.	Qty		
6	Cover assembly-rear seat small split squab	Change point - VIN begin MA647645	Sorrel Brown, Leather	BTR7432SUA	1		
7	Cushion-small split rear seat	Change point - VIN end JA624754	Sorrel Brown, Leather	MWC9807SUA	1		
		Change point - VIN end JA624754	Winchester Grey, Leather	MWC9807LUL	1		
		Change point - VIN begin KA624756, Change point - VIN end KA640177	Light Winchester, Leather	BTR6429LUV	1		
		Change point - VIN begin KA624756, Change point - VIN end KA640177	Sorrel Brown, Leather	BTR6429SUA	1		
		Change point - VIN begin KA624756, Change point - VIN end KA640177	Also serviced as part of a kit, Sable, Leather	BTR6429RWD	1		
		Change point - VIN begin KA640178	Sorrel Brown, Leather	BTR8464SUA	1		
		Change point - VIN begin KA640178	Also serviced as part of a kit, Sable, Leather	BTR8464RWD	1		
		Change point - VIN begin KA640178	Light Winchester, Leather	BTR8464LUV	1		
		Change point - VIN begin MA647645	Ash Grey, Leather	BTR7392LNF	1		
		Change point - VIN begin MA647645	Dark Granite, Leather	BTR7392LOY	1		
		Change point - VIN begin MA647645	Sorrel Brown, Leather	BTR7392SUA	1		
		8	Cover assembly-rear seat small split squab	Change point - VIN end JA624754	Sorrel Brown, Leather	MXC4813SUA	1
				Change point - VIN end JA624754	Winchester Grey, Leather	MXC4813LUL	1
Change point - VIN begin KA624756	Light Winchester, Leather			BTR6378LUV	1		
Change point - VIN begin KA624756	Sorrel, Leather			BTR6378SUA	1		
Change point - VIN begin KA624756	Sable, Leather			BTR6378RWD	1		
Change point - VIN begin MA647645	Ash Grey, Leather			BTR7434LNF	1		
Change point - VIN begin MA647645	Dark Granite, Leather			BTR7434LOY	1		
Change point - VIN begin MA647645	Sorrel Brown, Leather			BTR7434SUA	1		
9	Armrest-split rear seat			Change point - VIN end MA647644	Sorrel Brown, 1/3, Leather	MXC6997SUA	1
					Winchester Grey, 1/3, Leather	MXC6997LUL	1
			1/3, Light Winchester, Leather	MXC6997LUV	1		
			Also serviced as part of a kit, 1/3, Sable, Leather	MXC6997RWD	1		
		Change point - VIN begin MA647645	Ash Grey, 1/3, Leather	BTR7653LNF	1		
		Change point - VIN begin MA647645	Dark Granite, 1/3, Leather	BTR7653LOY	1		
		Change point - VIN begin MA647645	Sorrel Brown, 1/3, Leather	BTR7653SUA	1		

Seats
Seating
Rear-Leather 4/7

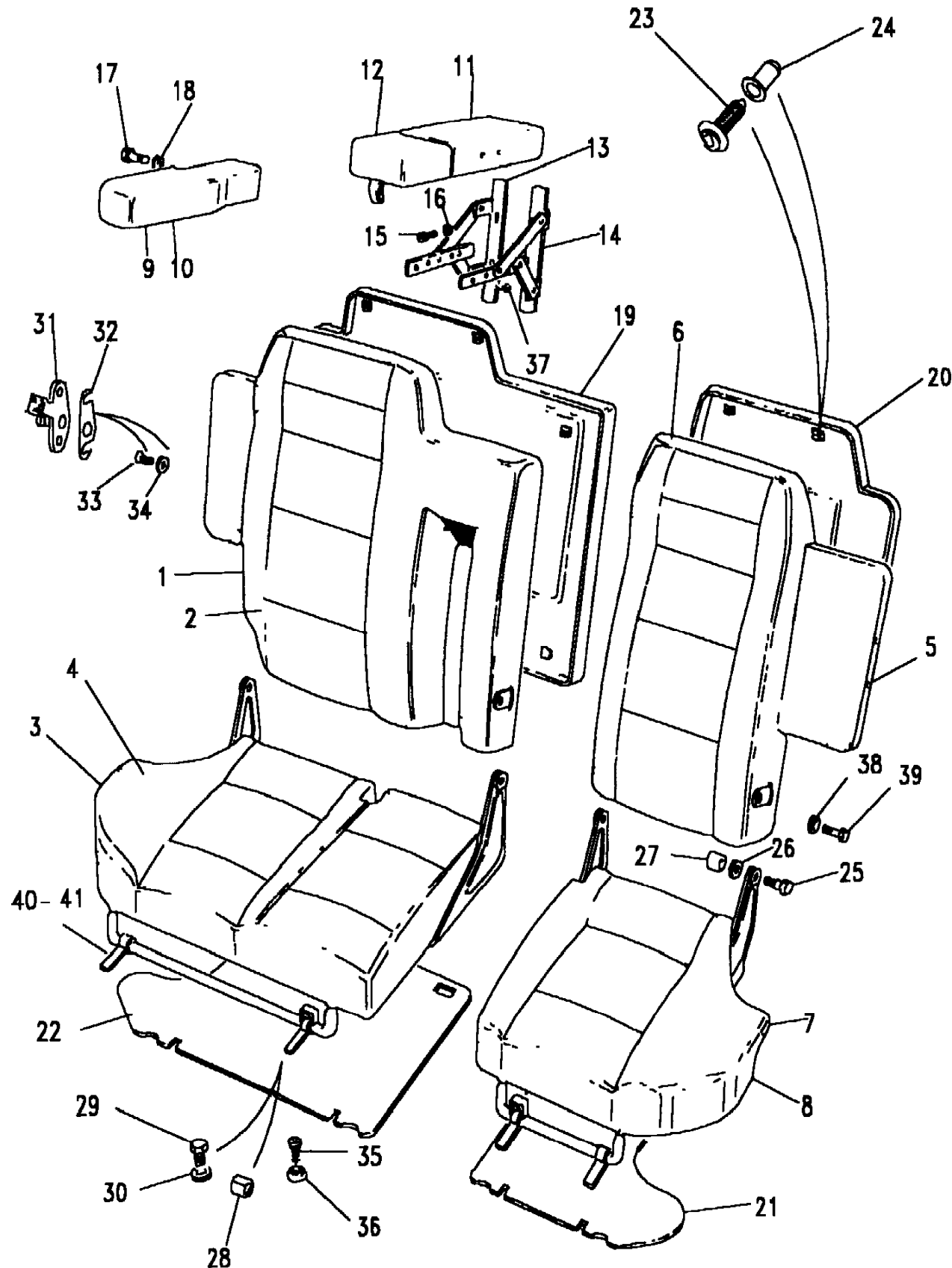
Range Rover (From JA610294)

(BDRXGC2A)

Range Rover (From JA610294)

Seats
Seating
Rear-Leather

Callout	Name	Application	Remarks & Restrictions	Service No.	Qty		
9	Armrest-split rear seat	Change point - VIN end MA647644	Sorrel Brown, 2/3, Leather	MXC6996SUA	1		
		Change point - VIN end JA624754	Winchester Grey, 2/3, Leather	MXC6996LUL	1		
		Change point - VIN begin KA624756	2/3, Light Winchester, Leather	MXC6996LUV	1		
		Change point - VIN begin KA624756	Also serviced as part of a kit, 2/3, Sable, Leather	MXC6996RWD	1		
		Change point - VIN begin MA647645	Ash Grey, 2/3, Leather	BTR7652LNF	1		
		Change point - VIN begin MA647645	Dark Granite, 2/3, Leather	BTR7652LOY	1		
		Change point - VIN begin MA647645	Sorrel Brown, 2/3, Leather	BTR7652SUA	1		
		10	Cover assembly-rear seat armrest	Change point - VIN end MA647644, 100"	Sorrel Brown, 1/3, Leather	MXC6999SUA	1
Change point - VIN end JA624754, 100"	Winchester Grey, 1/3, Leather			MXC6999LUL	1		
Change point - VIN begin KA624756, 100"	1/3, Light Winchester, Leather			MXC6999LUV	1		
108" (2743mm) Wheelbase	1/3, Sable, Leather			MXC6999RWD	1		
Change point - VIN begin MA647645, 100"	Ash Grey, 1/3, Leather			BTR7631LNF	1		
Change point - VIN begin MA647645, 100"	Dark Granite, 1/3, Leather			BTR7631LOY	1		
Change point - VIN begin MA647645, 100"	Sorrel Brown, 1/3, Leather			BTR7631SUA	1		
Change point - VIN end MA647644	Sorrel Brown, 2/3, Leather			MXC7000SUA	1		
Change point - VIN end JA624754	Winchester Grey, 2/3, Leather			MXC7000LUL	1		
Change point - VIN begin KA624756	2/3, Light Winchester, Leather			MXC7000LUV	1		
Change point - VIN begin KA624756	2/3, Sable, Leather			MXC7000RWD	1		
Change point - VIN begin MA647645	Ash Grey, 2/3, Leather			BTR7630LNF	1		
Change point - VIN begin MA647645	Dark Granite, 2/3, Leather			BTR7630LOY	1		
Change point - VIN begin MA647645	Sorrel Brown, 2/3, Leather			BTR7630SUA	1		
11	Armrest-individual rear seat			Change point - VIN end MA647644	Sorrel Brown, Leather	MXC6466SUA	1
				Change point - VIN end JA624754	Winchester Grey, Leather	MXC6466LUL	1
		Change point - VIN begin KA624756	Light Winchester, Leather	MXC6466LUV	1		
		Also serviced as part of a kit, Sable, Leather	MXC6466RWD	1			
		Change point - VIN begin MA647645	Ash Grey, Leather	BTR7651LNF	1		
		Change point - VIN begin MA647645	Dark Granite, Leather	BTR7651LOY	1		
12	Cover assembly-rear seat armrest	Change point - VIN end MA647644, 100"	Sorrel Brown, Leather	MXC5992SUA	1		



Seats
Seating
Rear-Leather 5/7

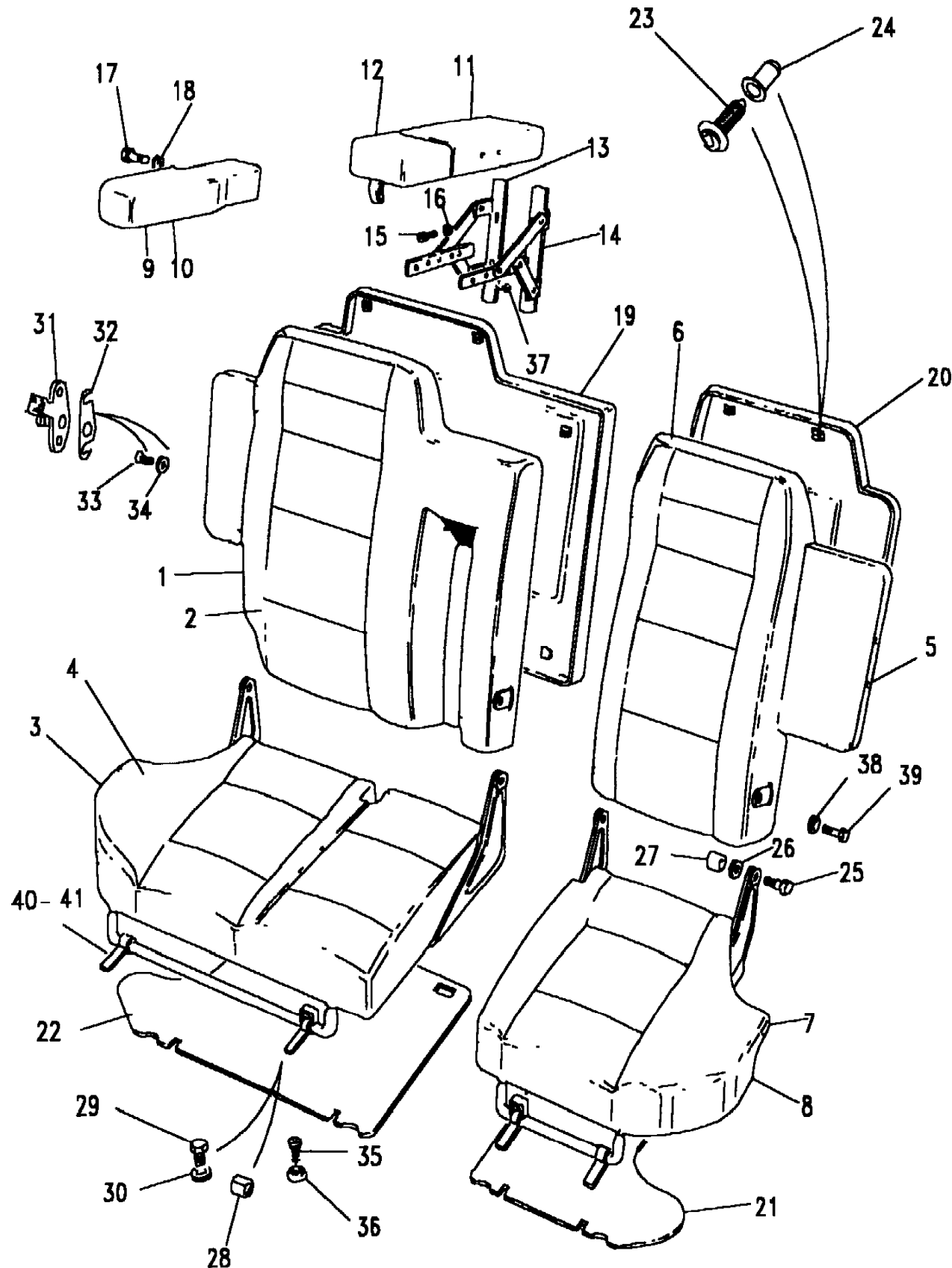
Range Rover (From JA610294)

(BDRXGC2A)

Range Rover (From JA610294)

Seats
Seating
Rear-Leather

Callout	Name	Application	Remarks & Restrictions	Service No.	Qty
12	Cover assembly-rear seat armrest	Change point - VIN end JA624754, 108" (2743mm) Wheelbase	Winchester Grey, Leather	MXC5992LUL	1
		Change point - VIN begin KA624756, 108" (2743mm) Wheelbase	Light Winchester, Leather	MXC5992LUV	1
		108" (2743mm) Wheelbase	Sable, Leather	MXC5992RWD	1
		Change point - VIN begin MA647645, 108" (2743mm) Wheelbase	Ash Grey, Leather	BTR7629LNF	1
		Change point - VIN begin MA647645, 108" (2743mm) Wheelbase	Dark Granite, Leather	BTR7629LOY	1
		Change point - VIN begin MA647645, 108" (2743mm) Wheelbase	Sorrel Brown, Leather	BTR7629SUA	1
		Change point - VIN begin MA647645, 108" (2743mm) Wheelbase			
13	Hinge-rear seat armrest	Change point - VIN end KA640177	RH	MWC2720	1
		Change point - VIN begin KA640178	RH	BTR8348	1
14	Hinge-rear seat armrest	Change point - VIN end KA640177	LH	MWC2721	1
		Change point - VIN begin KA640178	LH	BTR8349	1
15	Screw		armrest hinge, M6 X 16	SE106161L	4
16	Washer		6MM	WA106041L	4
17	Bolt	Change point - VIN end JA624754	armrest to squab, hexagonal head, M8 x 90	BH108181L	2
		Change point - VIN begin KA624756	armrest to squab, hexagonal head, M8 x 100	BH108201L	2
18	Washer		M8, starlock	WF108001L	2
19	Panel-rear seat 2/3		Winchester Grey, Leather	BTR194LUL	1
			Sorrel Brown, back	BTR194SUA	1
			back, Sable, Leather	BTR194RWD	1
			Ash Grey, back, Leather	BTR194LNF	1
		Change point - VIN begin MA647645	Dark Granite, Leather	BTR194LOY	1
20	Panel-rear seat 1/3		Sorrel Brown, back	BTR193SUA	1
			Winchester Grey, Leather	BTR193LUL	1
			back, Sable, Leather	BTR193RWD	1
			Ash Grey, back, Leather	BTR193LNF	1
		Change point - VIN begin MA647645	Dark Granite, Leather	BTR193LOY	1
21	Panel-rear seat base		Bokhara, 1/3	MXC7811RUN	1
		Change point - VIN begin MA647645	Ash Grey, 1/3	MXC7811LNF	1
22	Panel-rear seat 2/3		Bokhara	MXC7812RUN	1



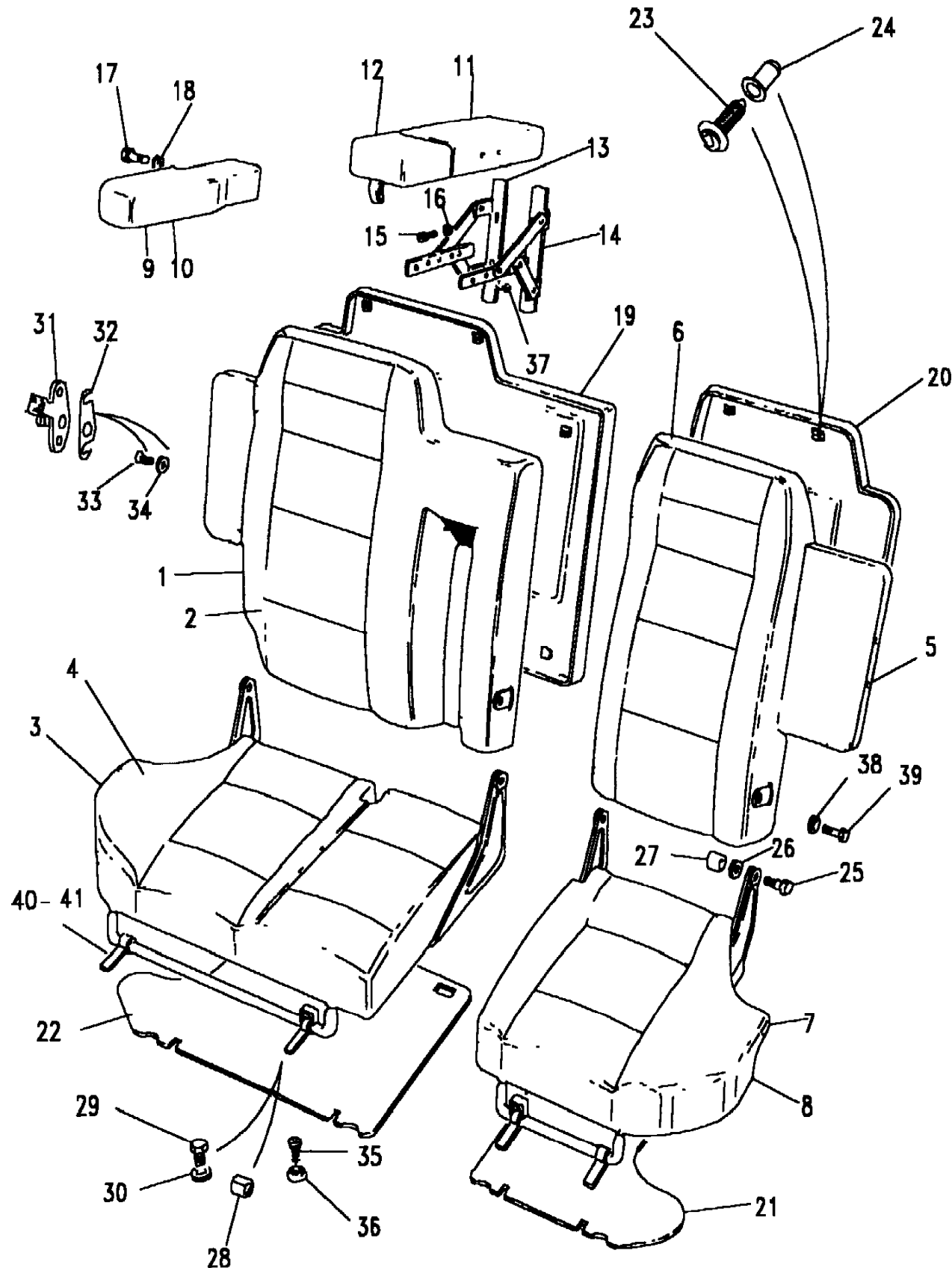
Seats
Seating
Rear-Leather 6/7

Range Rover (From JA610294)

(BDRXGC2A)

Range Rover (From JA610294)

Seats
Seating
Rear-Leather



Callout	Name	Application	Remarks & Restrictions	Service No.	Qty
22	Panel-rear seat 2/3	Change point - VIN begin MA647645	Ash Grey, bottom	MXC7812LNF	1
23	Fastener-fir tree			AGU1425	11
24	Insert-plain			AJU1136L	11
25	Screw		hinge to squab, M6, cap head	SB106121	2
26	Washer		6MM	WA106041L	2
27	Spacer			MWC5053	2
28	Bush			MWC4816	4
29	Screw-flanged head		BRACKET TO BODY, M6 X 16, Flanged Head	FS106167L	4
30	Washer		6MM	WA106041L	4
31	Striker-rear seat squab	Change point - VIN end JA624754 Change point - VIN begin KA624756 Change point - VIN end JA624754 Change point - VIN begin KA624756	RH RH RH LH	MWC3076 BTR4892 MWC3077 BTR4893	1 1 1 1
32	Shim			MXC3187	1
33	Screw	Change point - VIN end JA612350 Change point - VIN begin JA612351	striker to rear squab striker to rear squab	SJ106200 BTR3576	4 4
34	Washer		M6, sprung	WL106001L	4
35	Screw			MTC9428	X
36	Washer-cup			MTC9429	X
37	Screw-self tapping		bracket to panel, counter sunk, No8 x 5/8	AC608052L	4
38	Washer		M8, starlock	WF108001L	1
39	Bolt		hexagonal head, M8 x 90	BH108181L	1
40	Bracket-rear seat pivot		Upper	MWC6060	4
41	Bracket-rear seat pivot		Lower, Primer	MWC6061	4
[900]	Striker-rear seat squab		LH RH	HWK100550 HWK100560	1 1

Seats
Seating
Rear-Leather 717

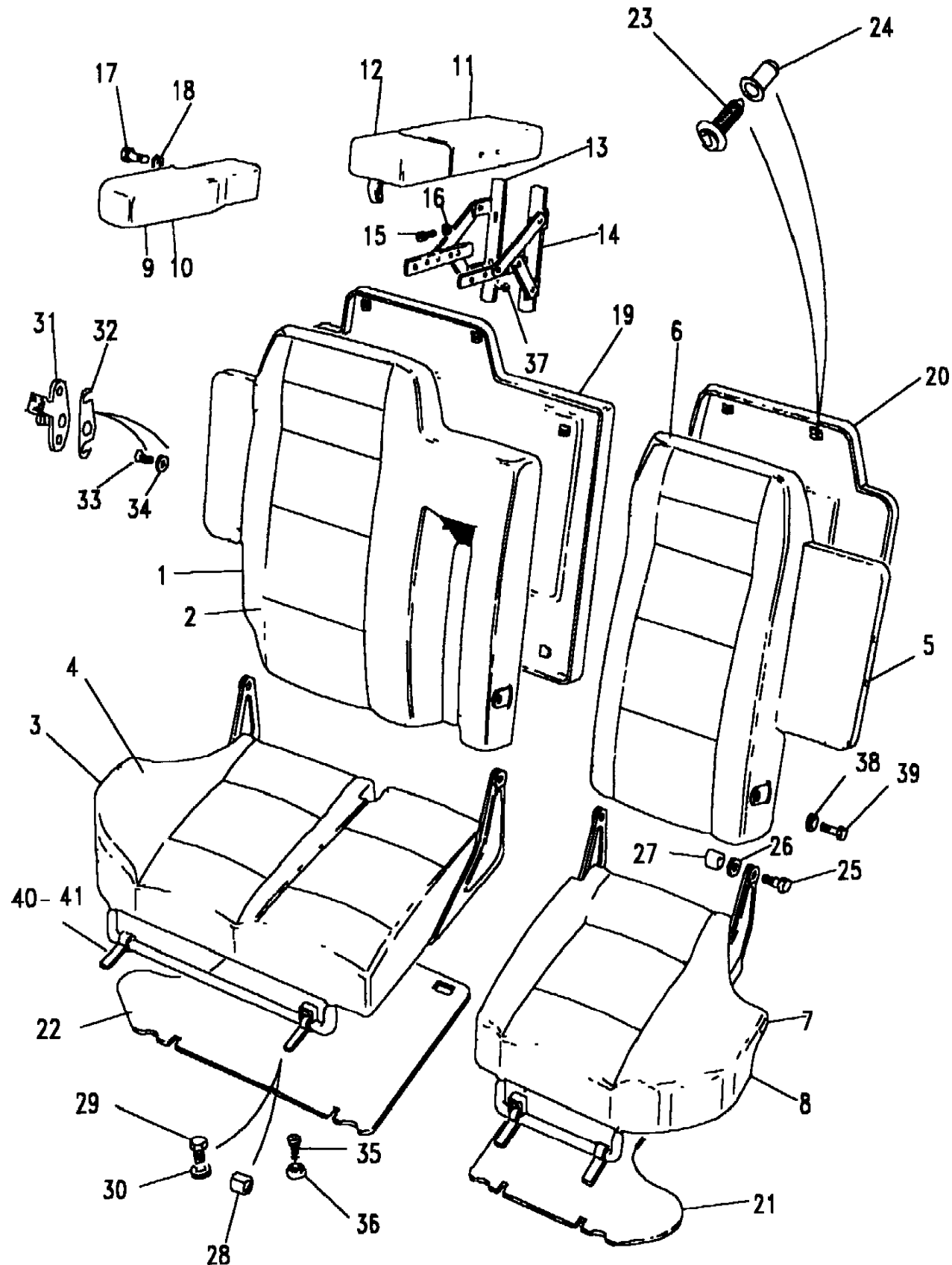
Range Rover (From JA610294)

(BDRXGC2A)

Range Rover (From JA610294)

Seats
Seating
Rear-Leather

Callout	Name	Application	Remarks & Restrictions	Service No.	Qty
[900]	Striker-rear seat squab		RH LH	BTR4892 BTR4893	1 1



Seats
Seating
Rear Seat 1/3

Range Rover (From JA610294)

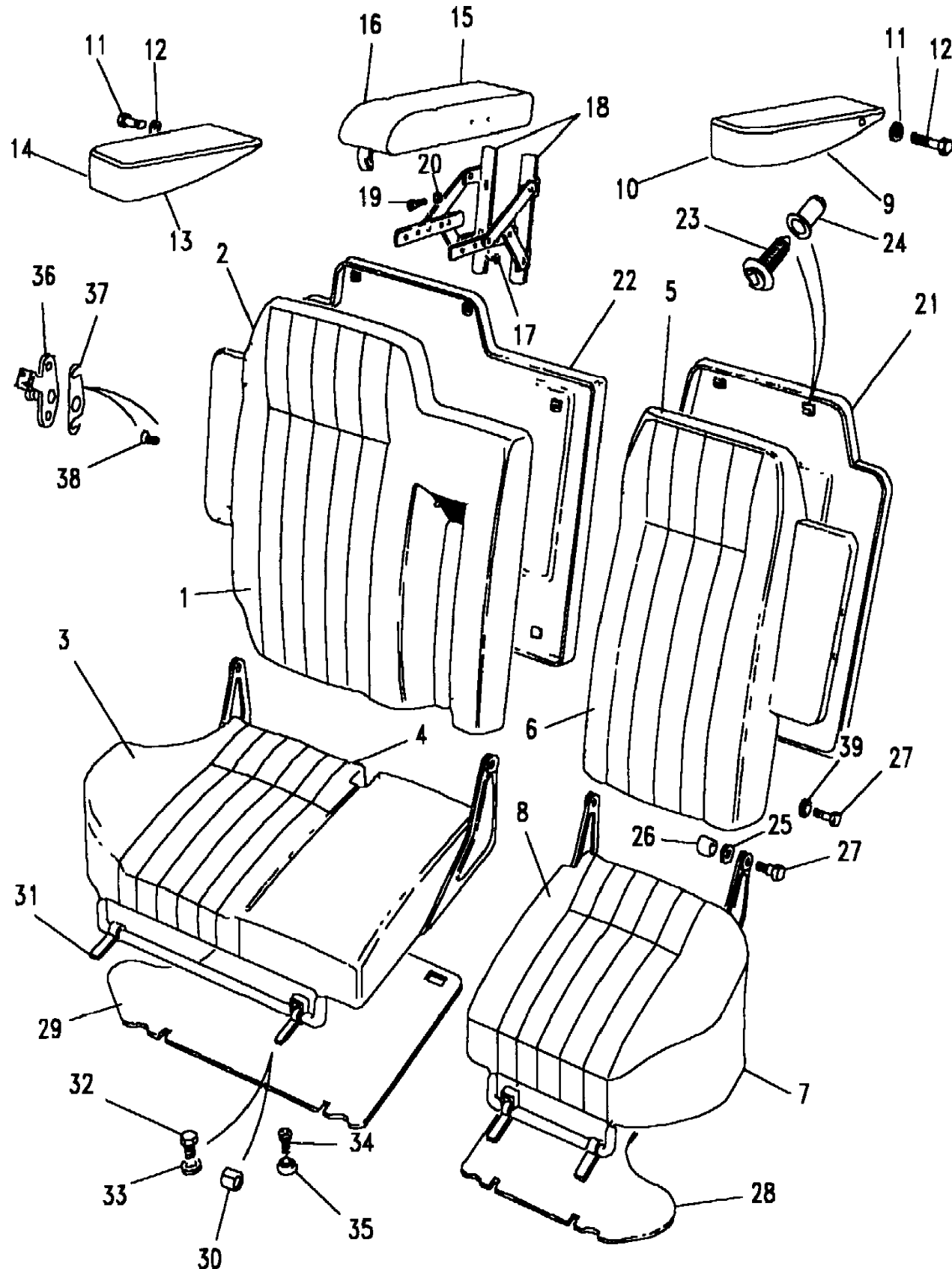
(BDRXGC3A)

Range Rover (From JA610294)

Seats
Seating
Rear Seat

Vogue LSE

Callout	Name	Application	Remarks & Restrictions	Service No.	Qty
1	Squab-large split rear seat	Change point - VIN end KA640177, 108" (2743mm) Wheelbase	Also serviced as part of a kit, Tan, Leather	BTR6420AUK	1
		Change point - VIN begin KA640178, 108" (2743mm) Wheelbase	Also serviced as part of a kit, Tan, Leather	BTR8457AUK	1
2	Cover assembly-rear seat large split cushion	Change point - VIN begin KA640178, 108" (2743mm) Wheelbase	Also serviced as part of a kit, Tan, Leather	BTR6377AUK	1
3	Squab-large split rear seat	Change point - VIN end KA640177, 108" (2743mm) Wheelbase	Also serviced as part of a kit, Tan, Leather	BTR6418AUK	1
		Change point - VIN begin KA640178, 108" (2743mm) Wheelbase	Also serviced as part of a kit, Tan, Leather	BTR8459AUK	1
4	Cover assembly-rear seat large split cushion	Change point - VIN end KA640177, 108" (2743mm) Wheelbase	Also serviced as part of a kit, Tan, Leather	BTR6375AUK	1
5	Squab-small split rear seat	Change point - VIN end KA640177, 108" (2743mm) Wheelbase	Also serviced as part of a kit, Tan, Leather	BTR6419AUK	1
		Change point - VIN begin KA640178, 108" (2743mm) Wheelbase	Also serviced as part of a kit, Tan, Leather	BTR8456AUK	1
6	Cover assembly-rear seat small split squab	Change point - VIN end KA640177, 108" (2743mm) Wheelbase	Also serviced as part of a kit, Tan, Leather	BTR6376AUK	1
7	Squab-small split rear seat	Change point - VIN end KA640177, 108" (2743mm) Wheelbase	Also serviced as part of a kit, Tan, Leather	BTR6417AUK	1
		Change point - VIN begin KA640178, 108" (2743mm) Wheelbase	Also serviced as part of a kit, Tan, Leather	BTR8458AUK	1
8	Cover assembly-rear seat small split squab	Change point - VIN end KA640177, 108" (2743mm) Wheelbase	Also serviced as part of a kit, Tan, Leather	BTR6374AUK	1
9	Armrest assembly-rear door	108" (2743mm) Wheelbase	Also serviced as part of a kit, Tan, Leather	BTR2757AUK	1
10	Cover assembly-rear seat armrest	108" (2743mm) Wheelbase	Also serviced as part of a kit, Tan, Leather	BTR2759AUK	1
11	Washer		M8, starlock	WF108001L	2
12	Bolt		armrest to squab, hexagonal head, M8 x 100	BH108201L	2
13	Armrest assembly-rear door	108" (2743mm) Wheelbase	Also serviced as part of a kit, Tan, Leather	BTR2758AUK	1



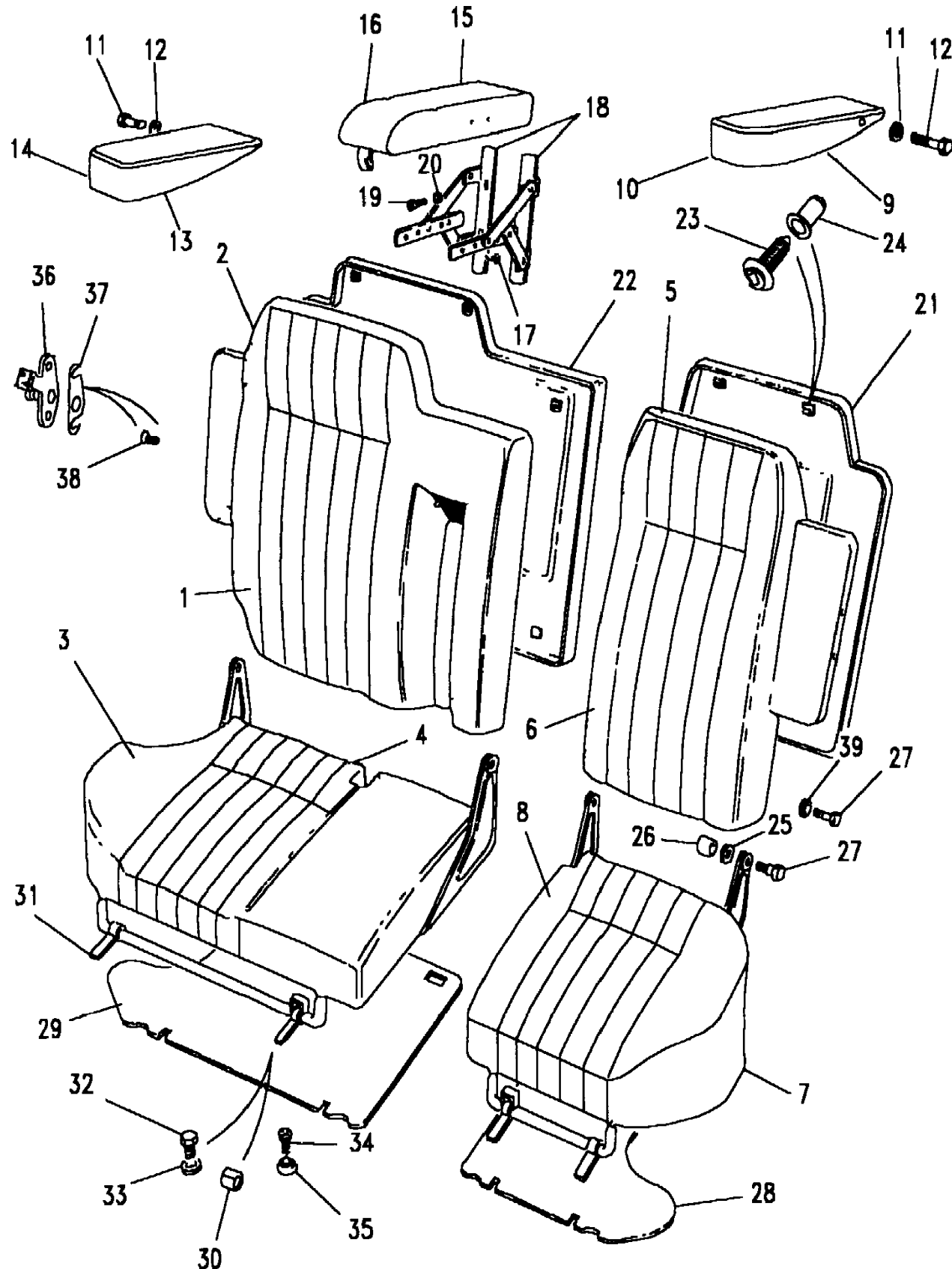
Range Rover (From JA610294)

(BDRXGC3A)

Range Rover (From JA610294)

Vogue LSE

Callout	Name	Application	Remarks & Restrictions	Service No.	Qty
14	Cover assembly-rear seat armrest	108" (2743mm) Wheelbase	Also serviced as part of a kit, Tan, Leather	BTR2760AUK	1
15	Armrest assembly-rear door	108" (2743mm) Wheelbase	Also serviced as part of a kit, Tan, Leather	BTR2800AUK	1
16	Cover assembly-rear seat armrest	108" (2743mm) Wheelbase	Also serviced as part of a kit, Tan, Leather	BTR2801AUK	1
17	Screw-self tapping		bracket to panel, counter sunk, No8 x 5/8	AC608052L	6
18	Hinge-rear seat armrest	Change point - VIN end KA640177	RH	MWC2720	1
		Change point - VIN begin KA640178	RH	BTR8348	1
		Change point - VIN end KA640177	LH	MWC2721	1
		Change point - VIN begin KA640178	LH	BTR8349	1
19	Screw		bracket to panel, M6 X 16	SE106161L	4
20	Washer		6MM	WA106041L	4
21	Panel-rear cushion back			BTR193AUK	1
22	Panel-rear cushion back			BTR194AUK	1
23	Fastener-fir tree			AGU1425	11
24	Insert-plain			AJU1136L	11
25	Washer		6MM	WA106041L	2
26	Spacer			MWC5053	2
27	Screw		hinge to squab, M6, cap head	SB106121	1
28	Panel-rear seat base		Bokhara, 1/3	MXC7811RUN	1
29	Panel-rear seat 2/3		Bokhara	MXC7812RUN	1
30	Bush			MWC4816	4
31	Bracket-rear seat pivot		Upper	MWC6060	4
			Lower, Primer	MWC6061	4
32	Screw		BRACKET TO BODY	MTC9428	X
33	Washer-cup			MTC9429	X
34	Screw-flanged head		M6 X 16, Flanged Head	FS106167L	4

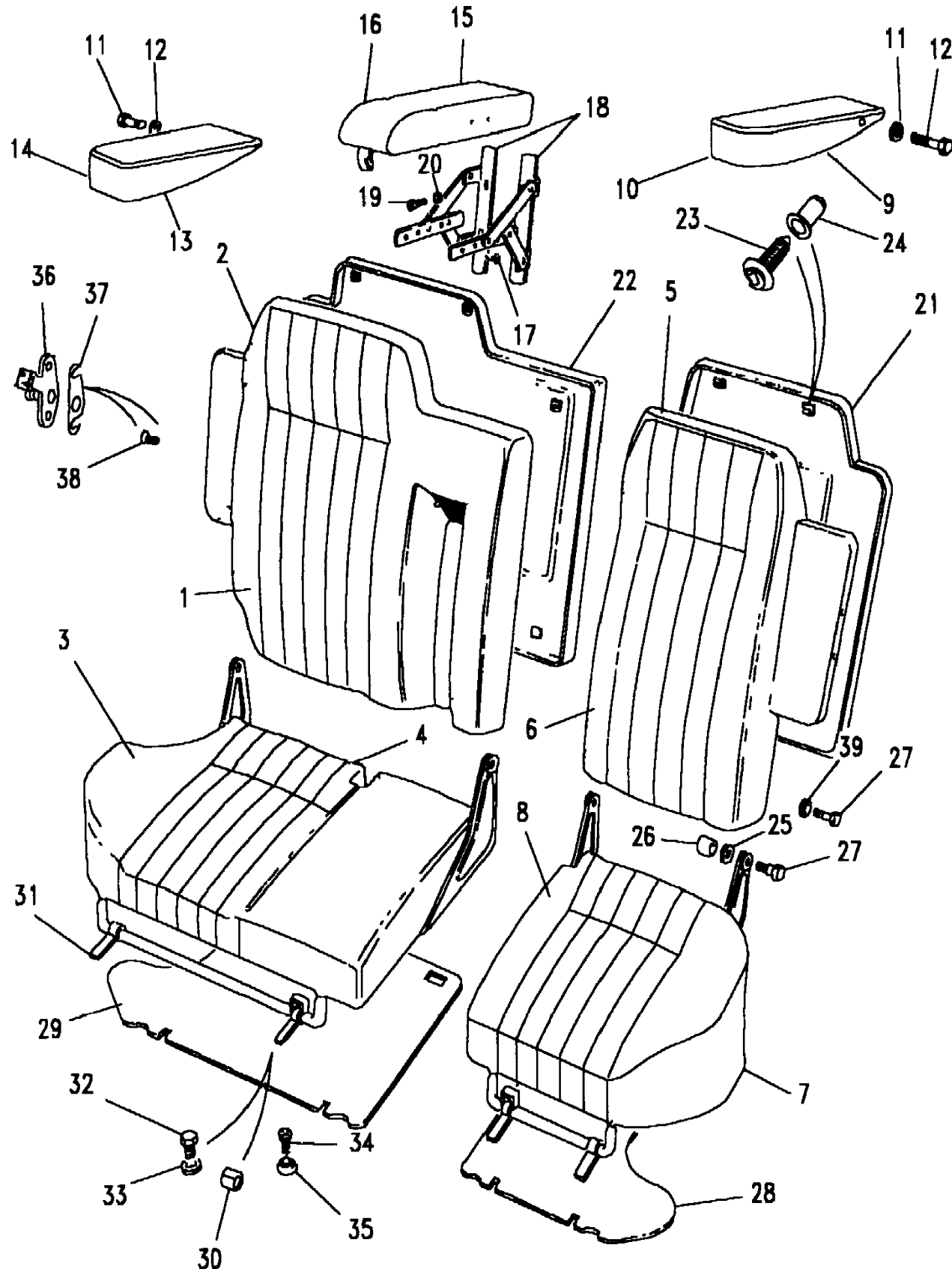


Range Rover (From JA610294)
(BDRXGC3A)

Range Rover (From JA610294)

Vogue LSE

Callout	Name	Application	Remarks & Restrictions	Service No.	Qty
35	Washer		6MM	WA106041L	4
36	Striker-rear seat squab		RH	BTR4892	1
			LH	BTR4893	1
37	Shim			MXC3187	1
38	Screw		bracket to panel	BTR3576	4
39	Washer		M8, starlock	WF108001L	1
[900]	Striker-rear seat squab		LH	HWK100550	1
			RH	HWK100560	1
			RH	BTR4892	1
			LH	BTR4893	1



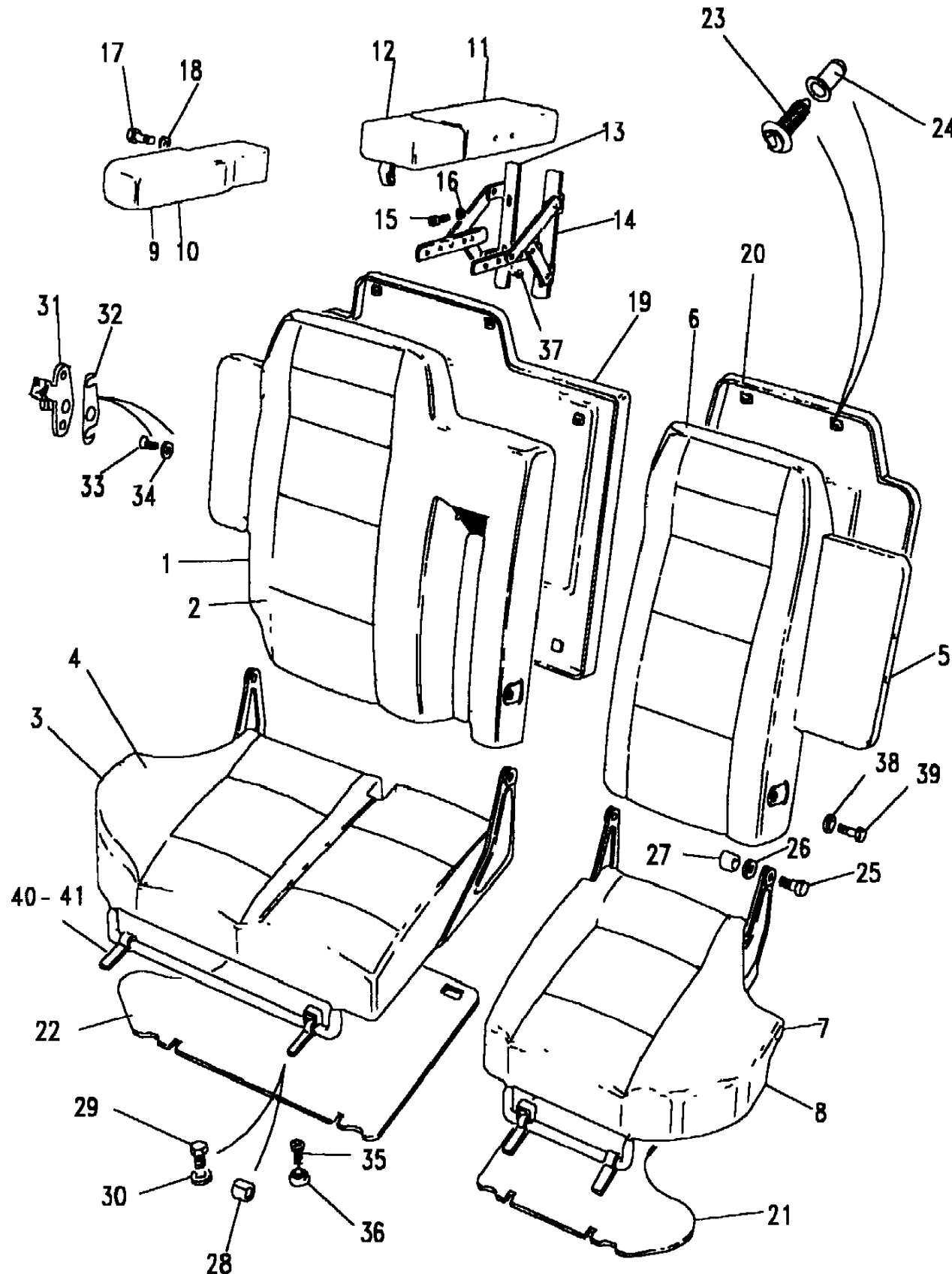
Seats
Seating
Rear-Velour 1/4

Range Rover (From JA610294)

(BDRXGC1A)

Range Rover (From JA610294)

Seats
Seating
Rear-Velour



Callout	Name	Application	Remarks & Restrictions	Service No.	Qty
1	Squab-large split rear seat	Change point - VIN end JA624754	Cloth, Velour, Brogue	MWC9698AUE	1
		Change point - VIN end JA624754	Cloth, Winchester Grey, Velour	MWC9698LUL	1
		Change point - VIN begin KA624756, Change point - VIN end KA640177	Winchester Grey, Velour	BTR6438LUL	1
		Change point - VIN begin KA624756, Change point - VIN end KA640177	Velour, Brogue	BTR6438AUE	1
		Change point - VIN begin KA640178	Velour, Brogue	BTR8475AUE	1
		Change point - VIN begin KA640178	Winchester Grey, Velour	BTR8475LUL	1
		Change point - VIN begin MA647645	Dark Granite, Velour	BTR8475LOY	1
		2	Cover assembly-rear seat large split cushion		Cloth, Velour, Brogue
	Cloth, Winchester Grey, Velour			MXC4829LUL	1
Change point - VIN begin MA647645	Dark Granite, Velour			MXC4829LOY	1
3	Cushion-large split rear seat	Change point - VIN end KA604177	Cloth, Velour, Brogue	MWC9804AUE	1
		Change point - VIN end KA604177	Cloth, Winchester Grey, Velour	MWC9804LUL	1
		Change point - VIN begin KA640178	Winchester Grey, Velour	BTR8477LUL	1
		Change point - VIN begin KA640178	Velour, Brogue	BTR8477AUE	1
		Change point - VIN begin MA647645	Dark Granite, Velour	BTR8477LOY	1
4	Cover assembly-rear seat large split cushion		Cloth, Velour, Brogue	MXC4827AUE	1
			Cloth, Winchester Grey, Velour	MXC4827LUL	1
		Change point - VIN begin MA647645	Dark Granite, Velour	MXC4827LOY	1
5	Squab-small split rear seat	Change point - VIN end JA624754	Cloth, Velour, Brogue	MWC9699AUE	1
		Change point - VIN end JA624754	Cloth, Winchester Grey, Velour	MWC9699LUL	1
		Change point - VIN begin KA624756, Change point - VIN end KA640177	Winchester Grey, Velour	BTR6437LUL	1
		Change point - VIN begin KA624756, Change point - VIN end KA640177	Velour, Brogue	BTR6437AUE	1
		Change point - VIN begin KA640178	Winchester Grey, Velour	BTR8474LUL	1
		Change point - VIN begin KA640178	Velour, Brogue	BTR8474AUE	1
		Change point - VIN begin MA647645	Dark Granite, Velour	BTR8474LOY	1

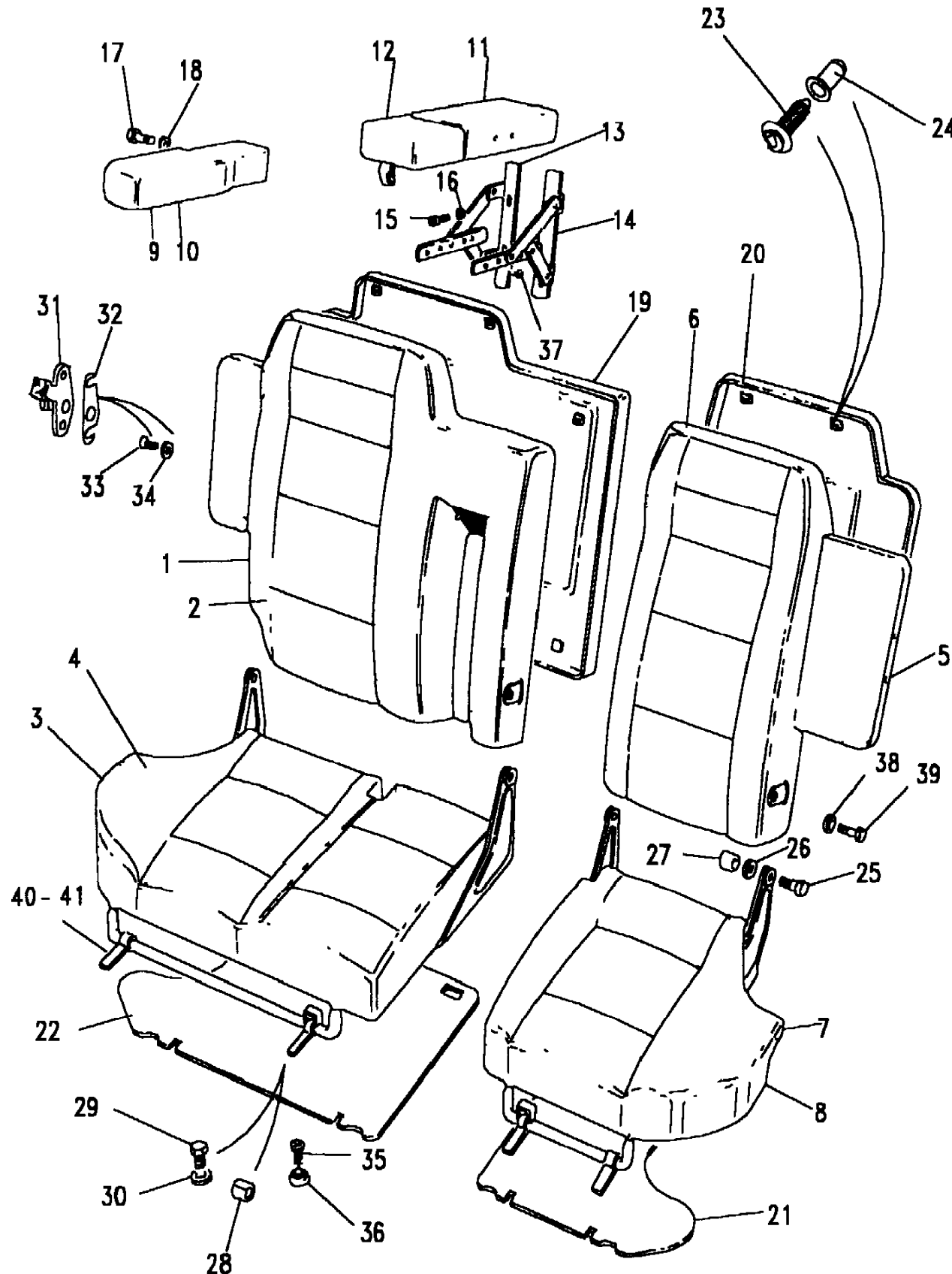
Seats
Seating
Rear-Velour 2/4

Range Rover (From JA610294)

(BDRXGC1A)

Range Rover (From JA610294)

Seats
Seating
Rear-Velour



Callout	Name	Application	Remarks & Restrictions	Service No.	Qty
6	Cover assembly-rear seat small split squab		Cloth, Velour, Brogue	MXC4833AUE	1
			Cloth, Winchester Grey, Velour	MXC4833LUL	1
		Change point - VIN begin MA647645	Dark Granite, Velour	MXC4833LOY	1
7	Cushion-small split rear seat	Change point - VIN end KA640177	Cloth, Velour, Brogue	MWC9805AUE	1
		Change point - VIN end KA640177	Cloth, Winchester Grey, Velour	MWC9805LUL	1
		Change point - VIN begin KA640178	Winchester Grey, Velour	BTR8476LUL	1
		Change point - VIN begin KA640178	Velour, Brogue	BTR8476AUE	1
		Change point - VIN begin MA647645	Dark Granite, Velour	BTR8476LOY	1
8	Cover assembly-rear seat small split squab		Cloth, Velour, Brogue	MXC4831AUE	1
			Cloth, Winchester Grey, Velour	MXC4831LUL	1
		Change point - VIN begin MA647645	Dark Granite, Velour	MXC4831LOY	1
9	Armrest-split rear seat		Velour, 1/3, Brogue	MXC6987AUE	1
			Winchester Grey, Velour, 1/3	MXC6987LUL	1
		Change point - VIN begin MA647645	Dark Granite, Velour, 1/3	MXC6987LOY	1
			Velour, 2/3, Brogue	MXC6988AUE	1
			Winchester Grey, Velour, 2/3	MXC6988LUL	1
		Change point - VIN begin MA647645	Dark Granite, Velour, 2/3	MXC6988LOY	1
10	Cover assembly-rear seat armrest		Cloth, Velour, 1/3, Brogue	MXC7001AUE	1
			Cloth, Winchester Grey, Velour, 1/3	MXC7001LUL	1
		Change point - VIN begin MA647645	Dark Granite, Velour, 1/3	MXC7001LOY	1
			Velour, 2/3, Brogue	MXC7002AUE	1
			Cloth, Winchester Grey, Velour, 2/3	MXC7002LUL	1
		Change point - VIN begin MA647645	Dark Granite, Velour, 2/3	MXC7002LOY	1
11	Armrest-individual rear seat		Velour, Brogue	MXC6465AUE	1
			Winchester Grey, Velour	MXC6465LUL	1
		Change point - VIN begin MA647645	Dark Granite, Velour	MXC6465LOY	1
12	Cover armrest-rear-seat-centre		Cloth, Velour, Brogue	MXC5991AUE	1
			Cloth, Winchester Grey, Velour	MXC5991LUL	1
		Change point - VIN begin MA647645	Dark Granite, Velour	MXC5991LOY	1

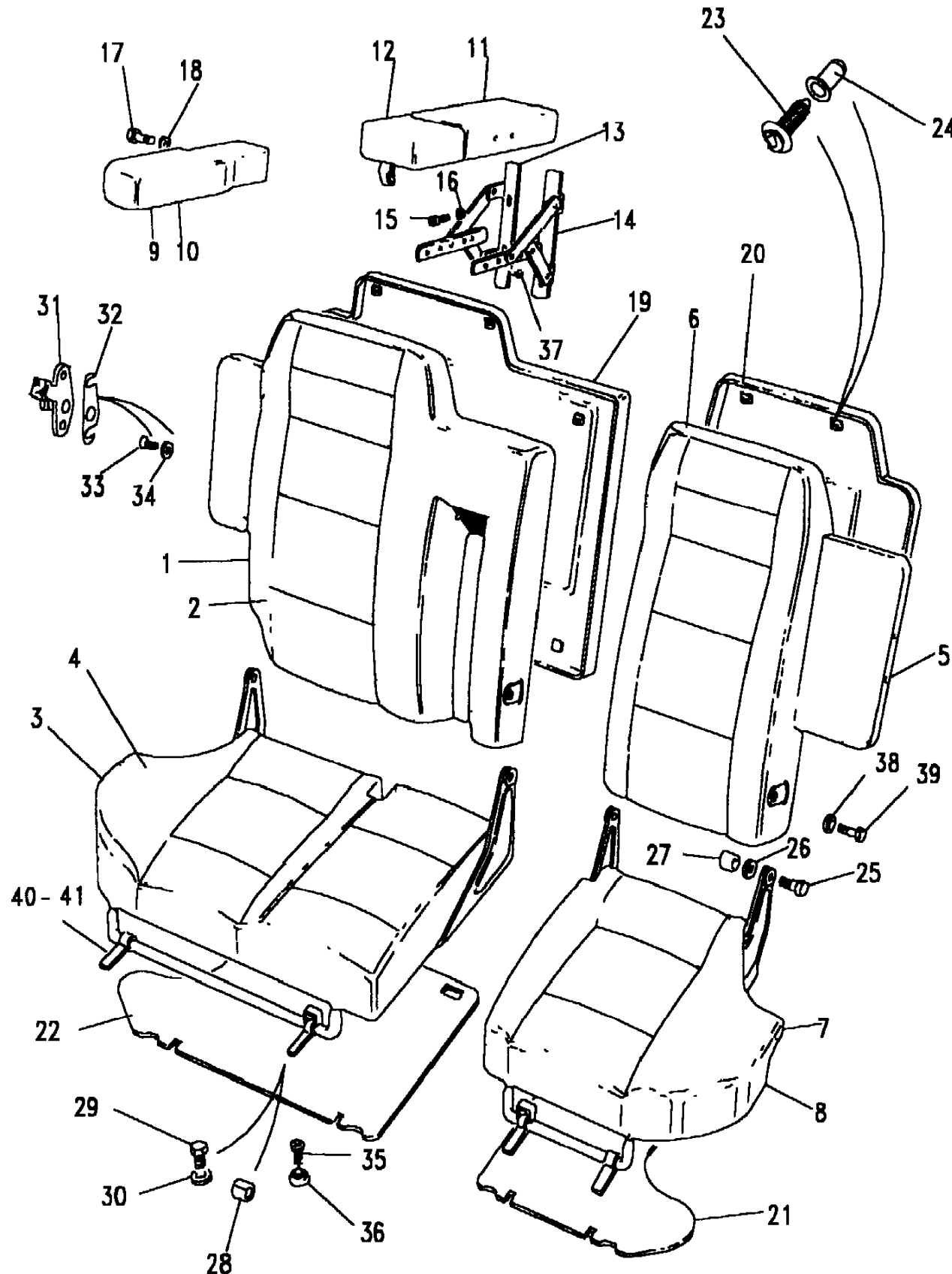
Seats
Seating
Rear-Velour 3/4

Range Rover (From JA610294)

(BDRXGC1A)

Range Rover (From JA610294)

Seats
Seating
Rear-Velour



Callout	Name	Application	Remarks & Restrictions	Service No.	Qty
13	Hinge-rear seat armrest	Change point - VIN end KA640177	RH	MWC2720	1
		Change point - VIN begin KA640178	RH	BTR8348	1
14	Hinge-rear seat armrest	Change point - VIN end KA640177	LH	MWC2721	1
		Change point - VIN begin KA640178	LH	BTR8349	1
15	Screw		armrest hinge, M6 X 16	SE106161L	4
16	Washer		6MM	WA106041L	4
17	Bolt	Change point - VIN end JA624754	armrest to squab, hexagonal head, M8 x 90	BH108181L	2
		Change point - VIN begin KA624756	armrest to squab, hexagonal head, M8 x 100	BH108201L	2
18	Washer		M8, starlock	WF108001L	2
19	Panel-rear seat 2/3		Sorrel Brown, back	BTR194SUA	1
			Winchester Grey, Leather	BTR194LUL	1
		Change point - VIN begin KA647645	Ash Grey, back, Leather	BTR194LNF	1
		Change point - VIN begin KA647645	Dark Granite, Leather	BTR194LOY	1
20	Panel-rear seat 1/3		Sorrel Brown, back	BTR193SUA	1
			Winchester Grey, Leather	BTR193LUL	1
		Change point - VIN begin KA647645	Ash Grey, back, Leather	BTR193LNF	1
		Change point - VIN begin KA647645	Dark Granite, Leather	BTR193LOY	1
21	Panel-rear seat base	Change point - VIN end KA632910	Bokhara, 1/3	MXC7811RUN	1
		Change point - VIN begin KA632911	Ash Grey, 1/3	MXC7811LNF	1
22	Panel-rear seat 2/3	Change point - VIN end KA632910	Bokhara	MXC7812RUN	1
		Change point - VIN begin KA632911	Ash Grey, bottom	MXC7812LNF	1
23	Fastener-fir tree			AGU1425	11
24	Insert-plain			AJU1136L	11
25	Screw		hinge to squab, M6, cap head	SB106121	2
26	Washer		6MM	WA106041L	2
27	Spacer			MWC5053	2
28	Bush			MWC4816	4

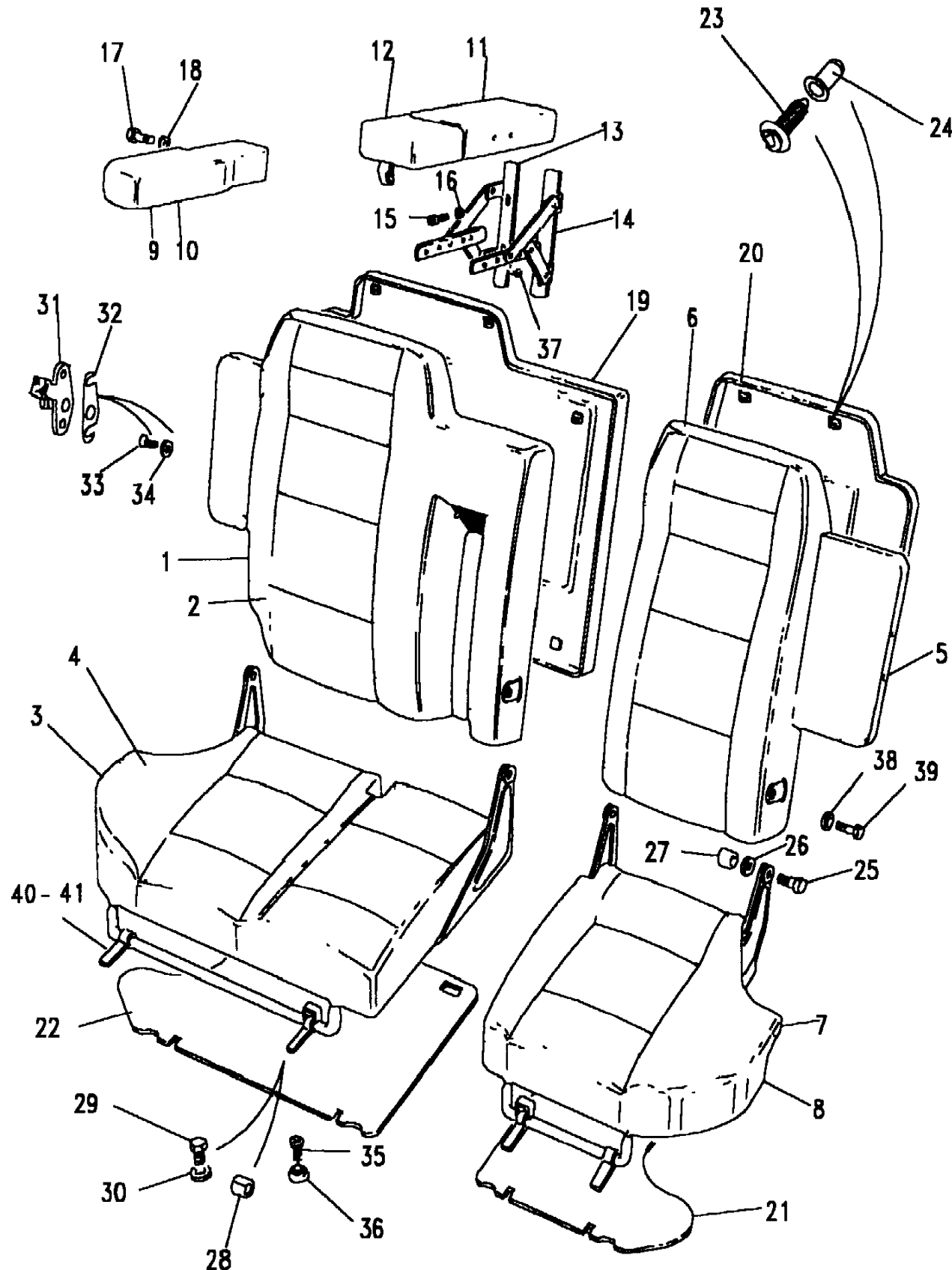
Seats
Seating
Rear-Velour 4/4

Range Rover (From JA610294)

(BDRXGC1A)

Range Rover (From JA610294)

Seats
Seating
Rear-Velour



Callout	Name	Application	Remarks & Restrictions	Service No.	Qty
29	Screw-flanged head		BRACKET TO BODY, M6 X 16, Flanged Head	FS106167L	4
30	Washer		6MM	WA106041L	4
31	Striker-rear seat squab	Change point - VIN end JA624754	RH	MXC3076	1
		Change point - VIN end JA624754	LH	MXC3077	1
		Change point - VIN begin KA624756	RH	BTR4892	1
		Change point - VIN begin KA624756	LH	BTR4893	1
32	Shim			MXC3187	1
33	Screw	Change point - VIN end JA612350	striker to rear squab	SJ106200	4
		Change point - VIN begin JA612351	striker to rear squab	BTR3576	4
34	Washer		M6, sprung	WL106001L	4
35	Screw		BRACKET TO BODY	MTC9428	X
36	Washer-cup			MTC9429	X
37	Screw-self tapping		bracket to panel, counter sunk, No8 x 5/8	AC608052L	4
38	Washer		M8, starlock	WF108001L	1
39	Bolt		hexagonal head, M8 x 40	BH108081L	1
40	Bracket-rear seat pivot		Upper	MWC6060	4
41	Bracket-rear seat pivot		Lower, Primer	MWC6061	4
[900]	Striker-rear seat squab		LH	HWK100550	1
			RH	HWK100560	1
			RH	BTR4892	1
			LH	BTR4893	1
			RH	MXC1166	1