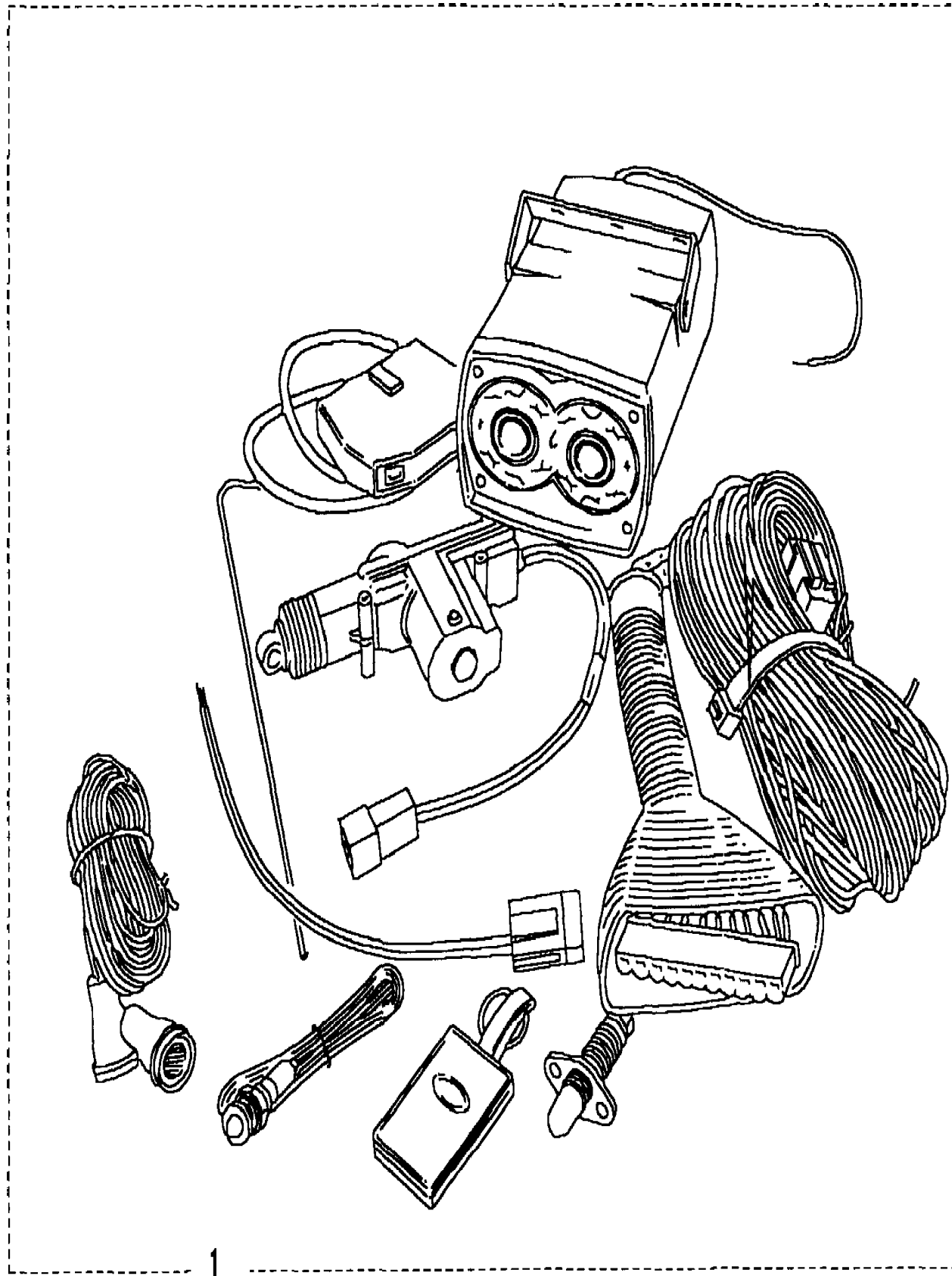


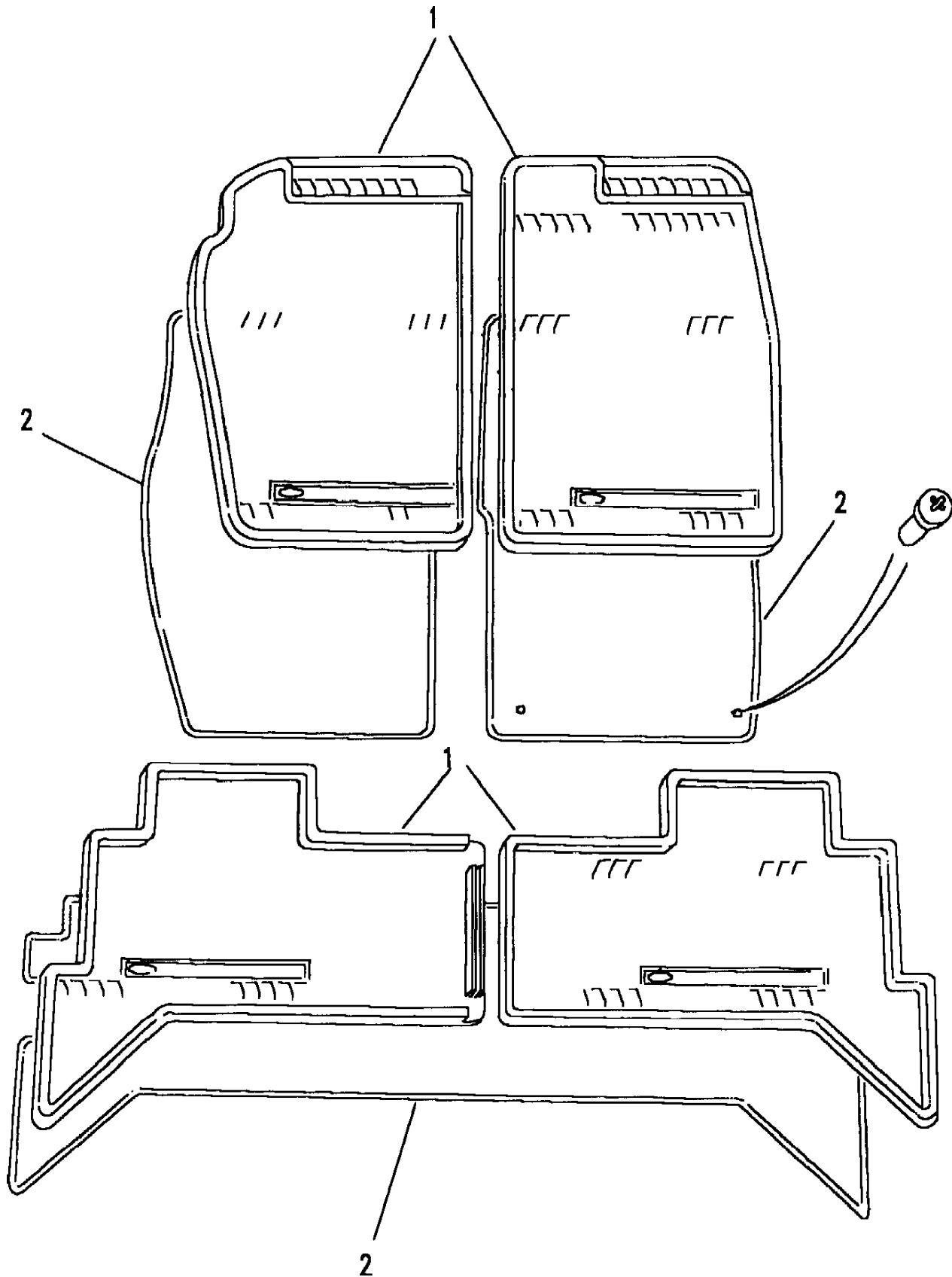
Range Rover (From JA610294)
(BDTXMA5A)



Range Rover (From JA610294)

Callout	Name	Application	Remarks & Restrictions	Service No.	Qty
1	Alarm assembly-burglar infra red	Less Catalyst, With Anti-Theft Alarm	Burglar Alarm	STC8094	1
		With Catalyst, With Anti-Theft Alarm	Burglar Alarm	STC8095	1
[900]	Control unit burglar alarm	With Anti-Theft Alarm	Burglar Alarm, Type K	STC8004	1
		With Anti-Theft Alarm	Burglar Alarm, Type A&B	STC8002	1
		With Anti-Theft Alarm	Burglar Alarm, TYPE C	STC8003	1

Range Rover (From JA610294)



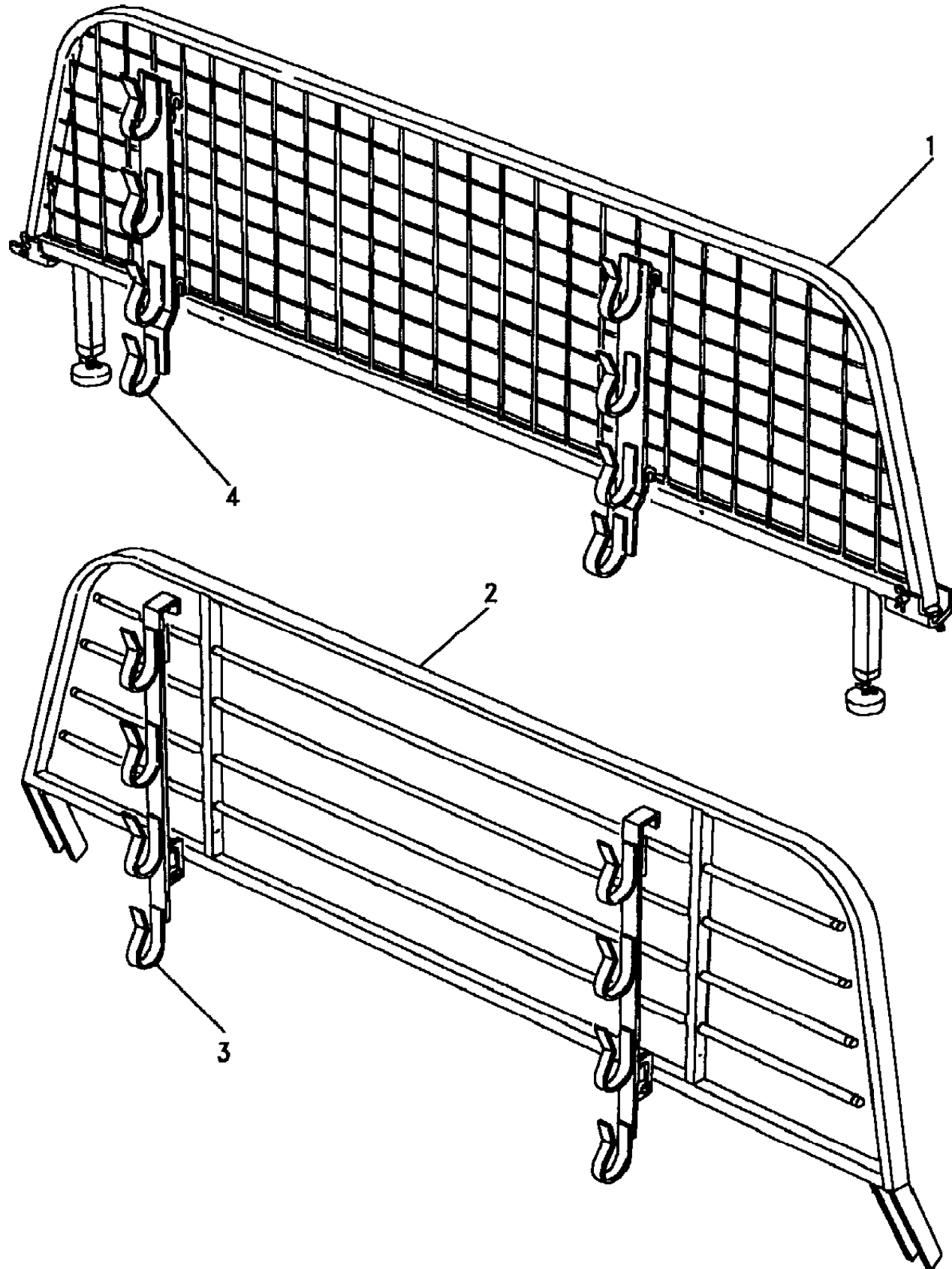
Range Rover (From JA610294)

Callout	Name	Application	Remarks & Restrictions	Service No.	Qty
1	Car set-drop in mat	4 Door Station Wagon, (-) 108"	Rubber	STC8053	1
		2 Door Station Wagon, (-) 108"	Rubber	STC8054	1
		108" (2743mm) Wheelbase	Rubber	STC8134	1
2	Carpet mat-set	(-) 108", LHD	Grey	STC8061AA	1
		(-) 108", RHD	Grey	STC8062AA	1
		108" (2743mm) Wheelbase	Grey	STC8496	1
		(-) 108", LHD	Beige	STC8063AB	1
		(-) 108", RHD	Beige	STC8064AB	1
		108" (2743mm) Wheelbase	Beige	STC8469	1
		108" (2743mm) Wheelbase	Tan	STC8152	1
		(-) 108"	Sable	STC8441	1
		108" (2743mm) Wheelbase	Sable	STC8442	1
		(-) 108"	Ash Grey	STC8815	1
		108" (2743mm) Wheelbase	Ash Grey	STC8475	1
[900]	Carpet mat-set	Vogue LSE	Dark Granite	STC8846	1
		108" (2743mm) Wheelbase	Beige	STC8469AA	1
		4 Door Station Wagon	Dark Granite	STC8845	1
[901]	Mat-footwell set	Vogue LSE	Rubber	STC8134AA	1
		4 Door Station Wagon, (-) 108"		STC8053AA	1
		(-) 108", LHD	Beige, Carpet	STC8841	1
	(-) 108", RHD	Beige, Carpet	STC8841	1	

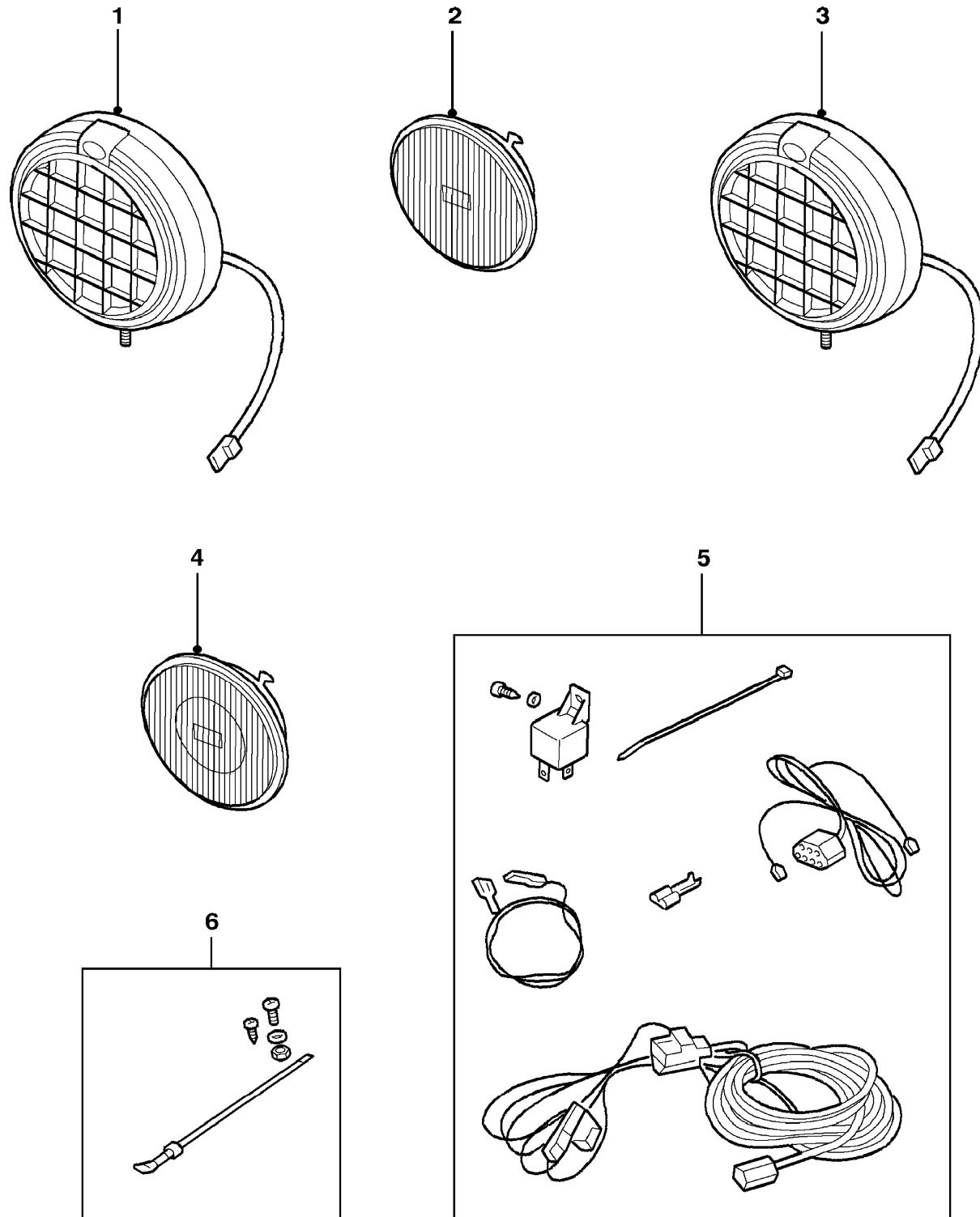
Range Rover (From JA610294)
(BDTXMA2A)

Range Rover (From JA610294)

Callout	Name	Application	Remarks & Restrictions	Service No.	Qty
1	Guard-dog-loadspace	Change point - VIN begin JA610294	Black, Mesh Type	RTC8092	1
2	Guard-dog-loadspace		Grey, bar type hinged design	RTC8093 STC8161	1 1
3	Clip		Black, Mesh Type	RTC8951	1
4	Clip		Grey, bar type	RTC8094	1
[900]	Kit service fixings		Black, Mesh Type Grey, bar type	STC8105 STC8127	1 1
[901]	Riding tack rack			STC8032	1



Range Rover (From JA610294)

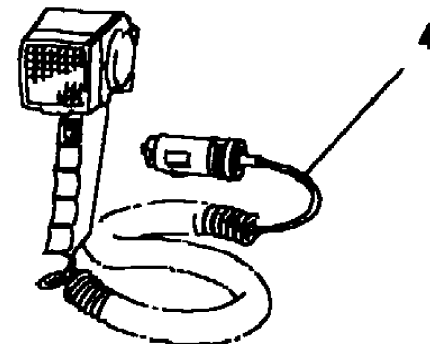
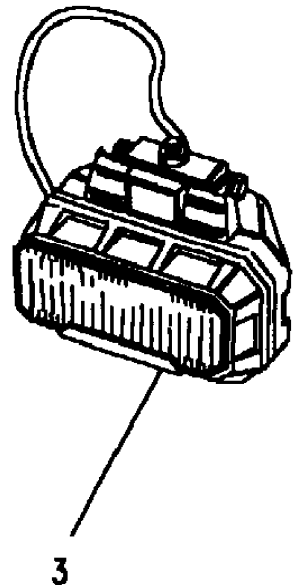
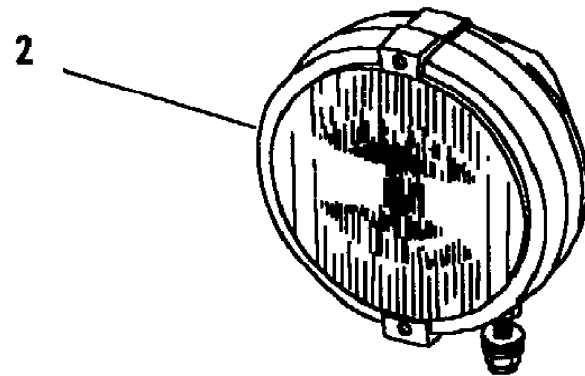
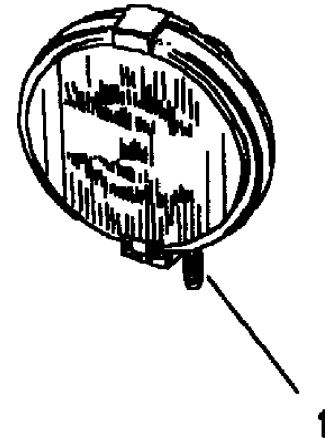
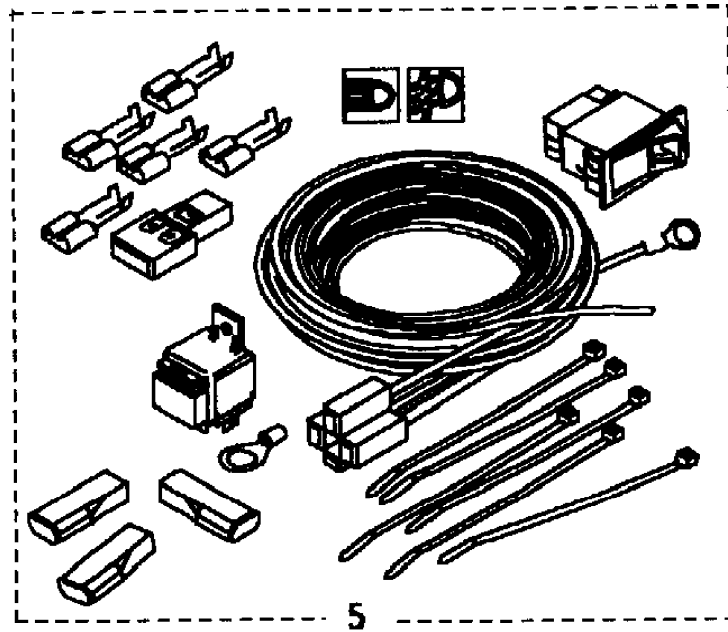


A01.020
07-2002
L2
LT0161

Range Rover (From JA610294)

Callout	Name	Application	Remarks & Restrictions	Service No.	Qty
1	Lamp-front long range driving	Change point - VIN begin MA647645	Also serviced as part of a kit, Safari 5000	STC8480	1
2	Lens-replacement	Change point - VIN begin MA647645		STC8811	1
3	Lamp assembly-front lighting fog	Change point - VIN begin MA647645	Also serviced as part of a kit, Safari 5000	STC8481	1
4	Lens-fog	Change point - VIN begin MA647645		STC8812	1
5	Kit-auxiliary wiring-safari 500	Change point - VIN begin MA647645 Change point - VIN begin MA647645		STC8813AA STC8813	1 1
6	Lamp steady bars	Change point - VIN begin MA647645	Pair	STC8814	2

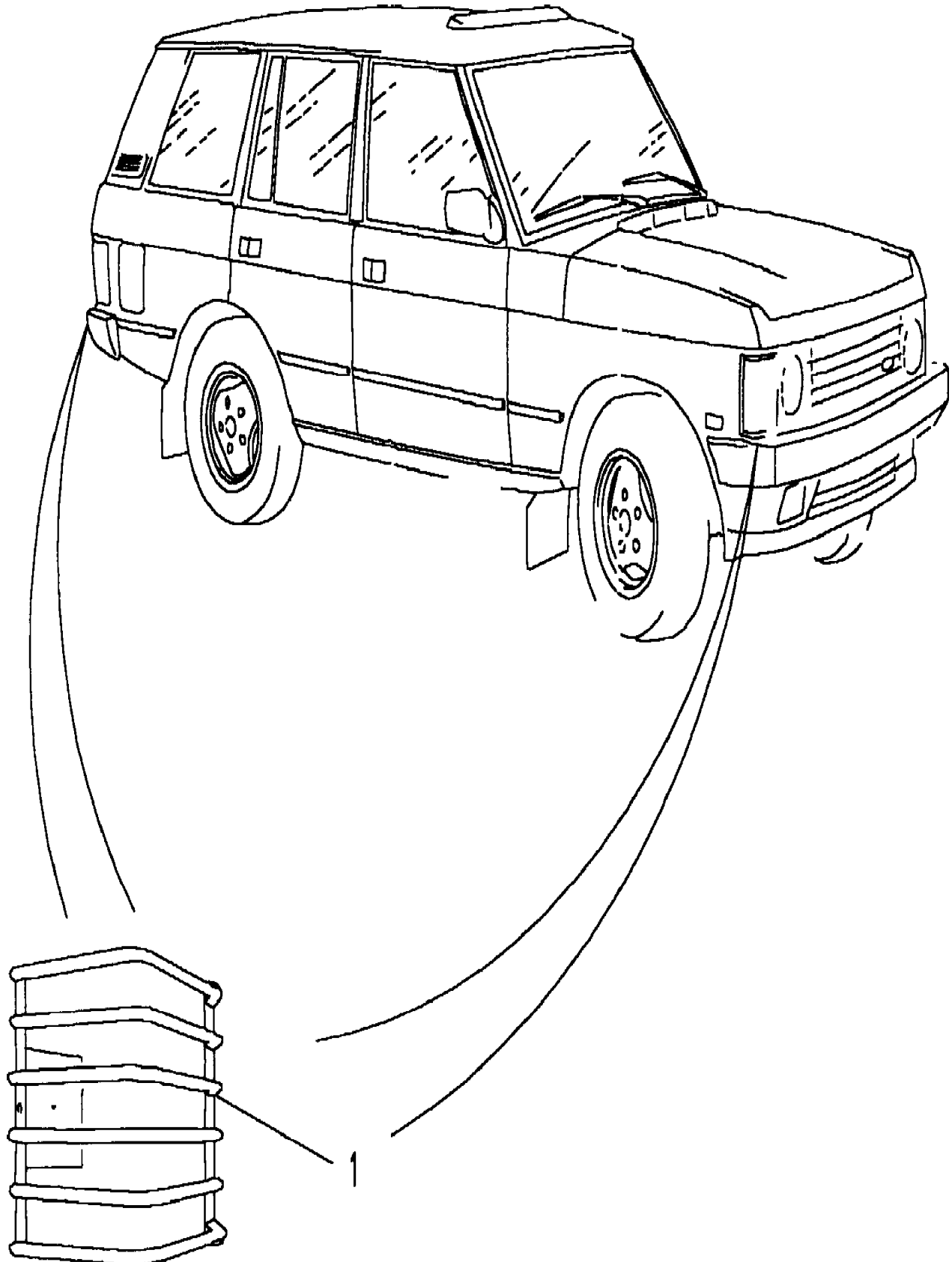
Range Rover (From JA610294)



Range Rover (From JA610294)

Callout	Name	Application	Remarks & Restrictions	Service No.	Qty
1	Lamp-front lighting fog	Change point - VIN end LA647644	Rally 1000	RTC9521	1
2	Lamp-front lighting fog	Change point - VIN end LA647644	Rally 2000	RTC8913G	1
3	Lamp-front lighting fog	Change point - VIN end LA647644	Cewe, rectangular	RTC9523	1
4	Lamp-hand	Change point - VIN end LA647644	Cewe	RTC9527	1
5	Kit-driving lamp wiring	Change point - VIN end LA647644	Cewe	RTC9586AA	1
[900]	Lamp-front long range driving	Change point - VIN end LA647644	Also serviced as part of a kit, Safari 5000	STC8480	1
		Change point - VIN end LA647644	Rally 1000	STC7644	1
		Change point - VIN end LA647644	Rally 1000	RTC9522	1
		Change point - VIN end LA647644	Rally 2000	RTC8914G	1
		Change point - VIN end LA647644	Cewe, rectangular	RTC9524	1
[901]	Bulb-headlamp-h3-55 Watt	Change point - VIN end LA647644	Also serviced as part of a kit, type H3	606178	1
		Change point - VIN end LA647644	type H3	606178	1
[902]	Lamp-front lighting fog	Change point - VIN end LA647644	Rally 1000	STC7643	1
[903]	Lens-replacement	Change point - VIN end LA647644	Rally 1000	STC8107	1
		Change point - VIN end LA647644	For Fog Lamps	STC8108	1
		Change point - VIN end LA647644	DRIVING LAMP	STC8425	1
[904]	Bulb-headlamp	Change point - VIN end LA647644	Cewe, Quartz Halogen, type H2	RTC9498	1

Range Rover (From JA610294)
(BDTXIC2A)



Range Rover (From JA610294)

Callout	Name	Application	Remarks & Restrictions	Service No.	Qty
1	Guard-lamp-protection		Front Rear	STC8026 STC8027	1 1
[900]	Kit-lamp guard fixing			STC8102AA	1
[901]	Guard - Headlamp	(+)"AUS"	Pair, acrylic	RAA422	1

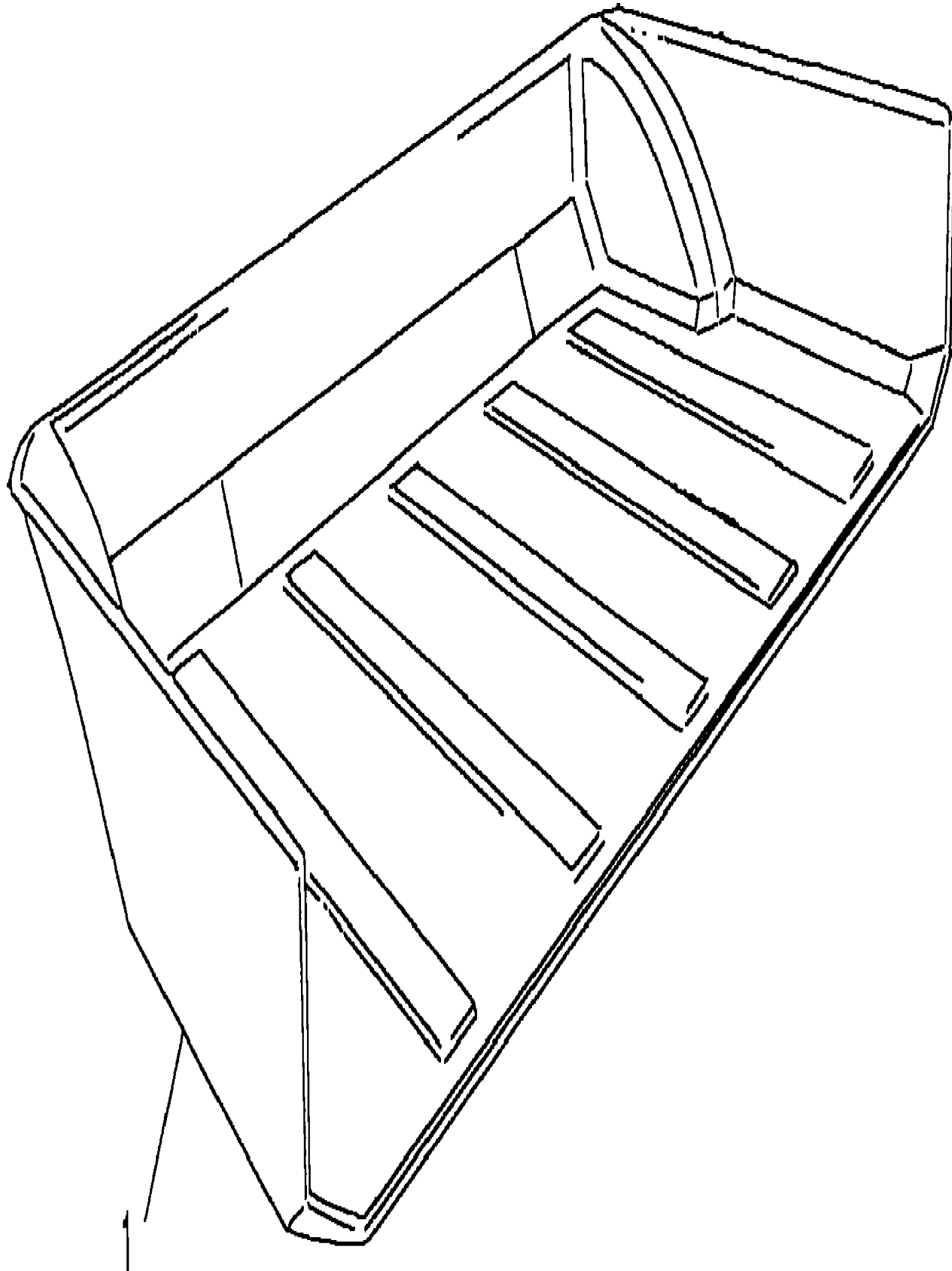
Accessories

Range Rover (From JA610294)

Accessories

Loadspace Protection-Rigid 1/1

(BDTXMA1A)



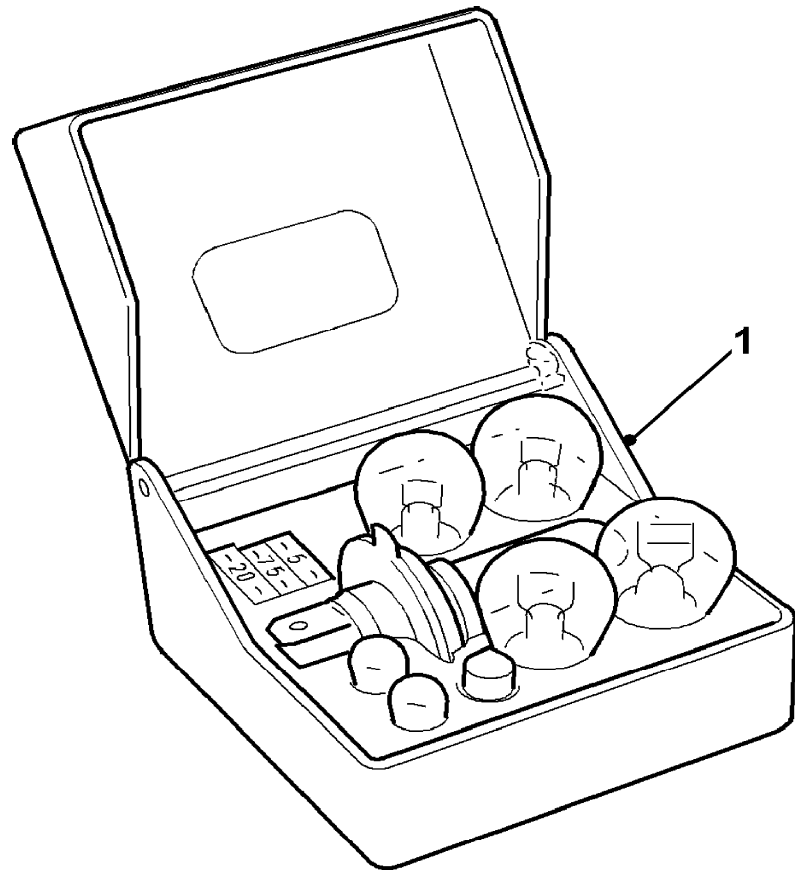
Range Rover (From JA610294)

Accessories

Accessories

Loadspace Protection-Rigid

Callout	Name	Application	Remarks & Restrictions	Service No.	Qty
1	Protector-load space	Change point - VIN end Change point - VIN begin	half half full full stowable stowable stowable	RTC9596 STC8131 RTC9598 RTC8857 STC8028 STC8135 STC8135AA	1 1 1 1 1 1 1
[900]	Protector-tail gate		Tailgate	STC8132AA	1
[901]	Liner-loadspace		Half Length	STC8131AA	1
[902]	Cover-protector		Tailgate, full	STC8132	1
[903]	Mat-loadspace		Nylon, full	STC8109	1



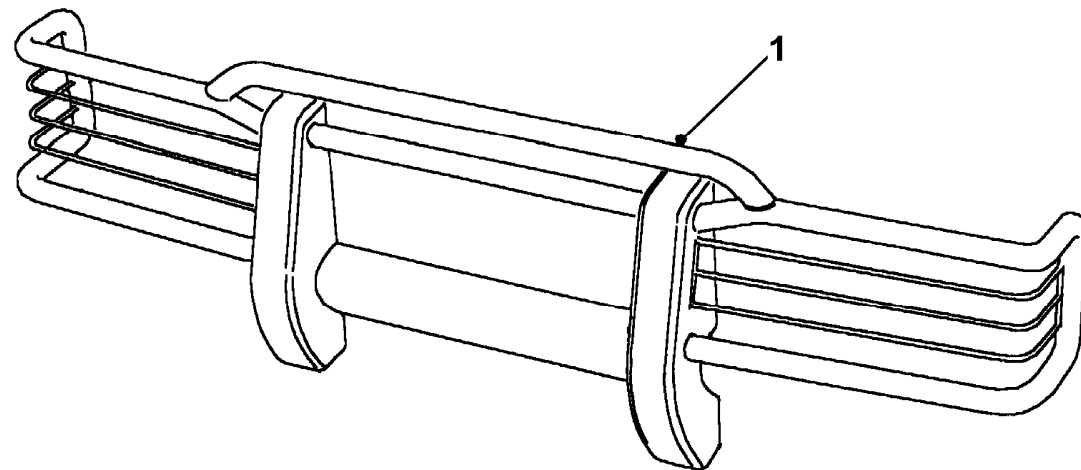
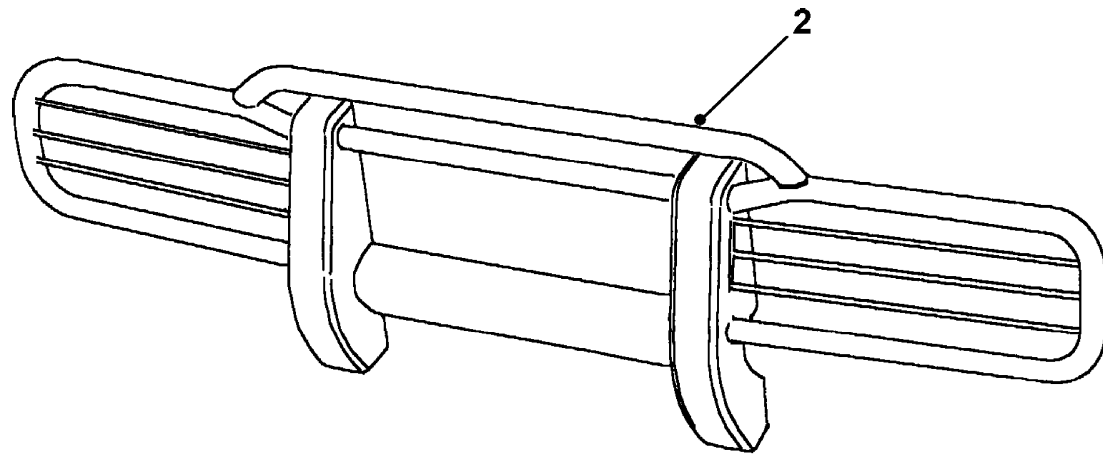
A01.040
12-2002
L2
LT0167

Callout	Name	Application	Remarks & Restrictions	Service No.	Qty
1	Kit - Bulbs And Fuses		white,	STC8247AA	1
[900]	Kit-sports front/rear suspension			STC8129	1
[901]	Aerial.		electric aerial	STC8040	1
[902]	Kit-air conditioning	TDi, LHD TDi, RHD V8, RHD		STC8832 STC8833 STC8831	1 1 1
[903]	Console assembly.	Vogue LSE Less Air Conditioning, Vogue LSE Vogue LSE	Rear, Saddle Rear, Burr Walnut, Sable Rear, Burr Walnut, Sable	STC8147 STC8432 STC8431	1 1 1
[904]	Evaporator air conditioning	Vogue LSE	Rear	STC8415	1
[905]	Hose-air conditioning	RHD, Vogue LSE LHD, Vogue LSE	Rear Rear	STC8165 STC8164	1 1
[906]	Tray - picnic	Vogue LSE	Pair	STC8149	1
[907]	Cover-seat-waterproof	Vogue LSE Vogue SE	Electric seats, Beige Electric seats, Beige	STC8198 STC8198	1 1
[908]	Scraper-ice			STC8212	1
[909]	Kit-window care			STC720	1
[910]	Kit-tool & stowage assembly			STC8244AB	1
[911]	Kit burglar alarm			STC8905 STC7601 STC7602	1 1 1
		With Alarm (Ultrasonic Sensor)		STC8041A	1
[912]	Kit-transmitter/receiver/ interior lamp infra red- central door locking			RTC8893	1
[913]	Road atlas			STC8784	1
[914]	Alarm-temperature	With Speaker		STC7621	1

Accessories
 Accessories
 Nudge Bars 1/1

Range Rover (From JA610294)

(LT0168)



A01.045
 12-2002
 L2
 LT0168

Range Rover (From JA610294)

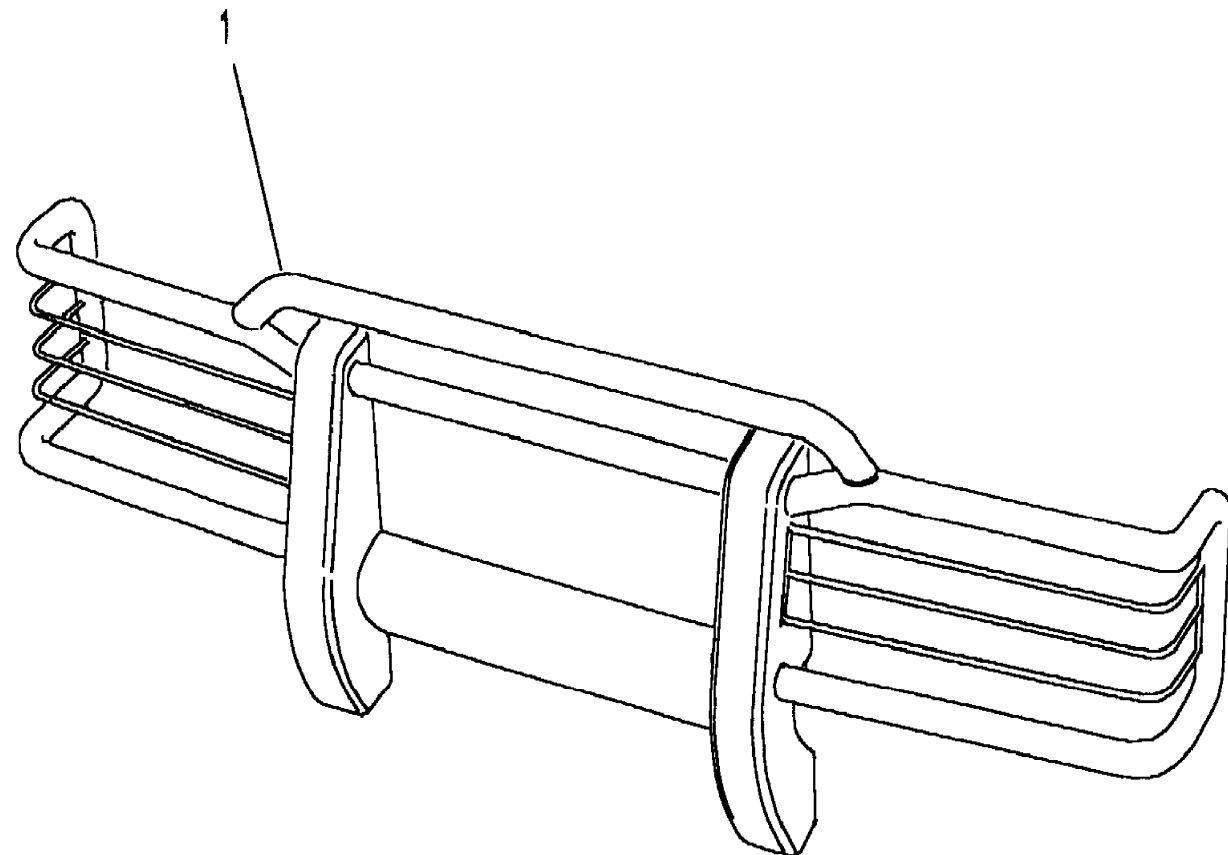
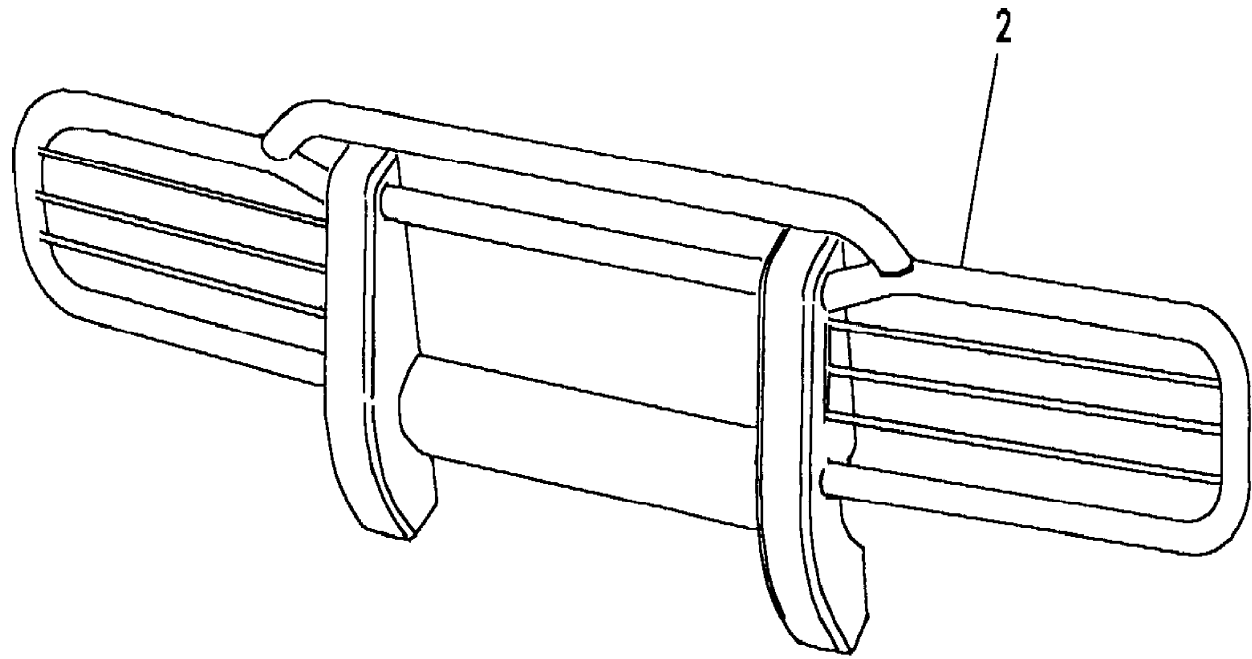
Accessories
 Accessories
 Nudge Bars

(-) "Europe", With Driver Air Bag

Callout	Name	Application	Remarks & Restrictions	Service No.	Qty
1	Bar assembly-nudge-front		Wrap around with removable lamp guards, Black	STC8470	1
			Wrap around with removable lamp guards, Bright	STC8471	1
2	Bar assembly-nudge-front		Straight with removable lamp guards, Black	STC8472	1

Less Driver Air Bag

Callout	Name	Application	Remarks & Restrictions	Service No.	Qty
1	Bar assembly-nudge-front		Wraparound, Black, with removable lamp guards	RTC9582	1
		(-) "GB/IRL"	Wraparound, Black, with removable lamp guards	RTC9582	1
		(-) "Europe"	Wraparound, Black, with removable lamp guards	RTC9582	1
			Black, with fixed lamp guards	RTC8146	1
			Black, without lamp guards	RTC8147	1
2	Bar assembly-nudge-front		Bright, with removable lamp guards	STC8080	1
		(-) "GB/IRL"	STRAIGHT, Black, with removable lamp guards	RTC9548	1
		(-) "Europe"	STRAIGHT, Black, with removable lamp guards	RTC9548	1
[900]	Cover-protector		Lamp Guard	STC8073	1



Accessories
Accessories
Refrigerator 1/1

Range Rover (From JA610294)
(BDTXMA9A)



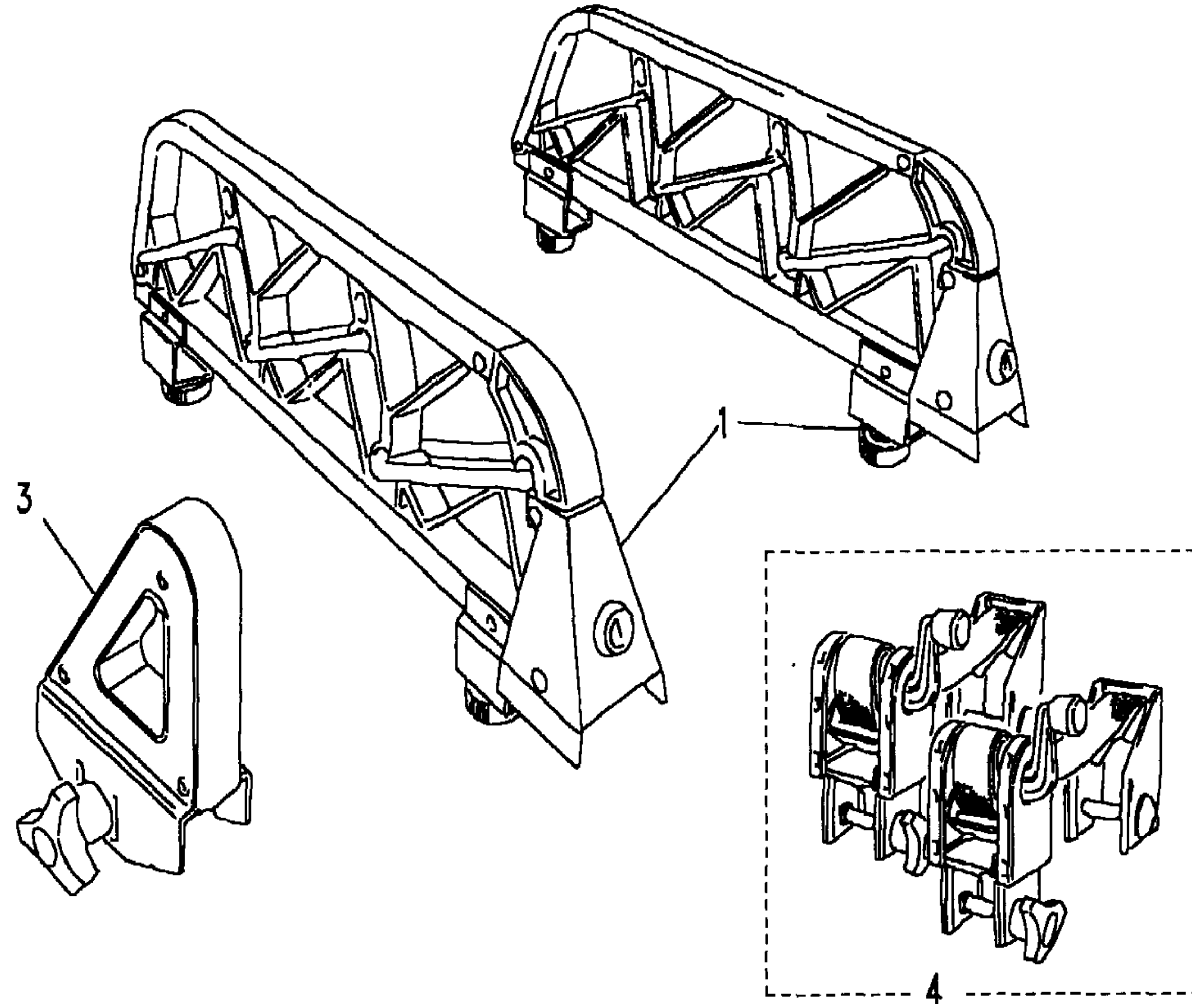
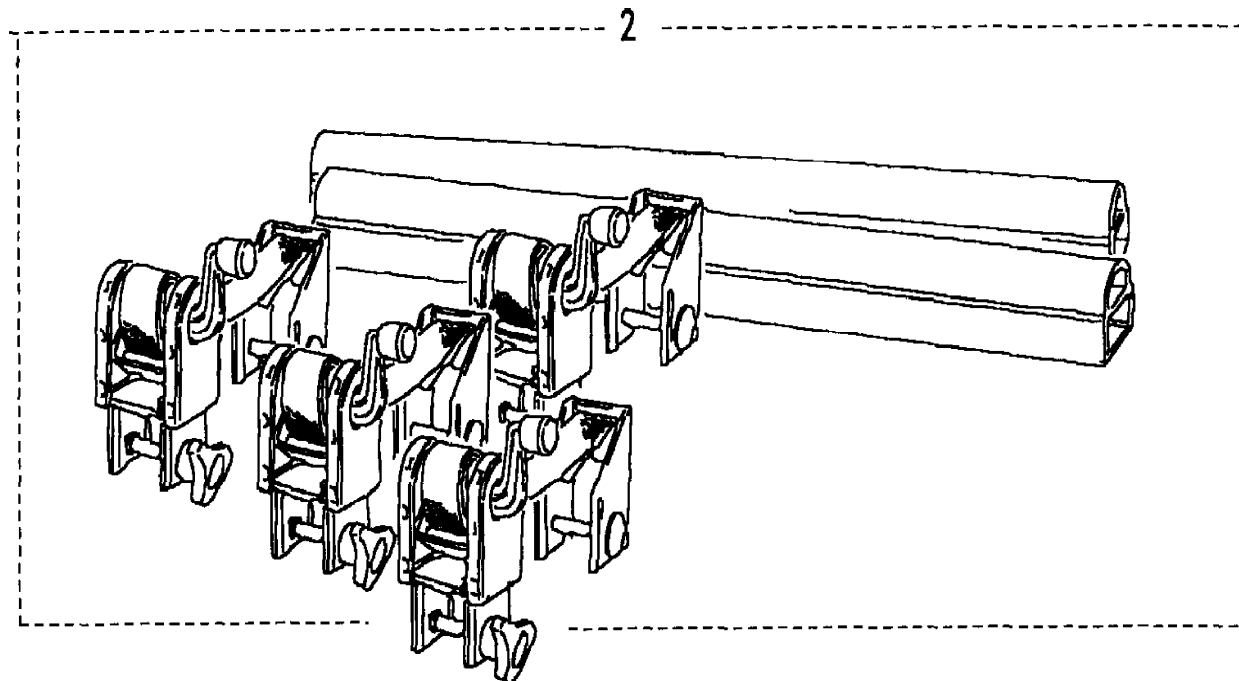
Range Rover (From JA610294)

Accessories
Accessories
Refrigerator

Callout	Name	Application	Remarks & Restrictions	Service No.	Qty
1	Refrigerator			RTC9585	1
[900]	Coolbox		20 litre 20 litre	STC7809AA STC7809AB	1 1
[901]	Refrigerator			STC8519AA STC8519AB	1 1
[902]	Socket-accessory power			STC8427AA	1
[903]	Wiring kit			STC8427	1

Range Rover (From JA610294)

(BDTXPA4A)



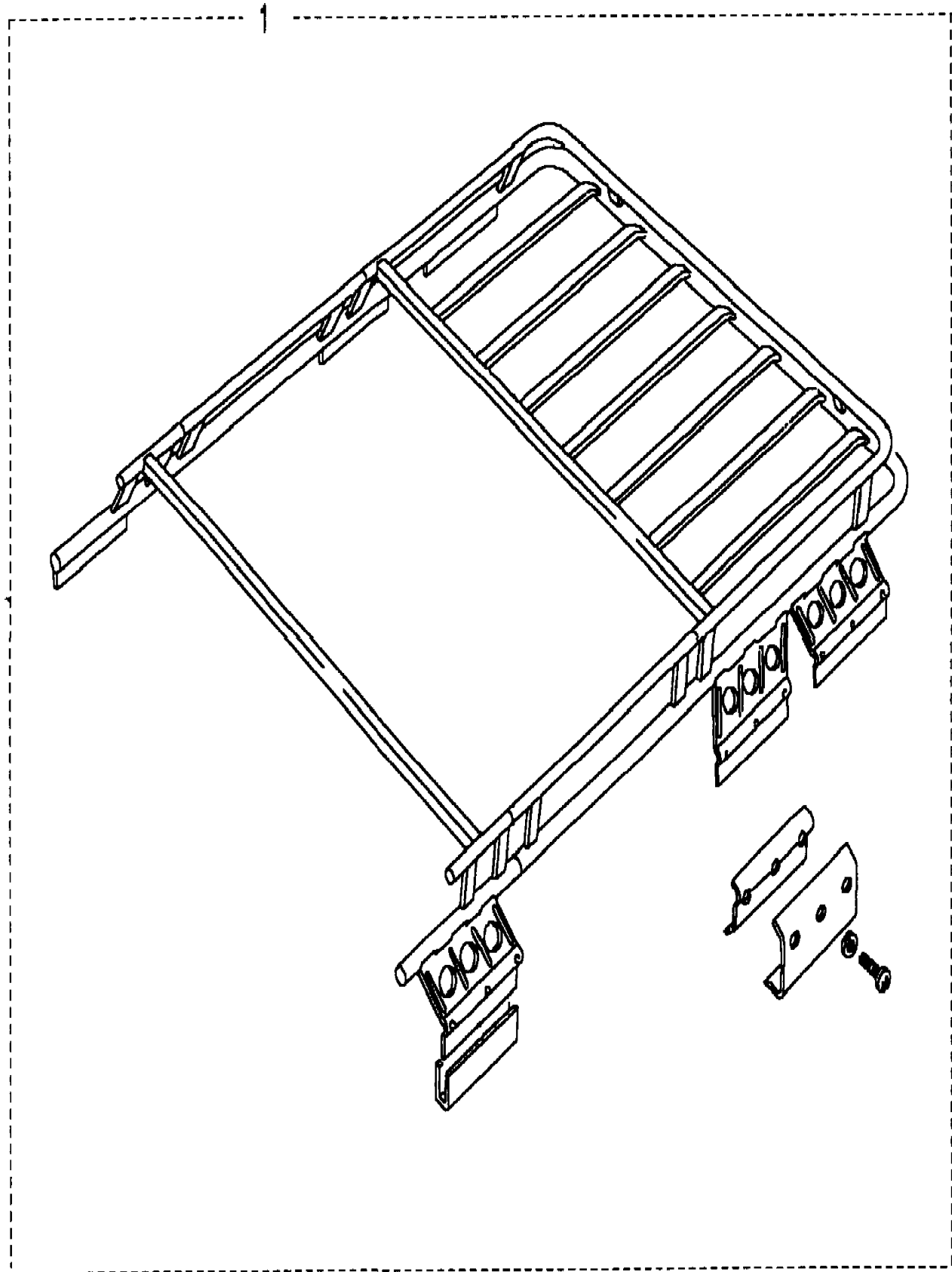
Range Rover (From JA610294)

Roof Bars & Roof Equipment

Callout	Name	Application	Remarks & Restrictions	Service No.	Qty
1	Carrier-ski roof rack			STC8434	1
2	Carrier-sailboard		use with sports bars	STC8435	1
3	Load stop adjustable		set of 4	RTC9477	1
4	Strap-roof rack lashing		2 metres	RTC9478	1
[900]	Carrier-roof rack luggage			STC7567	1
				RTC9476	1
[901]	Carrier-roof rack assembly cycle			STC8163	1
[902]	Board-cycle carrier lighting			STC8153	1
[903]	Box-skis			STC7628	1
				STC50148	1
				CAK000030	1
[904]	Strap-roof rack lashing		Pair, 2 metres	STC7566	1
[905]	Sportbox-roof rack assembly			STC8511	1
[906]	Luggage top box			STC7627	1
			RH & LH side opening	STC50149	1
			RH & LH side opening	STC50149AA	1
				CAK000020	1
[907]	Carrier-ski roof rack		use with sports bars	STC7568	1
[908]	Bar-roof sports			RTC9475	1
[909]	Carrier-sailboard		use with sports bars	STC8435	1
[910]	Combi box			RTC9543	1
[911]	Kit - Bicycle Mounting	(+)"AUS"		RAA922	1

Accessories
Accessories
Roof Racks 1/1

Range Rover (From JA610294)
(BDTXPA3A)



Range Rover (From JA610294)

Accessories
Accessories
Roof Racks

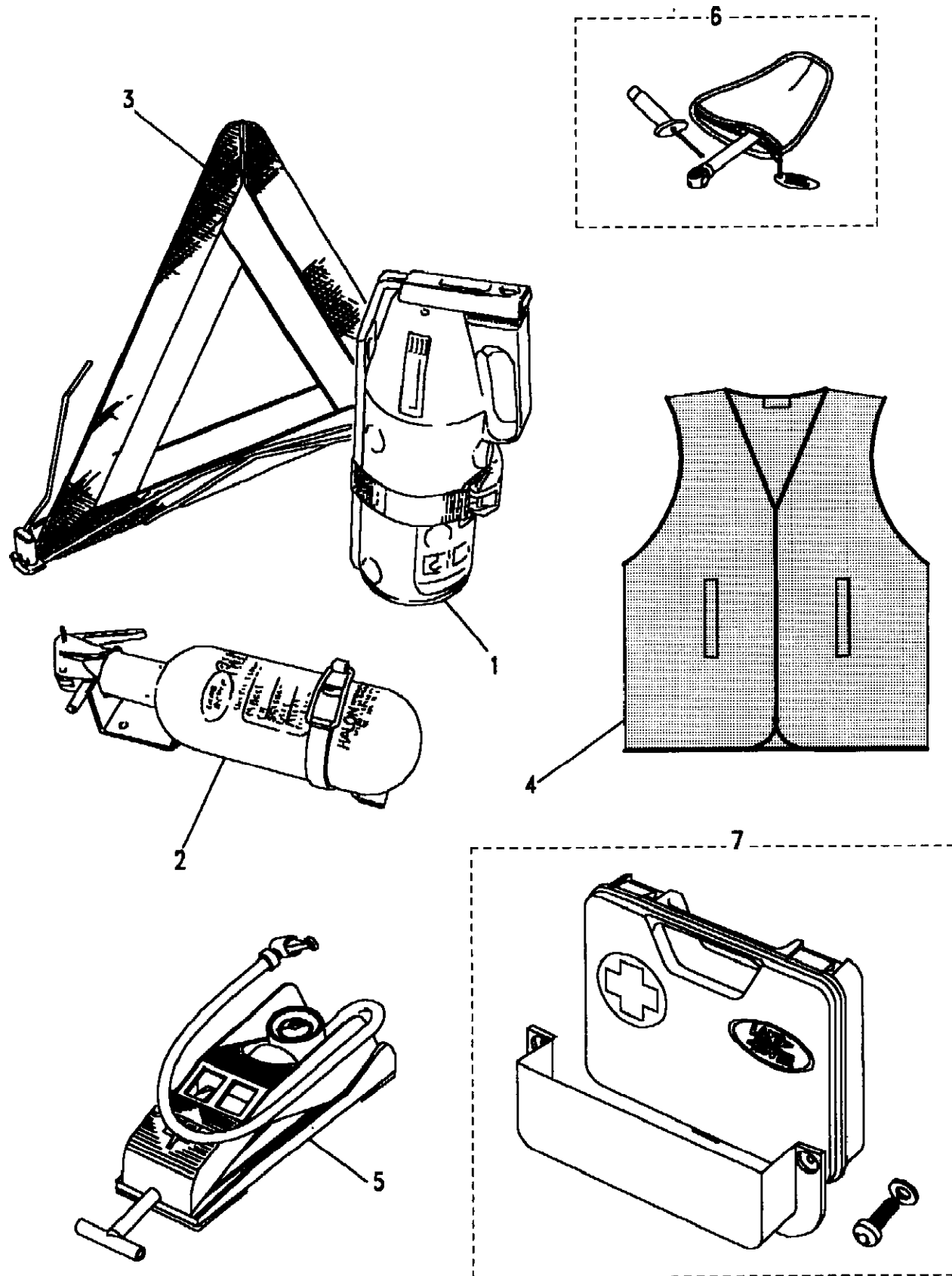
Callout	Name	Application	Remarks & Restrictions	Service No.	Qty
1	Roof rack bars			RTC9594	1

Range Rover (From JA610294)

(BDTXMA6A)

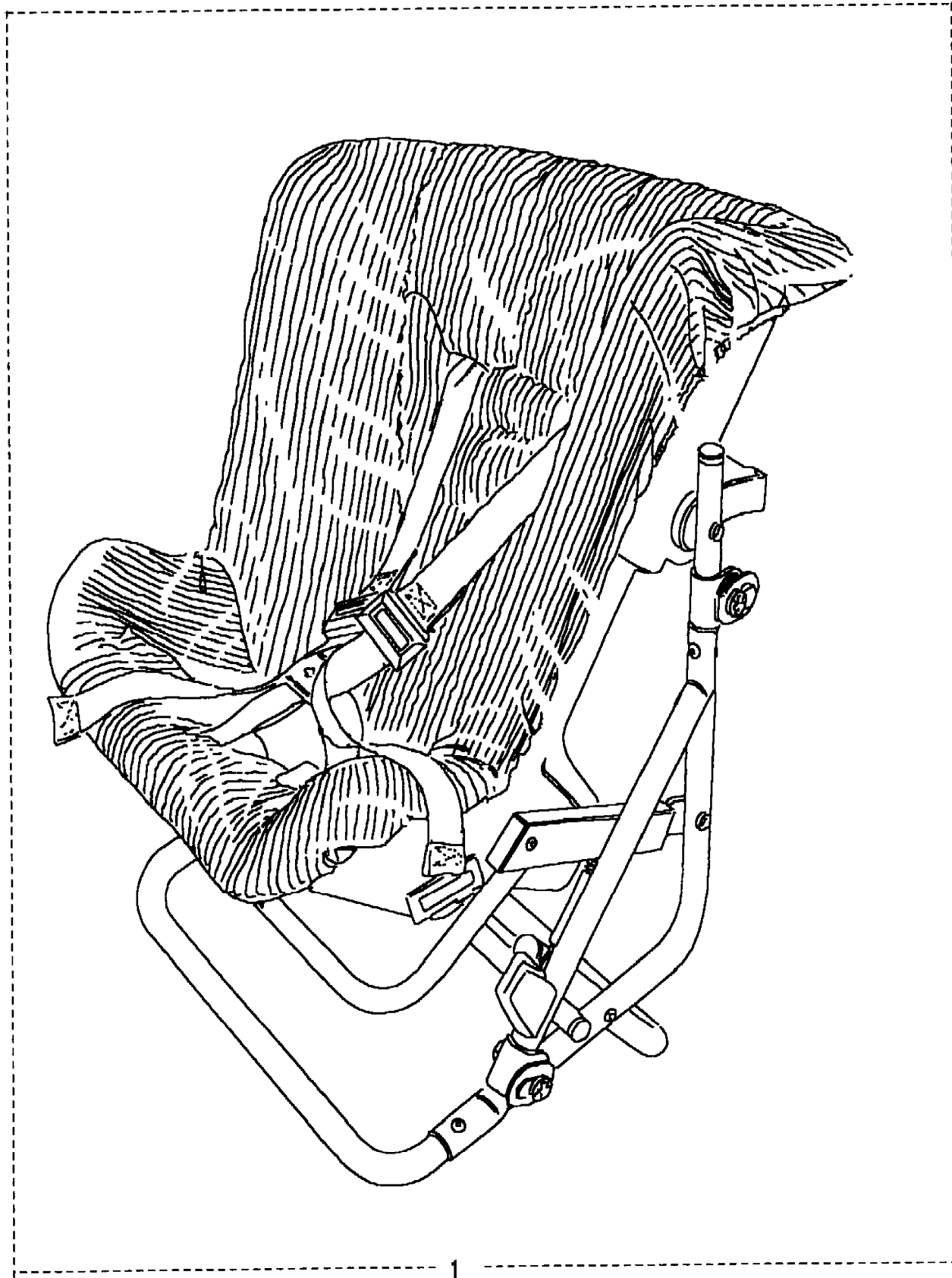
Range Rover (From JA610294)

Callout	Name	Application	Remarks & Restrictions	Service No.	Qty
1	Extinguisher-fire		2 KG	STC8138AA	1
2	Extinguisher-fire		1 KG	STC8137	1
3	Triangle-warning			STC7641 KCC500020	1 1
4	Safety vest			STC8248	1
5	Pump-foot			STC8243	1
6	Gauge-tyre pressure			STC724	1
7	Kit-first aid			STC7642	1
[900]	Extinguisher-fire		1 KG Also serviced as part of a kit, 1 KG 2 KG	RTC8852 ANR2948 STC8138AB	1 1 1



Accessories
 Accessories
 Safety & Security-Child Seat 1/1

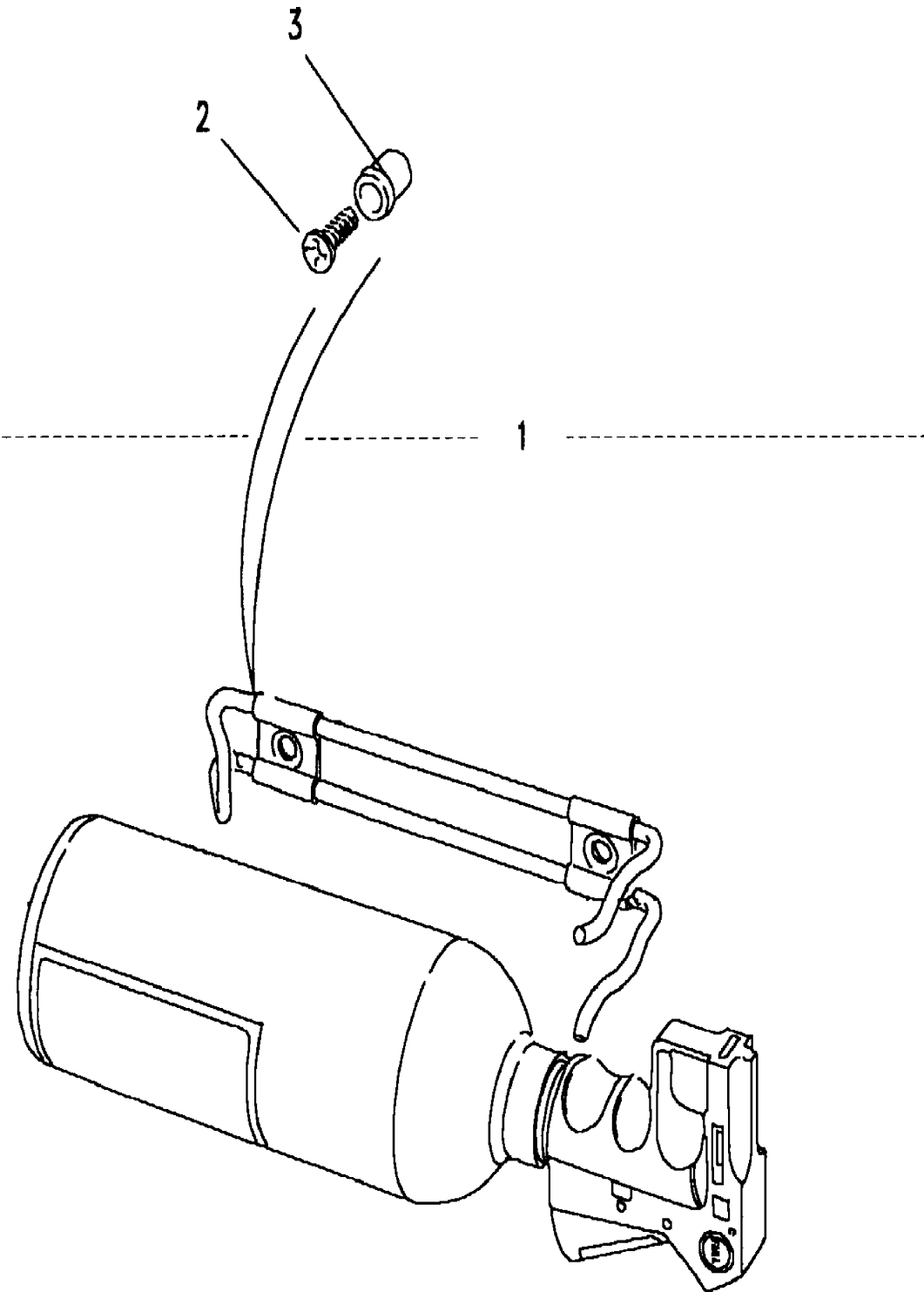
Range Rover (From JA610294)
 (BDTXMA4A)



Range Rover (From JA610294)

Accessories
 Accessories
 Safety & Security-Child Seat

Callout	Name	Application	Remarks & Restrictions	Service No.	Qty
1	Seat-child restraint			RTC9534AB STC50013	1 1
[900]	Seat-child restraint			STC50452	1
[901]	Cushion-child restraint booster			STC8154	1

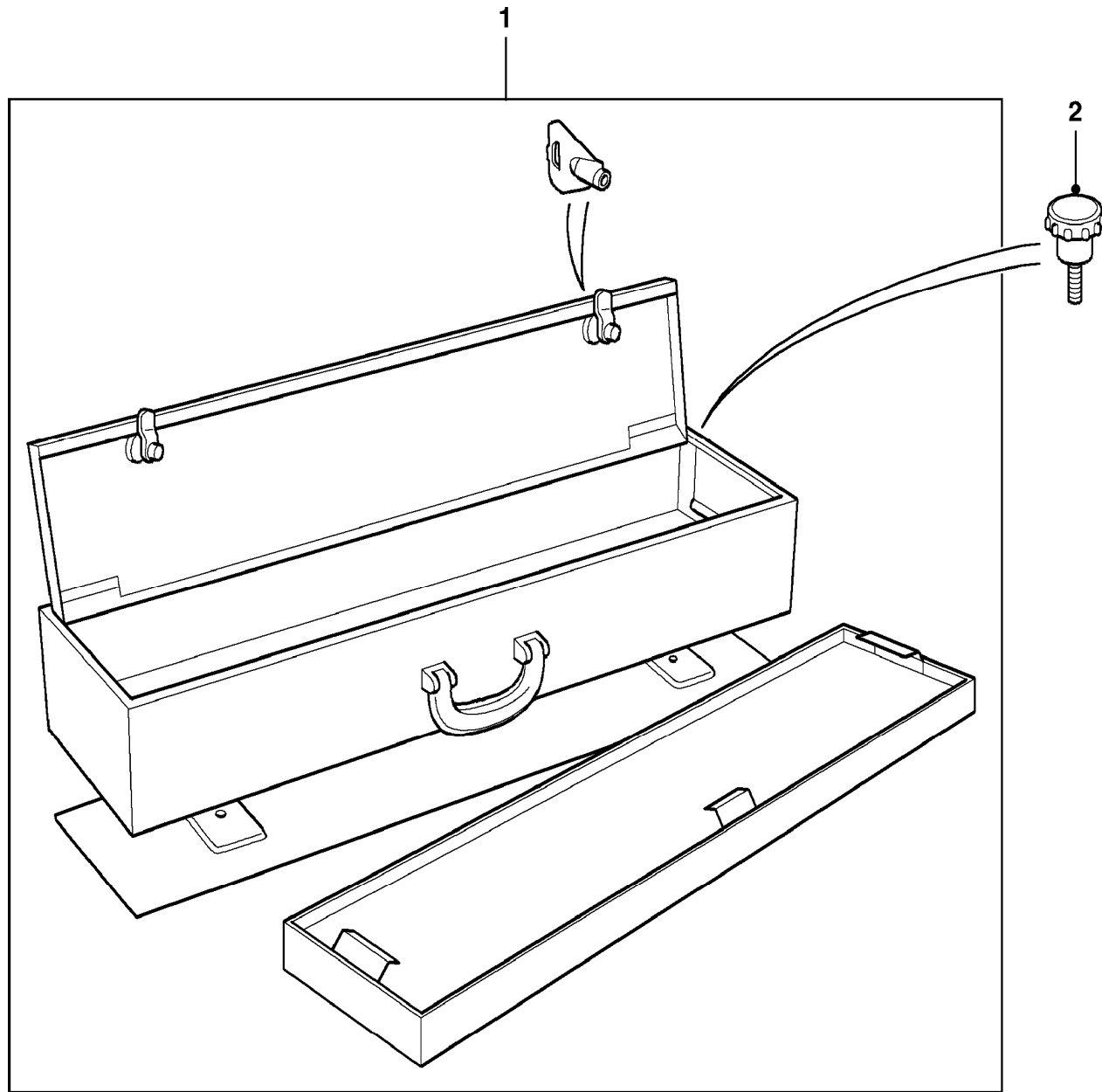


Callout	Name	Application	Remarks & Restrictions	Service No.	Qty
1	Extinguisher-fire		Also serviced as part of a kit, 1 KG	ANR2948	1
2	Screw		rivnut to bracket, M6 X 16	SF106161	2
3	Nutsert		M6	MM106301L	2
[900]	Extinguisher-fire		1 KG 1 KG	STC8529 STC8529AA	1 1

Accessories
 Accessories
 Safety & Security-Security Box 1/1

Range Rover (From JA610294)

(TS6884B)



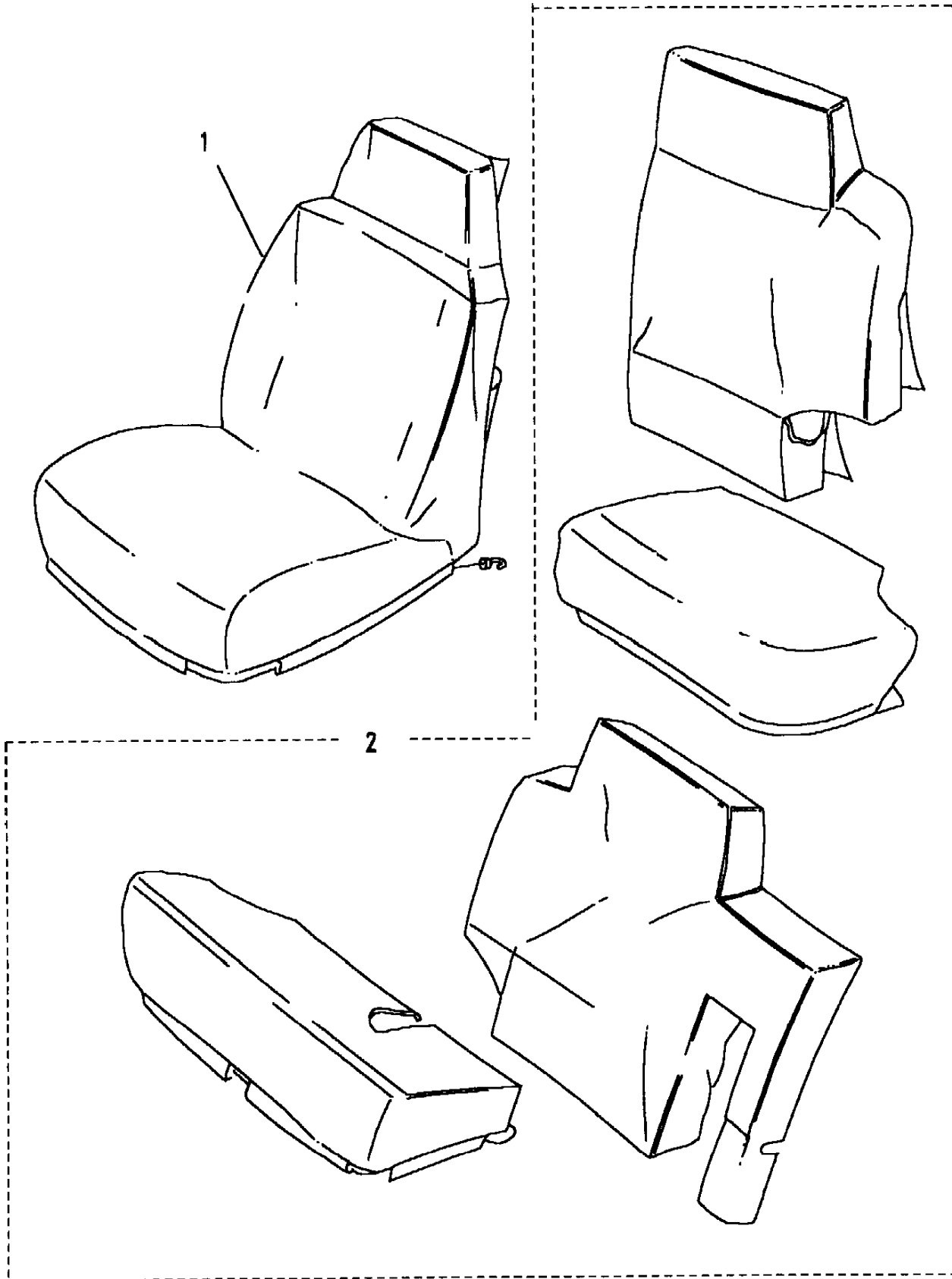
A01.090
 10-2002
 L2
 TS6884B

Range Rover (From JA610294)

Accessories
 Accessories
 Safety & Security-Security Box

Callout	Name	Application	Remarks & Restrictions	Service No.	Qty
1	Box-gun			STC8018L	1
2	Kit-gun box fixing			STC8124	1
[900]	Box-gun			STC8018AB	1

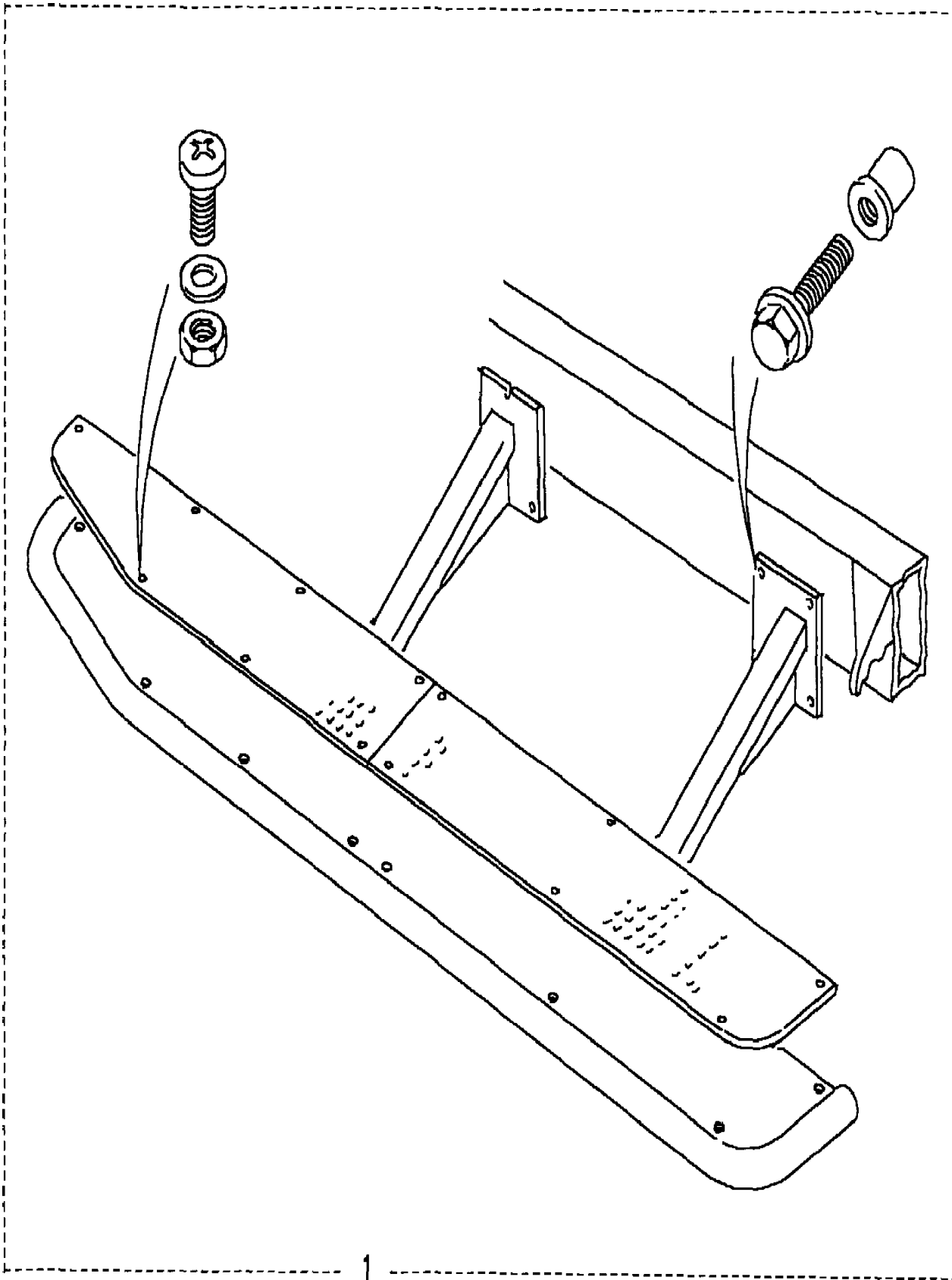
Range Rover (From JA610294)



Range Rover (From JA610294)

Callout	Name	Application	Remarks & Restrictions	Service No.	Qty
1	Cover-seat-front-waterproof		Grey	STC8190	1
			Beige	STC8195	1
2	Cover-seat-rear-waterproof		Winchester Grey	STC8120	1
			Beige	STC8121	1
[900]	Cover-seat-rear-waterproof		Beige	STC8199	1
[901]	Cover-seat-waterproof	(-) Vogue SE (-) Vogue SE Vogue SE	Beige, standard.	STC8197	1
			Grey	STC8191	1
			Beige	STC8196	1
			Grey	STC8193	1

Range Rover (From JA610294)
(BDTXPA6A)



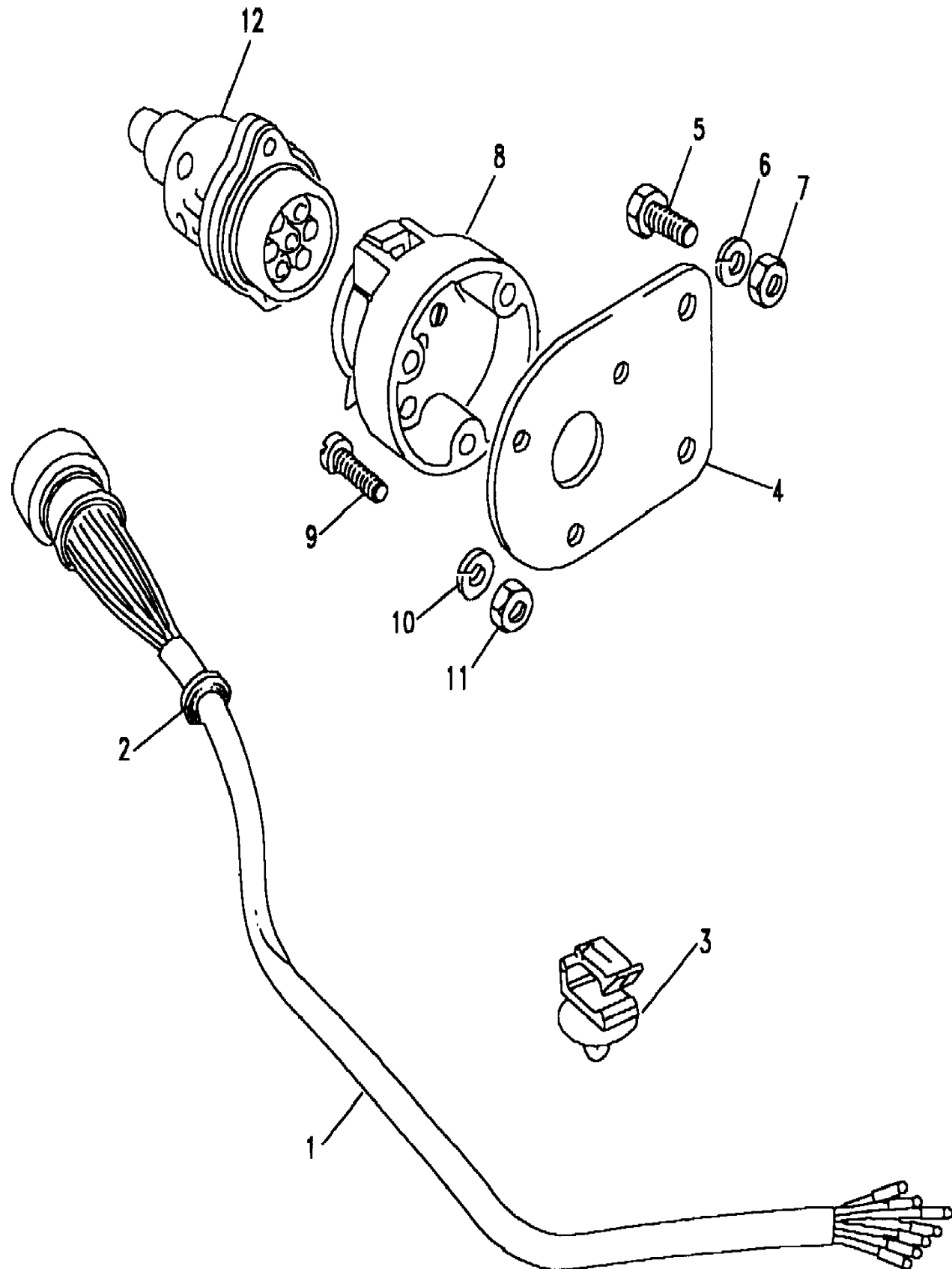
Range Rover (From JA610294)

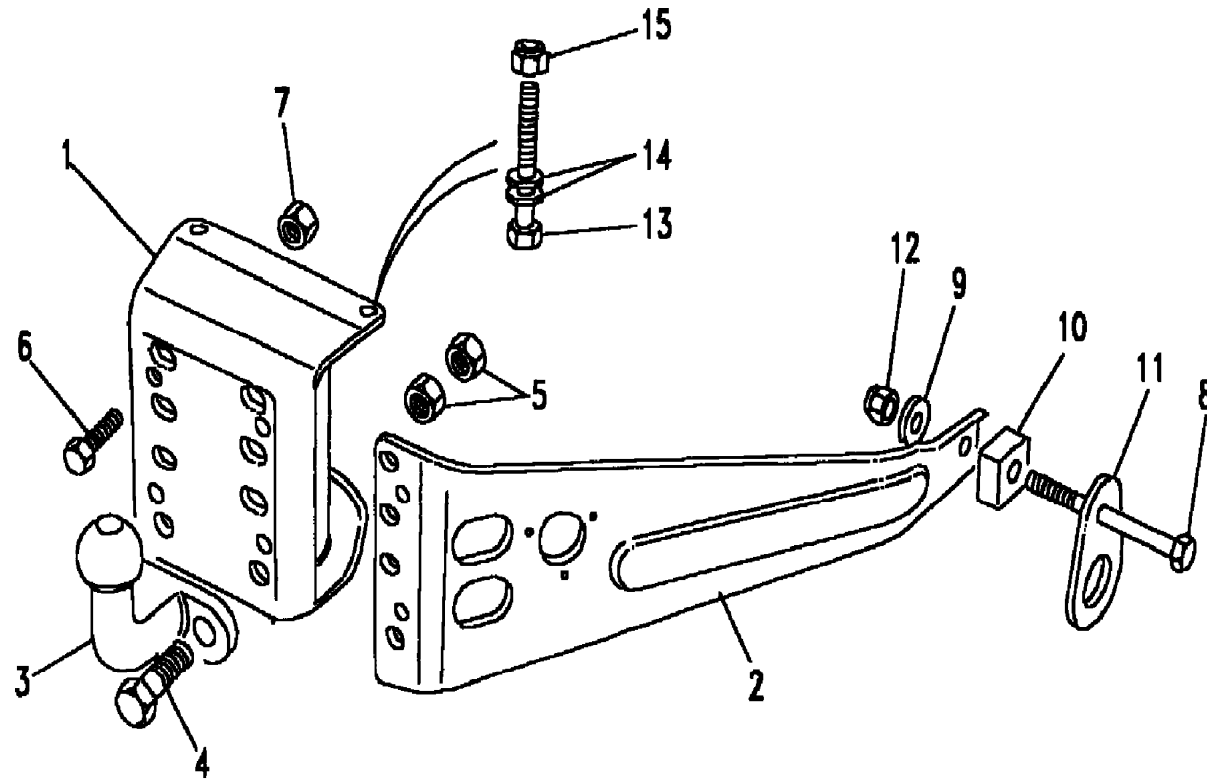
Callout	Name	Application	Remarks & Restrictions	Service No.	Qty
1	Kit-side step		Also serviced as part of a kit, Black	RTC9507AB	1
[900]	Kit-side step		Bright, stainless steel.	STC8087	1
		100"	Intergrated, Also serviced as part of a kit	STC8087AA	1
		100"	Intergrated	STC8130AA	1
[901]	Step-side runner	100"	Also serviced as part of a kit, RH	STC8130AB	1
		100"	Also serviced as part of a kit, LH	STC8942	1
		108" (2743mm) Wheelbase	Intergrated, Also serviced as part of a kit	STC8943	1
		108" (2743mm) Wheelbase	Also serviced as part of a kit, RH	STC8160AA	1
		108" (2743mm) Wheelbase	Also serviced as part of a kit, LH	STC7571	1
[902]	Extrusion-side step			STC7572	1
[903]	Kit service-side step		Also serviced as part of a kit	STC8807	1
				STC8049	1

Range Rover (From JA610294)
(BDTXCK1A)

Range Rover (From JA610294)

Callout	Name	Application	Remarks & Restrictions	Service No.	Qty
1	Cable assembly			PRC8130	1
2	Seal			PRC4540	1
3	Clip-cable		8mm hole	AFU1090L	2
4	Plate-trailer socket mounting		Less Body Styling Kit Body Styling Kit	NRC8048 ANR2426	1 1
5	Screw		to tow plate, hexagonal head, 1/4UNF x 3/4	SH604061L	2
6	Washer-Spring		1/4 dia, Square	WM600041L	2
7	Nut - Hex.		tow plate to socket plate, hexagonal head, Coarse Thread, 1/4UNF	NH604041L	2
8	Socket-electrical towing		7 Pin	579409	1
9	Screw		to tow plate	78756	2
10	Washer-Spring		3/16 dia, Square	WM702001L	2
11	Nut - Hex.		tow plate to socket, UNF	HN2005L	2
12	Plug		7 Pin	579408	1
[900]	Socket-electrical towing		7 pin-12N 7 pin-12N 7 pin-12N	STC4286 579409D STC4286D	1 1 1





Callout	Name	Application	Remarks & Restrictions	Service No.	Qty
1	Bracket-towing	Change point - VIN begin KA647645		ANR1111	1
2	Bar-vehicle recovery rear	Change point - VIN begin KA647645	LH	STC1899	1
		Change point - VIN begin KA647645	RH	STC1900	1
3	Tow ball	Change point - VIN begin KA647645	50MM	NTC9980	1
4	Bolt	Change point - VIN begin KA647645		STC1903	2
5	Nut - Hex.	Change point - VIN begin KA647645		STC1904	4
6	Bolt	Change point - VIN begin KA647645		STC1901	2
7	Nut - Hex.	Change point - VIN begin KA647645		STC1902	2
8	Bolt	Change point - VIN begin KA647645	Long, M10 x 130	BH110261	2
9	Washer	Change point - VIN begin KA647645	M10, oversize, Plain	WC110061L	2
10	Spacer	Change point - VIN begin KA647645		ANR3629	2
11	Bracket-towing	Change point - VIN begin KA647645	front & rear, Less Spoiler	90577509	1
12	Nut - Hex.	Change point - VIN begin KA647645	M12, hexagonal head, nyloc	NY112041L	2
13	Bolt	Change point - VIN begin KA647645		BH112221L	2
14	Washer-Plain	Change point - VIN begin KA647645	M12 x 28	WC112081L	4
15	Nut - Hex.	Change point - VIN begin KA647645	M12, hexagonal head, nyloc	NY112041L	2

A01.110

12-2002

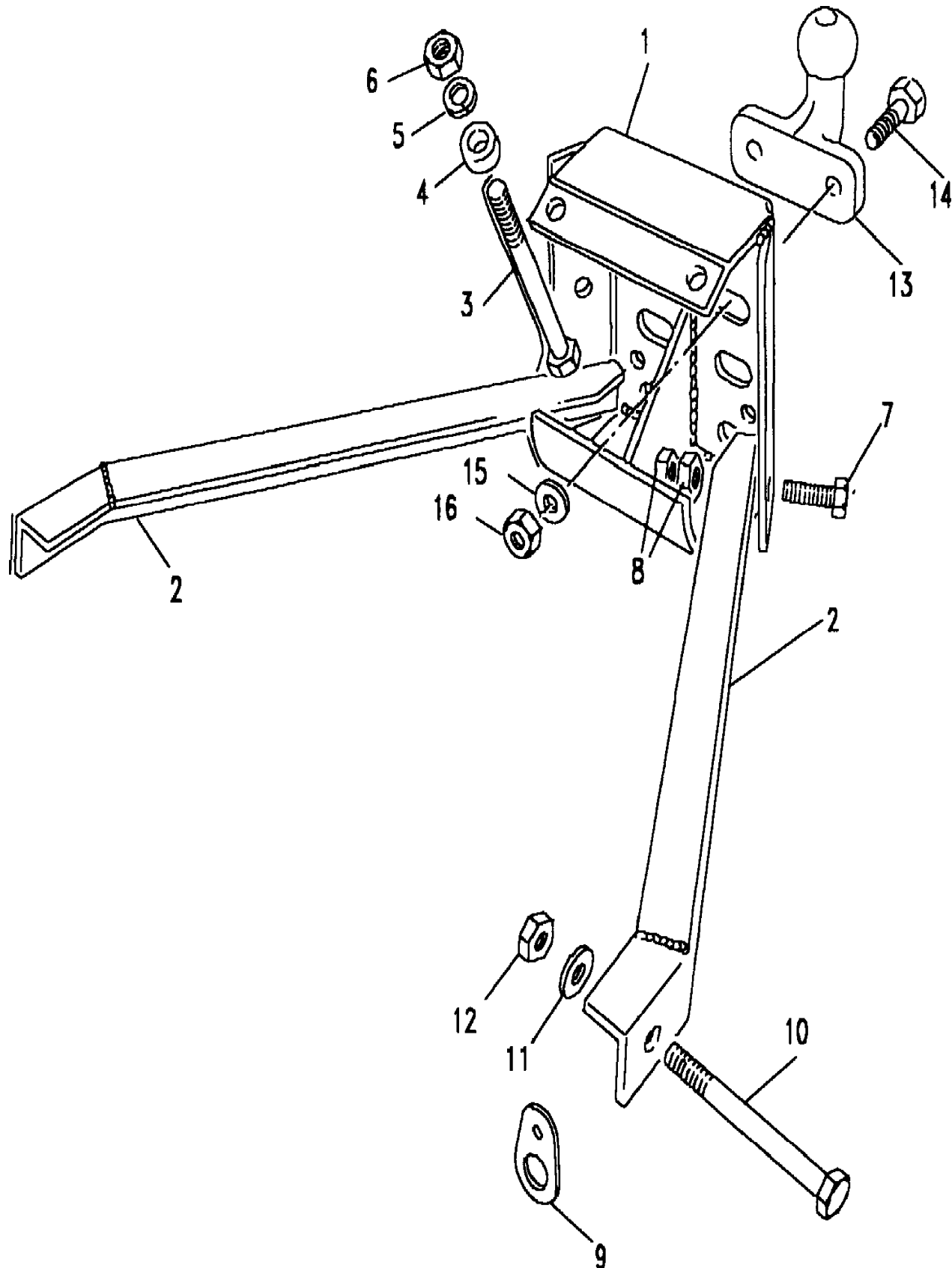
L2

CATXCA2A

Accessories
Accessories
Towing To (V) KA647644 1/2

Range Rover (From JA610294)

(BDTXCA1A)



Range Rover (From JA610294)

Towing To (V) KA647644

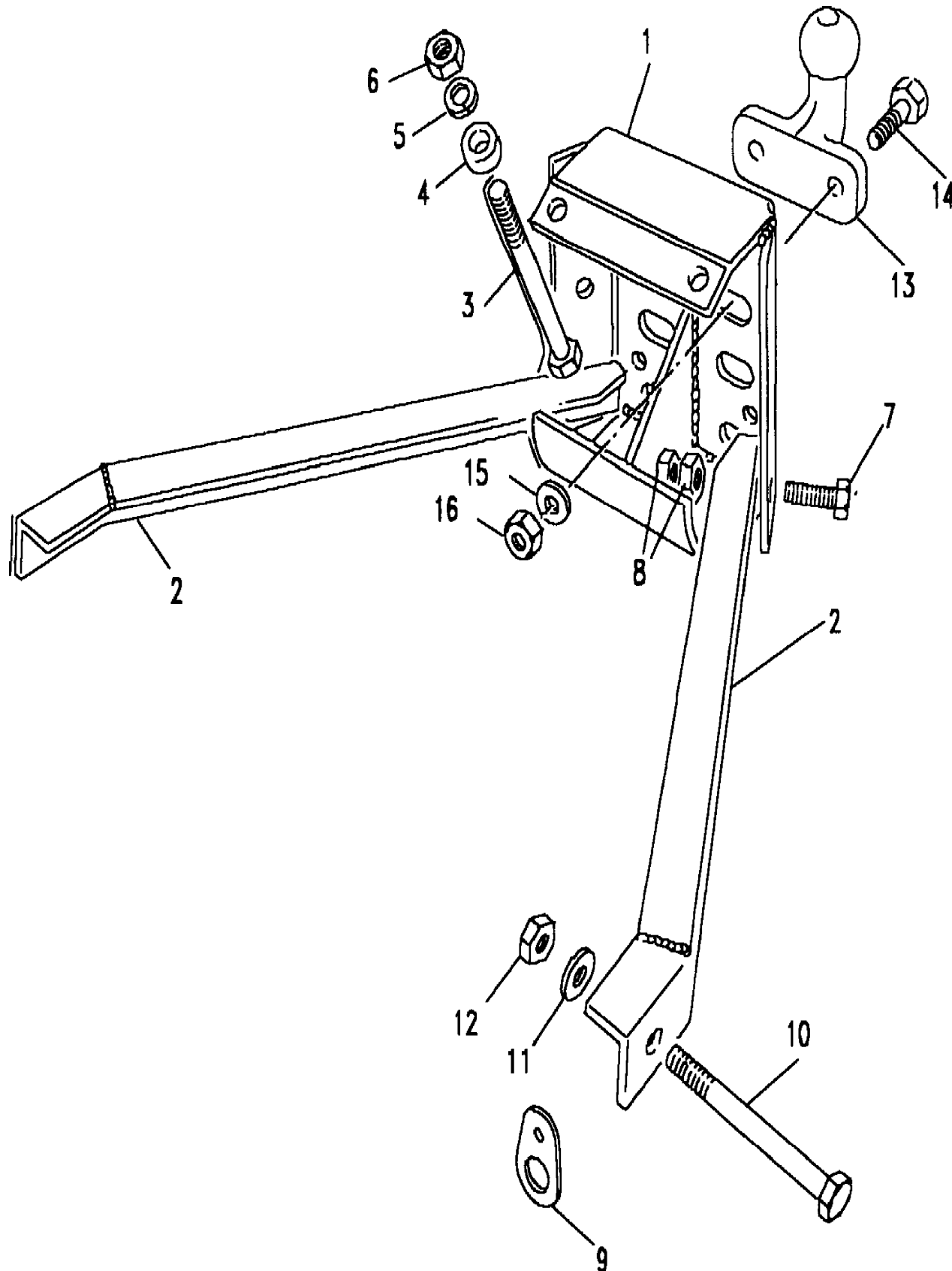
Accessories
Accessories

Callout	Name	Application	Remarks & Restrictions	Service No.	Qty
1	Plate Towing	Change point - VIN end KA647644	Also serviced as part of a kit	NTC7080PUB	1
2	Bar-vehicle recovery rear	Change point - VIN end KA647644 Change point - VIN end KA647644	Also serviced as part of a kit, RH Also serviced as part of a kit, LH	NTC7634 NTC7635	1 1
3	Bolt	Change point - VIN end KA647644	plate to chassis, Also serviced as part of a kit	BH608321L	2
4	Spacer	Change point - VIN end KA647644	Also serviced as part of a kit	NTC7099PUB	2
5	Washer-Spring	Change point - VIN end KA647644	Also serviced as part of a kit	WM600081L	2
6	Nut - Hex.	Change point - VIN end KA647644	plate to chassis, Also serviced as part of a kit	NH608041L	2
7	Screw	Change point - VIN end KA647644	tie bar bolt, Also serviced as part of a kit, Long, hexagonal head	SH606091L	2
8	Nut - Hex.	Change point - VIN end KA647644	Also serviced as part of a kit, hexagonal head, 3/8, UNF, nyloc	NY606041L	2
9	Bracket-towing	Change point - VIN end KA647644	Also serviced as part of a kit, front & rear, Less Spoiler	90577509	2
10	Bolt	Change point - VIN end KA647644	tie bar bolt, Also serviced as part of a kit, 3/8UNF	BH606361L	2
11	Washer	Change point - VIN end KA647644	Also serviced as part of a kit, M10	WA110061L	1
12	Nut - Hex.	Change point - VIN end KA647644	Also serviced as part of a kit, hexagonal head, 3/8, UNF, nyloc	NY606041L	2
13	Ball-towing attachment	Change point - VIN end KA647644	Also serviced as part of a kit, 50MM	RTC8891	1
14	Bolt	Change point - VIN end KA647644	towing ball to tow plate, Also serviced as part of a kit	BH610101L	2
15	Washer-Plain	Change point - VIN end KA647644	Also serviced as part of a kit	WA116101L	2
16	Nut - Hex.	Change point - VIN end KA647644	tow ball to plate, Also serviced as part of a kit	NH610041L	4
[900]	Tow bar kit	Change point - VIN end KA647644 Change point - VIN end KA647644		RTC9565 STC8816	1 1
[901]	Towing socket-S type	Change point - VIN end KA647644		STC8874	1

Range Rover (From JA610294)

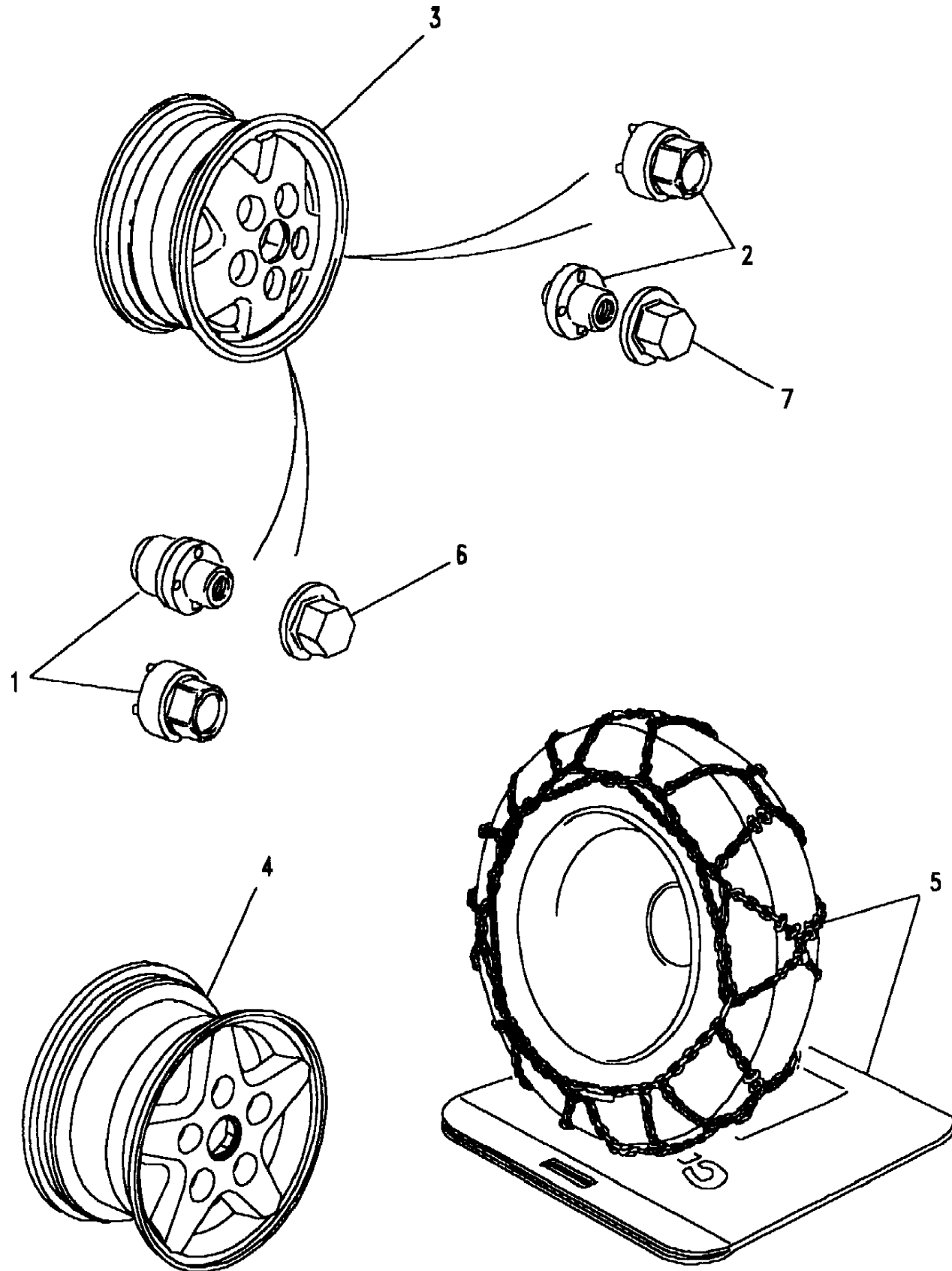
Range Rover (From JA610294)

Callout	Name	Application	Remarks & Restrictions	Service No.	Qty
[902]	Rope-towing	Change point - VIN end KA647644 Change point - VIN end KA647644		STC8919 STC8919AA	1 1
[903]	Pin-towing pintle	Change point - VIN end KA647644 Change point - VIN end KA647644 Change point - VIN end KA647644	Also serviced as part of a kit	STC50258 STC50492 RTC9581	X X 1
[904]	Ball-towing attachment	Change point - VIN end KA647644	50MM	RTC8891AA	1
[905]	Kit-towing	Change point - VIN end KA647644	Also serviced as part of a kit	RTC9499	1
[906]	Plate-trailer socket mounting	Change point - VIN end KA647644	Body Styling Kit, Also serviced as part of a kit	ANR2426	1
[907]	Tow Bar	Change point - VIN end KA647644 Change point - VIN end KA647644	Also serviced as part of a kit, Adjustable Adjustable	STC8060AA STC8060AB	1 1
[908]	Plate-tow bar bracket slider	Change point - VIN end KA647644	Also serviced as part of a kit	RTC9531	1
[909]	Plate Towing	Change point - VIN end KA647644		RTC8829	1
[910]	Jaw assembly-towing	Change point - VIN end KA647644		RTC8159	1
[911]	Cover-towing attachment ball	Change point - VIN end KA647644		STC8114	1
[912]	Kit-electrical assembly towing kit	Change point - VIN end KA647644	n type	RTC8872	1



Range Rover (From JA610294)

(BDTXPA3B)



Range Rover (From JA610294)

Callout	Name	Application	Remarks & Restrictions	Service No.	Qty
1	Kit-locking nut road wheels	Change point - VIN begin JA610294	alloy wheel	STC8440	1
2	Kit-locking nut road wheels	Change point - VIN begin JA610294	Steel, set of 5	RTC9535	1
3	Wheel-alloy road	Change point - VIN begin JA610294, For Alloy Wheels Change point - VIN begin JA610294, For Alloy Wheels	7.0 X 16, Quicksilver, Styled	RTC9526	5
			Bright, Polished, 7.0 X 16, Styled	RTC9526POL	5
4	Wheel-alloy road	Change point - VIN begin JA610294, For Alloy Wheels	SPORTS, unpolished, 7.0 X 16, Quicksilver	STC8126	5
5	Set-snow chains		205 x 16, 600 x 16	RTC9589	1
6	Cap-locking-nut road wheels		Silver, Plastic	STC8112	X
7	Cap-locking-nut road wheels		Black, Plastic	STC8113	X
[900]	Kit-wheelarch flare	4 Door Station Wagon	Less Body Styling Kit	STC8142	1
[901]	Adhesive			STC7613	1
			sealing, 300 ML	STC50551	1
[902]	Kit-locking nut road wheels		set of 5, alloy, except Deep dish wheel	STC8843AA	1

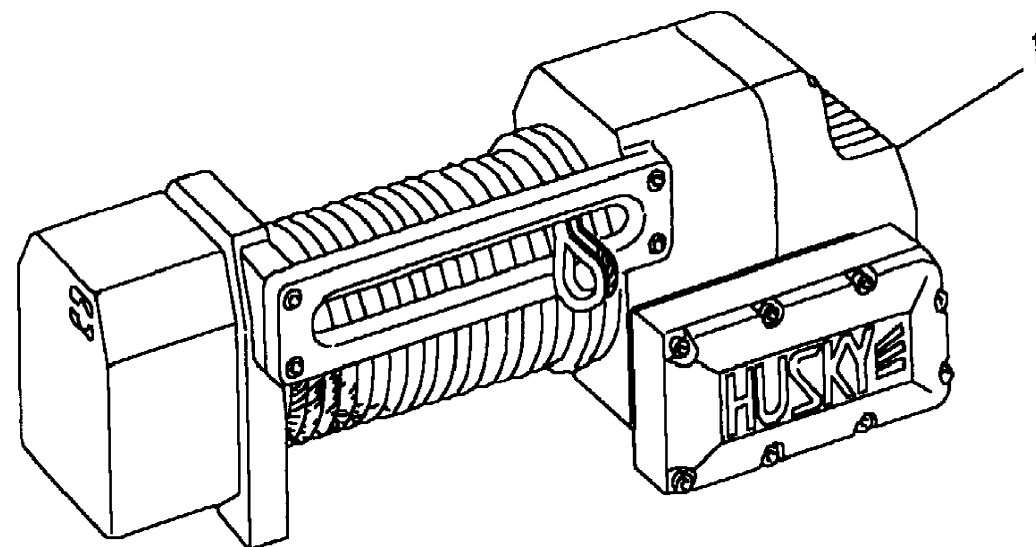
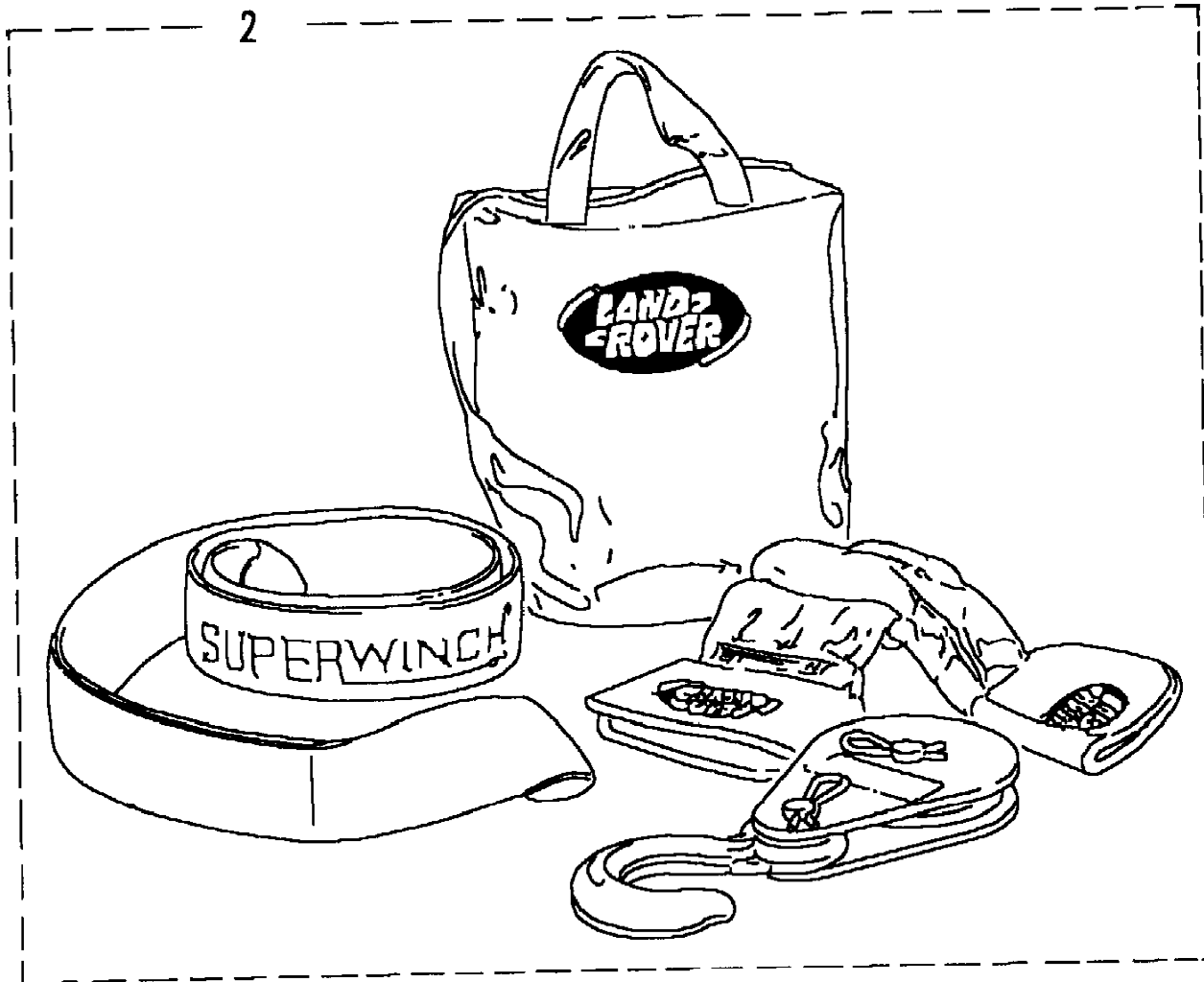
Accessories

Range Rover (From JA610294)

Accessories

Winch Assembly 1/1

(BDTXKA1A)



Range Rover (From JA610294)

Accessories

Accessories

Winch Assembly

Less Driver Air Bag, Less Passenger Air Bag

Callout	Name	Application	Remarks & Restrictions	Service No.	Qty
1	Winch-electric		Husky	RTC9587 RTC9587AA RTC9587AB	1 1 1
2	Kit-winch accessories			RTC9520	1
[902]	Roller fairlead-winch			STC8123	1
[903]	Cable-winch			STC8111	1
[904]	Control-winch remote			STC8110	1

SEP 04

983

Accessories

Range Rover (From JA610294)

Accessories

Exterior Protection 1/1

(LT0211)

983

SEP 04

Range Rover (From JA610294)

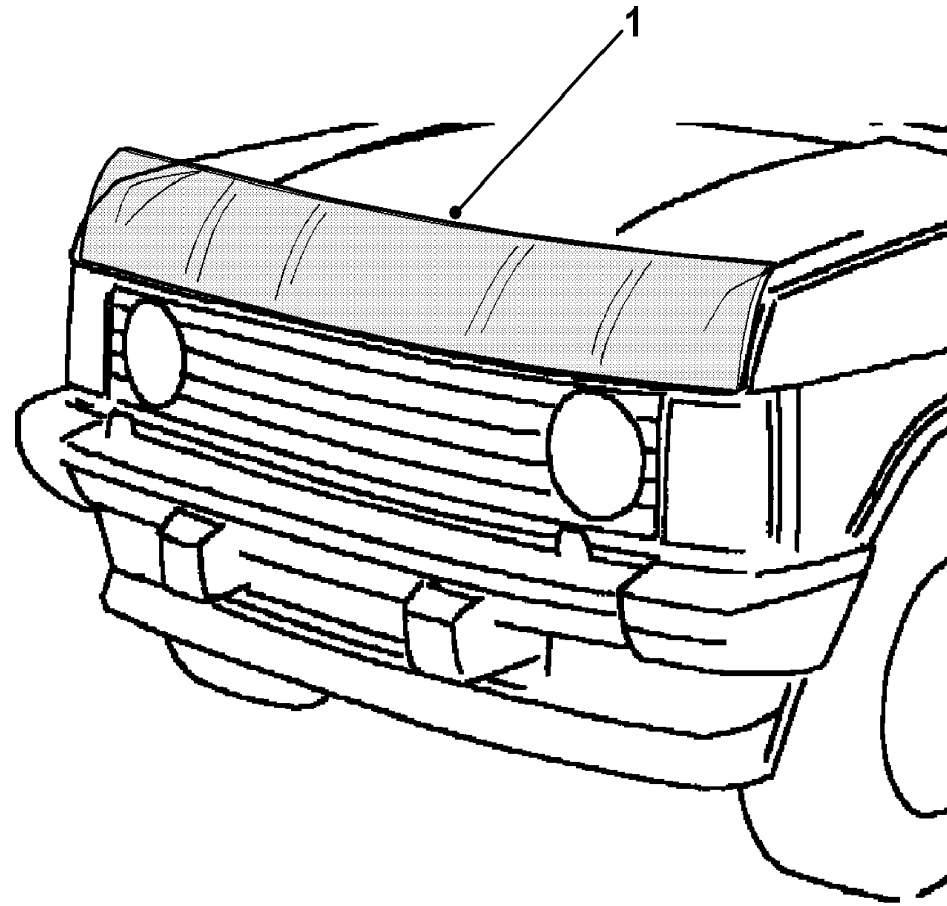
Accessories

Accessories

Exterior Protection

(+)"AUS"

Callout	Name	Application	Remarks & Restrictions	Service No.	Qty
1	Protector		BONNET PROTECTOR	RAA427	1



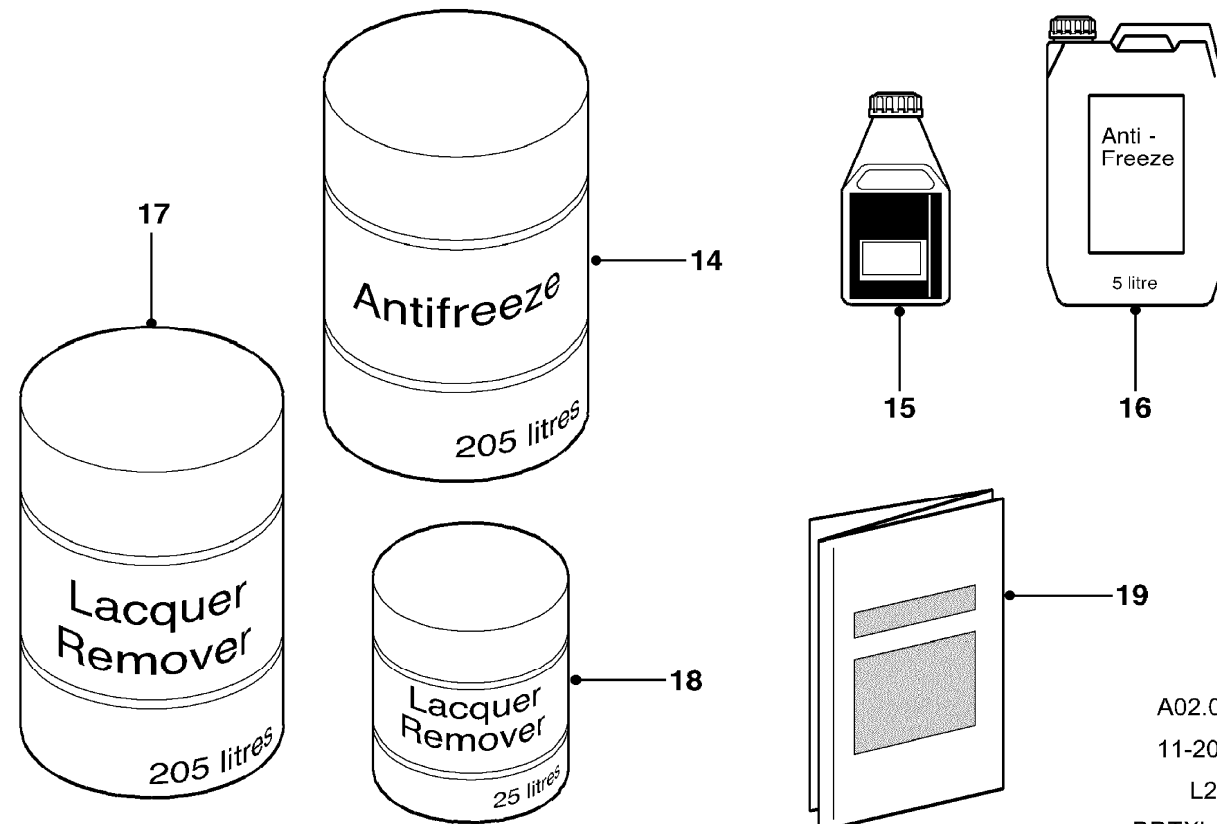
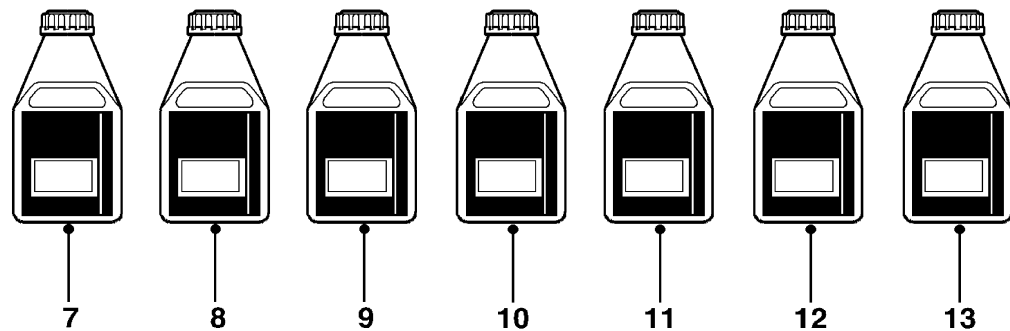
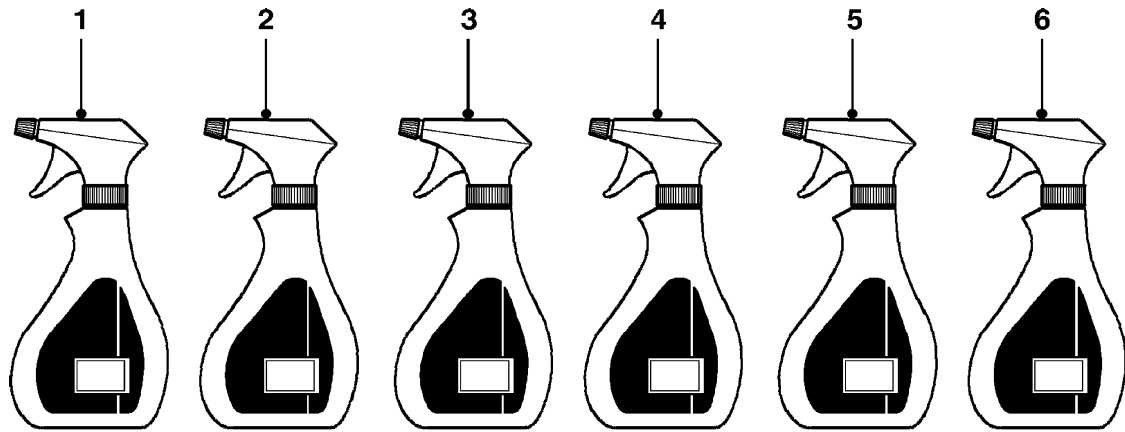
A01.130
 03-2004
 L2
 LT0211

Range Rover (From JA610294)

(BDTXLG1B)

Range Rover (From JA610294)

Callout	Name	Application	Remarks & Restrictions	Service No.	Qty
1	Cleaner-glazing		300 ML 500ml	STC4681 STC719	X X
2	Cleaner-alloy wheel		500ml 500ml	STC718 STC4675	X X
3	Wash 'n' Wax		300 ML	STC4680	X
4	Wax Polish		300 ML 500ml	STC4682 STC723	X X
5	Bumper cleaner-black		500ml 500ml	STC4679 STC721	X X
6	Deicer		500ml 500ml	STC717 STC4676	X X
7	Screen Wash		1ltr 250ml	STC8249 STC4672	X X
8	Shampoo		500ml	STC722	X
9	Brake fluid	(+)"GB"		STC8292	X
10	Fluid-automatic transmission	(+)"GB" (+)"GB"	Type G DEXTRON 2	STC8263 STC8261	X X
11	Oil	(+)"GB" (+)"GB"	1ltr, SHPD 1ltr, 15W-40	STC8257 STC8255	X X
12	Oil	(+)"GB" (+)"GB"	5 L, SHPD 5 L, 15W-40	STC8256 STC8254	X X
13	Oil	(+)"GB"	EP90	STC8259	X
14	Antifreeze		Not For Use In L322 M57 Diesel Engine, 205ltr	RTC5782A	X
15	Antifreeze		Not For Use In L322 M57 Diesel Engine, 1ltr	RTC5779A	X
16	Antifreeze		Not For Use In L322 M57 Diesel Engine, 5 L	RTC5781A	X
17	Fluid-de-lacquering		205ltr	STC2774LGE	1
18	Fluid-de-lacquering		25 Litres.	STC2774SML	1
19	Product guide			STC8352	X

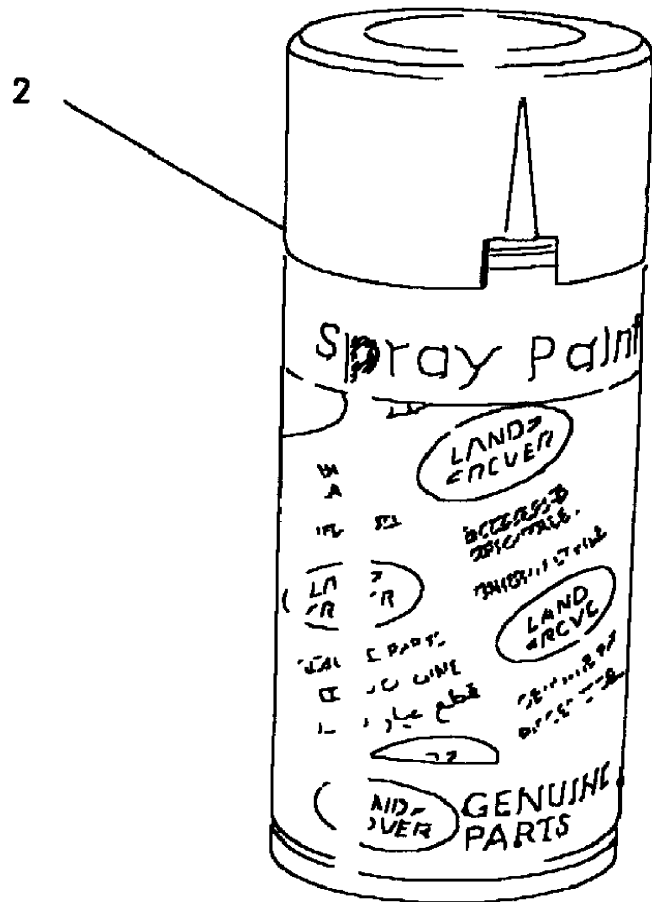
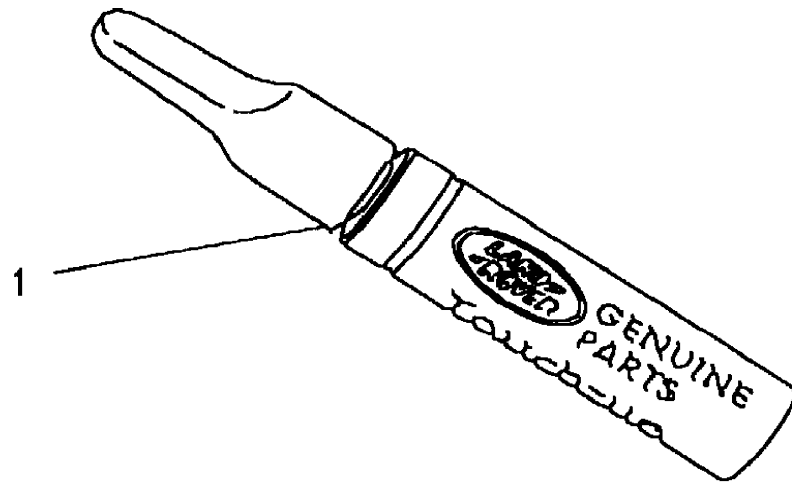


A02.005
11-2002
L2
BDTXLG1B

Accessories
Paint
Paint 1/6

Range Rover (From JA610294)

(BDTXAA1A)



FLAMMABLE	HARMFUL
SPRAY PAINT WARNING	
Harmful by inhalation	
Harmful on contact with skin	
Keep out of reach of children	
Keep away from fire and sources of ignition. When using, do not smoke.	
Do not breathe spray or overflow	
In case of contact with skin or eyes, wash immediately with plenty of water and seek medical advice.	
Do not spray on a naked flame or any hot undercoat material.	
Pressurized container	
Protect from sunlight and do not expose to temperatures exceeding 50°C	
Do not pierce or burn even after use.	

Range Rover (From JA610294)

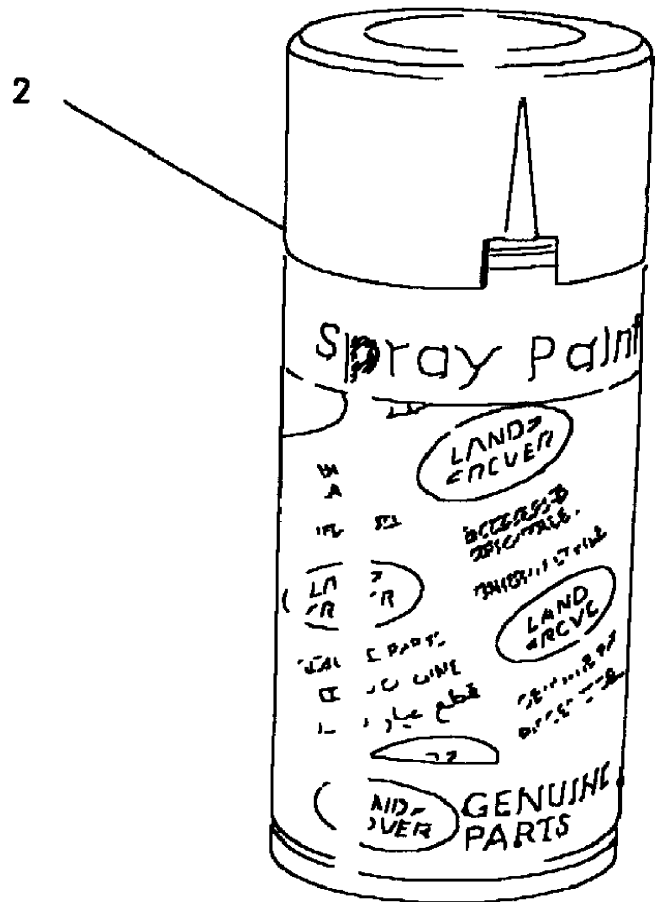
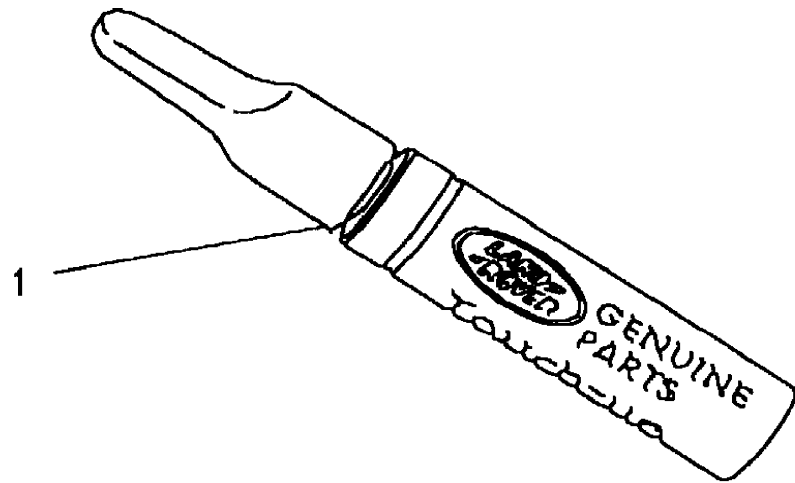
Accessories
Paint
Paint

Callout	Name	Application	Remarks & Restrictions	Service No.	Qty
1	Paint-pencil		Solid, Arrow Red, Portofino Red, (LRC390)	RTC5728T	X
			Solid, Arrow Red, Portofino Red, (LRC390)	RTC5728VT	X
			Solid, Arles Blue, Pacific Blue, Windjammer Blue, (LRC424)	RTC6401T	X
			Solid, Arles Blue, Pacific Blue, Windjammer Blue, (LRC424)	RTC6401VT	X
			Solid, Eastnor Green, (LRC419)	RTC5981T	X
			Solid, Eastnor Green, (LRC419)	RTC5981VT	X
			Solid, Pennine Grey, (LRC476)	RTC6869T	X
			Solid, Pennine Grey, (LRC476)	RTC6869VT	X
			Solid, Alpine White, (LRC456)	RTC6870T	X
			Solid, Alpine White, (LRC456)	RTC6870VT	X
			Solid, Arran Beige, (LRC433)	RTC5980T	X
			Solid, Arran Beige, (LRC433)	RTC5980VT	X
			Solid, Beluga Black, (LRC416)	RTC5979T	X
			Solid, Beluga Black, (LRC416)	RTC5979VT	X
			Solid, (LRC416), Brooklands Green	STC784T	X
			Solid, Coniston Green, (LRC570)	STC1348T	X
			Solid, Coniston Green, (LRC570)	STC1348VT	X
			Solid, (LRC348), Slate Grey	STC1450T	X
			Aspen Silver, (LRC458), Metallic	RTC6810T	X
			Aspen Silver, (LRC458), Metallic	RTC6810VT	X
			Metallic, Armada Gold, Roman Bronze, (LRC479)	STC9T	X
			Metallic, Armada Gold, Roman Bronze, (LRC479)	STC9VT	X
			Metallic, British Racing Green, (LRC617)	STC1351T	X
			Metallic, British Racing Green, (LRC617)	STC1351VT	X
			Metallic, Niagara Grey, (LRC574)	STC1449T	X
			Metallic, Niagara Grey, (LRC574)	STC1449VT	X
			Metallic, Willow Green, (LRC970)	STC1447T	X
			Metallic, Willow Green, (LRC970)	STC1447VT	X
			Metallic, Mistrale Light Blue, (LRC421)	RTC6402T	X
			Metallic, Mistrale Light Blue, (LRC421)	RTC6402VT	X

Accessories
Paint
Paint 3/6

Range Rover (From JA610294)

(BDTXAA1A)



FLAMMABLE	HARMFUL
SPRAY PAINT WARNING	
Harmful by inhalation	
Harmful on contact with skin	
Keep out of reach of children	
Keep away from fire and sources of ignition. When using, do not smoke.	
Do not inhale spray or overflow	
In case of contact with skin or eyes, wash immediately with plenty of water and seek medical advice.	
Do not spray on a naked flame or any hot undercoat material.	
Pressurized container	
Protect from sunlight and do not expose to temperatures exceeding 50°C	
Do not pierce or burn even after use	

Range Rover (From JA610294)

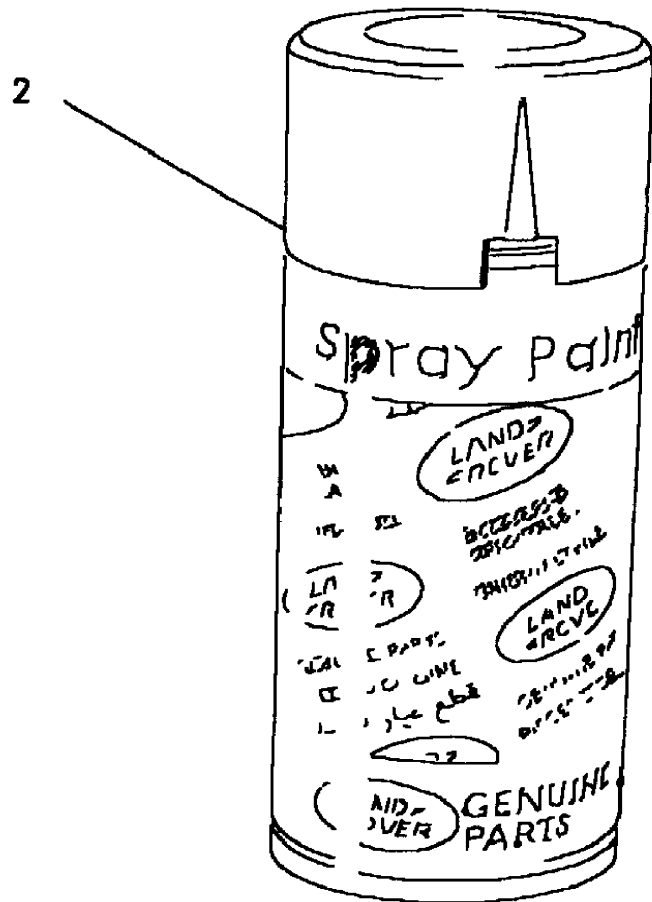
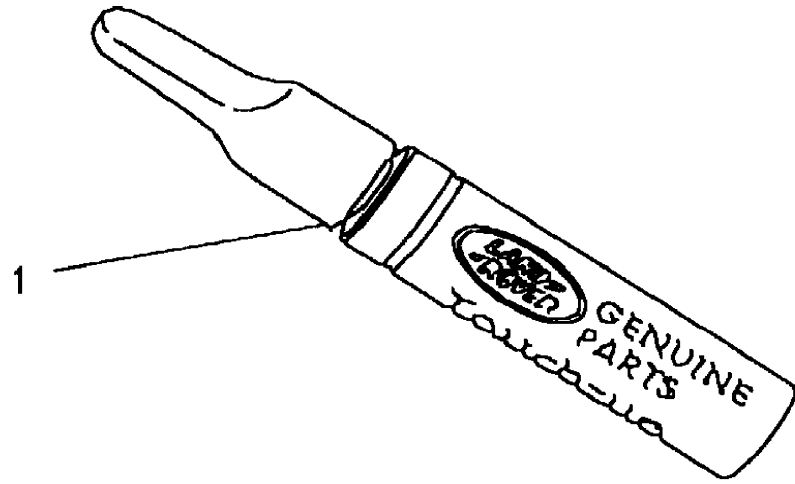
Accessories
Paint
Paint

Callout	Name	Application	Remarks & Restrictions	Service No.	Qty
2	Paint-aerosol spray		Solid, Pennine Grey, (LRC476)	RTC6869A	X
			Solid, Pennine Grey, (LRC476)	RTC6869VA	X
			Solid, Alpine White, (LRC456)	RTC6870A	X
			Solid, Alpine White, (LRC456)	RTC6870VA	X
			Solid, Arran Beige, (LRC433)	RTC5980A	X
			Solid, Arran Beige, (LRC433)	RTC5980VA	X
			Solid, Beluga Black, (LRC416), County Black	RTC5979A	X
			Solid, Beluga Black, (LRC416), County Black	RTC5979VA	X
			Solid, Brooklands Green, (LRC334)	STC784A	X
			Solid, (LRC570), Brooklands Green	STC1352A	X
			Solid, (LRC348), Slate Grey	STC1450A	X
			Aspen Silver, (LRC458), Metallic	RTC6810A	X
			Aspen Silver, (LRC458), Metallic	RTC6810VA	X
			Metallic, Armada Gold, (LRC479)	STC9A	X
			Metallic, Armada Gold, (LRC479)	STC9VA	X
			Metallic, British Racing Green, (LRC617)	STC1351A	X
			Metallic, British Racing Green, (LRC617)	STC1351VA	X
			Metallic, Niagara Grey, (LRC574)	STC1449A	X
			Metallic, Niagara Grey, (LRC574)	STC1449VA	X
			Metallic, Willow Green, (LRC970)	STC1447A	X
			Metallic, Mistrale Light Blue, (LRC421)	RTC6402A	X
			Metallic, Mistrale Light Blue, (LRC421)	RTC6402VA	X
			Micatallic, Cairngorm Brown, (LRC408)	RTC5982A	X
			Micatallic, Cairngorm Brown, (LRC408)	RTC5982VA	X
			Micatallic, (LRC467), Foxfire Red	RTC5983A	X
			Micatallic, (LRC467), Foxfire Red	RTC5983VA	X
			Micatallic, Plymouth Blue, (LRC434)	RTC6415A	X
			Micatallic, Plymouth Blue, (LRC434)	RTC6415VA	X
			Micatallic, Ardennes Green, County Green, (LRC413)	RTC6634A	X
			Micatallic, Ardennes Green, County Green, (LRC413)	RTC6634VA	X
			Micatallic, Aegean Blue/Bright, (LRC490)	STC301A	X

Accessories
Paint
Paint 6/6

Range Rover (From JA610294)

(BDTXAA1A)



FLAMMABLE	HARMFUL
SPRAY PAINT WARNING	
Harmful by inhalation	
Harmful on contact with skin	
Keep out of reach of children	
Keep away from fire and sources of ignition. When using, do not smoke.	
Do not breathe spray or overflow	
In case of contact with skin or eyes, wash immediately with plenty of water and seek medical advice.	
Do not spray on a naked flame or any hot undercoat material.	
Pressurized container	
Protect from sunlight and do not expose to temperatures exceeding 50°C	
Do not pierce or burn even after use.	

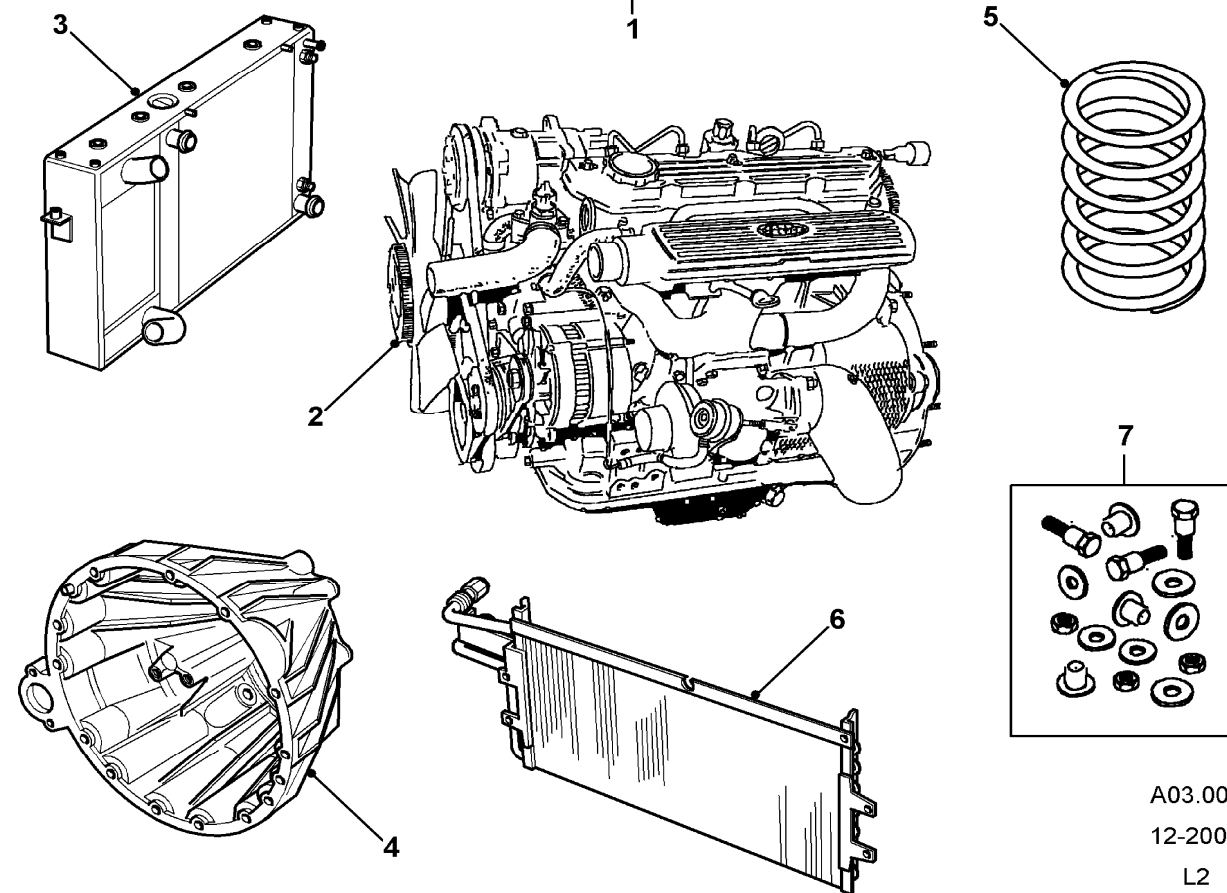
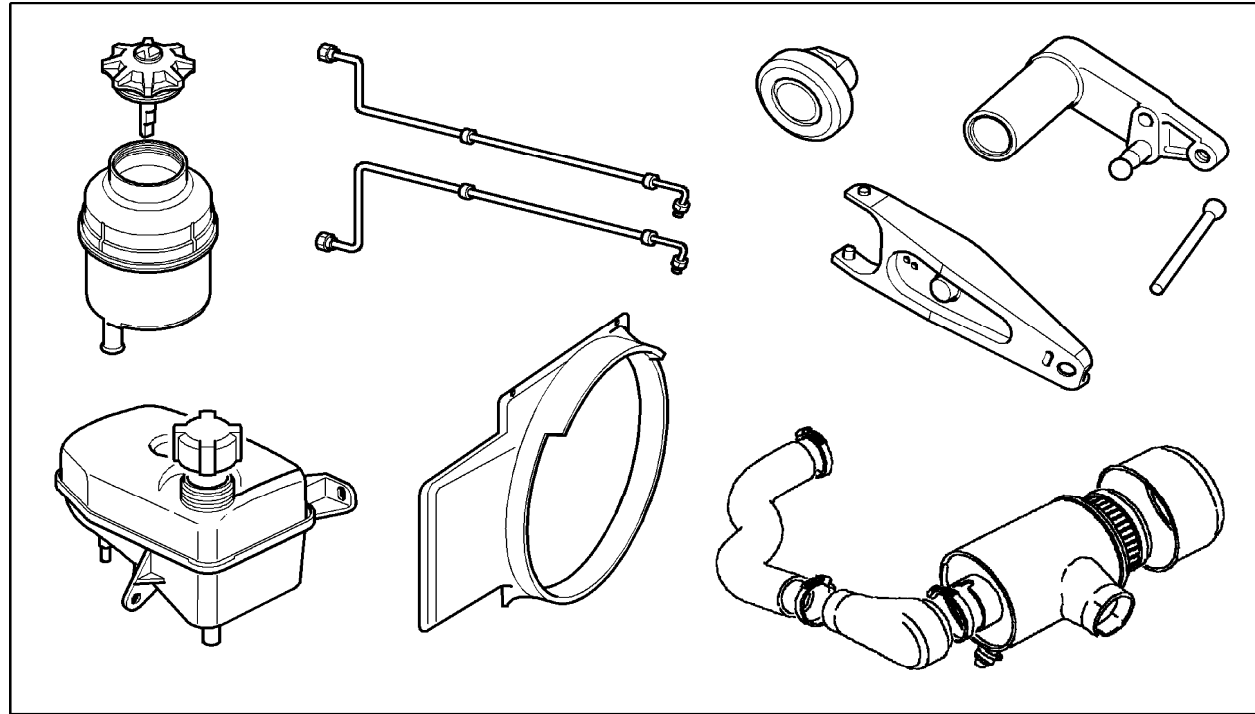
Range Rover (From JA610294)

Accessories
Paint
Paint

Callout	Name	Application	Remarks & Restrictions	Service No.	Qty
[901]	Paint-pencil		Solid, Pennine Grey, (LRC476)	RTC6869VT	X

Range Rover (From JA610294)

(LT0169)



A03.005
12-2002
L2
LT0169

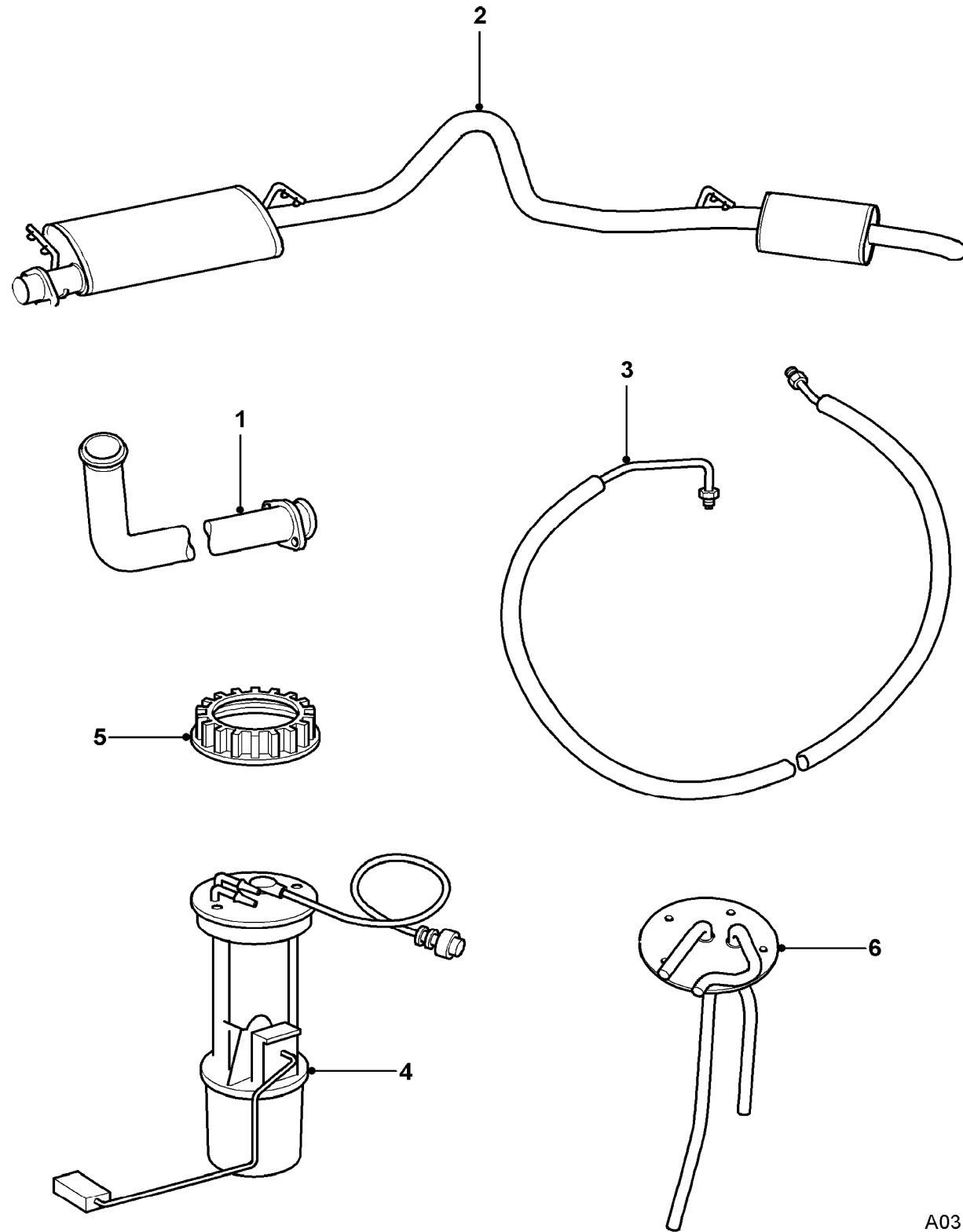
Range Rover (From JA610294)

Callout	Name	Application	Remarks & Restrictions	Service No.	Qty
1	Kit-TDi conversion-engine	Twin Carburettor	PETROL	STC8397	1
		EFI	PETROL	STC8558	1
			DIESEL, VM	STC8374	1
2	Engine assembly-power unit	Less Air Conditioning		STC1202N	1
		With Air Conditioning		STC8380N	1
3	Radiator assembly		TDI retro fit	ESR1259	1
4	Housing-clutch manual transmission			FTC1270	1
5	Spring-road-coil	With Petrol Engines, RHD	Blue/Green/Yellow Stripe	NTC8477	2
		With Petrol Engines, LHD	Blue/Pink/White Stripe	NTC8476	1
		With Petrol Engines, LHD	Blue/Green/Yellow Stripe	NTC8477	1
6	Condenser air conditioning	With Air Conditioning		BTR3698	1
7	Kit-mounting bracket	With Air Conditioning	Also serviced as part of a kit	BTR5099	1

Accessories
TDi Retro Fit Kits
V8 EFi-Additional Parts-From (V) GA399973 1/1

Range Rover (From JA610294)

(LT0170)



A03.010
12-2002
L2
LT0170

Range Rover (From JA610294)

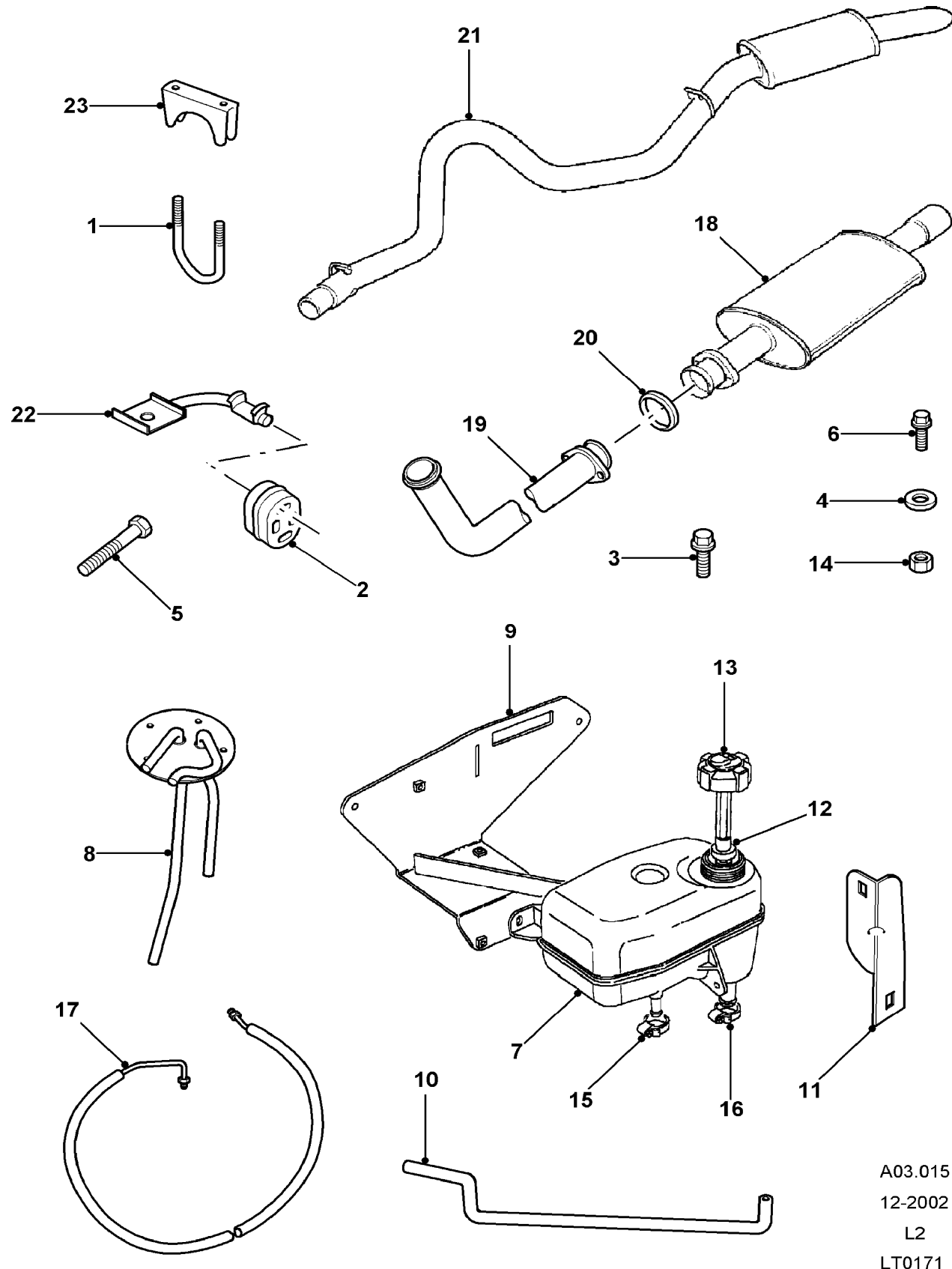
Accessories
TDi Retro Fit Kits
V8 EFi-Additional Parts-From (V) GA399973
Change point - VIN begin GA399973, Change point - VIN begin GA399973, 3.9L EFI, Manual Transmission, 5 Speed

Callout	Name	Application	Remarks & Restrictions	Service No.	Qty
1	Intermediate assembly exhaust system	Change point - VIN begin GA399973		ESR237	1
2	Rear assembly exhaust system	Change point - VIN begin GA399973	TDI retro fit	ESR1855	1
3	Pipe assembly-pump to steering box	Change point - VIN begin GA399973, RHD Change point - VIN begin GA399973, RHD Change point - VIN begin GA399973, LHD Change point - VIN begin GA399973, LHD		NTC5494 NTC5494 NTC6070 NTC6070	1 1 1 1
4	Pump-fuel-unit assembly fuel tank	Change point - VIN begin GA399973	TDI retro fit	PRC7129	1
5	Ring-locking fuel tank	Change point - VIN begin GA399973	Black	NTC6872	1
6	Pipe Fuel	Change point - VIN begin GA399973		NTC1630	1

Range Rover (From JA610294)

(LT0171)

Range Rover (From JA610294)



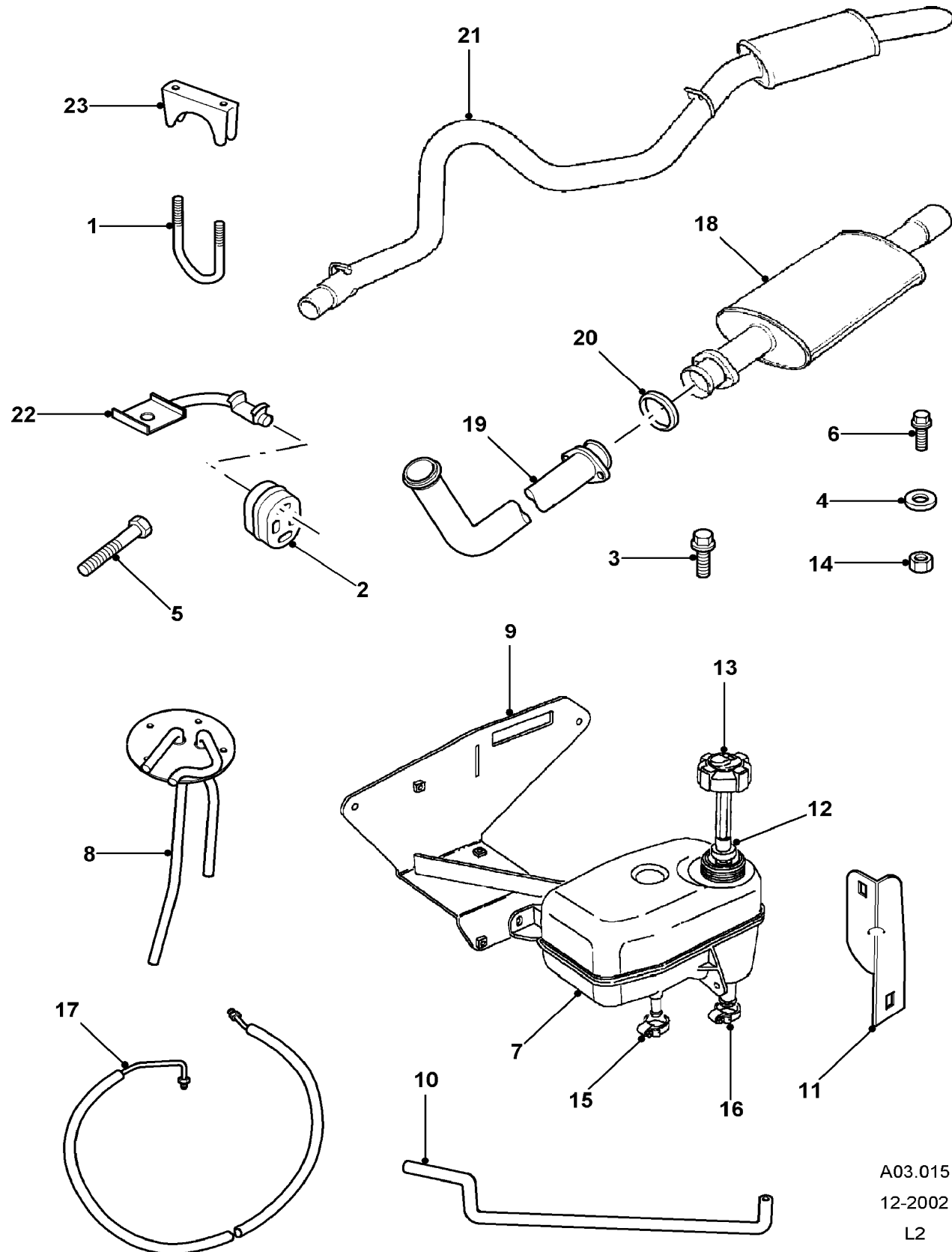
A03.015
12-2002
L2
LT0171

Callout	Name	Application	Remarks & Restrictions	Service No.	Qty
1	Bolt-u	Change point - VIN end FA399972, EFI		NTC1492	1
2	Mounting-rubber exhaust system	Change point - VIN end, EFI	TDI retro fit	NTC3650	2
3	Screw	Change point - VIN end FA399972, EFI	M8 X 16, Flanged Head	FS108161L	2
4	Washer-Plain	Change point - VIN end FA399972, EFI		WP105L	4
5	Bolt	Change point - VIN end FA399972, EFI	M8 x 50, Flanged Head	FB108101	2
		Change point - VIN end FA399972, EFI	M8 x 50, Flanged Head	FB108101L	2
6	Screw-flanged head	Change point - VIN end FA399972, EFI	M6 X 16, Flanged Head	FS106167L	1
		Change point - VIN end FA399972, EFI	M6 X 16, Flanged Head	FS106161L	1
7	Tank-radiator expansion	Change point - VIN end FA399972, EFI		PCF101590	1
		Change point - VIN end FA399972, EFI		ESR63	1
8	Pipe Fuel	Change point - VIN end FA399972, EFI		NTC1630	1
9	Bracket-expansion tank	Change point - VIN end FA399972, EFI		ESR1909	1
10	Hose-cooling system bleed	Change point - VIN end FA399972, EFI		NTC7308	1
11	Support-expansion tank mounting	Change point - VIN end FA399972, EFI		NTC7847	1
12	Sensor-level low coolant	Change point - VIN end FA399972, TDi		PRC7925	1
13	Cap-expansion tank pressure	Change point - VIN end FA399972, EFI	15psi	NTC7161	1
14	Nut - Hex.	Change point - VIN end FA399972, EFI	M6, nyloc, Hexagonal	NH106041L	4
15	Clip-Hose	Change point - VIN end FA399972, EFI	bleed hose, 20MM	CN100208L	2
		Change point - VIN end FA399972, EFI	worm drive, 25MM	CN100258L	1
16	Clip-Hose	Change point - VIN end FA399972, EFI	bleed hose, 20MM	CN100208L	2
		Change point - VIN end FA399972, EFI	worm drive, 25MM	CN100258L	1
17	Pipe assembly-pump to steering box	Change point - VIN end FA399972, EFI, RHD		NTC5494	1

Accessories
TDi Retro Fit Kits
V8 EFi-Additional Parts-To (V) FA399972 2/2

Range Rover (From JA610294)

(LT0171)



A03.015
12-2002
L2
LT0171

Range Rover (From JA610294)

Accessories
TDi Retro Fit Kits
V8 EFi-Additional Parts-To (V) FA399972

Callout	Name	Application	Remarks & Restrictions	Service No.	Qty
17	Pipe assembly-pump to steering box	Change point - VIN end FA399972, EFI, LHD		NTC6070	1
18	Silencer assembly exhaust system	Change point - VIN end FA399972, EFI		NTC1484	1
19	Pipe	Change point - VIN end FA399972, EFI		NTC6754	1
20	Olive	Change point - VIN end FA399972, EFI		CRC4579L	1
21	Rear assembly exhaust system	Change point - VIN end FA399972, EFI	TDI retro fit	NTC2960	1
22	Bracket assembly-exhaust mounting	Change point - VIN end FA399972, EFI		NTC2963	1
23	Clamp	Change point - VIN end FA399972, EFI		NTC2207	1
[900]	Exhaust Bracket	Change point - VIN end FA399972, EFI		NTC2964	1

Accessories
 TDi Retro Fit Kits
 V8 Twin Carb-Additional Parts 1/1

Range Rover (From JA610294)

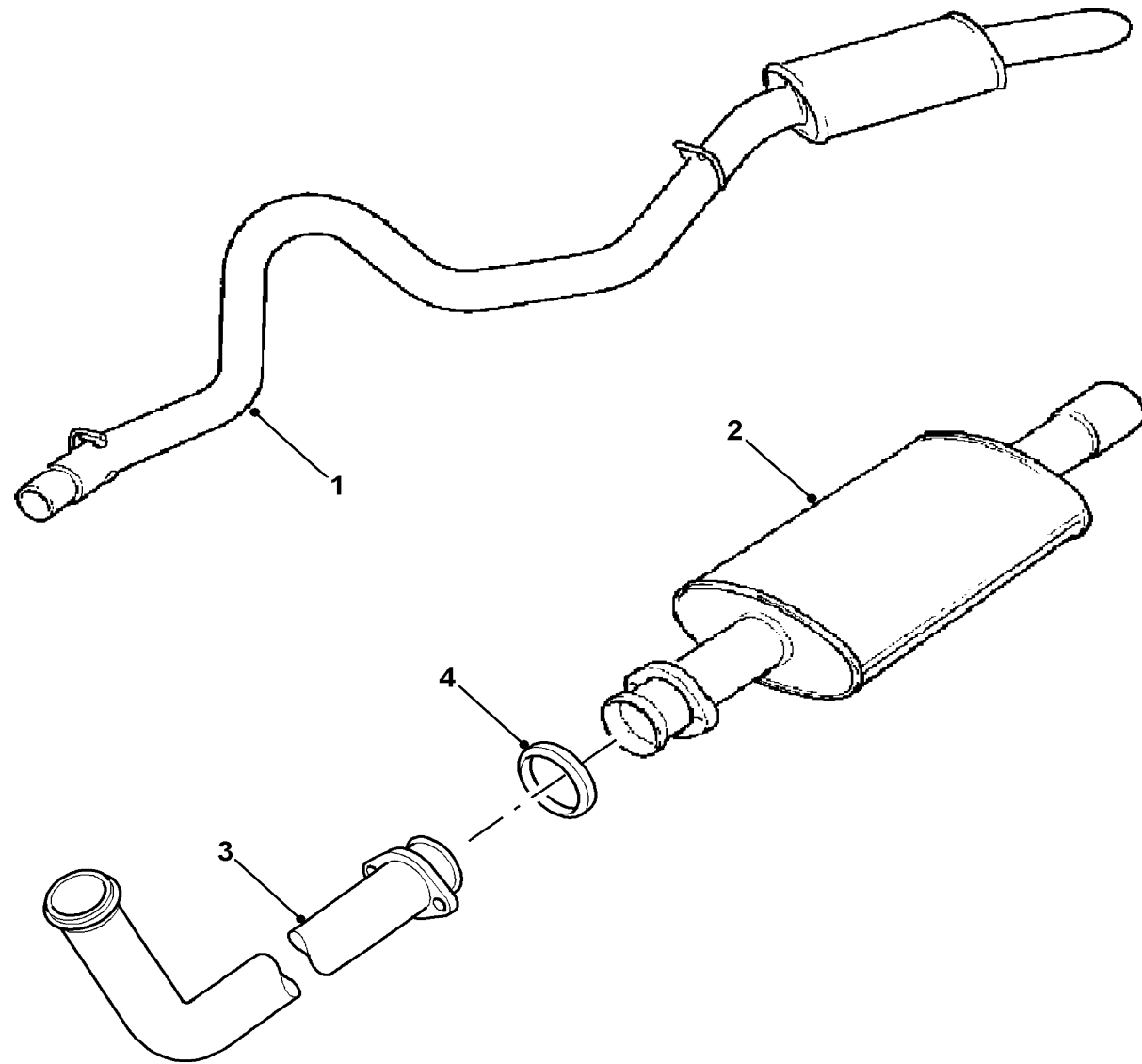
(LT0172)

Range Rover (From JA610294)

Accessories
 TDi Retro Fit Kits
 V8 Twin Carb-Additional Parts

TDi, Manual Transmission, 5 Speed

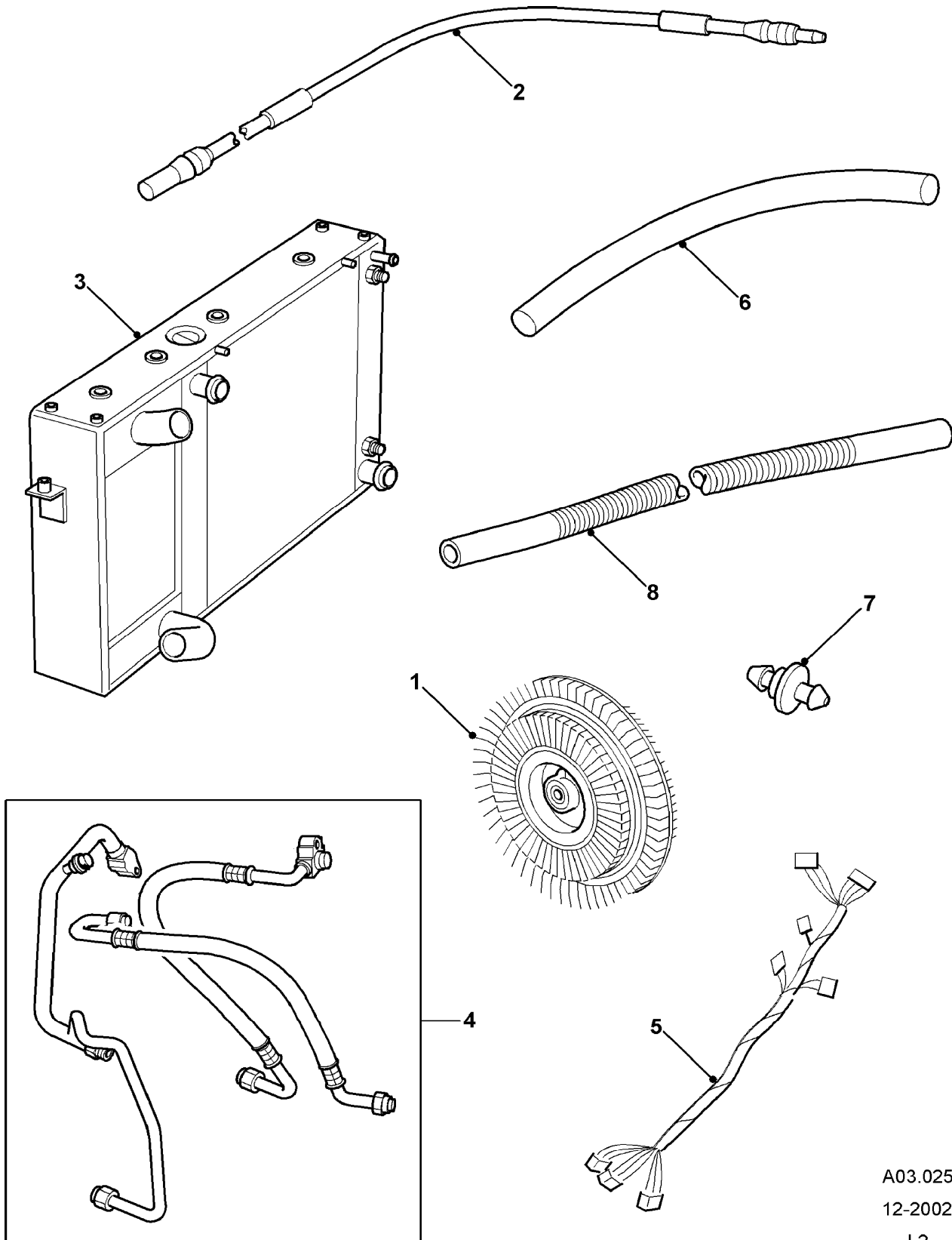
Callout	Name	Application	Remarks & Restrictions	Service No.	Qty
1	Rear assembly exhaust system		TDI retro fit	NTC2960	1
2	Silencer assembly exhaust system			NTC1484	1
3	Pipe			NTC6754	1
4	Olive			CRC4579L	1



A03.020
 12-2002
 L2
 LT0172

Range Rover (From JA610294)

(LT0173)



A03.025
12-2002
L2
LT0173

Range Rover (From JA610294)

Callout	Name	Application	Remarks & Restrictions	Service No.	Qty
1	Coupling-engine fan viscous	5 Speed Manual Transmission	DIESEL, 4 Cylinder, VM DIESEL, 4 Cylinder, VM	ETC7555 ETC7555	1 1
2	Hose-power assisted steering reservoir to pump	TDi Diesel, 5 Speed TDi Diesel, Manual Transmission		NTC6069 NTC6069	1 1
3	Radiator assembly	2.5 VM Diesel Turbo, Manual Transmission, With Air Conditioning	VM retro fit	ESR1259	1
4	Kit a/c hoses	TDi Diesel, 5 Speed, RHD, With Air Conditioning TDi Diesel, Manual Transmission, RHD, With Air Conditioning		STC8396 STC8396	1 1
5	Harness-link	TDi Diesel, 5 Speed		STC8395	1
6	Hose vacuum..	TDi Diesel, 5 Speed		BTR1286	1
7	Connector fit	TDi Diesel, 5 Speed		RTC1698	1
8	Hose assembly brake vacuum	TDi Diesel, 5 Speed, All Wheel Anti-Lock Braking System		ANR1539	1