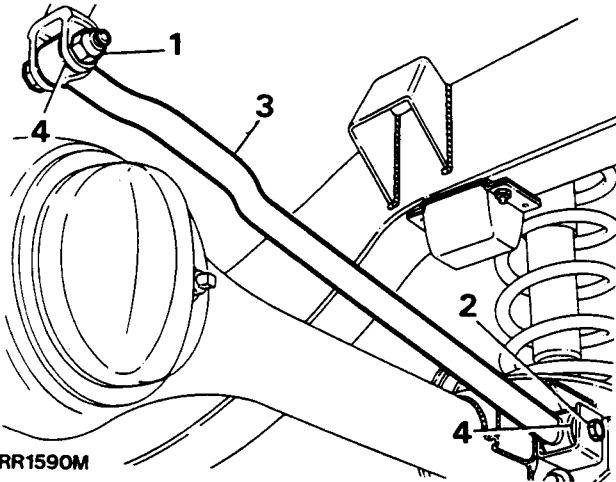


**PANHARD ROD**

**Remove and refit**

**Removing**

1. Remove the fixings at the mounting arm.
2. Remove the fixings at the axle bracket.
3. Withdraw the Panhard rod.
4. If required press out the bushes.
5. Fit replacement bushes central in the rod.



RR1590M

**Refitting**

6. Reverse 1 to 4. Tighten the fixings to the correct torque.

**RADIUS ARM**

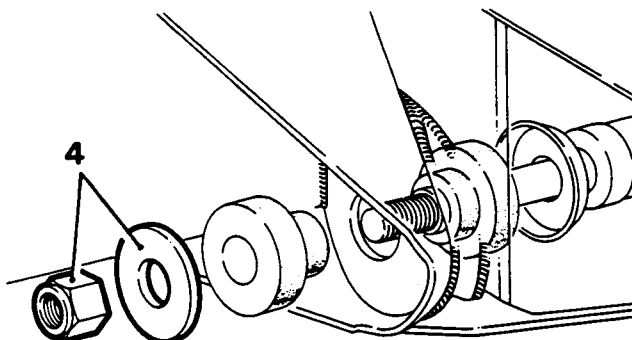
**Remove and refit**

**Service tool:**

**18G 1063 Extractor for ball joint**

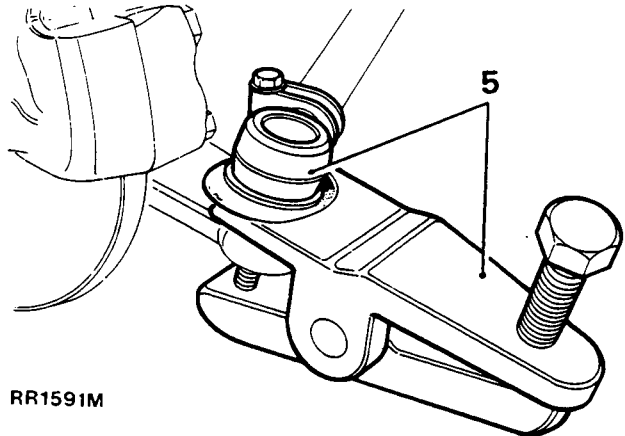
**Removing**

1. Remove the road wheel.
2. Support the chassis.
3. Support the axle weight.
4. Remove the fixings, radius arm to chassis side member.



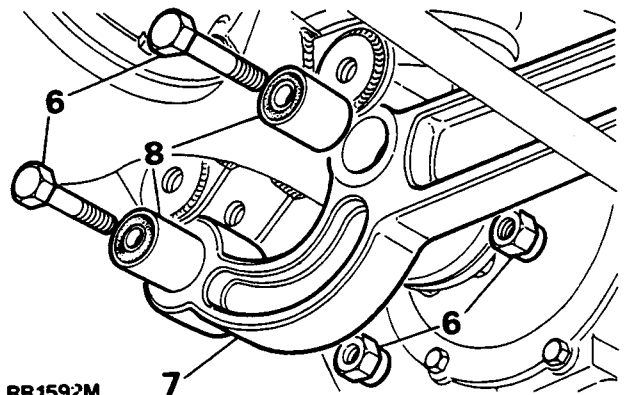
RR983M

5. Disconnect the track rod at the ball joint. Extractor 18G 1063.



RR1591M

6. Remove the fixings, radius arm to axle.
7. Lower the radius arm front end to clear the axle and withdraw.
8. If required, press out the bush assemblies.



RR1592M

9. Fit the replacement bushes centrally in the arm.

**Refitting**

10. Reverse 1 to 7. Tighten the fixings to the correct torque.

## FRONT ROADSPRING

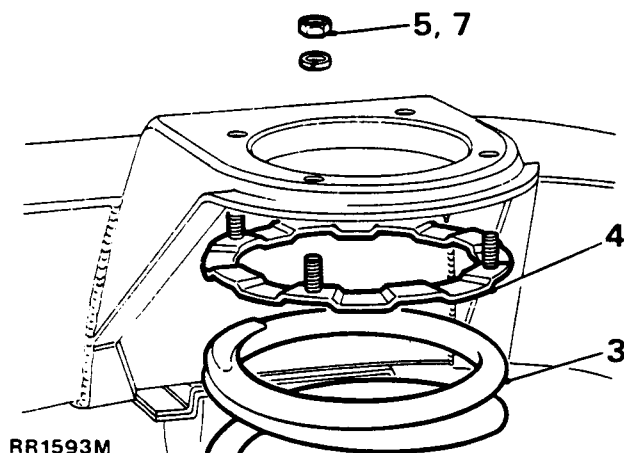
## Remove and refit

## Removing

1. Remove the front shock absorber.

**WARNING:** During the following procedure avoid over stretching the brake hoses. If necessary, turn back the hose connector locknuts to allow the hoses to follow the axle.

2. Lower the axle sufficient to free the road spring.
3. Withdraw the road spring.



RR1593M

4. Withdraw the shock absorber bracket securing ring.

## Refitting

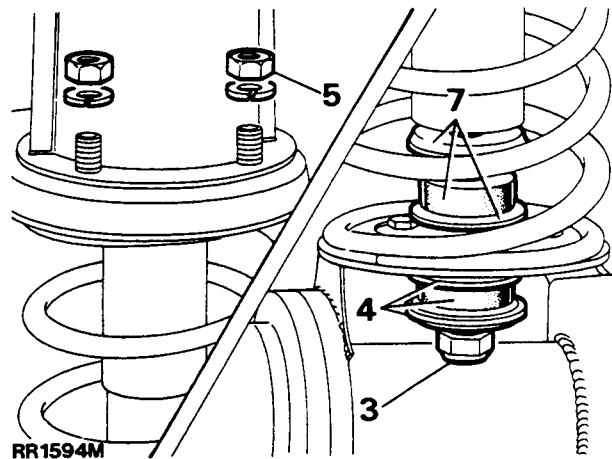
5. Reverse 4. Retain in position with a slave nut.
6. Reverse 2 and 3.
7. Remove the nut retaining the securing ring.
8. Fit the front shock absorber.

## FRONT SHOCK ABSORBER

## Remove and refit

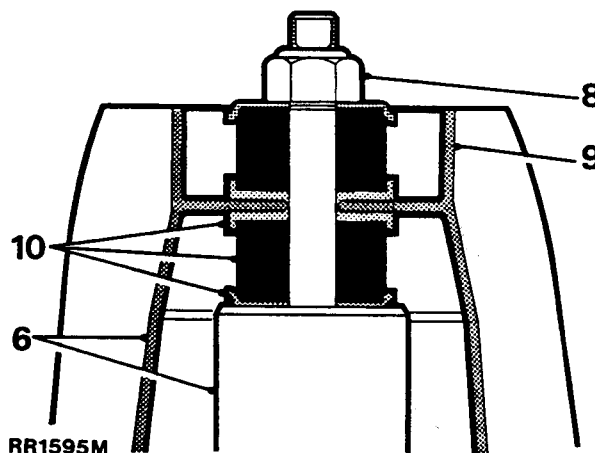
## Removing

1. Remove the road wheel.
2. Support the axle weight.
3. Remove the shock absorber lower fixing.



RR1594M

4. Withdraw the cupwasher, rubber bush and seating washer.
5. Remove the shock absorber bracket fixings.
6. Withdraw the shock absorber and bracket complete.



RR1595M

7. Withdraw the seating washer, rubber bush and cupwasher.
8. Remove the fixings, shock absorber to mounting bracket.
9. Withdraw the mounting bracket.
10. Lift off the top seating washer, rubber bush and cupwasher.

## Refitting

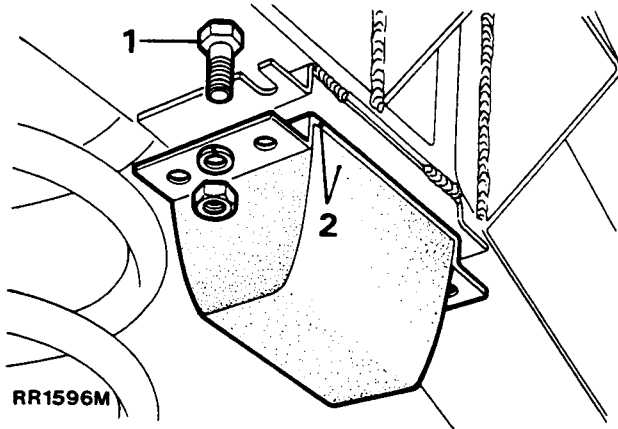
11. Reverse 1 to 10.

## BUMP STOP

### Remove and refit

#### Removing

1. Remove the fixings.
2. Withdraw the bump stop assembly.



#### Refitting

3. Position the fixing bolts in the slots in the chassis brackets.
  4. Fit the bump stop assembly.
-

