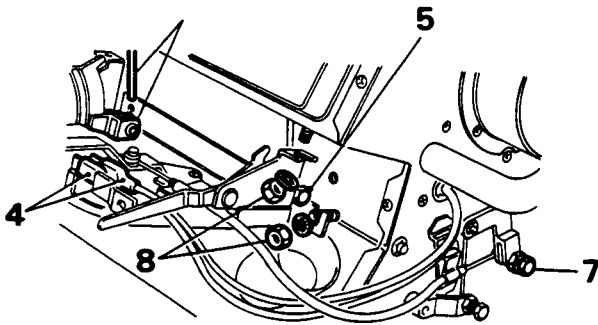


HEATER CONTROLS**Remove and refit****Removing**

1. Remove the transmission lever surround.
2. Remove the radio mounting console.
3. Remove the centre console unit.
4. Disconnect the electrical leads from the control switch.



RR791M

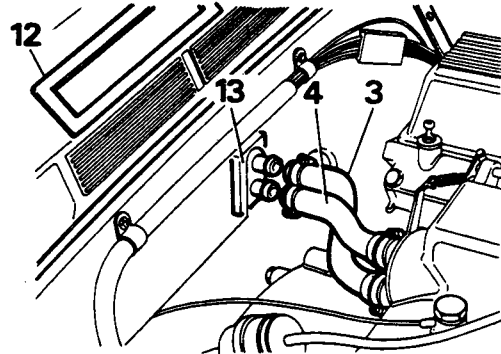
5. Disconnect the relay rod from the 'SCREEN-CAR' lever.
6. Disconnect the relay rod from the 'VENT' lever.
7. Disconnect the control cables from each side of the heater unit.
8. Remove the four securing nuts and washers and withdraw the heater controls assembly.

Refitting

9. Reverse 5 to 8.
10. Check that the control levers give full movement of the flaps. If necessary, adjust at the relay rod or cable end fixings.
11. Connect the electrical leads to the control switch, the Black/White lead connects to the front terminal.
12. Reverse 1 to 3.

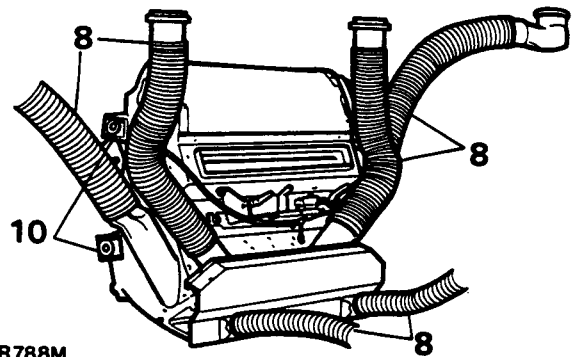
HEATER UNIT**Remove and refit****Removing**

1. Drain the cooling system.
2. Remove the air cleaner (carburettor vehicles).
3. Disconnect the water inlet hose from the heater.
4. Disconnect the water outlet hose from the heater.



RR792M

5. Remove the lower fascia panel.
6. Remove the transmission lever surround.
7. Remove the centre console unit.
8. Disconnect the six hoses from the heater unit.



RR788M

9. Disconnect the electrical leads from the heater unit.
10. Remove the four heater mounting bolts.
11. Remove the heater unit.

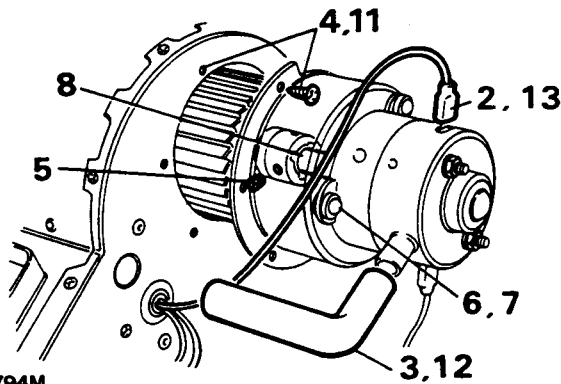
Refitting

12. Check that the seal for the fresh air intake is in place on the back of the heater unit.
13. Check that the seal for the heater radiator is in place on the radiator pipes.
14. Reverse 1 to 11.

Continued

HEATER FAN MOTOR**Remove and refit****Removing**

1. Remove the heater unit.
2. Disconnect the electrical leads.
3. Disconnect the air cooling hose.
4. Remove five screws and withdraw the fan and motor assembly.
5. Slacken two grub screws securing the fan to the motor spindle and remove the fan.
6. Drill out three pop-rivets and remove the fan motor.



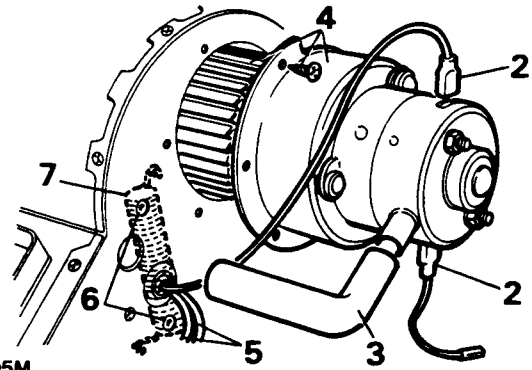
RR794M

Refitting

7. Locate the fan motor and secure using suitable pop rivets.
8. Engage the fan motor spindle into the boss on the fan and secure the grub screws.
9. Locate the fan motor in position, engaging the fan spindle into the bearing.
10. Hold the fan motor firmly in position and check that the fan rotates freely. If necessary, adjust the position of the fan on the motor spindle.
11. Align the air cooling hose connection and refit the five screws securing the fan motor assembly.
12. Connect the air cooling hose.
13. Connect the electrical leads.
14. Refit the heater unit.

FAN MOTOR RESISTANCE UNIT**Remove and refit****Removing**

1. Remove the heater unit.
2. Disconnect the electrical leads from the fan motor.
3. Disconnect the air cooling hose.
4. Remove the fan motor and fan assembly.
5. Disconnect the electrical leads from the control switch.
6. Drill out the two pop-rivets securing the resistance unit.
7. Withdraw the resistance unit complete with leads.



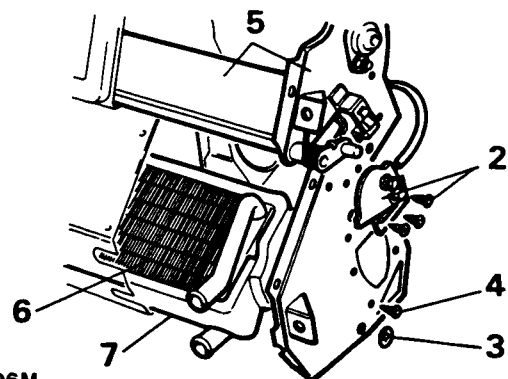
RR795M

Refitting

8. Reverse 1 to 7. When connecting the electrical leads, connect the Black/White resistance unit lead to the front terminal on the control switch.

HEATER RADIATOR**Remove and refit****Removing**

1. Remove the heater unit.
2. Remove the fixings from the cam bracket for the fresh air flap, and move the cam and bracket assembly aside.
3. Remove the lock-washers from the four flap spindles.
4. Remove all the drive screws from the left hand side cover.
5. Withdraw the left hand side cover complete with the fresh air flap.
6. Withdraw the heater radiator complete with seals.
7. Withdraw the seals from the heater radiator.



RR796M

Refitting

8. Apply Bostik sealing compound around the flange of the left hand side cover.
9. Reverse 1 to 7.