

# TECHNICAL BULLETIN



**MODEL/DERIVATIVE:**  
Discovery Series I  
Discovery Series II  
Defender

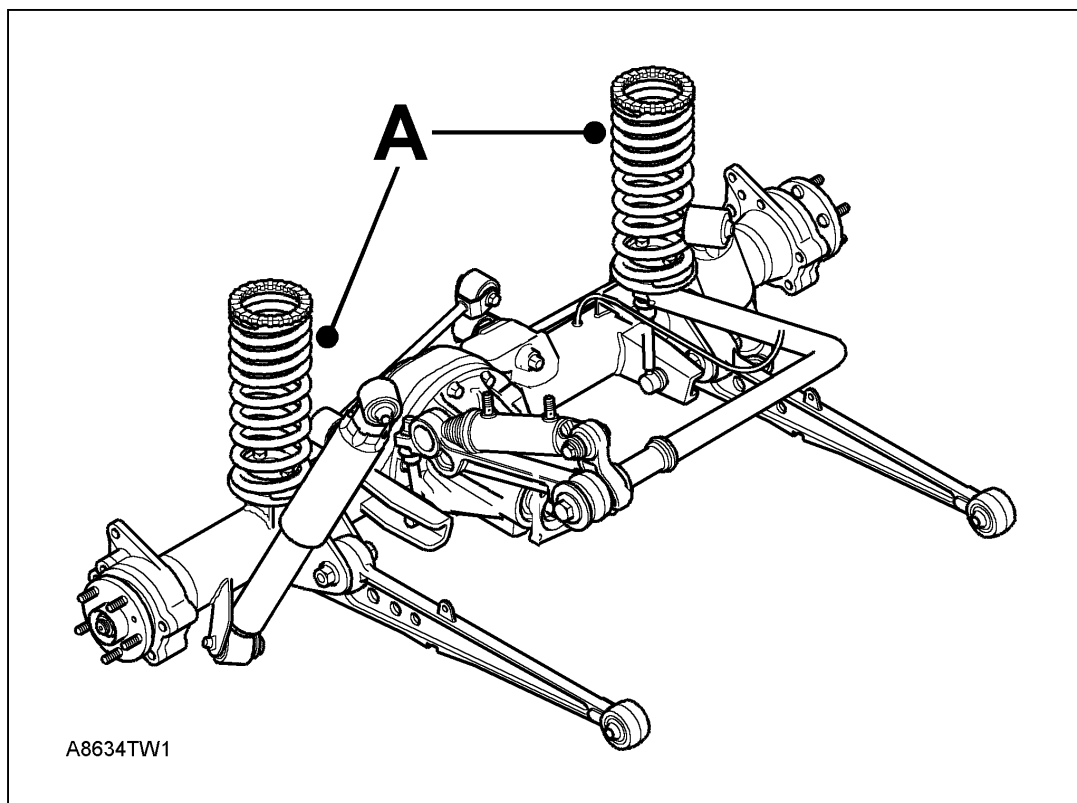
**Bulletin N°:** 0018  
**CDS. ref:** L8634bu  
**Issue:** 1  
**Date:** 07.02.01

**AFFECTED RANGE:**  
All vehicles with coil spring suspension.

**PROBLEM:**  
COIL ROAD SPRINGS - FITTING PROCEDURE CARE POINTS

**CAUSE:**  
When refitting a coil road spring to a vehicle it is essential to maintain the correct spring orientation.

**ACTION:**  
Refer to the illustration below. Example shown is a Discovery II rear suspension.



Front and rear road springs must always be fitted as shown, with close coils 'A' uppermost. This will reduce the potential for debris to become trapped within the spring and permit easier access to the lower fixing of the front suspension damper.



When fitting a Defender or Discovery Series I rear road spring, ensure that the spring is located firmly against the lower spring retainer plate. This is achieved by rotating the spring in a clockwise direction until resistance by the retainer plate prevents further rotation.

Orientation of the spring has no effect on suspension performance.

---

*PARTS INFORMATION:*

**Not applicable, issued for information purposes only.**

---

*WARRANTY CLAIMS:*

**Not applicable.**