

# TECHNICAL BULLETIN



**MODEL/DERIVATIVE:**  
Range Rover

**Bulletin N°:** 0063  
**CDS. ref:** L8641bu  
**Issue:** 1  
**Date:** 04.04.01

**AFFECTED RANGE:**  
All derivatives in VIN range 1A 448339 to 1A 452297

**PROBLEM:**  
**CORROSION OF LOWER TAILGATE LATCH**

The customer complains of the poor appearance of the lower tailgate latch claws.

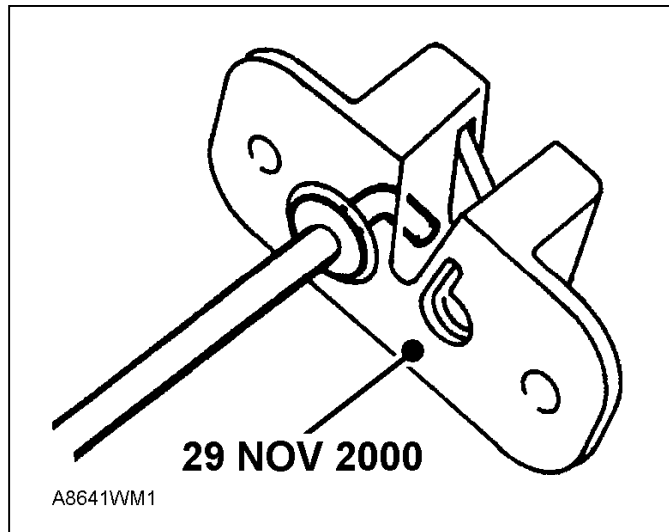
**CAUSE:**  
Protective plating operation omitted by supplier.

**ACTION:**  
Where a customer complaint of the above is confirmed, replace the latch with a quality assured part now available from Land Rover Parts.

Latches to the correct condition can be identified by having a date code of '29 NOV 2000' or later, printed in white on the back face of the latch. There is no change to part number.

Refer to Workshop Manual repair number 76.37.83 for latch replacement procedure.

**NOTE:** this is currently shown as 76.37.73 which is an error, to be corrected at the next opportunity.



**PARTS INFORMATION:**  
FQR 100520 Latch - lower tailgate - RH  
FQR 100530 Latch - lower tailgate - LH

**WARRANTY CLAIMS:**  
Use Complaint Code: 8V4H  
Use S.R.O.: 76.37.83 Latch - outer - tailgate - each - renew  
Time allowance: 0.10Hrs