

TECHNICAL BULLETIN



MODEL/DERIVATIVE:
Defender 110 and 130

Bulletin N°: 0011
CDS. ref: L8660bu
Issue: 1
Date: 29.08.01

AFFECTED RANGE:

Defender 110 non ABS all vehicles from 99MY to 1A 617057

Defender 110 ABS all vehicles from 99MY to 1A 618116

Defender 110 / 130 Heavy Duty all vehicles from 99MY to 1A 617234

Defender 130 ABS all vehicles from 99MY to 1A 614806

PROBLEM:

REAR BRAKE NOISE / SQUEAL

The customer may complain of brake noise / squeal from the rear of the vehicle.

CAUSE:

Revised engineering specification on Rear brake pads and discs.

ACTION:

Where a customer complaint of the above is confirmed, replace the rear brake pads. If the noise persists replace the brake discs with the new specification parts now available.

Refer to *PARTS INFORMATION* for the new part details.

Refer to Workshop Manual, Brakes, repair number 70.40.03 for brake pad replacement details.

For rear brake disc replacement follow the procedure detailed below.

Procedure

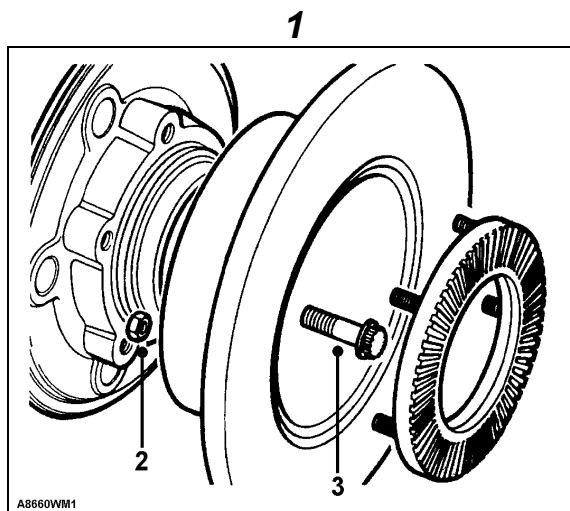
1. Remove rear hub assembly, refer to Workshop Manual, Rear axle and final drive, repair number 64.15.01

Non ABS:

2. Remove brake disc from hub, refer to Workshop Manual, Brakes, repair number 70.10.11

ABS:

2. Remove five nyloc nuts securing ABS sensor ring to hub and remove sensor ring, see illustration 1.
3. Remove five bolts securing brake disc to hub and remove disc from hub.



4. Apply loctite 270 to brake disc retaining bolts.
5. Fit new brake disc part number SDB 000330 to hub.
6. Fit bolts and tighten to 73 Nm.
7. Fit ABS sensor ring to hub and secure with NEW nyloc nuts, part number NY 106047L.
8. Check total disc run out, this must not exceed 0,15 mm. If necessary reposition disc.
9. Fit rear hub assembly, refer to Workshop Manual, repair number 70.10.33

PARTS INFORMATION:

Description	Old part number	New part number
Rear brake pads	STC 1601	SFP 000160
Rear brake discs	SDB 100980	SDB 000330
ABS ring nyloc nut	NY 106041	NY 106047L

WARRANTY CLAIMS:

Rear brake pads

Use Complaint Code: 6D2K

Use S.R.O.: 70.40.03 Rear brake pads set renew

Time allowance: 0.50 Hrs

Rear brake discs

Use Complaint Code: 6D1K

Use S.R.O.: 70.12.13 Rear brake discs set renew

Time allowance: 2.20 Hrs