

Folding & Unfolding the

SOFTBACK

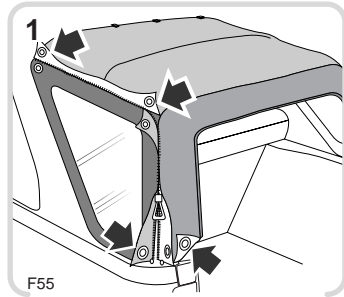
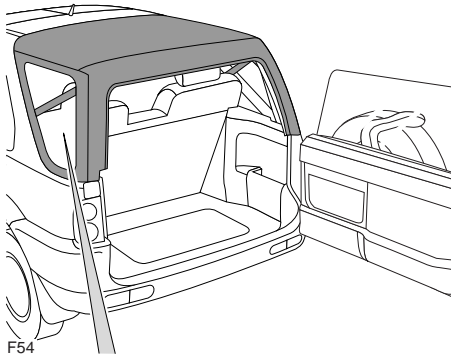


WARNING!

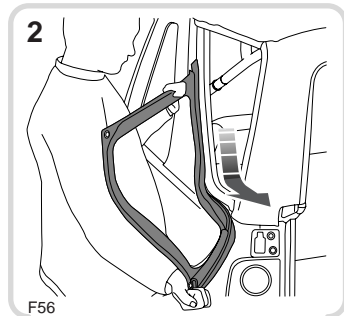
Avoid folding the softback when wet.

Before folding or unfolding, ensure that roof bar cross rails are moved so that softback operation is not obstructed and that the radio aerial is tilted towards the vertical, or removed (see 'Owner's Handbook'), to avoid accidental injury.

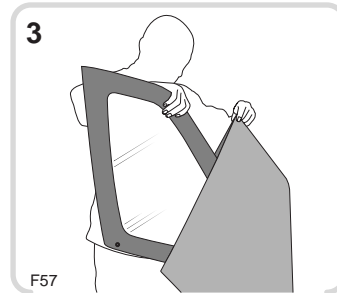
Folding the Softback



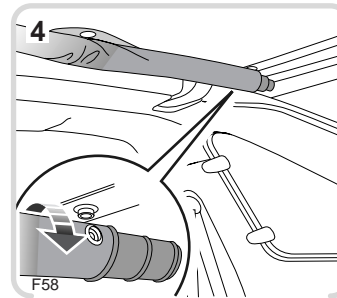
Undo velcro, stud and zip fasteners.



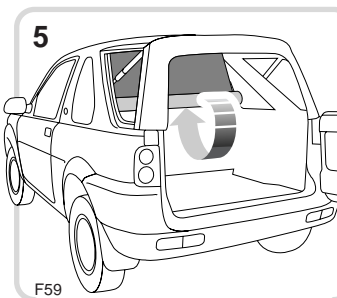
Slide side screen down and out of the retaining channel.



Store side screens in stowage bag.

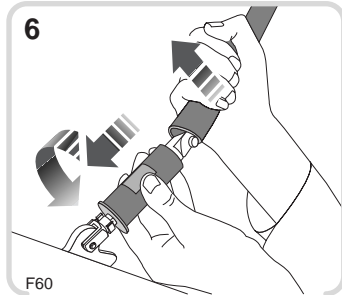


Unfasten tonneau cover.

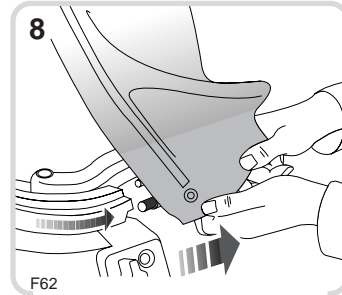


Allow cover to unroll.

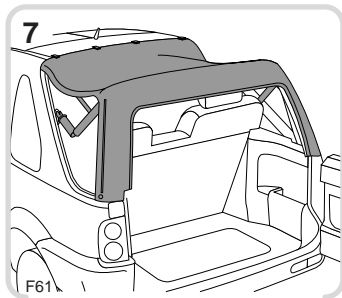
Folding the Softback



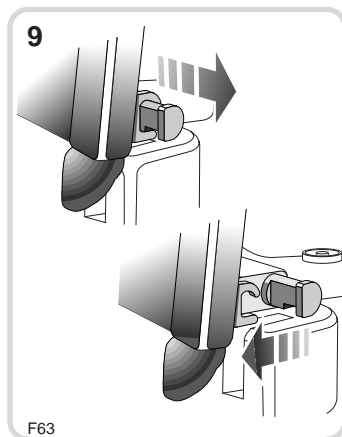
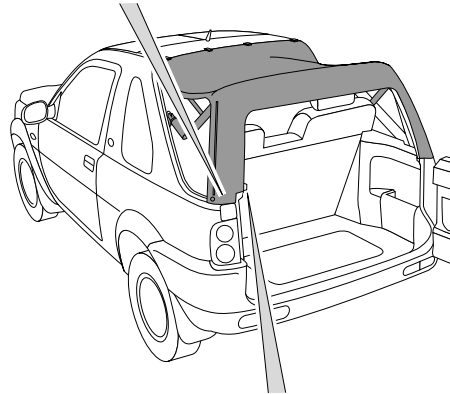
Push and twist to release elbow stay locking collar.



Pull corner post beading out of retaining channel.

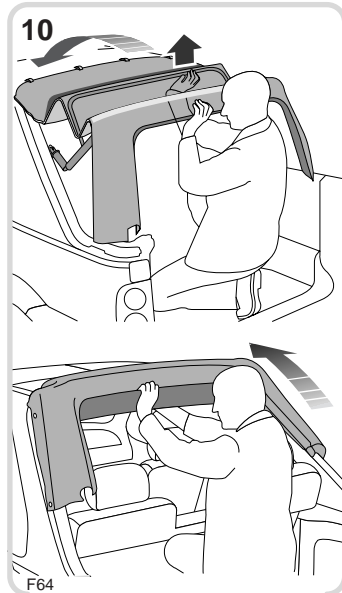


Allow elbow stays to hinge downwards.

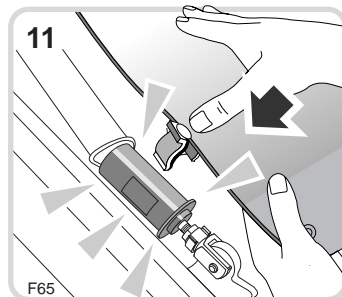


Pull corner posts towards the centre of the vehicle, then rearwards to release.

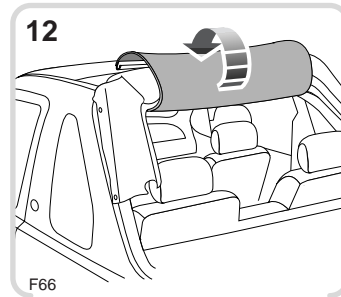
Folding the Softback



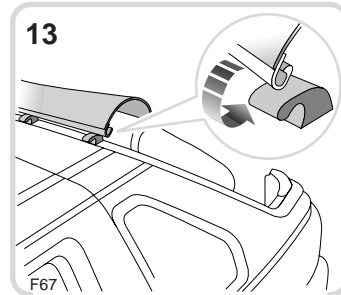
While pushing upwards on the centre roof bow, fold softback forwards.



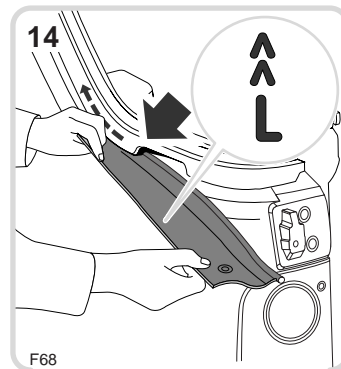
Straighten elbow stay until the locking collar 'snaps' up. Attach corner post clips to locking collar.



Wrap tonneau cover over softback assembly.

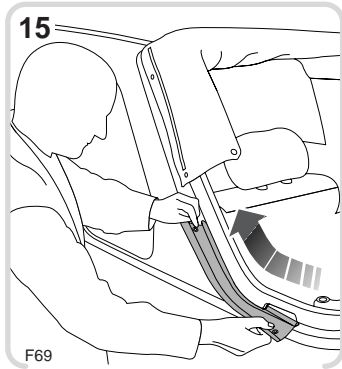


Hook leading edge of tonneau cover over the four hooks.



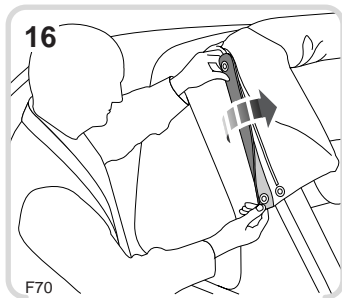
Feed appropriate side cover ('L' or 'R') into the retaining channel in the direction of the chevrons.

Folding the Softback



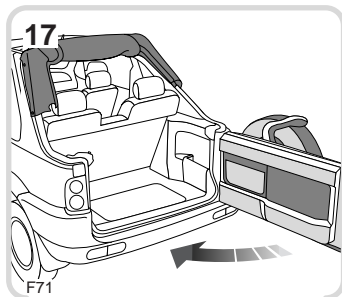
F69

Slide the side cover up the retaining channel.



F70

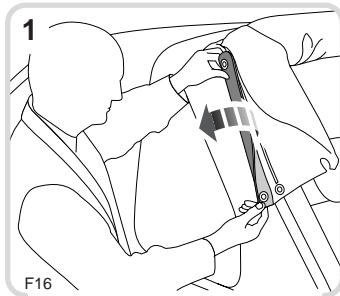
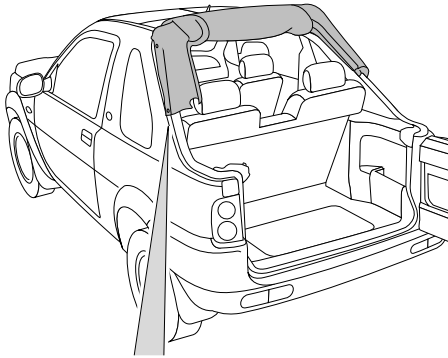
Attach stud and velcro fasteners.



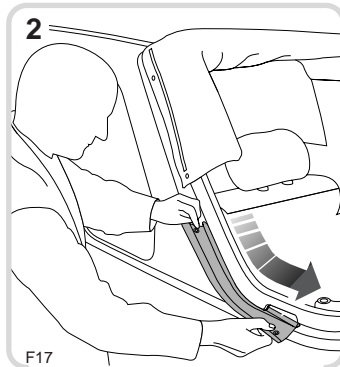
F71

Close taildoor.

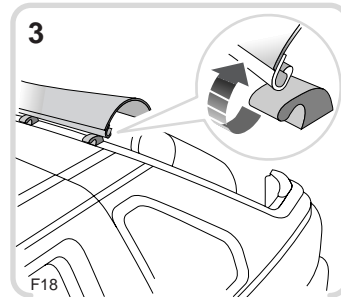
Unfolding the Softback



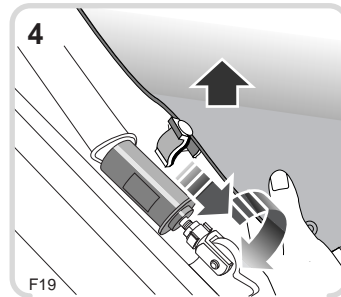
1
F16
Unfasten the side cover velcro and stud fasteners.



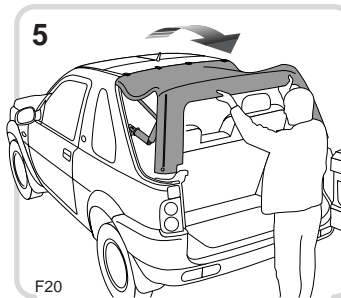
2
F17
Slide the cover out of the retaining channel.
NOTE: Store the side covers in the lockable stowage box or side pockets in the loadspace, once the softback is erected.



3
F18
Unhook tonneau cover.

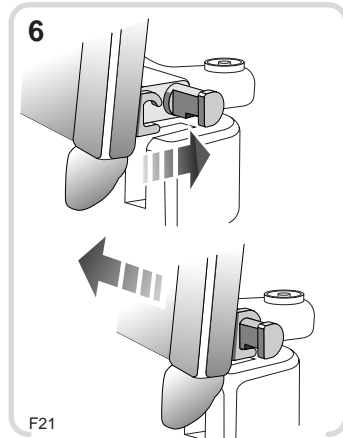


4
F19
Detach corner post clips. Push and twist to release elbow stay locking collar.

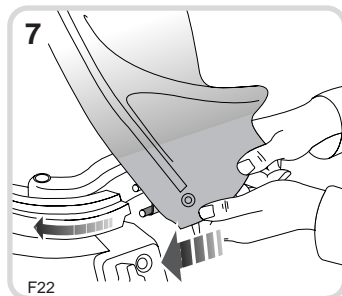
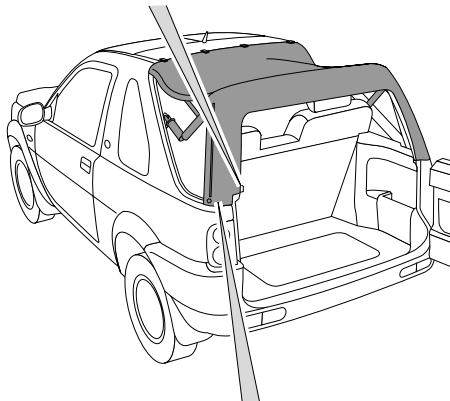


5
F20
Unfold the softback rearwards.

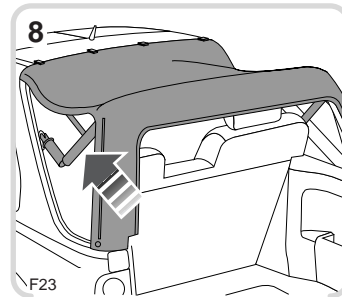
Unfolding the Softback



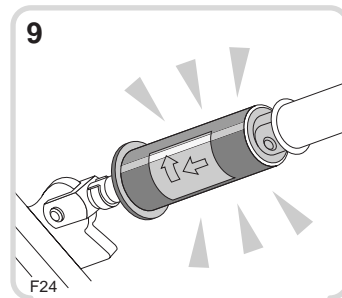
Attach corner post catch and push away from the centre of the vehicle to lock.



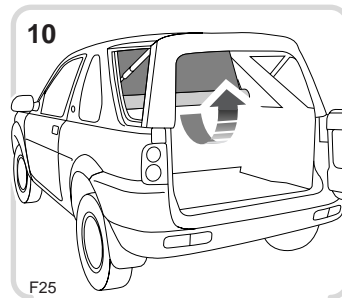
Feed the corner post beading into the retaining channel.



Push up to straighten elbow stay.

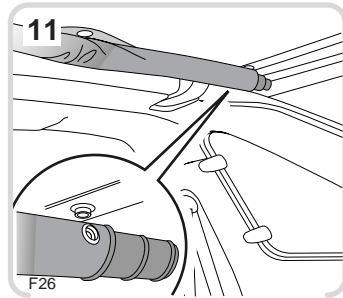


Ensure elbow stay locking collar 'snaps' up.

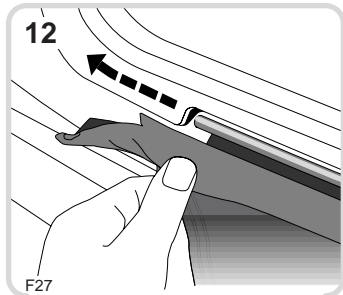


Roll up tonneau cover.

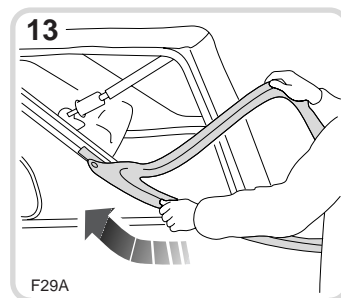
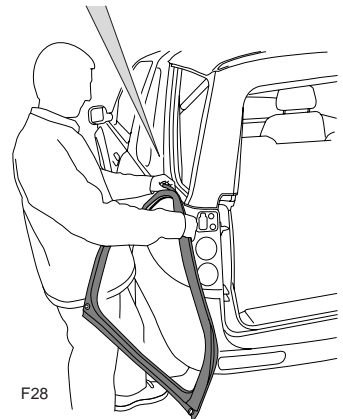
Unfolding the Softback



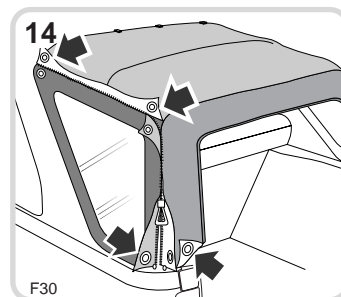
Secure tonneau cover with the three press studs.



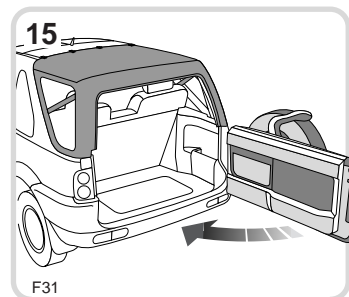
Feed side screen beading into retaining channel.



Slide the side screen up the retaining channel, using a series of short pushes, positioning the hands where shown.



Attach zip, stud and velcro fasteners.



Close taildoor.