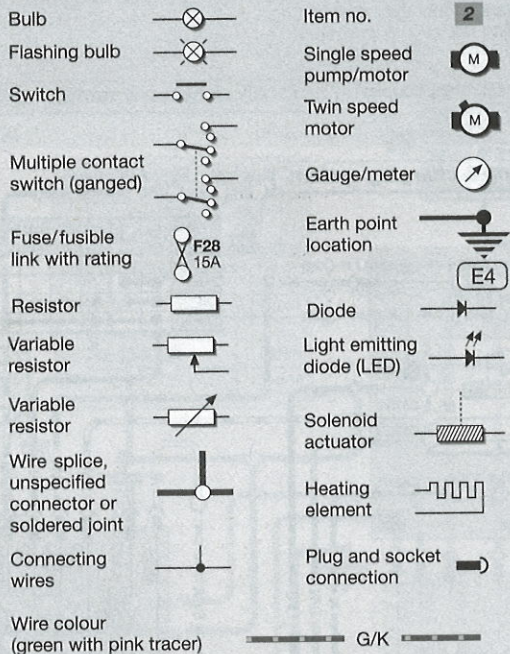


LAND ROVER DISCOVERY wiring diagrams

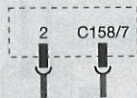
Diagram 1

Key to symbols



Dashed component outline denotes part of a larger item.

'2' denotes pin 2 of single connector.
'C158/7' denotes pin 7 of connector 158.



Passenger compartment fusebox 5

Fuse	Rating	Circuit protected
F1	25A	Central door locking
F2	10A	Fuel flap release
F3	10A	Instrument cluster, switch illumination, LH headlight main beam
F4	10A	Rear fog lights
F5	10A	LH headlight main beam
F6	25A	Air conditioning rear heater blower
F7	30A	Front heater blower
F8	30A	Heated rear window, heated mirrors
F9	10A	LH headlight dipped beam
F10	10A	RH headlight dipped beam
F11	10A	LH side & tail light, number plate light, headlight levelling, switch illumination, trailer socket, sunroof
F12	30A	Sunroof
F13	30A	Rear electric windows
F14	20A	Ignition coils (petrol models)
F15	20A	Cigar lighter, interior lights, seat heaters, vanity mirror illumination
F16	15A	Clock, radio, parking aid system, rear headphones
F17	15A	Audio system
F18	15A	Rear wiper motor
F19	15A	Front wash/wipe
F20	15A	Interior lights, clock/radio memory, immobiliser, CD player, diagnostics, key interlock
F21	15A	Transfer box, alarm, shift interlock
F22	10A	RH headlight main beam
F23	10A	Starter motor
F24	10A	Alternator, automatic transmission, engine management
F25	15A	Brake lights & reversing lights
F26	10A	Auxiliary circuits relay
F27	10A	Instruments, hill descent control
F28	10A	Self levelling suspension, anti-lock braking system (ABS)
F29	10A	Active cornering enhancement (ACE)
F30	20A	Cruise control, electric mirrors, rear screen washer, engine management control unit (Diesel)
F31	10A	Front air conditioning blower, power fold mirrors
F32	25A	Accessory socket
F33	10A	RH side & tail lights, headlight levelling switch, audio, trailer socket, switch illumination
F34	30A	Front electric windows
F35	10A	Airbag safety restraint system (SRS)

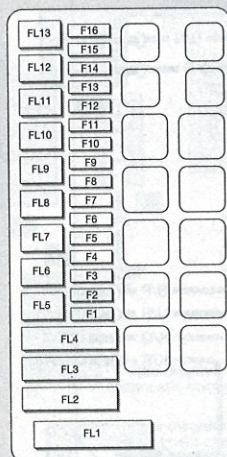
Earth locations

E1	RH side of engine bay	E9	RH side of engine bay
E2	RH 'A' pillar	E10	RH side of engine bay
E3	Front LH side of engine bay	E11	At RH rear seat belt reel
E4	Under pedals	E12	At RH rear seat belt reel
E5	LH 'A' pillar	E13	At LH rear seat belt reel
E6	Behind centre console	E14	Behind centre console
E7	RH 'A' pillar	E15	Behind centre console
E8	RH side of engine bay		

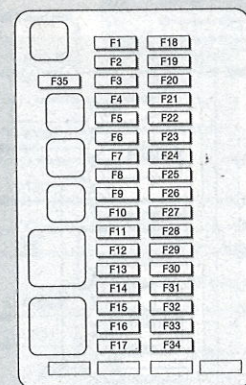
Engine fusebox 6

Fuse	Rating	Circuit protected
F1	30A	Engine management
F2	15A	Engine management
F3	15A	Front fog lights
F4	20A	Headlight washers
F5	40A	Engine cooling fan
F6	10A	Air conditioning
F7	40A	LH heated front screen
F8	40A	RH heated front screen
F9	30A	Trailer lights, fuel burning heater
F10	30A	Fuel pump
F11	30A	ABS valve
F12	20A	Automatic gearbox
F13	10A	Body control unit
F14	15A	Direction indicators & hazard warning lights
F15	15A	Active cornering enhancement (ACE)
F16	10A	Horn

Engine fusebox 6



Passenger compartment fusebox 5



Wire colours

B Black	P Purple
G Green	R Red
K Pink	S Grey
Lg Light green	U Blue
N Brown	W White
O Orange	Y Yellow

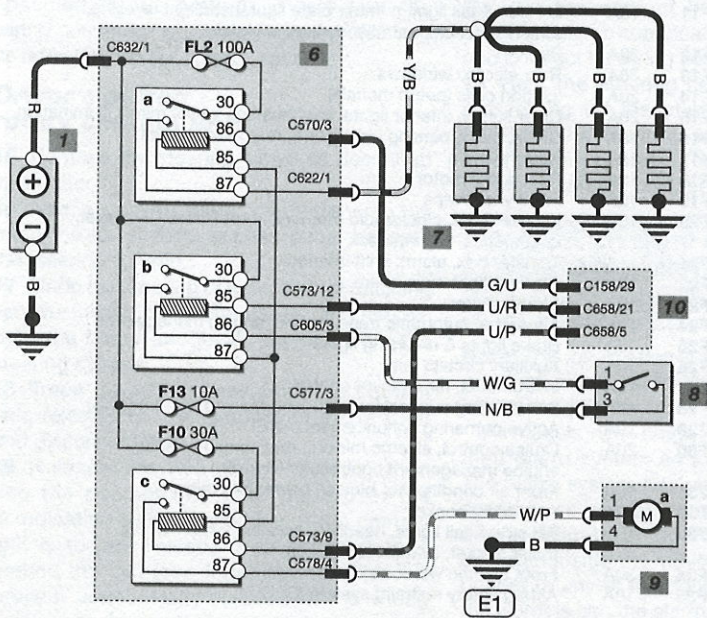
Key to items

- | | |
|---------------------------------|--------------------------------------|
| 1 Battery | 7 Glow plugs |
| 2 Ignition switch | 8 Inertia switch |
| 3 Starter motor | 9 Fuel tank unit |
| 4 Alternator | a = fuel pump |
| 5 Passenger compartment fusebox | 10 Engine management control unit |
| 6 Engine fusebox | 11 Body control unit |
| a = glow plug relay | 12 Engine coolant temperature sensor |
| b = main relay | 13 Engine cooling fan |
| c = fuel pump relay | 14 LH horn |
| d = starter relay | 15 RH horn |
| e = cooling fan relay | 16 Steering wheel rotary coupler |
| f = horn relay | 17 Horn switch |

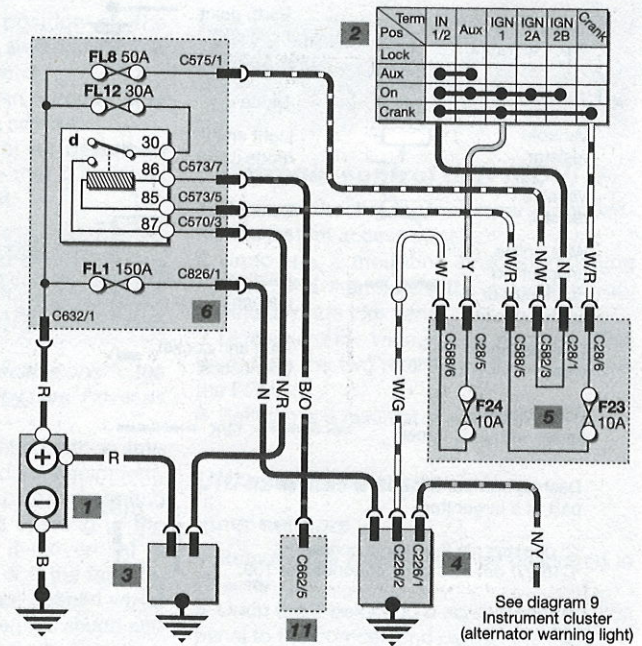
Diagram 2

H33479

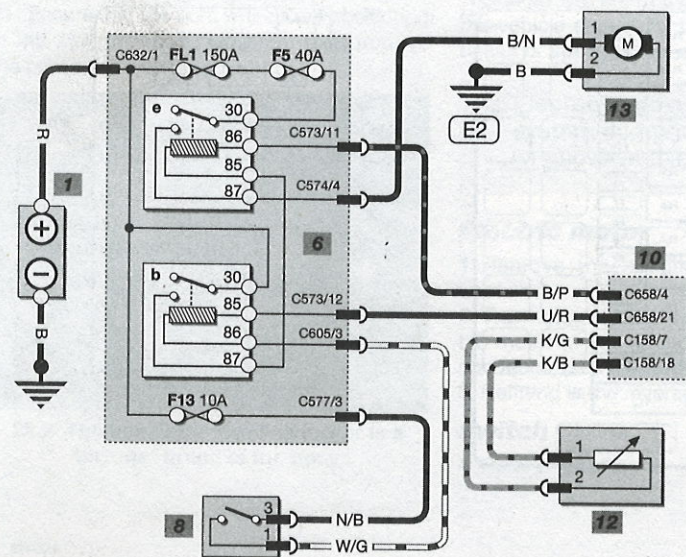
Fuel pump & preheating system



Starting & charging system



Engine cooling fan



Horn

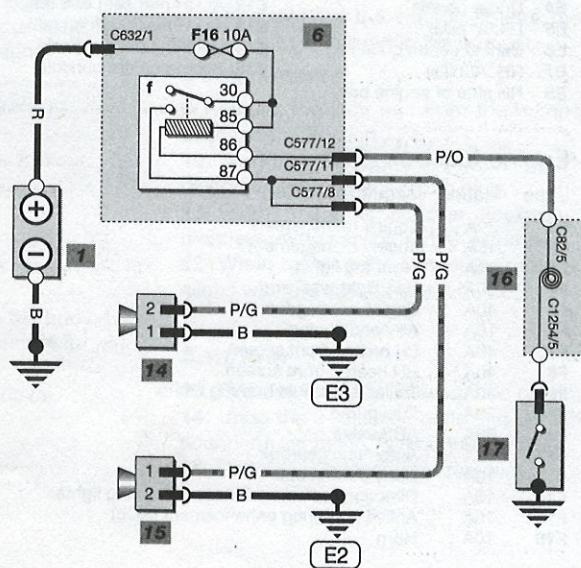


Diagram 3

H33480

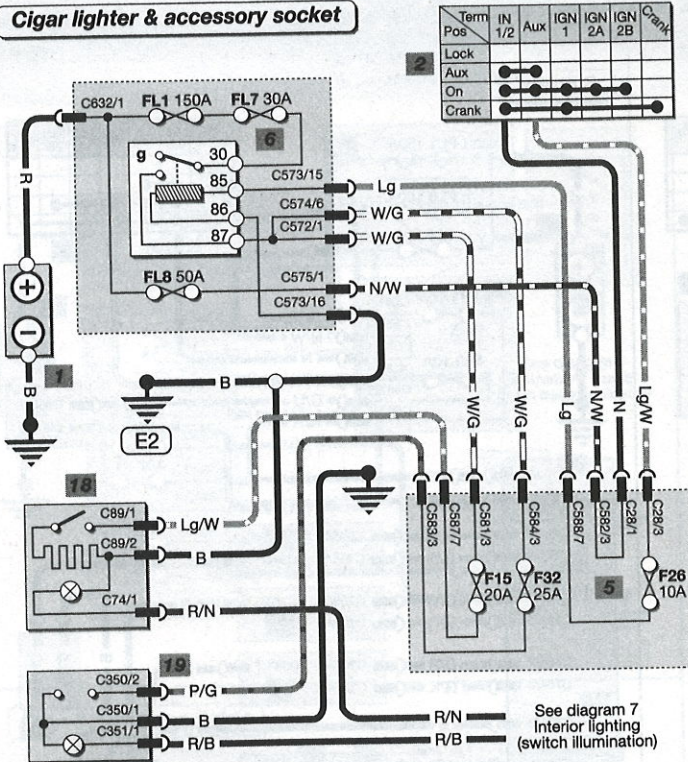
Wire colours

- B Black
- G Green
- K Pink
- Lg Light green
- N Brown
- O Orange
- P Purple
- R Red
- S Grey
- U Blue
- W White
- Y Yellow

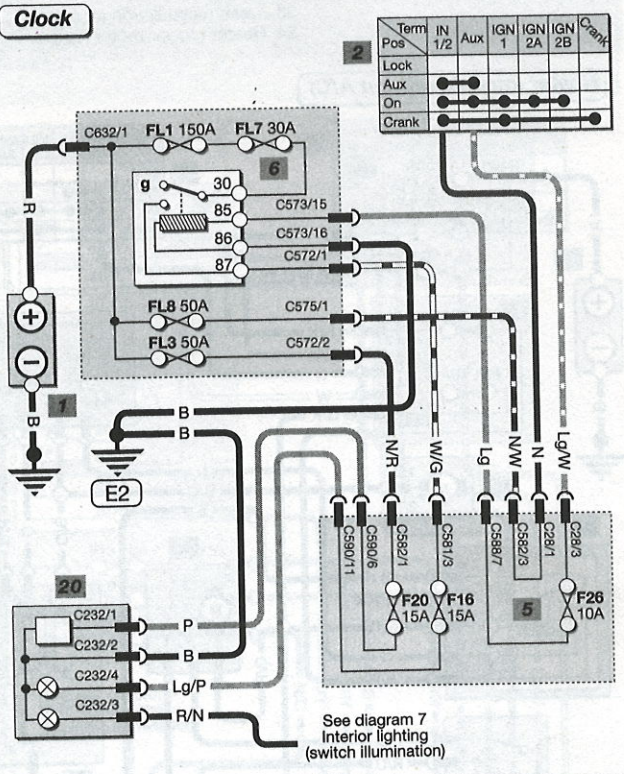
Key to items

- 1 Battery
- 2 Ignition switch
- 5 Passenger compartment fusebox
- 6 Engine fusebox
- g auxiliary relay
- 16 Steering wheel rotary coupler
- 18 Cigar lighter
- 19 Accessory socket
- 20 Clock
- 21 Diagnostic connector
- 22 SRS control unit
- 23 LH seatbelt pretensioner
- 24 RH seatbelt pretensioner
- 25 Passenger's airbag
- 26 Driver's airbag

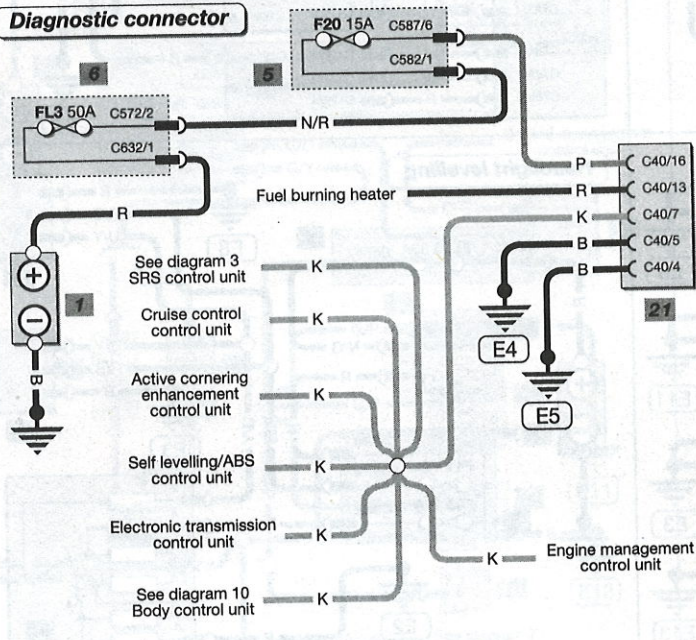
Cigar lighter & accessory socket



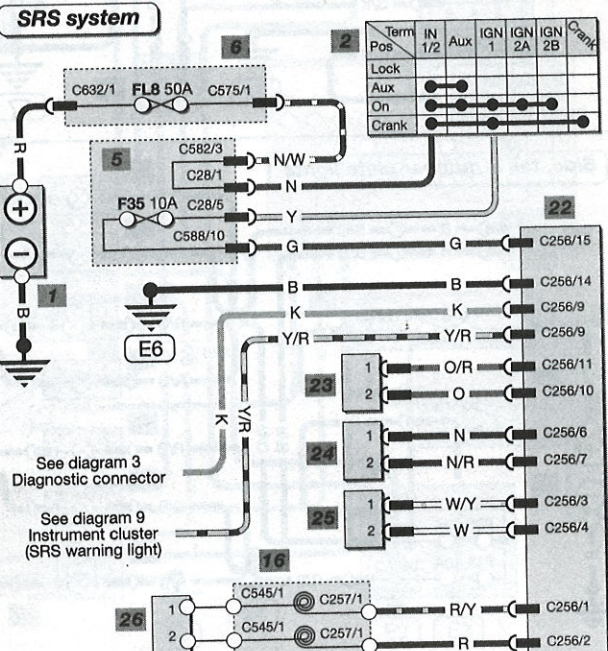
Clock



Diagnostic connector



SRS system



Wire colours

B Black	P Purple
G Green	R Red
K Pink	S Grey
Lg Light green	U Blue
N Brown	W White
O Orange	Y Yellow

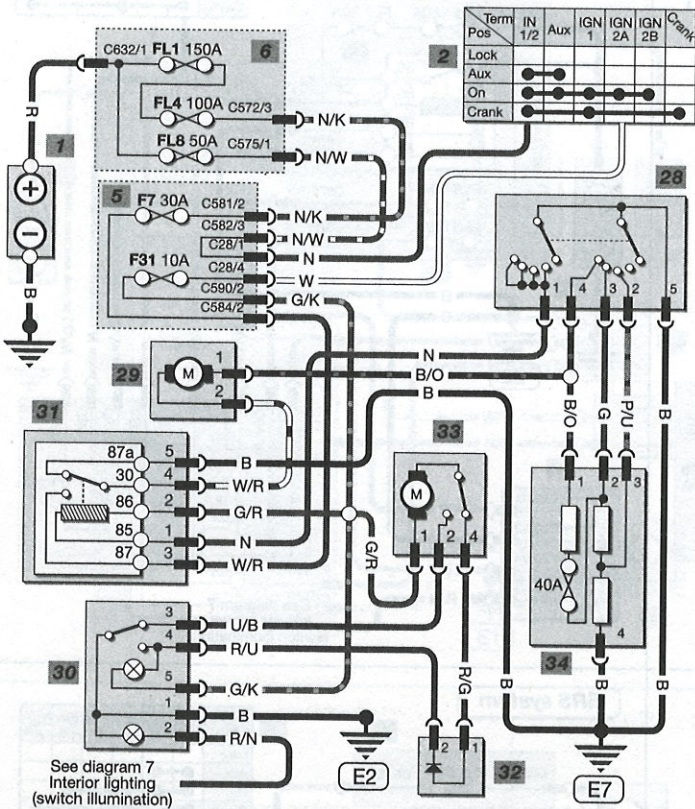
Key to items

1 Battery	35 Sunroof control unit	46 LH rear light unit
2 Ignition switch	36 Sunroof isolation switch	a = tail light
5 Passenger compartment fusebox	37 Front sunroof switch	47 RH rear light unit
6 Engine fusebox	38 Rear sunroof switch 1	a = tail light
11 Body control unit	39 Rear sunroof switch 2	48 Number plate light
28 Heater blower switch	40 Front sunroof motor	49 Light switch
29 Heater blower	41 Rear sunroof motor	a = side light switch
30 Fresh/recirculation air switch	42 LH front side light	50 Headlight levelling switch
31 Heater blower relay	43 RH front side light	51 LH headlight levelling motor
32 Diode	44 LH side marker light	52 RH headlight levelling motor
33 Fresh/recirculation air motor	45 RH side marker light	53 Trailer socket
34 Heater blower motor resistors		

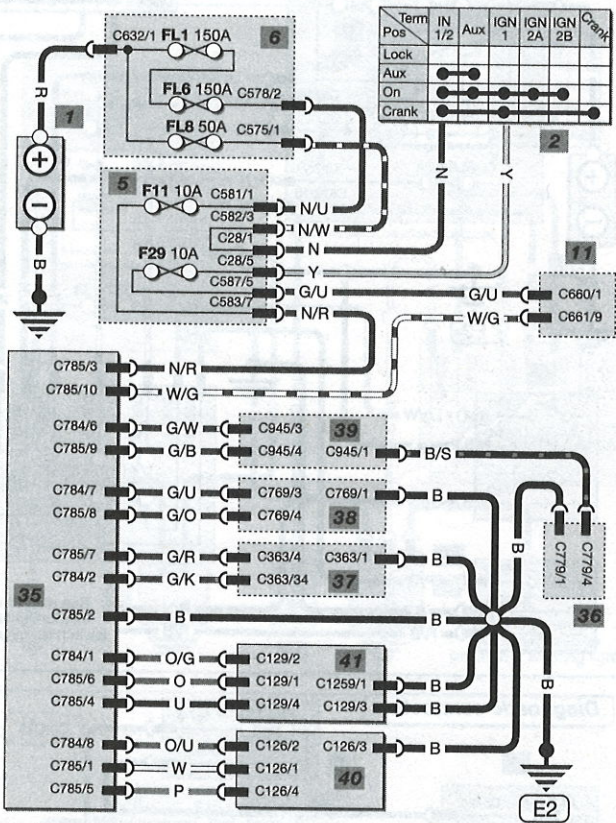
Diagram 4

H33481

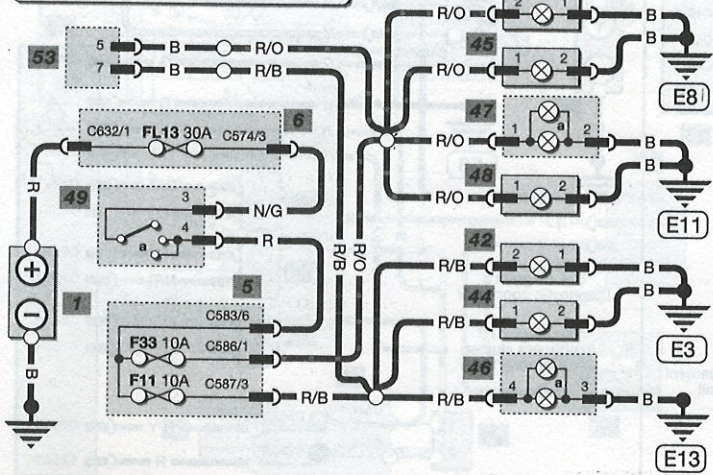
Heater (models without A/C)



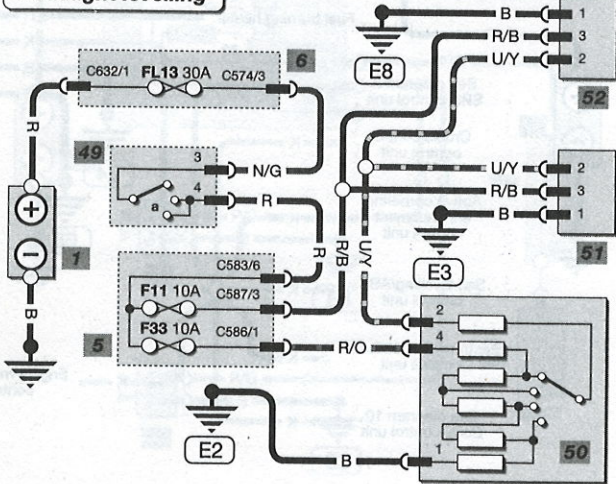
Sunroof



Side, tail & number plate lights



Headlight levelling



See Rear

Wire colours

- B Black
- G Green
- K Pink
- Lg Light green
- N Brown
- O Orange
- P Purple
- R Red
- S Grey
- U Blue
- W White
- Y Yellow

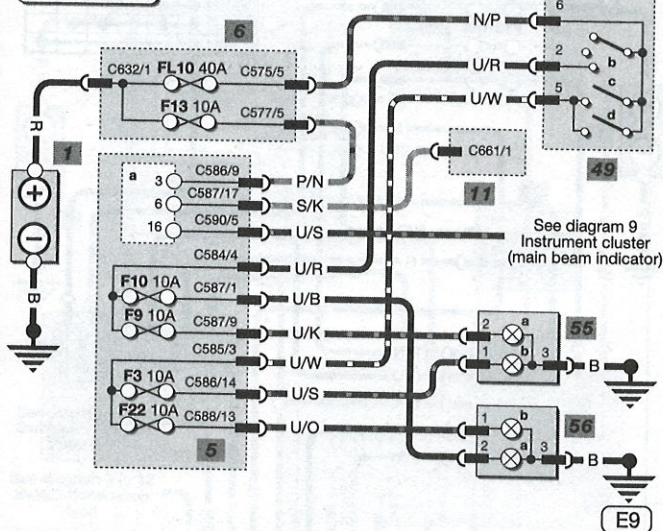
Key to items

- 1 Battery
- 2 Ignition switch
- 5 Passenger compartment fusebox
- 6 Engine fusebox
- 11 Body control unit
- 46 LH rear light unit
- 47 RH rear light unit
- 49 Light switch
- 53 Trailer socket
- 55 LH headlight
- 56 RH headlight
- 57 Stop light switch
- 58 Reversing light switch (manual transmission)
- 59 Starter inhibitor/reversing light switch (automatic transmission)
- 60 High level brake light
- 61 Front foglight switch
- 62 LH front foglight
- 63 RH front foglight

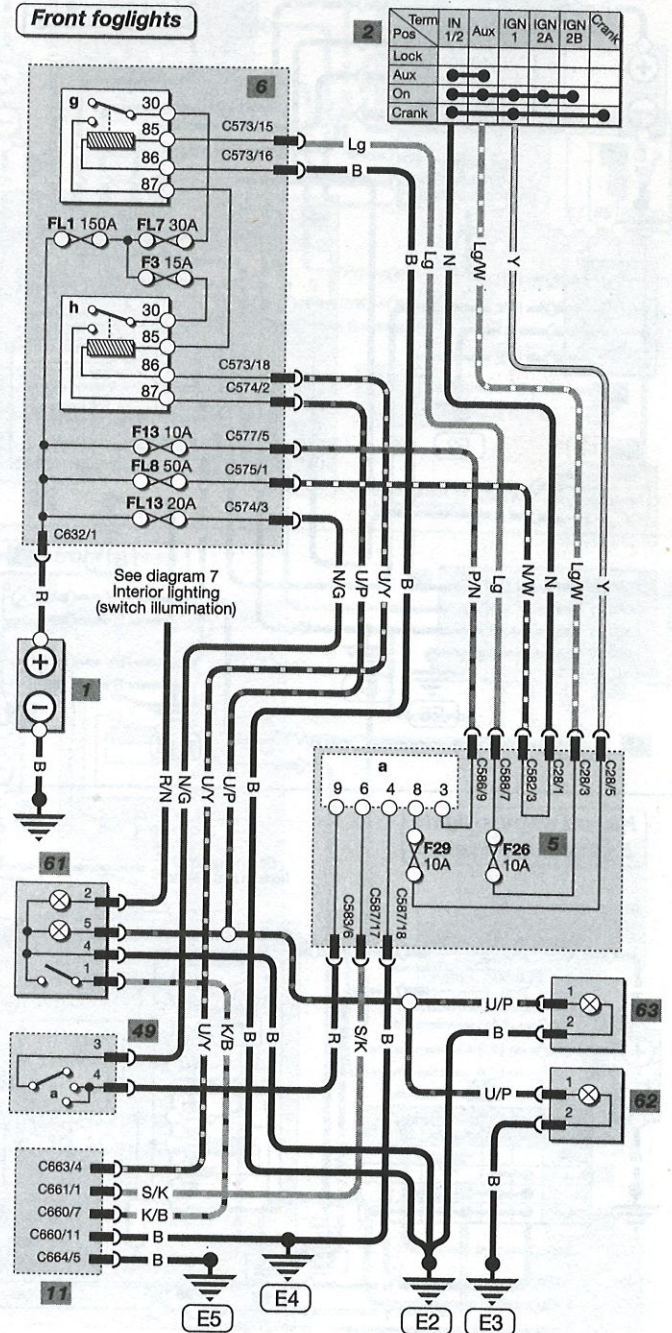
Diagram 5

H33482

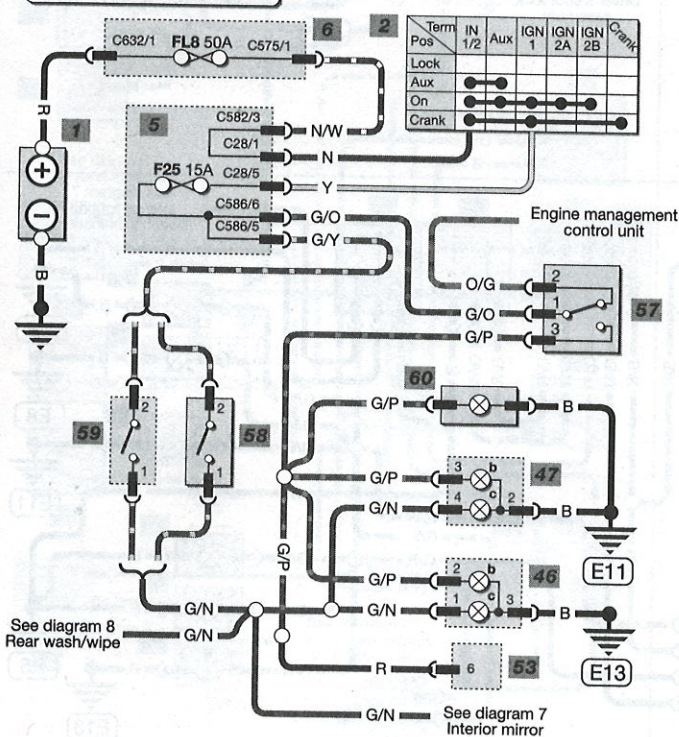
Headlights



Front foglights



Stop & reversing lights



Wire colours

- B** Black
- G** Green
- K** Pink
- Lg** Light green
- N** Brown
- O** Orange
- P** Purple
- R** Red
- S** Grey
- U** Blue
- W** White
- Y** Yellow

Key to items

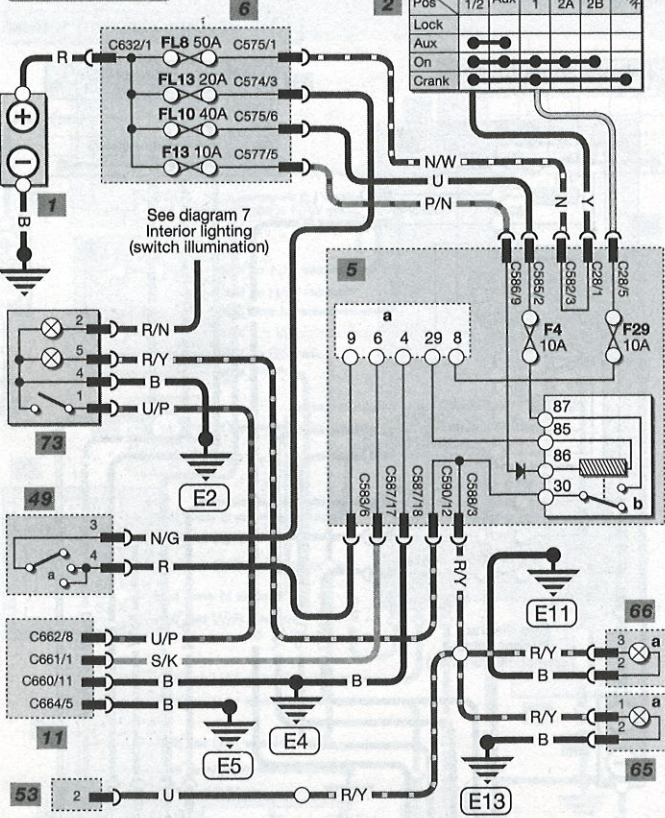
- 1 Battery
- 2 Ignition switch
- 5 Passenger compartment fusebox
- a = driver's intelligence unit
- b = rear foglight relay
- c = RH indicator relay
- d = LH indicator relay
- 6 Engine fusebox
- 11 Body control unit

- 49 Light switch
- a = side light switch
- 53 Trailer socket
- 65 LH rear light unit 2
- a = rear fog light
- b = direction indicator
- 66 RH rear light unit 2
- a = rear fog light
- b = direction indicator

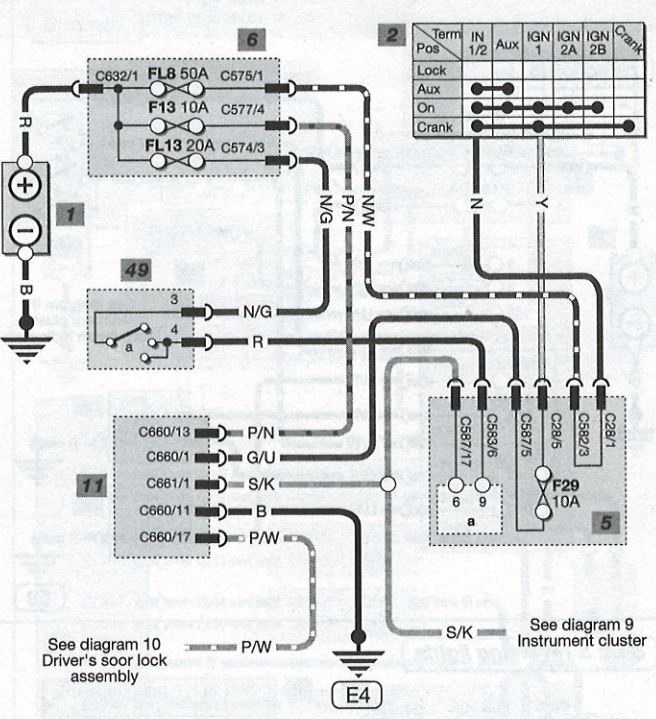
Diagram 6

H33483

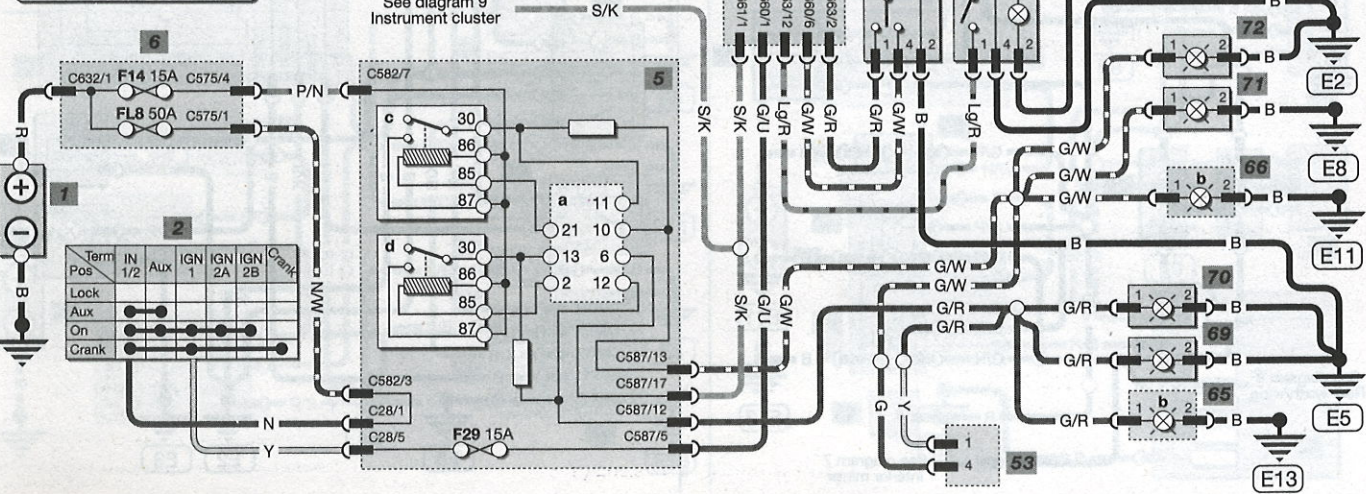
Rear foglights



Lights on alarm



Hazard warning lights & direction indicators



Wire colours

- B** Black
- G** Green
- K** Pink
- Lg** Light green
- N** Brown
- O** Orange
- P** Purple
- R** Red
- S** Grey
- U** Blue
- W** White
- Y** Yellow

Key to items

- 1** Battery
- 2** Ignition switch
- 5** Passenger compartment fusebox
- a** = driver's intelligence unit
- e** = heated rear screen relay
- 6** Engine fusebox
- g** = auxiliary relay
- i** = heated front screen relay
- 11** Body control unit

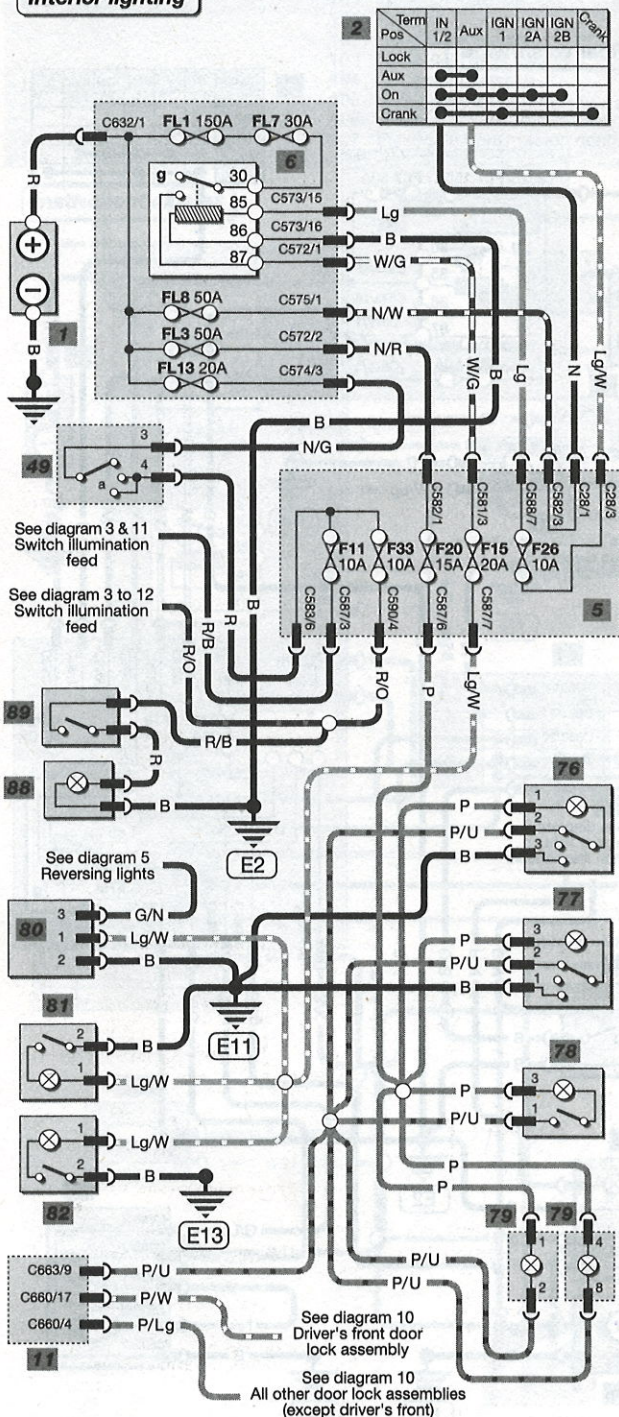
- 49** Light switch
- a** = side light switch
- 76** Front interior light
- 77** Rear interior light
- 78** Luggage compartment light
- 79** Ignition switch illumination
- 80** Interior mirror
- 81** LH vanity mirror light
- 82** RH vanity mirror light

- 83** Heated rear window switch
- 84** Heated rear window
- 85** Heated front screen relay
- 86** LH heated front screen element
- 87** RH heated front screen element
- 88** Glove box light
- 89** Glove box light switch

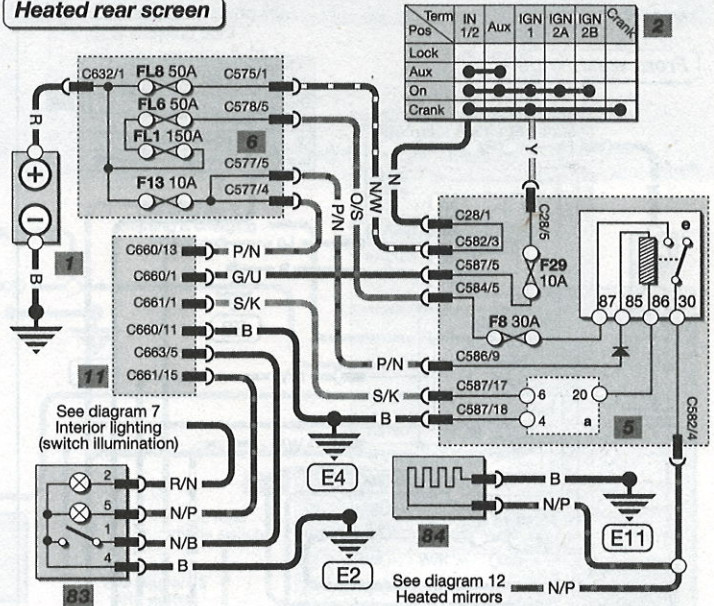
Diagram 7

H33484

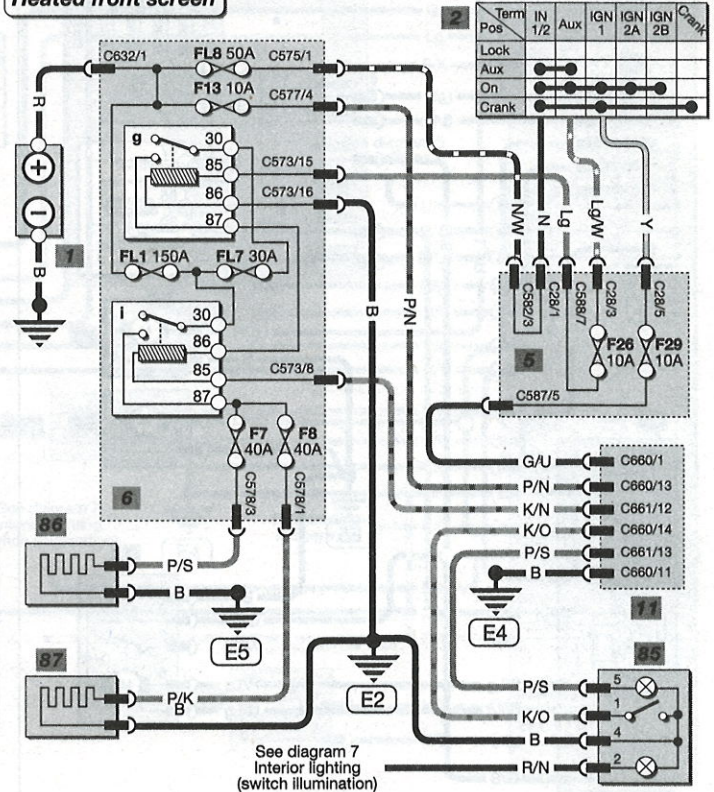
Interior lighting



Heated rear screen



Heated front screen



Wire colours

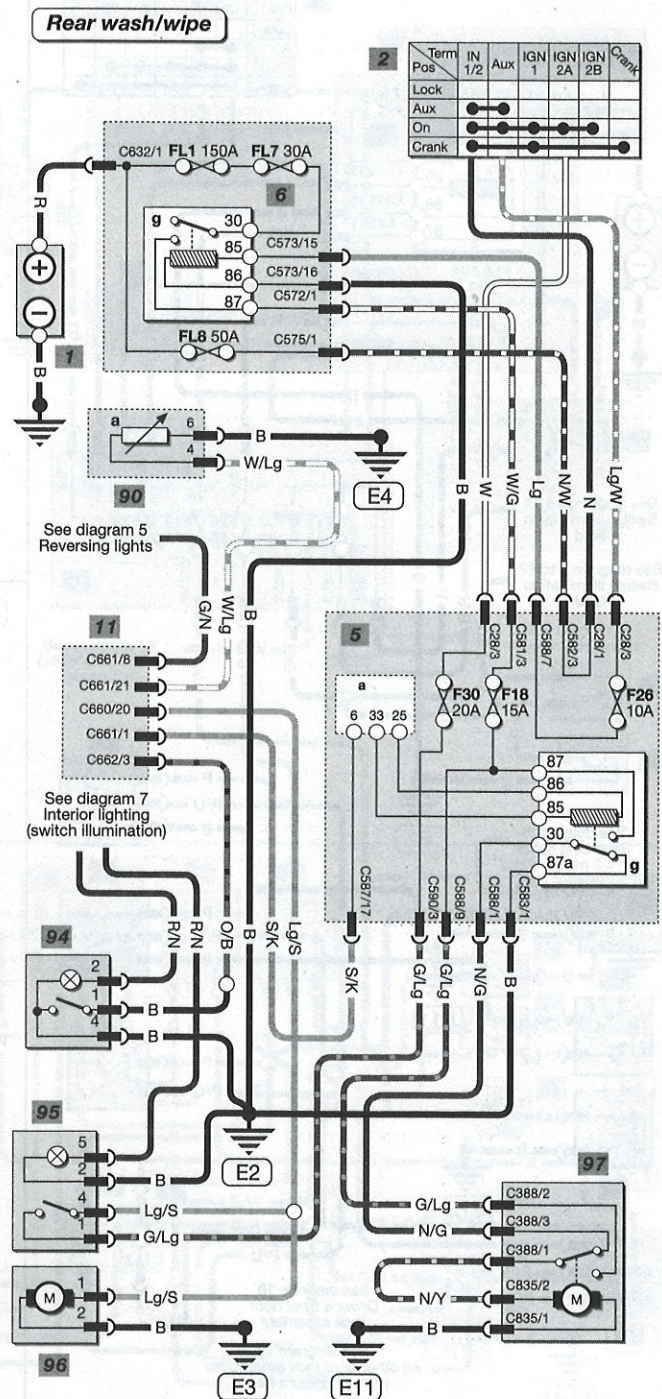
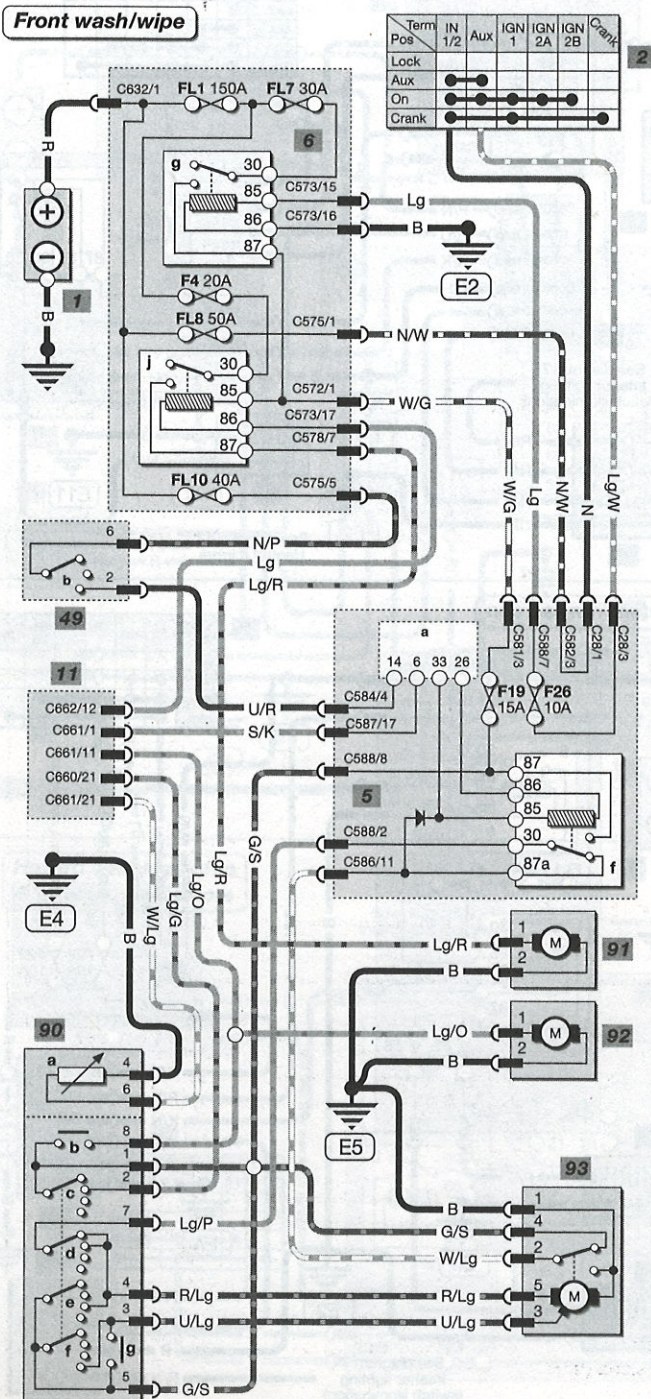
- B Black
- G Green
- K Pink
- Lg Light green
- N Brown
- O Orange
- P Purple
- R Red
- S Grey
- U Blue
- W White
- Y Yellow

Key to items

- 1 Battery
- 2 Ignition switch
- 5 Passenger compartment fusebox
 - a = driver's intelligence unit
 - f = front wiper relay
 - g = rear wiper relay
- 6 Engine fusebox
 - g = auxiliary relay
 - j = headlight washer relay
- 11 Body control unit
- 49 Light switch
 - b = headlight switch
- 90 Windscreen wash/wipe switch
 - a = variable delay
 - b = washer switch
 - c = intermittent wipe 1
 - d = intermittent wipe 2
 - e = slow wipe
 - f = fast wipe
 - g = flick wipe

Diagram 8

H33485



Wire colours

B Black	P Purple
G Green	R Red
K Pink	S Grey
Lg Light green	U Blue
N Brown	W White
O Orange	Y Yellow

Key to items

1	Battery
2	Ignition switch
5	Passenger compartment fusebox
6	Engine fusebox
	b = main relay
	c = fuel pump relay
8	Inertia switch
9	Fuel tank unit
	b = fuel gauge sender unit
10	Engine management control unit
11	Body control unit
100	Water filter sensor
101	Resistor
102	Handbrake switch
103	Brake fluid level switch
104	Oil pressure switch
105	SLS/ABS control unit
106	Differential lock control unit
107	Electronic transmission control unit

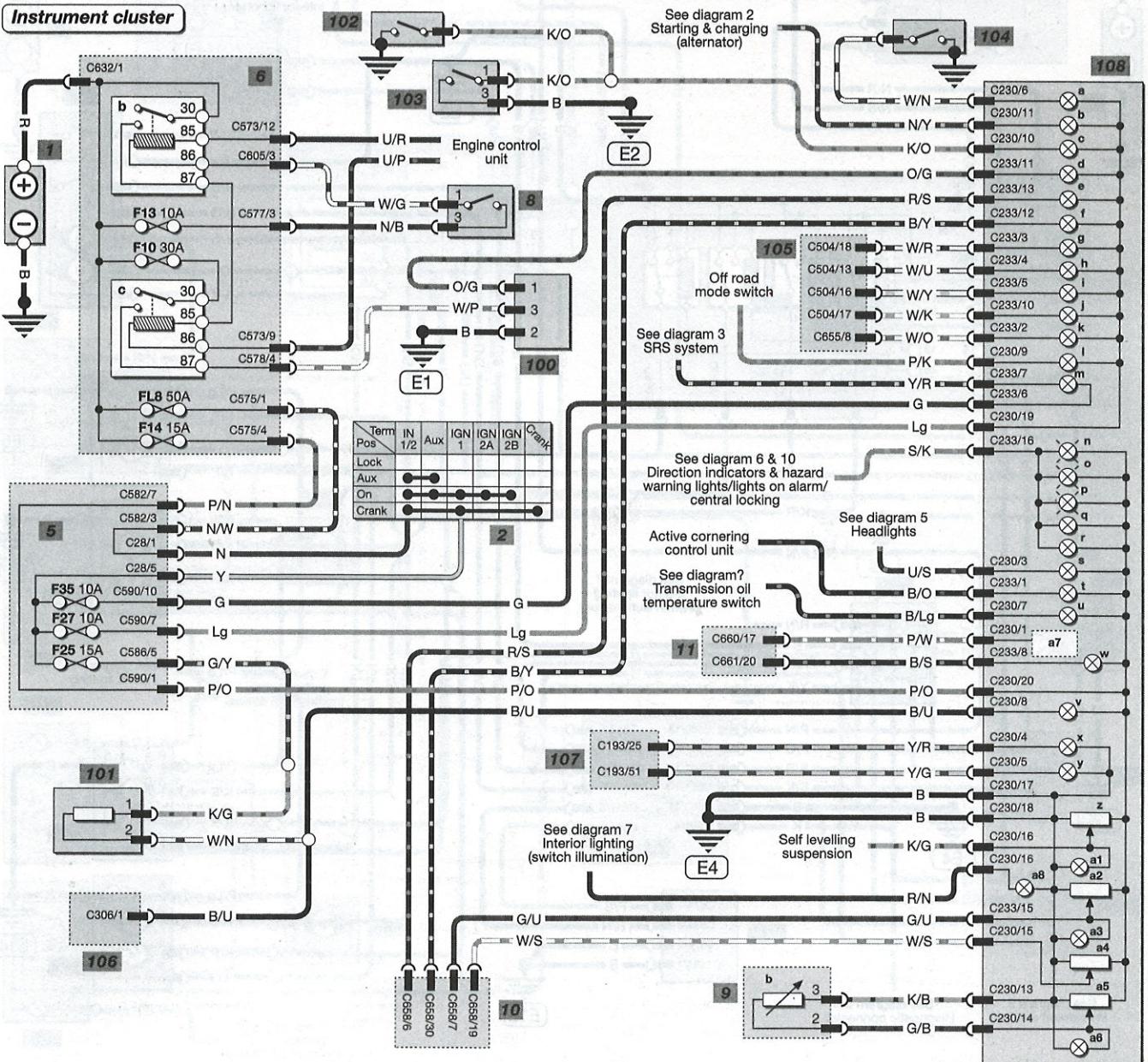
108	Instrument cluster
a	= oil pressure warning light
b	= alternator warning light
c	= brake system warning light
d	= water in fuel warning light
e	= engine management warning light
f	= glow plug warning light
g	= ABS warning light
h	= TCS warning light
i	= HDC warning light
j	= HDC warning light
k	= SLS warning light
l	= off road warning light
m	= SRS warning light
n	= RH indicator warning light
o	= LH indicator warning light
p	= trailer warning light
q	= transfer in neutral warning light

Diagram 9

r	= seat belt warning light
s	= main beam warning light
t	= ACE warning light
u	= transmission oil warning light
v	= differential lock warning light
w	= alarm warning light
x	= sport warning light
y	= manual warning light
z	= speedometer
a1	= overspeed warning light
a2	= coolant temperature gauge
a3	= high temperature warning light
a4	= tachometer
a5	= fuel gauge
a6	= low fuel warning light
a7	= control unit
a8	= instrument illumination

H33486

Instrument cluster



Wire colours

B Black	P Purple
G Green	R Red
K Pink	S Grey
Lg Light green	U Blue
N Brown	W White
O Orange	Y Yellow

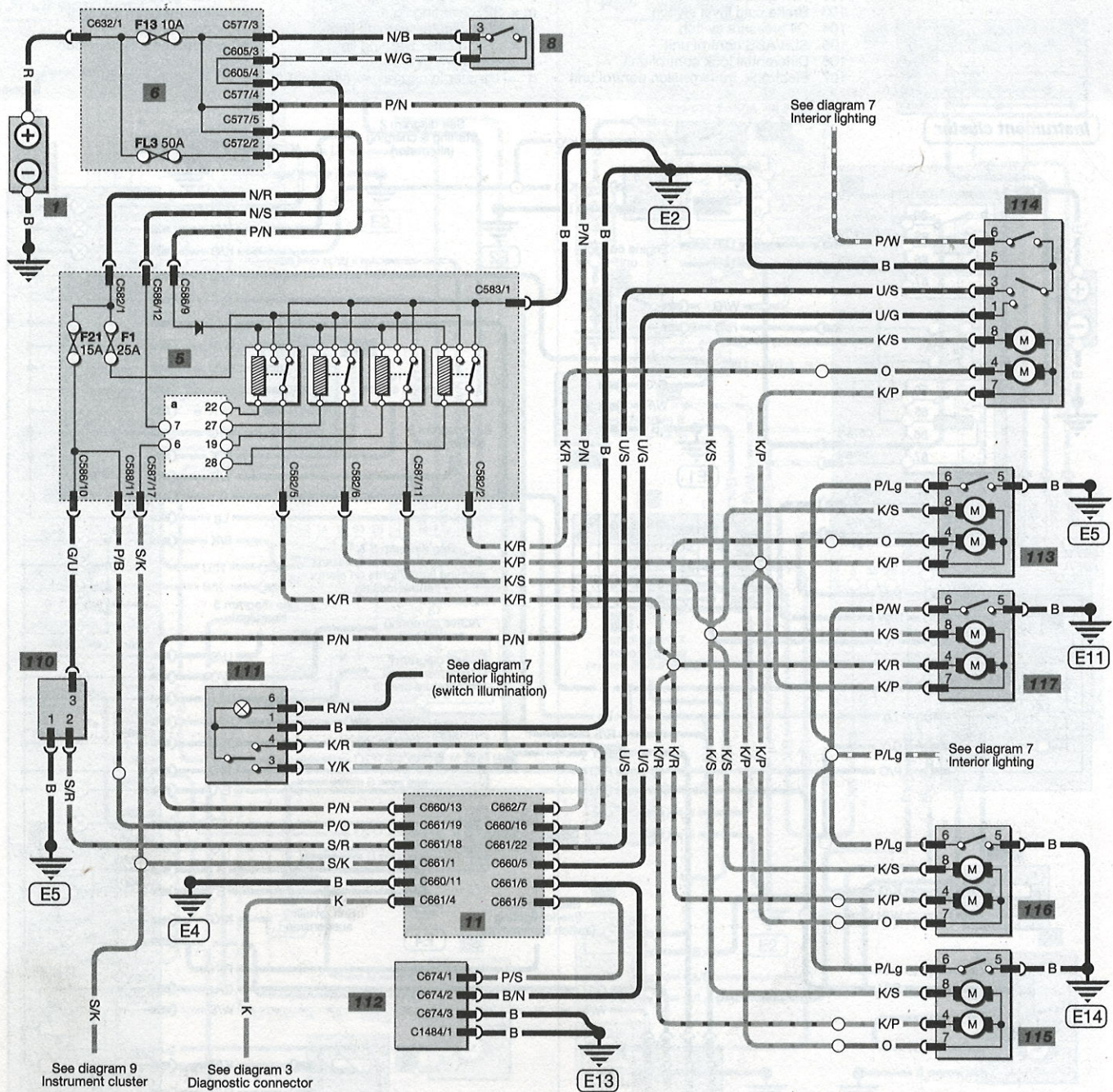
Key to items

1 Battery	112 Radio frequency receiver
5 Passenger compartment fusebox	113 LH front door lock assembly
a = driver's intelligence unit	114 RH front door lock assembly
6 Engine fusebox	115 LH rear door lock assembly
8 Inertia switch	116 RH rear door lock assembly
11 Body control unit	117 Tailgate lock assembly
110 Passive coil	
111 Central locking	

Diagram 10

H33487

Central locking



Wire colours

B Black	P Purple
G Green	R Red
K Pink	S Grey
Lg Light green	U Blue
N Brown	W White
O Orange	Y Yellow

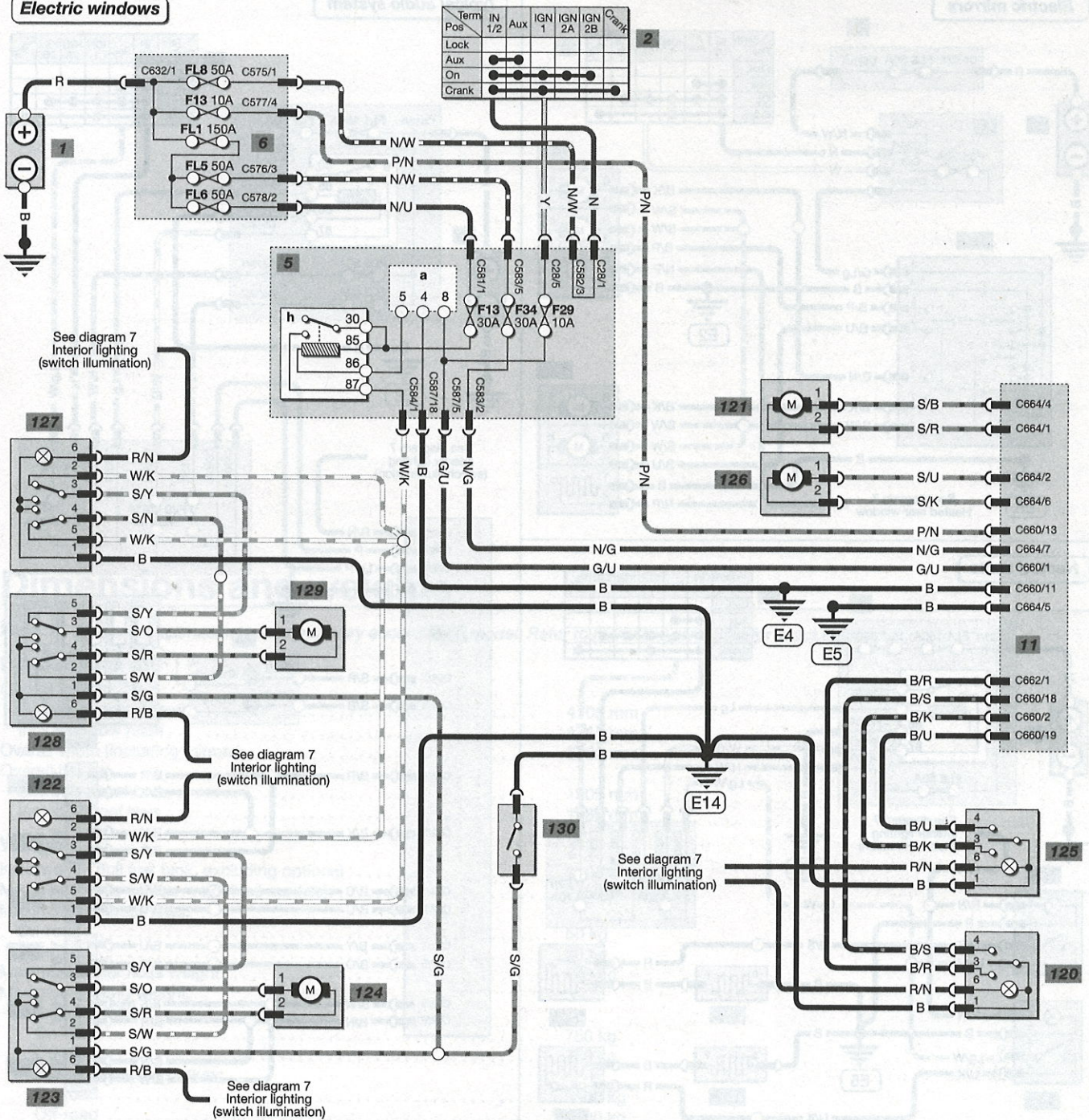
Key to items

1 Battery	123 LH rear window switch
2 Ignition switch	124 LH rear window motor
5 Passenger compartment fusebox	125 RH front window switch
a = driver's intelligence unit	126 RH front window motor
h = rear window lift relay	127 RH rear window console switch
6 Engine fusebox	128 RH rear window switch
11 Body control unit	129 RH rear window motor
120 LH front window switch	130 Rear window isolation switch
121 LH front window motor	
122 LH rear window console switch	

Diagram 11

H33488

Electric windows



Wire colours

B Black	P Purple
G Green	R Red
K Pink	S Grey
Lg Light green	U Blue
N Brown	W White
O Orange	Y Yellow

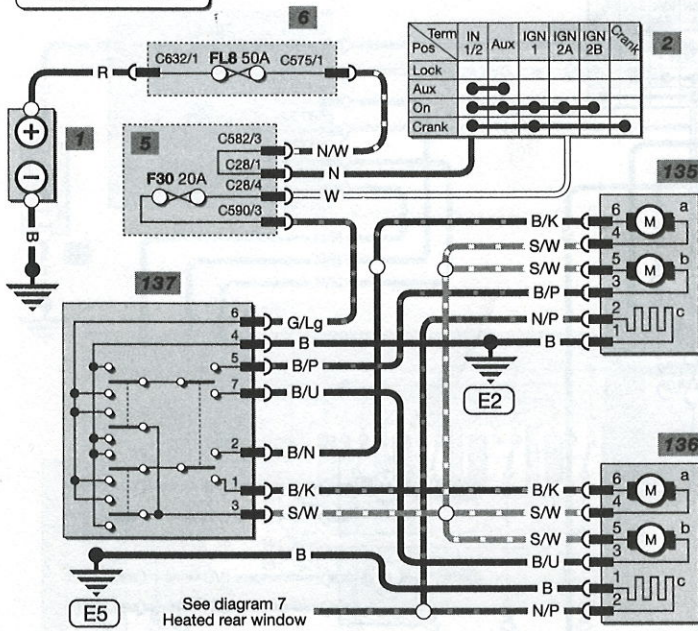
Key to items

- | | |
|-----------------------------------|--------------------------------------|
| 1 Battery | 136 Passenger's door mirror assembly |
| 2 Ignition switch | a = vertical adjustment |
| 5 Passenger compartment fusebox | b = horizontal adjustment |
| 6 Engine fusebox | c = mirror heater |
| g = auxiliary relay | 137 Mirror adjustment switch |
| 16 Steering wheel rotary coupler | 138 Steering wheel remote controls |
| 135 Driver's door mirror assembly | 139 Audio unit |
| a = vertical adjustment | 140 LH tweeter |
| b = horizontal adjustment | 141 LH front door speaker |
| c = mirror heater | 142 LH rear door speaker |

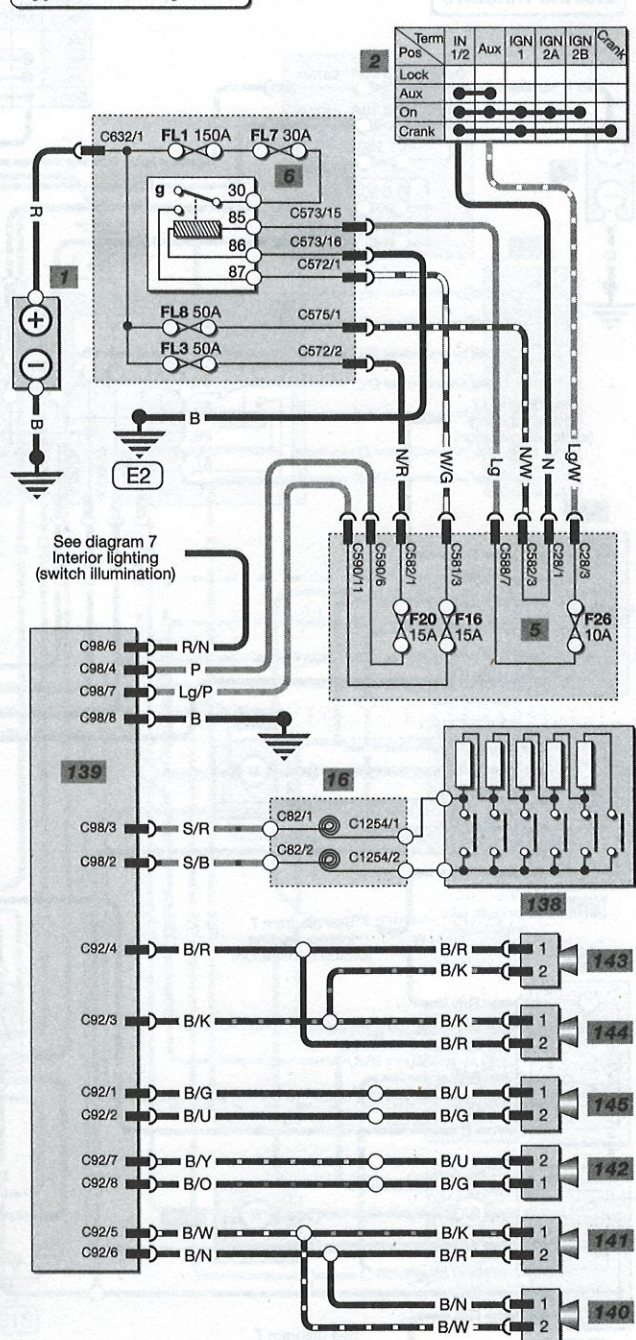
Diagram 12

H33489

Electric mirrors



Typical audio system



Heated seats

